

CLARK

PARTS MANUAL

No. 4071

Model 110-15B Elevating Scraper

Information contained herein pertains to Tractor
Serial Numbers 224B-101 and After. Also Scraper
Serial Numbers 225B-101 and After.

Record your Machine
Serial Number here

●
CLARK EQUIPMENT COMPANY

Construction Machinery Division

(

1. The first part of the document discusses the importance of maintaining accurate records of all transactions. It emphasizes that proper record-keeping is essential for the integrity of the financial system and for the ability to detect and prevent fraud. The text also notes that clear and concise reporting is necessary for management to make informed decisions.

2. The second part of the document focuses on the role of internal controls in ensuring the reliability of financial information. It describes how a well-designed internal control system can help to minimize the risk of errors and misstatements, and it provides examples of key control activities that should be implemented across all levels of the organization.

3. The third part of the document addresses the challenges of managing financial risk in a complex and rapidly changing environment. It discusses the importance of identifying and assessing potential risks, and it offers strategies for developing effective risk management policies and procedures that can help to protect the organization's assets and ensure its long-term success.

4. The fourth part of the document explores the impact of emerging technologies on the financial industry. It highlights the opportunities that digital transformation offers for improving efficiency, reducing costs, and enhancing the customer experience, while also acknowledging the risks associated with data security and privacy that must be carefully managed.

5. The fifth part of the document discusses the importance of maintaining strong relationships with stakeholders, including customers, suppliers, and regulators. It emphasizes that transparency and communication are key to building trust and ensuring that the organization remains compliant with all applicable laws and regulations.

6. The sixth part of the document provides a summary of the key findings and recommendations of the study. It reiterates the need for a holistic approach to financial management that takes into account all aspects of the organization's operations and the external environment in which it operates.

7. The seventh part of the document offers concluding thoughts on the future of the financial industry. It suggests that continued innovation and collaboration will be essential for the industry to meet the challenges of the future and to realize its full potential as a driver of economic growth and development.

8. The eighth part of the document provides a list of references and sources used in the study. It includes a mix of academic journals, industry reports, and government publications that provide a solid foundation for the analysis and conclusions presented in the document.

(

(

CLARK EQUIPMENT COMPANY

C

Cooling System	H21, R2
Cylinders Hydraulic:	
Cylinder, Endgate & Rolling Floor	C10
Cylinder, Lift	C11
Cylinder, Steering	C12
Cylinder, Suspension — L.H.	C13
Cylinder, Suspension — R.H.	C14

D

Decals and Nameplates	N2, S7
Differential & Carrier Assemblies	A9
Disc, Brake	A3, A7

E

Electrical Schematic	E6A
Electrical System	E7
Electrical System — Instrument Panel	E3, E5
Elevator Assembly	E9
Elevator Axle	A5
Elevator Charge Pump	P10
Elevator Control Lever	E13
Elevator Chain	E10
Elevator Flywheel	A11
Elevator Manifold Valve	V15
Elevator Motor Hydraulic	E15
Elevator Pump Control Valve	V13
Emergency Brake Valve	B11
Emergency Kill & Normal Kill Cables	E25
Endgate and Stabilizer	E17
Engine and Accessories	E22
Engine Air Cleaner	E19
Engine Controls	E23
Exhaust System	E24
Element Filter	E22, H4, H5, H21
Ejection and Lift Valve	V5

F

Fenders	S7
Filter, Hyd.	E22, H4, H5, H13, H15, H19, H19A, H21
Floor, Scraper Rolling	F5
Floor Roller	F3
Flywheel, Elevator	A11
Frame Group:	
Frame — Scraper	F7
Frame — Tractor	F9
Fuel Tank and Connections	F10

G

Governor	B11
Grille	F9, S7
Guards, Engine	F9
Guards, Transmission	F9

H

Headlight Assembly	S7
Heater, Pressurizer & Defroster	Z7
Horn, Air	B11
Hitch, Yoke	Y3

H

Hydraulic Group:

Hydraulic Accumulator — Suspension	H3
Hydraulic Cylinder, Endgate & Rolling Floor	C10
Hydraulic Cylinder, Lift	C11
Hydraulic Cylinder, Steering	C12
Hyd. Cylinder, Suspension — L.H. & R.H. . . .	C13, C14
Hydraulic Motor — Elevator	E15
Hyd. Filters	E22, H4, H5, H13, H15, H19, H19A, H21
Hydraulic System, Scraper Ejection	H9
Hydraulic System, Scraper Lift & Elevator	H11
Hydraulic System, Tractor Elevator	H13
Hydraulic System, Tractor Lift & Eject	H15
Hydraulic System, Tractor Steering	H17
Hydraulic System, Tractor Suspension. . . .	H19, H19A
Hydraulic System, Transmission & Converter	H21
Hydraulic System, Transmission Shift Control . . .	H23
Hydraulic Pump — Elevator	P7
Hydraulic Pump, Lift and Ejection	P9
Hydraulic Pump, Steering	P9
Hydraulic Pump, Suspension	P11, P12, P13
Hydraulic Reservoir	H7
Hydraulic Valve, Converter Pressure Regulating. . . .	V3
Hydraulic Valve, Steering	V9
Hydraulic Valve, Suspension Bleed	V18
Hyd. Valve, Suspension Pressure Relief	V16, V17

I

Instruments	E3, E5
Indicator Air Cleaner	E21
Inline Filter, Hydraulic Suspension	E22, H4

L

Lights, Head	S7
Linkage, Steering	S10
Linkage, Suspension	F9
Lock-Up, Valve	H23
Lubrication, Scraper Central	L3
Lubrication, Tractor Central	L4

M

Manifold, Valve	V15
Motor, Elevator Hydraulic	E15
Mounts and Guards — Transmission & Engine	F9
Muffler and Connections	E24

N

Nameplates and Decals	N2, S7
-----------------------------	--------

O

Oil Cooler, Radiator and Connections	R2, H21
Options and Accessories	Z2, Z3, Z4, Z7, Z9, Z11, Z12
Override Valve, Pressure	V11

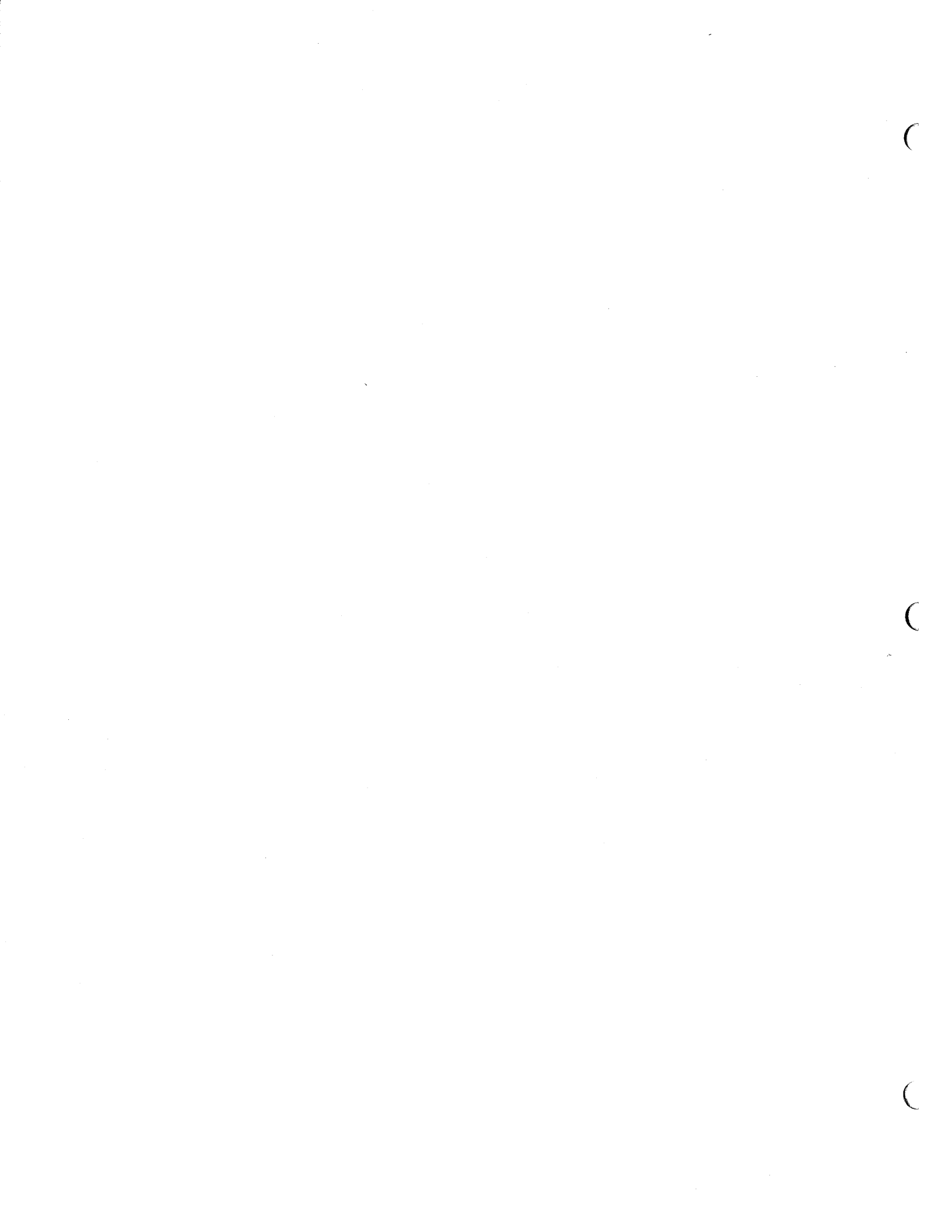
P

Parking Brake Assembly	B4
Parking Brake Controls	B5
Parking Brake Lever Assembly	B8
Planet Carrier Assembly — Elevator	A5
Planet Carrier Assembly — Tractor	A12
Power Cluster, Brake	B9
Pressure Override Valve	V11

CLARK EQUIPMENT COMPANY

P	
Propeller Shafts	P2, P3
Pumps, Hydraulic:	
Pump, Converter Charging	C9
Pump, Elevator	P7
Pump, Charging, Elevator	P10
Pump, Lift and Ejection	P9
Pump, Steering	P8, S11
Pump, Attaching Parts	P4
Pump, Attaching Parts — Suspension Charging	P5
Pump, Suspension Charging	P11, P12, P13
R	
Radiator, Oil Cooler and Connections	R2, H21
Receiver, Hitch Yoke	Y3
Reservoir, Air	B3, B11
Reservoir, Hydraulic Oil	H7
Restrictor Air Cleaner	E21
Roller, Rolling Floor	F3
Rolling Floor	F5
S	
Seat, Tractor	S3
Sheetmetal Group	S7
Shock Absorber, Seat	S5
Stabilizer and Endgate	E17
Steering Column and Pump Assembly	S9
Steering, Hydraulic System	H17
Steering Linkage	S12
Steering, Pump	P13, S11
Steering Valve	V9
Suspension, Air — Seat	S5
Suspension, Hydraulic System	H19, H19A
Suspension, Linkage	F9
Switches, Electrical	E3, E5
T	
Tank, Air	B3, B11
Tank, Fuel	F10
Tank, Hydraulic	H7
Tire and Wheel Data	W2
Torque Converter	C7, C9
Transmission Group:	
Breather, Transmission and Converter	H23
Transmission Assembly & Clutch Cover	T3
Transmission Case and Internal Tubing	T4
Transmission Control Valve and Cover	T7
Transmission Mounts	F9
Transmission First & Second Clutch Group	T8
Transmission First & Third Shaft Group	T9
Transmission Idler Shaft Group	T10
Transmission Input Clutch Group	T11
Transmission Input Shaft Group	T12
Transmission Output Shaft Group	T13
Transmission Reverse Clutch Group	T14
Transmission Reverse Shaft Group	T15
Transmission Second & Fourth Shaft Group	T16

T	
Transmission Splitter Clutch Group	T17
Transmission Third & Fourth Clutch Group	T18
Transmission Underdrive Clutch Group	T19
Transmission Underdrive Shaft Group	T20
Transmission Valve, Shift Control	V7
U	
Underdrive Clutch Group	T19
Underdrive Shaft Group	T20
V	
Valve, Air Control — Seat	S5
Valve Control Assembly — Lift and Ejection	V4
Valve, Converter Regulating	V3
Valve, Elevator Pump Control	V13
Valve, Emergency Brake	B11
Valve, Foot Brake	B11
Valve, Lift and Ejection	V5
Valve, Lock-Up	H23
Valve, Manifold	V15
Valve, Relay — Air	B3, B11
Valve, Pressure Override	V11
Valve, Steering	V9
Valve, Suspension Bleed	V18
Valve, Suspension Relief — Hydraulic	V16, V17
Valve, Transmission Control and Cover	T7
Valve, Transmission Shift Control	V7
W	
Wheel and Tire Data	W2
Windshield Wiper Assy	Z12
Wiring, Pipe and Hose Clips	C5
Y	
Yoke, Hitch	Y3
Yoke, Scraper	Y4
Z	
Options and Accessories	Z2, Z3, Z4, Z7, Z9, Z11, Z12
Heater, Pressurizer & Defroster	Z7
Air Conditioner	Z9
Air Conditioner Compressor	Z9
Windshield Wiper Assembly	Z12

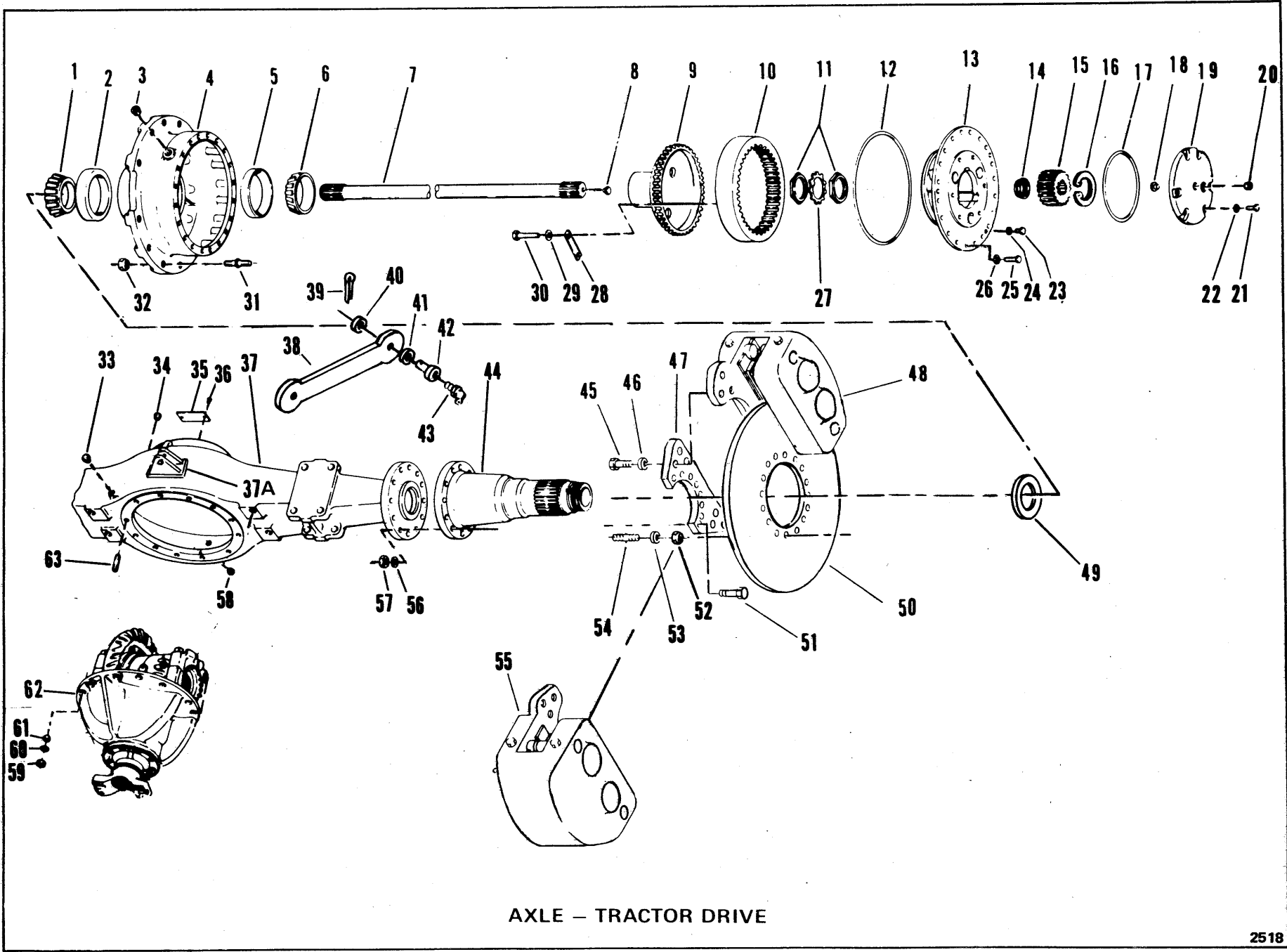


CLARK EQUIPMENT COMPANY

"A" GROUP CONTENTS

Axle Group:

Axle Assembly – Tractor – Drive	A3
Axle Assembly – Elevator	A5
Axle Assembly – Scraper	A7
Axle Differential & Carrier Assembly Drive – Tractor	A9
Axle Bevel Gear Carrier & Flywheel Assembly – Elevator	A11
Planet Carrier Assembly – Tractor	A12



AXLE - TRACTOR DRIVE

CLARK EQUIPMENT COMPANY

AXLE ASSEMBLY – DRIVE

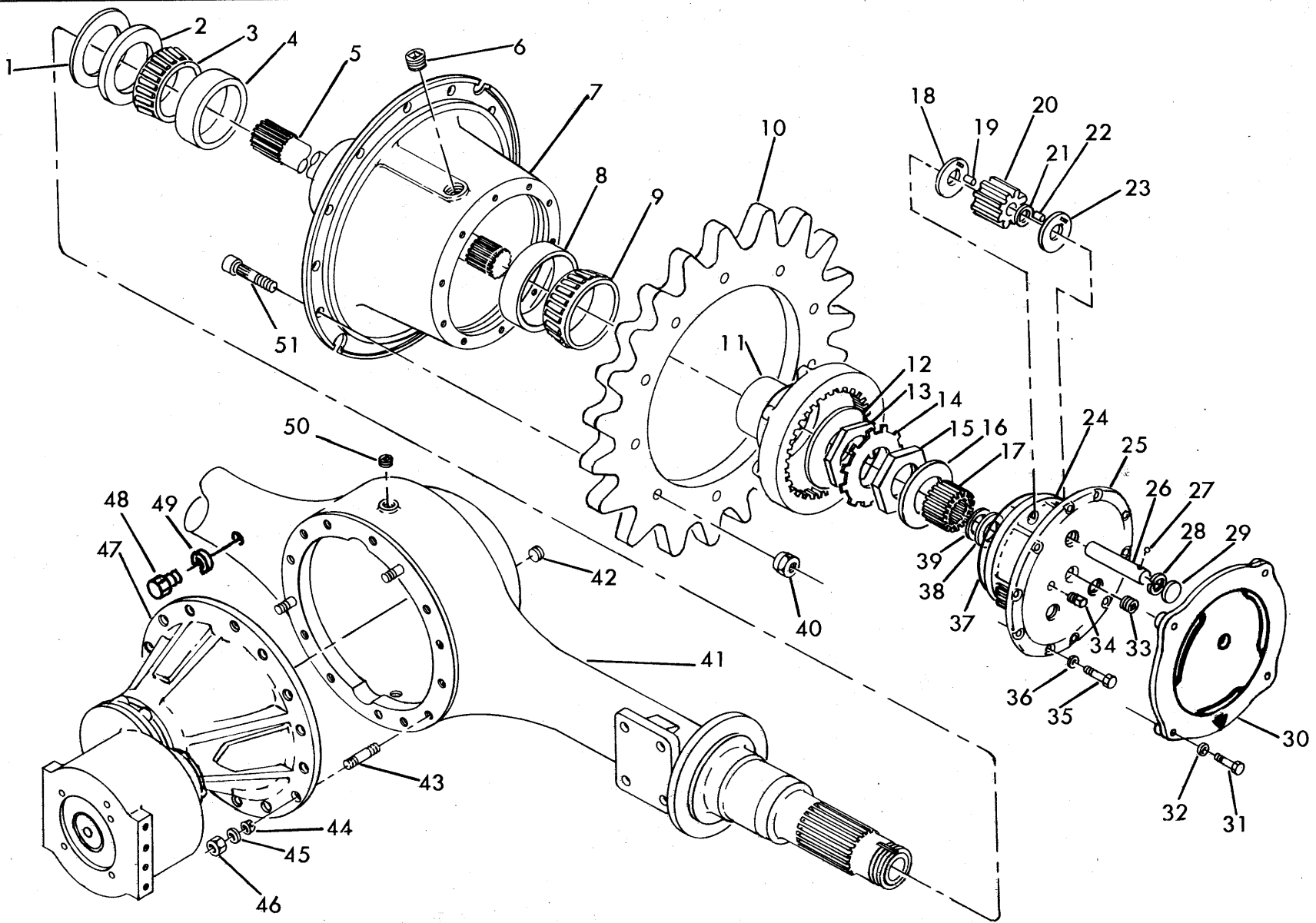
Item	Part No.	Description	Qty.	Item	Part No.	Description	Qty.
A	1579819	** AXLE ASSY (Inc 1 thru 37, 44 thru 63)	1	31A	64D-12	† NUT	38
B	122621	† HUB & DISC ASSY (Inc 2, 4, 5, 31, 32, 45, 47 & 48)	2	31B	111656	† WASHER	38
C	119215	† GEAR & HUB ASSY, Internal (Inc 9, 10, 28, 29 & 30)	1	32	86D-12	NUT	38
1	127819	CONE, Inner Hub Bearing	2	33	121214	BREATHER, Air	1
2	774024	CUP, Inner Hub Bearing	2	34	11F-12	PLUG	1
3	119469	PLUG	2	35	120707	NAMEPLATE	1
4	122622	HUB & CUP ASSY (Inc 2, 5)	2	36	6C-605	DRIVE SCREW	2
5	1304047	CUP, Outer Hub Bearing	2	37	124471	* HOUSING, Axle	1
6	1304048	CONE, Outer Hub Bearing	2	37A	1577781	* BRACKET	1
7	118783	AXLE SHAFT ASSY (Inc 8)	2	38	1572820	ARM, Stabilizer	1
8	118785	BUTTON, Thrust	2	38A	1574466	† BUSHING	2
9	119218	HUB, Internal Gear	2	39	1F-636	COTTER	2
10	119217	GEAR, Internal	2	40	1572811	SPACER	2
11	110559	NUT, Spindle	4	41	1572811	SPACER	2
12	118791	O-RING	2	42	1577810	PIN	2
13	---	PLANET CARRIER ASSY – See Index	2	43	12H-25	FITTING, Grease	1
14	118787	WASHER	2	43A	10H-25	† FITTING, Grease	1
15	118782	GEAR, Sun	2	44	123840	END, Spindle	2
16	224066	RING, Sun Gear Snap	2	45	17C-1232	BOLT	24
17	118790	O-RING	2	46	111656	WASHER	24
18	118785	BUTTON, Thrust	2	47	123839	PLATE, Disc Brake Adapter	4
19	118788	THRUST CAP ASSY (Inc 18)	2	48	---	BRAKE HEAD ASSY – See Index	2
20	11F-12	PLUG	2	49	2106027	SEAL	2
21	1C-720	BOLT	18	50	128379	DISC, Brake	2
22	112278	WASHER	18	51	18C-1256	BOLT	32
23	1C-908	SCREW	6	52	124543	NUT	16
24	4E-09	LKWSHR	6	53	104412	WASHER	16
25	117225	BOLT	40	54	124158	STUD	16
26	106547	WASHER	40	55	---	BRAKE HEAD ASSY – See Index	2
27	118786	LOCKNUT, Spindle	2	56	111656	WASHER	32
28	119214	PLATE, Retainer	12	57	64D-12	NUT	32
29	4E-08	LKWSHR	24	58	119469	PLUG	1
30	4C-820	BOLT	24	59	64D-10	NUT	14
31	120218	STUD	38	60	104412	WASHER	14
				61	119141	DOWEL	4
				62	---	DIFFERENTIAL & CARRIER ASSY – See Index	1
				63	120771	STUD	10

*NOTE: See Service Gram 678

**NOTE: 1577781 Bracket must be ordered when Axle Assy 1579819 is used.

† Not Illustrated

WHEN ORDERING PARTS, ALWAYS STATE MODEL AND SERIAL NO. OF MACHINE



AXLE ASSEMBLY - ELEVATOR DRIVE

A4-1

1A7

PM 4071
Printed in U.S.A.

CLARK EQUIPMENT COMPANY

AXLE ASSEMBLY – ELEVATOR DRIVE

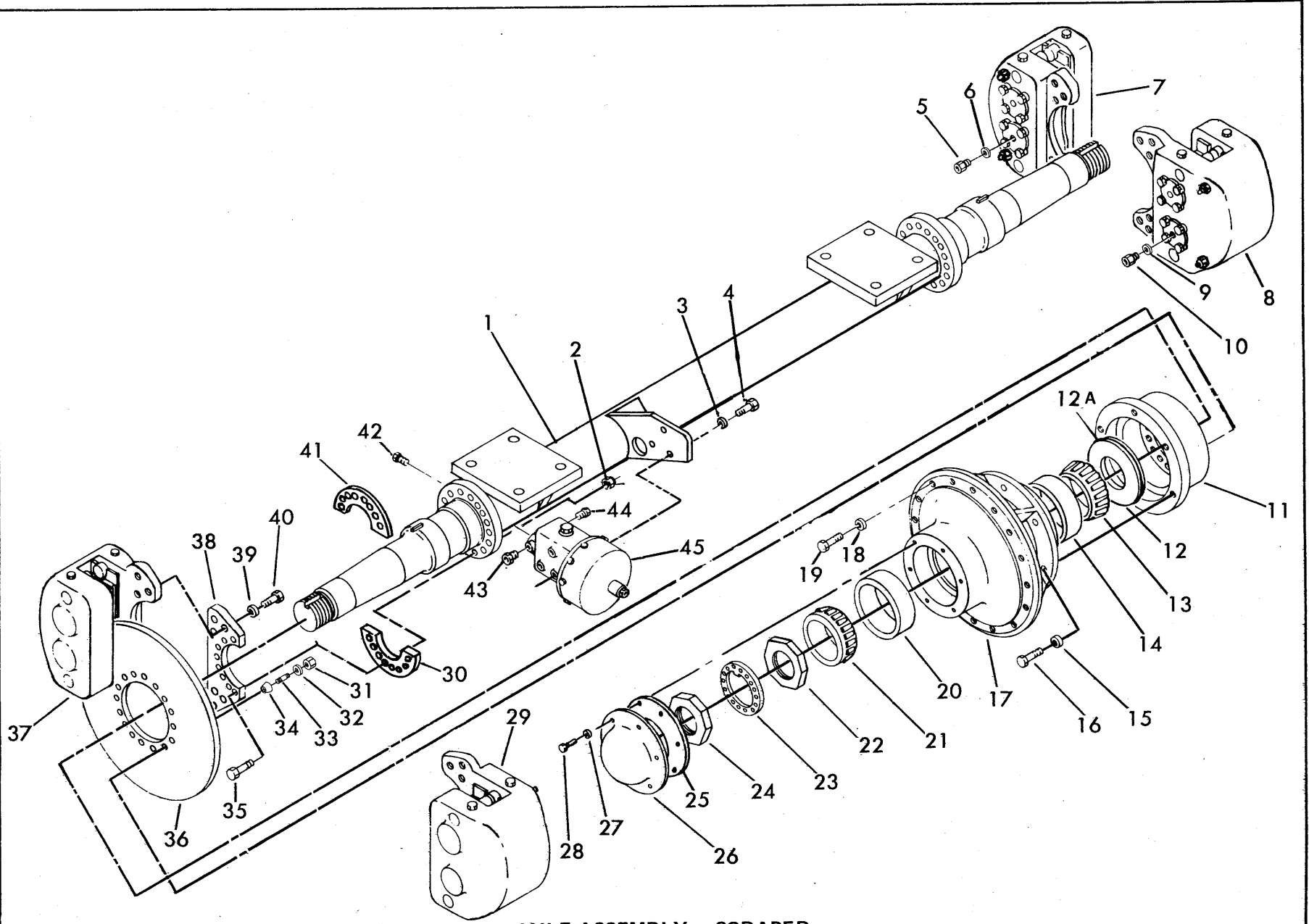
Item	Part No.	Description	Qty.
A	187986	AXLE KIT (Inc 1 thru 51)	1
1	123849	PROTECTOR, Hub Oil Seal	2
2	123848	SEAL	2
3	1318334	CONE	2
4	1318336	CUP	2
5	123859	SHAFT, Axle	2
6	119469	PLUG, Hub Drain	2
7	123856	HUB ASSY (Inc 4 & 8)	2
8	1318337	CUP	2
9	1318335	CONE	2
10	1573286	SPROCKET	2
11	123860	HUB, Internal Gear	2
12	106572	WASHER, Housing Tube	2
13	102313	NUT, Inner Spindle	2
14	102314	LOCK, Spindle Nut	2
15	102313	NUT, Outer Spindle	2
16	119983	WASHER, Sun Gear Thrust	2
17	124095	GEAR, Sun	2
18	124574	WASHER, Thrust	6
19	124576	ROLLER, Planet Gear	174
20	124573	GEAR, Planet	6
21	124577	SPACER, Roller	6
22	124576	ROLLER, Planet Gear	174
23	124574	WASHER, Thrust	6
24	124578	PLANET CARRIER ASSY (Inc 18 thru 23, 25, 27 thru 29, 33 thru 38)	2
25	124579	CARRIER, Planet	2
26	124575	SHAFT, Planet	6
27	10J-12	BALL, Planet Shaft	6
28	672907	RING, Planet Shaft Retaining	6
29	12F-200	PLUG, Planet Expansion	6
30	127781	PLANET PROTECTOR	2
30A	1585295	*† PLATE (Weldment)	2
31	17C-844	BOLT	8
32	106762	WASHER	8
33	16F-04	PLUG, Planet Carrier	2
34	11F-04	PLUG, Planet Oil Level	2
35	100970	BOLT, Planet Carrier	24
36	106762	WASHER	24
37	107348	O-RING	2
38	121166	WASHER, Axle Shaft Thrust	2
39	224031	RING, Sun Gear Retaining	2
40	59D-10	NUT	20
41	2105940	HOUSING	1
42	119469	PLUG, Housing Drain	1
43	120546	STUD	12
44	123216	DOWEL, Carrier Stud	12
45	112278	WASHER, Carrier Stud	12
46	64D-07	NUT, Carrier Stud	12
47	---	BEVEL GEAR CARRIER & FLYWHEEL ASSY – See Index	1
48	1C-710	** BOLT, Oil Level Check	1
49	4E-07	LKWSHR	1
50	16F-02	PLUG, Housing Filler	1
51	17C-1048	BOLT	20

*NOTE: Weld 1585295 Plate to 127781 Planet Protector

**NOTE: See Service Gram SG-774

† Not Illustrated

WHEN ORDERING PARTS, ALWAYS STATE MODEL AND SERIAL NO. OF MACHINE



AXLE ASSEMBLY - SCRAPER

CLARK EQUIPMENT COMPANY

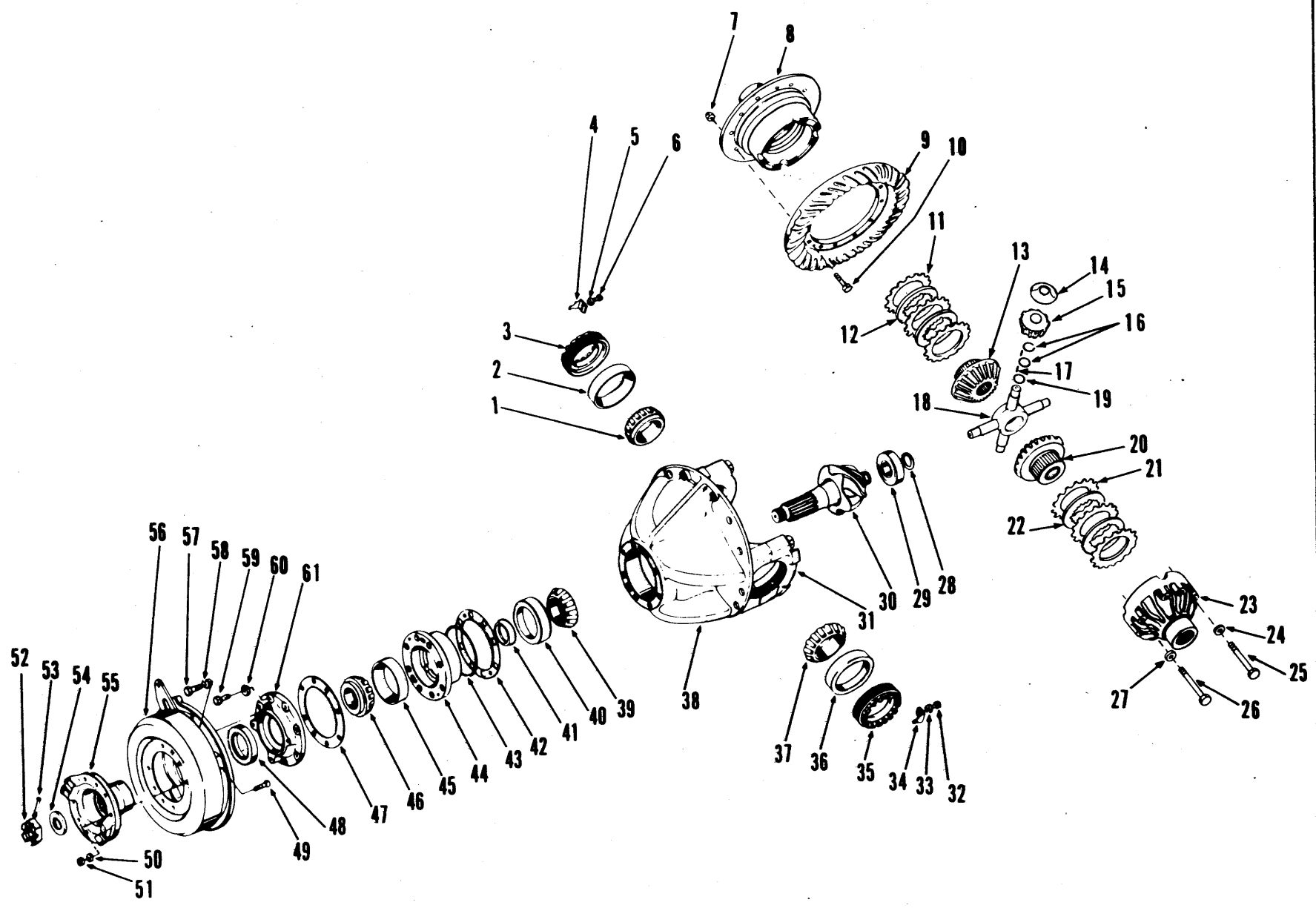
AXLE ASSEMBLY – SCRAPER

Item	Part No.	Description	Qty.
A	1579763	AXLE ASSY (Inc 1 thru 45)	1
1	1572771	AXLE	1
2	59D-10	NUT	32
3	4E-07	LKWSHR.	3
4	18C-716	BOLT	3
5	711257	ADAPTER.	2
6	850786	WASHER.	2
7	-----	BRAKE HEAD ASSY – See Index.	1
8	-----	BRAKE HEAD ASSY – See Index.	1
9	850786	WASHER.	2
10	711257	ADAPTER.	2
11	1572262	ADAPTER.	2
12	1559315	RETAINING ASSY.	2
12A	1559172	† FELT	2
13	711154	CONE	2
14	711153	CUP	2
15	4E-12	LKWSHR.	12
16	17C-1236	BOLT	12
17	1559775	HUB.	2
18	4E-12	LKWSHR.	40
19	17C-1228	BOLT	40
20	1313653	CUP	2
21	1313685	CONE	2
22	1550973	NUT, Spindle	2
23	1550842	WASHER.	2
24	1550974	NUT, Spindle	2
25	1559162	GASKET	2
26	1559774	CAP, Hub	2
27	4E-06	LKWSHR.	12
28	17C-610	BOLT	12
29	-----	BRAKE HEAD ASSY – See Index.	1
30	1577381	‡SHIM (.1875)	-
30A	1580933	† ‡SHIM (.060)	-
31	124543	NUT	32
32	104412	WASHER.	32
33	120771	STUD	32
34	119141	DOWEL	8
35	17C-1036	BOLT	32
36	128379	DISC, Brake	2
37	-----	BRAKE HEAD ASSY – See Index.	1
38	122559	PLATE	2
39	111656	WASHER.	12
40	110305	BOLT	12
41	1577382	‡SHIM (.134)	-
42	24K-04	PLUG	2
43	711257	ADAPTER.	2
44	24K-04	PLUG	2
45	-----	POWER CLUSTER – See Index.	-

‡ As Required

† Not Illustrated

WHEN ORDERING PARTS, ALWAYS STATE MODEL AND SERIAL NO. OF MACHINE



TRACTOR DIFFERENTIAL AND CARRIER ASSEMBLY - LIMITED SLIP

CLARK EQUIPMENT COMPANY

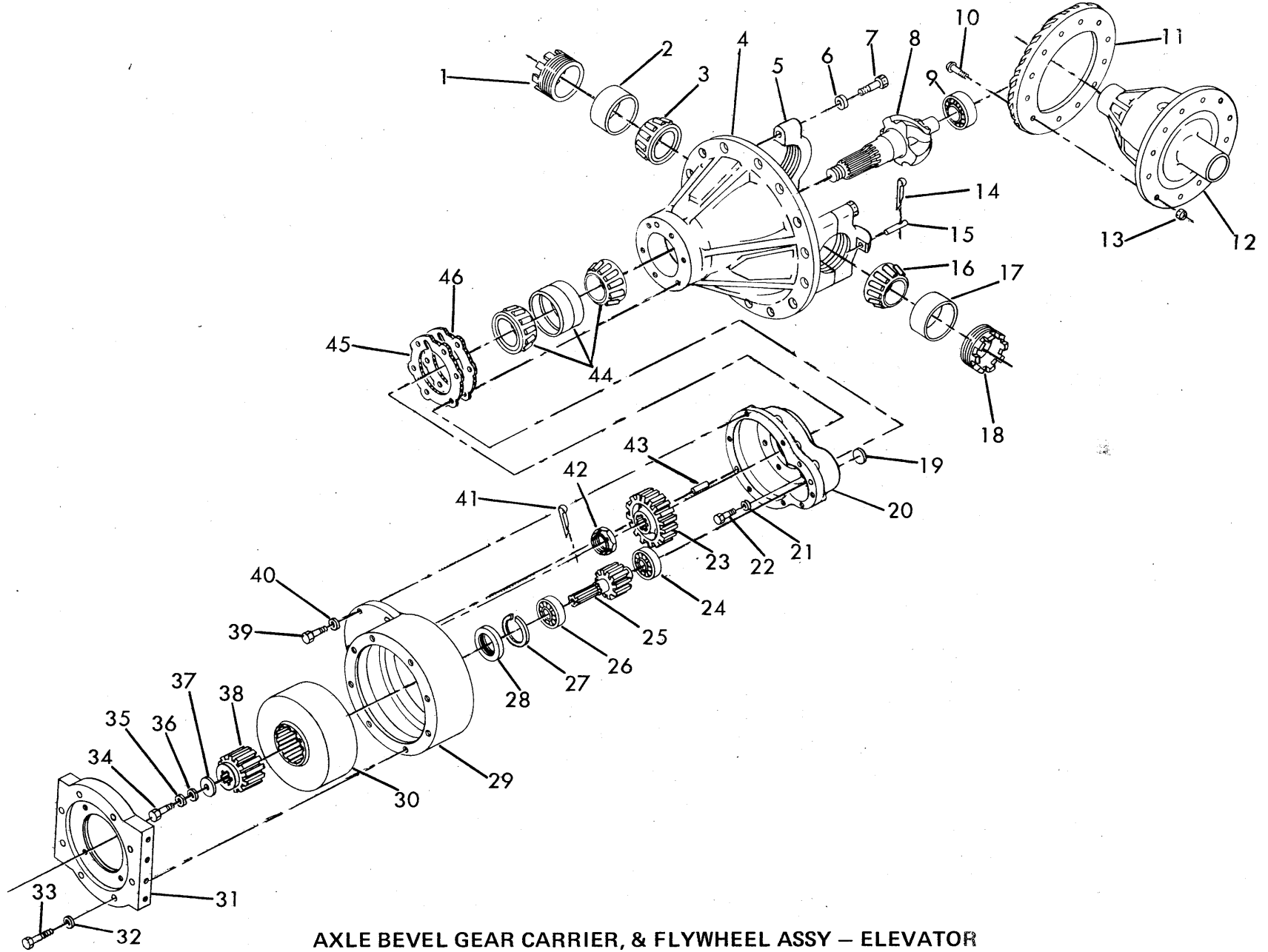
TRACTOR DIFFERENTIAL & CARRIER ASSEMBLY — "LIMITED SLIP"

Item	Part No.	Description	Qty.
A	124460	DIFF. & CARRIER ASSY KIT (Inc 1 thru 61)	1
1	4148127	CONE	1
2	4148124	CUP	1
3	123876	NUT	1
4	100941	LOCK	1
5	4E-06	LKWSHR.	1
6	1C-614	BOLT	1
7	86D-10	NUT	12
8	---	§DIFF. CASE, Flange Half —See 63	1
9	---	§RING GEAR — See 64	1
10	110522	BOLT	12
11	123871	DISC, Outer Clutch	3
12	123872	DISC, Inner Clutch	2
13	123870	GEAR	1
14	123382	WASHER, Thrust	4
15	124242	PINION	4
16	124246	SPACER, Center & Outer	8
17	124244	ROLLER, Needle	232
18	124243	SPIDER	1
19	125069	SPACER, Inner	4
20	123870	GEAR	1
21	123871	DISC, Outer Clutch	3
22	123872	DISC, Inner Clutch	2
23	---	§DIFF. CASE, Plain Half—See 63	1
24	106547	WASHER	4
25	123869	BOLT	4
26	123868	BOLT	8
27	106547	WASHER	8
28	224083	RETAINER	1
29	774199	BEARING	1
30	---	§PINION — See 64	1
31	---	§CAP, Differential — See 38	2
31A	124090	†BOLT	4
31B	26E-14	†WASHER	4
32	1C-614	BOLT	1
33	4E-06	LKWSHR.	1
34	100941	LOCK	1

Item	Part No.	Description	Qty.
35	123876	NUT, Adjusting	1
36	4148124	CUP	1
37	4148127	CONE	1
38	123873	CARRIER ASSY KIT, Differential (Inc 31, 31A & 31B)	1
39	710034	CONE	1
40	710035	CUP	1
41	815377	KIT, Spacer	1
42	110543	‡SHIM (.004)	—
42A	125573	‡SHIM (.007)	—
42B	125574	‡SHIM (.010)	—
42C	125575	‡SHIM (.020)	—
43	25K-40616	O-RING	1
44	111691	CASE ASSY (Inc 40, 45)	1
45	774198	CUP	1
46	774197	CONE	1
47	---	OMIT	—
48	111750	SEAL	1
49	2C-720	BOLT	8
50	4E-07	LKWSHR.	8
51	62D-07	NUT	8
52	107977	NUT	1
53	1F-748	COTTER	1
54	107978	WASHER	1
55	114259	FLANGE, Companion	1
56	---	PARKING BRAKE — See Index	—
56A	107481	†DRUM, Brake	1
57	1C-924	BOLT	4
58	4E-09	LKWSHR.	4
59	1C-1036	BOLT	8
60	4E-10	LKWSHR.	8
61	111695	RETAINER	1
62	124241	†DIFF. ASSY (Inc 7, 8 & 10 thru 27)	1
63	123865	†DIFF. BODY SUB-ASSY (Inc 8, 23, 24, 25, 26 & 27)	1
64	118982	†GEAR & PINION SET (Inc 9, 30)	1

† Not Illustrated
‡ As Required
§ Not Sold Separately

WHEN ORDERING PARTS, ALWAYS STATE MODEL AND SERIAL NO. OF MACHINE



AXLE BEVEL GEAR CARRIER, & FLYWHEEL ASSY - ELEVATOR

CLARK EQUIPMENT COMPANY

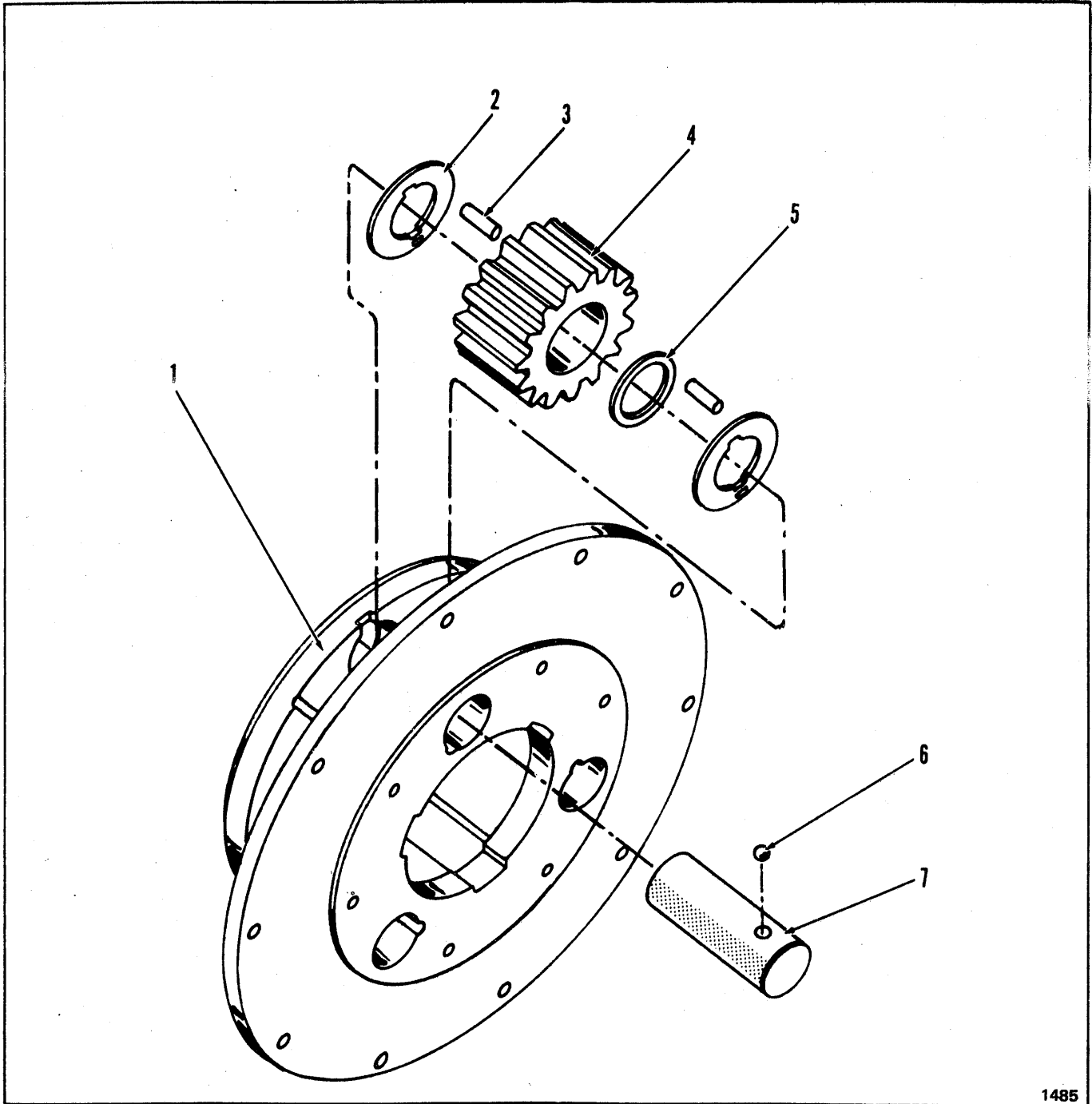
AXLE BEVEL GEAR, CARRIER & FLYWHEEL ASSEMBLY – ELEVATOR

Item	Part No.	Description	Qty.
A	129312	BEVEL GEAR SET, CARRIER & FLYWHEEL ASSY (Inc 1 thru 46)	1
B	123850	BEVEL GEAR, PINION & CARRIER ASSY (Inc 8, 10, 11, 12 & 13)	1
1	123746	NUT, Adjusting.	1
2	667279	CUP	1
3	648334	CONE	1
4	113124	CARRIER, Housing (Inc 5, 6 & 7)	1
5	-----	SCAP (Inc w/4)	2
6	3E-10	LKWSHR.	4
7	1C-1040	BOLT	4
8	-----	SPINION.	1
9	111437	BEARING	1
10	101424	BOLT	12
11	122443	RING GEAR & PINION SET (Inc 8).	1
12	123851	CARRIER	1
13	86D-07	NUT	12
14	1F-428	COTTER	2
15	101411	PIN.	2
16	648334	CONE	1
17	667279	CUP	1
18	123746	NUT, Adjusting.	1
19	12F-114	PLUG, Welch	1
20	129314	CASE, Drop Gear	1
20A	102378	† #LOCKTITE (Between Case & Cover)	-
21	106762	WASHER.	5
22	126415	BOLT	5
23	122444	GEAR.	1
24	658019	BEARING	1
25	102382	GEAR.	1
26	658019	BEARING	1
27	102384	RING, Lock	1
28	111785	SEAL	1
29	129315	COVER, Drop Gear Case	1
30	129317	FLYWHEEL.	1
31	129319	ADAPTER, Motor Mounting.	1
32	106762	WASHER.	8
33	17C-832	BOLT	8
34	122996	BOLT	1
35	106762	WASHER.	1
36	106762	WASHER.	1
37	129549	WASHER.	1
38	125496	COUPLING, Motor to Flywheel.	1
39	17C-724	BOLT	8
40	112278	LKWSHR.	8
41	1F-424	COTTER, Shaft Nut	1
42	100675	NUT, Pinion Shaft.	1
43	102381	DOWEL.	2
44	111735	BEARING ASSY.	1
45	102359	‡SHIM	-
46	102360	‡SHIM	-

‡ As Required
 † Not Illustrated
 § Not Sold Separately

WHEN ORDERING PARTS, ALWAYS STATE MODEL AND SERIAL NO. OF MACHINE

CLARK EQUIPMENT COMPANY



1485

AXLE PLANET CARRIER ASSEMBLY – TRACTOR

Item	Part No.	Description	Qty.
A	121933	PLANET CARRIER ASSY (Inc. 1 thru 7)	2

NOTE: Two (2) Planet Carriers are used per tractor – Quantities listed below are for one (1) Planet Carrier.

Item	Part No.	Description	Qty.
1	121934	SPIDER, Planet	1
2	118774	WASHER, Thrust	6
3	118803	ROLL, Pinion Needle	168
4	118776	PINION, Planet	3
5	118775	SPACER, Pinion Roll	3
6	10J-12	BALL, Pinion Shaft Lock	3
7	118773	SHAFT, Pinion	3

WHEN ORDERING PARTS, ALWAYS STATE MODEL AND SERIAL NO. OF MACHINE

CLARK EQUIPMENT COMPANY

**"B" GROUP
CONTENTS**

Brake Group:

Brake Air System – Scraper B3
Brake Assembly – Parking B4
Brake Controls – Parking B5
Brake Head Assembly – L.H. Front and R.H. Rear B6
Brake Head Assembly – R.H. Front and L.H. Rear B7
Brake Lever – Parking B8
Brake Power Cluster – Tractor & Scraper. B9
Brake Seat & Horn Air System – Tractor. B11

CLARK EQUIPMENT COMPANY

BRAKE AIR SYSTEM - SCRAPER

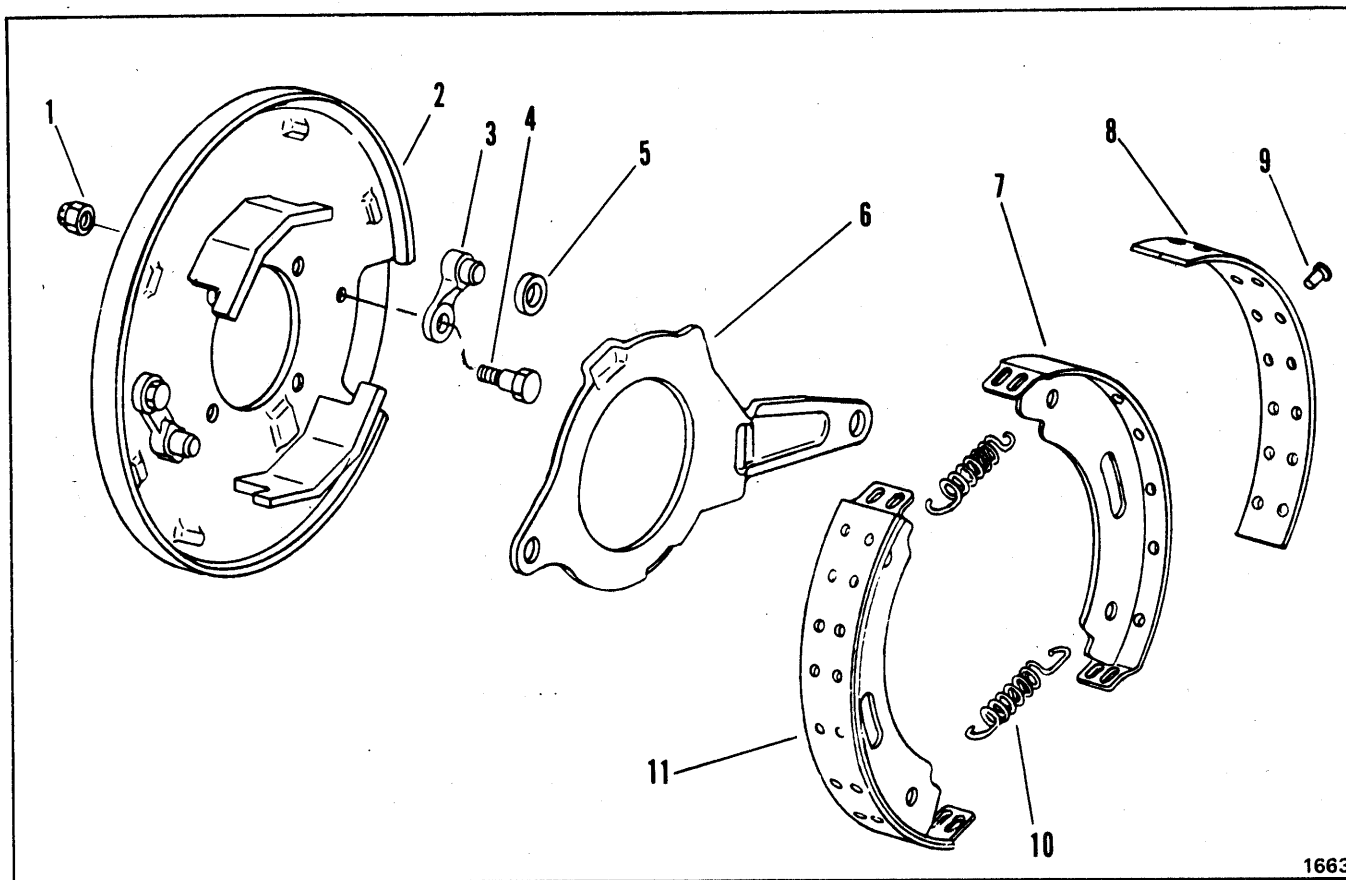
Item	Part No.	Description	Qty.
1	1581909	TUBE	1
2	1550532	HOSE	1
3	1574512	TUBE	1
4	1567163	HOSE	1
5	1567163	HOSE	1
6	1574510	TUBE	1
7	1550532	HOSE	1
8	1581910	TUBE	1
9	711257	ADAPTER	1
9A	850786	†WASHER	1
10	1574891	TUBE	1
11	659624	TEE	1
12	711257	ADAPTER	1
12A	850786	†WASHER	1
13	1574894	TUBE	1
14	59D-04	NUT	2
15	1578635	TUBE	1
16	59D-05	NUT	2
17	26F-02	ELBOW	1
18	1010658	*VALVE, Quick Release (B.W. No. 229813)	1
18A	40K-4	PLUG	1
19	17C-520	BOLT	2
20	1567155	HOSE	1
21	31F-02	ADAPTER	1
22	— — —	POWER CLUSTER ASSY (Inc 22A, 22B) — See Index	1
22A	24K-04	PLUG (Inc 23B)	1
22B	91F-04	O-RING	1
23	711257	ADAPTER	1
23A	850786	†WASHER	1
24	1564725	HOSE	1
25	26F-02	ELBOW.....	1
26	711257	ADAPTER	1
26A	850786	†WASHER	1
27	17C-412	BOLT	2
28	30H-18	CLIP	2
29	1567155	HOSE	1
30	13F-04	PLUG	1
31	1567182	*VALVE, Relay (B.W.No. 281863).....	1
32	1551321	GASKET, Adapter	1
33	4E-06	LKWSHR	4
34	61D-06	NUT	4
35	1574308	*VALVE, Automatic Drain (B. W. No. 281924)	1
36	25E-16	WASHER	4
37	17C-620	BOLT	4
38	1567189	AIR RESERVOIR ASSY (Inc 31, 32, 38A, 39, 40 & 41)	1
38A	527684	RESERVOIR, Air	1
39	1011127	ADAPTER	1
40	4E-06	LKWSHR	3
41	61D-06	NUT	3
42	26F-02	ELBOW.....	1
43	1567155	HOSE	1
44	1574893	TUBE	1
45	1574877	TUBE	1
46	659624	TEE	1
47	711257	ADAPTER	1
47A	850786	†WASHER	1
48	1574896	TUBE	1
49	711257	ADAPTER	1
49A	850786	†WASHER	1

* NOTE: Your local authorized Bendix-Westinghouse Distributor is equipped to service components of these parts.

† Not Illustrated

WHEN ORDERING PARTS, ALWAYS STATE MODEL AND SERIAL NO. OF MACHINE

CLARK EQUIPMENT COMPANY



1663

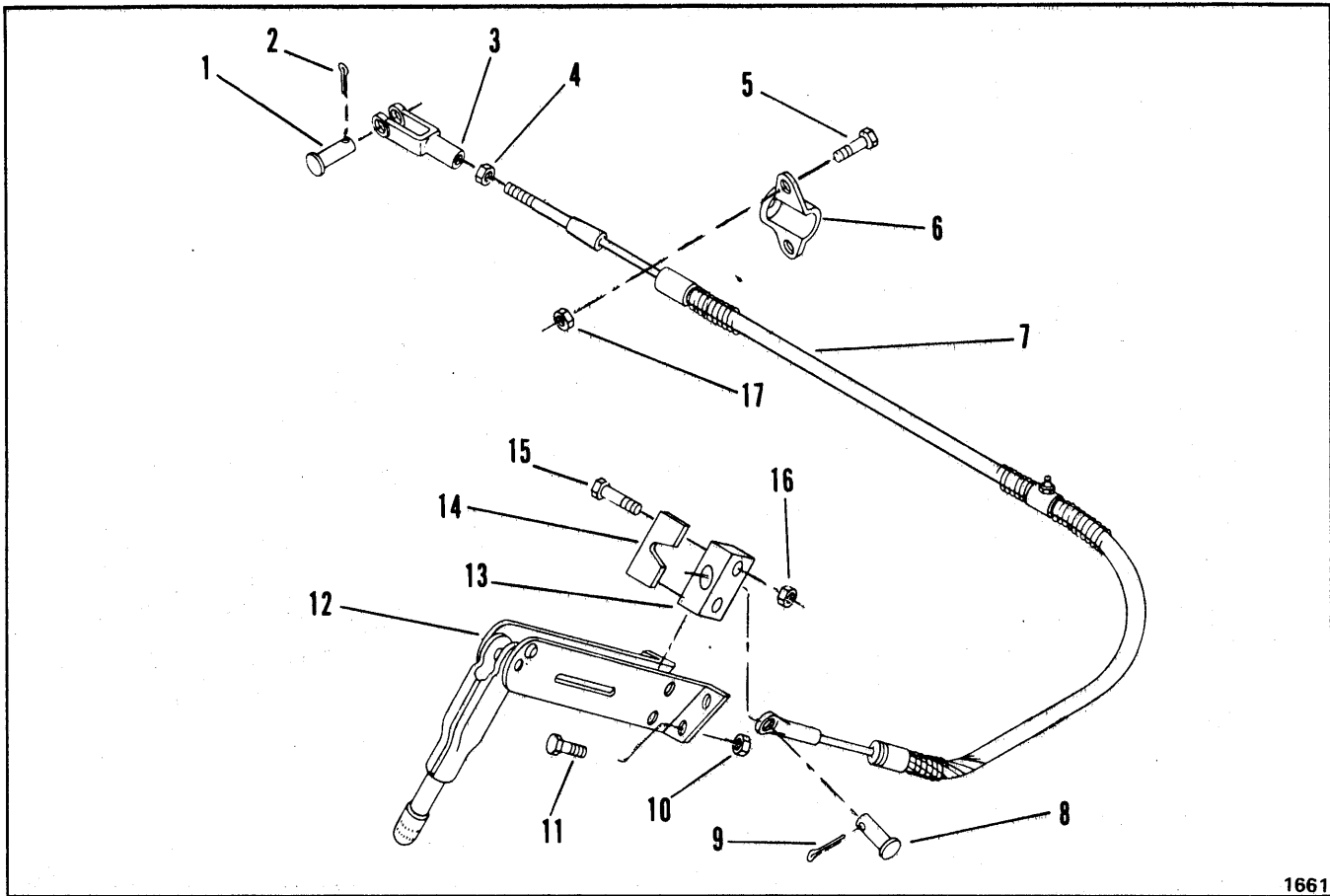
BRAKE ASSEMBLY – PARKING

Item	Part No.	Description	Qty.
A	111696	BRAKE ASSY (Inc.1 thru 11)	1
1	----	§NUT, Pawl to Plate – See 3	2
2	945047	PLATE, Brake Backing	1
3	886719	BRAKE PAWL KIT (Inc.1, 4 & 5)	2
4	----	§BOLT, Pawl to Plate – See 3	2
5	220968	ROLLER, Brake Actuating	1
6	220965	LEVER, Cam Operating	1
7	----	§SHOE, Brake – See 11	2
8	942405	LINING KIT, Brake Shoe (Inc.9)	1
9	945051	RIVET, Lining to Shoe	28
10	220969	SPRING, Shoe Return	2
11	872712	SHOE ASSY, Brake (Inc. 7, 8 & 9)	2
12	107481	†DRUM, Brake	1

†Not Illustrated
 § Not Sold Separately

WHEN ORDERING PARTS, ALWAYS STATE MODEL AND SERIAL NO. OF MACHINE

CLARK EQUIPMENT COMPANY



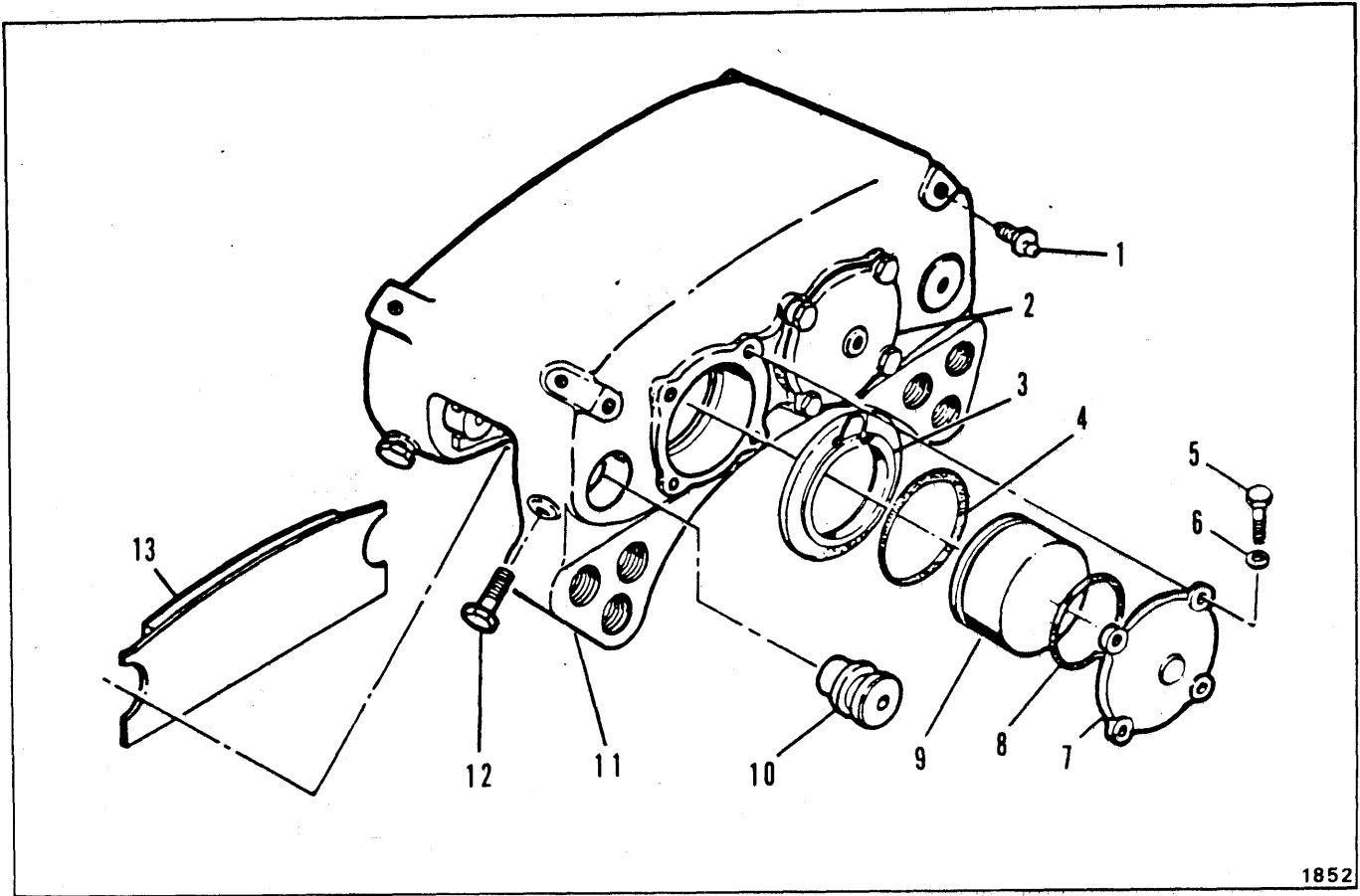
1661

BRAKE CONTROLS – PARKING

Item	Part No.	Description	Qty.
1	4F-060106	PIN	1
2	1F-312	COTTER	1
3	2J-6208	CLEVIS	1
4	60D-06	NUT.....	1
5	18C-514	BOLT	2
6	104645	CLAMP, Cable	1
7	1527543	CABLE, Parking Brake	1
8	4F-04051	PIN	1
9	1F-208	COTTER	1
10	8D-05	NUT	4
11	8C-520	BOLT	4
12	---	LEVER, Brake – See Index	1
13	593027	BLOCK	1
14	593028	RETAINER	1
15	18C-528	BOLT	2
16	60D-05	NUT	2
17	60D-05	NUT	2

WHEN ORDERING PARTS, ALWAYS STATE MODEL AND SERIAL NO. OF MACHINE

CLARK EQUIPMENT COMPANY



**BRAKE HEAD ASSY. – TRACTOR & SCRAPER
L.H. FRONT & R.H. REAR**

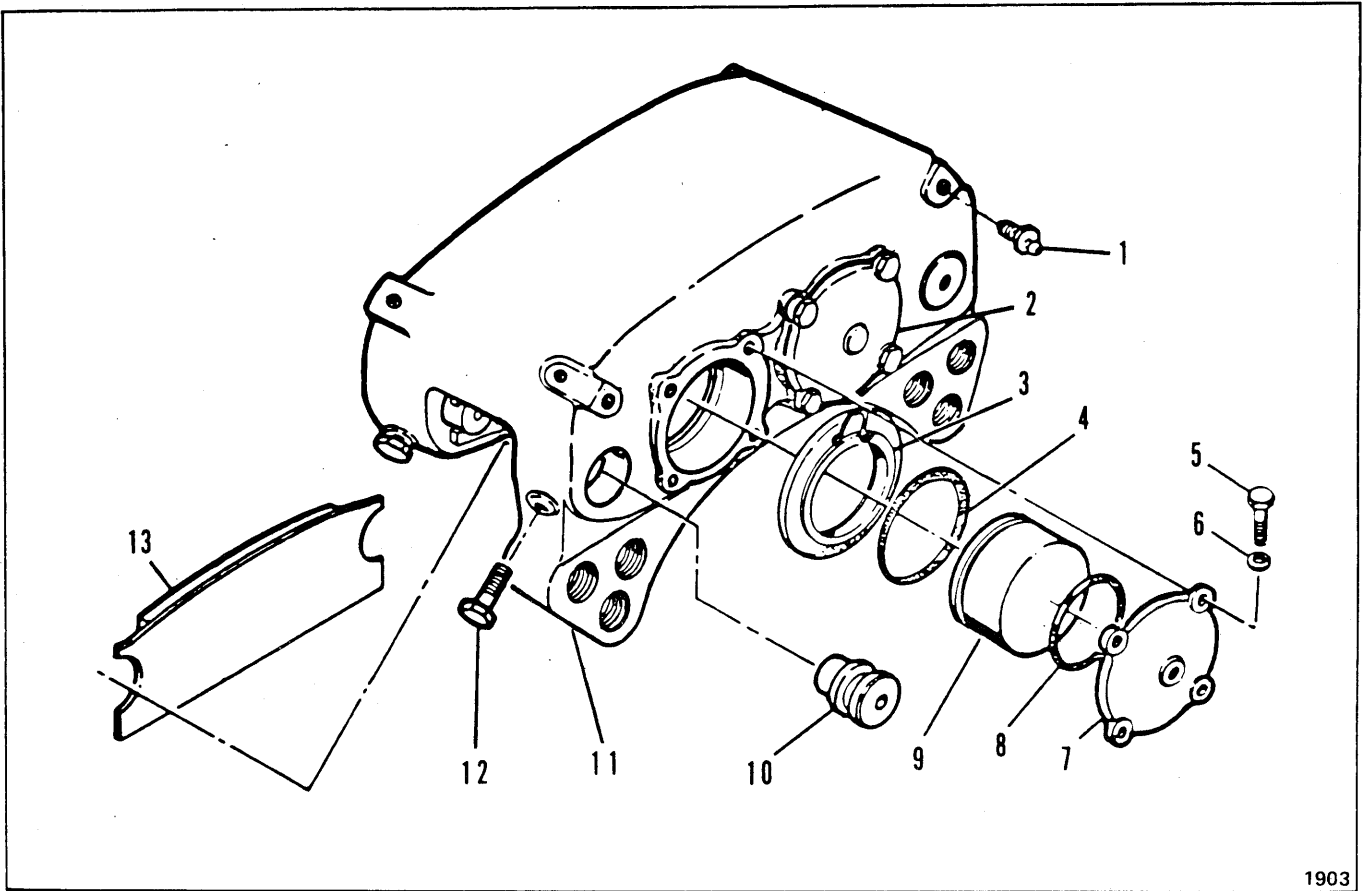
Item	Part No.	Description	Qty.
A	128852	BRAKE HEAD ASSY (Inc 1 thru 13)	2
NOTE: Two (2) Brake Head Assy's. used per machine. Quantities listed are for one (1) brake head assy.			
B	840535	REPAIR KIT (Inc 3, 4, & 8)	1
1	960837	VALVE	2
2	947933	CAP	1
3	----	§BOOT (Inc w/B)	4
4	----	§SPACKING (Inc w/B)	4
5	1C-620	BOLT	8
6	25E-17	WASHER	8
7	947934	CAP	1
8	----	§SPACKING (Inc w/B)	2
9	947935	PISTON	4
10	947931	PIN	4
11	----	§TORQUE PLATE ASSY	1
12	961901	BOLT	4
13	947932	CARRIER & LINING ASSY	2
14	947926	†TUBE & NUT ASSY (Use where applicable)	1
15	947928	†VALVE (Use where applicable)	1

§Not Sold Separately

†Not Illustrated

WHEN ORDERING PARTS, ALWAYS STATE MODEL AND SERIAL NO. OF MACHINE

CLARK EQUIPMENT COMPANY



1903

BRAKE HEAD ASSY—TRACTOR & SCRAPER L. H. Rear & R. H. Front

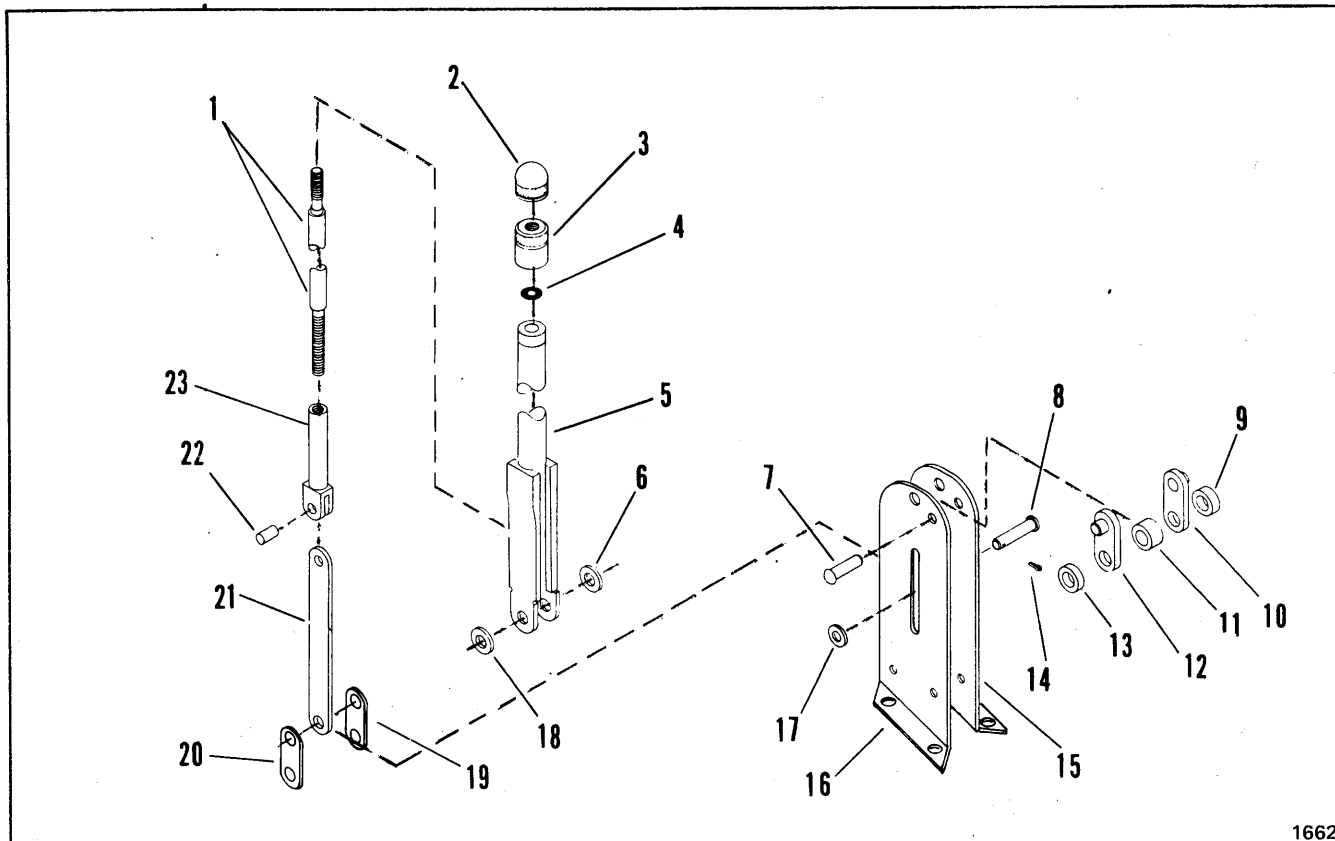
Item	Part No.	Description	Qty.
A	128853	BRAKE HEAD ASSY (Inc 1 thru 13)	2
NOTE: Two (2) Brake Head Assy's used per machine. Quantities shown are for one (1) brake head assy.			
B	840535	REPAIR KIT (Inc 3,4, & 8)	1
1	960837	VALVE	2
2	947934	CAP	1
3	---	§BOOT (Inc w/B)	4
4	---	§SPACKING (Inc w/B)	4
5	1C-620	BOLT	8
6	25E-17	WASHER	8
7	947933	CAP	1
8	---	§SPACKING (Inc w/B)	2
9	947935	PISTON	4
10	947931	PIN	4
11	---	§TORQUE PLATE ASSY	1
12	961901	BOLT	4
13	947932	CARRIER & LINING ASSY	2
14	947926	†TUBE & NUT ASSY (use where applicable)	1
15	947928	†VALVE (use where applicable)	1

§Not Sold Separately

†Not Illustrated

WHEN ORDERING PARTS, ALWAYS STATE MODEL AND SERIAL NO. OF MACHINE

CLARK EQUIPMENT COMPANY



1662

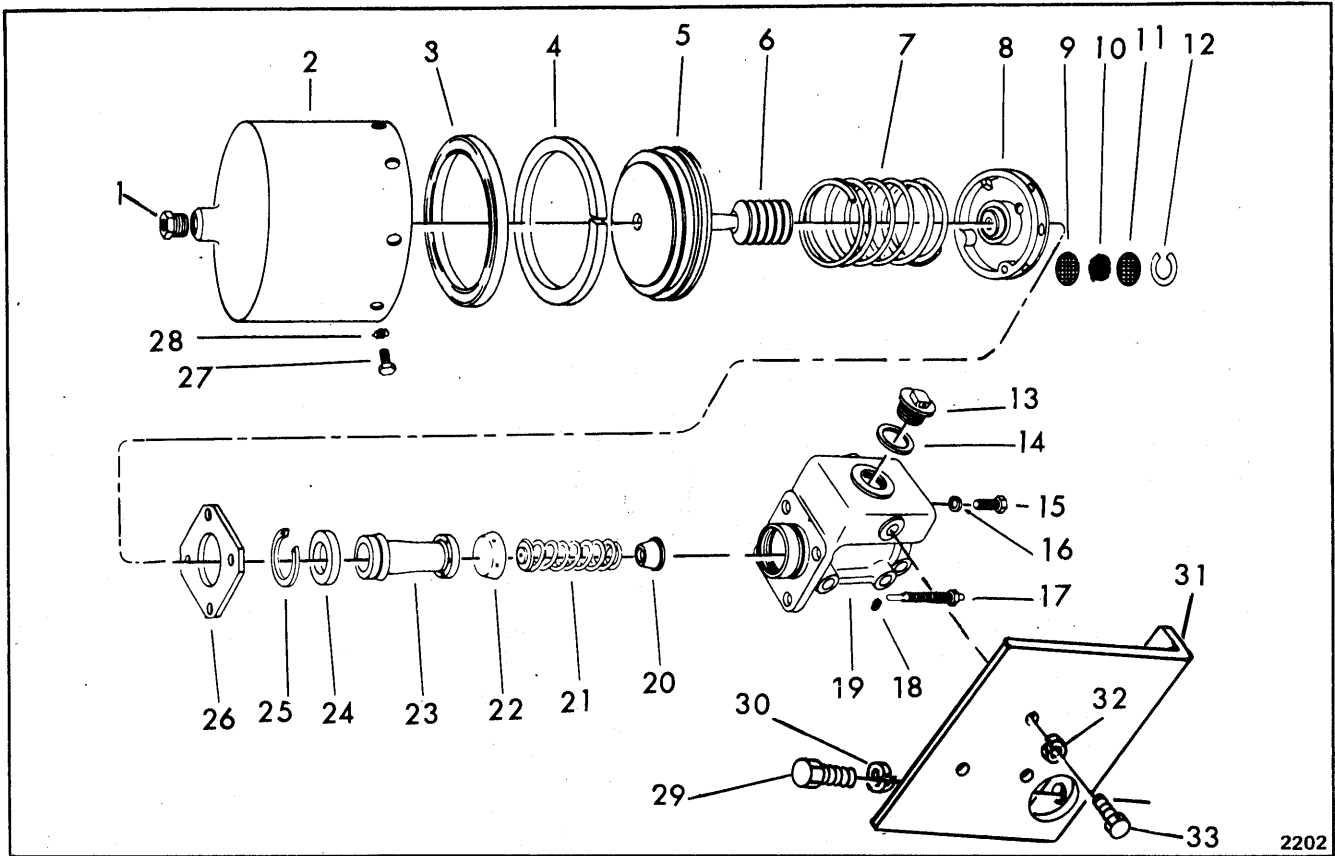
BRAKE LEVER ASSEMBLY – PARKING

Item	Part No.	Description	Qty.
A	593026	LEVER ASSY (Inc. 1 thru 23)	1
1	946940	SCREW, Adjusting	1
2	949370	CAP KIT (Inc 3)	1
3	---	BASE, Adjusting Knob (See 2)	1
4	25K-30014	O-RING	1
5	946936	BODY, Brake Lever	1
6	25E-18	WASHER, Body to Bracket	1
7	---	SRIVET, Pivot Bracket (See A)	1
8	862738	PIN, Adjusting Screw	1
9	862656	SPACER, Pivot Bracket	1
10	862653	BRACKET, Pivot	1
11	862655	SPACER, Pivot Bracket	1
12	862653	BRACKET, Pivot	1
13	862656	SPACER, Pivot Bracket	1
14	1F-312	COTTER, Link Pivot Pin	1
15	946938	BRACKET, Lever Mounting – R.H.	1
16	946937	BRACKET, Lever Mounting – L.H.	1
17	25E-15	WASHER, Link Pivot Pin	1
18	25E-18	WASHER	1
19	946939	LINK	1
20	946939	LINK	1
21	862652	LINK, Adjusting Screw	1
22	941238	PIN, Link to Tube	1
23	862648	TUBE, Adjusting Screw	1

§ Not Sold Separately

WHEN ORDERING PARTS, ALWAYS STATE MODEL AND SERIAL NO. OF MACHINE

CLARK EQUIPMENT COMPANY

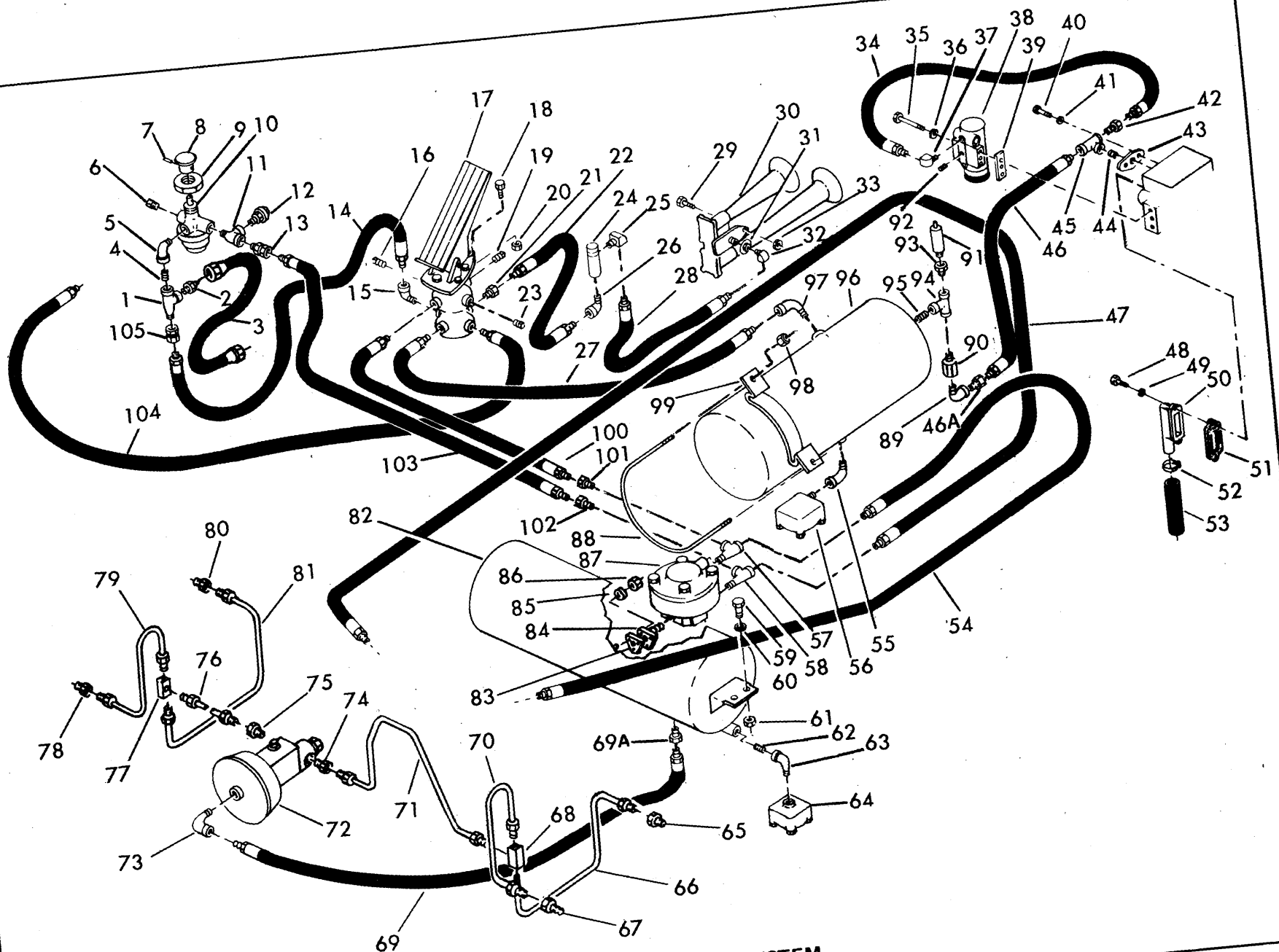


BRAKE POWER CLUSTER ASSEMBLY

Item	Part No.	Description	Qty.
A	1578774	POWER CLUSTER ASSY (Inc. 1 thru 28)	1
B	945041	REPAIR KIT (Inc. 3, 4, 6, 22, 23)	1
1	356612	BUSHING	1
2	945034	SHELL	1
3	---	SCUP (See "B")	1
4	---	SWIPER(See "B")	1
5	945035	PISTON	1
6	---	SBOOT (See "B")	1
7	945036	SPRING	1
8	945037	HEAD ASSY (Inc. 8 thru 11)	1
9	945029	SCREEN	1
10	945044	FILTER	1
11	945029	SCREEN	1
12	945043	RING, Retainer	1
13	892287	CAP	1
14	857933	GASKET	1
15	1C-624	BOLT	3
16	4E-06	LKWSHR	3
17	945038	INDICATOR	1
18	10F-02	PLUG	1
19	947740	HOUSING	1
20	945042	RETAINER	1
21	955321	SPRING	1
22	---	SCUP (See "B")	1
23	---	SPISTON ASSY (See "B")	1
24	955326	PLATE	1
25	955323	RING, Retainer	1
26	945040	PLATE	1
27	1C-510	BOLT	8
28	6E-05	LKWSHR	8
29	17C-1016	BOLT	2
30	4E-10	LKWSHR	2
31	1578618	BRACKET	1
32	4E-07	LKWSHR	3
33	18C-716	BOLT	3

Not Sold Separately

WHEN ORDERING PARTS, ALWAYS STATE MODEL AND SERIAL NO. OF MACHINE



BRAKE AND AIR HORN SYSTEM

CLARK EQUIPMENT COMPANY

BRAKE AND HORN AIR SYSTEM

Item	Part No.	Description	Qty.
1	626582	TEE	1
2	89F-3	CONNECTOR	1
3	1582764	HOSE	1
4	5K-106	NIPPLE	1
5	26F-1	ELBOW	1
6	16F-2	PLUG	1
7	-----	SPIN (Inc w/10)	1
8	-----	SKNOB (Inc w/10)	1
9	-----	SNUT (Inc w/10)	1
10	1567200	VALVE, Emergency Brake	1
10A	-----	† REPLACEMENT KIT (B.W. 281126)	1
11	626582	TEE, Emergency Brake	1
12	-----	SWITCH, Lo-Air (See Elect. System)	1
13	36F-1	SWIVEL	1
14	1564729	HOSE	1
15	25F-02	ELBOW	1
16	13F-08	PLUG	1
17	1582672	** VALVE, Foot Brake	1
18	17C-520	BOLT	6
19	13E-08	PLUG	1
20	59D-05	NUT	6
21	19F-05	BUSHING	1
22	1567162	HOSE	1
23	13F-08	PLUG	1
24	1550934	VALVE, Horn	1
25	873039	ELBOW	1
26	26F-02	ELBOW	1
27	1567154	HOSE	1
28	1567154	HOSE	1
29	17C-524	BOLT	1
30	593388	HORN (Inc 31)	1
31	-----	§ ADAPTER, Retainer (Inc w/30)	1
32	873039	ELBOW	1
33	59D-05	NUT	1
34	593650	HOSE	1
35	17C-548	BOLT	3
36	4E-05	LKWSHR.	3
37	873039	ELBOW	1
38	3215964	GOVERNOR	1
39	942646	ADAPTER	1
40	17C-514	BOLT	2
41	4E-05	LKWSHR.	2
42	19F-04	REDUCER	1
43	510452	ADAPTER	1
44	5K-409	NIPPLE	1
45	20F-16	TEE	1
46	593481	HOSE (For Serial: 224B-131 & After)	1
46A	36F-03	ADAPTER (For Serial: 224B-131 & After)	1
46B	1567158	† HOSE (For Serial: 224B-101 thru 130)	1
47	1585441	HOSE (For Serial: 224B-131 & After)	1
47A	1564726	† HOSE (For Serial: 224B-101 thru 130)	1
48	17C-532	BOLT	2
49	4E-05	LKWSHR.	2
50	540888	ADAPTER	1
51	875012	GASKET	1
52	1545186	CLAMP	2
53	1579527	HOSE	1
54	1585441	HOSE (For Serial: 224B-131 & After)	1

Item	Part No.	Description	Qty.
54A	1564726	† HOSE (For Serial: 224B-101 thru 130)	1
55	26F-02	ELBOW	1
56	1574308	* VALVE, Drain (B.W. 281924)	1
57	17F-02	TEE	1
58	17F-02	TEE	1
59	17C-620	BOLT	4
60	25E-18	WASHER	4
61	59D-05	NUT	4
62	5K-208	NIPPLE	1
63	26F-02	ELBOW	1
64	1505580	* VALVE, Drain (B.W. 281923)	1
65	711257	ADAPTER	1
66	1575039	TUBE	1
67	711257	ADAPTER	1
68	659924	TEE	1
69	593449	HOSE (For Serial: 224B-131 & After)	1
69A	36F-02	ADAPTER (For Serial: 224B-131 & After)	1
69B	1567155	† HOSE (For Serial: 224B-101 thru 130)	1
70	1575031	TUBE	1
71	1578619	TUBE	1
72	-----	POWER CLUSTER ASSY, Brake (Inc 72A, 72B) - See Index	1
72A	24K-06	† PLUG (Inc 72B)	1
72B	91F-04	† O-RING	1
73	26F-02	ELBOW	1
74	711257	ADAPTER	1
75	711257	ADAPTER	1
76	1575035	TUBE	1
77	659624	TEE	1
78	711257	ADAPTER	1
79	1575033	TUBE	1
80	711257	ADAPTER	1
81	1575037	TUBE	1
82	1567189	TANK ASSY (Inc 82A thru 87)	1
82A	1566422	TANK	1
83	1551321	GASKET	1
84	1011127	ADAPTER	1
85	4E-06	LKWSHR.	3
86	61D-06	NUT	3
87	1567182	* VALVE, Relay (B.W. 281863)	1
88	1550899	"U" BOLT	2
89	26F-03	ELBOW	1
90	425413	VALVE, Check	1
91	507815	VALVE, Safety	1
92	40K-02	PLUG	4
93	19F-03	ADAPTER	1
94	18F-03	TEE	1
95	5K-308	NIPPLE	1
96	527684	RESERVOIR	1
97	26F-02	ELBOW	1
98	59D-06	NUT	4
99	1551022	BRACKET	2
100	1567152	HOSE	1
101	36F-02	ADAPTER (For Serial: 224B-131 & After)	1
102	36F-02	ADAPTER (For Serial: 224B-131 & After)	1
103	1564730	HOSE	1
104	1567157	HOSE	1
105	31F-1	ADAPTER	1

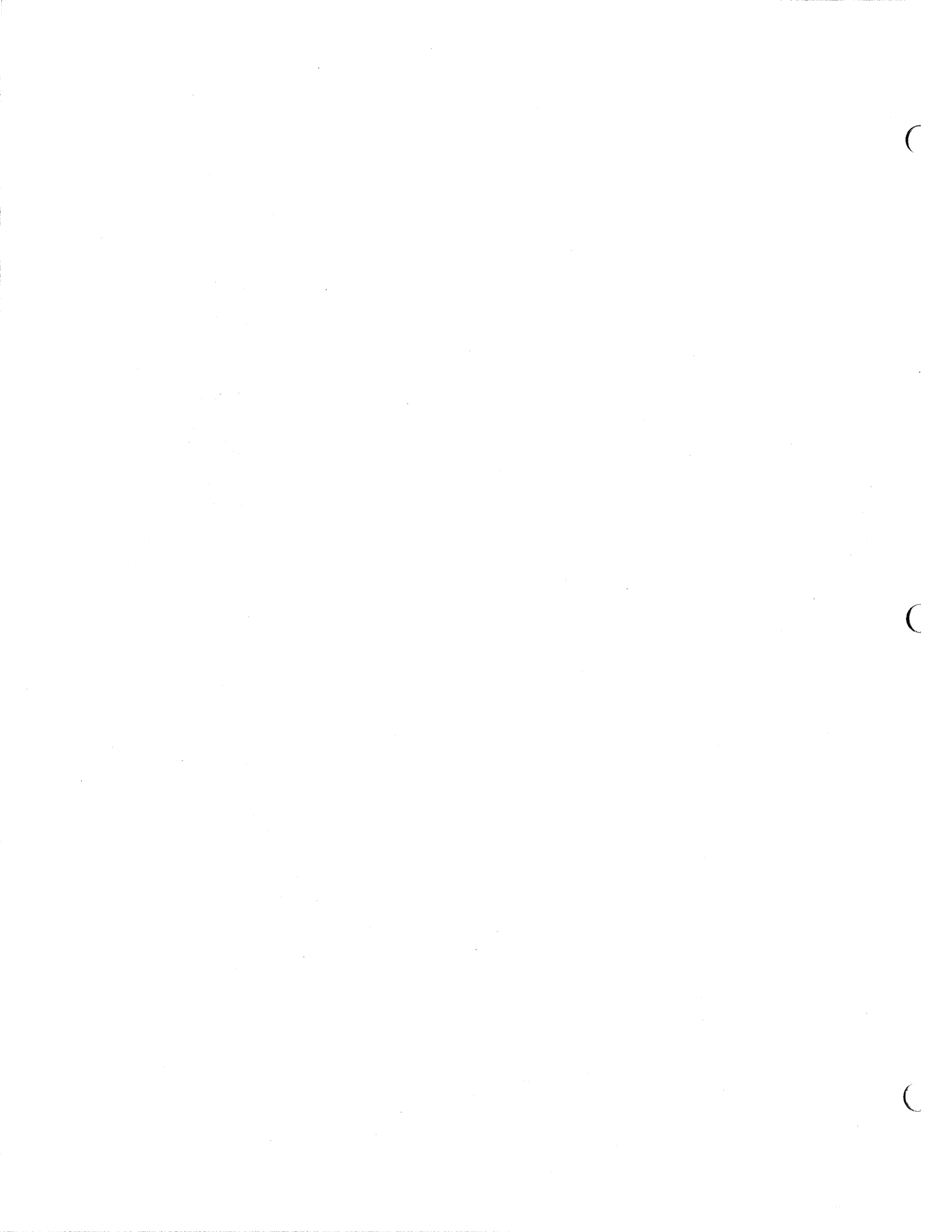
*NOTE: Your local authorized Bendix-Westinghouse is equipped to furnish components of these parts.

**NOTE: Use 962369 Repair Kit

† Not Illustrated

§ Not Sold Separately

WHEN ORDERING PARTS, ALWAYS STATE MODEL AND SERIAL NO. OF MACHINE

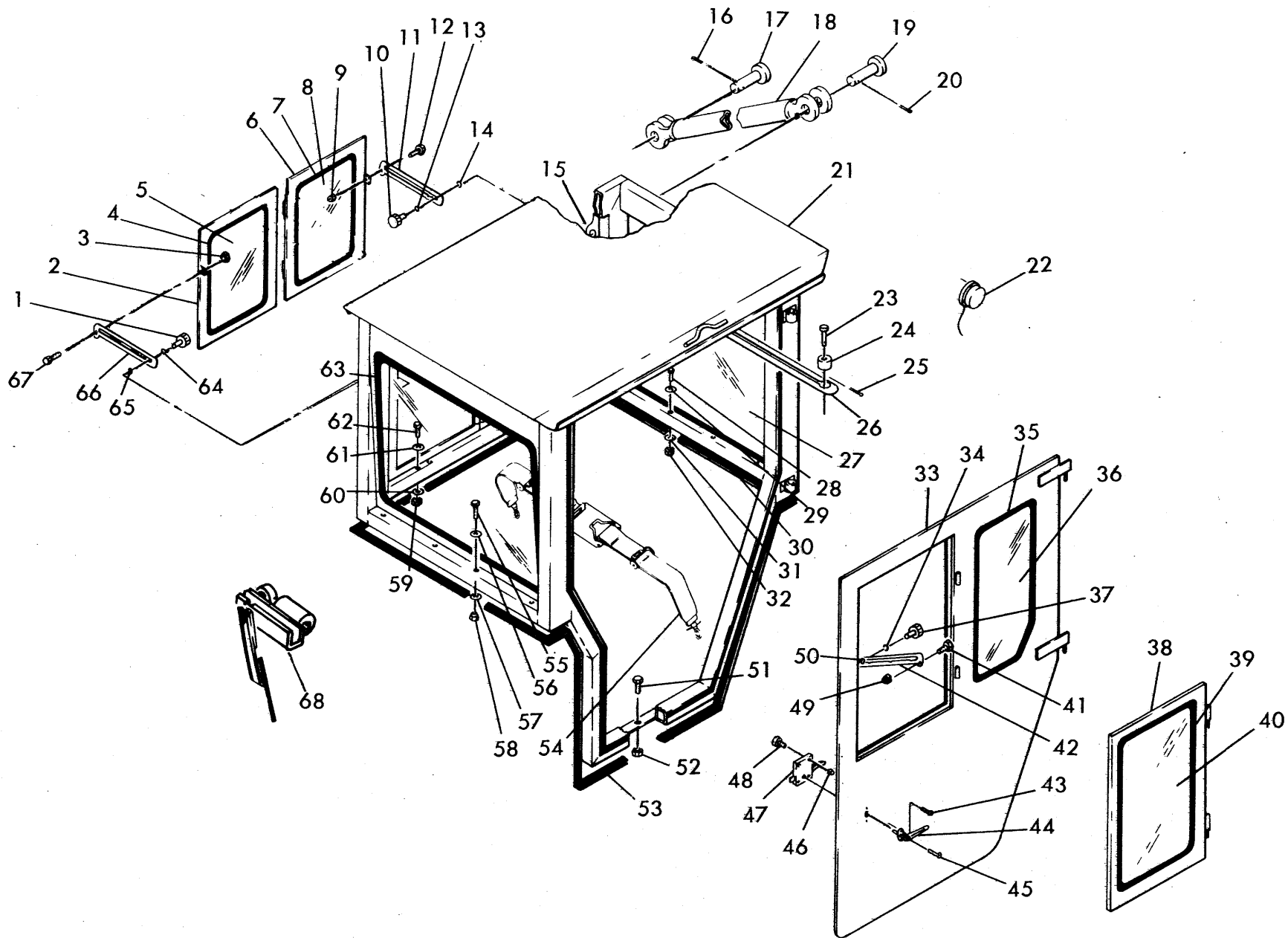


CLARK EQUIPMENT COMPANY

"C" GROUP

CONTENTS

Cab Assembly – Rollover	C3
Clip, Wiring, Pipe & Hose	C5
Converter Assembly	C7, C9
Cylinder Group:	
Cylinder Assembly – 5" Endgate Rolling Floor	C10
Cylinder Assembly – 5" Lift	C11
Cylinder Assembly – 5" Steering	C12
Cylinder Assembly – L.H. – 4" Suspension	C13
Cylinder Assembly – R.H. – 4" Suspension	C14



CAB ASSEMBLY - ROLLOVER

CLARK EQUIPMENT COMPANY

CAB ASSEMBLY – ROLLOVER

Item	Part No.	Description	Qty.
A	1575437	ROLLOVER CAB & BELT KIT (Inc 15 thru 21 & 54)	1
1	1573946	KNOB.	1
2	1573858	WINDOW FRAME.	1
3	59D-04	NUT.	1
4	569694	MOULDING.	7'
5	1573854	GLASS	1
6	1573856	WINDOW FRAME.	1
7	569694	MOULDING.	7'
8	1573854	GLASS	1
9	59D-04	NUT.	1
10	1573946	KNOB.	1
11	1573933	ARM, Window Adjuster	1
12	17C-412	BOLT	1
13	25E-18	WASHER.	1
14	25E-18	WASHER.	1
15	1574466	† BUSHING	1
16	1F-740	COTTER.	1
17	1564317	PIN.	1
18	1574948	SUPPORT ASSY.	1
19	1564317	PIN.	1
20	1F-740	COTTER.	1
21	1574918	ROLLOVER CAB ASSY (Inc 1 thru 15, 23 thru 53, 55 thru 68)	1
22	— — — —	LIGHT, Dome (See Options)	1
23	2F-6106	PIN.	1
24	1574262	BUSHING	1
25	1F-316	COTTER.	1
26	1574263	ADJUSTER, Door.	1
27	1573869	GLASS, Front & Rear	2
28	18C-880	BOLT	4
29	25E-21	WASHER.	4
30	569694	MOULDING.	9'
31	25E-21	WASHER.	4
32	60D-08	NUT.	4
33	1574849	DOOR.	1
33A	1577898	† SOUND REDUCTION PANEL	1
33B	1579045	† SOUND REDUCTION PANEL ADHESIVE	1
34	25E-18	WASHER.	1

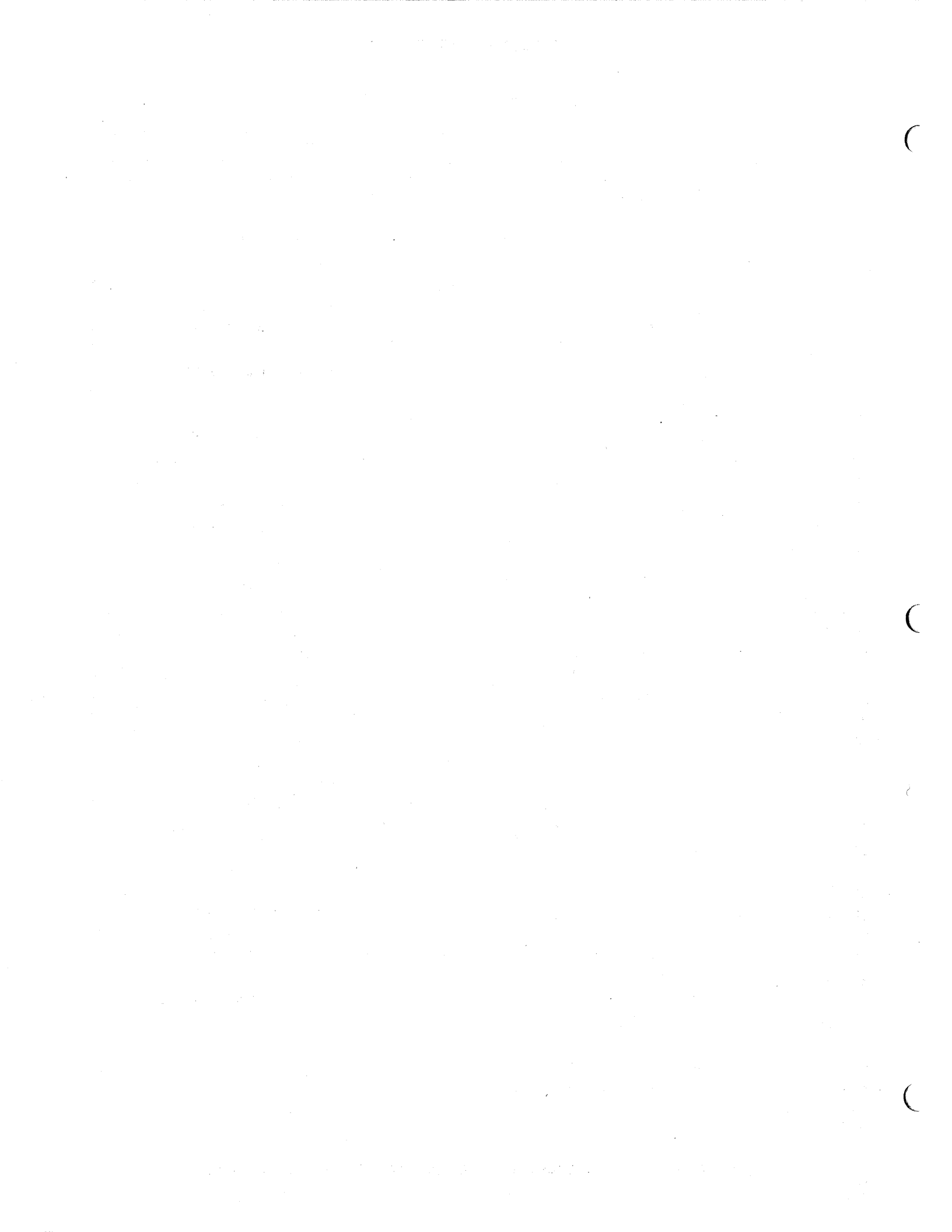
Item	Part No.	Description	Qty.
35	569694	MOULDING.	7'
36	1573877	GLASS	1
37	1573946	KNOB.	1
38	1573856	WINDOW FRAME.	1
39	569694	MOULDING.	7'
40	1573854	GLASS	1
41	17C-412	BOLT	1
42	1573933	ARM, Window Adjuster	1
43	32G-1010	SCREW.	1
44	1573917	HANDLE, Door (Inc 45)	1
45	— — — —	§ KEY.	2
46	50D-12	NUT.	4
47	1563297	LATCH AND HANDLE, Door.	1
48	85G-1216	SCREW.	4
49	59D-04	NUT.	1
50	25E-18	WASHER.	1
51	18C-1040	BOLT	5
52	60D-10	NUT.	5
53	1574927	MOULDING.	1
54	— — — —	SEAT BELT ASSY – (See Options)	1
55	18C-880	BOLT	4
56	25E-21	WASHER.	4
57	25E-21	WASHER.	4
58	60D-08	NUT.	4
59	60D-08	NUT.	6
60	25E-21	WASHER.	6
61	25E-21	WASHER.	6
62	18C-856	BOLT	6
63	569694	MOULDING, Front & Rear.	9'
64	25E-18	WASHER.	1
65	25E-18	WASHER.	1
66	1573933	ARM, Window Adjuster	1
67	17C-412	BOLT	1
68	— — — —	WIPER, MOTOR & BRACKET ASSY (See Index)	1
69	1577946	* † SOUND REDUCTION PANEL (Cab Top).	1
70	1577947	* † SOUND REDUCTION PANEL (Cab Top)	1

*NOTE: When ordering items 69 and 70 also order (29 each) –
1584033 Weld Studs and (29) each 2506715 Cap for installation.

† Not Illustrated

§ Not Sold Separately

WHEN ORDERING PARTS, ALWAYS STATE MODEL AND SERIAL NO. OF MACHINE

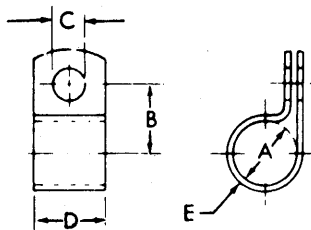


CLARK EQUIPMENT COMPANY

CLIP, WIRING, PIPE AND HOSE

The following types of clips are used in connection with the various wiring, fuel, air and hydraulic piping systems employed in this unit. When replacing clips identification can be made by checking type and physical dimensions listed to obtain part number.

CLOSED CLIP



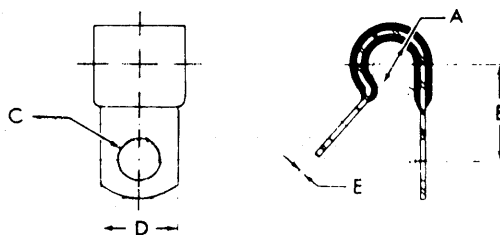
TS-5009-P

Item No.	PART NUMBER	A	B	C	D	E
1	6H-9	5/16	21/32	13/32	3/4	.032
2	6H-11	7/16	25/32	15/32	7/8	.032
3	6H-16	5/8	13/16	13/32	3/4	.048
4	6H-18	3/4	31/32	13/32	3/4	.060
5	6H-23	1 3/4	1 5/8	13/32	1	.060
6	6H-29	1/2	11/16	11/32	5/8	.048
7	6H-32	9/16	21/32	9/32	1/2	.048
8	6H-35	1 5/8	1 9/16	13/32	7/8	.060
9	6H-41	7/8	1 1/16	13/32	3/4	.060

CLIP, WIRING, PIPE AND HOSE

The following types of clips are used in connection with the various wiring, fuel, air and hydraulic piping systems employed in this unit. When replacing clips identification can be made by checking type and physical dimensions listed to obtain part number.

INSULATED CLIP

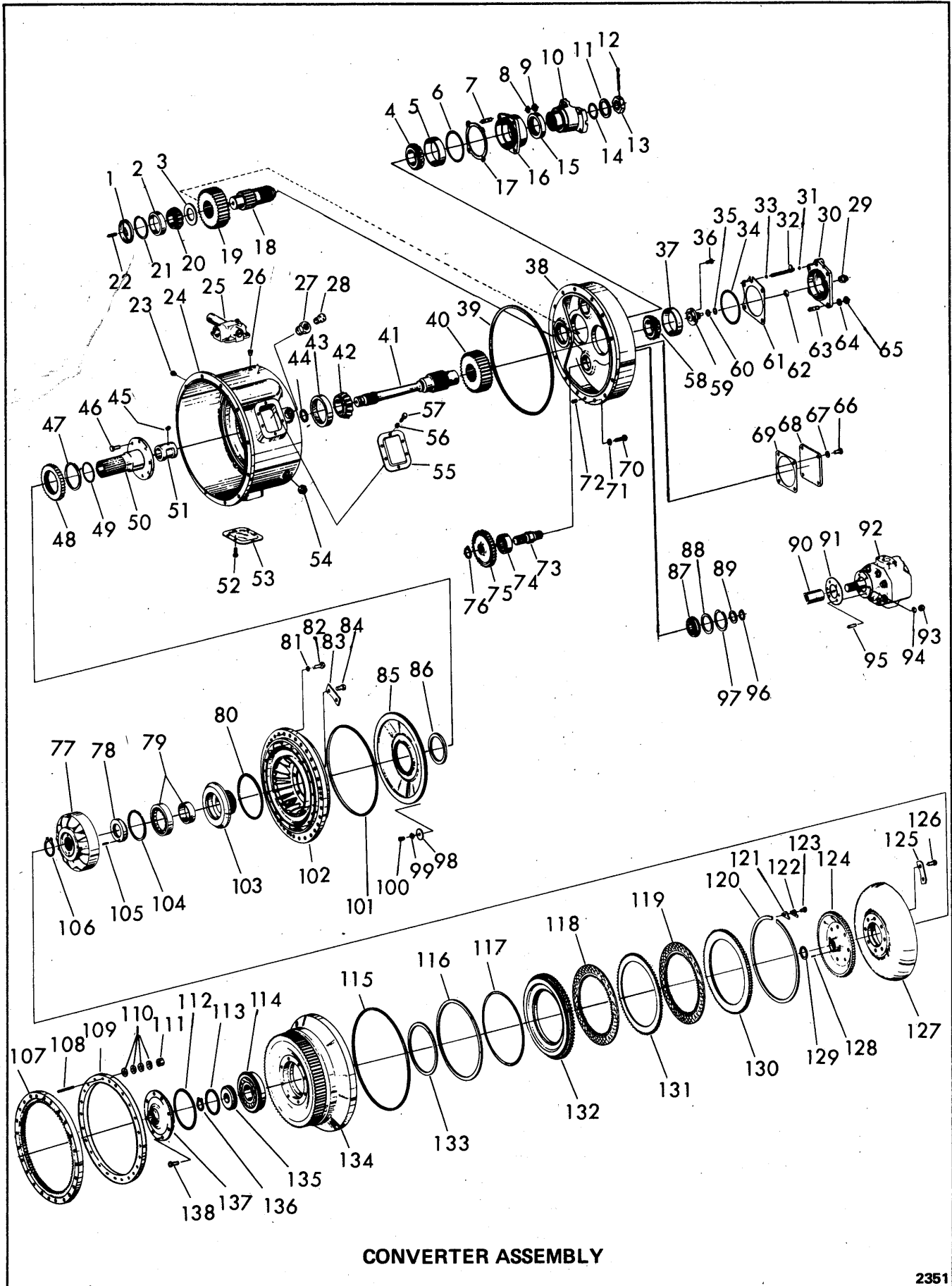


TS-5008-P

Item No.	PART NUMBER	A	B	C	D	E
1	30H-8	1/8	17/32	11/32	5/8	.025
2	30H-10	3/16	1/2	9/32	1/2	.032
3	30H-14	1/4	17/32	9/32	1/2	.032
4	30H-20	5/16	11/16	13/32	3/4	.036
5	30H-26	7/16	11/16	11/32	5/8	.048
6	30H-38	5/8	27/32	13/32	3/4	.050
7	30H-46	13/16	15/16	13/32	3/4	.048

WHEN ORDERING PARTS, ALWAYS STATE MODEL AND SERIAL NO. OF MACHINE

CLARK EQUIPMENT COMPANY



CONVERTER ASSEMBLY

2351

CLARK EQUIPMENT COMPANY

CONVERTER ASSEMBLY

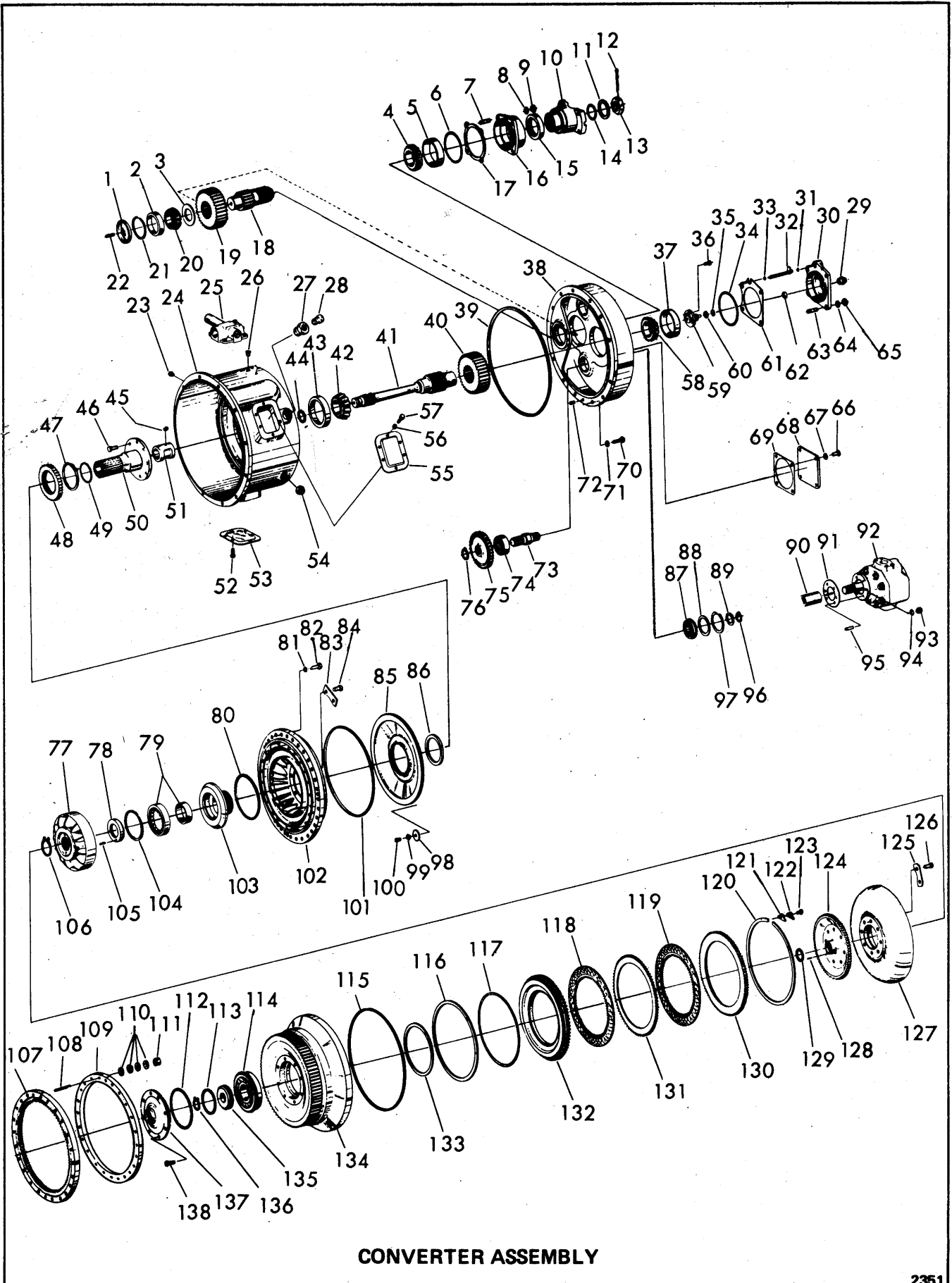
Item	Part No.	Description	Qty.	Item	Part No.	Description	Qty.
A	285468	CONVERTER ASSY (CL 8502-12) (Inc 1 thru 107, 113 thru 139)	1	33	25K-30012	O-RING	1
1	222027	BAFFLE, Oil	1	34	25K-40424	O-RING, Bearing Cap	1
2	675543	CUP, Front Bearing	1	35	209791	RING, Piston	1
3	218738	SPACER, Front Bearing	1	36	4C-612	SCREW, Adapter to Shaft	3
4	710791	CONE, Rear Bearing	1	37	710790	CUP, Bearing	1
5	710790	CUP, Rear Bearing	1	38	227064	COVER, Rear Housing	1
6	25K-40420	O-RING, Bearing Cap	1	39	218779	O-RING	1
7	204347	STUD, Bearing Cap	4	40	218729	GEAR, Turbine Shaft	1
8	4E-08	LKWSHR, Bearing Cap Stud	4	41	218731	SHAFT, Turbine	1
9	8D-08	NUT, Bearing Cap Stud	4	42	226027	CONE, Bearing	1
10	217475	FLANGE	1	43	226026	CUP, Bearing	1
11	222181	WASHER, Flange	1	44	223570	RING, Piston	1
12	1F-632	COTTER	1	45	10J-08	BALL	1
13	201262	NUT	1	46	8C-820	BOLT, Sleeve to Housing	8
14	25K-60204	O-RING	1	47	224009	RING, Retaining	1
15	225763	SEAL	1	48	233715	GEAR, Drive	1
16	218791	CAP, Bearing	1	49	209673	RING, Piston	1
17	218742	‡SHIM	—	50	218723	STATOR, Converter (Inc 45 & 51)	1
17A	218743	‡SHIM	—	51	218725	SLEEVE, Oil Distributor	1
17B	218744	‡SHIM	—	52	208261	SCREW & LKWSHR	4
18	218733	SHAFT, Output	1	53	201398	COVER, Inspection	2
19	218728	GEAR, Output	1	54	10F-20	PLUG, Drain	4
20	731283	CONE, Front Bearing	1	55	201398	COVER, Inspection	1
21	223900	RING, Retaining	1	56	— — —	LKWSHR (Inc w/57)	2
22	222031	TUBE, Oil	1	57	208261	SCREW & LKWSHR	2
23	40K-02	PLUG	1	58	710791	CONE, Bearing	1
24	231592	HOUSING, Converter	1	59	218861	ADAPTER, Lock-Up	1
25	— — —	VALVE, Pressure Regulating — See Index	1	60	209791	RING, Piston	1
26	40K-04	PLUG	1	61	218739	‡SHIM, Bearing Cap	—
27	19F-16	BUSHING	1	61A	218740	‡SHIM, Bearing Cap	—
28	227265	CHECK VALVE, Breather Assy	1	61B	218741	‡SHIM, Bearing Cap	—
29	202459	NUT, Tube	1	62	226056	SEAL	1
30	218734	CAP, Bearing	1	63	204347	STUD, Bearing Cap	4
31	25K-30012	O-RING	1	64	4E-08	LKWSHR	4
32	218737	TUBE, Lube	1	65	8D-08	NUT	4
				66	1C-814	BOLT, Pump Cover	4
				67	4E-08	LKWSHR	4

† Not Illustrated

‡ As Required

WHEN ORDERING PARTS, ALWAYS STATE MODEL AND SERIAL NO. OF MACHINE

CLARK EQUIPMENT COMPANY



CONVERTER ASSEMBLY

2351

CLARK EQUIPMENT COMPANY

CONVERTER ASSEMBLY (Continued)

Item	Part No.	Description	Qty.
68	216355	COVER, Pump	1
69	552161	GASKET, Pump Cover	1
70	1C-722	BOLT	12
71	4E-07	LKWSHR	12
72	214295	DOWEL	1
73	216095	SHAFT, Pump Drive	3
74	225385	BEARING, Pump Shaft Front	3
75	237167	GEAR, Driven	3
76	224036	RING, Retaining	3
77	218859	MEMBER, Reaction	1
78	218782	SPACER, Reaction Member	1
79	225778	BEARING, Impeller Hub	1
80	60K-40700	O-RING	1
81	4E-06	LKWSHR	30
82	1C-622	BOLT	30
83	222019	LOCK PLATE	4
84	222221	SCREW	8
85	218721	BAFFLE, Oil	1
86	235593	SEAL	1
87	226025	BEARING, Pump Shaft Rear	3
88	222038	WASHER, Outer	3
89	100838	WASHER, Inner	3
90	221992	SLEEVE, Pump Drive	1
91	235961	GASKET, Pump	1
92	237231	PUMP, Charging	1
93	8D-06	NUT	3
94	4E-06	LKWSHR	3
95	203253	STUD	3
96	224039	RING, Retaining - Bearing Washer	3
97	223961	RING, Retaining - Bearing Washer	3
98	616786	WASHER	3
99	5E-06	LKWSHR	3
100	1C-612	BOLT	3
101	218777	O-RING	1
102	222265	IMPELLER	1
103	222266	HUB, Impeller	1
104	223988	RING, Retaining	1
105	302602	ROLL PIN, Reaction Member Spacer	1

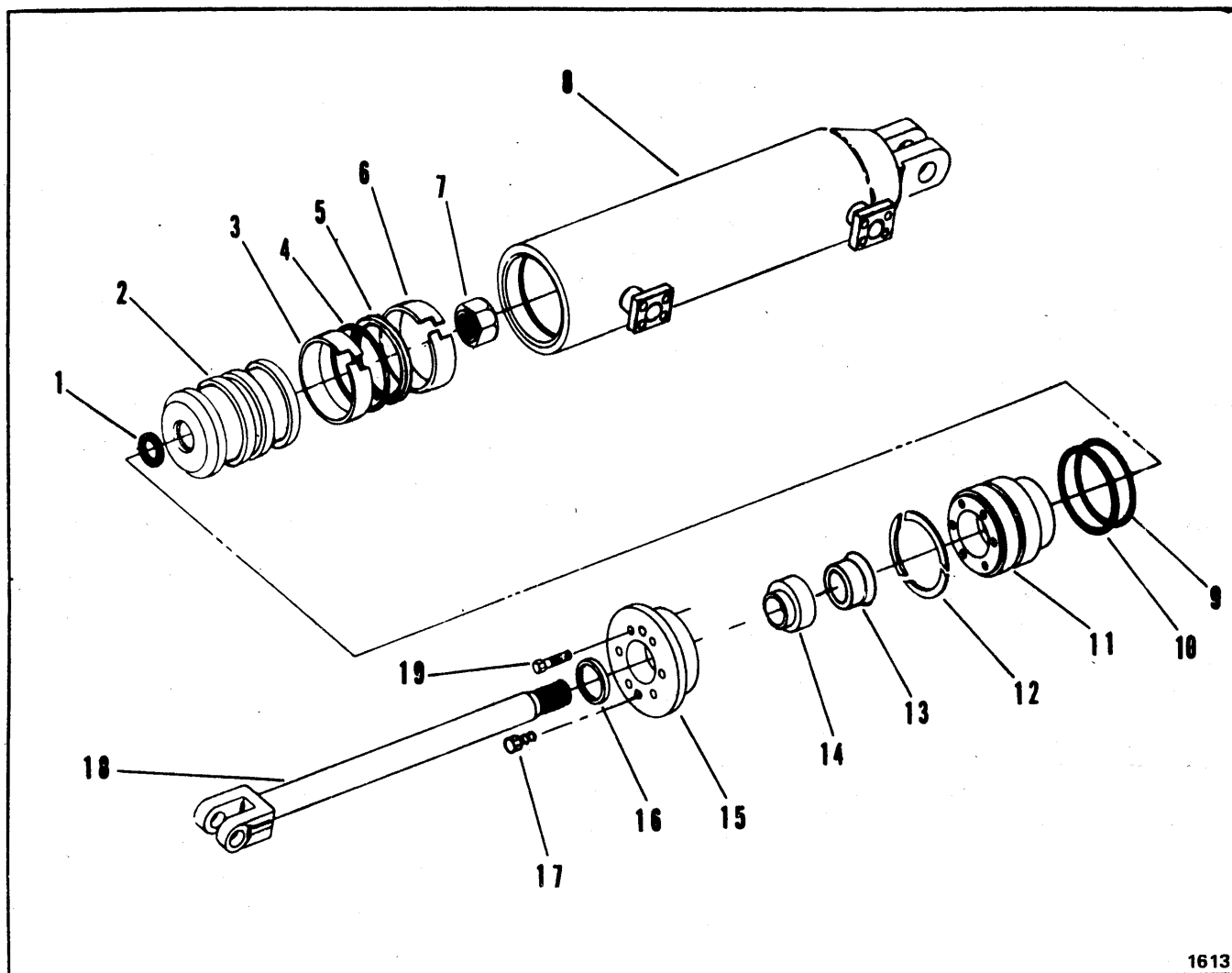
Item	Part No.	Description	Qty.
106	711161	RING, Retaining	1
107	226595	RING, Gear	1
108	235050	STUD	24
109	230594	PLATE, Backing	1
110	228987	WASHER (Bellville)	96
111	60D-06	NUT	24
112	60K-40608	O-RING	1
113	236986	RING, Piston	1
113A	236987	†SPRING, Piston Ring Expander	1
114	225781	BEARING	1
115	218778	O-RING	1
116	232166	RING, Outer Piston	1
117	232167	O-RING, Piston	1
118	218715	DISC, Lock-Up Inner	1
119	218715	DISC, Lock-Up Inner	1
120	218722	RING, Retaining - Backing Plate	1
121	218749	LOCK PLATE, Retaining Ring	1
122	218750	LOCK PLATE	1
123	1C-510	BOLT	1
124	218719	HUB, Turbine & Lock-Up	1
125	222008	LOCK PLATE	4
126	222223	SCREW	8
127	222263	TURBINE	1
128	221478	DOWEL	2
129	223866	RING, Retaining	1
130	218716	PLATE, Lock - Up Backing	1
131	218714	DISC, Lock-Up Outer	1
132	218713	PISTON, Lock-Up	1
133	216615	RING, Piston - Inner	1
134	218757	COVER, Impeller	1
135	218855	RETAINER, Bearing	1
136	663834	RING, Retaining	1
137	218717	CAP, Impeller Cover Bearing	1
138	8C-716	BOLT	8
139	221391	†NAMEPLATE	1
140	207873	†DRIVE SCREW, Nameplate	2

† Not Illustrated

‡ As Required

WHEN ORDERING PARTS, ALWAYS STATE MODEL AND SERIAL NO. OF MACHINE

CLARK EQUIPMENT COMPANY



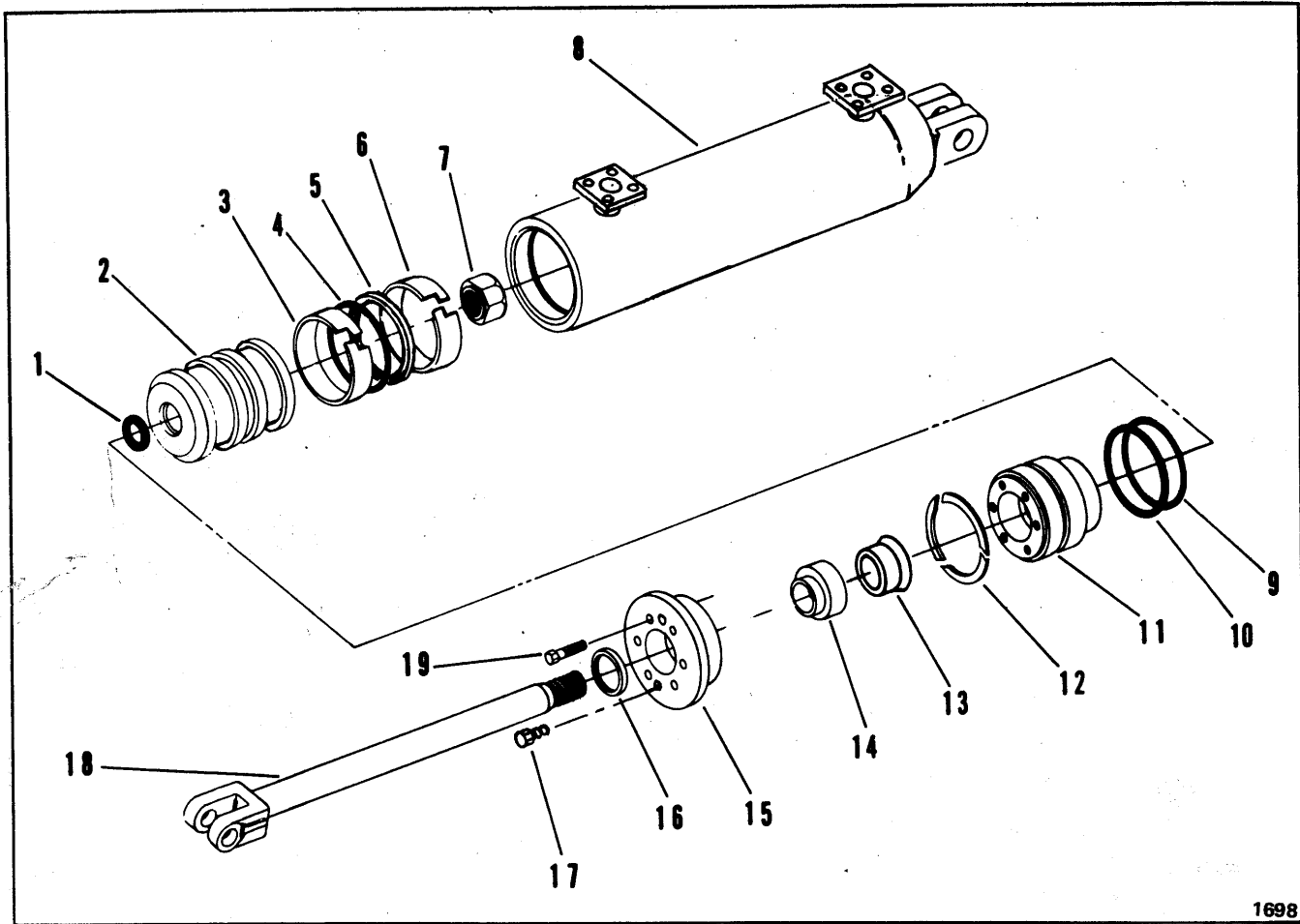
CYLINDER ASSEMBLY – 5" ENDGATE AND ROLLING FLOOR

Item	Part No.	Description	Qty.
A	1574819	CYLINDER ASSY (Inc. 1 thru 19)	2
B	1575780	REPAIR KIT (Inc. 1, 3, 4, 5, 6, 9, 10, 12, 13, 14 & 16)	—
NOTE: Two (2) Cylinder Assy's required per machine – Quantities listed below are for one (1) Cylinder Assembly only.			
1	25K-40108	O-RING	1
2	1574699	PISTON	1
3	1536234	RING, Wear	1
4	1503465	RING, Inner	1
5	1536235	RING, Outer	1
6	1536234	RING, Wear	1

Item	Part No.	Description	Qty.
7	1576230	LOCKNUT	1
8	1574706	BARREL, Cylinder	1
9	25K-40424	O-RING	1
10	73K-248	RING	1
11	1574698	HEAD	1
12	1574700	RETAINER	3
13	1569547	MONOSEAL	1
14	1574697	BUSHING	1
15	1574701	GLAND	1
16	1574802	WIPER	1
17	17C-812	BOLT, Puller	2
18	1574738	ROD, Cylinder	1
19	21C-824	BOLT	6

WHEN ORDERING PARTS, ALWAYS STATE MODEL AND SERIAL NO. OF MACHINE

CLARK EQUIPMENT COMPANY



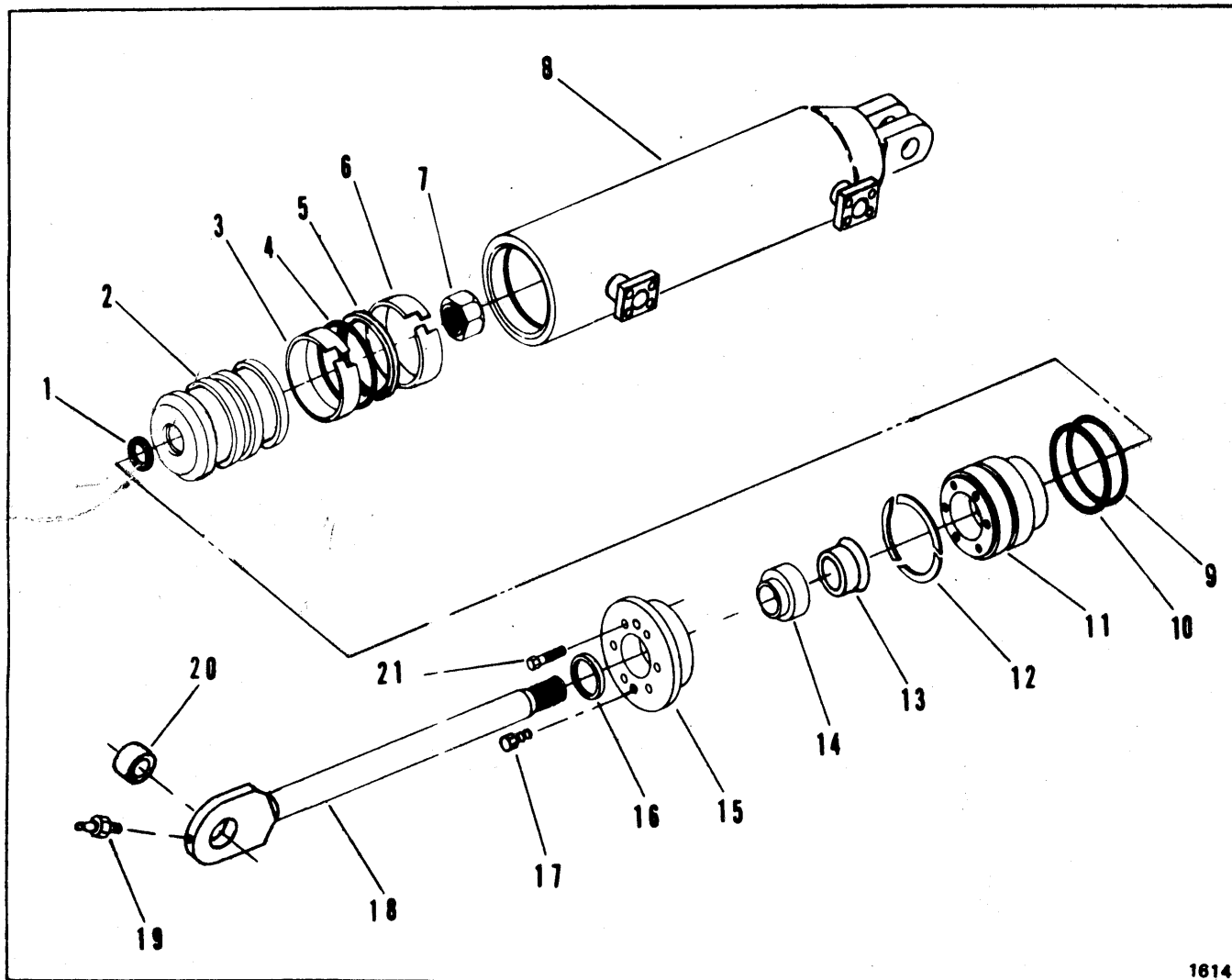
1698

CYLINDER ASSEMBLY – 5" LIFT

Item	Part No.	Description	Qty.
A	1574736	*HYDRAULIC CYLINDER ASSY – 5" (Inc 1 thru 19)	2
B	1575780	REPAIR KIT (Inc 1, 3, 4, 5, 6, 9, 10, 12, 13, 14 & 16)	—
NOTE: Two (2) Cylinder Assemblies required per machine – Quantities listed below are for one (1) Cylinder Assembly.			
1	25K-40108	"O" RING	1
2	1574699	PISTON	1
3	1536234	RING, Wear	1
4	1503465	RING, Inner	1
5	1536235	RING, Outer	1
6	1536234	RING, Wear	1
7	1576230	LOCKNUT	1
8	1574737	BARREL, Cylinder	1
9	25K-40424	"O" RING	1
10	73K-248	RING	1
11	1574698	HEAD	1
12	1574700	RETAINER	3
13	1569547	MONOSEAL	1
14	1574697	BUSHING	1
15	1574701	GLAND	1
16	1574802	WIPER	1
17	17C-812	BOLT, Puller	2
18	1574738	ROD, Cylinder	1
19	21C-824	BOLT	6

WHEN ORDERING PARTS, ALWAYS STATE MODEL AND SERIAL NO. OF MACHINE

CLARK EQUIPMENT COMPANY



1614

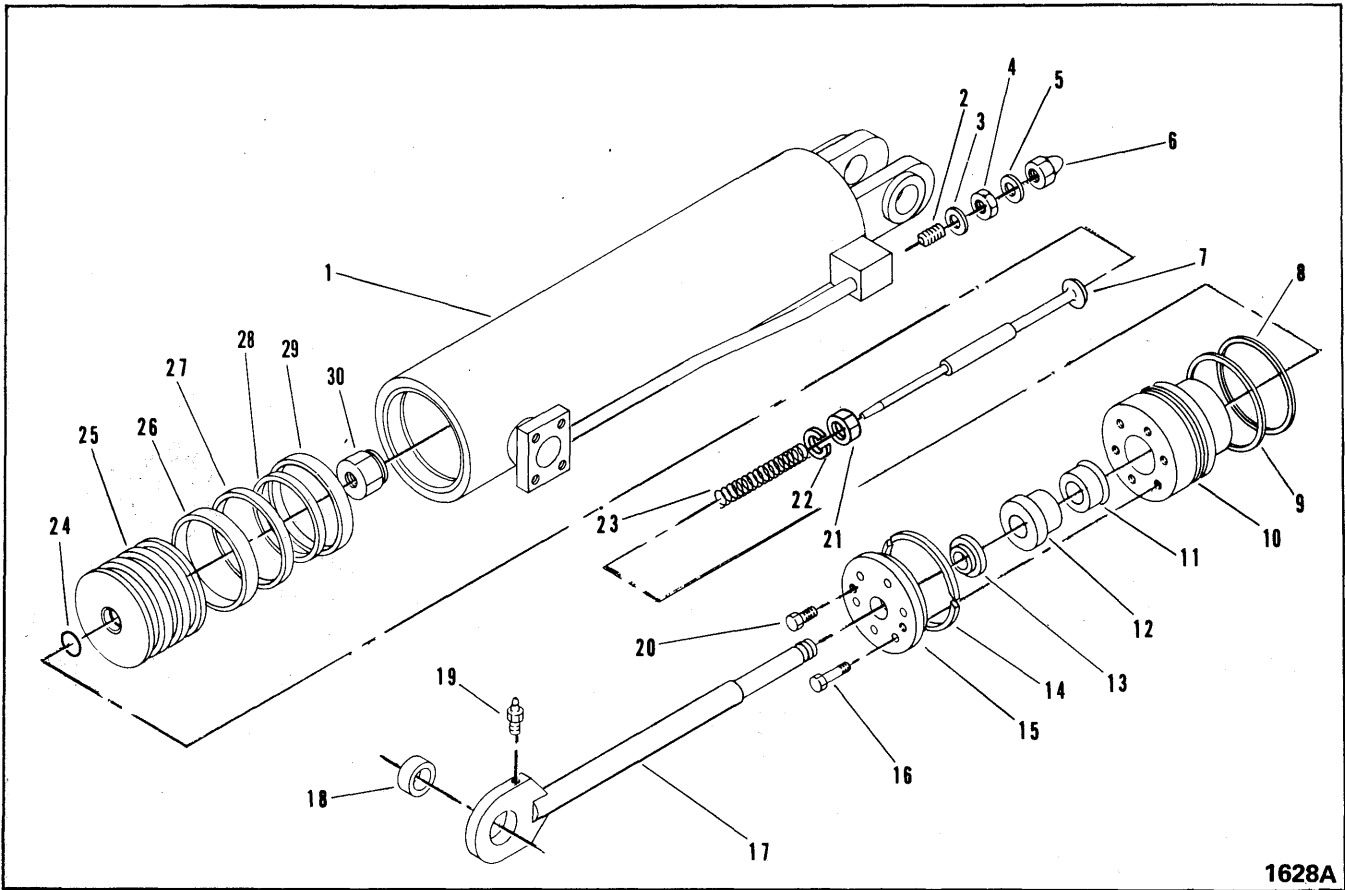
CYLINDER ASSEMBLY – 5" STEERING

Item	Part No.	Description	Qty.
A	1582308	CYLINDER ASSY (Inc. 1 thru 21)	2
B	1575780	REPAIR KIT (Inc. 1, 3, 4, 5, 6, 9, 10, 12, 13, 14 & 16)	—
NOTE: Two (2) Cylinder Assy's required per machine — Quantities listed below are for one (1) Cylinder Assembly only.			
1	25K-40108	O-RING	1
2	1574699	PISTON, Cylinder	1
3	1536234	RING, Wear	1
4	1503465	RING, Inner	1
5	1536235	RING, Outer	1
6	1536234	RING, Wear	1
7	1576230	LOCKNUT	1

Item	Part No.	Description	Qty.
8	1574706	BARREL, Cylinder	1
9	25K-40424	O-RING	1
10	73K-248	RING	1
11	1574698	HEAD	1
12	1574700	RETAINER	3
13	1569547	MONOSEAL	1
14	1574697	BUSHING	1
15	1574701	GLAND	1
16	1574802	WIPER	1
17	17C-812	BOLT, Puller	2
18	1582305	ROD, Cylinder (Inc. 20)	1
19	10H-25	FITTING, Grease	1
20	1564670	BUSHING	1
21	21C-824	BOLT	6

WHEN ORDERING PARTS, ALWAYS STATE MODEL AND SERIAL NO. OF MACHINE

CLARK EQUIPMENT COMPANY



1628A

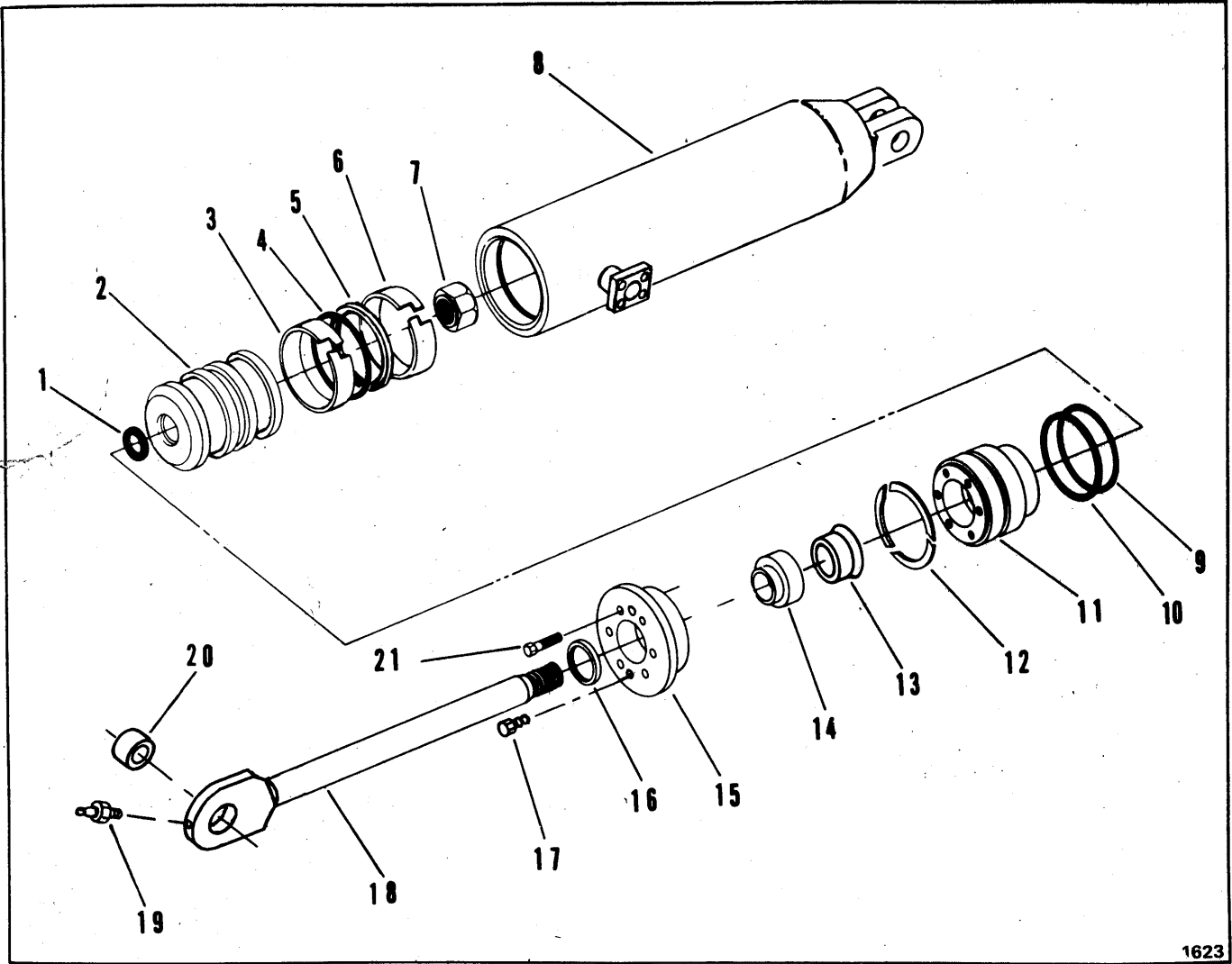
CYLINDER ASSEMBLY – L.H. – 4" SUSPENSION

Item	Part No.	Description	Qty.
A	1585126	CYLINDER ASSY (Inc 1 thru 30)	1
B	1577635	REPAIR KIT (Inc 8, 9, 11, 12, 13, 14, 24, 26, 27, 28, 29)	1
1	1576930	BARREL ASSY	1
2	1576688	SCREW, Set	1
3	954323	WASHER	1
4	8D-08	NUT, Jam	1
5	954323	WASHER	1
6	49D-08	NUT, Acorn	1
7	1572915	PLUNGER	1
8	25K-40324	O-RING	1
9	743816	RING, Back-Up	1
10	1575021	CAP, Cylinder	1
11	1569520	MONOSEAL	1
12	1575023	BUSHING	1
13	1564612	WIPER, Rod	1

Item	Part No.	Description	Qty.
14	1575024	RETAINER	3
15	1575025	FLANGE	1
16	33C-520	BOLT	6
17	1585712	ROD ASSY (Inc 18)	1
18	1574466	BUSHING	1
19	10H-25	FITTING, Grease	1
20	21C-512	BOLT, Puller	2
21	1578686	CAP	1
22	1525908	WASHER	1
23	1577936	SPRING	1
24	25K-40104	O-RING	1
25	1575027	PISTON	1
26	1503012	RING, Wear	1
27	1503018	RING, Outer	1
28	1503463	RING, Inner	1
29	1503012	RING, Wear	1
30	66D-18	NUT	1

WHEN ORDERING PARTS, ALWAYS STATE MODEL AND SERIAL NO. OF MACHINE

CLARK EQUIPMENT COMPANY



1623

CYLINDER ASSEMBLY – R. H. – 4" SUSPENSION

Item	Part No.	Description	Qty.
A	1585125	CYLINDER ASSY (Inc 1 thru 21)	1
B	1577635	REPAIR KIT (Inc 1, 4, 5, 6, 9, 10, 12, 13, 14 & 16)	—
1	25K-40104	O-RING	1
2	1575027	PISTON	1
3	1503012	RING, Wear	1
4	1503018	RING, Outer	1
5	1503463	RING, Inner	1
6	1503012	RING, Wear	1
7	1576229	LOCKNUT	1
8	1575514	BARREL, Cylinder	1
9	25K-40324	O-RING	1

Item	Part No.	Description	Qty.
10	743816	RING, Back-Up	1
11	1575021	HEAD	1
12	1575024	RETAINER	3
13	1569520	MONOSEAL	1
14	1575023	BUSHING	1
15	1575025	FLANGE	1
16	1564612	WIPER, Rod	1
17	17C-512	BOLT, Puller	2
18	1585714	ROD ASSY (Inc 20)	1
19	10H-25	FITTING, Grease	1
20	1574466	BUSHING	1
21	21C-520	BOLT	6

WHEN ORDERING PARTS, ALWAYS STATE MODEL AND SERIAL NO. OF MACHINE

CLARK EQUIPMENT COMPANY

"E" GROUP CONTENTS

Electrical Group:

Electrical Switches & Instrument Panel – Front	E3
Electrical Switches & Instrument Panel – Rear	E5
Electrical System.	E7
Electrical Schematic.	E6A
Electrical Alarm, Back-Up.	E7A

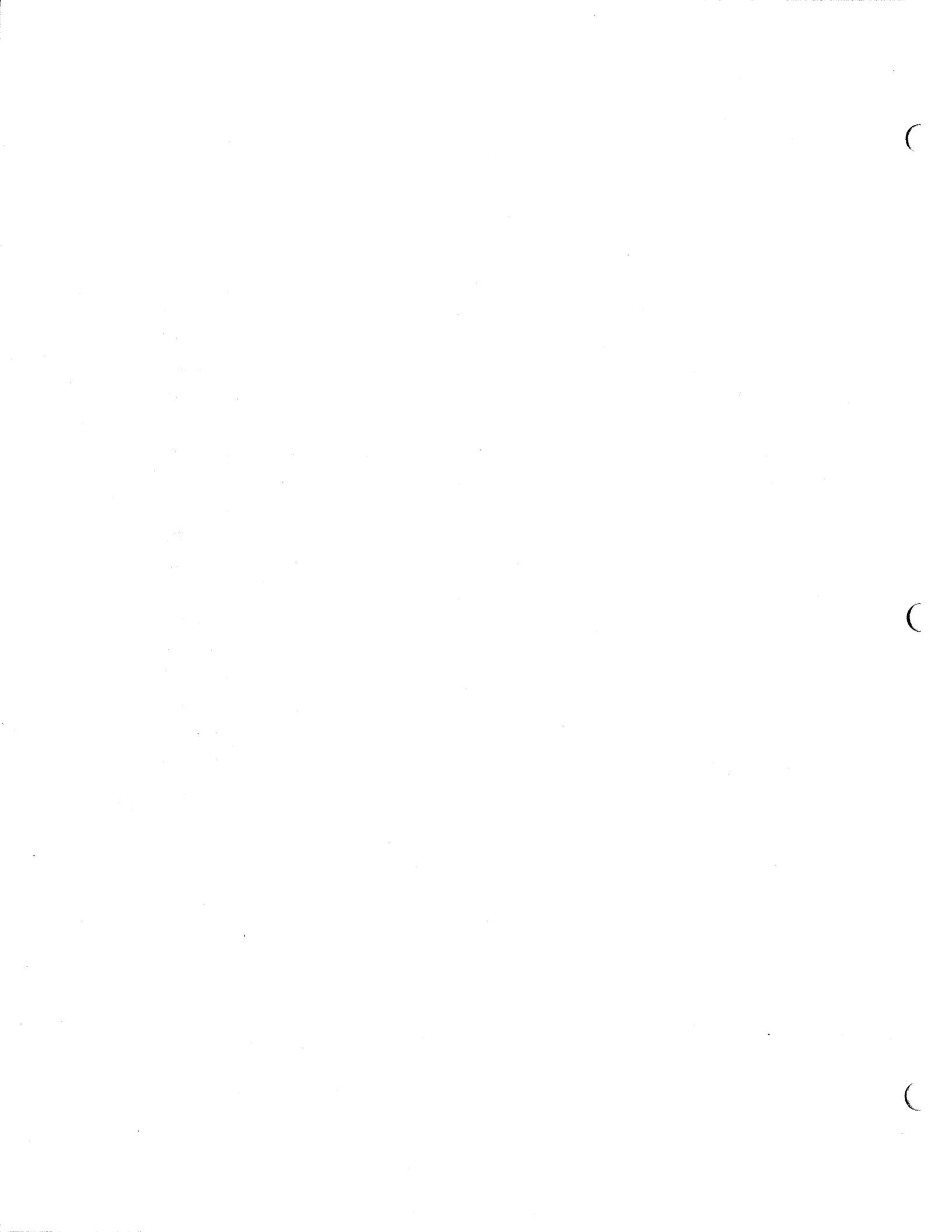
Elevator Group:

Elevator Assembly	E9
Elevator Chain	E10
Elevator Control	E13
Elevator Hydraulic Motor	E15

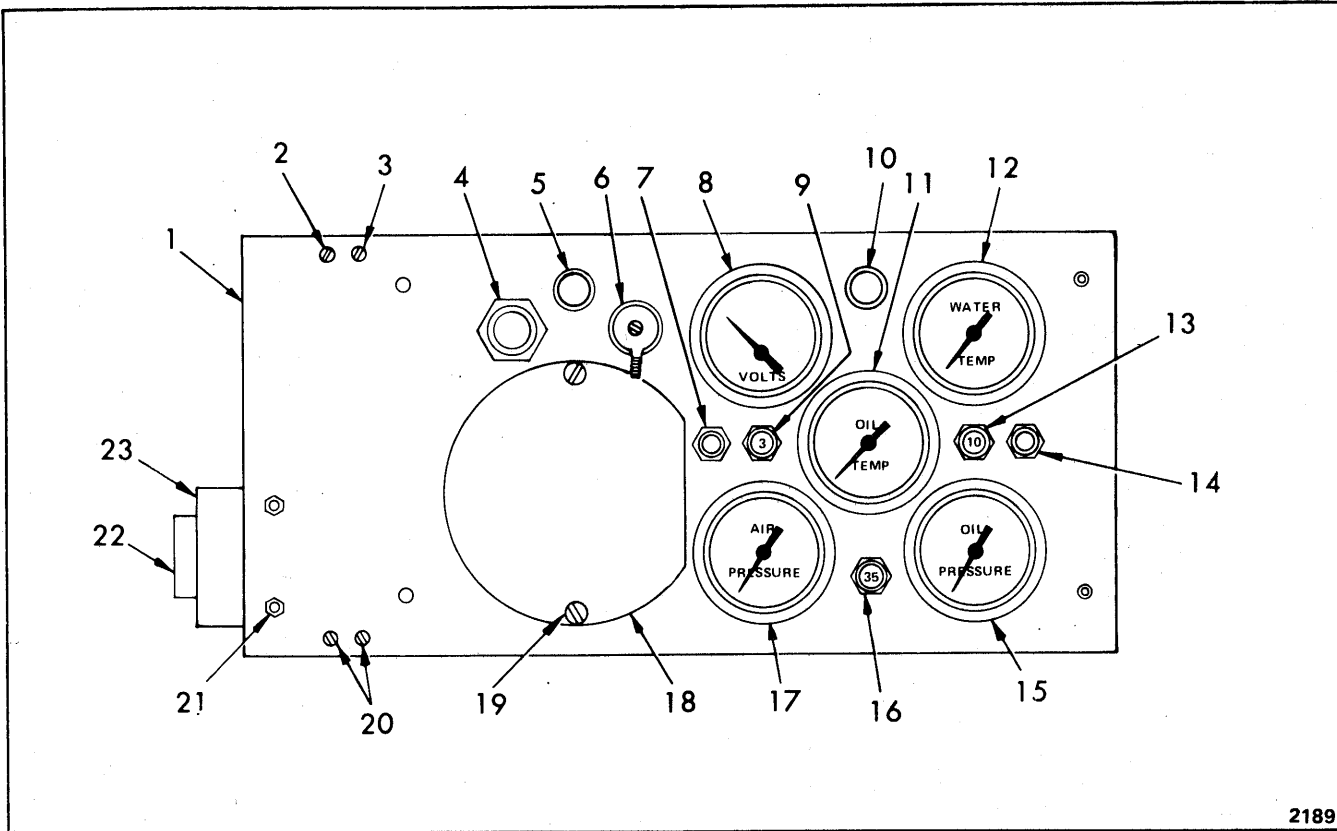
Endgate and Stabilizer Group	E17
--	-----

Engine Group:

Engine Air Cleaner.	E19
Engine Air Cleaner and Connections	E21
Engine and Accessories.	E22
Engine Controls	E23
Engine Exhaust Pipe, Muffler and Connections	E24
Emergency Kill & Normal Kill Cables	E25



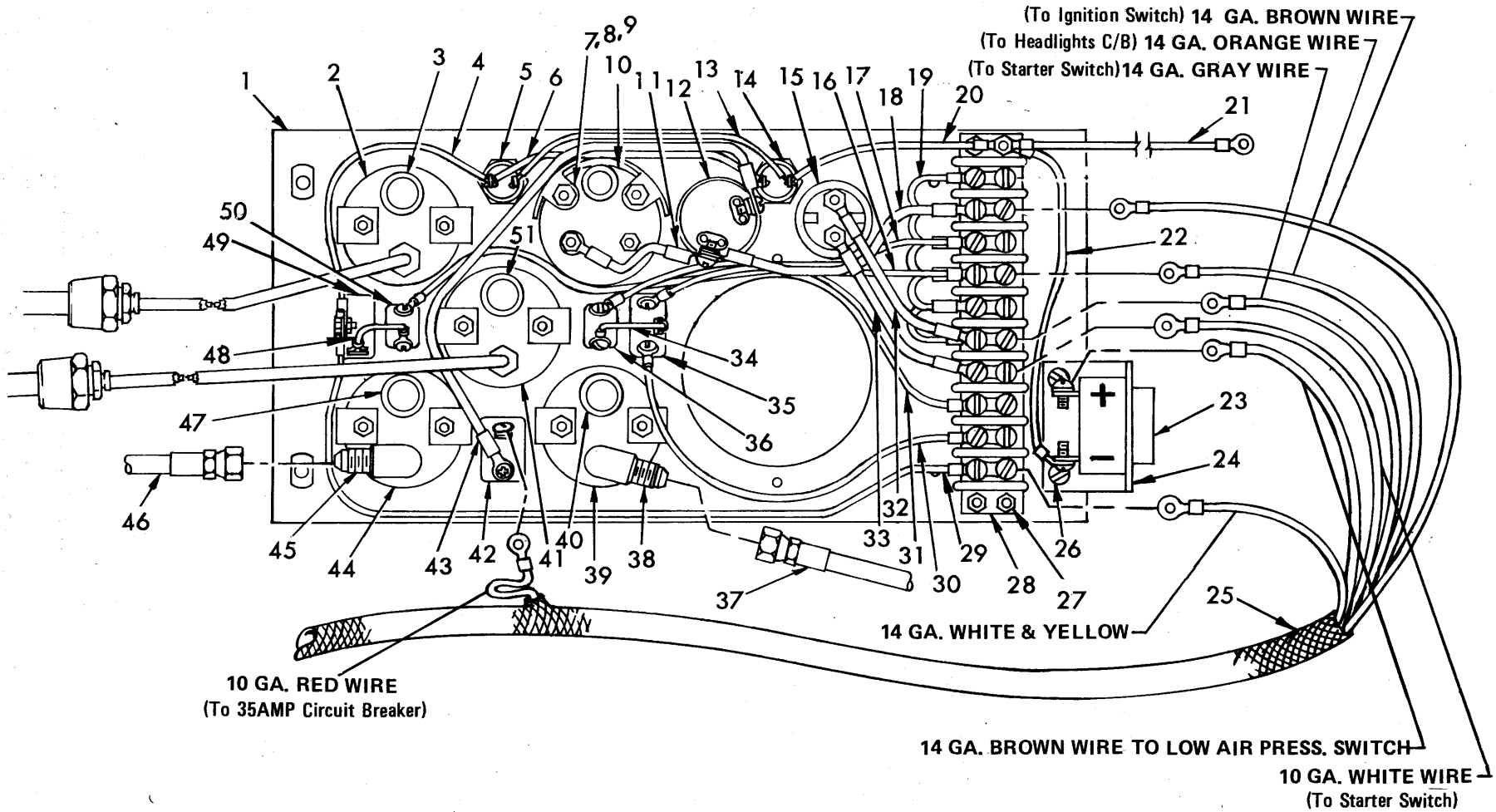
CLARK EQUIPMENT COMPANY



INSTRUMENT PANEL (FRONT)

Item	Part No.	Description	Qty.
A	1584274	INSTRUMENT PANEL ASSY (Inc. Front and Rear)	1
1	1584229	PANEL	1
2	41G-816	SCREW	1
3	41G-812	SCREW	1
4	600259	SWITCH, Starter	1
5	1583984	LIGHT, Instrument Panel	1
6	1576774	SWITCH, Ignition	1
7	1579913	SWITCH, Wiper	1
8	1534305	VOLTMETER	1
9	949743	CIRCUIT BREAKER, 3 AMP - Wiper	1
10	1583984	LIGHT, Instrument Panel	1
11	1584254	GAUGE, Converter Oil Temp.	1
12	1564927	GAUGE, Water Temp.	1
13	1513548	CIRCUIT BREAKER, 10 AMP - Headlights	1
14	1579912	SWITCH, Light	1
15	955249	GAGE, Engine Oil Pressure	1
16	2503216	CIRCUIT BREAKER, 35 AMP - Ignition Switch	1
17	1569676	GAUGE, Brake Air Pressure	1
18	1543286	COVER	1
19	18G-804	SCREW	2
20	41G-812	SCREW	2
21	50D-8	NUT	2
22	---	ALARM, Low Air Pressure (See Electrical System)	1
23	1584249	BRACKET	1

WHEN ORDERING PARTS, ALWAYS STATE MODEL AND SERIAL NO. OF MACHINE



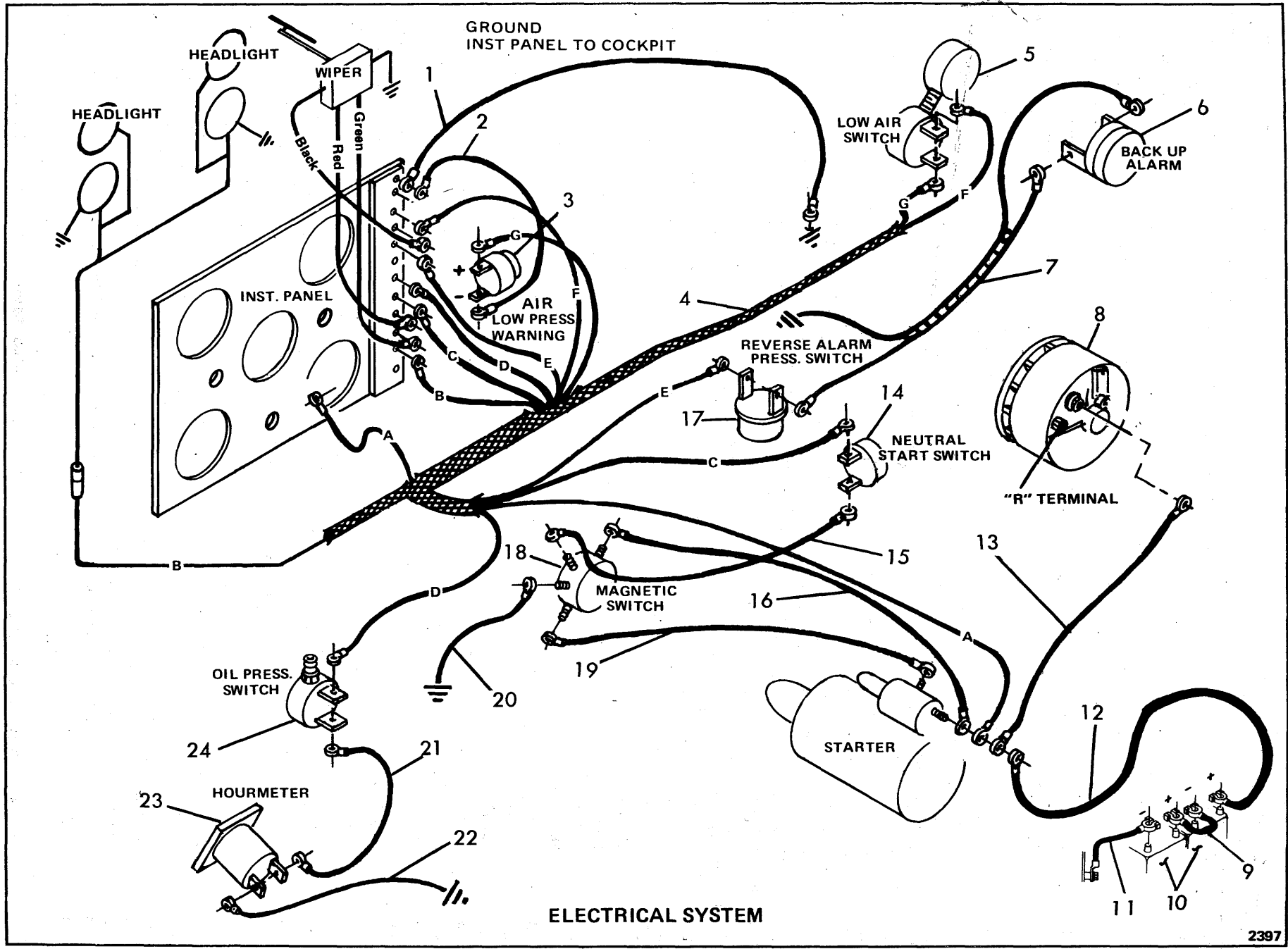
INSTRUMENT PANEL - REAR

CLARK EQUIPMENT COMPANY

INSTRUMENT PANEL (REAR)

Item	Part No.	Description	Qty.
A	1584274	INSTRUMENT PANEL ASSY (Inc. 1 thru 24, 26 thru 36, 38 thru 45, 47 thru 51)	1
1	1584229	PANEL, Instrument	1
2	-----	GAUGE, Water Temp. See Front Panel	1
3	1584256	PLUG	1
4	1584235	WIRE ASSY	1
5	-----	LIGHT, Instrument Panel See Front Panel	1
6	1584234	WIRE	1
7	1534136	CLAMP	1
8	12E-10	LKWSHR	2
9	14D-10	NUT	2
10	-----	VOLTMETER See Front Panel	1
11	1584231	WIRE ASSY	1
12	-----	SWITCH, Ignition See Front Panel	1
13	1584233	WIRE	1
14	-----	LIGHT, Instrument Panel See Front Panel	1
15	-----	SWITCH, Starter See Front Panel	1
16	1584241	WIRE ASSY	1
17	1584244	WIRE ASSY	1
18	1584237	WIRE ASSY	1
19	1584246	WIRE, Jumper	1
20	1584232	WIRE ASSY	1
21	1584247	WIRE ASSY	1
22	1584265	WIRE ASSY	1
23	-----	ALARM, Low Air Pressure See Front Panel	1
24	1584249	BRACKET	1
25	-----	LOOM ASSY - See Electrical System	1
26	41G-810	SCREW	2
27	12D-08	NUT	5
28	632336	BLOCK, Terminal	1
29	1584239	WIRE ASSY	1
30	1584245	WIRE ASSY	1
31	1584242	WIRE ASSY	1
32	1584236	WIRE ASSY	1
33	1584236	WIRE ASSY	1
34	1584243	WIRE ASSY	1
35	-----	SWITCH, See Front Panel	1
36	-----	CIRCUIT BREAKER, 3 AMP - Wiper - See Front Panel	1
37	1582764	HOSE	1
38	85F-3	ELBOW, 90° Female	1
39	-----	GAUGE, Air Pressure See Front Panel	1
40	1584256	PLUG	1
41	-----	GAUGE, Oil Temp. See Front Panel	1
42	-----	CIRCUIT BREAKER, 35 AMP - Ignition Switch - See Front Panel	1
43	1584238	WIRE ASSY	1
44	-----	GAUGE, Oil Pressure See Front Panel	1
45	85F-3	ELBOW, 90° Female	1
46	1582266	HOSE	1
47	1584256	PLUG	1
48	1584240	WIRE ASSY	1
49	-----	SWITCH, Light - See Front Panel	1
50	-----	CIRCUIT BREAKER, 10 AMP - Headlights - See Front Panel	1
51	1584256	PLUG	1

WHEN ORDERING PARTS, ALWAYS STATE MODEL AND SERIAL NO. OF MACHINE



ELECTRICAL SYSTEM

CLARK EQUIPMENT COMPANY

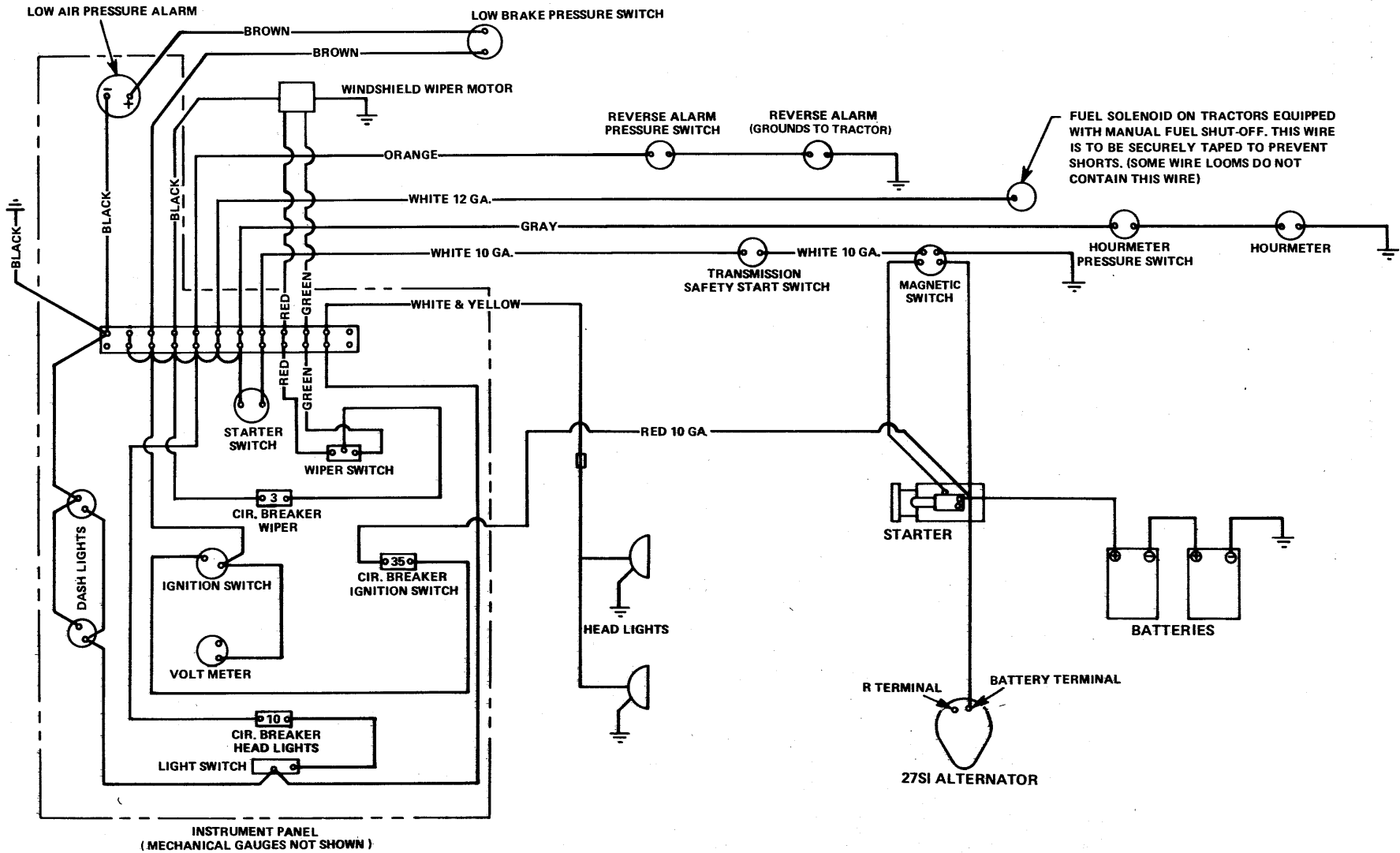
ELECTRICAL SYSTEM

Item	Part No.	Description	Qty.
1	1584247	WIRE ASSY.	1
2	1584265	WIRE ASSY.	1
3	1782699	WARNING, Low Air	1
4	1584275	LOOM ASSY	1
5	1578310	SWITCH, Low Air	1
6	1542966	ALARM, Back-Up	1
7	1575041	WIRE ASSY.	1
8	3575883	ALTERNATOR (24 Volt, 65 Amp, D. R.1100077)	1
9	584891	CABLE, Battery	1
10	1310121	BATTERY (Dry).	2
11	582702	CABLE, Ground	1
12	593227	CABLE, Starter.	1
13	2502552	WIRE	1
14	236395	SWITCH, Neutral Start.	1
15	---	SWIRE (Inc w/4)	1
16	1581831	WIRE	1
17	1583976	SWITCH, Reverse Alarm.	1
18	1529233	SWITCH, Magnetic	1
19	1581832	WIRE	1
20	1581830	WIRE, Ground	1
21	1584251	WIRE ASSY.	1
22	1584252	WIRE, Ground	1
23	2524590	HOURMETER	1
23A	85G-612	† SCREW (Dampener to Bracket)	3
23B	50D-06	† NUT	1
23C	13E-06	† LKWSHR.	6
23D	551251	† DAMPENER	1
23E	85G-608	† SCREW (Gauge to Dampener)	3
24	1550963	SWITCH, Engine Oil Pressure.	1
24A	19F-01	† BUSHING	1
24B	5K-106	† NIPPLE.	1
24C	18F-01	† TEE	1
24D	89F-03	† ADAPTER.	1

† Not Illustrated

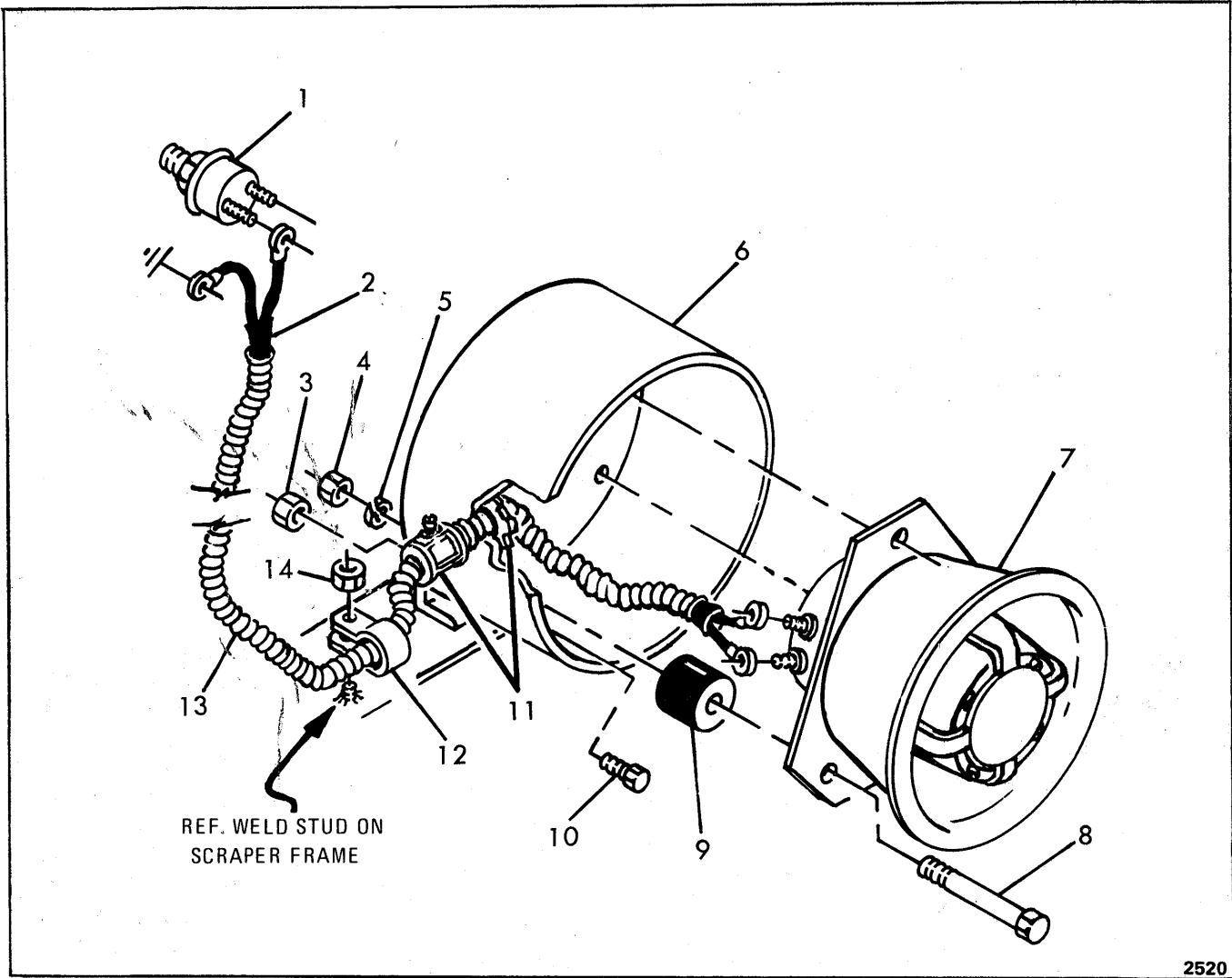
§ Not Sold Separately

WHEN ORDERING PARTS, ALWAYS STATE MODEL AND SERIAL NO. OF MACHINE



ELECTRICAL WIRING DIAGRAM

CLARK EQUIPMENT COMPANY

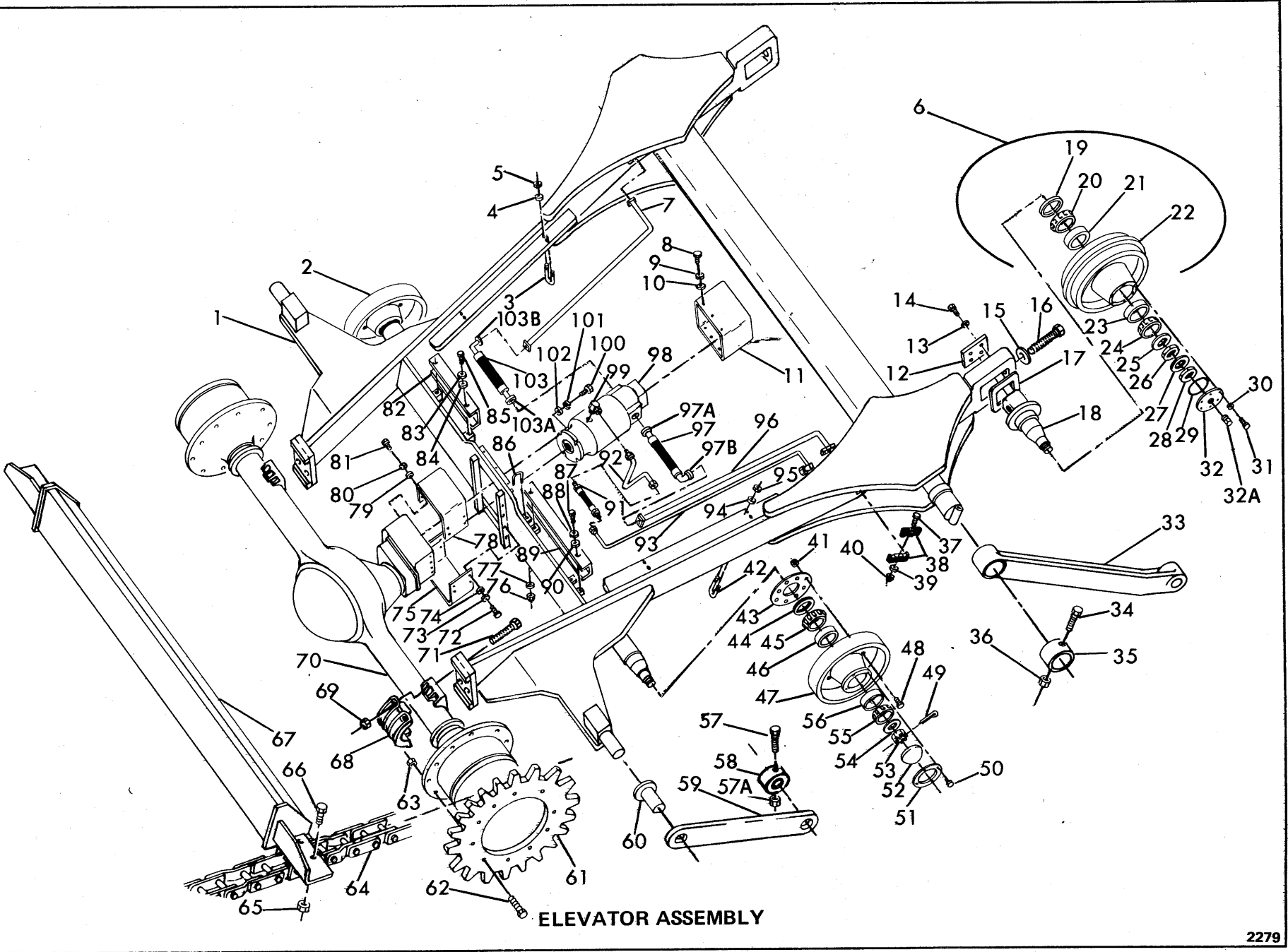


ALARM – BACK-UP

Item	Part No.	Description	Qty.
1	1583976	SWITCH, Pressure	1
2	1575041	WIRE ASSY.	1
3	59D-06	NUT	2
4	----	SNUT (Inc w/7)	3
5	----	SLKWSHR (Inc w/7)	3
6	1574941	BRACKET ASSY	1
7	1542966	ALARM, Back-Up	1
8	----	SBOLT (Inc w/7)	3
9	----	SMOUNT (Inc w/7)	3
10	17C-624	BOLT	2
11	1671474	CONNECTOR	1
12	30H-39	CLIP, Insulated	1
13	1578398	CONDUIT	1
14	59D-06	NUT	1

§ Not Sold Separately

WHEN ORDERING PARTS, ALWAYS STATE MODEL AND SERIAL NO. OF MACHINE



ELEVATOR ASSEMBLY

CLARK EQUIPMENT COMPANY

ELEVATOR ASSEMBLY

Item	Part No.	Description	Qty.
A	1583794	ELEVATOR ASSY (Inc 2 thru 32A 37 thru 56 & 61 thru 103)	1
1	1583782	ELEVATOR FRAME	1
2	-----	ROLLER ASSY (Order Piece Parts Only)	—
3	1583763	U-BOLT	3
4	25E-22	WASHER.....	3
5	59D-06	NUT	3
6	-----	ROLLER ASSY (Order piece parts only)	—
7	1585104	TUBE	1
8	17C-816	BOLT	6
9	4E-08	LKWSHR	6
10	25E-22	WASHER	6
11	1583741	COVER, Motor	1
12	1583730	PLATE	2
13	1574492	WASHER	8
14	17C-1236	BOLT	8
15	1579025	WASHER	2
16	1583727	BOLT, Adj.....	2
17	1583781	‡SHIM (.1345)	—
18	1583755	SPINDLE	2
19	1584629	SEAL	2
20	791085	CONE	2
21	658987	CUP	2
22	1583750	ROLLER	2
23	1315531	CUP	2
24	1584727	CONE	2
25	1550754	WASHER	2
26	1564161	NUT	2
27	1550754	WASHER	2
28	1564161	NUT	2
29	25K-40400	O-RING	2
30	4E-06	LKWSHR	12
31	17C-616	BOLT	12
32	1583744	CAP	2
32A	40K-08	PLUG	2
33	1583221	ARM, Upper	2
34	17C-880	BOLT	2
35	1581226	RETAINER	2
36	59D-08	NUT	2
37	17C-644	BOLT	1
38	1585095	CLAMP	2
39	25E-22	WASHER.....	1
40	59D-06	NUT	1
41	66D-09	NUT	8
42	1583763	"U" BOLT	3
43	1575102	PLATE, Cover	2
44	1584174	SEAL	2
45	731284	CONE	2
46	660181	CUP	2
47	1582732	ROLLER (Inc 46 & 56)	2
47A	1584784	HUB	2
48	18C-928	BOLT	16
49	1F-628	COTTER	2
50	21C-512	BOLT	8
51	1584786	PLATE, Retainer	2
52	1577404	CAP	2

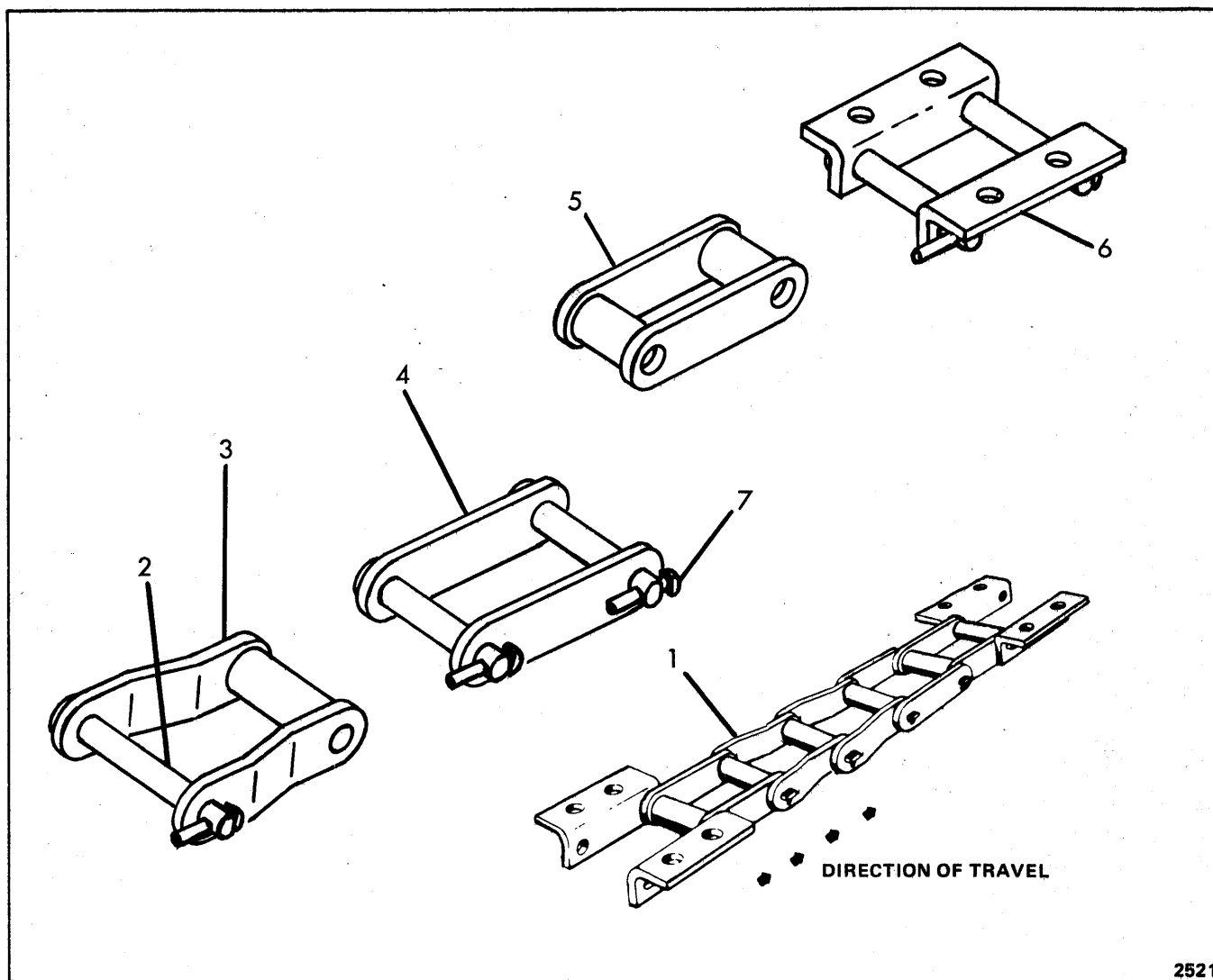
Item	Part No.	Description	Qty.
53	4D-14	NUT	2
54	1575083	WASHER	2
55	1575082	CONE	2
56	654154	CUP	2
57	17C-896	BOLT	2
57A	59D-08	NUT	2
58	1580790	COLLAR	2
59	1581081	ARM, Lower	2
60	1579586	BUSHING	2
61	1573286	SPROCKET	2
62	17C-1052	BOLT	20
63	59D-10	NUT	20
64	-----	CHAIN SET - See Index	—
65	59D-08	NUT	120
65A	106762	†WASHER	120
66	17C-828	BOLT	120
67	1583616	DRAG ASSY	15
68	2105447	PLATE	2
69	59D-14	NUT	8
70	-----	AXLE ASSY (See Index).....	1
71	17C-14120	BOLT	8
72	17C-1020	BOLT	8
73	4E-10	LKWSHR	8
74	616800	WASHER	8
75	1583746	COVER, Motor	1
76	59D-06	NUT	10
77	25E-22	WASHER	10
78	1583746	COVER, Motor	1
79	616800	WASHER	8
80	4E-10	LKWSHR	8
81	17C-1020	BOLT	8
82	1583766	COVER	1
83	4E-08	LKWSHR	2
84	25E-22	WASHER	2
85	17C-816	BOLT	2
86	1585078	"U" BOLT	5
87	17C-816	BOLT	2
88	4E-08	LKWSHR	2
89	1583765	COVER	1
90	25E-22	WASHER	2
91	1564782	HOSE	1
92	1583768	TUBE ASSY	1
93	1585103	TUBE ASSY	1
94	25E-22	WASHER	6
95	59D-06	NUT	6
96	1585104	TUBE ASSY	1
97	1585097	HOSE	1
97A	-----	FLANGE HALF (See Group "A")	—
97B	-----	FLANGE HALF (See Group "A")	—
98	-----	MOTOR, Hydraulic - See Index ...	1
99	531684	ADAPTER	1
100	17C-828	BOLT	4
101	4E-08	LKWSHR	4
102	570988	WASHER	4
103	1584632	HOSE	1
103A	-----	FLANGE HALF (See Group "A")	—
103B	-----	FLANGE HALF (See Group "A")	—

† Not Illustrated
‡ As Required

GROUP	FLANGE HALF	O-RING	BOLT	LKWSHR	SIZE
No. Req'd Per Connection	2	1	4	4	
A	20J-16	58K-219	17C-728	4E-07	1"

WHEN ORDERING PARTS, ALWAYS STATE MODEL AND SERIAL NO. OF MACHINE

CLARK EQUIPMENT COMPANY



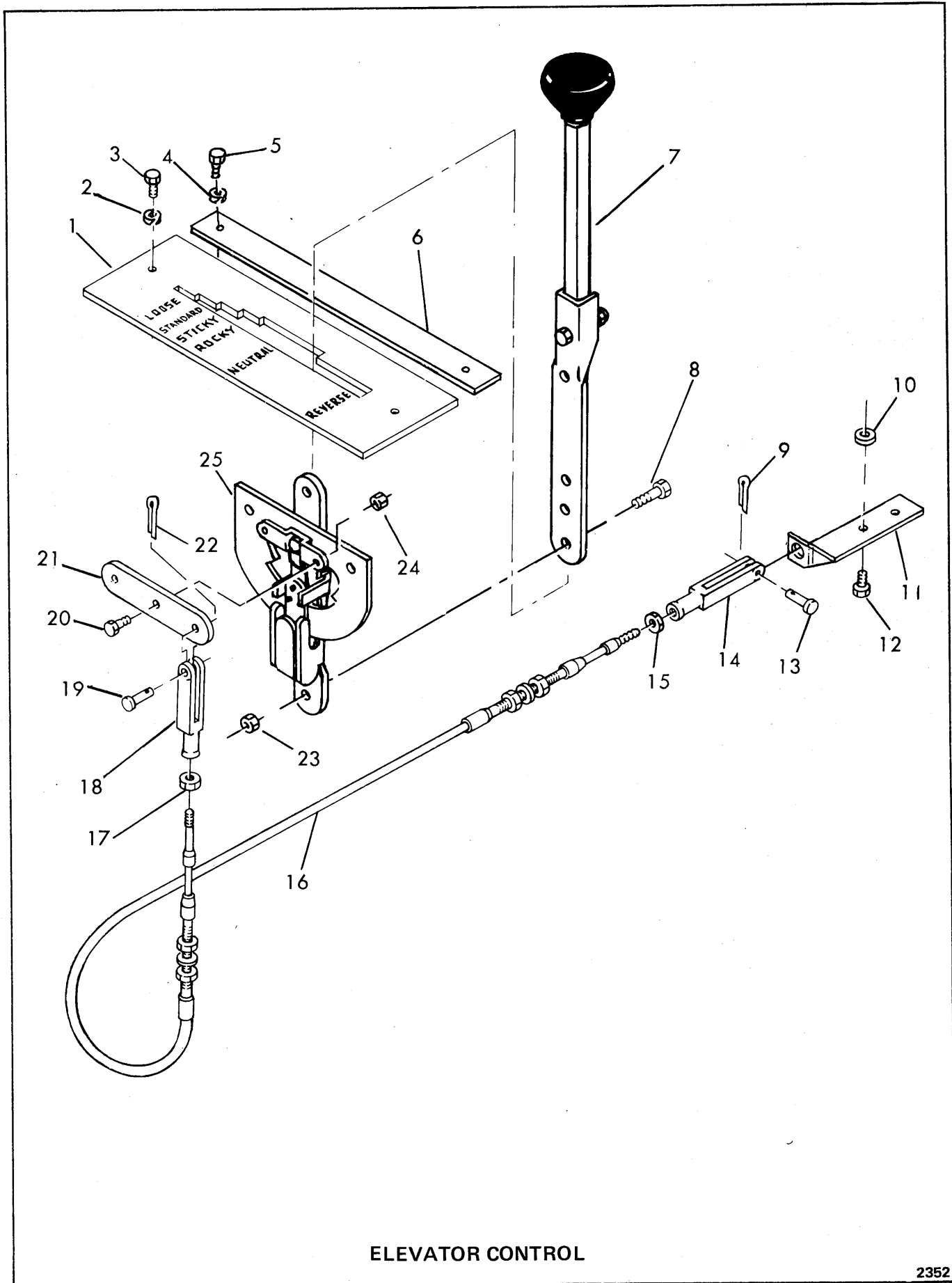
2521

ELEVATOR CHAIN

Item	Part No.	Description	Qty.
1	1584620	CHAIN SET (Inc L.H. Assy & R.H. Assy)	1
<p>NOTE: One (1) Chain Set required per Elevator – Quantities listed below are for one (1) Chain Assembly. It is recommended that chains be installed in sets to assure equal lengths.</p>			
2	1574846	PIN	90
3	949173	LINK MASTER ASSY (Inc 2 & 7)	2
4	949174	LINK CONNECTING ASSY (Inc 2 & 7)	29
5	949175	LINK BLOCK ASSY	44
6	949176	LINK ATTACHMENT ASSY (Inc 2 & 7)	15
7	1566481	KEY	90

WHEN ORDERING PARTS, ALWAYS STATE MODEL AND SERIAL NO. OF MACHINE

CLARK EQUIPMENT COMPANY



ELEVATOR CONTROL

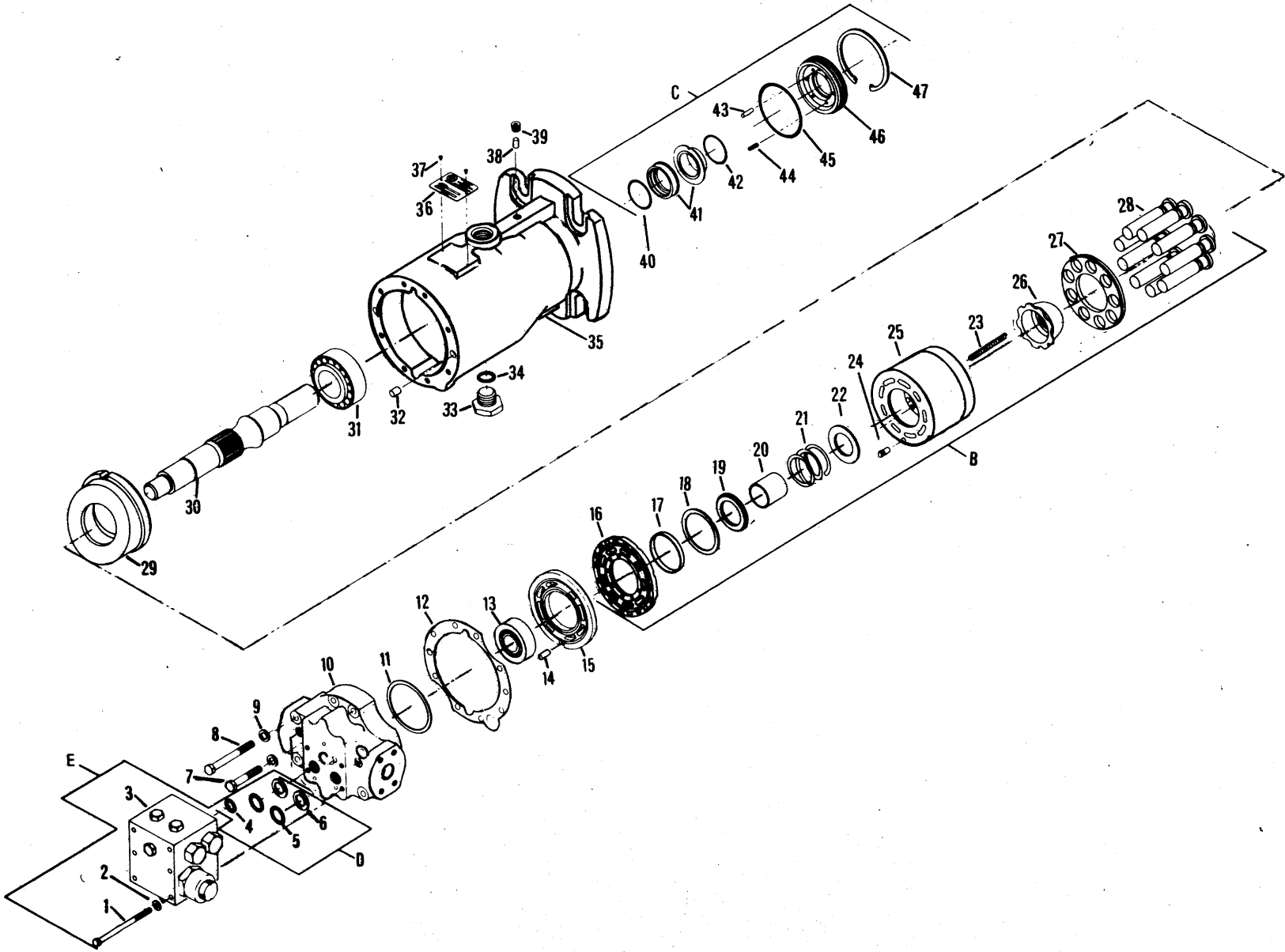
2352

CLARK EQUIPMENT COMPANY

ELEVATOR CONTROL

Item	Part No.	Description	Qty.
1	1579478	CONSOLE	1
2	4E-04	LKWSHR	2
3	17C-412	BOLT	2
4	4E-04	LKWSHR	2
5	17C-412	BOLT	2
6	1580971	SPACER	1
7	1579612	LEVER	1
8	17C-412	BOLT	2
9	1F-207	COTTER	1
10	1577437	SPACER	2
11	1574832	BRACKET	1
12	17C-440	BOLT	2
13	4F-04051	PIN	1
14	2J-4200	CLEVIS	1
15	8D-04	NUT	1
16	1580961	CABLE	1
17	8D-04	NUT	1
18	2J-4200	CLEVIS	1
19	4F-04051	PIN	1
20	18C-436	BOLT	2
21	1580617	ARM	1
22	1F-207	COTTER	1
23	59D-04	NUT	2
24	8D-04	NUT	2
25	1579569	CONTROL, Lever	1

WHEN ORDERING PARTS, ALWAYS STATE MODEL AND SERIAL NO. OF MACHINE



MOTOR - ELEVATOR

CLARK EQUIPMENT COMPANY

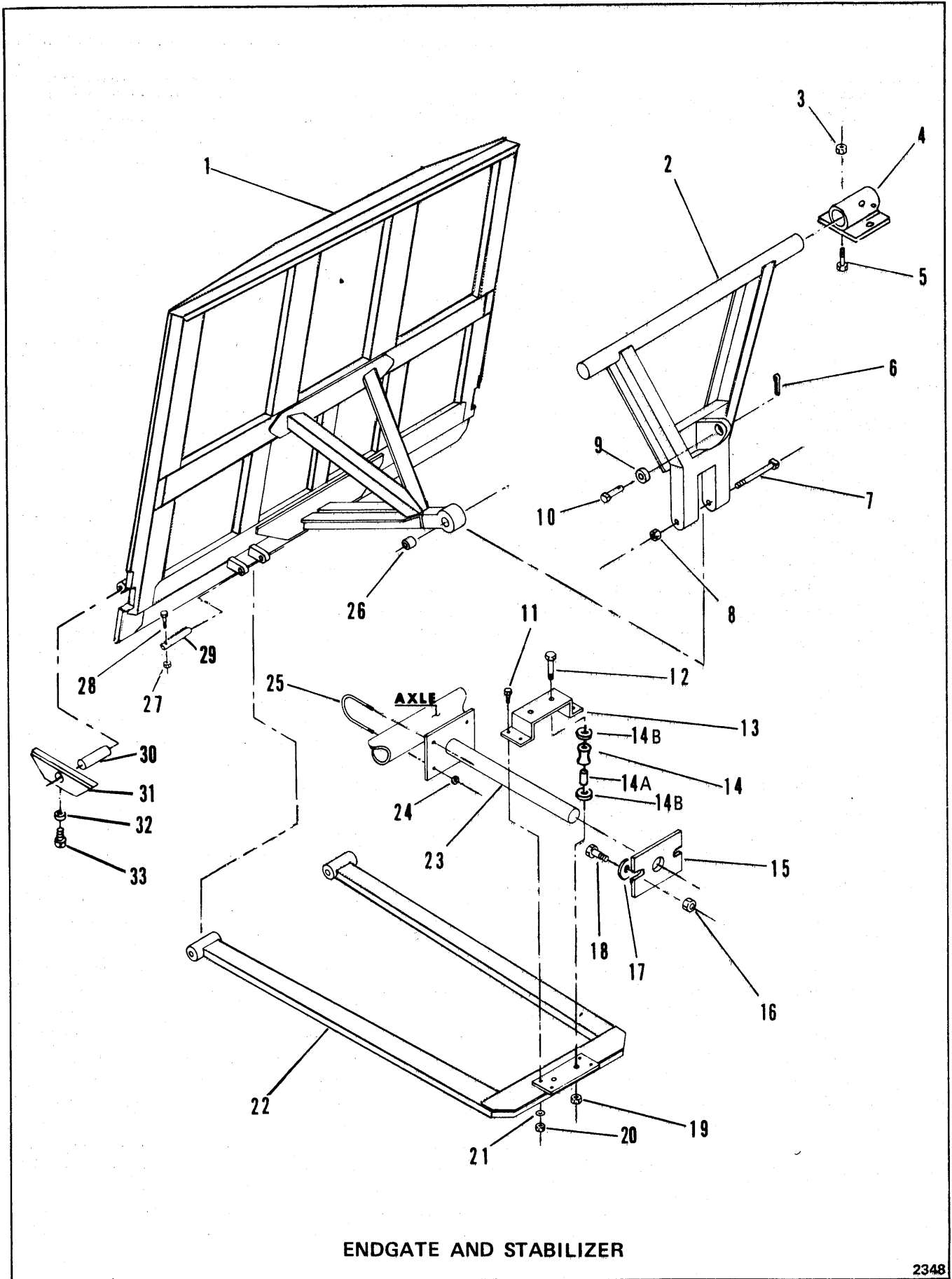
MOTOR ASSEMBLY – ELEVATOR

Item	Part No.	Description	Qty.
A	1584658	MOTOR ASSY, Elevator (Inc 1 thru 47)	1
B	962555	CYLINDER BLOCK KIT (Inc 16 thru 28)	1
C	6518534	SEAL KIT (Inc 40 thru 47)	1
D	6518500	SEAL KIT (Inc 4, 5 & 6)	1
E	— — —	MANIFOLD VALVE KIT (Inc 1, 2, 3, 4, 5 & 6) – See Index	1
1	1C-560	BOLT – See "E"	6
2	6518414	WASHER – See "E"	6
3	— — —	MANIFOLD VALVE – See "E"	—
4	5290879	O-RING – See "E"	1
5	58K-119	O-RING – See "E"	2
6	6518417	RING, Back-Up – See "E"	2
7	1C-632	BOLT	3
8	1C-648	BOLT	5
9	6518483	WASHER	8
10	962553	END CAP	1
11	6518485	SHIM	—
12	6518486	GASKET	1
13	6519756	BEARING	1
14	6518423	PIN	1
15	962552	PLATE	1
16	6518489	PLATE – See "B"	1
17	6519760	PILOT – See "B"	1
18	1320111	RING – See "B"	1
19	6518491	RETAINER – See "B"	1
20	6518492	GUIDE – See "B"	1
21	6519762	SPRING – See "B"	1
22	6518494	SEAT – See "B"	1
23	961371	SPRING – See "B"	6
24	6518438	PIN – See "B"	1
25	961372	BLOCK, Cylinder – See "B"	1
26	6518497	GUIDE – See "B"	1
27	6518498	RETAINER – See "B"	1
28	962554	PISTON – See "B"	9
29	4149826	PLATE, Swash	1
30	962551	SHAFT	1
31	6519757	BEARING	1
32	6518460	PIN	2
33	4149707	PLUG	1
34	91F-07	O-RING	1
35	4149825	HOUSING	1
36	6518462	NAMEPLATE	1
37	6C-403	SCREW, Drive	2
38	4149822	PIN	1
39	6518510	PLUG	1
40	6518515	O-RING – See "C"	1
41	6518516	SEAL KIT – See "C"	1
42	6518515	O-RING – See "C"	1
43	6518471	SPRING	6
44	6518470	PIN – See "C"	1
45	4149450	O-RING – See "C"	1
46	6518517	RETAINER – See "C"	1
47	1320113	RING – See "C"	1

‡ As Required

WHEN ORDERING PARTS, ALWAYS STATE MODEL AND SERIAL NO. OF MACHINE

CLARK EQUIPMENT COMPANY



ENDGATE AND STABILIZER

2348

CLARK EQUIPMENT COMPANY

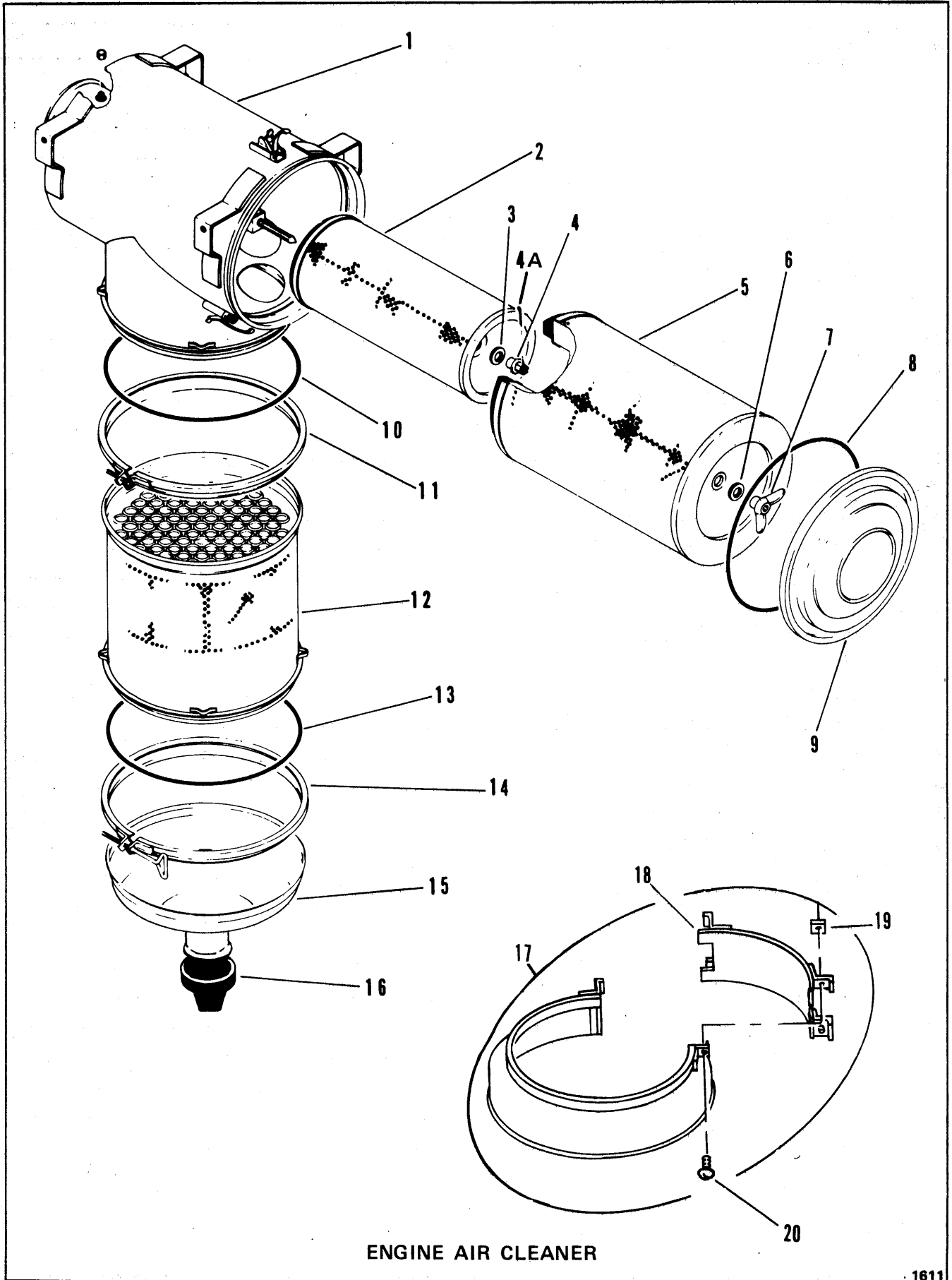
ENDGATE AND STABILIZER

Item	Part No.	Description	Qty.
1	1584928	ENDGATE (Inc 26)	1
2	1575278	ACTUATOR, Endgate (Inc 9)	1
3	59D-20	NUT	4
4	1576610	RECEIVER, Actuator R.H.	1
4A	1576611	† RECEIVER, Actuator L.H.	1
5	17C-2048	BOLT	4
6	1F-840	COTTER	1
7	1555981	PIN, Actuator	1
8	60D-22	NUT	1
9	1564670	BEARING	1
10	1571282	PIN, Cylinder	1
11	17C-624	BOLT	4
12	17C-12112	BOLT	2
13	1569154	BRACKET	1
14	1582623	*ROLLER, Traverse Rod	2
14A	1582635	SLEEVE	2
14B	1575682	WASHER	2
15	1555186	HANGER, Track	1
16	59D-12	NUT	2
17	25E-28	WASHER	2
18	17C-1248	BOLT	2
19	59D-12	NUT	2
20	59D-06	NUT	4
21	4E-06	LKWSHR	4
22	1572211	YOKE, Stabilizer	1
23	1556542	ROD, Traverse	1
24	59D-08	NUT	4
25	1555901	"U" BOLT	2
26	1574466	BEARING	1
27	59D-06	NUT	2
28	17C-648	BOLT	2
29	1584077	PIN	2
30	1584936	ROD	2
31	1585461	BLOCK	2
32	4E-06	LKWSHR	2
33	15G-808	SET SCREW	2

*NOTE: You must order 1582635 Sleeve and 1575682 Washer when ordering Roller.

† Not Illustrated

WHEN ORDERING PARTS, ALWAYS STATE MODEL AND SERIAL NO. OF MACHINE



ENGINE AIR CLEANER

1611

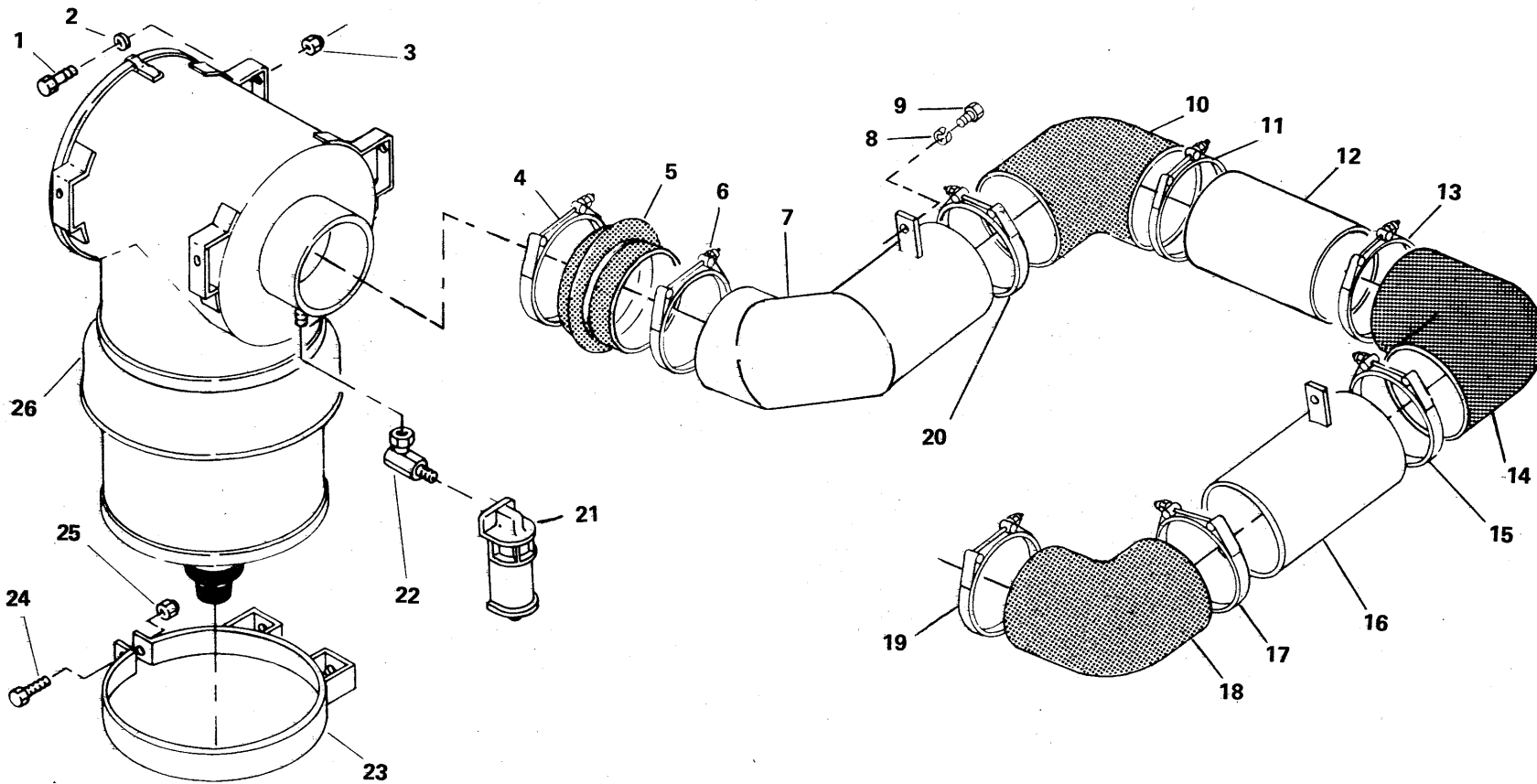
CLARK EQUIPMENT COMPANY

ENGINE AIR CLEANER

Item	Part No.	Description	Qty.
A	1564837	AIR CLEANER ASSY (Inc 1 thru 20)	1
1	1564834	BODY ASSY	1
2	1564832	ELEMENT ASSY (Safety)	1
3	1564804	GASKET	1
4	1564803	NUT	1
4A	1F-420	COTTER	1
5	1564833	ELEMENT ASSY (Primary)	1
6	1564804	GASKET	1
7	1564802	NUT	1
8	1564838	GASKET	1
9	1564831	COVER ASSY	1
10	3984431	O-RING.	1
11	945019	CLAMP ASSY	1
12	1564835	BODY ASSY	1
13	3984431	O-RING.	1
14	945021	CLAMP ASSY	1
15	1564836	CUP ASSY.	1
16	3739636	VALVE.	1
17	3677674	SHROUD ASSY (Inc 18, 19 & 20)	1
18	-----	SSHIELD (Inc w/17)	-
19	-----	SNUT (Inc w/17)	-
20	-----	SBOLT (Inc w/17)	-

§ Not Sold Separately

WHEN ORDERING PARTS, ALWAYS STATE MODEL AND SERIAL NO. OF MACHINE



ENGINE AIR CLEANER & CONNECTIONS

CLARK EQUIPMENT COMPANY

ENGINE AIR CLEANER & CONNECTIONS

Item	Part No.	Description	Qty.
1	17C-720	BOLT	4
2	25E-19	WASHER	1
3	59D-07	NUT	4
4	43H-1775	CLAMP	1
5	1513244	HOSE, Hump	1
6	43H-1650	CLAMP	1
7	1584429	TUBE, Air Intake	1
8	25E-18	WASHER	2
9	84G-3716	SCREW	2
10	1529315	ELBOW	1
11	43H-1650	CLAMP	1
12	1584424	TUBE, Beaded	1
13	43H-1650	CLAMP	1
14	1529315	ELBOW	1
15	43H-1650	CLAMP	1
16	1584426	TUBE ASSY	1
17	43H-1650	CLAMP	1
18	1518361	ELBOW	1
19	43H-2619	CLAMP	1
20	43H-1650	CLAMP	1
21	1525205	INDICATOR, Restriction	1
22	31F-01	ADAPTER	1
23	1529624	BAND, Mounting	1
24	17C-716	BOLT	1
25	59D-07	NUT	1
26	---	AIR CLEANER ASSY (See Index)	1

WHEN ORDERING PARTS, ALWAYS STATE MODEL AND SERIAL NO. OF MACHINE

CLARK EQUIPMENT COMPANY

ENGINE AND ACCESSORIES

Item	Part No.	Description	Qty.
------	----------	-------------	------

All orders for engine assembly or components thereof should be placed with the nearest Detroit Diesel Engine Distributor. Always give model, specifications and serial number of the engine when ordering parts. This data will be found on option plate attached to the side of the rocker cover.

ENGINE ACCESSORIES

1	-----	*AIR COMPRESSOR (G.M. 5144303)	1
2	-----	*VOLTAGE REGULATOR (G.M. 9000591)	1
3	-----	*STARTING MOTOR - 24 Volt (G.M. 1113824)	1
4	-----	*FAN - 32", Suction (G.M. 5137483)	1

ALTERNATOR, FAN AND WATER PUMP DRIVE BELTS

5	3678221	FAN BELT SET (3 per set)	1
6	-----	ALTERNATOR BELT (G.M. 5148276)	1

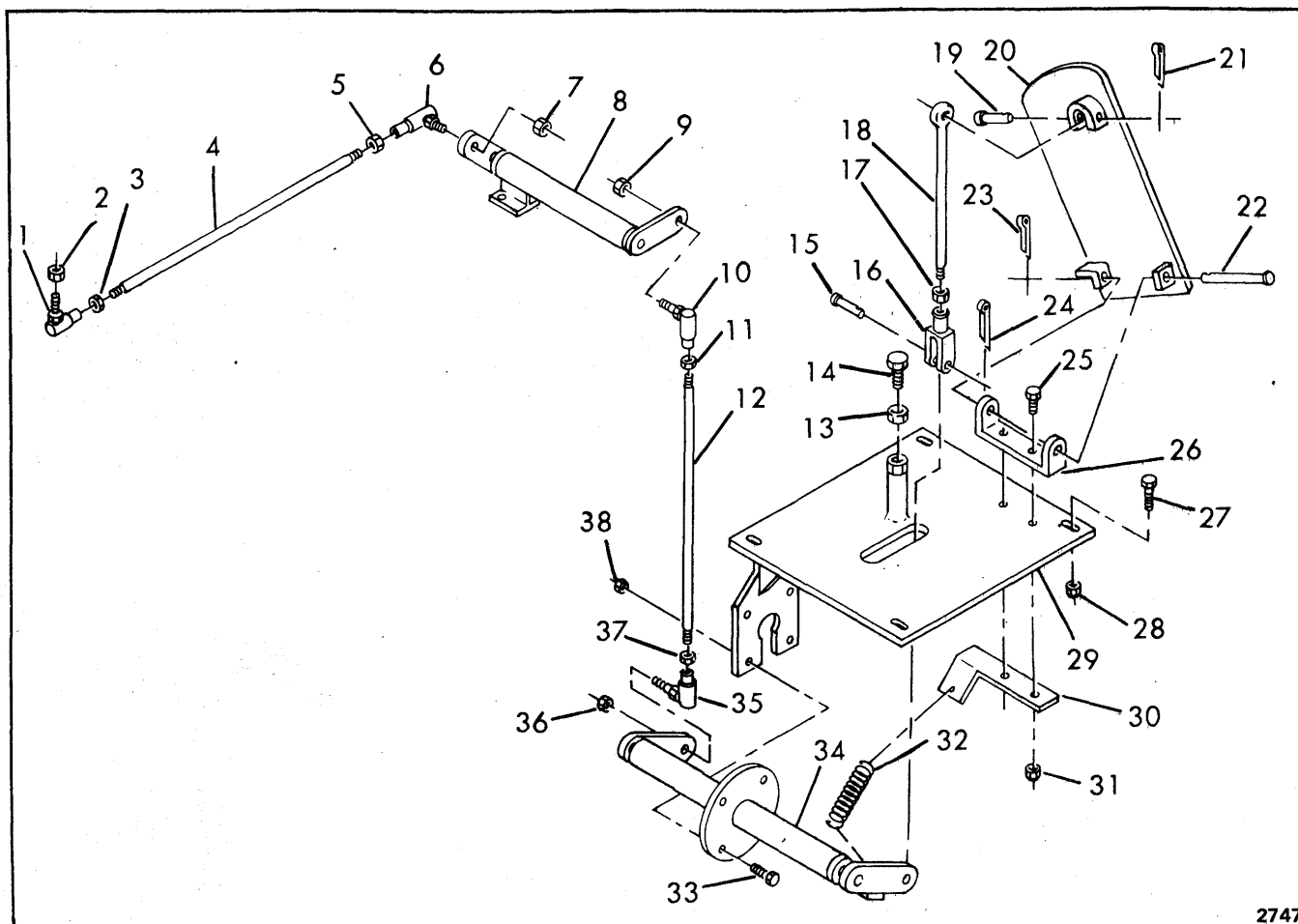
REPLACEMENT FILTERS AND ELEMENTS

7	3576059	ELEMENT, Engine Fuel Filter, Primary, Spin - On Type	1
8	3576061	ELEMENT, Engine Fuel Filter, Secondary, Spin - On Type	1
9	1564832	ELEMENT, Inner Air Cleaner	1
10	1564833	ELEMENT, Outer Air Cleaner	1
11	215502	ELEMENT, Engine Oil	1
12	801851	ELEMENT, Transmission & Converter Hydraulic System (Inc 12A)	1
12A	25K-80500	O-RING (Inc w/12)	1
13	948983	ELEMENT, Major Hydraulic	2
14	1566622	ELEMENT, Minor Hydraulic	2
15	949543	ELEMENT, Suspension	1

*Note: The above listed accessory items are serviced by the engine manufacturer. Specifications on these items are subject to change without notice. It is, therefore, recommended that complete model, specifications and serial number of the engine be provided to your Detroit Diesel Engine Distributor when ordering these parts.

WHEN ORDERING PARTS, ALWAYS STATE MODEL AND SERIAL NO. OF MACHINE

CLARK EQUIPMENT COMPANY



2747

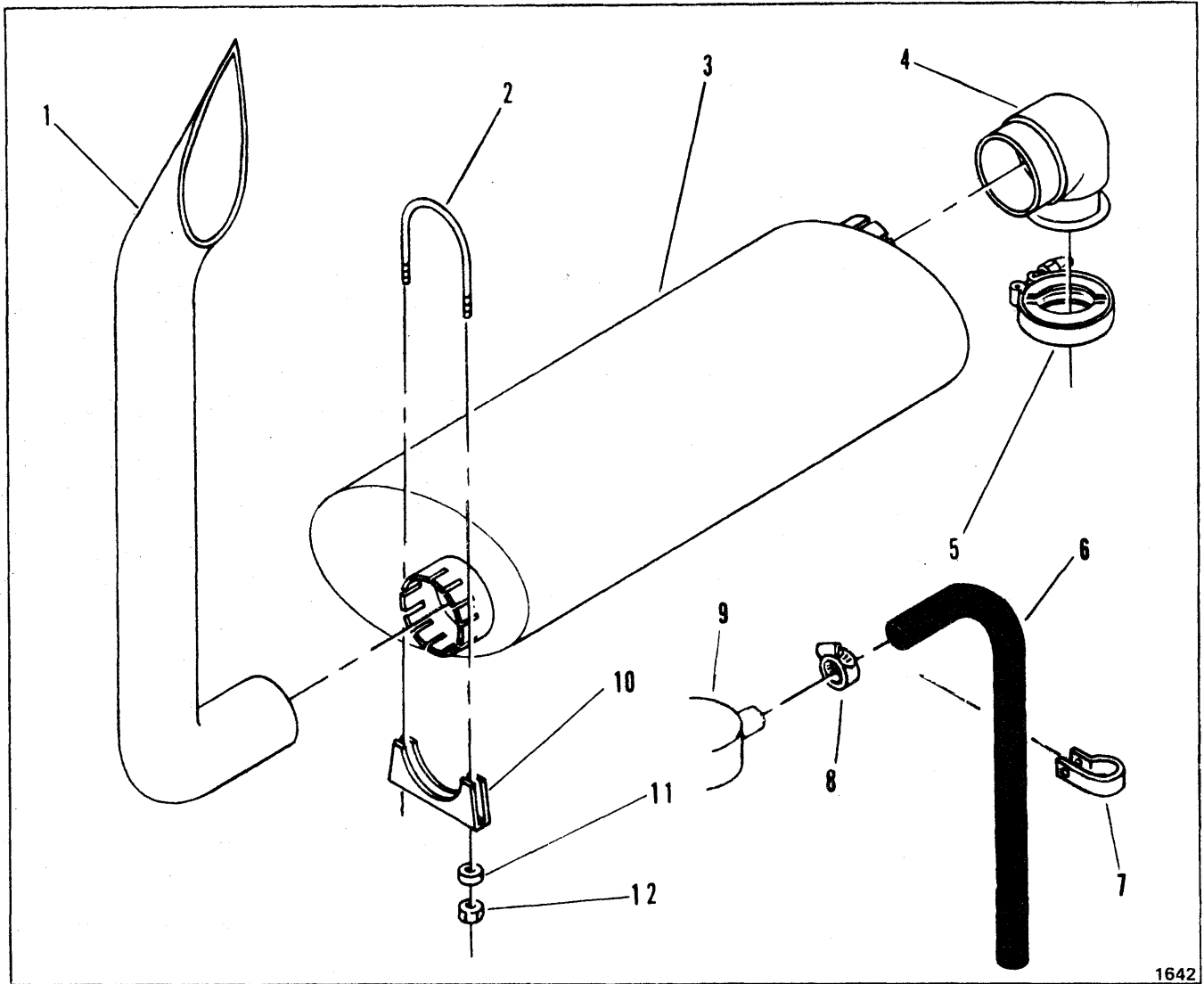
ENGINE CONTROLS

Item	Part No.	Description	Qty.
1	2520346	JOINT, Ball	1
2	66D-05	NUT	1
3	8D-05	NUT	1
4	1535938	ROD	1
5	8D-05	NUT	1
6	2520346	JOINT, Ball	1
7	66D-05	NUT	1
8	1571745	BELL CRANK ASSY.	1
9	66D-05	NUT	1
10	2520346	JOINT, Ball	1
11	8D-05	NUT	1
12	1573571	ROD	1
13	63D-08	NUT	1
14	786207	BOLT	1
15	4F-04051	PIN	1
16	2J-4200	CLEVIS	1
17	8D-04	NUT	1
18	1577435	ROD	1
19	4F-04051	PIN	1

Item	Part No.	Description	Qty.
20	1536030	PEDAL	1
21	1F-207	COTTER	1
22	1585088	PIN	1
23	1F-312	COTTER	1
24	1F-207	COTTER	1
25	17C-412	BOLT	2
26	551015	BRACKET	1
27	17C-624	BOLT	4
28	59D-06	NUT	4
29	1581545	PLATE ASSY.	1
30	1572223	BRACKET	1
31	59D-04	NUT	2
32	551090	SPRING	1
33	17C-412	BOLT	4
34	1581536	BELL CRANK ASSY.	1
35	2520346	JOINT, Ball	1
36	66D-05	NUT	1
37	8D-05	NUT	1
38	59D-04	NUT	4

WHEN ORDERING PARTS, ALWAYS STATE MODEL AND SERIAL NO. OF MACHINE

CLARK EQUIPMENT COMPANY



1642

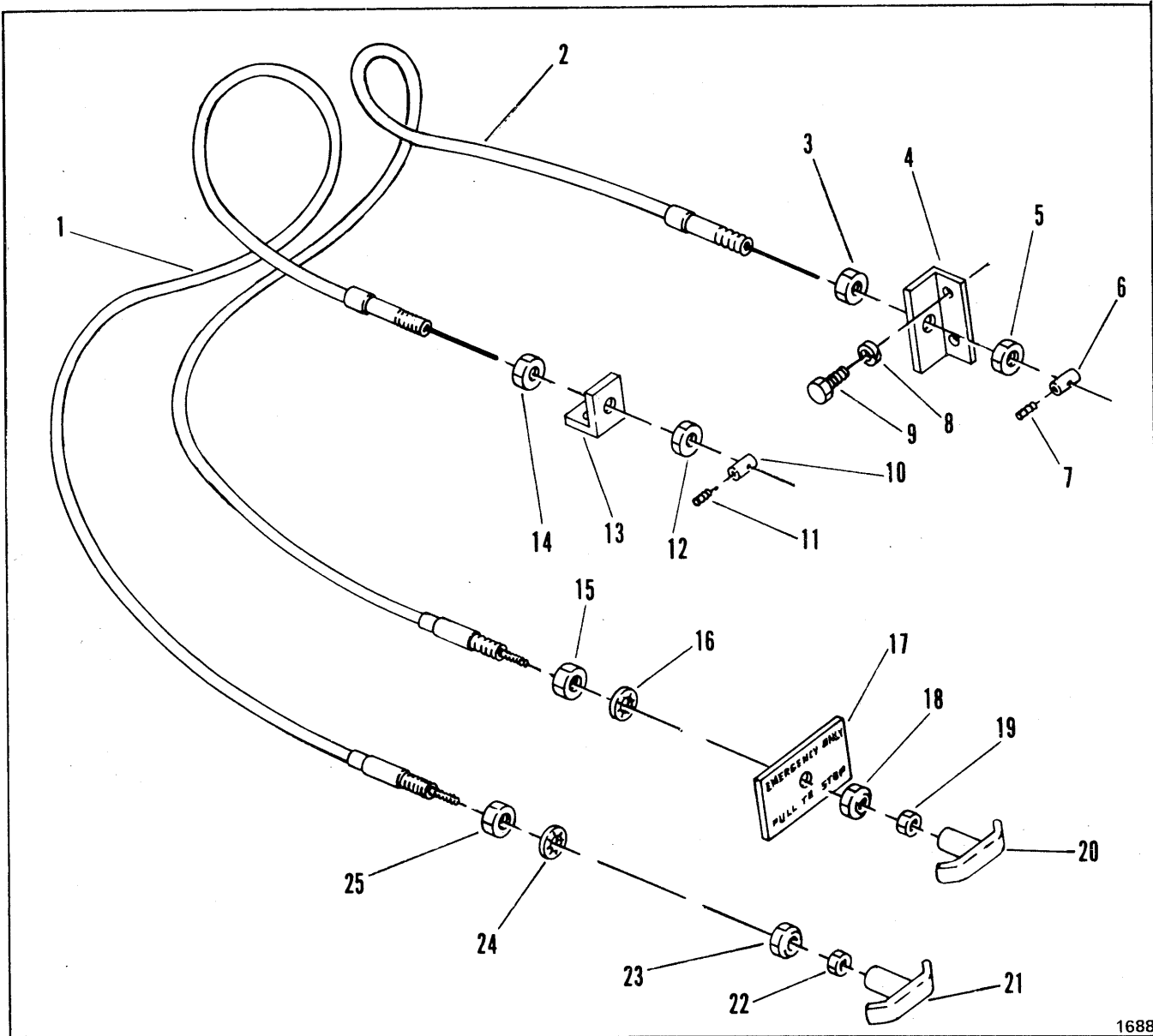
ENGINE EXHAUST PIPE, MUFFLER AND CONNECTIONS

Item	Part No.	Description	Qty.
1	1577190	PIPE, Exhaust	1
2	1516076	CLAMP (Inc. 10, 11, & 12)	2
3	1577127	MUFFLER	1
4	1577124	ELBOW	1
5	1524268	CLAMP, V-Band	1
6	730135	HOSE	2
7	6H-35	CLAMP	2
8	42H-28	CLAMP	2
9	----	BREATHER - Reference Only	-
10	----	§CLAMP (Inc. w/ 2, 11 & 12)	-
11	----	§WASHER (Inc. w/ 2, 10 & 12)	-
12	----	§NUT (Inc. w/ 2, 10 & 11)	-

§ Not Sold Separately

WHEN ORDERING PARTS, ALWAYS STATE MODEL AND SERIAL NO. OF MACHINE

CLARK EQUIPMENT COMPANY



EMERGENCY KILL AND NORMAL KILL CABLES

Item	Part No.	Description	Qty.
1	1564651	CABLE (Inc. 12, 14, 21, 22, 23, 24, & 25)	1
2	1564651	CABLE (Inc. 3, 5, 15, 16, 18, 19 & 20)	1
3	-----	§ NUT, Jam (Inc. w/ 2)	—
4	1572396	BRACKET	1
5	-----	§ NUT, Jam (Inc. w/ 2)	—
6	1523210	GUIDE	1
7	35G-806	SCREW	1
8	4E-04	LKWSHR	2
9	17C-412	BOLT	2
10	1523210	GUIDE	1
11	35G-806	SCREW	1
12	-----	§ NUT, Jam (Inc. w/ 1)	—

Item	Part No.	Description	Qty.
13	1572397	ANGLE	1
14	-----	§ NUT, Jam (Inc. w/ 1)	—
15	-----	§ NUT, Jam (Inc. w/ 2)	—
16	-----	§ LKWSHR (Inc. w/ 2)	—
17	1564254	PLATE, Emergency Stop	1
18	-----	§ NUT (Inc. w/ 2)	—
19	-----	§ NUT, Jam (Inc. w/ 2)	—
20	-----	§ HANDLE (Inc. w/ 2)	—
21	-----	§ HANDLE (Inc. w/ 1)	—
22	-----	§ NUT, Jam (Inc. w/ 1)	—
23	-----	§ NUT (Inc. w/ 1)	—
24	-----	§ LKWSHR (Inc. w/ 1)	—
25	-----	§ NUT, Jam (Inc. w/ 1)	—

§ Not Sold Separately

WHEN ORDERING PARTS, ALWAYS STATE MODEL AND SERIAL NO. OF MACHINE



CLARK EQUIPMENT COMPANY

"F" GROUP CONTENTS

Floor Group:

Floor Roller F3

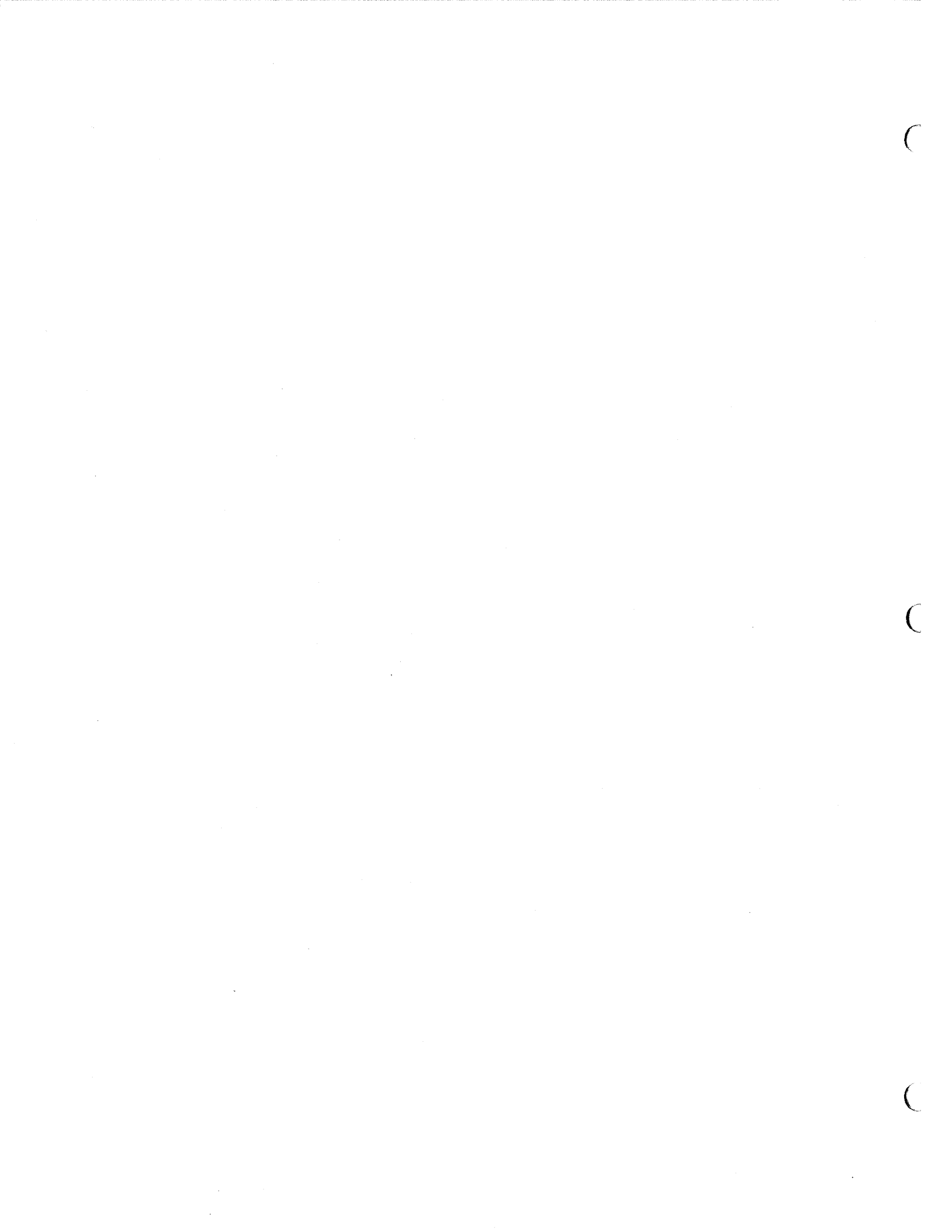
Floor Rolling F5

Frame Group:

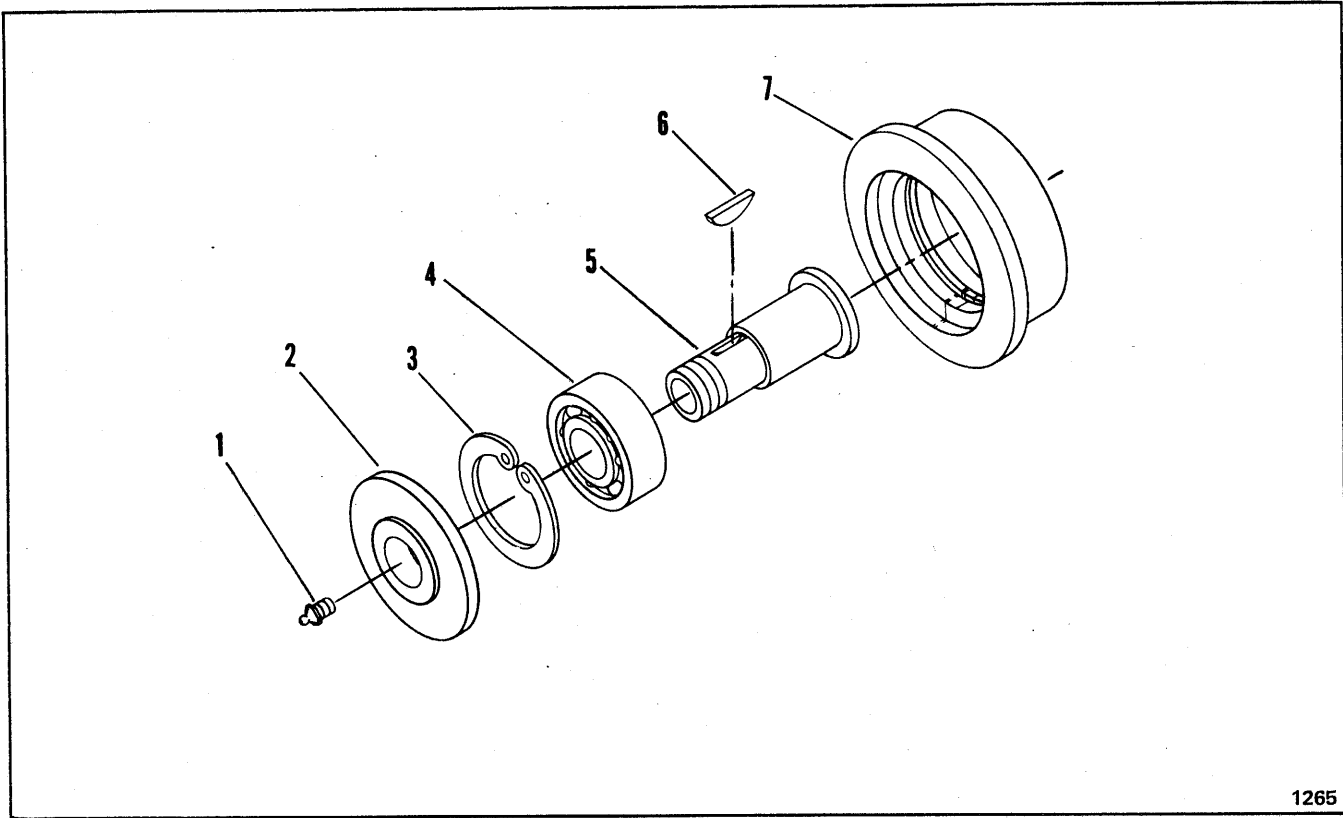
Frame – Scraper Main F7

Frame – Transmission Mounts – Guard & Suspension Linkage – Tractor F9

Fuel Tanks & Lines F10



CLARK EQUIPMENT COMPANY



1265

FLOOR ROLLER

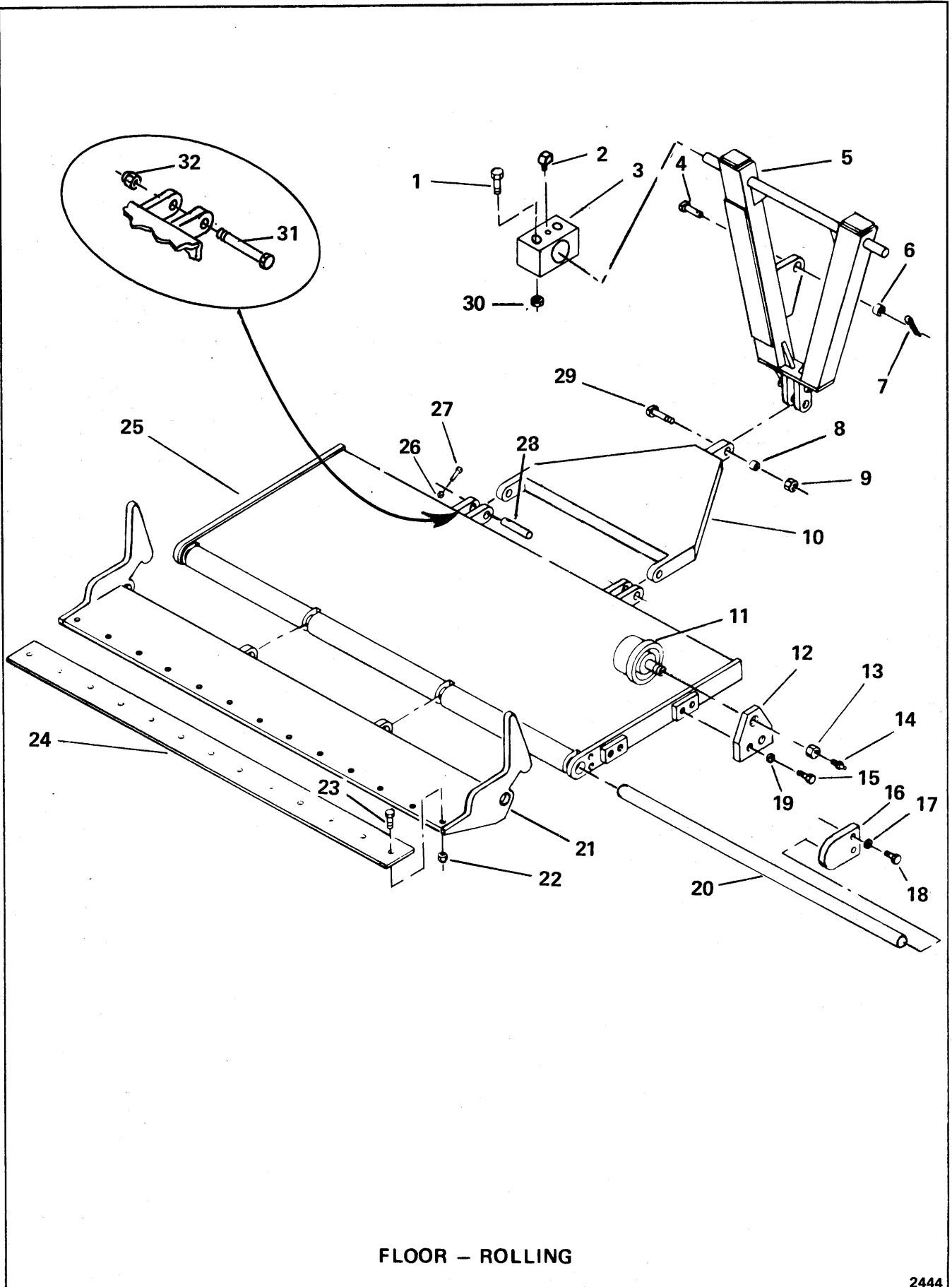
Item	Part No.	Description	Qty.
A	1556403	ROLLER, Rolling Floor (Inc.1 thru 7)	4

NOTE: Four (4) Rollers are used on machine – Quantities listed below are for one (1) Roller.

1	10H-25	FITTING, Grease	1
2	1556401	SPACER, Roller	1
3	711406	RING, Bearing Retaining	1
4	1566152	BEARING, Roller	1
5	1556395	AXLE, Roller	1
6	5J-606	KEY, Woodruff	1
7	1556402	ROLLER	1

WHEN ORDERING PARTS, ALWAYS STATE MODEL AND SERIAL NO. OF MACHINE

CLARK EQUIPMENT COMPANY



FLOOR - ROLLING

2444

CLARK EQUIPMENT COMPANY

FLOOR – ROLLING

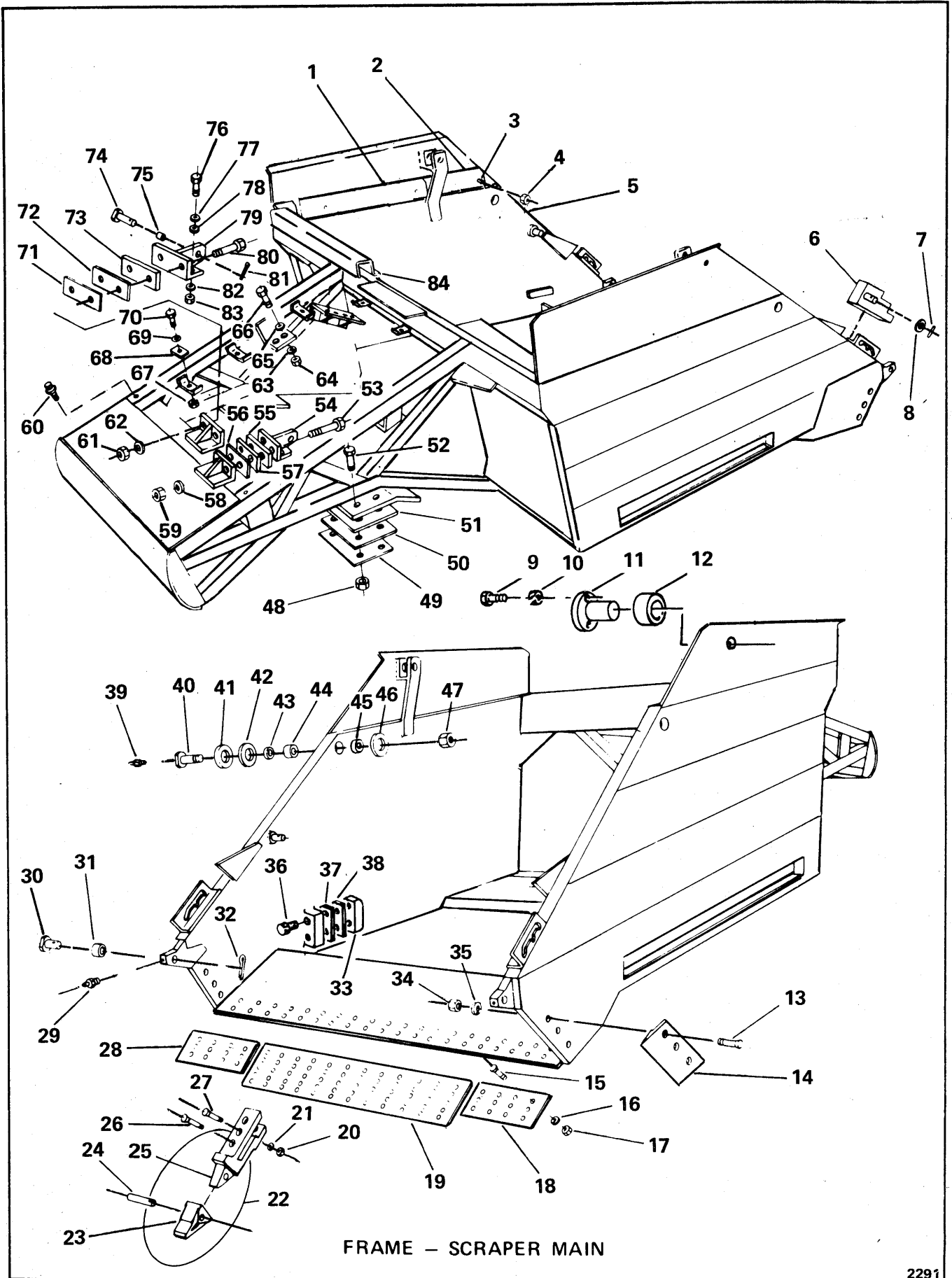
Item	Part No.	Description	Qty.
1	17C-2096	BOLT	4
2	26F-01	ADAPTER	2
3	1575995	RECEIVER	2
4	1571282	PIN, Actuator to Cylinder	1
5	1575277	ACTUATOR, Rolling Floor.	1
6	1564670	BUSHING	1
7	1F-840	COTTER	1
8	1555857	BUSHING	1
9	60D-22	NUT	1
10	1556547	YOKE	1
11	1573369	ROLLER ASSY (Inc 11A, 12, 13, 14).	4
11A	— — — —	ROLLER — See Index	4
12	1573366	PLATE	4
12A	1574814	†‡SHIM (.1250)	—
13	5290493	NUT	4
14	10H-25	FITTING, Grease	4
15	17C-1240	BOLT	8
16	1573325	PLATE, End.	2
17	4E-06	LKWSHR.	4
18	17C-620	BOLT	4
19	4E-12	LKWSHR.	8
20	1573370	BAR, Hinge	1
21	1580703	FRAME, Strike-Off	1
22	59D-08	NUT	13
23	17C-828	BOLT	13
24	1573368	BLADE, Strike-Off	1
25	1580940	FLOOR, Rolling	1
26	59D-04	NUT (For Serial: 225B-101 thru 130)	2
27	17C-432	BOLT (For Serial: 225B-101 thru 130)	2
28	1580719	PIN (For Serial: 225B-101 thru 130).	2
29	1555882	PIN, Actuator to Yoke	1
30	59D-20	NUT	4
31	17C-1672	BOLT (For Serial: 225B-131 & After).	2
32	59D-16	NUT (For Serial: 225A-131 & After)	2

† Not Illustrated

‡ As Required

WHEN ORDERING PARTS, ALWAYS STATE MODEL AND SERIAL NO. OF MACHINE

CLARK EQUIPMENT COMPANY



2291

CLARK EQUIPMENT COMPANY

FRAME — SCRAPER MAIN

Item	Part No.	Description	Qty.
1	1581282	COVER, L.H.	1
1A	1581286	†COVER, R.H.	1
2	1581279	COVER, L.H.	1
2A	1581284	†COVER, R.H.	1
3	17C-632	BOLT	14
4	65D-06	NUT	14
5	1582023	FRAME, Scraper Main	1
6	1560945	BLOCK, Adjusting, R.H.	1
6A	1560944	†BLOCK, Adjusting, L.H.	1
7	654722	PIN, Roll	2
8	25E-28	WASHER	2
9	17C-820	BOLT	4
10	4E-08	LKWSHR.	4
11	1572590	PIN	2
12	1574465	BEARING	2
13	590828	PLOWBOLT (Inc 34)	6
14	1573685	BLADE, Router	2
15	552369	PLOWBOLT (Inc 17)	40
16	4E-12	LKWSHR.	40
17	61D-12	NUT	40
18	1574828	BLADE	1
19	1574827	BLADE	1
20	61D-12	NUT	12
21	4E-12	LKWSHR.	12
22	1572837	CHISEL ASSY (Inc 23, 24, 25)	4
23	1572836	POINT, Wear	4
24	1572890	PIN	4
25	-----	§SHANK (Inc w/22)	4
26	562741	PLOWBOLT (Inc 26B)	4
26A	4E-12	†LKWSHR.	4
26B	61D-12	†NUT	4
27	562741	PLOWBOLT (Inc 20)	4
28	1574828	BLADE	1
29	10H-25	FITTING, Grease	2
30	1571282	PIN	2
31	1564670	BUSHING	2
32	1F-836	COTTER	2
33	1579829	BLOCK, Tapped	2
34	61D-12	NUT	6
35	4E-12	LKWSHR.	6
36	1575463	BOLT	6
37	1579828	‡SHIM (.0625)	—
38	1579830	‡SHIM (.1250)	—
39	10H-25	FITTING, Grease	2
40	1554833	PIN	2
41	1554856	‡SHIM (.0625)	—

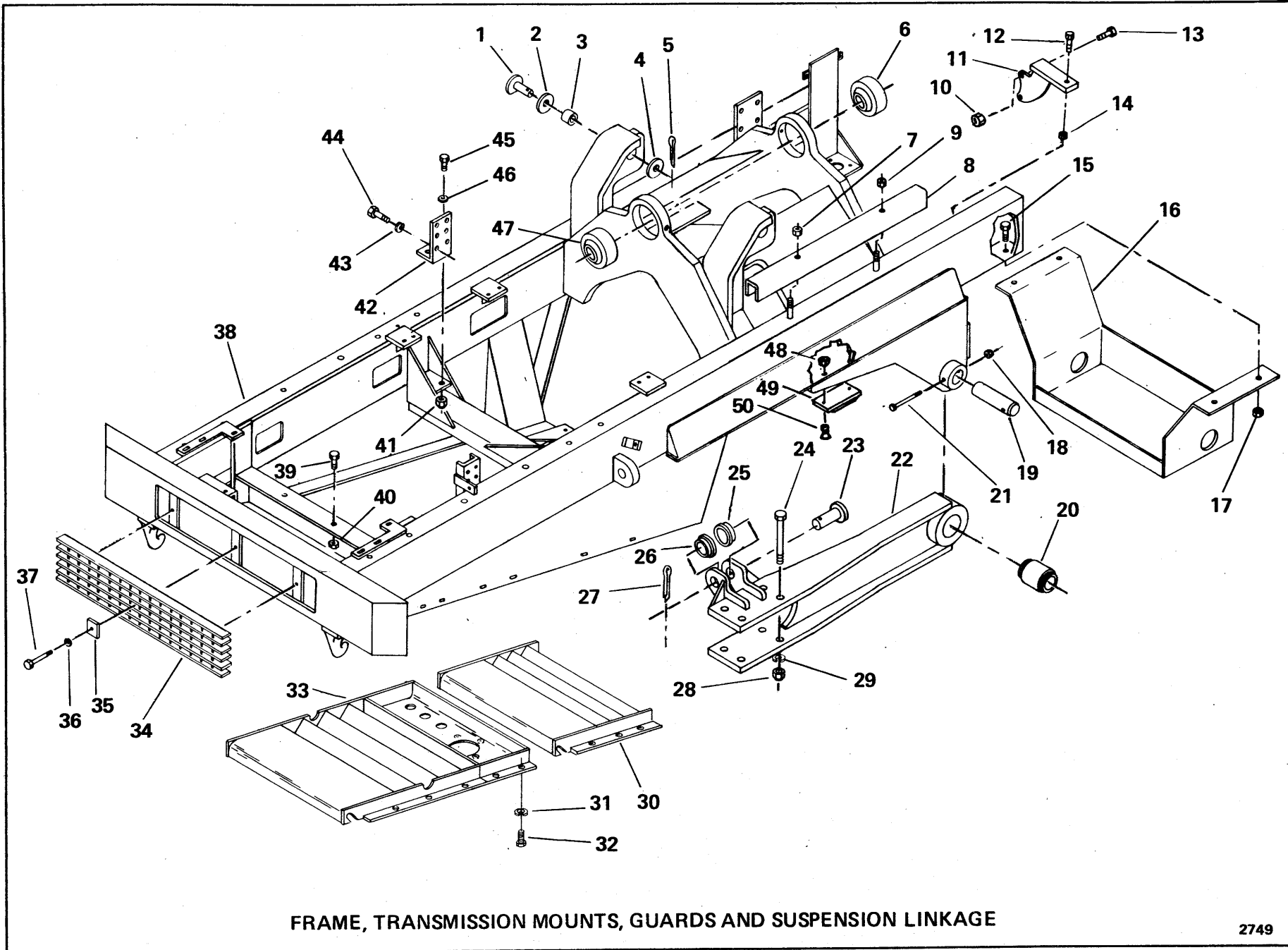
Item	Part No.	Description	Qty.
42	1554857	‡SHIM (.1250)	—
43	1574790	SPACER	2
44	1573309	BUSHING	2
45	1574790	SPACER	2
46	1554832	WASHER	2
47	65D-24	NUT	2
48	59D-14	NUT (For Serial: 225B-101 thru 149)	8
48A	59D-16	NUT (For Serial: 225B-150 & After)	8
49	1575359	‡SHIM (.134)	—
50	1575358	‡SHIM (.075)	—
51	1574627	‡SHIM (.250)	—
52	17C-1448	BOLT (For Serial: 225B-101 thru 149)	8
52A	17C-1648	BOLT (For Serial: 225B-150 & After)	8
53	17C-1272	BOLT	2
54	1579568	HANGER	1
55	1553884	‡SHIM (.500)	—
56	1553887	‡SHIM (.1250)	—
57	1553885	‡SHIM (.3750)	—
58	1574492	WASHER	2
59	59D-12	NUT	2
60	84G-3716	SCREW	2
61	59D-12	NUT	2
62	1574492	WASHER	2
63	4E-06	LKWSHR.	4
64	61D-06	NUT	4
65	25E-16	WASHER	4
66	17C-620	BOLT	4
67	59D-04	NUT	1
68	1554860	PLATE	1
69	25E-14	WASHER	1
70	17C-416	BOLT	1
71	1553884	‡SHIM (.500)	—
72	1553885	‡SHIM (.1250)	—
73	1553887	‡SHIM (.3750)	—
74	1571282	PIN	2
75	1564670	BUSHING	2
76	17C-1248	BOLT	4
77	1574492	WASHER	4
78	1574492	WASHER	4
79	1579598	HANGER	1
80	17C-1256	BOLT	2
81	1F-840	COTTER	2
82	1574492	WASHER	4
83	59D-16	NUT	4
84	1578569	GUARD, Tube — L.H.	1
84A	1578570	†GUARD, Tube — R.H.	1

† Not Illustrated

‡ As Required

§ Not Sold Separately

WHEN ORDERING PARTS, ALWAYS STATE MODEL AND SERIAL NO. OF MACHINE



FRAME, TRANSMISSION MOUNTS, GUARDS AND SUSPENSION LINKAGE

CLARK EQUIPMENT COMPANY

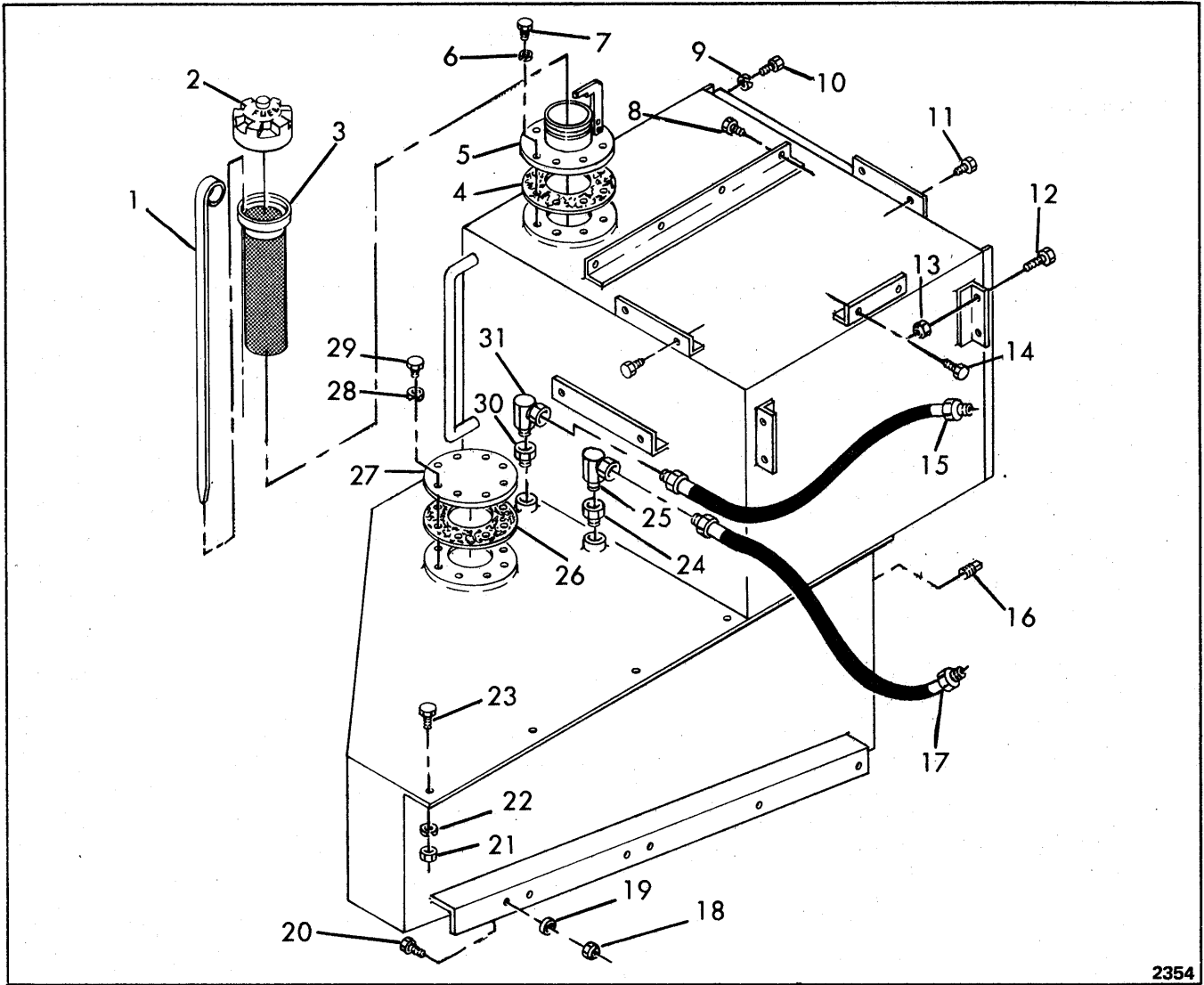
FRAME-TRANSMISSION MOUNTS-GUARDS & SUSPENSION LINKAGE

Item	Part No.	Description	Qty.
1	1573983	PIN	2
2	1573953	SPACER	2
3	1564670	BUSHING	2
4	1573953	SPACER	2
5	1F-632	COTTER	2
6	1567176	BUSHING, Rear	1
7	59D-06	NUT	1
8	1568499	COVER	1
9	59D-06	NUT	1
10	60D-16	NUT	8
11	1571025	MOUNT, Transmission	2
11A	1571023	†MOUNT, Transmission	2
12	18C-1656	BOLT	4
13	18C-1656	BOLT	8
14	60D-16	NUT	4
15	17C-1028	BOLT, Transmission Guard	4
16	1572253	GUARD, Transmission	1
17	59D-12	NUT	4
18	60D-08	NUT	2
19	572876	PIN	2
20	106750	BUSHING	2
21	18C-896	BOLT	2
22	1582014	ARM, Suspension - L.H.	1
22A	1582013	†ARM, Suspension - R.H.	1
23	1573983	PIN	2
24	1582015	BOLT	8
25	1585124	BUSHING	2
26	1585124	BUSHING	2
27	1F-632	COTTER	2
28	1577321	LOCKNUT	8
29	1577320	WASHER	8
30	1565036	PAN, Rear Belly	1
31	25E-20	WASHER	18
32	17C-720	BOLT	18
33	1578376	PAN, Front Belly	1
34	1576815	GRILLE	1
35	1544899	CLAMP	3
36	4E-08	LKWSHR	3
37	18C-828	BOLT	3
38	1579067	FRAME	1
39	17C-1040	BOLT	2
40	59D-12	NUT	2
41	59D-12	NUT	4
42	1527092	MOUNT, Engine	2
43	4E-10	LKWSHR	8
44	17C-1024	BOLT	8
45	17C-1040	BOLT	4
46	616800	LKWSHR	4
47	1567176	BUSHING, Front	1
48	59D-10	NUT	4
49	1543010	BUMPER	2
50	9G-1028	BOLT	4

† Not Illustrated

WHEN ORDERING PARTS, ALWAYS STATE MODEL AND SERIAL NO. OF MACHINE

CLARK EQUIPMENT COMPANY



2354

FUEL TANK AND CONNECTIONS

Item	Part No.	Description	Qty.	Item	Part No.	Description	Qty.
1	1582616	DIPSTICK	1	17	1567103	HOSE	1
2	1558644	CAP, Fuel	1	18	59D-06	NUT	6
3	943957	SCREEN ASSY	1	19	25E-18	WASHER	6
4	1557962	GASKET	1	20	17C-620	BOLT	6
5	1575353	FILLER NECK	1	21	59D-08	NUT	4
6	4E-6	LKWSHR	8	22	25E-18	WASHER	4
7	17C-612	BOLT	8	23	17C-612	BOLT	4
8	84G-3716	SCREW	4	24	19F-6	BUSHING	1
9	4E-6	LKWSHR	3	25	31F-3	ADAPTER	1
10	17C-612	BOLT	3	26	1557962	GASKET	1
11	84G-3716	SCREW	2	27	1557961	COVER	1
12	17C-848	BOLT	4	28	4E-6	LKWSHR	8
13	59D-8	NUT	4	29	17C-612	BOLT	8
14	84G-3716	SCREW	2	30	19F-5	BUSHING	1
15	1572117	HOSE	1	31	31F-2	ADAPTER	1
16	16F-20	PLUG	1	32	1582622	TANK ASSY (Inc 1 thru 7, 24 thru 31)	1

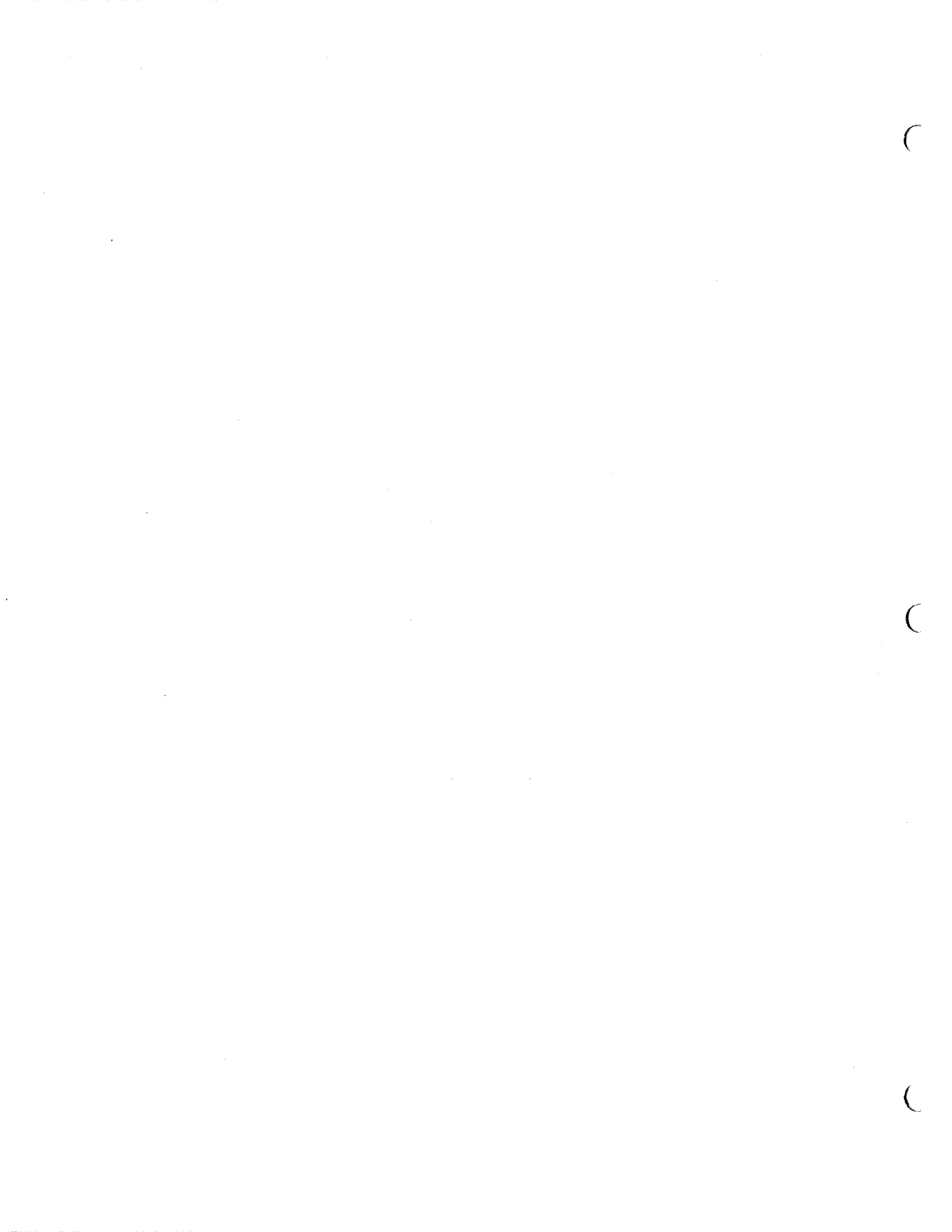
WHEN ORDERING PARTS, ALWAYS STATE MODEL AND SERIAL NO. OF MACHINE

CLARK EQUIPMENT COMPANY

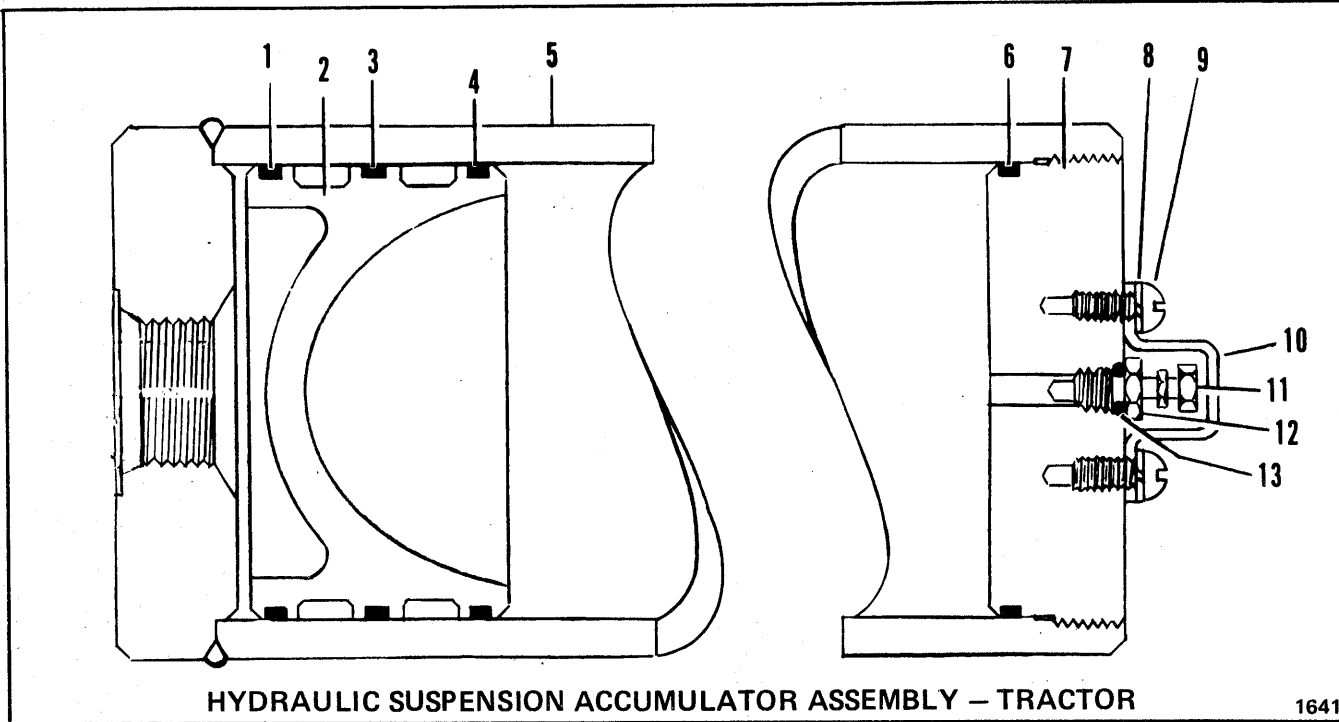
"H" GROUP CONTENTS

Hydraulic Group:

Hydraulic Accumulator — Tractor Suspension.	H3
Hydraulic Filter — Inline Suspension.	H4
Hydraulic Filter Assembly.	H5
Hydraulic Oil Reservoir	H7
Hydraulic System — Scraper — Ejection.	H9
Hydraulic System — Scraper — Lift & Elevator	H11
Hydraulic System — Tractor — Elevator.	H13
Hydraulic System — Tractor — Lift & Eject	H15
Hydraulic System — Tractor — Steering.	H17
Hydraulic System — Tractor — Suspension.	H19
Hydraulic System — Transmission & Torque Converter.	H21
Hydraulic System — Transmission Shift Control	H23



CLARK EQUIPMENT COMPANY



HYDRAULIC SUSPENSION ACCUMULATOR ASSEMBLY – TRACTOR

1641

CAUTION

This is a Gas Pressurized System

Do not disconnect any part of system without first relieving accumulator pressure. To release pressure, back off suspension system relief valve screw until suspension arms are resting on their stops (with engine down).

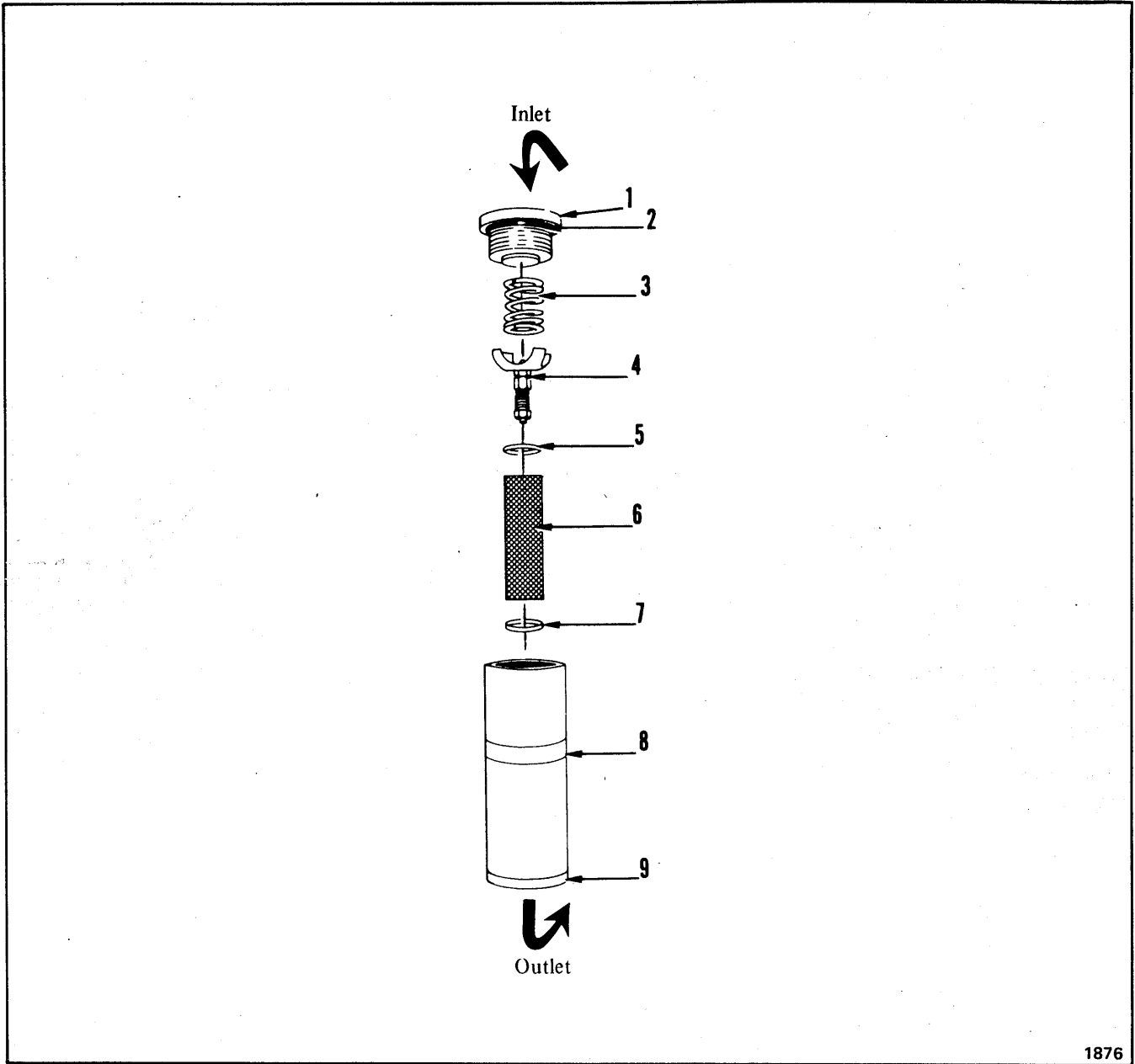
Before attempting to service components of accumulator, release gas by unscrewing gas valve until gas begins to escape through safety hole. When pressure is relieved, remove gas valve.

Item	Part No.	Description	Qty.
A	529792	ACCUMULATOR ASSY (Inc 1 thru 15)	1
B	949325	REPAIR KIT, Accumulator (Inc 3, 5, 6, 8, 13, 13A, 14A, 15)	1
1	-----	§ RING, Piston Wear (See 'B')	1
2	-----	§ PISTON (See 'A')	1
3	-----	§ "O" RING, Piston (See 'B')	1
4	-----	§ RING, Piston Wear (See 'B')	1
5	-----	§ CYLINDER (See 'A')	1
6	-----	§ "O" RING, Cylinder Cap (See 'B')	1
7	944746	CAP, Cylinder	1
8	4E-06	LKWSHR, Gas Valve Protector	2
9	89G-610	SCREW, Gas Valve Protector	2
10	944744	PROTECTOR, Gas Valve	1
11	-----	§ CAP, Gas Valve (See 'B')	1
11A	-----	† § CAP, Gas Valve Core Remover (See 'B')	1
12	944745	VALVE ASSY, Gas (Inc 13, 14A)	1
12A	-----	† § CORE, Gas Valve (See 'B')	1
13	-----	§ "O" RING, Gas Valve (See 'B')	1

† Not Illustrated
 § Not Sold Separately

WHEN ORDERING PARTS, ALWAYS STATE MODEL AND SERIAL NO. OF MACHINE

CLARK EQUIPMENT COMPANY



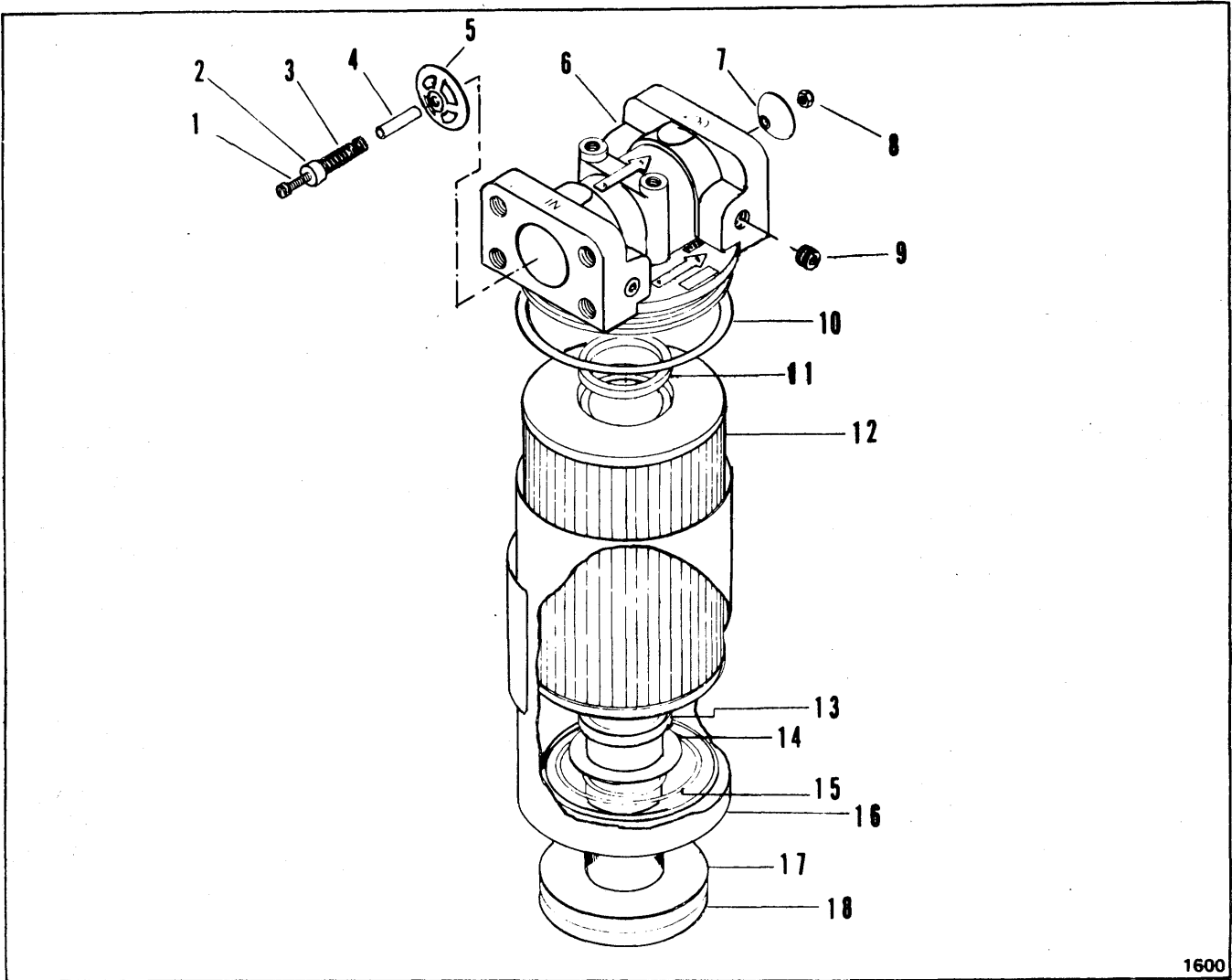
FILTER – INLINE SUSPENSION

Item	Part No.	Description	Qty.
A	573071	FILTER ASSY (Inc. 1 thru 9A)	1
1	960206	CAP	1
2	944640	O-RING	1
3	960205	SPRING	1
4	960204	VALVE ASSY, Relief	1
5	960203	GASKET	1
6	949543	ELEMENT (40 Micron)	1
7	960203	GASKET	1
8	960207	BARREL	1
9	960206	CAP	1
9A	944640	†O-RING	1

† Not Illustrated

WHEN ORDERING PARTS, ALWAYS STATE MODEL AND SERIAL NO. OF MACHINE

CLARK EQUIPMENT COMPANY



1600

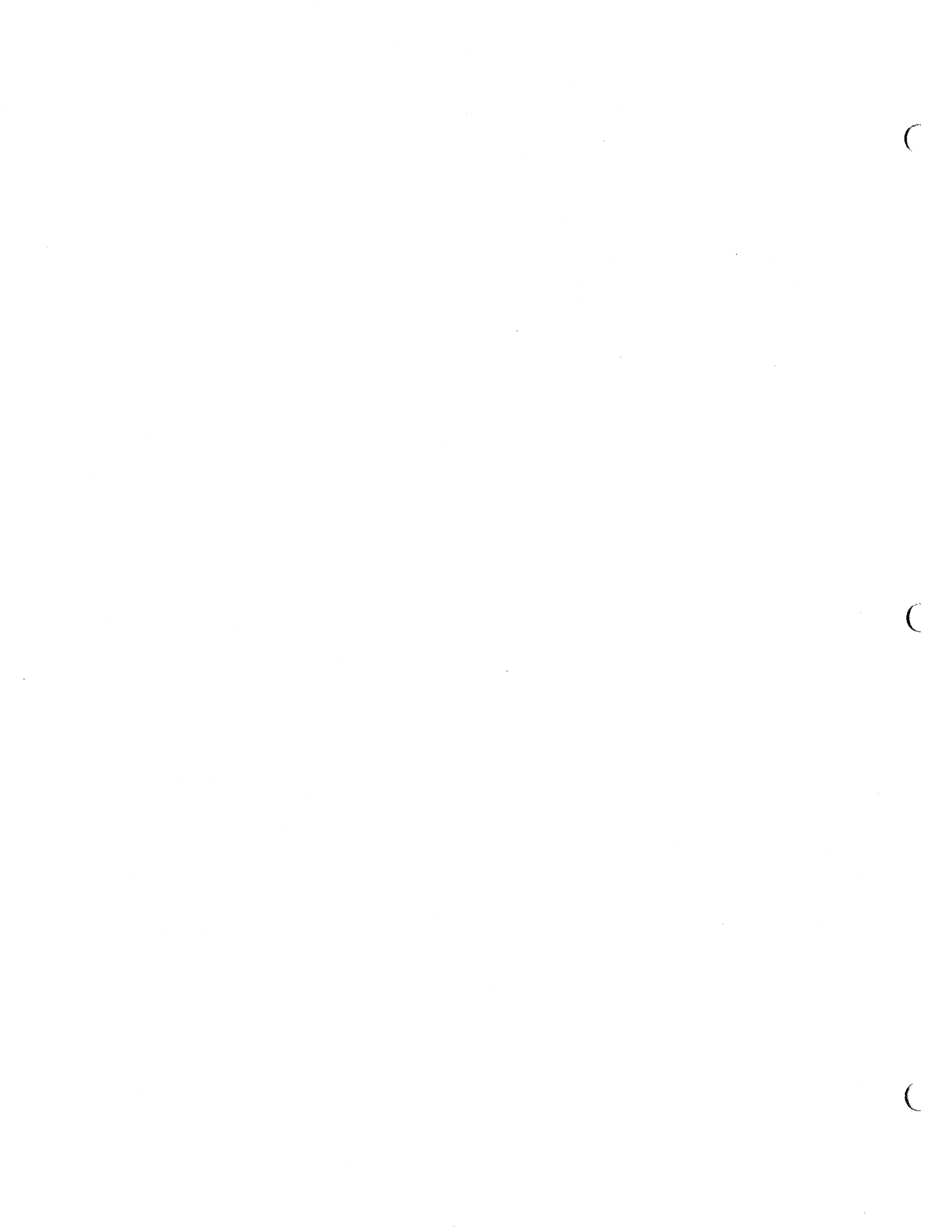
HYDRAULIC – FILTER ASSEMBLY

Item	Part No.	Description	Qty.
A	1577602	FILTER ASSY (Inc. 1 thru 18)	1
B	948983	ELEMENT KIT, Major (Inc. 10, 11, 12, 13, 14 & 17)	1
C	1566622	ELEMENT KIT, Minor (Inc. 11, 12 & 14)	1
D	1578130	BYPASS KIT (Inc. 1 thru 5, 7 & 8)	1
1	----	§ SCREW, Bypass – See “D”	1
2	----	§ CAP, Stem Bypass – See “D”	1
3	----	§ SPRING, Bypass – See “D”	1
4	----	§ SPACER, Bypass – See “D”	1
5	----	GUIDE, Bypass – See “D”	1
6	----	HEAD – See “A”	1

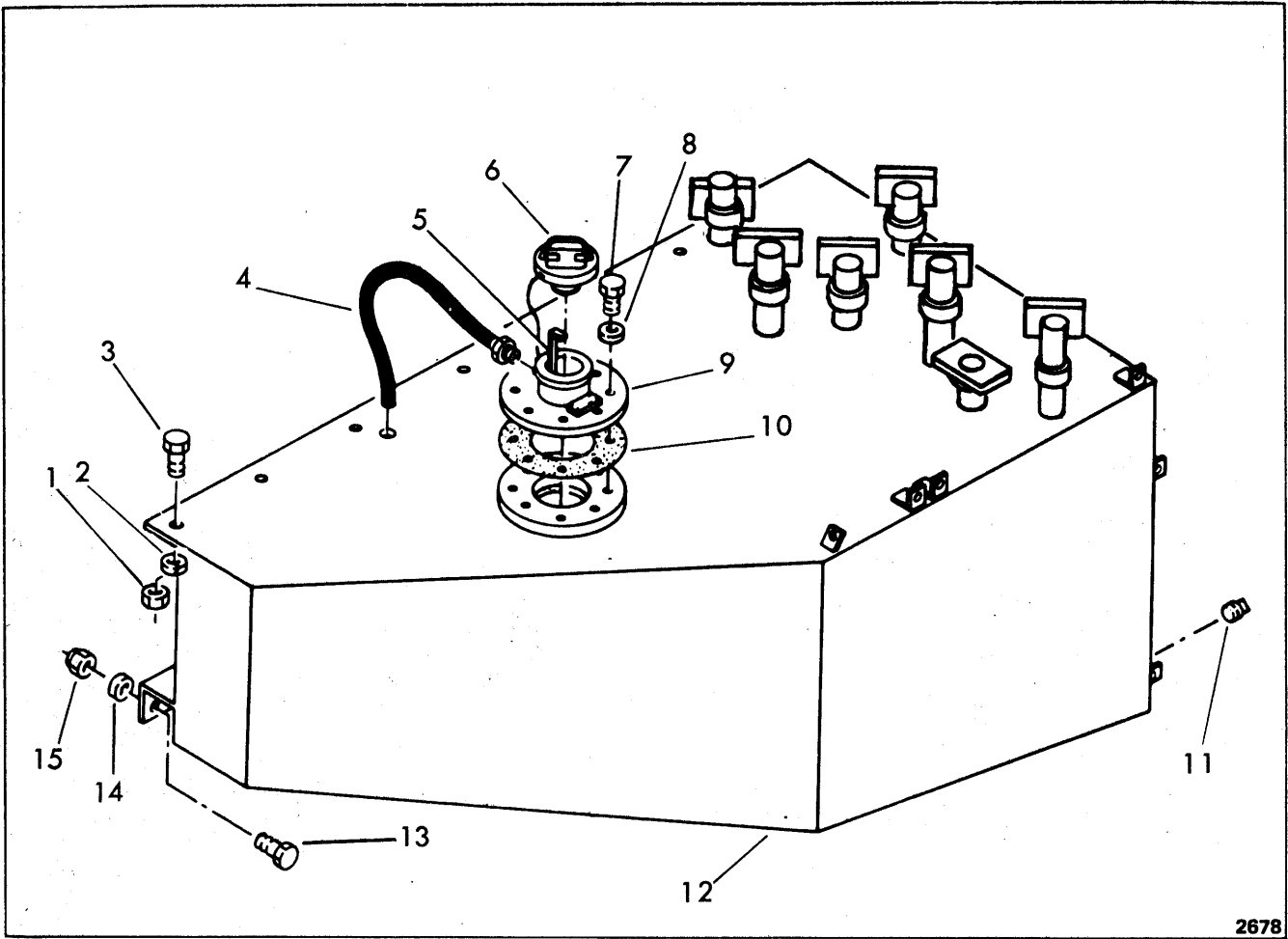
Item	Part No.	Description	Qty.
7	----	VALVE, Bypass – See “D”	1
8	----	LOCKNUT, Bypass – See “D”	1
9	16F-02	PLUG.....	2
10	6512532	O-Ring – See “B”	1
11	----	SEAL – See “B”	1
12	----	ELEMENT – See “B”	1
13	----	SEAL – See “B”	1
14	1566619	WASHER	1
15	896152	SPRING, Conical	1
16	1567065	HOUSING	1
17	1567066	GASKET – See “B”	1
18	896153	POST, Center	1

§ Not Sold Separately

WHEN ORDERING PARTS, ALWAYS STATE MODEL AND SERIAL NO. OF MACHINE



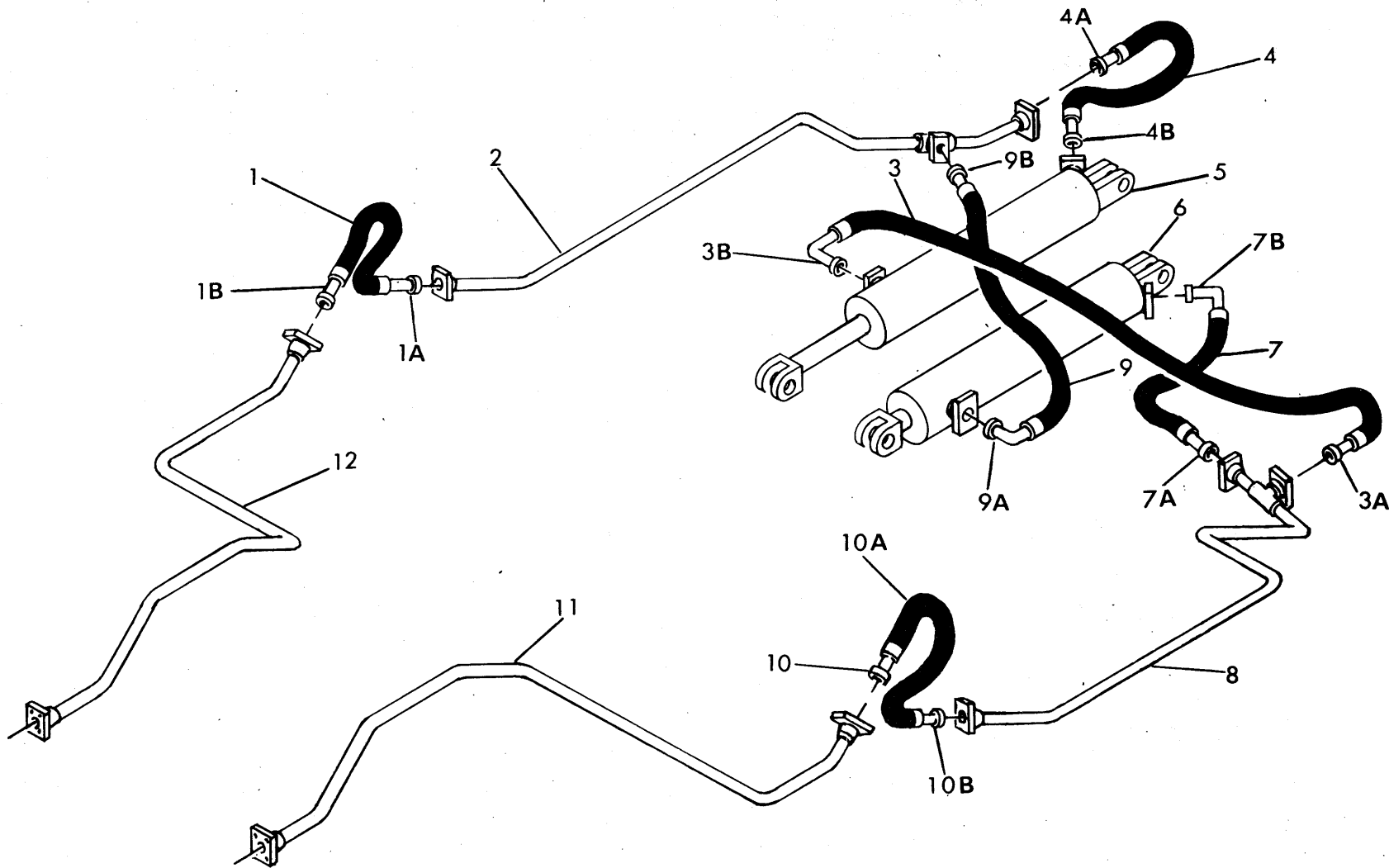
CLARK EQUIPMENT COMPANY



HYDRAULIC OIL RESERVOIR

Item	Part No.	Description	Qty.
1	59D-08	NUT	8
2	4E-08	LKWSHR	8
3	17C-820	BOLT	8
4	1567156	HOSE	1
5	1558674	DIPSTICK	1
6	554843	CAP	1
7	17C-612	BOLT	8
8	4E-06	WASHER	8
9	1578330	FILLER ASSY	1
10	1557962	GASKET	1
11	200216	PLUG, Magnetic	1
12	1574448	TANK, Hydraulic	1
13	17C-620	BOLT	8
14	25E-14	WASHER	8
15	59D-06	NUT	8

WHEN ORDERING PARTS, ALWAYS STATE MODEL AND SERIAL NO. OF MACHINE



HYDRAULIC SYSTEM - EJECTION

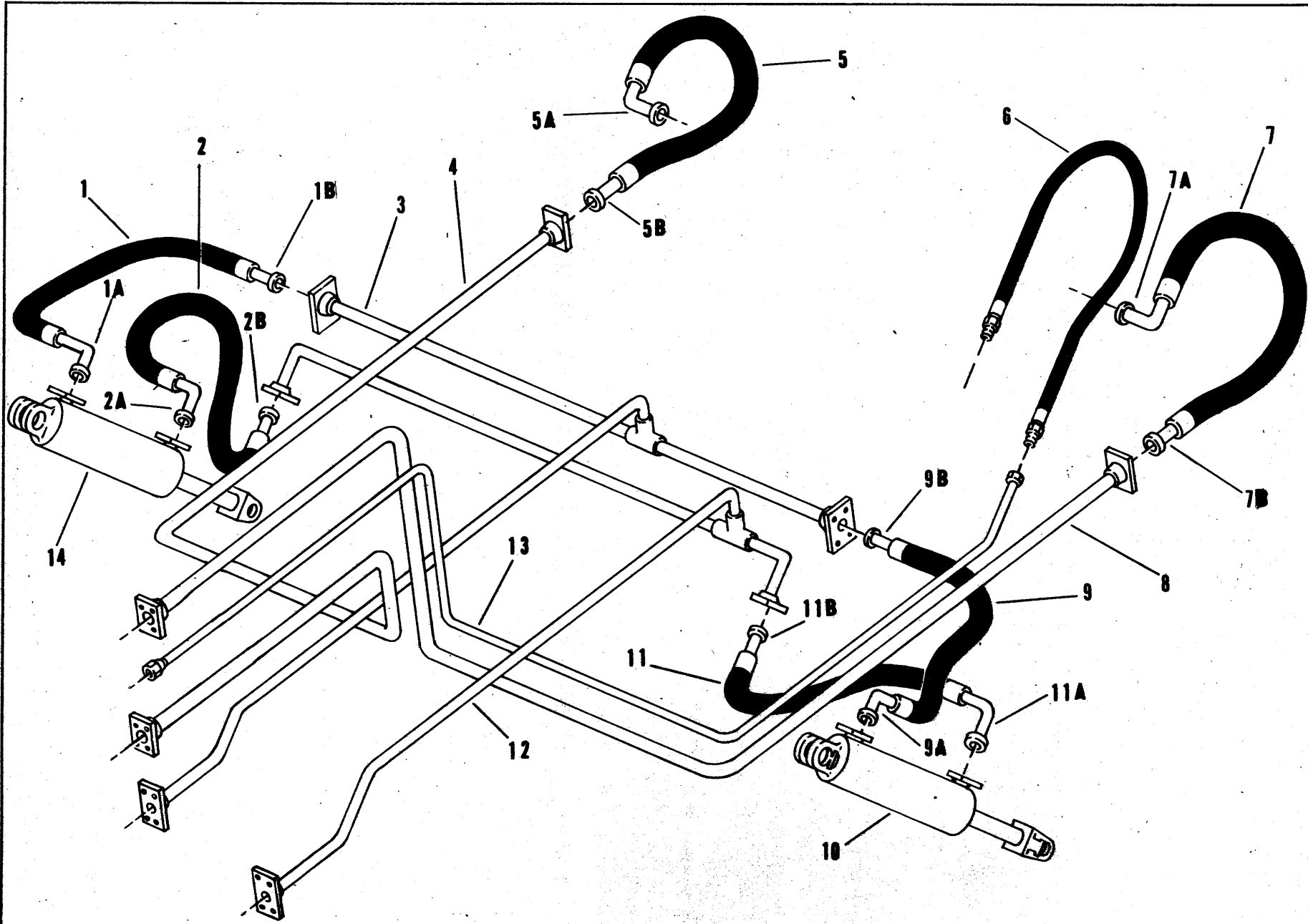
CLARK EQUIPMENT COMPANY

HYDRAULIC SYSTEM - EJECTION

Item	Part No.	Description	Qty.
1	1562536	HOSE	1
1A	-----	FLANGE, Split - See Group "A"	-
1B	-----	FLANGE, Split - See Group "A"	-
2	1582038	TUBE ASSY	1
3	1562536	HOSE	1
3A	-----	FLANGE, Split - See Group "A"	-
3B	-----	FLANGE, Split - See Group "A"	-
4	1562536	HOSE	1
4A	-----	FLANGE, Split - See Group "A"	-
4B	-----	FLANGE, Split - See Group "A"	-
5	-----	CYLINDER, Rolling Door - See Index	1
6	-----	CYLINDER, Endgate - See Index	1
7	1562536	HOSE	1
7A	-----	FLANGE, Split - See Group "A"	-
7B	-----	FLANGE, Split - See Group "A"	-
8	1582034	TUBE ASSY	1
9	1562536	HOSE	1
9A	-----	FLANGE, Split - See Group "A"	-
9B	-----	FLANGE, Split - See Group "A"	-
10	1562536	HOSE	1
10A	-----	FLANGE, Split - See Group "A"	-
10B	-----	FLANGE, Split - See Group "A"	-
11	1574507	TUBE ASSY	1
12	1574509	TUBE ASSY	1

GROUP	FLANGE HALF	O-RING	BOLT	LKWSHR	SIZE
No. Req'd Per Connection	2	1	4	4	
A	19J-12	58K-214	17C-620	4E-06	3/4"

WHEN ORDERING PARTS, ALWAYS STATE MODEL AND SERIAL NO. OF MACHINE



HYDRAULIC SYSTEM - LIFT AND ELEVATOR- SCRAPER YOKE

H10-1

2B13

PM 4071
Printed in U.S.A.

CLARK EQUIPMENT COMPANY

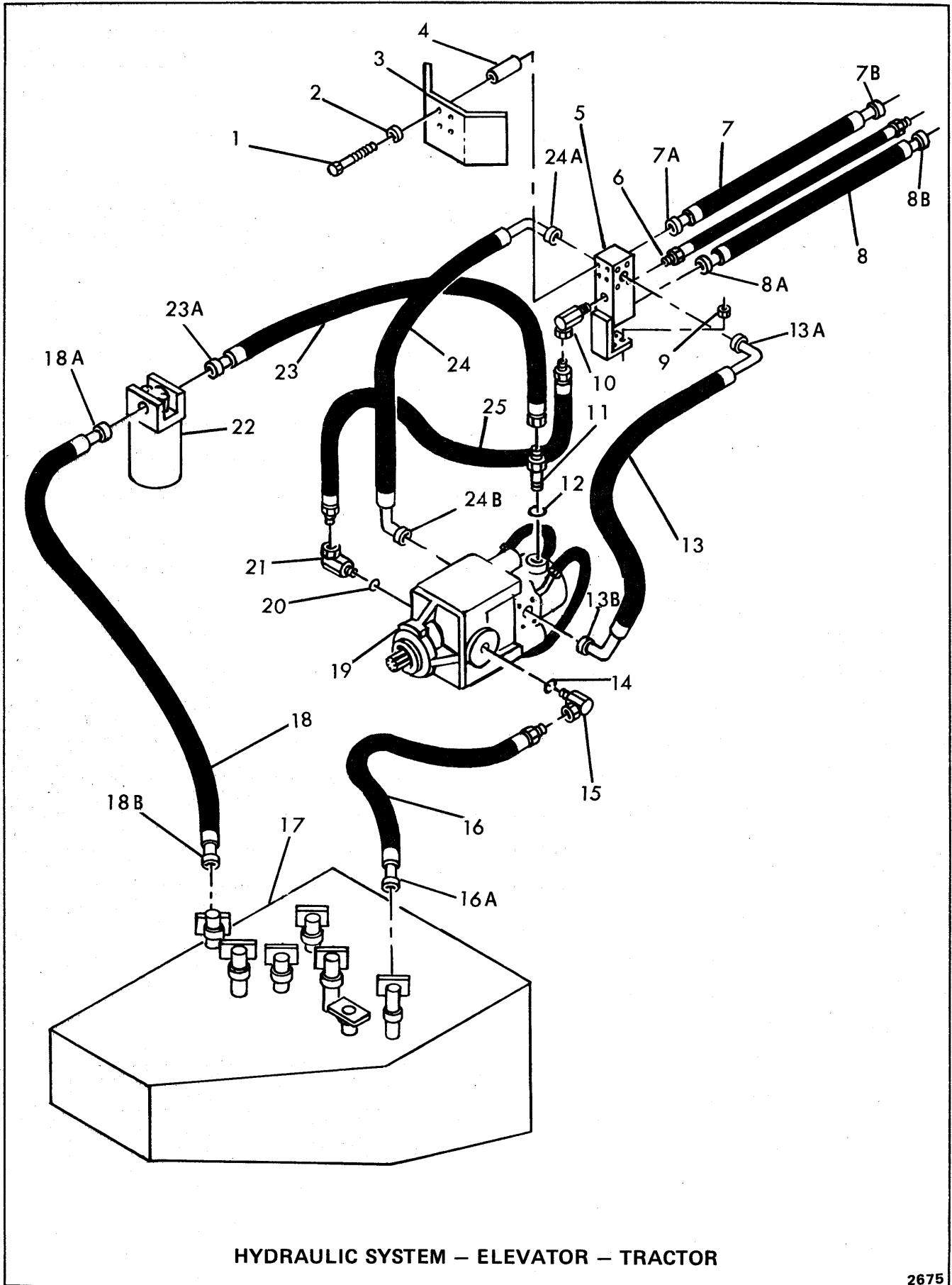
HYDRAULIC SYSTEM – LIFT AND ELEVATOR – SCRAPER YOKE

Item	Part No.	Description	Qty.
1	1564841	HOSE, Lift	1
1A	-----	FLANGE, Split – See Group "A"	-
1B	-----	FLANGE, Split – See Group "A"	-
2	1562536	HOSE, Lift	1
2A	-----	FLANGE, Split – See Group "A"	-
2B	-----	FLANGE, Split – See Group "A"	-
3	1574501	TUBE ASSY	1
4	1574503	TUBE ASSY	1
5	1564690	HOSE, Elevator	1
5A	-----	FLANGE, Split – See Group "B"	-
5B	-----	FLANGE, Split – See Group "B"	-
6	1566957	HOSE, Drain	1
7	1564690	HOSE, Elevator	1
7A	-----	FLANGE, Split – See Group "B"	-
7B	-----	FLANGE, Split – See Group "B"	-
8	1574506	TUBE ASSY	1
9	1564841	HOSE, Lift	1
9A	-----	FLANGE, Split – See Group "A"	-
9B	-----	FLANGE, Split – See Group "A"	-
10	-----	CYLINDER, Lift – See Index	1
11	1562536	HOSE, Lift	1
11A	-----	FLANGE, Split – See Group "A"	-
11B	-----	FLANGE, Split – See Group "A"	-
12	1574500	TUBE ASSY	1
13	1574508	TUBE ASSY	1
14	-----	CYLINDER, Lift – See Index	1

GROUP	FLANGE HALF	O-RING	BOLT	LKWSHR	SIZE
No. Req'd Per Connection	2	1	4	4	
A	19J-12	58K-214	17C-620	4E-06	3/4
B	20J-16	58K-219	17C-728	4E-07	1

WHEN ORDERING PARTS, ALWAYS STATE MODEL AND SERIAL NO. OF MACHINE

CLARK EQUIPMENT COMPANY



HYDRAULIC SYSTEM – ELEVATOR – TRACTOR

2675

CLARK EQUIPMENT COMPANY

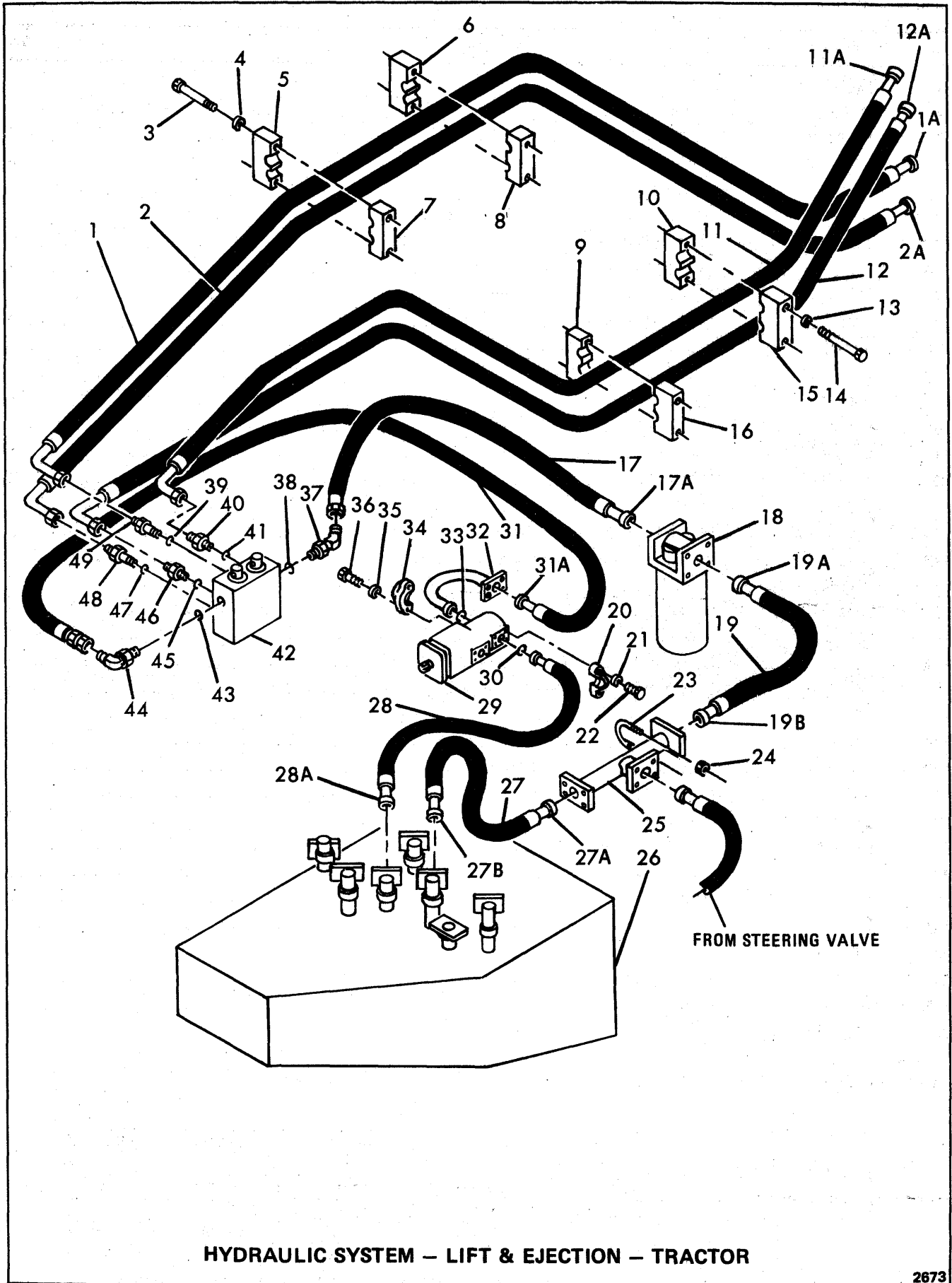
HYDRAULIC SYSTEM – ELEVATOR – TRACTOR

Item	Part No.	Description	Qty.
1	17C-652	BOLT	4
2	4E-06	LKWSHR.	4
3	1579209	SHIELD	1
4	1576977	SPACER	4
5	1582107	MANIFOLD.	1
6	1575441	HOSE, Drain	1
7	1575443	HOSE, Elevator.	1
7A	-----	FLANGE HALF – See Group "B"	-
7B	-----	FLANGE HALF – See Group "B"	-
8	1575443	HOSE, Elevator.	1
8A	-----	FLANGE HALF – See Group "B"	-
8B	-----	FLANGE HALF – See Group "B"	-
9	59D-08	NUT	4
10	31F-05	ADAPTER.	1
11	1302508	* ADAPTER (Inc 12).	1
12	91F-07	O-RING.	1
13	1576151	HOSE	1
13A	-----	FLANGE HALF – See Group "B"	-
13B	-----	FLANGE HALF – See Group "B"	-
14	91F-07	O-RING.	1
15	531684	ADAPTER (Inc 14).	1
16	1564712	HOSE	1
16A	-----	FLANGE HALF – See Group "B"	-
17	-----	TANK, Hydraulic – See Index.	1
18	1564704	HOSE, Return	1
18A	-----	FLANGE HALF – See Group "D"	-
18B	-----	FLANGE HALF – See Group "C"	-
19	-----	PUMP, Elevator – See Index	1
20	91F-07	O-RING.	1
21	531684	ADAPTER (Inc 20).	1
22	-----	FILTER ASSY – See Index	1
23	1585302	HOSE	1
23A	-----	FLANGE HALF – See Group "C"	-
24	1576151	HOSE	1
24A	-----	FLANGE HALF – See Group "B"	-
24B	-----	FLANGE HALF – See Group "B"	-
25	1576197	HOSE	1

*NOTE: For complete replacement use (1) 1585430 Fitting, (1) 91F-07 O-Ring, and (1) 755754 Fitting.

GROUP	FLANGE HALF	O-RING	BOLT	LKWSHR	SIZE
No. Req'd Per Connection	2	1	4	4	
A	19J-12	58K-214	17C-620	4E-06	¾
B	19J-16	58K-219	17C-620	4E-06	1
C	19J-24	58K-225	17C-824	4E-08	1½
D	19J-20	58K-222	17C-724	4E-07	1¼

WHEN ORDERING PARTS, ALWAYS STATE MODEL AND SERIAL NO. OF MACHINE



HYDRAULIC SYSTEM - LIFT & EJECTION - TRACTOR

2673

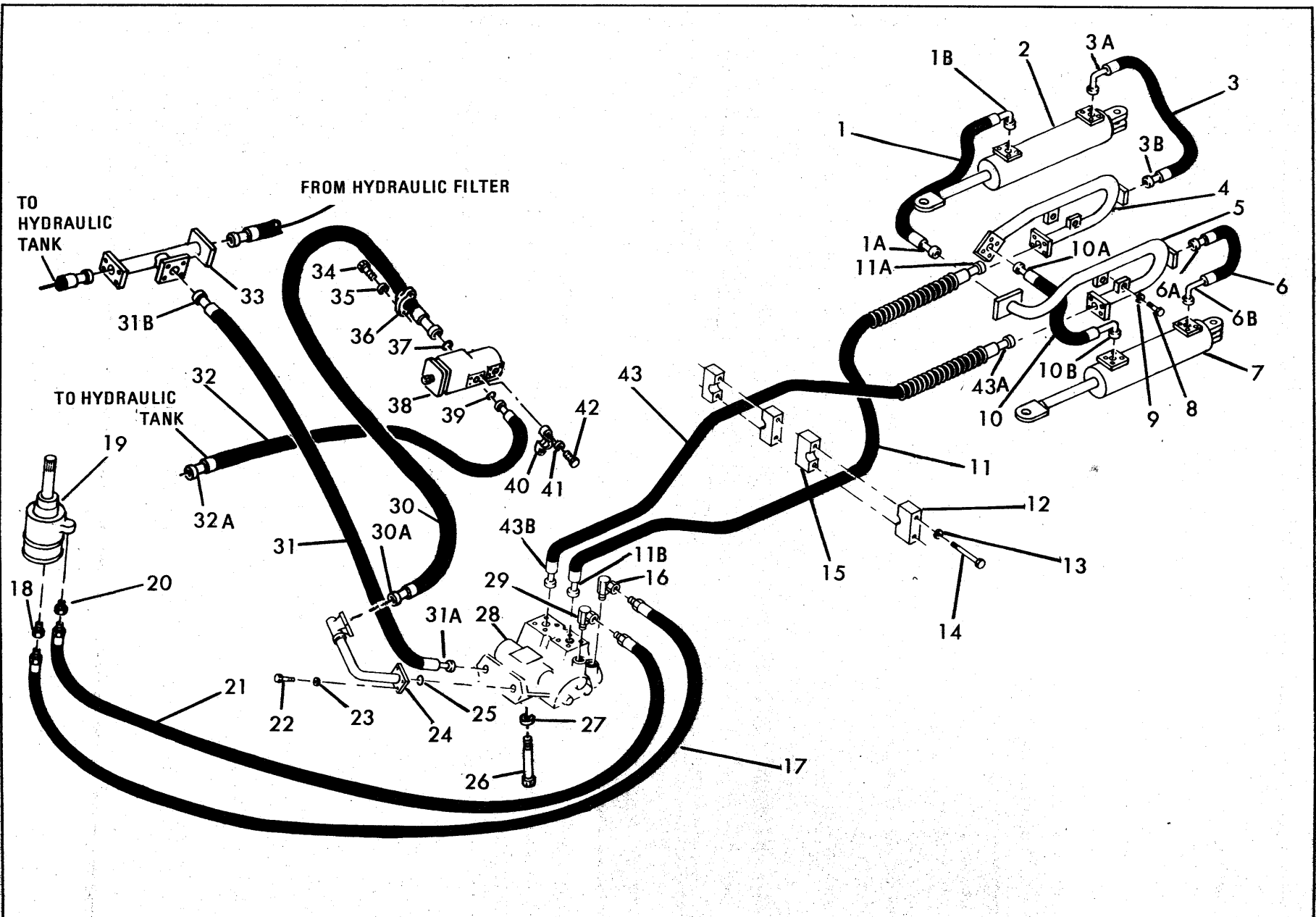
CLARK EQUIPMENT COMPANY

HYDRAULIC SYSTEM – LIFT & EJECT – TRACTOR

Item	Part No.	Description	Qty.	Item	Part No.	Description	Qty.
1	1585304	HOSE, Eject.	1	24	60D-04	NUT	2
1A	----	FLANGE HALF – See Group "A" . . .	–	25	1576190	TUBE ASSY.	1
2	1585304	HOSE, Eject.	1	26	----	TANK, Hydraulic – See Index.	1
2A	----	FLANGE HALF – See Group "A" . . .	–	27	1564716	HOSE	1
3	17C-644	BOLT	4	27A	----	FLANGE HALF – See Group "C" . . .	–
4	4E-06	LKWSHR.	4	27B	----	FLANGE HALF – See Group "D" . . .	–
5	1568305	CLAMP	1	28	1576153	HOSE	1
6	1568305	CLAMP	1	28A	----	FLANGE HALF – See Group "C" . . .	–
7	1568305	CLAMP	1	29	----	PUMP, Lift, Eject. & Steering – See Index	1
8	1568305	CLAMP	1	30	58K-222	O-RING.	1
9	1568305	CLAMP	1	31	1585303	HOSE	1
10	1568305	CLAMP	1	31A	----	FLANGE HALF – See Group "C" . . .	–
11	1585304	HOSE, Lift.	1	32	1584907	TUBE	1
11A	----	FLANGE HALF – See Group "A" . . .	–	33	58K-222	O-RING.	1
12	1585304	HOSE, Lift.	1	34	19J-20	FLANGE HALF	2
12A	----	FLANGE HALF – See Group "A" . . .	–	35	4E-07	LKWSHR.	4
13	4E-06	LKWSHR.	4	36	17C-720	BOLT	4
14	17C-644	BOLT	4	37	18K-10	ADAPTER (Inc 38)	1
15	1568305	CLAMP	1	38	91F-10	O-RING.	1
16	1568305	CLAMP	1	39	91F-09	O-RING.	1
17	1585431	HOSE	1	40	15K-08	ADAPTER (Inc 41)	1
17A	----	FLANGE HALF – See Group "D" . . .	–	41	91F-09	O-RING.	1
18	----	FILTER ASSY, Lift, Eject & Steering – See Index.	1	42	----	VALVE, Lift & Eject – See Index . . .	1
19	1564195	HOSE	1	43	91F-09	O-RING.	1
19A	----	FLANGE HALF – See Group "C" . . .	–	44	17K-09	ADAPTER (Inc 43)	1
19B	----	FLANGE HALF – See Group "C" . . .	–	45	91F-09	O-RING.	1
20	19J-20	FLANGE HALF	2	46	15K-08	ADAPTER (Inc 45)	1
21	4E-08	LKWSHR.	4	47	91F-09	O-RING.	1
22	17C-820	BOLT	4	48	16K-08	ADAPTER (Inc 47)	1
23	731235	"U" BOLT.	1	49	16K-08	ADAPTER (Inc 39)	1

GROUP	FLANGE HALF	O-RING	BOLT	LKWSHR	SIZE
No. Req'd Per Connection	2	1	4	4	
A	19J-12	58K-214	17C-620	4E-06	¾"
B	19J-16	58K-219	17C-620	4E-06	1"
C	19J-24	58K-225	17C-824	4E-08	1½"
D	19J-20	58K-222	17C-724	4E-07	1 ¼"

WHEN ORDERING PARTS, ALWAYS STATE MODEL AND SERIAL NO. OF MACHINE



HYDRAULIC SYSTEM - STEERING

CLARK EQUIPMENT COMPANY

CLARK EQUIPMENT COMPANY

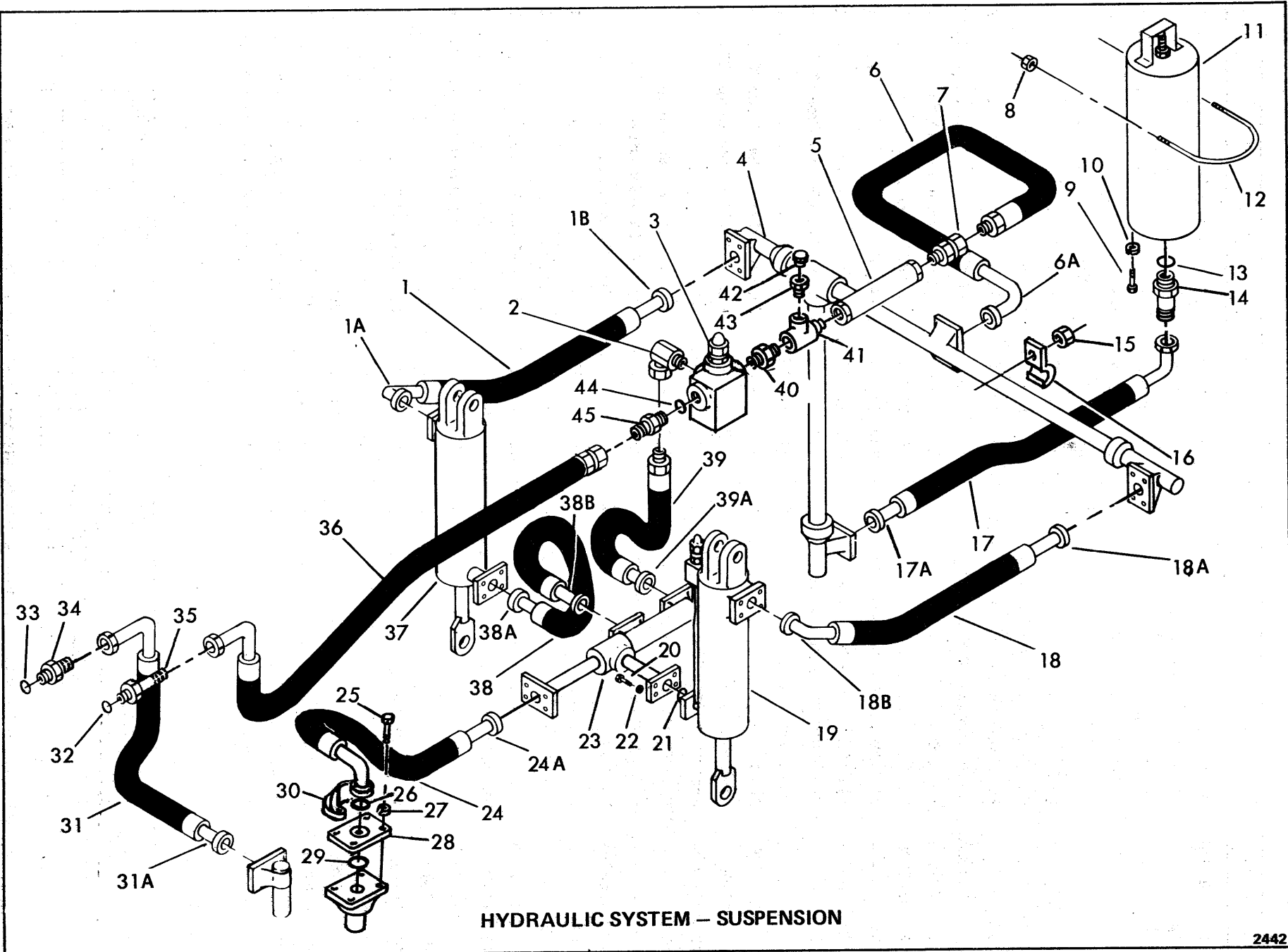
HYDRAULIC SYSTEM – STEERING

Item	Part No.	Description	Qty.
1	1562536	HOSE	1
1A	----	FLANGE HALF – See Group "A"	–
1B	----	FLANGE HALF – See Group "A"	–
2	----	STEERING CYLINDER ASSY – See Index	1
3	1562536	HOSE	1
3A	----	FLANGE HALF – See Group "A"	–
3B	----	FLANGE HALF – See Group "A"	–
4	1581969	TUBE, Steering – R.H.	1
5	1581972	TUBE, Steering – L.H.	1
6	1562536	HOSE	1
6A	----	FLANGE HALF – See Group "A"	–
6B	----	FLANGE HALF – See Group "A"	–
7	----	STEERING CYLINDER ASSY – See Index	1
8	17C-628	BOLT	4
9	4E-06	LKWSHR.	4
10	1562536	HOSE	1
10A	----	FLANGE HALF – See Group "A"	–
10B	----	FLANGE HALF – See Group "A"	–
11	1564714	HOSE	1
11A	----	FLANGE HALF – See Group "A"	–
11B	----	FLANGE HALF – See Group "B"	–
12	1567216	CLAMP	2
13	4E-06	LKWSHR.	4
14	17C-644	BOLT	4
15	1567216	CLAMP	2
16	362653	ADAPTER (Inc 16A)	1
16A	91F-06	†O-RING	1
17	1550861	HOSE	1
18	690279	ADAPTER (Inc 18A)	1
18A	91F-06	†O-RING	1
19	----	PUMP, Steering – See Index	1

Item	Part No.	Description	Qty.
20	690279	ADAPTER (Inc 20A)	1
20A	91F-06	†O-RING	1
21	1550861	HOSE	1
22	17C-824	BOLT	4
23	4E-08	LKWSHR.	4
24	1580922	TUBE	1
25	58K-222	O-RING	1
26	17C-1016	BOLT	3
27	4E-10	LKWSHR.	3
28	----	VALVE, Steering – See Index	1
29	362653	ADAPTER (Inc 29A)	1
29A	91F-06	†O-RING	1
30	1580959	HOSE	1
30A	----	FLANGE HALF – See Group "C"	–
31	1564710	HOSE	1
31A	----	FLANGE HALF – See Group "C"	–
31B	----	FLANGE HALF – See Group "C"	–
32	1584905	HOSE	1
32A	----	FLANGE HALF – See Group "C"	–
33	----	TUBE ASSY – See Lift & Eject System	1
34	17C-720	BOLT	4
35	4E-07	LKWSHR.	4
36	19J-20	FLANGE HALF	2
37	58K-222	O-RING	1
38	----	PUMP, Lift, Eject & Strg. – See Index	1
39	58K-225	O-RING	1
40	19J-24	FLANGE HALF	2
41	4E-08	LKWSHR.	4
42	17C-820	BOLT	4
43	1564714	HOSE	1
43A	----	FLANGE HALF – See Group "A"	–
43B	----	FLANGE HALF – See Group "B"	–

† Not Illustrated

GROUP	FLANGE HALF	O-RING	BOLT	LKWSHR	SIZE
No. Req'd Per Connection	2	1	4	4	
A	19J-12	58K-214	17C-620	4E-06	3/4"
B	20J-16	58K-219	17C-728	4E-07	1"
C	19J-20	58K-222	17C-724	4E-07	1 1/4"



HYDRAULIC SYSTEM - SUSPENSION

CLARK EQUIPMENT COMPANY

HYDRAULIC SYSTEM — SUSPENSION

(For Serial: 224B-101 thru 149)

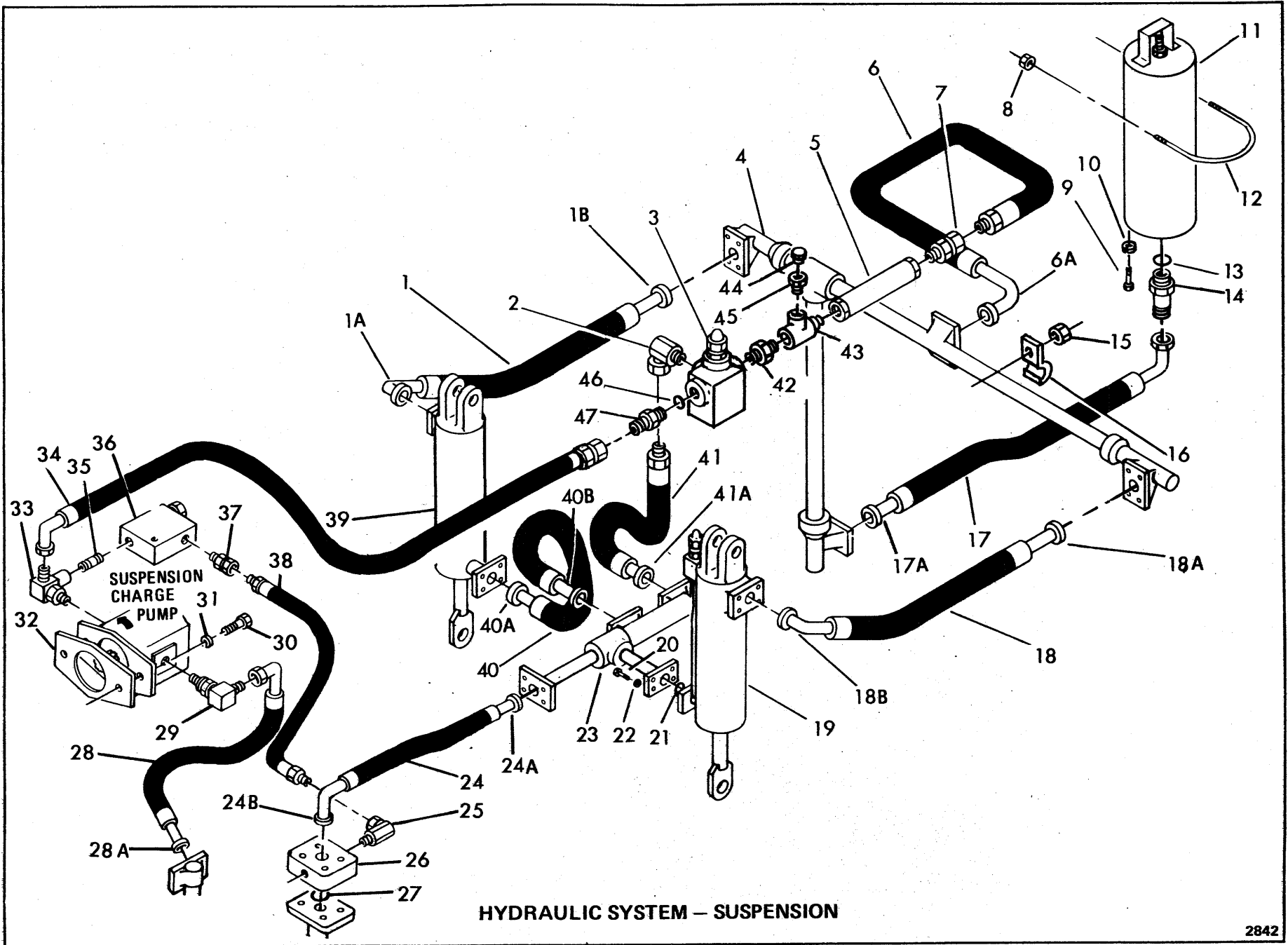
Item	Part No.	Description	Qty.
1	1564742	HOSE	1
1A	-----	†FLANGE, Split — See Group "A" . . .	—
1B	-----	†FLANGE, Split — See Group "A" . . .	—
2	31F-05	ADAPTER (For Serial: 224B-101 thru 130)	1
2A	36F-05	†ADAPTER (For Serial: 224B-131 & After)	1
3	-----	VALVE, Relief — See Index	1
4	1575569	TUBE ASSY.	1
5	-----	FILTER — See Index	1
6	1582407	HOSE	1
6A	-----	†FLANGE, Split — See Group "A" . . .	—
7	36F-04	ADAPTER.	1
8	59D-05	NUT.	2
9	18C-812	BOLT	3
10	4E-08	LKWSHR.	3
11	-----	ACCUMULATOR — See Index	1
12	737143	"U" BOLT.	1
13	91F-08	O-RING.	1
14	16K-08	ADAPTER (Inc 13)	1
15	59D-06	NUT.	2
16	1558167	CLAMP.	2
17	1585300	HOSE	1
17A	-----	†FLANGE, Split — See Group "B" . . .	—
18	1564742	HOSE	1
18A	-----	†FLANGE, Split — See Group "A" . . .	—
18B	-----	†FLANGE, Split — See Group "A" . . .	—
19	-----	CYLINDER, Susp. L.H. — See Index. .	1
20	17C-620	BOLT	4
21	58K-214	O-RING.	1
22	4E-06	LKWSHR.	4
23	1575570	TUBE ASSY.	1
24	1564753	HOSE	1
24A	-----	†FLANGE, Split — See Group "A" . . .	—
25	17C-624	BOLT (For Serial: 224B-128, 131 & After)	4

Item	Part No.	Description	Qty.
26	58K-219	O-RING.	1
27	4E-06	LKWSHR.	4
28	1585631	PLATE (For Serial: 224B-128, 131 & After)	1
29	58K-219	O-RING.	1
30	19J-16	FLANGE, Split.	2
31	1585299	HOSE	1
31A	-----	†FLANGE, Split — See Group "B" . . .	—
32	91F-08	O-RING.	1
33	91F-07	O-RING.	1
34	15K-07	ADAPTER (Inc 33)	1
35	16K-08	ADAPTER (Inc 32)	1
36	1585298	HOSE	1
37	-----	CYLINDER, Suspension, R.H. — See Index	1
38	1564746	HOSE	1
38A	-----	†FLANGE, Split — See Group "A" . . .	—
38B	-----	†FLANGE, Split — See Group "A" . . .	—
39	1564743	HOSE	1
40	1564741	ADAPTER (For Serial: 224B-101 thru 130)	1
40A	550358	†ADAPTER (For Serial: 224B-131 & After)	1
41	30F-03	TEE (For Serial: 224B - 128, 131 & After)	1
42	40K-02	PLUG (For Serial: 224B - 128, 131 & After)	1
43	19F-04	BUSHING (For Serial: 224B-128, 131 & After)	1
44	91F-07	O-RING (For Serial: 224B - 101 thru 130)	1
45	15K-07	ADAPTER (For Serial: 224B-101 thru 130) (Inc 44)	1
45A	662999	†ADAPTER (For Serial: 224B - 131 & After)	1

† Not Illustrated

GROUP	FLANGE HALF	O-RING	BOLT	LKWSHR	SIZE
No. Req'd Per Connection	2	1	4	4	
A	19J-12	58K-214	17C-620	4E-06	3/4"
B	19J-16	58K-219	17C-620	4E-06	1"

WHEN ORDERING PARTS, ALWAYS STATE MODEL AND SERIAL NO. OF MACHINE



HYDRAULIC SYSTEM - SUSPENSION

CLARK EQUIPMENT COMPANY

HYDRAULIC SYSTEM – SUSPENSION

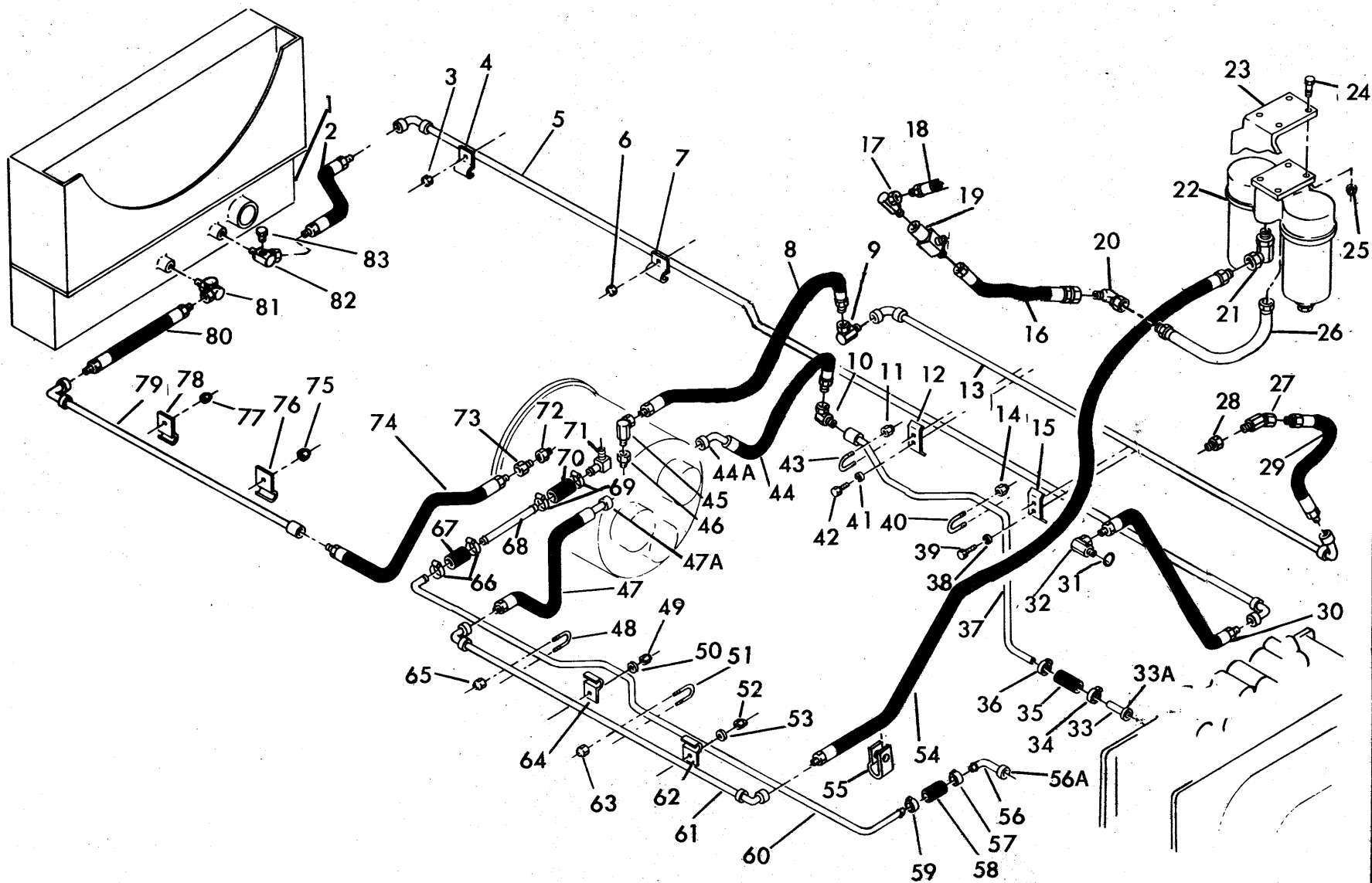
(For Serial: 224B-150 & After)

Item	Part No.	Description	Qty.		Item	Part No.	Description	Qty.
1	1564742	HOSE	1		24A	-----	† FLANGE, Split – See Group "A" . . .	—
1A	-----	† FLANGE, Split – See Group "A" . . .	—		24B	-----	† FLANGE, Split – See Group "C". . .	—
1B	-----	† FLANGE, Split – See Group "A" . . .	—		25	31F-2	ADAPTER.	1
2	36F-05	ADAPTER.	1		26	1586421	PLATE, Adapter.	1
3	-----	VALVE, Relief – See Index	1		27	58K-219	O-RING.	1
4	1575569	TUBE ASSY.	1		28	1585299	HOSE	1
5	-----	FILTER – See Index.	1		28A	-----	† FLANGE, Split – See Group "B". . .	—
6	1582407	HOSE	1		29	17K-8	FITTING.	1
6A	-----	† FLANGE, Split – See Group "A" . . .	—		30	-----	BOLT—See Pump Attaching Parts. . .	—
7	36F-04	ADAPTER.	1		31	-----	LKWSHR—See Pump Attaching Parts	—
8	59D-05	NUT.	2		32	-----	GASKET—See Pump Attaching Parts	—
9	18C-812	BOLT.	3		33	1586555	FITTING.	1
10	4E-08	LKWSHR.	3		34	1585298	HOSE	1
11	-----	ACCUMULATOR – See Index	1		35	5K-224	NIPPLE.	1
12	737143	"U" BOLT.	1		36	-----	VALVE, Air Bleed – See Index.	1
13	91F-08	O-RING.	1		37	36F-2	ADAPTER.	1
14	16K-08	ADAPTER (Inc 13).	1		38	1586553	HOSE	1
15	59D-06	NUT.	2		39	-----	CYLINDER, Suspension – See Index	—
16	1558167	CLAMP.	2		40	1564746	HOSE	1
17	1585300	HOSE	1		40A	-----	† FLANGE, Split – See Group "A" . . .	—
17A	-----	† FLANGE, Split – See Group "B". . .	—		40B	-----	† FLANGE, Split – See Group "A" . . .	—
18	1564742	HOSE	1		41	1564743	HOSE	1
18A	-----	† FLANGE, Split – See Group "A" . . .	—		41A	-----	† FLANGE, Split – See Group "A" . . .	—
18B	-----	† FLANGE, Split – See Group "A" . . .	—		42	550358	ADAPTER.	1
19	-----	CYLINDER, Susp. L.H. – See Index . . .	1		43	30F-03	TEE	1
20	17C-620	BOLT.	4		44	40K-02	PLUG	1
21	58K-214	O-RING.	1		45	19F-04	BUSHING	1
22	4E-06	LKWSHR.	4		46	91F-07	O-RING.	1
23	1575570	TUBE ASSY.	1		47	662999	ADAPTER.	1
24	1564753	HOSE	1					

† Not Illustrated

GROUP	FLANGE HALF	O-RING	BOLT	LKWSHR	SIZE
No. Req'd Per Connection	2	1	4	4	
A	19J-12	58K-214	17C-620	4E-06	¾"
B	19J-16	58K-219	17C-620	4E-06	1"
C	19J-16	58K-219	17C-644	4E-06	1"

WHEN ORDERING PARTS, ALWAYS STATE MODEL AND SERIAL NO. OF MACHINE



HYDRAULIC SYSTEM - TRANSMISSION & TORQUE CONVERTER

CLARK EQUIPMENT COMPANY

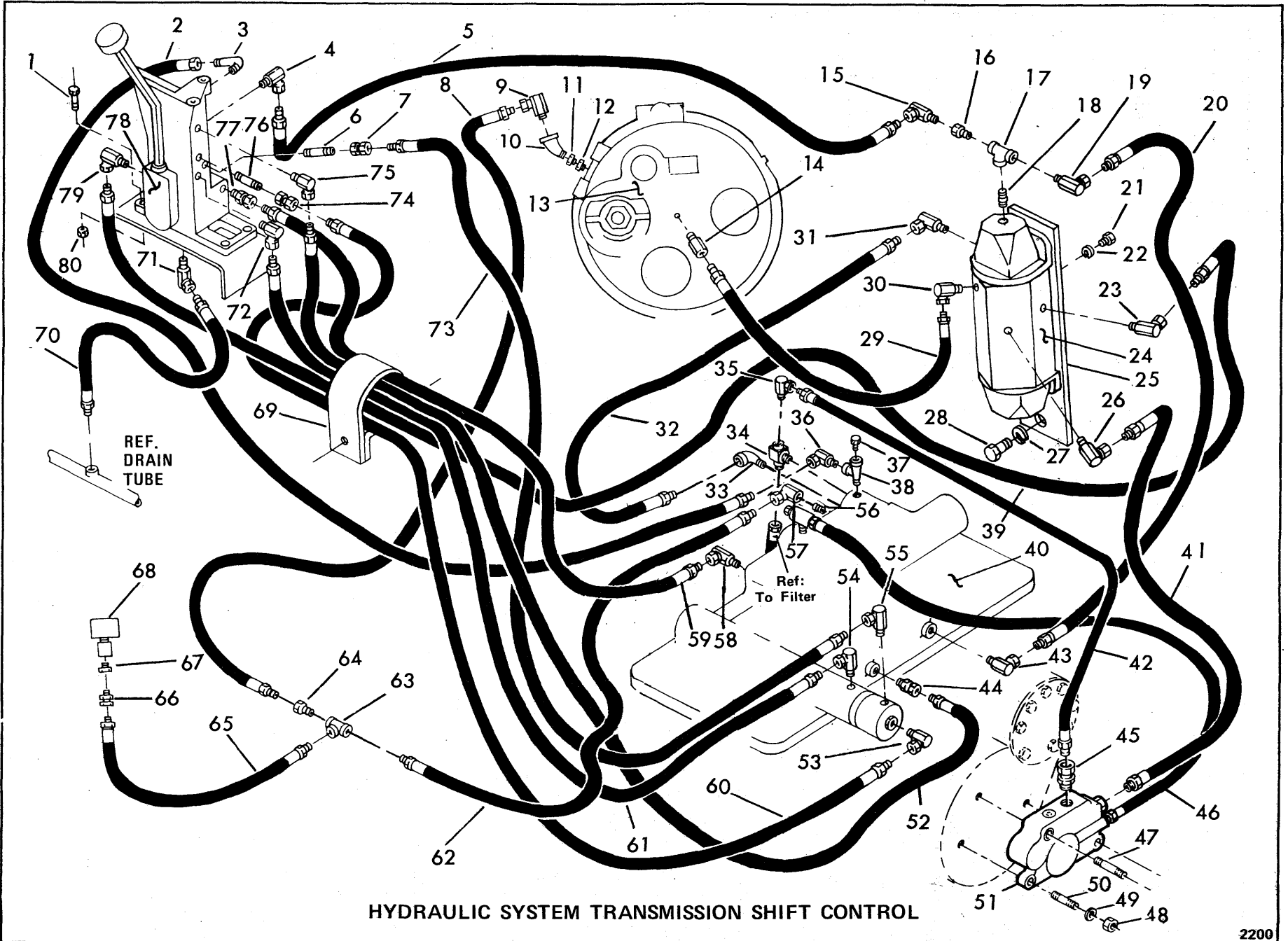
HYDRAULIC SYSTEM – TRANSMISSION & TORQUE CONVERTER

Item	Part No.	Description	Qty.	Item	Part No.	Description	Qty.
1	----	COOLER, Hyd. Oil (Inc w/Rad) . . .	1	42	17C-620	BOLT	1
2	559173	HOSE	1	43	1568581	U-BOLT	1
3	59D-06	NUT	1	44	1584945	HOSE	1
4	1558167	CLAMP	1	44A	----	FLANGE, Split – See Group "B" . . .	–
5	1572235	TUBE	1	45	633332	ADAPTER	1
6	59D-06	NUT	1	46	588399	ADAPTER	1
7	1558167	CLAMP	1	47	1503830	HOSE	1
8	546803	HOSE	1	47A	----	FLANGE, Split – See Group "A" . . .	–
9	31F-05	ADAPTER	1	48	1568581	U-BOLT	1
10	31F-06	ADAPTER	1	49	59D-06	NUT	1
11	59D-06	NUT	2	50	25E-18	WASHER	1
12	1558143	CLAMP	1	51	1568581	U-BOLT	1
13	1572229	TUBE	1	52	59D-06	NUT	1
14	60D-04	NUT	2	53	25E-18	WASHER	1
15	1558143	CLAMP	1	54	1578246	HOSE	1
16	1551476	HOSE	1	55	6H-34	CLAMP	2
17	31F-04	ADAPTER	1	56	566092	STEM	1
18	1526383	HOSE	1	56A	----	FLANGE, Split – See Group "C" . . .	–
19	1580182	TEE	1	57	43H-1188	CLAMP	1
19A	91F-10	† O-RING	1	58	2526426	HOSE	1
20	12K-10	ADAPTER	1	59	43H-1188	CLAMP	1
21	1520566	ADAPTER	1	60	1578776	TUBE	1
22	234777	FILTER	1	61	1572218	TUBE	1
22A	801851	† ELEMENT KIT (Inc 21B)	1	62	1557540	CLAMP	1
22B	25K-80500	† O-RING	1	63	18D-04	NUT	2
23	----	BRACKET (Ref. Only)	–	64	1557540	CLAMP	1
24	17C-624	BOLT	4	65	18D-04	NUT	2
25	59D-06	NUT	4	66	43H-1188	CLAMP	2
26	1584966	TUBE ASSY.	1	67	2526426	HOSE	1
27	33F-05	ADAPTER	1	68	1578799	TUBE	1
28	522469	BUSHING	1	69	43H-1188	CLAMP	2
29	559173	HOSE	1	70	2526426	HOSE	1
30	546803	HOSE	1	71	666848	FITTING, 90°	1
31	91F-10	O-RING	1	72	588399	ADAPTER	1
32	1520566	ADAPTER	1	23	661428	ADAPTER	1
33	559192	STEM	1	74	547007	HOSE	1
33A	----	FLANGE, Split – See Group "C" . . .	–	75	59D-06	NUT	1
34	43H-1188	CLAMP	1	76	1558167	CLAMP	1
35	2526426	HOSE	1	77	59D-06	NUT	1
36	43H-1188	CLAMP	1	78	1558167	CLAMP	1
37	1572207	TUBE	1	79	1572245	TUBE	1
38	4E-06	LKWSHR.	2	80	559194	HOSE	1
39	17C-640	BOLT	2	81	593465	ADAPTER	1
40	594355	U-BOLT	1	82	593465	ADAPTER	1
41	4E-06	LKWSHR.	1	83	40K-04	PLUG	2

† Not Illustrated

GROUP	FLANGE HALF	O-RING	BOLT	LKWSHR	SIZE
No. Req'd Per Connection	2	1	4	4	
A	20J-16	58K-219	17C-728	4E-07	1
B	19J-20	58K-222	17C-724	4E-07	1½
C	19J-24	58K-225	17C-824	4E-08	1½

WHEN ORDERING PARTS, ALWAYS STATE MODEL AND SERIAL NO. OF MACHINE



HYDRAULIC SYSTEM TRANSMISSION SHIFT CONTROL

CLARK EQUIPMENT COMPANY

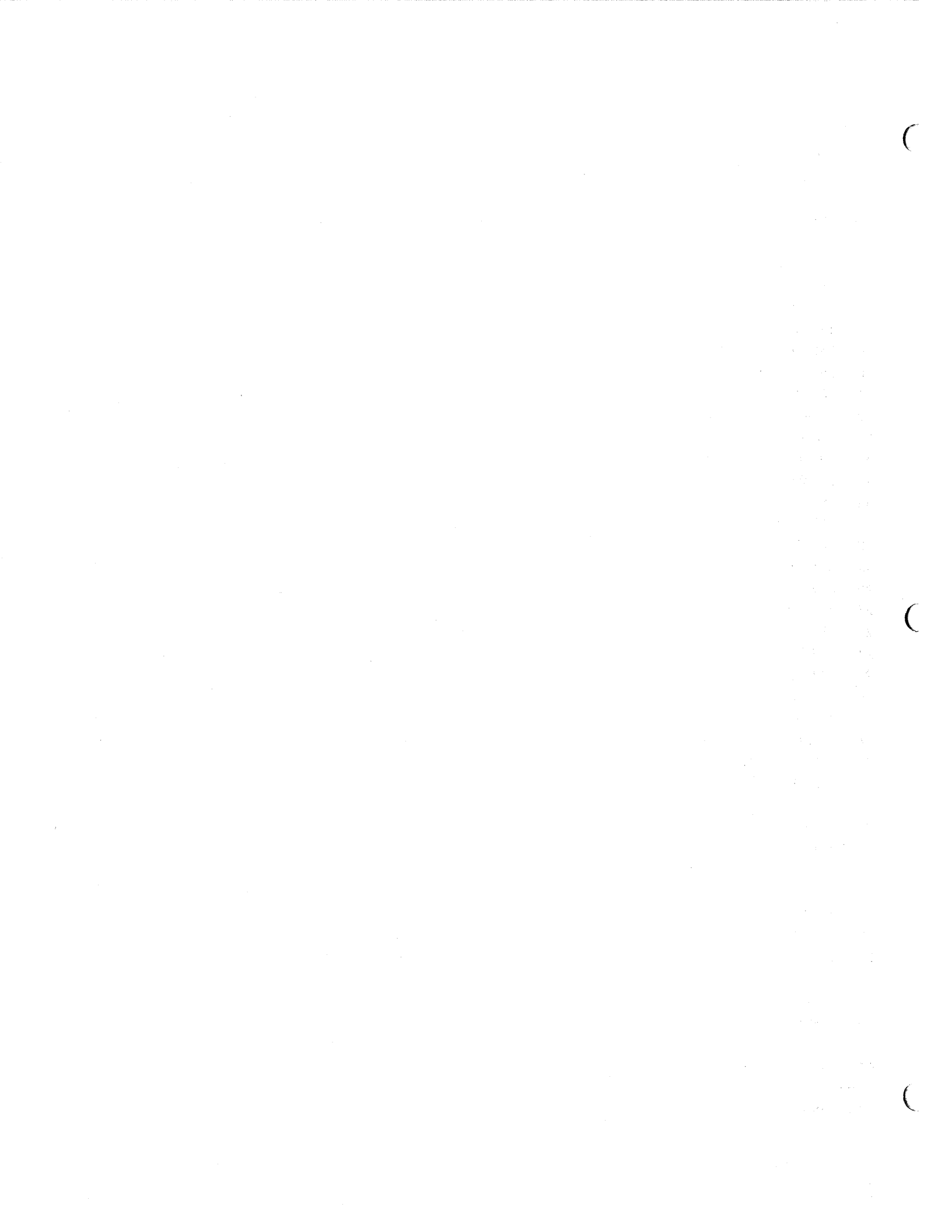
HYDRAULIC SYSTEM – TRANSMISSION SHIFT CONTROL

Item	Part No.	Description	Qty.
1	18C-620	BOLT	4
2	1536095	HOSE, Supply	1
3	17K-05	ELBOW	1
4	31F-01	ADAPTER UNION	1
5	1530638	HOSE, Neutral	1
6	5K-114	NIPPLE	1
7	37F-01	ADAPTER	1
8	1576816	HOSE	1
9	31F-03	ADAPTER	1
10	25F-03	ELBOW	1
11	227265	VALVE, Check	1
12	356626	BUSHING	1
13	— — — —	CONVERTER — See Index	1
14	33F-03	ADAPTER	1
15	33F-01	ADAPTER UNION	1
16	19F-01	REDUCER, Bushing	1
17	18F-02	TEE	1
18	5K-207	NIPPLE, Close	1
19	31F-02	ADAPTER	1
20	539981	HOSE, Neutral	1
21	17C-408	BOLT	2
22	4E-04	LKWSHR.	2
23	31F-03	ADAPTER	1
24	232976	VALVE, Lock-Up	1
25	1574889	BRACKET	1
26	711087	ADAPTER	1
27	4E-10	LKWSHR.	1
28	17C-1016	BOLT	1
29	713959	HOSE	1
30	31F-03	ADAPTER	1
31	31F-03	ADAPTER	1
32	1530089	HOSE, Drain	1
33	26F-03	ELBOW, Street	1
34	1580182	TEE	1
34A	91F-10	†O-RING	1
35	31F-04	ADAPTER	1
36	6K-04	ADAPTER	1
37	40K-04	PLUG	1
38	17F-02	TEE	1
39	1536118	HOSE, Lo-Lo	1
40	— — — —	TRANSMISSION — See Index	1
41	1564626	HOSE, Lo-Lo	1

Item	Part No.	Description	Qty.
42	1526383	HOSE	1
43	33F-01	ADAPTER	1
44	36F-01	ADAPTER UNION	1
45	743823	ADAPTER	1
45A	91F-7	†O-RING	1
46	230338	HOSE	1
47	233395	STUD	1
48	62D-07	NUT	3
49	4E-07	WASHER	3
50	202882	STUD	2
51	233388	VALVE, Relay	1
51A	215164	†GASKET	1
52	1530638	HOSE (Range)	1
53	31F-01	ADAPTER	1
54	31F-01	ADAPTER	1
55	31F-01	ADAPTER	1
56	5K-611	NIPPLE	1
57	32F-5	ADAPTER 90°	1
58	31F-01	ADAPTER	1
59	1566413	HOSE (Reverse)	1
60	1530638	HOSE (Third)	1
61	1530638	HOSE (First)	1
62	1575442	HOSE	1
63	18F-05	TEE	1
64	356618	BUSHING	1
65	536513	HOSE	1
66	36F-05	BUSHING	1
67	356621	BUSHING	1
68	230777	BREATHER	1
69	586853	CLIP	1
70	1562568	HOSE, Drain	1
71	37F-04	ADAPTER	1
72	33F-01	ADAPTER	1
73	1530638	HOSE (Second)	1
74	37F-01	ADAPTER	1
75	33F-01	ADAPTER	1
76	5K-110	NIPPLE	1
77	36F-01	ADAPTER	1
78	— — — —	SHIFT CONTROL VALVE ASSY — See Index	1
79	31F-02	ADAPTER	1
80	60D-06	NUT	4

† Not Illustrated

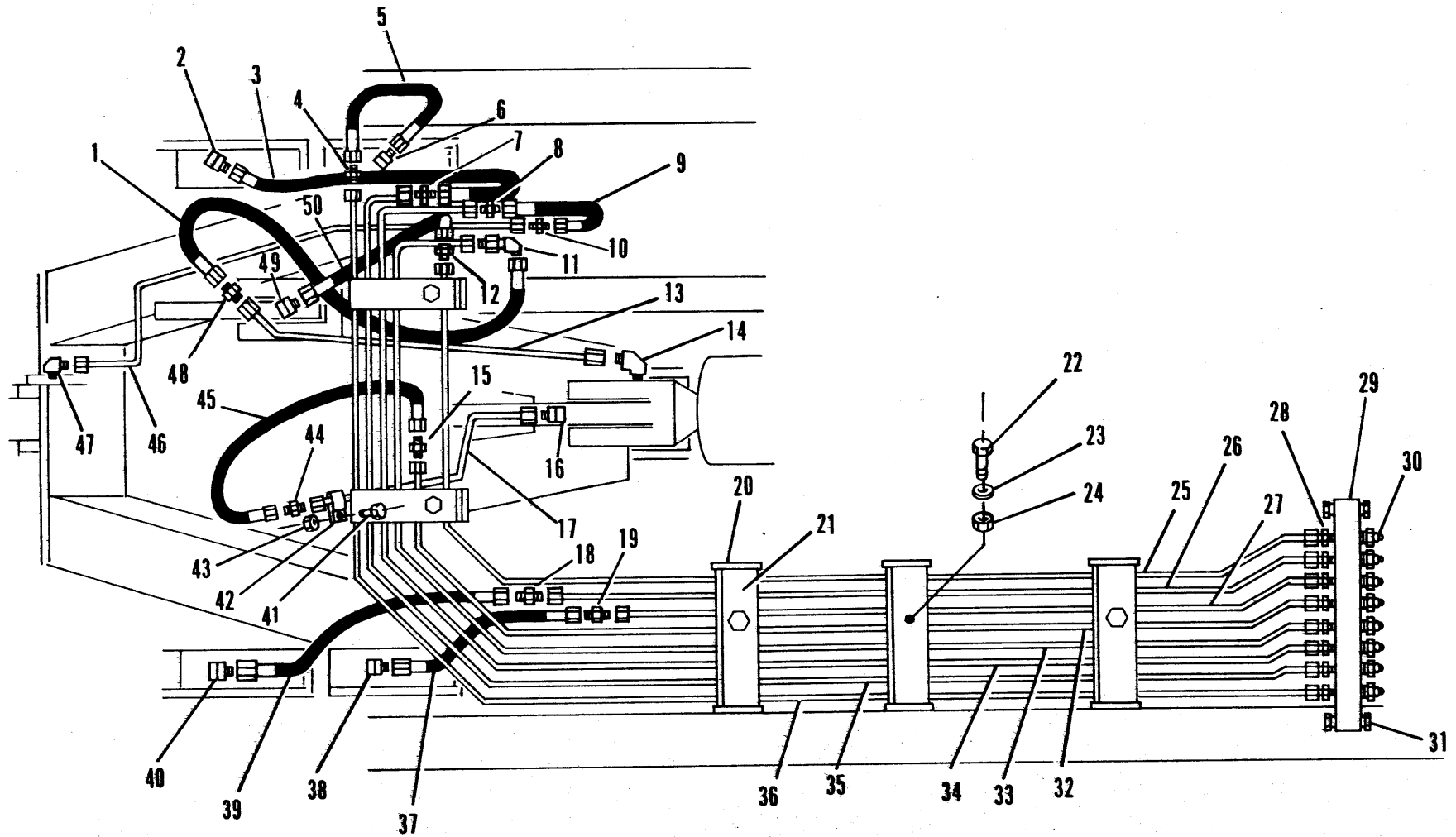
WHEN ORDERING PARTS, ALWAYS STATE MODEL AND SERIAL NO. OF MACHINE



CLARK EQUIPMENT COMPANY

"L" GROUP CONTENTS

Lubrication – Scraper Central	L3
Lubrication – Tractor Central	L4



LUBRICATION - SCRAPER CENTRAL

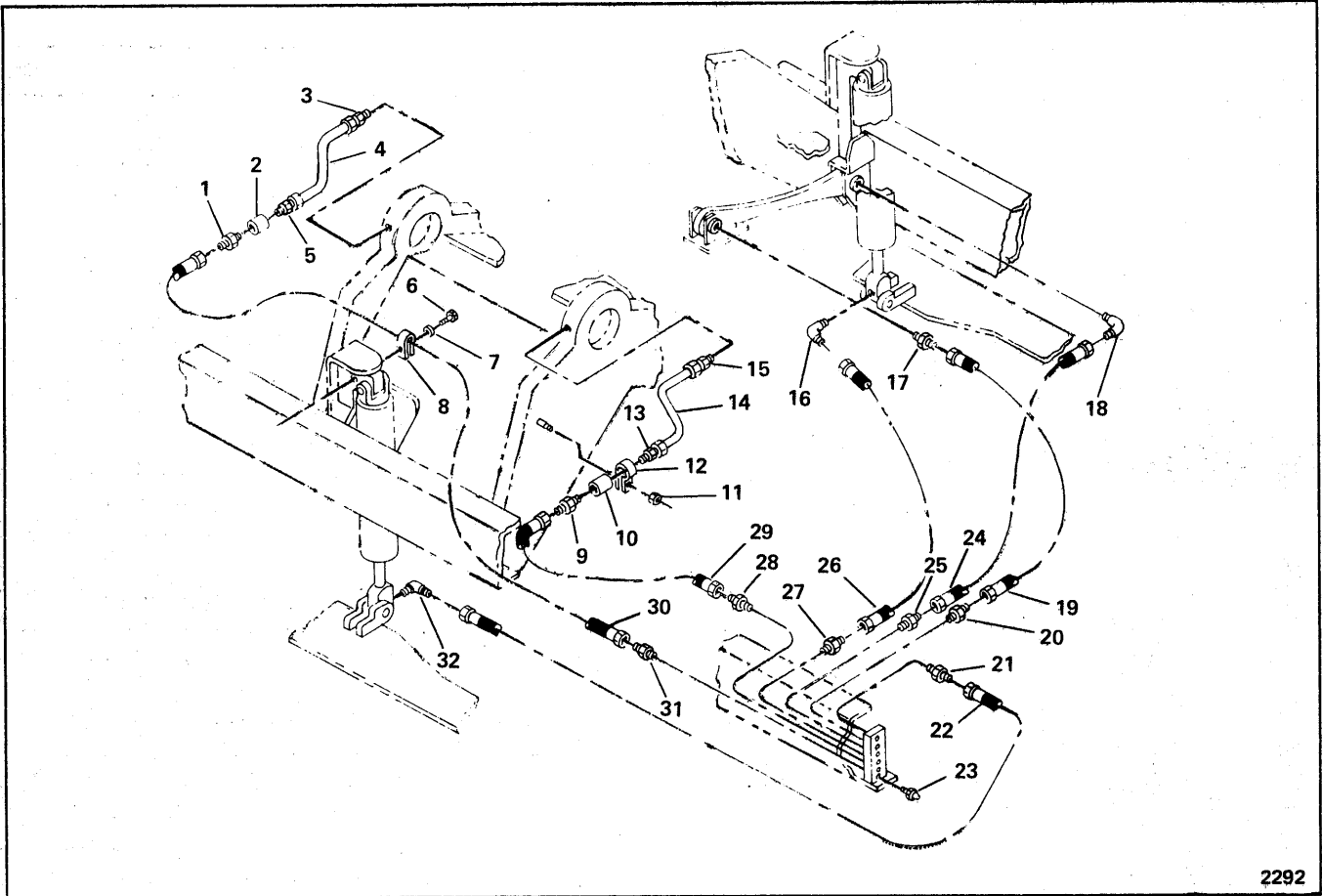
CLARK EQUIPMENT COMPANY

LUBRICATION – SCRAPER CENTRAL

Item	Part No.	Description	Qty.
1	1550844	HOSE	1
2	26F-01	ADAPTER	1
3	1550843	HOSE	1
4	1551024	ADAPTER, Straight	1
5	1550843	HOSE	1
6	26F-01	ADAPTER	1
7	1551024	ADAPTER, Straight	1
8	1551024	ADAPTER, Straight	1
9	1550844	HOSE	1
10	1551024	ADAPTER, Straight	1
11	1551025	ELBOW	1
12	1551024	ADAPTER, Straight	1
13	1558478	TUBE	1
14	1551025	ELBOW	1
15	1551024	ADAPTER, Straight	1
16	1551025	ELBOW	1
17	1558481	TUBE	1
18	1551024	ADAPTER, Straight	1
19	1551024	ADAPTER, Straight	1
20	1554858	BRACKET	5
21	1554860	PLATE	5
22	17C-420	BOLT	5
23	25E-14	WASHER	5
24	59D-04	LOCKNUT	5
25	1574799	TUBE	1
26	1558477	TUBE	1
27	1558475	TUBE	1
28	1551024	ADAPTER, Straight	8
29	1558484	BLOCK	1
30	14H-15	FITTING, Grease	8
31	13F-02	PLUG	4
32	1558474	TUBE	1
33	1558473	TUBE	1
34	1558472	TUBE	1
35	1558471	TUBE	1
36	1558470	TUBE	1
37	1550843	HOSE	1
38	26F-01	ADAPTER	1
39	1550843	HOSE	1
40	26F-01	ADAPTER	1
41	1571335	STUD	1
42	30H-14	CLIP	1
43	59D-04	NUT	1
44	1551024	ADAPTER, Straight	1
45	1550844	HOSE	1
46	1568379	TUBE	1
47	1551025	ELBOW	1
48	1551024	ADAPTER, Straight	1
49	1551025	ELBOW	1
50	1550844	HOSE	1

WHEN ORDERING PARTS, ALWAYS STATE MODEL AND SERIAL NO. OF MACHINE

CLARK EQUIPMENT COMPANY



LUBRICATION – TRACTOR CENTRAL

Item	Part No.	Description	Qty.
1	89F-3	ADAPTER	1
2	75F-1	COUPLING	1
3	1551024	ADAPTER	1
4	1584974	TUBE	1
5	1551024	ADAPTER	1
6	17C-612	BOLT	1
7	4E-06	LKWSHR.	1
8	30H-26	CLAMP	1
9	89F-3	ADAPTER	1
10	75F-1	COUPLING	1
11	59D-05	NUT	1
12	30H-26	CLIP	1
13	1551024	ADAPTER	1
14	1584974	TUBE	1
15	1551024	ADAPTER	1
16	83F-3	ELBOW	1
17	89F-3	ADAPTER	1

Item	Part No.	Description	Qty.
18	83F-3	ELBOW	1
19	1582266	HOSE	1
20	89F-3	ADAPTER	1
21	89F-3	ADAPTER	1
22	1582265	HOSE	1
23	10H-25	FITTING, Grease	6
24	1584969	HOSE	1
25	89F-3	ADAPTER	1
26	1584969	HOSE	1
27	89F-3	ADAPTER	1
28	89F-3	ADAPTER	1
29	1582263	ADAPTER	1
30	1584970	HOSE	1
31	89F-3	ADAPTER	1
32	83F-3	ELBOW	1
33	1736910	† STRAP, Tie	.24

† Not Illustrated

WHEN ORDERING PARTS, ALWAYS STATE MODEL AND SERIAL NO. OF MACHINE

CLARK EQUIPMENT COMPANY

**"N" GROUP
CONTENTS**

Nameplates and Decals N2

CLARK EQUIPMENT COMPANY

NAMEPLATES AND DECALS

Item	Part No.	Description	Qty.
1	1563766	DECAL, Lift & Ejection Control	1
2	1564254	PLATE, Emergency Stop	1
3	1576464	DECAL, "Clark Equipment"	1
4	1577267	PLATE, ROPS	1
5	1577345	DECAL, "Elevator Speed"	1
6	1583843	DECAL, "Torque"	2
7	1583944	DECAL, "Brake"	1
8	1583950	DECAL, ROPS	1
9	1583951	DECAL, "Seat Belt Warning"	1
10	1583952	DECAL, "Lower Blade Warning"	1
11	1584015	DECAL, "Suspension Caution"	1
12	1584048	DECAL, Lube Instructions	1
13	1585272	PLATE, "Serial No."	2
14	1585281	DECAL, "110-15B"	4
15	2511546	PLATE, "Clark"	1
16	2513351	DECAL, "Clark" (5")	2
17	2513628	DECAL, "Clark" (4")	1
18	2513630	DECAL, "Michigan" (2")	2
19	2516995	SCREW	4
20	4480142	PLATE, Serial No. (Australia)	2
21	5307245	DECAL, Spark Arrestor Instructions	1
22	6C-605	DRIVE SCREW	14
23	50D-12	NUT	4

WHEN ORDERING PARTS, ALWAYS STATE MODEL AND SERIAL NO. OF MACHINE

CLARK EQUIPMENT COMPANY

"P" GROUP CONTENTS

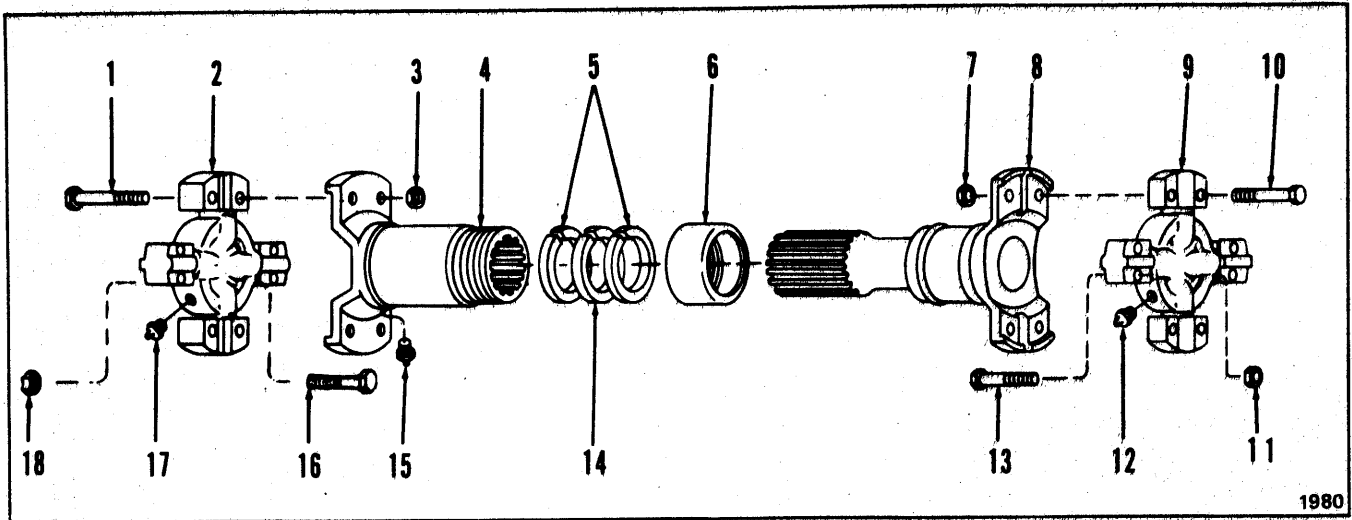
Propeller Group:

Propeller Shaft Assembly – Converter to Transmission	P2
Propeller Shaft Assembly – Transmission to Axle	P3

Pump Group:

Pump – Attaching Parts	P4
Pump – Attaching Parts – Suspension	P5
Pump – Elevator	P7
Pump – Lift, Ejection & Steering	P9
Pump – Elevator Charging	P10
Pump – Suspension Charging	P11, P12

CLARK EQUIPMENT COMPANY



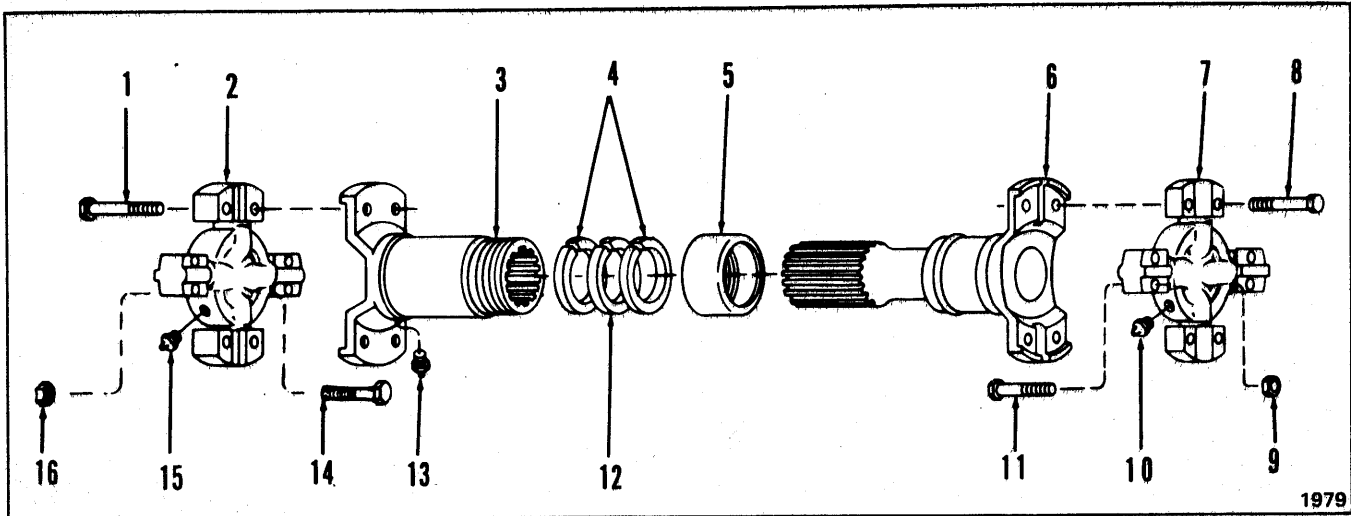
PROPELLER SHAFT ASSEMBLY – CONVERTER TO TRANSMISSION

Item	Part No.	Description	Qty.
A	1579803	PROPELLER SHAFT ASSY (Inc. 1 thru 18)	1
1	18C-838	BOLT	4
2	942735	*SPIDER & BEARING ASSY	1
3	8D-08	NUT	4
4	1990616	YOKE, Slip (Inc. 5, 6, 14)	1
5	940251	WASHER	2
6	940250	COVER	1
7	8D-08	NUT	4
8	946187	YOKE, Shaft	1
9	942735	*SPIDER & BEARING ASSY	1
10	18C-838	BOLT	4
11	8D-08	NUT, Spider & Bearing Attaching	4
12	944688	FITTING, Grease	1
13	18C-838	BOLT	4
14	942749	WASHER, Felt	1
15	10H-25	FITTING	1
16	18C-838	BOLT	4
17	944688	FITTING, Grease	1
18	8D-08	NUT, Spider & Bearing Attaching	4

*NOTE: Sealed Bearing in Spider & Bearing Assemblies.

WHEN ORDERING PARTS, ALWAYS STATE MODEL AND SERIAL NO. OF MACHINE

CLARK EQUIPMENT COMPANY



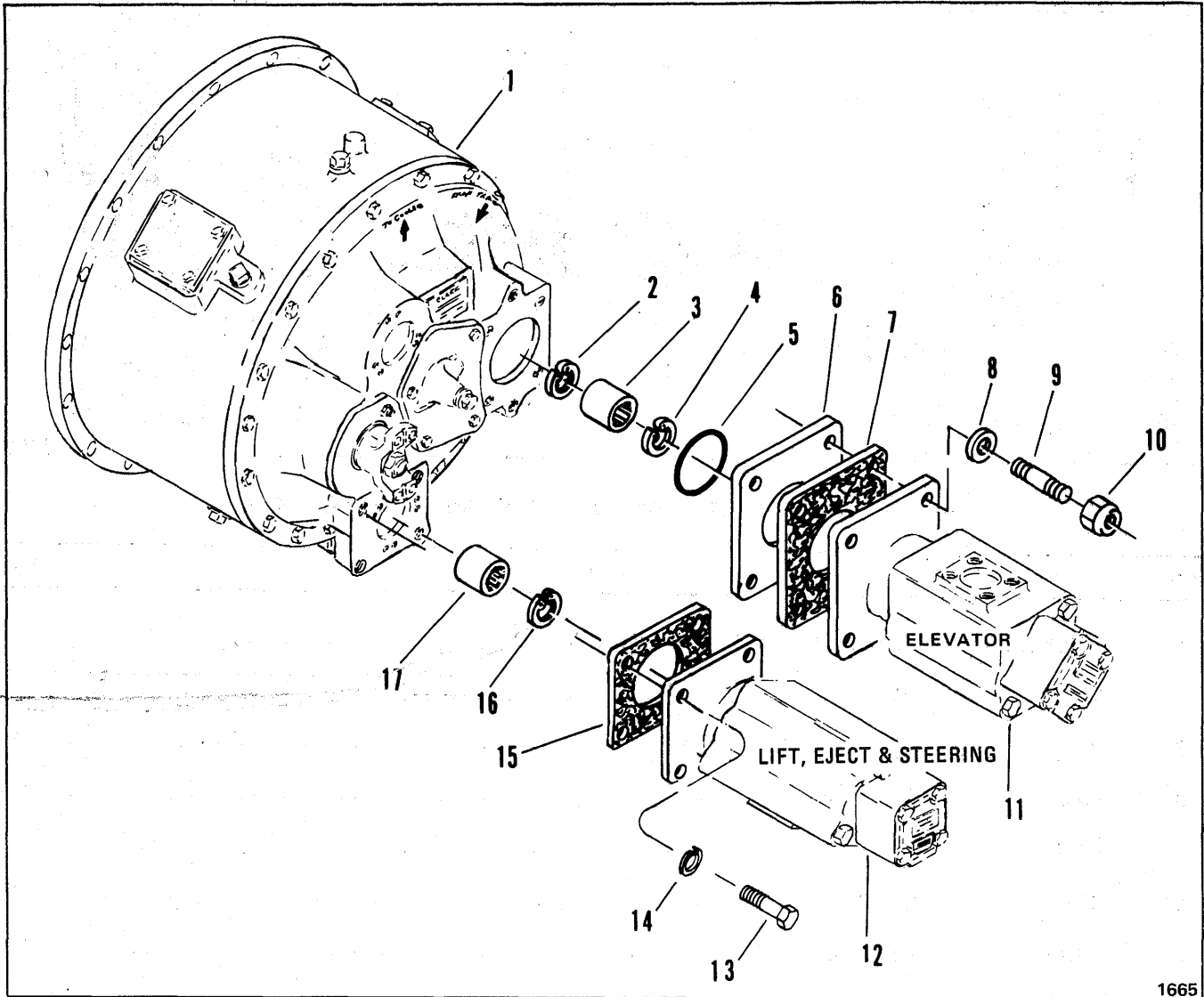
PROPELLER SHAFT ASSEMBLY – TRANSMISSION TO AXLE

Item	Part No.	Description	Qty.
A	1579802	PROPELLER SHAFT ASSY (Inc. 1 thru 16)	1
1	18C-840	BOLT	4
2	960111	*SPIDER & BEARING ASSY	1
3	960700	YOKE, Slip (Inc. 4, 5, 12)	1
4	940257	WASHER	2
5	940256	COVER	1
6	960695	YOKE, Shaft	1
7	960111	*SPIDER & BEARING ASSY	1
8	18C-840	BOLT	4
9	1577571	NUT	4
10	15H-15	FITTING, Grease	2
11	899605	BOLT	4
12	940259	WASHER, Felt	1
13	10H-25	FITTING, Grease	1
14	899605	BOLT	4
15	15H-15	FITTING, Grease	2
16	1577571	NUT	4

*NOTE: Sealed Bearing in Spider & Bearing Assemblies.

WHEN ORDERING PARTS, ALWAYS STATE MODEL AND SERIAL NO. OF MACHINE

CLARK EQUIPMENT COMPANY



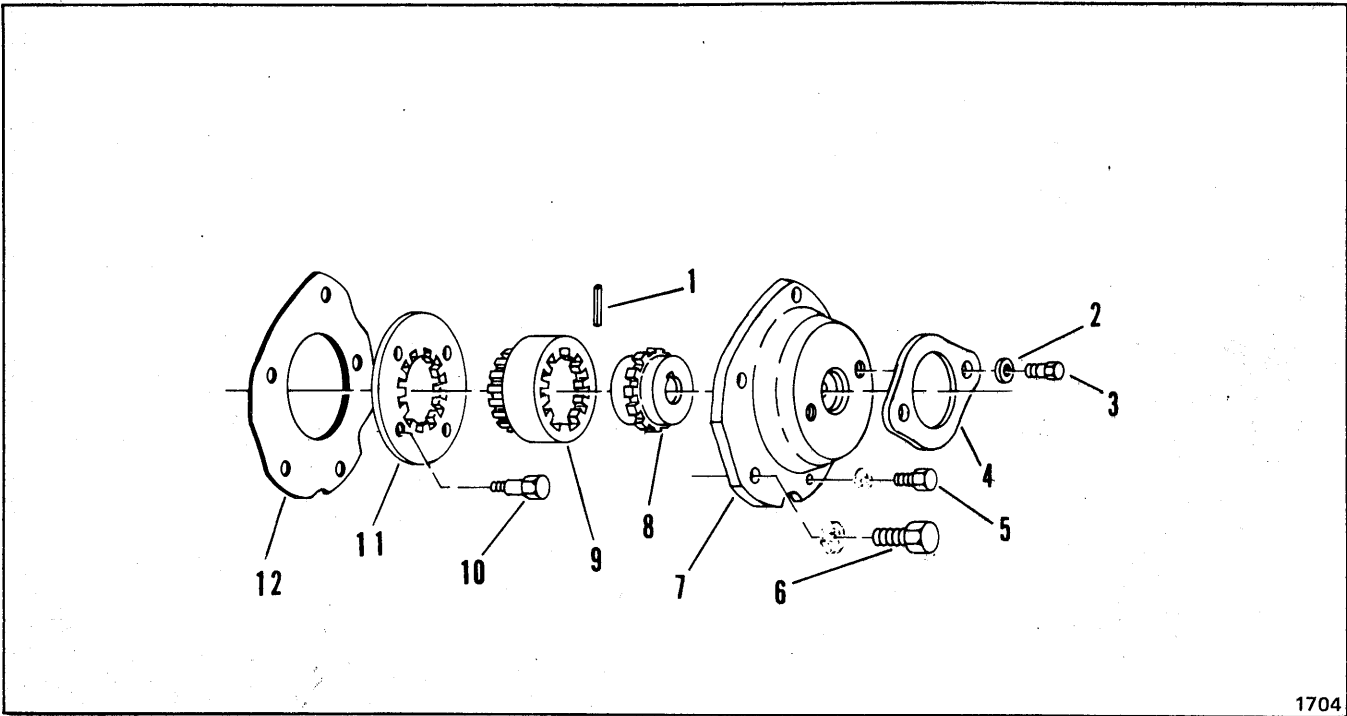
1665

PUMP – ATTACHING PARTS

Item	Part No.	Description	Qty.
1	----	CONVERTER – See Index	—
2	664140	RING, Snap	1
3	233249	SLEEVE, Pump Drive (Inc. 2, 4)	1
4	664140	RING, Snap	1
5	25K-40416	O-RING	1
6	1576799	ADAPTER	1
7	552161	GASKET	1
8	616792	WASHER	4
9	887590	STUD	4
10	60D-08	NUT	4
11	----	ELEVATOR PUMP ASSY – See Index	1
12	----	LIFT, EJECT & STEERING PUMP ASSY – See Index.....	1
13	17C-824	BOLT	4
14	4E-08	LKWSHR	4
15	552161	GASKET	1
16	664140	RING, Snap	1
17	219413	SLEEVE, Pump Drive (Inc. 16)	1

WHEN ORDERING PARTS, ALWAYS STATE MODEL AND SERIAL NO. OF MACHINE

CLARK EQUIPMENT COMPANY

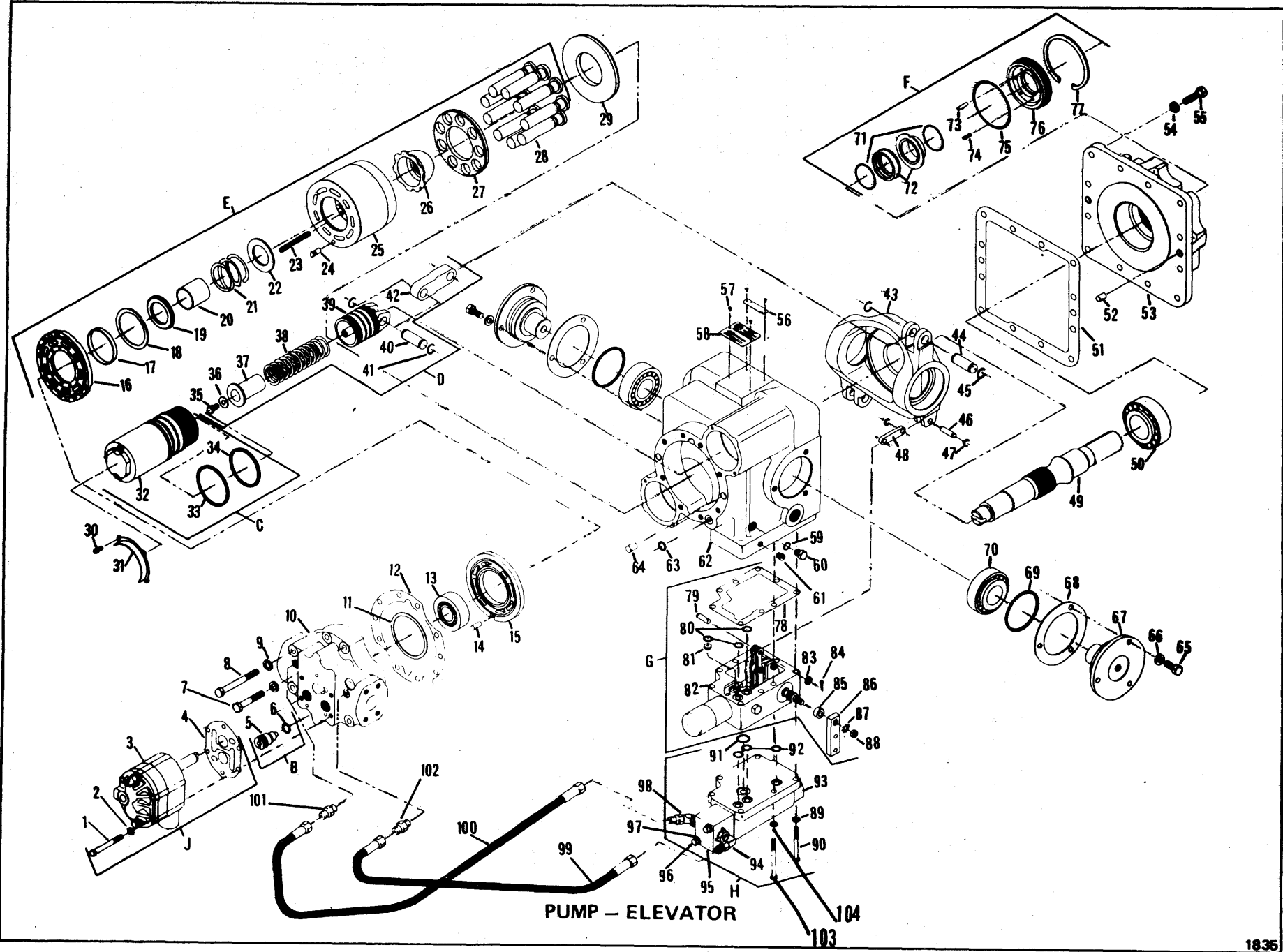


1704

PUMP – ATTACHING PARTS SUSPENSION CHARGING

Item	Part No.	Description	Qty.
1	15J-224	PIN, Groove	1
2	215909	WASHER	2
3	33C-616	BOLT	2
4	1575547	GASKET	1
5	17C-716	BOLT	1
6	17C-820	BOLT	4
7	1671132	ADAPTER, Mounting	1
8	1564752	SPROCKET	1
9	1752627	ADAPTER	1
10	1545824	BOLT	4
11	1545818	DISC, Adapter	1
12	1671133	GASKET	1

WHEN ORDERING PARTS, ALWAYS STATE MODEL AND SERIAL NO. OF MACHINE



PUMP - ELEVATOR

CLARK EQUIPMENT COMPANY

PUMP — ELEVATOR

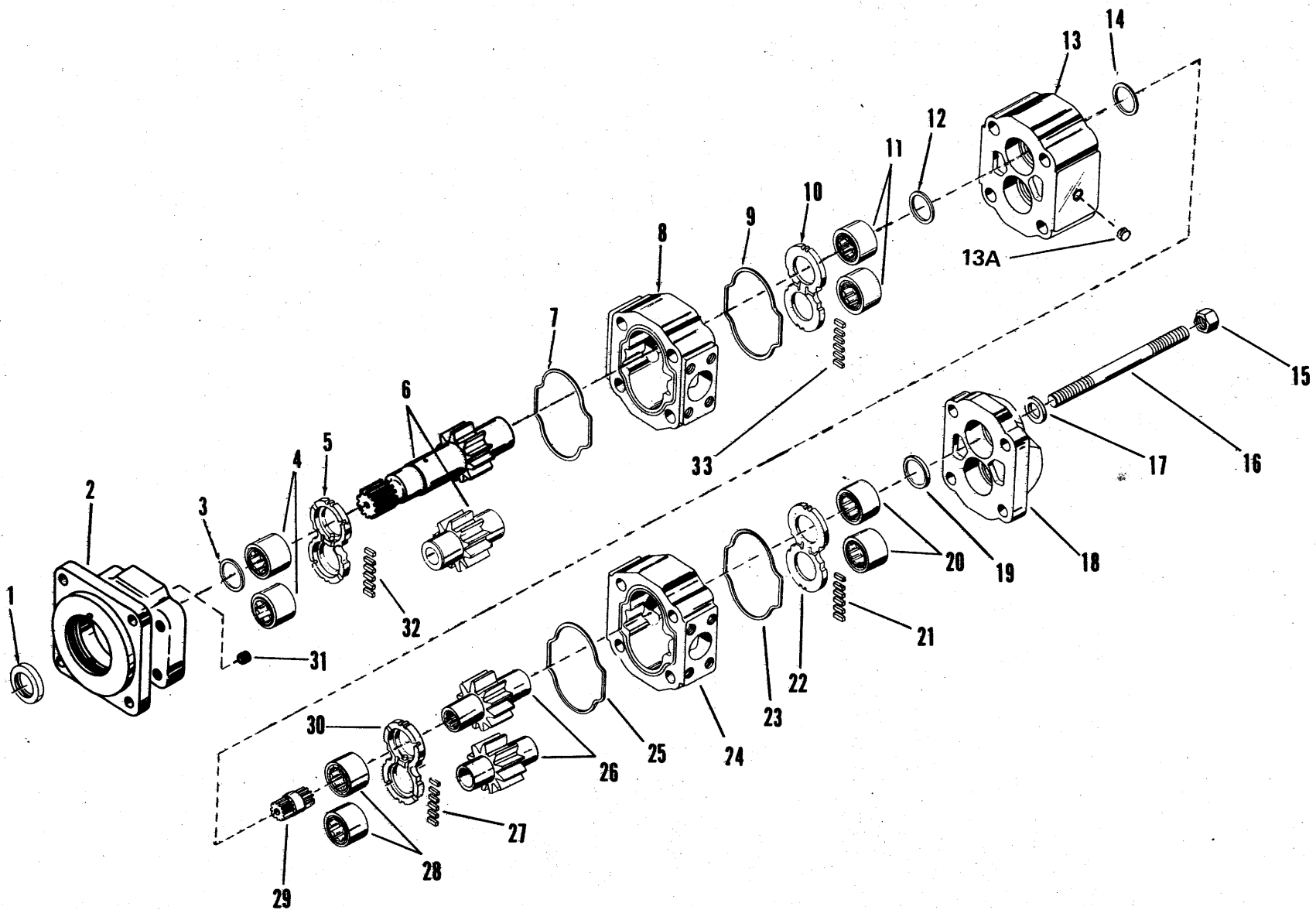
Item	Part No.	Description	Qty.
A	1578826	PUMP ASSY, Elevator (Inc. 1 thru 102A)	1
B	6518531	CHECK VALVE KIT (Inc. 5, 6)	2
C	6518525	SERVO SLEEVE KIT (Inc. 32, 32A, 33, 34)	2
D	1577491	SERVO PISTON KIT (Inc. 35 thru 42)	2
E	1579713	CYLINDER BLOCK KIT (Inc. 16 thru 29)	1
F	6518528	SEAL KIT (Inc. 71 thru 77)	1
G	-----	CONTROL VALVE KIT (Inc. 78 thru 88) (See Index).....	1
H	-----	*PRESSURE OVERRIDE VALVE KIT (Inc. 89 thru 98) (See Index)	1
J	961459	CHARGE PUMP KIT (Inc. 1 thru 4)	1
1	1C-456	BOLT — See "J"	4
2	6518479	WASHER — See "J"	4
3	-----	PUMP, Charge — See "J"	1
4	6518481	GASKET — See "J"	1
5	-----	VALVE, Check — See "B".....	2
6	58K-015	O-RING — See "B"	2
7	1C-736	BOLT	4
8	1C-752	BOLT	4
9	6518418	WASHER	8
10	960082	CAP, End	1
11	6518420	‡ SHIM.....	—
12	6518421	GASKET	1
13	1577497	BEARING	1
14	6518423	PIN	1
15	1577493	PLATE	1
16	6518425	PLATE — See "E"	1
17	961348	PILOT — See "E"	1
18	4149823	RETAINER — See "E"	1
19	6518427	RETAINER — See "E"	1
20	6518428	GUIDE — See "E"	1
21	6519766	SPRING — See "E"	1
22	6518430	SEAT — See "E"	1
23	961349	SPRING — See "E"	6
24	6518438	PIN — See "E"	1
25	961350	BLOCK, Cylinder — See "E"	1
26	6518440	GUIDE — See "E"	1
27	6518441	RETAINER — See "E"	1
28	961351	PISTON — See "E"	9
29	6518443	PLATE	1
30	6518444	BOLT	4
31	6518445	RETAINER	2
32	-----	§ SLEEVE — See "C"	2
32A	-----	‡ § PLUG — See "C"	4
33	25K-30216	O-RING — See "C"	2
34	25K-30212	O-RING — See "C"	2
35	21C-410	SCREW — See "D"	2
36	6518501	WASHER — See "D"	2
37	6518502	GUIDE — See "D"	2
38	6518764	SPRING — See "D"	2
39	6518448	PISTON — See "D"	2
40	1579768	PIN — See "D"	2
41	1320112	RING — See "D"	4
42	6518453	LINK — See "D"	2
43	6518454	PLATE, Swash	1
44	1579768	PIN	2
45	710777	RING.....	4

Item	Part No.	Description	Qty.
46	6518455	PIN	1
47	1315140	RETAINER	2
48	6518456	LINK	1
49	1577492	SHAFT	1
50	1577496	BEARING	1
51	6518459	GASKET	1
52	6518460	PIN	2
53	6518461	COVER	1
54	6518418	WASHER	12
55	1C-724	SCREW	12
56	6518509	ARROW, Direction	1
57	6C-003	DRIVE SCREW	4
58	6518462	NAMEPLATE	1
59	91F-03	O-RING	1
60	24K-03	PLUG	1
61	6518510	PLUG	1
62	6518464	HOUSING	1
63	58K-014	O-RING	1
64	6518460	PIN	2
65	1C-716	SCREW	6
66	6518418	WASHER	6
67	6518465	TRUNNION	2
68	6518466	‡ GASKET	—
69	25K-40224	O-RING	2
70	1577495	BEARING	2
71	6518468	O-RING — See "F"	2
72	6518469	SEAL KIT — See "F"	1
73	6518470	PIN — See "F"	1
74	6518471	SPRING — See "F"	6
75	25K-40216	O-RING — See "F"	1
76	6518472	RETAINER — See "F"	1
77	1320110	RING — See "F"	1
78	6518473	GASKET — See "G"	1
79	6518474	PIN — See "G"	1
80	58K-014	O-RING — See "G"	3
81	1579767	ORIFICE	1
82	-----	§ CONTROL — See "G"	1
83	6518479	WASHER — See "G"	1
84	1F-207	PIN — See "G"	1
85	6518477	SPACER — See "G"	1
86	6518478	HANDLE — See "G"	1
87	5E-04	WASHER — See "G"	1
88	7D-04	NUT — See "G"	1
89	6518479	WASHER — See "G"	6
90	1C-444	SCREW — See "G"	6
91	58K-014	O-RING — See "H"	1
92	58K-12	O-RING — See "H"	3
93	-----	§ VALVE, Pressure Override — See "H"	1
94	17K-03	CONNECTOR (Inc. 94A) — See "H"	1
94A	91F-03	† O-RING — See "H"	1
95	-----	BLOCK — See "H"	1
96	-----	BOLT — See "H"	2
97	-----	LKWSHR — See "H"	2
98	17K-03	CONNECTOR (Inc. 98A) — See "H"	1
98A	91F-03	† O-RING — See "H"	1
99	1579692	HOSE	1
100	1579692	HOSE	1
101	15K-03	CONNECTOR (Inc. 101A).....	1
101A	91F-03	† O-RING	1
102	15K-03	CONNECTOR (Inc. 102A).....	1
102A	91F-03	† O-RING	1
103	1C-436	BOLT	3
104	6518479	WASHER	3

† Not Illustrated
‡ As Required
§ Not Sold Separately

*NOTE: Kit includes one (1) 1580759 Steel Ball.

WHEN ORDERING PARTS, ALWAYS STATE MODEL AND SERIAL NO. OF MACHINE



PUMP - LIFT, EJECTION AND STEERING SYSTEM

CLARK EQUIPMENT COMPANY

PUMP – LIFT – EJECTION AND STEERING SYSTEM

Item	Part No.	Description	Qty.
A	1584891	**PUMP ASSY (Inc 1 thru 33)	1
B	962270	REPAIR KIT (Inc 1, 3, 4, 5, 7, 9, 10, 11, 12, 14, 19, 20, 21, 22, 23, 25, 27, 28, 30, 32 & 33)	1
1	946632	SEAL, Double Lip – See "B"	1
2	1566791	COVER, Shaft End	1
3	-----	§RING, Seal – See "B"	1
4	-----	§BEARING, Roller – See "B"	2
5	-----	§PLATE, Thrust – See "B"	1
6	5209581	*SHAFT & GEAR SET, Matched	1
7	-----	§SEAL, Gasket – See "B"	1
8	1566794	HOUSING, Gear	1
9	-----	§SEAL, Gasket – See "B"	1
10	-----	§PLATE, Thrust – See "B"	1
11	-----	§BEARING, Roller – See "B"	2
12	-----	§RING, Seal – See "B"	1
13	1566795	CARRIER, Bearing	1
13A	5293771	PLUG	1
14	-----	§RING, Seal – See "B"	1
15	61D-10	NUT	4
16	948267	STUD	4
17	946401	WASHER	4
18	946635	COVER, Port End	1
19	-----	§RING, Seal – See "B"	1
20	-----	§BEARING, Roller – See "B"	2
21	-----	§SEAL, Pocket – See "B"	1
22	-----	§PLATE, Thrust – See "B"	1
23	-----	§SEAL, Gasket – See "B"	1
24	962269	HOUSING, Gear	1
25	-----	§SEAL, Gasket – See "B"	1
26	5290910	*GEAR SET, Matched	1
27	-----	§SEAL, Pocket – See "B"	1
28	-----	§BEARING, Roller – See "B"	2
29	1566796	SHAFT, Connecting	1
30	-----	§PLATE, Thrust – See "B"	1
31	1566881	PLUG	1
32	-----	§SEAL, Pocket – See "B"	1
33	-----	§SEAL, Pocket – See "B"	1

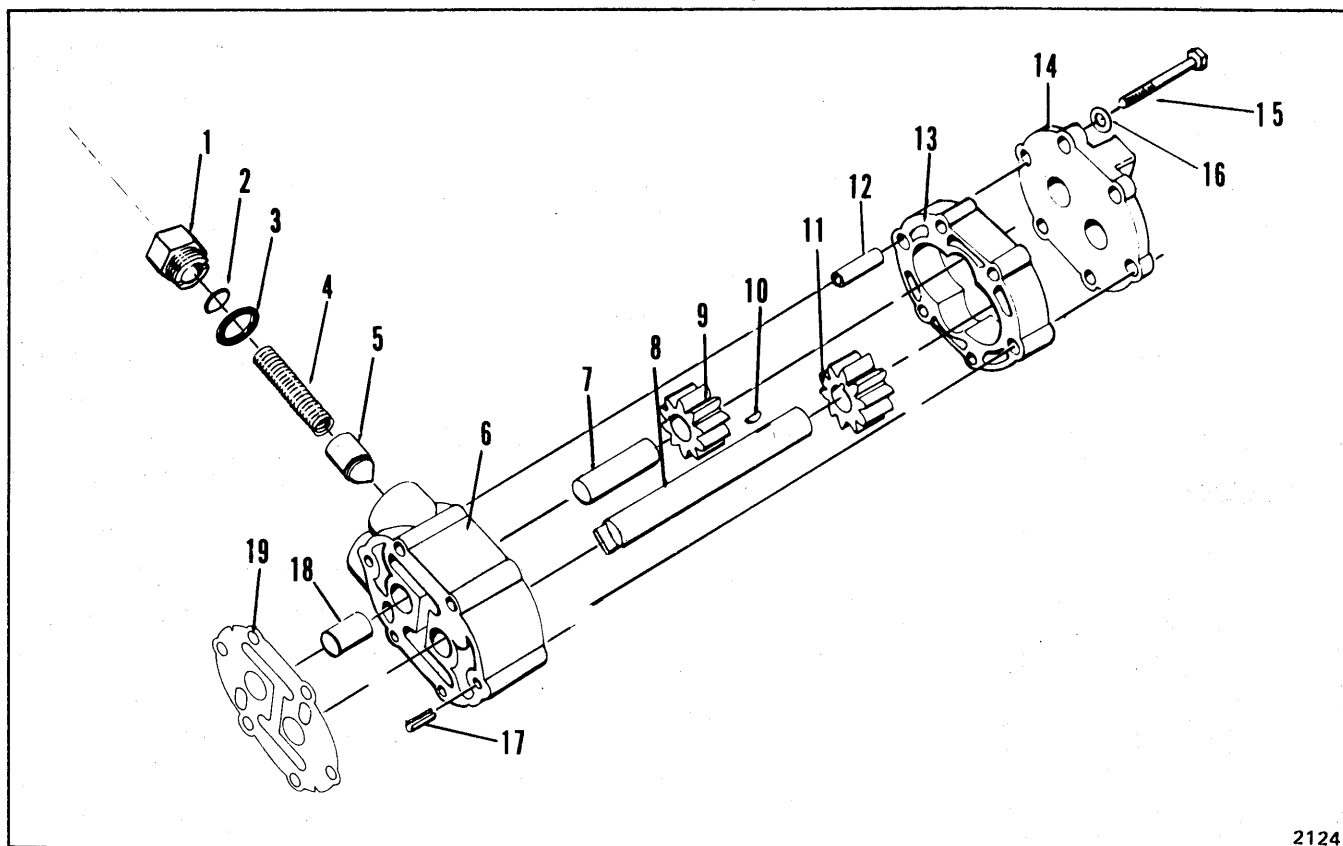
*NOTE: Sold in Sets Only

**NOTE: Front half of Pump is steering; Rear half is lift & eject.

§ Not Sold Separately

WHEN ORDERING PARTS, ALWAYS STATE MODEL AND SERIAL NO. OF MACHINE

CLARK EQUIPMENT COMPANY



2124

PUMP – ELEVATOR CHARGING

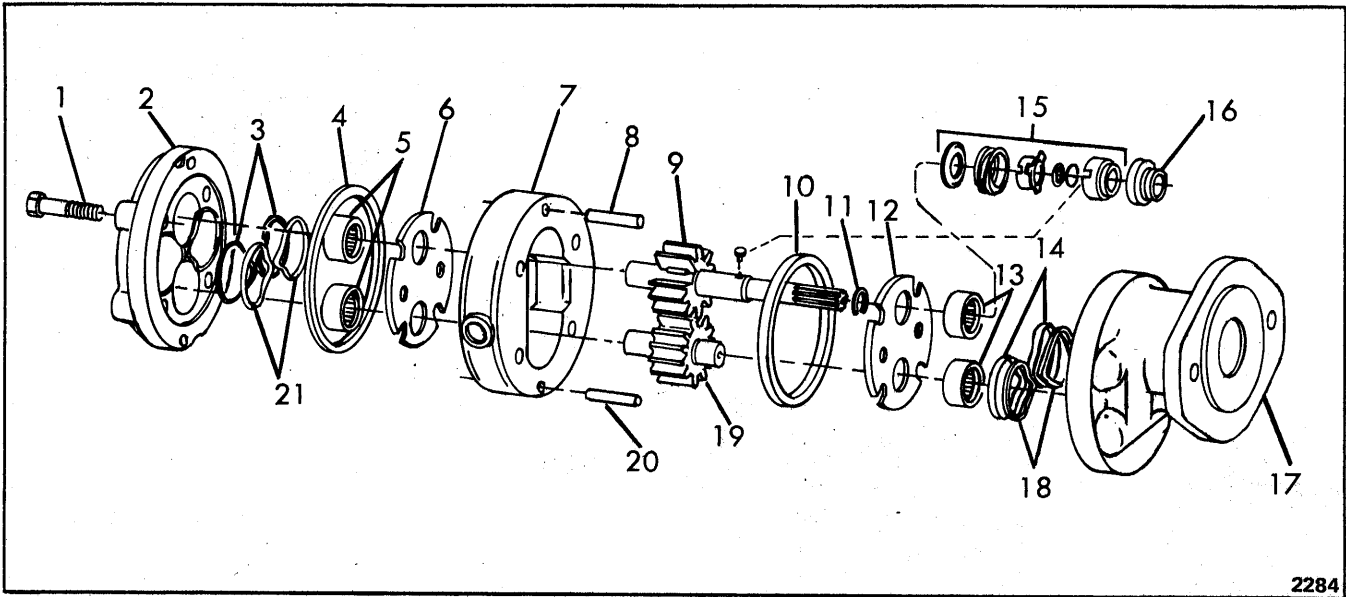
Item	Part No.	Description	Qty.
A	961459	PUMP ASSY (Inc 1 thru 19)	1
1	4149486	PLUG	1
2	6518642	‡SHIM	—
3	91F-7	O-RING	1
4	6518657	SPRING	1
5	6518656	VALVE, Relief	1
6	----	§BODY ASSY (See "A")	1
7	----	§PIN (See "A")	1
8	----	§SHAFT, Drive (See "A")	1
9	----	§GEAR (See "A")	1
10	----	§KEY (See "A")	1
11	----	§GEAR (See "A")	1
12	----	§PIN (See "A")	2
13	----	§SPACER, Plate Assy (See "A")	1
14	----	§END CAP (See "A")	1
15	9007201	BOLT	2
16	6518479	WASHER	2
17	6514514	PIN	1
18	961445	SPACER	1
19	6518481	GASKET	1

‡As Required

§ Not Sold Separately

WHEN ORDERING PARTS, ALWAYS STATE MODEL AND SERIAL NO. OF MACHINE

CLARK EQUIPMENT COMPANY



2284

PUMP – SUSPENSION CHARGING

For Serial: 224B-101 thru 130

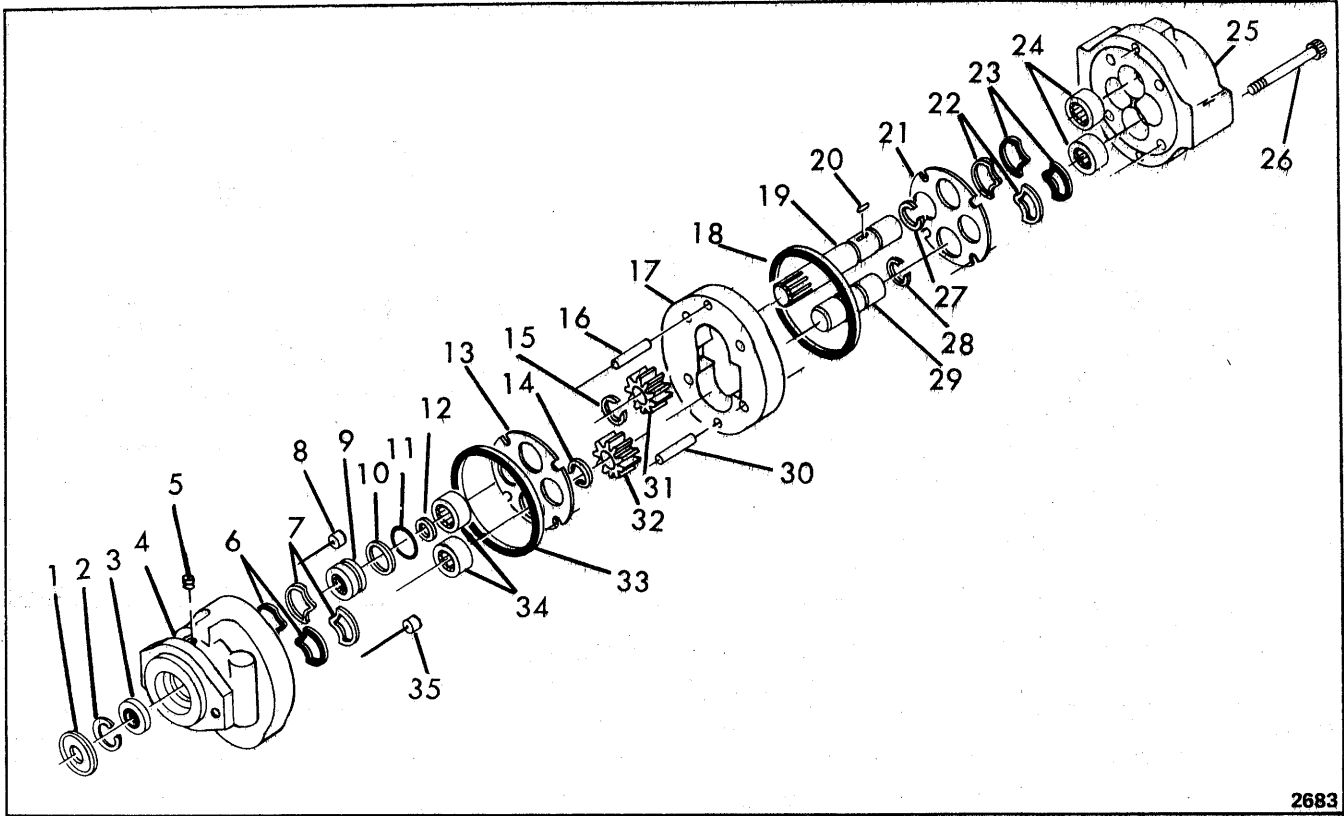
Item	Part No.	Description	Qty.
A	1584925	*PUMP, Suspension Charging (Inc 1 thru 21)	1
B	962198	SEAL KIT ASSY (Inc 3, 4, 6, 10, 12, 14, 15, 16, 18 & 21)	1
1	12G-836	BOLT	4
2	961087	COVER	1
3	---	SSEAL	2
4	---	SRING, Seal	1
5	961300	BEARING, Roller	2
6	---	SWEAR PLATE	1
7	962151	HOUSING	1
8	675024	PIN, Dowel	1
9	962153	DRIVE GEAR ASSY	1
10	---	SRING, Seal	1
11	961313	RING, Retainer	1
12	---	SWEAR PLATE	1
13	916300	BEARING, Roller	2
14	---	SRING, Back-Up	2
15	---	SSEAL ASSY	1
16	---	SSEAT ASSY, Seal	1
17	961299	ADAPTER	1
18	---	SSEAL	2
19	962154	DRIVEN GEAR ASSY	1
20	675024	PIN, Dowel	1
21	---	SRING, Back-Up	2

§ Not Sold Separately

*NOTE: For Complete Replacement, use 1585403 Pump

WHEN ORDERING PARTS, ALWAYS STATE MODEL AND SERIAL NO. OF MACHINE

CLARK EQUIPMENT COMPANY



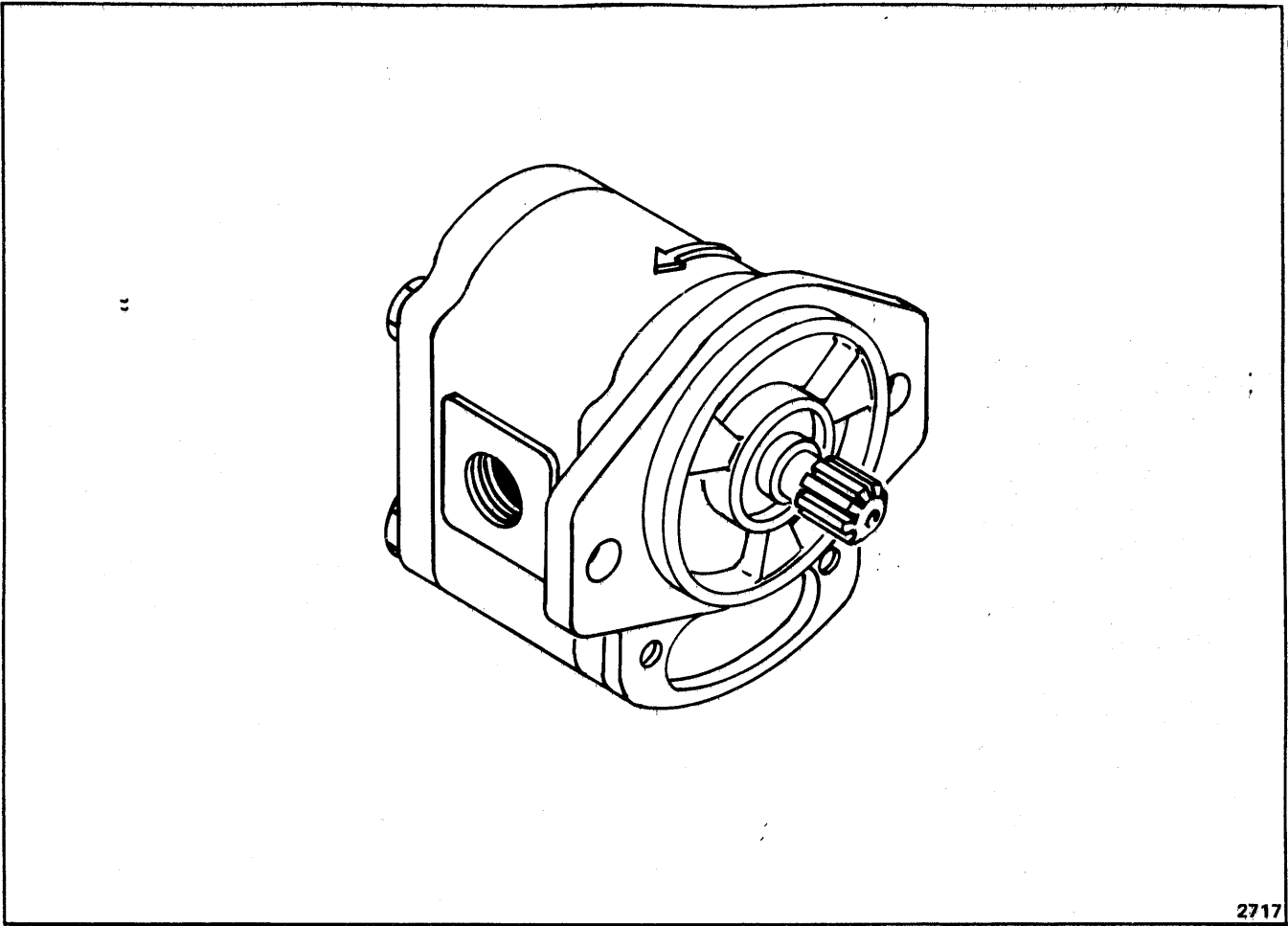
PUMP – SUSPENSION CHARGING (For Serial: 224B-131 thru 149)

Item	Part No.	Description	Qty.	Item	Part No.	Description	Qty.
A	1585403	PUMP ASSY (Inc 1 thru 35)	1	18	25K-40328	O-RING	1
1	962565	WIPER	1	19	962563	SHAFT, Drive (Inc 15, 20, 27 & 31)	1
2	868744	RING, Snap	1	20	---	SPIN	1
3	962569	SEAL	1	21	961090	WEAR PLATE	1
4	962561	ADAPTER	1	22	961302	RING, Back-Up	2
5	16F-2	PLUG	1	23	961301	SEAL	2
6	961301	SEAL	2	24	961300	BEARING, Roller	2
7	961302	RING, Back-Up	2	25	962562	HOUSING	1
8	962568	VALVE, Check	1	26	12G-840	BOLT	4
9	962566	BUSHING	1	27	---	SRING, Snap	1
10	962570	RING, Back-Up	1	28	---	SRING, Snap	1
11	58K-121	O-RING	1	29	962564	SHAFT, Drive (Inc 14, 28 & 32)	1
12	962571	SEAL	1	30	675024	DOWEL	1
13	961090	WEAR PLATE	1	31	---	SGEAR	1
14	---	SRING, Snap	1	32	---	SGEAR	1
15	---	SRING, Snap	1	33	25K-40328	O-RING	1
16	675024	DOWEL	1	34	961300	BEARING, Roller	2
17	962151	HOUSING	1	35	962568	VALVE, Check	1

§ Not Sold Separately

WHEN ORDERING PARTS, ALWAYS STATE MODEL AND SERIAL NO. OF MACHINE

CLARK EQUIPMENT COMPANY



2717

PUMP — SUSPENSION CHARGING (For Serial: 224B-150 & After)

Item	Part No.	Description	Qty.
A	1586519	PUMP ASSEMBLY	1
B	963430	SERVICE KIT	1

WHEN ORDERING PARTS, ALWAYS STATE MODEL AND SERIAL NO. OF MACHINE

THE UNIVERSITY OF CHICAGO



THE UNIVERSITY OF CHICAGO



THE UNIVERSITY OF CHICAGO



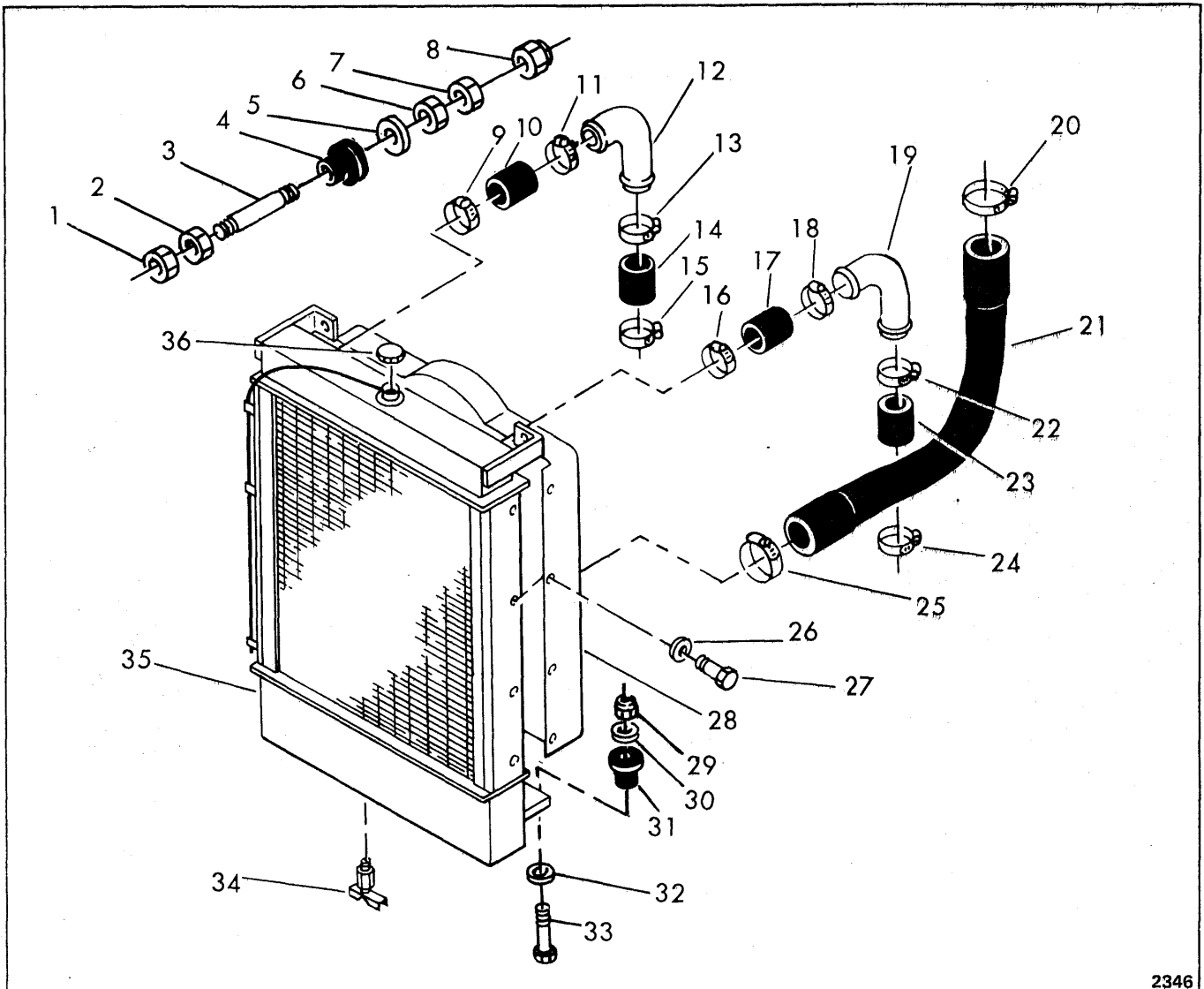
THE UNIVERSITY OF CHICAGO

CLARK EQUIPMENT COMPANY

**"R" GROUP
CONTENTS**

Radiator Oil Cooler & Connections R2

CLARK EQUIPMENT COMPANY



2346

RADIATOR, OIL COOLER AND CONNECTIONS

Item	Part No.	Description	Qty.	Item	Part No.	Description	Qty.
1	7D-08	NUT, Jam	2	19	1530208	TUBE	1
2	7D-08	NUT, Jam	2	20	43H-1319	CLAMP	1
3	1576814	ROD	2	21	1572278	HOSE	1
4	584501	PAD	2	22	43H-1262	CLAMP	1
5	584502	WASHER	2	23	1M-18054	HOSE	1
6	7D-08	NUT, Jam	2	24	43H-1262	CLAMP	1
7	7D-08	NUT, Jam	2	25	43H-1319	CLAMP	1
8	59D-08	NUT	2	26	25E-13	LKWSHR	8
9	43H-1262	CLAMP	1	27	1C-408	BOLT	8
10	1M-18040	HOSE	1	28	1580454	SHROUD	1
11	43H-1262	CLAMP	1	29	59D-10	NUT	2
12	1530208	TUBE	1	30	25E-25	WASHER	2
13	43H-1262	CLAMP	1	31	1527276	PAD	2
14	1M-18054	HOSE	1	32	569070	WASHER	2
15	43H-1262	CLAMP	1	33	17C-1056	BOLT	2
16	43H-1262	CLAMP	1	34	72F-02	DRAINCOÇK	1
17	1M-18040	HOSE	1	35	1575903	RADIATOR (Inc Oil Cooler)	1
18	43H-1262	CLAMP	1	36	863364	CAP, Radiator	1

WHEN ORDERING PARTS, ALWAYS STATE MODEL AND SERIAL NO. OF MACHINE

CLARK EQUIPMENT COMPANY

"S" GROUP CONTENTS

Seat & Support Parts Group:

Seat Assembly S3

Seat Suspension Air S5

Sheetmetal Group S7

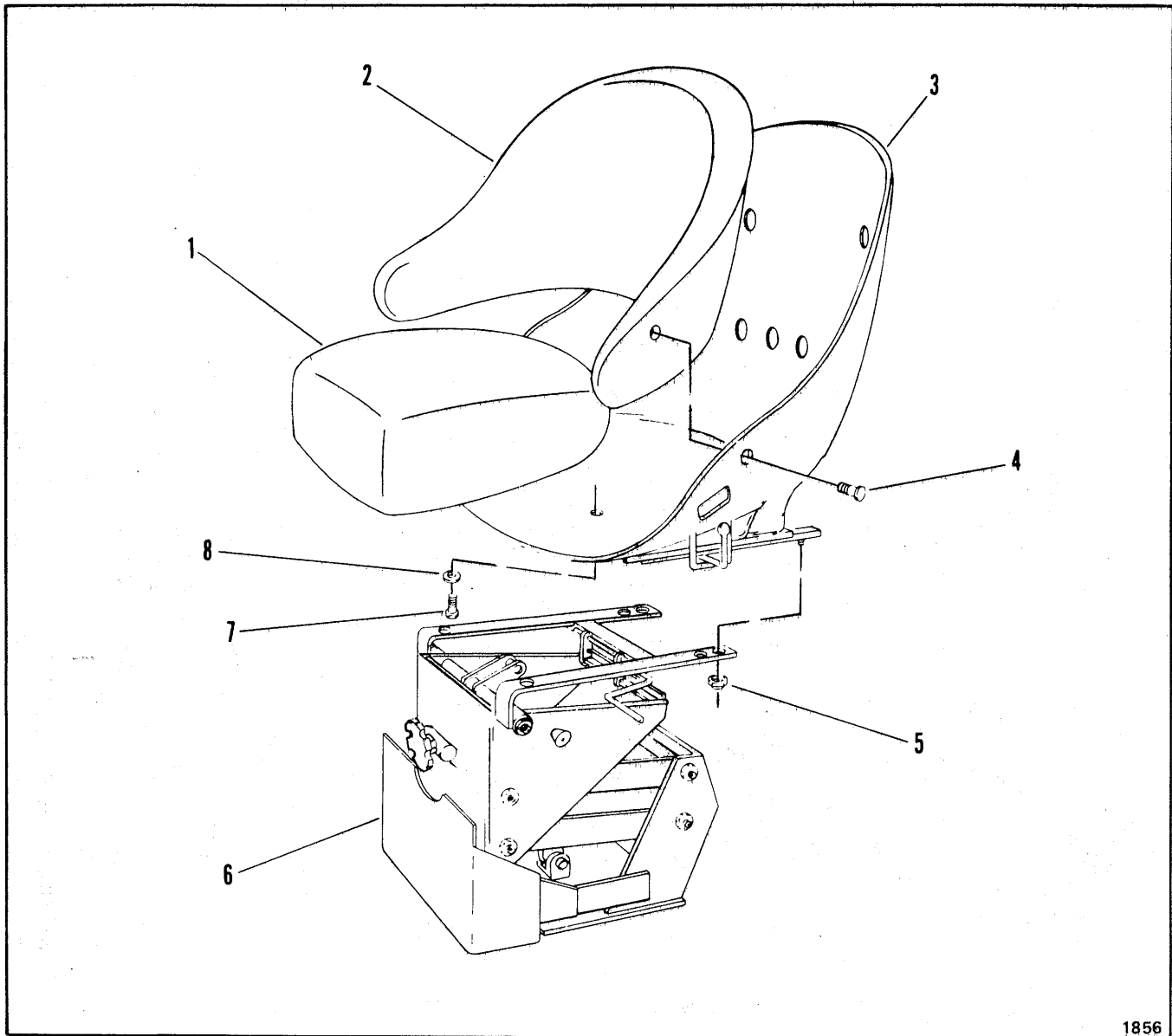
Steering Group:

Steering Column & Pump Assembly S9

Steering Linkage S10



CLARK EQUIPMENT COMPANY

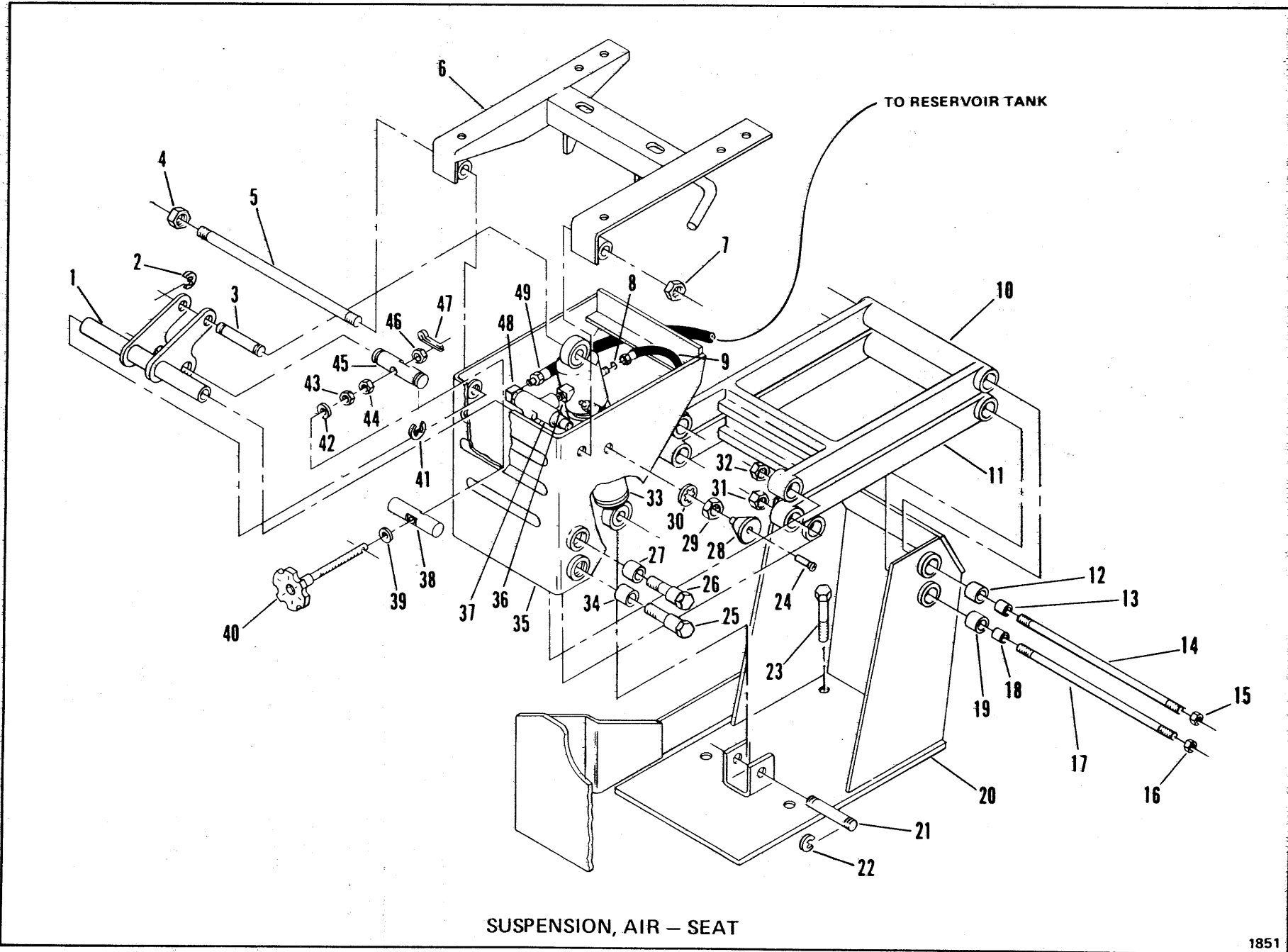


1856

SEAT ASSEMBLY

Item	Part No.	Description	Qty.
1	1584855	CUSHION	1
2	944981	BACKREST	1
3	944982	SHELL	1
4	1574048	BOLT	7
5	59D-05	NUT	4
6	---	SUSPENSION, Seat - See Index	1
7	17C-610	BOLT	4
8	1E-06	LKWSHR.	4

WHEN ORDERING PARTS, ALWAYS STATE MODEL AND SERIAL NO. OF MACHINE



CLARK EQUIPMENT COMPANY

SUSPENSION, AIR – SEAT

Item	Part No.	Description	Qty.
A	1549444	SUSPENSION, Seat	1
B	962318	AIR CONTROL KIT (Inc. 8, 9, 24, 28, 29, 30, 36, 37, 48)	1
C	1550573	*ARM KIT (Inc. 12, 13, 14, 15, 15A)	2
D	960136	HANDLE ADJUSTMENT KIT (Inc. 38, 39, 40, 41, 42, 43, 44, 46, 47)	1
E	960138	KNOB CONTROL KIT (Inc. 24, 28)	1
1	1550569	ARM, Pivot	1
2	799119	RING, Retainer	2
3	1550095	SHAFT	1
4	43D-08	NUT	1
5	1566872	SHAFT	1
6	1550571	TILT ASSY	1
7	43D-08	NUT	1
8	947166	GASKET – See "B"	1
9	947084	HOSE – See "B"	1
10	-----	*§ ARM – See "C"	1
11	-----	*§ ARM – See "C"	1
12	945798	BEARING	2
13	1550584	SPACER – See "C"	2
14	1550585	SHAFT – See "C"	1
15	43D-08	NUT – See "C"	2
15A	25E-08	†LKWSHR – See "C"	2
16	43D-08	NUT	2
16A	23E-08	†LKWSHR	2
17	1550585	SHAFT	1
18	1550584	SPACER	2
19	945798	BEARING	2
20	960134	BASE ASSY	1
21	1550095	SHAFT	1
22	799119	RING, Retainer	2
23	17C-820	BOLT	4
23A	-----	OMIT	4
23B	59D-08	NUT	4
24	41G-610	SCREW, Machine – See "E"	1
25	945804	BOLT, Shoulder	2
26	945804	BOLT, Shoulder	2
27	945798	BEARING	2
28	-----	§KNOB – See "B" & "E"	1
29	8D-10	NUT, Panel – See "B"	1
30	9E-10	LKWSHR – See "B"	1
31	43D-08	NUT	2
32	43D-08	NUT	2
33	1550570	AIR SHOCK ABSORBER	1
34	945798	BEARING	2
35	1550567	UPPER SUPPORT ASSY	1
36	730618	ELBOW – See "B"	1
37	-----	§ VALVE – See "B"	1
38	1550094	SHAFT – See "D"	1
39	25E-21	WASHER – See "D"	1
40	-----	§ HANDLE & SHAFT – See "D"	1
41	799759	RING, Retainer	2
42	25E-21	WASHER – See "D"	1
43	7D-08	NUT – See "D"	1
44	7D-08	NUT – See "D"	1
45	1550092	SHAFT	1
46	3D-08	NUT – See "D"	1
47	1F-312	COTTER – See "D"	1
48	31F-1	FITTING – See "B"	1
49	1567157	HOSE	1

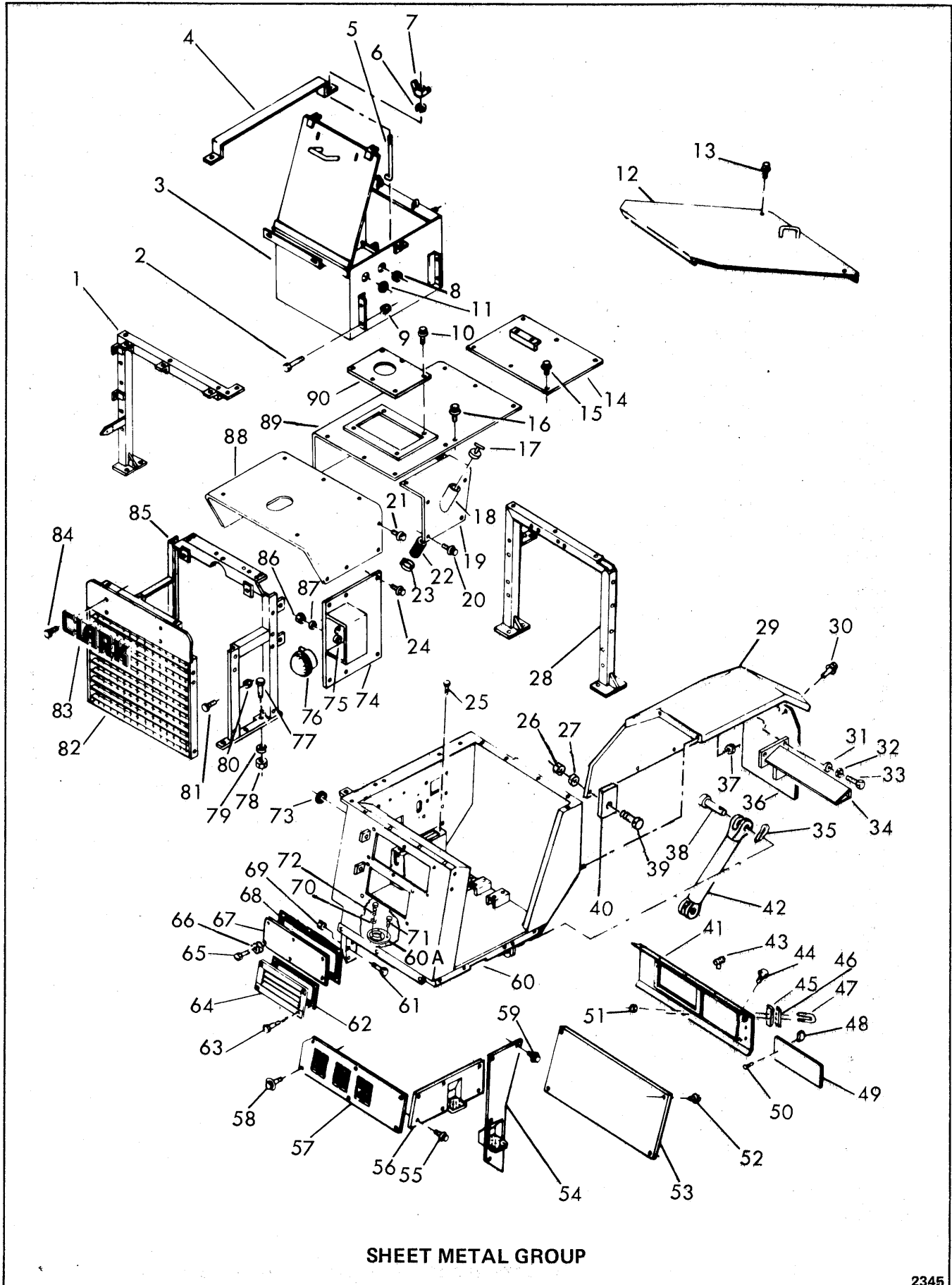
*NOTE: Quantity listed in Kit 1550573 is for one (1) Arm only.

†Not Illustrated

§Not Sold Separately

WHEN ORDERING PARTS, ALWAYS STATE MODEL AND SERIAL NO. OF MACHINE

CLARK EQUIPMENT COMPANY



SHEET METAL GROUP

2345

CLARK EQUIPMENT COMPANY

SHEET METAL GROUP

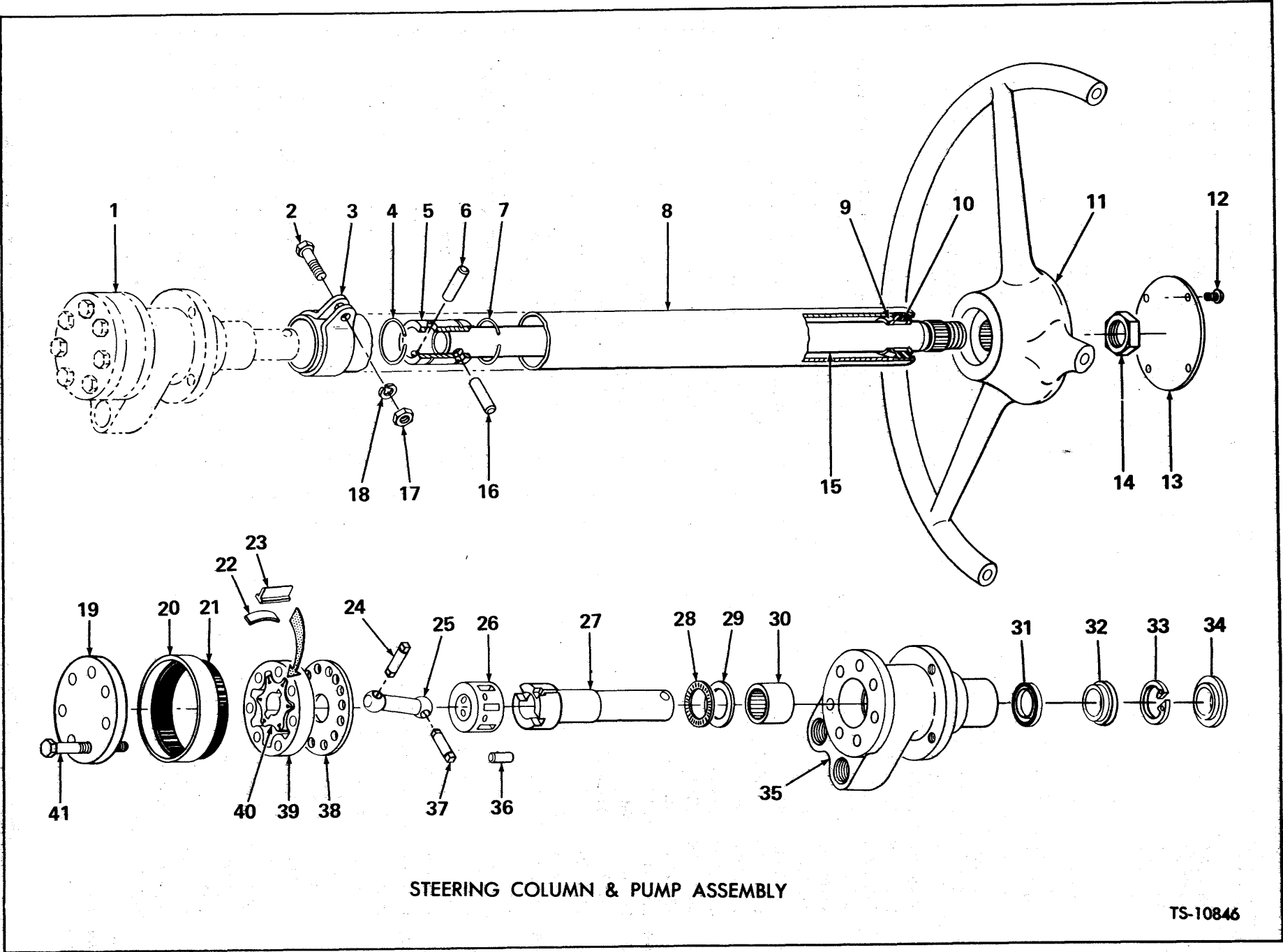
Item	Part No.	Description	Qty.
1	1573264	SUPPORT, Center	1
2	17C-848	BOLT	4
3	1573248	BOX, Battery	1
4	1558821	CLAMP, Battery	2
5	1555455	"J" BOLT	4
6	4E-06	LKWSHR.	4
7	59D-06	NUT	4
8	1551008	GROMMET	1
9	59D-08	NUT	4
10	17C-608	BOLT	6
11	1551008	GROMMET	1
12	1555176	COVER, Push Bar	1
13	84G-3716	SCREW	2
14	1576115	HOOD, Rear	1
15	84G-3716	SCREW	6
16	84G-3716	SCREW	8
17	---	CAP, Oil (G.M. No. 5117682)	1
18	1575447	TUBE (Oil Filler)	1
19	1584923	PANEL ASSY.	1
20	84G-3716	SCREW	5
21	84G-3716	SCREW	10
22	1585728	HOSE	1
23	42H-32	CLAMP	2
24	84G-3716	SCREW	6
25	17C-416	BOLT	2
25A	59D-04	†NUT	2
26	59D-06	NUT	2
27	25E-17	WASHER	2
28	1573268	SUPPORT, Rear	1
29	1578289	FENDER, Tractor, L.H.	1
29A	1578288	†FENDER, Tractor, R.H.	1
30	17C-624	BOLT	8
31	25E-22	WASHER	8
32	4E-08	LKWSHR.	8
33	17C-820	BOLT	8
34	1577952	SUPPORT, Tractor, L.H.	1
34A	1577951	†SUPPORT, Tractor, R.H.	1
35	1F-640	COTTER	2
36	1579268	FLAP	2
37	59D-06	NUT	2
38	1564317	PIN	2
39	17C-616	BOLT	2
40	1584965	PLATE	2
41	1574861	DASHBOARD	1
42	1578891	SUPPORT	1
43	1564674	LOCK (Key Included)	1
44	84G-3716	SCREW	9
45	1580883	SPACER	-
46	1580958	‡SPACER	-

Item	Part No.	Description	Qty.
47	1575132	"U" BOLT (Inc 51)	1
48	1574859	HANDLE	1
49	1574860	COVER	1
50	18G-808	SCREW	2
51	59D-06	NUT	2
51A	4E-06	†LKWSHR.	2
52	84G-3716	SCREW	4
53	1564152	PANEL	1
54	1575267	STEP ASSY	1
55	84G-3716	SCREW	6
56	1574730	STEP ASSY	1
57	1574686	PANEL, Louvered	1
58	84G-3716	SCREW	6
59	84G-3716	SCREW	4
60	1582298	COCKPIT	1
60A	1574992	PLATE, Steering Column Mounting	1
61	17C-820	BOLT	4
62	1581632	GASKET	1
63	17C-616	BOLT	4
64	1581639	SHUTTER	1
65	17C-616	BOLT	6
66	4E-06	LKWSHR.	6
67	1578806	PLATE	1
68	1578808	GASKET	1
69	59D-08	NUT	4
70	4E-05	LKWSHR.	4
71	1574048	BOLT	2
72	17C-512	BOLT	4
73	652402	GROMMET	1
74	1584943	PANEL, L.H.	1
74A	1584942	†PANEL, R.H.	1
75	626718	SPACER	2
76	548088	HEADLIGHT ASSY (Inc 76A & 76B)	4
76A	944872	†RETAINER	4
76B	551244	†HEADLAMP	4
77	17C-628	BOLT	8
78	59D-06	NUT	6
79	25E-18	WASHER	6
80	59D-06	NUT	4
81	17C-616	BOLT	4
82	1567402	GRILLE	1
83	2511546	NAMEPLATE (CLARK)	1
84	8G-420	SCREW	4
85	1584920	SUPPORT	1
86	60D-08	NUT	4
87	635682	WASHER	4
88	1577363	COWLING	1
89	1584939	HOOD	1
90	1576117	PANEL	1

† Not Illustrated

‡ As Required

WHEN ORDERING PARTS, ALWAYS STATE MODEL AND SERIAL NO. OF MACHINE



STEERING COLUMN & PUMP ASSEMBLY

TS-10846

CLARK EQUIPMENT COMPANY

STEERING COLUMN & PUMP ASSEMBLY

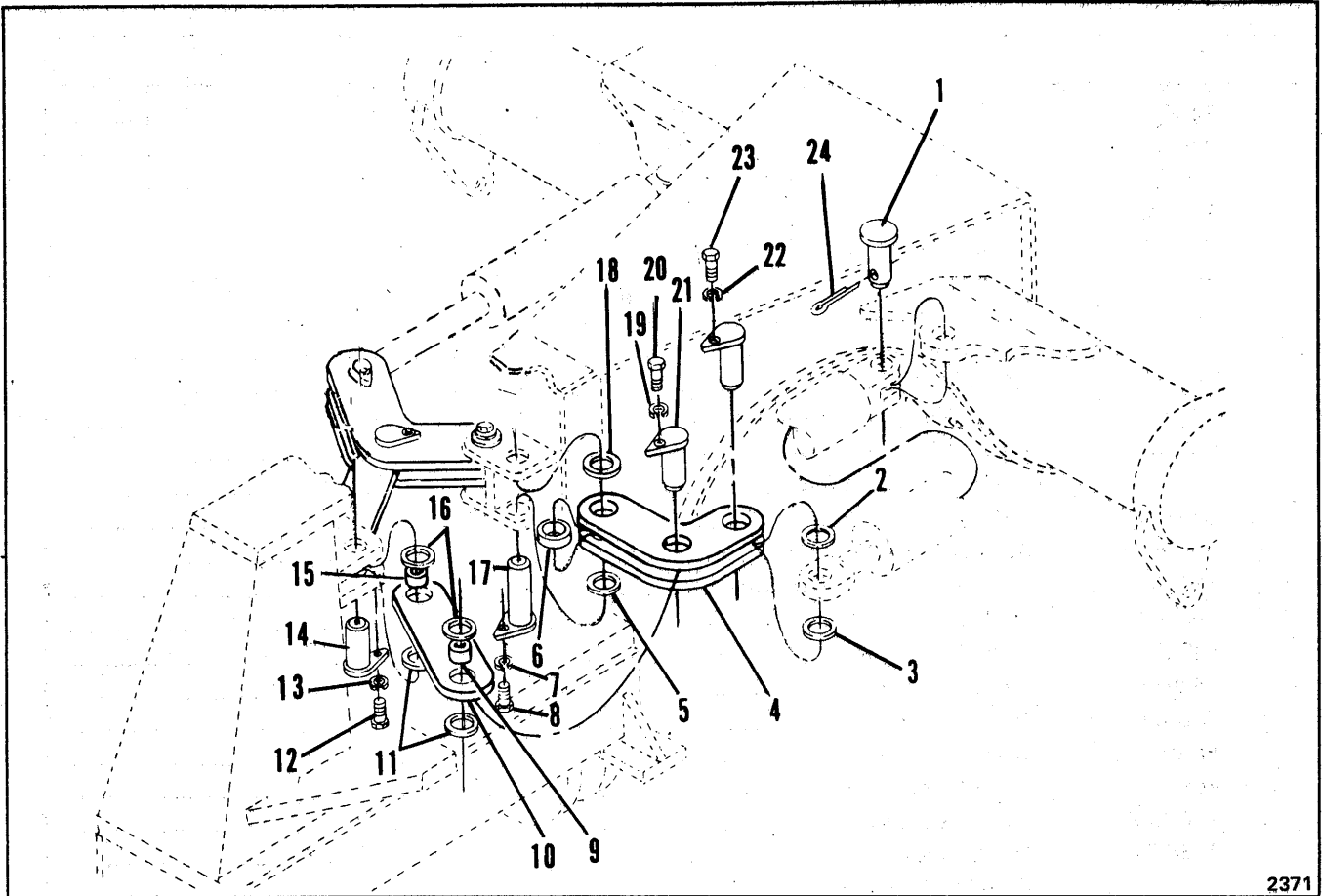
Item	Part No.	Description	Qty.
A	1564649	STEERING COLUMN & PUMP ASSY (Inc 1 thru 10, 14 thru 18)	1
B	996330	SEAL KIT, Pump Shaft (Inc 31, 32 & 34)	1
1	949375	PUMP, Hydrostatic (Inc 19 thru 41)	1
2	2C-532	BOLT, Clamp	1
3	949065	CLAMP ASSY, Jacket Tube (Inc 2, 17 & 18)	1
4	3575212	RING, Pin Retaining	1
5	962314	COUPLING, Shaft	1
6	949061	PIN, Connecting	1
7	3575212	RING, Pin Retaining	1
8	949376	TUBE ASSY, Jacket (Inc 9 & 10)	1
9	949064	BUSHING & RETAINER ASSY (Inc 10)	1
10	---	§BUSHING (See 8 & 9)	1
11	873414	WHEEL, Steering	1
12	65G-406	SCREW, Plate Attaching	4
13	1583948	PLATE, Operating Precaution	1
14	852333	NUT, Steering Wheel	1
15	949377	SHAFT, Steering Wheel	1
16	949061	PIN, Connecting	1
17	62D-05	NUT, Clamp	1
18	6E-05	LKWSHR, Clamp	1
19	1566761	COVER, Pump End	1
20	1566759	RETAINER, Seal	1
21	1566760	SEAL, Rotor	1
22	---	§SPRING, Vane (See 40)	6
23	---	§VANE (See 40)	6
24	990540	PIN, Link	1
25	990539	LINK, Rotor Drive	1
26	---	§COMMUTATOR (See 35)	1
27	3551213	SHAFT, Pump	1
28	110571	BEARING, Thrust	1
29	990543	RACE, Bearing	1
30	791454	BEARING, Needle (See 35)	1
31	---	§SEAL, Shaft - See B	1
32	---	§SPACER, Shaft Seal - See B	1
33	954597	RING, Seal Retaining	1
34	---	§SEAL, Felt Shaft - See B	1
35	1566755	BODY ASSY, Pump (Inc 26, 30 & 36)	1
36	990541	PIN, Commutator (See 35)	1
37	990540	PIN, Link	1
38	990538	PLATE, Spacer	1
39	---	§STATOR (See 40)	1
40	1564761	ROTOR ASSY (Inc 22, 23, & 39)	1
41	990534	BOLT, End Cover to Pump Body	7
42	17C-516	†BOLT, Pump Mounting	4
43	4E-05	†LKWSHR, Pump Mounting	4
44	25E-15	†WASHER, Pump Mounting	4

† Not Illustrated

§ Not Sold Separately

WHEN ORDERING PARTS, ALWAYS STATE MODEL AND SERIAL NO. OF MACHINE

CLARK EQUIPMENT COMPANY



2371

STEERING LINKAGE

Item	Part No.	Description	Qty.
1	1571282	PIN, Steering Cylinder	2
2	799087	WASHER, Cylinder Pin	2
3	799087	WASHER, Cylinder Pin	2
4	1556734	ARM, Steering Linkage	2
5	799087	WASHER, Cylinder Pin	2
6	1556726	SPACER, Steering Linkage	2
7	4E-10	LKWSHR	2
8	17C-1016	BOLT, Steering Pin	2
9	1564670	BUSHING	2
10	1556715	ARM, Steering	2
11	799087	WASHER, Linkage Pin	4
12	17C-1016	BOLT, Steering Pin	2
13	4E-10	LKWSHR	2
14	1556719	PIN, Steering Linkage	2
15	1564670	BUSHING	2
16	799087	WASHER, Linkage Pin	4
17	1556724	PIN, Steering Linkage	2
18	799087	WASHER, Linkage Pin	2
19	4E-10	LKWSHR	2
20	17C-1016	BOLT, Steering Pin	2
21	1556722	PIN, Steering Linkage	4
22	4E-10	LKWSHR	2
23	17C-1016	BOLT, Steering Pin	2
24	1F-832	COTTER, Cylinder Pin	2

WHEN ORDERING PARTS, ALWAYS STATE MODEL AND SERIAL NO. OF MACHINE

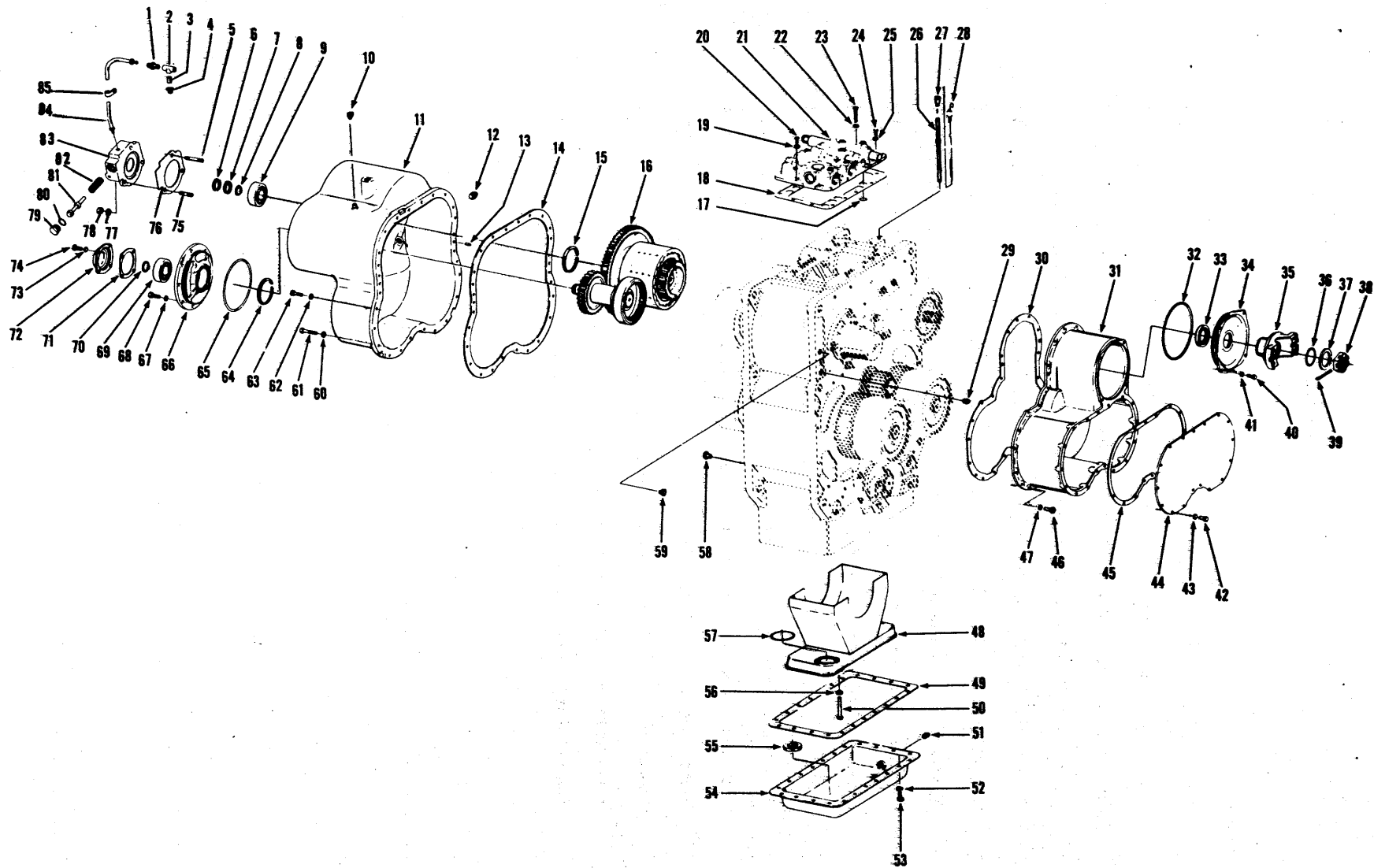
CLARK EQUIPMENT COMPANY

"T" GROUP

CONTENTS

Transmission Group:

Transmission Assembly & Clutch Cover Group	T3
Transmission Case & Internal Tubing	T4
Transmission Control Valve & Cover Assembly	T7
Transmission First & Second Clutch Group	T8
Transmission First & Third Shaft Group	T9
Transmission Idler Shaft Group	T10
Transmission Input Clutch Group	T11
Transmission Input Shaft Group	T12
Transmission Output Shaft Group	T13
Transmission Reverse Clutch Group	T14
Transmission Reverse Shaft Group	T15
Transmission Second & Fourth Shaft Group	T16
Transmission Splitter Clutch Group	T17
Transmission Third & Fourth Clutch Group	T18
Transmission Underdrive Clutch Group	T19
Transmission Underdrive Shaft Group	T20



TRANSMISSION ASSEMBLY & CLUTCH COVER GROUP

CLARK EQUIPMENT COMPANY

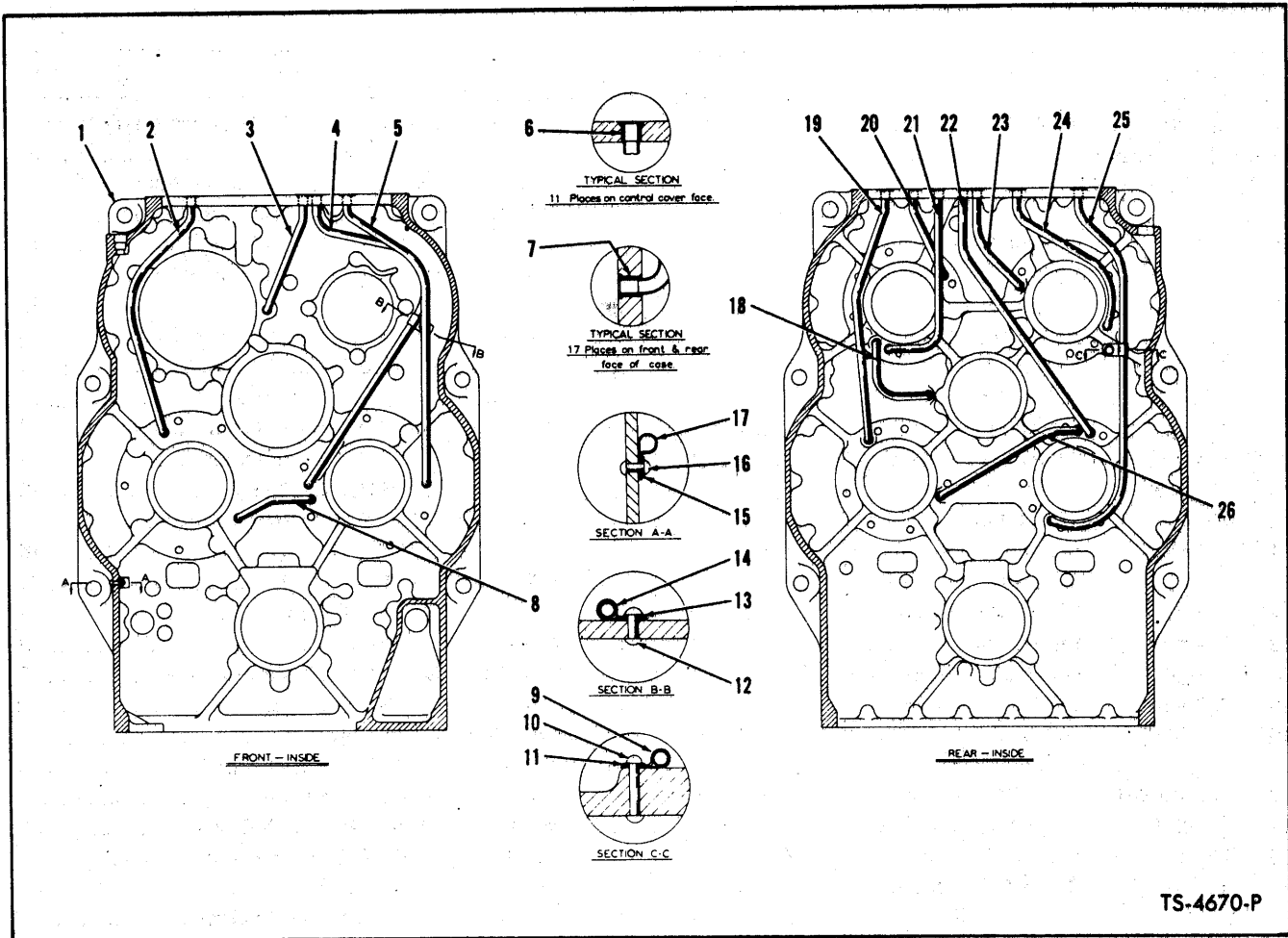
TRANSMISSION ASSEMBLY & CLUTCH COVER GROUP

Item	Part No.	Description	Qty.
A	284711	*TRANSMISSION ASSY (5921-2)	1
Transmission Assy, under above designation includes			
1 thru 85 and all items listed on page			
1	774433	CONNECTOR	1
2	20F-18	TEE, Hose to Control Cover	1
3	5K-106	NIPPLE, Pipe	1
4	19F-1	BUSHING, Reducer	1
5	202882	STUD	2
6	215183	RING, Piston	1
7	215183	RING, Piston	1
8	659065	RING, Bearing Retaining	1
9	1304391	BEARING	1
10	40K-06	PLUG, Pipe	1
11	229997	COVER, Fwd., Rev., 3rd, 4th & Underdrive Clutch	1
12	13F-16	PLUG, Clutch Cover	1
13	214295	PIN, Dowel	2
14	217620	GASKET, Clutch Cover	1
15	223901	RING, Bearing Retainer	1
16	---	UNDERDRIVE SHAFT GROUP — See Index	—
17	25K-40026	O-RING, Control Valve to Case	8
18	217653	GASKET, Control Valve to Case	1
19	4E-06	LKWSHR, Control Valve to Case	4
20	5C-616	BOLT & LKWSHR, Control Valve to Case (Inc. 19)	4
21	---	CONTROL VALVE & COVER ASSY (See Index)	—
22	4E-06	LKWSHR, Control Valve to Case	6
23	1C-640	BOLT, Control Valve to Case	6
24	1C-624	BOLT, Control Valve to Case	2
25	4E-06	LKWSHR, Control Valve to Case	2
26	230606	TUBE, Dipstick (See Item 28)	1
27	230610	HOUSING ASSY, Dipstick	1
28	230613	DIPSTICK	1
29	10F-16	PLUG, Pipe	1
30	217519	GASKET, Clutch Cover	1
31	217518	COVER, 1st, 2nd & Splitter Clutch	1
32	25K-40816	O-RING, Clutch Cover Plate	1
33	225851	SEAL, Clutch Cover Oil	1
34	217499	PLATE, Clutch Cover	1
35	222233	FLANGE, Input	1
36	25K-60116	O-RING, Flange	1
37	222179	WASHER, Flange	1
38	205928	NUT, Flange	1
39	1F-636	COTTER, Flange	1
40	5C-616	BOLT & LKWSHR, Clutch Cover Plate (Inc. 41)	4
41	4E-06	LKWSHR, Clutch Cover Plate	4

Item	Part No.	Description	Qty.
42	5C-616	BOLT & LKWSHR, Clutch Cover Plate (Inc. 43)	17
43	4E-06	LKWSHR, Clutch Cover Plate	17
44	217536	PLATE, 1st & 2nd Clutch Cover	1
45	217537	GASKET, Clutch Cover Plate	1
46	5C-616	BOLT & LKWSHR, Clutch Cover to Case (Inc. 47)	23
47	4E-06	LKWSHR, Clutch Cover to Case	23
48	218358	FRAME & SCREEN ASSY, Oil Sump	1
49	237154	GASKET, Oil Sump	1
50	1C-636	BOLT, Frame & Screen Assy to Case	3
51	13F-12	PLUG, Oil Sump Drain	1
52	4E-06	LKWSHR, Oil Sump	18
53	5C-612	BOLT & LKWSHR, Oil Sump (Inc. 52)	18
54	217562	SUMP ASSY, Oil	1
55	525293	MAGNET, Sump	2
56	4E-06	LKWSHR,	3
57	218376	GASKET, Oil Sump Frame	1
58	40K-04	PLUG, Oil Level	2
59	40K-06	PLUG, Pipe	1
60	4E-06	LKWSHR, Clutch Cover	6
61	1C-628	BOLT, Clutch Cover	6
62	4E-06	LKWSHR, Clutch Cover	20
63	5C-618	BOLT & LKWSHR, Clutch Cover (Inc. 62)	20
64	223901	RING, Bearing Retainer	1
65	25K-40708	O-RING, Bearing Housing	1
66	229998	HOUSING, Bearing	1
67	4E-06	LKWSHR, Bearing Housing	8
68	5C-618	BOLT & LKWSHR, Bearing Housing (Inc. 67)	8
69	1304391	BEARING, Underdrive Shaft	1
70	659065	RING, Bearing Retainer	1
71	230076	GASKET, Bearing Cap	1
72	221408	CAP, Underdrive Shaft Bearing	1
73	4E-06	LKWSHR, Bearing Cap	4
74	5C-618	BOLT & LKWSHR, Bearing Cap (Inc. 73)	4
75	233395	STUD	1
76	215164	GASKET	1
77	4E-07	WASHER	3
78	62D-07	NUT	3
79	229325	PLUG	1
80	91F-7	O-RING	1
81	233387	RELAY VALVE SPOOL	1
82	233386	SPRING	1
83	233388	CLUTCH RELAY VALVE ASSY	1
84	230338	HOSE	1
85	6H-11	CLIP	1

WHEN ORDERING PARTS, ALWAYS STATE MODEL AND SERIAL NO. OF MACHINE

CLARK EQUIPMENT COMPANY



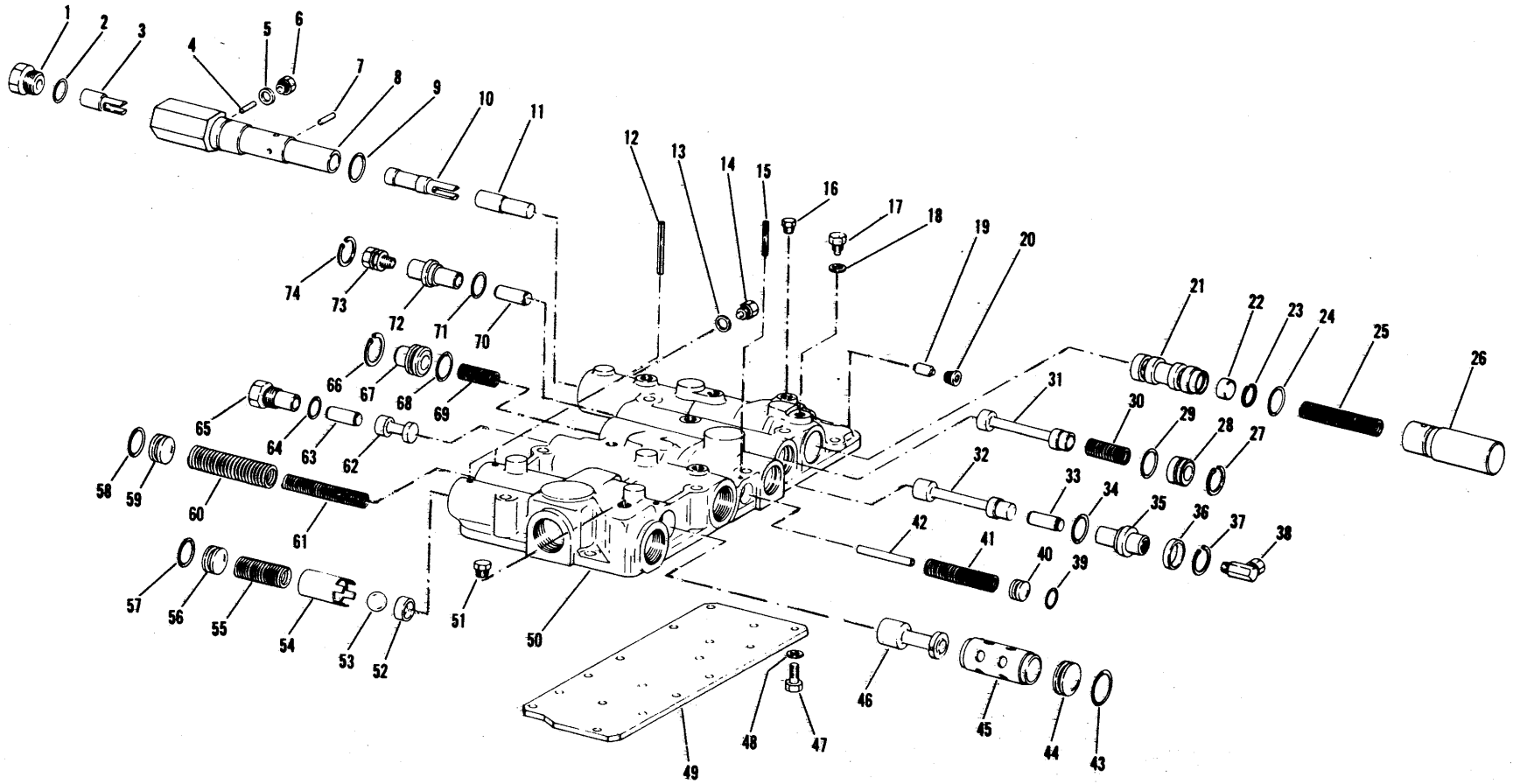
TRANSMISSION CASE & INTERNAL TUBING

Item	Part No.	Description	Qty.
1	217574	CASE ASSY, Trans. (Inc. 2 thru 26)	1
2	217708	*TUBE, 1st Clutch Pressure	1
3	217711	*TUBE, Splitter Clutch Lube	1
4	217710	*TUBE, 2nd Clutch Lube	1
5	217709	*TUBE, 2nd Clutch Pressure	1
6	222067	SLEEVE, Tube	10
7	222067	SLEEVE, Tube	18
8	217698	*TUBE, 2nd to 1st X-Over Lube	1
9	6H-29	CLIP, Tube	1
10	1H-534	RIVET, Clip to Case	1
11	25E-15	WASHER, Clip to Case	1
12	1H-518	RIVET, Clip to Case	1
13	25E-15	WASHER, Clip to Case	1

Item	Part No.	Description	Qty.
14	6H-29	CLIP, Tube	1
15	25E-13	WASHER, Clip to Case	1
16	1H-414	RIVET, Clip to Case	1
17	6H-32	CLIP, Dipstick Tube	1
18	217704	*TUBE, Reverse to Idler X-Over Lube	1
19	217706	TUBE, 4th Clutch Pressure	1
20	217699	*TUBE, Reverse Clutch Pressure	1
21	217703	*TUBE, Reverse Clutch Lube	1
22	217707	*TUBE, 3rd Clutch Lube	1
23	217701	*TUBE, Input Lube	1
24	217700	*TUBE, Input Clutch Pressure	1
25	217705	*TUBE, 3rd Clutch Pressure	1
26	217702	*TUBE, 3rd to 4th X-Over Lube	1

* NOTE: Use two 222067 sleeve (Item 6 or 7) when replacing any of the above tubes, one at each end of tube. Use 943374 Tube Expander to expand tube into sleeve.

WHEN ORDERING PARTS, ALWAYS STATE MODEL AND SERIAL NO. OF MACHINE



TRANSMISSION - CONTROL VALVE AND COVER ASSEMBLY

TS-8100

CLARK EQUIPMENT COMPANY

TRANSMISSION – CONTROL VALVE AND COVER ASSEMBLY

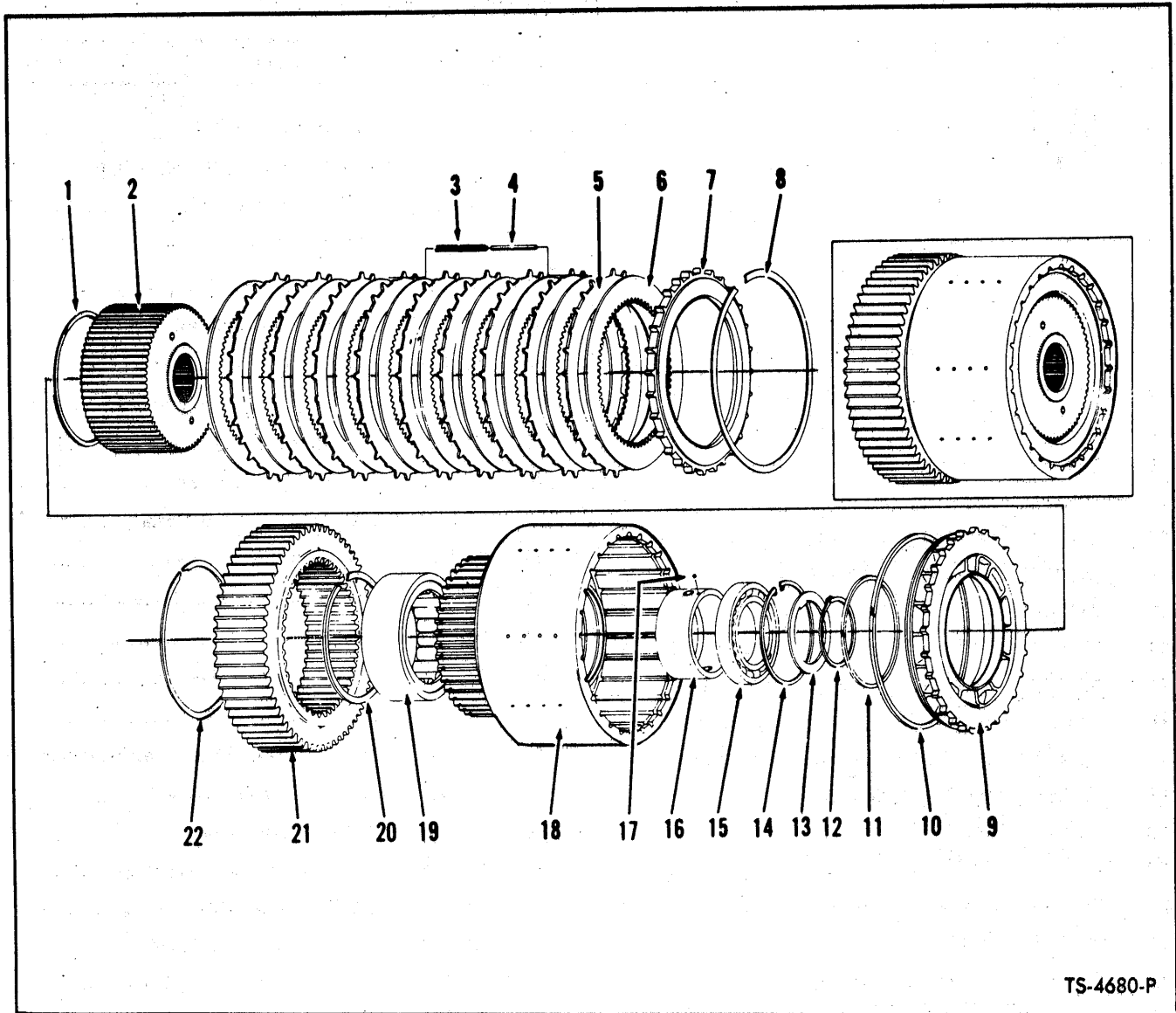
Item	Part No.	Description	Qty.
A	230100	COVER ASSY (Inc. 1 thru 74)	1
1	227418	PLUG, Shift Cylinder Housing	1
2	91F-07	O-RING, Plug	1
3	228096	VALVE, 3rd Speed	1
4	106358	PIN, 3rd Speed Valve Stop	1
5	743314	WASHER, Stop Pin Retaining	1
6	227423	PLUG, Stop Pin Retaining	1
7	106358	PIN, 2nd Speed Valve Stop	1
8	228094	HOUSING, Shift Cylinder	1
9	25K-30030	O-RING, Housing.....	1
10	228095	VALVE, 2nd Speed	1
11	227550	VALVE, 1st Speed	1
12	815971	PIN, Valve Spool Stop Roll	3
13	731964	WASHER, Plug Sealing	1
14	227422	PLUG, Shift Cylinder Housing Lock	1
15	654724	PIN, Shut-Off Valve Stop Roll	1
16	40K-02	PLUG, Pipe	1
17	227422	PLUG, Shift Cylinder Housing Lock	1
18	731964	WASHER, Plug Sealing	1
19	-----	OMIT.....	—
20	-----	OMIT.....	—
21	227555	VALVE, Selector	1
22	227556	PLUG, Selector	1
23	659041	RING, Selector Valve Retaining	1
24	25K-30030	O-RING, Housing Plug	1
25	227558	SPRING, Selector Valve	1
26	227557	PLUG, Housing End Cover	1
27	664140	RING, Piston Stop Retaining	1
28	227560	STOP, Piston	1
29	25K-30030	O-RING, Piston Stop	1
30	227564	SPRING, Range Valve	1
31	227563	VALVE, High-Low	1
32	230102	VALVE, Forward-Reverse	1
33	227562	PISTON, Forward-Reverse.....	1
34	25K-30030	O-RING, Piston Guide	1
35	227561	GUIDE, Piston	1
36	230106	SPACER, Piston Guide	1
37	664140	RING, Piston Guide Retaining	1

Item	Part No.	Description	Qty.
38	31F-01	ADAPTER UNION	1
39	25K-30018	O-RING, Shut-Off Valve Stop ...	1
40	220983	STOP, Shut-Off Valve	1
41	231134	SPRING, Shut-Off Valve	1
42	230520	PIN, Shut-Off Valve Stop	1
43	58K-210	O-RING, Valve Spool	1
44	222041	STOP, Reg. Valve Spool	1
45	-----	§SLEEVE, Reg. Valve Spool	—
46	232731	SPOOL KIT, Reg. Valve (Inc. 45)	1
47	17C-512	BOLT, Plate to Cover	17
48	5E-05	LKWSHR, Plate to Cover	17
49	217632	PLATE, Control Cover	1
50	230101	HOUSING, Control Cover	1
51	40K-04	PLUG, Pipe	2
52	217650	SEAT, Safety Valve	1
53	10J-24	BALL, Safety Valve	1
54	217652	SPACER, Safety Valve Seat Retainer	1
55	217651	SPRING, Safety Valve	1
56	222041	STOP, Safety Valve	1
57	58K-210	O-RING, Safety Valve Stop	1
58	58K-210	O-RING, Valve Spool Stop	1
59	222041	STOP, Reg. Valve Spool	1
60	217649	SPRING, Outer Reg. Valve	1
61	217648	SPRING, Inner Reg. Valve	1
62	230105	SPOOL, Shut-Off Valve	1
63	227562	PISTON, Shut-Off Valve	1
64	91F-07	O-RING, Plug	1
65	230104	GUIDE, Valve Spool	1
66	666587	RING, Spring Cap Snap	1
67	230103	CAP, Forward-Reverse	1
68	25K-30030	O-RING, Housing	1
69	227564	SPRING, Forward-Reverse	1
70	227562	PISTON, High-Low	1
71	25K-30030	O-RING, Piston Guide	1
72	227561	GUIDE, Piston.....	1
73	36F-01	ADAPTER UNION	1
74	664140	RING, Piston Guide Retaining ...	1

§ Not Sold Separately

WHEN ORDERING PARTS, ALWAYS STATE MODEL AND SERIAL NO. OF MACHINE

CLARK EQUIPMENT COMPANY



TS-4680-P

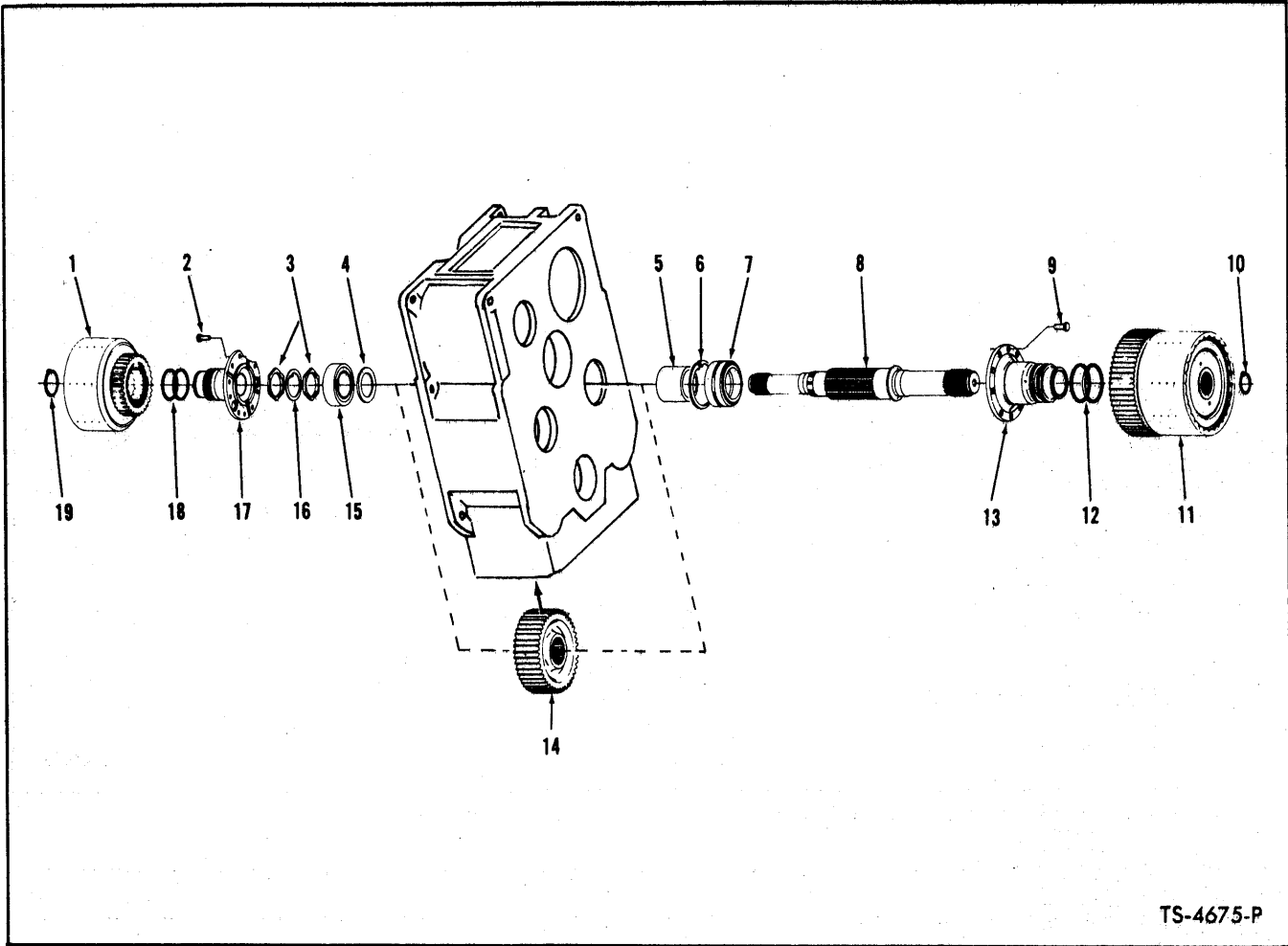
TRANSMISSION FIRST & SECOND CLUTCH GROUP 2 Clutches used in Transmission – Quantity Indicated is for 1 Clutch

Item	Part No.	Description	Qty.	Item	Part No.	Description	Qty.
1	217510	RING, Oil Baffle Retaining	1	14	223982	RING, Bearing Retaining	1
2	217133	HUB ASSY, Clutch Disc	1	15	225768	BEARING, Clutch Support	1
3	217334	SPRING, Clutch Disc Release	8	16	217136	RACE, Outer Piston Ring	1
4	217599	PIN, Clutch Disc Release Spring....	8	17	10J-08	BALL, Outer Race	1
5	232285	DISC, Clutch – Outer	9	18	217130	DRUM ASSY, Clutch (Inc. 16, 17, 18A, 18B)	1
6	232779	DISC, Clutch – Inner	10	18A	217141	†HOUSING, Bleed Valve	1
7	217137	PLATE, Clutch Disc End	1	18B	10J-10	†BALL, Bleed Valve	1
8	217416	RING, End Plate Retaining	1	19	236781	BEARING, Clutch Support Roller	1
9	217138	PISTON, Clutch	1	20	223852	RING, Bearing Retaining	1
10	217415	RING, Outer Piston	1	21	233714	GEAR, Clutch Drum Hub (53T)	1
11	217420	RING, Inner Piston	1	22	217692	RING, Gear Retaining	1
12	791018	RING, Washer Retaining	1				
13	217417	WASHER, Bearing	1				

† Not Illustrated

WHEN ORDERING PARTS, ALWAYS STATE MODEL AND SERIAL NO. OF MACHINE

CLARK EQUIPMENT COMPANY



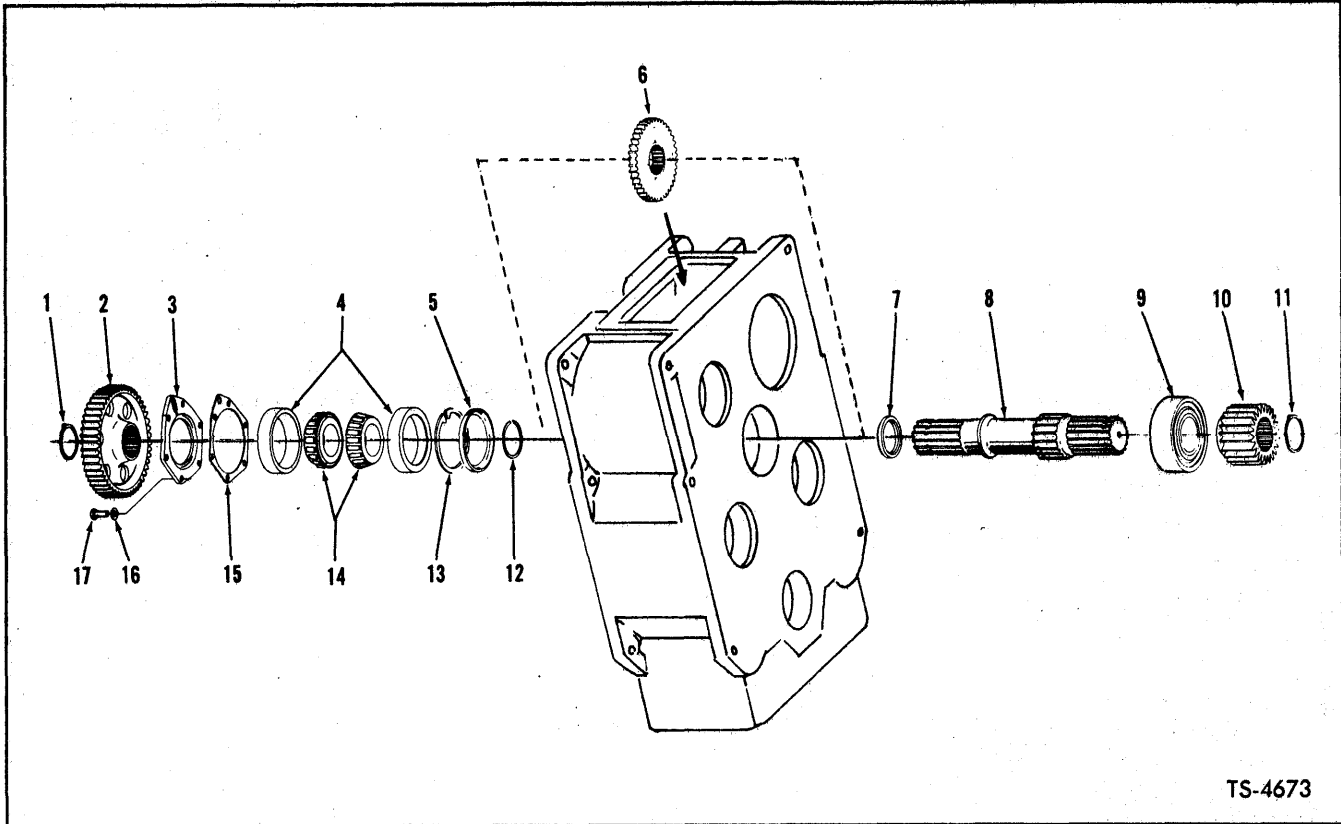
TRANSMISSION FIRST & THIRD SHAFT GROUP

Item	Part No.	Description	Qty.
1	----	CLUTCH ASSY, 3rd Clutch—See Index	1
2	8C-820	BOLT, Clutch Support to Case	8
3	217506	NUT, Bearing Lock	2
4	222181	SPACER, Bearing	1
5	217502	SPACER, 1st & 3rd Shaft Gear	1
6	223982	RING, Bearing Retaining Snap	1
7	225400	BEARING, 1st & 3rd Shaft	1
8	217341	SHAFT, 1st & 3rd	1
9	8C-820	BOLT, Clutch Support to Case	8
10	660516	RING, Disc Hub Snap	1

Item	Part No.	Description	Qty.
11	----	CLUTCH ASSY, 1st Clutch—See Index	1
12	233948	RING, Clutch Support Piston	2
12A	233947	PISTON RING EXPANDER	2
13	217128	SUPPORT, 1st Clutch	1
14	217359	GEAR, 1st & 3rd Shaft (45T)	1
15	225844	BEARING, 1st & 3rd Shaft	1
16	217507	LOCK, Bearing Nut	1
17	217156	SUPPORT, 3rd Clutch	1
18	223740	RING, Clutch Support Piston	2
19	659764	RING, Disc Hub Snap	1

WHEN ORDERING PARTS, ALWAYS STATE MODEL AND SERIAL NO. OF MACHINE

CLARK EQUIPMENT COMPANY



TRANSMISSION IDLER SHAFT GROUP

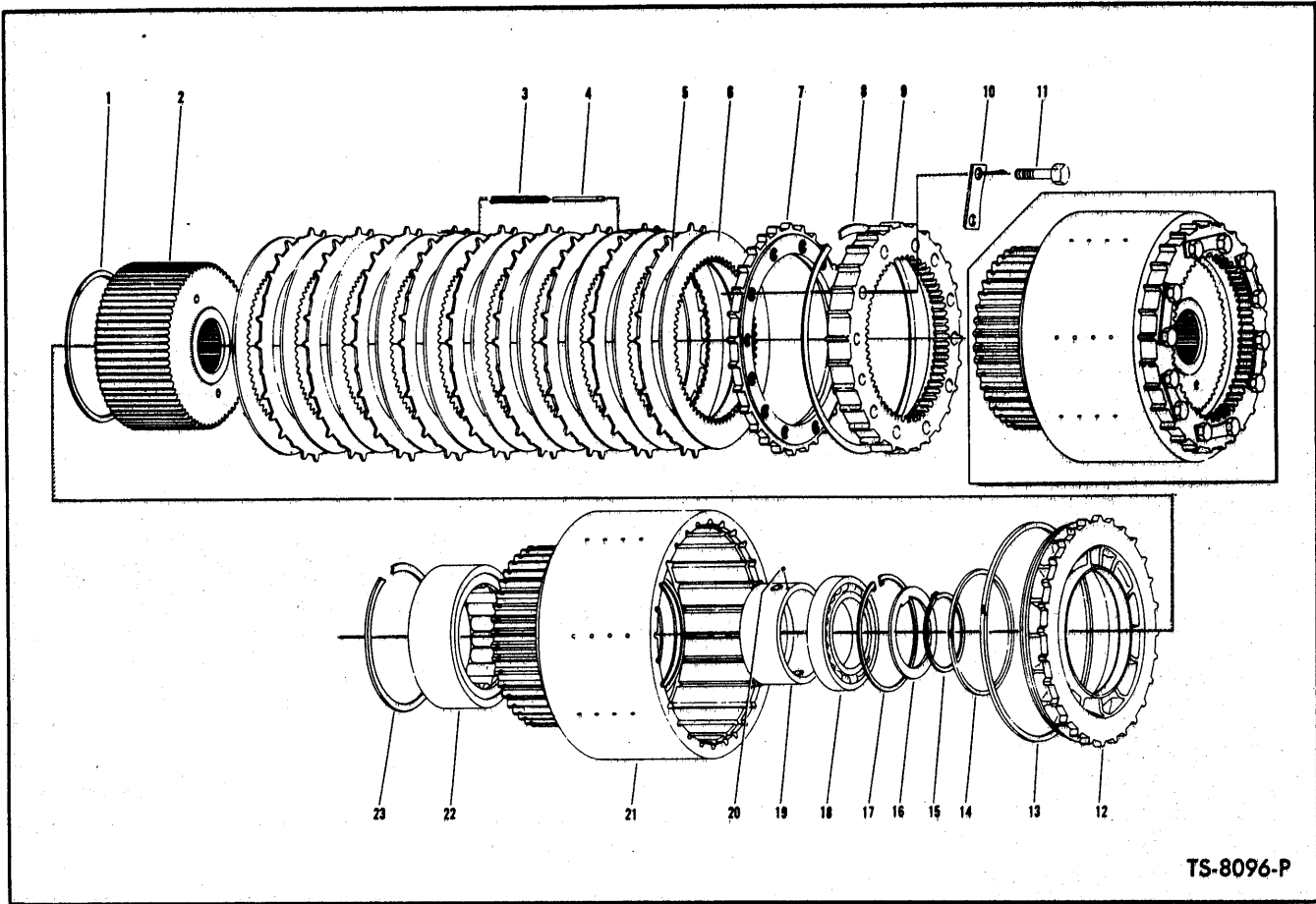
Item	Part No.	Description	Qty.
1	711161	RING, Gear Retaining Snap	1
2	217398	GEAR, Idler to Low Forward (46T)	1
3	217629	CAP, Bearing	1
4	730503	CUP, Idler Shaft Tapered Bearing	2
5	217598	BAFFLE Bearing Oil	1
6	235323	GEAR, Idler to High Forward	1
7	217628	SPACER, Taper Bearing	1
8	235325	SHAFT, Idler	1
9	235322	BEARING, Idler Shaft	1
9A	10J-12	† BALL, Bearing Lock	1
10	235320	GEAR, Idler to 1st	1
11	507688	RING, Gear Retaining Snap	1
12	214337	RING, Gear Retaining Snap	1
13	223879	RING, Bearing Retaining Snap	1
14	710791	CONE, Idler Shaft	2
15	217689	†‡ SHIM, Bearing Cap — .004"	—
15A	217690	†‡ SHIM, Bearing Cap — .007"	—
15B	217691	†‡ SHIM, Bearing Cap — .010"	—
16	4E-08	LKWSHR, Bearing Cap	5
17	1C-820	BOLT, Bearing Cap	5

† Not Illustrated

‡ As Required

WHEN ORDERING PARTS, ALWAYS STATE MODEL AND SERIAL NO. OF MACHINE

CLARK EQUIPMENT COMPANY



TS-8096-P

TRANSMISSION INPUT CLUTCH GROUP

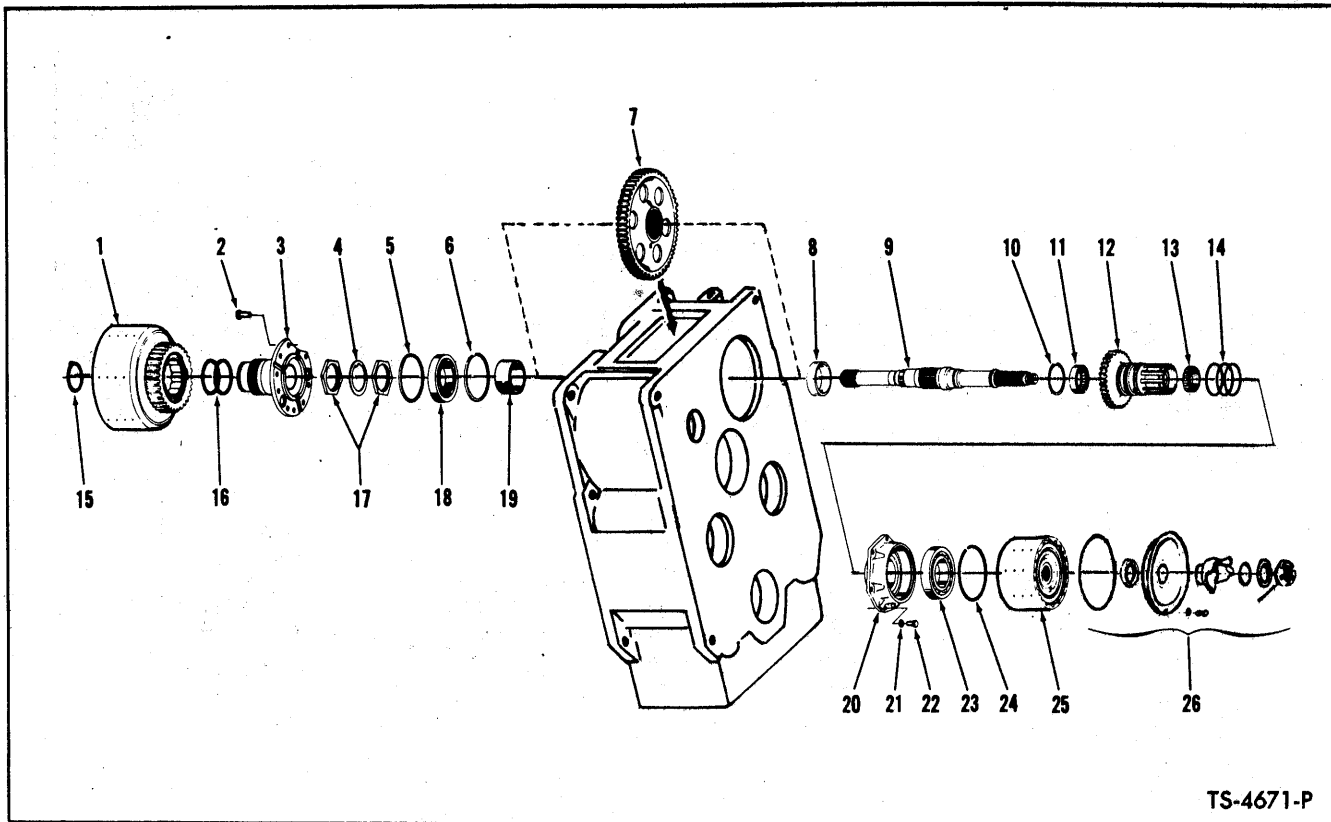
Item	Part No.	Description	Qty.
1	217509	RING, Oil Baffle Retaining	1
2	217158	HUB ASSY, Clutch Disc	1
3	217334	SPRING, Clutch Disc	6
4	217599	PIN, Clutch Disc Release Spring....	6
5	232394	DISC, Clutch Outer	9
6	227495	DISC, Clutch Inner	10
7	230006	PLATE, Clutch Disc End	1
8	217099	RING, End Plate Retaining	1
9	230007	ADAPTER, Clutch Disc	1
10	230008	LOCK TAB, End Plate Adapter Belt	6
11	2C-624	BOLT, Adapter Lock Tab	12
12	217164	PISTON, Clutch	1
13	217361	RING, Outer Piston	1

Item	Part No.	Description	Qty.
14	217411	RING, Inner Piston	1
15	731627	RING, Washer Retaining Snap ...	1
16	217165	WASHER, Bearing	1
17	664116	RING, Bearing Retainer	1
18	230751	BEARING, Clutch Support	1
19	217155	RACE, Outer Piston Ring	1
20	10J-08	BALL, Outer Race	1
21	217152	DRUM ASSY, Clutch (Inc. 19, 20, 21A, 21B)	1
21A	217141	†HOUSING, Bleed Valve	1
21B	10J-10	†BALL, Bleed Valve	1
22	225796	BEARING, Clutch Support Roller	1
23	223997	RING, Bearing Retaining	1

† Not Illustrated

WHEN ORDERING PARTS, ALWAYS STATE MODEL AND SERIAL NO. OF MACHINE

CLARK EQUIPMENT COMPANY



TS-4671-P

TRANSMISSION INPUT SHAFT GROUP

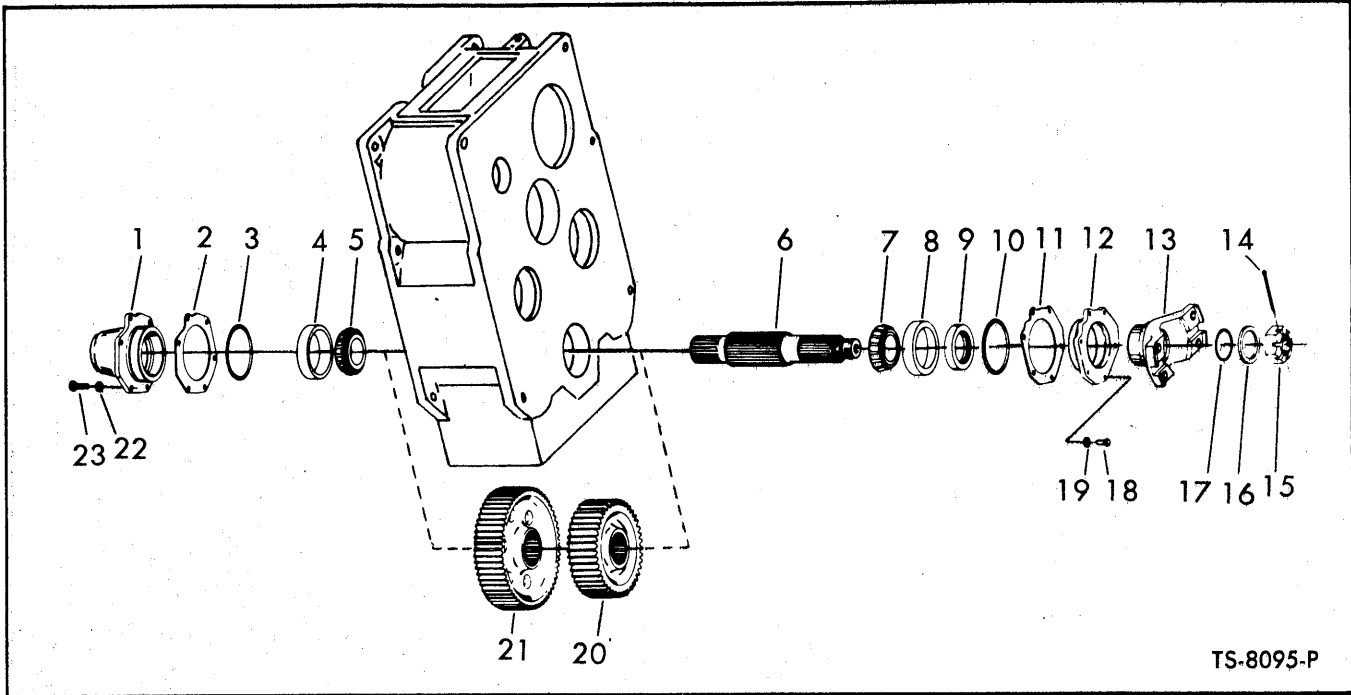
Item	Part No.	Description	Qty.
1	---	CLUTCH ASSY, Input—See Index	1
2	8C-820	BOLT, Clutch Support to Case	8
3	217156	SUPPORT, Input Clutch	1
4	217507	LOCK, Bearing Nut	1
5	223856	RING, Rear Bearing Snap	1
6	223856	RING, Rear Bearing Snap	1
7	217399	GEAR, Input Shaft (50T)	1
8	217500	SPACER, Input Shaft Gear	1
9	217544	SHAFT, Input	1
10	223901	RING, Rear Bearing Snap	1
11	223387	BEARING, Rear Clutch Support	1
12	233824	SLEEVE ASSY, Splitter Clutch Support	1
13	225846	BEARING, Front Clutch Support	1

Item	Part No.	Description	Qty.
14	233949	*RING, Piston	3
14A	233406	*PISTON RING EXPANDER	3
15	659764	RING, Disc Hub Snap	1
16	223740	RING, Clutch Support Piston	2
17	217506	NUT, Bearing Lock	2
18	225840	BEARING, Rear Drive Shaft	1
19	217508	SPACER, Input Shaft Gear	1
20	217386	CARRIER, Bearing	1
21	4E-08	LKWSHR, Bearing Carrier to Case	6
22	1C-820	BOLT, Bearing Carrier to Case	6
23	225841	BEARING, Splitter Clutch	1
24	217693	RING, Bearing Snap	1
25	---	CLUTCH ASSY, Splitter—See Index	—
26	---	SEE PAGE T3-1 (Items 32 thru 41)	—

*Inc in 801881 Piston Ring & Expander Kit.

WHEN ORDERING PARTS, ALWAYS STATE MODEL AND SERIAL NO. OF MACHINE

CLARK EQUIPMENT COMPANY



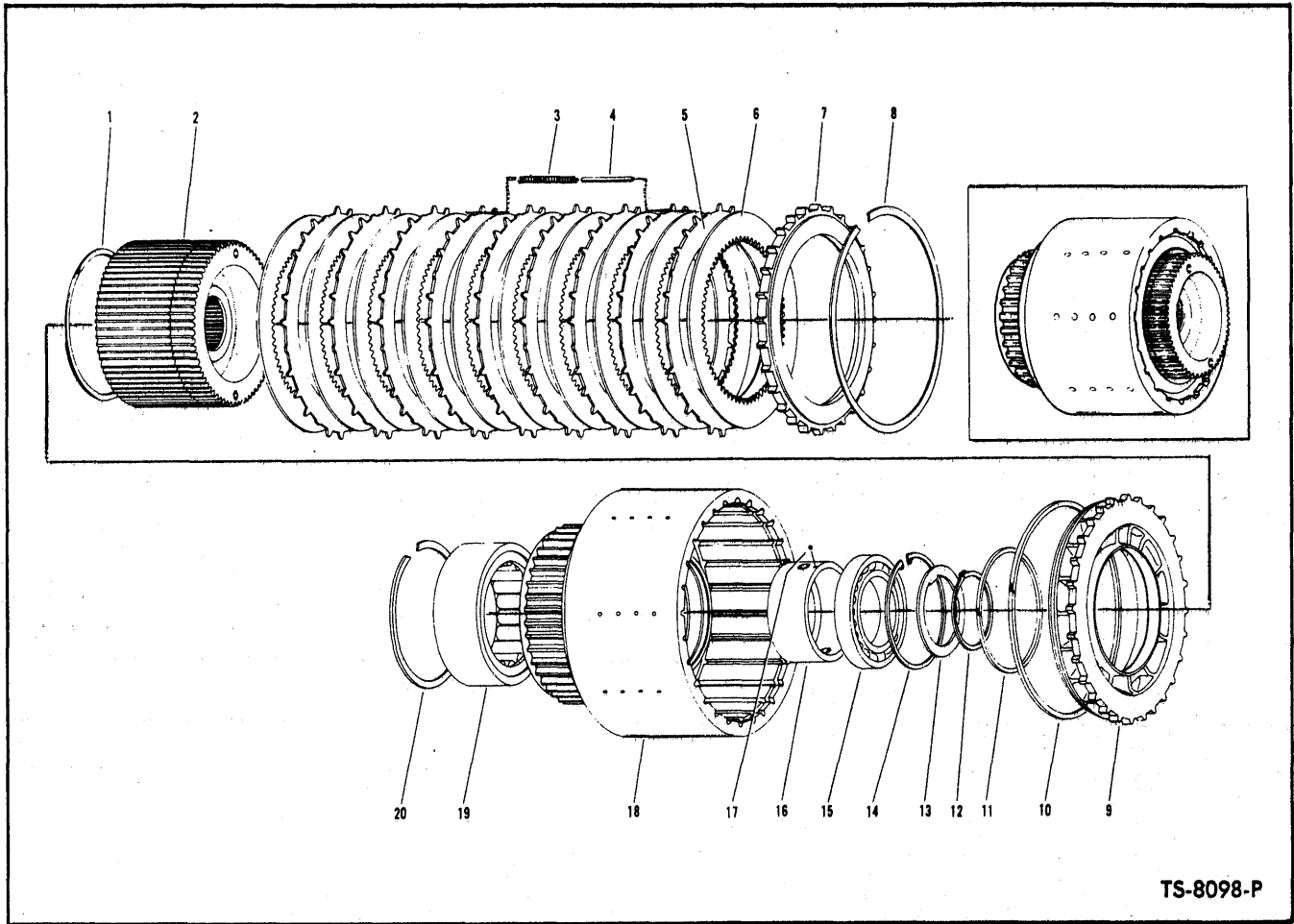
TRANSMISSION OUTPUT SHAFT GROUP

Item	Part No.	Description	Qty.
1	217715	CAP, Output Shaft Bearing	1
2	217686	‡SHIM, Bearing Cap — .004"	—
2A	217687	‡SHIM, Bearing Cap — .007"	—
2B	217688	‡SHIM, Bearing Cap — .010"	—
3	25K-40408	O-RING, Bearing Cap	1
4	742243	CUP, Output Shaft Bearing	1
5	225850	CONE, Output Shaft Bearing	1
6	218703	OUTPUT SHAFT	1
7	225850	CONE, Output Shaft Bearing	1
8	742243	CUP, Output Shaft Bearing	1
9	225763	SEAL, Output Shaft Oil	1
10	25K-40408	O-RING, Bearing Cap	1
11	217686	‡SHIM, Bearing Cap — .004"	—
11A	217687	‡SHIM, Bearing Cap — .007"	—
11B	217688	‡SHIM, Bearing Cap — .010"	—
12	217626	CAP ASSY, Output Shaft Bearing (Inc. 10)	1
13	218745	FLANGE, Output	1
14	1F-632	COTTER, Output Shaft Flange Nut	1
15	201262	NUT, Output Shaft Flange	1
16	222181	WASHER, Output Shaft Flange	1
17	25K-60204	O-RING, Output Shaft Flange	1
18	1C-820	BOLT, Output Shaft Cap Assy.	6
19	4E-08	LKWSHR, Output Shaft Cap Assy	6
20	217343	GEAR, Output Shaft (43T)	1
21	217358	GEAR, Output Shaft (60T)	1
22	4E-08	LKWSHR, Output Shaft Cap	6
23	1C-820	BOLT, Output Shaft Cap	6

‡ As Required

WHEN ORDERING PARTS, ALWAYS STATE MODEL AND SERIAL NO. OF MACHINE

CLARK EQUIPMENT COMPANY



TS-8098-P

TRANSMISSION REVERSE CLUTCH GROUP

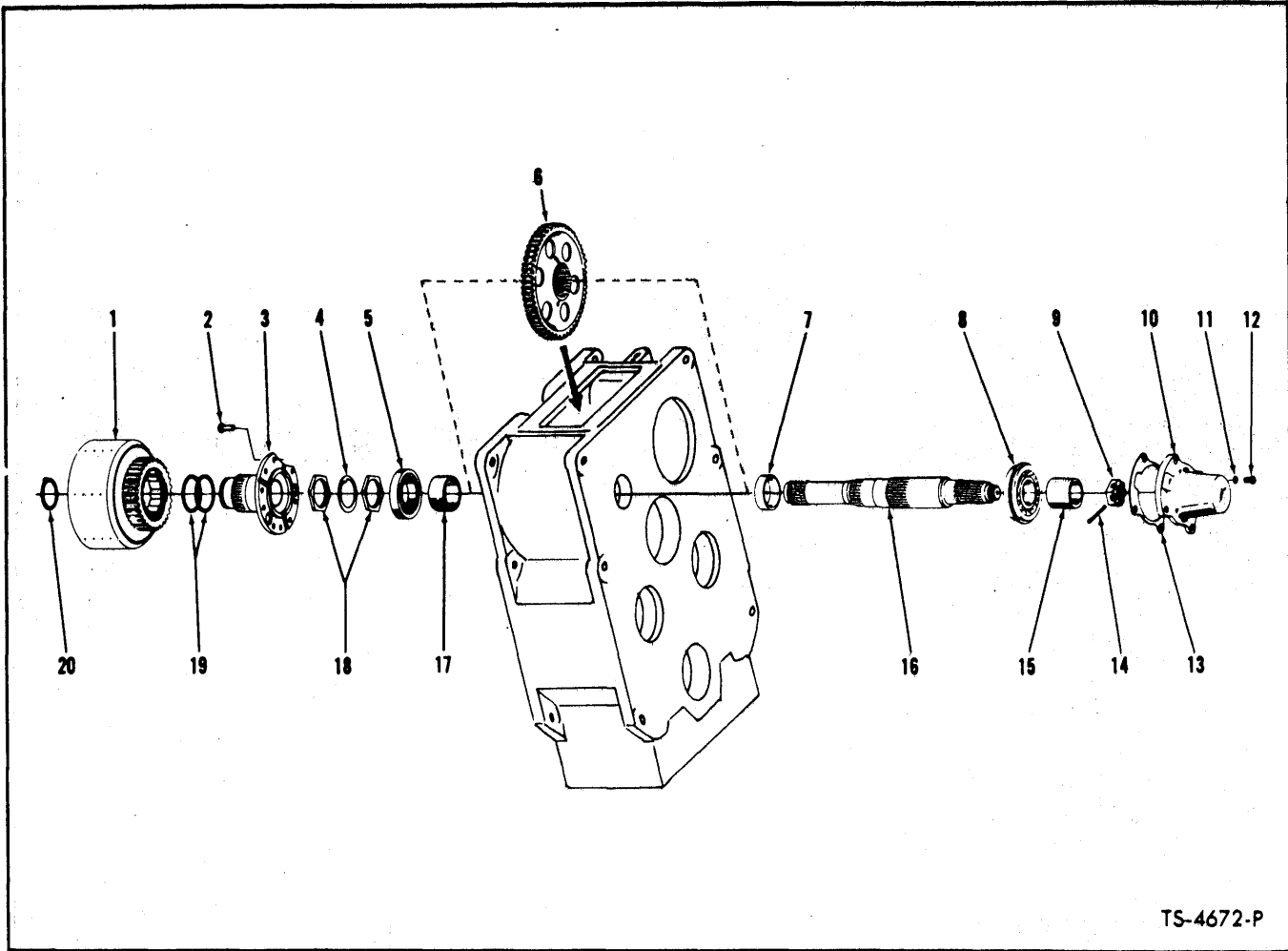
Item	Part No.	Description	Qty.
1	217509	RING, Oil Baffle Retaining	1
2	230004	HUB ASSY, Clutch Disc	1
3	217334	SPRING, Clutch Disc Release	6
4	217599	PIN, Clutch Disc Release Spring	6
5	232394	DISC, Clutch Outer	9
6	227495	DISC, Clutch Inner	10
7	217161	PLATE, Clutch Disc End	1
8	217099	RING, End Plate Retaining	1
9	217164	PISTON, Clutch	1
10	217361	RING, Outer Piston	1
11	217411	RING, Inner Piston	1
12	731627	RING, Washer Retaining	1

Item	Part No.	Description	Qty.
13	217165	WASHER, Bearing	1
14	664116	RING, Bearing Retaining	1
15	230751	BEARING, Clutch Support	1
16	217155	RACE, Outer Piston Ring	1
17	10J-08	BALL, Outer Race	1
18	217152	DRUM ASSY, Clutch (Inc. 16, 17, 18A, 18B)	1
18A	233124	†HOUSING, Bleed Valve	1
18B	10J-10	†BALL, Bleed Valve	1
19	225796	BEARING, Clutch Support Roller	1
20	223997	RING, Bearing Retaining	1

† Not Illustrated

WHEN ORDERING PARTS, ALWAYS STATE MODEL AND SERIAL NO. OF MACHINE

CLARK EQUIPMENT COMPANY



TS-4672-P

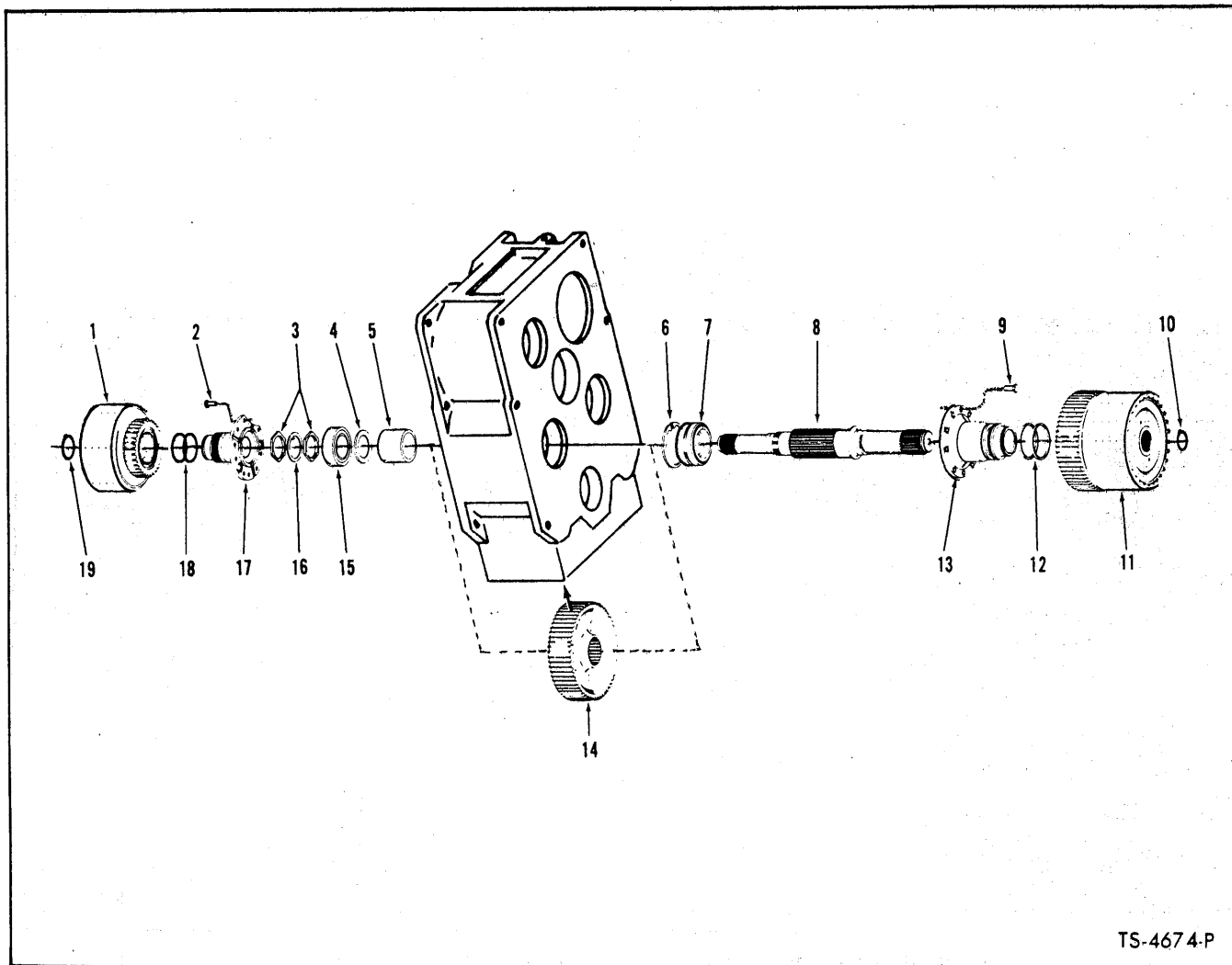
TRANSMISSION REVERSE SHAFT GROUP

Item	Part No.	Description	Qty.
1	---	CLUTCH ASSY, Reverse-See Index	1
2	8C-820	BOLT, Clutch Support to Case	8
3	217156	SUPPORT, Reverse	1
4	217507	LOCK, Bearing Nut	1
5	225840	BEARING, Rear Drive Shaft	1
6	217399	GEAR, Reverse Shaft (50T)	1
7	217500	SPACER, Reverse Shaft Gear	1
8	225842	BEARING, Front Drive Shaft	1
9	205928	NUT, Reverse Drive Shaft	1
10	217488	CAP, Bearing	1

Item	Part No.	Description	Qty.
11	4E-08	LKWSHR, Bearing Cap	4
12	1C-820	BOLT, Bearing Cap	4
13	217490	GASKET, Bearing Cap	1
14	1F-636	COTTER, Reverse Drive Shaft	1
15	217504	SPACER, Bearing	1
16	217545	SHAFT, Reverse	1
17	217508	SPACER, Reverse Shaft Gear	1
18	217506	NUT, Bearing Lock	2
19	223740	RING, Clutch Support Piston	2
20	659764	RING, Disc Hub Snap	1

WHEN ORDERING PARTS, ALWAYS STATE MODEL AND SERIAL NO. OF MACHINE

CLARK EQUIPMENT COMPANY



TS-4674-P

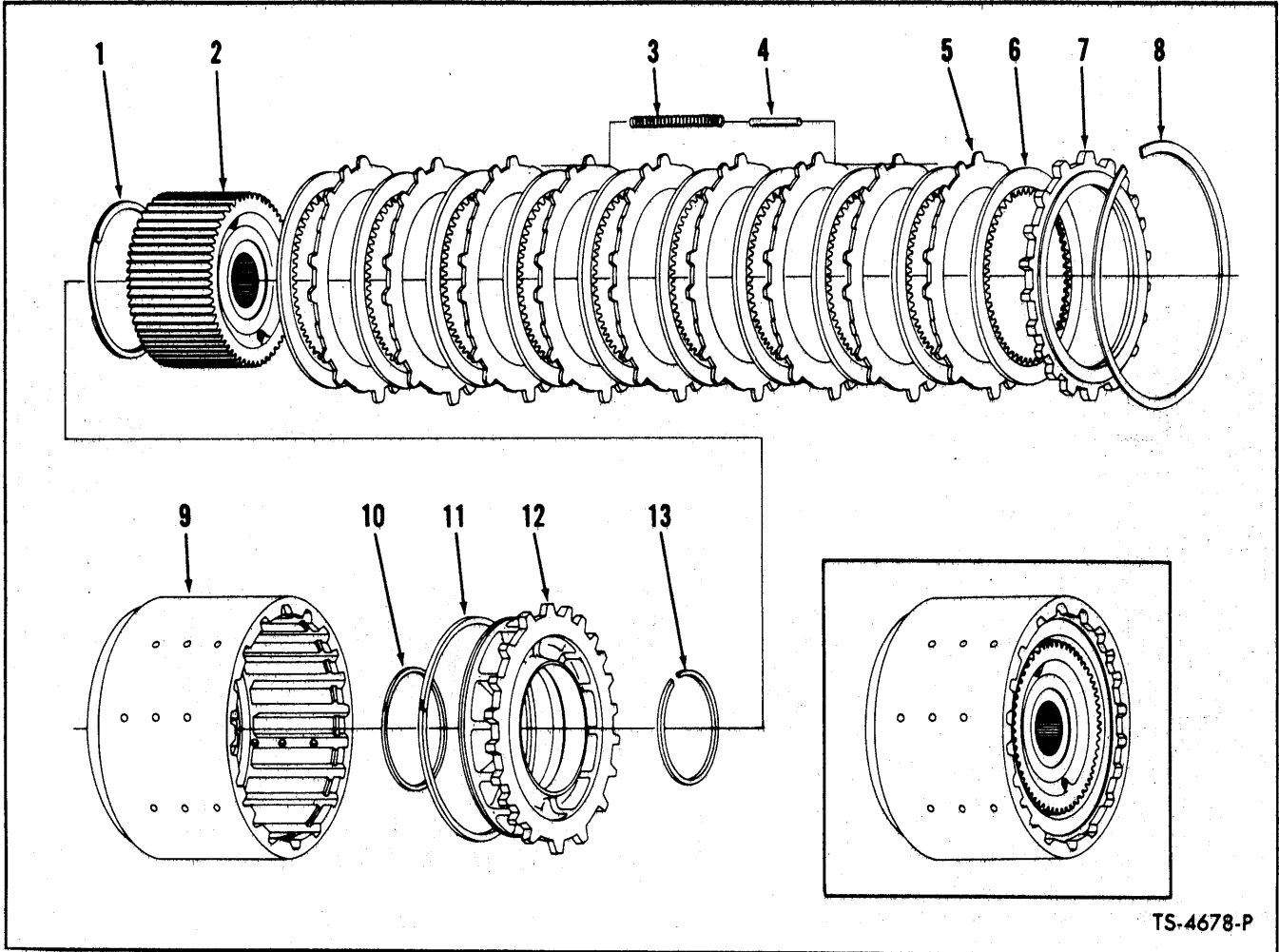
TRANSMISSION SECOND & FOURTH SHAFT GROUP

Item	Part No.	Description	Qty.
1	----	CLUTCH ASSY, 4th Clutch—See Index	1
2	8C-820	BOLT, Clutch Support to Case	8
3	217506	NUT, Bearing Lock	2
4	222181	SPACER, Bearing	1
5	217502	SPACER, 2nd & 4th Shaft Gear	1
6	223982	RING, Bearing Retaining Snap	1
7	225400	BEARING, 2nd & 4th Shaft	1
8	217341	SHAFT, 2nd & 4th	1
9	8C-820	BOLT, Clutch Support to Case	8
10	660516	RING, Disc Hub Snap	1

Item	Part No.	Description	Qty.
11	----	CLUTCH, 2nd Clutch—See Index	1
12	233948	RING, Clutch Support Piston	2
12A	233947	PISTON RING EXPANDER	2
13	217128	SUPPORT, 2nd Clutch	1
14	235324	GEAR, 2nd & 4th Shaft	1
15	225844	BEARING, 2nd & 4th Shaft	1
16	217507	LOCK, Bearing Nut	1
17	217156	SUPPORT, 4th Clutch	1
18	223740	RING, Clutch Support Piston	2
19	659764	RING, Disc Hub Snap	1

WHEN ORDERING PARTS, ALWAYS STATE MODEL AND SERIAL NO. OF MACHINE

CLARK EQUIPMENT COMPANY



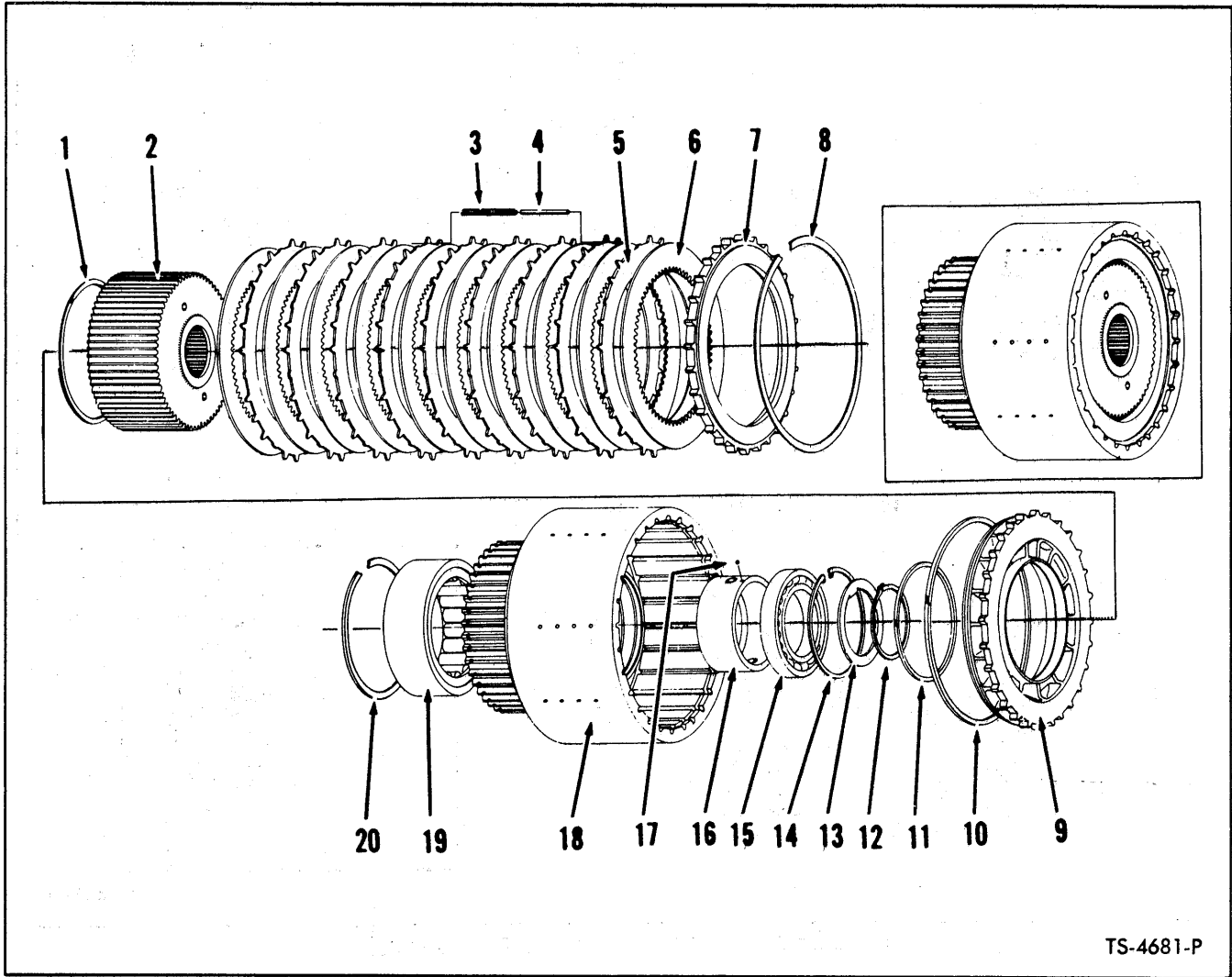
TRANSMISSION SPLITTER CLUTCH GROUP

Item	Part No.	Description	Qty.
1	217509	RING, Oil Baffle Retaining	1
2	217388	HUB, Disc	1
3	217334	SPRING, Clutch Disc Release	6
4	217599	PIN, Release Spring Guide	6
5	232394	DISC, Clutch Outer	9
6	227495	DISC, Clutch Inner	10
7	217161	PLATE, Clutch Disc End	1
8	217099	RING, End Plate Retaining	1
9	217280	DRUM ASSY, Clutch (Inc. 9A, 9B)	1
9A	233124	†HOUSING, Bleed Valve	1
9B	10J-10	†BALL, Bleed Valve	1
10	217411	RING, Inner Piston Sealing	1
11	217361	RING, Outer Piston Sealing	1
12	217164	PISTON, Clutch	1
13	743670	RING, Drum Hub Retaining	1

† Not Illustrated

WHEN ORDERING PARTS, ALWAYS STATE MODEL AND SERIAL NO. OF MACHINE

CLARK EQUIPMENT COMPANY



TS-4681-P

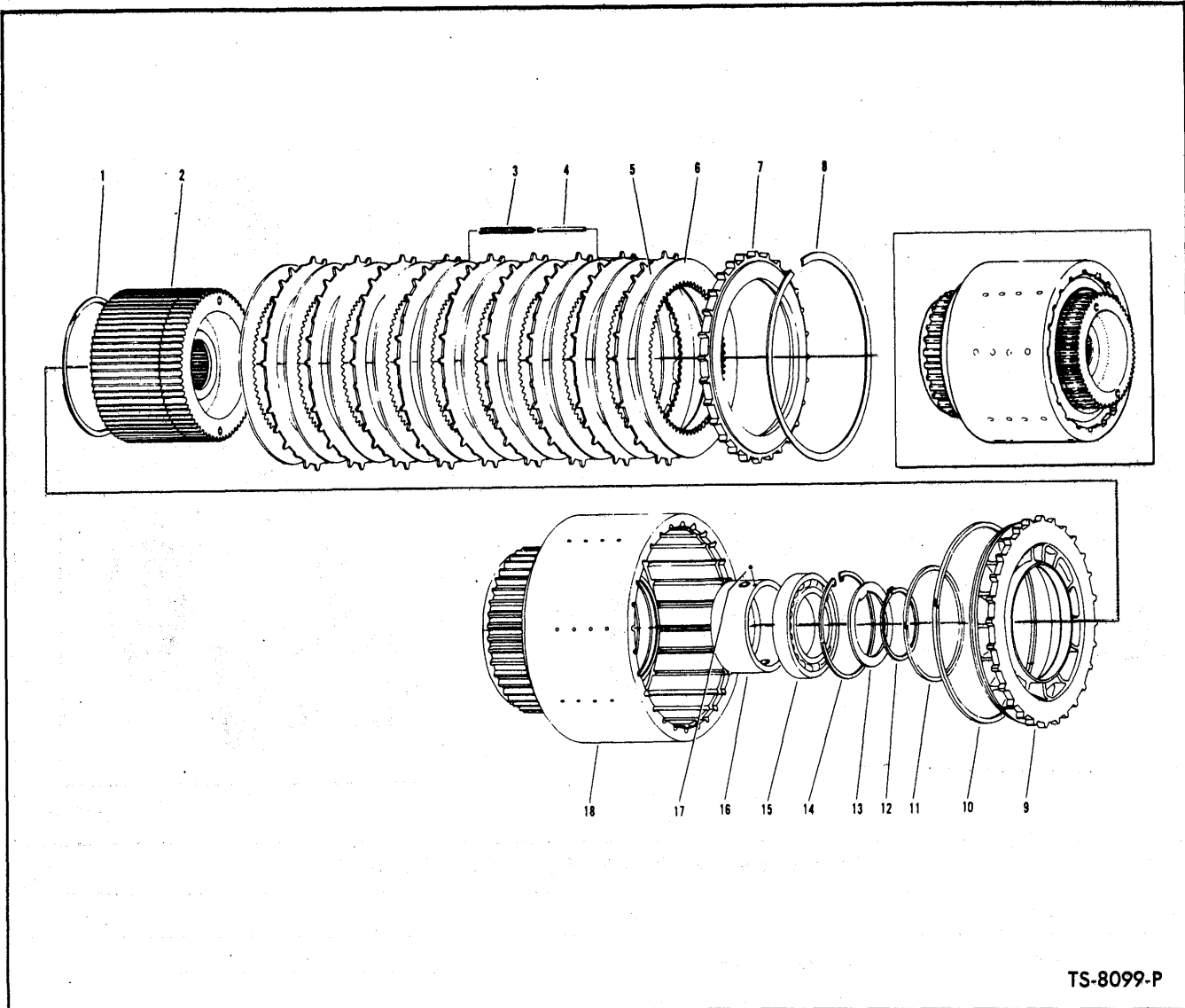
TRANSMISSION THIRD & FOURTH CLUTCH GROUP 2 Clutches used in Transmission – Quantity indicated is for 1 Clutch

Item	Part No.	Description	Qty.	Item	Part No.	Description	Qty.
1	217509	RING, Oil Baffle Retaining	1	13	217165	WASHER, Bearing	1
2	217158	HUB ASSY, Clutch Disc	1	14	664116	RING, Bearing Retaining	1
3	217334	SPRING, Clutch Disc Release	6	15	230751	BEARING, Clutch Support	1
4	217599	PIN, Clutch Disc Release Spring	6	16	217155	RACE, Outer Piston Ring	1
5	232394	DISC, Clutch Outer	9	17	10J-08	BALL, Outer Race	1
6	227495	DISC, Clutch Inner	10	18	217152	DRUM ASSY, Clutch (Inc. 16, 17, 18A, 18B)	1
7	217161	PLATE, Clutch Disc End	1	18A	233124	†HOUSING, Bleed Valve	1
8	217099	RING, End Plate Retaining	1	18B	10J-10	†BALL, Bleed Valve	1
9	217164	PISTON, Clutch	1	19	225796	BEARING, Clutch Support Roller	1
10	217361	RING, Outer Piston	1	20	223997	RING, Bearing Retaining	1
11	217411	RING, Inner Piston	1				
12	731627	RING, Washer Retaining	1				

† Not Illustrated

WHEN ORDERING PARTS, ALWAYS STATE MODEL AND SERIAL NO. OF MACHINE

CLARK EQUIPMENT COMPANY



TS-8099-P

TRANSMISSION UNDERDRIVE CLUTCH GROUP

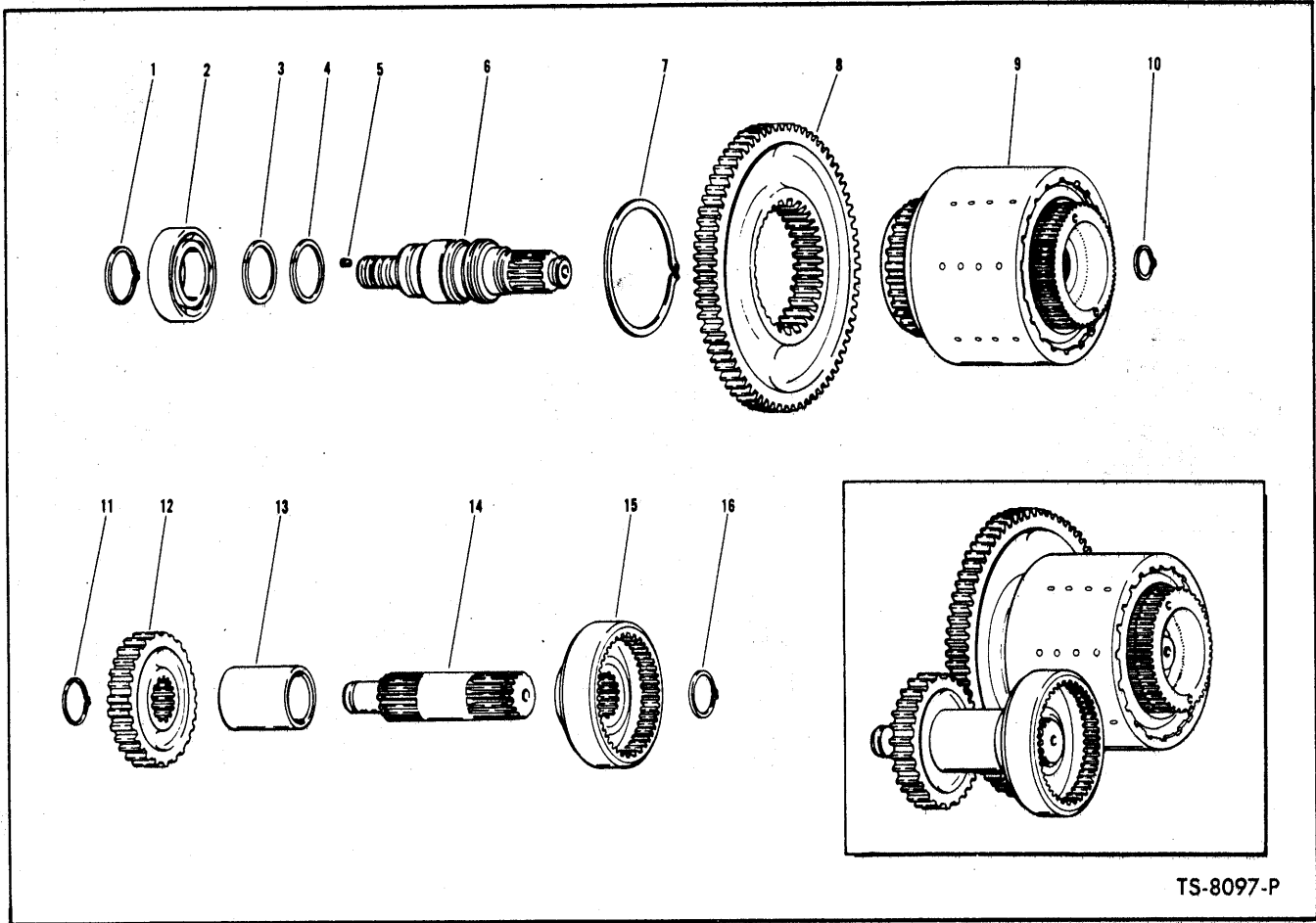
Item	Part No.	Description	Qty.
1	217509	RING, Oil Baffle Retaining	1
2	230004	HUB ASSY, Clutch Disc	1
3	217334	SPRING, Clutch Disc Release	6
4	217599	PIN, Clutch Disc Release Spring	6
5	232394	DISC, Clutch Outer	9
6	227495	DISC, Clutch Inner	10
7	217161	PLATE, Clutch Disc End	1
8	217099	RING, End Plate Retaining	1
9	217164	PISTON, Clutch	1
10	217361	RING, Outer Piston	1
11	217411	RING, Inner Piston	1

Item	Part No.	Description	Qty.
12	743667	RING, Washer Retaining	1
13	222582	WASHER, Bearing	1
14	664116	RING, Bearing Retaining	1
15	230751	BEARING, Clutch Support	1
16	217155	RACE, Outer Piston Ring	1
17	10J-08	BALL, Outer Race	1
18	217152	DRUM ASSY, Clutch (Inc. 16, 17, 18A, 18B)	1
18A	217141	†HOUSING, Bleed Valve	1
18B	10J-10	†BALL, Bleed Valve	1

† Not Illustrated

WHEN ORDERING PARTS, ALWAYS STATE MODEL AND SERIAL NO. OF MACHINE

CLARK EQUIPMENT COMPANY



TS-8097-P

TRANSMISSION UNDERDRIVE SHAFT GROUP

Item	Part No.	Description	Qty.
1	230067	RING, Bearing Retainer	1
2	230056	BEARING, Underdrive Shaft	1
3	223740	RING, Piston	1
4	223740	RING, Piston	1
5	16F-01	PLUG, Underdrive Shaft	1
6	230236	SHAFT ASSY, Underdrive (Inc. 5)	1
7	217605	RING, Underdrive Driven Gear Snap	1
8	230005	GEAR, Underdrive Driven (71T)	1
9	----	UNDERDRIVE CLUTCH GROUP — See Index	—
10	659764	RING, Disc Hub Snap	1
11	743035	RING, Underdrive Input Shaft Snap	1
12	229999	GEAR, Underdrive Drive (29T)	1
13	230130	SPACER, Gear.....	1
14	230000	SHAFT, Underdrive Input	1
15	230001	COUPLING, Underdrive Input Shaft	1
16	743035	RING, Underdrive Input Shaft Snap	1

WHEN ORDERING PARTS, ALWAYS STATE MODEL AND SERIAL NO. OF MACHINE

CLARK EQUIPMENT COMPANY

"V" GROUP

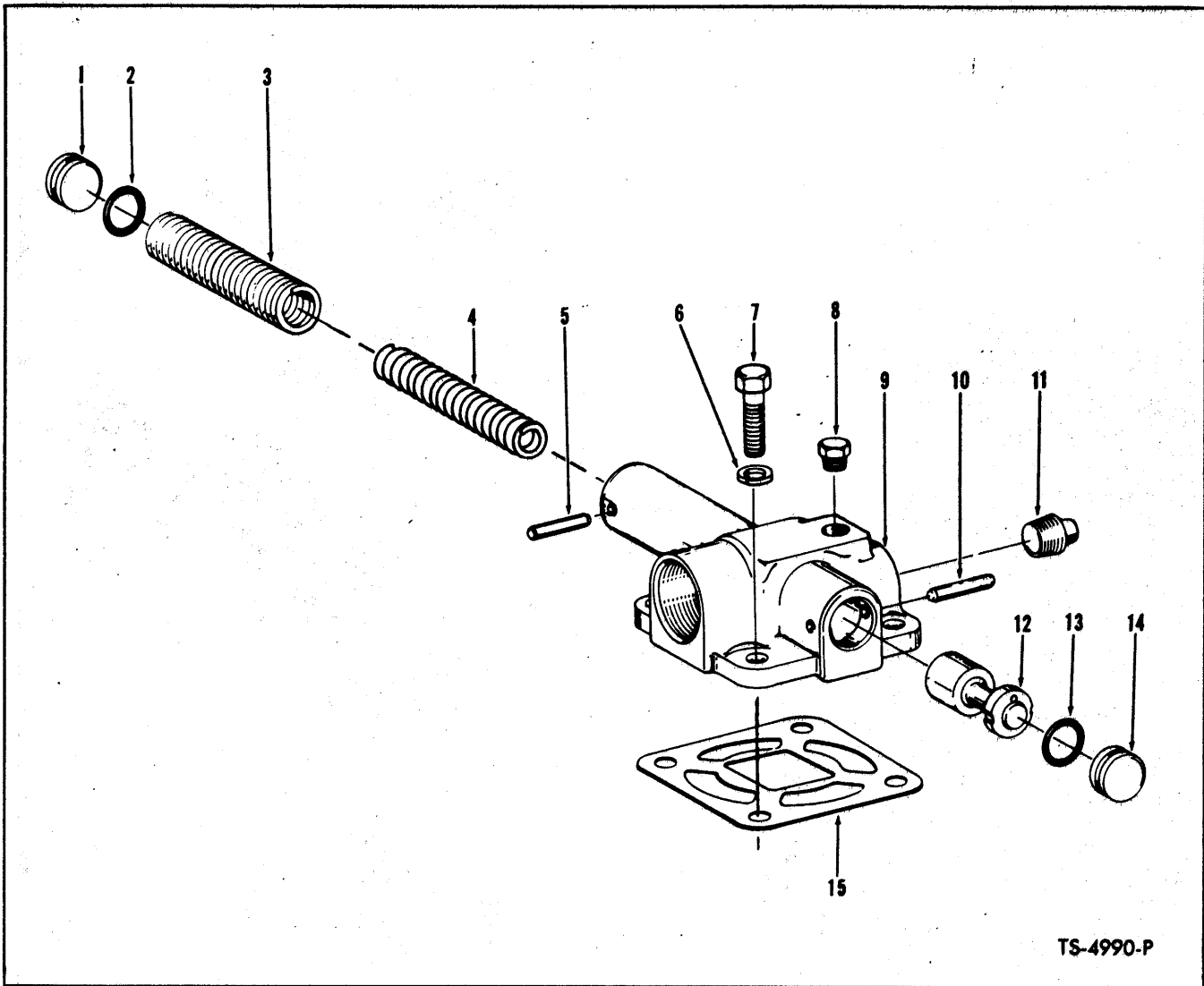
CONTENTS

Valve Group:

Valve Assembly – Converter Pressure Regulating	V3
Valve Assembly – Lift & Ejection Control	V5
Valve Assembly – Shift Control	V7
Valve Assembly – Steering	V9
Valve Control Linkage – Lift & Ejection	V10
Valve – Elevator Manifold	V15
Valve – Elevator Pump Control	V13
Valve Pressure Relief Suspension System – Tractor	V16, V17
Valve, Pressure Override	V11



CLARK EQUIPMENT COMPANY



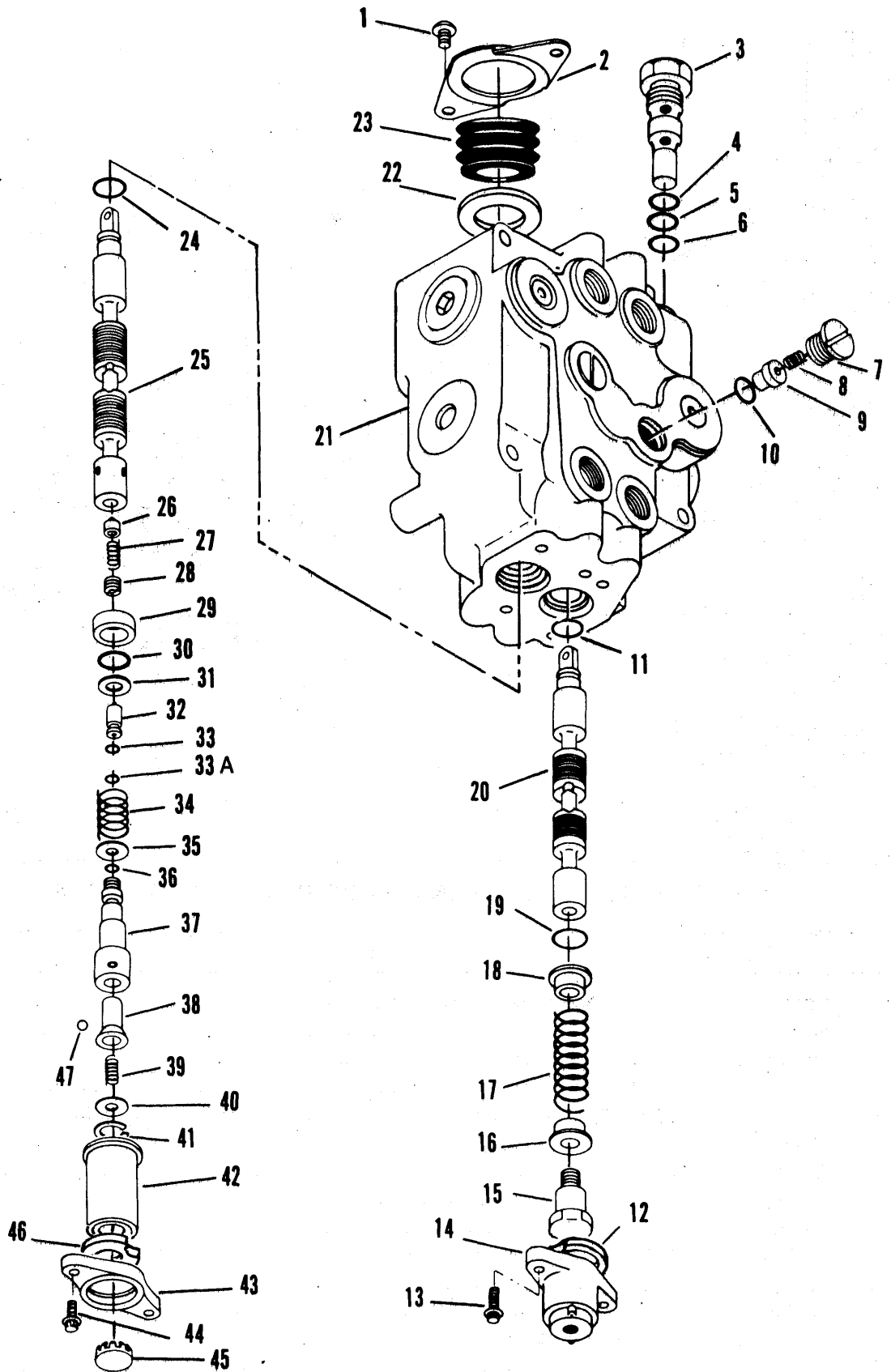
TS-4990-P

VALVE ASSEMBLY – CONVERTER PRESSURE REGULATING

Item	Part No.	Description	Qty.
A	228499	VALVE ASSY (Inc. 1 thru 5, 8 thru 14)	1
1	222041	STOP, Piston	1
2	58K-210	O-RING, Piston Stop	1
3	214668	SPRING, Outer Pressure	1
4	227292	SPRING, Inner Regulator	1
5	633157	PIN	1
6	4E-07	LKWSHR	4
7	17C-720	BOLT	4
8	40K-04	PLUG	1
9	227076	BODY, Pressure Regulating Valve	1
10	633157	PIN	1
11	13F-08	PLUG, Pipe	1
12	228500	PISTON, Regulating Valve	1
13	58K-210	O-RING	1
14	222041	STOP, Piston	1
15	227087	GASKET	1

WHEN ORDERING PARTS, ALWAYS STATE MODEL AND SERIAL NO. OF MACHINE

CLARK EQUIPMENT COMPANY



VALVE ASSEMBLY - LIFT AND EJECTION CONTROL

1945

CLARK EQUIPMENT COMPANY

VALVE ASSEMBLY – LIFT & EJECTION CONTROL

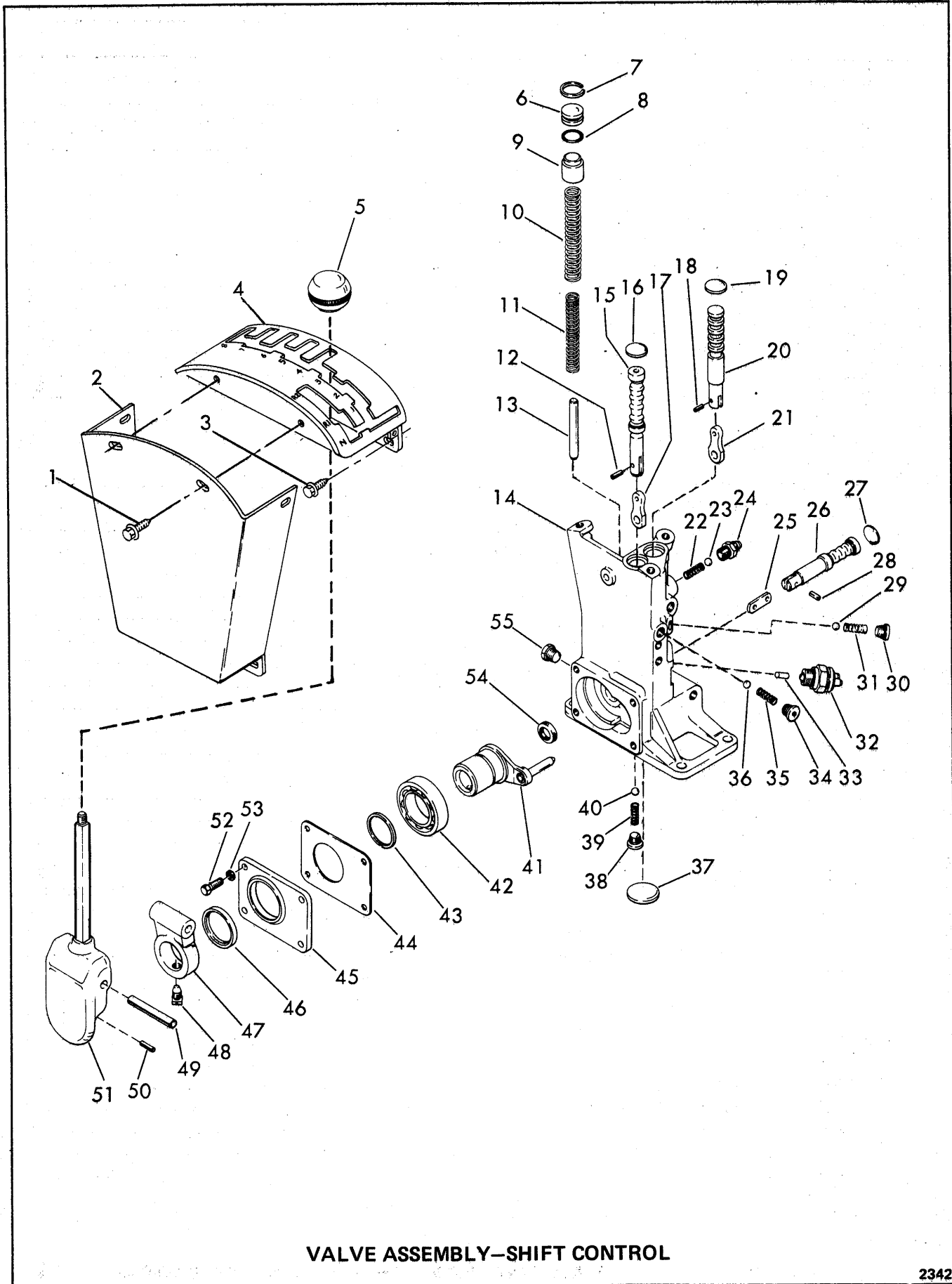
Item	Part No.	Description	Qty.
A	1581334	CONTROL VALVE ASSY (Inc 1 thru 47)	1
B	1577556	SEAL KIT (Inc 4, 5, 6, 10, 11, 19, 24, 30, 32, 33, 33A, 36)	1
1	92G-408	SCREW	4
2	947752	RETAINER	2
3	963277	RELIEF VALVE ASSY (Inc 4)	1
4	25K-30028	O-RING – See "B"	1
5	73K-119	WASHER – See "B"	1
6	25K-30030	O-RING – See "B"	1
7	1566428	PLUG ASSY (Inc 10)	2
8	1550482	SPRING	2
9	1550481	PLUNGER	2
10	58K-114	O-RING – See "B"	2
11	-----	SO-RING – See "B"	1
12	963276	RETAINER	1
13	72G-414	CAPSCREW	2
14	1550483	CAP	1
15	1550385	SCREW, Spool	1
16	1551126	WASHER	1
17	1577552	SPRING	1
18	1551126	WASHER	1
19	-----	SO-RING – See "B"	1
20	-----	§SPOOL & BODY ASSY – See "A"	1
21	-----	§BODY & SPOOL ASSY – See "A"	1
22	947746	WASHER	2
23	949092	SEAL, Dust	2
24	-----	SO-RING, Detent – See "B"	1
25	-----	§SPOOL & BODY ASSY – See "A"	1
26	949079	POPPET, Detent	1
27	1577575	SPRING, Detent	1
28	949088	GUIDE, Detent	1
29	949089	SLEEVE, Detent	1
30	-----	SO-RING, Detent – See "B"	1
31	949081	WASHER, Detent	1
32	-----	§PISTON, Detent – See "B"	1
33	-----	SO-RING, Detent – See "B"	1
33A	-----	§RING – See "B"	1
34	949084	SPRING, Detent	1
35	949083	WASHER, Detent	1
36	-----	SO-RING, Detent – See "B"	1
37	949085	RETAINER, Detent	1
38	949086	PLUNGER, Detent	1
39	949077	SPRING, Detent	1
40	949082	WASHER, Detent	1
41	659041	RING, Retaining	1
42	949090	CAP, Detent	1
43	949091	RETAINER, Cap	1
44	72G-414	CAPSCREW, Detent	2
45	730335	PLUG, Button	1
46	963276	RETAINER, Detent	1
47	949093	BALL	3

† Not Illustrated

§ Not Sold Separately

WHEN ORDERING PARTS, ALWAYS STATE MODEL AND SERIAL NO. OF MACHINE

CLARK EQUIPMENT COMPANY



VALVE ASSEMBLY—SHIFT CONTROL

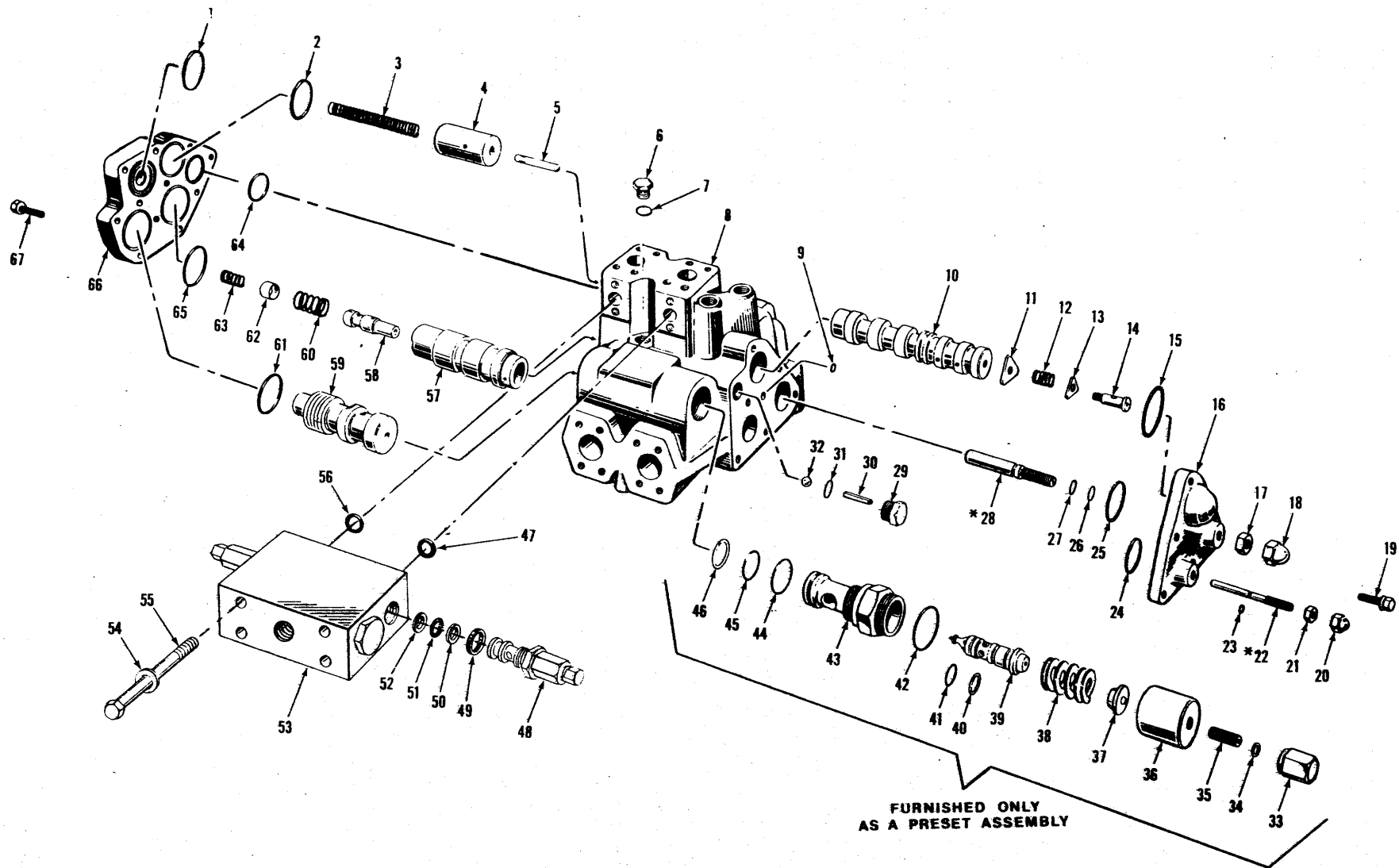
2342

CLARK EQUIPMENT COMPANY

VALVE ASSEMBLY – SHIFT CONTROL

Item	Part No.	Description	Qty.
A	235590	VALVE ASSY (Inc 5 thru 55)	1
1	84G-3112	SCREW	6
2	1578802	COVER, Shift Control	1
3	84G-3716	SCREW,	3
4	1578812	PLATE, Control Position Stop	1
5	201401	KNOB, Shift	1
6	222041	STOP, Piston	1
7	662770	RING, Piston Stop Retaining	1
8	25K-40024	O-RING, Piston Stop	1
9	230111	PISTON, Accumulator	1
10	230113	SPRING, Accumulator Piston Outer	1
11	233112	SPRING, Accumulator Piston Inner	1
12	660821	PIN, Selector Spool Link	1
13	230114	PIN, Accumulator Piston Stop	1
14	230084	HOUSING, Shift Control	1
15	230591	SPOOL, Selector	1
16	12F-100	PLUG, Welch	1
17	230091	LINK, Selector Spool	1
18	660821	PIN, Hi-Lo Range Spool Link	1
19	12F-100	PLUG, Welch	1
20	230092	SPOOL, Hi-Lo Range	1
21	230091	LINK, Selector Spool	1
22	230697	SPRING	1
23	10J-12	BALL	1
24	230088	CHECK VALVE	1
25	230099	LINK, Reverse & Neutral Lock-Up Spool	1
26	230098	SPOOL, Reverse & Neutral Lock-Up	1
27	12F-14	PLUG, Welch	1
28	1302554	PIN, Reverse & Neutral	1
29	10J-12	BALL, Poppet	1
30	47K-03	PLUG, Poppet Spring	1
31	230086	SPRING, Poppet	1
32	---	SWITCH, Neutral (See Electrical System)	1
33	230089	PIN, Neutral Switch Actuating	1
34	47K-03	PLUG, Poppet Spring	1
35	230086	SPRING, Poppet	1
36	10J-12	BALL, Poppet	1
37	12F-113	PLUG, Welch	1
38	47K-03	PLUG, Poppet Spring	1
39	230086	SPRING, Poppet	1
40	10J-12	BALL, Poppet	1
41	230093	SHAFT & PIN ASSY, Speed Selector (Inc 55)	1
42	743459	BEARING, Speed Select Shift	1
43	659065	RING, Bearing Retainer	1
44	230097	GASKET, Bearing Cap	1
45	230096	CAP, Bearing	1
46	225310	SEAL, Bearing Cap Oil	1
47	230107	BRACKET, Control Lever	1
48	201566	SCREW, Control Lever Bracket Lock	1
49	731714	PIN, Control Lever Roll	1
50	1304732	PIN, Control Lever Roll	1
51	235009	CONTROL LEVER & HOUSING ASSY	1
52	1C-514	BOLT	4
53	4E-05	LKWSHR	4
54	231515	SEAL, Oil	1
55	40K-04	PLUG, Housing	1

WHEN ORDERING PARTS, ALWAYS STATE MODEL AND SERIAL NO. OF MACHINE



VALVE ASSEMBLY — STEERING

TS-10908

CLARK EQUIPMENT COMPANY

VALVE ASSEMBLY – STEERING

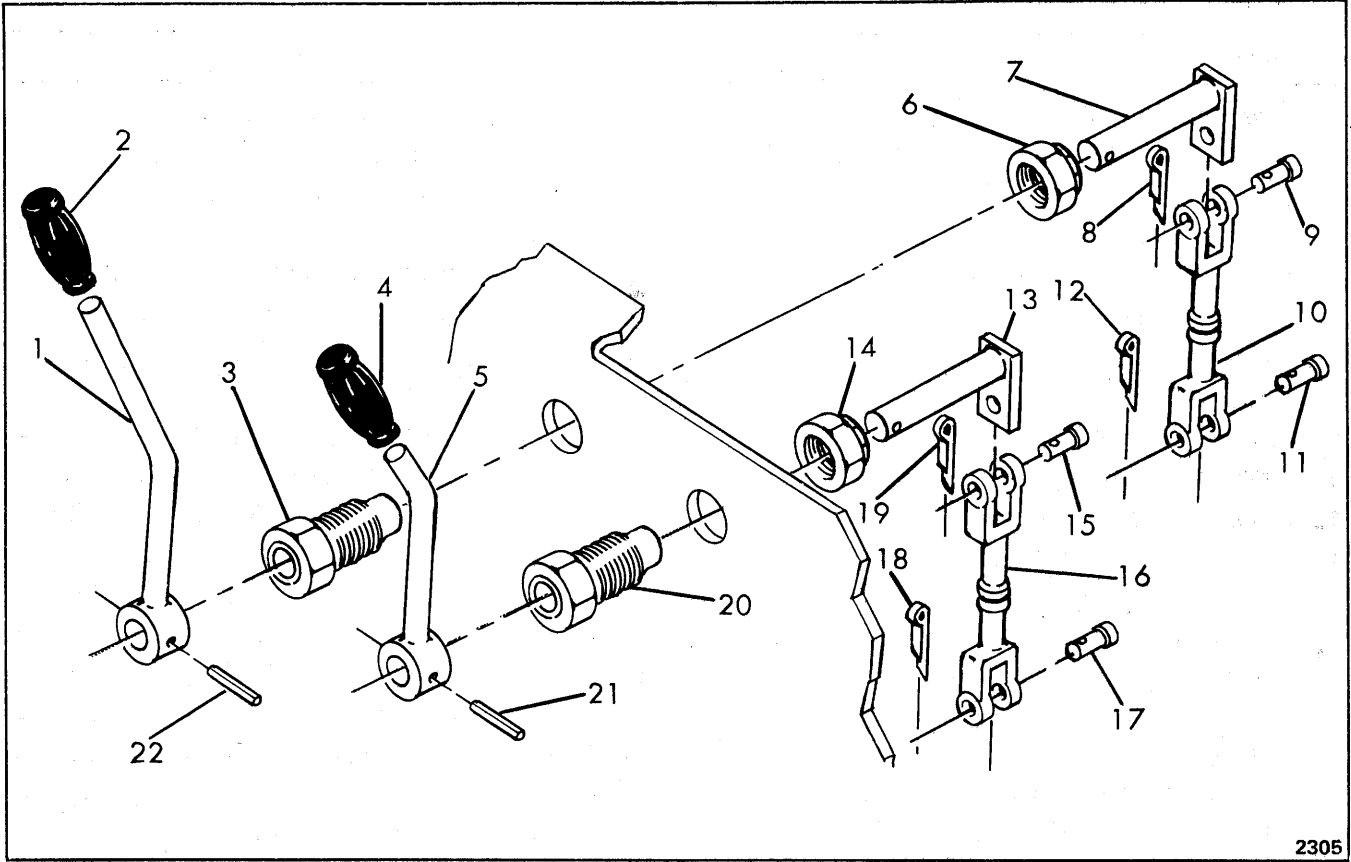
Item	Part No.	Description	Qty.
A	1566766	VALVE ASSY, Hydrostatic Steering (Inc 1 thru 67)	1
B	949140	SEAL KIT, Relief Cartridge (Inc 42, 44, 45 & 46)	1
C	949141	SEAL KIT, Dual Relief Valve (Inc 47, 49, 50, 51, 52, & 56)	2
D	1550764	CARTRIDGE KIT, Relief Valve (Inc 33 thru 46)	1
1	1550758	O-RING	1
2	1550758	O-RING	1
3	1566774	SPRING, Spool	1
4	-----	§SPOOL ASSY (Inc 5)	1
5	-----	§PIN, Roll – See 4	—
6	1566775	PLUG ASSY (Inc 7)	1
7	91F-6	O-RING, Plug – See 6	1
8	-----	§BODY, Valve – See "A"	—
9	1566780	O-RING	1
10	-----	§SPOOL, Valve	—
11	1566770	WASHER	1
12	1566768	SPRING	1
13	1566769	WASHER	1
14	990202	SCREW	1
15	1550758	O-RING	1
16	1566779	COVER	1
17	8D-10	NUT	1
18	49D-10	NUT	1
19	1C-620	BOLT	6
19A	25E-17	†WASHER.....	6
20	49D-07	NUT	1
21	8D-07	NUT	1
22	1566781	SCREW	1
23	25K-20006	O-RING	1
24	1550759	O-RING	1
25	1550760	O-RING	1
26	73K-016	RING, Back-Up	1
27	25K-20020	O-RING	1
28	1566782	SCREW, Adjusting	1
29	1566776	PLUG ASSY (Inc 30, 31, & 32)	1

Item	Part No.	Description	Qty.
30	-----	§PIN, Roll – See 29	—
31	91F-7	O-RING, Plug – See 29	—
32	10J-18	BALL, Steel – See 29	1
33	-----	§NUT – See "D"	—
34	-----	§RING – See "D"	—
35	-----	§SCREW – See "D"	—
36	-----	§CAP – See "D"	—
37	-----	§GUIDE – See "D"	—
38	-----	§SPRING, Relief – See "D"	—
39	-----	§POPPET, Relief – See "D"	—
40	-----	§RING, Back-Up – See "D"	—
41	-----	§O-RING – See "D"	—
42	-----	§O-RING – See "B" & "D"	—
43	-----	§SEAT – See "D"	—
44	-----	§O-RING – See "B" & "D"	—
45	-----	§O-RING – See "B" & "D"	—
46	-----	§RING, Back-Up – See "B" & "D"	—
47	-----	§O-RING – See "C"	—
48	960998	CARTRIDGE, Relief Valve	1
49	-----	§O-RING – See "C"	2
50	-----	§RING – See "C"	2
51	-----	§O-RING – See "C"	2
52	-----	§RING – See "C"	2
53	1550765	VALVE ASSY, Dual Relief (Inc 47 thru 52 & 56)	1
54	852354	WASHER	4
55	1C-560	BOLT	4
56	-----	§O-RING – See "C"	1
57	-----	§SPOOL, Valve – See "A"	—
58	-----	§SPOOL, Valve – See "A"	—
59	-----	§SPOOL, Valve – See "A"	—
60	1566773	SPRING	1
61	1550761	O-RING	1
62	1566772	SPACER.....	1
63	1566771	SPRING	1
64	1566778	O-RING	1
65	1550761	O-RING	1
66	1566777	COVER.....	1
67	1C-628	BOLT	11

§ Not Sold Separately
† Not Illustrated

WHEN ORDERING PARTS, ALWAYS STATE MODEL AND SERIAL NO. OF MACHINE

CLARK EQUIPMENT COMPANY



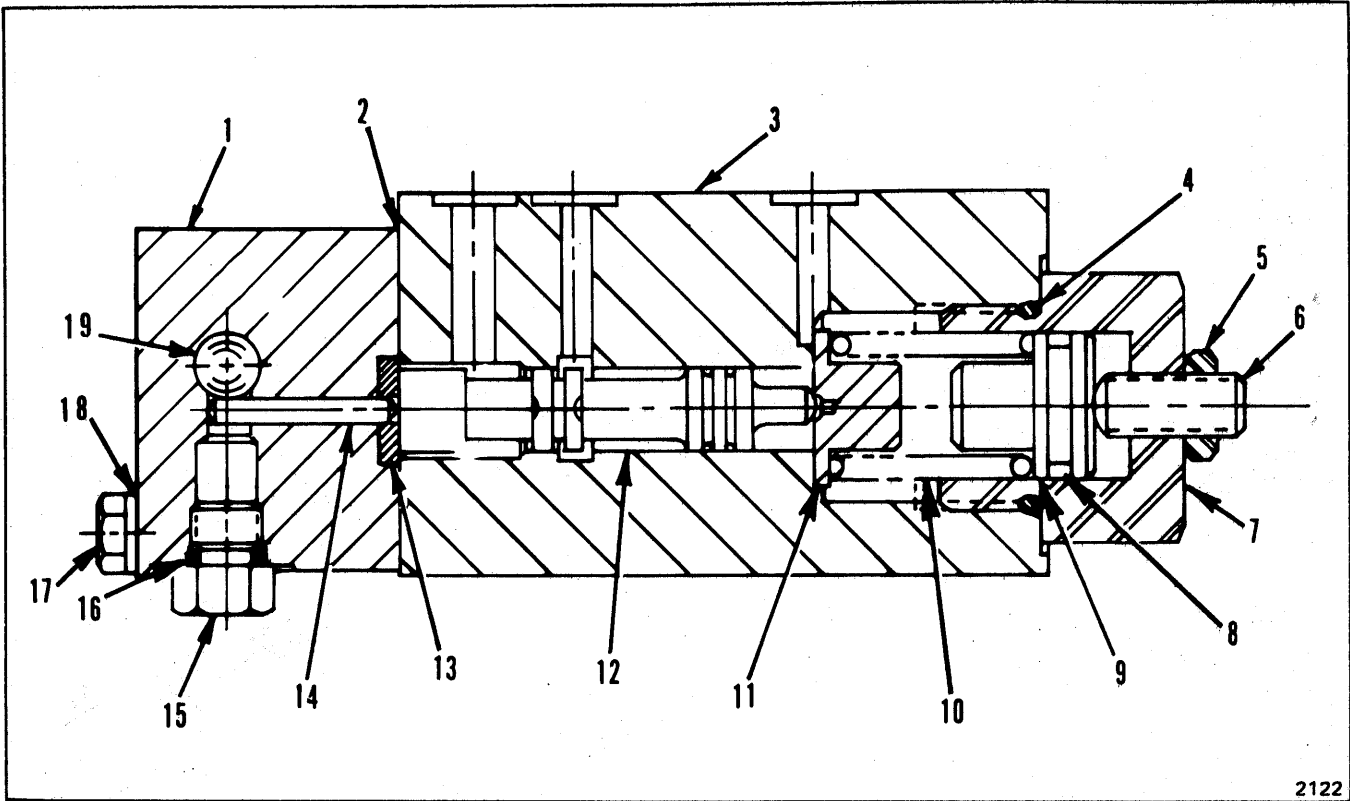
2305

VALVE CONTROL LINKAGE – LIFT & EJECTION

Item	Part No.	Description	Qty.
1	1579473	LEVER, Lift	1
2	1550390	GRIP	1
3	1579464	HOUSING ASSY	1
4	1550390	GRIP	1
5	1579474	LEVER – Ejection	1
6	66D-20	NUT	1
7	1579467	SHAFT ASSY	1
8	1F-308	COTTER	1
9	4F-05062	PIN	1
10	1579466	LINK	1
11	4F-05062	PIN	1
12	1F-308	COTTER	1
13	1579467	SHAFT ASSY	1
14	66D-20	NUT	1
15	4F-05062	PIN	1
16	1579466	LINK	1
17	4F-05062	PIN	1
18	1F-308	COTTER.....	1
19	1F-308	COTTER	1
20	1579464	HOUSING ASSY	1
21	660178	PIN, Roll	1
22	660178	PIN, Roll	1

WHEN ORDERING PARTS, ALWAYS STATE MODEL AND SERIAL NO. OF MACHINE

CLARK EQUIPMENT COMPANY



VALVE—PRESSURE OVERRIDE

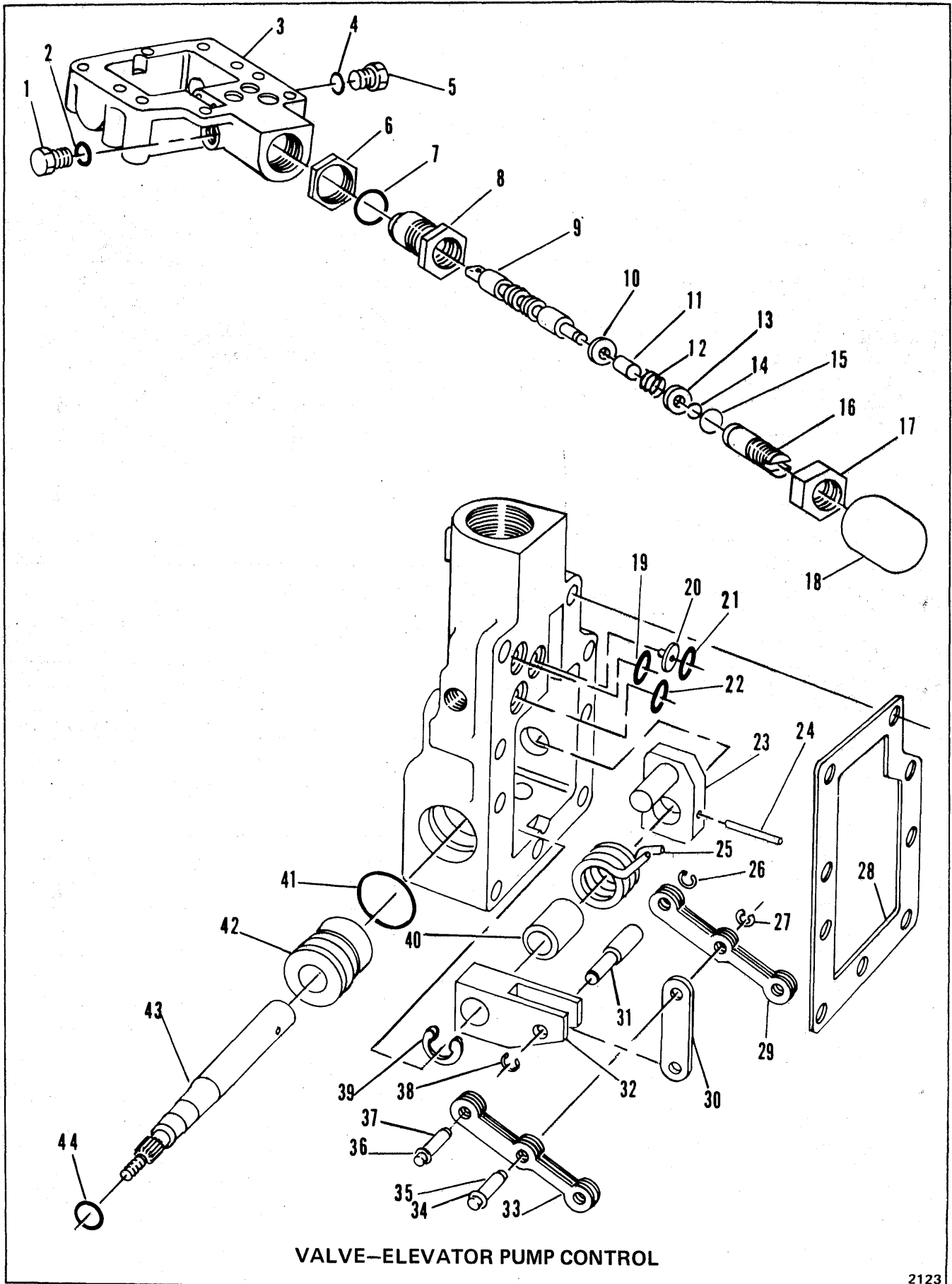
Item	Part No.	Description	Qty.
A	961346	PRESSURE OVERRIDE VALVE (Inc 1 thru 19)	1
1	961385	COVER	1
2	961386	GASKET	1
3	---	SHOUSING - See A	1
4	91F-9	O-RING	1
5	8D-6	NUT	1
6	961405	SCREW	1
7	961403	PLUG	1
8	25K-30022	O-RING	1
9	961389	SEAT	1
10	961388	SPRING	1
11	961387	SEAT	1
12	---	SSPOOL - See A	1
13	961404	STOP	1
14	3679926	PIN	1
15	24K-3	PLUG (Inc 16)	1
16	91F-3	O-RING	1
17	1C-432	BOLT	2
18	6518479	LKWSHR	2
19	1580759	BALL	1
20	17K-3	†ELBOW	2

†Not Illustrated

§Not Sold Separately

WHEN ORDERING PARTS, ALWAYS STATE MODEL AND SERIAL NO. OF MACHINE

CLARK EQUIPMENT COMPANY



VALVE-ELEVATOR PUMP CONTROL

2123

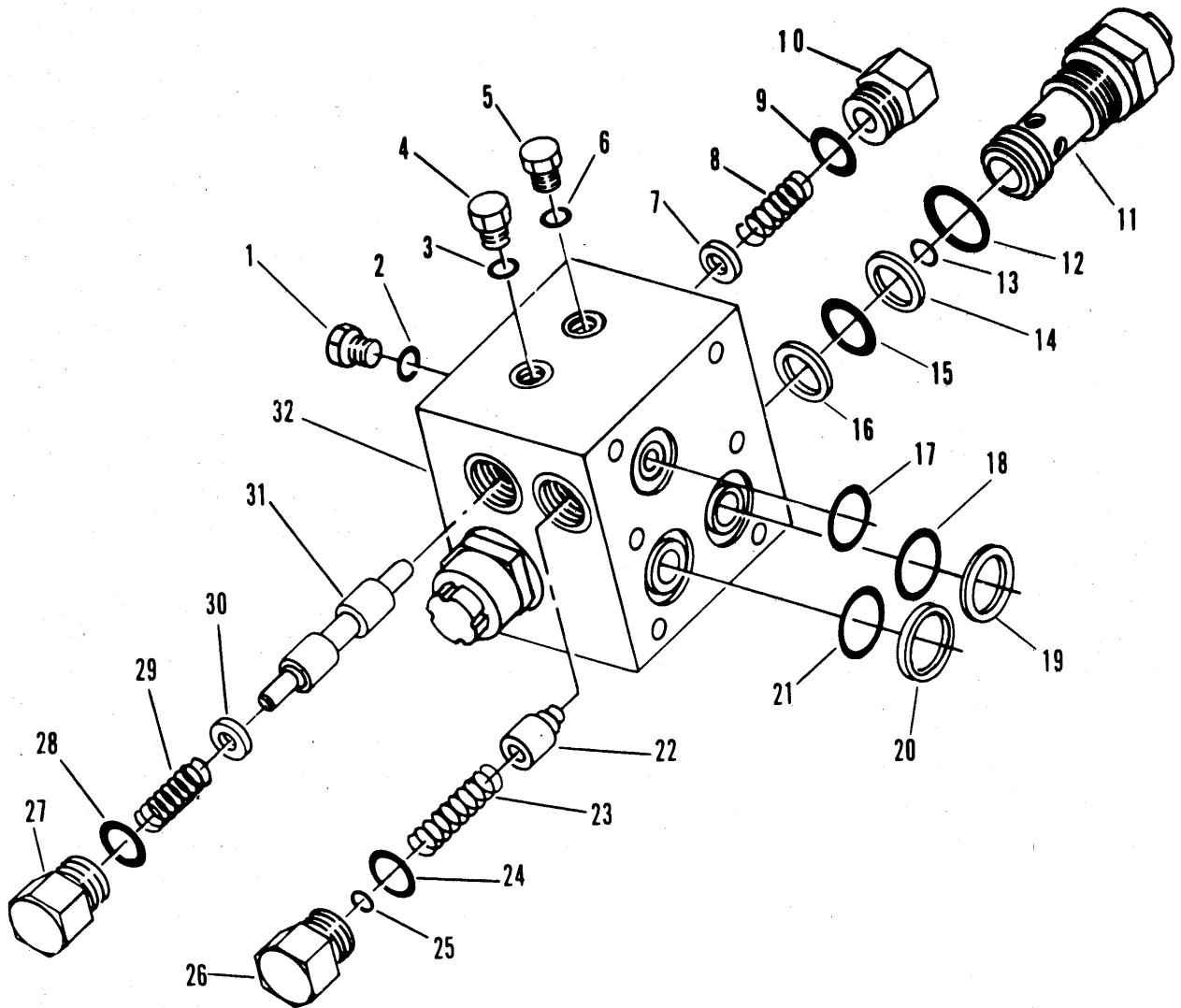
CLARK EQUIPMENT COMPANY

VALVE – ELEVATOR PUMP CONTROL

Item	Part No.	Description	Qty.
A	961345	VALVE KIT (Inc 1 thru 44)	1
1	24K-3	PLUG	1
2	91F-3	O-RING	1
3	961444	HOUSING, Control Valve	1
4	91F-3	O-RING	1
5	24K-3	PLUG	1
6	6518723	NUT	1
7	5290880	O-RING	1
8	6518646	HOUSING, Spring	1
9	6518647	SPOOL	1
10	6518725	WASHER	1
11	961443	SLEEVE, Centering Spring	1
12	6518659	SPRING, Centering	1
13	6518725	WASHER	1
14	4149759	RETAINER	1
15	58K-014	O-RING	1
16	6518726	SCREW, Adj.	1
17	8D-12	JAM NUT	1
18	6518653	COVER	1
19	58K-014	O-RING	1
20	1579767	ORIFICE	1
21	58K-014	O-RING	1
22	58K-014	O-RING	1
23	6518645	ACTUATOR	1
24	305307	PIN	1
25	6518641	SPRING, Neutral Return	1
26	1315140	RETAINER	1
27	1315140	RETAINER	1
28	6518473	GASKET	1
29	5201883	LINK	1
30	6518654	LINK	1
31	6518655	STOP, Spring Return	1
32	6518661	LINK	1
33	5201883	LINK	1
34	1315140	RETAINER	1
35	6518729	PIN, Pivot	1
36	1315140	RETAINER	1
37	6518729	PIN, Pivot	1
38	1315140	RETAINER	1
39	6519023	RETAINER	1
40	6518638	SLEEVE, Spring Return	1
41	25K-30102	O-RING	1
42	6518658	BUSHING, Control Shaft	1
43	6518644	SHAFT	1
44	58K-012	O-RING	1

WHEN ORDERING PARTS, ALWAYS STATE MODEL AND SERIAL NO. OF MACHINE

CLARK EQUIPMENT COMPANY



VALVE - ELEVATOR MANIFOLD

2114

CLARK EQUIPMENT COMPANY

VALVE – ELEVATOR MANIFOLD

Item	Part No.	Description	Qty.
A	6518452	MANIFOLD VALVE KIT (Inc B thru 34)	1
B	-----	MANIFOLD VALVE ASSY (Inc 1 thru 32)	-
1	24K-03	PLUG (Inc 2)	1
2	91F-03	O-RING	1
3	91F-03	O-RING	1
4	24K-03	PLUG (Inc 3)	1
5	24K-03	PLUG (Inc 6)	1
6	91F-03	O-RING	1
7	6518727	WASHER	1
8	6518650	SPRING	1
9	91F-07	O-RING	1
10	961451	PLUG ASSY (Inc 9)	1
11	6518416	VALVE, Relief (Inc 12 thru 16)	2
12	91F-09	O-RING	2
13	995493	‡SHIM	-
14	6518728	RING, Back-Up	2
15	58K-117	O-RING	2
16	5618728	RING, Back-Up	2
17	5290879	O-RING	1
18	58K-119	O-RING	1
19	6518417	RING, Back-Up	1
20	6518417	RING, Back-Up	1
21	58K-119	O-RING	1
22	961441	PISTON	1
23	961442	SPRING	1
24	91F-07	O-RING	1
25	6518642	‡SHIM	-
26	4149486	PLUG (Inc 24)	1
27	961451	PLUG (Inc 28)	1
28	91F-07	O-RING	1
29	6518650	SPRING	1
30	6518727	WASHER	1
31	-----	§SHUTTLE—See 'A'	1
32	-----	§HOUSING —See 'A'	1
33	1C-560	†BOLT	6
34	6518414	†WASHER	6

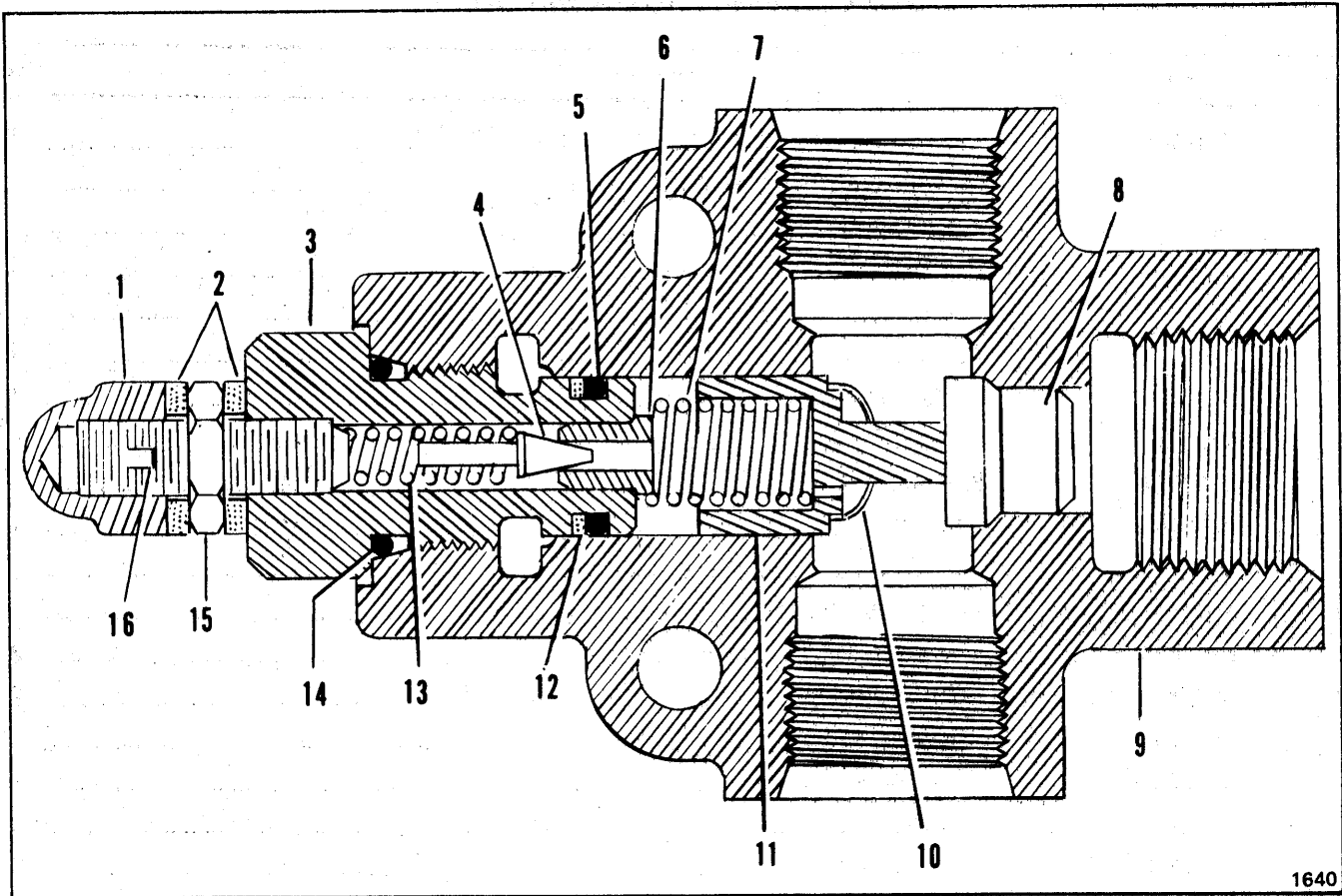
‡As Required

§Not Sold Separately

†Not Illustrated

WHEN ORDERING PARTS, ALWAYS STATE MODEL AND SERIAL NO. OF MACHINE

CLARK EQUIPMENT COMPANY



VALVE – PRESSURE RELIEF SUSPENSION SYSTEM – TRACTOR
For Serial: 224B-101 thru 130

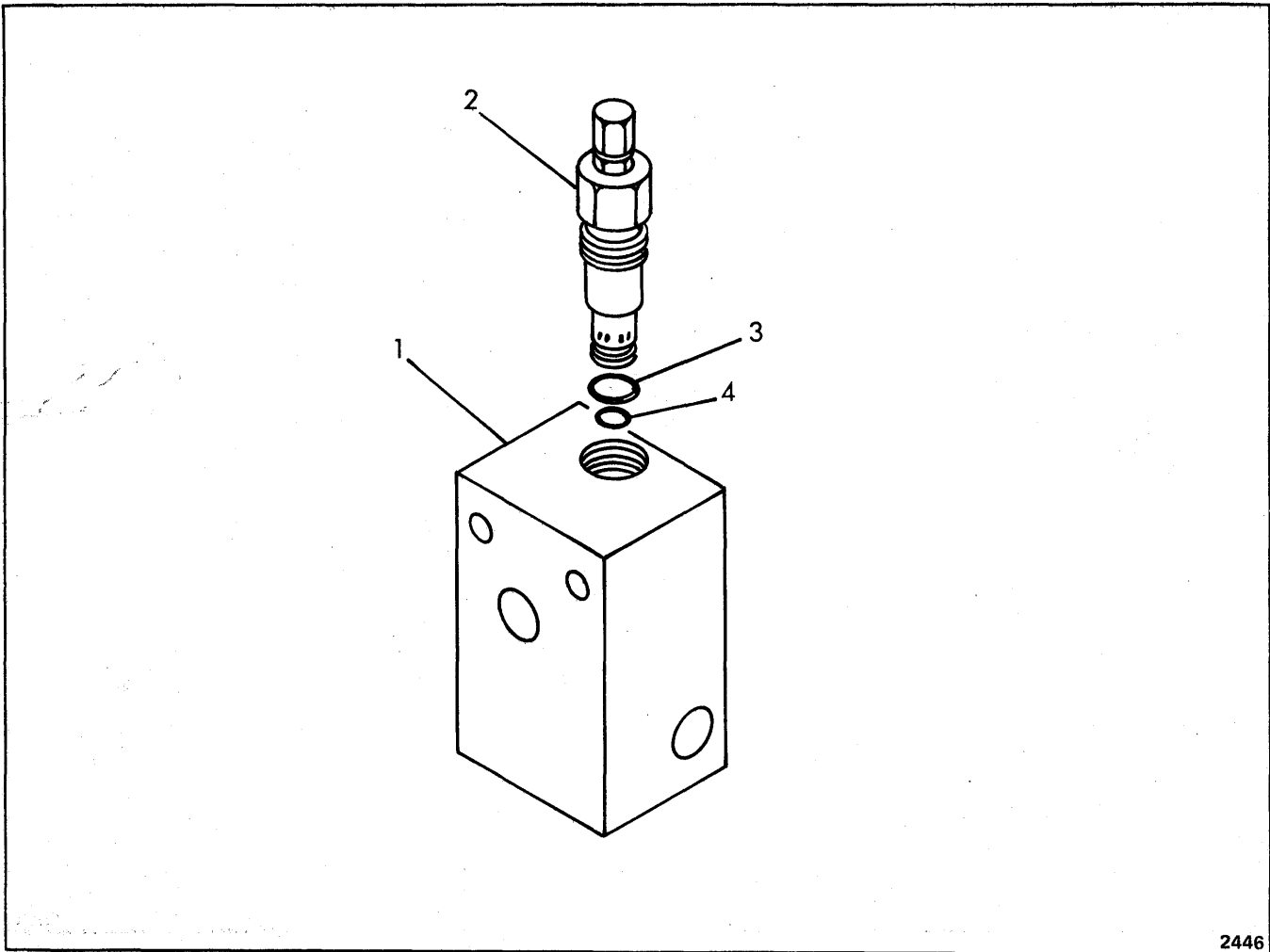
Item	Part No.	Description	Qty.
A	----	*VALVE ASSY (Inc 1 thru 17)	1
1	47D-05	NUT, Acorn	1
2	730396	WASHER, Stat-O-Seal	2
3	944467	CAP, Valve	1
4	883734	PLUNGER, Pilot	1
5	899039	O-RING	1
6	944469	SEAT, Pilot	1
7	944646	SPRING	1
8	944645	SEAT, Poppet	1
9	----	§ BODY, Valve – Order Item "A"	–
10	----	§ SCREEN, Poppet – Order Item 11	–
11	944643	POPPET ASSY (Inc. 10)	1
12	73K-141	RING, Back-Up	1
13	944471	SPRING, Pilot	1
14	91F-06	O-RING, Valve Cap	1
15	8D-05	NUT, Jam	1
16	33G-514	SCREW, Adjusting Set	1
17	40K-02	† PLUG	2

*NOTE: For complete Replacement Order 2305159 Valve, (1) 550358 Adapter, (1) 662999 Adapter, & (1) 36F-05 Adapter. See SG 754, † Not Illustrated

§ Not Sold Separately

WHEN ORDERING PARTS, ALWAYS STATE MODEL AND SERIAL NO. OF MACHINE

CLARK EQUIPMENT COMPANY



VALVE – PRESSURE RELIEF SUSPENSION – TRACTOR

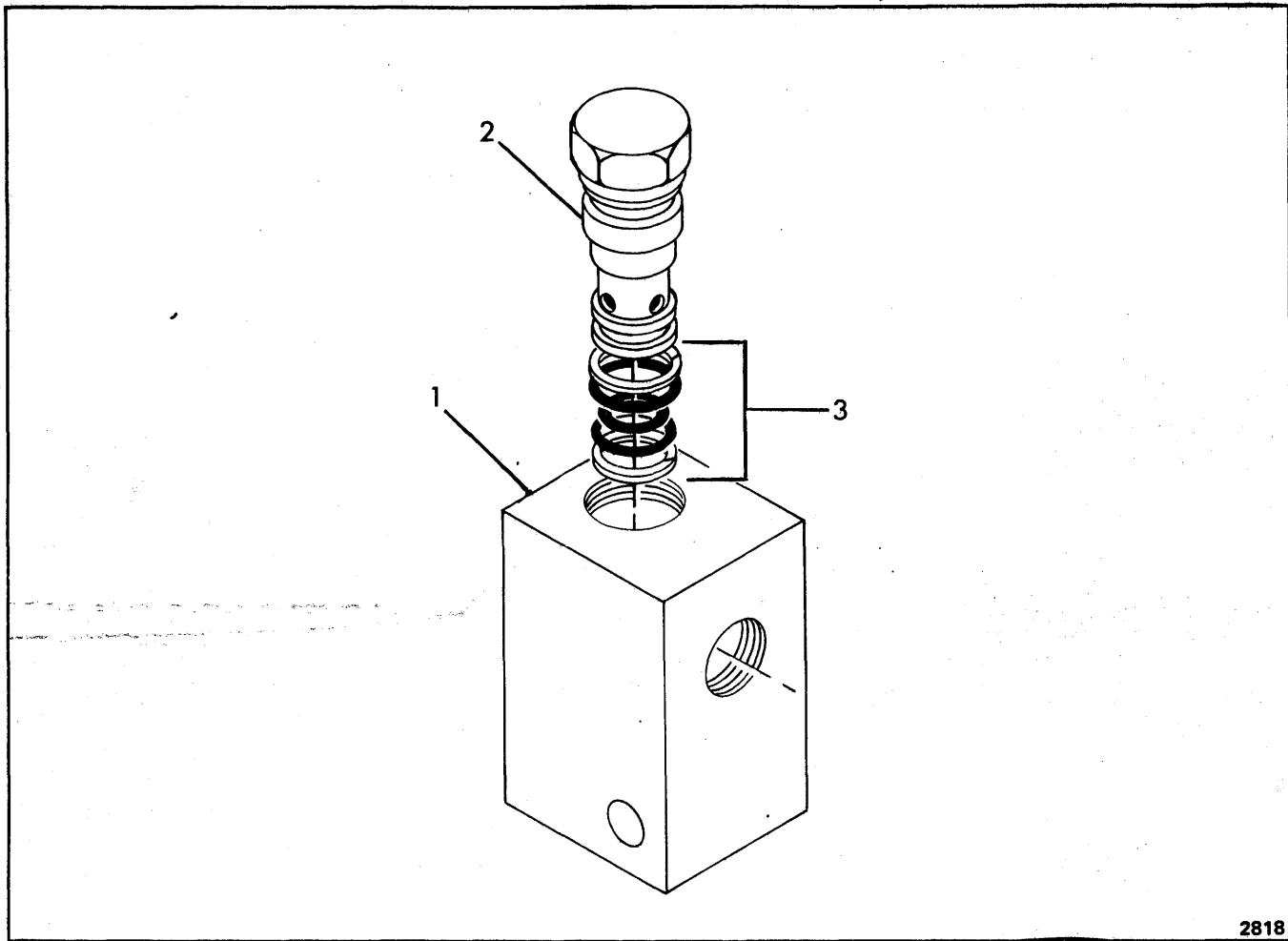
For Serial: 224B-131 & After

Item	Part No.	Description	Qty.
A	2305159	VALVE ASSY (Inc 1 thru 4).....	1
1	---	SBODY.....	1
2	993642	VALVE, Relief.....	1
3	25K-40026	O-RING.....	1
4	742864	O-RING.....	1

§ Not Sold Separately

WHEN ORDERING PARTS, ALWAYS STATE MODEL AND SERIAL NO. OF MACHINE

CLARK EQUIPMENT COMPANY



2818

VALVE – BLEED – SUSPENSION
(For Serial: 224B-150 & After)

Item	Part No.	Description	Qty.
A	1586552	VALVE, Bleed (Inc 1, 2 & 3).....	1
1	---	SBODY (See "A")	1
2	963315	KIT, Cartridge	1
3	963316	KIT, Seal.....	1

§ Not Sold Separately

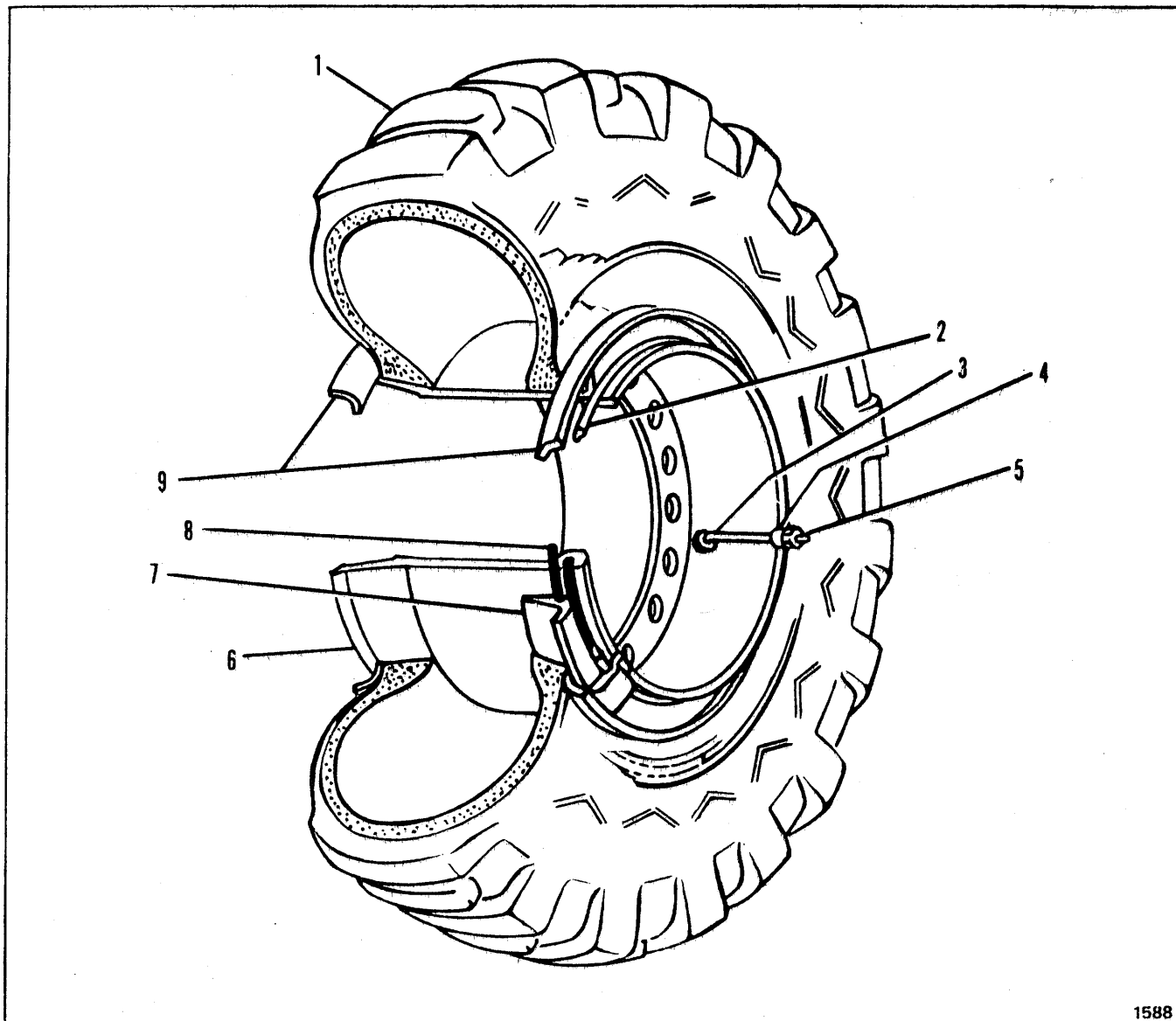
WHEN ORDERING PARTS, ALWAYS STATE MODEL AND SERIAL NO. OF MACHINE

CLARK EQUIPMENT COMPANY

"W" GROUP CONTENTS

Wheel & Tire Data – Scraper & Tractor	W2
---	----

CLARK EQUIPMENT COMPANY



WHEEL AND TIRE DATA – SCRAPER AND TRACTOR

Item	26.5 x 29	26.5 x 25	Description	Qty.
NOTE: Quantities listed below are for two (2) Tire and Wheel Assemblies.				
1	-----	-----	§TIRE	2
2	523253	580274	RING, Lock	2
3	509445	509445	VALVE STEM (Inc. 4 & 5)	2
4	551684	551684	ADAPTER, Valve Stem	2
5	551685	551685	CAP, Valve Stem	2
6	1568578	1533167	WHEEL	2
7	523252	553956	BAND, Bead Seat	2
8	513117	580278	O-RING	2
9	580479	516784	FLANGE	4
10	529310	529310	†PLUG, Water Filling	2
11	15G-1416	15G-1416	†SCREW	3

† Not Illustrated

§ Not Sold Separately

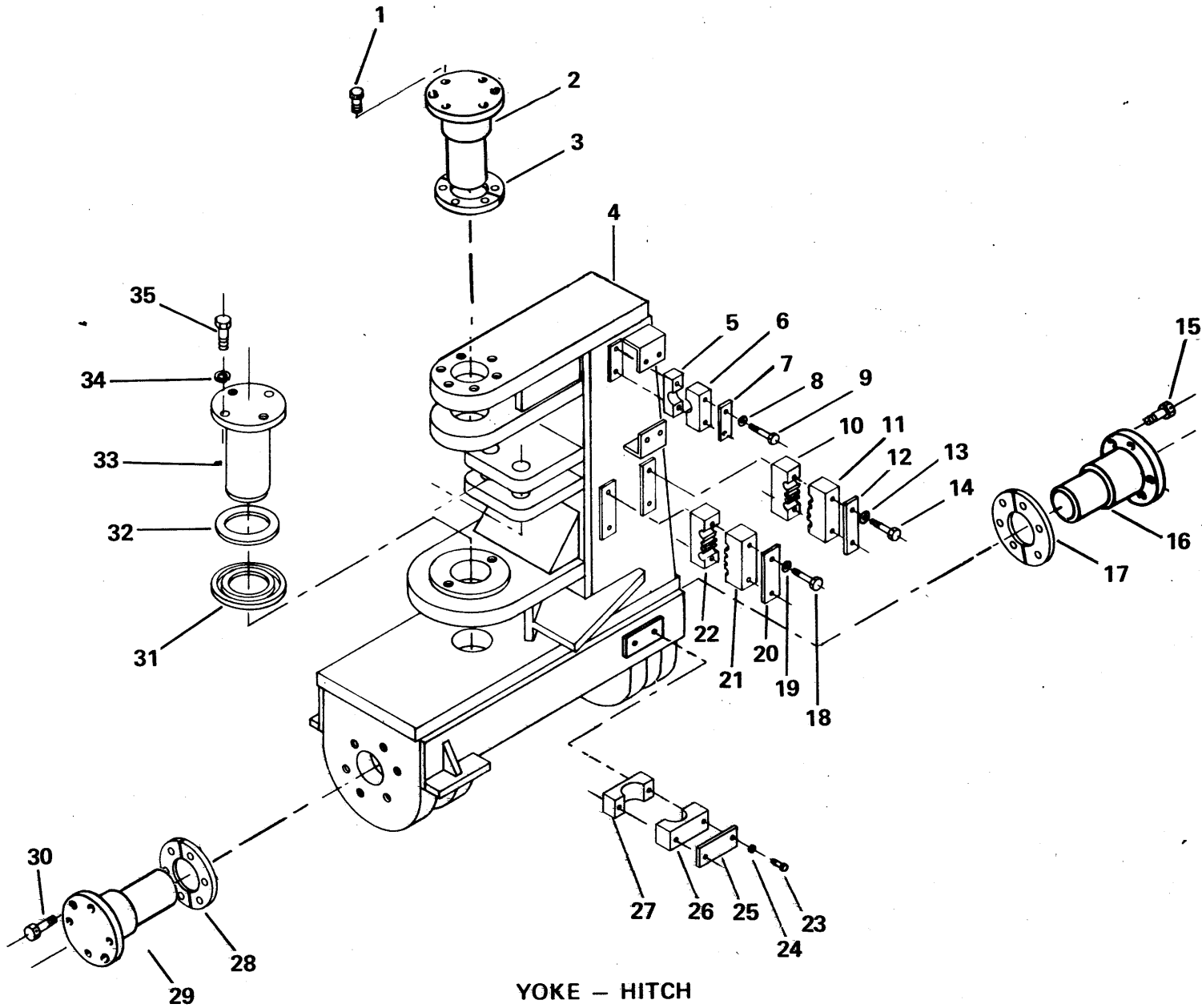
WHEN ORDERING PARTS, ALWAYS STATE MODEL AND SERIAL NO. OF MACHINE

CLARK EQUIPMENT COMPANY

"Y" GROUP CONTENTS

Yoke Group:

Yoke – Hitch	Y3
Yoke – Scraper	Y4



YOKE - HITCH

CLARK EQUIPMENT COMPANY

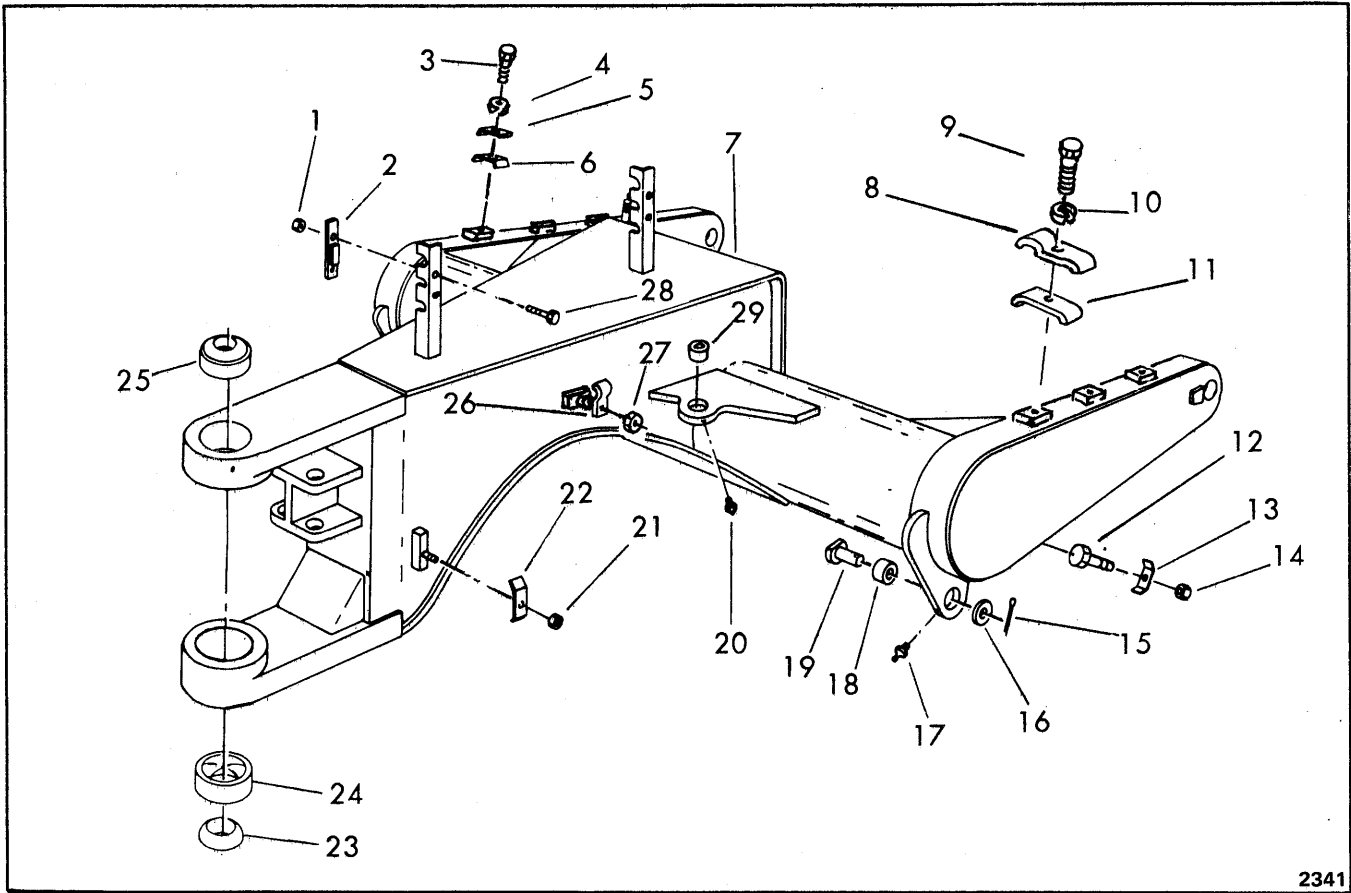
YOKE – HITCH

Item	Part No.	Description	Qty.
1	33C-1036	BOLT	6
2	1579403	PIN.	1
3	1553153	#SHIM PACK	-
4	1582016	YOKE, Hitch	1
5	1567216	CLAMP	1
6	1567216	CLAMP	1
7	1567214	FLAT	1
8	4E-08	LKWSHR.	2
9	17C-644	BOLT	2
10	1568305	CLAMP	1
11	1568305	CLAMP	1
12	1568641	FLAT	1
13	4E-08	LKWSHR.	2
14	17C-644	BOLT	2
15	33C-1036	BOLT	6
16	1579403	PIN.	1
17	1553153	#SHIM PACK	-
18	17C-644	BOLT	2
19	4E-08	LKWSHR.	2
20	1568641	FLAT	1
21	1568305	CLAMP	1
22	1568305	CLAMP	1
23	17C-644	BOLT	2
24	4E-08	LKWSHR.	2
25	1567214	FLAT	1
26	1567216	CLAMP	1
27	1567216	CLAMP	1
28	1553153	#SHIM PACK	-
29	1579403	PIN.	1
30	33C-1036	BOLT	6
31	1553149	PLATE	1
32	1553146	SEAL	1
33	1553152	PIN.	1
34	4E-10	LKWSHR.	2
35	17C-1024	BOLT	2

As Required

WHEN ORDERING PARTS, ALWAYS STATE MODEL AND SERIAL NO. OF MACHINE

CLARK EQUIPMENT COMPANY



2341

YOKE – SCRAPER

Item	Part No.	Description	Qty.	Item	Part No.	Description	Qty.
1	59D-06	NUT	4	16	25E-34	WASHER.....	2
2	1567950	CLAMP, Tubing	2	17	10H-25	FITTING, Grease	2
3	17C-628	BOLT	3	18	1564670	BUSHING	2
4	4E-06	LKWSHR	3	19	1571282	PIN	2
5	1574514	CLAMP, Tubing	3	20	10H-25	FITTING, Grease	2
6	1574515	CLAMP, Tubing	3	21	59D-06	NUT	2
7	1582010	YOKE	1	22	1568304	CLAMP, Tubing	2
8	1557540	CLAMP, Tubing.....	3	23	1550987	BUSHING (Inc 24)	1
9	17C-628	BOLT	3	24	---	BUSHING, Lower -	
10	4E-06	LKWSHR	3			See 23	1
11	1574515	CLAMP, Tubing	3	25	1567176	BUSHING, Upper	1
12	17C-640	BOLT	2	26	1568304	CLAMP, Tubing	2
13	1557395	CLAMP, Tubing	2	27	65D-06	NUT	2
14	59D-06	NUT	2	28	17C-648	BOLT	4
15	1F-836	COTTER	2	29	1564670	BUSHING	2

WHEN ORDERING PARTS, ALWAYS STATE MODEL AND SERIAL NO. OF MACHINE

CLARK EQUIPMENT COMPANY

"Z" GROUP CONTENTS

Options Group:

Options and Accessories Z2, Z3, Z4, Z7, Z9, Z11, Z12

CLARK EQUIPMENT COMPANY

OPTIONS AND ACCESSORIES

Item	Part No.	Description	Qty.	Item	Part No.	Description	Qty.
A	1585370	MIRROR KIT (Inc 1 thru 3)	1	11	25E-22	WASHER.	16
1	1585368	KIT, Mirror	1	12	17C-832	BOLT	8
2	1585369	BLOCK, Tapped	2	13	59D-08	NUT	8
3	1585371	DRAWING, Installation	1	14	1577741	INSTALLATION DWG	1
B	1575838	LOADING LIGHT KIT (Inc 1 thru 10)	1	D	1578305	DOME LIGHT OPTION (Inc 1 thru 9)	1
1	548088	FLOODLITE	2	1	1569947	DOME LIGHT	1
2	1575834	ANGLE	2	2	1550730	WIRE	1
3	1575835	BLOCK	2	3	1307187	GROMMET	1
4	1575837	WIRE	1	4	85G-612	SCREW	3
5	4E-08	LKWSHR.	2	5	1578304	PLATE	1
6	60D-08	NUT	4	6	50D-06	NUT	3
7	17C-816	BOLT	2	7	30H-08	CLIP.	8
8	1579912	SWITCH	1	8	84G-3112	LOCKSCREW.	8
9	1584310	FUSE HOLDER - 5 AMP.	1	9	1578305	INSTALLATION DWG	1
10	1575838	INSTALLATION DWG	1	E	1579241	QUICK START KIT (Inc 1 thru 5)	1
C	1577741	FENDER KIT (Scraper (Inc 1 thru 14)	1	1	1566028	QUICK START AID	1
1	1575745	FENDER, L.H.	1	2	17C-416	BOLT	2
2	1575746	FENDER, R.H.	1	3	59D-04	NUT	2
3	1578020	PLATE, L.H.	1	4	1572143	PRESSURIZED CYLINDER	1
4	1578018	PLATE, R.H.	1	5	1579240	INSTALLATION DWG	1
5	84G-3716	SCREW	28	F	1580593	AIR CONDITIONER, HEATER, DEFROSTER & PRESSURIZER KIT (Inc 1 thru 6)	1
6	1578019	FLAT	2	1	1580405	AIR CONDITIONER KIT.	1
7	1578735	PLATE	2	2	1580406	PLENUM EXTENSION ASSY.	1
8	1573165	MUD GUARD	4				
9	1578738	SUPPORT, R.H.	1				
10	1578739	SUPPORT, L.H.	1				

WHEN ORDERING PARTS, ALWAYS STATE MODEL AND SERIAL NO. OF MACHINE

CLARK EQUIPMENT COMPANY

OPTIONS AND ACCESSORIES

Item	Part No.	Description	Qty.
3	1580595	DRIVE KIT	1
4	1577737	PANEL	1
5	1580478	WIRING & PLUMBING SCHEMATIC	1
6	1580592	INSTALLATION DWG	1
G	1580594	HEATER, DEFROSTER & PRESSURIZER KIT (Inc 1 thru 5)	1
1	1580404	HEATER ASSY KIT	1
2	1580406	PLENUM ASSY	1
3	1577737	PANEL	1
4	1580478	WIRING & PLUMBING SCHEMATIC	1
5	1580592	INSTALLATION DWG	1
H	1581745	TURN SIGNAL & STOP LIGHT OPTION (Inc 1 thru 20)	1
1	1573020	WIRE	1
2	1558891	WIRE	1
3	5K-224	NIPPLE	1
4	516775	CONNECTOR	1
5	18F-02	TEE	1
6	1551751	SWITCH, Stop Light	1
7	1575639	WIRE, Tractor	1
8	1581718	WIRE, Scraper	1
9	1574438	DISCONNECT	6
10	1571788	SIGNAL LIGHT	2
11	1572776	TAIL LIGHT	2
12	85G-812	SCREW	2
13	1582686	BRACKET, Tail Light	2
14	1736910	TIE STRAP	18
15	50D-08	NUT	6
16	1584320	PLATE	1
17	41G-816	SCREW	4
18	884415	TERMINAL BOARD	1
19	1580306	TURN SIGNAL SWITCH ASSY	1

Item	Part No.	Description	Qty.
20	1581719	INSTALLATION DWG	1
J	1582291	SOUND REDUCTION KIT (Inc 1 thru 12)	1
1	1582292	INSULATION - Front	1
2	1577897	INSULATION - L.H., Front	1
3	1580966	INSULATION - Firewall	1
4	1582300	FLOORMAT	1
5	1577896	INSULATION - L.H., Rear	1
6	1577894	INSULATION - Rear	1
7	1578878	INSULATION - Panel	1
8	1581777	INSULATION	1
9	1580969	PLATE	1
10	1581775	INSULATION	1
11	1579045	#ADHESIVE	-
12	1582293	INSTALLATION DWG	1
K	1582347	WINDSHIELD & WIPER KIT (Inc 1 thru 22)	1
1	1582336	WINDSHIELD ASSY (Inc 1 A & 1B)	1
1A	1574522	GLASS	1
1B	569694	MOLDING	9'
2	17C-840	BOLT	4
3	17C-616	BOLT	1
4	59D-08	NUT	6
5	59D-06	NUT	1
6	18C-436	BOLT	2
7	17C-856	BOLT	1
8	562698	SPACER	1
9	1582335	SUPPORT	1
10	17C-820	BOLT	1
11	1580689	MOTOR & BRACKET ASSY	1
12	1572979	PANTOGRAPH ADAPTER KIT	1
13	1572973	BRACKET	1
14	1572978	PANTOGRAPH ARM	1
15	1572977	WIPER BLADE	1

‡ As Required

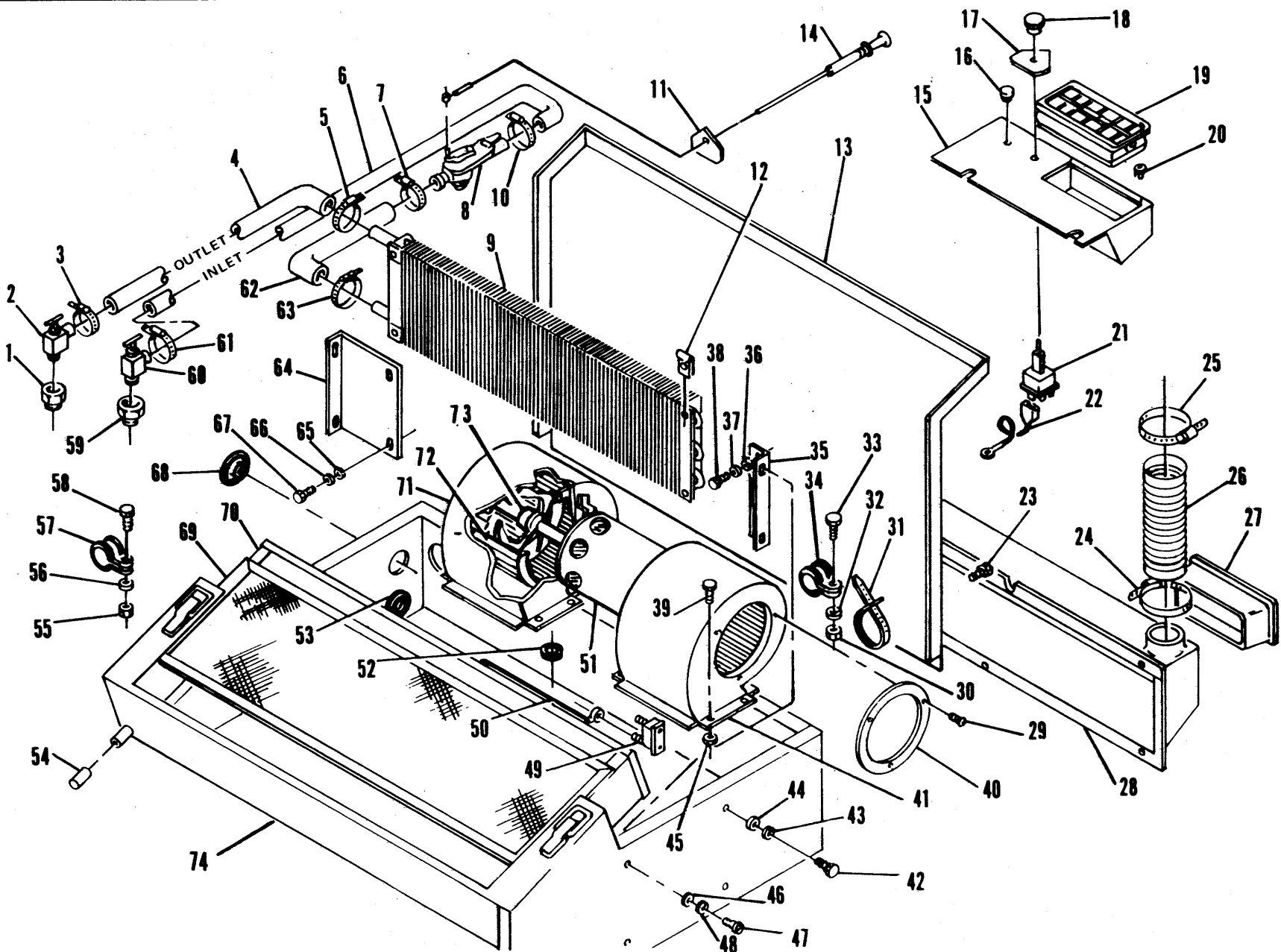
WHEN ORDERING PARTS, ALWAYS STATE MODEL AND SERIAL NO. OF MACHINE

CLARK EQUIPMENT COMPANY

OPTIONS AND ACCESSORIES

Item	Part No.	Description	Qty.	Item	Part No.	Description	Qty.
16	672464	SPACER	2	3	1552006	FLEXIBLE SHAFT	1
17	30H-14	CLAMP	3	4	1584404	TACHOMETER DRIVE ADAPTER	1
18	41G-1012	SCREW	3	5	1584403	TACH DRIVE SHAFT	1
19	25E-11	WASHER	3	6	1584406	RUBBER WASHER	1
20	50D-10	NUT.....	3	7	1584535	DRIVE ADAPTER, 90	1
21	1579996	WIRE	1	8	1584407	INSTALLATION DWG	1
22	1582334	INSTALLATION DWG	1				
L	1584086	ROPS, Canopy & Seat Belt Kit (Open Type) (Inc 1 thru 20)	1	N	1584662	COACH & CAR SEAT KIT (Inc 1 thru 26)	1
1	1583975	CANOPY & WINDSHIELD ASSY	1	1	1583721	SUSPENSION	1
2	1581677	SEAT BELT KIT	1	2	1583222	FLAT	2
3	1555673	TURN STOP	1	3	1584985	HOSE	1
4	1574948	SUPPORT	1	4	1584986	HOSE	1
5	652606	#SHIM (.250)	—	5	1584987	HOSE	1
6	604037	#SHIM (.375)	—	6	1303621	ADAPTER	1
7	655067	#SHIM (.500)	—	7	15K-03	ADAPTER	1
8	1564317	PIN	2	8	11K-03	ADAPTER	1
9	1579996	WIRE	1	9	15K-04	ADAPTER	1
10	1574927	WEATHER STRIP	1	10	11K-04	ADAPTER	1
11	1573939	WEATHER STRIP	1	11	17F-03	TEE	1
12	18C-856	BOLT	6	12	83F-05	ADAPTER	1
13	18C-872	BOLT	16	13	30F-01	SERVICE TEE	1
14	18C-1032	BOLT	5	14	4E-05	LKWSHR	2
15	1569335	BODY	1	15	669499	ELBOW	2
16	60D-08	NUT	22	16	19F-13	BUSHING	1
17	60D-10	NUT	5	17	17C-524	BOLT	6
18	25E-21	WASHER	44	18	25E-15	WASHER	4
19	1576101	TURN STOP INSTALLATION DWG	1	19	17C-812	BOLT	4
20	1584140	INSTALLATION DWG	1	20	4E-08	LKWSHR	4
M	1584407	TACHOMETER OPTION (Inc 1 thru 8)	1	21	1583702	SPACER	8
1	1550983	TACHOMETER	1	22	1583698	RAIL, Rear	1
2	329659	ANGLE DRIVE JOINT	1	23	1583699	RAIL, Front	1
				24	59D-05	NUT	6
				25	17C-520	BOLT	2
				26	1584984	INSTALLATION DWG	1

WHEN ORDERING PARTS, ALWAYS STATE MODEL AND SERIAL NO. OF MACHINE



HEATER, PRESSURIZER AND DEFROSTER PARTS

CLARK EQUIPMENT COMPANY

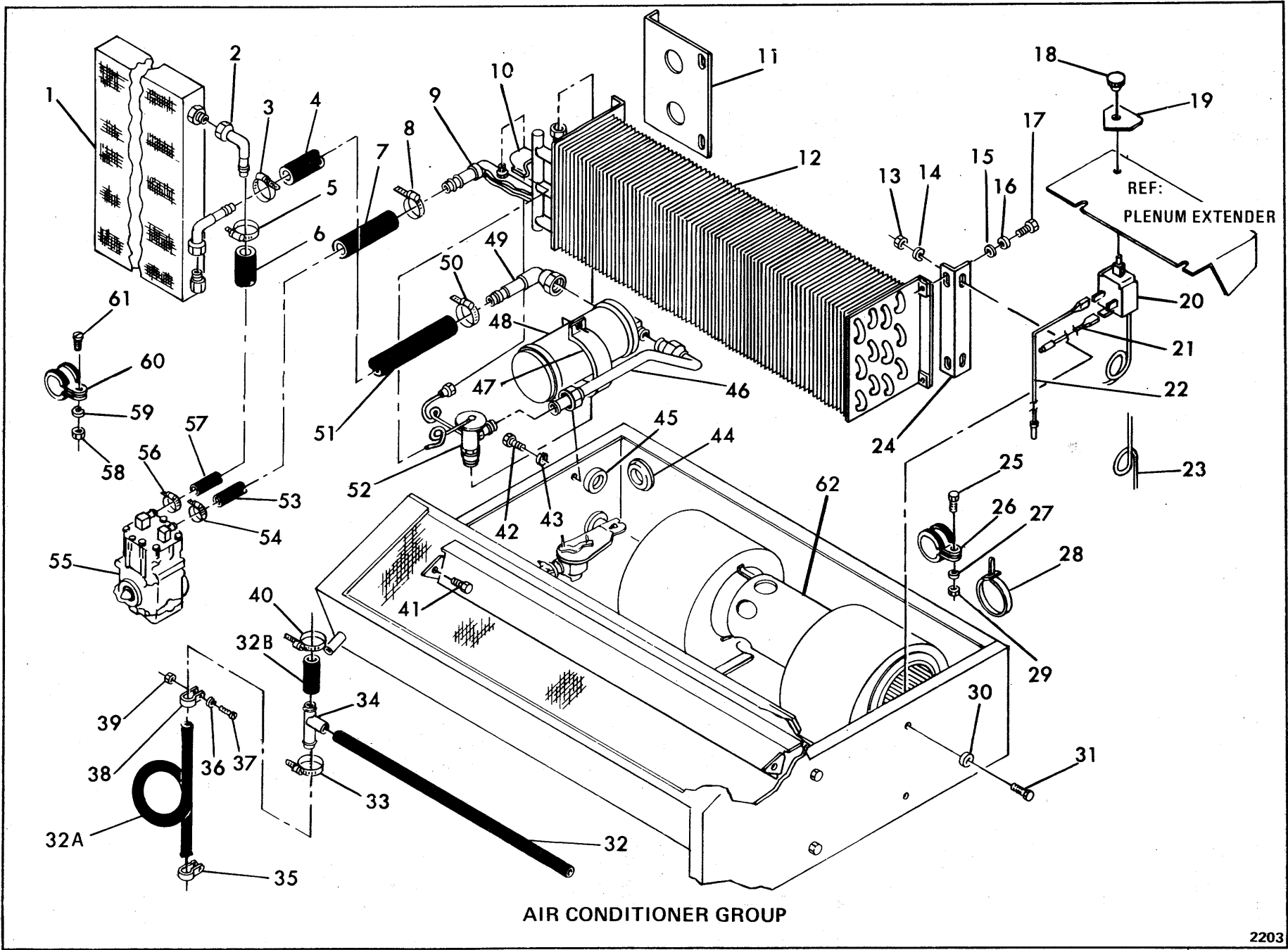
HEATER, PRESSURIZER AND DEFROSTER PARTS

Item	Part No.	Description	Qty.
1	19F-4	BUSHING	1
2	1580349	VALVE	1
3	1583417	CLAMP	1
4	1580428	HOSE	1
5	1583417	CLAMP	1
6	1580429	HOSE	1
7	1583417	CLAMP	1
8	1580386	VALVE, Inline	1
9	1579977	COIL	1
10	1583417	CLAMP	1
11	1579968	DECAL, Heat	1
12	1579995	NUT	4
13	961329	COVER	1
14	1580355	CABLE	1
15	961330	PLENUM EXTENSION	1
16	1580210	PLUG	1
17	1579967	DECAL, Fan Speed	1
18	1580357	KNOB, Switch	1
19	1579901	LOUVER ASSY	1
20	1580376	CLIP	4
21	1581559	SWITCH	1
22	1580480	WIRE ASSY	1
23	1C-408	BOLT	4
24	1545004	CLAMP	1
25	1545004	CLAMP	1
26	1580534	HOSE	1
27	1579897	LOUVER	1
28	961331	CHAMBER	1
29	58K-408	SCREW	6
30	61D-06	NUT	1
31	1736910	TIE	1
32	4E-06	LKWSHR	1
33	1C-616	BOLT	1
34	30H-50	CLAMP	1
35	1583428	BRACKET	1
36	25E-18	WASHER	2
37	8E-04	LKWSHR	2
38	1C-408	BOLT	2

Item	Part No.	Description	Qty.
39	1580477	BOLT	8
40	961250	PLATE, End	2
41	961248	HOUSING, R.H.	1
42	85G-1012	SCREW	6
43	14E-10	LKWSHR	6
44	25E-10	WASHER	6
45	12D-10	NUT	8
46	25E-14	WASHER	4
47	1C-408	BOLT	4
48	4E-04	LKWSHR	4
49	5209680	CIRCUIT BREAKER (20 Amp)	1
50	1580481	WIRE ASSY	1
51	1579059	BLOWER ASSY (Inc 29, 40, 71 thru 73)	1
51A	961139	†MOTOR, Replacement	1
52	1011708	GROMMET	1
53	1030229	GROMMET	1
54	---	CAP	2
55	12D-10	NUT	1
56	15E-10	LKWSHR	1
57	1581700	CLAMP	1
58	85G-1012	SCREW	1
59	19F-6	BUSHING	1
60	1580349	VALVE	1
61	1583417	CLAMP	1
62	---	HOSE	1
63	1583417	CLAMP	1
64	---	BRACKET	1
65	25E-14	WASHER	2
66	8E-04	LKWSHR	2
67	1C-408	BOLT	2
68	1581701	PLUG	2
69	1580224	SCREEN, Filter	1
70	1579050	CARTRIDGE, Filter	1
71	961249	HOUSING, L.H.	1
72	961246	WHEEL	2
73	961247	RETAINER	2
74	962646	HOUSING	1

† Not Illustrated

WHEN ORDERING PARTS, ALWAYS STATE MODEL AND SERIAL NO. OF MACHINE.



AIR CONDITIONER GROUP

CLARK EQUIPMENT COMPANY

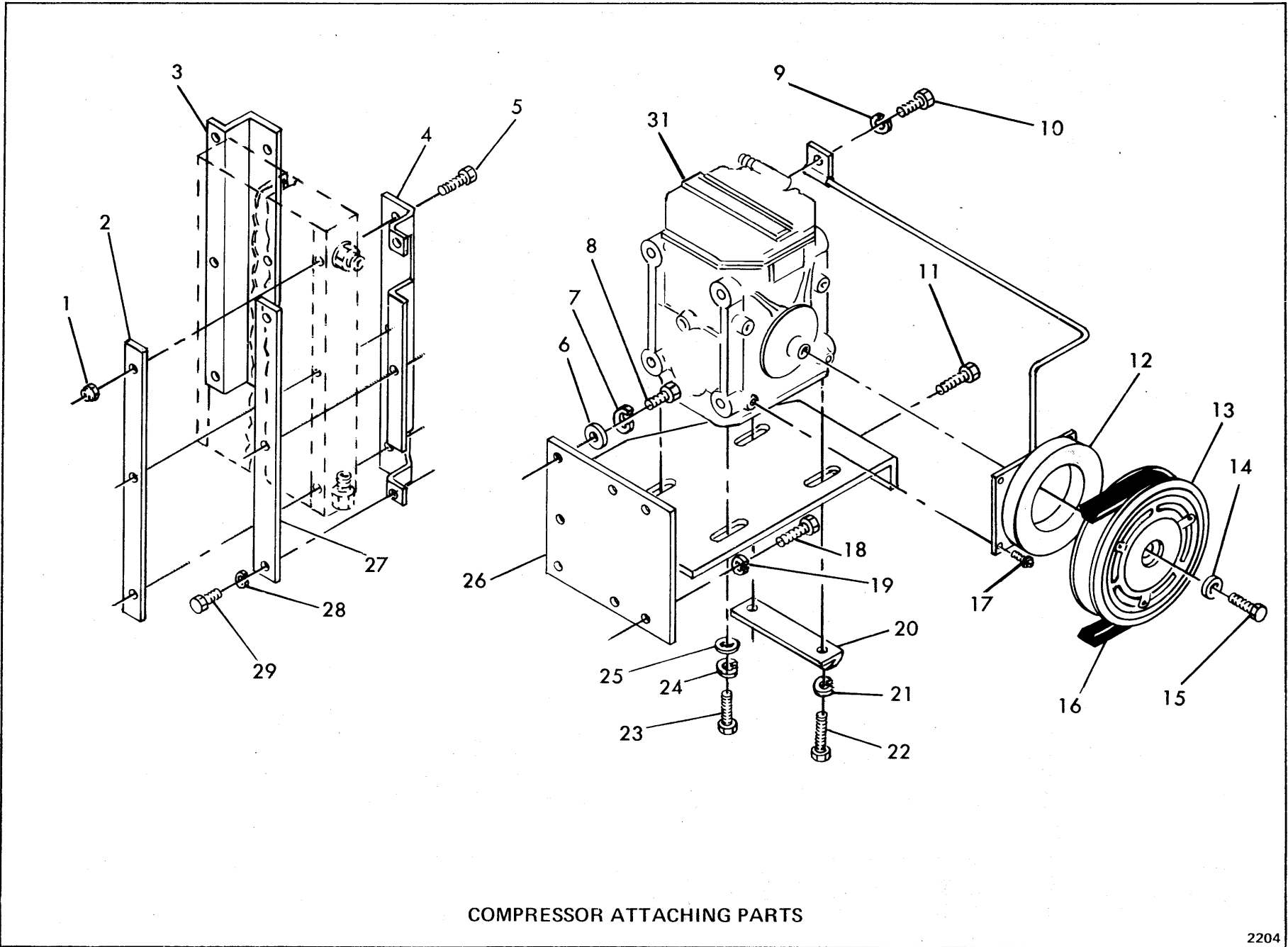
AIR CONDITIONER

Item	Part No.	Description	Qty.
1	1580399	CONDENSER	1
2	1580483	FITTING	1
3	1580372	CLAMP	1
4	1583422	HOSE	1
5	1580372	CLAMP	1
6	1580412	HOSE	1
7	1583423	HOSE	1
8	1580372	CLAMP	1
9	-----	STAPE	1
10	1580375	CLAMP	1
11	1583429	BRACKET	1
12	1583432	COIL	1
13	61D-04	NUT	1
14	5E-04	LKWSHR	1
15	25E-13	WASHER	1
16	5E-04	LKWSHR	1
17	1C-408	BOLT	1
18	1580368	KNOB	1
19	1579898	DECAL, Temp.	1
20	1579054	SWITCH, Cold	1
21	1580482	WIRE ASSY	1
22	1580430	WIRE ASSY	1
23	1580639	TUBE	1
24	1583428	BRACKET	1
25	1C-616	BOLT	1
26	30H-59	CLAMP	1
27	4E-06	LKWSHR	1
28	1580367	TIE, Strap	4
29	61D-06	NUT	1
30	25E-13	WASHER	2
31	1C-408	BOLT	2
32	1583426	HOSE, Drain	1
32A	1583427	HOSE, Drain	1

Item	Part No.	Description	Qty.
32B	1583425	HOSE, Drain	1
33	1583417	CLAMP	1
34	1583430	TEE	1
35	1580427	CLAMP	1
36	13E-10	LKWSHR	1
37	85G-1012	SCREW	1
38	1580427	CLAMP	1
39	12D-10	NUT	1
40	1583417	CLAMP	1
41	1580477	SCREW	2
42	1C-412	BOLT	1
43	5E-04	LKWSHR	1
44	1581701	PLUG	2
45	1030299	GROMMET	1
46	1583431	TUBE	1
47	1580395	CLAMP	1
48	1580402	DRYER	1
49	1580369	FITTING	1
50	1580372	CLAMP	1
51	-----	HOSE (See Item 4)	—
52	1580371	VALVE, Expansion	1
53	-----	HOSE (See Item 7)	—
54	1580372	CLAMP	1
55	-----	COMPRESSOR (See Compressor — Attaching Parts)	1
56	1580372	CLAMP	1
57	-----	HOSE (See Item 6)	—
58	12D-10	NUT	2
59	13E-10	LKWSHR	2
60	1581700	CLAMP	2
61	85G-1012	SCREW	2
62	-----	BLOWER ASSY (See Heater, Pressurizer & Defroster Parts)	—

§ Not Sold Separately

WHEN ORDERING PARTS, ALWAYS STATE MODEL AND SERIAL NO. OF MACHINE



COMPRESSOR ATTACHING PARTS

CLARK EQUIPMENT COMPANY

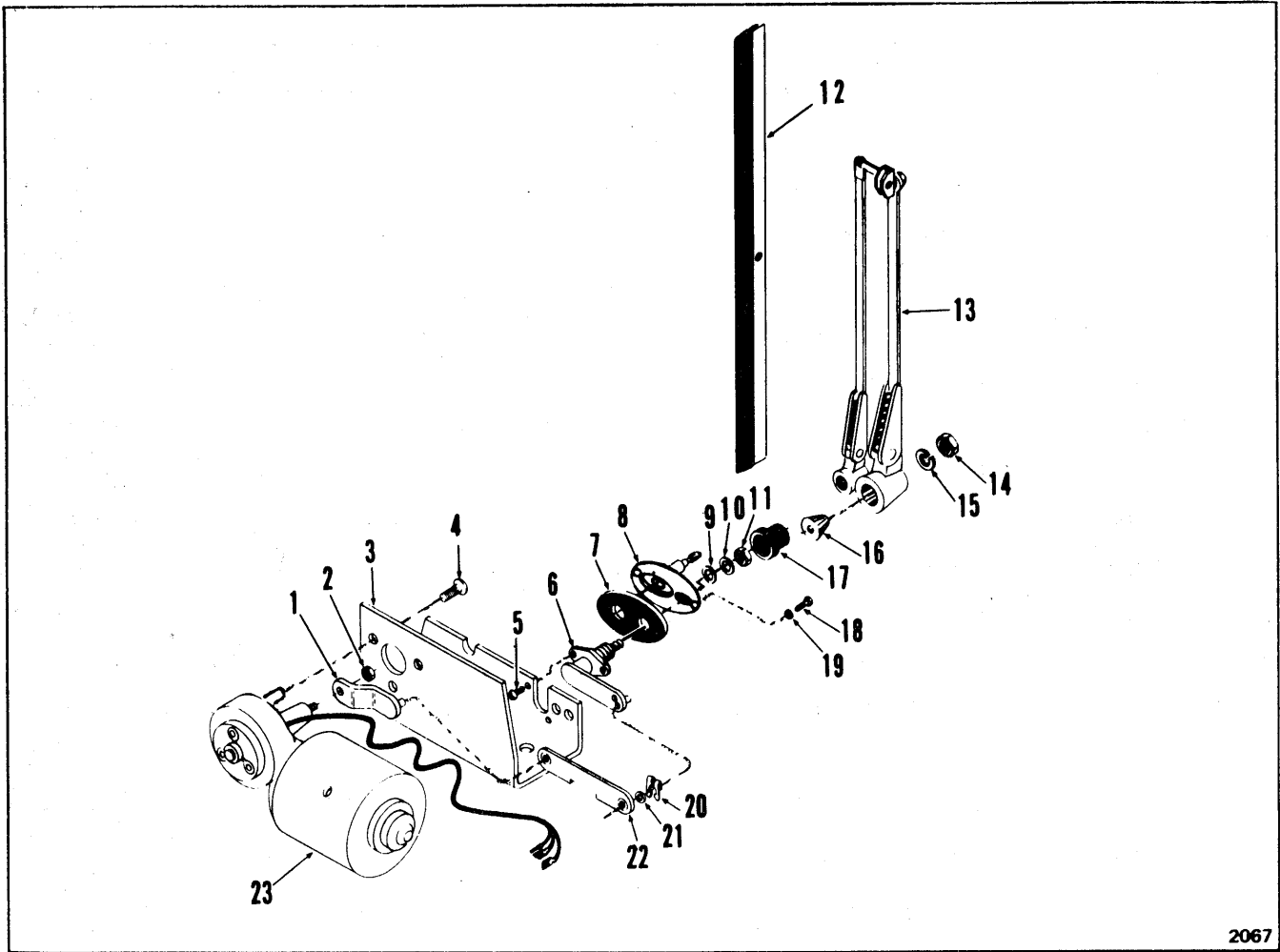
COMPRESSOR – ATTACHING PARTS

Item	Part No.	Description	Qty.
1	59D-4	NUT	6
2	1580414	STRAP	2
3	1580379	BRACKET, R.H.	1
4	1580378	BRACKET, L.H.	1
5	1C-428	BOLT	6
6	25E-18	WASHER	5
7	4E-06	LKWSHR	8
8	1C-616	BOLT	3
9	4E-06	LKWSHR	1
10	17C-612	BOLT	1
11	1C-624	BOLT	4
12	-----	SCOIL CLUTCH (See Item 30)	-
13	-----	SPULLEY, Clutch (See Item 30)	-
14	-----	SWASHER (See Item 30)	-
15	-----	SBOLT (See Item 30)	-
16	1580587	V-BELT	1
17	-----	SSCREW (See Item 30)	-
18	1C-716	BOLT	4
19	4E-07	LKWSHR	4
20	1580413	ANGLE, Adjusting	1
21	4E-06	LKWSHR	4
22	1580487	BOLT	4
23	-----	BOLT (See Item 22)	-
24	-----	LKWSHR (See Item 21)	-
25	25E-18	WASHER	2
26	1580586	BRACKET	1
27	1580380	STRAP	2
28	1E-04	LKWSHR	6
29	1C-428	BOLT	6
30	1581678	CLUTCH (Includes Item 12, 13, 14, 15 & 17)	1
31	1580373	COMPRESSOR	1

§ Not Sold Separately

WHEN ORDERING PARTS, ALWAYS STATE MODEL AND SERIAL NO. OF MACHINE

CLARK EQUIPMENT COMPANY



WINDSHIELD WIPER ASSEMBLY

Item	Part No.	Description	Qty.
A	1580689	WIPER ASSY (Inc. 1 thru 6, 9 thru 11, 14 thru 23)	1
1	949308	ARM, Drive	1
2	949144	NUT	1
3	992892	BRACKET, Mounting	1
4	992896	SCREW	3
5	949143	SCREW	2
6	961140	SHAFT ASSY (Inc. 9 thru 11, 14 thru 17)	1
7	-----	SGASKET	1
8	1572979	ADAPTER KIT (Inc. 7)	1
9	949180	WASHER (Fiber)	1
10	949181	WASHER	1
11	949182	NUT	1
12	1572977	BLADE, Wiper	1
13	1572978	ARM, Wiper	1
14	522028	NUT	1
15	9E-05	LKWSHR	1
16	949184	DRIVER (Knurled)	1
17	949183	CAP (Rubber)	1
18	90G-412	BOLT	2
19	8E-04	LKWSHR	2
20	890374	CLIP	2
21	890375	WASHER	2
22	890373	LINK	1
23	1580724	MOTOR, Replacement	1

§Not Sold Separately

WHEN ORDERING PARTS, ALWAYS STATE MODEL AND SERIAL NO. OF MACHINE

CLARK EQUIPMENT COMPANY

10F16
THRU
17F3

NUMERICAL INDEX

PART NUMBER PAGE PART NUMBER PAGE PART NUMBER PAGE PART NUMBER PAGE

10F16	T 3	13F12	T 3	17C1448	F 7	S 7	17C628	H17	S 7
10F20	B 9	13F16	T 3	17C1648	F 7	H17	17C628	H17	S 7
10H25	C 7	13F2	L 3	17C1672	F 5	S 7	17C632	F 7	Y 4
10F20	A 3	13F4	B 3	17C2048	E17	F 7	17C640	H21	Y 4
10F2	C 12	13F8	B11	17C2096	F 5	F 7	17C644	H21	Y 4
10F2	C 13	14010	V 3	17C408	H23	Y 4	17C644	H21	Y 4
10F2	C 14	14E10	E 5	17C412	B 3	Y 4	17C644	H21	Y 4
10F2	F 3	14H15	Z 7		C 3	Y 4	17C644	H21	Y 4
10F2	F 5	15E10	L 3		B 3	Y 4	17C644	H21	Y 4
10F2	F 7	15G1416	Z 7		H23	Y 4	17C648	H17	Y 3
10J10	L 4	15H15	W 2	17C416	E25	Y 3	17C648	H17	Y 3
10J10	P 2	15G808	E17		E23	Y 3	17C652	H13	Y 4
10J10	P 3	15H15	P 3		E23	Y 4	17C652	H13	Y 4
10J10	P 5	15J224	P 5		E23	Y 4	17C652	H13	Y 4
10J10	T 8	15K3	P 7	17C420	Z 2	Y 4	17C652	H13	Y 4
10J18	T 11	15K4	P 7	17C432	L 3	Y 4	17C652	H13	Y 4
10J18	T 14	15K7	Z 4	17C440	L 3	Y 4	17C652	H13	Y 4
10J24	T 17	16F1	Z 4	17C452	L 3	Y 4	17C652	H13	Y 4
10J24	T 7	16F4	Z 4	17C464	L 3	Y 4	17C652	H13	Y 4
10J8	C 7	16K8	H15	17C524	S 7	Y 4	17C652	H13	Y 4
11F12	A 3	17C1020	A 5	17C524	B11	Y 4	17C652	H13	Y 4
11F4	A 5	17C1024	F 9	17C610	B11	Y 4	17C652	H13	Y 4
11K3	Z 4	17C1028	V 3	17C610	B11	Y 4	17C652	H13	Y 4
11K4	Z 4	17C1036	F 9	17C610	B11	Y 4	17C652	H13	Y 4
12D10	Z 7	17C1040	A 7	17C616	B11	Y 4	17C652	H13	Y 4
12G836	Z 9	17C1048	F 9	17C616	B11	Y 4	17C652	H13	Y 4
12G840	E 5	17C1052	A 5	17C620	B11	Y 4	17C652	H13	Y 4
12F10	E 5	17C1056	E 9	17C620	B11	Y 4	17C652	H13	Y 4
12F113	V 7	17C1212	R 2	17C632	B11	Y 4	17C652	H13	Y 4
12F114	V 7	17C1228	E17	17C632	B11	Y 4	17C652	H13	Y 4
12F14	A 7	17C1232	A 7	17C632	B11	Y 4	17C652	H13	Y 4
12F200	A 5	17C1236	A 3	17C632	B11	Y 4	17C652	H13	Y 4
12G836	P11	17C1240	A 7	17C632	B11	Y 4	17C652	H13	Y 4
12G840	P12	17C1248	E 9	17C632	B11	Y 4	17C652	H13	Y 4
12H25	A 3	17C1248	F 5	17C632	B11	Y 4	17C652	H13	Y 4
12K10	H21	17C1272	E17	17C632	B11	Y 4	17C652	H13	Y 4
13E10	Z 9	17C1256	F 7	17C632	B11	Y 4	17C652	H13	Y 4
13E6	E 7	17C1272	F 7	17C632	B11	Y 4	17C652	H13	Y 4
13E8	B11	17C14120	F 7	17C632	B11	Y 4	17C652	H13	Y 4

WHEN ORDERING PARTS, ALWAYS STATE MODEL AND SERIAL NO. OF MACHINE

CLARK EQUIPMENT COMPANY

17K3
THRU
25K30102

NUMERICAL INDEX

PART NUMBER	PAGE	PART NUMBER	PAGE	PART NUMBER	PAGE	PART NUMBER	PAGE
17K3	P 7	1C1036	A 9	1F207	E13	25E11	Z 4
	V11	1C1040	A11		E23	25E13	R 2
17K5	H23	1C408	R 2		P 7		T 4
17K8	H19		Z 7	1F208	B 5		Z 9
17K9	H15		Z 9	1F308	V10	25E14	F 7
18C1032	Z 4	1C412	Z 9	1F312	B 5		H 7
18C1040	C 3	1C428	Z11		B 8		L 3
18C1256	A 3	1C432	V11		E23		Z 7
18C1656	F 9	1C436	P 7		S 5	25E15	B 8
18C436	E13	1C444	P 7	1F316	C 3		S 9
	Z 3	1C456	P 7	1F420	E19		T 4
18C514	B 5	1C510	B 9	1F424	A11		Z 4
18C528	B 5		C 9	1F428	A11	25E16	B 3
18C620	H23	1C514	V 7	1F628	E 9		F 7
18C716	A 7	1C560	E15	1F632	C 7	25E17	B 6
	B 9		V 9		F 9		B 7
18C812	H19		V15		T13		S 7
18C828	F 9	1C612	C 9	1F636	A 3		V 9
18C838	P 2	1C614	A 9		T 3	25E18	B 8
18C840	P 3	1C616	Z 7		T15		B11
18C856	C 3		Z 9	1F640	S 7		C 3
	Z 4		Z11	1F740	C 3		E21
18C872	Z 4	1C620	B 6	1F748	A 9		F10
18C880	C 3		B 7	1F832	S10		H21
18C896	F 9		V 9	1F836	F 7		S 7
18C928	E 9	1C622	C 9		Y 4		Z 7
18D4	H21	1C624	B 9	1F840	E17		Z11
18F1	E 7		T 3		F 5	25E19	E21
18F2	H23		Z11		F 7	25E20	F 9
	Z 3	1C628	T 3	1H414	T 4	25E21	C 3
18F3	B11		V 9	1H518	T 4		S 5
18F5	H23	1C632	E15	1H534	T 4		Z 4
18G804	E 3	1C636	T 3	1M18040	R 2	25E22	E 9
18G808	S 7	1C640	T 3	1M18054	R 2		S 7
18K10	H15	1C648	E15	20F16	B11		Z 2
19F1	E 7	1C710	A 5	20F18	T 3	25E25	R 2
	H23	1C716	P 7	21C410	P 7	25E28	E17
	T 3		Z11	21C512	C13		F 7
19F13	Z 4	1C720	A 3		E 9	25E34	Y 4
19F16	C 7	1C722	C 9	21C520	C14	25E8	S 5
19F3	B11	1C724	P 7	21C824	C10	25F2	B11
19F4	B11	1C736	P 7		C11	25F3	H23
	H19	1C752	P 7		C12	25K20006	V 9
	Z 7	1C814	C 7	23E8	S 5	25K20020	V 9
19F5	B11	1C820	T10	24K3	P 7	25K30012	C 7
	F10		T12		V11	25K30014	B 8
19F6	F10		T13		V13	25K30018	T 7
	Z 7		T15		V15	25K30022	V11
19J16	H19	1C908	A 3	24K4	A 7	25K30028	V 5
19J20	H15	1C924	A 9		B 3	25K30030	T 7
	H17	1E4	Z11	24K6	B11		V 5
19J24	H17	1E6	S 3	25E10	Z 7	25K30102	V13

WHEN ORDERING PARTS, ALWAYS STATE MODEL AND SERIAL NO. OF MACHINE

CLARK EQUIPMENT COMPANY

25K30212

THRU

4E8

NUMERICAL INDEX

PART NUMBER	PAGE	PART NUMBER	PAGE	PART NUMBER	PAGE	PART NUMBER	PAGE
25K30212	P 7	30H39	E 7		H23		B 3
25K30216	P 7	30H50	Z 7		T 3		B 9
25K40024	V 7	30H59	Z 9		T 7		B11
25K40026	T 3	30H8	Z 2		V 3		C 9
	V17	31F1	B11		V 7		E 9
25K40104	C13		E21	40K6	T 3		E17
	C14		H23	40K8	E 9		F 5
25K40108	C10		S 5	41G1012	Z 4		F 7
	C11		T 7	41G610	S 5		F10
	C12	31F2	B 3	41G810	E 5		H 3
25K40216	P 7		F10	41G812	E 3		H 7
25K40224	P 7		H19	41G816	E 3		H13
25K40324	C13		H23		Z 3		H15
	C14	31F3	F10	42H28	E24		H17
25K40328	P12		H23	42H32	S 7		H19
25K40400	E 9	31F4	H21	43D8	S 5		H21
25K40408	T13		H23	43H1188	H21		L 4
25K40416	P 4	31F5	H13	43H1262	R 2		S 7
25K40420	C 7		H19	43H1319	R 2		T 3
25K40424	C 7		H21	43H1650	E21		Y 4
	C10	31F6	H21	43H1775	E21		Z 7
	C11	32F5	H23	43H2619	E21		Z 9
	C12	32G1010	C 3	47D5	V16		Z11
25K40616	A 9	33C1036	Y 3	47K3	V 7	4E7	A 5
25K40708	T 3	33C520	C13	49D10	V 9		A 7
25K40816	T 3	33C616	P 5	49D7	V 9		A 9
25K60116	T 3	33F1	H23	49D8	C13		B 9
25K60204	C 7	33F3	H23	4C612	C 7		C 9
	T13	33F5	H21	4C820	A 3		H15
25K80500	E22	33G514	V16	4D14	E 9		H17
	H21	35G806	E25	4E10	A 9		H23
26E14	A 9	36F1	B11		B 9		T 3
26F1	B11		H23		E 9		V 3
	F 5		T 7		F 9		Z11
	L 3	36F2	B11		H17	4E8	A 3
26F2	B 3		H19		H23		C 7
	B11	36F3	B11		S10		E 9
26F3	B11	36F4	H19		Y 3		F 7
	H23	36F5	H19	4E12	A 7		F 9
2C532	S 9		H23		F 5		H 7
2C624	T11	37F1	H23		F 7		H15
2C720	A 9	37F4	H23	4E4	E13		H17
2F6106	C 3	3D8	S 5		E25		H19
2J4200	E13	3E10	A11		H23		P 4
	E23	40K2	B11		Z 7		S 7
2J6208	B 5		C 7	4E5	B11		T10
30F1	Z 4		H19		S 7		T12
30F3	H19		T 7		S 9		T13
30H14	L 3		V16		V 7		T15
	Z 4	40K4	B 3		Z 4		Y 3
30H18	B 3		C 7	4E6	A 7		Z 2
30H26	L 4		H21		A 9		Z 4

WHEN ORDERING PARTS, ALWAYS STATE MODEL AND SERIAL NO. OF MACHINE

NUMERICAL INDEX

PART NUMBER PAGE PART NUMBER PAGE PART NUMBER PAGE PART NUMBER PAGE PART NUMBER PAGE

4E9	A 3		L 3	SK308	B11	6H11	T 3
4F4051	B 5		Z 2	SK409	B11	6H29	T 4
	A 9		S 7	SK409	B11	6H29	T 4
4F5062	V10		B11	60016	F 9	6K4	H23
	E23	5905	B 3		Z 4	6H35	E24
	E13		Z11	60010	C 3	6H34	H21
4F60106	B 5		Z 2	SK611	H23	6H32	T 4
50010	Z 4		L 4		F 5	72G414	V 5
50012	C 3		S 3	6004	H15	73K119	V 5
5006	N 2		Z 4		H21	73K141	V16
	E 7	5906	B11	6005	B 5	73K16	V 9
5008	Z 2		E 7	6006	B 5	73K248	C10
	E 3		E 9		C 9		C11
58K114	V 5		E17	6008	H23	75F1	C12
58K117	V15		E23		C 3		L 4
58K119	E15		F10		F 9	7D4	P 7
58K12	P 7		H 7		S 7	7D8	S 5
	V13		H19		Z 2	83F3	L 4
	V13		H21		Z 4	83F5	Z 4
58K121	P12		S 7	60K40608	C 9	84G3112	V 7
58K14	P 7		V 4	60K40700	C 9		Z 2
58K15	P 7	5907	Z 3	61010	P 9	84G3716	E21
58K210	T 7	5908	E 9	61012	F 7		F 7
	V 3		E17	6104	Z 9		F10
58K214	H19		E17	6106	B 3		S 7
58K219	H19		F 5		B11		V 7
58K222	H15		F10		F 7		Z 2
58K225	H17		H 7		Z 7	85F3	E 5
58K408	Z 7		H13	6205	Z 9	85G1012	Z 7
	H17		R 2		S 9		Z 9
59D10	A 5		S 5	6207	A 9	85G1216	C 3
	A 7		S 7		H23	85G608	E 7
	A 9		Z 2	6308	T 3	85G612	E 7
	E 9		Z 3		E23		Z 2
59D12	R 2		T 3	64010	A 3	85G812	Z 3
	E17		T 3	64012	A 3	86D10	A 9
	F 7	5E4	P 7	6407	A 5	86D12	A 3
59D14	E 9		Z 9	65024	F 7	86D7	A11
	E 9		T 7	6506	F 7	89F3	B11
59D16	F 5		C 9	65G406	S 9		L 4
	F 7		F 3		C13	89G610	H 3
	F 7	5K106	B11	66D20	V10	8C520	B 5
59D20	E17		E 7	66D5	E23	8C716	C 9
	F 5		T 3	66D9	E 9	8C820	C 7
59D4	B 3		H23	6C3	P 7		T 9
	C 3		H23	6C403	E15		T12
	E13		H23	6C605	A 3		T15
	E23		B11		N 2		T16
	F 5		H19	6E5	B 9		S 5
	F 7	5K224	Z 3		S 9		V 9

WHEN ORDERING PARTS, ALWAYS STATE MODEL AND SERIAL NO. OF MACHINE

CLARK EQUIPMENT COMPANY

8D12
THRU
1315140

PART NUMBER PAGE PART NUMBER PAGE PART NUMBER PAGE PART NUMBER PAGE PART NUMBER PAGE

8D12	V13	1011708	Z 7	118776	A12	123872	A 9	123872	A 9	1315140
	E13	101411	A11	118782	A 3	123873	A 9	123873	A 9	1313685
	E23	101424	A11	118783	A 3	123876	A 9	123876	A 9	1313653
8D5	B 5	102313	A 5	118785	A 3	124090	A 9	124090	A 9	1310121
	E23	102314	A 5	118786	A 3	124095	A 9	124095	A 9	1307187
	V16	102359	A11	118787	A 3	124158	A 3	124158	A 3	1304732
8D6	C 9	102360	A11	118788	A 3	124241	A 9	124241	A 9	1304391
	V11	102378	A11	118790	A 3	124242	A 9	124242	A 9	1304048
8D7	V 9	102381	A11	118791	A 3	124243	A 9	124243	A 9	1304047
8D8	C 7	102382	A11	118803	A12	124244	A 9	124244	A 9	1303621
	C13	102384	A11	118982	A 9	124246	A 9	124246	A 9	1302554
	P 2	1030229	Z 7	119141	A 3	124460	A 9	124460	A 9	1302508
8E4	Z 7	1030299	Z 9	119141	A 7	124471	A 3	124471	A 3	129549
	Z12	104412	A 3	119214	A 3	124543	A 3	124543	A 3	129549
	S 7	104412	A 7	119215	A 3	124543	A 3	124543	A 3	129549
906412	Z12	104645	B 5	119217	A 3	124573	A 5	124573	A 5	129549
91F10	H15	106358	T 7	119218	A 3	124574	A 5	124574	A 5	129549
	H21	106547	A 3	119469	A 3	124575	A 5	124575	A 5	129549
	H23	106572	A 9	119983	A 5	124576	A 5	124576	A 5	129549
91F3	P 7	106572	A 5	120218	A 3	124578	A 5	124578	A 5	129549
	V11	106750	F 9	120546	A 5	124579	A 5	124579	A 5	129549
	V13	106762	A 5	120707	A 3	125069	A 9	125069	A 9	129549
91F4	B 3	107348	E 9	120771	A 3	125496	A 9	125496	A 9	129549
	B11	107348	A 5	121166	A 7	125573	A 9	125573	A 9	129549
91F6	H17	107481	A 9	121214	A 5	125574	A 9	125574	A 9	129549
	V 9	107977	B 4	121214	A 5	125575	A 9	125575	A 9	129549
91F7	V16	107977	A 9	121933	A12	126415	A 9	126415	A 9	129549
	E15	107978	A 9	121934	A12	127781	A 5	127781	A 5	129549
	H13	110305	A 7	122443	A11	127819	A 3	127819	A 3	129549
	H19	110522	A 9	122444	A11	128379	A 3	128379	A 3	129549
	H23	110543	A 9	122559	A 7	12852	A 7	12852	A 7	129549
	P10	110559	A 3	122621	A 3	128853	B 6	128853	B 6	129549
	T 3	110571	S 9	122622	A 3	128853	B 7	128853	B 7	129549
	T 7	111437	A11	122996	A11	129312	A11	129312	A11	129549
	V 9	111656	A 3	123216	A 5	129314	A11	129314	A11	129549
	V15	111691	A 7	123382	A 9	129315	A11	129315	A11	129549
91F8	H19	111691	A 9	123746	A11	129317	A11	129317	A11	129549
91F9	H15	111695	A 9	123839	A 3	129319	A11	129319	A11	129549
	V11	111696	B 4	123840	A 3	129549	A11	129549	A11	129549
92G408	V 5	111750	A 9	123849	A 5	1302508	H13	1302508	H13	1302508
9E10	S 5	111785	A11	123850	A11	1303621	Z 4	1303621	Z 4	1302508
9E5	Z12	112278	A 3	123851	A11	1304047	A 3	1304047	A 3	1302508
9G1028	F 9	123856	A 5	123856	A 5	1304048	A 3	1304048	A 3	1302508
100675	A11	123859	A 5	123859	A 5	1304391	T 3	1304391	T 3	1302508
100838	C 9	113124	A11	123860	A 5	1304732	V 7	1304732	V 7	1302508
100941	A 9	114259	A 9	123865	A 9	1307187	Z 2	1307187	Z 2	1302508
100970	A 5	117225	A 3	123868	A 9	1310121	E 7	1310121	E 7	1302508
1010658	H 3	118773	A12	123869	A 9	1313653	A 7	1313653	A 7	1302508
1011127	B 3	118774	A12	123870	A 9	1313685	A 7	1313685	A 7	1302508
	B11	118775	A12	123871	A 9	1315140	P 7	1315140	P 7	1302508

WHEN ORDERING PARTS, ALWAYS STATE MODEL AND SERIAL NO. OF MACHINE

CLARK EQUIPMENT COMPANY

1315140

NUMERICAL INDEX

THRU

1564726

PART NUMBER	PAGE	PART NUMBER	PAGE	PART NUMBER	PAGE	PART NUMBER	PAGE
1315140	V13		C11	1551321	B 3	1558474	L 3
1315531	E 9		C12		B11	1558475	L 3
1318334	A 5	1542966	E 7	1551476	H21	1558477	L 3
1318335	A 5	1543010	F 9	1551751	Z 3	1558478	L 3
1318336	A 5	1543286	E 3	1552006	Z 4	1558481	L 3
1318337	A 5	1544899	F 9	1553146	Y 3	1558484	L 3
1320110	P 7	1545004	Z 7	1553149	Y 3	1558644	F10
1320111	E15	1545186	B11	1553152	Y 3	1558674	H 7
1320112	P 7	1545818	P 5	1553153	Y 3	1558821	S 7
1320113	E15	1545824	P 5	1553884	F 7	1558891	Z 3
1503012	C13	1549444	S 5	1553885	F 7	1559162	A 7
	C14	1550092	S 5	1553887	F 7	1559172	A 7
1503018	C13	1550094	S 5	1554832	F 7	1559315	A 7
	C14	1550095	S 5	1554833	F 7	1559774	A 7
1503463	C13	1550385	V 5	1554856	F 7	1559775	A 7
	C14	1550390	V10	1554857	F 7	1560944	F 7
1503465	C10	1550481	V 5	1554858	L 3	1560945	F 7
	C11	1550482	V 5	1554860	F 7	1562536	H 9
	C12	1550483	V 5		L 3		H11
1503830	H21	1550532	B 3	1555176	S 7		H17
1505580	B11	1550567	S 5	1555186	E17	1562568	H23
1513244	E21	1550569	S 5	1555455	S 7	1563297	C 3
1513548	E 3	1550570	S 5	1555673	Z 4	1563766	N 2
1516076	E24	1550571	S 5	1555857	F 5	1564152	S 7
1518361	E21	1550573	S 5	1555882	F 5	1564161	E 9
1520566	H21	1550584	S 5	1555901	E17	1564195	H15
1523210	E25	1550585	S 5	1555981	E17	1564254	E25
1524268	E24	1550730	Z 2	1556395	F 3		N 2
1525205	E21	1550754	E 9	1556401	F 3	1564317	C 3
1525908	C13	1550758	V 9	1556402	F 3		S 7
1526383	H21	1550759	V 9	1556403	F 3		Z 4
	H23	1550760	V 9	1556542	E17	1564612	C13
1527092	F 9	1550761	V 9	1556547	F 5		C14
1527276	R 2	1550764	V 9	1556715	S10	1564626	H23
1527543	B 5	1550765	V 9	1556719	S10	1564649	S 9
1529233	E 7	1550842	A 7	1556722	S10	1564651	E25
1529315	E21	1550843	L 3	1556724	S10	1564670	C12
1529624	E21	1550844	L 3	1556726	S10		E17
1530089	H23	1550861	H17	1556734	S10		F 5
1530208	R 2	1550899	B11	1557395	Y 4		F 7
1530638	H23	1550934	B11	1557540	H21		F 9
1533167	W 2	1550963	E 7		Y 4		S10
1534136	E 5	1550973	A 7	1557961	F10		Y 4
1534305	E 3	1550974	A 7	1557962	F10	1564674	S 7
1535938	E23	1550983	Z 4		H 7	1564690	H11
1536030	E23	1550987	Y 4	1558143	H21	1564704	H13
1536095	H23	1551008	S 7	1558167	H19	1564710	H17
1536118	H23	1551022	B11		H21	1564712	H13
1536234	C10	1551024	L 3	1558470	L 3	1564714	H17
	C11		L 4	1558471	L 3	1564716	H15
	C12	1551025	L 3	1558472	L 3	1564725	B 3
1536235	C10	1551126	V 5	1558473	L 3	1564726	B11

WHEN ORDERING PARTS, ALWAYS STATE MODEL AND SERIAL NO. OF MACHINE

CLARK EQUIPMENT COMPANY

1564726

THRU

1574699

NUMERICAL INDEX

PART NUMBER	PAGE	PART NUMBER	PAGE	PART NUMBER	PAGE	PART NUMBER	PAGE
1564726	B11	1566779	V 9	1569947	Z 2	1573369	F 5
1564729	B11	1566780	V 9	1571023	F 9	1573370	F 5
1564730	B11	1566781	V 9	1571025	F 9	1573571	E23
1564741	H19	1566782	V 9	1571282	E17	1573685	F 7
1564742	H19	1566791	P 9		F 5	1573854	C 3
1564743	H19	1566794	P 9		F 7	1573856	C 3
1564746	H19	1566795	P 9		S10	1573858	C 3
1564752	P 5	1566796	P 9		Y 4	1573869	C 3
1564753	H19	1566872	S 5	1571335	L 3	1573877	C 3
1564761	S 9	1566881	P 9	1571745	E23	1573917	C 3
1564782	E 9	1566957	H11	1571788	Z 3	1573933	C 3
1564802	E19	1567065	H 5	1572117	F10	1573939	Z 4
1564803	E19	1567066	H 5	1572143	Z 2	1573946	C 3
1564804	E19	1567103	F10	1572207	H21	1573953	F 9
1564831	E19	1567152	B11	1572211	E17	1573983	F 9
1564832	E19	1567154	B11	1572218	H21	1574048	S 3
	E22	1567155	B 3	1572223	E23		S 7
1564833	E19		B11	1572229	H21	1574262	C 3
	E22	1567156	H 7	1572235	H21	1574263	C 3
1564834	E19	1567157	B11	1572245	H21	1574308	B 3
1564835	E19		S 5	1572253	F 9		B11
1564836	E19	1567158	B11	1572262	A 7	1574438	Z 3
1564837	E19	1567162	B11	1572278	R 2	1574448	H 7
1564838	E19	1567163	B 3	1572396	E25	1574465	F 7
1564841	H11	1567176	F 9	1572397	E25	1574466	A 3
1564927	E 3		Y 4	1572590	F 7		C 3
1565036	F 9	1567182	B 3	1572771	A 7		C13
1566028	Z 2		B11	1572776	Z 3		C14
1566152	F 3	1567189	B 3	1572811	A 3		E17
1566413	H23		B11	1572820	A 3	1574492	E 9
1566422	B11	1567200	B11	1572836	F 7		F 7
1566428	V 5	1567214	Y 3	1572837	F 7	1574500	H11
1566481	E10	1567216	H17	1572890	F 7	1574501	H11
1566619	H 5		Y 3	1572915	C13	1574503	H11
1566622	E22	1567402	S 7	1572973	Z 3	1574506	H11
	H 5	1567950	Y 4	1572977	Z 3	1574507	H 9
1566755	S 9	1568304	Y 4		Z12	1574508	H11
1566759	S 9	1568305	H15	1572978	Z 3	1574509	H 9
1566760	S 9		Y 3		Z12	1574510	B 3
1566761	S 9	1568379	L 3	1572979	Z 3	1574512	B 3
1566766	V 9	1568499	F 9		Z12	1574514	Y 4
1566768	V 9	1568578	W 2	1573020	Z 3	1574515	Y 4
1566769	V 9	1568581	H21	1573165	Z 2	1574522	Z 3
1566770	V 9	1568641	Y 3	1573248	S 7	1574627	F 7
1566771	V 9	1569154	F17	1573264	S 7	1574686	S 7
1566772	V 9	1569335	Z 4	1573268	S 7	1574697	C10
1566773	V 9	1569520	C13	1573286	A 5		C11
1566774	V 9		C14		E 9		C12
1566775	V 9	1569547	C10	1573309	F 7	1574698	C10
1566776	V 9		C11	1573325	F 5		C11
1566777	V 9		C12	1573366	F 5		C12
1566778	V 9	1569676	E 3	1573368	F 5	1574699	C10

WHEN ORDERING PARTS, ALWAYS STATE MODEL AND SERIAL NO. OF MACHINE

CLARK EQUIPMENT COMPANY

1574699

THRU

1579598

NUMERICAL INDEX

PART NUMBER	PAGE	PART NUMBER	PAGE	PART NUMBER	PAGE	PART NUMBER	PAGE
1574699	C11	1575027	C13	1576610	E17	1578130	H 5
	C12		C14	1576611	E17	1578246	H21
1574700	C10	1575031	B11	1576688	C13	1578288	S 7
	C11	1575033	B11	1576774	E 3	1578289	S 7
	C12	1575035	B11	1576799	P 4	1578304	Z 2
1574701	C10	1575037	B11	1576814	R 2	1578305	Z 2
	C11	1575039	B11	1576815	F 9	1578310	E 7
	C12	1575041	E 7	1576816	H23	1578330	H 7
1574706	C10	1575082	E 9	1576930	C13	1578376	F 9
	C12	1575083	E 9	1576977	H13	1578398	E 7
1574730	S 7	1575102	E 9	1577124	E24	1578569	F 7
1574736	C11	1575132	S 7	1577127	E24	1578570	F 7
1574737	C11	1575267	S 7	1577190	E24	1578618	B 9
1574738	C10	1575277	F 5	1577267	N 2	1578619	B11
	C11	1575278	E17	1577320	F 9	1578635	B 3
1574780	C12	1575353	F10	1577321	F 9	1578686	C13
1574790	F 7	1575358	F 7	1577345	N 2	1578735	Z 2
1574799	L 3	1575359	F 7	1577363	S 7	1578738	Z 2
1574802	C10	1575437	C 3	1577381	A 7	1578739	Z 2
	C11	1575441	H13	1577382	A 7	1578774	B 9
	C12	1575442	H23	1577404	E 9	1578776	H21
1574814	F 5	1575443	H13	1577435	E23	1578799	H21
1574819	C10	1575447	S 7	1577437	E13	1578802	V 7
1574827	F 7	1575463	F 7	1577491	P 7	1578806	S 7
1574828	F 7	1575514	C14	1577492	P 7	1578808	S 7
1574832	E13	1575547	P 5	1577493	P 7	1578812	V 7
1574846	E10	1575569	H19	1577495	P 7	1578826	P 7
1574849	C 3	1575570	H19	1577496	P 7	1578878	Z 3
1574859	S 7	1575639	Z 3	1577497	P 7	1578891	S 7
1574860	S 7	1575682	E17	1577552	V 5	1579025	E 9
1574861	S 7	1575745	Z 2	1577556	V 5	1579045	C 3
1574877	B 3	1575746	Z 2	1577571	P 3		Z 3
1574889	H23	1575780	C10	1577575	V 5	1579050	Z 7
1574891	B 3		C11	1577602	H 5	1579054	Z 9
1574893	B 3	1575834	Z 2	1577635	C13	1579059	Z 7
1574894	B 3	1575835	Z 2		C14	1579067	F 9
1574896	B 3	1575837	Z 2	1577737	Z 3	1579209	H13
1574918	C 3	1575838	Z 2	1577741	Z 2	1579240	Z 2
1574927	C 3	1575903	R 2	1577781	A 3	1579241	Z 2
	Z 4	1575995	F 5	1577810	A 3	1579268	S 7
1574941	E 7	1576101	Z 4	1577894	Z 3	1579403	Y 3
1574948	C 3	1576115	S 7	1577896	Z 3	1579464	V10
	Z 4	1576117	S 7	1577897	Z 3	1579466	V10
1574992	S 7	1576151	H13	1577898	C 3	1579467	V10
1575021	C13	1576153	H15	1577936	C13	1579473	V10
	C14	1576190	H15	1577946	C 3	1579474	V10
1575023	C13	1576197	H13	1577947	C 3	1579478	E13
	C14	1576229	C14	1577951	S 7	1579527	B11
1575024	C13	1576230	C10	1577952	S 7	1579568	F 7
	C14		C11	1578018	Z 2	1579569	E13
1575025	C13		C12	1578019	Z 2	1579586	E 9
	C14	1576464	N 2	1578020	Z 2	1579598	F 7

WHEN ORDERING PARTS, ALWAYS STATE MODEL AND SERIAL NO. OF MACHINE

CLARK EQUIPMENT COMPANY

1579612

THRU

1584229

NUMERICAL INDEX

PART NUMBER	PAGE	PART NUMBER	PAGE	PART NUMBER	PAGE	PART NUMBER	PAGE
1579612	E13	1580413	Z11	1581639	S 7		E 5
1579692	P 7	1580414	Z11	1581677	Z 4	1583221	E 9
1579713	P 7	1580427	Z 9	1581678	Z11	1583222	Z 4
1579763	A 7	1580428	Z 7	1581700	Z 7	1583417	Z 7
1579767	P 7	1580429	Z 7		Z 9		Z 9
	V13	1580430	Z 9	1581701	Z 7	1583422	Z 9
1579768	P 7	1580454	R 2		Z 9	1583423	Z 9
1579802	P 3	1580477	Z 7	1581718	Z 3	1583425	Z 9
1579803	P 2		Z 9	1581719	Z 3	1583426	Z 9
1579819	A 3	1580478	Z 3	1581745	Z 3	1583427	Z 9
1579828	F 7	1580480	Z 7	1581775	Z 3	1583428	Z 7
1579829	F 7	1580481	Z 7	1581777	Z 3		Z 9
1579830	F 7	1580482	Z 9	1581830	E 7	1583429	Z 9
1579897	Z 7	1580483	Z 9	1581831	E 7	1583430	Z 9
1579898	Z 9	1580487	Z11	1581832	E 7	1583431	Z 9
1579901	Z 7	1580534	Z 7	1581909	B 3	1583432	Z 9
1579912	E 3	1580586	Z11	1581910	B 3	1583616	E 9
	Z 2	1580587	Z11	1581969	H17	1583698	Z 4
1579913	E 3	1580592	Z 3	1581972	H17	1583699	Z 4
1579967	Z 7	1580593	Z 2	1582010	Y 4	1583702	Z 4
1579968	Z 7	1580594	Z 3	1582013	F 9	1583721	Z 4
1579977	Z 7	1580595	Z 3	1582014	F 9	1583727	E 9
1579995	Z 7	1580617	E13	1582015	F 9	1583730	E 9
1579996	Z 4	1580639	Z 9	1582016	Y 3	1583741	E 9
1580182	H21	1580689	Z 3	1582023	F 7	1583744	E 9
	H23		Z12	1582034	H 9	1583746	E 9
1580210	Z 7	1580703	F 5	1582038	H 9	1583750	E 9
1580224	Z 7	1580719	F 5	1582107	H13	1583755	E 9
1580306	Z 3	1580724	Z12	1582263	L 4	1583763	E 9
1580349	Z 7	1580759	V11	1582265	L 4	1583765	E 9
1580355	Z 7	1580790	E 9	1582266	E 5	1583766	E 9
1580357	Z 7	1580883	S 7		L 4	1583768	E 9
1580367	Z 9	1580922	H17	1582291	Z 3	1583781	E 9
1580368	Z 9	1580933	A 7	1582292	Z 3	1583782	E 9
1580369	Z 9	1580940	F 5	1582293	Z 3	1583794	E 9
1580371	Z 9	1580958	S 7	1582298	S 7	1583843	N 2
1580372	Z 9	1580959	H17	1582300	Z 3	1583944	N 2
1580373	Z11	1580961	E13	1582305	C12	1583948	S 9
1580375	Z 9	1580966	Z 3	1582308	C12	1583950	N 2
1580376	Z 7	1580969	Z 3	1582334	Z 4	1583951	N 2
1580378	Z11	1580971	E13	1582335	Z 3	1583952	N 2
1580379	Z11	1581081	E 9	1582336	Z 3	1583975	Z 4
1580380	Z11	1581226	E 9	1582347	Z 3	1583976	E 7
1580386	Z 7	1581279	F 7	1582407	H19	1583984	E 3
1580395	Z 9	1581282	F 7	1582616	F10	1584015	N 2
1580399	Z 9	1581284	F 7	1582622	F10	1584048	N 2
1580402	Z 9	1581286	F 7	1582623	E17	1584077	E17
1580404	Z 3	1581334	V 5	1582635	E17	1584086	Z 4
1580405	Z 2	1581536	E23	1582672	B11	1584140	Z 4
1580406	Z 2	1581545	E23	1582686	Z 3	1584174	E 9
	Z 3	1581559	Z 7	1582732	E 9	1584229	E 3
1580412	Z 9	1581632	S 7	1582764	B11		E 5

WHEN ORDERING PARTS, ALWAYS STATE MODEL AND SERIAL NO. OF MACHINE

CLARK EQUIPMENT COMPANY

1584231

THRU

NUMERICAL INDEX

217399

PART NUMBER	PAGE	PART NUMBER	PAGE	PART NUMBER	PAGE	PART NUMBER	PAGE
1584231	E 5	1584923	S 7	1671132	P 5	217137	T 8
1584232	E 5	1584925	P11	1671133	P 5	217138	T 8
1584233	E 5	1584928	E17	1671474	E 7	217141	T 8
1584234	E 5	1584936	E17	1736910	L 4		T11
1584235	E 5	1584939	S 7		Z 3		T19
1584236	E 5	1584942	S 7		Z 7	217152	T11
1584237	E 5	1584943	S 7	1752627	P 5		T14
1584238	E 5	1584945	H21	1782699	E 7		T18
1584239	E 5	1584965	S 7	187986	A 5		T19
1584240	E 5	1584966	H21	1990616	P 2	217155	T11
1584241	E 5	1584969	L 4	200216	H 7		T14
1584242	E 5	1584970	L 4	201262	C 7		T18
1584243	E 5	1584974	L 4		T13		T19
1584244	E 5	1584984	Z 4	201398	C 7	217156	T 9
1584245	E 5	1584985	Z 4	201401	V 7		T12
1584246	E 5	1584986	Z 4	201566	V 7		T15
1584247	E 5	1584987	Z 4	202459	C 7		T16
	E 7	1585078	E 9	202882	H23	217158	T11
1584249	E 3	1585088	E23		T 3		T18
	E 5	1585095	E 9	203253	C 9	217161	T14
1584251	E 7	1585097	E 9	204347	C 7		T17
1584252	E 7	1585103	E 9	205928	T 3		T18
1584254	E 3	1585104	E 9		T15		T19
1584256	E 5	1585124	F 9	207873	C 9	217164	T11
1584265	E 5	1585125	C14	208261	C 7		T14
	E 7	1585126	C13	209673	C 7		T17
1584274	E 3	1585272	N 2	209791	C 7		T18
	E 5	1585281	N 2	2105447	E 9		T19
1584275	E 7	1585295	A 5	2105940	A 5	217165	T11
1584310	Z 2	1585298	H19	2106027	A 3		T14
1584320	Z 3	1585299	H19	214295	C 9		T18
1584403	Z 4	1585300	H19		T 3	217280	T17
1584404	Z 4	1585302	H13	214337	T10	217334	T 8
1584406	Z 4	1585303	H15	214668	V 3		T11
1584407	Z 4	1585304	H15	215164	H23		T14
1584424	E21	1585368	Z 2		T 3		T17
1584426	E21	1585369	Z 2	215183	T 3		T18
1584429	E21	1585370	Z 2	215502	E22		T19
1584535	Z 4	1585371	Z 2	215909	P 5	217341	T 9
1584620	E10	1585403	P12	216095	C 9		T16
1584629	E 9	1585431	H15	216355	C 9	217343	T13
1584632	E 9	1585441	B11	216615	C 9	217358	T13
1584658	E15	1585461	E17	217099	T11	217359	T 9
1584662	Z 4	1585631	H19		T14	217361	T11
1584727	E 9	1585712	C13		T17		T14
1584784	E 9	1585714	C14		T18		T17
1584786	E 9	1585728	S 7		T19		T18
1584855	S 3	1586421	H19	217128	T 9		T19
1584891	P 9	1586519	P13		T16	217386	T12
1584905	H17	1586552	V18	217130	T 8	217388	T17
1584907	H15	1586553	H19	217133	T 8	217398	T10
1584920	S 7	1586555	H19	217136	T 8	217399	T12

WHEN ORDERING PARTS, ALWAYS STATE MODEL AND SERIAL NO. OF MACHINE

CLARK EQUIPMENT COMPANY

227076

THRU

NUMERICAL INDEX

531684

PART NUMBER	PAGE	PART NUMBER	PAGE	PART NUMBER	PAGE	PART NUMBER	PAGE
227076	V 3	230097	V 7	233388	H23	356626	H23
227087	V 3	230098	V 7		T 3	3575212	S 9
227265	C 7	230099	V 7	233395	H23	3575883	E 7
	H23	230100	T 7		T 3	3576059	E22
227292	V 3	230101	T 7	233406	T12	3576061	E22
227418	T 7	230102	T 7	233714	T 8	362653	H17
227422	T 7	230103	T 7	233715	C 7	3677674	E19
227423	T 7	230104	T 7	233824	T12	3678221	E22
227495	T11	230105	T 7	233947	T 9	3679926	V11
	T14	230106	T 7		T16	3739636	E19
	T17	230107	V 7	233948	T 9	3984431	E19
	T18	230111	V 7		T16	4148124	A 9
	T19	230113	V 7	233949	T12	4148127	A 9
227550	T 7	230114	V 7	234777	H21	4149450	E15
227555	T 7	230130	T20	235009	V 7	4149486	P10
227556	T 7	230236	T20	235050	C 9		V15
227557	T 7	230338	H23	235320	T10	4149707	E15
227558	T 7		T 3	235322	T10	4149759	V13
227560	T 7	2305159	V17	235323	T10	4149822	E15
227561	T 7	230520	T 7	235324	T16	4149823	P 7
227562	T 7	230591	V 7	235325	T10	4149825	E15
227563	T 7	230594	C 9	235590	V 7	4149826	E15
227564	T 7	230606	T 3	235593	C 9	425413	B11
228094	T 7	230610	T 3	235961	C 9	4480142	N 2
228095	T 7	230613	T 3	236395	E 7	507688	T10
228096	T 7	230697	V 7	236781	T 8	507815	B11
228499	V 3	230751	T11	236986	C 9	509445	W 2
228500	V 3		T14	236987	C 9	510452	B11
228987	C 9		T18	237154	T 3	513117	W 2
229325	T 3		T19	237167	C 9	516775	Z 3
229997	T 3	230777	H23	237231	C 9	516784	W 2
229998	T 3	231134	T 7	2502552	E 7	5201883	V13
229999	T20	231515	V 7	2503216	E 3	5209581	P 9
230000	T20	231592	C 7	2511546	N 2	5209680	Z 7
230001	T20	232166	C 9		S 7	522028	Z12
230004	T14	232167	C 9	2513351	N 2	522469	H21
	T19	232285	T 8	2513628	N 2	523252	W 2
230005	T20	232394	T11	2513630	N 2	523253	W 2
230006	T11		T14	2516995	N 2	525293	T 3
230007	T11		T17	2520346	E23	527684	B 3
230008	T11		T18	2524590	E 7		B11
230056	T20		T19	2526426	H21	5290493	F 5
230067	T20	232731	T 7	284711	T 3	5290879	E15
230076	T 3	232779	T 8	285468	C 7		V15
230084	V 7	232976	H23	302602	C 9	5290880	V13
230086	V 7	233112	V 7	305307	V13	5290910	P 9
230088	V 7	233124	T14	3215964	B11	529310	W 2
230089	V 7		T17	329659	Z 4	5293771	P 9
230091	V 7		T18	3551213	S 9	529792	H 3
230092	V 7	233249	P 4	356612	B 9	5307245	N 2
230093	V 7	233386	T 3	356618	H23	531684	E 9
230096	V 7	233387	T 3	356621	H23		H13

WHEN ORDERING PARTS, ALWAYS STATE MODEL AND SERIAL NO. OF MACHINE

CLARK EQUIPMENT COMPANY

531684
THRU
664140

NUMERICAL INDEX

PART NUMBER	PAGE	PART NUMBER	PAGE	PART NUMBER	PAGE	PART NUMBER	PAGE
531684	H13	594355	H21	6518468	P 7	6518657	P10
536513	H23	600259	E 3	6518469	P 7	6518658	V13
539981	H23	604037	Z 4	6518470	E15	6518659	V13
540888	B11	616786	C 9		P 7	6518661	V13
546803	H21	616792	P 4	6518471	E15	6518723	V13
547007	H21	616800	E 9		P 7	6518725	V13
548088	S 7		F 9	6518472	P 7	6518726	V13
	Z 2	626582	B11	6518473	P 7	6518727	V15
550358	H19	626718	S 7		V13	6518728	V15
551015	E23	632336	E 5	6518474	P 7	6518729	V13
551090	E23	633157	V 3	6518477	P 7	6518764	P 7
551244	S 7	633332	H21	6518478	P 7	6519023	V13
551251	E 7	635682	S 7	6518479	P 7	6519756	E15
551684	W 2	648334	A11		P10	6519757	E15
551685	W 2	6512532	H 5		V11	6519760	E15
552161	C 9	6514514	P10	6518481	P 7	6519762	E15
	P 4	6518414	E15		P10	6519766	P 7
552369	F 7		V15	6518483	E15	652402	S 7
553956	W 2	6518416	V15	6518485	E15	652606	Z 4
554843	H 7	6518417	E15	6518486	E15	654154	E 9
559173	H21		V15	6518489	E15	654722	F 7
559192	H21	6518418	P 7	6518491	E15	654724	T 7
559194	H21	6518420	P 7	6518492	E15	655067	Z 4
5618728	V15	6518421	P 7	6518494	E15	658019	A11
562698	Z 3	6518423	E15	6518497	E15	658987	E 9
562741	F 7		P 7	6518498	E15	659041	T 7
566092	H21	6518425	P 7	6518500	E15		V 5
569070	R 2	6518427	P 7	6518501	P 7	659065	T 3
569694	C 3	6518428	P 7	6518502	P 7		V 7
	Z 3	6518430	P 7	6518509	P 7	659624	B 3
570988	E 9	6518438	E15	6518510	E15		B11
572876	F 9		P 7		P 7	659764	T 9
573071	H 4	6518440	P 7	6518515	E15		T12
580274	W 2	6518441	P 7	6518516	E15		T15
580278	W 2	6518443	P 7	6518517	E15		T16
580479	W 2	6518444	P 7	6518525	P 7		T20
582702	E 7	6518445	P 7	6518528	P 7	659924	B11
584501	R 2	6518448	P 7	6518531	P 7	660178	V10
584502	R 2	6518452	V15	6518534	E15	660181	E 9
584891	E 7	6518453	P 7	6518638	V13	660516	T 9
586853	H23	6518454	P 7	6518641	V13		T16
588399	H21	6518455	P 7	6518642	P10	660821	V 7
590828	F 7	6518456	P 7		V15	661428	H21
593026	B 8	6518459	P 7	6518644	V13	662770	V 7
593027	B 5	6518460	E15	6518645	V13	662999	H19
593028	B 5		P 7	6518646	V13	663834	C 9
593227	E 7	6518461	P 7	6518647	V13	664116	T11
593388	B11	6518462	E15	6518650	P10		T14
593449	B11		P 7		V15		T18
593465	H21	6518464	P 7	6518653	V13		T19
593481	B11	6518465	P 7	6518654	V13	664140	P 4
593650	B11	6518466	P 7	6518655	V13		T 7

WHEN ORDERING PARTS, ALWAYS STATE MODEL AND SERIAL NO. OF MACHINE

CLARK EQUIPMENT COMPANY

664140
THRU
949376

NUMERICAL INDEX

PART NUMBER	PAGE	PART NUMBER	PAGE	PART NUMBER	PAGE	PART NUMBER	PAGE
664140	T 7	774197	A 9	940259	P 3	947926	B 6
666587	T 7	774198	A 9	941238	B 8		B 7
666848	H21	774199	A 9	942405	B 4	947928	B 6
667279	A11	774433	T 3	942646	B11		B 7
669499	Z 4	786207	E23	942735	P 2	947931	B 6
672464	Z 4	791018	T 8	942749	P 2		B 7
672907	A 5	791085	E 9	943957	F10	947932	B 6
675024	P11	791454	S 9	944467	V16		B 7
	P12	799087	S10	944469	V16	947933	B 6
675543	C 7	799119	S 5	944471	V16		B 7
690279	H17	799759	S 5	944640	H 4	947934	B 6
710034	A 9	801851	E22	944643	V16		B 7
710035	A 9		H21	944645	V16	947935	B 6
710777	P 7	815377	A 9	944646	V16		B 7
710790	C 7	815971	T 7	944688	P 2	948267	P 9
710791	C 7	840535	B 6	944744	H 3	948983	E22
	T10		B 7	944745	H 3		H 5
711087	H23	850786	A 7	944746	H 3	949061	S 9
711153	A 7		B 3	944872	S 7	949064	S 9
711154	A 7	852333	S 9	944981	S 3	949065	S 9
711161	C 9	852354	V 9	944982	S 3	949077	V 5
	T10	857933	B 9	945019	E19	949079	V 5
711257	A 7	862648	B 8	945021	E19	949081	V 5
	B 3	862652	B 8	945029	B 9	949082	V 5
	B11	862653	B 8	945034	B 9	949083	V 5
711406	F 3	862655	B 8	945035	B 9	949084	V 5
713959	H23	862656	B 8	945036	B 9	949085	V 5
730135	E24	862738	B 8	945037	B 9	949086	V 5
730335	V 5	863364	R 2	945038	B 9	949088	V 5
730396	V16	868744	P12	945040	B 9	949089	V 5
730503	T10	872712	B 4	945041	B 9	949090	V 5
730618	S 5	873039	B11	945042	B 9	949091	V 5
731235	H15	873414	S 9	945043	B 9	949092	V 5
731283	C 7	875012	B11	945044	B 9	949093	V 5
731284	E 9	883734	V16	945047	B 4	949140	V 9
731627	T11	884415	Z 3	945051	B 4	949141	V 9
	T14	886719	B 4	945798	S 5	949143	Z12
	T18	887590	P 4	945804	S 5	949144	Z12
731714	V 7	890373	Z12	946187	P 2	949173	E10
731964	T 7	890374	Z12	946401	P 9	949174	E10
737143	H19	890375	Z12	946632	P 9	949175	E10
742243	T13	892287	B 9	946635	P 9	949176	E10
742864	V17	896152	H 5	946936	B 8	949180	Z12
743035	T20	896153	H 5	946937	B 8	949181	Z12
743314	T 7	899039	V16	946938	B 8	949182	Z12
743459	V 7	899605	P 3	946939	B 8	949183	Z12
743667	T19	9007201	P10	946940	B 8	949184	Z12
743670	T17	916300	P11	947084	S 5	949308	Z12
743816	C13	940250	P 2	947166	S 5	949325	H 3
	C14	940251	P 2	947740	B 9	949370	B 8
743823	H23	940256	P 3	947746	V 5	949375	S 9
774024	A 3	940257	P 3	947752	V 5	949376	S 9

WHEN ORDERING PARTS, ALWAYS STATE MODEL AND SERIAL NO. OF MACHINE

CLARK EQUIPMENT COMPANY

949377
THRU
996330

NUMERICAL INDEX

PART NUMBER	PAGE	PART NUMBER	PAGE	PART NUMBER	PAGE	PART NUMBER	PAGE
949377	S 9	961386	V11	990541	S 9		
949543	E22	961387	V11	990543	S 9		
	H 4	961388	V11	992892	Z12		
949743	E 3	961389	V11	992896	Z12		
954323	C13	961403	V11	993642	V17		
954597	S 9	961404	V11	995493	V15		
955249	E 3	961405	V11	996330	S 9		
955321	B 9	961441	V15				
955323	B 9	961442	V15				
955326	B 9	961443	V13				
960082	P 7	961444	V13				
960111	P 3	961445	P10				
960134	S 5	961451	V15				
960136	S 5	961459	P 7				
960138	S 5		P10				
960203	H 4	961901	B 6				
960204	H 4		B 7				
960205	H 4	962151	P11				
960206	H 4		P12				
960207	H 4	962153	P11				
960695	P 3	962154	P11				
960700	P 3	962198	P11				
960837	B 6	962269	P 9				
	B 7	962270	P 9				
960998	V 9	962314	S 9				
961087	P11	962318	S 5				
961090	P12	962551	E15				
961139	Z 7	962552	E15				
961140	Z12	962553	E15				
961246	Z 7	962554	E15				
961247	Z 7	962555	E15				
961248	Z 7	962561	P12				
961249	Z 7	962562	P12				
961250	Z 7	962563	P12				
961299	P11	962564	P12				
961300	P11	962565	P12				
	P12	962566	P12				
961301	P12	962568	P12				
961302	P12	962569	P12				
961313	P11	962570	P12				
961329	Z 7	962571	P12				
961330	Z 7	962646	Z 7				
961331	Z 7	963276	V 5				
961345	V13	963277	V 5				
961346	V11	963315	V18				
961348	P 7	963316	V18				
961349	P 7	963430	P13				
961350	P 7	990202	V 9				
961351	P 7	990534	S 9				
961371	E15	990538	S 9				
961372	E15	990539	S 9				
961385	V11	990540	S 9				

WHEN ORDERING PARTS, ALWAYS STATE MODEL AND SERIAL NO. OF MACHINE

