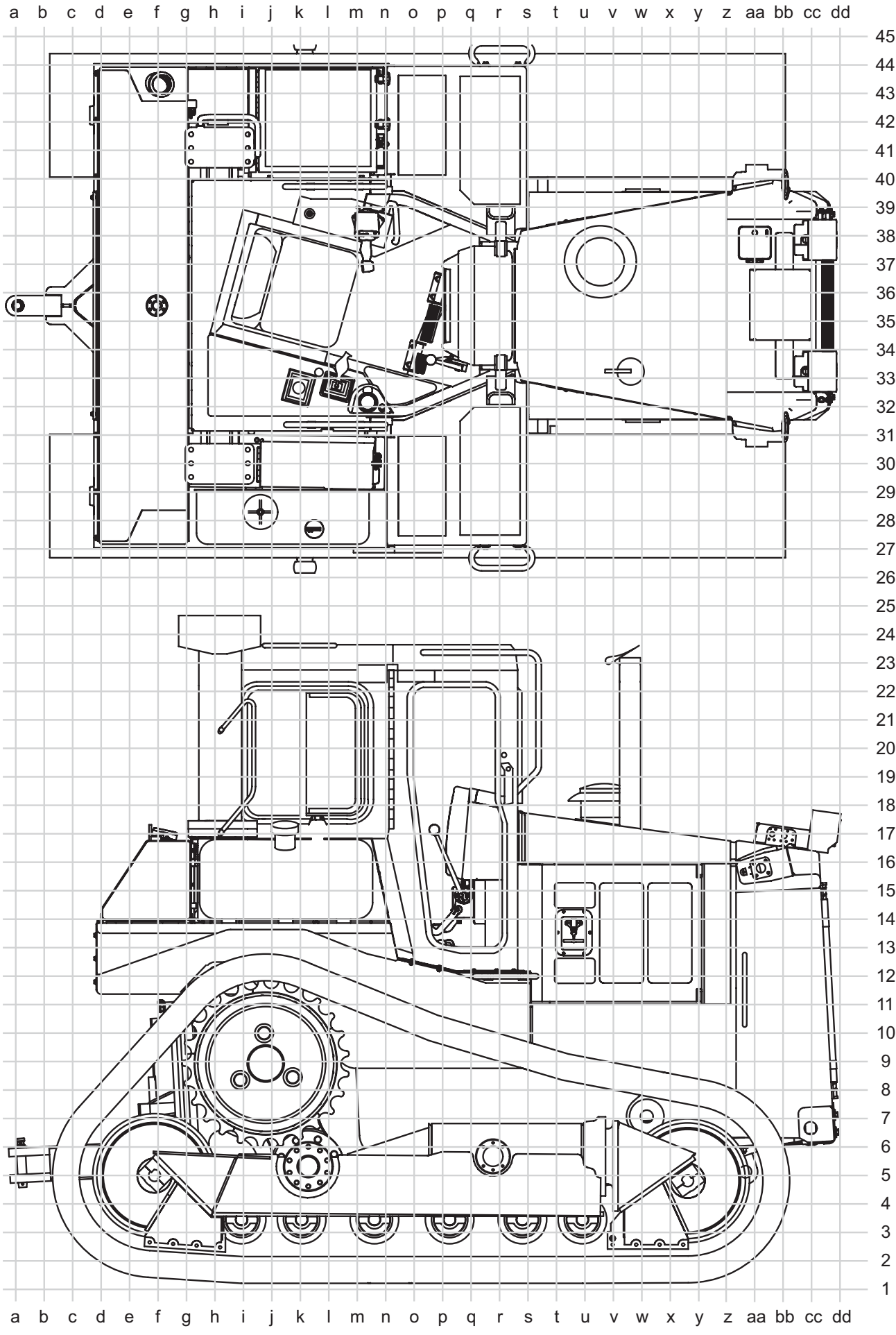


Component Identifiers (CID) Module Identifier (MID) System Component Identifier (CID) Caterpillar Monitoring System MID No. 030 Component

Wire Description Wire Number Color Description Wire Number Color Description Wire Number Color Description Wire Number Color Description



Vol. 1 Connector Location Connector Number Schematic Location Side View Coordinate Top View Coordinate

Vol. 1 Component Location Component Schematic Location Side View Coordinate Top View Coordinate

Event Codes For ADEM III ECM Event Code Condition

Schematic

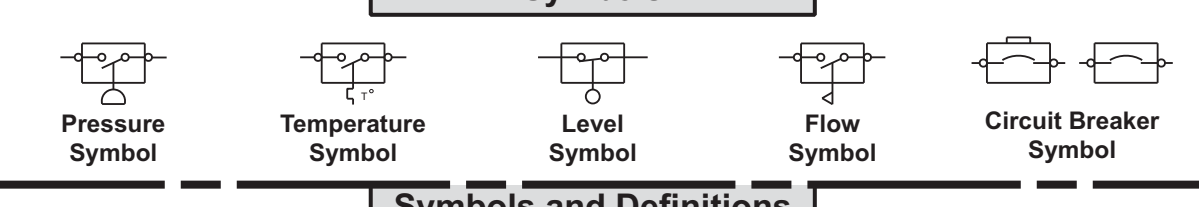
D6R III Track-Type Tractor with AccuGrade Electrical System

- GJB1-UP JEK1-UP
- WCB1-UP EXL1-UP
- HCD1-UP JDL1-UP
- RFC1-UP DLM1-UP
- TBC1-UP LFM1-UP
- HCD1-UP LGM1-UP
- HKE1-UP DPS1-UP
- MTG1-UP GMT1-UP
- WRJ1-UP MRT1-UP
- DMK1-UP EXW1-UP

Volume 1 of 3: Chassis Diagram

© 2011 Caterpillar. All Rights Reserved. Printed in U.S.A.

Harness And Wire Electrical Schematic Symbols



Symbols and Definitions

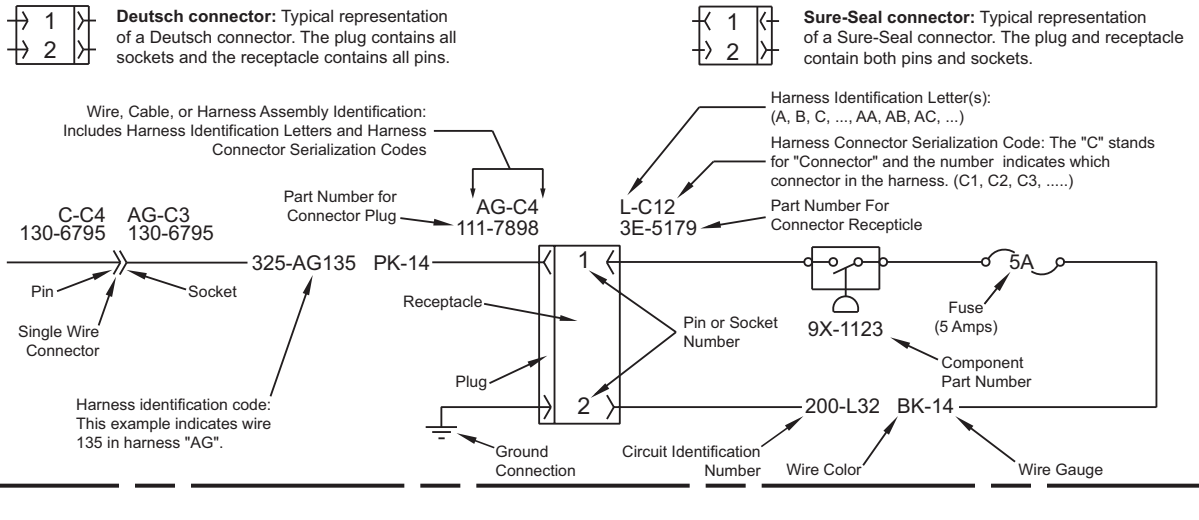
- Fuse: A component in an electrical circuit that will open the circuit if too much current flows through it.
- Switch (Normally Open): A switch that will close at a specified point (temp, press, etc.).
- Switch (Normally Closed): A switch that will open at a specified point (temp, press, etc.).
- Ground (Wired): This indicates that the component is connected to a grounded wire.
- Ground (Weld): This indicates that the component does not have a wire connected to ground.
- Relay (Magnetic Switch): A relay is an electrical component that is actuated by electricity.
- Solenoid: A solenoid is an electrical component that is actuated by electricity.
- Magnetic Lock Switch: A magnetic lock solenoid is an electrical component that is actuated by electricity.

Resistor, Sender and Solenoid Specifications Part No. Component Description Resistance (Ohms)

Related Electrical Service Manuals Title Form Number

Off Machine Switch Specification Part No. Function Actuate Deactuate Contact Position

Harness and Wire Symbols

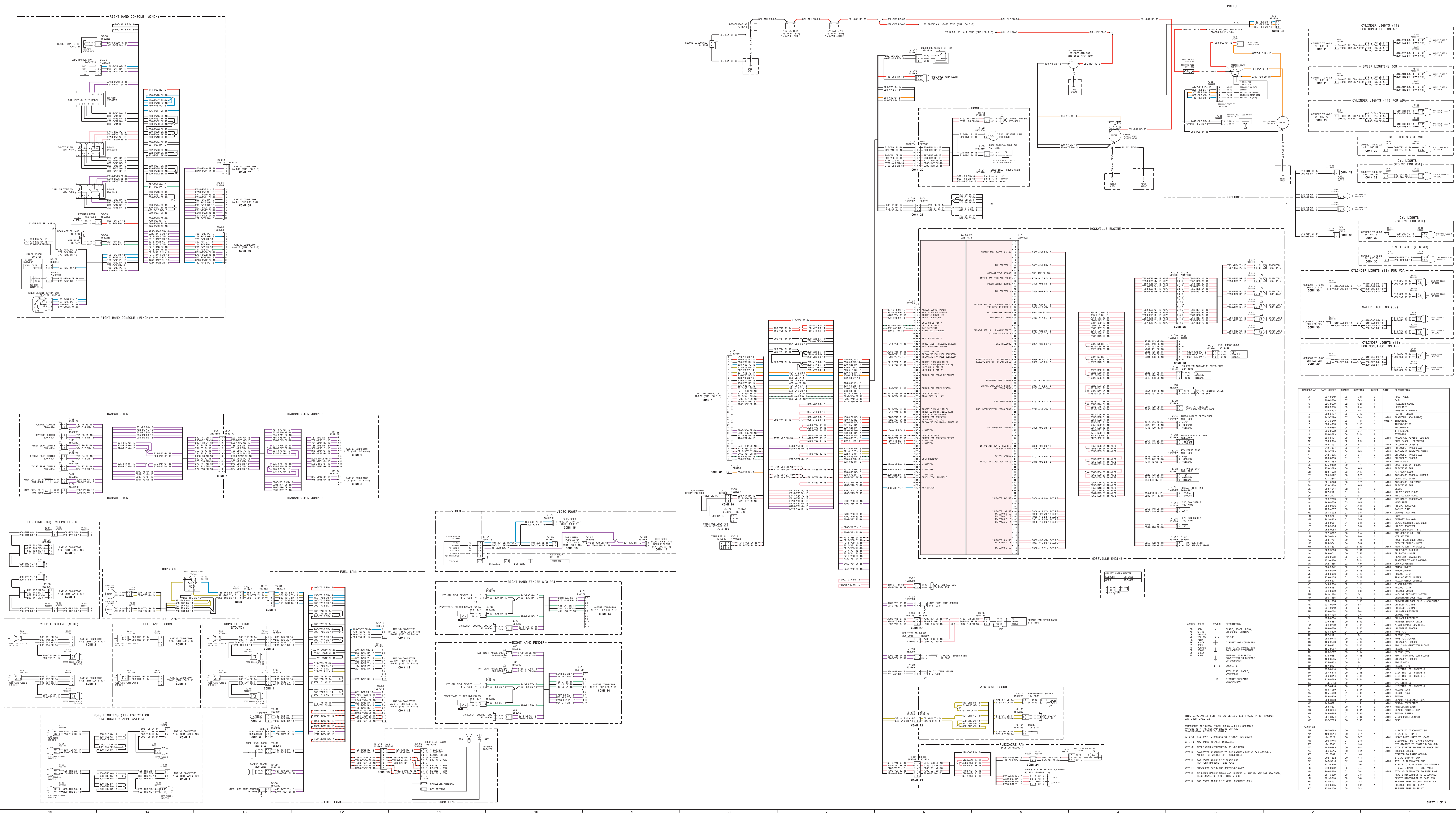


* The MID is a diagnostic code that indicates which component is faulty.

* The CID is a diagnostic code that indicates which component is faulty.

With increasing pressure the closed condition can be maintained up to 170 psi (200 kPa).

* Contact position at the contacts of the harness connector.



WIRE GROUP	DESCRIPTION
RED	WIRE GROUP THAT HAVE SYSTEM VOLTAGE WHEN THE KEY SWITCH IS OFF
BROWN	WIRE GROUP THAT HAVE SYSTEM VOLTAGE WHEN THE KEY SWITCH IS ON
BLACK	STARTING CIRCUT
YELLOW	STARTING AND CIRCUT
GREEN	GROUND CIRCUT
BLUE	IGNITION AND CIRCUT
PINK	IGNITION CONTROL CIRCUT
WHITE	IGNITION CONTROL CIRCUT
ORANGE	IGNITION AND AIR CONDITIONING CIRCUT
PURPLE	IGNITION AND AIR CONDITIONING CIRCUT
SLURRY	IGNITION AND AIR CONDITIONING CIRCUT

Diagnostic Codes For The Accugrade Laser System

Table with columns: Diagnostic Code, Description. Lists codes for Display Fault Messages, Electrical System, and Laser Receiver Fault Messages.

Component Identifiers (CID) Module Identifier (MID) Accugrade Laser System Implement ECM (MID No. 114)

Table with columns: CID, Component. Lists various electronic control modules and their identifiers.

Wire Description table with columns: Wire Number, Wire Color, Power Circuits, Description, Wire Number, Wire Color, Control Circuits, Description. Lists wiring for various components like sensors, relays, and actuators.

Vol. 3 Component Location table with columns: Component, Schematic Location, Side View Coordinates, Top View Coordinates. Lists locations for components like relays, sensors, and actuators.

Failure Mode Identifiers (FMI) table with columns: FMI No., Failure Description. Lists failure modes for various components.

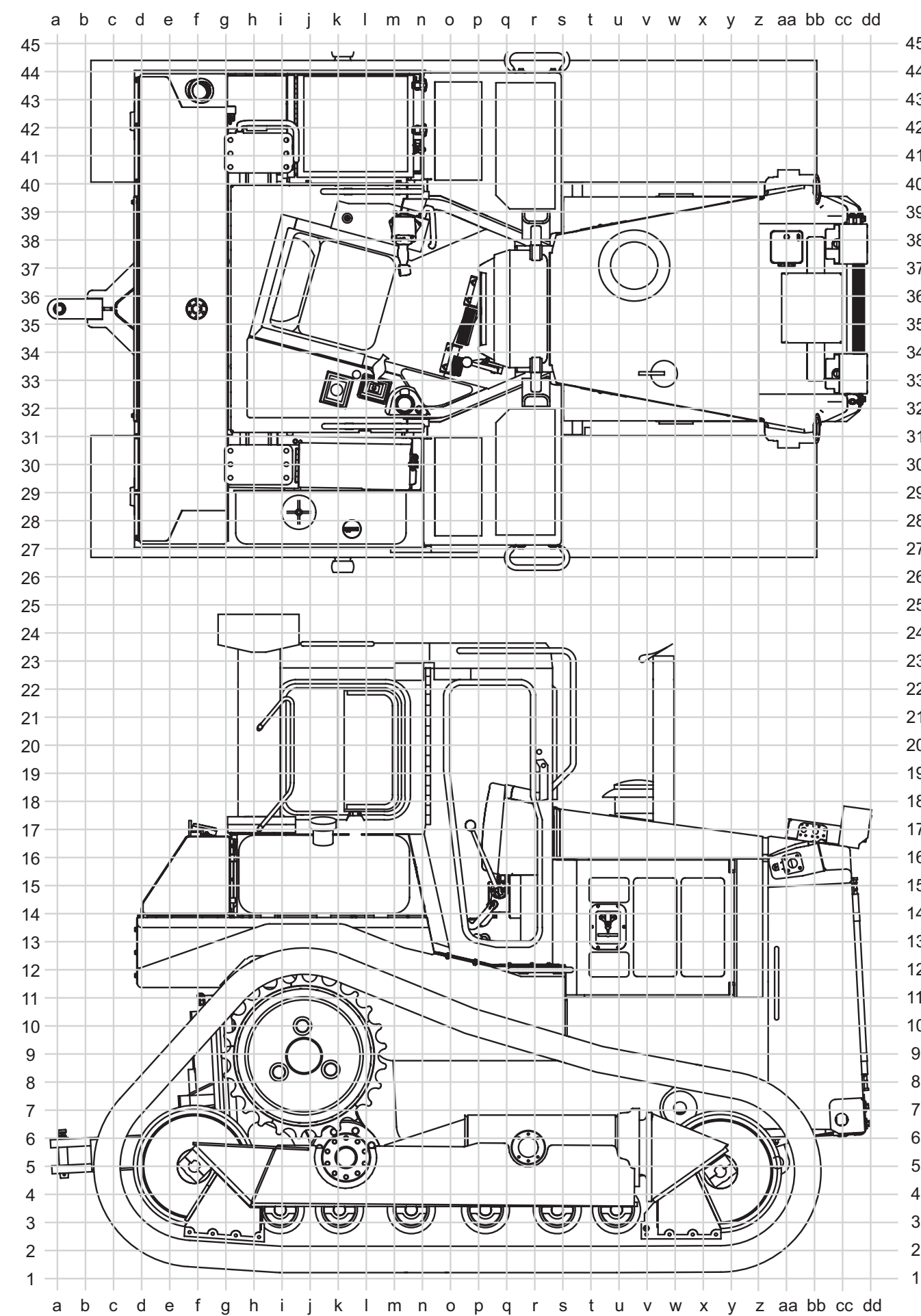
Related Electrical Service Manuals table with columns: Title, Form Number. Lists related service manuals.

Schematic D6R III Track-Type Tractor with AccuGrade Electrical System

- GJB1-UP, WCB1-UP, RFC1-UP, TBC1-UP, HCD1-UP, HKE1-UP, WRT1-UP, MTJ1-UP, DMK1-UP, JEK1-UP, EXL1-UP, JDL1-UP, DLM1-UP, LFM1-UP, LCP1-UP, DPS1-UP, GMT1-UP, MRT1-UP, EXW1-UP

Volume 3 of 3: Accugrade System

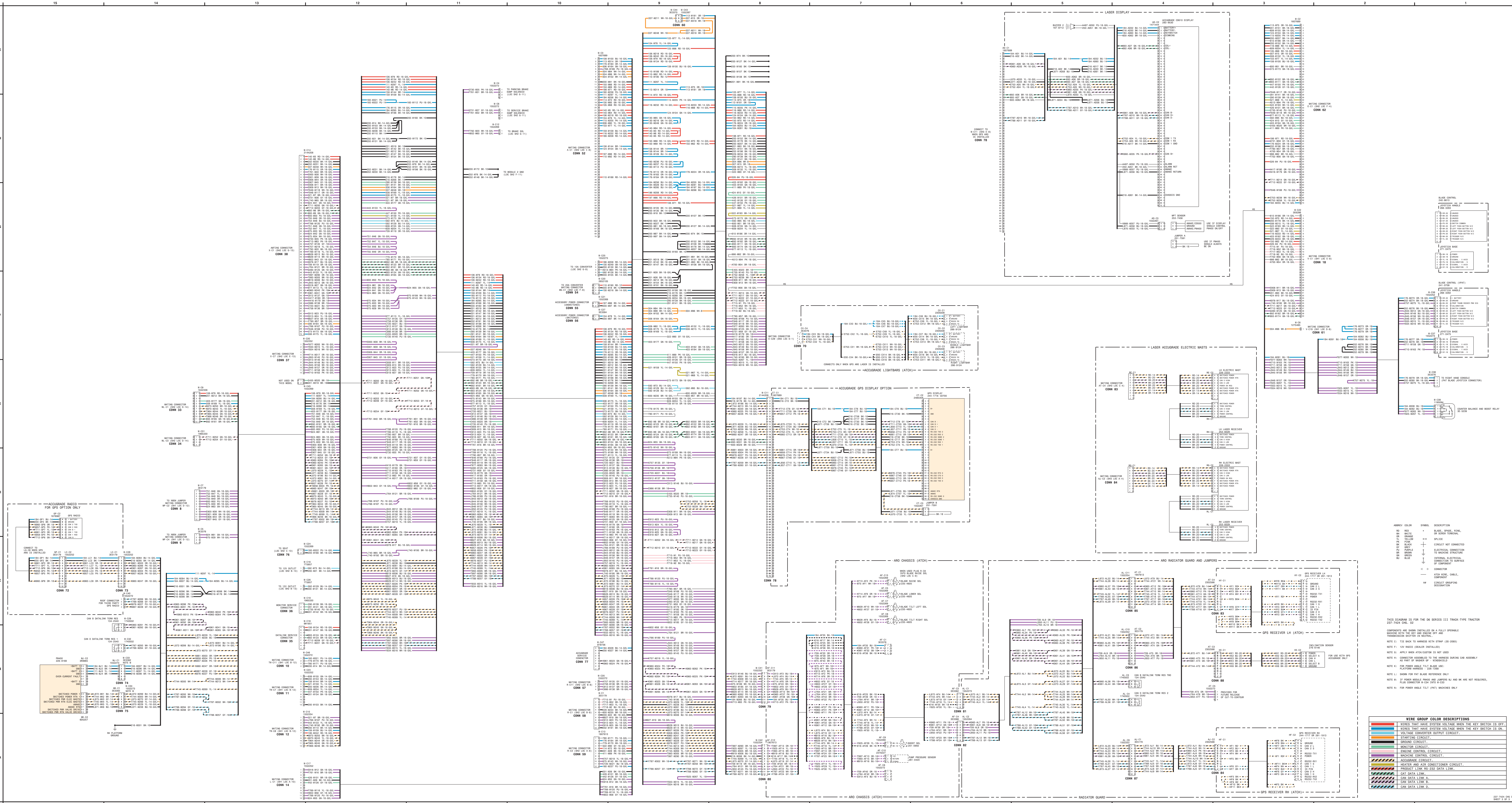
© 2011 Caterpillar. All Rights Reserved. Printed in U.S.A.



Vol. 3 Connector Location table with columns: Connector Number, Schematic Location, Side View Coordinates, Top View Coordinates. Lists connector locations for various components.

Resistor, Solenoid and Solenoid Specifications table with columns: Part No., Component Description, Resistance (Ohms). Lists specifications for various electrical components.

Harness and Wire Electrical Schematic Symbols section containing symbols for Pressure, Temperature, Level, Flow, Circuit Breaker, and detailed definitions for Fuse, Switch, Ground, Relay, Solenoid, and Magnetically Latched Solenoid.



WIRE GROUP COLUMN DESCRIPTIONS

(Blue)	WIRING GROUP
(Red)	SERIES WIRE
(Green)	GROUND CIRCUIT
(Yellow)	SERIES CONTROL
(Orange)	AGGREGATE CIRCUIT
(Purple)	POWER CONTROL
(Pink)	AGGREGATE LINE
(Light Blue)	AGGREGATE LINE
(Light Green)	SERIES LINE
(Light Yellow)	SERIES LINE
(Light Orange)	SERIES LINE
(Light Purple)	SERIES LINE

WIRE GROUP SYMBOL DESCRIPTIONS

(Blue)	WIRING GROUP
(Red)	SERIES WIRE
(Green)	GROUND CIRCUIT
(Yellow)	SERIES CONTROL
(Orange)	AGGREGATE CIRCUIT
(Purple)	POWER CONTROL
(Pink)	AGGREGATE LINE
(Light Blue)	AGGREGATE LINE
(Light Green)	SERIES LINE
(Light Yellow)	SERIES LINE
(Light Orange)	SERIES LINE
(Light Purple)	SERIES LINE

THIS DRAWING IS FOR THE M939 SERIES 113 TRACK-TYPE TRACTOR
OPERATORS ARE SHOWN IN RED
AGGREGATE WIRING IS SHOWN IN BLUE
WIRING GROUP SYMBOL DESCRIPTIONS

NOTE 1: THE WIRING GROUP SYMBOLS SHOWN IN RED ARE THE SAME AS SHOWN IN THE DRAWING.
NOTE 2: THE WIRING GROUP SYMBOLS SHOWN IN BLUE ARE THE SAME AS SHOWN IN THE DRAWING.
NOTE 3: THE WIRING GROUP SYMBOLS SHOWN IN GREEN ARE THE SAME AS SHOWN IN THE DRAWING.
NOTE 4: THE WIRING GROUP SYMBOLS SHOWN IN YELLOW ARE THE SAME AS SHOWN IN THE DRAWING.
NOTE 5: THE WIRING GROUP SYMBOLS SHOWN IN ORANGE ARE THE SAME AS SHOWN IN THE DRAWING.
NOTE 6: THE WIRING GROUP SYMBOLS SHOWN IN PURPLE ARE THE SAME AS SHOWN IN THE DRAWING.
NOTE 7: THE WIRING GROUP SYMBOLS SHOWN IN PINK ARE THE SAME AS SHOWN IN THE DRAWING.
NOTE 8: THE WIRING GROUP SYMBOLS SHOWN IN LIGHT BLUE ARE THE SAME AS SHOWN IN THE DRAWING.
NOTE 9: THE WIRING GROUP SYMBOLS SHOWN IN LIGHT GREEN ARE THE SAME AS SHOWN IN THE DRAWING.
NOTE 10: THE WIRING GROUP SYMBOLS SHOWN IN LIGHT YELLOW ARE THE SAME AS SHOWN IN THE DRAWING.
NOTE 11: THE WIRING GROUP SYMBOLS SHOWN IN LIGHT ORANGE ARE THE SAME AS SHOWN IN THE DRAWING.
NOTE 12: THE WIRING GROUP SYMBOLS SHOWN IN LIGHT PURPLE ARE THE SAME AS SHOWN IN THE DRAWING.