

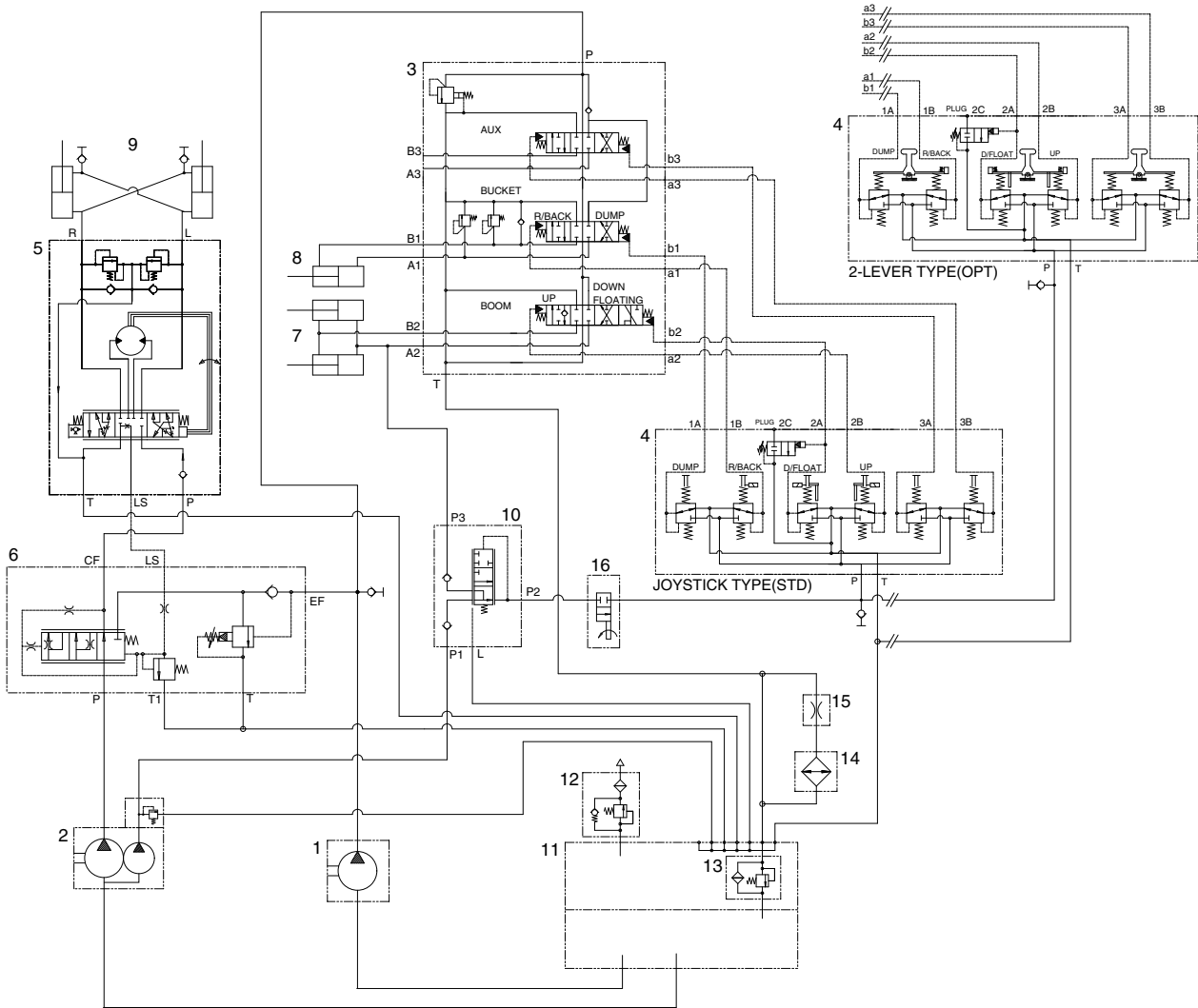
SECTION 5 WORK EQUIPMENT

Group 1 Hydraulic circuit	5-1
Group 2 Structure and function	5-2
Group 3 Operational Checks and Troubleshooting	5-15
Group 4 Test and Adjustments	5-25

SECTION 5 WORK EQUIPMENT

GROUP 1 HYDRAULIC CIRCUIT

1. HYDRAULIC CIRCUIT



- | | | | | | |
|---|-------------------------|----|-----------------------|----|-----------------|
| 1 | Main pump | 7 | Boom cylinder | 13 | Return filter |
| 2 | Steering and pilot pump | 8 | Bucket cylinder | 14 | Oil cooler |
| 3 | Main control valve | 9 | Steering cylinder | 15 | Orifice fitting |
| 4 | Remote control valve | 10 | Pressure select valve | 16 | Safety valve |
| 5 | Steering unit | 11 | Hydraulic tank | | |
| 6 | Steering valve | 12 | Air breather | | |