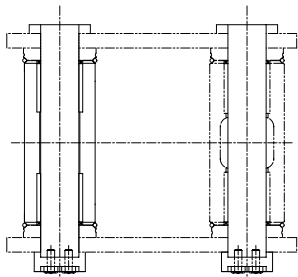
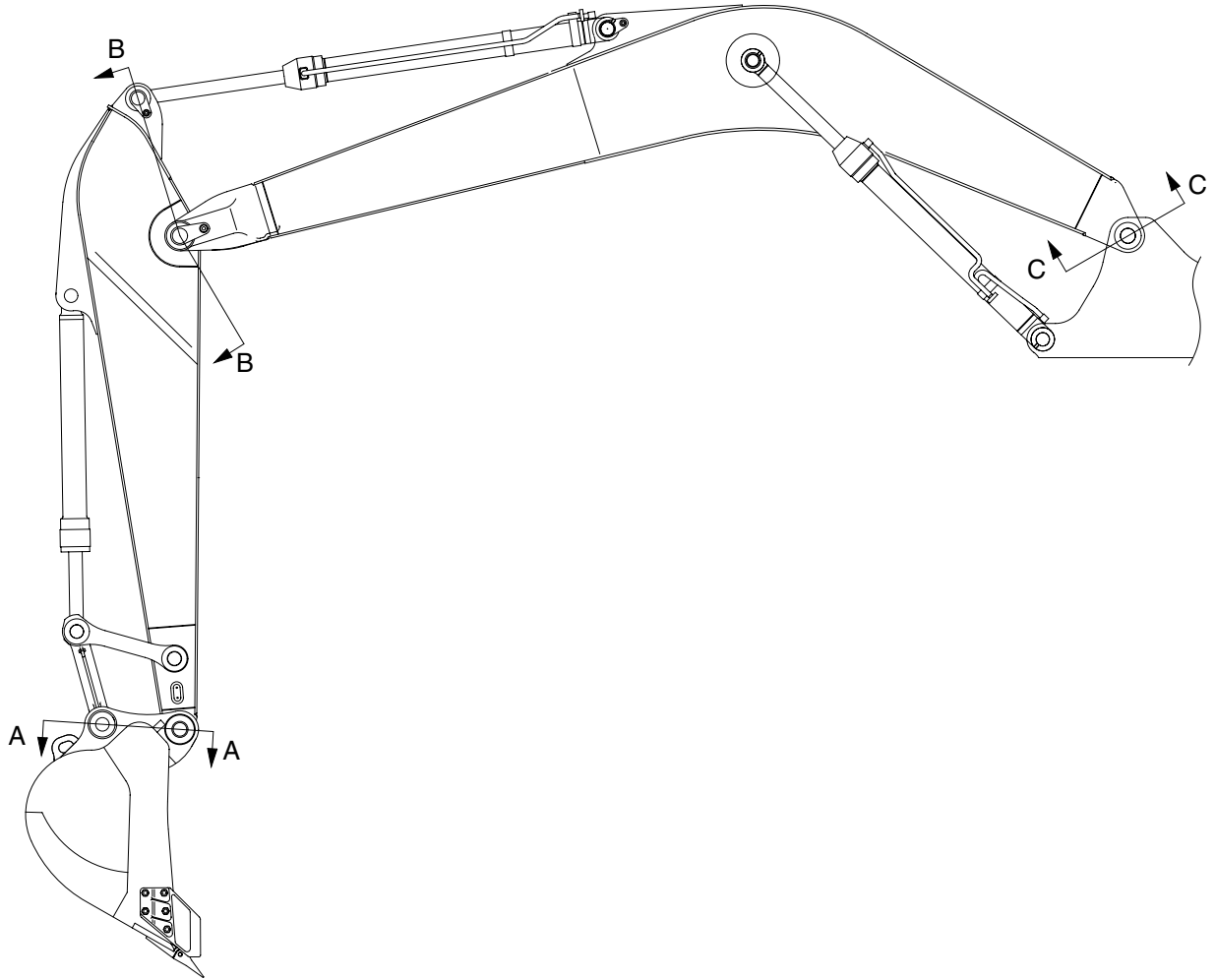
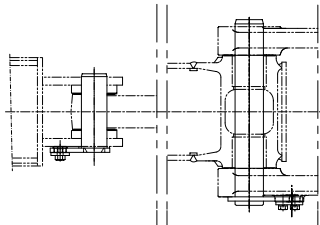


GROUP 11 WORK EQUIPMENT

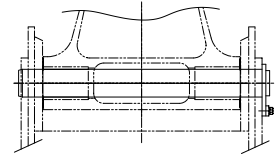
1. STRUCTURE



SECTION A



SECTION B



SECTION C

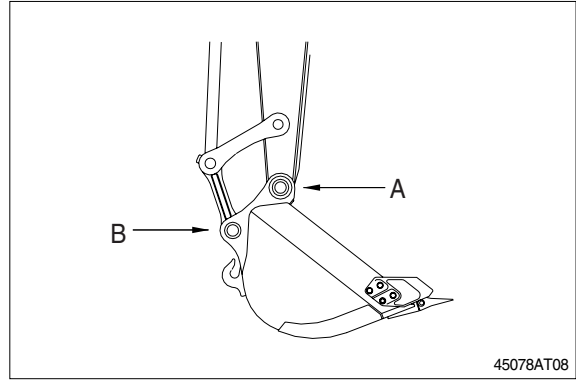
8007A8WE01

2. REMOVAL AND INSTALL

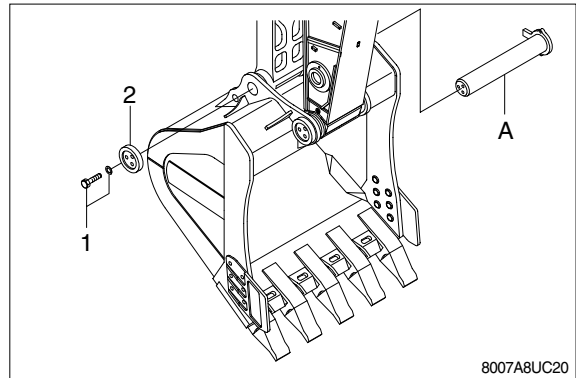
1) BUCKET ASSEMBLY

(1) Removal

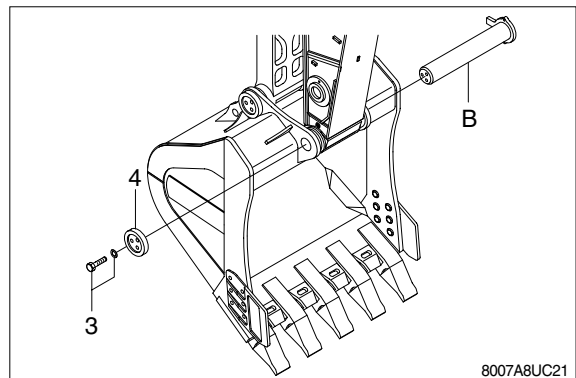
- ① Lower the work equipment completely to ground with back of bucket facing down.



- ② Remove bolt(1), stopper(2) and draw out the pin(A).

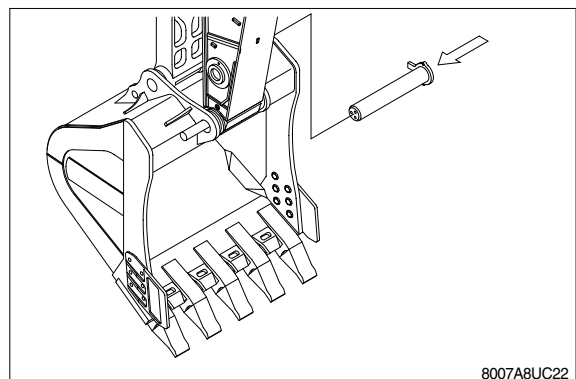


- ③ Remove bolt(3), stopper(4) and draw out the pin(B).



(2) Install

- ① Carry out installation in the reverse order to removal.
- ▲ When aligning the mounting position of the pin, do not insert your fingers in the pin hole.
 - ※ Adjust the bucket clearance.
For detail, see **operation manual**.



2) ARM ASSEMBLY

(1) Removal

- ※ Loosen the breather slowly to release the pressure inside the hydraulic tank.

▲ Escaping fluid under pressure can penetrate the skin causing serious injury.

- ① Remove bucket assembly.
For details, see **removal of bucket assembly**.

- ② Disconnect bucket cylinder hose(1).

▲ Fit blind plugs in the piping at the chassis end securely to prevent oil from spurting out when the engine is started.

- ③ Sling arm cylinder assembly, remove spring, pin stopper and pull out pin.

- ※ Tie the rod with wire to prevent it from coming out.

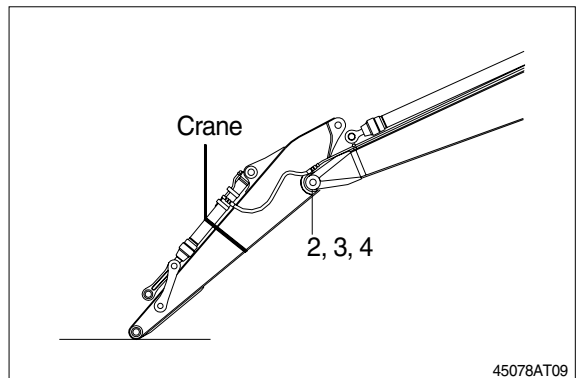
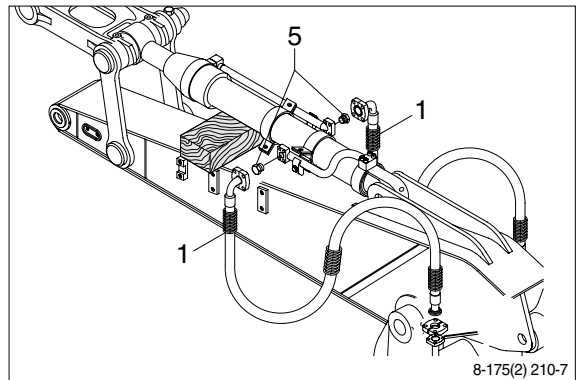
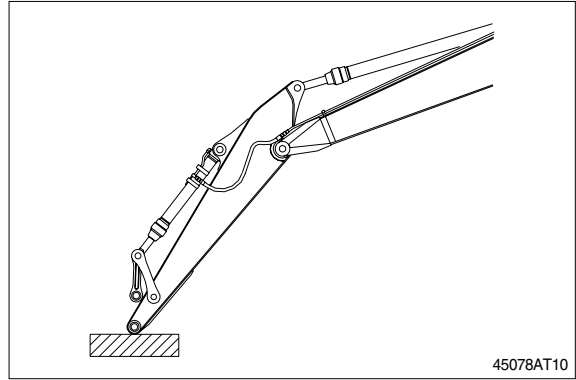
- ④ For details, see **removal of arm cylinder assembly**.

Place a wooden block under the cylinder and bring the cylinder down to it.

- ⑤ Remove bolt(2), plate(3) and pull out the pin(4) then remove the arm assembly.

· Weight : 2910kg(6420lb)

- ※ When lifting the arm assembly, always lift the center of gravity.



(2) Install

- ① Carry out installation in the reverse order to removal.

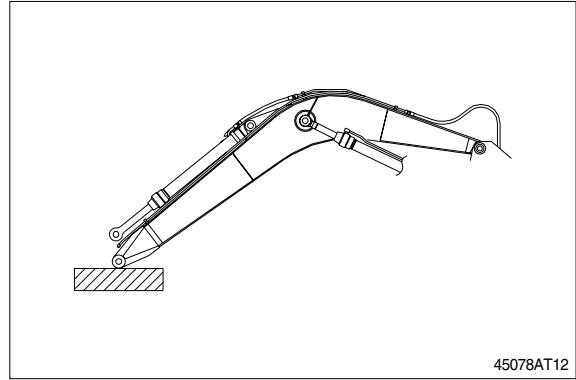
▲ When lifting the arm assembly, always lift the center of gravity.

- ※ Bleed the air from the cylinder.

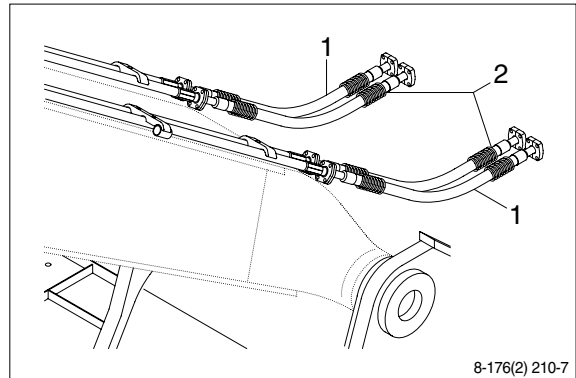
3) BOOM ASSEMBLY

(1) Removal

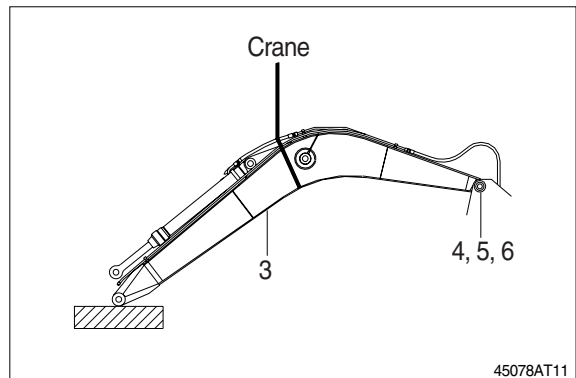
- ① Remove arm and bucket assembly.
For details, see **removal of arm and bucket assembly**.
- ② Remove boom cylinder assembly from boom.
For details, see **removal of boom cylinder assembly**.



- ③ Disconnect head lamp wiring.
- ④ Disconnect bucket cylinder hose(2) and arm cylinder hose(1).
※ When the hose are disconnected, oil may spurt out.
- ⑤ Sling boom assembly(3).



- ⑥ Remove bolt(4), plate(5) and pull out the pin(6) then remove boom assembly.
· Weight : 6370kg(14040lb)
※ When lifting the boom assembly always lift the center of gravity.



(2) Install

- ① Carry out installation in the reverse order to removal.
- ▲ When lifting the boom assembly, always lift the center of gravity.**
- ※ Bleed the air from the cylinder.

