

Challenger

Parts Manual

MT800B SERIES TRACK TRACTORS

MT835B (BAM6-Up)
MT845B (BBP6-Up)
MT855B (BCC6-Up)
MT865B (BDS6-Up)
MT875B (BFT6-Up)
9YY1-Up (Transmission)
AZG1-Up (Axle)
AZH1-Up (Axle)
AZJ1-Up (Axle)
AZK1-Up (Axle)

ALPHABETICAL INDEX

The complete alphabetical index appears at the beginning of this publication. It is used to locate major groups, assemblies and components.

NUMERICAL INDEX

The numerical index of this publication follows the Alphabetical Index at the beginning of the publication and indicates at which grid location and page number a part number appears.

ILLUSTRATIONS

All illustrations are located on the left hand page with the text on the right. Except for some common hardware, all parts are identified with an item number which corresponds to the item column on the text page. This is followed by the parts number, quantity and description.

HARDWARE

Common hardware not identified such as bolts, nuts, cotter pins and lube fittings, are listed indented in the text beneath the item to which they attach or fit. Common hardware listed indented beneath an item is NOT included unless specified. Example: (Incl. BOLT, LOCKWASHER AND NUT).

ORDERING PARTS

Be sure to refer to both the text and the illustration to assure ordering the correct part.

RECOMMENDED DEALER STOCK

A recommended dealer stock listing appears at the end of this publication.



MT800B SERIES TRACTORS

AIR INLET AND EXHAUST SYSTEM

AIR CLEANER AS-BASIC - 196-4056 (MT855 & MT865)	149
AIR CLEANER GP - 172-5337 (MT835B & MT845B)	145
AIR CLEANER GP - 501578D1 (MT855B, MT865B & MT875B)	147
LINES GP-AIR - 500963D1 MT855B, MT865B & MT875B	153
LINES GP-AIR - 500964D1 (MT835B & MT845B)	151
LINES GP-DUST EJECTOR - 501580D1 MT855B, MT865B & MT875B	157
LINES GP-EJECTOR - 197-4849 MT835B & MT845B	155
MUFFLER GP - 501577D1	159
SHIELD GP-EXHAUST - 218-2883 EAME - ITALIAN MARKET	143

BRAKING SYSTEM

BRAKE GP-PARKING - 210-7510	705
CONTROL GP-PARKING BRAKE - 172-6857 EAME ONLY	707
CONTROL GP-PARKING BRAKE - 192-6350	711
CONTROL GP-PARKING BRAKE - 192-6360 SECONDARY EAME ONLY	709
CONTROL GP-PARKING BRAKE - 502456D1	713
CONTROL GP-SERVICE BRAKE - 200-4400 EAME ONLY	715
CYLINDER GP-MASTER - 184-5338 SERVICE BRAKE	721
KIT HYDR TRAILER BRAKE - 209-3689 WITH 3 POINT HITCH EAME ONLY	703
KIT-HYD BRAKE - 501140D1 WITHOUT 3 POINT HITCH SPECIAL APPLICATIONS	701
KIT-HYD TRAILER BRAKE - 209-3688 WITHOUT 3 POINT HITCH EAME ONLY	699
LINES GP-BRAKE - 163-0386	723
LINES GP-BRAKE - 193-1547 COMMON	725
LINES GP-CONTROL - 190-0436 AIR TRAILER BRAKE (WITHOUT HITCH) (EAME ONLY)	729
LINES GP-CONTROL - 200-4310 AIR TRAILER BRAKE (WITH HITCH) EAME ONLY	733
LINES GP-CONTROL - 210-4310 AIR TRAILER BRAKE (WITH HITCH) EAME ONLY	735
LINES GP-SERV BRAKE (B) - 185-8787 EAME ONLY	717
SUPPORT GP-LINES - 200-4320 EAME ONLY	737
TANK & LINES GP-AIR - 190-0435	739
VALVE GP-ACCUMULATOR CHARGING - 216-6972	741
VALVE GP-PARKING BRAKE - 200-4351	743
VALVE GP-PARKING BRAKE - 502454D1	745

COOLING SYSTEM

COOLER GP & MTG - 500920D1 MT835B, MT845B, MT855B & MT865B	111
COOLER GP-MTG & - 502579D1 MT875B	113
CORE GP & MOUNTING - 500919D1 1 OF 3	115
CORE GP & MOUNTING - 500919D1 2 OF 3	117
CORE GP & MOUNTING - 500919D1 3 OF 3	119
CORE GP-MOUNTING & - 502540D1 1 OF 3 MT875B	121
CORE GP-MOUNTING & - 502540D1 2 OF 3 MT875B	123
CORE GP-MOUNTING & - 502540D1 3 OF 3 MT875B	125
FAN GP-ENGINE - 206-6397 MT835B, MT845B, MT855B & MT865B	127
FAN GP-ENGINE - 502738D1 MT875B	129
GUARD GP-FAN - 228-4632 MT855B & MT865B	137
GUARD GP-FAN BLAST - 500038D1	135
LINES GP-COOLANT - 502557D1 MT835B, MT845B, MT855B & MT865B	131
LINES GP-COOLANT - 502580D1 MT875B	133
TANK GP EXPANSION & COOLANT - 502646D1 MT875B	141
TANK GP-EXPANSION & COOLANT - 502558D1 MT835B, MT845B, MT855B & MT865B	139

DECALS & MARKINGS

DECAL SHEET-CAB/ARMREST - 501520D1	1207
DECAL SHEET-VEHICLE 501505D1 EAME ONLY	1205
DECAL SHEET-VEHICLE - 501503D1	1203
FILM GP - MT835B 501615D1	1159
FILM GP - MT845B 501616D1	1161
FILM GP - MT855B 501617D1	1163
FILM GP - MT865B 501618D1	1165
FILM GP - MT875B 501619D1	1167
FILM GP-& PLATES - 179-2185 ROW & SPECIAL (PAGE 1 OF 5)	1191

DECALS & MARKINGS (CONTINUED)

FILM GP-& PLATES - 179-2185 ROW & SPECIAL (PAGE 2 OF 5)	1193
FILM GP-& PLATES - 179-2185 ROW & SPECIAL (PAGE 3 OF 5)	1195
FILM GP-& PLATES - 179-2185 ROW & SPECIAL (PAGE 4 OF 5)	1197
FILM GP-& PLATES - 179-2185 ROW & SPECIAL (PAGE 5 OF 5)	1199
FILM GP-CAT - 500735D1	1169
FILM GP-CHALLENGER - 500736D1	1171
FILM GP-PAINT & - 179-2261 EAME ONLY (PAGE 1 OF 9)	1173
FILM GP-PAINT & - 179-2261 EAME ONLY (PAGE 2 OF 9)	1175
FILM GP-PAINT & - 179-2261 EAME ONLY (PAGE 3 OF 9)	1177
FILM GP-PAINT & - 179-2261 EAME ONLY (PAGE 4 OF 9)	1179
FILM GP-PAINT & - 179-2261 EAME ONLY (PAGE 5 OF 9)	1181
FILM GP-PAINT & - 179-2261 EAME ONLY (PAGE 6 OF 9)	1183
FILM GP-PAINT & - 179-2261 EAME ONLY (PAGE 7 OF 9)	1185
FILM GP-PAINT & - 179-2261 EAME ONLY (PAGE 8 OF 9)	1187
FILM GP-PAINT & - 179-2261 EAME ONLY (PAGE 9 OF 9)	1189
179-2185 FILM GP-PAINT & ROW & SPECIAL APPLICATIONS	1201

DIFFERENTIAL STEERING SYSTEM

CONTROL GP-SECONDARY STEERING - 166-4623 EAME ONLY	751
CONTROL GP-STEERING - 217-9779 ROW & SPECIAL ONLY	747
CONTROL GP-STEERING - 217-9780 EAME ONLY	749
HEAD GP-PUMP - 205-6398	753
MOTOR & MOUNTING GP - 172-4517 STEERING EAME ONLY	757
MOTOR & MTG GP-STEERING - 158-2404 ROW & SPECIAL ONLY	755
MOTOR GP-PISTON - CH162-9601 STEERING	759
MOTOR GP-PISTON - CH162-9602 STEERING	761
ROTATING GP-MOTOR - 203-0189 STEERING	763

DRAWBAR, THREE POINT HITCH AND PTO

ADAPTER GP-PLUG - 180-4039 ROW AND SPECIAL APPLICATIONS	923
CONTROL AR-DRAWBAR - 184-5033	925
CONTROL AR-DRAWBAR - 210-7489 WIDE SWING	927
CONVERSION AR-NON AG - 179-0853	929
COUPLER GP-QUICK - 179-3318 CATEGORY 3 & 4 NARROW	931
COUPLER GP-QUICK - 180-6640 CATEGORY 4	933
CYLINDER AS-STEERING - CH189-6001	941
CYLINDER AS-0102-0408-Y CH189-4911 101.6MM X 408MM (4 X 16.06")	939
CYLINDER GP - CH184-5034	935
CYLINDER GP-STEERING - 183-4396	937
DRAWBAR GP-SWINGING 210-7507	945
DRAWBAR GP-WIDE SWINGING 180-4036	943
GUARD GP-CYLINDER 200-8772	949
GUARD GP-POWER TAKE-OFF - 183-4470 EAME ONLY	987
HITCH AR WIDE SWINGING DRAWBAR 179-0851	951
HITCH AR-3 POINT CAT 3 & 4 NARROW-W/O HYD TRAILER BRAKES 169-0027	953
HITCH AR-3 POINT CATEGORY 4-W/O HYD TRAILER BRAKES 169-0028	955
HITCH AR-3 POINT - 179-0852 CATEGORY 3/4 W/STEERABLE	957
HITCH AR-3 POINT - 180-6639 CATEGORY 4 W/STEERABLE	959
HITCH AR-3 POINT - 186-0979 CATAGORY 3&4 NARROW- W/HYD TRAILER BRAKES EAME ONLY	961
HITCH AR-3 POINT - 189-3300 CATEGORY 4-W/HYDRAULIC TRAILER BRAKES EAME ONLY	963
HITCH GP-3 POINT - 179-3317 CATEGORY 3/4	965
HITCH GP-3 POINT - 184-5065 CATEGORY 4	967
LINES GP-CYLINDER - 158-2363 3 POINT HITCH	969
LINES GP-CYLINDER - 180-0503 POWERED DRAWBAR	973
LINES GP-POWER TAKE-OFF - 189-2976	975
LINK GP-LIFT 186-1090	977
LINK GP-UPPER 186-1091	979
MOUNTING GP-CYLINDER - 184-5035 CONTROLLED DRAWBAR	981
PLUG GP-3 PT-HITCH - 224-9662 DRAWBAR HITCH APPLICATIONS	983
POWER TAKE-OFF (KIT) - 163-0400 ROW & SPECIAL APPLICATIONS	985
ROCKSHAFT GP - 186-1063	989
SUPPORT GP-DRAWBAR - CONTROLLED 210-7509	995

DRAWBAR, THREE POINT HITCH AND PTO (CONTINUED)

SUPPORT GP-DRAWBAR - 180-4038 SCRAPER HITCH	991
SUPPORT GP-DRAWBAR - 210-7508 ROW AND SPECIAL APPLICATIONS	993

ELECTRICAL & STARTING

ANTENNA GP-DATA RADIO - 501124D1 GPS BASE STATION	305
BATTERY & WIRING GP - 136-5662 4 BATTERIES W/O DISCONNECT SWITCH	185
BATTERY & WIRING GP - 136-5663 4 BATTERIES W/DISCONNECT SWITCH	187
BATTERY & WIRING GP - 136-5663 4 BATTERIES WITH DISCONNECT SWITCH	189
BLOCK AS-FUSE 501829D1	261
BLOCK AS-FUSE 501830D1	263
BLOCK AS-FUSE 501831D1	265
BLOCK AS-FUSE 501832D1	267
BLOCK AS-FUSE 501833D1	269
BLOCK AS-FUSE 501834D1	271
BLOCK AS-FUSE 501835D1	273
CIRCUIT BREAKER GP - 136-5654 ELECTRONIC CONTROL MODULE	191
CONTROL & WIRING GP - 136-5670	193
CONTROL & WIRING GP-HITCH - 136-5378 LIFT CIRCUIT	195
CONTROL AR - AUTOGUIDE SYSTEM 500628D1	201
CONTROL AR-COMMUNICATION - 216-0852 ISO	197
CONTROL AR-MACHINE - 216-0874 ISO READY UPGRADE	199
CONTROL GP-ELECTRONIC 501033D1	253
CONTROL GP-POWER TAKE-OFF - 152-0446 ROW	205
CONTROL GP-POWER TAKE-OFF - 224-5884 EAME	207
CONTROL GP-UNPROGRAMMED 216-0658	211
ELECTRONICS GP-IMPLEMENT - 229-0891 (SOFTWARE) 3 POINT HITCH	213
ELECTRONICS GP-MACHINE - ISO 216-0614	215
FUSE GP - 169-6380	257
FUSE GP-CLAAS - 172-6841 EAME ONLY	259
HEATER GP-BLOCK-120V - 215-1807 <- BAM60689;BBP60516;BCC60853; BDS61024;BFT60120 ROW & SPECIAL	217
HEATER GP-BLOCK-120V - 503639D1 -> BAM60689;BBP60516;BCC60853; BDS61024;BFT60120 ROW & SPECIAL ONLY	219
HEATER GP-JACKET WATER - 240V 215-1809 EAME ONLY	221
HEATER GP-TRANSMISSION - 120V 163-0402 ROW & SPECIAL ONLY	223
HEATER GP-TRANSMISSION - 240V 163-0403 EAME ONLY	225
KIT CONTROL AR-AUTOGUIDE SYSTEM 500630D1 FIELD INSTALLED	203
KIT-GPS BASE STATION - 502609D1	303
KIT-PTO SWITCH ADAPTOR 502423D1	209
LAMP GP-HOOD - 12V HALOGEN 500775D1	235
LAMP GP-HOOD - 12V HID 500776D1	237
LIGHT AS - COURTESY - 12V 501935D1	227
LIGHTING GP - 12V DELUXE 500646D1	231
LIGHTING GP - 12V HID 500647D1	233
LIGHTING GP - 12V STD 500645D1 ROW AND SPECIAL APPLICATIONS	229
LIGHTING GP-ROAD (LH TRAFFIC) 168-6580 FIELD INSTALLED EAME ONLY	249
LIGHTING GP-ROAD (RH TRAFFIC) 168-6581 FIELD INSTALLED EAME ONLY	251
LIGHTING GP-SIGNAL - 12V 136-5665	239
LIGHTING GP-SIGNAL - 136-5429 EAME ONLY	243
LIGHTING GP-SIGNAL - 216-0806 EAME ONLY	241
LIGHTING GP-WARNING 216-9823	245
LIGHTING GP-WARNING - 12V 162-4101	247
MOUNTING GP-BATTERY - 142-9739 4 BATTERIES	255
MOUNTING GP-GPS - 500478D1 AUTOGUIDE SYSTEM	293
MOUNTING GP-KIT - 187-4896 AUX ANTENNA & NON-AUTOGUIDE GPS RECEIVER	295
MOUNTING GP-PDA - 501168D1 AUTOGUIDE SYSTEM	301
RECEIVER GP-TRANSMITTER & GPS - 500607D1 AUTOGUIDE CONTROL	307
RECEIVER KIT-TRANSMITTER - 162-4099	299
SENSOR & MTG GP-GROUND SPEED 136-5388	275
SENSOR & MTG GP-GROUND SPEED 136-5404 EAME	277
SENSOR GP-POSITION - 500619D1 REAR HITCH HEIGHT-OUTER	279
SENSOR GP-POSITION - 502003D1 REAR HITCH HEIGHT-INNER ROTARY SENSOR	281
SENSOR GP-PRESSURE - CH161-9932	359

ELECTRICAL & STARTING (CONTINUED)

STARTING AID GP-ETHER - 501572D1	283
STARTING MOTOR GP-ELECTRIC - 180-2924 (835 & 845)	285
STARTING MOTOR GP-ELECTRIC - 502282D1 12 VOLT	287
STARTING MOTOR GP-ELECTRIC - 502283D1 12 VOLT	289
SWITCH GP-GUIDANCE - 500606D1 AUTOGUIDE SYSTEM	291
SWITCH GP-WIPER - CH135-9967 INTERMITTENT 12 VOLT	297
VALVE GP-ETHER - 501967D1	309
WARNING GP-BACKUP - 195-5968	311
WIRING GP - 214-3504 AUTOGUIDE ISO COMPATIBLE	315
WIRING GP REMOTE CONTROL - 173-6505	313
WIRING GP-AUXILIARY - 162-4097	317
WIRING GP-CAB - 152-0005A EAME ONLY	325
WIRING GP-CAB - 152-0005B EAME ONLY	327
WIRING GP-CAB - 152-0420A ROW & SPECIAL APPLICATIONS	319
WIRING GP-CAB - 152-0420B	323
WIRING GP-COMPACT DISC CHANGER 195-9532	331
WIRING GP-CONSOLE - 136-5477 WITHOUT PTO	335
WIRING GP-CONSOLE - 166-1211 ARMREST W/PTO	333
WIRING GP-CONSOLE - 168-1946 EAME ONLY	337
WIRING GP-MACHINE - 136-5668	341
WIRING GP-SHUTOFF - 162-4096 ENGINE	351
WIRING GP-SHUTOFF - 173-6501 TIME DELAY LIGHTING SHUTOFF	353
WIRING GP-TRAILER - 162-4102 CONNECTOR SWITCHES ROW & SPECIAL	355
WIRING GP-TRAILER - 168-1945 CONNECTOR SWITCHES EAME	357
WIRING GP-TRAILER JUMPER - 501940D1	329
WIRING GP-VEHICLE - 136-5668	339
WIRING GP-VEHICLE - 136-5669 EAME ONLY	345

ENGINE INSTALLATION ARRANGEMENT

AIR COMPRESSOR GP - 215-8055	97
COMPRESSOR GP-AIR - 500970D1 MT855B & MT865B	91
COMPRESSOR GP-AIR - 501600D1	95
DRIVE GP-ACCESSORY - 187-1791	99
DRIVE GP-FAN - 197-5675	101
INSTALLATION AR - MT835B 501583D1	81
INSTALLATION AR - MT845B 501584D1	83
INSTALLATION AR - MT855B 501585D1	85
INSTALLATION AR - MT865B 501586D1	87
INSTALLATION AR - MT875B 501587D1	89
MOUNTING GP-ALTERNATOR - 501573D1	103
MOUNTING GP-ENGINE - 172-5333	105
MOUNTING GP-REFRIGERANT COMPR - 187-1792	107
PULLEY GP - 185-2240 A4-HI AMBIENT	109

FRAME AND BODY

CHASSIS AR - 179-1953	505
COUNTERWEIGHT GP - 185-8688 ROLLER FRAME 1393KG (3071 LB)	507
COUNTERWEIGHT GP - 185-8690 ROLLER FRAME 2786KG (6142 LB)	509
COUNTERWEIGHT GP-FRONT - 184-5329 20 WEIGHTS (1440KG/3175LB)	515
COUNTERWEIGHT GP-FRONT - 184-5357 32 WEIGHTS (2000KG/4409LB)	519
COUNTERWEIGHT GP-FRONT - 502116D1 6 WEIGHTS (963KG/2063LB) EAME ONLY	511
COUNTERWEIGHT GP-FRONT - 502117D1 16 WEIGHTS (1403KG/3091LB) EAME ONLY	513
COUNTERWEIGHT GP-FRONT - 502118D1 28 WEIGHTS (1963KG/4328LB) EAME ONLY	517
COUNTERWEIGHT GP-IDLER - 177-4588 909 KG (2000 LB)	521
COUNTERWEIGHT GP-IDLER - 178-8047 1575 KG (3500 LB)	523
COUNTERWEIGHT GP-IDLER - 185-8720 2043 KG (4500 LB)	525
COVER GP-ACCESS - 190-5943	527
ENCLOSURE GP - 502055D1	575
EXTENSION GP-FENDER - 186-2427 EAME ONLY	533
FENDER GP - 161-9174 ROW & SPECIAL	529
FENDER GP - 161-9177 EAME ONLY	531
FRAME GP - 179-1954 (MT835B & MT845B)	535

FRAME AND BODY (CONTINUED)

GRILL GP-RADIATOR - 158-5960	537
GUARD GP - 187-8609 EAME ONLY	539
GUARD GP-BOTTOM - 185-8849	541
GUARD GP-BOTTOM - 200-8826 FOR USE WITH 197-8558 AUX FUEL TANK AR	543
GUARD GP-BOTTOM - 213-2481 REAR	545
GUARD GP-POWER TRAIN - 189-5805 (MT835B & MT845B)	547
HANDHOLD GP - 203-9179 INNER	549
HANDHOLD GP - 221-8534 EAME ONLY	581
HOOD & GUARD GP - 502353D1 1 OF 2 EAME ONLY	557
HOOD & GUARD GP - 502353D1 2 OF 2 EAME ONLY	559
HOOD & GUARD GP - 502647D1 1 OF 2 ROW & SPECIAL	553
HOOD & GUARD GP - 502647D1 2 OF 2 ROW & SPECIAL	555
KIT-EXTRA WIDE MIRRORS - 501557D1 MANUAL ADJUSTMENT ROW & SPECIAL	561
KIT-MOUNTING - 208-7698 FIRE EXTINGUISHER ROW & SPECIAL	563
MOUNTING GP-BODY - 158-5925 LICENSE PLATE EAME ONLY	569
MOUNTING GP-CAB - 162-4112	567
MOUNTING GP-COUNTERWEIGHT - 184-5337 504 KG (1112 LB)	571
MOUNTING GP-MONITOR - 222-7965	573
MOUNTING GP-WITH FIRE EXTINGUISHER 501785D1 EAME ONLY	565
PLUG GP-COUNTERWEIGHT - 183-5789 COMPLETING	577
REFLECTOR GP - 215-7336 FOR USE WITH DRAWBAR EAME	595
REFLECTOR GP - 215-9580 FOR USE WITH HITCH EAME	597
STEP GP - 156-1327	579
SUPPORT GP-COMPONENT 190-5441	589
SUPPORT GP-FUEL TANK - 186-5431 1 OF 2	583
SUPPORT GP-FUEL TANK - 186-5431 2 OF 2	585
TOW CABLE GP - 500039D1 ROW ONLY	551
WALKWAY GP 183-6384	591
WARNING GP-SLOW MOVING VEHICLE 172-8886	593

FUEL SYSTEM

CONTROL GP-DECELERATOR - 152-0447	161
CONTROL GP-GOVERNOR - 207-2031	163
FILTER GP-WATER SEP & FUEL - 502352D1	165
LINES GP-FUEL - 197-1317	171
LINES GP-FUEL - 501582D1 MT835B, MT845B, MT855B & MT865B	167
LINES GP-FUEL - 502735D1 MT875B	169
TANK & MTG GP-FUEL - 179-2182	173
TANK AR-FUEL - 197-8558 AUXILIARY 94.8 LITERS (25 GALLONS)	175
TANK GP-FUEL - 186-5432 1155 LITERS (305 GALLONS)	177
TANK GP-FUEL - 196-7742 RIGHT HAND	179
TANK GP-FUEL - 206-8891 94.63 LITERS (25 GALLONS)	183
TANK GP-FUEL - 500016D1 LEFT HAND	181

HYDRAULIC SYSTEM

ACTUATOR GP-PISTON PUMP - CH183-8430	765
CASE DRAIN GP-FLAT FACE - 502643D1 3 PT HITCH ROW & EAME	791
CASE DRAIN GP-PIONEER - 502644D1 3-PT HITCH ROW & EAME	793
CONNECTOR GP-VALVE - 180-7174 ABOVE 60 LPM HYDRAULIC POWER BEYOND ROW AND SPECIAL APPLICATIONS	769
CONVERSION GP-CONTROL VALVE - 185-8699 4 VALVE TO 5 VALVE UPGRADE	771
CONVERSION GP-CONTROL VALVE - 185-8701	773
CONVERSION GP-CONTROL VALVE - 189-5906 5 VALVE TO 6 VALVE UPGRADE	777
CONVERSION GP-CONTROL VALVE - 189-5910 4 VALVE TO 5 VALVE UPGRADE	775
CYLINDER GP (0125-0345-Y) 125MM X 345MM (4.92 X 13.58")	787
CYLINDER GP-LIFT	785
FILTER & MTG GP-HYDRAULIC 158-2349	789
FILTER GP-OIL (BASIC) - 501767D1	795
HYDRAULIC AR 501809D1	797
HYDRAULIC KIT-POWER BEYOND - 178-7162 STD FLOW (0-60 LPM) .5" COUPLER ROW AND SPECIAL APPLICATIONS	767
KIT-CONVERSION-IMPL VALVE - 502218D1 4 VALVE TO 6 VALVE UPGRADE (HIGH FLOW) SPECIAL APPLICATIONS	779
KIT-COUPLING-POWER BEYOND - 189-3143 (CLAAS) EAME ONLY	783
KIT-HYDRAULIC VALVE AS - 502217D1 CONVERT 4 REMOTE TO 5 REMOTE VALVES NON-STEERABLE HITCH	781

HYDRAULIC SYSTEM (CONTINUED)

LINES GP-COUPLER 190-0438	799
LINES GP-COUPLER 210-0851	801
LINES GP-ECOLOGY - 502214D1	823
LINES GP-HYD - 502220D1 1 OF 2	813
LINES GP-HYD - 502220D1 2 OF 2	817
LINES GP-HYD OIL 501950D1	803
LINES GP-HYDRAULIC - 209-8326 (FOR USE W/85CC CAPACITY CHARGE PUMP)	811
LINES GP-HYDRAULIC OIL 193-1558	807
LINES GP-HYDRAULIC OIL - 209-8325 ROW & EAME ONLY	809
LINES GP-HYDRAULIC OIL - 501130D1 HYDRAULIC TRAILER BRAKE	825
LINES GP-IMPL - 172-4519 87CC CAPACITY IMPLEMENT PUMP	821
LINES GP-IMPLEMENT - 172-4518 ROW & EAME ONLY	819
LINES GP-STEERING - 158-2393	827
MOUNTING GP-VALVE - 158-2339	829
MOUNTING GP-VALVE - 162-9805	833
MOUNTING GP-VALVE - 193-1548	831
PUMP & MOUNTING GP - 162-9804 (63CC IMPLEMENT PUMP)	835
PUMP & MOUNTING GP - 165-7901 (87CC IMPLEMENT PUMP)	837
PUMP & MTG GP-HYDRAULIC - 158-2397 SCAVENGE PUMP	839
PUMP AR-HYDRAULIC - 180-0184 63CC IMPLEMENT PUMP	841
PUMP AR-HYDRAULIC - 180-0185 87CC IMPLEMENT PUMP	843
PUMP GP-GEAR - CH206-6337 STEERING, IMPLEMENT & TRANS CHARGE	847
PUMP GP-GEAR - CH207-3629 SCAVENGE PUMP STEERING, IMPLEMENT & TRANS CHARGE	849
PUMP GP-PISTON (SLIPPER) - CH206-9019 63CC IMPLEMENT ROW & EAME	845
PUMP GP-PISTON - CH162-9592 SCAVENGE PUMP SLIPPER	851
PUMP GP-PISTON - CH206-9017 87CC IMPLEMENT	853
ROTATING GP-PUMP - 190-3118 87CC IMPLEMENT PUMP	857
ROTATING GP-PUMP - 190-6501 63CC IMPLEMENT PUMP ROW & EAME	855
ROTATING GP-PUMP - 205-6400 SCAVENGE PUMP	859
VALVE AR - 180-1438 5 IMPLEMENTS	873
VALVE AR - 193-8197 W/O HITCH & W/O HYDRAULIC TRAILER BRAKE	861
VALVE AR - 193-8198 W/HITCH & W/O HYDRAULIC TRAILER BRAKE	865
VALVE AR - 193-8199 W/O HITCH & W/HYDRAULIC TRAILER BRAKE EAME ONLY	867
VALVE AR - 193-8200 W/HITCH & W/HYDRAULIC TRAILER BRAKE EAME ONLY	869
VALVE AR - 501070D1 W/O HITCH & W/HYDRAULIC TRAILER BRAKE	863
VALVE AR-BANK 4 - 180-1434	871
VALVE AR-IMPL - 500795D1 6 IMPLEMENTS	875
VALVE AR-4 IMPL - 502051D1 HIGH FLOW SPECIAL APPLICATIONS ONLY	877
VALVE AR-6 IMPL - 502052D1 HIGH FLOW SPECIAL APPLICATIONS ONLY	879
VALVE GP-BANK 2 - 192-4816 PRIORITY W/HYDRAULIC TRAILER BRAKE	881
VALVE GP-BANK 3 - 192-4708 PRIORITY WITH HITCH	883
VALVE GP-BANK 4 - 192-4817 PRIORITY W/HITCH & W/HYD TRAILER BRAKES EAME ONLY	885
VALVE GP-BANK 5 - 180-0495 IMPLEMENT	891
VALVE GP-BANK 6 - 500752D1 5 REMOTES	893
VALVE GP-BRAKE CONTROL - 196-2318 HYDRAULIC TRAILER BRAKES	907
VALVE GP-CONTROL - 162-9816 IMPLEMENT	897
VALVE GP-CONTROL - 162-9817 STEERABLE HITCH	901
VALVE GP-CONTROL - 162-9818 3 POINT HITCH	903
VALVE GP-CONTROL - 192-4707 PRIORITY W/HYDRAULIC TRAILER BRAKES	905
VALVE GP-CONTROL - 209-5019 PRIORITY & ACCUMULATOR CHARGE	909
VALVE GP-CONTROL - 209-5020 PRIORITY	911
VALVE GP-CONTROL - 209-5021	913
VALVE GP-CONTROL - 502038D1 HIGH FLOW	899
VALVE GP-FLOW CONTROL&RELIEF - 227-8830 IMPLEMENT	895
VALVE GP-HIGH FLOW-BANK 4 - 502039D1 IMPLEMENT	887
VALVE GP-HIGH FLOW-BANK 6 - 502040D1 IMPLEMENT SPECIAL APPLICATIONS ONLY	889
VALVE GP-PRESS & FLOW CMPNSTR - 214-9379	915
VALVE GP-PRESSURE COMPENSATOR CH6E-4392	917
VALVE GP-SERVO - CH183-8417	919
VALVE GP-SERVO - 205-6412	921

HYDRAULIC SYSTEM (CONTINUED)

MACHINE ARRANGEMENT

BASE COMMON AR - 501810D1 ROW & SPECIAL ONLY	77
BASE COMMON AR - 501811D1 EAME ONLY	79
BASE UNIT AR-MT835B - 501588D1 ROW	47
BASE UNIT AR-MT835B - 501593D1 EAME	57
BASE UNIT AR-MT835B - 501605D1 SPECIAL APPLICATIONS	67
BASE UNIT AR-MT845B - 501589D1 ROW	49
BASE UNIT AR-MT845B - 501594D1 EAME	59
BASE UNIT AR-MT845B - 501606D1 SPECIAL APPLICATIONS	69
BASE UNIT AR-MT855B - 501590D1 ROW	51
BASE UNIT AR-MT855B - 501595D1 EAME	61
BASE UNIT AR-MT855B - 501607D1 SPECIAL APPLICATIONS	71
BASE UNIT AR-MT865B - 501591D1 ROW	53
BASE UNIT AR-MT865B - 501596D1 EAME	63
BASE UNIT AR-MT865B - 501608D1 SPECIAL APPLICATIONS	73
BASE UNIT AR-MT875B - 501592D1 ROW	55
BASE UNIT AR-MT875B - 501597D1 EAME	65
BASE UNIT AR-MT875B - 501609D1 SPECIAL APPLICATIONS	75

MAINTENANCE PARTS

RECOMMENDED DEALER STOCK	1217
--------------------------------	------

OPERATOR STATION

AIR CONDITIONER & MOUNTING GP - BASIC 502502D1	997
AIR CONDITIONER & MOUNTING GP - DELUXE 502501D1	999
ANTENNA GP-RADIO - 168-1951	1005
ANTENNA GP-RADIO - 168-1951 BUSINESS BAND	1007
ARMREST GP - 500484D2 4 IMP W/PTO-W/O HTCH	1091
ARMREST GP - 500485D2 4 IMP W/PTO-W/HITCH	1093
ARMREST GP - 500486D2 4 IMP W/O PTO-W/O HITCH	1095
ARMREST GP - 500487D2 4 IMP W/O PTO-W/HITCH	1097
ARMREST GP - 500488D2 5 IMP W/PTO-W/O HITCH	1099
ARMREST GP - 500489D2 5 IMP W/PTO-W/HTCH	1101
ARMREST GP - 500490D2 5 IMP W/O PTO-W/O HITCH	1103
ARMREST GP - 500491D2 5 IMP W/O PTO-W/HITCH	1105
ARMREST GP - 500791D2 6 IMP W/PTO-W/O HITCH	1107
ARMREST GP - 500792D2 6 IMP W/PTO-W/HITCH	1109
ARMREST GP - 500793D2 6 IMP W/O PTO-W/O HITCH	1111
ARMREST GP - 500794D2 6 IMP W/O PTO-W/HITCH	1113
CAB AR-BASIC - 500842D1 EAME ONLY	1009
CAB AR-BASIC - 500844D1 ROW & SPECIAL APPLICATIONS	1013
CAB AR-DELUXE - 500841D1 EAME ONLY	1011
CAB AR-DELUXE - 500849D1 ROW & SPECIAL APPLICATIONS	1015
CAB GP - 152-0003 ROW & SPECIAL APPLICATIONS	1017
CAB GP - 152-0004 EAME ONLY	1019
CHANGER GP-COMPACT DISC - 173-6507 ROW AND SPECIAL APPLICATIONS	1079
COMPRESSOR GP-REFRIGERANT - CH178-9570	1021
CONDITIONER GP-AIR - BASIC 502500D1	1001
CONDITIONER GP-AIR - DELUXE 502499D1	1003
CONSOLE GP - 500768D1	1025
CONSOLE GP-MTG - 500839D1	1089
CONSOLE GP-OPERATOR - 152-0434 WITH PTO	1023
CONTROL GP-AIR & TEMPERATURE 166-4586	1031
CONTROL GP-BRAKE & CLUTCH 152-0438	1033
CONTROL GP-HITCH - 152-0445 REAR 3 POINT	1035
CONTROL GP-IMPLEMENT 209-8704	1045
CONTROL GP-IMPLEMENT - 4 HANDLES 152-0443	1039
CONTROL GP-IMPLEMENT - 4TH HANDLE 136-5355	1037
CONTROL GP-IMPLEMENT - 5 HANDLES 166-4590	1043
CONTROL GP-IMPLEMENT - 6TH HANDLE 152-0448	1041
CONTROL GP-TRANSMISSION 169-6346	1047
CONTROL GP-TRANSMISSION 169-6347	1049

OPERATOR STATION (CONTINUED)

COVER GP - 500761D1	1027
DOOR GP-CAB (LH) 500927D1	1051
DUCT GP-CAB AIR 166-4556	1053
GLASS GP-WINDSHIELD - 151-9994 ROW & SPECIAL	1149
GLASS GP-WINDSHIELD - 151-9995 EAME ONLY	1151
HEADLINER GP - 152-0418	1057
INSULATION GP-WEATHER - 217-2214	1087
KIT-BAFFLE (AIR RECIRCULATION) 501817D1 FIELD INSTALLED	1029
KIT-SEAT AS (LUMBAR) - BASIC 220-2329	1121
KIT-SEAT AS (LUMBAR) - DELUXE 501912D1	1123
KIT-SEAT SUSPENSION - BASIC 501898D1	1125
KIT-SEAT SUSPENSION - DELUXE 501909D1	1127
KIT-SUSPENSION GP - DELUXE SEAT 501916D1	1131
KIT-SUSPENSION GP-BASIC SEAT 501900D1	1129
LINES GP-A/C - 501579D1 MT835B, MT845B, MT855B & MT865B	1059
LINES GP-A/C - 502733D1 MT875B	1061
LINES GP-HEATER - DELUXE 208-2881	1065
LINES GP-HEATER - 208-2880	1063
MIRROR GP - 206-0588 SIDE AREA VIEW EAME ONLY	1071
MIRROR GP-REAR VIEW - 209-5607 MANUAL ADJUSTMENT	1067
MIRROR GP-REAR VIEW - 209-5608 POWER ADJUSTMENT & HEATED	1069
RADIO GP-AUTOGUIDE - 232-0869	1081
RADIO GP-DELUXE - 168-1970 12V HD AM/FM/WB/CAS/REMOTE/GRN BACKLIGHT ROW AND SPECIAL APPLICATIONS	1075
RADIO GP-DELUXE CD - 170-5739 12V HD AM/FM/WB/CD/REMOTE/GRN BACKLIGHT ROW AND SPECIAL APPLICATIONS	1077
RADIO GP-STD - 168-1952 12V HD, AM/FM/WB/CASS W/GREEN BACKLIGHT	1073
ROOF GP-CAB - 152-0417 ROW AND SPECIAL APPLICATIONS	1083
ROOF GP-CAB - 152-0444 EAME ONLY	1085
SEAT GP - DELUXE 500853D1	1119
SEAT GP-BASIC 500840D1	1117
SEAT GP-COMPANION - 152-0433	1115
SPEAKER GP-RADIO 152-0419	1133
SPEAKER GP-RADIO - SUBWOOFER 173-6506	1135
STEERING COLUMN GP - CH166-3611	1137
TRIM GP-CAB - 224-3917 1 OF 2	1139
TRIM GP-CAB - 224-3917 2 OF 2	1141
VISOR GP-CAB (SUN VISOR) - FRONT 152-0424	1143
VISOR GP-CAB (SUN VISOR) - REAR 162-4095	1145
VISOR GP-CAB (SUN VISOR) - SIDE 501886D1	1147
WIPER GP-WINDOW - BASIC 152-0422	1153
WIPER GP-WINDOW - DELUXE 196-3968	1155
WIPER GP-WINDOW - RH 162-4103	1157

PAINT

PAINT (ORDER FROM CAT)	1215
------------------------------	------

POWER TRAIN

152-5242 TRANSMISSION AR S/N: 9YY1-UP	469
155-9571 CLUTCH GP-INPUT S/N: 9YY1-1465	387
155-9572 CLUTCH GP-INTERMEDIATE SHAFT S/N: 9YY1-1465	389
155-9575 CLUTCH GP-REVERSE S/N: 9YY1-UP	393
155-9576 CLUTCH GP-OUTPUT SHAFT S/N: 9YY1-UP	395
155-9579 CASE & PARTS GP-PLANETARY S/N: 9YY1-950	381
155-9579 CASE & PARTS GP-PLANETARY S/N: 9YY951-UP	383
155-9580 CONTROL GP-TRANSMISSION HYD S/N: 9YY1-UP	413
177-5233 CLUTCH GP-PLANETARY S/N: 9YY1-UP	399
177-5234 DRIVE GP-PUMP S/N: 9YY1-UP	453
179-9479 FINAL DRIVE GP S/N: AZG1-955; AZJ1-1479	457
179-9479 FINAL DRIVE GP S/N: AZG956-UP; AZJ1480-UP	459
179-9480 FINAL DRIVE GP S/N: AZH1-990; AZK1-987 2286-2600MM (90-102 IN) GAUGE	461
179-9480 FINAL DRIVE GP S/N: AZH991-UP; AZK988-UP	463
180-4376 DIFFERENTIAL GP-STEERING (PAGE 1 OF 2) S/N: AZG1-906; AZH1-972;	417
180-4376 DIFFERENTIAL GP-STEERING (PAGE 2 OF 2) S/N: AZG1-906; AZH1-972;	419

POWER TRAIN (CONTINUED)

180-4376 DIFFERENTIAL GP-STEERING S/N: AZG1-906; AZH1-972;	415
180-4376 DIFFERENTIAL GP-STEERING S/N: AZG1013-UP; AZH1005-UP; AZJ1897-UP	443
180-4376 DIFFERENTIAL GP-STEERING S/N: AZG907-950; AZH973-983;	423
180-4376 DIFFERENTIAL GP-STEERING S/N: AZG951-1012; AZH984-1004;	433
185-3955 AXLE AR-WITH POWER TAKE-OFF S/N: AZG1-UP 2286-3251 MM (90-128 IN)	475
185-3956 AXLE AR-WITH POWER TAKE-OFF S/N: AZH1-UP 2286-2600 MM (90-102 IN)	477
185-3957 AXLE AR S/N: AZJ1-UP 2286-3251 MM (90-128 IN) CANNOT BE USED WITH POWER TAKE OFF	479
185-3958 AXLE AR-WITHOUT POWER TAKE-OFF S/N: AZK1-UP 2286-2600 MM (90-102 IN)	481
185-8737 COVER GP-DIFFERENTIAL S/N: AZJ1-UP; AZK1-UP	483
187-4930 POWER TAKE-OFF GP S/N: AZG1-879; AZH1-959 1 OF 2	485
187-4930 POWER TAKE-OFF GP S/N: AZG1-879; AZH1-959 2 OF 2	489
187-4930 POWER TAKE-OFF GP S/N: AZG880-900; AZH960-971 1 OF 2	491
187-4930 POWER TAKE-OFF GP S/N: AZG880-900; AZH960-971 2 OF 2	495
187-4930 POWER TAKE-OFF GP S/N: AZG901-UP; AZH972-UP	497
198-1013 VALVE GP-RELIEF S/N: 9YY1-UP	473
200-5027 POWER TRAIN AR - WITH PTO	373
200-5028 POWER TRAIN AR - WITH PTO	375
200-5029 POWER TRAIN AR - W/ PTO	377
200-5030 POWER TRAIN AR WITHOUT PTO	379
211-8277 FASTENER GP-FINAL DRIVE	455
216-5343 VALVE GP-MODULATING S/N: AZG1-879; AZH1-959	503
216-5343 VALVE GP-MODULATING S/N: AZG880-UP; AZH960-UP; 9YY1-UP 12V ELECTRONIC CLUTCH PRESSURE CONTROL	471
225-6958 HOUSING GP-DIFFERENTIAL S/N: AZG1-950;AZH1-983;	465
232-1774 CLUTCH GP-TRANSMISSION INPUT SHAFT CLUTCH GROUP S/N: 9YY1466-UP	403
232-1774 CLUTCH GP-TRANSMISSION INTERMEDIATE SHAFT CLUTCH GROUP (1 OF 2) S/N: 9YY1466-UP	405
232-1774 CLUTCH GP-TRANSMISSION INTERMEDIATE SHAFT CLUTCH GROUP (2 OF 2) S/N: 9YY1466-UP	407
232-1774 CLUTCH GP-TRANSMISSION OUTPUT SHAFT CLUTCH GROUP (1 OF 2) S/N: 9YY1466-UP	409
232-1774 CLUTCH GP-TRANSMISSION OUTPUT SHAFT CLUTCH GROUP (2 OF 2) S/N: 9YY1466-UP	411
232-1774 CLUTCH GP-TRANSMISSION REVERSE SHAFT CLUTCH GROUP S/N: 9YY1466-UP	401
242-0962 HOUSING GP-DIFFERENTIAL S/N: AZG951-UP; AZH984-UP;	467

POWER TRAIN ATTACHING

BREATHER GP-POWERTRAIN - 502496D1	367
DRAIN GP-ECOLOGY - CH163-0397	363
FILLER GP-POWER TRAIN OIL - 502498D1	365
GUARD GP-AXLE - 208-3021 EAME ONLY	361
SHAFT GP-INPUT - 163-0384	369
UNIVERSAL JOINT GP - 163-0414	371

SERVICE EQUIPMENT AND SUPPLIES

CABLE GP-TOW - 500039D1 SPECIAL APPLICATIONS	1213
PROTECTION GP-VANDALISM 185-8848	1209
TOOL GP-AXLE GAUGE CHANGE 203-9712	1211

TRACK BELTS

BELT AR-EXTREME AP - 156-6075 (457MM/18")	605
BELT AR-EXTREME AP - 177-4522 (699MM/27.5")	607
BELT AR-EXTREME AP - 177-4523 (762MM/30")	609
BELT AR-EXTREME AP - 178-8087 (914MM/36")	611
BELT AR-GENERAL AG (762MM/30")	601
BELT AR-GENERAL AG - 156-6082 (914MM/36")	603
BELT AR-GENERAL AP - 156-6077 (699MM/27.5")	599
BELT AR-SPECIAL AP - 502027D1 (762MM/30")	613
BELT AR-SPECIAL AP - 502028D1 (914MM/36")	615
KIT-GUIDE BLOCK GENERAL AG & EXTREME APPLICATIONS	617

UNDERCARRIAGE

BOGIE GP - 130-4818	639
BRAKE AR-W/HITCH - 502358D1 EAME ONLY	693
BRAKE AR-W/O HITCH - 502357D1 EAME ONLY	691
FRAME AR-LH 156-4883	645
FRAME AR-LH 502037D1 SPECIAL APPLICATIONS	647
FRAME AR-RH 156-4882	643
FRAME AR-RH 502193D1 SPECIAL APPLICATIONS	649
FRAME GP-TRACK ROLLER - 163-0678	651
GAGE AR-TRACK (W/O PTO) 2286-3251 MM (90-128 IN) SPECIAL APPLICATIONS	627
GAGE AR-TRACK (W/PTO) 2286-3251 MM (90-128 IN) ROW ONLY	621
GAGE AR-TRACK (W/PTO) 2286-3251 MM (90-128 IN) SPECIAL APPLICATIONS	629
GAUGE AR-TRACK (W/O PTO) 2286-2600 MM (90-102 IN) EAME ONLY	623
GAUGE AR-TRACK (W/O PTO) 2286-3251 MM (90-128 IN) ROW ONLY	619
GAUGE AR-TRACK (W/PTO) 2286-2600 MM (90-102 IN) EAME ONLY	625
GUARD GP-LINES - 201-9927 TENSIONER WIRE	653
GUARD GP-LINES - 201-9928	641
IDLER GP - 127-9545	655
MOUNTING GP-IDLER - 177-4589	657
MOUNTING GP-TENSIONER - 184-6718 TRACK BELT	659
RESTRAIN GP-ROLLERFRAME - 500040D1	679
ROLLER AR - 156-4891 MIDDLE 112 MM (4.4 IN)	661
ROLLER AR - 156-4893 MIDDLE 204 MM (8 IN)	663
SUPPORT GP-DRIVE WHEEL - 156-4884 RIGHT HAND	665
SUPPORT GP-DRIVE WHEEL - 156-4885 LEFT HAND	667
SUPPORT GP-UNDERCARRIAGE - 163-1009 WIDE GAUGE	669
SUPPORT GP-UNDERCARRIAGE - 177-9945 2286-2600MM (90-102 IN) EAME ONLY	671
TANK AR-AIR - 502359D1 EAME ONLY	695
TANK AR-AIR - 502360D1 ROW AND SPECIAL	697
TENSIONER GP-BELT (LH) 502103D1 SPECIAL APPLICATIONS	635
TENSIONER GP-BELT (RH) 502102D1 SPECIAL APPLICATIONS	637
TENSIONER GP-BELT - LH 500835D1 ROW & EAME	631
TENSIONER GP-BELT - RH 500836D1 ROW & EAME	633
UNDERCARRIAGE AR - 156-4881 ROW	673
UNDERCARRIAGE AR - 177-9946 EAME ONLY	675
UNDERCARRIAGE AR - 502325D1 SPECIAL	677
WEDGE GP-WHEEL - 189-8931 EAME ONLY	689
WHEEL AR-DRIVER - 220-2357 112 MM (4.4 IN) ROW & EAME	681
WHEEL AR-DRIVER - 220-2358 196 MM (7.7 IN) ROW AND EAME	683
WHEEL AR-IDLER - 220-2355 105 MM (4.1 IN) ROW & EAME	685
WHEEL AR-IDLER - 220-2356 192 MM (7.6 IN)	687

INDEX

Part No.	Page	Grid	Part No.	Page	Grid	Part No.	Page	Grid	Part No.	Page	Grid
AG514360	1155	1-F 21	CH1P-4278	165	1-B 18	CH110-0004	91	1-B 11	CH120-4897	211	1-B 23
AG514360	1157	1-F 21	CH1P-4278	179	1-B 19	CH110-2028	299	1-C 7	CH120-9051	743	1-E 4
AG518357	987	1-F 4	CH1P-4278	367	1-C 14	CH110-2028	321	1-C 10	CH120-9051	745	1-E 4
AG601152	575	1-D 11	CH1P-4278	631	1-D 17	CH110-2028	325	1-C 10	CH121-9753	249	1-C 2
CHOL-1352	97	1-B 11	CH1P-4278	633	1-D 17	CH110-2028	1083	1-F 14	CH121-9753	251	1-C 3
CHOL-2072	725	1-E 2	CH1P-4278	635	1-D 17	CH110-2028	1085	1-F 14	CH121-9754	249	1-C 2
CHOS-1617	97	1-B 11	CH1P-4278	637	1-D 17	CH110-2028	1133	1-F 19	CH121-9754	251	1-C 3
CHOT-0200	977	1-F 3	CH1P-4278	823	1-E 12	CH110-6349	631	1-D 17	CH121-9755	249	1-C 2
CHOT-0200	979	1-F 3	CH1P-4578	821	1-E 12	CH110-6349	633	1-D 17	CH121-9755	251	1-C 3
CH001-5600	747	1-E 4	CH1P-5767	827	1-E 12	CH110-6349	635	1-D 17	CH121-9870	1141	1-F 20
CH001-5600	749	1-E 4	CH1R-0771	165	1-B 18	CH110-6349	637	1-D 17	CH122-1162	973	1-F 3
CH001-5600	1033	1-F 9	CH1R-0771	1217	1-G 3	CH110-6349	827	1-E 12	CH122-6606	859	1-E 15
CH003-7764	139	1-B 15	CH1S-0994	91	1-B 11	CH111-0483	191	1-B 21	CH122-6607	859	1-E 15
CH003-7764	141	1-B 16	CH1S-0994	95	1-B 11	CH111-4627	1139	1-F 19	CH122-8352	139	1-B 15
CH003-7764	817	1-E 11	CH1S-0994	195	1-B 21	CH111-8897	921	1-E 22	CH122-8352	141	1-B 16
CH006-5490	141	1-B 16	CH1S-0994	717	1-E 1	CH112-4631	921	1-E 22	CH122-9250	729	1-E 2
CH006-6586	367	1-C 14	CH1S-0994	737	1-E 3	CH112-6174	1153	1-F 21	CH122-9250	733	1-E 3
CH030-9613	1157	1-F 21	CH1S-0994	815	1-E 11	CH112-6174	1155	1-F 21	CH123-0707	321	1-C 10
CH033-1097	943	1-E 24	CH1S-0994	817	1-E 11	CH113-0899	1035	1-F 9	CH123-0707	325	1-C 10
CH033-5879	895	1-E 19	CH1S-0994	823	1-E 12	CH113-4420	763	1-E 6	CH123-1373	185	1-B 20
CH033-6031	821	1-E 12	CH1S-1015	827	1-E 12	CH113-8490	261	1-C 4	CH123-2017	753	1-E 5
CH033-6032	897	1-E 19	CH1U-8846	665	1-D 20	CH113-8490	263	1-C 4	CH123-4950	555	1-D 9
CH033-6032	899	1-E 19	CH1U-8846	667	1-D 20	CH113-8490	265	1-C 4	CH123-4950	557	1-D 9
CH033-6032	901	1-E 20	CH100-4036	553	1-D 9	CH113-8490	267	1-C 4	CH123-4950	1209	1-G 2
CH033-6033	167	1-B 18	CH100-4036	557	1-D 9	CH113-8490	269	1-C 4	CH123-5748	763	1-E 6
CH033-6033	169	1-B 18	CH100-4336	185	1-B 20	CH113-8490	1217	1-G 3	CH123-7556	753	1-E 5
CH033-6043	915	1-E 21	CH100-4336	189	1-B 20	CH113-8491	261	1-C 4	CH123-7582	851	1-E 15
CH033-7291	537	1-D 7	CH101-2850	149	1-B 16	CH113-8491	263	1-C 4	CH123-7583	753	1-E 5
CH034-4202	171	1-B 19	CH101-2867	1057	1-F 11	CH113-8491	267	1-C 4	CH124-3548	261	1-C 4
CH061-9593	179	1-B 19	CH101-3129	641	1-D 18	CH113-8491	269	1-C 4	CH124-3548	263	1-C 4
CH077-3241	363	1-C 14	CH102-8802	309	1-C 8	CH113-8491	271	1-C 5	CH124-3548	265	1-C 4
CH077-5261	847	1-E 14	CH102-8802	311	1-C 9	CH113-8491	273	1-C 5	CH124-3548	267	1-C 4
CH090-9554	1051	1-F 11	CH102-8802	345	1-C 12	CH113-8491	1217	1-G 3	CH124-3548	269	1-C 4
CH090-9555	1141	1-F 20	CH102-8802	349	1-C 12	CH113-8492	261	1-C 4	CH124-3548	1217	1-G 3
CH095-0687	845	1-E 14	CH102-8802	1021	1-F 8	CH113-8492	263	1-C 4	CH124-4653	317	1-C 9
CH095-0736	313	1-C 9	CH102-8803	349	1-C 12	CH113-8492	265	1-C 4	CH124-4653	319	1-C 9
CH095-0741	593	1-D 13	CH102-8803	359	1-C 13	CH113-8492	271	1-C 5	CH124-5572	97	1-B 11
CH095-0741	1173	1-F 23	CH102-8805	1069	1-F 12	CH113-8492	273	1-C 5	CH124-7346	1033	1-F 9
CH095-0759	1115	1-F 17	CH102-8805	1153	1-F 21	CH113-8492	1217	1-G 3	CH126-1645	851	1-E 15
CH095-0845	977	1-F 3	CH102-8805	1155	1-F 21	CH113-8880	553	1-D 9	CH126-1773	193	1-B 21
CH095-0845	979	1-F 3	CH102-8805	1157	1-F 21	CH113-8880	557	1-D 9	CH127-2170	161	1-B 18
CH095-0915	161	1-B 18	CH102-8806	297	1-C 7	CH114-3469	1021	1-F 8	CH127-2170	679	1-D 21
CH095-0942	919	1-E 21	CH102-8806	1153	1-F 21	CH114-4231	139	1-B 15	CH127-8609	221	1-B 24
CH095-1316	729	1-E 2	CH102-8806	1155	1-F 21	CH114-4231	141	1-B 16	CH127-9548	655	1-D 19
CH095-1316	733	1-E 3	CH103-6216	97	1-B 11	CH114-5333	339	1-C 11	CH127-9553	655	1-D 19
CH095-1715	907	1-E 20	CH103-8089	579	1-D 11	CH114-5333	345	1-C 12	CH127-9554	655	1-D 19
CH095-1750	741	1-E 4	CH104-2091	1025	1-F 8	CH114-5785	1059	1-F 11	CH128-2162	999	1-F 5
CH095-9230	977	1-F 3	CH104-2091	1053	1-F 11	CH114-5785	1061	1-F 12	CH128-4249	197	1-B 21
CH096-2323	897	1-E 19	CH104-3466	931	1-E 23	CH114-5786	707	1-D 24	CH128-4249	315	1-C 9
CH096-5968	921	1-E 22	CH105-1632	853	1-E 15	CH114-5793	553	1-D 9	CH129-3178	537	1-D 7
CH096-6095	851	1-E 15	CH105-1638	853	1-E 15	CH114-5793	557	1-D 9	CH129-3178	553	1-D 9
CH096-6166	321	1-C 10	CH105-1646	857	1-E 15	CH116-7471	323	1-C 10	CH129-3178	555	1-D 9
CH096-6166	323	1-C 10	CH105-1648	857	1-E 15	CH116-7471	327	1-C 10	CH129-3178	559	1-D 9
CH096-6166	325	1-C 10	CH105-1650	857	1-E 15	CH117-0754	943	1-E 24	CH129-3178	1035	1-F 9
CH096-6166	327	1-C 10	CH105-1651	857	1-E 15	CH117-2311	323	1-C 10	CH129-3178	1139	1-F 19
CH096-6166	1139	1-F 19	CH105-1866	139	1-B 15	CH117-2311	327	1-C 10	CH129-6457	319	1-C 9
CH1A-8827	931	1-E 23	CH105-1866	141	1-B 16	CH117-8801	845	1-E 14	CH129-6457	321	1-C 10
CH1A-8827	933	1-E 23	CH105-1866	155	1-B 17	CH117-8929	1053	1-F 11	CH129-6457	325	1-C 10
CH1B-0676	1033	1-F 9	CH105-1866	157	1-B 17	CH118-0772	579	1-D 11	CH129-6457	327	1-C 10
CH1B-4202	721	1-E 2	CH105-2145	915	1-E 21	CH119-0942	765	1-E 6	CH130-5742	1031	1-F 9
CH1F-5403	1033	1-F 9	CH105-3031	853	1-E 15	CH119-1329	977	1-F 3	CH131-3093	999	1-F 5
CH1G-3174	759	1-E 5	CH105-3032	853	1-E 15	CH119-5026	233	1-C 1	CH131-3540	553	1-D 9
CH1H-8289	579	1-D 11	CH105-3033	853	1-E 15	CH119-5026	317	1-C 9	CH131-3540	555	1-D 9
CH1J-2860	655	1-D 19	CH105-8034	323	1-C 10	CH119-5026	337	1-C 11	CH131-3540	557	1-D 9
CH1J-4757	655	1-D 19	CH105-8034	327	1-C 10	CH119-5026	1025	1-F 8	CH131-3540	997	1-F 5
CH1J-6474	943	1-E 24	CH106-2105	823	1-E 12	CH119-5026	1057	1-F 11	CH131-3540	999	1-F 5
CH1J-9671	631	1-D 17	CH107-5591	999	1-F 5	CH119-5026	1133	1-F 19	CH131-3540	1053	1-F 11
CH1J-9671	633	1-D 17	CH108-5985	631	1-D 17	CH119-6110	763	1-E 6	CH131-8627	217	1-B 23
CH1J-9671	635	1-D 17	CH108-5985	633	1-D 17	CH119-7845	753	1-E 5	CH132-5789	123	1-B 14
CH1J-9671	637	1-D 17	CH108-5985	635	1-D 17	CH119-9708	631	1-D 17	CH132-5789	189	1-B 20
CH1J-9671	667	1-D 20	CH108-5985	637	1-D 17	CH119-9708	633	1-D 17	CH132-5789	339	1-C 11
CH1K-6872	575	1-D 11	CH108-6075	655	1-D 19	CH119-9708	635	1-D 17	CH132-5789	345	1-C 12
CH1N-5970	639	1-D 17	CH108-7251	969	1-F 2	CH119-9708	637	1-D 17	CH132-5789	349	1-C 12
CH1P-4278	139	1-B 15	CH109-2356	983	1-F 4	CH120-4897	193	1-B 21	CH133-6517	217	1-B 23
CH1P-4278	141	1-B 16	CH109-9685	903	1-E 20						

MT800B SERIES TRACTORS

13 INDEX

Part No.	Page	Grid	Part No.	Page	Grid	Part No.	Page	Grid	Part No.	Page	Grid
CH133-6517	219	1-B 23	CH146-7453	167	1-B 18	CH148-8419	731	1-E 3	CH162-0177	913	1-E 21
CH133-6517	221	1-B 24	CH146-7453	169	1-B 18	CH148-8419	735	1-E 3	CH162-0177	915	1-E 21
CH134-1935	1155	1-F 21	CH146-9439	231	1-C 1	CH148-8428	971	1-F 3	CH162-6555	1045	1-F 10
CH134-1935	1217	1-G 3	CH146-9439	233	1-C 1	CH148-8428	973	1-F 3	CH162-6660	1025	1-F 8
CH134-3987	343	1-C 12	CH146-9439	247	1-C 2	CH148-8433	717	1-E 1	CH162-8550	1137	1-F 19
CH134-3987	349	1-C 12	CH146-9439	261	1-C 4	CH148-8436	725	1-E 2	CH162-9592	839	1-E 13
CH134-3988	185	1-B 20	CH146-9439	263	1-C 4	CH148-8439	815	1-E 11	CH162-9592	851	1-E 15
CH134-3988	189	1-B 20	CH146-9439	265	1-C 4	CH148-8444	717	1-E 1	CH162-9601	755	1-E 5
CH134-3988	341	1-C 12	CH146-9439	267	1-C 4	CH148-8444	725	1-E 2	CH162-9601	759	1-E 5
CH134-3988	347	1-C 12	CH146-9439	269	1-C 4	CH148-8444	825	1-E 12	CH162-9602	757	1-E 5
CH134-3988	349	1-C 12	CH146-9439	271	1-C 5	CH148-8446	971	1-F 3	CH162-9602	761	1-E 6
CH134-4126	193	1-B 21	CH146-9439	273	1-C 5	CH149-0231	817	1-E 11	CH162-9799	897	1-E 19
CH134-4126	211	1-B 23	CH146-9439	317	1-C 9	CH149-2758	255	1-C 3	CH162-9821	897	1-E 19
CH134-4126	349	1-C 12	CH146-9439	337	1-C 11	CH149-6371	339	1-C 11	CH163-0397	79	1-B 9
CH134-7489	753	1-E 5	CH146-9439	353	1-C 13	CH149-6371	345	1-C 12	CH163-0397	363	1-C 14
CH135-6261	151	1-B 17	CH146-9439	1069	1-F 12	CH150-3037	971	1-F 3	CH163-0421	223	1-B 24
CH135-6261	153	1-B 17	CH146-9439	1155	1-F 21	CH150-3065	767	1-E 6	CH163-2657	319	1-C 9
CH135-8854	753	1-E 5	CH147-7143	949	1-E 24	CH150-3065	769	1-E 6	CH163-2657	327	1-C 10
CH135-8854	851	1-E 15	CH148-7017	239	1-C 1	CH150-3065	783	1-E 8	CH163-6018	709	1-D 24
CH135-9967	297	1-C 7	CH148-8305	631	1-D 17	CH150-8766	945	1-E 24	CH164-0909	631	1-D 17
CH135-9967	1155	1-F 21	CH148-8305	633	1-D 17	CH151-6030	689	1-D 22	CH164-0909	633	1-D 17
CH136-5252	229	1-B 24	CH148-8305	635	1-D 17	CH151-9989	1149	1-F 20	CH164-0909	635	1-D 17
CH136-5252	231	1-C 1	CH148-8305	637	1-D 17	CH151-9989	1151	1-F 21	CH164-0909	637	1-D 17
CH136-5254	247	1-C 2	CH148-8305	805	1-E 10	CH152-4241	965	1-F 2	CH164-4180	151	1-B 17
CH136-5268	317	1-C 9	CH148-8313	823	1-E 12	CH152-4241	967	1-F 2	CH164-4180	153	1-B 17
CH136-5268	337	1-C 11	CH148-8326	717	1-E 1	CH153-4058	767	1-E 6	CH164-5557	973	1-F 3
CH136-5414	1133	1-F 19	CH148-8327	805	1-E 10	CH153-4061	767	1-E 6	CH164-7057	1051	1-F 11
CH136-5415	1133	1-F 19	CH148-8327	815	1-E 11	CH153-4061	769	1-E 6	CH164-7070	1051	1-F 11
CH136-5434	1135	1-F 19	CH148-8334	805	1-E 10	CH153-6225	767	1-E 6	CH164-7491	945	1-E 24
CH136-5490	1073	1-F 13	CH148-8334	809	1-E 10	CH153-6225	769	1-E 6	CH164-8478	1053	1-F 11
CH136-5490	1075	1-F 13	CH148-8334	811	1-E 11	CH153-6227	769	1-E 6	CH164-9869	717	1-E 1
CH136-5490	1077	1-F 13	CH148-8334	815	1-E 11	CH153-6228	769	1-E 6	CH165-5694	783	1-E 8
CH136-5511	319	1-C 9	CH148-8335	809	1-E 10	CH154-2881	221	1-B 24	CH165-5975	291	1-C 7
CH136-5511	325	1-C 10	CH148-8335	811	1-E 11	CH154-5428	311	1-C 9	CH165-5975	319	1-C 9
CH136-8423	845	1-E 14	CH148-8340	717	1-E 1	CH154-9989	1141	1-F 20	CH165-5975	323	1-C 10
CH136-8423	853	1-E 15	CH148-8340	725	1-E 2	CH155-2255	1049	1-F 10	CH165-5975	327	1-C 10
CH137-3780	851	1-E 15	CH148-8340	969	1-F 2	CH155-2258	1049	1-F 10	CH165-5975	1023	1-F 8
CH137-9775	511	1-D 5	CH148-8342	969	1-F 2	CH155-3504	975	1-F 3	CH165-6969	763	1-E 6
CH137-9775	513	1-D 5	CH148-8342	975	1-F 3	CH156-0283	229	1-B 24	CH166-3611	1025	1-F 8
CH137-9775	517	1-D 5	CH148-8346	969	1-F 2	CH156-0283	231	1-C 1	CH166-3611	1137	1-F 19
CH139-6911	193	1-B 21	CH148-8347	791	1-E 9	CH156-0283	233	1-C 1	CH166-4573	1051	1-F 11
CH139-6911	211	1-B 23	CH148-8347	793	1-E 9	CH156-0283	705	1-D 24	CH166-4574	1051	1-F 11
CH140-1739	853	1-E 15	CH148-8347	815	1-E 11	CH156-0283	707	1-D 24	CH166-4596	1155	1-F 21
CH140-5181	1051	1-F 11	CH148-8347	827	1-E 12	CH156-4897	655	1-D 19	CH166-4615	1005	1-F 6
CH141-0243	859	1-E 15	CH148-8353	815	1-E 11	CH156-4900	655	1-D 19	CH167-2195	939	1-E 23
CH141-1762	1153	1-F 21	CH148-8355	815	1-E 11	CH156-6175	311	1-C 9	CH167-2201	787	1-E 8
CH141-1762	1155	1-F 21	CH148-8355	819	1-E 11	CH157-0217	1031	1-F 9	CH167-2209	631	1-D 17
CH141-2759	261	1-C 4	CH148-8355	821	1-E 12	CH157-0449	1023	1-F 8	CH167-2209	633	1-D 17
CH141-2759	269	1-C 4	CH148-8356	805	1-E 10	CH159-5890	769	1-E 6	CH167-2209	635	1-D 17
CH141-2759	271	1-C 5	CH148-8360	827	1-E 12	CH159-5893	767	1-E 6	CH167-2209	637	1-D 17
CH141-2759	273	1-C 5	CH148-8364	717	1-E 1	CH159-5893	769	1-E 6	CH167-2312	787	1-E 8
CH141-2759	1217	1-G 3	CH148-8364	725	1-E 2	CH159-5897	767	1-E 6	CH167-2320	631	1-D 17
CH142-2304	705	1-D 24	CH148-8364	819	1-E 11	CH159-5897	769	1-E 6	CH167-2320	633	1-D 17
CH142-2304	707	1-D 24	CH148-8364	821	1-E 12	CH159-5898	767	1-E 6	CH167-2320	635	1-D 17
CH142-2304	1051	1-F 11	CH148-8364	827	1-E 12	CH159-5898	973	1-F 3	CH167-2320	637	1-D 17
CH142-2304	1149	1-F 20	CH148-8364	969	1-F 2	CH160-3957	655	1-D 19	CH167-2457	939	1-E 23
CH142-2304	1151	1-F 21	CH148-8364	973	1-F 3	CH160-5223	655	1-D 19	CH168-2197	845	1-E 14
CH142-9681	1073	1-F 13	CH148-8367	709	1-D 24	CH160-8756	1149	1-F 20	CH168-2198	845	1-E 14
CH142-9681	1075	1-F 13	CH148-8370	725	1-E 2	CH160-8756	1151	1-F 21	CH168-2203	845	1-E 14
CH142-9681	1077	1-F 13	CH148-8372	725	1-E 2	CH161-6149	753	1-E 5	CH168-2309	1149	1-F 20
CH144-2179	567	1-D 10	CH148-8372	827	1-E 12	CH161-6149	919	1-E 21	CH168-2309	1151	1-F 21
CH144-9093	919	1-E 21	CH148-8372	973	1-F 3	CH161-6154	741	1-E 4	CH168-2333	1023	1-F 8
CH144-9094	919	1-E 21	CH148-8374	709	1-D 24	CH161-9932	343	1-C 12	CH168-3378	855	1-E 15
CH144-9097	919	1-E 21	CH148-8374	807	1-E 10	CH161-9932	349	1-C 12	CH168-3379	855	1-E 15
CH144-9098	919	1-E 21	CH148-8374	825	1-E 12	CH161-9932	359	1-C 13	CH168-3380	855	1-E 15
CH144-9101	753	1-E 5	CH148-8378	709	1-D 24	CH162-0177	165	1-B 18	CH168-3381	855	1-E 15
CH144-9103	753	1-E 5	CH148-8378	717	1-E 1	CH162-0177	723	1-E 2	CH168-3382	855	1-E 15
CH145-0846	323	1-C 10	CH148-8378	815	1-E 11	CH162-0177	851	1-E 15	CH168-3384	855	1-E 15
CH145-0846	327	1-C 10	CH148-8383	717	1-E 1	CH162-0177	881	1-E 18	CH168-3385	855	1-E 15
CH145-0847	323	1-C 10	CH148-8388	809	1-E 10	CH162-0177	883	1-E 18	CH168-3504	845	1-E 14
CH145-0847	327	1-C 10	CH148-8388	811	1-E 11	CH162-0177	885	1-E 18	CH168-3504	845	1-E 14
CH145-9545	537	1-D 7	CH148-8393	971	1-F 3	CH162-0177	895	1-E 19	CH168-3504	853	1-E 15
CH146-0835	97	1-B 11	CH148-8395	883	1-E 18	CH162-0177	905	1-E 20	CH168-4599	767	1-E 6
CH146-4350	897	1-E 19	CH148-8395	885	1-E 18	CH162-0177	909	1-E 20	CH168-7317	845	1-E 14
CH146-4351	897	1-E 19	CH148-8395	901	1-E 20	CH162-0177	911	1-E 21	CH168-7319	845	1-E 14
						CH162-0177	911	1-E 21	CH168-7863	845	1-E 14

INDEX

Part No.	Page	Grid	Part No.	Page	Grid	Part No.	Page	Grid	Part No.	Page	Grid
CH168-8389	1175	1-F 23	CH174-9215	969	1-F 2	CH183-8430	765	1-E 6	CH186-1069	979	1-F 3
CH168-8389	1195	1-G 1	CH174-9994	845	1-E 14	CH183-8430	851	1-E 15	CH186-1081	977	1-F 3
CH168-8389	1201	1-G 2	CH175-1323	235	1-C 1	CH183-8431	765	1-E 6	CH186-1094	977	1-F 3
CH169-4273	727	1-E 2	CH175-1323	237	1-C 1	CH183-8442	765	1-E 6	CH186-1096	977	1-F 3
CH169-6324	1073	1-F 13	CH175-1323	1217	1-G 3	CH183-8443	765	1-E 6	CH186-1682	1025	1-F 8
CH169-6325	1075	1-F 13	CH175-2851	631	1-D 17	CH183-8444	765	1-E 6	CH186-3735	1153	1-F 21
CH169-6326	1077	1-F 13	CH175-2851	633	1-D 17	CH183-8446	859	1-E 15	CH186-3735	1155	1-F 21
CH169-6352	1139	1-F 19	CH175-2851	635	1-D 17	CH183-8447	859	1-E 15	CH186-4955	787	1-E 8
CH169-6377	1149	1-F 20	CH175-2851	637	1-D 17	CH183-8449	859	1-E 15	CH186-5137	787	1-E 8
CH169-6377	1151	1-F 21	CH175-3135	897	1-E 19	CH183-8450	859	1-E 15	CH186-5862	179	1-B 19
CH169-6392	1051	1-F 11	CH175-3135	899	1-E 19	CH183-8451	859	1-E 15	CH187-4902	1017	1-F 7
CH169-6397	1143	1-F 20	CH175-3135	901	1-E 20	CH183-8452	859	1-E 15	CH187-4902	1019	1-F 7
CH169-6397	1145	1-F 20	CH175-3244	341	1-C 12	CH183-8453	859	1-E 15	CH187-4917	1035	1-F 9
CH170-0964	767	1-E 6	CH175-3244	349	1-C 12	CH183-8454	851	1-E 15	CH187-4930	985	1-F 4
CH170-0964	769	1-E 6	CH175-4966	363	1-C 14	CH184-2472	349	1-C 12	CH187-6297	729	1-E 2
CH170-0964	783	1-E 8	CH175-5327	739	1-E 3	CH184-5034	925	1-E 22	CH187-6297	733	1-E 3
CH170-1198	319	1-C 9	CH175-7057	325	1-C 10	CH184-5034	927	1-E 22	CH187-6297	739	1-E 3
CH170-1445	1149	1-F 20	CH175-7514	639	1-D 17	CH184-5034	935	1-E 23	CH187-6486	729	1-E 2
CH170-1445	1151	1-F 21	CH175-7900	939	1-E 23	CH184-5339	721	1-E 2	CH187-6486	733	1-E 3
CH170-2237	233	1-C 1	CH176-4546	207	1-B 22	CH184-8029	91	1-B 11	CH187-6486	739	1-E 3
CH170-2237	261	1-C 4	CH177-0378	161	1-B 18	CH184-8029	95	1-B 11	CH187-9018	799	1-E 9
CH170-2237	263	1-C 4	CH177-1872	671	1-D 21	CH185-0295	845	1-E 14	CH187-9018	801	1-E 10
CH170-2237	265	1-C 4	CH177-3405	943	1-E 24	CH185-0296	845	1-E 14	CH187-9630	897	1-E 19
CH170-2237	267	1-C 4	CH177-3405	945	1-E 24	CH185-3886	1137	1-F 19	CH188-3640	891	1-E 19
CH170-2320	989	1-F 4	CH178-3333	883	1-E 18	CH185-3959	807	1-E 10	CH188-3640	893	1-E 19
CH170-5282	91	1-B 11	CH178-3888	1153	1-F 21	CH185-3959	825	1-E 12	CH188-7789	907	1-E 20
CH170-5696	1153	1-F 21	CH178-4164	753	1-E 5	CH185-7141	299	1-C 7	CH188-9637	857	1-E 15
CH170-5696	1155	1-F 21	CH178-4171	753	1-E 5	CH185-9753	729	1-E 2	CH188-9644	239	1-C 1
CH170-7251	1075	1-F 13	CH178-7955	1151	1-F 21	CH185-9753	733	1-E 3	CH188-9644	241	1-C 2
CH170-7251	1077	1-F 13	CH178-7962	1023	1-F 8	CH185-9753	739	1-E 3	CH189-3284	979	1-F 3
CH170-7251	1079	1-F 13	CH178-7963	1023	1-F 8	CH185-9753	799	1-E 9	CH189-4882	939	1-E 23
CH171-1105	729	1-E 2	CH178-7965	1025	1-F 8	CH185-9753	801	1-E 10	CH189-4888	939	1-E 23
CH171-1105	733	1-E 3	CH178-9570	107	1-B 12	CH185-9759	729	1-E 2	CH189-4906	939	1-E 23
CH171-1106	729	1-E 2	CH178-9570	1021	1-F 8	CH185-9759	733	1-E 3	CH189-4907	939	1-E 23
CH171-1106	733	1-E 3	CH179-2959	1141	1-F 20	CH185-9762	729	1-E 2	CH189-4911	935	1-E 23
CH171-1107	729	1-E 2	CH179-3160	1083	1-F 14	CH185-9762	733	1-E 3	CH189-4911	939	1-E 23
CH171-1107	733	1-E 3	CH179-3160	1085	1-F 14	CH185-9762	739	1-E 3	CH189-6001	937	1-E 23
CH171-3054	763	1-E 6	CH179-4206	1041	1-F 10	CH185-9763	799	1-E 9	CH189-6001	941	1-E 24
CH171-3055	763	1-E 6	CH179-4209	1157	1-F 21	CH185-9768	729	1-E 2	CH189-6397	939	1-E 23
CH171-3057	763	1-E 6	CH179-4217	1151	1-F 21	CH185-9768	733	1-E 3	CH189-8610	1157	1-F 21
CH171-3058	763	1-E 6	CH179-4265	275	1-C 5	CH185-9768	737	1-E 3	CH189-8610	1217	1-G 3
CH171-3059	763	1-E 6	CH179-4324	163	1-B 18	CH185-9772	729	1-E 2	CH190-0430	729	1-E 2
CH171-3060	763	1-E 6	CH179-4324	323	1-C 10	CH185-9772	733	1-E 3	CH190-0430	733	1-E 3
CH171-3061	763	1-E 6	CH179-4324	325	1-C 10	CH185-9773	729	1-E 2	CH190-0431	739	1-E 3
CH171-4047	1053	1-F 11	CH179-4324	1035	1-F 9	CH185-9773	733	1-E 3	CH190-2584	931	1-E 23
CH171-5989	763	1-E 6	CH179-6898	707	1-D 24	CH185-9773	739	1-E 3	CH190-2584	933	1-E 23
CH171-6723	971	1-F 3	CH179-8665	823	1-E 12	CH185-9773	799	1-E 9	CH190-2611	981	1-F 4
CH172-2241	109	1-B 12	CH180-0613	263	1-C 4	CH185-9773	801	1-E 10	CH190-2612	981	1-F 4
CH172-3403	109	1-B 12	CH180-0613	265	1-C 4	CH186-0341	897	1-E 19	CH190-2615	933	1-E 23
CH172-3511	207	1-B 22	CH180-0613	267	1-C 4	CH186-0347	897	1-E 19	CH190-2623	785	1-E 8
CH172-4620	783	1-E 8	CH180-1120	715	1-E 1	CH186-0348	897	1-E 19	CH190-2634	965	1-F 2
CH172-4621	767	1-E 6	CH180-6213	845	1-E 14	CH186-0364	897	1-E 19	CH190-2634	967	1-F 2
CH172-4621	783	1-E 8	CH180-7317	277	1-C 5	CH186-0365	897	1-E 19	CH190-3120	853	1-E 15
CH172-4622	783	1-E 8	CH180-9339	359	1-C 13	CH186-0367	897	1-E 19	CH190-3391	665	1-D 20
CH172-5761	725	1-E 2	CH183-3724	769	1-E 6	CH186-0368	897	1-E 19	CH190-3391	667	1-D 20
CH172-6847	1079	1-F 13	CH183-3725	767	1-E 6	CH186-0368	899	1-E 19	CH190-3576	659	1-D 19
CH172-6862	1149	1-F 20	CH183-4236	729	1-E 2	CH186-0368	901	1-E 20	CH190-6507	845	1-E 14
CH172-6862	1151	1-F 21	CH183-4236	733	1-E 3	CH186-0369	897	1-E 19	CH190-6508	855	1-E 15
CH172-9287	725	1-E 2	CH183-4584	343	1-C 12	CH186-0369	899	1-E 19	CH190-6516	853	1-E 15
CH173-0566	363	1-C 14	CH183-4584	347	1-C 12	CH186-0369	901	1-E 20	CH190-6518	853	1-E 15
CH173-3175	273	1-C 5	CH183-5008	931	1-E 23	CH186-0370	897	1-E 19	CH190-6519	853	1-E 15
CH173-7126	165	1-B 18	CH183-5008	933	1-E 23	CH186-0370	899	1-E 19	CH190-6520	853	1-E 15
CH173-7223	343	1-C 12	CH183-8417	765	1-E 6	CH186-0371	897	1-E 19	CH190-6523	853	1-E 15
CH173-7223	349	1-C 12	CH183-8417	919	1-E 21	CH186-0371	899	1-E 19	CH190-6528	857	1-E 15
CH173-7639	783	1-E 8	CH183-8418	919	1-E 21	CH186-0371	901	1-E 20	CH191-1780	1025	1-F 8
CH173-9683	939	1-E 23	CH183-8419	919	1-E 21	CH186-0372	901	1-E 20	CH191-2276	323	1-C 10
CH174-4874	665	1-D 20	CH183-8420	919	1-E 21	CH186-0375	897	1-E 19	CH191-2276	325	1-C 10
CH174-4874	667	1-D 20	CH183-8421	919	1-E 21	CH186-0376	897	1-E 19	CH191-3701	1137	1-F 19
CH174-5747	163	1-B 18	CH183-8423	919	1-E 21	CH186-0996	943	1-E 24	CH191-6944	783	1-E 8
CH174-5747	1035	1-F 9	CH183-8424	919	1-E 21	CH186-0996	945	1-E 24	CH191-8010	1209	1-G 2
CH174-5789	1139	1-F 19	CH183-8425	919	1-E 21	CH186-0997	943	1-E 24	CH191-9311	799	1-E 9
CH174-5810	969	1-F 2	CH183-8426	919	1-E 21	CH186-0997	945	1-E 24	CH191-9311	801	1-E 10
CH174-6381	1083	1-F 14	CH183-8427	919	1-E 21	CH186-0998	943	1-E 24	CH192-4765	999	1-F 5
CH174-6381	1085	1-F 14	CH183-8428	919	1-E 21	CH186-1000	937	1-E 23	CH192-4767	1033	1-F 9
CH174-9061	337	1-C 11	CH183-8429	919	1-E 21	CH186-1069	977	1-F 3	CH192-5173	567	1-D 10

MT800B SERIES TRACTORS

15 INDEX

Part No.	Page	Grid	Part No.	Page	Grid	Part No.	Page	Grid	Part No.	Page	Grid
CH192-6280	785	1-E 8	CH196-7341	247	1-C 2	CH202-8633	655	1-D 19	CH209-6417	299	1-C 7
CH192-6280	953	1-F 1	CH196-9321	1209	1-G 2	CH202-9222	511	1-D 5	CH209-7451	895	1-E 19
CH192-6280	955	1-F 1	CH196-9444	921	1-E 22	CH202-9222	513	1-D 5	CH209-7452	895	1-E 19
CH192-6280	957	1-F 1	CH197-4832	969	1-F 2	CH202-9222	515	1-D 5	CH209-7496	887	1-E 18
CH192-6280	959	1-F 1	CH197-5854	1139	1-F 19	CH202-9222	517	1-D 5	CH209-7498	781	1-E 8
CH192-6280	961	1-F 2	CH197-5910	717	1-E 1	CH202-9222	519	1-D 5	CH209-8296	897	1-E 19
CH192-6280	963	1-F 2	CH198-1544	923	1-E 22	CH202-9701	655	1-D 19	CH209-9078	849	1-E 14
CH192-6389	717	1-E 1	CH198-1963	735	1-E 3	CH203-0343	763	1-E 6	CH209-9079	849	1-E 14
CH192-7054	1073	1-F 13	CH198-8789	785	1-E 8	CH203-3169	763	1-E 6	CH209-9233	1067	1-F 12
CH192-7054	1075	1-F 13	CH198-8789	787	1-E 8	CH203-6970	1053	1-F 11	CH209-9680	897	1-E 19
CH192-7054	1077	1-F 13	CH199-7718	969	1-F 2	CH203-8550	749	1-E 4	CH209-9921	907	1-E 20
CH192-7111	895	1-E 19	CH2A-1314	827	1-E 12	CH204-5041	127	1-B 14	CH209-9927	907	1-E 20
CH192-8841	827	1-E 12	CH2A-1314	947	1-E 24	CH204-5041	129	1-B 14	CH209-9947	907	1-E 20
CH193-1036	915	1-E 21	CH2A-3211	1023	1-F 8	CH204-7458	343	1-C 12	CH209-9955	907	1-E 20
CH193-5914	579	1-D 11	CH2A-3211	1209	1-G 2	CH204-7458	349	1-C 12	CH209-9957	907	1-E 20
CH193-5914	641	1-D 18	CH2B-0858	167	1-B 18	CH205-3692	807	1-E 10	CH209-9961	907	1-E 20
CH193-5914	709	1-D 24	CH2B-0858	169	1-B 18	CH205-3692	825	1-E 12	CH209-9962	907	1-E 20
CH193-5914	829	1-E 12	CH2B-0858	179	1-B 19	CH205-6395	851	1-E 15	CH210-0159	809	1-E 10
CH193-5914	945	1-E 24	CH2B-2404	727	1-E 2	CH205-6397	753	1-E 5	CH210-0159	811	1-E 11
CH193-5914	971	1-F 3	CH2D-9454	655	1-D 19	CH206-0325	167	1-B 18	CH210-0179	849	1-E 14
CH193-5914	1139	1-F 19	CH2D-9455	655	1-D 19	CH206-0325	169	1-B 18	CH210-0181	803	1-E 10
CH193-5914	1141	1-F 20	CH2H-3429	195	1-B 21	CH206-2491	1045	1-F 10	CH210-0183	803	1-E 10
CH193-5914	1153	1-F 21	CH2H-3920	297	1-C 7	CH206-4627	943	1-E 24	CH210-0780	849	1-E 14
CH193-5915	535	1-D 7	CH2H-3920	1153	1-F 21	CH206-4627	945	1-E 24	CH210-1993	907	1-E 20
CH193-5915	667	1-D 20	CH2H-3920	1155	1-F 21	CH206-4636	933	1-E 23	CH210-2265	183	1-B 20
CH193-5916	579	1-D 11	CH2H-3934	97	1-B 11	CH206-4640	965	1-F 2	CH210-4352	537	1-D 7
CH194-4168	109	1-B 12	CH2H-3934	835	1-E 13	CH206-4640	967	1-F 2	CH210-4352	1055	1-F 11
CH194-4650	915	1-E 21	CH2H-3934	837	1-E 13	CH206-5823	1157	1-F 21	CH210-7488	945	1-E 24
CH194-4651	915	1-E 21	CH2J-3961	787	1-E 8	CH206-6337	835	1-E 13	CH210-7492	945	1-E 24
CH194-6725	739	1-E 3	CH2J-6356	161	1-B 18	CH206-6337	837	1-E 13	CH210-7499	945	1-E 24
CH194-6848	853	1-E 15	CH2J-6356	707	1-D 24	CH206-6337	847	1-E 14	CH210-7518	945	1-E 24
CH194-7620	343	1-C 12	CH2J-6356	721	1-E 2	CH206-9017	837	1-E 13	CH210-7531	979	1-F 3
CH194-7620	349	1-C 12	CH2J-8163	787	1-E 8	CH206-9017	853	1-E 15	CH210-7532	979	1-F 3
CH194-8673	849	1-E 14	CH2K-6830	939	1-E 23	CH206-9019	835	1-E 13	CH211-0912	803	1-E 10
CH195-1104	631	1-D 17	CH2K-8199	363	1-C 14	CH206-9019	845	1-E 14	CH211-2722	973	1-F 3
CH195-1104	633	1-D 17	CH2K-8199	769	1-E 6	CH207-2021	1023	1-F 8	CH211-2723	973	1-F 3
CH195-1104	635	1-D 17	CH2L-6726	195	1-B 21	CH207-2021	1039	1-F 9	CH211-2724	973	1-F 3
CH195-1104	637	1-D 17	CH2M-1908	817	1-E 11	CH207-2021	1043	1-F 10	CH211-2725	973	1-F 3
CH195-2600	1083	1-F 14	CH2M-5795	575	1-D 11	CH207-2023	1035	1-F 9	CH211-3502	819	1-E 11
CH195-2600	1085	1-F 14	CH2N-7456	347	1-C 12	CH207-2024	1035	1-F 9	CH211-3590	185	1-B 20
CH195-2601	1083	1-F 14	CH2P-2717	1209	1-G 2	CH207-2032	163	1-B 18	CH211-3590	189	1-B 20
CH195-2601	1085	1-F 14	CH2R-2376	1055	1-F 11	CH207-2039	1023	1-F 8	CH211-3792	119	1-B 13
CH195-2602	1083	1-F 14	CH2S-3440	179	1-B 19	CH207-3629	839	1-E 13	CH211-4423	529	1-D 6
CH195-2602	1085	1-F 14	CH200-0010	931	1-E 23	CH207-3629	849	1-E 14	CH211-4423	531	1-D 7
CH195-2607	1083	1-F 14	CH200-0010	965	1-F 2	CH207-5359	809	1-E 10	CH211-4837	1157	1-F 21
CH195-2607	1085	1-F 14	CH200-0010	967	1-F 2	CH207-5359	811	1-E 11	CH211-8202	971	1-F 3
CH195-2608	1083	1-F 14	CH200-2841	179	1-B 19	CH207-5360	809	1-E 10	CH211-8713	159	1-B 17
CH195-2608	1085	1-F 14	CH200-4349	729	1-E 2	CH207-5360	811	1-E 11	CH211-9968	969	1-F 2
CH195-2609	1083	1-F 14	CH200-4349	733	1-E 3	CH207-6797	299	1-C 7	CH212-0279	189	1-B 20
CH195-2609	1085	1-F 14	CH200-4359	729	1-E 2	CH208-0765	821	1-E 12	CH212-0279	969	1-F 2
CH195-2614	1083	1-F 14	CH200-4359	733	1-E 3	CH208-1663	631	1-D 17	CH212-0297	717	1-E 1
CH195-2614	1085	1-F 14	CH200-4379	729	1-E 2	CH208-1663	633	1-D 17	CH212-0302	717	1-E 1
CH195-2626	1039	1-F 9	CH200-4379	733	1-E 3	CH208-2404	1051	1-F 11	CH212-0310	717	1-E 1
CH195-2626	1043	1-F 10	CH200-4384	721	1-E 2	CH208-2404	1149	1-F 20	CH212-3416	1039	1-F 9
CH195-7925	997	1-F 5	CH200-6208	239	1-C 1	CH208-2404	1151	1-F 21	CH212-3416	1041	1-F 10
CH196-2881	1083	1-F 14	CH200-6208	243	1-C 2	CH208-2404	1217	1-G 3	CH212-3416	1043	1-F 10
CH196-2881	1085	1-F 14	CH200-8649	187	1-B 20	CH208-2878	1063	1-F 12	CH212-3585	725	1-E 2
CH196-3017	931	1-E 23	CH200-8708	965	1-F 2	CH208-5384	165	1-B 18	CH212-4443	331	1-C 11
CH196-3019	933	1-E 23	CH200-8708	967	1-F 2	CH208-5521	1141	1-F 20	CH212-4443	709	1-D 24
CH196-3019	965	1-F 2	CH200-8747	943	1-E 24	CH208-6662	1031	1-F 9	CH212-4443	1033	1-F 9
CH196-3019	967	1-F 2	CH200-8749	943	1-E 24	CH208-9482	313	1-C 9	CH212-6998	319	1-C 9
CH196-3022	931	1-E 23	CH200-8749	945	1-E 24	CH208-9635	1155	1-F 21	CH212-6998	325	1-C 10
CH196-3024	785	1-E 8	CH200-8751	943	1-E 24	CH208-9829	725	1-E 2	CH213-1783	225	1-B 24
CH196-3025	965	1-F 2	CH200-8751	991	1-F 5	CH208-9830	725	1-E 2	CH213-1827	671	1-D 21
CH196-3025	967	1-F 2	CH201-0780	915	1-E 21	CH208-9844	809	1-E 10	CH213-4497	547	1-D 8
CH196-3030	965	1-F 2	CH201-7614	769	1-E 6	CH208-9844	811	1-E 11	CH213-6199	945	1-E 24
CH196-3030	967	1-F 2	CH201-7615	767	1-E 6	CH208-9850	807	1-E 10	CH213-6273	969	1-F 2
CH196-3034	965	1-F 2	CH201-8106	945	1-E 24	CH208-9850	825	1-E 12	CH213-8872	969	1-F 2
CH196-3034	967	1-F 2	CH201-8106	981	1-F 4	CH208-9972	813	1-E 11	CH214-1071	983	1-F 4
CH196-3041	945	1-E 24	CH201-9691	247	1-C 2	CH208-9973	813	1-E 11	CH214-2184	1035	1-F 9
CH196-3042	945	1-E 24	CH201-9692	247	1-C 2	CH208-9974	813	1-E 11	CH214-9203	853	1-E 15
CH196-3698	1137	1-F 19	CH202-2373	159	1-B 17	CH209-3394	131	1-B 15	CH214-9441	161	1-B 18
CH196-3699	1137	1-F 19	CH202-2592	847	1-E 14	CH209-3395	131	1-B 15	CH215-1382	241	1-C 2
CH196-4250	921	1-E 22	CH202-2593	847	1-E 14	CH209-4481	1155	1-F 21	CH215-9463	639	1-D 17
CH196-4254	921	1-E 22	CH202-2595	847	1-E 14	CH209-4482	1155	1-F 21	CH216-2628	997	1-F 5

INDEX

Part No.	Page	Grid	Part No.	Page	Grid	Part No.	Page	Grid	Part No.	Page	Grid
CH216-2628	999	1-F 5	CH3B-4607	575	1-D 11	CH3K-0360	827	1-E 12	CH4K-8341	1035	1-F 9
CH216-2628	1153	1-F 21	CH3B-4610	579	1-D 11	CH3K-0360	883	1-E 18	CH4K-8864	185	1-B 20
CH216-2628	1155	1-F 21	CH3B-4611	559	1-E 9	CH3K-0360	885	1-E 18	CH4K-8864	189	1-B 20
CH216-4098	903	1-E 20	CH3B-4611	943	1-E 24	CH3K-0360	901	1-E 20	CH4K-8864	343	1-C 12
CH216-6428	559	1-D 9	CH3B-4611	945	1-E 24	CH3K-0360	969	1-F 2	CH4K-8864	349	1-C 12
CH216-7114	905	1-E 20	CH3B-4615	1033	1-F 9	CH3K-0360	971	1-F 3	CH4K-8864	731	1-E 3
CH216-7114	909	1-E 20	CH3B-4617	707	1-D 24	CH3K-0360	973	1-F 3	CH4K-8864	735	1-E 3
CH216-7114	911	1-E 21	CH3B-4617	709	1-D 24	CH3K-0360	975	1-F 3	CH4K-8864	823	1-E 12
CH216-7114	913	1-E 21	CH3B-4617	931	1-E 23	CH3K-0715	851	1-E 15	CH4K-9097	537	1-D 7
CH216-7115	909	1-E 20	CH3B-4617	933	1-E 23	CH3K-8282	747	1-E 4	CH4L-3641	973	1-F 3
CH216-7115	911	1-E 21	CH3B-4617	943	1-E 24	CH3K-8282	749	1-E 4	CH4L-8183	945	1-E 24
CH216-7115	913	1-E 21	CH3B-4629	545	1-D 8	CH3K-9089	579	1-D 11	CH4M-7668	849	1-E 14
CH216-7116	741	1-E 4	CH3B-8485	947	1-E 24	CH3P-3547	1035	1-F 9	CH4P-3966	97	1-B 11
CH216-7117	741	1-E 4	CH3B-8485	1217	1-G 3	CH3S-5096	997	1-F 5	CH4P-3977	97	1-B 11
CH216-7118	741	1-E 4	CH3B-8486	631	1-D 17	CH3S-5096	999	1-F 5	CH4P-7428	343	1-C 12
CH216-7616	1083	1-F 14	CH3B-8486	633	1-D 17	CH3S-5096	1217	1-G 3	CH4P-7428	349	1-C 12
CH216-7617	245	1-C 2	CH3B-8486	635	1-D 17	CH3S-8664	167	1-B 18	CH4P-7428	947	1-E 24
CH216-7617	1083	1-F 14	CH3B-8486	637	1-D 17	CH3S-8664	169	1-B 18	CH4P-7581	189	1-B 20
CH216-8187	907	1-E 20	CH3C-6969	247	1-C 2	CH3S-8664	185	1-B 20	CH4P-7581	321	1-C 10
CH216-8189	907	1-E 20	CH3C-6969	317	1-C 9	CH3S-8664	189	1-B 20	CH4P-7581	325	1-C 10
CH216-8190	907	1-E 20	CH3C-6969	321	1-C 10	CH3S-8664	737	1-E 3	CH4P-7581	339	1-C 11
CH216-8191	907	1-E 20	CH3C-6969	323	1-C 10	CH3S-8664	1059	1-F 11	CH4P-7581	341	1-C 12
CH216-8275	593	1-D 13	CH3C-6969	327	1-C 10	CH3S-8664	1061	1-F 12	CH4P-7581	343	1-C 12
CH216-9085	321	1-C 10	CH3C-6969	337	1-C 11	CH3S-9233	783	1-E 8	CH4P-7581	345	1-C 12
CH216-9085	327	1-C 10	CH3D-6209	591	1-D 13	CH3S-9557	243	1-C 2	CH4P-7581	347	1-C 12
CH216-9085	1033	1-F 9	CH3D-9133	665	1-D 20	CH3T-0851	235	1-C 1	CH4P-7581	349	1-C 12
CH216-9165	1055	1-F 11	CH3D-9133	667	1-D 20	CH3T-0851	237	1-C 1	CH4P-7581	413	1-C 19
CH217-2132	1139	1-F 19	CH3E-3363	253	1-C 3	CH3T-8607	319	1-C 9	CH4P-7581	737	1-E 3
CH217-5909	235	1-C 1	CH3E-3369	253	1-C 3	CH3T-8607	325	1-C 10	CH4P-7581	983	1-F 4
CH217-5909	237	1-C 1	CH3E-3371	359	1-C 13	CH3W-6116	947	1-E 24	CH4P-8134	321	1-C 10
CH217-5909	537	1-D 7	CH3E-3389	297	1-C 7	CH3W-7412	575	1-D 11	CH4P-8134	323	1-C 10
CH217-5909	555	1-D 9	CH3E-3389	1153	1-F 21	CH4B-2047	347	1-C 12	CH4P-8134	325	1-C 10
CH217-5909	557	1-D 9	CH3E-3389	1155	1-F 21	CH4B-4274	163	1-B 18	CH4S-1962	719	1-E 1
CH217-5909	1003	1-F 6	CH3E-4289	907	1-E 20	CH4B-4274	195	1-B 21	CH4S-1962	805	1-E 10
CH217-5909	1083	1-F 14	CH3E-4296	897	1-E 19	CH4B-4274	233	1-C 1	CH4S-1962	975	1-F 3
CH217-5909	1085	1-F 14	CH3E-4297	729	1-E 2	CH4B-4274	235	1-C 1	CH4S-1962	1059	1-F 11
CH218-2891	143	1-B 16	CH3E-4297	733	1-E 3	CH4B-4274	237	1-C 1	CH4S-1962	1061	1-F 12
CH218-2892	143	1-B 16	CH3E-4297	739	1-E 3	CH4B-4274	347	1-C 12	CH4V-2264	1057	1-F 11
CH218-2969	969	1-F 2	CH3E-4298	907	1-E 20	CH4D-2619	751	1-E 5	CH4V-2445	853	1-E 15
CH218-3575	717	1-E 1	CH3E-4352	1051	1-F 11	CH4D-4431	631	1-D 17	CH4W-1203	101	1-B 12
CH219-4673	323	1-C 10	CH3E-4353	1017	1-F 7	CH4D-4431	633	1-D 17	CH4W-1204	101	1-B 12
CH219-4673	327	1-C 10	CH3E-4353	1019	1-F 7	CH4D-4431	635	1-D 17	CH4W-2042	101	1-B 12
CH219-7932	813	1-E 11	CH3E-4883	105	1-B 12	CH4D-4431	637	1-D 17	CH5B-9192	731	1-E 3
CH219-9653	725	1-E 2	CH3E-6600	999	1-F 5	CH4D-7388	1059	1-F 11	CH5B-9192	735	1-E 3
CH220-8678	165	1-B 18	CH3E-6762	731	1-E 3	CH4D-7388	1061	1-F 12	CH5C-2874	233	1-C 1
CH221-0050	717	1-E 1	CH3E-6762	735	1-E 3	CH4D-7388	1089	1-F 14	CH5C-2874	321	1-C 10
CH221-0051	717	1-E 1	CH3E-6762	739	1-E 3	CH4D-7733	139	1-B 15	CH5C-2874	325	1-C 10
CH221-2002	171	1-B 19	CH3E-6762	799	1-E 9	CH4D-7733	141	1-B 16	CH5C-8312	323	1-C 10
CH221-2002	179	1-B 19	CH3E-6762	801	1-E 10	CH4D-7733	719	1-E 1	CH5C-8312	327	1-C 10
CH221-2003	179	1-B 19	CH3E-8008	753	1-E 5	CH4D-7735	719	1-E 1	CH5C-8312	343	1-C 12
CH221-3265	179	1-B 19	CH3E-8020	209	1-B 22	CH4D-7735	807	1-E 10	CH5C-8312	349	1-C 12
CH222-0527	823	1-E 12	CH3E-8020	1089	1-F 14	CH4D-7735	825	1-E 12	CH5C-8312	1033	1-F 9
CH222-4435	1083	1-F 14	CH3E-8020	1139	1-F 19	CH4D-7794	343	1-C 12	CH5D-4204	973	1-F 3
CH223-9254	807	1-E 10	CH3E-9860	229	1-B 24	CH4D-7794	347	1-C 12	CH5D-5958	763	1-E 6
CH223-9254	825	1-E 12	CH3E-9860	231	1-C 1	CH4D-7794	349	1-C 12	CH5D-6539	897	1-E 19
CH223-9804	967	1-F 2	CH3E-9860	233	1-C 1	CH4D-9517	165	1-B 18	CH5D-8159	977	1-F 3
CH225-5203	813	1-E 11	CH3E-9860	575	1-D 11	CH4D-9517	185	1-B 20	CH5D-8159	979	1-F 3
CH225-6215	1017	1-F 7	CH3E-9865	1209	1-G 2	CH4E-1251	161	1-B 18	CH5E-7045	921	1-E 22
CH226-0372	705	1-D 24	CH3F-9556	1153	1-F 21	CH4E-1251	707	1-D 24	CH5F-3999	787	1-E 8
CH226-0372	707	1-D 24	CH3F-9556	1155	1-F 21	CH4E-2229	323	1-C 10	CH5F-5434	91	1-B 11
CH226-2711	705	1-D 24	CH3G-0785	903	1-E 20	CH4E-2229	327	1-C 10	CH5J-3079	707	1-D 24
CH226-2711	707	1-D 24	CH3K-0360	95	1-B 11	CH4E-7808	1033	1-F 9	CH5J-4715	185	1-B 20
CH251-6721	219	1-B 23	CH3K-0360	631	1-D 17	CH4H-7655	1071	1-F 13	CH5J-4715	189	1-B 20
CH3B-0551	179	1-B 19	CH3K-0360	633	1-D 17	CH4I-3038	247	1-C 2	CH5J-7154	939	1-E 23
CH3B-2263	853	1-E 15	CH3K-0360	635	1-D 17	CH4I-5399	171	1-B 19	CH5K-1078	655	1-D 19
CH3B-4501	321	1-C 10	CH3K-0360	637	1-D 17	CH4J-0522	821	1-E 12	CH5L-4758	767	1-E 6
CH3B-4501	323	1-C 10	CH3K-0360	709	1-D 24	CH4J-2036	545	1-D 8	CH5M-2894	707	1-D 24
CH3B-4501	325	1-C 10	CH3K-0360	717	1-E 1	CH4J-2701	721	1-E 2	CH5P-0537	1023	1-F 8
CH3B-4501	327	1-C 10	CH3K-0360	725	1-E 2	CH4J-5050	151	1-B 17	CH5P-0767	131	1-B 15
CH3B-4501	343	1-C 12	CH3K-0360	793	1-E 9	CH4K-1388	95	1-B 11	CH5P-0767	133	1-B 15
CH3B-4501	349	1-C 12	CH3K-0360	807	1-E 10	CH4K-1388	219	1-B 23	CH5P-0767	1063	1-F 12
CH3B-4501	1049	1-F 11	CH3K-0360	819	1-E 11	CH4K-7239	655	1-D 19	CH5P-1075	91	1-B 11
CH3B-4503	163	1-B 18	CH3K-0360	821	1-E 12	CH4K-8302	91	1-B 11	CH5P-1259	155	1-B 17
CH3B-4505	97	1-B 11	CH3K-0360	823	1-E 12	CH4K-8302	95	1-B 11	CH5P-1259	157	1-B 17
CH3B-4605	1053	1-F 11	CH3K-0360	825	1-E 12	CH4K-8341	163	1-B 18	CH5P-1420	139	1-B 15

MT800B SERIES TRACTORS

17
INDEX

Part No.	Page	Grid	Part No.	Page	Grid	Part No.	Page	Grid	Part No.	Page	Grid
CH5P-1420	141	1-B 16	CH5P-9186	777	1-E 7	CH6K-3274	579	1-D 11	CH6V-8362	1031	1-F 9
CH5P-1420	823	1-E 12	CH5P-9186	781	1-E 8	CH6K-3632	931	1-E 23	CH6V-8369	297	1-C 7
CH5P-1442	139	1-B 15	CH5P-9186	897	1-E 19	CH6K-6307	631	1-D 17	CH6V-8369	1153	1-F 21
CH5P-1442	141	1-B 16	CH5P-9186	899	1-E 19	CH6K-6307	633	1-D 17	CH6V-8369	1155	1-F 21
CH5P-1442	367	1-C 14	CH5P-9186	901	1-E 20	CH6K-6307	635	1-D 17	CH6V-8376	191	1-B 21
CH5P-1442	817	1-E 11	CH5P-9186	903	1-E 20	CH6K-6307	637	1-D 17	CH6V-8376	319	1-C 9
CH5P-3237	95	1-B 11	CH5P-9262	915	1-E 21	CH6K-6307	851	1-E 15	CH6V-8376	321	1-C 10
CH5P-3424	1173	1-F 23	CH5P-9517	823	1-E 12	CH6K-6361	999	1-F 5	CH6V-8376	323	1-C 10
CH5P-3602	527	1-D 6	CH5P-9651	639	1-D 17	CH6K-8178	139	1-B 15	CH6V-8376	325	1-C 10
CH5P-4115	195	1-B 21	CH5P-9652	639	1-D 17	CH6K-8178	141	1-B 16	CH6V-8376	327	1-C 10
CH5P-4115	311	1-C 9	CH5R-5676	783	1-E 8	CH6K-9070	989	1-F 4	CH6V-8398	95	1-B 11
CH5P-4115	527	1-D 6	CH5R-5718	783	1-E 8	CH6K-9632	1157	1-F 21	CH6V-8398	165	1-B 18
CH5P-4115	537	1-D 7	CH5R-5780	783	1-E 8	CH6L-3966	707	1-D 24	CH6V-8398	717	1-E 1
CH5P-4115	553	1-D 9	CH5R-6304	783	1-E 8	CH6M-5062	921	1-E 22	CH6V-8398	723	1-E 2
CH5P-4115	555	1-D 9	CH5R-6868	783	1-E 8	CH6N-6984	549	1-D 8	CH6V-8398	725	1-E 2
CH5P-4115	557	1-D 9	CH5S-9062	101	1-B 12	CH6N-6984	579	1-D 11	CH6V-8398	727	1-E 2
CH5P-4115	559	1-D 9	CH5V-0354	947	1-E 24	CH6N-6984	581	1-D 12	CH6V-8398	819	1-E 11
CH5P-4115	569	1-D 10	CH5V-1496	1139	1-F 19	CH6R-7943	845	1-E 14	CH6V-8398	821	1-E 12
CH5P-4115	947	1-E 24	CH5W-9411	741	1-E 4	CH6R-7943	853	1-E 15	CH6V-8398	825	1-E 12
CH5P-4115	997	1-F 5	CH6B-1032	815	1-E 11	CH6S-5993	341	1-C 12	CH6V-8398	827	1-E 12
CH5P-4115	999	1-F 5	CH6D-1641	727	1-E 2	CH6S-5993	349	1-C 12	CH6V-8398	921	1-E 22
CH5P-4115	1083	1-F 14	CH6D-1641	971	1-F 3	CH6S-6031	639	1-D 17	CH6V-8398	969	1-F 2
CH5P-4115	1085	1-F 14	CH6D-1641	973	1-F 3	CH6S-6032	639	1-D 17	CH6V-8398	971	1-F 3
CH5P-4115	1155	1-F 21	CH6D-3025	195	1-B 21	CH6T-6158	151	1-B 17	CH6V-8398	973	1-F 3
CH5P-4829	997	1-F 5	CH6D-4244	719	1-E 1	CH6T-7298	227	1-B 24	CH6V-8399	905	1-E 20
CH5P-4892	819	1-E 11	CH6D-4246	167	1-B 18	CH6V-0894	195	1-B 21	CH6V-8399	909	1-E 20
CH5P-4924	817	1-E 11	CH6D-4246	169	1-B 18	CH6V-1197	759	1-E 5	CH6V-8399	911	1-E 21
CH5P-5727	535	1-D 7	CH6D-4246	171	1-B 19	CH6V-1506	977	1-F 3	CH6V-8399	913	1-E 21
CH5P-5777	631	1-D 17	CH6D-4246	719	1-E 1	CH6V-1506	979	1-F 3	CH6V-8548	247	1-C 2
CH5P-5777	633	1-D 17	CH6D-4246	971	1-F 3	CH6V-1520	817	1-E 11	CH6V-8554	723	1-E 2
CH5P-5777	635	1-D 17	CH6D-7146	839	1-E 13	CH6V-1657	631	1-D 17	CH6V-8554	725	1-E 2
CH5P-5777	637	1-D 17	CH6E-1571	859	1-E 15	CH6V-1657	633	1-D 17	CH6V-8554	735	1-E 3
CH5P-6129	999	1-F 5	CH6E-1607	917	1-E 21	CH6V-1657	635	1-D 17	CH6V-8554	819	1-E 11
CH5P-6442	165	1-B 18	CH6E-3268	915	1-E 21	CH6V-1657	637	1-D 17	CH6V-8554	821	1-E 12
CH5P-6442	631	1-D 17	CH6E-3269	915	1-E 21	CH6V-2235	95	1-B 11	CH6V-8625	95	1-B 11
CH5P-6442	633	1-D 17	CH6E-3272	915	1-E 21	CH6V-2405	1175	1-F 23	CH6V-8637	131	1-B 15
CH5P-6442	635	1-D 17	CH6E-3273	915	1-E 21	CH6V-2405	1199	1-G 1	CH6V-8637	133	1-B 15
CH5P-6442	637	1-D 17	CH6E-3274	915	1-E 21	CH6V-2405	1201	1-G 2	CH6V-8639	95	1-B 11
CH5P-7468	819	1-E 11	CH6E-3275	915	1-E 21	CH6V-3326	763	1-E 6	CH6V-8639	167	1-B 18
CH5P-7468	821	1-E 12	CH6E-3276	915	1-E 21	CH6V-3922	907	1-E 20	CH6V-8639	169	1-B 18
CH5P-7469	819	1-E 11	CH6E-3343	857	1-E 15	CH6V-5049	167	1-B 18	CH6V-8642	95	1-B 11
CH5P-7469	821	1-E 12	CH6E-4102	763	1-E 6	CH6V-5049	169	1-B 18	CH6V-8928	1139	1-F 19
CH5P-7684	851	1-E 15	CH6E-4351	851	1-E 15	CH6V-5210	235	1-C 1	CH6V-8931	197	1-B 21
CH5P-7701	171	1-B 19	CH6E-4358	859	1-E 15	CH6V-5210	237	1-C 1	CH6V-8931	199	1-B 21
CH5P-7803	1153	1-F 21	CH6E-4363	859	1-E 15	CH6V-5326	753	1-E 5	CH6V-8935	731	1-E 3
CH5P-7808	91	1-B 11	CH6E-4364	859	1-E 15	CH6V-5326	851	1-E 15	CH6V-8935	735	1-E 3
CH5P-7958	1175	1-F 23	CH6E-4365	859	1-E 15	CH6V-5586	753	1-E 5	CH6V-8978	853	1-E 15
CH5P-7958	1199	1-G 1	CH6E-4366	859	1-E 15	CH6V-5586	917	1-E 21	CH6V-8996	971	1-F 3
CH5P-7958	1201	1-G 2	CH6E-4367	859	1-E 15	CH6V-5839	573	1-D 11	CH6V-9028	735	1-E 3
CH5P-8087	923	1-E 22	CH6E-4370	859	1-E 15	CH6V-5839	1089	1-F 14	CH6V-9028	753	1-E 5
CH5P-8119	711	1-E 1	CH6E-4373	859	1-E 15	CH6V-5839	1139	1-F 19	CH6V-9028	851	1-E 15
CH5P-8119	713	1-E 1	CH6E-4374	859	1-E 15	CH6V-6228	921	1-E 22	CH6V-9170	971	1-F 3
CH5P-8244	849	1-E 14	CH6E-4382	753	1-E 5	CH6V-6580	905	1-E 20	CH6V-9492	1049	1-F 10
CH5P-8247	1089	1-F 14	CH6E-4383	753	1-E 5	CH6V-6580	909	1-E 20	CH6V-9671	323	1-C 10
CH5P-8440	641	1-D 18	CH6E-4385	851	1-E 15	CH6V-6580	911	1-E 21	CH6V-9671	327	1-C 10
CH5P-8444	819	1-E 11	CH6E-4392	753	1-E 5	CH6V-6580	913	1-E 21	CH6V-9673	1041	1-F 10
CH5P-8444	821	1-E 12	CH6E-4392	917	1-E 21	CH6V-6757	631	1-D 17	CH6V-9748	101	1-B 12
CH5P-8500	319	1-C 9	CH6E-4401	917	1-E 21	CH6V-6757	633	1-D 17	CH6V-9828	731	1-E 3
CH5P-8500	327	1-C 10	CH6E-4614	851	1-E 15	CH6V-6757	635	1-D 17	CH6V-9828	735	1-E 3
CH5P-8500	1051	1-F 11	CH6E-6528	915	1-E 21	CH6V-6757	637	1-D 17	CH6V-9829	709	1-D 24
CH5P-8500	1175	1-F 23	CH6E-6536	915	1-E 21	CH6V-7688	931	1-E 23	CH6V-9876	171	1-B 19
CH5P-8500	1185	1-F 24	CH6E-6537	915	1-E 21	CH6V-7688	933	1-E 23	CH6W-5698	179	1-B 19
CH5P-8500	1193	1-G 1	CH6E-6538	915	1-E 21	CH6V-7723	855	1-E 15	CH6Y-0473	639	1-D 17
CH5P-8500	1199	1-G 1	CH6E-6539	915	1-E 21	CH6V-7743	527	1-D 6	CH6Y-0473	655	1-D 19
CH5P-8500	1201	1-G 2	CH6E-6540	915	1-E 21	CH6V-7744	555	1-D 9	CH6Y-8112	931	1-E 23
CH5P-8500	1209	1-G 2	CH6F-0253	207	1-B 22	CH6V-7744	559	1-D 9	CH6Y-8112	933	1-E 23
CH5P-8500	1217	1-G 3	CH6H-4006	1157	1-F 21	CH6V-7744	581	1-D 12	CH7B-0863	943	1-E 24
CH5P-8502	1209	1-G 2	CH6I-1418	193	1-B 21	CH6V-8130	979	1-F 3	CH7C-6178	97	1-B 11
CH5P-8837	511	1-D 5	CH6I-1418	195	1-B 21	CH6V-8183	709	1-D 24	CH7D-0734	981	1-F 4
CH5P-8837	513	1-D 5	CH6I-1418	197	1-B 21	CH6V-8183	1033	1-F 9	CH7E-4808	101	1-B 12
CH5P-8837	517	1-D 5	CH6I-1418	199	1-B 21	CH6V-8225	291	1-C 7	CH7F-3400	1173	1-F 23
CH5P-8905	971	1-F 3	CH6I-1418	343	1-C 12	CH6V-8225	933	1-E 23	CH7F-3400	1175	1-F 23
CH5P-9085	641	1-D 18	CH6I-1418	349	1-C 12	CH6V-8227	1137	1-F 19	CH7F-3400	1199	1-G 1
CH5P-9186	703	1-D 24	CH6J-2245	343	1-C 12	CH6V-8351	917	1-E 21	CH7F-3400	1201	1-G 2
CH5P-9186	775	1-E 7	CH6J-2245	347	1-C 12	CH6V-8352	915	1-E 21	CH7G-4332	639	1-D 17

INDEX

Part No.	Page	Grid	Part No.	Page	Grid	Part No.	Page	Grid	Part No.	Page	Grid
CH7G-4332	655	1-D 19	CH7X-0618	135	1-B 15	CH8C-6416	723	1-E 2	CH8T-0285	527	1-D 6
CH7H-1177	193	1-B 21	CH7X-0618	183	1-B 20	CH8C-6416	725	1-E 2	CH8T-0318	1051	1-F 11
CH7H-1177	211	1-B 23	CH7X-0618	541	1-D 8	CH8C-6416	819	1-E 11	CH8T-0328	1033	1-F 9
CH7J-1309	947	1-E 24	CH7X-0618	543	1-D 8	CH8C-6416	821	1-E 12	CH8T-0328	1173	1-F 23
CH7K-1181	139	1-B 15	CH7X-0618	545	1-D 8	CH8C-6433	537	1-D 7	CH8T-0334	527	1-D 6
CH7K-1181	141	1-B 16	CH7X-0618	583	1-D 12	CH8C-6802	1051	1-F 11	CH8T-0337	239	1-C 1
CH7K-1181	167	1-B 18	CH7X-0618	655	1-D 19	CH8C-6870	167	1-B 18	CH8T-0337	321	1-C 10
CH7K-1181	169	1-B 18	CH7X-0795	709	1-D 24	CH8C-6870	169	1-B 18	CH8T-0337	325	1-C 10
CH7K-1181	185	1-B 20	CH7X-1434	1025	1-F 8	CH8C-6870	171	1-B 19	CH8T-0389	341	1-C 12
CH7K-1181	187	1-B 20	CH7X-1448	367	1-C 14	CH8C-6872	167	1-B 18	CH8T-0389	347	1-C 12
CH7K-1181	193	1-B 21	CH7X-3374	721	1-E 2	CH8C-6872	169	1-B 18	CH8T-0389	1025	1-F 8
CH7K-1181	195	1-B 21	CH7X-6312	217	1-B 23	CH8C-7323	847	1-E 14	CH8T-0389	1071	1-F 13
CH7K-1181	197	1-B 21	CH7X-6312	219	1-B 23	CH8C-8514	321	1-C 10	CH8T-0644	109	1-B 12
CH7K-1181	199	1-B 21	CH7X-6315	193	1-B 21	CH8C-8514	325	1-C 10	CH8T-0785	787	1-E 8
CH7K-1181	239	1-C 1	CH7X-6315	211	1-B 23	CH8C-8533	139	1-B 15	CH8T-0788	167	1-B 18
CH7K-1181	243	1-C 2	CH7X-7729	93	1-B 11	CH8C-8533	141	1-B 16	CH8T-0788	169	1-B 18
CH7K-1181	291	1-C 7	CH7X-7729	95	1-B 11	CH8C-8585	1149	1-F 20	CH8T-1482	507	1-D 4
CH7K-1181	311	1-C 9	CH7X-7729	117	1-B 13	CH8C-8585	1151	1-F 21	CH8T-1482	509	1-D 4
CH7K-1181	321	1-C 10	CH7X-7729	125	1-B 14	CH8C-9101	631	1-D 17	CH8T-1482	679	1-D 21
CH7K-1181	325	1-C 10	CH7X-7729	127	1-B 14	CH8C-9101	633	1-D 17	CH8T-1807	101	1-B 12
CH7K-1181	341	1-C 12	CH7X-7729	129	1-B 14	CH8C-9101	635	1-D 17	CH8T-2392	881	1-E 18
CH7K-1181	343	1-C 12	CH7X-7729	137	1-B 15	CH8C-9101	637	1-D 17	CH8T-2392	885	1-E 18
CH7K-1181	347	1-C 12	CH7X-7729	145	1-B 16	CH8C-9160	939	1-E 23	CH8T-2444	1149	1-F 20
CH7K-1181	349	1-C 12	CH7X-7729	147	1-B 16	CH8C-9660	161	1-B 18	CH8T-2444	1151	1-F 21
CH7K-1181	367	1-C 14	CH7X-7729	255	1-C 3	CH8C-9660	249	1-C 2	CH8T-2658	321	1-C 10
CH7K-1181	641	1-D 18	CH7X-7729	295	1-C 7	CH8C-9660	251	1-C 3	CH8T-2658	327	1-C 10
CH7K-1181	709	1-D 24	CH7X-7729	547	1-D 8	CH8C-9660	1135	1-F 19	CH8T-2658	1033	1-F 9
CH7K-1181	715	1-E 1	CH7X-7729	555	1-D 9	CH8D-3886	631	1-D 17	CH8T-2659	249	1-C 2
CH7K-1181	737	1-E 3	CH7X-7729	559	1-D 9	CH8D-3886	633	1-D 17	CH8T-2659	251	1-C 3
CH7K-1181	789	1-E 8	CH7X-7729	575	1-D 11	CH8D-3886	635	1-D 17	CH8T-2659	321	1-C 10
CH7K-1181	983	1-F 4	CH7X-7729	583	1-D 12	CH8D-3886	637	1-D 17	CH8T-2659	1135	1-F 19
CH7K-1181	1059	1-F 11	CH7X-7729	631	1-D 17	CH8D-9558	1209	1-G 2	CH8T-2922	921	1-E 22
CH7K-1181	1061	1-F 12	CH7X-7729	633	1-D 17	CH8F-7702	721	1-E 2	CH8T-3016	1045	1-F 10
CH7K-1181	1081	1-F 14	CH7X-7729	635	1-D 17	CH8F-8733	755	1-E 5	CH8T-3282	93	1-B 11
CH7K-1181	1141	1-F 20	CH7X-7729	637	1-D 17	CH8F-8733	757	1-E 5	CH8T-3490	103	1-B 12
CH7K-9205	947	1-E 24	CH7X-7729	641	1-D 18	CH8F-8733	839	1-E 13	CH8T-3490	191	1-B 21
CH7K-9209	947	1-E 24	CH7X-7729	653	1-D 19	CH8H-2262	639	1-D 17	CH8T-3490	535	1-D 7
CH7K-9210	947	1-E 24	CH7X-7729	665	1-D 20	CH8I-4256	249	1-C 2	CH8T-3490	547	1-D 8
CH7K-9211	989	1-F 4	CH7X-7729	667	1-D 20	CH8I-4256	251	1-C 3	CH8T-3490	583	1-D 12
CH7S-1912	815	1-E 11	CH7X-7729	805	1-E 10	CH8I-4256	1217	1-G 3	CH8T-3490	585	1-D 12
CH7T-1099	191	1-B 21	CH7X-7729	949	1-E 24	CH8K-0589	943	1-E 24	CH8T-3490	587	1-D 12
CH7T-1099	671	1-D 21	CH7X-7729	973	1-F 3	CH8K-0589	945	1-E 24	CH8T-3490	665	1-D 20
CH7T-1099	943	1-E 24	CH7X-7729	997	1-F 5	CH8L-2746	93	1-B 11	CH8T-3490	667	1-D 20
CH7T-1099	945	1-E 24	CH7X-7729	999	1-F 5	CH8L-2746	95	1-B 11	CH8T-3490	721	1-E 2
CH7T-1099	1025	1-F 8	CH7X-7729	1059	1-F 11	CH8L-2746	167	1-B 18	CH8T-3490	1023	1-F 8
CH7T-4532	1021	1-F 8	CH7X-7729	1061	1-F 12	CH8L-2746	169	1-B 18	CH8T-3597	535	1-D 7
CH7T-6799	319	1-C 9	CH7X-7958	167	1-B 18	CH8L-2777	703	1-D 24	CH8T-3597	541	1-D 8
CH7T-6799	327	1-C 10	CH7X-7958	169	1-B 18	CH8L-2777	775	1-E 7	CH8T-3597	543	1-D 8
CH7T-9793	997	1-F 5	CH7X-7958	171	1-B 19	CH8L-2777	777	1-E 7	CH8T-3597	547	1-D 8
CH7T-9793	999	1-F 5	CH7Y-0725	991	1-F 5	CH8L-2777	781	1-E 8	CH8T-3597	583	1-D 12
CH7V-0445	579	1-D 11	CH7Y-3173	1135	1-F 19	CH8L-2777	897	1-E 19	CH8T-3597	585	1-D 12
CH7W-1890	139	1-B 15	CH7Y-5217	631	1-D 17	CH8L-2777	899	1-E 19	CH8T-3597	789	1-E 8
CH7W-1890	141	1-B 16	CH7Y-5217	633	1-D 17	CH8L-2777	901	1-E 20	CH8T-3612	239	1-C 1
CH7W-1890	179	1-B 19	CH7Y-5217	635	1-D 17	CH8L-2777	903	1-E 20	CH8T-3612	321	1-C 10
CH7W-1890	181	1-B 20	CH7Y-5217	637	1-D 17	CH8L-2779	167	1-B 18	CH8T-3612	347	1-C 12
CH7X-0474	703	1-D 24	CH7Y-7256	321	1-C 10	CH8L-2779	169	1-B 18	CH8T-3612	531	1-D 7
CH7X-0474	885	1-E 18	CH7Y-7256	325	1-C 10	CH8L-2779	171	1-B 19	CH8T-3612	535	1-D 7
CH7X-0515	507	1-D 4	CH7Y-7388	1079	1-F 13	CH8L-2786	167	1-B 18	CH8T-3612	537	1-D 7
CH7X-0515	509	1-D 4	CH8B-7614	639	1-D 17	CH8L-2786	169	1-B 18	CH8T-3612	547	1-D 8
CH7X-0515	659	1-D 19	CH8C-0572	529	1-D 6	CH8L-2786	171	1-B 19	CH8T-3612	557	1-D 9
CH7X-0515	837	1-E 13	CH8C-0572	531	1-D 7	CH8L-6557	947	1-E 24	CH8T-3612	559	1-D 9
CH7X-0515	839	1-E 13	CH8C-0572	533	1-D 7	CH8M-2770	167	1-B 18	CH8T-3612	583	1-D 12
CH7X-0517	163	1-B 18	CH8C-3051	815	1-E 11	CH8M-2770	169	1-B 18	CH8T-3612	585	1-D 12
CH7X-0561	641	1-D 18	CH8C-3089	765	1-E 6	CH8M-2770	185	1-B 20	CH8T-3612	587	1-D 12
CH7X-0579	575	1-D 11	CH8C-3206	819	1-E 11	CH8M-2770	189	1-B 20	CH8T-3992	1149	1-F 20
CH7X-0583	511	1-D 5	CH8C-3348	1185	1-F 24	CH8M-2773	193	1-B 21	CH8T-4001	655	1-D 19
CH7X-0583	513	1-D 5	CH8C-3348	1193	1-G 1	CH8M-2773	719	1-E 1	CH8T-4001	947	1-E 24
CH7X-0583	515	1-D 5	CH8C-3348	1201	1-G 2	CH8N-4617	149	1-B 16	CH8T-4121	883	1-E 18
CH7X-0583	517	1-D 5	CH8C-5053	171	1-B 19	CH8S-0948	185	1-B 20	CH8T-4122	93	1-B 11
CH7X-0583	519	1-D 5	CH8C-5193	851	1-E 15	CH8S-0948	189	1-B 20	CH8T-4122	105	1-B 12
CH7X-0593	567	1-D 10	CH8C-5200	729	1-E 2	CH8S-0948	1059	1-F 11	CH8T-4122	291	1-C 7
CH7X-0594	545	1-D 8	CH8C-5200	733	1-E 3	CH8S-0948	1061	1-F 12	CH8T-4122	579	1-D 11
CH7X-0605	947	1-E 24	CH8C-5237	851	1-E 15	CH8S-7169	367	1-C 14	CH8T-4122	589	1-D 12
CH7X-0613	529	1-D 6	CH8C-5607	195	1-B 21	CH8T-0255	751	1-E 5	CH8T-4122	631	1-D 17
CH7X-0613	533	1-D 7	CH8C-5608	195	1-B 21	CH8T-0269	921	1-E 22	CH8T-4122	633	1-D 17

MT800B SERIES TRACTORS

19 INDEX

Part No.	Page	Grid	Part No.	Page	Grid	Part No.	Page	Grid	Part No.	Page	Grid
CH8T-4122	635	1-D 17	CH8T-7525	845	1-E 14	CH9S-8010	631	1-D 17	CH9X-7378	1021	1-F 8
CH8T-4122	637	1-D 17	CH8T-7525	903	1-E 20	CH9S-8010	633	1-D 17	CH9X-7378	1059	1-F 11
CH8T-4122	947	1-E 24	CH8T-7525	905	1-E 20	CH9S-8010	635	1-D 17	CH9X-7378	1061	1-F 12
CH8T-4122	987	1-F 4	CH8T-7525	907	1-E 20	CH9S-8010	637	1-D 17	CH9X-7380	1059	1-F 11
CH8T-4127	191	1-B 21	CH8T-7525	909	1-E 20	CH9T-1576	763	1-E 6	CH9X-7380	1061	1-F 12
CH8T-4132	507	1-D 4	CH8T-7525	911	1-E 21	CH9T-1579	763	1-E 6	CH9X-7381	1059	1-F 11
CH8T-4132	509	1-D 4	CH8T-7525	913	1-E 21	CH9T-1582	763	1-E 6	CH9X-7381	1061	1-F 12
CH8T-4132	631	1-D 17	CH8T-7876	851	1-E 15	CH9T-1637	763	1-E 6	CH9X-7382	1059	1-F 11
CH8T-4132	633	1-D 17	CH8T-7934	1139	1-F 19	CH9T-1641	759	1-E 5	CH9X-7382	1061	1-F 12
CH8T-4132	635	1-D 17	CH8T-7963	1115	1-F 17	CH9T-1642	763	1-E 6	CH9X-7383	1059	1-F 11
CH8T-4132	637	1-D 17	CH8T-8729	1153	1-F 21	CH9T-1643	763	1-E 6	CH9X-7383	1061	1-F 12
CH8T-4180	747	1-E 4	CH8T-8729	1155	1-F 21	CH9T-1687	763	1-E 6	CH9X-7680	845	1-E 14
CH8T-4180	749	1-E 4	CH8T-8737	297	1-C 7	CH9T-2281	1053	1-F 11	CH9X-7680	853	1-E 15
CH8T-4205	185	1-B 20	CH8T-8737	1153	1-F 21	CH9T-4057	739	1-E 3	CH9X-8118	247	1-C 2
CH8T-4205	189	1-B 20	CH8T-8737	1155	1-F 21	CH9W-3326	319	1-C 9	CH9X-8118	1217	1-G 3
CH8T-4205	191	1-B 21	CH8T-8737	1157	1-F 21	CH9W-3326	325	1-C 10	CH9X-8250	167	1-B 18
CH8T-4205	229	1-B 24	CH8T-8874	191	1-B 21	CH9W-9625	655	1-D 19	CH9X-8250	169	1-B 18
CH8T-4205	231	1-C 1	CH8T-8874	257	1-C 3	CH9W-9930	105	1-B 12	CH9X-8250	1059	1-F 11
CH8T-4205	233	1-C 1	CH8T-8874	259	1-C 3	CH9X-1046	161	1-B 18	CH9X-8250	1061	1-F 12
CH8T-4205	239	1-C 1	CH8T-8932	721	1-E 2	CH9X-1046	321	1-C 10	CH9X-8267	997	1-F 5
CH8T-4205	243	1-C 2	CH8T-9102	721	1-E 2	CH9X-1046	999	1-F 5	CH9X-8399	939	1-E 23
CH8T-4205	275	1-C 5	CH8T-9501	299	1-C 7	CH9X-1046	1023	1-F 8	CH9X-8979	845	1-E 14
CH8T-4205	277	1-C 5	CH8T-9501	537	1-D 7	CH9X-1046	1025	1-F 8	CH9X-8979	853	1-E 15
CH8T-4205	287	1-C 6	CH8T-9501	1157	1-F 21	CH9X-1046	1139	1-F 19	CH9Y-6102	151	1-B 17
CH8T-4205	289	1-C 6	CH8T-9655	193	1-B 21	CH9X-1386	345	1-C 12	CH9Y-6102	153	1-B 17
CH8T-4205	291	1-C 7	CH8T-9655	195	1-B 21	CH9X-2038	1143	1-F 20	WR513654	579	1-D 11
CH8T-4205	299	1-C 7	CH8T-9655	197	1-B 21	CH9X-2038	1145	1-F 20	WR516365	365	1-C 14
CH8T-4205	321	1-C 10	CH8T-9655	343	1-C 12	CH9X-2038	1147	1-F 20	WR518357	789	1-E 8
CH8T-4205	323	1-C 10	CH8T-9655	349	1-C 12	CH9X-2039	1089	1-F 14	WR518622	1155	1-F 21
CH8T-4205	325	1-C 10	CH8U-7381	907	1-E 20	CH9X-2040	573	1-D 11	WR520610	631	1-D 17
CH8T-4205	327	1-C 10	CH8V-9708	185	1-B 20	CH9X-2040	1139	1-F 19	WR520610	633	1-D 17
CH8T-4205	343	1-C 12	CH8V-9708	187	1-B 20	CH9X-2040	1141	1-F 20	WR520610	635	1-D 17
CH8T-4205	349	1-C 12	CH8V-9708	507	1-D 4	CH9X-2041	573	1-D 11	WR520610	637	1-D 17
CH8T-4205	569	1-D 10	CH8V-9708	509	1-D 4	CH9X-2042	569	1-D 10	WR520867	283	1-C 6
CH8T-4205	1035	1-F 9	CH8X-6167	709	1-D 24	CH9X-2042	1017	1-F 7	WR520867	1115	1-F 17
CH8T-4205	1081	1-F 14	CH8Y-5737	997	1-F 5	CH9X-2042	1139	1-F 19	WR550205	561	1-D 10
CH8T-4205	1083	1-F 14	CH9B-7233	191	1-B 21	CH9X-2043	1149	1-F 20	WR55149	139	1-B 15
CH8T-4205	1085	1-F 14	CH9B-7233	319	1-C 9	CH9X-2043	1151	1-F 21	WR55149	141	1-B 16
CH8T-4205	1211	1-G 3	CH9B-7233	321	1-C 10	CH9X-2044	191	1-B 21	WR561071	165	1-B 18
CH8T-4226	293	1-C 7	CH9B-7233	323	1-C 10	CH9X-2044	321	1-C 10	005-8593	415	1-C 19
CH8T-4226	561	1-D 10	CH9B-7233	325	1-C 10	CH9X-2044	323	1-C 10	005-8593	425	1-C 20
CH8T-4226	1083	1-F 14	CH9B-7233	327	1-C 10	CH9X-2044	325	1-C 10	005-8593	433	1-C 21
CH8T-4226	1085	1-F 14	CH9B-7233	1031	1-F 9	CH9X-2044	327	1-C 10	005-8593	445	1-C 22
CH8T-4244	119	1-B 13	CH9F-2491	849	1-E 14	CH9X-2044	1023	1-F 8	008-3178	485	1-D 2
CH8T-4244	185	1-B 20	CH9F-4446	101	1-B 12	CH9X-2044	1025	1-F 8	008-3178	491	1-D 3
CH8T-4244	189	1-B 20	CH9G-3695	1049	1-F 10	CH9X-2044	1053	1-F 11	008-3178	497	1-D 3
CH8T-4244	589	1-D 12	CH9H-1958	191	1-B 21	CH9X-2044	1057	1-F 11	030-4606	183	1-B 20
CH8T-4244	947	1-E 24	CH9H-6673	707	1-D 24	CH9X-2044	1089	1-F 14	031-1119	139	1-B 15
CH8T-4244	949	1-E 24	CH9M-1974	161	1-B 18	CH9X-2044	1115	1-F 17	031-1119	141	1-B 16
CH8T-4244	1051	1-F 11	CH9M-2904	179	1-B 19	CH9X-2044	1141	1-F 20	036-9823	287	1-C 6
CH8T-4778	947	1-E 24	CH9M-3835	575	1-D 11	CH9X-2045	343	1-C 12	036-9823	289	1-C 6
CH8T-4896	101	1-B 12	CH9N-0869	193	1-B 21	CH9X-2045	349	1-C 12	054-1303	639	1-D 17
CH8T-4896	127	1-B 14	CH9N-0869	195	1-B 21	CH9X-2045	1051	1-F 11	061-7540	415	1-C 19
CH8T-4896	129	1-B 14	CH9N-0869	197	1-B 21	CH9X-2045	1057	1-F 11	061-7540	423	1-C 20
CH8T-4896	185	1-B 20	CH9N-0869	199	1-B 21	CH9X-2045	1079	1-F 13	061-7540	433	1-C 21
CH8T-4896	189	1-B 20	CH9N-0869	343	1-C 12	CH9X-2045	1089	1-F 14	061-7540	443	1-C 22
CH8T-4896	847	1-E 14	CH9N-0869	349	1-C 12	CH9X-2045	1139	1-F 19	090-8865	1019	1-F 7
CH8T-4985	167	1-B 18	CH9N-1941	159	1-B 17	CH9X-2045	1149	1-F 20	095-0670	419	1-C 19
CH8T-4985	169	1-B 18	CH9N-2061	1155	1-F 21	CH9X-2045	1151	1-F 21	095-0670	429	1-C 20
CH8T-4994	721	1-E 2	CH9P-4809	371	1-C 15	CH9X-2046	1053	1-F 11	095-0670	439	1-C 21
CH8T-4994	799	1-E 9	CH9R-0158	981	1-F 4	CH9X-2092	1141	1-F 20	095-0670	449	1-C 22
CH8T-4994	801	1-E 10	CH9R-2613	945	1-E 24	CH9X-2199	631	1-D 17	095-7930	287	1-C 6
CH8T-5361	931	1-E 23	CH9R-7941	337	1-C 11	CH9X-2199	633	1-D 17	095-7930	289	1-C 6
CH8T-5400	1155	1-F 21	CH9R-7980	337	1-C 11	CH9X-2199	635	1-D 17	096-6166	287	1-C 6
CH8T-5400	1157	1-F 21	CH9S-1315	943	1-E 24	CH9X-2199	637	1-D 17	096-6166	289	1-C 6
CH8T-5439	545	1-D 8	CH9S-1347	1049	1-F 10	CH9X-2304	971	1-F 3	096-6166	439	1-C 21
CH8T-6431	709	1-D 24	CH9S-7754	95	1-B 11	CH9X-2541	719	1-E 1	096-6166	449	1-C 22
CH8T-6693	163	1-B 18	CH9S-8002	753	1-E 5	CH9X-2606	1033	1-F 9	1A-0646	465	1-C 24
CH8T-6693	1023	1-F 8	CH9S-8002	845	1-E 14	CH9X-2616	1051	1-F 11	1A-0646	467	1-C 24
CH8T-6762	97	1-B 11	CH9S-8002	851	1-E 15	CH9X-2858	859	1-E 15	1B-6577	457	1-C 23
CH8T-6764	97	1-B 11	CH9S-8002	853	1-E 15	CH9X-3994	1017	1-F 7	1B-6577	459	1-C 23
CH8T-6765	747	1-E 4	CH9S-8002	915	1-E 21	CH9X-3994	1019	1-F 7	1B-6577	461	1-C 24
CH8T-6765	749	1-E 4	CH9S-8003	655	1-D 19	CH9X-6165	1023	1-F 8	1B-6577	463	1-C 24
CH8T-7524	747	1-E 4	CH9S-8003	667	1-D 20	CH9X-6165	1089	1-F 14	1F-2771	417	1-C 19
CH8T-7524	749	1-E 4	CH9S-8008	853	1-E 15	CH9X-6165	1115	1-F 17	1F-2771	427	1-C 20

INDEX

Part No.	Page	Grid	Part No.	Page	Grid	Part No.	Page	Grid	Part No.	Page	Grid
1F-2771	437	1-C 21	120-9051	745	1-E 4	134-8360	497	1-D 3	136-5665	239	1-C 1
1F-2771	447	1-C 22	121-3120	455	1-C 23	134-8361	387	1-C 16	136-5668	77	1-B 9
1F-2771	453	1-C 23	123-0380	1051	1-F 11	134-8361	389	1-C 16	136-5668	339	1-C 11
1F-7567	415	1-C 19	123-1373	189	1-B 20	134-8361	391	1-C 17	136-5668	341	1-C 12
1F-7567	425	1-C 20	124-0492	485	1-D 2	134-8361	393	1-C 17	136-5668	343	1-C 12
1F-7567	435	1-C 21	124-0492	491	1-D 3	134-8361	397	1-C 17	136-5669	79	1-B 9
1F-7567	445	1-C 22	124-0492	497	1-D 3	134-8361	401	1-C 18	136-5669	345	1-C 12
1J-9671	639	1-D 17	124-1479	343	1-C 12	134-8361	403	1-C 18	136-5669	347	1-C 12
1J-9671	655	1-D 19	124-1479	737	1-E 3	134-8361	405	1-C 18	136-5669	349	1-C 12
1J-9671	665	1-D 20	124-9536	415	1-C 19	134-8361	407	1-C 18	136-5670	193	1-B 21
1L-3162	487	1-D 2	124-9536	423	1-C 20	134-8361	411	1-C 19	136-5670	771	1-E 7
1L-3162	493	1-D 3	124-9536	433	1-C 21	134-8361	485	1-D 2	136-5670	779	1-E 7
1L-3162	499	1-D 3	124-9536	443	1-C 22	134-8361	491	1-D 3	136-5670	873	1-E 17
1P-3958	421	1-C 20	126-7260	417	1-C 19	134-8361	497	1-D 3	136-5670	875	1-E 17
1P-3958	431	1-C 21	126-7260	421	1-C 20	135-4483	319	1-C 9	136-5670	879	1-E 17
1P-3958	441	1-C 22	126-7260	427	1-C 20	136-5218	161	1-B 18	141-0888	743	1-E 4
1P-3958	451	1-C 23	126-7260	431	1-C 21	136-5221	161	1-B 18	142-9677	239	1-C 1
1R-1234	681	1-D 22	126-7260	437	1-C 21	136-5224	161	1-B 18	142-9739	185	1-B 20
1R-1238	687	1-D 22	126-7260	441	1-C 22	136-5261	275	1-C 5	142-9739	187	1-B 20
1R-1249	681	1-D 22	126-7260	447	1-C 22	136-5261	277	1-C 5	142-9739	255	1-C 3
1R-1265	599	1-D 13	126-7260	451	1-C 23	136-5288	237	1-C 1	142-9826	103	1-B 12
1R-1265	1217	1-G 3	127-9545	643	1-D 18	136-5289	237	1-C 1	142-9831	299	1-C 7
1R-1266	601	1-D 14	127-9545	645	1-D 18	136-5330	1005	1-F 6	146-3504	287	1-C 6
1R-1266	1217	1-G 3	127-9545	647	1-D 18	136-5355	771	1-E 7	146-3504	289	1-C 6
1R-1267	603	1-D 14	127-9545	649	1-D 18	136-5355	779	1-E 7	148-1925	413	1-C 19
1R-1267	1217	1-G 3	127-9545	655	1-D 19	136-5355	1037	1-F 9	148-8316	487	1-D 2
1R-1323	607	1-D 14	127-9561	639	1-D 17	136-5378	195	1-B 21	148-8316	493	1-D 3
1R-1323	1217	1-G 3	127-9562	631	1-D 17	136-5378	953	1-F 1	148-8316	499	1-D 3
1R-1325	609	1-D 14	127-9562	633	1-D 17	136-5378	955	1-F 1	148-8385	487	1-D 2
1R-1325	1217	1-G 3	127-9562	635	1-D 17	136-5378	957	1-F 1	148-8385	493	1-D 3
1R-1360	611	1-D 15	127-9562	637	1-D 17	136-5378	959	1-F 1	148-8385	499	1-D 3
1R-1388	605	1-D 14	127-9564	631	1-D 17	136-5378	961	1-F 2	148-8395	383	1-C 16
1R-1388	1217	1-G 3	127-9564	633	1-D 17	136-5378	963	1-F 2	150-5146	97	1-B 11
1T-1068	381	1-C 16	127-9564	635	1-D 17	136-5380	341	1-C 12	151-4059	689	1-D 22
1T-1068	383	1-C 16	127-9564	637	1-D 17	136-5380	347	1-C 12	151-8541	1149	1-F 20
1T-1597	489	1-D 2	130-4818	639	1-D 17	136-5381	341	1-C 12	151-8541	1151	1-F 21
1T-1597	495	1-D 3	130-4818	643	1-D 18	136-5388	275	1-C 5	151-8545	1149	1-F 20
1T-1597	501	1-D 4	130-4818	645	1-D 18	136-5404	277	1-C 5	151-8545	1151	1-F 21
1U-8846	381	1-C 16	130-4818	647	1-D 18	136-5429	79	1-B 9	151-8559	1017	1-F 7
1U-8846	385	1-C 16	130-4818	649	1-D 18	136-5429	243	1-C 2	151-8559	1019	1-F 7
1U-8846	419	1-C 19	130-9811	413	1-C 19	136-5441	239	1-C 1	151-9961	1017	1-F 7
1U-8846	429	1-C 20	131-3718	419	1-C 19	136-5476	239	1-C 1	151-9961	1019	1-F 7
1U-8846	439	1-C 21	131-3718	429	1-C 20	136-5477	335	1-C 11	151-9979	1149	1-F 20
1U-8846	449	1-C 22	131-3718	439	1-C 21	136-5477	1009	1-F 6	151-9979	1151	1-F 21
1U-8846	453	1-C 23	131-3718	449	1-C 22	136-5477	1011	1-F 7	151-9982	1149	1-F 20
1U-8846	455	1-C 23	131-3718	453	1-C 23	136-5477	1013	1-F 7	151-9984	1149	1-F 20
1U-8846	457	1-C 23	131-3718	483	1-D 2	136-5477	1015	1-F 7	151-9991	1151	1-F 21
1U-8846	459	1-C 23	131-3718	489	1-D 2	136-5477	1095	1-F 15	151-9994	1017	1-F 7
1U-8846	461	1-C 24	131-3718	495	1-D 3	136-5477	1097	1-F 15	151-9994	1149	1-F 20
1U-8846	463	1-C 24	131-3718	501	1-D 4	136-5477	1103	1-F 16	151-9995	1019	1-F 7
101-3129	653	1-D 19	132-5789	343	1-C 12	136-5477	1105	1-F 16	151-9995	1151	1-F 21
101-9640	91	1-B 11	132-6597	417	1-C 19	136-5477	1111	1-F 17	152-0003	1013	1-F 7
102-8802	339	1-C 11	132-6597	427	1-C 20	136-5477	1113	1-F 17	152-0003	1015	1-F 7
102-8803	279	1-C 5	132-6597	437	1-C 21	136-5509	233	1-C 1	152-0003	1017	1-F 7
102-8803	341	1-C 12	132-6597	447	1-C 22	136-5530	319	1-C 9	152-0004	1009	1-F 6
102-8804	195	1-B 21	132-6598	417	1-C 19	136-5535	355	1-C 13	152-0004	1011	1-F 7
102-8804	239	1-C 1	132-6598	427	1-C 20	136-5536	193	1-B 21	152-0004	1019	1-F 7
105-5211	735	1-E 3	132-6598	437	1-C 21	136-5566	161	1-B 18	152-0005	325	1-C 10
109-6497	457	1-C 23	132-6598	447	1-C 22	136-5597	233	1-C 1	152-0005	327	1-C 10
109-6497	459	1-C 23	134-3988	343	1-C 12	136-5598	237	1-C 1	152-0005	1009	1-F 6
109-6497	461	1-C 24	134-4126	343	1-C 12	136-5600	191	1-B 21	152-0005	1011	1-F 7
109-6497	463	1-C 24	134-5645	465	1-C 24	136-5654	185	1-B 20	152-0417	1013	1-F 7
110-6393	1195	1-G 1	134-5645	467	1-C 24	136-5654	187	1-B 20	152-0417	1015	1-F 7
110-6393	1201	1-G 2	134-8360	387	1-C 16	136-5654	191	1-B 21	152-0417	1083	1-F 14
111-7068	417	1-C 19	134-8360	389	1-C 16	136-5655	191	1-B 21	152-0418	1009	1-F 6
111-7068	427	1-C 20	134-8360	391	1-C 17	136-5662	185	1-B 20	152-0418	1011	1-F 7
111-7068	437	1-C 21	134-8360	393	1-C 17	136-5663	57	1-B 7	152-0418	1013	1-F 7
111-7068	447	1-C 22	134-8360	397	1-C 17	136-5663	59	1-B 7	152-0418	1015	1-F 7
112-5282	413	1-C 19	134-8360	401	1-C 18	136-5663	61	1-B 8	152-0418	1057	1-F 11
115-4550	473	1-D 1	134-8360	403	1-C 18	136-5663	63	1-B 8	152-0419	1009	1-F 6
117-1385	413	1-C 19	134-8360	405	1-C 18	136-5663	65	1-B 8	152-0419	1011	1-F 7
117-8131	567	1-D 10	134-8360	407	1-C 18	136-5663	187	1-B 20	152-0419	1015	1-F 7
120-8514	743	1-E 4	134-8360	411	1-C 19	136-5663	189	1-B 20	152-0419	1133	1-F 19
120-8514	745	1-E 4	134-8360	485	1-D 2	136-5663	1015	1-F 7	152-0420	319	1-C 9
120-9048	743	1-E 4	134-8360	491	1-D 3	136-5665	77	1-B 9	152-0420	321	1-C 10

MT800B SERIES TRACTORS

21 INDEX

Part No.	Page	Grid	Part No.	Page	Grid	Part No.	Page	Grid	Part No.	Page	Grid
152-0420	323	1-C 10	152-5242	377	1-C 15	158-2363	969	1-F 2	162-6690	1057	1-F 11
152-0420	1013	1-F 7	152-5242	379	1-C 15	158-2363	971	1-F 3	162-6691	1053	1-F 11
152-0420	1015	1-F 7	152-5242	469	1-C 24	158-2393	797	1-E 9	162-6692	1057	1-F 11
152-0422	1153	1-F 21	153-9300	321	1-C 10	158-2393	827	1-E 12	162-6693	1083	1-F 14
152-0424	1009	1-F 6	154-8079	319	1-C 9	158-2397	797	1-E 9	162-6693	1085	1-F 14
152-0424	1011	1-F 7	154-8263	639	1-D 17	158-2397	839	1-E 13	162-6696	239	1-C 1
152-0424	1015	1-F 7	154-8264	639	1-D 17	158-2404	619	1-D 15	162-6697	239	1-C 1
152-0424	1143	1-F 20	154-8264	1217	1-G 3	158-2404	621	1-D 16	162-6698	239	1-C 1
152-0431	1139	1-F 19	155-0014	243	1-C 2	158-2404	627	1-D 16	162-6699	239	1-C 1
152-0433	1009	1-F 6	155-0020	241	1-C 2	158-2404	629	1-D 16	162-6706	747	1-E 4
152-0433	1011	1-F 7	155-0027	239	1-C 1	158-2404	755	1-E 5	162-6706	749	1-E 4
152-0433	1013	1-F 7	155-0029	239	1-C 1	158-5925	79	1-B 9	162-6728	747	1-E 4
152-0433	1015	1-F 7	155-0038	191	1-B 21	158-5925	569	1-D 10	162-6734	1053	1-F 11
152-0433	1115	1-F 17	155-0042	249	1-C 2	158-5934	555	1-D 9	162-6737	1023	1-F 8
152-0434	1023	1-F 8	155-0043	251	1-C 3	158-5934	557	1-D 9	162-6738	1023	1-F 8
152-0434	1089	1-F 14	155-2939	639	1-D 17	158-5935	555	1-D 9	162-6751	1139	1-F 19
152-0434	1091	1-F 15	155-4426	471	1-D 1	158-5935	557	1-D 9	162-6752	1141	1-F 20
152-0434	1093	1-F 15	155-4426	503	1-D 4	158-5950	553	1-D 9	162-6757	1115	1-F 17
152-0434	1095	1-F 15	155-9571	387	1-C 16	158-5950	557	1-D 9	162-6758	1115	1-F 17
152-0434	1097	1-F 15	155-9571	469	1-C 24	158-5952	553	1-D 9	162-6759	1115	1-F 17
152-0434	1099	1-F 15	155-9572	389	1-C 16	158-5952	557	1-D 9	162-9766	729	1-E 2
152-0434	1101	1-F 16	155-9572	391	1-C 17	158-5953	555	1-D 9	162-9766	733	1-E 3
152-0434	1103	1-F 16	155-9572	469	1-C 24	158-5953	557	1-D 9	162-9804	835	1-E 13
152-0434	1105	1-F 16	155-9575	393	1-C 17	158-5960	537	1-D 7	162-9804	841	1-E 14
152-0434	1107	1-F 16	155-9575	469	1-C 24	158-5960	553	1-D 9	162-9805	701	1-D 24
152-0434	1109	1-F 16	155-9576	395	1-C 17	158-5961	537	1-D 7	162-9805	703	1-D 24
152-0434	1111	1-F 17	155-9576	397	1-C 17	158-5962	537	1-D 7	162-9805	833	1-E 13
152-0434	1113	1-F 17	155-9576	469	1-C 24	159-1236	365	1-C 14	162-9805	863	1-E 16
152-0438	1009	1-F 6	155-9579	381	1-C 16	160-6789	489	1-D 2	162-9805	867	1-E 16
152-0438	1011	1-F 7	155-9579	383	1-C 16	160-6789	495	1-D 3	162-9805	869	1-E 16
152-0438	1013	1-F 7	155-9579	385	1-C 16	160-6789	501	1-D 4	162-9816	775	1-E 7
152-0438	1015	1-F 7	155-9579	469	1-C 24	161-1817	665	1-D 20	162-9816	777	1-E 7
152-0438	1033	1-F 9	155-9580	413	1-C 19	161-1817	667	1-D 20	162-9816	891	1-E 19
152-0441	1083	1-F 14	155-9580	469	1-C 24	161-8222	381	1-C 16	162-9816	893	1-E 19
152-0441	1085	1-F 14	156-1327	505	1-D 4	161-8222	383	1-C 16	162-9816	897	1-E 19
152-0443	871	1-E 17	156-1327	579	1-D 11	161-8739	485	1-D 2	162-9817	883	1-E 18
152-0443	877	1-E 17	156-4881	619	1-D 15	161-8739	491	1-D 3	162-9817	885	1-E 18
152-0443	1039	1-F 9	156-4881	621	1-D 16	161-8739	497	1-D 3	162-9817	901	1-E 20
152-0443	1091	1-F 15	156-4881	673	1-D 21	161-8848	485	1-D 2	162-9818	883	1-E 18
152-0443	1093	1-F 15	156-4882	643	1-D 18	161-8848	491	1-D 3	162-9818	885	1-E 18
152-0443	1095	1-F 15	156-4882	673	1-D 21	161-9174	77	1-B 9	162-9818	903	1-E 20
152-0443	1097	1-F 15	156-4882	675	1-D 21	161-9174	529	1-D 6	162-9822	901	1-E 20
152-0444	1009	1-F 6	156-4883	645	1-D 18	161-9177	79	1-B 9	163-0267	669	1-D 20
152-0444	1011	1-F 7	156-4883	673	1-D 21	161-9177	531	1-D 7	163-0267	671	1-D 21
152-0444	1085	1-F 14	156-4883	675	1-D 21	162-0177	383	1-C 16	163-0268	669	1-D 20
152-0445	953	1-F 1	156-4884	643	1-D 18	162-0177	489	1-D 2	163-0268	671	1-D 21
152-0445	955	1-F 1	156-4884	665	1-D 20	162-0177	495	1-D 3	163-0384	77	1-B 9
152-0445	957	1-F 1	156-4885	645	1-D 18	162-0177	501	1-D 4	163-0384	81	1-B 10
152-0445	959	1-F 1	156-4885	647	1-D 18	162-0288	669	1-D 20	163-0384	83	1-B 10
152-0445	961	1-F 2	156-4885	649	1-D 18	162-4091	239	1-C 1	163-0384	85	1-B 10
152-0445	963	1-F 2	156-4885	667	1-D 20	162-4091	243	1-C 2	163-0384	87	1-B 10
152-0445	1035	1-F 9	156-4891	661	1-D 20	162-4092	239	1-C 1	163-0384	89	1-B 10
152-0445	1093	1-F 15	156-4893	67	1-B 8	162-4092	243	1-C 2	163-0384	369	1-C 14
152-0445	1097	1-F 15	156-4893	69	1-B 8	162-4095	1145	1-F 20	163-0386	77	1-B 9
152-0445	1101	1-F 16	156-4893	71	1-B 9	162-4096	351	1-C 13	163-0386	723	1-E 2
152-0445	1105	1-F 16	156-4893	73	1-B 9	162-4096	1015	1-F 7	163-0400	985	1-F 4
152-0445	1109	1-F 16	156-4893	75	1-B 9	162-4097	317	1-C 9	163-0402	223	1-B 24
152-0445	1113	1-F 17	156-4893	663	1-D 20	162-4097	1015	1-F 7	163-0403	225	1-B 24
152-0446	205	1-B 22	156-6075	605	1-D 14	162-4099	299	1-C 7	163-0405	369	1-C 14
152-0446	985	1-F 4	156-6077	599	1-D 13	162-4101	245	1-C 2	163-0414	369	1-C 14
152-0447	161	1-B 18	156-6079	601	1-D 14	162-4101	247	1-C 2	163-0414	371	1-C 15
152-0447	1009	1-F 6	156-6082	603	1-D 14	162-4101	1009	1-F 6	163-0415	371	1-C 15
152-0447	1011	1-F 7	156-6084	639	1-D 17	162-4101	1011	1-F 7	163-0425	369	1-C 14
152-0447	1013	1-F 7	156-8343	665	1-D 20	162-4102	355	1-C 13	163-0592	415	1-C 19
152-0447	1015	1-F 7	156-8343	667	1-D 20	162-4103	1157	1-F 21	163-0592	423	1-C 20
152-0448	773	1-E 7	158-2339	797	1-E 9	162-4105	1023	1-F 8	163-0592	433	1-C 21
152-0448	779	1-E 7	158-2339	829	1-E 12	162-4111	1085	1-F 14	163-0592	443	1-C 22
152-0448	879	1-E 17	158-2349	789	1-E 8	162-4112	505	1-D 4	163-0678	643	1-D 18
152-0448	1041	1-F 10	158-2349	797	1-E 9	162-4112	567	1-D 10	163-0678	645	1-D 18
152-0448	1107	1-F 16	158-2363	953	1-F 1	162-6654	1083	1-F 14	163-0678	647	1-D 18
152-0448	1109	1-F 16	158-2363	955	1-F 1	162-6654	1085	1-F 14	163-0678	649	1-D 18
152-0448	1111	1-F 17	158-2363	957	1-F 1	162-6655	1083	1-F 14	163-0678	651	1-D 19
152-0448	1113	1-F 17	158-2363	959	1-F 1	162-6687	1057	1-F 11	163-1009	669	1-D 20
152-5242	373	1-C 15	158-2363	961	1-F 2	162-6688	1057	1-F 11	163-1009	673	1-D 21
152-5242	375	1-C 15	158-2363	963	1-F 2	162-6689	1057	1-F 11	163-1009	677	1-D 21

INDEX

Part No.	Page	Grid	Part No.	Page	Grid	Part No.	Page	Grid	Part No.	Page	Grid
164-2108	471	1-D 1	166-4608	1023	1-F 8	169-8229	317	1-C 9	173-5392	395	1-C 17
164-2108	503	1-D 4	166-4616	229	1-B 24	169-8229	337	1-C 11	173-5392	397	1-C 17
164-3949	489	1-D 2	166-4616	231	1-C 1	169-8230	355	1-C 13	173-5392	401	1-C 18
164-3949	495	1-D 3	166-4616	233	1-C 1	169-8230	357	1-C 13	173-5392	403	1-C 18
164-3949	501	1-D 4	166-4617	1053	1-F 11	169-8231	323	1-C 10	173-5392	405	1-C 18
164-3951	489	1-D 2	166-4623	79	1-B 9	169-8231	327	1-C 10	173-5392	407	1-C 18
164-3951	495	1-D 3	166-4623	751	1-E 5	170-2204	319	1-C 9	173-5392	409	1-C 18
164-3951	501	1-D 4	166-7774	507	1-D 4	170-2204	325	1-C 10	173-5392	411	1-C 19
164-4180	383	1-C 16	166-7774	509	1-D 4	170-5739	1077	1-F 13	173-5392	485	1-D 2
164-5567	383	1-C 16	166-7775	507	1-D 4	170-5765	579	1-D 11	173-5392	491	1-D 3
164-5619	383	1-C 16	166-7775	509	1-D 4	170-7253	1079	1-F 13	173-5392	497	1-D 3
164-7013	1051	1-F 11	166-7776	507	1-D 4	170-7255	1135	1-F 19	173-6501	353	1-C 13
164-7014	1051	1-F 11	166-7776	509	1-D 4	170-7290	453	1-C 23	173-6501	1011	1-F 7
164-7017	1017	1-F 7	167-1258	1157	1-F 21	170-7290	483	1-D 2	173-6501	1015	1-F 7
164-7017	1019	1-F 7	167-9524	471	1-D 1	171-1229	195	1-B 21	173-6505	313	1-C 9
164-7017	1139	1-F 19	167-9524	503	1-D 4	171-1576	1005	1-F 6	173-6506	1135	1-F 19
164-7023	1053	1-F 11	168-1945	357	1-C 13	171-7234	507	1-D 4	173-6507	1079	1-F 13
164-7040	1035	1-F 9	168-1946	337	1-C 11	171-7234	509	1-D 4	173-7708	321	1-C 10
164-7041	1049	1-F 10	168-1946	1009	1-F 6	171-7234	1217	1-G 3	173-7708	325	1-C 10
164-7042	1023	1-F 8	168-1946	1011	1-F 7	171-9687	239	1-C 1	173-7708	329	1-C 10
164-7044	1025	1-F 8	168-1951	1005	1-F 6	171-9687	243	1-C 2	173-8307	595	1-D 13
164-7062	1115	1-F 17	168-1951	1009	1-F 6	171-9688	239	1-C 1	173-8307	597	1-D 13
164-7067	1051	1-F 11	168-1951	1011	1-F 7	171-9688	243	1-C 2	173-8818	1023	1-F 8
164-7069	1139	1-F 19	168-1951	1013	1-F 7	171-9688	1217	1-G 3	174-4874	457	1-C 23
165-0260	489	1-D 2	168-1951	1015	1-F 7	171-9773	1215	1-G 3	174-4874	459	1-C 23
165-0260	495	1-D 3	168-1952	1073	1-F 13	171-9774	1215	1-G 3	174-4874	461	1-C 24
165-0260	501	1-D 4	168-1970	1075	1-F 13	172-3441	485	1-D 2	174-4874	463	1-C 24
165-0390	413	1-C 19	168-2284	1083	1-F 14	172-3441	491	1-D 3	174-5770	997	1-F 5
165-0400	403	1-C 18	168-2284	1085	1-F 14	172-3441	497	1-D 3	174-5770	999	1-F 5
165-0420	395	1-C 17	168-2291	295	1-C 7	172-4155	671	1-D 21	174-5774	1139	1-F 19
165-0420	409	1-C 18	168-2305	1057	1-F 11	172-4517	623	1-D 16	174-5788	1139	1-F 19
165-5973	229	1-B 24	168-2334	1049	1-F 10	172-4517	625	1-D 16	174-7449	473	1-D 1
165-5973	231	1-C 1	168-4558	485	1-D 2	172-4517	757	1-E 5	174-7872	1157	1-F 21
165-5973	233	1-C 1	168-4558	491	1-D 3	172-4518	819	1-E 11	174-8822	739	1-E 3
165-7901	837	1-E 13	168-4558	497	1-D 3	172-4518	841	1-E 14	174-9381	417	1-C 19
165-7901	843	1-E 14	168-6580	249	1-C 2	172-4519	821	1-E 12	174-9381	427	1-C 20
165-8537	897	1-E 19	168-6581	251	1-C 3	172-4519	843	1-E 14	174-9381	437	1-C 21
165-8537	899	1-E 19	168-7710	651	1-D 19	172-5333	81	1-B 10	174-9381	447	1-C 22
165-8537	901	1-E 20	169-0027	953	1-F 1	172-5333	83	1-B 10	174-9383	421	1-C 20
165-8537	903	1-E 20	169-0028	955	1-F 1	172-5333	85	1-B 10	174-9383	431	1-C 21
166-1211	333	1-C 11	169-6323	1153	1-F 21	172-5333	87	1-B 10	174-9383	441	1-C 22
166-1211	1091	1-F 15	169-6323	1155	1-F 21	172-5333	89	1-B 10	174-9383	451	1-C 23
166-1211	1093	1-F 15	169-6328	1149	1-F 20	172-5333	105	1-B 12	174-9407	417	1-C 19
166-1211	1099	1-F 15	169-6328	1151	1-F 21	172-5335	81	1-B 10	174-9407	427	1-C 20
166-1211	1101	1-F 16	169-6337	1053	1-F 11	172-5337	81	1-B 10	174-9407	437	1-C 21
166-1211	1107	1-F 16	169-6342	1139	1-F 19	172-5337	83	1-B 10	174-9407	447	1-C 22
166-1211	1109	1-F 16	169-6343	1139	1-F 19	172-5337	145	1-B 16	174-9410	417	1-C 19
166-3754	1025	1-F 8	169-6344	1139	1-F 19	172-6841	259	1-C 3	174-9410	427	1-C 20
166-3755	1025	1-F 8	169-6345	1141	1-F 20	172-6841	327	1-C 10	174-9410	437	1-C 21
166-4553	1049	1-F 10	169-6346	333	1-C 11	172-6842	1135	1-F 19	174-9410	447	1-C 22
166-4555	1025	1-F 8	169-6346	335	1-C 11	172-6844	1079	1-F 13	175-0198	1157	1-F 21
166-4556	997	1-F 5	169-6346	1047	1-F 10	172-6845	1079	1-F 13	175-3097	457	1-C 23
166-4556	999	1-F 5	169-6347	1047	1-F 10	172-6851	1035	1-F 9	175-3097	459	1-C 23
166-4556	1053	1-F 11	169-6347	1049	1-F 10	172-6852	1035	1-F 9	175-3097	461	1-C 24
166-4556	1055	1-F 11	169-6351	1115	1-F 17	172-6853	1035	1-F 9	175-3097	463	1-C 24
166-4558	1017	1-F 7	169-6362	1039	1-F 9	172-6857	707	1-D 24	175-3097	465	1-C 24
166-4558	1019	1-F 7	169-6362	1043	1-F 10	172-6857	1009	1-F 6	175-3097	467	1-C 24
166-4568	1149	1-F 20	169-6367	319	1-C 9	172-6857	1011	1-F 7	175-7513	639	1-D 17
166-4570	1149	1-F 20	169-6373	1053	1-F 11	172-6858	1035	1-F 9	176-0373	537	1-D 7
166-4586	997	1-F 5	169-6380	257	1-C 3	172-6863	1035	1-F 9	176-0374	537	1-D 7
166-4586	1031	1-F 9	169-6380	323	1-C 10	172-6864	1035	1-F 9	176-0379	235	1-C 1
166-4590	873	1-E 17	169-6383	1139	1-F 19	172-6865	1035	1-F 9	176-0380	235	1-C 1
166-4590	879	1-E 17	169-6384	1041	1-F 10	172-6869	1049	1-F 10	176-0997	529	1-D 6
166-4590	1043	1-F 10	169-6385	1025	1-F 8	172-7966	473	1-D 1	176-0997	531	1-D 7
166-4590	1099	1-F 15	169-6386	1025	1-F 8	172-7968	473	1-D 1	176-0998	529	1-D 6
166-4590	1101	1-F 16	169-6390	1023	1-F 8	172-8035	313	1-C 9	176-0998	531	1-D 7
166-4590	1103	1-F 16	169-6391	1035	1-F 9	172-8886	77	1-B 9	176-0999	529	1-D 6
166-4590	1105	1-F 16	169-6399	1149	1-F 20	172-8886	593	1-D 13	176-0999	531	1-D 7
166-4590	1107	1-F 16	169-6399	1151	1-F 21	173-2743	579	1-D 11	176-1001	529	1-D 6
166-4590	1109	1-F 16	169-8222	291	1-C 7	173-2744	579	1-D 11	176-1001	531	1-D 7
166-4590	1111	1-F 17	169-8223	247	1-C 2	173-4060	1215	1-G 3	176-1002	529	1-D 6
166-4590	1113	1-F 17	169-8225	351	1-C 13	173-5392	387	1-C 16	176-1002	531	1-D 7
166-4595	1053	1-F 11	169-8227	1035	1-F 9	173-5392	389	1-C 16	176-1377	417	1-C 19
166-4603	997	1-F 5	169-8228	333	1-C 11	173-5392	391	1-C 17	176-1377	421	1-C 20
166-4603	999	1-F 5	169-8228	335	1-C 11	173-5392	393	1-C 17	176-1377	427	1-C 20

MT800B SERIES TRACTORS

23
INDEX

Part No.	Page	Grid	Part No.	Page	Grid	Part No.	Page	Grid	Part No.	Page	Grid
176-1377	431	1-C 21	177-5248	387	1-C 16	177-6754	409	1-C 18	177-6804	491	1-D 3
176-1377	437	1-C 21	177-5248	393	1-C 17	177-6755	395	1-C 17	177-6804	497	1-D 3
176-1377	441	1-C 22	177-5248	401	1-C 18	177-6755	397	1-C 17	177-7107	569	1-D 10
176-1377	447	1-C 22	177-5248	403	1-C 18	177-6755	409	1-C 18	177-9555	739	1-E 3
176-1377	451	1-C 23	177-5249	387	1-C 16	177-6755	411	1-C 19	177-9778	165	1-B 18
176-2966	631	1-D 17	177-5249	389	1-C 16	177-6757	395	1-C 17	177-9945	671	1-D 21
176-2966	635	1-D 17	177-5249	391	1-C 17	177-6757	397	1-C 17	177-9945	675	1-D 21
176-2968	633	1-D 17	177-5249	393	1-C 17	177-6757	409	1-C 18	177-9946	623	1-D 16
176-2968	637	1-D 17	177-5249	395	1-C 17	177-6757	411	1-C 19	177-9946	625	1-D 16
177-0381	321	1-C 10	177-5249	397	1-C 17	177-6758	395	1-C 17	177-9946	675	1-D 21
177-0381	325	1-C 10	177-5249	401	1-C 18	177-6758	397	1-C 17	177-9947	623	1-D 16
177-0385	321	1-C 10	177-5249	403	1-C 18	177-6758	409	1-C 18	177-9948	619	1-D 15
177-0385	325	1-C 10	177-5249	405	1-C 18	177-6758	411	1-C 19	178-1202	631	1-D 17
177-0661	931	1-E 23	177-5249	407	1-C 18	177-6760	395	1-C 17	178-1202	633	1-D 17
177-0661	933	1-E 23	177-5249	409	1-C 18	177-6760	409	1-C 18	178-1202	635	1-D 17
177-1872	669	1-D 20	177-5249	411	1-C 19	177-6762	399	1-C 17	178-1202	637	1-D 17
177-4522	607	1-D 14	177-5250	387	1-C 16	177-6763	399	1-C 17	178-1203	631	1-D 17
177-4523	609	1-D 14	177-5250	393	1-C 17	177-6764	399	1-C 17	178-1203	633	1-D 17
177-4588	521	1-D 6	177-5250	401	1-C 18	177-6765	399	1-C 17	178-1203	635	1-D 17
177-4589	657	1-D 19	177-5250	403	1-C 18	177-6766	399	1-C 17	178-1203	637	1-D 17
177-5233	399	1-C 17	177-5252	387	1-C 16	177-6768	399	1-C 17	178-6238	1141	1-F 20
177-5233	469	1-C 24	177-5252	403	1-C 18	177-6769	397	1-C 17	178-7162	767	1-E 6
177-5234	453	1-C 23	177-5256	387	1-C 16	177-6769	411	1-C 19	178-7197	739	1-E 3
177-5234	469	1-C 24	177-5256	389	1-C 16	177-6770	393	1-C 17	178-7952	1089	1-F 14
177-5236	387	1-C 16	177-5256	403	1-C 18	177-6770	401	1-C 18	178-7953	1151	1-F 21
177-5236	389	1-C 16	177-5256	405	1-C 18	177-6771	395	1-C 17	178-7954	1151	1-F 21
177-5236	391	1-C 17	177-5257	387	1-C 16	177-6771	397	1-C 17	178-7957	321	1-C 10
177-5236	393	1-C 17	177-5257	389	1-C 16	177-6771	409	1-C 18	178-7957	325	1-C 10
177-5236	401	1-C 18	177-5257	393	1-C 17	177-6771	411	1-C 19	178-7974	1053	1-F 11
177-5236	403	1-C 18	177-5257	401	1-C 18	177-6774	381	1-C 16	178-8047	523	1-D 6
177-5236	405	1-C 18	177-5257	403	1-C 18	177-6774	383	1-C 16	178-8087	611	1-D 15
177-5236	407	1-C 18	177-5257	405	1-C 18	177-6775	381	1-C 16	178-9090	343	1-C 12
177-5241	387	1-C 16	177-5258	387	1-C 16	177-6775	383	1-C 16	178-9090	349	1-C 12
177-5241	389	1-C 16	177-5258	389	1-C 16	177-6781	453	1-C 23	178-9244	1115	1-F 17
177-5241	391	1-C 17	177-5258	391	1-C 17	177-6782	453	1-C 23	178-9245	1115	1-F 17
177-5241	393	1-C 17	177-5258	393	1-C 17	177-6783	453	1-C 23	179-0851	951	1-F 1
177-5241	395	1-C 17	177-5258	395	1-C 17	177-6784	453	1-C 23	179-0852	957	1-F 1
177-5241	397	1-C 17	177-5258	397	1-C 17	177-6795	395	1-C 17	179-0853	67	1-B 8
177-5241	401	1-C 18	177-5258	401	1-C 18	177-6795	409	1-C 18	179-0853	69	1-B 8
177-5241	403	1-C 18	177-5258	403	1-C 18	177-6797	387	1-C 16	179-0853	71	1-B 9
177-5241	405	1-C 18	177-5258	405	1-C 18	177-6797	389	1-C 16	179-0853	73	1-B 9
177-5241	407	1-C 18	177-5258	407	1-C 18	177-6797	391	1-C 17	179-0853	75	1-B 9
177-5241	409	1-C 18	177-5258	409	1-C 18	177-6797	393	1-C 17	179-0853	929	1-E 22
177-5241	411	1-C 19	177-5258	411	1-C 19	177-6797	397	1-C 17	179-1953	77	1-B 9
177-5241	485	1-D 2	177-5260	387	1-C 16	177-6797	401	1-C 18	179-1953	79	1-B 9
177-5241	491	1-D 3	177-5260	403	1-C 18	177-6797	403	1-C 18	179-1953	505	1-D 4
177-5241	497	1-D 3	177-5263	389	1-C 16	177-6797	405	1-C 18	179-1954	505	1-D 4
177-5243	387	1-C 16	177-5263	405	1-C 18	177-6797	407	1-C 18	179-1954	535	1-D 7
177-5243	389	1-C 16	177-5265	389	1-C 16	177-6797	411	1-C 19	179-2182	173	1-B 19
177-5243	391	1-C 17	177-5265	405	1-C 18	177-6797	485	1-D 2	179-2182	505	1-D 4
177-5243	393	1-C 17	177-5267	389	1-C 16	177-6797	491	1-D 3	179-2185	77	1-B 9
177-5243	397	1-C 17	177-5267	395	1-C 17	177-6797	497	1-D 3	179-2185	1191	1-G 1
177-5243	401	1-C 18	177-5267	405	1-C 18	177-6800	381	1-C 16	179-2185	1193	1-G 1
177-5243	403	1-C 18	177-5267	409	1-C 18	177-6800	383	1-C 16	179-2185	1195	1-G 1
177-5243	405	1-C 18	177-5269	393	1-C 17	177-6801	387	1-C 16	179-2185	1197	1-G 1
177-5243	407	1-C 18	177-5269	401	1-C 18	177-6801	389	1-C 16	179-2185	1199	1-G 1
177-5243	411	1-C 19	177-5270	393	1-C 17	177-6801	393	1-C 17	179-2185	1201	1-G 2
177-5243	485	1-D 2	177-5270	401	1-C 18	177-6801	395	1-C 17	179-2261	79	1-B 9
177-5243	491	1-D 3	177-6738	395	1-C 17	177-6801	401	1-C 18	179-2261	1173	1-F 23
177-5243	497	1-D 3	177-6738	397	1-C 17	177-6801	403	1-C 18	179-2261	1175	1-F 23
177-5246	387	1-C 16	177-6738	409	1-C 18	177-6801	405	1-C 18	179-2261	1177	1-F 23
177-5246	389	1-C 16	177-6738	411	1-C 19	177-6801	409	1-C 18	179-2261	1179	1-F 23
177-5246	391	1-C 17	177-6739	395	1-C 17	177-6802	391	1-C 17	179-2261	1181	1-F 24
177-5246	393	1-C 17	177-6739	409	1-C 18	177-6802	407	1-C 18	179-2261	1183	1-F 24
177-5246	395	1-C 17	177-6740	395	1-C 17	177-6804	387	1-C 16	179-2261	1185	1-F 24
177-5246	397	1-C 17	177-6740	409	1-C 18	177-6804	389	1-C 16	179-2261	1187	1-F 24
177-5246	401	1-C 18	177-6741	381	1-C 16	177-6804	391	1-C 17	179-2261	1189	1-F 24
177-5246	403	1-C 18	177-6741	383	1-C 16	177-6804	393	1-C 17	179-2886	91	1-B 11
177-5246	405	1-C 18	177-6743	395	1-C 17	177-6804	397	1-C 17	179-2887	91	1-B 11
177-5246	407	1-C 18	177-6743	409	1-C 18	177-6804	401	1-C 18	179-2957	1139	1-F 19
177-5246	409	1-C 18	177-6747	395	1-C 17	177-6804	403	1-C 18	179-3317	953	1-F 1
177-5246	411	1-C 19	177-6747	409	1-C 18	177-6804	405	1-C 18	179-3317	957	1-F 1
177-5246	485	1-D 2	177-6752	395	1-C 17	177-6804	407	1-C 18	179-3317	961	1-F 2
177-5246	491	1-D 3	177-6752	409	1-C 18	177-6804	411	1-C 19	179-3317	965	1-F 2
177-5246	497	1-D 3	177-6754	395	1-C 17	177-6804	485	1-D 2	179-3318	931	1-E 23

INDEX

Part No.	Page	Grid	Part No.	Page	Grid	Part No.	Page	Grid	Part No.	Page	Grid
179-3318	953	1-F 1	180-1438	873	1-E 17	180-4502	451	1-C 23	183-4131	535	1-D 7
179-3318	957	1-F 1	180-1667	729	1-E 2	180-4505	417	1-C 19	183-4132	535	1-D 7
179-3318	961	1-F 2	180-1667	733	1-E 3	180-4505	421	1-C 20	183-4145	535	1-D 7
179-4203	1083	1-F 14	180-2519	729	1-E 2	180-4505	427	1-C 20	183-4241	731	1-E 3
179-4203	1085	1-F 14	180-2519	733	1-E 3	180-4505	431	1-C 21	183-4241	735	1-E 3
179-4204	325	1-C 10	180-2825	1139	1-F 19	180-4505	437	1-C 21	183-4396	937	1-E 23
179-4206	1023	1-F 8	180-2924	81	1-B 10	180-4505	441	1-C 22	183-4396	953	1-F 1
179-4207	553	1-D 9	180-2924	83	1-B 10	180-4505	447	1-C 22	183-4396	955	1-F 1
179-4207	555	1-D 9	180-2924	85	1-B 10	180-4505	451	1-C 23	183-4396	957	1-F 1
179-4207	1023	1-F 8	180-2924	87	1-B 10	180-5237	1023	1-F 8	183-4396	959	1-F 1
179-4221	1053	1-F 11	180-2924	89	1-B 10	180-5239	1055	1-F 11	183-4396	961	1-F 2
179-4223	1053	1-F 11	180-2924	285	1-C 6	180-5244	321	1-C 10	183-4396	963	1-F 2
179-4225	1053	1-F 11	180-3667	633	1-D 17	180-5244	325	1-C 10	183-4470	621	1-D 16
179-4227	1035	1-F 9	180-3667	637	1-D 17	180-5485	739	1-E 3	183-4470	625	1-D 16
179-6897	707	1-D 24	180-3669	631	1-D 17	180-5932	669	1-D 20	183-4470	629	1-D 16
179-6899	707	1-D 24	180-3669	635	1-D 17	180-5932	671	1-D 21	183-4470	985	1-F 4
179-6901	707	1-D 24	180-4036	925	1-E 22	180-6240	1051	1-F 11	183-4470	987	1-F 4
179-8220	1025	1-F 8	180-4036	943	1-E 24	180-6639	959	1-F 1	183-5789	577	1-D 11
179-8664	823	1-E 12	180-4036	951	1-F 1	180-6640	933	1-E 23	183-6384	77	1-B 9
179-9006	417	1-C 19	180-4038	929	1-E 22	180-6640	955	1-F 1	183-6384	79	1-B 9
179-9006	421	1-C 20	180-4038	991	1-F 5	180-6640	959	1-F 1	183-6384	591	1-D 13
179-9006	427	1-C 20	180-4039	923	1-E 22	180-6640	963	1-F 2	183-7892	579	1-D 11
179-9006	431	1-C 21	180-4039	925	1-E 22	180-7174	769	1-E 6	183-7894	579	1-D 11
179-9006	437	1-C 21	180-4039	929	1-E 22	180-8369	489	1-D 2	183-8600	669	1-D 20
179-9006	441	1-C 22	180-4039	951	1-F 1	180-8369	495	1-D 3	183-8600	671	1-D 21
179-9006	447	1-C 22	180-4376	415	1-C 19	180-8369	501	1-D 4	183-9281	1169	1-F 22
179-9006	451	1-C 23	180-4376	417	1-C 19	180-8378	485	1-D 2	184-0790	631	1-D 17
179-9007	457	1-C 23	180-4376	419	1-C 19	180-8378	491	1-D 3	184-0790	633	1-D 17
179-9007	459	1-C 23	180-4376	421	1-C 20	180-8378	497	1-D 3	184-1693	417	1-C 19
179-9007	461	1-C 24	180-4376	423	1-C 20	180-8382	485	1-D 2	184-1693	421	1-C 20
179-9007	463	1-C 24	180-4376	425	1-C 20	180-8382	491	1-D 3	184-1693	427	1-C 20
179-9471	457	1-C 23	180-4376	427	1-C 20	180-8382	497	1-D 3	184-1693	431	1-C 21
179-9471	459	1-C 23	180-4376	429	1-C 20	180-8385	485	1-D 2	184-1693	437	1-C 21
179-9471	461	1-C 24	180-4376	431	1-C 21	180-8385	491	1-D 3	184-1693	441	1-C 22
179-9471	463	1-C 24	180-4376	433	1-C 21	180-8385	497	1-D 3	184-1693	447	1-C 22
179-9476	457	1-C 23	180-4376	435	1-C 21	180-8393	485	1-D 2	184-1693	451	1-C 23
179-9476	459	1-C 23	180-4376	437	1-C 21	180-8393	491	1-D 3	184-1694	417	1-C 19
179-9476	461	1-C 24	180-4376	439	1-C 21	180-8393	497	1-D 3	184-1694	427	1-C 20
179-9476	463	1-C 24	180-4376	441	1-C 22	180-8395	485	1-D 2	184-1694	437	1-C 21
179-9477	457	1-C 23	180-4376	443	1-C 22	180-8395	491	1-D 3	184-1694	447	1-C 22
179-9477	459	1-C 23	180-4376	445	1-C 22	180-8395	497	1-D 3	184-1695	417	1-C 19
179-9477	461	1-C 24	180-4376	447	1-C 22	180-8428	417	1-C 19	184-1695	421	1-C 20
179-9477	463	1-C 24	180-4376	449	1-C 22	180-8428	427	1-C 20	184-1695	427	1-C 20
179-9478	457	1-C 23	180-4376	451	1-C 23	180-8428	437	1-C 21	184-1695	431	1-C 21
179-9478	459	1-C 23	180-4376	475	1-D 1	180-8428	447	1-C 22	184-1695	437	1-C 21
179-9478	461	1-C 24	180-4376	477	1-D 1	180-8431	465	1-C 24	184-1695	441	1-C 22
179-9478	463	1-C 24	180-4376	479	1-D 1	180-8431	467	1-C 24	184-1695	447	1-C 22
179-9479	457	1-C 23	180-4376	481	1-D 2	180-9214	315	1-C 9	184-1695	451	1-C 23
179-9479	459	1-C 23	180-4379	421	1-C 20	180-9966	1017	1-F 7	184-1695	1217	1-G 3
179-9479	475	1-D 1	180-4379	431	1-C 21	180-9966	1019	1-F 7	184-1696	417	1-C 19
179-9479	479	1-D 1	180-4379	441	1-C 22	183-2197	625	1-D 16	184-1696	421	1-C 20
179-9480	461	1-C 24	180-4379	451	1-C 23	183-2198	621	1-D 16	184-1696	427	1-C 20
179-9480	463	1-C 24	180-4381	421	1-C 20	183-2317	413	1-C 19	184-1696	431	1-C 21
179-9480	477	1-D 1	180-4381	431	1-C 21	183-3411	417	1-C 19	184-1696	437	1-C 21
179-9480	481	1-D 2	180-4381	441	1-C 22	183-3411	427	1-C 20	184-1696	441	1-C 22
179-9488	457	1-C 23	180-4381	451	1-C 23	183-3411	437	1-C 21	184-1696	447	1-C 22
179-9488	459	1-C 23	180-4382	421	1-C 20	183-3411	447	1-C 22	184-1696	451	1-C 23
179-9488	461	1-C 24	180-4382	431	1-C 21	183-3413	417	1-C 19	184-1697	421	1-C 20
179-9488	463	1-C 24	180-4382	441	1-C 22	183-3413	427	1-C 20	184-1697	431	1-C 21
180-0184	841	1-E 14	180-4382	451	1-C 23	183-3413	437	1-C 21	184-1697	441	1-C 22
180-0185	67	1-B 8	180-4384	421	1-C 20	183-3413	447	1-C 22	184-1697	451	1-C 23
180-0185	69	1-B 8	180-4384	431	1-C 21	183-3414	417	1-C 19	184-1704	1139	1-F 19
180-0185	71	1-B 9	180-4384	441	1-C 22	183-3414	427	1-C 20	184-2472	343	1-C 12
180-0185	73	1-B 9	180-4384	451	1-C 23	183-3414	437	1-C 21	184-4356	665	1-D 20
180-0185	75	1-B 9	180-4387	421	1-C 20	183-3414	447	1-C 22	184-4356	667	1-D 20
180-0185	843	1-E 14	180-4387	431	1-C 21	183-3415	421	1-C 20	184-5033	925	1-E 22
180-0494	871	1-E 17	180-4387	441	1-C 22	183-3415	431	1-C 21	184-5035	925	1-E 22
180-0495	873	1-E 17	180-4387	451	1-C 23	183-3415	441	1-C 22	184-5035	927	1-E 22
180-0495	891	1-E 19	180-4502	417	1-C 19	183-3415	451	1-C 23	184-5035	981	1-F 4
180-0500	883	1-E 18	180-4502	421	1-C 20	183-3416	421	1-C 20	184-5042	943	1-E 24
180-0500	885	1-E 18	180-4502	427	1-C 20	183-3416	431	1-C 21	184-5049	943	1-E 24
180-0503	925	1-E 22	180-4502	431	1-C 21	183-3416	441	1-C 22	184-5051	943	1-E 24
180-0503	927	1-E 22	180-4502	437	1-C 21	183-3416	451	1-C 23	184-5053	943	1-E 24
180-0503	973	1-F 3	180-4502	441	1-C 22	183-3902	413	1-C 19	184-5055	943	1-E 24
180-1434	871	1-E 17	180-4502	447	1-C 22	183-4130	535	1-D 7	184-5060	943	1-E 24

MT800B SERIES TRACTORS

25 INDEX

Part No.	Page	Grid	Part No.	Page	Grid	Part No.	Page	Grid	Part No.	Page	Grid
184-5062	943	1-E 24	185-9769	739	1-E 3	187-1791	87	1-B 10	187-8947	1217	1-G 3
184-5062	945	1-E 24	185-9771	739	1-E 3	187-1791	89	1-B 10	187-9009	91	1-B 11
184-5063	977	1-F 3	185-9774	739	1-E 3	187-1791	99	1-B 11	187-9009	95	1-B 11
184-5065	955	1-F 1	186-0342	897	1-E 19	187-1792	81	1-B 10	187-9012	729	1-E 2
184-5065	959	1-F 1	186-0346	897	1-E 19	187-1792	83	1-B 10	187-9012	733	1-E 3
184-5065	963	1-F 2	186-0346	899	1-E 19	187-1792	85	1-B 10	187-9020	731	1-E 3
184-5065	967	1-F 2	186-0346	901	1-E 20	187-1792	87	1-B 10	187-9020	735	1-E 3
184-5329	515	1-D 5	186-0370	901	1-E 20	187-1792	89	1-B 10	188-0452	555	1-D 9
184-5337	571	1-D 11	186-0372	897	1-E 19	187-1792	107	1-B 12	188-0452	559	1-D 9
184-5338	715	1-E 1	186-0372	899	1-E 19	187-3185	739	1-E 3	188-0453	555	1-D 9
184-5338	721	1-E 2	186-0373	897	1-E 19	187-3367	415	1-C 19	188-0453	559	1-D 9
184-5352	721	1-E 2	186-0373	899	1-E 19	187-3367	423	1-C 20	188-0497	585	1-D 12
184-5356	511	1-D 5	186-0373	901	1-E 20	187-3367	433	1-C 21	188-0514	553	1-D 9
184-5356	513	1-D 5	186-0377	897	1-E 19	187-3367	443	1-C 22	188-0514	557	1-D 9
184-5356	515	1-D 5	186-0466	537	1-D 7	187-3368	415	1-C 19	188-0564	555	1-D 9
184-5356	517	1-D 5	186-0979	961	1-F 2	187-3368	423	1-C 20	188-0564	559	1-D 9
184-5356	519	1-D 5	186-0983	977	1-F 3	187-3368	433	1-C 21	188-0568	557	1-D 9
184-5356	571	1-D 11	186-0994	943	1-E 24	187-3368	443	1-C 22	188-0632	415	1-C 19
184-5357	67	1-B 8	186-0994	945	1-E 24	187-3369	415	1-C 19	188-0632	423	1-C 20
184-5357	69	1-B 8	186-0995	943	1-E 24	187-3369	423	1-C 20	188-0632	433	1-C 21
184-5357	71	1-B 9	186-0995	945	1-E 24	187-3369	433	1-C 21	188-0632	443	1-C 22
184-5357	73	1-B 9	186-1000	935	1-E 23	187-3369	443	1-C 22	188-0633	415	1-C 19
184-5357	75	1-B 9	186-1020	977	1-F 3	187-3370	415	1-C 19	188-0633	423	1-C 20
184-5357	519	1-D 5	186-1063	965	1-F 2	187-3370	423	1-C 20	188-0633	433	1-C 21
184-6718	643	1-D 18	186-1063	967	1-F 2	187-3370	433	1-C 21	188-0633	443	1-C 22
184-6718	645	1-D 18	186-1063	989	1-F 4	187-3370	443	1-C 22	188-0635	417	1-C 19
184-6718	647	1-D 18	186-1064	989	1-F 4	187-3371	415	1-C 19	188-0635	421	1-C 20
184-6718	649	1-D 18	186-1071	945	1-E 24	187-3371	423	1-C 20	188-0635	427	1-C 20
184-6718	659	1-D 19	186-1077	945	1-E 24	187-3371	433	1-C 21	188-0635	431	1-C 21
184-7976	591	1-D 13	186-1078	945	1-E 24	187-3371	443	1-C 22	188-0635	437	1-C 21
184-7977	591	1-D 13	186-1090	965	1-F 2	187-3372	415	1-C 19	188-0635	441	1-C 22
184-7978	591	1-D 13	186-1090	967	1-F 2	187-3372	423	1-C 20	188-0635	447	1-C 22
184-7979	591	1-D 13	186-1090	977	1-F 3	187-3372	433	1-C 21	188-0635	451	1-C 23
184-7980	591	1-D 13	186-1091	965	1-F 2	187-3372	443	1-C 22	188-0762	585	1-D 12
184-7985	591	1-D 13	186-1091	967	1-F 2	187-3373	415	1-C 19	188-0763	585	1-D 12
185-2151	1115	1-F 17	186-1091	979	1-F 3	187-3373	423	1-C 20	188-0764	585	1-D 12
185-2151	1217	1-G 3	186-1093	977	1-F 3	187-3373	433	1-C 21	188-0765	585	1-D 12
185-2240	81	1-B 10	186-1095	977	1-F 3	187-3373	443	1-C 22	188-0766	585	1-D 12
185-2240	83	1-B 10	186-2427	79	1-B 9	187-3374	415	1-C 19	188-0768	585	1-D 12
185-2240	85	1-B 10	186-2427	533	1-D 7	187-3374	423	1-C 20	188-0769	585	1-D 12
185-2240	87	1-B 10	186-2867	417	1-C 19	187-3374	433	1-C 21	188-0771	179	1-B 19
185-2240	89	1-B 10	186-2867	427	1-C 20	187-3374	443	1-C 22	188-0773	583	1-D 12
185-2240	109	1-B 12	186-2867	437	1-C 21	187-4896	295	1-C 7	188-0774	585	1-D 12
185-3955	373	1-C 15	186-2867	447	1-C 22	187-4906	1053	1-F 11	188-0775	585	1-D 12
185-3955	475	1-D 1	186-2868	415	1-C 19	187-4921	1053	1-F 11	188-0776	585	1-D 12
185-3956	375	1-C 15	186-2868	423	1-C 20	187-4930	475	1-D 1	188-0777	583	1-D 12
185-3956	477	1-D 1	186-2868	433	1-C 21	187-4930	477	1-D 1	188-0778	583	1-D 12
185-3957	377	1-C 15	186-2868	443	1-C 22	187-4930	485	1-D 2	188-0779	583	1-D 12
185-3957	479	1-D 1	186-2869	417	1-C 19	187-4930	487	1-D 2	188-1155	1209	1-G 2
185-3958	379	1-C 15	186-2869	427	1-C 20	187-4930	489	1-D 2	188-2162	381	1-C 16
185-3958	481	1-D 2	186-2869	437	1-C 21	187-4930	491	1-D 3	188-2162	383	1-C 16
185-4422	421	1-C 20	186-2869	447	1-C 22	187-4930	493	1-D 3	188-3642	895	1-E 19
185-4422	431	1-C 21	186-2869	1217	1-G 3	187-4930	495	1-D 3	188-7731	489	1-D 2
185-4422	441	1-C 22	186-3735	239	1-C 1	187-4930	497	1-D 3	188-7731	495	1-D 3
185-4422	451	1-C 23	186-3735	279	1-C 5	187-4930	499	1-D 3	188-7731	501	1-D 4
185-4423	421	1-C 20	186-3735	339	1-C 11	187-4930	501	1-D 4	188-9912	381	1-C 16
185-4423	431	1-C 21	186-3735	341	1-C 12	187-5245	739	1-E 3	188-9912	383	1-C 16
185-4423	441	1-C 22	186-3736	281	1-C 6	187-5246	739	1-E 3	189-1711	631	1-D 17
185-4423	451	1-C 23	186-5431	173	1-B 19	187-6226	395	1-C 17	189-1711	633	1-D 17
185-8617	361	1-C 14	186-5431	583	1-D 12	187-6226	397	1-C 17	189-2089	417	1-C 19
185-8688	507	1-D 4	186-5431	585	1-D 12	187-6226	409	1-C 18	189-2089	421	1-C 20
185-8690	509	1-D 4	186-5431	587	1-D 12	187-6226	411	1-C 19	189-2089	427	1-C 20
185-8699	771	1-E 7	186-5432	173	1-B 19	187-7430	887	1-E 18	189-2089	431	1-C 21
185-8701	773	1-E 7	186-5432	177	1-B 19	187-7430	889	1-E 18	189-2089	437	1-C 21
185-8720	525	1-D 6	187-1062	585	1-D 12	187-7430	891	1-E 19	189-2089	441	1-C 22
185-8737	479	1-D 1	187-1069	585	1-D 12	187-7430	893	1-E 19	189-2089	447	1-C 22
185-8737	481	1-D 2	187-1376	381	1-C 16	187-8141	497	1-D 3	189-2089	451	1-C 23
185-8737	483	1-D 2	187-1376	383	1-C 16	187-8142	499	1-D 3	189-2976	621	1-D 16
185-8787	79	1-B 9	187-1377	415	1-C 19	187-8609	79	1-B 9	189-2976	625	1-D 16
185-8787	717	1-E 1	187-1377	423	1-C 20	187-8609	539	1-D 7	189-2976	629	1-D 16
185-8787	719	1-E 1	187-1377	433	1-C 21	187-8611	539	1-D 7	189-2976	975	1-F 3
185-8848	1209	1-G 2	187-1377	443	1-C 22	187-8947	395	1-C 17	189-2976	985	1-F 4
185-8849	541	1-D 8	187-1791	81	1-B 10	187-8947	397	1-C 17	189-3143	783	1-E 8
185-9754	739	1-E 3	187-1791	83	1-B 10	187-8947	409	1-C 18	189-3165	631	1-D 17
185-9756	739	1-E 3	187-1791	85	1-B 10	187-8947	411	1-C 19	189-3165	633	1-D 17

INDEX

Part No.	Page	Grid	Part No.	Page	Grid	Part No.	Page	Grid	Part No.	Page	Grid
189-3296	977	1-F 3	191-0428	395	1-C 17	192-6460	145	1-B 16	195-5968	69	1-B 8
189-3296	979	1-F 3	191-0428	409	1-C 18	192-6460	147	1-B 16	195-5968	71	1-B 9
189-3300	963	1-F 2	191-0429	397	1-C 17	192-6516	555	1-D 9	195-5968	73	1-B 9
189-3302	967	1-F 2	191-0429	411	1-C 19	192-6516	557	1-D 9	195-5968	75	1-B 9
189-3307	965	1-F 2	191-1907	415	1-C 19	192-6518	555	1-D 9	195-5968	311	1-C 9
189-3307	967	1-F 2	191-1907	423	1-C 20	192-6518	557	1-D 9	195-9532	331	1-C 11
189-3308	965	1-F 2	191-1907	433	1-C 21	192-6529	537	1-D 7	195-9633	521	1-D 6
189-3308	967	1-F 2	191-1907	443	1-C 22	192-7901	651	1-D 19	195-9633	523	1-D 6
189-3310	931	1-E 23	191-1908	415	1-C 19	192-9017	1025	1-F 8	195-9633	525	1-D 6
189-3313	931	1-E 23	191-1908	423	1-C 20	193-0362	457	1-C 23	196-1969	739	1-E 3
189-3325	991	1-F 5	191-1908	433	1-C 21	193-0362	459	1-C 23	196-1970	739	1-E 3
189-4286	547	1-D 8	191-1908	443	1-C 22	193-0362	461	1-C 24	196-1971	739	1-E 3
189-4287	547	1-D 8	191-1909	415	1-C 19	193-0362	463	1-C 24	196-2318	703	1-D 24
189-4288	547	1-D 8	191-1909	423	1-C 20	193-0363	457	1-C 23	196-2318	881	1-E 18
189-4289	547	1-D 8	191-1909	433	1-C 21	193-0363	459	1-C 23	196-2318	885	1-E 18
189-5477	255	1-C 3	191-1909	443	1-C 22	193-0363	461	1-C 24	196-2318	907	1-E 20
189-5805	505	1-D 4	191-1910	415	1-C 19	193-0363	463	1-C 24	196-2993	931	1-E 23
189-5805	547	1-D 8	191-1910	423	1-C 20	193-0650	465	1-C 24	196-2994	931	1-E 23
189-5906	773	1-E 7	191-1910	433	1-C 21	193-0650	467	1-C 24	196-2997	931	1-E 23
189-5906	777	1-E 7	191-1910	443	1-C 22	193-1423	145	1-B 16	196-2997	933	1-E 23
189-5910	771	1-E 7	191-1911	415	1-C 19	193-1423	147	1-B 16	196-3036	945	1-E 24
189-5910	775	1-E 7	191-1911	423	1-C 20	193-1547	77	1-B 9	196-3037	945	1-E 24
189-5987	941	1-E 24	191-1911	433	1-C 21	193-1547	79	1-B 9	196-3052	945	1-E 24
189-5989	941	1-E 24	191-1911	443	1-C 22	193-1547	725	1-E 2	196-3968	1009	1-F 6
189-9922	1135	1-F 19	191-1912	415	1-C 19	193-1547	727	1-E 2	196-3968	1011	1-F 7
190-0429	731	1-E 3	191-1912	423	1-C 20	193-1548	831	1-E 13	196-3968	1015	1-F 7
190-0429	735	1-E 3	191-1912	433	1-C 21	193-1548	861	1-E 16	196-3968	1155	1-F 21
190-0435	691	1-D 23	191-1912	443	1-C 22	193-1548	865	1-E 16	196-4055	145	1-B 16
190-0435	693	1-D 23	191-5262	487	1-D 2	193-1558	703	1-D 24	196-4056	145	1-B 16
190-0435	695	1-D 23	191-5262	493	1-D 3	193-1558	807	1-E 10	196-4056	149	1-B 16
190-0435	697	1-D 23	191-5262	499	1-D 3	193-1558	867	1-E 16	196-4249	921	1-E 22
190-0435	739	1-E 3	191-5988	145	1-B 16	193-1558	869	1-E 16	196-5405	341	1-C 12
190-0436	691	1-D 23	191-5988	147	1-B 16	193-4752	347	1-C 12	196-6944	527	1-D 6
190-0436	729	1-E 2	191-8006	1209	1-G 2	193-5913	653	1-D 19	196-6946	527	1-D 6
190-0436	731	1-E 3	191-8007	1209	1-G 2	193-5914	653	1-D 19	196-6954	527	1-D 6
190-0438	691	1-D 23	191-8303	413	1-C 19	193-5915	651	1-D 19	196-7742	177	1-B 19
190-0438	693	1-D 23	191-8304	413	1-C 19	193-5915	665	1-D 20	196-7742	179	1-B 19
190-0438	695	1-D 23	192-0938	859	1-E 15	193-5918	923	1-E 22	196-7824	589	1-D 12
190-0438	799	1-E 9	192-0976	579	1-D 11	193-7868	183	1-B 20	196-9864	541	1-D 8
190-0446	739	1-E 3	192-3042	541	1-D 8	193-8098	827	1-E 12	196-9866	541	1-D 8
190-0768	655	1-D 19	192-3042	543	1-D 8	193-8197	861	1-E 16	196-9866	543	1-D 8
190-2601	931	1-E 23	192-4707	861	1-E 16	193-8198	865	1-E 16	197-1317	171	1-B 19
190-2608	965	1-F 2	192-4707	905	1-E 20	193-8199	699	1-D 23	197-1317	175	1-B 19
190-2608	967	1-F 2	192-4708	865	1-E 16	193-8199	867	1-E 16	197-1437	91	1-B 11
190-2609	965	1-F 2	192-4708	883	1-E 18	193-8200	869	1-E 16	197-1437	95	1-B 11
190-2609	967	1-F 2	192-4708	953	1-F 1	193-8200	961	1-F 2	197-2996	751	1-E 5
190-2613	981	1-F 4	192-4708	955	1-F 1	193-8200	963	1-F 2	197-2997	751	1-E 5
190-2624	965	1-F 2	192-4776	163	1-B 18	194-7019	457	1-C 23	197-2998	751	1-E 5
190-2624	967	1-F 2	192-4777	163	1-B 18	195-0499	583	1-D 12	197-2999	751	1-E 5
190-2838	195	1-B 21	192-4816	701	1-D 24	195-0500	583	1-D 12	197-3000	751	1-E 5
190-2839	195	1-B 21	192-4816	863	1-E 16	195-0501	583	1-D 12	197-3083	1053	1-F 11
190-3118	853	1-E 15	192-4816	867	1-E 16	195-0502	585	1-D 12	197-3667	651	1-D 19
190-3118	857	1-E 15	192-4816	881	1-E 18	195-1004	547	1-D 8	197-4516	1121	1-F 18
190-3583	659	1-D 19	192-4817	869	1-E 16	195-1016	547	1-D 8	197-4516	1123	1-F 18
190-5441	505	1-D 4	192-4817	885	1-E 18	195-2612	1133	1-F 19	197-4517	1121	1-F 18
190-5441	589	1-D 12	192-4975	395	1-C 17	195-2615	591	1-D 13	197-4518	1121	1-F 18
190-5942	527	1-D 6	192-4975	409	1-C 18	195-2616	591	1-D 13	197-4519	1121	1-F 18
190-5943	527	1-D 6	192-5602	437	1-C 21	195-3252	415	1-C 19	197-4519	1123	1-F 18
190-5943	553	1-D 9	192-5602	447	1-C 22	195-3252	423	1-C 20	197-4520	1121	1-F 18
190-5943	557	1-D 9	192-5642	239	1-C 1	195-3252	433	1-C 21	197-4520	1123	1-F 18
190-6501	845	1-E 14	192-5643	239	1-C 1	195-3252	443	1-C 22	197-4521	1121	1-F 18
190-6501	855	1-E 15	192-5644	239	1-C 1	195-4512	1059	1-F 11	197-4521	1123	1-F 18
190-6525	857	1-E 15	192-6350	79	1-B 9	195-4512	1061	1-F 12	197-4522	1121	1-F 18
190-6526	857	1-E 15	192-6350	711	1-E 1	195-4513	1059	1-F 11	197-4522	1123	1-F 18
190-8326	1139	1-F 19	192-6360	79	1-B 9	195-4513	1061	1-F 12	197-4523	1117	1-F 17
191-0426	387	1-C 16	192-6360	709	1-D 24	195-4519	131	1-B 15	197-4524	1117	1-F 17
191-0426	391	1-C 17	192-6366	729	1-E 2	195-4519	133	1-B 15	197-4525	1121	1-F 18
191-0426	403	1-C 18	192-6366	733	1-E 3	195-4520	1065	1-F 12	197-4525	1123	1-F 18
191-0426	407	1-C 18	192-6371	709	1-D 24	195-5221	1169	1-F 22	197-4526	1121	1-F 18
191-0427	387	1-C 16	192-6383	705	1-D 24	195-5227	1025	1-F 8	197-4526	1123	1-F 18
191-0427	389	1-C 16	192-6386	171	1-B 19	195-5228	1025	1-F 8	197-4527	1117	1-F 17
191-0427	393	1-C 17	192-6392	729	1-E 2	195-5228	1027	1-F 8	197-4527	1119	1-F 17
191-0427	401	1-C 18	192-6392	733	1-E 3	195-5229	1025	1-F 8	197-4529	1117	1-F 17
191-0427	403	1-C 18	192-6398	737	1-E 3	195-5230	1025	1-F 8	197-4529	1119	1-F 17
191-0427	405	1-C 18	192-6457	589	1-D 12	195-5968	67	1-B 8	197-4530	1129	1-F 18

MT800B SERIES TRACTORS

Part No.	Page	Grid	Part No.	Page	Grid	Part No.	Page	Grid	Part No.	Page	Grid
197-4530	1131	1-F 19	199-6263	195	1-B 21	200-2992	793	1-E 9	201-2442	189	1-B 20
197-4531	1129	1-F 18	199-6265	945	1-E 24	200-2992	807	1-E 10	201-4113	1025	1-F 8
197-4531	1131	1-F 19	199-7107	417	1-C 19	200-2992	825	1-E 12	201-4114	1025	1-F 8
197-4532	1129	1-F 18	199-7107	421	1-C 20	200-2993	791	1-E 9	201-4653	139	1-B 15
197-4532	1131	1-F 19	199-7107	427	1-C 20	200-2993	793	1-E 9	201-4653	141	1-B 16
197-4533	1129	1-F 18	199-7107	431	1-C 21	200-2993	807	1-E 10	201-5096	1169	1-F 22
197-4533	1131	1-F 19	199-7107	437	1-C 21	200-2993	825	1-E 12	201-8342	967	1-F 2
197-4534	1129	1-F 18	199-7107	441	1-C 22	200-3039	387	1-C 16	201-8344	967	1-F 2
197-4534	1131	1-F 19	199-7107	447	1-C 22	200-3039	389	1-C 16	201-8438	751	1-E 5
197-4537	1129	1-F 18	199-7107	451	1-C 23	200-3039	391	1-C 17	201-9041	215	1-B 23
197-4537	1131	1-F 19	199-7855	529	1-D 6	200-3039	393	1-C 17	201-9554	369	1-C 14
197-4538	1129	1-F 18	199-7855	531	1-D 7	200-3039	395	1-C 17	201-9789	1025	1-F 8
197-4538	1131	1-F 19	199-7859	529	1-D 6	200-3039	397	1-C 17	201-9927	653	1-D 19
197-4539	1129	1-F 18	199-7859	531	1-D 7	200-3039	401	1-C 18	201-9927	673	1-D 21
197-4540	1129	1-F 18	199-9240	387	1-C 16	200-3039	403	1-C 18	201-9927	677	1-D 21
197-4540	1131	1-F 19	199-9240	389	1-C 16	200-3039	405	1-C 18	201-9928	641	1-D 18
197-4541	1129	1-F 18	199-9240	391	1-C 17	200-3039	407	1-C 18	201-9928	675	1-D 21
197-4541	1131	1-F 19	199-9240	393	1-C 17	200-3039	409	1-C 18	201-9930	653	1-D 19
197-4544	1125	1-F 18	199-9240	395	1-C 17	200-3039	411	1-C 19	201-9931	641	1-D 18
197-4544	1127	1-F 18	199-9240	397	1-C 17	200-3039	487	1-D 2	201-9932	641	1-D 18
197-4545	1129	1-F 18	199-9240	401	1-C 18	200-3039	493	1-D 3	201-9932	653	1-D 19
197-4546	1125	1-F 18	199-9240	403	1-C 18	200-3039	499	1-D 3	202-0843	1019	1-F 7
197-4546	1127	1-F 18	199-9240	405	1-C 18	200-4310	693	1-D 23	202-0844	333	1-C 11
197-4547	1129	1-F 18	199-9240	407	1-C 18	200-4310	733	1-E 3	202-0844	335	1-C 11
197-4547	1131	1-F 19	199-9240	409	1-C 18	200-4310	735	1-E 3	202-0848	1055	1-F 11
197-4548	1131	1-F 19	199-9240	411	1-C 19	200-4316	721	1-E 2	202-2356	527	1-D 6
197-4550	1117	1-F 17	199-9240	487	1-D 2	200-4317	709	1-D 24	202-2357	527	1-D 6
197-4550	1119	1-F 17	199-9240	493	1-D 3	200-4320	79	1-B 9	202-2792	763	1-E 6
197-4849	81	1-B 10	199-9240	499	1-D 3	200-4320	737	1-E 3	202-7320	233	1-C 1
197-4849	83	1-B 10	2A-3746	417	1-C 19	200-4321	737	1-E 3	202-9220	511	1-D 5
197-4849	155	1-B 17	2A-3746	427	1-C 20	200-4322	721	1-E 2	202-9220	513	1-D 5
197-4852	155	1-B 17	2A-3746	437	1-C 21	200-4323	709	1-D 24	202-9220	515	1-D 5
197-5411	415	1-C 19	2A-3746	447	1-C 22	200-4325	743	1-E 4	202-9220	517	1-D 5
197-5411	423	1-C 20	2D-9190	485	1-D 2	200-4325	745	1-E 4	202-9220	519	1-D 5
197-5411	433	1-C 21	2D-9190	491	1-D 3	200-4327	743	1-E 4	202-9223	511	1-D 5
197-5411	443	1-C 22	2D-9190	497	1-D 3	200-4327	745	1-E 4	202-9223	513	1-D 5
197-5414	803	1-E 10	2H-1190	415	1-C 19	200-4329	743	1-E 4	202-9223	515	1-D 5
197-5675	101	1-B 12	2H-1190	423	1-C 20	200-4335	715	1-E 1	202-9223	517	1-D 5
197-5675	109	1-B 12	2H-1190	433	1-C 21	200-4339	737	1-E 3	202-9223	519	1-D 5
197-5676	101	1-B 12	2H-1190	443	1-C 22	200-4341	709	1-D 24	203-0128	189	1-B 20
197-5852	1139	1-F 19	2H-5549	415	1-C 19	200-4343	721	1-E 2	203-0189	759	1-E 5
197-6291	1217	1-G 3	2H-5549	425	1-C 20	200-4351	711	1-E 1	203-0189	761	1-E 6
197-6292	109	1-B 12	2H-5549	435	1-C 21	200-4351	743	1-E 4	203-0189	763	1-E 6
197-7948	171	1-B 19	2H-5549	445	1-C 22	200-4369	799	1-E 9	203-0190	759	1-E 5
197-8128	583	1-D 12	2J-2152	457	1-C 23	200-4372	709	1-D 24	203-0341	763	1-E 6
197-8131	583	1-D 12	2J-2152	459	1-C 23	200-4374	729	1-E 2	203-1213	761	1-E 6
197-8558	53	1-B 7	2J-2152	461	1-C 24	200-4374	733	1-E 3	203-2631	387	1-C 16
197-8558	55	1-B 7	2J-2152	463	1-C 24	200-4375	743	1-E 4	203-2631	389	1-C 16
197-8558	63	1-B 8	2K-1381	415	1-C 19	200-4392	709	1-D 24	203-2631	391	1-C 17
197-8558	65	1-B 8	2K-1381	425	1-C 20	200-4400	77	1-B 9	203-2631	393	1-C 17
197-8558	175	1-B 19	2K-1381	435	1-C 21	200-4400	79	1-B 9	203-2631	397	1-C 17
198-0288	415	1-C 19	2K-1381	445	1-C 22	200-4400	715	1-E 1	203-2631	401	1-C 18
198-0288	423	1-C 20	2M-9780	381	1-C 16	200-5027	373	1-C 15	203-2631	403	1-C 18
198-0288	433	1-C 21	2M-9780	383	1-C 16	200-5027	621	1-D 16	203-2631	405	1-C 18
198-0288	443	1-C 22	2M-9780	415	1-C 19	200-5027	629	1-D 16	203-2631	407	1-C 18
198-1013	413	1-C 19	2M-9780	435	1-C 21	200-5028	375	1-C 15	203-2631	411	1-C 19
198-1013	473	1-D 1	2M-9780	445	1-C 22	200-5028	625	1-D 16	203-2631	487	1-D 2
198-1955	91	1-B 11	2M-9780	449	1-C 22	200-5029	377	1-C 15	203-2631	493	1-D 3
198-1961	91	1-B 11	2M-9780	451	1-C 23	200-5029	619	1-D 15	203-2631	499	1-D 3
198-4070	999	1-F 5	2P-1692	413	1-C 19	200-5029	627	1-D 16	203-2632	395	1-C 17
198-4265	803	1-E 10	2P-8421	381	1-C 16	200-5030	379	1-C 15	203-2632	409	1-C 18
198-4474	1211	1-G 3	2S-4078	421	1-C 20	200-5030	623	1-D 16	203-3167	763	1-E 6
198-4475	1211	1-G 3	2S-4078	431	1-C 21	200-6376	291	1-C 7	203-3168	763	1-E 6
198-4477	1211	1-G 3	2S-4078	441	1-C 22	200-8649	185	1-B 20	203-5999	67	1-B 8
198-8376	195	1-B 21	2S-4078	451	1-C 23	200-8750	943	1-E 24	203-5999	69	1-B 8
198-8377	195	1-B 21	2S-4663	473	1-D 1	200-8772	925	1-E 22	203-5999	71	1-B 9
198-8378	965	1-F 2	2S-5835	473	1-D 1	200-8772	927	1-E 22	203-5999	73	1-B 9
198-8378	967	1-F 2	2Y-7489	415	1-C 19	200-8772	949	1-E 24	203-5999	75	1-B 9
199-2086	585	1-D 12	2Y-7489	425	1-C 20	200-8773	949	1-E 24	203-6604	1211	1-G 3
199-3481	229	1-B 24	2Y-7489	435	1-C 21	200-8775	945	1-E 24	203-6965	1053	1-F 11
199-3481	231	1-C 1	2Y-7489	445	1-C 22	200-8826	543	1-D 8	203-6966	1053	1-F 11
199-3481	233	1-C 1	200-1300	171	1-B 19	201-0486	247	1-C 2	203-7787	1211	1-G 3
199-4273	489	1-D 2	200-1770	1025	1-F 8	201-0487	247	1-C 2	203-9179	549	1-D 8
199-4273	495	1-D 3	200-1771	1025	1-F 8	201-1186	1053	1-F 11	203-9183	549	1-D 8
199-4273	501	1-D 4	200-2992	791	1-E 9	201-2441	189	1-B 20	203-9200	549	1-D 8

INDEX

Part No.	Page	Grid	Part No.	Page	Grid	Part No.	Page	Grid	Part No.	Page	Grid
203-9200	579	1-D 11	207-5993	447	1-C 22	209-5606	1069	1-F 12	210-7491	981	1-F 4
203-9200	581	1-D 12	207-5994	453	1-C 23	209-5607	1067	1-F 12	210-7495	945	1-E 24
203-9712	1211	1-G 3	207-7007	417	1-C 19	209-5608	1009	1-F 6	210-7497	945	1-E 24
204-0627	135	1-B 15	207-7007	427	1-C 20	209-5608	1011	1-F 7	210-7500	945	1-E 24
204-5043	575	1-D 11	207-7007	437	1-C 21	209-5608	1015	1-F 7	210-7501	945	1-E 24
204-9922	579	1-D 11	207-7007	447	1-C 22	209-5608	1069	1-F 12	210-7503	995	1-F 5
205-1388	583	1-D 12	207-7534	1173	1-F 23	209-6244	973	1-F 3	210-7504	945	1-E 24
205-1390	585	1-D 12	207-7554	803	1-E 10	209-6295	535	1-D 7	210-7506	993	1-F 5
205-1394	583	1-D 12	207-8218	383	1-C 16	209-6434	535	1-D 7	210-7507	945	1-E 24
205-1395	583	1-D 12	207-8227	1173	1-F 23	209-6677	817	1-E 11	210-7507	947	1-E 24
205-1396	583	1-D 12	208-0563	967	1-F 2	209-7359	903	1-E 20	210-7507	953	1-F 1
205-1397	583	1-D 12	208-0564	967	1-F 2	209-7497	775	1-E 7	210-7507	957	1-F 1
205-6398	753	1-E 5	208-2880	1009	1-F 6	209-7497	891	1-E 19	210-7507	957	1-F 1
205-6398	851	1-E 15	208-2880	1013	1-F 7	209-7498	777	1-E 7	210-7507	959	1-F 1
205-6399	851	1-E 15	208-2880	1063	1-F 12	209-7498	889	1-E 18	210-7507	961	1-F 2
205-6400	851	1-E 15	208-2881	1011	1-F 7	209-7599	903	1-E 20	210-7507	963	1-F 2
205-6400	859	1-E 15	208-2881	1015	1-F 7	209-7709	799	1-E 9	210-7508	929	1-E 22
205-6410	921	1-E 22	208-2881	1065	1-F 12	209-8325	809	1-E 10	210-7508	951	1-F 1
205-6411	921	1-E 22	208-3021	79	1-B 9	209-8325	841	1-E 14	210-7508	993	1-F 5
205-6412	851	1-E 15	208-3021	361	1-C 14	209-8326	811	1-E 11	210-7509	925	1-E 22
205-6412	921	1-E 22	208-3022	595	1-D 13	209-8326	843	1-E 14	210-7509	927	1-E 22
205-6464	921	1-E 22	208-3022	597	1-D 13	209-8430	1007	1-F 6	210-7509	995	1-F 5
205-8334	361	1-C 14	208-7525	579	1-D 11	209-8704	1037	1-F 9	210-7510	77	1-B 9
205-8771	223	1-B 24	208-7698	563	1-D 10	209-8704	1039	1-F 9	210-7510	705	1-D 24
205-8772	225	1-B 24	208-7843	715	1-E 1	209-8704	1041	1-F 10	210-7511	705	1-D 24
205-8790	1211	1-G 3	208-9495	527	1-D 6	209-8704	1043	1-F 10	210-7512	945	1-E 24
205-9961	665	1-D 20	208-9496	527	1-D 6	209-8704	1045	1-F 10	210-7513	945	1-E 24
205-9961	667	1-D 20	208-9814	723	1-E 2	209-9220	591	1-D 13	210-7514	945	1-E 24
205-9962	665	1-D 20	208-9815	723	1-E 2	209-9222	591	1-D 13	210-7515	945	1-E 24
205-9962	667	1-D 20	208-9838	725	1-E 2	209-9231	547	1-D 8	210-7523	979	1-F 3
206-0578	1067	1-F 12	208-9839	725	1-E 2	209-9232	547	1-D 8	210-7526	547	1-D 8
206-0579	1069	1-F 12	208-9875	807	1-E 10	209-9680	903	1-E 20	210-7529	583	1-D 12
206-0580	1069	1-F 12	208-9875	825	1-E 12	209-9800	973	1-F 3	210-7677	803	1-E 10
206-0581	1067	1-F 12	208-9878	807	1-E 10	209-9919	907	1-E 20	210-8405	417	1-C 19
206-0581	1069	1-F 12	208-9928	791	1-E 9	209-9920	907	1-E 20	210-8405	421	1-C 20
206-0584	1069	1-F 12	208-9928	793	1-E 9	209-9936	907	1-E 20	210-8405	427	1-C 20
206-0586	1067	1-F 12	209-0141	167	1-B 18	209-9949	907	1-E 20	210-8405	431	1-C 21
206-0588	1009	1-F 6	209-0141	169	1-B 18	210-0184	803	1-E 10	210-8405	437	1-C 21
206-0588	1011	1-F 7	209-0141	803	1-E 10	210-0851	697	1-D 23	210-8405	441	1-C 22
206-0588	1071	1-F 13	209-0359	555	1-D 9	210-0851	801	1-E 10	210-8405	447	1-C 22
206-0589	1071	1-F 13	209-0359	559	1-D 9	210-1503	973	1-F 3	210-8405	451	1-C 23
206-4604	949	1-E 24	209-0361	555	1-D 9	210-1570	1007	1-F 6	210-8406	417	1-C 19
206-4605	949	1-E 24	209-0361	559	1-D 9	210-1570	1015	1-F 7	210-8406	421	1-C 20
206-4613	933	1-E 23	209-0364	555	1-D 9	210-1975	487	1-D 2	210-8406	427	1-C 20
206-4619	945	1-E 24	209-0364	559	1-D 9	210-1975	493	1-D 3	210-8406	431	1-C 21
206-4631	943	1-E 24	209-0373	555	1-D 9	210-2265	541	1-D 8	210-8406	437	1-C 21
206-4633	933	1-E 23	209-0373	559	1-D 9	210-2654	1007	1-F 6	210-8406	441	1-C 22
206-4635	949	1-E 24	209-0376	555	1-D 9	210-2682	583	1-D 12	210-8406	447	1-C 22
206-4708	583	1-D 12	209-0376	559	1-D 9	210-3258	1053	1-F 11	210-8406	451	1-C 23
206-4719	585	1-D 12	209-0799	583	1-D 12	210-3292	1053	1-F 11	210-8519	309	1-C 8
206-4720	587	1-D 12	209-0800	583	1-D 12	210-3933	309	1-C 8	211-0174	529	1-D 6
206-6397	81	1-B 10	209-0893	343	1-C 12	210-4348	575	1-D 11	211-0174	531	1-D 7
206-6397	83	1-B 10	209-0893	349	1-C 12	210-4351	537	1-D 7	211-0178	529	1-D 6
206-6397	85	1-B 10	209-1366	535	1-D 7	210-4354	235	1-C 1	211-0178	531	1-D 7
206-6397	87	1-B 10	209-3146	555	1-D 9	210-4354	237	1-C 1	211-0182	533	1-D 7
206-6397	127	1-B 14	209-3146	559	1-D 9	210-4357	1169	1-F 22	211-0183	533	1-D 7
206-7524	241	1-C 2	209-3147	555	1-D 9	210-4358	1169	1-F 22	211-0535	803	1-E 10
206-8787	287	1-C 6	209-3147	559	1-D 9	210-4406	575	1-D 11	211-1156	971	1-F 3
206-8787	289	1-C 6	209-3384	555	1-D 9	210-4407	575	1-D 11	211-1170	413	1-C 19
206-8891	175	1-B 19	209-3384	559	1-D 9	210-4408	575	1-D 11	211-1171	343	1-C 12
206-8891	183	1-B 20	209-3385	555	1-D 9	210-4411	575	1-D 11	211-1171	349	1-C 12
207-0511	1069	1-F 12	209-3385	559	1-D 9	210-4412	575	1-D 11	211-1677	283	1-C 6
207-0516	595	1-D 13	209-3414	833	1-E 13	210-4413	555	1-D 9	211-1850	813	1-E 11
207-0516	597	1-D 13	209-3688	699	1-D 23	210-4414	555	1-D 9	211-2731	381	1-C 16
207-0745	813	1-E 11	209-3689	703	1-D 24	210-4415	555	1-D 9	211-2731	383	1-C 16
207-2021	1023	1-F 8	209-5019	883	1-E 18	210-4416	527	1-D 6	211-2885	975	1-F 3
207-2022	1023	1-F 8	209-5019	909	1-E 20	210-4418	537	1-D 7	211-3547	817	1-E 11
207-2031	163	1-B 18	209-5020	881	1-E 18	210-4421	575	1-D 11	211-3715	813	1-E 11
207-2031	1023	1-F 8	209-5020	911	1-E 21	210-4464	973	1-F 3	211-4410	813	1-E 11
207-2036	1149	1-F 20	209-5021	703	1-D 24	210-5610	725	1-E 2	211-8276	487	1-D 2
207-2036	1151	1-F 21	209-5021	885	1-E 18	210-5648	725	1-E 2	211-8276	493	1-D 3
207-2038	1069	1-F 12	209-5021	913	1-E 21	210-5649	725	1-E 2	211-8276	499	1-D 3
207-5993	417	1-C 19	209-5604	1067	1-F 12	210-6063	973	1-F 3	211-8277	373	1-C 15
207-5993	427	1-C 20	209-5604	1069	1-F 12	210-7483	705	1-D 24	211-8277	375	1-C 15
207-5993	437	1-C 21	209-5605	1067	1-F 12	210-7489	927	1-E 22	211-8277	377	1-C 15

MT800B SERIES TRACTORS

29
INDEX

Part No.	Page	Grid	Part No.	Page	Grid	Part No.	Page	Grid	Part No.	Page	Grid
211-8277	379	1-C 15	214-9379	853	1-E 15	216-6974	913	1-E 21	216-7404	911	1-E 21
211-8277	455	1-C 23	214-9379	915	1-E 21	216-6975	905	1-E 20	216-7404	913	1-E 21
211-8280	417	1-C 19	215-1807	217	1-B 23	216-6975	909	1-E 20	216-7694	1047	1-F 10
211-8280	421	1-C 20	215-1809	221	1-B 24	216-6975	911	1-E 21	216-7835	307	1-C 8
211-8280	427	1-C 20	215-6489	167	1-B 18	216-6975	913	1-E 21	216-7836	307	1-C 8
211-8280	431	1-C 21	215-6489	169	1-B 18	216-6976	905	1-E 20	216-7837	307	1-C 8
211-8280	437	1-C 21	215-7331	595	1-D 13	216-6976	909	1-E 20	216-7839	307	1-C 8
211-8280	441	1-C 22	215-7331	597	1-D 13	216-6976	911	1-E 21	216-7841	307	1-C 8
211-8280	447	1-C 22	215-7335	595	1-D 13	216-6976	913	1-E 21	216-8188	907	1-E 20
211-8280	451	1-C 23	215-7335	597	1-D 13	216-6977	905	1-E 20	216-8277	319	1-C 9
211-8315	813	1-E 11	215-7336	595	1-D 13	216-6977	907	1-E 20	216-8715	457	1-C 23
212-3416	1037	1-F 9	215-7353	597	1-D 13	216-6977	909	1-E 20	216-8715	459	1-C 23
212-3601	799	1-E 9	215-7684	235	1-C 1	216-6977	911	1-E 21	216-8715	461	1-C 24
212-3602	91	1-B 11	215-7684	237	1-C 1	216-6977	913	1-E 21	216-8715	463	1-C 24
212-3811	167	1-B 18	215-7687	235	1-C 1	216-6978	905	1-E 20	216-8860	291	1-C 7
212-3811	169	1-B 18	215-7687	237	1-C 1	216-6978	909	1-E 20	216-9213	487	1-D 2
212-3814	167	1-B 18	215-8051	91	1-B 11	216-6978	911	1-E 21	216-9213	493	1-D 3
212-3814	169	1-B 18	215-8055	93	1-B 11	216-6978	913	1-E 21	216-9213	499	1-D 3
212-3815	167	1-B 18	215-8055	97	1-B 11	216-6979	905	1-E 20	216-9823	67	1-B 8
212-3815	169	1-B 18	215-8364	573	1-D 11	216-6979	909	1-E 20	216-9823	69	1-B 8
212-4300	159	1-B 17	215-9109	241	1-C 2	216-6979	911	1-E 21	216-9823	71	1-B 9
212-7187	127	1-B 14	215-9464	655	1-D 19	216-6979	913	1-E 21	216-9823	73	1-B 9
212-9996	529	1-D 6	215-9580	597	1-D 13	216-6980	905	1-E 20	216-9823	75	1-B 9
212-9998	529	1-D 6	215-9809	235	1-C 1	216-6980	907	1-E 20	216-9823	245	1-C 2
213-1827	669	1-D 20	215-9809	237	1-C 1	216-6980	909	1-E 20	217-2130	1087	1-F 14
213-2481	545	1-D 8	216-0614	197	1-B 21	216-6980	911	1-E 21	217-2131	1087	1-F 14
213-2500	545	1-D 8	216-0614	199	1-B 21	216-6980	913	1-E 21	217-2214	1083	1-F 14
213-2501	545	1-D 8	216-0614	215	1-B 23	216-6980	1217	1-G 3	217-2214	1085	1-F 14
213-2502	545	1-D 8	216-0658	193	1-B 21	216-6981	905	1-E 20	217-2214	1087	1-F 14
213-2503	545	1-D 8	216-0658	211	1-B 23	216-6981	907	1-E 20	217-3513	1055	1-F 11
213-2504	545	1-D 8	216-0658	213	1-B 23	216-6981	909	1-E 20	217-3514	1055	1-F 11
213-2505	545	1-D 8	216-0806	241	1-C 2	216-6981	911	1-E 21	217-3555	483	1-D 2
213-2506	545	1-D 8	216-0852	197	1-B 21	216-6981	913	1-E 21	217-3556	487	1-D 2
213-3269	417	1-C 19	216-0874	199	1-B 21	216-6983	905	1-E 20	217-3556	489	1-D 2
213-3269	421	1-C 20	216-0887	241	1-C 2	216-6983	909	1-E 20	217-3556	493	1-D 3
213-3269	427	1-C 20	216-3028	323	1-C 10	216-6983	911	1-E 21	217-3556	495	1-D 3
213-3269	431	1-C 21	216-3028	327	1-C 10	216-6983	913	1-E 21	217-3556	499	1-D 3
213-3269	437	1-C 21	216-3458	903	1-E 20	216-6984	905	1-E 20	217-3557	483	1-D 2
213-3269	441	1-C 22	216-3461	903	1-E 20	216-6984	909	1-E 20	217-3557	489	1-D 2
213-3269	447	1-C 22	216-3462	903	1-E 20	216-6984	911	1-E 21	217-3557	495	1-D 3
213-3269	451	1-C 23	216-3475	903	1-E 20	216-6984	913	1-E 21	217-3557	501	1-D 4
213-3270	419	1-C 19	216-3478	903	1-E 20	216-6986	905	1-E 20	217-4156	809	1-E 10
213-3270	421	1-C 20	216-3479	903	1-E 20	216-6986	909	1-E 20	217-4157	809	1-E 10
213-3270	429	1-C 20	216-3480	903	1-E 20	216-6986	911	1-E 21	217-5924	167	1-B 18
213-3270	431	1-C 21	216-3481	903	1-E 20	216-6986	913	1-E 21	217-5924	169	1-B 18
213-3270	439	1-C 21	216-3569	903	1-E 20	216-6987	905	1-E 20	217-7365	813	1-E 11
213-3270	441	1-C 22	216-3570	903	1-E 20	216-6987	909	1-E 20	217-8425	457	1-C 23
213-3270	449	1-C 22	216-4353	241	1-C 2	216-6987	911	1-E 21	217-8425	459	1-C 23
213-3270	451	1-C 23	216-5343	413	1-C 19	216-6987	913	1-E 21	217-8425	461	1-C 24
213-4902	529	1-D 6	216-5343	471	1-D 1	216-6988	905	1-E 20	217-8425	463	1-C 24
213-4902	531	1-D 7	216-5343	489	1-D 2	216-6988	909	1-E 20	217-9779	319	1-C 9
213-6190	419	1-C 19	216-5343	495	1-D 3	216-6988	911	1-E 21	217-9779	747	1-E 4
213-6190	429	1-C 20	216-5343	501	1-D 4	216-6988	913	1-E 21	217-9780	325	1-C 10
213-6190	439	1-C 21	216-5343	503	1-D 4	216-6990	905	1-E 20	217-9780	327	1-C 10
213-6190	449	1-C 22	216-6285	575	1-D 11	216-6990	909	1-E 20	217-9780	749	1-E 4
213-6191	421	1-C 20	216-6425	559	1-D 9	216-6990	911	1-E 21	218-2771	189	1-B 20
213-6191	431	1-C 21	216-6426	559	1-D 9	216-6990	913	1-E 21	218-2803	799	1-E 9
213-6191	441	1-C 22	216-6429	557	1-D 9	216-6991	905	1-E 20	218-2805	801	1-E 10
213-6191	451	1-C 23	216-6430	559	1-D 9	216-6991	907	1-E 20	218-2806	799	1-E 9
213-7061	965	1-F 2	216-6971	905	1-E 20	216-6991	909	1-E 20	218-2806	801	1-E 10
213-7061	967	1-F 2	216-6971	909	1-E 20	216-6991	911	1-E 21	218-2808	91	1-B 11
213-7062	965	1-F 2	216-6971	911	1-E 21	216-6991	913	1-E 21	218-2809	93	1-B 11
213-7062	967	1-F 2	216-6971	913	1-E 21	216-6992	905	1-E 20	218-2809	95	1-B 11
214-1118	1053	1-F 11	216-6972	741	1-E 4	216-6992	909	1-E 20	218-2883	143	1-B 16
214-3504	315	1-C 9	216-6972	905	1-E 20	216-6992	911	1-E 21	218-2886	143	1-B 16
214-4661	651	1-D 19	216-6972	909	1-E 20	216-6992	913	1-E 21	218-2888	143	1-B 16
214-4667	1053	1-F 11	216-6972	911	1-E 21	216-7010	905	1-E 20	218-2889	143	1-B 16
214-9064	589	1-D 12	216-6972	913	1-E 21	216-7010	909	1-E 20	219-0664	315	1-C 9
214-9201	853	1-E 15	216-6973	905	1-E 20	216-7010	911	1-E 21	219-4775	291	1-C 7
214-9202	853	1-E 15	216-6973	909	1-E 20	216-7010	913	1-E 21	219-4779	1081	1-F 14
214-9204	845	1-E 14	216-6973	911	1-E 21	216-7035	905	1-E 20	219-4796	1081	1-F 14
214-9205	845	1-E 14	216-6973	913	1-E 21	216-7035	909	1-E 20	219-6551	803	1-E 10
214-9206	845	1-E 14	216-6974	905	1-E 20	216-7035	911	1-E 21	219-7208	811	1-E 11
214-9207	845	1-E 14	216-6974	909	1-E 20	216-7035	913	1-E 21	219-7209	811	1-E 11
214-9379	845	1-E 14	216-6974	911	1-E 21	216-7115	905	1-E 20	219-7563	587	1-D 12

INDEX

Part No.	Page	Grid	Part No.	Page	Grid	Part No.	Page	Grid	Part No.	Page	Grid
219-7564	583	1-D 12	222-2457	335	1-C 11	227-8726	895	1-E 19	260-9471	463	1-C 24
219-7565	583	1-D 12	222-4774	1055	1-F 11	227-8727	895	1-E 19	261-2719	457	1-C 23
219-7565	587	1-D 12	222-7965	67	1-B 8	227-8830	887	1-E 18	261-2719	459	1-C 23
219-7566	583	1-D 12	222-7965	69	1-B 8	227-8830	889	1-E 18	261-2719	461	1-C 24
219-7566	587	1-D 12	222-7965	71	1-B 9	227-8830	891	1-E 19	261-2719	463	1-C 24
219-8630	151	1-B 17	222-7965	73	1-B 9	227-8830	893	1-E 19	261-2719	1217	1-G 3
219-8630	153	1-B 17	222-7965	75	1-B 9	227-8830	895	1-E 19	266-0216	457	1-C 23
219-8787	803	1-E 10	222-7965	573	1-D 11	227-9327	415	1-C 19	266-0216	459	1-C 23
219-8801	975	1-F 3	222-9156	243	1-C 2	227-9327	423	1-C 20	266-0216	461	1-C 24
219-9652	725	1-E 2	222-9854	789	1-E 8	227-9327	433	1-C 21	266-0216	463	1-C 24
219-9656	1089	1-F 14	222-9855	789	1-E 8	227-9327	443	1-C 22	281-7719	369	1-C 14
220-2329	1117	1-F 17	223-0623	421	1-C 20	227-9744	1121	1-F 18	3D-2824	381	1-C 16
220-2329	1121	1-F 18	223-0623	431	1-C 21	228-4278	413	1-C 19	3D-8317	473	1-D 1
220-2333	1121	1-F 18	223-0623	441	1-C 22	228-4632	137	1-B 15	3E-3371	279	1-C 5
220-2355	685	1-D 22	223-0623	451	1-C 23	228-4633	137	1-B 15	3E-4353	487	1-D 2
220-2356	67	1-B 8	223-0687	189	1-B 20	228-4642	137	1-B 15	3E-4353	493	1-D 3
220-2356	69	1-B 8	223-0701	105	1-B 12	228-4643	137	1-B 15	3E-4353	499	1-D 3
220-2356	71	1-B 9	223-1637	425	1-C 20	228-7494	717	1-E 1	3E-7775	289	1-C 6
220-2356	73	1-B 9	223-1637	435	1-C 21	229-0888	193	1-B 21	3F-0379	287	1-C 6
220-2356	75	1-B 9	223-1637	445	1-C 22	229-0891	195	1-B 21	3F-0379	289	1-C 6
220-2356	687	1-D 22	223-2480	669	1-D 20	229-0891	213	1-B 23	3F-0957	381	1-C 16
220-2357	681	1-D 22	223-2480	671	1-D 21	230-9563	813	1-E 11	3H-0703	409	1-C 18
220-2358	67	1-B 8	223-3273	669	1-D 20	231-6106	555	1-D 9	3J-1907	381	1-C 16
220-2358	69	1-B 8	223-3273	671	1-D 21	231-6106	559	1-D 9	3J-1907	383	1-C 16
220-2358	71	1-B 9	223-4304	651	1-D 19	232-0345	381	1-C 16	3J-1907	415	1-C 19
220-2358	73	1-B 9	223-5887	553	1-D 9	232-0345	383	1-C 16	3J-1907	425	1-C 20
220-2358	75	1-B 9	223-5887	559	1-D 9	232-0838	717	1-E 1	3J-1907	435	1-C 21
220-2358	683	1-D 22	223-6530	803	1-E 10	232-0869	1081	1-F 14	3J-1907	445	1-C 22
220-2730	579	1-D 11	224-1398	809	1-E 10	232-0879	303	1-C 8	3J-1907	471	1-D 1
220-3664	725	1-E 2	224-1399	831	1-E 13	232-1774	401	1-C 18	3J-1907	473	1-D 1
220-4138	349	1-C 12	224-3917	1009	1-F 6	232-1774	403	1-C 18	3J-1907	489	1-D 2
220-5736	191	1-B 21	224-3917	1011	1-F 7	232-1774	405	1-C 18	3J-1907	495	1-D 3
220-8642	167	1-B 18	224-3917	1013	1-F 7	232-1774	407	1-C 18	3J-1907	501	1-D 4
220-8642	169	1-B 18	224-3917	1015	1-F 7	232-1774	409	1-C 18	3J-1907	503	1-D 4
221-0331	717	1-E 1	224-3917	1139	1-F 19	232-1774	411	1-C 19	3J-7354	487	1-D 2
221-0691	419	1-C 19	224-3917	1141	1-F 20	232-1774	469	1-C 24	3J-7354	493	1-D 3
221-0691	429	1-C 20	224-3945	803	1-E 10	233-8642	803	1-E 10	3J-7354	499	1-D 3
221-0691	439	1-C 21	224-3946	803	1-E 10	235-6166	417	1-C 19	3K-0360	381	1-C 16
221-0691	449	1-C 22	224-5868	459	1-C 23	235-6166	427	1-C 20	3K-0360	383	1-C 16
221-0808	101	1-B 12	224-5869	461	1-C 24	235-6166	437	1-C 21	3K-0360	419	1-C 19
221-1230	109	1-B 12	224-5869	463	1-C 24	235-6166	447	1-C 22	3K-0360	429	1-C 20
221-1233	109	1-B 12	224-5870	459	1-C 23	239-9822	421	1-C 20	3K-0360	439	1-C 21
221-1776	165	1-B 18	224-5870	461	1-C 24	239-9822	431	1-C 21	3K-0360	449	1-C 22
221-2548	101	1-B 12	224-5870	463	1-C 24	239-9822	441	1-C 22	3K-0360	473	1-D 1
221-2642	1081	1-F 14	224-5884	207	1-B 22	239-9822	451	1-C 23	3K-0715	381	1-C 16
221-5334	417	1-C 19	224-5884	625	1-D 16	240-5529	389	1-C 16	3K-0715	383	1-C 16
221-5334	421	1-C 20	224-6641	547	1-D 8	240-5529	405	1-C 18	3P-3441	419	1-C 19
221-5334	427	1-C 20	224-9662	925	1-E 22	241-6205	473	1-D 1	3P-3441	421	1-C 20
221-5334	431	1-C 21	224-9662	929	1-E 22	242-0962	433	1-C 21	3P-3441	429	1-C 20
221-5334	437	1-C 21	224-9662	951	1-F 1	242-0962	445	1-C 22	3P-3441	431	1-C 21
221-5334	441	1-C 22	224-9662	983	1-F 4	242-0962	467	1-C 24	3P-3441	439	1-C 21
221-5334	447	1-C 22	225-0175	803	1-E 10	242-5086	417	1-C 19	3P-3441	441	1-C 22
221-5334	451	1-C 23	225-0176	803	1-E 10	242-5086	421	1-C 20	3P-3441	449	1-C 22
221-5389	1081	1-F 14	225-1406	1055	1-F 11	242-5086	427	1-C 20	3P-3441	451	1-C 23
221-5433	1023	1-F 8	225-6958	415	1-C 19	242-5086	431	1-C 21	3S-2093	413	1-C 19
221-7640	569	1-D 10	225-6958	425	1-C 20	242-5086	437	1-C 21	3S-2708	395	1-C 17
221-8534	79	1-B 9	225-6958	465	1-C 24	242-5086	441	1-C 22	3S-2708	397	1-C 17
221-8534	581	1-D 12	225-8514	575	1-D 11	242-5086	447	1-C 22	3S-2708	409	1-C 18
221-8535	581	1-D 12	225-8861	579	1-D 11	242-5086	451	1-C 23	3S-2708	411	1-C 19
221-8536	581	1-D 12	226-0919	589	1-D 12	244-3699	439	1-C 21	3S-2708	419	1-C 19
221-8537	581	1-D 12	226-0921	589	1-D 12	244-3699	449	1-C 22	3S-2708	421	1-C 20
221-9201	241	1-C 2	226-1882	803	1-E 10	246-8145	399	1-C 17	3S-2708	429	1-C 20
222-1887	569	1-D 10	226-4324	341	1-C 12	246-8146	399	1-C 17	3S-2708	431	1-C 21
222-1903	421	1-C 20	226-4324	347	1-C 12	252-2226	419	1-C 19	3S-2708	439	1-C 21
222-1903	431	1-C 21	226-4325	341	1-C 12	252-2226	429	1-C 20	3S-2708	441	1-C 22
222-1903	441	1-C 22	226-4325	347	1-C 12	252-2227	439	1-C 21	3S-2708	449	1-C 22
222-1903	451	1-C 23	226-4754	339	1-C 11	252-2227	449	1-C 22	3S-2708	451	1-C 23
222-1904	419	1-C 19	226-4754	345	1-C 12	256-0173	343	1-C 12	3T-3422	287	1-C 6
222-1904	429	1-C 20	226-7570	139	1-B 15	256-0173	349	1-C 12	3T-3422	289	1-C 6
222-1904	439	1-C 21	226-7570	141	1-B 16	256-0176	213	1-B 23	3T-3434	287	1-C 6
222-1904	449	1-C 22	227-4312	1139	1-F 19	256-0184	193	1-B 21	3T-3434	289	1-C 6
222-2280	1175	1-F 23	227-4313	1139	1-F 19	256-0187	215	1-B 23	4B-9782	415	1-C 19
222-2281	1195	1-G 1	227-5269	803	1-E 10	260-9471	457	1-C 23	4B-9782	423	1-C 20
222-2281	1201	1-G 2	227-5270	803	1-E 10	260-9471	459	1-C 23	4B-9782	433	1-C 21
222-2457	333	1-C 11	227-8224	137	1-B 15	260-9471	461	1-C 24	4B-9782	443	1-C 22

MT800B SERIES TRACTORS

31
INDEX

Part No.	Page	Grid	Part No.	Page	Grid	Part No.	Page	Grid	Part No.	Page	Grid
4B-9783	425	1-C 20	4P-7428	413	1-C 19	400039X1	171	1-B 19	400040X1	1155	1-F 21
4B-9783	435	1-C 21	4P-7581	489	1-D 2	400039X1	185	1-B 20	400040X1	1157	1-F 21
4B-9783	445	1-C 22	4P-7581	495	1-D 3	400039X1	189	1-B 20	400041X1	111	1-B 13
4B-9880	473	1-D 1	4P-7581	501	1-D 4	400039X1	193	1-B 21	400041X1	113	1-B 13
4C-4183	1215	1-G 3	4P-8134	413	1-C 19	400039X1	195	1-B 21	400041X1	275	1-C 5
4C-4184	1215	1-G 3	4T-2201	399	1-C 17	400039X1	197	1-B 21	400041X1	277	1-C 5
4C-4190	1215	1-G 3	4T-4200	485	1-D 2	400039X1	199	1-B 21	400041X1	349	1-C 12
4C-4191	1215	1-G 3	4T-4200	491	1-D 3	400039X1	241	1-C 2	400041X1	369	1-C 14
4C-4192	1215	1-G 3	4T-4200	497	1-D 3	400039X1	323	1-C 10	400041X1	511	1-D 5
4C-4197	1215	1-G 3	400000X1	831	1-E 13	400039X1	327	1-C 10	400041X1	513	1-D 5
4C-4198	1215	1-G 3	400001X1	193	1-B 21	400039X1	341	1-C 12	400041X1	515	1-D 5
4C-4199	1215	1-G 3	400001X1	343	1-C 12	400039X1	347	1-C 12	400041X1	517	1-D 5
4C-4200	1215	1-G 3	400001X1	349	1-C 12	400039X1	349	1-C 12	400041X1	519	1-D 5
4C-4205	1215	1-G 3	400002X1	655	1-D 19	400039X1	535	1-D 7	400041X1	583	1-D 12
4C-4206	1215	1-G 3	400004X1	161	1-B 18	400039X1	547	1-D 8	400041X1	589	1-D 12
4C-4207	1215	1-G 3	400004X1	1033	1-F 9	400039X1	579	1-D 11	400041X1	595	1-D 13
4C-4211	1215	1-G 3	400005X1	255	1-C 3	400039X1	709	1-D 24	400041X1	597	1-D 13
4C-5843	1215	1-G 3	400006X1	317	1-C 9	400039X1	715	1-E 1	400041X1	803	1-E 10
4C-6122	1215	1-G 3	400006X1	337	1-C 11	400039X1	719	1-E 1	400041X1	947	1-E 24
4C-6126	1215	1-G 3	400011X1	739	1-E 3	400039X1	721	1-E 2	400041X1	949	1-E 24
4C-6127	1215	1-G 3	400013X1	555	1-D 9	400039X1	727	1-E 2	400042X1	1083	1-F 14
4C-6129	1215	1-G 3	400013X1	559	1-D 9	400039X1	731	1-E 3	400042X1	1085	1-F 14
4C-6133	1215	1-G 3	400014X1	559	1-D 9	400039X1	735	1-E 3	400044X1	295	1-C 7
4C-6134	1215	1-G 3	400014X1	651	1-D 19	400039X1	737	1-E 3	400044X1	581	1-D 12
4D-7735	339	1-C 11	400015X1	579	1-D 11	400039X1	791	1-E 9	400044X1	711	1-E 1
4D-7889	387	1-C 16	400017X1	325	1-C 10	400039X1	793	1-E 9	400044X1	809	1-E 10
4D-7889	389	1-C 16	400018X1	165	1-B 18	400039X1	803	1-E 10	400044X1	1059	1-F 11
4D-7889	391	1-C 17	400018X1	997	1-F 5	400039X1	807	1-E 10	400044X1	1061	1-F 12
4D-7889	393	1-C 17	400019X1	127	1-B 14	400039X1	809	1-E 10	400046X1	185	1-B 20
4D-7889	397	1-C 17	400019X1	129	1-B 14	400039X1	811	1-E 11	400046X1	189	1-B 20
4D-7889	401	1-C 18	400019X1	131	1-B 15	400039X1	813	1-E 11	400046X1	819	1-E 11
4D-7889	403	1-C 18	400019X1	133	1-B 15	400039X1	817	1-E 11	400046X1	821	1-E 12
4D-7889	405	1-C 18	400021X1	235	1-C 1	400039X1	825	1-E 12	400046X1	831	1-E 13
4D-7889	407	1-C 18	400021X1	237	1-C 1	400039X1	943	1-E 24	400046X1	833	1-E 13
4D-7889	411	1-C 19	400022X1	997	1-F 5	400039X1	947	1-E 24	400047X1	341	1-C 12
4D-7889	485	1-D 2	400022X1	999	1-F 5	400039X1	949	1-E 24	400047X1	349	1-C 12
4D-7889	491	1-D 3	400022X1	1001	1-F 6	400039X1	965	1-F 2	400047X1	671	1-D 21
4D-7889	497	1-D 3	400022X1	1003	1-F 6	400039X1	973	1-F 3	400048X1	1083	1-F 14
4D-9517	345	1-C 12	400022X1	1051	1-F 11	400039X1	991	1-F 5	400048X1	1085	1-F 14
4E-2250	195	1-B 21	400023X1	641	1-D 18	400039X1	1033	1-F 9	400049X1	117	1-B 13
4F-4097	381	1-C 16	400024X1	529	1-D 6	400039X1	1059	1-F 11	400049X1	125	1-B 14
4F-4097	383	1-C 16	400024X1	531	1-D 7	400039X1	1061	1-F 12	400049X1	579	1-D 11
4H-0408	737	1-E 3	400024X1	727	1-E 2	400039X1	1071	1-F 13	400049X1	997	1-F 5
4H-6507	415	1-C 19	400025X1	947	1-E 24	400039X1	1139	1-F 19	400049X1	999	1-F 5
4H-6507	423	1-C 20	400026X1	931	1-E 23	400040X1	115	1-B 13	400050X1	101	1-B 12
4H-6507	433	1-C 21	400027X1	655	1-D 19	400040X1	121	1-B 14	400050X1	545	1-D 8
4H-6507	443	1-C 22	400028X1	107	1-B 12	400040X1	125	1-B 14	400050X1	579	1-D 11
4J-5140	421	1-C 20	400028X1	719	1-E 1	400040X1	131	1-B 15	400050X1	589	1-D 12
4J-5140	431	1-C 21	400031X1	521	1-D 6	400040X1	133	1-B 15	400050X1	591	1-D 13
4J-5140	441	1-C 22	400031X1	523	1-D 6	400040X1	139	1-B 15	400050X1	819	1-E 11
4J-5140	451	1-C 23	400031X1	525	1-D 6	400040X1	141	1-B 16	400050X1	821	1-E 12
4J-5140	489	1-D 2	400031X1	545	1-D 8	400040X1	167	1-B 18	400050X1	829	1-E 12
4J-5140	495	1-D 3	400032X1	671	1-D 21	400040X1	169	1-B 18	400050X1	835	1-E 13
4J-5140	501	1-D 4	400033X1	965	1-F 2	400040X1	185	1-B 20	400050X1	839	1-E 13
4J-5477	487	1-D 2	400035X1	655	1-D 19	400040X1	189	1-B 20	400051X1	579	1-D 11
4J-5477	493	1-D 3	400035X1	657	1-D 19	400040X1	283	1-C 6	400051X1	591	1-D 13
4J-5477	499	1-D 3	400035X1	665	1-D 20	400040X1	349	1-C 12	400051X1	803	1-E 10
4J-8996	381	1-C 16	400035X1	667	1-D 20	400040X1	535	1-D 7	400051X1	831	1-E 13
4J-8996	383	1-C 16	400035X1	993	1-F 5	400040X1	587	1-D 12	400051X1	833	1-E 13
4K-3892	417	1-C 19	400039X1	93	1-B 11	400040X1	727	1-E 2	400052X1	185	1-B 20
4K-3892	421	1-C 20	400039X1	95	1-B 11	400040X1	737	1-E 3	400052X1	189	1-B 20
4K-3892	427	1-C 20	400039X1	109	1-B 12	400040X1	803	1-E 10	400052X1	549	1-D 8
4K-3892	431	1-C 21	400039X1	115	1-B 13	400040X1	813	1-E 11	400052X1	579	1-D 11
4K-3892	437	1-C 21	400039X1	117	1-B 13	400040X1	823	1-E 12	400052X1	581	1-D 12
4K-3892	441	1-C 22	400039X1	119	1-B 13	400040X1	947	1-E 24	400053X1	143	1-B 16
4K-3892	447	1-C 22	400039X1	121	1-B 14	400040X1	967	1-F 2	400053X1	167	1-B 18
4K-3892	451	1-C 23	400039X1	123	1-B 14	400040X1	971	1-F 3	400053X1	529	1-D 6
4K-9429	595	1-D 13	400039X1	125	1-B 14	400040X1	973	1-F 3	400053X1	533	1-D 7
4K-9429	597	1-D 13	400039X1	129	1-B 14	400040X1	983	1-F 4	400053X1	537	1-D 7
4M-0189	453	1-C 23	400039X1	139	1-B 15	400040X1	1033	1-F 9	400053X1	547	1-D 8
4M-1831	287	1-C 6	400039X1	141	1-B 16	400040X1	1059	1-F 11	400053X1	563	1-D 10
4M-1831	289	1-C 6	400039X1	145	1-B 16	400040X1	1061	1-F 12	400053X1	591	1-D 13
4M-2381	473	1-D 1	400039X1	147	1-B 16	400040X1	1083	1-F 14	400053X1	679	1-D 21
4M-5905	473	1-D 1	400039X1	167	1-B 18	400040X1	1085	1-F 14	400053X1	751	1-E 5
4N-0952	439	1-C 21	400039X1	169	1-B 18	400040X1	1153	1-F 21	400053X1	791	1-E 9

INDEX

Part No.	Page	Grid	Part No.	Page	Grid	Part No.	Page	Grid	Part No.	Page	Grid
400053X1	793	1-E 9	400061X1	713	1-E 1	400080X1	965	1-F 2	400113X1	1141	1-F 20
400053X1	803	1-E 10	400062X1	827	1-E 12	400080X1	967	1-F 2	400114X1	705	1-D 24
400053X1	997	1-F 5	400063X1	369	1-C 14	400081X1	105	1-B 12	400114X1	1157	1-F 21
400053X1	999	1-F 5	400063X1	507	1-D 4	400081X1	521	1-D 6	400115X1	553	1-D 9
400053X1	1051	1-F 11	400063X1	509	1-D 4	400081X1	523	1-D 6	400115X1	557	1-D 9
400053X1	1055	1-F 11	400063X1	791	1-E 9	400081X1	525	1-D 6	400117X1	721	1-E 2
400053X1	1141	1-F 20	400063X1	793	1-E 9	400081X1	535	1-D 7	400117X1	731	1-E 3
400055X1	185	1-B 20	400063X1	803	1-E 10	400081X1	587	1-D 12	400117X1	735	1-E 3
400055X1	189	1-B 20	400063X1	819	1-E 11	400081X1	651	1-D 19	400119X1	1083	1-F 14
400055X1	365	1-C 14	400063X1	821	1-E 12	400081X1	655	1-D 19	400119X1	1085	1-F 14
400055X1	655	1-D 19	400064X1	119	1-B 13	400081X1	657	1-D 19	400120X1	1033	1-F 9
400055X1	1115	1-F 17	400064X1	135	1-B 15	400081X1	665	1-D 20	400121X1	1033	1-F 9
400056X1	95	1-B 11	400064X1	539	1-D 7	400081X1	667	1-D 20	400122X1	535	1-D 7
400056X1	159	1-B 17	400064X1	547	1-D 8	400081X1	943	1-E 24	400123X1	117	1-B 13
400056X1	755	1-E 5	400064X1	671	1-D 21	400081X1	947	1-E 24	400123X1	123	1-B 14
400056X1	757	1-E 5	400064X1	739	1-E 3	400081X1	991	1-F 5	400123X1	139	1-B 15
400056X1	837	1-E 13	400064X1	789	1-E 8	400081X1	993	1-F 5	400123X1	141	1-B 16
400056X1	839	1-E 13	400064X1	803	1-E 10	400081X1	995	1-F 5	400123X1	795	1-E 9
400056X1	947	1-E 24	400064X1	809	1-E 10	400081X1	1033	1-F 9	400123X1	803	1-E 10
400056X1	965	1-F 2	400064X1	811	1-E 11	400082X1	95	1-B 11	400123X1	805	1-E 10
400056X1	967	1-F 2	400064X1	819	1-E 11	400082X1	159	1-B 17	400123X1	809	1-E 10
400057X1	183	1-B 20	400064X1	821	1-E 12	400082X1	369	1-C 14	400123X1	811	1-E 11
400057X1	371	1-C 15	400064X1	835	1-E 13	400082X1	535	1-D 7	400123X1	815	1-E 11
400057X1	541	1-D 8	400064X1	837	1-E 13	400082X1	639	1-D 17	400123X1	819	1-E 11
400057X1	543	1-D 8	400065X1	1051	1-F 11	400082X1	665	1-D 20	400123X1	821	1-E 12
400057X1	827	1-E 12	400066X1	167	1-B 18	400082X1	667	1-D 20	400124X1	1033	1-F 9
400058X1	93	1-B 11	400066X1	169	1-B 18	400082X1	755	1-E 5	400125X1	1065	1-F 12
400058X1	95	1-B 11	400066X1	803	1-E 10	400082X1	757	1-E 5	400126X1	155	1-B 17
400058X1	137	1-B 15	400066X1	1083	1-F 14	400082X1	789	1-E 8	400126X1	157	1-B 17
400058X1	139	1-B 15	400066X1	1085	1-F 14	400082X1	923	1-E 22	400127X1	1053	1-F 11
400058X1	141	1-B 16	400067X1	521	1-D 6	400083X1	1211	1-G 3	400128X1	1005	1-F 6
400058X1	159	1-B 17	400067X1	523	1-D 6	400084X1	325	1-C 10	400129X2	593	1-D 13
400058X1	167	1-B 18	400067X1	525	1-D 6	400084X1	1025	1-F 8	400130X1	91	1-B 11
400058X1	169	1-B 18	400067X1	665	1-D 20	400084X1	1055	1-F 11	400132X1	249	1-C 2
400058X1	171	1-B 19	400067X1	667	1-D 20	400085X1	1025	1-F 8	400132X1	251	1-C 3
400058X1	185	1-B 20	400067X1	993	1-F 5	400085X1	1053	1-F 11	400134X1	535	1-D 7
400058X1	189	1-B 20	400067X1	995	1-F 5	400085X1	1139	1-F 19	400135X1	1209	1-G 2
400058X1	323	1-C 10	400068X1	751	1-E 5	400085X1	1141	1-F 20	400137X1	561	1-D 10
400058X1	327	1-C 10	400069X1	369	1-C 14	400086X1	1133	1-F 19	400137X1	1033	1-F 9
400058X1	555	1-D 9	400070X1	1035	1-F 9	400087X1	235	1-C 1	400138X1	527	1-D 6
400058X1	559	1-D 9	400071X1	1035	1-F 9	400087X1	237	1-C 1	400139X1	247	1-C 2
400058X1	575	1-D 11	400072X1	163	1-B 18	400088X1	923	1-E 22	400142X1	655	1-D 19
400058X1	583	1-D 12	400073X1	1049	1-F 10	400088X1	981	1-F 4	400143X1	589	1-D 12
400058X1	587	1-D 12	400074X1	163	1-B 18	400090X1	521	1-D 6	400146X1	101	1-B 12
400058X1	589	1-D 12	400074X1	1035	1-F 9	400091X1	67	1-B 8	400149X1	91	1-B 11
400058X1	591	1-D 13	400076X1	321	1-C 10	400092X1	923	1-E 22	400151X1	765	1-E 6
400058X1	597	1-D 13	400076X1	323	1-C 10	400093X1	923	1-E 22	400152X1	185	1-B 20
400058X1	631	1-D 17	400076X1	325	1-C 10	400095X1	947	1-E 24	400152X1	189	1-B 20
400058X1	633	1-D 17	400076X1	527	1-D 6	400097X1	989	1-F 4	400152X1	239	1-C 1
400058X1	635	1-D 17	400076X1	1057	1-F 11	400098X1	665	1-D 20	400152X1	243	1-C 2
400058X1	637	1-D 17	400078X1	931	1-E 23	400100X1	819	1-E 11	400152X1	275	1-C 5
400058X1	665	1-D 20	400078X1	933	1-E 23	400101X1	835	1-E 13	400152X1	277	1-C 5
400058X1	667	1-D 20	400078X1	945	1-E 24	400101X1	837	1-E 13	400152X1	291	1-C 7
400058X1	719	1-E 1	400078X1	965	1-F 2	400103X1	809	1-E 10	400152X1	311	1-C 9
400058X1	739	1-E 3	400078X1	967	1-F 2	400103X1	811	1-E 11	400152X1	1029	1-F 8
400058X1	803	1-E 10	400079X1	943	1-E 24	400104X1	555	1-D 9	400152X1	1081	1-F 14
400058X1	813	1-E 11	400080X1	511	1-D 5	400104X1	559	1-D 9	400152X1	1083	1-F 14
400058X1	1017	1-F 7	400080X1	513	1-D 5	400106X1	1141	1-F 20	400152X1	1085	1-F 14
400058X1	1059	1-F 11	400080X1	515	1-D 5	400107X1	803	1-E 10	400152X1	1211	1-G 3
400058X1	1061	1-F 12	400080X1	517	1-D 5	400108X1	131	1-B 15	400153X1	189	1-B 20
400058X1	1083	1-F 14	400080X1	519	1-D 5	400108X1	133	1-B 15	400160X1	195	1-B 21
400058X1	1085	1-F 14	400080X1	521	1-D 6	400108X1	183	1-B 20	400161X1	1089	1-F 14
400059X1	165	1-B 18	400080X1	523	1-D 6	400108X1	541	1-D 8	400162X1	553	1-D 9
400059X1	189	1-B 20	400080X1	525	1-D 6	400108X1	1063	1-F 12	400162X1	557	1-D 9
400059X1	547	1-D 8	400080X1	535	1-D 7	400109X1	139	1-B 15	400172X1	291	1-C 7
400059X1	555	1-D 9	400080X1	571	1-D 11	400109X1	141	1-B 16	400175X1	131	1-B 15
400059X1	559	1-D 9	400080X1	639	1-D 17	400109X1	817	1-E 11	400175X1	133	1-B 15
400059X1	575	1-D 11	400080X1	655	1-D 19	400109X1	1003	1-F 6	400176X1	189	1-B 20
400059X1	587	1-D 12	400080X1	665	1-D 20	400110X1	1023	1-F 8	400177X1	91	1-B 11
400059X1	591	1-D 13	400080X1	667	1-D 20	400110X1	1037	1-F 9	400177X1	95	1-B 11
400059X1	799	1-E 9	400080X1	669	1-D 20	400110X1	1041	1-F 10	400179X1	291	1-C 7
400059X1	811	1-E 11	400080X1	671	1-D 21	400110X1	1139	1-F 19	400180X1	105	1-B 12
400059X1	819	1-E 11	400080X1	727	1-E 2	400110X1	1141	1-F 20	400182X1	943	1-E 24
400059X1	821	1-E 12	400080X1	931	1-E 23	400111X1	1067	1-F 12	400182X1	947	1-E 24
400060X1	195	1-B 21	400080X1	933	1-E 23	400111X1	1069	1-F 12	400184X1	995	1-F 5

MT800B SERIES TRACTORS

33
INDEX

Part No.	Page	Grid	Part No.	Page	Grid	Part No.	Page	Grid	Part No.	Page	Grid
400185X1	1003	1-F 6	400227X1	241	1-C 2	400257X1	529	1-D 6	400287X1	579	1-D 11
400186X1	1035	1-F 9	400227X1	323	1-C 10	400257X1	533	1-D 7	400287X1	581	1-D 12
400187X1	947	1-E 24	400227X1	325	1-C 10	400260X1	639	1-D 17	400287X1	583	1-D 12
400188X1	195	1-B 21	400227X1	341	1-C 12	400261X1	655	1-D 19	400287X1	587	1-D 12
400190X1	825	1-E 12	400227X1	343	1-C 12	400263X1	943	1-E 24	400287X1	589	1-D 12
400190X1	1017	1-F 7	400227X1	347	1-C 12	400263X1	945	1-E 24	400287X1	591	1-D 13
400190X1	1019	1-F 7	400227X1	349	1-C 12	400265X1	285	1-C 6	400287X1	597	1-D 13
400191X1	535	1-D 7	400227X1	529	1-D 6	400267X1	513	1-D 5	400287X1	703	1-D 24
400191X1	579	1-D 11	400227X1	531	1-D 7	400267X1	515	1-D 5	400287X1	705	1-D 24
400191X1	589	1-D 12	400227X1	639	1-D 17	400267X1	517	1-D 5	400287X1	709	1-D 24
400191X1	639	1-D 17	400227X1	655	1-D 19	400267X1	519	1-D 5	400287X1	711	1-E 1
400191X1	665	1-D 20	400227X1	731	1-E 3	400268X1	511	1-D 5	400287X1	713	1-E 1
400191X1	667	1-D 20	400227X1	735	1-E 3	400270X1	931	1-E 23	400287X1	715	1-E 1
400191X1	931	1-E 23	400227X1	1017	1-F 7	400272X1	665	1-D 20	400287X1	719	1-E 1
400191X1	933	1-E 23	400227X1	1019	1-F 7	400272X1	667	1-D 20	400287X1	721	1-E 2
400191X1	947	1-E 24	400227X1	1083	1-F 14	400274X1	103	1-B 12	400287X1	727	1-E 2
400191X1	965	1-F 2	400227X1	1085	1-F 14	400275X1	575	1-D 11	400287X1	731	1-E 3
400191X1	967	1-F 2	400227X1	1211	1-G 3	400276X1	617	1-D 15	400287X1	735	1-E 3
400194X1	511	1-D 5	400228X1	631	1-D 17	400277X1	555	1-D 9	400287X1	737	1-E 3
400194X1	513	1-D 5	400228X1	633	1-D 17	400277X1	559	1-D 9	400287X1	739	1-E 3
400194X1	515	1-D 5	400228X1	635	1-D 17	400278X1	617	1-D 15	400287X1	747	1-E 4
400194X1	517	1-D 5	400228X1	637	1-D 17	400280X1	91	1-B 11	400287X1	749	1-E 4
400194X1	519	1-D 5	400229X1	105	1-B 12	400281X1	91	1-B 11	400287X1	791	1-E 9
400194X1	571	1-D 11	400230X1	229	1-B 24	400282X1	1155	1-F 21	400287X1	793	1-E 9
400194X1	933	1-E 23	400230X1	231	1-C 1	400282X1	1157	1-F 21	400287X1	799	1-E 9
400197X1	535	1-D 7	400230X1	233	1-C 1	400283X1	965	1-F 2	400287X1	803	1-E 10
400198X1	947	1-E 24	400232X1	995	1-F 5	400283X1	967	1-F 2	400287X1	807	1-E 10
400199X1	567	1-D 10	400234X1	535	1-D 7	400284X1	965	1-F 2	400287X1	809	1-E 10
400200X1	567	1-D 10	400234X1	727	1-E 2	400284X1	967	1-F 2	400287X1	811	1-E 11
400205X1	195	1-B 21	400236X1	511	1-D 5	400285X1	965	1-F 2	400287X1	813	1-E 11
400205X1	815	1-E 11	400236X1	513	1-D 5	400285X1	967	1-F 2	400287X1	817	1-E 11
400205X1	933	1-E 23	400236X1	515	1-D 5	400286X1	639	1-D 17	400287X1	819	1-E 11
400208X1	197	1-B 21	400236X1	517	1-D 5	400286X1	965	1-F 2	400287X1	821	1-E 12
400208X1	199	1-B 21	400236X1	519	1-D 5	400286X1	967	1-F 2	400287X1	823	1-E 12
400208X1	257	1-C 3	400236X1	571	1-D 11	400286X1	1211	1-G 3	400287X1	825	1-E 12
400208X1	259	1-C 3	400236X1	967	1-F 2	400287X1	93	1-B 11	400287X1	881	1-E 18
400209X1	343	1-C 12	400238X1	853	1-E 15	400287X1	95	1-B 11	400287X1	885	1-E 18
400209X1	347	1-C 12	400239X1	93	1-B 11	400287X1	109	1-B 12	400287X1	943	1-E 24
400210X1	851	1-E 15	400239X1	95	1-B 11	400287X1	115	1-B 13	400287X1	947	1-E 24
400211X1	233	1-C 1	400239X1	137	1-B 15	400287X1	117	1-B 13	400287X1	967	1-F 2
400213X1	507	1-D 4	400239X1	719	1-E 1	400287X1	119	1-B 13	400287X1	971	1-F 3
400213X1	509	1-D 4	400240X1	293	1-C 7	400287X1	121	1-B 14	400287X1	973	1-F 3
400213X1	679	1-D 21	400240X1	735	1-E 3	400287X1	123	1-B 14	400287X1	977	1-F 3
400213X1	991	1-F 5	400241X1	817	1-E 11	400287X1	125	1-B 14	400287X1	979	1-F 3
400217X1	833	1-E 13	400242X1	731	1-E 3	400287X1	131	1-B 15	400287X1	983	1-F 4
400220X1	759	1-E 5	400242X1	735	1-E 3	400287X1	133	1-B 15	400287X1	991	1-F 5
400220X1	845	1-E 14	400244X1	369	1-C 14	400287X1	139	1-B 15	400287X1	1017	1-F 7
400220X1	853	1-E 15	400244X1	659	1-D 19	400287X1	141	1-B 16	400287X1	1019	1-F 7
400221X1	189	1-B 20	400244X1	931	1-E 23	400287X1	145	1-B 16	400287X1	1025	1-F 8
400221X1	243	1-C 2	400244X1	947	1-E 24	400287X1	147	1-B 16	400287X1	1033	1-F 9
400221X1	555	1-D 9	400244X1	965	1-F 2	400287X1	155	1-B 17	400287X1	1059	1-F 11
400221X1	559	1-D 9	400244X1	967	1-F 2	400287X1	157	1-B 17	400287X1	1061	1-F 12
400221X1	569	1-D 10	400245X1	555	1-D 9	400287X1	159	1-B 17	400287X1	1071	1-F 13
400221X1	1001	1-F 6	400245X1	559	1-D 9	400287X1	165	1-B 18	400287X1	1083	1-F 14
400221X1	1003	1-F 6	400245X1	561	1-D 10	400287X1	167	1-B 18	400287X1	1085	1-F 14
400221X1	1053	1-F 11	400245X1	689	1-D 22	400287X1	169	1-B 18	400287X1	1153	1-F 21
400221X1	1139	1-F 19	400245X1	715	1-E 1	400287X1	171	1-B 19	400287X1	1155	1-F 21
400221X1	1155	1-F 21	400245X1	1067	1-F 12	400287X1	185	1-B 20	400287X1	1157	1-F 21
400222X1	947	1-E 24	400245X1	1069	1-F 12	400287X1	189	1-B 20	400288X1	965	1-F 2
400225X1	109	1-B 12	400246X1	845	1-E 14	400287X1	193	1-B 21	400288X1	967	1-F 2
400225X1	145	1-B 16	400246X1	853	1-E 15	400287X1	195	1-B 21	400288X1	991	1-F 5
400225X1	147	1-B 16	400247X1	131	1-B 15	400287X1	197	1-B 21	400289X1	535	1-D 7
400225X1	189	1-B 20	400247X1	133	1-B 15	400287X1	199	1-B 21	400289X1	641	1-D 18
400225X1	575	1-D 11	400249X1	93	1-B 11	400287X1	241	1-C 2	400289X1	965	1-F 2
400225X1	589	1-D 12	400251X1	321	1-C 10	400287X1	283	1-C 6	400289X1	967	1-F 2
400225X1	705	1-D 24	400251X1	323	1-C 10	400287X1	323	1-C 10	400290X1	965	1-F 2
400225X1	711	1-E 1	400251X1	325	1-C 10	400287X1	327	1-C 10	400290X1	967	1-F 2
400225X1	881	1-E 18	400251X1	327	1-C 10	400287X1	341	1-C 12	400290X1	977	1-F 3
400225X1	971	1-F 3	400251X1	343	1-C 12	400287X1	347	1-C 12	400291X1	965	1-F 2
400226X1	547	1-D 8	400251X1	349	1-C 12	400287X1	349	1-C 12	400291X1	967	1-F 2
400226X1	727	1-E 2	400252X1	101	1-B 12	400287X1	535	1-D 7	400292X1	1001	1-F 6
400226X1	973	1-F 3	400254X1	1039	1-F 9	400287X1	547	1-D 8	400292X1	1003	1-F 6
400227X1	145	1-B 16	400254X1	1043	1-F 10	400287X1	549	1-D 8	400292X1	1157	1-F 21
400227X1	147	1-B 16	400256X1	1035	1-F 9	400287X1	555	1-D 9	400293X1	1003	1-F 6
400227X1	195	1-B 21	400256X1	1051	1-F 11	400287X1	575	1-D 11	400294X1	1001	1-F 6

INDEX

Part No.	Page	Grid	Part No.	Page	Grid	Part No.	Page	Grid	Part No.	Page	Grid
400295X1	197	1-B 21	400318X1	767	1-E 6	400333X1	1051	1-F 11	400341X1	583	1-D 12
400295X1	1003	1-F 6	400318X1	769	1-E 6	400333X1	1149	1-F 20	400341X1	709	1-D 24
400296X1	1001	1-F 6	400318X1	783	1-E 8	400333X1	1151	1-F 21	400341X1	947	1-E 24
400296X1	1003	1-F 6	400318X1	795	1-E 9	400334X1	163	1-B 18	400341X1	997	1-F 5
400297X1	1003	1-F 6	400318X1	805	1-E 10	400334X1	1035	1-F 9	400341X1	999	1-F 5
400298X1	1001	1-F 6	400318X1	807	1-E 10	400336X1	105	1-B 12	400347X1	727	1-E 2
400298X1	1003	1-F 6	400318X1	813	1-E 11	400339X1	93	1-B 11	400348X1	727	1-E 2
400299X1	1001	1-F 6	400318X1	815	1-E 11	400339X1	107	1-B 12	400350X1	507	1-D 4
400300X1	189	1-B 20	400318X1	823	1-E 12	400339X1	121	1-B 14	400350X1	509	1-D 4
400300X1	229	1-B 24	400318X1	825	1-E 12	400339X1	123	1-B 14	400352X1	729	1-E 2
400300X1	231	1-C 1	400318X1	851	1-E 15	400339X1	167	1-B 18	400352X1	733	1-E 3
400300X1	233	1-C 1	400318X1	881	1-E 18	400339X1	195	1-B 21	400352X1	739	1-E 3
400300X1	239	1-C 1	400318X1	883	1-E 18	400339X1	239	1-C 1	400354X1	1211	1-G 3
400300X1	291	1-C 7	400318X1	885	1-E 18	400339X1	241	1-C 2	400356X1	1023	1-F 8
400300X1	527	1-D 6	400318X1	895	1-E 19	400339X1	283	1-C 6	400357X1	101	1-B 12
400300X1	569	1-D 10	400318X1	905	1-E 20	400339X1	341	1-C 12	400357X1	103	1-B 12
400300X1	947	1-E 24	400318X1	909	1-E 20	400339X1	343	1-C 12	400357X1	111	1-B 13
400300X1	1001	1-F 6	400318X1	911	1-E 21	400339X1	347	1-C 12	400357X1	113	1-B 13
400300X1	1003	1-F 6	400318X1	913	1-E 21	400339X1	349	1-C 12	400357X1	119	1-B 13
400300X1	1053	1-F 11	400318X1	915	1-E 21	400339X1	537	1-D 7	400357X1	163	1-B 18
400300X1	1081	1-F 14	400319X1	95	1-B 11	400339X1	559	1-D 9	400357X1	185	1-B 20
400300X1	1089	1-F 14	400319X1	717	1-E 1	400339X1	563	1-D 10	400357X1	189	1-B 20
400300X1	1115	1-F 17	400319X1	725	1-E 2	400339X1	565	1-D 10	400357X1	275	1-C 5
400300X1	1149	1-F 20	400319X1	759	1-E 5	400339X1	579	1-D 11	400357X1	277	1-C 5
400300X1	1151	1-F 21	400319X1	761	1-E 6	400339X1	583	1-D 12	400357X1	341	1-C 12
400300X1	1155	1-F 21	400319X1	791	1-E 9	400339X1	587	1-D 12	400357X1	349	1-C 12
400301X1	1001	1-F 6	400319X1	793	1-E 9	400339X1	639	1-D 17	400357X1	365	1-C 14
400301X1	1003	1-F 6	400319X1	795	1-E 9	400339X1	655	1-D 19	400357X1	369	1-C 14
400302X1	1001	1-F 6	400319X1	803	1-E 10	400339X1	709	1-D 24	400357X1	507	1-D 4
400305X1	1001	1-F 6	400319X1	807	1-E 10	400339X1	715	1-E 1	400357X1	509	1-D 4
400305X1	1003	1-F 6	400319X1	809	1-E 10	400339X1	719	1-E 1	400357X1	515	1-D 5
400306X1	1001	1-F 6	400319X1	811	1-E 11	400339X1	727	1-E 2	400357X1	517	1-D 5
400307X1	1001	1-F 6	400319X1	825	1-E 12	400339X1	731	1-E 3	400357X1	519	1-D 5
400307X1	1003	1-F 6	400319X1	827	1-E 12	400339X1	735	1-E 3	400357X1	539	1-D 7
400308X1	1001	1-F 6	400319X1	845	1-E 14	400339X1	751	1-E 5	400357X1	547	1-D 8
400308X1	1003	1-F 6	400319X1	881	1-E 18	400339X1	791	1-E 9	400357X1	559	1-D 9
400309X1	1001	1-F 6	400319X1	885	1-E 18	400339X1	793	1-E 9	400357X1	575	1-D 11
400309X1	1003	1-F 6	400319X1	907	1-E 20	400339X1	803	1-E 10	400357X1	579	1-D 11
400310X1	163	1-B 18	400319X1	973	1-F 3	400339X1	947	1-E 24	400357X1	583	1-D 12
400310X1	243	1-C 2	400319X1	975	1-F 3	400339X1	1051	1-F 11	400357X1	587	1-D 12
400310X1	333	1-C 11	400322X1	91	1-B 11	400339X1	1083	1-F 14	400357X1	589	1-D 12
400310X1	335	1-C 11	400322X1	95	1-B 11	400339X1	1085	1-F 14	400357X1	591	1-D 13
400310X1	527	1-D 6	400322X1	131	1-B 15	400339X1	1115	1-F 17	400357X1	595	1-D 13
400310X1	555	1-D 9	400322X1	133	1-B 15	400340X1	143	1-B 16	400357X1	597	1-D 13
400310X1	557	1-D 9	400322X1	337	1-C 11	400340X1	195	1-B 21	400357X1	669	1-D 20
400310X1	559	1-D 9	400322X1	901	1-E 20	400340X1	197	1-B 21	400357X1	671	1-D 21
400310X1	593	1-D 13	400322X1	905	1-E 20	400340X1	199	1-B 21	400357X1	739	1-E 3
400310X1	813	1-E 11	400322X1	909	1-E 20	400340X1	239	1-C 1	400357X1	789	1-E 8
400310X1	933	1-E 23	400322X1	911	1-E 21	400340X1	241	1-C 2	400357X1	791	1-E 9
400310X1	1001	1-F 6	400322X1	913	1-E 21	400340X1	283	1-C 6	400357X1	793	1-E 9
400310X1	1003	1-F 6	400322X1	969	1-F 2	400340X1	529	1-D 6	400357X1	803	1-E 10
400310X1	1083	1-F 14	400322X1	971	1-F 3	400340X1	565	1-D 10	400357X1	809	1-E 10
400310X1	1085	1-F 14	400322X1	975	1-F 3	400340X1	689	1-D 22	400357X1	811	1-E 11
400310X1	1133	1-F 19	400323X1	631	1-D 17	400340X1	751	1-E 5	400357X1	817	1-E 11
400310X1	1139	1-F 19	400323X1	633	1-D 17	400340X1	997	1-F 5	400357X1	819	1-E 11
400311X1	785	1-E 8	400323X1	635	1-D 17	400340X1	999	1-F 5	400357X1	821	1-E 12
400313X1	191	1-B 21	400323X1	637	1-D 17	400340X1	1051	1-F 11	400357X1	825	1-E 12
400313X1	1025	1-F 8	400323X1	709	1-D 24	400340X1	1053	1-F 11	400357X1	827	1-E 12
400313X1	1085	1-F 14	400323X1	717	1-E 1	400340X1	1149	1-F 20	400357X1	829	1-E 12
400313X1	1149	1-F 20	400323X1	723	1-E 2	400340X1	1151	1-F 21	400357X1	831	1-E 13
400313X1	1151	1-F 21	400323X1	725	1-E 2	400340X1	1153	1-F 21	400357X1	833	1-E 13
400318X1	165	1-B 18	400323X1	795	1-E 9	400340X1	1155	1-F 21	400357X1	839	1-E 13
400318X1	341	1-C 12	400323X1	813	1-E 11	400341X1	121	1-B 14	400357X1	845	1-E 14
400318X1	343	1-C 12	400323X1	819	1-E 11	400341X1	123	1-B 14	400357X1	853	1-E 15
400318X1	349	1-C 12	400323X1	821	1-E 12	400341X1	195	1-B 21	400357X1	947	1-E 24
400318X1	367	1-C 14	400323X1	827	1-E 12	400341X1	341	1-C 12	400357X1	949	1-E 24
400318X1	631	1-D 17	400324X1	709	1-D 24	400341X1	343	1-C 12	400357X1	1115	1-F 17
400318X1	633	1-D 17	400324X1	717	1-E 1	400341X1	347	1-C 12	400358X1	93	1-B 11
400318X1	635	1-D 17	400324X1	795	1-E 9	400341X1	529	1-D 6	400358X1	95	1-B 11
400318X1	637	1-D 17	400324X1	813	1-E 11	400341X1	531	1-D 7	400358X1	369	1-C 14
400318X1	709	1-D 24	400330X1	1051	1-F 11	400341X1	537	1-D 7	400358X1	617	1-D 15
400318X1	717	1-E 1	400330X1	1149	1-F 20	400341X1	555	1-D 9	400358X1	803	1-E 10
400318X1	723	1-E 2	400330X1	1151	1-F 21	400341X1	557	1-D 9	400359X1	809	1-E 10
400318X1	725	1-E 2	400331X1	1051	1-F 11	400341X1	559	1-D 9	400359X1	811	1-E 11
400318X1	727	1-E 2	400332X1	1051	1-F 11	400341X1	565	1-D 10	400359X1	817	1-E 11

MT800B SERIES TRACTORS

35
INDEX

Part No.	Page	Grid	Part No.	Page	Grid	Part No.	Page	Grid	Part No.	Page	Grid
400360X1	795	1-E 9	400376X1	151	1-B 17	400486X1	1079	1-F 13	400599X1	591	1-D 13
400361X1	91	1-B 11	400376X1	153	1-B 17	400496X1	185	1-B 20	400599X1	679	1-D 21
400361X1	95	1-B 11	400376X1	363	1-C 14	400496X1	187	1-B 20	400599X1	689	1-D 22
400361X1	131	1-B 15	400376X1	631	1-D 17	400497X1	359	1-C 13	400599X1	997	1-F 5
400361X1	133	1-B 15	400376X1	633	1-D 17	400511X1	185	1-B 20	400599X1	999	1-F 5
400361X1	343	1-C 12	400376X1	635	1-D 17	400511X1	187	1-B 20	400599X1	1053	1-F 11
400361X1	349	1-C 12	400376X1	637	1-D 17	400511X1	253	1-C 3	400599X1	1067	1-F 12
400361X1	717	1-E 1	400376X1	767	1-E 6	400511X1	345	1-C 12	400599X1	1069	1-F 12
400361X1	725	1-E 2	400376X1	783	1-E 8	400553X1	1033	1-F 9	400599X1	1141	1-F 20
400361X1	729	1-E 2	400376X1	795	1-E 9	400561X1	207	1-B 22	400599X1	1149	1-F 20
400361X1	733	1-E 3	400376X1	805	1-E 10	400561X1	1155	1-F 21	400599X1	1151	1-F 21
400361X1	739	1-E 3	400376X1	809	1-E 10	400561X1	1157	1-F 21	400602X1	283	1-C 6
400361X1	753	1-E 5	400376X1	811	1-E 11	400562X1	209	1-B 22	400603X1	1059	1-F 11
400361X1	795	1-E 9	400376X1	813	1-E 11	400562X1	227	1-B 24	400603X1	1061	1-F 12
400361X1	803	1-E 10	400376X1	815	1-E 11	400562X1	253	1-C 3	400604X1	1059	1-F 11
400361X1	813	1-E 11	400376X1	819	1-E 11	400562X1	297	1-C 7	400604X1	1061	1-F 12
400361X1	827	1-E 12	400376X1	821	1-E 12	400562X1	319	1-C 9	400607X1	723	1-E 2
400361X1	845	1-E 14	400376X1	827	1-E 12	400562X1	327	1-C 10	400607X1	725	1-E 2
400361X1	851	1-E 15	400376X1	895	1-E 19	400562X1	333	1-C 11	400607X1	819	1-E 11
400361X1	853	1-E 15	400377X1	95	1-B 11	400562X1	345	1-C 12	400607X1	821	1-E 12
400361X1	915	1-E 21	400377X1	725	1-E 2	400562X1	349	1-C 12	400614X1	727	1-E 2
400361X1	943	1-E 24	400377X1	729	1-E 2	400564X1	793	1-E 9	400616X1	971	1-F 3
400363X1	803	1-E 10	400377X1	731	1-E 3	400568X1	793	1-E 9	400618X1	727	1-E 2
400365X1	171	1-B 19	400377X1	733	1-E 3	400569X1	793	1-E 9	400620X1	709	1-D 24
400365X1	795	1-E 9	400377X1	735	1-E 3	400570X1	103	1-B 12	400621X1	731	1-E 3
400365X1	803	1-E 10	400377X1	795	1-E 9	400570X1	287	1-C 6	400621X1	735	1-E 3
400365X1	805	1-E 10	400377X1	803	1-E 10	400570X1	289	1-C 6	400621X1	737	1-E 3
400365X1	809	1-E 10	400377X1	813	1-E 11	400576X1	1033	1-F 9	400625X1	717	1-E 1
400365X1	811	1-E 11	400378X1	709	1-D 24	400577X1	803	1-E 10	400627X1	167	1-B 18
400365X1	813	1-E 11	400378X1	717	1-E 1	400578X1	803	1-E 10	400627X1	169	1-B 18
400365X1	815	1-E 11	400378X1	725	1-E 2	400580X1	805	1-E 10	400628X1	709	1-D 24
400365X1	921	1-E 22	400378X1	727	1-E 2	400582X1	805	1-E 10	400636X1	727	1-E 2
400366X1	91	1-B 11	400378X1	795	1-E 9	400583X1	171	1-B 19	400637X1	717	1-E 1
400366X1	95	1-B 11	400378X1	807	1-E 10	400584X1	805	1-E 10	400637X1	815	1-E 11
400366X1	131	1-B 15	400378X1	815	1-E 11	400584X1	815	1-E 11	400638X1	717	1-E 1
400366X1	133	1-B 15	400378X1	825	1-E 12	400586X1	805	1-E 10	400638X1	815	1-E 11
400366X1	719	1-E 1	400379X1	119	1-B 13	400588X1	805	1-E 10	400645X1	719	1-E 1
400366X1	739	1-E 3	400379X1	125	1-B 14	400588X1	827	1-E 12	400649X1	97	1-B 11
400366X1	791	1-E 9	400380X1	789	1-E 8	400589X1	805	1-E 10	400650X1	729	1-E 2
400366X1	793	1-E 9	400381X1	583	1-D 12	400590X1	803	1-E 10	400650X1	733	1-E 3
400366X1	795	1-E 9	400381X1	655	1-D 19	400591X1	803	1-E 10	400653X1	131	1-B 15
400366X1	803	1-E 10	400381X1	789	1-E 8	400593X1	223	1-B 24	400653X1	133	1-B 15
400366X1	805	1-E 10	400381X1	819	1-E 11	400593X1	225	1-B 24	400655X1	131	1-B 15
400366X1	809	1-E 10	400381X1	821	1-E 12	400593X1	631	1-D 17	400655X1	133	1-B 15
400366X1	811	1-E 11	400381X1	835	1-E 13	400593X1	633	1-D 17	400657X1	95	1-B 11
400366X1	815	1-E 11	400381X1	837	1-E 13	400593X1	635	1-D 17	400657X1	131	1-B 15
400366X1	827	1-E 12	400381X1	947	1-E 24	400593X1	637	1-D 17	400657X1	133	1-B 15
400366X1	971	1-F 3	400381X1	949	1-E 24	400593X1	805	1-E 10	400658X1	91	1-B 11
400367X1	717	1-E 1	400382X1	199	1-B 21	400593X1	809	1-E 10	400659X1	91	1-B 11
400367X1	795	1-E 9	400403X1	227	1-B 24	400593X1	811	1-E 11	400665X1	91	1-B 11
400367X1	807	1-E 10	400404X1	227	1-B 24	400593X1	815	1-E 11	400665X1	95	1-B 11
400367X1	825	1-E 12	400405X1	227	1-B 24	400593X1	971	1-F 3	400665X1	167	1-B 18
400368X1	725	1-E 2	400406X1	227	1-B 24	400595X1	805	1-E 10	400665X1	1059	1-F 11
400368X1	795	1-E 9	400407X1	227	1-B 24	400596X1	805	1-E 10	400665X1	1061	1-F 12
400368X1	813	1-E 11	400408X1	323	1-C 10	400597X1	341	1-C 12	400667X1	131	1-B 15
400369X1	795	1-E 9	400408X1	327	1-C 10	400597X1	343	1-C 12	400667X1	133	1-B 15
400370X1	795	1-E 9	400412X1	971	1-F 3	400597X1	349	1-C 12	400669X1	131	1-B 15
400373X1	95	1-B 11	400416X1	727	1-E 2	400597X1	805	1-E 10	400669X1	133	1-B 15
400374X1	759	1-E 5	400416X1	783	1-E 8	400597X1	809	1-E 10	400673X1	95	1-B 11
400374X1	761	1-E 6	400416X1	791	1-E 9	400597X1	811	1-E 11	400674X1	91	1-B 11
400374X1	795	1-E 9	400416X1	793	1-E 9	400598X1	171	1-B 19	400675X1	91	1-B 11
400374X1	845	1-E 14	400416X1	805	1-E 10	400598X1	805	1-E 10	400675X1	95	1-B 11
400374X1	881	1-E 18	400416X1	815	1-E 11	400599X1	91	1-B 11	400678X1	91	1-B 11
400374X1	885	1-E 18	400416X1	827	1-E 12	400599X1	131	1-B 15	400678X1	95	1-B 11
400375X1	511	1-D 5	400416X1	853	1-E 15	400599X1	133	1-B 15	400681X1	91	1-B 11
400375X1	513	1-D 5	400417X1	723	1-E 2	400599X1	143	1-B 16	400682X1	91	1-B 11
400375X1	631	1-D 17	400428X1	717	1-E 1	400599X1	145	1-B 16	400682X1	537	1-D 7
400375X1	633	1-D 17	400428X1	723	1-E 2	400599X1	147	1-B 16	400682X1	575	1-D 11
400375X1	635	1-D 17	400428X1	727	1-E 2	400599X1	537	1-D 7	400684X1	91	1-B 11
400375X1	637	1-D 17	400453X1	291	1-C 7	400599X1	547	1-D 8	400684X1	95	1-B 11
400375X1	851	1-E 15	400455X1	1073	1-F 13	400599X1	553	1-D 9	400686X1	167	1-B 18
400375X1	895	1-E 19	400455X1	1075	1-F 13	400599X1	555	1-D 9	400686X1	169	1-B 18
400376X1	91	1-B 11	400455X1	1077	1-F 13	400599X1	557	1-D 9	400687X1	91	1-B 11
400376X1	93	1-B 11	400472X1	185	1-B 20	400599X1	559	1-D 9	400688X1	117	1-B 13
400376X1	95	1-B 11	400472X1	187	1-B 20	400599X1	583	1-D 12	400688X1	123	1-B 14

INDEX

Part No.	Page	Grid	Part No.	Page	Grid	Part No.	Page	Grid	Part No.	Page	Grid
400688X1	139	1-B 15	400837X1	185	1-B 20	5H-8985	409	1-C 18	500250D1	631	1-D 17
400688X1	141	1-B 16	400837X1	187	1-B 20	5J-3886	381	1-C 16	500250D1	633	1-D 17
400688X1	737	1-E 3	400837X1	223	1-B 24	5J-3886	383	1-C 16	500291D1	167	1-B 18
400689X1	91	1-B 11	400837X1	225	1-B 24	5L-4751	419	1-C 19	500291D1	169	1-B 18
400689X1	95	1-B 11	400837X1	299	1-C 7	5L-4751	429	1-C 20	500317D1	161	1-B 18
400689X1	167	1-B 18	400837X1	317	1-C 9	5L-4751	439	1-C 21	500317D1	163	1-B 18
400689X1	169	1-B 18	400837X1	319	1-C 9	5L-4751	449	1-C 22	500317D1	321	1-C 10
400689X1	823	1-E 12	400837X1	323	1-C 10	5M-0578	421	1-C 20	500361D1	1081	1-F 14
400691X1	167	1-B 18	400837X1	325	1-C 10	5M-0578	431	1-C 21	500362D1	1081	1-F 14
400691X1	169	1-B 18	400837X1	327	1-C 10	5M-0578	441	1-C 22	500363D1	1081	1-F 14
400692X1	91	1-B 11	400837X1	333	1-C 11	5M-0578	451	1-C 23	500364D1	1081	1-F 14
400693X1	93	1-B 11	400837X1	335	1-C 11	5M-2051	453	1-C 23	500367D1	301	1-C 8
400693X1	131	1-B 15	400837X1	337	1-C 11	5M-3062	185	1-B 20	500371D1	1173	1-F 23
400693X1	133	1-B 15	400837X1	351	1-C 13	5M-6509	419	1-C 19	500371D1	1175	1-F 23
400695X1	189	1-B 20	400837X1	355	1-C 13	5M-6509	429	1-C 20	500371D1	1179	1-F 23
400695X1	1059	1-F 11	400837X1	357	1-C 13	5M-6509	439	1-C 21	500371D1	1181	1-F 24
400695X1	1061	1-F 12	400837X1	823	1-E 12	5M-6509	449	1-C 22	500371D1	1193	1-G 1
400696X1	93	1-B 11	400837X1	997	1-F 5	5M-7937	381	1-C 16	500371D1	1195	1-G 1
400697X1	93	1-B 11	400837X1	999	1-F 5	5M-7937	383	1-C 16	500371D1	1197	1-G 1
400699X1	131	1-B 15	400837X1	1059	1-F 11	5M-7937	465	1-C 24	500371D1	1199	1-G 1
400699X1	133	1-B 15	400837X1	1061	1-F 12	5M-7937	467	1-C 24	500371D1	1201	1-G 2
400700X1	791	1-E 9	400837X1	1155	1-F 21	5M-7937	487	1-D 2	500371D1	1203	1-G 2
400700X1	793	1-E 9	400861X1	297	1-C 7	5M-7937	493	1-D 3	500372D1	1173	1-F 23
400700X1	809	1-E 10	400862X1	229	1-B 24	5M-7937	499	1-D 3	500372D1	1175	1-F 23
400700X1	811	1-E 11	400862X1	231	1-C 1	5M-8034	239	1-C 1	500372D1	1181	1-F 24
400700X1	1059	1-F 11	400862X1	1217	1-G 3	5P-1404	385	1-C 16	500372D1	1193	1-G 1
400700X1	1061	1-F 12	400865X1	349	1-C 12	5P-3413	283	1-C 6	500372D1	1195	1-G 1
400701X1	93	1-B 11	400899X1	199	1-B 21	5P-6008	341	1-C 12	500372D1	1197	1-G 1
400701X1	95	1-B 11	400932X1	1001	1-F 6	5P-6254	417	1-C 19	500372D1	1199	1-G 1
400701X1	139	1-B 15	400932X1	1003	1-F 6	5P-6254	427	1-C 20	500372D1	1201	1-G 2
400701X1	141	1-B 16	400932X1	1217	1-G 3	5P-6254	437	1-C 21	500372D1	1203	1-G 2
400702X1	93	1-B 11	400941X1	199	1-B 21	5P-6254	447	1-C 22	500378D1	1033	1-F 9
400702X1	131	1-B 15	400944X1	139	1-B 15	5P-7843	415	1-C 19	500382D1	1035	1-F 9
400702X1	133	1-B 15	400944X1	141	1-B 16	5P-7843	423	1-C 20	500395D2	665	1-D 20
400702X1	139	1-B 15	400946X1	139	1-B 15	5P-7843	433	1-C 21	500395D2	667	1-D 20
400702X1	141	1-B 16	400946X1	141	1-B 16	5P-7843	443	1-C 22	500396D2	665	1-D 20
400702X1	167	1-B 18	400948X1	997	1-F 5	5P-8440	653	1-D 19	500396D2	667	1-D 20
400702X1	169	1-B 18	400952X1	131	1-B 15	5P-9085	653	1-D 19	500417D1	189	1-B 20
400702X1	817	1-E 11	400952X1	133	1-B 15	5S-7349	287	1-C 6	500419D1	1135	1-F 19
400702X1	1059	1-F 11	400958X1	121	1-B 14	5S-7349	289	1-C 6	500441D2	579	1-D 11
400702X1	1061	1-F 12	400961X1	791	1-E 9	500014D1	343	1-C 12	500442D1	1033	1-F 9
400703X1	93	1-B 11	400963X1	793	1-E 9	500014D1	349	1-C 12	500446D1	325	1-C 10
400703X1	95	1-B 11	400965X1	791	1-E 9	500016D1	177	1-B 19	500447D1	715	1-E 1
400704X1	91	1-B 11	400965X1	793	1-E 9	500016D1	181	1-B 20	500447D1	1217	1-G 3
400706X1	359	1-C 13	400967X1	791	1-E 9	500017D1	181	1-B 20	500450D1	1033	1-F 9
400708X1	319	1-C 9	400967X1	793	1-E 9	500019D1	181	1-B 20	500458D1	819	1-E 11
400708X1	327	1-C 10	400968X1	791	1-E 9	500038D1	135	1-B 15	500458D1	821	1-E 12
400715X1	1049	1-F 10	400968X1	793	1-E 9	500039D1	67	1-B 8	500468D1	679	1-D 21
400717X1	253	1-C 3	5B-5821	381	1-C 16	500039D1	69	1-B 8	500469D1	679	1-D 21
400718X1	1029	1-F 8	5B-5821	383	1-C 16	500039D1	71	1-B 9	500470D1	679	1-D 21
400753X1	247	1-C 2	5B-5821	453	1-C 23	500039D1	73	1-B 9	500473D1	997	1-F 5
400754X1	207	1-B 22	5B-5821	465	1-C 24	500039D1	75	1-B 9	500475D1	293	1-C 7
400780X1	1003	1-F 6	5B-5821	467	1-C 24	500039D1	551	1-D 9	500476D1	293	1-C 7
400781X1	319	1-C 9	5F-3144	419	1-C 19	500039D1	1213	1-G 3	500477D1	293	1-C 7
400781X1	327	1-C 10	5F-3144	429	1-C 20	500040D1	67	1-B 8	500478D1	291	1-C 7
400782X1	209	1-B 22	5F-3144	439	1-C 21	500040D1	69	1-B 8	500478D1	293	1-C 7
400782X1	333	1-C 11	5F-3144	449	1-C 22	500040D1	71	1-B 9	500483D1	1089	1-F 14
400790X1	187	1-B 20	5F-3999	489	1-D 2	500040D1	73	1-B 9	500484D2	1091	1-F 15
400820X1	185	1-B 20	5F-3999	495	1-D 3	500040D1	75	1-B 9	500485D2	1093	1-F 15
400820X1	187	1-B 20	5F-3999	501	1-D 4	500040D1	679	1-D 21	500486D2	1095	1-F 15
400825X1	727	1-E 2	5H-3193	453	1-C 23	500062D1	685	1-D 22	500487D2	1097	1-F 15
400826X1	103	1-B 12	5H-3252	489	1-D 2	500081D1	679	1-D 21	500488D2	1099	1-F 15
400831X1	367	1-C 14	5H-3252	495	1-D 3	500120D1	551	1-D 9	500489D2	1101	1-F 16
400831X1	1217	1-G 3	5H-3252	501	1-D 4	500120D1	1213	1-G 3	500490D2	1103	1-F 16
400834X1	333	1-C 11	5H-6005	415	1-C 19	500124D1	551	1-D 9	500491D2	1105	1-F 16
400834X1	335	1-C 11	5H-6005	425	1-C 20	500124D1	1213	1-G 3	500493D1	1033	1-F 9
400835X1	333	1-C 11	5H-6005	435	1-C 21	500125D1	551	1-D 9	500494D1	725	1-E 2
400835X1	335	1-C 11	5H-6005	445	1-C 22	500125D1	1213	1-G 3	500505D1	563	1-D 10
400835X1	747	1-E 4	5H-8038	381	1-C 16	500126D1	551	1-D 9	500508D1	117	1-B 13
400835X1	749	1-E 4	5H-8038	383	1-C 16	500126D1	1213	1-G 3	500508D1	119	1-B 13
400836X1	333	1-C 11	5H-8985	389	1-C 16	500127D1	827	1-E 12	500508D1	125	1-B 14
400836X1	335	1-C 11	5H-8985	393	1-C 17	500128D1	821	1-E 12	500510D1	197	1-B 21
400837X1	139	1-B 15	5H-8985	395	1-C 17	500129D1	813	1-E 11	500510D1	347	1-C 12
400837X1	141	1-B 16	5H-8985	401	1-C 18	500142D1	167	1-B 18	500513D1	1033	1-F 9
400837X1	169	1-B 18	5H-8985	405	1-C 18	500142D1	169	1-B 18	500515D1	93	1-B 11

MT800B SERIES TRACTORS

37
INDEX

Part No.	Page	Grid	Part No.	Page	Grid	Part No.	Page	Grid	Part No.	Page	Grid
500519D1	99	1-B 11	500758D1	1059	1-F 11	500932D1	913	1-E 21	501104D1	1197	1-G 1
500523D1	803	1-E 10	500758D1	1061	1-F 12	500936D1	941	1-E 24	501104D1	1201	1-G 2
500529D1	241	1-C 2	500761D1	1009	1-F 6	500938D1	131	1-B 15	501104D1	1203	1-G 2
500530D1	241	1-C 2	500761D1	1011	1-F 7	500939D1	941	1-E 24	501105D1	1179	1-F 23
500599D1	819	1-E 11	500761D1	1027	1-F 8	500940D1	941	1-E 24	501105D1	1195	1-G 1
500602D1	119	1-B 13	500768D1	1009	1-F 6	500950D1	727	1-E 2	501105D1	1201	1-G 2
500602D1	125	1-B 14	500768D1	1011	1-F 7	500952D1	115	1-B 13	501105D1	1203	1-G 2
500603D1	117	1-B 13	500768D1	1013	1-F 7	500953D1	115	1-B 13	501106D1	1173	1-F 23
500606D1	201	1-B 22	500768D1	1015	1-F 7	500954D1	117	1-B 13	501106D1	1197	1-G 1
500606D1	203	1-B 22	500768D1	1025	1-F 8	500954D1	123	1-B 14	501106D1	1201	1-G 2
500606D1	291	1-C 7	500775D1	229	1-B 24	500956D1	803	1-E 10	501106D1	1203	1-G 2
500607D1	201	1-B 22	500775D1	231	1-C 1	500956D1	1217	1-G 3	501107D1	1191	1-G 1
500607D1	203	1-B 22	500775D1	235	1-C 1	500957D1	1051	1-F 11	501107D1	1201	1-G 2
500607D1	307	1-C 8	500776D1	233	1-C 1	500963D1	85	1-B 10	501107D1	1203	1-G 2
500610D1	291	1-C 7	500776D1	237	1-C 1	500963D1	87	1-B 10	501108D1	1179	1-F 23
500611D1	203	1-B 22	500791D2	1107	1-F 16	500963D1	89	1-B 10	501108D1	1195	1-G 1
500615D1	117	1-B 13	500792D2	1109	1-F 16	500963D1	153	1-B 17	501108D1	1201	1-G 2
500615D1	125	1-B 14	500793D2	1111	1-F 17	500964D1	81	1-B 10	501108D1	1203	1-G 2
500619D1	195	1-B 21	500794D2	1113	1-F 17	500964D1	83	1-B 10	501109D1	187	1-B 20
500619D1	279	1-C 5	500795D1	875	1-E 17	500964D1	151	1-B 17	501109D1	1217	1-G 3
500619D1	1033	1-F 9	500834D1	631	1-D 17	500965D1	151	1-B 17	501110D1	185	1-B 20
500624D1	1051	1-F 11	500834D1	633	1-D 17	500965D1	153	1-B 17	501110D1	1217	1-G 3
500625D1	1051	1-F 11	500834D1	635	1-D 17	500966D1	151	1-B 17	501111D1	187	1-B 20
500627D1	185	1-B 20	500834D1	637	1-D 17	500966D1	153	1-B 17	501111D1	1217	1-G 3
500628D1	201	1-B 22	500835D1	631	1-D 17	500967D1	941	1-E 24	501112D1	185	1-B 20
500630D1	203	1-B 22	500835D1	645	1-D 18	500968D1	941	1-E 24	501112D1	1217	1-G 3
500634D2	233	1-C 1	500836D1	633	1-D 17	500969D1	103	1-B 12	501118D1	195	1-B 21
500635D2	233	1-C 1	500836D1	643	1-D 18	500970D1	91	1-B 11	501120D1	1155	1-F 21
500639D1	233	1-C 1	500839D1	1009	1-F 6	500970D1	93	1-B 11	501124D1	305	1-C 8
500645D1	229	1-B 24	500839D1	1011	1-F 7	500976D1	1059	1-F 11	501127D1	825	1-E 12
500646D1	231	1-C 1	500839D1	1013	1-F 7	500976D1	1061	1-F 12	501128D1	825	1-E 12
500647D1	233	1-C 1	500839D1	1015	1-F 7	500977D1	1059	1-F 11	501129D1	825	1-E 12
500653D1	229	1-B 24	500839D1	1089	1-F 14	500977D1	1061	1-F 12	501130D1	701	1-D 24
500653D2	229	1-B 24	500840D1	1117	1-F 17	500978D1	1059	1-F 11	501130D1	825	1-E 12
500653D2	231	1-C 1	500841D1	1009	1-F 6	500978D1	1061	1-F 12	501130D1	863	1-E 16
500653D2	233	1-C 1	500841D1	1011	1-F 7	500980D1	95	1-B 11	501140D1	701	1-D 24
500654D1	229	1-B 24	500844D1	1013	1-F 7	500989D1	95	1-B 11	501144D1	997	1-F 5
500654D2	229	1-B 24	500849D1	1015	1-F 7	500990D1	1059	1-F 11	501144D1	999	1-F 5
500654D2	231	1-C 1	500853D1	1119	1-F 17	500990D1	1061	1-F 12	501145D1	997	1-F 5
500654D2	233	1-C 1	500854D1	1089	1-F 14	501018D1	119	1-B 13	501145D1	999	1-F 5
500658D1	1051	1-F 11	500882D1	291	1-C 7	501021D1	153	1-B 17	501146D1	1003	1-F 6
500660D1	1051	1-F 11	500892D1	1217	1-G 3	501026D1	1141	1-F 20	501147D1	997	1-F 5
500671D1	795	1-E 9	500902D1	115	1-B 13	501033D1	253	1-C 3	501147D1	999	1-F 5
500672D1	795	1-E 9	500903D1	115	1-B 13	501033D1	333	1-C 11	501147D1	1217	1-G 3
500676D2	229	1-B 24	500905D1	115	1-B 13	501033D1	335	1-C 11	501148D1	553	1-D 9
500676D2	231	1-C 1	500905D1	117	1-B 13	501034D1	111	1-B 13	501148D1	557	1-D 9
500677D2	229	1-B 24	500910D1	197	1-B 21	501035D1	111	1-B 13	501153D1	1053	1-F 11
500677D2	231	1-C 1	500910D1	315	1-C 9	501036D1	111	1-B 13	501168D1	301	1-C 8
500678D1	239	1-C 1	500911D1	117	1-B 13	501037D1	805	1-E 10	501169D1	301	1-C 8
500678D1	243	1-C 2	500913D1	119	1-B 13	501038D1	805	1-E 10	501170D1	301	1-C 8
500678D1	1217	1-G 3	500913D1	125	1-B 14	501039D1	805	1-E 10	501171D1	301	1-C 8
500679D1	299	1-C 7	500914D1	115	1-B 13	501040D1	805	1-E 10	501186D1	613	1-D 15
500680D1	299	1-C 7	500915D1	119	1-B 13	501043D1	805	1-E 10	501186D1	1217	1-G 3
500682D1	299	1-C 7	500918D1	115	1-B 13	501051D1	1149	1-F 20	501195D1	561	1-D 10
500685D1	99	1-B 11	500918D1	121	1-B 14	501057D1	111	1-B 13	501196D1	615	1-D 15
500685D1	1217	1-G 3	500919D1	111	1-B 13	501057D1	113	1-B 13	501196D1	1217	1-G 3
500686D1	787	1-E 8	500919D1	115	1-B 13	501058D1	111	1-B 13	501197D1	617	1-D 15
500687D1	631	1-D 17	500919D1	117	1-B 13	501058D1	113	1-B 13	501198D1	617	1-D 15
500687D1	633	1-D 17	500919D1	119	1-B 13	501062D1	151	1-B 17	501205D1	575	1-D 11
500687D1	635	1-D 17	500920D1	81	1-B 10	501062D1	153	1-B 17	501210D1	1053	1-F 11
500687D1	637	1-D 17	500920D1	83	1-B 10	501070D1	863	1-E 16	501215D1	617	1-D 15
500717D1	1033	1-F 9	500920D1	85	1-B 10	501073D1	303	1-C 8	501216D1	617	1-D 15
500719D1	1171	1-F 23	500920D1	87	1-B 10	501073D1	305	1-C 8	501250D1	1191	1-G 1
500729D1	1171	1-F 23	500920D1	111	1-B 13	501074D1	303	1-C 8	501250D1	1193	1-G 1
500734D1	1171	1-F 23	500921D1	117	1-B 13	501074D1	305	1-C 8	501250D1	1199	1-G 1
500735D1	1169	1-F 22	500923D1	111	1-B 13	501075D1	303	1-C 8	501250D1	1201	1-G 2
500736D1	1171	1-F 23	500925D1	639	1-D 17	501075D1	305	1-C 8	501250D1	1203	1-G 2
500737D1	1171	1-F 23	500925D1	655	1-D 19	501094D1	635	1-D 17	501251D1	1177	1-F 23
500738D1	1171	1-F 23	500927D1	1017	1-F 7	501095D1	635	1-D 17	501251D1	1191	1-G 1
500748D2	1171	1-F 23	500927D1	1019	1-F 7	501096D1	635	1-D 17	501251D1	1201	1-G 2
500749D1	1169	1-F 22	500927D1	1051	1-F 11	501103D1	1177	1-F 23	501251D1	1203	1-G 2
500749D1	1171	1-F 23	500929D1	1051	1-F 11	501103D1	1191	1-G 1	501252D1	1177	1-F 23
500752D1	875	1-E 17	500931D1	1051	1-F 11	501103D1	1201	1-G 2	501252D1	1191	1-G 1
500752D1	893	1-E 19	500932D1	909	1-E 20	501103D1	1203	1-G 2	501252D1	1201	1-G 2
500754D1	933	1-E 23	500932D1	911	1-E 21	501104D1	1173	1-F 23	501252D1	1203	1-G 2

INDEX

Part No.	Page	Grid	Part No.	Page	Grid	Part No.	Page	Grid	Part No.	Page	Grid
501253D1	1173	1-F 23	501261D1	1187	1-F 24	501272D1	1187	1-F 24	501281D1	1195	1-G 1
501253D1	1175	1-F 23	501261D1	1189	1-F 24	501272D1	1189	1-F 24	501281D1	1197	1-G 1
501253D1	1177	1-F 23	501261D1	1205	1-G 2	501272D1	1191	1-G 1	501281D1	1199	1-G 1
501253D1	1179	1-F 23	501262D1	1173	1-F 23	501272D1	1193	1-G 1	501281D1	1201	1-G 2
501253D1	1181	1-F 24	501262D1	1175	1-F 23	501272D1	1195	1-G 1	501282D1	1173	1-F 23
501253D1	1183	1-F 24	501262D1	1177	1-F 23	501272D1	1197	1-G 1	501282D1	1175	1-F 23
501253D1	1185	1-F 24	501262D1	1179	1-F 23	501272D1	1199	1-G 1	501282D1	1177	1-F 23
501253D1	1187	1-F 24	501262D1	1181	1-F 24	501272D1	1201	1-G 2	501282D1	1179	1-F 23
501253D1	1189	1-F 24	501262D1	1183	1-F 24	501273D1	1173	1-F 23	501282D1	1181	1-F 24
501253D1	1191	1-G 1	501262D1	1185	1-F 24	501273D1	1175	1-F 23	501282D1	1183	1-F 24
501253D1	1193	1-G 1	501262D1	1187	1-F 24	501273D1	1177	1-F 23	501282D1	1185	1-F 24
501253D1	1195	1-G 1	501262D1	1189	1-F 24	501273D1	1179	1-F 23	501282D1	1187	1-F 24
501253D1	1197	1-G 1	501262D1	1205	1-G 2	501273D1	1181	1-F 24	501282D1	1189	1-F 24
501253D1	1199	1-G 1	501263D1	1173	1-F 23	501273D1	1183	1-F 24	501283D1	1193	1-G 1
501253D1	1201	1-G 2	501263D1	1175	1-F 23	501273D1	1185	1-F 24	501283D1	1201	1-G 2
501253D1	1205	1-G 2	501263D1	1177	1-F 23	501273D1	1187	1-F 24	501283D1	1203	1-G 2
501254D1	1173	1-F 23	501263D1	1179	1-F 23	501273D1	1189	1-F 24	501284D1	1199	1-G 1
501254D1	1175	1-F 23	501263D1	1181	1-F 24	501274D1	1173	1-F 23	501284D1	1201	1-G 2
501254D1	1177	1-F 23	501263D1	1183	1-F 24	501274D1	1175	1-F 23	501284D1	1203	1-G 2
501254D1	1179	1-F 23	501263D1	1185	1-F 24	501274D1	1177	1-F 23	501285D1	1199	1-G 1
501254D1	1181	1-F 24	501263D1	1187	1-F 24	501274D1	1179	1-F 23	501285D1	1201	1-G 2
501254D1	1183	1-F 24	501263D1	1189	1-F 24	501274D1	1181	1-F 24	501285D1	1203	1-G 2
501254D1	1185	1-F 24	501263D1	1205	1-G 2	501274D1	1183	1-F 24	501286D1	1173	1-F 23
501254D1	1187	1-F 24	501264D1	1173	1-F 23	501274D1	1185	1-F 24	501286D1	1175	1-F 23
501254D1	1189	1-F 24	501264D1	1175	1-F 23	501274D1	1187	1-F 24	501286D1	1177	1-F 23
501254D1	1205	1-G 2	501264D1	1177	1-F 23	501274D1	1189	1-F 24	501286D1	1179	1-F 23
501256D1	1153	1-F 21	501264D1	1179	1-F 23	501274D1	1191	1-G 1	501286D1	1181	1-F 24
501256D1	1191	1-G 1	501264D1	1181	1-F 24	501274D1	1193	1-G 1	501286D1	1183	1-F 24
501256D1	1193	1-G 1	501264D1	1183	1-F 24	501274D1	1195	1-G 1	501286D1	1185	1-F 24
501256D1	1195	1-G 1	501264D1	1185	1-F 24	501274D1	1197	1-G 1	501286D1	1187	1-F 24
501256D1	1197	1-G 1	501264D1	1187	1-F 24	501274D1	1199	1-G 1	501286D1	1189	1-F 24
501256D1	1199	1-G 1	501264D1	1189	1-F 24	501274D1	1201	1-G 2	501286D1	1191	1-G 1
501257D1	1173	1-F 23	501264D1	1205	1-G 2	501275D1	1195	1-G 1	501286D1	1193	1-G 1
501257D1	1175	1-F 23	501265D1	1173	1-F 23	501275D1	1199	1-G 1	501286D1	1195	1-G 1
501257D1	1177	1-F 23	501265D1	1175	1-F 23	501275D1	1201	1-G 2	501286D1	1197	1-G 1
501257D1	1179	1-F 23	501265D1	1177	1-F 23	501275D1	1203	1-G 2	501286D1	1199	1-G 1
501257D1	1181	1-F 24	501265D1	1179	1-F 23	501276D1	1177	1-F 23	501286D1	1201	1-G 2
501257D1	1183	1-F 24	501265D1	1181	1-F 24	501276D1	1191	1-G 1	501287D1	1173	1-F 23
501257D1	1185	1-F 24	501265D1	1183	1-F 24	501276D1	1201	1-G 2	501287D1	1175	1-F 23
501257D1	1187	1-F 24	501265D1	1185	1-F 24	501276D1	1203	1-G 2	501287D1	1177	1-F 23
501257D1	1189	1-F 24	501265D1	1187	1-F 24	501277D1	1173	1-F 23	501287D1	1179	1-F 23
501257D1	1205	1-G 2	501265D1	1189	1-F 24	501277D1	1175	1-F 23	501287D1	1181	1-F 24
501258D1	1175	1-F 23	501267D1	1173	1-F 23	501277D1	1177	1-F 23	501287D1	1183	1-F 24
501258D1	1179	1-F 23	501267D1	1175	1-F 23	501277D1	1179	1-F 23	501287D1	1185	1-F 24
501258D1	1195	1-G 1	501267D1	1177	1-F 23	501277D1	1181	1-F 24	501287D1	1187	1-F 24
501258D1	1199	1-G 1	501267D1	1179	1-F 23	501277D1	1183	1-F 24	501287D1	1189	1-F 24
501258D1	1201	1-G 2	501267D1	1181	1-F 24	501277D1	1185	1-F 24	501287D1	1191	1-G 1
501258D1	1203	1-G 2	501267D1	1183	1-F 24	501277D1	1187	1-F 24	501287D1	1193	1-G 1
501259D1	1173	1-F 23	501267D1	1185	1-F 24	501277D1	1189	1-F 24	501287D1	1195	1-G 1
501259D1	1175	1-F 23	501267D1	1187	1-F 24	501277D1	1191	1-G 1	501287D1	1197	1-G 1
501259D1	1177	1-F 23	501267D1	1189	1-F 24	501277D1	1193	1-G 1	501287D1	1199	1-G 1
501259D1	1179	1-F 23	501267D1	1191	1-G 1	501277D1	1195	1-G 1	501287D1	1201	1-G 2
501259D1	1181	1-F 24	501267D1	1193	1-G 1	501277D1	1197	1-G 1	501287D1	1205	1-G 2
501259D1	1183	1-F 24	501267D1	1195	1-G 1	501277D1	1199	1-G 1	501288D1	1175	1-F 23
501259D1	1185	1-F 24	501267D1	1197	1-G 1	501277D1	1201	1-G 2	501288D1	1195	1-G 1
501259D1	1187	1-F 24	501267D1	1199	1-G 1	501277D1	1205	1-G 2	501288D1	1201	1-G 2
501259D1	1189	1-F 24	501267D1	1201	1-G 2	501278D1	1179	1-F 23	501288D1	1203	1-G 2
501259D1	1205	1-G 2	501267D1	1205	1-G 2	501278D1	1195	1-G 1	501289D1	1191	1-G 1
501260D1	1173	1-F 23	501268D1	1191	1-G 1	501278D1	1201	1-G 2	501289D1	1193	1-G 1
501260D1	1175	1-F 23	501268D1	1201	1-G 2	501278D1	1203	1-G 2	501289D1	1195	1-G 1
501260D1	1177	1-F 23	501268D1	1203	1-G 2	501280D1	1179	1-F 23	501289D1	1197	1-G 1
501260D1	1179	1-F 23	501269D1	1179	1-F 23	501280D1	1195	1-G 1	501289D1	1199	1-G 1
501260D1	1181	1-F 24	501269D1	1195	1-G 1	501280D1	1201	1-G 2	501289D1	1201	1-G 2
501260D1	1183	1-F 24	501269D1	1201	1-G 2	501280D1	1203	1-G 2	501290D1	1173	1-F 23
501260D1	1185	1-F 24	501269D1	1203	1-G 2	501281D1	1173	1-F 23	501290D1	1175	1-F 23
501260D1	1187	1-F 24	501270D1	1191	1-G 1	501281D1	1175	1-F 23	501290D1	1177	1-F 23
501260D1	1189	1-F 24	501270D1	1201	1-G 2	501281D1	1177	1-F 23	501290D1	1179	1-F 23
501260D1	1205	1-G 2	501271D1	1177	1-F 23	501281D1	1179	1-F 23	501290D1	1181	1-F 24
501261D1	1173	1-F 23	501272D1	1173	1-F 23	501281D1	1181	1-F 24	501290D1	1183	1-F 24
501261D1	1175	1-F 23	501272D1	1175	1-F 23	501281D1	1183	1-F 24	501290D1	1185	1-F 24
501261D1	1177	1-F 23	501272D1	1177	1-F 23	501281D1	1185	1-F 24	501290D1	1187	1-F 24
501261D1	1179	1-F 23	501272D1	1179	1-F 23	501281D1	1187	1-F 24	501290D1	1189	1-F 24
501261D1	1181	1-F 24	501272D1	1181	1-F 24	501281D1	1189	1-F 24	501290D1	1205	1-G 2
501261D1	1183	1-F 24	501272D1	1183	1-F 24	501281D1	1191	1-G 1	501291D1	1173	1-F 23
501261D1	1185	1-F 24	501272D1	1185	1-F 24	501281D1	1193	1-G 1	501291D1	1175	1-F 23

MT800B SERIES TRACTORS

39
INDEX

Part No.	Page	Grid	Part No.	Page	Grid	Part No.	Page	Grid	Part No.	Page	Grid
501291D1	1177	1-F 23	501298D1	1189	1-F 24	501405D1	1193	1-G 1	501505D1	1187	1-F 24
501291D1	1179	1-F 23	501299D1	1173	1-F 23	501405D1	1195	1-G 1	501505D1	1189	1-F 24
501291D1	1181	1-F 24	501299D1	1175	1-F 23	501405D1	1197	1-G 1	501505D1	1205	1-G 2
501291D1	1183	1-F 24	501299D1	1177	1-F 23	501405D1	1199	1-G 1	501520D1	1023	1-F 8
501291D1	1185	1-F 24	501299D1	1179	1-F 23	501406D1	1155	1-F 21	501520D1	1207	1-G 2
501291D1	1187	1-F 24	501299D1	1181	1-F 24	501406D1	1173	1-F 23	501521D1	1023	1-F 8
501291D1	1189	1-F 24	501299D1	1183	1-F 24	501406D1	1175	1-F 23	501521D1	1207	1-G 2
501291D1	1205	1-G 2	501299D1	1185	1-F 24	501406D1	1177	1-F 23	501522D1	1023	1-F 8
501292D1	1173	1-F 23	501299D1	1187	1-F 24	501406D1	1179	1-F 23	501522D1	1207	1-G 2
501292D1	1175	1-F 23	501299D1	1189	1-F 24	501406D1	1181	1-F 24	501523D1	1035	1-F 9
501292D1	1177	1-F 23	501299D1	1205	1-G 2	501406D1	1183	1-F 24	501523D1	1207	1-G 2
501292D1	1179	1-F 23	501300D1	1173	1-F 23	501406D1	1185	1-F 24	501524D1	1023	1-F 8
501292D1	1181	1-F 24	501300D1	1175	1-F 23	501406D1	1187	1-F 24	501524D1	1207	1-G 2
501292D1	1183	1-F 24	501300D1	1177	1-F 23	501406D1	1189	1-F 24	501525D1	1039	1-F 9
501292D1	1185	1-F 24	501300D1	1179	1-F 23	501406D1	1191	1-G 1	501525D1	1043	1-F 10
501292D1	1187	1-F 24	501300D1	1181	1-F 24	501406D1	1193	1-G 1	501525D1	1207	1-G 2
501292D1	1189	1-F 24	501300D1	1183	1-F 24	501406D1	1195	1-G 1	501526D1	1039	1-F 9
501292D1	1205	1-G 2	501300D1	1185	1-F 24	501406D1	1197	1-G 1	501526D1	1043	1-F 10
501293D1	1173	1-F 23	501300D1	1187	1-F 24	501406D1	1199	1-G 1	501526D1	1207	1-G 2
501293D1	1175	1-F 23	501300D1	1189	1-F 24	501410D1	1159	1-F 21	501527D1	1039	1-F 9
501293D1	1177	1-F 23	501300D1	1205	1-G 2	501411D1	1161	1-F 22	501527D1	1043	1-F 10
501293D1	1179	1-F 23	501301D1	1173	1-F 23	501412D1	1163	1-F 22	501527D1	1207	1-G 2
501293D1	1181	1-F 24	501301D1	1175	1-F 23	501413D1	1165	1-F 22	501528D1	1039	1-F 9
501293D1	1183	1-F 24	501301D1	1177	1-F 23	501414D1	1167	1-F 22	501528D1	1043	1-F 10
501293D1	1185	1-F 24	501301D1	1179	1-F 23	501480D1	1169	1-F 22	501528D1	1207	1-G 2
501293D1	1187	1-F 24	501301D1	1181	1-F 24	501482D1	1169	1-F 22	501529D1	1043	1-F 10
501293D1	1189	1-F 24	501301D1	1183	1-F 24	501483D1	1169	1-F 22	501529D1	1207	1-G 2
501293D1	1205	1-G 2	501301D1	1185	1-F 24	501500D1	1191	1-G 1	501529D1	1041	1-F 10
501294D1	1173	1-F 23	501301D1	1187	1-F 24	501500D1	1193	1-G 1	501530D1	1207	1-G 2
501294D1	1175	1-F 23	501301D1	1189	1-F 24	501500D1	1195	1-G 1	501531D1	1023	1-F 8
501294D1	1177	1-F 23	501301D1	1205	1-G 2	501500D1	1197	1-G 1	501531D1	1207	1-G 2
501294D1	1179	1-F 23	501302D1	1173	1-F 23	501500D1	1199	1-G 1	501532D1	209	1-B 22
501294D1	1181	1-F 24	501302D1	1175	1-F 23	501500D1	1201	1-G 2	501532D1	1023	1-F 8
501294D1	1183	1-F 24	501302D1	1177	1-F 23	501501D1	1173	1-F 23	501532D1	1207	1-G 2
501294D1	1185	1-F 24	501302D1	1179	1-F 23	501501D1	1175	1-F 23	501557D1	561	1-D 10
501294D1	1187	1-F 24	501302D1	1181	1-F 24	501501D1	1177	1-F 23	501563D1	561	1-D 10
501294D1	1189	1-F 24	501302D1	1183	1-F 24	501501D1	1179	1-F 23	501565D1	1155	1-F 21
501294D1	1205	1-G 2	501302D1	1185	1-F 24	501501D1	1181	1-F 24	501572D1	81	1-B 10
501295D1	1173	1-F 23	501302D1	1187	1-F 24	501501D1	1183	1-F 24	501572D1	83	1-B 10
501295D1	1175	1-F 23	501302D1	1189	1-F 24	501501D1	1185	1-F 24	501572D1	85	1-B 10
501295D1	1177	1-F 23	501303D1	1173	1-F 23	501501D1	1187	1-F 24	501572D1	87	1-B 10
501295D1	1179	1-F 23	501303D1	1175	1-F 23	501501D1	1189	1-F 24	501572D1	89	1-B 10
501295D1	1181	1-F 24	501303D1	1177	1-F 23	501503D1	961	1-F 2	501572D1	283	1-C 6
501295D1	1183	1-F 24	501303D1	1179	1-F 23	501503D1	963	1-F 2	501573D1	81	1-B 10
501295D1	1185	1-F 24	501303D1	1181	1-F 24	501503D1	1173	1-F 23	501573D1	83	1-B 10
501295D1	1187	1-F 24	501303D1	1183	1-F 24	501503D1	1175	1-F 23	501573D1	85	1-B 10
501295D1	1189	1-F 24	501303D1	1185	1-F 24	501503D1	1177	1-F 23	501573D1	87	1-B 10
501295D1	1205	1-G 2	501303D1	1187	1-F 24	501503D1	1179	1-F 23	501573D1	89	1-B 10
501296D1	1173	1-F 23	501303D1	1189	1-F 24	501503D1	1181	1-F 24	501573D1	103	1-B 12
501296D1	1175	1-F 23	501303D1	1205	1-G 2	501503D1	1183	1-F 24	501577D1	81	1-B 10
501296D1	1177	1-F 23	501305D1	1179	1-F 23	501503D1	1185	1-F 24	501577D1	83	1-B 10
501296D1	1179	1-F 23	501305D1	1195	1-G 1	501503D1	1187	1-F 24	501577D1	85	1-B 10
501296D1	1181	1-F 24	501305D1	1201	1-G 2	501503D1	1189	1-F 24	501577D1	87	1-B 10
501296D1	1183	1-F 24	501305D1	1203	1-G 2	501503D1	1191	1-G 1	501577D1	89	1-B 10
501296D1	1185	1-F 24	501306D1	1173	1-F 23	501503D1	1193	1-G 1	501577D1	159	1-B 17
501296D1	1187	1-F 24	501306D1	1175	1-F 23	501503D1	1195	1-G 1	501578D1	85	1-B 10
501296D1	1189	1-F 24	501306D1	1177	1-F 23	501503D1	1197	1-G 1	501578D1	87	1-B 10
501296D1	1205	1-G 2	501306D1	1179	1-F 23	501503D1	1199	1-G 1	501578D1	89	1-B 10
501297D1	1173	1-F 23	501306D1	1181	1-F 24	501503D1	1201	1-G 2	501578D1	147	1-B 16
501297D1	1175	1-F 23	501306D1	1183	1-F 24	501503D1	1203	1-G 2	501579D1	81	1-B 10
501297D1	1177	1-F 23	501306D1	1185	1-F 24	501504D1	1191	1-G 1	501579D1	83	1-B 10
501297D1	1179	1-F 23	501306D1	1187	1-F 24	501504D1	1193	1-G 1	501579D1	85	1-B 10
501297D1	1181	1-F 24	501306D1	1189	1-F 24	501504D1	1195	1-G 1	501579D1	87	1-B 10
501297D1	1183	1-F 24	501306D1	1191	1-G 1	501504D1	1197	1-G 1	501579D1	1059	1-F 11
501297D1	1185	1-F 24	501306D1	1193	1-G 1	501504D1	1199	1-G 1	501580D1	85	1-B 10
501297D1	1187	1-F 24	501306D1	1195	1-G 1	501504D1	1201	1-G 2	501580D1	87	1-B 10
501297D1	1189	1-F 24	501306D1	1197	1-G 1	501505D1	961	1-F 2	501580D1	89	1-B 10
501298D1	1173	1-F 23	501306D1	1199	1-G 1	501505D1	963	1-F 2	501580D1	157	1-B 17
501298D1	1175	1-F 23	501306D1	1201	1-G 2	501505D1	1173	1-F 23	501582D1	81	1-B 10
501298D1	1177	1-F 23	501306D1	1205	1-G 2	501505D1	1175	1-F 23	501582D1	83	1-B 10
501298D1	1179	1-F 23	501307D1	1173	1-F 23	501505D1	1177	1-F 23	501582D1	85	1-B 10
501298D1	1181	1-F 24	501307D1	1197	1-G 1	501505D1	1179	1-F 23	501582D1	87	1-B 10
501298D1	1183	1-F 24	501307D1	1201	1-G 2	501505D1	1181	1-F 24	501582D1	167	1-B 18
501298D1	1185	1-F 24	501307D1	1203	1-G 2	501505D1	1183	1-F 24	501583D1	47	1-B 6
501298D1	1187	1-F 24	501405D1	1191	1-G 1	501505D1	1185	1-F 24	501583D1	57	1-B 7

INDEX

Part No.	Page	Grid	Part No.	Page	Grid	Part No.	Page	Grid	Part No.	Page	Grid
501583D1	81	1-B 10	501705D1	1003	1-F 6	501743D1	613	1-D 15	501881D1	1053	1-F 11
501584D1	49	1-B 6	501706D1	1001	1-F 6	501743D1	615	1-D 15	501883D1	103	1-B 12
501584D1	59	1-B 7	501706D1	1003	1-F 6	501745D1	999	1-F 5	501884D1	103	1-B 12
501584D1	83	1-B 10	501707D2	1003	1-F 6	501766D2	795	1-E 9	501884D1	1217	1-G 3
501585D1	51	1-B 7	501708D1	1003	1-F 6	501766D2	1217	1-G 3	501885D1	1147	1-F 20
501585D1	61	1-B 8	501709D1	1001	1-F 6	501767D1	789	1-E 8	501886D1	1147	1-F 20
501585D1	85	1-B 10	501709D1	1003	1-F 6	501767D1	795	1-E 9	501887D1	257	1-C 3
501586D1	53	1-B 7	501710D1	1001	1-F 6	501771D1	791	1-E 9	501887D1	259	1-C 3
501586D1	63	1-B 8	501711D2	1001	1-F 6	501771D1	793	1-E 9	501891D1	153	1-B 17
501586D1	87	1-B 10	501712D1	1003	1-F 6	501771D1	1217	1-G 3	501896D1	1149	1-F 20
501587D1	55	1-B 7	501713D1	1001	1-F 6	501772D1	147	1-B 16	501896D1	1151	1-F 21
501587D1	65	1-B 8	501713D1	1003	1-F 6	501773D1	147	1-B 16	501898D1	1117	1-F 17
501587D1	89	1-B 10	501714D1	1001	1-F 6	501775D1	565	1-D 10	501898D1	1125	1-F 18
501588D1	47	1-B 6	501714D1	1003	1-F 6	501785D1	565	1-D 10	501899D1	1123	1-F 18
501588D1	67	1-B 8	501716D1	1001	1-F 6	501806D1	365	1-C 14	501900D1	1125	1-F 18
501589D1	49	1-B 6	501716D1	1003	1-F 6	501806D1	961	1-F 2	501900D1	1129	1-F 18
501589D1	69	1-B 8	501717D1	1003	1-F 6	501806D1	963	1-F 2	501902D1	1129	1-F 18
501590D1	51	1-B 7	501718D1	1001	1-F 6	501809D1	77	1-B 9	501902D1	1131	1-F 19
501590D1	71	1-B 9	501718D1	1003	1-F 6	501809D1	79	1-B 9	501903D1	1129	1-F 18
501591D1	53	1-B 7	501719D1	1001	1-F 6	501809D1	797	1-E 9	501903D1	1131	1-F 19
501591D1	73	1-B 9	501719D1	1003	1-F 6	501810D1	47	1-B 6	501906D1	1129	1-F 18
501592D1	55	1-B 7	501720D2	1001	1-F 6	501810D1	49	1-B 6	501906D1	1131	1-F 19
501592D1	75	1-B 9	501720D2	1003	1-F 6	501810D1	51	1-B 7	501907D2	1129	1-F 18
501593D1	57	1-B 7	501721D2	1001	1-F 6	501810D1	53	1-B 7	501907D2	1131	1-F 19
501594D1	59	1-B 7	501721D2	1003	1-F 6	501810D1	55	1-B 7	501908D1	1119	1-F 17
501595D1	61	1-B 8	501722D2	1001	1-F 6	501810D1	77	1-B 9	501909D1	1119	1-F 17
501596D1	63	1-B 8	501722D2	1003	1-F 6	501811D1	57	1-B 7	501909D1	1127	1-F 18
501597D1	65	1-B 8	501723D2	1001	1-F 6	501811D1	59	1-B 7	501910D1	1119	1-F 17
501600D1	95	1-B 11	501723D2	1003	1-F 6	501811D1	61	1-B 8	501911D1	1119	1-F 17
501600D1	691	1-D 23	501724D2	1001	1-F 6	501811D1	63	1-B 8	501912D1	1119	1-F 17
501600D1	693	1-D 23	501724D2	1003	1-F 6	501811D1	65	1-B 8	501912D1	1123	1-F 18
501600D1	695	1-D 23	501725D1	1001	1-F 6	501811D1	79	1-B 9	501913D1	1123	1-F 18
501600D1	697	1-D 23	501725D1	1003	1-F 6	501817D1	1029	1-F 8	501914D1	1123	1-F 18
501603D1	1157	1-F 21	501726D1	1001	1-F 6	501818D1	1029	1-F 8	501915D1	1123	1-F 18
501604D1	1155	1-F 21	501726D1	1003	1-F 6	501820D1	941	1-E 24	501916D1	1127	1-F 18
501605D1	67	1-B 8	501727D1	1001	1-F 6	501822D1	147	1-B 16	501916D1	1131	1-F 19
501606D1	69	1-B 8	501728D1	1001	1-F 6	501825D1	159	1-B 17	501917D1	1131	1-F 19
501607D1	71	1-B 9	501729D1	1001	1-F 6	501826D1	1053	1-F 11	501918D1	1131	1-F 19
501608D1	73	1-B 9	501730D1	1001	1-F 6	501829D1	197	1-B 21	501919D1	1131	1-F 19
501609D1	75	1-B 9	501730D1	1003	1-F 6	501829D1	199	1-B 21	501920D1	1131	1-F 19
501615D1	47	1-B 6	501731D1	1001	1-F 6	501829D1	261	1-C 4	501921D1	1123	1-F 18
501615D1	57	1-B 7	501731D1	1003	1-F 6	501830D1	257	1-C 3	501921D1	1131	1-F 19
501615D1	1159	1-F 21	501732D1	1001	1-F 6	501830D1	263	1-C 4	501922D1	1131	1-F 19
501616D1	49	1-B 6	501733D1	1001	1-F 6	501831D1	259	1-C 3	501934D1	227	1-B 24
501616D1	59	1-B 7	501734D1	1001	1-F 6	501831D1	265	1-C 4	501934D1	655	1-D 19
501616D1	1161	1-F 22	501735D1	1001	1-F 6	501832D1	257	1-C 3	501935D1	227	1-B 24
501617D1	51	1-B 7	501737D1	1001	1-F 6	501832D1	259	1-C 3	501935D1	319	1-C 9
501617D1	61	1-B 8	501738D1	1003	1-F 6	501832D1	267	1-C 4	501935D1	325	1-C 10
501617D1	1163	1-F 22	501738D1	1065	1-F 12	501833D1	257	1-C 3	501936D1	227	1-B 24
501618D1	53	1-B 7	501739D1	599	1-D 13	501833D1	259	1-C 3	501938D1	805	1-E 10
501618D1	63	1-B 8	501739D1	601	1-D 14	501833D1	269	1-C 4	501939D1	805	1-E 10
501618D1	1165	1-F 22	501739D1	603	1-D 14	501834D1	257	1-C 3	501940D1	329	1-C 10
501619D1	55	1-B 7	501739D1	605	1-D 14	501834D1	259	1-C 3	501941D1	323	1-C 10
501619D1	65	1-B 8	501739D1	607	1-D 14	501834D1	271	1-C 5	501941D1	327	1-C 10
501619D1	1167	1-F 22	501739D1	609	1-D 14	501835D1	257	1-C 3	501942D1	91	1-B 11
501676D1	81	1-B 10	501739D1	611	1-D 15	501835D1	259	1-C 3	501944D1	1033	1-F 9
501677D1	83	1-B 10	501739D1	613	1-D 15	501835D1	273	1-C 5	501947D1	899	1-E 19
501678D1	85	1-B 10	501739D1	615	1-D 15	501836D1	261	1-C 4	501948D1	943	1-E 24
501679D1	87	1-B 10	501740D1	999	1-F 5	501836D1	263	1-C 4	501948D1	991	1-F 5
501680D1	89	1-B 10	501742D1	599	1-D 13	501836D1	265	1-C 4	501949D1	319	1-C 9
501688D1	1153	1-F 21	501742D1	601	1-D 14	501836D1	267	1-C 4	501949D1	325	1-C 10
501688D1	1155	1-F 21	501742D1	603	1-D 14	501836D1	269	1-C 4	501950D1	797	1-E 9
501688D1	1217	1-G 3	501742D1	605	1-D 14	501836D1	271	1-C 5	501950D1	803	1-E 10
501697D1	999	1-F 5	501742D1	607	1-D 14	501836D1	273	1-C 5	501950D1	805	1-E 10
501697D1	1003	1-F 6	501742D1	609	1-D 14	501837D1	263	1-C 4	501952D1	341	1-C 12
501700D1	1003	1-F 6	501742D1	611	1-D 15	501838D1	269	1-C 4	501952D1	347	1-C 12
501701D2	1001	1-F 6	501742D1	613	1-D 15	501839D1	271	1-C 5	501962D1	227	1-B 24
501701D2	1003	1-F 6	501742D1	615	1-D 15	501840D1	265	1-C 4	501962D1	349	1-C 12
501702D1	1001	1-F 6	501743D1	599	1-D 13	501841D1	261	1-C 4	501963D1	941	1-E 24
501702D1	1003	1-F 6	501743D1	601	1-D 14	501842D1	273	1-C 5	501966D1	283	1-C 6
501703D1	1001	1-F 6	501743D1	603	1-D 14	501877D1	267	1-C 4	501967D1	283	1-C 6
501703D1	1003	1-F 6	501743D1	605	1-D 14	501878D1	151	1-B 17	501967D1	309	1-C 8
501704D1	1001	1-F 6	501743D1	607	1-D 14	501878D1	153	1-B 17	501973D1	165	1-B 18
501704D1	1003	1-F 6	501743D1	609	1-D 14	501879D1	157	1-B 17	501975D1	95	1-B 11
501705D1	1001	1-F 6	501743D1	611	1-D 15	501880D1	159	1-B 17	501976D1	95	1-B 11

MT800B SERIES TRACTORS

Part No.	Page	Grid	Part No.	Page	Grid	Part No.	Page	Grid	Part No.	Page	Grid
501977D1	95	1-B 11	502117D1	513	1-D 5	502259D1	185	1-B 20	502496D1	49	1-B 6
501992D1	167	1-B 18	502118D1	517	1-D 5	502259D1	187	1-B 20	502496D1	51	1-B 7
501993D1	167	1-B 18	502120D1	1049	1-F 10	502266D1	185	1-B 20	502496D1	53	1-B 7
501996D1	591	1-D 13	502121D1	1049	1-F 10	502267D1	1001	1-F 6	502496D1	55	1-B 7
501997D1	591	1-D 13	502122D1	1049	1-F 10	502276D1	347	1-C 12	502496D1	57	1-B 7
501998D1	343	1-C 12	502130D1	517	1-D 5	502277D1	153	1-B 17	502496D1	59	1-B 7
501998D1	347	1-C 12	502141D1	605	1-D 14	502278D1	153	1-B 17	502496D1	61	1-B 8
501999D1	309	1-C 8	502142D1	599	1-D 13	502279D1	1179	1-F 23	502496D1	63	1-B 8
502000D1	309	1-C 8	502143D1	607	1-D 14	502280D1	159	1-B 17	502496D1	65	1-B 8
502003D1	195	1-B 21	502144D1	601	1-D 14	502281D1	159	1-B 17	502496D1	367	1-C 14
502003D1	281	1-C 6	502145D1	609	1-D 14	502282D1	285	1-C 6	502498D1	365	1-C 14
502005D1	333	1-C 11	502146D1	603	1-D 14	502282D1	287	1-C 6	502498D1	929	1-E 22
502005D1	335	1-C 11	502147D1	611	1-D 15	502283D1	285	1-C 6	502499D1	999	1-F 5
502006D1	333	1-C 11	502148D1	613	1-D 15	502283D1	289	1-C 6	502499D1	1003	1-F 6
502006D1	335	1-C 11	502149D1	615	1-D 15	502308D1	95	1-B 11	502500D1	997	1-F 5
502009D1	209	1-B 22	502158D1	681	1-D 22	502309D1	95	1-B 11	502500D1	1001	1-F 6
502009D1	333	1-C 11	502159D1	661	1-D 20	502310D1	95	1-B 11	502501D1	999	1-F 5
502010D1	1051	1-F 11	502160D1	685	1-D 22	502314D1	95	1-B 11	502501D1	1011	1-F 7
502011D1	1051	1-F 11	502161D1	683	1-D 22	502321D1	1083	1-F 14	502501D1	1015	1-F 7
502026D1	1147	1-F 20	502162D1	663	1-D 20	502321D1	1085	1-F 14	502502D1	997	1-F 5
502027D1	613	1-D 15	502163D1	687	1-D 22	502322D1	1083	1-F 14	502502D1	1009	1-F 6
502028D1	615	1-D 15	502171D1	323	1-C 10	502322D1	1085	1-F 14	502502D1	1013	1-F 7
502031D1	899	1-E 19	502173D1	327	1-C 10	502323D1	627	1-D 16	502509D1	1067	1-F 12
502033D1	1003	1-F 6	502175D1	337	1-C 11	502324D1	629	1-D 16	502509D1	1069	1-F 12
502035D1	333	1-C 11	502176D1	299	1-C 7	502325D1	627	1-D 16	502510D1	1067	1-F 12
502035D1	335	1-C 11	502177D1	233	1-C 1	502325D1	629	1-D 16	502510D1	1069	1-F 12
502036D1	1003	1-F 6	502179D1	247	1-C 2	502325D1	677	1-D 21	502517D1	997	1-F 5
502037D1	647	1-D 18	502180D1	317	1-C 9	502332D1	95	1-B 11	502517D1	999	1-F 5
502037D1	677	1-D 21	502183D1	187	1-B 20	502352D1	81	1-B 10	502523D1	643	1-D 18
502038D1	781	1-E 8	502183D1	1217	1-G 3	502352D1	83	1-B 10	502523D1	645	1-D 18
502038D1	887	1-E 18	502185D1	599	1-D 13	502352D1	85	1-B 10	502523D1	647	1-D 18
502038D1	889	1-E 18	502185D1	601	1-D 14	502352D1	87	1-B 10	502523D1	649	1-D 18
502038D1	899	1-E 19	502185D1	603	1-D 14	502352D1	89	1-B 10	502528D1	1001	1-F 6
502039D1	877	1-E 17	502185D1	605	1-D 14	502352D1	165	1-B 18	502528D1	1003	1-F 6
502039D1	887	1-E 18	502185D1	607	1-D 14	502353D1	79	1-B 9	502529D1	131	1-B 15
502040D1	879	1-E 17	502185D1	609	1-D 14	502353D1	557	1-D 9	502530D1	139	1-B 15
502040D1	889	1-E 18	502185D1	611	1-D 15	502353D1	559	1-D 9	502530D1	141	1-B 16
502041D1	1059	1-F 11	502185D1	613	1-D 15	502357D1	691	1-D 23	502535D1	851	1-E 15
502041D1	1061	1-F 12	502185D1	615	1-D 15	502358D1	693	1-D 23	502536D1	851	1-E 15
502042D1	1059	1-F 11	502188D1	321	1-C 10	502359D1	695	1-D 23	502537D1	851	1-E 15
502042D1	1061	1-F 12	502188D1	325	1-C 10	502360D1	697	1-D 23	502540D1	113	1-B 13
502043D1	1059	1-F 11	502188D1	1217	1-G 3	502423D1	205	1-B 22	502540D1	121	1-B 14
502043D1	1061	1-F 12	502189D1	331	1-C 11	502423D1	207	1-B 22	502540D1	123	1-B 14
502045D1	1059	1-F 11	502190D1	247	1-C 2	502423D1	209	1-B 22	502540D1	125	1-B 14
502045D1	1061	1-F 12	502191D1	1135	1-F 19	502434D1	197	1-B 21	502541D1	121	1-B 14
502048D1	1059	1-F 11	502193D1	649	1-D 18	502434D1	199	1-B 21	502556D1	131	1-B 15
502048D1	1061	1-F 12	502193D1	677	1-D 21	502435D1	199	1-B 21	502556D1	133	1-B 15
502049D1	575	1-D 11	502197D1	341	1-C 12	502446D1	185	1-B 20	502557D1	81	1-B 10
502050D1	987	1-F 4	502198D1	357	1-C 13	502446D1	189	1-B 20	502557D1	83	1-B 10
502051D1	877	1-E 17	502199D1	185	1-B 20	502446D1	1217	1-G 3	502557D1	85	1-B 10
502052D1	879	1-E 17	502199D1	187	1-B 20	502446D1	1217	1-G 3	502557D1	87	1-B 10
502055D1	79	1-B 9	502200D1	185	1-B 20	502454D1	713	1-E 1	502557D1	131	1-B 15
502055D1	575	1-D 11	502200D1	187	1-B 20	502454D1	745	1-E 4	502558D1	81	1-B 10
502064D1	1023	1-F 8	502201D1	185	1-B 20	502456D1	77	1-B 9	502558D1	83	1-B 10
502069D1	561	1-D 10	502201D1	187	1-B 20	502456D1	713	1-E 1	502558D1	85	1-B 10
502070D1	139	1-B 15	502203D1	185	1-B 20	502460D1	745	1-E 4	502558D1	87	1-B 10
502070D1	141	1-B 16	502203D1	187	1-B 20	502461D1	745	1-E 4	502558D1	139	1-B 15
502072D1	243	1-C 2	502205D1	185	1-B 20	502462D1	745	1-E 4	502570D1	307	1-C 8
502088D1	939	1-E 23	502205D1	187	1-B 20	502463D1	745	1-E 4	502572D1	307	1-C 8
502088D1	941	1-E 24	502207D1	187	1-B 20	502464D1	745	1-E 4	502575D1	131	1-B 15
502094D1	229	1-B 24	502214D1	823	1-E 12	502465D1	745	1-E 4	502575D1	133	1-B 15
502095D1	941	1-E 24	502214D1	875	1-E 17	502468D1	791	1-E 9	502578D1	133	1-B 15
502096D1	941	1-E 24	502217D1	779	1-E 7	502468D1	793	1-E 9	502579D1	89	1-B 10
502097D1	941	1-E 24	502217D1	781	1-E 8	502469D1	791	1-E 9	502579D1	113	1-B 13
502099D1	209	1-B 22	502218D1	779	1-E 7	502469D1	793	1-E 9	502580D1	89	1-B 10
502102D1	637	1-D 17	502220D1	797	1-E 9	502471D1	793	1-E 9	502580D1	133	1-B 15
502102D1	649	1-D 18	502220D1	813	1-E 11	502472D1	791	1-E 9	502581D1	133	1-B 15
502103D1	635	1-D 17	502220D1	817	1-E 11	502473D1	791	1-E 9	502582D1	125	1-B 14
502103D1	647	1-D 18	502237D1	635	1-D 17	502474D1	197	1-B 21	502583D1	125	1-B 14
502104D1	635	1-D 17	502237D1	637	1-D 17	502475D1	791	1-E 9	502586D1	129	1-B 14
502104D1	637	1-D 17	502242D1	199	1-B 21	502486D1	197	1-B 21	502591D1	125	1-B 14
502105D1	715	1-E 1	502244D1	313	1-C 9	502486D1	199	1-B 21	502592D1	113	1-B 13
502113D1	511	1-D 5	502245D1	243	1-C 2	502487D1	199	1-B 21	502609D1	303	1-C 8
502113D1	513	1-D 5	502258D1	185	1-B 20	502495D1	113	1-B 13	502610D1	303	1-C 8
502116D1	511	1-D 5	502258D1	187	1-B 20	502496D1	47	1-B 6	502611D1	303	1-C 8

INDEX

Part No.	Page	Grid	Part No.	Page	Grid	Part No.	Page	Grid	Part No.	Page	Grid
502612D1	303	1-C 8	6F-7044	319	1-C 9	6V-8084	459	1-C 23	7M-8485	421	1-C 20
502637D1	123	1-B 14	6F-7044	325	1-C 10	6V-8084	461	1-C 24	7M-8485	431	1-C 21
502640D1	1049	1-F 10	6H-3956	101	1-B 12	6V-8084	463	1-C 24	7M-8485	441	1-C 22
502643D1	791	1-E 9	6H-7611	485	1-D 2	6V-8378	287	1-C 6	7M-8485	451	1-C 23
502644D1	793	1-E 9	6H-7611	491	1-D 3	6V-8378	289	1-C 6	7M-8485	851	1-E 15
502646D1	89	1-B 10	6H-7611	497	1-D 3	6V-8397	415	1-C 19	7N-0296	283	1-C 6
502646D1	141	1-B 16	6I-3907	93	1-B 11	6V-8397	425	1-C 20	7T-1099	239	1-C 1
502647D1	77	1-B 9	6I-4467	149	1-B 16	6V-8397	435	1-C 21	7T-1099	413	1-C 19
502647D1	553	1-D 9	6N-3826	287	1-C 6	6V-8397	445	1-C 22	7T-1099	535	1-D 7
502647D1	555	1-D 9	6N-3826	289	1-C 6	6V-8455	653	1-D 19	7T-1099	539	1-D 7
502650D1	557	1-D 9	6S-3002	381	1-C 16	6V-8490	395	1-C 17	7T-1099	583	1-D 12
502651D1	557	1-D 9	6S-3002	385	1-C 16	6V-8490	409	1-C 18	7T-1099	585	1-D 12
502652D1	557	1-D 9	6V-0347	387	1-C 16	6V-8554	731	1-E 3	7T-1099	669	1-D 20
502655D1	589	1-D 12	6V-0347	389	1-C 16	6V-8636	415	1-C 19	7T-3267	287	1-C 6
502679D1	791	1-E 9	6V-0347	391	1-C 17	6V-8636	425	1-C 20	7T-3267	289	1-C 6
502679D1	793	1-E 9	6V-0347	393	1-C 17	6V-8636	435	1-C 21	7T-3268	287	1-C 6
502682D1	791	1-E 9	6V-0347	395	1-C 17	6V-8636	445	1-C 22	7T-3268	289	1-C 6
502683D1	793	1-E 9	6V-0347	397	1-C 17	6V-8647	487	1-D 2	7T-3271	287	1-C 6
502700D1	123	1-B 14	6V-0347	401	1-C 18	6V-8647	493	1-D 3	7T-3271	289	1-C 6
502701D1	121	1-B 14	6V-0347	403	1-C 18	6V-8647	499	1-D 3	7T-3275	287	1-C 6
502702D1	121	1-B 14	6V-0347	405	1-C 18	6V-8675	419	1-C 19	7T-3275	289	1-C 6
502717D1	121	1-B 14	6V-0347	407	1-C 18	6V-8675	421	1-C 20	7T-3279	287	1-C 6
502718D1	121	1-B 14	6V-0347	409	1-C 18	6V-8675	429	1-C 20	7T-3279	289	1-C 6
502733D1	89	1-B 10	6V-0347	411	1-C 19	6V-8675	431	1-C 21	7T-3451	287	1-C 6
502733D1	1061	1-F 12	6V-0347	415	1-C 19	6V-8675	439	1-C 21	7T-3451	289	1-C 6
502735D1	89	1-B 10	6V-0347	423	1-C 20	6V-8675	441	1-C 22	7T-3454	287	1-C 6
502735D1	169	1-B 18	6V-0347	433	1-C 21	6V-8675	449	1-C 22	7T-3454	289	1-C 6
502736D1	169	1-B 18	6V-0347	443	1-C 22	6V-8675	451	1-C 23	7T-3973	287	1-C 6
502737D1	169	1-B 18	6V-0484	381	1-C 16	6V-8714	139	1-B 15	7T-3974	287	1-C 6
502738D1	89	1-B 10	6V-0484	383	1-C 16	6V-8714	141	1-B 16	7T-3974	289	1-C 6
502738D1	129	1-B 14	6V-0852	381	1-C 16	6V-8724	415	1-C 19	7T-5594	387	1-C 16
502743D1	113	1-B 13	6V-0852	383	1-C 16	6V-8724	425	1-C 20	7T-5594	389	1-C 16
502745D1	113	1-B 13	6V-0852	413	1-C 19	6V-8724	435	1-C 21	7T-5594	391	1-C 17
502759D1	311	1-C 9	6V-0852	489	1-D 2	6V-8724	445	1-C 22	7T-5594	393	1-C 17
502762D1	549	1-D 8	6V-0852	495	1-D 3	6V-9000	487	1-D 2	7T-5594	395	1-C 17
502767D1	697	1-D 23	6V-0852	501	1-D 4	6V-9000	493	1-D 3	7T-5594	397	1-C 17
502772D1	549	1-D 8	6V-3532	419	1-C 19	6V-9000	499	1-D 3	7T-5594	401	1-C 18
502776D1	1067	1-F 12	6V-3532	429	1-C 20	6V-9189	457	1-C 23	7T-5594	403	1-C 18
502777D1	1147	1-F 20	6V-3532	439	1-C 21	6V-9189	459	1-C 23	7T-5594	405	1-C 18
502779D1	607	1-D 14	6V-3532	449	1-C 22	6V-9189	461	1-C 24	7T-5594	407	1-C 18
502780D1	609	1-D 14	6V-3668	419	1-C 19	6V-9189	463	1-C 24	7T-5594	409	1-C 18
502781D1	611	1-D 15	6V-3668	429	1-C 20	6Y-1223	453	1-C 23	7T-5594	411	1-C 19
502782D1	613	1-D 15	6V-3668	439	1-C 21	6Y-5631	485	1-D 2	7T-5594	487	1-D 2
502783D1	615	1-D 15	6V-3668	449	1-C 22	6Y-5631	491	1-D 3	7T-5594	493	1-D 3
502784D1	519	1-D 5	6V-3940	473	1-D 1	6Y-5631	497	1-D 3	7T-5594	499	1-D 3
502786D1	663	1-D 20	6V-3965	381	1-C 16	6Y-7968	485	1-D 2	7T-9356	485	1-D 2
502787D1	687	1-D 22	6V-3965	383	1-C 16	6Y-7968	491	1-D 3	7T-9356	491	1-D 3
502788D1	683	1-D 22	6V-3965	471	1-D 1	6Y-7968	497	1-D 3	7T-9356	497	1-D 3
502793D1	1143	1-F 20	6V-3965	489	1-D 2	7C-6467	457	1-C 23	7X-0533	1211	1-G 3
502913D1	683	1-D 22	6V-3965	495	1-D 3	7C-6467	459	1-C 23	7X-0561	653	1-D 19
502914D1	663	1-D 20	6V-3965	501	1-D 4	7C-6467	461	1-C 24	7X-0562	287	1-C 6
502915D1	687	1-D 22	6V-3965	503	1-D 4	7C-6467	463	1-C 24	7X-0562	289	1-C 6
502916D1	519	1-D 5	6V-4249	499	1-D 3	7C-6467	489	1-D 2	7X-2532	455	1-C 23
502931D1	661	1-D 20	6V-4442	421	1-C 20	7C-6467	495	1-D 3	7X-2549	583	1-D 12
502932D1	663	1-D 20	6V-4442	431	1-C 21	7C-6467	501	1-D 4	7X-2552	587	1-D 12
503061D1	665	1-D 20	6V-4442	441	1-C 22	7E-8923	97	1-B 11	7X-2553	455	1-C 23
503061D1	667	1-D 20	6V-4442	451	1-C 23	7E-8925	97	1-B 11	7X-2565	669	1-D 20
503493D1	647	1-D 18	6V-5215	487	1-D 2	7E-8926	97	1-B 11	7X-2566	381	1-C 16
503494D1	649	1-D 18	6V-5215	493	1-D 3	7E-8928	97	1-B 11	7X-2566	385	1-C 16
503638D1	695	1-D 23	6V-5215	499	1-D 3	7G-2510	395	1-C 17	7X-2569	455	1-C 23
503639D1	219	1-B 23	6V-5218	473	1-D 1	7G-2510	397	1-C 17	7X-2578	457	1-C 23
503953D1	95	1-B 11	6V-5224	459	1-C 23	7G-2510	409	1-C 18	7X-2578	459	1-C 23
504421D1	149	1-B 16	6V-5224	461	1-C 24	7G-2510	411	1-C 19	7X-2578	461	1-C 24
504422D1	149	1-B 16	6V-5224	463	1-C 24	7G-6945	399	1-C 17	7X-2578	463	1-C 24
504445D1	1053	1-F 11	6V-5684	399	1-C 17	7G-8839	583	1-D 12	7X-3373	287	1-C 6
504789D1	683	1-D 22	6V-5815	393	1-C 17	7H-0832	415	1-C 19	7X-3373	289	1-C 6
504790D1	683	1-D 22	6V-5815	401	1-C 18	7H-0832	423	1-C 20	7X-3396	465	1-C 24
6A-5591	381	1-C 16	6V-5839	413	1-C 19	7H-0832	433	1-C 21	7X-3396	467	1-C 24
6A-5591	383	1-C 16	6V-5842	487	1-D 2	7H-0832	443	1-C 22	7X-6315	343	1-C 12
6F-2956	381	1-C 16	6V-5842	493	1-D 3	7J-0204	381	1-C 16	7X-6315	349	1-C 12
6F-2956	383	1-C 16	6V-6654	421	1-C 20	7J-0204	383	1-C 16	7X-7816	417	1-C 19
6F-2956	415	1-C 19	6V-6654	431	1-C 21	7L-2894	287	1-C 6	7X-7816	427	1-C 20
6F-2956	423	1-C 20	6V-6654	441	1-C 22	7L-2894	289	1-C 6	7X-7816	437	1-C 21
6F-2956	433	1-C 21	6V-6654	451	1-C 23	7M-8485	381	1-C 16	7X-7816	447	1-C 22
6F-2956	443	1-C 22	6V-8084	457	1-C 23	7M-8485	383	1-C 16	72571006	303	1-C 8

MT800B SERIES TRACTORS

Part No.	Page	Grid	Part No.	Page	Grid	Part No.	Page	Grid	Part No.	Page	Grid
7774664	93	1-B 11	8D-2256	427	1-C 20	8T-1159	415	1-C 19	8T-4189	587	1-D 12
7774664	95	1-B 11	8D-2256	437	1-C 21	8T-1159	425	1-C 20	8T-4195	381	1-C 16
7774664	115	1-B 13	8D-2256	447	1-C 22	8T-1159	435	1-C 21	8T-4195	385	1-C 16
7774664	117	1-B 13	8D-9671	185	1-B 20	8T-1159	445	1-C 22	8T-4195	415	1-C 19
7774664	123	1-B 14	8E-1143	473	1-D 1	8T-2572	387	1-C 16	8T-4195	419	1-C 19
7774664	125	1-B 14	8E-8276	485	1-D 2	8T-2572	389	1-C 16	8T-4195	425	1-C 20
7774664	127	1-B 14	8E-8276	491	1-D 3	8T-2572	391	1-C 17	8T-4195	429	1-C 20
7774664	139	1-B 15	8E-8276	497	1-D 3	8T-2572	393	1-C 17	8T-4195	435	1-C 21
7774664	141	1-B 16	8E-8277	485	1-D 2	8T-2572	395	1-C 17	8T-4195	439	1-C 21
7774664	155	1-B 17	8E-8277	491	1-D 3	8T-2572	397	1-C 17	8T-4195	445	1-C 22
7774664	157	1-B 17	8E-8277	497	1-D 3	8T-2572	401	1-C 18	8T-4195	449	1-C 22
7774664	167	1-B 18	8E-8310	417	1-C 19	8T-2572	403	1-C 18	8T-4195	453	1-C 23
7774664	169	1-B 18	8E-8310	421	1-C 20	8T-2572	405	1-C 18	8T-4195	483	1-D 2
7774664	197	1-B 21	8E-8310	427	1-C 20	8T-2572	407	1-C 18	8T-4195	489	1-D 2
7774664	241	1-C 2	8E-8310	431	1-C 21	8T-2572	409	1-C 18	8T-4195	495	1-D 3
7774664	553	1-D 9	8E-8310	437	1-C 21	8T-2572	411	1-C 19	8T-4195	501	1-D 4
7774664	555	1-D 9	8E-8310	441	1-C 22	8T-2572	487	1-D 2	8T-4195	1019	1-F 7
7774664	559	1-D 9	8E-8310	447	1-C 22	8T-2572	493	1-D 3	8T-4200	413	1-C 19
7774664	575	1-D 11	8E-8310	451	1-C 23	8T-2572	499	1-D 3	8T-4223	413	1-C 19
7774664	579	1-D 11	8E-8316	421	1-C 20	8T-3635	535	1-D 7	8T-4223	487	1-D 2
7774664	589	1-D 12	8E-8316	431	1-C 21	8T-4121	415	1-C 19	8T-4223	489	1-D 2
7774664	631	1-D 17	8E-8316	441	1-C 22	8T-4121	419	1-C 19	8T-4223	493	1-D 3
7774664	633	1-D 17	8E-8316	451	1-C 23	8T-4121	425	1-C 20	8T-4223	495	1-D 3
7774664	635	1-D 17	8E-8652	417	1-C 19	8T-4121	429	1-C 20	8T-4223	499	1-D 3
7774664	637	1-D 17	8E-8652	421	1-C 20	8T-4121	435	1-C 21	8T-4223	501	1-D 4
7774664	641	1-D 18	8E-8652	427	1-C 20	8T-4121	439	1-C 21	8T-4224	413	1-C 19
7774664	653	1-D 19	8E-8652	431	1-C 21	8T-4121	445	1-C 22	8T-4224	489	1-D 2
7774664	709	1-D 24	8E-8652	437	1-C 21	8T-4121	449	1-C 22	8T-4224	495	1-D 3
7774664	719	1-E 1	8E-8652	441	1-C 22	8T-4121	465	1-C 24	8T-4224	501	1-D 4
7774664	727	1-E 2	8E-8652	447	1-C 22	8T-4121	467	1-C 24	8T-4648	587	1-D 12
7774664	731	1-E 3	8E-8652	451	1-C 23	8T-4121	489	1-D 2	8T-4910	415	1-C 19
7774664	735	1-E 3	8E-8653	485	1-D 2	8T-4121	495	1-D 3	8T-4910	425	1-C 20
7774664	737	1-E 3	8E-8653	491	1-D 3	8T-4121	501	1-D 4	8T-4910	435	1-C 21
7774664	739	1-E 3	8E-8653	497	1-D 3	8T-4121	559	1-D 9	8T-4910	445	1-C 22
7774664	747	1-E 4	8F-1434	287	1-C 6	8T-4122	419	1-C 19	8T-4956	587	1-D 12
7774664	749	1-E 4	8F-1434	289	1-C 6	8T-4122	429	1-C 20	8T-4956	669	1-D 20
7774664	775	1-E 7	8F-3469	399	1-C 17	8T-4122	439	1-C 21	8T-5005	587	1-D 12
7774664	777	1-E 7	8H-1141	287	1-C 6	8T-4122	449	1-C 22	8T-5041	453	1-C 23
7774664	781	1-E 8	8H-1141	289	1-C 6	8T-4123	381	1-C 16	8T-5436	389	1-C 16
7774664	791	1-E 9	8J-8879	453	1-C 23	8T-4123	385	1-C 16	8T-5436	395	1-C 17
7774664	793	1-E 9	8L-2777	419	1-C 19	8T-4123	455	1-C 23	8T-5436	405	1-C 18
7774664	799	1-E 9	8L-2777	429	1-C 20	8T-4133	137	1-B 15	8T-5436	409	1-C 18
7774664	803	1-E 10	8L-2777	439	1-C 21	8T-4136	465	1-C 24	8T-5677	341	1-C 12
7774664	807	1-E 10	8L-2777	449	1-C 22	8T-4136	467	1-C 24	8T-5878	587	1-D 12
7774664	809	1-E 10	8M-5253	473	1-D 1	8T-4136	583	1-D 12	8T-6466	419	1-C 19
7774664	811	1-E 11	8M-7160	381	1-C 16	8T-4136	587	1-D 12	8T-6466	429	1-C 20
7774664	813	1-E 11	8M-7160	383	1-C 16	8T-4137	413	1-C 19	8T-6466	439	1-C 21
7774664	823	1-E 12	8M-7160	421	1-C 20	8T-4137	415	1-C 19	8T-6466	449	1-C 22
7774664	825	1-E 12	8M-7160	431	1-C 21	8T-4137	425	1-C 20	8T-6764	101	1-B 12
7774664	887	1-E 18	8M-7160	441	1-C 22	8T-4137	435	1-C 21	8T-6868	583	1-D 12
7774664	889	1-E 18	8M-7160	451	1-C 23	8T-4137	445	1-C 22	8T-6869	413	1-C 19
7774664	891	1-E 19	8P-7898	453	1-C 23	8T-4137	465	1-C 24	8T-6869	489	1-D 2
7774664	893	1-E 19	8S-0527	409	1-C 18	8T-4137	467	1-C 24	8T-6869	495	1-D 3
7774664	947	1-E 24	8S-0527	411	1-C 19	8T-4139	487	1-D 2	8T-6869	501	1-D 4
7774664	971	1-F 3	8S-0768	413	1-C 19	8T-4139	489	1-D 2	8T-6870	413	1-C 19
7774664	973	1-F 3	8S-0768	489	1-D 2	8T-4139	493	1-D 3	8T-7338	419	1-C 19
7774664	1059	1-F 11	8S-0768	495	1-D 3	8T-4139	495	1-D 3	8T-7338	429	1-C 20
7774664	1061	1-F 12	8S-0768	501	1-D 4	8T-4139	499	1-D 3	8T-7338	439	1-C 21
79019518B	201	1-B 22	8T-0070	421	1-C 20	8T-4139	501	1-D 4	8T-7338	449	1-C 22
79019518B	203	1-B 22	8T-0070	431	1-C 21	8T-4141	381	1-C 16	8T-8566	287	1-C 6
79019518B	215	1-B 23	8T-0070	441	1-C 22	8T-4141	385	1-C 16	8T-8566	289	1-C 6
8C-3075	381	1-C 16	8T-0070	451	1-C 23	8T-4141	455	1-C 23	8T-8568	287	1-C 6
8C-3075	385	1-C 16	8T-0100	457	1-C 23	8T-4167	457	1-C 23	8T-8568	289	1-C 6
8C-3428	413	1-C 19	8T-0100	459	1-C 23	8T-4167	459	1-C 23	8T-8569	287	1-C 6
8C-5224	417	1-C 19	8T-0100	461	1-C 24	8T-4167	461	1-C 24	8T-8569	289	1-C 6
8C-5224	427	1-C 20	8T-0100	463	1-C 24	8T-4167	463	1-C 24	8T-8570	287	1-C 6
8C-5224	437	1-C 21	8T-0285	439	1-C 21	8T-4172	583	1-D 12	8T-8570	289	1-C 6
8C-5224	447	1-C 22	8T-0285	449	1-C 22	8T-4179	413	1-C 19	8T-8731	281	1-C 6
8C-5224	455	1-C 23	8T-0328	287	1-C 6	8T-4179	669	1-D 20	8T-9884	287	1-C 6
8C-5224	457	1-C 23	8T-0328	289	1-C 6	8T-4183	453	1-C 23	8T-9884	289	1-C 6
8C-5224	459	1-C 23	8T-0646	399	1-C 17	8T-4183	583	1-D 12	8T-9885	287	1-C 6
8C-5224	461	1-C 24	8T-0657	419	1-C 19	8T-4183	587	1-D 12	8T-9885	289	1-C 6
8C-5224	463	1-C 24	8T-0657	429	1-C 20	8T-4189	381	1-C 16	9B-0453	319	1-C 9
8C-9987	1211	1-G 3	8T-0657	439	1-C 21	8T-4189	385	1-C 16	9B-0453	325	1-C 10
8D-2256	417	1-C 19	8T-0657	449	1-C 22	8T-4189	583	1-D 12	9B-7233	287	1-C 6

MT800B SERIES TRACTORS

**45
INDEX**

Part No.	Page	Grid	Part No.	Page	Grid	Part No.	Page	Grid	Part No.	Page	Grid
----------	------	------	----------	------	------	----------	------	------	----------	------	------

MT800B SERIES TRACTORS
MACHINE ARRANGEMENT

BASE UNIT AR-MT835B - 501588D1
ROW

NO ILLUSTRATION

NOTIF

**MT800B SERIES TRACTORS
MACHINE ARRANGEMENT**

47

**BASE UNIT AR-MT835B - 501588D1
ROW**

ITEM	NUMBER	QTY	DESCRIPTION
-	501588D1	-	BASE UNIT AR-MT835B (NOT SERVICED)
1	501615D1	1	FILM GP (MT835B) (NOT SERVICED) (SEE BREAKDOWN FOR COMPONENTS)
2	501583D1	1	INSTALLATION AR-ENGINE (NOT SERVICED) (SEE BREAKDOWN FOR COMPONENTS)
3	501810D1	-	BASE AR-COMMON (NOT SERVICED) (SEE BREAKDOWN FOR COMPONENTS)
4	502496D1	-	BREATHER GP-POWERTRAIN (NOT SERVICED) (SEE BREAKDOWN FOR COMPONENTS)

NOTIF
PR: t05b22n43d0001

MT800B SERIES TRACTORS
MACHINE ARRANGEMENT

BASE UNIT AR-MT845B - 501589D1
ROW

NO ILLUSTRATION

NOTIF

**MT800B SERIES TRACTORS
MACHINE ARRANGEMENT**

49

**BASE UNIT AR-MT845B - 501589D1
ROW**

ITEM	NUMBER	QTY	DESCRIPTION
-	501589D1	-	BASE UNIT AR-MT845B (NOT SERVICED)
1	501616D1	1	FILM GP (MT845B) (NOT SERVICED) (SEE BREAKDOWN FOR COMPONENTS)
2	501584D1	1	INSTALLATION AR-ENGINE (NOT SERVICED) (SEE BREAKDOWN FOR COMPONENTS)
3	501810D1	-	BASE AR-COMMON (NOT SERVICED) (SEE BREAKDOWN FOR COMPONENTS)
4	502496D1	-	BREATHER GP-POWERTRAIN (NOT SERVICED) (SEE BREAKDOWN FOR COMPONENTS)

NOTIF
PR: t05b22n43d0002

MT800B SERIES TRACTORS
MACHINE ARRANGEMENT

BASE UNIT AR-MT855B - 501590D1
ROW

NO ILLUSTRATION

NOTIF

**MT800B SERIES TRACTORS
MACHINE ARRANGEMENT**

51

**BASE UNIT AR-MT855B - 501590D1
ROW**

ITEM	NUMBER	QTY	DESCRIPTION
-	501590D1	-	BASE UNIT AR-MT855B (NOT SERVICED)
1	501617D1	1	FILM GP (MT855B) (NOT SERVICED) (SEE BREAKDOWN FOR COMPONENTS)
2	501585D1	1	INSTALLATION AR-ENGINE (NOT SERVICED) (SEE BREAKDOWN FOR COMPONENTS)
3	501810D1	-	BASE AR-COMMON (NOT SERVICED) (SEE BREAKDOWN FOR COMPONENTS)
4	502496D1	-	BREATHER GP-POWERTRAIN (NOT SERVICED) (SEE BREAKDOWN FOR COMPONENTS)

NOTIF
PR: t05b22n43d0003

MT800B SERIES TRACTORS
MACHINE ARRANGEMENT

BASE UNIT AR-MT865B - 501591D1
ROW

NO ILLUSTRATION

NOTIF

**MT800B SERIES TRACTORS
MACHINE ARRANGEMENT**

53

**BASE UNIT AR-MT865B - 501591D1
ROW**

ITEM	NUMBER	QTY	DESCRIPTION
-	501591D1	-	BASE UNIT AR-MT865B (NOT SERVICED)
1	501618D1	1	FILM GP (MT865B) (NOT SERVICED) (SEE BREAKDOWN FOR COMPONENTS)
2	501586D1	1	INSTALLATION AR-ENGINE (NOT SERVICED) (SEE BREAKDOWN FOR COMPONENTS)
3	501810D1	-	BASE AR-COMMON (NOT SERVICED) (SEE BREAKDOWN FOR COMPONENTS)
4	502496D1	-	BREATHER GP-POWERTRAIN (NOT SERVICED) (SEE BREAKDOWN FOR COMPONENTS)
5	197-8558	-	TANK AR-FUEL (SEE BREAKDOWN FOR COMPONENTS)

NOTIF
PR: t05b22n43d0004

MT800B SERIES TRACTORS
MACHINE ARRANGEMENT

BASE UNIT AR-MT875B - 501592D1
ROW

NO ILLUSTRATION

NOTIF

**MT800B SERIES TRACTORS
MACHINE ARRANGEMENT**

55

**BASE UNIT AR-MT875B - 501592D1
ROW**

ITEM	NUMBER	QTY	DESCRIPTION
-	501592D1	-	BASE UNIT AR-MT875B (NOT SERVICED)
1	501619D1	1	FILM GP (MT875B) (NOT SERVICED) (SEE BREAKDOWN FOR COMPONENTS)
2	501587D1	1	INSTALLATION AR-ENGINE (NOT SERVICED) (SEE BREAKDOWN FOR COMPONENTS)
3	501810D1	-	BASE AR-COMMON (NOT SERVICED) (SEE BREAKDOWN FOR COMPONENTS)
4	502496D1	-	BREATHER GP-POWERTRAIN (NOT SERVICED) (SEE BREAKDOWN FOR COMPONENTS)
5	197-8558	-	TANK AR-FUEL (SEE BREAKDOWN FOR COMPONENTS)

NOTIF
PR: t05b22n43d0005

MT800B SERIES TRACTORS
MACHINE ARRANGEMENT

BASE UNIT AR-MT835B - 501593D1
EAME

NO ILLUSTRATION

NOTIF

**MT800B SERIES TRACTORS
MACHINE ARRANGEMENT**

57

**BASE UNIT AR-MT835B - 501593D1
EAME**

ITEM	NUMBER	QTY	DESCRIPTION
-	501593D1	-	BASE UNIT AR-MT835B (NOT SERVICED)
1	501615D1	1	FILM GP (MT835B) (NOT SERVICED) (SEE BREAKDOWN FOR COMPONENTS)
2	501583D1	1	INSTALLATION AR-ENGINE (NOT SERVICED) (SEE BREAKDOWN FOR COMPONENTS)
3	501811D1	-	BASE AR-COMMON (NOT SERVICED) (SEE BREAKDOWN FOR COMPONENTS)
4	502496D1	-	BREATHER GP-POWERTRAIN (NOT SERVICED) (SEE BREAKDOWN FOR COMPONENTS)
5	136-5663	-	BATTERY GP (NOT SERVICED) (SEE BREAKDOWN FOR COMPONENTS)

NOTIF
PR: t05b22n43d0006

MT800B SERIES TRACTORS
MACHINE ARRANGEMENT

BASE UNIT AR-MT845B - 501594D1
EAME

NO ILLUSTRATION

NOTIF

**MT800B SERIES TRACTORS
MACHINE ARRANGEMENT**

59

**BASE UNIT AR-MT845B - 501594D1
EAME**

ITEM	NUMBER	QTY	DESCRIPTION
-	501594D1	-	BASE UNIT AR-MT845B (NOT SERVICED)
1	501616D1	1	FILM GP (MT845B) (NOT SERVICED) (SEE BREAKDOWN FOR COMPONENTS)
2	501584D1	1	INSTALLATION AR-ENGINE (NOT SERVICED) (SEE BREAKDOWN FOR COMPONENTS)
3	501811D1	-	BASE AR-COMMON (NOT SERVICED) (SEE BREAKDOWN FOR COMPONENTS)
4	502496D1	-	BREATHER GP-POWERTRAIN (NOT SERVICED) (SEE BREAKDOWN FOR COMPONENTS)
5	136-5663	-	BATTERY GP (NOT SERVICED) (SEE BREAKDOWN FOR COMPONENTS)

NOTIF
PR: t05b22n43d0007

60

MT800B SERIES TRACTORS
MACHINE ARRANGEMENT

BASE UNIT AR-MT855B - 501595D1
EAME

NO ILLUSTRATION

NOTIF

**MT800B SERIES TRACTORS
MACHINE ARRANGEMENT**

61

**BASE UNIT AR-MT855B - 501595D1
EAME**

ITEM	NUMBER	QTY	DESCRIPTION
-	501595D1	-	BASE UNIT AR-MT855B (NOT SERVICED)
1	501617D1	1	FILM GP (MT855B) (NOT SERVICED) (SEE BREAKDOWN FOR COMPONENTS)
2	501585D1	1	INSTALLATION AR-ENGINE (NOT SERVICED) (SEE BREAKDOWN FOR COMPONENTS)
3	501811D1	-	BASE AR-COMMON (NOT SERVICED) (SEE BREAKDOWN FOR COMPONENTS)
4	502496D1	-	BREATHER GP-POWERTRAIN (NOT SERVICED) (SEE BREAKDOWN FOR COMPONENTS)
5	136-5663	-	BATTERY GP (NOT SERVICED) (SEE BREAKDOWN FOR COMPONENTS)

NOTIF
PR: t05b22n43d0008

MT800B SERIES TRACTORS
MACHINE ARRANGEMENT

BASE UNIT AR-MT865B - 501596D1
EAME

NO ILLUSTRATION

NOTIF

**MT800B SERIES TRACTORS
MACHINE ARRANGEMENT**

63

**BASE UNIT AR-MT865B - 501596D1
EAME**

ITEM	NUMBER	QTY	DESCRIPTION
-	501596D1	-	BASE UNIT AR-MT865B (NOT SERVICED)
1	501618D1	1	FILM GP (MT865B) (NOT SERVICED) (SEE BREAKDOWN FOR COMPONENTS)
2	501586D1	1	INSTALLATION AR-ENGINE (NOT SERVICED) (SEE BREAKDOWN FOR COMPONENTS)
3	501811D1	-	BASE AR-COMMON (NOT SERVICED) (SEE BREAKDOWN FOR COMPONENTS)
4	502496D1	-	BREATHER GP-POWERTRAIN (NOT SERVICED) (SEE BREAKDOWN FOR COMPONENTS)
5	136-5663	-	BATTERY GP (NOT SERVICED) (SEE BREAKDOWN FOR COMPONENTS)
6	197-8558	-	TANK AR-FUEL (SEE BREAKDOWN FOR COMPONENTS)

NOTIF
PR: t05b22n43d0009

MT800B SERIES TRACTORS
MACHINE ARRANGEMENT

BASE UNIT AR-MT875B - 501597D1
EAME

NO ILLUSTRATION

NOTIF

**MT800B SERIES TRACTORS
MACHINE ARRANGEMENT**

65

**BASE UNIT AR-MT875B - 501597D1
EAME**

ITEM	NUMBER	QTY	DESCRIPTION
-	501597D1	-	BASE UNIT AR-MT875B (NOT SERVICED)
1	501619D1	1	FILM GP (MT875B) (NOT SERVICED) (SEE BREAKDOWN FOR COMPONENTS)
2	501587D1	1	INSTALLATION AR-ENGINE (NOT SERVICED) (SEE BREAKDOWN FOR COMPONENTS)
3	501811D1	-	BASE AR-COMMON (NOT SERVICED) (SEE BREAKDOWN FOR COMPONENTS)
4	502496D1	-	BREATHER GP-POWERTRAIN (NOT SERVICED) (SEE BREAKDOWN FOR COMPONENTS)
5	136-5663	-	BATTERY GP (NOT SERVICED) (SEE BREAKDOWN FOR COMPONENTS)
6	197-8558	-	TANK AR-FUEL (SEE BREAKDOWN FOR COMPONENTS)

NOTIF
PR: t05b22n43d0010

MT800B SERIES TRACTORS
MACHINE ARRANGEMENT

BASE UNIT AR-MT835B - 501605D1
SPECIAL APPLICATIONS

NO ILLUSTRATION

NOTIF

**MT800B SERIES TRACTORS
MACHINE ARRANGEMENT**

67

**BASE UNIT AR-MT835B - 501605D1
SPECIAL APPLICATIONS**

ITEM	NUMBER	QTY	DESCRIPTION
-	501605D1	-	BASE UNIT AR-MT835B SPECIAL (NOT SERVICED)
1	501588D1	1	BASE UNIT AR-MT835B (NOT SERVICED) (SEE BREAKDOWN FOR COMPONENTS)
2	220-2356	1	WHEEL AR-IDLER (NOT SERVICED) (SEE BREAKDOWN FOR COMPONENTS)
3	156-4893	1	ROLLER AR (NOT SERVICED) (SEE BREAKDOWN FOR COMPONENTS)
4	220-2358	1	WHEEL AR-DRIVER (NOT SERVICED) (SEE BREAKDOWN FOR COMPONENTS)
5	184-5357	1	COUNTERWEIGHT GP-FRONT (NOT SERVICED) (SEE BREAKDOWN FOR COMPONENTS)
6	179-0853	1	HITCH AR-NON AG (NOT SERVICED) (SEE BREAKDOWN FOR COMPONENTS)
7	180-0185	1	PUMP AR-HYD (NOT SERVICED) (SEE BREAKDOWN FOR COMPONENTS)
8	500039D1	1	CABLE GP-TOW (NOT SERVICED) (SEE BREAKDOWN FOR COMPONENTS)
9	500040D1	1	RESTRAIN GP-ROLLERFRAME (NOT SERVICED) (SEE BREAKDOWN FOR COMPONENTS)
10	216-9823	1	LIGHTING GP-WARNING (NOT SERVICED) (SEE BREAKDOWN FOR COMPONENTS)
11	195-5968	1	WARNING GP-BACKUP (NOT SERVICED) (SEE BREAKDOWN FOR COMPONENTS)
12	222-7965	1	MOUNTING GP (MONITOR) (NOT SERVICED) (SEE BREAKDOWN FOR COMPONENTS)
13	203-5999	1	PLUG GP (NOT SERVICED)
	400091X1	16	PLUG-PLASTIC (M24)

NOTIF
PR: t05b22n43d0011

MT800B SERIES TRACTORS
MACHINE ARRANGEMENT

BASE UNIT AR-MT845B - 501606D1
SPECIAL APPLICATIONS

NO ILLUSTRATION

NOTIF

**MT800B SERIES TRACTORS
MACHINE ARRANGEMENT**

69

**BASE UNIT AR-MT845B - 501606D1
SPECIAL APPLICATIONS**

ITEM	NUMBER	QTY	DESCRIPTION
-	501606D1	-	BASE UNIT AR-MT845B SPECIAL (NOT SERVICED)
1	501589D1	1	BASE UNIT AR-MT845B (NOT SERVICED) (SEE BREAKDOWN FOR COMPONENTS)
2	220-2356	1	WHEEL AR-IDLER (NOT SERVICED) (SEE BREAKDOWN FOR COMPONENTS)
3	156-4893	1	ROLLER AR (NOT SERVICED) (SEE BREAKDOWN FOR COMPONENTS)
4	220-2358	1	WHEEL AR-DRIVER (NOT SERVICED) (SEE BREAKDOWN FOR COMPONENTS)
5	184-5357	1	COUNTERWEIGHT GP-FRONT (NOT SERVICED) (SEE BREAKDOWN FOR COMPONENTS)
6	179-0853	1	HITCH AR-NON AG (NOT SERVICED) (SEE BREAKDOWN FOR COMPONENTS)
7	180-0185	1	PUMP AR-HYD (NOT SERVICED) (SEE BREAKDOWN FOR COMPONENTS)
8	500039D1	1	CABLE GP-TOW (NOT SERVICED) (SEE BREAKDOWN FOR COMPONENTS)
9	500040D1	1	RESTRAIN GP-ROLLERFRAME (NOT SERVICED) (SEE BREAKDOWN FOR COMPONENTS)
10	216-9823	1	LIGHTING GP-WARNING (NOT SERVICED) (SEE BREAKDOWN FOR COMPONENTS)
11	195-5968	1	WARNING GP-BACKUP (NOT SERVICED) (SEE BREAKDOWN FOR COMPONENTS)
12	222-7965	1	MOUNTING GP (MONITOR) (NOT SERVICED) (SEE BREAKDOWN FOR COMPONENTS)
13	203-5999	1	PLUG GP (NOT SERVICED)
	400091X1	16	PLUG-PLASTIC (M24)

NOTIF
PR: t05b22n43d0012

MT800B SERIES TRACTORS
MACHINE ARRANGEMENT

BASE UNIT AR-MT855B - 501607D1
SPECIAL APPLICATIONS

NO ILLUSTRATION

NOTIF

**MT800B SERIES TRACTORS
MACHINE ARRANGEMENT**

71

**BASE UNIT AR-MT855B - 501607D1
SPECIAL APPLICATIONS**

ITEM	NUMBER	QTY	DESCRIPTION
-	501607D1	-	BASE UNIT AR-MT855B SPECIAL (NOT SERVICED)
1	501590D1	1	BASE UNIT AR-MT855B (NOT SERVICED) (SEE BREAKDOWN FOR COMPONENTS)
2	220-2356	1	WHEEL AR-IDLER (NOT SERVICED) (SEE BREAKDOWN FOR COMPONENTS)
3	156-4893	1	ROLLER AR (NOT SERVICED) (SEE BREAKDOWN FOR COMPONENTS)
4	220-2358	1	WHEEL AR-DRIVER (NOT SERVICED) (SEE BREAKDOWN FOR COMPONENTS)
5	184-5357	1	COUNTERWEIGHT GP-FRONT (NOT SERVICED) (SEE BREAKDOWN FOR COMPONENTS)
6	179-0853	1	HITCH AR-NON AG (NOT SERVICED) (SEE BREAKDOWN FOR COMPONENTS)
7	180-0185	1	PUMP AR-HYD (NOT SERVICED) (SEE BREAKDOWN FOR COMPONENTS)
8	500039D1	1	CABLE GP-TOW (NOT SERVICED) (SEE BREAKDOWN FOR COMPONENTS)
9	500040D1	1	RESTRAIN GP-ROLLERFRAME (NOT SERVICED) (SEE BREAKDOWN FOR COMPONENTS)
10	216-9823	1	LIGHTING GP-WARNING (NOT SERVICED) (SEE BREAKDOWN FOR COMPONENTS)
11	195-5968	1	WARNING GP-BACKUP (NOT SERVICED) (SEE BREAKDOWN FOR COMPONENTS)
12	222-7965	1	MOUNTING GP (MONITOR) (NOT SERVICED) (SEE BREAKDOWN FOR COMPONENTS)
13	203-5999	1	PLUG GP (NOT SERVICED)
	400091X1	16	PLUG-PLASTIC (M24)

NOTIF
PR: t05b22n43d0013

MT800B SERIES TRACTORS
MACHINE ARRANGEMENT

BASE UNIT AR-MT865B - 501608D1
SPECIAL APPLICATIONS

NO ILLUSTRATION

NOTIF

**MT800B SERIES TRACTORS
MACHINE ARRANGEMENT**

73

**BASE UNIT AR-MT865B - 501608D1
SPECIAL APPLICATIONS**

ITEM	NUMBER	QTY	DESCRIPTION
-	501608D1	-	BASE UNIT AR-MT865B SPECIAL (NOT SERVICED)
1	501591D1	1	BASE UNIT AR-MT865B (NOT SERVICED) (SEE BREAKDOWN FOR COMPONENTS)
2	220-2356	1	WHEEL AR-IDLER (NOT SERVICED) (SEE BREAKDOWN FOR COMPONENTS)
3	156-4893	1	ROLLER AR (NOT SERVICED) (SEE BREAKDOWN FOR COMPONENTS)
4	220-2358	1	WHEEL AR-DRIVER (NOT SERVICED) (SEE BREAKDOWN FOR COMPONENTS)
5	184-5357	1	COUNTERWEIGHT GP-FRONT (NOT SERVICED) (SEE BREAKDOWN FOR COMPONENTS)
6	179-0853	1	HITCH AR-NON AG (NOT SERVICED) (SEE BREAKDOWN FOR COMPONENTS)
7	180-0185	1	PUMP AR-HYD (NOT SERVICED) (SEE BREAKDOWN FOR COMPONENTS)
8	500039D1	1	CABLE GP-TOW (NOT SERVICED) (SEE BREAKDOWN FOR COMPONENTS)
9	500040D1	1	RESTRAIN GP-ROLLERFRAME (NOT SERVICED) (SEE BREAKDOWN FOR COMPONENTS)
10	216-9823	1	LIGHTING GP-WARNING (NOT SERVICED) (SEE BREAKDOWN FOR COMPONENTS)
11	195-5968	1	WARNING GP-BACKUP (NOT SERVICED) (SEE BREAKDOWN FOR COMPONENTS)
12	222-7965	1	MOUNTING GP (MONITOR) (NOT SERVICED) (SEE BREAKDOWN FOR COMPONENTS)
13	203-5999	1	PLUG GP (NOT SERVICED)
	400091X1	16	PLUG-PLASTIC (M24)

NOTIF
PR: t05b22n43d0014

MT800B SERIES TRACTORS
MACHINE ARRANGEMENT

BASE UNIT AR-MT875B - 501609D1
SPECIAL APPLICATIONS

NO ILLUSTRATION

NOTIF

**MT800B SERIES TRACTORS
MACHINE ARRANGEMENT**

75

**BASE UNIT AR-MT875B - 501609D1
SPECIAL APPLICATIONS**

ITEM	NUMBER	QTY	DESCRIPTION
-	501609D1	-	BASE UNIT AR-MT875B SPECIAL (NOT SERVICED)
	501592D1	1	BASE UNIT AR-MT875B (NOT SERVICED) (SEE BREAKDOWN FOR COMPONENTS)
	220-2356	1	WHEEL AR-IDLER (NOT SERVICED) (SEE BREAKDOWN FOR COMPONENTS)
	156-4893	1	ROLLER AR (NOT SERVICED) (SEE BREAKDOWN FOR COMPONENTS)
	220-2358	1	WHEEL AR-DRIVER (NOT SERVICED) (SEE BREAKDOWN FOR COMPONENTS)
	184-5357	1	COUNTERWEIGHT GP-FRONT (NOT SERVICED) (SEE BREAKDOWN FOR COMPONENTS)
	179-0853	1	HITCH AR-NON AG (NOT SERVICED) (SEE BREAKDOWN FOR COMPONENTS)
	180-0185	1	PUMP AR-HYD (NOT SERVICED) (SEE BREAKDOWN FOR COMPONENTS)
	500039D1	1	CABLE GP-TOW (NOT SERVICED) (SEE BREAKDOWN FOR COMPONENTS)
	500040D1	1	RESTRAIN GP-ROLLERFRAME (NOT SERVICED) (SEE BREAKDOWN FOR COMPONENTS)
	216-9823	1	LIGHTING GP-WARNING (NOT SERVICED) (SEE BREAKDOWN FOR COMPONENTS)
	195-5968	1	WARNING GP-BACKUP (NOT SERVICED) (SEE BREAKDOWN FOR COMPONENTS)
	222-7965	1	MOUNTING GP (MONITOR) (NOT SERVICED) (SEE BREAKDOWN FOR COMPONENTS)
	203-5999	1	PLUG GP (NOT SERVICED)
	400091X1	16	PLUG-PLASTIC (M24)

NOTIF
PR: t05b22n43d0015

76

MT800B SERIES TRACTORS
MACHINE ARRANGEMENT

BASE COMMON AR - 501810D1
ROW & SPECIAL ONLY

NO ILLUSTRATION

NOTIF

**MT800B SERIES TRACTORS
MACHINE ARRANGEMENT**

77

**BASE COMMON AR - 501810D1
ROW & SPECIAL ONLY**

ITEM	NUMBER	QTY	DESCRIPTION
-	501810D1	-	BASE COMMON AR [A] (NOT SERVICED)
1	136-5665	1	LIGHTING GP-SIGNAL (CAT) (NOT SERVICED) (SEE BREAKDOWN FOR COMPONENTS)
2	136-5668	1	WIRING GP-VEHICLE (NOT SERVICED) (SEE BREAKDOWN FOR COMPONENTS)
3	502647D1	1	HOOD GP-GUARD (NOT SERVICED) (SEE BREAKDOWN FOR COMPONENTS)
4	501809D1	1	HYD AR-COMMON (NOT SERVICED) (SEE BREAKDOWN FOR COMPONENTS)
5	161-9174	1	FENDER GP (CAT) (NOT SERVICED) (SEE BREAKDOWN FOR COMPONENTS)
6	163-0386	1	LINES GP-SERV BRAKE (A) (NOT SERVICED) (SEE BREAKDOWN FOR COMPONENTS)
7	172-8886	1	WARNING GP-SMV (NOT SERVICED) (SEE BREAKDOWN FOR COMPONENTS)
8	179-1953	1	CHASSIS AR-COM (NOT SERVICED) (SEE BREAKDOWN FOR COMPONENTS)
9	179-2185	1	FILM GP-PAINT & (NOT SERVICED) (SEE BREAKDOWN FOR COMPONENTS)
10	183-6384	1	WALKWAY GP (NOT SERVICED) (SEE BREAKDOWN FOR COMPONENTS)
11	502456D1	1	CONTROL GP-PARKING BRAKE (NOT SERVICED) (SEE BREAKDOWN FOR COMPONENTS)
12	193-1547	1	LINES GP-SERV BRAKE (A) (NOT SERVICED) (SEE BREAKDOWN FOR COMPONENTS)
13	200-4400	1	CONTROL GP-BRAKE(A) (NOT SERVICED) (SEE BREAKDOWN FOR COMPONENTS)
14	210-7510	1	BRAKE GP-PARKING (J) (NOT SERVICED) (SEE BREAKDOWN FOR COMPONENTS)
15	163-0384	1	SHAFT GP-INPUT (NOT SERVICED) (SEE BREAKDOWN FOR COMPONENTS)

[A] PART OF 501588D1;501589D1;501590D1;
501591D1; 501592D1 BASE UNIT AR

NOTIF
PR: t05b22n43d0016

78

MT800B SERIES TRACTORS
MACHINE ARRANGEMENT

BASE COMMON AR - 501811D1
EAME ONLY

NO ILLUSTRATION

NOTIF

**MT800B SERIES TRACTORS
MACHINE ARRANGEMENT**

79

**BASE COMMON AR - 501811D1
EAME ONLY**

ITEM	NUMBER	QTY	DESCRIPTION
-	501811D1	-	BASE COMMON AR [A]
1	136-5429	1	LIGHTING GP-SIGNAL (NOT SERVICED) (SEE BREAKDOWN FOR COMPONENTS)
2	136-5669	1	WIRING GP-VEHICLE (NOT SERVICED) (SEE BREAKDOWN FOR COMPONENTS)
3	158-5925	1	MOUNTING GP-BODY (NOT SERVICED) (SEE BREAKDOWN FOR COMPONENTS)
4	161-9177	1	FENDER GP (EAME) (NOT SERVICED) (SEE BREAKDOWN FOR COMPONENTS)
5	166-4623	1	CONTROL GP MOUNTING & (NOT SERVICED) (SEE BREAKDOWN FOR COMPONENTS)
6	179-1953	1	CHASSIS AR-COM (NOT SERVICED) (SEE BREAKDOWN FOR COMPONENTS)
7	179-2261	1	FILM GP-PAINT & (NOT SERVICED) (SEE BREAKDOWN FOR COMPONENTS)
8	183-6384	1	WALKWAY GP (NOT SERVICED) (SEE BREAKDOWN FOR COMPONENTS)
9	185-8787	1	LINES GP-SERV BRAKE(B) (NOT SERVICED) (SEE BREAKDOWN FOR COMPONENTS)
10	186-2427	1	EXTENSION GP-FENDER (NOT SERVICED) (SEE BREAKDOWN FOR COMPONENTS)
11	187-8609	1	GUARD GP (NOT SERVICED) (SEE BREAKDOWN FOR COMPONENTS)
12	192-6350	1	CONTROL GP-PARKING BRAKE (NOT SERVICED) (SEE BREAKDOWN FOR COMPONENTS)
13	192-6360	1	CONTROL GP-BRAKE (Q) (NOT SERVICED) (SEE BREAKDOWN FOR COMPONENTS)
14	193-1547	1	LINES GP-SERV BRAKE (A) (NOT SERVICED) (SEE BREAKDOWN FOR COMPONENTS)
15	200-4320	1	SUPPORT GP-LINES (NOT SERVICED) (SEE BREAKDOWN FOR COMPONENTS)
16	200-4400	1	CONTROL GP-BRAKE(A) (NOT SERVICED) (SEE BREAKDOWN FOR COMPONENTS)
17	208-3021	1	GUARD GP-AXLE (NOT SERVICED) (SEE BREAKDOWN FOR COMPONENTS)
18	221-8534	1	HANDRAIL GP (NOT SERVICED) (SEE BREAKDOWN FOR COMPONENTS)
19	501809D1	1	HYD AR-COMMON (NOT SERVICED) (SEE BREAKDOWN FOR COMPONENTS)
20	502055D1	1	ENCLOSURE GP (NOT SERVICED) (SEE BREAKDOWN FOR COMPONENTS)
21	502353D1	1	HOOD GP-GUARD (NOT SERVICED) (SEE BREAKDOWN FOR COMPONENTS)
22	CH163-0397	1	DRAIN GP (ECOLOGY) (NOT SERVICED) (SEE BREAKDOWN FOR COMPONENTS)

[A] PART OF 501593D1;501594D1;501595D1;
501596D1; 501597D1 BASE UNIT AR

NOTIF
PR: t05b22n43d0017

INSTALLATION AR - MT835B
501583D1

NO ILLUSTRATION

NOTIF

**MT800B SERIES TRACTORS
ENGINE INSTALLATION ARRANGEMENT**

81

**INSTALLATION AR - MT835B
501583D1**

ITEM	NUMBER	QTY	DESCRIPTION
-	501583D1	-	INSTALLATION AR [A] (MT835B) (NOT SERVICED)
1	501582D1	1	LINES GP-FUEL (NOT SERVICED) (SEE BREAKDOWN FOR COMPONENTS)
2	197-4849	1	LINES GP- DUST EJECTOR (NOT SERVICED) (SEE BREAKDOWN FOR COMPONENTS)
3	180-2924	1	MOTOR GP-ELECTRIC (NOT SERVICED) (SEE BREAKDOWN FOR COMPONENTS)
4	501573D1	1	MOUNTING GP-ALTERNATOR (NOT SERVICED) (SEE BREAKDOWN FOR COMPONENTS)
5	206-6397	1	FAN GP-ENGINE (NOT SERVICED) (SEE BREAKDOWN FOR COMPONENTS)
6	502352D1	1	FILTER GP-WATER (NOT SERVICED) (SEE BREAKDOWN FOR COMPONENTS)
7	502558D1	1	TANK GP-EXP & COOLANT (NOT SERVICED) (SEE BREAKDOWN FOR COMPONENTS)
8	500920D1	1	COOLER GP-MTG & (NOT SERVICED) (SEE BREAKDOWN FOR COMPONENTS)
9	187-1792	1	MOUNTING GP-COMPRESSOR (NOT SERVICED) (SEE BREAKDOWN FOR COMPONENTS)
10	187-1791	1	DRIVE GP-ACCESSORY (NOT SERVICED) (SEE BREAKDOWN FOR COMPONENTS)
11	501572D1	1	AID GP-ETHER STARTING (SEE BREAKDOWN FOR COMPONENTS)
12	185-2240	1	PULLEY GP (NOT SERVICED) (SEE BREAKDOWN FOR COMPONENTS)
13	501676D1	1	ENGINE AS-COMPL (361HP) (ORDER COMPONENTS THRU CAT ENG DIV.)
14	502557D1	1	LINES GP-COOLANT (NOT SERVICED) (SEE BREAKDOWN FOR COMPONENTS)
15	501579D1	1	LINES GP-A/C (NOT SERVICED) (SEE BREAKDOWN FOR COMPONENTS)
16	500964D1	1	LINES GP-AIR (NOT SERVICED) (SEE BREAKDOWN FOR COMPONENTS)
17	172-5337	1	CLEANER GP-AIR (A) (NOT SERVICED) (SEE BREAKDOWN FOR COMPONENTS)
18	172-5335	1	MUFFLER GP (NOT SERVICED) (SEE BREAKDOWN FOR COMPONENTS)
18	501577D1	1	MUFFLER GP (NOT SERVICED) (SEE BREAKDOWN FOR COMPONENTS)
19	172-5333	1	MOUNTING GP-ENGINE (NOT SERVICED) (SEE BREAKDOWN FOR COMPONENTS)
20	163-0384	1	SHAFT GP-INPUT (NOT SERVICED) (SEE BREAKDOWN FOR COMPONENTS)

[A] PART OF 501588D1; 501593D1
BASE UNIT AR

NOTIF
PR: t05b22n43d0018

**MT800B SERIES TRACTORS
ENGINE INSTALLATION ARRANGEMENT**

**INSTALLATION AR - MT845B
501584D1**

NO ILLUSTRATION

NOTIF

**MT800B SERIES TRACTORS
ENGINE INSTALLATION ARRANGEMENT**

83

**INSTALLATION AR - MT845B
501584D1**

ITEM	NUMBER	QTY	DESCRIPTION
-	501584D1	-	INSTALLATION AR [A] (MT845B) (NOT SERVICED)
1	501582D1	1	LINES GP-FUEL (NOT SERVICED) (SEE BREAKDOWN FOR COMPONENTS)
2	197-4849	1	LINES GP- DUST EJECTOR (NOT SERVICED) (SEE BREAKDOWN FOR COMPONENTS)
3	180-2924	1	MOTOR GP-ELECTRIC (NOT SERVICED) (SEE BREAKDOWN FOR COMPONENTS)
4	501573D1	1	MOUNTING GP-ALTERNATOR (NOT SERVICED) (SEE BREAKDOWN FOR COMPONENTS)
5	206-6397	1	FAN GP-ENGINE (NOT SERVICED) (SEE BREAKDOWN FOR COMPONENTS)
6	502352D1	1	FILTER GP-WATER (NOT SERVICED) (SEE BREAKDOWN FOR COMPONENTS)
7	502558D1	1	TANK GP-EXP & COOLANT (NOT SERVICED) (SEE BREAKDOWN FOR COMPONENTS)
8	500920D1	1	COOLER GP-MTG & (NOT SERVICED) (SEE BREAKDOWN FOR COMPONENTS)
9	187-1792	1	MOUNTING GP-COMPRESSOR (NOT SERVICED) (SEE BREAKDOWN FOR COMPONENTS)
10	187-1791	1	DRIVE GP-ACCESSORY (NOT SERVICED) (SEE BREAKDOWN FOR COMPONENTS)
11	501572D1	1	AID GP-ETHER STARTING (SEE BREAKDOWN FOR COMPONENTS)
12	185-2240	1	PULLEY GP (NOT SERVICED) (SEE BREAKDOWN FOR COMPONENTS)
13	501677D1	1	ENGINE AS-COMPL (412 HP) (ORDER COMPONENTS THRU CAT ENG DIV.)
14	502557D1	1	LINES GP-COOLANT (NOT SERVICED) (SEE BREAKDOWN FOR COMPONENTS)
15	501579D1	1	LINES GP-A/C (NOT SERVICED) (SEE BREAKDOWN FOR COMPONENTS)
16	500964D1	1	LINES GP-AIR (NOT SERVICED) (SEE BREAKDOWN FOR COMPONENTS)
17	172-5337	1	CLEANER GP-AIR (A) (NOT SERVICED) (SEE BREAKDOWN FOR COMPONENTS)
18	501577D1	1	MUFFLER GP (NOT SERVICED) (SEE BREAKDOWN FOR COMPONENTS)
19	172-5333	1	MOUNTING GP-ENGINE (NOT SERVICED) (SEE BREAKDOWN FOR COMPONENTS)
20	163-0384	1	SHAFT GP-INPUT (NOT SERVICED) (SEE BREAKDOWN FOR COMPONENTS)

[A] PART OF 501589D1; 501594D1
BASE UNIT AR

NOTIF
PR: t05b22n43d0019

INSTALLATION AR - MT855B
501585D1

NO ILLUSTRATION

NOTIF

**MT800B SERIES TRACTORS
ENGINE INSTALLATION ARRANGEMENT**

85

**INSTALLATION AR - MT855B
501585D1**

ITEM	NUMBER	QTY	DESCRIPTION
-	501585D1	-	INSTALLATION AR [A] (MT855B) (NOT SERVICED)
1	163-0384	1	SHAFT GP-INPUT (NOT SERVICED) (SEE BREAKDOWN FOR COMPONENTS)
2	172-5333	1	MOUNTING GP-ENGINE (NOT SERVICED) (SEE BREAKDOWN FOR COMPONENTS)
3	501577D1	1	MUFFLER GP (NOT SERVICED) (SEE BREAKDOWN FOR COMPONENTS)
4	501578D1	1	CLEANER GP-AIR (A) (NOT SERVICED) (SEE BREAKDOWN FOR COMPONENTS)
5	500963D1	1	LINES GP-AIR (NOT SERVICED) (SEE BREAKDOWN FOR COMPONENTS)
6	501579D1	1	LINES GP-A/C (NOT SERVICED) (SEE BREAKDOWN FOR COMPONENTS)
7	502557D1	1	LINES GP-COOLANT (NOT SERVICED) (SEE BREAKDOWN FOR COMPONENTS)
8	501678D1	1	ENGINE AS-COMPL (474 HP) (ORDER COMPONENTS THRU CAT ENG DIV.)
9	501582D1	1	LINES GP-FUEL (NOT SERVICED) (SEE BREAKDOWN FOR COMPONENTS)
10	180-2924	1	MOTOR GP-ELECTRIC (NOT SERVICED) (SEE BREAKDOWN FOR COMPONENTS)
11	502558D1	1	TANK GP-EXP & COOLANT (NOT SERVICED) (SEE BREAKDOWN FOR COMPONENTS)
12	185-2240	1	PULLEY GP (NOT SERVICED) (SEE BREAKDOWN FOR COMPONENTS)
13	501572D1	1	AID GP-ETHER STARTING (SEE BREAKDOWN FOR COMPONENTS)
14	187-1791	1	DRIVE GP-ACCESSORY (NOT SERVICED) (SEE BREAKDOWN FOR COMPONENTS)
15	187-1792	1	MOUNTING GP-COMPRESSOR (NOT SERVICED) (SEE BREAKDOWN FOR COMPONENTS)
16	500920D1	1	COOLER GP-MTG & (NOT SERVICED) (SEE BREAKDOWN FOR COMPONENTS)
17	501580D1	1	LINES GP- DUST EJECTOR (NOT SERVICED) (SEE BREAKDOWN FOR COMPONENTS)
18	502352D1	1	FILTER GP-WATER (NOT SERVICED) (SEE BREAKDOWN FOR COMPONENTS)
19	206-6397	1	FAN GP-ENGINE (NOT SERVICED) (SEE BREAKDOWN FOR COMPONENTS)
20	501573D1	1	MOUNTING GP-ALTERNATOR (NOT SERVICED) (SEE BREAKDOWN FOR COMPONENTS)

[A] PART OF 501590D1; 501595D1
BASE UNIT AR

NOTIF
PR: t05b22n43d0020

INSTALLATION AR - MT865B
501586D1

NO ILLUSTRATION

NOTIF

**MT800B SERIES TRACTORS
ENGINE INSTALLATION ARRANGEMENT**

87

**INSTALLATION AR - MT865B
501586D1**

ITEM	NUMBER	QTY	DESCRIPTION
-	501586D1	-	INSTALLATION AR [A] (MT865B) (NOT SERVICED)
1	163-0384	1	SHAFT GP-INPUT (NOT SERVICED) (SEE BREAKDOWN FOR COMPONENTS)
2	172-5333	1	MOUNTING GP-ENGINE (NOT SERVICED) (SEE BREAKDOWN FOR COMPONENTS)
3	501577D1	1	MUFFLER GP (NOT SERVICED) (SEE BREAKDOWN FOR COMPONENTS)
4	501578D1	1	CLEANER GP-AIR (A) (NOT SERVICED) (SEE BREAKDOWN FOR COMPONENTS)
5	500963D1	1	LINES GP-AIR (NOT SERVICED) (SEE BREAKDOWN FOR COMPONENTS)
6	501579D1	1	LINES GP-A/C (NOT SERVICED) (SEE BREAKDOWN FOR COMPONENTS)
7	502557D1	1	LINES GP-COOLANT (NOT SERVICED) (SEE BREAKDOWN FOR COMPONENTS)
8	501679D1	1	ENGINE AS-COMPL (525 HP) (ORDER COMPONENTS THRU CAT ENG DIV.)
9	501582D1	1	LINES GP-FUEL (NOT SERVICED) (SEE BREAKDOWN FOR COMPONENTS)
10	180-2924	1	MOTOR GP-ELECTRIC (NOT SERVICED) (SEE BREAKDOWN FOR COMPONENTS)
11	502558D1	1	TANK GP-EXP & COOLANT (NOT SERVICED) (SEE BREAKDOWN FOR COMPONENTS)
12	185-2240	1	PULLEY GP (NOT SERVICED) (SEE BREAKDOWN FOR COMPONENTS)
13	501572D1	1	AID GP-ETHER STARTING (SEE BREAKDOWN FOR COMPONENTS)
14	187-1791	1	DRIVE GP-ACCESSORY (NOT SERVICED) (SEE BREAKDOWN FOR COMPONENTS)
15	187-1792	1	MOUNTING GP-COMPRESSOR (NOT SERVICED) (SEE BREAKDOWN FOR COMPONENTS)
16	500920D1	1	COOLER GP-MTG & (NOT SERVICED) (SEE BREAKDOWN FOR COMPONENTS)
17	501580D1	1	LINES GP- DUST EJECTOR (NOT SERVICED) (SEE BREAKDOWN FOR COMPONENTS)
18	502352D1	1	FILTER GP-WATER (NOT SERVICED) (SEE BREAKDOWN FOR COMPONENTS)
19	206-6397	1	FAN GP-ENGINE (NOT SERVICED) (SEE BREAKDOWN FOR COMPONENTS)
20	501573D1	1	MOUNTING GP-ALTERNATOR (NOT SERVICED) (SEE BREAKDOWN FOR COMPONENTS)

PART OF 501591D1; 501596D1 BASE UNIT AR

NOTIF
PR: t05b22n43d0021

INSTALLATION AR - MT875B
501587D1

NO ILLUSTRATION

NOTIF

**MT800B SERIES TRACTORS
ENGINE INSTALLATION ARRANGEMENT**

89

**INSTALLATION AR - MT875B
501587D1**

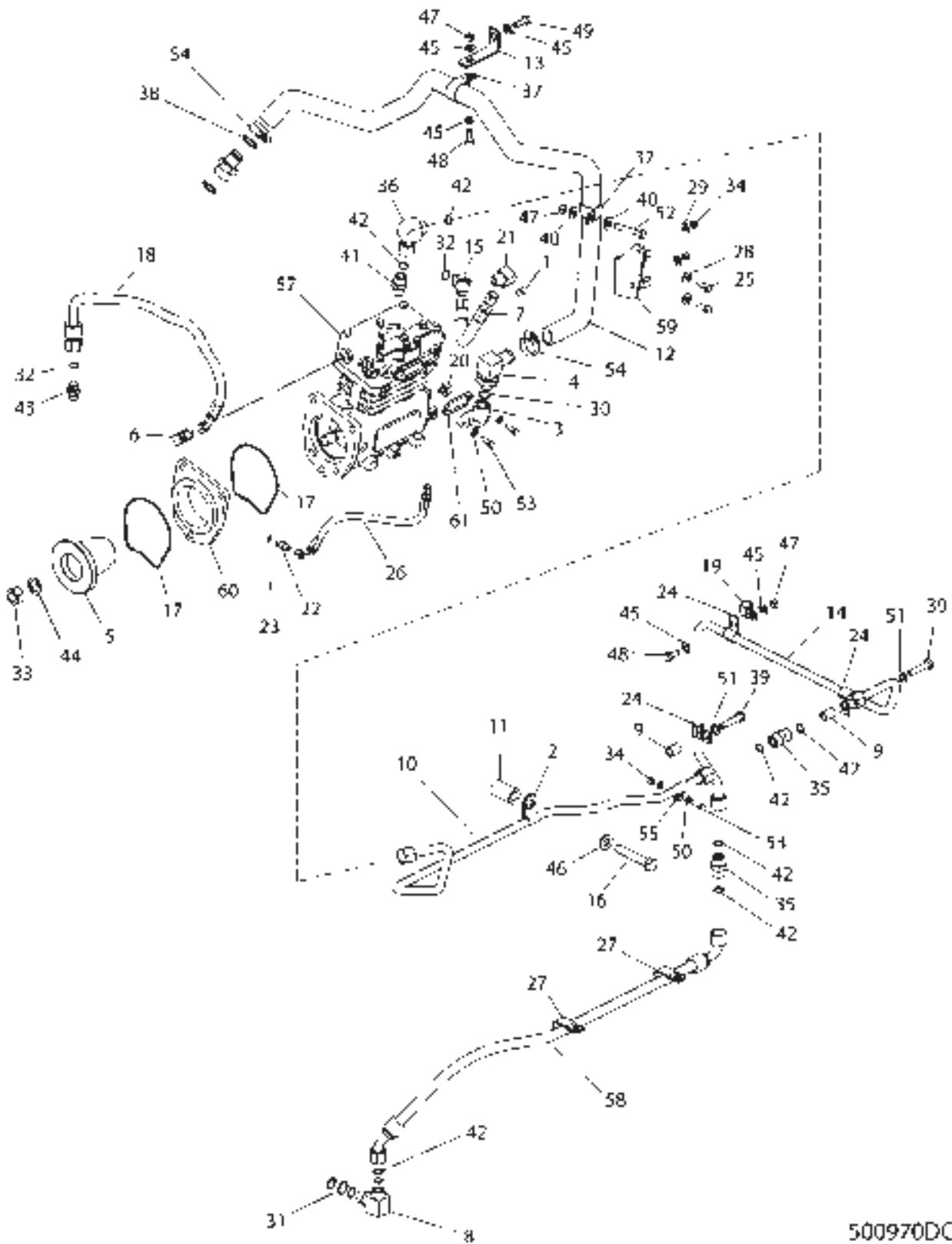
ITEM	NUMBER	QTY	DESCRIPTION
-	501587D1	-	INSTALLATION AR [A] (MT875B) (NOT SERVICED)
1	163-0384	1	SHAFT GP-INPUT (NOT SERVICED) (SEE BREAKDOWN FOR COMPONENTS)
2	172-5333	1	MOUNTING GP-ENGINE (NOT SERVICED) (SEE BREAKDOWN FOR COMPONENTS)
3	501577D1	1	MUFFLER GP (NOT SERVICED) (SEE BREAKDOWN FOR COMPONENTS)
4	501578D1	1	CLEANER GP-AIR (A) (NOT SERVICED) (SEE BREAKDOWN FOR COMPONENTS)
5	500963D1	1	LINES GP-AIR (NOT SERVICED) (SEE BREAKDOWN FOR COMPONENTS)
6	502733D1	1	LINES GP-A/C (NOT SERVICED) (SEE BREAKDOWN FOR COMPONENTS)
7	502580D1	1	LINES GP-COOLANT (NOT SERVICED) (SEE BREAKDOWN FOR COMPONENTS)
8	501680D1	1	ENGINE AS-COMPL (588 HP) (ORDER COMPONENTS THRU CAT ENG DIV.)
9	502735D1	1	LINES GP-FUEL (NOT SERVICED) (SEE BREAKDOWN FOR COMPONENTS)
10	180-2924	1	MOTOR GP-ELECTRIC (NOT SERVICED) (SEE BREAKDOWN FOR COMPONENTS)
11	502646D1	1	TANK GP-EXP & COOLANT (NOT SERVICED) (SEE BREAKDOWN FOR COMPONENTS)
12	185-2240	1	PULLEY GP (NOT SERVICED) (SEE BREAKDOWN FOR COMPONENTS)
13	501572D1	1	AID GP-ETHER STARTING (SEE BREAKDOWN FOR COMPONENTS)
14	187-1791	1	DRIVE GP-ACCESSORY (NOT SERVICED) (SEE BREAKDOWN FOR COMPONENTS)
15	187-1792	1	MOUNTING GP-COMPRESSOR (NOT SERVICED) (SEE BREAKDOWN FOR COMPONENTS)
16	502579D1	1	COOLER GP-MTG & (NOT SERVICED) (SEE BREAKDOWN FOR COMPONENTS)
17	501580D1	1	LINES GP- DUST EJECTOR (NOT SERVICED) (SEE BREAKDOWN FOR COMPONENTS)
18	502352D1	1	FILTER GP-WATER (NOT SERVICED) (SEE BREAKDOWN FOR COMPONENTS)
19	502738D1	1	FAN GP-ENGINE (NOT SERVICED) (SEE BREAKDOWN FOR COMPONENTS)
20	501573D1	1	MOUNTING GP-ALTERNATOR (NOT SERVICED) (SEE BREAKDOWN FOR COMPONENTS)

PART OF 501592D1; 501597D1 BASE UNIT AR

NOTIF
PR: t05b22n43d0022

MT800B SERIES TRACTORS
ENGINE INSTALLATION ARRANGEMENT

COMPRESSOR GP-AIR - 500970D1
MT855B & MT865B



**MT800B SERIES TRACTORS
ENGINE INSTALLATION ARRANGEMENT**

91

**COMPRESSOR GP-AIR - 500970D1
MT855B & MT865B**

ITEM	NUMBER	QTY	DESCRIPTION
-	500970D1	-	AIR COMPRESSOR GP [A] (NOT SERVICED)
1	CH5F-5434	1	VENT AS-1/8NPTF
2	CH5P-7808	1	CLIP-LOOP 16.0 ID
3	400692X1	1	ELBOW
4	400704X1	1	CONNECTOR-90DEG 10 STORX25.4 OD BARB
5	101-9640	1	GEAR-AIR COMPRESSOR
6	CH170-5282	1	ELBOW-90DEG 8FLAR37X8NPTF
7	179-2886	1	HOSE AS-12.7 ID CMS 5883
8	CH184-8029	1	ELBOW AS.-90DEG 10 ORFS X M22
	400366X1	1	SEAL-O-RING (22.5ODX1.78DIA)
	400322X1	1	SEAL-O-RING (19.28IDX1.78DIA)
	187-9009	1	RING-RETAINING
9	197-1437	2	SPACER
10	198-1955	1	TUBE AS.
11	198-1961	1	SPACER
12	212-3602	1	HOSE-AIR INLET
13	215-8051	1	BRACKET
14	218-2808	1	TUBE AS.
15	400280X1	1	ELBOW-45DEG 8STOR 8 37DEG FLARED
16	400130X1	1	BOLT-5/8-18X88.9 PH&O HHD 10.9
17	CH110-0004	2	SEAL (AIR COMP MTG)
18	179-2887	1	HOSE AS-12.7 ID CMS 5883
19	CH1S-0994	1	CLIP-LOOP 20.64 ID
20	400658X1	1	ELBOW-90DEG 4 FLAR 37 X 2 NPTF
21	400659X1	1	ELBOW-90 DEG 8 FLAR37 X 8 NPTF
22	400281X1	1	CONNECTOR-4 STOR 4 37DEG FLARED
23	400361X1	1	SEAL-O-RING 8.92 IDX1.83 DIA
24	CH4K-8302	3	CLIP-LOOP 15.88 ID W/COAT
25	400149X1	2	BOLT-3/8-16X25.4 ZNDI HHD 10.9
26	501942D1	1	HOSE ASM-7/16-20 THD,FJS/FJS90
27	400665X1	2	CLIP-LOOP 19ID X 2
28	CH5P-1075	2	WASHER-HARD 10.2IDX22.5ODX3ORG
29	400599X1	2	WASHER-HARD,M8X20.5ODX2THK
30	400674X1	1	SEAL-O-RING 19.18IDX2.46DIA
31	400675X1	1	SEAL-O-RING 19.18IDX2.46DIA
32	400678X1	2	SEAL-O-RING 16.36IDX2.21DIA
33	400681X1	1	NUT M20 X 2.5 THD X 18
34	400682X1	3	NUT 5/16-18 THD 6.75
35	400684X1	2	UNION- 10 ORFS
36	400687X1	1	ELBOW-90DEG 10 ORFS SWVL
37	400689X1	2	CLIP LOOP 38.1ID
38	400376X1	1	SEAL-O-RING 29.74 IDX2.95 DIA
39	400177X1	2	BOLT-7/16-14X50 ZNDI HHD 10.9

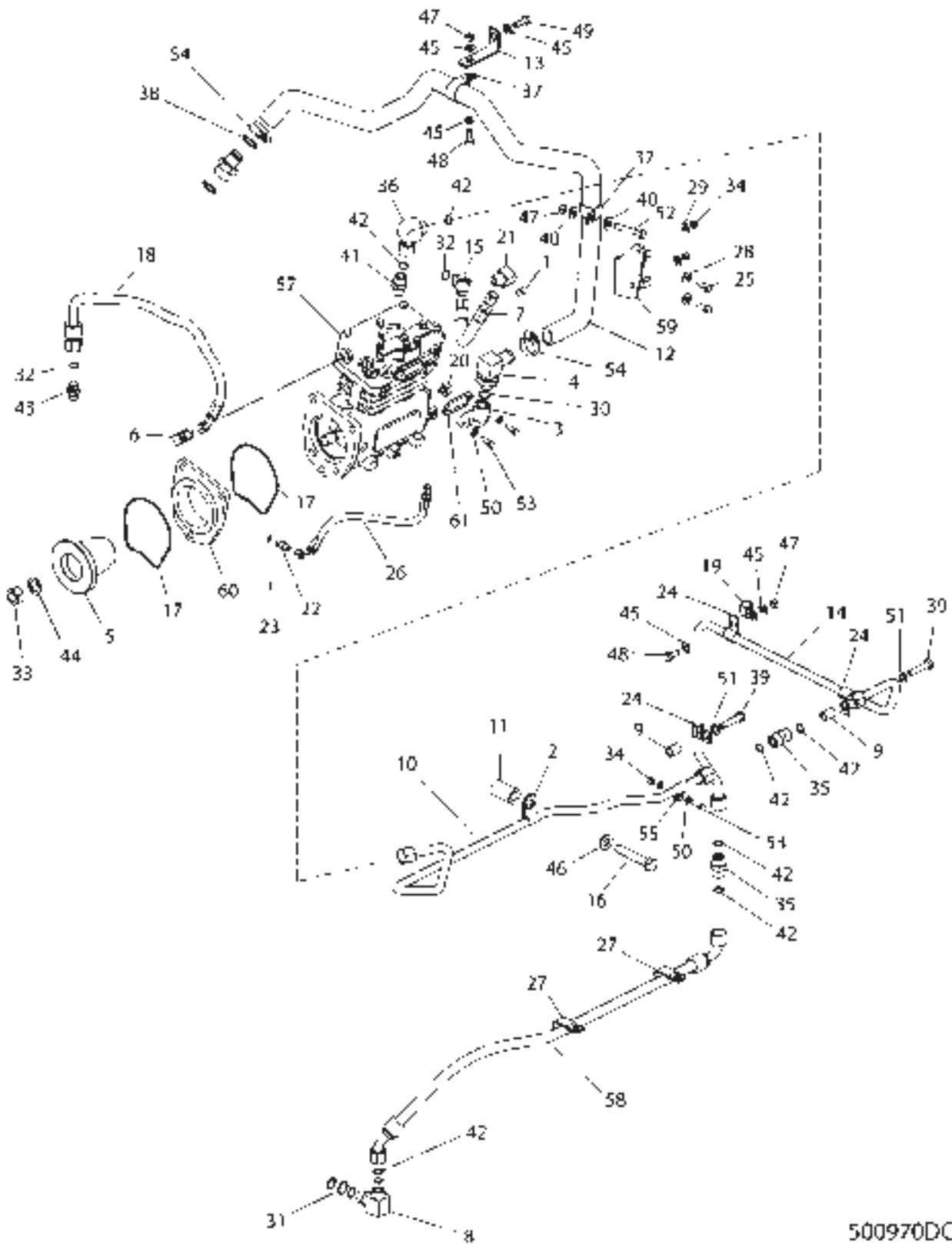
CONTINUED

[A] PART OF:
186-1620; 192-6390 BRAKE AR-AIR TRA
190-0440; 210-5704 TANK AR-AIR

500970DC
PR: t05b22n43d0023

MT800B SERIES TRACTORS
ENGINE INSTALLATION ARRANGEMENT

COMPRESSOR GP-AIR - 500970D1
MT855B & MT865B



**MT800B SERIES TRACTORS
ENGINE INSTALLATION ARRANGEMENT**

93

**COMPRESSOR GP-AIR - 500970D1
MT855B & MT865B**

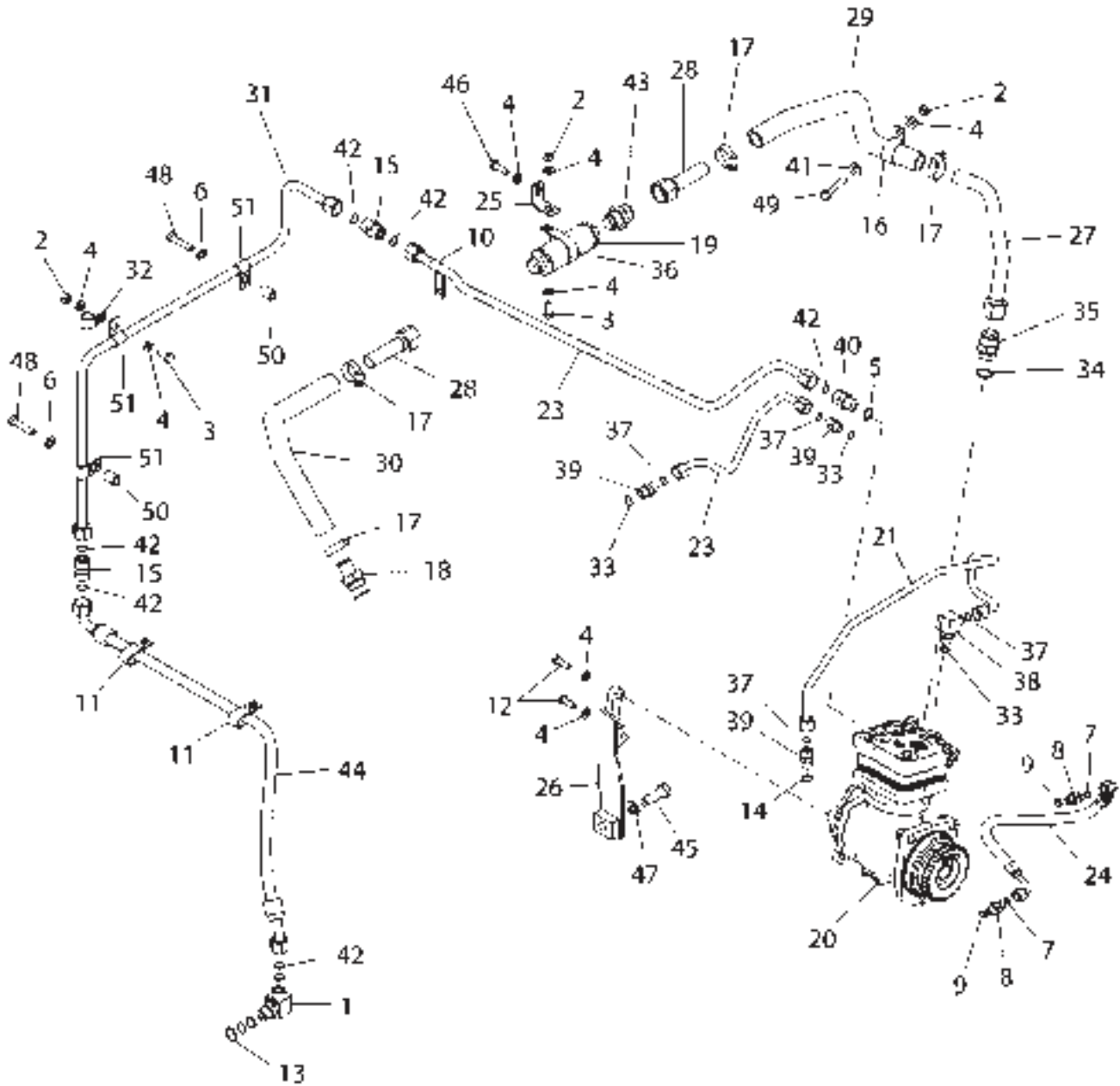
ITEM	NUMBER	QTY	DESCRIPTION
-	500970D1	-	AIR COMPRESSOR GP [A] (NOT SERVICED)
40	CH7X-7729	2	WASHER-11IDX5ODX3MM
41	400693X1	1	ADAPTER-STR,0.50MNPTFX-10MORFS
42	CH8L-2746	7	SEAL-O-RING 15.61IDX1.78DIA
43	400696X1	1	CONNECTOR-8FLAR 37 X 8STOR
44	CH8T-3282	1	WASHER HARD-22IDX35ODX3.5MM
45	400287X1	5	WASHER-HARD 11IDX21ODX2.5 ZND1
46	CH8T-4122	1	WASHER HARD-17IDX32ODX3.5MM
47	7774664	3	NUT-M10-1.5,CL10.9,ZN,H,REG
48	400039X1	2	BOLT-M10X1.5X25 ZNDI HHD 10.9
49	400058X1	1	BOLT-M10X1.5X30 ZNDI HHD 10.9
50	400339X1	4	WASHER-HARD
51	400358X1	2	WASHER-HARD-7/16X22.50DX2.5THK
52	400239X1	1	BOLT-M10X1.5X60 ZNDI HHD 10.9
53	400249X1	3	BOLT-5/16-18X22.2 ZNDI HHD10.9
54	400701X1	2	CLAMP-HOSE SST22.2-44.5IDX13.5
55	400702X1	1	CLIP-ONE TUBE COATED
56	400703X1	1	CONNECTOR AS-16STORX25.4 BARB
	400376X1	1	SEAL-O-RING
57	215-8055	1	COMPRESSOR AS-AIR (SEE BREAKDOWN FOR COMPONENTS)
58	218-2809	1	HOSE AS-15.9 ID CMS 5758A
59	500515D1	1	BRACKET
60	6I-3907	1	ADAPTER-PILOT
61	400697X1	1	GASKET-AIR COMPRESSOR

[A] PART OF:
186-1620; 192-6390 BRAKE AR-AIR TRA
190-0440; 210-5704 TANK AR-AIR

500970DC
PR: t05b22n43d0023

MT800B SERIES TRACTORS
ENGINE INSTALLATION ARRANGEMENT

COMPRESSOR GP-AIR - 501600D1



501600DB

**MT800B SERIES TRACTORS
ENGINE INSTALLATION ARRANGEMENT**

95

COMPRESSOR GP-AIR - 501600D1

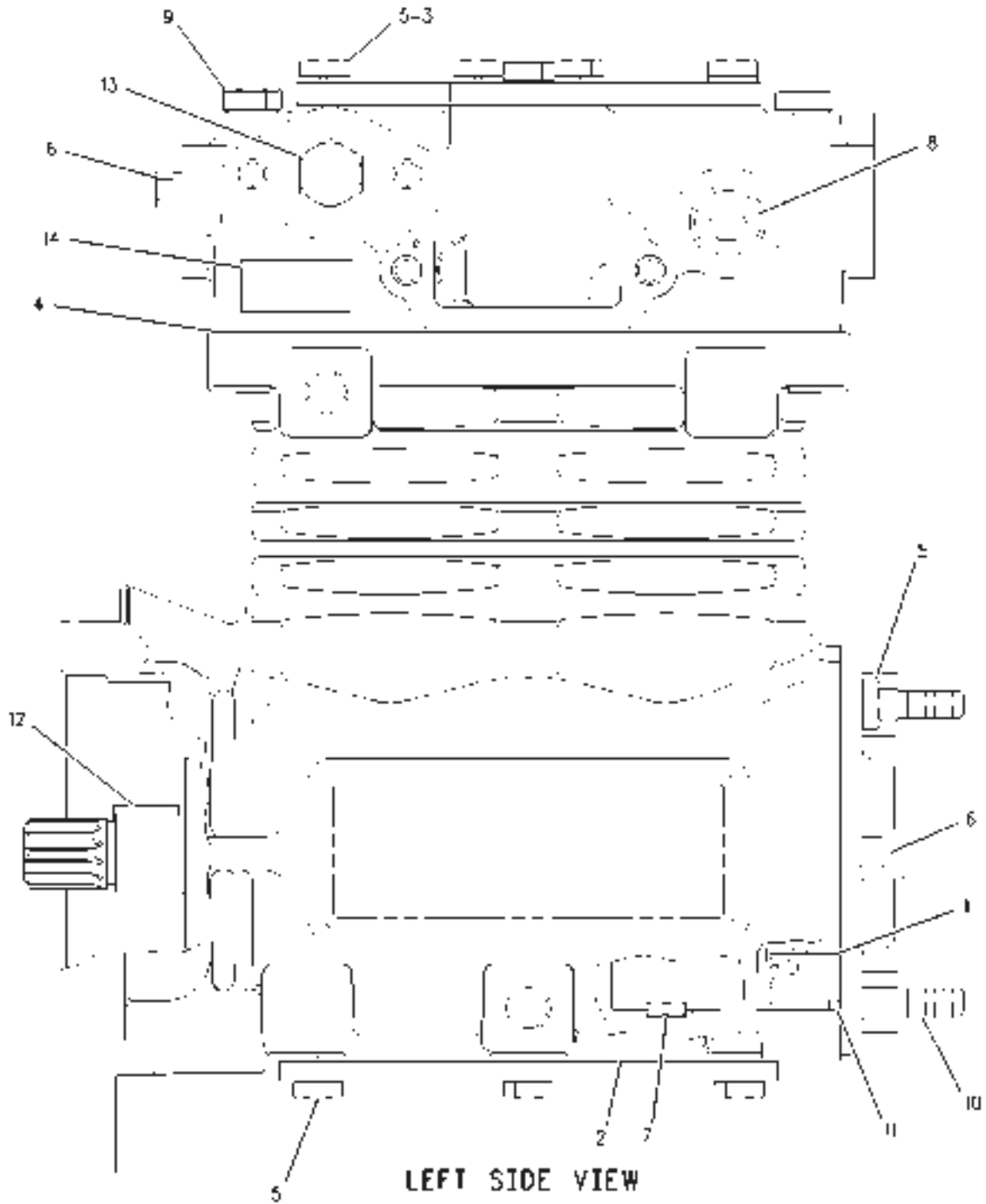
ITEM	NUMBER	QTY	DESCRIPTION
-	501600D1	-	COMPRESSOR GP-AIR (BENDIX) (NOT SERVICED)
1	CH184-8029	1	ELBOW-90 DEG (INCLS SEALS & RING)
	400322X1	1	SEAL-O-RING (19.28D X 1.78DIA)
	400366X1	1	SEAL-O-RING (22.5OD X 1.78DIA)
	187-9009	1	RING-RETAINING
2	7774664	3	NUT-M10-1.5,CL10.9,ZN,H,REG
3	400039X1	2	BOLT-M10X1.5X25 ZNDI HHD 10.9
4	400287X1	7	WASHER-HARD 11IDX21ODX2.5 ZND1
5	400319X1	1	SEAL-O-RING 19.18IDX2.46
6	400358X1	2	WASHER-HARD-7/16X22.5ODX2.5THK
7	400361X1	2	SEAL-O-RING 8.92 IDX1.83 DIA
8	400373X1	2	CONNECTOR-STR -4 STOR -4 ORFS
9	400377X1	2	SEAL-O-RING 11.23 ODX1.78 DIA
10	400657X1	1	CLIP-ONE TUBE-COATED
11	400665X1	2	CLIP-LOOP 19ID X 2
12	400673X1	2	BOLT-M10X1.5X30 STL HHD 10.9
13	400675X1	1	SEAL-O-RING 19.18IDX2.46DIA
14	400678X1	1	SEAL-O-RING 16.36IDX2.21DIA
15	400684X1	2	UNION- 10 ORFS
16	400689X1	1	CLIP LOOP 38.1ID
17	400701X1	4	CLAMP-HOSE SST22.2-44.5IDX13.5
18	400703X1	1	CONNECTOR AS-16STORX25.4 BARB (W/SEAL)
	400376X1	1	SEAL-O-RING
19	500980D1	1	VALVE AS.
20	500989D1	1	COMPRESSOR GP-AIR
21	501975D1	1	TUBE AS.
22	501976D1	1	TUBE AS.
23	501977D1	1	TUBE AS.
24	502308D1	1	HOSE AS. (FOR
25	502309D1	1	BRACKET
26	502310D1	1	BRACKET AS.
27	502314D1	1	TUBE AS.
28	503953D1	2	TUBE AS.
29	503953D1	1	HOSE-AIR INLET
30	503953D1	1	HOSE-AIR INLET
31	502332D1	1	TUBE AS.
32	CH1S-0994	1	CLIP-LOOP 20.64 ID
33	CH3K-0360	3	SEAL-O-RING 16.36IDX2.21DIA
34	CH4K-1388	1	SEAL-O-RING 26.59 ID
35	CH5P-3237	1	CONNECTOR-STOR TO
36	CH6V-2235	1	CLIP-LOOP 50.8 ID
37	CH6V-8398	4	SEAL-O-RING-16.03ODX1.78DIA
38	CH6V-8625	1	ELBOW-90DEG -8 STOR -10 BARB
39	CH6V-8639	3	CONNECTOR-STR-12.7 STR -8 ORFS
40	CH6V-8642	1	CONNECTOR-O-RING PORT
41	CH7X-7729	2	WASHER-11IDX5ODX3MM
42	CH8L-2746	6	SEAL-O-RING 15.61IDX1.78DIA
43	CH9S-7754	1	UNION-37 DEGREE FLARED
44	218-2809	1	HOSE AS-15.9 ID CMS 5758A
45	400056X1	1	BOLT-M16X2X50MM ZNDI HHD 10.9
46	400058X1	1	BOLT-M10X1.5X30 ZNDI HHD 10.9
47	400082X1	1	WASHER-HARD 17.5IDX30ODX3.5 ZN
48	400177X1	2	BOLT-7/16-14X50 ZNDI HHD 10.9
49	400239X1	1	BOLT-M10X1.5X60 ZNDI HHD 10.9
50	197-1437	2	SPACER
51	CH4K-8302	3	CLIP-LOOP 15.88 ID W/COAT

[A] PART OF 502357D1; 502358D1 BRAKE AR;
502359D1; 502360D1 TANK AR-AIR

501600DB
PR: t05b22n43d0024

MT800B SERIES TRACTORS
ENGINE INSTALLATION ARRANGEMENT

AIR COMPRESSOR GP - 215-8055



**MT800B SERIES TRACTORS
ENGINE INSTALLATION ARRANGEMENT**

97

AIR COMPRESSOR GP - 215-8055

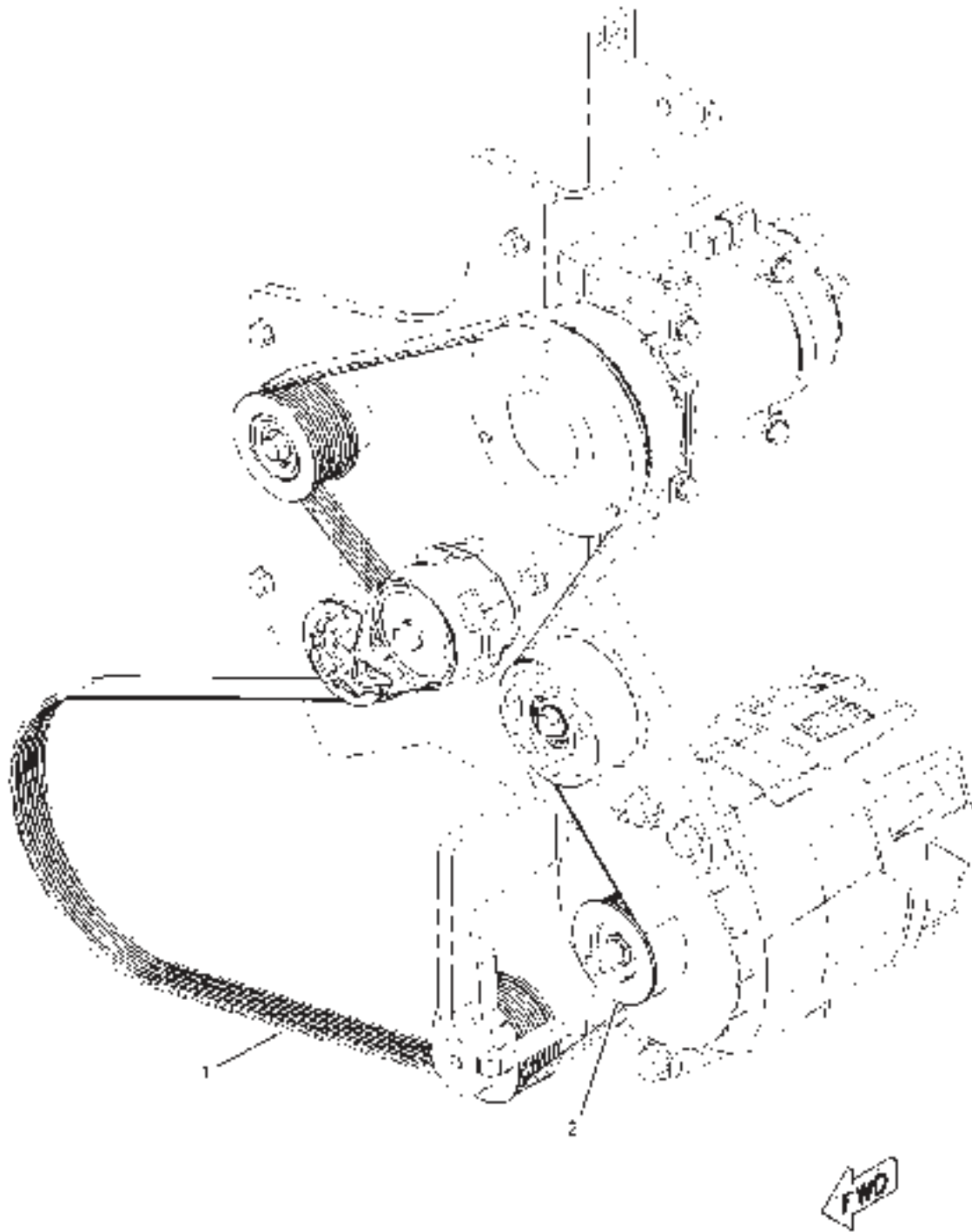
ITEM	NUMBER	QTY	DESCRIPTION
-	215-8055	-	AIR COMPRESSOR GP [A]
1	CH7C-6178	2	BEARING-REAR
2	7E-8928	1	GASKET-BASE
3	CH3B-4505	4	LOCKWASHER (.097IN THK)
4	CH4P-3977	1	GASKET-CYLINDER HEAD
5	CH0S-1617	12	BOLT (5/16-18X0.75 IN)
6	CH8T-6764	2	PLUG-PIPE
7	CH4P-3966	2	PISTON & ROD AS
8	CH8T-6762	1	PLUG-PIPE
9	CH0L-1352	6	BOLT (3/8-16X3.25 IN)
10	CH146-0835	2	STUD-END COVER
11	CH2H-3934	1	SEAL-O-RING
12	CH103-6216	1	KEY
13	CH124-5572	1	VALVE
14	400649X1	1	PLATE-INFORMATION
-	7E-8923	1	KIT-CRANKSHAFT BEARING
-	7E-8925	1	KIT-STANDARD RING
-	7E-8926	1	KIT-CYLINDER HEAD
-	150-5146	1	KIT-UNLOADER

[A] PART OF 180-2937; 180-2398;
500970D1 AIR COMPRESSOR GP

00783724
PR: t05b22n43d0025

MT800B SERIES TRACTORS
ENGINE INSTALLATION ARRANGEMENT

DRIVE GP-ACCESSORY - 187-1791



00869546

**MT800B SERIES TRACTORS
ENGINE INSTALLATION ARRANGEMENT**

99

DRIVE GP-ACCESSORY - 187-1791

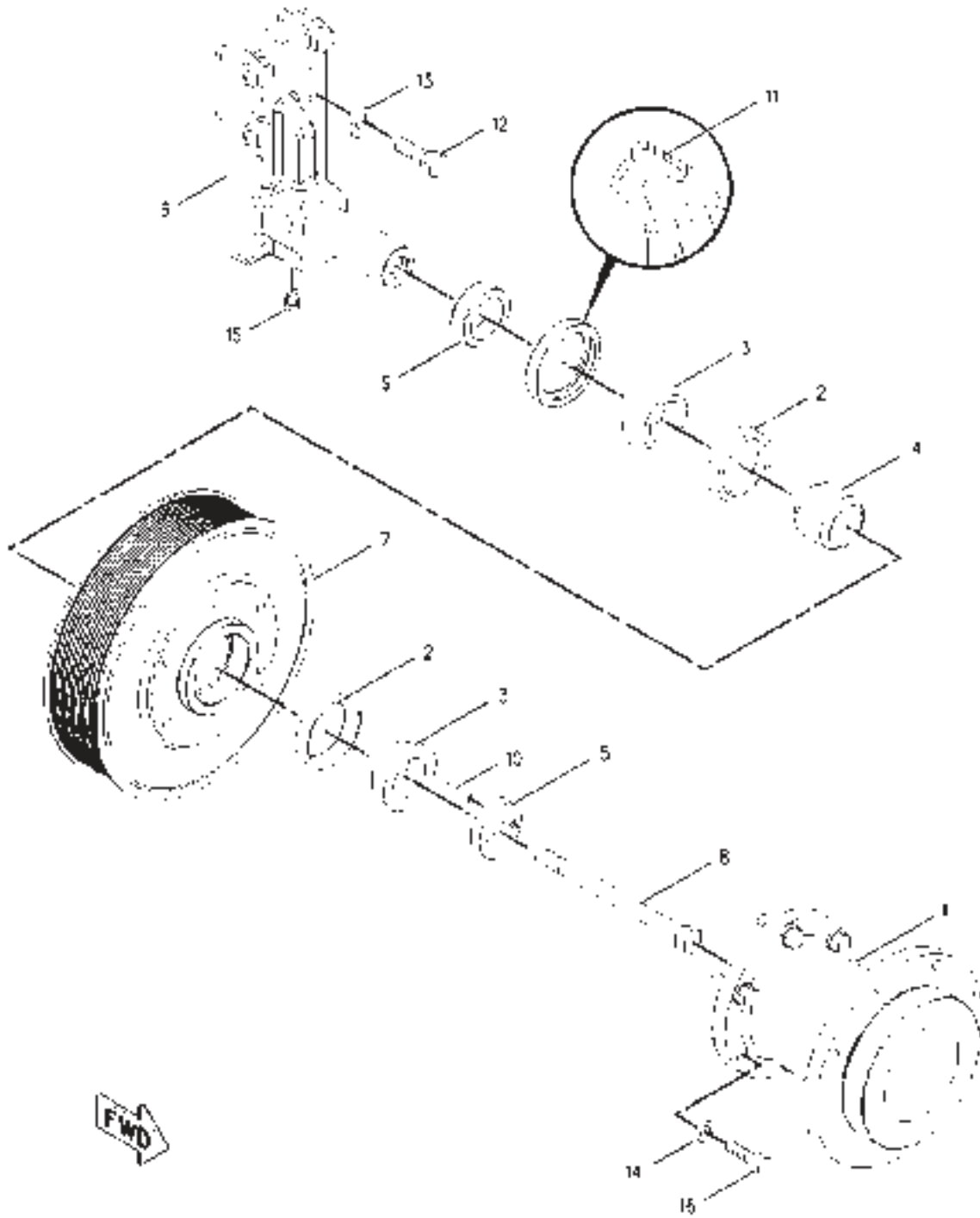
ITEM	NUMBER	QTY	DESCRIPTION
-	187-1791	-	DRIVE GP-ACCESSORY [A] (NOT SERVICED)
1	500685D1	1	BELT (ALTERNATOR)
2	500519D1	1	PULLEY-ALTERNATOR (8 GROOVE)

[A] PART OF:
501583D1; 501854D1; 501585D1;
501586D1; 501857D1
INSTALLATION AR-ENGINE

00869546
PR: t05b22n43d0026

MT800B SERIES TRACTORS
ENGINE INSTALLATION ARRANGEMENT

DRIVE GP-FAN - 197-5675



00878552

**MT800B SERIES TRACTORS
ENGINE INSTALLATION ARRANGEMENT**

101

DRIVE GP-FAN - 197-5675

ITEM	NUMBER	QTY	DESCRIPTION
-	197-5675	-	DRIVE GP-FAN [A] (NOT SERVICED)
1	221-2548	1	ADAPTER-FAN
2	CH4W-1203	2	CUP-BEARING
3	CH4W-1204	2	CONE-BEARING
4	CH4W-2042	1	SPACER (35.3X45.5X38.331)
5	CH7E-4808	1	PLATE
6	221-0808	1	BRACKET
7	197-5676	1	PULLEY-FAN
8	400146X1	1	BOLT (1/2-13X165)
9	CH5S-9062	1	SPACER (35.032X50.8X15.88)
10	6H-3956	1	PIN
11	CH6V-9748	1	SEAL-LIP
12	400050X1	4	BOLT (M12X1.75X40MM)
13	400357X1	4	WASHER-HARD (M12X25.5X3)
14	CH8T-4896	6	WASHER-HARD (10.2X18.5X2.5)
15	8T-6764	1	PLUG-PIPE
16	400252X1	6	BOLT (3/8-16X1.25 IN)
17	CH9F-4446	1	SEAL-O-RING (NOT SHOWN)
18	CH8T-1807	AR	LUBRICANT (NOT SHOWN) [B]

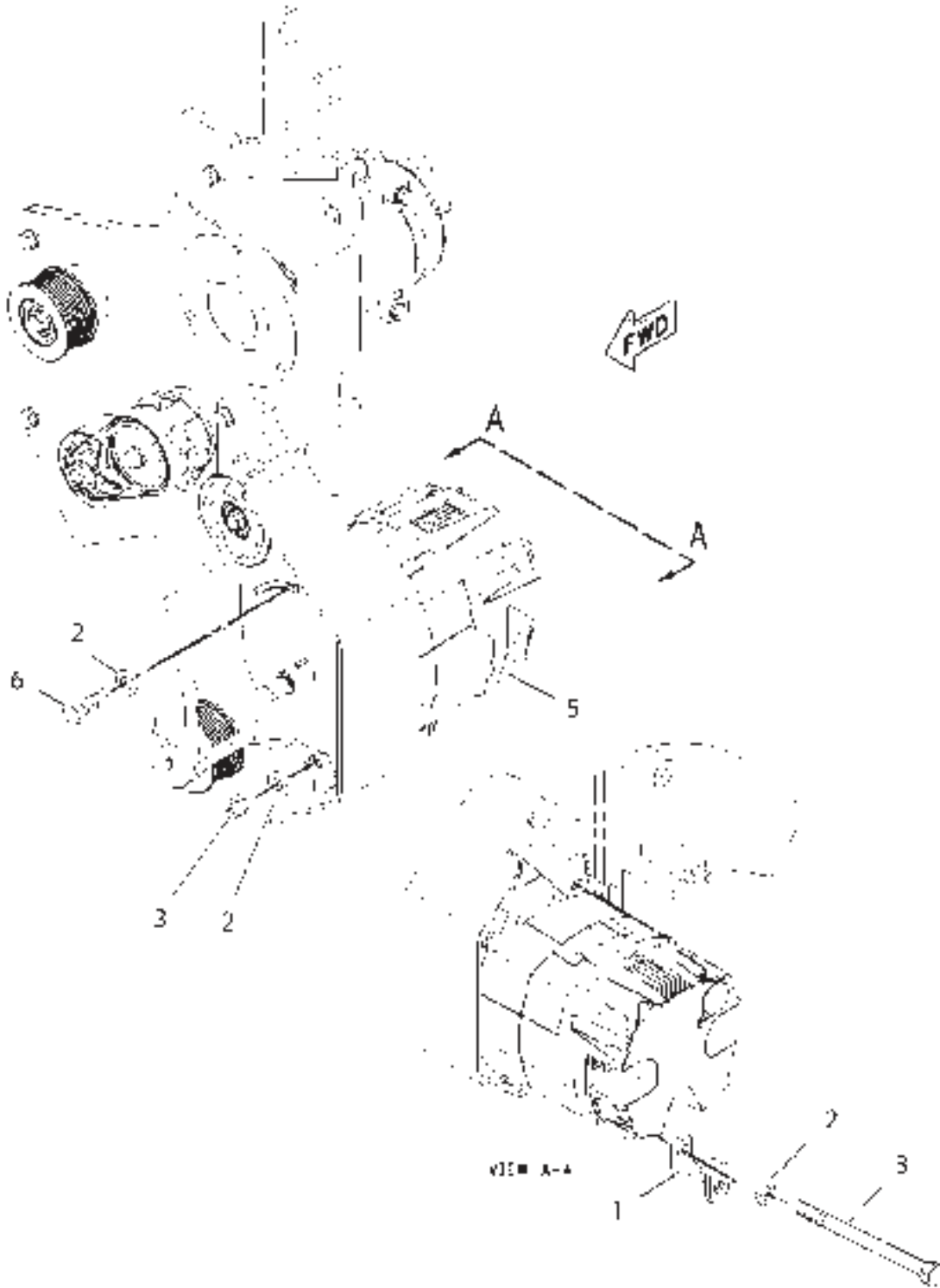
[A] PART OF 185-2240 PULLEY GP

[B] LUBRICATE DRIVE GP WITH 40 GRAMS OF BEARING LUBRICANT. LIGHTLY LUB. THE SEALING LIPS WITH BEARING LUB. ADD 10 GRAMS IN CAVITY BETWEEN BEARINGS AN PUT 30 GRAMS IN THE FAN ADAPTER CAVITY.

00878552
PR: t05b22n43d0027

MT800B SERIES TRACTORS
ENGINE INSTALLATION ARRANGEMENT

MOUNTING GP-ALTERNATOR - 501573D1



**MT800B SERIES TRACTORS
ENGINE INSTALLATION ARRANGEMENT**

103

MOUNTING GP-ALTERNATOR - 501573D1

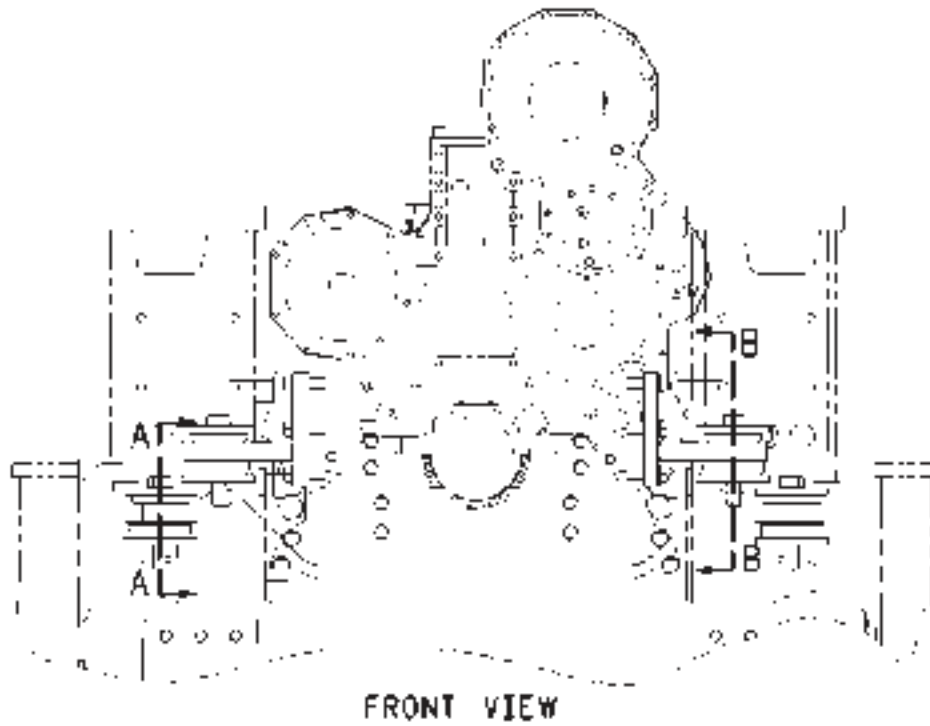
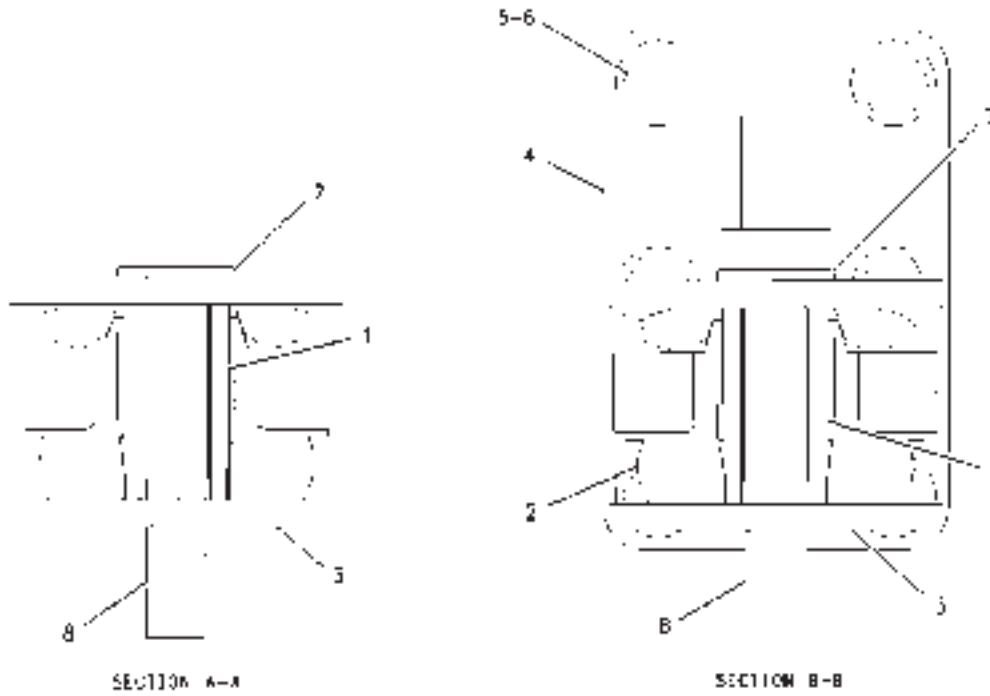
ITEM	NUMBER	QTY	DESCRIPTION
-	501573D1	-	MOUNTING GP-ALTERNATOR [A] (NOT SERVICED)
1	142-9826	1	BRACKET ASM
	CH8T-3490	1	NUT-WELD
2	400357X1	4	WASHER-HARD (M12X25.5X3)
3	400570X1	1	NUT (1/2-13)
4	400826X1	1	BOLT (1/2-13X7.5 IN)
5	500969D1	1	ALTERNATOR (12V-185A)
	501883D1	1	GUARD
	501884D1	1	REGULATOR
6	400274X1	1	BOLT (1/2-13X2.25 IN)

[A] PART OF 501583D1; 501584D1;
501585D1; 501586D1; 501587D1
INSTALLATION AR-ENGINE

501573DC
PR: t05b22n43d0028

MT800B SERIES TRACTORS
ENGINE INSTALLATION ARRANGEMENT

MOUNTING GP-ENGINE - 172-5333



00867786

**MT800B SERIES TRACTORS
ENGINE INSTALLATION ARRANGEMENT**

105

MOUNTING GP-ENGINE - 172-5333

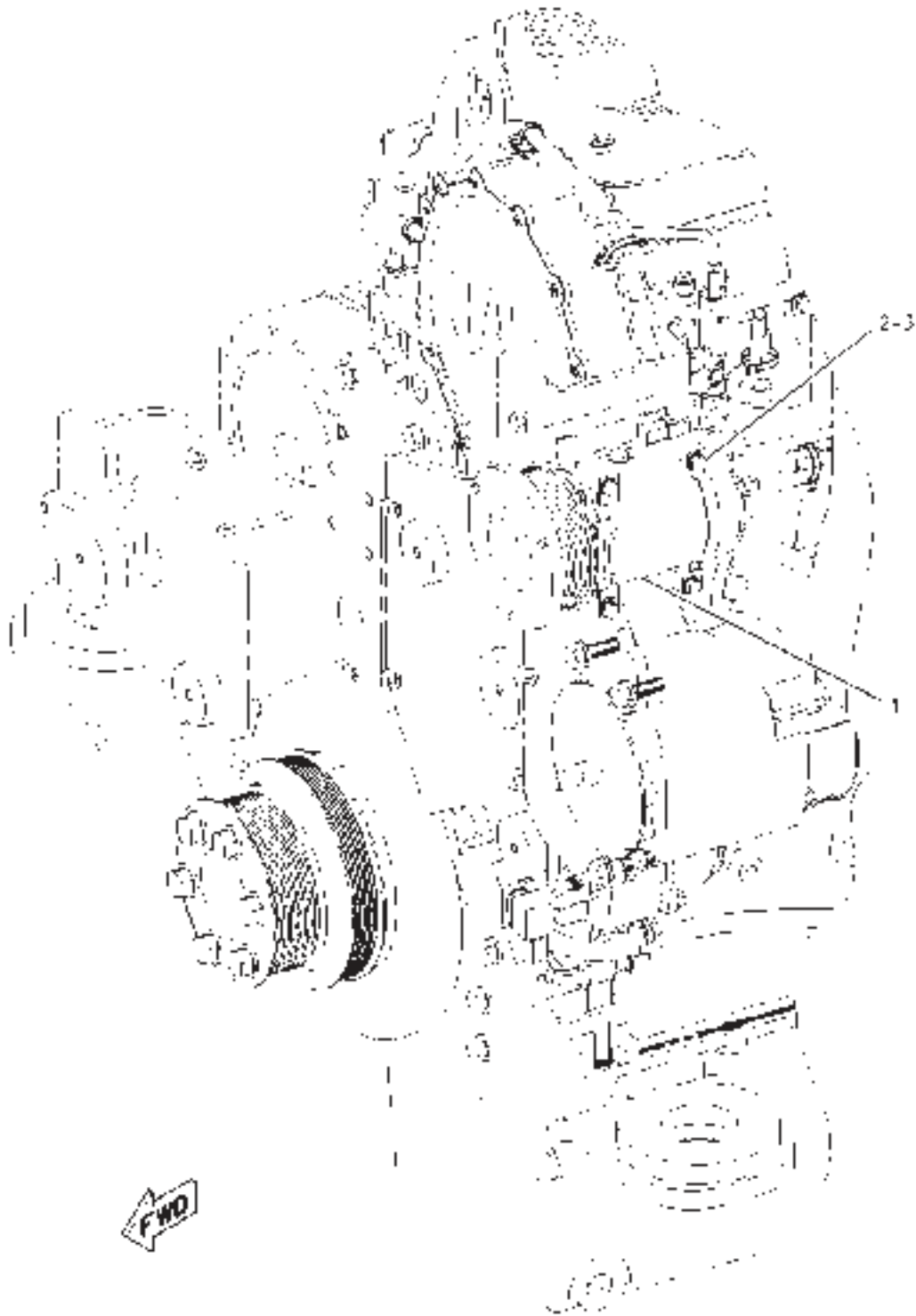
ITEM	NUMBER	QTY	DESCRIPTION
-	172-5333	-	MOUNTING GP-ENGINE [A] (NOT SERVICED)
1	CH3E-4883	4	SLEEVE
2	CH9W-9930	4	MOUNT ASM (INCLUDES PAD & MOUNT)
3	400336X1	8	WASHER
4	223-0701	2	BRACKET-SUPPORT ENGINE
5	400180X1	12	BOLT (5/8-11X50.8)
6	CH8T-4122	12	WASHER-HARD (17X32X3.5)
7	400081X1	4	WASHER-HARD (26X44X4)
8	400229X1	4	BOLT (M24X3X140MM)

[A] PART OF 172-5363; 172-5364;
187-1743; 187-1744; 501583D1;
501584D1; 501585D1; 501586D1;
501587D1 INSTALLATION AR-ENGINE

00867786
PR: t05b22n43d0029

MT800B SERIES TRACTORS
ENGINE INSTALLATION ARRANGEMENT

MOUNTING GP-REFRIGERANT COMPR - 187-1792



**MT800B SERIES TRACTORS
ENGINE INSTALLATION ARRANGEMENT**

107

MOUNTING GP-REFRIGERANT COMPR - 187-1792

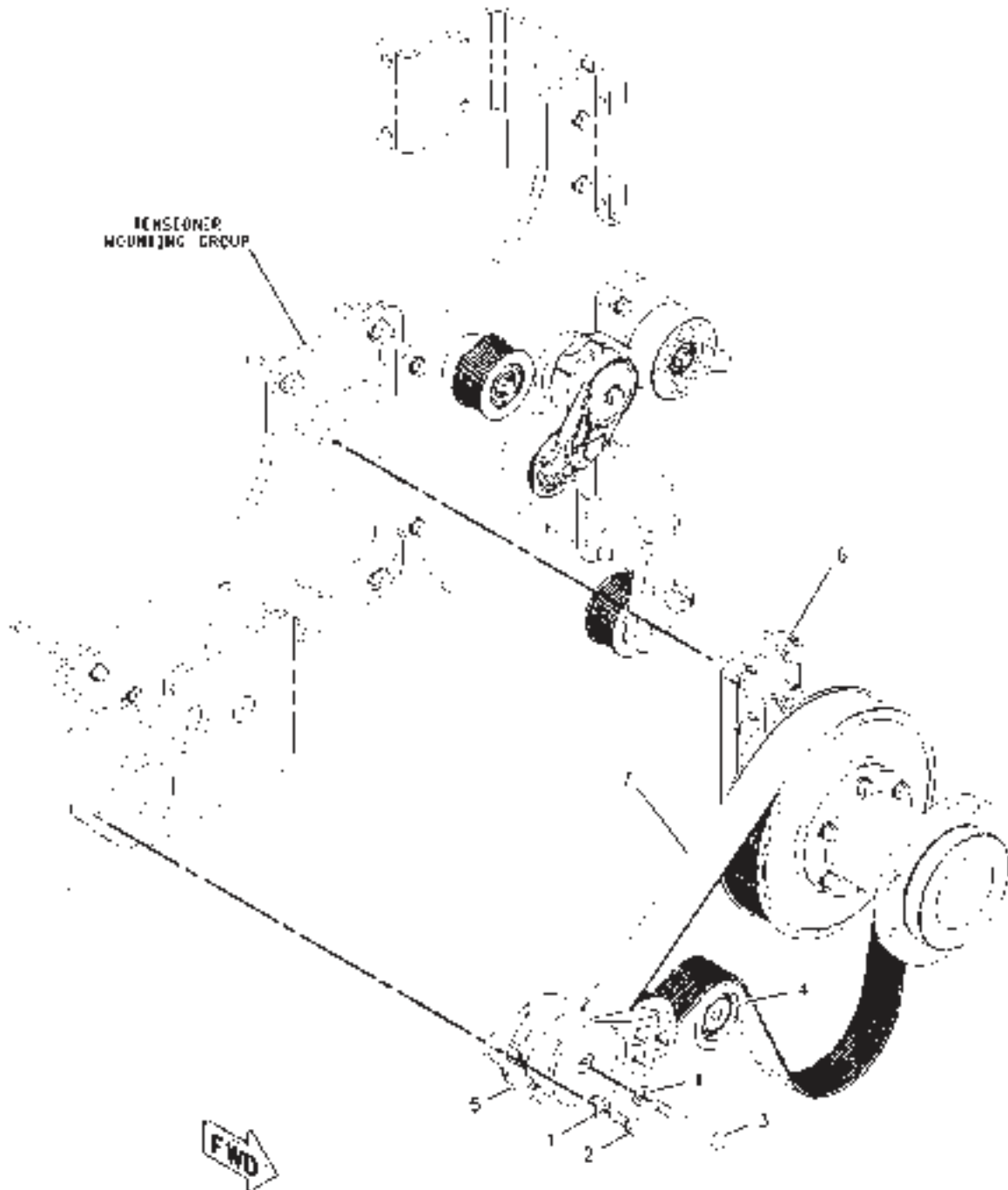
ITEM	NUMBER	QTY	DESCRIPTION
-	187-1792	-	MOUNTING GP-REFRIGERANT COMPR [A] (NOT SERVICED)
1	CH178-9570	1	COMPRESSOR GP-REFRIGERANT (SEE BREAKDOWN FOR COMPONENTS)
2	400028X1	4	BOLT (M8X1.25X100MM)
3	400339X1	4	WASHER-HARD (8.8X16X2)

[A] PART OF 172-5361;172-5362;172-5363;
172-5364; 501583D1; 501584D1;
501585D1; 501586D1; 501587D1
INSTALLATION AR-ENGINE

00867656
PR: t05b22n43d0030

MT800B SERIES TRACTORS
ENGINE INSTALLATION ARRANGEMENT

PULLEY GP - 185-2240
A4-HI AMBIENT



**MT800B SERIES TRACTORS
ENGINE INSTALLATION ARRANGEMENT**

109

**PULLEY GP - 185-2240
A4-HI AMBIENT**

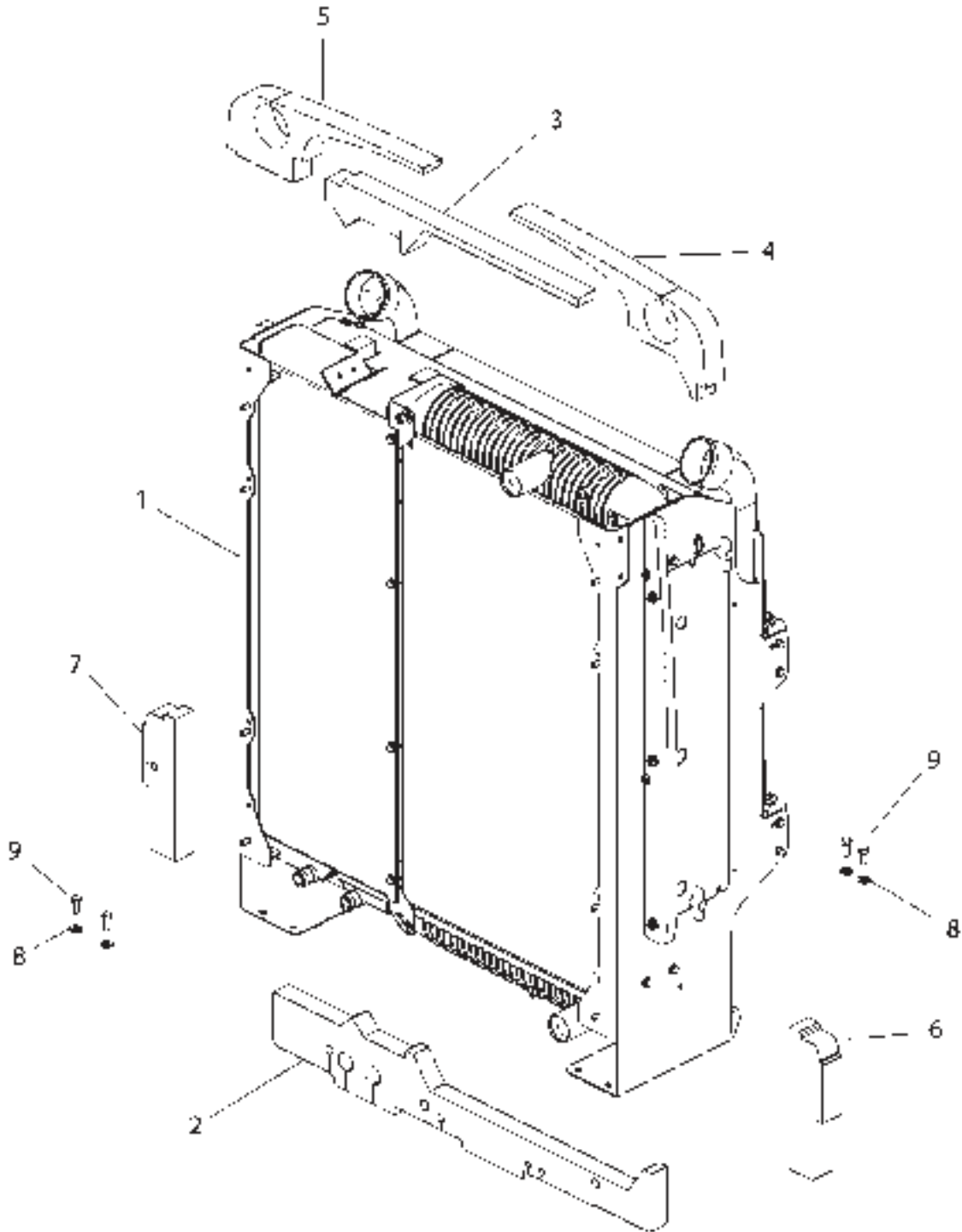
ITEM	NUMBER	QTY	DESCRIPTION
-	185-2240	-	PULLEY GP [A] (NOT SERVICED)
1	400287X1	2	WASHER-HARD (11X21X2.5)
2	400039X1	1	BOLT (M10X1.5X25MM)
3	400225X1	1	BOLT (M10X1.5X90MM)
4	221-1233	1	PULLEY ASM-IDLER
	CH172-2241		PULLEY (INCLUDES 4A THRU 4D)
4A	CH8T-0644	1	BOLT (M10X1.50X90MM)
4B	400287X1	1	WASHER-HARD (11X21X2.5)
4C	CH172-3403	1	SPACER
4D	CH194-4168	1	COVER-DUST
5	221-1230	1	BELT TIGHTENER
6	197-5675	1	DRIVE GP-FAN (NOT SERVICED) (SEE BREAKDOWN FOR COMPONENTS)
7	197-6292	1	BELT

[A] PART OF 172-5364; 187-1744;
501583D1; 501854D1; 501585D1;
501585D1; 501586D1; 501587D1
INSTALLATION AR-ENGINE

00899835
PR: t05b22n43d0031

MT800B SERIES TRACTORS
COOLING SYSTEM

COOLER GP & MTG - 500920D1
MT835B, MT845B, MT855B & MT865B



**MT800B SERIES TRACTORS
COOLING SYSTEM**

111

**COOLER GP & MTG - 500920D1
MT835B, MT845B, MT855B & MT865B**

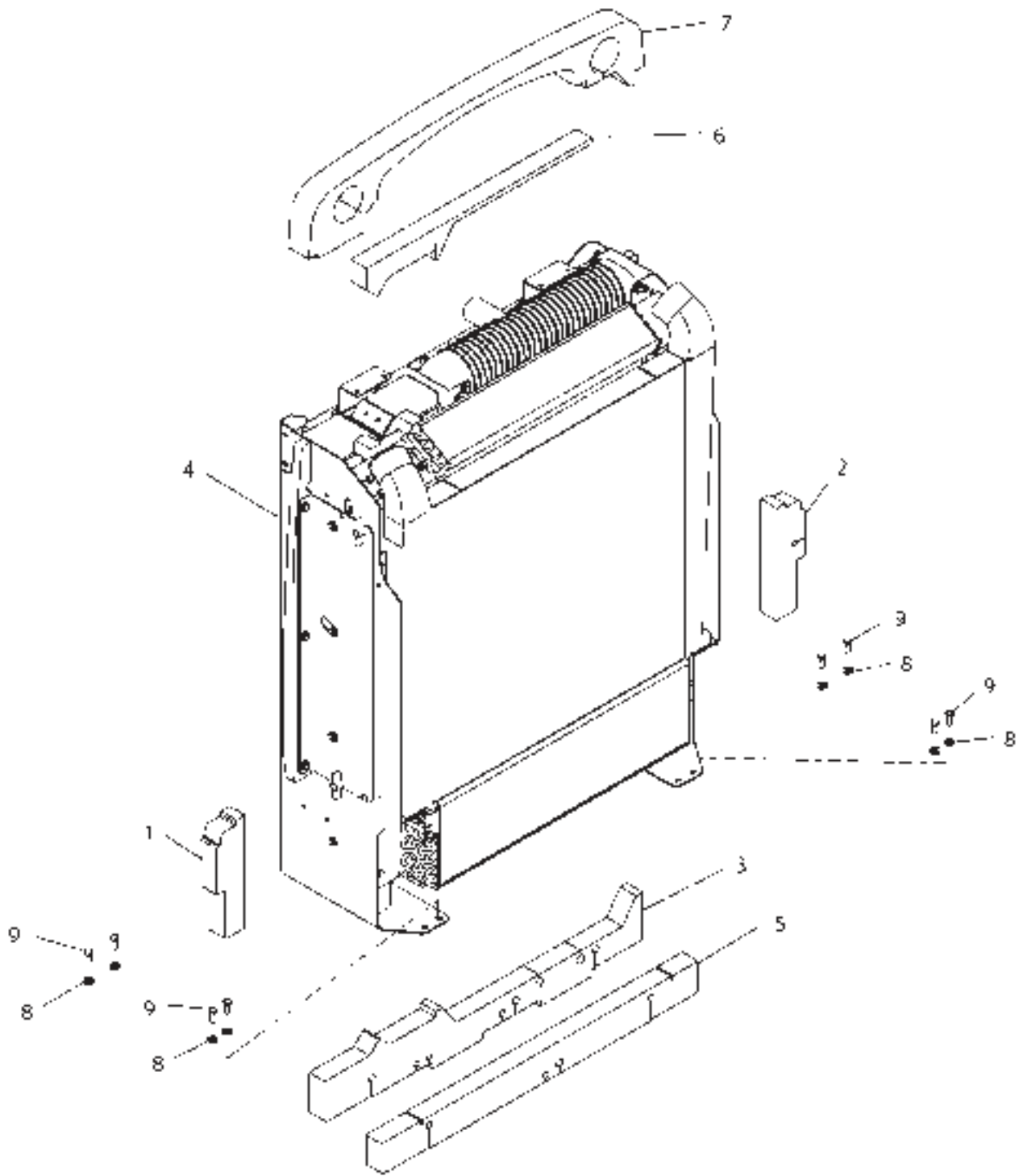
ITEM	NUMBER	QTY	DESCRIPTION
-	500920D1	-	COOLER GP & MTG [A] (NOT SERVICED)
1	500919D1	1	CORE GP & MOUNTING (NOT SERVICED) (SEE BREAKDOWN FOR COMPONENTS)
2	500923D1	1	BAFFLE-BOTTOM
3	501034D1	1	BAFFLE
4	501035D1	1	BAFFLE
5	501036D1	1	BAFFLE
6	501057D1	1	BAFFLE-RH
7	501058D1	1	BAFFLE-LH
8	400357X1	8	WASHER-HARD-M12X25.50DX3THK
9	400041X1	8	BOLT-M12X1.75X30 ZNDI HHD 10.9

[A] PART OF:
501583D1; 501854D1; 501585D1;
501586D1 INSTALLATION AR

500920DA
PR: t05b22n43d0032

MT800B SERIES TRACTORS
COOLING SYSTEM

COOLER GP-MTG & - 502579D1
MT875B



**MT800B SERIES TRACTORS
COOLING SYSTEM**

113

**COOLER GP-MTG & - 502579D1
MT875B**

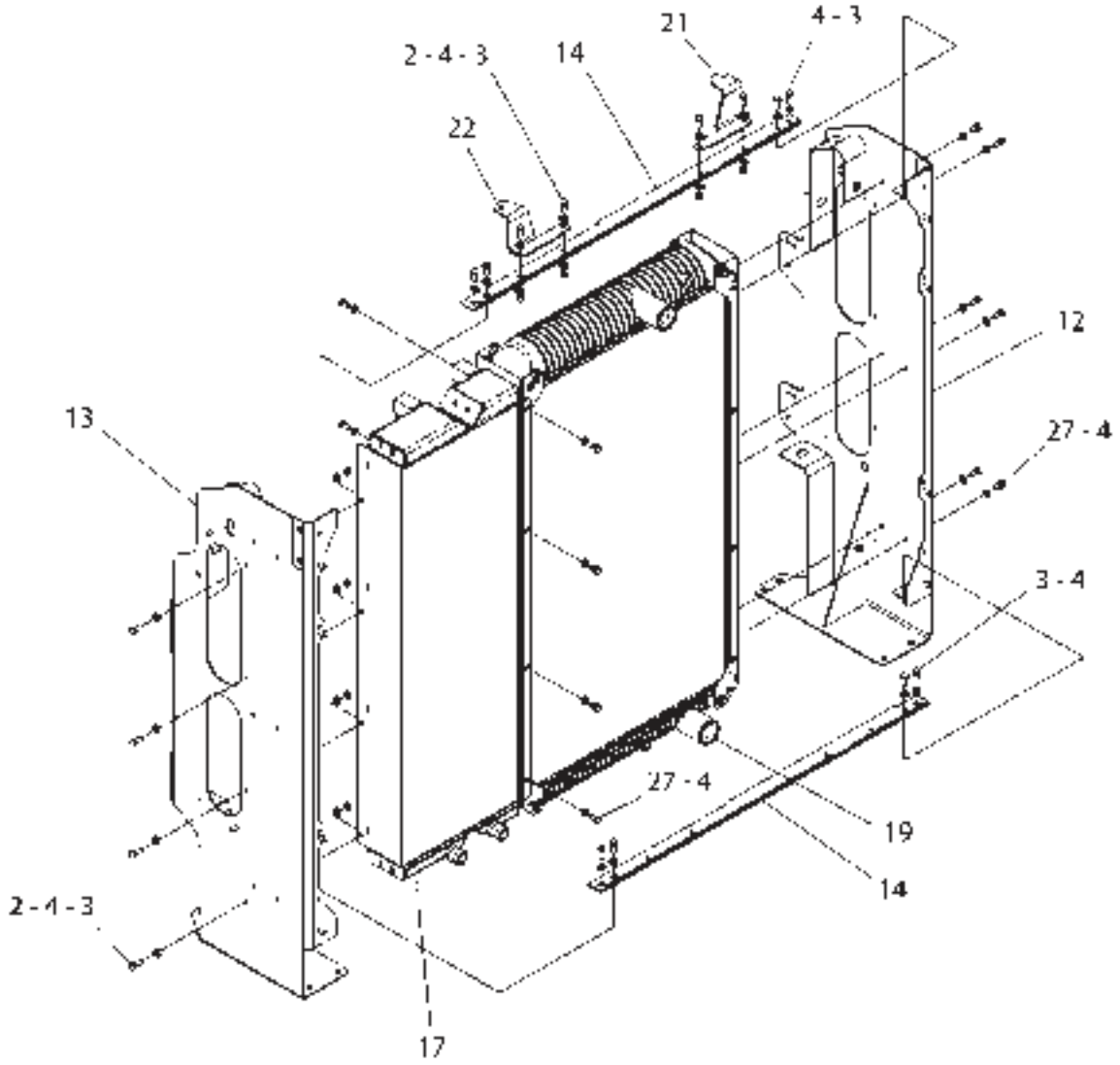
ITEM	NUMBER	QTY	DESCRIPTION
-	502579D1	-	COOLER GP-MTG & [A] (NOT SERVICED)
1	501057D1	1	BAFFLE-RH
2	501058D1	1	BAFFLE-LH
3	502495D1	1	BAFFLE-BOTTOM
4	502540D1	1	CORE GP-MOUNTING & (NOT SERVICED) (SEE BREAKDOWN FOR COMPONENTS)
5	502592D1	1	BAFFLE-BOTTOM (AC CONDENSER)
6	502743D1	1	BAFFLE
7	502745D1	1	BAFFLE
8	400357X1	8	WASHER-HARD-M12X25.50DX3THK
9	400041X1	8	BOLT-M12X1.75X30 ZNDI HHD 10.9

[A] PART OF 501587D1 INSTALLATION AR

502579DA
PR: t05b22n43d0033

MT800B SERIES TRACTORS
COOLING SYSTEM

CORE GP & MOUNTING - 500919D1
1 OF 3



MT800B SERIES TRACTORS
COOLING SYSTEM

115

CORE GP & MOUNTING - 500919D1
1 OF 3

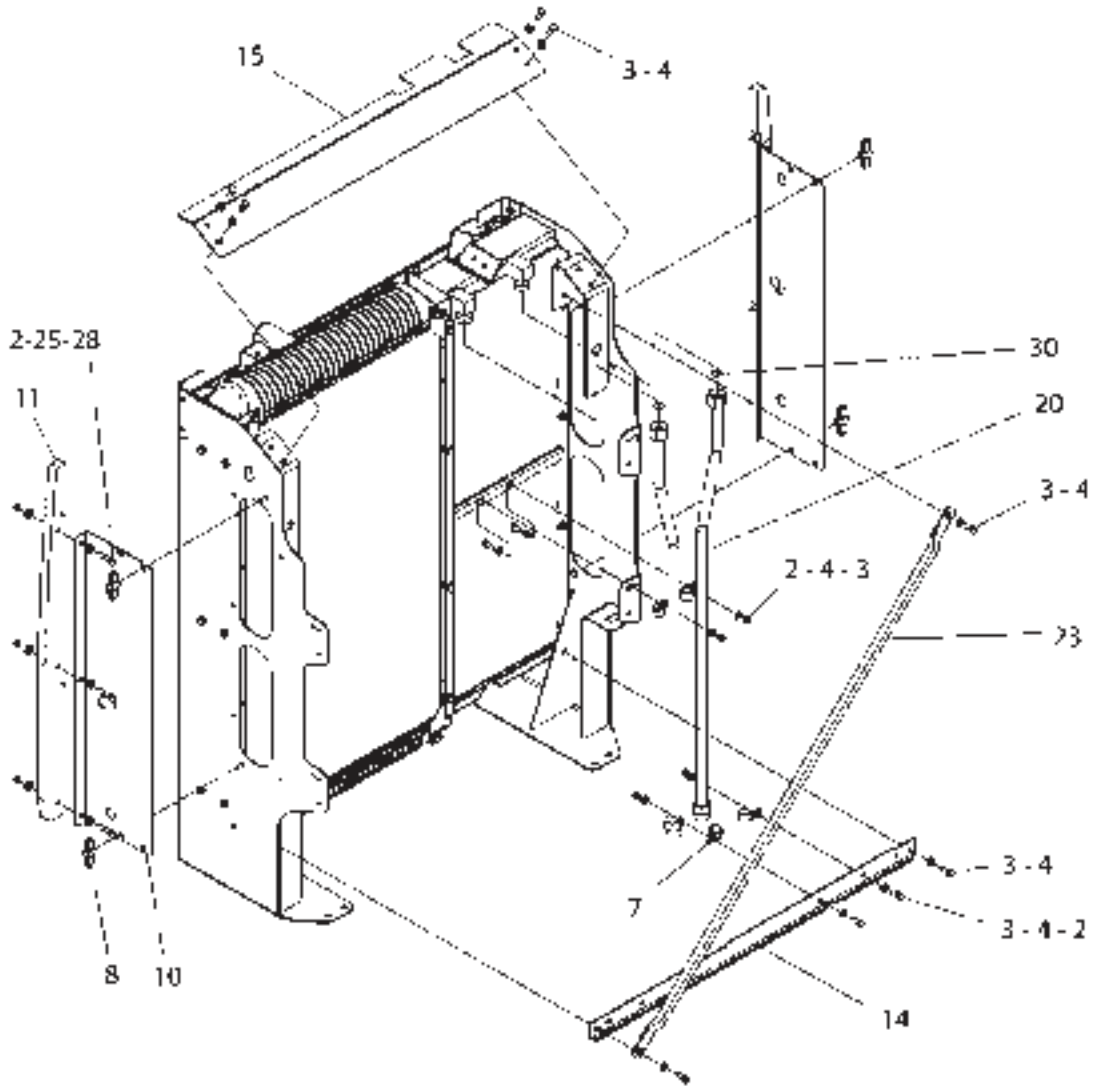
ITEM	NUMBER	QTY	DESCRIPTION
-	500919D1	-	CORE GP & MOUNTING [A] (NOT SERVICED)
2	7774664	8	NUT-M10-1.5,CL10.9,ZN,H,REG
3	400039X1	16	BOLT-M10X1.5X25 ZNDI HHD 10.9
4	400287X1	38	WASHER-HARD 11IDX21ODX2.5 ZND1
12	500902D1	1	SUPPORT AS.-RH
13	500903D1	1	SUPPORT AS.-LH
14	500905D1	2	BRACKET
17	500914D1	1	CORE AS.-OIL COOLER
19	500918D1	1	CORE AS.-RADIATOR
21	500952D1	1	BRACKET AS.-RH
22	500953D1	1	BRACKET AS.-LH
27	400040X1	14	BOLT-M10X1.5X20 ZNDI HHD 10.9

PART OF 500920D1 COOLER GP

500919AA
PR: t05b22n43d0034

MT800B SERIES TRACTORS
COOLING SYSTEM

CORE GP & MOUNTING - 500919D1
2 OF 3



MT800B SERIES TRACTORS
COOLING SYSTEM

117

CORE GP & MOUNTING - 500919D1
2 OF 3

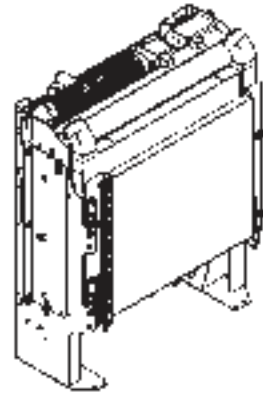
ITEM	NUMBER	QTY	DESCRIPTION
-	500919D1	-	CORE GP & MOUNTING [A] (NOT SERVICED)
2	7774664	10	NUT-M10-1.5,CL10.9,ZN,H,REG
3	400039X1	13	BOLT-M10X1.5X25 ZNDI HHD 10.9
4	400287X1	15	WASHER-HARD 11IDX21ODX2.5 ZND1
7	400688X1	4	CLIP LOOP 25.4ID
8	500508D1	4	KNOB-M10
10	500603D1	2	PLATE-COVER
11	500615D1	2	GUIDE-HOOD
14	500905D1	1	BRACKET
15	500911D1	1	BRACKET
20	500921D1	2	TUBE AS
23	500954D1	1	BRACE-TUBE
25	CH7X-7729	12	WASHER-11IDX5ODX3MM
28	400049X1	6	BOLT-M10X1.5X45 ZNDI HHD 10.9
30	400123X1	2	SEAL-O RING-27.22ODX1.78 DIA

PART OF 500920D1 COOLER GP

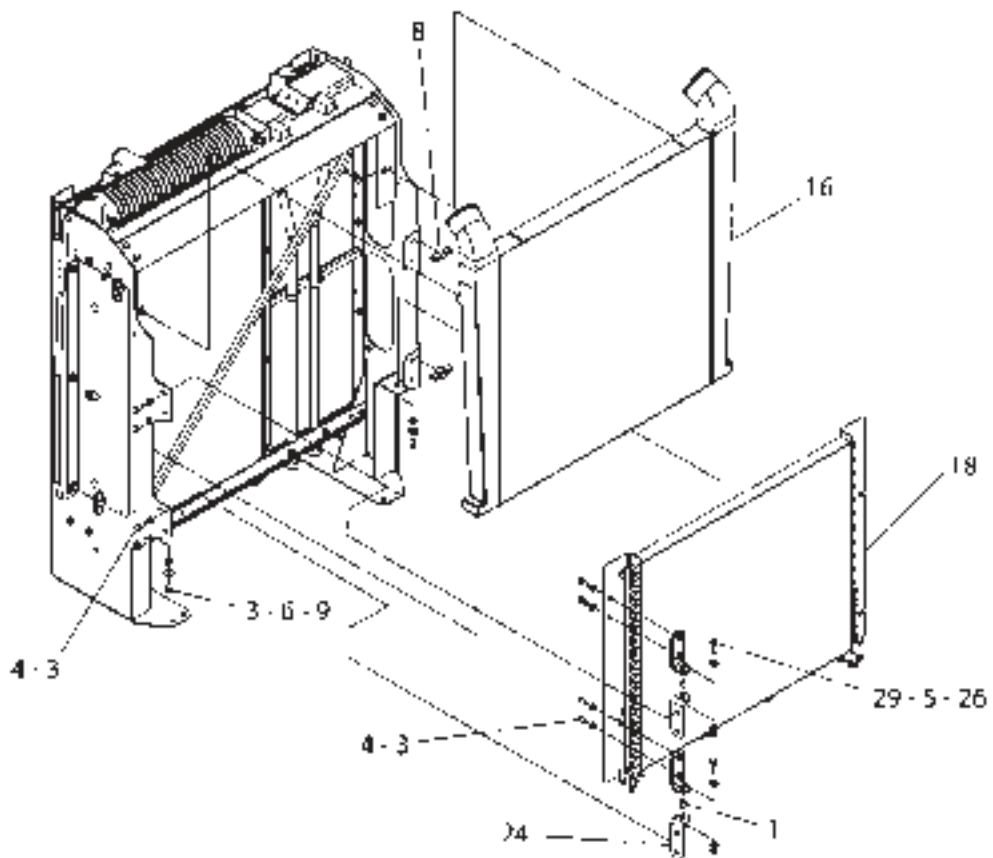
500919BA
PR: t05b22n43d0035

MT800B SERIES TRACTORS
COOLING SYSTEM

CORE GP & MOUNTING - 500919D1
3 OF 3



PICTORIAL VIEW



MT800B SERIES TRACTORS
COOLING SYSTEM

119

CORE GP & MOUNTING - 500919D1
3 OF 3

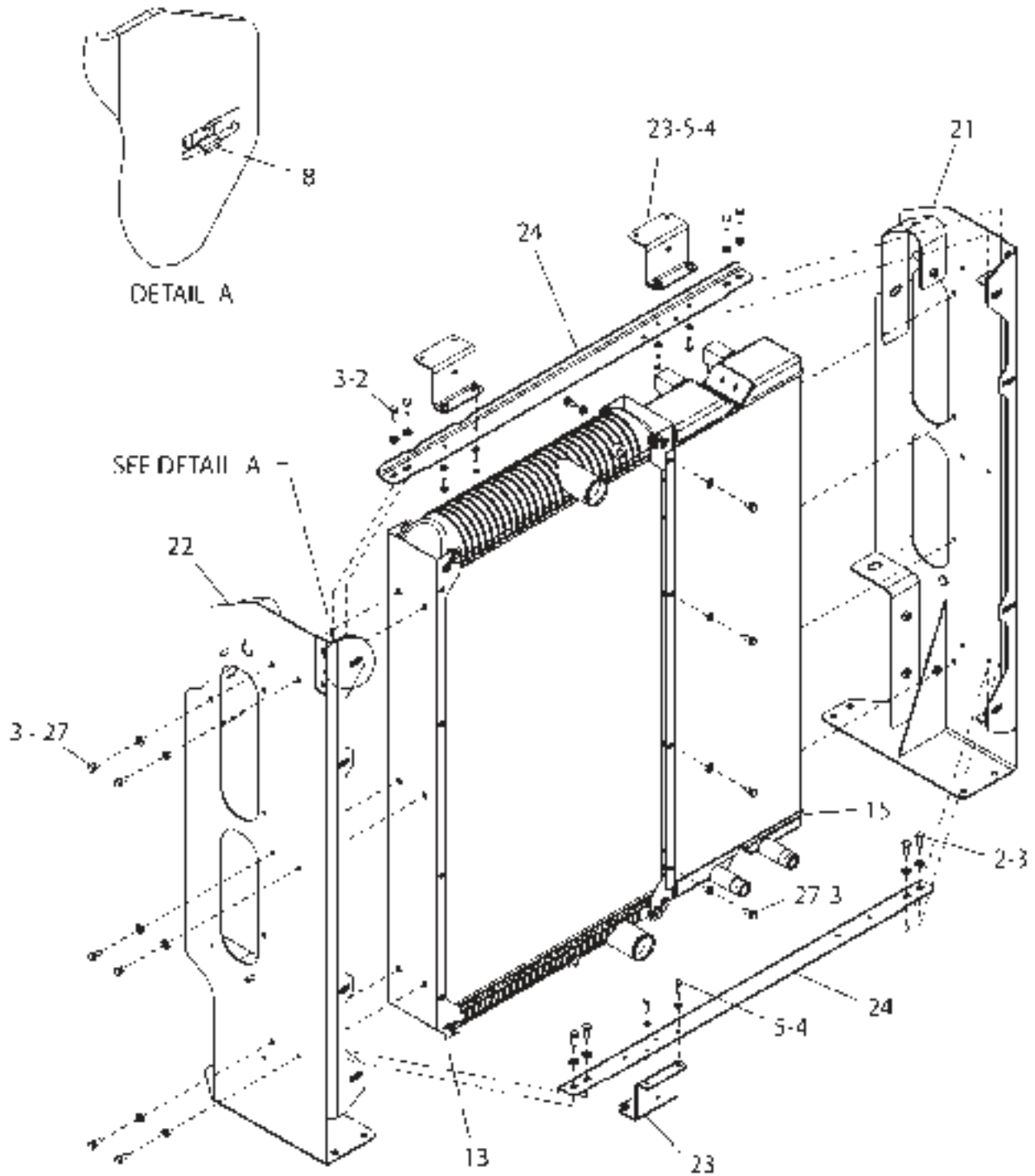
ITEM	NUMBER	QTY	DESCRIPTION
-	500919D1	-	CORE GP & MOUNTING [A] (NOT SERVICED)
1	CH211-3792	2	SPACER
3	400039X1	12	BOLT-M10X1.5X25 ZNDI HHD 10.9
4	400287X1	8	WASHER-HARD 11IDX21ODX2.5 ZND1
5	400357X1	4	WASHER-HARD-M12X25.5ODX3THK
6	400379X1	4	WASHER-10.5IDX30ODX2.5MM ZNDI
8	500508D1	2	KNOB-M10
9	500602D1	4	SPACER-10.3 ID X 20.5OD X 6 ZN
16	500913D1	1	CORE AS.-CHARGE AIR COOLER
18	500915D1	1	CORE AS.-CONDENSER & FUEL
24	501018D1	4	BRACKET AS.
26	CH8T-4244	2	NUT-M12X1.75 HEX ZN
29	400064X1	2	BOLT-M12X1.75X35 ZNDI HHD 10.9

PART OF 500920D1 COOLER GP

500919CA
PR: t05b22n43d0036

MT800B SERIES TRACTORS
COOLING SYSTEM

CORE GP-MOUNTING & - 502540D1
1 OF 3
MT875B



**MT800B SERIES TRACTORS
COOLING SYSTEM**

121

**CORE GP-MOUNTING & - 502540D1
1 OF 3
MT875B**

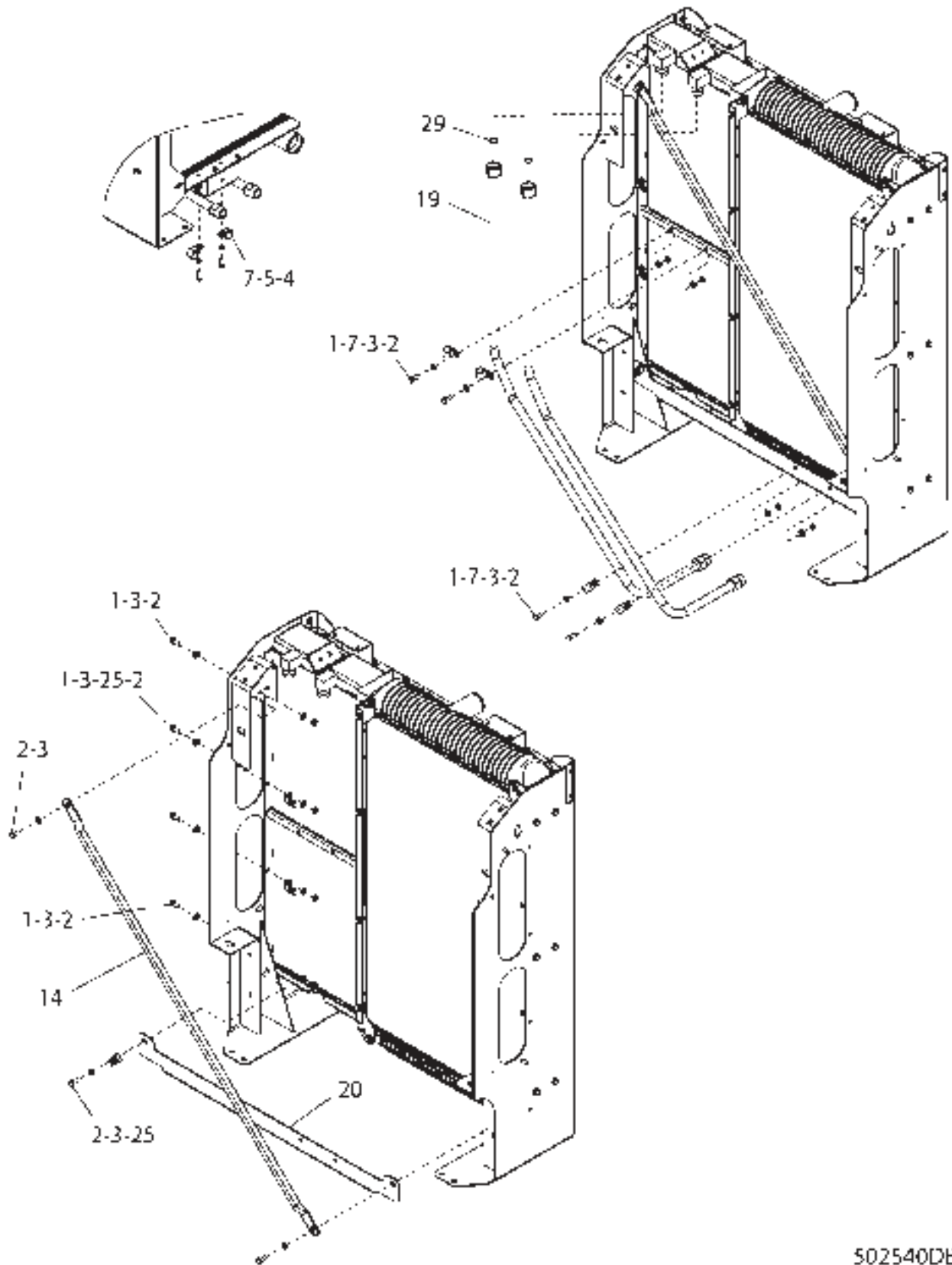
ITEM	NUMBER	QTY	DESCRIPTION
-	502540D1	-	CORE GP-MOUNTING & [A] (NOT SERVICED)
2	400039X1	27	BOLT-M10X1.5X25
3	400287X1	49	WASHER-HARD 11IDX21ODX2.5 ZND1
4	400339X1	8	WASHER-HARD
5	400341X1	8	BOLT-HEX HEAD
8	400958X1	8	CAGE NUT-M10
13	500918D1	1	CORE AS.-RADIATOR
15	502541D1	1	CORE AS-OIL COOLER
21	502701D1	1	SUPPORT AS.-RH
22	502702D1	1	SUPPORT AS.-LH
23	502717D1	3	BRACKET AS.
24	502718D1	2	BRACE
27	400040X1	18	BOLT-M10X1.5X20

PART OF 502579D1 COOLER GP-MTG

502540DA
PR: t05b22n43d0037

MT800B SERIES TRACTORS
COOLING SYSTEM

CORE GP-MOUNTING & - 502540D1
2 OF 3
MT875B



**MT800B SERIES TRACTORS
COOLING SYSTEM**

123

**CORE GP-MOUNTING & - 502540D1
2 OF 3
MT875B**

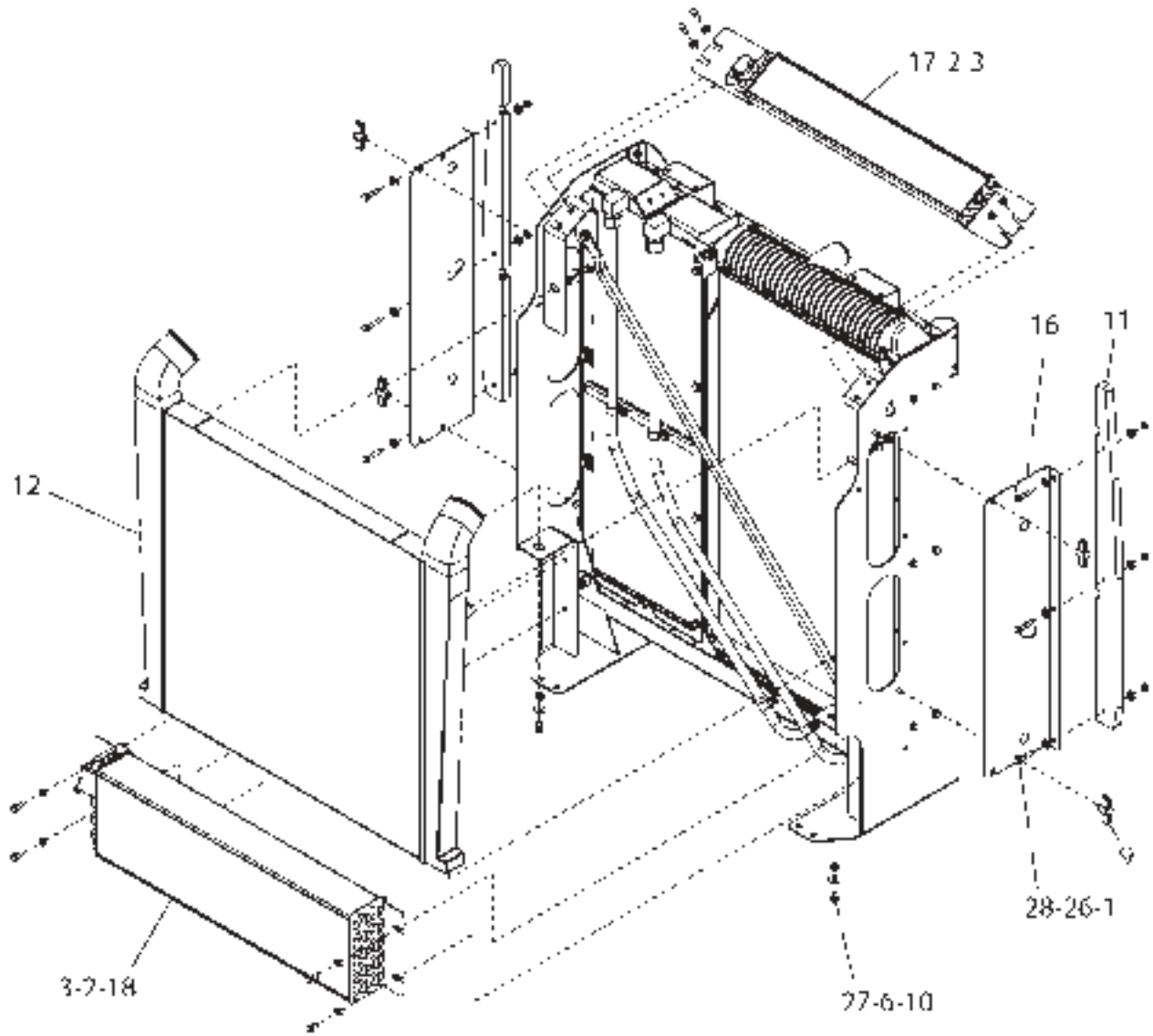
ITEM	NUMBER	QTY	DESCRIPTION
-	502540D1	-	CORE GP-MOUNTING & [A] (NOT SERVICED)
1	7774664	14	NUT (M10-1.5)
2	400039X1	27	BOLT-M10X1.5X25
3	400287X1	49	WASHER-HARD 11IDX21ODX2.5 ZND1
4	400339X1	8	WASHER-HARD
5	400341X1	8	BOLT-HEX HEAD
7	400688X1	6	CLIP LOOP 25.4ID
14	500954D1	1	BRACE-TUBE
19	502637D1	2	TUBE AS.
20	502700D1	1	BRACE
25	CH132-5789	3	CLIP-LADDER 90DEGX47.5MM V COAT
29	400123X1	2	SEAL-O RING-27.22ODX1.78 DIA

PART OF 502579D1 COOLER GP-MTG

502540DB
PR: t05b22n43d0038

MT800B SERIES TRACTORS
COOLING SYSTEM

CORE GP-MOUNTING & - 502540D1
3 OF 3
MT875B



**MT800B SERIES TRACTORS
COOLING SYSTEM**

125

**CORE GP-MOUNTING & - 502540D1
3 OF 3
MT875B**

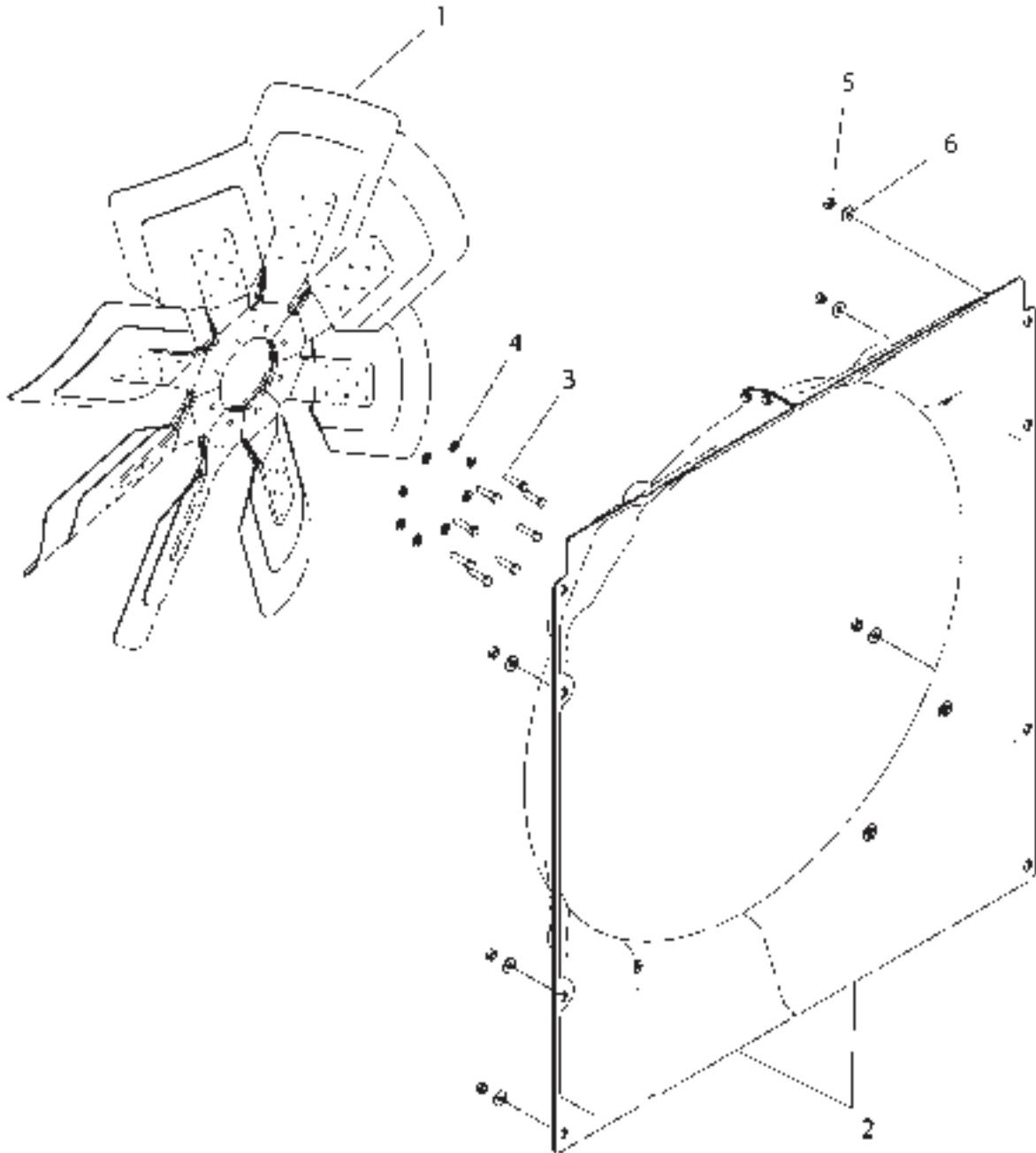
ITEM	NUMBER	QTY	DESCRIPTION
-	502540D1	-	CORE GP-MOUNTING & [A] (NOT SERVICED)
1	7774664	14	NUT (M10-1.5)
2	400039X1	27	BOLT-M10X1.5X25
3	400287X1	49	WASHER-HARD 11IDX21ODX2.5 ZND1
6	400379X1	4	WASHER-10.5IDX30ODX2.5MM ZNDI
9	500508D1	4	KNOB-M10
10	500602D1	4	SPACER-10.3IDX20.5ODX6 ZN
11	500615D1	2	GUIDE-HOOD
12	500913D1	1	CORE AS.-CHARGE AIR COOLER
16	502582D1	2	PLATE- COVER
17	502583D1	1	CORE AS-FUEL COOLER
18	502591D1	1	CORE AS-CONDENSER
26	CH7X-7729	12	WASHER-11IDX5ODX3MM
27	400040X1	18	BOLT-M10X1.5X20
28	400049X1	6	BOLT-M10X1.5X45

PART OF 502579D1 COOLER GP-MTG

502540DC
PR: t05b22n43d0039

MT800B SERIES TRACTORS
COOLING SYSTEM

FAN GP-ENGINE - 206-6397
MT835B, MT845B, MT855B & MT865B



**MT800B SERIES TRACTORS
COOLING SYSTEM**

127

**FAN GP-ENGINE - 206-6397
MT835B, MT845B, MT855B & MT865B**

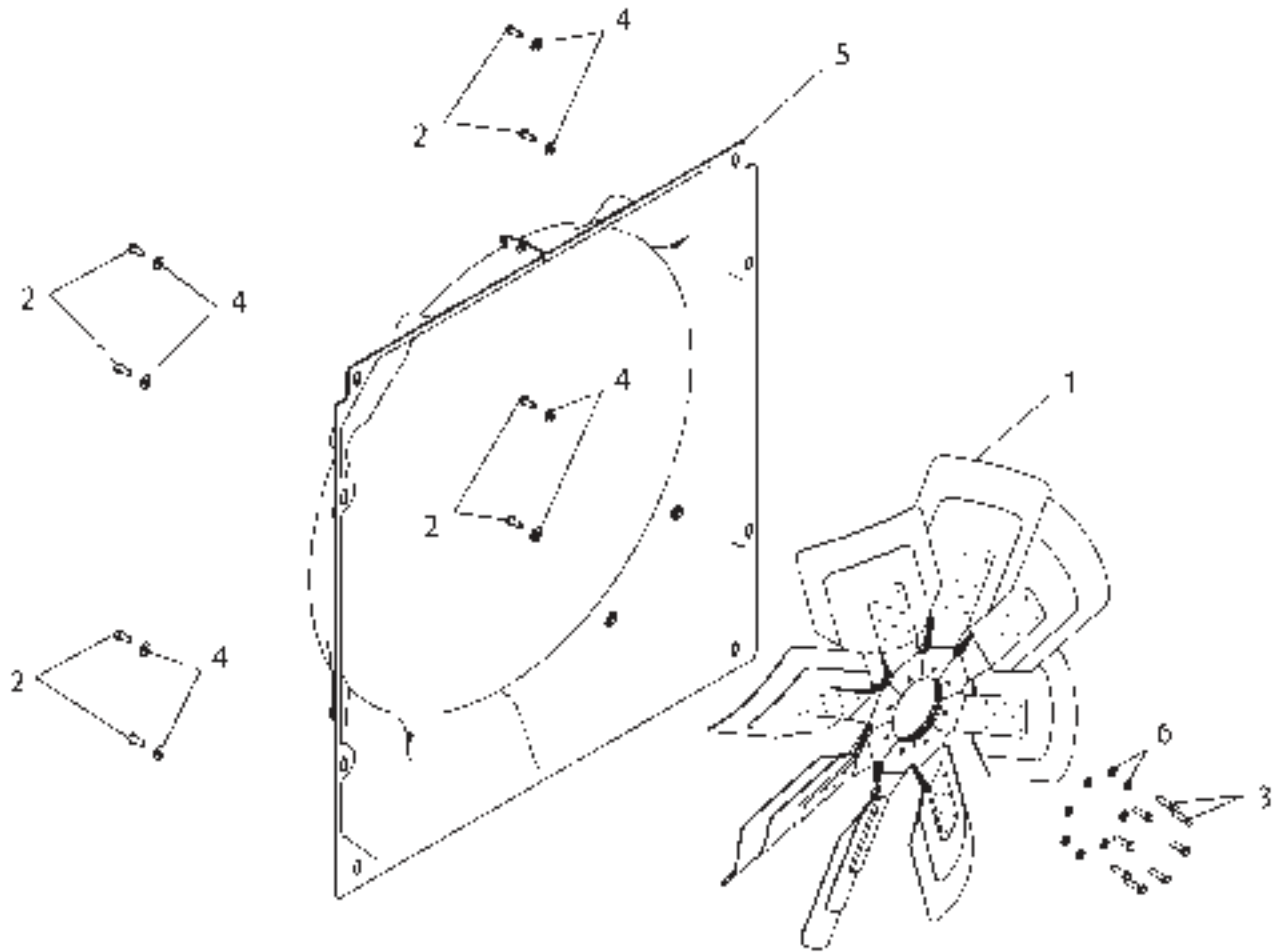
ITEM	NUMBER	QTY	DESCRIPTION
-	206-6397	-	FAN GP [A] (NOT SERVICED)
1	CH204-5041	1	SPIDER-FAN
2	212-7187	1	SHROUD GP-RADIATOR (LH & RH SIDES NOT SERVICED SEPARATELY)
3	400019X1	8	BOLT (3/8-16X1.5 IN)
4	CH7X-7729	8	WASHER (11X25X3)
5	7774664	8	NUT (M10X1.5)
6	CH8T-4896	8	WASHER-HARD (10X18.5X2.5)

[A] PART OF 172-5361;172-5362;172-5363;
172-5364; 501583D1; 501584D1;
501585D1; 501586D1; 501587D1
INSTALLATION AR-ENGINE

2066397A
PR: t05b22n43d0040

MT800B SERIES TRACTORS
COOLING SYSTEM

FAN GP-ENGINE - 502738D1
MT875B



**MT800B SERIES TRACTORS
COOLING SYSTEM**

129

**FAN GP-ENGINE - 502738D1
MT875B**

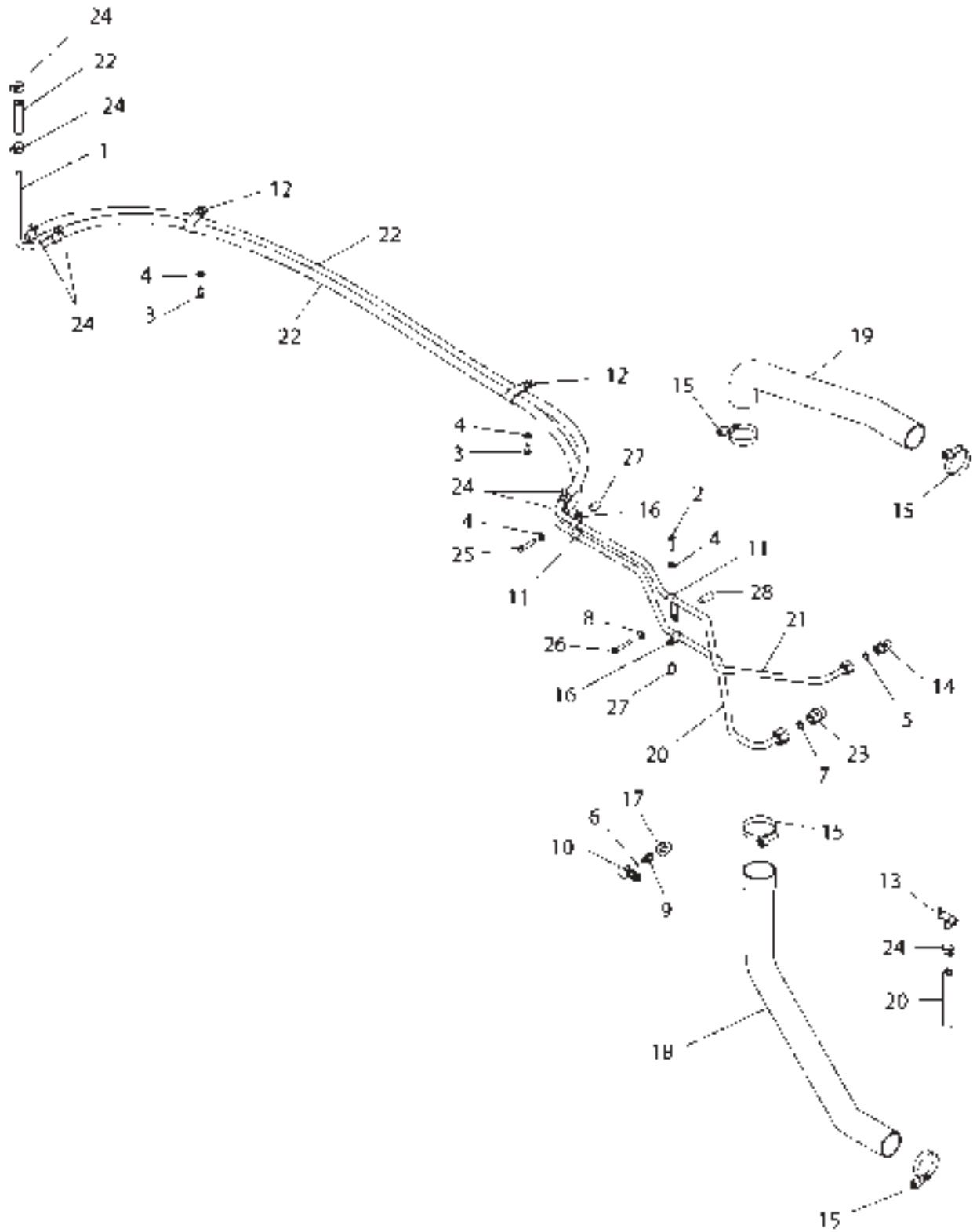
ITEM	NUMBER	QTY	DESCRIPTION
-	502738D1	-	FAN GP [A] (NOT SERVICED)
1	CH204-5041	1	SPIDER-FAN
2	400039X1	1	BOLT (M10X1.5X25)
3	400019X1	8	BOLT (3/8-16X1.5 IN)
4	CH7X-7729	8	WASHER (11X25X3)
5	502586D1	1	SHROUD GP-RADIATOR (LH & RH SIDES NOT SERVICED SEPARATELY)
6	CH8T-4896	8	WASHER-HARD (10X18.5X2.5)

[A] PART OF:
501587D1 INSTALLATION AR-ENGINE

502738DA
PR: t05b22n43d0041

MT800B SERIES TRACTORS
COOLING SYSTEM

LINES GP-COOLANT - 50255D1
MT835B, MT845B, MT855B & MT865B



**MT800B SERIES TRACTORS
COOLING SYSTEM**

131

**LINES GP-COOLANT - 502557D1
MT835B, MT845B, MT855B & MT865B**

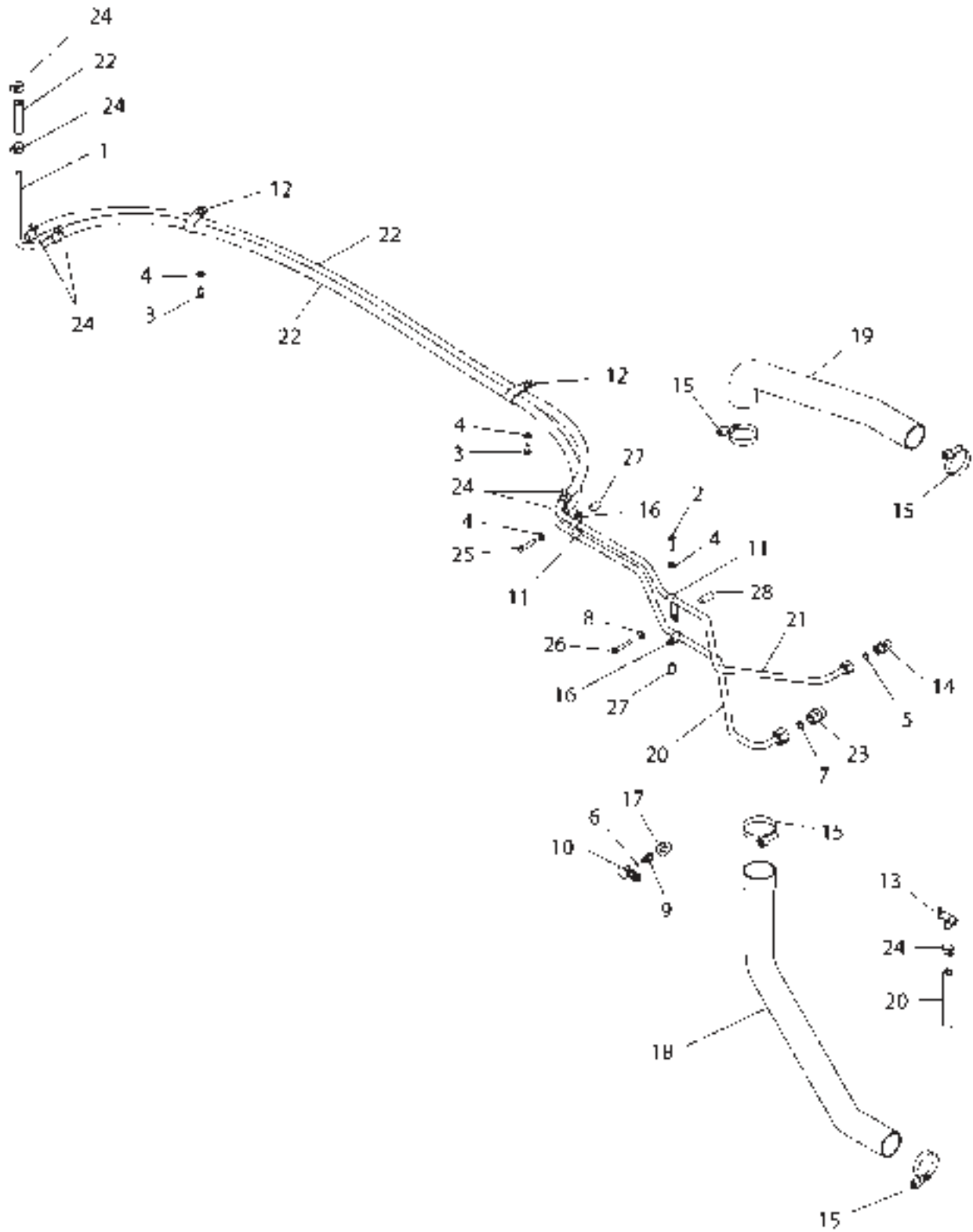
ITEM	NUMBER	QTY	DESCRIPTION
-	502557D1	-	LINES GP-COOLANT [A] (NOT SERVICED)
1	195-4519	1	TUBE
2	400019X1	1	BOLT-3/8-16X38.1 ZNDI HHD 10.9
3	400040X1	2	BOLT-M10X1.5X20 ZNDI HHD 10.9
4	400287X1	4	WASHER-HARD 11IDX21ODX2.5 ZND1
5	400322X1	1	SEAL-O-RING 19.28 ODX1.78 DIA
6	400361X1	1	SEAL-O-RING 8.92 IDX1.83 DIA
7	400366X1	1	SEAL-O-RING 22.5 ODX1.78 DIA
8	400599X1	1	WASHER-HARD,M8X20.5ODX2THK
9	400653X1	1	VALVE-FLUID SAMPLING 4 STOR
10	400655X1	1	CAP-DUST (ENGINE COOLANT)
11	400657X1	2	CLIP-ONE TUBE-COATED
12	400667X1	2	CLIP-TWO TUBE COATED
13	400669X1	1	COCK-SHUT OFF
14	400693X1	1	ADAPTER-STR,0.50MNPTFX-10MORFS
15	400699X1	4	CLAMP-HOSE (UNIFORM LOAD)
16	400702X1	2	CLIP-ONE TUBE COATED
17	400952X1	1	ADAPTOR-12 STOR-4 STOK
18	500938D1	1	HOSE-RADIATOR (OUTLET)
19	502529D1	1	HOSE-RADIATOR (INLET)
20	502556D1	1	TUBE AS.
21	502575D1	1	TUBE AS.
22	CH5P-0767	-	HOSE-BULK 15.88 ID (448CM)
23	CH6V-8637	1	CONNECTOR-12 ORFSX 12STOR
24	400108X1	7	CLAMP-HOSE SST 15.9-26.9X13.5
25	400175X1	1	BOLT-3/8-16X47.6 ZNDI HHD 10.9
26	400247X1	1	BOLT-5/16-18X57.1 ZNDI HHD10.9
27	CH209-3394	2	SPACER-17.14ODX12.52IDX22.4 ZN
28	CH209-3395	1	SPACER-17.14ODX12.52IDX40 ZN

[A] PART OF:
501583D1; 501854D1; 501585D1;
501586D1 INSTALLATION AR

502557DB
PR: t05b22n43d0042

MT800B SERIES TRACTORS
COOLING SYSTEM

LINES GP-COOLANT - 502580D1
MT875B



**MT800B SERIES TRACTORS
COOLING SYSTEM**

133

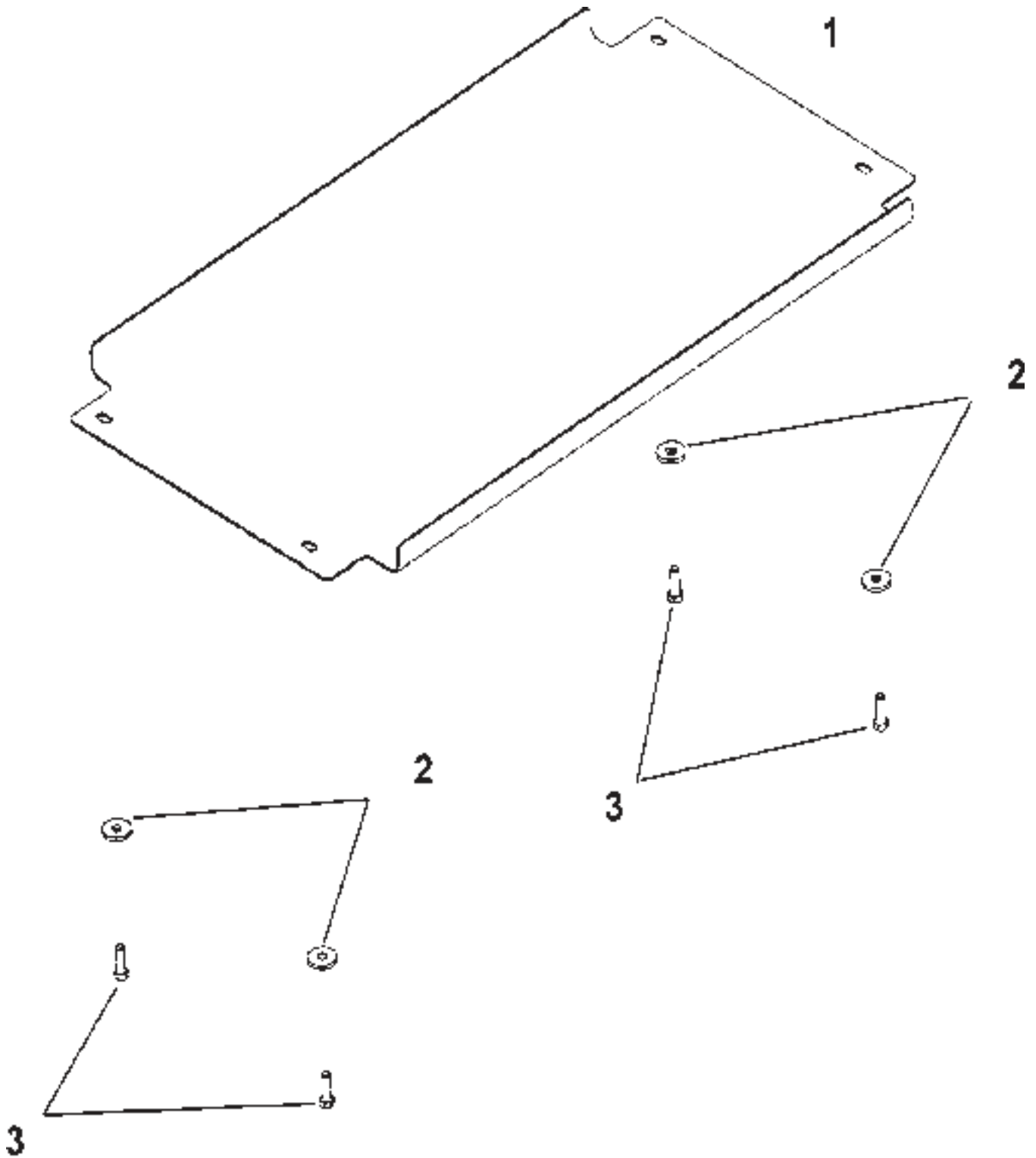
**LINES GP-COOLANT - 502580D1
MT875B**

ITEM	NUMBER	QTY	DESCRIPTION
-	502580D1	-	LINES GP-COOLANT [A] (NOT SERVICED)
1	195-4519	1	TUBE
2	400019X1	1	BOLT-3/8-16X38.1 ZNDI HHD 10.9
3	400040X1	2	BOLT-M10X1.5X20 ZNDI HHD 10.9
4	400287X1	4	WASHER-HARD 11IDX21ODX2.5 ZND1
5	400322X1	1	SEAL-O-RING 19.28 ODX1.78 DIA
6	400361X1	1	SEAL-O-RING 8.92 IDX1.83 DIA
7	400366X1	1	SEAL-O-RING 22.5 ODX1.78 DIA
8	400599X1	1	WASHER-HARD,M8X20.5ODX2THK
9	400653X1	1	VALVE-FLUID SAMPLING 4 STOR
10	400655X1	1	CAP-DUST (ENGINE COOLANT)
11	400657X1	2	CLIP-ONE TUBE-COATED
12	400667X1	2	CLIP-TWO TUBE COATED
13	400669X1	1	COCK-SHUT OFF
14	400693X1	1	ADAPTER-STR,0.50MNPTFX-10MORFS
15	400699X1	4	CLAMP-HOSE (UNIFORM LOAD)
16	400702X1	2	CLIP-ONE TUBE COATED
17	400952X1	1	ADAPTOR-12 STOR-4 STOK
18	502581D1	1	RADIATOR HOSE (IOUTLET)
19	502578D1	1	RADIATOR HOSE (INLET)
20	502556D1	1	TUBE AS.
21	502575D1	1	TUBE AS.
22	CH5P-0767	AR	HOSE-BULK 15.88 ID (448 CM)
23	CH6V-8637	1	CONNECTOR-12 ORFSX 12STOR
24	400108X1	7	CLAMP-HOSE SST 15.9-26.9X13.5
25	400175X1	1	BOLT-3/8-16X47.6 ZNDI HHD 10.9
26	400247X1	1	BOLT-5/16-18X57.1 ZNDI HHD10.9
27	CH209-3394	2	SPACER
28	CH209-3395	1	SPACER

[A] PART OF 501587D1 INSTALLATION AR

502557DB
PR: t05b22n43d0043

GUARD GP-FAN BLAST - 500038D1



500038D1

**MT800B SERIES TRACTORS
COOLING SYSTEM**

135

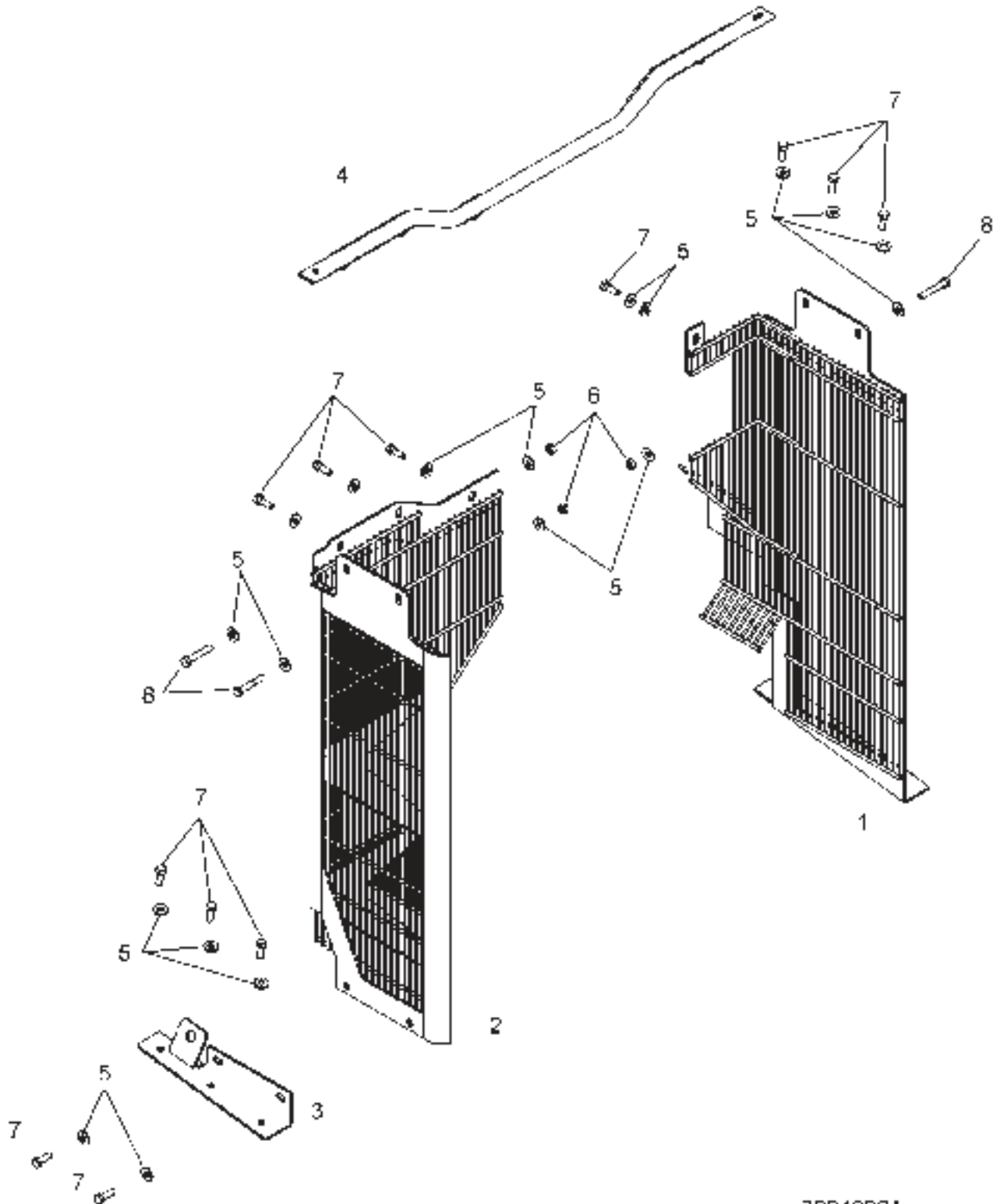
GUARD GP-FAN BLAST - 500038D1

ITEM	NUMBER	QTY	DESCRIPTION
-	500038D1	-	GUARD GP-FAN BLAST (NOT SERVICED)
1	204-0627	1	SHIELD-FAN BLAST
2	CH7X-0618	4	WASHER-HARD (13.5X40X5)
3	400064X1	4	BOLT (M12X1.75X35)

500038D1
PR: t05b22n43d0044

MT800B SERIES TRACTORS
COOLING SYSTEM

GUARD GP-FAN - 228-4632
MT855B & MT865B



2284632A

MT800B SERIES TRACTORS
COOLING SYSTEM

137

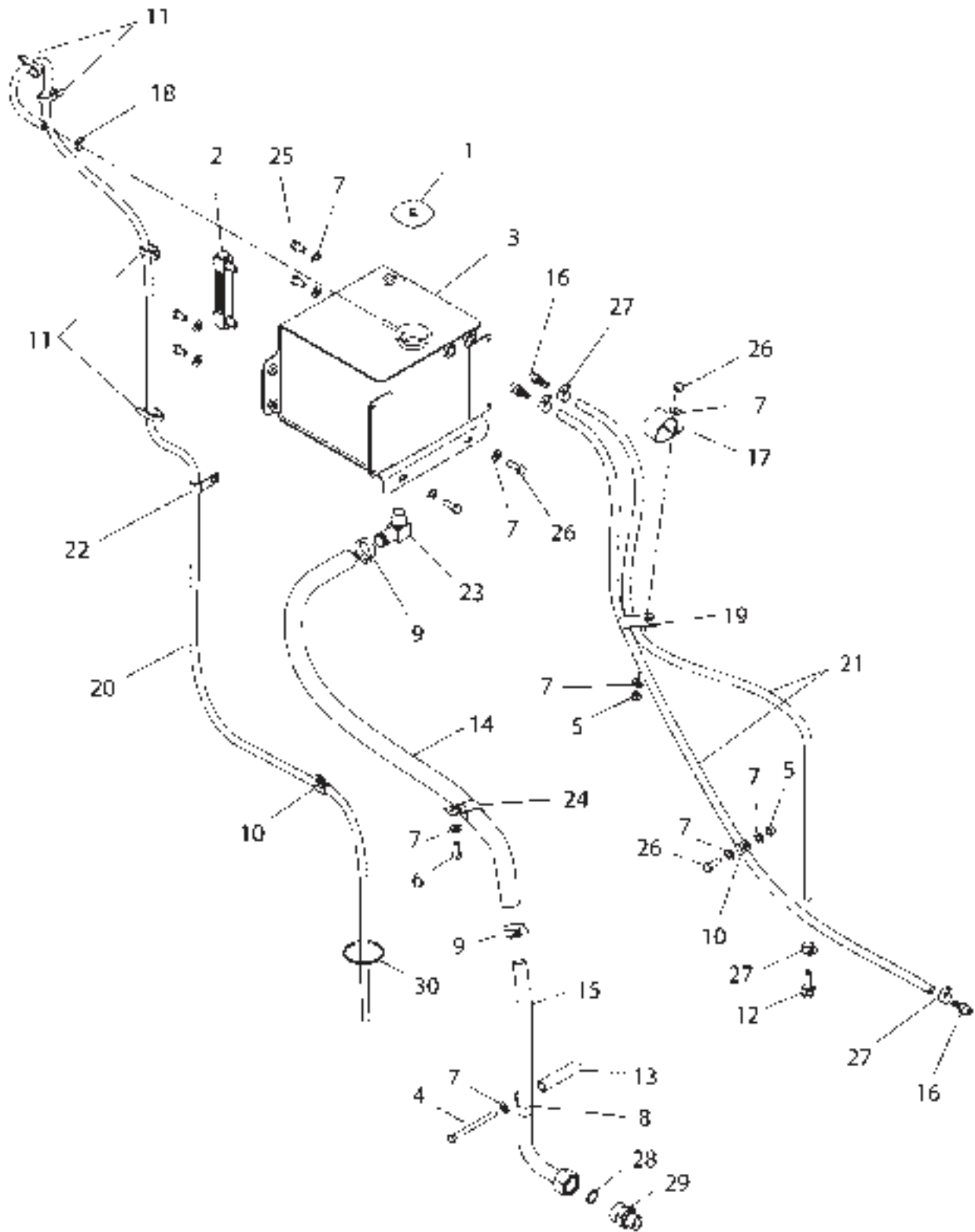
GUARD GP-FAN - 228-4632
MT855B & MT865B

ITEM	NUMBER	QTY	DESCRIPTION
-	228-4632	-	GUARD GP-FAN
1	227-8224	1	GUARD AS. (LH)
2	228-4633	1	GUARD AS. (RH)
3	228-4642	1	BRACKET AS.
4	228-4643	1	SUPPORT AS.
5	CH7X-7729	19	WASHER-11IDX5ODX3MM
6	8T-4133	3	NUT
7	400058X1	12	BOLT-M10X1.5X30 ZNDI HHD
8	400239X1	3	BOLT-M10X1.5X60 ZNDI HHD 10.9

2284632A
PR: t05b22n43d0045

MT800B SERIES TRACTORS
COOLING SYSTEM

TANK GP-EXPANSION & COOLANT - 502558D1
MT835B, MT845B, MT855B & MT865B



**MT800B SERIES TRACTORS
COOLING SYSTEM**

139

**TANK GP-EXPANSION & COOLANT - 502558D1
MT835B, MT845B, MT855B & MT865B**

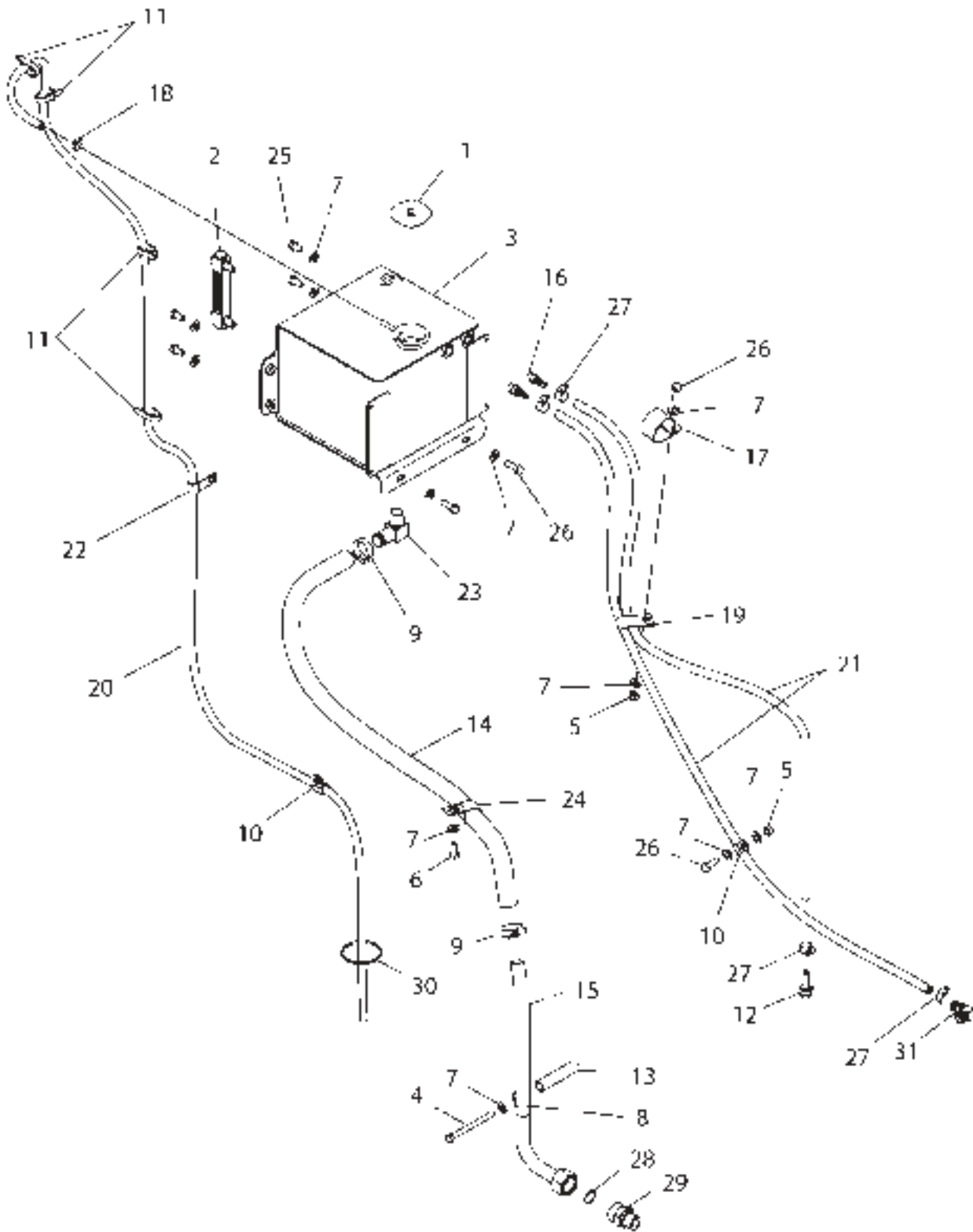
ITEM	NUMBER	QTY	DESCRIPTION
-	502558D1	-	TANK GP-EXP & COOLANT [A] (NOT SERVICED)
1	031-1119	1	CAP AS-RADIATOR
2	201-4653	1	GAGE-SIGHT
	CH122-8352	4	SEAL-O-RING (15.54IDX2.62DIA)
	CH114-4231	2	BOLT-MTG (1/2-20X2AX45.30MM)
3	226-7570	1	TANK AS
4	WR55149	1	BOLT 3/8-16X114 ZNDI HHD 10.9
5	7774664	2	NUT-M10-1.5,CL10.9,ZN,H,REG
6	400039X1	1	BOLT-M10X1.5X25 ZNDI HHD 10.9
7	400287X1	12	WASHER-HARD 11IDX21ODX2.5 ZND1
8	400688X1	1	CLIP LOOP 25.4ID
9	400701X1	2	CLAMP-HOSE SST22.2-44.5IDX13.5
10	400702X1	2	CLIP-ONE TUBE COATED
11	400837X1	4	STRAP-CABLE (PLASTIC)
12	400944X1	1	ADAPTOR-8 M STOR-6 BEADLOCK
13	400946X1	1	SPACER
14	502070D1	-	HOSE-COOLANT 25.4MM (100CM)
15	502530D1	1	TUBE AS.
16	CH003-7764	3	CONNECTOR-6 NPTFX9.52 OD BARB
17	CH105-1866	1	CLIP-LOOP 50.8 ID
18	CH1P-4278	1	CLAMP-HOSE 5.5-15.88 ID X 8
19	CH4D-7733	1	CLIP-LOOP 17.46ID
20	CH5P-1420	-	HOSE (BULK) 7.92 DIA (258CM)
21	CH5P-1442	-	HOSE-BULK 9.52ID HI TEMP (320CM)
22	CH6K-8178	1	CLIP-LOOP 15ID
23	CH7W-1890	1	ELBOW-90DEG.12NPTFX25.4OD BARB
24	CH8C-8533	1	CLIP-LOOP 34.93ID W/COATING
25	400040X1	4	BOLT-M10X1.5X20 ZNDI HHD 10.9
26	400058X1	4	BOLT-M10X1.5X30 ZNDI HHD 10.9
27	400109X1	4	CLAMP-HOSE SST 11.1-19.8X13.5
28	400123X1	1	SEAL-O RING-27.22ODX1.78 DIA
29	6V-8714	1	CONNECTOR-ORFS/ORP 25.4 TUBE
30	CH7K-1181	1	STRAP-CABLE

[A] PART OF:
501583D1; 501854D1; 501585D1;
501586D1 INSTALLATION AR

502558DA
PR: t05b22n43d0046

MT800B SERIES TRACTORS
COOLING SYSTEM

TANK GP EXPANSION & COOLANT - 502646D1
MT875B



**MT800B SERIES TRACTORS
COOLING SYSTEM**

141

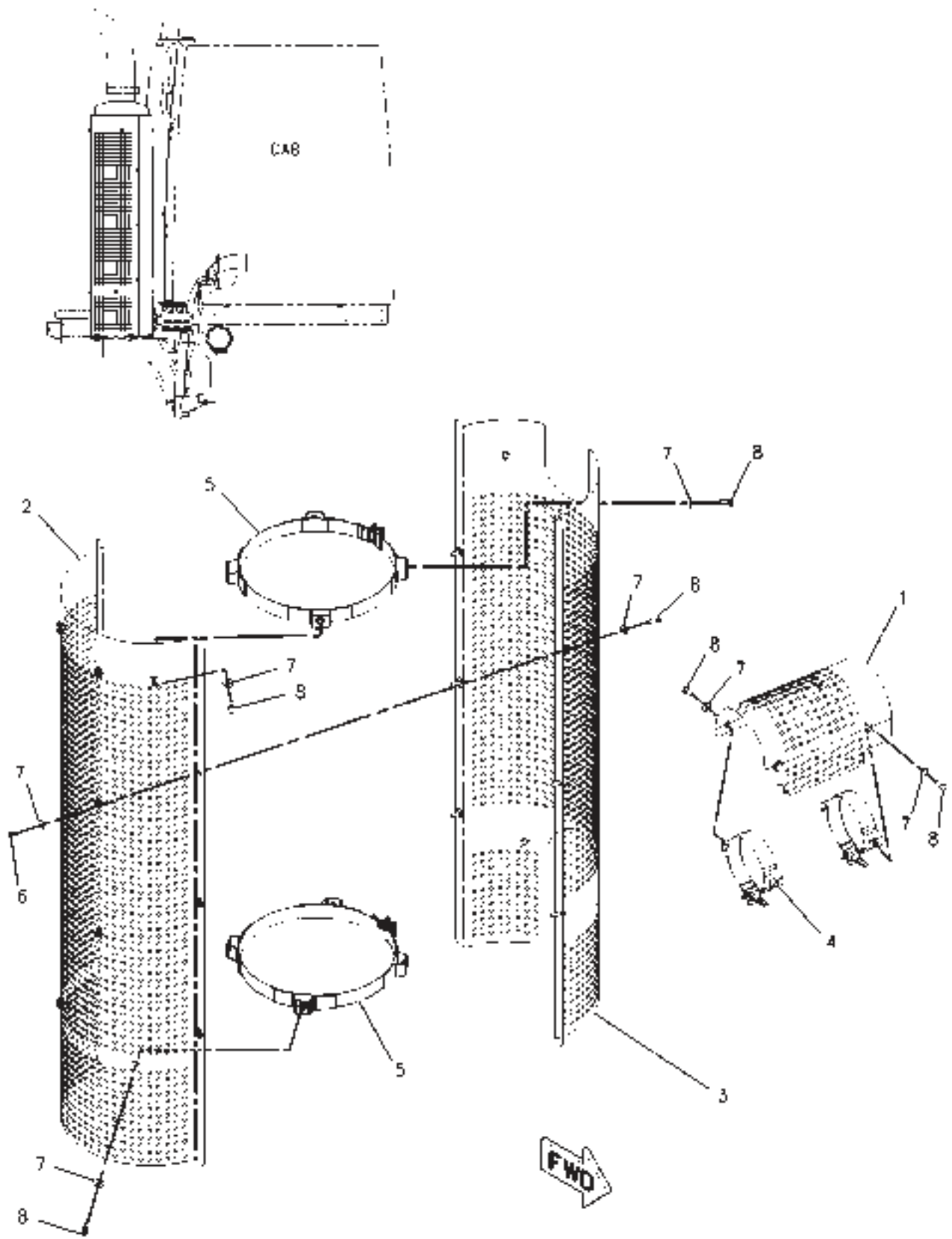
**TANK GP EXPANSION & COOLANT - 502646D1
MT875B**

ITEM	NUMBER	QTY	DESCRIPTION
-	502646D1	-	TANK GP EXP & COOLANT [A] (NOT SERVICED)
1	031-1119	1	CAP AS-RADIATOR
2	201-4653	1	GAGE-SIGHT
	CH122-8352	4	SEAL-O-RING (15.54IDX2.62DIA)
	CH114-4231	2	BOLT-MTG (1/2-20X2AX45.30MM)
3	226-7570	1	TANK AS
4	WR55149	1	BOLT 3/8-16X114 ZNDI HHD 10.9
5	7774664	2	NUT-M10-1.5,CL10.9,ZN,H,REG
6	400039X1	1	BOLT-M10X1.5X25 ZNDI HHD 10.9
7	400287X1	13	WASHER-HARD 11IDX21ODX2.5 ZND1
8	400688X1	1	CLIP LOOP 25.4ID
9	400701X1	2	CLAMP-HOSE SST22.2-44.5IDX13.5
10	400702X1	3	CLIP-ONE TUBE COATED
11	400837X1	4	STRAP-CABLE (PLASTIC)
12	400944X1	1	ADAPTOR-8 M STOR-6 BEADLOCK
13	400946X1	1	SPACER
14	502070D1	AR	HOSE-COOLANT 25.4MM (100CM)
15	502530D1	1	TUBE AS.
16	CH003-7764	2	CONNECTOR-6 NPTFX9.52 OD BARB
17	CH105-1866	1	CLIP-LOOP 50.8 ID
18	CH1P-4278	1	CLAMP-HOSE 5.5-15.88 ID X 8
19	CH4D-7733	1	CLIP-LOOP 17.46ID
20	CH5P-1420	AR	HOSE (BULK) 7.92 DIA (258CM)
21	CH5P-1442	AR	HOSE-BULK 9.52ID HI TEMP (320CM)
22	CH6K-8178	1	CLIP-LOOP 15ID
23	CH7W-1890	1	ELBOW-90DEG.12NPTFX25.4OD BARB
24	CH8C-8533	1	CLIP-LOOP 34.93ID W/COATING
25	400040X1	4	BOLT-M10X1.5X20 ZNDI HHD 10.9
26	400058X1	5	BOLT-M10X1.5X30 ZNDI HHD 10.9
27	400109X1	4	CLAMP-HOSE SST 11.1-19.8X13.5
28	400123X1	1	SEAL-O RING-27.22ODX1.78 DIA
29	6V-8714	1	CONNECTOR-ORFS/ORP 25.4 TUBE
30	CH7K-1181	1	STRAP-CABLE 0.19-4.00
31	CH006-5490	1	ELBOW-90DEG 6MPTF X 9.52 BARB

PART OF 501587D1 INSTALLATION AR

502646DA
PR: t05b22n43d0047

SHIELD GP-EXHAUST - 218-2883
EAME - ITALIAN MARKET



MT800B SERIES TRACTORS
AIR INLET AND EXHAUST SYSTEM

143

SHIELD GP-EXHAUST - 218-2883
EAME - ITALIAN MARKET

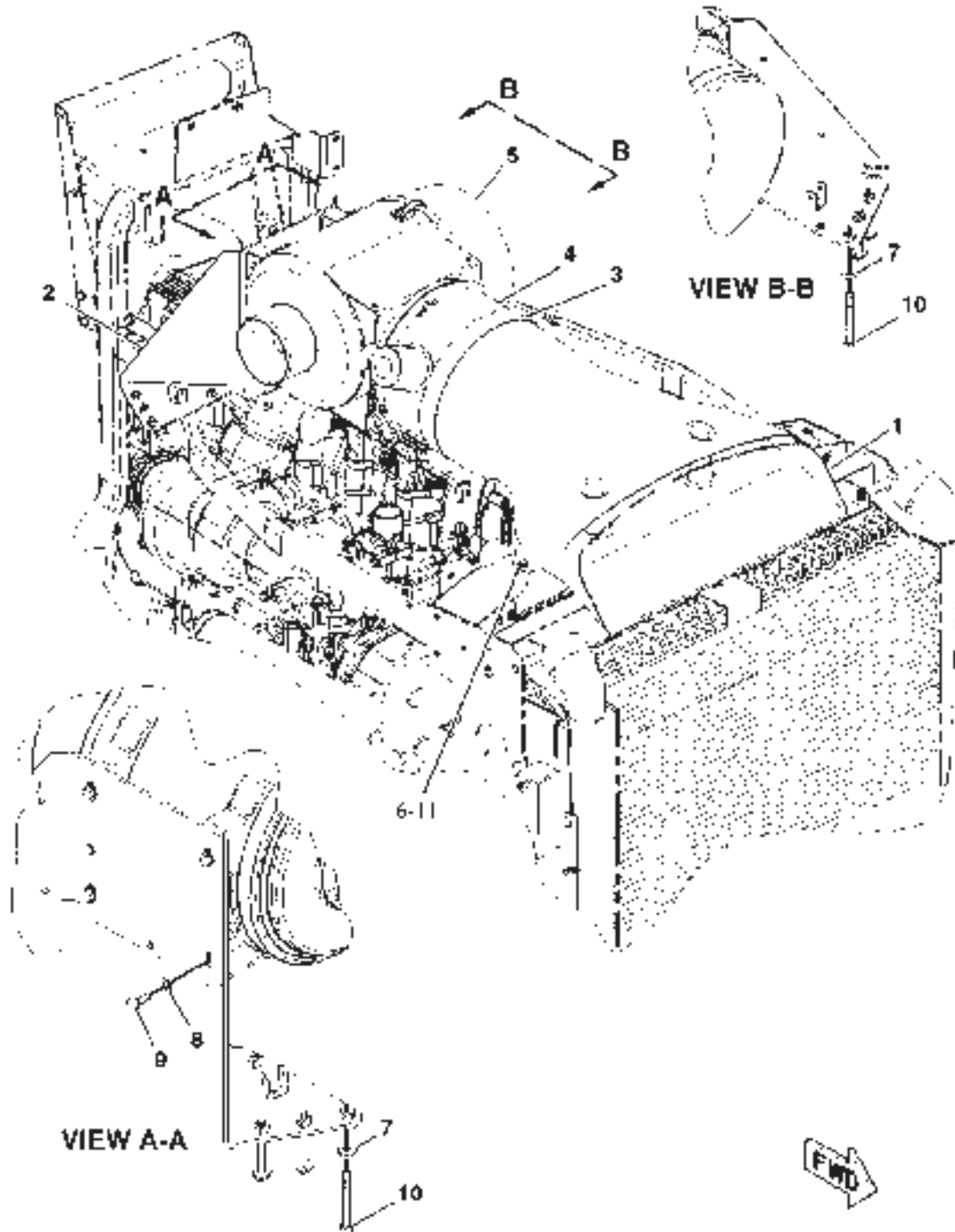
ITEM	NUMBER	QTY	DESCRIPTION
-	218-2883	-	SHIELD GP-EXHAUST [A] (NOT SERVICED)
1	218-2886	1	SHIELD
2	218-2888	1	SHIELD
3	218-2889	1	SHIELD
4	CH218-2891	2	CLAMP
5	CH218-2892	2	CLAMP
6	400340X1	6	NUT (M8X1.25)
7	400599X1	24	WASHER-HARD (8.8X20.5X2)
8	400053X1	18	BOLT (M8X1.25X20MM)

[A] PART OF:
179-2257 COMPLETING AR-ITALIAN

00894235
PR: t05b22n43d0048

MT800B SERIES TRACTORS
AIR INLET AND EXHAUST SYSTEM

AIR CLEANER GP - 172-5337
(MT835B & MT845B)



0869409A

**MT800B SERIES TRACTORS
AIR INLET AND EXHAUST SYSTEM**

145

**AIR CLEANER GP - 172-5337
(MT835B & MT845B)**

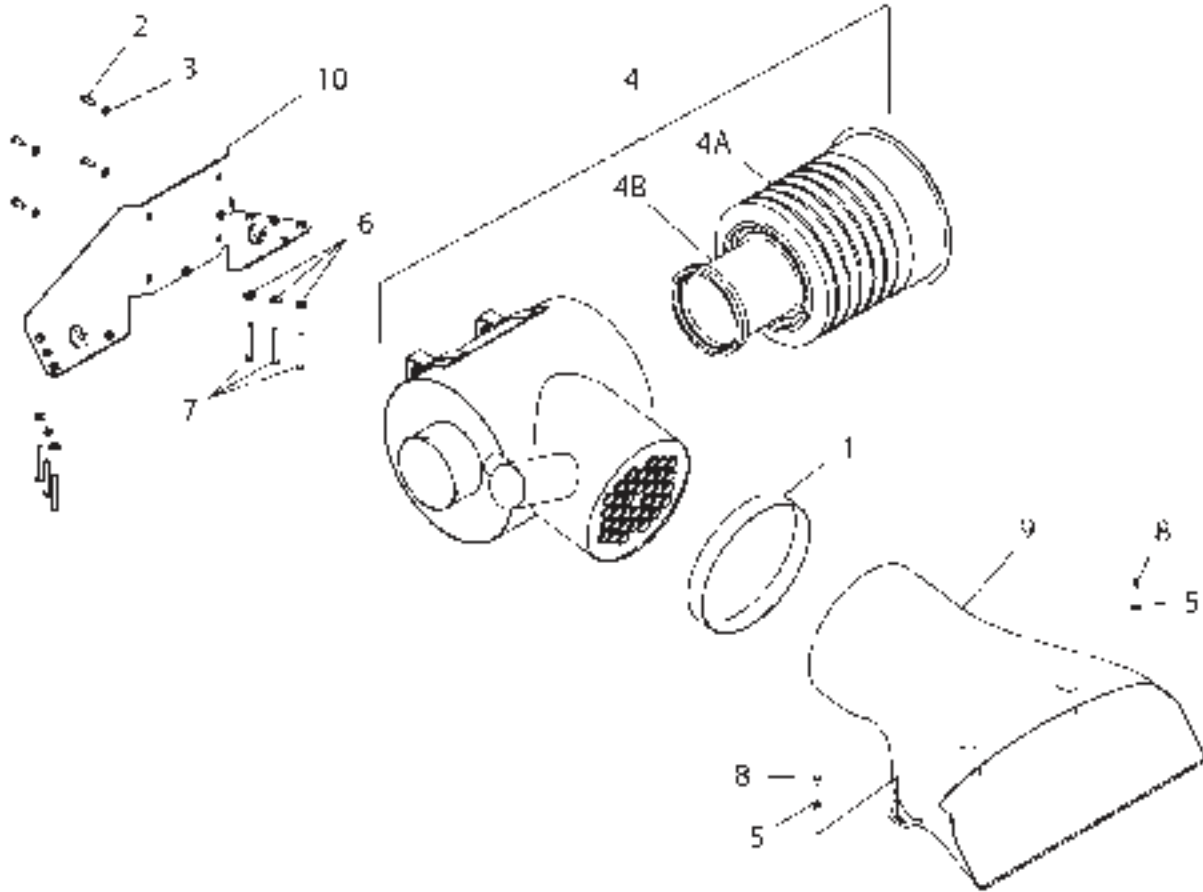
ITEM	NUMBER	QTY	DESCRIPTION
-	172-5337	-	AIR CLEANER GP [A] (NOT SERVICED)
1	191-5988	1	DUCT-INLET
2	192-6460	1	BRACKET ASM
3	193-1423	1	SEAL
4	196-4055	1	BODY-PRECLEANER
5	196-4056	1	AIR CLEANER GP (SEE BREAKDOWN FOR COMPONENTS)
6	400599X1	2	WASHER-HARD (8.8X20.5X2)
7	CH7X-7729	6	WASHER (11X25X3)
8	400287X1	4	WASHER-HARD (11X21X2.5)
9	400039X1	4	BOLT (M10X1.5X25MM)
10	400225X1	6	BOLT (M10X1.5X90MM)
11	400227X1	2	BOLT (M8X1.25X16MM)

[A] PART OF 172-5363; 172-5364;
187-1743; 187-1744;
501583D1; 501584D1
INSTALLATION AR-ENGINE

0869409A
PR: t05b22n43d0049

MT800B SERIES TRACTORS
AIR INLET AND EXHAUST SYSTEM

AIR CLEANER GP - 501578D1
(MT855B, MT865B & MT875B)



501578DA

**MT800B SERIES TRACTORS
AIR INLET AND EXHAUST SYSTEM**

147

**AIR CLEANER GP - 501578D1
(MT855B, MT865B & MT875B)**

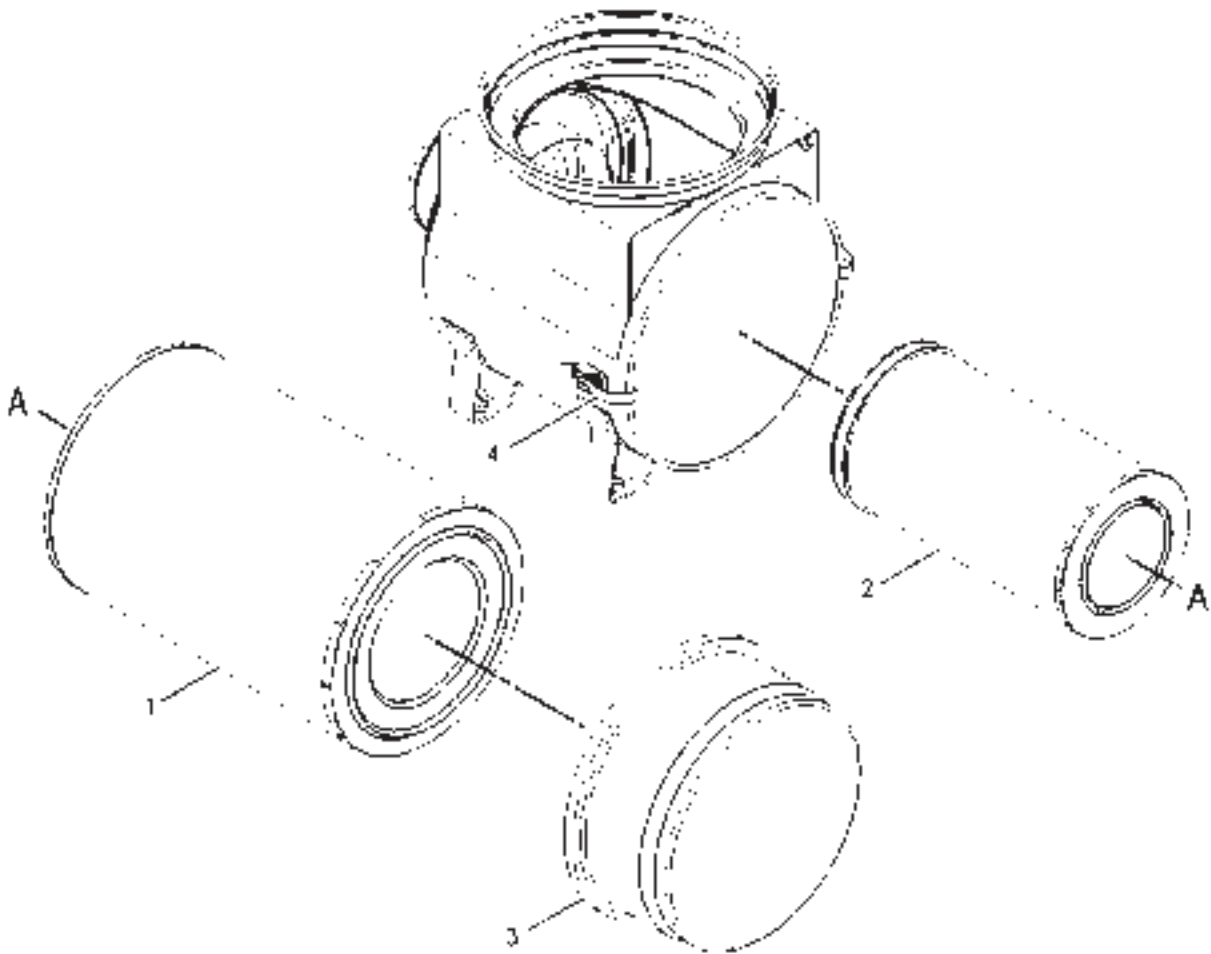
ITEM	NUMBER	QTY	DESCRIPTION
-	501578D1	-	AIR CLEANER GP [A] (NOT SERVICED)
1	193-1423	1	SEAL
2	400039X1	4	BOLT (M10X1.5X25MM)
3	400287X1	4	WASHER-HARD (11X21X2.5)
4	501822D1	1	AIR CLEANER AS (INCLS 4A & 4B)
4A	501772D1	1	ELEMENT AS-PRIMARY
4B	501773D1	1	ELEMENT AS-SECONDARY
5	400599X1	2	WASHER-HARD (8.8X20.5X2)
6	CH7X-7729	6	WASHER (11X25X3)
7	400225X1	6	BOLT (M10X1.5X90MM)
8	400227X1	2	BOLT (M8X1.25X16MM)
9	191-5988	1	DUCT-INLET
10	192-6460	1	BRACKET ASM

[A] PART OF 501585D1; 501586D1;
501587D1 INSTALLATION AR-ENGINE

501578DA
PR: t05b22n43d0050

MT800B SERIES TRACTORS
AIR INLET AND EXHAUST SYSTEM

AIR CLEANER AS-BASIC - 196-4056
(MT855 & MT865)



**MT800B SERIES TRACTORS
AIR INLET AND EXHAUST SYSTEM**

149

**AIR CLEANER AS-BASIC - 196-4056
(MT855 & MT865)**

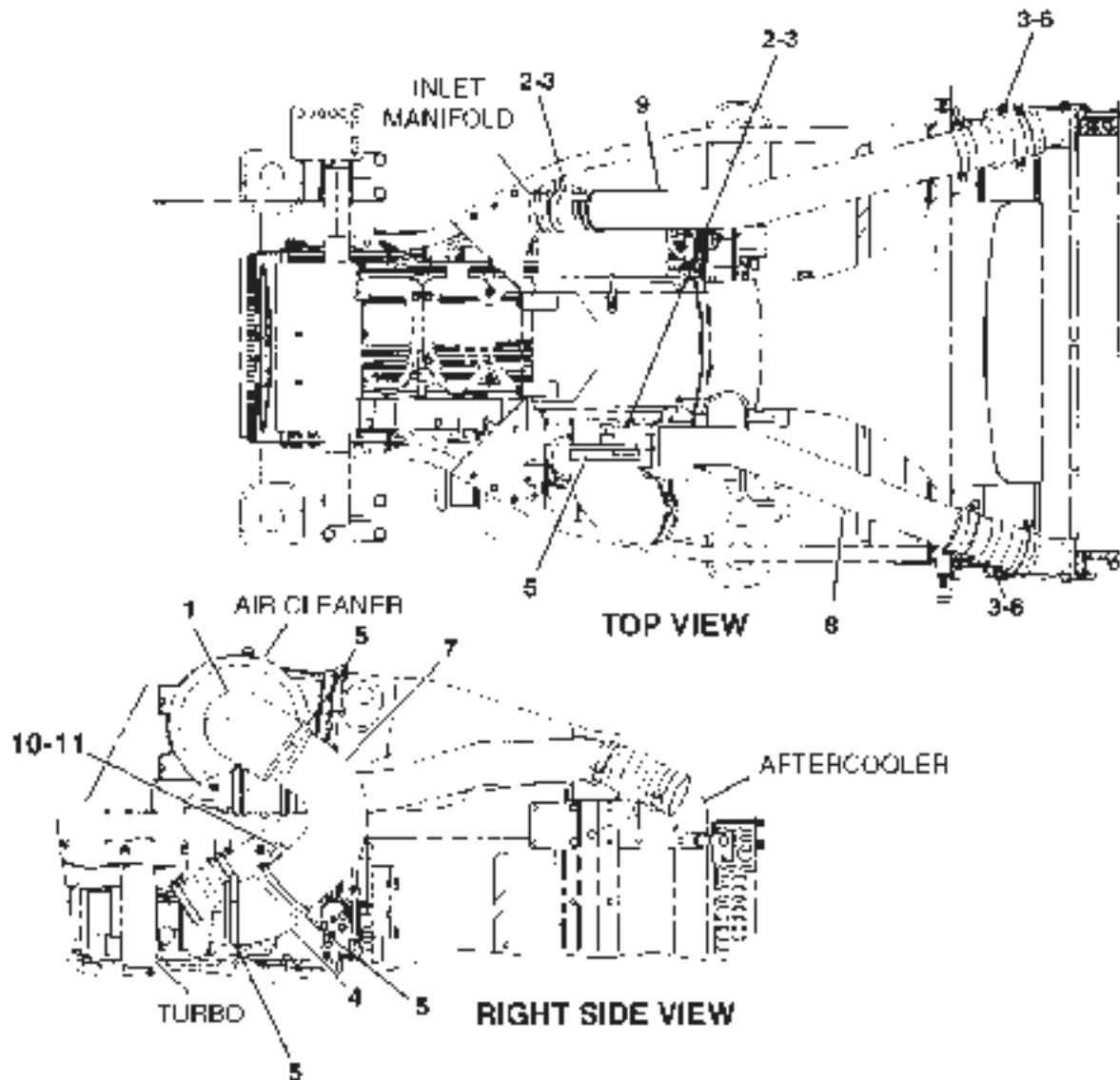
ITEM	NUMBER	QTY	DESCRIPTION
-	196-4056	-	AIR CLEANER GP [A]
1	504421D1	1	FILTER ELEMENT-AIR (PRIMARY)
2	504422D1	1	FILTER ELEMENT-AIR (SECONDARY)
3	6I-4467	1	COVER-AIR CLEANER
	CH101-2850	1	FILM-AIR CLEANER (RADIAL SEAL)
4	CH8N-4617	2	KIT-AIR CLEANER CLAMP (SERVICED AS COMPLETE KIT ONLY) (INCLUDES CLIP ASM AND RIVET)

[A] PART OF 172-5337 AIR CLEANER GP

00874425
PR: t05k07n15a0001

MT800B SERIES TRACTORS
AIR INLET AND EXHAUST SYSTEM

LINES GP-AIR - 500964D1
(MT835B & MT845B)



**MT800B SERIES TRACTORS
AIR INLET AND EXHAUST SYSTEM**

151

**LINES GP-AIR - 500964D1
(MT835B & MT845B)**

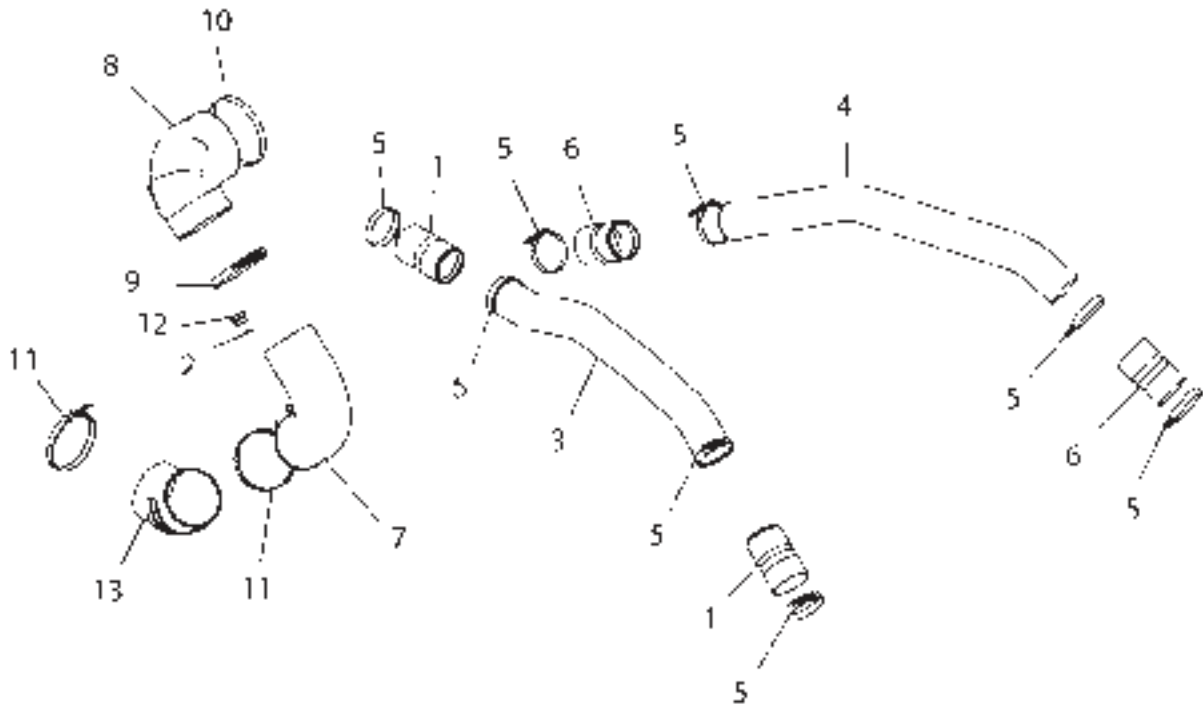
ITEM	NUMBER	QTY	DESCRIPTION
-	500964D1	-	LINES GP-AIR [A] (NOT SERVICED)
1	CH6T-6158	1	ELBOW
2	219-8630	2	HOSE-HUMP
3	9X-2201	16	CLAMP-HOSE
4	CH9Y-6102	1	ELBOW
5	CH135-6261	4	CLAMP
6	501062D1	2	HOSE
7	501878D1	1	TUBE ASM-INLET (INCLUDES BOSS & TUBE)
	CH4J-5050		BOSS
8	500965D1	1	TUBE-OUTLET
9	500966D1	1	TUBE-INLET
10	400376X1	1	SEAL-O-RING
11	CH164-4180	1	PLUG AS (INCLS ITEM 10)
	400376X1	1	SEAL-O-RING

[A] PART OF 172-5363; 172-5364;
501583D1; 501854D1
INSTALLATION AR-ENGINE

0882882A
PR: t05b22n43d0051

MT800B SERIES TRACTORS
AIR INLET AND EXHAUST SYSTEM

LINES GP-AIR - 500963D1
MT855B, MT865B & MT875B



**MT800B SERIES TRACTORS
AIR INLET AND EXHAUST SYSTEM**

153

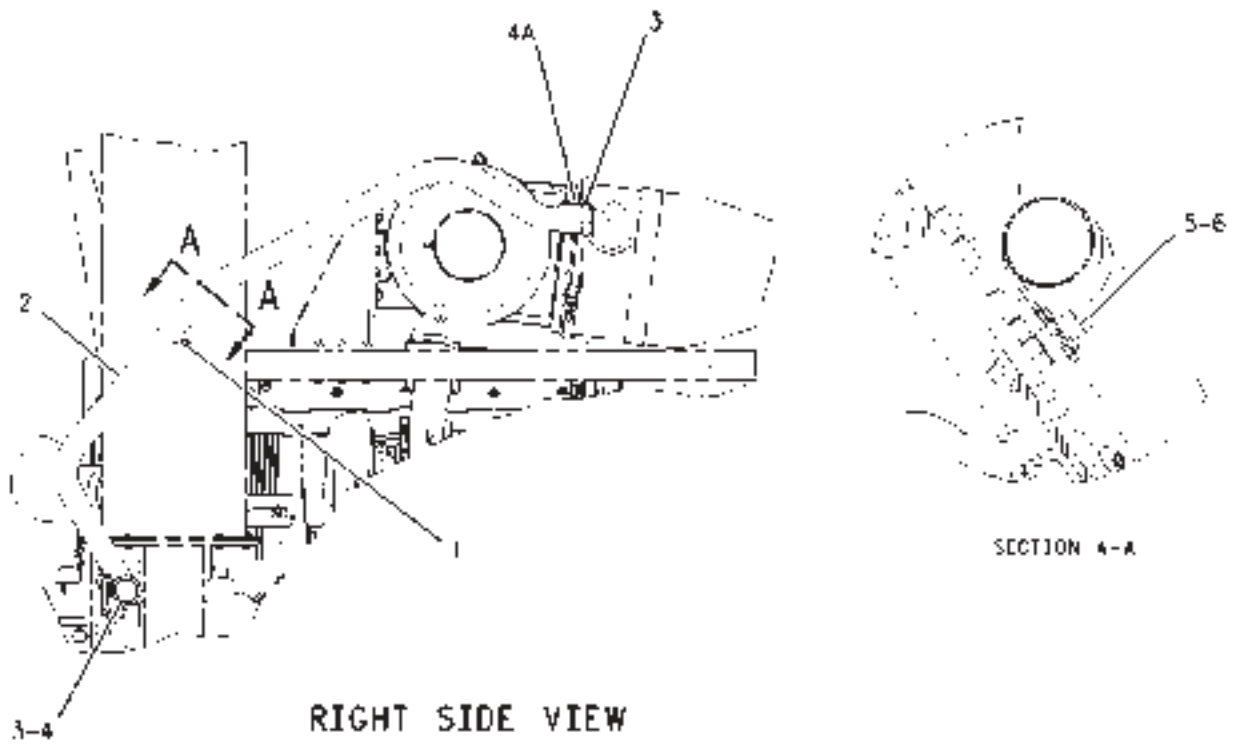
**LINES GP-AIR - 500963D1
MT855B, MT865B & MT875B**

ITEM	NUMBER	QTY	DESCRIPTION
-	500963D1	-	LINES GP-AIR [A] (NOT SERVICED)
1	219-8630	2	HOSE-HUMP
2	400376X1	1	SEAL-O-RING 29.74 IDX2.95 DIA
3	500965D1	1	TUBE-OUTLET
4	500966D1	1	TUBE-INLET
5	501021D1	8	CLAMP-T BOLT 104.9-112.8 IDX19
6	501062D1	2	HOSE-HUMP
7	501878D1	1	TUBE AS-INLET
8	501891D1	1	ELBOW
9	502277D1	1	CLAMP-T BOLT 165.1-172.9 IDX19
10	502278D1	1	CLAMP-T BOLT 190.5-198.3 IDX19
11	CH135-6261	2	CLAMP-T BOLT 155-168 IDX19
12	CH164-4180	1	PLUG AS-16 STOR (INCLS ITEM 1)
	400376X1	1	SEAL-O-RING
13	CH9Y-6102	1	ELBOW-45DEG RUB FORMED 152.4ID

[A] PART OF 501585D1; 501586D1;
501587D1 INSTALLATION AR

500963DA
PR: t05b22n43d0052

LINES GP-EJECTOR - 197-4849
MT835B & MT845B



**MT800B SERIES TRACTORS
AIR INLET AND EXHAUST SYSTEM**

155

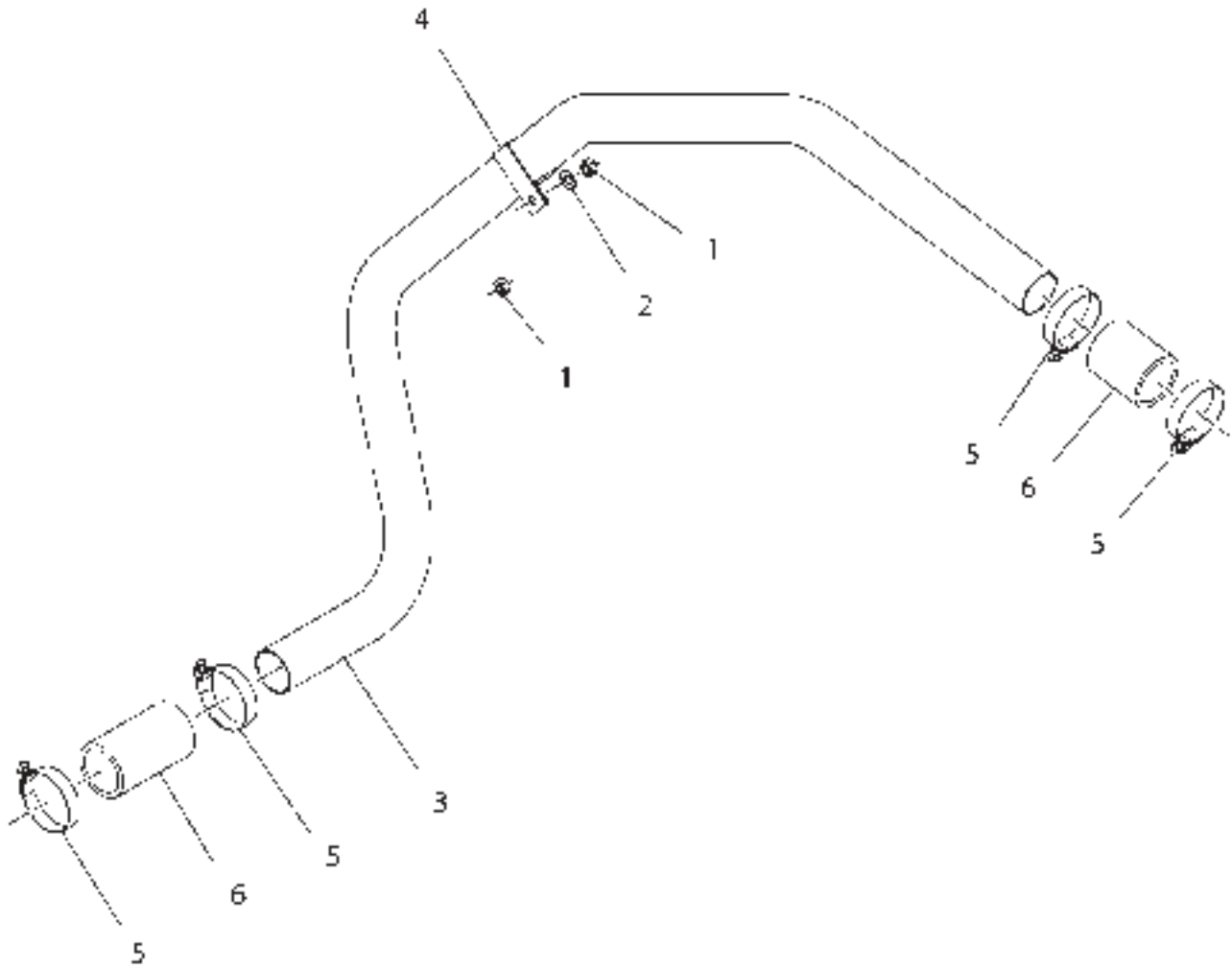
**LINES GP-EJECTOR - 197-4849
MT835B & MT845B**

ITEM	NUMBER	QTY	DESCRIPTION
-	197-4849	-	LINES GP-EJECTOR [A] (NOT SERVICED)
1	CH105-1866	1	CLIP
2	197-4852	1	TUBE
3	400126X1	4	CLAMP-HOSE
4	CH5P-1259	-	HOSE (50.80ID X 10.7CM)
4A	CH5P-1259	-	HOSE (50.80ID X 7.2CM)
5	7774664	2	NUT (M10X1.5)
6	400287X1	1	WASHER-HARD (11X21X2.5)

[A] PART OF:
172-5363; 172-5364; 187-1743;
187-1744; 501583D1; 501854D1
INSTALLATION AR-ENGINE

00868057
PR: t05b22n43d0053

LINES GP-DUST EJECTOR - 501580D1
MT855B, MT865B & MT875B



501580DA

**MT800B SERIES TRACTORS
AIR INLET AND EXHAUST SYSTEM**

157

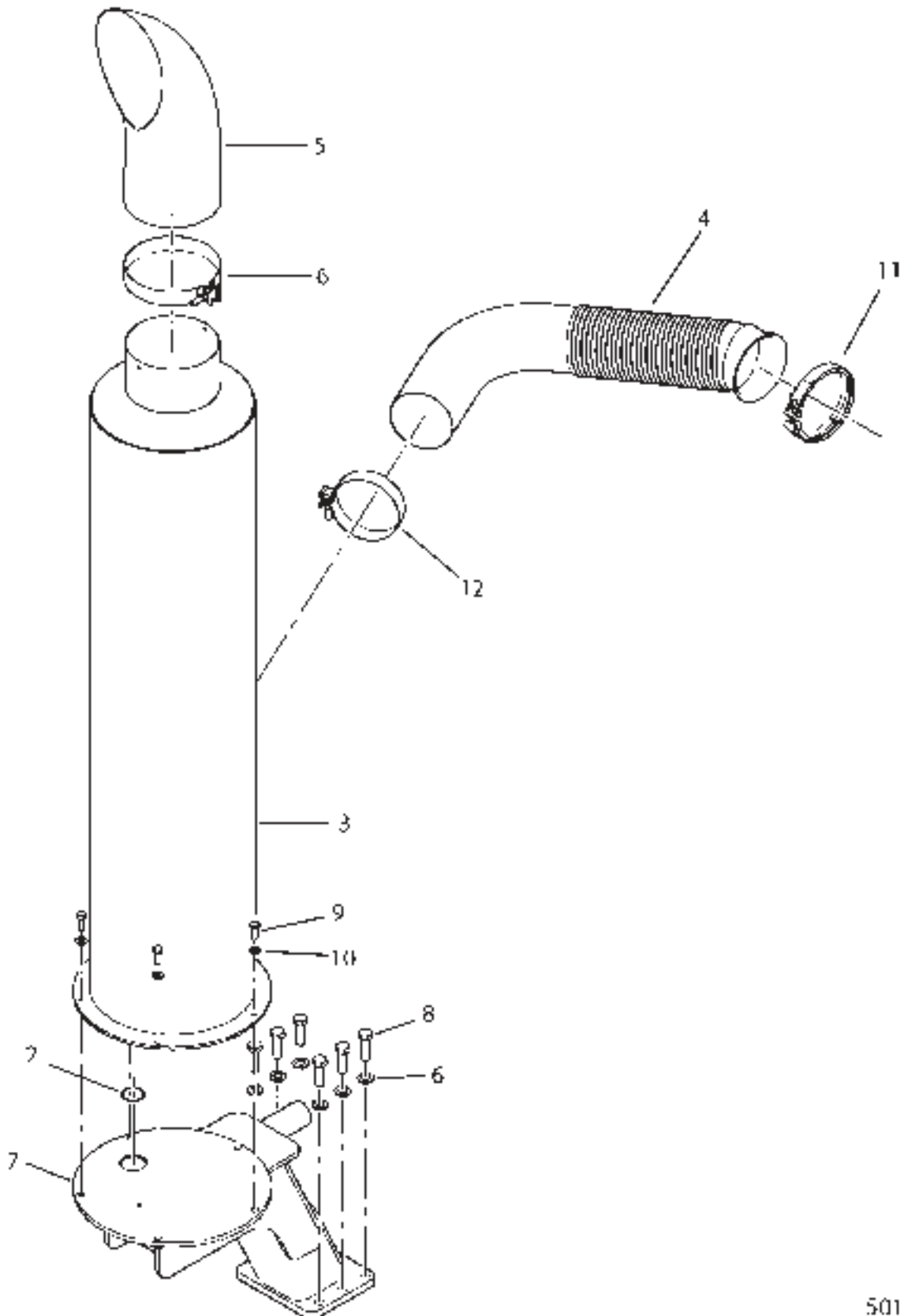
**LINES GP-DUST EJECTOR - 501580D1
MT855B, MT865B & MT875B**

ITEM	NUMBER	QTY	DESCRIPTION
-	501580D1	-	LINES GP-DUST EJECTOR [A] (NOT SERVICED)
1	7774664	2	NUT-M10-1.5,CL10.9,ZN,H,REG
2	400287X1	1	WASHER-HARD 11IDX21ODX2.5 ZND1
3	501879D1	1	TUBE
4	CH105-1866	1	CLIP-LOOP 50.8 ID
5	400126X1	4	CLAMP-HOSE CT SST 57-79X16
6	CH5P-1259	18	HOSE-BULK 50.80 ID COOLANT

[A] PART OF 501585D1; 501586D1;
501587D1 INSTALLATION AR

501580DA
PR: t05b22n43d0054

MUFFLER GP - 501577D1



**MT800B SERIES TRACTORS
AIR INLET AND EXHAUST SYSTEM**

159

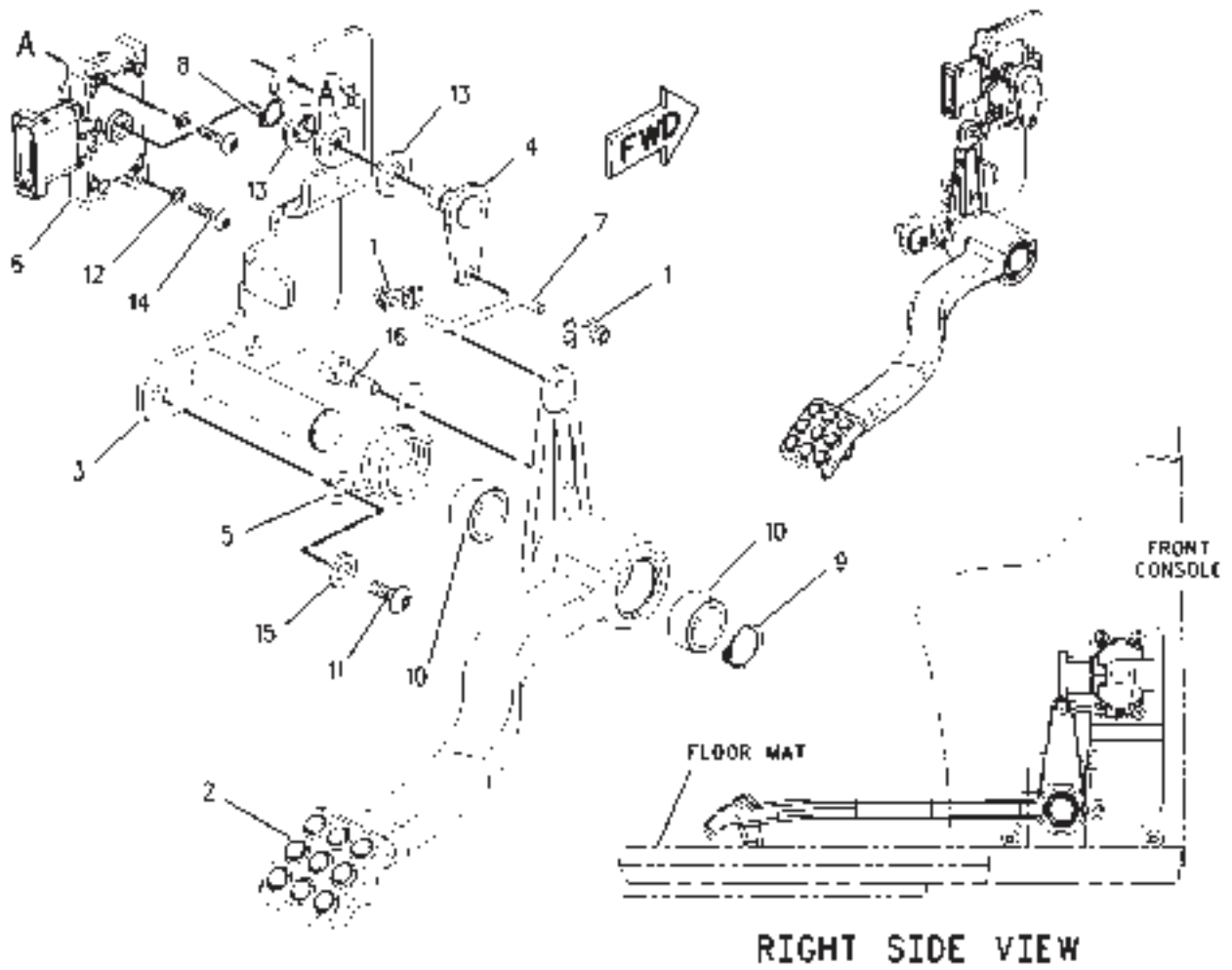
MUFFLER GP - 501577D1

ITEM	NUMBER	QTY	DESCRIPTION
-	501577D1	-	MUFFLER GP [A] (NOT SERVICED)
1	CH211-8713	20	SEALANT-BULK HIGH TEMP GASKET
2	400287X1	5	WASHER-HARD 11IDX21ODX2.5 ZND1
3	501825D1	1	MUFFLER AS
4	501880D1	1	TUBE AS-FLEXIBLE
5	502280D1	1	EXHAUST STACK
6	502281D1	1	CLAMP 7.00
7	212-4300	1	SUPPORT AS-EXH
8	400056X1	6	BOLT-M16X2X50MM ZNDI HHD 10.9
9	400058X1	5	BOLT-M10X1.5X30 ZNDI HHD 10.9
10	400082X1	6	WASHER-HARD 17.5IDX30ODX3.5 ZN
11	CH9N-1941	1	CLAMP-V-BAND 149 GAGE SST
12	CH202-2373	1	CLAMP-BAND 134 ID X 31.8

[A] PART OF:
501583D1; 501854D1; 501585D1;
501586D1; 501587D1 INSTALLATION AR

501577DB
PR: t05b22n43d0055

CONTROL GP-DECELERATOR - 152-0447



MT800B SERIES TRACTORS
FUEL SYSTEM

161

CONTROL GP-DECELERATOR - 152-0447

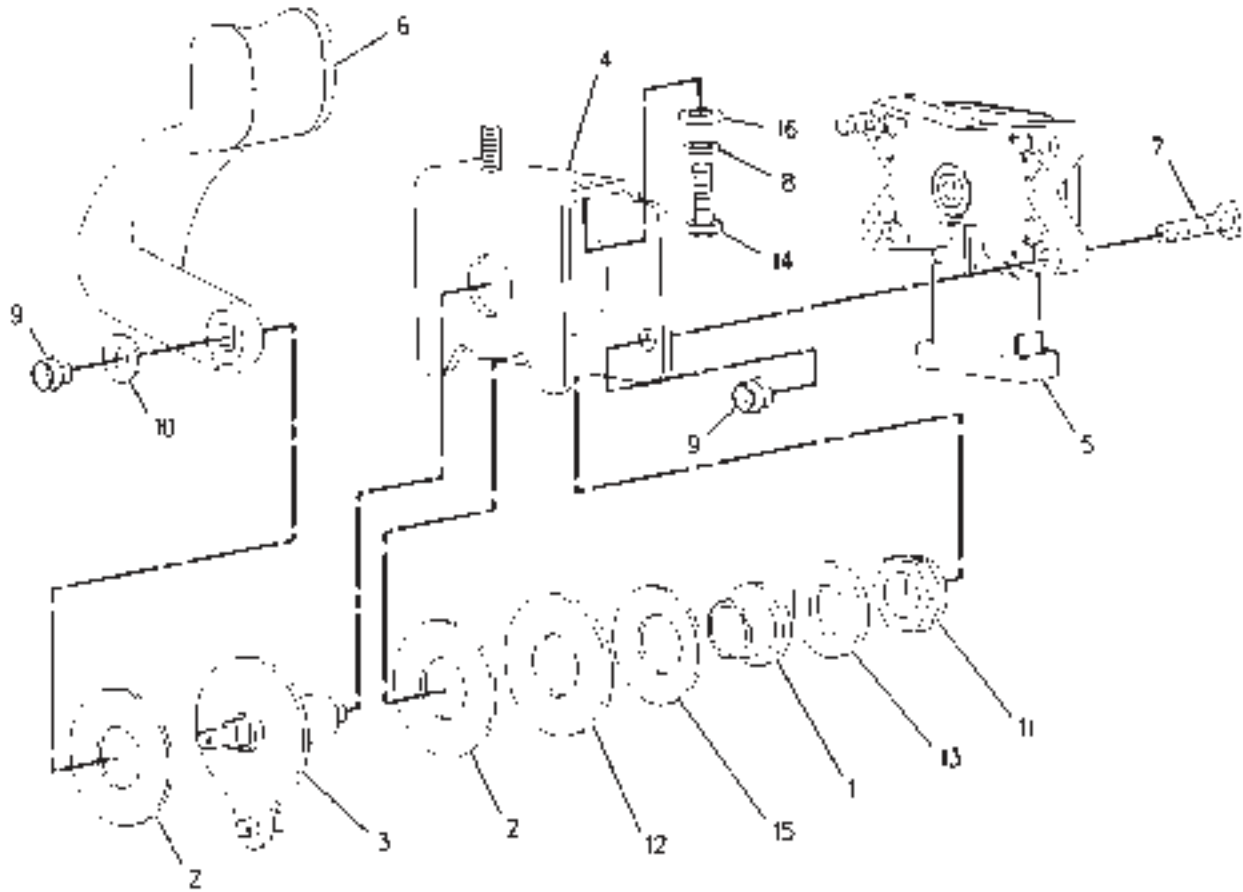
ITEM	NUMBER	QTY	DESCRIPTION
-	152-0447	-	CONTROL GP-DECELERATOR [A] (NOT SERVICED)
1	CH116-5728	2	CLIP-ROD END
2	136-5218	1	PEDAL-DECELERATOR
3	136-5221	1	BRACKET ASM (INCLUDES BRACKET & SHAFT)
4	136-5224	1	ARM ASM (INCLUDES SHAFT & PLATE)
5	CH214-9441	1	SPRING
6	500317D1	1	SENSOR POSITION
7	136-5566	1	LINK
8	CH095-0915	1	RING-RETAINING
9	CH2J-6356	1	RING-RETAINING
10	CH4E-1251	2	BEARING-SLEEVE
11	CH127-2170	2	SCREW-TRUSS HEAD (M8X1.25X20MM)
12	CH8C-9660	2	WASHER (4.6X7.9X0.8)
13	CH177-0378	2	BUSHING
14	CH9X-1046	2	SCREW (M4X0.7X18MM)
15	CH9M-1974	2	WASHER-HARD (8.8X16X2)
16	400004X1	1	BOLT-SHOULDER (M6X1X23.25MM)

[A] PART OF 152-0012; 152-0013;
222-4146 CAB AR

00850574
PR: t05b22n43d0056

MT800B SERIES TRACTORS
FUEL SYSTEM

CONTROL GP-GOVERNOR - 207-2031



MT800B SERIES TRACTORS
FUEL SYSTEM

163

CONTROL GP-GOVERNOR - 207-2031

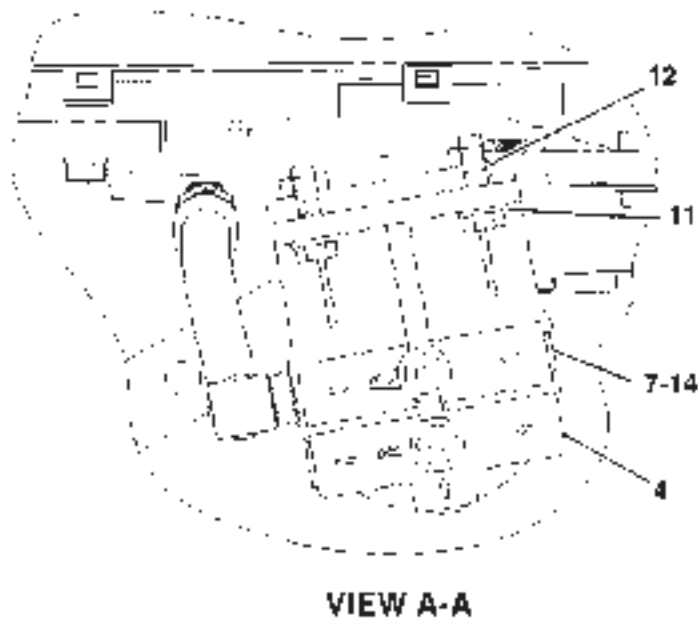
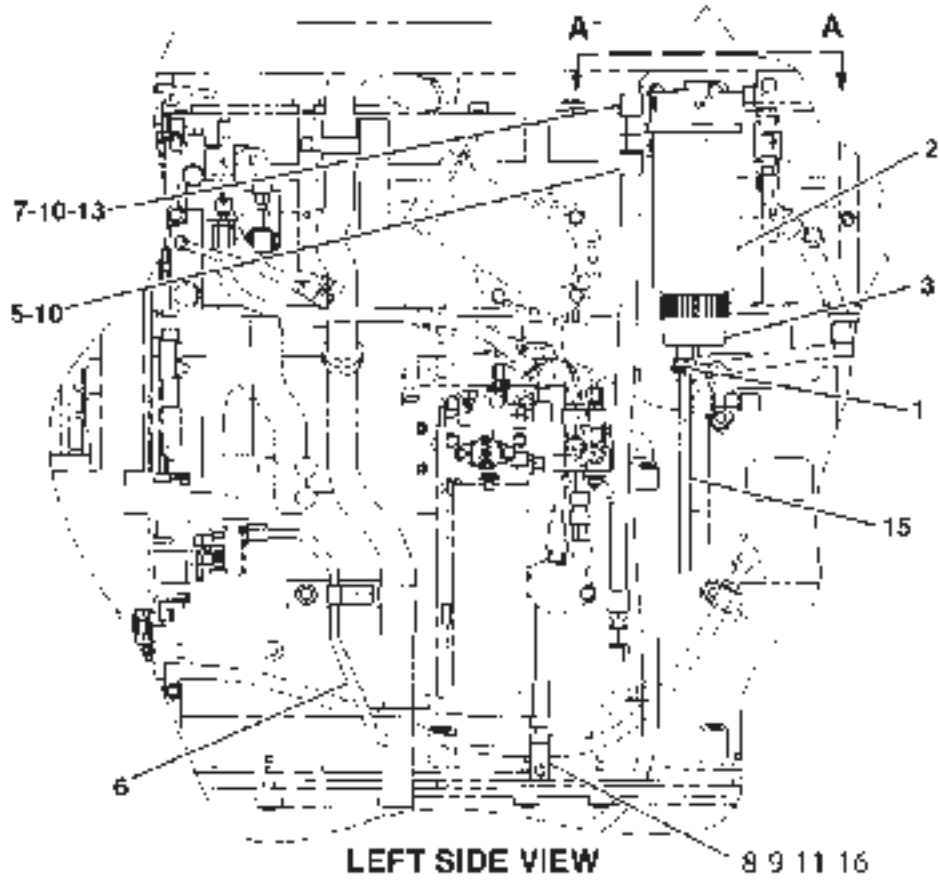
ITEM	NUMBER	QTY	DESCRIPTION
-	207-2031	-	CONTROL GP-GOVERNOR [A] (NOT SERVICED)
1	CH174-5747	1	BUSHING
2	400334X1	2	WASHER (16.5X37X1.5)
3	192-4776	1	SHAFT ASM(INCLUDES PIN, PLATE & SHAFT)
4	192-4777	1	BRACKET
5	500317D1	1	SENSOR-POSITION (SENSOR A)
6	CH207-2032	1	HANDLE
7	400072X1	2	BOLT-HX SCKT HD (M5X0.8X25MM)
8	CH3B-4503	2	LOCKWASHER
9	CH179-4324	3	LOCKNUT-NYLON INSRT (M5X.8)
10	CH4B-4274	1	WASHER (5.5X13X1.2)
11	CH4K-8341	1	LOCKNUT (1/2-20)
12	CH7X-0517	1	WASHER-HARD (17X38X2.5)
13	400357X1	1	WASHER-HARD (M12X25.5X3)
14	CH8T-6693	2	SCREW-MACHINE (M5X0.8X16MM)
15	400074X1	1	WASHER-BELLVILLE
16	400310X1	2	WASHER (6.6X12X2)

[A] PART OF 152-0434 CONSOLE
GP-OPERATOR

00867630
PR: t05k07n15a0002

MT800B SERIES TRACTORS
FUEL SYSTEM

FILTER GP-WATER SEP & FUEL - 502352D1



MT800B SERIES TRACTORS
FUEL SYSTEM

165

FILTER GP-WATER SEP & FUEL - 502352D1

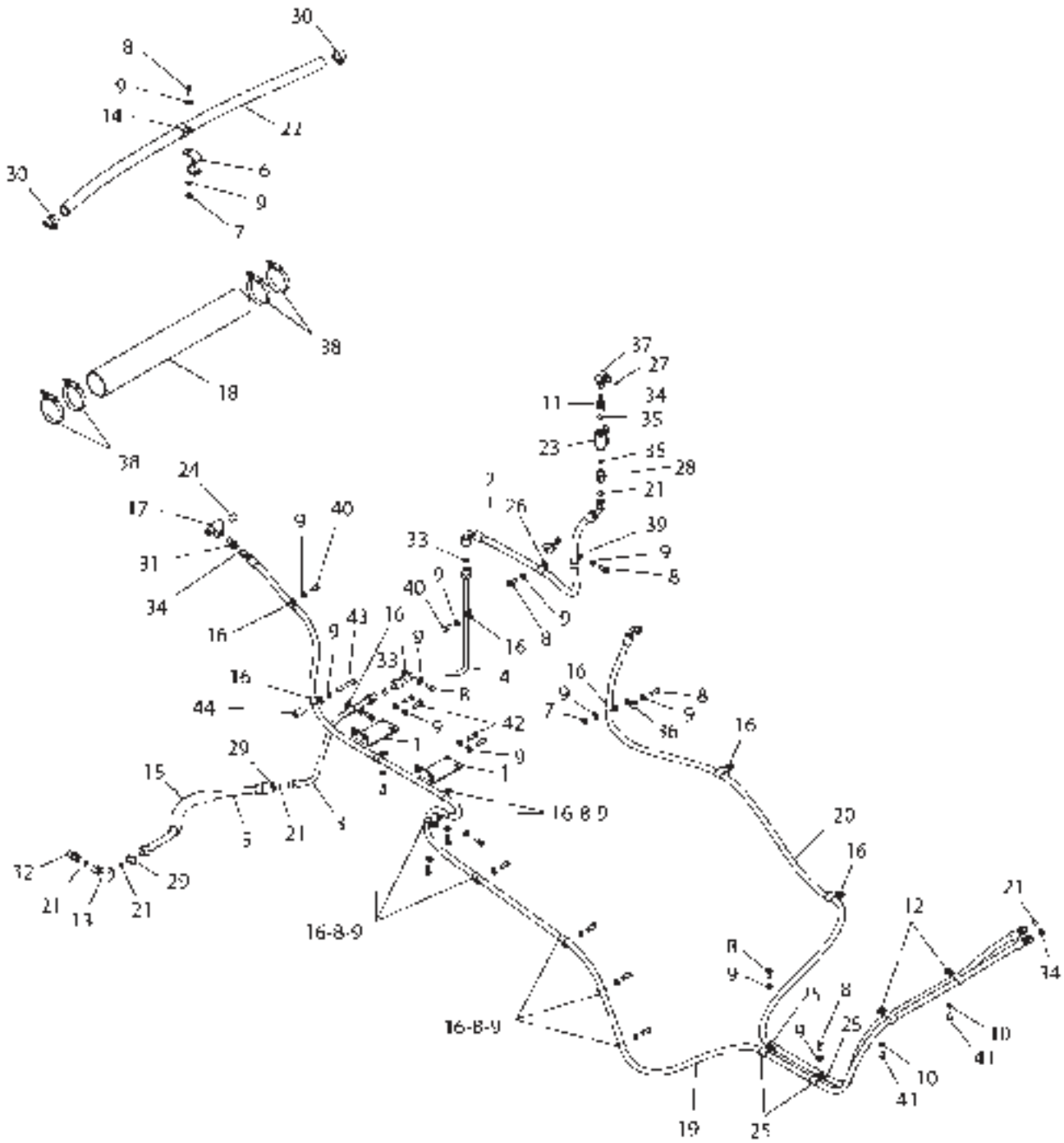
ITEM	NUMBER	QTY	DESCRIPTION
-	502352D1	-	FILTER GP-WATER SEP & FUEL [A] (NOT SERVICED)
1	CH1P-4278	1	CLAMP-HOSE
2	CH1R-0771	1	FILTER ASM-FUEL (INCL SEAL)
	CH220-8678	1	SEAL
3	CH173-7126	1	BOWL
4	177-9778	1	BASE ASM (INCLUDES STUD AND BASE)
	9S-4167	1	STUD HOLLOW
5	CH208-5384	1	HOSE ASM (INCLUDES COUPLING AND HOSE)
6	221-1776	1	TUBE ASM(INCL. NUT, SLEEVE, SEAL & TUBE)
7	400318X1	6	SEAL-O-RING
8	CH4D-9517	1	CLIP
9	WR561071	1	BOLT (3/8-16X3)
10	CH6V-8398	2	SEAL-O-RING
11	400287X1	4	WASHER-HARD (11X21X2.5)
12	400059X1	3	BOLT (M10X1.5X35MM)
13	400018X1	1	ELBOW
14	CH162-0177	1	PLUG AS (9/16-18 STOR)
	400318X1	1	SEAL-O-RING
15	CH5P-6442	1	HOSE (26CM)
16	501973D1	1	SPACER

[A] PART OF 501583D1; 501584D1;
501585D1; 501586D1; 501587D1
INSTALLATION AR-ENGINE

502352DA
PR: t05b22n43d0057

MT800B SERIES TRACTORS FUEL SYSTEM

LINES GP-FUEL - 501582D1
MT835B, MT845B, MT855B & MT865B



**MT800B SERIES TRACTORS
FUEL SYSTEM**

167

**LINES GP-FUEL - 501582D1
MT835B, MT845B, MT855B & MT865B**

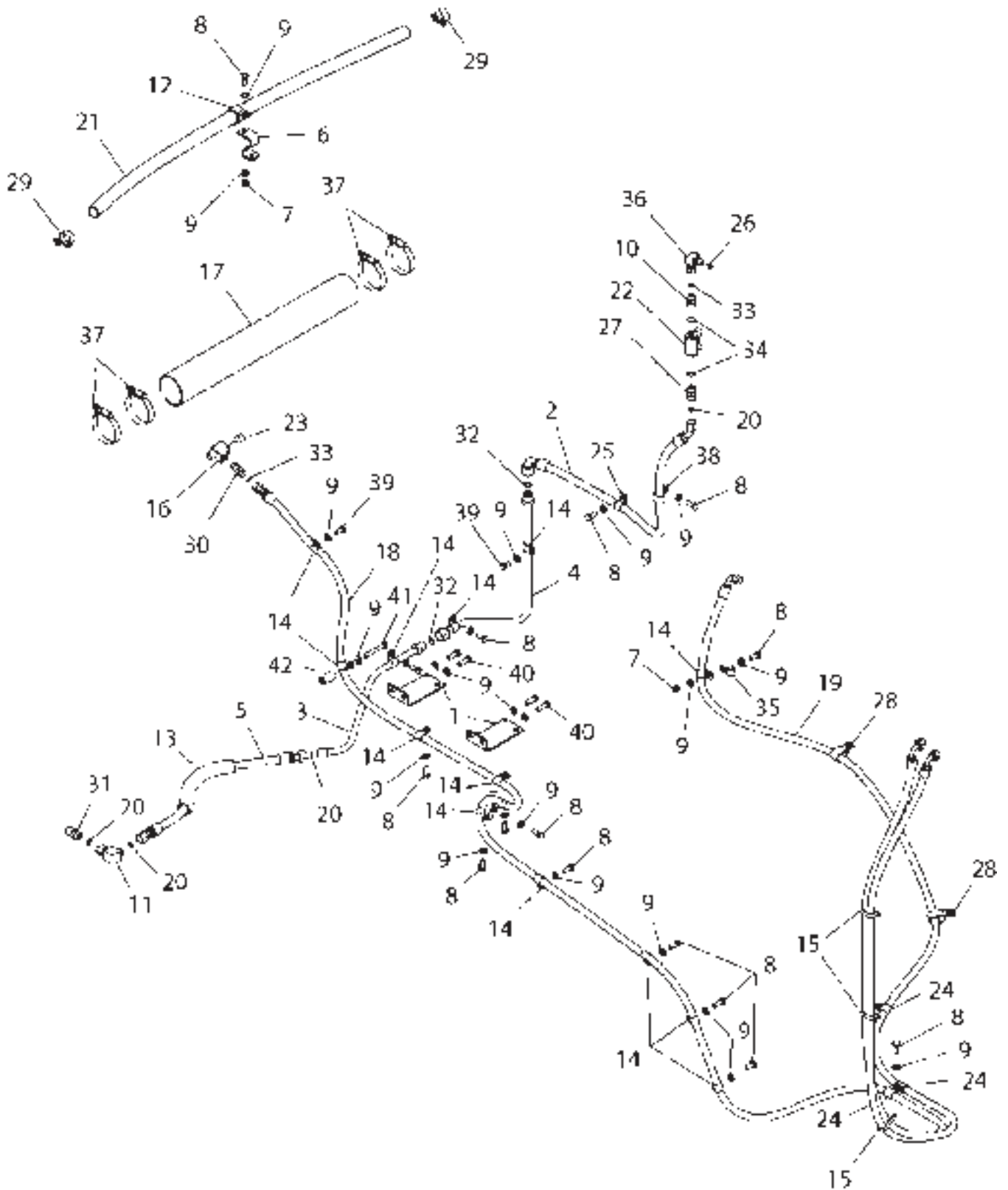
ITEM	NUMBER	QTY	DESCRIPTION
-	501582D1	-	LINES GP-FUEL [A] (NOT SERVICED)
1	209-0141	2	BRACKET AS
2	212-3811	1	HOSE AS-12.7 ID CMS 5774
3	212-3814	1	TUBE AS.
4	212-3815	1	TUBE AS.
5	217-5924	1	HOSE AS-12.7 ID CMS 5574
6	220-8642	1	BRACKET
7	7774664	2	NUT-M10-1.5,CL10.9,ZN,H,REG
8	400039X1	16	BOLT-M10X1.5X25 ZNDI HHD 10.9
9	400287X1	25	WASHER-HARD 11IDX21ODX2.5 ZND1
10	400339X1	2	WASHER-HARD
11	400627X1	1	CONNECTOR-STR-8STOR-6ORFS
12	400665X1	2	CLIP-LOOP 19ID X 2
13	400686X1	1	ELBOW-90DEG 8 ORFS SWVL
14	400689X1	1	CLIP LOOP 38.1ID
15	400691X1	-	SLEEVE-ABRASION BULK 31.75ID (25CM)
16	400702X1	14	CLIP-ONE TUBE COATED
17	500142D1	1	FITTING-TEE
18	500291D1	1	HOSE-TRANSFER
19	501992D1	1	HOSE AS.
20	501993D1	1	HOSE AS.
21	CH033-6033	5	SEAL-O-RING 12.4IDX1.78DIA
22	CH146-7453	-	HOSE-BULK 25.4 ID (116CM)
23	CH206-0325	1	VALVE-3/4-16 THD
24	CH2B-0858	1	PLUG-8 NPTF 9.52SQR.CNTRSK
25	CH3S-8664	4	CLIP-LOOP 19.05 ID
26	CH6D-4246	1	CLIP-LOOP 19.05ID
27	CH6V-5049	1	SEAL-O RING 11.89IDX1.98 DIA
28	CH6V-8639	1	CONNECTOR-STR-12.7 STR -8 ORFS
29	CH7K-1181	2	STRAP-CABLE 0.19-4.00
30	CH7X-7958	2	CLAMP-25-44IDX16 CONST TENSION
31	CH8C-6870	1	CONNECTOR-8 NPTF X 6 ORFS
32	CH8C-6872	1	CONNECTOR-8 NPTF X 8 ORFS
33	CH8L-2746	2	SEAL-O-RING 15.61IDX1.78DIA
34	CH8L-2779	3	SEAL-O-RING 9.25ID X 1.78DIA
35	CH8L-2786	2	SEAL-O RING 16.36IDX2.21 DIA
36	CH8M-2770	1	CLIP-LOOP 12.7 ID
37	CH8T-0788	1	ELBOW-90DEG 6STORX6 ORFS SWVL
38	CH8T-4985	4	CLAMP-HOSE 83-105ID CONST LOAD
39	CH9X-8250	1	CLIP-LOOP 23.8 ID
40	400040X1	2	BOLT-M10X1.5X20 ZNDI HHD 10.9
41	400053X1	2	BOLT-M8X1.25X20 ZNDI HHD 10.9
42	400058X1	4	BOLT-M10X1.5X30 ZNDI HHD 10.9
43	400066X1	1	BOLT-M10X1.5X70 ZNDI HHD 10.9
44	215-6489	1	SPACER

[A] PART OF:
501583D1; 501854D1; 501585D1;
501586D1 INSTALLATION AR

501582DC
PR: t05b22n43d0058

MT800B SERIES TRACTORS
FUEL SYSTEM

LINES GP-FUEL - 502735D1
MT875B



**MT800B SERIES TRACTORS
FUEL SYSTEM**

169

**LINES GP-FUEL - 502735D1
MT875B**

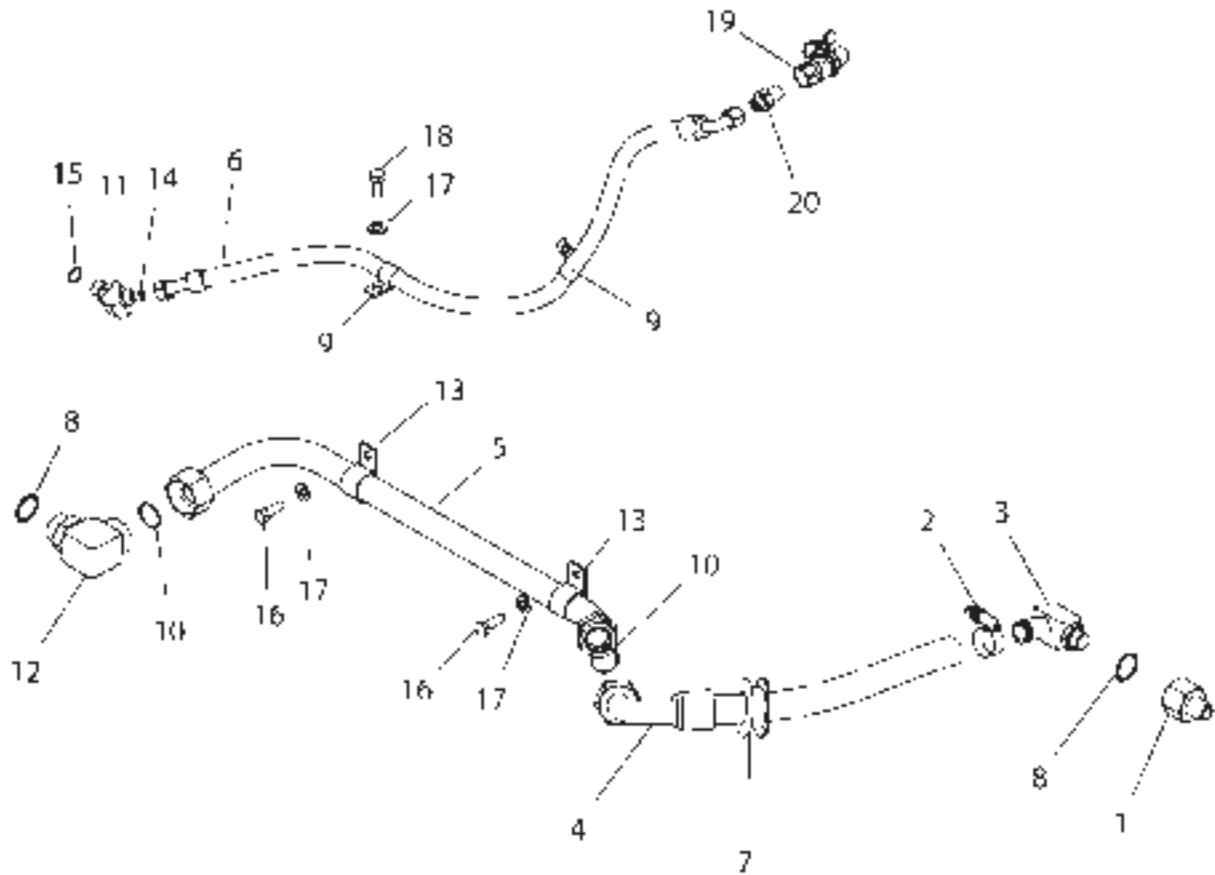
ITEM	NUMBER	QTY	DESCRIPTION
-	502735D1	-	LINES GP-FUEL (NOT SERVICED)
1	209-0141	2	BRACKET AS
2	212-3811	1	HOSE AS-12.7 ID CMS 5774
3	212-3814	1	TUBE AS.
4	212-3815	1	TUBE AS.
5	217-5924	1	HOSE AS-12.7 ID CMS 5574
6	220-8642	1	BRACKET
7	7774664	2	NUT-M10-1.5,CL10.9,ZN,H,REG
8	400039X1	15	BOLT-M10X1.5X25 ZNDI HHD 10.9
9	400287X1	24	WASHER-HARD 11IDX21ODX2.5 ZND1
10	400627X1	1	CONNECTOR-STR-8STOR-6ORFS
11	400686X1	1	ELBOW-90DEG 8 ORFS SWVL
12	400689X1	1	CLIP LOOP 38.1ID
13	400691X1	AR	SLEEVE-ABRASION BULK 31.75ID (25 CM)
14	400702X1	14	CLIP-ONE TUBE COATED
15	400837X1	3	STRAP-CABLE (PLASTIC)
16	500142D1	1	FITTING-TEE
17	500291D1	1	HOSE-TRANSFER
18	502736D1	1	HOSE
19	502737D1	1	HOSE
20	CH033-6033	5	SEAL-O-RING 12.4IDX1.78DIA
21	CH146-7453	AR	HOSE-BULK 25.4 ID HTEMP L PRES (116 CM)
22	CH206-0325	1	VALVE-3/4-16THD
23	CH2B-0858	1	PLUG-8 NPTF 9.52SQR.CNTRSK
24	CH3S-8664	3	CLIP-LOOP 19.05 ID
25	CH6D-4246	3	CLIP-LOOP 19.05ID
26	CH6V-5049	1	SEAL-O RING 11.89IDX1.98 DIA
27	CH6V-8639	1	CONNECTOR-STR-12.7 STR -8 ORFS
28	CH7K-1181	2	STRAP-CABLE 0.19-4.00
29	CH7X-7958	2	CLAMP-25-44IDX16 CONST TENSION
30	CH8C-6870	1	CONNECTOR-8 NPTF X 6 ORFS
31	CH8C-6872	1	CONNECTOR-8 NPTF X 8 ORFS
32	CH8L-2746	2	SEAL-O-RING 15.61IDX1.78DIA
33	CH8L-2779	3	SEAL-O-RING 9.25ID X 1.78DIA
34	CH8L-2786	2	SEAL-O RING 16.36IDX2.21 DIA
35	CH8M-2770	1	CLIP-LOOP 12.7 ID
36	CH8T-0788	1	ELBOW-90DEG 6STORX6 ORFS SWVL
37	CH8T-4985	4	CLAMP-HOSE 83-105ID CONST LOAD
38	CH9X-8250	1	CLIP-LOOP 23.8 ID
39	400040X1	2	BOLT-M10X1.5X20 ZNDI HHD 10.9
40	400058X1	4	BOLT-M10X1.5X30 ZNDI HHD 10.9
41	400066X1	1	BOLT-M10X1.5X70 ZNDI HHD 10.9
42	215-6489	1	SPACER

PART OF 501587D1

502735DA
PR: t05b22n43d0059

MT800B SERIES TRACTORS
FUEL SYSTEM

LINES GP-FUEL - 197-1317



MT800B SERIES TRACTORS
FUEL SYSTEM

171

LINES GP-FUEL - 197-1317

ITEM	NUMBER	QTY	DESCRIPTION
-	197-1317	-	LINES GP-FUEL [A]
1	CH8C-5053	1	ADAPTER
2	CH7X-7958	1	CLAMP-HOSE
3	CH034-4202	1	ELBOW
4	197-7948	1	HOSE
5	200-1300	1	TUBE ASM
6	192-6386	1	HOSE
7	CH4I-5399	1	GROMMET
8	CH5P-7701	2	SEAL-O-RING
9	CH6D-4246	2	CLIP
10	400365X1	2	SEAL-O-RING
11	CH6V-9876	1	ELBOW
12	400583X1	1	ELBOW
13	400598X1	2	CLIP
14	CH8L-2779	2	SEAL-O-RING
15	CH8L-2786	1	SEAL-O-RING
16	400058X1	2	BOLT (M10X1.5X30MM)
17	400287X1	3	WASHER-HARD (11X21X2.5)
18	400039X1	1	BOLT (M10X1.5X25MM)
19	CH221-2002	1	VALVE-BALL (8NPTF)
20	CH8C-6870	1	CONNECTOR (6ORFSX8NPT)

[A] PART OF 197-8558 TANK AR-FUEL

1971317A
PR: t05b22n43d0060

172

**MT800B SERIES TRACTORS
FUEL SYSTEM**

TANK & MTG GP-FUEL - 179-2182

NO ILLUSTRATION

NOTIF1

MT800B SERIES TRACTORS
FUEL SYSTEM

173

TANK & MTG GP-FUEL - 179-2182

ITEM	NUMBER	QTY	DESCRIPTION
-	179-2182	-	TANK & MTG GP-FUEL [A] (NOT SERVICED)
1	186-5431	1	SUPPORT GP-FUEL TANK (NOT SERVICED) (SEE BREAKDOWN FOR COMPONENTS)
2	186-5432	1	TANK GP-FUEL (NOT SERVICED) (SEE BREAKDOWN FOR COMPONENTS)

[A] PART OF 179-1953 CHASSIS AR

NOTIF1
PR: t05b22n43d0061

174

MT800B SERIES TRACTORS
FUEL SYSTEM

TANK AR-FUEL - 197-8558
AUXILIARY 94.8 LITERS (25 GALLONS)

NO ILLUSTRATION

NOTIF2

**MT800B SERIES TRACTORS
FUEL SYSTEM**

175

**TANK AR-FUEL - 197-8558
AUXILIARY 94.8 LITERS (25 GALLONS)**

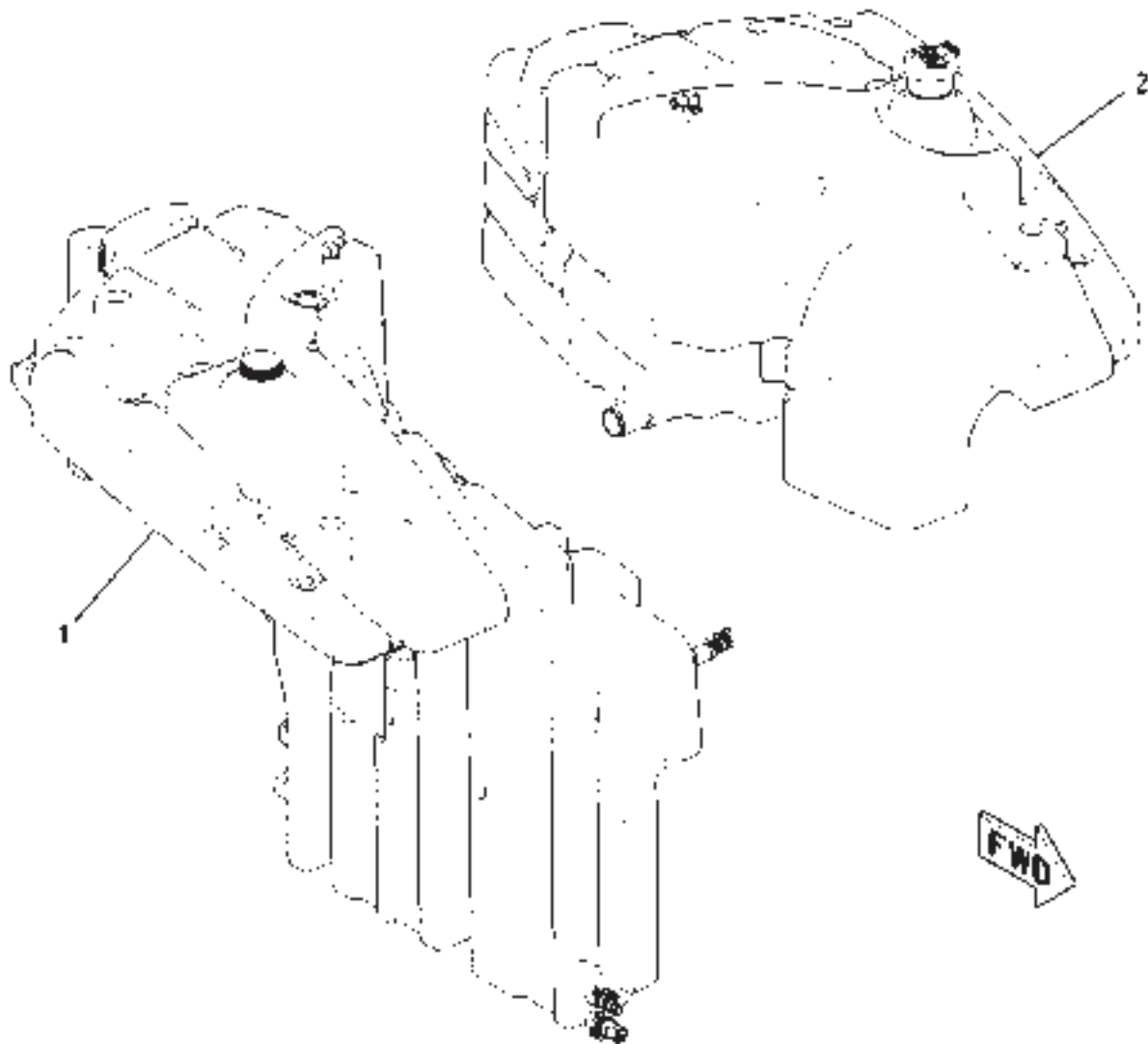
ITEM	NUMBER	QTY	DESCRIPTION
-	197-8558	-	TANK AR-FUEL [A]
-	197-1317	1	LINES GP-FUEL (NOT SERVICED) (SEE BREAKDOWN FOR COMPONENTS)
-	206-8891	1	TANK GP-FUEL (NOT SERVICED) (SEE BREAKDOWN FOR COMPONENTS)

[A] PART OF:
156-5584; 179-2196; 501591D1;
501592D1; 501596D1; 501597D1
BASE UNIT AR;
502760D1; 502771D1 TANK AR-FUEL

NOTIF2
PR: t05b22n43d0062

MT800B SERIES TRACTORS
FUEL SYSTEM

TANK GP-FUEL - 186-5432
1155 LITERS (305 GALLONS)



**MT800B SERIES TRACTORS
FUEL SYSTEM**

177

**TANK GP-FUEL - 186-5432
1155 LITERS (305 GALLONS)**

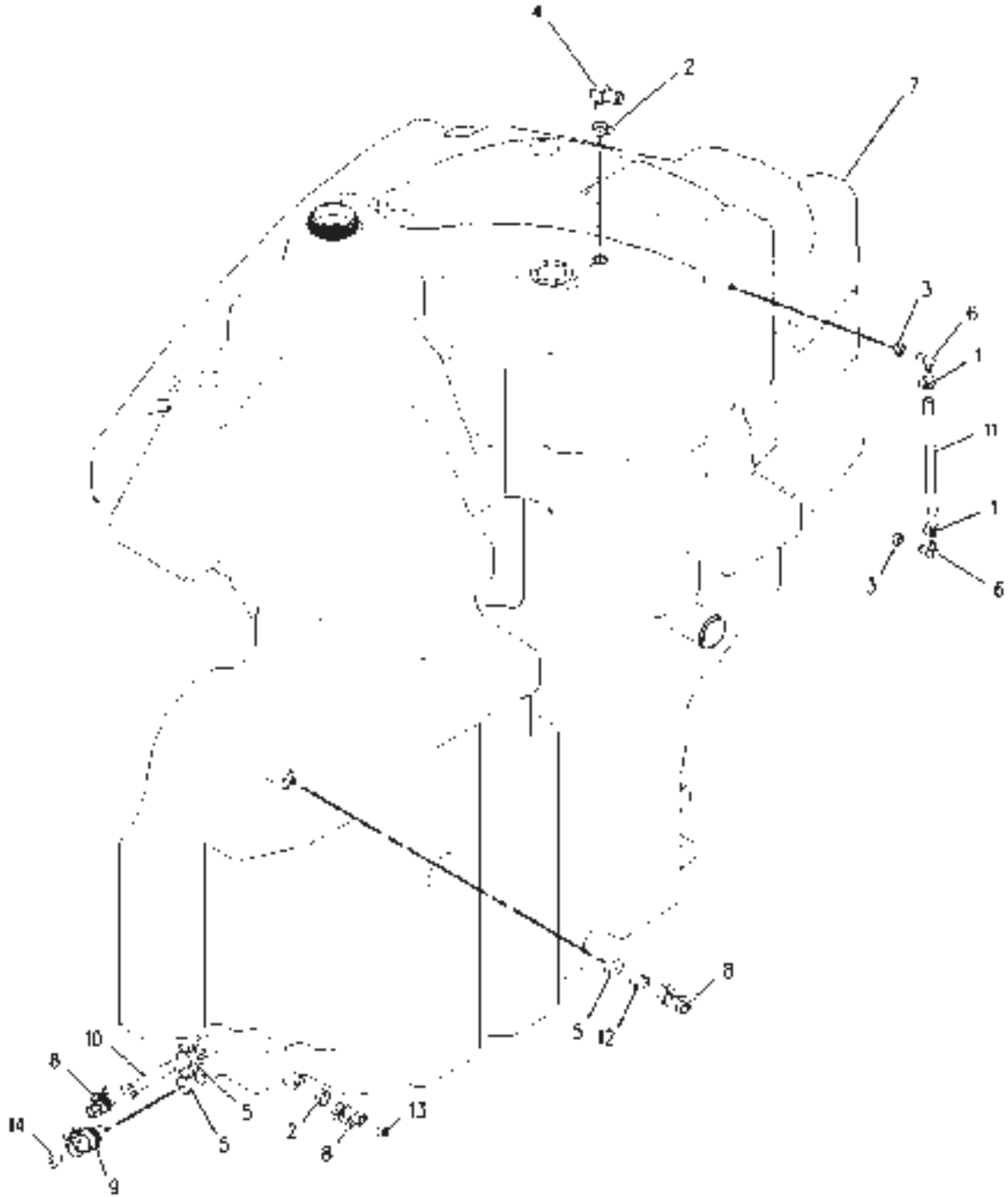
ITEM	NUMBER	QTY	DESCRIPTION
-	186-5432	-	TANK GP-FUEL [A] (NOT SERVICED)
1	196-7742	1	TANK GP-FUEL (RH) (NOT SERVICED) (SEE BREAKDOWN FOR COMPONENTS)
2	500016D1	1	TANK GP-FUEL (LH) (NOT SERVICED) (SEE BREAKDOWN FOR COMPONENTS)

[A] PART OF 179-2182 TANK & MTG GP-FUEL

00886907
PR: t05b22n43d0063

MT800B SERIES TRACTORS
FUEL SYSTEM

TANK GP-FUEL - 196-7742
RIGHT HAND



00888761

MT800B SERIES TRACTORS
FUEL SYSTEM

179

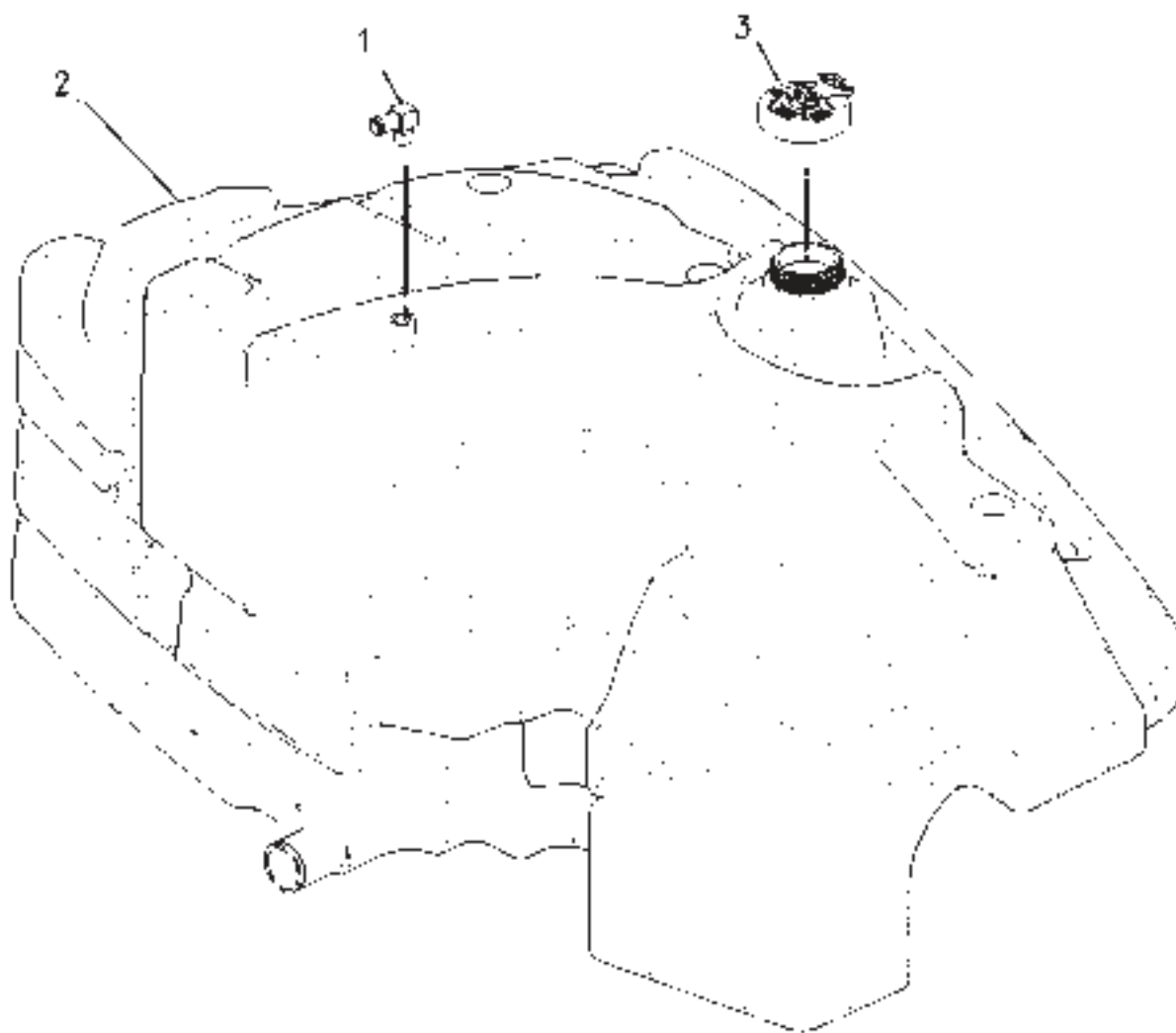
TANK GP-FUEL - 196-7742
RIGHT HAND

ITEM	NUMBER	QTY	DESCRIPTION
-	196-7742	-	TANK GP-FUEL [A] (NOT SERVICED)
1	CH1P-4278	2	CLAMP-HOSE
2	CH2S-3440	2	CLAMP-HOSE
3	CH6W-5698	2	GROMMET
4	CH7W-1890	1	ELBOW
5	CH9M-2904	3	CLAMP-HOSE
6	CH186-5862	2	ELBOW
7	188-0771	1	TANK-FUEL (RH)
8	CH221-2002	3	VALVE-BALL (FUEL SHUT-OFF)
9	CH221-2003	1	VALVE-BALL (FUEL SHUT-OFF)
10	CH221-3265	1	STRAINER (SUCTION)
11	CH200-2841		HOSE-BULK (90CM)
12	CH061-9593	1	BUSHING-REDUCER
13	CH2B-0858	1	PLUG-PIPE
14	CH3B-0551	1	PLUG-PIPE

[A] PART OF 186-5432 TANK GP-FUEL

00888761
PR: t05b22n43d0064

TANK GP-FUEL - 500016D1
LEFT HAND



**MT800B SERIES TRACTORS
FUEL SYSTEM**

181

**TANK GP-FUEL - 500016D1
LEFT HAND**

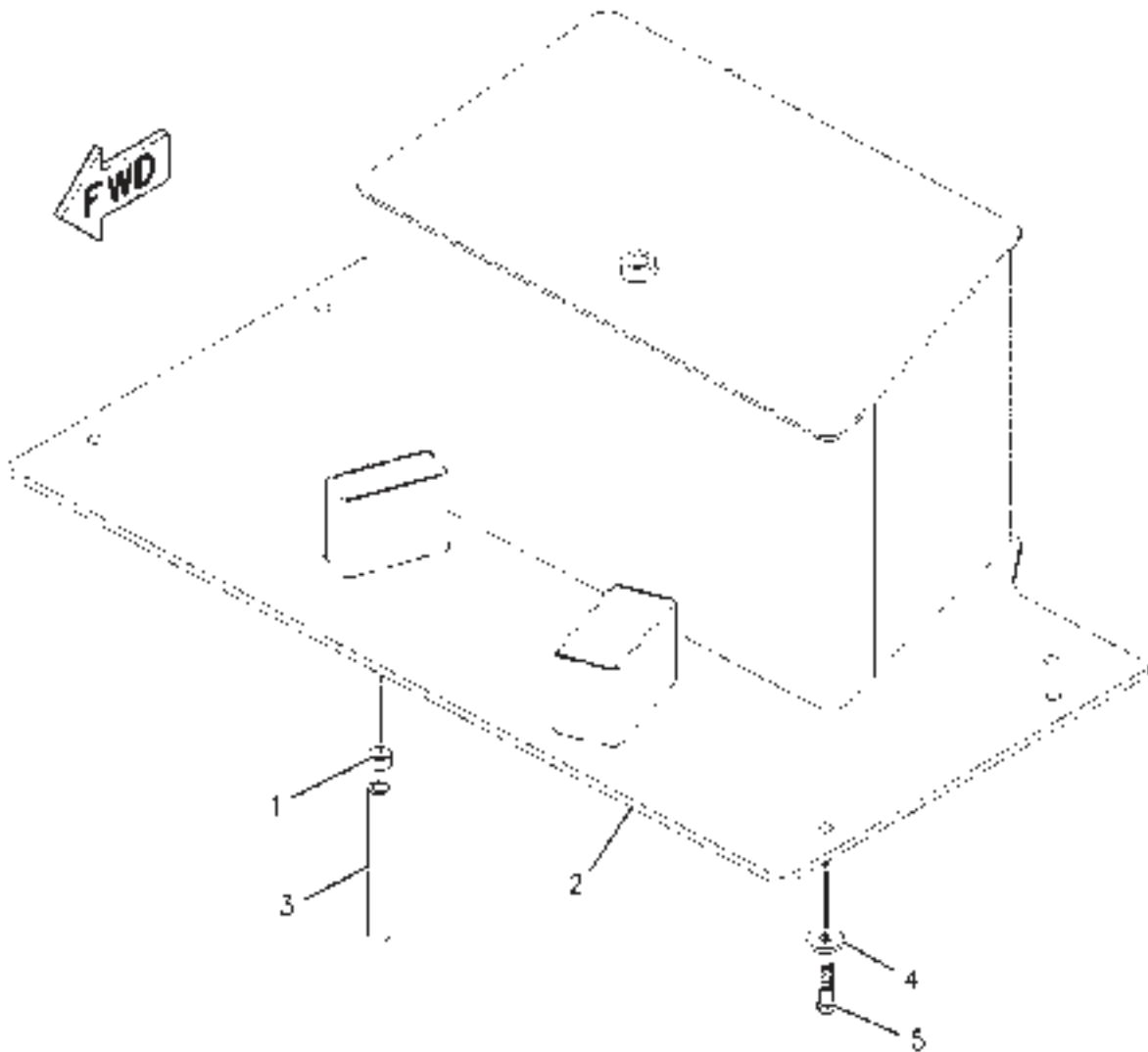
ITEM	NUMBER	QTY	DESCRIPTION
-	500016D1	-	TANK GP-FUEL [A] (NOT SERVICED)
1	CH7W-1890	1	ELBOW-90DEG (12NPTFX25.4ODBARB)
2	500017D1	1	TANK-FUEL (LH)
3	500019D1	1	FUEL CAP AS-2 WAY VENTING

[A] PART OF 186-5432 TANK GP-FUEL

500016DB
PR: t05b22n43d0065

MT800B SERIES TRACTORS
FUEL SYSTEM

TANK GP-FUEL - 206-8891
94.63 LITERS (25 GALLONS)



00891934

**MT800B SERIES TRACTORS
FUEL SYSTEM**

183

**TANK GP-FUEL - 206-8891
94.63 LITERS (25 GALLONS)**

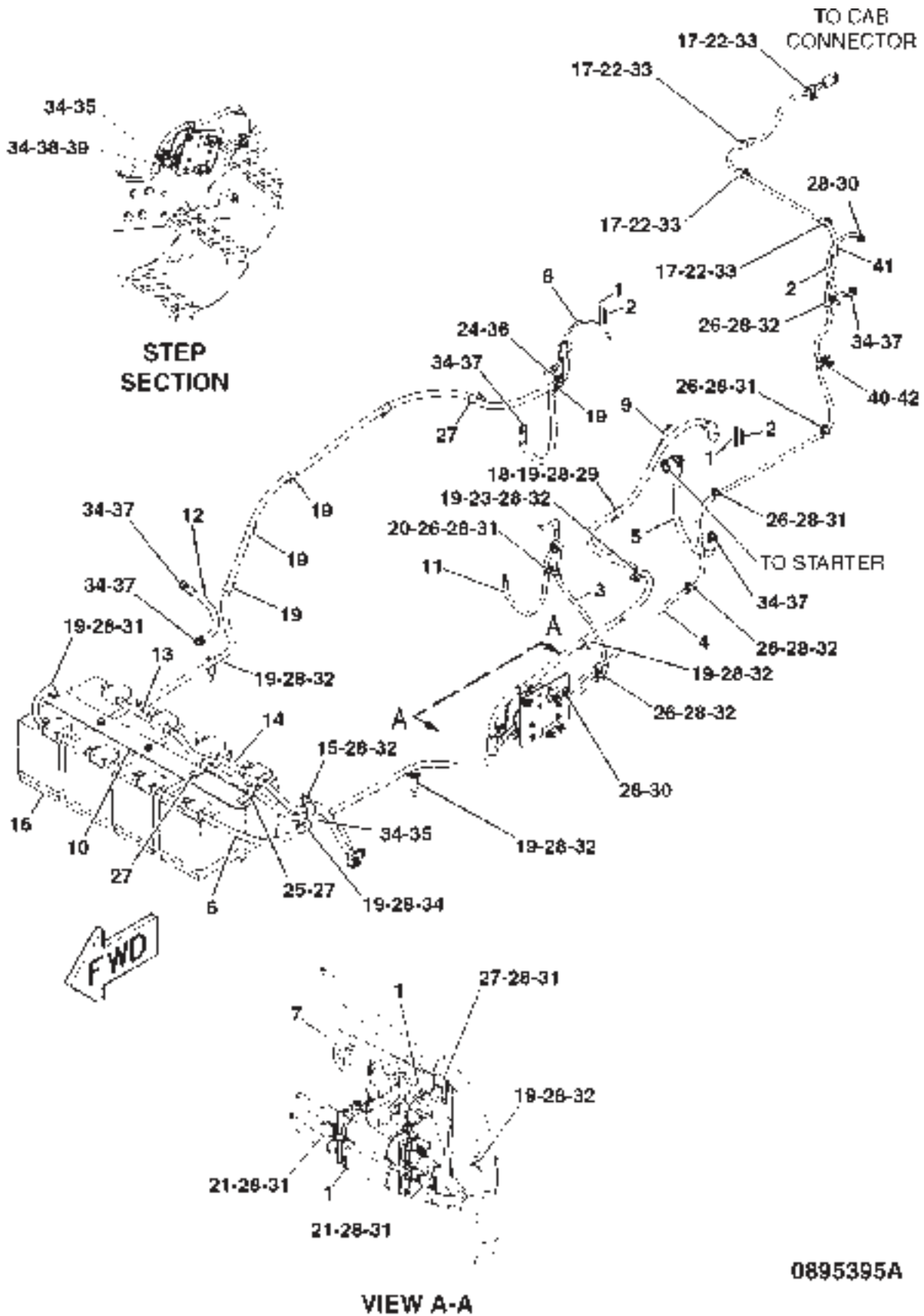
ITEM	NUMBER	QTY	DESCRIPTION
-	206-8891	-	TANK GP-FUEL [A] (NOT SERVICED)
1	400108X1	1	CLAMP-HOSE
2	193-7868	1	TANK GP-FUEL
	9S-7583	1	PLUG (2 1/2-12)
	030-4606	1	SEAL-O-RING
3	CH210-2265		HOSE (19 CM)
4	CH7X-0618	6	WASHER-HARD (13.5X40X5)
5	400057X1	6	BOLT (M12X1.75X50MM)

[A] PART OF 197-8558 TANK AR-FUEL

00891934
PR: t05b22n43d0066

MT800B SERIES TRACTORS
ELECTRICAL & STARTING

BATTERY & WIRING GP - 136-5662
4 BATTERIES W/O DISCONNECT SWITCH



0895395A

**MT800B SERIES TRACTORS
ELECTRICAL & STARTING**

185

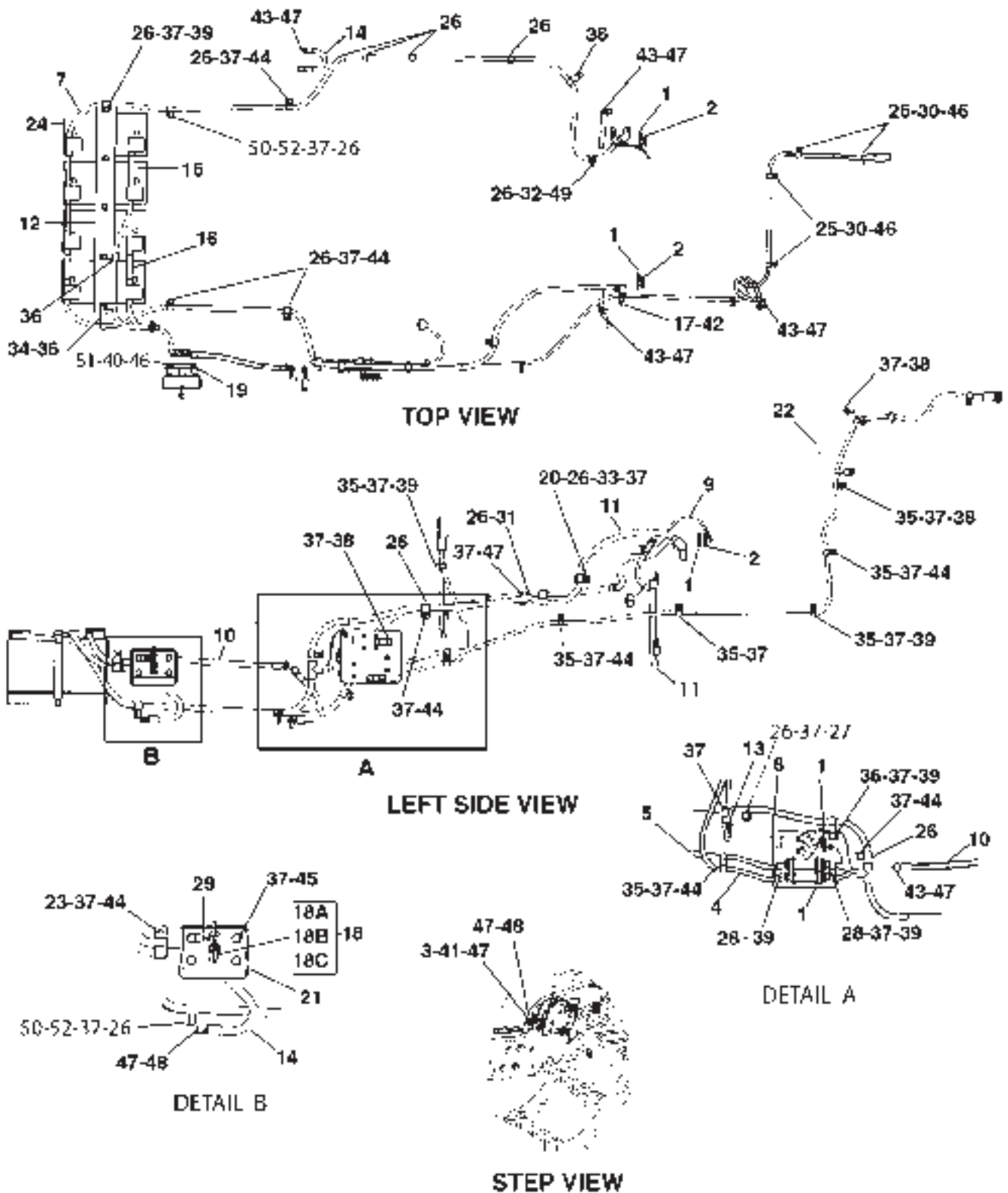
**BATTERY & WIRING GP - 136-5662
4 BATTERIES W/O DISCONNECT SWITCH**

ITEM	NUMBER	QTY	DESCRIPTION
-	136-5662	-	BATTERY & WIRING GP (NOT SERVICED)
1	400837X1	9	STRAP
2	CH7K-1181	5	STRAP-CABLE
3	502259D1	1	CABLE ASM-BATTERY (POSITIVE)
	400820X1	1	BOOT
4	502203D1	1	CABLE ASM-BATTERY (POSITIVE)
	400820X1	1	BOOT
5	502200D1	2	CABLE ASM (NEGATIVE)
6	502205D1	1	CABLE ASM (POSITIVE)
7	136-5654	1	CIRCUIT BREAKER GP (NOT SERVICED) (SEE BREAKDOWN FOR COMPONENTS)
8	502199D1	1	HARNESS ASM (STARTER CONNECTOR)
	400496X1	1	PIN
	400511X1	1	WEDGE
	400472X1	1	PLUG
9	502201D1	1	CABLE ASM (STARTING MOTOR)
10	142-9739	1	MOUNTING GP-BATTERY (NOT SERVICED) (SEE BREAKDOWN FOR COMPONENTS)
11	500627D1	1	CABLE ASM (NEGATIVE)
12	502258D1	1	CABLE ASM (NEGATIVE)
13	501110D1	1	CABLE (NEGATIVE)
14	501112D1	1	CABLE (NEGATIVE)
15	CH100-4336	1	CLIP
16	502446D1	4	BATTERY (LOW MAINTENANCE)
	CH123-1373	6	PLUG ASM-FILLER
17	CH134-3988	4	CLIP
18	CH211-3590	1	SPACER
19	CH3S-8664	14	CLIP
20	CH4D-9517	1	CLIP
21	CH4K-8864	4	CLIP
22	400152X1	4	BOLT (M6X1X16MM)
23	CH5J-4715	1	WASHER (10.3X20.6X4.2)
24	5M-3062	1	BOLT (3/8-16X0.75 IN)
25	8D-9671	1	CLIP
26	CH8M-2770	8	CLIP
27	CH8S-0948	4	CLIP
28	400287X1	25	WASHER-HARD (11X21X2.5)
29			NOT USED
30	400039X1	6	BOLT (M10X1.5X25MM)
31	400040X1	6	BOLT (M10X1.5X20MM)
32	400058X1	11	BOLT (M10X1.5X30MM)
33	CH8T-4205	4	WASHER-HARD (7.2X14.5X2MM)
34	400357X1	9	WASHER-HARD (M12X25.5X3)
35	CH8T-4244	1	NUT (M12X1.75)
36	CH8T-4896	1	WASHER-HARD (10X18.5X2.5)
37	400055X1	7	BOLT (M12X1.75)
38	400046X1	1	BOLT (M12X1.75)
39	CH8V-9708	1	SPACER
40	200-8649	1	SPACER
41	502266D1	1	CABLE ASM-GROUND
42	400052X1	1	BOLT (M10X1.5)

0895395A
PR: t05b22n43d0067

MT800B SERIES TRACTORS
ELECTRICAL & STARTING

BATTERY & WIRING GP - 136-5663
4 BATTERIES W/DISCONNECT SWITCH



**MT800B SERIES TRACTORS
ELECTRICAL & STARTING**

187

**BATTERY & WIRING GP - 136-5663
4 BATTERIES W/DISCONNECT SWITCH**

ITEM	NUMBER	QTY	DESCRIPTION
-	136-5663	-	BATTERY & WIRING GP [A] (NOT SERVICED)
1	400837X1	9	STRAP-CABLE
2	CH7K-1181	5	STRAP-CABLE
3	CH8V-9708	1	SPACER
4	502259D1	1	CABLE ASM-BATTERY (POSITIVE)
	400820X1	1	BOOT
	400790X1	2	TERMINAL
5	502203D1	1	CABLE ASM-BATTERY (POSITIVE)
	400820X1	1	BOOT
6	502200D1	2	CABLE ASM (NEGATIVE)
7	502205D1	1	CABLE ASM-POSITIVE
8	136-5654	1	CIRCUIT BREAKER GP (NOT SERVICED) (SEE BREAKDOWN FOR COMPONENTS)
9	502199D1	1	HARNESS ASM (STARTER CONNECTOR)
	400496X1	1	PIN
	400511X1	1	WEDGE
	400472X1	1	PLUG
10	502207D1	1	CABLE ASM (NEGATIVE)
11	502201D1	1	CABLE ASM (NEGATIVE)
12	142-9739	1	MOUNTING GP-BATTERY (NOT SERVICED) (SEE BREAKDOWN FOR COMPONENTS)
13	502183D1	1	CABLE ASM (NEGATIVE)
14	502258D1	2	CABLE ASM (NEGATIVE)
15	501109D1	1	CABLE (NEGATIVE)
16	501111D1	1	CABLE (NEGATIVE)
17	CH200-8649	1	SPACER

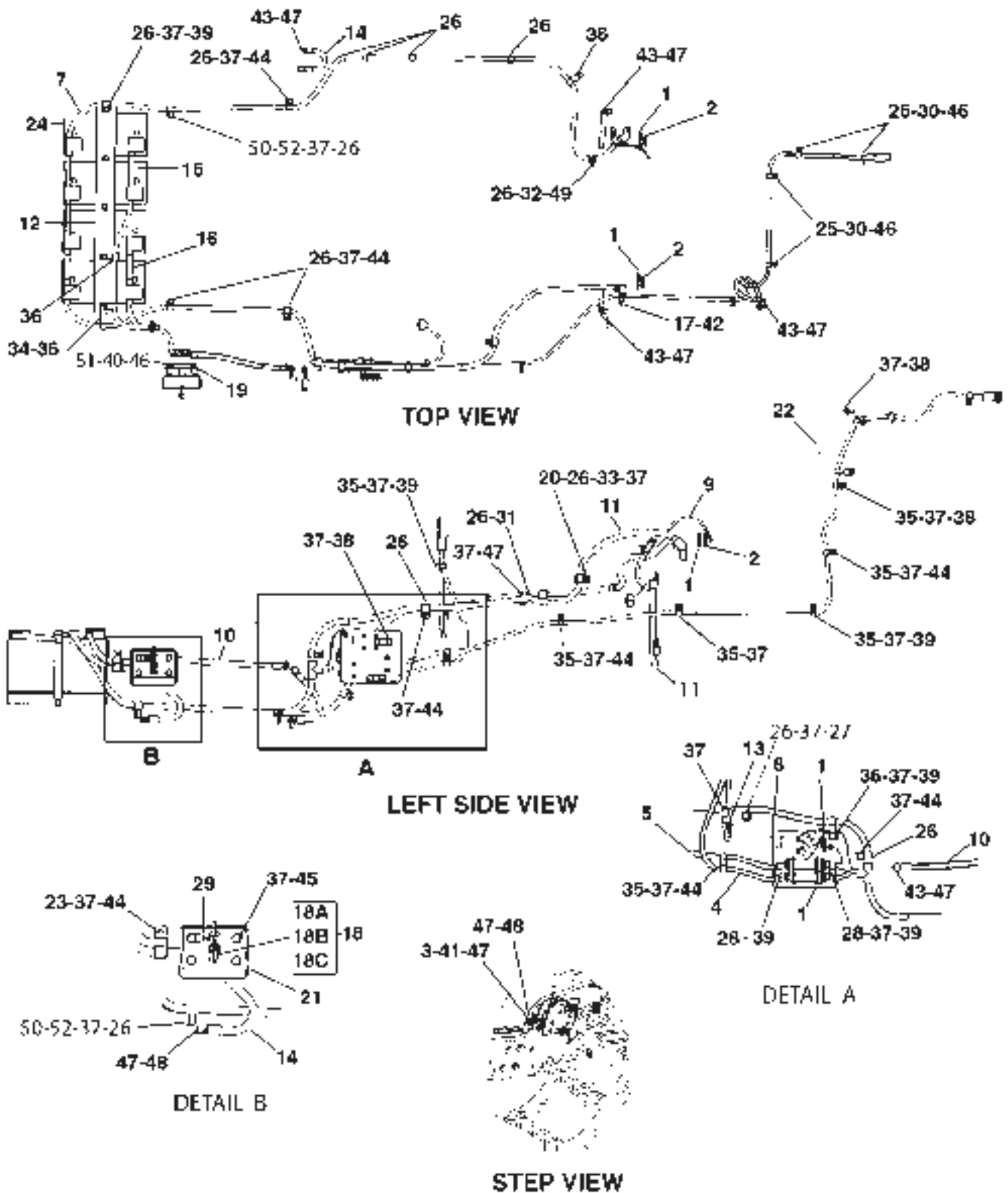
CONTINUED

[A] PART OF: 179-2195; 179-2196;
501593D1; 501594D1; 501595D1;
501596D1; 501597D1 BASE UNIT AR;
222-4146; 500767D1; 500849D1;
502667D1 CAB AR;
502906D1 BATTERY GP

0892416B
PR: t05b22n43d0068

MT800B SERIES TRACTORS
ELECTRICAL & STARTING

BATTERY & WIRING GP - 136-5663
4 BATTERIES WITH DISCONNECT SWITCH



**MT800B SERIES TRACTORS
ELECTRICAL & STARTING**

189

**BATTERY & WIRING GP - 136-5663
4 BATTERIES WITH DISCONNECT SWITCH**

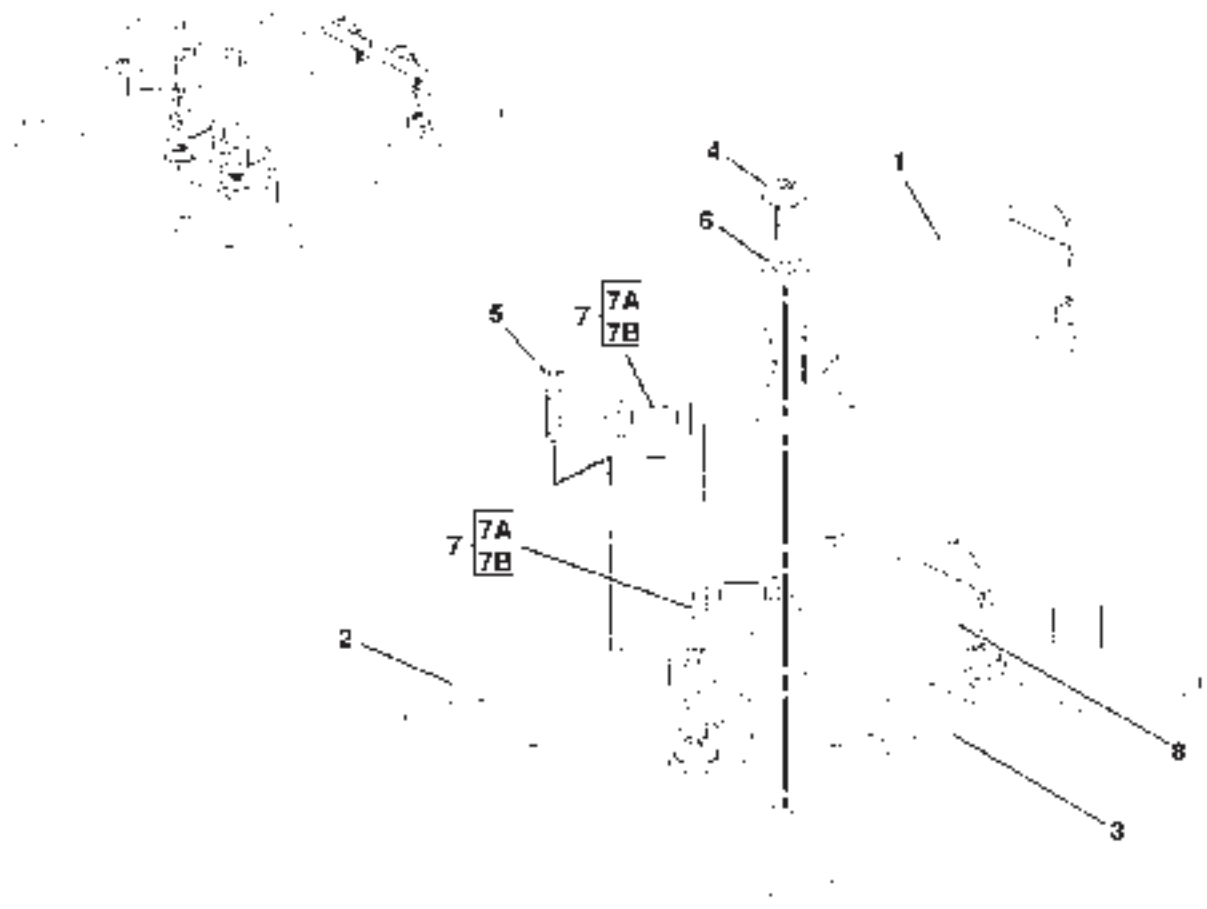
ITEM	NUMBER	QTY	DESCRIPTION
-	136-5663	-	BATTERY & WIRING GP [A] (NOT SERVICED)
18	201-2441	1	SWITCH ASM-DISCONNECT (SERVICE REPAIR ORDER 18A THRU 18C)
18A	400357X1	4	WASHER-HARD (M12X25.5X3)
18B	CH8T-4244	4	NUT (M12X1.75)
18C	201-2442	1	KEY
19	203-0128	1	PLATE ASM
	500417D1	4	BOSS (M10X20MM)
20	CH211-3590	1	SPACER
21	218-2771	1	GUARD
22	223-0687	1	CABLE ASM-GROUND
23	CH100-4336	1	CLIP
24	502446D1	4	BATTERY (MAINT-FREE 12V-WET)
	123-1373	6	PLUG ASM-FILLER
25	CH134-3988	4	CLIP-LOOP (15.88 ID COATED)
26	CH3S-8664	14	CLIP-LOOP (19.05 ID)
27	CH132-5789	1	CLIP-LADDER (90DEGX47.5MM VCOAT)
28	CH4K-8864	4	CLIP-LOOP (14.29 ID)
29	CH4P-7581	1	CLIP-LADDER (15DEGX12.5MM VCOAT)
30	400152X1	4	BOLT (M6X1X16MM)
31	CH5J-4715	1	WASHER (10.3X20.6X4.2)
32	400153X1	1	BOLT (3/8-16X0.75 IN)
33	400176X1	1	BOLT (3/8-16X133)
34	400695X1	1	CLIP-LOOP (20.64 ID)
35	CH8M-2770	8	CLIP-LOOP (12.7 ID)
36	CH8S-0948	4	CLIP-LOOP (20.64 ID)
37	400287X1	29	WASHER-HARD (11X21X2.5)
38	400039X1	6	BOLT (M10X1.5X25MM)
39	400040X1	6	BOLT (M10X1.5X20MM)
40	400221X1	2	BOLT (M6X1X20MM)
41	400046X1	1	BOLT (M12X1.75X90)
42	400052X1	1	BOLT (M10X1.5X40)
43	400055X1	6	BOLT (M12X1.75X25)
44	400058X1	9	BOLT (M10X1.5X30MM)
45	400059X1	4	BOLT (M10X1.5X35MM)
46	CH8T-4205	8	WASHER-HARD (7.2X14.5X2MM)
47	400357X1	9	WASHER-HARD (M12X25.5X3)
48	CH8T-4244	2	NUT (M12X1.75)
49	CH8T-4896	1	WASHER-HARD (10.2X18.5X2.5)
50	CH212-0279	2	SPACER (19.1ODX11.1X62)
51	400300X1	2	NUT (M6X1)
52	400225X1	1	BOLT (M10X1.5X90)

[A] PART OF: 179-2195; 179-2196;
501593D1; 501594D1; 501595D1;
501596D1; 501597D1 BASE UNIT AR;
222-4146; 500767D1; 500849D1;
502667D1 CAB AR;
502906D1 BATTERY GP

0892416B
PR: t05b22n43d0068

MT800B SERIES TRACTORS
ELECTRICAL & STARTING

CIRCUIT BREAKER GP - 136-5654
ELECTRONIC CONTROL MODULE



**MT800B SERIES TRACTORS
ELECTRICAL & STARTING**

191

**CIRCUIT BREAKER GP - 136-5654
ELECTRONIC CONTROL MODULE**

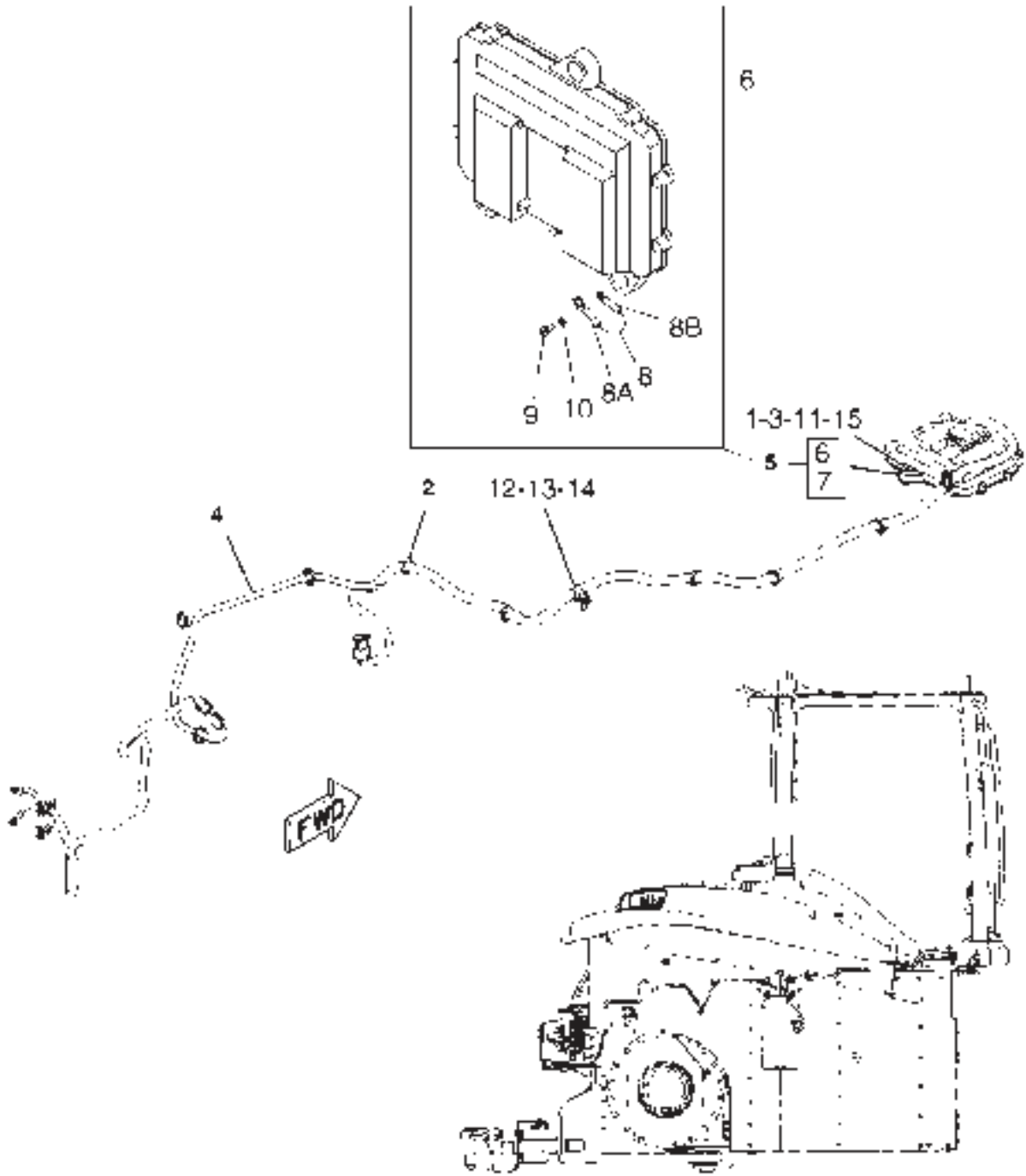
ITEM	NUMBER	QTY	DESCRIPTION
-	136-5654	-	CIRCUIT BREAKER GP [A] (NOT SERVICED)
1	136-5600	1	FUSE (BATTERY)(175 AMP)
2	136-5655	1	BRACKET ASM
		3	PLATE (NOT SERVICED SEPARATELY)
	CH111-0483	2	BOSS (M10X1.5MM)
	CH8T-3490	1	NUT-WELD (M10X1.5)
	400313X1	4	NUT-WELD (M6X1)
	CH7T-1099	2	LINK
	CH8T-8874	4	NUT-WELD (M5X0.8)
3	155-0038	2	HOLDER-FUSE
4	CH9X-2044	4	SCREW-TRUSS HEAD (M6X1X16MM)
5	CH8T-4127	4	SCREW-MACHINE (M5X0.8X20MM)
6	CH8T-4205	4	WASHER-HARD (7.2X14.5X2MM)
7	CH9H-1958	1	CIRCUIT BREAKER GP (20 AMP)(ENGINE ECM)
7A	CH6V-8376	2	SCREW-MACHINE (8-32X0.25 IN)
7B	CH9B-7233	2	LOCKWASHER
8	220-5736	1	FUSE (ALTERNATOR)(175 AMP)

[A] PART OF 136-5658;136-5659;136-5662;
136-5663 BATTERY & WIRING GP

0899311A
PR: t05b22n43d0069

MT800B SERIES TRACTORS
ELECTRICAL & STARTING

CONTROL & WIRING GP - 136-5670



RIGHT SIDE VIEW

1365670E

**MT800B SERIES TRACTORS
ELECTRICAL & STARTING**

193

CONTROL & WIRING GP - 136-5670

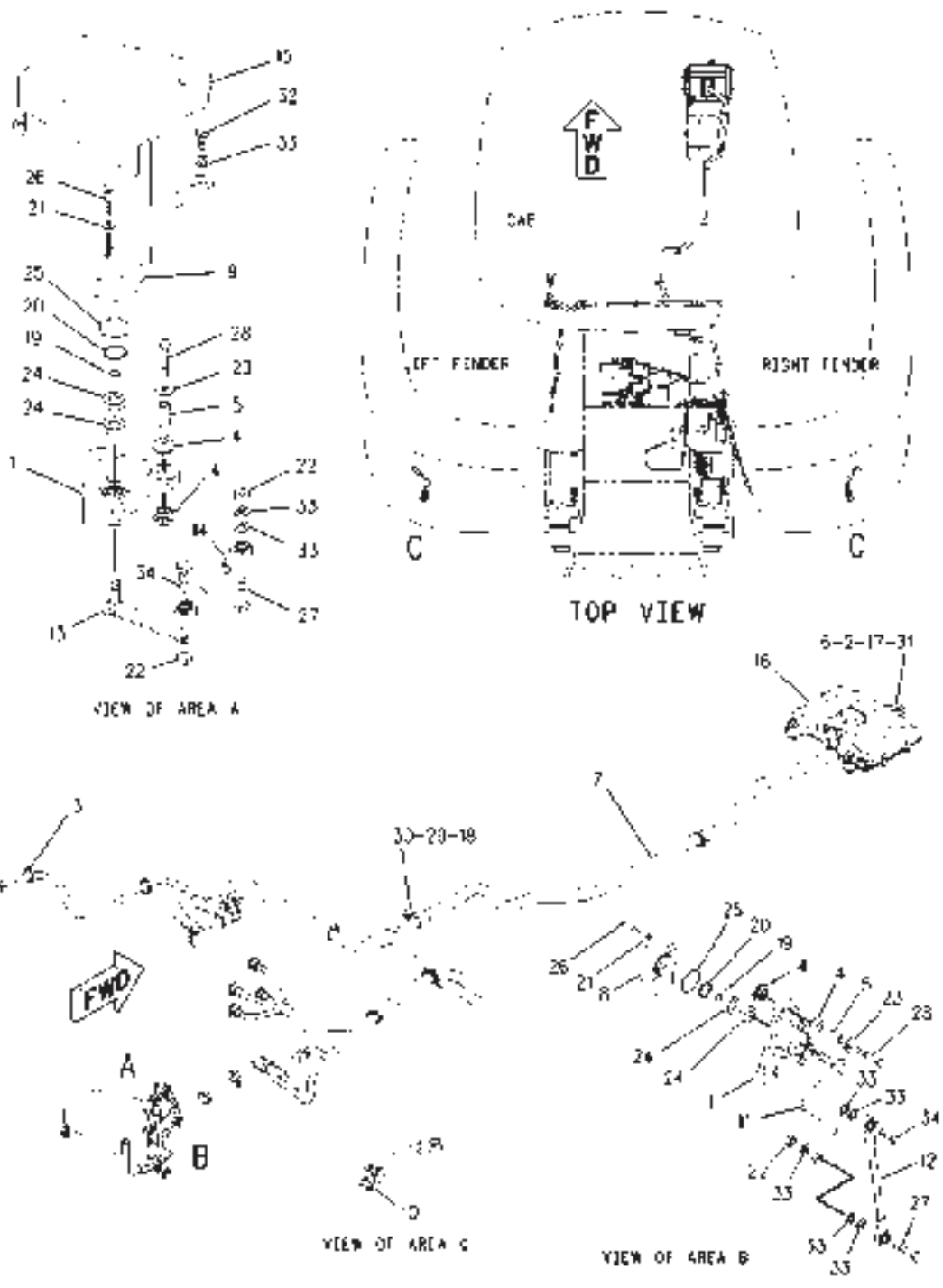
ITEM	NUMBER	QTY	DESCRIPTION
-	136-5670	-	CONTROL & WIRING GP [A][B]
1	CH6I-1418	3	SPACER (8.2X12.7X28.7)
2	CH7K-1181	11	STRAP-CABLE
3	CH8T-9655	6	MOUNT (ISOLATION)
4	136-5536	1	HARNESS ASM
5	229-0888	1	ELECTRONICS GP (INCLS ITEMS 6 & 7) (NOT SERVICED)
6	216-0658	1	CONTROL GP (INCLS ITEMS 8 THRU 10)
	CH126-1773	1	CAP-CONNECTOR (SEALED)
7	256-0184	1	SOFTWARE (FOR SOFTWARE INFO CALL SERVICE/WARRANTY 507-847-7222)
8	CH7X-6315	1	STRAP ASM (INCLS 8A & 8B)
8A	CH139-6911	1	TERMINAL-RING
8B	CH7H-1177	1	TERMINAL-RING
9	CH120-4897	1	SCREW-PAN HEAD (M4X0.7X9.5)
10	CH134-4126	1	WASHER (4.52X8.28X.76)
11	400001X1	3	BOLT (M8X1.25X40MM)
12	CH8M-2773	1	CLIP
13	400287X1	1	WASHER-HARD (11X21X2.5)
14	400039X1	1	BOLT (M10X1.5X25MM)
15	CH9N-0869	3	WASHER-HARD (8.8X25.5X2)

[A] PART OF:
180-1438 VALVE AR-IMPL
500795D1 VALVE AR-IMPL
502052D1 VALVE AR-IMPL
502218D1 CONVERSION GP-CONTROL VALVE
185-8699 CONVERSION GP-CONTROL VALVE

1365670E
PR: t05b22n43d0070

MT800B SERIES TRACTORS
ELECTRICAL & STARTING

CONTROL & WIRING GP-HITCH - 136-5378
LIFT CIRCUIT



**MT800B SERIES TRACTORS
ELECTRICAL & STARTING**

195

**CONTROL & WIRING GP-HITCH - 136-5378
LIFT CIRCUIT**

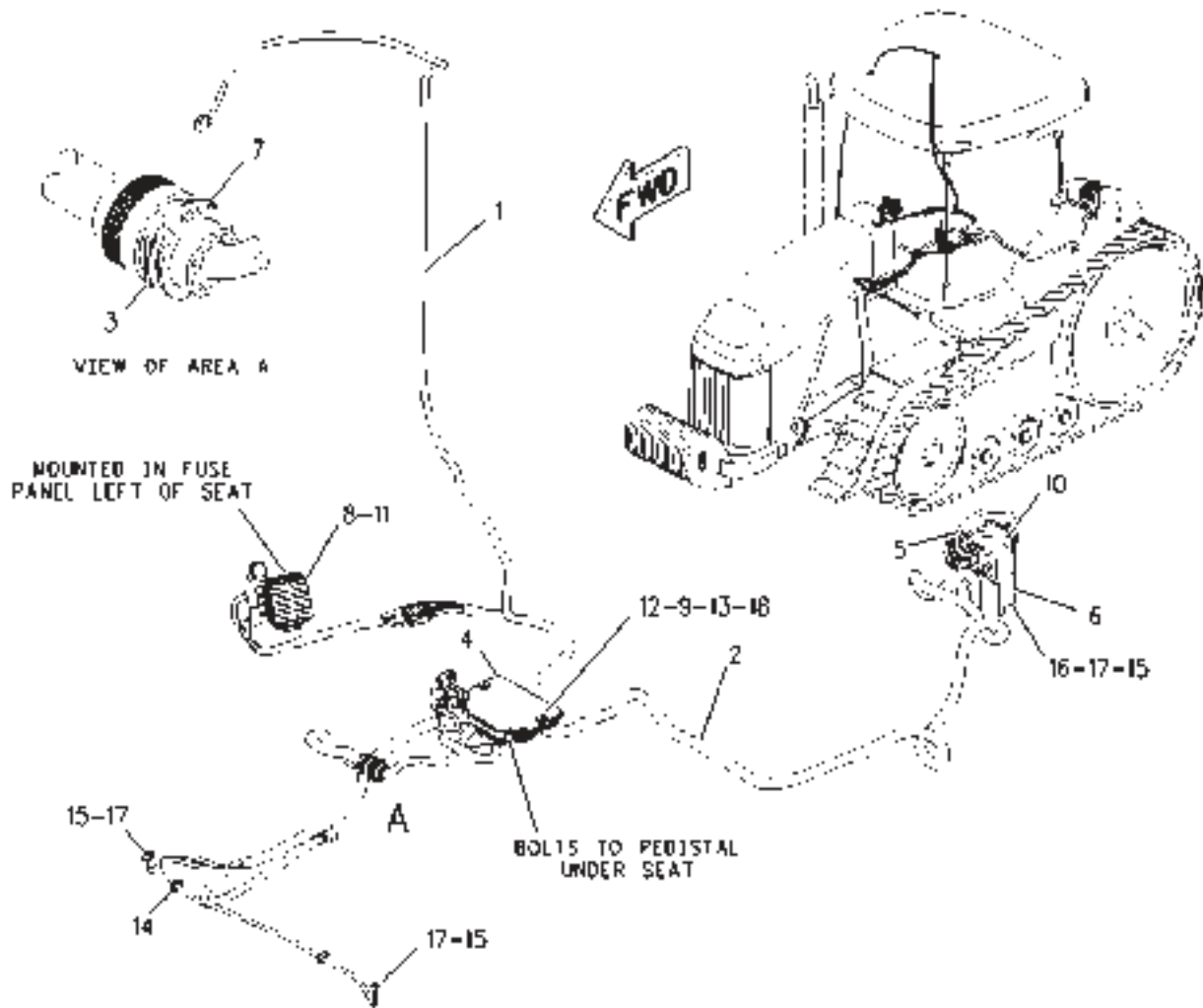
ITEM	NUMBER	QTY	DESCRIPTION
-	136-5378	-	CONTROL & WIRING GP-HITCH [A] (NOT SERVICED)
1	4E-2250	2	HOUSING
2	CH6I-1418	3	SPACER (8.2X12.7X28.7)
3	CH7K-1181	17	STRAP-CABLE
4	CH8C-5607	12	MOUNT (ISOLATION)
5	CH8C-5608	6	SPACER (6.5X9.5X25.4)
6	CH8T-9655	6	MOUNT (ISOLATION)
7	501118D1	1	HARNESS ASM-3PT HITCH
8	500619D1	1	SENSOR GP-POSITION (REAR HITCH HEIGHT-OUTER) (SEE BREAKDOWN FOR COMPONENTS)
9	502003D1	1	SENSOR GP-POSITION (REAR HITCH HEIGHT-INNER) (SEE BREAKDOWN FOR COMPONENTS)
10	171-1229	2	SWITCH ASM (REAR HITCH RAISE/LOWER) (INCLS RECEPTACLE)
	102-8804	1	KIT-RECEPTACLE (4 PIN)(W/WEDGE)
11	190-2838	1	ARM ASM
12	190-2839	1	ROD ASM
13	198-8376	1	ARM ASM
14	198-8377	1	ROD ASM
15	199-6263	1	SHIELD
16	229-0891	1	ELECTRONICS GP-A2004 (HITCH SDM) (NOT SERVICED) (SEE BREAKDOWN FOR COMPONENTS)
17	CH9N-0869	3	WASHER-HARD (8.8X25.5X2)
18	CH1S-0994	1	CLIP (20.64ID)
19	CH2H-3429	2	RING-RETAINING
20	CH2L-6726	2	RING-RETAINING
21	CH4B-4274	4	WASHER (5.5X13X1.2)
22	400340X1	3	NUT (M8X1.25)
23	CH5P-4115	6	WASHER-HARD (7.2X19X2)
24	CH6D-3025	4	BALL BEARING
25	CH6V-0894	2	SEAL-O-RING
26	400160X1	4	BOLT (M5X0.8X30MM)
27	400188X1	2	BOLT (M8X1.25X35MM)
28	400205X1	6	BOLT (M6X1X40MM)
29	400287X1	1	WASHER-HARD (11X21X2.5)
30	400039X1	1	BOLT (M10X1.5X25MM)
31	400060X1	3	BOLT (M8X1.25X40MM)
32	400227X1	3	BOLT (M8X1.25X16MM)
33	400339X1	10	WASHER-HARD (8.8X16X2)
34	400341X1	2	BOLT (M8X1.25X25MM)

[A] PART OF 169-0027;169-0028;179-0852;
180-6639 HITCH AR-3 POINT

00884276
PR: t05b22n43d0071

MT800B SERIES TRACTORS
ELECTRICAL & STARTING

CONTROL AR-COMMUNICATION - 216-0852
ISO



MT800B SERIES TRACTORS
ELECTRICAL & STARTING

197

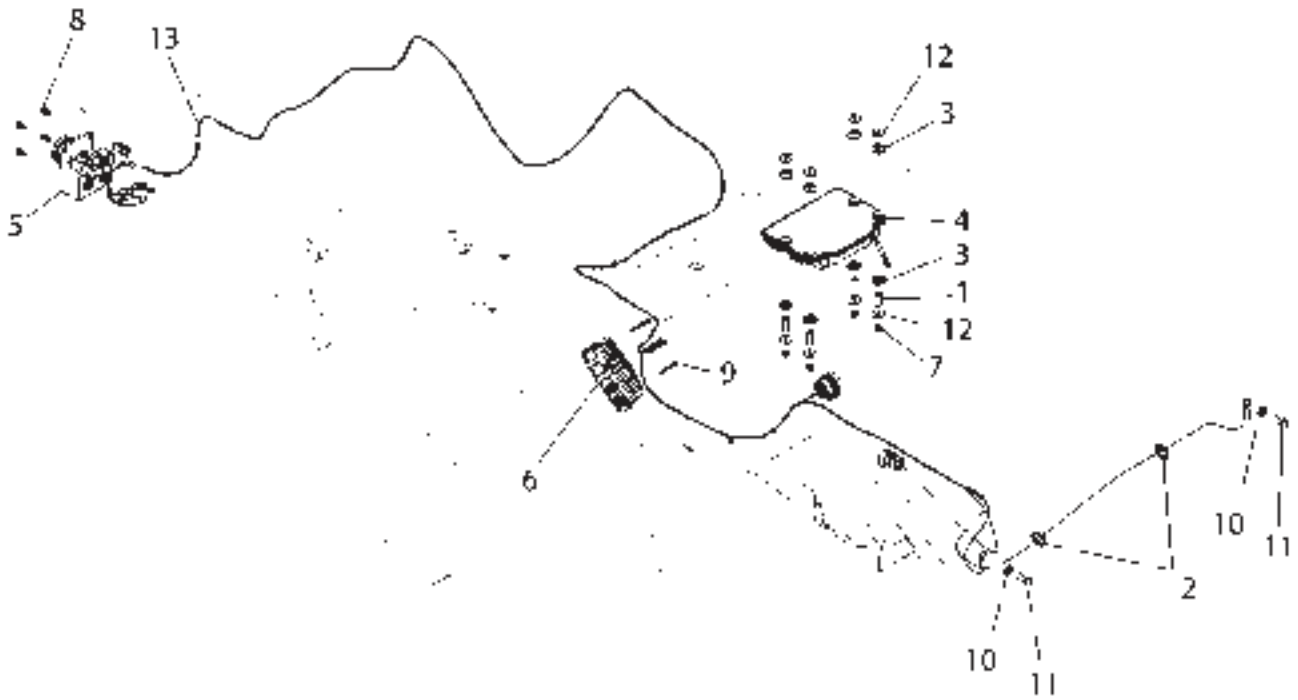
CONTROL AR-COMMUNICATION - 216-0852
ISO

ITEM	NUMBER	QTY	DESCRIPTION
-	216-0852	-	CONTROL AR-COMM (NOT SERVICED)
1	500910D1	1	HARNESS ASM (MAIN CAB)
2	502434D1	1	HARNESS ASM (ISO)
	502474D1	1	TERMINATOR-ACTIVE
3	400295X1	1	NUT (1 11/16-18)
4	216-0614	1	ELECTRONICS GP-MACHINE (COMMUNICATION) (NOT SERVICED) (SEE BREAKDOWN FOR COMPONENTS)
5	502486D1	1	HARNESS ASM
6	500510D1	1	BRACKET
7	CH128-4249	1	LOCKWASHER
8	501829D1	1	BLOCK ASY-FUSE
9	400340X1	4	NUT (M8X1.25)
10	CH6V-8931	4	SCREW-WASHER HEAD (M6X1X16)
11	400208X1	4	BOLT-SOCKET HEAD (M5X0.8X40MM)
12	CH9N-0869	8	WASHER-HARD (8.8X25.5X2)
13	CH6I-1418	4	SPACER (8.2X12.7X28.7)
14	CH7K-1181	22	STRAP-CABLE
15	400287X1	2	WASHER-HARD (11X21X2.5)
16	7774664	2	NUT (M10X1.5)
17	400039X1	4	BOLT (M10X1.5X25MM)
18	CH8T-9655	8	MOUNT-ISOLATION

00892916
PR: t05b22n43d0072

MT800B SERIES TRACTORS
ELECTRICAL & STARTING

CONTROL AR-MACHINE - 216-0874
ISO READY UPGRADE



2160874F

**MT800B SERIES TRACTORS
ELECTRICAL & STARTING**

199

**CONTROL AR-MACHINE - 216-0874
ISO READY UPGRADE**

ITEM	NUMBER	QTY	DESCRIPTION
-	216-0874	-	CONTROL AR-MACHINE
1	CH6I-1418	4	SPACER
2	CH7K-1181	22	STRAP-CABLE
3	400941X1	8	MOUNT-ISO
4	216-0614	1	ELECTRONICS GP-MACHINE (COMMUNICATION) (NOT SERVICED) (SEE BREAKDOWN FOR COMPONENTS)
5	502486D1	1	HARNESS ASM-ISO
	502242D1	1	HARNESS ASM
	502487D1	1	CONNECTOR ASM (REPLACEMENT PINS LISTED BELOW)
	400382X1	2	PIN-CONNECTOR (12-14AWG)
	400899X1	2	PIN-CONNECTOR (8-10AWG)
6	501829D1	1	PANEL GP-FUSE (SEE BREAKDOWN)
7	400340X1	4	NUT (M8X1.25)
8	CH6V-8931	4	SCREW-WASHER HEAD (M6X1X16)
9	400208X1	4	BOLT-SOCKET HEAD (M5X0.8X40MM)
10	400287X1	2	WASHER-HARD
11	400039X1	2	BOLT (M10X1.5X25)
12	CH9N-0869	8	WASHER-HARD (8.8X25.5X2)
13	502434D1	1	HARNESS ASM (W/TERMINATOR)
	502435D1	1	TERMINATOR-ACTIVE

2160874F
PR: t05b22n43d0073

200

MT800B SERIES TRACTORS
ELECTRICAL & STARTING

CONTROL AR - AUTOGUIDE SYSTEM
500628D1

NO ILLUSTRATION

NOTIF3

MT800B SERIES TRACTORS
ELECTRICAL & STARTING

201

CONTROL AR - AUTOGUIDE SYSTEM
500628D1

ITEM	NUMBER	QTY	DESCRIPTION
-	500628D1	-	CONTROL AR (NOT SERVICED) (SEE BREAKDOWN FOR COMPONENTS)
	79019518B		MANUAL, OPERATOR'S-AUTOGUIDE
	500606D1	1	SWITCH GP-GUIDANCE (NOT SERVICED) (SEE BREAKDOWN FOR COMPONENTS)
	500607D1	1	TRANSMITTER & RECEIVER GP (GPS) (NOT SERVICED) (SEE BREAKDOWN FOR COMPONENTS)

NOTIF3
PR: t05b22n43d0074

202

MT800B SERIES TRACTORS
ELECTRICAL & STARTING

KIT CONTROL AR-AUTOGUIDE SYSTEM
500630D1
FIELD INSTALLED

NO ILLUSTRATION

NOTIF3

MT800B SERIES TRACTORS
ELECTRICAL & STARTING

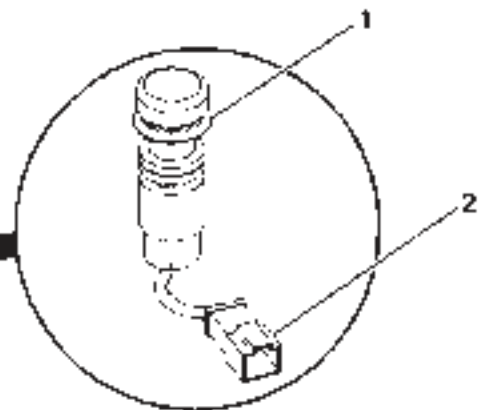
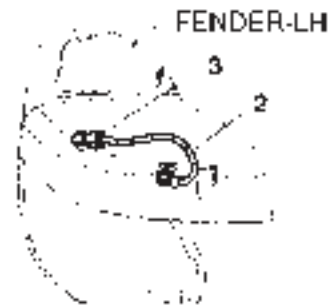
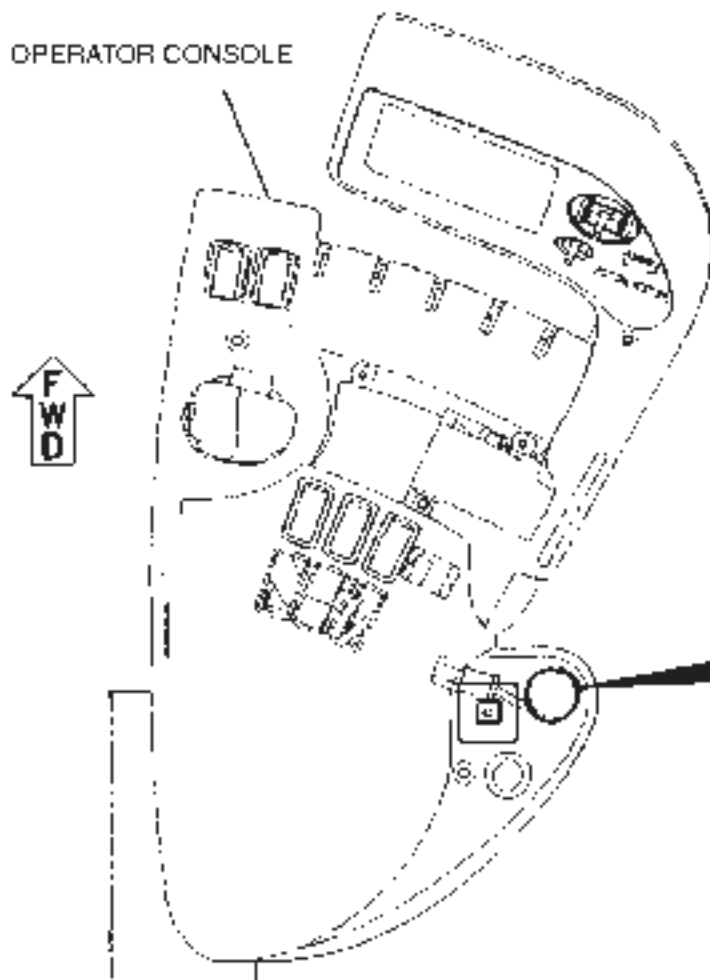
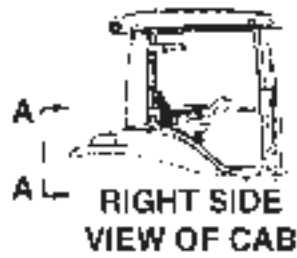
203

KIT CONTROL AR-AUTOGUIDE SYSTEM
500630D1
FIELD INSTALLED

ITEM	NUMBER	QTY	DESCRIPTION
-	500630D1	-	KIT CONTROL AR
1	79019518B	1	MANUAL, OPERATOR'S - AUTOGUIDE
2	500606D1	1	SWITCH GP-GUIDANCE (GPS) (NOT SERVICED) (SEE BREAKDOWN FOR COMPONENTS)
3	500607D1	1	RECEIVER GP-TRANSMITTER (GPS) (SEE BREAKDOWN FOR COMPONENTS)
4	500611D1	1	GROMMET-RH (HANDRAIL) (MT700 ONLY)

NOTIF3
PR: t05b22n43d0075

CONTROL GP-POWER TAKE-OFF - 152-0446
ROW



TOP VIEW

MT800B SERIES TRACTORS
ELECTRICAL & STARTING

205

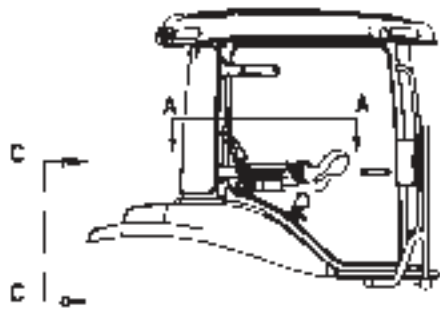
CONTROL GP-POWER TAKE-OFF - 152-0446
ROW

ITEM	NUMBER	QTY	DESCRIPTION
-	152-0446	-	CONTROL GP-PTO [A] (NOT SERVICED)
1	502423D1	1	KIT-PTO SWITCH ADAPT (SEE BREAKDOWN FOR COMPONENTS)

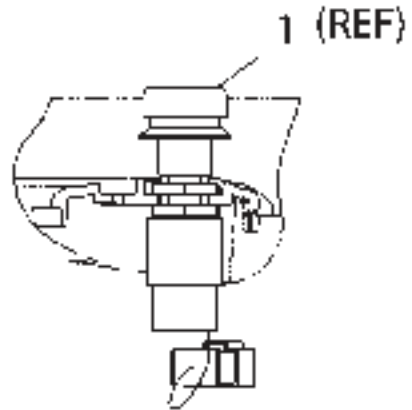
[A] PART OF 163-0400 KIT-PTO

0902284B
PR: t05k07n15a0003

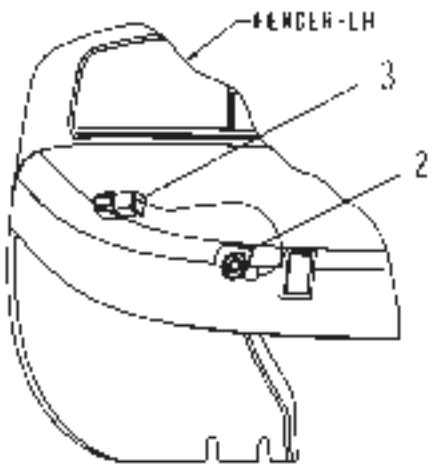
CONTROL GP-POWER TAKE-OFF - 224-5884
EAME



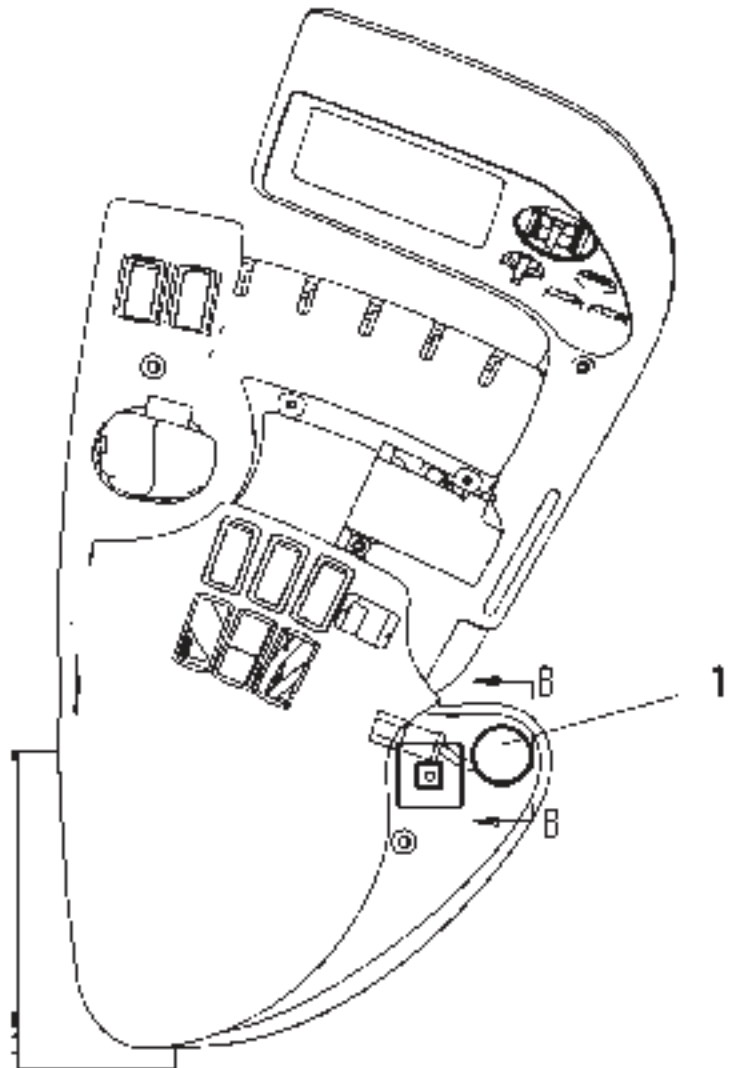
RIGHT SIDE VIEW OF CAB



VIEW B-B
ROTATED CW 90°



VIEW C-C



VIEW A-A

MT800B SERIES TRACTORS
ELECTRICAL & STARTING

207

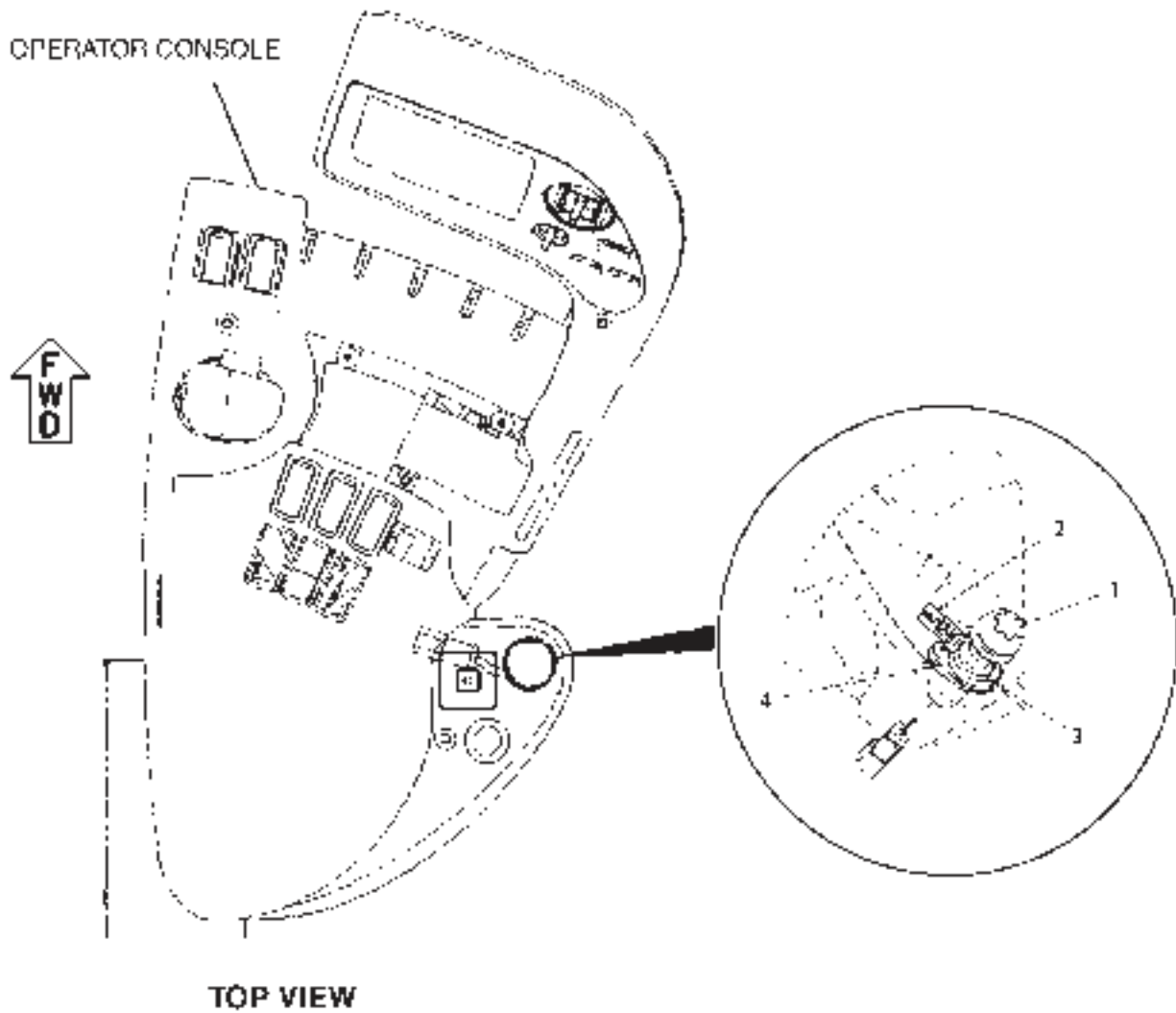
CONTROL GP-POWER TAKE-OFF - 224-5884
EAME

ITEM	NUMBER	QTY	DESCRIPTION
-	224-5884	-	CONTROL GP-PTO [A] (NOT SERVICED)
1	502423D1	1	KIT-PTO SWITCH ADAPT (SEE BREAKDOWN FOR COMPONENTS)
2	CH176-4546	1	SWITCH ASM (PUSHBUTTON)
	CH172-3511	1	NUT-SWITCH MTG (5/8-24)
	CH6F-0253	1	WASHER-LOCK
	400561X1	5	PIN-CONNECTOR
3	400754X1	1	RECEPTICLE KIT, CONNECTOR

[A] PART OF 183-2197 GAUGE AR-TRACK;
224-8603 KIT-PTO

2245884C
PR: t05b22n43d0077

KIT-PTO SWITCH ADAPTOR
502423D1



MT800B SERIES TRACTORS
ELECTRICAL & STARTING

209

KIT-PTO SWITCH ADAPTOR
502423D1

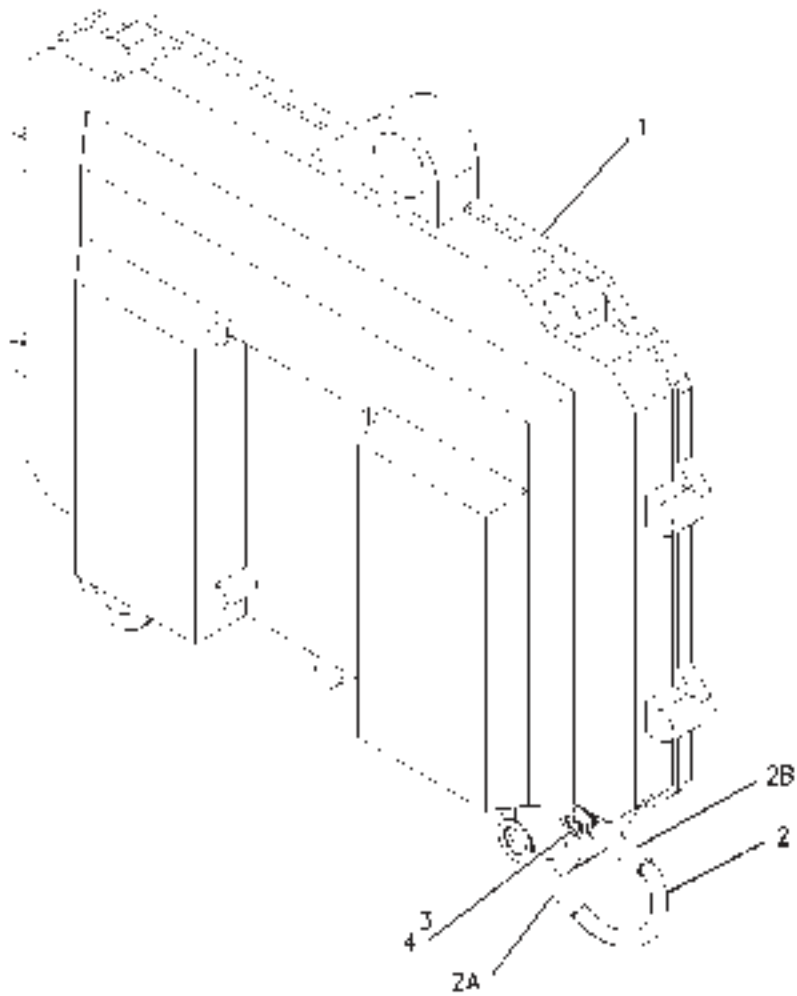
ITEM	NUMBER	QTY	DESCRIPTION
-	502423D1	-	KIT-PTO SWITCH ADAPTOR [A]
1	502009D1	1	SWITCH ASM-PTO
	400562X1	4	PIN
	400782X1	1	CONNECTOR-RECEPT
2	501532D1	1	FILM-PTO
3	502099D1	1	ADAPTOR
4	CH3E-8020	1	SCREW-TRUSS HD (M6X1X25MM)

[A] PART OF 152-0446;224-5884
CONTROL GP-PTO

502423DA
PR: t05b22n43d0076

MT800B SERIES TRACTORS
ELECTRICAL & STARTING

CONTROL GP-UNPROGRAMMED
216-0658



**MT800B SERIES TRACTORS
ELECTRICAL & STARTING**

211

**CONTROL GP-UNPROGRAMMED
216-0658**

ITEM	NUMBER	QTY	DESCRIPTION
-	216-0658	-	CONTROL GP-UNPROGRAMMED [A]
1		1	CONTROL ASM (NOT SERVICED SEPARATELY)
2	CH7X-6315	1	STRAP ASM
2A	CH139-6911	1	TERMINAL-RING
2B	CH7H-1177	1	TERMINAL-RING
3	CH120-4897	1	SCREW-PAN HEAD (M4X0.7X9.5)
4	CH134-4126	1	WASHER (4.52X8.28X.76)

[A] PART OF 229-0891; 229-0888
ELECTRONICS GP-IMPLEMENT

00818553
PR: t05b22n43d0078

212

MT800B SERIES TRACTORS
ELECTRICAL & STARTING

ELECTRONICS GP-IMPLEMENT - 229-0891
(SOFTWARE)
3 POINT HITCH

NO ILLUSTRATION

NOTIF4

MT800B SERIES TRACTORS
ELECTRICAL & STARTING

213

ELECTRONICS GP-IMPLEMENT - 229-0891
(SOFTWARE)
3 POINT HITCH

ITEM	NUMBER	QTY	DESCRIPTION
-	229-0891	-	ELECTRONICS GP-IMPLEMENT [A] (NOT SERVICED)
	216-0658	1	CONTROL GP-UNPROGRAMMED (HITCH) (SEE BREAKDOWN FOR COMPONENTS)
	256-0176	1	SOFTWARE GP-IMPLEMENT (REAR HITCH) (FOR SOFTWARE INFO CALL SERVICE/WARRANTY 507-847-7222)

[A] PART OF 136-5378 CONTROL &
WIRING GP-HITCH

NOTIF4
PR: t05b22n43d0079

214

MT800B SERIES TRACTORS
ELECTRICAL & STARTING

ELECTRONICS GP-MACHINE - ISO
216-0614

NO ILLUSTRATION

NOTIF4

MT800B SERIES TRACTORS
ELECTRICAL & STARTING

215

ELECTRONICS GP-MACHINE - ISO
216-0614

ITEM	NUMBER	QTY	DESCRIPTION
-	216-0614	-	ELECTRONICS GP-MACHINE [A] (NOT SERVICED)
	201-9041	1	CONTROL GP-ENGINE ELECTRONIC
	256-0187	1	SOFTWARE GP-COMMUNICATION (FOR SOFTWARE INFO CALL SERVICE/WARRANTY 507-847-7222)
	79019518B	1	MANUAL, OPERATOR'S - AUTOGUIDE

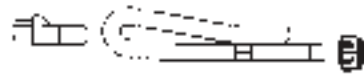
[A] PART OF 216-0852 CONTROL AR-
COMMUNICATION

NOTIF4
PR: t05b22n43d0080

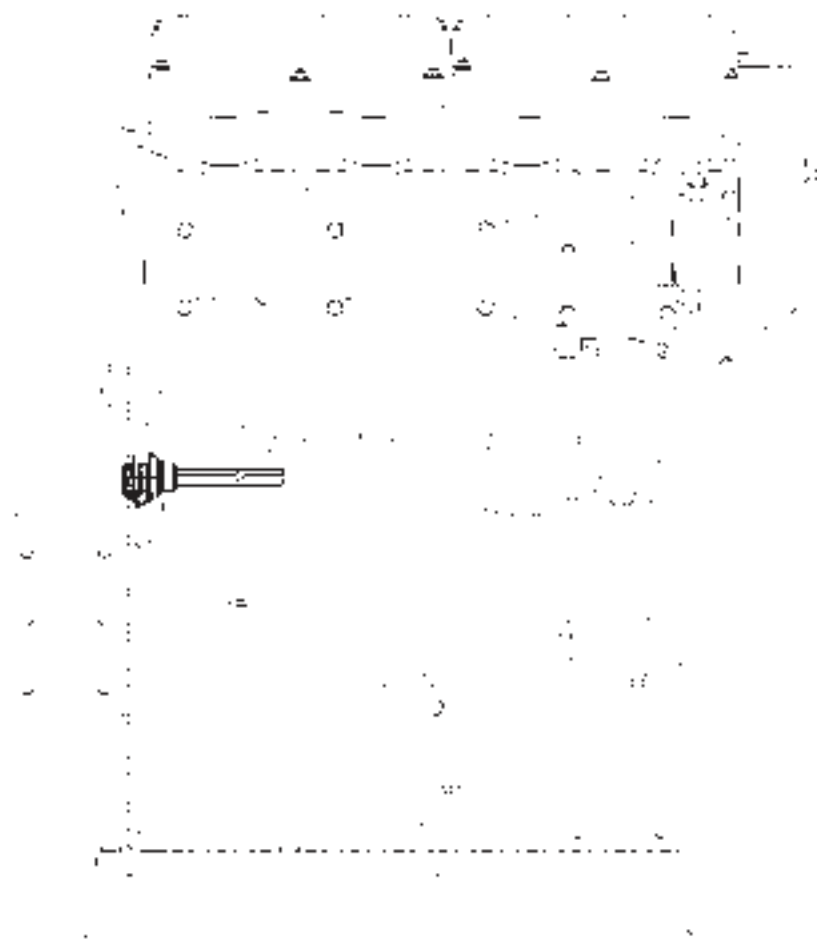
MT800B SERIES TRACTORS
ELECTRICAL & STARTING

HEATER GP-BLOCK-120V - 215-1807

ERROR[Basic syntax error] in:< BAM60689;ERROR[Basic syntax error] in:BBP60516;BCC60853;
BDS61024;BFT60120
ROW & SPECIAL



CORD ASY. STORED UNDER TRAINER SEAT



RIGHT SIDE VIEW OF MACHINE

MT800B SERIES TRACTORS
ELECTRICAL & STARTING

217

HEATER GP-BLOCK-120V - 215-1807

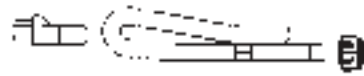
**ERROR[Basic syntax error] in:< BAM60689;ERROR[Basic syntax error] in:BBP60516;BCC60853;
BDS61024;BFT60120
ROW & SPECIAL**

ITEM	NUMBER	QTY	DESCRIPTION
-	215-1807	-	HEATER GP-JACKET WATER (NOT SERVICED)
1	CH131-8627	1	ELEMENT ASM-HEATER (120V/1250W)
1A	CH133-6517	1	CAP ASM-DUST
2	CH7X-6312	1	CORD ASM (120 VOLT/15 AMPERE)

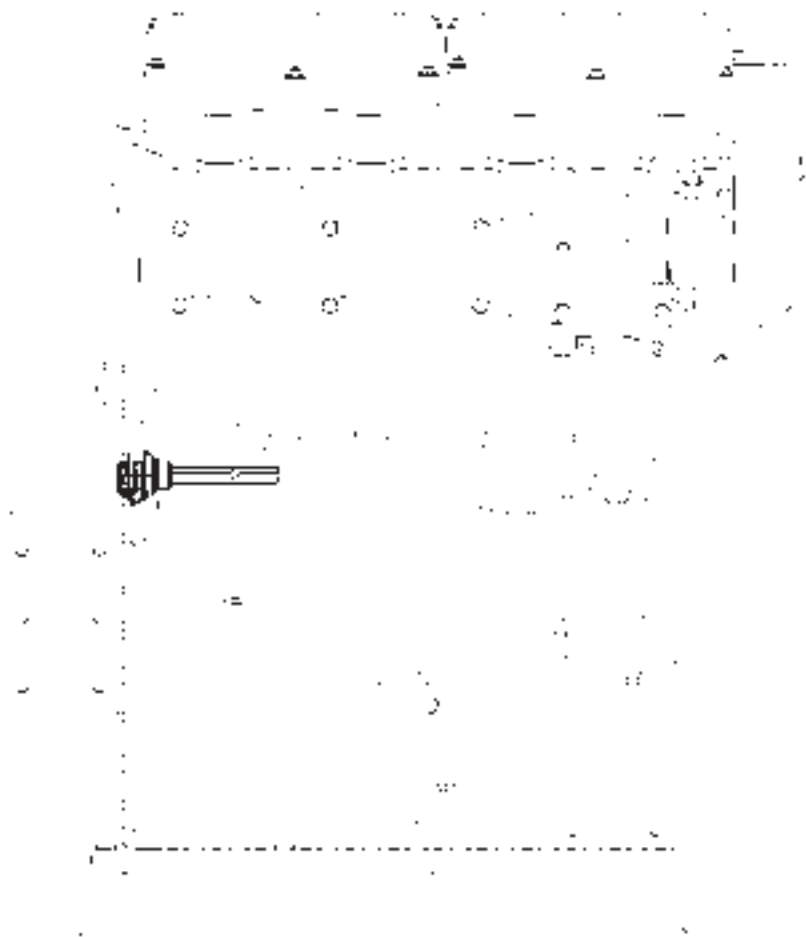
2151807B
PR: t05b22n43d0081

MT800B SERIES TRACTORS
ELECTRICAL & STARTING

HEATER GP-BLOCK-120V - 503639D1
|> BAM60689;BBP60516;BCC60853;
BDS61024;BFT60120
ROW & SPECIAL ONLY



CORD ASY. STORED UNDER TRAINER SEAT



RIGHT SIDE VIEW OF MACHINE

MT800B SERIES TRACTORS
ELECTRICAL & STARTING

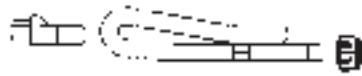
219

HEATER GP-BLOCK-120V - 503639D1
|-> BAM60689;BBP60516;BCC60853;
BDS61024;BFT60120
ROW & SPECIAL ONLY

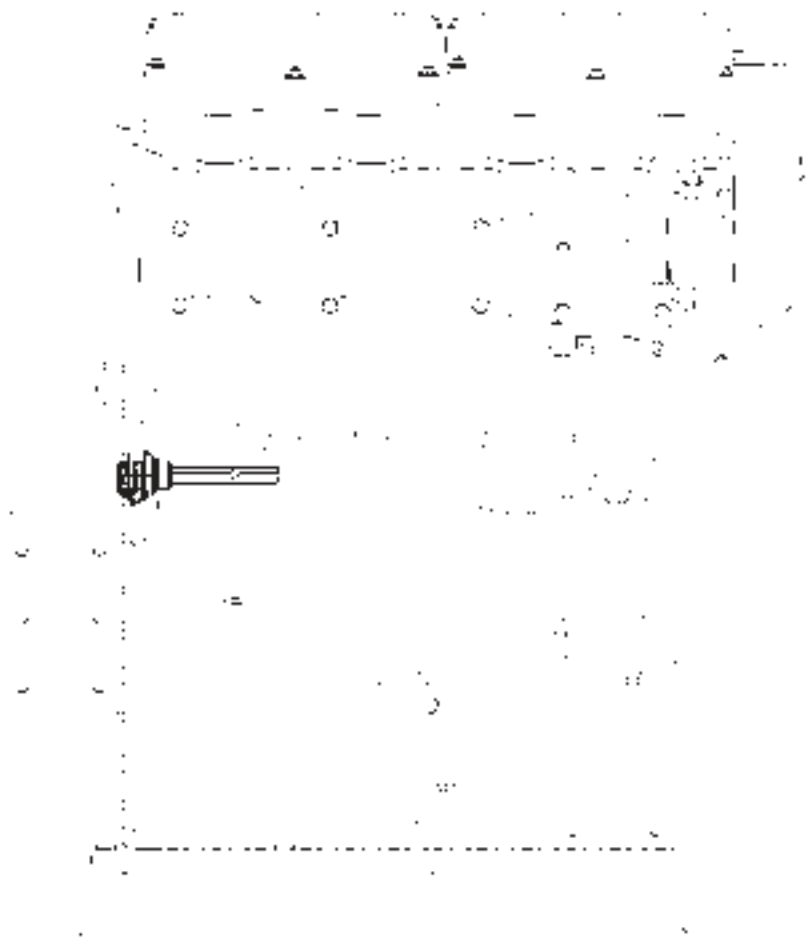
ITEM	NUMBER	QTY	DESCRIPTION
-	503639D1	-	HEATER GP-JACKET WATER (NOT SERVICED)
1	CH251-6721	1	ELEMENT ASM-HEATER (120V/1500W)
1A	CH133-6517	1	CAP ASM-DUST
	CH4K-1388	1	SEAL-O-RING (26.59ID)
2	CH7X-6312	1	CORD ASM (120 VOLT/15 AMPERE)

2151807B
PR: t05k07n15a0004

HEATER GP-JACKET WATER - 240V
215-1809
EAME ONLY



CORD ASY. STORED UNDER TRAINER SEAT



RIGHT SIDE VIEW OF MACHINE

MT800B SERIES TRACTORS
ELECTRICAL & STARTING

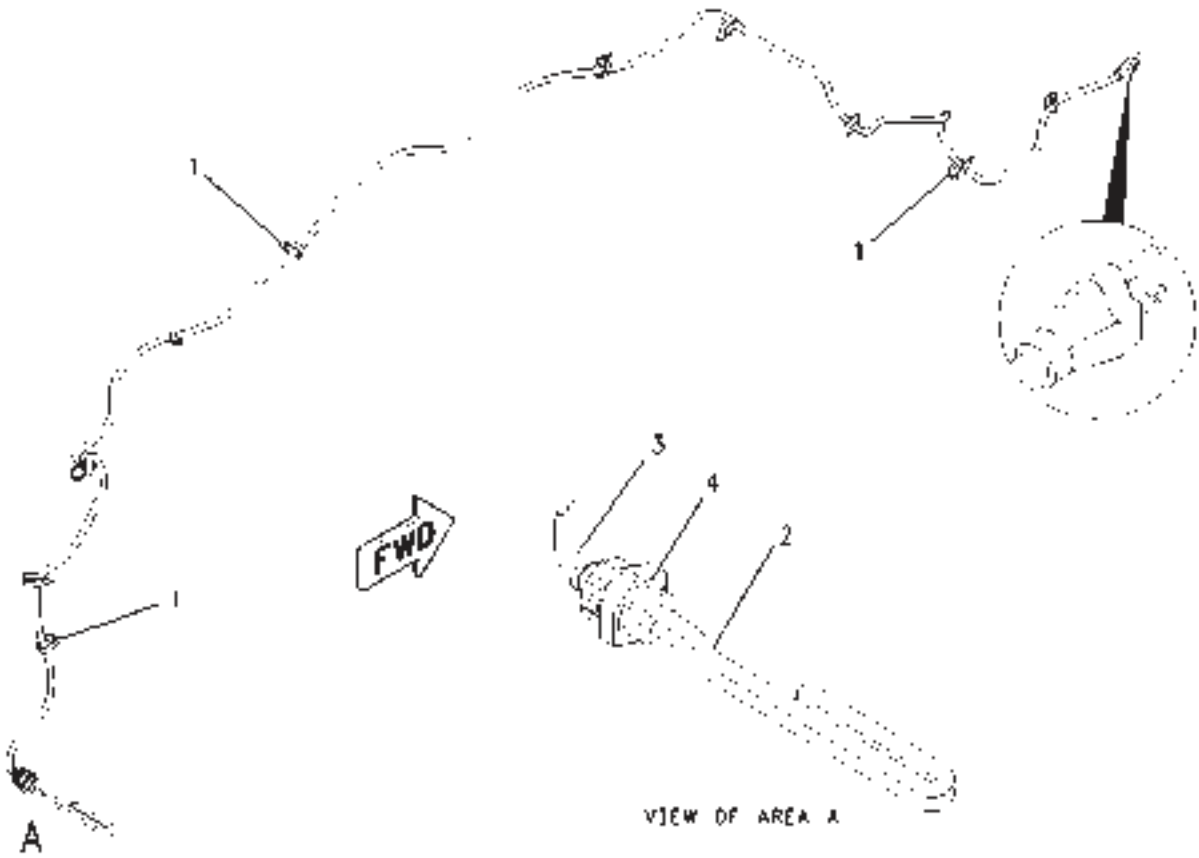
221

HEATER GP-JACKET WATER - 240V
215-1809
EAME ONLY

ITEM	NUMBER	QTY	DESCRIPTION
-	215-1809	-	HEATER GP-JACKET WATER (NOT SERVICED)
1	CH154-2881	1	ELEMENT ASM-JACKET WATER HEATER (240V/ 1250W) (INCLS 1A)
1A	CH133-6517	1	CAP ASM-DUST
2	CH127-8609	1	CORD ASM (240 VAC/15 AMP)

2151807B
PR: t05b22n43d0082

HEATER GP-TRANSMISSION - 120V
163-0402
ROW & SPECIAL ONLY



MT800B SERIES TRACTORS
ELECTRICAL & STARTING

223

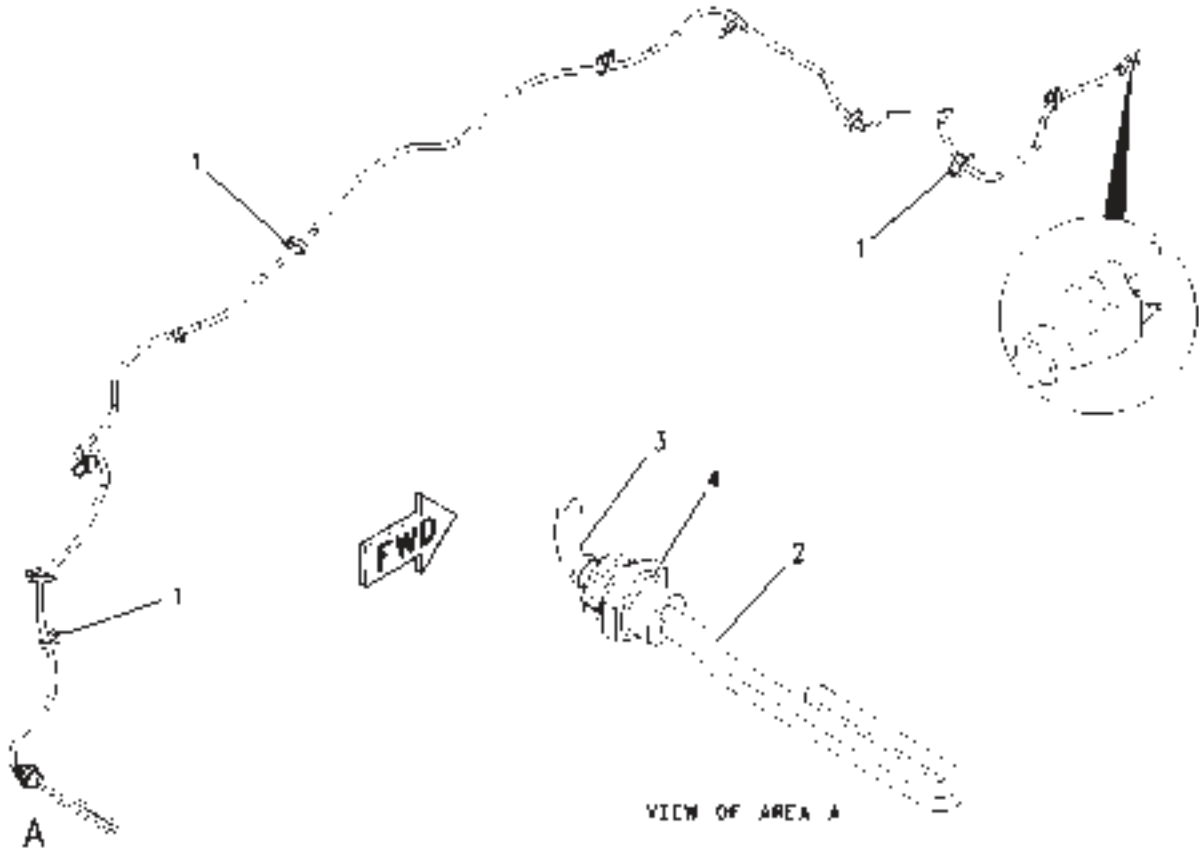
HEATER GP-TRANSMISSION - 120V
163-0402
ROW & SPECIAL ONLY

ITEM	NUMBER	QTY	DESCRIPTION
-	163-0402	-	HEATER GP-TRANSMISSION (NOT SERVICED)
1	400837X1	10	STRAP-CABLE
2	205-8771	1	ELEMENT ASM (120 VOLT) (TRANSMISSION)
3	CH163-0421	1	CORD ASM
4	400593X1	1	SEAL-O-RING

00851879
PR: t05b22n43d0083

MT800B SERIES TRACTORS
ELECTRICAL & STARTING

HEATER GP-TRANSMISSION - 240V
163-0403
EAME ONLY



MT800B SERIES TRACTORS
ELECTRICAL & STARTING

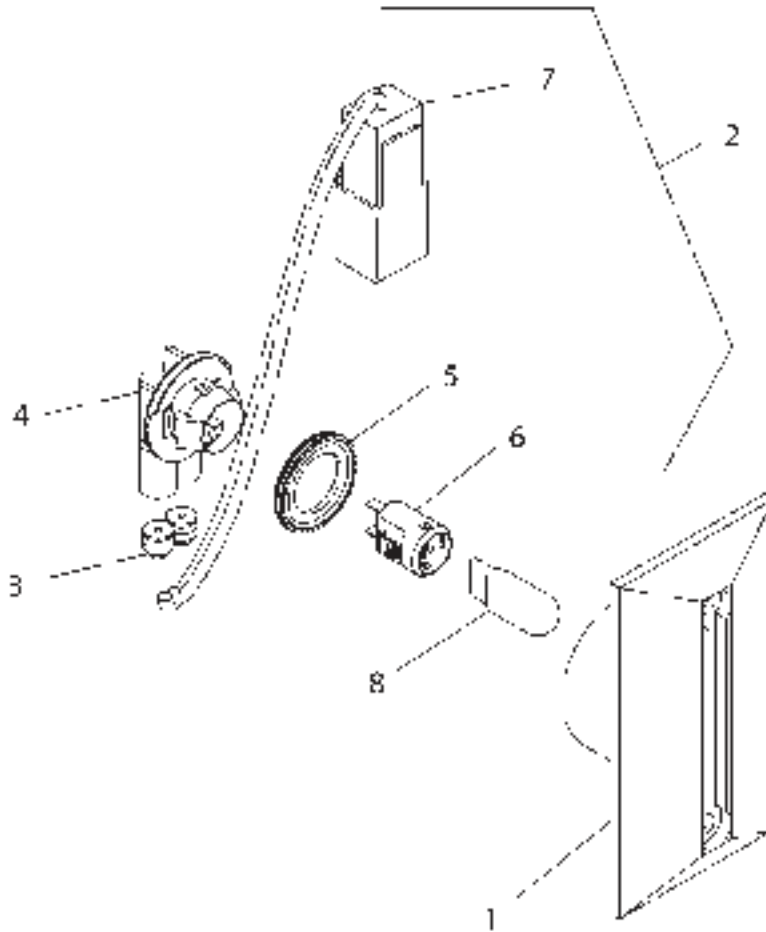
225

HEATER GP-TRANSMISSION - 240V
163-0403
EAME ONLY

ITEM	NUMBER	QTY	DESCRIPTION
-	163-0403	-	HEATER GP-TRANSMISSION (NOT SERVICED)
1	400837X1	10	STRAP-CABLE
2	205-8772	1	ELEMENT ASM (240 VOLT) (TRANSMISSION HEATER)
3	CH213-1783	1	CORD ASM
4	400593X1	1	SEAL-O-RING

00856912
PR: t05b22n43d0084

LIGHT AS - COURTESY - 12V
501935D1



MT800B SERIES TRACTORS
ELECTRICAL & STARTING

227

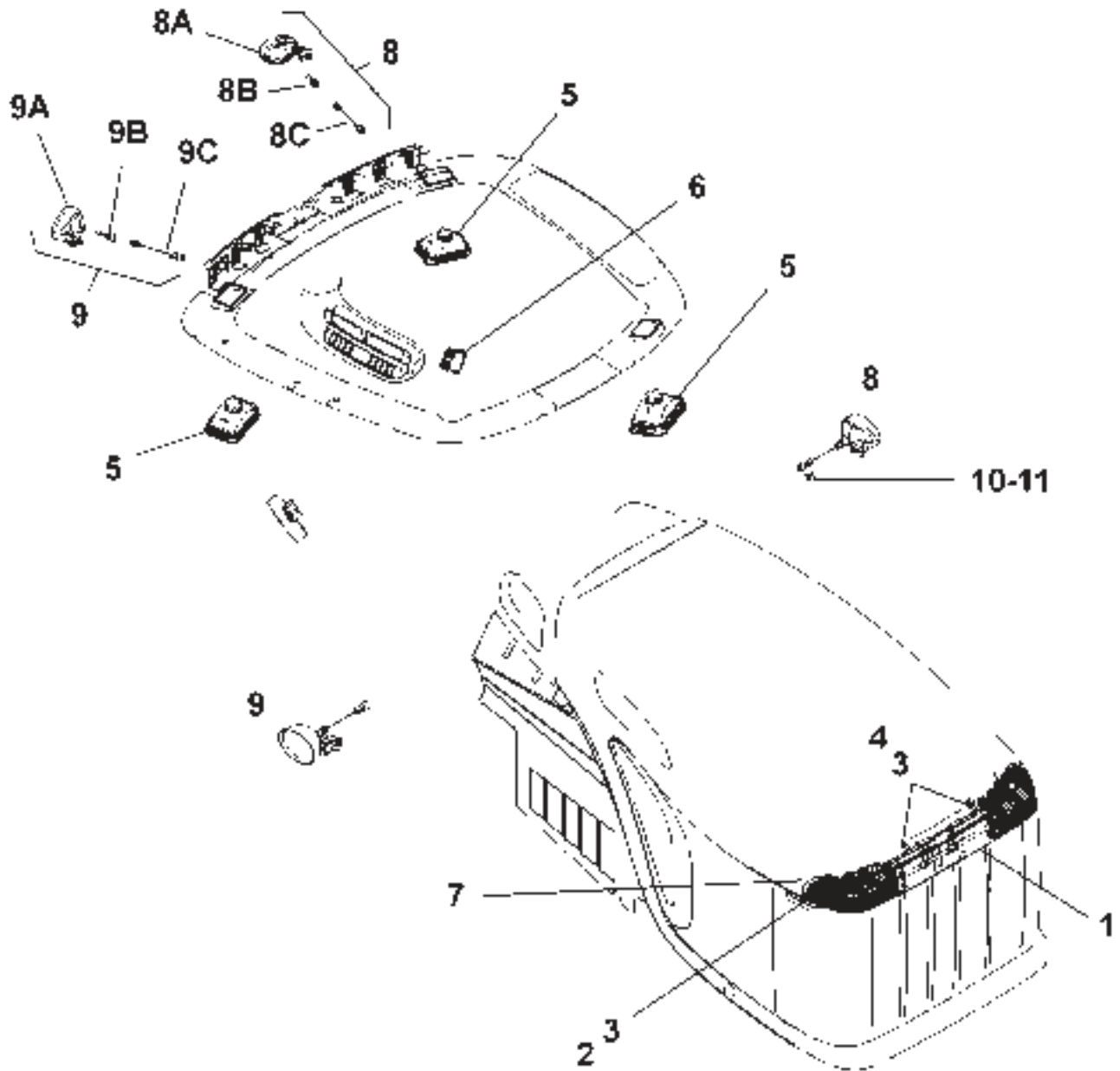
LIGHT AS - COURTESY - 12V
501935D1

ITEM	NUMBER	QTY	DESCRIPTION
-	501935D1	-	LIGHT AS - COURTESY [A]
1	501936D1	1	HOUSING
2	501934D1	1	LAMP AS (INCLS 3-10)
3	400403X1	2	SEAL
4	400405X1	1	CONNECTOR
5	400406X1	1	SEAL
6	400407X1	1	LAMP SOCKET INSERT
7	501962D1	1	RECEPTACLE-CONN DEUTSCH 2 PIN
8	CH6T-7298	1	LAMP-12V BASE W-2 CLEAR
9	400404X1	2	SOCKET (NOT SHOWN)
10	400562X1	2	PIN-CONNECTOR 16-18 AWG (NOT SHOWN)

[A] PART OF 152-0005 WIRING GP

501935DB
PR: t05b22n43d0085

LIGHTING GP - 12V STD
500645D1
ROW AND SPECIAL APPLICATIONS



**MT800B SERIES TRACTORS
ELECTRICAL & STARTING**

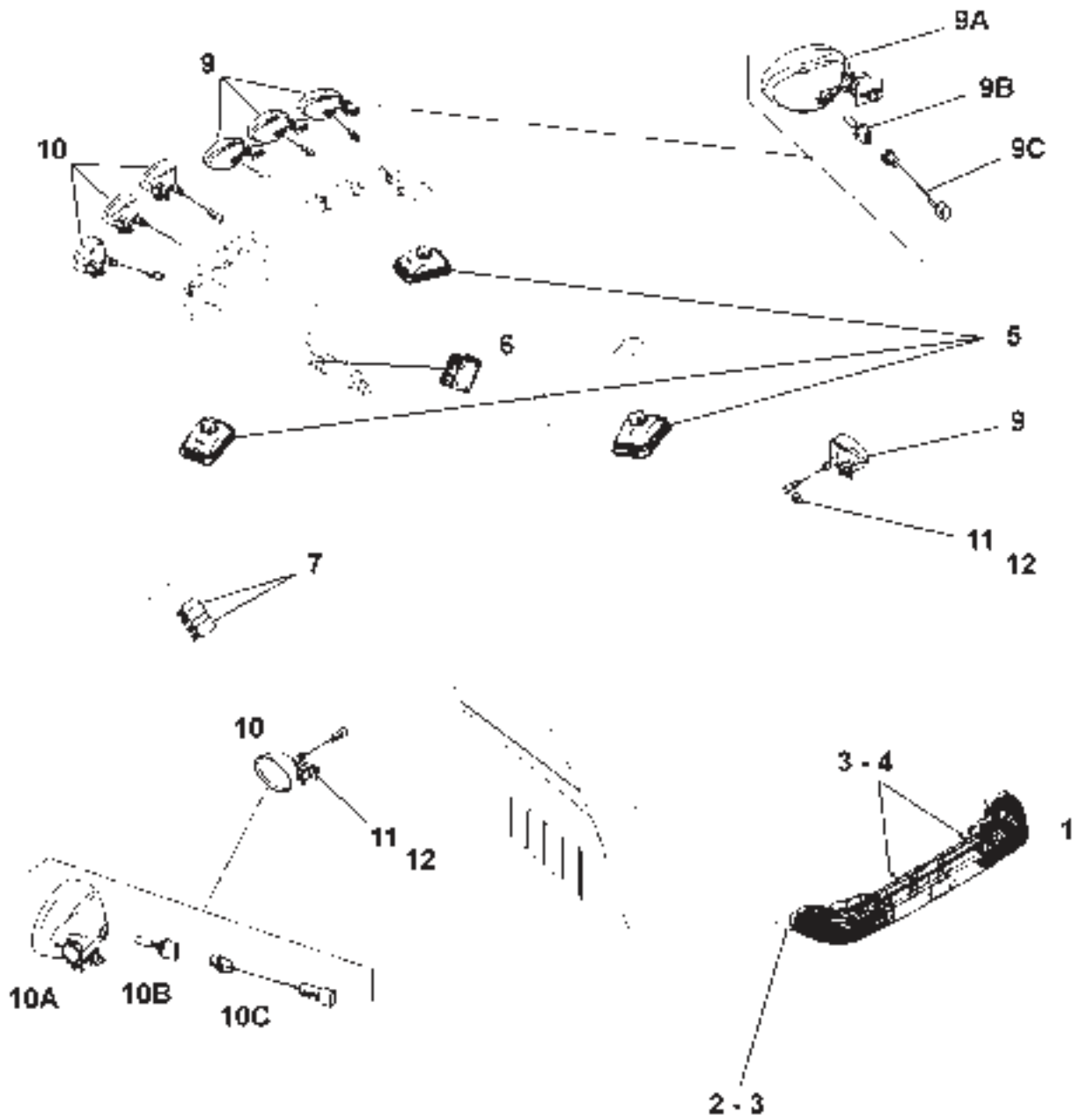
229

**LIGHTING GP - 12V STD
500645D1
ROW AND SPECIAL APPLICATIONS**

ITEM	NUMBER	QTY	DESCRIPTION
-	500645D1	-	LIGHTING GP (NOT SERVICED)
1	500775D1	1	LAMP GP (HOOD) (NOT SERVICED) (SEE BREAKDOWN FOR COMPONENTS)
2	400230X1	2	BOLT-M6X1X14MM ZNDI HHD 10.9
3	CH8T-4205	4	WASHER-HARD 7.2IDX14.5ODX2MM
4	400300X1	2	NUT M6X1
5	166-4616	3	LAMP GP-PORCH (INCL BULB)
	CH136-5252	-	LAMP-MINIATURE
6	165-5973	1	SWITCH AS.-ROCKER
7	199-3481	1	SEAL-HOOD
8	500654D1	2	WORK LIGHT (LH) (OVAL)
8	500654D2	2	WORK LIGHT (LH) (INCLS 8A-8C)
8A	500677D2	1	LIGHT
8B	400862X1	1	BULB
8C	502094D1	1	HARNES ASY-JUMPER
9	500653D1	2	WORK LIGHT (RH) (OVAL)
9	500653D2	2	WORK LIGHT (RH) (INCLS 9A-9C)
9A	500676D2	1	LIGHT
9B	400862X1	1	BULB
9C	502094D1	1	HARNES ASY-JUMPER
10	CH156-0283	4	WASHER-HARD 8.4IDX35ODX2.5 MM
11	CH3E-9860	4	LOCKNUT-5/16-18 ZNDI

500645DD
PR: t05b22n43d0086

LIGHTING GP - 12V DELUXE
500646D1



MT800B SERIES TRACTORS
ELECTRICAL & STARTING

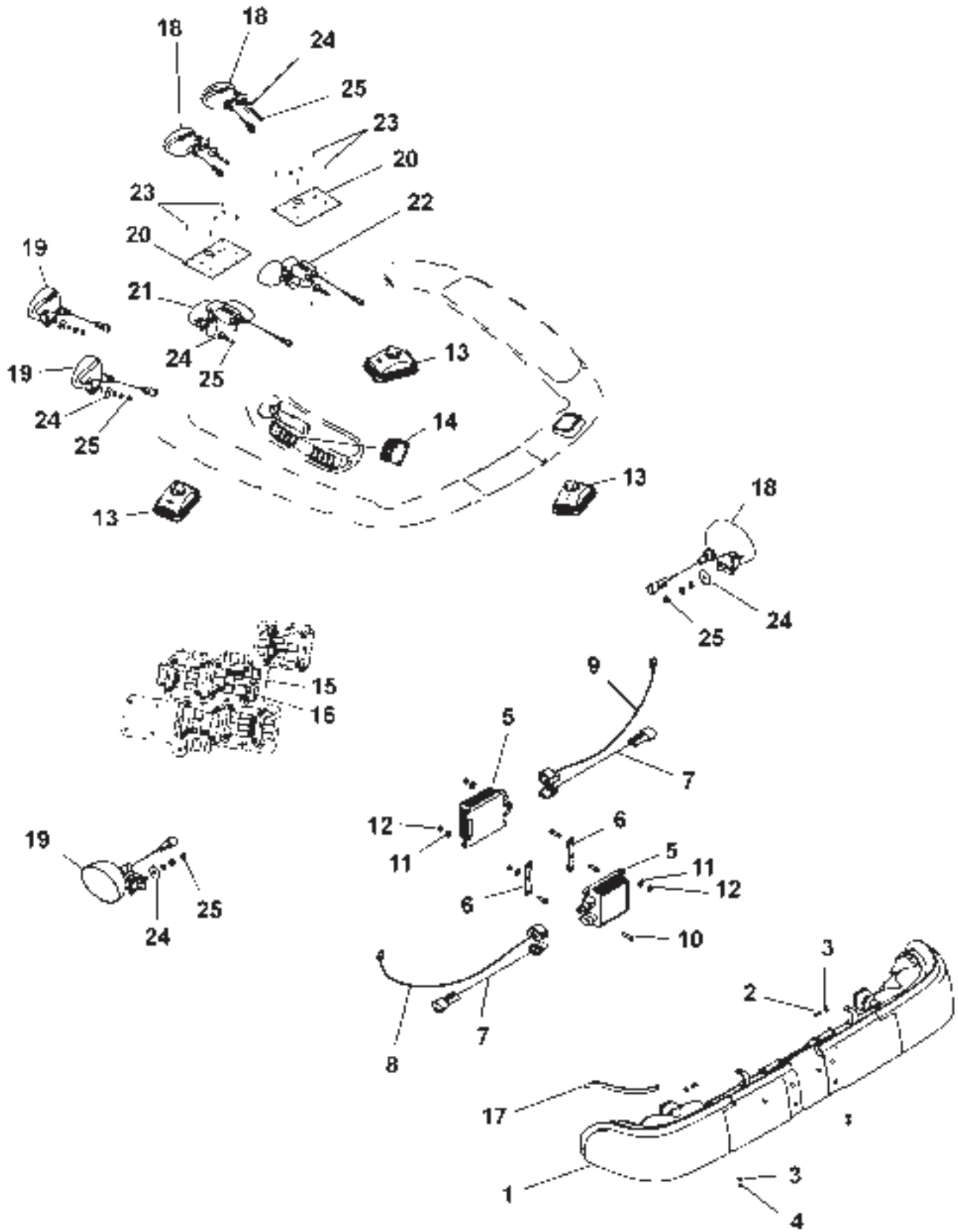
231

LIGHTING GP - 12V DELUXE
500646D1

ITEM	NUMBER	QTY	DESCRIPTION
-	500646D1	-	LIGHTING GP (NOT SERVICED)
1	500775D1	1	LAMP GP (HOOD) (NOT SERVICED) (SEE BREAKDOWN FOR COMPONENTS)
2	400230X1	2	BOLT-M6X1X14MM ZNDI HHD 10.9
3	CH8T-4205	4	WASHER-HARD 7.2IDX14.5ODX2MM
4	400300X1	2	NUT M6X1
5	166-4616	3	LAMP GP-PORCH (INCL BULB)
	CH136-5252	-	LAMP-MINIATURE
6	165-5973	1	SWITCH AS.-ROCKER
7	CH146-9439	2	RELAY AS
8	199-3481	1	SEAL-HOOD (NOT SHOWN)
9	500654D2	4	WORK LIGHT (LH) (INCLS 9A-9C)
9A	500677D2	1	LIGHT
9B	400862X1	1	BULB
9C	502094D1	1	HARNES ASY-JUMPER
10	500653D2	4	WORK LIGHT (RH) (INCLS 10A-10C)
10A	500676D2	1	LIGHT
10B	400862X1	1	BULB
10C	502094D1	1	HARNES ASY-JUMPER
11	CH156-0283	8	WASHER-HARD 8.4IDX35ODX2.5 MM
12	CH3E-9860	8	LOCKNUT-5/16-18 ZNDI

500646DD
PR: t05b22n43d0087

LIGHTING GP - 12V HID
500647D1



MT800B SERIES TRACTORS
ELECTRICAL & STARTING

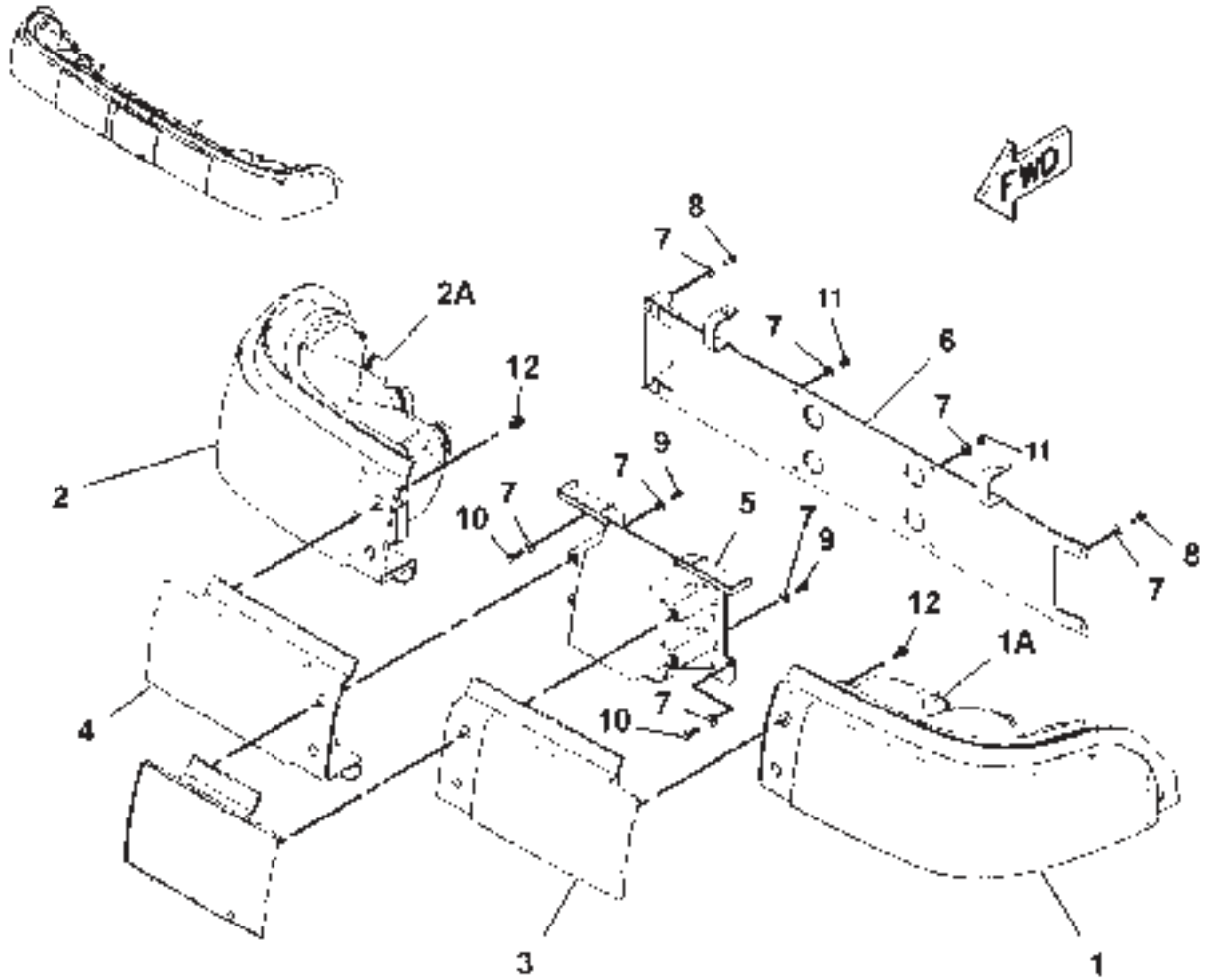
233

LIGHTING GP - 12V HID
500647D1

ITEM	NUMBER	QTY	DESCRIPTION
-	500647D1	-	LIGHTING GP (HID) (NOT SERVICED)
1	500776D1	1	LAMP GP (HOOD)
2	400230X1	2	BOLT-M6X1X14MM ZNDI HHD 10.9
3	CH8T-4205	4	WASHER-HARD 7.2IDX14.5ODX2MM
4	400300X1	2	NUT M6X1
5	136-5597	2	BALLAST AS.-HID
6	136-5509	2	BRACKET-BALLAST
7	502177D1	2	HARNESS AS.-BALLAST
8	202-7320	1	HARNESS AS.-HID
9	202-7320	1	HARNESS AS.-HID
10	400211X1	6	BOLT-M5X0.8-6GX20 ZN HHD 8.8
11	CH4B-4274	6	WASHER-5.5IDX13ODX1.2MM
12	CH5C-2874	6	NUT-M5X0.8THD HEX ZNDI
13	166-4616	3	LAMP GP-PORCH
14	165-5973	1	SWITCH AS.-ROCKER
15	CH146-9439	1	RELAY AS.
16	CH170-2237	1	RELAY AS.-12 VDC
17	199-3481	1	SEAL-HOOD
18	500654D2	3	WORK LIGHT (LH)
19	500653D2	3	WORK LIGHT (RH)
20	500639D1	2	BRACKET, HID BALLAST
21	500634D2	1	WORK LIGHT (RH)
22	500635D2	1	WORK LIGHT (LH)
23	CH119-5026	14	SCREW-#10-16X16MM PAN THD CTG
24	CH156-0283	8	WASHER-HARD 8.4IDX35ODX2.5MM
25	CH3E-9860	8	LOCKNUT-5/16-18 ZNDI

500647DE
PR: t05b22n43d0088

LAMP GP-HOOD - 12V HALOGEN
500775D1



MT800B SERIES TRACTORS
ELECTRICAL & STARTING

235

LAMP GP-HOOD - 12V HALOGEN
500775D1

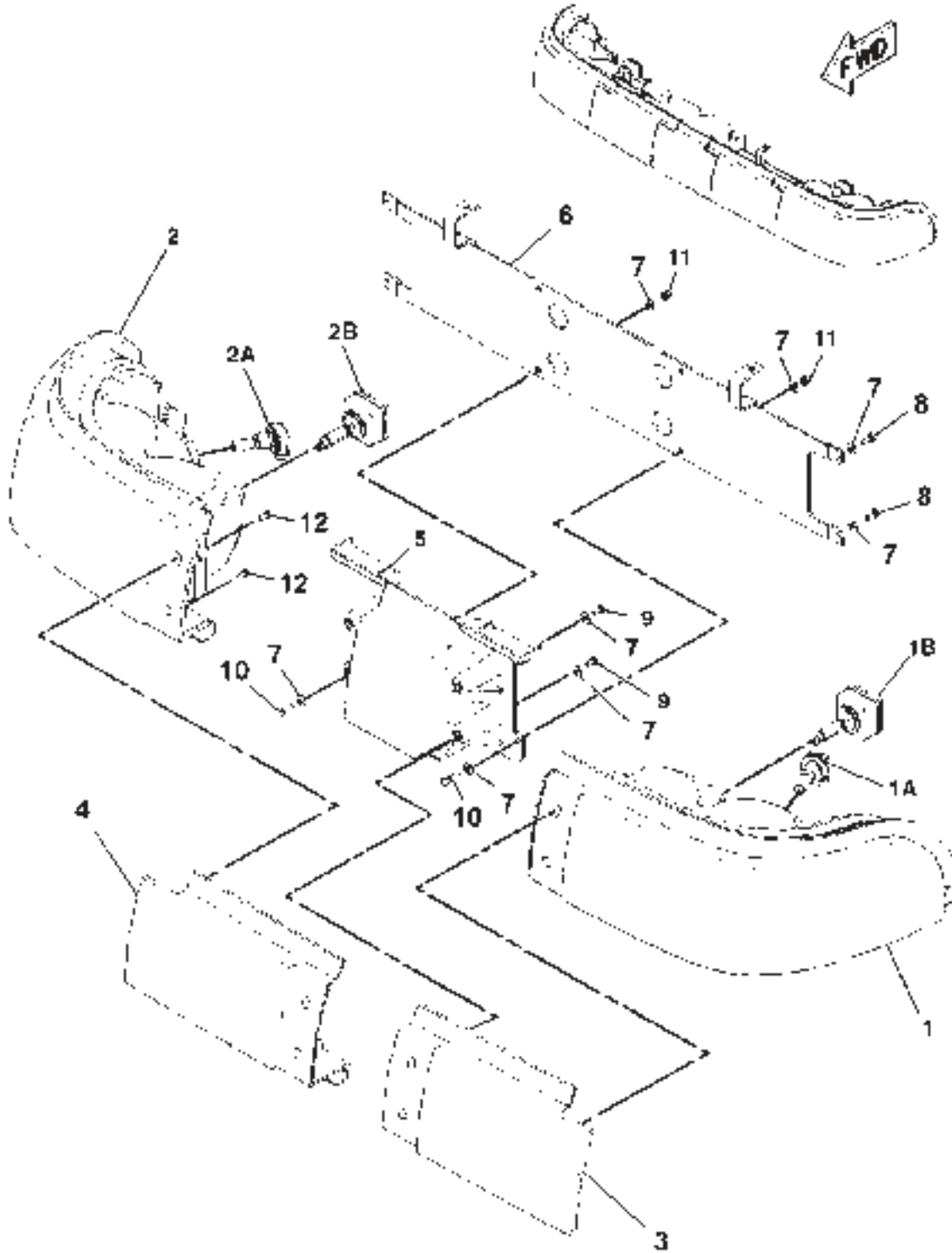
ITEM	NUMBER	QTY	DESCRIPTION
-	500775D1	-	LAMP GP-HOOD [A] (NOT SERVICED)
1	176-0379	1	HEADLAMP AS.-LH
1A	CH175-1323	3	LAMP (12 VOLT)(55 WATT)
2	176-0380	1	HEADLAMP AS.-RH
2A	CH175-1323	3	LAMP (12 VOLT)(55 WATT)
3	215-7684	1	PANEL-LH (HEADLIGHT)
4	215-7687	1	PANEL-RH (HEADLIGHT)
5	210-4354	1	BRACKET-HEADLIGHT
6	215-9809	1	BRACKET-HEADLIGHT
7	CH4B-4274	16	WASHER-5.5IDX13ODX1.2MM
8	400087X1	4	SCREW-#10-16X12.7 PAN,THD CTG
9	CH6V-5210	4	SCREW-PAN M4X0.7X10 CROSS
10	400021X1	4	BOLT-M5X0.8-6GX16MM ZN HHD
11	CH3T-0851	4	NUT-LOCK M5X0.8
12	CH217-5909	4	SCREW-NO10-15X12.7 PAN THD CTG

[A] PART OF 500645D1 & 500646D1
LIGHTING GROUPS

500775DB
PR: t05b22n43d0089

MT800B SERIES TRACTORS
ELECTRICAL & STARTING

LAMP GP-HOOD - 12V HID
500776D1



MT800B SERIES TRACTORS
ELECTRICAL & STARTING

237

LAMP GP-HOOD - 12V HID
500776D1

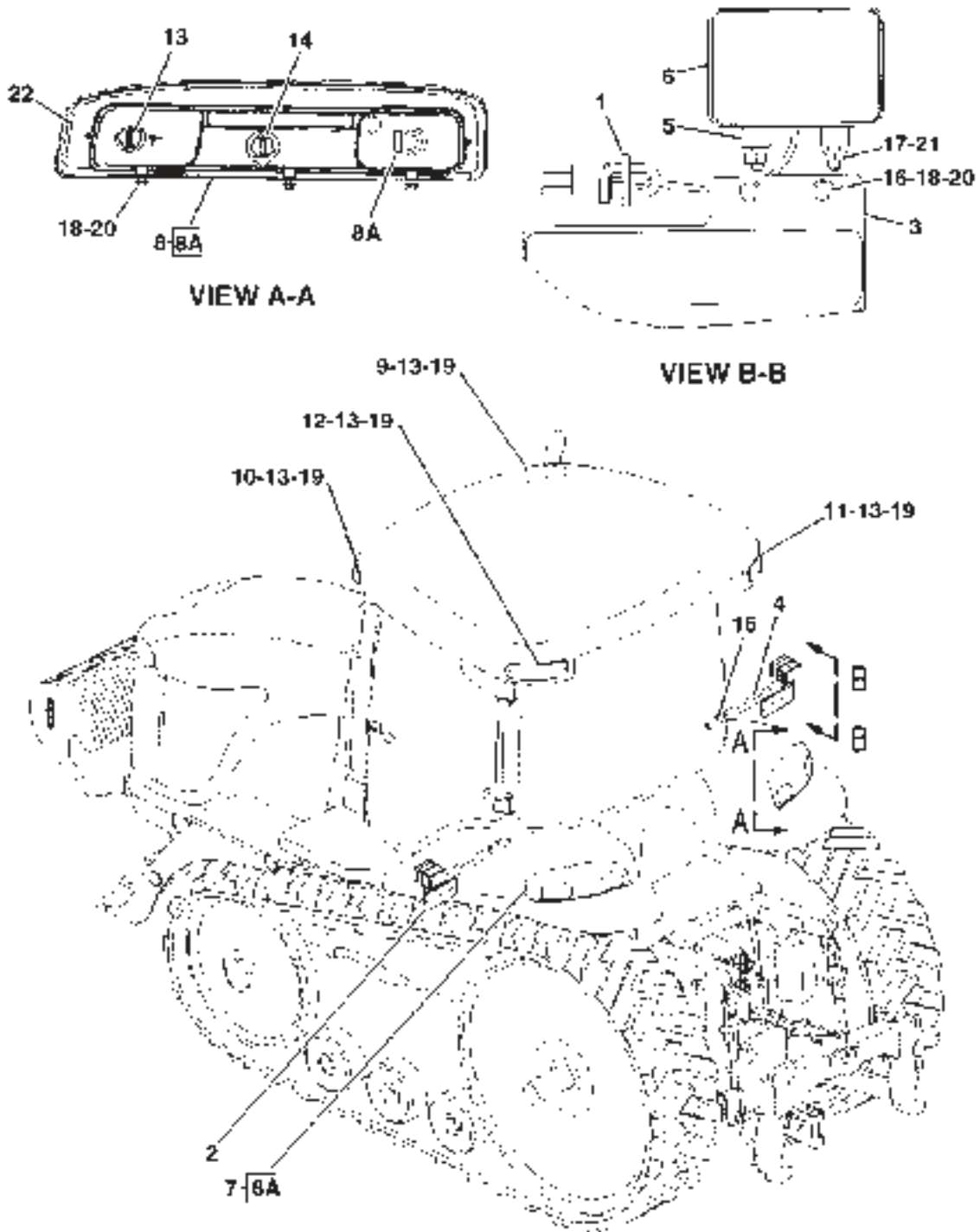
ITEM	NUMBER	QTY	DESCRIPTION
-	500776D1	-	LAMP GP-HOOD [A] (SERVICE BY COMPONENTS)
1	136-5288	1	LAMP GP-HEAD (LH) (INCLS 1A & 1B)
1A	136-5598	1	LAMP (12V)(35 WATT)
1B	CH175-1323	2	LAMP (12V)(55 WATT)
2	136-5289	1	LAMP GP-HEAD (RH) (INCLS 2A & 2B)
2A	136-5598	1	LAMP (12V)(35 WATT)
2B	CH175-1323	2	LAMP (12V)(55 WATT)
3	215-7684	1	PANEL-LH (HEADLIGHT)
4	215-7687	1	PANEL-RH (HEADLIGHT)
5	210-4354	1	BRACKET-HEADLIGHT
6	215-9809	1	BRACKET-HEADLIGHT
7	CH4B-4274	16	WASHER-5.5IDX13ODX1.2MM
8	400087X1	4	SCREW-#10-16X12.7 PAN,THD CTG
9	CH6V-5210	4	SCREW-PAN M4X0.7X10 CROSS
10	400021X1	4	BOLT-M5X0.8-6GX16MM ZN HHD
11	CH3T-0851	4	NUT-LOCK M5X0.8
12	CH217-5909	4	SCREW-NO10-15X12.7 PAN THD CTG

[A] PART OF 500647D1 LIGHTING GROUP-HID

500776DB
PR: t05b22n43d0090

MT800B SERIES TRACTORS
ELECTRICAL & STARTING

LIGHTING GP-SIGNAL - 12V
136-5665



**MT800B SERIES TRACTORS
ELECTRICAL & STARTING**

239

**LIGHTING GP-SIGNAL - 12V
136-5665**

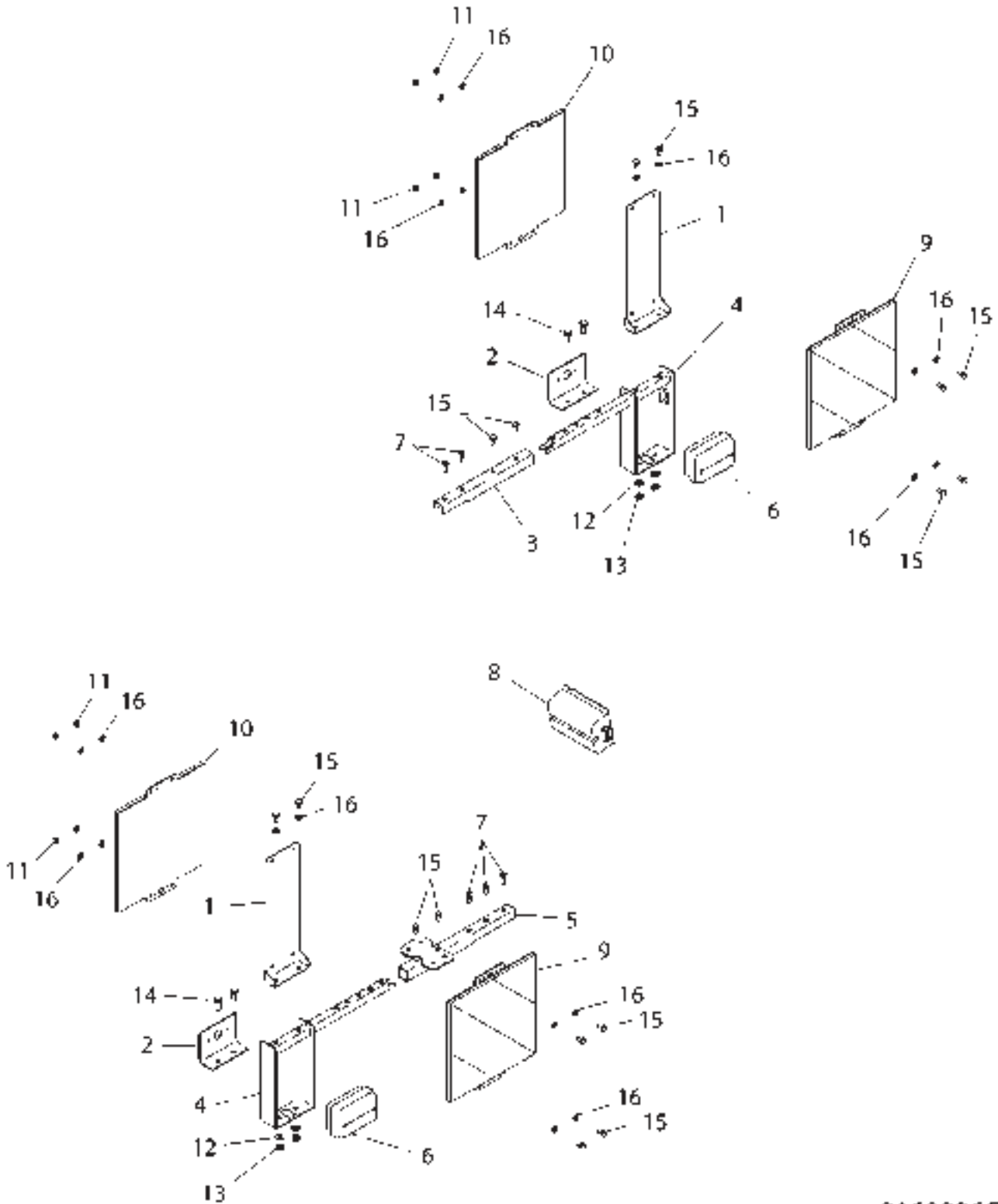
ITEM	NUMBER	QTY	DESCRIPTION
-	136-5665	-	LIGHTING GP-SIGNAL [A] (NOT SERVICED)
1	CH7K-1181	2	STRAP-CABLE
2	136-5441	1	PLATE ASM-LH (INCLUDES PLATE AND FILM)
	192-5642	1	FILM-RED
	192-5643	1	FILM-YELLOW
	192-5644	1	FILM-ORANGE
3	136-5476	1	PLATE ASM-RH (INCLUDES PLATE AND FILM)
	192-5642	1	FILM-RED
	192-5643	1	FILM-YELLOW
	192-5644	1	FILM-ORANGE
4	142-9677	2	EXTENSION ASM (INCLUDED LINK, NUT AND BRACKET)
	7T-1099	2	LINK
	CH8T-3612	2	NUT-WELD (M8X1.25)
5	CH148-7017	4	SPACER (10.2X19.05X13)
6	155-0027	2	LAMP GP (TURN SIGNAL) (INCLUDES BODY-LAMP) (SERVICE REPAIR ORDER THE FOLLOWING 6A, 6B, 6C AND 6D)
6A	5M-8034	2	LAMP (12 VOLT) (TURN SIGNAL)
6B	186-3735	2	PIN-CONNECTOR
6C	102-8804	1	KIT-RECEPTACLE (4 PIN) (INCLUDES RECEPTACLE ASM AND WEDGE) (SERVICED AS COMPLETE KIT ONLY)
6D	155-0029	2	LENS (AMBER) (TURN SIGNAL)
7	162-4091	1	LAMP GP-SIGNAL (FENDER)(LH) (SERVICE REPAIR BULB ORDER 8A)
8	162-4092	1	LAMP GP-SIGNAL (FENDER)(RH) (SERVICE REPAIR BULB ORDER 8A)
8A	500678D1	1	LAMP (12 VOLT)(50 WATT) (FENDER)
9	162-6696	1	LAMP (ROOF-FRONT RH)
10	162-6697	1	LAMP (ROOF-FRONT LH)
11	162-6698	1	LAMP (ROOF-REAR RH)
12	162-6699	1	LAMP (ROOF-REAR LH)
13	171-9687	6	LAMP (12 VOLT)(SINGLE FILAMENT)
14	171-9688	2	LAMP (12 VOLT)(DOUBLE FILAMENT)
15	400300X1	4	NUT (M6X1)
16	400340X1	4	NUT (M8X1.25)
17	CH188-9644	4	SCREW-FLAT HEAD
18	400152X1	10	BOLT (M6X1X16MM)
19	CH8T-0337	8	SCREW-MACHINE (M4X0.7X12MM)
20	CH8T-4205	14	WASHER-HARD (7.2X14.5X2MM)
21	400339X1	4	WASHER-HARD (8.8X16X2)
22	CH200-6208	AR	SEAL (9.5X4.7 ADH BACK) (274CM)

[A] PART OF 179-1952 BASE AR-COMMON;
501810D1 BASE COMMON AR

0886924A
PR: t05b22n43d0091

MT800B SERIES TRACTORS
ELECTRICAL & STARTING

LIGHTING GP-SIGNAL - 216-0806
EAME ONLY



2160806G

MT800B SERIES TRACTORS
ELECTRICAL & STARTING

241

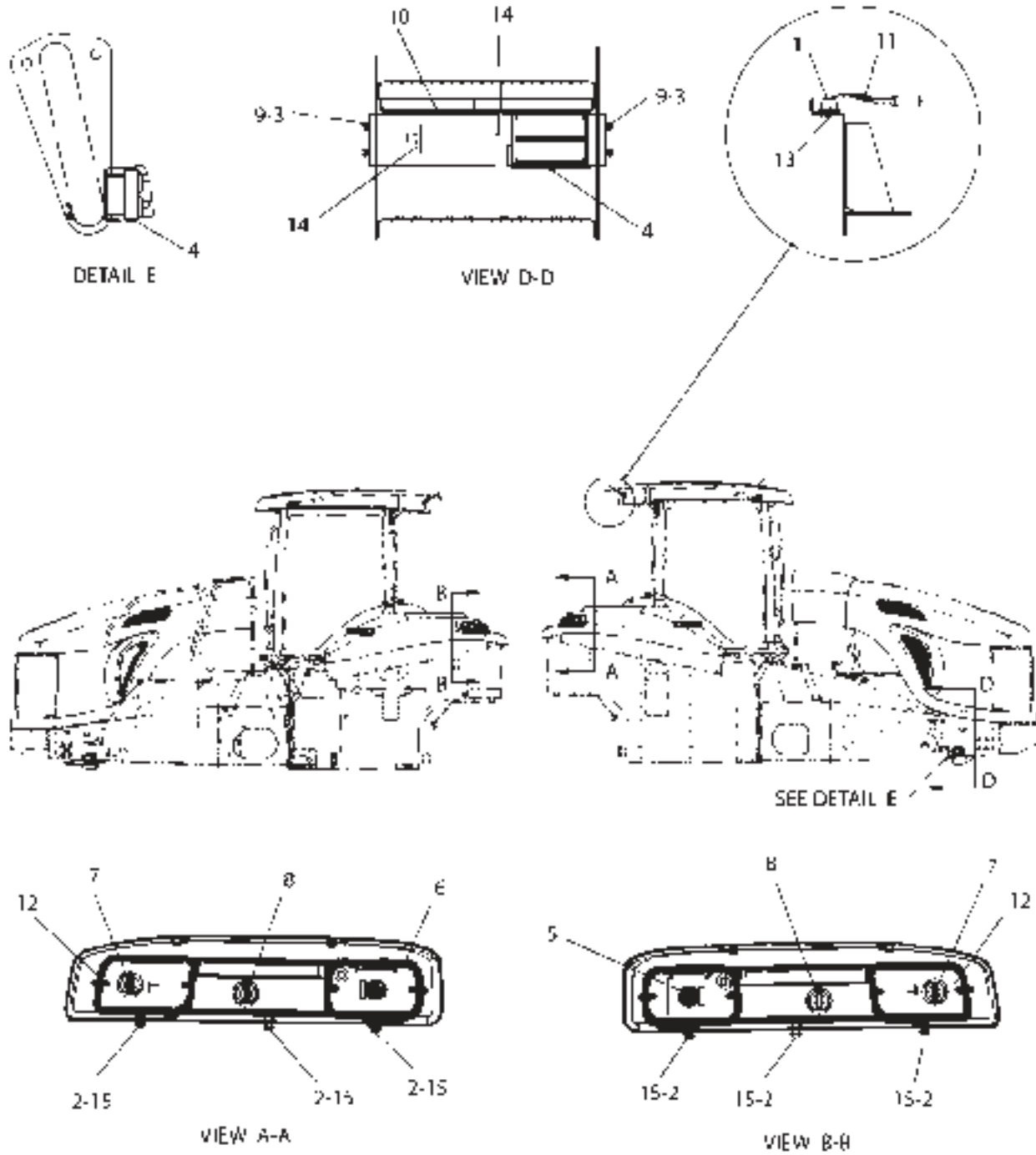
LIGHTING GP-SIGNAL - 216-0806
EAME ONLY

ITEM	NUMBER	QTY	DESCRIPTION
-	216-0806	-	LIGHTING GP-SIGNAL
1	206-7524	2	BRACKET
2	215-9109	2	BRACKET
3	216-0887	1	TUBE-EXTENSION
4	216-4353	2	BRACKET AS.
5	221-9201	1	TUBE AS-EXTENSION
6	155-0020	2	LIGHT AS.-EXTREMITY
7	CH188-9644	4	SCREW-M8X1.25X25MM FLAT HSHD
8	CH215-1382	1	FLASHER-SOLID STATE-12 VDC
9	500529D1	2	PLATE-WARNING (EAME)
10	500530D1	2	PLATE-WARNING (EAME)
11	400340X1	8	NUT-M8X1.25X13 HEX ZND1
12	400287X1	4	WASHER-HARD 11IDX21ODX2.5 ZND1
13	7774664	4	NUT-M10-1.5,CL10.9,ZN,H,REG
14	400039X1	4	BOLT-M10X1.5X25 ZNDI HHD 10.9
15	400227X1	16	BOLT-M8X1.25X16 ZNDI HHD 10.9
16	400339X1	20	WASHER-HARD

2160806G
PR: t05b22n43d0092

MT800B SERIES TRACTORS
ELECTRICAL & STARTING

LIGHTING GP-SIGNAL - 136-5429
EAME ONLY



MT800B SERIES TRACTORS
ELECTRICAL & STARTING

243

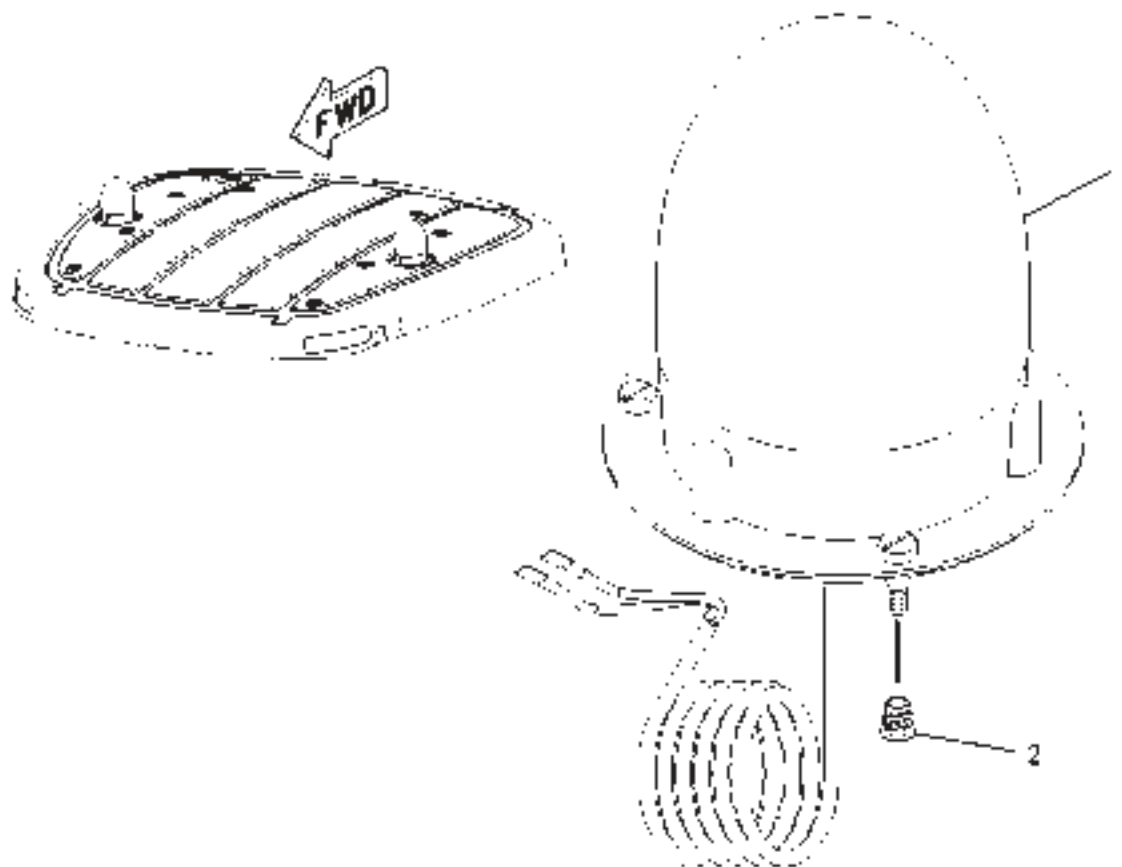
LIGHTING GP-SIGNAL - 136-5429
EAME ONLY

ITEM	NUMBER	QTY	DESCRIPTION
-	136-5429	-	LIGHTING GP-SIGNAL [A] (NOT SERVICED)
1	222-9156	2	LAMP AS
2	400152X1	6	BOLT-M6X1X16MM ZNDI HHD 10.9
3	400221X1	4	BOLT-M6X1X20MM ZNDI HHD 10.9
4	155-0014	2	LIGHT AS. -EXTREMITY
5	162-4091	1	LAMP AS.-FENDER (LH)
	500678D1	1	BULB (12V-50W)
6	162-4092	1	LAMP AS.-FENDER (RH)
	500678D1	1	BULB (12V-50W)
7	171-9687	2	BULB-12V (S8)
8	171-9688	2	BULB-12V (S8)
9	400310X1	4	WASHER
10	502072D1	1	BRACKET AS
11	502245D1	1	HARNESS AS.
12	CH200-6208	-	SEAL BULK 9.5X4.7 ADH BACKING (274CM)
13	CH3S-9557	4	SCREW-PAN 4-40 THD X12.7 CROSS
14	CH7K-1181	2	STRAP-CABLE 0.19-4.00
15	CH8T-4205	6	WASHER-HARD 7.2IDX14.5ODX2MM

[A] PART OF 501811D1 BASE COMMON AR

1365429A
PR: t05b22n43d0093

LIGHTING GP-WARNING
216-9823



MT800B SERIES TRACTORS
ELECTRICAL & STARTING

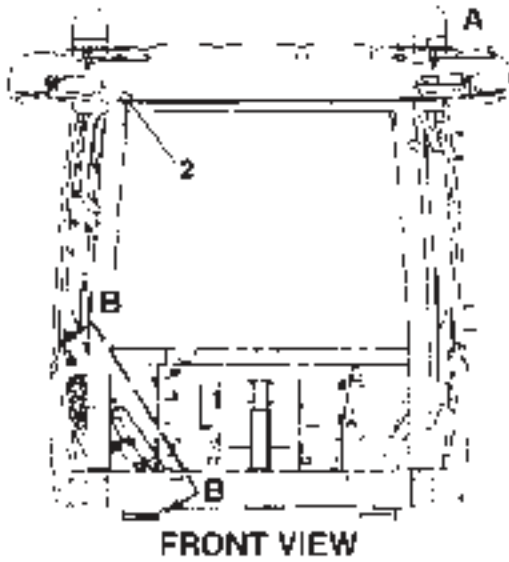
245

LIGHTING GP-WARNING
216-9823

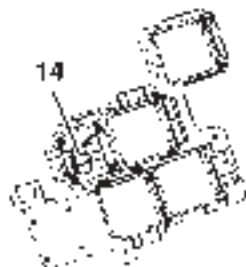
ITEM	NUMBER	QTY	DESCRIPTION
-	216-9823	-	LIGHTING GP-WARNING (NOT SERVICED)
1	162-4101	1	LIGHTING GP-WARNING (NOT SERVICED) (SEE BREAKDOWN FOR COMPONENTS)
2	CH216-7617	6	INSERT

00891621
PR: t05b22n43d0094

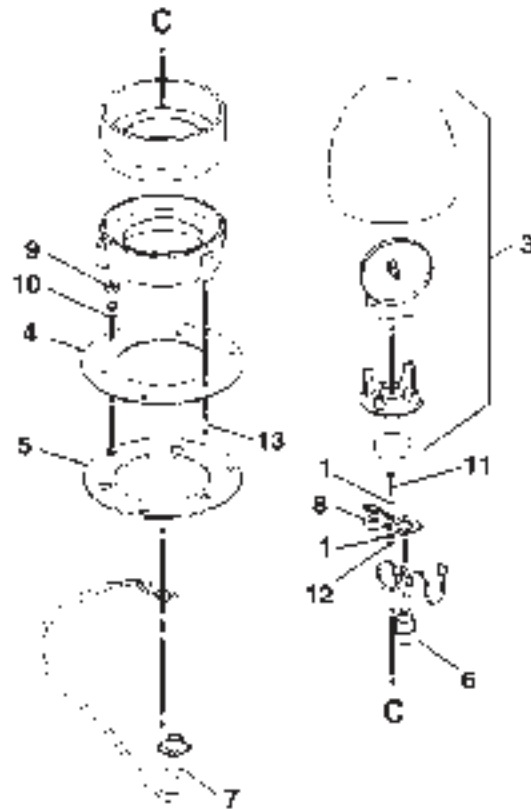
LIGHTING GP-WARNING - 12V
162-4101



FRONT VIEW



VIEW B-B



VIEW OF AREA A

MT800B SERIES TRACTORS
ELECTRICAL & STARTING

247

LIGHTING GP-WARNING - 12V
162-4101

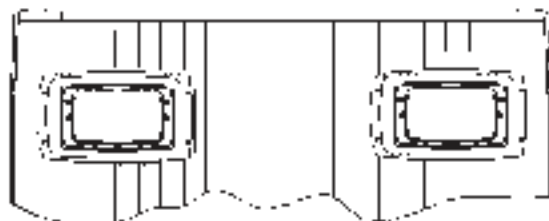
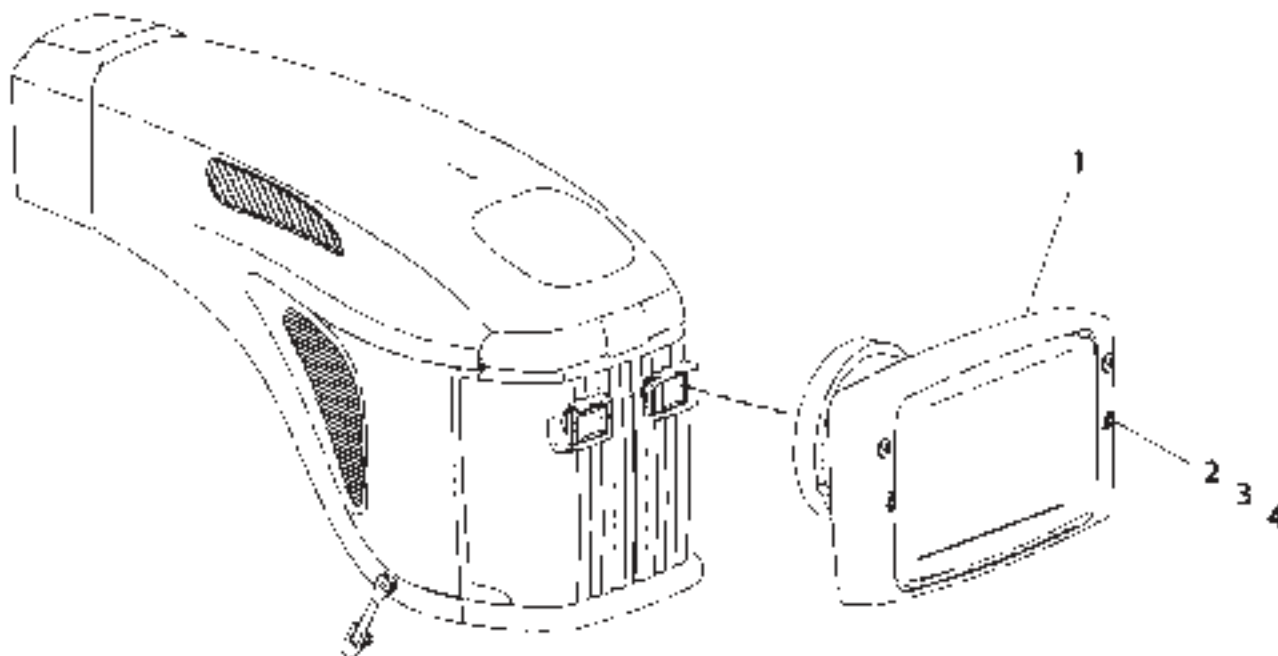
ITEM	NUMBER	QTY	DESCRIPTION
-	162-4101	-	LIGHTING GP-WARNING [A] (NOT SERVICED)
1	CH4I-3038	16	WASHER (3.3X8X0.5)
2	169-8223	1	SWITCH-ROCKER (BEACON)
3	CH196-7341	2	LAMP GP-WARNING BEACON
	CH136-5254	1	LENS (ROTATING BEACON) (AMBER)
	CH9X-8118	1	LAMP (12 VOLT)
4	201-0486	2	PLATE
5	201-0487	2	GASKET
6	502190D1	2	HARNESS ASM (BEACON)
7	502179D1	2	HARNESS ASM
8	400753X1	2	CAP-SEALING
9	CH201-9691	6	SCREW (M6X1X26MM)
10	CH201-9692	6	RETAINER
11	400139X1	8	BOLT-SOCKET HEAD (M3X0.5X25MM)
12	CH3C-6969	8	NUT (M3X0.5)
13	CH6V-8548	6	SCREW-WASHER HEAD (8-32X.85 IN)
14	CH146-9439	1	RELAY (12 VOLT)

[A] PART OF 216-9823 LIGHTING
GP-WARNING

0842107A
PR: t05b22n43d0095

LIGHTING GP-ROAD (LH TRAFFIC)

168-6580
FIELD INSTALLED
EAME ONLY



ALTERNATE CONFIGURATION
(T955, T956, T957, T958)

MT800B SERIES TRACTORS
ELECTRICAL & STARTING

249

LIGHTING GP-ROAD (LH TRAFFIC)
168-6580
FIELD INSTALLED
EAME ONLY

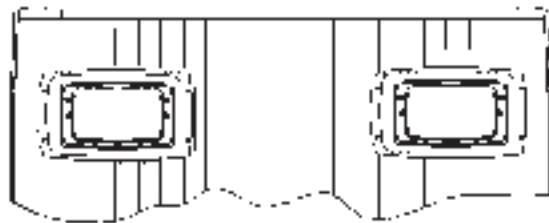
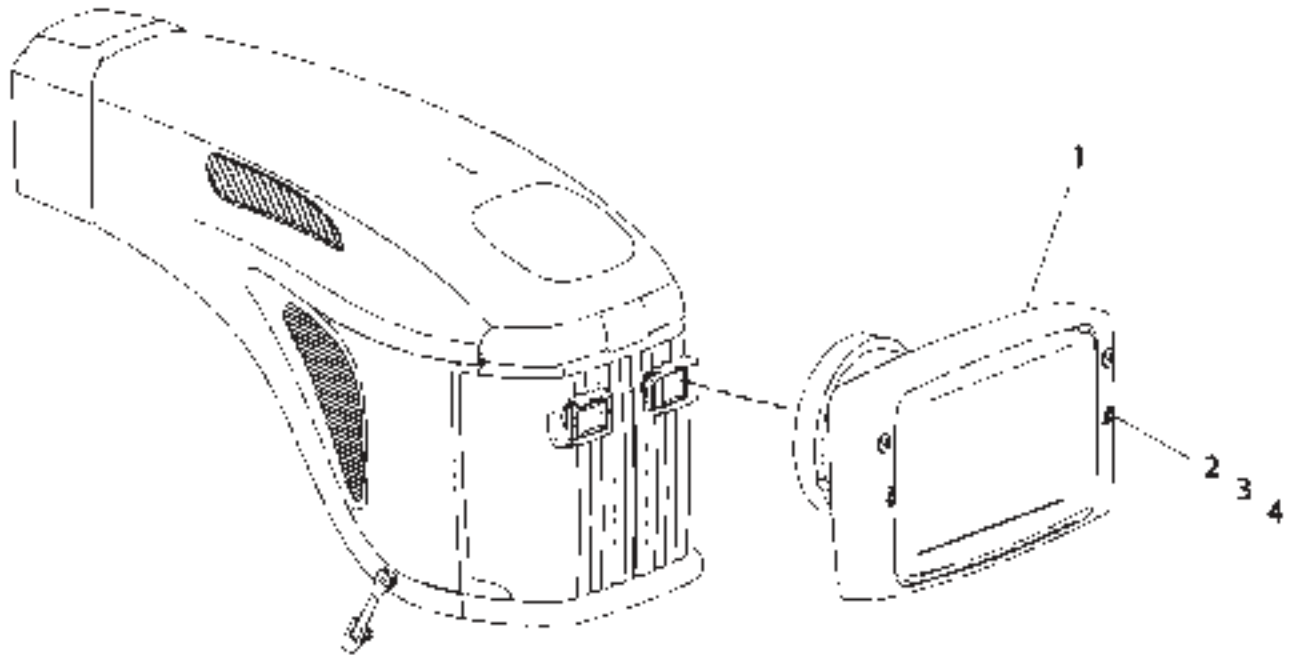
ITEM	NUMBER	QTY	DESCRIPTION
-	168-6580	-	LIGHTING GP-ROADING (LH TRAFFIC) [A]
1	155-0042	2	LAMP GP-HEAD
	CH8I-4256	1	BULB-HEADLAMP (12V-60W)
	CH121-9755	2	WASHER-SOFT (4.3IDX8ODX0.5)
	CH121-9754	1	CAP
	CH121-9753	2	WASHER-SOFT (4.3IDX9ODX0.5)
2	400132X1	4	BOLT (M4X0.7X30MM)
3	CH8C-9660	4	WASHER (4.6IDX7.9ODX0.8)
4	CH8T-2659	4	NUT (M4X0.7-6H THD SELF LOCK)

[A] KIT INSTALLED IN EUROPE ONLY

1686580F
PR: t05b22n43d0096

LIGHTING GP-ROAD (RH TRAFFIC)

168-6581
FIELD INSTALLED
EAME ONLY



ALTERNATE CONFIGURATION
(T955, T956, T957, T958)

**MT800B SERIES TRACTORS
ELECTRICAL & STARTING**

251

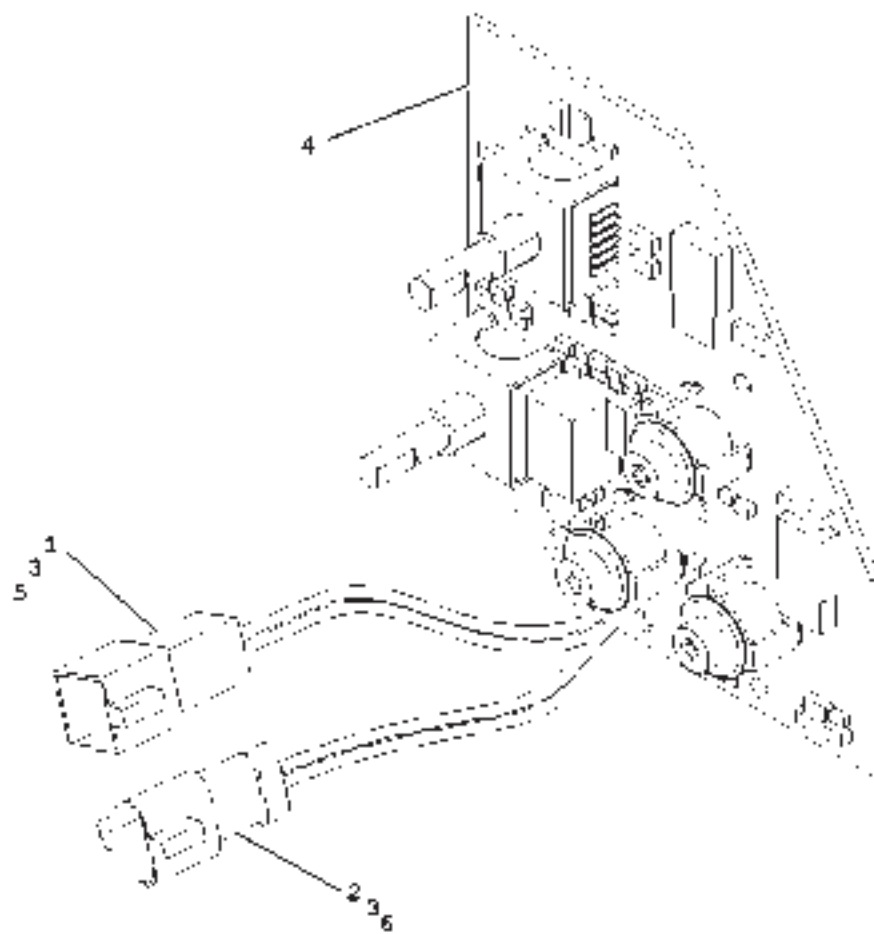
**LIGHTING GP-ROAD (RH TRAFFIC)
168-6581
FIELD INSTALLED
EAME ONLY**

ITEM	NUMBER	QTY	DESCRIPTION
-	168-6581	-	LIGHTING GP-ROADING (LH TRAFFIC) [A]
1	155-0043	2	LAMP GP-HEAD
	CH8I-4256	1	BULB-HEADLAMP (12V-60W)
	CH121-9755	2	WASHER-SOFT (4.3IDX8ODX0.5)
	CH121-9754	1	CAP
	CH121-9753	2	WASHER-SOFT (4.3IDX9ODX0.5)
2	400132X1	4	BOLT (M4X0.7X30MM)
3	CH8C-9660	4	WASHER (4.6IDX7.9ODX0.8)
4	CH8T-2659	4	NUT (M4X0.7-6H THD SELF LOCK)

[A] KIT INSTALLED IN EUROPE ONLY

1686580F
PR: t05b22n43d0097

CONTROL GP-ELECTRONIC
501033D1



MT800B SERIES TRACTORS
ELECTRICAL & STARTING

253

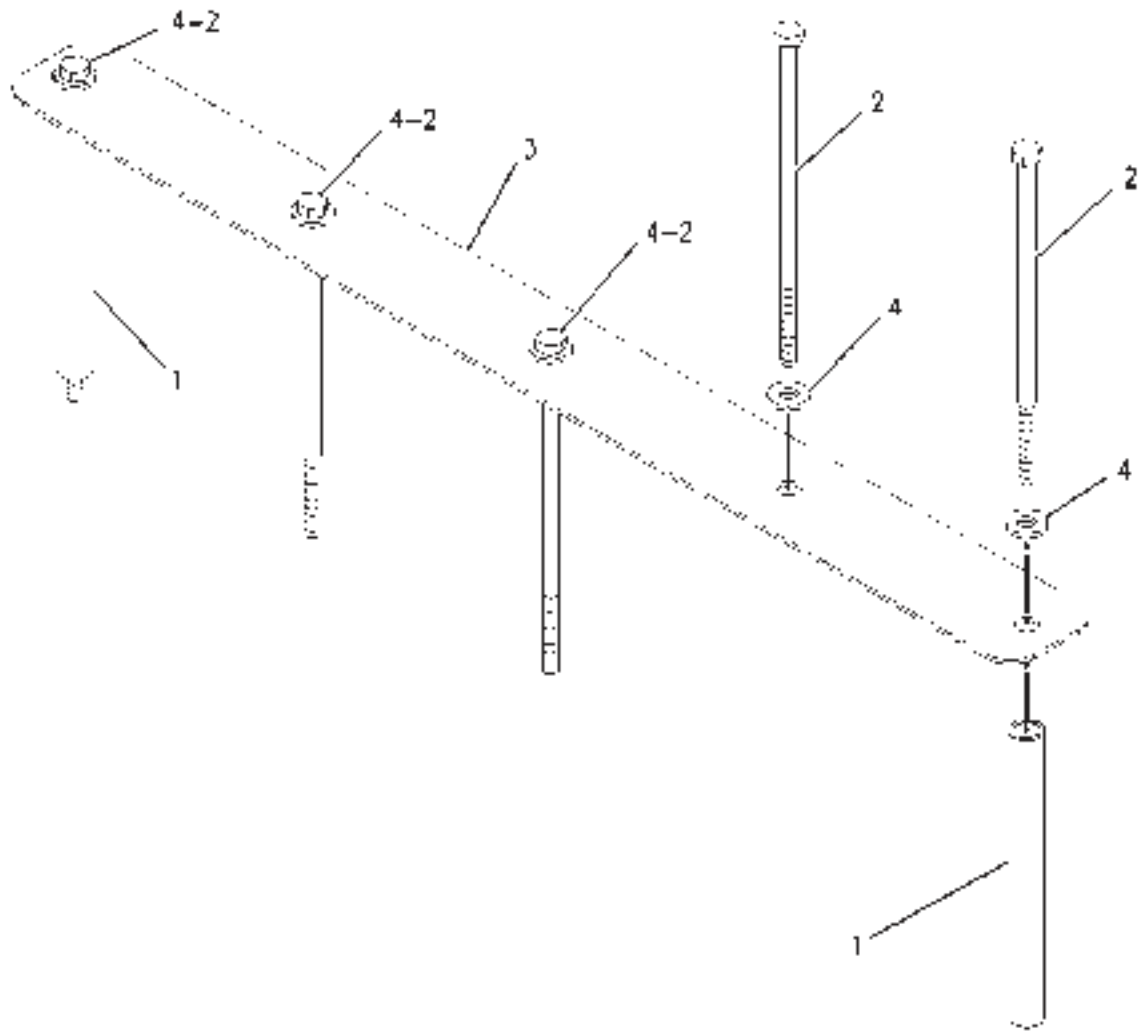
CONTROL GP-ELECTRONIC
501033D1

ITEM	NUMBER	QTY	DESCRIPTION
-	501033D1	-	CONTROL GP-ELECTRONIC [A]
1	400511X1	1	WEDGE-RECEPTACLE LOCK (2 PIN)
2	400717X1	1	WEDGE-RECEPTACLE LOCK (3 PIN)
3	400562X1	5	PIN-CONNECTOR
4		1	CONTROL ASM-ELECTRONIC [B]
5	CH3E-3363	1	RECEPTACLE (2 PIN)
6	CH3E-3369	1	RECEPTACLE (3 PIN)

[A] PART OF 136-5477 WIRING GP-CONSOLE
[B] NOT SERVICED SEPARATELY

00759685
PR: t05b22n43d0098

MOUNTING GP-BATTERY - 142-9739
4 BATTERIES



MT800B SERIES TRACTORS
ELECTRICAL & STARTING

255

MOUNTING GP-BATTERY - 142-9739
4 BATTERIES

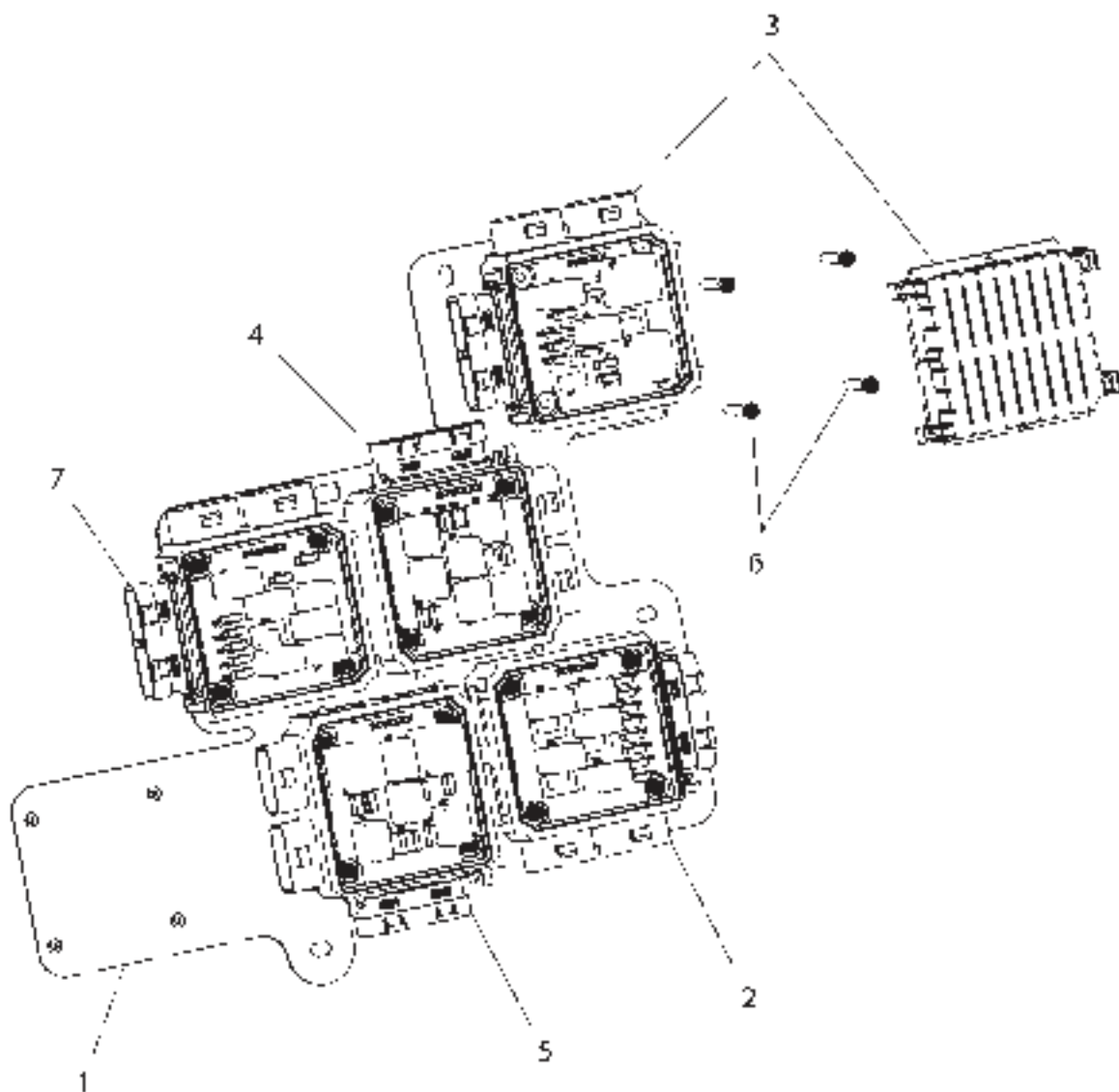
ITEM	NUMBER	QTY	DESCRIPTION
-	142-9739	-	MOUNTING GP-BATTERY [A] (NOT SERVICED)
1	CH149-2758	2	SPACER (15.9X21.4X204.22)
2	400005X1	5	BOLT-HEX HEAD (M10X1.5X230MM)
3	189-5477	1	PLATE
4	CH7X-7729	5	WASHER (11X25X3)

[A] PART OF 136-5662; 136-5663 BATTERY
& WIRING GP

00837360
PR: t05b22n43d0099

MT800B SERIES TRACTORS
ELECTRICAL & STARTING

FUSE GP - 169-6380



1726841J

MT800B SERIES TRACTORS
ELECTRICAL & STARTING

257

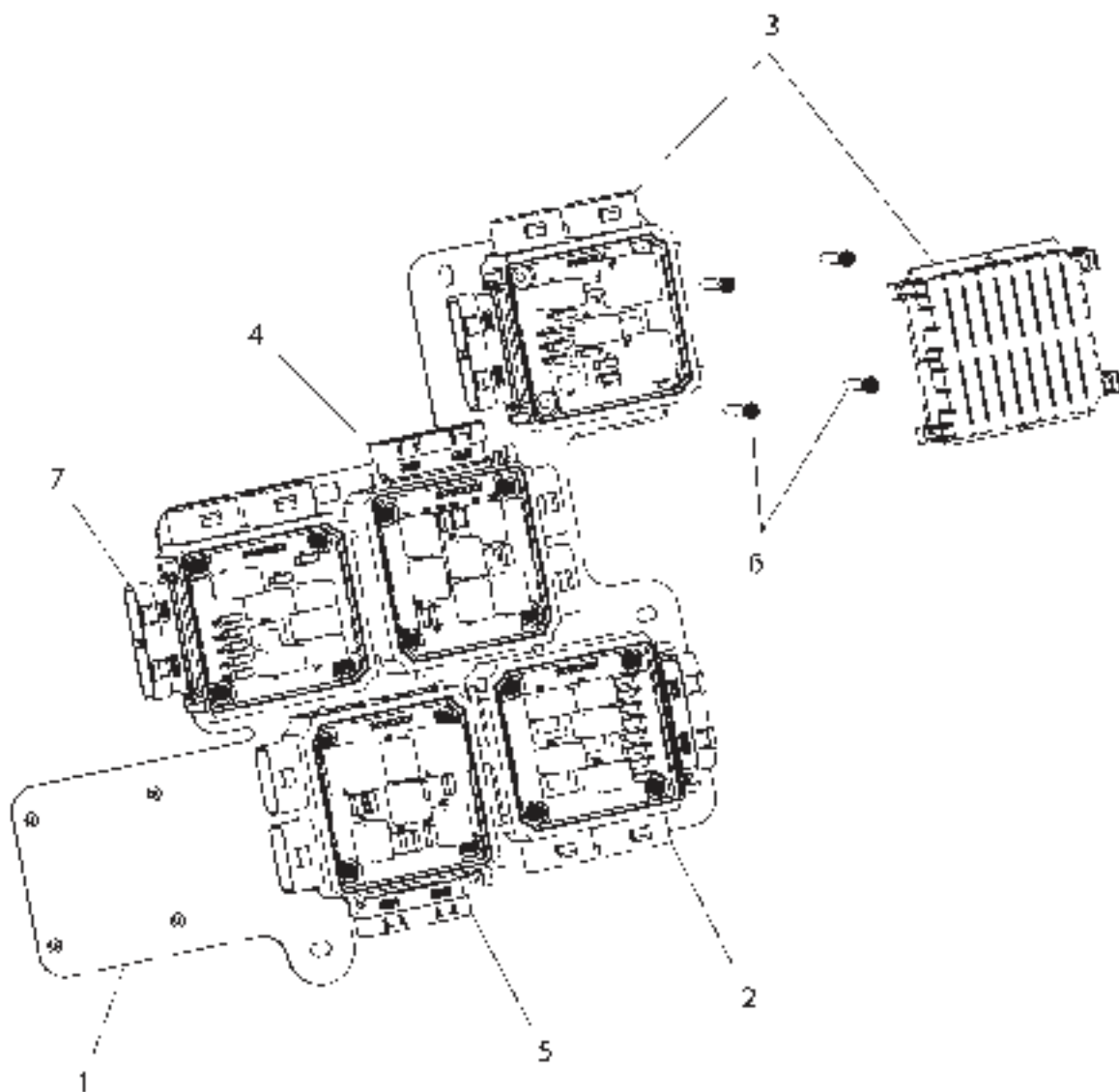
FUSE GP - 169-6380

ITEM	NUMBER	QTY	DESCRIPTION
-	169-6380	-	PANEL GP-FUSE (NOT SERVICED) [A]
1	501887D1	1	PLATE AS
	CH8T-8874	20	NUT-WELD (M5X0.8 THD)
2	501834D1	1	BLOCK AS-FUSE (SEE BREAKDOWN FOR COMPONENTS)
3	501830D1	1	BLOCK AS-FUSE (SEE BREAKDOWN (SEE BREAKDOWN FOR COMPONENTS)
4	501833D1	1	BLOCK AS-FUSE (SEE BREAKDOWN FOR COMPONENTS)
5	501832D1	1	BLOCK AS-FUSE (SEE BREAKDOWN FOR COMPONENTS)
6	400208X1	20	BOLT-SOCKET HEAD (M5X0.8X40MM)
7	501835D1	1	BLOCK AS-FUSE (SEE BREAKDOWN FOR COMPONENTS)

[A] PART OF 152-0420 WIRING GP-CAB

1726841J
PR: t05k07n15a0005

FUSE GP-CLAAS - 172-6841
EAME ONLY



MT800B SERIES TRACTORS
ELECTRICAL & STARTING

259

FUSE GP-CLAAS - 172-6841
EAME ONLY

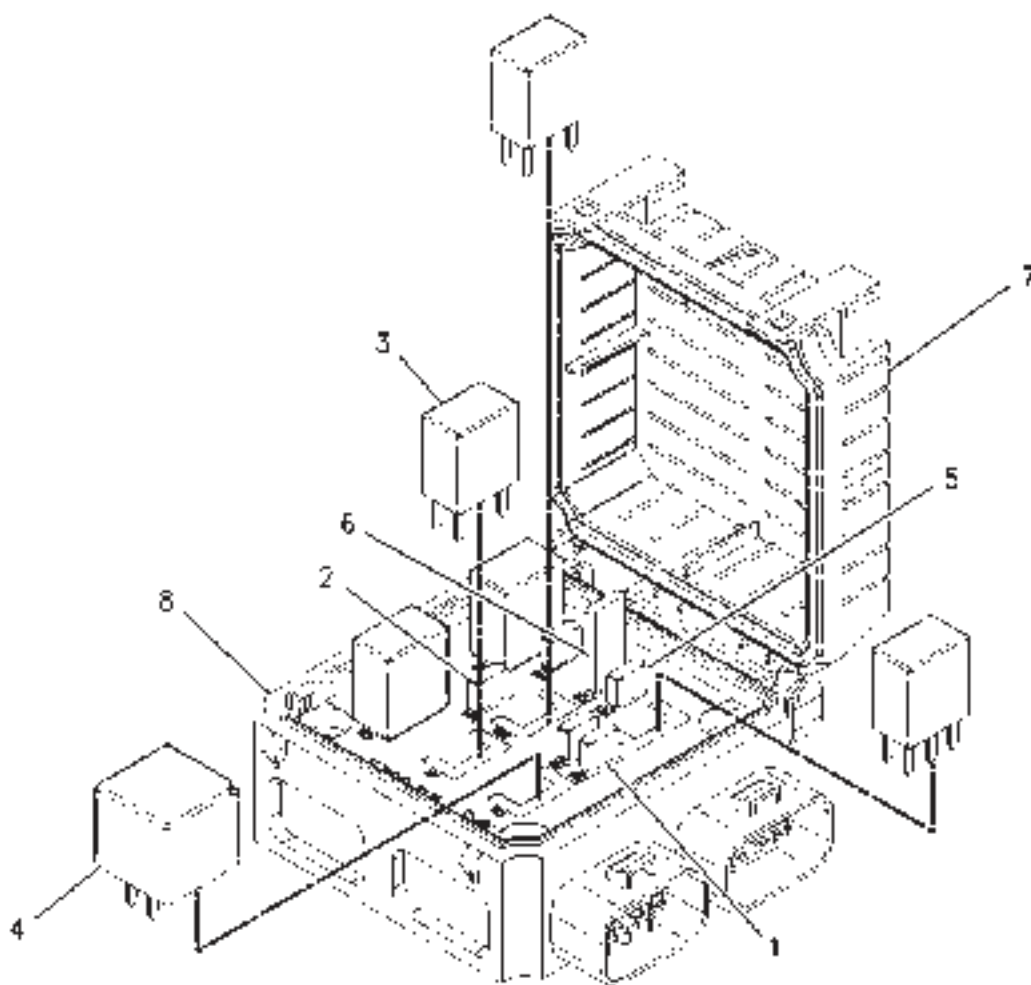
ITEM	NUMBER	QTY	DESCRIPTION
-	172-6841	-	PANEL GP-FUSE [A]
1	501887D1	1	PLATE AS
	CH8T-8874	20	NUT-WELD (M5X0.8THD)
2	501834D1	1	BLOCK AS-FUSE (SEE BREAKDOWN FOR COMPONENTS)
3	501831D1	1	BLOCK AS-FUSE (SEE BREAKDOWN (SEE BREAKDOWN FOR COMPONENTS)
4	501833D1	1	BLOCK AS-FUSE (SEE BREAKDOWN FOR COMPONENTS)
5	501832D1	1	BLOCK AS-FUSE (SEE BREAKDOWN FOR COMPONENTS)
6	400208X1	20	BOLT-SOCKET HEAD (M5X0.8X40MM)
7	501835D1	1	BLOCK AS-FUSE (SEE BREAKDOWN FOR COMPONENTS)

[A] PART OF 152-0005 WIRING GP-CAB

1726841J
PR: t05b22n43d0100

MT800B SERIES TRACTORS
ELECTRICAL & STARTING

BLOCK AS-FUSE
501829D1



MT800B SERIES TRACTORS
ELECTRICAL & STARTING

261

BLOCK AS-FUSE
501829D1

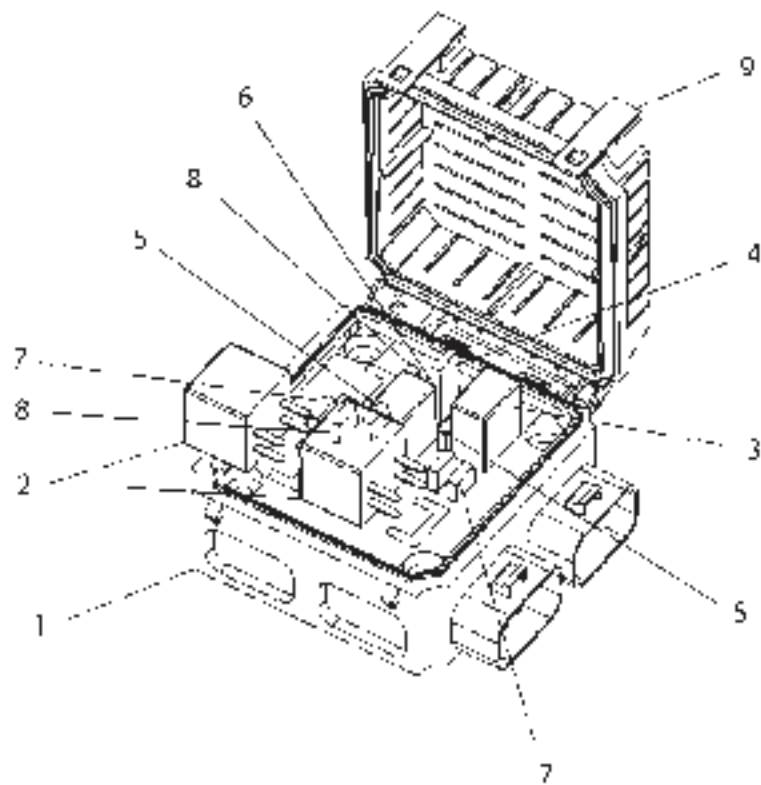
ITEM	NUMBER	QTY	DESCRIPTION
-	501829D1	-	BLOCK ASY-FUSE (COMPLETE) [A]
1	CH113-8490	1	FUSE (10 AMP)
	CH141-2759	1	FUSE (5 AMP)
2	CH113-8491	1	FUSE (15 AMP)
	CH141-2759	1	FUSE (5 AMP)
3	CH146-9439	5	RELAY (12 VOLT)
4	CH170-2237	1	RELAY (12 VOLT)
5	CH113-8492	1	FUSE (20 AMP)
6	CH124-3548	1	FUSE (30 AMP)
7	501836D1	1	COVER
8	501841D1	1	BLOCK-FUSE
9	CH141-2759	2	FUSE (5 AMP)

[A] PART OF 216-0852 CONTROL AR-
COMMUNICATION

00878049
PR: t05b22n43d0101

MT800B SERIES TRACTORS
ELECTRICAL & STARTING

BLOCK AS-FUSE
501830D1



501830DA

MT800B SERIES TRACTORS
ELECTRICAL & STARTING

263

BLOCK AS-FUSE
501830D1

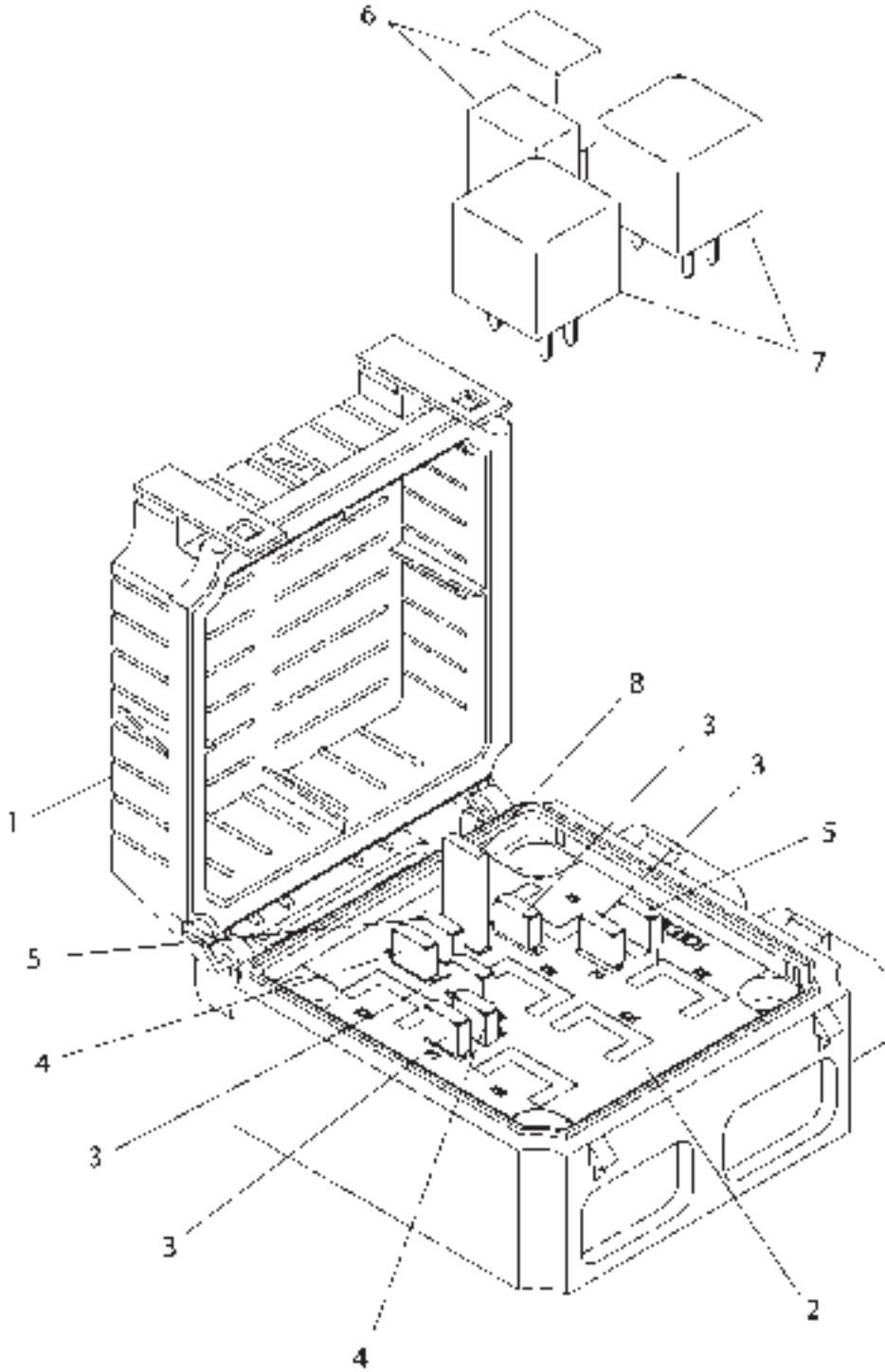
ITEM	NUMBER	QTY	DESCRIPTION
-	501830D1	-	BLOCK AS-FUSE [A]
1	501837D1	1	BLOCK-FUSE
2	CH170-2237	2	RELAY AS (12V)
3	CH146-9439	2	RELAY AS (12V)
4	CH180-0613	1	BREAKER AS-CIRCUIT (30A)
5	CH113-8490	3	FUSE (10A)
6	CH113-8491	1	FUSE (15A)
7	CH124-3548	2	FUSE (30A)
8	CH113-8492	2	FUSE (20A)
9	501836D1	1	COVER-FUSE BLOCK

[A] PART OF 169-6380 FUSE GP

501830DA
PR: t05k07n15a0006

MT800B SERIES TRACTORS
ELECTRICAL & STARTING

BLOCK AS-FUSE
501831D1



501831DC

MT800B SERIES TRACTORS
ELECTRICAL & STARTING

265

BLOCK AS-FUSE
501831D1

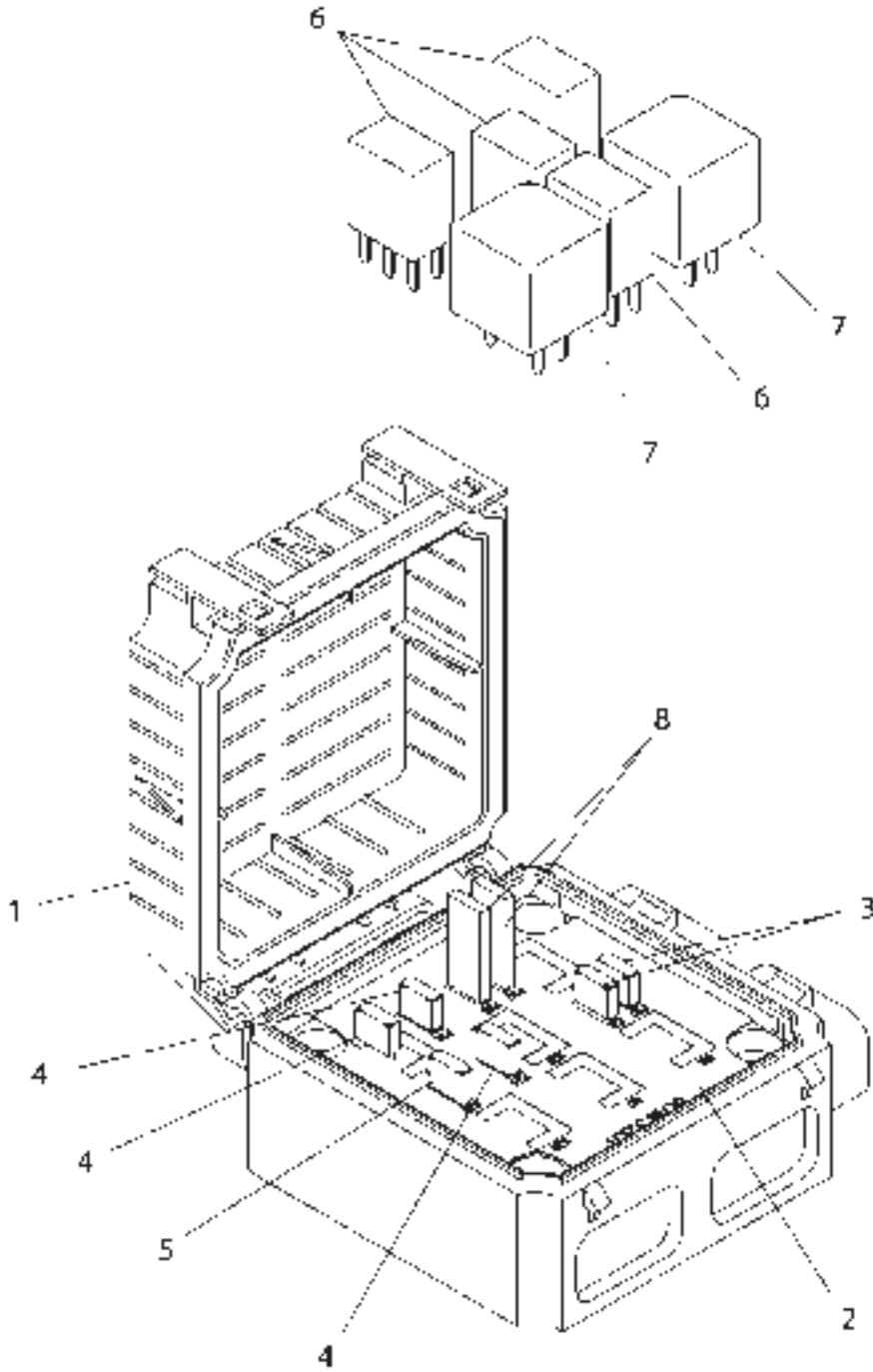
ITEM	NUMBER	QTY	DESCRIPTION
-	501831D1	-	BLOCK AS-FUSE [A]
1	501836D1	1	COVER
2	501840D1	1	BLOCK-FUSE
3	CH113-8490	4	FUSE (10A)
4	CH113-8492	2	FUSE (20A)
5	CH124-3548	2	FUSE (30A)
6	CH146-9439	2	RELAY AS (12V)
7	CH170-2237	2	RELAY AS (12V)
8	CH180-0613	1	BREAKER AS-CIRCUIT (30A)

[A] PART OF 172-6841 FUSE GP

501831DC
PR: t05b22n43d0102

MT800B SERIES TRACTORS
ELECTRICAL & STARTING

BLOCK AS-FUSE
501832D1



MT800B SERIES TRACTORS
ELECTRICAL & STARTING

267

BLOCK AS-FUSE
501832D1

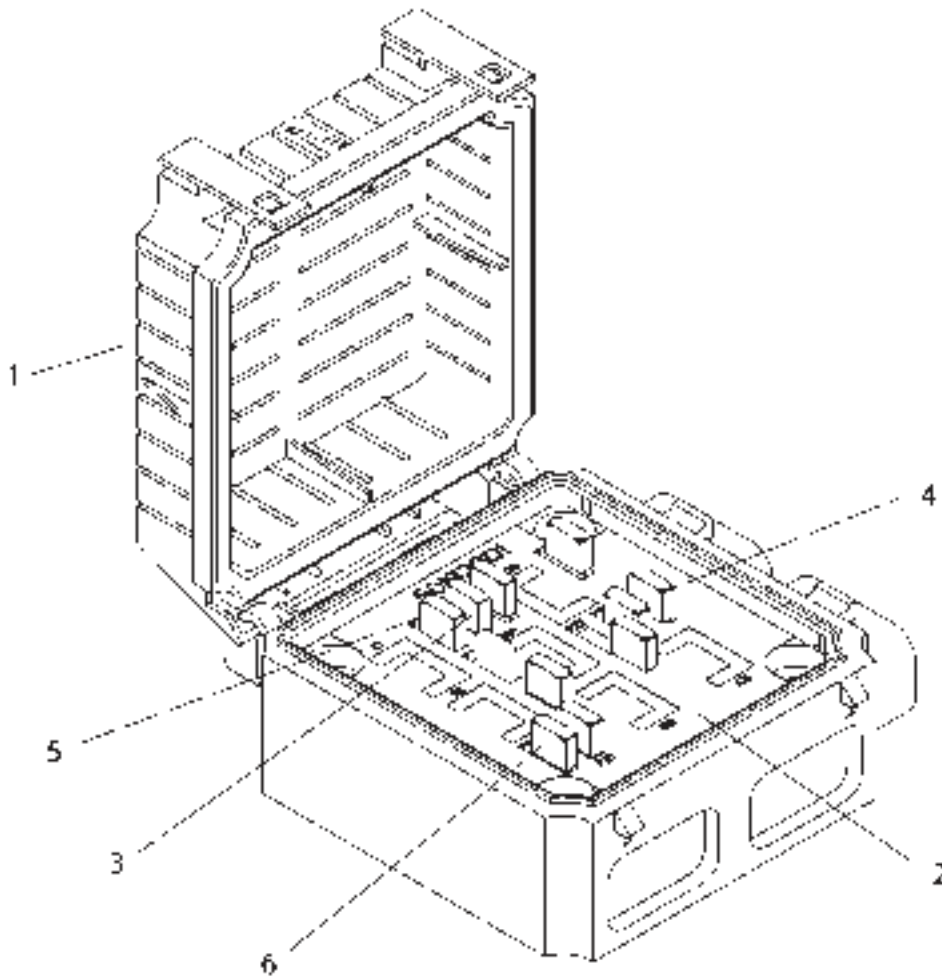
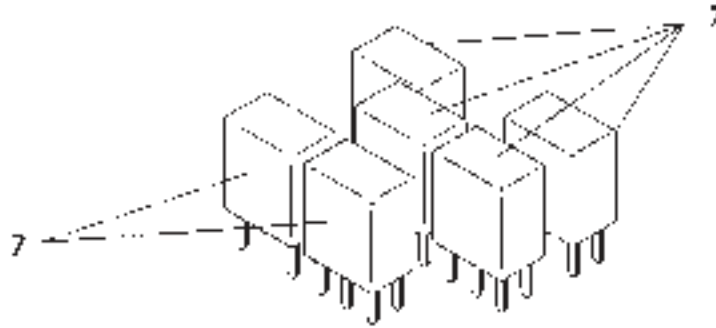
ITEM	NUMBER	QTY	DESCRIPTION
-	501832D1	-	BLOCK AS-FUSE [A]
1	501836D1	1	COVER
2	501877D1	1	BLOCK-FUSE
3	CH113-8490	2	FUSE (10A)
4	CH113-8491	3	FUSE (15A)
5	CH124-3548	1	FUSE (30A)
6	CH146-9439	4	RELAY AS (12V)
7	CH170-2237	2	RELAY AS (12V)
8	CH180-0613	2	BREAKER AS-CIRCUIT (30A)

[A] PART OF 172-6841 FUSE GP

501832DC
PR: t05b22n43d0103

MT800B SERIES TRACTORS
ELECTRICAL & STARTING

BLOCK AS-FUSE
501833D1



MT800B SERIES TRACTORS
ELECTRICAL & STARTING

269

BLOCK AS-FUSE
501833D1

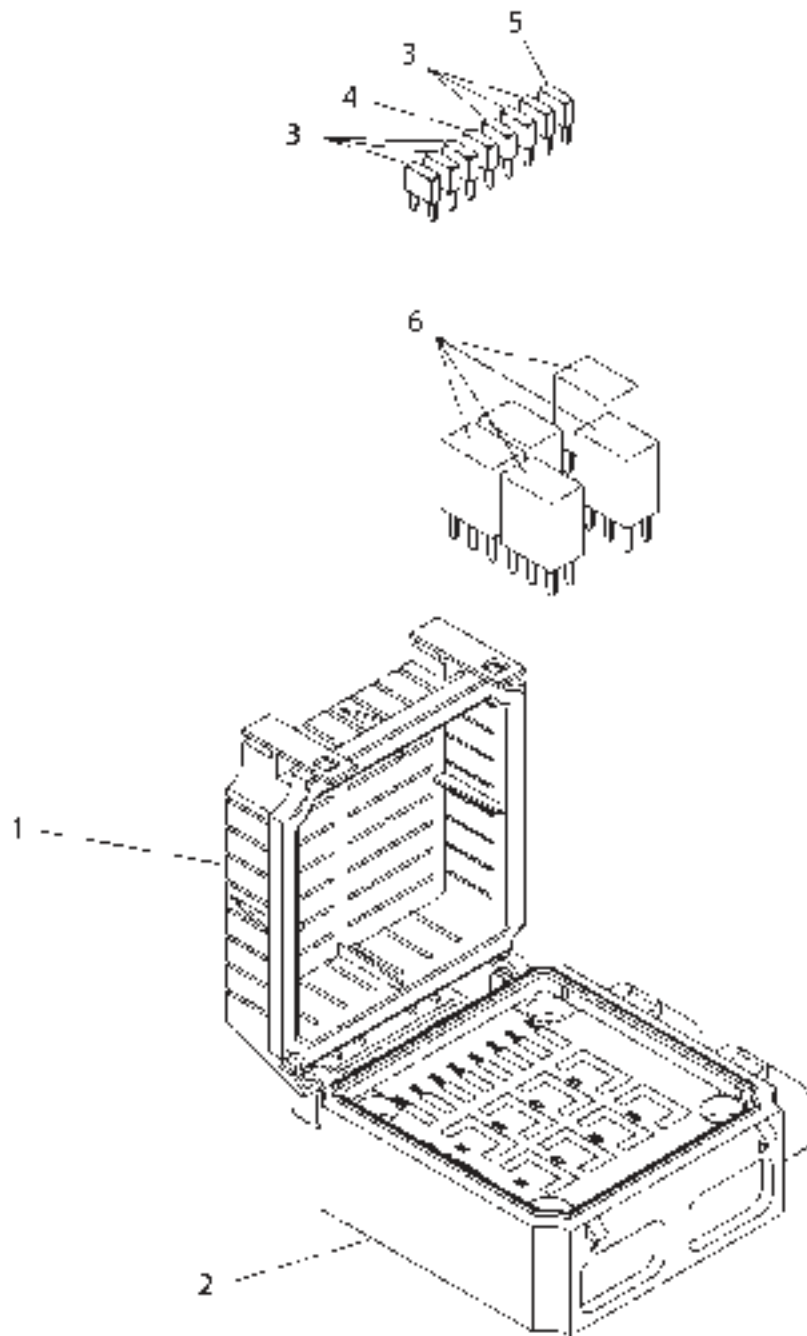
ITEM	NUMBER	QTY	DESCRIPTION
-	501833D1	-	BLOCK AS-FUSE [A]
1	501836D1	1	COVER
2	501838D1	1	BLOCK-FUSE
3	CH113-8490	3	FUSE (10V)
4	CH113-8491	4	FUSE (15A)
5	CH124-3548	2	FUSE (30A)
6	CH141-2759	2	FUSE (5A)
7	CH146-9439	6	RELAY AS (12V)

[A] PART OF 172-6841 FUSE GP

501833DC
PR: t05b22n43d0104

MT800B SERIES TRACTORS
ELECTRICAL & STARTING

BLOCK AS-FUSE
501834D1



MT800B SERIES TRACTORS
ELECTRICAL & STARTING

271

BLOCK AS-FUSE
501834D1

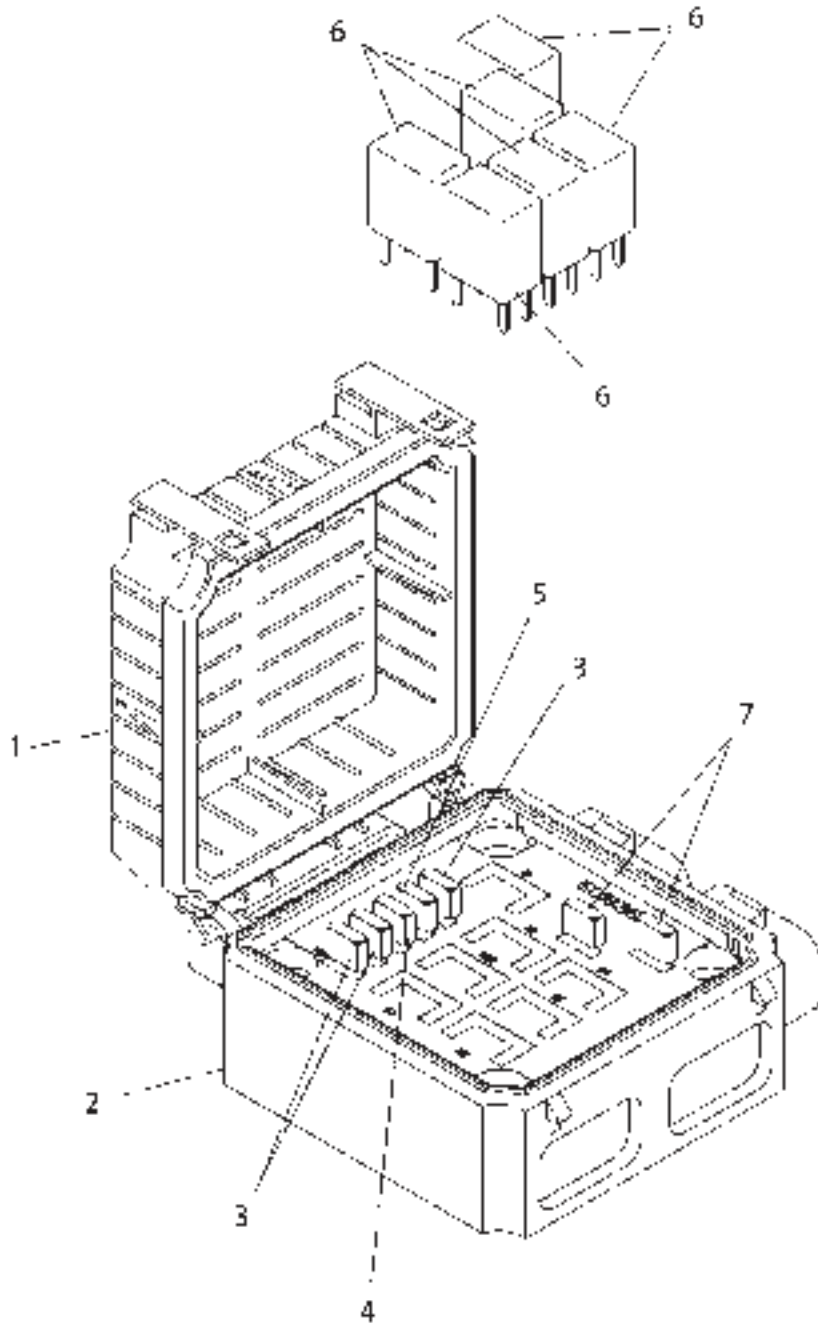
ITEM	NUMBER	QTY	DESCRIPTION
-	501834D1	-	BLOCK AS-FUSE [A]
1	501836D1	1	COVER
2	501839D1	1	BLOCK-FUSE
3	CH113-8491	6	FUSE (15A)
4	CH113-8492	1	FUSE (20V)
5	CH141-2759	1	FUSE (5A)
6	CH146-9439	5	RELAY AS (12V)

[A] PART OF 172-6841 FUSE GP

501834DC
PR: t05b22n43d0105

MT800B SERIES TRACTORS
ELECTRICAL & STARTING

BLOCK AS-FUSE
501835D1



501835D1

MT800B SERIES TRACTORS
ELECTRICAL & STARTING

273

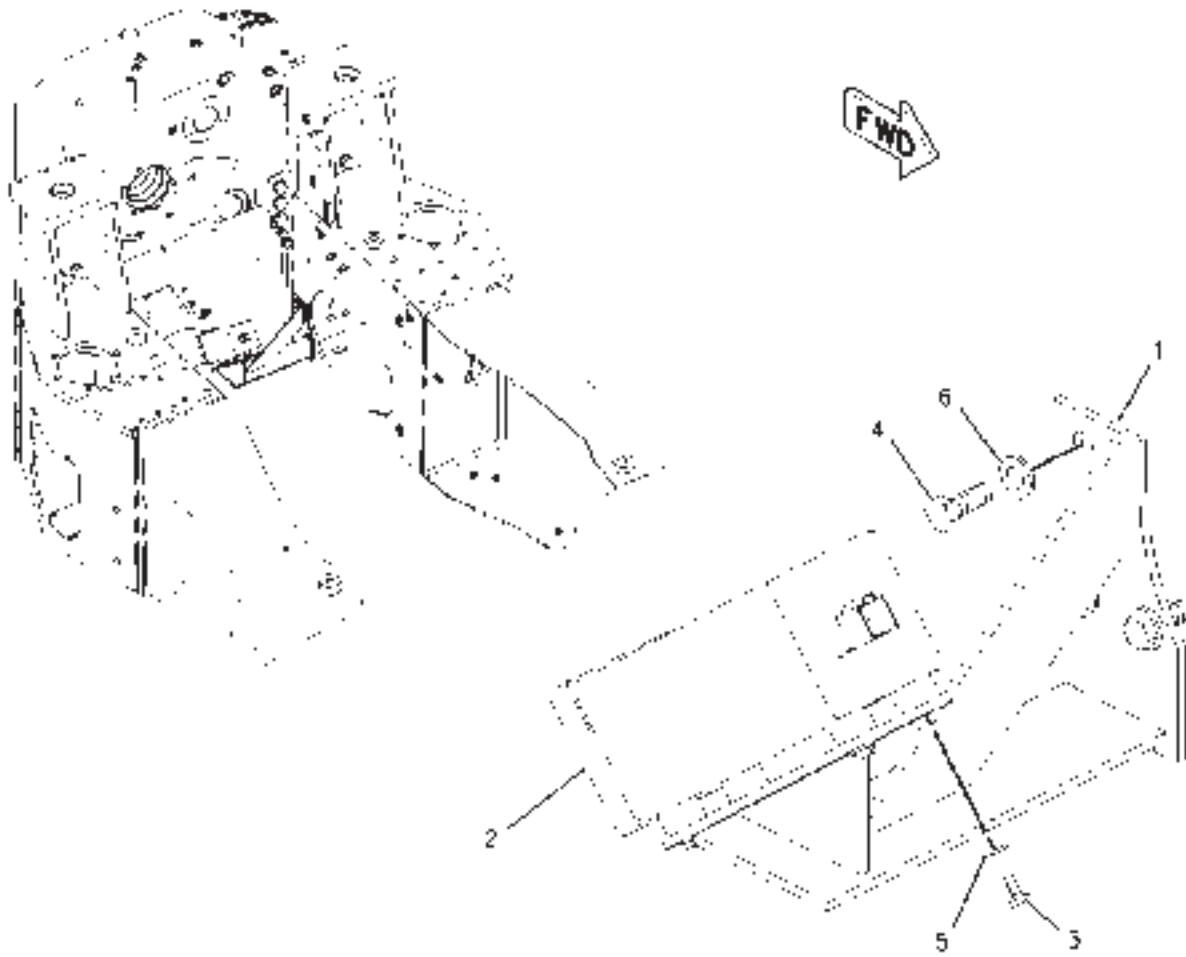
BLOCK AS-FUSE
501835D1

ITEM	NUMBER	QTY	DESCRIPTION
-	501835D1	-	BLOCK AS-FUSE [A]
1	501836D1	1	COVER
2	501842D1	1	BLOCK-FUSE
3	CH113-8491	3	FUSE (15A)
4	CH113-8492	1	FUSE (20V)
5	CH141-2759	1	FUSE (5A)
6	CH146-9439	6	RELAY AS (12V)
7	CH173-3175	2	BREAKER AS-CIRCUIT (20A)

[A] PART OF 172-6841 FUSE GP

501835DC
PR: t05b22n43d0106

SENSOR & MTG GP-GROUND SPEED
136-5388



MT800B SERIES TRACTORS
ELECTRICAL & STARTING

275

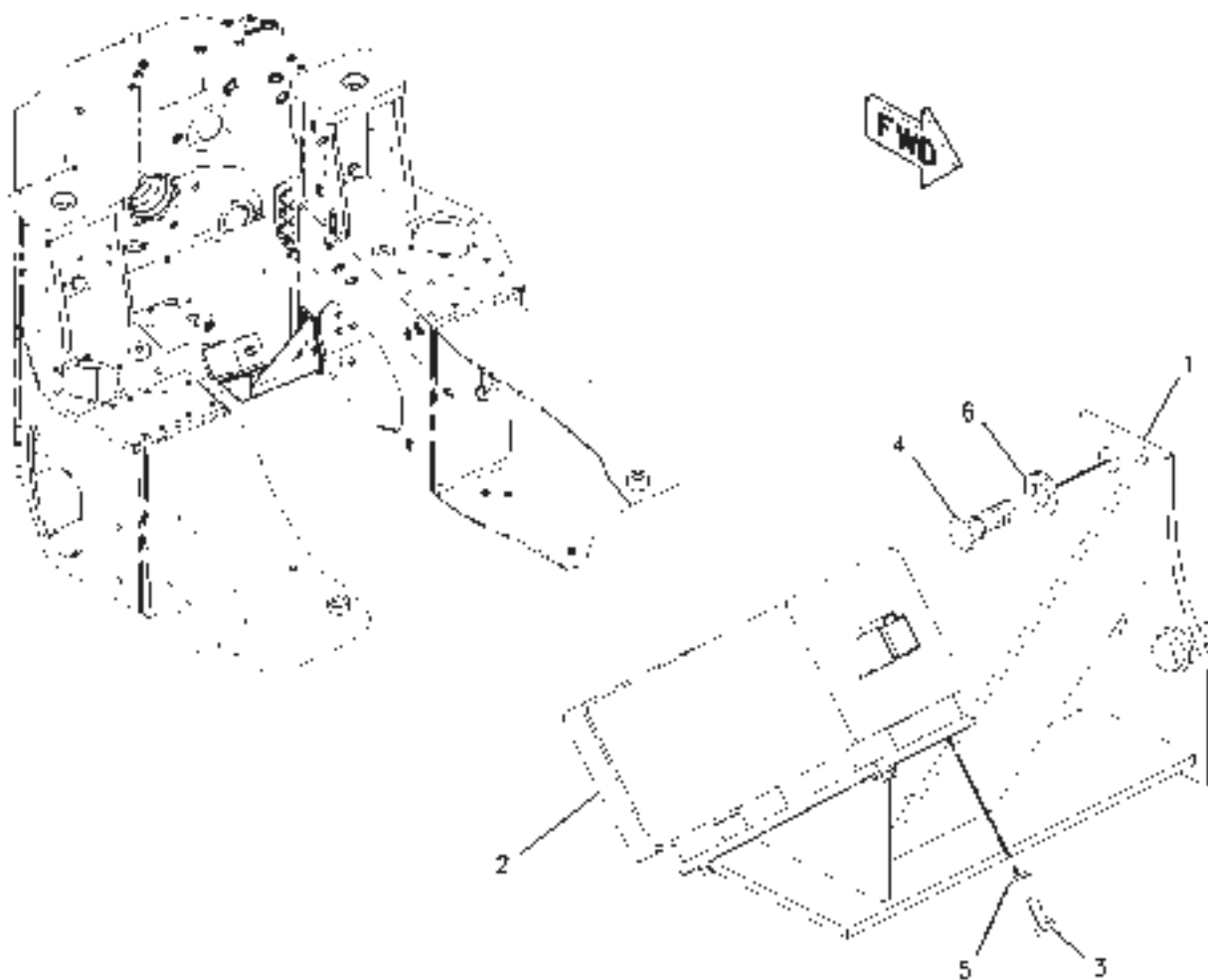
SENSOR & MTG GP-GROUND SPEED
136-5388

ITEM	NUMBER	QTY	DESCRIPTION
-	136-5388	-	SENSOR & MTG GP-GROUND SPEED
1	136-5261	1	BRACKET ASM
2	CH179-4265	1	SENSOR GP-GROUND SPEED
3	400152X1	4	BOLT (M6X1X16MM)
4	400041X1	3	BOLT (M12X1.75X30MM)
5	CH8T-4205	4	WASHER-HARD (7.2X14.5X2MM)
6	400357X1	3	WASHER-HARD (M12X25.5X3)

00850277
PR: t05b22n43d0107

SENSOR & MTG GP-GROUND SPEED

136-5404
EAME



MT800B SERIES TRACTORS
ELECTRICAL & STARTING

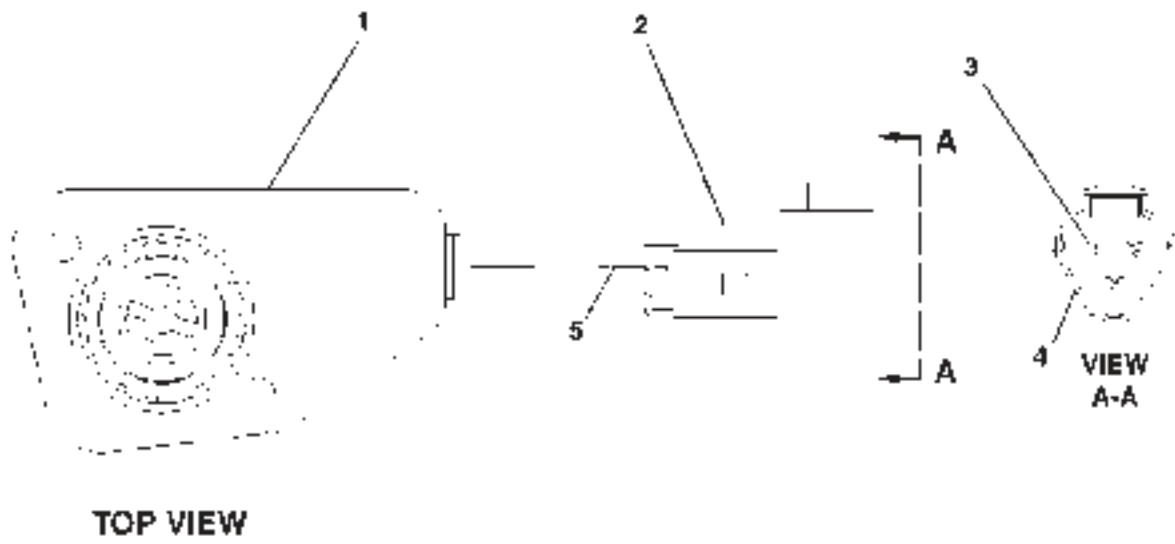
277

SENSOR & MTG GP-GROUND SPEED
136-5404
EAME

ITEM	NUMBER	QTY	DESCRIPTION
-	136-5404	-	SENSOR & MTG GP-GROUND SPEED
1	136-5261	1	BRACKET AS
2	CH180-7317	1	SENSOR GP-GROUND SPEED
3	400152X1	4	BOLT (M6X1X16MM)
4	400041X1	3	BOLT (M12X1.75X30MM)
5	CH8T-4205	4	WASHER-HARD (7.2X14.5X2MM)
6	400357X1	3	WASHER-HARD (M12X25.5X3)

00784295
PR: t05b22n43d0108

SENSOR GP-POSITION - 500619D1
REAR HITCH HEIGHT-OUTER



MT800B SERIES TRACTORS
ELECTRICAL & STARTING

279

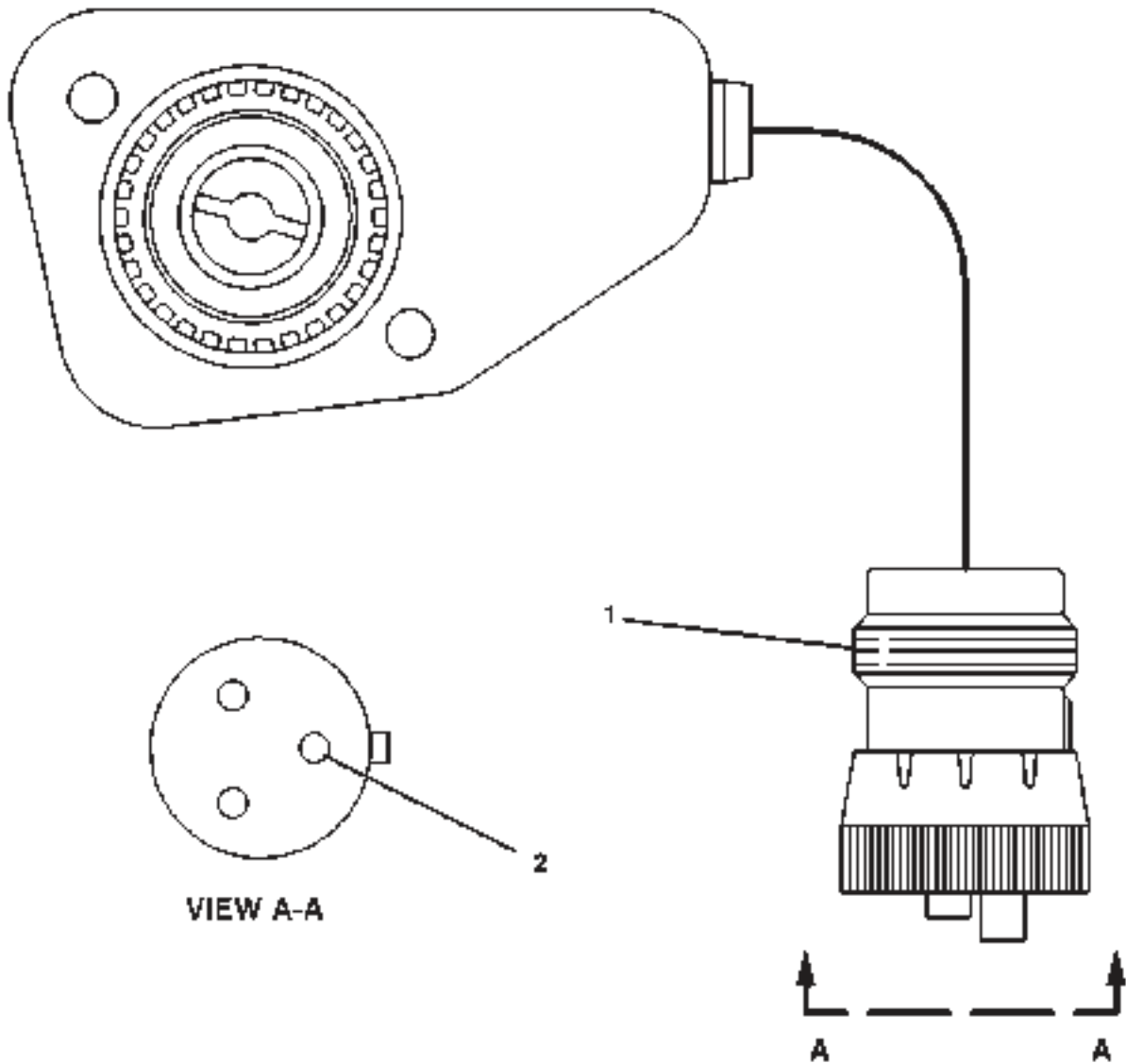
SENSOR GP-POSITION - 500619D1
REAR HITCH HEIGHT-OUTER

ITEM	NUMBER	QTY	DESCRIPTION
-	500619D1	-	SENSOR GP-POSITION [A]
1		1	SENSOR ASM-POSITION (NOT SERVICED SEPARATELY)
2	102-8803	1	KIT-RECEPTACLE (3 PIN) (INCLUDES RECEPTACLE ASM AND WEDGE) (SERVICED AS COMPLETE KIT ONLY)
3	186-3735	3	PIN-CONNECTOR
4	3E-3371	1	WEDGE-RECEPTACLE LOCK (3 PIN)
5	9X-1813	13	SLEEVE (13CM)

[A] PART OF 136-5378 CONTROL & WIRING
GP-HITCH

00543657
PR: t05b22n43d0109

SENSOR GP-POSITION - 502003D1
REAR HITCH HEIGHT-INNER ROTARY SENSOR



MT800B SERIES TRACTORS
ELECTRICAL & STARTING

281

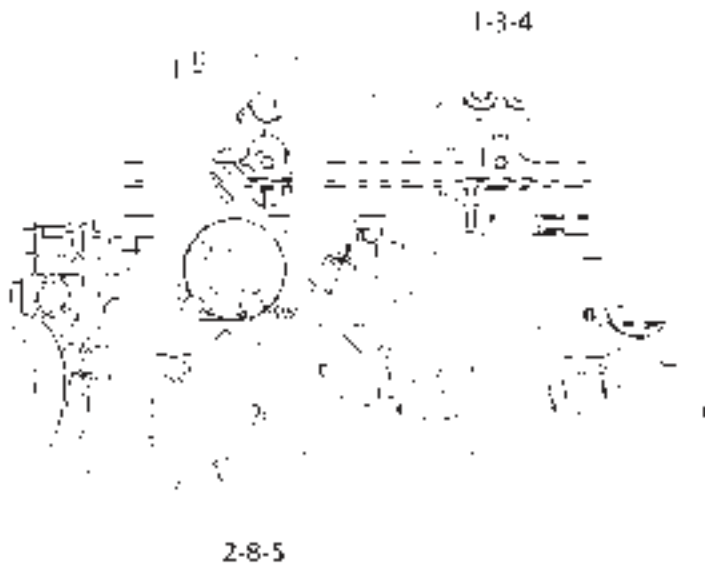
SENSOR GP-POSITION - 502003D1
REAR HITCH HEIGHT-INNER ROTARY SENSOR

ITEM	NUMBER	QTY	DESCRIPTION
-	502003D1	-	SENSOR GP-POSITION [A] (INCLS SENSOR ASM, PLUG & SOCKET)
1	8T-8731	1	PLUG-CONNECTOR
2	186-3736	3	SOCKET-CONNECTOR

[A] PART OF 136-5378 CONTROL &
WIRING GP-HITCH

00083170
PR: t05b22n43d0110

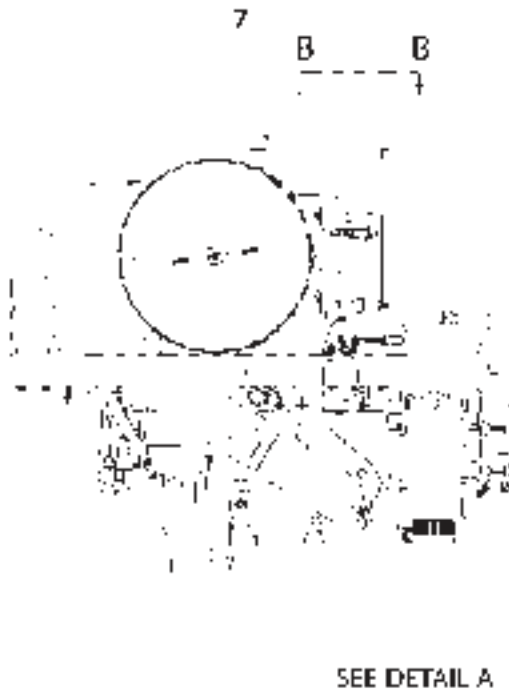
STARTING AID GP-ETHER - 501572D1



VIEW B-B



DETAIL A



LEFT SIDE VIEW



REAR VIEW

MT800B SERIES TRACTORS
ELECTRICAL & STARTING

283

STARTING AID GP-ETHER - 501572D1

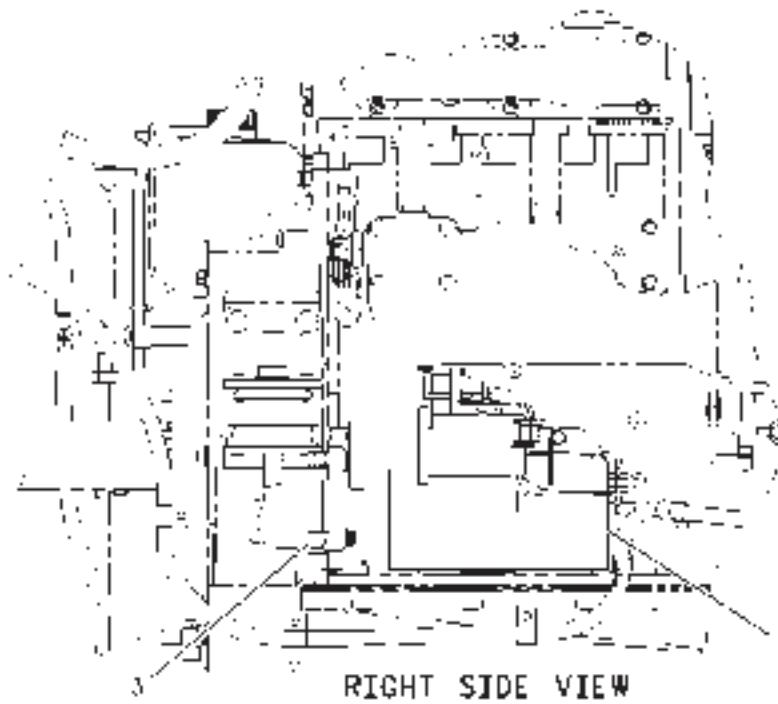
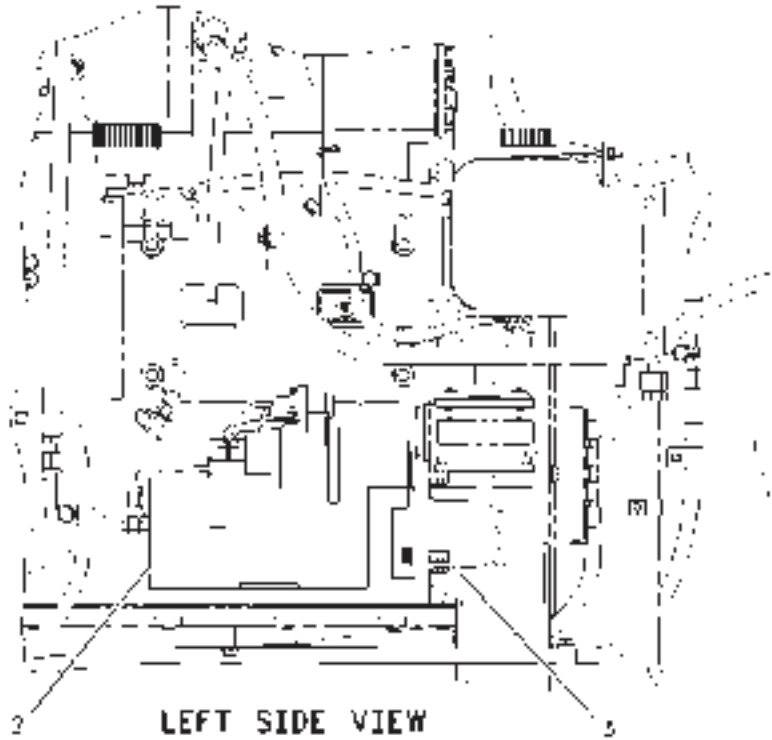
ITEM	NUMBER	QTY	DESCRIPTION
-	501572D1	-	STARTING AID GP-ETHER [A] (INCL. ITEM 1 THRU 9)
1	WR520867	3	BOLT (M8X1.25X25MM)
2	400287X1	1	WASHER-HARD (11X21X2.5)
3	400339X1	6	WASHER-HARD (8.8X16X2)
4	400340X1	3	NUT (M8X1.25)
5	400602X1	1	CLIP
6	501966D1	1	ATOMIZER
7	501967D1	1	VALVE GP-ETHER (NOT SERVICED) (SEE BREAKDOWN FOR COMPONENTS)
8	400040X1	1	BOLT (M10X1.5X20MM)
9	211-1677	1	MOUNTING GP-ETHER CANISTER (SEE BREAKDOWN FOR COMPONENTS)
10	5P-3413		SEALANT-PIPE (50 ML TUBE)
	7N-0296	1	CYLINDER-ETHER (NOT SHOWN)

[A] PART OF 501583D1; 501584D1;
501585D1; 501586D1; 501587D1
INSTALLATION AR-ENGINE

501572DB
PR: t05b22n43d0111

MT800B SERIES TRACTORS
ELECTRICAL & STARTING

STARTING MOTOR GP-ELECTRIC - 180-2924
(835 & 845)



MT800B SERIES TRACTORS
ELECTRICAL & STARTING

285

STARTING MOTOR GP-ELECTRIC - 180-2924
(835 & 845)

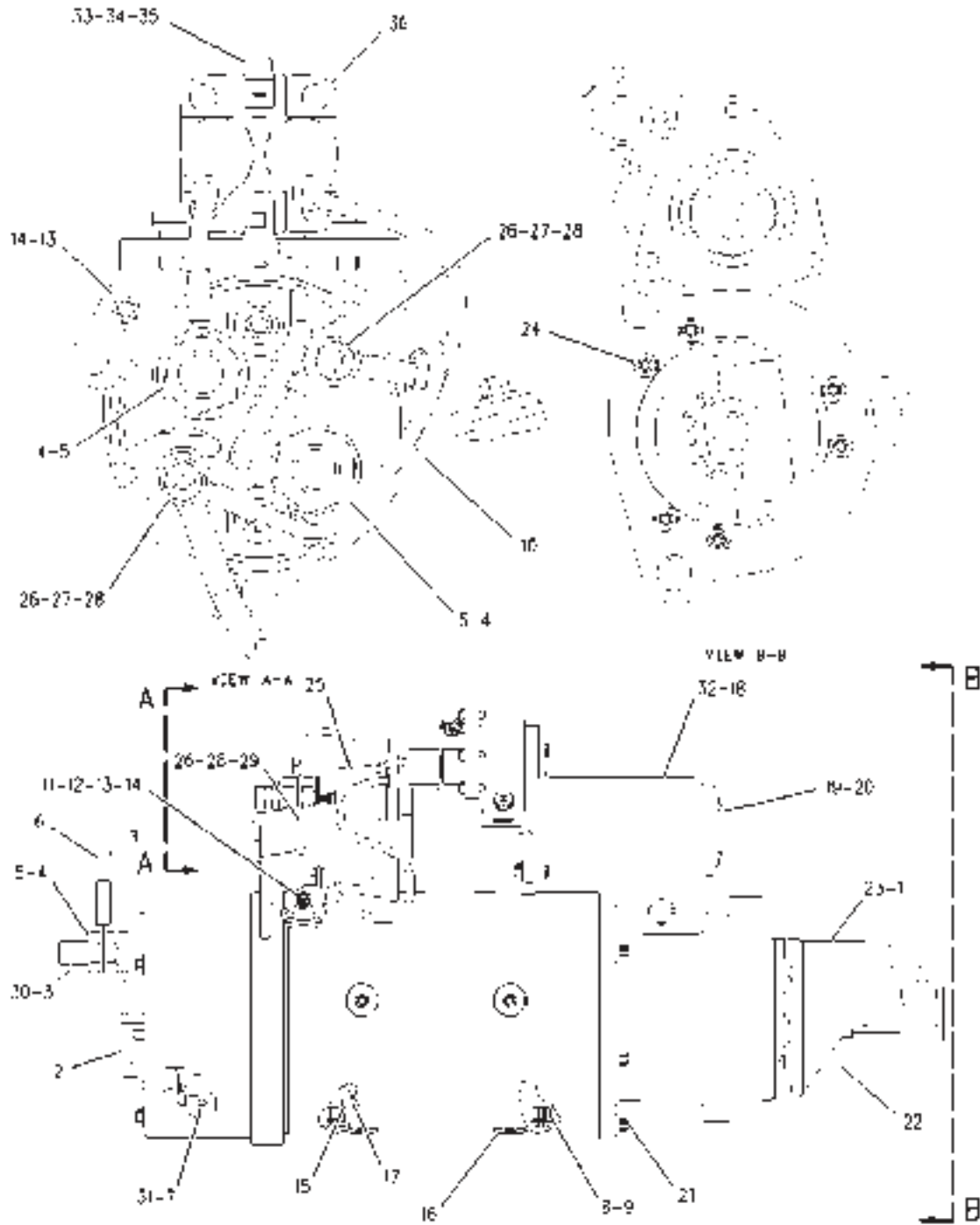
ITEM	NUMBER	QTY	DESCRIPTION
-	180-2924	-	STARTING MOTOR GP-ELECTRIC [A] (NOT SERVICED)
1	502282D1	1	STARTING MOTOR GP-ELECTRIC (RH) (SEE BREAKDOWN FOR COMPONENTS)
2	502283D1	1	STARTING MOTOR GP-ELECTRIC (LH) (SEE BREAKDOWN FOR COMPONENTS)
3	400265X1	6	BOLT-12 POINT HEAD (5/8-11X44.4DAC)

[A] PART OF:
172-5363; 172-5364; 187-1743;
187-1744; 501583D1; 501854D1
INSTALLATION AR-ENGINE

00868926
PR: t05b22n43d0112

MT800B SERIES TRACTORS
ELECTRICAL & STARTING

STARTING MOTOR GP-ELECTRIC - 502282D1
12 VOLT



**MT800B SERIES TRACTORS
ELECTRICAL & STARTING**

287

**STARTING MOTOR GP-ELECTRIC - 502282D1
12 VOLT**

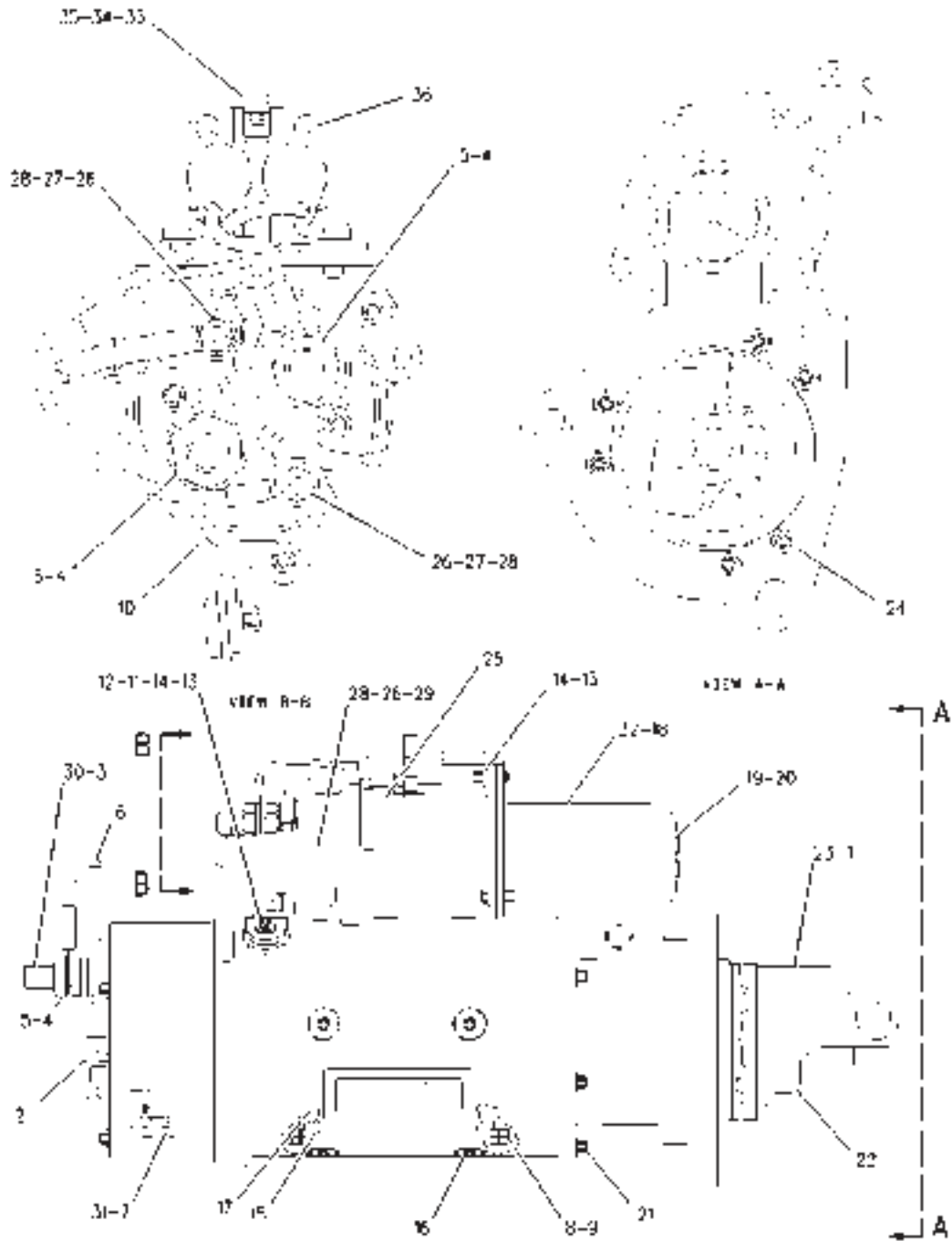
ITEM	NUMBER	QTY	DESCRIPTION
-	502282D1	-	STARTING MOTOR GP-ELECTRIC [A]
1	3T-3434	6	PLUG
2	7T-3279	1	HOUSING
3	8T-8566	1	TERMINAL
4	400570X1	4	NUT (1/2-13)
5	7X-0562	4	WASHER-HARD (13.5X19X0.8)
6	3T-3422	1	WIRE
7	8T-8570	1	HOLDER-BRUSH
8	8T-8568	1	COIL-FIELD
9	7T-3454	1	INSULATOR
10	7T-3271	1	CONNECTOR
11	7T-3451	1	INSULATOR-TERMINAL
12	8T-8569	1	INSULATOR-TERMINAL
13	5S-7349	4	BOLT (1/4-20X0.5 IN)
14	CH8T-4205	4	WASHER-HARD (7.2X14.5X2MM)
15	8H-1141	4	SHOE-POLE
16	3F-0379	8	SCREW-POLE SHOE (3/8-24)
17	7T-3275	1	ARMATURE
18	7T-3973	1	HOUSING-LEVER
19	4M-1831	1	PLUG-LEVER HOUSING
20	7L-2894	1	GASKET
21	036-9823	5	BOLT
22	6N-3826	1	DRIVE-MOTOR
23	7T-3974	1	HOUSING-DRIVE
24	7X-3373	6	BOLT (5/16-18X0.88 IN)
25	206-8787	1	KIT-SOLENOID (SERVICED AS COMPLETE KIT ONLY)
26	6V-8378	3	NUT (10-32)
27	8F-1434	2	LOCKWASHER
28	8T-0328	3	WASHER-HARD (5.5X10X1)
29	9X-4824	1	COVER-STARTING MOTOR
30	8T-9884	1	KIT-INSULATOR (STARTING MOTOR) (SERVICED AS COMPLETE KIT ONLY) (INCLUDES: INSULATORS AND BUSHING)
31	8T-9885	1	KIT-BRUSH (INCLUDES: BRUSH, SPRING, (SERVICED AS COMPLETE KIT ONLY) (INCLUDES BRUSHES, SPRINGS, SCREW, SEAL, AND SCREW ASM)
32	7T-3268	1	KIT-LEVER (STARTING MOTOR) (SERVICED AS COMPLETE KIT ONLY) (INCLUDES: 2 LEVER ASM, 2 SEALS, NUT, GASKET, AND RETAINER)
33	095-7930	1	SCREW-MACHINE
34	096-6166	1	WASHER-HARD (4.5X9X1)
35	9B-7233	1	LOCKWASHER
36	146-3504	1	SWITCH-RELAY (STARTING MOTOR)
	7T-3267	1	KIT-BUSHING (STARTING MOTOR) (NOT SHOWN)

[A] PART OF 180-2924 STARTING MOTOR GP-ELECTRIC

00867504
PR: t05b22n43d0113

MT800B SERIES TRACTORS
ELECTRICAL & STARTING

STARTING MOTOR GP-ELECTRIC - 502283D1
12 VOLT



**MT800B SERIES TRACTORS
ELECTRICAL & STARTING**

289

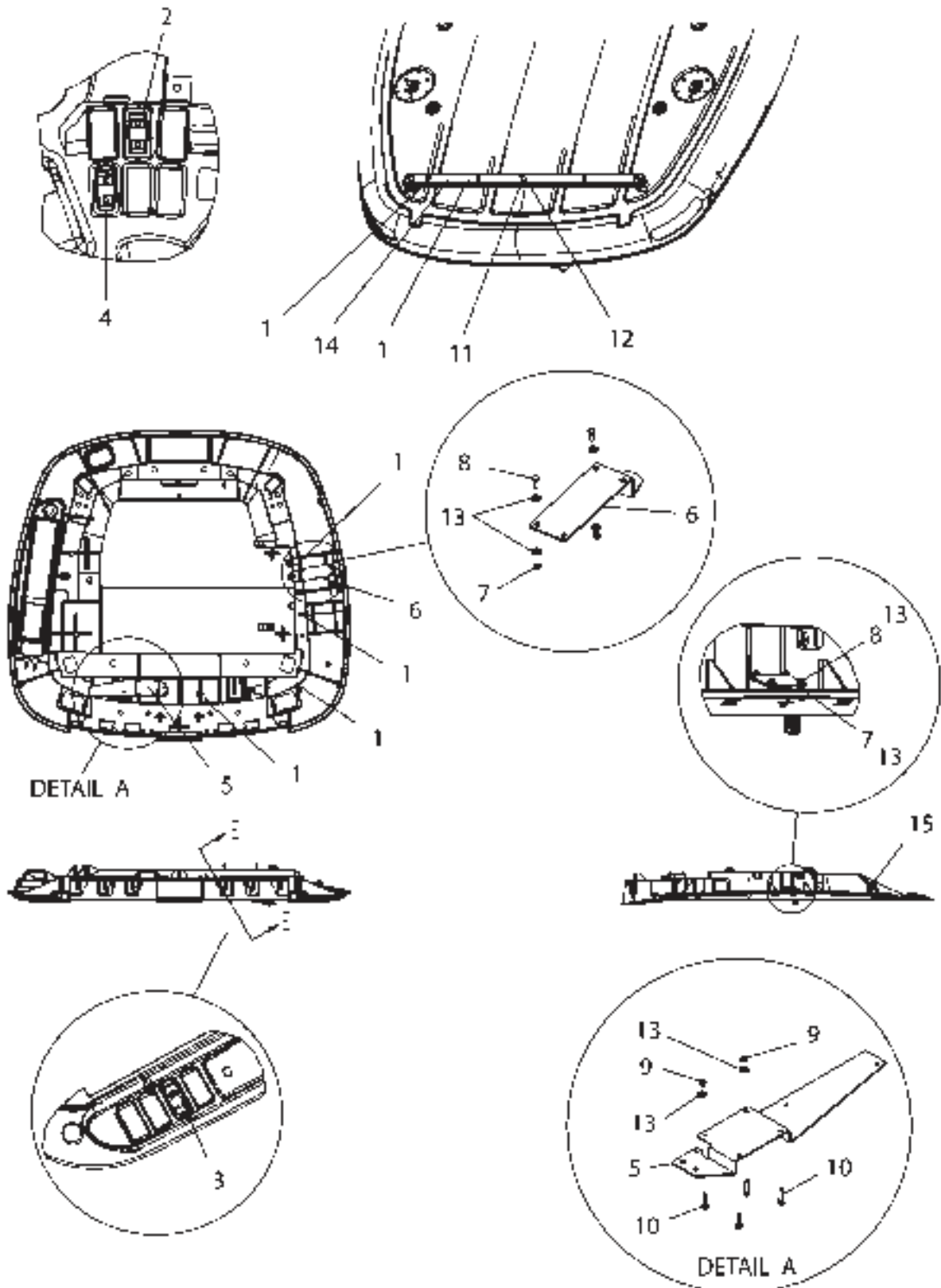
**STARTING MOTOR GP-ELECTRIC - 502283D1
12 VOLT**

ITEM	NUMBER	QTY	DESCRIPTION
-	502283D1	-	STARTING MOTOR GP-ELECTRIC [A]
1	3T-3434	6	PLUG
2	7T-3279	1	HOUSING
3	8T-8566	1	TERMINAL
4	400570X1	4	NUT (1/2-13)
5	7X-0562	4	WASHER-HARD (13.5X19X0.8)
6	3T-3422	1	WIRE
7	8T-8570	1	HOLDER-BRUSH
8	8T-8568	1	COIL-FIELD
9	7T-3454	1	INSULATOR
10	7T-3271	1	CONNECTOR
11	7T-3451	1	INSULATOR-TERMINAL
12	8T-8569	1	INSULATOR-TERMINAL
13	5S-7349	4	BOLT (1/4-20X0.5 IN)
14	CH8T-4205	4	WASHER-HARD (7.2X14.5X2MM)
15	8H-1141	4	SHOE-POLE
16	3F-0379	8	SCREW-POLE SHOE (3/8-24)
17	7T-3275	1	ARMATURE
18	3E-7775	1	HOUSING
19	4M-1831	1	PLUG-LEVER HOUSING
20	7L-2894	1	GASKET
21	036-9823	5	BOLT
22	6N-3826	1	DRIVE-MOTOR
23	7T-3974	1	HOUSING-DRIVE
24	7X-3373	6	BOLT (5/16-18X0.88 IN)
25	206-8787	1	KIT-SOLENOID (SERVICED AS COMPLETE KIT ONLY)
26	6V-8378	3	NUT (10-32)
27	8F-1434	2	LOCKWASHER
28	8T-0328	3	WASHER-HARD (5.5X10X1)
29	9X-4824	1	COVER-STARTING MOTOR
30	8T-9884	1	KIT-INSULATOR (STARTING MOTOR) (SERVICED AS COMPLETE KIT ONLY) (INCLUDES: INSULATORS AND BUSHING)
31	8T-9885	1	KIT-BRUSH (INCLUDES: BRUSH, SPRING, (SERVICED AS COMPLETE KIT ONLY) (INCLUDES BRUSHES, SPRINGS, SCREW, SEAL, AND SCREW ASM)
32	7T-3268	1	KIT-LEVER (STARTING MOTOR) (SERVICED AS COMPLETE KIT ONLY) (INCLUDES: 2 LEVER ASM, 2 SEALS, NUT, GASKET, AND RETAINER)
33	095-7930	1	SCREW-MACHINE
34	096-6166	1	WASHER-HARD (4.5X9X1)
35	9B-7233	1	LOCKWASHER
36	146-3504	1	SWITCH-RELAY (STARTING MOTOR)
	7T-3267	1	KIT-BUSHING (STARTING MOTOR)

[A] PART OF 180-2924 STARTING MOTOR GP-ELECTRIC

00867507
PR: t05b22n43d0114

SWITCH GP-GUIDANCE - 500606D1
AUTOGUIDE SYSTEM



500606DC

**MT800B SERIES TRACTORS
ELECTRICAL & STARTING**

291

**SWITCH GP-GUIDANCE - 500606D1
AUTOGUIDE SYSTEM**

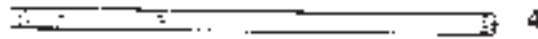
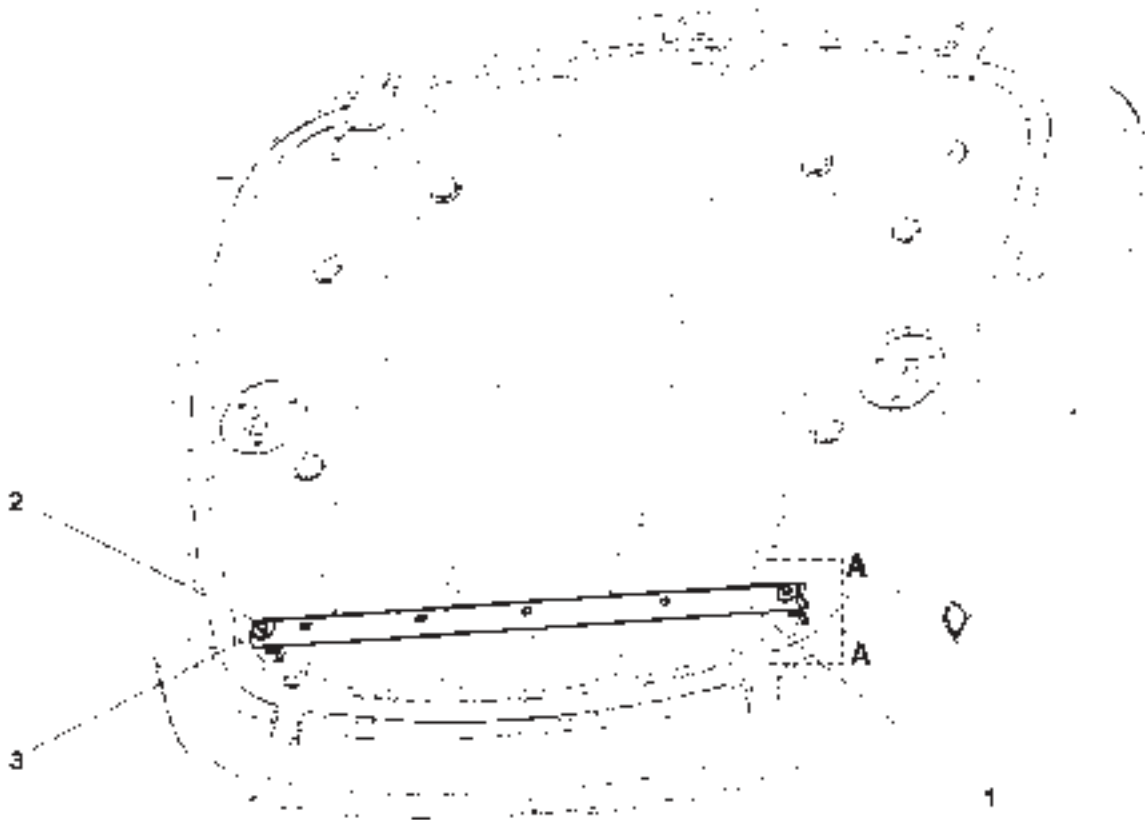
ITEM	NUMBER	QTY	DESCRIPTION
-	500606D1	-	SWITCH GP-RECEIVER [A] (NOT SERVICED)
1	CH7K-1181	6	STRAP-CABLE
2	169-8222	1	SWITCH ASM-ROCKER (AUTO GUIDE CONTROL)
	400453X1		PLUG-CONNECTOR
	CH165-5975		PLUG-PANEL (FOR COVERING MTG HOLE)
3	500882D1	1	SWITCH ASM-ROCKER (AUTO GUIDE POWER)
	400453X1		PLUG-CONNECTOR
	CH165-5975		PLUG-PANEL (FOR COVERING MTG HOLE)
4	200-6376	1	SWITCH ASM-ROCKER (AUTO GUIDE MARKING)
	400453X1		PLUG-CONNECTOR
	CH165-5975		PLUG-PANEL (FOR COVERING MTG HOLE)
5	216-8860	1	BRACKET ASM
6	219-4775	1	BRACKET ASM
7	400300X1	4	NUT (M6X1)
8	400152X1	4	BOLT (M6X1X16MM)
9	CH6V-8225	4	NUT (M6X1)
10	400172X1	4	BOLT (M6X1X25MM)
11	400179X1	1	BOLT (5/8-11)
12	CH8T-4122	1	WASHER-HARD
13	CH8T-4205	12	WASHER-HARD (7.2X14.5X2MM)
14	500478D1	1	MOUNTING GP-GPS (SEE BREAKDOWN FOR COMPONENTS)
15	500610D1	1	GROMMET-RH (HANDRAIL) (REPLACES PART PROVIDED IN ROOF GP - CAB)

[A] PART OF 500628D1 CONTROL GP-
COMMUNICATION

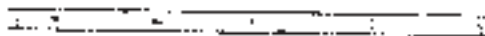
500606DC
PR: t05b22n43d0115

MT800B SERIES TRACTORS
ELECTRICAL & STARTING

MOUNTING GP-GPS - 500478D1
AUTOGUIDE SYSTEM



5



SEE A-A

MT800B SERIES TRACTORS
ELECTRICAL & STARTING

293

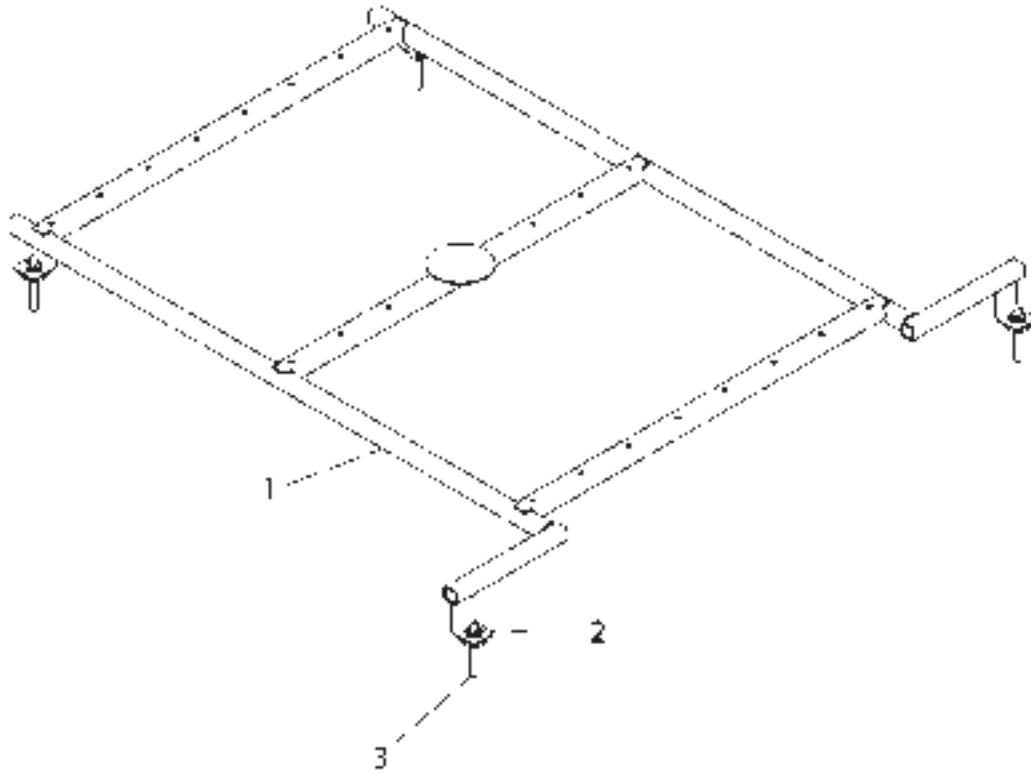
MOUNTING GP-GPS - 500478D1
AUTOGUIDE SYSTEM

ITEM	NUMBER	QTY	DESCRIPTION
-	500478D1	-	MOUNTING GP [A] (NOT SERVICED)
1	500477D1		BRACKET ASM (INCLUDES ITEMS 4 AND 5)
2	400240X1	2	BOLT (M10X1.5X110)
3	CH8T-4226	2	WASHER-PLATED
4	500475D1	2	SPACER
5	500476D1	1	BRACKET

[A] PART OF 500606D1 SWITCH GP

0890702M
PR: t05b22n43d0116

MOUNTING GP-KIT - 187-4896
AUX ANTENNA & NON-AUTOGUIDE GPS RECEIVER



1874896D

MT800B SERIES TRACTORS
ELECTRICAL & STARTING

295

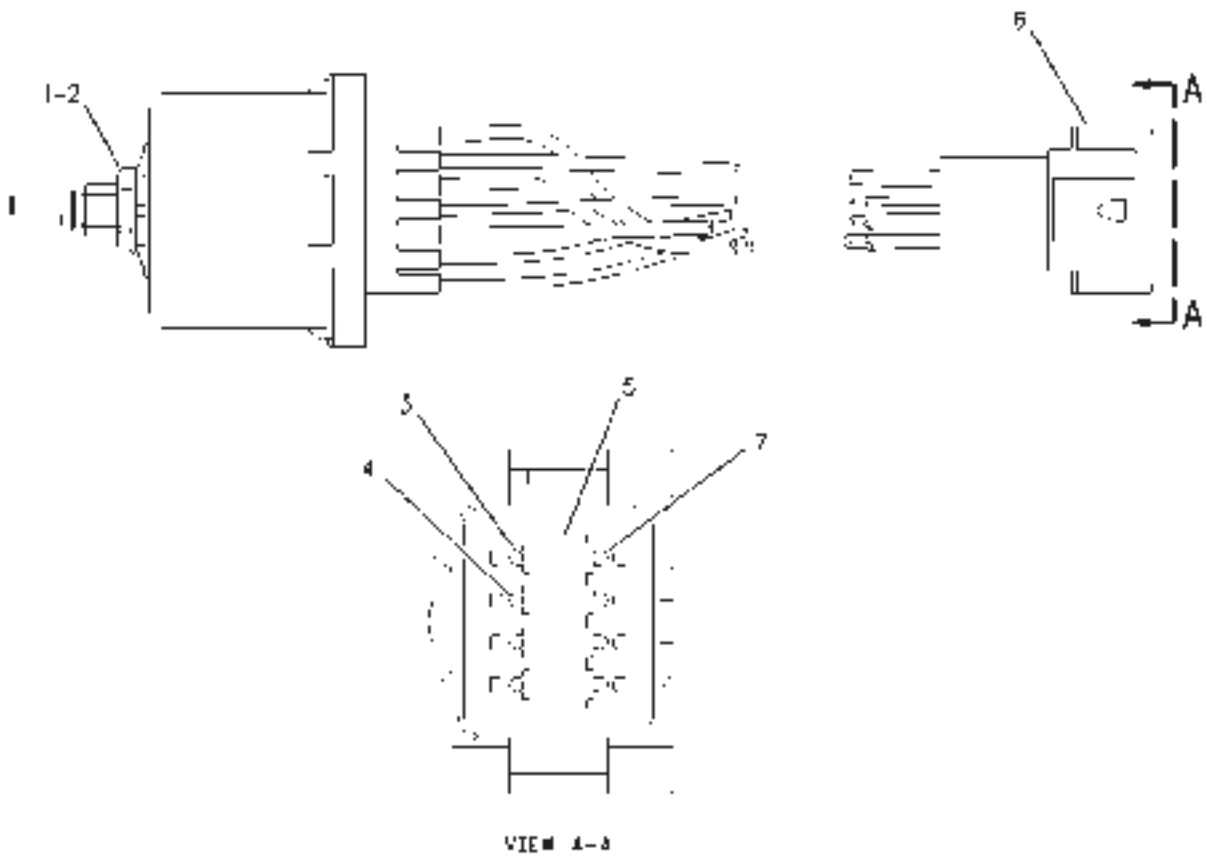
MOUNTING GP-KIT - 187-4896
AUX ANTENNA & NON-AUTOGUIDE GPS RECEIVER

ITEM	NUMBER	QTY	DESCRIPTION
-	187-4896	-	MOUNTING GP (KIT)
1	168-2291	1	RACK ASM
2	CH7X-7729	4	WASHER (11X25X3)
3	400044X1	4	BOLT (M10X1.5X80)

1874896D
PR: t05b22n43d0117

MT800B SERIES TRACTORS
ELECTRICAL & STARTING

SWITCH GP-WIPER - CH135-9967
INTERMITTENT 12 VOLT



MT800B SERIES TRACTORS
ELECTRICAL & STARTING

297

SWITCH GP-WIPER - CH135-9967
INTERMITTENT 12 VOLT

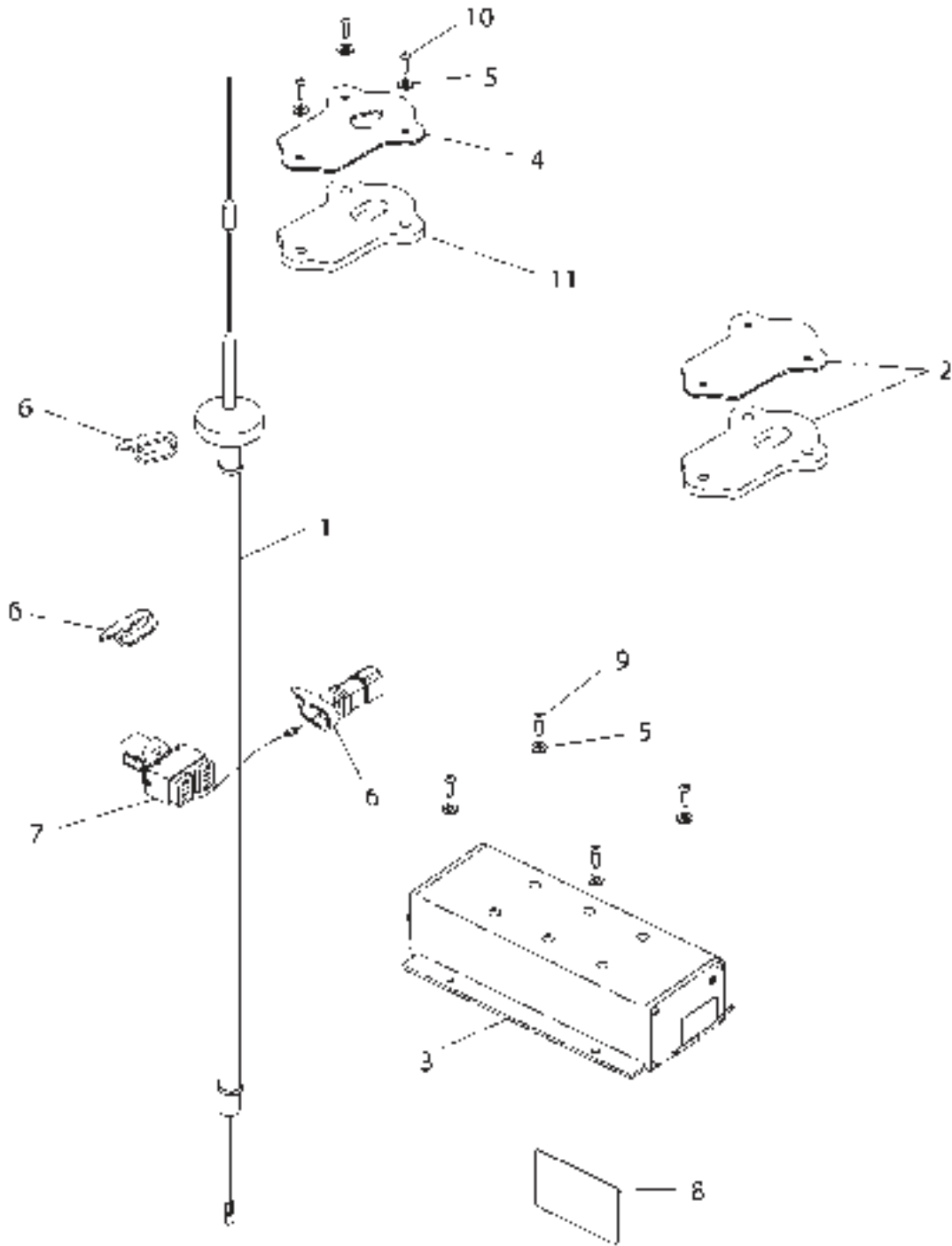
ITEM	NUMBER	QTY	DESCRIPTION
-	CH135-9967	-	SWITCH AS-WIPER [A]
1	CH6V-8369	1	NUT (7/16-28)
2	CH2H-3920	1	LOCKWASHER (11.38MM ID)
3	CH8T-8737	1	PLUG-SEAL
4	400562X1	3	PIN-CONNECTOR
5	CH3E-3389	1	WEDGE-RECEPTACLE LOCK
6	CH102-8806	1	KIT-RECEPTACLE (8 PIN) (INCLUDES RECEPTACLE ASM AND WEDGE) (SERVICED AS COMPLETE KIT ONLY)
7	400861X1	4	PIN-CONNECTOR

[A] PART OF 196-3968 WIPER GP-WINDOW

00673034
PR: t05b22n43d0118

MT800B SERIES TRACTORS
ELECTRICAL & STARTING

RECEIVER KIT-TRANSMITTER - 162-4099



1624099J

MT800B SERIES TRACTORS
ELECTRICAL & STARTING

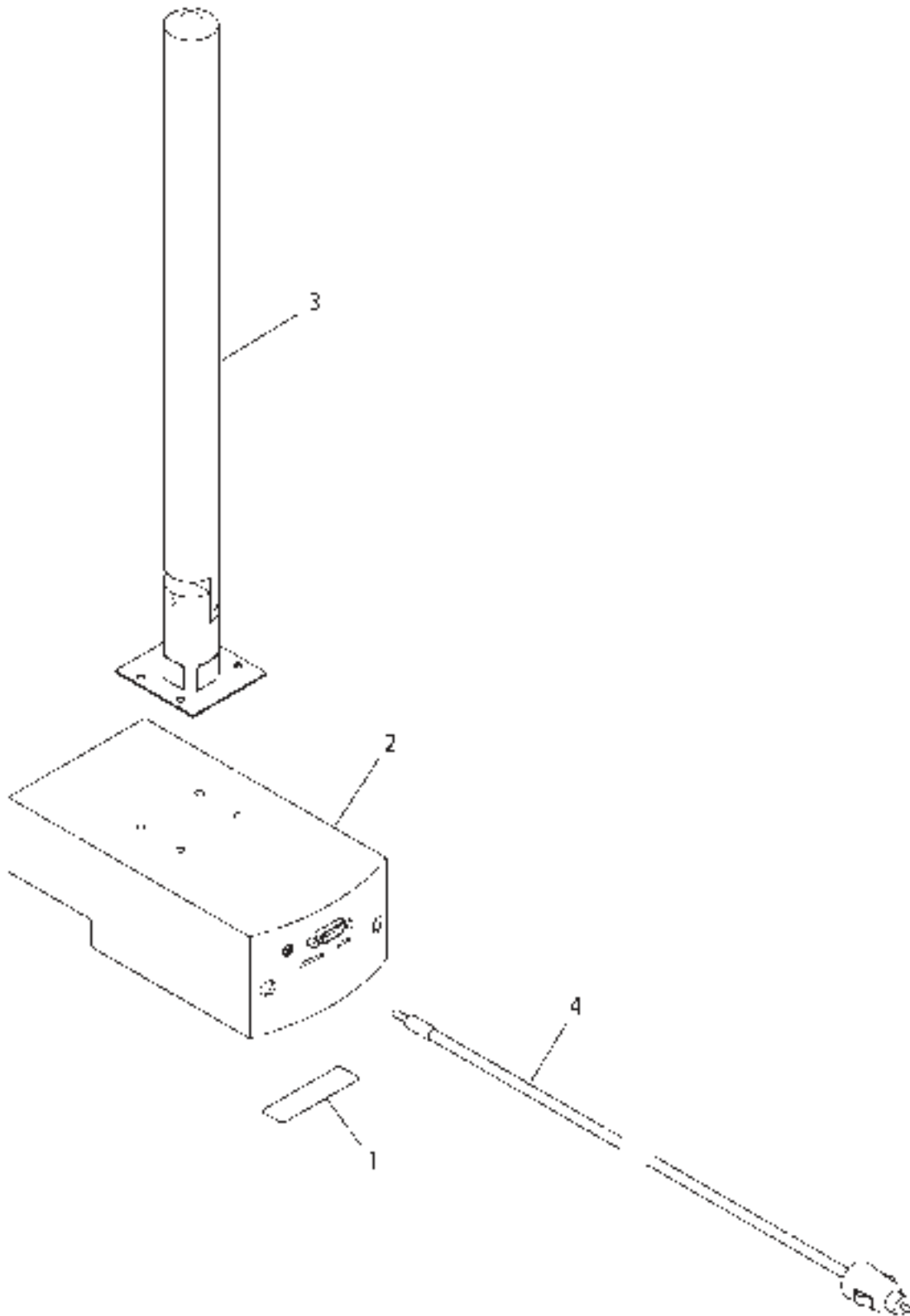
299

RECEIVER KIT-TRANSMITTER - 162-4099

ITEM	NUMBER	QTY	DESCRIPTION
	162-4099	-	RECEIVER KIT-TRANSMITTER
1	CH207-6797	1	ANTENNA AS.-ROOF(GPS/VHF
2	142-9831	1	COVER KIT-CAB
	500679D1	1	PLATE
	500682D1	1	GASKET-COVER (PL201 ANTENNA)
3	CH209-6417	1	CONTROL GP-ELECTRONIC
4	500680D1	1	BRACKET
5	CH8T-4205	7	WASHER-HARD 7.2IDX14.5ODX2MM
6	400837X1	4	STRAP-CABLE (PLASTIC)
7	502176D1	1	HARNESS AS.
8	CH185-7141	1	FILM-WARN (LINK RADIO)
9	CH110-2028	4	SCREW-NO10-14X19MM PAN,THD CTG
10	CH8T-9501	3	SCREW-10-16X19.05 PAN,THD FMG
11	500682D1	1	GASKET-COVER (PL201 ANTENNA)

1624099J
PR: t05b22n43d0119

MOUNTING GP-PDA - 501168D1
AUTOGUIDE SYSTEM



MT800B SERIES TRACTORS
ELECTRICAL & STARTING

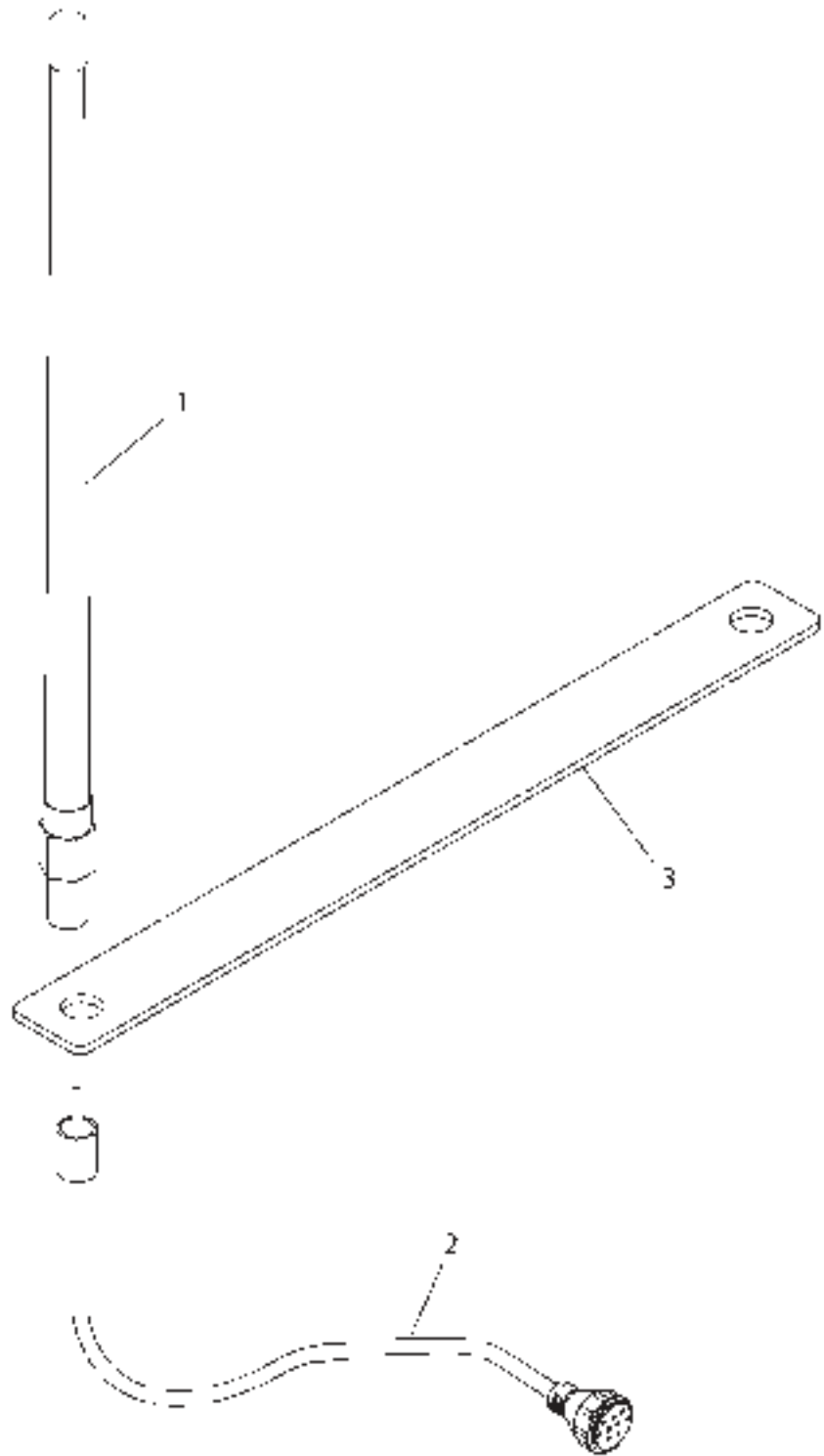
301

MOUNTING GP-PDA - 501168D1
AUTOGUIDE SYSTEM

ITEM	NUMBER	QTY	DESCRIPTION
-	501168D1	-	MOUNTING GP-PDA
1	500367D1	1	FILM-AUTOGUIDE
2	501169D1	1	CRADLE GP
3	501170D1	1	ARM
4	501171D1	1	CABLE-ADAPTOR PLUG

501168DA
PR: t05k07n15a0007

KIT-GPS BASE STATION - 502609D1



MT800B SERIES TRACTORS
ELECTRICAL & STARTING

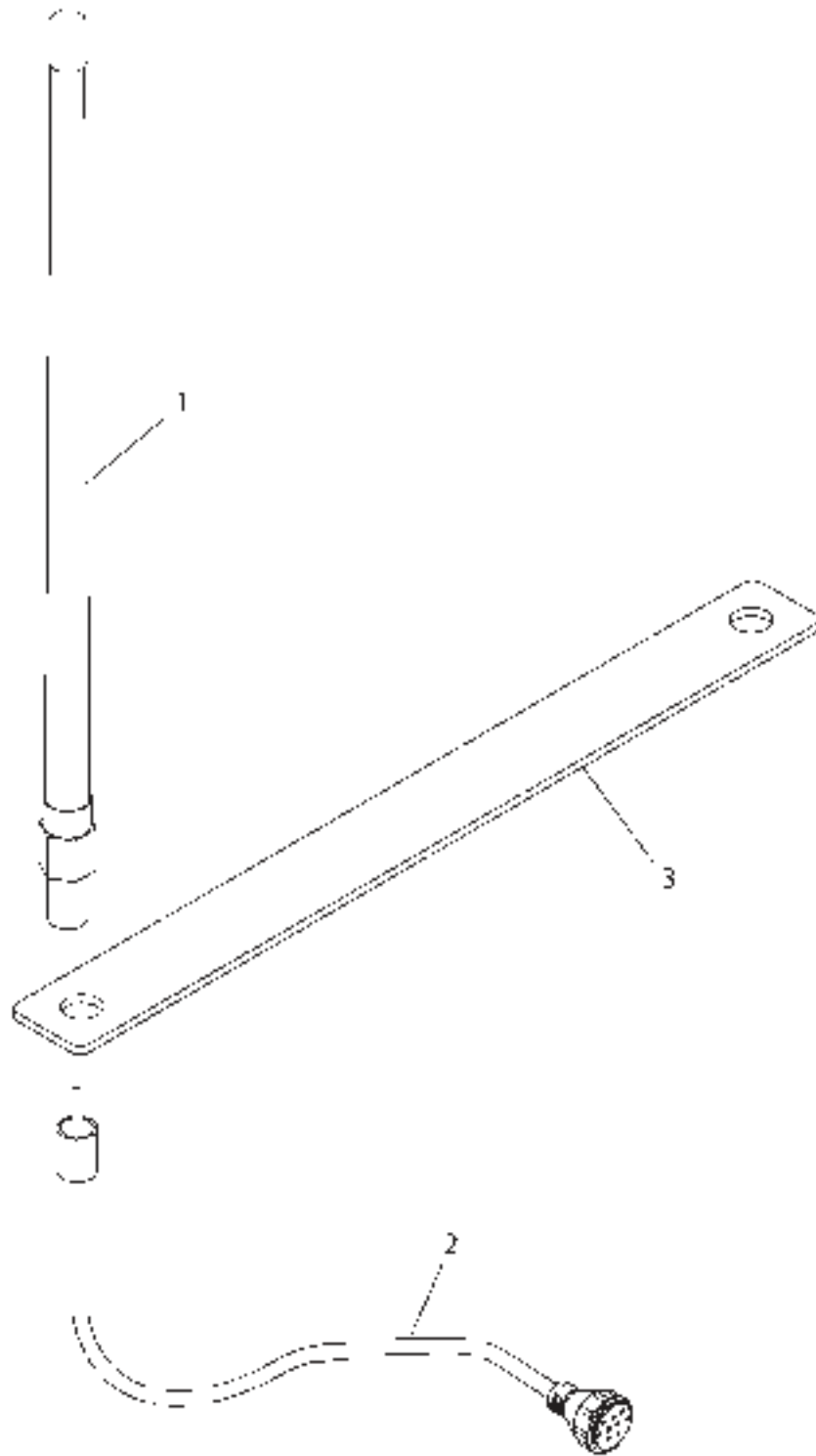
303

KIT-GPS BASE STATION - 502609D1

ITEM	NUMBER	QTY	DESCRIPTION
-	502609D1	-	KIT-GPS BASE STATION
1	501073D1	1	ANTENNA AS-DATA RADIO
2	501074D1	1	CABLE AS
3	501075D1	1	BRACKET
4	72571006	1	SOFTWARE (NOT SHOWN) (ORDER FROM AGCO DEALER INFO NET)
5	502610D1	1	RECEIVER GP-GPS BASE STATION (NOT SHOWN)
6	502611D1	1	HARNESS AS-GPS BASE PWR (NOT SHOWN)
7	502612D1	1	CASE AS-GPS BASE (NOT SHOWN)
-	232-0879	1	TRIPOD AS (NOT PART OF KIT) (SERVICED AS COMPLETE AS)

501124DA
PR: t05k07n15a0008

ANTENNA GP-DATA RADIO - 501124D1
GPS BASE STATION



MT800B SERIES TRACTORS
ELECTRICAL & STARTING

305

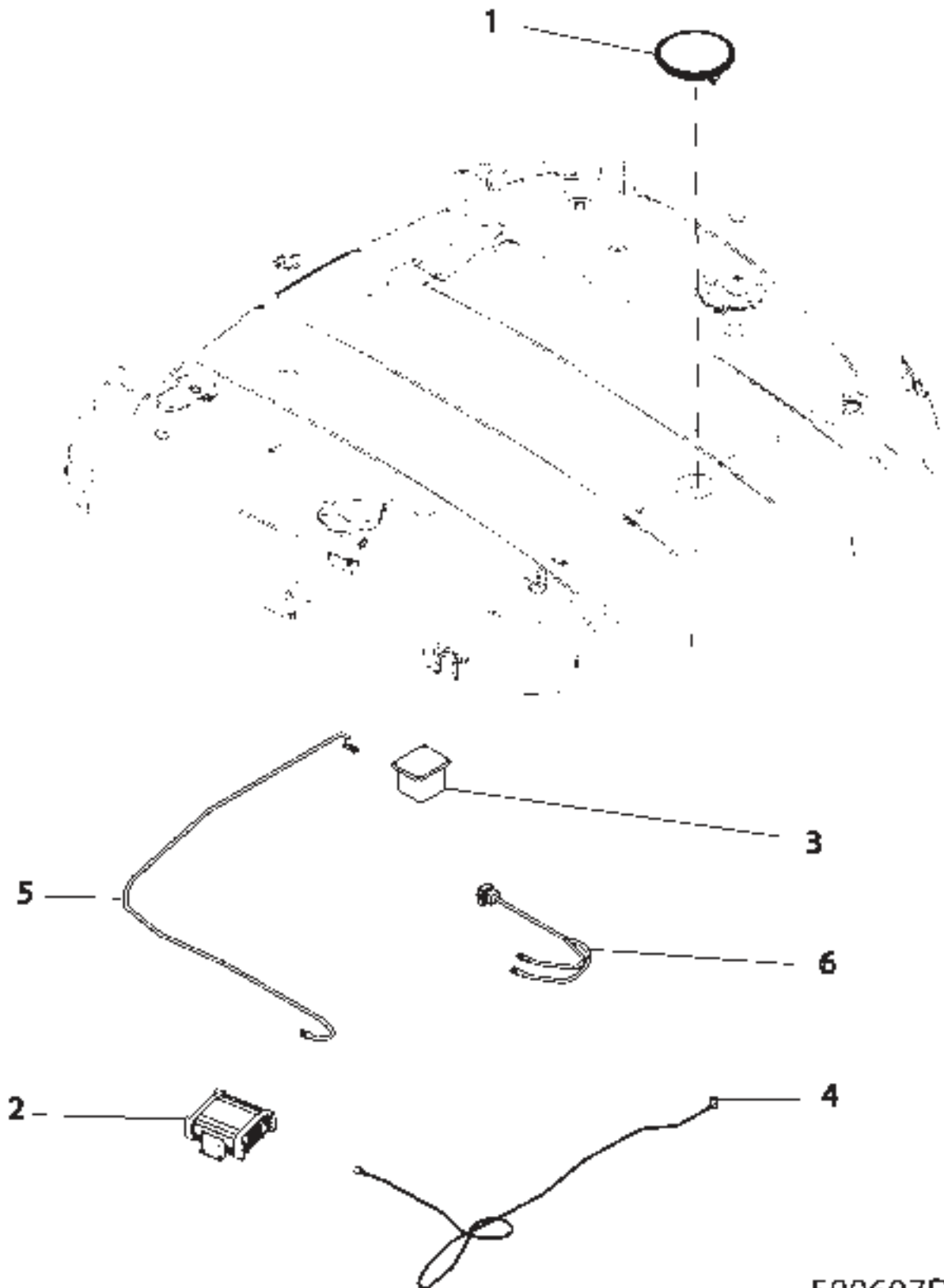
ANTENNA GP-DATA RADIO - 501124D1
GPS BASE STATION

ITEM	NUMBER	QTY	DESCRIPTION
-	501124D1	-	ANTENNA GP-DATA RADIO
1	501073D1	1	ANTENNA AS-DATA RADIO
2	501074D1	1	CABLE AS
3	501075D1	1	BRACKET

501124DA
PR: t05k07n15a0009

MT800B SERIES TRACTORS
ELECTRICAL & STARTING

RECEIVER GP-TRANSMITTER & GPS - 500607D1
AUTOGUIDE CONTROL



MT800B SERIES TRACTORS
ELECTRICAL & STARTING

307

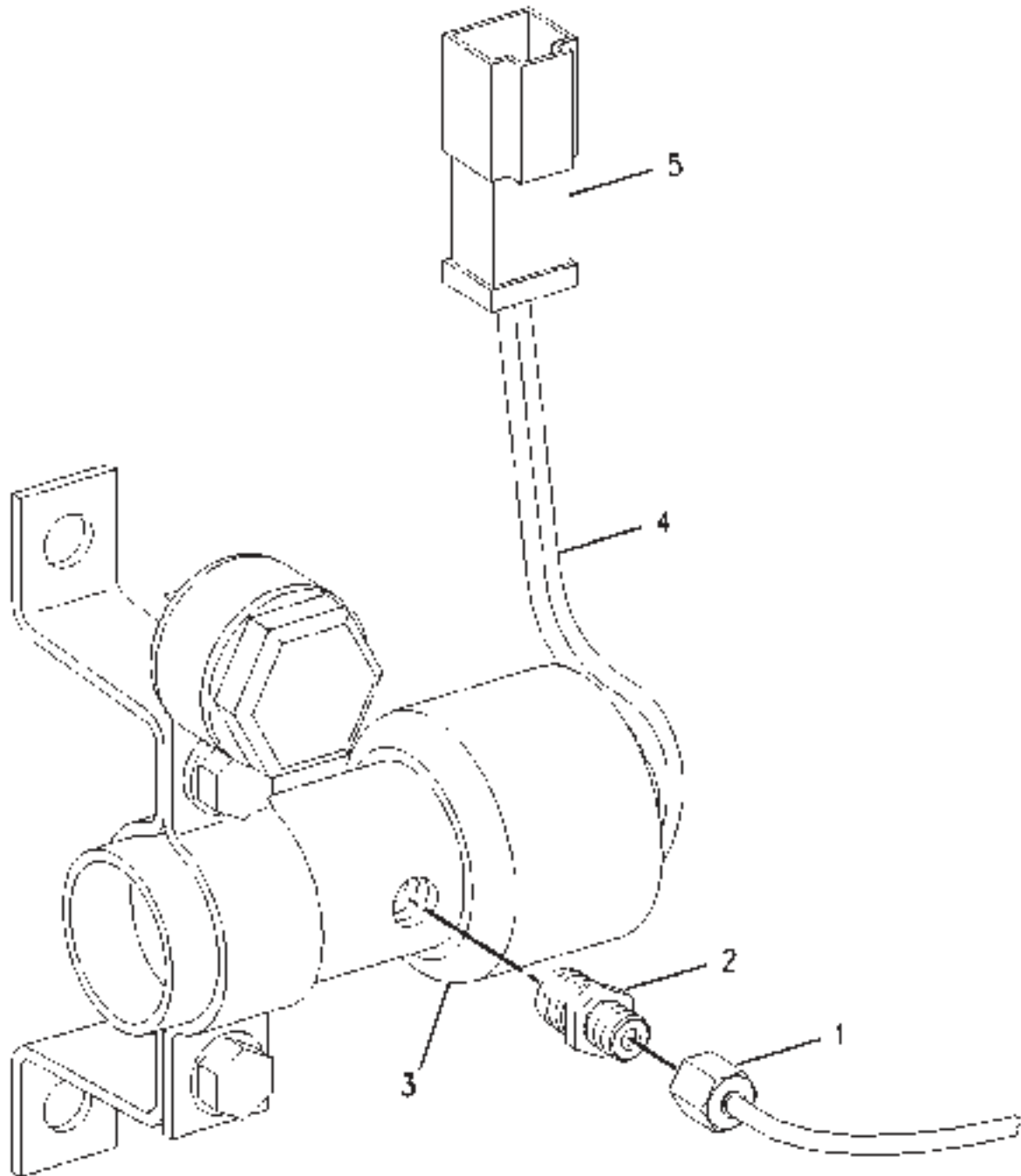
RECEIVER GP-TRANSMITTER & GPS - 500607D1
AUTOGUIDE CONTROL

ITEM	NUMBER	QTY	DESCRIPTION
-	500607D1	-	RECEIVER GP-TRANSMITTER GPS [A]
1	216-7835	1	MOUNT (ANTENNA)
2	216-7837	1	RECEIVER MODULE
3	502570D1	1	SENSOR GP-DMU
4	216-7836	1	CABLE (ANTENNA)
5	216-7839	1	HARNESS (SENSOR GP-POSITION)
6	216-7841	1	HARNESS (RECEIVER-GPS)
7	502572D1	1	SOFTWARE (NOT SHOWN) (ORDER FROM WWW.CHALLENGERMARKETPLACE.COM)

[A] PART OF 500628D1 & 500630D1
CONTROL AR-AUTOGUIDE

500607DD
PR: t05b22n43d0120

VALVE GP-ETHER - 501967D1



MT800B SERIES TRACTORS
ELECTRICAL & STARTING

309

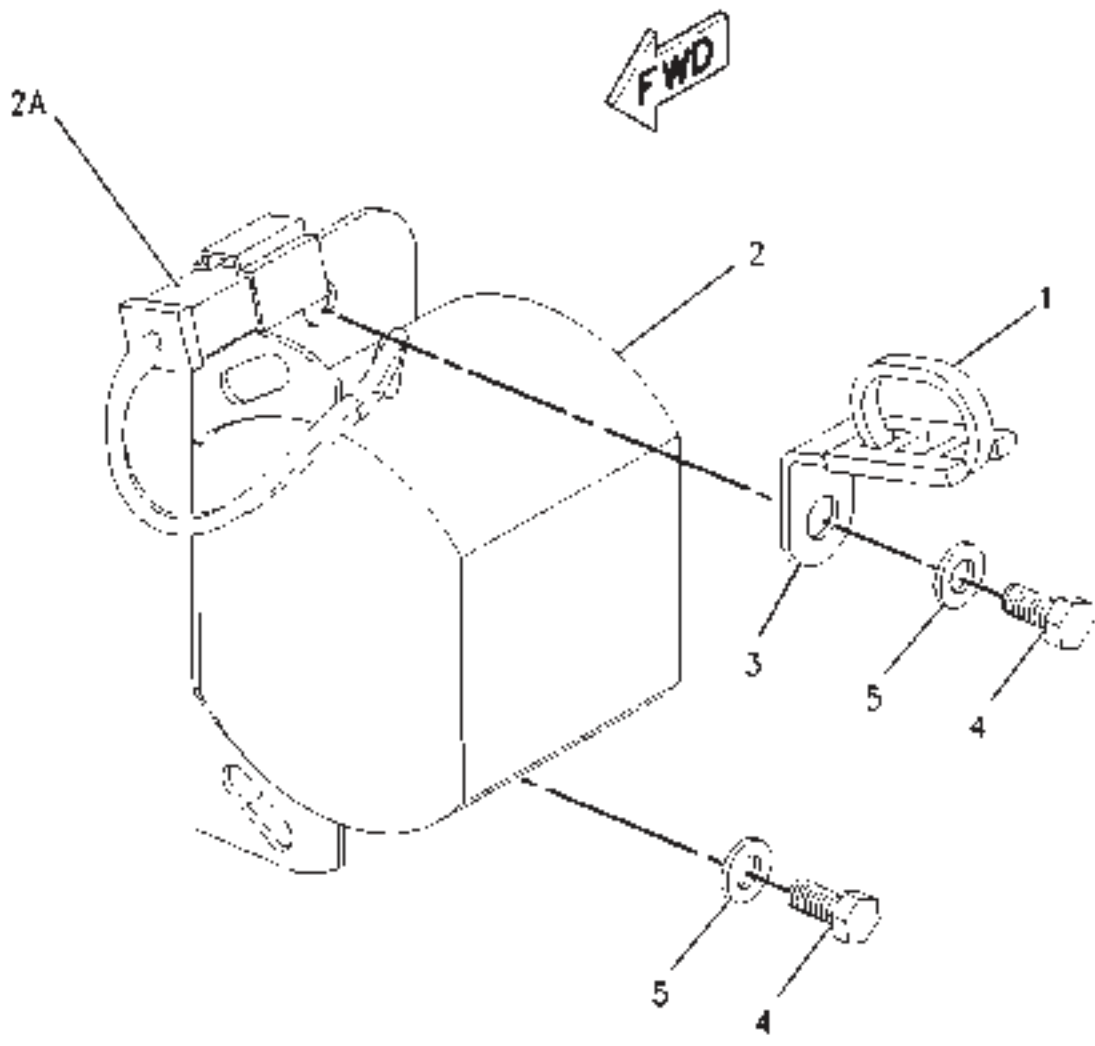
VALVE GP-ETHER - 501967D1

ITEM	NUMBER	QTY	DESCRIPTION
-	501967D1	-	VALVE GP-ETHER [A] (NOT SERVICED)
1	210-8519	1	NUT
2	502000D1	1	FITTING
3	501999D1	1	VALVE AS-ETHER
4	210-3933		TUBE (cm)
5	CH102-8802	1	KIT-RECEPTACLE (2 PIN)

[A] PART OF 501572D1 STARTING AID
GP-EITHER

00878638
PR: t05b22n43d0121

WARNING GP-BACKUP - 195-5968



MT800B SERIES TRACTORS
ELECTRICAL & STARTING

311

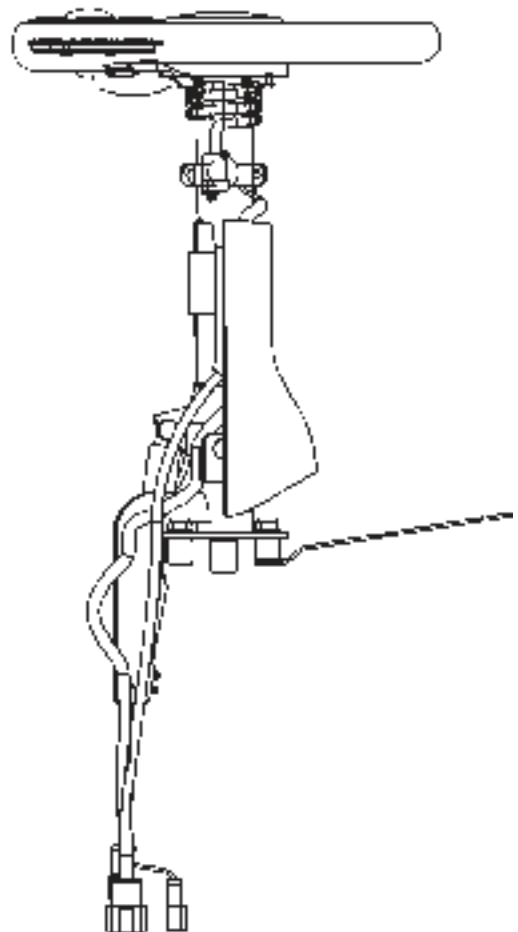
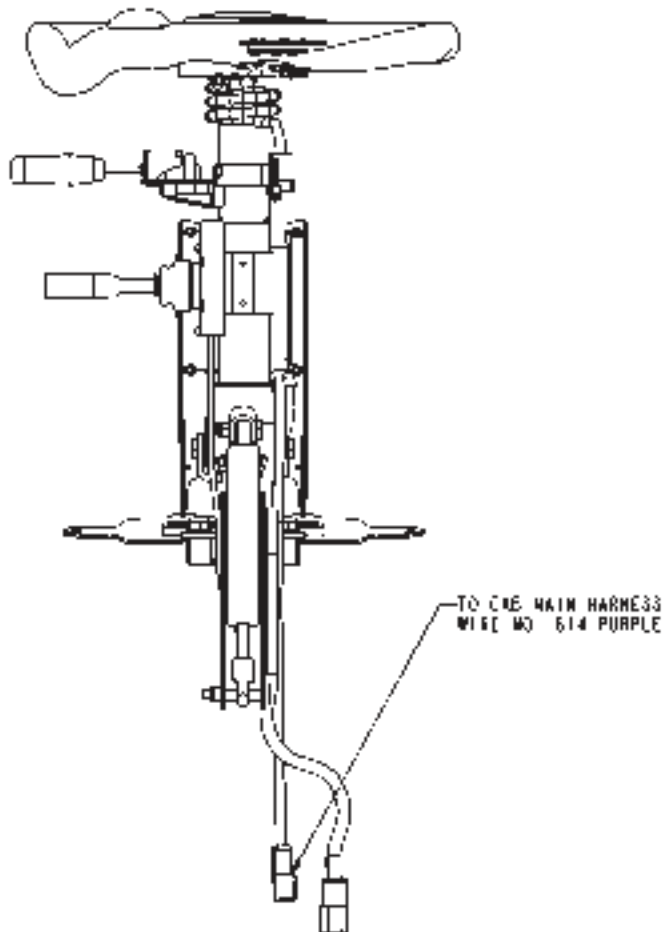
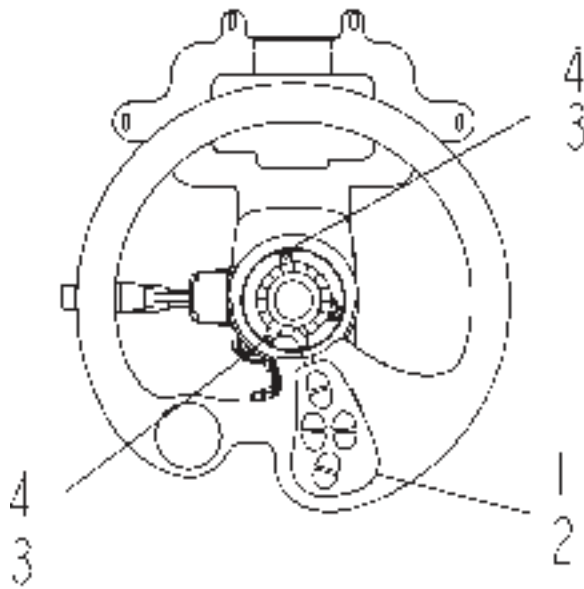
WARNING GP-BACKUP - 195-5968

ITEM	NUMBER	QTY	DESCRIPTION
-	195-5968	-	WARNING GP-BACKUP [A] (NOT SERVICED, ORDER FIELD INSTALLED)
-	502759D1	-	WARNING GP-BACKUP (FIELD INSTALLED)
1	CH7K-1181	1	STRAP-CABLE
2	CH154-5428	1	ALARM-BACK UP
2A	CH102-8802	1	KIT-RECEPTACLE (2 PIN) (INCLUDES RECEPTACLE ASM AND WEDGE) (SERVICED AS COMPLETE KIT ONLY)
3	CH156-6175	1	CLIP
4	400152X1	2	BOLT (M6X1X16MM)
5	CH5P-4115	2	WASHER-HARD (7.2X19X2)

[A] PART OF 502759D1;502770D1 WARNING GP

00743485
PR: t05b22n43d0122

WIRING GP REMOTE CONTROL - 173-6505



MT800B SERIES TRACTORS
ELECTRICAL & STARTING

313

WIRING GP REMOTE CONTROL - 173-6505

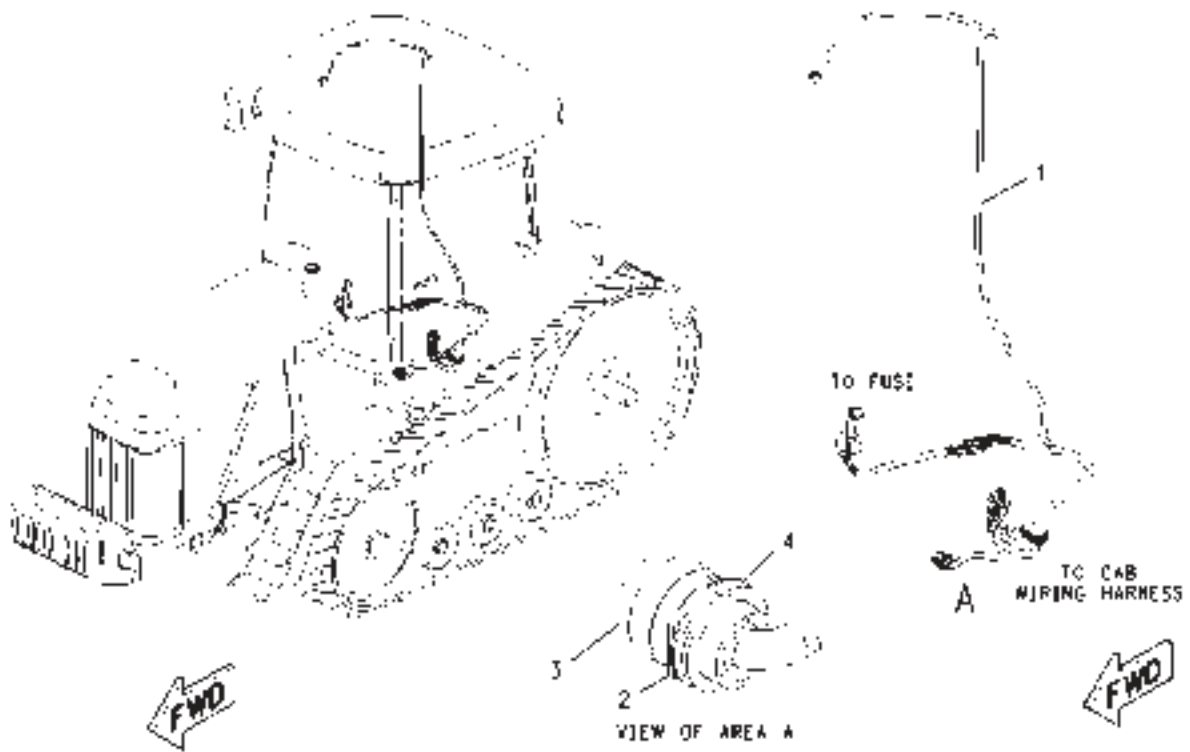
ITEM	NUMBER	QTY	DESCRIPTION
-	173-6505	-	WIRING GP [A] (NOT SERVICED)
1	502244D1	1	HARNESS-RADIO (REMOTE CONTROL)
2	172-8035	1	SWITCH (STEERING WHEEL RADIO CONTROLS)
3	CH208-9482	2	CLIP
4	CH095-0736	2	SCREW-MACHINE (M5X0.8X10MM)

[A] STEERING WHEEL MOUNTED RADIO
CONTROLS

1736505E
PR: t05b22n43d0123

MT800B SERIES TRACTORS
ELECTRICAL & STARTING

WIRING GP - 214-3504
AUTOGUIDE ISO COMPATIBLE



MT800B SERIES TRACTORS
ELECTRICAL & STARTING

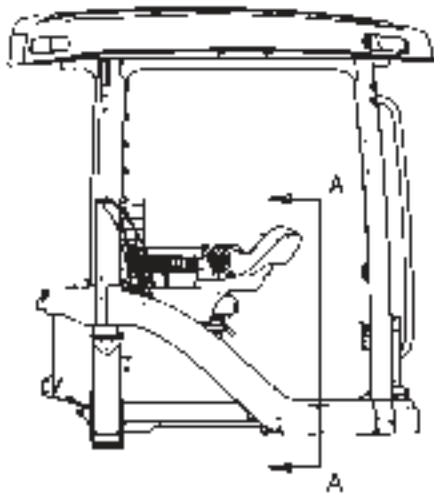
315

WIRING GP - 214-3504
AUTOGUIDE ISO COMPATIBLE

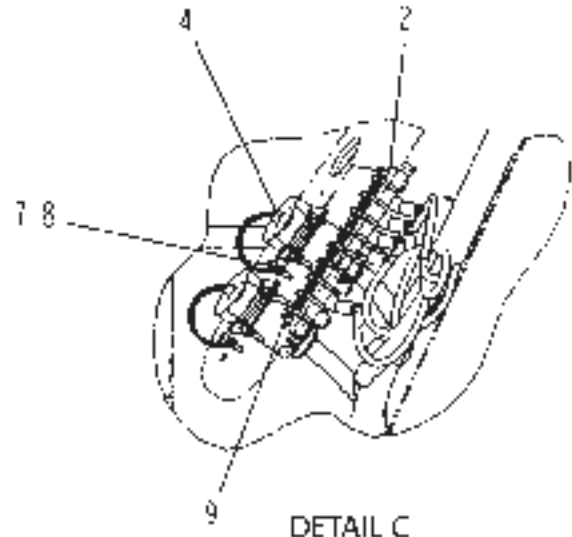
ITEM	NUMBER	QTY	DESCRIPTION
-	214-3504	-	WIRING GP (NOT SERVICED)
1	500910D1	1	HARNESS ASM (ISO)
2	180-9214	1	NUT (11/16-18)
3	219-0664	1	CAP
4	CH128-4249	1	LOCKWASHER

00895779
PR: t05b22n43d0124

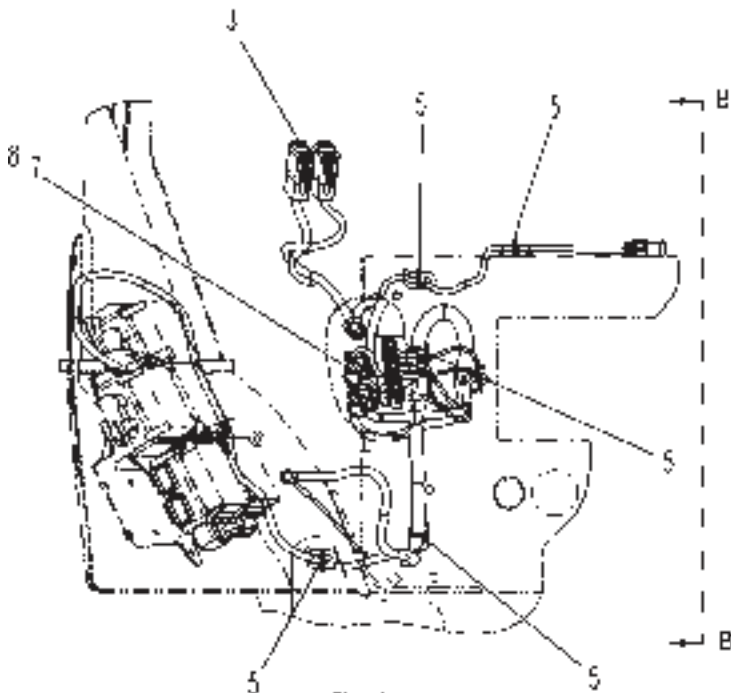
WIRING GP-AUXILIARY - 162-4097



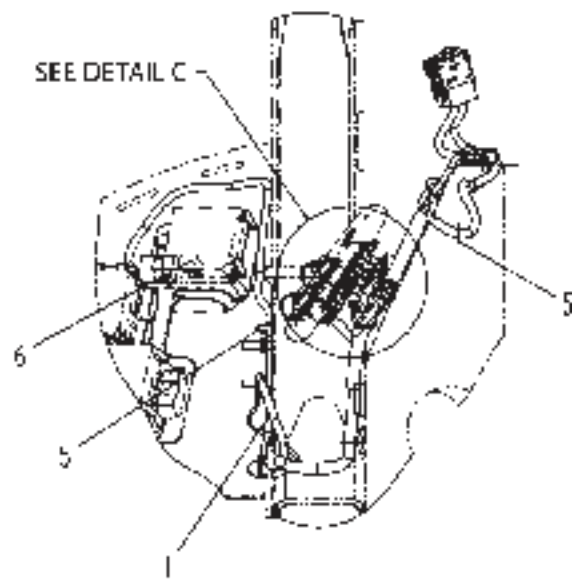
RIGHT SIDE VIEW OF CAB



DETAIL C



VIEW A-A
(SEAT NOT SHOWN)



VIEW B B

**MT800B SERIES TRACTORS
ELECTRICAL & STARTING**

317

WIRING GP-AUXILIARY - 162-4097

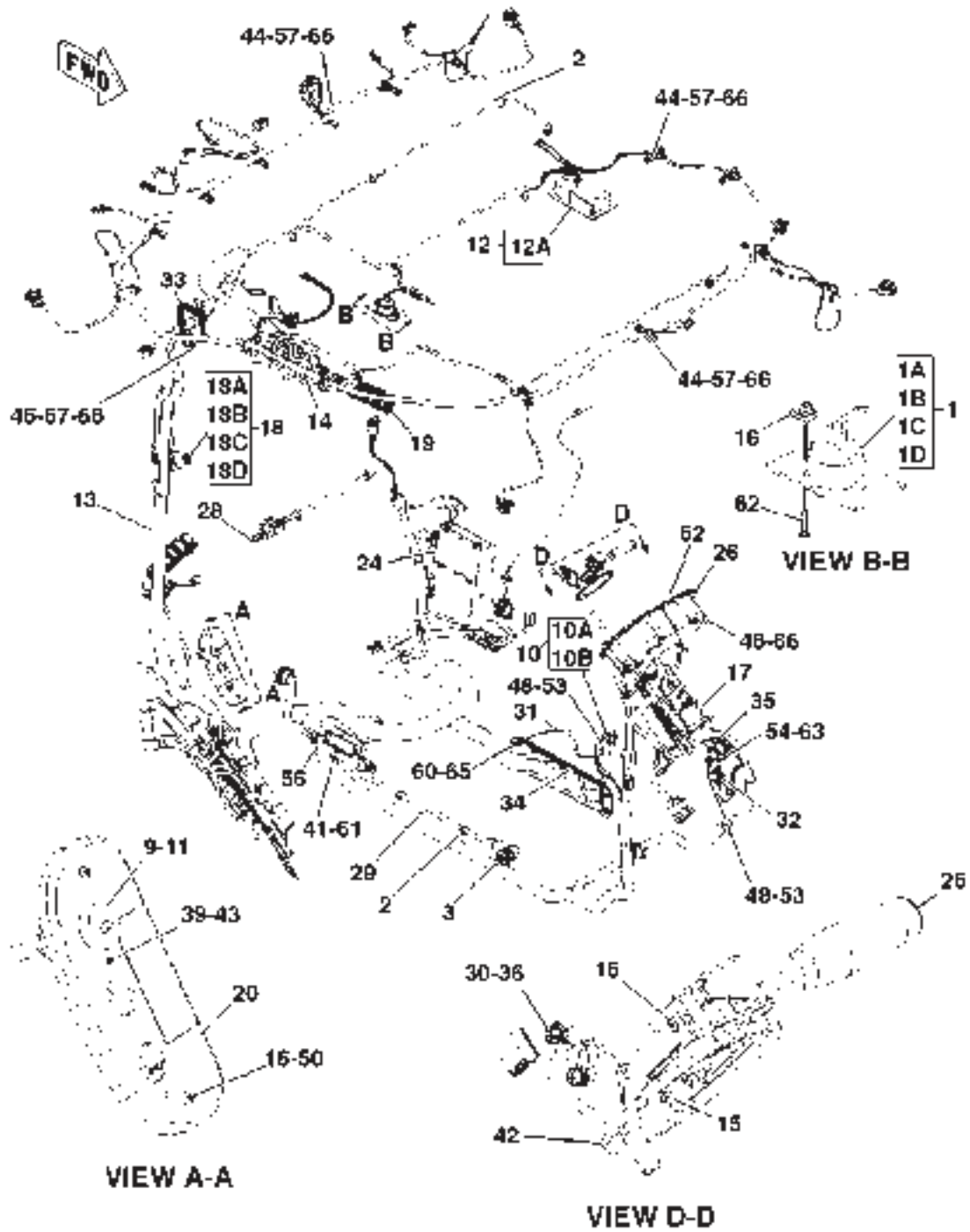
ITEM	NUMBER	QTY	DESCRIPTION
-	162-4097	-	WIRING GP-AUXILIARY [A] (NOT SERVICED)
1	502180D1	1	HARNESS ASM (AUXILIARY POWER)
2	CH136-5268	1	STRIP
3	169-8229	2	SWITCH-ROCKER (AUXILIARY POWER)
4	CH124-4653	2	CAP
5	400837X1	7	STRAP-CABLE
6	CH146-9439	1	RELAY(12V)(AUXILIARY POWER SWITCHES)
7	400006X1	6	BOLT-SOCKET HEAD (M3X0.5X12MM)
8	CH3C-6969	6	NUT (M3X0.5)
9	CH119-5026	2	SCREW-PAN HEAD (10-16X0.63 IN)

[A] PART OF 152-0012; 222-4146;
502667D1 CAB AR;
502795D1 WIRING GP-CONSOLE

1624097F
PR: t05b22n43d0125

MT800B SERIES TRACTORS
ELECTRICAL & STARTING

WIRING GP-CAB - 152-0420A
ROW & SPECIAL APPLICATIONS



**MT800B SERIES TRACTORS
ELECTRICAL & STARTING**

319

**WIRING GP-CAB - 152-0420A
ROW & SPECIAL APPLICATIONS**

ITEM	NUMBER	QTY	DESCRIPTION
-	152-0420	-	WIRING GP-CAB [A] (NOT SERVICED)
1	501935D1	1	LAMP ASM-IMPLEMENT CONTROL (12 VOLT) (SEE BREAKDOWN FOR COMPONENTS)
2	400837X1	62	STRAP-CABLE
3	CH3T-8607	1	TERMINAL ASM
	6F-7044	2	NUT-FULL (1/2-20)
	9B-0453	2	LOCKWASHER
9	CH124-4653	1	CAP
10	CH129-6457	1	SWITCH ASM-LIMIT (BRAKE LIGHT)
10A	CH6V-8376	3	SCREW-MACHINE (8-32X0.25 IN)
10B	CH9B-7233	3	LOCKWASHER
11	135-4483	4	RETAINER
12	CH136-5511	1	LAMP ASM-DOME
12A	CH9W-3326	1	LAMP (12 VOLT) (DOME LIGHT)
13	136-5530	1	HARNESS ASM (CAB MAIN)
14	501949D1	1	HARNESS ASM (ROOF)
15	216-8277	4	BOLT-SOCKET HEAD
16	154-8079	4	NUT (U-TYPE RETAINER)
17	217-9779	1	CONTROL GP-STEERING (NOT SERVICED) (SEE BREAKDOWN FOR COMPONENTS)
18	CH163-2657	1	SWITCH GP-START [B] (FOR SERVICE REPAIR ORDER 18A THRU 18D)
18A	400781X1	1	WEDGE-RECEPTACLE LOCK
18B	CH7T-6799	1	NUT-MOUNTING (1-32)
18C	400562X1	2	PIN-CONNECTOR
18D	400708X1	1	KIT-RECEPTACLE (4 PIN) (INCLUDES RECEPTACLE AS WEDGE)
-	CH5P-8500	1	KEY IGNITION
19	CH165-5975	10	PLUG-PANEL
20	169-6367	1	PANEL ASM (SERVICE COMPLETE)
24	CH170-1198	1	MODULE-FLASHER
25	170-2204	1	SWITCH ASM (HIGH/LOW BEAM,ROADING,TURN)
26	CH212-6998	1	MODULE GP-DISPLAY (DASH)

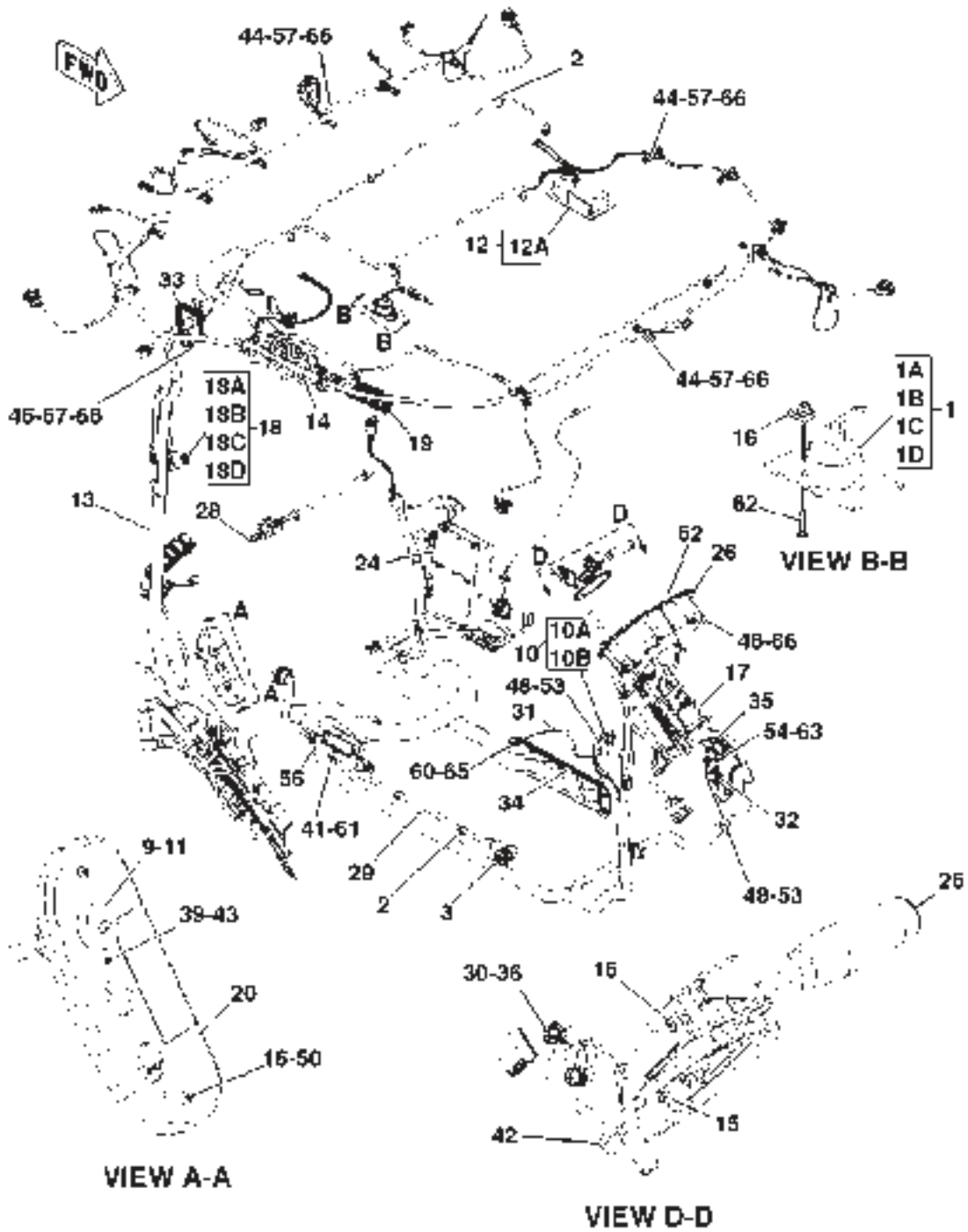
CONTINUED

[A] PART OF 152-0012;152-0013;222-4146
CAB AR
[B] REQUIRES CH5P-8500 KEY

0898288A
PR: t05b22n43d0126

MT800B SERIES TRACTORS
ELECTRICAL & STARTING

WIRING GP-CAB - 152-0420A
ROW & SPECIAL APPLICATIONS



**MT800B SERIES TRACTORS
ELECTRICAL & STARTING**

321

**WIRING GP-CAB - 152-0420A
ROW & SPECIAL APPLICATIONS**

ITEM	NUMBER	QTY	DESCRIPTION
-	152-0420	-	WIRING GP-CAB [A] (NOT SERVICED)
28	173-7708	1	HARNESS AS-TRAILER
29	502188D1	1	CABLE (CAB POWER)
30	CH8C-8514	2	SCREW-MACHINE (8-32X.375 IN)
31	177-0381	1	HOUSING
32	CH129-6457	1	SWITCH ASM-LIMIT (INCHING PEDAL)
32A	CH6V-8376	3	SCREW-MACHINE (8-32X0.25 IN)
32B	CH9B-7233	3	LOCKWASHER
33	178-7957	1	GROMMET
34	180-5244	1	SEAL-CONNECTOR
35	500317D1	1	SENSOR GP-POSITION (INCHING PEDAL)
36	CH096-6166	10	WASHER-HARD (4.5X9X1)
39	153-9300	1	BOLT-SOCKET HEAD (M3X0.5X12MM)
41	CH3B-4501	12	LOCKWASHER
42	CH7K-1181	1	STRAP-CABLE
43	CH3C-6969	5	NUT (M3X0.5)
44	CH4P-7581	15	CLIP
45	CH4P-8134	2	CLIP
46	CH5C-2874	4	NUT (M5X.8)
48	CH216-9085	4	SCREW-PAN HEAD
50	CH7Y-7256	2	SCREW-TRUSS HEAD (M4X0.7X35MM)
52	CH8T-0337	6	SCREW-MACHINE (M4X0.7X12MM)
53	CH8T-2658	4	LOCKNUT (M3X0.5)
54	CH8T-2659	2	LOCKNUT (M4X0.7)
56	177-0385	1	PLATE ASM
	CH8T-3612	2	NUT-WELD (M8X1.25)
57	CH110-2028	17	SCREW-PAN HEAD (10-14X.75 IN) (10-14X.75IN)
60	CH8T-4205	7	WASHER-HARD (7.2X14.5X2MM)
61	400251X1	12	BOLT-SOCKET HEAD (M4X0.7X16MM)
62	CH123-0707	2	SCREW-HEX SOCKET (M4X0.7X20MM)
63	CH9X-1046	2	SCREW (M4X0.7X18MM)
65	CH9X-2044	7	SCREW-TRUSS HEAD (M6X1X16MM)
66	400076X1	25	WASHER (5X16X1.2)

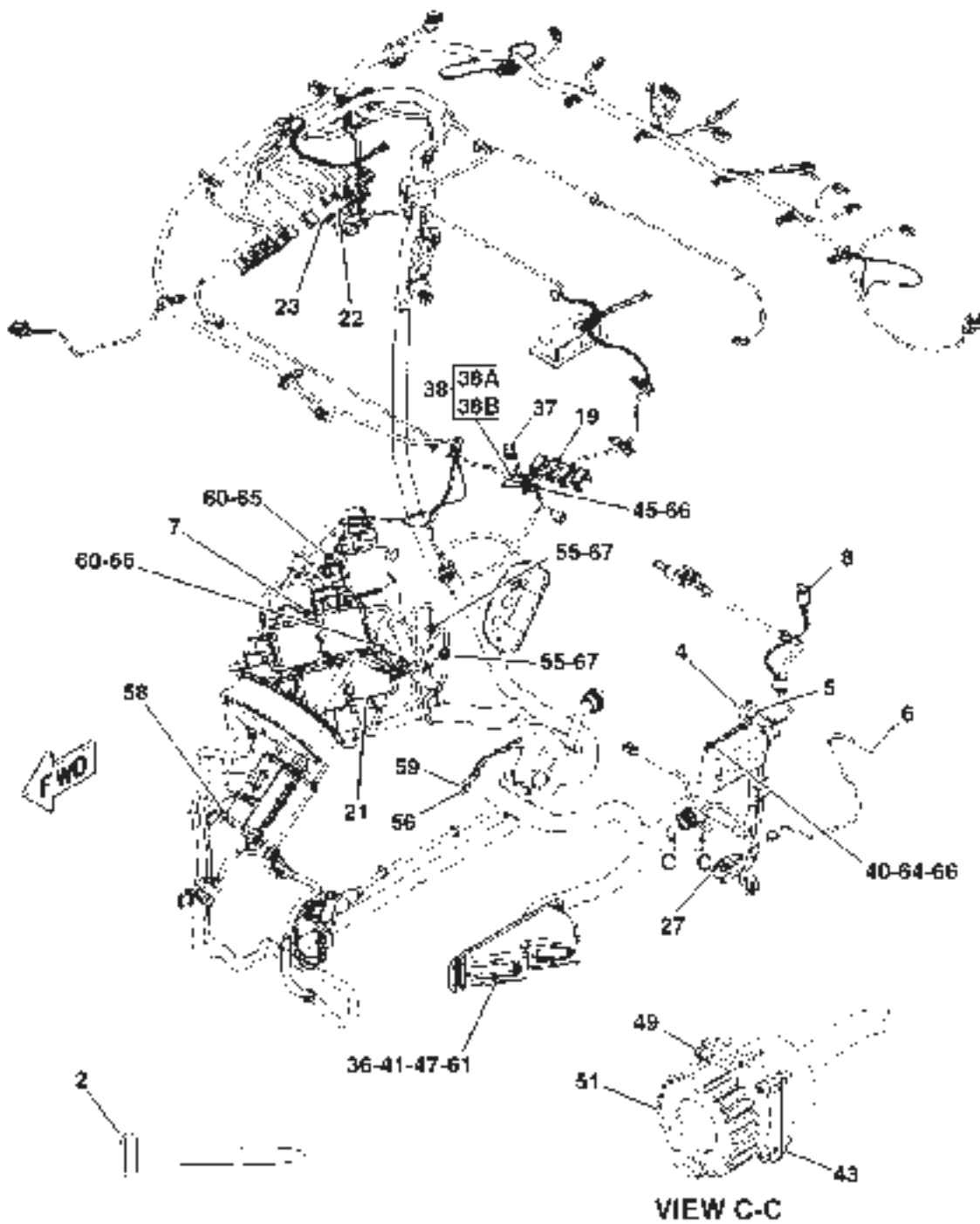
[A] PART OF 152-0012;152-0013;222-4146
CAB AR

[B] REQUIRES CH5P-8500 KEY

0898288A
PR: t05b22n43d0126

MT800B SERIES TRACTORS
ELECTRICAL & STARTING

WIRING GP-CAB - 152-0420B



**MT800B SERIES TRACTORS
ELECTRICAL & STARTING**

323

WIRING GP-CAB - 152-0420B

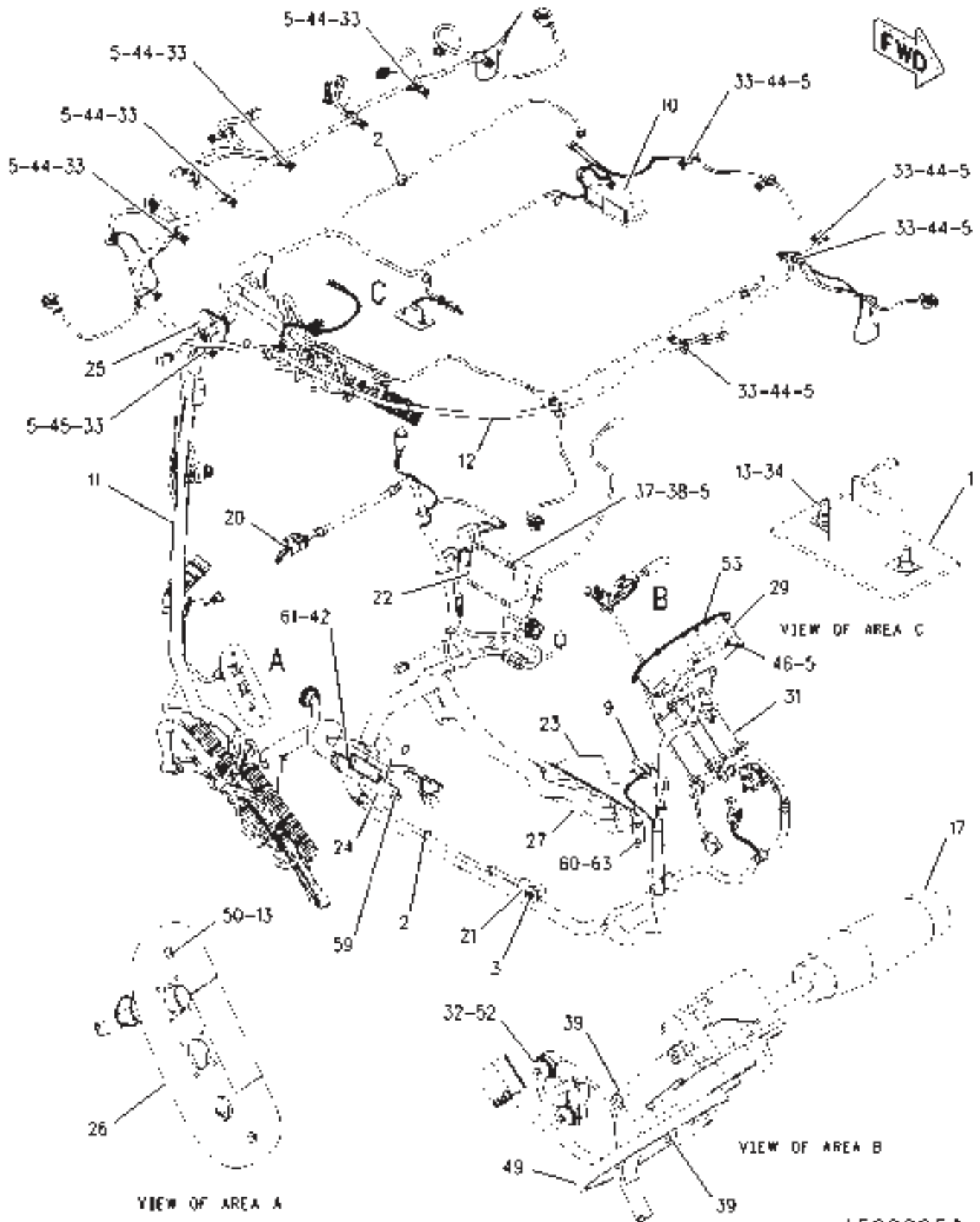
ITEM	NUMBER	QTY	DESCRIPTION
-	152-0420	-	WIRING GP-CAB [A] (NOT SERVICED)
2	400837X1	62	STRAP-CABLE
4	CH4E-2229	1	DAMPER-ALARM (VOLUME CONTROL)
5	CH219-4673	1	HORN (OPERATOR AUDIBLE ALARM)
6	CH105-8034	1	SWITCH-LIMIT (CAB DOOR)
7	CH116-7471	1	PULLER-MINIFUSE
8	CH117-2311	1	RECEPTACLE-POWER (12 VOLT)
19	CH165-5975	10	PLUG
21	169-6380	1	PANEL GP-FUSE (NOT SERVICED) (SEE BREAKDOWN FOR COMPONENTS)
22	216-3028	1	SWITCH-ROCKER (HAZARD)
23	169-8231	1	SWITCH-ROCKER (FLOOD LIGHTS)
27	502171D1	1	HARNES (FLASHER)
36	CH096-6166	10	WASHER-HARD (4.5X9X1)
37	CH145-0846	1	KNOB-LIGHTER
38	CH145-0847	1	HOUSING ASM (LIGHTER)
38A	CH6V-8376	1	SCREW-MACHINE (8-32X0.25 IN)
38B	CH9B-7233	1	LOCKWASHER
40	CH191-2276	4	SCREW-TRUSS HEAD (M5X0.8)
41	CH3B-4501	12	LOCKWASHER
43	CH3C-6969	5	NUT (M3X0.5)
45	CH4P-8134	2	CLIP
47	CH5C-8312	8	NUT (M4X0.7)
49	CH6V-9671	4	SCREW-MACHINE (M3X0.5X12MM)
51	501941D1	1	CAP AS-W/LANYARD
	400408X1	1	LANYARD
55	400287X1	2	WASHER-HARD (11X21X2.5)
58	400058X1	4	BOLT (M10X1.5X30MM)
59	400227X1	2	BOLT (M8X1.25X16MM)
60	CH8T-4205	7	WASHER-HARD (7.2X14.5X2MM)
61	400251X1	12	BOLT-SOCKET HEAD (M4X0.7X16MM)
64	CH179-4324	4	LOCKNUT (M5X0.8)
65	CH9X-2044	7	SCREW-TRUSS HEAD (M6X1X16MM)
66	400076X1	25	WASHER (5X16X1.2)
67	400039X1	2	BOLT (M10X1.5X25MM)

[A] PART OF 152-0012;152-0013;222-4146
CAB AR

0898293A
PR: t05b22n43d0127

MT800B SERIES TRACTORS
ELECTRICAL & STARTING

WIRING GP-CAB - 152-0005A
EAME ONLY



**MT800B SERIES TRACTORS
ELECTRICAL & STARTING**

325

**WIRING GP-CAB - 152-0005A
EAME ONLY**

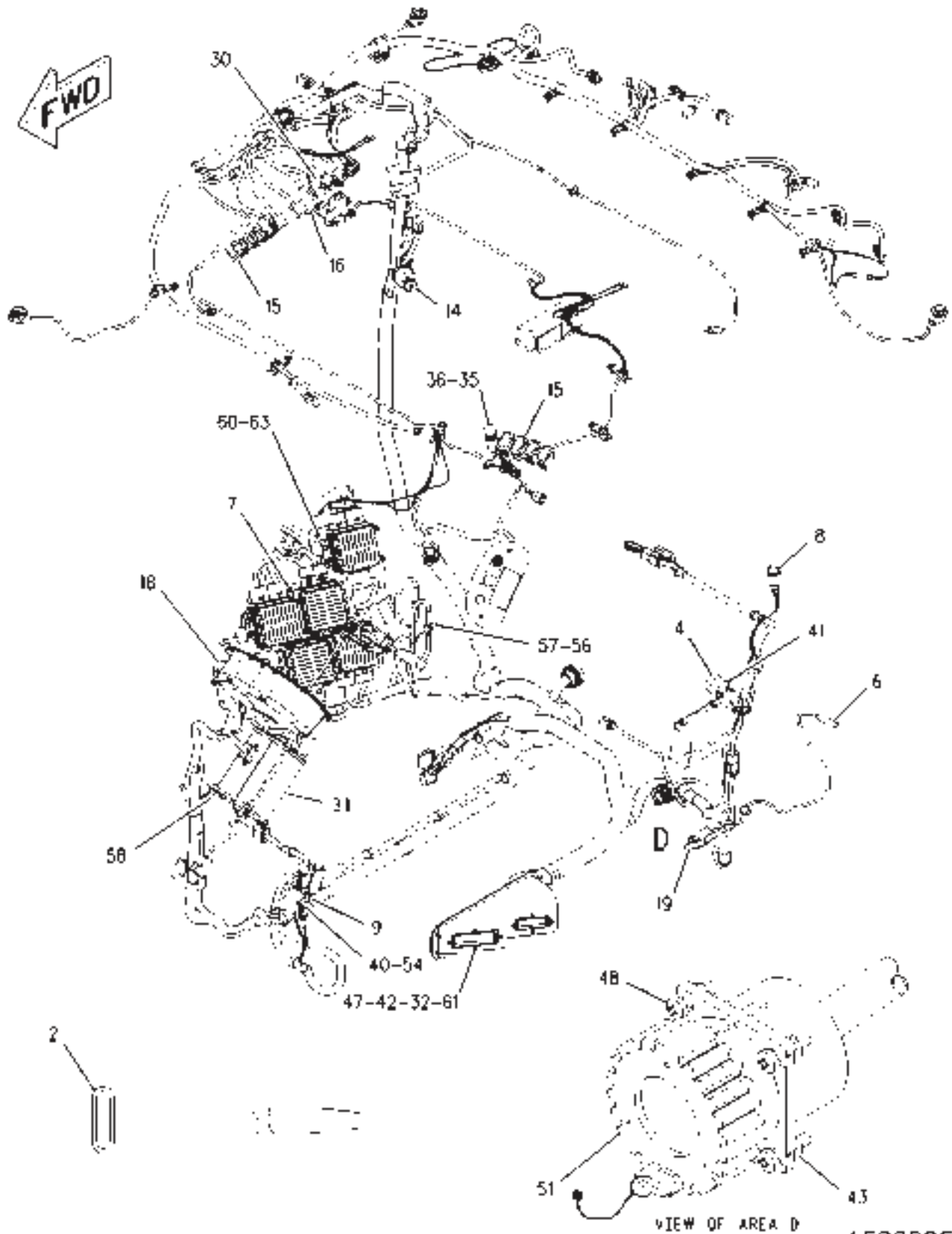
ITEM	NUMBER	QTY	DESCRIPTION
-	152-0005	-	WIRING GP-CAB [A] (NOT SERVICED)
1	501935D1	1	COURTESY LIGHT AS (12 VOLT) (SEE BREAKDOWN FOR COMPONENTS)
2	400837X1	63	STRAP-CABLE [B]
3	CH3T-8607	1	STUD ASY-POWER TERMINAL
	6F-7044	2	NUT-FULL (1/2-20)
	9B-0453	2	LOCKWASHER
5	400076X1	25	WASHER (5X16X1.2)
9	CH129-6457	1	SWITCH AS-LIMIT (BRAKE LIGHT)
	CH6V-8376	3	SCREW-MACHINE (8-32X0.25 IN)
	CH9B-7233	3	LOCKWASHER
10	CH136-5511	1	LAMP AS-DOME
	CH9W-3326	1	LAMP (12 VOLT)
11	500446D1	1	HARNESS AS (CAB MAIN)
12	501949D1	1	HARNESS AS (ROOF)
13	400084X1	4	NUT-RETAINER (M4X0.07X0.6-3.8PANEL)
17	170-2204	1	SWITCH AS (HIGH/LOW BEAM, ROADING, TURN)
20	173-7708	1	HARNESS AS (TRAILER CONNECTOR)
21	502188D1	1	CABLE AS (CAB POWER)
22	CH175-7057	1	MODULE-FLASHER
23	177-0381	1	HOUSING-CAB INTERFACE
24	177-0385	1	PLATE AS
25	178-7957	1	GROMMET-INNER ROOF
26	179-4204	1	PANEL ASM (SERVICE COMPLETE)
27	180-5244	1	SEAL-CONNECTOR
29	CH212-6998	1	MODULE GP-DISPLAY
31	217-9780	1	CONTROL GP-STEERING (SEE BREAKDOWN FOR COMPONENTS)
32	CH096-6166	10	WASHER-HARD (4.5X9X1)
33	CH110-2028	17	SCREW-PAN HEAD (10-14X.75 IN)
34	CH123-0707	2	SCREW-HEX SOCKET (M4X0.7X20MM)
37	CH179-4324	4	LOCKNUT
38	CH191-2276	4	SCREW-TRUSS HEAD (M5X0.8X20MM)
39	400017X1	4	BOLT-SCKT HD (M4X0.7X8)
42	CH3B-4501	12	LOCKWASHER
44	CH4P-7581	15	CLIP
45	CH4P-8134	2	CLIP
46	CH5C-2874	4	NUT (M5X.8)
49	CH7K-1181	1	STRAP-CABLE
50	CH7Y-7256	2	SCREW-TRUSS HEAD (M4X0.7X35MM)
52	CH8C-8514	2	SCREW-MACHINE (8-32X.375 IN)
53	CH8T-0337	6	SCREW-MACHINE (M4X0.7X12MM)
59	400227X1	2	BOLT (M8X1.25X16MM)
60	CH8T-4205	7	WASHER-HARD (7.2X14.5X2)
61	400251X1	12	BOLT-SOCKET HEAD (M4X0.7X16MM)
63	CH9X-2044	7	SCREW-TRUSS HEAD (M6X1X16MM)

[A] PART OF 152-0008; 152-0009 CAB AR
[B] USE AS REQUIRED

1520005A
PR: t05b22n43d0128

MT800B SERIES TRACTORS
ELECTRICAL & STARTING

WIRING GP-CAB - 152-0005B
EAME ONLY



**MT800B SERIES TRACTORS
ELECTRICAL & STARTING**

327

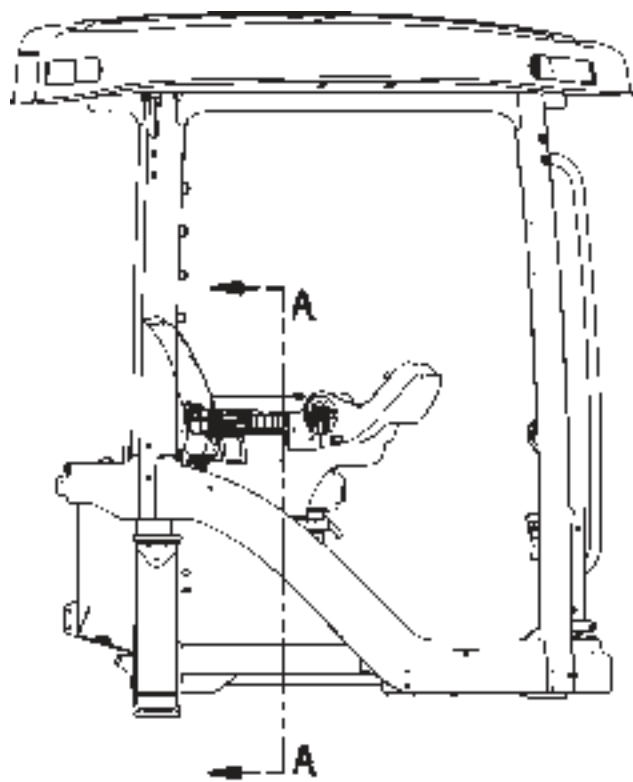
**WIRING GP-CAB - 152-0005B
EAME ONLY**

ITEM	NUMBER	QTY	DESCRIPTION
-	152-0005	-	WIRING GP-CAB [A] (NOT SERVICED)
2	400837X1	63	STRAP-CABLE [B]
4	CH4E-2229	1	DAMPER AS-ALARM
6	CH105-8034	1	SWITCH AS-LIMIT (CAB DOOR)
7	CH116-7471	1	PULLER-MINIFUSE
8	CH117-2311	1	RECEPTACLE AS-POWER (12 VOLT)
9	CH129-6457	1	SWITCH AS-LIMIT
	CH6V-8376	3	SCREW-MACHINE (8-32X0.25 IN)
	CH9B-7233	3	LOCKWASHER
14	CH163-2657	1	SWITCH GP-START
	400781X1	1	WEDGE-RECEPTACLE LOCK
	CH7T-6799	1	NUT-MOUNTING (1-32)
	400562X1	2	PIN-CONNECTOR
	400708X1	1	KIT-RECEPTACLE (4 PIN) (INCLUDES RECEPTACLE AS WEDGE)
	CH5P-8500	1	KEY-IGNITION
15	CH165-5975	8	PLUG
16	169-8231	1	SWITCH AS-ROCKER (FLOOD)
18	172-6841	1	PANEL GP-FUSE (CLAAS) (SEE BREAKDOWN FOR COMPONENTS)
19	502173D1	1	HARNESS AS (FLASHER)
30	216-3028	1	SWITCH AS-ROCKER (HAZARD)
31	217-9780	1	CONTROL GP-STEERING (SEE BREAKDOWN FOR COMPONENTS)
32	CH096-6166	10	WASHER-HARD (4.5X9X1)
35	CH145-0846	1	KNOB AS-LIGHTER
36	CH145-0847	1	HOUSING AS
	CH6V-8376	1	SCREW-MACHINE (8-32X0.25 IN)
	CH9B-7233	1	LOCKWASHER
40	CH216-9085	4	SCREW-PAN HEAD
41	CH219-4673	1	HORN (12 VOLT)
42	CH3B-4501	12	LOCKWASHER
43	CH3C-6969	4	NUT (M3X0.5)
47	CH5C-8312	8	NUT (M4X0.7)
48	CH6V-9671	4	SCREW-MACHINE (M3X0.5X12MM)
51	501941D1	1	CAP AS-W/LANYARD
	400408X1	1	LANYARD
54	CH8T-2658	4	LOCKNUT (M3X0.5)
56	400287X1	2	WASHER-HARD (11X21X2.5)
57	400039X1	2	BOLT (M10X1.5X25MM)
58	400058X1	4	BOLT (M10X1.5X30MM)
60	CH8T-4205	7	WASHER-HARD (7.2X14.5X2)
61	400251X1	12	BOLT-SOCKET HEAD (M4X0.7X16MM)
63	CH9X-2044	7	SCREW-TRUSS HEAD (M6X1X16MM)

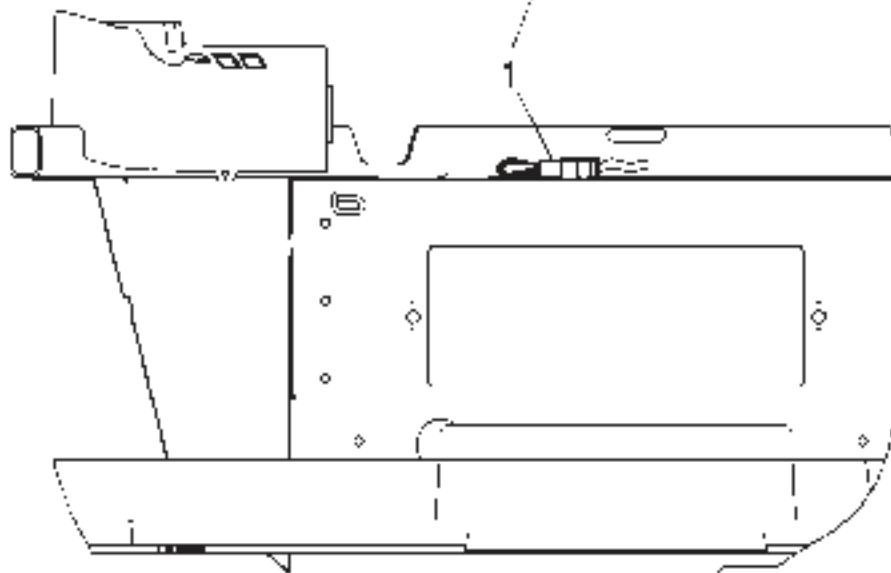
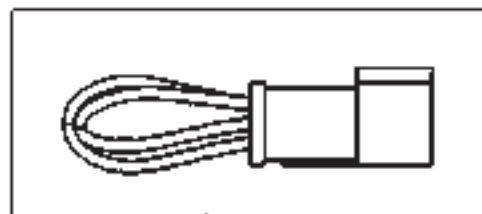
[A] PART OF 152-0008; 152-0009 CAB AR
[B] USE AS REQUIRED

1520005B
PR: t05b22n43d0129

WIRING GP-TRAILER JUMPER - 501940D1



RIGHT SIDE VIEW OF CAB



SECTION A-A
(SEAT AND REAR WRAP REMOVED)

MT800B SERIES TRACTORS
ELECTRICAL & STARTING

329

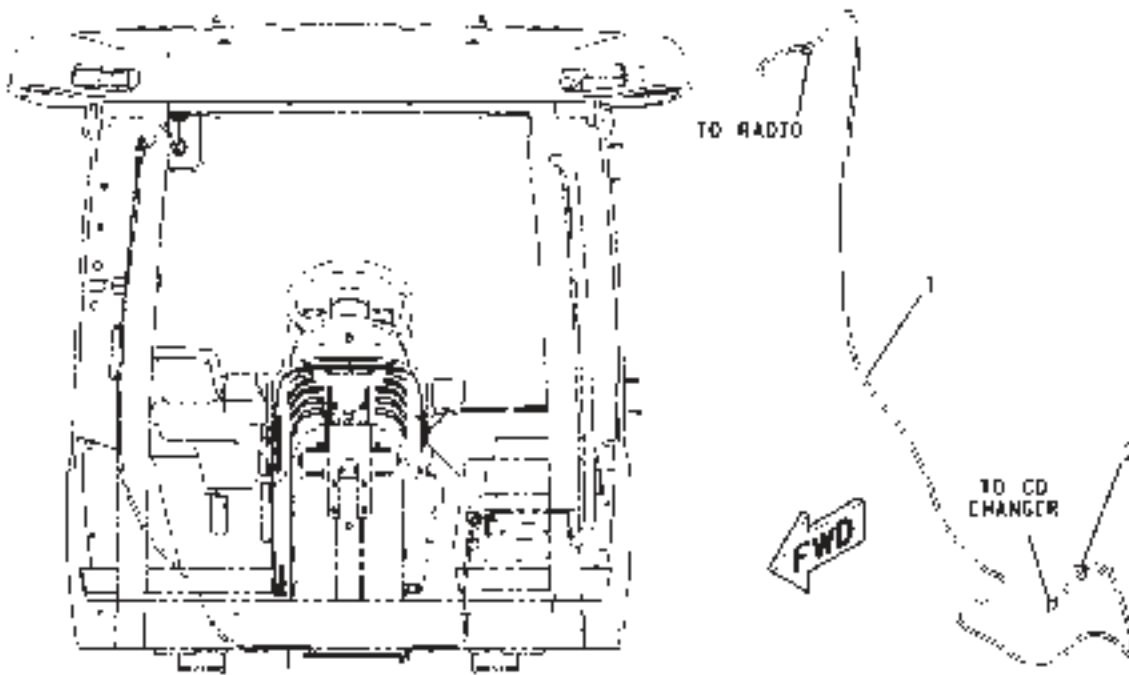
WIRING GP-TRAILER JUMPER - 501940D1

ITEM	NUMBER	QTY	DESCRIPTION
-	501940D1	-	WIRING GP-TRAILER JUMPER [A] (NOT SERVICED)
1	173-7708	1	HARNESS AS-TRAILER

[A] PART OF 152-0420 WIRING GP-CAB

501940DC
PR: t05b22n43d0130

WIRING GP-COMPACT DISC CHANGER
195-9532



FRONT VIEW

MT800B SERIES TRACTORS
ELECTRICAL & STARTING

331

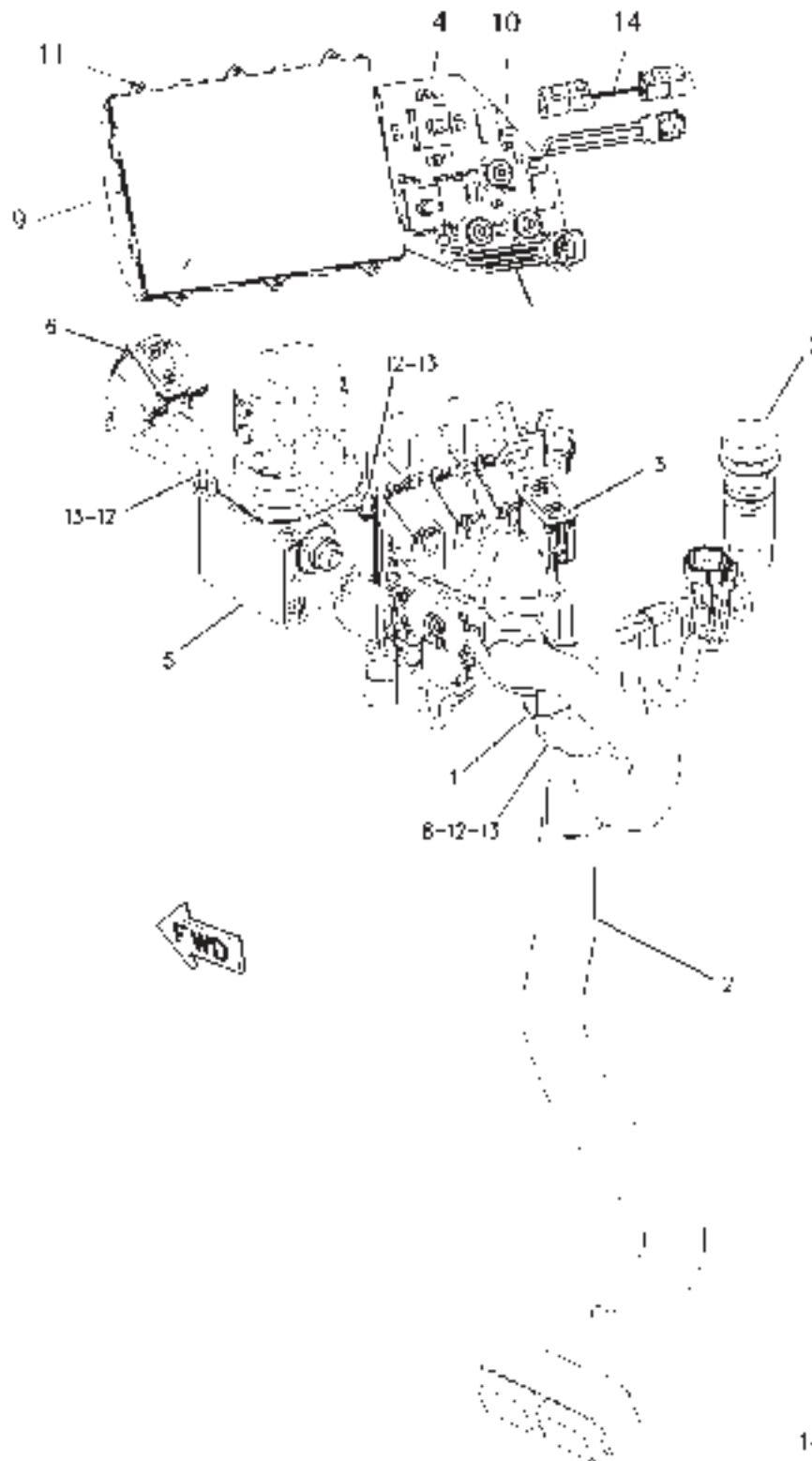
WIRING GP-COMPACT DISC CHANGER
195-9532

ITEM	NUMBER	QTY	DESCRIPTION
-	195-9532	-	WIRING GP-COMPACT DISC CHANGER (NOT SERVICED)
1	502189D1	1	HARNESS (COMPACT DISC CHANGER)
2	CH212-4443	1	GROMMET

00825421
PR: t05b22n43d0131

MT800B SERIES TRACTORS
ELECTRICAL & STARTING

WIRING GP-CONSOLE - 166-1211
ARMREST W/PTO



**MT800B SERIES TRACTORS
ELECTRICAL & STARTING**

333

**WIRING GP-CONSOLE - 166-1211
ARMREST W/PTO**

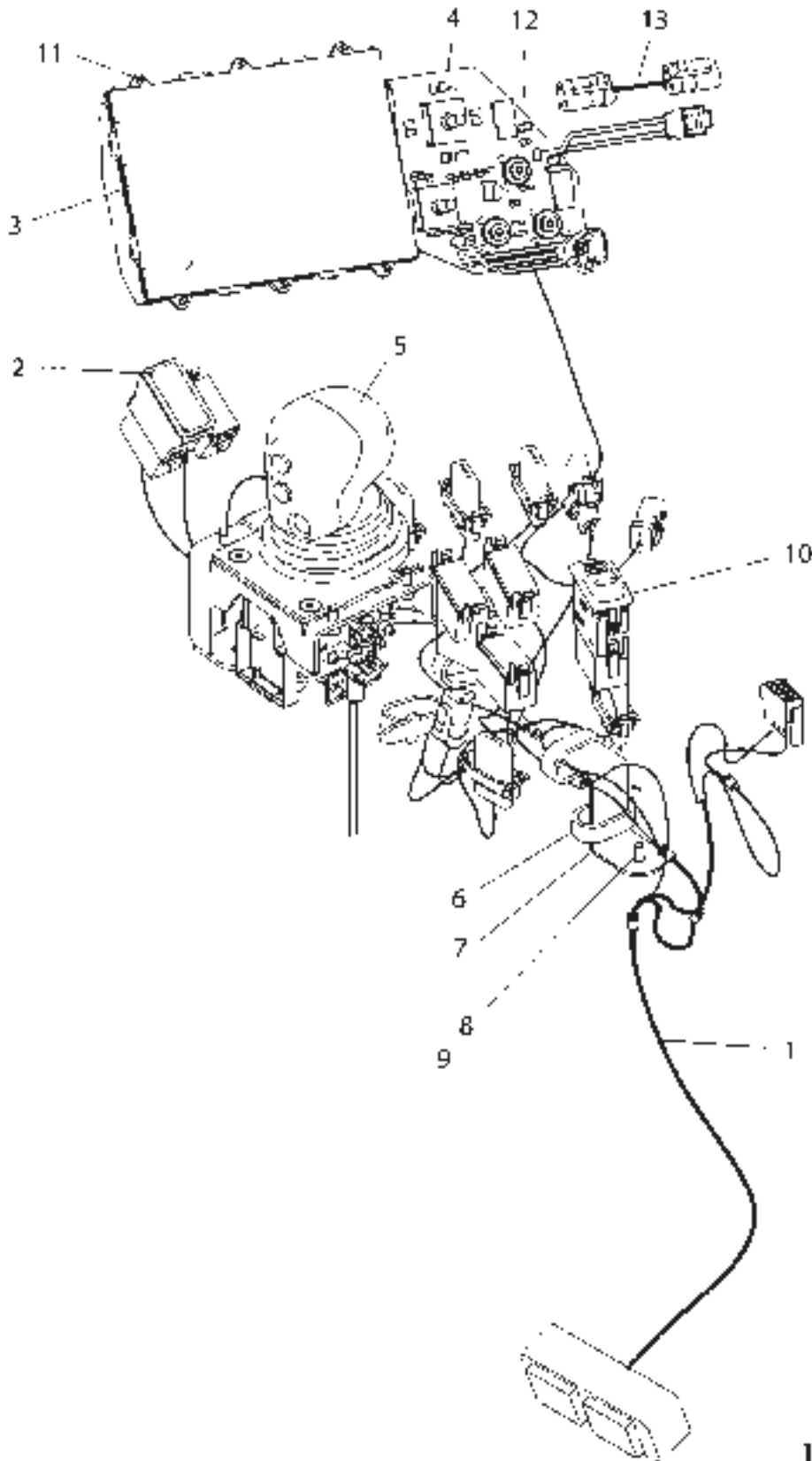
ITEM	NUMBER	QTY	DESCRIPTION
-	166-1211	-	WIRING GP-CONSOLE [A] (NOT SERVICED)
1	400837X1	4	STRAP-CABLE
2	502035D1	1	HARNESS AS. (ARMREST)
3	222-2457	1	SWITCH-ROCKER (ROADING LOCKOUT)
4	501033D1	1	MODULE GP-MONITOR KEYPAD (TR MGMT CNTR) (SEE BREAKDOWN FOR COMPONENTS)
5	169-6346	1	CONTROL GP-TRANSMISSION (NOT SERVICED) (SEE BREAKDOWN FOR COMPONENTS)
6	169-8228	1	SWITCH-ROCKER (ONE TOUCH MULTI-FUNCTION)
7	502009D1	1	SWITCH AS. (POWER TAKE-OFF)
	400782X1	1	CONNECTOR-RECP.
	400562X1	4	PIN-CONNECTOR
8	202-0844	1	BRACKET
9	502006D1	1	DISPLAY (TRACTOR MGMT CENTER)
10	400834X1	4	SCREW-TRUSS HD (8-16X0.5IN)
11	400835X1	6	SCREW-PAN HEAD (6-19X0.5IN)
12	400836X1	3	SCREW-MACHINE (M5X0.8THD)
13	400310X1	3	WASHER (6.6X12X2MM THK)
14	502005D1	1	JUMPER HARNESS-SWITCH MODULE

[A] PART OF 500484D2; 500485D2;
500488D2; 500489D2; 500791D2;
500792D2 ARMREST GP

1661211A
PR: t05k07n15a0010

MT800B SERIES TRACTORS
ELECTRICAL & STARTING

WIRING GP-CONSOLE - 136-5477
WITHOUT PTO



**MT800B SERIES TRACTORS
ELECTRICAL & STARTING**

335

**WIRING GP-CONSOLE - 136-5477
WITHOUT PTO**

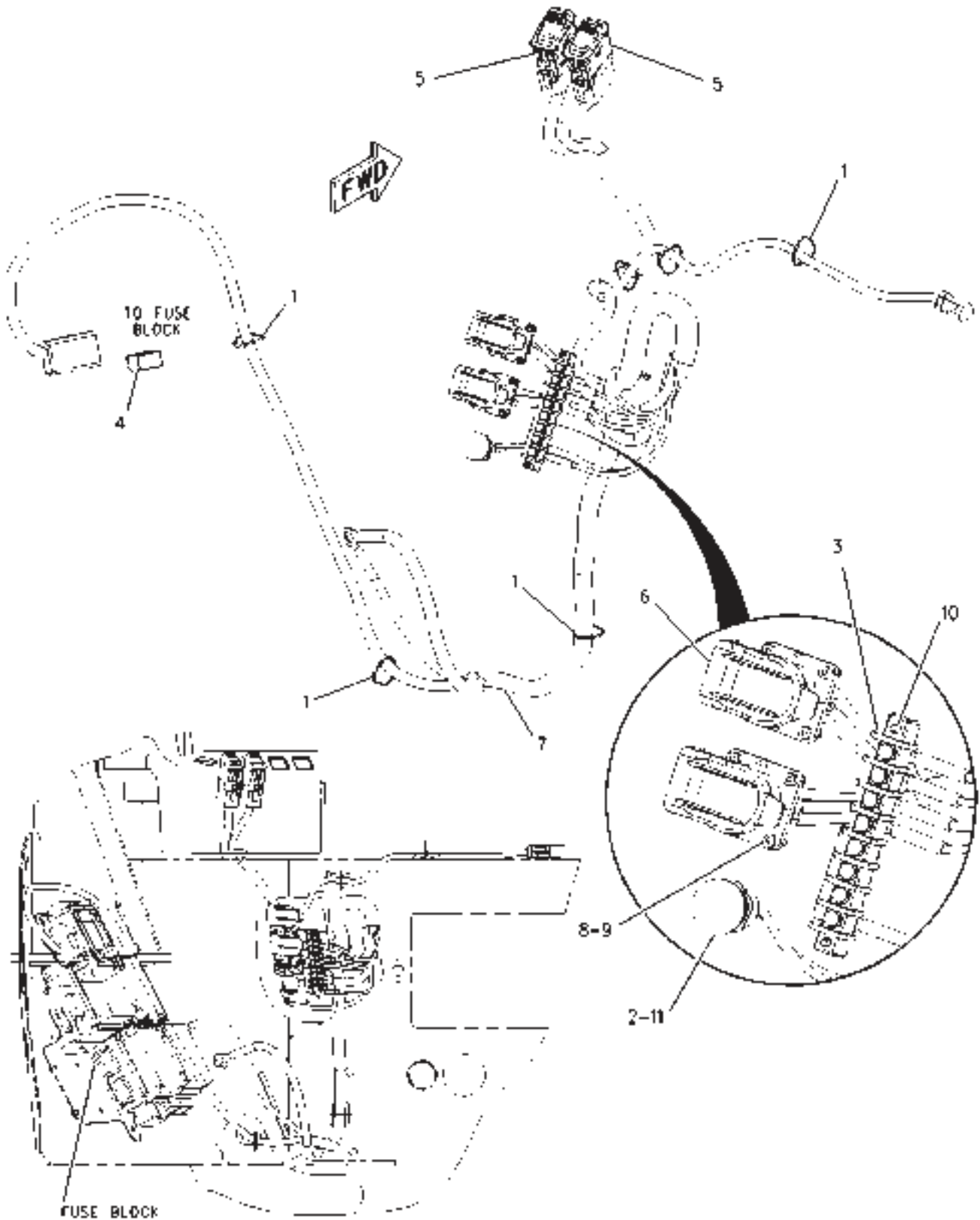
ITEM	NUMBER	QTY	DESCRIPTION
-	136-5477	-	WIRING GP-CONSOLE [A] (NOT SERVICED)
1	502035D1	1	HARNESS ASM (ARMREST)
2	169-8228	1	SWITCH ASM-ROCKER (ONE TOUCH MULTI-FUNCTION)
3	502006D1	1	DISPLAY
4	501033D1	1	CONTROL GP-ELECTRONIC (SEE BREAKDOWN FOR COMPONENTS)
5	169-6346	1	CONTROL GP-TRANSMISSION (NOT SERVICED-SEE BREAKDOWN)
6	400837X1	4	STRAP-CABLE
7	202-0844	1	BRACKET
8	400310X1	3	WASHER (6.6X12X2)
9	400836X1	3	SCREW-PAN HD (M5X0.8X14)
10	222-2457	1	SWITCH-ROCKER (IMPLEMENT LOCKOUT)
11	400835X1	6	SCREW-PAN HD (6-19X12.7)
12	400834X1	4	SCREW-TRUSS HD (8-16X12.7MM)
13	502005D1	1	JUMPER HARNESS-SWITCH MODULE

[A] PART OF:
500486D2; 500487D2; 500490D2;
500491D2; 500793D2;
500794D2 ARMREST GP
500763D1; 500764D1; 500767D1;
500841D1; 500842D1; 500843D1;
500849D1 CAB AR

1365477J
PR: t05b22n43d0132

MT800B SERIES TRACTORS
ELECTRICAL & STARTING

WIRING GP-CONSOLE - 168-1946
EAME ONLY



MT800B SERIES TRACTORS
ELECTRICAL & STARTING

337

WIRING GP-CONSOLE - 168-1946
EAME ONLY

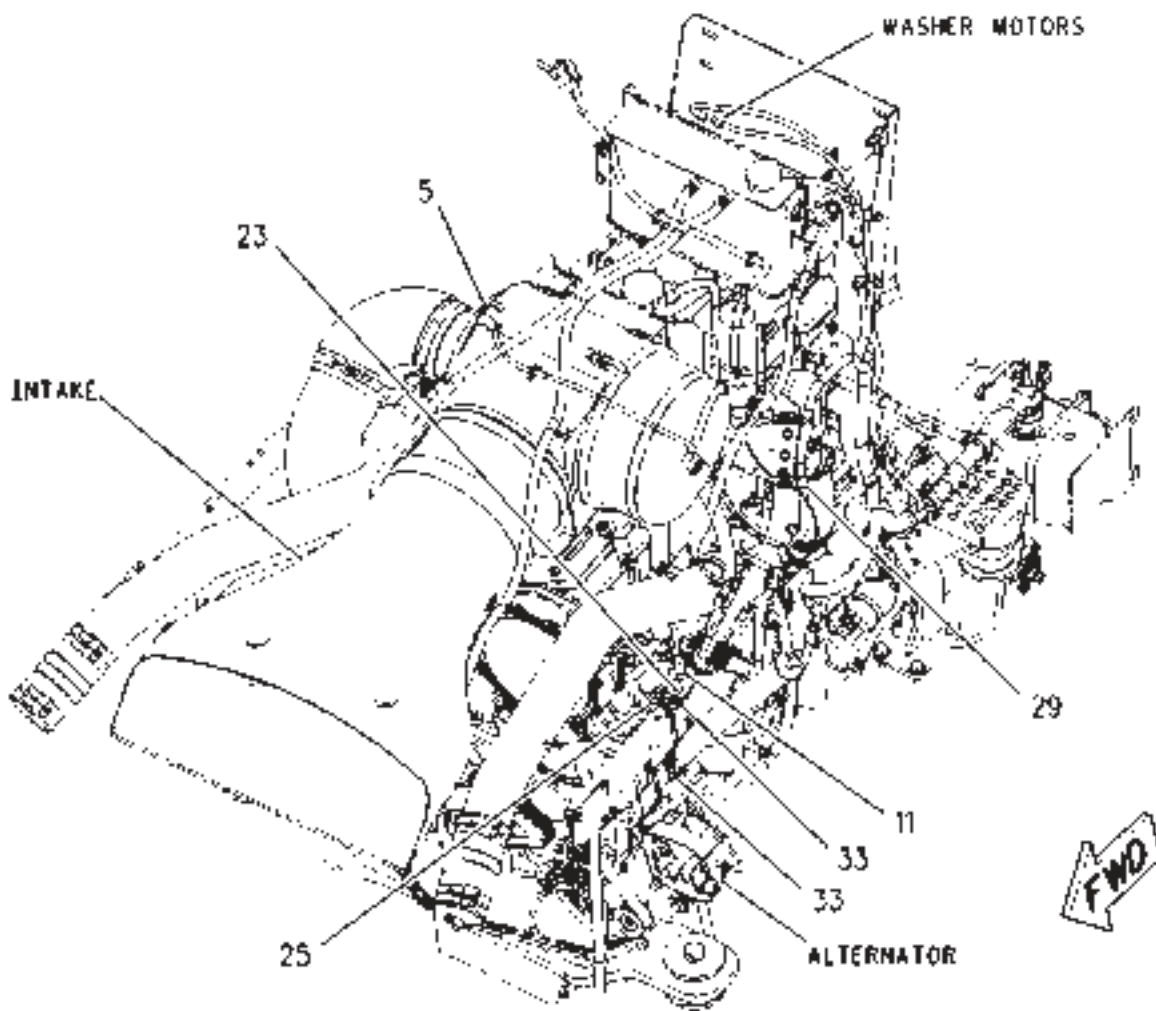
ITEM	NUMBER	QTY	DESCRIPTION
-	168-1946	-	WIRING GP-CONSOLE [A]
1	400837X1	7	STRAP-CABLE
2	CH9R-7941	1	RECEPTACLE AS-POWER (24 VOLTS)
	CH9R-7980	1	COVER
3	CH136-5268	1	STRIP AS
4	CH146-9439	1	RELAY AS (12 VOLT) (AUXILIARY POWER SWITCHES)
5	169-8229	2	SWITCH AS-ROCKER (AUXILIARY POWER)
6	CH174-9061	2	CONNECTOR
7	502175D1	1	HARNESS AS (AUXILIARY POWER)
8	400006X1	8	BOLT-SOCKET HEAD (M3X0.5X12MM)
9	CH3C-6969	8	NUT (M3X0.5 THD)
10	CH119-5026	2	SCREW-PAN HEAD (10-16X0.63 IN)
11	400322X1	1	SEAL-O-RING (19.28IDX1.78DIA)

[A] PART OF:
152-0008; 152-0009; 500841D1;
502659D1; 502660D1 CAB AR

00883528
PR: t05b22n43d0133

MT800B SERIES TRACTORS
ELECTRICAL & STARTING

WIRING GP-VEHICLE - 136-5668



VIEW OF HARNESS
AROUND ENGINE

**MT800B SERIES TRACTORS
ELECTRICAL & STARTING**

339

WIRING GP-VEHICLE - 136-5668

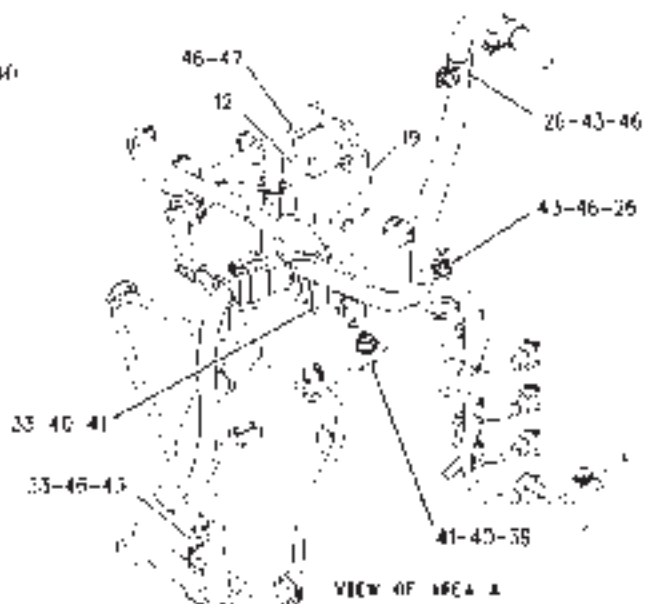
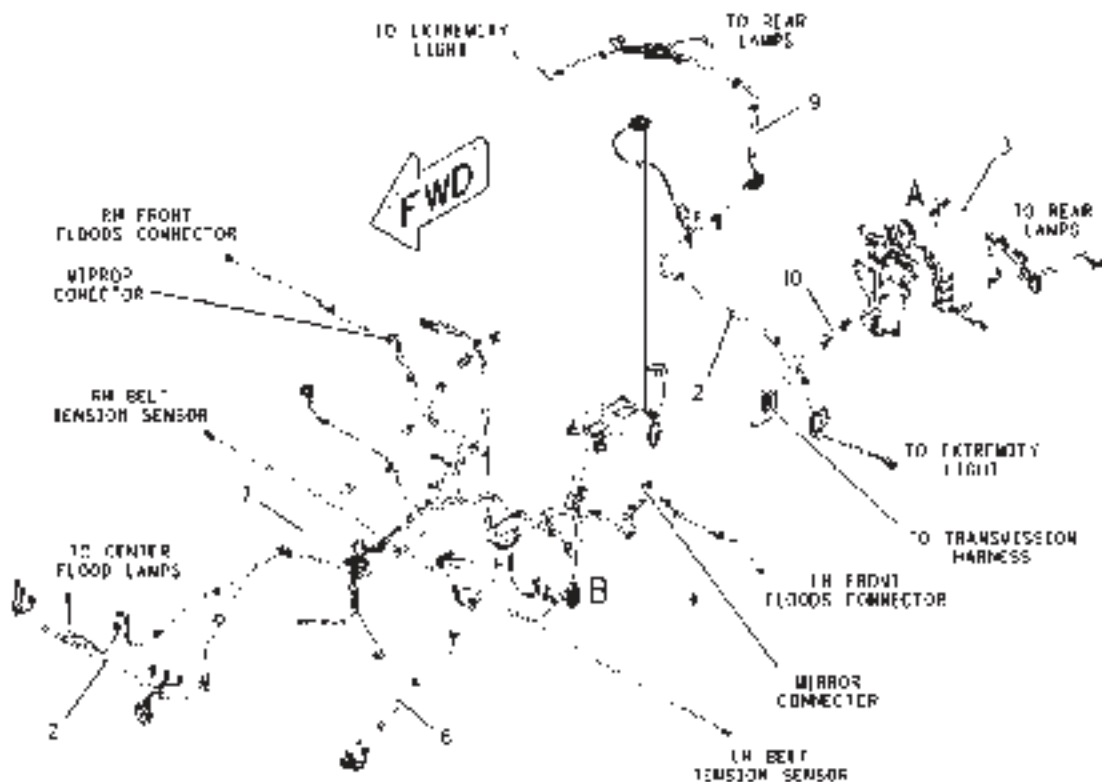
ITEM	NUMBER	QTY	DESCRIPTION
-	136-5668	-	WIRING GP-MACHINE [A] (NOT SERVICED)
5	226-4754	1	SWITCH ASM
11	CH149-6371	1	SWITCH ASM-PRESSURE
	102-8802	1	KIT-RECEPTACLE (2 PIN) (INCLUDES WEDGE AND RECEPTACLE ASM) (SERVICED AS COMPLETE KIT ONLY)
	186-3735	2	PIN-CONNECTOR
23	CH114-5333	1	SWITCH ASM-PRESSURE
	102-8802	1	KIT-RECEPTACLE (2 PIN) (INCLUDES WEDGE AND RECEPTACLE ASM) (SERVICED AS COMPLETE KIT ONLY)
	186-3735	2	PIN-CONNECTOR
25	CH132-5789	2	CLIP
29	4D-7735	1	CLIP
33	CH4P-7581	11	CLIP

[A] PART OF:
179-1952; 501810D1 BASE COMMON AR

00897024
PR: t05b22n43d0134

MT800B SERIES TRACTORS ELECTRICAL & STARTING

WIRING GP-MACHINE - 136-5668



**MT800B SERIES TRACTORS
ELECTRICAL & STARTING**

341

WIRING GP-MACHINE - 136-5668

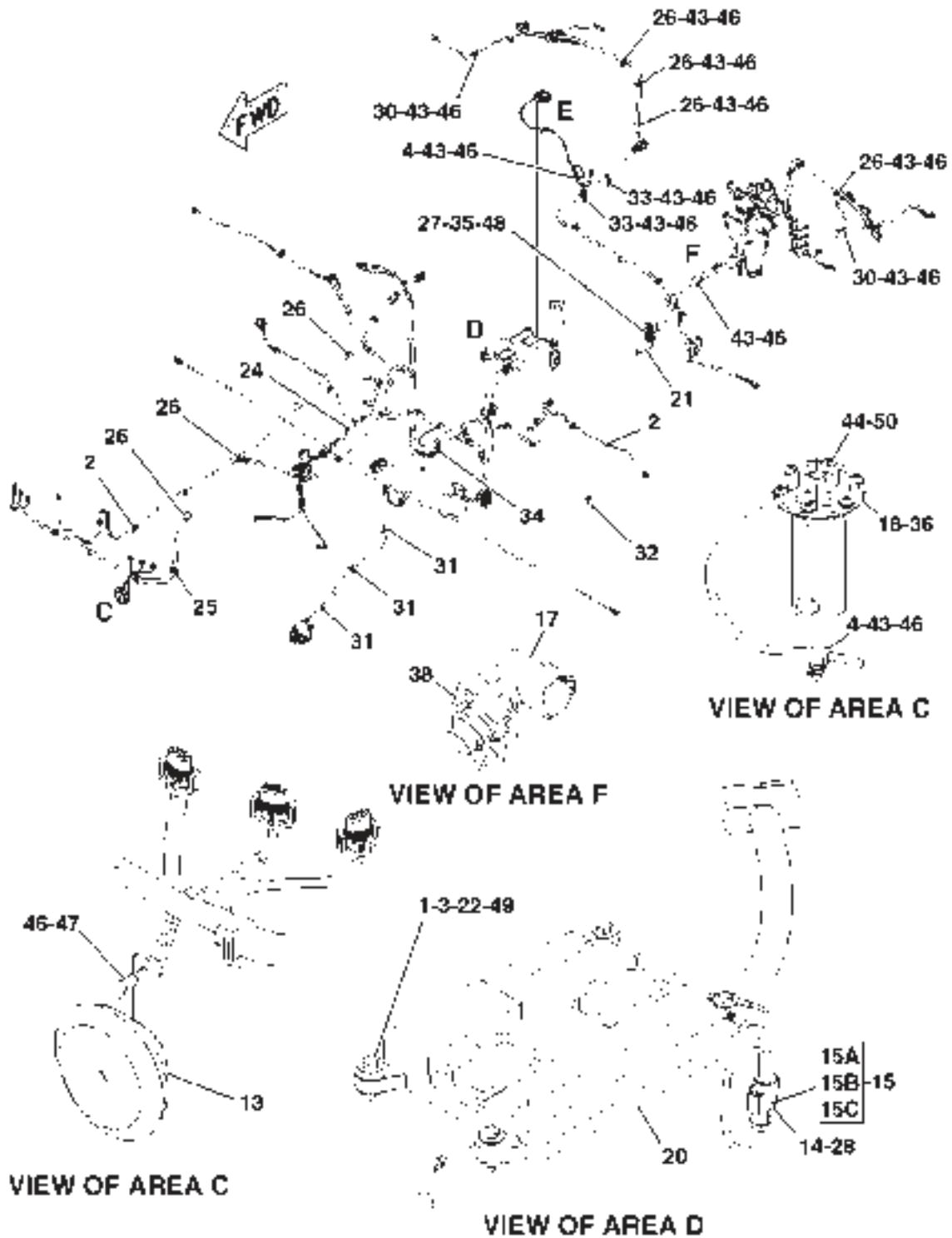
ITEM	NUMBER	QTY	DESCRIPTION
-	136-5668	-	WIRING GP-MACHINE [A] (NOT SERVICED)
2	CH7K-1181	87	STRAP-CABLE
6	136-5380	1	HARNESS ASM-CHASSIS
7	136-5381	1	HARNESS ASM (HOOD)
8	226-4324	1	HARNESS ASM (LH)
9	226-4325	1	HARNESS ASM (RH)
10	501952D1	1	HARNESS ASM (REAR)
12	502197D1	1	HARNESS ASM-TRAILER
16	CH175-3244	1	SWITCH ASM-PRESSURE
	102-8803	1	KIT-RECEPTACLE (3 PIN) (INCLUDES WEDGE AND RECEPTACLE ASM) (SERVICED AS COMPLETE KIT ONLY)
	186-3735	1	PIN-CONNECTOR
	8T-5677		SLEEVE (20CM)
	5P-6008		TUBE (60CM)
19	196-5405	1	BRACKET ASM (INCLUDES BRACKET & NUT)
26	CH134-3988	11	CLIP
28	400318X1	2	SEAL-O-RING
33	CH4P-7581	11	CLIP
34	400597X1	3	CLIP
37	CH6S-5993	1	CLIP
39	CH8T-0389	2	LOCKNUT (M10X1.5)
40	400287X1	6	WASHER-HARD (11X21X2.5)
41	400039X1	6	BOLT (M10X1.5X25MM)
42	400047X1	2	BOLT (M12X1.75X20MM)
43	400227X1	18	BOLT (M8X1.25X16MM)
45	400357X1	2	WASHER-HARD (M12X25.5X3)
46	400339X1	23	WASHER-HARD (8.8X16X2)
47	400341X1	3	BOLT (M8X1.25X25MM)

[A] PART OF:
179-1952; 501810D1 BASE COMMON AR

00896821
PR: t05b22n43d0135

MT800B SERIES TRACTORS
ELECTRICAL & STARTING

WIRING GP-MACHINE - 136-5668



**MT800B SERIES TRACTORS
ELECTRICAL & STARTING**

343

WIRING GP-MACHINE - 136-5668

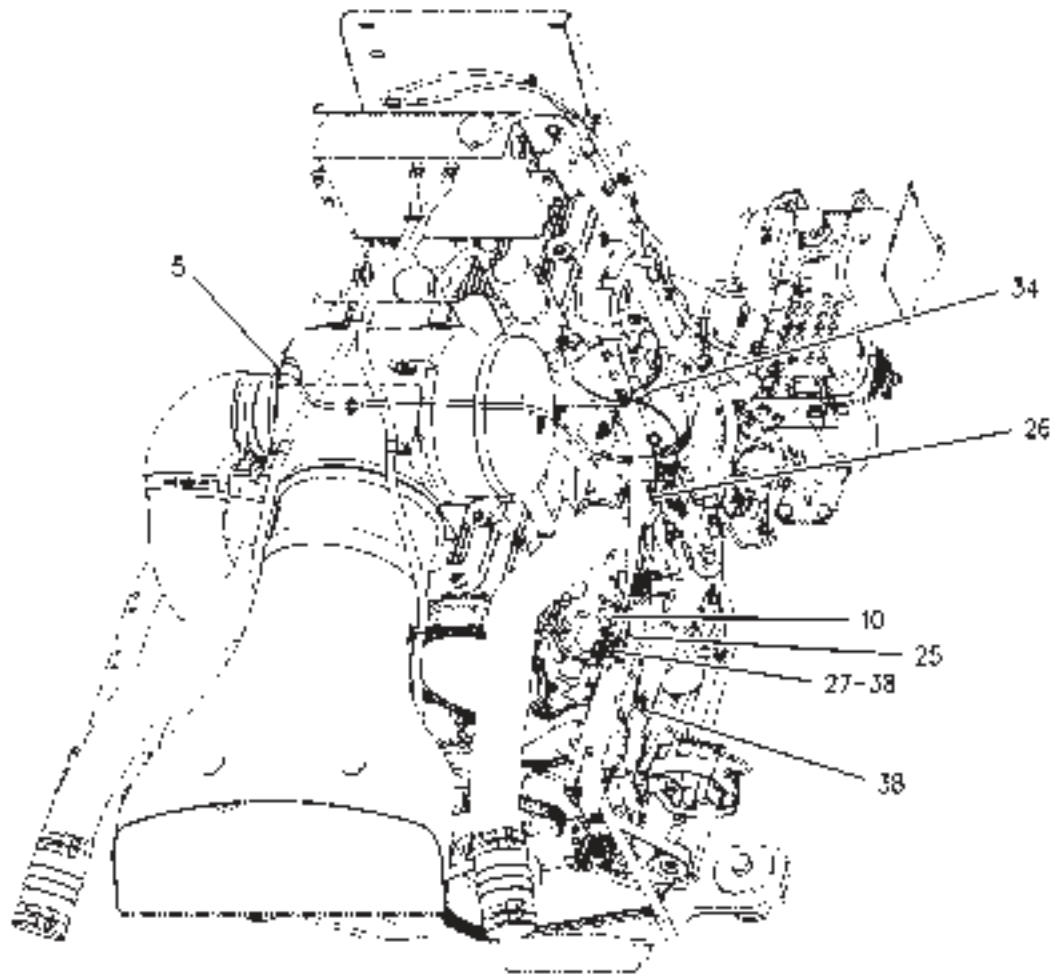
ITEM	NUMBER	QTY	DESCRIPTION
-	136-5668	-	WIRING GP-MACHINE [A] (NOT SERVICED)
1	CH6I-1418	4	SPACER (8.2X12.7X28.7)
2	CH7K-1181	87	STRAP-CABLE
3	CH8T-9655	8	MOUNT (ISOLATION)
4	CH134-3987	2	CLIP
13	501998D1	1	HORN (12 VOLT)
14	CH161-9932	1	SENSOR GP-PRESSURE (SEE BREAKDOWN FOR COMPONENTS)
15	CH173-7223	1	ADAPTER AS-4STORX6STOR
15A		1	ADAPTER (ORDER ITEM 15)
15B	400361X1	1	SEAL-O-RING (8.92ID X 1.83DIA)
15C	400318X1	1	SEAL-O-RING (11.89ID X 1.98DIA)
17	CH183-4584	1	SENSOR GP-SPEED
	CH6J-2245	1	SEAL-O-RING (17.12ID X 2.62DIA)
18	CH194-7620	1	SENDER ASM-FUEL LEVEL
	CH204-7458	1	SENSOR KIT
20	209-0893	1	ELECTRONICS GP-MACHINE/TRANSMISSION (NOT SERVICED)
	256-0173	1	SOFTWARE GP-POWER TRAIN (TRANSMISSION/MACHINE) (FOR SOFTWARE INFO CALL SERVICE/WARRANTY AT 507-847-7222)
	178-9090	1	CONTROL GP-UNPROGRAMMED
		1	CONTROL ASM
	7X-6315	1	STRAP ASM-GROUND
	134-4126	1	WASHER (4.52X8.28X.76)
	184-2472	1	SCREW-PAN HEAD (LUBRICATED)
21	211-1171	1	BRACKET ASM
22	400001X1	4	BOLT (M8X1.25X40MM)
24	124-1479	1	CLIP
25	132-5789	2	CLIP
26	134-3988	12	CLIP
27	CH3B-4501	4	LOCKWASHER
28	400318X1	2	SEAL-O-RING
30	CH4D-7794	4	CLIP
31	CH4K-8864	3	CLIP
32	CH4P-7428	1	CLIP
33	CH4P-7581	11	CLIP
34	400597X1	3	CLIP
35	CH5C-8312	4	NUT (M4X0.7)
36	500014D1	1	GASKET
38	400209X1	2	BOLT-SOCKET HEAD (M6X1X12MM)
43	400227X1	18	BOLT (M8X1.25X16MM)
44	CH8T-4205	6	WASHER-HARD (7.2X14.5X2MM)
46	400339X1	23	WASHER-HARD (8.8X16X2)
47	400341X1	5	BOLT (M8X1.25X25MM)
48	400251X1	4	BOLT-SOCKET HEAD (M4X0.7X16MM)
49	CH9N-0869	4	WASHER-HARD (8.8X25.5X2)
50	CH9X-2045	6	SCREW-TRUSS HEAD (M6X1X20MM)

[A] PART OF:
179-1952; 501810D1 BASE COMMON AR

0896824A
PR: t05b22n43d0136

MT800B SERIES TRACTORS
ELECTRICAL & STARTING

WIRING GP-VEHICLE - 136-5669
EAME ONLY



VIEW OF ENGINE

MT800B SERIES TRACTORS
ELECTRICAL & STARTING

345

WIRING GP-VEHICLE - 136-5669
EAME ONLY

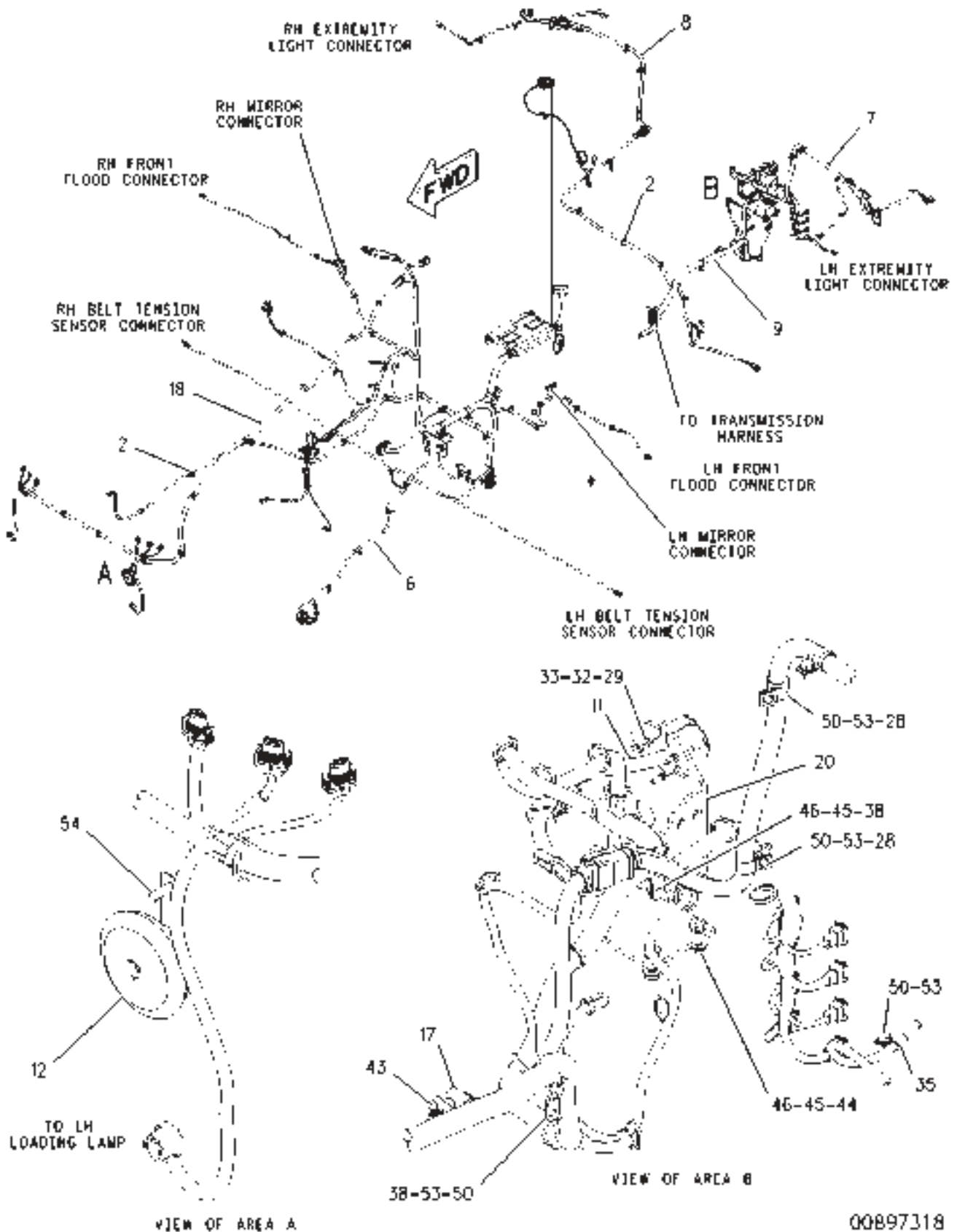
ITEM	NUMBER	QTY	DESCRIPTION
-	136-5669	-	WIRING GP-VEHICLE [A] (NOT SERVICED)
5	226-4754	1	SWITCH AS
10	CH149-6371	1	SWITCH AS-PRESSURE (AIR CONDITIONER LOW)
	CH102-8802	1	KIT-RECEPTACLE (2 PIN) (INCLUDES RECEPTACLE AND WEDGE)
	400511X1	1	WEDGE-RECEPTACLE LOCK (2 PIN)
	400562X1	2	PIN-CONNECTOR
25	CH114-5333	1	SWITCH AS-PRESSURE
	CH102-8802	1	KIT-RECEPTACLE (2 PIN) (INCLUDES RECEPTACLE AND WEDGE)
	400511X1	1	WEDGE-RECEPTACLE LOCK (2 PIN)
	400562X1	1	PIN-CONNECTOR
	CH9X-1386	1	GROMMET
26	4D-9517	1	CLIP
27	CH132-5789	2	CLIP
34	CH4P-7581	1	CLIP
38	CH4P-7581	8	CLIP

[A] PART OF:
179-2180; 501811D1 BASE COMMON AR
[B] USE AS REQUIRED
[E] ORDER BY THE CENTIMETER

00897317
PR: t05b22n43d0137

MT800B SERIES TRACTORS
ELECTRICAL & STARTING

WIRING GP-VEHICLE - 136-5669
EAME ONLY



**MT800B SERIES TRACTORS
ELECTRICAL & STARTING**

347

**WIRING GP-VEHICLE - 136-5669
EAME ONLY**

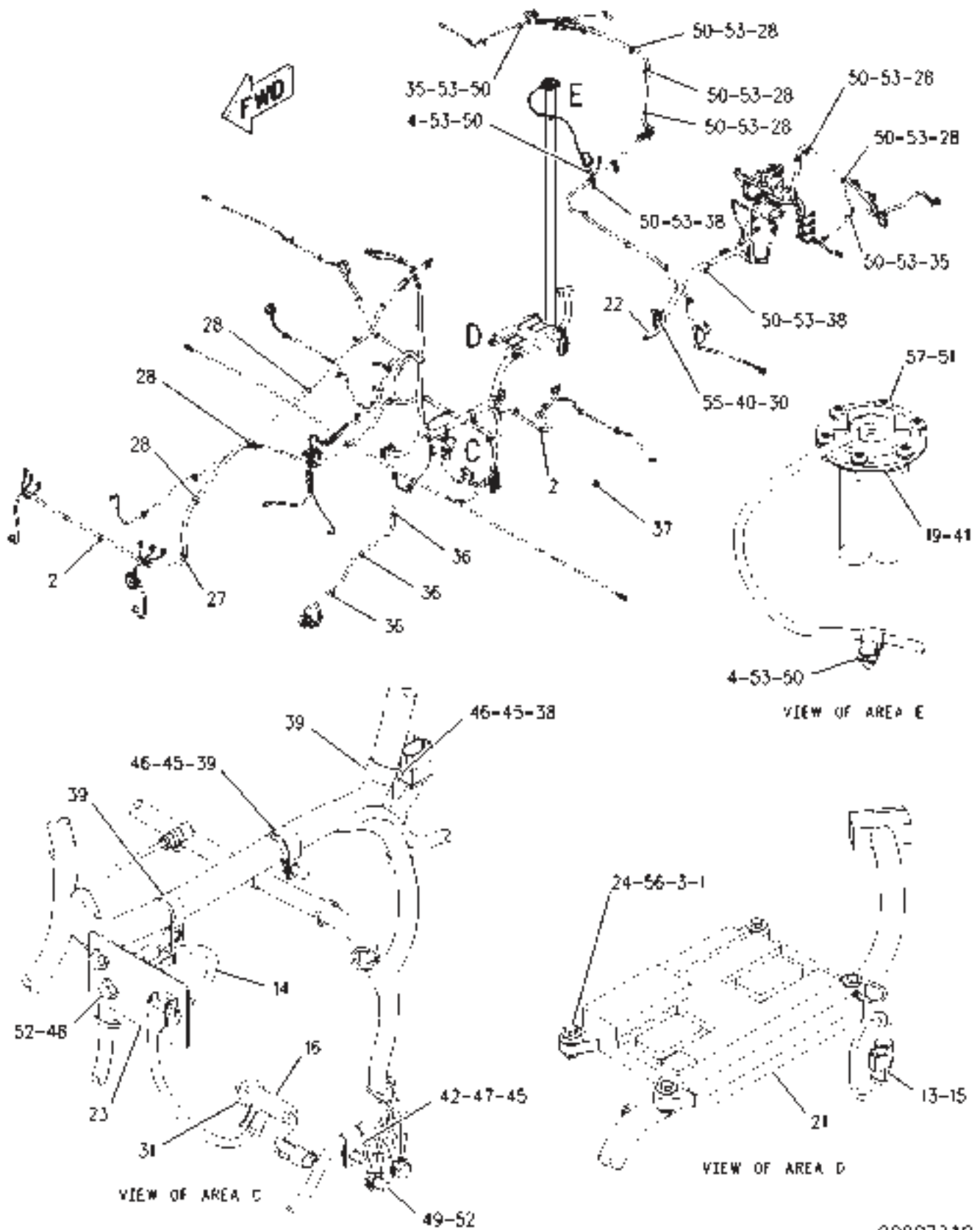
ITEM	NUMBER	QTY	DESCRIPTION
-	136-5669	-	WIRING GP-VEHICLE [A] (NOT SERVICED)
2	CH7K-1181	90	STRAP-CABLE
6	136-5380	1	HARNESS AS-CHASSIS
7	226-4324	1	HARNESS AS (LH)
8	226-4325	1	HARNESS AS (RH)
9	501952D1	1	HARNESS AS (REAR)
11	502276D1	1	HARNESS AS-TRAILER
12	501998D1	1	HORN (12 VOLT)
17	CH183-4584	1	SENSOR GP-SPEED
	CH6J-2245	1	SEAL-O-RING (17.12IDX2.62DIA)
18	193-4752	1	HARNESS AS (HOOD)
20	500510D1	1	BRACKET AS
	CH8T-3612	2	NUT-WELD (M8X1.25 THD)
28	CH134-3988	11	CLIP
29	CH2N-7456	3	SCREW-MACHINE (10-24X1.5IN)
32	CH4B-2047	3	NUT (10-24 THD)
33	CH4B-4274	3	WASHER (5.5X13X1.2MM THK)
35	CH4D-7794	4	CLIP
38	CH4P-7581	8	CLIP
43	400209X1	2	BOLT-SOCKET HEAD (M6X1X12MM)
44	CH8T-0389	2	LOCKNUT (M10X1.5 THD)
45	400287X1	6	WASHER-HARD (11X21X2.5MM THK)
46	400039X1	5	BOLT (M10X1.5X25MM)
50	400227X1	18	BOLT (M8X1.25X16MM)
53	400339X1	19	WASHER-HARD (8.8X16X2MM THK)
54	400341X1	1	BOLT (M8X1.25X25MM)

[A] PART OF:
179-2180; 501811D1 BASE COMMON AR
[B] USE AS REQUIRED
[E] ORDER BY THE CENTIMETER

00897318
PR: t05b22n43d0138

MT800B SERIES TRACTORS
ELECTRICAL & STARTING

WIRING GP-VEHICLE - 136-5669
EAME ONLY



**MT800B SERIES TRACTORS
ELECTRICAL & STARTING**

349

**WIRING GP-VEHICLE - 136-5669
EAME ONLY**

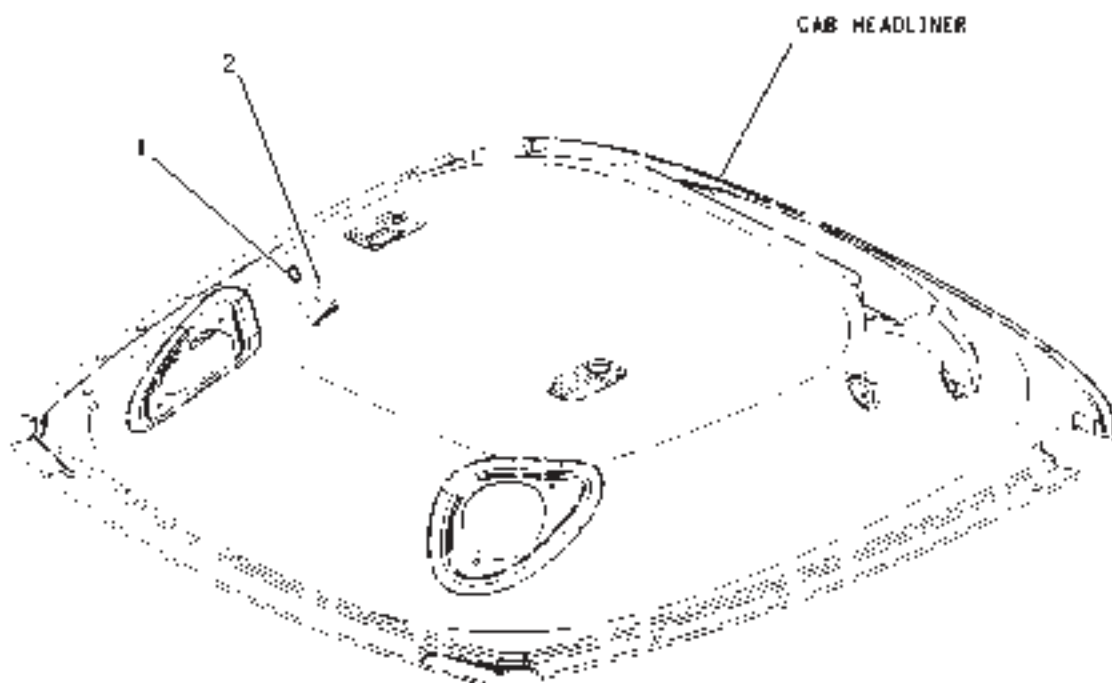
ITEM	NUMBER	QTY	DESCRIPTION
-	136-5669	-	WIRING GP-VEHICLE [A] (NOT SERVICED)
1	CH6I-1418	4	SPACER (8.2X12.7X28.7MM THK)
2	CH7K-1181	90	STRAP-CABLE
3	CH8T-9655	8	MOUNT (ISOLATION)
4	CH134-3987	2	CLIP
13	CH161-9932	1	SENSOR GP-PRESSURE (SEE BREAKDOWN FOR COMPONENTS)
14	501962D1	1	RECEPTACLE AS (12V EXTERNAL PWR OUTLET)
	400865X1	1	RECEPTACLE AS-PWR PORT (12VDC)
	CH102-8802	1	KIT-RECEPTACLE-2 PIN (INCLS WEDGE)
	400562X1	2	PIN-CONNECTOR
15	CH173-7223	1	ADAPTER AS-4STORX6STOR
	400361X1	1	SEAL-O-RING (8.92ID X 1.83DIA)
	400318X1	1	SEAL-O-RING (11.89ID X 1.98DIA)
16	CH175-3244	1	SWITCH AS-PRESSURE
	CH102-8803	1	KIT-RECEPTACLE-3 PIN (INCL WEDGE)
	400562X1	3	PIN-CONNECTOR (16-18AWG)
19	CH194-7620	1	SENDER AS-FUEL LEVEL
	CH204-7458	1	KIT-SENSOR (FUEL LEVEL)
	CH102-8802	1	KIT-RECEPTACLE-2 PIN (INCL WEDGE)
21	209-0893	1	ELECTRONICS GP-MACHINE (TRNSMSN/MACHINE) (NOT SERVICED)
	256-0173	1	SOFTWARE GP-POWER TRAIN (TRANSMISSION/MACHINE) (FOR SOFTWARE INFOR CONTACT SERVICE/ WARRANTY AT 507-847-7222)
	178-9090	1	CONTROL GP-UNPROGRAMMED
	7X-6315	1	STRAP ASM-GROUND
	CH134-4126	1	WASHER (4.52X8.28X.76)
	CH184-2472	1	SCREW-PAN HEAD (LUBRICATED)
22	211-1171	1	BRACKET AS
23	220-4138	1	BRACKET
24	400001X1	4	BOLT (M8X1.25X40MM)
27	CH132-5789	2	CLIP
28	CH134-3988	12	CLIP
30	CH3B-4501	4	LOCKWASHER
31	400318X1	1	SEAL-O-RING
35	CH4D-7794	4	CLIP
36	CH4K-8864	3	CLIP
37	CH4P-7428	1	CLIP
38	CH4P-7581	11	CLIP
39	400597X1	3	CLIP
40	CH5C-8312	4	NUT (M4X0.7 THD)
41	500014D1	1	GASKET
42	CH6S-5993	1	CLIP
45	400287X1	6	WASHER-HARD (11X21X2.5MM THK)
46	400039X1	5	BOLT (M10X1.5X25MM)
47	400040X1	1	BOLT (M10X1.5X20MM)
48	400041X1	2	BOLT (M12X1.75X30MM)
49	400047X1	2	BOLT (M12X1.75X20MM)
50	400227X1	18	BOLT (M8X1.25X16MM)
51	CH8T-4205	6	WASHER-HARD (7.2X14.5X2MM THK)
52	400357X1	4	WASHER-HARD (M12X25.5X3MM THK)
53	400339X1	21	WASHER-HARD (8.8X16X2MM THK)
55	400251X1	4	BOLT-SOCKET HEAD (M4X0.7X16MM)
56	CH9N-0869	4	WASHER-HARD (8.8X25.5X2MM THK)
57	CH9X-2045	6	SCREW-TRUSS HEAD (M6X1X20MM)

[A] PART OF:
179-2180; 501811D1 BASE COMMON AR

00897319
PR: t05b22n43d0139

MT800B SERIES TRACTORS
ELECTRICAL & STARTING

WIRING GP-SHUTOFF - 162-4096
ENGINE



MT800B SERIES TRACTORS
ELECTRICAL & STARTING

351

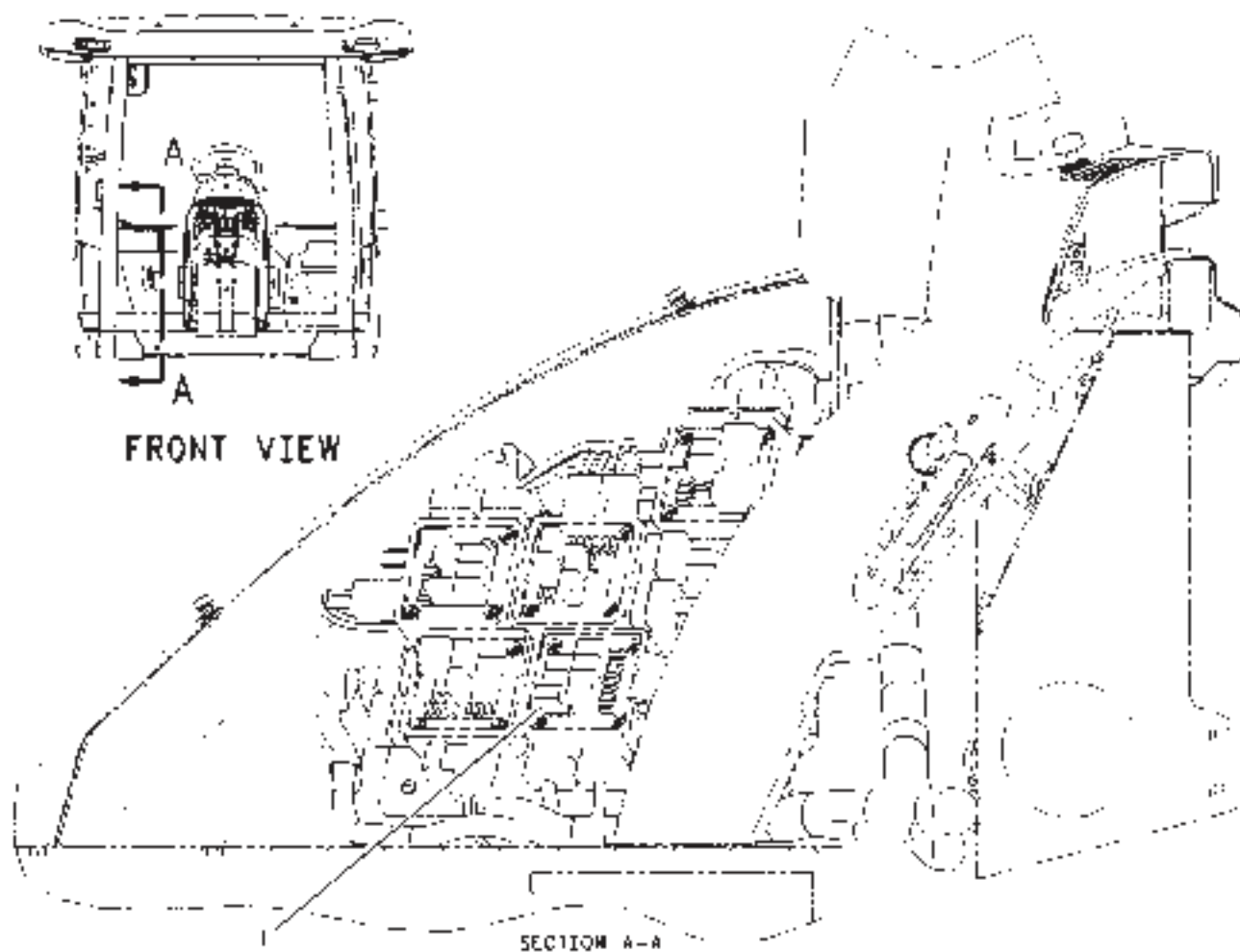
WIRING GP-SHUTOFF - 162-4096
ENGINE

ITEM	NUMBER	QTY	DESCRIPTION
-	162-4096	-	WIRING GP-SHUTOFF [A] (NOT SERVICED)
1	400837X1	1	STRAP-CABLE
2	169-8225	1	SWITCH ASM-ROCKER (ENGINE IDLE TIMER)

[A] PART OF 152-0012; 222-4146 CAB AR

00664360
PR: t05b22n43d0140

WIRING GP-SHUTOFF - 173-6501
TIME DELAY LIGHTING SHUTOFF



MT800B SERIES TRACTORS
ELECTRICAL & STARTING

353

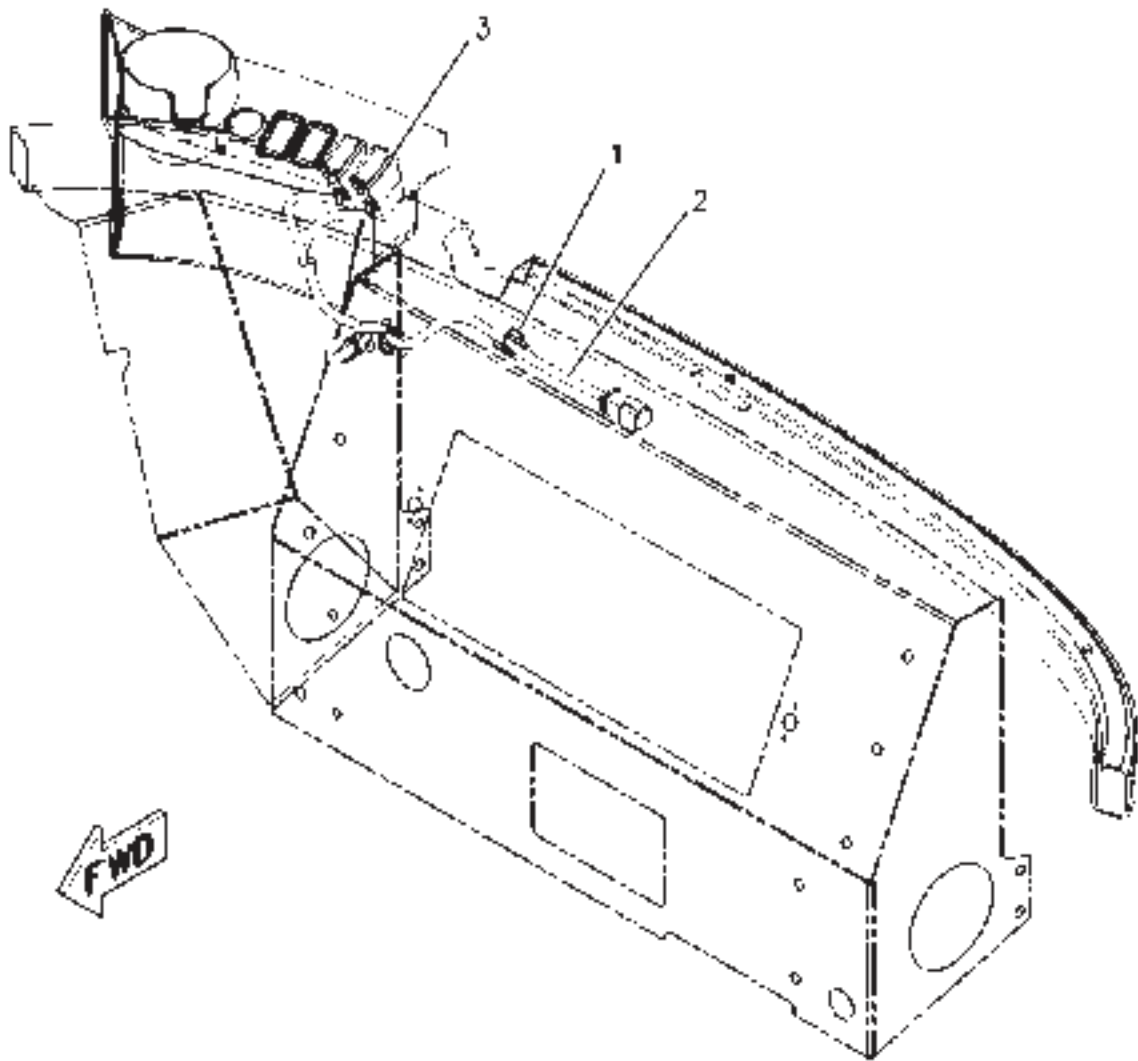
WIRING GP-SHUTOFF - 173-6501
TIME DELAY LIGHTING SHUTOFF

ITEM	NUMBER	QTY	DESCRIPTION
-	173-6501	-	WIRING GP-SHUTOFF [A] (NOT SERVICED)
1	CH146-9439	1	RELAY (12 VOLT) (WORK LIGHTS TIMER)

[A] PART OF: 152-0008; 152-0012;
222-4146; 500763D1; 500765D1;
500767D1; 500841D1; 500843D1;
500849D1; 502659D1; 502667D1 CAB AR

00676197
PR: t05b22n43d0141

WIRING GP-TRAILER - 162-4102
CONNECTOR SWITCHES
ROW & SPECIAL



MT800B SERIES TRACTORS
ELECTRICAL & STARTING

355

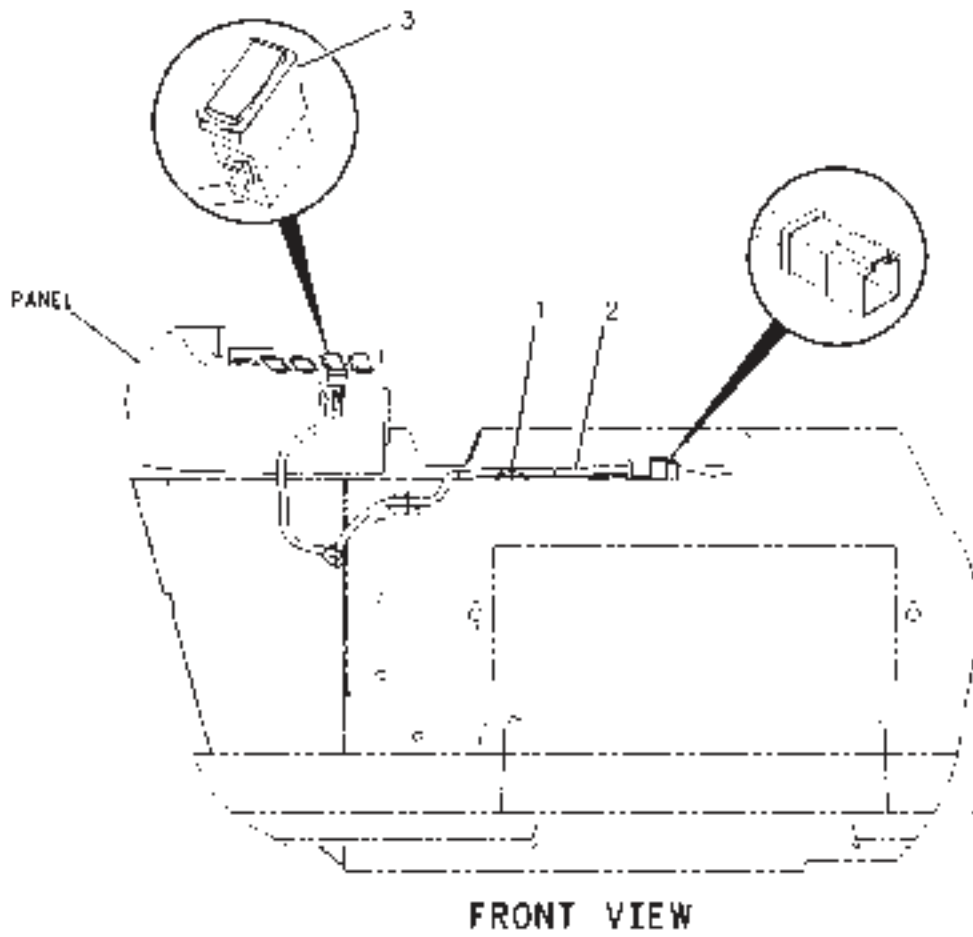
WIRING GP-TRAILER - 162-4102
CONNECTOR SWITCHES
ROW & SPECIAL

ITEM	NUMBER	QTY	DESCRIPTION
-	162-4102	-	WIRING GP-TRAILER (NOT SERVICED)
1	400837X1	3	STRAP-CABLE
2	136-5535	1	HARNESS ASM (TRAILER SWITCHES)
3	169-8230	2	SWITCH ASM-ROCKER (TRAILER)

00664369
PR: t05b22n43d0142

MT800B SERIES TRACTORS
ELECTRICAL & STARTING

WIRING GP-TRAILER - 168-1945
CONNECTOR SWITCHES
EAME



MT800B SERIES TRACTORS
ELECTRICAL & STARTING

357

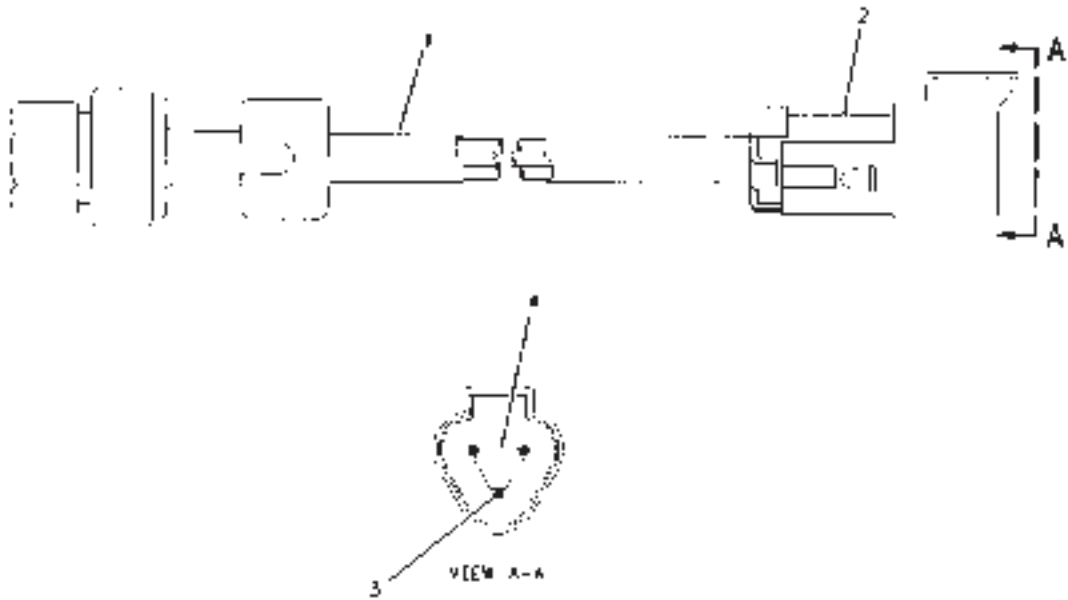
WIRING GP-TRAILER - 168-1945
CONNECTOR SWITCHES
EAME

ITEM	NUMBER	QTY	DESCRIPTION
-	168-1945	-	WIRING GP-TRAILER (NOT SERVICED)
1	400837X1	3	STRAP-CABLE
2	502198D1	1	HARNESS AS (TRAILER CONNECTOR SWITCH)
3	169-8230	1	SWITCH AS-ROCKER (TRAILER)

00723129
PR: t05b22n43d0143

MT800B SERIES TRACTORS
ELECTRICAL & STARTING

SENSOR GP-PRESSURE - CH161-9932



MT800B SERIES TRACTORS
ELECTRICAL & STARTING

359

SENSOR GP-PRESSURE - CH161-9932

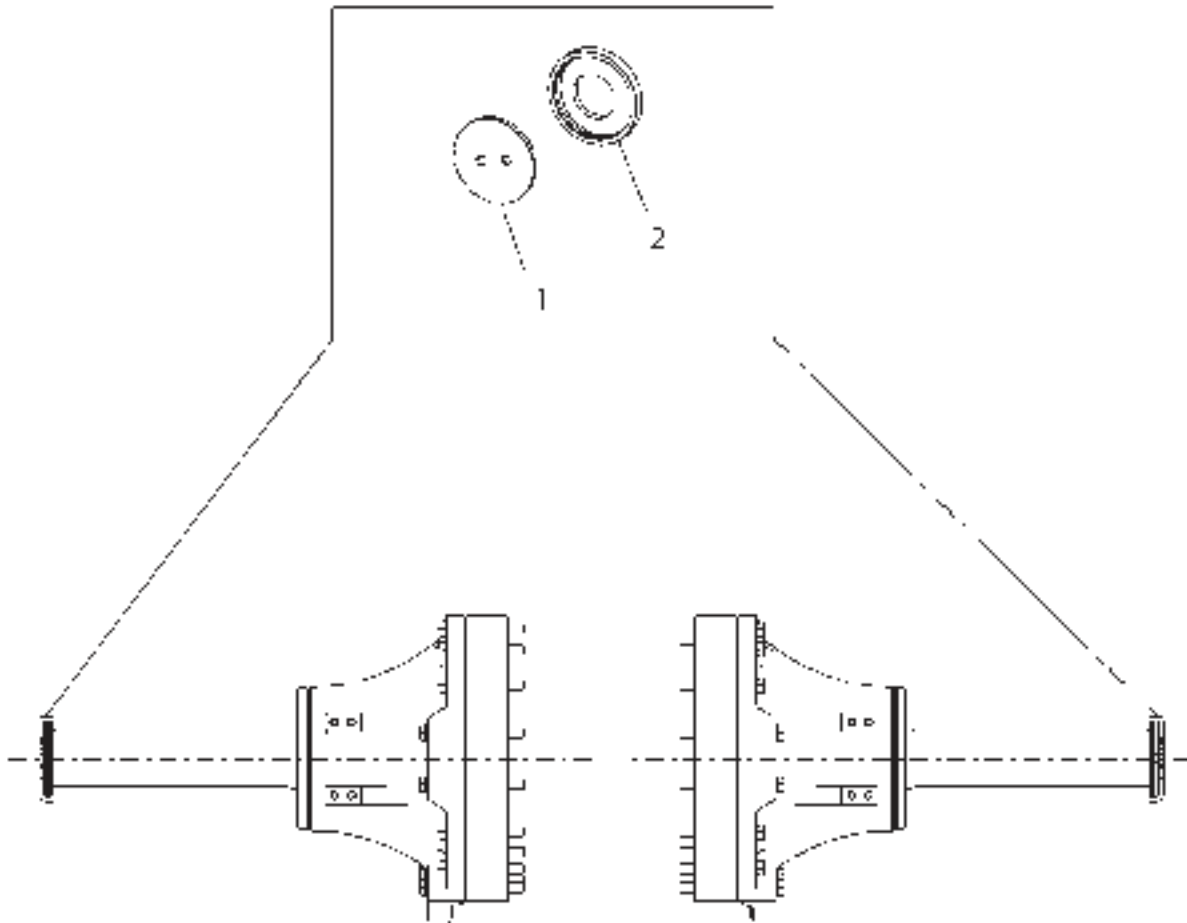
ITEM	NUMBER	QTY	DESCRIPTION
-	CH161-9932	-	SENSOR GP-PRESSURE [A]
1			SLEEVE (15CM)
2	CH102-8803	1	KIT-RECEPTACLE AS (3 PIN) (INCLS ITEM 4)
3	CH180-9339	3	PIN-CONNECTOR (14-18 AWG GOLD)
	400497X1	1	PIN-CONNECTOR (14AWG)
	400706X1	1	PIN-CONNECTOR (16-18AWG)
4	CH3E-3371	1	WEDGE-RECEPT LOCK

[A] PART OF 136-5668;136-5669
WIRING GP-VEHICLE

00612982
PR: t05k07n15a0011

MT800B SERIES TRACTORS
POWER TRAIN ATTACHING

GUARD GP-AXLE - 208-3021
EAME ONLY



2083021A

MT800B SERIES TRACTORS
POWERTRAIN ATTACHING

361

GUARD GP-AXLE - 208-3021
EAME ONLY

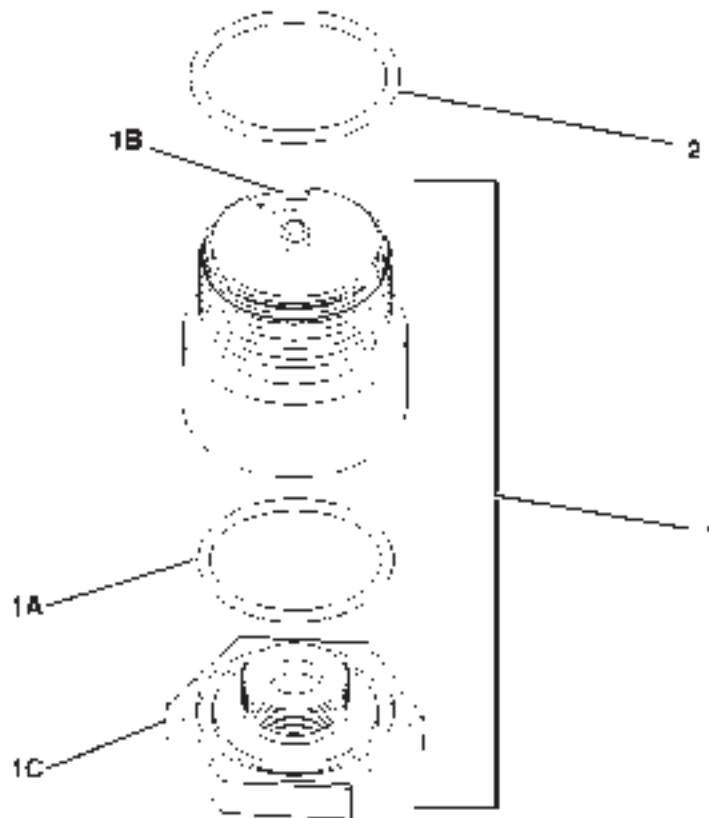
ITEM	NUMBER	QTY	DESCRIPTION
-	208-3021	-	GUARD GP-AXLE [A]
1	185-8617	2	PLATE-END
2	205-8334	2	CAP

[A] PART OF: 179-2180; 501811D1;
502936D1 BASE COMMON AR

2083021A
PR: t05b22n43d0144

TO REAR TRANSMISSION
CASE ON MT800 TRACTORS

TO FRONT
TRANSMISSION CASE
ON MT700 TRACTORS



MT800B SERIES TRACTORS
POWERTRAIN ATTACHING

363

DRAIN GP-ECOLOGY - CH163-0397

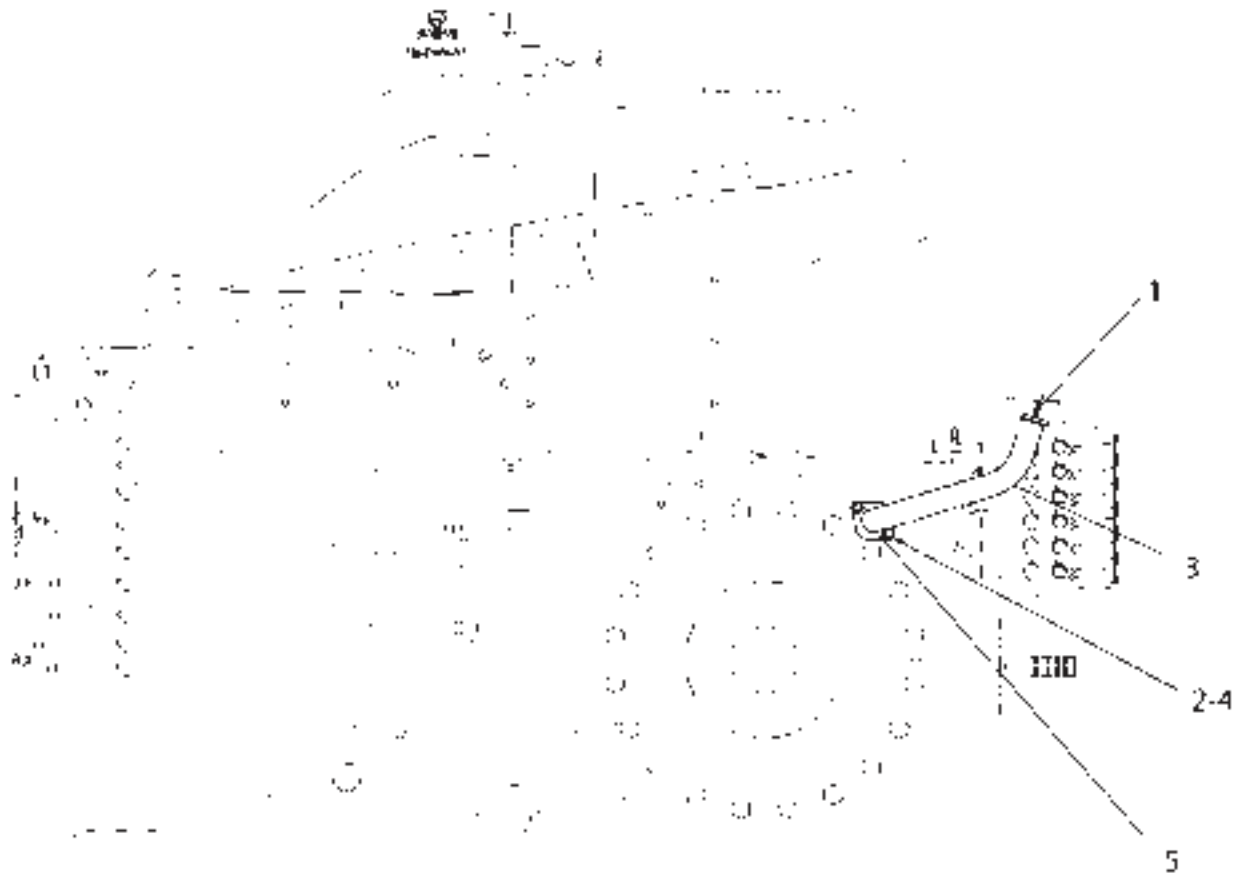
ITEM	NUMBER	QTY	DESCRIPTION
-	CH163-0397	-	DRAIN GP-ECOLOGY [A] (NOT SERVICED)
1	CH173-0566	1	DRAIN GP-ECOLOGY (INCLS 1A-1C)
1A	CH2K-8199	1	SEAL-O-RING
1B	CH077-3241	1	SEAL-O-RING
1C	CH175-4966	1	PLUG (TRANSMISSION DRAIN)
2	400376X1	1	SEAL-O-RING

[A] PART OF:
179-2180; 501811D1 BASE COMMON AR
502901D1 DRAIN GP

0883187A
PR: t05b22n43d0145

MT800B SERIES TRACTORS
POWER TRAIN ATTACHING

FILLER GP-POWER TRAIN OIL - 502498D1



502498DA

MT800B SERIES TRACTORS
POWER TRAIN ATTACHING

365

FILLER GP-POWER TRAIN OIL - 502498D1

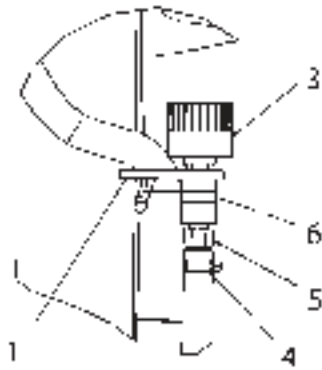
ITEM	NUMBER	QTY	DESCRIPTION
-	502498D1	-	FILLER GP-POWER TRAIN OIL [A] (NOT SERVICED)
1	159-1236	1	CAP-BREATHER (POWER TRAIN)
2	400055X1	2	BOLT (M12X1.75X25MM)
3	501806D1	1	TUBE ASM
4	400357X1	2	WASHER-HARD (M12X25.5X3)
5	WR516365	AR	SEALANT-GASKET 515 (50ML BOTTLE)

[A] PART OF: 179-0851; 179-0853 HITCH AR
184-5033 CONT AR-DRAWBAR

502498DA
PR: t05b22n43d0146

MT800B SERIES TRACTORS
POWER TRAIN ATTACHING

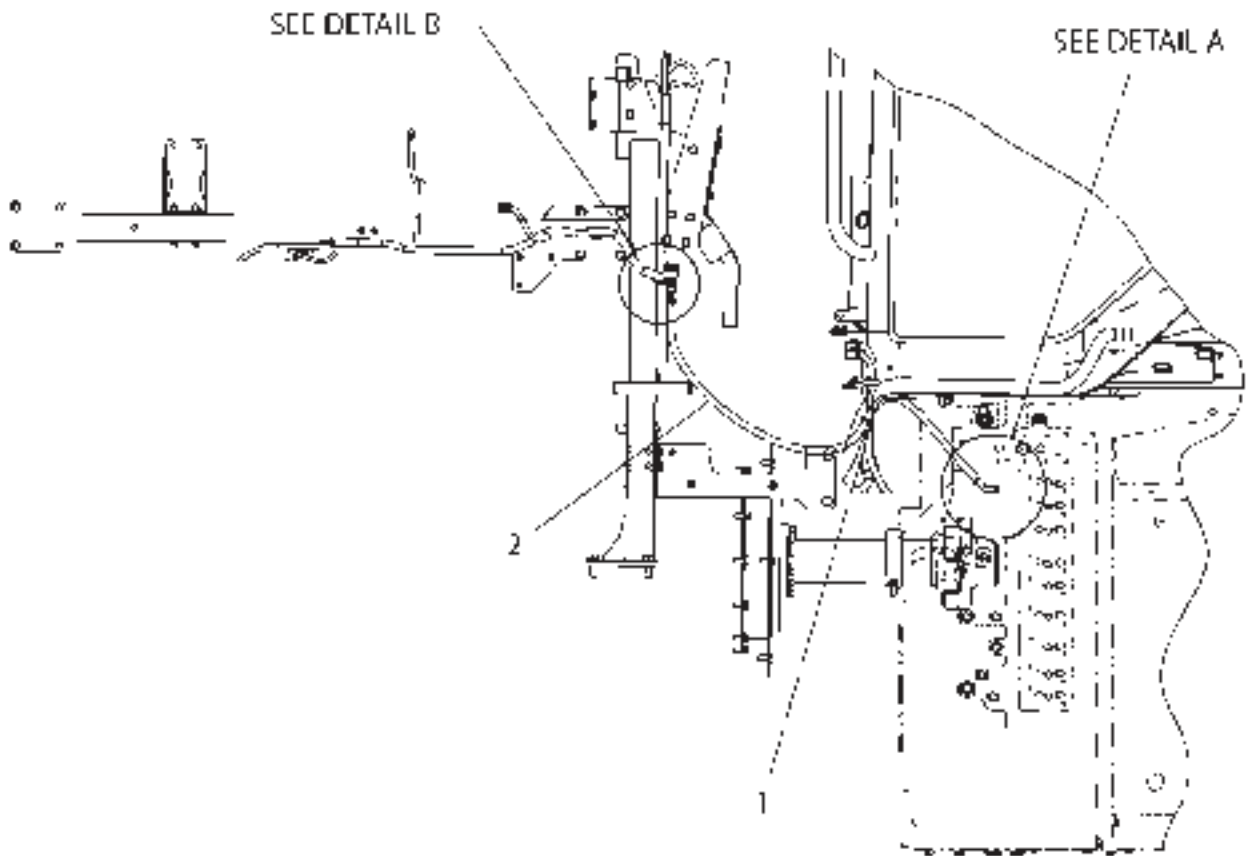
BREATHER GP-POWERTRAIN - 502496D1



DETAIL B



DETAIL A



MT800B SERIES TRACTORS
POWERTRAIN ATTACHING

367

BREATHER GP-POWERTRAIN - 502496D1

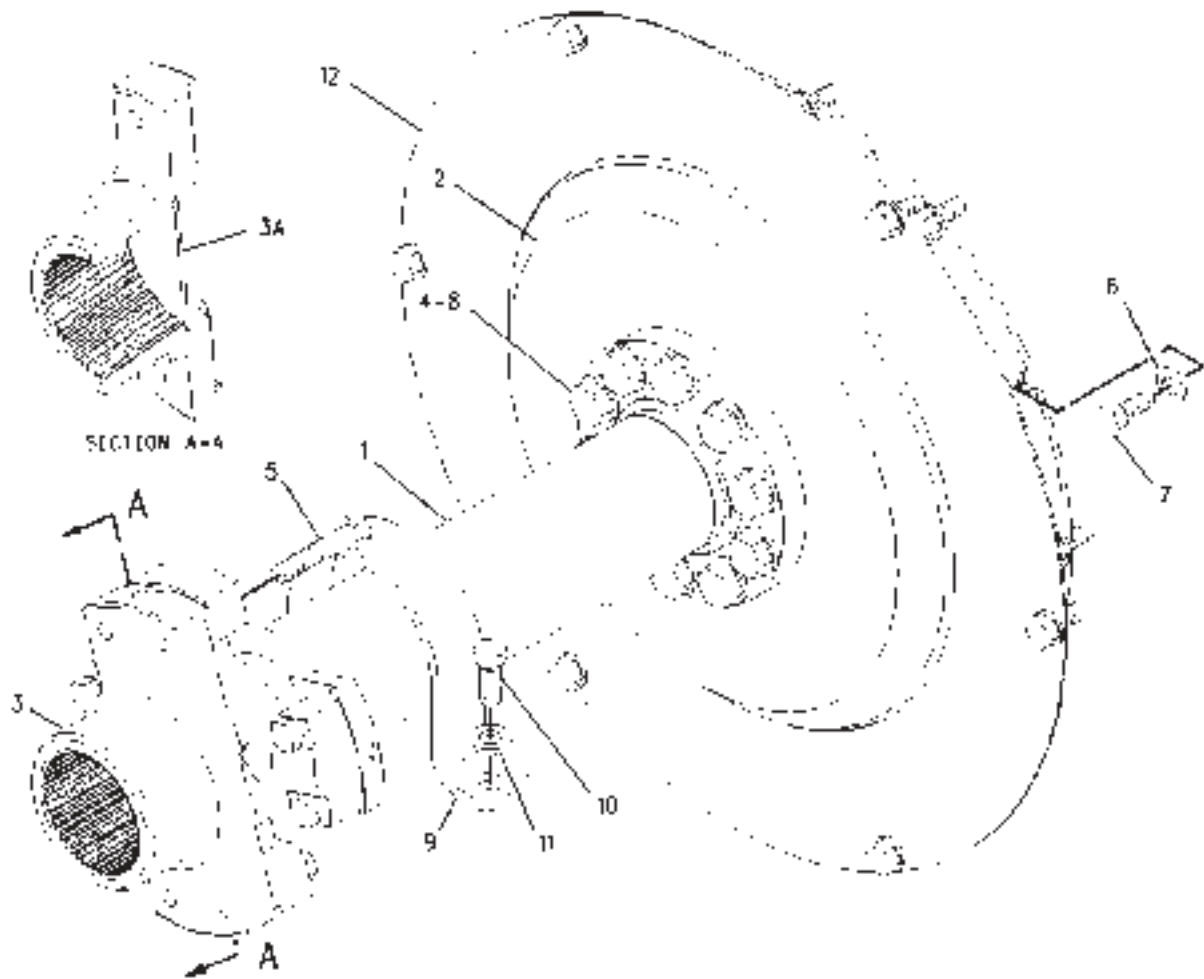
ITEM	NUMBER	QTY	DESCRIPTION
-	502496D1	-	BREATHER GP-POWERTRAIN [A] (NOT SERVICED)
1	CH7K-1181	2	STRAP-CABLE 0.19-4.00
2	CH5P-1442	-	HOSE-BULK 9.52ID HI TEMP (110CM)
3	400831X1	1	BREATHER-1/4-18 NPTF
4	CH1P-4278	2	CLAMP-HOSE 5.5-15.88 ID X 8
5	CH006-6586	1	CONNECTOR-4NPTFX9.52 OD BARB
6	CH8S-7169	1	COUPLING-4NPTF HEX
7	CH7X-1448	1	ELBOW-45DEG 6STOR X 9.52 BARB
8	400318X1	1	SEAL-O-RING 11.89IDXDIA1.98

[A] PART OF: 501588D1; 501589D1;
501590D1; 501591D1; 501592D1;
501593D1; 501594D1; 501595D1;
501596D1; 501597D1 BASE UNIT AR;

502496DA
PR: t05b22n43d0147

MT800B SERIES TRACTORS
POWER TRAIN ATTACHING

SHAFT GP-INPUT - 163-0384



**MT800B SERIES TRACTORS
POWER TRAIN ATTACHING**

369

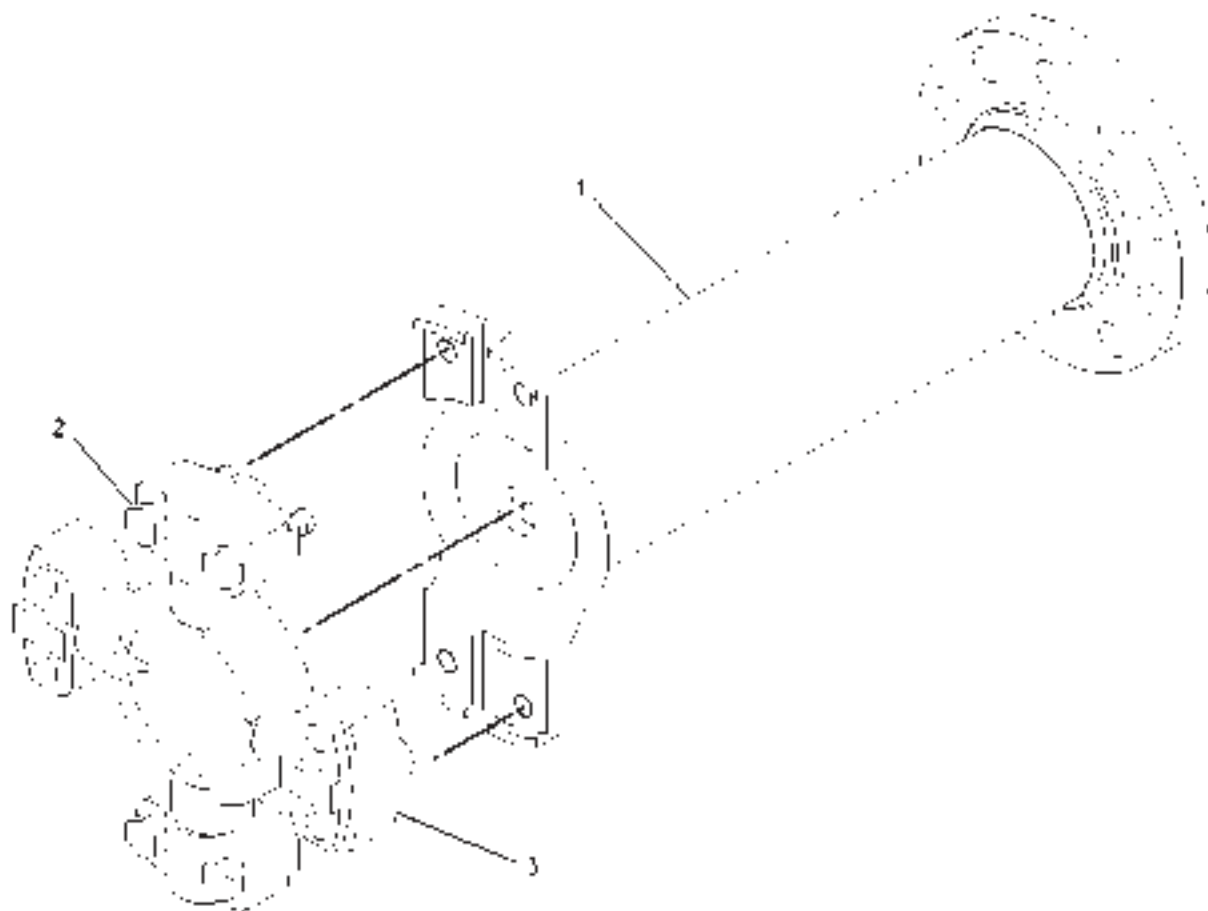
SHAFT GP-INPUT - 163-0384

ITEM	NUMBER	QTY	DESCRIPTION
-	163-0384	-	SHAFT GP-INPUT [A] (NOT SERVICED)
1	163-0414	1	UNIVERSAL JOINT GP (SEE BREAKDOWN FOR COMPONENTS)
2	201-9554	1	COUPLING
3	281-7719	1	YOKE ASM(INCLUDES PLUG & YOKE)
4	400244X1	10	BOLT (M16X2.0X45MM)
5	400063X1	4	BOLT (M12X1.75X60MM)
6	400358X1	18	WASHER (7/16X22.5X2.5)
7	400069X1	18	BOLT (7/16-14X1 IN)
8	400082X1	10	WASHER (17.5X30X3.5)
9	163-0425	1	BRACKET
10	400041X1	2	BOLT (M12X1.75X30MM)
11	400357X1	2	WASHER-HARD (M12X25.5X3)
12	163-0405	1	COVER

[A] PART OF 172-5363; 172-5364;
187-1743; 187-1744; 501583D1;
501584D1; 501585D1; 501586D1;
501587D1 INSTALLATION AR-ENGINE

00867568
PR: t05b22n43d0148

UNIVERSAL JOINT GP - 163-0414



**MT800B SERIES TRACTORS
POWERTRAIN ATTACHING**

371

UNIVERSAL JOINT GP - 163-0414

ITEM	NUMBER	QTY	DESCRIPTION
-	163-0414	-	UNIVERSAL JOINT GP [A]
1	163-0415	1	TUBE
2	400057X1	4	BOLT (M12X1.75X50MM)
3	CH9P-4809	1	SPIDER & BEARING AS

[A] PART OF 163-0384 SHAFT GP-INPUT

00750174
PR: t05b22n43d0149

372

MT800B SERIES TRACTORS
POWER TRAIN

200-5027 POWER TRAIN AR - WITH PTO

NO ILLUSTRATION

NOTIF

MT800B SERIES TRACTORS
POWER TRAIN

373

200-5027 POWER TRAIN AR - WITH PTO

ITEM	NUMBER	QTY	DESCRIPTION
-	200-5027	-	POWER TRAIN AR (NOT SERVICED)
	185-3955	1	AXLE AR (NOT SERVICED) (SEE BREAKDOWN FOR COMPONENTS)
	211-8277	1	FASTENER GP-FINAL DRIVE (NOT SERVICED) (SEE BREAKDOWN FOR COMPONENTS)
	152-5242	1	TRANSMISSION AR (SEE BREAKDOWN FOR COMPONENTS)

NOTIF
PR: t05b22n43d0150

374

MT800B SERIES TRACTORS
POWER TRAIN

200-5028 POWER TRAIN AR - WITH PTO

NO ILLUSTRATION

NOTIF

MT800B SERIES TRACTORS
POWER TRAIN

375

200-5028 POWER TRAIN AR - WITH PTO

ITEM	NUMBER	QTY	DESCRIPTION
-	200-5028	-	POWER TRAIN AR (NOT SERVICED)
	185-3956	1	AXLE AR (NOT SERVICED) (SEE BREAKDOWN FOR COMPONENTS)
	211-8277	1	FASTENER GP-FINAL DRIVE (NOT SERVICED) (SEE BREAKDOWN FOR COMPONENTS)
	152-5242	1	TRANSMISSION AR (SEE BREAKDOWN FOR COMPONENTS)

NOTIF
PR: t05b22n43d0151

376

MT800B SERIES TRACTORS
POWER TRAIN

200-5029 POWER TRAIN AR - W/ PTO

NO ILLUSTRATION

NOTIF

MT800B SERIES TRACTORS
POWER TRAIN

377

200-5029 POWER TRAIN AR - W/ PTO

ITEM	NUMBER	QTY	DESCRIPTION
-	200-5029	-	POWER TRAIN AR (NOT SERVICED)
	185-3957	1	AXLE AR (NOT SERVICED) (SEE BREAKDOWN FOR COMPONENTS)
	211-8277	1	FASTENER GP-FINAL DRIVE (NOT SERVICED) (SEE BREAKDOWN FOR COMPONENTS)
	152-5242	1	TRANSMISSION AR (SEE BREAKDOWN FOR COMPONENTS)

NOTIF
PR: t05b22n43d0152

378

MT800B SERIES TRACTORS
POWER TRAIN

200-5030 POWER TRAIN AR WITHOUT PTO

NO ILLUSTRATION

NOTIF

MT800B SERIES TRACTORS
POWER TRAIN

379

200-5030 POWER TRAIN AR WITHOUT PTO

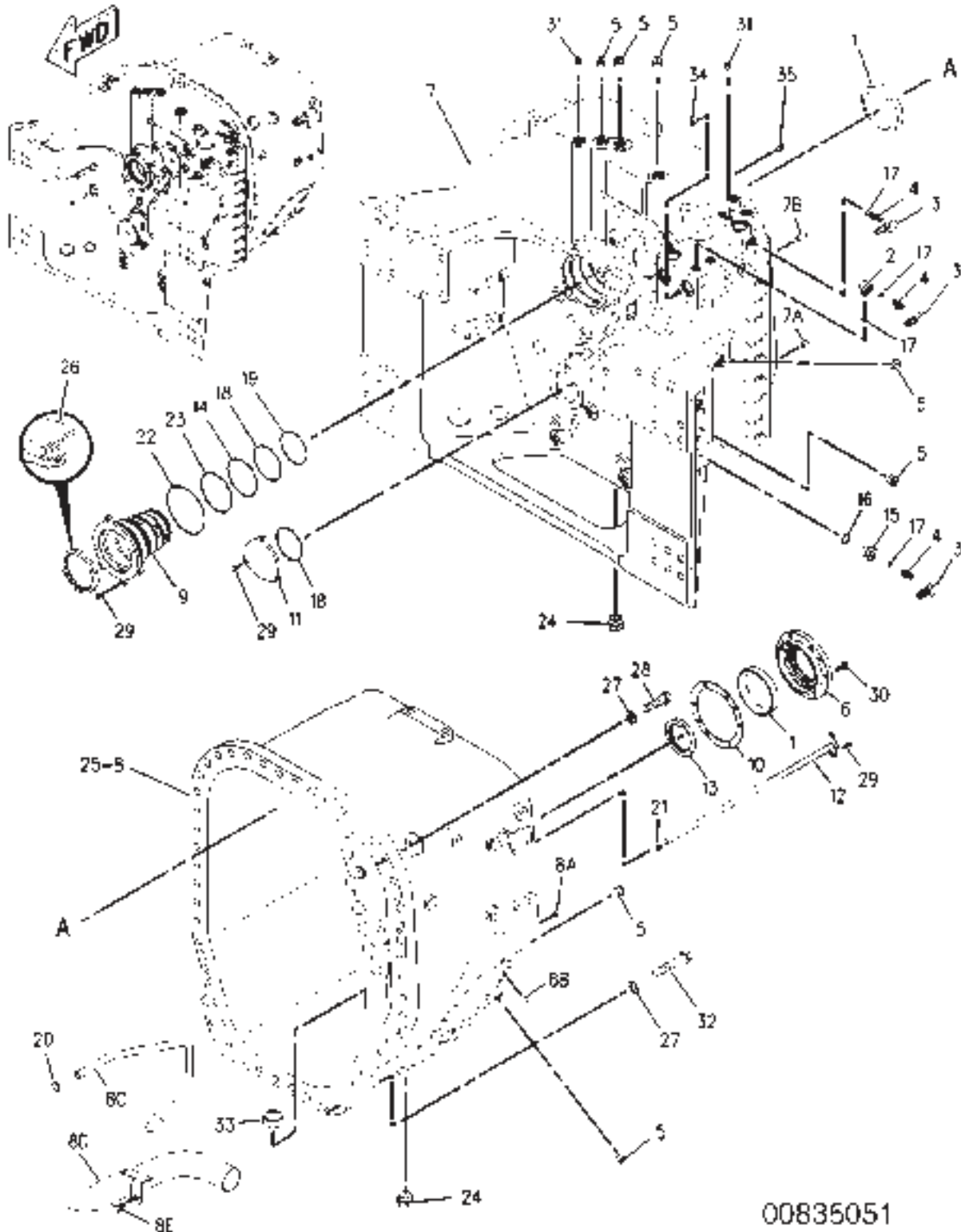
ITEM	NUMBER	QTY	DESCRIPTION
-	200-5030	-	POWER TRAIN AR (NOT SERVICED)
	185-3958	1	AXLE AR (NOT SERVICED) [N] (SEE BREAKDOWN FOR COMPONENTS)
	211-8277	1	FASTENER GP-FINAL DRIVE (NOT SERVICED) (SEE BREAKDOWN FOR COMPONENTS)
	152-5242	1	TRANSMISSION AR [N] (SEE BREAKDOWN FOR COMPONENTS)

[N] NEW PART

NOTIF
PR: t05b22n43d0153

MT800B SERIES TRACTORS
POWERTRAIN

155-9579 CASE & PARTS GP-PLANETARY
S/N: 9YY1-950



00835051

**MT800B SERIES TRACTORS
POWER TRAIN**

381

**155-9579 CASE & PARTS GP-PLANETARY
S/N: 9YY1-950**

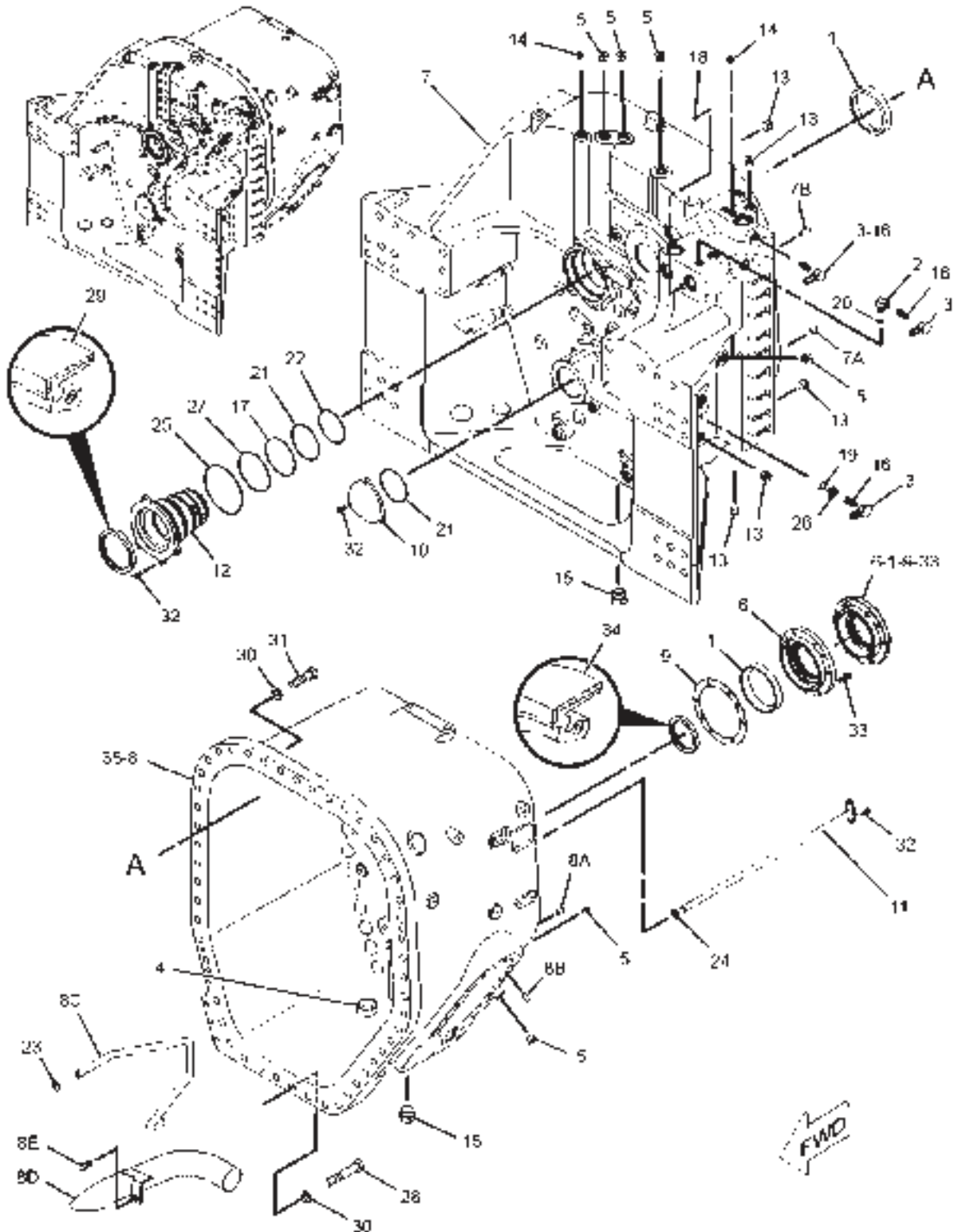
ITEM	NUMBER	QTY	DESCRIPTION
-	155-9579	-	CASE & PARTS GP-PLANETARY [A] (NOT SERVICED)
1	6F-2956	8	CUP-BEARING
2	6V-0484	1	ADAPTER-O-RING
3	6V-0852	3	CAP-DUST
4	6V-3965	3	FITTING AS
5	9S-8006	7	PLUG
	2M-9780	7	SEAL-O-RING
6	177-6741	4	CAGE-BEARING
7	177-6774	1	CASE AS (FRONT)
	211-2731	1	TUBE
7A	3F-0957	2	DOWEL
7B	5M-7937	2	DOWEL
8	177-6775	1	CASE AS (REAR)
8A	3F-0957	2	DOWEL
8B	5B-5821	2	DOWEL
8C	177-6800	1	TUBE
8D	161-8222	1	TUBE AS
8E	6A-5591	1	BOLT (M12X1.75X25-MM)
9	232-0345	1	HOUSING
10	187-1376	4	SHIM PACK (INCLUDES 13-SHIMS)
11	188-2162	3	COVER
12	188-9912	1	TUBE AS
13	9X-7719	1	SEAL-LIP TYPE
14	1T-1068	1	SEAL-O-RING
15	2P-8421	1	ADAPTER-O-RING
16	3D-2824	1	SEAL-O-RING
17	3J-1907	4	SEAL-O-RING
18	3K-0715	4	SEAL-O-RING
19	4F-4097	1	SEAL-O-RING
20	4J-8996	1	SEAL-O-RING
21	5H-8038	1	SEAL-O-RING
22	5J-3886	1	SEAL-O-RING
23	6S-3002	1	SEAL-O-RING
24	9S-4181	2	PLUG
	7M-8485	2	SEAL-O-RING
25	1U-8846	AR	SEALANT-GASKET
26	8C-3075	1	SEAL-LIP TYPE
27	8T-4123	50	WASHER-PLATED (22X35X3.5-MM THK)
28	8T-4141	38	BOLT (M20X2.5X70-MM)
29	8T-4189	15	BOLT (M8X1.25X20-MM)
30	8T-4195	24	BOLT (M10X1.5X30-MM)
31	9S-8004	2	PLUG
	3J-1907	2	SEAL-O-RING
32	7X-2566	12	BOLT (M20X2.5X110-MM)
33	8M-7160	1	MAGNET
34	7J-0204	1	SEAL-O-RING
	9S-8007	1	PLUG
35	3K-0360	16	SEAL-O-RING
	9S-8005	16	PLUG

[A] PART OF 152-5242 TRANSMISSION AR

00835051
PR: t05b22n43d0154

MT800B SERIES TRACTORS
POWERTRAIN

155-9579 CASE & PARTS GP-PLANETARY
S/N: 9YY951-UP



01119596

MT800B SERIES TRACTORS
POWER TRAIN

383

155-9579 CASE & PARTS GP-PLANETARY
S/N: 9YY951-UP

ITEM	NUMBER	QTY	DESCRIPTION
-	155-9579	-	CASE & PARTS GP-PLANETARY [A] (NOT SERVICED)
1	6F-2956	8	CUP-BEARING
2	6V-0484	1	ADAPTER-O-RING
3	6V-0852	3	CAP-DUST
4	8M-7160	1	MAGNET
5	164-5619	6	PLUG AS
	9S-8006	1	PLUG
	2M-9780	1	SEAL-O-RING
6	177-6741	4	CAGE-BEARING
7	177-6774	1	CASE AS (FRONT)
	211-2731	1	TUBE
7A	3F-0957	2	DOWEL
7B	5M-7937	2	DOWEL
8	177-6775	1	CASE AS (REAR)
8A	3F-0957	2	DOWEL
8B	5B-5821	2	DOWEL
8C	177-6800	1	TUBE
8D	161-8222	1	TUBE AS
8E	6A-5591	1	BOLT (M12X1.75X25-MM)
9	187-1376	4	SHIM PACK (INCLUDES 13-SHIMS)
10	188-2162	3	COVER
11	188-9912	1	TUBE AS
12	232-0345	1	HOUSING-SEAL
13	148-8395	16	PLUG AS (NOT SERVICED)
	3K-0360	1	SEAL-O-RING
	9S-8005	1	PLUG
14	162-0177	2	PLUG AS
	9S-8004	1	PLUG
	3J-1907	1	SEAL-O-RING
15	164-4180	2	PLUG AS
	9S-4181	1	PLUG
	7M-8485	1	SEAL-O-RING
16	164-5567	3	FITTING GP-COUPLING
	3J-1907	1	SEAL-O-RING
	6V-3965	1	FITTING AS
17	1T-1068	1	SEAL-O-RING
18	207-8218	1	PLUG AS (NOT SERVICED)
	7J-0204	1	SEAL-O-RING
	9S-8007	1	PLUG
19	2M-9780	1	SEAL-O-RING
20	3J-1907	1	SEAL-O-RING
21	3K-0715	4	SEAL-O-RING
22	4F-4097	1	SEAL-O-RING
23	4J-8996	1	SEAL-O-RING
24	5H-8038	1	SEAL-O-RING
25	5J-3886	1	SEAL-O-RING

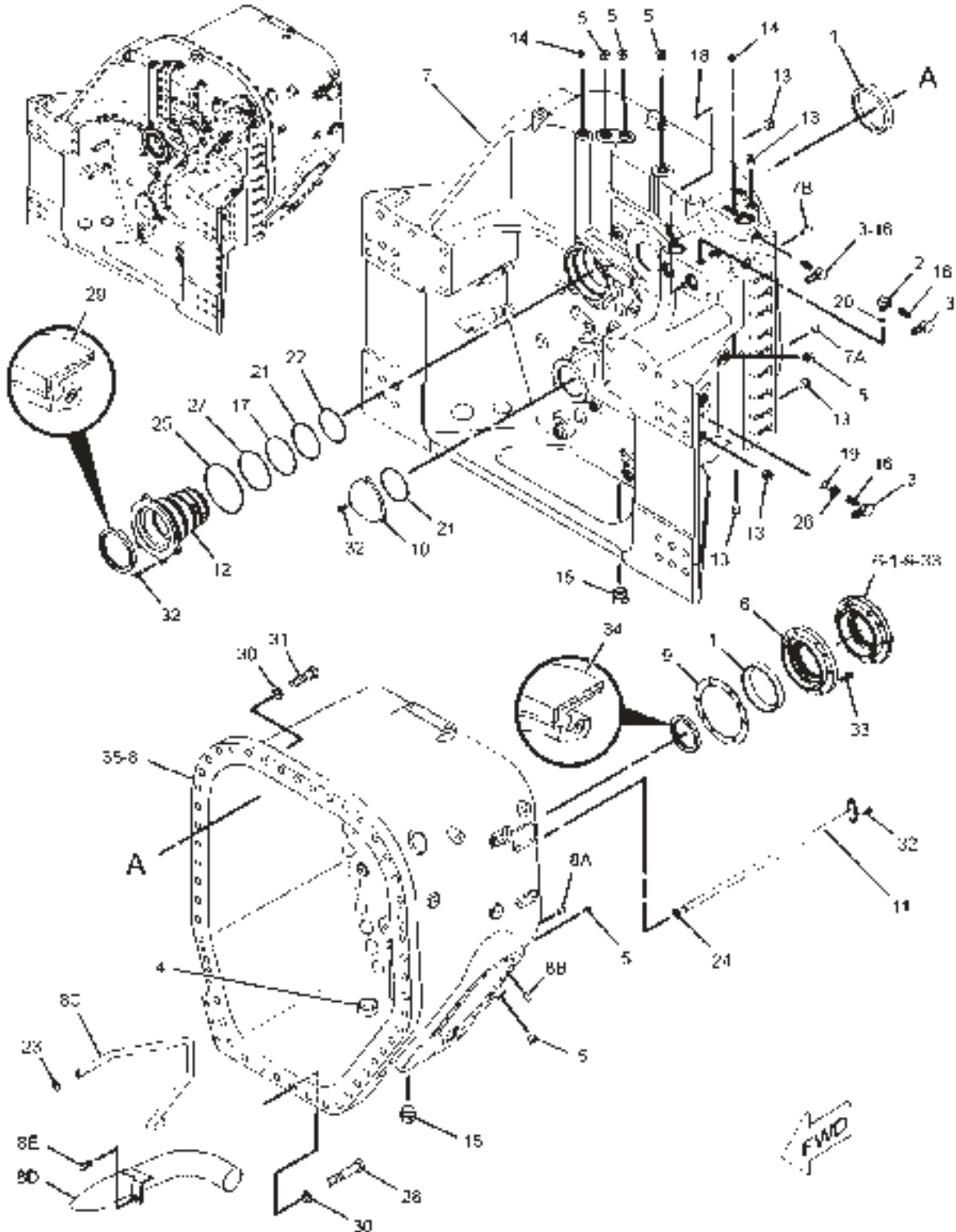
CONTINUED

[A] PART OF 152-5242 TRANSMISSION AR

01119596
PR: t05b22n43d0155

MT800B SERIES TRACTORS
POWERTRAIN

155-9579 CASE & PARTS GP-PLANETARY
S/N: 9YY951-UP



01119596

MT800B SERIES TRACTORS
POWER TRAIN

385

155-9579 CASE & PARTS GP-PLANETARY
S/N: 9YY951-UP

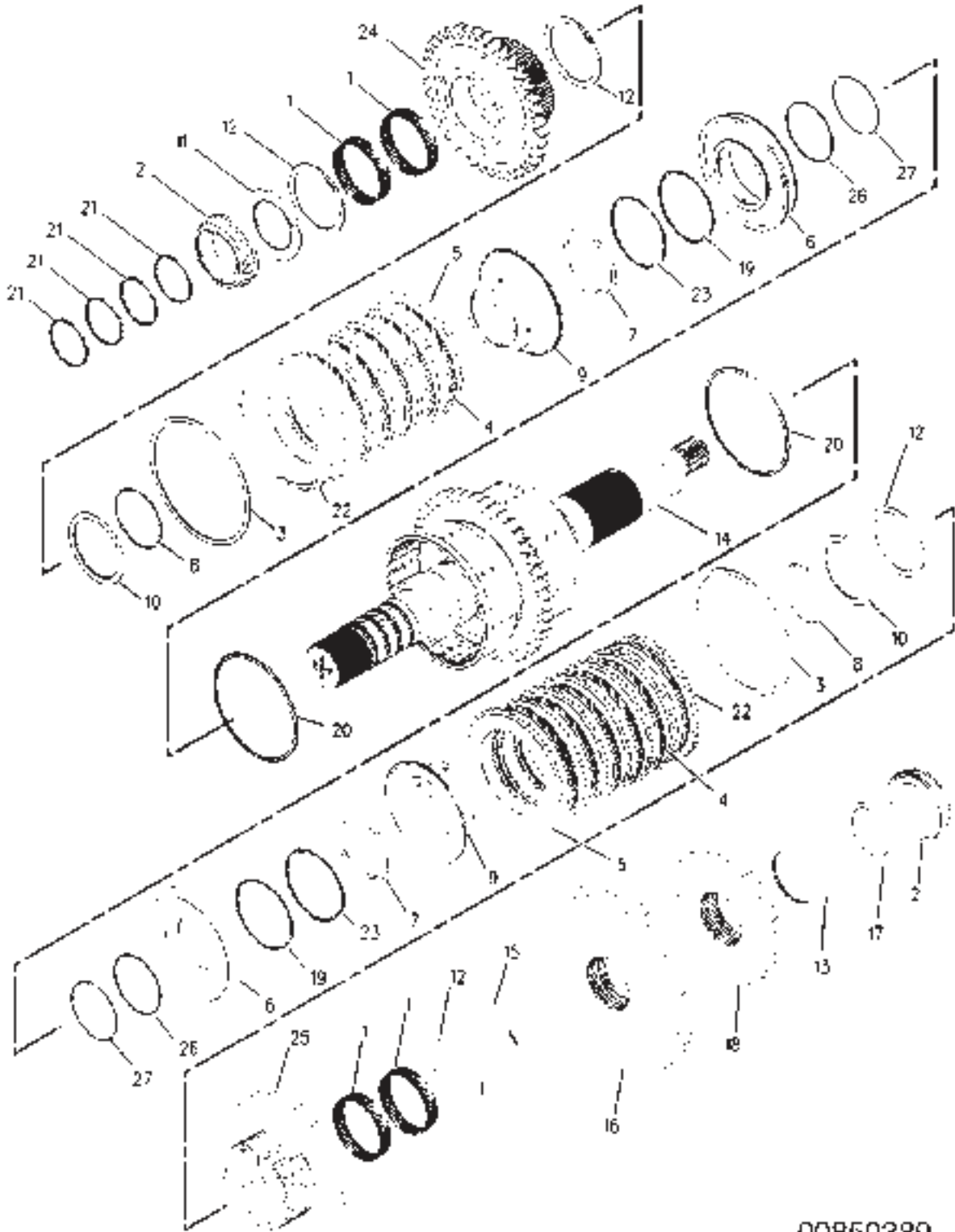
ITEM	NUMBER	QTY	DESCRIPTION
-	155-9579	-	CASE & PARTS GP-PLANETARY[A] (NOT SERVICED)
26	5P-1404	1	ADAPTER-O-RING
27	6S-3002	1	SEAL-O-RING
28	7X-2566	12	BOLT (M20X2.5X110-MM)
29	8C-3075	1	SEAL-LIP TYPE
30	8T-4123	50	WASHER-PLATED (22X35X3.5-MM THK)
31	8T-4141	38	BOLT (M20X2.5X70-MM)
32	8T-4189	14	BOLT (M8X1.25X20-MM)
33	8T-4195	24	BOLT (M10X1.5X30-MM)
34	9X-7719	1	SEAL-LIP TYPE
35	1U-8846	AR	SEALANT-GASKET

[A] PART OF 152-5242 TRANSMISSION AR

01119596
PR: t05b22n43d0155

MT800B SERIES TRACTORS
POWERTRAIN

155-9571 CLUTCH GP-INPUT
S/N: 9YY1-1465



00850389

MT800B SERIES TRACTORS
POWER TRAIN

387

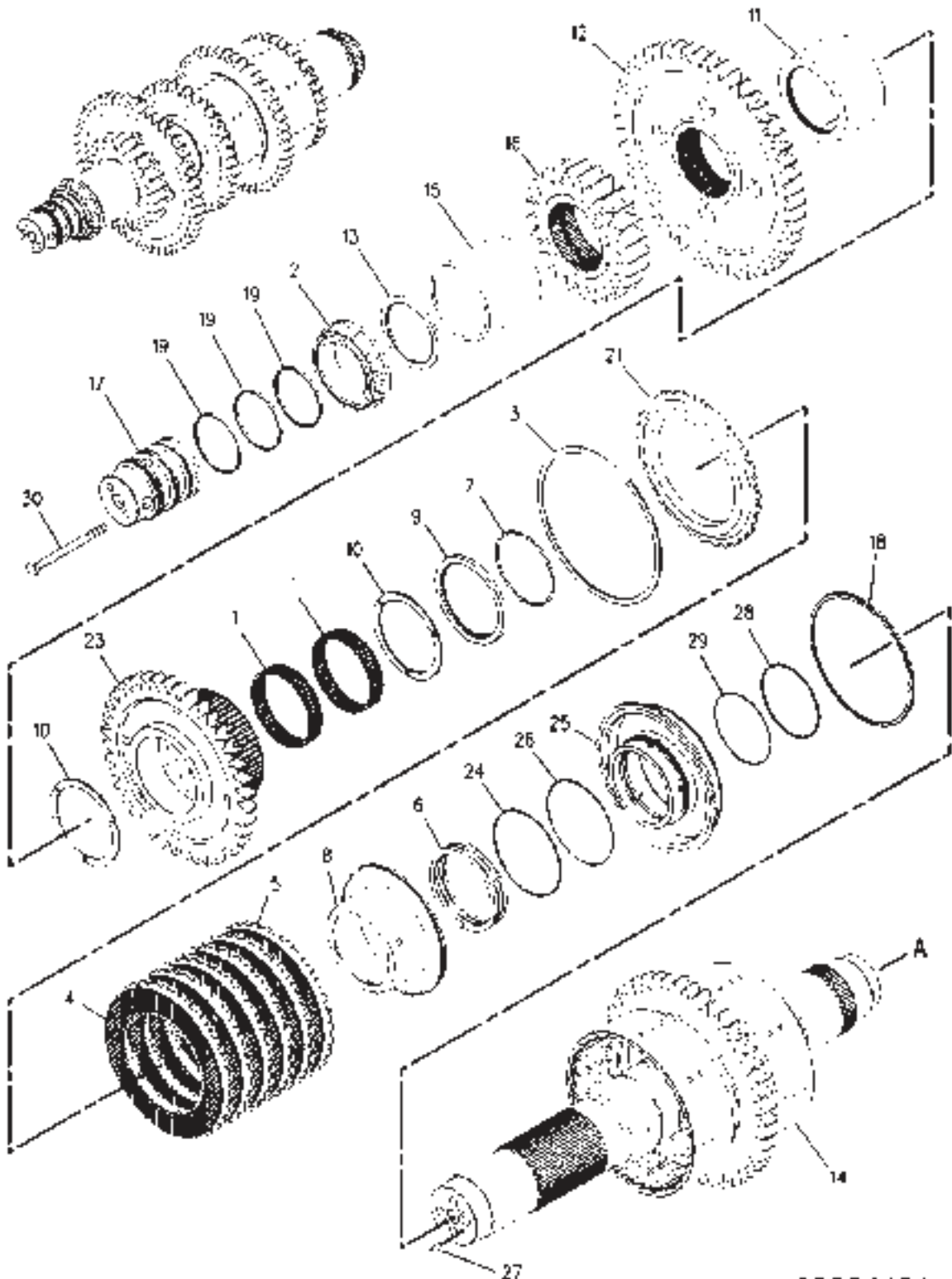
155-9571 CLUTCH GP-INPUT
S/N: 9YY1-1465

ITEM	NUMBER	QTY	DESCRIPTION
-	155-9571	-	CLUTCH GP-INPUT [A] (NOT SERVICED)
1	177-5236	4	BEARING
2	6V-0347	2	CONE-BEARING
3	4D-7889	2	RING
4	134-8360	12	DISC-FRICTION
5	134-8361	12	PLATE-CLUTCH
6	203-2631	2	PISTON
7	173-5392	2	SPRING
8	177-5241	2	RING-RETAINING
9	177-5243	2	SEAL AS
10	177-5246	2	RING-SPACER
11	177-5248	1	SPACER (86.25X126X5MM THK)
12	177-5249	4	DISC-THRUST
13	177-5250	1	SPACER
14	177-5252	1	SHAFT AS (45 TEETH)
15	177-5256	1	SPACER
16	177-5257	1	GEAR (50 TEETH)
17	177-5258	1	SPACER (86.3X106X5MM THK)
18	177-5260	1	GEAR (35 TEETH)
19	200-3039	2	RING-SEAL (EXTERNAL)
20	177-6797	2	RING-SEAL (EXTERNAL)
21	177-6801	4	RING-SEAL
22	177-6804	2	PLATE-END
23	199-9240	2	SEAL-O-RING
24	191-0426	1	GEAR (35 TEETH)
25	191-0427	1	GEAR (40 TEETH)
26	7T-5594	2	RING-SEAL
27	8T-2572	2	SEAL-O-RING

[A] PART OF 152-5242 TRANSMISSION AR

00850389
PR: t05b22n43d0156

155-9572 CLUTCH GP-INTERMEDIATE SHAFT
S/N: 9YY1-1465



00894191

MT800B SERIES TRACTORS
POWER TRAIN

389

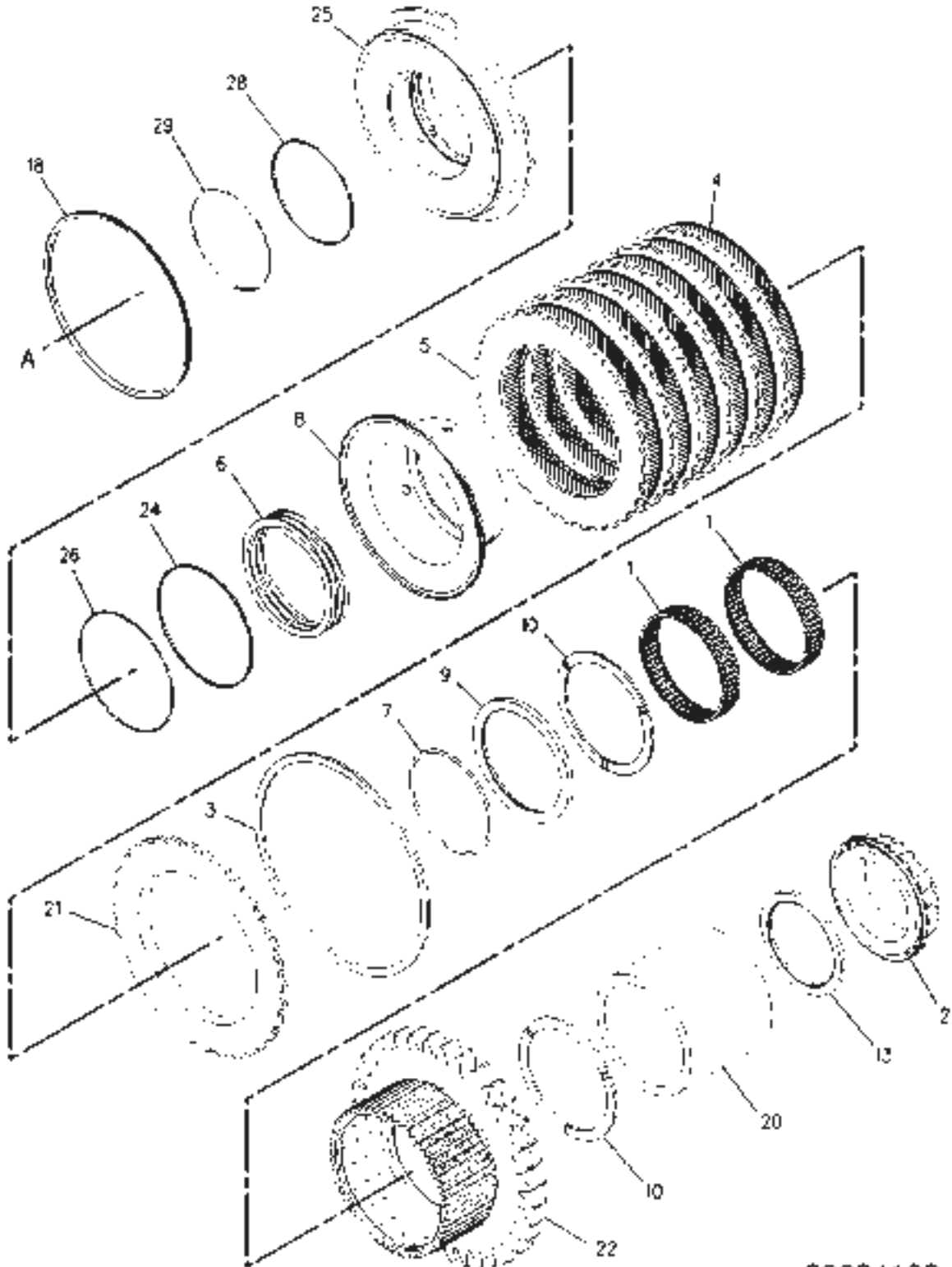
155-9572 CLUTCH GP-INTERMEDIATE SHAFT
S/N: 9YY1-1465

ITEM	NUMBER	QTY	DESCRIPTION
-	155-9572	-	CLUTCH GP-INTERMEDIATE SHAFT [A] (NOT SERVICED)
1	177-5236	2	BEARING
2	6V-0347	1	CONE-BEARING
3	4D-7889	1	RING
4	134-8360	6	DISC-FRICTION
5	134-8361	6	PLATE-CLUTCH
6	173-5392	1	SPRING
7	177-5241	1	RING-RETAINING
8	177-5243	1	SEAL AS
9	177-5246	1	RING-SPACER
10	177-5249	2	DISC-THRUST
11	177-5256	1	SPACER
12	177-5257	1	GEAR (50-TEETH)
13	177-5258	1	SPACER (86.3X106X5-MM THK)
14	240-5529	1	SHAFT AS
15	177-5263	1	SPACER
16	177-5265	1	GEAR (25-TEETH)
17	177-5267	1	CARRIER-SEAL
18	177-6797	1	RING-SEAL
19	177-6801	3	RING-SEAL
21	177-6804	1	PLATE-END
23	191-0427	1	GEAR (40-TEETH)
24	200-3039	1	RING-SEAL
25	203-2631	1	PISTON
26	199-9240	1	SEAL-O-RING
27	5H-8985	1	PIN-SPRING
28	7T-5594	1	RING-SEAL
29	8T-2572	1	SEAL-O-RING
30	8T-5436	2	BOLT (M10X1.5X130-MM)

[A] PART OF 152-5242 TRANSMISSION AR

00894191
PR: t05b22n43d0157

155-9572 CLUTCH GP-INTERMEDIATE SHAFT
S/N: 9YY1-1465



MT800B SERIES TRACTORS
POWER TRAIN

391

155-9572 CLUTCH GP-INTERMEDIATE SHAFT
S/N: 9YY1-1465

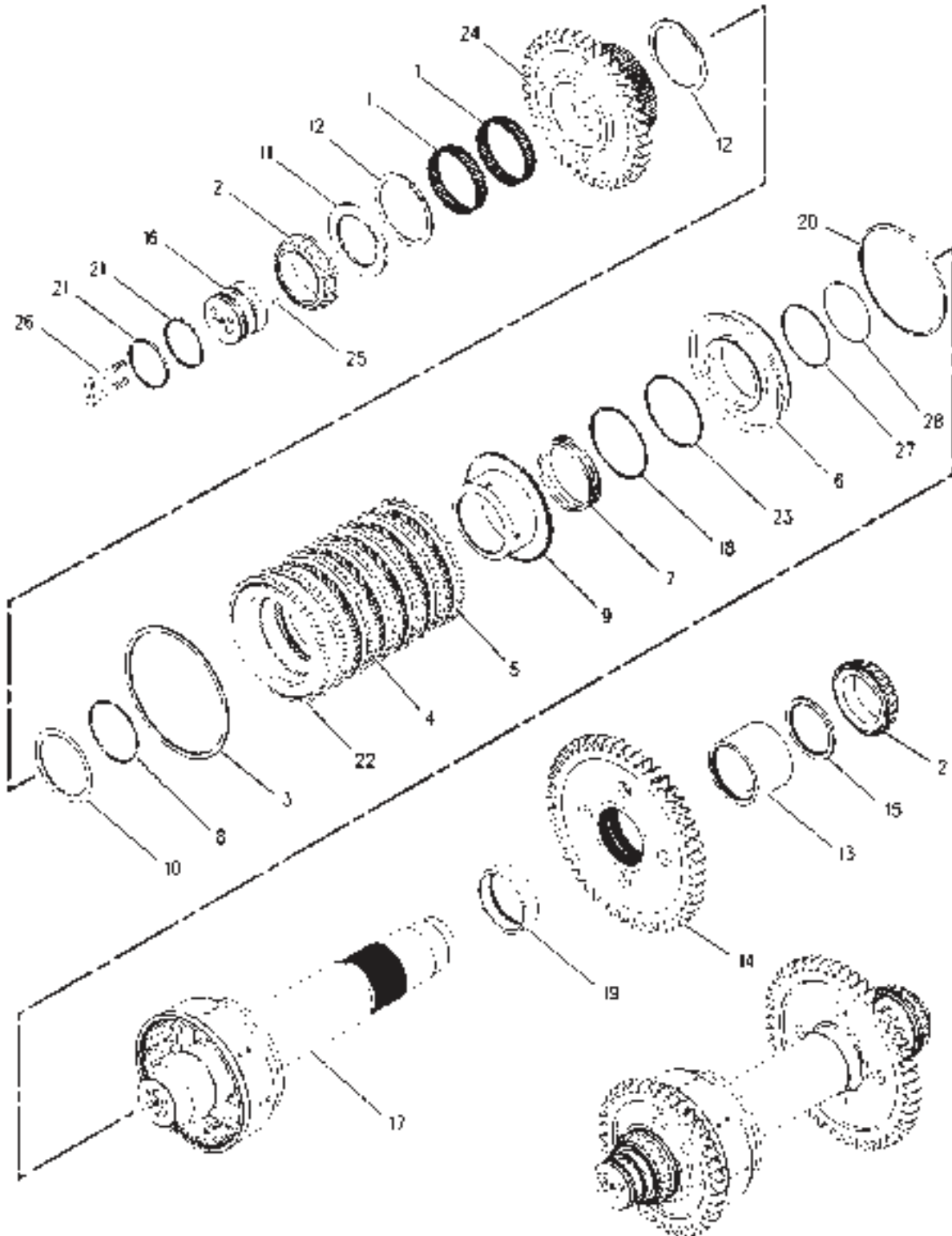
ITEM	NUMBER	QTY	DESCRIPTION
-	155-9572	-	CLUTCH GP-INTERMEDIATE SHAFT [A] (NOT SERVICED)
1	177-5236	2	BEARING
2	6V-0347	1	CONE-BEARING
3	4D-7889	1	RING
4	134-8360	6	DISC-FRICTION
5	134-8361	6	PLATE-CLUTCH
6	173-5392	1	SPRING
7	177-5241	1	RING-RETAINING
8	177-5243	1	SEAL AS
9	177-5246	1	RING-SPACER
10	177-5249	2	DISC-THRUST
13	177-5258	1	SPACER (86.3X106X5-MM THK)
18	177-6797	1	RING-SEAL
20	177-6802	1	SPACER
21	177-6804	1	PLATE-END
22	191-0426	1	GEAR (35-TEETH)
24	200-3039	1	RING-SEAL
25	203-2631	1	PISTON
26	199-9240	1	SEAL-O-RING
28	7T-5594	1	RING-SEAL
29	8T-2572	1	SEAL-O-RING

[A] PART OF 152-5242 TRANSMISSION AR

00894192
PR: t05b22n43d0158

MT800B SERIES TRACTORS
POWERTRAIN

155-9575 CLUTCH GP-REVERSE
S/N: 9YY1-UP



00875690

MT800B SERIES TRACTORS
POWER TRAIN

393

155-9575 CLUTCH GP-REVERSE
S/N: 9YY1-UP

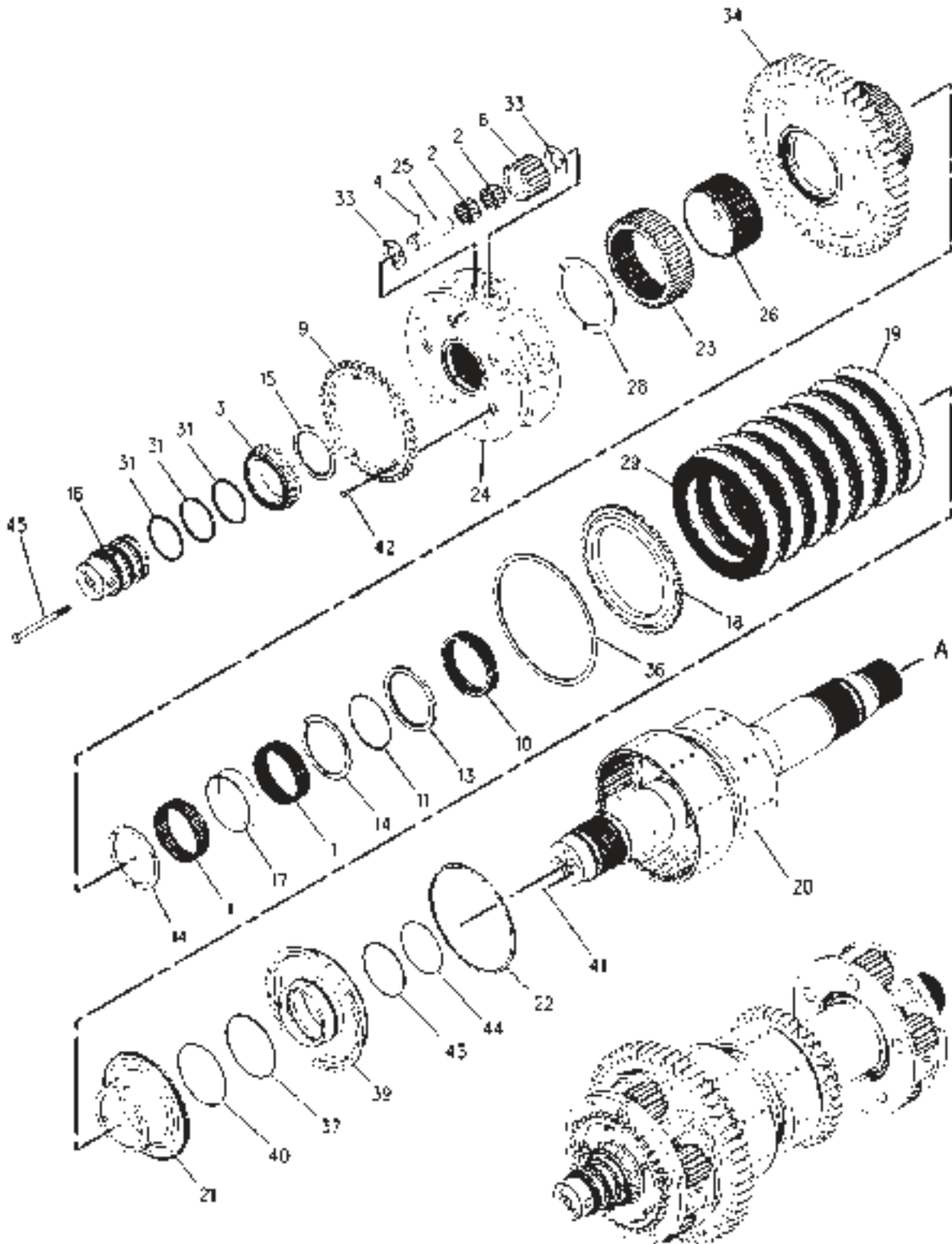
ITEM	NUMBER	QTY	DESCRIPTION
-	155-9575	-	CLUTCH GP-REVERSE [A] (NOT SERVICED)
1	177-5236	2	BEARING
2	6V-0347	2	CONE-BEARING
3	4D-7889	1	RING
4	134-8360	6	DISC-FRICTION
5	134-8361	6	PLATE-CLUTCH
6	203-2631	1	PISTON
7	173-5392	1	SPRING
8	177-5241	1	RING-RETAINING
9	177-5243	1	SEAL AS
10	177-5246	1	RING-SPACER
11	177-5248	1	SPACER
12	177-5249	2	DISC-THRUST
13	177-5250	1	SPACER
14	177-5257	1	GEAR (50 TEETH)
15	177-5258	1	SPACER (86.3X106X5MM THK)
16	177-5269	1	CARRIER-SEAL
17	177-5270	1	SHAFT AS
18	200-3039	1	RING-SEAL
19	177-6770	1	SPACER
20	177-6797	1	RING-SEAL (EXTERNAL)
21	177-6801	2	RING-SEAL
22	177-6804	1	PLATE-END
23	199-9240	1	SEAL-O-RING
24	191-0427	1	GEAR (40 TEETH)
25	5H-8985	1	PIN-SPRING
26	6V-5815	2	BOLT (M10X1.5X75MM)
27	7T-5594	1	RING-SEAL
28	8T-2572	1	SEAL-O-RING

[A] PART OF 152-5242 TRANSMISSION AR

00875690
PR: t05b22n43d0159

MT800B SERIES TRACTORS
POWERTRAIN

155-9576 CLUTCH GP-OUTPUT SHAFT
S/N: 9YY1-UP



00734520

MT800B SERIES TRACTORS
POWER TRAIN

395

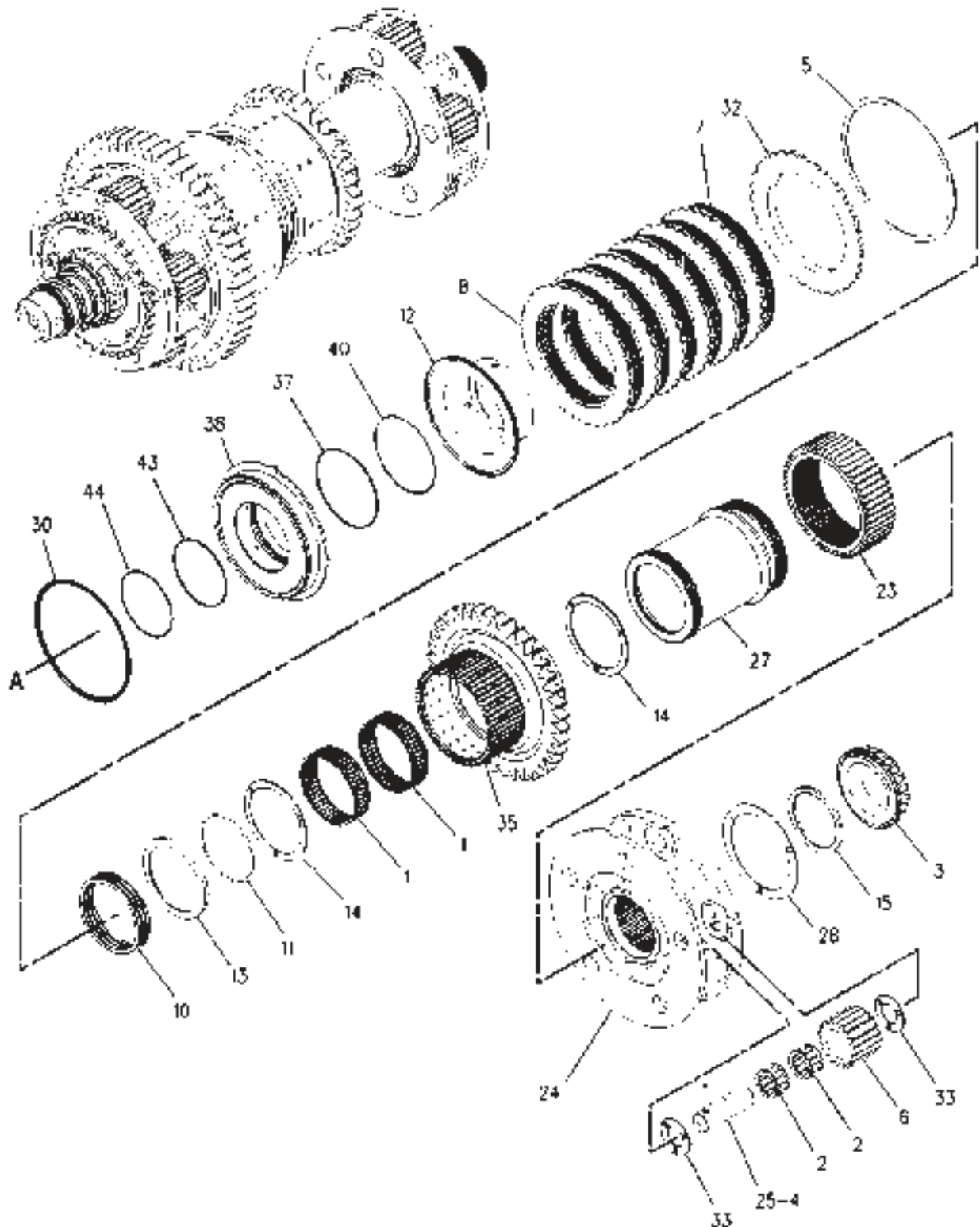
155-9576 CLUTCH GP-OUTPUT SHAFT
S/N: 9YY1-UP

ITEM	NUMBER	QTY	DESCRIPTION
-	155-9576	-	CLUTCH GP-OUTPUT SHAFT [A] (NOT SERVICED)
1	177-6738	2	BEARING
2	187-6226	10	BEARING-SPECIAL
3	6V-0347	1	CONE-BEARING
4	3S-2708	5	PIN-SPRING
6	7G-2510	5	GEAR-PLANETARY (20 TEETH)
9	165-0420	1	ROTOR AS
10	173-5392	1	SPRING
11	177-5241	1	RING-RETAINING
13	177-5246	1	RING-SPACER
14	177-5249	2	DISC-THRUST
15	177-5258	1	SPACER (86.3X106X5MM THK)
16	177-5267	1	CARRIER-SEAL
17	177-6739	1	SPACER
18	177-6740	1	PLATE-END
19	177-6743	7	PLATE-CLUTCH
20	177-6747	1	SHAFT AS
	9P-2343	1	PLUG-ORIFICE
21	177-6752	1	SEAL AS
22	177-6754	1	RING-SEAL
23	177-6755	1	GEAR-SUN (53 TEETH)
24	177-6757	1	CARRIER-PLANETARY
25	177-6758	5	SHAFT AS
26	177-6760	1	SHAFT-DRIVE (LH)
28	177-6771	1	DISC-THRUST
29	177-6795	7	DISC-FRICTION
31	177-6801	3	RING-SEAL
33	187-8947	10	DISC-THRUST
34	191-0428	1	GEAR (54 TEETH)
36	192-4975	1	RING-RETAINING
37	200-3039	1	RING-SEAL
39	203-2632	1	PISTON
40	199-9240	1	SEAL-O-RING
41	5H-8985	1	PIN-SPRING
42	6V-8490	3	BOLT (M6X1X25MM)
43	7T-5594	1	RING-SEAL
44	8T-2572	1	SEAL-O-RING
45	8T-5436	2	BOLT (M10X1.50X130MM)

[A] PART OF 152-5242 TRANSMISSION AR

00734520
PR: t05b22n43d0160

155-9576 CLUTCH GP-OUTPUT SHAFT
S/N: 9YY1-UP



00893905

MT800B SERIES TRACTORS
POWER TRAIN

397

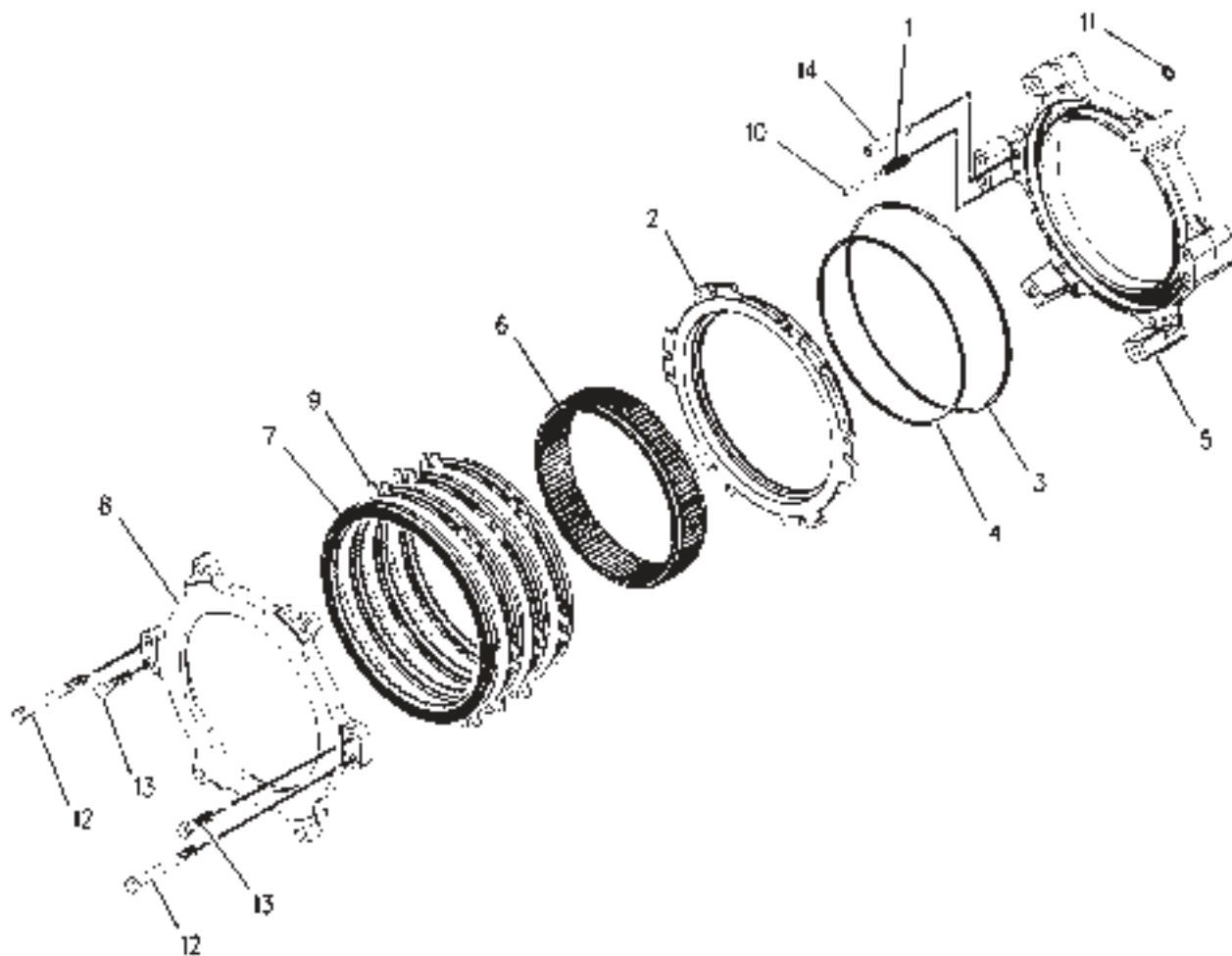
155-9576 CLUTCH GP-OUTPUT SHAFT
S/N: 9YY1-UP

ITEM	NUMBER	QTY	DESCRIPTION
-	155-9576	-	CLUTCH GP-OUTPUT SHAFT [A] (NOT SERVICED)
1	177-6738	2	BEARING
2	187-6226	10	BEARING-SPECIAL
3	6V-0347	1	CONE-BEARING
4	3S-2708	5	PIN-SPRING
5	4D-7889	1	RING
6	7G-2510	5	GEAR-PLANETARY (20 TEETH)
7	134-8360	6	DISC-FRICTION
8	134-8361	6	PLATE-CLUTCH
10	173-5392	1	SPRING
11	177-5241	1	RING-RETAINING
12	177-5243	1	SEAL AS
13	177-5246	1	RING-SPACER
14	177-5249	2	DISC-THRUST
15	177-5258	1	SPACER (86.3X106X5MM THK)
23	177-6755	1	GEAR-SUN (53 TEETH)
24	177-6757	1	CARRIER-PLANETARY
25	177-6758	5	SHAFT AS
27	177-6769	1	SHAFT-DRIVE (RH)
28	177-6771	1	DISC-THRUST
30	177-6797	1	RING-SEAL
32	177-6804	1	PLATE-END
33	187-8947	10	DISC-THRUST
35	191-0429	1	GEAR (40 TEETH)
37	200-3039	1	RING-SEAL
38	203-2631	1	PISTON
40	199-9240	1	SEAL-O-RING
43	7T-5594	1	RING-SEAL
44	8T-2572	1	SEAL-O-RING

[A] PART OF 152-5242 TRANSMISSION AR

00893905
PR: t05b22n43d0161

177-5233 CLUTCH GP-PLANETARY
S/N: 9YY1-UP



00734552

MT800B SERIES TRACTORS
POWER TRAIN

399

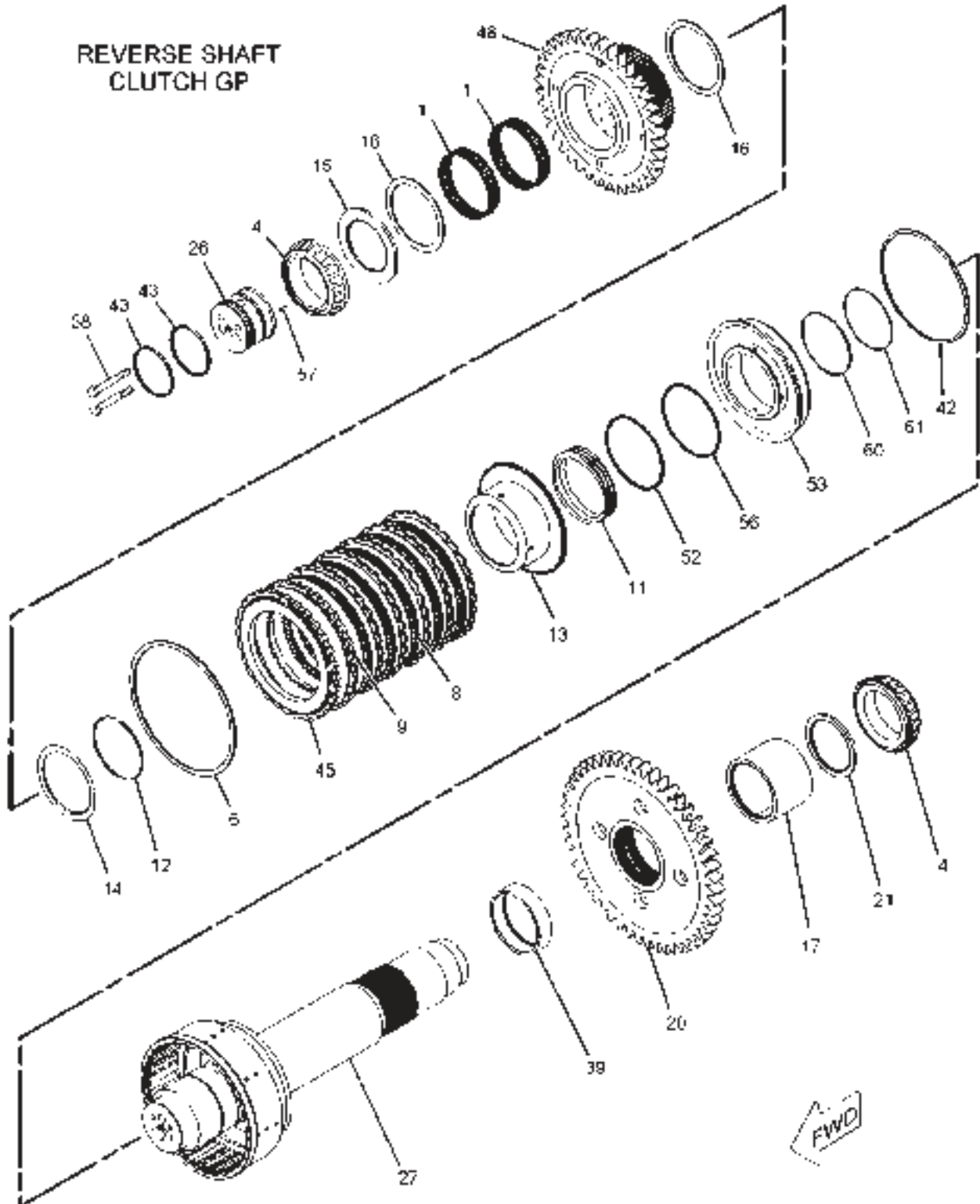
177-5233 CLUTCH GP-PLANETARY
S/N: 9YY1-UP

ITEM	NUMBER	QTY	DESCRIPTION
-	177-5233	-	CLUTCH GP-PLANETARY [A] (NOT SERVICED)
1	7G-6945	6	SPRING
2		1	PISTON (REPLACED BY LATER TYPE PLATE & PISTON)
2	246-8145	1	PISTON (LATER TYPE)
3	177-6762	1	RING-SEAL (EXTERNAL)
4	177-6763	1	RING-SEAL (INTERNAL)
5	177-6764	1	HOUSING-CLUTCH
6	177-6765	1	GEAR-RING (92 TEETH)
7	177-6766	4	DISC-FRICTION
8		1	PLATE-END (REPLACED BY LATER TYPE PLATE & PISTON)
8	246-8146	1	PLATE-END (LATER TYPE)
9	177-6768	3	PLATE-CLUTCH
10	4T-2201	6	ROD
11	8F-3469	2	SEAL-O-RING
12	8T-0646	6	BOLT (M12X1.75X110MM)
13	6V-5684	2	BOLT (M12X1.75X45MM)
14	9H-5545	6	DOWEL-REACTION

[A] PART OF 152-5242 TRANSMISSION AR

00734552
PR: t05b22n43d0162

232-1774 CLUTCH GP-TRANSMISSION
REVERSE SHAFT CLUTCH GROUP
S/N: 9YY1466-UP



01120031

MT800B SERIES TRACTORS
POWER TRAIN

401

232-1774 CLUTCH GP-TRANSMISSION
REVERSE SHAFT CLUTCH GROUP
S/N: 9YY1466-UP

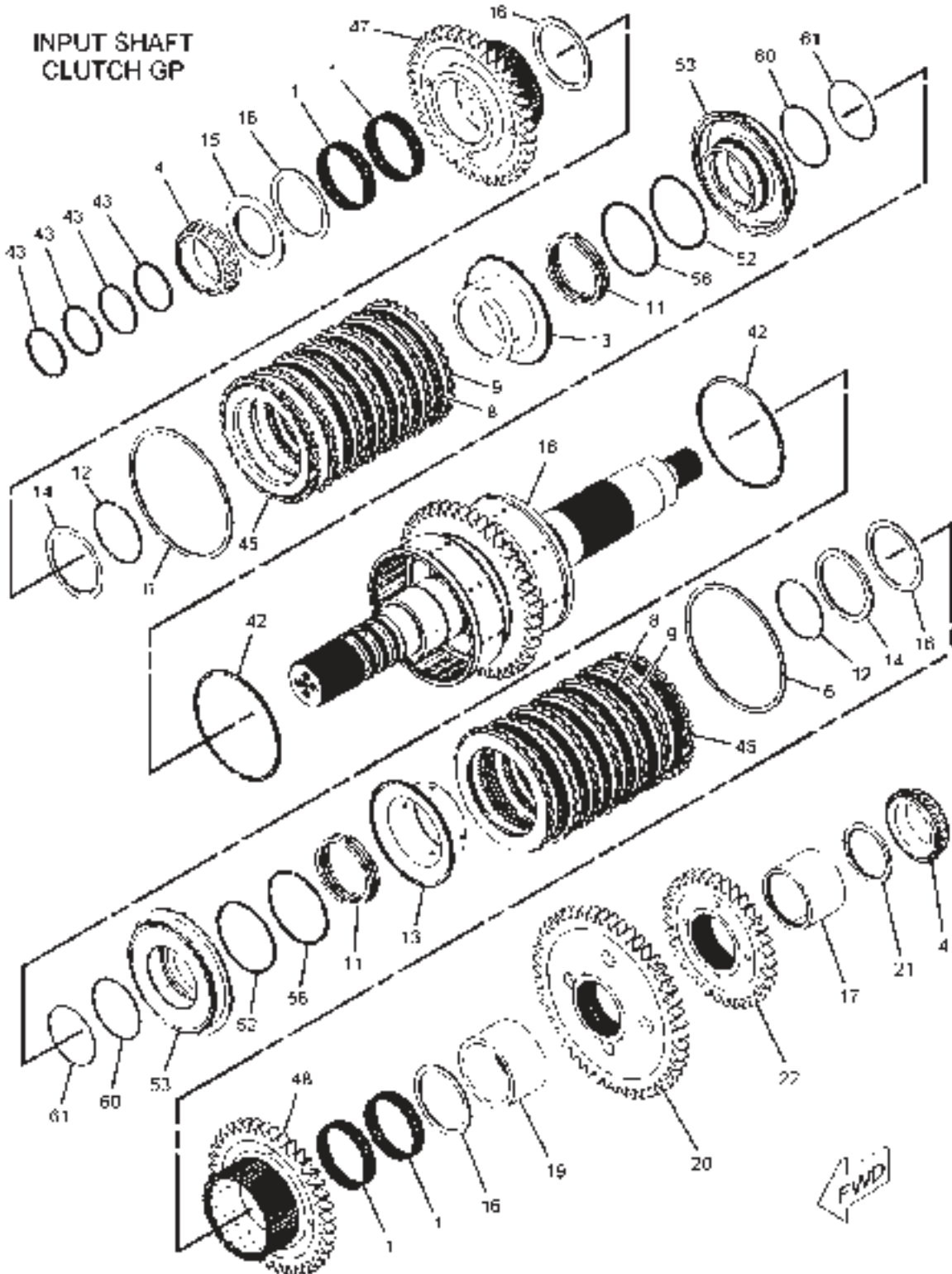
ITEM	NUMBER	QTY	DESCRIPTION
-	232-1774	-	CLUTCH GP-TRANSMISSION [A] (NOT SERVICED)
1	177-5236	2	BEARING
4	6V-0347	2	CONE-BEARING
6	4D-7889	1	RING
8	134-8360	6	DISC-FRICTION
9	134-8361	6	PLATE-CLUTCH
11	173-5392	1	SPRING
12	177-5241	1	RING-RETAINING
13	177-5243	1	SEAL AS
14	177-5246	1	RING-SPACER
15	177-5248	1	SPACER
16	177-5249	2	DISC-THRUST
17	177-5250	1	SPACER
20	177-5257	1	GEAR (50-TEETH)
21	177-5258	1	SPACER (86.3X106X5-MM THK)
26	177-5269	1	CARRIER-SEAL
27	177-5270	1	SHAFT AS
39	177-6770	1	SPACER
42	177-6797	1	RING-SEAL
43	177-6801	2	RING-SEAL
45	177-6804	1	PLATE-END
48	191-0427	1	GEAR (40-TEETH)
52	200-3039	1	RING-SEAL
53	203-2631	1	PISTON
56	199-9240	1	SEAL-O-RING
57	5H-8985	1	PIN-SPRING
58	6V-5815	2	BOLT (M10X1.5X75-MM)
60	7T-5594	1	RING-SEAL
61	8T-2572	1	SEAL-O-RING

[A] PART OF 152-5242 TRANSMISSION AR

01120031
PR: t05b22n43d0163

MT800B SERIES TRACTORS
POWERTRAIN

232-1774 CLUTCH GP-TRANSMISSION
INPUT SHAFT CLUTCH GROUP
S/N: 9YY1466-UP



01120032

MT800B SERIES TRACTORS
POWER TRAIN

403

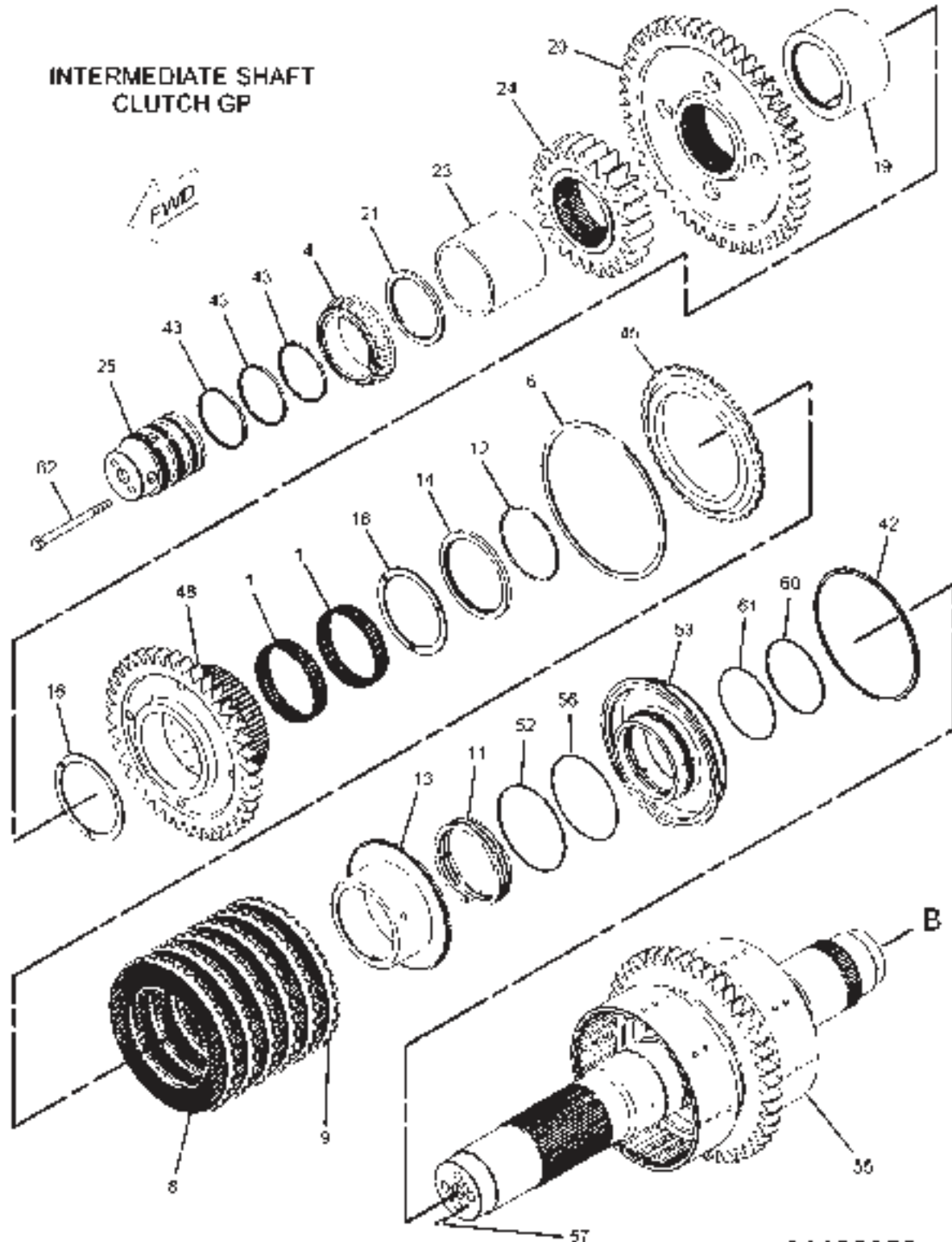
232-1774 CLUTCH GP-TRANSMISSION
INPUT SHAFT CLUTCH GROUP
S/N: 9YY1466-UP

ITEM	NUMBER	QTY	DESCRIPTION
-	232-1774	-	CLUTCH GP-TRANSMISSION [A] (NOT SERVICED)
1	177-5236	4	BEARING
4	6V-0347	2	CONE-BEARING
6	4D-7889	2	RING
8	134-8360	12	DISC-FRICTION
9	134-8361	12	PLATE-CLUTCH
11	173-5392	2	SPRING
12	177-5241	2	RING-RETAINING
13	177-5243	2	SEAL AS
14	177-5246	2	RING-SPACER
15	177-5248	1	SPACER
16	177-5249	4	DISC-THRUST
17	177-5250	1	SPACER
18	177-5252	1	SHAFT AS
	165-0400	4	PLUG
19	177-5256	1	SPACER
20	177-5257	1	GEAR (50-TEETH)
21	177-5258	1	SPACER (86.3X106X5-MM THK)
22	177-5260	1	GEAR (35-TEETH)
42	177-6797	2	RING-SEAL
43	177-6801	4	RING-SEAL
45	177-6804	2	PLATE-END
47	191-0426	1	GEAR (35-TEETH)
48	191-0427	1	GEAR (40-TEETH)
52	200-3039	2	RING-SEAL
53	203-2631	2	PISTON
56	199-9240	1	SEAL-O-RING
60	7T-5594	2	RING-SEAL
61	8T-2572	2	SEAL-O-RING

[A] PART OF 152-5242 TRANSMISSION AR

01120032
PR: t05b22n43d0164

232-1774 CLUTCH GP-TRANSMISSION
INTERMEDIATE SHAFT CLUTCH GROUP (1 OF 2)
S/N: 9YY1466-UP



01120033

MT800B SERIES TRACTORS
POWER TRAIN

405

232-1774 CLUTCH GP-TRANSMISSION
INTERMEDIATE SHAFT CLUTCH GROUP (1 OF 2)
S/N: 9YY1466-UP

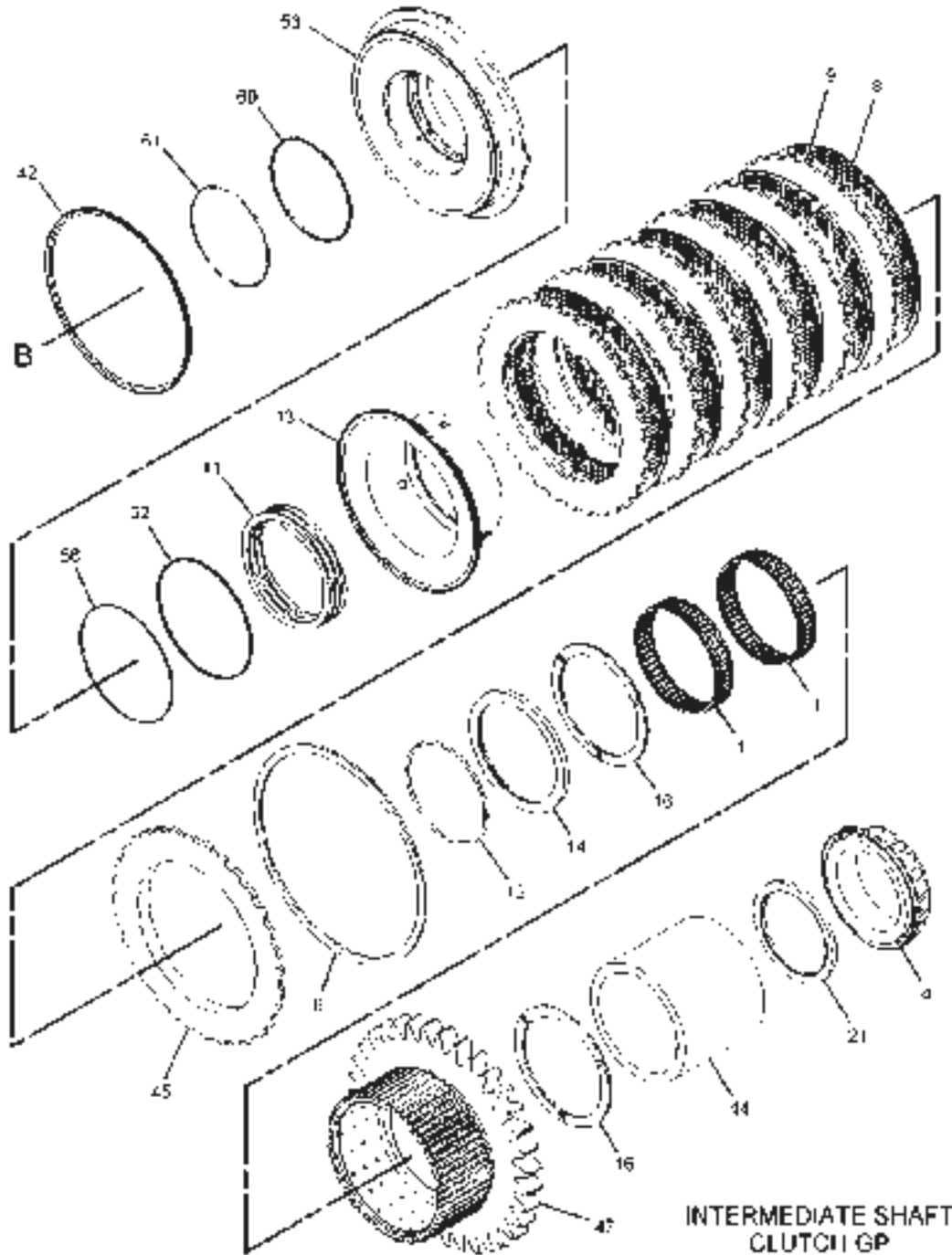
ITEM	NUMBER	QTY	DESCRIPTION
-	232-1774	-	CLUTCH GP-TRANSMISSION [A] (NOT SERVICED)
1	177-5236	2	BEARING
4	6V-0347	1	CONE-BEARING
6	4D-7889	1	RING
8	134-8360	6	DISC-FRICTION
9	134-8361	6	PLATE-CLUTCH
11	173-5392	1	SPRING
12	177-5241	1	RING-RETAINING
13	177-5243	1	SEAL AS
14	177-5246	1	RING-SPACER
16	177-5249	2	DISC-THRUST
19	177-5256	1	SPACER
20	177-5257	1	GEAR (50-TEETH)
21	177-5258	1	SPACER (86.3X106X5-MM THK)
23	177-5263	1	SPACER
24	177-5265	1	GEAR (25-TEETH)
25	177-5267	1	CARRIER-SEAL
42	177-6797	1	RING-SEAL
43	177-6801	3	RING-SEAL
45	177-6804	1	PLATE-END
48	191-0427	1	GEAR (40-TEETH)
52	200-3039	1	RING-SEAL
53	203-2631	1	PISTON
55	240-5529	1	SHAFT AS
56	199-9240	1	SEAL-O-RING
57	5H-8985	1	PIN-SPRING
60	7T-5594	1	RING-SEAL
61	8T-2572	1	SEAL-O-RING
62	8T-5436	1	BOLT (M10X1.5X130-MM)

[A] PART OF 152-5242 TRANSMISSION AR

01120033
PR: t05b22n43d0165

MT800B SERIES TRACTORS
POWER TRAIN

232-1774 CLUTCH GP-TRANSMISSION
INTERMEDIATE SHAFT CLUTCH GROUP (2 OF 2)
S/N: 9YY1466-UP



01120035

MT800B SERIES TRACTORS
POWER TRAIN

407

232-1774 CLUTCH GP-TRANSMISSION
INTERMEDIATE SHAFT CLUTCH GROUP (2 OF 2)
S/N: 9YY1466-UP

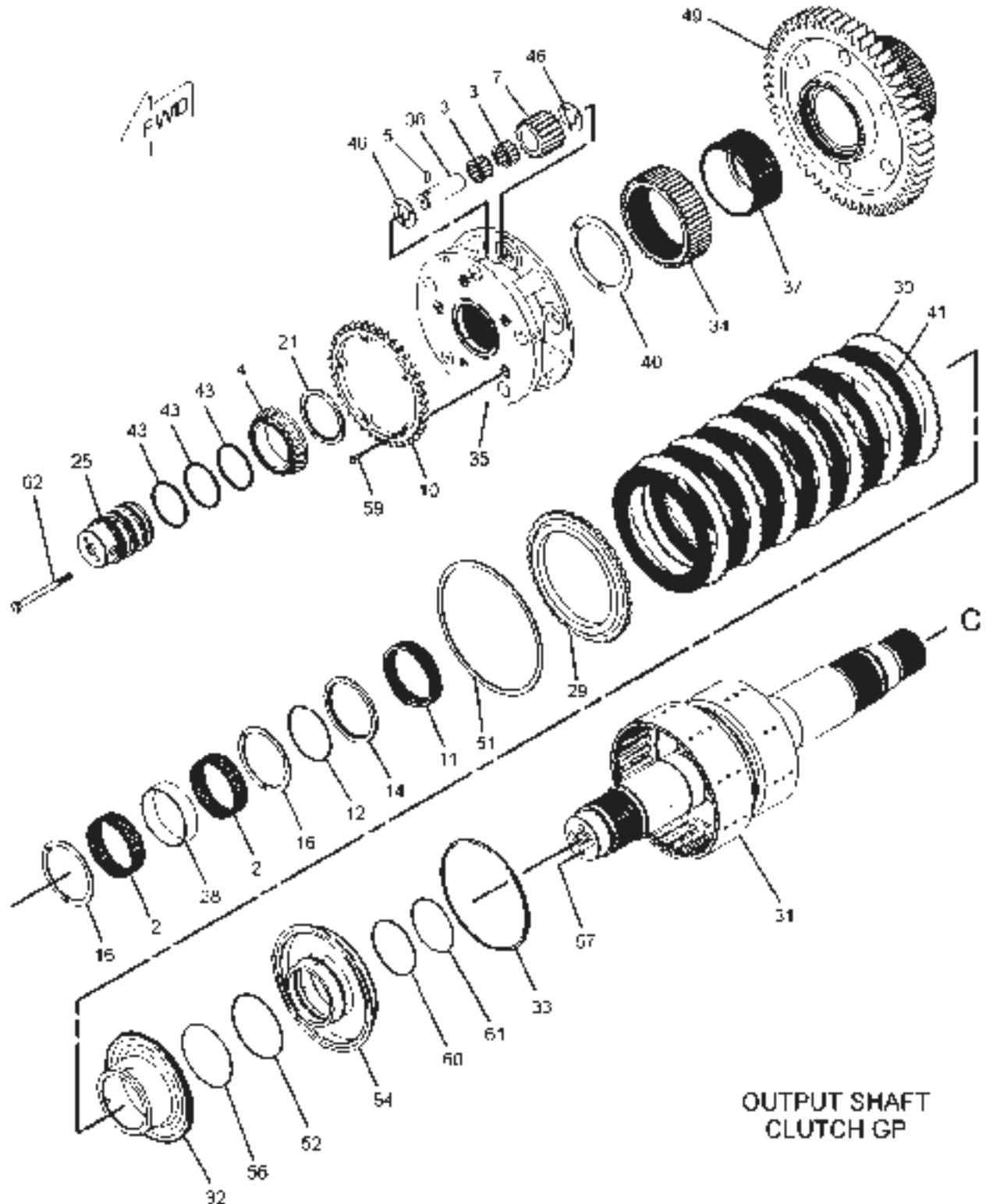
ITEM	NUMBER	QTY	DESCRIPTION
-	232-1774	-	CLUTCH GP-TRANSMISSION [A] (NOT SERVICED)
1	177-5236	2	BEARING
4	6V-0347	1	CONE-BEARING
6	4D-7889	1	RING
8	134-8360	6	DISC-FRICTION
9	134-8361	6	PLATE-CLUTCH
11	173-5392	1	SPRING
12	177-5241	1	RING-RETAINING
13	177-5243	1	SEAL AS
14	177-5246	1	RING-SPACER
16	177-5249	2	DISC-THRUST
21	177-5258	1	SPACER (86.3X106X5-MM THK)
42	177-6797	1	RING-SEAL
44	177-6802	1	SPACER
45	177-6804	1	PLATE-END
47	191-0426	1	GEAR (35-TEETH)
52	200-3039	1	RING-SEAL
53	203-2631	1	PISTON
56	199-9240	1	SEAL-O-RING
60	7T-5594	1	RING-SEAL
61	8T-2572	1	SEAL-O-RING

[A] PART OF 152-5242 TRANSMISSION AR

01120035
PR: t05b22n43d0166

MT800B SERIES TRACTORS
POWER TRAIN

232-1774 CLUTCH GP-TRANSMISSION
OUTPUT SHAFT CLUTCH GROUP (1 OF 2)
S/N: 9YY1466-UP



OUTPUT SHAFT
CLUTCH GP

01120036

MT800B SERIES TRACTORS
POWER TRAIN

409

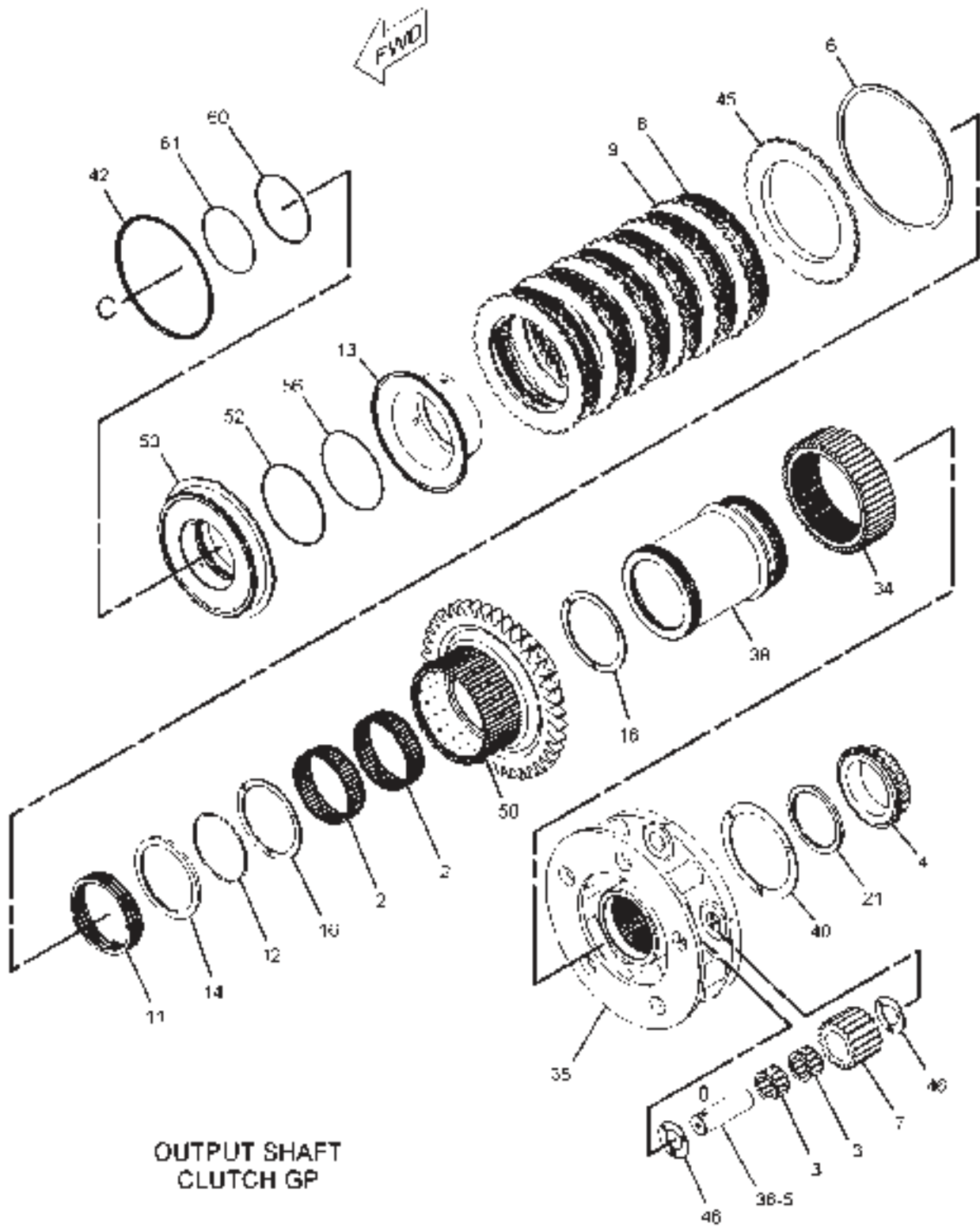
232-1774 CLUTCH GP-TRANSMISSION
OUTPUT SHAFT CLUTCH GROUP (1 OF 2)
S/N: 9YY1466-UP

ITEM	NUMBER	QTY	DESCRIPTION
-	232-1774	-	CLUTCH GP-TRANSMISSION [A] (NOT SERVICED)
2	177-6738	2	BEARING
3	187-6226	2	BEARING-SPECIAL
4	6V-0347	1	CONE-BEARING
5	3S-2708	1	PIN-SPRING
7	7G-2510	1	GEAR-PLANETARY (20-TEETH)
10	165-0420	1	ROTOR AS
	3H-0703	2	DOWEL
11	173-5392	1	SPRING
12	177-5241	1	RING-RETAINING
14	177-5246	1	RING-SPACER
16	177-5249	2	DISC-THRUST
21	177-5258	1	SPACER (86.3X106X5-MM THK)
25	177-5267	1	CARRIER-SEAL
28	177-6739	1	SPACER
29	177-6740	1	PLATE-END
30	177-6743	1	PLATE-CLUTCH
31	177-6747	1	SHAFT AS
	9P-2343	1	PLUG-ORIFICE
32	177-6752	1	SEAL AS
33	177-6754	1	RING-SEAL
34	177-6755	1	GEAR-SUN (53-TEETH)
35	177-6757	1	CARRIER-PLANETARY
36	177-6758	1	SHAFT AS
	8S-0527	1	PLUG-CUP
37	177-6760	1	SHAFT-DRIVE (LH)
40	177-6771	1	DISC-THRUST
41	177-6795	1	DISC-FRICTION
43	177-6801	3	RING-SEAL
46	187-8947	2	DISC-THRUST
49	191-0428	1	GEAR (54-TEETH)
51	192-4975	1	RING-RETAINING
52	200-3039	1	RING-SEAL
54	203-2632	1	PISTON
56	199-9240	1	SEAL-O-RING
57	5H-8985	1	PIN-SPRING
59	6V-8490	1	BOLT (M6X1X25-MM)
60	7T-5594	1	RING-SEAL
61	8T-2572	1	SEAL-O-RING
62	8T-5436	1	BOLT (M10X1.5X130-MM)

[A] PART OF 152-5242 TRANSMISSION AR

01120036
PR: t05b22n43d0167

232-1774 CLUTCH GP-TRANSMISSION
OUTPUT SHAFT CLUTCH GROUP (2 OF 2)
S/N: 9YY1466-UP



MT800B SERIES TRACTORS
POWER TRAIN

411

232-1774 CLUTCH GP-TRANSMISSION
OUTPUT SHAFT CLUTCH GROUP (2 OF 2)
S/N: 9YY1466-UP

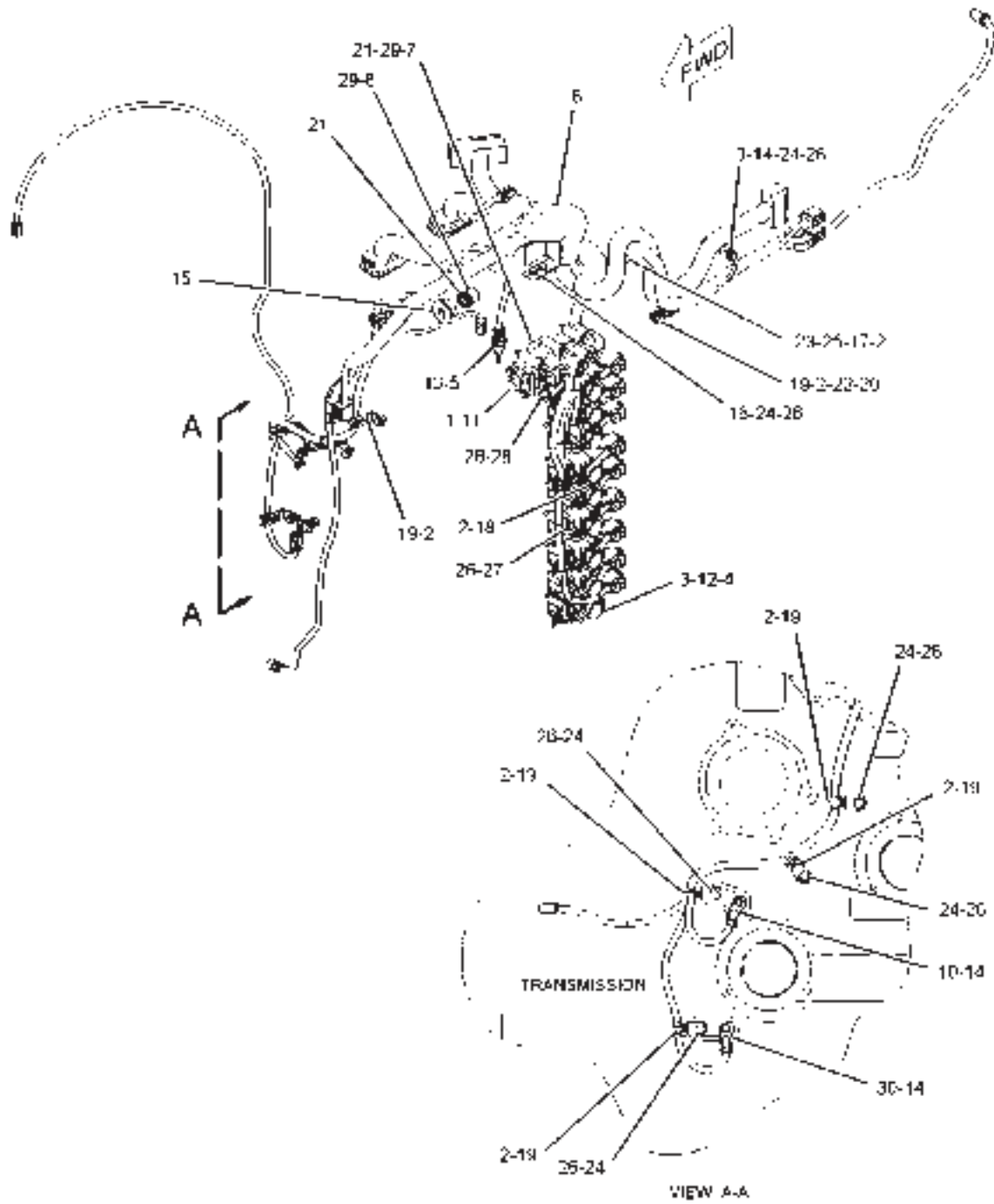
ITEM	NUMBER	QTY	DESCRIPTION
-	232-1774	-	CLUTCH GP-TRANSMISSION [A] (NOT SERVICED)
2	177-6738	2	BEARING
3	187-6226	2	BEARING-SPECIAL
4	6V-0347	1	CONE-BEARING
5	3S-2708	1	PIN-SPRING
6	4D-7889	1	RING
7	7G-2510	1	GEAR-PLANETARY (20-TEETH)
8	134-8360	6	DISC-FRICTION
9	134-8361	6	PLATE-CLUTCH
11	173-5392	1	SPRING
12	177-5241	1	RING-RETAINING
13	177-5243	1	SEAL AS
14	177-5246	1	RING-SPACER
16	177-5249	2	DISC-THRUST
21	177-5258	1	SPACER (86.3X106X5-MM THK)
34	177-6755	1	GEAR-SUN (53-TEETH)
35	177-6757	1	CARRIER-PLANETARY
36	177-6758	1	SHAFT AS
	8S-0527	1	PLUG-CUP
38	177-6769	1	SHAFT-DRIVE (RH)
40	177-6771	1	DISC-THRUST
42	177-6797	1	RING-SEAL
45	177-6804	1	PLATE-END
46	187-8947	2	DISC-THRUST
50	191-0429	1	GEAR (40-TEETH)
52	200-3039	1	RING-SEAL
53	203-2631	1	PISTON
56	199-9240	1	SEAL-O-RING
60	7T-5594	1	RING-SEAL
61	8T-2572	1	SEAL-O-RING

[A] PART OF 152-5242 TRANSMISSION AR

01120038
PR: t05b22n43d0168

MT800B SERIES TRACTORS
POWERTRAIN

155-9580 CONTROL GP-TRANSMISSION HYD
S/N: 9YY1-UP



MT800B SERIES TRACTORS
POWER TRAIN

413

155-9580 CONTROL GP-TRANSMISSION HYD
S/N: 9YY1-UP

ITEM	NUMBER	QTY	DESCRIPTION
-	155-9580	-	CONTROL GP-TRANSMISSION HYD [A] (NOT SERVICED)
1	2P-1692	1	SEAL-O-RING
2	3S-2093	18	STRAP-CABLE
3	6V-0852	9	CAP-DUST
4	8S-0768	9	SEAL-O-RING
5	130-9811	1	SENSOR GP-TEMPERATURE (HYDRAULIC OIL)
6	228-4278	1	HARNESS AS-TRANSMISSION
7	148-1925	1	VALVE-RELIEF (COOLER BYPASS)
8	165-0390	1	VALVE-RELIEF (TRANSMISSION-LUBE)
9	191-8303	1	SENSOR GP-SPEED (TRANSMISSION-INPUT) (PTO SPEED SENSOR)
10	191-8304	1	SENSOR GP-SPEED (TRANSMISSION-OUTPUT #1)
11	198-1013	1	VALVE GP-RELIEF (HYDRAULIC CONTROL SYSTEM) (SEE BREAKDOWN FOR COMPONENTS)
12	216-5343	9	VALVE GP-MODULATING (ELEK CLUTCH PRESS CONT) (SEE BREAKDOWN FOR COMPONENTS)
13	112-5282	1	SEAL-O-RING
14	117-1385	3	SEAL-O-RING
15	183-3902	1	PLUG AS (NOT SERVICED)
	9S-8010	1	PLUG
	183-2317	1	SEAL-O-RING
16	211-1170	1	BRACKET AS
	7T-1099	2	LINK
17	4P-7428	1	CLIP
18	CH4P-7581	11	CLIP
19	4P-8134	6	CLIP
20	6V-5839	1	WASHER (11X21X2.5-MM THK)
21	8C-3428	2	RING-RETAINING
22	8T-4137	1	BOLT (M10X1.5X20-MM)
23	8T-4179	1	BOLT (M12X1.75X20-MM)
24	8T-4200	7	BOLT (M8X1.25X16-MM)
25	8T-4223	1	WASHER-HARD (13.5X25.5X3-MM THK)
26	8T-4224	31	WASHER-HARD (8.8X16X2-MM THK)
27	8T-6869	22	BOLT (M8X1.25X60-MM)
28	8T-6870	2	BOLT (M8X1.25X70-MM)
29	9X-4609	2	SEAL-O-RING
30	191-8304	1	SENSOR GP-SPEED TRANSMISSION-OUTPUT #2

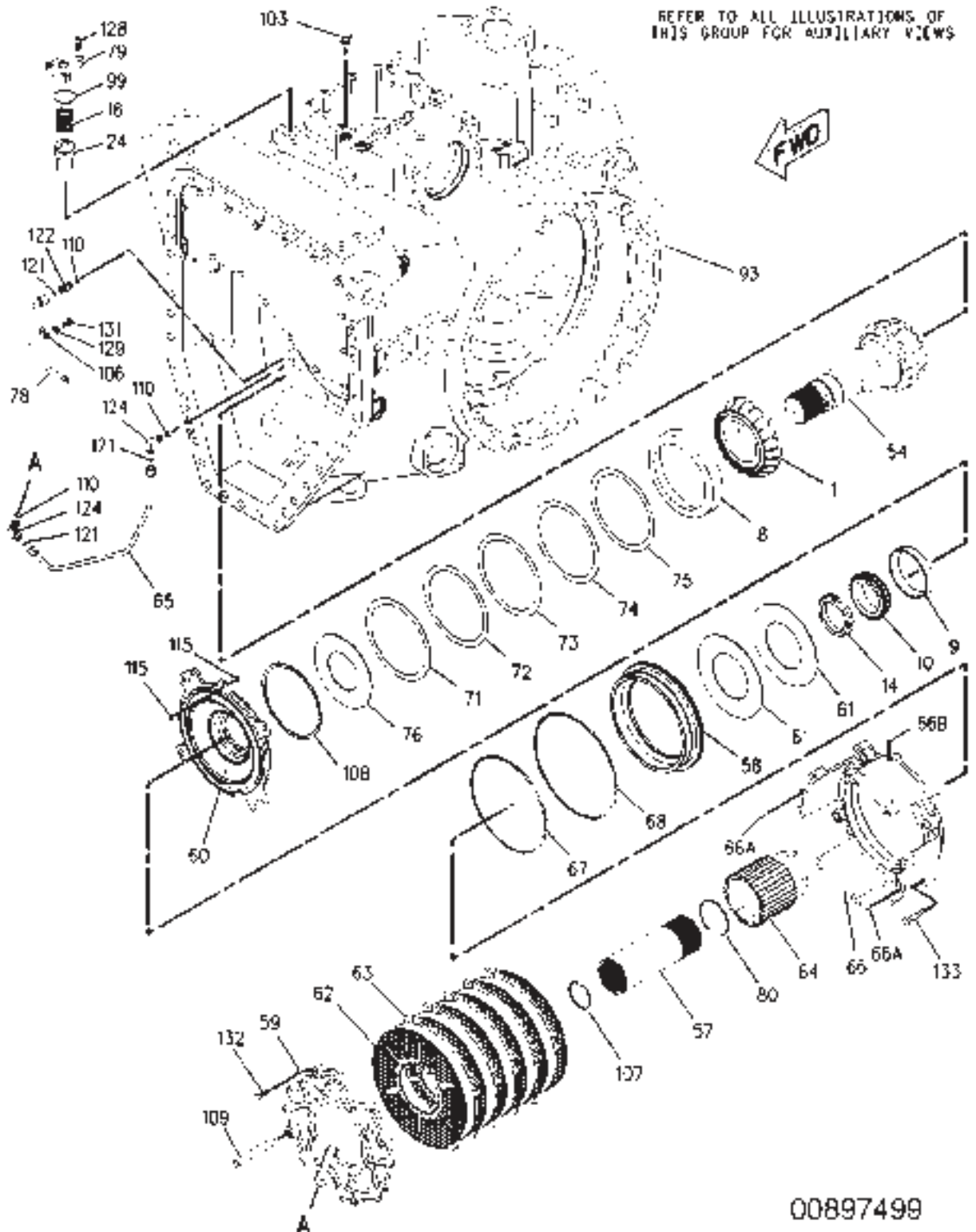
[A] PART OF 152-5242 TRANSMISSION AR

01120531
PR: t05b22n43d0169

MT800B SERIES TRACTORS
POWERTRAIN

180-4376 DIFFERENTIAL GP-STEERING

S/N: AZG1-906; AZH1-972;
AZJ1-1112; AZK1-968



00897499

**MT800B SERIES TRACTORS
POWER TRAIN**

415

180-4376 DIFFERENTIAL GP-STEERING

S/N: AZG1-906; AZH1-972;
AZJ1-1112; AZK1-968

ITEM	NUMBER	QTY	DESCRIPTION
-	180-4376	-	DIFFERENTIAL GP-STEERING [A] (NOT SERVICED)
1	124-9536	1	CONE-BEARING
8	5P-7843	1	CUP-BEARING
9	6F-2956	1	CUP-BEARING
10	6V-0347	1	CONE-BEARING
14	4H-6507	1	LOCKNUT
16	7H-0832	1	SPRING
24	163-0592	1	VALVE GP-CHECK (HYDRAULIC)
	061-7540	1	SEAL-O-RING
54	186-2868	1	PINION-BEVEL (17-TEETH)
57	187-1377	1	COUPLING
58	227-9327	1	PISTON
59	187-3367	1	PLATE-END
60	187-3368	1	PLATE-SPRING
61	187-3369	2	SPRING
62	187-3370	1	DISC-FRICTION
63	187-3371	6	PLATE-CLUTCH
64	187-3372	1	HUB-CLUTCH
65	187-3373	1	TUBE AS
66	187-3374	1	HOUSING AS
66A	2H-1190	2	DOWEL
66B	4B-9782	1	BALL
67	188-0632	1	SEAL-BRAKE
68	188-0633	1	SEAL-BRAKE
71	191-1907	AR	SHIM (0.9MM THK)
72	191-1908	AR	SHIM (0.8MM THK)
73	191-1909	AR	SHIM (0.7MM THK)
74	191-1910	AR	SHIM (0.6MM THK)
75	191-1911	AR	SHIM (0.5MM THK)
76	191-1912	1	PLATE-RETAINER
78	195-3252	1	TUBE AS
79	197-5411	1	FLANGE
80	198-0288	1	RING-RETAINING
93	225-6958	1	HOUSING GP-DIFFERENTIAL (NOT SERVICED) (SEE BREAKDOWN FOR COMPONENTS)
99	005-8593	1	SEAL-O-RING
103	9S-4190	1	PLUG
	2M-9780	1	SEAL-O-RING
106	1F-7567	1	CLIP
107	2H-5549	1	RING-RETAINING
108	2K-1381	1	RING-RETAINING
109	2Y-7489	4	DOWEL
110	3J-1907	3	SEAL-O-RING
115	5H-6005	2	SEAL-O-RING
121	6V-8397	3	SEAL-O-RING
122	6V-8636	1	CONNECTOR
124	6V-8724	2	ELBOW
128	8T-1159	3	BOLT-SOCKET HEAD (M10X1.5X25-MM)
129	8T-4121	1	WASHER-HARD (11X21X2.5-MM THK)
131	8T-4137	1	BOLT (M10X1.5X20-MM)
132	8T-4195	10	BOLT (M10X1.5X30-MM)
133	8T-4910	4	BOLT (M12X1.75X60-MM)

[A] 185-3955, 185-3956,
185-3957, 185-3958 AXLE AR

00897499
PR: t05b22n43d0170

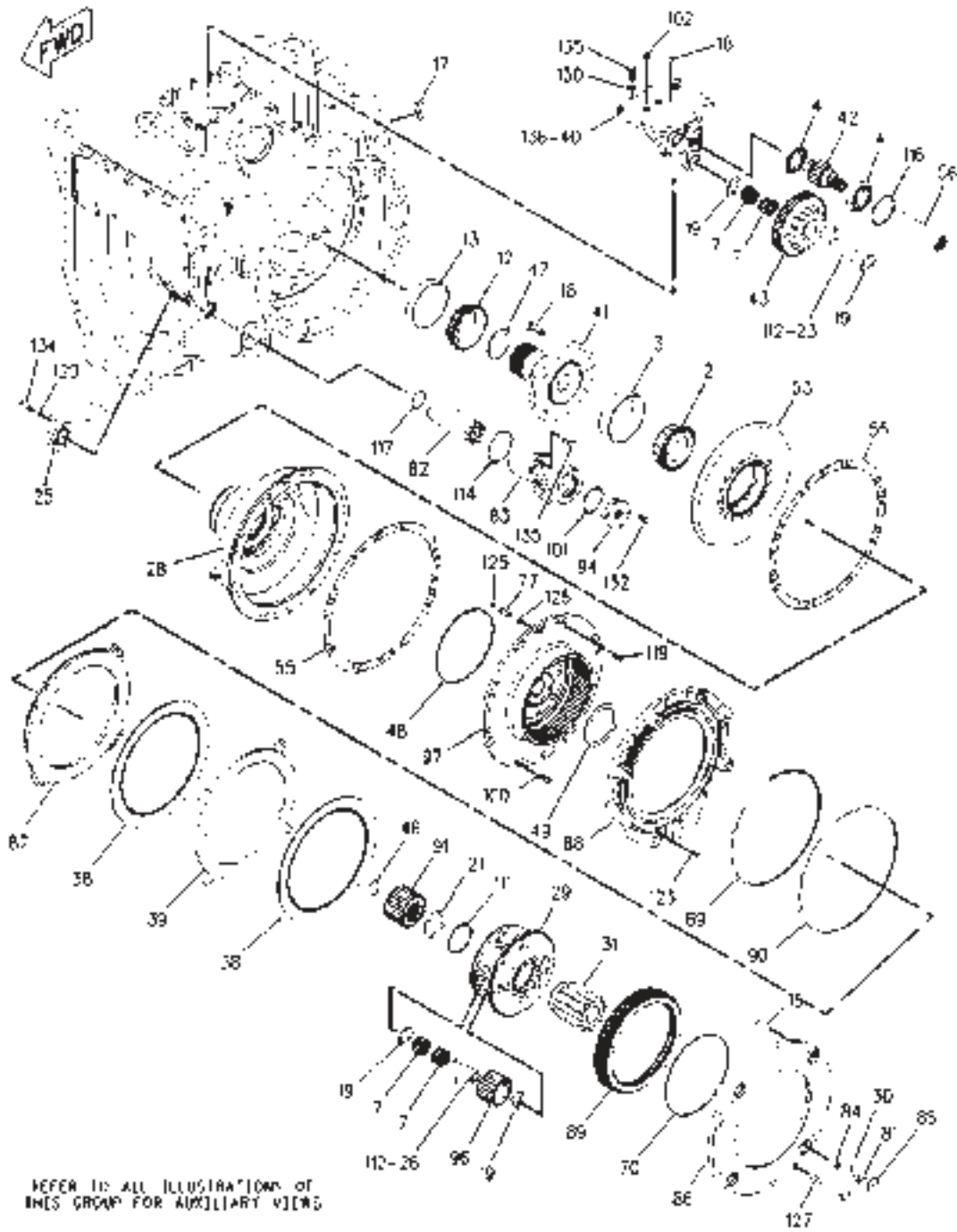
MT800B SERIES TRACTORS
POWER TRAIN

180-4376 DIFFERENTIAL GP-STEERING

(PAGE 1 OF 2)

S/N: AZG1-906; AZH1-972;

AZJ1-1112; AZK1-968



REFER TO ALL ILLUSTRATIONS OF THIS GROUP FOR AUXILIARY VIEWS

**MT800B SERIES TRACTORS
POWER TRAIN**

417

180-4376 DIFFERENTIAL GP-STEERING

(PAGE 1 OF 2)

S/N: AZG1-906; AZH1-972;
AZJ1-1112; AZK1-968

ITEM	NUMBER	QTY	DESCRIPTION
-	180-4376	-	DIFFERENTIAL GP-STEERING [A] (NOT SERVICED)
2	132-6597	1	CONE-BEARING
3	132-6598	1	CUP-BEARING
4	1F-2771	2	BALL BEARING
7	5P-6254	10	BEARING
12	8D-2256	1	CONE-BEARING
13	9K-1171	1	CUP-BEARING
15	4K-3892	4	DOWEL
17	7X-7816	1	PLATE-SERIAL NUMBER (TRANSMISSION)
		2	TACK
18	8C-5224	3	PLUG-SEAL
19	8E-8310	9	DISC-THRUST
21	8E-8652	1	DISC-THRUST
23	111-7068	1	SHAFT AS
	2A-3746	1	PLUG-CUP
25		1	TUBE
26	174-9381	4	SHAFT-PLANETARY
28	174-9407	1	SUPPOT
29	174-9410	1	CARRIER-PLANETARY
30	176-1377	4	PIN-SPRING
31	179-9006	1	GEAR-SUN (15-TEETH)
38	180-4502	2	DISC-FRICTION
39	180-4505	1	PLATE
40	180-8428	1	SUPPORT AS
	2A-3746	4	PLUG-CUP
41	183-3411	1	SHAFT-BEVEL GEAR
42	183-3413	1	GEAR (18-TEETH)
43	183-3414	1	GEAR (54-TEETH)
46	184-1693	1	RING-RETAINING
47	184-1694	1	RING-RETAINING
48	184-1695	1	SEAL-RING
49	184-1696	1	DISC-THRUST
53	186-2867	1	GEAR-BEVEL (48-TEETH)
55	186-2869	2	SHIM PACK (INCLUDES 14-SHIMS)
56	235-6166	1	COUPLING
69	188-0635	1	SEAL-BRAKE
70	189-2089	1	RING-LOCK
81	199-7107	4	SPRING
82	207-5993	1	SCREEN
83	207-7007	1	HOUSING
84	210-8405	4	BUSHING
85	210-8406	4	PLATE-SPRING
86	221-5334	1	PLATE-REACTION
87	211-8280	1	PISTON-BRAKE
88	242-5086	1	HOUSING AS
	126-7260	1	PLUG
89	213-3269	1	HUB-BRAKE

CONTINUED

[A] 185-3955, 185-3956,
185-3957, 185-3958 AXLE AR

00897500
PR: t05b22n43d0171

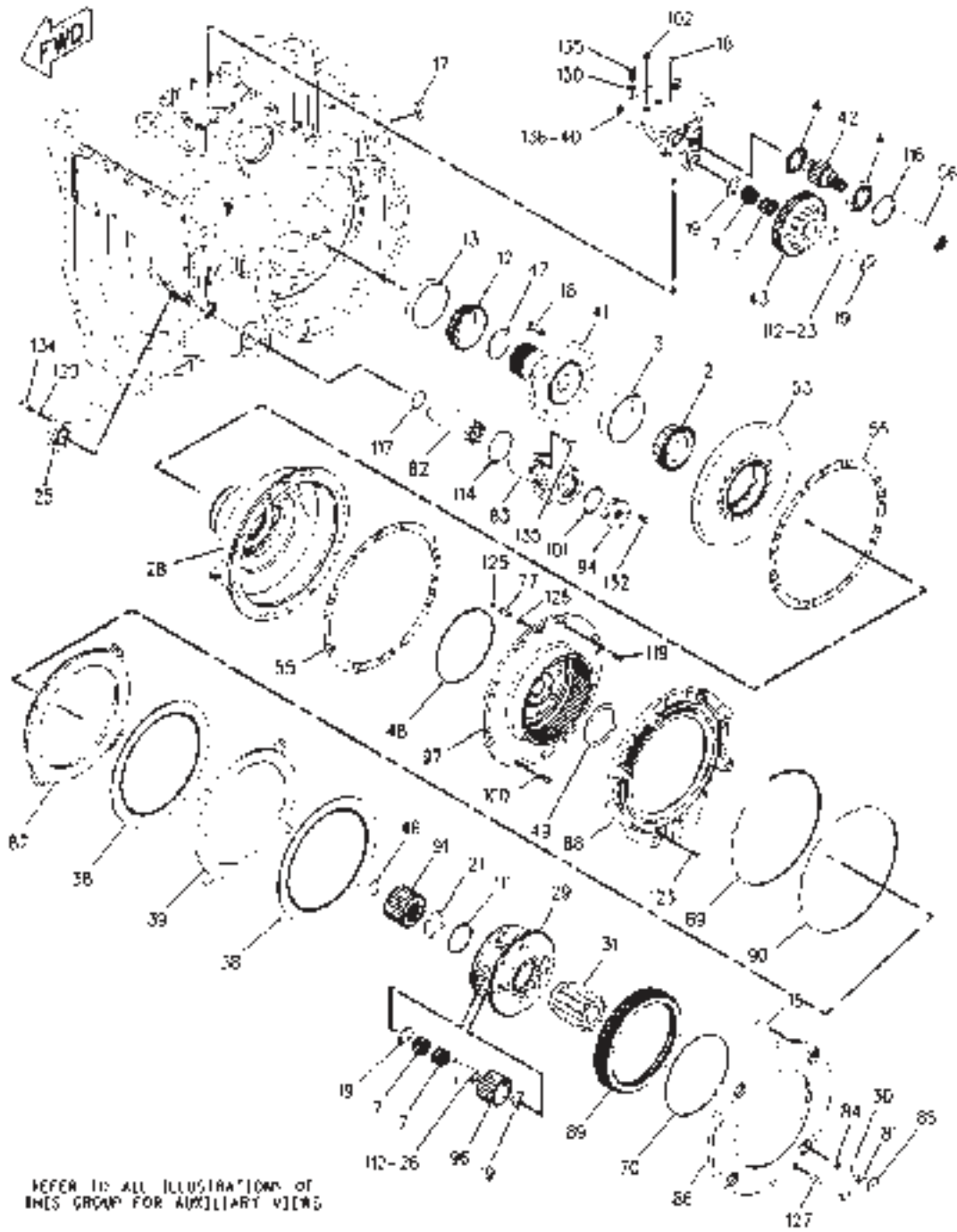
MT800B SERIES TRACTORS
POWER TRAIN

180-4376 DIFFERENTIAL GP-STEERING

(PAGE 2 OF 2)

S/N: AZG1-906; AZH1-972;

AZJ1-1112; AZK1-968



REFER TO ALL ILLUSTRATIONS OF THIS GROUP FOR AUXILIARY VIEWS

MT800B SERIES TRACTORS
POWER TRAIN

419

180-4376 DIFFERENTIAL GP-STEERING

(PAGE 2 OF 2)

S/N: AZG1-906; AZH1-972;
AZJ1-1112; AZK1-968

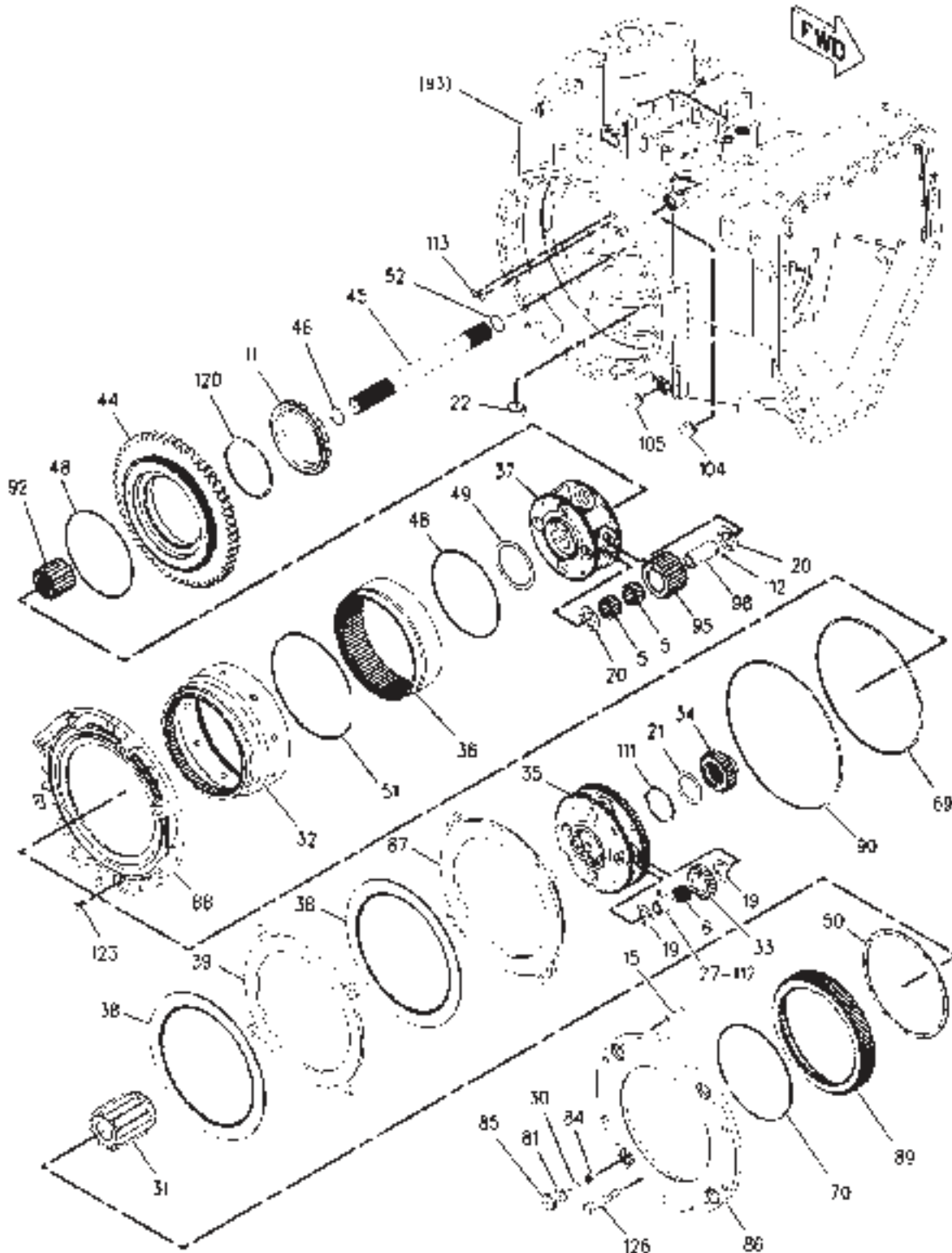
ITEM	NUMBER	QTY	DESCRIPTION
-	180-4376	-	DIFFERENTIAL GP [A] (NOT SERVICED)
90	213-3270	1	SEAL-D-RING
91	213-6190	1	GEAR-SUN (28-TEETH)
94	221-0691	1	COVER
96	222-1904	4	GEAR-PLANETARY (23-TEETH)
97	252-2226	1	GEAR-RING
100	095-0670	3	BOLT (M12X1.75X45-MM)
101	131-3718	1	SEAL-O-RING
102	9S-8005	1	PLUG
	3K-0360	1	SEAL-O-RING
111	3P-3441	1	RING-RETAINING
112	3S-2708	5	PIN-SPRING
114	5F-3144	1	SEAL-O-RING
116	5L-4751	1	RING-RETAINING
117	5M-6509	1	SEAL-O-RING
118	6V-3532	16	BOLT (M20X2.5X60-MM)
119	6V-3668	6	BOLT (M12X1.75X30-MM)
123	6V-8675	1	BOLT (M12X1.75X35-MM)
125	8L-2777	4	SEAL-O-RING
127	8T-0657	9	BOLT (M20X2.5X160-MM)
129	8T-4121	3	WASHER-HARD (11X21X2.5-MM THK)
130	8T-4122	9	WASHER-HARD (17X32X3.5-MM THK)
132	8T-4195	4	BOLT (M10X1.5X30-MM)
134	8T-6466	3	BOLT (M10X1.5X60-MM)
135	8T-7338	11	BOLT (M16X2X45-MM)
136	1U-8846	AR	SEALANT-GASKET

[A] 185-3955, 185-3956,
185-3957, 185-3958 AXLE AR

00897500
PR: t05b22n43d0171

MT800B SERIES TRACTORS
POWER TRAIN

180-4376 DIFFERENTIAL GP-STEERING
S/N: AZG1-906; AZH1-972;
AZJ1-1112; AZK1-968



00900264

**MT800B SERIES TRACTORS
POWER TRAIN**

421

180-4376 DIFFERENTIAL GP-STEERING

S/N: AZG1-906; AZH1-972;
AZJ1-1112; AZK1-968

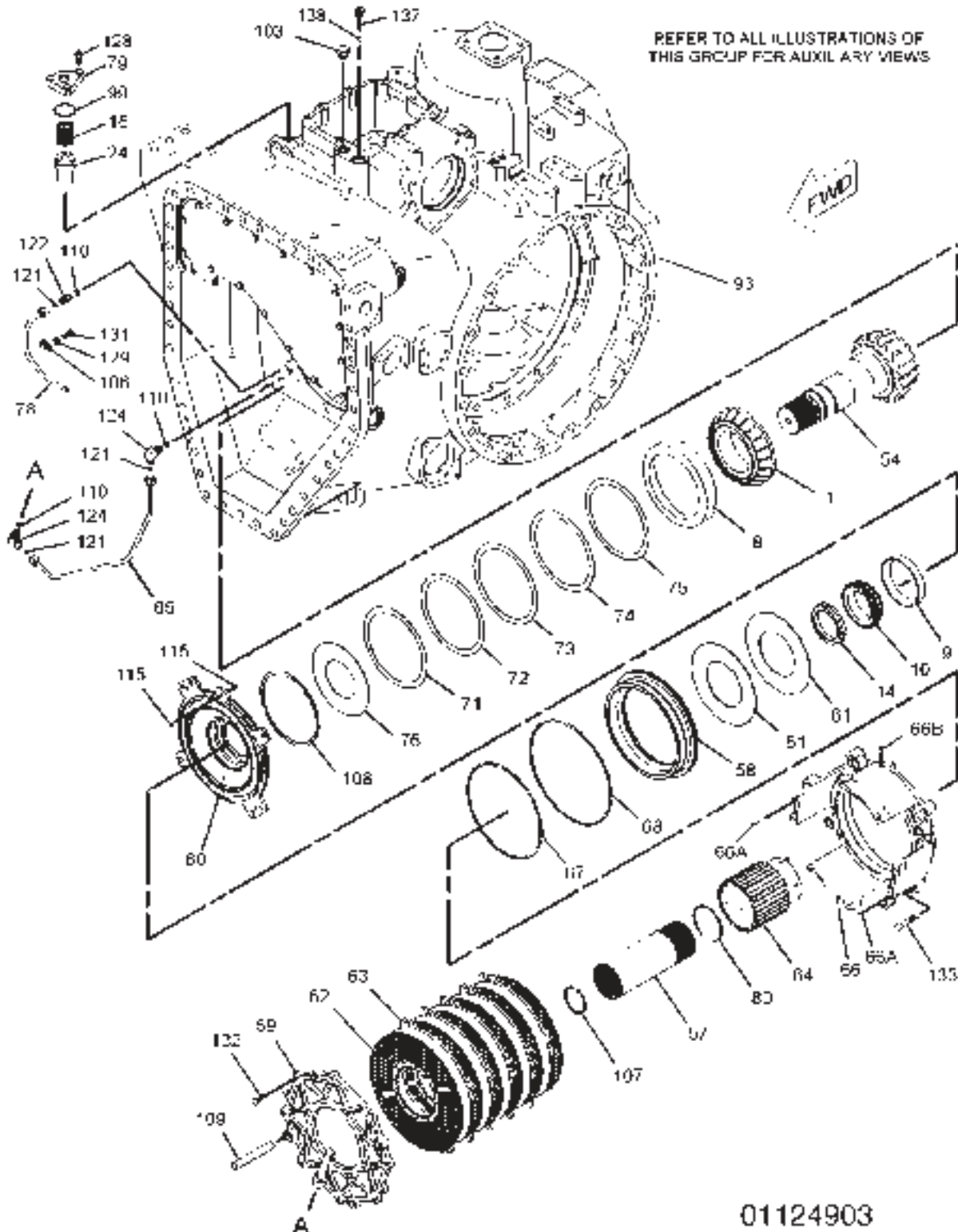
ITEM	NUMBER	QTY	DESCRIPTION
-	180-4376	-	DIFFERENTIAL GP-STEERING [A] (NOT SERVICED)
5	1P-3958	8	ROLLER AS-SPECIAL
6	5M-0578	4	BEARING AS-ROLLER
11	6V-6654	1	BEARING AS-ROLLER
15	4K-3892	4	DOWEL
19	8E-8310	9	DISC-THRUST
20	8E-8316	8	DISC-THRUST
21	8E-8652	1	DISC-THRUST
22	8M-7160	1	MAGNET
27	174-9383	4	SHAFT-PLANETARY
30	176-1377	4	PIN-SPRING
31	179-9006	1	GEAR-SUN (15-TEETH)
32	239-9822	1	GEAR-RING (72-TEETH)
33	180-4379	4	GEAR-PLANETARY (23-TEETH)
34	180-4381	1	GEAR-SUN (28-TEETH)
35	180-4382	1	CARRIER-PLANETARY
36	180-4384	1	GEAR-RING (75-TEETH)
37	180-4387	1	CARRIER-PLANETARY
38	180-4502	2	DISC-FRICTION
39	180-4505	1	PLATE
44	183-3415	1	GEAR (58-TEETH)
45	183-3416	1	SHAFT
46	184-1693	1	RING-RETAINING
48	184-1695	2	SEAL-RING
49	184-1696	1	DISC-THRUST
50	184-1697	1	DISC-THRUST
51	185-4422	1	RING-LOCK
52	185-4423	1	RING-RETAINING
69	188-0635	1	SEAL-BRAKE
70	189-2089	1	RING-LOCK
81	199-7107	4	SPRING
84	210-8405	4	BUSHING
85	210-8406	4	PLATE-SPRING
86	221-5334	1	PLATE-REACTION
87	211-8280	1	PISTON-BRAKE
88	242-5086	1	HOUSING AS
	126-7260	1	PLUG
89	213-3269	1	HUB-BRAKE
90	213-3270	1	SEAL-D-RING
92	213-6191	1	GEAR-SUN (34-TEETH)
95	222-1903	4	GEAR-PLANETARY (27-TEETH)
98	223-0623	4	SHAFT-PLANETARY
104	9S-4181	1	PLUG
	7M-8485	1	SEAL-O-RING
105	9S-6130	1	PLUG
	2S-4078	1	SEAL-O-RING
111	3P-3441	1	RING-RETAINING
112	3S-2708	8	PIN-SPRING
113	4J-5140	2	SEAL-O-RING
120	6V-4442	1	RING-RETAINING
123	6V-8675	1	BOLT (M12X1.75X35-MM)
126	8T-0070	9	BOLT (M20X2.5X120-MM)

[A] 185-3955, 185-3956,
185-3957, 185-3958 AXLE AR

00900264
PR: t05b22n43d0172

MT800B SERIES TRACTORS
POWER TRAIN

180-4376 DIFFERENTIAL GP-STEERING
S/N: AZG907-950; AZH973-983;
AZJ1113-1434; AZK969-979



MT800B SERIES TRACTORS
POWER TRAIN

423

180-4376 DIFFERENTIAL GP-STEERING

S/N: AZG907-950; AZH973-983;
AZJ1113-1434; AZK969-979

ITEM	NUMBER	QTY	DESCRIPTION
-	180-4376	-	DIFFERENTIAL GP-STEERING [A] (NOT SERVICED)
1	124-9536	1	CONE-BEARING
8	5P-7843	1	CUP-BEARING
9	6F-2956	1	CUP-BEARING
10	6V-0347	1	CONE-BEARING
14	4H-6507	1	LOCKNUT
16	7H-0832	1	SPRING
24	163-0592	1	VALVE GP-CHECK (HYDRAULIC)
	061-7540	1	SEAL-O-RING
54	186-2868	1	PINION-BEVEL (17-TEETH)
57	187-1377	1	COUPLING
58	227-9327	1	PISTON
59	187-3367	1	PLATE-END
60	187-3368	1	PLATE-SPRING
61	187-3369	2	SPRING
62	187-3370	6	DISC-FRICTION
63	187-3371	6	PLATE-CLUTCH
64	187-3372	1	HUB-CLUTCH
65	187-3373	1	TUBE AS
66	187-3374	1	HOUSING AS
66A	2H-1190	2	DOWEL
66B	4B-9782	1	BALL
67	188-0632	1	SEAL-BRAKE
68	188-0633	1	SEAL-BRAKE
71	191-1907	AR	SHIM (0.9MM THK)
72	191-1908	AR	SHIM (0.8MM THK)
73	191-1909	AR	SHIM (0.7MM THK)
74	191-1910	AR	SHIM (0.6MM THK)
75	191-1911	AR	SHIM (0.5MM THK)
76	191-1912	1	PLATE-RETAINER
78	195-3252	1	TUBE AS
79	197-5411	1	FLANGE
80	198-0288	1	RING-RETAINING

CONTINUED

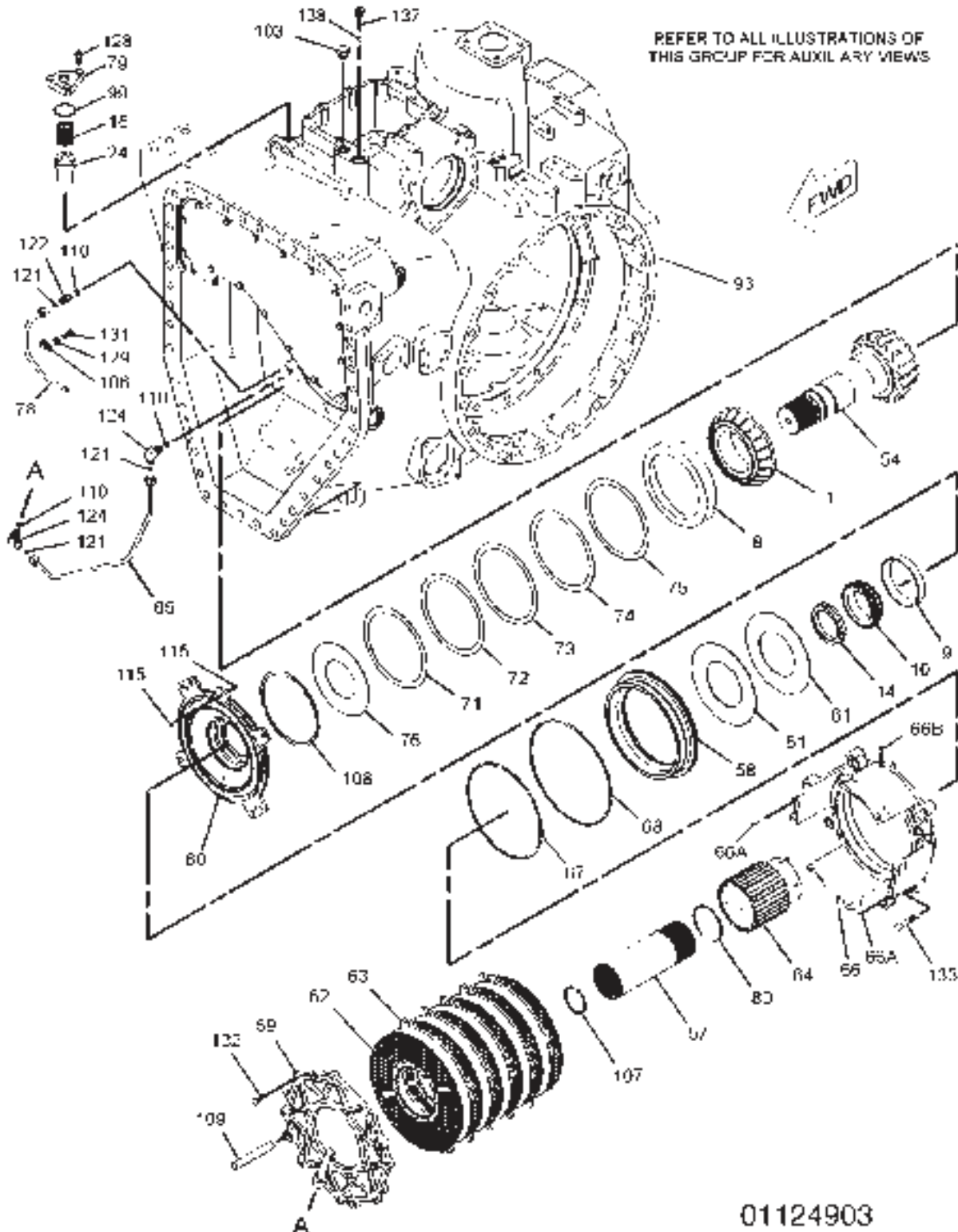
[A] 185-3955, 185-3956,
185-3957, 185-3958 AXLE AR
[C] CHANGE FROM PREVIOUS TYPE

01124903
PR: t05b22n43d0173

MT800B SERIES TRACTORS
POWER TRAIN

180-4376 DIFFERENTIAL GP-STEERING

S/N: AZG907-950; AZH973-983;
AZJ1113-1434; AZK969-979



MT800B SERIES TRACTORS
POWER TRAIN

425

180-4376 DIFFERENTIAL GP-STEERING

S/N: AZG907-950; AZH973-983;
AZJ1113-1434; AZK969-979

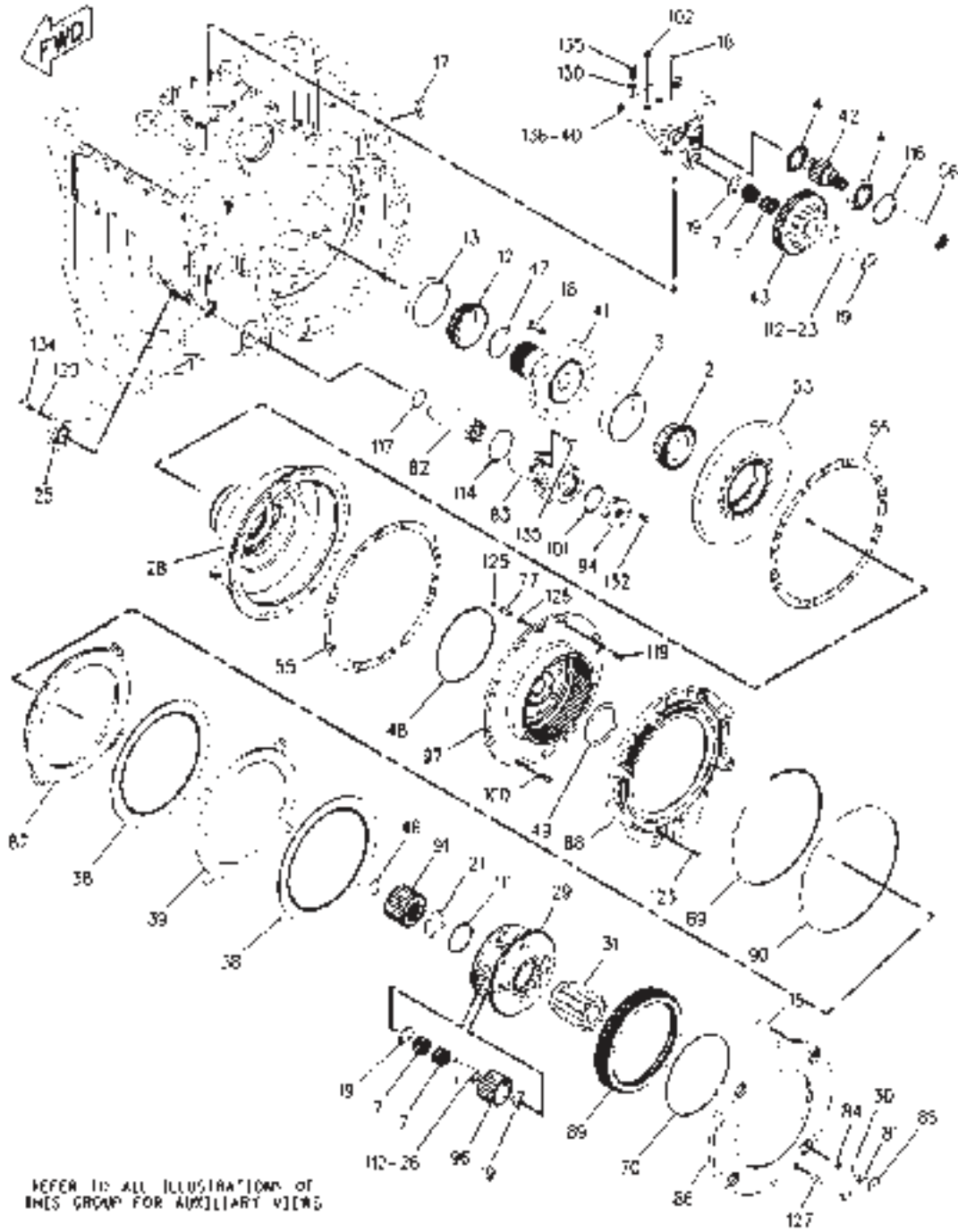
ITEM	NUMBER	QTY	DESCRIPTION
-	180-4376	-	DIFFERENTIAL GP-STEERING [A] (NOT SERVICED)
93	225-6958	1	HOUSING GP-DIFFERENTIAL [C] (NOT SERVICED) (SEE BREAKDOWN FOR COMPONENTS)
99	005-8593	1	SEAL-O-RING
103	9S-4190	1	PLUG
106	1F-7567	1	CLIP
107	2H-5549	1	RING-RETAINING
108	2K-1381	1	RING-RETAINING
109	2Y-7489	4	DOWEL
110	3J-1907	3	SEAL-O-RING
115	5H-6005	2	SEAL-O-RING
121	6V-8397	3	SEAL-O-RING
122	6V-8636	1	CONNECTOR
124	6V-8724	2	ELBOW
128	8T-1159	3	BOLT-SOCKET HEAD (M10X1.5X25-MM)
129	8T-4121	1	WASHER-HARD (11X21X2.5-MM THK)
131	8T-4137	1	BOLT (M10X1.5X20-MM)
132	8T-4195	10	BOLT (M10X1.5X30-MM)
133	8T-4910	4	BOLT (M12X1.75X60-MM)
137	223-1637	1	PLUG AS
138	4B-9783	1	BALL

[A] 185-3955, 185-3956,
185-3957, 185-3958 AXLE AR
[C] CHANGE FROM PREVIOUS TYPE

01124903
PR: t05b22n43d0173

MT800B SERIES TRACTORS
POWER TRAIN

180-4376 DIFFERENTIAL GP-STEERING
S/N: AZG907-950; AZH973-983;
AZJ1113-1434; AZK969-979



00897500

**MT800B SERIES TRACTORS
POWER TRAIN**

427

180-4376 DIFFERENTIAL GP-STEERING

S/N: AZG907-950; AZH973-983;
AZJ1113-1434; AZK969-979

ITEM	NUMBER	QTY	DESCRIPTION
-	180-4376	-	DIFFERENTIAL GP-STEERING [A] (NOT SERVICED)
2	132-6597	1	CONE-BEARING
3	132-6598	1	CUP-BEARING
4	1F-2771	2	BALL BEARING
7	5P-6254	10	BEARING
12	8D-2256	1	CONE-BEARING
13	9K-1171	1	CUP-BEARING
15	4K-3892	4	DOWEL
17	7X-7816	1	PLATE-SERIAL NUMBER (TRANSMISSION)
		2	TACK
18	8C-5224	3	PLUG-SEAL
19	8E-8310	9	DISC-THRUST
21	8E-8652	1	DISC-THRUST
23	111-7068	1	SHAFT AS
	2A-3746	1	PLUG-CUP
25		1	TUBE
26	174-9381	4	SHAFT-PLANETARY
28	174-9407	1	SUPPOT
29	174-9410	1	CARRIER-PLANETARY
30	176-1377	4	PIN-SPRING
31	179-9006	1	GEAR-SUN (15-TEETH)
38	180-4502	2	DISC-FRICTION
39	180-4505	1	PLATE
40	180-8428	1	SUPPORT AS
	2A-3746	4	PLUG-CUP
41	183-3411	1	SHAFT-BEVEL GEAR
42	183-3413	1	GEAR (18-TEETH)
43	183-3414	1	GEAR (54-TEETH)
46	184-1693	1	RING-RETAINING
47	184-1694	1	RING-RETAINING
48	184-1695	1	SEAL-RING
49	184-1696	1	DISC-THRUST
53	186-2867	1	GEAR-BEVEL (48-TEETH)
55	186-2869	2	SHIM PACK (INCLUDES 14-SHIMS)
56	235-6166	1	COUPLING
69	188-0635	1	SEAL-BRAKE
70	189-2089	1	RING-LOCK
81	199-7107	4	SPRING
82	207-5993	1	SCREEN
83	207-7007	1	HOUSING
84	210-8405	4	BUSHING
85	210-8406	4	PLATE-SPRING
86	221-5334	1	PLATE-REACTION
87	211-8280	1	PISTON-BRAKE
88	242-5086	1	HOUSING AS
	126-7260	1	PLUG
89	213-3269	1	HUB-BRAKE

CONTINUED

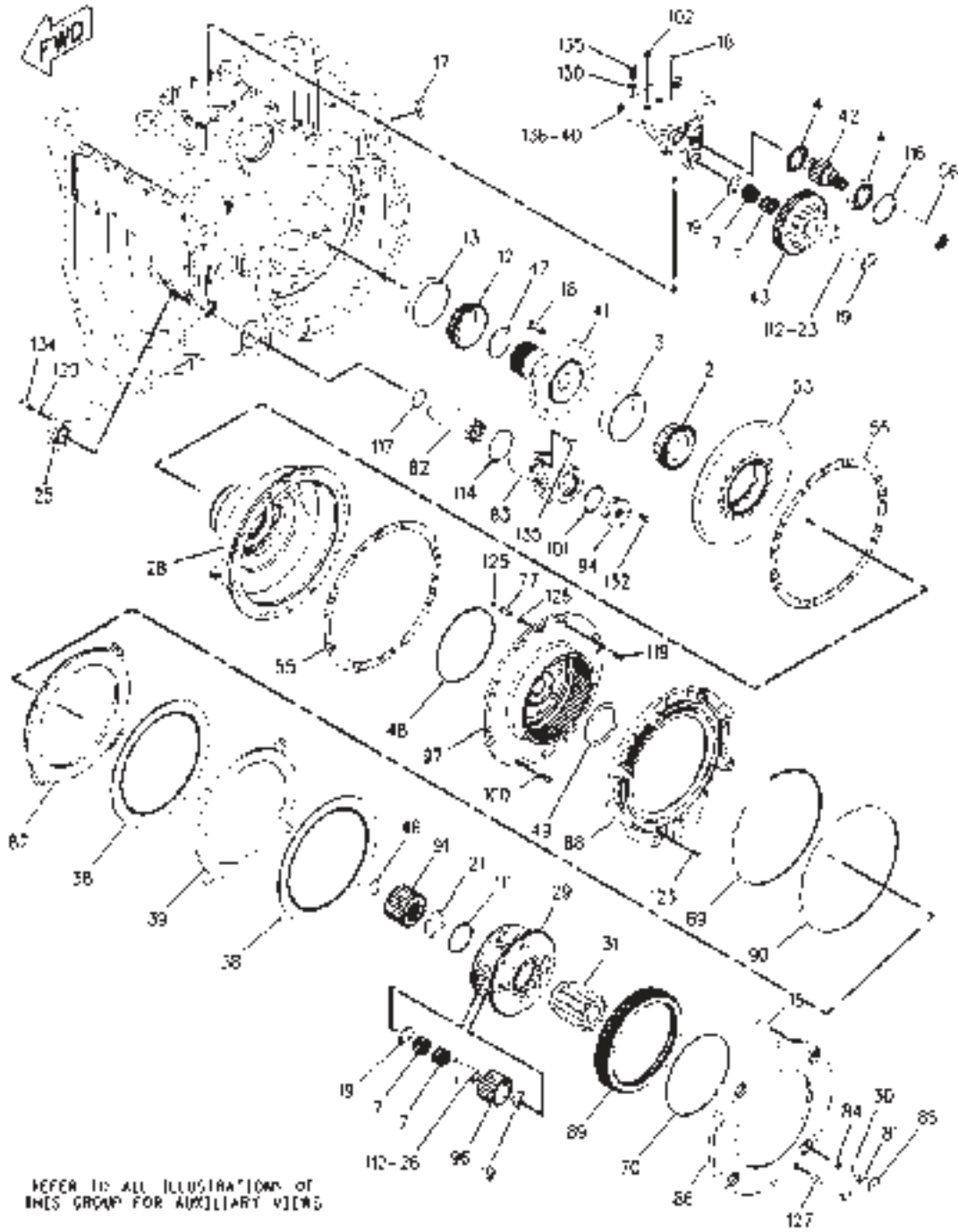
[A] 185-3955, 185-3956,
185-3957, 185-3958 AXLE AR

00897500
PR: t05b22n43d0174

MT800B SERIES TRACTORS
POWER TRAIN

180-4376 DIFFERENTIAL GP-STEERING

S/N: AZG907-950; AZH973-983;
AZJ1113-1434; AZK969-979



00897500

MT800B SERIES TRACTORS
POWER TRAIN

429

180-4376 DIFFERENTIAL GP-STEERING

S/N: AZG907-950; AZH973-983;
AZJ1113-1434; AZK969-979

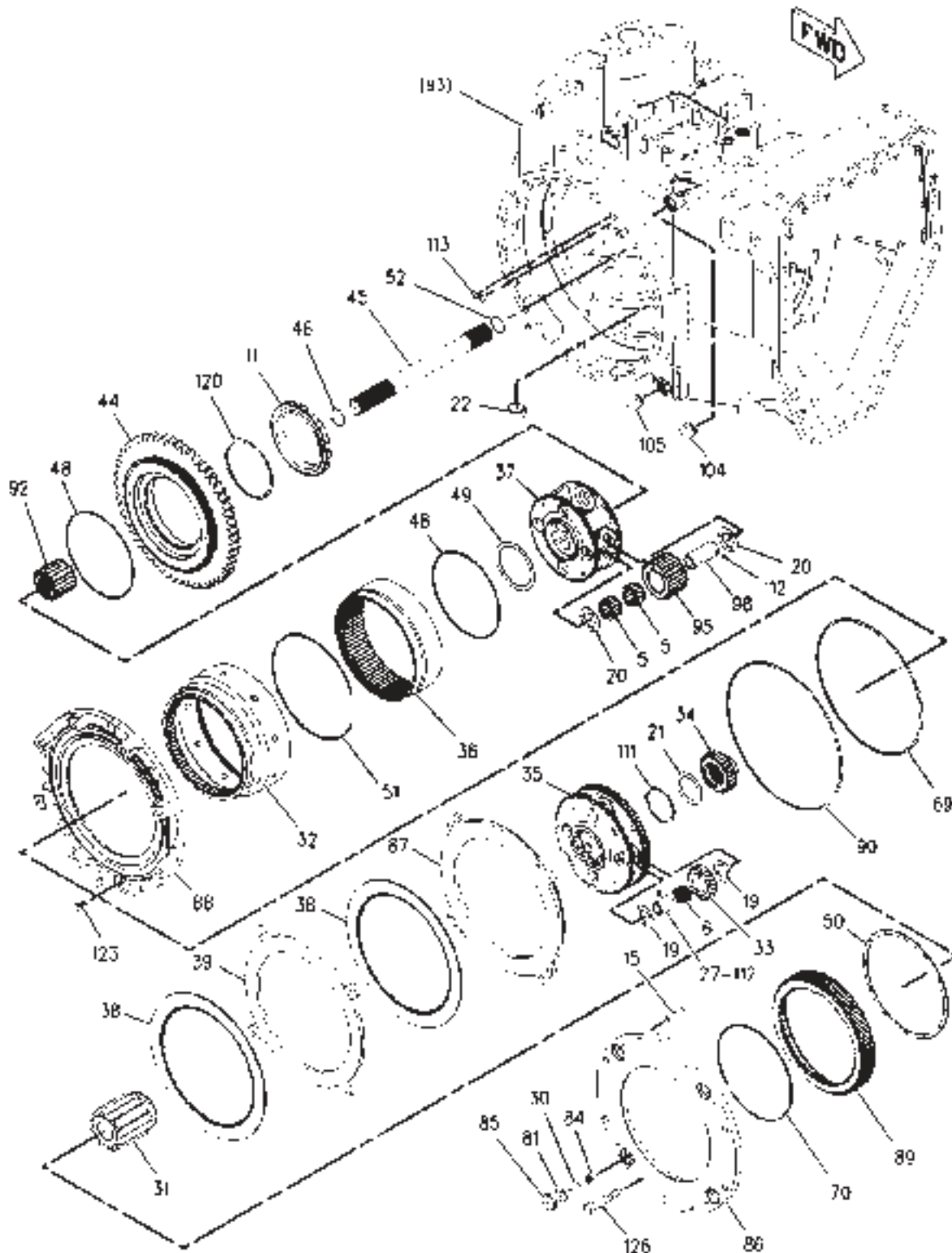
ITEM	NUMBER	QTY	DESCRIPTION
-	180-4376	-	DIFFERENTIAL GP [A] (NOT SERVICED)
90	213-3270	1	SEAL-D-RING
91	213-6190	1	GEAR-SUN (28-TEETH)
94	221-0691	1	COVER
96	222-1904	4	GEAR-PLANETARY (23-TEETH)
97	252-2226	1	GEAR-RING
100	095-0670	3	BOLT (M12X1.75X45-MM)
101	131-3718	1	SEAL-O-RING
102	9S-8005	1	PLUG
	3K-0360	1	SEAL-O-RING
111	3P-3441	1	RING-RETAINING
112	3S-2708	5	PIN-SPRING
114	5F-3144	1	SEAL-O-RING
116	5L-4751	1	RING-RETAINING
117	5M-6509	1	SEAL-O-RING
118	6V-3532	16	BOLT (M20X2.5X60-MM)
119	6V-3668	6	BOLT (M12X1.75X30-MM)
123	6V-8675	1	BOLT (M12X1.75X35-MM)
125	8L-2777	4	SEAL-O-RING
127	8T-0657	9	BOLT (M20X2.5X160-MM)
129	8T-4121	3	WASHER-HARD (11X21X2.5-MM THK)
130	8T-4122	9	WASHER-HARD (17X32X3.5-MM THK)
132	8T-4195	4	BOLT (M10X1.5X30-MM)
134	8T-6466	3	BOLT (M10X1.5X60-MM)
135	8T-7338	11	BOLT (M16X2X45-MM)
136	1U-8846	AR	SEALANT-GASKET

[A] 185-3955, 185-3956,
185-3957, 185-3958 AXLE AR

00897500
PR: t05b22n43d0174

MT800B SERIES TRACTORS
POWER TRAIN

180-4376 DIFFERENTIAL GP-STEERING
S/N: AZG907-950; AZH973-983;
AZJ1113-1434; AZK969-979



00900264

MT800B SERIES TRACTORS
POWER TRAIN

431

180-4376 DIFFERENTIAL GP-STEERING

S/N: AZG907-950; AZH973-983;
AZJ1113-1434; AZK969-979

ITEM	NUMBER	QTY	DESCRIPTION
-	180-4376	-	DIFFERENTIAL GP-STEERING [A] (NOT SERVICED)
5	1P-3958	8	ROLLER AS-SPECIAL
6	5M-0578	4	BEARING AS-ROLLER
11	6V-6654	1	BEARING AS-ROLLER
15	4K-3892	4	DOWEL
19	8E-8310	8	DISC-THRUST
20	8E-8316	8	DISC-THRUST
21	8E-8652	1	DISC-THRUST
22	8M-7160	1	MAGNET
27	174-9383	4	SHAFT-PLANETARY
30	176-1377	4	PIN-SPRING
31	179-9006	1	GEAR-SUN (15-TEETH)
32	239-9822	1	GEAR-RING (72-TEETH)
33	180-4379	4	GEAR-PLANETARY (23-TEETH)
34	180-4381	1	GEAR-SUN (28-TEETH)
35	180-4382	1	CARRIER-PLANETARY
36	180-4384	1	GEAR-RING (75-TEETH)
37	180-4387	1	CARRIER-PLANETARY
38	180-4502	2	DISC-FRICTION
39	180-4505	1	PLATE
44	183-3415	1	GEAR (58-TEETH)
45	183-3416	1	SHAFT
46	184-1693	1	RING-RETAINING
48	184-1695	2	SEAL-RING
49	184-1696	1	DISC-THRUST
50	184-1697	1	DISC-THRUST
51	185-4422	1	RING-LOCK
52	185-4423	1	RING-RETAINING
69	188-0635	1	SEAL-BRAKE
70	189-2089	1	RING-LOCK
81	199-7107	4	SPRING
84	210-8405	4	BUSHING
85	210-8406	4	PLATE-SPRING
86	221-5334	1	PLATE-REACTION
87	211-8280	1	PISTON-BRAKE
88	242-5086	1	HOUSING AS
	126-7260	1	PLUG
89	213-3269	1	HUB-BRAKE
90	213-3270	1	SEAL-D-RING
92	213-6191	1	GEAR-SUN (34-TEETH)
95	222-1903	4	GEAR-PLANETARY (27-TEETH)
98	223-0623	4	SHAFT-PLANETARY
104	9S-4181	1	PLUG
	7M-8485	1	SEAL-O-RING
105	9S-6130	1	PLUG
	2S-4078	1	SEAL-O-RING
111	3P-3441	1	RING-RETAINING
112	3S-2708	8	PIN-SPRING
113	4J-5140	2	SEAL-O-RING
120	6V-4442	1	RING-RETAINING
123	6V-8675	1	BOLT (M12X1.75X35-MM)
126	8T-0070	9	BOLT (M20X2.5X120-MM)

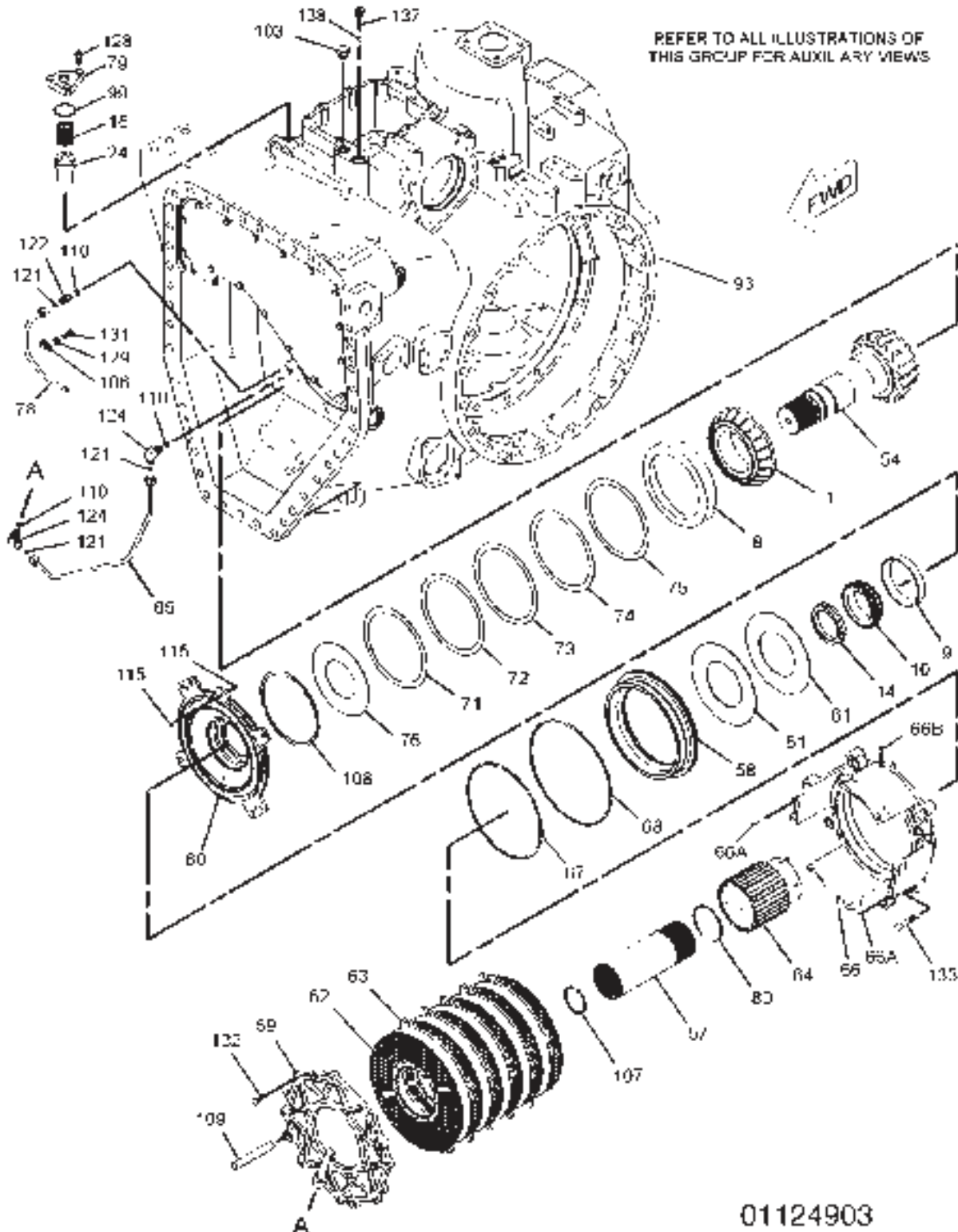
[A] 185-3955, 185-3956,
185-3957, 185-3958 AXLE AR

00900264
PR: t05b22n43d0175

MT800B SERIES TRACTORS
POWER TRAIN

180-4376 DIFFERENTIAL GP-STEERING

S/N: AZG951-1012; AZH984-1004;
AZJ1435-1896; AZK980-1002



01124903

MT800B SERIES TRACTORS
POWER TRAIN

433

180-4376 DIFFERENTIAL GP-STEERING
S/N: AZG951-1012; AZH984-1004;
AZJ1435-1896; AZK980-1002

ITEM	NUMBER	QTY	DESCRIPTION
-	180-4376	-	DIFFERENTIAL GP-STEERING [A] (NOT SERVICED)
1	124-9536	1	CONE-BEARING
8	5P-7843	1	CUP-BEARING
9	6F-2956	1	CUP-BEARING
10	6V-0347	1	CONE-BEARING
14	4H-6507	1	LOCKNUT
16	7H-0832	1	SPRING
24	163-0592	1	VALVE GP-CHECK (HYDRAULIC)
	061-7540	1	SEAL-O-RING
54	186-2868	1	PINION-BEVEL (17-TEETH)
57	187-1377	1	COUPLING
58	227-9327	1	PISTON
59	187-3367	1	PLATE-END
60	187-3368	1	PLATE-SPRING
61	187-3369	2	SPRING
62	187-3370	6	DISC-FRICTION
63	187-3371	6	PLATE-CLUTCH
64	187-3372	1	HUB-CLUTCH
65	187-3373	1	TUBE AS
66	187-3374	1	HOUSING AS
66A	2H-1190	2	DOWEL
66B	4B-9782	1	BALL
67	188-0632	1	SEAL-BRAKE
68	188-0633	1	SEAL-BRAKE
71	191-1907	AR	SHIM (0.9MM THK)
72	191-1908	AR	SHIM (0.8MM THK)
73	191-1909	AR	SHIM (0.7MM THK)
74	191-1910	AR	SHIM (0.6MM THK)
75	191-1911	AR	SHIM (0.5MM THK)
76	191-1912	1	PLATE-RETAINER
78	195-3252	1	TUBE AS
79	197-5411	1	FLANGE
80	198-0288	1	RING-RETAINING
93	242-0962	1	HOUSING GP-DIFFERENTIAL [C] (SEE BREAKDOWN FOR COMPONENTS)
99	005-8593	1	SEAL-O-RING

CONTINUED

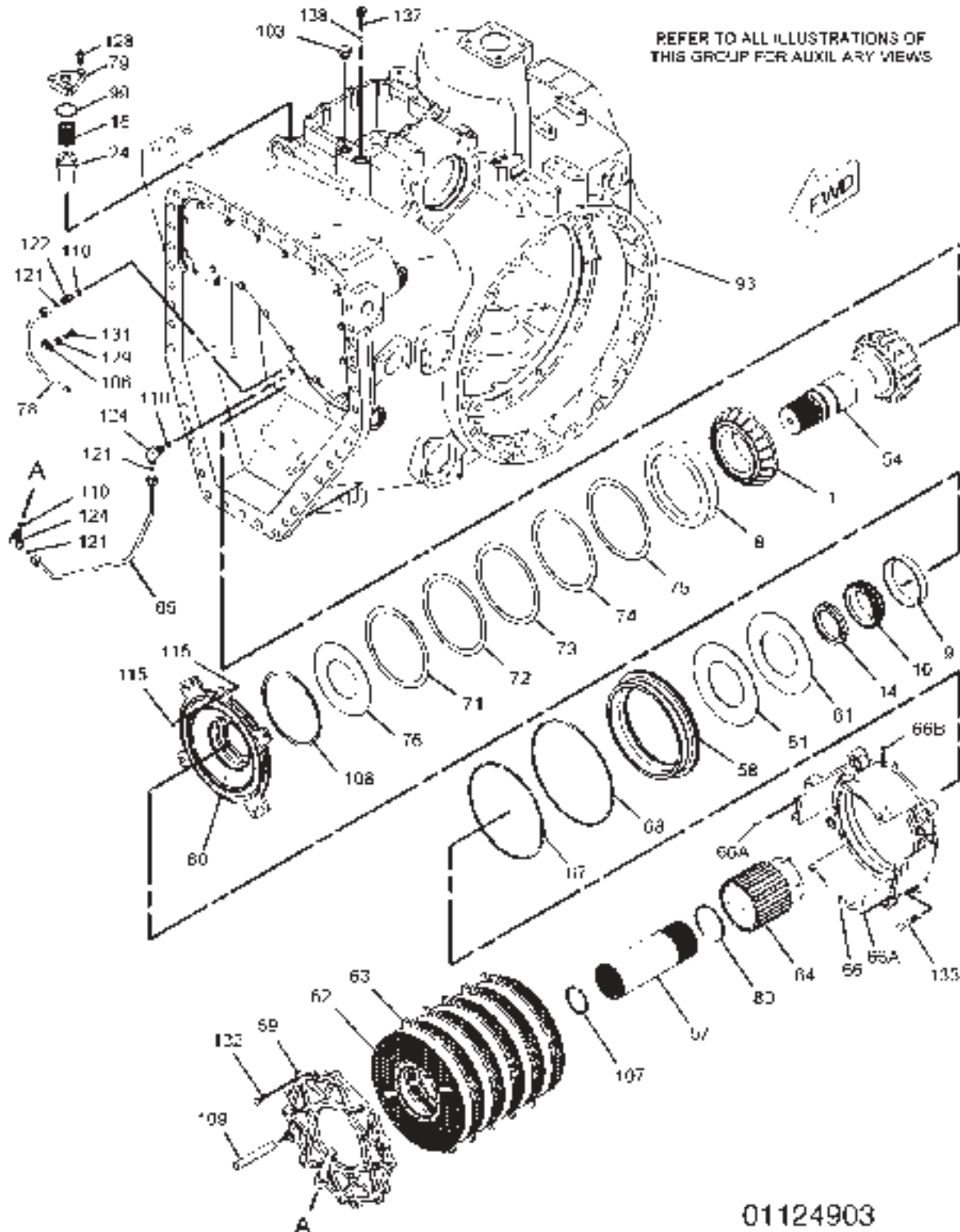
[A] 185-3955, 185-3956,
185-3957, 185-3958 AXLE AR
[C] CHANGE FROM PREVIOUS TYPE

01124903
PR: t05b22n43d0176

MT800B SERIES TRACTORS
POWER TRAIN

180-4376 DIFFERENTIAL GP-STEERING

S/N: AZG951-1012; AZH984-1004;
AZJ1435-1896; AZK980-1002



01124903

MT800B SERIES TRACTORS
POWER TRAIN

435

180-4376 DIFFERENTIAL GP-STEERING
S/N: AZG951-1012; AZH984-1004;
AZJ1435-1896; AZK980-1002

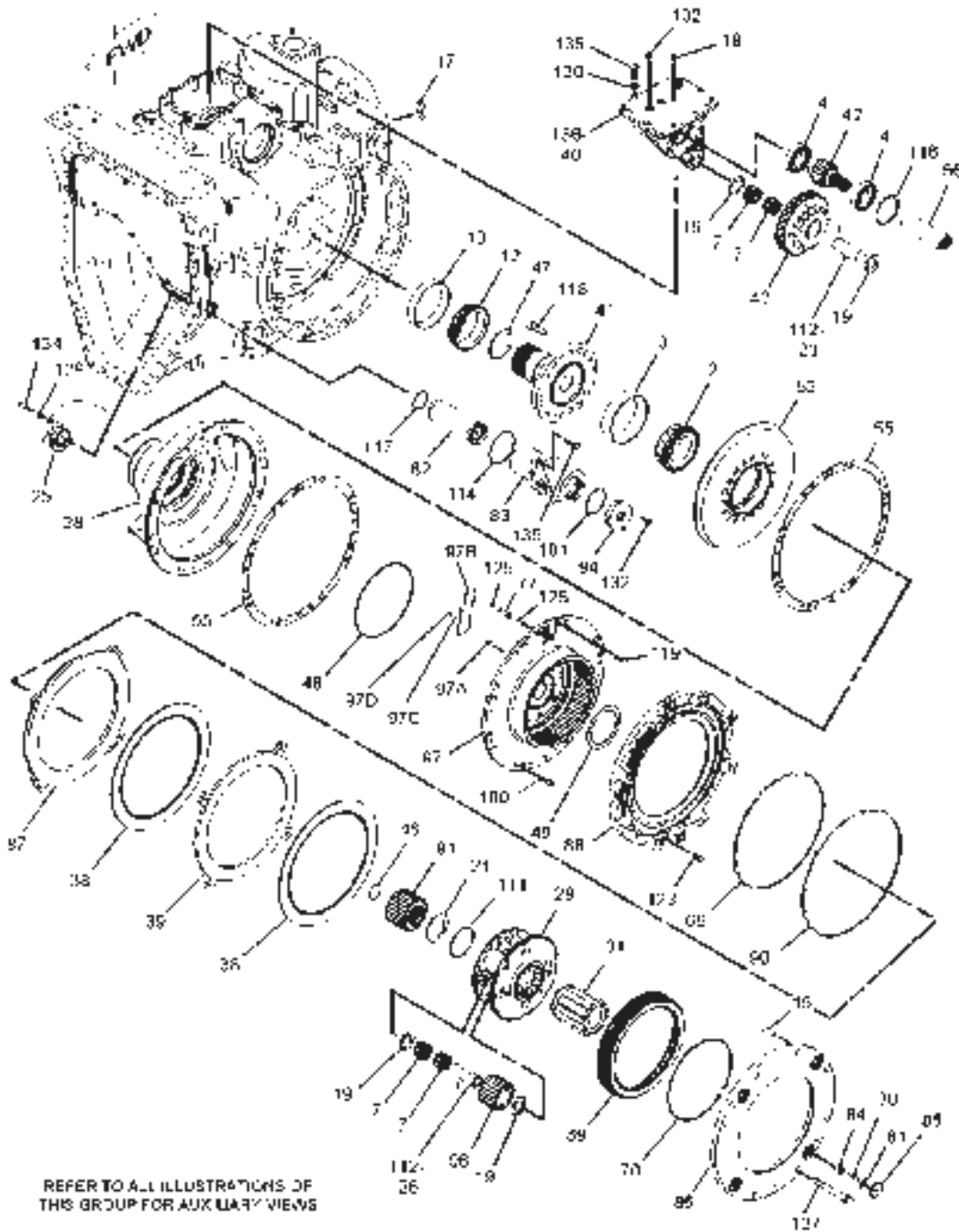
ITEM	NUMBER	QTY	DESCRIPTION
-	180-4376	-	DIFFERENTIAL GP-STEERING [A] (NOT SERVICED)
103	9S-4190	1	PLUG
	2M-9780	1	SEAL-O-RING
106	1F-7567	1	CLIP
107	2H-5549	1	RING-RETAINING
108	2K-1381	1	RING-RETAINING
109	2Y-7489	4	DOWEL
110	3J-1907	3	SEAL-O-RING
115	5H-6005	2	SEAL-O-RING
121	6V-8397	3	SEAL-O-RING
122	6V-8636	1	CONNECTOR
124	6V-8724	2	ELBOW
128	8T-1159	3	BOLT-SOCKET HEAD (M10X1.5X25-MM)
129	8T-4121	1	WASHER-HARD (11X21X2.5-MM THK)
131	8T-4137	1	BOLT (M10X1.5X20-MM)
132	8T-4195	10	BOLT (M10X1.5X30-MM)
133	8T-4910	4	BOLT (M12X1.75X60-MM)
137	223-1637	1	PLUG AS
138	4B-9783	1	BALL

[A] 185-3955, 185-3956,
185-3957, 185-3958 AXLE AR

01124903
PR: t05b22n43d0176

MT800B SERIES TRACTORS
POWER TRAIN

180-4376 DIFFERENTIAL GP-STEERING
S/N: AZG951-1012; AZH984-1004;
AZJ1435-1896; AZK980-1002



REFER TO ALL ILLUSTRATIONS OF
THIS GROUP FOR AUXILIARY VIEWS

**MT800B SERIES TRACTORS
POWER TRAIN**

437

180-4376 DIFFERENTIAL GP-STEERING
S/N: AZG951-1012; AZH984-1004;
AZJ1435-1896; AZK980-1002

ITEM	NUMBER	QTY	DESCRIPTION
-	180-4376	-	DIFFERENTIAL GP-STEERING [A] (NOT SERVICED)
2	132-6597	1	CONE-BEARING
3	132-6598	1	CUP-BEARING
4	1F-2771	2	BALL BEARING
7	5P-6254	10	BEARING
12	8D-2256	1	CONE-BEARING
13	9K-1171	1	CUP-BEARING
15	4K-3892	4	DOWEL
17	7X-7816	1	PLATE-SERIAL NUMBER (TRANSMISSION)
		2	TACK
18	8C-5224	3	PLUG-SEAL
19	8E-8310	10	DISC-THRUST
21	8E-8652	1	DISC-THRUST
23	111-7068	1	SHAFT AS
	2A-3746	1	PLUG-CUP
25		1	TUBE
26	174-9381	4	SHAFT-PLANETARY
28	174-9407	1	SUPPOT
29	174-9410	1	CARRIER-PLANETARY
30	176-1377	4	PIN-SPRING
31	179-9006	1	GEAR-SUN (15-TEETH)
38	180-4502	2	DISC-FRICTION
39	180-4505	1	PLATE
40	180-8428	1	SUPPORT AS
	2A-3746	4	PLUG-CUP
41	183-3411	1	SHAFT-BEVEL GEAR
42	183-3413	1	GEAR (18-TEETH)
43	183-3414	1	GEAR (54-TEETH)
46	184-1693	1	RING-RETAINING
47	184-1694	1	RING-RETAINING
48	184-1695	1	SEAL-RING
49	184-1696	1	DISC-THRUST
53	186-2867	1	GEAR-BEVEL (48-TEETH)
55	186-2869	2	SHIM PACK (INCLUDES 14-SHIMS)
56	235-6166	1	COUPLING
69	188-0635	1	SEAL-BRAKE
70	189-2089	1	RING-LOCK
77	192-5602	2	SLEEVE
81	199-7107	4	SPRING
82	207-5993	1	SCREEN
83	207-7007	1	HOUSING
84	210-8405	4	BUSHING
85	210-8406	4	PLATE-SPRING
86	221-5334	1	PLATE-REACTION
87	211-8280	1	PISTON-BRAKE
88	242-5086	2	HOUSING AS
	126-7260	2	PLUG
89	213-3269	2	HUB-BRAKE

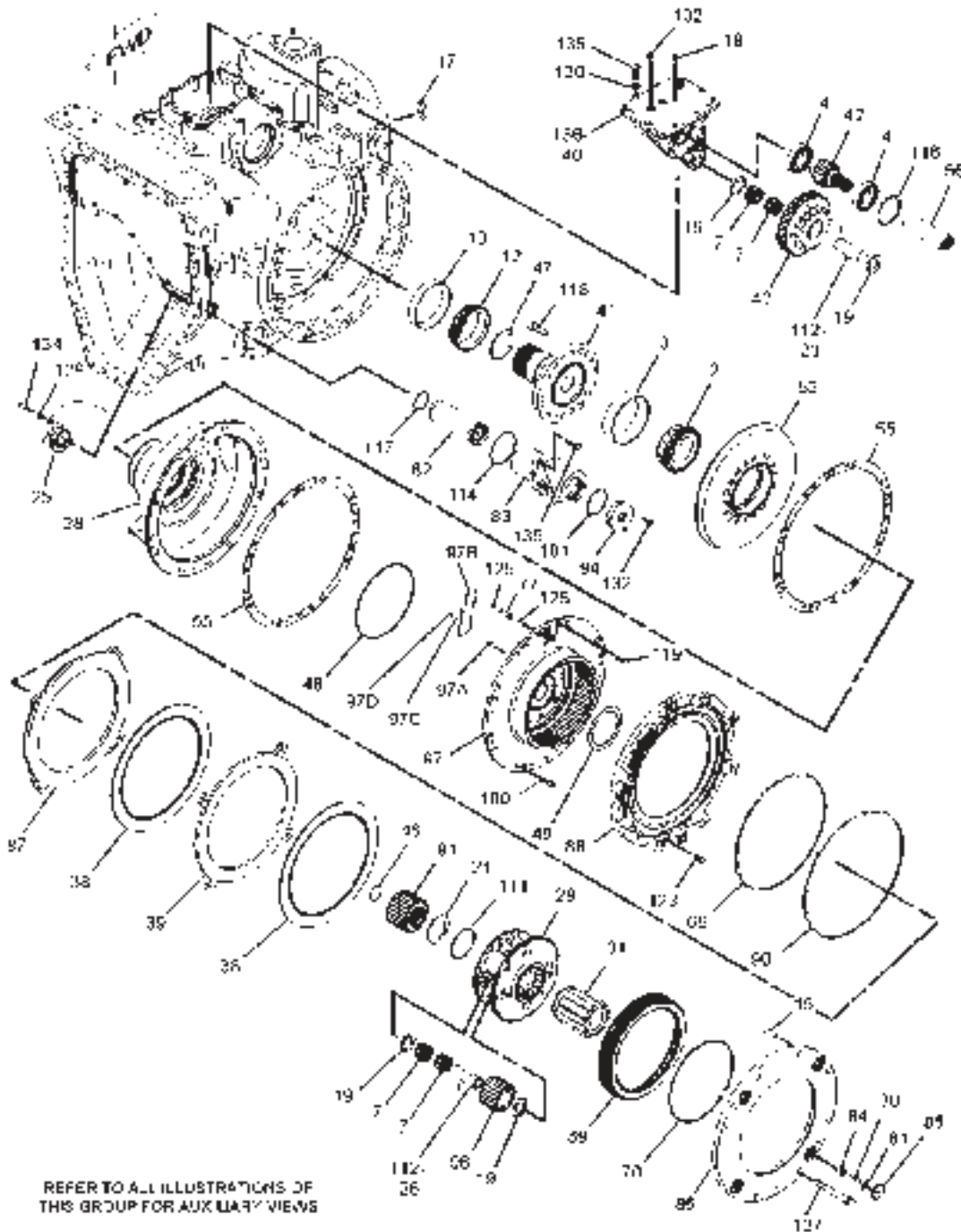
CONTINUED

[A] 185-3955, 185-3956,
185-3957, 185-3958 AXLE AR

01125249
PR: t05b22n43d0177

MT800B SERIES TRACTORS
POWER TRAIN

180-4376 DIFFERENTIAL GP-STEERING
S/N: AZG951-1012; AZH984-1004;
AZJ1435-1896; AZK980-1002



REFER TO ALL ILLUSTRATIONS OF
THIS GROUP FOR AUXILIARY VIEWS

**MT800B SERIES TRACTORS
POWER TRAIN**

439

180-4376 DIFFERENTIAL GP-STEERING
S/N: AZG951-1012; AZH984-1004;
AZJ1435-1896; AZK980-1002

ITEM	NUMBER	QTY	DESCRIPTION
-	180-4376	-	DIFFERENTIAL GP [A] (NOT SERVICED)
90	213-3270	1	SEAL-D-RING
91	213-6190	1	GEAR-SUN (28-TEETH)
94	221-0691	1	COVER
96	222-1904	4	GEAR-PLANETARY (23-TEETH)
97	252-2227	1	GEAR AS-RING
97A	4N-0952	1	PLUG-CUP
97B	244-3699	1	PLATE
97C	096-6166	6	WASHER-HARD (4.5X9X1-MM THK)
97D	8T-0285	6	SCREW-MACHINE (M4X0.7X12-MM)
100	095-0670	3	BOLT (M12X1.75X45-MM)
101	131-3718	1	SEAL-O-RING
102	9S-8005	1	PLUG
	3K-0360	1	SEAL-O-RING
111	3P-3441	1	RING-RETAINING
112	3S-2708	5	PIN-SPRING
114	5F-3144	1	SEAL-O-RING
116	5L-4751	1	RING-RETAINING
117	5M-6509	1	SEAL-O-RING
118	6V-3532	16	BOLT (M20X2.5X60-MM)
119	6V-3668	6	BOLT (M12X1.75X30-MM)
123	6V-8675	1	BOLT (M12X1.75X35-MM)
125	8L-2777	4	SEAL-O-RING
127	8T-0657	9	BOLT (M20X2.5X160-MM)
129	8T-4121	3	WASHER-HARD (11X21X2.5-MM THK)
130	8T-4122	9	WASHER-HARD (17X32X3.5-MM THK)
132	8T-4195	4	BOLT (M10X1.5X30-MM)
134	8T-6466	3	BOLT (M10X1.5X60-MM)
135	8T-7338	11	BOLT (M16X2X45-MM)
136	1U-8846	AR	SEALANT-GASKET

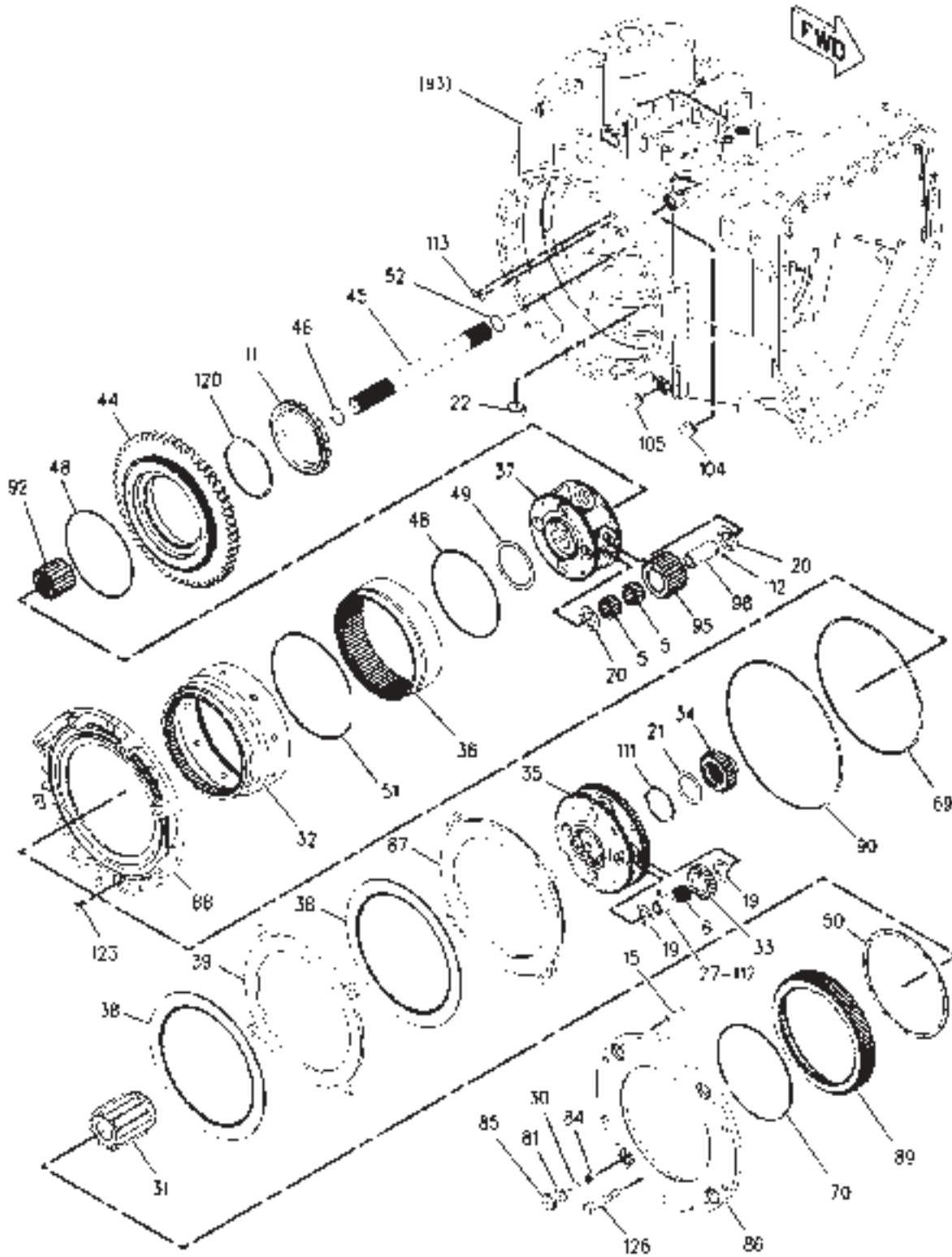
[A] 185-3955, 185-3956,
185-3957, 185-3958 AXLE AR

01125249
PR: t05b22n43d0177

MT800B SERIES TRACTORS
POWER TRAIN

180-4376 DIFFERENTIAL GP-STEERING

S/N: AZG951-1012; AZH984-1004;
AZJ1435-1896; AZK980-1002



00900264

MT800B SERIES TRACTORS
POWER TRAIN

441

180-4376 DIFFERENTIAL GP-STEERING
S/N: AZG951-1012; AZH984-1004;
AZJ1435-1896; AZK980-1002

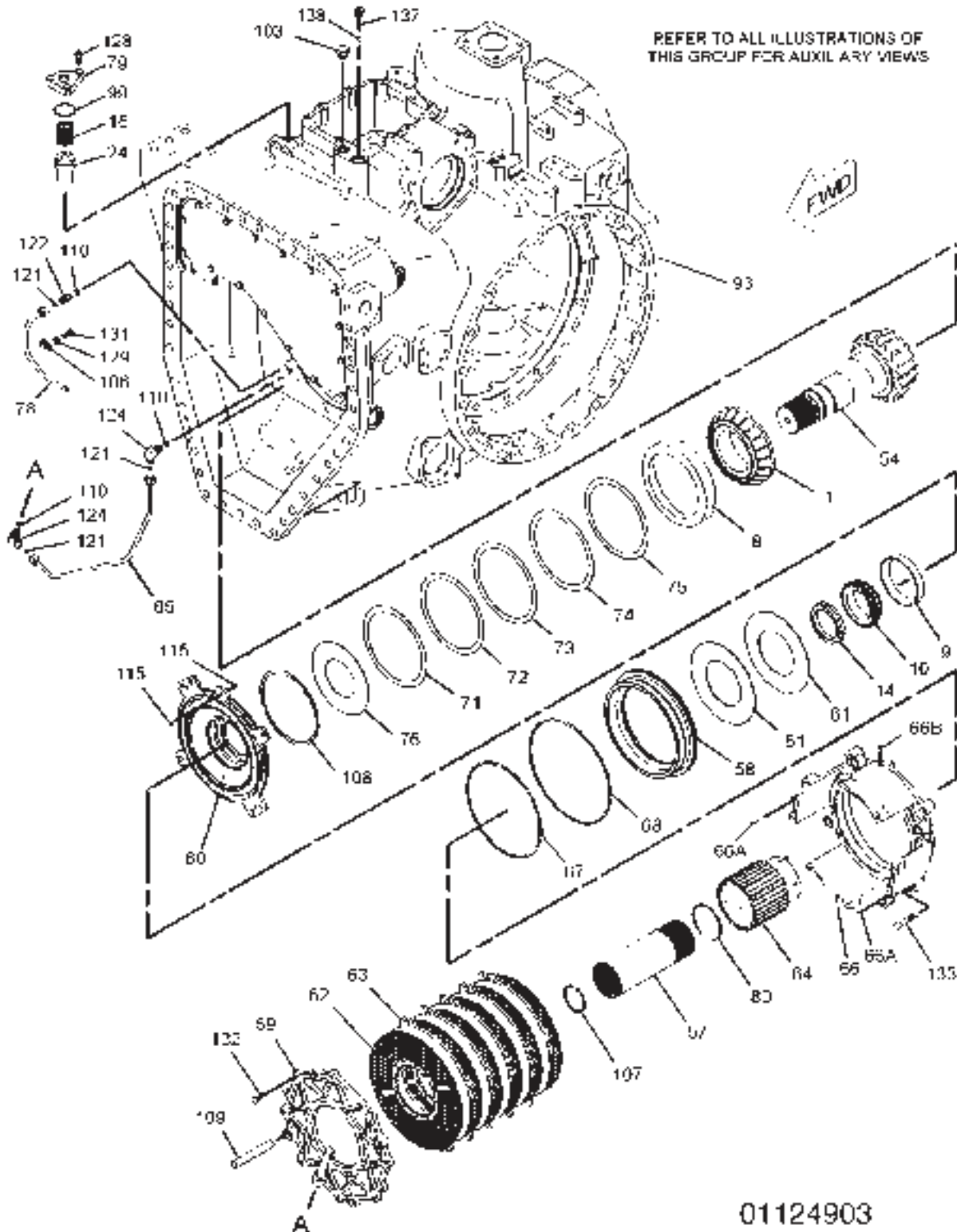
ITEM	NUMBER	QTY	DESCRIPTION
-	180-4376	-	DIFFERENTIAL GP-STEERING [A] (NOT SERVICED)
5	1P-3958	8	ROLLER AS-SPECIAL
6	5M-0578	4	BEARING AS-ROLLER
11	6V-6654	1	BEARING AS-ROLLER
15	4K-3892	4	DOWEL
19	8E-8310	8	DISC-THRUST
20	8E-8316	8	DISC-THRUST
21	8E-8652	1	DISC-THRUST
22	8M-7160	1	MAGNET
27	174-9383	4	SHAFT-PLANETARY
30	176-1377	4	PIN-SPRING
31	179-9006	1	GEAR-SUN (15-TEETH)
32	239-9822	1	GEAR-RING (72-TEETH)
33	180-4379	4	GEAR-PLANETARY (23-TEETH)
34	180-4381	1	GEAR-SUN (28-TEETH)
35	180-4382	1	CARRIER-PLANETARY
36	180-4384	1	GEAR-RING (75-TEETH)
37	180-4387	1	CARRIER-PLANETARY
38	180-4502	2	DISC-FRICTION
39	180-4505	1	PLATE
44	183-3415	1	GEAR (58-TEETH)
45	183-3416	1	SHAFT
46	184-1693	1	RING-RETAINING
48	184-1695	2	SEAL-RING
49	184-1696	1	DISC-THRUST
50	184-1697	1	DISC-THRUST
51	185-4422	1	RING-LOCK
52	185-4423	1	RING-RETAINING
69	188-0635	1	SEAL-BRAKE
70	189-2089	1	RING-LOCK
81	199-7107	4	SPRING
84	210-8405	4	BUSHING
85	210-8406	4	PLATE-SPRING
86	221-5334	1	PLATE-REACTION
87	211-8280	1	PISTON-BRAKE
88	242-5086	1	HOUSING AS
	126-7260	1	PLUG
89	213-3269	1	HUB-BRAKE
90	213-3270	1	SEAL-D-RING
92	213-6191	1	GEAR-SUN (34-TEETH)
95	222-1903	4	GEAR-PLANETARY (27-TEETH)
98	223-0623	4	SHAFT-PLANETARY
104	9S-4181	1	PLUG
	7M-8485	1	SEAL-O-RING
105	9S-6130	1	PLUG
	2S-4078	1	SEAL-O-RING
111	3P-3441	1	RING-RETAINING
112	3S-2708	8	PIN-SPRING
113	4J-5140	2	SEAL-O-RING
120	6V-4442	1	RING-RETAINING
123	6V-8675	1	BOLT (M12X1.75X35-MM)
126	8T-0070	9	BOLT (M20X2.5X120-MM)

[A] 185-3955, 185-3956,
185-3957, 185-3958 AXLE AR

00900264
PR: t05b22n43d0178

MT800B SERIES TRACTORS
POWER TRAIN

180-4376 DIFFERENTIAL GP-STEERING
S/N: AZG1013-UP; AZH1005-UP; AZJ1897-UP



01124903

MT800B SERIES TRACTORS
POWER TRAIN

443

180-4376 DIFFERENTIAL GP-STEERING
S/N: AZG1013-UP; AZH1005-UP; AZJ1897-UP

ITEM	NUMBER	QTY	DESCRIPTION
-	180-4376	-	DIFFERENTIAL GP-STEERING [A] (NOT SERVICED)
1	124-9536	1	CONE-BEARING
8	5P-7843	1	CUP-BEARING
9	6F-2956	1	CUP-BEARING
10	6V-0347	1	CONE-BEARING
14	4H-6507	1	LOCKNUT
16	7H-0832	1	SPRING
24	163-0592	1	VALVE GP-CHECK (HYDRAULIC)
	061-7540	1	SEAL-O-RING
54	186-2868	1	PINION-BEVEL (17-TEETH)
57	187-1377	1	COUPLING
58	227-9327	1	PISTON
59	187-3367	1	PLATE-END
60	187-3368	1	PLATE-SPRING
61	187-3369	2	SPRING
62	187-3370	6	DISC-FRICTION
63	187-3371	6	PLATE-CLUTCH
64	187-3372	1	HUB-CLUTCH
65	187-3373	1	TUBE AS
66	187-3374	1	HOUSING AS
66A	2H-1190	2	DOWEL
66B	4B-9782	1	BALL
67	188-0632	1	SEAL-BRAKE
68	188-0633	1	SEAL-BRAKE
71	191-1907	AR	SHIM (0.9MM THK)
72	191-1908	AR	SHIM (0.8MM THK)
73	191-1909	AR	SHIM (0.7MM THK)
74	191-1910	AR	SHIM (0.6MM THK)
75	191-1911	AR	SHIM (0.5MM THK)
76	191-1912	1	PLATE-RETAINER
78	195-3252	1	TUBE AS
79	197-5411	1	FLANGE
80	198-0288	1	RING-RETAINING

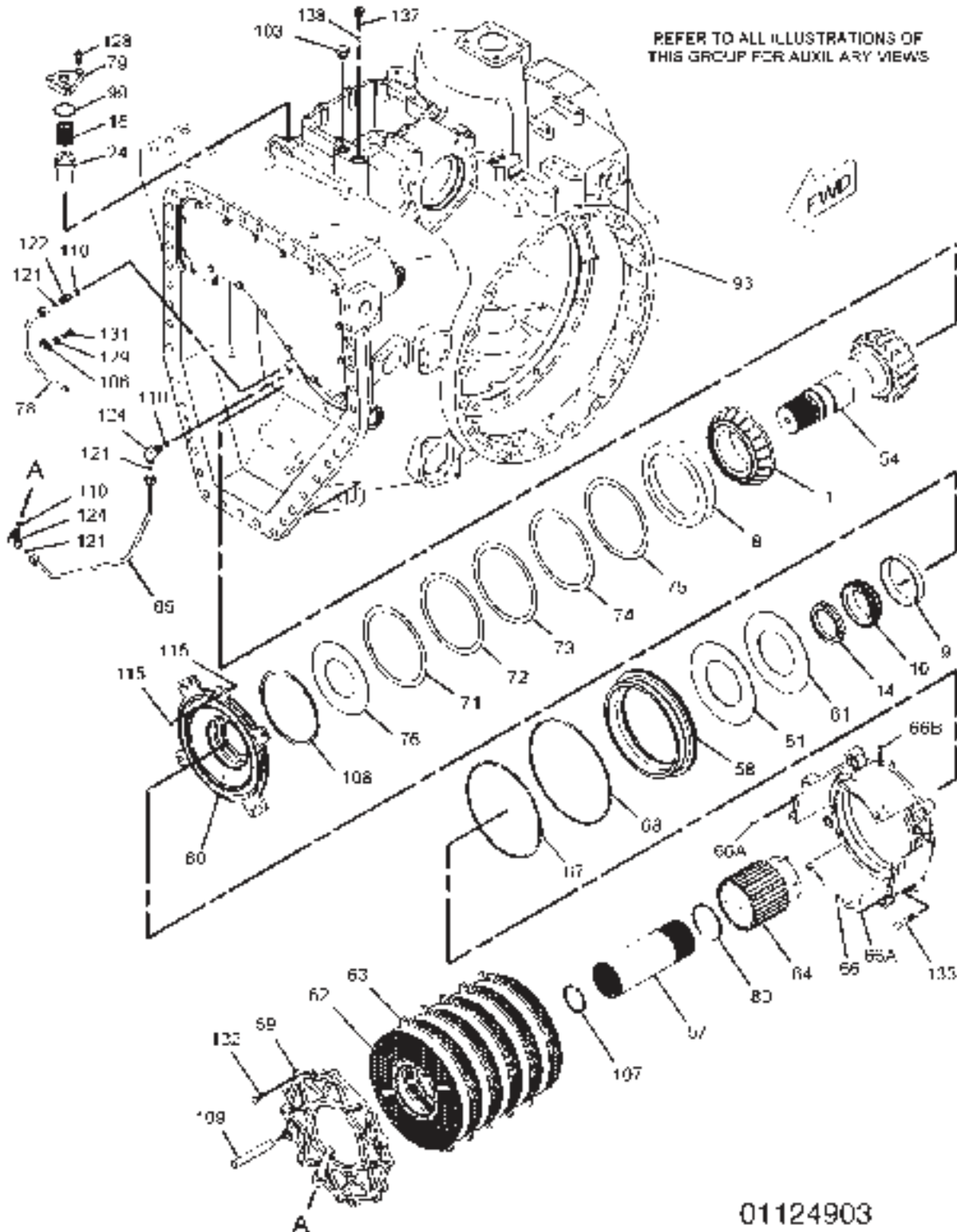
CONTINUED

[A] 185-3955, 185-3956, 185-3957 AXLE AR

01124903
PR: t05b22n43d0179

MT800B SERIES TRACTORS
POWER TRAIN

180-4376 DIFFERENTIAL GP-STEERING
S/N: AZG1013-UP; AZH1005-UP; AZJ1897-UP



01124903

MT800B SERIES TRACTORS
POWER TRAIN

445

180-4376 DIFFERENTIAL GP-STEERING
S/N: AZG1013-UP; AZH1005-UP; AZJ1897-UP

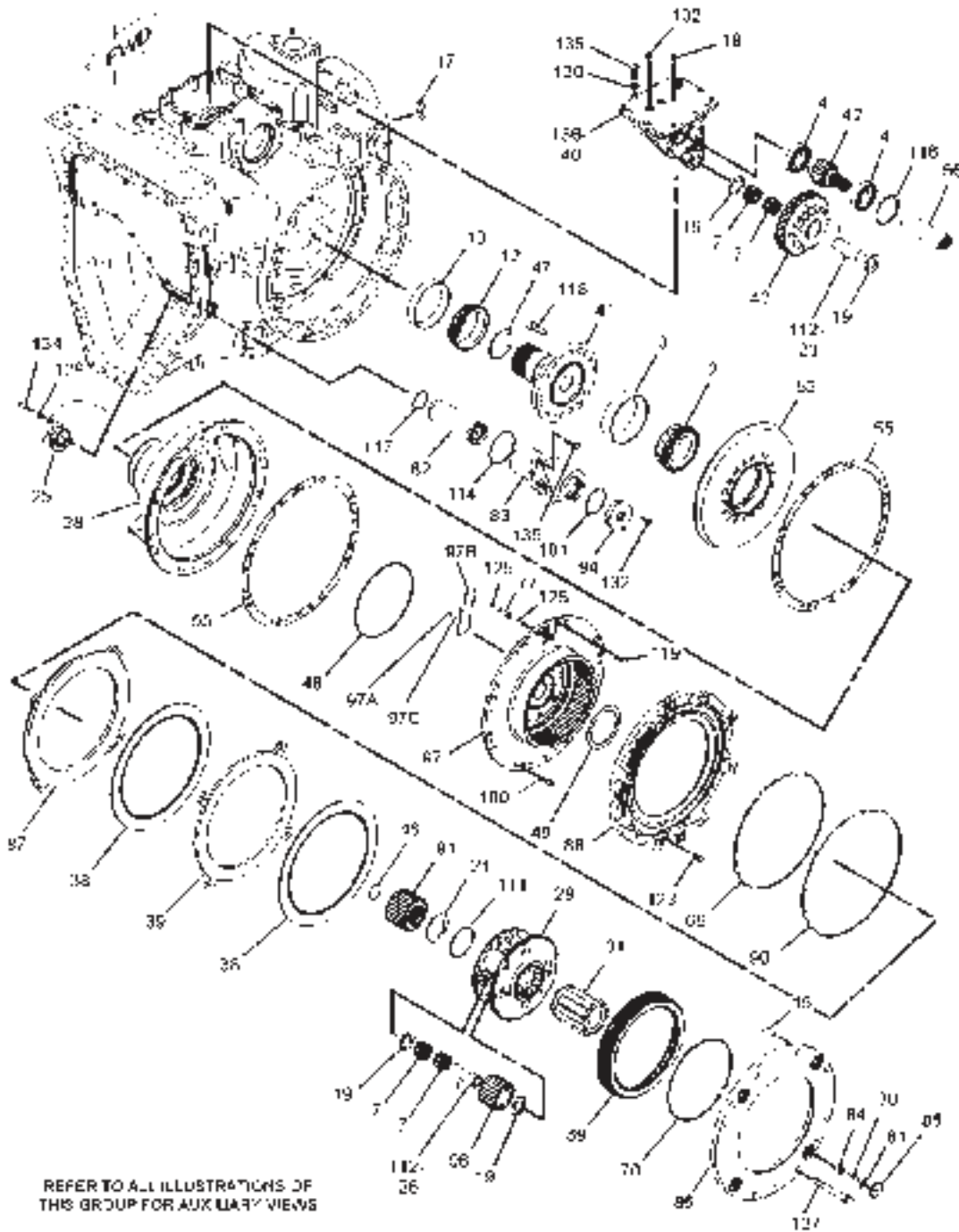
ITEM	NUMBER	QTY	DESCRIPTION
-	180-4376	-	DIFFERENTIAL GP-STEERING [A] (NOT SERVICED)
93	242-0962	1	HOUSING GP-DIFFERENTIAL (SEE BREAKDOWN FOR COMPONENTS)
99	005-8593	1	SEAL-O-RING
103	9S-4190	1	PLUG
	2M-9780	1	SEAL-O-RING
106	1F-7567	1	CLIP
107	2H-5549	1	RING-RETAINING
108	2K-1381	1	RING-RETAINING
109	2Y-7489	4	DOWEL
110	3J-1907	3	SEAL-O-RING
115	5H-6005	2	SEAL-O-RING
121	6V-8397	3	SEAL-O-RING
122	6V-8636	1	CONNECTOR
124	6V-8724	2	ELBOW
128	8T-1159	3	BOLT-SOCKET HEAD (M10X1.5X25-MM)
129	8T-4121	1	WASHER-HARD (11X21X2.5-MM THK)
131	8T-4137	1	BOLT (M10X1.5X20-MM)
132	8T-4195	10	BOLT (M10X1.5X30-MM)
133	8T-4910	4	BOLT (M12X1.75X60-MM)
137	223-1637	1	PLUG AS
138	4B-9783	1	BALL

[A] 185-3955, 185-3956, 185-3957 AXLE AR

01124903
PR: t05b22n43d0179

MT800B SERIES TRACTORS
POWER TRAIN

180-4376 DIFFERENTIAL GP-STEERING
S/N: AZG1013-UP; AZH1005-UP; AZJ1897-UP



REFER TO ALL ILLUSTRATIONS OF
THIS GROUP FOR AUXILIARY VIEWS

MT800B SERIES TRACTORS
POWER TRAIN

447

180-4376 DIFFERENTIAL GP-STEERING
S/N: AZG1013-UP; AZH1005-UP; AZJ1897-UP

ITEM	NUMBER	QTY	DESCRIPTION
-	180-4376	-	DIFFERENTIAL GP-STEERING [A] (NOT SERVICED)
2	132-6597	1	CONE-BEARING
3	132-6598	1	CUP-BEARING
4	1F-2771	2	BALL BEARING
7	5P-6254	10	BEARING
12	8D-2256	1	CONE-BEARING
13	9K-1171	1	CUP-BEARING
15	4K-3892	4	DOWEL
17	7X-7816	1	PLATE-SERIAL NUMBER (TRANSMISSION)
		2	TACK
18	8C-5224	3	PLUG-SEAL
19	8E-8310	10	DISC-THRUST
21	8E-8652	1	DISC-THRUST
23	111-7068	1	SHAFT AS
	2A-3746	1	PLUG-CUP
25		1	TUBE
26	174-9381	4	SHAFT-PLANETARY
28	174-9407	1	SUPPOT
29	174-9410	1	CARRIER-PLANETARY
30	176-1377	4	PIN-SPRING
31	179-9006	1	GEAR-SUN (15-TEETH)
38	180-4502	2	DISC-FRICTION
39	180-4505	1	PLATE
40	180-8428	1	SUPPORT AS
	2A-3746	4	PLUG-CUP
41	183-3411	1	SHAFT-BEVEL GEAR
42	183-3413	1	GEAR (18-TEETH)
43	183-3414	1	GEAR (54-TEETH)
46	184-1693	1	RING-RETAINING
47	184-1694	1	RING-RETAINING
48	184-1695	1	SEAL-RING
49	184-1696	1	DISC-THRUST
53	186-2867	1	GEAR-BEVEL (48-TEETH)
55	186-2869	2	SHIM PACK (INCLUDES 14-SHIMS)
56	235-6166	1	COUPLING
69	188-0635	1	SEAL-BRAKE
70	189-2089	1	RING-LOCK
77	192-5602	2	SLEEVE
81	199-7107	4	SPRING
82	207-5993	1	SCREEN
83	207-7007	1	HOUSING
84	210-8405	4	BUSHING
85	210-8406	4	PLATE-SPRING
86	221-5334	1	PLATE-REACTION
87	211-8280	1	PISTON-BRAKE
88	242-5086	1	HOUSING AS
	126-7260	1	PLUG
89	213-3269	1	HUB-BRAKE

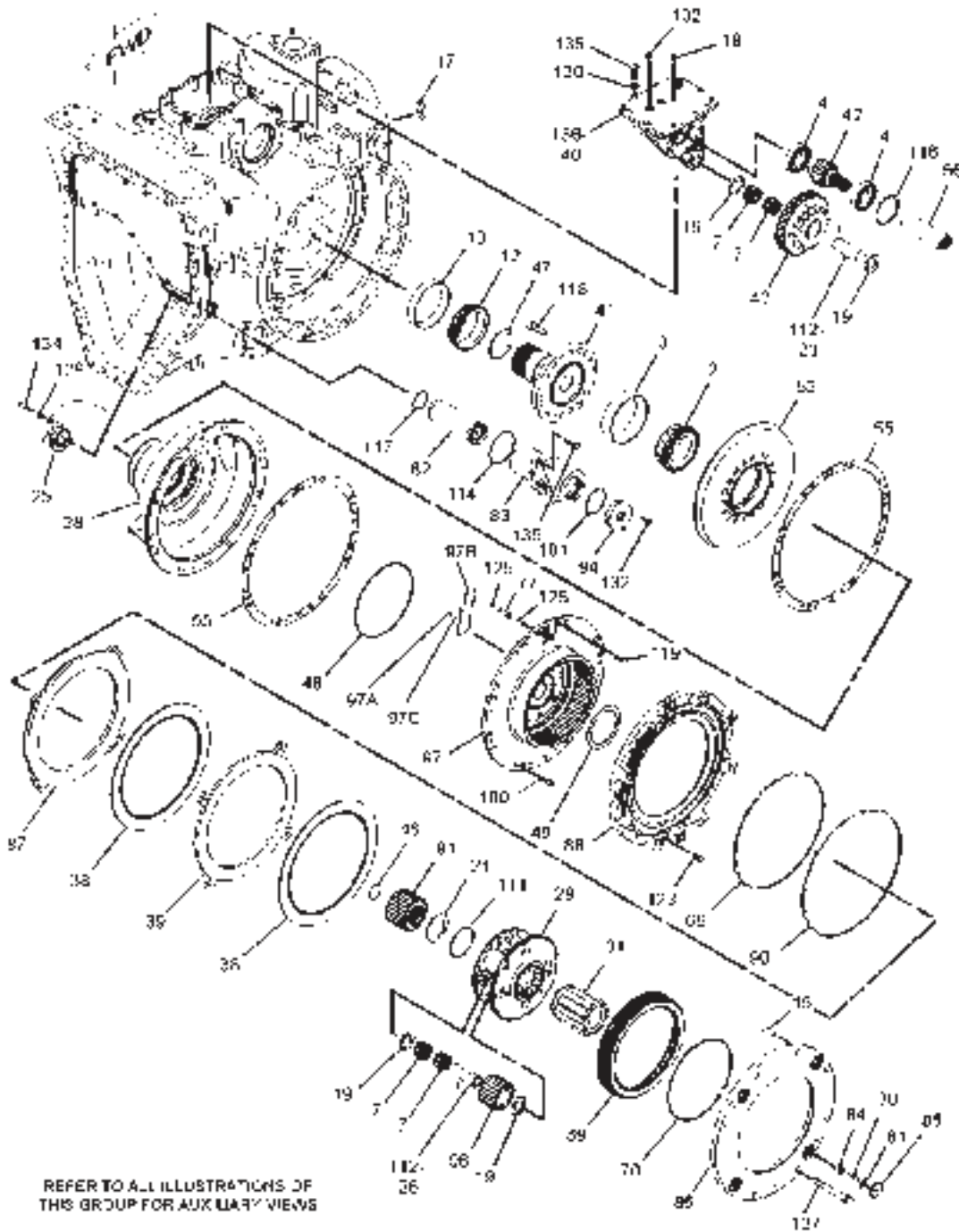
CONTINUED

[A] 185-3955, 185-3956, 185-3957 AXLE AR

01125322
PR: t05b22n43d0180

MT800B SERIES TRACTORS
POWER TRAIN

180-4376 DIFFERENTIAL GP-STEERING
S/N: AZG1013-UP; AZH1005-UP; AZJ1897-UP



REFER TO ALL ILLUSTRATIONS OF THIS GROUP FOR AUXILIARY VIEWS

01125322

MT800B SERIES TRACTORS
POWER TRAIN

449

180-4376 DIFFERENTIAL GP-STEERING
S/N: AZG1013-UP; AZH1005-UP; AZJ1897-UP

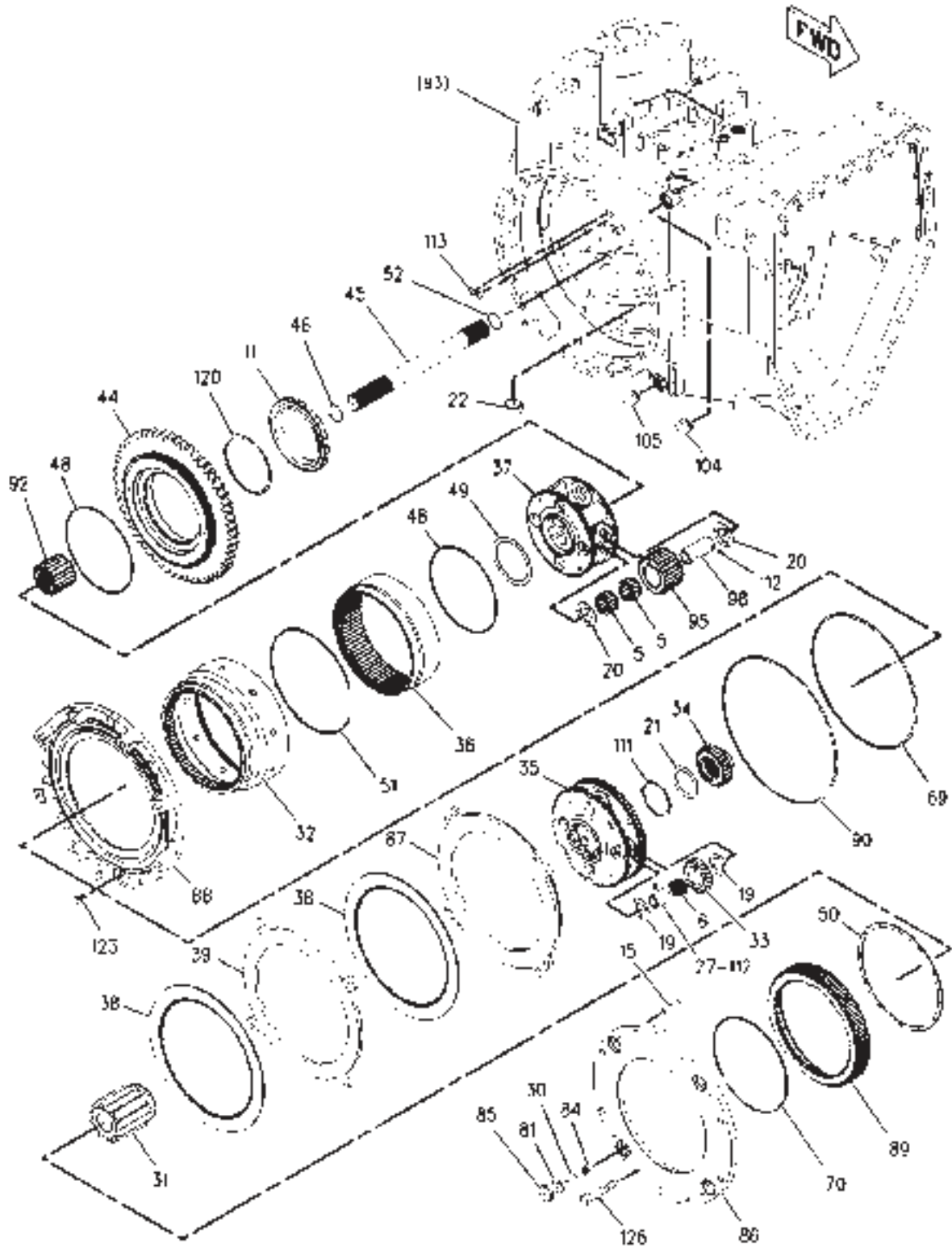
ITEM	NUMBER	QTY	DESCRIPTION
-	180-4376	-	DIFFERENTIAL GP-STEERING [A] (NOT SERVICED)
90	213-3270	1	SEAL-D-RING
91	213-6190	1	GEAR-SUN (28-TEETH)
94	221-0691	1	COVER
96	222-1904	4	GEAR-PLANETARY (23-TEETH)
97	252-2227	1	GEAR AS-RING
97A	8T-0285	6	SCREW-MACHINE (M4X0.7X12-MM)
97B	244-3699	1	PLATE
97C	096-6166	6	WASHER-HARD (4.5X9X1-MM THK)
100	095-0670	3	BOLT (M12X1.75X45-MM)
101	131-3718	1	SEAL-O-RING
102	9S-8005	1	PLUG
	3K-0360	1	SEAL-O-RING
	2M-9780	1	SEAL-O-RING
111	3P-3441	1	RING-RETAINING
112	3S-2708	5	PIN-SPRING
114	5F-3144	1	SEAL-O-RING
116	5L-4751	1	RING-RETAINING
117	5M-6509	1	SEAL-O-RING
118	6V-3532	16	BOLT (M20X2.5X60-MM)
119	6V-3668	6	BOLT (M12X1.75X30-MM)
123	6V-8675	1	BOLT (M12X1.75X35-MM)
125	8L-2777	4	SEAL-O-RING
127	8T-0657	9	BOLT (M20X2.5X160-MM)
129	8T-4121	3	WASHER-HARD (11X21X2.5-MM THK)
130	8T-4122	9	WASHER-HARD (17X32X3.5-MM THK)
132	8T-4195	4	BOLT (M10X1.5X30-MM)
134	8T-6466	3	BOLT (M10X1.5X60-MM)
135	8T-7338	11	BOLT (M16X2X45-MM)
136	1U-8846	AR	SEALANT-GASKET

[A] 185-3955, 185-3956, 185-3957 AXLE AR

01125322
PR: t05b22n43d0180

MT800B SERIES TRACTORS
POWER TRAIN

180-4376 DIFFERENTIAL GP-STEERING
S/N: AZG1013-UP; AZH1005-UP; AZJ1897-UP



00900264

MT800B SERIES TRACTORS
POWER TRAIN

451

180-4376 DIFFERENTIAL GP-STEERING
S/N: AZG1013-UP; AZH1005-UP; AZJ1897-UP

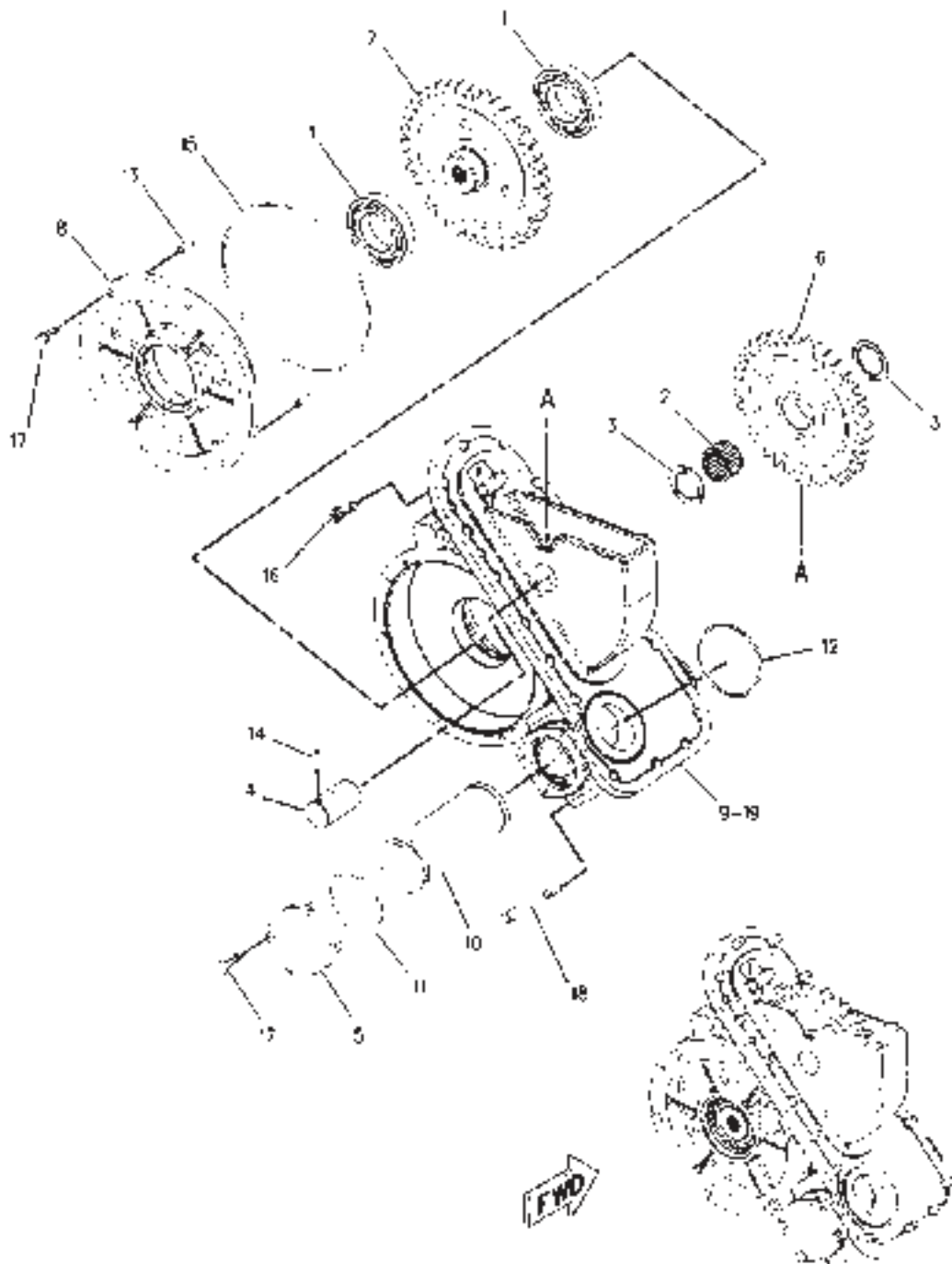
ITEM	NUMBER	QTY	DESCRIPTION
-	180-4376	-	DIFFERENTIAL GP-STEERING [A] (NOT SERVICED)
5	1P-3958	8	ROLLER AS-SPECIAL
6	5M-0578	4	BEARING AS-ROLLER
11	6V-6654	1	BEARING AS-ROLLER
15	4K-3892	4	DOWEL
19	8E-8310	8	DISC-THRUST
20	8E-8316	8	DISC-THRUST
21	8E-8652	1	DISC-THRUST
22	8M-7160	1	MAGNET
27	174-9383	4	SHAFT-PLANETARY
30	176-1377	4	PIN-SPRING
31	179-9006	1	GEAR-SUN (15-TEETH)
32	239-9822	1	GEAR-RING (72-TEETH)
33	180-4379	4	GEAR-PLANETARY (23-TEETH)
34	180-4381	1	GEAR-SUN (28-TEETH)
35	180-4382	1	CARRIER-PLANETARY
36	180-4384	1	GEAR-RING (75-TEETH)
37	180-4387	1	CARRIER-PLANETARY
38	180-4502	2	DISC-FRICTION
39	180-4505	1	PLATE
44	183-3415	1	GEAR (58-TEETH)
45	183-3416	1	SHAFT
46	184-1693	1	RING-RETAINING
48	184-1695	2	SEAL-RING
49	184-1696	1	DISC-THRUST
50	184-1697	1	DISC-THRUST
51	185-4422	1	RING-LOCK
52	185-4423	1	RING-RETAINING
69	188-0635	1	SEAL-BRAKE
70	189-2089	1	RING-LOCK
81	199-7107	4	SPRING
84	210-8405	4	BUSHING
85	210-8406	4	PLATE-SPRING
86	221-5334	1	PLATE-REACTION
87	211-8280	1	PISTON-BRAKE
88	242-5086	1	HOUSING AS
	126-7260	1	PLUG
89	213-3269	1	HUB-BRAKE
90	213-3270	1	SEAL-D-RING
92	213-6191	1	GEAR-SUN (34-TEETH)
95	222-1903	4	GEAR-PLANETARY (27-TEETH)
98	223-0623	4	SHAFT-PLANETARY
	2M-9780	1	SEAL-O-RING
104	9S-4181	1	PLUG
	7M-8485	1	SEAL-O-RING
105	9S-6130	1	PLUG
	2S-4078	1	SEAL-O-RING
111	3P-3441	1	RING-RETAINING
112	3S-2708	8	PIN-SPRING
113	4J-5140	2	SEAL-O-RING
120	6V-4442	1	RING-RETAINING
123	6V-8675	1	BOLT (M12X1.75X35-MM)
126	8T-0070	9	BOLT (M20X2.5X120-MM)

[A] 185-3955, 185-3956, 185-3957 AXLE AR

00900264
PR: t05b22n43d0181

MT800B SERIES TRACTORS
POWER TRAIN

177-5234 DRIVE GP-PUMP
S/N: 9YY1-UP



MT800B SERIES TRACTORS
POWER TRAIN

453

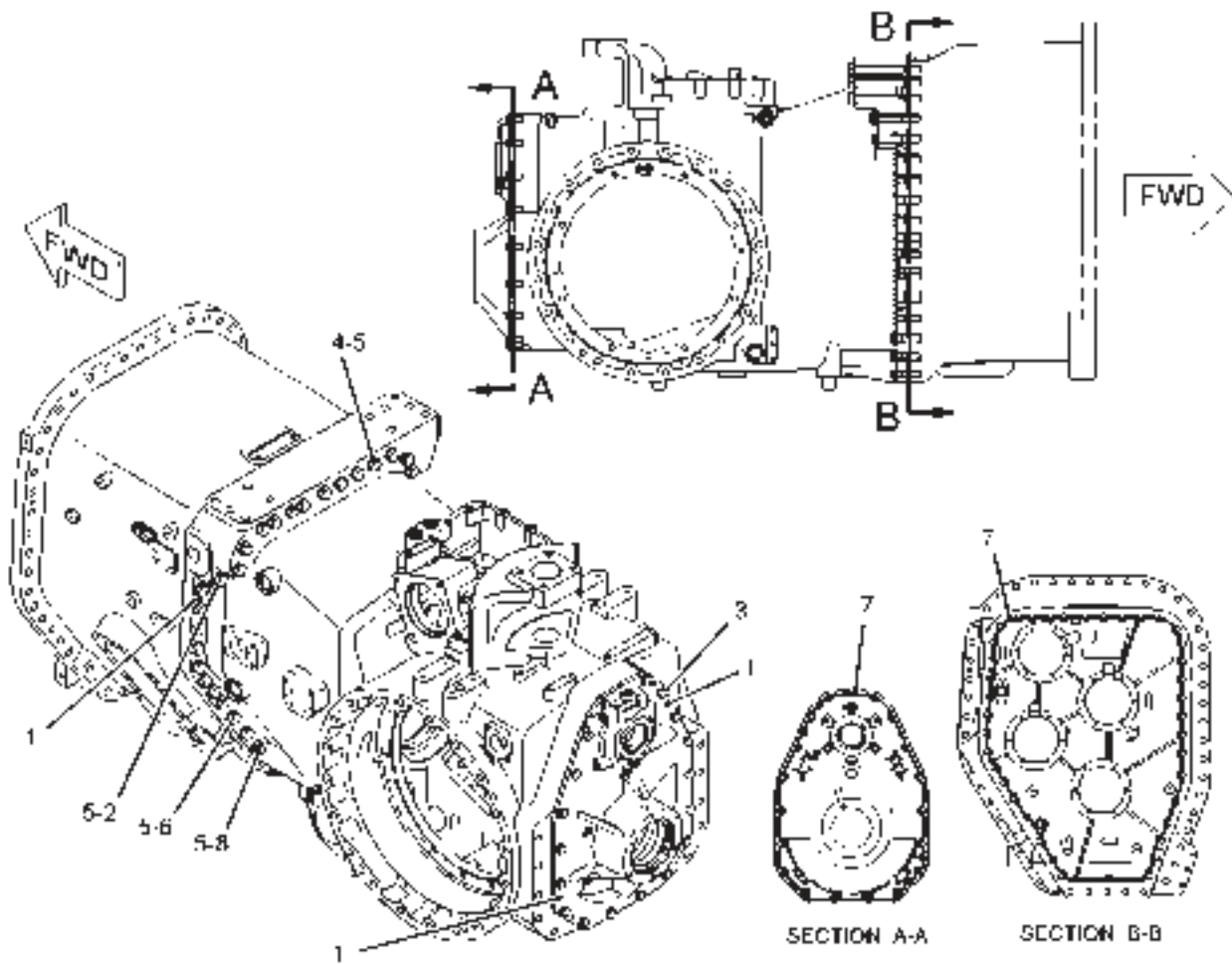
177-5234 DRIVE GP-PUMP
S/N: 9YY1-UP

ITEM	NUMBER	QTY	DESCRIPTION
-	177-5234	-	DRIVE GP-PUMP [A] (NOT SERVICED)
1	1F-2771	2	BALL BEARING
2	5M-2051	1	BEARING-CAGED
3	6Y-1223	2	DISC-THRUST
4	8P-7898	1	SHAFT-PLANETARY
5	170-7290	1	COVER
6	177-6781	1	GEAR (36-TEETH)
7	177-6782	1	GEAR (39-TEETH)
8	177-6783	1	COVER
9	177-6784	1	HOUSING
10	207-5994	1	SCREEN (PUMP DRIVE INLET)
11	131-3718	1	SEAL-O-RING
12	4M-0189	1	SEAL-O-RING
13	5B-5821	2	DOWEL
14	5H-3193	1	PIN-SPRING
15	8J-8879	1	SEAL-O-RING
16	8T-4183	15	BOLT (M12X1.75X40-MM)
17	8T-4195	10	BOLT (M10X1.5X30-MM)
18	8T-5041	2	BOLT (M12X1.75X120-MM)
19	1U-8846	AR	SEALANT-GASKET

[A] PART OF 152-5242 TRANSMISSION AR

00872185
PR: t05b22n43d0182

211-8277 FASTENER GP-FINAL DRIVE



01118299

MT800B SERIES TRACTORS
POWER TRAIN

455

211-8277 FASTENER GP-FINAL DRIVE

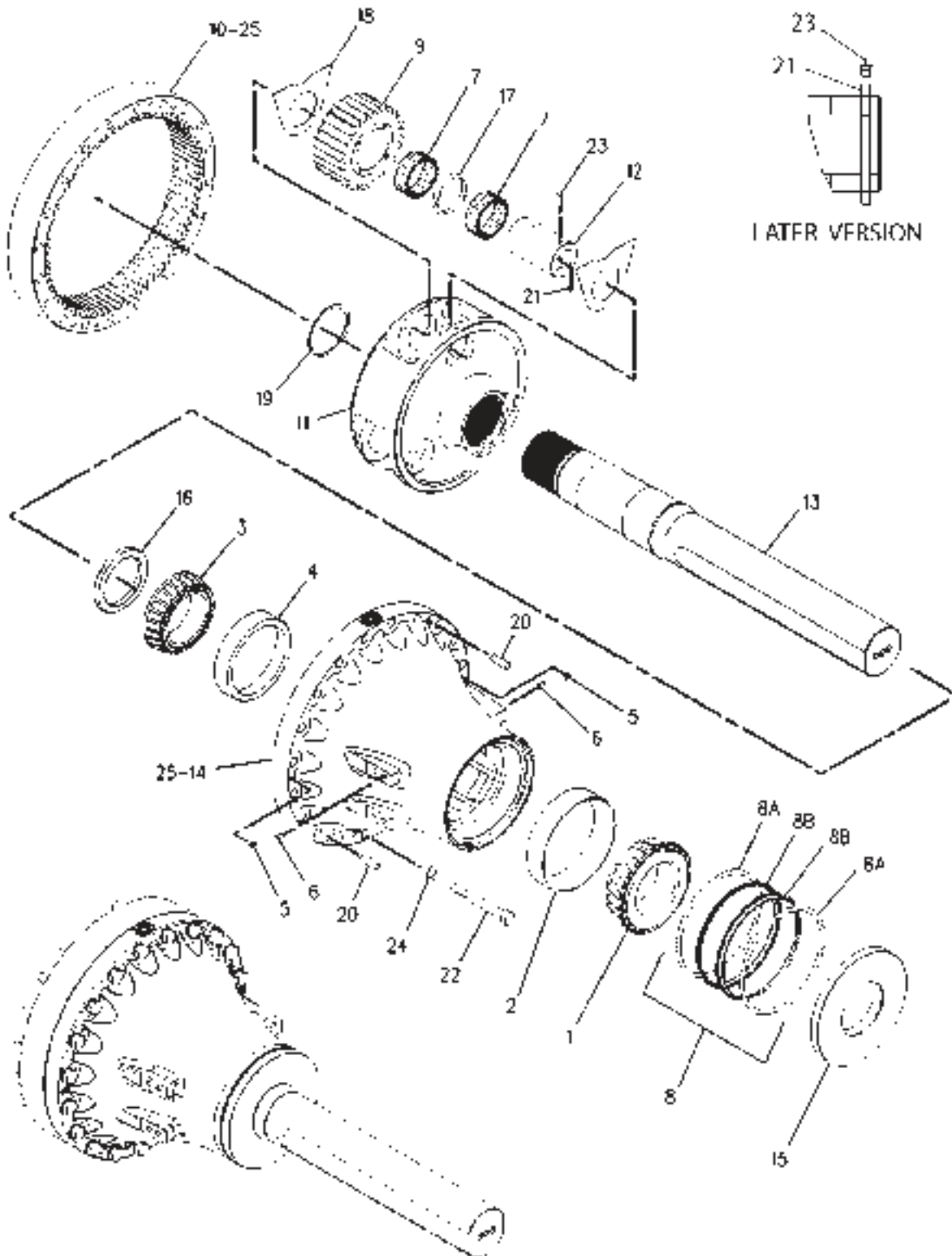
ITEM	NUMBER	QTY	DESCRIPTION
-	211-8277	-	FASTENER GP-FINAL DRIVE [A] (NOT SERVICED)
1	8C-5224	4	PLUG-SEAL
2	7X-2532	3	BOLT (M20X2.5X130-MM)
3	7X-2553	18	BOLT (M16X2X40-MM)
4	7X-2569	13	BOLT (M20X2.5X200-MM)
5	8T-4123	43	WASHER-PLATED (22X35X3.5-MM THK)
6	8T-4141	18	BOLT (M20X2.5X70-MM)
7	1U-8846	AR	SEALANT-GASKET
8	121-3120	9	BOLT-12 POINT HEAD (M20X2.5X70-MM)

[A] PART OF 200-5027, 200-5028,
200-5029, 200-5030 POWER TRAIN AR

01118299
PR: t05b22n43d0183

MT800B SERIES TRACTORS
POWERTRAIN

179-9479 FINAL DRIVE GP
S/N: AZG1-955; AZJ1-1479



00750396

MT800B SERIES TRACTORS
POWER TRAIN

457

179-9479 FINAL DRIVE GP
S/N: AZG1-955; AZJ1-1479

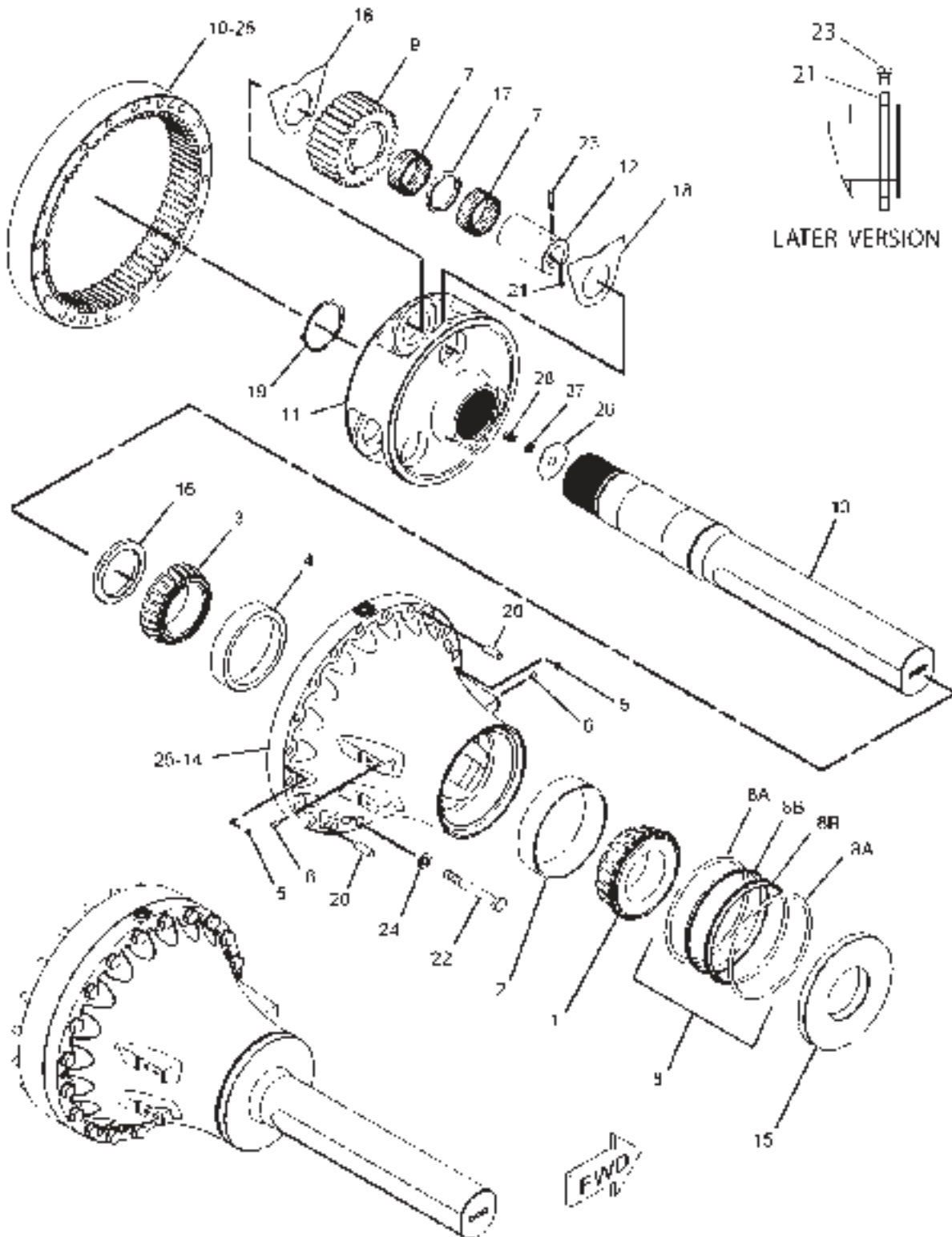
ITEM	NUMBER	QTY	DESCRIPTION
-	179-9479	-	FINAL DRIVE GP [A] (NOT SERVICED)
1	193-0362	1	CONE-BEARING
2	193-0363	1	CUP-BEARING
3	1B-6577	1	CONE-BEARING
4	2J-2152	1	CUP-BEARING
5	7C-6467	2	PLUG
6	8C-5224	8	PLUG-SEAL
7	261-2719	228	BEARING-NEEDLE
8	174-4874	1	SEAL GP-DUO-CONE
8A		2	RING-TORIC [Z]
8B		2	SEAL-RING [Z]
9	179-9007	3	GEAR-PLANETARY (30-TEETH)
10	217-8425	1	GEAR-RING (78-TEETH)
11	260-9471	1	CARRIER-PLANETARY
12	179-9471	3	SHAFT-PLANETARY
13	194-7019	1	SHAFT-AXLE
14	179-9476	1	HOUSING-AXLE
15	179-9477	1	SPACER (160X350X36-MM THK)
16	179-9478	1	NUT-BEARING
17	179-9488	3	RACE-THRUST
18	216-8715	6	WASHER-THRUST
19	109-6497	1	RING-RETAINING
20	175-3097	2	DOWEL
21	6V-9189	3	LOCKNUT (M8X1.25-THD) (EARLY VERSION)
21	266-0216	3	PIN (M8.5X135) (LATER VERSION)
22	7X-2578	20	BOLT (M24X3X200-MM)
23	8T-0100	3	BOLT (M8X1.25X60-MM) (EARLY VERSION)
23	6V-8084	3	BOLT (M10X1.5X12) (LATER VERSION)
24	8T-4167	20	WASHER-HARD (26X44X4-MM THK)
25	1U-8846	AR	SEALANT-GASKET

[A] PART OF 185-3955, 185-3957 AXLE AR
[Z] NOT SERVICED SEPARATELY

00750396
PR: t05b22n43d0184

MT800B SERIES TRACTORS
POWERTRAIN

179-9479 FINAL DRIVE GP
S/N: AZG956-UP; AZJ1480-UP



01124505

**MT800B SERIES TRACTORS
POWER TRAIN**

459

**179-9479 FINAL DRIVE GP
S/N: AZG956-UP; AZJ1480-UP**

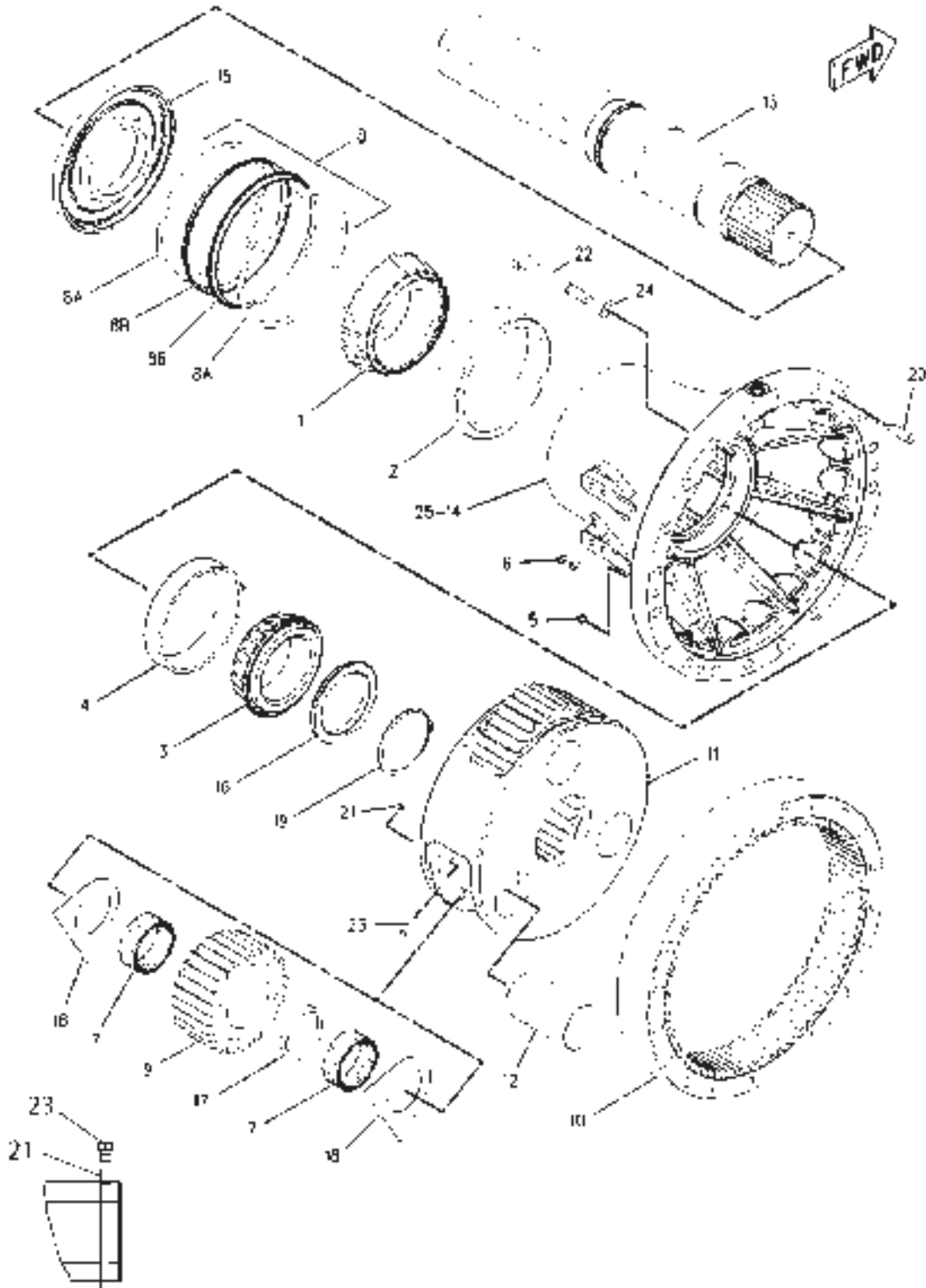
ITEM	NUMBER	QTY	DESCRIPTION
-	179-9479	-	FINAL DRIVE GP [A] (NOT SERVICED)
1	193-0362	1	CONE-BEARING
2	193-0363	1	CUP-BEARING
3	1B-6577	1	CONE-BEARING
4	2J-2152	1	CUP-BEARING
5	7C-6467	2	PLUG
6	8C-5224	8	PLUG-SEAL
7	261-2719	228	BEARING-NEEDLE
8	174-4874	1	SEAL GP-DUO-CONE
8A		2	RING-TORIC [Z]
8B		2	SEAL-RING [Z]
9	179-9007	3	GEAR-PLANETARY (30-TEETH)
10	217-8425	1	GEAR-RING (78-TEETH)
11	260-9471	1	CARRIER-PLANETARY
12	179-9471	3	SHAFT-PLANETARY
13	224-5868	1	SHAFT-AXLE
14	179-9476	1	HOUSING-AXLE
15	179-9477	1	SPACER (160X350X36-MM THK)
16	179-9478	1	NUT-BEARING
17	179-9488	3	RACE-THRUST
18	216-8715	6	WASHER-THRUST
19	109-6497	1	RING-RETAINING
20	175-3097	2	DOWEL
21	6V-9189	3	LOCKNUT (M8X1.25) (EARLY VERSION)
21	266-0216	3	PIN (M8.5X135) (LATER VERSION)
22	7X-2578	20	BOLT (M24X3X200-MM)
23	8T-0100	3	BOLT (M8X1.25X60-MM) (EARLY VERSION)
23	6V-8084	3	BOLT (M10X1.5X12) (LATER VERSION)
24	8T-4167	20	WASHER-HARD (26X44X4-MM THK)
25	1U-8846	AR	SEALANT-GASKET
26	224-5870	1	WASHER-THRUST
27	9X-8268	1	WASHER (17.5X30X3.5-MM THK)
28	6V-5224	1	BOLT (M16X2X25-MM)

[A] PART OF 185-3955, 185-3957 AXLE AR
[Z] NOT SERVICED SEPARATELY

01124505
PR: t05b22n43d0185

MT800B SERIES TRACTORS
POWER TRAIN

179-9480 FINAL DRIVE GP
S/N: AZH1-990; AZK1-987
2286-2600MM (90-102 IN) GAUGE



LATER VERSION

00886393

**MT800B SERIES TRACTORS
POWER TRAIN**

461

179-9480 FINAL DRIVE GP
S/N: AZH1-990; AZK1-987
2286-2600MM (90-102 IN) GAUGE

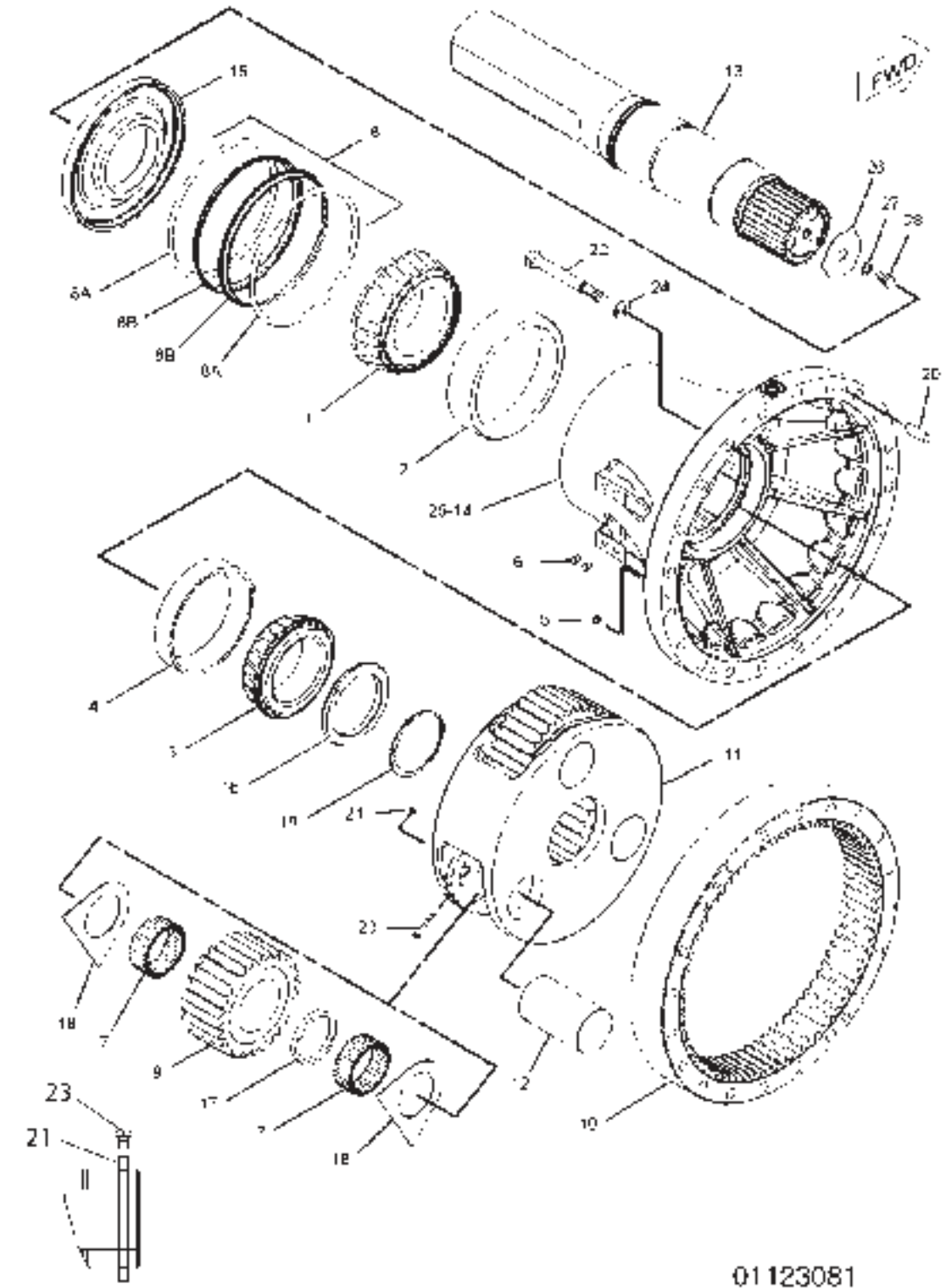
ITEM	NUMBER	QTY	DESCRIPTION
-	179-9480	-	FINAL DRIVE GP [A] (NOT SERVICED)
1	193-0362	1	CONE-BEARING
2	193-0363	1	CUP-BEARING
3	1B-6577	1	CONE-BEARING
4	2J-2152	1	CUP-BEARING
5	7C-6467	2	PLUG
6	8C-5224	8	PLUG-SEAL
7	261-2719	228	BEARING-NEEDLE
8	174-4874	1	SEAL GP-DUO-CONE
8A		2	RING-TORIC [Z]
8B		2	SEAL-RING [Z]
9	179-9007	3	GEAR-PLANETARY (30-TEETH)
10	217-8425	1	GEAR-RING (78-TEETH)
11	260-9471	1	CARRIER-PLANETARY
12	179-9471	3	SHAFT-PLANETARY
13	224-5869	1	SHAFT-AXLE
	224-5870	1	WASHER
	6V-5224	1	BOLT
	9X-8268	1	WASHER
14	179-9476	1	HOUSING-AXLE
15	179-9477	1	SPACER (160X350X36-MM THK)
16	179-9478	1	NUT-BEARING
17	179-9488	3	RACE-THRUST
18	216-8715	6	WASHER-THRUST
19	109-6497	1	RING-RETAINING
20	175-3097	2	DOWEL
21	6V-9189	3	LOCKNUT (M8X1.25) (EARLY VERSION)
21	266-0216	3	PIN (M8.5X135) (LATER VERSION)
22	7X-2578	20	BOLT (M24X3X200-MM)
23	8T-0100	3	BOLT (M8X1.25X60-MM) (EARLY VERSION)
23	6V-8084	3	BOLT (M10X1.5X12) (LATER VERSION)
24	8T-4167	20	WASHER-HARD (26X44X4-MM THK)
25	1U-8846	AR	SEALANT-GASKET

[A] PART OF 185-3956, 185-3958 AXLE AR
[Z] NOT SERVICED SEPARATELY

00886393
PR: t05b22n43d0186

MT800B SERIES TRACTORS
POWERTRAIN

179-9480 FINAL DRIVE GP
S/N: AZH991-UP; AZK988-UP



01 123081

LATER VERSION

**MT800B SERIES TRACTORS
POWER TRAIN**

463

179-9480 FINAL DRIVE GP
S/N: AZH991-UP; AZK988-UP

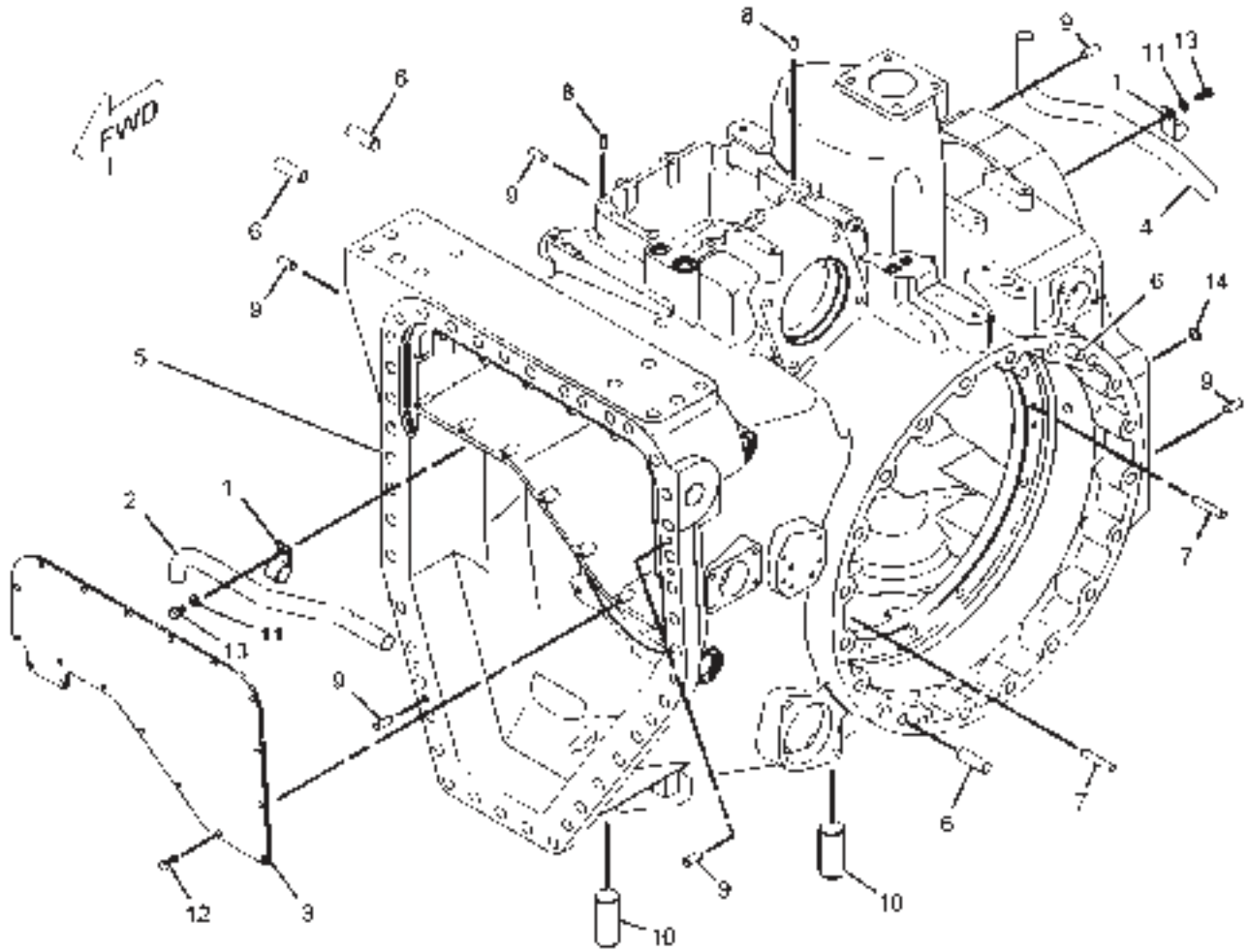
ITEM	NUMBER	QTY	DESCRIPTION
-	179-9480	-	FINAL DRIVE GP [A] (NOT SERVICED)
1	193-0362	1	CONE-BEARING
2	193-0363	1	CUP-BEARING
3	1B-6577	1	CONE-BEARING
4	2J-2152	1	CUP-BEARING
5	7C-6467	2	PLUG
6	8C-5224	8	PLUG-SEAL
7	261-2719	228	BEARING-NEEDLE
8	174-4874	1	SEAL GP-DUO-CONE
8A		2	RING-TORIC [Z]
8B		2	SEAL-RING [Z]
9	179-9007	3	GEAR-PLANETARY (30-TEETH)
10	217-8425	1	GEAR-RING (78-TEETH)
11	260-9471	1	CARRIER-PLANETARY
12	179-9471	3	SHAFT-PLANETARY
13	224-5869	1	SHAFT-AXLE
14	179-9476	1	HOUSING-AXLE
15	179-9477	1	SPACER (160X350X36-MM THK)
16	179-9478	1	NUT-BEARING
17	179-9488	3	RACE-THRUST
18	216-8715	6	WASHER-THRUST
19	109-6497	1	RING-RETAINING
20	175-3097	2	DOWEL
21	6V-9189	3	LOCKNUT (M8X1.25) (EARLY VERSION)
21	266-0216	3	PIN (M8.5X135) (LATER VERSION)
22	7X-2578	20	BOLT (M24X3X200-MM)
23	8T-0100	3	BOLT (M8X1.25X60-MM) (EARLY VERSION)
23	6V-8084	3	BOLT (M10X1.5X12) (LATER VERSION)
24	8T-4167	20	WASHER-HARD (26X44X4-MM THK)
25	1U-8846	AR	SEALANT-GASKET
26	224-5870	1	WASHER-THRUST
27	9X-8268	1	WASHER (17.5X30X3.5-MM THK)
28	6V-5224	1	BOLT (M16X2X25-MM)

[A] PART OF 185-3956, 185-3958 AXLE AR
[Z] NOT SERVICED SEPARATELY

01123081
PR: t05b22n43d0187

MT800B SERIES TRACTORS
POWER TRAIN

225-6958 HOUSING GP-DIFFERENTIAL
S/N: AZG1-950;AZH1-983;
AZJ1-1434; AZK1-979



01122771

MT800B SERIES TRACTORS
POWER TRAIN

465

225-6958 HOUSING GP-DIFFERENTIAL
S/N: AZG1-950; AZH1-983;
AZJ1-1434; AZK1-979

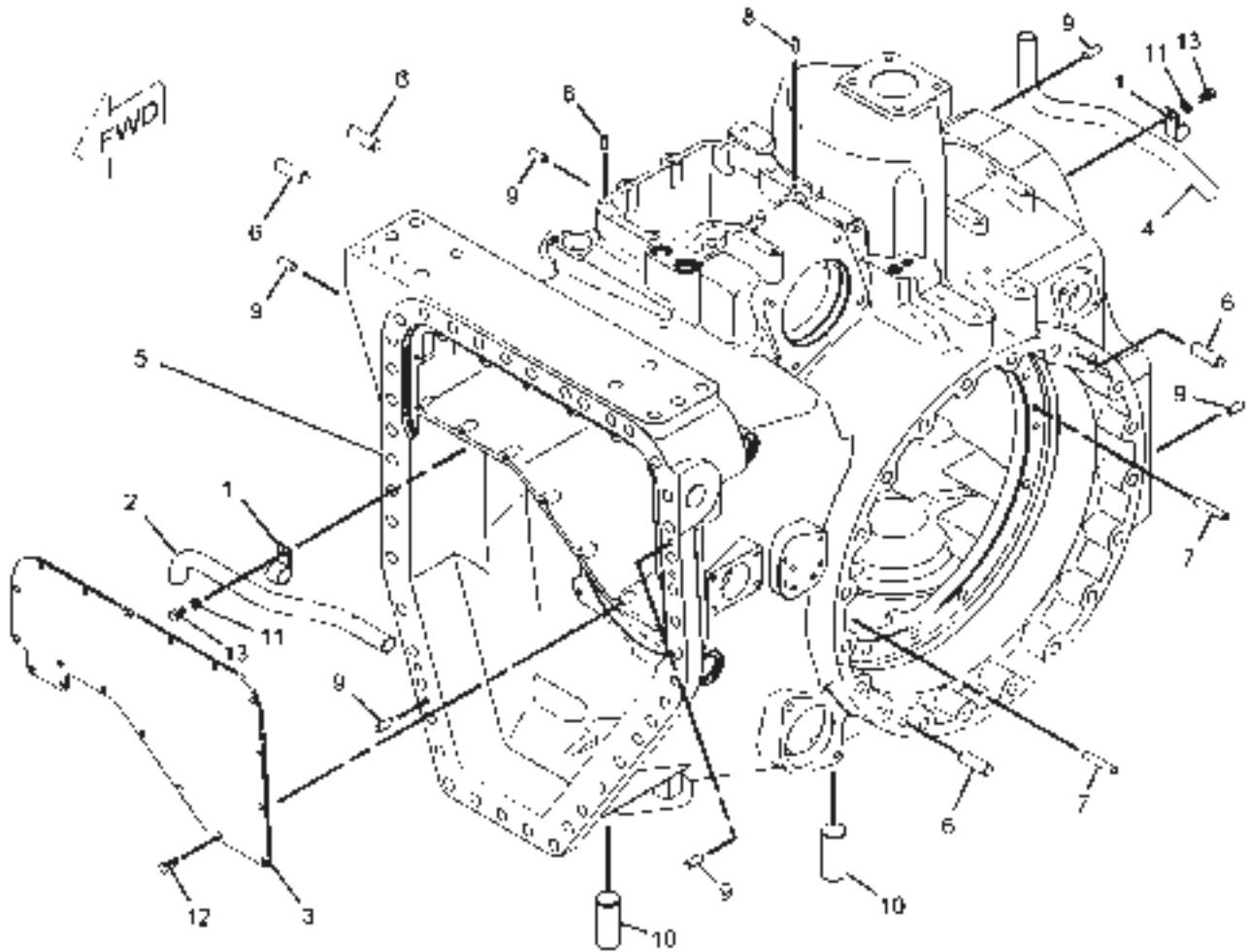
ITEM	NUMBER	QTY	DESCRIPTION
-	225-6958	-	HOUSING GP-DIFFERENTIAL [A] (NOT SERVICED)
1	134-5645	2	CLIP
2	180-8431	1	TUBE
3	193-0650	1	COVER
4		1	TUBE [Z]
5		1	HOUSING [Z]
6	175-3097	4	DOWEL
7	1A-0646	2	DOWEL
8	5B-5821	2	DOWEL
9	5M-7937	6	DOWEL
10	7X-3396	2	DOWEL
11	8T-4121	2	WASHER-HARD (11X21X2.5-MM THK)
12	8T-4136	16	BOLT (M10X1.5X25-MM)
13	8T-4137	2	BOLT (M10X1.5X20-MM)
14	4N-0952	1	PLUG-CUP

[A] PART OF 180-4376 DIFFERENTIAL GP
[Z] NOT SERVICED SEPARATELY

01122771
PR: t05b22n43d0189

MT800B SERIES TRACTORS
POWER TRAIN

242-0962 HOUSING GP-DIFFERENTIAL
S/N: AZG951-UP; AZH984-UP;
AZJ1435-UP; AZK980-UP



01122772

MT800B SERIES TRACTORS
POWER TRAIN

467

242-0962 HOUSING GP-DIFFERENTIAL
S/N: AZG951-UP; AZH984-UP;
AZJ1435-UP; AZK980-UP

ITEM	NUMBER	QTY	DESCRIPTION
-	242-0962	-	HOUSING GP-DIFFERENTIAL [A]
1	134-5645	2	CLIP
2	180-8431	1	TUBE
3	193-0650	1	COVER
4		1	TUBE [Z]
5		1	HOUSING [Z]
6	175-3097	4	DOWEL
7	1A-0646	2	DOWEL
8	5B-5821	2	DOWEL
9	5M-7937	6	DOWEL
10	7X-3396	2	DOWEL
11	8T-4121	2	WASHER-HARD (11X21X2.5-MM THK)
12	8T-4136	16	BOLT (M10X1.5X25-MM)
13	8T-4137	2	BOLT (M10X1.5X20-MM)

[A] PART OF 180-4376 DIFFERENTIAL GP
[Z] NOT SERVICED SEPARATELY

01122772
PR: t05b22n43d0190

468

MT800B SERIES TRACTORS
POWER TRAIN

152-5242 TRANSMISSION AR
S/N: 9YY1-UP

NO ILLUSTRATION

NOTIF

MT800B SERIES TRACTORS
POWER TRAIN

469

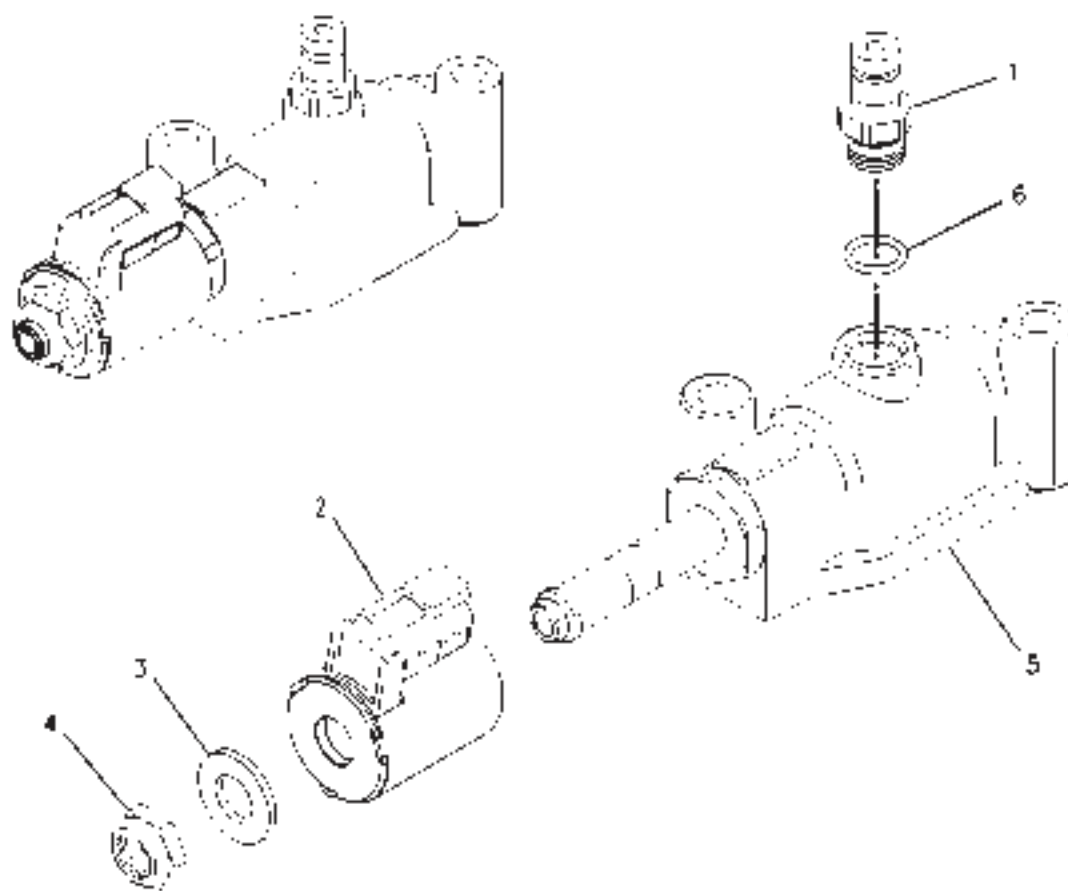
152-5242 TRANSMISSION AR
S/N: 9YY1-UP

ITEM	NUMBER	QTY	DESCRIPTION
-	152-5242	-	TRANSMISSION AR
	155-9579	1	CASE & PARTS GP-PLANETARY 1 (NOT SERVICED) (SEE BREAKDOWN FOR COMPONENTS)
	155-9571	1	CLUTCH GP (INPUT) S/N: 9YY1-1465 (NOT SERVICED) (SEE BREAKDOWN FOR COMPONENTS)
	155-9572	1	CLUTCH GP (INTERMEDIATE) S/N: 9YY1-1465 (NOT SERVICED) (SEE BREAKDOWN FOR COMPONENTS)
	155-9575	1	CLUTCH GP (REVERSE) S/N: 9YY1-1465 (NOT SERVICED) (SEE BREAKDOWN FOR COMPONENTS)
	155-9576	1	CLUTCH GP (OUTPUT) (S/N: 9YY1-1465) (NOT SERVICED) (SEE BREAKDOWN FOR COMPONENTS)
	232-1774	1	CLUTCH GP-TRANSMISSION (S/N: 9YY1466-UP) (NOT SERVICED) (SEE BREAKDOWN FOR COMPONENTS)
	177-5233	2	CLUTCH GP (PLANETARY) (NOT SERVICED) (SEE BREAKDOWN FOR COMPONENTS)
	155-9580	1	CONTROL GP-TRANSMISSION HYD (NOT SERVICED) (SEE BREAKDOWN FOR COMPONENTS)
	177-5234	1	DRIVE GP-PUMP (NOT SERVICED) (SEE BREAKDOWN FOR COMPONENTS)

[A] PART OF 200-5027, 200-5028,
200-5029, 200-5030 POWER TRAIN AR

NOTIF
PR: t05b22n43d0191

216-5343 VALVE GP-MODULATING
S/N: AZG880-UP; AZH960-UP; 9YY1-UP
12V ELECTRONIC CLUTCH PRESSURE CONTROL



00890963

MT800B SERIES TRACTORS
POWER TRAIN

471

216-5343 VALVE GP-MODULATING
S/N: AZG880-UP; AZH960-UP; 9YY1-UP
12V ELECTRONIC CLUTCH PRESSURE CONTROL

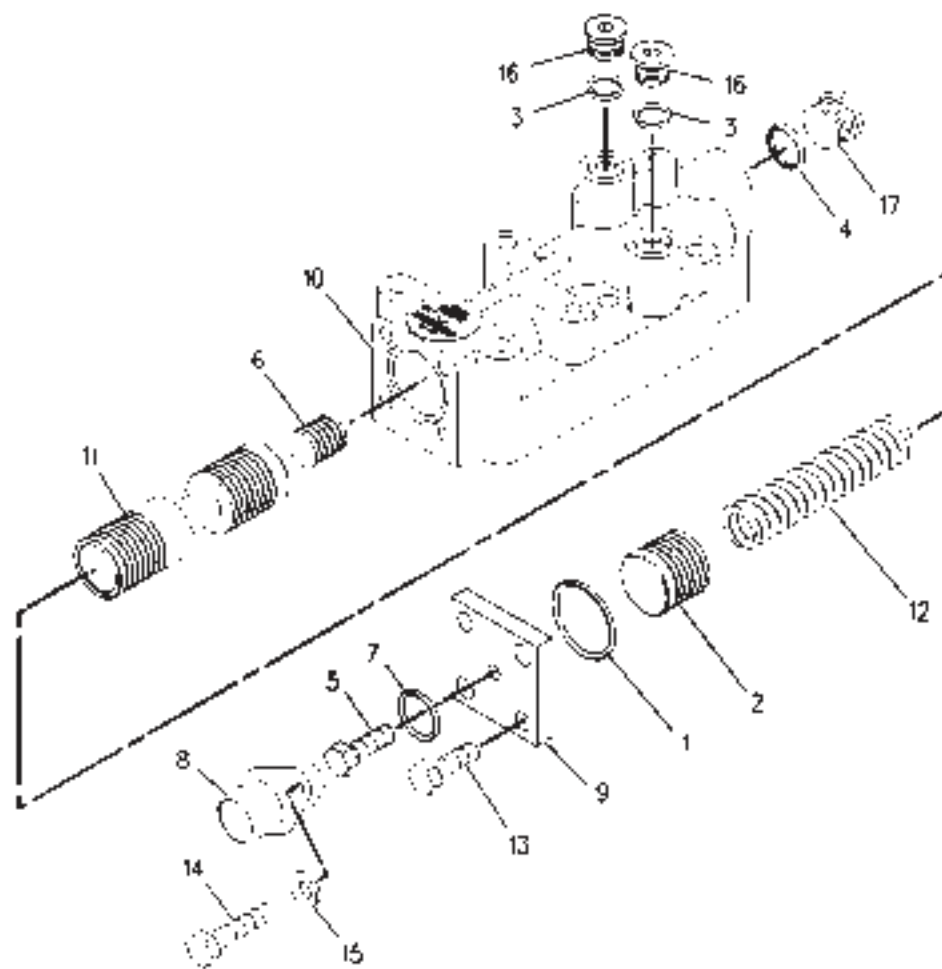
ITEM	NUMBER	QTY	DESCRIPTION
-	216-5343	-	VALVE GP-MODULATING [A]
1	6V-3965	1	FITTING AS
2	155-4426	1	COIL AS
3	164-2108	1	WASHER (13.03X25.4X2.38-MM THK)
4	167-9524	1	NUT-SELF-LOCKING (1/2-28-THD)
5		1	VALVE AS [Z]
6	3J-1907	1	SEAL-O-RING

[A] PART OF:
155-9580 CONTROL GP-TRANSMISSION HYD
187-4930 POWER TAKE-OFF GP
[Z] NOT SERVICED SEPARATELY

00890963
PR: t05b22n43d0192

MT800B SERIES TRACTORS
POWER TRAIN

198-1013 VALVE GP-RELIEF
S/N: 9YY1-UP



00894902

MT800B SERIES TRACTORS
POWER TRAIN

473

198-1013 VALVE GP-RELIEF
S/N: 9YY1-UP

ITEM	NUMBER	QTY	DESCRIPTION
-	198-1013	-	VALVE GP-RELIEF [A]
1	2S-4663	1	SEAL-O-RING
2	2S-5835	1	PISTON-LOAD
3	3J-1907	2	SEAL-O-RING
4	3K-0360	1	SEAL-O-RING
5	4M-5905	1	SCREW-ADJUSTMENT (5/16-18X1-IN)
6	8E-1143	1	SLUG
7	8M-5253	1	SEAL-O-RING
8	9M-2110	1	COVER-ADJUSTMENT
9	115-4550	1	COVER
10	172-7966	1	BODY
11	172-7968	1	SPOOL AS
	3D-8317	1	RING-RETAINING
	4B-9880	1	BALL
	4M-2381	1	SPRING
	9U-8669	1	RETAINER
12	174-7449	1	SPRING
13	6V-3940	2	BOLT (M8X1.25X25-MM)
14	6V-5218	2	BOLT (M8X1.25X35-MM)
15	9M-1974	2	WASHER-HARD (8.8X16X2-MM THK)
16	9S-8004	2	PLUG
17	241-6205	1	PLUG

[A] PART OF 155-9580 CONTROL GP
-TRANSMISSION HYD

00894902
PR: t05b22n43d0193

474

MT800B SERIES TRACTORS
POWER TRAIN

185-3955 AXLE AR-WITH POWER TAKE-OFF

S/N: AZG1-UP

2286-3251 MM (90-128 IN)

NO ILLUSTRATION

NOTIF

MT800B SERIES TRACTORS
POWER TRAIN

475

185-3955 AXLE AR-WITH POWER TAKE-OFF
S/N: AZG1-UP
2286-3251 MM (90-128 IN)

ITEM	NUMBER	QTY	DESCRIPTION
-	185-3955	-	AXLE AR-WITH POWER TAKE-OFF [A] (NOT SERVICED)
	180-4376	1	DIFFERENTIAL GP (NOT SERVICED) (SEE BREAKDOWN FOR COMPONENTS)
	179-9479	2	FINAL DRIVE GP (NOT SERVICED) (SEE BREAKDOWN FOR COMPONENTS)
	187-4930	1	POWER TAKE-OFF GP (NOT SERVICED) (SEE BREAKDOWN FOR COMPONENTS)

[A] PART OF 200-5027 POWER TRAIN AR

NOTIF
PR: t05b22n43d0194

476

MT800B SERIES TRACTORS
POWER TRAIN

185-3956 AXLE AR-WITH POWER TAKE-OFF

S/N: AZH1-UP

2286-2600 MM (90-102 IN)

NO ILLUSTRATION

NOTIF

MT800B SERIES TRACTORS
POWER TRAIN

477

185-3956 AXLE AR-WITH POWER TAKE-OFF
S/N: AZH1-UP
2286-2600 MM (90-102 IN)

ITEM	NUMBER	QTY	DESCRIPTION
-	185-3956	-	AXLE AR-WITH POWER TAKE-OFF [A] (NOT SERVICED)
	180-4376	1	DIFFERENTIAL GP (NOT SERVICED) (SEE BREAKDOWN FOR COMPONENTS)
	179-9480	2	FINAL DRIVE GP (NOT SERVICED) (SEE BREAKDOWN FOR COMPONENTS)
	187-4930	1	POWER TAKE-OFF GP (NOT SERVICED) (SEE BREAKDOWN FOR COMPONENTS)

[A] PART OF 200-5028 POWER TRAIN AR

NOTIF
PR: t05b22n43d0195

478

MT800B SERIES TRACTORS
POWER TRAIN

185-3957 AXLE AR

S/N: AZJ1-UP

2286-3251 MM (90-128 IN)

CANNOT BE USED WITH POWER TAKE OFF

NO ILLUSTRATION

NOTIF

MT800B SERIES TRACTORS
POWER TRAIN

479

185-3957 AXLE AR
S/N: AZJ1-UP
2286-3251 MM (90-128 IN)

CANNOT BE USED WITH POWER TAKE OFF

ITEM	NUMBER	QTY	DESCRIPTION
-	185-3957	-	AXLE AR [A] (NOT SERVICED)
	185-8737	1	COVER GP-DIFFERENTIAL (NOT SERVICED) (SEE BREAKDOWN FOR COMPONENTS)
	180-4376	1	DIFFERENTIAL GP (NOT SERVICED) (SEE BREAKDOWN FOR COMPONENTS)
	179-9479	2	FINAL DRIVE GP (NOT SERVICED) (SEE BREAKDOWN FOR COMPONENTS)

[A] PART OF 200-5029 POWER TRAIN AR

NOTIF
PR: t05b22n43d0196

480

MT800B SERIES TRACTORS
POWER TRAIN

185-3958 AXLE AR-WITHOUT POWER TAKE-OFF
S/N: AZK1-UP
2286-2600 MM (90-102 IN)

NO ILLUSTRATION

NOTIF

MT800B SERIES TRACTORS

481

POWER TRAIN

185-3958 AXLE AR-WITHOUT POWER TAKE-OFF

S/N: AZK1-UP

2286-2600 MM (90-102 IN)

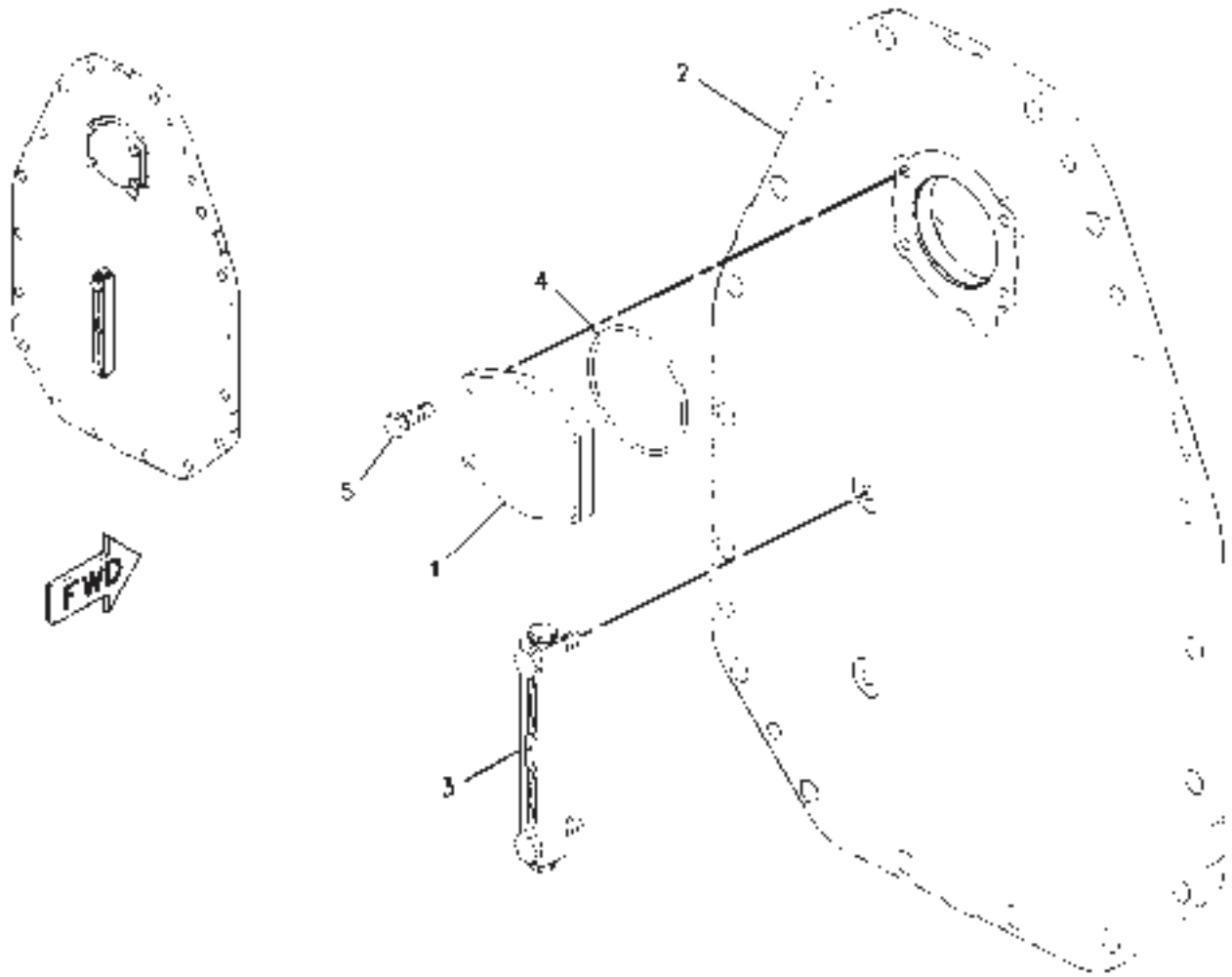
ITEM	NUMBER	QTY	DESCRIPTION
-	185-3958	-	AXLE AR-WITHOUT POWER TAKE-OFF [A] (NOT SERVICED)
	185-8737	1	COVER GP-DIFFERENTIAL (NOT SERVICED) (SEE BREAKDOWN FOR COMPONENTS)
	180-4376	1	DIFFERENTIAL GP (NOT SERVICED) (SEE BREAKDOWN FOR COMPONENTS)
	179-9480	2	FINAL DRIVE GP (NOT SERVICED) (SEE BREAKDOWN FOR COMPONENTS)

[A] PART OF 200-5030 POWER TRAIN AR

NOTIF
PR: t05b22n43d0197

MT800B SERIES TRACTORS
POWER TRAIN

185-8737 COVER GP-DIFFERENTIAL
S/N: AZJ1-UP; AZK1-UP



00893383

MT800B SERIES TRACTORS
POWER TRAIN

483

185-8737 COVER GP-DIFFERENTIAL
S/N: AZJ1-UP; AZK1-UP

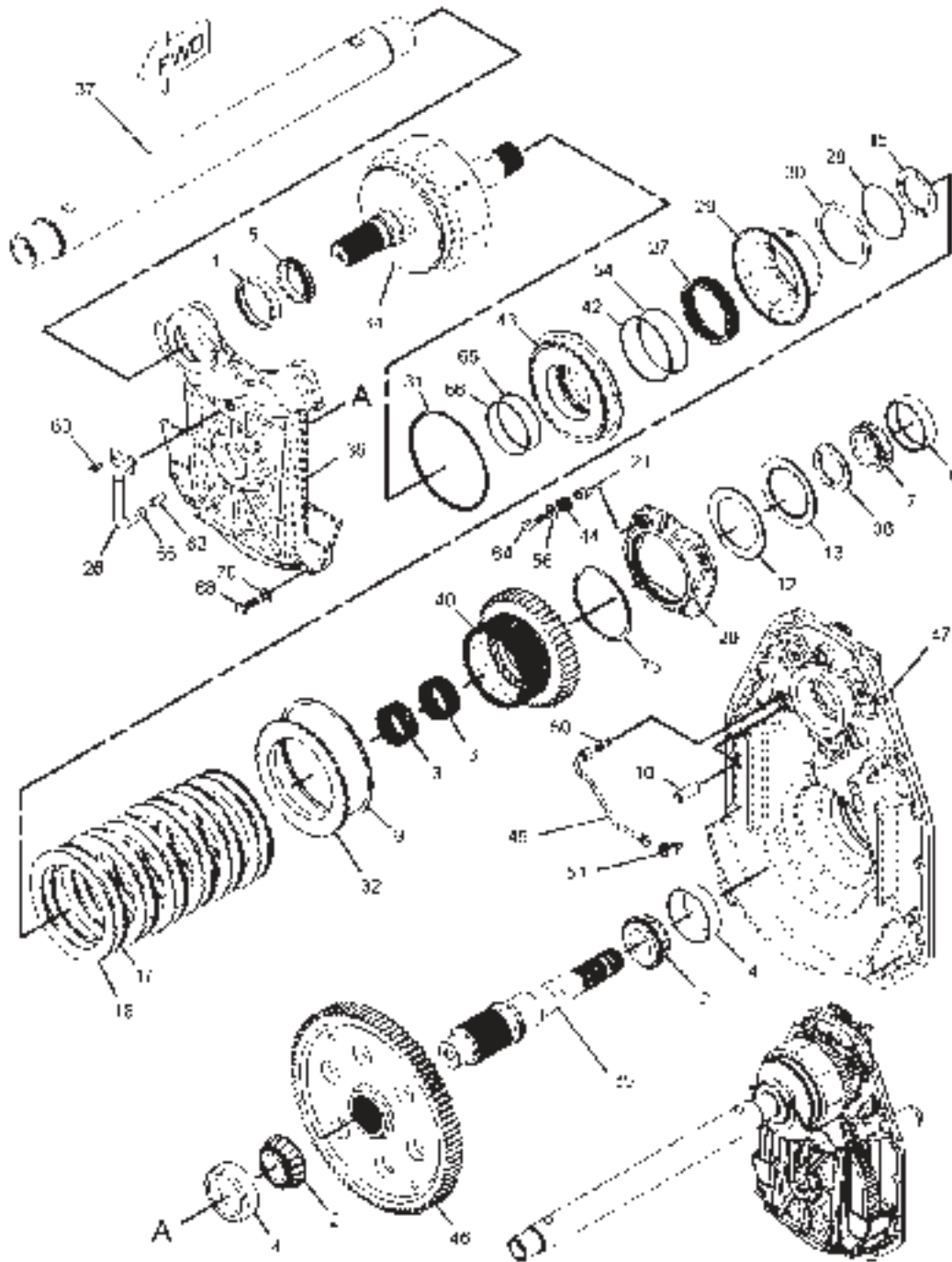
ITEM	NUMBER	QTY	DESCRIPTION
-	185-8737	-	COVER GP-DIFFERENTIAL [A] (NOT SERVICED)
1	170-7290	1	COVER
2	217-3555	1	COVER
3	217-3557	1	GAUGE-SIGHT
4	131-3718	1	SEAL-O-RING
5	8T-4195	4	BOLT (M10X1.5X30MM)

[A] PART OF 185-3957, 185-3958 AXLE AR

00893383
PR: t05b22n43d0198

MT800B SERIES TRACTORS
POWER TRAIN

187-4930 POWER TAKE-OFF GP
S/N: AZG1-879; AZH1-959
1 OF 2



MT800B SERIES TRACTORS
POWER TRAIN

485

187-4930 POWER TAKE-OFF GP
S/N: AZG1-879; AZH1-959
1 OF 2

ITEM	NUMBER	QTY	DESCRIPTION
-	187-4930	-	POWER TAKE-OFF GP (NOT SERVICED)
1	172-3441	1	RACE-ROLLER BEARING
2	008-3178	2	CONE-BEARING
3	124-0492	2	BEARING-CAGED
4	2D-9190	2	CUP-BEARING
5	6H-7611	1	BEARING-INNER
6	8E-8276	1	RACE-BEARING OUTER
7	8E-8277	1	BEARING-INNER
9	4D-7889	1	RING
10	4T-4200	3	SLUG
12	6Y-5631	1	PLATE-CLUTCH
13	6Y-7968	1	DISC-FRICTION
15	8E-8653	1	DISC-THRUST
17	134-8360	6	DISC-FRICTION
18	134-8361	6	PLATE-CLUTCH
20	161-8739	1	PLATE-BRAKE
21	161-8848	3	BUSHING
26	168-4558	1	TUBE AS
27	173-5392	1	SPRING
28	177-5241	1	RING-RETAINING
29	177-5243	1	SEAL AS
30	177-5246	1	RING-SPACER
31	177-6797	1	RING-SEAL
32	177-6804	1	PLATE-END
34	180-8378	1	SHAFT AS
	7T-9356	1	PLUG-CUP
	9W-0719	1	PLUG
35	180-8382	1	SHAFT
36	180-8385	1	CARRIER-BEARING
37	180-8393	1	SHAFT AS
38	180-8395	1	DISC-THRUST

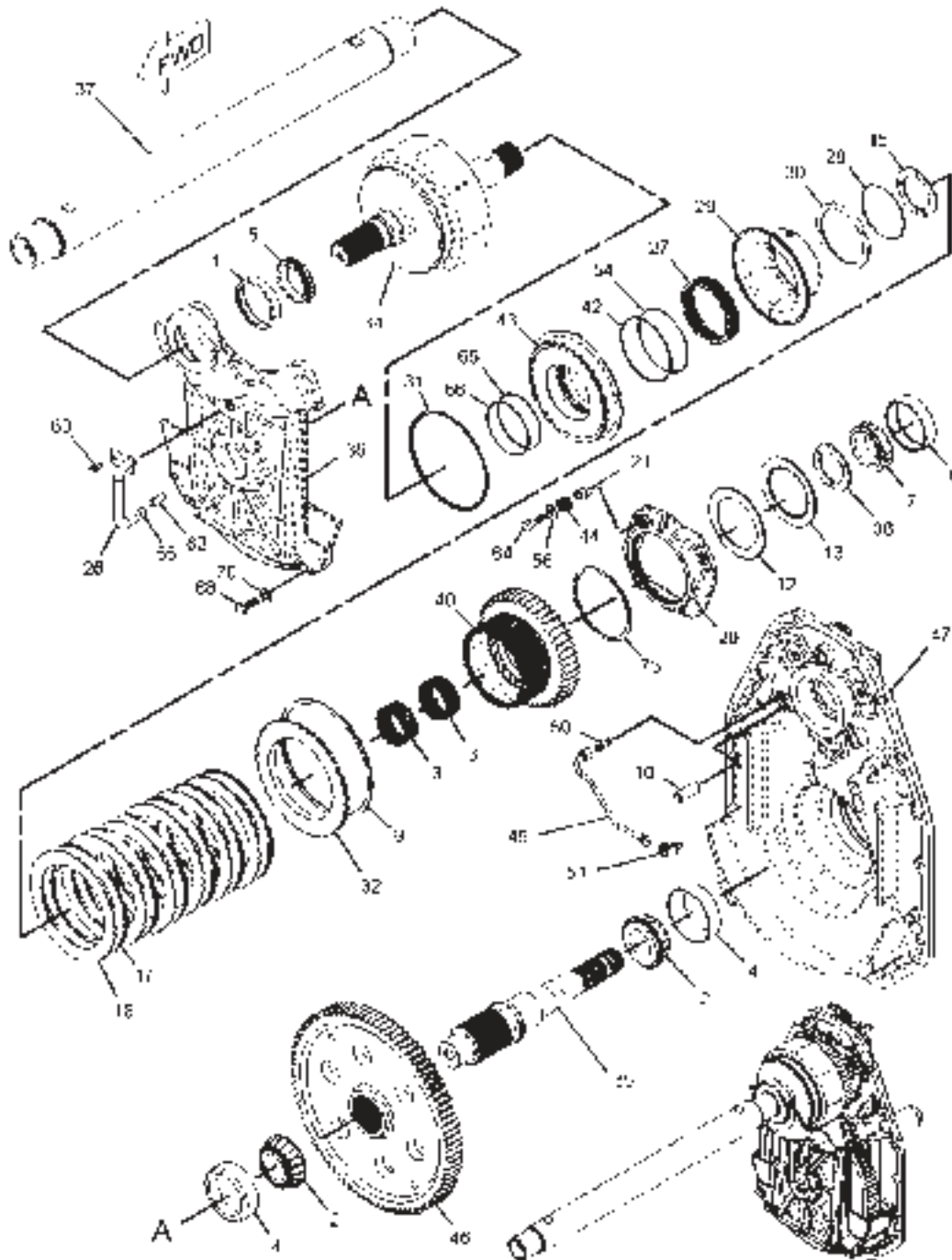
CONTINUED

[A] PART OF 185-3955, 185-3956 AXLE AR

01122766
PR: t05b22n43d0199

MT800B SERIES TRACTORS
POWER TRAIN

187-4930 POWER TAKE-OFF GP
S/N: AZG1-879; AZH1-959
1 OF 2



01122766

MT800B SERIES TRACTORS
POWER TRAIN

487

187-4930 POWER TAKE-OFF GP
S/N: AZG1-879; AZH1-959
1 OF 2

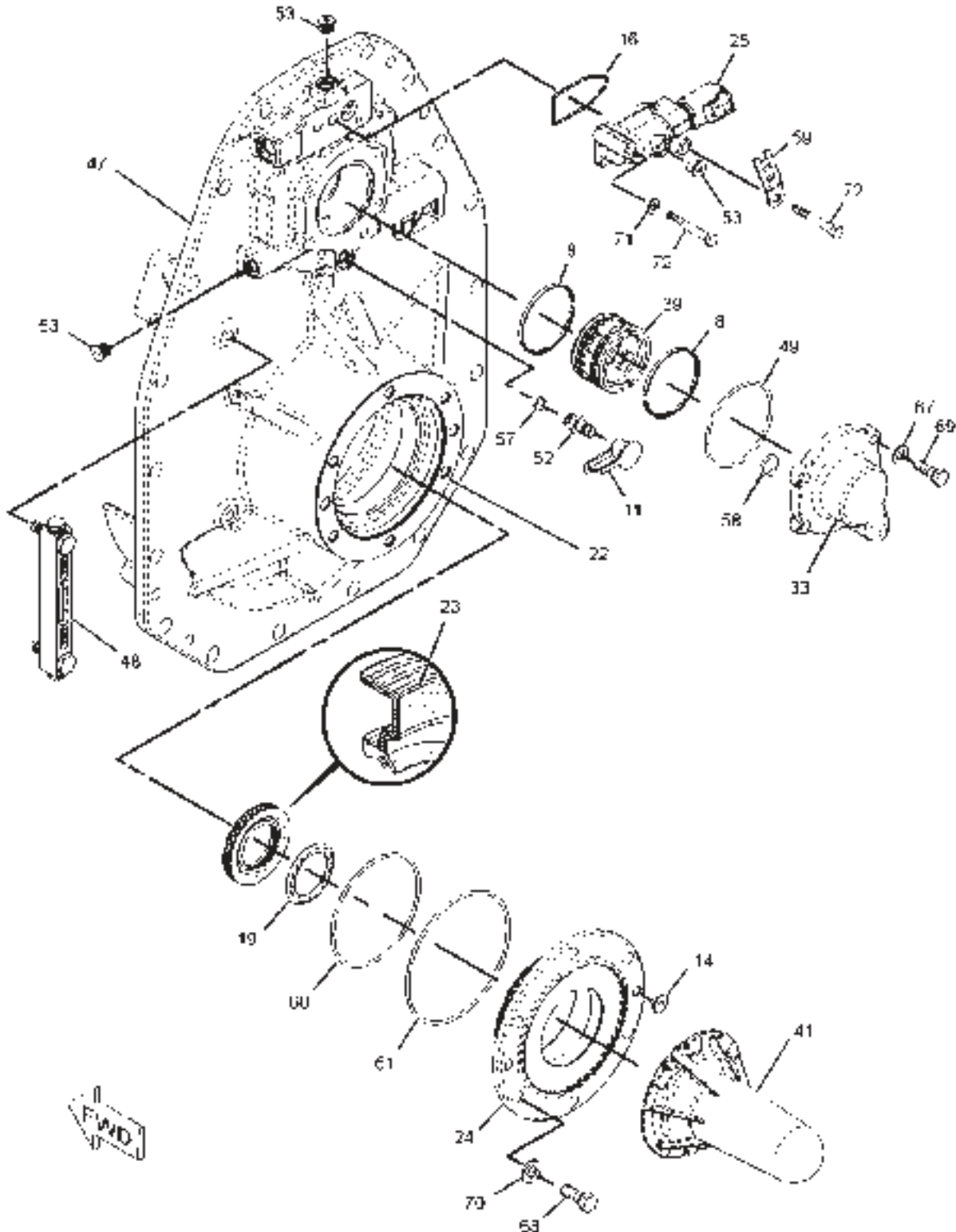
ITEM	NUMBER	QTY	DESCRIPTION
-	187-4930	-	POWER TAKE-OFF GP (NOT SERVICED)
40	191-5262	1	GEAR (48-TEETH)
42	200-3039	1	RING-SEAL
43	203-2631	1	PISTON
44	210-1975	3	SPRING
45	211-8276	1	TUBE AS
46	216-9213	1	GEAR (95-TEETH)
47	217-3556	1	COVER
50	148-8316	1	CONNECTOR AS
	3J-7354	1	SEAL-O-RING
	4J-5477	1	SEAL-O-RING
	6V-8647	1	CONNECTOR
51	148-8385	1	ELBOW AS
	3J-7354	1	SEAL-O-RING
	4J-5477	1	SEAL-O-RING
	6V-9000	1	ELBOW
54	199-9240	1	SEAL-O-RING
55	1L-3162	1	RING-RETAINING
56	3E-4353	3	WASHER-HARD (11X25X3-MM THK)
62	5M-7937	2	DOWEL
63	6V-5215	1	BOLT (M8X1.25X16-MM)
64	6V-5842	3	BOLT (M10X1.5X40-MM)
65	7T-5594	1	RING-SEAL
66	8T-2572	1	SEAL-O-RING
68	8T-4139	8	BOLT (M12X1.75X30-MM)
70	8T-4223	8	WASHER-HARD (13.5X25.5X3-MM THK)
73	9U-8875	1	RING-RETAINING

[A] PART OF 185-3955, 185-3956 AXLE AR

01122766
PR: t05b22n43d0199

MT800B SERIES TRACTORS
POWER TRAIN

187-4930 POWER TAKE-OFF GP
S/N: AZG1-879; AZH1-959
2 OF 2



01124521

MT800B SERIES TRACTORS
POWER TRAIN

489

187-4930 POWER TAKE-OFF GP
S/N: AZG1-879; AZH1-959
2 OF 2

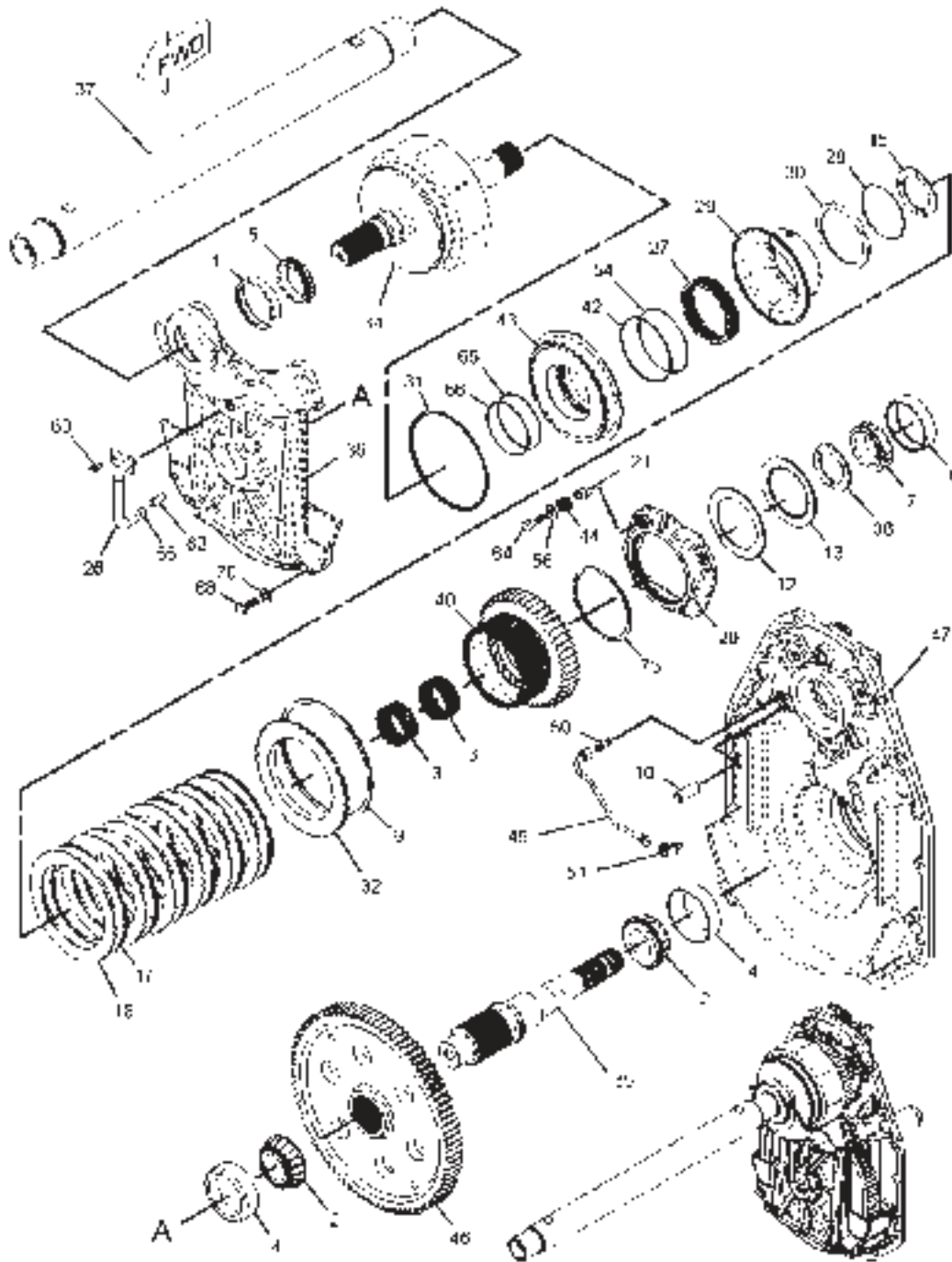
ITEM	NUMBER	QTY	DESCRIPTION
-	187-4930	-	POWER TAKE-OFF GP (NOT SERVICED)
8	1T-1597	2	RING-SEAL
11	6V-0852	1	CAP-DUST
14	7C-6467	2	PLUG
16	8S-0768	1	SEAL-O-RING
19	160-6789	1	GUARD
22	164-3949	1	SHIM PACK (INCLUDES 13-SHIMS)
23	164-3951	1	SEAL-LIP TYPE
24	165-0260	1	CAGE-BEARING
25	216-5343	1	VALVE GP-MODULATING (CLUTCH PACK HYDRAULIC OIL) (SEE BREAKDOWN FOR COMPONENTS)
33	180-8369	1	COVER
39	188-7731	1	CARRIER-RING
41	199-4273	1	COVER AS
47	217-3556	1	COVER
48	217-3557	1	GAUGE-SIGHT
49	131-3718	1	SEAL-O-RING
52	6V-3965	1	FITTING AS [B]
53	162-0177	3	PLUG AS
	3J-1907	1	SEAL-O-RING
	9S-8004	1	PLUG
57	3J-1907	1	SEAL-O-RING
58	4J-5140	1	SEAL-O-RING
59	4P-7581	1	CLIP
60	5F-3999	1	SEAL-O-RING
61	5H-3252	1	SEAL-O-RING
67	8T-4121	4	WASHER-HARD (11X21X2.5-MM THK)
68	8T-4139	6	BOLT (M12X1.75X30-MM)
69	8T-4195	4	BOLT (M10X1.5X30-MM)
70	8T-4223	6	WASHER-HARD (13.5X25.5X3-MM THK)
71	8T-4224	1	WASHER-HARD (8.8X16X2-MM THK)
72	8T-6869	2	BOLT (M8X1.25X60-MM)

[A] PART OF 185-3955, 185-3956 AXLE AR
[B] NOT PART OF THIS GROUP

01124521
PR: t05b22n43d0200

MT800B SERIES TRACTORS
POWER TRAIN

187-4930 POWER TAKE-OFF GP
S/N: AZG880-900; AZH960-971
1 OF 2



01122766

MT800B SERIES TRACTORS
POWER TRAIN

491

187-4930 POWER TAKE-OFF GP
S/N: AZG880-900; AZH960-971
1 OF 2

ITEM	NUMBER	QTY	DESCRIPTION
-	187-4930	-	POWER TAKE-OFF GP [A] (NOT SERVICED)
1	172-3441	1	RACE-ROLLER BEARING
2	008-3178	2	CONE-BEARING
3	124-0492	2	BEARING-CAGED
4	2D-9190	2	CUP-BEARING
5	6H-7611	1	BEARING-INNER
6	8E-8276	1	RACE-BEARING OUTER
7	8E-8277	1	BEARING-INNER
9	4D-7889	1	RING
10	4T-4200	3	SLUG
12	6Y-5631	1	PLATE-CLUTCH
13	6Y-7968	1	DISC-FRICTION
15	8E-8653	1	DISC-THRUST
17	134-8360	6	DISC-FRICTION
18	134-8361	6	PLATE-CLUTCH
20	161-8739	1	PLATE-BRAKE
21	161-8848	3	BUSHING
26	168-4558	1	TUBE AS
27	173-5392	1	SPRING
28	177-5241	1	RING-RETAINING
29	177-5243	1	SEAL AS
30	177-5246	1	RING-SPACER
31	177-6797	1	RING-SEAL
32	177-6804	1	PLATE-END
34	180-8378	1	SHAFT AS
	7T-9356	1	PLUG-CUP
	9W-0719	1	PLUG
35	180-8382	1	SHAFT
36	180-8385	1	CARRIER-BEARING
37	180-8393	1	SHAFT AS
38	180-8395	1	DISC-THRUST

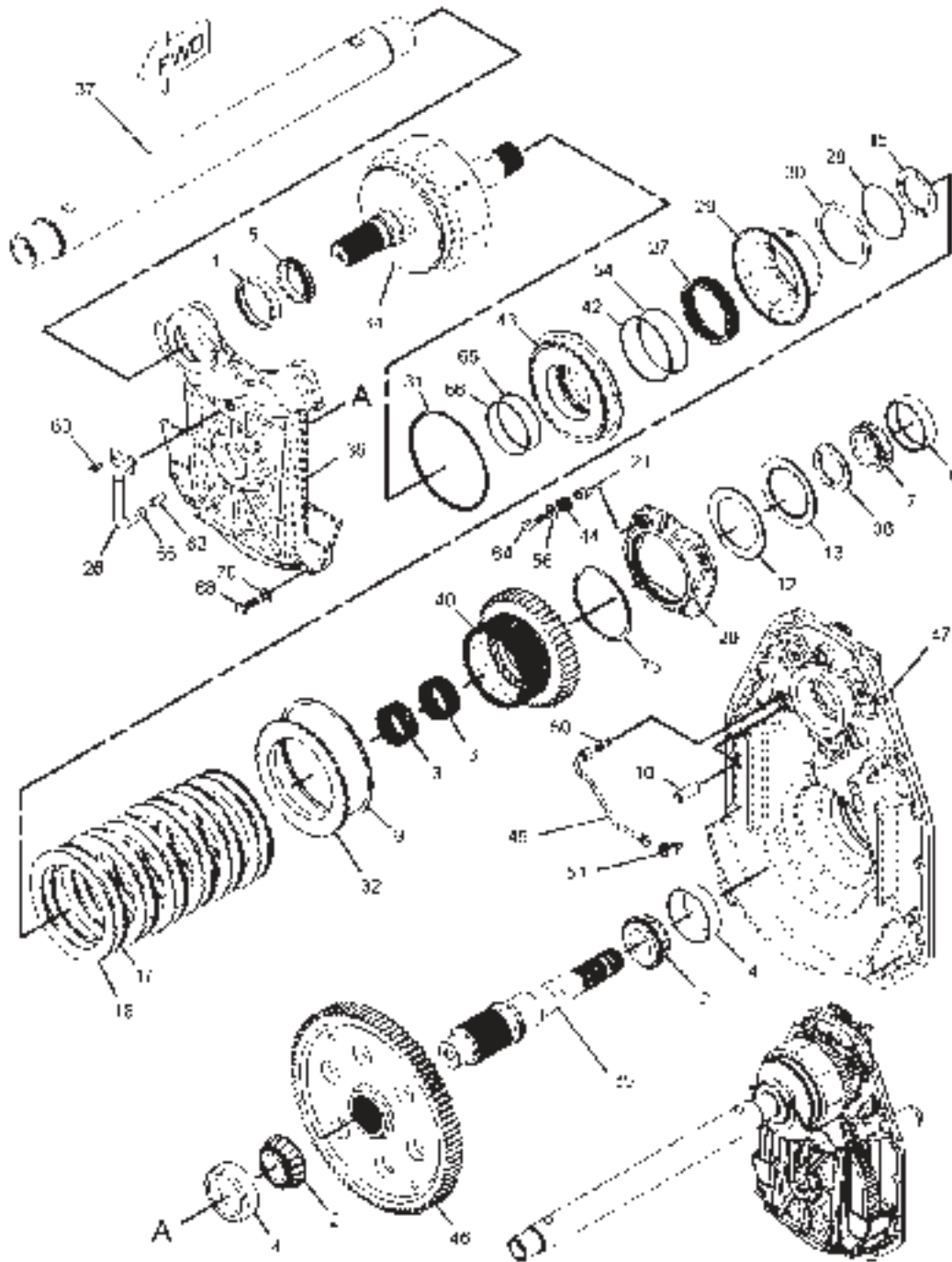
CONTINUED

[A] PART OF 185-3955, 185-3956 AXLE AR

01122766
PR: t05b22n43d0201

MT800B SERIES TRACTORS
POWER TRAIN

187-4930 POWER TAKE-OFF GP
S/N: AZG880-900; AZH960-971
1 OF 2



01122766

MT800B SERIES TRACTORS
POWER TRAIN

493

187-4930 POWER TAKE-OFF GP
S/N: AZG880-900; AZH960-971
1 OF 2

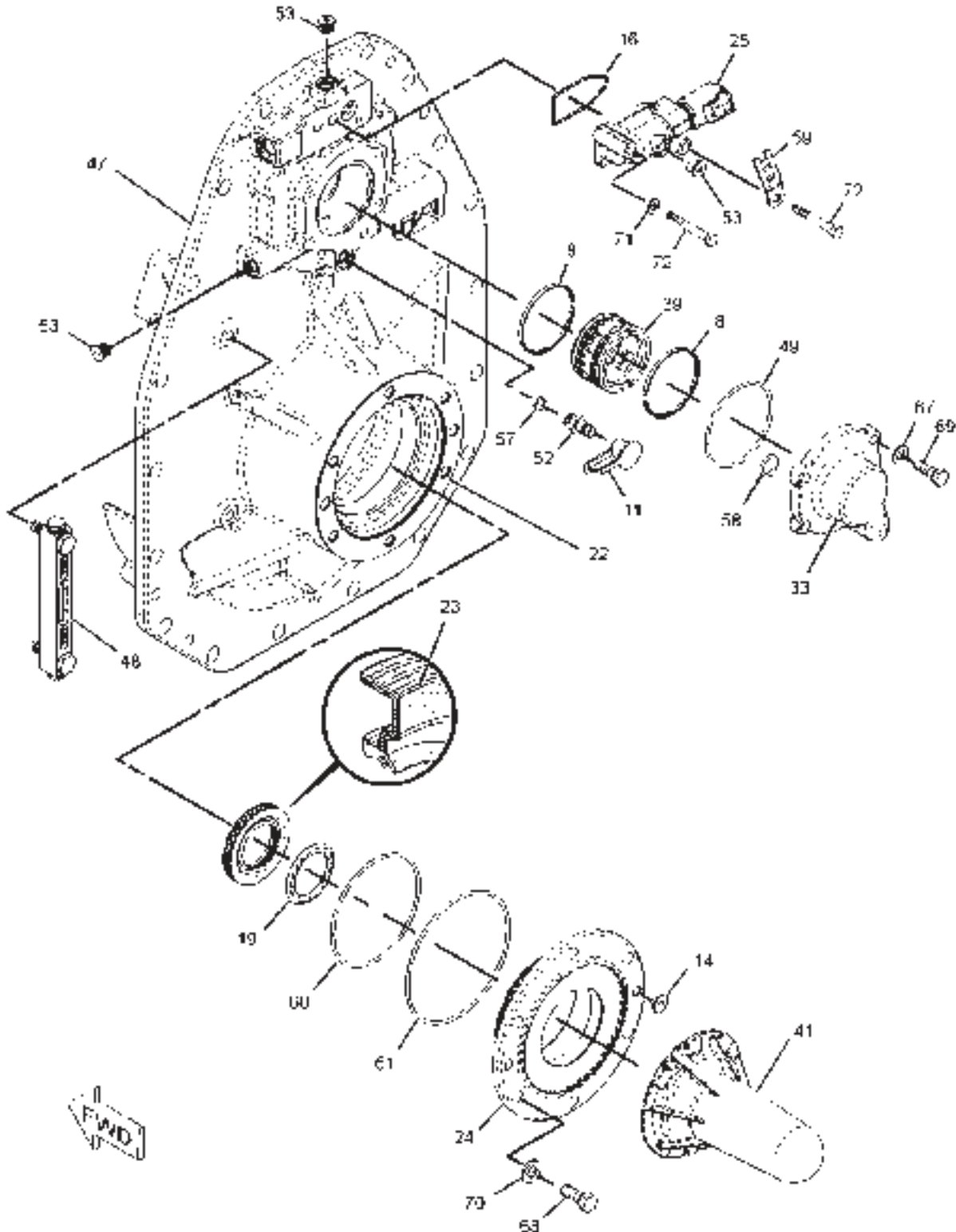
ITEM	NUMBER	QTY	DESCRIPTION
-	187-4930	-	POWER TAKE-OFF GP [A] (NOT SERVICED)
40	191-5262	1	GEAR (48-TEETH)
42	200-3039	1	RING-SEAL
43	203-2631	1	PISTON
44	210-1975	3	SPRING
45	211-8276	1	TUBE AS
46	216-9213	1	GEAR (95-TEETH)
47	217-3556	1	COVER
50	148-8316	1	CONNECTOR AS
	3J-7354	1	SEAL-O-RING
	4J-5477	1	SEAL-O-RING
	6V-8647	1	CONNECTOR
51	148-8385	1	ELBOW AS
	3J-7354	1	SEAL-O-RING
	4J-5477	1	SEAL-O-RING
	6V-9000	1	ELBOW
54	199-9240	1	SEAL-O-RING
55	1L-3162	1	RING-RETAINING
56	3E-4353	3	WASHER-HARD (11X25X3-MM THK)
62	5M-7937	2	DOWEL
63	6V-5215	1	BOLT (M8X1.25X16-MM)
64	6V-5842	3	BOLT (M10X1.5X40-MM)
65	7T-5594	1	RING-SEAL
66	8T-2572	1	SEAL-O-RING
68	8T-4139	8	BOLT (M12X1.75X30-MM)
70	8T-4223	8	WASHER-HARD (13.5X25.5X3-MM THK)
73	9U-8875	1	RING-RETAINING

[A] PART OF 185-3955, 185-3956 AXLE AR

01122766
PR: t05b22n43d0201

MT800B SERIES TRACTORS
POWER TRAIN

187-4930 POWER TAKE-OFF GP
S/N: AZG880-900; AZH960-971
2 OF 2



01124521

**MT800B SERIES TRACTORS
POWER TRAIN**

495

187-4930 POWER TAKE-OFF GP
S/N: AZG880-900; AZH960-971
2 OF 2

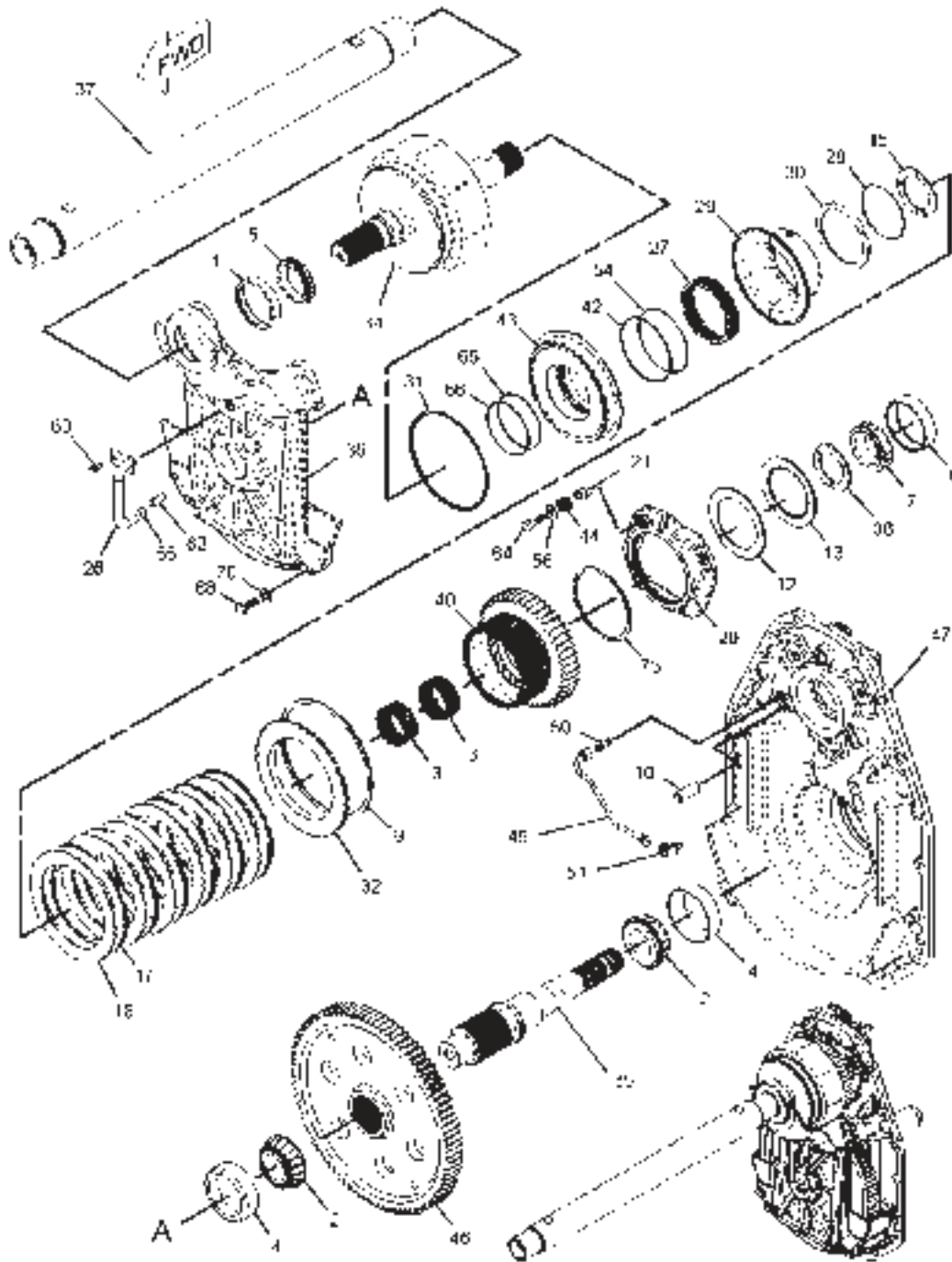
ITEM	NUMBER	QTY	DESCRIPTION
-	187-4930	-	POWER TAKE-OFF GP [A] (NOT SERVICED)
8	1T-1597	2	RING-SEAL
11	6V-0852	1	CAP-DUST
14	7C-6467	2	PLUG
16	8S-0768	1	SEAL-O-RING
19	160-6789	1	GUARD
22	164-3949	AR	SHIM PACK (INCLUDES 13-SHIMS)
23	164-3951	1	SEAL-LIP TYPE
24	165-0260	1	CAGE-BEARING
25	216-5343	1	VALVE GP-MODULATING [C] (CLUTCH PACK HYDRAULIC OIL) (SEE BREAKDOWN FOR COMPONENTS)
33	180-8369	1	COVER
39	188-7731	1	CARRIER-RING
41	199-4273	1	COVER AS
47	217-3556	1	COVER
48	217-3557	1	GAUGE-SIGHT
49	131-3718	1	SEAL-O-RING
52	6V-3965	1	FITTING AS [B]
53	162-0177	3	PLUG AS
	3J-1907	1	SEAL-O-RING
	9S-8004	1	PLUG
57	3J-1907	1	SEAL-O-RING
58	4J-5140	1	SEAL-O-RING
59	4P-7581	1	CLIP
60	5F-3999	1	SEAL-O-RING
61	5H-3252	1	SEAL-O-RING
67	8T-4121	4	WASHER-HARD (11X21X2.5-MM THK)
68	8T-4139	6	BOLT (M12X1.75X30-MM)
69	8T-4195	4	BOLT (M10X1.5X30-MM)
70	8T-4223	6	WASHER-HARD (13.5X25.5X3-MM THK)
71	8T-4224	1	WASHER-HARD (8.8X16X2-MM THK)
72	8T-6869	2	BOLT (M8X1.25X60-MM)

[A] PART OF 185-3955, 185-3956 AXLE AR
[B] NOT PART OF THIS GROUP
[C] CHANGE FROM PREVIOUS TYPE

01124521
PR: t05b22n43d0202

MT800B SERIES TRACTORS
POWER TRAIN

187-4930 POWER TAKE-OFF GP
S/N: AZG901-UP; AZH972-UP



01122766

MT800B SERIES TRACTORS
POWER TRAIN

497

187-4930 POWER TAKE-OFF GP
S/N: AZG901-UP; AZH972-UP

ITEM	NUMBER	QTY	DESCRIPTION
-	187-4930	-	POWER TAKE-OFF GP [A] (NOT SERVICED)
1	172-3441	1	RACE-ROLLER BEARING
2	008-3178	2	CONE-BEARING
3	124-0492	2	BEARING-CAGED
4	2D-9190	2	CUP-BEARING
5	6H-7611	1	BEARING-INNER
6	8E-8276	1	RACE-BEARING OUTER
7	8E-8277	1	BEARING-INNER
9	4D-7889	1	RING
10	4T-4200	3	SLUG
12	6Y-5631	1	PLATE-CLUTCH
13	6Y-7968	1	DISC-FRICTION
15	8E-8653	1	DISC-THRUST
17	134-8360	6	DISC-FRICTION
18	134-8361	6	PLATE-CLUTCH
20	161-8739	1	PLATE-BRAKE
21	187-8141	3	BUSHING
26	168-4558	1	TUBE AS
27	173-5392	1	SPRING
28	177-5241	1	RING-RETAINING
29	177-5243	1	SEAL AS
30	177-5246	1	RING-SPACER
31	177-6797	1	RING-SEAL
32	177-6804	1	PLATE-END
34	180-8378	1	SHAFT AS
	7T-9356	1	PLUG-CUP
	9W-0719	1	PLUG
35	180-8382	1	SHAFT
36	180-8385	1	CARRIER-BEARING
37	180-8393	1	SHAFT AS
38	180-8395	1	DISC-THRUST

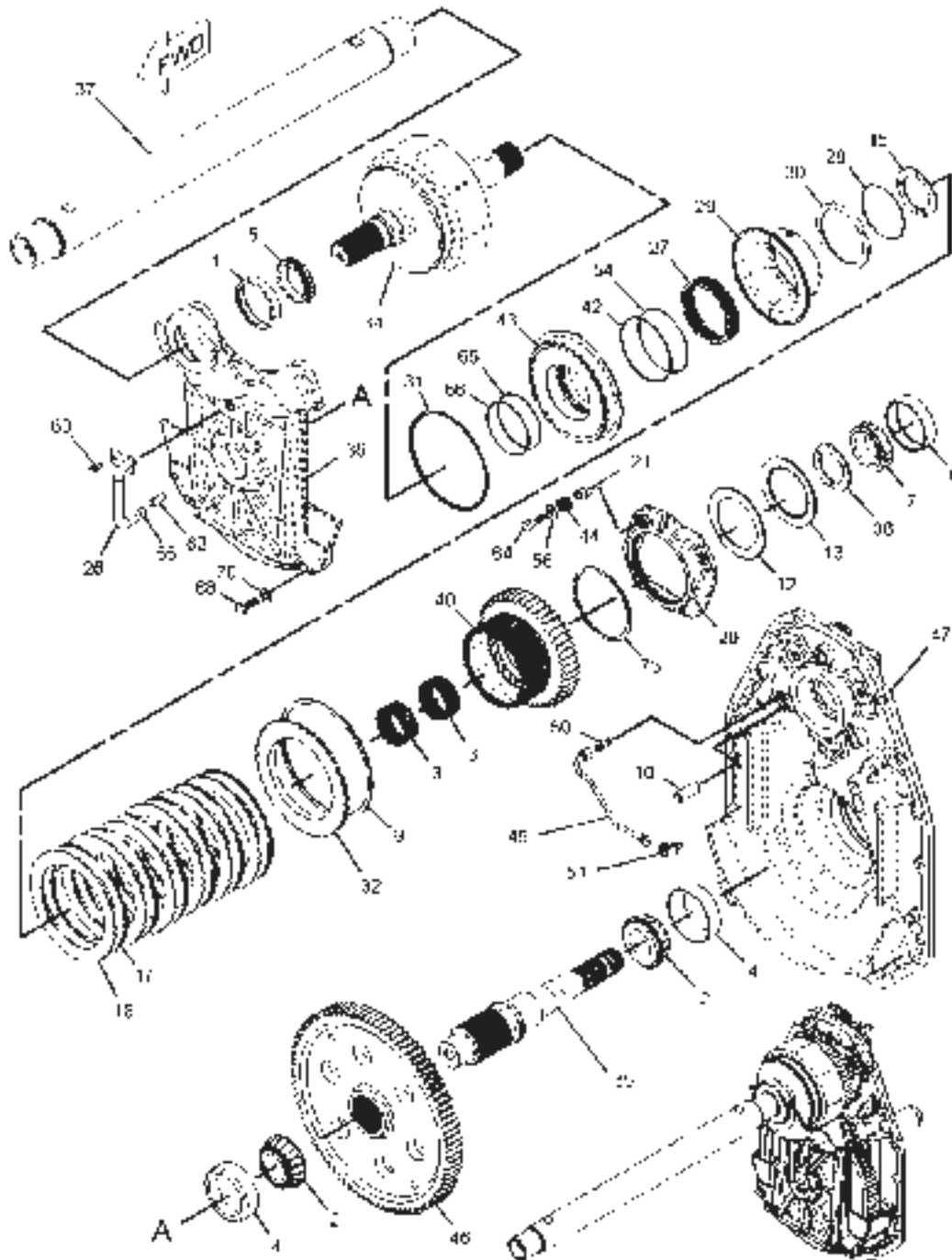
CONTINUED

[A] PART OF 185-3955, 185-3956 AXLE AR

01122766
PR: t05b22n43d0203

MT800B SERIES TRACTORS
POWER TRAIN

187-4930 POWER TAKE-OFF GP
S/N: AZG901-UP; AZH972-UP



MT800B SERIES TRACTORS
POWER TRAIN

499

187-4930 POWER TAKE-OFF GP
S/N: AZG901-UP; AZH972-UP

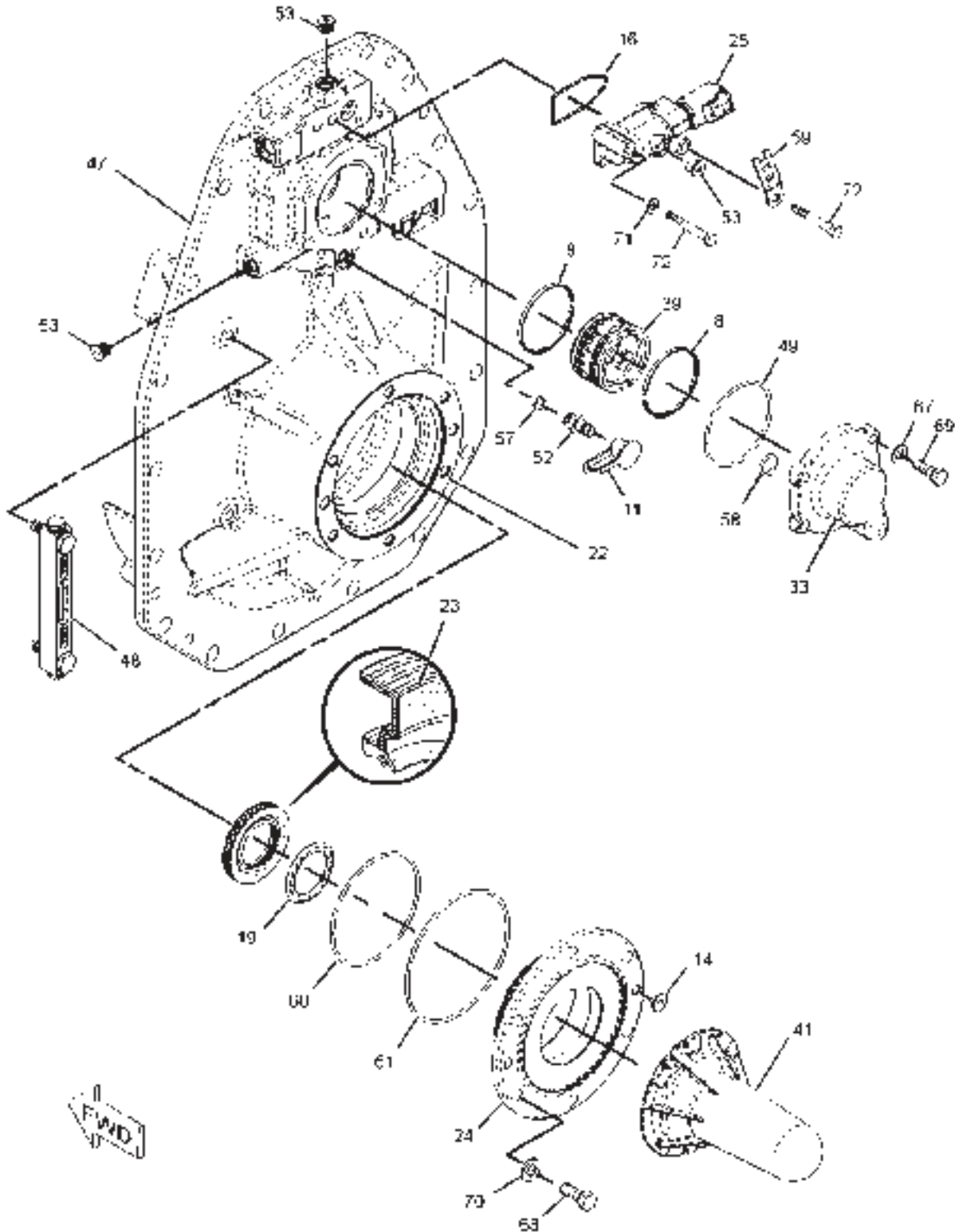
ITEM	NUMBER	QTY	DESCRIPTION
-	187-4930	-	POWER TAKE-OFF GP [A] (NOT SERVICED)
40	191-5262	1	GEAR (48-TEETH)
42	200-3039	1	RING-SEAL
43	203-2631	1	PISTON
44	187-8142	3	SPRING
45	211-8276	1	TUBE AS
46	216-9213	1	GEAR (95-TEETH)
47	217-3556	1	COVER
50	148-8316	1	CONNECTOR AS
	3J-7354	1	SEAL-O-RING
	4J-5477	1	SEAL-O-RING
	6V-8647	1	CONNECTOR
51	148-8385	1	ELBOW AS
	3J-7354	1	SEAL-O-RING
	4J-5477	1	SEAL-O-RING
	6V-9000	1	ELBOW
54	199-9240	1	SEAL-O-RING
55	1L-3162	1	RING-RETAINING
56	3E-4353	3	WASHER-HARD (11X25X3-MM THK)
62	5M-7937	2	DOWEL
63	6V-5215	1	BOLT (M8X1.25X16-MM)
64	6V-4249	3	BOLT (M10X1.5X50-MM)
65	7T-5594	1	RING-SEAL
66	8T-2572	1	SEAL-O-RING
68	8T-4139	8	BOLT (M12X1.75X30-MM)
70	8T-4223	8	WASHER-HARD (13.5X25.5X3-MM THK)
73	9U-8875	1	RING-RETAINING

[A] PART OF 185-3955, 185-3956 AXLE AR

01122766
PR: t05b22n43d0203

MT800B SERIES TRACTORS
POWER TRAIN

187-4930 POWER TAKE-OFF GP
S/N: AZG901-UP; AZH972-UP



01124521

**MT800B SERIES TRACTORS
POWER TRAIN**

501

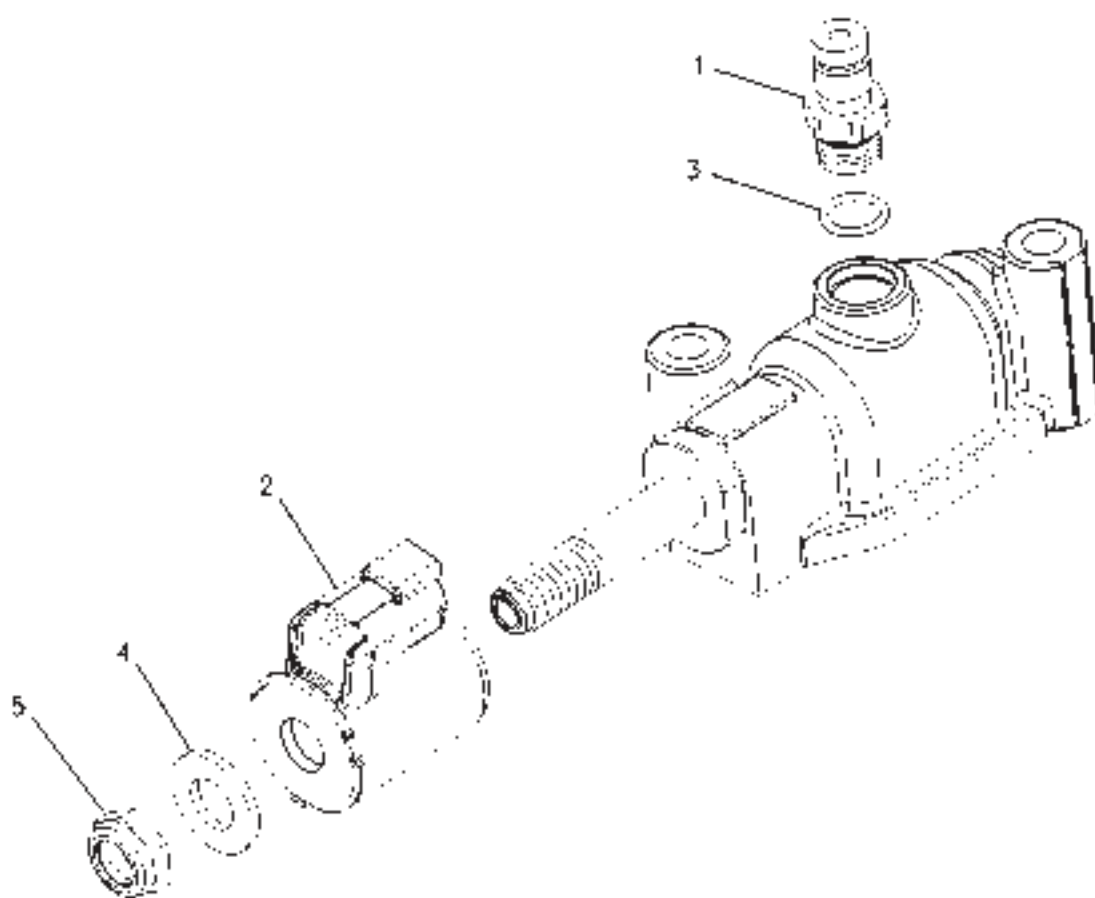
187-4930 POWER TAKE-OFF GP
S/N: AZG901-UP; AZH972-UP

ITEM	NUMBER	QTY	DESCRIPTION
-	187-4930	-	POWER TAKE-OFF GP [A] (NOT SERVICED)
8	1T-1597	2	RING-SEAL
11	6V-0852	1	CAP-DUST
14	7C-6467	2	PLUG
16	8S-0768	1	SEAL-O-RING
19	160-6789	1	GUARD
22	164-3949	AR	SHIM PACK (INCLUDES 13-SHIMS)
23	164-3951	1	SEAL-LIP TYPE
24	165-0260	1	CAGE-BEARING
25	216-5343	1	VALVE GP-MODULATING (CLUTCH PACK HYDRAULIC OIL) (SEE BREAKDOWN FOR COMPONENTS)
33	180-8369	1	COVER
39	188-7731	1	CARRIER-RING
41	199-4273	1	COVER AS
48	217-3557	1	GAUGE-SIGHT
49	131-3718	1	SEAL-O-RING
52	6V-3965	1	FITTING AS [B]
53	162-0177	3	PLUG AS
	3J-1907	1	SEAL-O-RING
	9S-8004	1	PLUG
57	3J-1907	1	SEAL-O-RING
58	4J-5140	1	SEAL-O-RING
59	4P-7581	1	CLIP
60	5F-3999	1	SEAL-O-RING
61	5H-3252	1	SEAL-O-RING
67	8T-4121	4	WASHER-HARD (11X21X2.5-MM THK)
68	8T-4139	6	BOLT (M12X1.75X30-MM)
69	8T-4195	4	BOLT (M10X1.5X30-MM)
70	8T-4223	6	WASHER-HARD (13.5X25.5X3-MM THK)
71	8T-4224	1	WASHER-HARD (8.8X16X2-MM THK)
72	8T-6869	2	BOLT (M8X1.25X60-MM)

[A] PART OF 185-3955, 185-3956 AXLE AR
[B] NOT PART OF THIS GROUP

01124521
PR: t05b22n43d0204

216-5343 VALVE GP-MODULATING
S/N: AZG1-879; AZH1-959



MT800B SERIES TRACTORS
POWER TRAIN

503

216-5343 VALVE GP-MODULATING
S/N: AZG1-879; AZH1-959

ITEM	NUMBER	QTY	DESCRIPTION
-	216-5343	-	VALVE GP-MODULATING [A]
1	6V-3965	1	FITTING AS
2	155-4426	1	COIL AS
3	3J-1907	1	SEAL-O-RING
4	164-2108	1	WASHER (13.03X25.4X2.38-MM THK)
5	167-9524	1	NUT-SELF-LOCKING (1/2-28-THD)

[A] PART OF 187-4930 POWER TAKE-OFF GP

00672893
PR: t05b22n43d0205

504

MT800B SERIES TRACTORS
FRAME AND BODY

CHASSIS AR - 179-1953

NO ILLUSTRATION

NOTIF 8

MT800B SERIES TRACTORS
FRAME AND BODY

505

CHASSIS AR - 179-1953

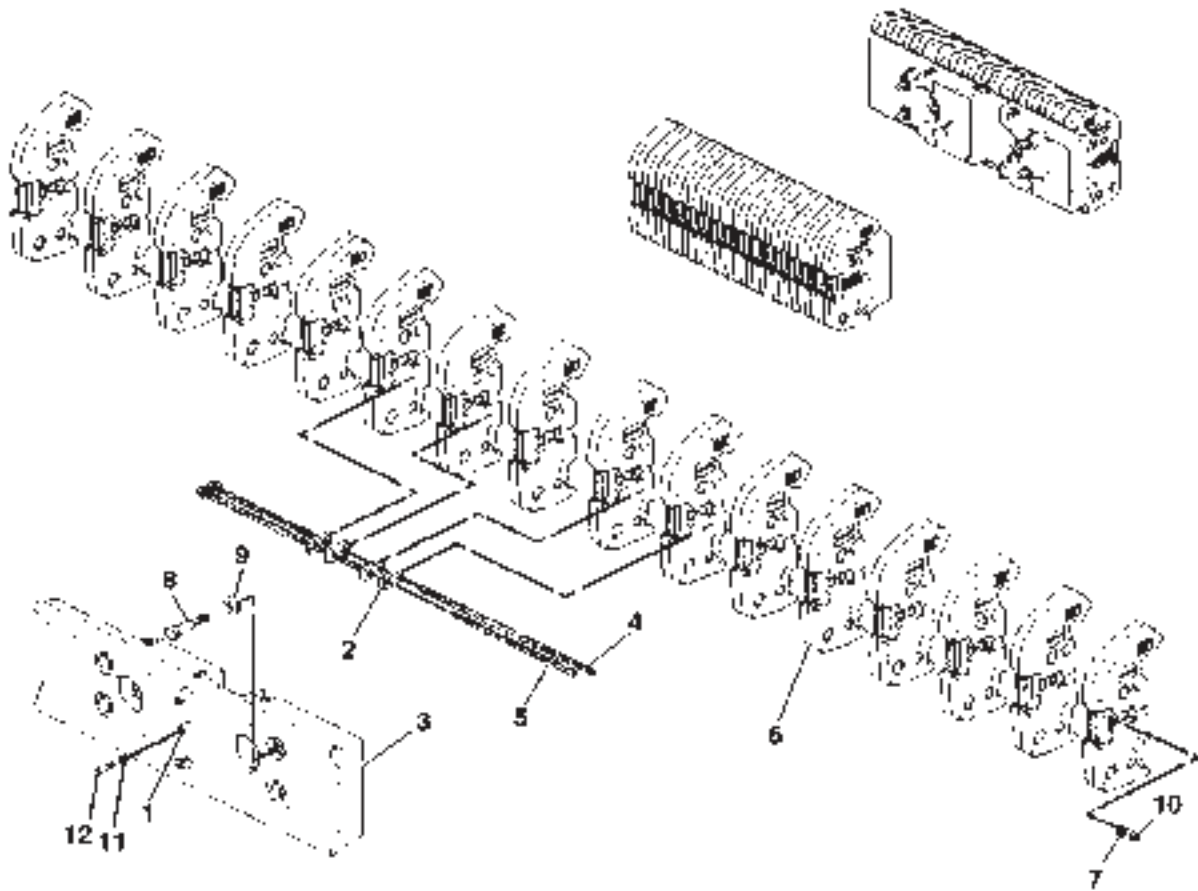
ITEM	NUMBER	QTY	DESCRIPTION
-	179-1953	-	CHASSIS AR [A] (NOT SERVICED)
	179-1954	1	FRAME GP (NOT SERVICED) (SEE BREAKDOWN FOR COMPONENTS)
	189-5805	1	GUARD GP-POWER TRAIN (NOT SERVICED) (SEE BREAKDOWN FOR COMPONENTS)
	162-4112	1	MOUNTING GP-CAB (NOT SERVICED) (SEE BREAKDOWN FOR COMPONENTS)
	156-1327	1	STEP GP (NOT SERVICED) (SEE BREAKDOWN FOR COMPONENTS)
	190-5441	1	SUPPORT GP-HOOD (NOT SERVICED) (SEE BREAKDOWN FOR COMPONENTS)
	179-2182	1	TANK & MTG GP-FUEL (NOT SERVICED) (SEE BREAKDOWN FOR COMPONENTS)

[A] PART OF:
179-1952; 501810D1;
501811D1 BASE COMMON AR

NOTIF8
PR: t05b22n43d0206

MT800B SERIES TRACTORS
FRAME AND BODY

COUNTERWEIGHT GP - 185-8688
ROLLER FRAME 1393KG (3071 LB)



MT800B SERIES TRACTORS
FRAME AND BODY

507

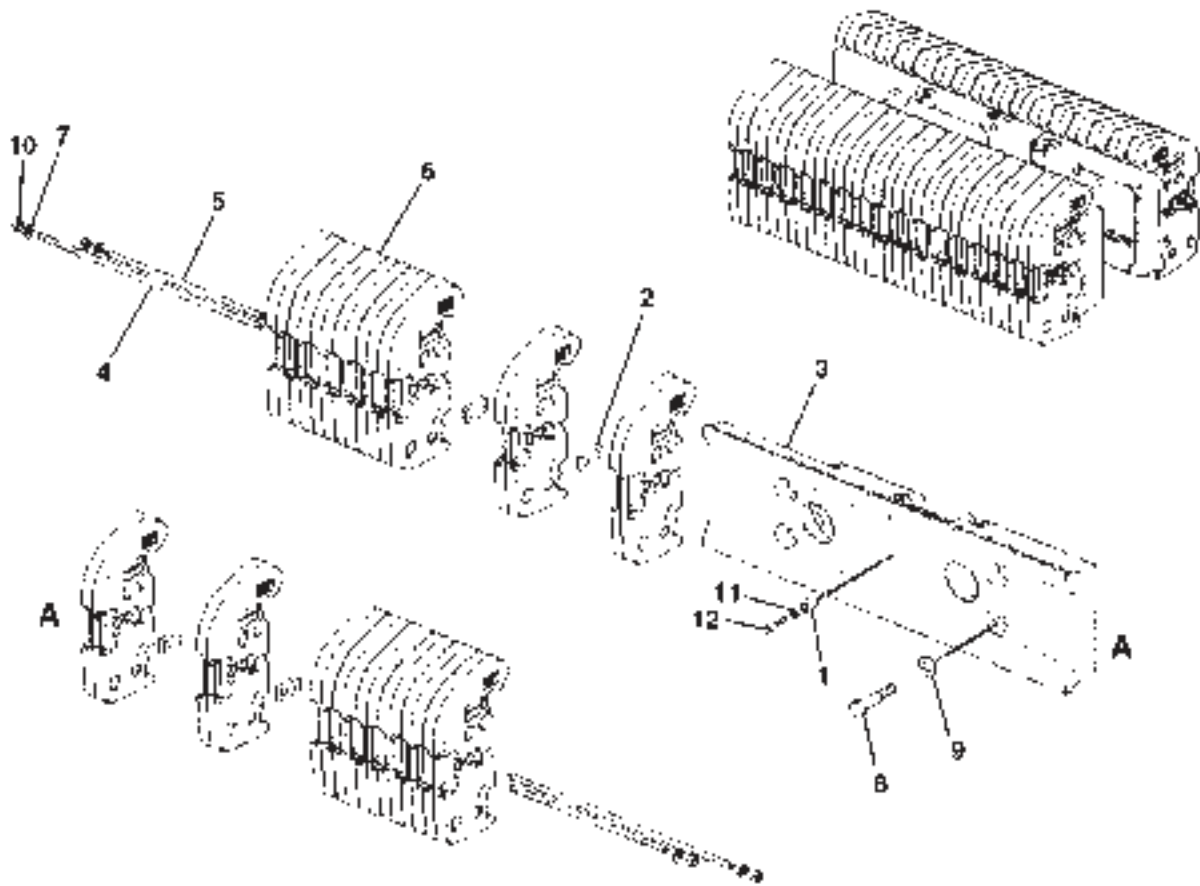
COUNTERWEIGHT GP - 185-8688
ROLLER FRAME 1393KG (3071 LB)

ITEM	NUMBER	QTY	DESCRIPTION
-	185-8688	-	COUNTERWEIGHT GP (NOT SERVICED)
1	CH8V-9708	6	SPACER (14.3X25.4X35)
2	400350X1	8	NUT-RETAINER
3	166-7774	2	SUPPORT
4	166-7775	4	ROD
5	166-7776	4	ROD
6	171-7234	32	WEIGHT
7	CH7X-0515	8	WASHER-HARD (17X35X5)
8	400213X1	8	BOLT (M24X3X120MM)
9	CH8T-1482	8	WASHER-HARD (26X50X8)
10	CH8T-4132	8	NUT (M16X2)
11	400357X1	6	WASHER-HARD (M12X25.5X3)
12	400063X1	6	BOLT (M12X1.75X60MM)
13	400091X1	6	PLUG PROTECTIVE (NOT SHOWN)

0886635A
PR: t05b22n43d0207

MT800B SERIES TRACTORS
FRAME AND BODY

COUNTERWEIGHT GP - 185-8690
ROLLER FRAME 2786KG (6142 LB)



MT800B SERIES TRACTORS
FRAME AND BODY

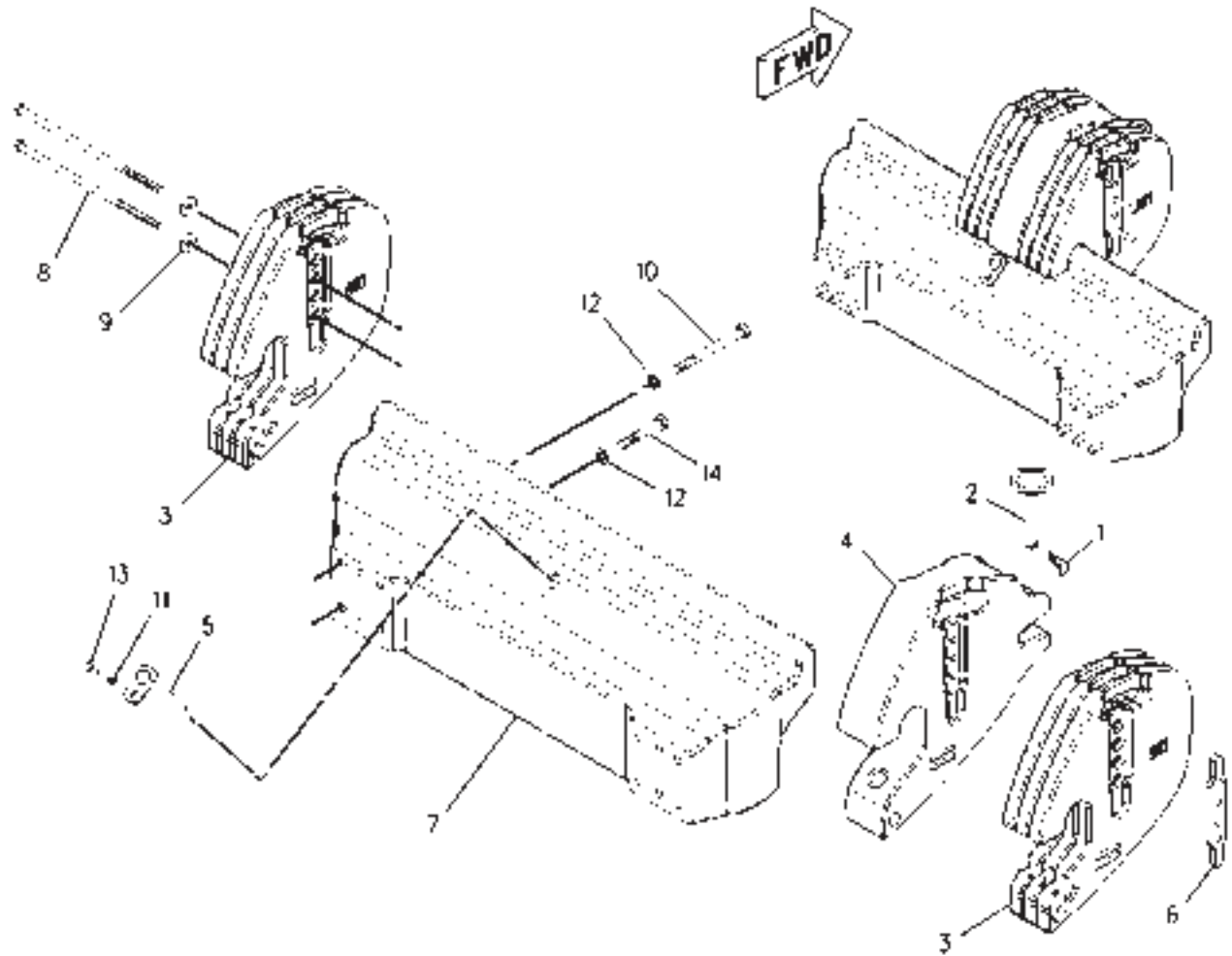
509

COUNTERWEIGHT GP - 185-8690
ROLLER FRAME 2786KG (6142 LB)

ITEM	NUMBER	QTY	DESCRIPTION
-	185-8690	-	COUNTERWEIGHT GP (NOT SERVICED)
1	CH8V-9708	12	SPACER (14.3X25.4X35)
2	400350X1	16	NUT-RETAINER
3	166-7774	4	SUPPORT
4	166-7775	8	ROD
5	166-7776	8	ROD
6	171-7234	64	WEIGHT
7	CH7X-0515	16	WASHER-HARD (17X35X5)
8	400213X1	16	BOLT (M24X3X)
9	CH8T-1482	16	WASHER-HARD (26X50X8)
10	CH8T-4132	16	NUT (M16X2)
11	400357X1	12	WASHER-HARD (M12X25.5X3)
12	400063X1	12	BOLT (M12X1.75X60MM)

0887109A
PR: t05b22n43d0208

COUNTERWEIGHT GP-FRONT - 502116D1
6 WEIGHTS (963KG/2063LB)
EAME ONLY



MT800B SERIES TRACTORS
FRAME AND BODY

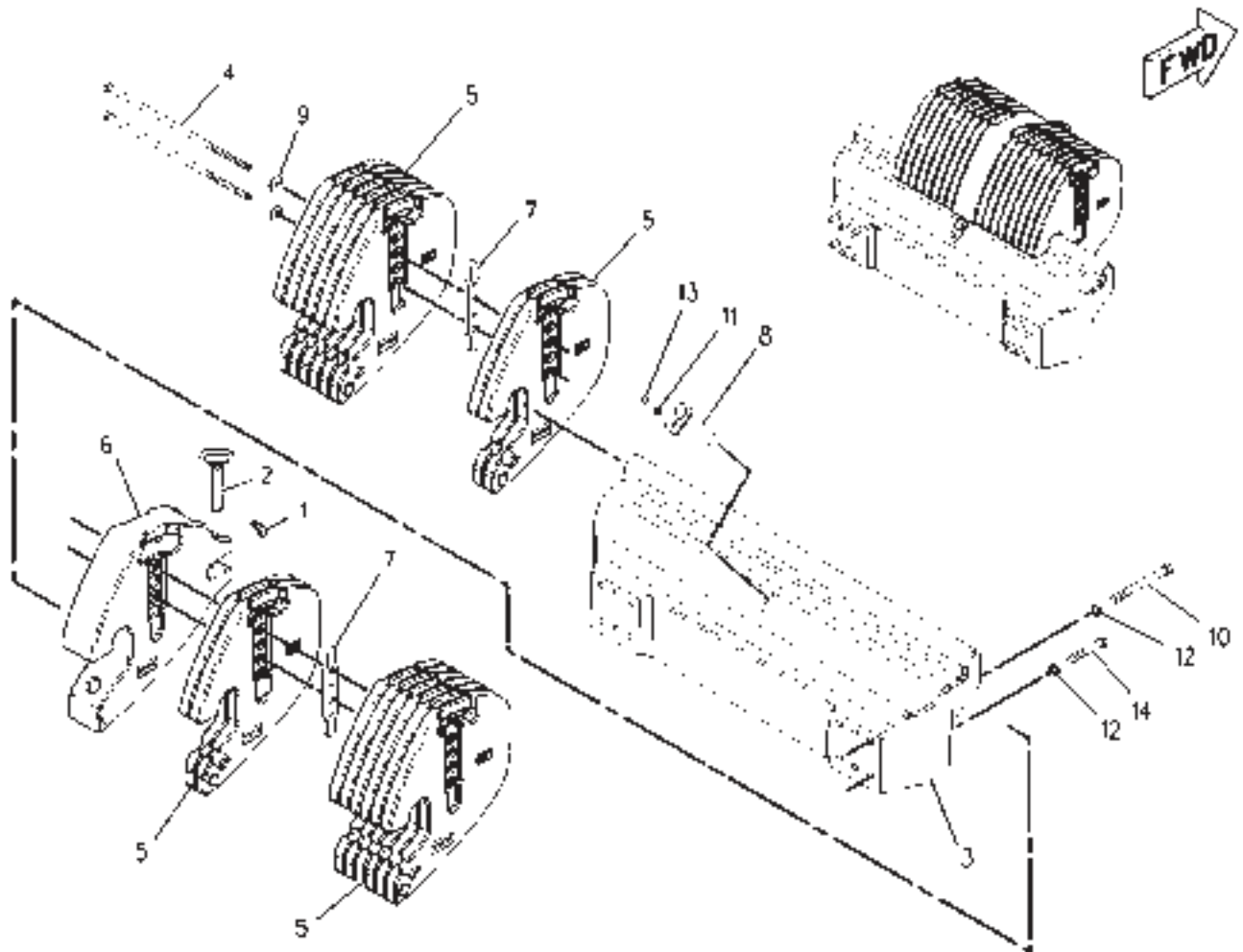
511

COUNTERWEIGHT GP-FRONT - 502116D1
6WEIGHTS (963KG/2063LB)
EAME ONLY

ITEM	NUMBER	QTY	DESCRIPTION
-	502116D1	-	COUNTERWEIGHT GP-FRONT
1	CH5P-8837	1	LOCK PIN
2	CH137-9775	1	PIN AS
3	202-9220	6	WEIGHT
4	502113D1	1	WEIGHT (CENTER)
5	CH202-9222	1	PIN AS
6	202-9223	1	PLATE
7	184-5356	1	BRACKET
8	400268X1	2	BOLT (M16X2X440MM)
9	CH7X-0583	2	WASHER-HARD (17X45X6)
10	400194X1	6	BOLT (M20X2.5X180MM)
11	400375X1	1	WASHER-HARD (M12X25.5X3)
12	400080X1	12	WASHER-PLATED (22X35X3.5)
13	400041X1	1	BOLT (M12X1.75X30MM)
14	400236X1	6	BOLT (M20X2.5X120MM)

00776682
PR: t05b22n43d0209

COUNTERWEIGHT GP-FRONT - 502117D1
16 WEIGHTS (1403KG/3091LB)
EAME ONLY



MT800B SERIES TRACTORS
FRAME AND BODY

513

COUNTERWEIGHT GP-FRONT - 502117D1
16 WEIGHTS (1403KG/3091LB)
EAME ONLY

ITEM	NUMBER	QTY	DESCRIPTION
-	502117D1	-	COUNTERWEIGHT GP-FRONT
1	CH5P-8837	1	LOCK PIN
2	CH137-9775	1	PIN AS
3	184-5356	1	BRACKET
4	400267X1	2	BOLT (M16X2X550MM)
5	202-9220	16	WEIGHT
6	502113D1	1	WEIGHT (CENTER)
7	202-9223	2	PLATE
8	CH202-9222	1	PIN AS
9	CH7X-0583	2	WASHER-HARD (17X45X6)
10	400194X1	6	BOLT (M20X2.5X180MM)
11	400375X1	1	WASHER-HARD (M12X25.5X3)
12	400080X1	12	WASHER-PLATED (22X35X3.5)
13	400041X1	1	BOLT (M12X1.75X30MM)
14	400236X1	6	BOLT (M20X2.5X120MM)

00875121
PR: t05b22n43d0210

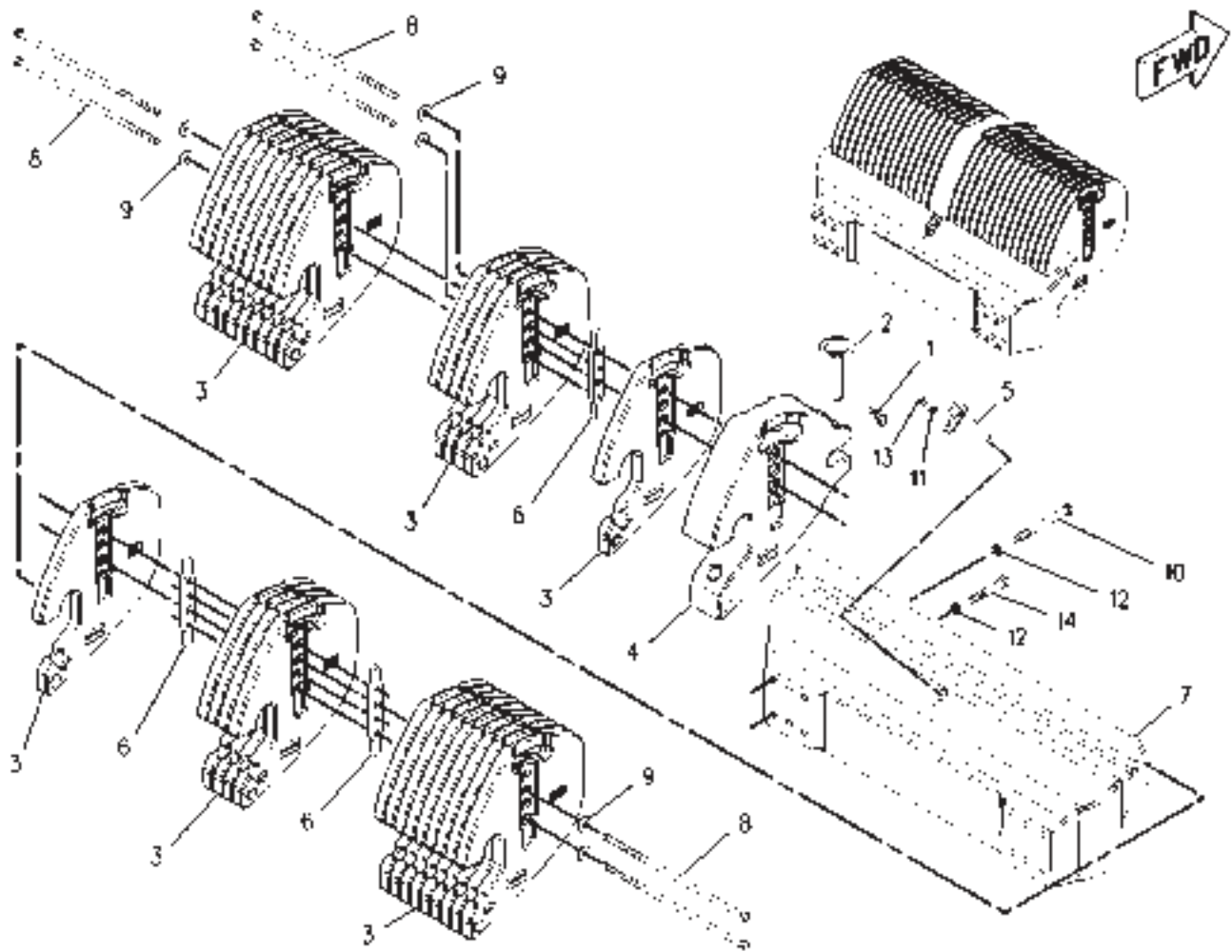
MT800B SERIES TRACTORS
FRAME AND BODY

515

COUNTERWEIGHT GP-FRONT - 184-5329
20 WEIGHTS (1440KG/3175LB)

ITEM	NUMBER	QTY	DESCRIPTION
-	184-5329	-	COUNTERWEIGHT GP-FRONT (NOT SERVICED)
1	184-5356	1	BRACKET
2	400267X1	2	BOLT (M16X2X550MM)
3	202-9220	20	WEIGHT
4	202-9223	2	PLATE
5	CH202-9222	1	PIN ASM
6	CH7X-0583	2	WASHER-HARD (17X45X6)
7	400194X1	6	BOLT (M20X2.5X180MM)
8	400080X1	12	WASHER-PLATED (22X35X3.5)
9	400041X1	1	BOLT (M12X1.75X30MM)
10	400357X1	1	WASHER-HARD (M12X25.5X3)
11	400236X1	6	BOLT (M20X2.5X120MM)

00887128
PR: t05b22n43d0211

COUNTERWEIGHT GP-FRONT - 502118D1
28 WEIGHTS (1963KG/4328LB)
EAME ONLY

MT800B SERIES TRACTORS
FRAME AND BODY

517

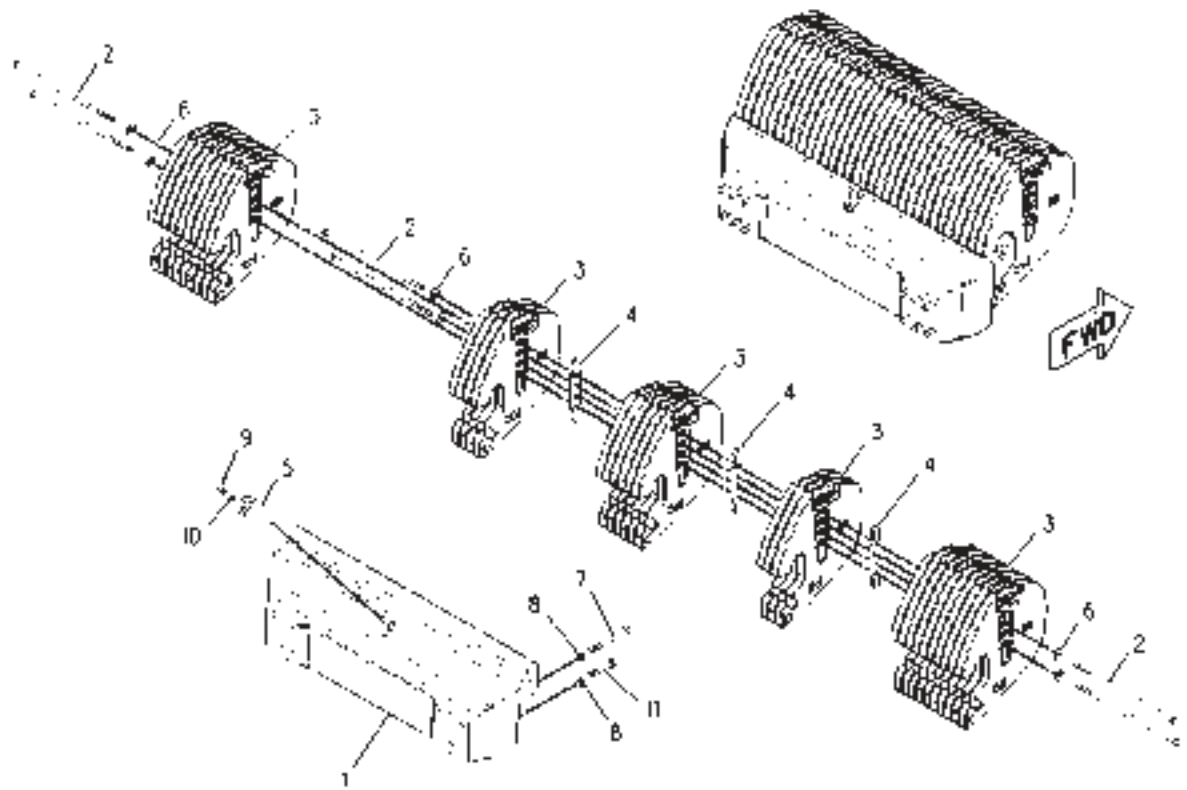
COUNTERWEIGHT GP-FRONT - 502118D1
28 WEIGHTS (1963KG/4328LB)
EAME ONLY

ITEM	NUMBER	QTY	DESCRIPTION
-	502118D1	-	COUNTERWEIGHT GP-FRONT
1	CH5P-8837	1	LOCK PIN
2	CH137-9775	1	PIN AS
3	202-9220	28	WEIGHT
4	502130D1	1	WEIGHT (CENTER)
5	CH202-9222	1	PIN AS
6	202-9223	3	PLATE
7	184-5356	1	BRACKET
8	400267X1	6	BOLT (M16X2X550MM)
9	CH7X-0583	6	WASHER-HARD (17X45X6)
10	400194X1	6	BOLT (M20X2.5X180MM)
11	400357X1	1	WASHER-HARD (M12X25.5X3)
12	400080X1	12	WASHER-PLATED (22X35X3.5)
13	400041X1	1	BOLT (M12X1.75X30MM)
14	400236X1	6	BOLT (M20X2.5X120MM)

00779332
PR: t05b22n43d0212

MT800B SERIES TRACTORS
FRAME AND BODY

COUNTERWEIGHT GP-FRONT - 184-5357
32 WEIGHTS (2000KG/4409LB)



00835430

MT800B SERIES TRACTORS
FRAME AND BODY

519

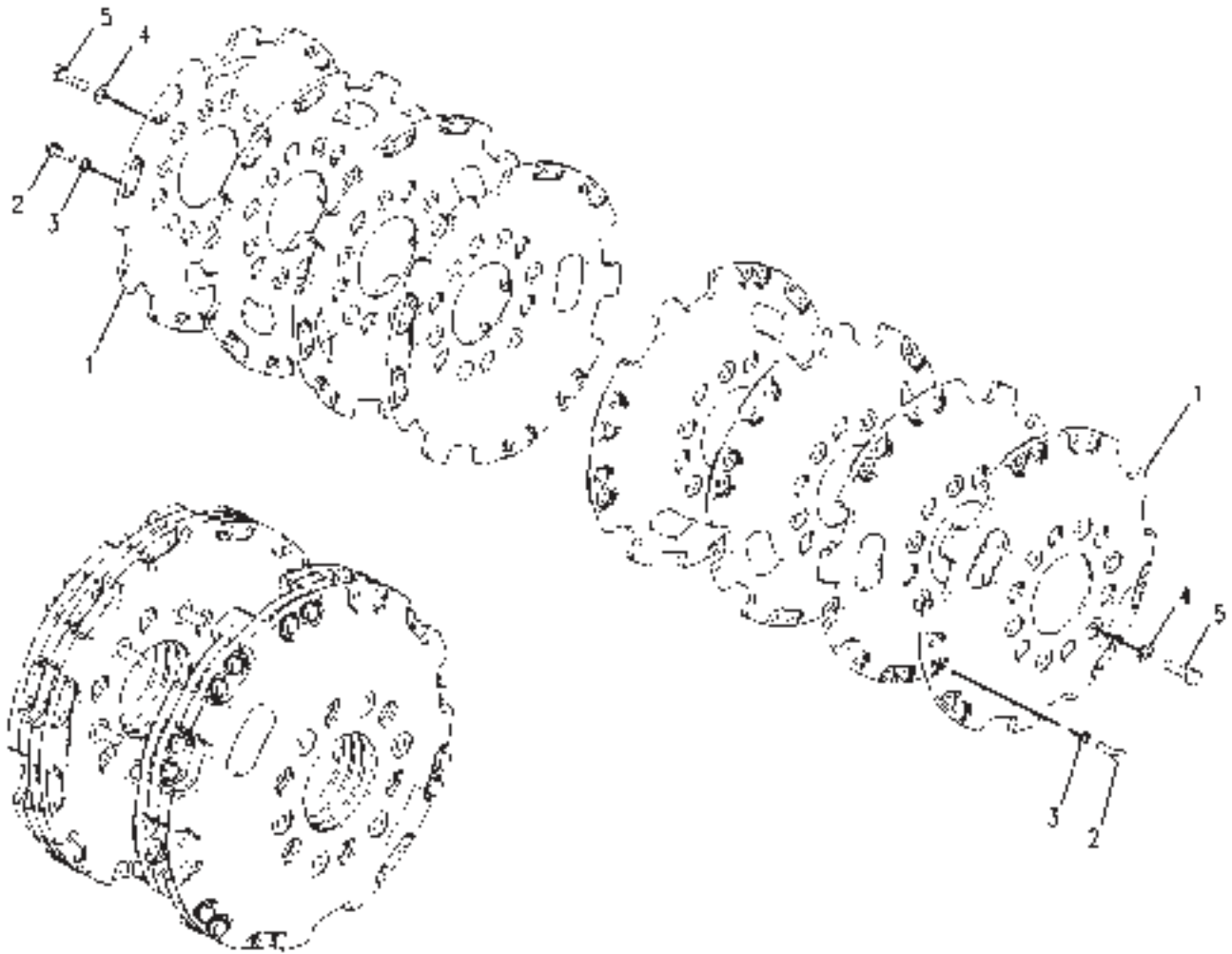
COUNTERWEIGHT GP-FRONT - 184-5357
32 WEIGHTS (2000KG/4409LB)

ITEM	NUMBER	QTY	DESCRIPTION
-	502784D1	-	COUNTERWEIGHT GP-FRONT (FIELD INSTALLED)
-	502916D1	-	COUNTERWEIGHT GP-FRONT (FACT) (NOT SERVICED)
-	184-5357	-	COUNTERWEIGHT GP-FRT [A] (NOT SERVICED, ORDER FIELD INSTALLED)
1	184-5356	1	BRACKET
2	400267X1	6	BOLT (M16X2X550MM)
3	202-9220	32	WEIGHT
4	202-9223	3	PLATE
5	CH202-9222	1	PIN ASM
6	CH7X-0583	6	WASHER-HARD (17X45X6)
7	400194X1	6	BOLT (M20X2.5X180MM)
8	400080X1	12	WASHER-PLATED (22X35X3.5)
9	400041X1	1	BOLT (M12X1.75X30MM)
10	400357X1	1	WASHER-HARD (M12X25.5X3)
11	400236X1	6	BOLT (M20X2.5X120MM)

[A] PART OF 502784D1; 502916D1
COUNTERWEIGHT GP

00835430
PR: t05b22n43d0213

COUNTERWEIGHT GP-IDLER - 177-4588
909 KG (2000 LB)



MT800B SERIES TRACTORS
FRAME AND BODY

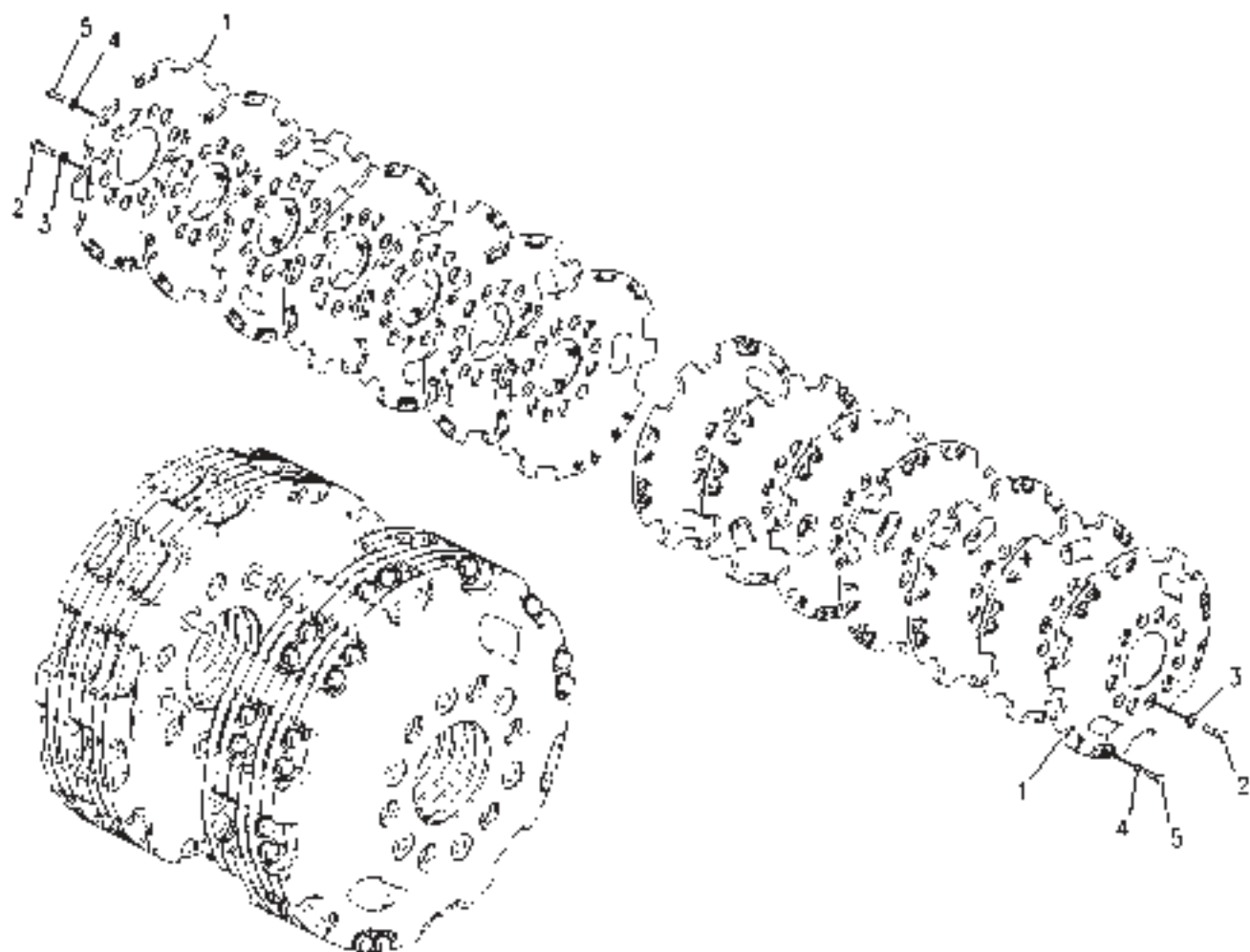
521

COUNTERWEIGHT GP-IDLER - 177-4588
909 KG (2000 LB)

ITEM	NUMBER	QTY	DESCRIPTION
-	177-4588	-	COUNTERWEIGHT GP-IDLER (NOT SERVICED)
1	195-9633	16	COUNTERWEIGHT
2	400031X1	72	BOLT (M20X2.5X60MM)
3	400080X1	72	WASHER-PLATED (22X35X3.5)
4	400081X1	24	WASHER-HARD (26X44X4)
5	400067X1	24	BOLT (M24X3X80MM)
6	400090X1	24	PLUG

00814137
PR: t05b22n43d0214

COUNTERWEIGHT GP-IDLER - 178-8047
1575 KG (3500 LB)



MT800B SERIES TRACTORS
FRAME AND BODY

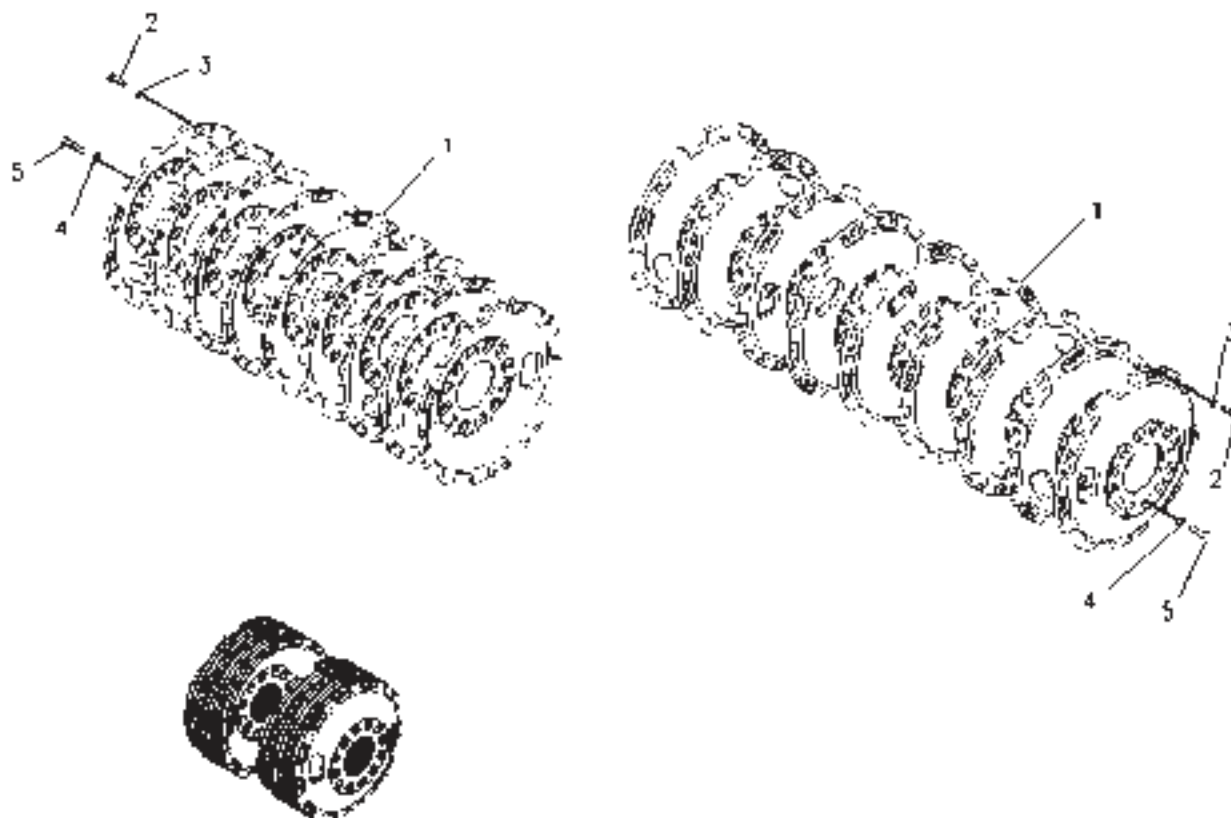
523

COUNTERWEIGHT GP-IDLER - 178-8047
1575 KG (3500 LB)

ITEM	NUMBER	QTY	DESCRIPTION
-	178-8047	-	COUNTERWEIGHT GP-IDLER (NOT SERVICED)
1	195-9633	28	COUNTERWEIGHT
2	400031X1	144	BOLT (M20X2.5X60MM)
3	400080X1	144	WASHER-PLATED (22X35X3.5)
4	400081X1	24	WASHER-HARD (26X44X4)
5	400067X1	24	BOLT (M24X3X80MM)
6	400090X1	24	PLUG, PLASTIC (M20) (NOT SHOWN)

00814444
PR: t05b22n43d0215

COUNTERWEIGHT GP-IDLER - 185-8720
2043 KG (4500 LB)



MT800B SERIES TRACTORS
FRAME AND BODY

525

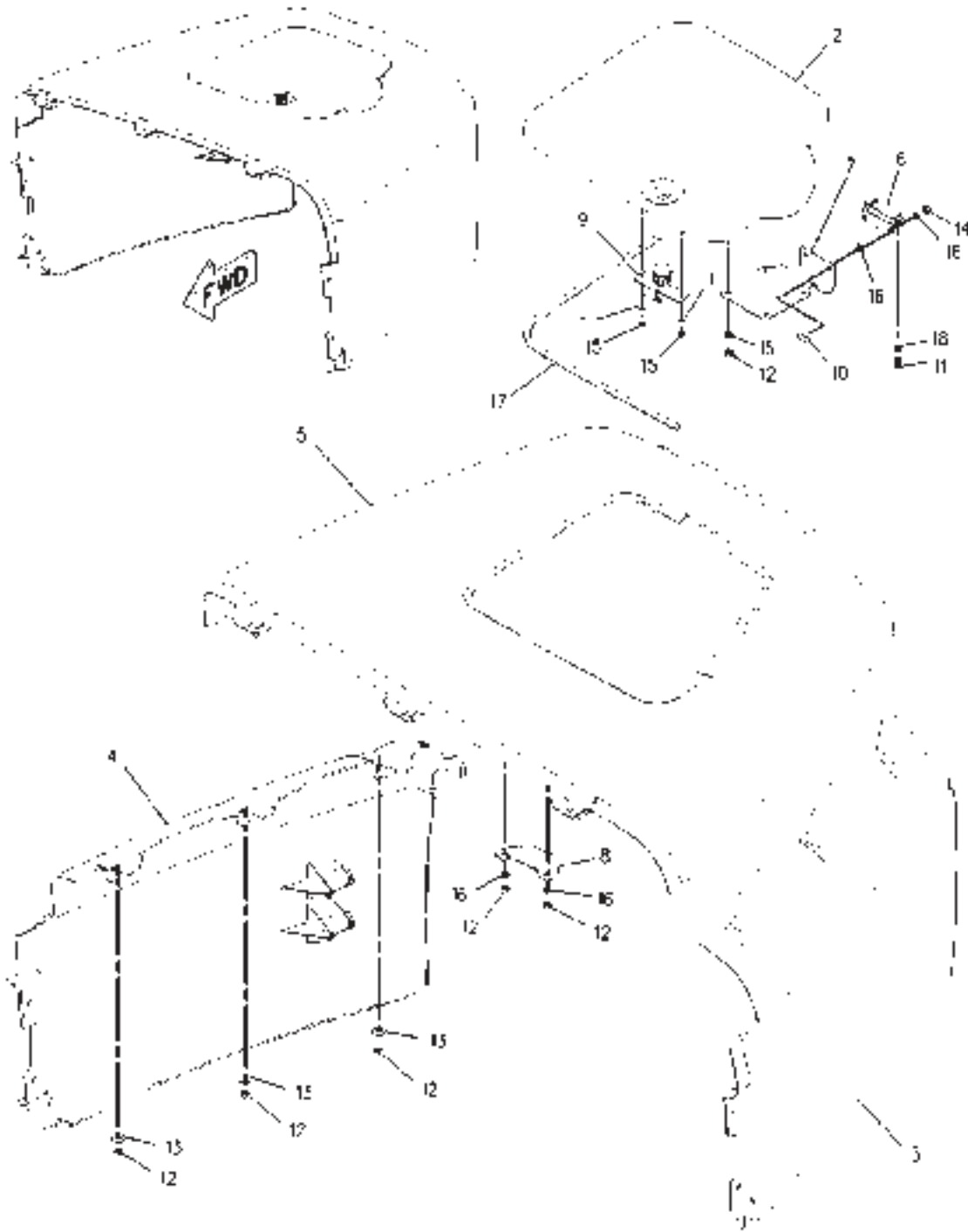
COUNTERWEIGHT GP-IDLER - 185-8720
2043 KG (4500 LB)

ITEM	NUMBER	QTY	DESCRIPTION
-	185-8720	-	COUNTERWEIGHT GP-IDLER (NOT SERVICED)
1	195-9633	36	COUNTERWEIGHT
2	400031X1	192	BOLT (M20X2.5X60MM)
3	400080X1	192	WASHER-PLATED (22X35X3.5)
4	400081X1	24	WASHER-HARD (26X44X4)
5	400067X1	24	BOLT (M24X3X80MM)
6	400090X1	-	PLUG, PLASTIC (M20) (NOT SHOWN)

00835573
PR: t05b22n43d0216

MT800B SERIES TRACTORS
FRAME AND BODY

COVER GP-ACCESS - 190-5943



00891537

MT800B SERIES TRACTORS
FRAME AND BODY

527

COVER GP-ACCESS - 190-5943

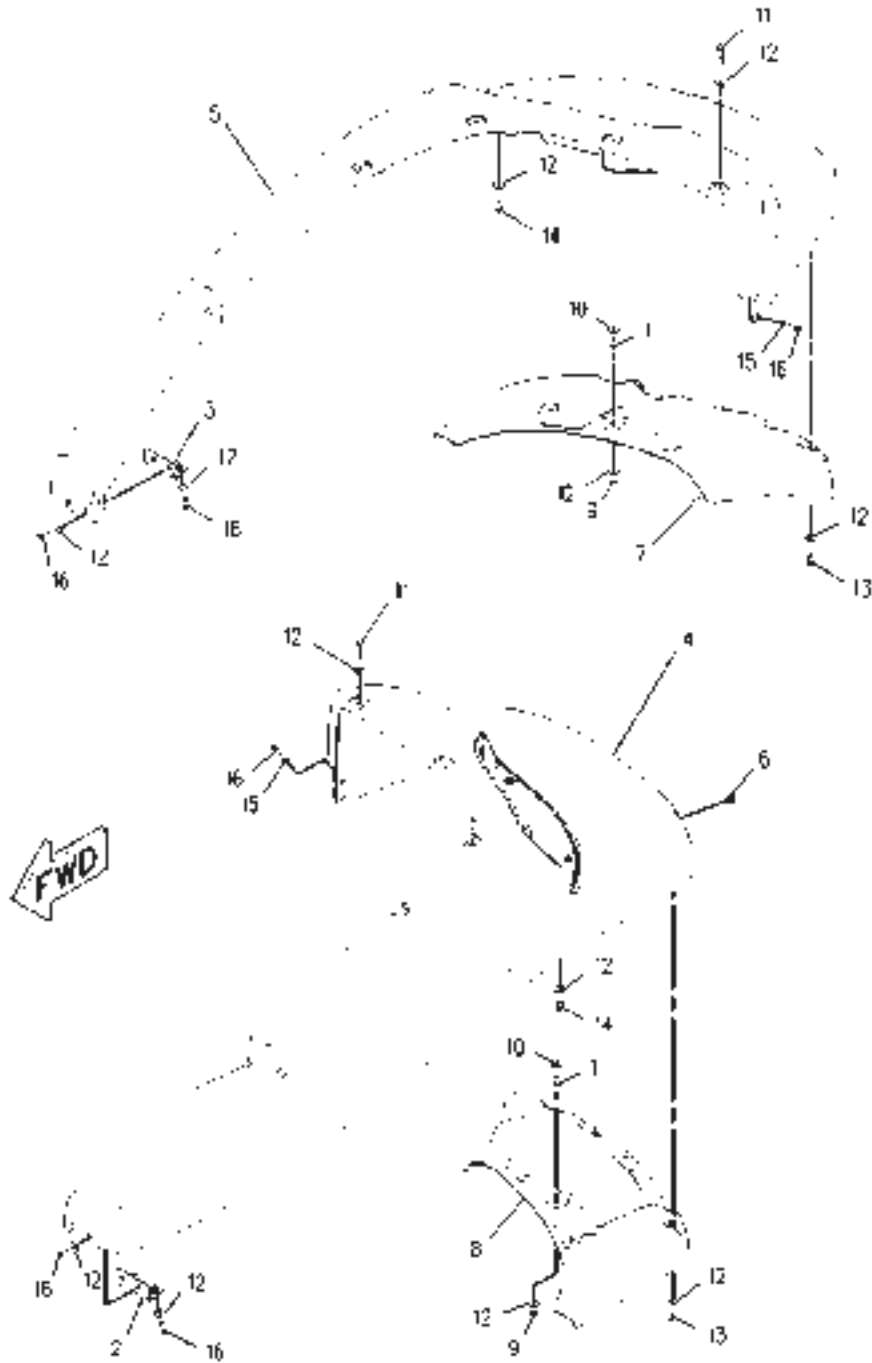
ITEM	NUMBER	QTY	DESCRIPTION
-	190-5943	-	COVER GP-ACCESS [A]
1	400076X1	2	WASHER (5X16X1.2)
2	190-5942	1	LID ASM
3	196-6944	1	PANEL ASM (LH)
4	196-6946	1	PANEL ASM (RH)
5	196-6954	1	PANEL ASM (TOP)
6	202-2356	1	HINGE
7	202-2357	1	BRACKET
8	208-9495	1	BRACKET
9	208-9496	1	LATCH ASM
10	210-4416	2	SCREW (M6)
11	400138X1	2	BOLT-SOCKET HEAD (M6X1X10.0MM)
12	400300X1	12	NUT (M6X1)
13	CH5P-4115	6	WASHER-HARD (7.2X19X2)
14	CH6V-7743	2	LOCKNUT (M6X1)
15	CH8T-0285	2	SCREW-MACHINE (M4X0.7X12MM)
16	400310X1	10	WASHER (6.6X12X2)
17	CH5P-3602		SEAL (6 DM)
18	CH8T-0334	2	WASHER-HARD (6.6X12.5X1.6)

[A] PART OF 161-9173; 502353D1;
502647D1 HOOD & GUARD GP

00891537
PR: t05b22n43d0217

MT800B SERIES TRACTORS
FRAME AND BODY

FENDER GP - 161-9174
ROW & SPECIAL



MT800B SERIES TRACTORS
FRAME AND BODY

529

FENDER GP - 161-9174
ROW & SPECIAL

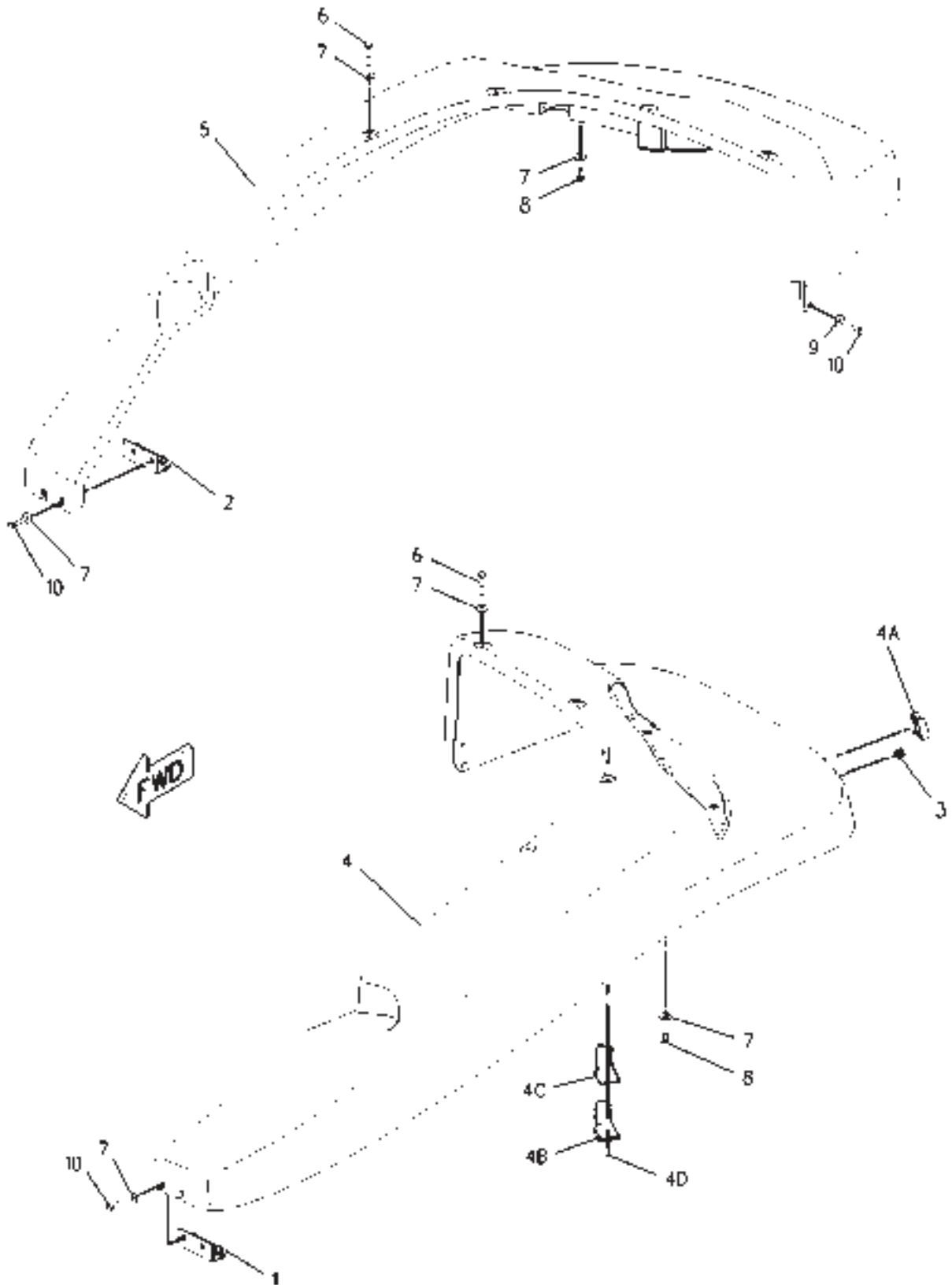
ITEM	NUMBER	QTY	DESCRIPTION
-	161-9174	-	FENDER GP [A] (NOT SERVICED)
1	400257X1	4	STUDBOLT (M8X1.25X20)
2	199-7855	1	BRACKET ASM
3	199-7859	1	BRACKET ASM
4	211-0174	1	FENDER ASM (LH)
	213-4902	1	GUARD (SWITCH)
	176-0997	1	COVER-LH
	176-0998	1	GASKET-LH
	176-0999	3	RIVET
5	211-0178	1	FENDER ASM (RH)
	213-4902	1	GUARD (SWITCH)
	176-0999	3	RIVET
	176-1001	1	COVER-RH
	176-1002	1	GASKET-RH
6	CH211-4423	1	PLUG
7	212-9998	1	GUARD
8	212-9996	1	GUARD
9	400340X1	4	NUT (M8X1.25)
10	CH7X-0613	4	WASHER-HARD (8.8X25.5X5)
11	400024X1	8	BOLT (M8X1.25X45MM)
12	CH8C-0572	32	WASHER (8.8X25.5X2)
13	400053X1	8	BOLT (M8X1.25X20MM)
14	400227X1	4	BOLT (M8X1.25X16MM)
15	CH8C-0572	4	WASHER (8.8X25.5X2)
16	400341X1	12	BOLT (M8X1.25X25MM)

[A] PART OF:
179-1952; 501810D1 BASE COMMON AR

00857778
PR: t05b22n43d0218

MT800B SERIES TRACTORS
FRAME AND BODY

FENDER GP - 161-9177
EAME ONLY



MT800B SERIES TRACTORS
FRAME AND BODY

531

FENDER GP - 161-9177
EAME ONLY

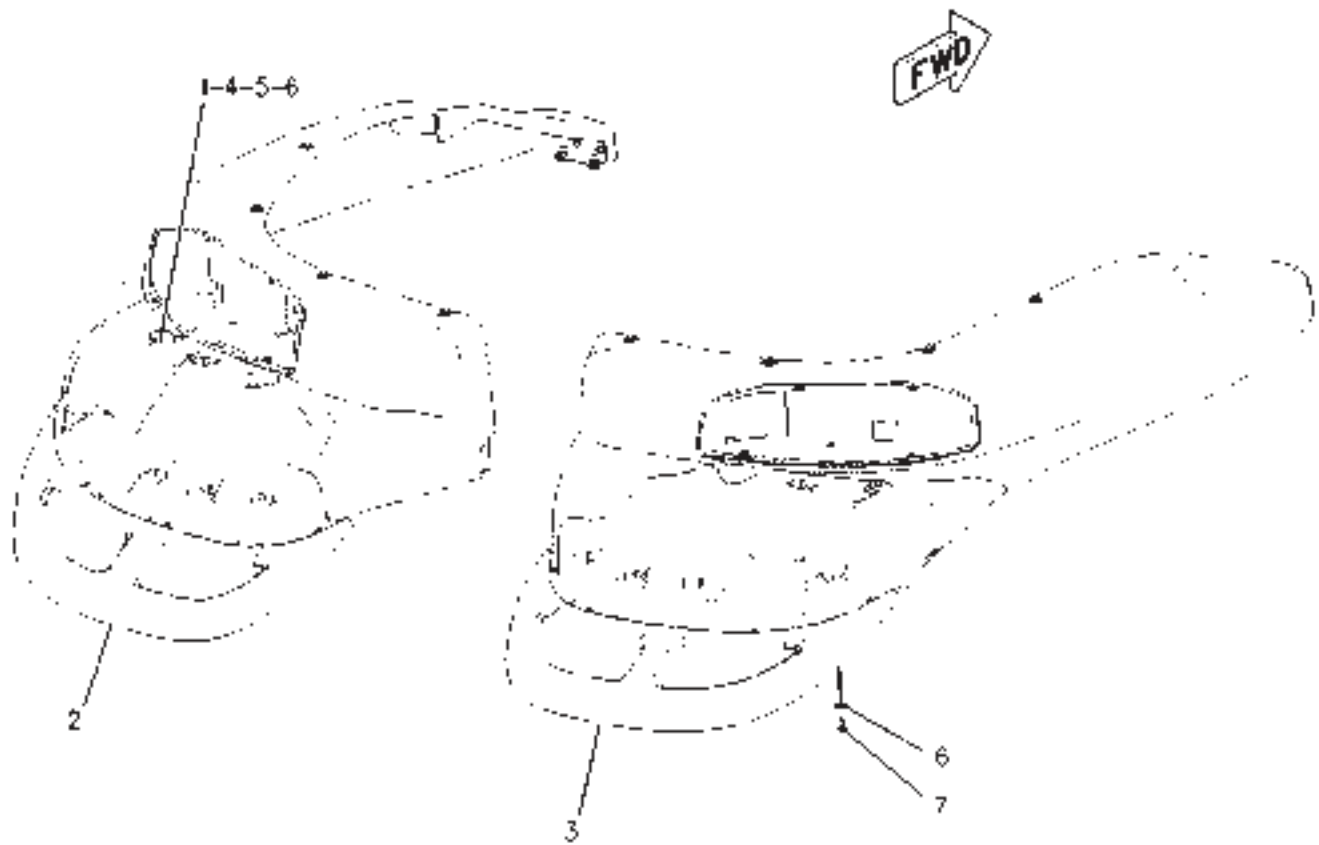
ITEM	NUMBER	QTY	DESCRIPTION
-	161-9177	-	FENDER GP [A] (NOT SERVICED)
1	199-7855	1	BRACKET AS
2	199-7859	1	BRACKET AS
	CH8T-3612	4	NUT-WELD (M8X1.25THD)
3	CH211-4423	1	PLUG
4	211-0174	1	FENDER AS (LH)
4A	213-4902	1	GUARD
4B	176-0997	1	COVER-LH
4C	176-0998	1	GASKET-LH
4D	176-0999	3	RIVET
5	211-0178	1	FENDER AS (RH)
	213-4902	1	GUARD
	176-0999	3	RIVET
	176-1001	1	COVER-RH
	176-1002	1	ASKET-RH
6	400024X1	8	BOLT (M8X1.25X45MM)
7	CH8C-0572	24	WASHER (8.8X25.5X2MM THK)
8	400227X1	4	BOLT (M8X1.25X16MM)
9	CH8C-0572	4	WASHER (8.8X25.5X2MM THK)
10	400341X1	12	BOLT (M8X1.25X25MM)

[A] PART OF 179-2180; 501811D1;
502936D1 BASE COMMON AR

00857779
PR: t05b22n43d0219

MT800B SERIES TRACTORS
FRAME AND BODY

EXTENSION GP-FENDER - 186-2427
EAME ONLY



MT800B SERIES TRACTORS
FRAME AND BODY

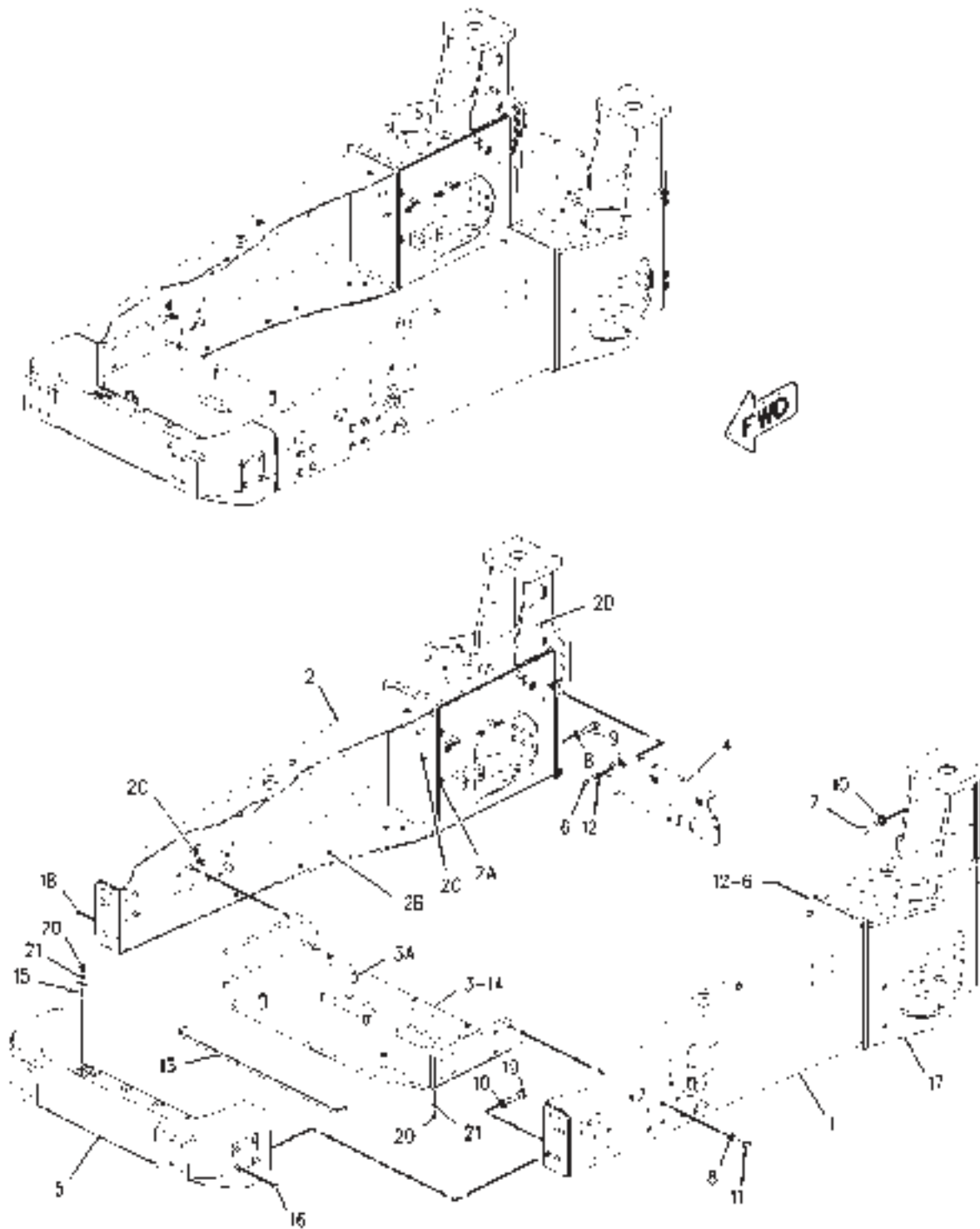
533

EXTENSION GP-FENDER - 186-2427
EAME ONLY

ITEM	NUMBER	QTY	DESCRIPTION
-	186-2427	-	EXTENSION GP-FENER [A] (NOT SERVICED)
1	400257X1	4	STUDBOLT (M8X1.25 THD)
2	211-0182	1	EXTENSION (LH)
3	211-0183	1	EXTENSION (RH)
4	400053X1	4	NUT (M8X1.25 THD)
5	CH7X-0613	4	WASHER-HARD (8.8X25.5X5MM THK)
6	CH8C-0572	12	WASHER (8.8X25.5X2MM THK)
7	400053X1	8	BOLT (M8X1.25X20MM)

[A] PART OF 179-2180 BASE COMMON AR

00887875
PR: t05b22n43d0220

MT800B SERIES TRACTORS
FRAME AND BODY**FRAME GP - 179-1954**
(MT835B & MT845B)

00897283

**MT800B SERIES TRACTORS
FRAME AND BODY**

535

**FRAME GP - 179-1954
(MT835B & MT845B)**

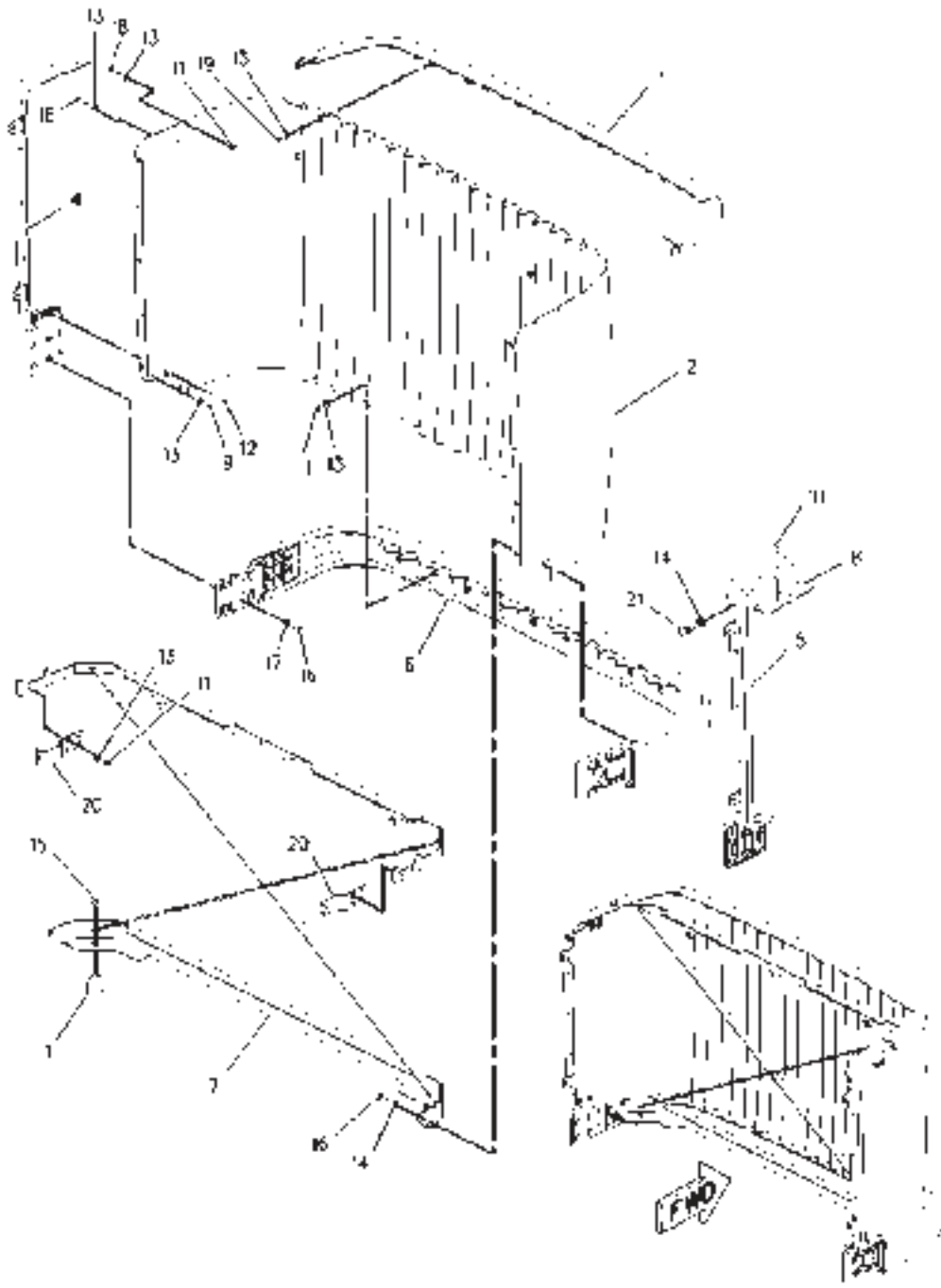
ITEM	NUMBER	QTY	DESCRIPTION
-	179-1954	-	FRAME GP [A] (NOT SERVICED)
1	183-4130	1	FRAME ASM-LH
	7T-1099	7	LINK
	CH8T-3490	5	NUT-WELD (M10X1.5)
	CH8T-3597	19	NUT-WELD (M12X1.75)
	9R-2613	1	BOSS (M10X1.5)
		6	BOSS (M12X1.75)
	9R-2672	1	BOSS (M10X1.5)
2	183-4131	1	FRAME ASM-RH
	CH8T-3490	10	NUT-WELD (M10X1.5)
2A	7T-1099	8	LINK
2B	CH8T-3597	11	NUT-WELD (M12X1.75)
2C		2	BOSS
2D		11	BOSS (M10X1.5X39MM)
3	183-4132	1	HOOK ASM-TOW
3A		3	BOSS (M10X1.5X39MM)
	9R-2613	3	BOSS (M10X1.5X25MM)
	8T-3635	2	STUD-WELD (M12X1.75X34.93MM OAL)
	9R-3640	2	BOSS
4	183-4145	1	PLATE ASM
	7T-1099	3	LINK
	CH8T-3490	3	NUT-WELD (M10X1.5)
	CH8T-3597	2	NUT-WELD (M12X1.75)
	CH8T-3612	2	NUT-WELD (M8X1.25)
5	209-1366	1	SUPPORT
6	400191X1	4	BOLT (M16X2X40MM)
7	400197X1	12	BOLT (M24X3X70MM)
8	400080X1	40	WASHER-PLATED (22X35X3.5)
9	400122X1	24	BOLT (M20X2.5X70MM)
10	400081X1	24	WASHER-HARD (26X44X4)
11	400234X1	16	BOLT (M20X2.5X40MM)
12	400082X1	4	WASHER (17.5X30X3.5)
13	CH5P-5727	116	SEAL (CM)
14	209-6434	2	PLATE
15	209-6295	2	SCREEN
16	400091X1	10	PLUG (M24)
17	CH193-5915	28	PLUG (M12)
18	400289X1	6	PLUG (M7)
19	400134X1	12	BOLT (M24X3X80MM)
20	400039X1	4	BOLT (M10X1.5X25MM)
	400040X1	6	BOLT (M10X1.5X20MM)
21	400287X1	10	WASHER-HARD (11X21X2.5)

[A] PART OF 179-1953 CHASSIS AR

00897283
PR: t05b22n43d0221

MT800B SERIES TRACTORS
FRAME AND BODY

GRILL GP-RADIATOR - 158-5960



MT800B SERIES TRACTORS
FRAME AND BODY

537

GRILL GP-RADIATOR - 158-5960

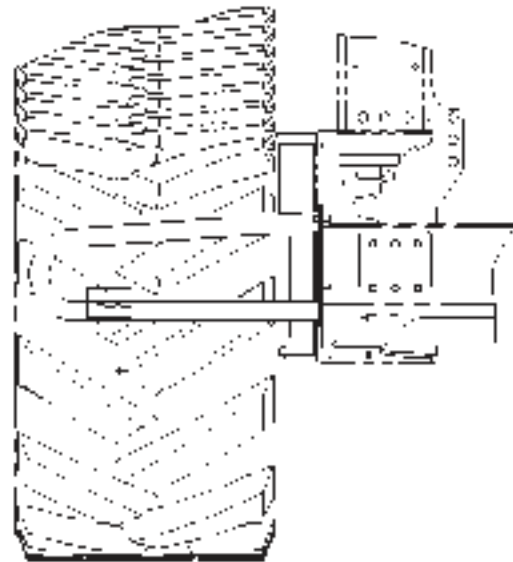
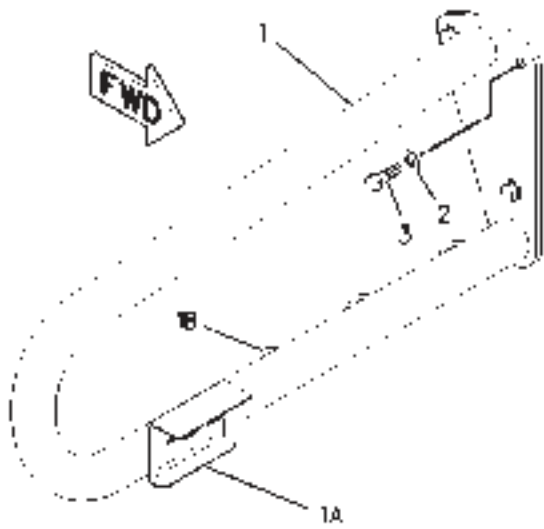
ITEM	NUMBER	QTY	DESCRIPTION
-	158-5960	-	GRILL GP-RADIATOR [A]
1	CH145-9545	2	BUMPER
2	158-5961	1	GRILL
3	158-5962	1	RETAINER ASM (UPPER)
4	176-0373	1	RETAINER ASM (LH)
5	176-0374	1	RETAINER ASM (RH)
6	186-0466	1	RETAINER ASM (LOWER)
7	192-6529	1	BAR ASM
	CH4K-9097	2	NUT-WELD (5/16-18)
	CH8T-3612	2	NUT-WELD (M8X1.25)
8	210-4351	2	PLATE
9	CH210-4352	2	SCREW-PAN HEAD
10	CH033-7291	4	RIVET-POP
11	CH129-3178	13	LOCKNUT (M6X1)
12	CH217-5909	2	SCREW-PAN HEAD (1/4-15X0.50 IN)
13	CH5P-4115	27	WASHER-HARD (7.2X19X2)
14	400599X1	8	WASHER-HARD (8.8X20.5X2)
15	400682X1	2	NUT (5/16-18)
16	400053X1	10	BOLT (M8X1.25X20MM)
17	400339X1	4	WASHER-HARD (8.8X16X2)
18	CH8C-6433	4	BOLT (M6X1X30MM)
19	CH8T-9501	8	SCREW (10-16X.75 IN)
20	210-4418	2	BRACKET AS
21	400341X1	2	BOLT (M8X1.25X25MM)

[A] PART OF 502647D1 HOOD & GUARD GP

00857765
PR: t05b22n43d0222

MT800B SERIES TRACTORS
FRAME AND BODY

GUARD GP - 187-8609
EAME ONLY



FRONT VIEW

MT800B SERIES TRACTORS
FRAME AND BODY

539

GUARD GP - 187-8609
EAME ONLY

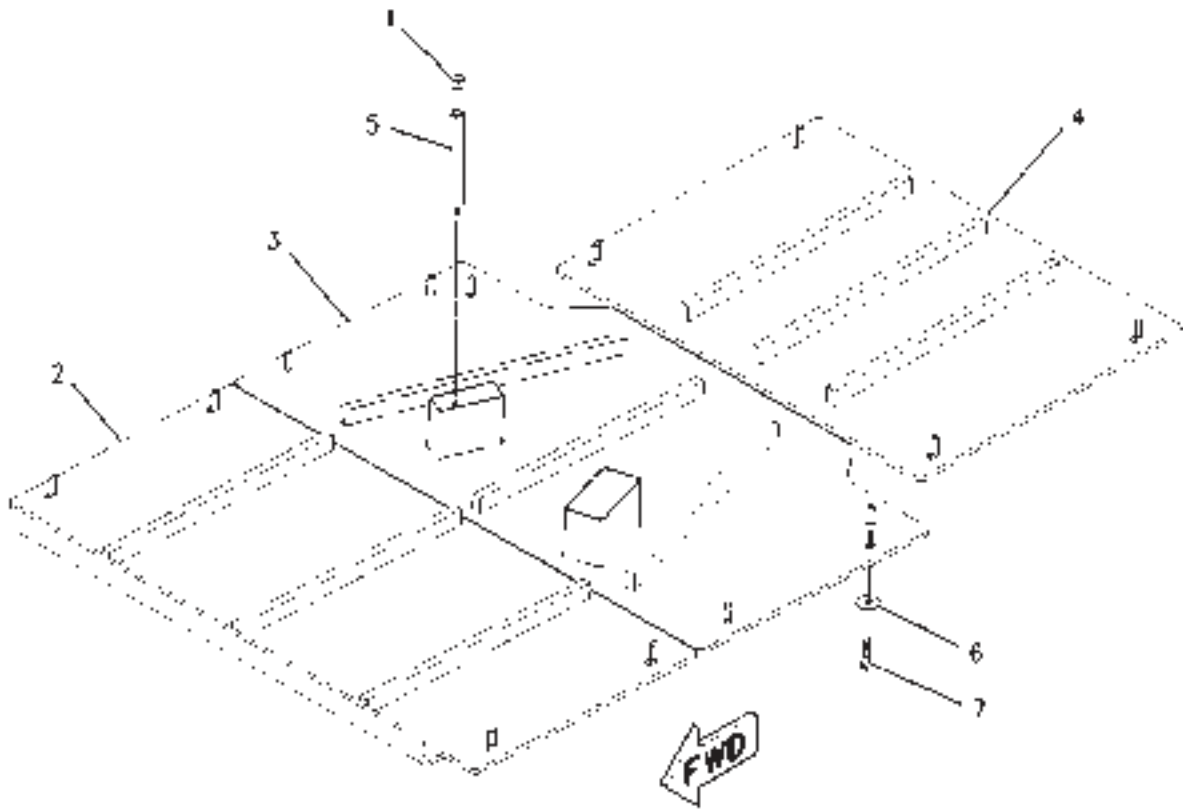
ITEM	NUMBER	QTY	DESCRIPTION
-	187-8609	-	GUARD GP [A] (NOT SERVICED)
1	187-8611	1	GUARD AS (INCLS 1A-1B)
1A		1	BRACKET [Z]
1B	7T-1099	3	LINK
2	400357X1	3	WASHER-HARD (M12X25.5X3MM THK)
3	400064X1	3	BOLT (M12X1.75X35MM)

[A] PART OF:
179-2180; 501811D1 BASE COMMON AR
[Z] NOT SERVICED SEPARATELY

00857946
PR: t05b22n43d0223

MT800B SERIES TRACTORS
FRAME AND BODY

GUARD GP-BOTTOM - 185-8849



00890678

MT800B SERIES TRACTORS
FRAME AND BODY

541

GUARD GP-BOTTOM - 185-8849

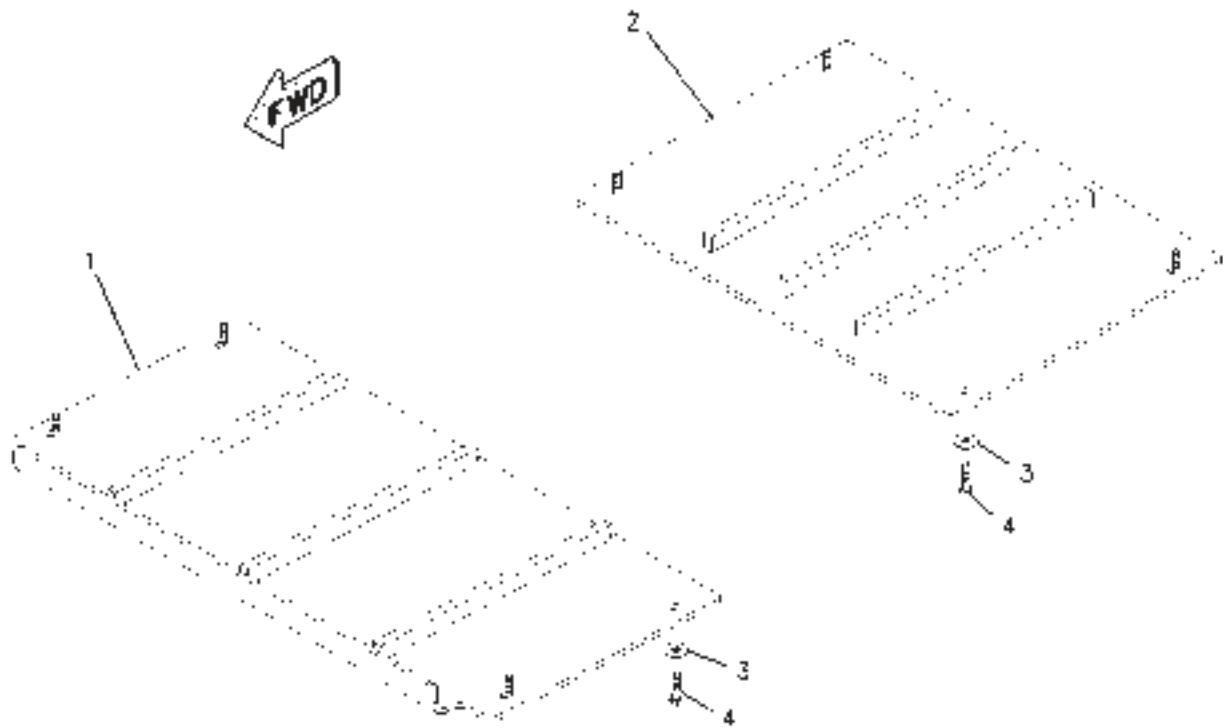
ITEM	NUMBER	QTY	DESCRIPTION
-	185-8849	-	GUARD GP-BOTTOM [A]
1	400108X1	1	CLAMP-HOSE
2	192-3042	1	GUARD ASM (FRONT)
3	196-9864	1	GUARD ASM (MIDDLE)
4	196-9866	1	GUARD AS (REAR)
	CH8T-3597	3	NUT-WELD (M12X1.75)
5	210-2265	1	HOSE (19CM)
6	CH7X-0618	14	WASHER-HARD (13.5X40X5)
7	400057X1	14	BOLT (M12X1.75X50MM)

[A] THIS GROUP CANNOT BE USED WITH
197-9558 AUX FUEL TANK AR.

00890678
PR: t05b22n43d0224

MT800B SERIES TRACTORS
FRAME AND BODY

GUARD GP-BOTTOM - 200-8826
FOR USE WITH 197-8558 AUX FUEL TANK AR



MT800B SERIES TRACTORS
FRAME AND BODY

543

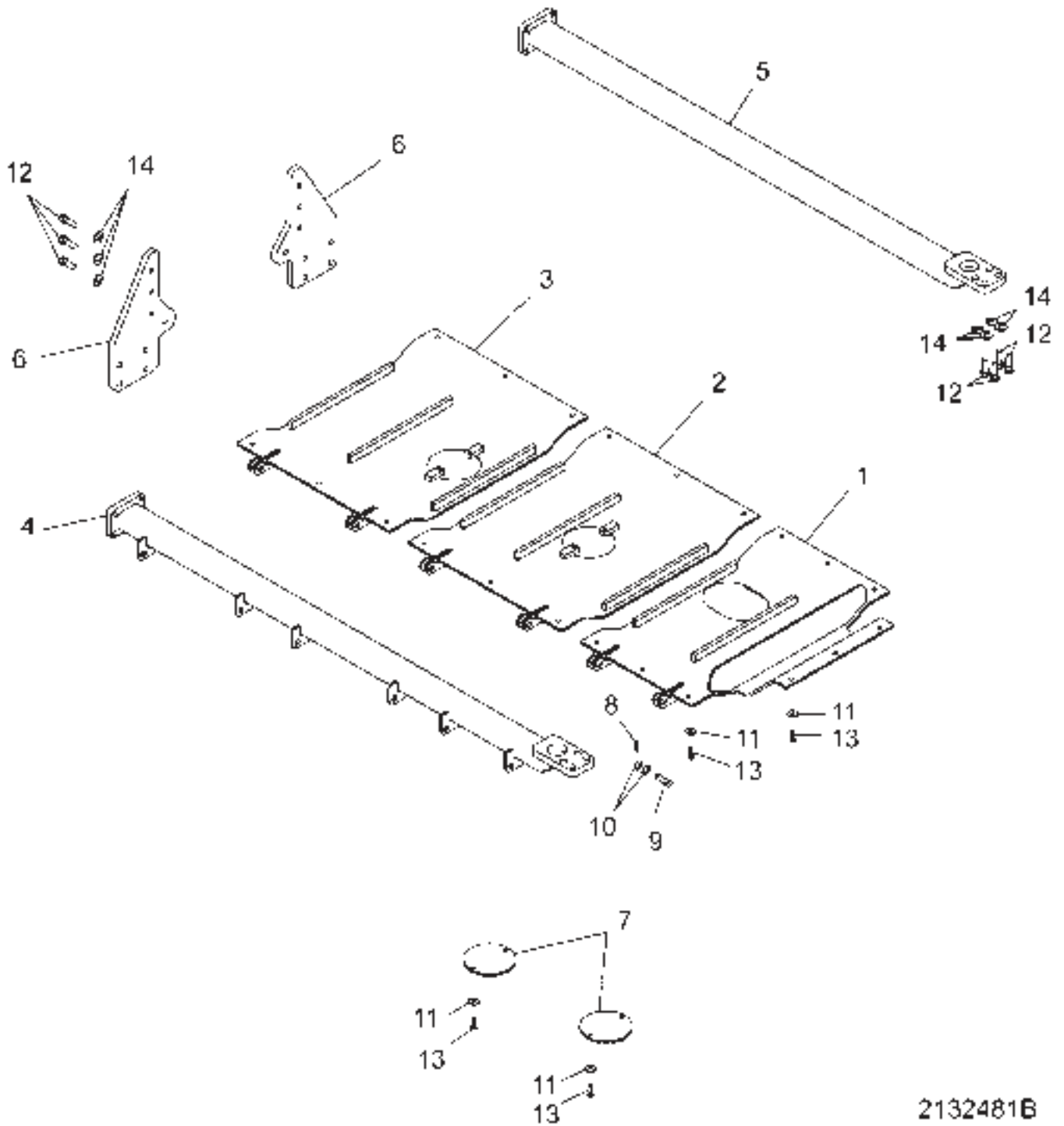
GUARD GP-BOTTOM - 200-8826
FOR USE WITH 197-8558 AUX FUEL TANK AR

ITEM	NUMBER	QTY	DESCRIPTION
-	200-8826	-	GUARD GP-BOTTOM
1	192-3042	1	GUARD ASM (FRONT)
2	196-9866	1	GUARD ASM (REAR)
	CH8T-3597	3	NUT-WELD (M12X1.75)
3	CH7X-0618	8	WASHER-HARD (13.5X40X5)
4	400057X1	8	BOLT (M12X1.75X50MM)

00891867
PR: t05b22n43d0225

MT800B SERIES TRACTORS
FRAME AND BODY

GUARD GP-BOTTOM - 213-2481
REAR



2132481B

MT800B SERIES TRACTORS
FRAME AND BODY

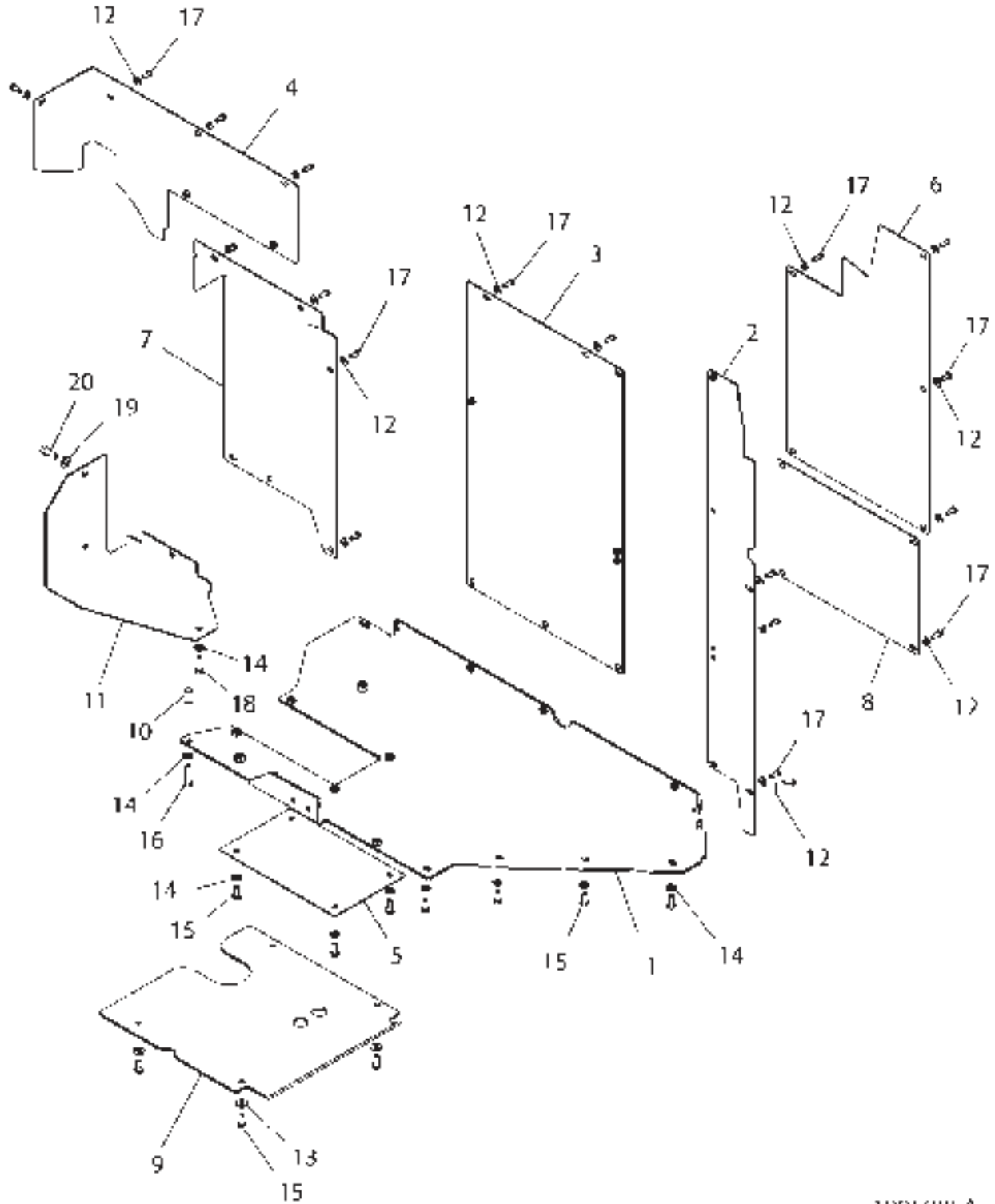
545

GUARD GP-BOTTOM - 213-2481
REAR

ITEM	NUMBER	QTY	DESCRIPTION
-	213-2481	-	GROUP/GUARD-BOTTOM (REAR)
1	213-2500	1	GUARD AS-BOTTOM
2	213-2501	1	GUARD AS-BOTTOM
3	213-2502	1	GUARD AS-BOTTOM
4	213-2503	1	SUPPORT AS-RH
5	213-2504	1	SUPPORT AS-LH
6	213-2505	2	SUPPORT
7	213-2506	2	PLATE
8	CH3B-4629	6	COTTER PIN 4.76 DIA X 38.1
9	CH4J-2036	6	PIN
10	CH7X-0594	12	WASHER HARD
11	CH7X-0618	25	WASHER HARD 13.5IDX40ODX5 ZNDI
12	400031X1	24	BOLT-M20X2.5X60 ZNDI HHD 10.9
13	400050X1	25	BOLT-M12X1.75X40 ZNDI HHD 10.9
14	CH8T-5439	24	WASHER- HARD

2132481B
PR: t05b22n43d0226

GUARD GP-POWER TRAIN - 189-5805
(MT835B & MT845B)



**MT800B SERIES TRACTORS
FRAME AND BODY**

547

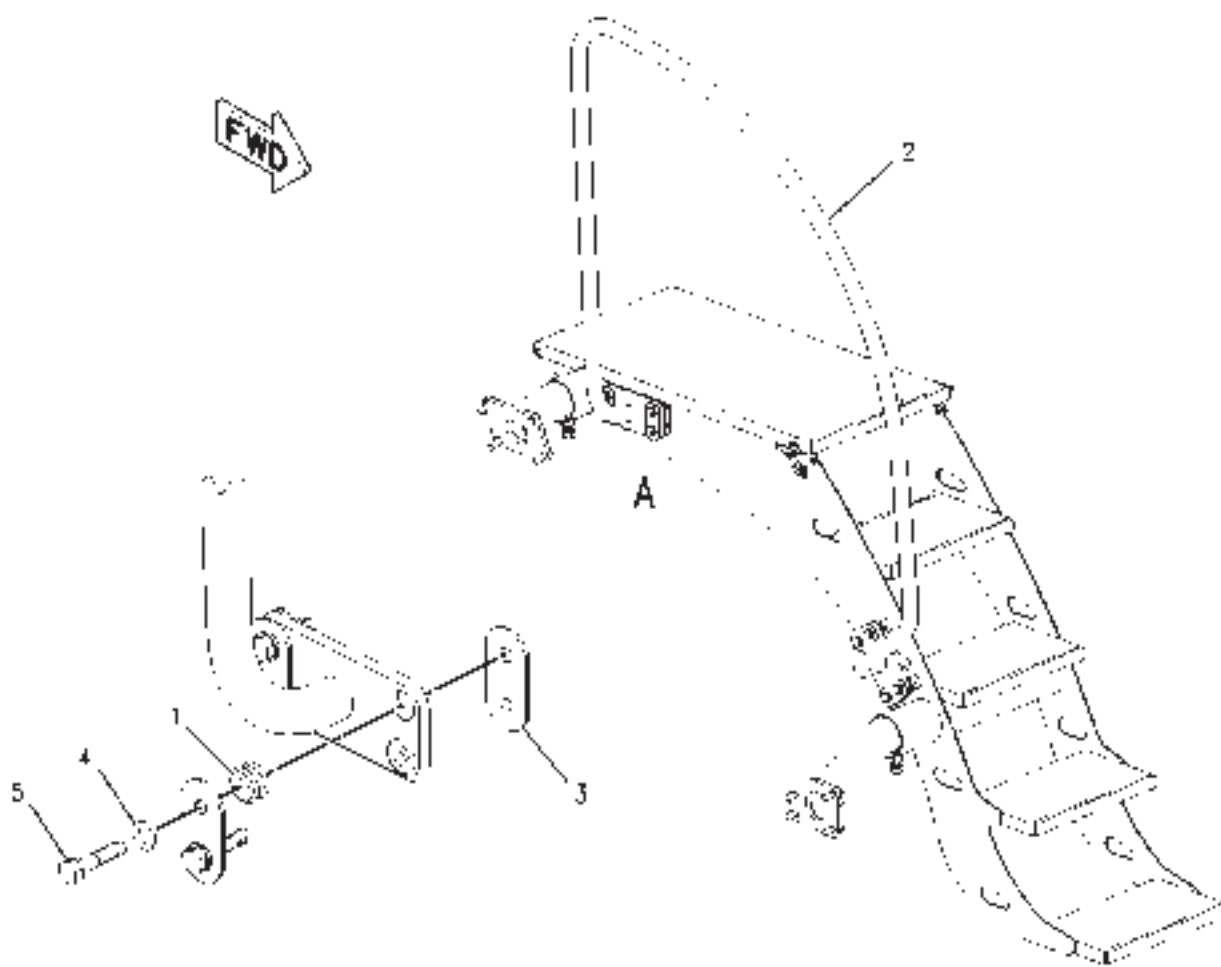
**GUARD GP-POWER TRAIN - 189-5805
(MT835B & MT845B)**

ITEM	NUMBER	QTY	DESCRIPTION
-	189-5805	-	GUARD GP-POWER TRAIN [A] (NOT SERVICED)
1	189-4286	1	GUARD ASM
	CH8T-3597	2	NUT-WELD (M12X1.75)
	CH8T-3490	8	NUT-WELD (M10X1.5)
	CH8T-3612	5	NUT-WELD (M8X1.25)
2	189-4287	1	GUARD ASM
	CH8T-3612	4	NUT-WELD (M8X1.25)
3	189-4288	1	GUARD AS
	CH8T-3612	3	NUT-WELD (M8X1.25)
4	189-4289	1	GUARD ASM
	CH8T-3612	2	NUT-WELD (M8X1.25)
5	195-1004	1	COVER
6	195-1016	1	COVER
7	209-9231	1	GUARD
8	209-9232	1	COVER
9	210-7526	1	PLATE
10	CH213-4497	1	SPACER (12.75X19.1X29)
11	224-6641	1	PLATE AS
12	400599X1	24	WASHER-HARD (8.8X20.5X2)
13	CH7X-7729	4	WASHER (11X25X3)
14	400287X1	10	WASHER-HARD (11X21X2.5)
15	400039X1	12	BOLT (M10X1.5X25MM)
16	400226X1	1	BOLT (M10X1.5X50MM)
17	400053X1	24	BOLT (M8X1.25X20MM)
18	400059X1	1	BOLT (M10X1.5X35MM)
19	400357X1	2	WASHER (M12X25.5X3)
20	400064X1	2	BOLT (M12X1.75X35MM)

[A] PART OF 179-1953 CHASSIS AR

1895805A
PR: t05b22n43d0227

HANDHOLD GP - 203-9179
INNER



MT800B SERIES TRACTORS
FRAME AND BODY

549

HANDHOLD GP - 203-9179
INNER

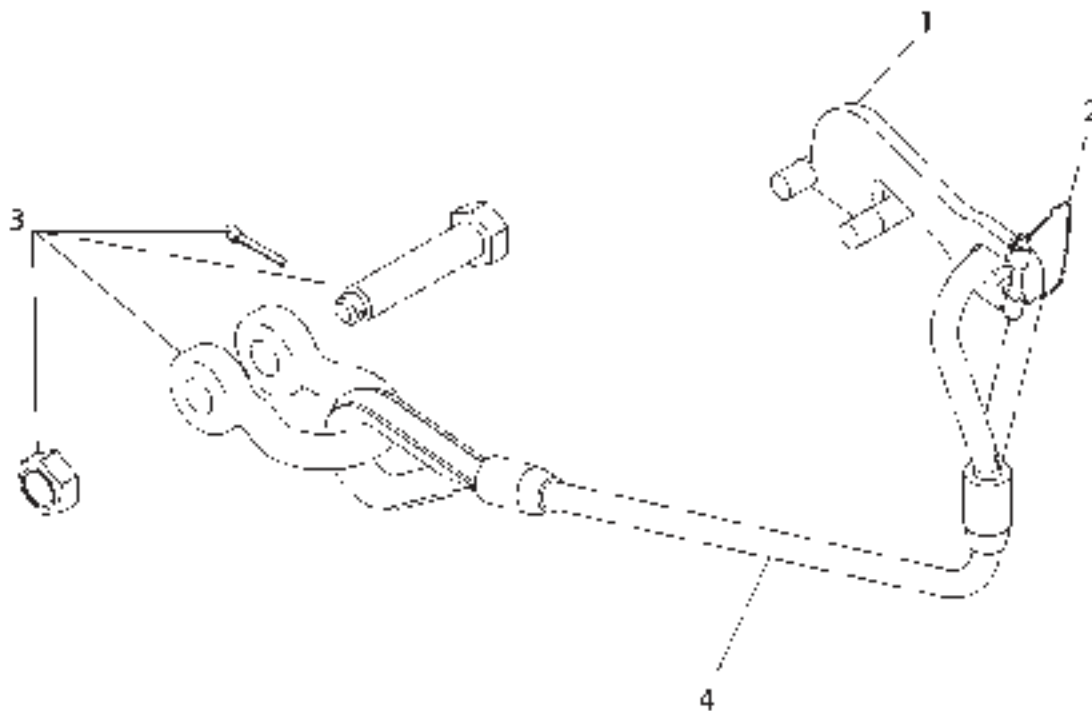
ITEM	NUMBER	QTY	DESCRIPTION
-	502762D1	-	HANDHOLD GP (FIELD INSTALLED)
-	502772D1	-	HANDHOLD GP (FACTORY) (NOT SERVICED, ORDER FIELD INSTALLED)
-	203-9179	-	HANDHOLD GP [A] (REF ONLY) (NOT SERVICED, ORDER FIELD INSTALLED)
1	CH6N-6984	8	MOUNT
2	203-9183	1	HANDHOLD ASM
3	203-9200	8	PLATE
4	400287X1	8	WASHER-HARD (11X21X2.5)
5	400052X1	8	BOLT (M10X1.5X45MM)

00810595
PR: t05b22n43d0228

550

MT800B SERIES TRACTORS
FRAME AND BODY

TOW CABLE GP - 500039D1
ROW ONLY



500039DA

MT800B SERIES TRACTORS
FRAME AND BODY

551

TOW CABLE GP - 500039D1
ROW ONLY

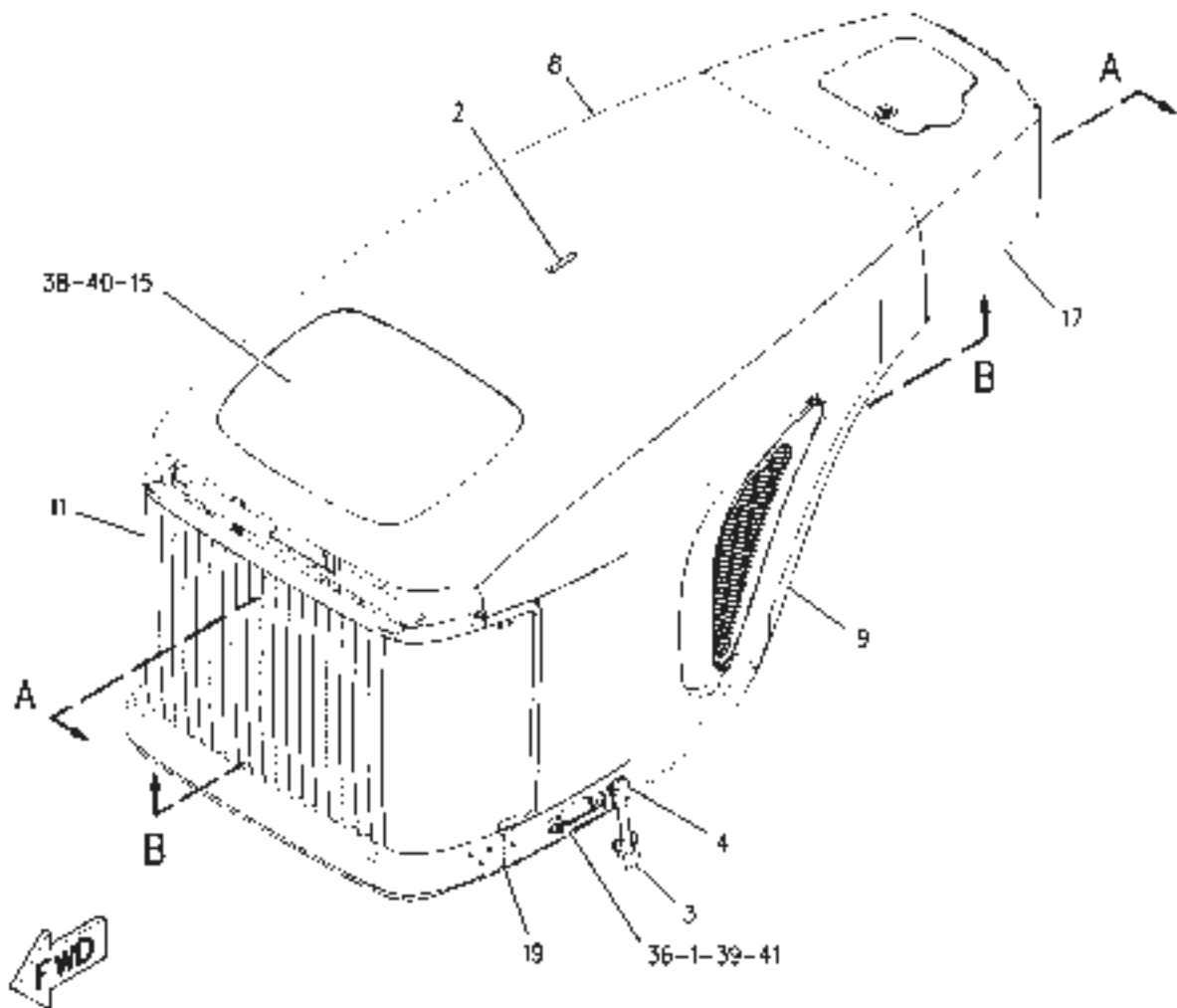
ITEM	NUMBER	QTY	DESCRIPTION
-	500039D1	-	CABLE GP-TOW
1	500120D1	1	BRACKET AS
2	500124D1	1	HITCH PIN AS
3	500125D1	1	SHACKLE AS
4	500126D1	1	CABLE AS

500039DA
PR: t05b22n43d0229

MT800B SERIES TRACTORS
FRAME AND BODY

HOOD & GUARD GP - 502647D1
1 OF 2
ROW & SPECIAL

REFER TO ALL ILLUSTRATIONS OF
THIS GROUP FOR AUXILIARY VIEWS



MT800B SERIES TRACTORS
FRAME AND BODY

553

HOOD & GUARD GP - 502647D1
1 OF 2
ROW & SPECIAL

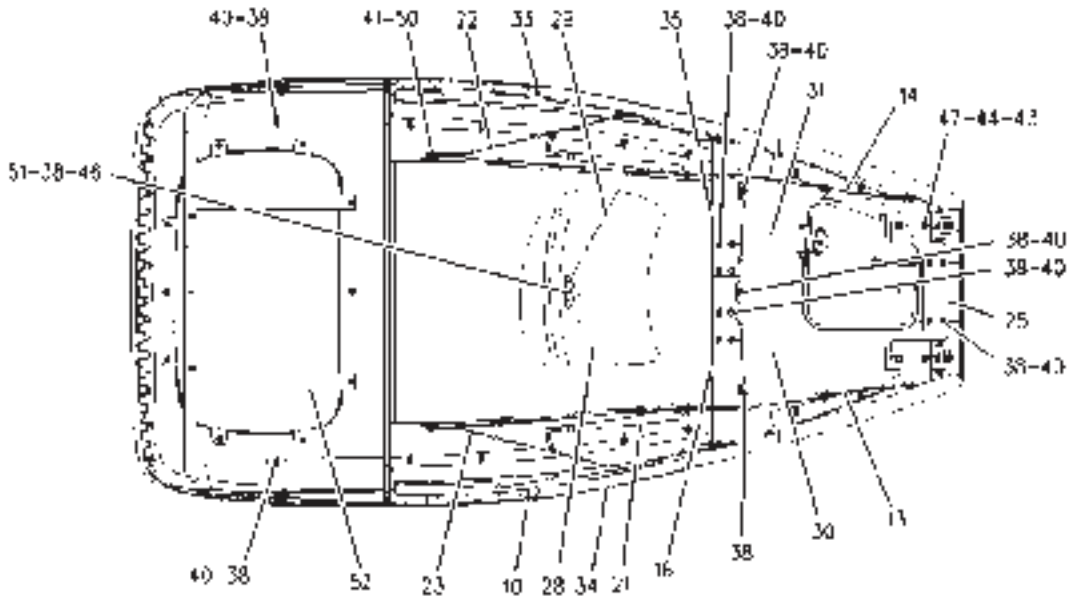
ITEM	NUMBER	QTY	DESCRIPTION
-	502647D1	-	HOOD & GUARD GP [A] (NOT SERVICED)
1	400162X1	2	BOLT-SOCKET HEAD (M8X1.25X50 MM)
2	CH100-4036	1	MARKER-HOOD
3	CH113-8880	2	LATCH ASM
4	CH114-5793	2	KEEPER
8	158-5950	1	HOOD AS
9	158-5952	1	PANEL AS (LH)
	179-4207	1	INSERT
11	158-5960	1	GRILL GP-RADIATOR (SEE BREAKDOWN FOR COMPONENTS)
15	188-0514	1	GRILL (TOP)
17	190-5943	1	COVER GP-ACCESS (SEE BREAKDOWN FOR COMPONENTS)
19	501148D1		SEAL-BULK (GRILL)
36	400115X1	1	HANDLE
38	CH129-3178	60	LOCKNUT (M6X1)
39	CH131-3540	12	LOCKNUT
40	CH5P-4115	51	WASHER-HARD (7.2X19X2)
41	400599X1	50	WASHER-HARD (8.8X20.5X2)
52	223-5887	2	BRACKET
54	7774664	4	NUT (M8X1.25)

[A] PART OF:
179-1952; 501810D1 BASE COMMON AR

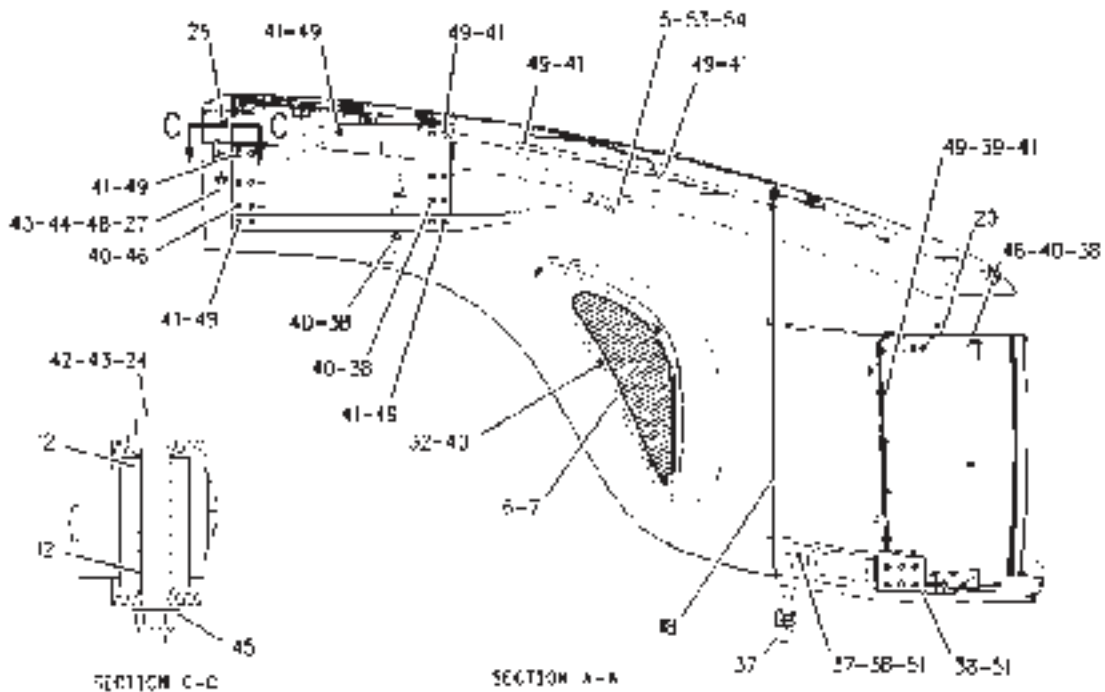
00887940
PR: t05b22n43d0230

MT800B SERIES TRACTORS
FRAME AND BODY

HOOD & GUARD GP - 502647D1
2 OF 2
ROW & SPECIAL



SECTION B-B



**MT800B SERIES TRACTORS
FRAME AND BODY**

555

**HOOD & GUARD GP - 502647D1
2 OF 2
ROW & SPECIAL**

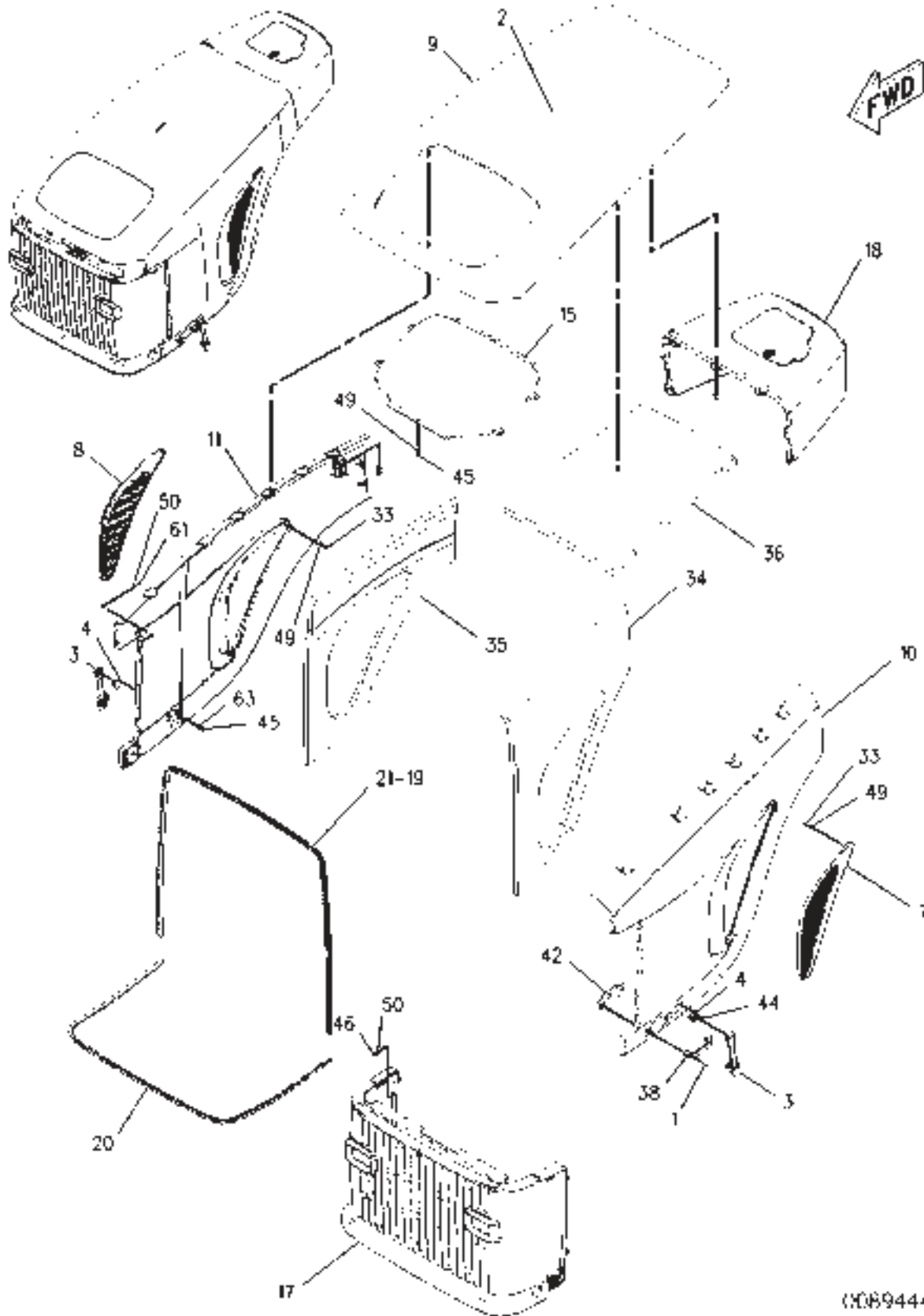
ITEM	NUMBER	QTY	DESCRIPTION
-	502647D1	-	HOOD & GUARD GP [A] (NOT SERVICED)
5			NOT USED
6	158-5934	1	GRILL LOWER (LH)
7	158-5935	1	GRILL LOWER (RH)
10	158-5953	1	PANEL ASM (RH)
	179-4207	1	INSERT (M6)
12	400104X1	4	BEARING
13	188-0452	1	PLATE (RH)
14	188-0453	1	PLATE (LH)
16	188-0564	1	BRACKET
18	192-6516	1	SEAL (HOOD)
20	192-6518	1	SEAL (HOOD)
21	231-6106	2	STRUT-GAS
22	209-0359	1	BRACKET
23	209-0361	1	BRACKET
24	400013X1	2	BOLT-SHOULDER (M10X1.5X96)
25	209-0364	1	BRACKET
26	209-0373	2	BRACKET
27	209-0376	2	ANGLE ASM
28	209-3146	1	BRACKET
29	209-3147	1	BRACKET
30	209-3384	1	BRACKET
31	209-3385	1	BRACKET
32	CH217-5909	8	SCREW-PAN HEAD (NO.10-15X12.7)
33	210-4413	1	INSULATION (LH)
34	210-4414	1	INSULATION (RH)
35	210-4415	1	INSULATION (TOP)
37	CH123-4950	12	SCREW-PAN HEAD (M6X1X16MM)
38	CH129-3178	60	LOCKNUT (M6X1)
39	CH131-3540	12	LOCKNUT
40	CH5P-4115	51	WASHER-HARD (7.2X19X2)
41	400599X1	50	WASHER-HARD (8.8X20.5X2)
42	400277X1	2	WASHER-HARD (13.51X25X3)
43	CH6V-7744	10	LOCKNUT (M10X1.5)
44	CH7X-7729	16	WASHER (11X25X3)
45	400287X1	6	WASHER-HARD (11X21X2.5)
46	400221X1	11	BOLT (M6X1X20MM)
47	400058X1	4	BOLT (M10X1.5X30MM)
48	400059X1	4	BOLT (M10X1.5X35MM)
49	400341X1	36	BOLT (M8X1.25X25MM)
50	400245X1	2	BOLT (M8X1.25X30MM)
51	400310X1	16	WASHER (6.6X12X2)
53	400287X1	4	WASHER-HARD (11X21X2.5)
54	7774664	4	NUT (M10X1.5)

[A] PART OF:
179-1952; 501810D1 BASE COMMON AR

00887941
PR: t05b22n43d0231

MT800B SERIES TRACTORS
FRAME AND BODY

HOOD & GUARD GP - 502353D1
1 OF 2
EAME ONLY



**MT800B SERIES TRACTORS
FRAME AND BODY**

557

**HOOD & GUARD GP - 502353D1
1 OF 2
EAME ONLY**

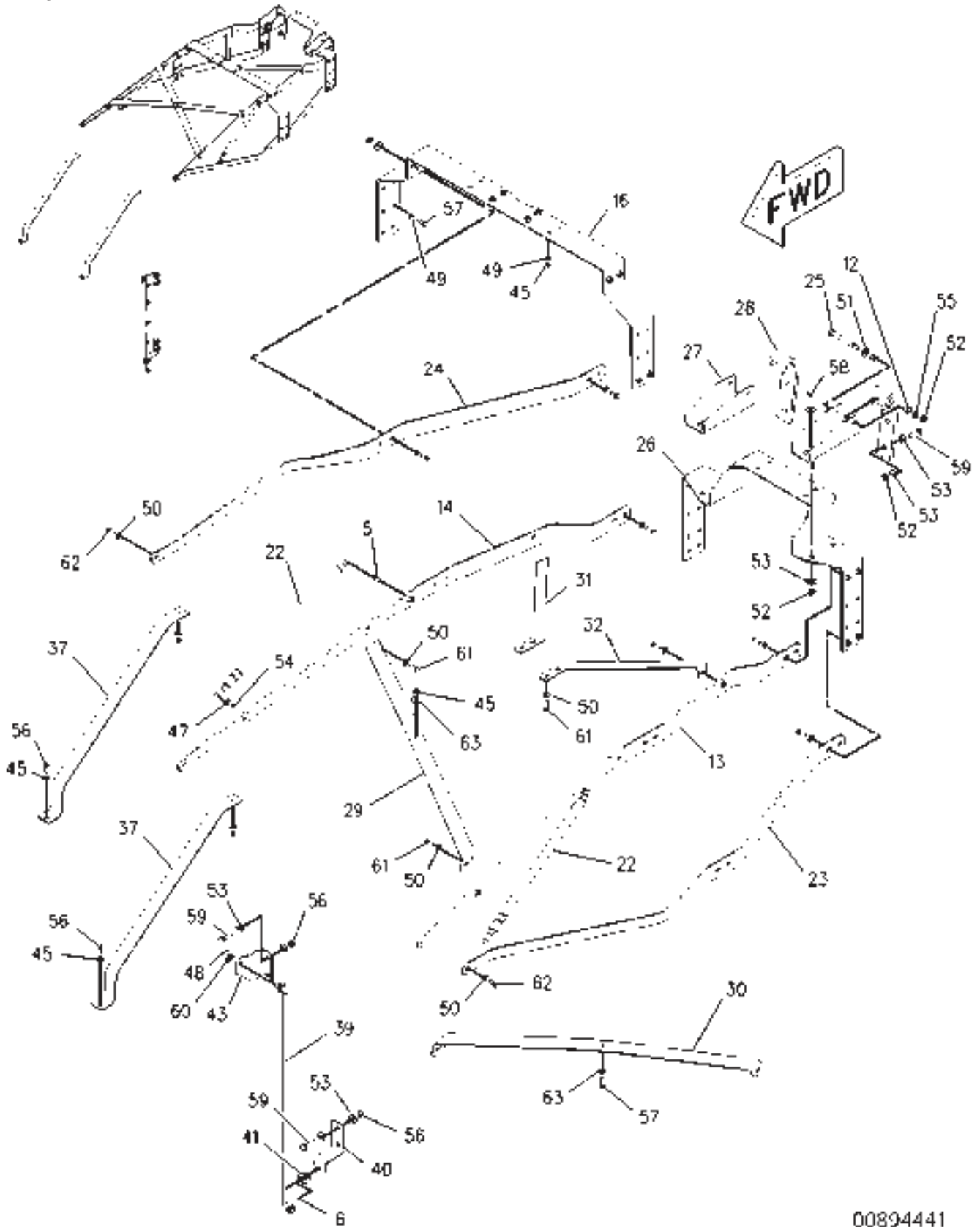
ITEM	NUMBER	QTY	DESCRIPTION
-	502353D1	-	HOOD & GUARD GP [A] (NOT SERVICED)
1	400162X1	2	BOLT-SOCKET HEAD (M8X1.25X50 MM)
2	CH100-4036	1	MARKER-HOOD
3	CH113-8880	2	LATCH AS
4	CH114-5793	2	KEEPER
7	158-5934	1	GRILL AS-LWR (LH)
8	158-5935	1	GRILL AS-LWR (RH)
9	158-5950	1	HOOD AS
10	158-5952	1	PANEL AS (LH)
11	158-5953	1	PANEL AS (RH)
15	188-0514	1	GRILL (TOP)
17	188-0568	1	GRILL AS
18	190-5943	1	COVER GP-ACCESS (NOT SERVICED) (SEE BREAKDOWN FOR COMPONENTS)
19	192-6516	1	SEAL (HOOD-LH) (3430MM)
20	501148D1	1	SEAL (GRILL)
21	192-6518	1	SEAL (HOOD-UPPER) (1469MM)
33	CH217-5909	8	SCREW-PAN HEAD
34	502650D1	1	INSULATION (LH)
35	502651D1	1	INSULATION (RH)
36	502652D1	1	INSULATION (TOP)
38	400115X1	1	HANDLE
42	216-6429	1	BRACKET AS
	CH8T-3612	2	NUT-WELD (M8X1.25 THD)
44	CH123-4950	12	SCREW-PAN HEAD (M6X1X16MM)
45	CH129-3178	60	LOCKNUT (M6X1 THD)
46	CH131-3540	10	LOCKNUT
49	CH5P-4115	61	WASHER-HARD (7.2X19X2MM THK)
50	400599X1	48	WASHER-HARD (8.8X20.5X2MM THK)
61	400341X1	36	BOLT (M8X1.25X25MM)
63	400310X1	16	WASHER (6.6X12X2MM THK)

[A] PART OF:
501811D1; 502936D1 BASE COMMON AR

00894440
PR: t05b22n43d0232

MT800B SERIES TRACTORS
FRAME AND BODY

HOOD & GUARD GP - 502353D1
2 OF 2
EAME ONLY



**MT800B SERIES TRACTORS
FRAME AND BODY**

559

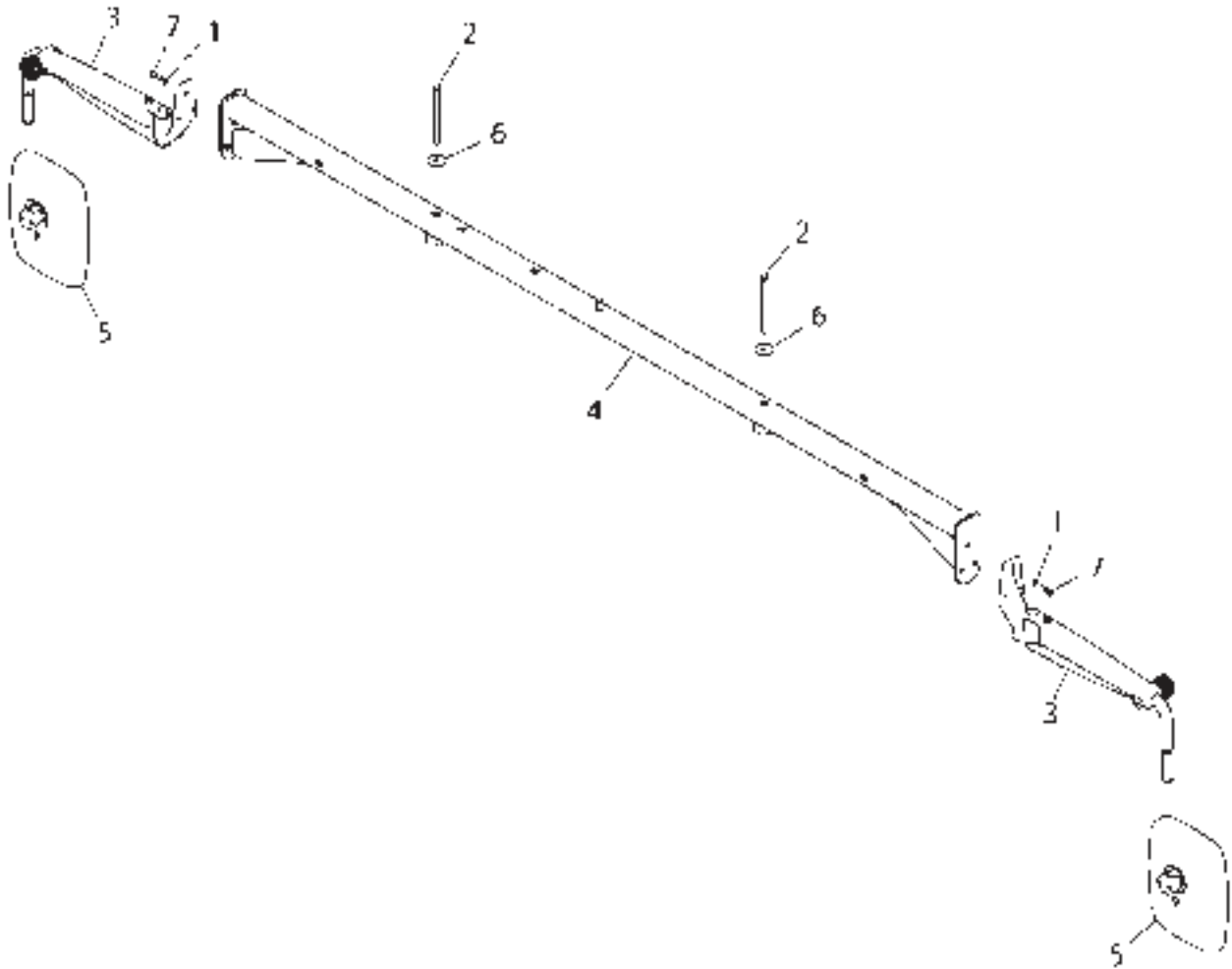
**HOOD & GUARD GP - 502353D1
2 OF 2
EAME ONLY**

ITEM	NUMBER	QTY	DESCRIPTION
-	502353D1	-	HOOD & GUARD GP [A] (NOT SERVICED)
5			NOT USED
6	400014X1	1	BOLT-SOCKET HEAD (M4X0.7X10MM)
12	400104X1	4	BEARING
13	188-0452	1	PLATE AS (RH)
14	188-0453	1	PLATE AS (LH)
	CH8T-3612	4	NUT-WELD (M8X1.25 THD)
16	188-0564	1	BRACKET AS
	CH8T-3612	12	NUT-WELD (M8X1.25 THD)
22	231-6106	2	SPRING-GAS
23	209-0359	1	BRACKET
24	209-0361	1	BRACKET
25	400013X1	2	BOLT (M10X1.5X96)
26	209-0364	1	BRACKET AS
	CH8T-3612	8	NUT-WELD (M8X1.25 THD)
27	209-0373	2	BRACKET
28	209-0376	2	ANGLE AS
29	209-3146	1	BRACKET
30	209-3147	1	BRACKET
31	209-3384	1	BRACKET
32	209-3385	1	BRACKET
37	223-5887	2	BRACKET
39	216-6425	1	ROD AS
40	216-6426	1	BRACKET AS
41	CH216-6428	1	CLIP
43	216-6430	1	SUPPORT
45	CH129-3178	60	LOCKNUT (M6X1 THD)
47	400339X1	2	WASHER-HARD (8.8X16X2MM THK)
48	CH3B-4611	1	PIN-COTTER
49	CH5P-4115	61	WASHER-HARD (7.2X19X2MM THK)
50	400599X1	48	WASHER-HARD (8.8X20.5X2MM THK)
51	400277X1	2	WASHER-HARD (M12X25.5X3MM THK)
52	CH6V-7744	10	LOCKNUT (M10X1.5 THD)
53	CH7X-7729	24	WASHER (11X25X3MM THK)
54	7774664	2	NUT (M10X1.5 THD)
55	8T-4121	2	WASHER-HARD (11X21X2.5MM THK)
56	7774664	4	NUT (M10X1.5 THD)
57	400221X1	11	BOLT (M6X1X20MM)
58	400058X1	4	BOLT (M10X1.5X30MM)
59	400059X1	8	BOLT (M10X1.5X35MM)
60	400357X1	1	WASHER-HARD (M12X25.5X3MM THK)
61	400341X1	36	BOLT (M8X1.25X25MM)
62	400245X1	2	BOLT (M8X1.25X30MM)
63	400310X1	16	WASHER (6.6X12X2MM THK)

[A] PART OF:
501811D1; 502936D1 BASE COMMON AR

00894441
PR: t05b22n43d0233

KIT-EXTRA WIDE MIRRORS - 501557D1
MANUAL ADJUSTMENT
ROW & SPECIAL



MT800B SERIES TRACTORS
FRAME AND BODY

561

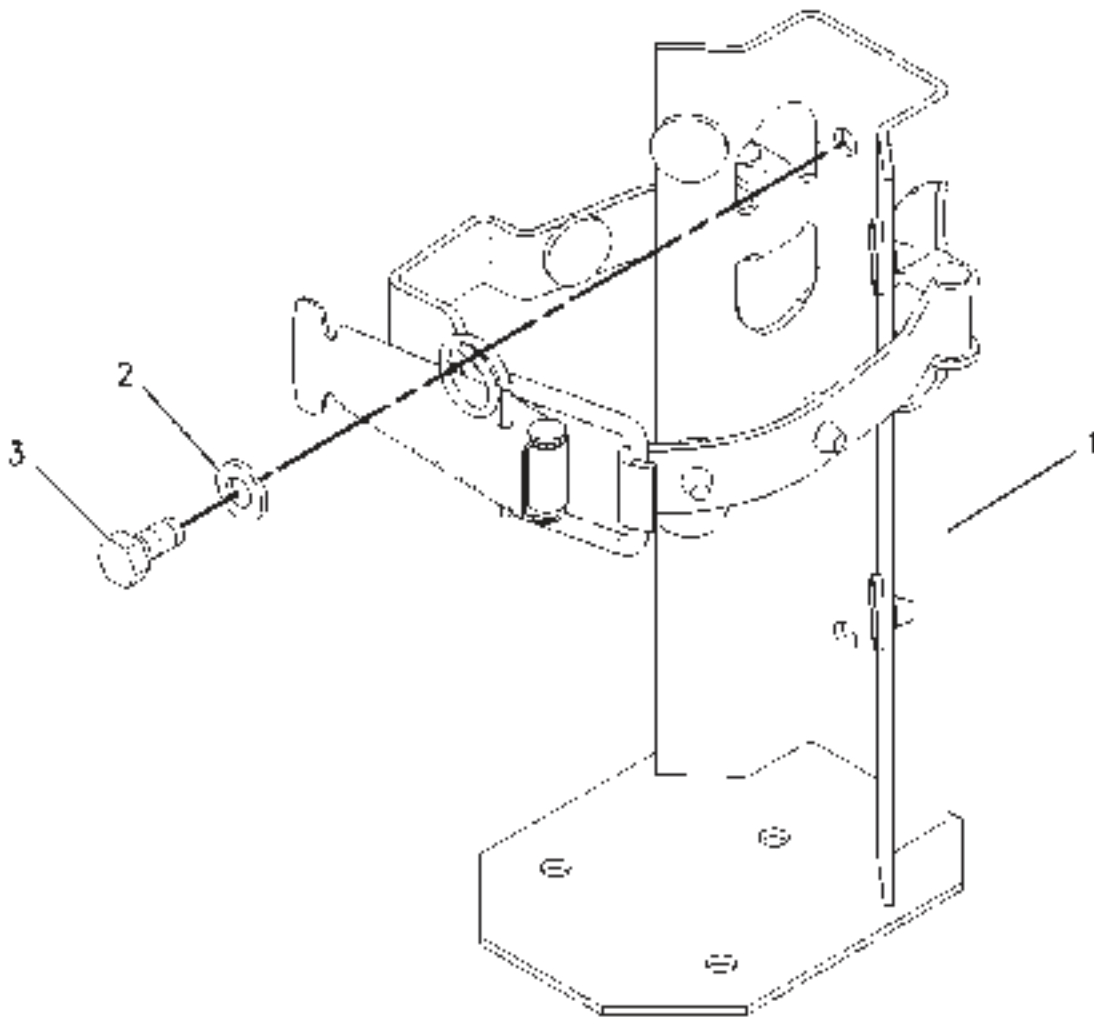
KIT-EXTRA WIDE MIRRORS - 501557D1
MANUAL ADJUSTMENT
ROW & SPECIAL

ITEM	NUMBER	QTY	DESCRIPTION
-	501557D1	-	KIT-EXTRA WIDE MIRRORS
1	WR550205	6	LOCKWASHER (0.31 ZN REG)
2	400137X1	2	BOLT (M10X1.5X160MM)
3	501195D1	2	MIRROR ARM
4	501563D1	1	TUBE AS
5	502069D1	2	MIRROR HEAD
6	CH8T-4226	2	WASHER (10.5X45X3MM)
7	400245X1	6	BOLT (M8X1.25X30MM)

501557DA
PR: t05k07n15a0012

MT800B SERIES TRACTORS
FRAME AND BODY

KIT-MOUNTING - 208-7698
FIRE EXTINGUISHER
ROW & SPECIAL



MT800B SERIES TRACTORS
FRAME AND BODY

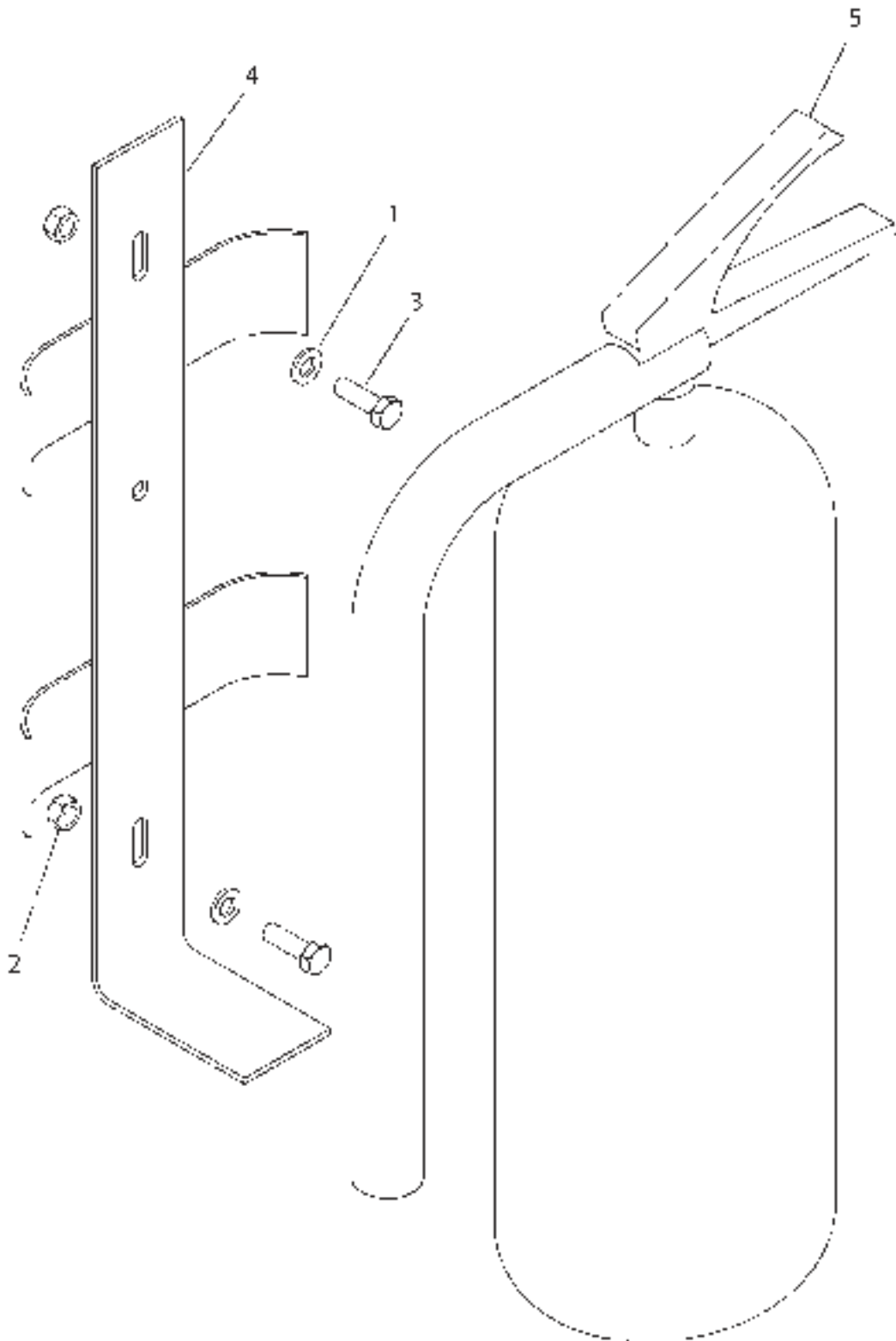
563

KIT-MOUNTING - 208-7698
FIRE EXTINGUISHER
ROW & SPECIAL

ITEM	NUMBER	QTY	DESCRIPTION
-	208-7698	-	KIT MOUNTING
1	500505D1	1	BRACKET
2	400339X1	4	WASHER-HARD (8.8X16X2)
3	400053X1	4	BOLT (M8X1.25X20MM)

00888925
PR: t05b22n43d0234

MOUNTING GP-WITH FIRE EXTINGUISHER
501785D1
EAME ONLY



MT800B SERIES TRACTORS
FRAME AND BODY

565

MOUNTING GP-WITH FIRE EXTINGUISHER

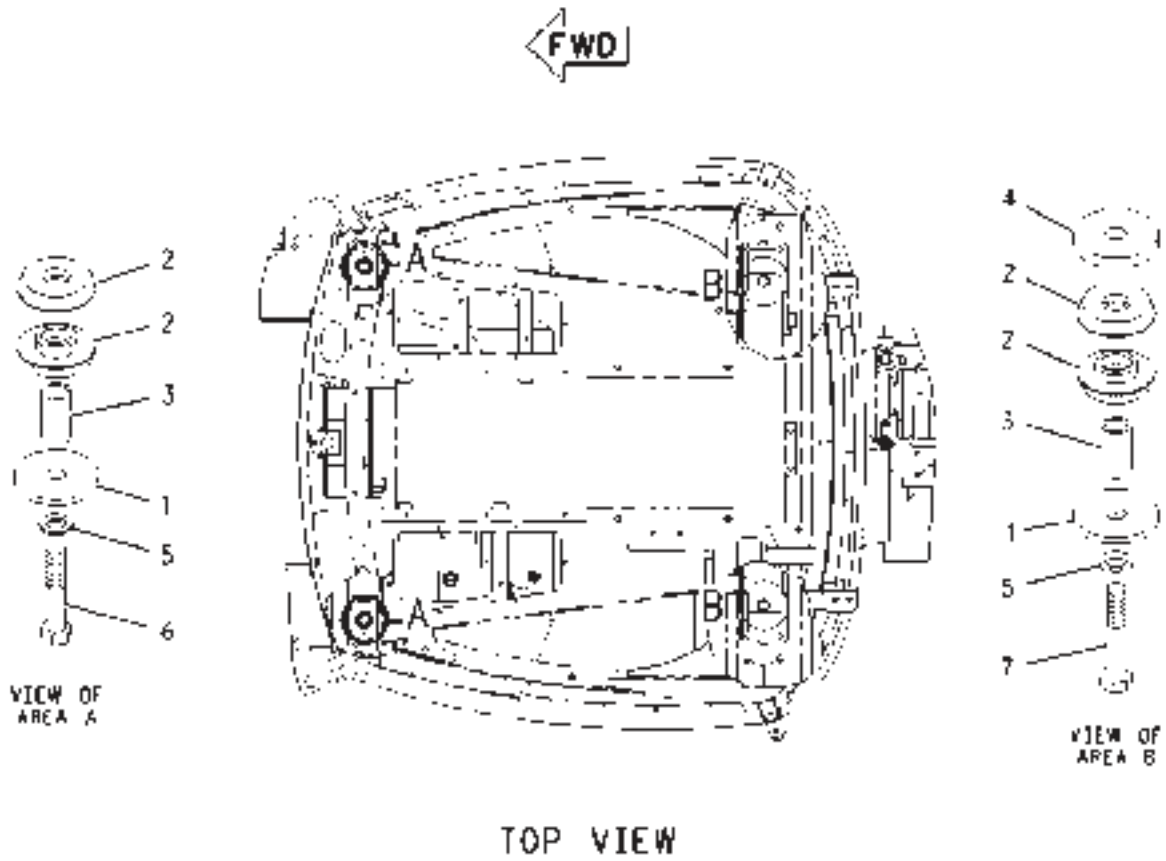
501785D1
EAME ONLY

ITEM	NUMBER	QTY	DESCRIPTION
-	501785D1	-	MOUNTING GP-FIRE EXTINGUISHER
1	400339X1	2	WASHER-HARD
2	400340X1	2	NUT
3	400341X1	2	BOLT-HEX HD
4	501775D1	1	BRACKET-FIRE EXTG
5	501785D1	1	EXTENGUISHER-FIRE

501785DA
PR: t05k07n15a0013

MT800B SERIES TRACTORS
FRAME AND BODY

MOUNTING GP-CAB - 162-4112



MT800B SERIES TRACTORS
FRAME AND BODY

567

MOUNTING GP-CAB - 162-4112

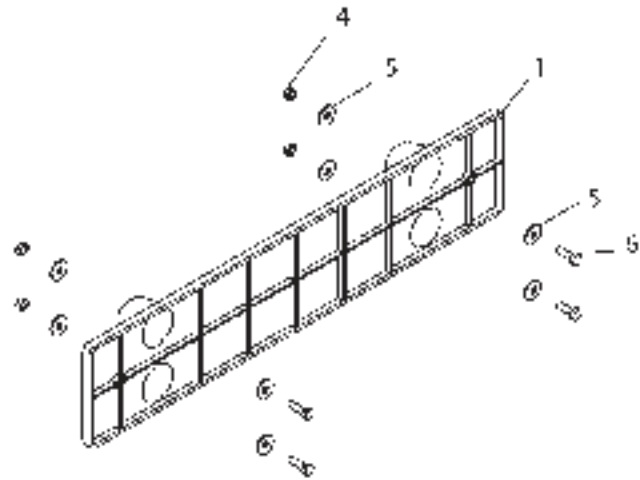
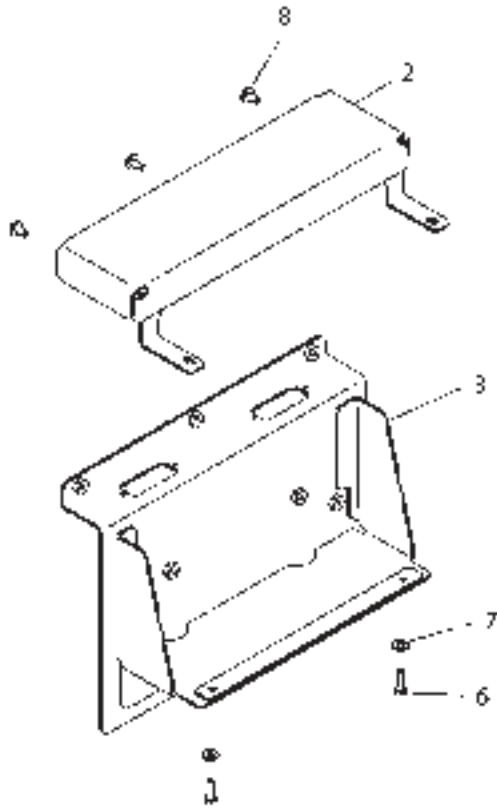
ITEM	NUMBER	QTY	DESCRIPTION
-	162-4112	-	MOUNTING GP-CAB [A] (NOT SERVICED)
1	9U-0512	4	WASHER (12.0)
2	117-8131	8	MOUNT
3	CH144-2179	4	SLEEVE
4	CH192-5173	2	PLATE
5	CH7X-0593	4	WASHER-HARD (34X57X6)
6	400199X1	2	BOLT (M30X3.5X160)
7	400200X1	2	BOLT (M30X3.5X180)

[A] PART OF 179-1953 CHASSIS AR

00850697
PR: t05b22n43d0235

MT800B SERIES TRACTORS
FRAME AND BODY

MOUNTING GP-BODY - 158-5925
LICENSE PLATE
EAME ONLY



MT800B SERIES TRACTORS
FRAME AND BODY

569

MOUNTING GP-BODY - 158-5925
LICENSE PLATE
EAME ONLY

ITEM	NUMBER	QTY	DESCRIPTION
-	158-5925	-	MOUNTING GP-LICENSE PLATE [A] (NOT SERVICED)
1	177-7107	1	PLATE AS.-LICENSE
2	221-7640	1	BRACKET AS.
3	222-1887	1	BRACKET AS
4	400300X1	4	NUT M6X1
5	CH5P-4115	8	WASHER-7.2IDX19ODX2MM
6	400221X1	6	BOLT-M6X1X20MM ZNDI HHD 10.9
7	CH8T-4205	2	WASHER-HARD 7.2IDX14.5ODX2MM
8	CH9X-2042	3	SCREW-M6X1X12 ORG TORX

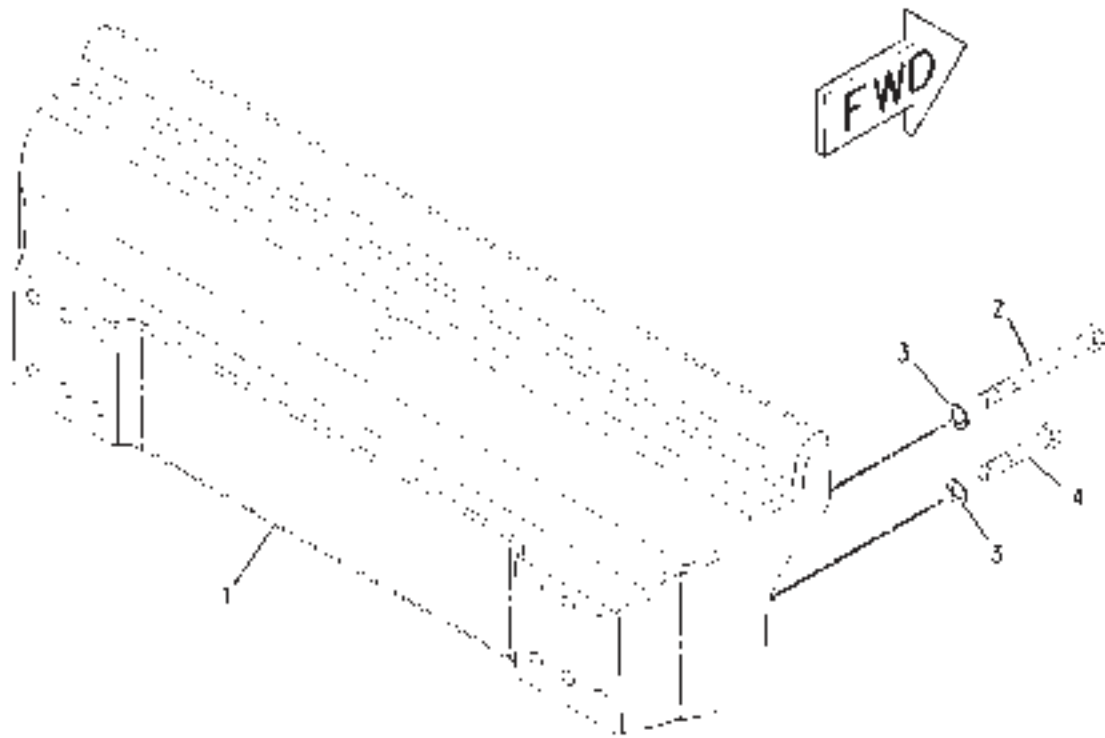
PART OF:
179-2180; 501811D1; 502669D1;
502936D1 BASE COMMON AR

1585925A
PR: t05b22n43d0236

570

MT800B SERIES TRACTORS
FRAME AND BODY

MOUNTING GP-COUNTERWEIGHT - 184-5337
504 KG (1112 LB)



00835473

MT800B SERIES TRACTORS
FRAME AND BODY

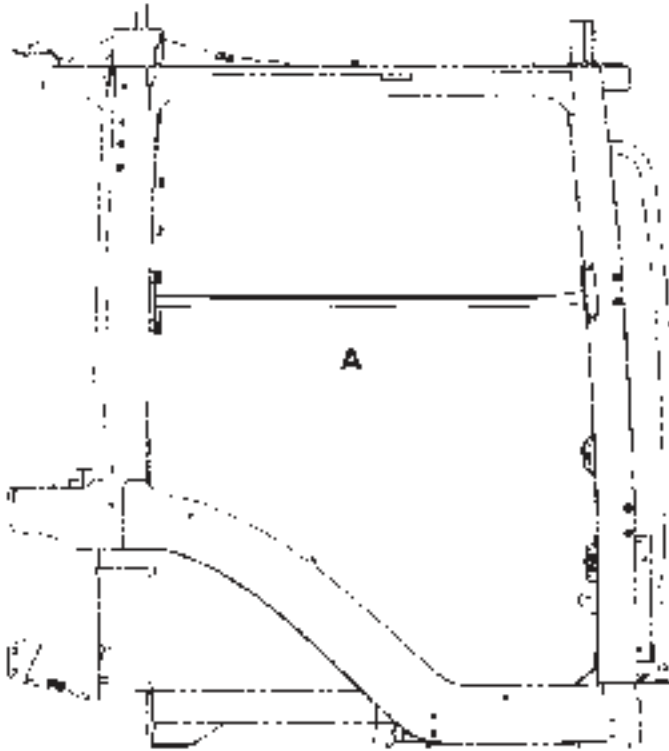
571

MOUNTING GP-COUNTERWEIGHT - 184-5337
504 KG (1112 LB)

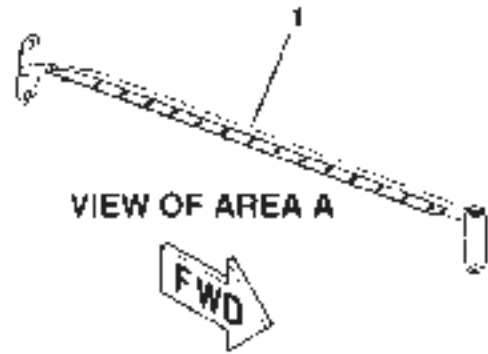
ITEM	NUMBER	QTY	DESCRIPTION
-	184-5337	-	MOUNTING GP-COUNTERWGHT (NOT SERVICED)
1	184-5356	1	BRACKET
2	400194X1	6	BOLT (M20X2.5X180MM)
3	400080X1	12	WASHER-PLATED (22X35X3.5)
4	400236X1	6	BOLT (M20X2.5X120MM)

00835473
PR: t05b22n43d0237

MOUNTING GP-MONITOR - 222-7965



RIGHT SIDE VIEW



VIEW OF AREA A

MT800B SERIES TRACTORS
FRAME AND BODY

573

MOUNTING GP-MONITOR - 222-7965

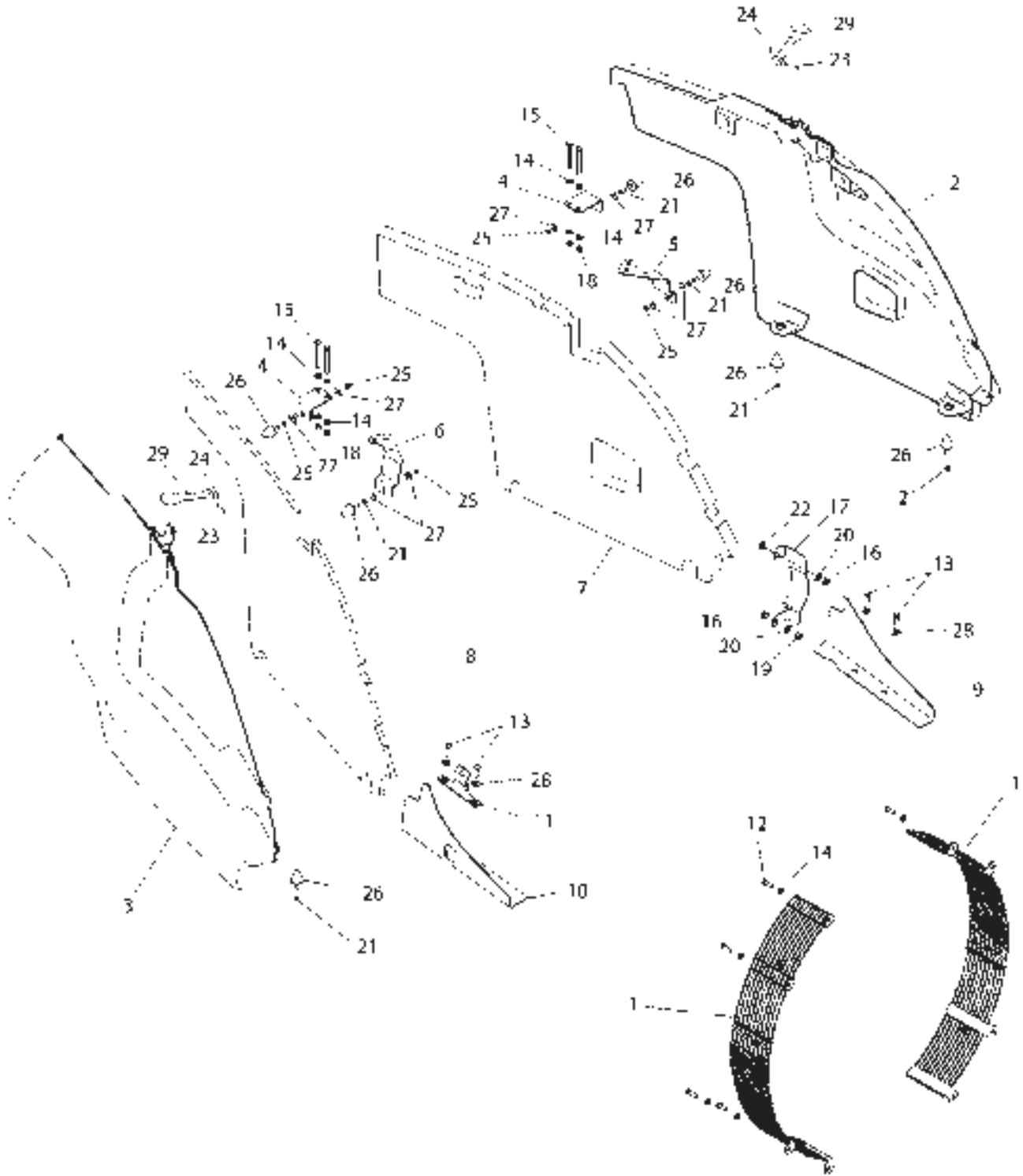
ITEM	NUMBER	QTY	DESCRIPTION
-	222-7965	-	MOUNTING GP-MONITOR [A] (NOT SERVICED)
1	215-8364	1	TUBE ASM
	CH6V-5839	2	WASHER (11IDX21X2.5MM)(NOT SHOWN)
	CH9X-2040	2	SCREW-TRS HD (M10X1.5X20)(NOT SHOWN)
	CH9X-2041	2	SCREW-TRS HD (M10X1.5X25)(NOT SHOWN)

[A] PART OF 501605D1; 501606D1;
501607D1; 501608D1; 501609D1
BASE UNIT AR;
502778D1; 502798D1 MTG GP-MONITOR

0894860A
PR: t05b22n43d0238

MT800B SERIES TRACTORS
FRAME AND BODY

ENCLOSURE GP - 502055D1



502055DC

MT800B SERIES TRACTORS
FRAME AND BODY

575

ENCLOSURE GP - 502055D1

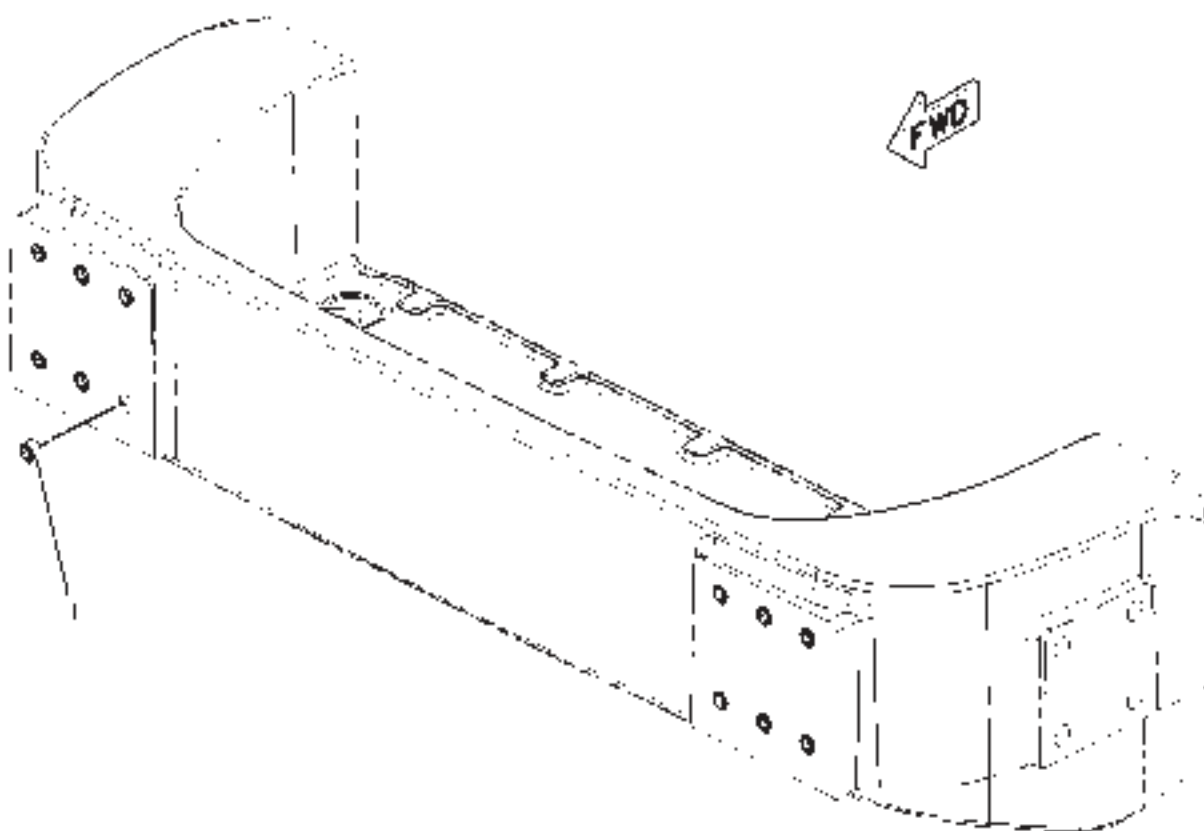
ITEM	NUMBER	QTY	DESCRIPTION
-	502055D1	-	ENCLOSURE GP (NOT SERVICED)
1	204-5043	2	GUARD AS.-FAN
2	210-4348	1	PANEL AS.-LH
3	502049D1	1	PANEL AS-RH
4	210-4406	2	BRACKET
5	210-4407	1	BRACKET-LH
6	210-4408	1	BRACKET-RH
7	210-4411	1	INSULATION-LH
8	210-4412	1	INSULATION-RH
9	210-4421	1	BRACKET
10	216-6285	1	BRACKET
11	225-8514	1	PLATE
12	400058X1	6	BOLT-M10X1.5X30 ZNDI HHD 10.9
13	400059X1	2	BOLT-M10X1.5X35 ZNDI HHD 10.9
13	400059X1	2	BOLT-M10X1.5X35 ZNDI HHD 10.9
14	400287X1	14	WASHER-HARD 11IDX21ODX2.5 ZND1
15	400225X1	4	BOLT-M10X1.5X90 ZNDI HHD 10.9
16	400275X1	2	GROMMET
17	501205D1	1	GUARD-ALTERNATOR
18	7774664	4	NUT-M10-1.5,CL10.9,ZN,H,REG
19	AG601152	1	NUT 0.50-13NC HEX ZN REG NY
20	400357X1	2	WASHER-HARD-M12X25.50DX3THK
21	400682X1	4	NUT 5/16-18 THD 6.75
22	CH1K-6872	1	LOCKNUT-1/2-13 THD
23	CH2M-5795	2	PIN-CLEVIS-6.22DIA X 42 ZN
24	CH3B-4607	2	PIN-COTTER 2.38DIA X 12.7 STL
25	CH3E-9860	4	LOCKNUT-5/16-18 ZNDI
26	CH3W-7412	8	BUMPER-RUB CONE 5/16-18X32 STD
27	CH7X-0579	8	WASHER-HARD 8.8IDX25.5ODX2
28	CH7X-7729	2	WASHER-11IDX5ODX3MM
28	CH7X-7729	2	WASHER-11IDX5ODX3MM
29	CH9M-3835	2	LATCH-RUBBER T-BALL

502055DC
PR: t05b22n43d0239

576

MT800B SERIES TRACTORS
FRAME AND BODY

PLUG GP-COUNTERWEIGHT - 183-5789
COMPLETING



00851420

MT800B SERIES TRACTORS
FRAME AND BODY

577

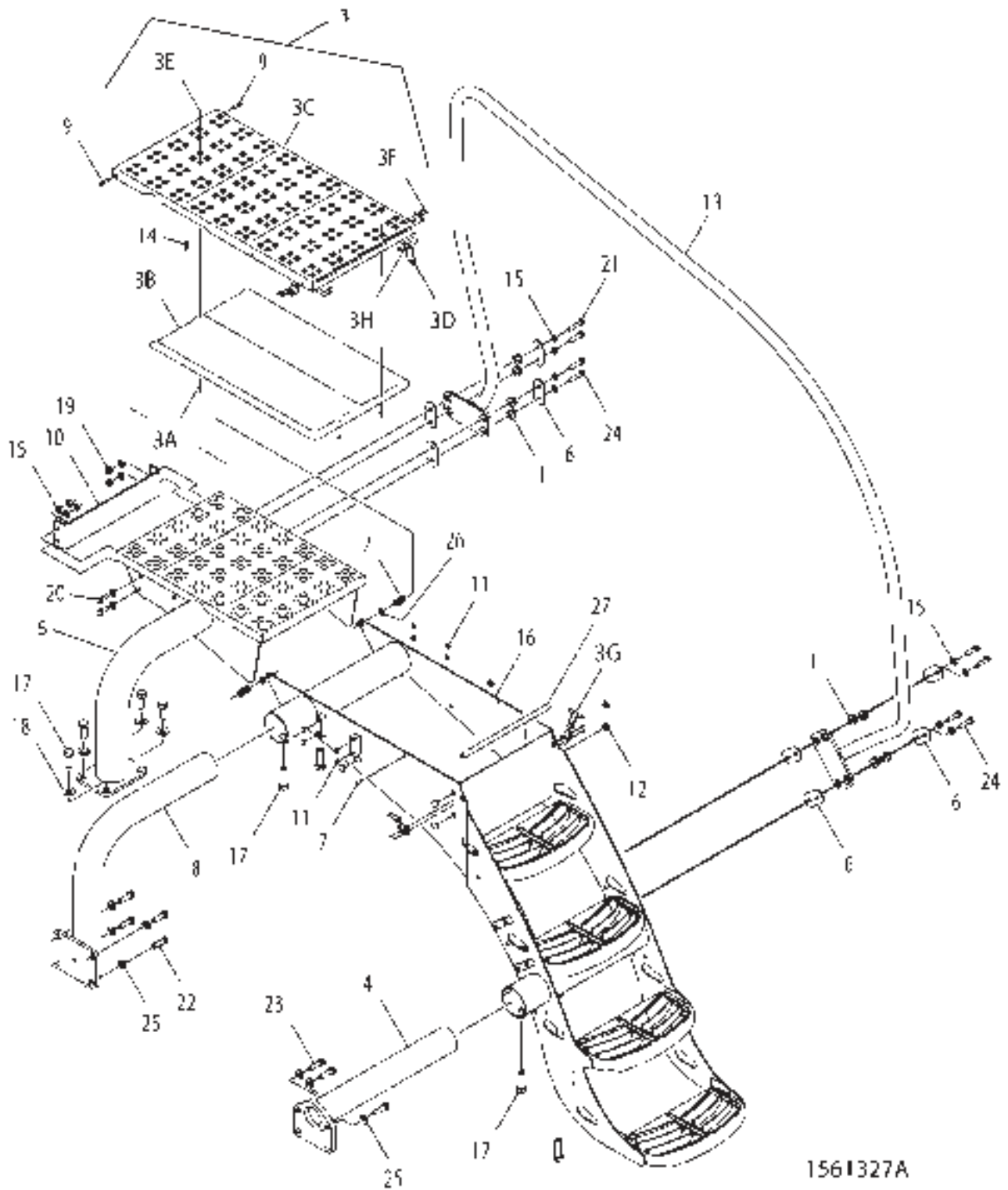
PLUG GP-COUNTERWEIGHT - 183-5789
COMPLETING

ITEM	NUMBER	QTY	DESCRIPTION
-	183-5789	-	PLUG GP-COUNTERWEIGHT (NOT SERVICED)
1	400090X1	12	PLUG

00851420
PR: t05b22n43d0240

MT800B SERIES TRACTORS
FRAME AND BODY

STEP GP - 156-1327



1561327A

**MT800B SERIES TRACTORS
FRAME AND BODY**

579

STEP GP - 156-1327

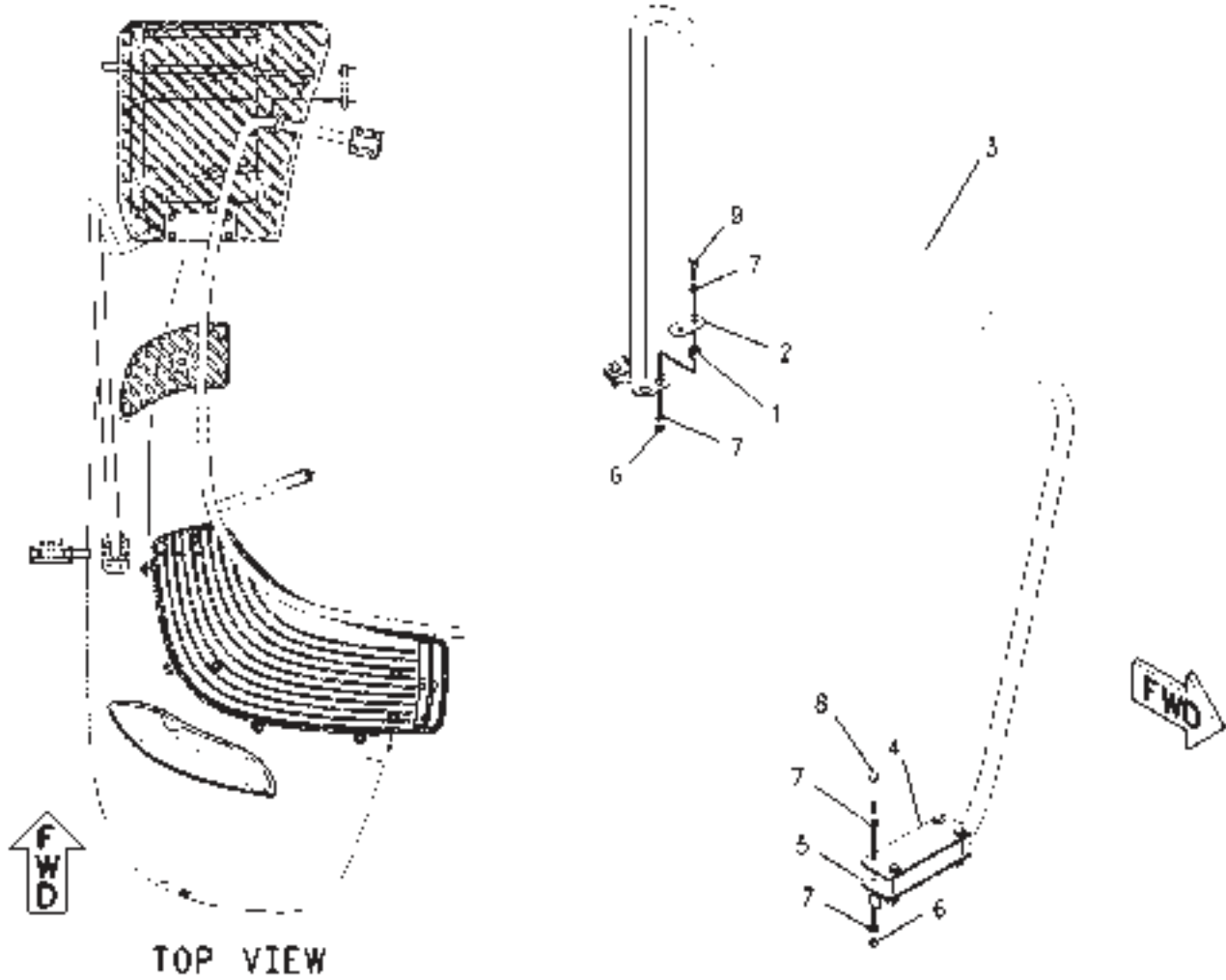
ITEM	NUMBER	QTY	DESCRIPTION
-	156-1327	-	STEP GP [A] (NOT SERVICED)
1	CH6N-6984	8	MOUNTING
2	CH7V-0445	2	SPRING-COMP 15.24 OD X 19.05
3	173-2743	1	STEP AS-TOP DECK (NOT SERVICED) (ORDER 3A-3H)
3A	CH6K-3274	3	PLATE-RIVET 3.3 X 9.5 X 1.5
3B	170-5765	1	SHIELD
3C	173-2744	1	STEP-TOP
3D	192-0976	1	PLATE-LOCK TAB
3E	CH103-8089	3	RIVET-BL 3.18 X 6.38-7.92 GRIP
3F	CH1H-8289	8	SCREW-PAN 5-40 THD SLOTTED
3G	CH118-0772	2	LATCH AS-T BALL
3H	CH3K-9089	8	NUT-SELF LOCKING 5-40-3B THD
4	183-7892	1	PIPE AS-FRONT
5	183-7894	1	STEP AS
6	203-9200	6	PLATE
7	204-9922	1	ROD
8	208-7525	1	PIPE AS. -REAR
9	400015X1	2	BOLT-M8X1.25X33 ZNDI HSHD 12.9
13	220-2730	1	TUBE AS-HANDRAIL
10	225-8861	1	BRACKET
20	400039X1	2	BOLT-M10X1.5X25 ZNDI HHD 10.9
21	400049X1	2	BOLT-M10X1.5X45 ZNDI HHD 10.9
22	400050X1	4	BOLT-M12X1.75X40 ZNDI HHD 10.9
23	400051X1	3	BOLT-M12X1.75X45 ZNDI HHD 10.9
24	400052X1	6	BOLT-M10X1.5X40 ZNDI HHD 10.9
17	400191X1	8	BOLT-M16X2X40MM ZNDI HHD 10.9
15	400287X1	16	WASHER-HARD 11IDX21ODX2.5 ZND1
26	400339X1	2	WASHER-HARD
25	400357X1	7	WASHER-HARD-M12X25.50DX3THK
16	500441D2	1	STEP AS
11	CH193-5914	12	PLUG-PROTECTIVE PLASTIC,M10
12	CH193-5916	6	PLUG-PROTECTIVE PLASTIC M16
14	CH3B-4610	1	PIN-COTTER 2.38 DIA X 22.2MM STL
18	CH8T-4122	4	WASHER HARD-17IDX32ODX3.5MM
27	WR513654	1	EDGE LINER .19" TK MAT PVC (33CM)
19	7774664	6	NUT-M10-1.5,CL10.9,ZN,H,REG

[A] PART OF 179-1953 CHASSIS AR

1561327A
PR: t05b22n43d0241

MT800B SERIES TRACTORS
FRAME AND BODY

HANDHOLD GP - 221-8534
EAME ONLY



MT800B SERIES TRACTORS
FRAME AND BODY

581

HANDHOLD GP - 221-8534
EAME ONLY

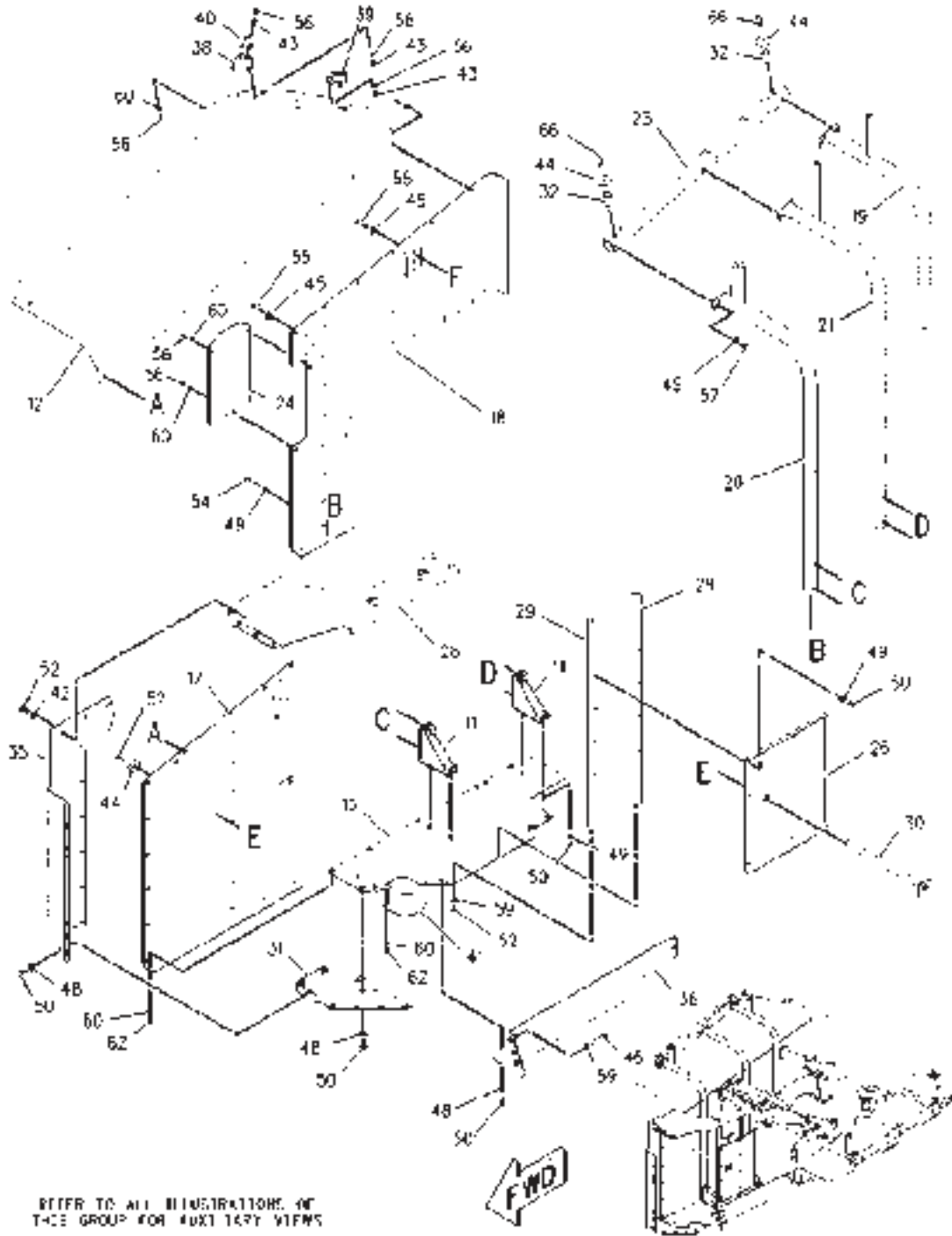
ITEM	NUMBER	QTY	DESCRIPTION
-	221-8534	-	HANDHOLD GP [A] (NOT SERVICED)
1	CH6N-6984	4	MOUNT
2	203-9200	2	PLATE
3	221-8535	1	HANDHOLD AS
4	221-8536	1	PLATE
5	221-8537	2	INSULATION
6	CH6V-7744	8	LOCKNUT (M10X1.5 THD)
7	400287X1	16	WASHER-HARD (11X21X2.5MM THK)
8	400044X1	4	BOLT (M10X1.50X80MM)
9	400052X1	4	BOLT (M10X1.5X40MM)

[A] PART OF 179-2180; 501811D1;
502936D1 BASE COMMON AR

00895637
PR: t05b22n43d0242

MT800B SERIES TRACTORS
FRAME AND BODY

SUPPORT GP-FUEL TANK - 186-5431
1 OF 2



**MT800B SERIES TRACTORS
FRAME AND BODY**

583

**SUPPORT GP-FUEL TANK - 186-5431
1 OF 2**

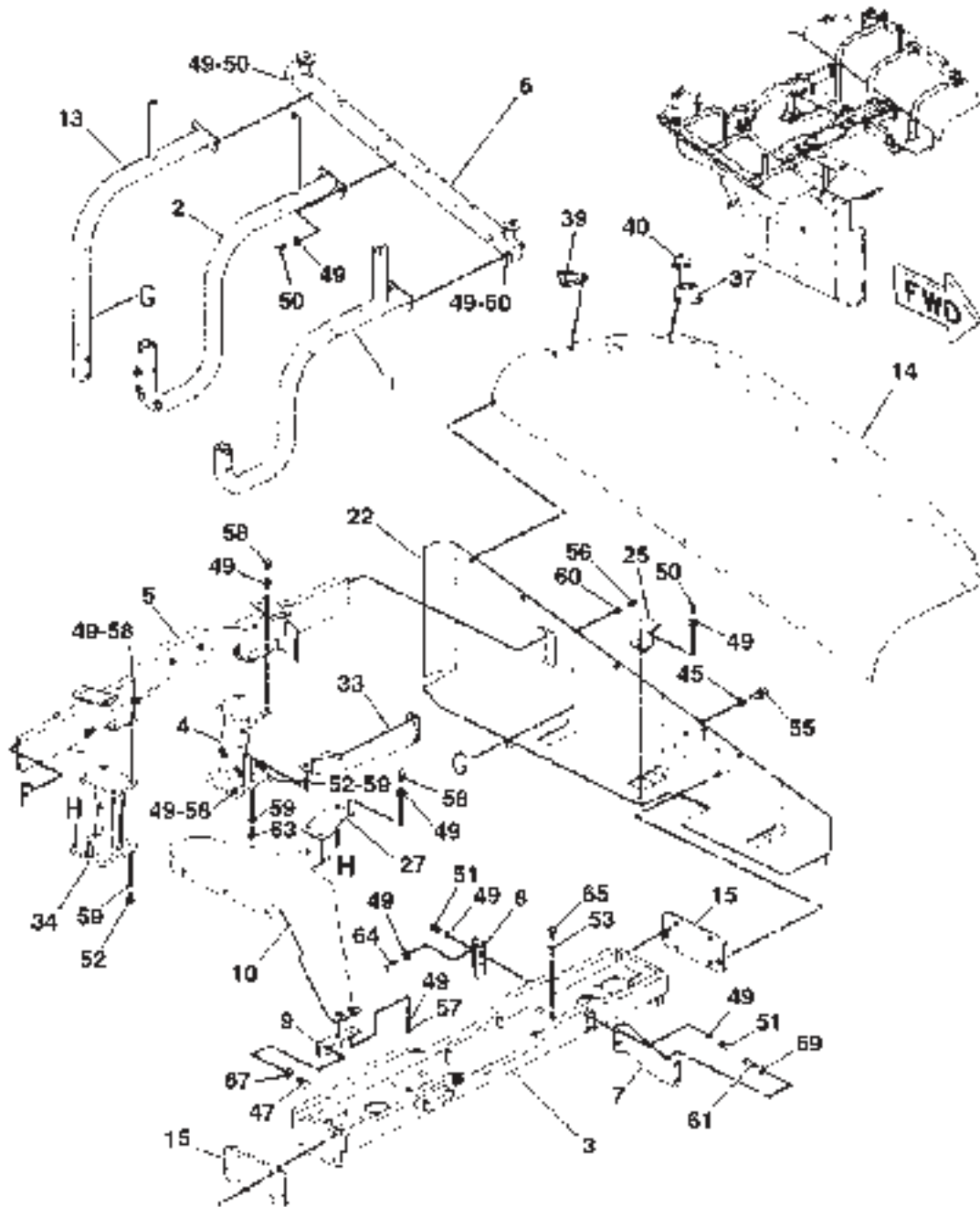
ITEM	NUMBER	QTY	DESCRIPTION
-	186-5431	-	SUPPORT GP-FUEL TANK [A] (NOT SERVICED)
11	210-7529	2	PLATE ASM
	CH8T-3490	4	NUT-WELD (M10X1.5)
12	188-0773	1	SHIELD
16	188-0777	1	PLATE ASM (RH) (TANK SUPPORT) (INCLUDES NUT-WELD AND PLATE)
	CH8T-3490	5	NUT-WELD (M10X1.5)
	CH8T-3612	10	NUT-WELD (M8X1.25)
17	188-0778	1	SHIELD AS (INCLUDES PLATE AND NUT-WELD)
	CH8T-3612	12	NUT-WELD (M8X1.25)
18	188-0779	1	SHIELD AS (INCLUDES PLATES & NUT-WELD)
	CH8T-3612	6	NUT-WELD (M8X1.25)
19	195-0499	1	TUBE AS (INCLUDES PLATE, ROD & TUBE)
20	195-0500	1	TUBE AS (INCLUDES PLATE, ROD, TUBE & NUT-WELD)
	CH8T-3597	1	NUT-WELD (M12X1.75)
21	195-0501	1	TUBE AS (INCLUDES PLATE, ROD & TUBE)
23	197-8128	1	SUPPORT
24	197-8131	1	SHIELD (RH)
26	205-1388	1	PLATE
28	205-1394	1	PLATE ASM(INCL. PLATE, LINK & NUT-WELD)
	7T-1099	2	LINK
	CH8T-3597	3	NUT-WELD (M12X1.75)
29	205-1395	2	BAR
30	205-1396	1	PIN ASM (INCLUDES SPACE-BAR & PLATE)
31	205-1397	1	SHIELD AS (INCLUDES PLATE & NUT-WELD)
	CH8T-3490	3	NUT-WELD (M10X1.5)
32	206-4708	4	SPACER (22.2X31.8X50)
35	209-0799	1	SHIELD (RH) (FRONT)
36	209-0800	1	BRACKET ASM (INCL. BRACKET & NUT-WELD)
	CH8T-3490	2	NUT-WELD (M10X1.50)
	CH8T-3597	4	NUT-WELD (M12X1.75)
38	219-7564	1	BRACKET ASM(INCLUDES PLATE & NUT-WELD)
	CH8T-3612	4	NUT-WELD (M8X1.25)
39	219-7565	2	BRACKET ASM(INCLUDES PLATE & NUT-WELD)
	CH8T-3612	2	NUT-WELD (M8X1.25)
40	219-7566	2	BRACKET
41	210-2682	1	COVER
42	400381X1	3	WASHER-HARD (13.5X30X4)
43	400599X1	12	WASHER-HARD (8.8X20.5X2)
44	7G-8839	5	SPACER (13.5X57X6)
45	CH7X-0618	14	WASHER-HARD (13.5X40X5)
46	7X-2549	3	BOLT (M12X1.75X100MM)
48	CH7X-7729	9	WASHER (11X25X3)
49	400287X1	59	WASHER-HARD (11X21X2.5)
50	8T-4136	31	BOLT (M10X1.5X25MM)
52	400041X1	33	BOLT (M12X1.75X30MM)
54	8T-4172	6	BOLT (M10X1.50X80MM)
55	8T-4183	14	BOLT (M12X1.75X40MM)
56	8T-4189	72	BOLT (M8X1.25X20MM)
57	400058X1	12	BOLT (M10X1.5X30MM)
59	400357X1	35	WASHER-HARD (M12X25.5X3)
60	400339X1	69	WASHER-HARD (8.8X16X2)
62	400341X1	9	BOLT (M8X1.25X25MM)
66	8T-6868	4	BOLT (M12X1.75X80MM)

[A] PART OF 179-2182 TANK & MTG GP-FUEL

00890185
PR: t05b22n43d0243

MT800B SERIES TRACTORS
FRAME AND BODY

SUPPORT GP-FUEL TANK - 186-5431
2 OF 2



REFER TO ALL ILLUSTRATIONS OF
THIS GROUP FOR AUXILIARY VIEWS

**MT800B SERIES TRACTORS
FRAME AND BODY**

585

**SUPPORT GP-FUEL TANK - 186-5431
2 OF 2**

ITEM	NUMBER	QTY	DESCRIPTION
-	186-5431	-	SUPPORT GP-FUEL TANK [A] (NOT SERVICED)
1	187-1062	1	TUBE ASM
	7T-1099	1	LINK
	CH8T-3597	1	NUT-WELD (M12X1.75)
2	187-1069	1	TUBE ASM
	7T-1099	3	LINK
	CH8T-3490	2	NUT-WELD (M10X1.5)
3	188-0497	1	BRACKET ASM
	7T-1099	4	LINK
		1	BOSS (M10X1.5X39MM)
4	188-0762	1	BRACKET ASM
	7T-1099	3	LINK
	CH8T-3490	8	NUT-WELD (M10X1.5)
	9R-2821	1	BOSS
5	188-0763	1	SUPPORT ASM
	7T-1099	3	LINK
6	188-0764	1	SUPPORT AS
7	188-0765	1	ARM ASM
	CH8T-3597	2	NUT-WELD (M12X1.75)
8	188-0766	1	ANGLE
9	188-0768	1	BRACKET
10	188-0769	1	BRACKET ASM
	CH8T-3490	7	NUT-WELD (M10X1.5)
13	188-0774	1	TUBE ASM
	CH8T-3490	2	NUT-WELD (M10X1.5)
14	188-0775	1	SHIELD
15	188-0776	2	PLATE ASM
	CH8T-3490	2	NUT-WELD (M10X1.5)
22	195-0502	1	SUPPORT ASM
	CH8T-3490	1	NUT-WELD (M10X1.5)
	CH8T-3612	5	NUT-WELD (M8X1.25)
25	199-2086	1	BRACKET (LH)
27	205-1390	1	BRACKET
33	206-4719	1	SUPPORT ASM (ARM)
	7T-1099	1	LINK
	CH8T-3490	2	NUT-WELD (M10X1.5)
	CH8T-3612	1	NUT-WELD (M8X1.25)

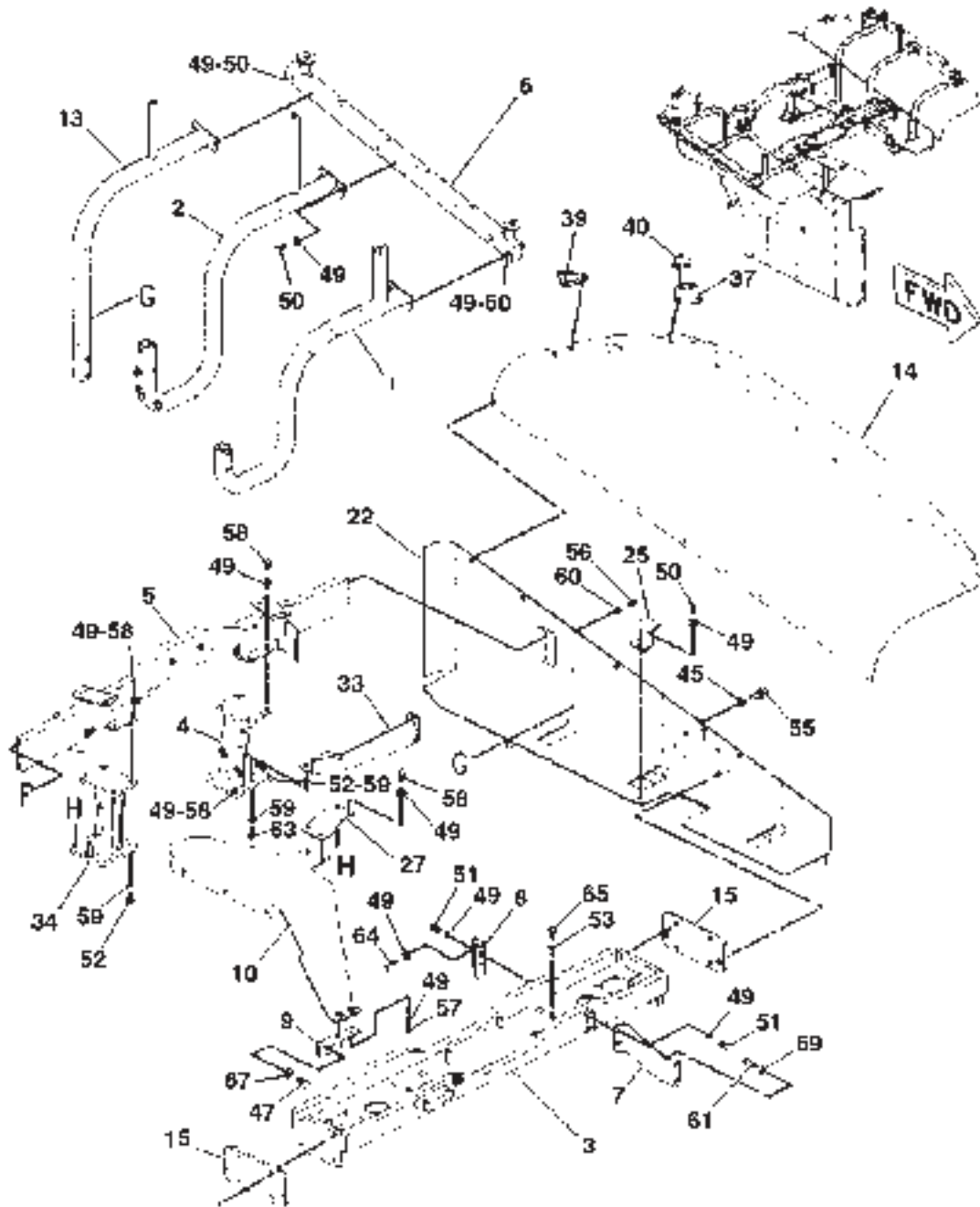
CONTINUED

[A] PART OF 179-2182 TANK & MTG GP-FUEL

0890186A
PR: t05b22n43d0244

MT800B SERIES TRACTORS
FRAME AND BODY

SUPPORT GP-FUEL TANK - 186-5431
2 OF 2



REFER TO ALL ILLUSTRATIONS OF
THIS GROUP FOR AUXILIARY VIEWS

MT800B SERIES TRACTORS
FRAME AND BODY

587

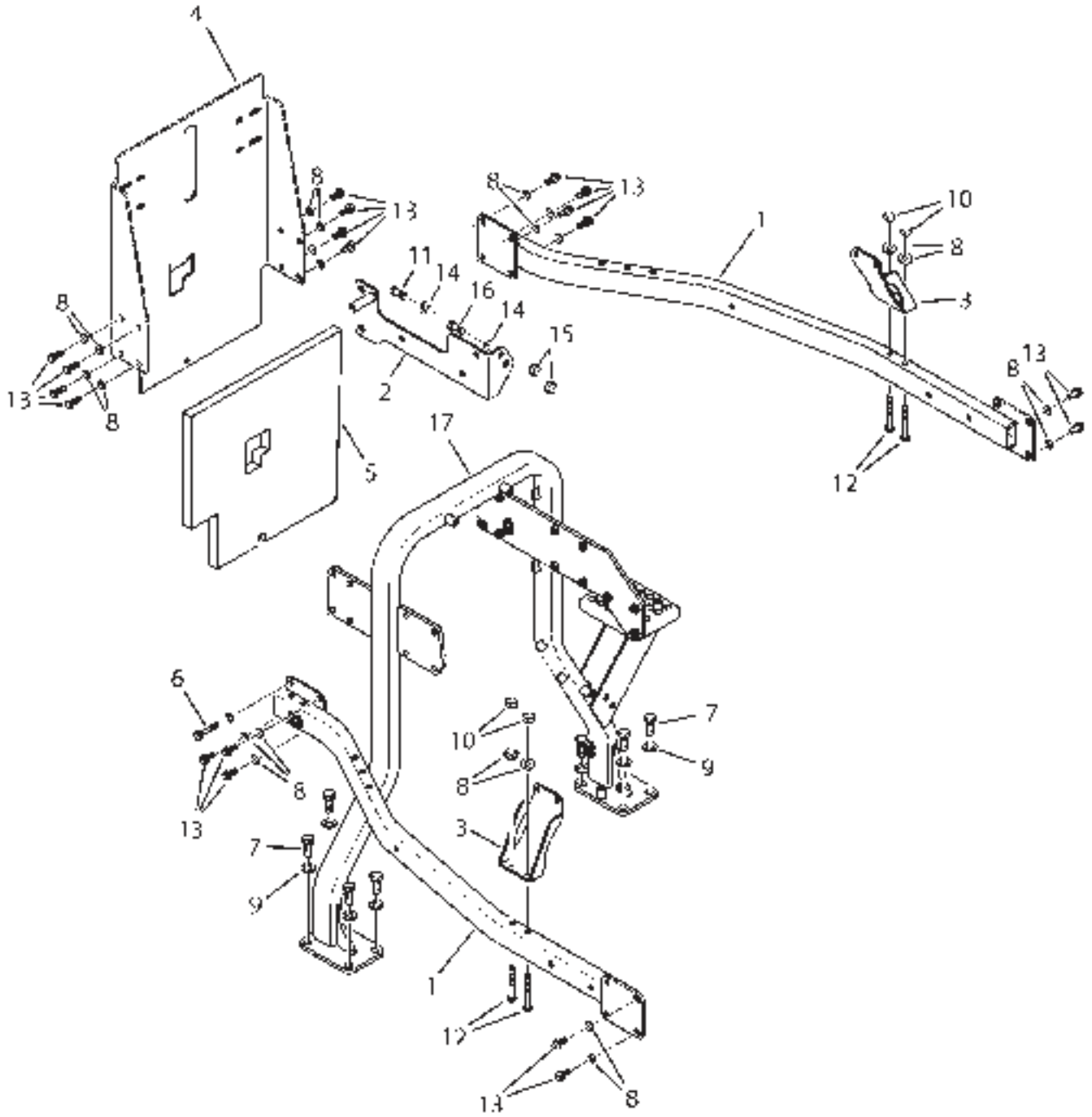
SUPPORT GP-FUEL TANK - 186-5431
2 OF 2

ITEM	NUMBER	QTY	DESCRIPTION
-	186-5431	-	SUPPORT GP-FUEL TANK [A] (NOT SERVICED)
34	206-4720	1	BRACKET ASM
	CH8T-3490	6	NUT-WELD (M10X1.5)
37	219-7563	1	BRACKET ASM
	CH8T-3612	4	NUT-WELD (M8X1.25)
39	219-7565	2	BRACKET ASM
	CH8T-3612	2	NUT-WELD (M8X1.25)
40	219-7566	2	BRACKET
47	7X-2552	2	BOLT (M16X2X30MM)
49	400287X1	59	WASHER-HARD (11X21X2.5)
50	8T-4136	31	BOLT (M10X1.5X25MM)
51	400040X1	4	BOLT (M10X1.5X20MM)
53	400081X1	10	WASHER-HARD (26X44X4)
55	8T-4183	14	BOLT (M12X1.75X40MM)
56	8T-4189	72	BOLT (M8X1.25X20MM)
57	400058X1	12	BOLT (M10X1.5X30MM)
58	400059X1	13	BOLT (M10X1.5X35MM)
59	400357X1	35	WASHER-HARD (M12X25.5X3)
60	400339X1	69	WASHER-HARD (8.8X16X2)
61	8T-4648	2	BOLT (M12X1.75X70MM)
63	8T-4956	1	BOLT (M12X1.75X35MM)
64	8T-5005	2	BOLT (M10X1.50X70MM)
65	8T-5878	10	BOLT (M24X3X80MM)
67	9X-8257	2	WASHER (17.5X30X3.5)

[A] PART OF 179-2182 TANK & MTG GP-FUEL

0890186A
PR: t05b22n43d0244

SUPPORT GP-COMPONENT
190-5441



MT800B SERIES TRACTORS
FRAME AND BODY

589

SUPPORT GP-COMPONENT
190-5441

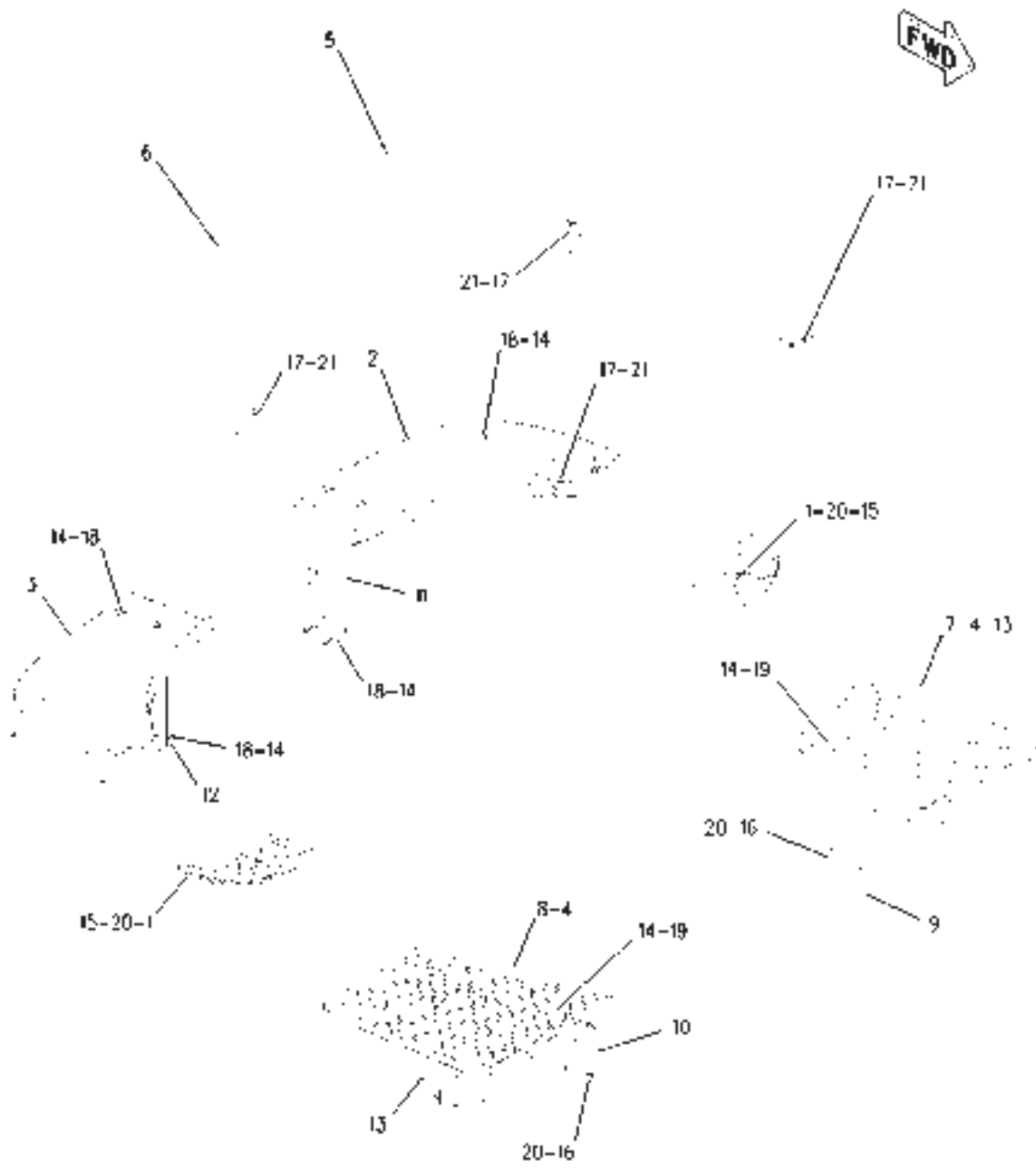
ITEM	NUMBER	QTY	DESCRIPTION
-	190-5441	-	SUPPORT GP-COMPONENT [A] (NOT SERVICED)
1	192-6457	2	TUBE AS (SIDE)
2	196-7824	1	PLATE AS.
3	214-9064	2	BRACKET AS
4	226-0921	1	SUPPORT
5	502655D1	1	INSULATION-REAR ENGINE
6	400143X1	1	BOLT-M10X1.5X60 ZNDI HHD 10.9
7	400191X1	8	BOLT-M16X2X40MM ZNDI HHD 10.9
8	400287X1	28	WASHER-HARD 11IDX21ODX2.5 ZND1
9	CH8T-4122	8	WASHER HARD-17IDX32ODX3.5MM
10	7774664	4	NUT-M10-1.5,CL10.9,ZN,H,REG
11	400041X1	3	BOLT-M12X1.75X30 ZNDI HHD 10.9
12	400225X1	4	BOLT-M10X1.5X90 ZNDI HHD 10.9
13	400058X1	19	BOLT-M10X1.5X30 ZNDI HHD 10.9
14	400357X1	4	WASHER-HARD-M12X25.50DX3THK
15	CH8T-4244	2	NUT-M12X1.75 HEX ZN
16	400050X1	1	BOLT-M12X1.75X40 ZNDI HHD 10.9
17	226-0919	1	TUBE AS.-CMPNT

PART OF 179-1953 CHASSIS AR

1905441A
PR: t05b22n43d0245

MT800B SERIES TRACTORS
FRAME AND BODY

WALKWAY GP
183-6384



MT800B SERIES TRACTORS
FRAME AND BODY

591

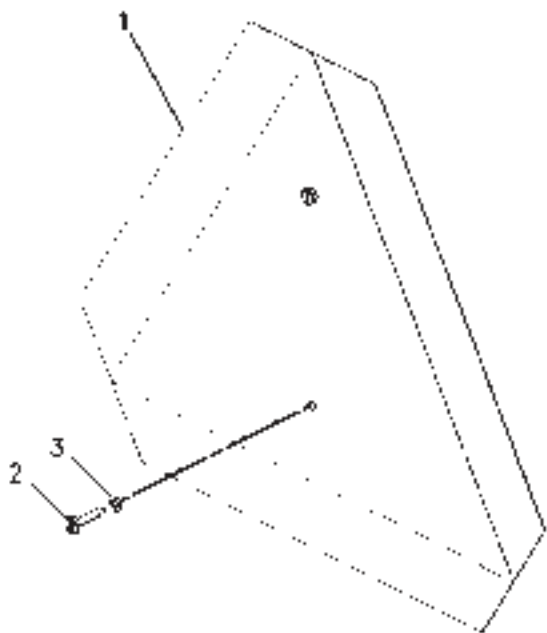
WALKWAY GP
183-6384

ITEM	NUMBER	QTY	DESCRIPTION
-	183-6384	-	WALKWAY GP [A] (NOT SERVICED)
1	184-7976	2	STEP
2	184-7977	1	PLATFORM (LH)
3	184-7978	1	PLATFORM (RH)
4	184-7979	2	STEP
5	184-7980	1	HANDHOLD LH
6	184-7985	1	HANDHOLD RH
7	195-2615	1	GROMMET (LH)
8	195-2616	1	GROMMET (RH)
9	209-9220	1	SUPPORT ASM
10	209-9222	1	SUPPORT ASM
11	501997D1	1	BRACKET ASM (LH)
12	501996D1	1	BRACKET ASM (RH)
13	CH3D-6209	6	GROMMET
14	400287X1	24	WASHER-HARD (11X21X2.5)
15	400050X1	2	BOLT (M12X1.75X40MM)
16	400051X1	8	BOLT (M12X1.75X45MM)
17	400053X1	12	BOLT (M8X1.25X20MM)
18	400058X1	16	BOLT (M10X1.5X30MM)
19	400059X1	8	BOLT (M10X1.5X35MM)
20	400357X1	10	WASHER-HARD (M12X25.5X3)
21	400599X1	12	WASHER-HARD (M8X20.5X2)

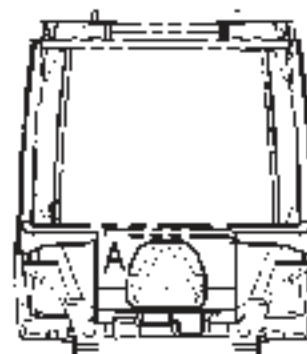
[A] PART OF:
179-1952; 501810D1 BASE COMMON AR

00823178
PR: t05b22n43d0246

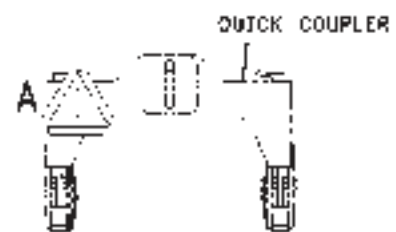
WARNING GP-SLOW MOVING VEHICLE
172-8886



DETAILS OF AREA A



REAR VIEW



REAR VIEW
(ALTERNATE PLACEMENT)

MT800B SERIES TRACTORS
FRAME AND BODY

593

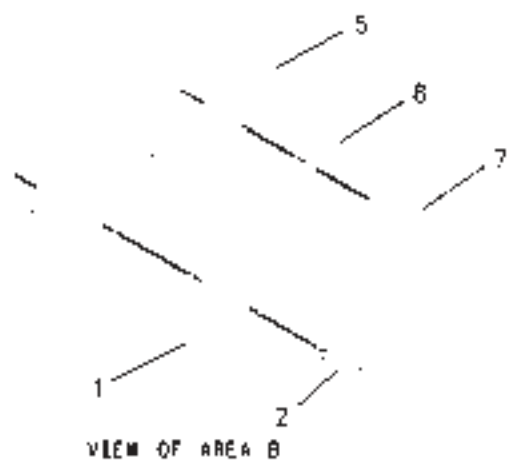
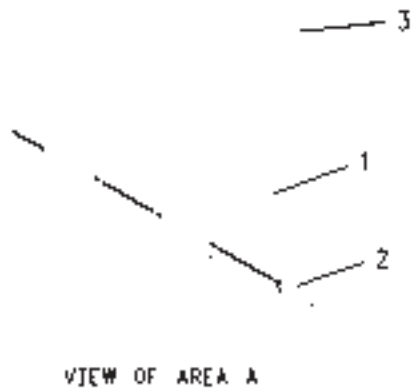
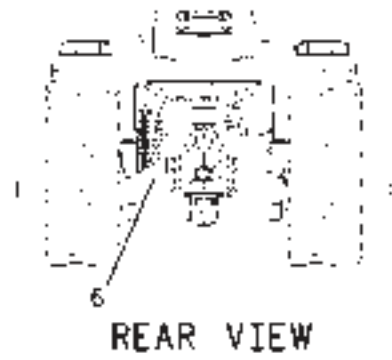
WARNING GP-SLOW MOVING VEHICLE
172-8886

ITEM	NUMBER	QTY	DESCRIPTION
-	172-8886	-	WARNING GP-SLOW MOVING VEHICLE (NOT SERVICED)
1	400129X2	1	PLATE ASM-WARNING (SLOW MOVING VEHICLE)
2	CH095-0741	2	SCREW-MACHINE (M6X1THD)
3	CH216-8275	2	SCREW-PAN HEAD (12-14X1 IN)
4	400310X1	2	WASHER (6.6X12X2)

00877873
PR: t05b22n43d0247

MT800B SERIES TRACTORS
FRAME AND BODY

REFLECTOR GP - 215-7336
FOR USE WITH DRAWBAR
EAME



MT800B SERIES TRACTORS
FRAME AND BODY

595

REFLECTOR GP - 215-7336
FOR USE WITH DRAWBAR
EAME

ITEM	NUMBER	QTY	DESCRIPTION
-	215-7336	-	KIT, REFLECTOR
1	207-0516	6	REFLECTOR
2	4K-9429	6	RIVET
3	173-8307	2	BRACKET (FRONT)
4	208-3022	2	FILM (YELLOW REFLECTIVE)
5	215-7331	4	BRACKET AS (CENTER)
6	215-7335	2	FILM (RED REFLECTIVE)
7	400041X1	8	BOLT (M12X1.75X30MM)
8	400357X1	8	WASHER-HARD (M12X25.5X3)

00894260
PR: t05b22n43d0248

MT800B SERIES TRACTORS
FRAME AND BODY

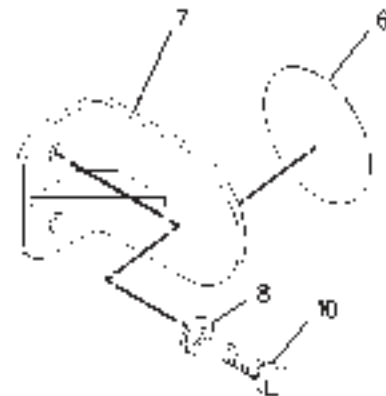
REFLECTOR GP - 215-9580
FOR USE WITH HITCH
EAME



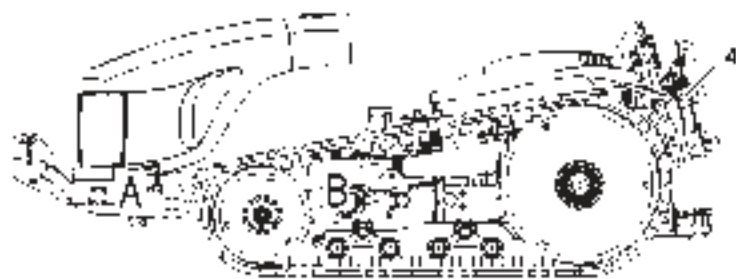
VIEW OF AREA A



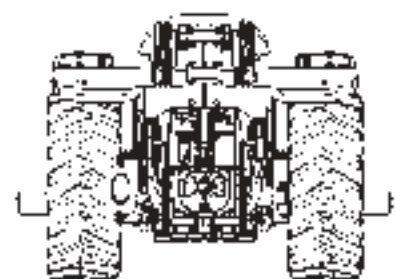
VIEW OF AREA B



VIEW OF AREA C



LEFT SIDE VIEW



REAR VIEW

MT800B SERIES TRACTORS
FRAME AND BODY

597

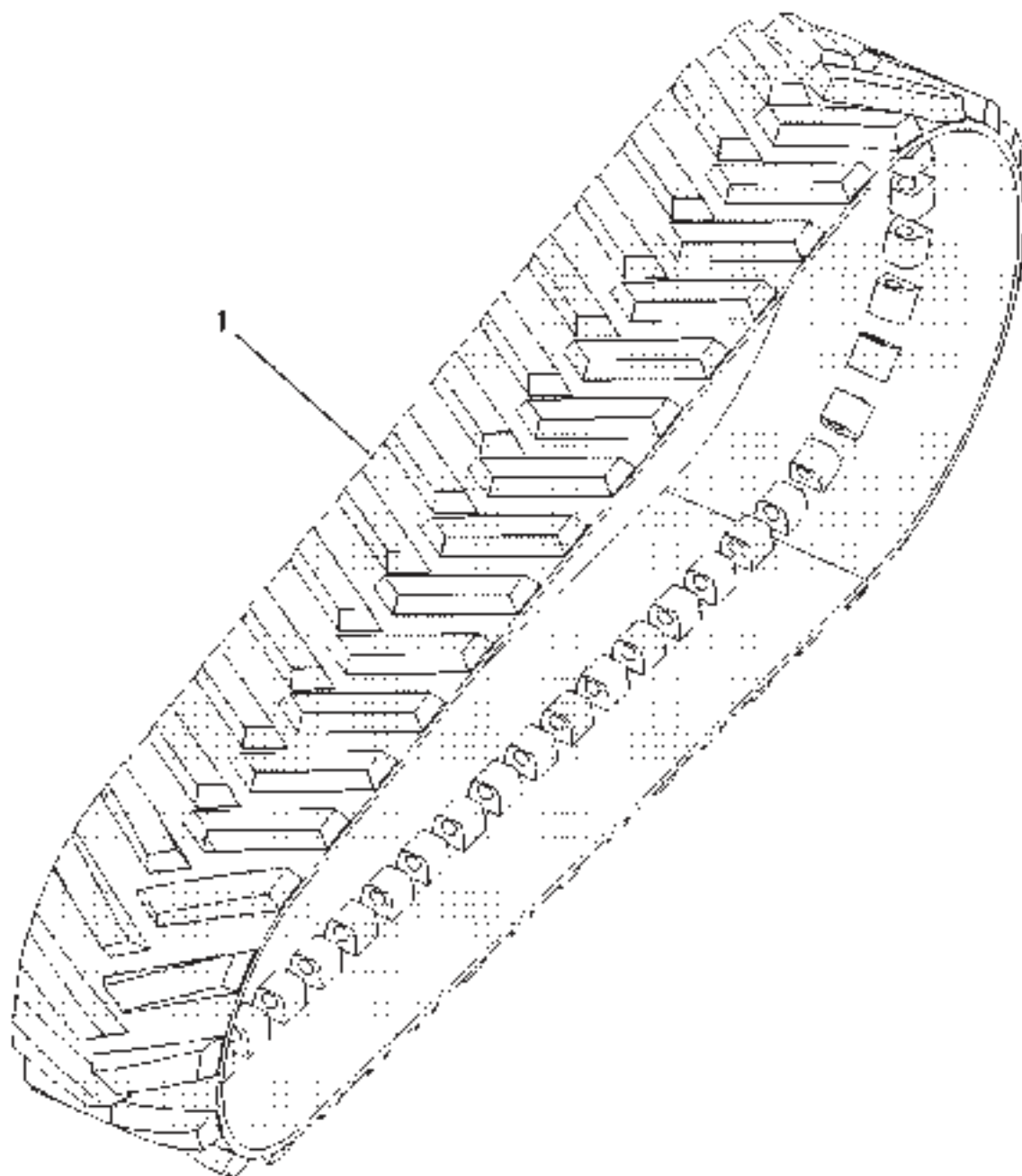
REFLECTOR GP - 215-9580
FOR USE WITH HITCH
EAME

ITEM	NUMBER	QTY	DESCRIPTION
-	215-9580	-	KIT, REFLECTOR
1	207-0516	6	REFLECTOR
2	4K-9429	6	RIVET
3	173-8307	2	BRACKET (FRONT)
4	208-3022	2	FILM (YELLOW REFLECTIVE)
5	215-7331	4	BRACKET AS (CENTER)
6	215-7335	2	FILM (RED REFLECTIVE)
7	215-7353	2	BRACKET AS
8	400287X1	4	WASHER-HARD (11X21X2.5)
9	400041X1	8	BOLT (M12X1.75X30MM)
10	400058X1	4	BOLT (M10X1.5X30MM)
11	400357X1	8	WASHER-HARD (M12X25.5X3)

00893300
PR: t05b22n43d0249

MT800B SERIES TRACTORS
TRACK BELTS

BELT AR-GENERAL AP - 156-6077
(699MM/27.5")



MT800B SERIES TRACTORS
TRACK BELTS

599

BELT AR-GENERAL AP - 156-6077
(699MM/27.5")

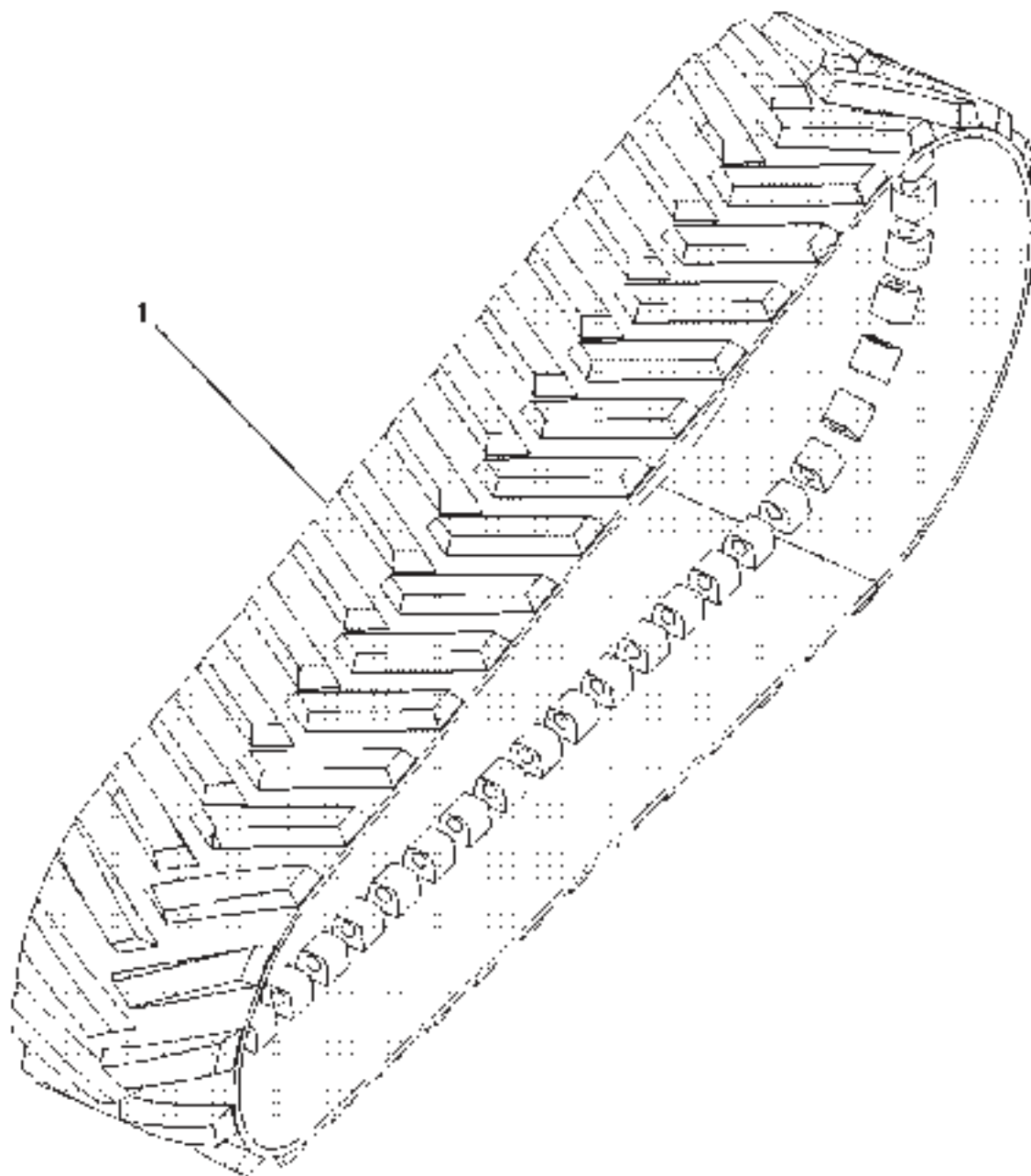
ITEM	NUMBER	QTY	DESCRIPTION
-	156-6077	-	BELT AR (ORDER THRU DEALER CENTRAL)
1	1R-1265	2	BELT
-	502142D1	-	BELT AR-FIELD (INCLS 1 OF ITEM 1)
-	502185D1	-	KIT, BELT REPAIR
-	501739D1	-	ELASTOMER
-	501742D1	-	SOLIDIFIER
-	501743D1	-	BELT CONDITIONER

00750372
PR: t05b22n43d0250

600

MT800B SERIES TRACTORS
TRACK BELTS

BELT AR-GENERAL AG - 156-6079
(762MM/30")



00750377

MT800B SERIES TRACTORS
TRACK BELTS

601

BELT AR-GENERAL AG - 156-6079
(762MM/30")

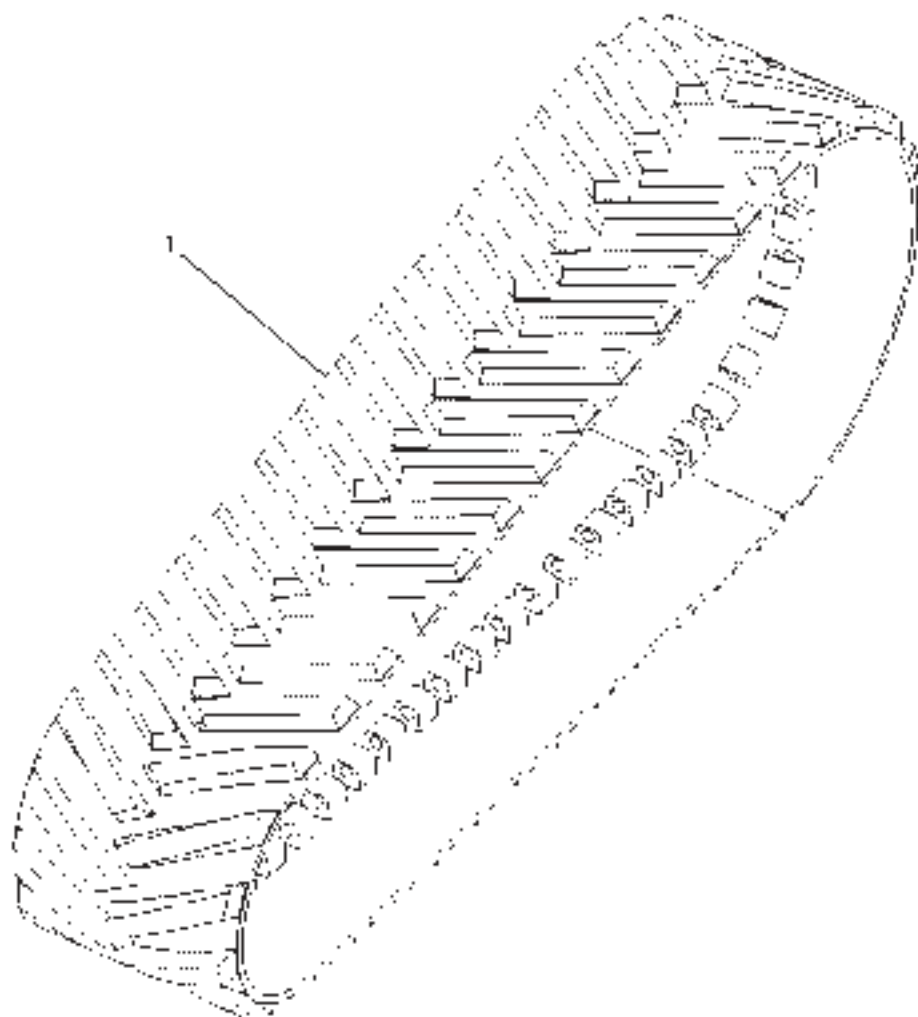
ITEM	NUMBER	QTY	DESCRIPTION
-	156-6079	-	BELT AR (ORDER THRU DEALER CENTRAL)
1	1R-1266	2	BELT
-	502144D1	-	BELT AR-FIELD (INCLS 1 OF ITEM 1)
-	502185D1	-	KIT, BELT REPAIR
-	501739D1	-	ELASTOMER
-	501742D1	-	SOLIDIFIER
-	501743D1	-	BELT CONDITIONER

00750377
PR: t05b22n43d0251

602

MT800B SERIES TRACTORS
TRACK BELTS

BELT AR-GENERAL AG - 156-6082
(914MM/36")



00750562

MT800B SERIES TRACTORS
TRACK BELTS

603

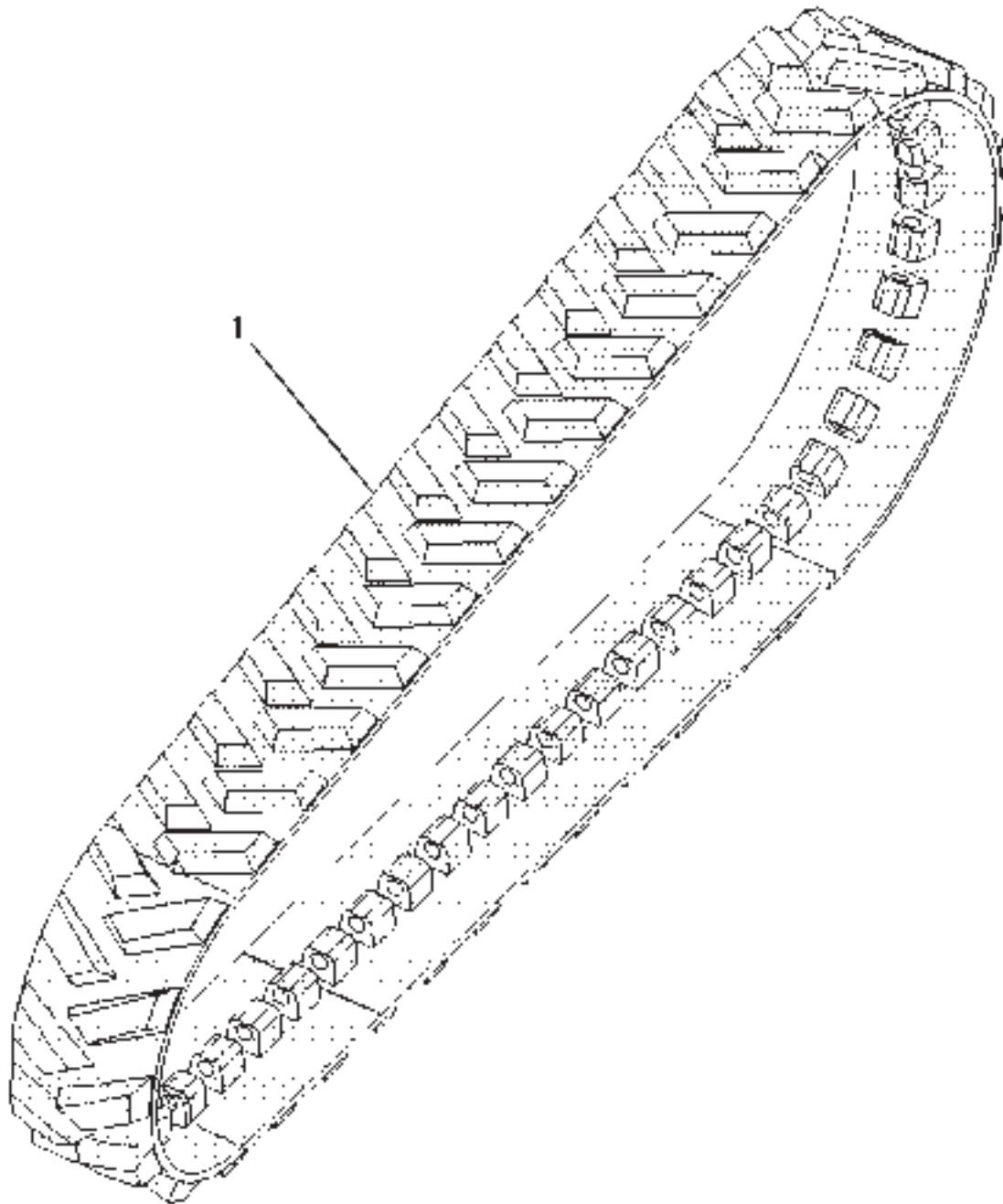
BELT AR-GENERAL AG - 156-6082
(914MM/36")

ITEM	NUMBER	QTY	DESCRIPTION
-	156-6082	-	BELT AR (ORDER THRU DEALER CENTRAL)
1	1R-1267	2	BELT
-	502146D1	-	BELT AR-FIELD (INCLS 1 OF ITEM 1)
-	502185D1	-	KIT, BELT REPAIR
-	501739D1	-	ELASTOMER
-	501742D1	-	SOLIDIFIER
-	501743D1	-	BELT CONDITIONER

00750562
PR: t05b22n43d0252

MT800B SERIES TRACTORS
TRACK BELTS

BELT AR-EXTREME AP - 156-6075
(457MM/18")



MT800B SERIES TRACTORS
TRACK BELTS

605

BELT AR-EXTREME AP - 156-6075
(457MM/18")

ITEM	NUMBER	QTY	DESCRIPTION
-	156-6075	-	BELT AR (ORDER THRU DEALER CENTRAL)
1	1R-1388	2	BELT
-	502141D1	-	BELT AR-FIELD (INCLS 1 OF ITEM 1)
-	502185D1	-	KIT, BELT REPAIR
-	501739D1	-	ELASTOMER
-	501742D1	-	SOLIDIFIER
-	501743D1	-	BELT CONDITIONER

00750319
PR: t05b22n43d0253

606

MT800B SERIES TRACTORS
TRACK BELTS

BELT AR-EXTREME AP - 177-4522
(699MM/27.5")



00851106

MT800B SERIES TRACTORS
TRACK BELTS

607

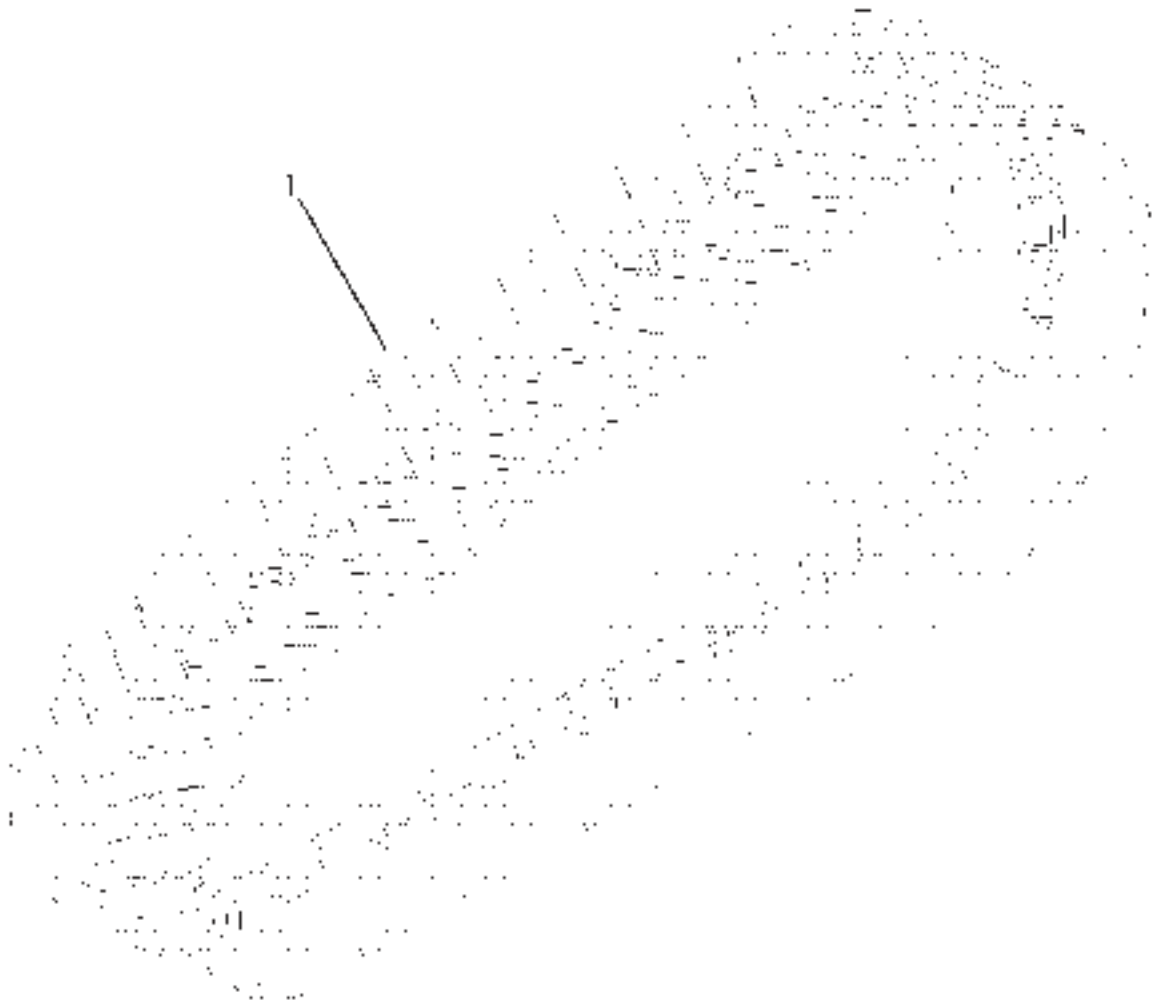
BELT AR-EXTREME AP - 177-4522
(699MM/27.5")

ITEM	NUMBER	QTY	DESCRIPTION
-	502779D1	-	BELT AR-27.5" [R] (FIELD INSTALLED) (INCLS 2 OF ITEM 1)
-	502143D1	-	BELT AR-27.5"-FIELD (INCLS 1 OF ITEM 1)
-	177-4522	-	BELT AR (ORDER ON DEALER CENTRAL)
1	1R-1323	2	BELT
-	502143D1	-	BELT AR-FIELD (INCLS 1 OF ITEM 1)
-	502185D1	-	KIT, BELT REPAIR
-	501739D1	-	ELASTOMER
-	501742D1	-	SOLIDIFIER
-	501743D1	-	BELT CONDITIONER

00851106
PR: t05b22n43d0254

MT800B SERIES TRACTORS
TRACK BELTS

BELT AR-EXTREME AP - 177-4523
(762MM/30")



MT800B SERIES TRACTORS
TRACK BELTS

609

BELT AR-EXTREME AP - 177-4523
(762MM/30")

ITEM	NUMBER	QTY	DESCRIPTION
-	502780D1	-	BELT AR-30" [R] (ROW) (INCLS 2 OF ITEM 1)
-	177-4523	-	BELT AR [A] (ORDER ON DEALER CENTRAL)
1	1R-1325	2	BELT
-	502145D1	-	BELT AR-FIELD (INCLS 1 OF ITEM 1)
-	502185D1	-	KIT, BELT REPAIR
-	501739D1	-	ELASTOMER
-	501742D1	-	SOLIDIFIER
-	501743D1	-	BELT CONDITIONER

[A] PART OF 502780D1 BELT AR
[R] SPECIAL APPLICATIONS PKG

00851108
PR: t05b22n43d0255

MT800B SERIES TRACTORS
TRACK BELTS

BELT AR-EXTREME AP - 178-8087
(914MM/36")



MT800B SERIES TRACTORS
TRACK BELTS

611

BELT AR-EXTREME AP - 178-8087
(914MM/36")

ITEM	NUMBER	QTY	DESCRIPTION
-	502781D1	-	BELT AR-36" [R] (ROW) (INCLS 2 OF ITEM 1) (ORDER ON DEALER CENTRAL)
-	178-8087	-	BELT AR [A] (ORDER ON DEALER CENTRAL)
1	1R-1360	2	BELT
-	502147D1	-	BELT AR-FIELD (INCLS 1 OF ITEM 1)
-	502185D1	-	KIT, BELT REPAIR
	501739D1		ELASTOMER
	501742D1		SOLIDIFIER
-	501743D1	-	BELT CONDITIONER

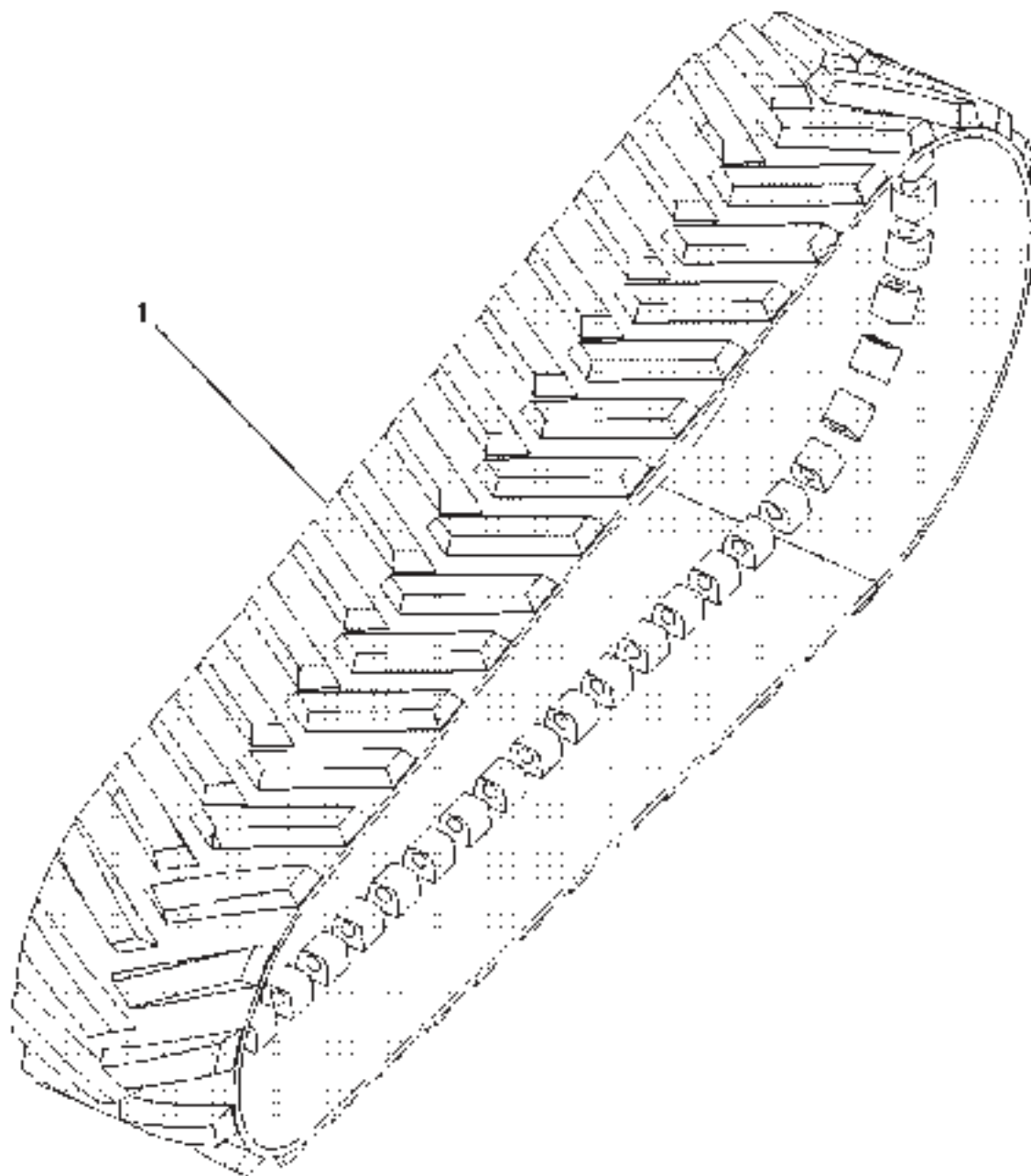
[A] PART OF 502781D1 BELT AR
[R] SPECIAL APPLICAITIONS PKG

00851176
PR: t05b22n43d0256

612

MT800B SERIES TRACTORS
TRACK BELTS

BELT AR-SPECIAL AP - 502027D1
(762MM/30")



00750377

MT800B SERIES TRACTORS
TRACK BELTS

613

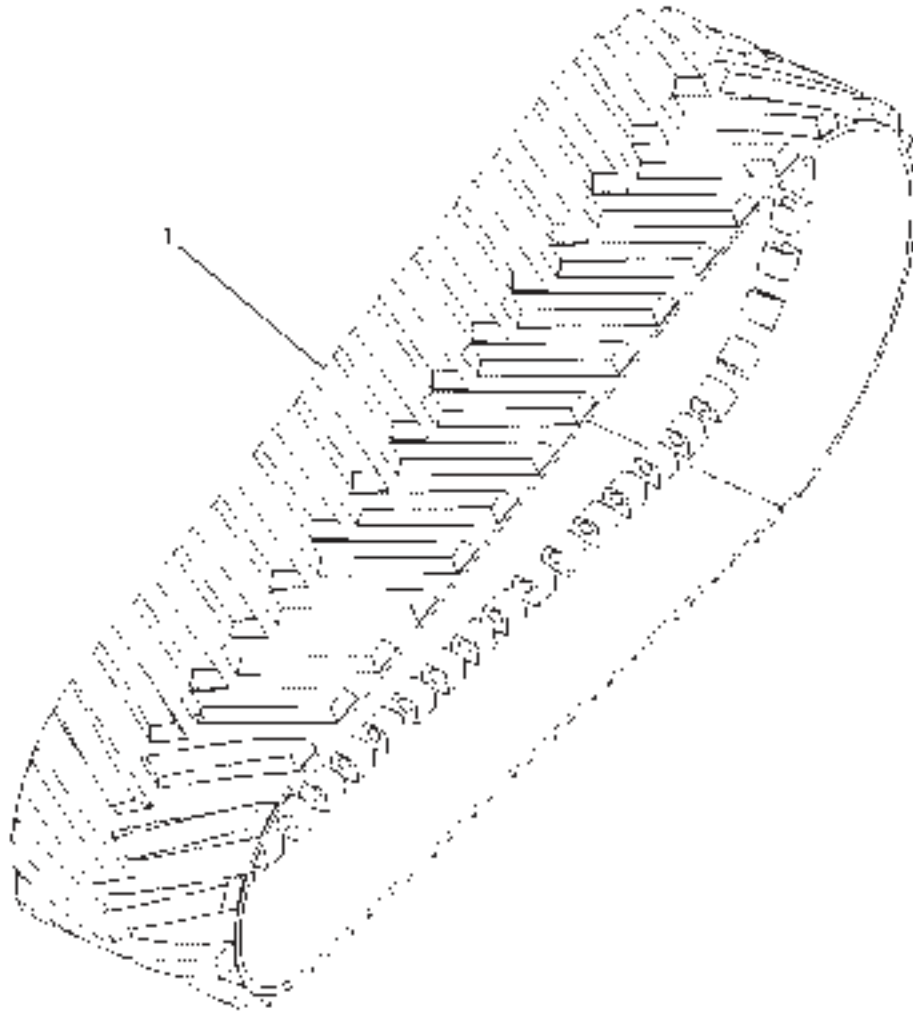
BELT AR-SPECIAL AP - 502027D1
(762MM/30")

ITEM	NUMBER	QTY	DESCRIPTION
-	502782D1	-	BELT AR-30" [R] (ROW ONLY) (ORDER ON DEALER CENTRAL)
-	502027D1	-	BELT AR [A] (FACTORY) (ORDER ON DEALER CENTRAL)
1	501186D1	2	BELT
-	502148D1	-	BELT AR-FIELD (INCLS 1 OF ITEM 1)
-	502185D1	-	KIT, BELT REPAIR
-	501739D1	-	ELASTOMER
-	501742D1	-	SOLIDIFIER
-	501743D1	-	BELT CONDITIONER

[A] PART OF 502782D1 BELT AR
[R] SPECIAL APPLICATIONS PKG

00750377
PR: t05b22n43d0257

BELT AR-SPECIAL AP - 502028D1
(914MM/36")



00750562

MT800B SERIES TRACTORS
TRACK BELTS

615

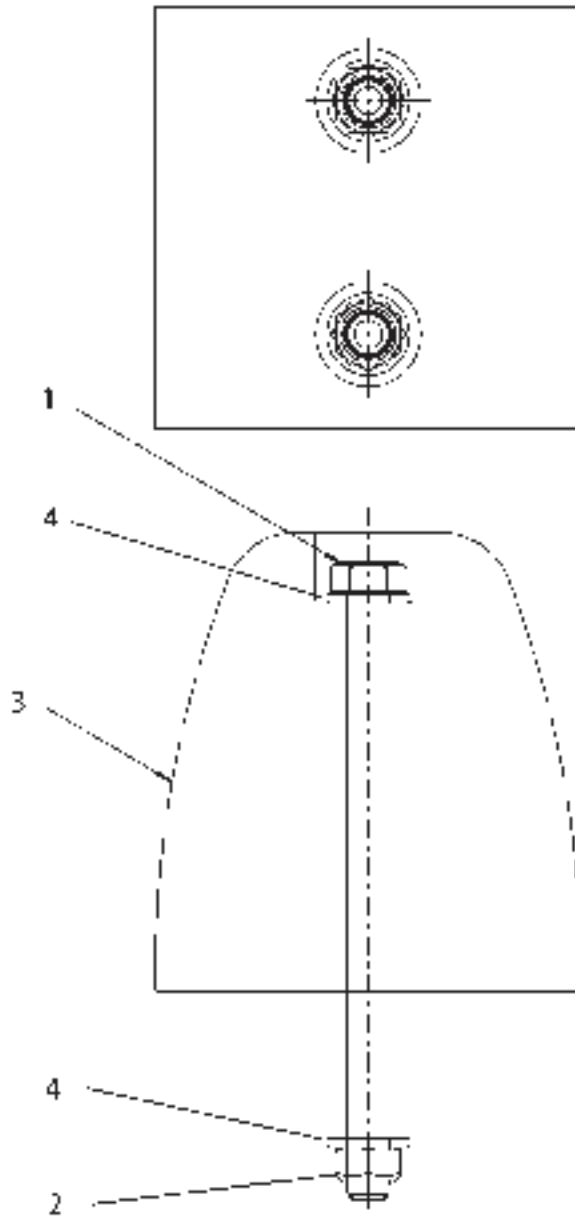
BELT AR-SPECIAL AP - 502028D1
(914MM/36")

ITEM	NUMBER	QTY	DESCRIPTION
-	502783D1	-	BELT AR-36" [R] (ROW ONLY) (ORDER ON DEALER CENTRAL)
-	502028D1	-	BELT AR [A] (FACTORY) (ORDER ON DEALER CENTRAL)
1	501196D1	2	BELT
-	502149D1	-	BELT AR-FIELD (INCLS 1 OF ITEM 1)
-	502185D1	-	KIT, BELT REPAIR
-	501739D1	-	ELASTOMER
-	501742D1	-	SOLIDIFIER
-	501743D1	-	BELT CONDITIONER

[A] PART OF 502783D1 BELT AR
[R] SPECIAL APPLICATIONS PKG

00750562
PR: t05b22n43d0258

KIT-GUIDE BLOCK
GENERAL AG & EXTREME APPLICATIONS



MT800B SERIES TRACTORS
TRACK BELTS

617

KIT-GUIDE BLOCK
GENERAL AG & EXTREME APPLICATIONS

ITEM	NUMBER	QTY	DESCRIPTION
-	501215D1	-	KIT-GUIDE BLOCK (GEN AG)
-	501216D1	-	KIT-GUIDE BLOCK (EXTREME AP)
1	400276X1	2	BOLT-7/16-14X165 ZNDI HHD 10.9
2	400278X1	2	NUT-LOCK 7/16-14 ZNDI&WAX HEX
3	501197D1	1	BLOCK-GUIDE (GEN AG)
	501198D1	1	BLOCK-GUIDE (EXTREME AP)
4	400358X1	4	WASHER-HARD-7/16X22.50DX2.5THK

501213DA
PR: t05k07n15a0014

618

MT800B SERIES TRACTORS
UNDERCARRIAGE

GAUGE AR-TRACK (W/O PTO)
2286-3251 MM (90-128 IN)
ROW ONLY

NO ILLUSTRATION

NOTIF10

**MT800B SERIES TRACTORS
UNDERCARRIAGE**

619

**GAUGE AR-TRACK (W/O PTO)
2286-3251 MM (90-128 IN)
ROW ONLY**

ITEM	NUMBER	QTY	DESCRIPTION
-	177-9948	-	GAUGE AR-TRACK (NOT SERVICED)
1	156-4881	1	UNDERCARRIAGE AR (NOT SERVICED) (SEE BREAKDOWN FOR COMPONENTS)
2	158-2404	1	MOTOR & MTG GP-STEERING (NOT SERVICED) (SEE BREAKDOWN FOR COMPONENTS)
3	200-5029	1	POWER TRAIN AR (NOT SERVICED) (SEE BREAKDOWN FOR COMPONENTS)

NOTIF10
PR: t05b22n43d0259

620

**MT800B SERIES TRACTORS
UNDERCARRIAGE**

GAGE AR-TRACK (W/PTO)
2286-3251 MM (90-128 IN)
ROW ONLY

NO ILLUSTRATION

NOTIF10

**MT800B SERIES TRACTORS
UNDERCARRIAGE**

621

**GAGE AR-TRACK (W/PTO)
2286-3251 MM (90-128 IN)
ROW ONLY**

ITEM	NUMBER	QTY	DESCRIPTION
-	183-2198	-	GAUGE AR-TRACK (NOT SERVICED)
-	183-4470	1	GUARD GP-POWER TAKE-OFF (SEE BREAKDOWN FOR COMPONENTS)
-	189-2976	1	LINES GP-POWER TAKE-OFF (NOT SERVICED) (SEE BREAKDOWN FOR COMPONENTS)
-	158-2404	1	MOTOR & MTG GP-STEERING (NOT SERVICED) (SEE BREAKDOWN FOR COMPONENTS)
-	200-5027	1	POWER TRAIN AR (NOT SERVICED) (SEE BREAKDOWN FOR COMPONENTS)
-	156-4881	1	UNDERCARRIAGE AR (NOT SERVICED) (SEE BREAKDOWN FOR COMPONENTS)

NOTIF10
PR: t05b22n43d0260

622

MT800B SERIES TRACTORS
UNDERCARRIAGE

GAUGE AR-TRACK (W/O PTO)
2286-2600 MM (90-102 IN)
EAME ONLY

NO ILLUSTRATION

NOTIF10

**MT800B SERIES TRACTORS
UNDERCARRIAGE**

623

**GAUGE AR-TRACK (W/O PTO)
2286-2600 MM (90-102 IN)
EAME ONLY**

ITEM	NUMBER	QTY	DESCRIPTION
-	177-9947	-	GAUGE AR-TRACK (NOT SERVICED)
	172-4517	1	MOTOR & MOUNTING GP (STEERING) (NOT SERVICED) (SEE BREAKDOWN FOR COMPONENTS)
	177-9946	1	UNDERCARRIAGE AR (NOT SERVICED) (SEE BREAKDOWN FOR COMPONENTS)
	200-5030	1	POWER TRAIN AR (NOT SERVICED) (SEE BREAKDOWN FOR COMPONENTS)

NOTIF10
PR: t05b22n43d0261

624

**MT800B SERIES TRACTORS
UNDERCARRIAGE**

GAUGE AR-TRACK (W/PTO)
2286-2600 MM (90-102 IN)
EAME ONLY

NO ILLUSTRATION

NOTIF10

**MT800B SERIES TRACTORS
UNDERCARRIAGE**

625

**GAUGE AR-TRACK (W/PTO)
2286-2600 MM (90-102 IN)
EAME ONLY**

ITEM	NUMBER	QTY	DESCRIPTION
-	183-2197	-	GAUGE AR-TRACK (NOT SERVICED)
-	224-5884	1	CONTROL GP-POWER TAKE-OFF (NOT SERVICED) (SEE BREAKDOWN FOR COMPONENTS)
-	183-4470	1	GUARD GP-POWER TAKE-OFF (NOT SERVICED) (SEE BREAKDOWN FOR COMPONENTS)
-	189-2976	1	LINES GP-POWER TAKE-OFF (NOT SERVICED) (SEE BREAKDOWN FOR COMPONENTS)
-	172-4517	1	MOTOR & MOUNTING GP (NOT SERVICED) (SEE BREAKDOWN FOR COMPONENTS)
-	200-5028	1	POWER TRAIN AR (NOT SERVICED) (SEE BREAKDOWN FOR COMPONENTS)
-	177-9946	1	UNDERCARRIAGE AR (NOT SERVICED) (SEE BREAKDOWN FOR COMPONENTS)

NOTIF10
PR: t05b22n43d0262

626

MT800B SERIES TRACTORS
UNDERCARRIAGE

GAGE AR-TRACK (W/O PTO)
2286-3251 MM (90-128 IN)
SPECIAL APPLICATIONS

NO ILLUSTRATION

NOTIF10

**MT800B SERIES TRACTORS
UNDERCARRIAGE**

627

**GAGE AR-TRACK (W/O PTO)
2286-3251 MM (90-128 IN)
SPECIAL APPLICATIONS**

ITEM	NUMBER	QTY	DESCRIPTION
-	502323D1	-	GAUGE AR-TRACK (NOT SERVICED)
-	158-2404	1	MOTOR & MTG GP-STEERING (NOT SERVICED) (SEE BREAKDOWN FOR COMPONENTS)
-	200-5029	1	POWER TRAIN AR (NOT SERVICED) (SEE BREAKDOWN FOR COMPONENTS)
-	502325D1	1	UNDERCARRIAGE AR (NOT SERVICED) (SEE BREAKDOWN FOR COMPONENTS)

NOTIF10
PR: t05b22n43d0263

628

MT800B SERIES TRACTORS
UNDERCARRIAGE

GAGE AR-TRACK (W/PTO)
2286-3251 MM (90-128 IN)
SPECIAL APPLICATIONS

NO ILLUSTRATION

NOTIF10

**MT800B SERIES TRACTORS
UNDERCARRIAGE**

629

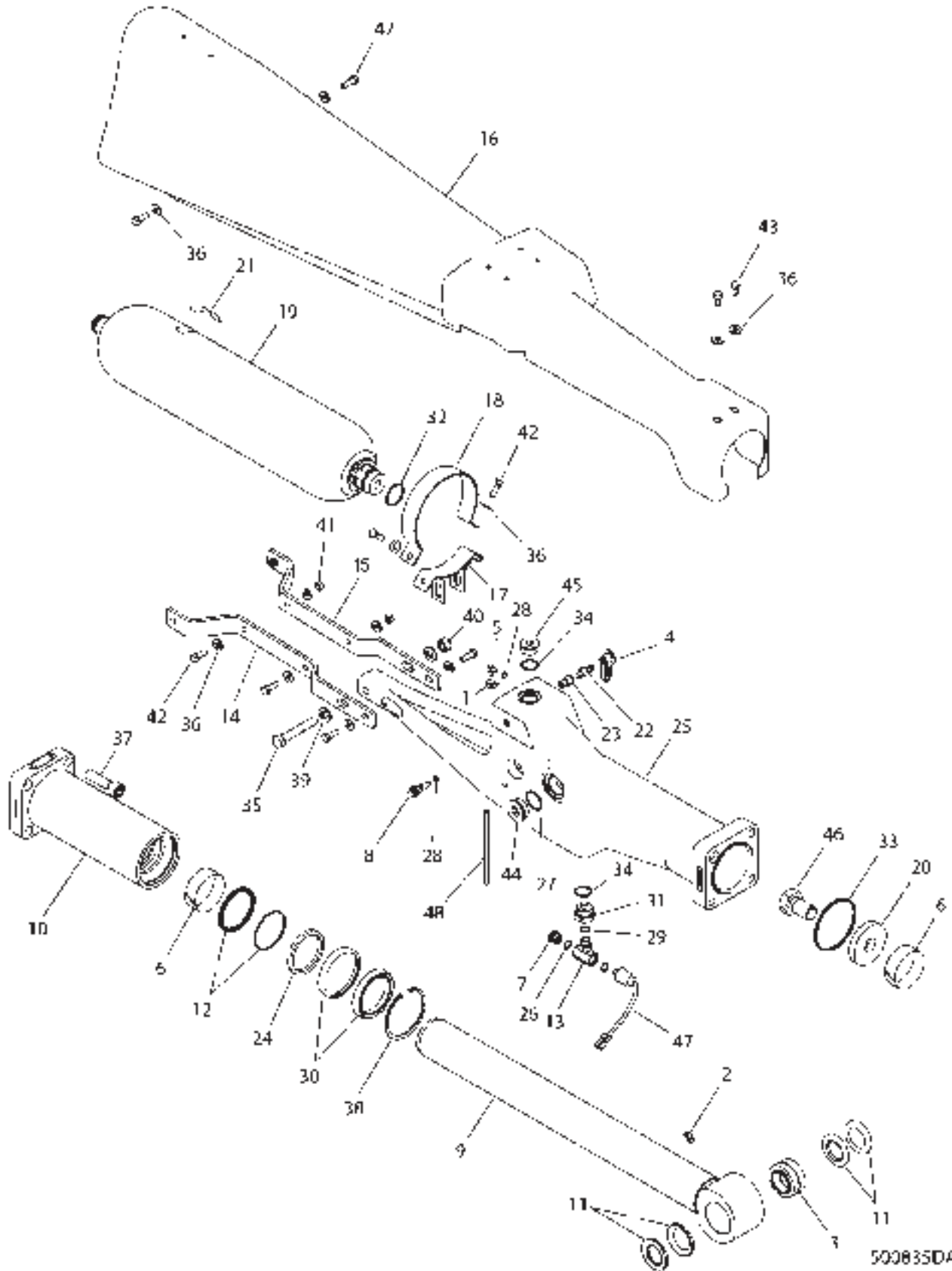
**GAGE AR-TRACK (W/PTO)
2286-3251 MM (90-128 IN)
SPECIAL APPLICATIONS**

ITEM	NUMBER	QTY	DESCRIPTION
-	502324D1	-	GAUGE AR-TRACK (NOT SERVICED)
-	158-2404	1	MOTOR & MTG GP-STEERING (NOT SERVICED) (SEE BREAKDOWN FOR COMPONENTS)
-	183-4470	1	GUARD GP-POWER TAKE-OFF (NOT SERVICED) (SEE BREAKDOWN FOR COMPONENTS)
-	189-2976	1	LINES GP-POWER TAKE-OFF (NOT SERVICED) (SEE BREAKDOWN FOR COMPONENTS)
-	200-5027	1	POWER TRAIN AR (NOT SERVICED) (SEE BREAKDOWN FOR COMPONENTS)
-	502325D1	1	UNDERCARRIAGE AR (NOT SERVICED) (SEE BREAKDOWN FOR COMPONENTS)

NOTIF10
PR: t05b22n43d0264

MT800B SERIES TRACTORS
UNDERCARRIAGE

TENSIONER GP-BELT - LH
500835D1
ROW & EAME



**MT800B SERIES TRACTORS
UNDERCARRIAGE**

631

**TENSIONER GP-BELT - LH
500835D1
ROW & EAME**

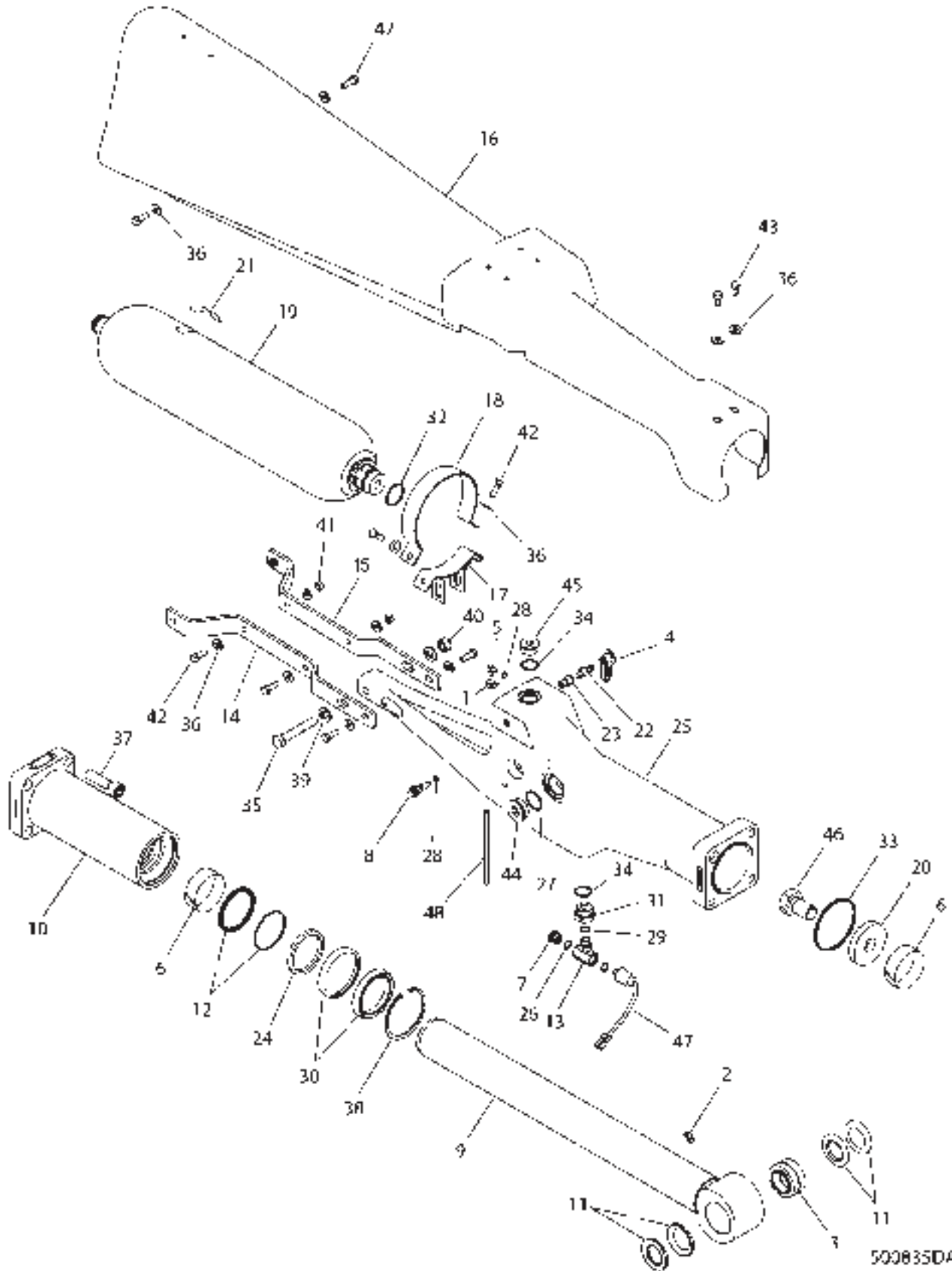
ITEM	NUMBER	QTY	DESCRIPTION
-	500835D1	-	TENSIONER GP-BELT [A] (NOT SERVICED)
1	CH1P-4278	1	CLAMP-HOSE 5.5-15.88 ID X 8
2	CH3B-8486	1	FITTING-ZERK 45 DEG 2 NPTF ZN
3	CH4D-4431	1	BEARING-SLF ALNG44.45 X 71.438
4	400323X1	1	CAP-DUST 12.6 DIA -RUBBER
5	CH6V-6757	1	ELBOW-90DEG 4NPTFX6.35 OD BARB
6	CH8C-9101	2	RING-WEAR 82.5 IDX1.5X28.25
7	CH108-5985	1	VALVE-DISC RELIEF 8STOR
8	CH119-9708	2	VALVE-NEEDLE M12X1.75-6G HEX
9	127-9562	1	ROD AS
10	127-9564	1	GUIDE
11	CH164-0909	2	SEAL-PIN 11.29 PINX71.4ODX6.35
12	CH167-2209	1	SEAL AS-98.83 BORE X 82.5 ROD
13	CH175-2851	1	TEE-8STOR X 8STOR X 5STOR
14	178-1202	1	BRACKET AS.-RH
15	178-1203	1	BRACKET AS.-LH
16	180-3669	1	GUARD AS-LH
17	184-0790	1	SUPPORT AS.-ACCUMULATOR
18	189-1711	1	CLAMP-SUPPORT
19	189-3165	1	ACCUMULATOR AS.
20	CH195-1104	1	SPACER 30.5 IDX92 ODX15MM
21	CH208-1663	1	FILM-WARNING ACCUMULATOR
22	CH110-6349	1	NIPPLE-QUICK CONNECT 4STOR (INCLS O-RING)
23	CH148-8305	1	ADAPTER AS-6 STOR X 4 STOR
	400318X1	1	SEAL-O-RING (11.89IDX1.98DIA)
24	CH167-2320	1	SEAL-UCUP 95.3 BORE X 82.5 ROD
25	176-2966	1	CYLINDER-LH (TENSIONER)
26	CH1J-9671	1	SEAL-O-RING 10.52IDX1.83DIA
27	400593X1	1	SEAL-O-RING 37.46 IDX3 DIA
28	400318X1	2	SEAL-O-RING 11.89IDX1.98
29	CH3K-0360	2	SEAL-O-RING 16.36IDX2.21DIA
30	500687D1	1	SEAL-WIPER(DOUBLE LIP)
31	CH5P-5777	1	ADAPTER-16 STOR X 8 STOR
32	CH6K-6307	1	SEAL-O RING 43.69 IDX3DIA
33	CH6V-1657	1	SEAL-RECT 116.4ODX3.4WX4.95THK
34	400376X1	2	SEAL-O-RING 29.74 IDX2.95 DIA
35	WR520610	1	BOLT-M16-2.0X100,CL10.9,ZN,HHD
36	CH7X-7729	12	WASHER-11IDX5ODX3MM
37	CH7Y-5217	4	BOLT-SOCKET M20X2.5X70
38	CH8D-3886	1	RING RETAIN INT 114.05 ODX2.8
39	CH8T-4122	2	WASHER HARD-17IDX32ODX3.5MM
40	CH8T-4132	1	NUT-M16X2X14.8
41	7774664	2	NUT-M10-1.5,CL10.9,ZN,H,REG
42	400058X1	8	BOLT-M10X1.5X30 ZNDI HHD 10.9
43	400228X1	2	BOLT-M10X1.5X20 ZNDI LK 10.9
44	CH9S-8010	1	PLUG-20 STOR HEX SOCKET
45	400375X1	1	PLUG-16 STOR ZN HSHD
46	CH9X-2199	1	BOLT-M30X3.5X50 HHD 10.9
47	500834D1	1	SENSOR GP-PRESSURE
48	CH5P-6442	AR	HOSE-BULK RUBBER 6.35ID (18CM)
49	500250D1	AR	OIL (BULK) (5L)

[A] PART OF
156-4882 FRAME AR TRACK-RH

500835DA
PR: t05b22n43d0265

MT800B SERIES TRACTORS
UNDERCARRIAGE

TENSIONER GP-BELT - RH
500836D1
ROW & EAME



**MT800B SERIES TRACTORS
UNDERCARRIAGE**

633

**TENSIONER GP-BELT - RH
500836D1
ROW & EAME**

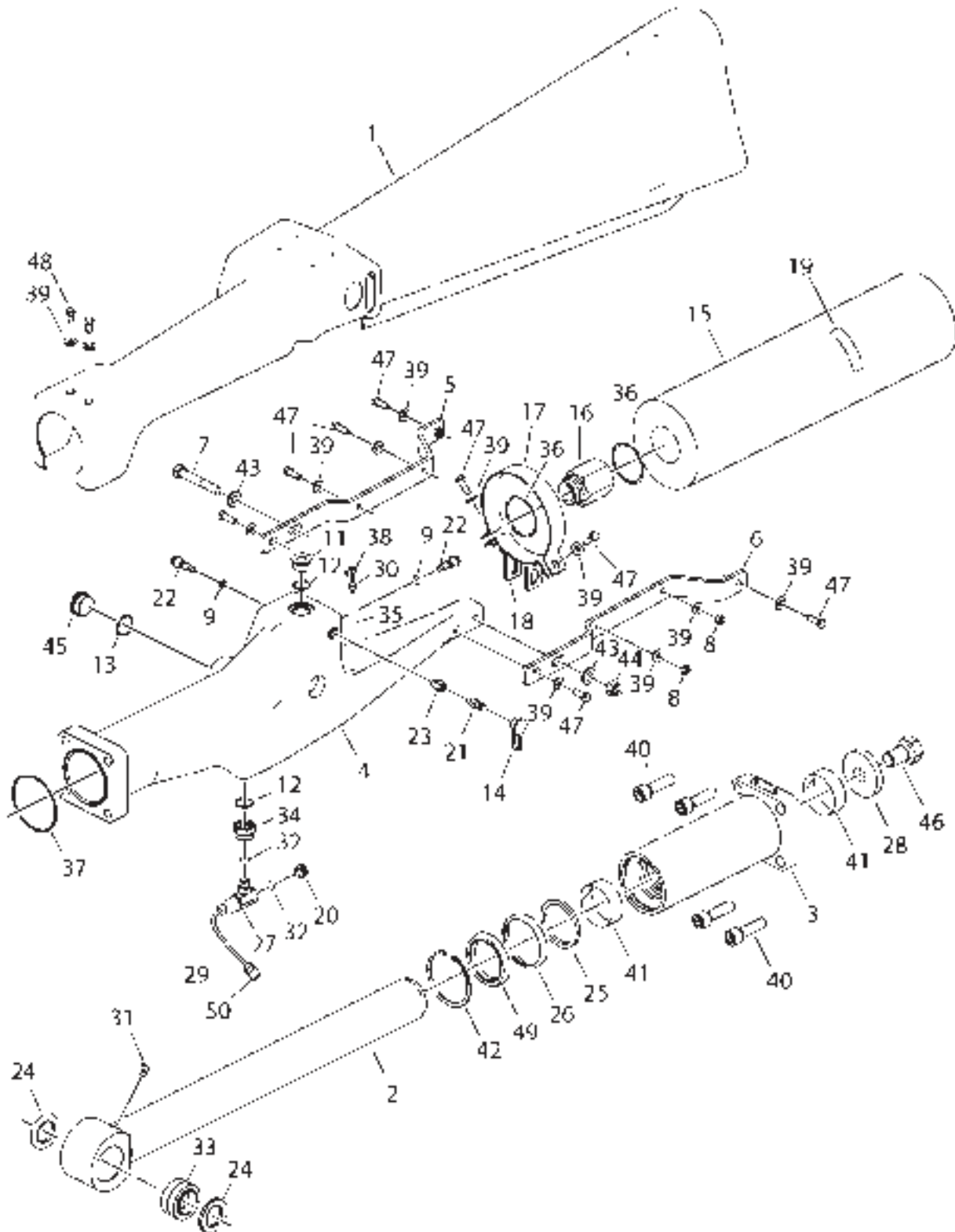
ITEM	NUMBER	QTY	DESCRIPTION
-	500836D1	-	TENSIONER GP-BELT [A] (NOT SERVICED)
1	CH1P-4278	1	CLAMP-HOSE 5.5-15.88 ID X 8
2	CH3B-8486	1	FITTING-ZERK 45 DEG 2 NPTF ZN
3	CH4D-4431	1	BEARING-SLF ALNG44.45 X 71.438
4	400323X1	1	CAP-DUST 12.6 DIA -RUBBER
5	CH6V-6757	1	ELBOW-90DEG 4NPTFX6.35 OD BARB
6	CH8C-9101	2	RING-WEAR 82.5 IDX1.5X28.25
7	CH108-5985	1	VALVE-DISC RELIEF 8STOR
8	CH119-9708	2	VALVE-NEEDLE M12X1.75-6G HEX
9	127-9562	1	ROD AS
10	127-9564	1	GUIDE
11	CH164-0909	2	SEAL-PIN 11.29 PINX71.4ODX6.35
12	CH167-2209	1	SEAL AS-98.83 BORE X 82.5 ROD
13	CH175-2851	1	TEE-8STOR X 8STOR X 5STOR
14	178-1202	1	BRACKET AS.-RH
15	178-1203	1	BRACKET AS.-LH
16	180-3667	1	GUARD AS.-RH
17	184-0790	1	SUPPORT AS.-ACCUMULATOR
18	189-1711	1	CLAMP-SUPPORT
19	189-3165	1	ACCUMULATOR AS.
20	CH195-1104	1	SPACER 30.5 IDX92 ODX15MM
21	CH208-1663	1	FILM-WARNING ACCUMULATOR
22	CH110-6349	1	NIPPLE-QUICK CONNECT 4STOR (INCLS O-RING)
23	CH148-8305	1	ADAPTER AS-6 STOR X 4 STOR
	400318X1	1	SEAL-O-RING (11.89IDX1.98DIA)
24	CH167-2320	1	SEAL-UCUP 95.3 BORE X 82.5 ROD
25	176-2968	1	CYLINDER-RH (TENSIONER)
26	CH1J-9671	1	SEAL-O-RING 10.52IDX1.83DIA
27	400593X1	1	SEAL-O-RING 37.46 IDX3 DIA
28	400318X1	2	SEAL-O-RING 11.89IDX1.98
29	CH3K-0360	2	SEAL-O-RING 16.36IDX2.21DIA
30	500687D1	1	SEAL-WIPER(DOUBLE LIP)
31	CH5P-5777	1	ADAPTER-16 STOR X 8 STOR
32	CH6K-6307	1	SEAL-O RING 43.69 IDX3DIA
33	CH6V-1657	1	SEAL-RECT 116.4ODX3.4WX4.95THK
34	400376X1	2	SEAL-O-RING 29.74 IDX2.95 DIA
35	WR520610	1	BOLT-M16-2.0X100,CL10.9,ZN,HHD
36	CH7X-7729	12	WASHER-11IDX5ODX3MM
37	CH7Y-5217	4	BOLT-SOCKET M20X2.5X70
38	CH8D-3886	1	RING RETAIN INT 114.05 ODX2.8
39	CH8T-4122	2	WASHER HARD-17IDX32ODX3.5MM
40	CH8T-4132	1	NUT-M16X2X14.8
41	7774664	2	NUT-M10-1.5,CL10.9,ZN,H,REG
42	400058X1	8	BOLT-M10X1.5X30 ZNDI HHD 10.9
43	400228X1	2	BOLT-M10X1.5X20 ZNDI LK 10.9
44	CH9S-8010	1	PLUG-20 STOR HEX SOCKET
45	400375X1	1	PLUG-16 STOR ZN HSHD
46	CH9X-2199	1	BOLT-M30X3.5X50 HHD 10.9
47	500834D1	1	SENSOR GP-PRESSURE
48	CH5P-6442	AR	HOSE-BULK RUBBER 6.35ID (18CM)
49	500250D1	AR	OIL (BULK) (5L)

[A] PART OF
156-4882 FRAME AR TRACK-RH

500835DA
PR: t05b22n43d0266

MT800B SERIES TRACTORS
UNDERCARRIAGE

TENSIONER GP-BELT (LH)
502103D1
SPECIAL APPLICATIONS



**MT800B SERIES TRACTORS
UNDERCARRIAGE**

635

**TENSIONER GP-BELT (LH)
502103D1
SPECIAL APPLICATIONS**

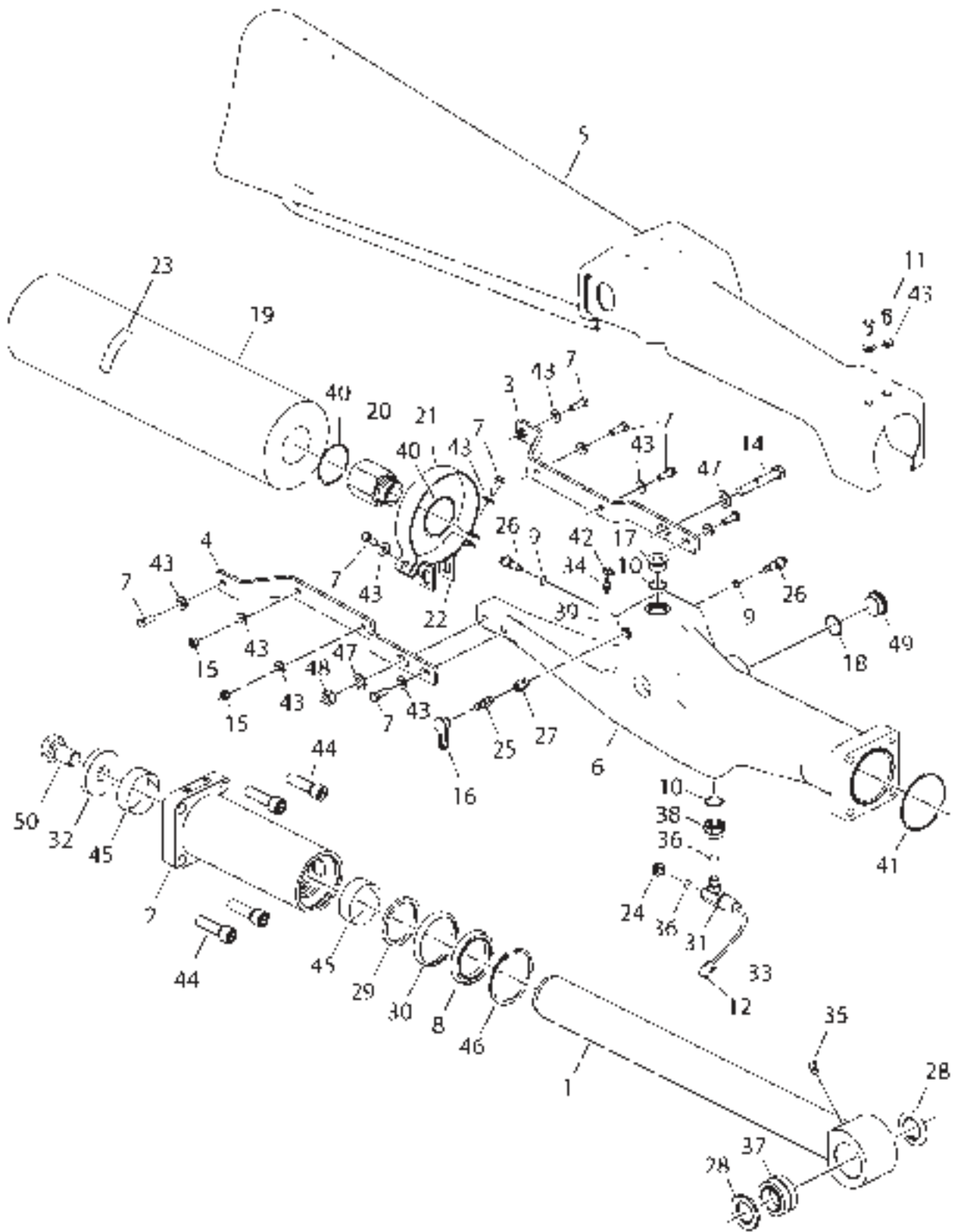
ITEM	NUMBER	QTY	DESCRIPTION
-	502103D1	-	TENSIONER GP-BELT-LH [A] (NOT SERVICED)
1	180-3669	1	GUARD AS-LH
2	127-9562	1	ROD AS
3	127-9564	1	GUIDE
4	176-2966	1	CYLINDER-LH (TENSIONER)
5	178-1202	1	BRACKET AS.-RH
6	178-1203	1	BRACKET AS.-LH
7	WR520610	1	BOLT-M16-2.0X100,CL10.9,ZN,HHD
8	7774664	2	NUT-M10-1.5,CL10.9,ZN,H,REG
9	400318X1	2	SEAL-O-RING 11.89IDX1.98
10	400323X1	1	CAP-DUST 12.6 DIA -RUBBER
11	400375X1	1	PLUG-16 STOR ZN HSHD
12	400376X1	2	SEAL-O-RING 29.74 IDX2.95 DIA
13	400593X1	1	SEAL-O-RING 37.46 IDX3 DIA
14			NOT USED
15	502237D1	1	ACCUMULATOR AS
16	501094D1	1	ADAPTER-1 7/8
17	501095D1	1	CLAMP-SUPPORT
18	501096D1	1	SUPPORT AS-ACCUMULATOR
19	502104D1	1	FILM-WARNING(ACCUMULATOR)
20	CH108-5985	1	VALVE-DISC RELIEF 8STOR
21	CH110-6349	1	NIPPLE-QUICK CONNECT 4STOR (INCLS O-RING)
22	CH119-9708	2	VALVE-NEEDLE M12X1.75-6G HEX
23	CH148-8305	1	ADAPTER AS-6 STOR X 4 STOR 400318X1
24	CH164-0909	2	SEAL-PIN 11.29 PINX71.4ODX6.35
25	CH167-2209	1	SEAL AS-98.83 BORE X 82.5 ROD
26	CH167-2320	1	SEAL-UCUP 95.3 BORE X 82.5 ROD
27	CH175-2851	1	TEE-8STOR X 8STOR X 5STOR
28	CH195-1104	1	SPACER 30.5 IDX92 ODX15MM
29	CH1J-9671	1	SEAL-O-RING 10.52IDX1.83DIA
30	CH1P-4278	1	CLAMP-HOSE 5.5-15.88 ID X 8
31	CH3B-8486	1	FITTING-ZERK 45 DEG 2 NPTF ZN
32	CH3K-0360	2	SEAL-O-RING 16.36IDX2.21DIA
33	CH4D-4431	1	BEARING-SLF ALNG44.45 X 71.438
34	CH5P-5777	1	ADAPTER-16 STOR X 8 STOR
35	CH5P-6442	AR	HOSE-BULK RUBBER 6.35ID (18CM)
36	CH6K-6307	2	SEAL-O RING 43.69 IDX3DIA
37	CH6V-1657	1	SEAL-RECT 116.4ODX3.4WX4.95THK
38	CH6V-6757	1	ELBOW-90DEG 4NPTFX6.35 OD BARB
39	CH7X-7729	12	WASHER-11IDX5ODX3MM
40	CH7Y-5217	4	BOLT-SOCKET M20X2.5X70
41	CH8C-9101	2	RING-WEAR 82.5 IDX1.5X28.25
42	CH8D-3886	1	RING RETAIN INT 114.05 ODX2.8
43	CH8T-4122	2	WASHER HARD-17IDX32ODX3.5MM
44	CH8T-4132	1	NUT-M16X2X14.8
45	CH9S-8010	1	PLUG-20 STOR HEX SOCKET
46	CH9X-2199	1	BOLT-M30X3.5X50 HHD 10.9
47	400058X1	8	BOLT-M10X1.5X30 ZNDI HHD 10.9
48	400228X1	2	BOLT-M10X1.5X20 ZNDI LK 10.9
49	500687D1	1	SEAL-WIPER(DOUBLE LIP)
50	500834D1	1	SENSOR GP-PRESSURE

[A] PART OF 502037D1 FRAME AR

502103DA
PR: t05k07n15a0015

MT800B SERIES TRACTORS
UNDERCARRIAGE

TENSIONER GP-BELT (RH)
502102D1
SPECIAL APPLICATIONS



**MT800B SERIES TRACTORS
UNDERCARRIAGE**

637

**TENSIONER GP-BELT (RH)
502102D1
SPECIAL APPLICATIONS**

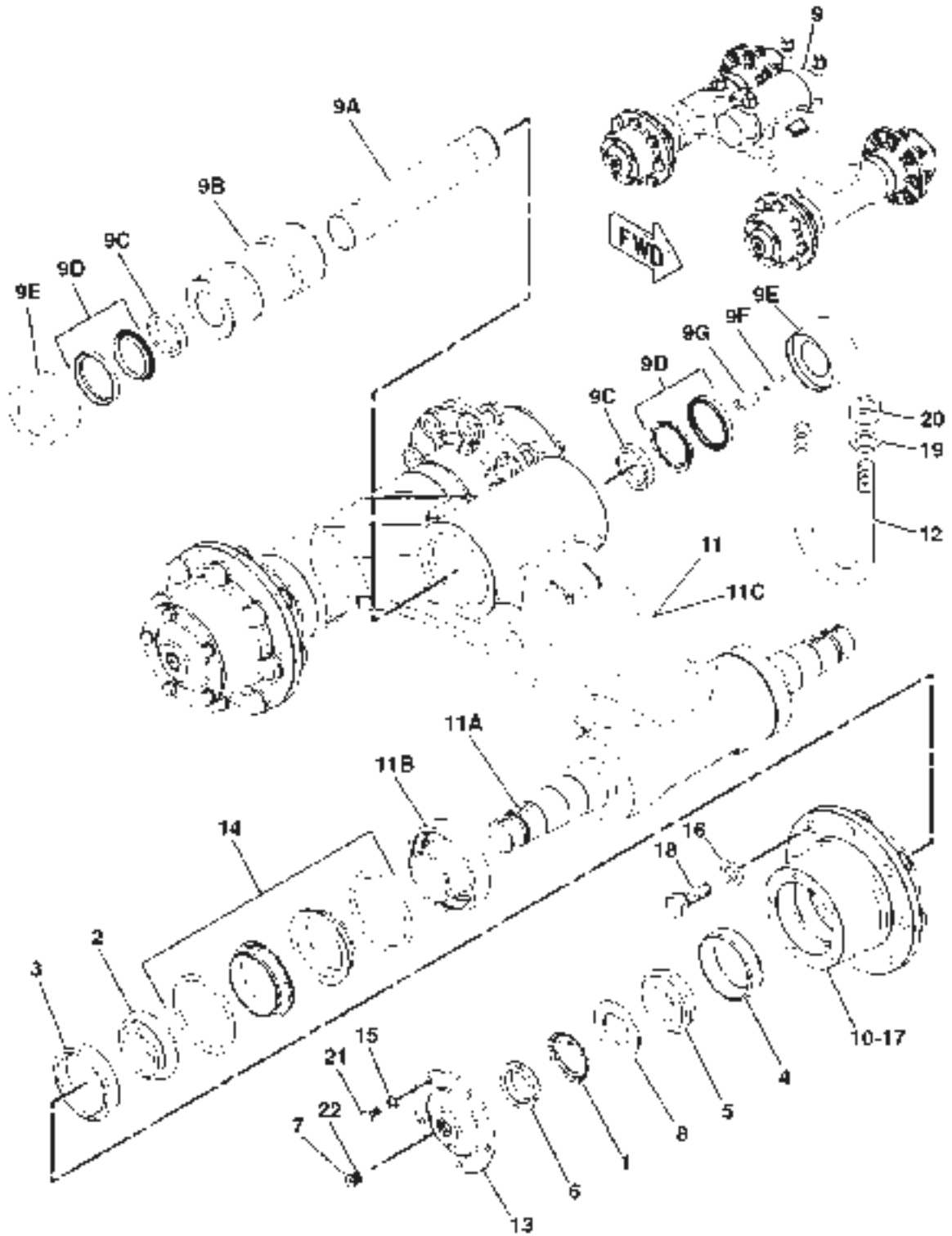
ITEM	NUMBER	QTY	DESCRIPTION
-	502102D1	-	TENSIONER GP-BELT-RH [A] (NOT SERVICED)
1	127-9562	1	ROD AS
2	127-9564	1	GUIDE
3	178-1202	1	BRACKET AS.-RH
4	178-1203	1	BRACKET AS.-LH
5	180-3667	1	GUARD AS.-RH
6	176-2968	1	CYLINDER-RH (TENSIONER)
7	400058X1	8	BOLT-M10X1.5X30 ZNDI HHD 10.9
8	500687D1	1	SEAL-WIPER(DOUBLE LIP)
9	400318X1	2	SEAL-O-RING 11.89IDX DIA1.98
10	400376X1	2	SEAL-O-RING 29.74 IDX2.95 DIA
11	400228X1	2	BOLT-M10X1.5X20 ZNDI LK 10.9
12	500834D1	1	SENSOR GP-PRESSURE
13			NOT USED
14	WR520610	1	BOLT-M16-2.0X100,CL10.9,ZN,HHD
15	7774664	2	NUT-M10-1.5,CL10.9,ZN,H,REG
16	400323X1	1	CAP-DUST 12.6 DIA -RUBBER
17	400375X1	1	PLUG-16 STOR ZN HSHD
18	400593X1	1	SEAL-O-RING 37.46 IDX3 DIA
19	502237D1	1	ACCUMULATOR AS
20	501094D1	1	ADAPTER-1 7/8
21	501095D1	1	CLAMP-SUPPORT
22	501096D1	1	SUPPOT AS-ACCUMULATOR
23	502104D1	1	FILM-WARNING(ACCUMULATOR)
24	CH108-5985	1	VALVE-DISC RELIEF 8STOR
25	CH110-6349	1	NIPPLE-QUICK CONNECT 4STOR (INCLS O-RING)
26	CH119-9708	2	VALVE-NEEDLE M12X1.75-6G HEX
27	CH148-8305	1	ADAPTER AS-6 STOR X 4 STOR 400318X1 SEAL-O-RING (11.89IDX1.98DIA)
28	CH164-0909	2	SEAL-PIN 11.29 PINX71.4ODX6.35
29	CH167-2209	1	SEAL AS-98.83 BORE X 82.5 ROD
30	CH167-2320	1	SEAL-UCUP 95.3 BORE X 82.5 ROD
31	CH175-2851	1	TEE-8STOR X 8STOR X 5STOR
32	CH195-1104	1	SPACER 30.5 IDX92 ODX15MM
33	CH1J-9671	1	SEAL-O-RING 10.52IDX1.83DIA
34	CH1P-4278	1	CLAMP-HOSE 5.5-15.88 ID X 8
35	CH3B-8486	1	FITTING-ZERK 45 DEG 2 NPTF ZN
36	CH3K-0360	2	SEAL-O-RING 16.36IDX2.21DIA
37	CH4D-4431	1	BEARING-SLF ALNG44.45 X 71.438
38	CH5P-5777	1	ADAPTER-16 STOR X 8 STOR
39	CH5P-6442	AR	HOSE-BULK RUBBER 6.35ID (18CM)
40	CH6K-6307	2	SEAL-O RING 43.69 IDX3DIA
41	CH6V-1657	1	SEAL-RECT 116.4ODX3.4WX4.95THK
42	CH6V-6757	1	ELBOW-90DEG 4NPTFX6.35 OD BARB
43	CH7X-7729	12	WASHER-11IDX5ODX3MM
44	CH7Y-5217	4	BOLT-SOCKET M20X2.5X70
45	CH8C-9101	2	RING-WEAR 82.5 IDX1.5X28.25
46	CH8D-3886	1	RING RETAIN INT 114.05 ODX2.8
47	CH8T-4122	2	WASHER HARD-17IDX32ODX3.5MM
48	CH8T-4132	1	NUT-M16X2X14.8
49	CH9S-8010	1	PLUG-20 STOR HEX SOCKET
50	CH9X-2199	1	BOLT-M30X3.5X50 HHD 10.9

[A] PART OF 502193D1 FRAME AR

502102DA
PR: t05k07n15a0016

MT800B SERIES TRACTORS
UNDERCARRIAGE

BOGIE GP - 130-4818



**MT800B SERIES TRACTORS
UNDERCARRIAGE**

639

BOGIE GP - 130-4818

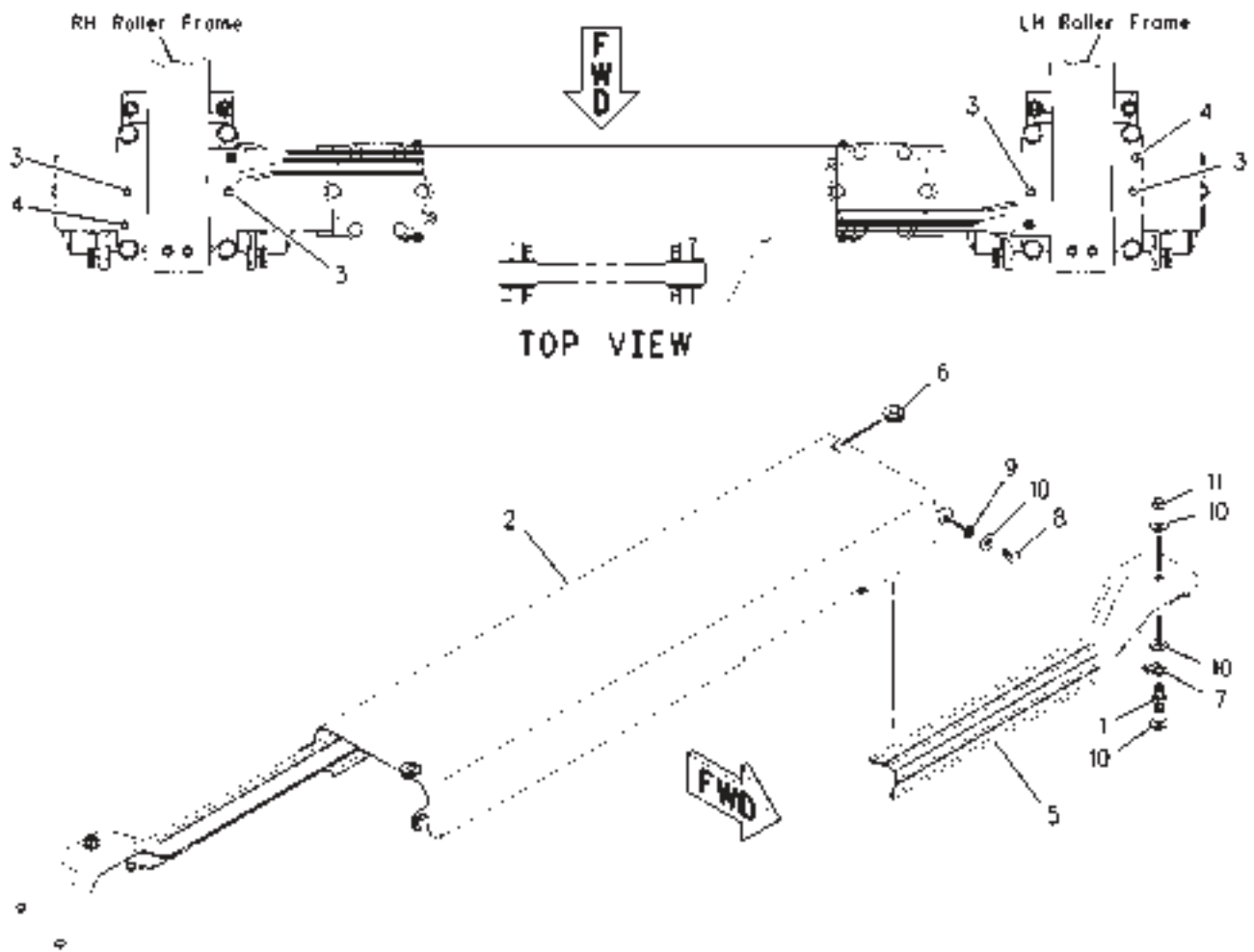
ITEM	NUMBER	QTY	DESCRIPTION
-	130-4818	-	BOGIE GP [A] (NOT SERVICED)
1	CH1N-5970	4	LOCKWASHER
2	CH5P-9651	4	CONE-BEARING
3	CH5P-9652	4	CUP-BEARING
4	CH6S-6031	4	CUP-BEARING
5	CH6S-6032	4	CONE-BEARING
6	CH8B-7614	4	NUT-BEARING
7	9S-8003	4	PLUG
8	054-1303	4	WASHER
9	500925D1	1	PIN GP (INCLUDES 9A THRU 9G)
9A		1	PIN-TRACK (ORDER ITEM 9)
9B		1	BEARING-SLEEVE (ORDER ITEM 9)
9C		2	RING-THRUST (ORDER ITEM 9)
9D		2	SEAL ASM (ORDER ITEM 9)
9E		2	COLLAR (ORDER ITEM 9)
9F	CH6Y-0473	1	PLUG-CLEAR
9G	CH7G-4332	1	STOPPER
10	127-9561	4	HUB
11	155-2939	1	BOGIE ASM (INCLUDES 11A THRU 11C)
11A	154-8263	2	AXLE
11B	154-8264	4	RETAINER
11C		1	BOGIE MINOR (ORDER COMPLETE AS)
12	400260X1	2	U-BOLT
13	156-6084	4	COVER
14	175-7513	4	SEAL GP-DUO-CONE
14A	CH8H-2262	2	SEAL-O-RING
14B	CH175-7514	2	SEAL-RING
15	400339X1	20	WASHER-HARD (8.8X16X2)
16	400082X1	32	WASHER (17.5X30X3.5)
17	CH215-9463	4	GASKET
18	400191X1	32	BOLT (M16X2X40MM)
19	400080X1	4	WASHER-PLATED (22X35X3.5)
20	400286X1	4	NUT (M20X2.5)
21	400227X1	20	BOLT (M8X1.25X16MM)
22	1J-9671	4	SEAL-O-RING

[A] PART OF 156-4882; 156-4883 FRAME AR

0862331A
PR: t05b22n43d0267

MT800B SERIES TRACTORS
UNDERCARRIAGE

GUARD GP-LINES - 201-9928



**MT800B SERIES TRACTORS
UNDERCARRIAGE**

641

GUARD GP-LINES - 201-9928

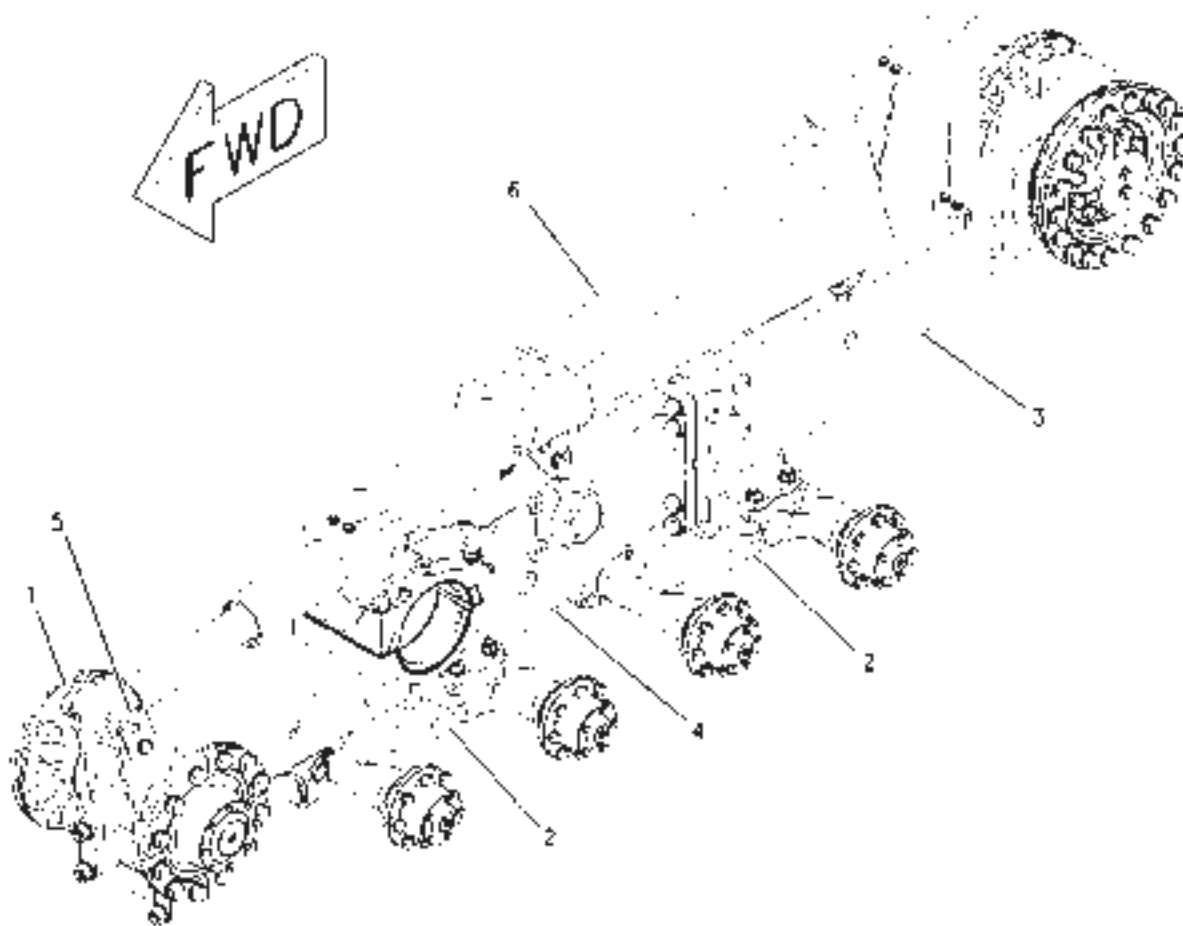
ITEM	NUMBER	QTY	DESCRIPTION
-	201-9928	--	(TENSIONER WIRE) GUARD GP-LINES (NOT SERVICED)
1	CH101-3129	2	STUD (M10X1.5 THD)
2	201-9932	1	COVER
3	400289X1	4	PLUG-PROTECTIVE (M7)
4	CH193-5914	2	PLUG-PROTECTIVE (M10)
5	201-9931	2	GUARD-WIRE
6	CH5P-8440	2	GROMMET
7	CH5P-9085	2	CLIP
8	400023X1	4	BOLT (M10X1.5X16MM)
9	CH7X-0561	4	WASHER-HARD
10	CH7X-7729	10	WASHER (11X25X3MM THK)
11	7774664	2	NUT (M10X1.5 THD)
12	CH7K-1181	4	STRAP-CABLE (0.19X4) (NOT SHOWN)

[A] PART OF 177-9946 UNDERCARRIAGE AR

00853303
PR: t05k07n15a0017

MT800B SERIES TRACTORS
UNDERCARRIAGE

FRAME AR-RH
156-4882



00838123

**MT800B SERIES TRACTORS
UNDERCARRIAGE**

643

**FRAME AR-RH
156-4882**

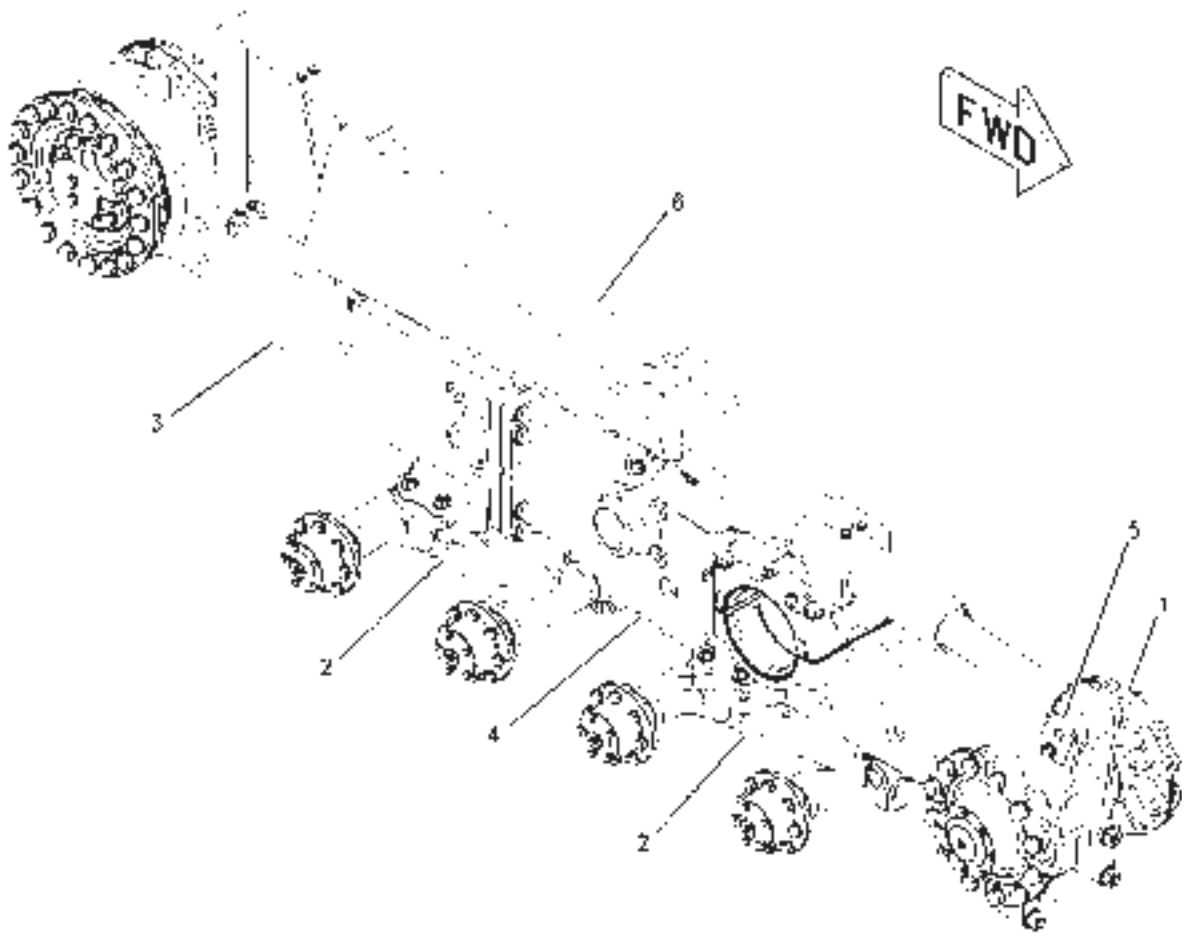
ITEM	NUMBER	QTY	DESCRIPTION
-	156-4882	-	FRAME AR [A] (NOT SERVICED)
1	127-9545	1	IDLER GP (NOT SERVICED) (SEE BREAKDOWN FOR COMPONENTS)
2	130-4818	2	BOGIE GP (NOT SERVICED) (SEE BREAKDOWN FOR COMPONENTS)
3	156-4884	1	SUPPORT GP-DRIVE WHEEL (RH) (SEE BREAKDOWN FOR COMPONENTS)
4	163-0678	1	FRAME GP-TRACK ROLLER (NOT SERVICED) (SEE BREAKDOWN FOR COMPONENTS)
5	184-6718	1	MOUNTING GP-TENSIONER (NOT SERVICED) (SEE BREAKDOWN FOR COMPONENTS)
6	500836D1	1	BELT TENSIONER GP (NOT SERVICED) (SEE BREAKDOWN FOR COMPONENTS)
7	502523D1	4	CAP-PLUG (NOT SHOWN)

[A] PART OF 156-4881 UNDERCARRIAGE AR

00838123
PR: t05b22n43d0268

MT800B SERIES TRACTORS
UNDERCARRIAGE

FRAME AR-LH
156-4883



**MT800B SERIES TRACTORS
UNDERCARRIAGE**

645

**FRAME AR-LH
156-4883**

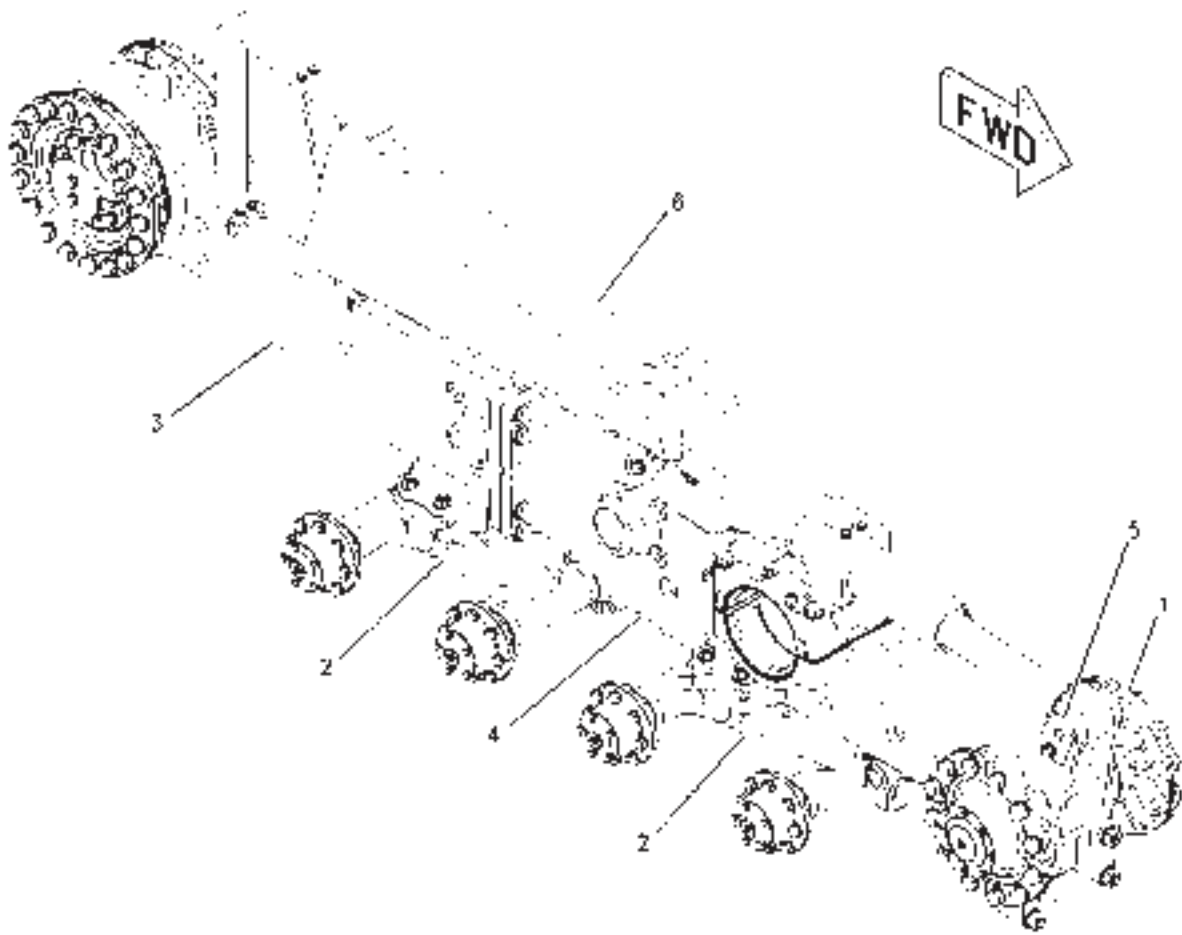
ITEM	NUMBER	QTY	DESCRIPTION
-	156-4883	-	FRAME AR [A] (NOT SERVICED)
1	127-9545	1	IDLER GP (NOT SERVICED) (SEE BREAKDOWN FOR COMPONENTS)
2	130-4818	2	BOGIE GP (NOT SERVICED) (SEE BREAKDOWN FOR COMPONENTS)
3	156-4885	1	SUPPORT GP-DRIVE WHEEL(LH)(NOT SERVICED) (SEE BREAKDOWN FOR COMPONENTS)
4	163-0678	1	FRAME GP-TRACK ROLLER (NOT SERVICED) (SEE BREAKDOWN FOR COMPONENTS)
5	184-6718	1	MOUNTING GP-TENSIONER (NOT SERVICED) (SEE BREAKDOWN FOR COMPONENTS)
6	500835D1	1	BELT TENSIONER GP (NOT SERVICED) (SEE BREAKDOWN FOR COMPONENTS)
7	502523D1	4	CAP-PLUG (NOT SHOWN)

[A] PART OF 156-4881 UNDERCARRIAGE AR

00837737
PR: t05b22n43d0269

MT800B SERIES TRACTORS
UNDERCARRIAGE

FRAME AR-LH
502037D1
SPECIAL APPLICATIONS



**MT800B SERIES TRACTORS
UNDERCARRIAGE**

647

**FRAME AR-LH
502037D1
SPECIAL APPLICATIONS**

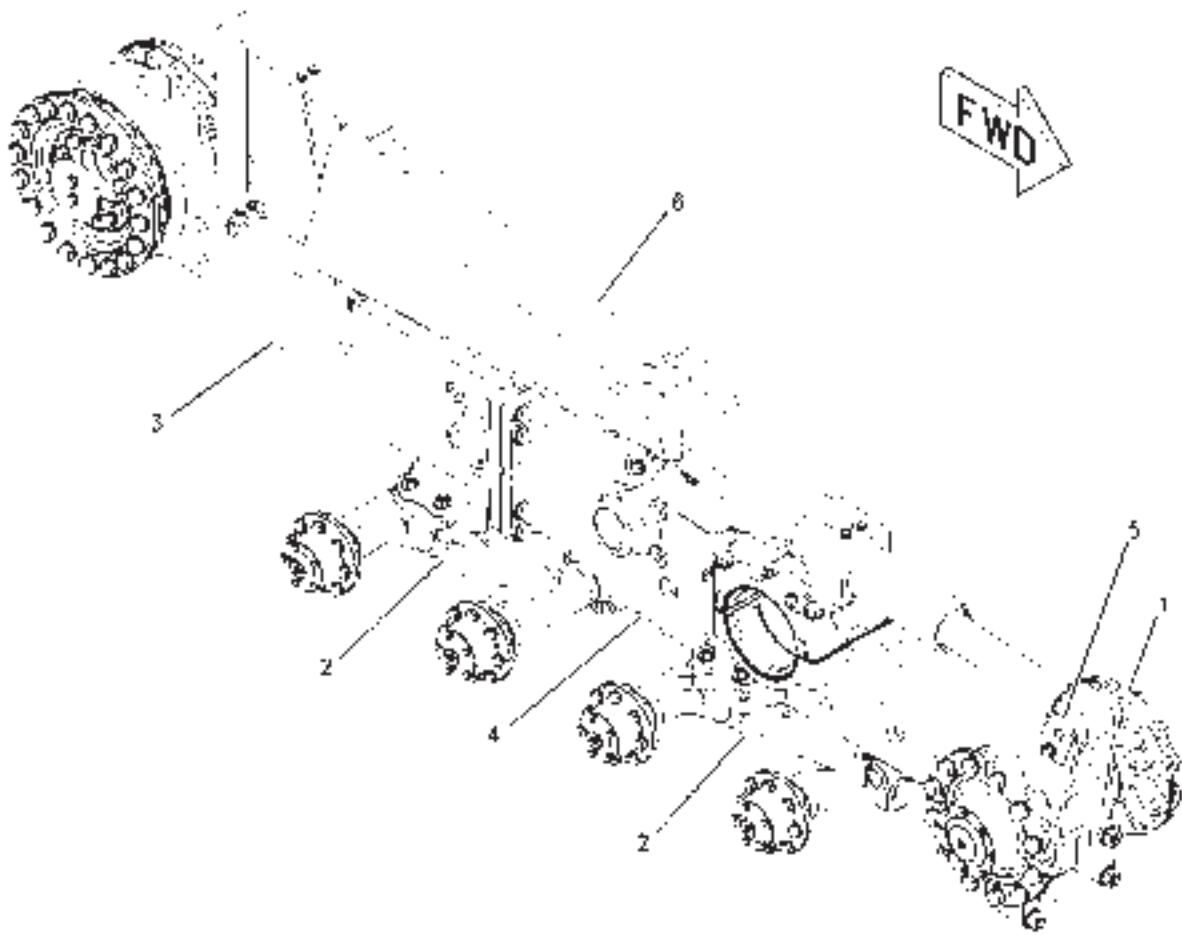
ITEM	NUMBER	QTY	DESCRIPTION
-	503493D1	-	FRAME AR-LH (FIELD INSTALLED)
-	502037D1	-	FRAME AR-LH [A] (NOT SERVICED, ORDER) FIELD INSTALLED)
1	127-9545	1	IDLER GP (NOT SERVICED) (SEE BREAKDOWN FOR COMPONENTS)
2	130-4818	2	BOGIE GP (NOT SERVICED) (SEE BREAKDOWN FOR COMPONENTS)
3	156-4885	1	SUPPORT GP-DRIVE WHEEL(LH)(NOT SERVICED) (SEE BREAKDOWN FOR COMPONENTS)
4	163-0678	1	FRAME GP-TRACK ROLLER (NOT SERVICED) (SEE BREAKDOWN FOR COMPONENTS)
5	184-6718	1	MOUNTING GP-TENSIONER (NOT SERVICED) (SEE BREAKDOWN FOR COMPONENTS)
6	502103D1	1	BELT TENSIONER GP (NOT SERVICED) (SEE BREAKDOWN FOR COMPONENTS)
7	502523D1	4	CAP-PLUG (NOT SHOWN)

[A] PART OF 502325D1; 503493D1
UNDERCARRIAGE AR

00837737
PR: t05b22n43d0270

MT800B SERIES TRACTORS
UNDERCARRIAGE

FRAME AR-RH
502193D1
SPECIAL APPLICATIONS



**MT800B SERIES TRACTORS
UNDERCARRIAGE**

649

**FRAME AR-RH
502193D1
SPECIAL APPLICATIONS**

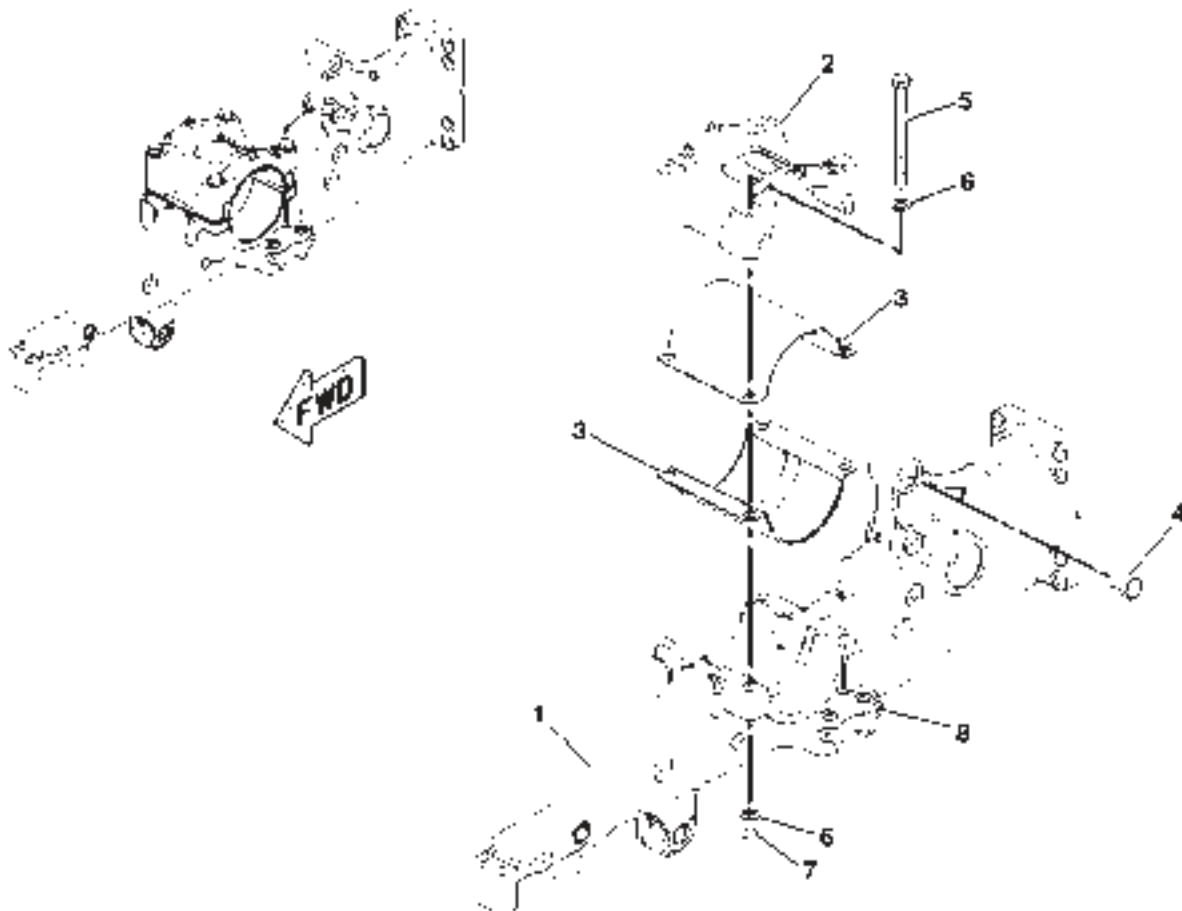
ITEM	NUMBER	QTY	DESCRIPTION
-	503494D1	-	FRAME AR (FIELD INSTALLED)
-	502193D1	-	FRAME AR-RH [A] (NOT SERVICED, ORDER FIELD INSTALLED)
1	127-9545	1	IDLER GP (NOT SERVICED) (SEE BREAKDOWN FOR COMPONENTS)
2	130-4818	2	BOGIE GP (NOT SERVICED) (SEE BREAKDOWN FOR COMPONENTS)
3	156-4885	1	SUPPORT GP-DRIVE WHEEL(LH)(NOT SERVICED) (SEE BREAKDOWN FOR COMPONENTS)
4	163-0678	1	FRAME GP-TRACK ROLLER (NOT SERVICED) (SEE BREAKDOWN FOR COMPONENTS)
5	184-6718	1	MOUNTING GP-TENSIONER (NOT SERVICED) (SEE BREAKDOWN FOR COMPONENTS)
6	502102D1	1	BELT TENSIONER GP (NOT SERVICED) (SEE BREAKDOWN FOR COMPONENTS)
7	502523D1	4	CAP-PLUG (NOT SHOWN)

[A] PART OF 502325D1; 503494D1
UNDERCARRIAGE AR

00837737
PR: t05b22n43d0271

MT800B SERIES TRACTORS
UNDERCARRIAGE

FRAME GP-TRACK ROLLER - 163-0678



**MT800B SERIES TRACTORS
UNDERCARRIAGE**

651

FRAME GP-TRACK ROLLER - 163-0678

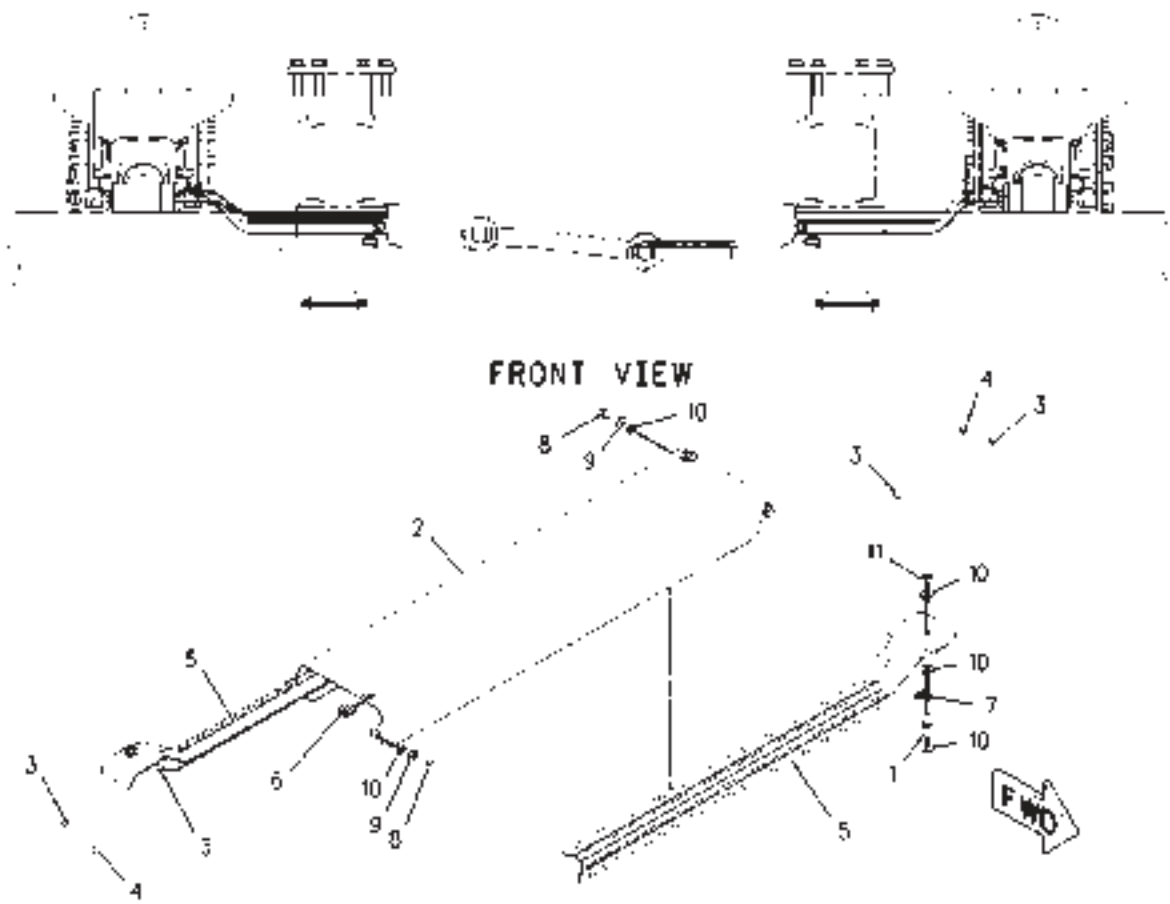
ITEM	NUMBER	QTY	DESCRIPTION
-	163-0678	-	FRAME GP-TRACK ROLLER [A] (NOT SERVICED)
1	197-3667	1	FRAME
2	192-7901	1	CAP
3	214-4661	2	BEARING ASM
4	168-7710	1	BEARING
5	400014X1	4	BOLT (M24X3X255MM)
6	400081X1	8	WASHER-HARD (26X44X4)
7	223-4304	4	NUT
8	193-5915	4	PLUG

[A] PART OF 156-4882; 156-4883 FRAME AR

0850720A
PR: t05b22n43d0272

MT800B SERIES TRACTORS
UNDERCARRIAGE

GUARD GP-LINES - 201-9927
TENSIONER WIRE



**MT800B SERIES TRACTORS
UNDERCARRIAGE**

653

**GUARD GP-LINES - 201-9927
TENSIONER WIRE**

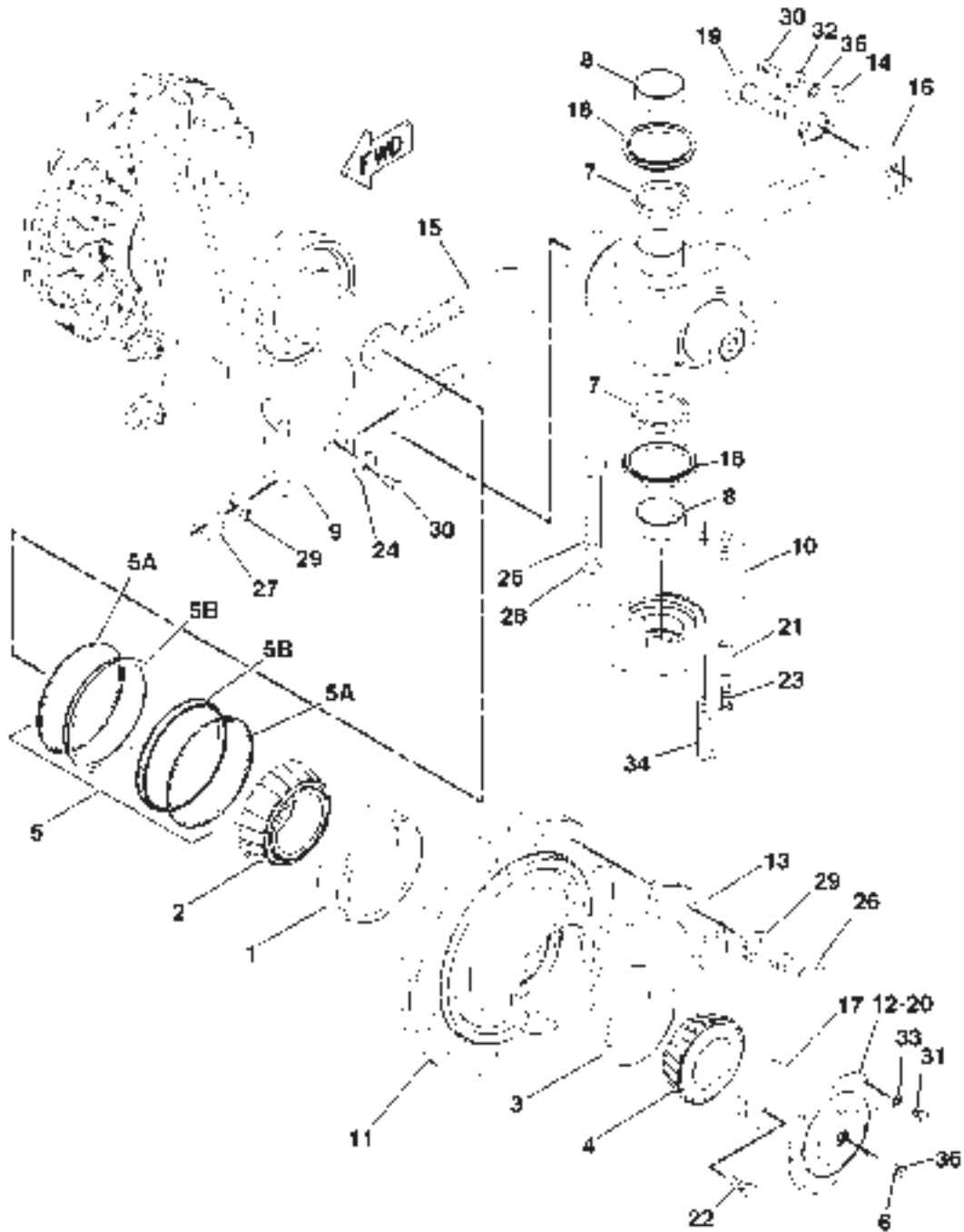
ITEM	NUMBER	QTY	DESCRIPTION
-	201-9927	-	GUARD GP-LINES [A] (NOT SERVICED)
1	101-3129	2	STUD (M10X1.5)
2	201-9932	1	COVER
3	193-5913	4	PLUG
4	193-5914	2	PLUG
5	201-9930	2	GUARD-WIRE
6	5P-8440	2	GROMMET
7	5P-9085	2	CLIP
8	6V-8455	4	BOLT (M10X1.5X16MM)
9	7X-0561	4	WASHER-HARD (12X18.5X3)
10	CH7X-7729	10	WASHER (11X25X3)
11	7774664	2	NUT (M10X1.5)

[A] PART OF 156-4881 UNDERCARRIAGE AR

00853301
PR: t05b22n43d0273

MT800B SERIES TRACTORS
UNDERCARRIAGE

IDLER GP - 127-9545



**MT800B SERIES TRACTORS
UNDERCARRIAGE**

655

IDLER GP - 127-9545

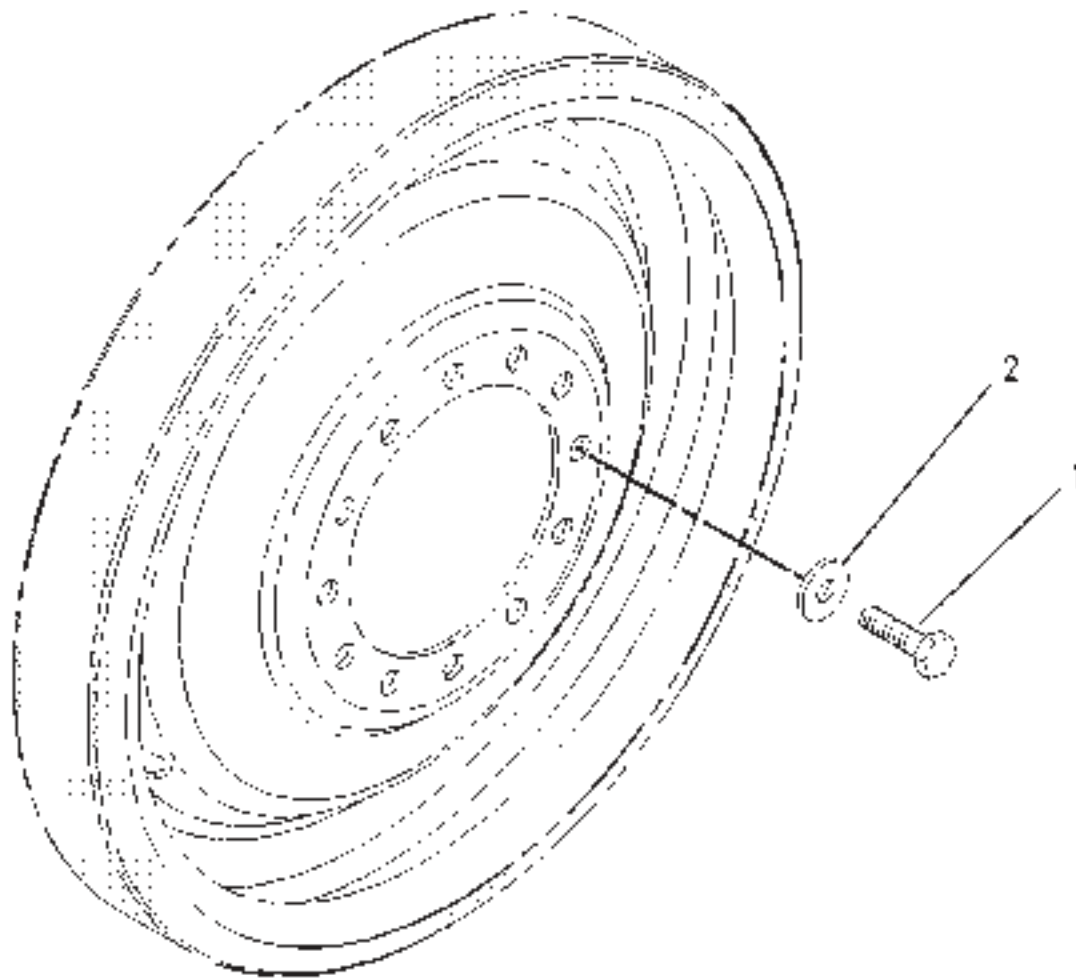
ITEM	NUMBER	QTY	DESCRIPTION
-	127-9545	-	IDLER GP [A] (NOT SERVICED)
1	CH1J-2860	2	CUP-BEARING
2	CH1J-4757	2	CONE-BEARING
3	CH2D-9454	2	CUP-BEARING
4	CH2D-9455	2	CONE-BEARING
5	CH5K-1078	2	SEAL GP-DUO-CONE
6	CH9S-8003	2	PLUG
7	CH9W-9625	2	RING-THRUST
8	CH108-6075	2	BUSHING
9	CH127-9548	1	LINK-SWING
10	CH127-9553	1	CAP
11	CH127-9554	2	HUB
12	CH156-4897	2	COVER
13	CH156-4900	8	PLATE
14	CH202-8633	2	PLATE-LOCK
15	400261X1	2	U-BOLT
16	CH160-3957	1	LEVER GP-IDLER
	500925D1	1	PIN AS (SERVICED BY ** ITEMS)
	CH6Y-0473	1	**PLUG-CLEAR
	CH7G-4332	1	**STOPPER
17	CH160-5223	2	PLATE
18	501934D1	2	SEAL ASM
19	190-0768	2	BOLT (M24X3X88MM)
20	215-9464	2	GASKET
21	CH4K-7239	1	DOWEL
22	400227X1	6	BOLT (M12X1.75X30MM)
23	400002X1	1	BOLT-SOCKET HEAD (M12X1.75X35MM)
24	CH7X-0618	2	WASHER-HARD (13.5X40X5)
25	400027X1	2	BOLT (M20X2.5X130MM)
26	400035X1	12	BOLT (M24X3X60MM)
27	CH8T-4001	4	NUT (M24X3)
28	400080X1	2	WASHER-PLATED (22X35X3.5)
29	400081X1	16	WASHER-HARD (26X44X4)
30	400055X1	4	BOLT (M12X1.75X25MM)
31	400227X1	16	BOLT (M8X1.25X16MM)
32	400381X1	2	WASHER-HARD (13.5X30X4)
33	400339X1	16	WASHER-HARD (8.8X16X2)
34	400142X1	2	BOLT-SOCKET HEAD (M20X2.5X90)
35	CH202-9701	2	SPACER (12.95X19.05X5)
36	1J-9671	2	SEAL-O-RING

[A] PART OF 156-4882; 156-4883 FRAME AR

0862342A
PR: t05b22n43d0274

MT800B SERIES TRACTORS
UNDERCARRIAGE

MOUNTING GP-IDLER - 177-4589



**MT800B SERIES TRACTORS
UNDERCARRIAGE**

657

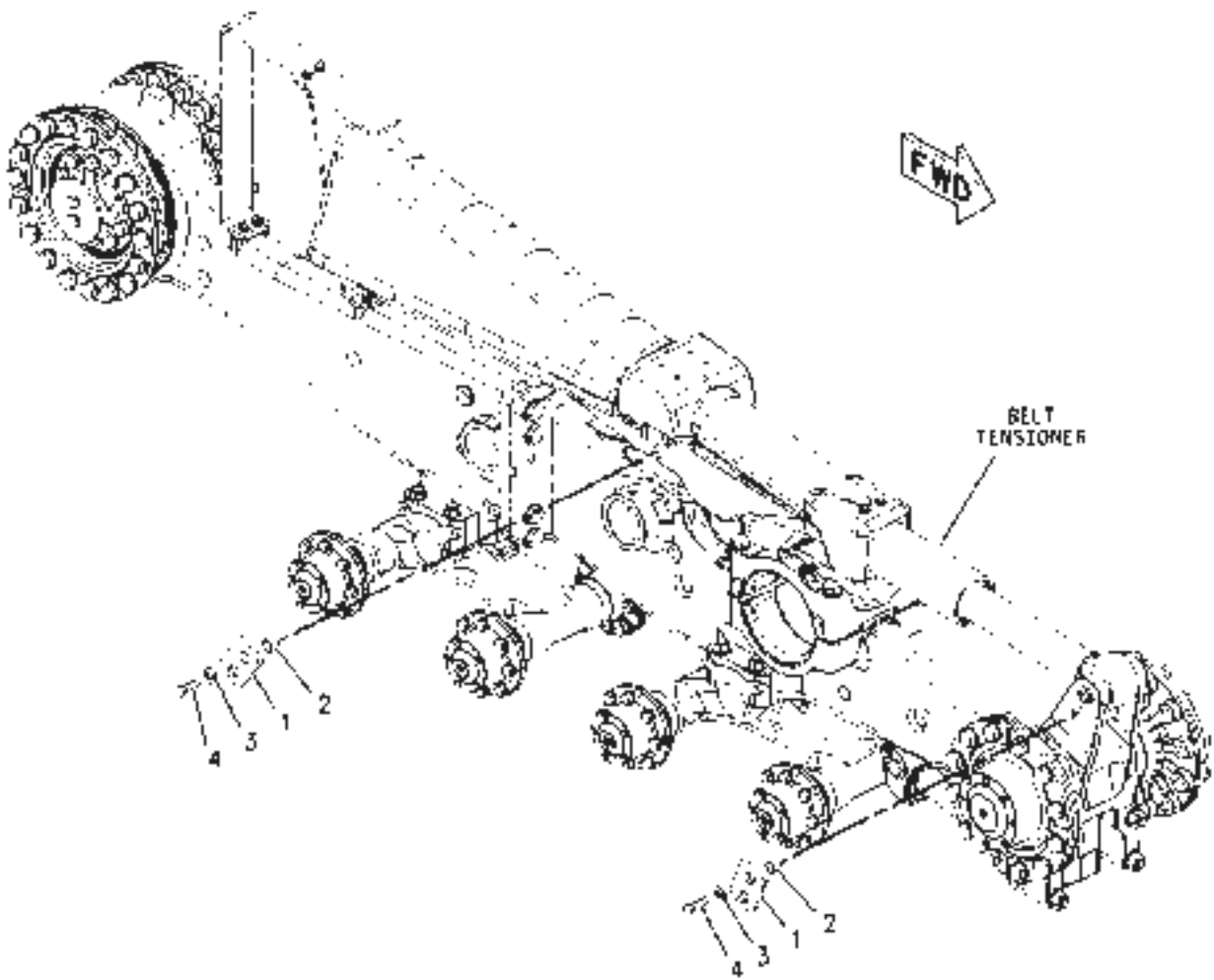
MOUNTING GP-IDLER - 177-4589

ITEM	NUMBER	QTY	DESCRIPTION
-	177-4589	-	MOUNTING GP-IDLER (NOT SERVICED)
1	400035X1	24	BOLT (M24X3X60MM)
2	400081X1	24	WASHER-HARD (26X44X4)

00640046
PR: t05b22n43d0275

MT800B SERIES TRACTORS
UNDERCARRIAGE

MOUNTING GP-TENSIONER - 184-6718
TRACK BELT



MT800B SERIES TRACTORS
UNDERCARRIAGE

659

MOUNTING GP-TENSIONER - 184-6718
TRACK BELT

ITEM	NUMBER	QTY	DESCRIPTION
-	184-6718	-	MOUNTING GP-TENSIONER [A] (NOT SERVICED)
1	CH190-3576	2	PIN ASM
2	190-3583	2	SPACER (20X28.6X19)
3	CH7X-0515	2	WASHER-HARD (17X35X5)
4	400244X1	2	BOLT (M16X2.0X45MM)

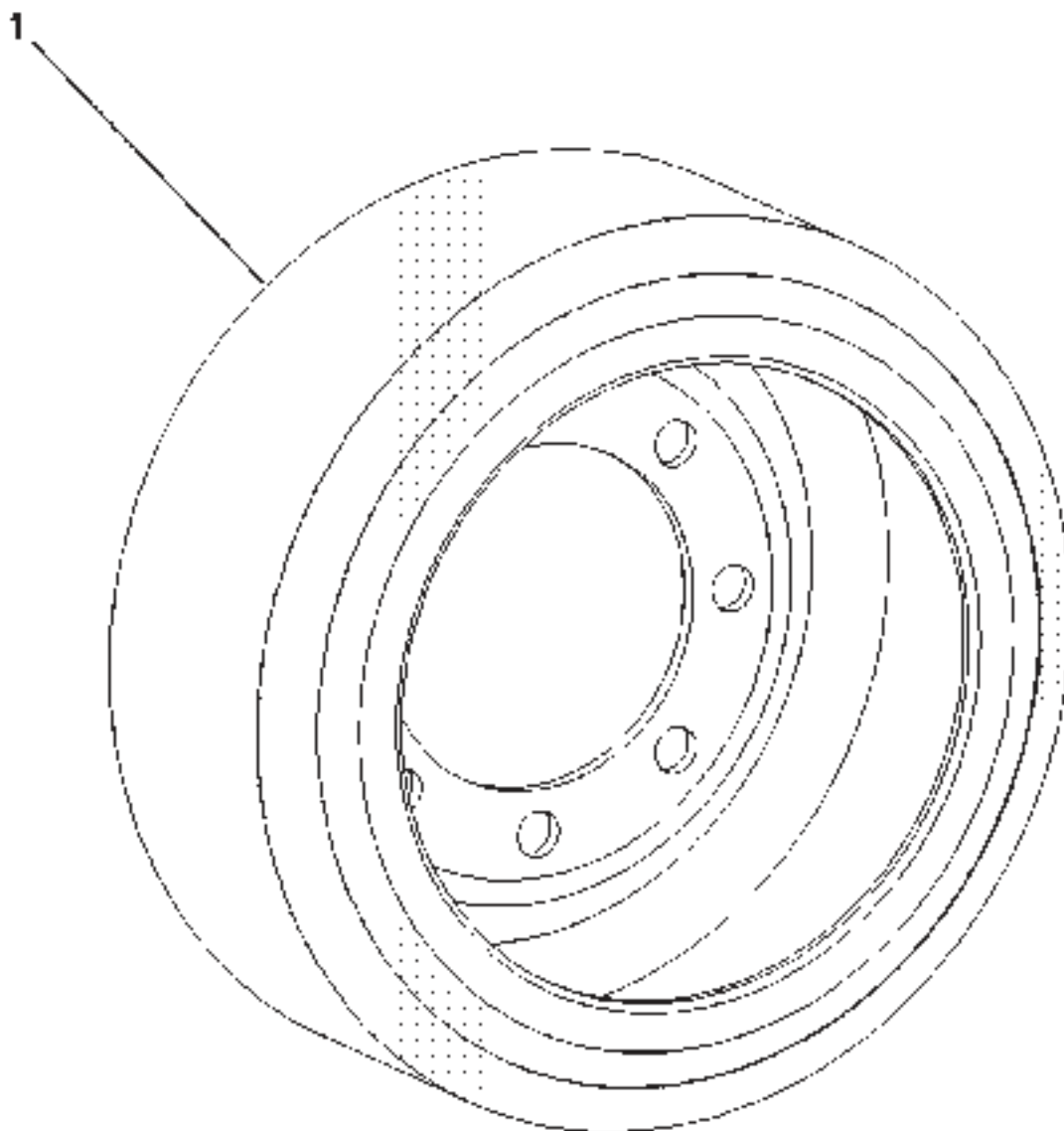
[A] PART OF 156-4882; 156-4883 FRAME AR

00851415
PR: t05b22n43d0276

660

MT800B SERIES TRACTORS
UNDERCARRIAGE

ROLLER AR - 156-4891
MIDDLE 112 MM (4.4 IN)



00648929

**MT800B SERIES TRACTORS
UNDERCARRIAGE**

661

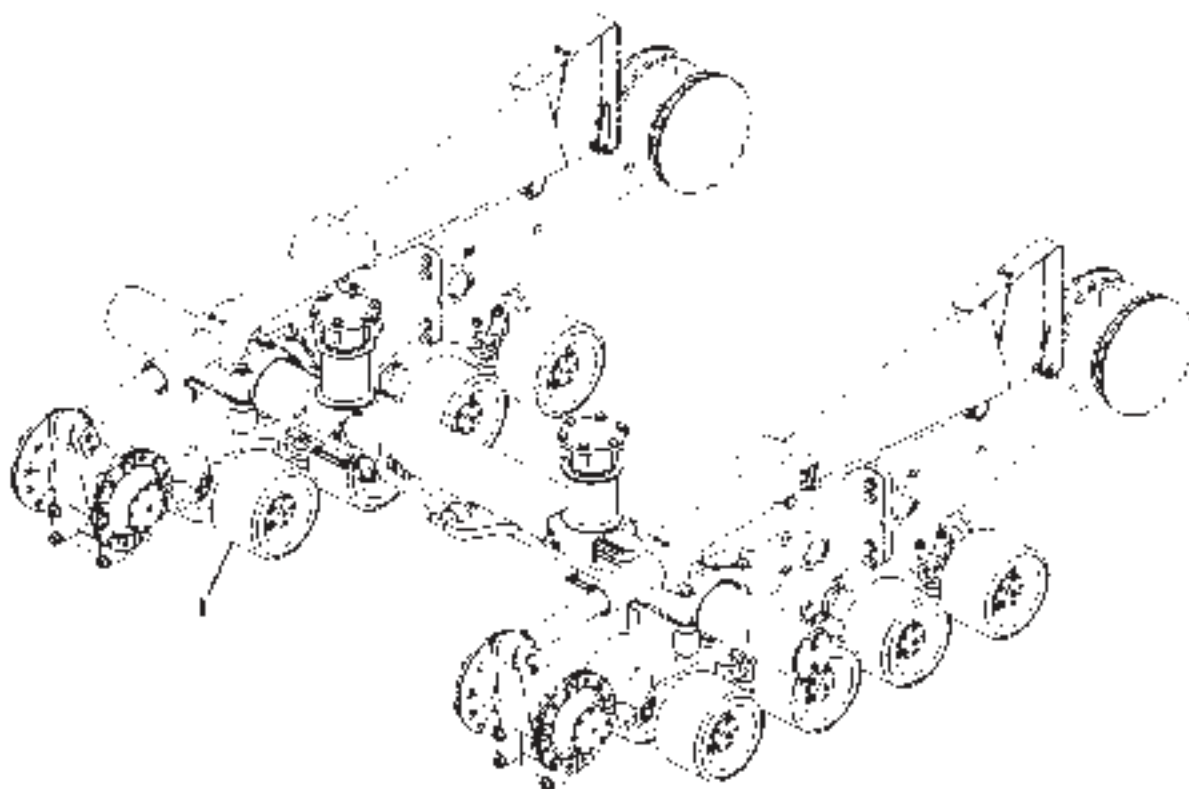
**ROLLER AR - 156-4891
MIDDLE 112 MM (4.4 IN)**

ITEM	NUMBER	QTY	DESCRIPTION
-	156-4891	-	ROLLER AR (NOT SERVICED)
1	502931D1	16	ROLLER ASM
-	502159D1	-	ROLLER AR (INCLUDES 8 OF ITEM 1) (NOT SERVICED)

00648929
PR: t05b22n43d0277

MT800B SERIES TRACTORS
UNDERCARRIAGE

ROLLER AR - 156-4893
MIDDLE 204 MM (8 IN)



**MT800B SERIES TRACTORS
UNDERCARRIAGE**

663

**ROLLER AR - 156-4893
MIDDLE 204 MM (8 IN)**

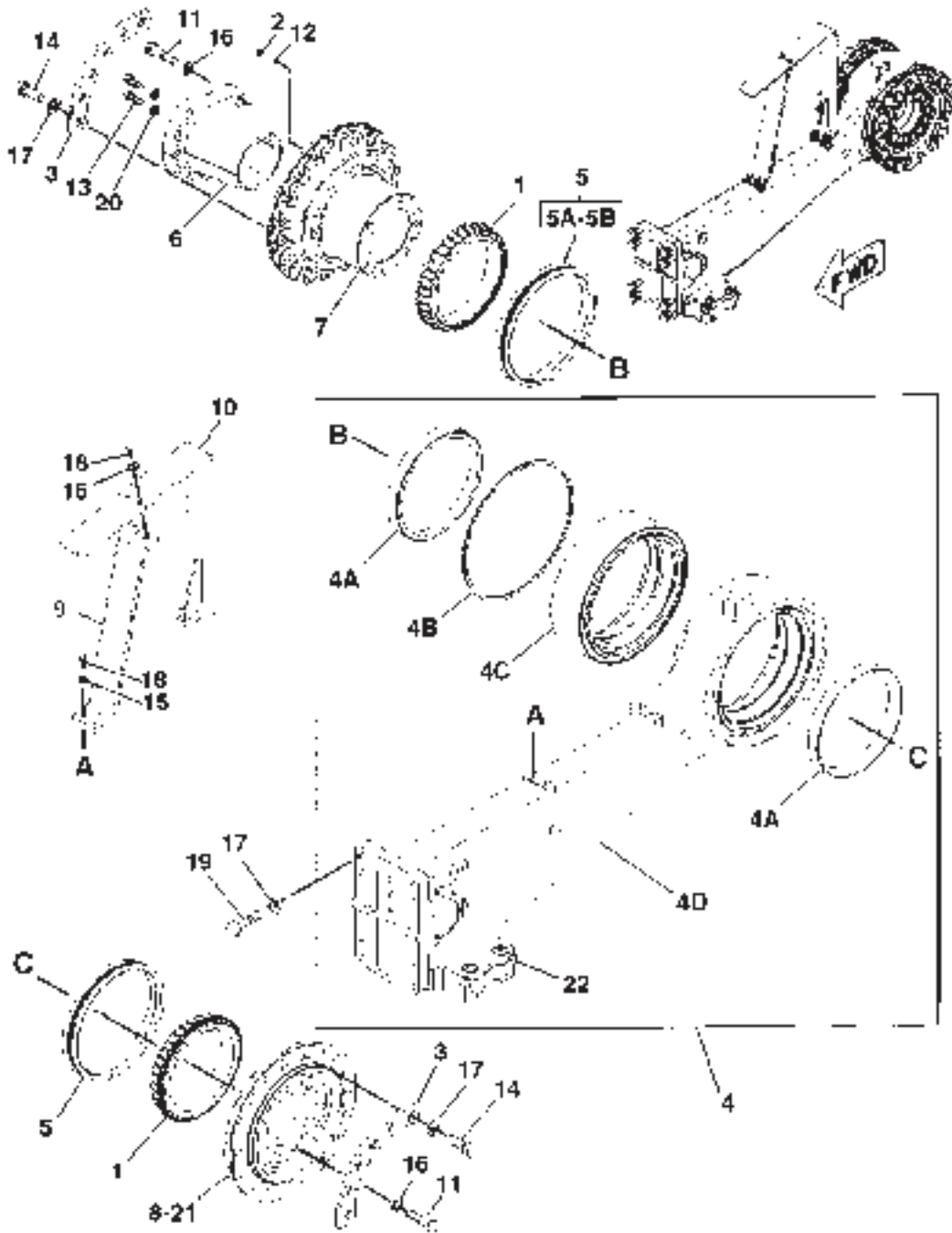
ITEM	NUMBER	QTY	DESCRIPTION
-	502786D1	-	ROLLER AR [R] (FIELD) (ROW ONLY)
-	502914D1	-	ROLLER AR (FACTORY) (NOT SERVICED, ORDER ITEM 1)
-	156-4893	-	MIDROLLER WHEEL AR [A] (REF) (NOT SERVICED, ORDER ITEM 1)
1	502932D1	16	ROLLER ASM
-	502162D1	-	ROLLER AR (FIELD) (INCLUDES 8 OF ITEM 1) (NOT SERVICED)

[A] PART OF 502768D1;502914D1 ROLLER AS
[R] PART OF SPECIAL APPS PKG

00885773
PR: t05b22n43d0278

MT800B SERIES TRACTORS
UNDERCARRIAGE

SUPPORT GP-DRIVE WHEEL - 156-4884
RIGHT HAND



**MT800B SERIES TRACTORS
UNDERCARRIAGE**

665

**SUPPORT GP-DRIVE WHEEL - 156-4884
RIGHT HAND**

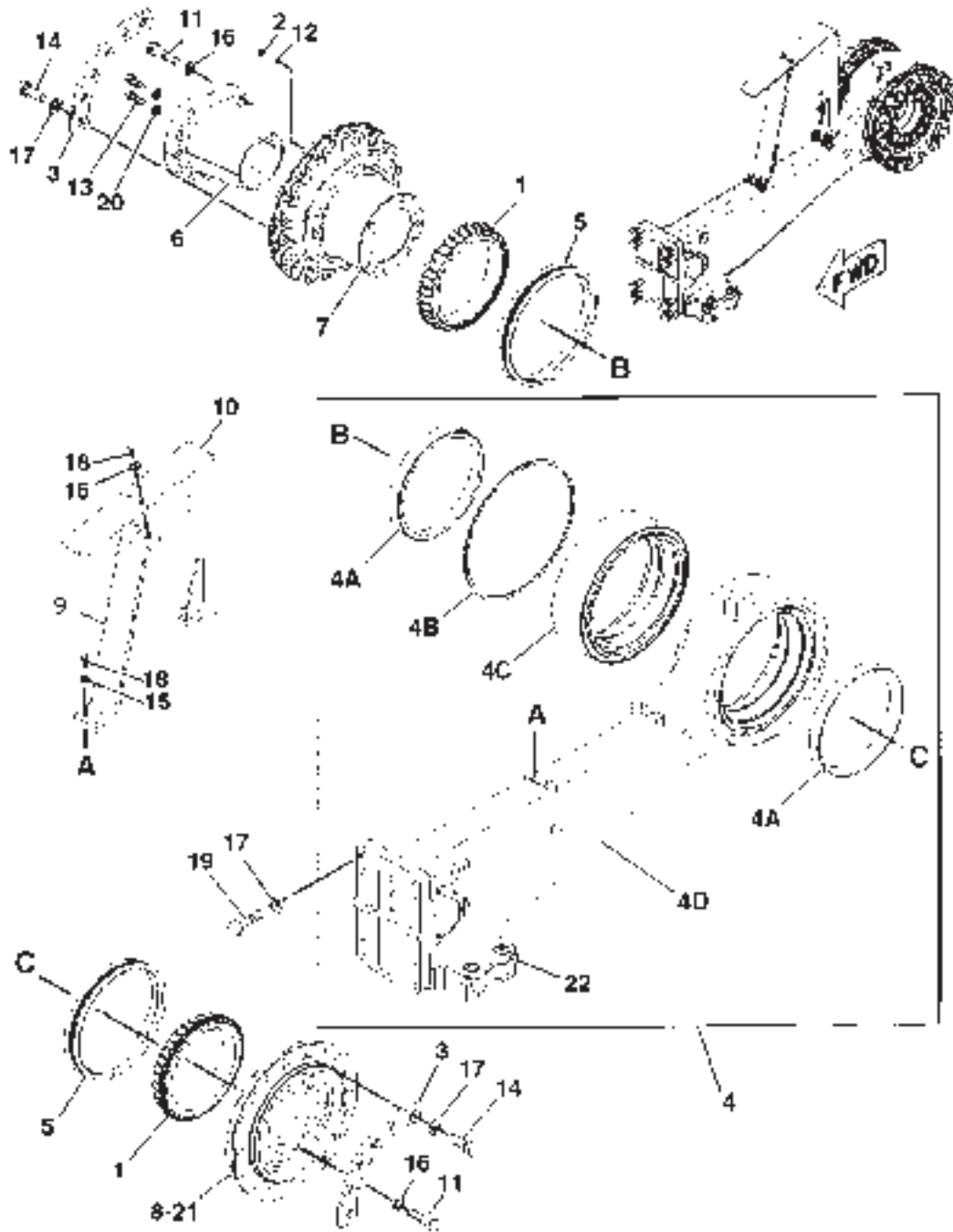
ITEM	NUMBER	QTY	DESCRIPTION
-	156-4884	-	SUPPORT GP-DRIVE WHEEL [A] (NOT SERVICED)
1	503061D1	2	CONE-BEARING
2	9S-8003	1	PLUG
3	156-8343	6	PLATE-BACKUP
4	161-1817	1	ARM ASM (ORDER COMPLETE OR 4A THRU 4C)
4A	CH3D-9133	2	CUP-BEARING
4B	400098X1	1	RING-RETAINING
4C	CH190-3391	1	HOUSING ASM
4D		1	ARM-REACTION (NOT SERVICED SEPARATELY)
5	CH174-4874	2	SEAL GP-DUO-CONE
6	184-4356	1	COLLET
7	500396D2	1	HUB-OUTER
8	500395D2	1	HUB-INNER
9	205-9961	1	BRACKET ASM
	CH8T-3490	2	NUT-WELD (M10X1.5)
10	205-9962	1	BRACKET
11	400272X1	27	BOLT (M20X2.5X80MM)
12	1J-9671	1	SEAL-O-RING
13	400191X1	2	BOLT (M16X2X40MM)
14	400035X1	36	BOLT (M24X3X60MM)
15	CH7X-7729	6	WASHER (11X25X3)
16	400080X1	27	WASHER-PLATED (22X35X3.5)
17	400081X1	44	WASHER-HARD (26X44X4)
18	400058X1	4	BOLT (M10X1.5X30MM)
19	400067X1	8	BOLT (M24X3X80MM)
20	400082X1	2	WASHER (17.5X30X3.5)
21	CH1U-8846		SEALANT-GASKET
22	193-5915	4	PLUG
23	400058X1	2	BOLT-BSHCS (M10X1.5X40MM) (NOT SHOWN) (USED WITH ITEMS 9 & 10)

[A] PART OF 156-4882; 502193D1 FRAME AR

0829713A
PR: t05b22n43d0279

MT800B SERIES TRACTORS
UNDERCARRIAGE

SUPPORT GP-DRIVE WHEEL - 156-4885
LEFT HAND



**MT800B SERIES TRACTORS
UNDERCARRIAGE**

667

**SUPPORT GP-DRIVE WHEEL - 156-4885
LEFT HAND**

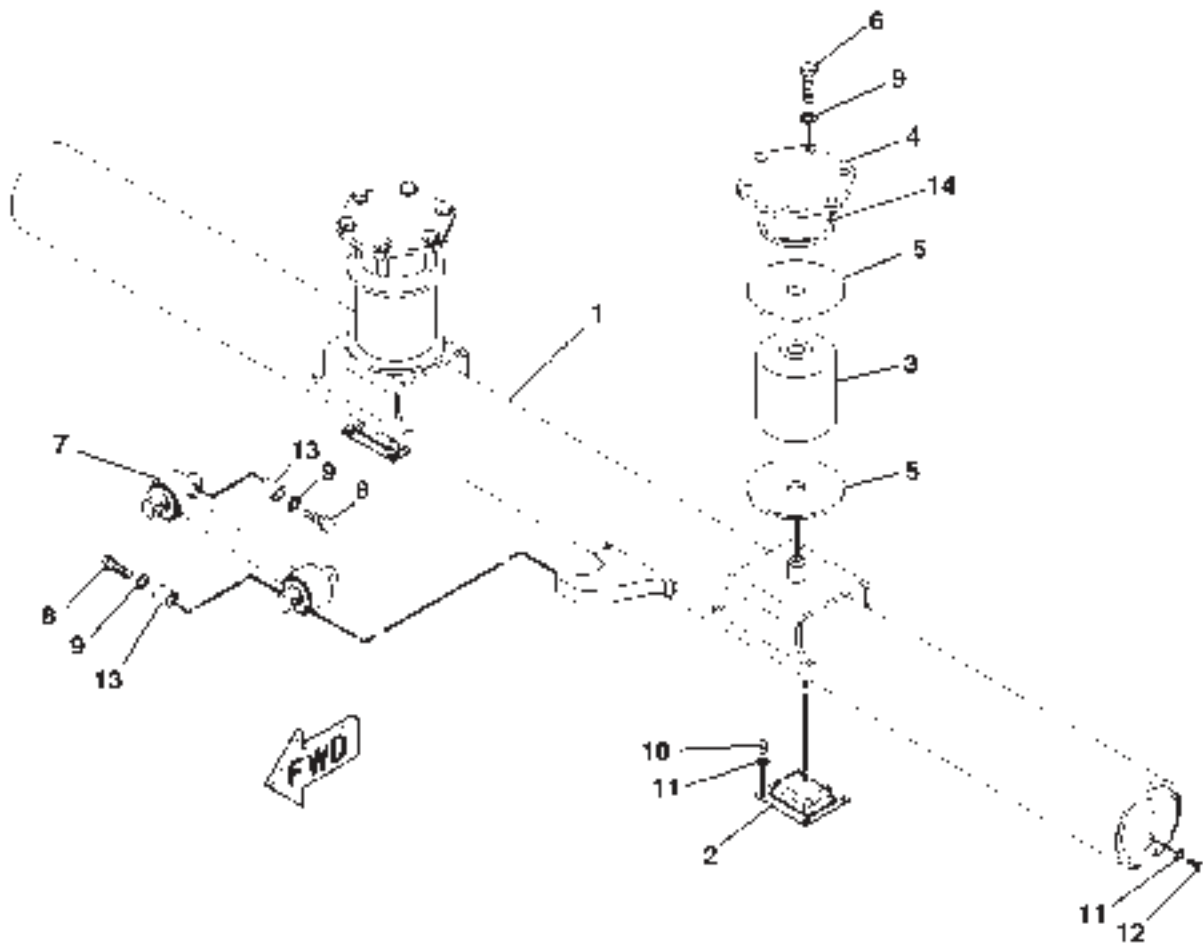
ITEM	NUMBER	QTY	DESCRIPTION
-	156-4885	-	SUPPORT GP-DRIVE WHEEL [A] (NOT SERVICED)
1	503061D1	2	CONE-BEARING
2	CH9S-8003	1	PLUG
3	156-8343	6	PLATE-BACKUP
4	161-1817	1	ARM ASM (ORDER COMPLETE OR 4A THRU 4C)
4A	CH3D-9133	2	CUP-BEARING
4B	400098X1	1	RING-RETAINING
4C	CH190-3391	1	HOUSING ASM
4D		1	ARM-REACTION (NOT SERVICED SEPARATELY)
5	CH174-4874	2	SEAL GP-DUO-CONE (ORDER COMPLETE OR
6	184-4356	1	COLLET
7	500396D2	1	HUB-OUTER
8	500395D2	1	HUB-INNER
9	205-9961	1	BRACKET ASM
	CH8T-3490	2	NUT-WELD (M10X1.5)
10	205-9962	1	BRACKET
11	400272X1	27	BOLT (M20X2.5X80MM)
12	CH1J-9671	1	SEAL-O-RING
13	400191X1	2	BOLT (M16X2X40MM)
14	400035X1	36	BOLT (M24X3X60MM)
15	CH7X-7729	6	WASHER (11X25X3)
16	400080X1	27	WASHER-PLATED (22X35X3.5)
17	400081X1	44	WASHER-HARD (26X44X4)
18	400058X1	4	BOLT (M10X1.5X30MM)
19	400067X1	8	BOLT (M24X3X80MM)
20	400082X1	2	WASHER (17.5X30X3.5)
21	CH1U-8846		SEALANT-GASKET
22	CH193-5915	4	PLUG
23	400058X1	2	BOLT-BSHCS (M10X1.5X40MM) (NOT SHOWN) (USED WITH ITEMS 9 & 10)

[A] PART OF 156-4883 FRAME AR

0829713B
PR: t05b22n43d0280

MT800B SERIES TRACTORS
UNDERCARRIAGE

SUPPORT GP-UNDERCARRIAGE - 163-1009
WIDE GAUGE



**MT800B SERIES TRACTORS
UNDERCARRIAGE**

669

**SUPPORT GP-UNDERCARRIAGE - 163-1009
WIDE GAUGE**

ITEM	NUMBER	QTY	DESCRIPTION
-	163-1009	-	SUPPORT GP-UNDERCARRIAGE [A] (NOT SERVICED)
1	162-0288	1	SUPPORT ASM (INCLUDES PLATE ASM, BRACKET ASM-RH, PLATE SUPPORT AND LINK)
	7T-1099	2	LINK
2	163-0267	2	PAD ASM
3	163-0268	2	SPRING (RUBBER)
4	223-3273	2	PLATE
5	177-1872	4	PLATE
6	180-5932	12	BOLT-HEX HEAD (M20X2.5X80MM)
7	183-8600	1	ROD
8	7X-2565	4	BOLT (M20X2.5X100MM)
9	400080X1	16	WASHER-PLATED (22X35X3.5)
10	8T-4179	8	BOLT (M12X1.75X20MM)
11	400357X1	12	WASHER-HARD (M12X25.5X3)
12	8T-4956	4	BOLT (M12X1.75X35MM)
13	213-1827	4	SPACER (22X35X40)
14	223-2480	2	SUPPORT

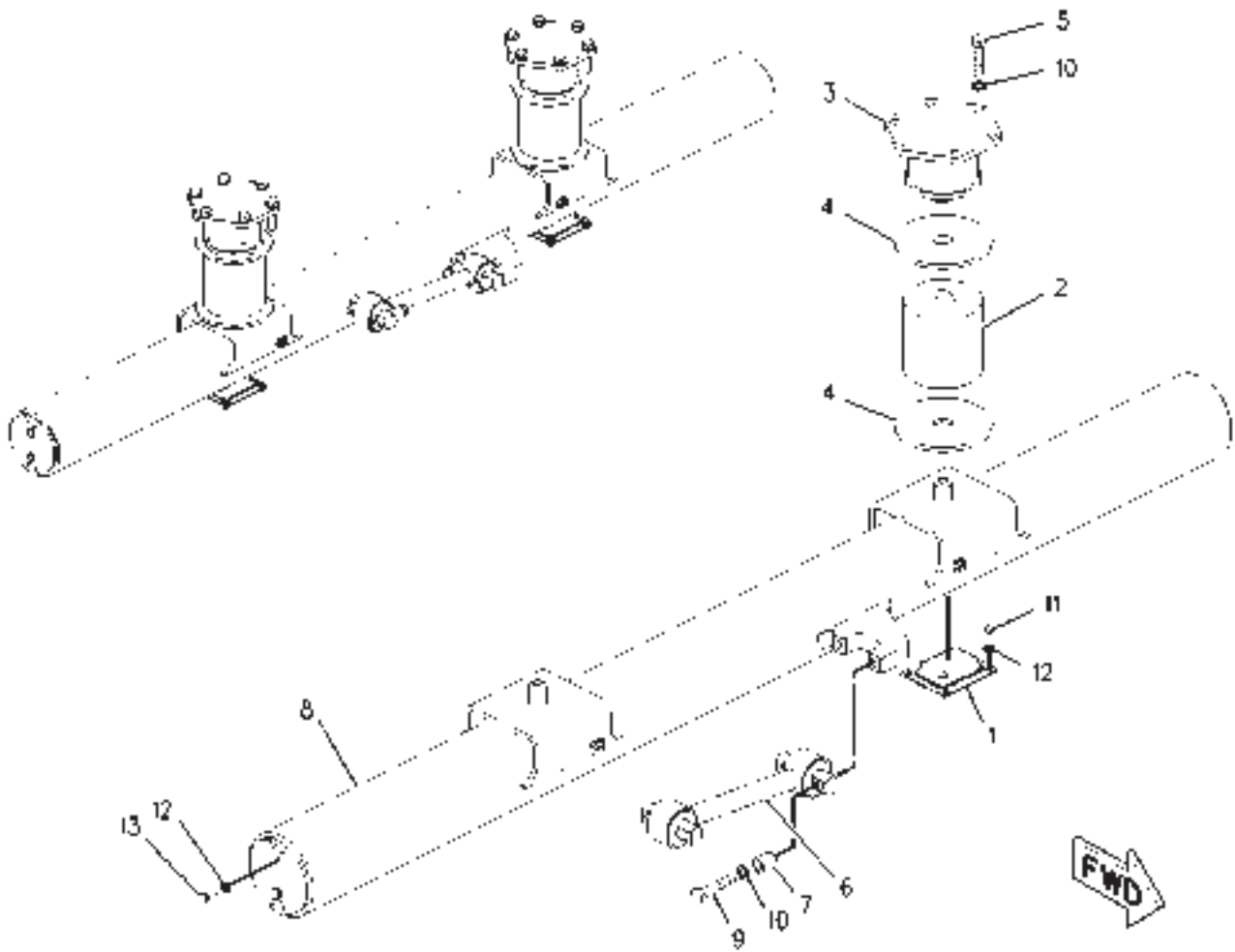
[A] PART OF
156-4881; 502325D1 UNDERCARRIAGE AR

0850229A
PR: t05b22n43d0281

670

MT800B SERIES TRACTORS
UNDERCARRIAGE

SUPPORT GP-UNDERCARRIAGE - 177-9945
2286-2600MM (90-102 IN)
EAME ONLY



00853117

**MT800B SERIES TRACTORS
UNDERCARRIAGE**

671

**SUPPORT GP-UNDERCARRIAGE - 177-9945
2286-2600MM (90-102 IN)
EAME ONLY**

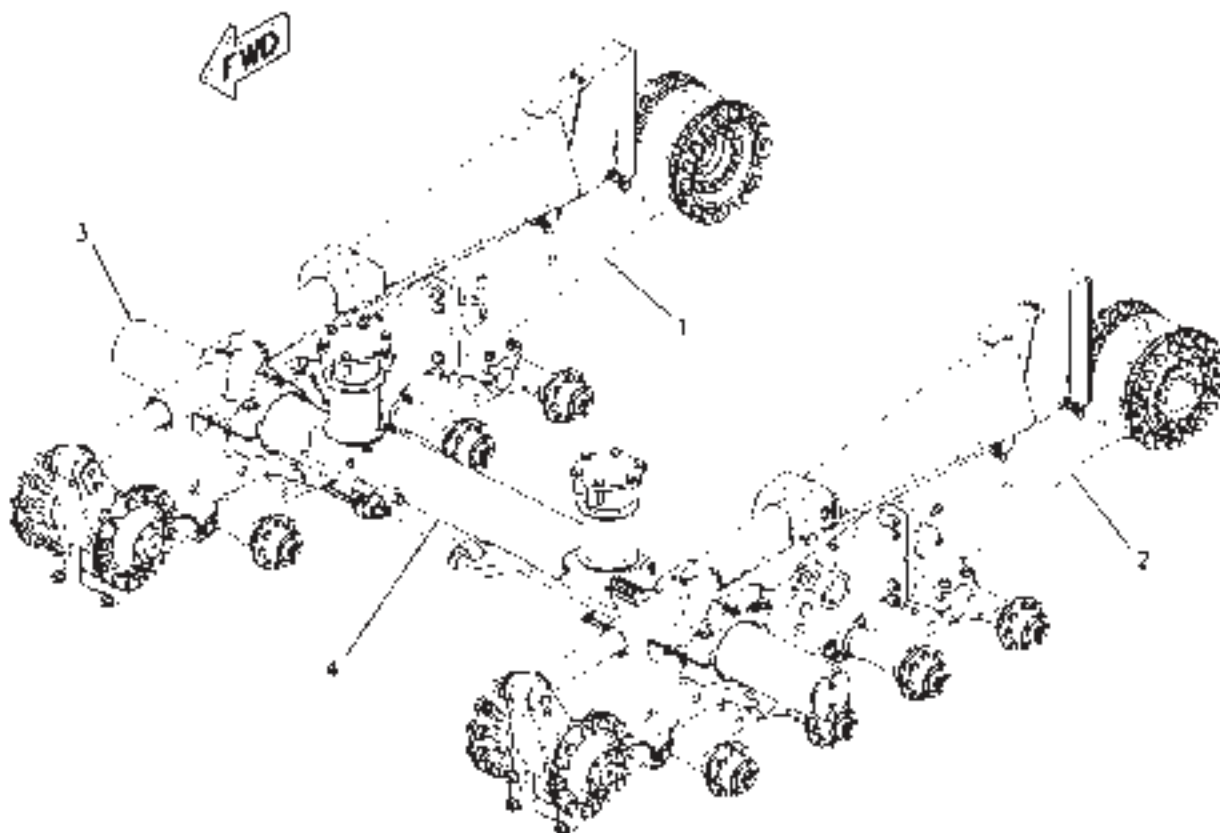
ITEM	NUMBER	QTY	DESCRIPTION
-	177-9945	-	SUPPORT GP-UNDERCARRIAGE [A] (NOT SERVICED)
1	163-0267	2	PAD AS (SUPPORT)
2	163-0268	2	SPRING (RUBBER)
3	223-3273	2	PLATE
	223-2480	2	SUPPORT
4	CH177-1872	4	PLATE
5	180-5932	12	BOLT-HEX HEAD (M20X2.5X80MM)
6	183-8600	1	ROD
7	CH213-1827	4	SPACER (22X35X40MM THK)
8	172-4155	1	SUPPORT AS
	CH7T-1099	2	LINK
9	400032X1	4	BOLT (M20X2.5X100MM)
10	400080X1	16	WASHER-PLATED (22X35X3.5MM THK)
11	400047X1	8	BOLT (M12X1.75X20MM)
12	400357X1	12	WASHER-HARD (M12X25.5X3MM THK)
13	400064X1	4	BOLT (M12X1.75X35MM)

[A] PART OF 177-9946 UNDERCARRIAGE AR

00853117
PR: t05b22n43d0282

MT800B SERIES TRACTORS
UNDERCARRIAGE

UNDERCARRIAGE AR - 156-4881
ROW



**MT800B SERIES TRACTORS
UNDERCARRIAGE**

673

**UNDERCARRIAGE AR - 156-4881
ROW**

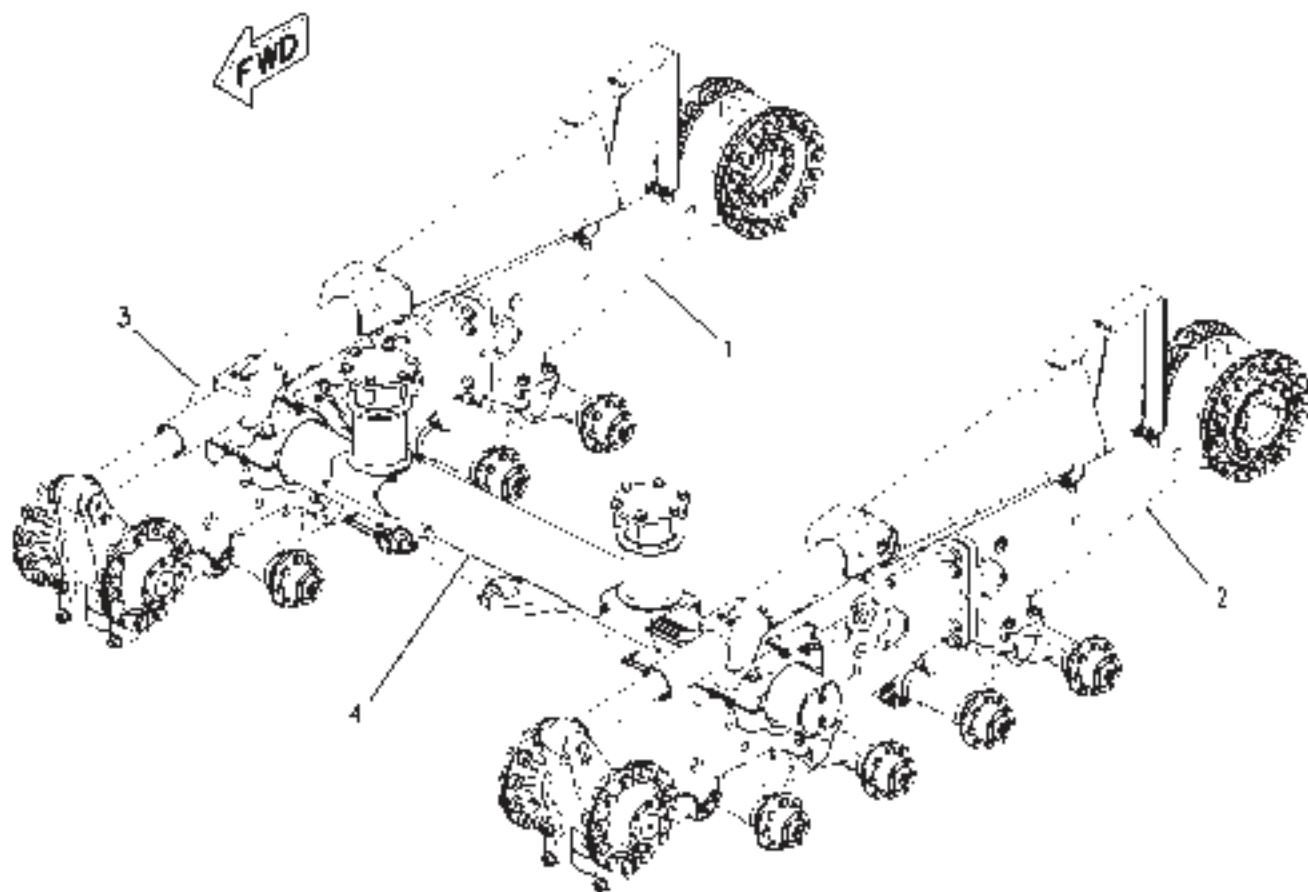
ITEM	NUMBER	QTY	DESCRIPTION
-	156-4881	-	UNDERCARRIAGE AR [A] (NOT SERVICED)
1	156-4882	1	FRAME AR (RH) (NOT SERVICED) (SEE BREAKDOWN FOR COMPONENTS)
2	156-4883	1	FRAME AR (LH) (NOT SERVICED) (SEE BREAKDOWN FOR COMPONENTS)
3	163-1009	1	SUPPORT GP-UNDERCARRIAGE (NOT SERVICED) (SEE BREAKDOWN FOR COMPONENTS)
4	201-9927	1	GUARD GP-LINES (NOT SERVICED) (SEE BREAKDOWN FOR COMPONENTS)

[A] PART OF 177-9948; 183-2198 GAUGE
AR-TRACK

00850503
PR: t05b22n43d0283

MT800B SERIES TRACTORS
UNDERCARRIAGE

UNDERCARRIAGE AR - 177-9946
EAME ONLY



**MT800B SERIES TRACTORS
UNDERCARRIAGE**

675

**UNDERCARRIAGE AR - 177-9946
EAME ONLY**

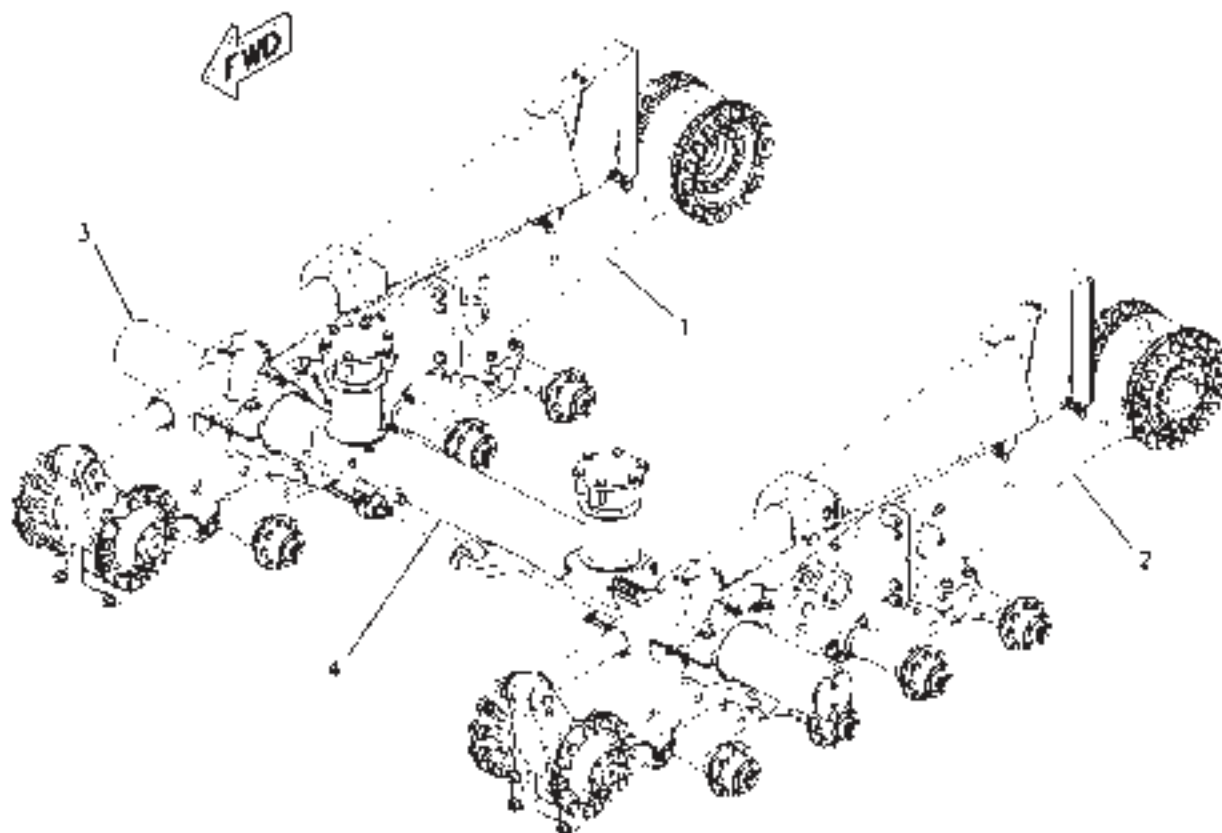
ITEM	NUMBER	QTY	DESCRIPTION
-	177-9946	-	UNDERCARRIAGE AR (NOT SERVICED)
1	156-4882	1	FRAME AR (RH) (NOT SERVICED) (SEE BREAKDOWN FOR COMPONENTS)
2	156-4883	1	FRAME AR (LH) (NOT SERVICED) (SEE BREAKDOWN FOR COMPONENTS)
3	177-9945	1	SUPPORT GP-UNDERCARRIAGE (NOT SERVICED) (SEE BREAKDOWN FOR COMPONENTS)
4	201-9928	1	GUARD GP-LINES (NOT SERVICED) (SEE BREAKDOWN FOR COMPONENTS)

[A] PART OF:
177-9947; 183-2197 GAUGE AR-TRACK

00851114
PR: t05b22n43d0284

MT800B SERIES TRACTORS
UNDERCARRIAGE

UNDERCARRIAGE AR - 502325D1
SPECIAL



**MT800B SERIES TRACTORS
UNDERCARRIAGE**

677

**UNDERCARRIAGE AR - 502325D1
SPECIAL**

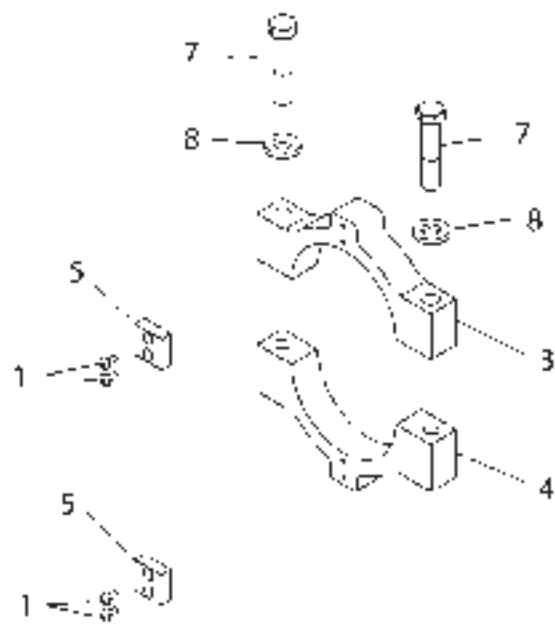
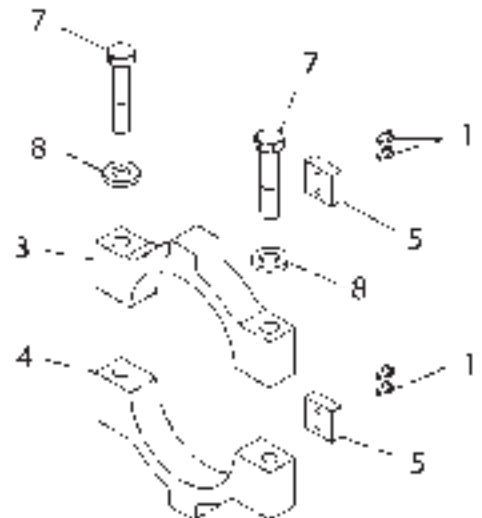
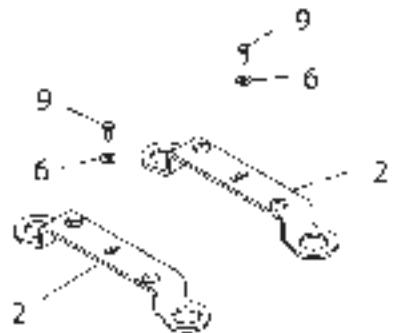
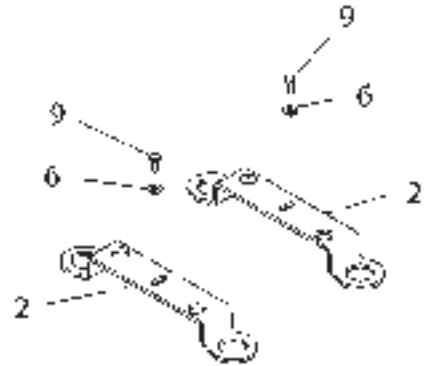
ITEM	NUMBER	QTY	DESCRIPTION
-	502325D1	-	UNDERCARRIAGE AR [A] (NOT SERVICED)
1	502193D1	1	FRAME AR (RH) (NOT SERVICED) (SEE BREAKDOWN FOR COMPONENTS)
2	502037D1	1	FRAME AR (LH) (NOT SERVICED) (SEE BREAKDOWN FOR COMPONENTS)
3	163-1009	1	SUPPORT GP-UNDERCARRIAGE (NOT SERVICED) (SEE BREAKDOWN FOR COMPONENTS)
4	201-9927	1	GUARD GP-LINES (NOT SERVICED) (SEE BREAKDOWN FOR COMPONENTS)

[A] PART OF 502323D1; 502324D1 GAUGE
AR-TRACK

00850503
PR: t05b22n43d0285

MT800B SERIES TRACTORS
UNDERCARRIAGE

RESTRAIN GP-ROLLERFRAME - 500040D1



MT800B SERIES TRACTORS
UNDERCARRIAGE

679

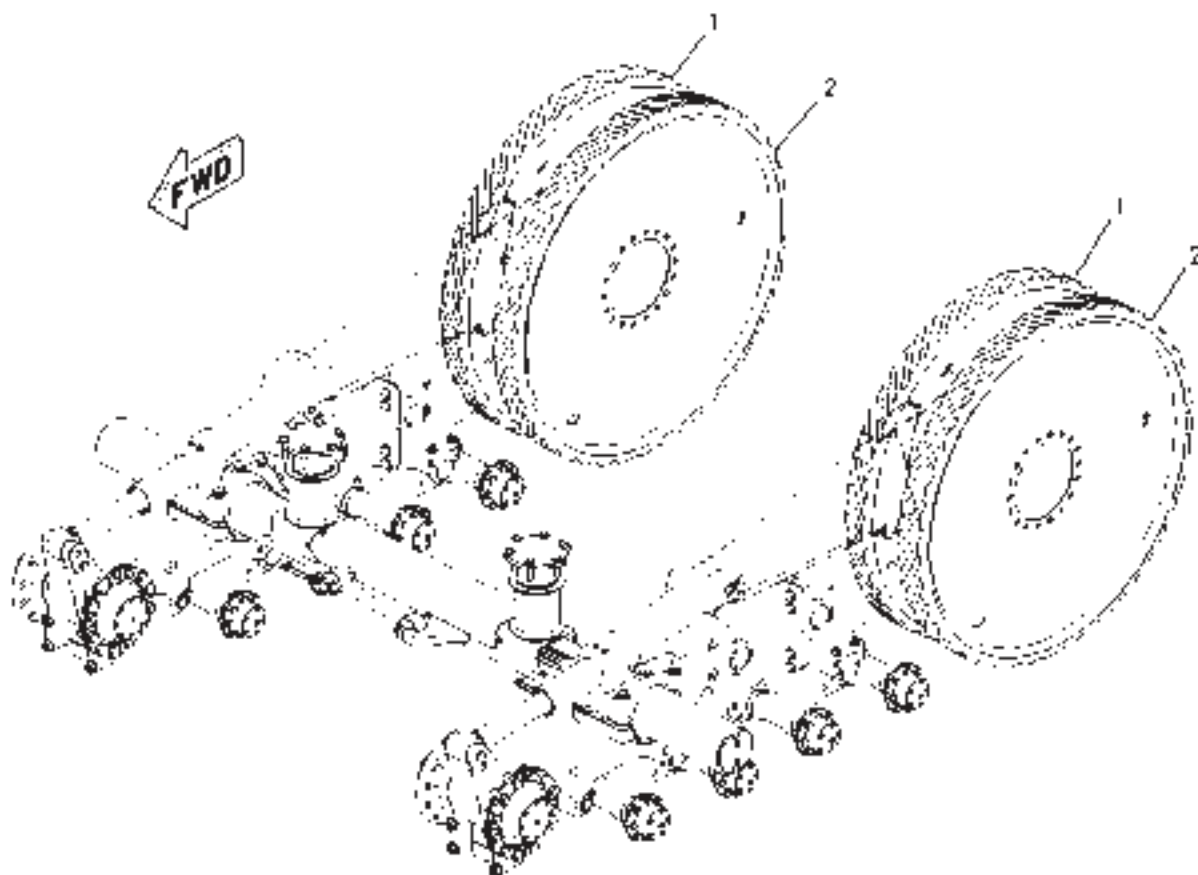
RESTRAIN GP-ROLLERFRAME - 500040D1

ITEM	NUMBER	QTY	DESCRIPTION
-	500040D1	-	RESTRAIN GP-ROLLERFRAME
1	CH127-2170	8	SCREW-M8X1.25X20MM TRUSS HD
2	500081D1	4	BRACKET-LOCK
3	500468D1	2	CLAMP-TOP
4	500469D1	2	CLAMP-BOTTOM
5	500470D1	4	PAD-WEAR
6	400599X1	4	WASHER-HARD,M8X20.5ODX2THK
7	400213X1	4	BOLT-M24X3X120MM
8	CH8T-1482	4	WASHER-HARD (26IDX50ODX8MM)
9	400053X1	4	BOLT-M8X1.25X20

500040DC
PR: t05b22n43d0286

MT800B SERIES TRACTORS
UNDERCARRIAGE

WHEEL AR-DRIVER - 220-2357
112 MM (4.4 IN)
ROW & EAME



MT800B SERIES TRACTORS
UNDERCARRIAGE

681

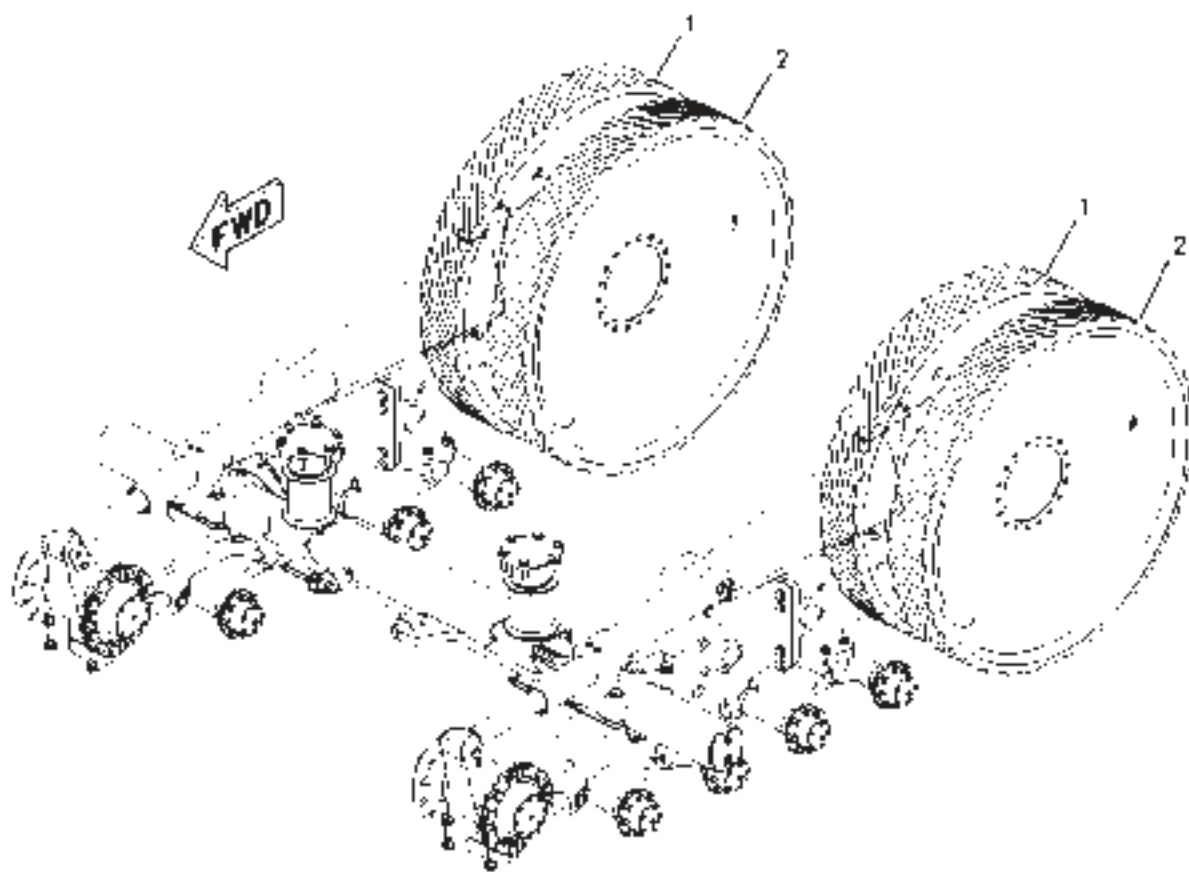
WHEEL AR-DRIVER - 220-2357
112 MM (4.4 IN)
ROW & EAME

ITEM	NUMBER	QTY	DESCRIPTION
-	220-2357	-	WHEEL AR-DRIVER (NOT SERVICED)
1	1R-1234	2	WHEEL ASM
2	1R-1249	2	WHEEL ASM
-	502158D1	-	WHEEL AR-DRIVER (FIELD) (NOT SERVICED) (INCLS 1 OF ITEMS 1 & 2)

00889595
PR: t05b22n43d0287

MT800B SERIES TRACTORS
UNDERCARRIAGE

WHEEL AR-DRIVER - 220-2358
196 MM (7.7 IN)
ROW AND EAME



**MT800B SERIES TRACTORS
UNDERCARRIAGE**

683

**WHEEL AR-DRIVER - 220-2358
196 MM (7.7 IN)
ROW AND EAME**

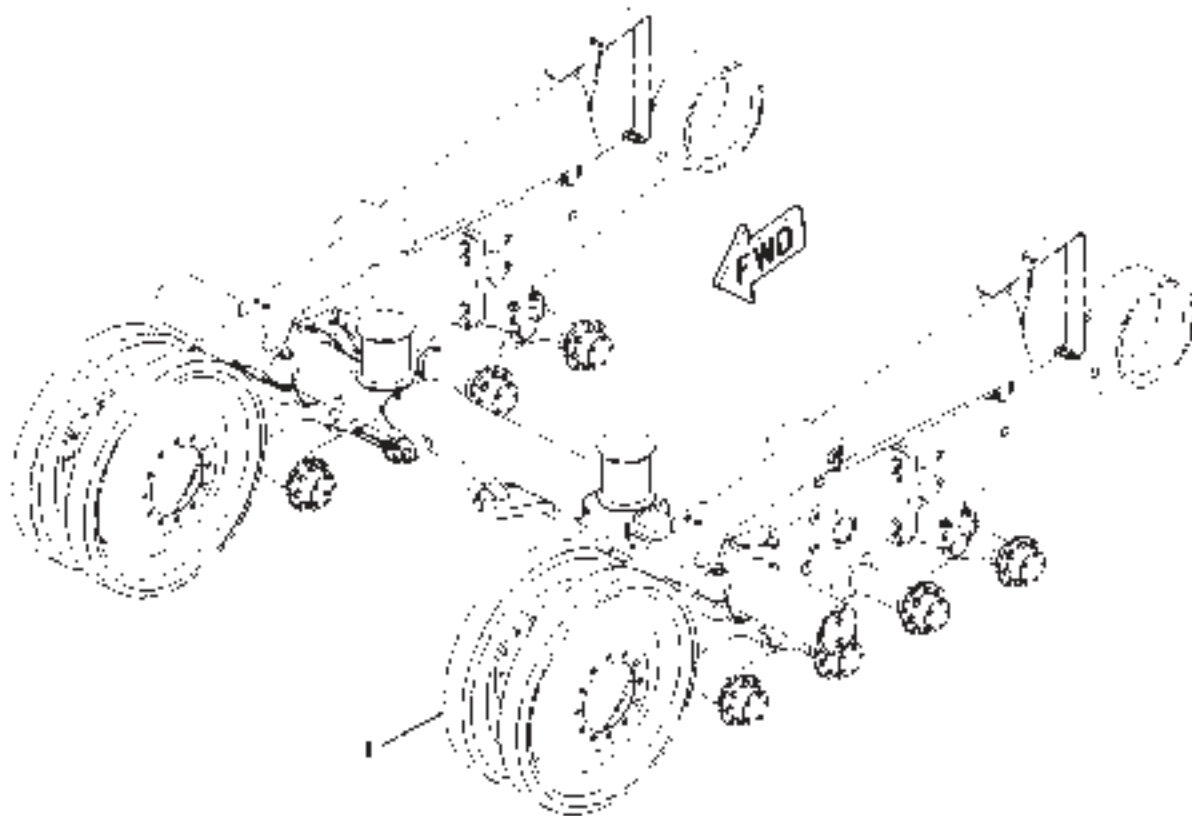
ITEM	NUMBER	QTY	DESCRIPTION
-	502788D1	-	KIT-WHEEL AR-DRIVER [R] (ROW ONLY)
-	502913D1	-	WHEEL AR-DRIVER (NOT SERVICED)
-	220-2358	-	WHEEL AR-DRIVER [A] (NOT SERVICED)
1	504789D1	2	WHEEL ASM
2	504790D1	2	WHEEL ASM
-	502161D1	-	KIT-WHEEL AR-DRIVER (FIELD INSTALLED) (INCLS 1 OF ITEMS 1 & 2) (NOT SERVICED)

[A] PART OF 500033D1;500034D1;500035D1;
500037D1 BASE UNIT AR;
502788D1 WHEEL AR-DRIVER;
502913D1 WHEEL AR-DRIVER
[R] SPECIAL APPLICATIONS PACKAGE

00889641
PR: t05b22n43d0288

MT800B SERIES TRACTORS
UNDERCARRIAGE

WHEEL AR-IDLER - 220-2355
105 MM (4.1 IN)
ROW & EAME



**MT800B SERIES TRACTORS
UNDERCARRIAGE**

685

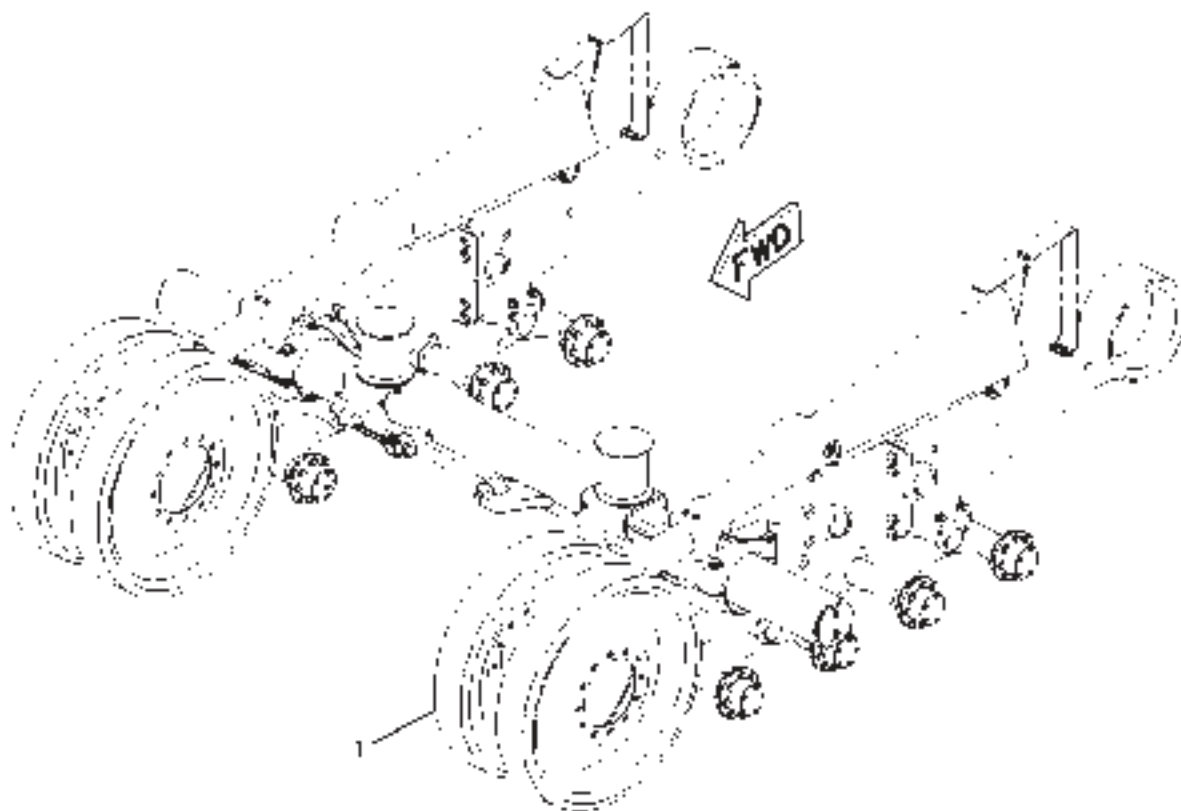
**WHEEL AR-IDLER - 220-2355
105 MM (4.1 IN)
ROW & EAME**

ITEM	NUMBER	QTY	DESCRIPTION
-	220-2355	-	WHEEL AR-IDLER (NOT SERVICED)
1	500062D1	4	WHEEL ASM-IDLER
-	502160D1	-	WHEEL AR-IDLER (KIT) (INCLS 2 OF ITEM 1) (NOT SERVICED)

00889409
PR: t05b22n43d0289

MT800B SERIES TRACTORS
UNDERCARRIAGE

WHEEL AR-IDLER - 220-2356
192 MM (7.6 IN)



**MT800B SERIES TRACTORS
UNDERCARRIAGE**

687

**WHEEL AR-IDLER - 220-2356
192 MM (7.6 IN)**

ITEM	NUMBER	QTY	DESCRIPTION
-	502787D1	-	WHEEL AR-IDLER [R] (ROW ONLY)
-	502915D1	-	WHEEL AR-IDLER (FACT) (NOT SERVICED, ORDER ITEM 1)
-	220-2356	-	WHEEL AR-IDLER [A] (NOT SERVICED, ORDER ITEM 1)
1	1R-1238	4	WHEEL ASM-IDLER
-	502163D1	-	WHEEL AR-IDLER (KIT) (INCLS 2 OF ITEM 1) (NOT SERVICED)

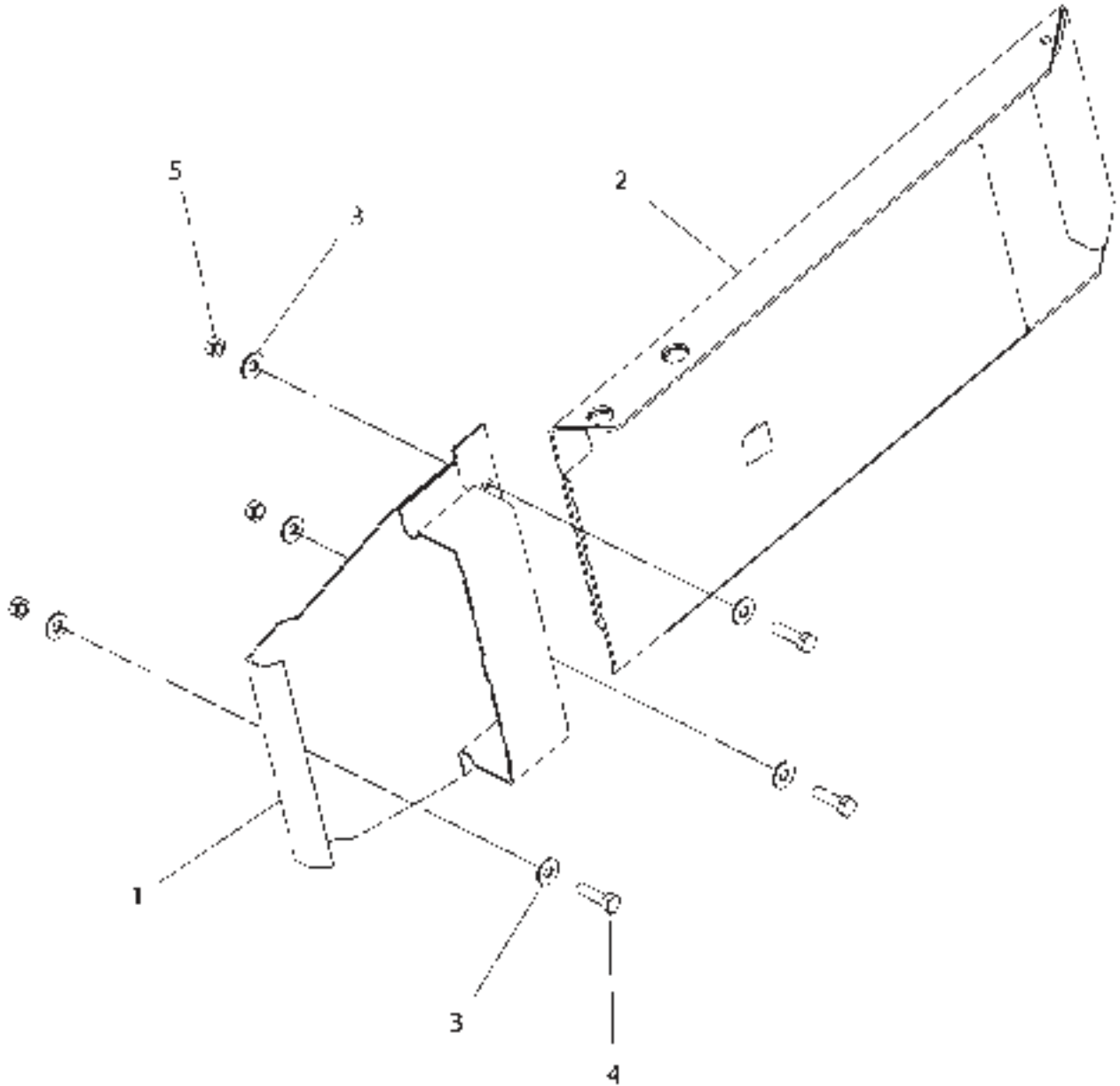
[A] PART OF 502787D1 WHEEL AR-IDLER
[R] SPECIAL APPLICATIONS PKG

00889550
PR: t05b22n43d0290

688

MT800B SERIES TRACTORS
UNDERCARRIAGE

WEDGE GP-WHEEL - 189-8931
EAME ONLY



1898931C

MT800B SERIES TRACTORS
UNDERCARRIAGE

689

WEDGE GP-WHEEL - 189-8931
EAME ONLY

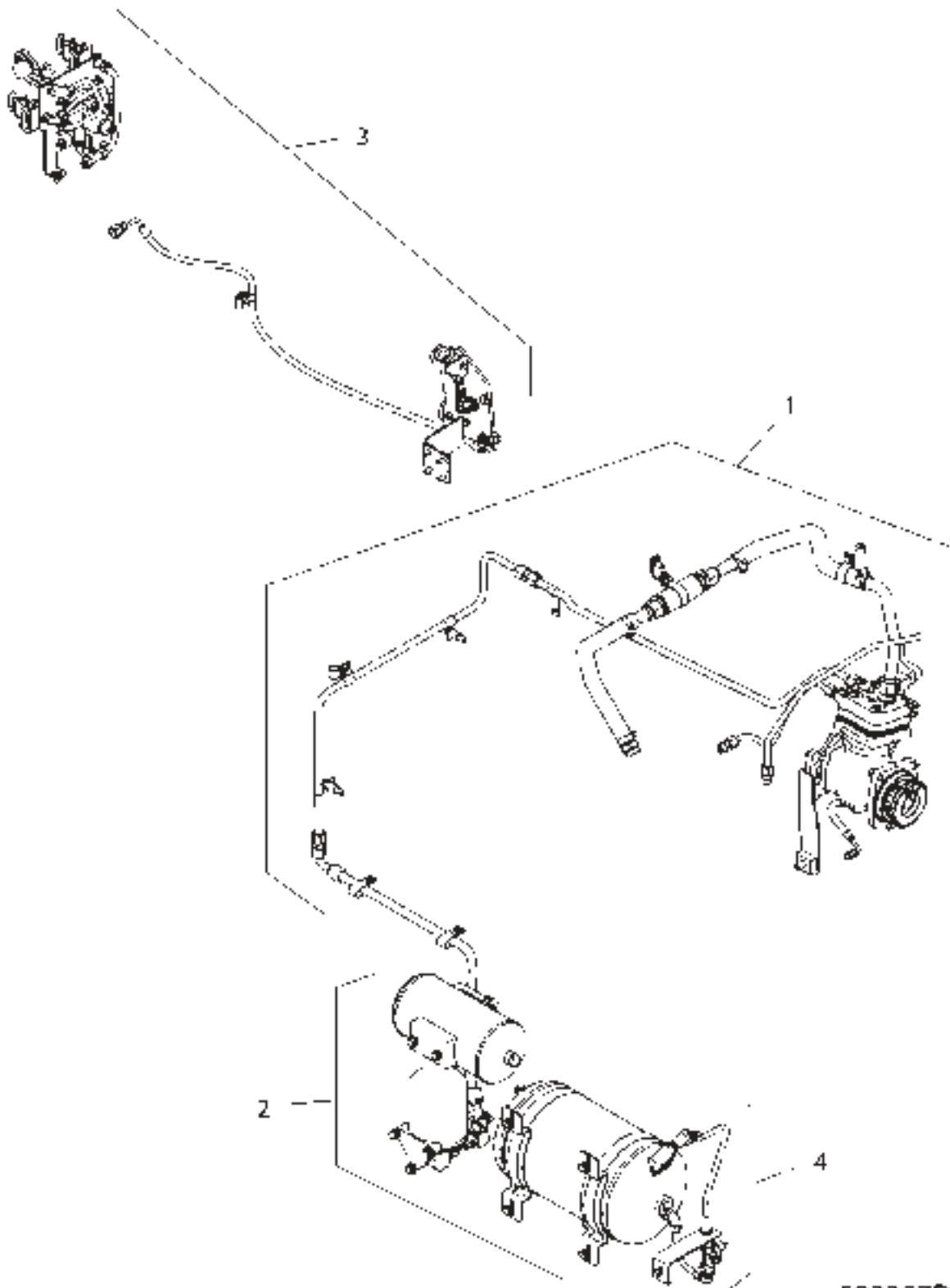
ITEM	NUMBER	QTY	DESCRIPTION
1	CH151-6030	1	BRACKET AS.
2	151-4059	1	WHEEL BLOCK
3	400599X1	6	WASHER-HARD,M8X20.5ODX2THK
4	400245X1	3	BOLT-M8X1.25X30 ZNDI HHD 10.9
5	400340X1	3	NUT-M8X1.25X13 HEX ZND1

1898931C
PR: t05b22n43d0291

690

MT800B SERIES TRACTORS
UNDERCARRIAGE

BRAKE AR-W/O HITCH - 502357D1
EAME ONLY



502357D8

**MT800B SERIES TRACTORS
UNDERCARRIAGE**

691

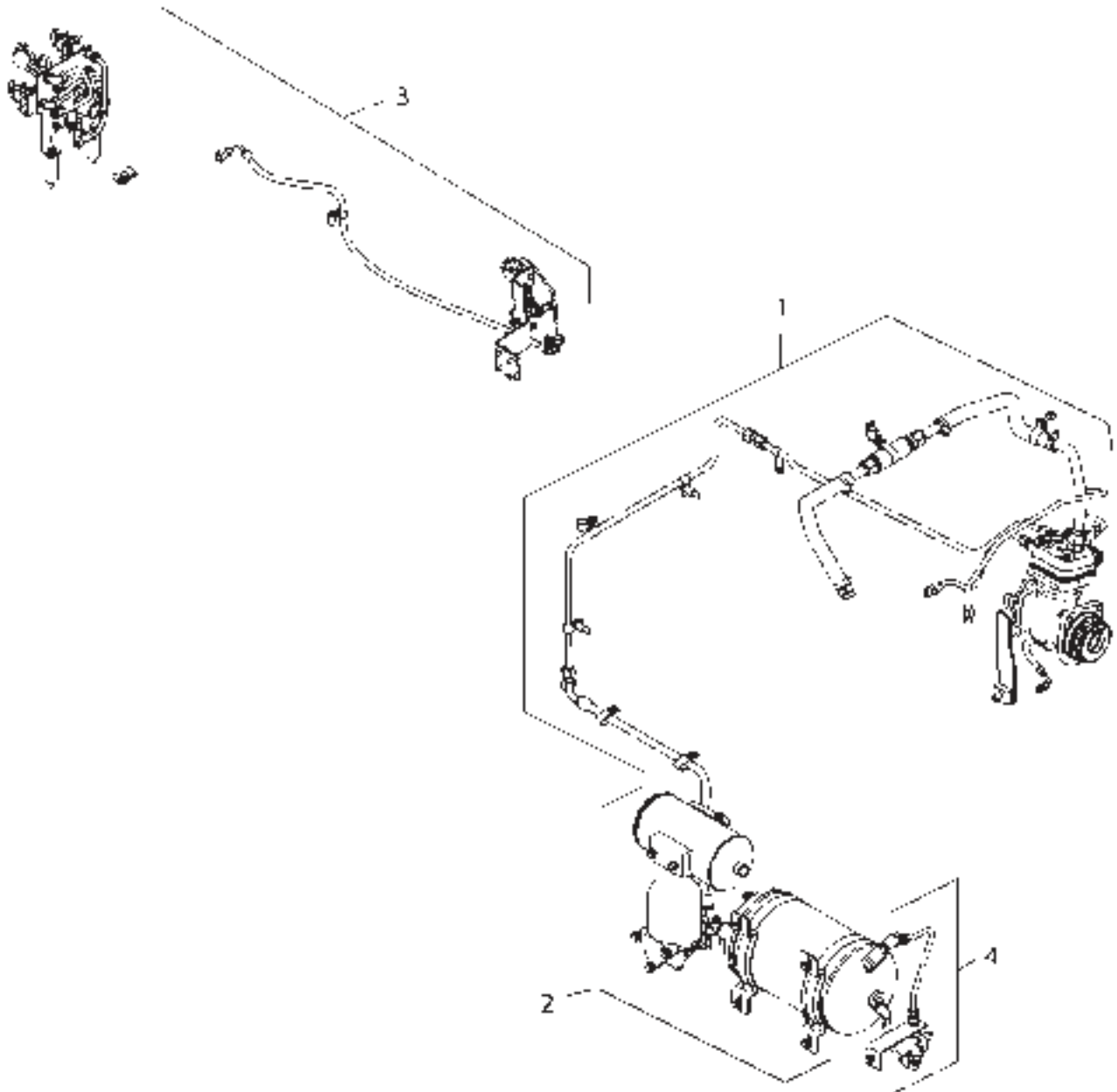
**BRAKE AR-W/O HITCH - 502357D1
EAME ONLY**

ITEM	NUMBER	QTY	DESCRIPTION
-	502357D1	-	BRAKE AR-W/O HITCH (NOT SERVICED)
1	501600D1	1	AIR COMPRESSOR GP (NOT SERVICED) (SEE BREAKDOWN FOR COMPONENTS)
2	190-0435	1	TANK & LINES GP-AIR (NOT SERVICED) (SEE BREAKDOWN FOR COMPONENTS)
3	190-0436	1	LINES GP-CONTROL (NOT SERVICED) (SEE BREAKDOWN FOR COMPONENTS)
4	190-0438	1	LINES GP-COUPLER (NOT SERVICED) (SEE BREAKDOWN FOR COMPONENTS)

502357DB
PR: t05b22n43d0293

MT800B SERIES TRACTORS
UNDERCARRIAGE

BRAKE AR-W/HITCH - 502358D1
EAME ONLY



**MT800B SERIES TRACTORS
UNDERCARRIAGE**

693

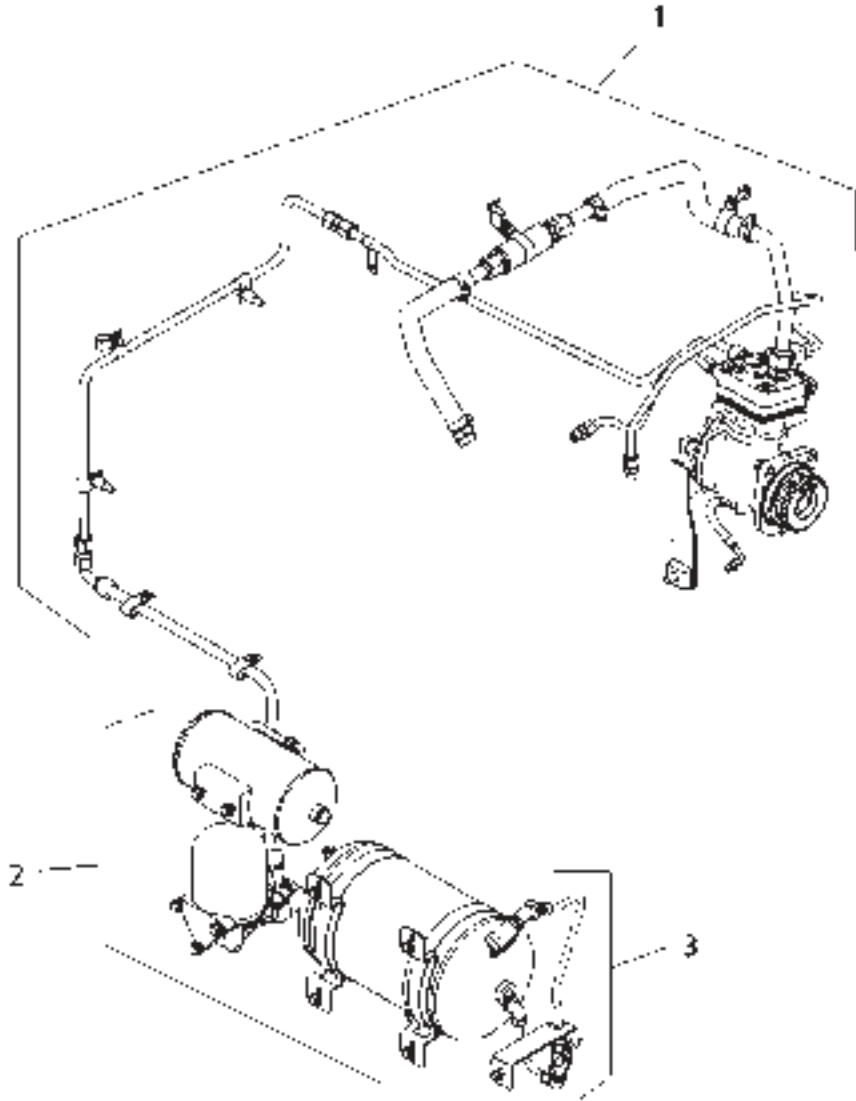
**BRAKE AR-W/HITCH - 502358D1
EAME ONLY**

ITEM	NUMBER	QTY	DESCRIPTION
-	502358D1	-	BRAKE AR-W/O HITCH (NOT SERVICED)
1	501600D1	1	AIR COMPRESSOR GP (NOT SERVICED) (SEE BREAKDOWN FOR COMPONENTS)
2	190-0435	1	TANK & LINES GP-AIR (NOT SERVICED) (SEE BREAKDOWN FOR COMPONENTS)
3	200-4310	1	LINES GP-CONTROL (NOT SERVICED) (SEE BREAKDOWN FOR COMPONENTS)
4	190-0438	1	LINES GP-COUPLER (NOT SERVICED) (SEE BREAKDOWN FOR COMPONENTS)

502358DB
PR: t05b22n43d0294

MT800B SERIES TRACTORS
UNDERCARRIAGE

TANK AR-AIR - 502359D1
EAME ONLY



502359DB

**MT800B SERIES TRACTORS
UNDERCARRIAGE**

695

**TANK AR-AIR - 502359D1
EAME ONLY**

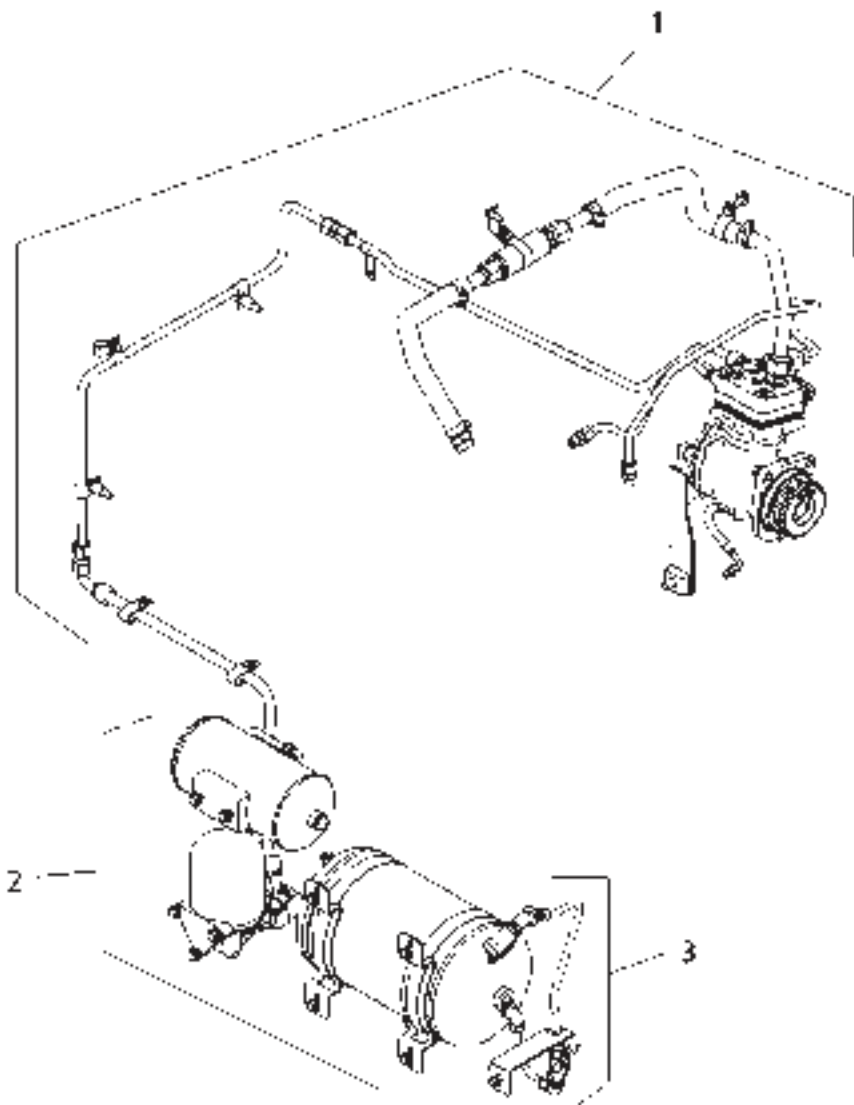
ITEM	NUMBER	QTY	DESCRIPTION
-	503638D1	-	TANK AR-AIR (FIELD INSTALLED)
-	502359D1	-	TANK AR-AIR [A] (FACTORY) (NOT SERVICED, ORDER FIELD INSTALLED)
1	501600D1	1	AIR COMPRESSOR GP (NOT SERVICED) (SEE BREAKDOWN FOR COMPONENTS)
2	190-0435	1	TANK & LINES GP-AIR (NOT SERVICED) (SEE BREAKDOWN FOR COMPONENTS)
3	190-0438	1	LINES GP-COUPLER (NOT SERVICED) (SEE BREAKDOWN FOR COMPONENTS)

[A] PART OF 503638D1 TANK AR-AIR

502359DB
PR: t05b22n43d0295

MT800B SERIES TRACTORS
UNDERCARRIAGE

TANK AR-AIR - 502360D1
ROW AND SPECIAL



502359DB

**MT800B SERIES TRACTORS
UNDERCARRIAGE**

697

**TANK AR-AIR - 502360D1
ROW AND SPECIAL**

ITEM	NUMBER	QTY	DESCRIPTION
-	502767D1	-	TANK AR-AIR (FIELD INSTALLED)
-	502360D1	-	TANK AR-AIR [A] (FACTORY) (NOT SERVICED, ORDER FIELD INSTALLED)
1	501600D1	1	AIR COMPRESSOR GP (NOT SERVICED, SEE BREAKDOWN)
2	190-0435	1	TANK & LINES GP-AIR (NOT SERVICED, SEE BREAKDOWN)
3	210-0851	1	LINES GP-COUPLER (NOT SERVICED, SEE BREAKDOWN)

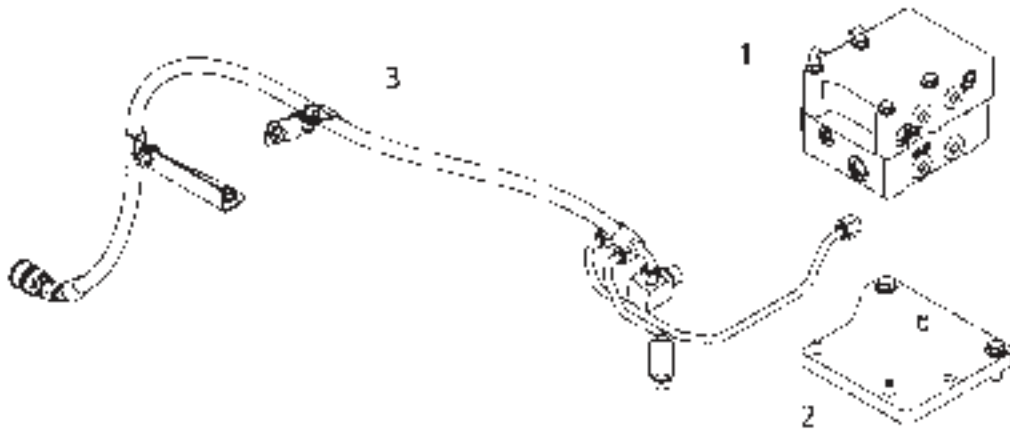
[A] PART OF 502767D1 TANK AR-AIR

502359DB
PR: t05b22n43d0296

698

MT800B SERIES TRACTORS
BRAKING SYSTEM

KIT-HYD TRAILER BRAKE - 209-3688
WITHOUT 3 POINT HITCH
EAME ONLY



2093688C

**MT800B SERIES TRACTORS
BRAKING SYSTEM**

699

**KIT-HYD TRAILER BRAKE - 209-3688
WITHOUT 3 POINT HITCH
EAME ONLY**

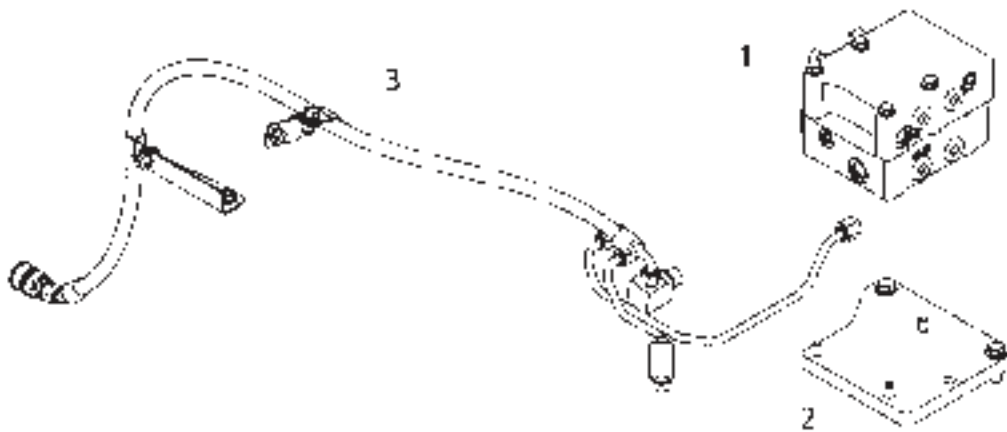
ITEM	NUMBER	QTY	DESCRIPTION
-	209-3688	-	KIT-HYDTRAILER BRAKE
	193-8199	1	VALVE AR (NOT SERVICED) (SEE BREAKDOWN FOR COMPONENTS)

2093688C
PR: t05b22n43d0297

700

MT800B SERIES TRACTORS
BRAKING SYSTEM

KIT-HYD BRAKE - 501140D1
WITHOUT 3 POINT HITCH
SPECIAL APPLICATIONS



2093688C

**MT800B SERIES TRACTORS
BRAKING SYSTEM**

701

**KIT-HYD BRAKE - 501140D1
WITHOUT 3 POINT HITCH
SPECIAL APPLICATIONS**

ITEM	NUMBER	QTY	DESCRIPTION
-	501140D1	-	KIT-HYD BRAKE (FIELD INSTALLED)
1	192-4816	1	VALVE GP-BANK 2 (SEE BREAKDOWN FOR COMPONENTS)
2	162-9805	1	MOUNTING GP-VALVE (NOT SERVICED) (SEE BREAKDOWN FOR COMPONENTS)
3	501130D1	1	LINES GP-HYDRAULIC OIL (NOT SERVICED) (SEE BREAKDOWN FOR COMPONENTS)

2093688C
PR: t05k07n15a0018

702

MT800B SERIES TRACTORS
BRAKING SYSTEM

KIT HYDR TRAILER BRAKE - 209-3689
WITH 3 POINT HITCH
EAME ONLY

NO ILLUSTRATION

NOTIF

**MT800B SERIES TRACTORS
BRAKING SYSTEM**

703

**KIT HYDR TRAILER BRAKE - 209-3689
WITH 3 POINT HITCH
EAME ONLY**

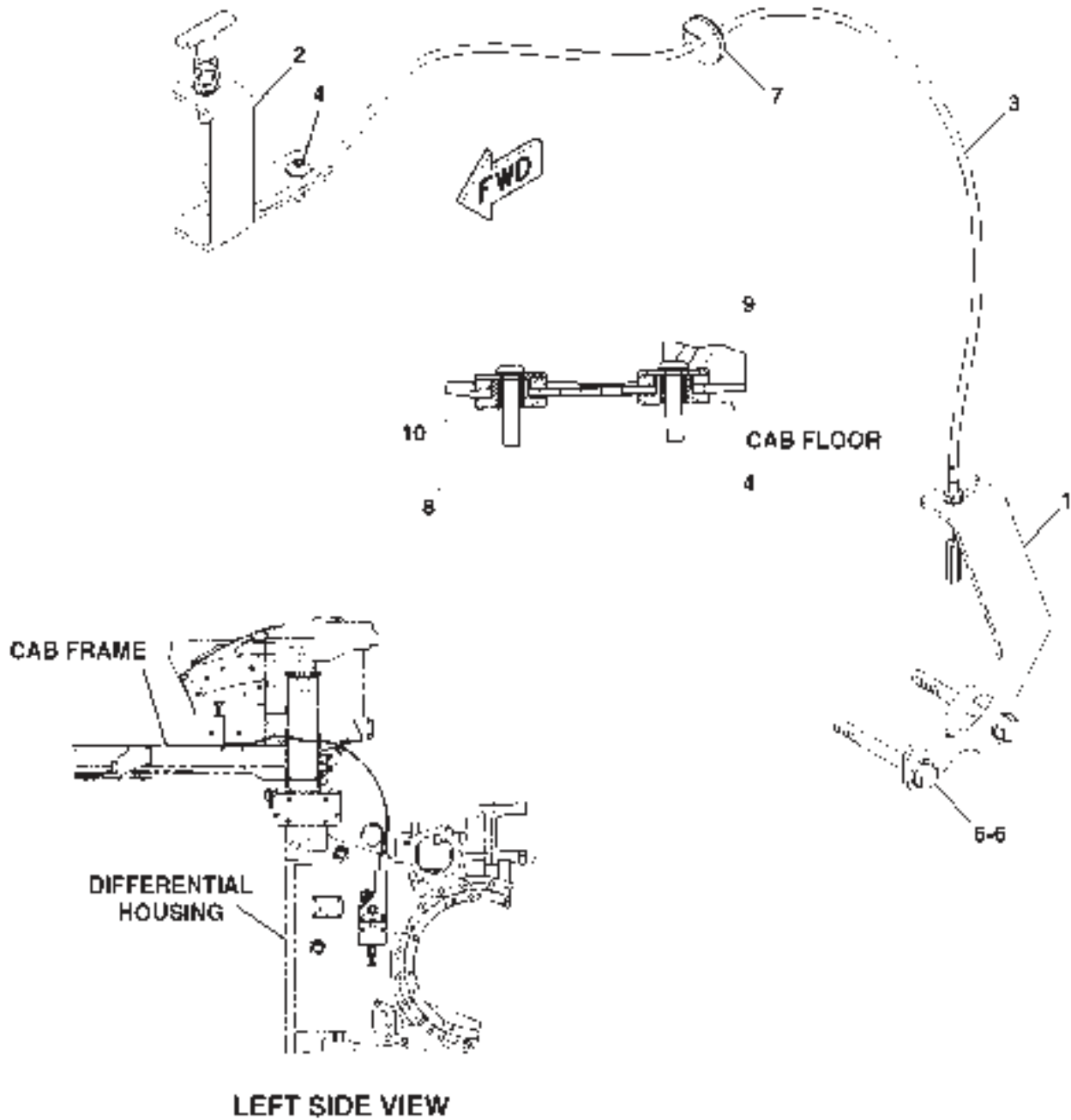
ITEM	NUMBER	QTY	DESCRIPTION
-	209-3689	-	BRAKE AR-TRAILER (SERVICED BY GROUPS)
1	CH7X-0474	4	BOLT (M10X1.5X220MM)
2	400287X1	4	WASHER-HARD (11X21X2.5)
3	162-9805	1	MOUNTING GP-VALVE (NOT SERVICED) (SEE BREAKDOWN FOR COMPONENTS)
4	193-1558	1	LINES GP-HYDRAULIC (NOT SERVICED) (SEE BREAKDOWN FOR COMPONENTS)
5	196-2318	1	VALVE GP-BRAKE CONTROL (SEE BREAKDOWN FOR COMPONENTS)
6	209-5021	1	VALVE GP-CONTROL (PRIORITY) (SEE BREAKDOWN FOR COMPONENTS)
7	CH5P-9186	8	SEAL-O-RING [J]
8	CH8L-2777	7	SEAL-O-RING [J]

[J] QUANTITIES SHOWN REFLECT
REPLACEMENT SEALS FOR THE VALVE
SECTION IMMEDIATELY BELOW THE TOP
PLATE AND DUPLICATE SEALS FOR THOSE
PRESENT IN THE ADDITIONAL VALVE GP

NOTIF
PR: t05b22n43d0298

MT800B SERIES TRACTORS
BRAKING SYSTEM

BRAKE GP-PARKING - 210-7510



**MT800B SERIES TRACTORS
BRAKING SYSTEM**

705

BRAKE GP-PARKING - 210-7510

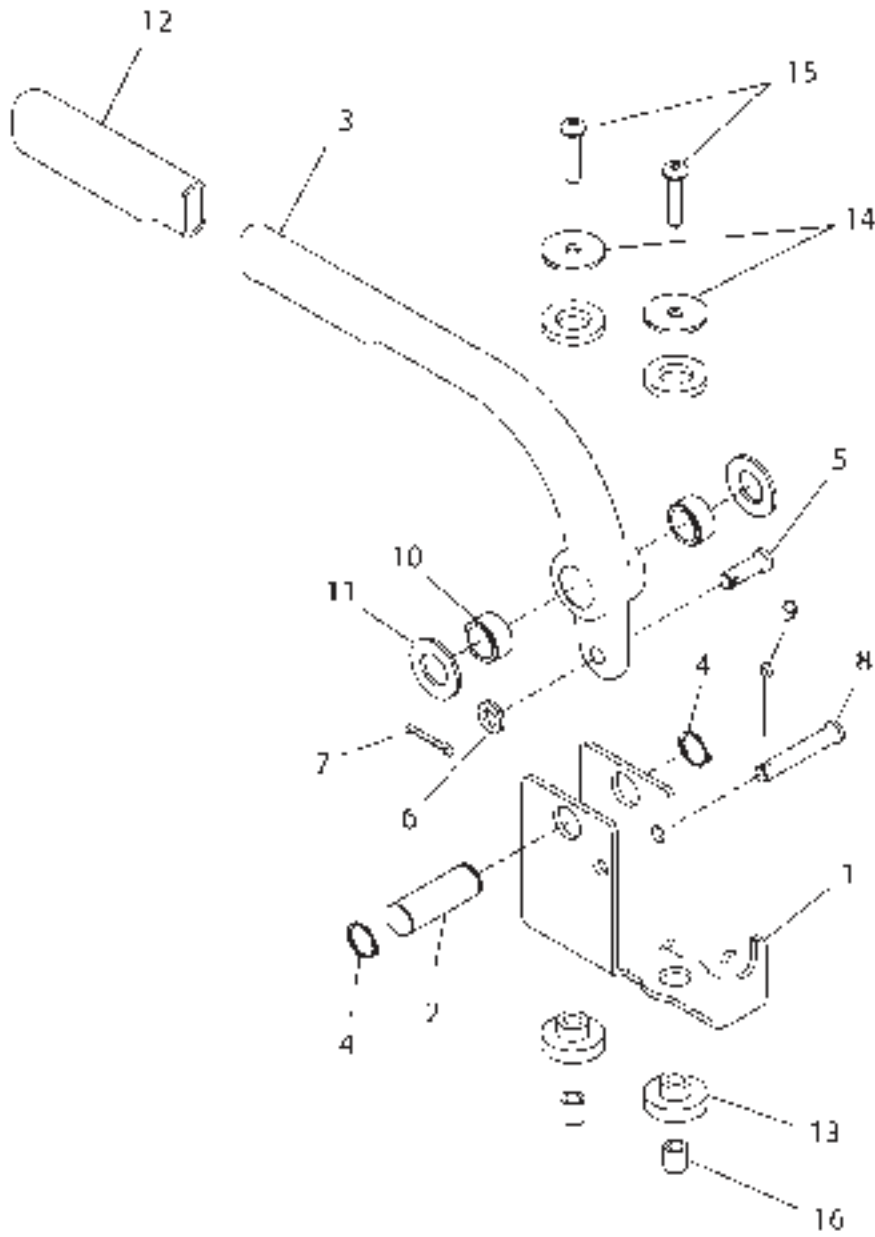
ITEM	NUMBER	QTY	DESCRIPTION
-	210-7510	-	BRAKE GP-PARKING [A] (NOT SERVICED)
1	192-6383	1	BRACKET
2	210-7483	1	BRACKET
3	210-7511	1	CABLE (PARKING BRAKE)
4	CH142-2304	2	SCREW (M8 X 1.25)
5	400287X1	2	WASHER-HARD (11X21X2.5)
6	400225X1	2	BOLT (M10X1.5X90MM)
7	400114X1	1	GROMMET (30ODX7IDX3LG)
8	CH226-2711	2	SPACER
9	CH156-0283	2	WASHER-HARD
10	CH226-0372	2	MOUNT

[A] PART OF 179-1952 BASE AR-COMMON

0893359B
PR: t05b22n43d0299

MT800B SERIES TRACTORS
BRAKING SYSTEM

CONTROL GP-PARKING BRAKE - 172-6857
EAME ONLY



MT800B SERIES TRACTORS
BRAKING SYSTEM

707

CONTROL GP-PARKING BRAKE - 172-6857
EAME ONLY

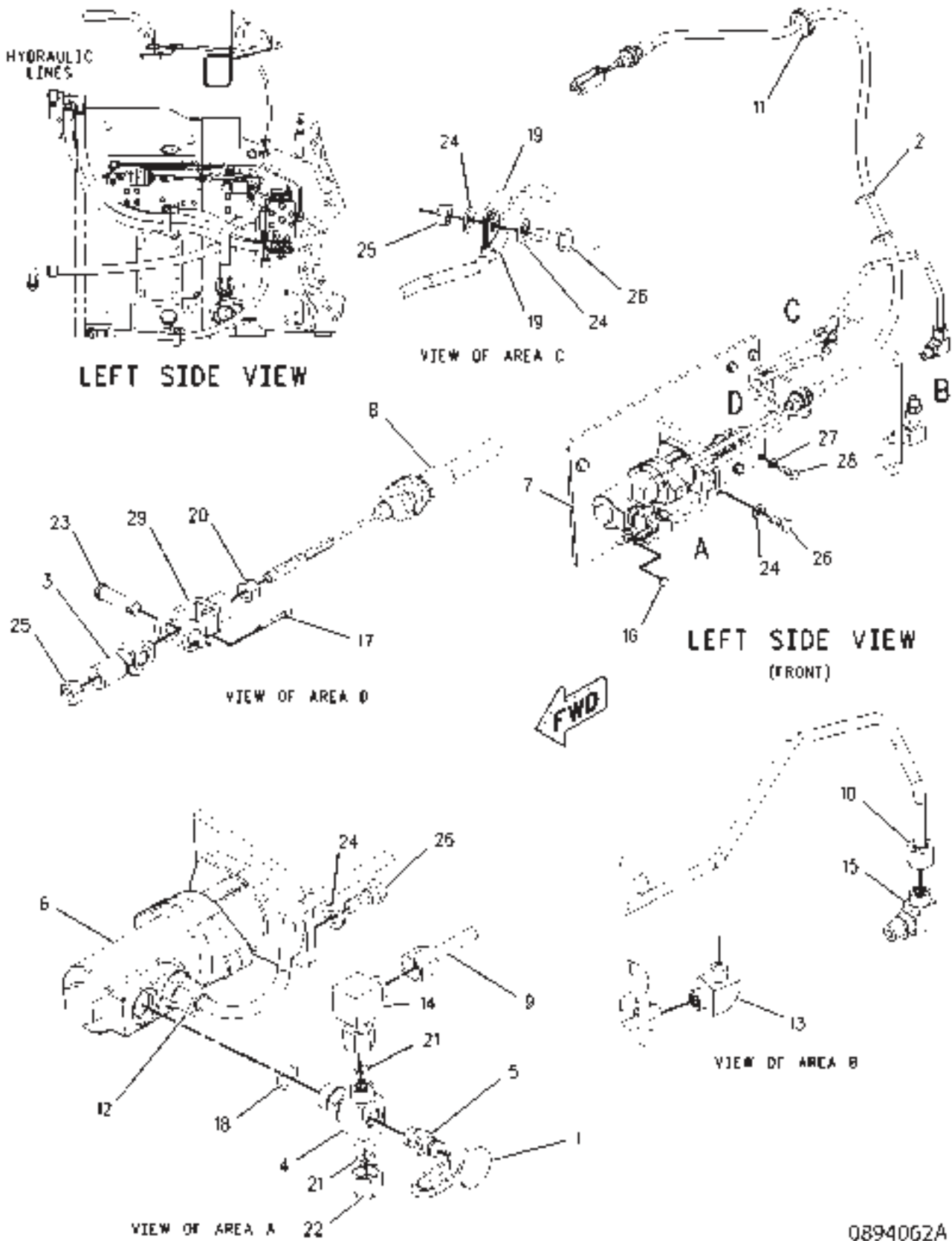
ITEM	NUMBER	QTY	DESCRIPTION
-	172-6857	-	CONTROL GP-PARK BRAKE [A] (NOT SERVICED)
1	179-6897	1	BRACKET
2	CH179-6898	1	PIN
3	179-6901	1	HANDLE
4	CH2J-6356	2	RING-RETAINING
5	CH9H-6673	1	PIN
6	CH5M-2894	1	WASHER-HARD (10.2X18.5X2.5MM THK)
7	CH3B-4617	1	PIN-COTTER
8	CH6L-3966	1	PIN
9	CH5J-3079	1	PIN-COTTER
10	CH4E-1251	2	BEARING-SLEEVE
11	CH114-5786	2	WASHER-NYLON (19.5X36.2X2.5MM THK)
12	179-6899	1	COVER
13	CH226-0372	2	BUSHING MOUNT (34.9ODX9.5ID
14	CH156-0283	2	WASHER-HARD (8.4X35X2.5MM THK)
15	CH142-2304	2	BOLT-BTN HD (M8X1.25X35MM)
16	CH226-2711	2	SPACER (12.7IDX8.2ODX14)

[A] PART OF:
152-0008; 152-0009; 500841D1;
500842D1; 502659D1; 502660D1 CAB AR

1726857F
PR: t05b22n43d0300

MT800B SERIES TRACTORS
BRAKING SYSTEM

CONTROL GP-PARKING BRAKE - 192-6360
SECONDARY
EAME ONLY



**MT800B SERIES TRACTORS
BRAKING SYSTEM**

709

**CONTROL GP-PARKING BRAKE - 192-6360
SECONDARY
EAME ONLY**

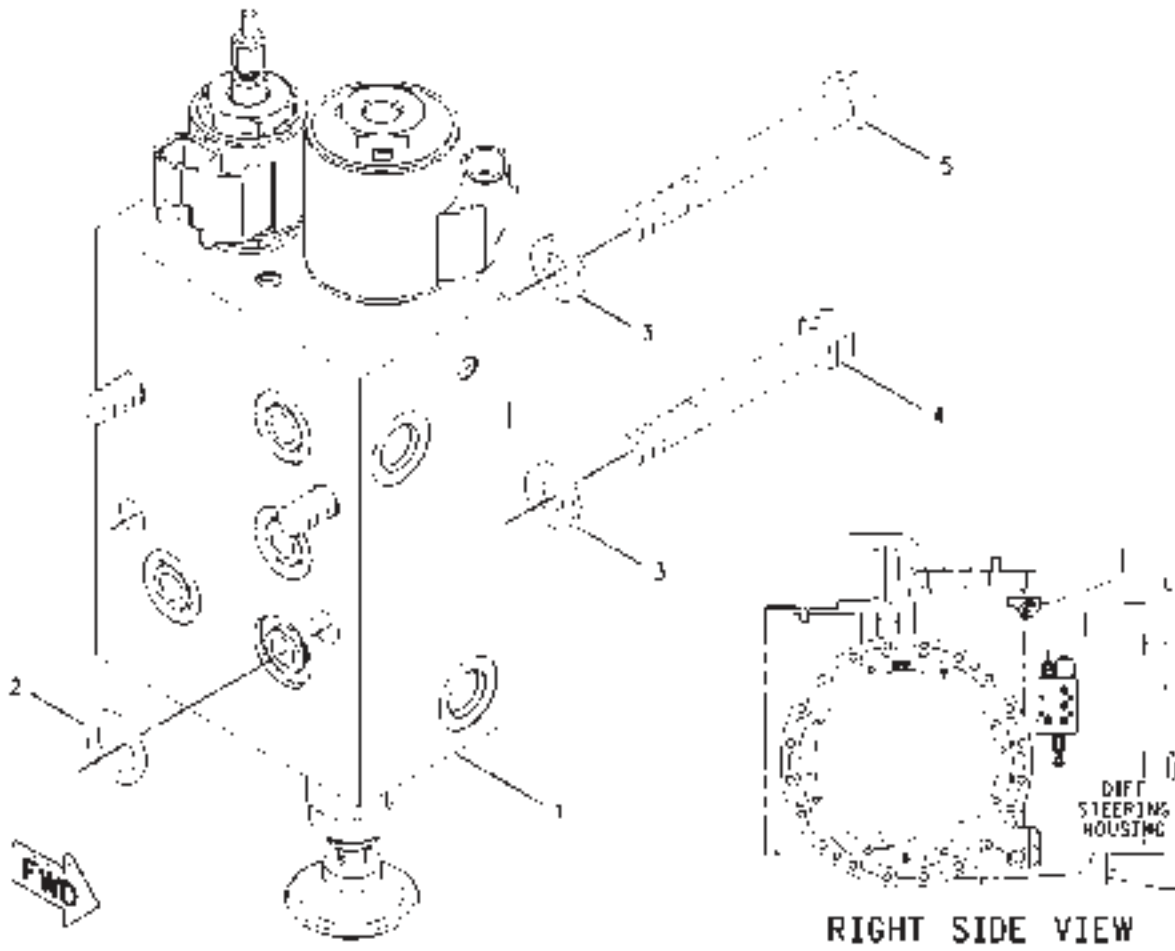
ITEM	NUMBER	QTY	DESCRIPTION
-	192-6360	-	CONTROL GP-PARKING BRAKE
1	400323X1	1	CAP-DUST
2	CH7K-1181	2	STRAP-CABLE
3	CH8T-6431	1	ROD END
4	CH163-6018	1	TEE
5	400324X1	1	NIPPLE AS-QUICK DISC-4&ORING
	400318X1	1	SEAL-O-RING (11.89ID X 1.98)
6	192-6371	1	VALVE AS-BRAKE [J]
7	200-4317	1	BRACKET AS
8	200-4323	1	CABLE AS
9	200-4392	1	TUBE AS
10	200-4372	1	TUBE AS
11	CH212-4443	1	GROMMET
12	400628X1	1	CONNECTOR AS-STR -8STOR-6ORFS
	CH3K-0360	1	SEAL-O-RING (16.36ID X 2.21DIA)
	400378X1	1	SEAL-O-RING (12.83OD X 1.78DIA)
13	CH148-8374	1	ELBOW AS-90DEG 6ORFS X 8STOR
	CH3K-0360	1	SEAL-O-RING (16.36ID X 2.21DIA)
	400378X1	1	SEAL-O-RING (12.83OD X 1.78DIA)
14	CH148-8367	1	ELBOW AS-90DEG 6ORFS X 6ORFS SWVL
	400378X1	1	SEAL-O-RING (12.83OD X 1.78DIA)
15	CH148-8378	1	ELBOW AS-90 DEG 4 STOR X6 ORFS
	400318X1	1	SEAL-O-RING (11.89ID X 1.98DIA)
	400378X1	1	SEAL-O-RING (12.83OD X 1.78DIA)
16	CH193-5914	4	PLUG
17	CH3B-4617	1	PIN-COTTER
18	CH3K-0360	1	SEAL-O-RING (16.36ID X 2.21DIA)
19	400620X1	2	CLIP
20	CH6V-8183	1	NUT-FULL (3/8-24 THD)
21	400378X1	2	SEAL-O-RING
22	CH6V-9829	1	CAP AS
23	CH7X-0795	1	PIN
24	400287X1	6	WASHER-HARD (11X21X2.5MM THK)
25	7774664	2	NUT (M10X1.5 THD)
26	400039X1	5	BOLT (M10X1.5X25MM)
27	400339X1	4	WASHER-HARD (8.8X16X2MM THK)
28	400341X1	4	BOLT (M8X1.25X25MM)
29	CH8X-6167	1	ROD END
	200-4341	1	KIT-REPAIR (VALVE AS-BRAKE) [J]

[A] PART OF 179-2180; 501811D1;
502936D1 BASE COMMON AR
[J] REPAIR KIT(S) MARKED J AVAILABLE
FOR PART(S) MARKED J

0894062A
PR: t05b22n43d0301

MT800B SERIES TRACTORS
BRAKING SYSTEM

CONTROL GP-PARKING BRAKE - 192-6350



MT800B SERIES TRACTORS
BRAKING SYSTEM

711

CONTROL GP-PARKING BRAKE - 192-6350

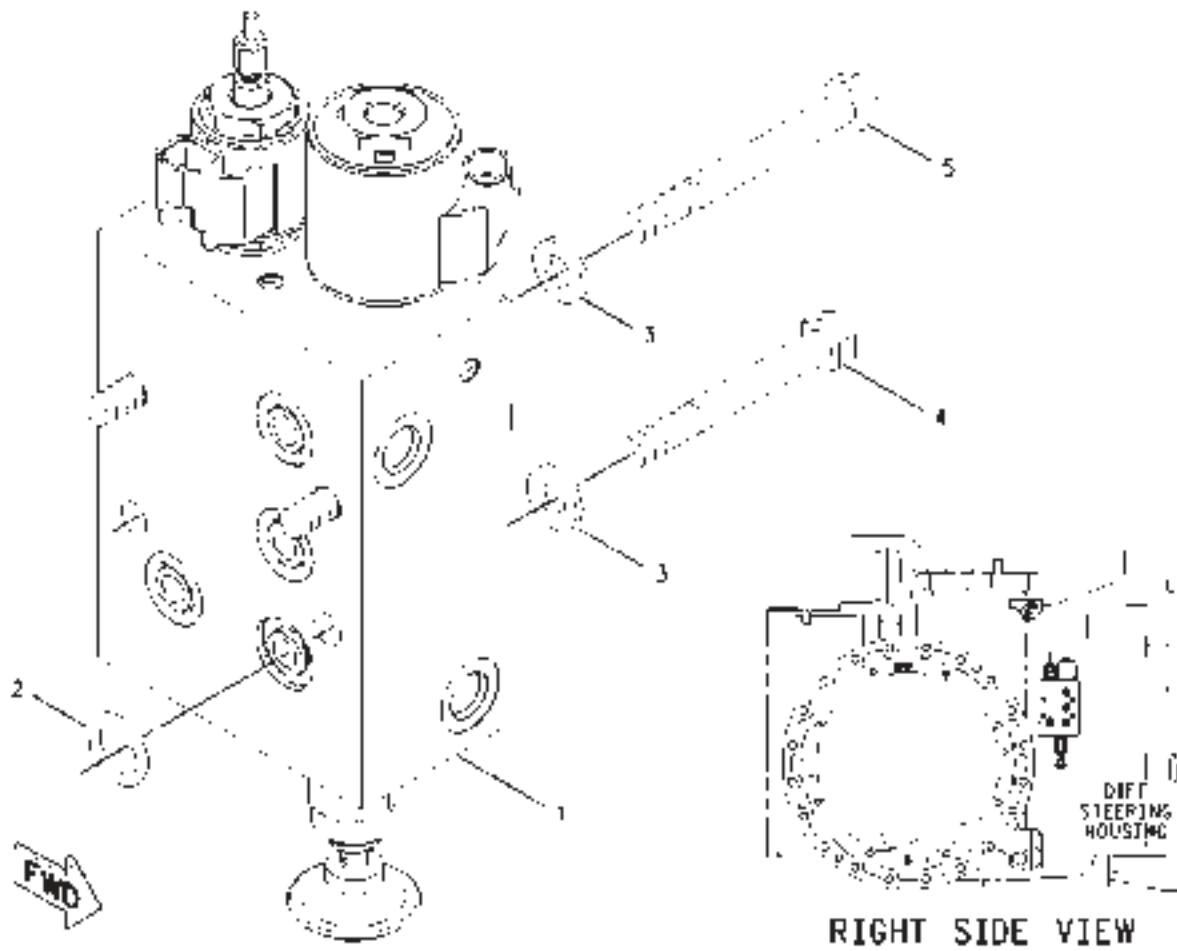
ITEM	NUMBER	QTY	DESCRIPTION
-	192-6350	-	CONTROL GP-PARKING BRAKE [A] (NOT SERVICED)
1	200-4351	1	VALVE GP-PARKING BRAKE (SEE BREAKDOWN FOR COMPONENTS)
2	CH5P-8119	4	SEAL-O-RING
3	400287X1	4	WASHER-HARD (11X21X2.5)
4	400044X1	3	BOLT (M10X1.50X80MM)
5	400225X1	1	BOLT (M10X1.5X90MM)

[A] PART OF:
179-1952; 501810D1; 501811D1;
502935D1; 502936D1 BASE COMMON AR

00856740
PR: t05b22n43d0302

MT800B SERIES TRACTORS
BRAKING SYSTEM

CONTROL GP-PARKING BRAKE - 502456D1



MT800B SERIES TRACTORS
BRAKING SYSTEM

713

CONTROL GP-PARKING BRAKE - 502456D1

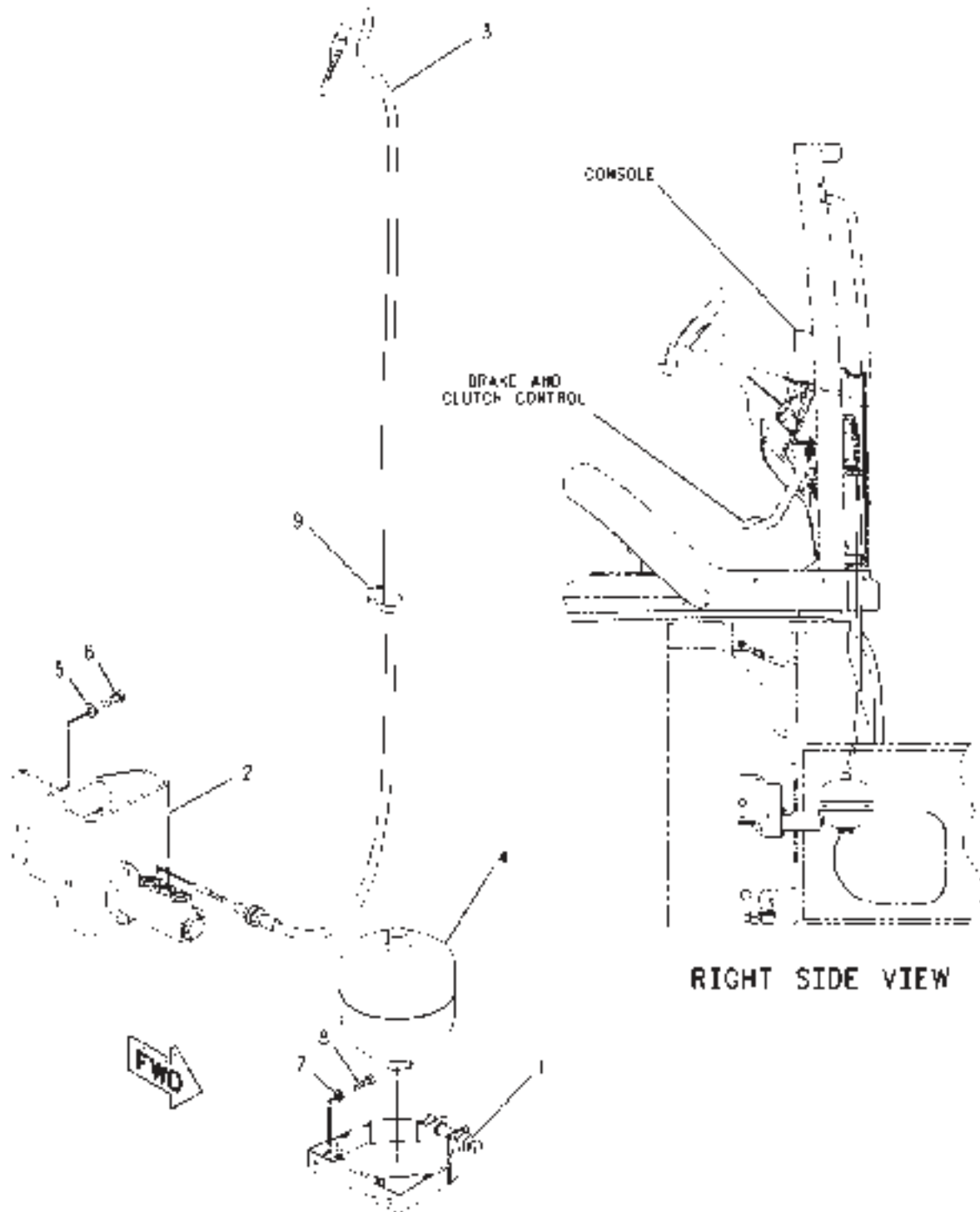
ITEM	NUMBER	QTY	DESCRIPTION
-	502456D1	-	CONTROL GP-PARKING BRAKE [A] (NOT SERVICED)
1	502454D1	1	VALVE GP-PARKING BRAKE (SEE BREAKDOWN FOR COMPONENTS)
2	CH5P-8119	4	SEAL-O-RING
3	400287X1	4	WASHER-HARD (11X21X2.5)
4	400061X1	3	BOLT (M10X1.5X100MM)
5	400061X1	1	BOLT (M10X1.5X100MM)

[A] PART OF:
179-2180; 501810D1; 501811D1;
502935D1; 502936D1 BASE COMMON AR

00856740
PR: t05k07n15a0019

MT800B SERIES TRACTORS
BRAKING SYSTEM

CONTROL GP-SERVICE BRAKE - 200-4400
EAME ONLY



0088809

MT800B SERIES TRACTORS
BRAKING SYSTEM

715

CONTROL GP-SERVICE BRAKE - 200-4400
EAME ONLY

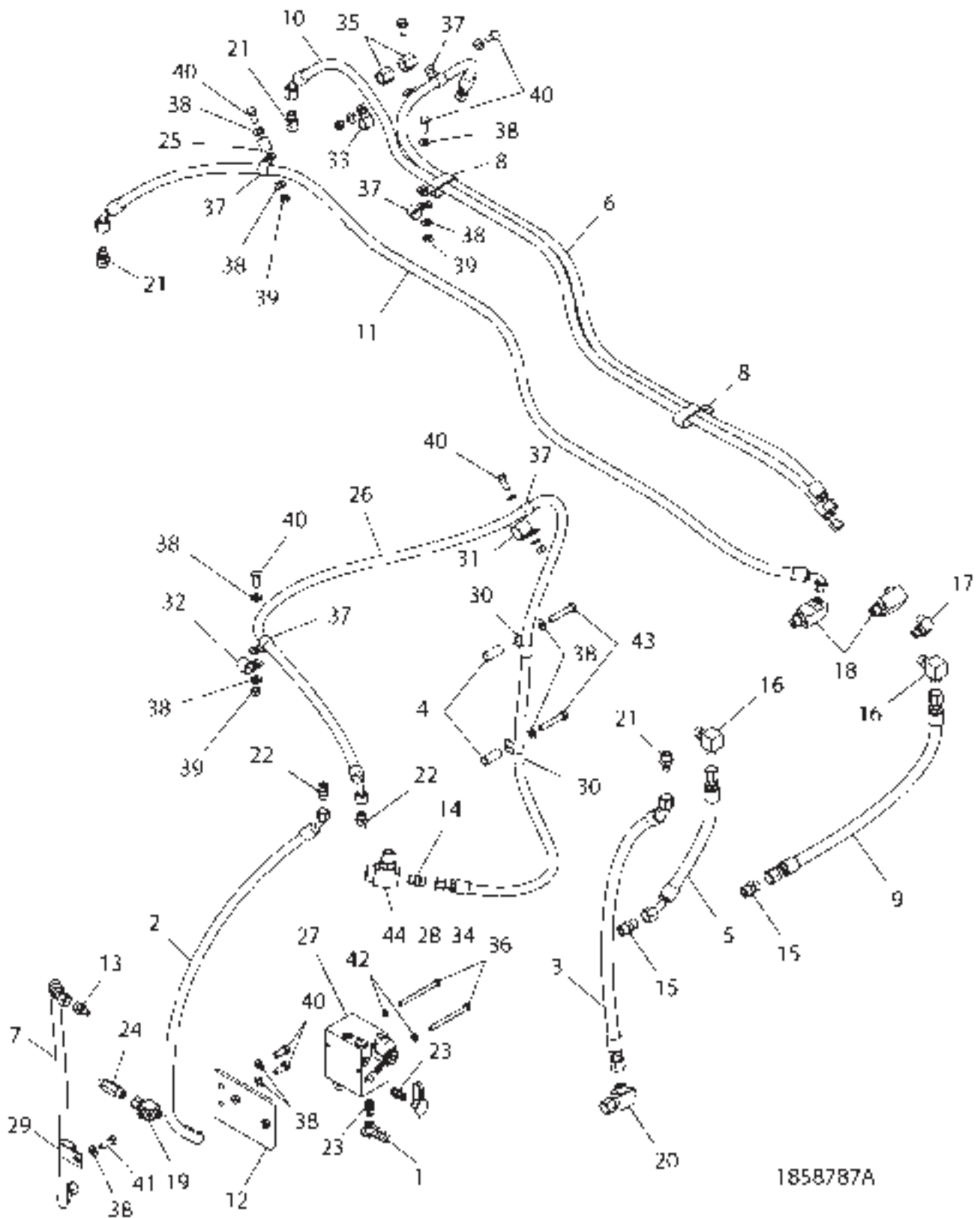
ITEM	NUMBER	QTY	DESCRIPTION
-	200-4400	-	CONTROL GP-SERVICE BRAKE [A] (NOT SERVICED)
1	CH180-1120	1	CLAMP
2	184-5338	1	CYLINDER GP-MASTER (SEE BREAKDOWN FOR COMPONENTS)
3	500447D1	1	CABLE (SERVICE BRAKE)
4	200-4335	1	ACCUMULATOR ASM-BRAKE
	502105D1	1	TAG-CYLINDER
	208-7843	1	FILM-ACCUMULATOR
5	400287X1	3	WASHER-HARD (11X21X2.5)
6	400039X1	3	BOLT (M10X1.5X25MM)
7	400339X1	2	WASHER-HARD (8.8X16X2)
8	400245X1	2	BOLT (M8X1.25X30MM)
9	CH7K-1181	1	STRAP-CABLE

[A] PART OF 179-1952 BASE AR-COMMON

00888809
PR: t05b22n43d0303

MT800B SERIES TRACTORS
BRAKING SYSTEM

LINES GP-SERV BRAKE (B) - 185-8787
EAME ONLY



1858787A

**MT800B SERIES TRACTORS
BRAKING SYSTEM**

717

**LINES GP-SERV BRAKE (B) - 185-8787
EAME ONLY**

ITEM	NUMBER	QTY	DESCRIPTION
-	185-8787	-	LINES GP-SERV BRAKE (B) [A] (NOT SERVICED)
1	400323X1	2	CAP-DUST 12.6 DIA -RUBBER
2	CH192-6389	1	HOSE AS-9.5 ID SAE 100R1
3	CH197-5910	1	HOSE AS-12.7 ID SAE 100R1
4	CH209-3395	2	SPACER-17.14ODX12.52IDX40 ZN
5	CH212-0297	1	HOSE AS-12.7 ID SAE 100R1
6	CH212-0302	2	HOSE AS-9.5 ID SAE 100R1
7	CH212-0310	1	HOSE AS-9.5 ID SAE 100R1
8	400625X1	2	CLIP-19.05 ID DBL,M10 OR 3/8
9	CH218-3575	1	HOSE AS-12.7 ID SAE 100R1
10	CH221-0050	1	HOSE AS-9.5 ID SAE 100R1
11	CH221-0051	1	HOSE AS-9.5 ID SAE 100R1
12	221-0331	1	BRACKET AS
13	CH148-8326	1	CONNECTOR AS-6 ORFS X 4 STOR
	400361X1	1	SEAL-O-RING (8.92ID X 1.83DIA)
	400378X1	1	SEAL-O-RING (12.83ID X 1.78DIA)
14	400367X1	1	CONNECTOR AS-6 STOR -6 ORFS
	400378X1	1	SEAL-O-RING (12.83ID X 1.78DIA)
	400318X1	1	SEAL-O-RING (11.89ID X 1.98DIA)
15	CH148-8340	2	CONNECTOR AS-8ORFS-8STOR
	CH3K-0360	1	SEAL-O-RING (16.36IDX2.21DIA)
	CH6V-8398	1	SEAL-O-RING (16.03ODX1.78DIA)
16	CH148-8364	1	ELBOW ASM-90DEG -8STOR -8ORFS
	CH3K-0360	1	SEAL-O-RING (16.36ID X 2.21DIA)
	CH6V-8398	1	SEAL-O-RING (16.03OD X 1.78DIA)
17	CH148-8378	1	ELBOW AS-90 DEG 4 STOR X6 ORFS
	400318X1	1	SEAL-O-RING (11.89IDX1.98DIA)
	400378X1	1	SEAL-O-RING (12.83ODX1.78DIA)
18	CH148-8383	2	ELBOW AS-90DEG 8STOR X 6ORFS
	CH3K-0360	1	SEAL-O-RING (16.36IDX2.21DIA)
	400378X1	1	SEAL-O-RING (12.83ODX1.78DIA)
19	CH148-8433	1	TEE AS-6 ORFS X 3
	400378X1	2	SEAL-O-RING (12.83ODX1.78DIA)
20	CH148-8444	1	TEE-SWIVEL 3X -8 ORFS
	CH6V-8398	2	SEAL-O-RING (16.03 ID X 1.78 DIA)
21	400428X1	3	CONNECTOR AS -6STOR-8ORFS
	400318X1	1	SEAL-O-RING (11.89IDX1.98DIA)
	CH6V-8398	1	SEAL-O-RING (16.03ODX1.78DIA)
22	400638X1	2	CONNECTOR AS-STR-6STOR-6ORFS
	400637X1	1	SEAL-O-RING (9.25IDX1.78DIA)
	400318X1	1	SEAL-O-RING (11.89IDX1.98DIA)
23	400324X1	2	NIPPLE AS-QUICK DISC -4&ORING
	400318X1	1	SEAL-O-RING (11.89ID X 1.98)
24	CH164-9869	1	CONNECTOR AS-6STOR X 6ORFS
	400378X1	1	SEAL-O-RING (12.83ODX1.78DIA)
	400318X1	1	SEAL-O-RING (11.89IDX1.98DIA)
25	CH1S-0994	1	CLIP-LOOP 20.64 ID
26	228-7494	1	HOSE AS.
27	232-0838	1	VALVE AS.
28	400319X1	1	SEAL-O-RING 19.18 IDX2.46 DIA

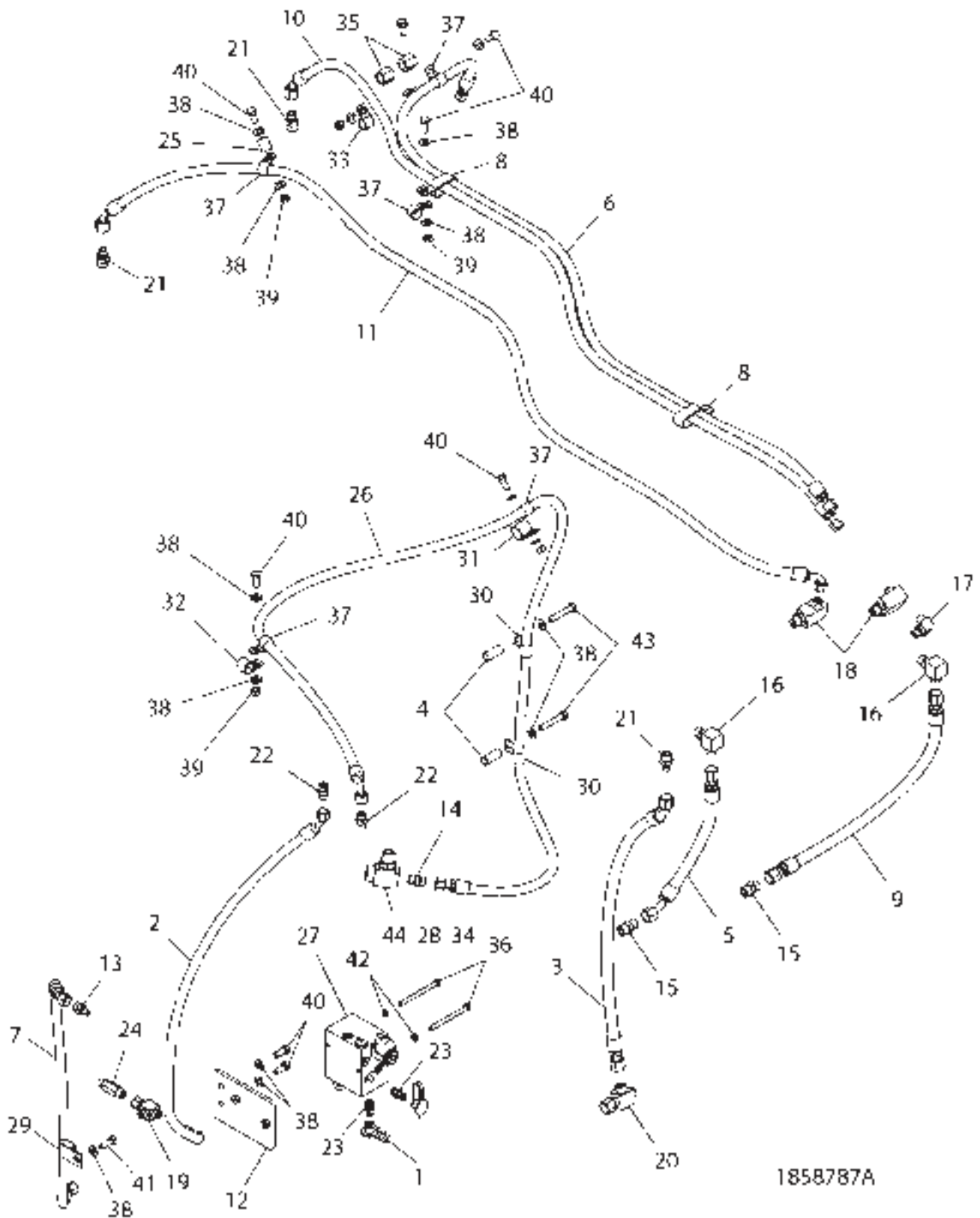
CONTINUED

[A] PART OF: 179-2180; 501811D1;
502936D1 BASE COMMON AR

1858787A
PR: t05b22n43d0304

MT800B SERIES TRACTORS
BRAKING SYSTEM

LINES GP-SERV BRAKE (B) - 185-8787
EAME ONLY



1858787A

**MT800B SERIES TRACTORS
BRAKING SYSTEM**

719

**LINES GP-SERV BRAKE (B) - 185-8787
EAME ONLY**

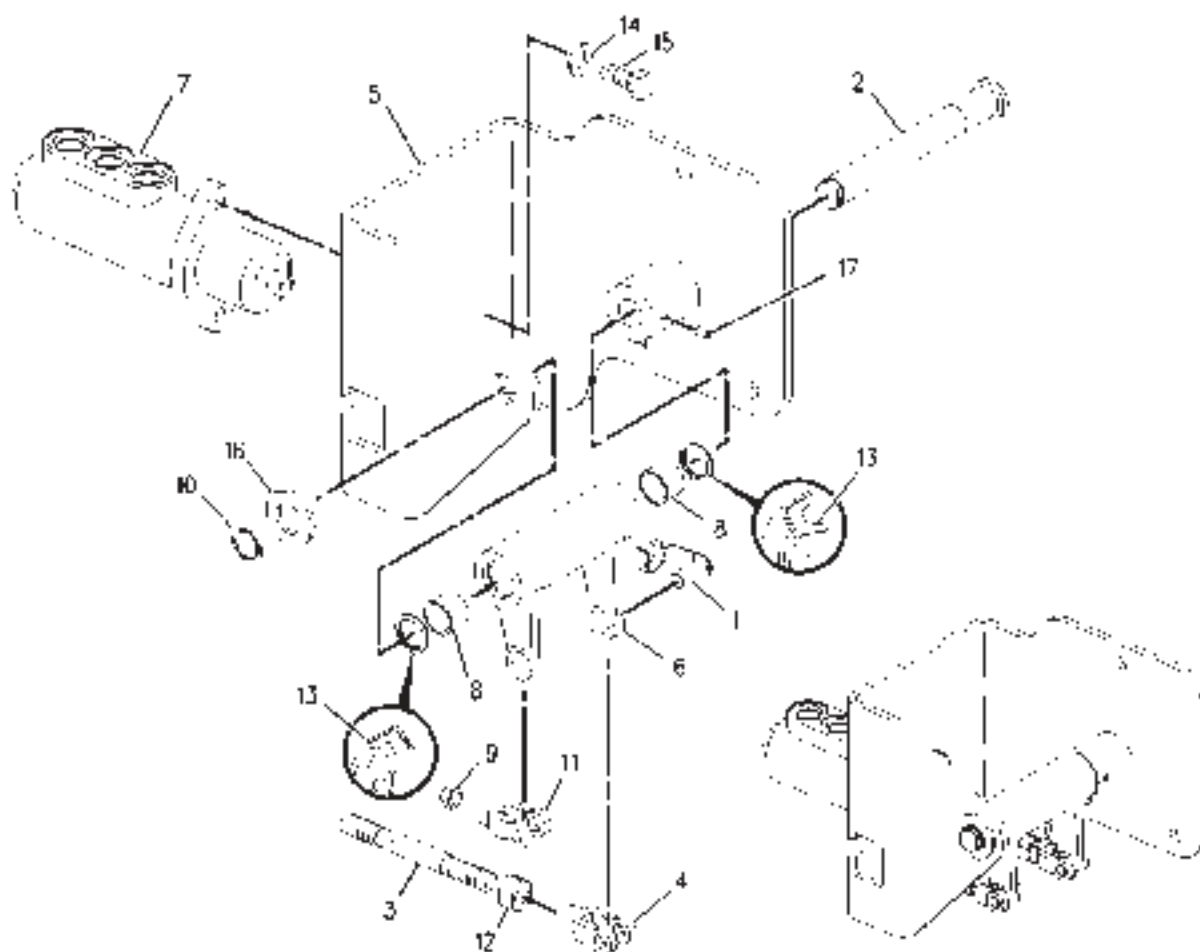
ITEM	NUMBER	QTY	DESCRIPTION
-	185-8787	-	LINES GP-SERV BRAKE (B) [A] (NOT SERVICED)
29	CH4D-7733	1	CLIP-LOOP 17.46ID
30	CH4D-7735	2	CLIP-LOOP 18.29ID
31	CH4S-1962	1	CLIP-LOOP 25.4 ID
32	CH6D-4244	1	CLIP-LOOP 22.22 ID W/COAT
33	CH6D-4246	4	CLIP-LOOP 19.05ID
34	400366X1	1	SEAL-O-RING 22.5 ODX1.78 DIA
35	400645X1	2	CAP AS-12.7 OD-8 ORFS
36	400028X1	2	BOLT-M8X1.25X100 ZNDI HHD 10.9
37	CH8M-2773	5	CLIP-LOOP 47.6 ID
38	400287X1	16	WASHER-HARD 11IDX21ODX2.5 ZND1
39	7774664	5	NUT-M10-1.5,CL10.9,ZN,H,REG
40	400039X1	8	BOLT-M10X1.5X25 ZNDI HHD 10.9
41	400058X1	1	BOLT-M10X1.5X30 ZNDI HHD 10.9
42	400339X1	2	WASHER-HARD
43	400239X1	2	BOLT-M10X1.5X60 ZNDI HHD 10.9
44	CH9X-2541	1	TEE-6STOR X 10STOR X 12ORFS

[A] PART OF: 179-2180; 501811D1;
502936D1 BASE COMMON AR

1858787A
PR: t05b22n43d0304

MT800B SERIES TRACTORS
BRAKING SYSTEM

CYLINDER GP-MASTER - 184-5338
SERVICE BRAKE



**MT800B SERIES TRACTORS
BRAKING SYSTEM**

721

**CYLINDER GP-MASTER - 184-5338
SERVICE BRAKE**

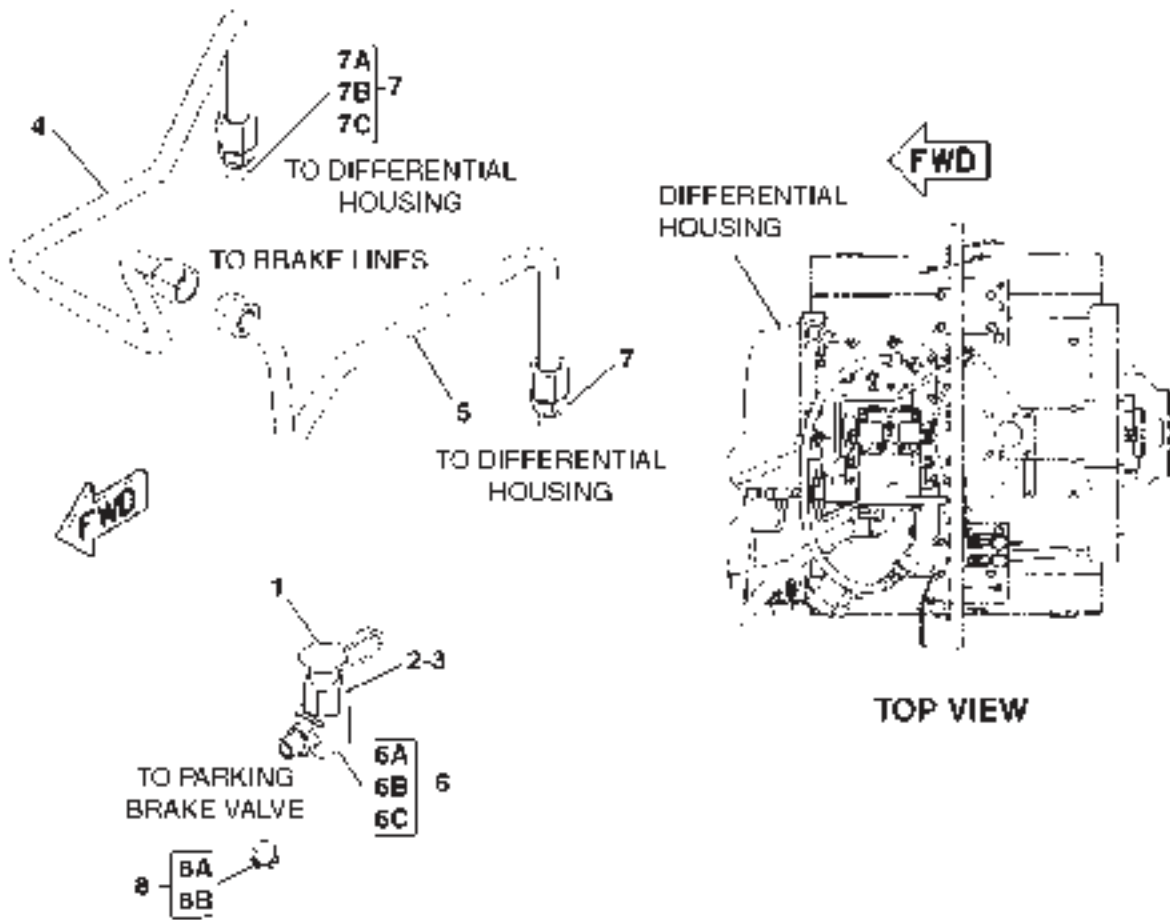
ITEM	NUMBER	QTY	DESCRIPTION
-	184-5338	-	CYLINDER GP-MASTER [A]
1	CH8T-8932	2	PIN-SPRING
2	CH184-5339	1	ROD
3	184-5352	1	STEM
4	400117X1	1	ROD END
5	200-4316	1	BRACKET ASM
	CH8T-3490	1	NUT
6	200-4322	1	LEVER
7	200-4343	1	VALVE (BRAKE)
8	CH200-4384	2	BEARING
9	CH1B-4202	1	NUT (5/16-24)
10	CH2J-6356	1	RING-RETAINING
11	CH4J-2701	1	ROD END
12	CH7X-3374	1	NUT-FULL (1/2-20)
13	CH8F-7702	2	SEAL-LIP
14	400287X1	2	WASHER-HARD (11X21X2.5)
15	400039X1	2	BOLT (M10X1.5X25MM)
16	CH8T-4994	1	WASHER-HARD (20X36.5X3.5)
17	CH8T-9102	1	SETSCREW-SOCKET (M5X0.8X10MM)

[A] PART OF 200-4400 CONTROL GP-SRVC
BRAKE

00886571
PR: t05b22n43d0305

MT800B SERIES TRACTORS
BRAKING SYSTEM

LINES GP-BRAKE - 163-0386



**MT800B SERIES TRACTORS
BRAKING SYSTEM**

723

LINES GP-BRAKE - 163-0386

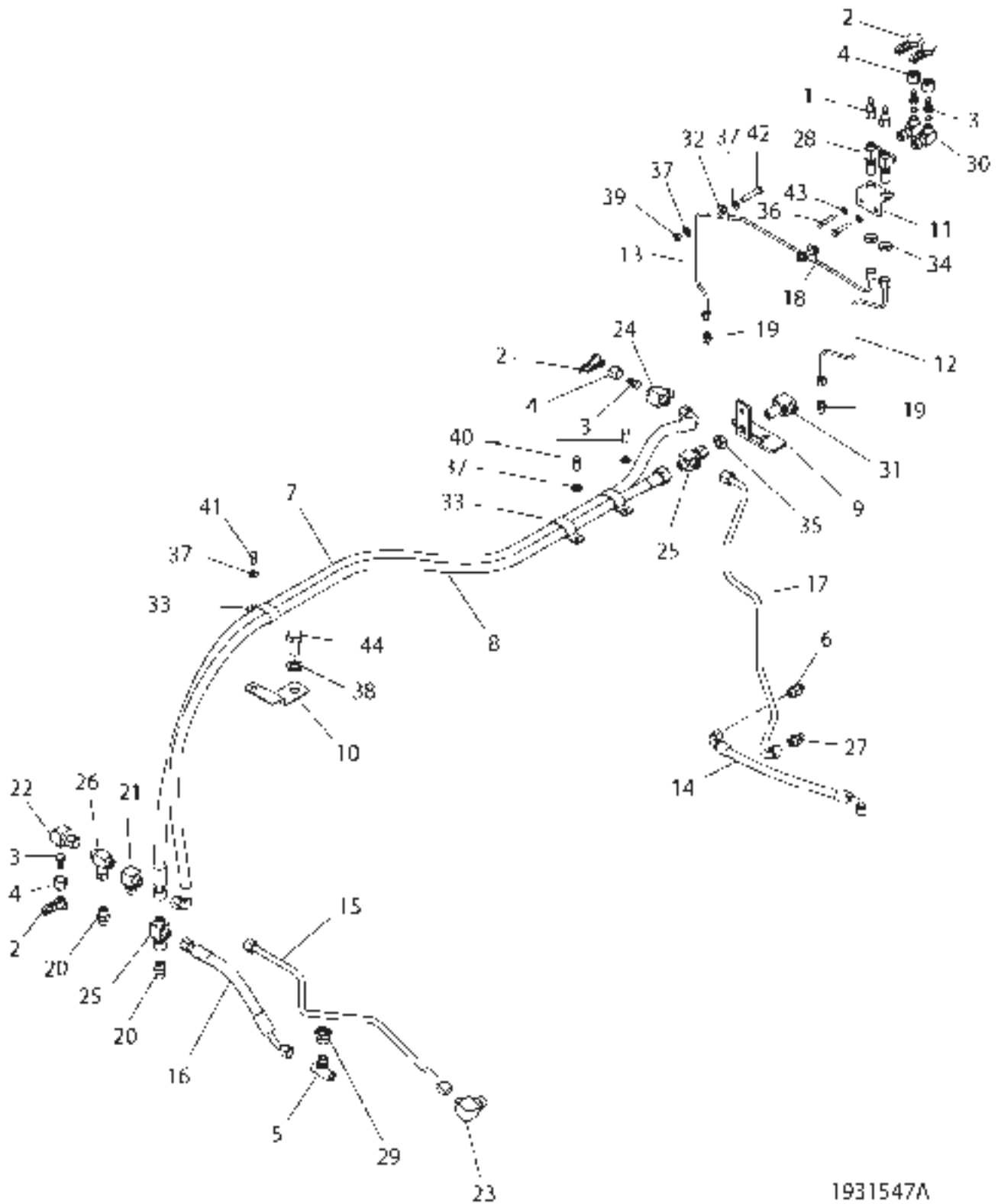
ITEM	NUMBER	QTY	DESCRIPTION
-	163-0386	-	LINES GP-BRAKE [A] (NOT SERVICED)
1	400323X1	1	CAP-DUST
2	CH8C-6416	1	FITTING (INCLUDES NUT)
	CH6V-8554	1	NUT
3	400607X1	1	NUT (13/16-16)
4	208-9814	1	TUBE ASM(INCLUDES NUT, SLEEVE, TUBE)
5	208-9815	1	TUBE ASM
6	400417X1	1	ELBOW AS (90DEG-6STOR-8ORFS)
6A	400318X1	1	SEAL-O-RING (11.89IDX1.98DIA)
6B	CH6V-8398	1	SEAL-O-RING (16.03ODX1.78DIA)
6C		1	ELBOW (ORDER ITEM 6)
7	400428X1	3	CONNECTOR AS -6STOR-8ORFS
7A	400318X1	1	SEAL-O-RING (11.89IDX1.98DIA)
7B	CH6V-8398	1	SEAL-O-RING (16.03ODX1.78DIA)
7C		1	CONNECTOR (ORDER IT 7)
8	CH162-0177	1	PLUG AS (9/16-18 STOR)
8A	400318X1	1	SEAL-O-RING
8B		1	PLUG (ORDER ITEM 8)

[A] PART OF:
179-1952; 501810D1 BASE AR-COMMON

0823177A
PR: t05b22n43d0306

MT800B SERIES TRACTORS
BRAKING SYSTEM

LINES GP-BRAKE - 193-1547
COMMON



**MT800B SERIES TRACTORS
BRAKING SYSTEM**

725

**LINES GP-BRAKE - 193-1547
COMMON**

ITEM	NUMBER	QTY	DESCRIPTION
-	193-1547	-	LINES GP-BRAKE (COMMON) [A] (NOT SERVICED)
1	500494D1	2	VALVE GP-PURGE (BLEEDER)
2	400323X1	4	CAP-DUST
3	CH8C-6416	4	NIPPLE AS
	CH6V-8554	1	NUT
4	400607X1	4	NUT (13/16-16)
5	CH172-5761	1	TEE AS (6STORX8STORX8ORFS)
	CH3K-0360	1	SEAL-O-RING (16.36IDX2.21DIA)
	CH6V-8398	1	SEAL-O-RING (16.03ODX1.78DIA)
6	CH172-9287	1	CONNECTOR AS (6 STOR -6 ORFS)
	400318X1	1	SEAL-O-RING (11.89IDX1.98DIA)
	400378X1	1	SEAL-O-RING (12.83ODX1.78DIA)
7	CH208-9829	1	HOSE ASM
8	CH208-9830	1	HOSE ASM
9	208-9838	1	BRACKET ASM
10	208-9839	1	BRACKET ASM
11	210-5610	1	BRACKET ASM
12	210-5648	1	TUBE ASM
13	210-5649	1	TUBE ASM
14	CH212-3585	1	HOSE ASM
15	219-9652	1	TUBE ASM
16	CH219-9653	1	HOSE ASM
17	220-3664	1	TUBE ASM
18	CH0L-2072	2	CLIP
19	400368X1	2	CONNECTOR AS (4STOR -4ORFS)
	400361X1	1	SEAL-O-RING (8.92ID X 1.83DIA)
	400377X1	1	SEAL-O-RING (11.23OD X 1.78DIA)
20	CH148-8340	2	CONNECTOR AS (8ORFS 8STOR)
	CH3K-0360	1	SEAL-O-RING (16.36IDX2.21DIA)
	CH6V-8398	1	SEAL-O-RING (16.03ODX1.78DIA)
21	CH148-8364	1	ELBOW ASM-90DEG -8STOR -8ORFS
	CH3K-0360	1	SEAL-O-RING (16.36 ID X 2.21 DIA)
	CH6V-8398	1	SEAL-O-RING (16.03 OD X 1.78 DIA)
22	CH148-8370	1	ELBOW AS-90DEG (8 ORFS SWVL)
	CH6V-8398	1	SEAL-O-RING (16.03ODX1.78DIA)
23	CH148-8372	1	ELBOW AS-90DEG 10STOR-8ORFS
	400319X1	1	SEAL-O-RING (19.18IDX2.46DIA)
	CH6V-8398	1	SEAL-O-RING (16.03ODX1.78DIA)
24	CH148-8436	1	TEE ASM (6 ORFS)
	CH3K-0360	1	SEAL-O-RING (16.36IDX2.21DIA)
	CH6V-8398	2	SEAL-O-RING (16.03ODX1.78DIA)
25	CH148-8444	3	TEE-SWIVEL 3X -8 ORFS
	CH6V-8398	2	SEAL-O-RING (16.03 ID X 1.78 DIA)

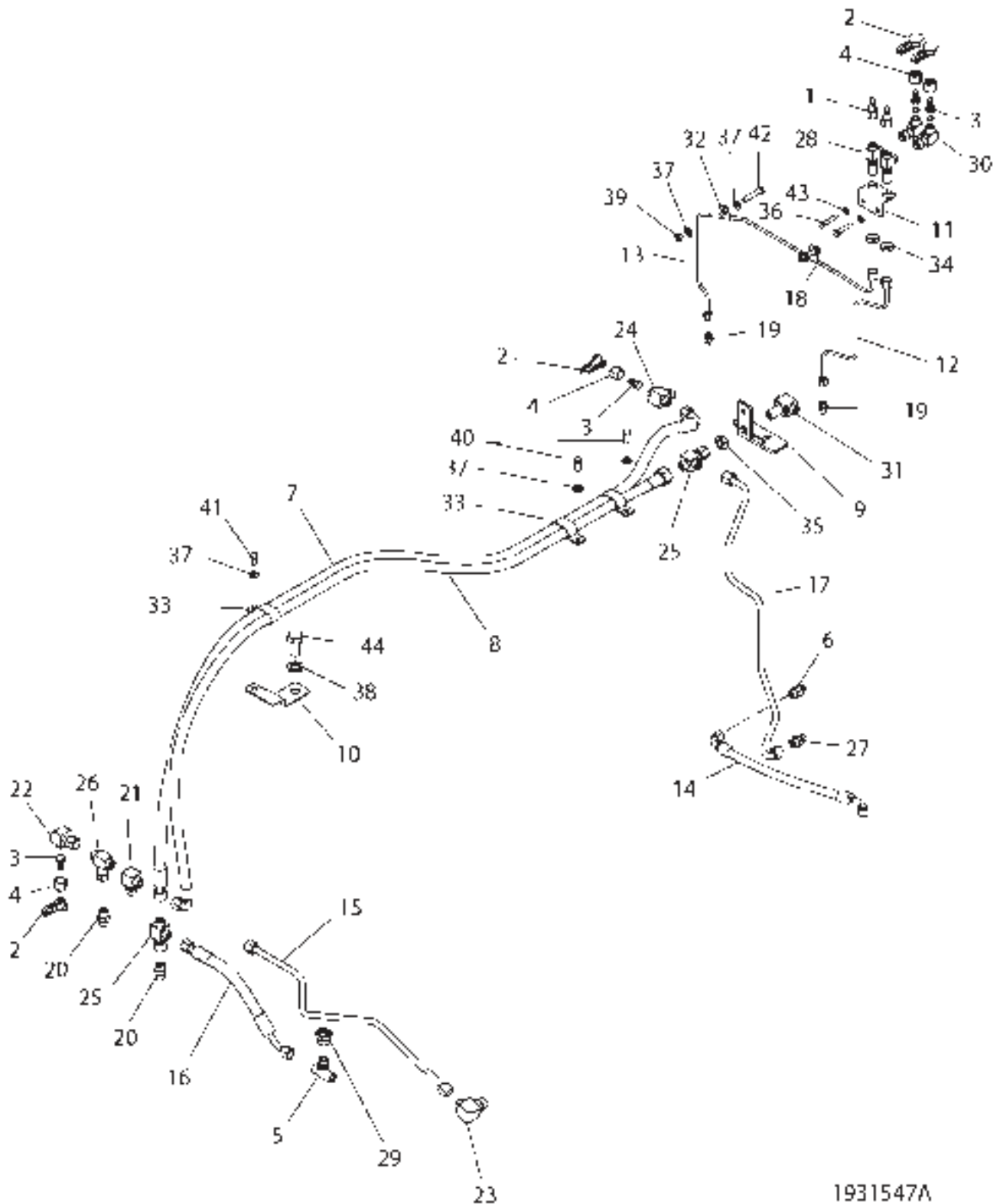
CONTINUED

[A] PART OF 179-1952;179-2180;501810D1
501811D1;502935D1 BASE COMMON AR

1931547A
PR: t05b22n43d0307

MT800B SERIES TRACTORS
BRAKING SYSTEM

LINES GP-BRAKE - 193-1547
COMMON



**MT800B SERIES TRACTORS
BRAKING SYSTEM**

727

**LINES GP-BRAKE - 193-1547
COMMON**

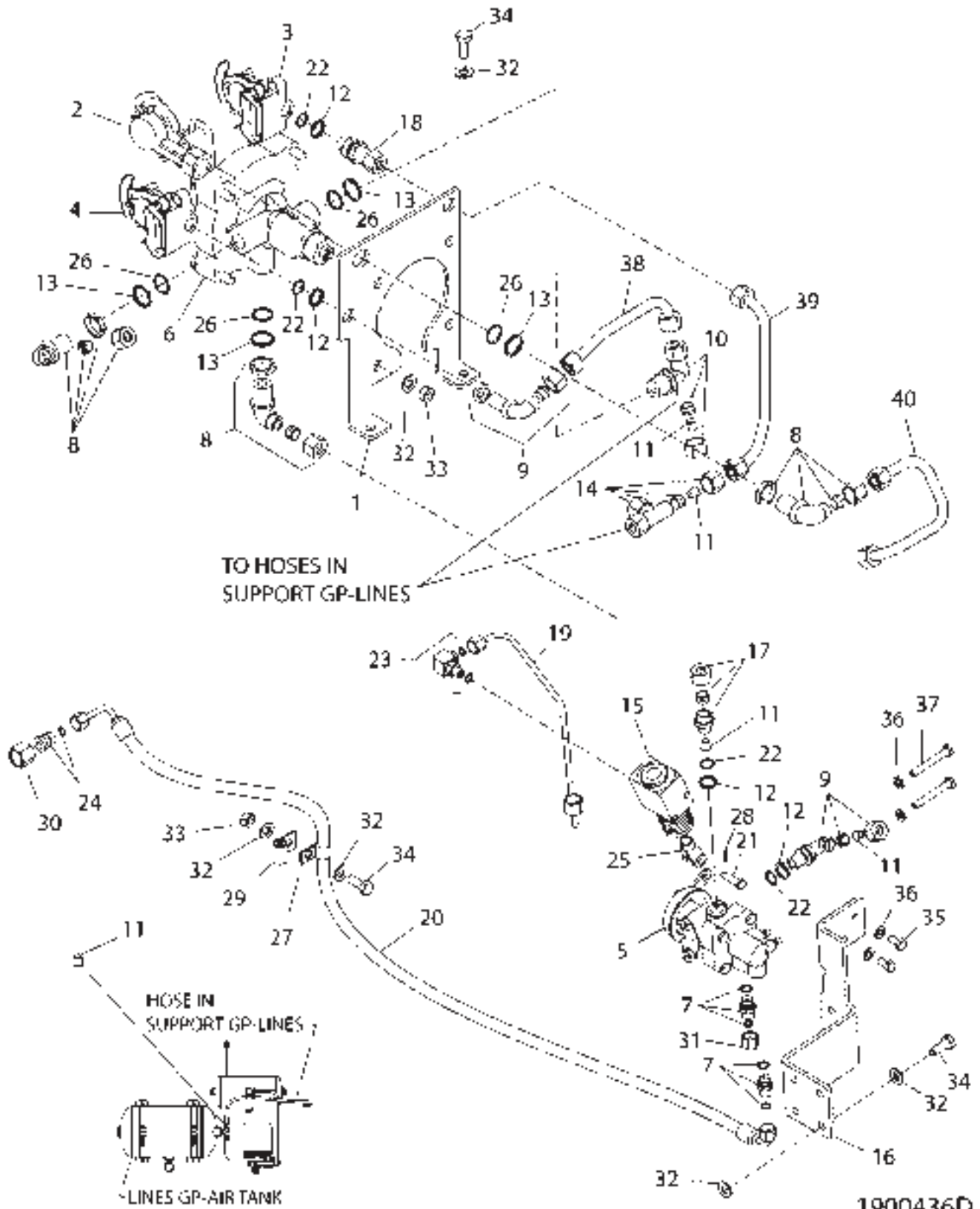
ITEM	NUMBER	QTY	DESCRIPTION
-	193-1547	-	LINES GP-BRAKE (COMMON) [A] (NOT SERVICED)
26	400614X1	1	TEE AS (8 ORFS)
	CH6V-8398	2	SEAL-O-RING (16.03ODX1.78DIA)
27	400428X1	1	CONNECTOR AS -6STOR-8ORFS
	400318X1	1	SEAL-O-RING (11.89IDX1.98DIA)
	CH6V-8398	1	SEAL-O-RING (16.03ODX1.78DIA)
28	400618X1	2	TEE AS-BLKHD (6 ORFS)
	400378X1	3	SEAL-O-RING (12.83ODX1.78DIA)
29	400636X1	1	ADAPTER AS (STR-12 STOR-8 PORT)
	400416X1	1	SEAL-O-RING (23.47IDX2.95DIA)
30	400825X1	2	ELBOW AS-90DEG (8ORFS)
	CH6V-8398	2	SEAL-O-RING (16.03ODX1.78DIA)
31	CH169-4273	1	TEE ASM-BLKD UNION (8ORFS)
	CH6V-8398	3	SEAL-O-RING
32	CH2B-2404	1	CLIP
33	CH6D-1641	3	CLIP
34	400347X1	2	NUT-BULKHEAD (11/16-16)
35	400348X1	1	NUT-BULKHEAD (13/16-16)
36	400024X1	2	BOLT (M8X1.25X45MM)
37	400287X1	7	WASHER-HARD (11X21X2.5)
38	400080X1	1	WASHER-PLATED (22X35X3.5)
39	7774664	2	NUT (M10X1.5)
40	400039X1	2	BOLT (M10X1.5X25MM)
41	400040X1	1	BOLT (M10X1.5X20MM)
42	400226X1	2	BOLT (M10X1.5X50MM)
43	400339X1	2	WASHER-HARD (8.8X16X2)
44	400234X1	1	BOLT (M20X2.5X40MM)
45	500950D1	2	NUT-TUBE (NOT SHOWN)

[A] PART OF 179-1952;179-2180;501810D1
501811D1;502935D1 BASE COMMON AR

1931547A
PR: t05b22n43d0307

MT800B SERIES TRACTORS
BRAKING SYSTEM

LINES GP-CONTROL - 190-0436
AIR TRAILER BRAKE (WITHOUT HITCH)
(EAME ONLY)



**MT800B SERIES TRACTORS
BRAKING SYSTEM**

729

**LINES GP-CONTROL - 190-0436
AIR TRAILER BRAKE (WITHOUT HITCH)
(EAME ONLY)**

ITEM	NUMBER	QTY	DESCRIPTION
-	190-0436	-	LINES GP-CONTROL (NOT SERVICED)
1	162-9766	1	BRACKET
2	CH171-1105	1	CONNECTOR AS (QUICK)
3	CH171-1106	1	CONNECTOR AS (QUICK)
4	CH171-1107	1	CONNECTOR AS (QUICK)
5	180-1667	1	VALVE-CONTROL
6	180-2519	1	VALVE-CONTROL
7	CH183-4236	2	ADAPTER GP
	400377X1	1	SEAL-O-RING (11.23OD X 1.78DIA)
	CH8C-5200	1	SEAL (14.4ODX9.81IDX1.5THK)
8	CH185-9753	3	ELBOW AS-90DEG (M18XM22)
9	CH185-9759	2	ELBOW AS
	CH187-6297	1	FERRULE
	400352X1	1	NUT-TUBE (M18X1.5)
	187-9012	1	LOCKNUT
10	CH185-9762	1	TEE AS (M18XM22XM18)
	CH187-6297	2	FERRULE
	400352X1	2	NUT-TUBE (M18X1.5)
	CH187-6486	1	LOCKNUT
11	CH185-9768	5	INSERT
12	CH185-9772	4	RING-BACKUP
13	CH185-9773	4	RING-BACKUP
14	CH190-0430	1	TEE AS (M18X3)
	CH3E-4297	1	SEAL-O-RING (10IDX1.5DIA)
	CH187-6297	2	FERRULE (12OD TUBE)
	400352X1	2	NUT-TUBE (M18X1.5)
15	192-6366	1	ACTUATOR AS
16	192-6392	1	BRACKET AS
17	CH200-4349	1	ADAPTER (M18XM16)
	CH187-6297	1	FERRULE (12OD TUBE)
	400352X1	1	NUT-TUBE (M18X1.5)
18	CH200-4359	1	COUPLING
19	200-4374	1	TUBE AS
20	CH200-4379	1	HOSE AS
21	CH095-1316	1	PIN-CLEVIS
22	CH122-9250	4	SEAL-O-RING
23	400650X1	1	ELBOW AS-90DEG-4STORX4ORFS
	400361X1	1	SEAL-O-RING (8.92ID X 1.83DIA)
	400377X1	1	SEAL-O-RING (11.23OD X 1.78DIA)

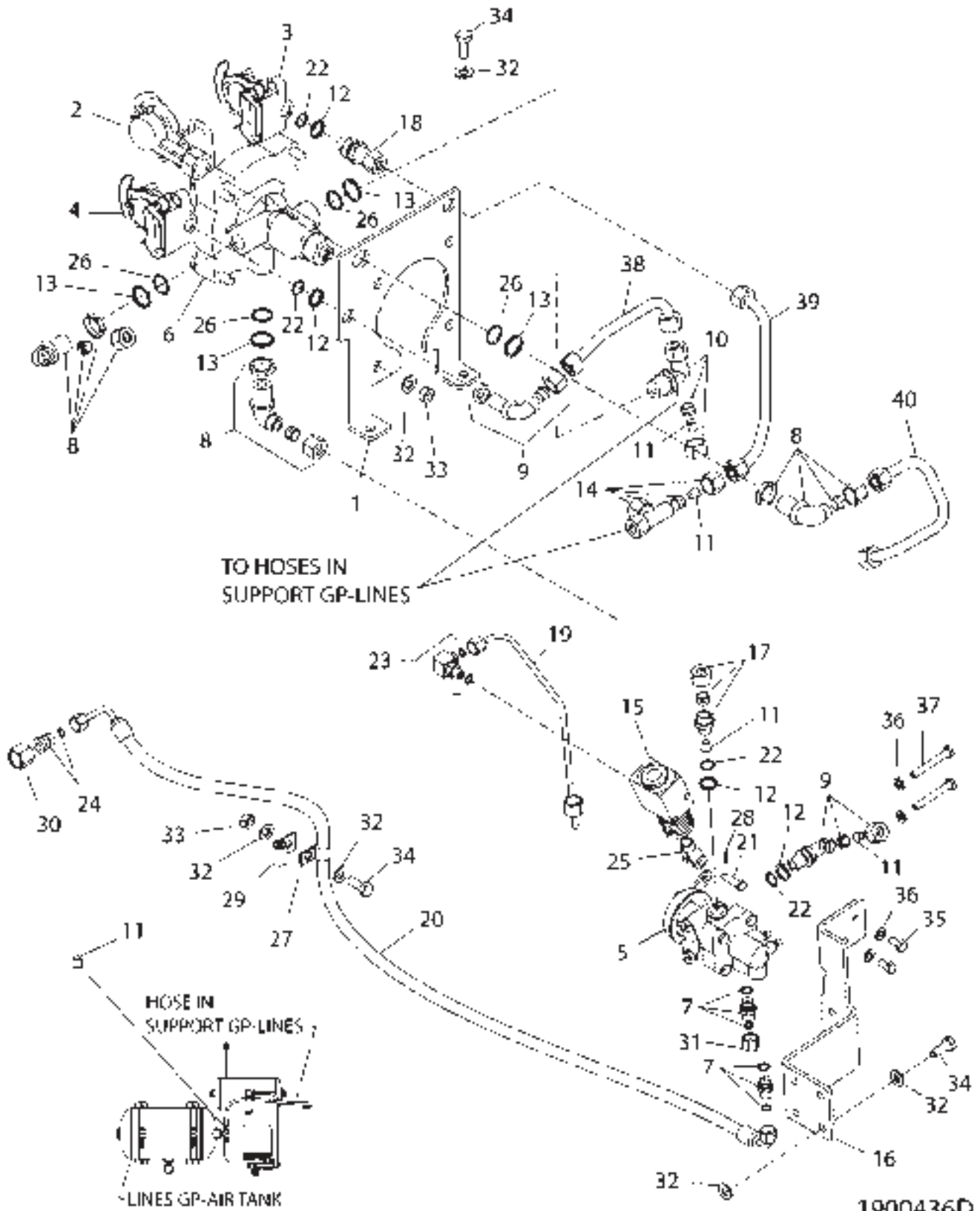
[A] PART OF 185-8860;186-1620;
502357D1 BRAKE AR-AIR

CONTINUED

1900436D
PR: t05b22n43d0308

MT800B SERIES TRACTORS
BRAKING SYSTEM

LINES GP-CONTROL - 190-0436
AIR TRAILER BRAKE (WITHOUT HITCH)
(EAME ONLY)



**MT800B SERIES TRACTORS
BRAKING SYSTEM**

731

**LINES GP-CONTROL - 190-0436
AIR TRAILER BRAKE (WITHOUT HITCH)
(EAME ONLY)**

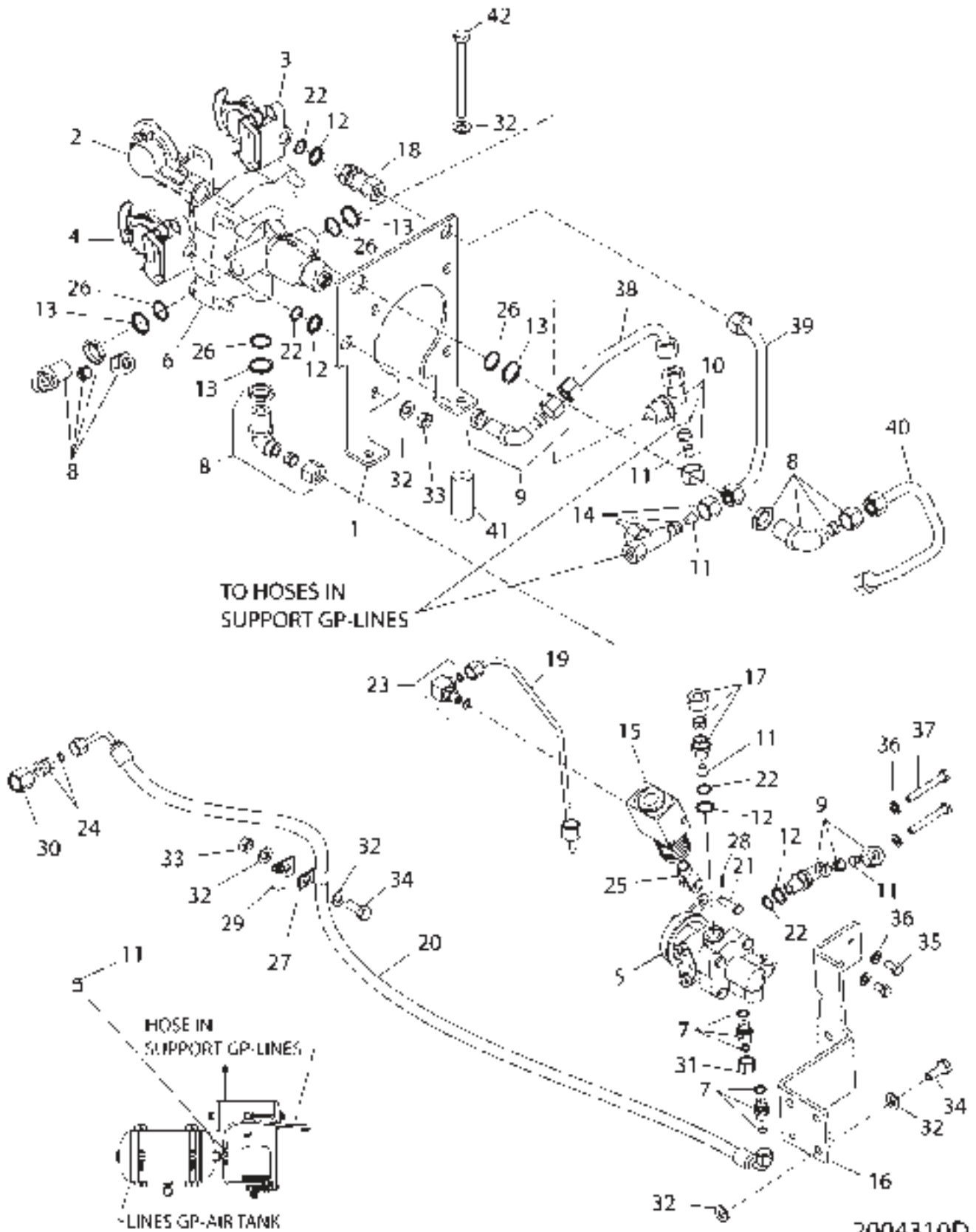
ITEM	NUMBER	QTY	DESCRIPTION
-	190-0436	-	LINES GP-CONTROL (NOT SERVICED)
24	CH148-8419	1	REDUCER AS (40RFSX80RFS)
	400377X1	1	SEAL-O-RING (11.23OD X 1.78DIA)
	CH6V-8935	1	REDUCER-O-RING
25	400117X1	1	END-YOKE ROD
26	CH3E-6762	4	SEAL-O-RING (20.3ID X 2.4DIA)
27	CH4K-8864	1	CLIP-LOOP (14.29ID)
28	CH5B-9192	1	PIN-COTTER (1.59DIA X 15.88 BRS)
29	400621X1	1	CLIP (12.7ID X 3/8)
30	6V-8554	1	NUT (12.7 ORFS)
31	CH6V-9828	1	CAP AS
32	400287X1	12	WASHER-HARD (11X21X2.5)
33	7774664	5	NUT (M10X1.5)
34	400039X1	7	BOLT (M10X1.5X25MM)
35	400227X1	2	BOLT (M8X1.25X16MM)
36	400339X1	4	WASHER-HARD (8.8X16X2)
37	400242X1	2	BOLT (M8X1.25X60MM)
38	183-4241	1	TUBE AS
39	187-9020	1	TUBE AS
40	190-0429	1	TUBE AS

[A] PART OF 185-8860;186-1620;
502357D1 BRAKE AR-AIR

1900436D
PR: t05b22n43d0308

MT800B SERIES TRACTORS
BRAKING SYSTEM

LINES GP-CONTROL - 200-4310
AIR TRAILER BRAKE (WITH HITCH)
EAME ONLY



**MT800B SERIES TRACTORS
BRAKING SYSTEM**

733

**LINES GP-CONTROL - 200-4310
AIR TRAILER BRAKE (WITH HITCH)
EAME ONLY**

ITEM	NUMBER	QTY	DESCRIPTION
-	200-4310	-	LINES GP-AIR TRAILER BRAKE [A] (SERVICED BY COMPONENTS)
1	162-9766	1	BRACKET
2	CH171-1105	1	CONNECTOR AS (QUICK)
3	CH171-1106	1	CONNECTOR AS (QUICK)
4	CH171-1107	1	CONNECTOR AS (QUICK)
5	180-1667	1	VALVE-CONTROL
6	180-2519	1	VALVE-CONTROL
7	CH183-4236	2	ADAPTER AS (4ORFSXM12)
	400377X1	1	SEAL-O-RING (11.23OD X 1.78DIA)
	CH8C-5200	1	SEAL (14.4ODX9.81IDX1.5THK)
8	CH185-9753	3	ELBOW AS-90DEG (M18XM22)
9	CH185-9759	2	ELBOW AS-90DEG (M16XM18)
	CH187-6297	1	FERRULE
	400352X1	1	NUT-TUBE (M18X1.5)
	187-9012	1	LOCKNUT
10	CH185-9762	1	TEE AS (M18XM22XM18)
	CH187-6297	2	FERRULE
	400352X1	2	NUT-TUBE (M18X1.5)
	CH187-6486	1	LOCKNUT
11	CH185-9768	5	INSERT
12	CH185-9772	4	RING-BACKUP
13	CH185-9773	4	RING-BACKUP
14	CH190-0430	1	TEE AS (M18X3)
	CH3E-4297	1	SEAL-O-RING (10IDX1.5DIA)
	CH187-6297	2	FERRULE (12OD TUBE)
	400352X1	2	NUT-TUBE (M18X1.5)
15	192-6366	1	ACTUATOR AS
16	192-6392	1	BRACKET AS
17	CH200-4349	1	ADAPTER (M18XM16)
	CH187-6297	1	FERRULE (12OD TUBE)
	400352X1	1	NUT-TUBE (M18X1.5)
18	CH200-4359	1	COUPLING
19	200-4374	1	TUBE AS
20	CH200-4379	1	HOSE AS
21	CH095-1316	1	PIN-CLEVIS
22	CH122-9250	4	SEAL-O-RING
23	400650X1	1	ELBOW AS-90DEG-4STORX4ORFS
	400361X1	1	SEAL-O-RING (8.92ID X 1.83DIA)
	400377X1	1	SEAL-O-RING (11.23OD X 1.78DIA)

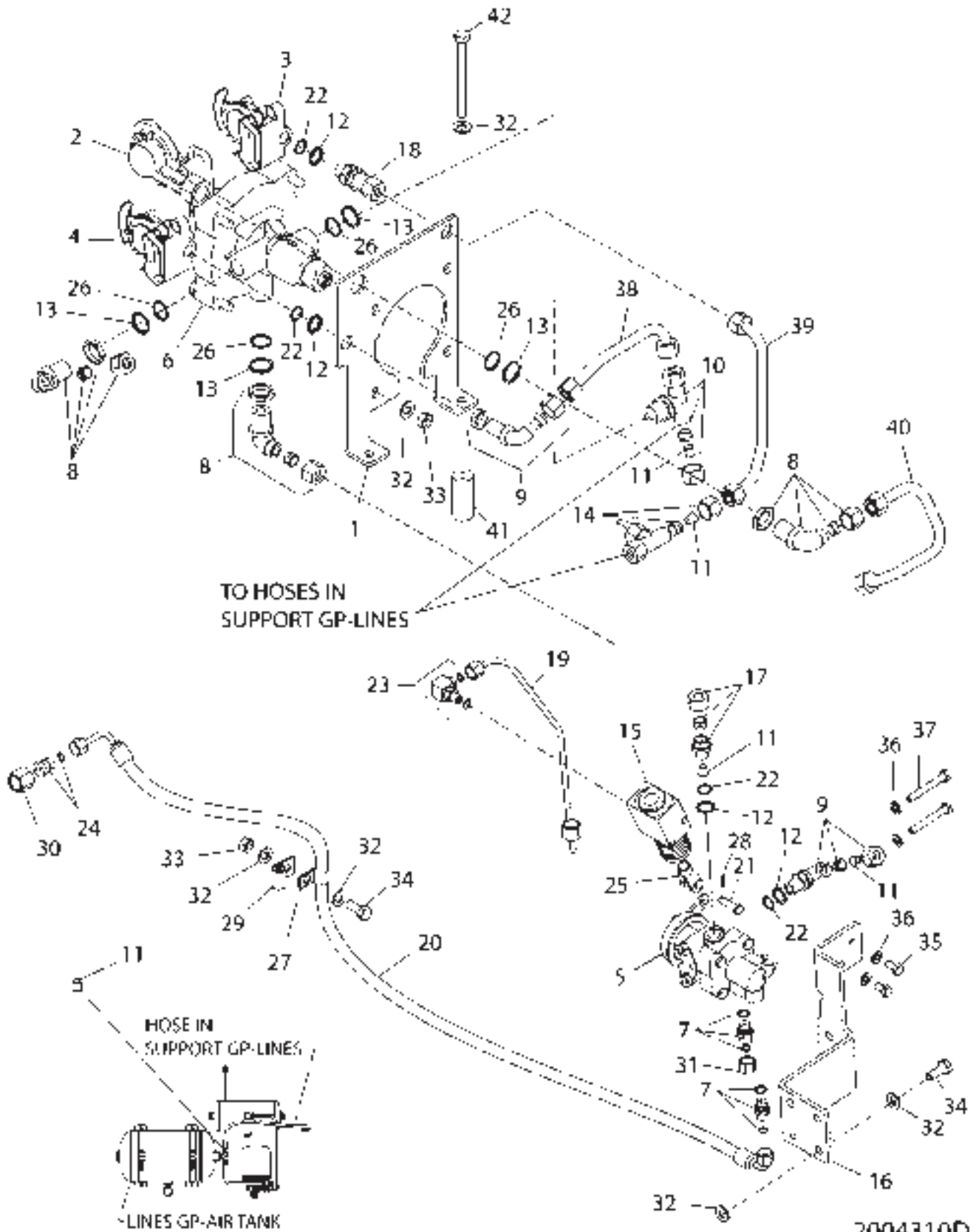
[A] PART OF 192-6390;192-6400;
502358D1 BRAKE AR-AIR

CONTINUED

2004310D
PR: t05b22n43d0309

**MT800B SERIES TRACTORS
BRAKING SYSTEM**

**LINES GP-CONTROL - 210-4310
AIR TRAILER BRAKE (WITH HITCH)
EAME ONLY**



**MT800B SERIES TRACTORS
BRAKING SYSTEM**

735

**LINES GP-CONTROL - 210-4310
AIR TRAILER BRAKE (WITH HITCH)
EAME ONLY**

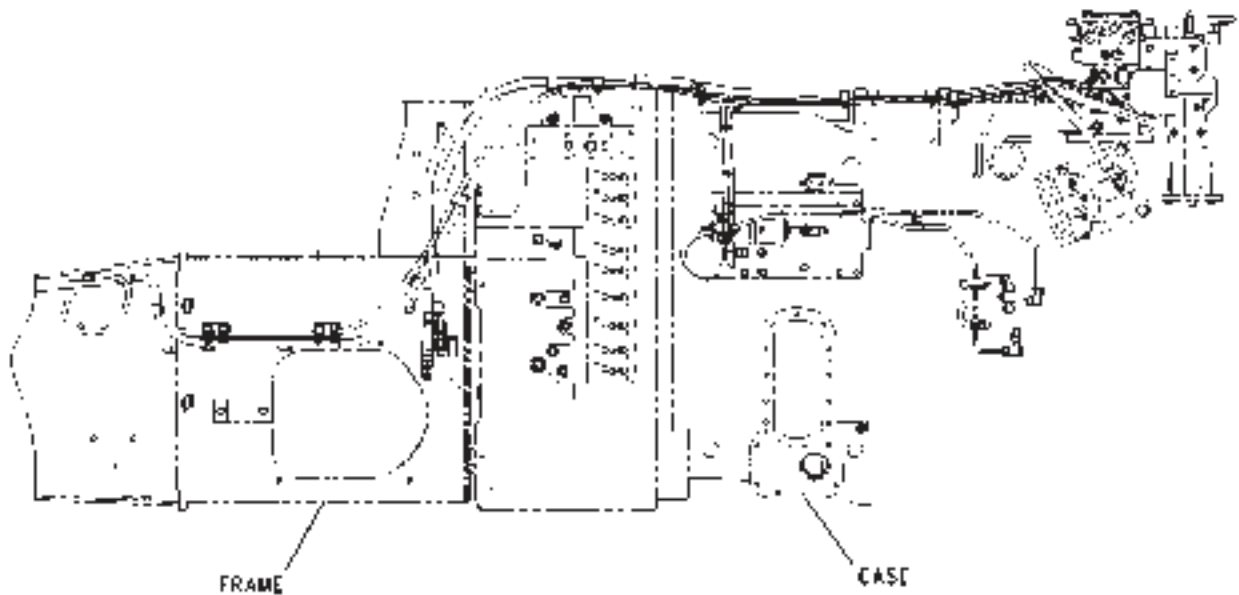
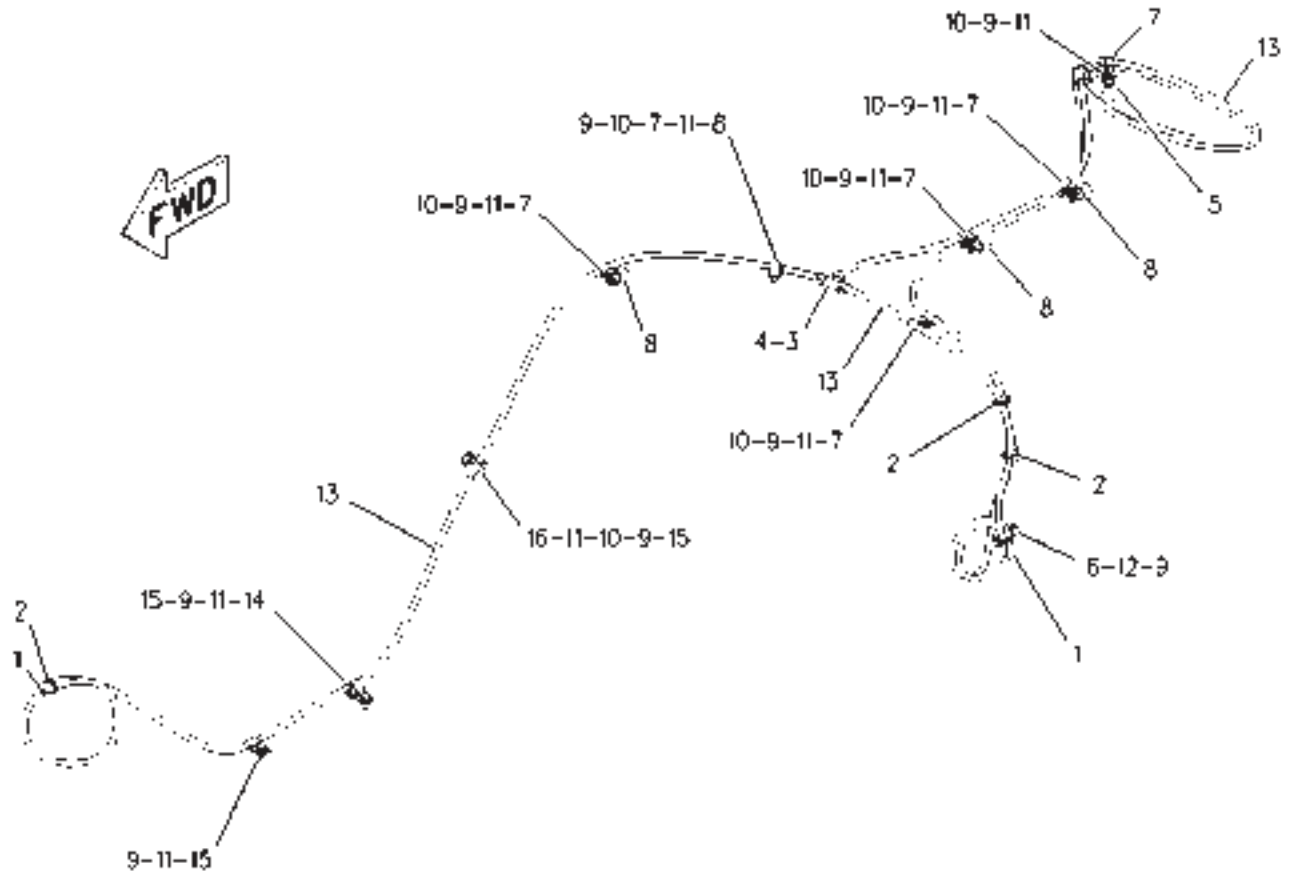
ITEM	NUMBER	QTY	DESCRIPTION
-	200-4310	-	LINES GP-AIR TRAILER BRAKE [A] (SERVICED BY COMPONENTS)
24	CH148-8419	1	REDUCER AS (40RFSX80RFS)
	400377X1	1	SEAL-O-RING (11.23OD X 1.78DIA)
	CH6V-8935	1	REDUCER-O-RING
25	400117X1	1	END-YOKE ROD
26	CH3E-6762	4	SEAL-O-RING (20.3IDX2.4DIA)
27	CH4K-8864	1	CLIP-LOOP (14.29ID)
28	CH5B-9192	1	PIN-COTTER (1.59DIA X 15.88 BRS)
29	400621X1	3	CLIP (12.7ID X 3/8)
30	CH6V-8554	1	NUT (12.7 ORFS)
31	CH6V-9828	1	CAP AS
31	105-5211	1	PLUG (OLDER MODELS) (INCLS SEAL)
	CH6V-9028	1	SEAL-O-RING
32	400287X1	14	WASHER-HARD (11X21X2.5)
33	7774664	6	NUT (M10X1.5)
34	400039X1	6	BOLT (M10X1.5X25MM)
35	400227X1	2	BOLT (M8X1.25X16MM)
36	400339X1	4	WASHER-HARD (8.8X16X2)
37	400242X1	2	BOLT (M8X1.25X60MM)
38	183-4241	1	TUBE AS
39	187-9020	1	TUBE AS
40	190-0429	1	TUBE AS
41	CH198-1963	2	SPACER
42	400240X1	2	BOLT (M10X1.5X110)

[A] PART OF 192-6390;192-6400;
502358D1 BRAKE AR-AIR

2004310D
PR: t05b22n43d0309

MT800B SERIES TRACTORS BRAKING SYSTEM

SUPPORT GP-LINES - 200-4320
EAME ONLY



LEFT SIDE VIEW

**MT800B SERIES TRACTORS
BRAKING SYSTEM**

737

**SUPPORT GP-LINES - 200-4320
EAME ONLY**

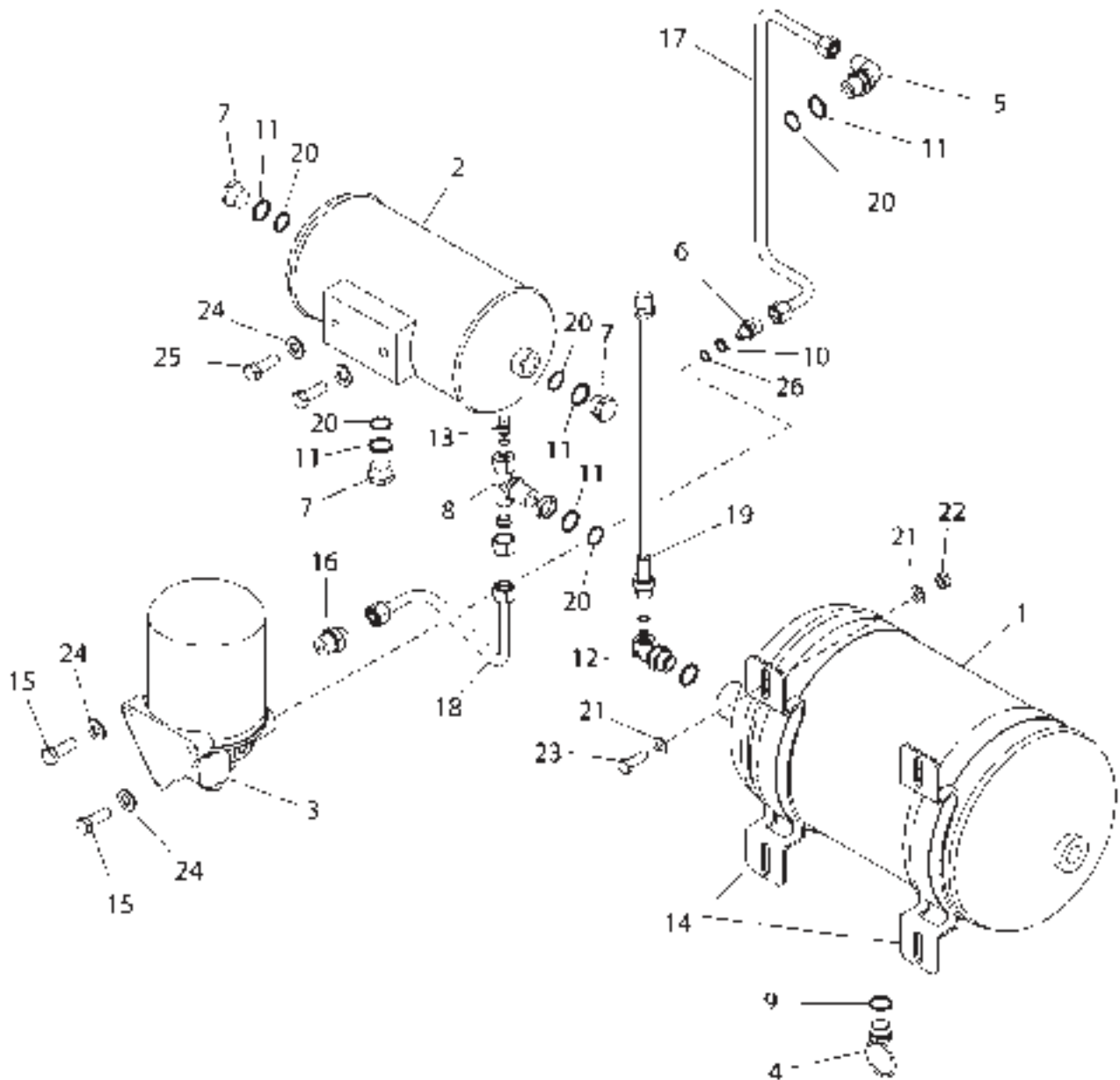
ITEM	NUMBER	QTY	DESCRIPTION
-	200-4320	-	SUPPORT GP-LINES [A] (NOT SERVICED)
1	4H-0408	5	PLUG-PROTECTION (10MM)
2	CH7K-1181	6	STRAP-CABLE
3	192-6398	1	FITTING AS
4	CH185-9768	3	INSERT
5	CH1S-0994	1	CLIP
6	CH4P-7581	1	CLIP
7	400621X1	10	CLIP
8	400688X1	4	CLIP
9	400287X1	17	WASHER-HARD (11X21X2.5MMTHK)
10	7774664	7	NUT (M10X1.5 THD)
11	400039X1	9	BOLT (M10X1.5X25MM)
12	400040X1	1	BOLT (M10X1.5X20MM)
13	200-4321	AR	TUBE-PLASTIC (938CM)
14	200-4339	1	CLIP
15	124-1479	3	CLIP
16	CH3S-8664	1	CLIP

[A] PART OF:
179-2180; 501811D1; 502936D1
BASE COMMON AR

00887780
PR: t05b22n43d0310

MT800B SERIES TRACTORS
BRAKING SYSTEM

TANK & LINES GP-AIR - 190-0435



**MT800B SERIES TRACTORS
BRAKING SYSTEM**

739

TANK & LINES GP-AIR - 190-0435

ITEM	NUMBER	QTY	DESCRIPTION
-	190-0435	-	TANK & LINES GP-AIR [A] (NOT SERVICED)
1	174-8822	1	TANK-AIR
2	177-9555	1	TANK-AIR
3	178-7197	1	AIR DRYER GP
	187-3185	1	KIT-CARTRIDGE (DESICCANT)
	187-5245	1	KIT-VALVE (PURGE)
	187-5246	1	KIT-GOVERNOR
4	180-5485	1	VALVE-DRAIN
5	CH185-9753	1	ELBOW AS-90DEG (M18XM22)
6	185-9754	1	ADAPTER
7	185-9756	3	PLUG
8	CH185-9762	1	TEE GP (M18XM22XM18)
	CH187-6297	2	FERRULE
	400352X1	2	NUT-TUBE (M18X1.5)
	CH187-6486	1	LOCKNUT (M22X1.5)
9	185-9769	1	WASHER-SEAL (22.2X26.9X1.5)
10	185-9771	1	RING-BACKUP
11	CH185-9773	5	RING-BACKUP
12	185-9774	1	ELBOW (INCLS SEALS)
	400361X1	1	SEAL-O-RING (8.92ID X 1.83DIA)
	400366X1	1	SEAL-O-RING (22.5OD X 1.78DIA)
13	CH190-0431	1	CAP (INCLS SEAL)
	CH3E-4297	1	SEAL-O-RING
14	190-0446	2	BRACKET
15	400011X1	3	BOLT (M12X1.5X35MM)
16	196-1969	1	ADAPTER ASM (INCLS SEAL)
	CH175-5327	1	SEAL
17	196-1970	1	TUBE ASM(INCL. FERRUEL, NUT & TUBE)
18	196-1971	1	TUBE ASM (INCL. FERRULE, NUT & TUBE)
19	CH194-6725	1	SENSOR GP-PRESSURE [B]
20	CH3E-6762	5	SEAL-O-RING
21	400287X1	8	WASHER-HARD (11X21X2.5)
22	7774664	4	NUT (M10X1.5)
23	400058X1	4	BOLT (M10X1.5X30MM)
24	400357X1	5	WASHER-HARD (M12X25.5X3)
25	400064X1	2	BOLT (M12X1.75X35MM)
26	CH9T-4057	1	SEAL-O-RING

[A] PART OF:

185-8660; 186-1620 BRAKE AR-AIR TR
190-0439; 190-0440 TANK AR-AIR
192-6390; 192-6400 BRAKE AR-AIR
210-5703; 210-5704 TANK AR-AIR
502357D1; 502358D1 BRAKE AR-AIR
502359D1; 502360D1 TANK AR-AIR

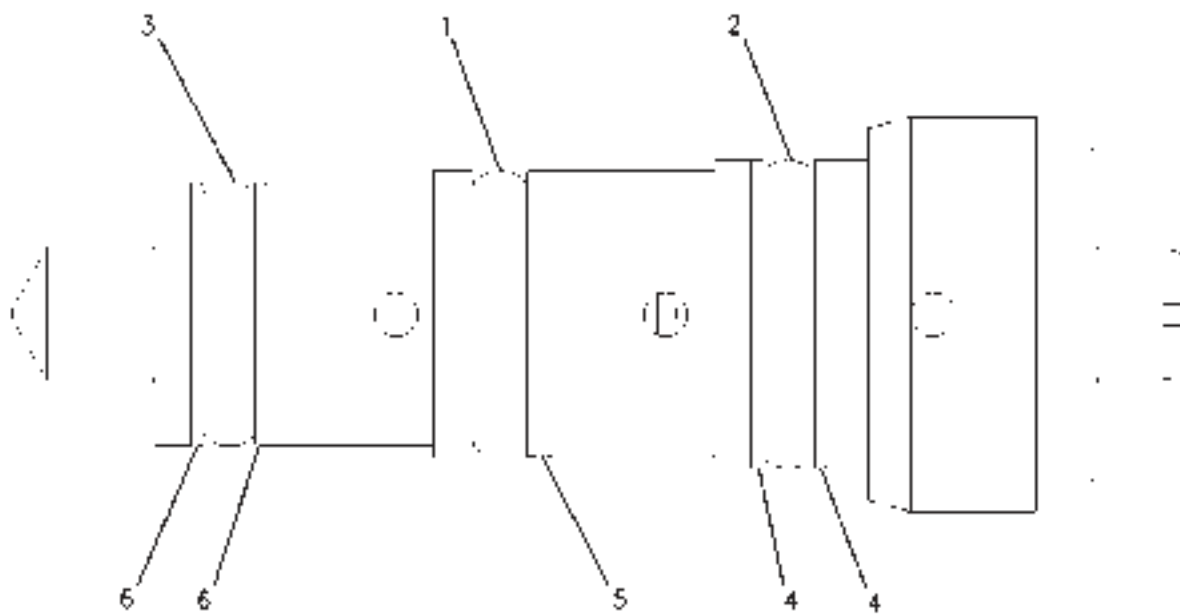
[B] SENSOR ITEM 19:

THIS SENSOR IS USED IN MULTIPLE
APPLICATIONS DO NOT USE SPN
MODIFIER YOU MUST USE APPLICATION
SPECIFIC MODIFIERS IN DBAM I.E.

1900435D
PR: t05b22n43d0311

MT800B SERIES TRACTORS
BRAKING SYSTEM

VALVE GP-ACCUMULATOR CHARGING - 216-6972



MT800B SERIES TRACTORS

741

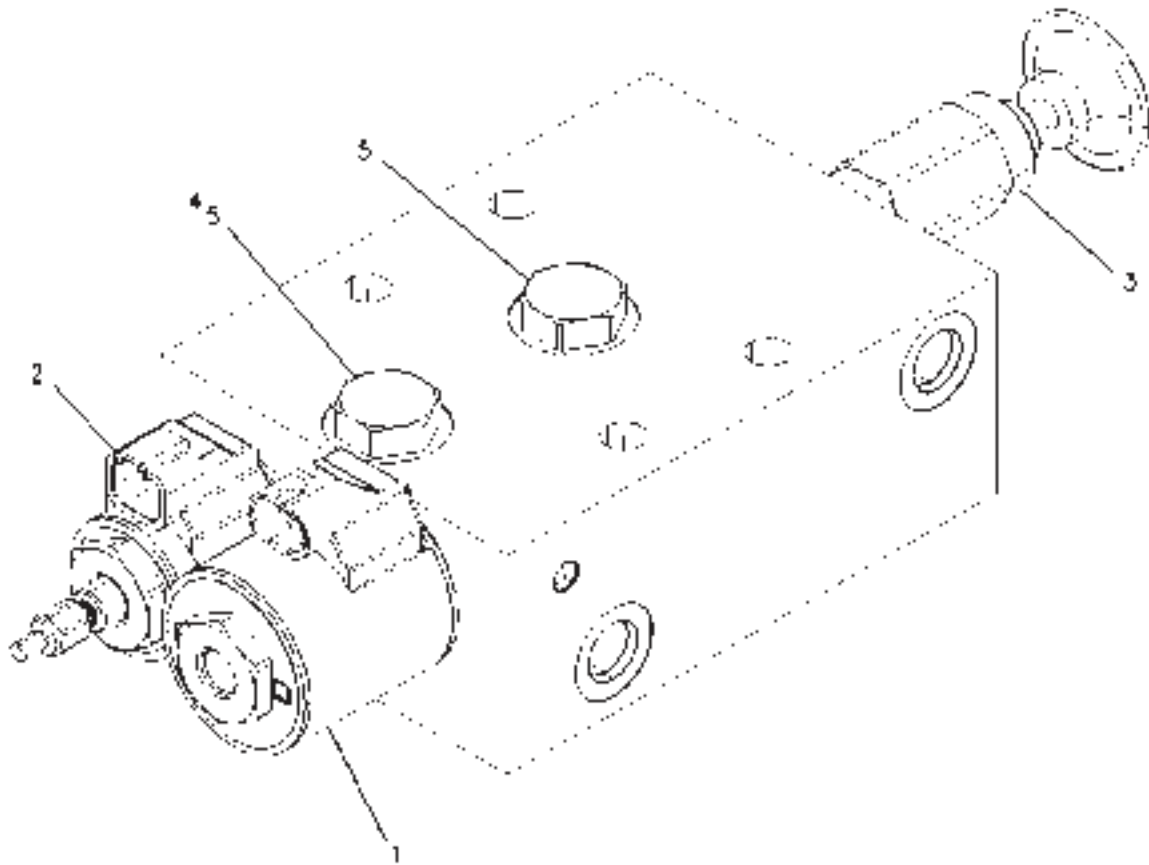
BRAKING SYSTEM**VALVE GP-ACCUMULATOR CHARGING - 216-6972**

ITEM	NUMBER	QTY	DESCRIPTION
-	216-6972	-	VALVE GP-ACCUMULATOR CHARGING [A]
1	CH5W-9411	1	SEAL-O-RING
2	CH095-1750	1	SEAL-O-RING
3	CH161-6154	1	SEAL-O-RING
4	CH216-7116	2	RING-BACKUP
5	CH216-7117	1	RING-BACKUP
6	CH216-7118	2	RING-BACKUP

[A] PART OF:
192-4707 VALVE GP-CONTROL
209-5019 VALVE GP-CONTROL
209-5021 VALVE GP-CONTROL

00894814
PR: t05b22n43d0315

VALVE GP-PARKING BRAKE - 200-4351



**MT800B SERIES TRACTORS
BRAKING SYSTEM**

743

VALVE GP-PARKING BRAKE - 200-4351

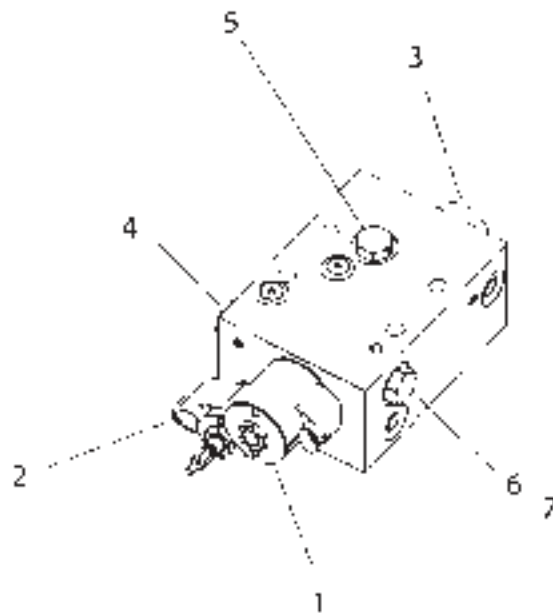
ITEM	NUMBER	QTY	DESCRIPTION
-	200-4351	-	VALVE GP-PARKING BRAKE [A]
1	200-4325	1	VALVE ASM-SOLENOID
	120-8514	1	KIT-SEAL
2	200-4327	1	VALVE ASM-SOLENOID
	CH120-9051	1	KIT-SEAL
3	200-4329	1	VALVE ASM
	141-0888	1	KIT-SEAL
4	200-4375	1	ORIFICE
5	120-9048	2	VALVE-CHECK

[A] PART OF: 192-6350
CONTROL GP-PARK BRAKE

00871963
PR: t05i29k58b0343

MT800B SERIES TRACTORS
BRAKING SYSTEM

VALVE GP-PARKING BRAKE - 502454D1



502454DA

**MT800B SERIES TRACTORS
BRAKING SYSTEM**

745

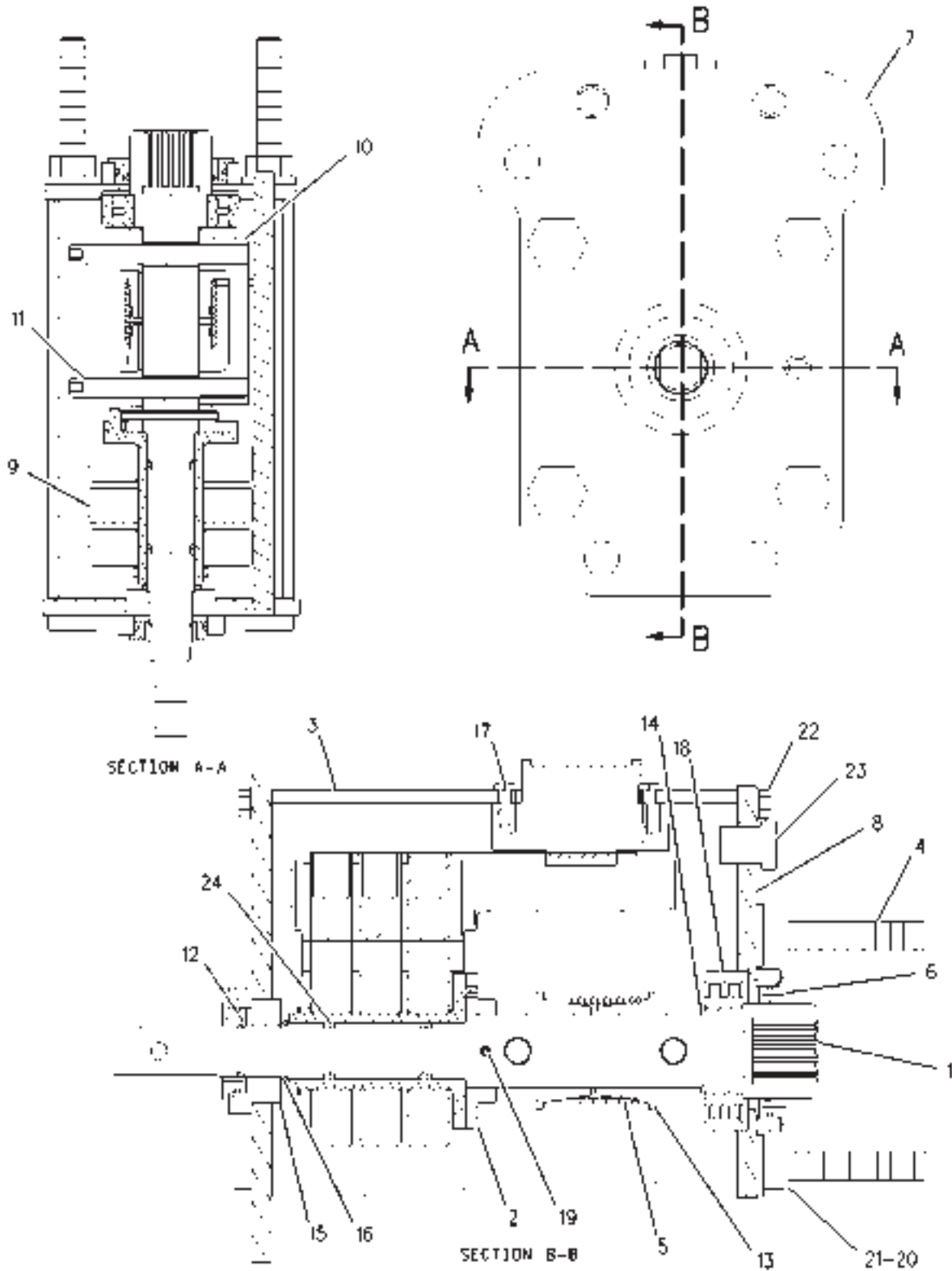
VALVE GP-PARKING BRAKE - 502454D1

ITEM	NUMBER	QTY	DESCRIPTION
-	502454D1	-	VALVE GP-PARKING BRAKE [A]
1	200-4325	1	VALVE ASM-SOLENOID
	120-8514	1	KIT-SEAL
2	200-4327	1	VALVE ASM-SOLENOID
	120-9051	1	KIT-SEAL
3	502460D1	1	VALVE-MANUAL
	502461D1	1	KIT-SEAL
4	502462D1	1	VALVE-CHECK
	CH120-9051	1	KIT-SEAL
5	502463D1	1	VALVE-CHECK
	CH120-9051	1	KIT-SEAL
6	502464D1	1	SCREEN AS
7	502465D1	1	ORIFICE-END

[A] PART OF 502456D1
CONTROL GP-PARK BRAKE

502454DA
PR: t05k07n15a0020

CONTROL GP-STEERING - 217-9779
ROW & SPECIAL ONLY



**MT800B SERIES TRACTORS
DIFFERENTIAL STEERING SYSTEM**

747

**CONTROL GP-STEERING - 217-9779
ROW & SPECIAL ONLY**

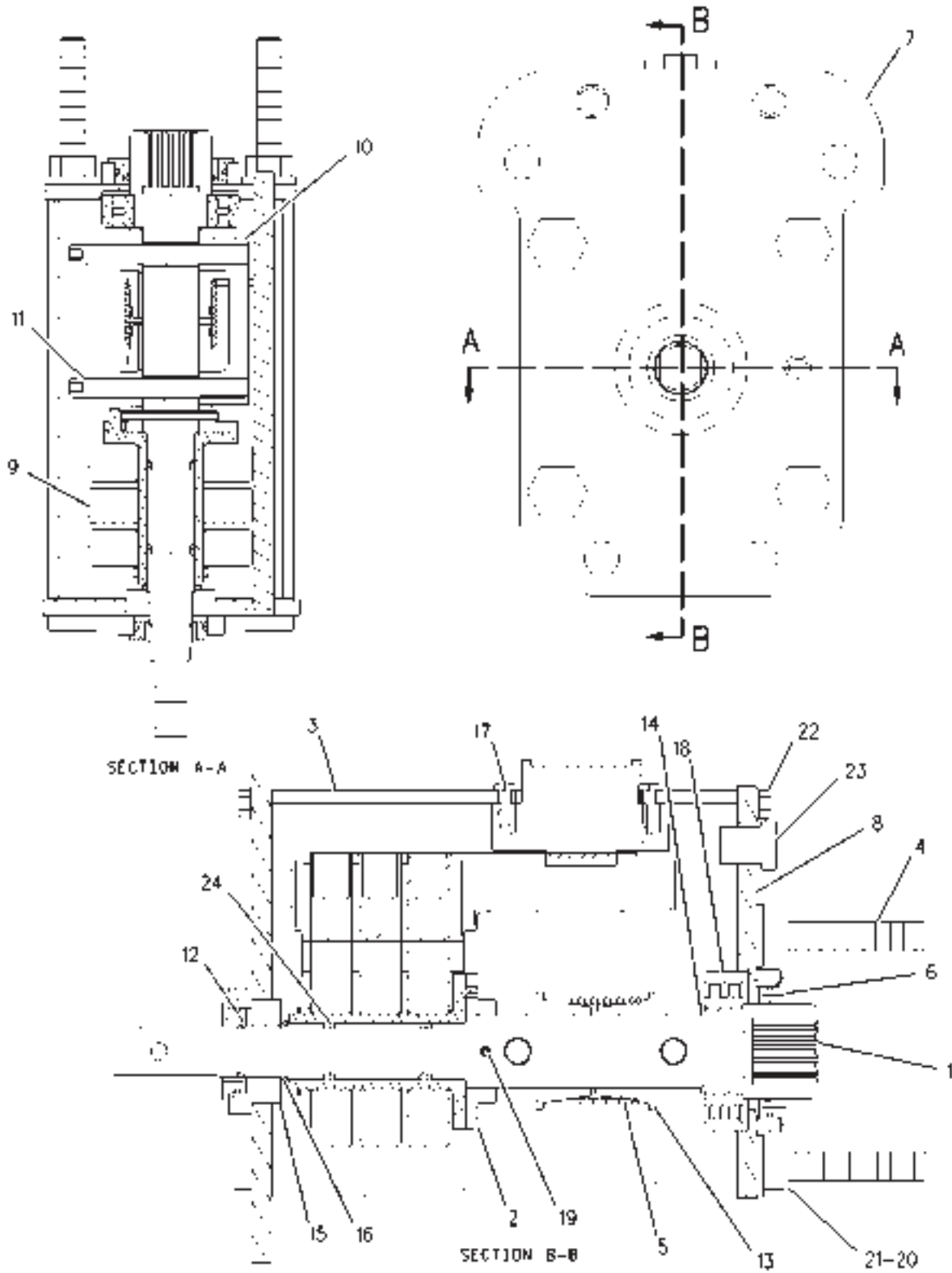
ITEM	NUMBER	QTY	DESCRIPTION
-	217-9779	-	CONTROL GP-STEERING [A]
1	162-6706	1	SHAFT-STEERING
2		1	COLLAR (NOT SERVICED)
3		1	HOUSING (NOT SERVICED)
4		4	STUD (NOT SERVICED)
5	162-6728	1	SPRING
6		1	SEAL-LIP TYPE (NOT SERVICED)
7		1	PLATE ASM (NOT SERVICED)
8		1	PLATE ASM (NOT SERVICED)
9		1	SENSOR GP-POSITION (NOT SERVICED)
10		1	STOP (NOT SERVICED)
11		2	STUD (NOT SERVICED)
12		1	SEAL-LIP TYPE (NOT SERVICED)
13		2	BUSHING (NOT SERVICED)
14	CH001-5600	1	RING-SNAP
15		1	BALL BEARING (NOT SERVICED)
16		1	RING-RETAINING (NOT SERVICED)
17	400835X1	2	SCREW-PAN HEAD (6-19X0.5 IN)
18		1	BEARING (NOT SERVICED)
19	CH3K-8282	1	PIN-SPRING
20	400287X1	4	WASHER-HARD (11X21X2.5)
21	7774664	4	NUT (M10X1.5)
22	CH8T-4180	4	SCREW-MACHINE (M5X0.8X20MM)
23	CH8T-6765	1	PLUG-PIPE
24	CH8T-7524	2	SEAL-O-RING

[A] PART OF 152-0420 WIRING GP-CAB

00882993
PR: t05b22n43d0317

MT800B SERIES TRACTORS
DIFFERENTIAL STEERING SYSTEM

CONTROL GP-STEERING - 217-9780
EAME ONLY



**MT800B SERIES TRACTORS
DIFFERENTIAL STEERING SYSTEM**

749

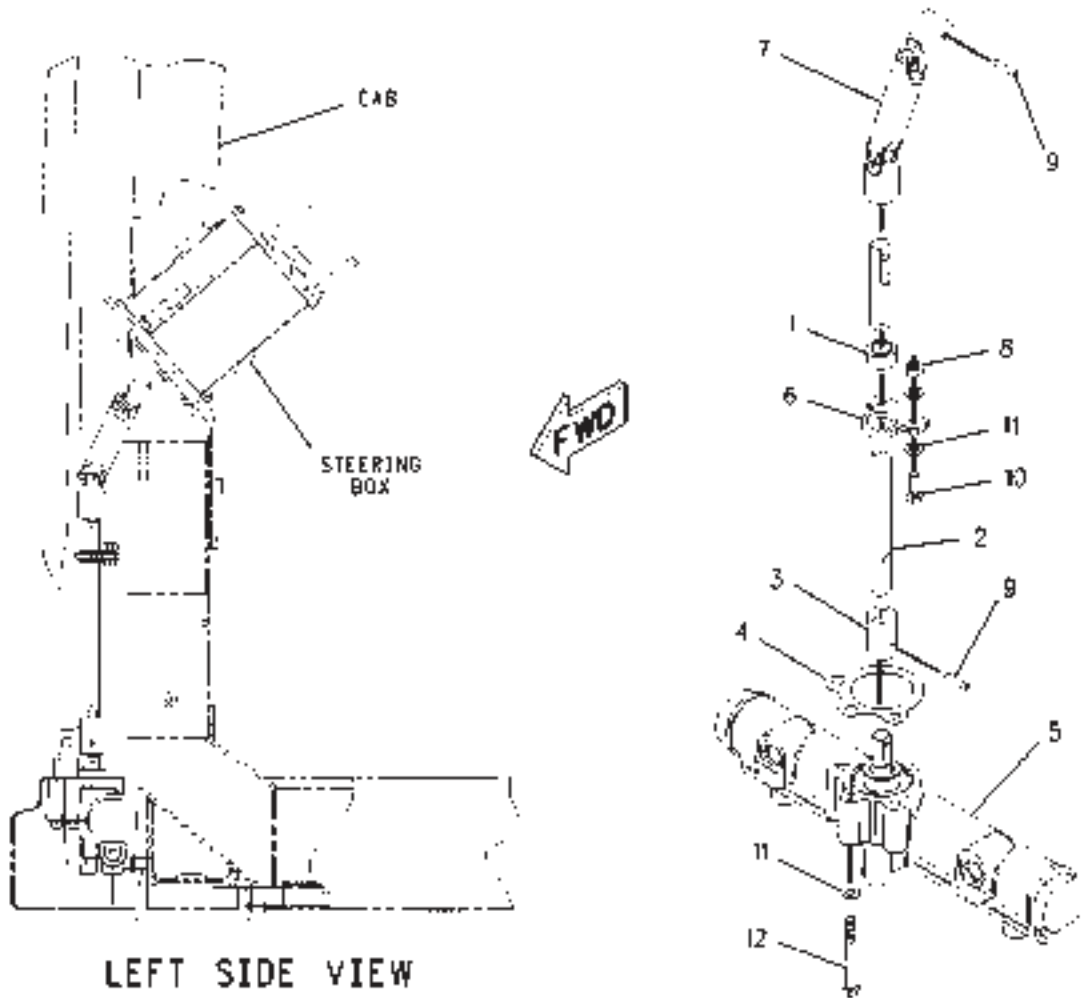
**CONTROL GP-STEERING - 217-9780
EAME ONLY**

ITEM	NUMBER	QTY	DESCRIPTION
-	217-9780	-	CONTROL GP-STEERING [A]
1	162-6706	1	SHAFT-STEERING
2		1	COLLAR (NOT SERVICED)
3		1	HOUSING (NOT SERVICED)
4		4	STUD (NOT SERVICED)
5	CH203-8550	1	SPRING
6		1	SEAL-LIP TYPE (NOT SERVICED)
7		1	PLATE ASM (NOT SERVICED)
8		1	PLATE ASM (NOT SERVICED)
9		1	SENSOR GP-POSITION (NOT SERVICED)
10		1	STOP (NOT SERVICED)
11		2	STUD (NOT SERVICED)
12		1	SEAL-LIP TYPE (NOT SERVICED)
13		2	BUSHING (NOT SERVICED)
14	CH001-5600	1	RING-SNAP
15		1	BALL BEARING (NOT SERVICED)
16		1	RING-RETAINING (NOT SERVICED)
17	400835X1	2	SCREW-PAN HEAD (6-19X0.5 IN)
18		1	BEARING (NOT SERVICED)
19	CH3K-8282	1	PIN-SPRING
20	400287X1	4	WASHER-HARD (11X21X2.5)
21	7774664	4	NUT (M10X1.5)
22	CH8T-4180	4	SCREW-MACHINE (M5X0.8X20MM)
23	CH8T-6765	1	PLUG-PIPE
24	CH8T-7524	2	SEAL-O-RING

[A] PART OF 152-0420 WIRING GP-CAB

00882993
PR: t05k07n15a0021

CONTROL GP-SECONDARY STEERING - 166-4623
EAME ONLY



**MT800B SERIES TRACTORS
DIFFERENTIAL STEERING SYSTEM**

751

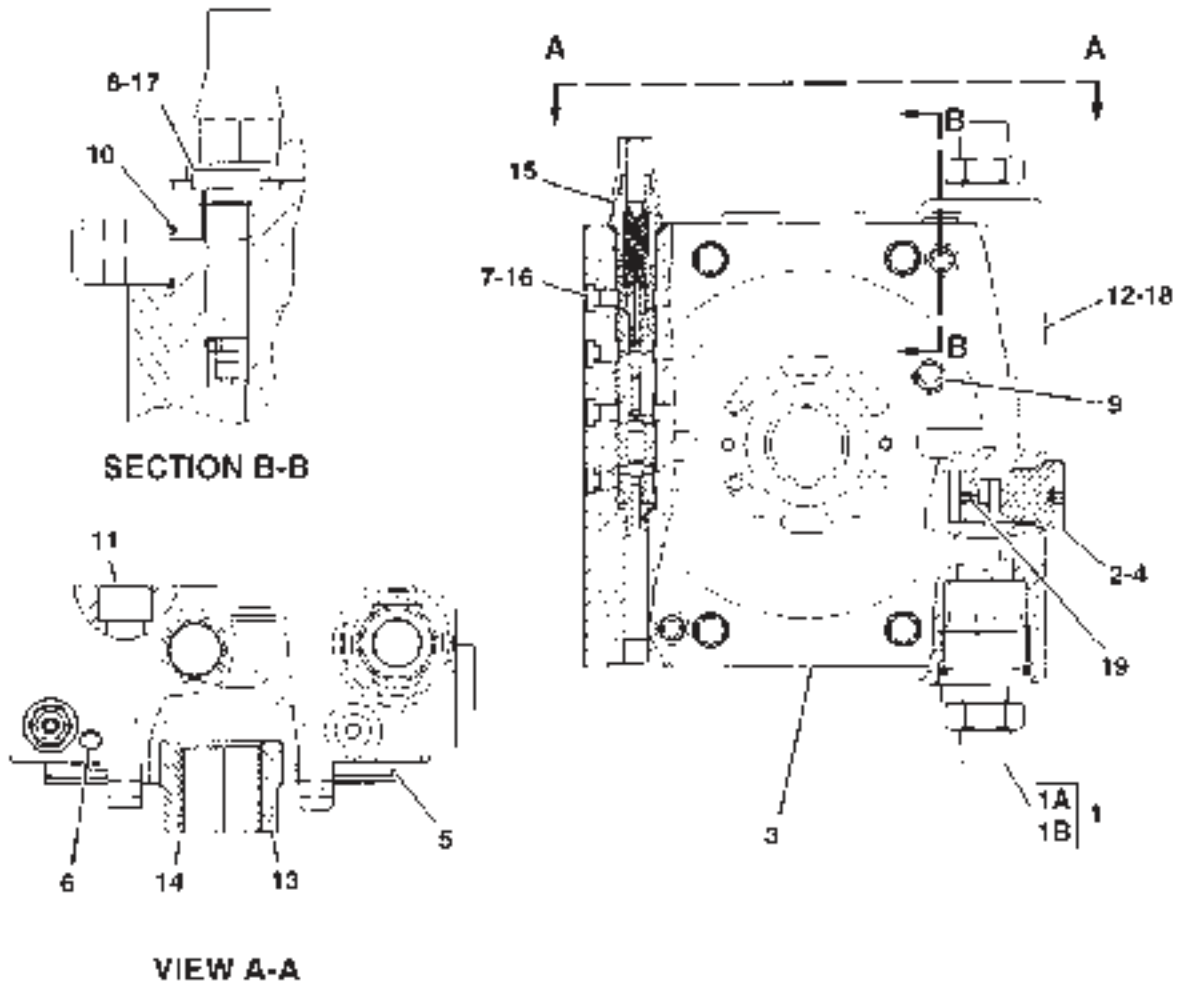
**CONTROL GP-SECONDARY STEERING - 166-4623
EAME ONLY**

ITEM	NUMBER	QTY	DESCRIPTION
-	166-4623	-	CONTROL GP-SECONDARY STEERING [A] (NOT SERVICED)
1	CH4D-2619	1	BEARING
2	197-2997	1	SHAFT
3	197-2998	1	COLLAR
4	197-2999	1	GASKET
5	197-3000	1	CONTROL GP-SECONDARY STEERING
6	201-8438	1	MOUNT
7	197-2996	1	JOINT AS
8	400340X1	2	NUT (M8X1.25 THD)
9	CH8T-0255	2	PIN-SPRING
10	400053X1	2	BOLT (M8X1.25X20MM)
11	400339X1	7	WASHER-HARD (8.8X16X2MM THK)
12	400068X1	3	BOLT (M8X1.25X70MM)

[A] PART OF: 179-2180; 501811D1;
502669D1; 502936D1 BASE COMMON AR

00811388
PR: t05b22n43d0318

HEAD GP-PUMP - 205-6398



**MT800B SERIES TRACTORS
DIFFERENTIAL STEERING SYSTEM**

753

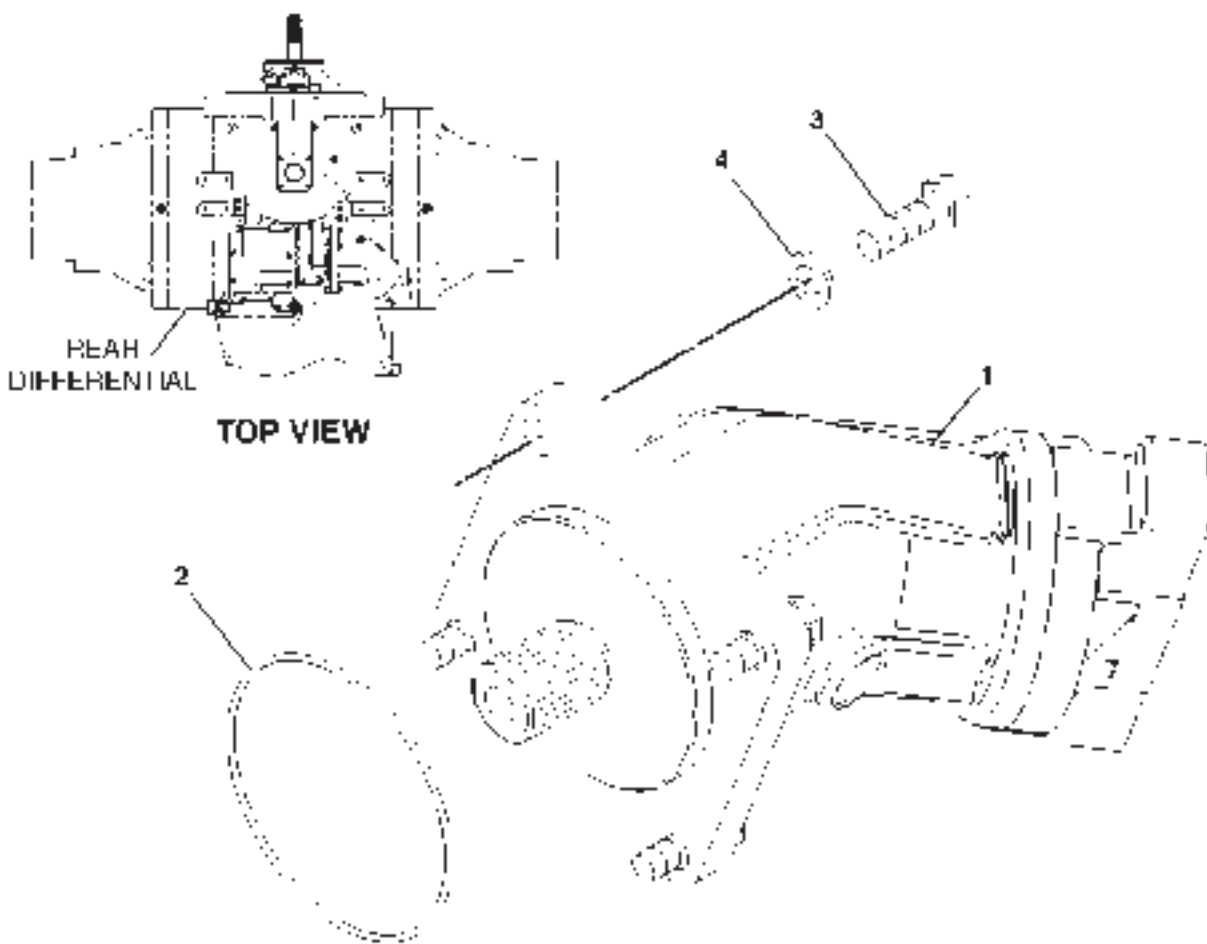
HEAD GP-PUMP - 205-6398

ITEM	NUMBER	QTY	DESCRIPTION
-	205-6398	-	HEAD GP-PUMP [A]
1	CH178-4164	2	VALVE GP-RELIEF
1A	CH178-4171	1	SEAL KIT
1B	CH123-7556	1	CAP
2	CH144-9103	1	PLUG
3	CH205-6397	1	HEAD
4	CH6V-5326	1	SEAL-O-RING
5	CH119-7845	1	SEAL-O-RING
6	CH123-2017	1	PLUG
7	CH134-7489	4	PLUG (M8X1)
8	CH135-8854	1	PLUG
9	CH144-9101	1	PLUG-BREAK OFF
10	CH161-6149	2	SEAL-O-RING
11	CH3E-8008	4	BOLT-SOCKET HEAD (M16X2X90MM)
12	400361X1	2	SEAL-O-RING
13	CH6E-4382	1	BUSHING
14	CH6E-4383	1	BUSHING
15	CH6E-4392	1	VALVE GP-PRESSURE COMPENSATOR (SEE BREAKDOWN FOR COMPONENTS)
16	CH6V-5586	4	SEAL-O-RING
17	CH6V-9028	1	SEAL-O-RING
18	CH9S-8002	2	PLUG
19	CH123-7583	1	ORIFICE (1.8MM)

[A] PART OF CH162-9592 PUMP GP-PISTON

0853334A
PR: t05b22n43d0320

MOTOR & MTG GP-STEERING - 158-2404
ROW & SPECIAL ONLY



MT800B SERIES TRACTORS
DIFFERENTIAL STEERING SYSTEM

755

MOTOR & MTG GP-STEERING - 158-2404
ROW & SPECIAL ONLY

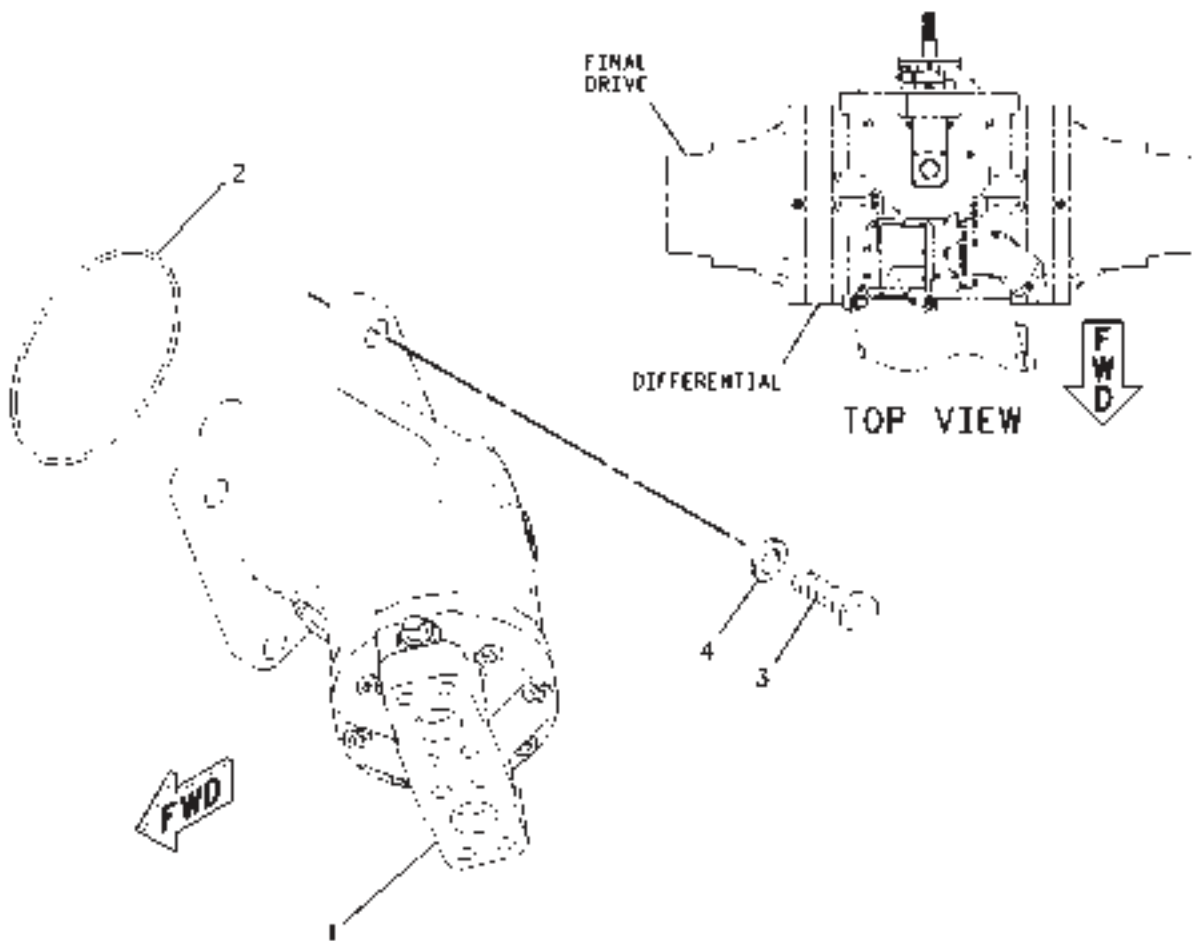
ITEM	NUMBER	QTY	DESCRIPTION
-	158-2404	-	MOTOR & MTG GP STEERING [A] (NOT SERVICED)
1	CH162-9601	1	MOTOR GP-PISTON (STEERING) (SEE BREAKDOWN FOR COMPONENTS)
2	CH8F-8733	1	SEAL-O-RING
3	400056X1	4	BOLT (M16X2X50MM)
4	400082X1	4	WASHER (17.5X30X3.5)

[A] PART OF 177-9948; 183-2198
GAUGE AR-TRACK

0901627A
PR: t05b22n43d0321

MT800B SERIES TRACTORS
DIFFERENTIAL STEERING SYSTEM

MOTOR & MOUNTING GP - 172-4517
STEERING
EAME ONLY



**MT800B SERIES TRACTORS
DIFFERENTIAL STEERING SYSTEM**

757

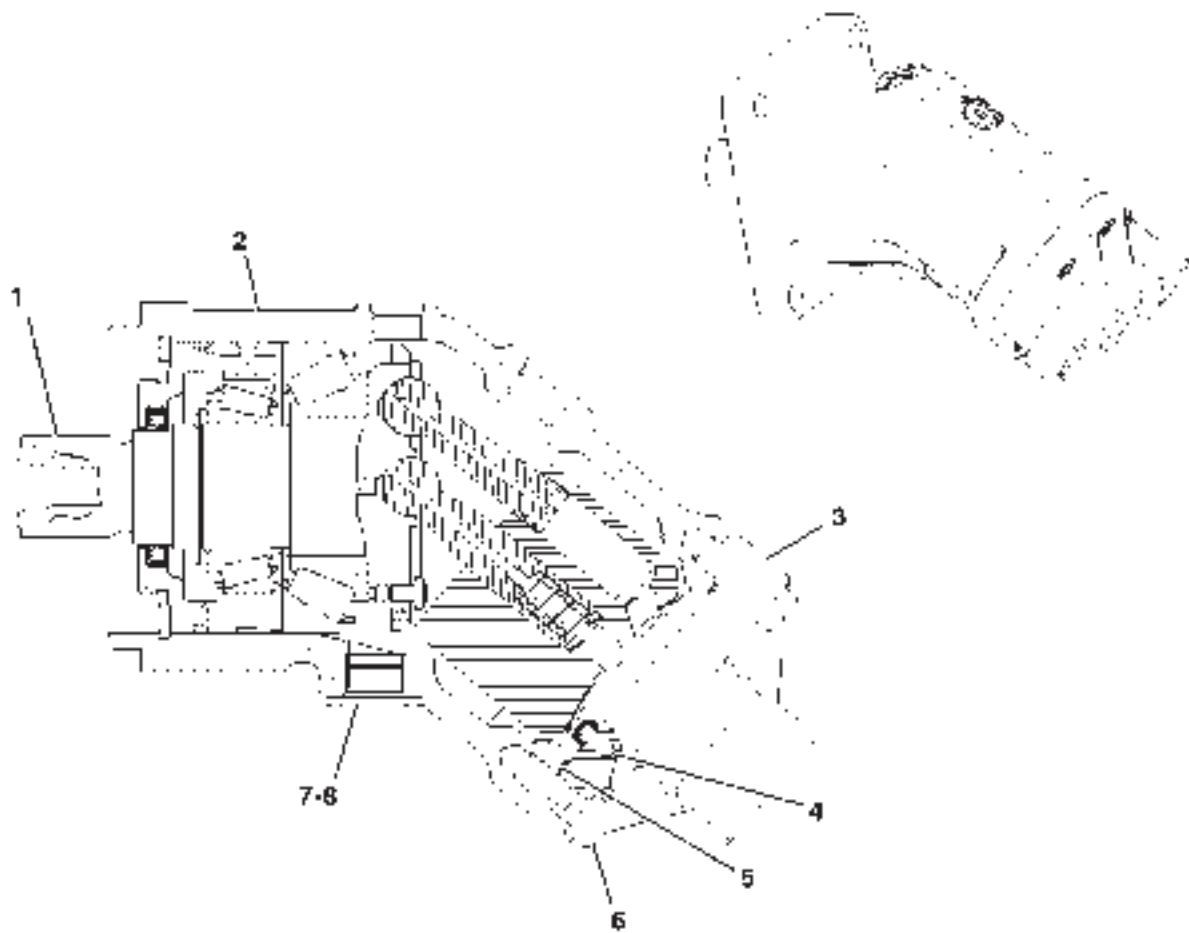
**MOTOR & MOUNTING GP - 172-4517
STEERING
EAME ONLY**

ITEM	NUMBER	QTY	DESCRIPTION
-	172-4517	-	MOTOR & MTG GP STEERING [A]
1	CH162-9602	1	MOTOR GP-PISTON (STEERING)
2	CH8F-8733	1	SEAL-O-RING
3	400056X1	4	BOLT (M16X2X50MM)
4	400082X1	4	WASHER (17.5X30X3.5MM THK)

[A] PART OF:
177-9947; 183-2197 GAUGE AR-TRACK

00779015
PR: t05b22n43d0322

MOTOR GP-PISTON - CH162-9601
STEERING



**MT800B SERIES TRACTORS
DIFFERENTIAL STEERING SYSTEM**

759

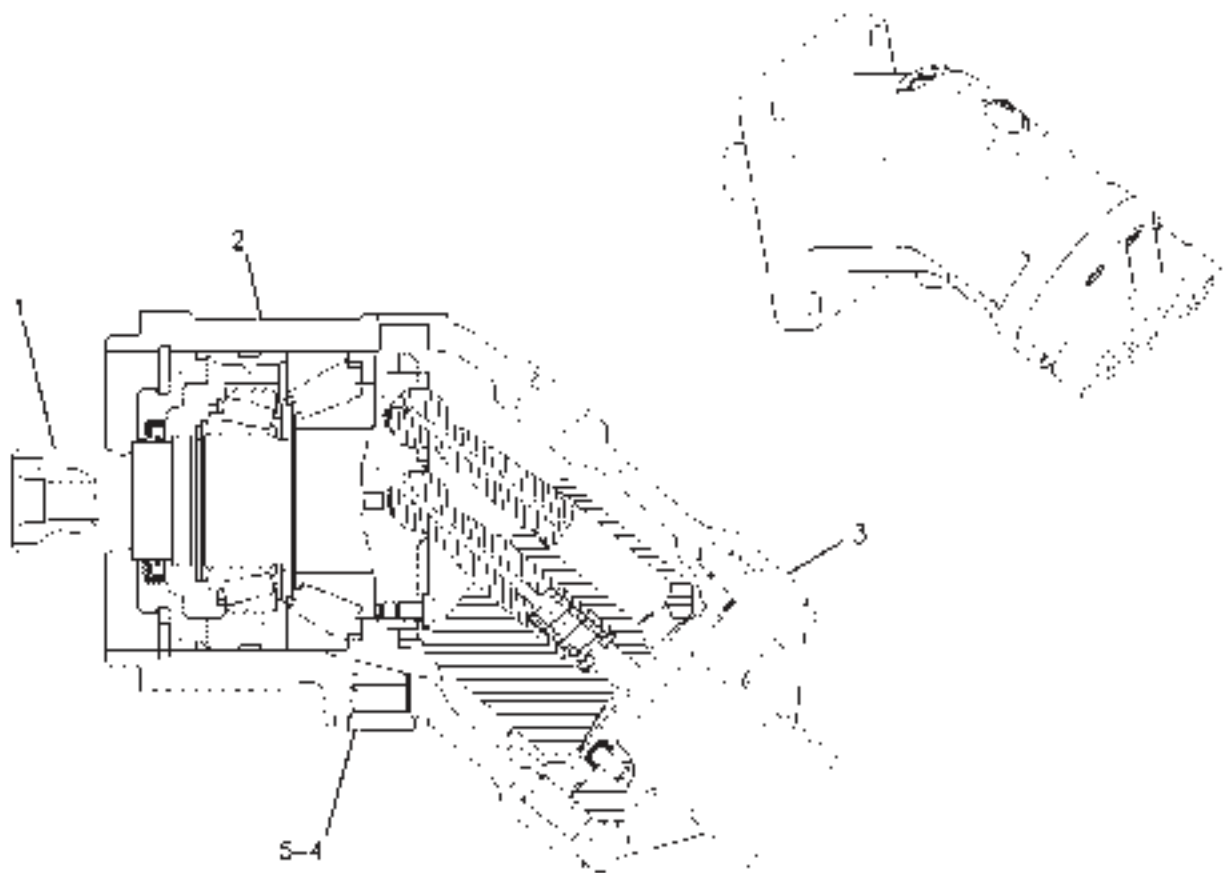
**MOTOR GP-PISTON - CH162-9601
STEERING**

ITEM	NUMBER	QTY	DESCRIPTION
-	CH162-9601	-	MOTOR GP-PISTON [A]
1	203-0189	1	ROTATING GP-MOTOR (SEE BREAKDOWN FOR COMPONENTS)
2	CH9T-1641	1	HOUSING
3	203-0190	1	HEAD
4	CH1G-3174	1	PIN
5	CH6V-1197	1	SEAL-O-RING
6	400220X1	6	BOLT-HEX SOCKET (M12X1.75X30MM)
7	400374X1	1	PLUG
8	400319X1	1	SEAL-O-RING

[A] PART OF 158-2404 MOTOR & MTG
GP-STEERING

0829718A
PR: t05b22n43d0323

MOTOR GP-PISTON - CH162-9602
STEERING



**MT800B SERIES TRACTORS
DIFFERENTIAL STEERING SYSTEM**

761

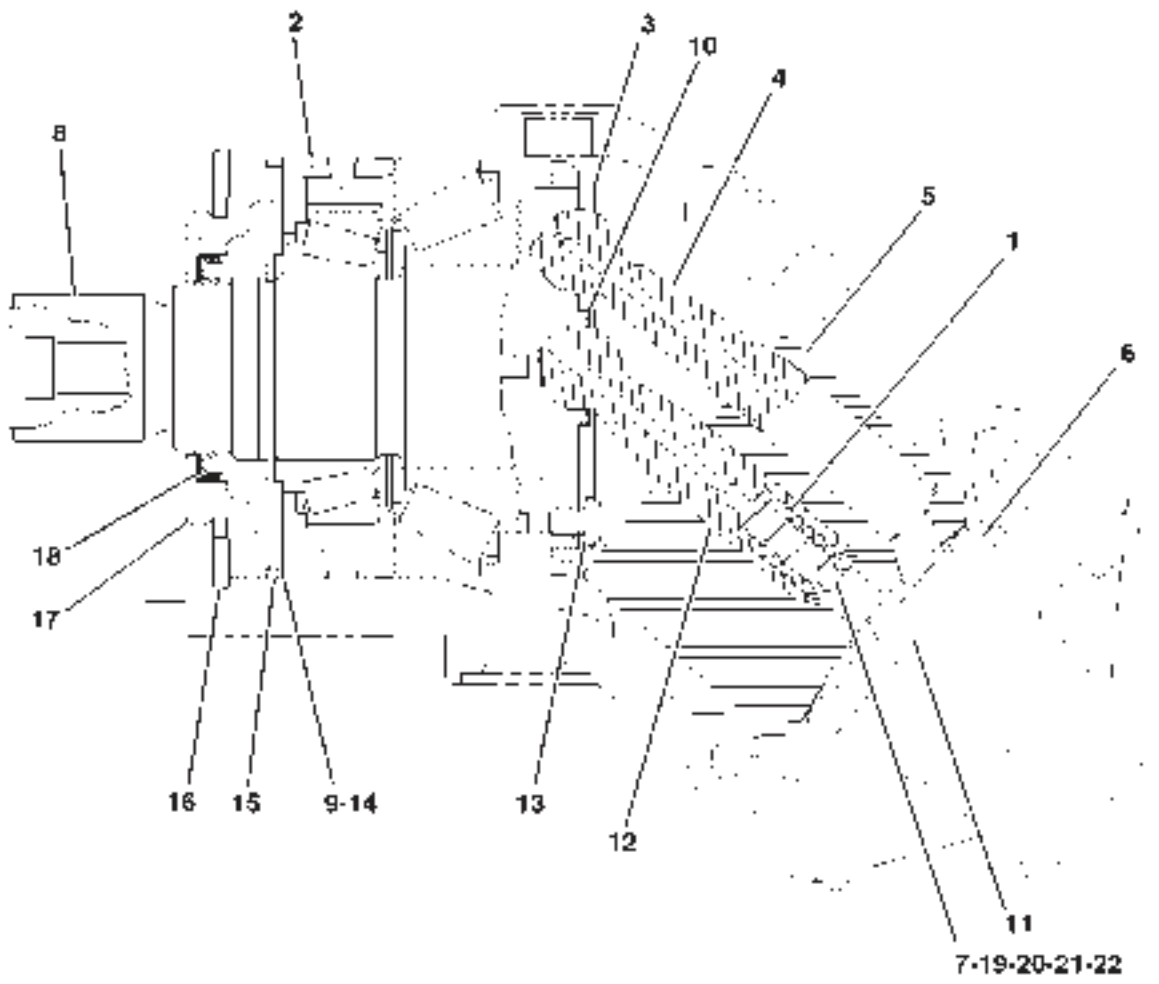
**MOTOR GP-PISTON - CH162-9602
STEERING**

ITEM	NUMBER	QTY	DESCRIPTION
-	CH162-9602	-	MOTOR GP-PISTON [A]
1	203-0189	1	ROTATING GP-MOTOR (SEE BREAKDOWN FOR COMPONENTS)
2		1	HOUSING (ORDER MOTOR GP-PISTON)
3	203-1213	1	HEAD (SEE BREAKDOWN FOR COMPONENTS)
4	400374X1	1	PLUG (10STOR)
5	400319X1	1	SEAL-O-RING (19.18IDX2.46DIA)

[A] PART OF 172-4517 MOTOR & MTG GP

00850707
PR: t05k07n15a0022

ROTATING GP-MOTOR - 203-0189
STEERING



**MT800B SERIES TRACTORS
DIFFERENTIAL STEERING SYSTEM**

763

**ROTATING GP-MOTOR - 203-0189
STEERING**

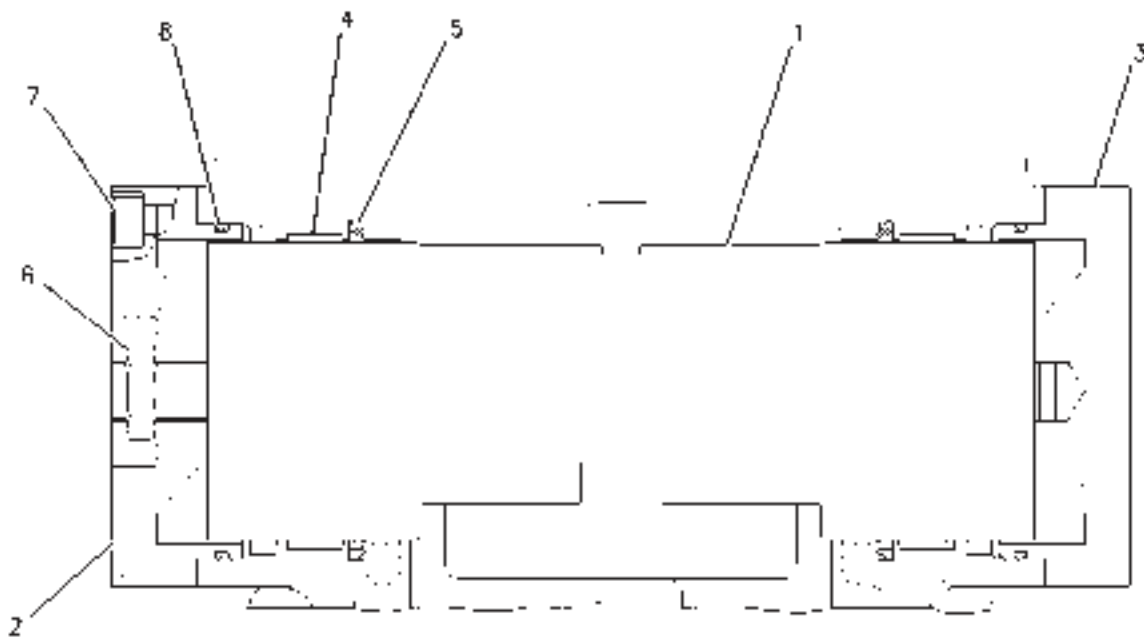
ITEM	NUMBER	QTY	DESCRIPTION
-	203-0189	-	ROTATING GP-MOTOR [A]
1	CH171-3061	1	SPRING
2	CH171-5989	1	KIT-BEARING
3	CH9T-1642	1	PLATE-RETAINING
4	CH165-6969	7	PISTON ASM
	CH9T-1582	2	RING
5	CH9T-1687	1	BARREL-CYLINDER
6	203-0341	1	VALVE GP-FLUSHING (HYD STEERING) A
6A	203-3167	1	PLATE
6B	203-3168	1	PIN
6C	CH119-6110	2	RETAINER
6D	CH6E-4102	2	SPRING
6E	CH203-3169	2	PIN
7	CH171-3060	1	SHIM (3.6mm)
8	202-2792	1	SHAFT ASM-MOTOR
9	CH9T-1579	1	SHIM (0.3)
10	CH9T-1643	1	DISC-RETAINING
11	CH203-0343	1	WASHER
12	CH171-3054	1	PIN-CENTER
13	CH113-4420	7	SCREW (M6X20MM)
14	CH9T-1576	2	SHIM (0.1)
15	CH5D-5958	1	SEAL-O-RING
16	CH6V-3326	1	RING-RETAINING
17	CH9T-1637	1	COVER-FRONT
18	CH123-5748	1	SEAL-SHAFT
19	CH171-3059	1	SHIM (3.7mm)
20	CH171-3058	1	SHIM (3.8mm)
21	CH171-3057	1	SHIM (3.9mm)
22	CH171-3055	1	SHIM (4.0mm)

[A] PART OF CH162-9601 MOTOR GP-PISTON

0829761A
PR: t05b22n43d0324

MT800B SERIES TRACTORS
HYDRAULIC SYSTEM

ACTUATOR GP-PISTON PUMP - CH183-8430



MT800B SERIES TRACTORS
HYDRAULIC SYSTEM

765

ACTUATOR GP-PISTON PUMP - CH183-8430

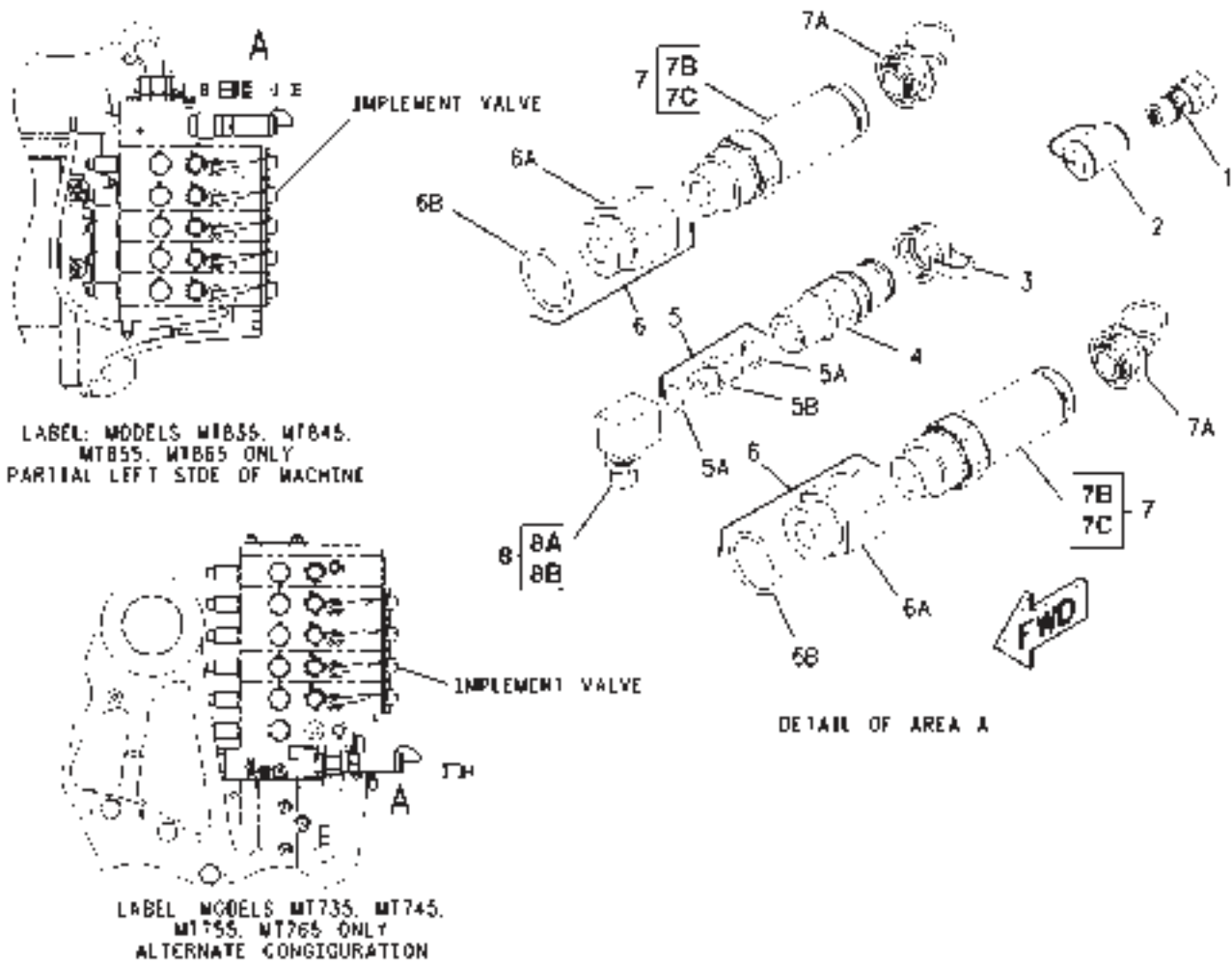
ITEM	NUMBER	QTY	DESCRIPTION
-	CH183-8430	-	ACTUATOR GP-PISTON PUMP [A]
1	CH183-8417	1	VALVE GP-SERVO (SEE BREAKDOWN FOR COMPONENTS)
2	CH183-8431	1	COVER
3	CH183-8442	1	COVER
4	CH183-8443	2	RING-WEAR
5	CH183-8444	2	RING-SEAL
6	CH119-0942	1	NUT
7	400151X1	8	BOLT-SOCKET HEAD (M8X1.25X25MM)
8	CH8C-3089	2	SEAL-O-RING (82.22MM ID)

[A] PART OF CH162-9592 PUMP GP-PISTON

00664406
PR: t05b22n43d0325

MT800B SERIES TRACTORS
HYDRAULIC SYSTEM

HYDRAULIC KIT-POWER BEYOND - 178-7162
STD FLOW (0-60 LPM) .5" COUPLER
ROW AND SPECIAL APPLICATIONS



MT800B SERIES TRACTORS
HYDRAULIC SYSTEM

767

HYDRAULIC KIT-POWER BEYOND - 178-7162
STD FLOW (0-60 LPM) .5" COUPLER
ROW AND SPECIAL APPLICATIONS

ITEM	NUMBER	QTY	DESCRIPTION
-	178-7162	-	CONNECTOR GP-VALVE
1	CH153-4061	1	FITTING
-	CH153-4058	1	COUPLING (NOT SHOWN) [A]
2	CH153-6225	1	CAP-DUST
3	CH159-5893	1	CAP-DUST
4	CH159-5897	1	COUPLER AS
5	CH170-0964	1	CONNECTOR AS (6STOR X 6STOR)
5A	400318X1	2	SEAL-O-RING (11.89DIA X 1.98)
5B		1	CONNECTOR (ORDER ITEM 5)
6	CH172-4621	2	ADAPTER AS (16STOR X 12STOR)
6A		1	ADAPTER-STR (ORDER ITEM 6)
6B	400376X1	1	SEAL-O-RING (29.74ID X 2.95DIA)
7	CH183-3725	2	COUPLER ASM
7A	CH168-4599	1	CAP-DUST
7B	CH5L-4758	1	SEAL-O-RING
7C	CH201-7615	1	RING-BACKUP
-	CH159-5898	1	NIPPLE ASM (NOT SHOWN) [B]
8	CH150-3065	1	ADAPTER AS-90DEG (6STORX6STOR) [C]
8A	400318X1	1	SEAL-O-RING (11.89ID X 1.98)
8B		1	ADAPTER (ORDER ITEM 8)

[A] MATING PART FOR ITEM 1
[B] MATING PART FOR ITEM 7
[C] PART REQ'D FOR MODELS
MT835B, MT845B, MT855B, MT865B ONLY

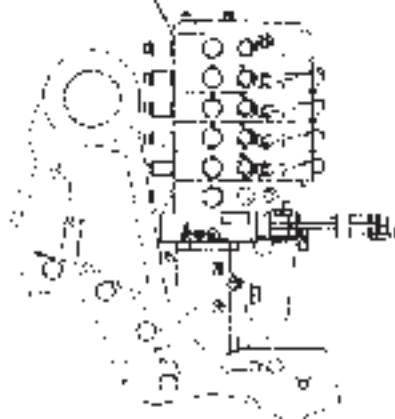
00885028
PR: t05b22n43d0326

MT800B SERIES TRACTORS
HYDRAULIC SYSTEM

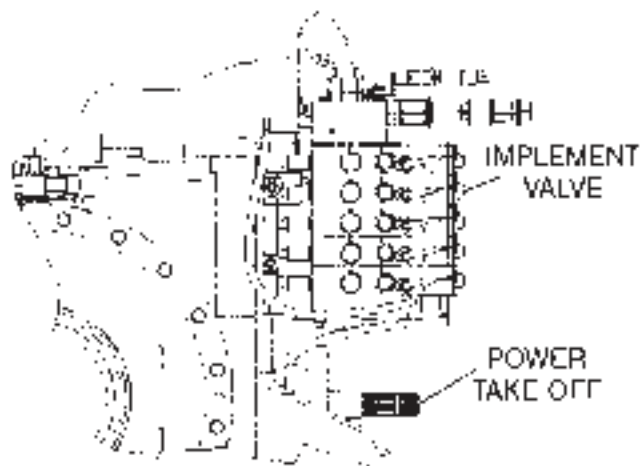
CONNECTOR GP-VALVE - 180-7174
ABOVE 60 LPM HYDRAULIC POWER BEYOND
ROW AND SPECIAL APPLICATIONS



IMPLEMENT VALVE



RIGHT SIDE VIEW



LEFT SIDE VIEW

MT800B SERIES TRACTORS
HYDRAULIC SYSTEM

769

CONNECTOR GP-VALVE - 180-7174
ABOVE 60 LPM HYDRAULIC POWER BEYOND
ROW AND SPECIAL APPLICATIONS

ITEM	NUMBER	QTY	DESCRIPTION
-	180-7174	-	CONNECTOR GP-VALVE
1	CH153-4061	1	FITTING
2	CH153-6225	1	CAP-DUST
3	CH153-6227	2	CAP-DUST
4	CH153-6228	2	PLUG-DUST [A]
5	CH159-5890	2	NIPPLE AS (HIGH PRESSURE)
	CH153-6227	1	CAP-DUST
6	CH159-5893	1	CAP-DUST
7	CH159-5897	1	COUPLER
8	CH170-0964	1	CONNECTOR AS (6STOR X 6STOR)
8A	400318X1	2	SEAL-O-RING (11.89IDX1.98DIA)
8B		1	CONNECTOR (ORDER ITEM 8)
9	CH183-3724	2	COUPLER AS
9A	CH2K-8199	1	SEAL-O-RING
9B	CH201-7614	1	RING-BACKUP
10	CH150-3065	1	ADAPTER AS (90DEG-6STOR X 6STOR) [B]
10A	400318X1	1	SEAL-O-RING (11.89IDX1.98DIA)
10B		1	ADAPTER (ORDER ITEM 10)

[A] DUST PROTECTION
[B] PARTS FOR MT800 SERIES ONLY

0824172A
PR: t05b22n43d0327

770

MT800B SERIES TRACTORS
HYDRAULIC SYSTEM

CONVERSION GP-CONTROL VALVE - 185-8699
4 VALVE TO 5 VALVE UPGRADE

NO ILLUSTRATION

NOTIF

MT800B SERIES TRACTORS
HYDRAULIC SYSTEM

771

CONVERSION GP-CONTROL VALVE - 185-8699
4 VALVE TO 5 VALVE UPGRADE

ITEM	NUMBER	QTY	DESCRIPTION
-	185-8699	-	CONVERSION GP-CONTROL VALVE
	136-5670	1	CONTROL & WIRING GP (SEE BREAKDOWN FOR COMPONENTS)
	136-5355	1	CONTROL GP-IMPLEMENT (NOT SERVICED) (SEE BREAKDOWN FOR COMPONENTS)
	189-5910	1	CONVERSION GP-CONTROL VALVE (FOUR TO FIVE BANK VALVE) (SEE BREAKDOWN FOR COMPONENTS)

NOTIF
PR: t05b22n43d0328

772

MT800B SERIES TRACTORS
HYDRAULIC SYSTEM

CONVERSION GP-CONTROL VALVE - 185-8701

NO ILLUSTRATION

NOTIF

MT800B SERIES TRACTORS
HYDRAULIC SYSTEM

773

CONVERSION GP-CONTROL VALVE - 185-8701

ITEM	NUMBER	QTY	DESCRIPTION
-	185-8701	-	CONVERSION GP-CONTROL VALVE [A]
	152-0448	1	CONTROL GP-IMPLEMENT (NOT SERVICED) (SEE BREAKDOWN FOR COMPONENTS)
	189-5906	1	CONVERSION GP-CONTROL VALVE (FIVE TO SIX BANK VALVE) (SEE BREAKDOWN FOR COMPONENTS)

[A] 5 VALVE TO 6 VALVE UPGRADE

NOTIF
PR: t05b22n43d0329

774

MT800B SERIES TRACTORS
HYDRAULIC SYSTEM

CONVERSION GP-CONTROL VALVE - 189-5910
4 VALVE TO 5 VALVE UPGRADE

NO ILLUSTRATION

NOTIF

MT800B SERIES TRACTORS
HYDRAULIC SYSTEM

775

CONVERSION GP-CONTROL VALVE - 189-5910
4 VALVE TO 5 VALVE UPGRADE

ITEM	NUMBER	QTY	DESCRIPTION
-	189-5910	-	CONVERSION GP-CONTROL VALVE [A]
	162-9816	1	VALVE GP-CONTROL (SEE BREAKDOWN FOR COMPONENTS)
	7774664	4	NUT (M10X1.5)
	CH5P-9186	14	SEAL-O-RING
	CH8L-2777	4	SEAL-O-RING
	209-7497	4	STUD

[A] PART OF 185-8699 CONV GP-CONTROL VALVE
QUANTITIES SHOWN ON SEAL-O-RING REFLECT REPLACEMENT SEALS FOR THE VALVE SECTION IMMEDIATELY BELOW THE TOP PLATE AND DUPLICATE SEALS FOR THOSE PRESENT IN THE ADDITIONAL VALVE GP

THIS KIT CONVERTS A FOUR (4) REMOTE VALVE NONSTEERABLE HITCH VALVE STACK TO FIVE (5) REMOTE VALVE NONSTEERABLE HITCH VALVE STOCK.

NOTIF
PR: t05b22n43d0330

776

MT800B SERIES TRACTORS
HYDRAULIC SYSTEM

CONVERSION GP-CONTROL VALVE - 189-5906
5 VALVE TO 6 VALVE UPGRADE

NO ILLUSTRATION

NOTIF

MT800B SERIES TRACTORS
HYDRAULIC SYSTEM

777

CONVERSION GP-CONTROL VALVE - 189-5906
5 VALVE TO 6 VALVE UPGRADE

ITEM	NUMBER	QTY	DESCRIPTION
-	189-5906	-	CONVERSION GP-CONTROL VALVE [A]
	162-9816	1	VALVE GP-CONTROL (SEE BREAKDOWN FOR COMPONENTS)
	7774664	4	NUT (M10X1.5)
	CH5P-9186	14	SEAL-O-RING [J]
	CH8L-2777	4	SEAL-O-RING [J]
	209-7498	4	STUD

[A] PART OF 185-8701 CONVERSION
GP-CONTROL VALVE

[J] QUANTITIES SHOWN REFLECT
REPLACEMENT SEALS FOR THE VALVE
SECTION IMMEDIATELY BELOW THE TOP
PLATE AND DUPLICATE SEALS FOR THOSE
PRESENT IN THE ADDITIONAL VALVE GP.

NOTIF
PR: t05b22n43d0331

778

MT800B SERIES TRACTORS
HYDRAULIC SYSTEM

KIT-CONVERSION-IMPL VALVE - 502218D1
4 VALVE TO 6 VALVE UPGRADE (HIGH FLOW)
SPECIAL APPLICATIONS

NO ILLUSTRATION

NOTIF

MT800B SERIES TRACTORS
HYDRAULIC SYSTEM

779

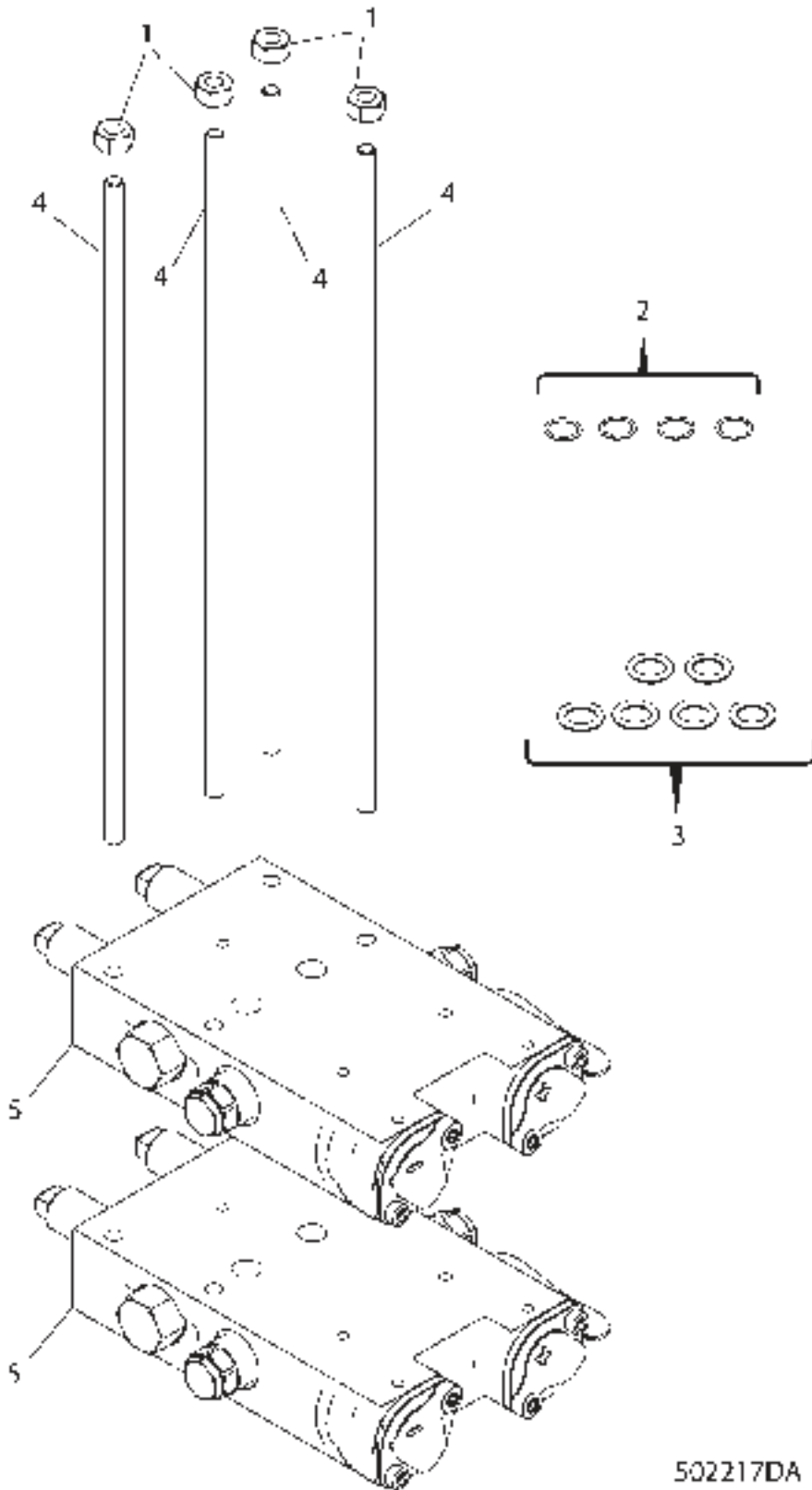
KIT-CONVERSION-IMPL VALVE - 502218D1
4 VALVE TO 6 VALVE UPGRADE (HIGH FLOW)
SPECIAL APPLICATIONS

ITEM	NUMBER	QTY	DESCRIPTION
-	502218D1	-	CONVERSION GP-CONTROL VALVE
1	136-5670	1	CONTROL & WIRING GP (NOT SERVICED) (SEE BREAKDOWN FOR COMPONENTS)
2	136-5355	1	CONTROL GP-IMPLEMENT 5 (NOT SERVICED) (SEE BREAKDOWN FOR COMPONENTS)
3	152-0448	1	CONTROL GP-IMPLEMENT 6 (NOT SERVICED) (SEE BREAKDOWN FOR COMPONENTS)
4	502217D1	1	KIT-VALVE AS (SEE BREAKDOWN FOR COMPONENTS)

NOTIF
PR: t05k07n15a0023

MT800B SERIES TRACTORS
HYDRAULIC SYSTEM

KIT-HYDRAULIC VALVE AS - 502217D1
CONVERT 4 REMOTE TO 5 REMOTE VALVES
NON-STEERABLE HITCH



502217DA

MT800B SERIES TRACTORS
HYDRAULIC SYSTEM

781

KIT-HYDRAULIC VALVE AS - 502217D1
CONVERT 4 REMOTE TO 5 REMOTE VALVES
NON-STEERABLE HITCH

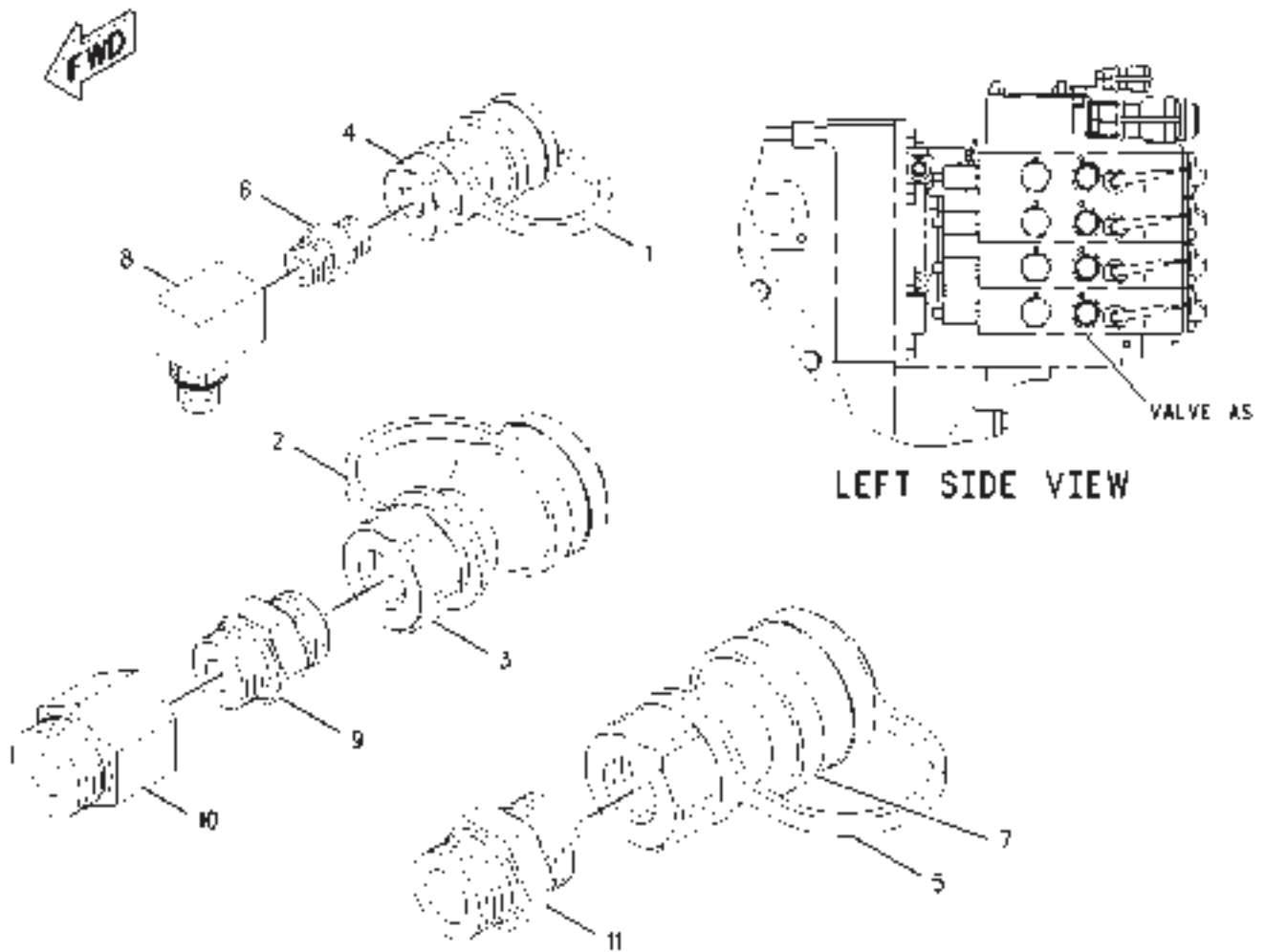
ITEM	NUMBER	QTY	DESCRIPTION
-	502217D1	-	KIT, HYDRAULIC [A]
1	7774664	4	NUT (M10X1.5 THD)
2	CH5P-9186	6	O-RING (SEE NOTE B)
3	CH8L-2777	4	O-RING (SEE NOTE B)
4	CH209-7498	4	STUD
5	502038D1	2	VALVE GP-CONTROL (IMPLEMENT) (SEE BREAKDOWN FOR COMPONENTS)

[A] PART OF 502218D1 KIT-IMPL VALVE
[B] QUANTITIES SHOWN REFLECT
REPLACEMENT SEALS FOR THE VALVE
SECTION IMMEDIATELY BELOW THE TOP
PLATE AND DUPLICATE SEALS FOR THOSE
PRESENT IN THE ADDITIONAL VALVE GP)

502217DA
PR: t05k07n15a0024

MT800B SERIES TRACTORS
HYDRAULIC SYSTEM

KIT-COUPLING-POWER BEYOND - 189-3143
(CLAAS)
EAME ONLY



MT800B SERIES TRACTORS
HYDRAULIC SYSTEM

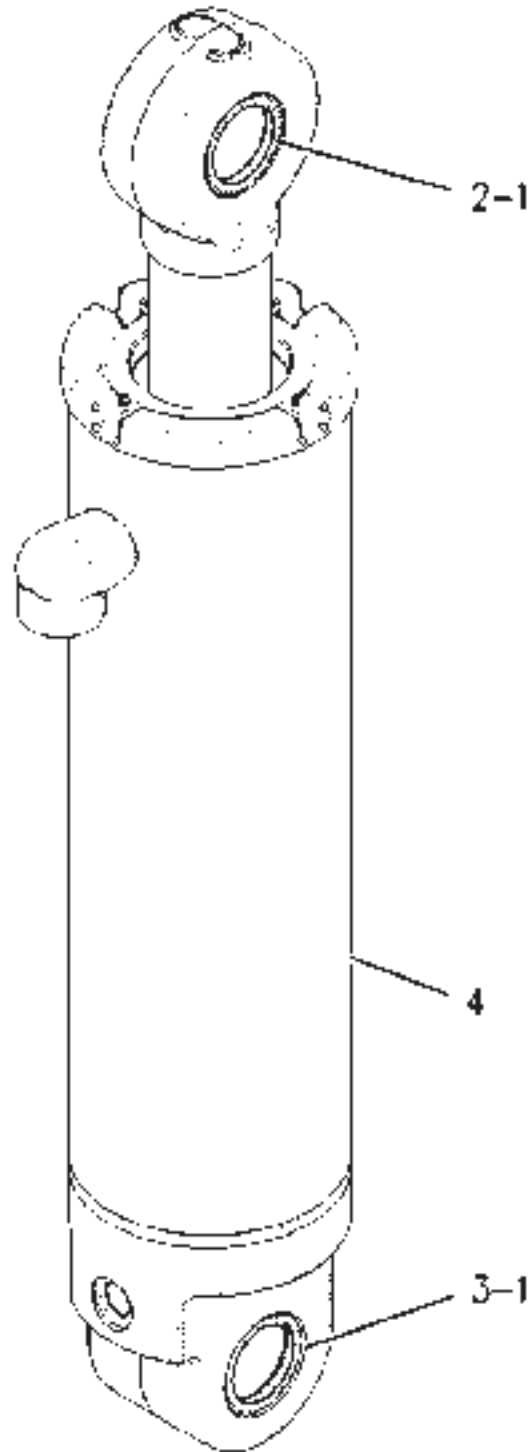
783

KIT-COUPPING-POWER BEYOND - 189-3143
(CLAAS)
EAME ONLY

ITEM	NUMBER	QTY	DESCRIPTION
-	189-3143	-	KIT-COUPPING-POWER BEYOND
1	CH5R-5676	1	PLUG-DUST
2	CH5R-5718	1	PLUG-DUST
3	CH5R-6304	1	COUPLER-QUICK CONNECT (12STOR-FEM)
	CH3S-9233	1	SEAL-O-RING
	CH5R-5780	1	RETAINER
4	CH5R-6868	1	COUPLER-QUICK CONNECT (6STOR-FEM)
5	CH165-5694	1	PLUG-DUST
6	CH170-0964	1	CONNECTOR AS (6STOR X 6STOR)
	400318X1	2	SEAL-O-RING (11.89ID X 1.98 DIA)
7	CH173-7639	1	COUPLER-QUICK CONNECT (16STOR-FEM)
	CH191-6944	1	KIT-SEAL (COUPLING AS)
8	CH150-3065	1	ADAPTER AS (90DEG-6STOR X 6STOR)
	400318X1	1	SEAL-O-RING (11.89ID X 1.98 DIA)
9	CH172-4620	1	CONNECTOR AS (12STOR HEX)
	400416X1	2	SEAL-O-RING (23.47ID X 2.95DIA)
10	CH172-4621	1	ADAPTER AS (16STOR X 12STOR)
	400376X1	2	SEAL-O-RING (29.74ID X 2.95DIA)
11	CH172-4622	1	UNION AS (16STOR HEX)
	400376X1	2	SEAL-O-RING (29.74ID X 2.95DIA)

00893843
PR: t05b22n43d0332

CYLINDER GP-LIFT



**MT800B SERIES TRACTORS
HYDRAULIC SYSTEM**

785

CYLINDER GP-LIFT

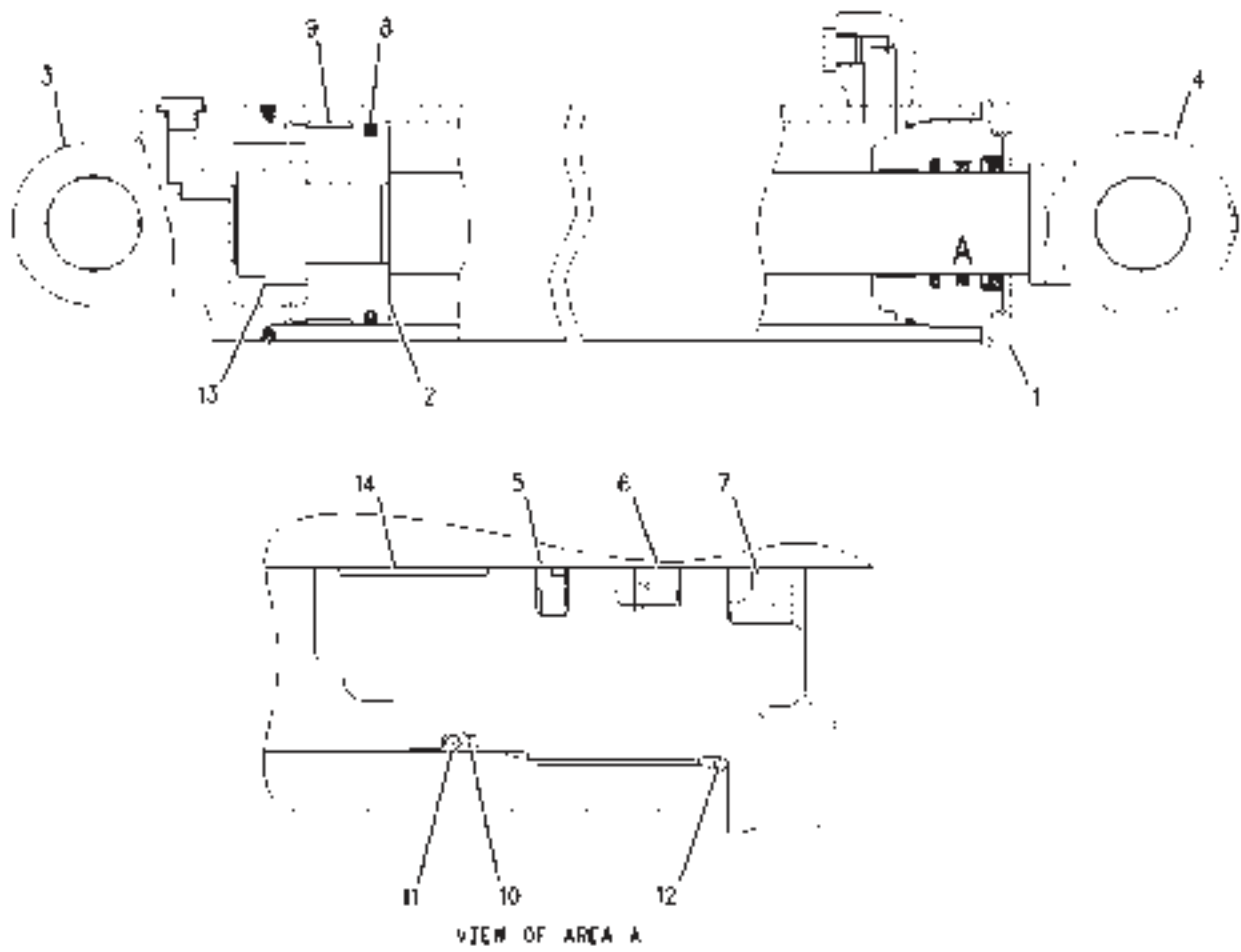
ITEM	NUMBER	QTY	DESCRIPTION
-	CH192-6280	-	CYLINDER GP-LIFT (COMPLETE) [A]
1	400311X1	4	SEAL-LIP
2	CH190-2623	1	BEARING
3	CH196-3024	1	BEARING
4	CH198-8789	1	CYLINDER GP (0125-0345-Y) (NOT SERVICED-ORDER COMPLETE GP) (SEE BREAKDOWN FOR COMPONENTS)

[A] PART OF: 169-0027;169-0028;
179-0852;180-6639;186-0979 &
189-3300 HITCH AR-3 POINT

00852391
PR: t05b22n43d0333

MT800B SERIES TRACTORS
HYDRAULIC SYSTEM

CYLINDER GP (0125-0345-Y)
125MM X 345MM (4.92 X 13.58")



MT800B SERIES TRACTORS
HYDRAULIC SYSTEM

787

CYLINDER GP (0125-0345-Y)
125MM X 345MM (4.92 X 13.58")

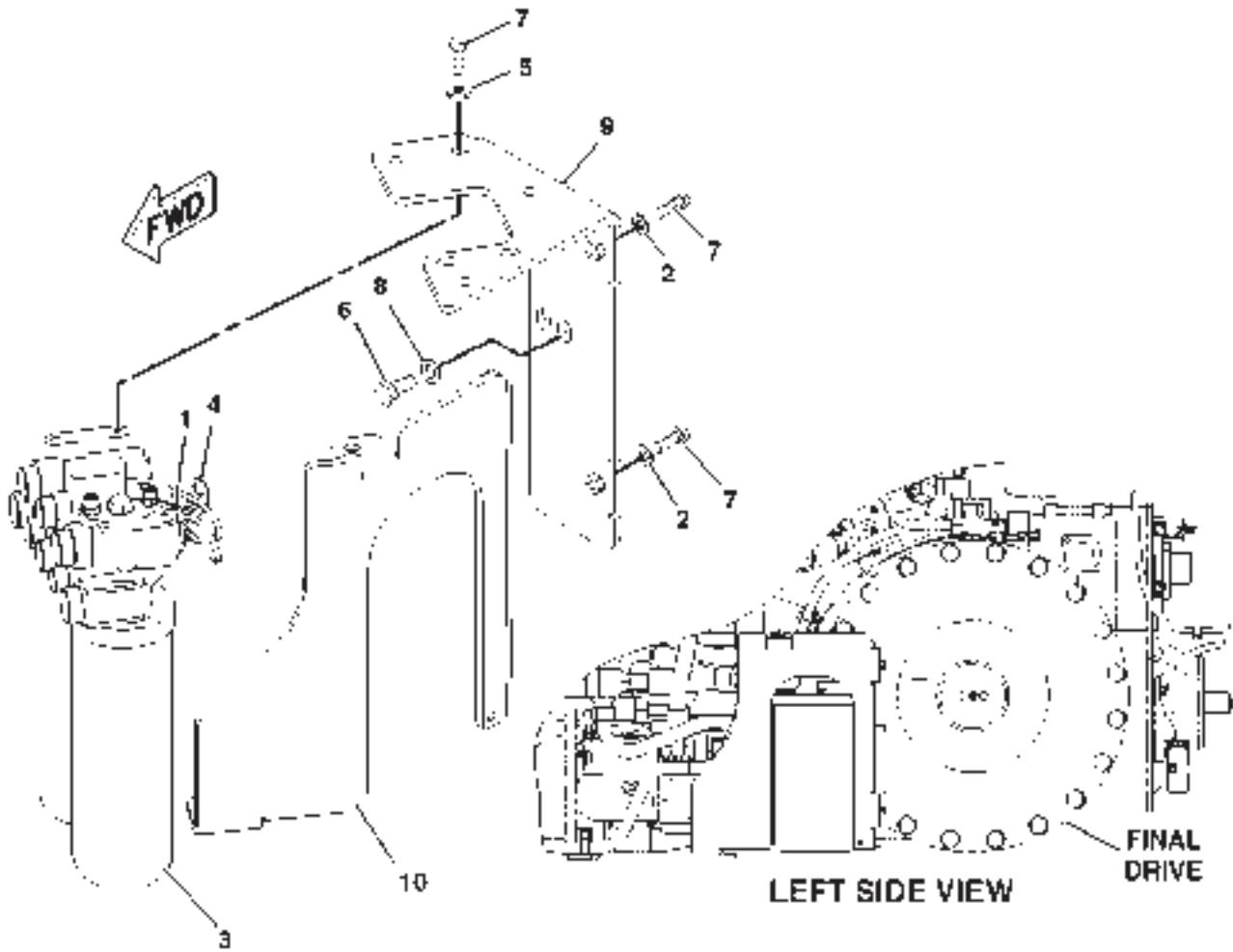
ITEM	NUMBER	QTY	DESCRIPTION
-	CH198-8789	-	CYLINDER GP [A] (NOT SERVICED) (ORDER CYLINDER GP-LIFT CH192-6280)
1		1	HEAD
2		1	PISTON
3		1	BODY
4		1	ROD ASM
5	CH167-2201	1	SEAL ASM-BUFFER
6	CH167-2312	1	SEAL-U-CUP
7	500686D1	1	SEAL-WIPER (DOUBLE LIP)
8	CH186-4955	1	SEAL-PISTON
9	CH186-5137	1	RING-WEAR
10	CH2J-3961	1	RING-BACKUP
11	CH2J-8163	1	SEAL-O-RING (117.07X3.53)
12	CH5F-3999	1	SEAL-O-RING (123.42X3.53)
13		1	NUT-SELF LOCKING
14	CH8T-0785	1	RING-WEAR

[A] PART OF CH192-6280 CYLINDER GP-LIFT

00852903
PR: t05b22n43d0334

MT800B SERIES TRACTORS
HYDRAULIC SYSTEM

FILTER & MTG GP-HYDRAULIC
158-2349



0895667A

MT800B SERIES TRACTORS
HYDRAULIC SYSTEM

789

FILTER & MTG GP-HYDRAULIC
158-2349

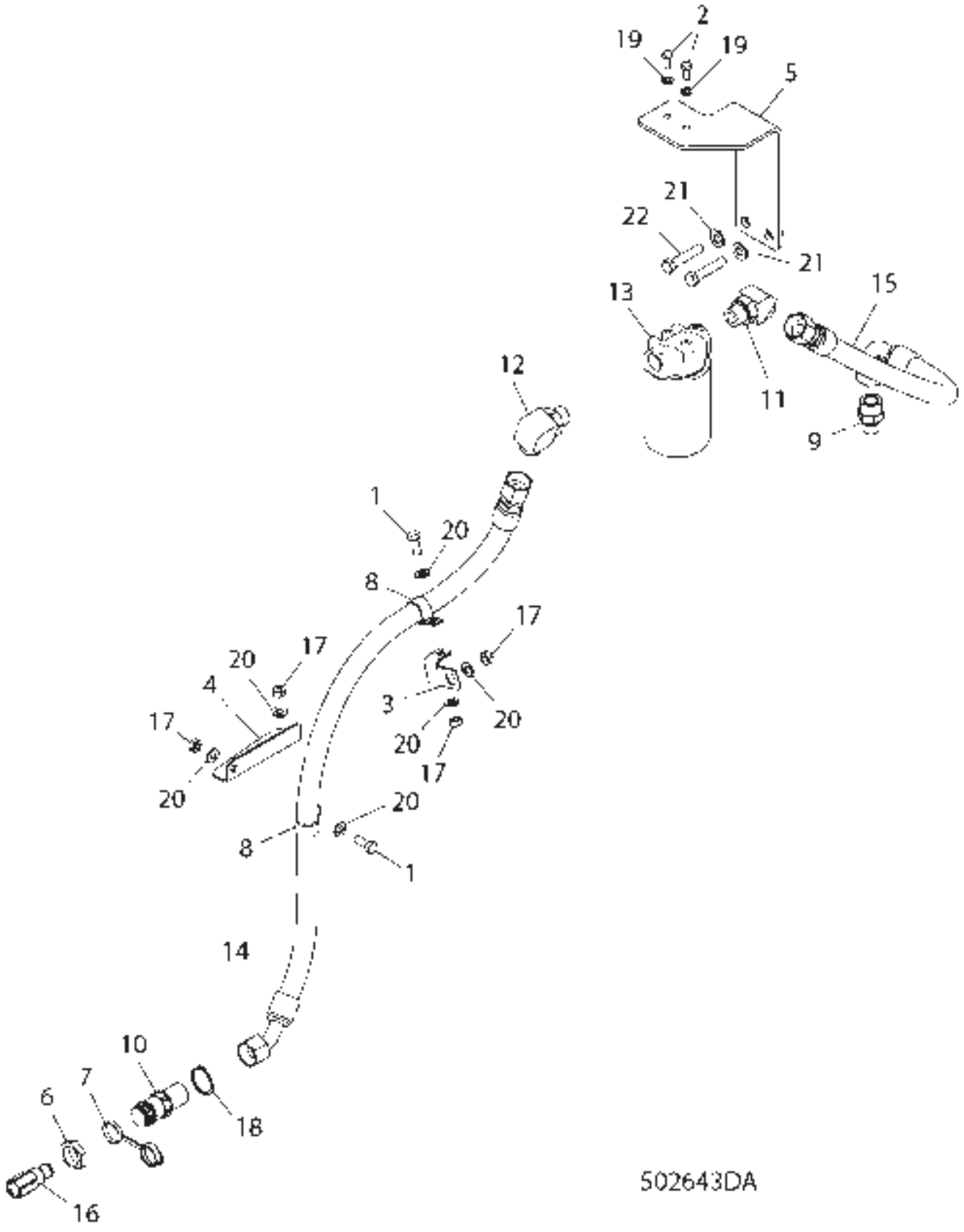
ITEM	NUMBER	QTY	DESCRIPTION
-	158-2349	-	FILTER & MTG GP-HYDRAULIC [A] (NOT SERVICED)
1	CH7K-1181	1	STRAP-CABLE
2	400357X1	2	WASHER-HARD (M12X25.5X3)
3	501767D1	1	FILTER-OIL (HYDRAULIC) (TRANS/STEERING/IMPLEMENT) (SEE BREAKDOWN FOR COMPONENTS)
4	400380X1	1	CLIP
5	400381X1	4	WASHER-HARD (13.5X30X4)
6	WR518357	4	BOLT (M16X2X35MM)
7	400064X1	6	BOLT (M12X1.75X35MM)
8	400082X1	4	WASHER (17.5X30X3.5)
9	222-9854	1	PLATE ASM
	CH8T-3597	3	NUT-WELD (M12X1.75)
10	222-9855	1	PLATE ASM

[A] PART OF:
158-2342; 501809D1 HYD AR-COMMON

0895667A
PR: t05b22n43d0335

MT800B SERIES TRACTORS
HYDRAULIC SYSTEM

CASE DRAIN GP-FLAT FACE - 502643D1
3 PT HITCH
ROW & EAME



502643DA

**MT800B SERIES TRACTORS
HYDRAULIC SYSTEM**

791

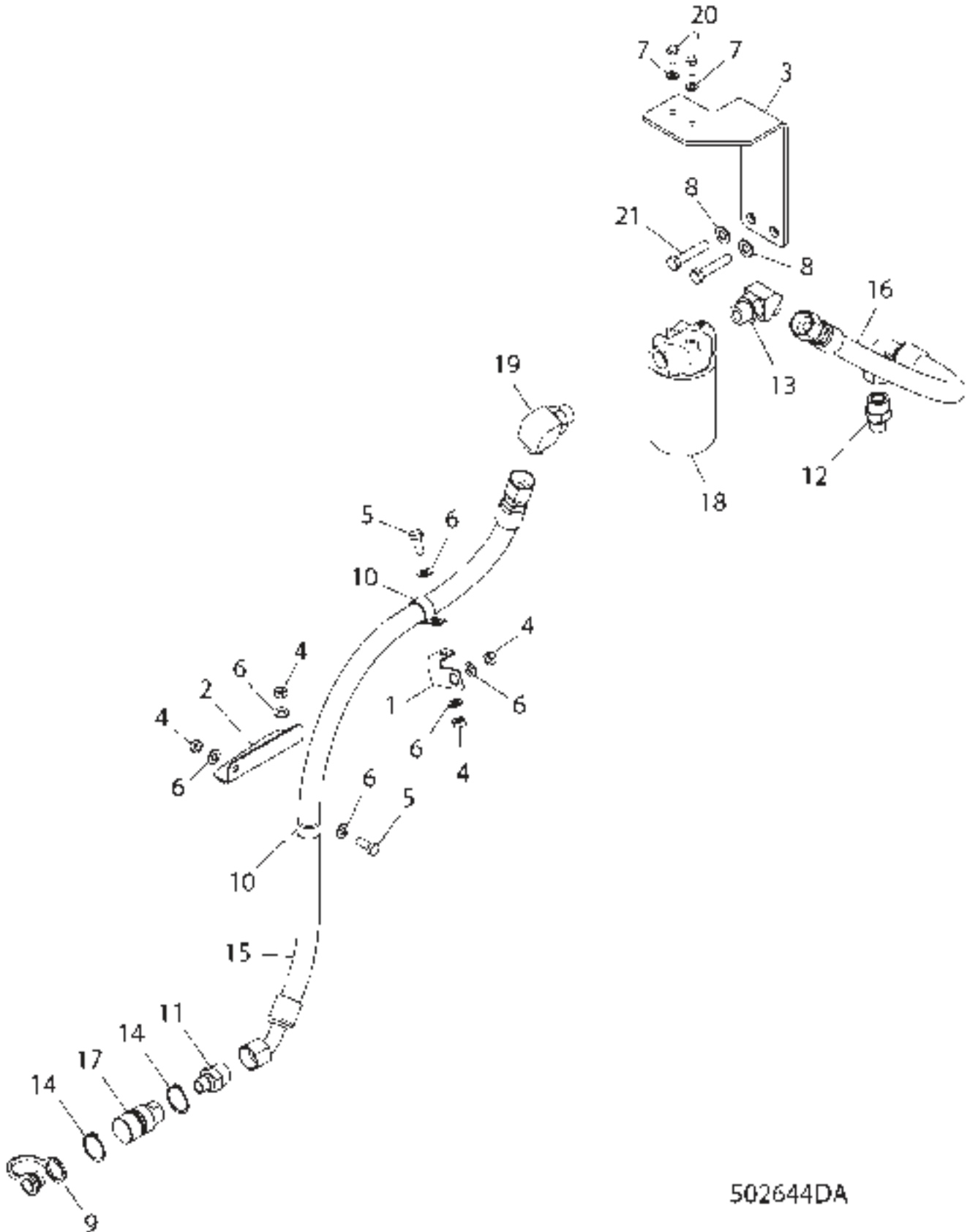
**CASE DRAIN GP-FLAT FACE - 502643D1
3 PT HITCH
ROW & EAME**

ITEM	NUMBER	QTY	DESCRIPTION
-	502643D1	-	CASE DRAIN GP-FLAT FACE (NOT SERVICED, ORDER FIELD INSTALLED)
-	502682D1	-	HYDRAULIC KIT-CASE DRAIN (FIELD INSTALLED)
1	400039X1	2	BOLT-M10X1.5X25 ZNDI HHD 10.9
2	400053X1	2	BOLT-M8X1.25X20 ZNDI HHD 10.9
3	200-2992	1	BRACKET
4	200-2993	1	BRACKET
5	208-9928	1	BRACKET AS
6	400961X1	1	BULKHEAD NUT-12ORFS
7	502473D1	1	CAP-DUST
8	400700X1	2	CLIP LOOP 28.58ID
9	400965X1	1	CONNECTOR AS-STR 10STOR-12ORFS
	400319X1	1	SEAL-O-RING (19.18ID X 2.46DIA)
	400366X1	1	SEAL-O-RING (22.5OD X 1.78DIA)
10	502475D1	1	COUPLER AS
	400366X1	1	SEAL-O-RING (22.5ID X 1.78DIA)
11	400967X1	1	ELBOW AS-45 -12STOR-12ORFS
	400366X1	1	SEAL-O-RING (22.5OD X 1.78DIA)
	400416X1	1	SEAL-O-RING (23.47ID X 2.95DIA)
12	CH148-8347	1	ELBOW AS-90DEG 12STOR X 12ORFS
	400366X1	1	SEAL-O-RING (22.5ID X 1.78DIA)
	400416X1	1	SEAL-O-RING (23.47ID X 2.95DIA)
13	502679D1	1	FILTER GP-HYD
	501771D1	1	FILTER AS-HYD
14	502468D1	1	HOSE AS
15	502469D1	1	HOSE AS
16	502472D1	1	NIPPLE AS-FLAT FACE-SIZE 6
17	7774664	4	NUT-M10-1.5,CL10.9,ZN,H,REG
18	400968X1	1	SNAP RING EXT
19	400339X1	2	WASHER-HARD
20	400287X1	6	WASHER-HARD 11ID X 21OD X 2.5 ZND1
21	400357X1	2	WASHER-HARD-M12 X 25.5OD X 3THK
22	400063X1	2	BOLT-M12 X 1.75 X 60 ZNDI HHD 10.9

502643DA
PR: t05k07n15a0025

MT800B SERIES TRACTORS
HYDRAULIC SYSTEM

CASE DRAIN GP-PIONEER - 502644D1
3-PT HITCH
ROW & EAME



502644DA

**MT800B SERIES TRACTORS
HYDRAULIC SYSTEM**

793

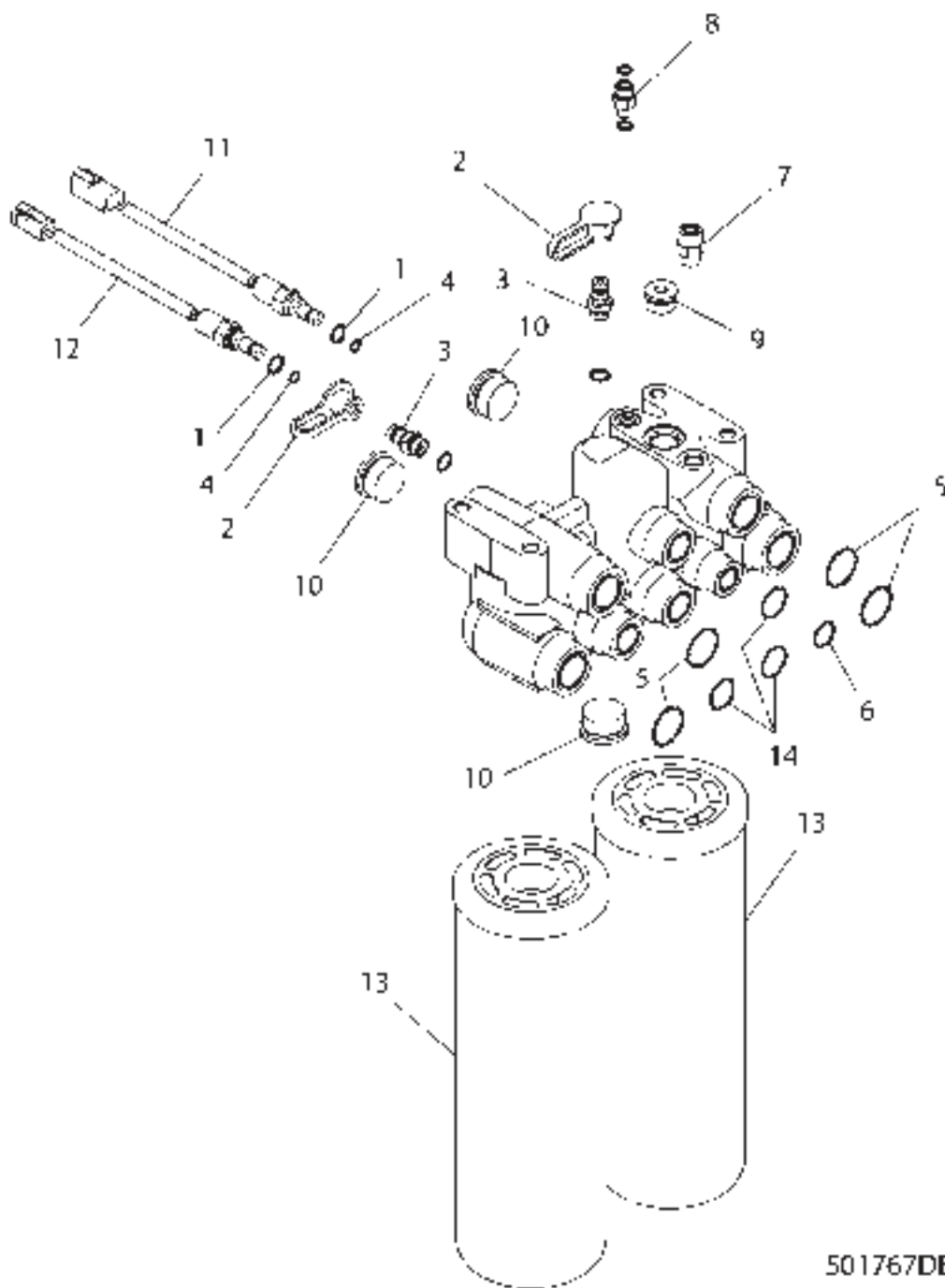
**CASE DRAIN GP-PIONEER - 502644D1
3-PT HITCH
ROW & EAME**

ITEM	NUMBER	QTY	DESCRIPTION
-	502644D1	-	CASE DRAIN GP-PIONEER (NOT SERVICED, ORDER FIELD INSTALLED)
-	502683D1	-	CASE DRAIN GP-PIONEER (FIELD INSTALLED)
1	200-2992	1	BRACKET
2	200-2993	1	BRACKET
3	208-9928	1	BRACKET AS
4	7774664	4	NUT-M10-1.5,CL10.9,ZN,H,REG
5	400039X1	2	BOLT-M10X1.5X25 ZNDI HHD 10.9
6	400287X1	6	WASHER-HARD 11IDX21ODX2.5 ZND1
7	400339X1	2	WASHER-HARD
8	400357X1	2	WASHER-HARD-M12X25.50DX3THK
9	400564X1	1	PLUG-DUST-23.4 DIA
10	400700X1	2	CLIP LOOP 28.58ID
11	400963X1	1	CONNECTOR AS-STR -8STOR-12ORFS
	CH3K-0360	1	SEAL-O-RING (16.36IDX2.21DIA)
	400366X1	1	SEAL-O-RING (23.47ODX2.95DIA)
12	400965X1	1	CONNECTOR AS-STR 10STOR-12ORFS
	400319X1	1	SEAL-O-RING (19.18ID X 2.46DIA)
	400366X1	1	SEAL-O-RING (22.5OD X 1.78DIA)
13	400967X1	1	ELBOW AS-45 -12STOR-12ORFS
	400366X1	1	SEAL-O-RING (22.5OD X 1.78DIA)
	400416X1	1	SEAL-O-RING (23.47ID X 2.95DIA)
14	400968X1	2	SNAP RING EXT
15	502468D1	1	HOSE AS (FOR 19.1 ID SAE
16	502469D1	1	HOSE AS
17	502471D1	1	COUPLER AS-PIONEER-SIZE 8
	400569X1	1	SEAL-O-RING (20.22X3.53)
	400568X1	1	RETAINER (20.81IDX26.6ODX0.81THK)
18	502679D1	1	FILTER GP-HYD
	501771D1	1	FILTER AS-HYD
19	CH148-8347	1	ELBOW AS-90DEG 12STOR X 12ORFS
	400366X1	1	SEAL-O-RING (22.5IDX1.78DIA)
	400416X1	1	SEAL-O-RING (23.47IDX2.95DIA)
20	400053X1	2	BOLT-M8X1.25X20 ZNDI HHD 10.9
21	400063X1	2	BOLT-M12X1.75X60 ZNDI HHD 10.9

502644DA
PR: t05k07n15a0026

MT800B SERIES TRACTORS
HYDRAULIC SYSTEM

FILTER GP-OIL (BASIC) - 501767D1



501767DB

**MT800B SERIES TRACTORS
HYDRAULIC SYSTEM**

795

FILTER GP-OIL (BASIC) - 501767D1

ITEM	NUMBER	QTY	DESCRIPTION
-	501767D1	-	FILTER GP-OIL (BASIC) [A]
1	400318X1	2	SEAL-O-RING 11.89IDX1.98
2	400323X1	2	CAP-DUST 12.6 DIA -RUBBER
3	400324X1	2	NIPPLE AS-QUICK DISC-4&ORING
	400318X1	1	SEAL-O-RING (11.89ID X 1.98)
4	400360X1	2	SEAL-O-RING 7.65 IDX1.78 DIA
5	400365X1	4	SEAL-O-RING 33.75 ODX1.78 DIA
6	400366X1	1	SEAL-O-RING 22.5 ODX1.78 DIA
7	400367X1	1	CONNECTOR AS-6 STOR -6 ORFS
	400378X1	1	SEAL-O-RING (12.83 ID X 1.78 DIA)
	400318X1	1	SEAL-O-RING (11.89 ID X 1.98 DIA)
8	400368X1	2	CONNECTOR AS (4STOR -4ORFS)
	400361X1	1	SEAL-O-RING (8.92ID X 1.83DIA)
	400377X1	1	SEAL-O-RING (11.23OD X 1.78DIA)
9	400369X1	1	PLUG AS-10 STOR ZN HSHD&ORING
	400319X1	1	SEAL-O-RING (19.18ID X 2.46)
	400374X1	1	PLUG (10STOR)
10	400370X1	3	PLUG AS-16 STOR ZN HSHD&ORING
	400376X1	1	SEAL-O-RING (29.74ID X 2.95)
	400374X1	1	PLUG (16STOR)
11	500671D1	1	SWITCH AS-PRESSURE
12	500672D1	1	SWITCH AS-PRESSURE
13	501766D2	2	FILTER ELEMENT-OIL
14	400123X1	3	SEAL-O RING-27.22ODX1.78 DIA

[A] PART OF 158-2349 FILTER GP-MTG

501767DB
PR: t05b22n43d0338

796

MT800B SERIES TRACTORS
HYDRAULIC SYSTEM

HYDRAULIC AR
501809D1

NO ILLUSTRATION

NOTIF13

MT800B SERIES TRACTORS
HYDRAULIC SYSTEM

797

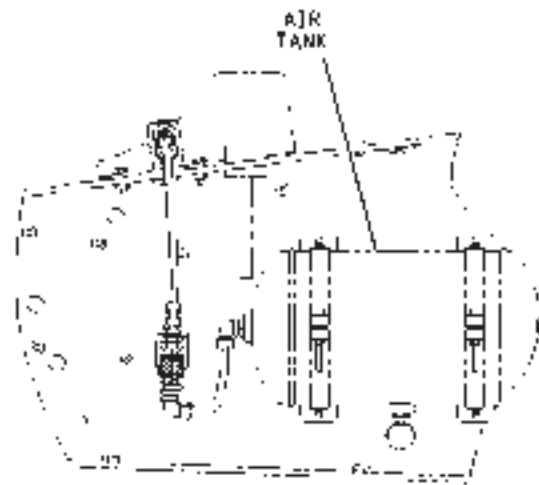
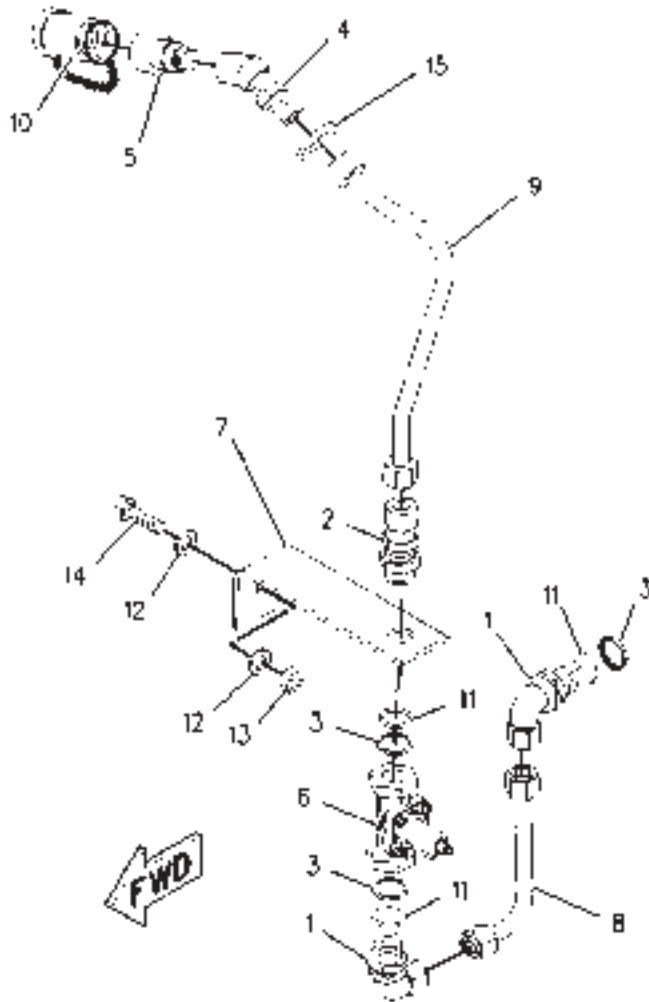
HYDRAULIC AR
501809D1

ITEM	NUMBER	QTY	DESCRIPTION
-	501809D1	1	HYDRAULIC AR [A] (NOT SERVICED)
1	158-2339	1	MOUNTING GP-VALVE (NOT SERVICED) (SEE BREAKDOWN FOR COMPONENTS)
2	158-2349	1	FILTER & MTG GP-HYDRAULIC (NOT SERVICED) (SEE BREAKDOWN FOR COMPONENTS)
3	502220D1	1	LINES GP-HYDRAULIC (NOT SERVICED) (SEE BREAKDOWN FOR COMPONENTS)
4	158-2393	1	LINES GP-STEERING (NOT SERVICED) (SEE BREAKDOWN FOR COMPONENTS)
5	158-2397	1	PUMP & MTG GP-HYDRAULIC (NOT SERVICED) (SEE BREAKDOWN FOR COMPONENTS)
6	501950D1	1	LINES GP-HYDRAULI OIL (NOT SERVICED) (SEE BREAKDOWN FOR COMPONENTS)

[A] PART OF:
501810D1; 501811D1 BASE AR-COMMON

NOTIF13
PR: t05b22n43d0339

LINES GP-COUPLER
190-0438



LEFT SIDE VIEW

1900438H

MT800B SERIES TRACTORS
HYDRAULIC SYSTEM

799

LINES GP-COUPLER
190-0438

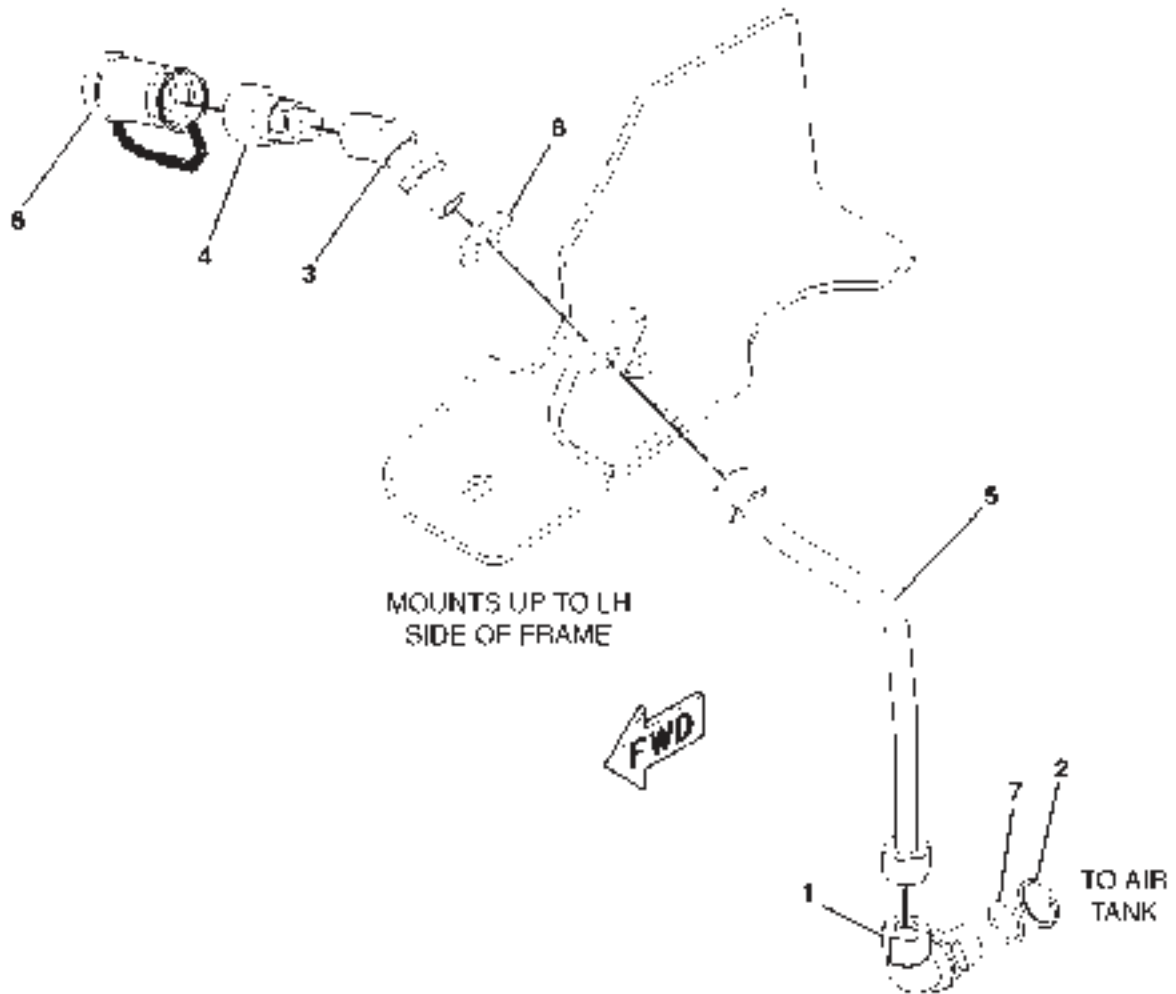
ITEM	NUMBER	QTY	DESCRIPTION
-	190-0438	-	LINES GP-COUPLER [A] (NOT SERVICED)
1	CH185-9753	2	ELBOW AS-90DEG (M18XM22)
2	CH185-9763	1	CONNECTOR
3	CH185-9773	3	RING-BACKUP
4	CH187-9018	1	ADAPTER-BULKHEAD (3/8-18XM18)
5	CH191-9311	1	COUPLING
6	200-4369	1	VALVE-CHARGING
7	209-7709	1	BRACKET
8	212-3601	1	TUBE AS
9	218-2803	1	TUBE AS
10	218-2806	1	CAP-DUST
11	CH3E-6762	3	SEAL-O-RING
12	400287X1	2	WASHER-HARD (11X21X2.5)
13	7774664	1	NUT (M10X1.5)
14	400059X1	1	BOLT (M10X1.5X35MM)
15	CH8T-4994	1	WASHER-HARD (20X36.5X3.5)

[A] PART OF:

185-8860;186-1620;192-6390 BRAKE AR
192-6400;502357D1;502358D1 BRAKE AR
190-0439;190-0440;502359D1 TANK AR

1900438H
PR: t05b22n43d0340

LINES GP-COUPLER
210-0851



MT800B SERIES TRACTORS
HYDRAULIC SYSTEM

801

LINES GP-COUPLER
210-0851

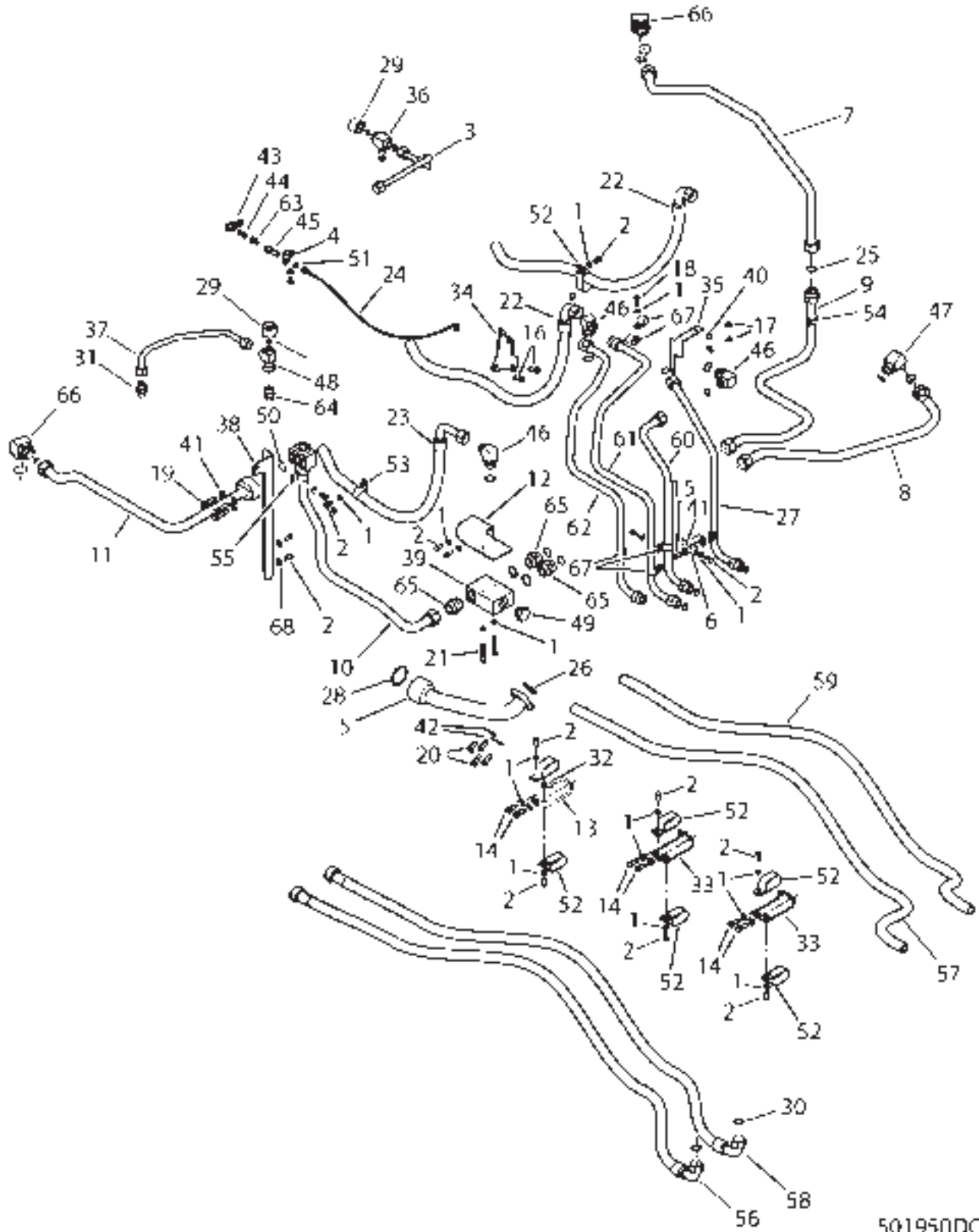
ITEM	NUMBER	QTY	DESCRIPTION
-	210-0851	-	LINES GP-COUPLER [A] (NOT SERVICED)
1	CH185-9753	1	ELBOW AS-90DEG (M18XM22)
2	CH185-9773	1	RING-BACKUP
3	CH187-9018	1	ADAPTER
4	CH191-9311	1	COUPLING
5	218-2805	1	TUBE ASM
6	218-2806	1	CAP-DUST
7	CH3E-6762	1	SEAL-O-RING
8	CH8T-4994	1	WASHER-HARD (20X36.5X3.5)

[A] PART OF:
210-5703 TANK AR-AIR
210-5704 TANK AR-AIR
502360D1 TANK AR-AIR

0889197A
PR: t05b22n43d0341

MT800B SERIES TRACTORS
HYDRAULIC SYSTEM

LINES GP-HYD OIL
501950D1



**MT800B SERIES TRACTORS
HYDRAULIC SYSTEM**

803

**LINES GP-HYD OIL
501950D1**

ITEM	NUMBER	QTY	DESCRIPTION
-	501950D1	-	LINES GP-HYD OIL [A] (NOT SERVICED)
1	400287X1	23	WASHER-HARD 11IDX21ODX2.5 ZND1
2	400039X1	15	BOLT-M10X1.5X25 ZNDI HHD 10.9
3	197-5414	1	TUBE AS.
4	198-4265	1	BRACKET
5	207-7554	1	TUBE
6	219-6551	1	BRACKET AS.
7	223-6530	1	TUBE AS
8	224-3945	1	TUBE AS.
9	224-3946	1	TUBE AS.
10	225-0175	1	TUBE AS.
11	225-0176	1	TUBE AS.
12	227-5269	1	MANIFOLD
13	233-8642	1	BRACKET
14	400040X1	5	BOLT-M10X1.5X20 ZNDI HHD 10.9
15	400041X1	1	BOLT-M12X1.75X30 ZNDI HHD 10.9
16	400051X1	2	BOLT-M12X1.75X45 ZNDI HHD 10.9
17	400053X1	2	BOLT-M8X1.25X20 ZNDI HHD 10.9
18	400058X1	1	BOLT-M10X1.5X30 ZNDI HHD 10.9
19	400063X1	4	BOLT-M12X1.75X60 ZNDI HHD 10.9
20	400064X1	6	BOLT-M12X1.75X35 ZNDI HHD 10.9
21	400066X1	2	BOLT-M10X1.5X70 ZNDI HHD 10.9
22	CH210-0181	2	HOSE AS-25.4ID SAE 100R1AT
23	CH210-0183	1	HOSE AS-25.4ID SAE 100R1AT
24	CH211-0912	1	HOSE AS-6.3ID SAE 100R1AT
25	400365X1	1	SEAL-O-RING 33.75 ODX1.78 DIA
26	400591X1	1	SEAL-O-RING 50.39 IDX3.53 DIA
27	500523D1	1	TUBE AS.
28	400590X1	1	SEAL-O-RING 66.04 IDX5.33 DIA
29	400107X1	2	CAP AS 19.05 OD TUBE
30	400123X1	10	SEAL-O RING-27.22ODX1.78 DIA
31	500956D1	1	CONNECTOR AS-ORFS
	400319X1	1	SEAL-O-RING 19.18IDX2.46DIA
	400366X1	1	SEAL-O-RING 22.5ODX1.78DIA
32	7774664	2	NUT-M10-1.5,CL10.9,ZN,H,REG
33	209-0141	2	BRACKET AS
34	210-0184	1	BRACKET AS
35	210-7677	1	PLATE AS
36	211-0535	1	TEE AS-10 STOR-12 ORFS
	400319X1	1	SEAL-O-RING 19.18IDX2.46DIA
	400366X1	2	SEAL-O-RING 22.5ODX1.78DIA
37	219-8787	1	TUBE AS.
38	226-1882	1	PLATE AS
39	227-5270	1	BRACKET AS.
40	400339X1	2	WASHER-HARD
41	400357X1	7	WASHER-HARD-M12X25.50DX3THK
42	400358X1	4	WASHER-HARD-7/16X22.50DX2.5THK
43	400363X1	1	CAP-DUST-12.6 DIA -RUBBER
44	400577X1	1	VALVE AS-4 3500 KPA
	400361X1	1	SEAL-O-RING (8.92ID X 1.83DIA)
45	400578X1	1	ADAPTER AS-BLKDH-4ORFS-6PORT
	400377X1	1	SEAL-O-RING (11.23OD X 1.78DIA)

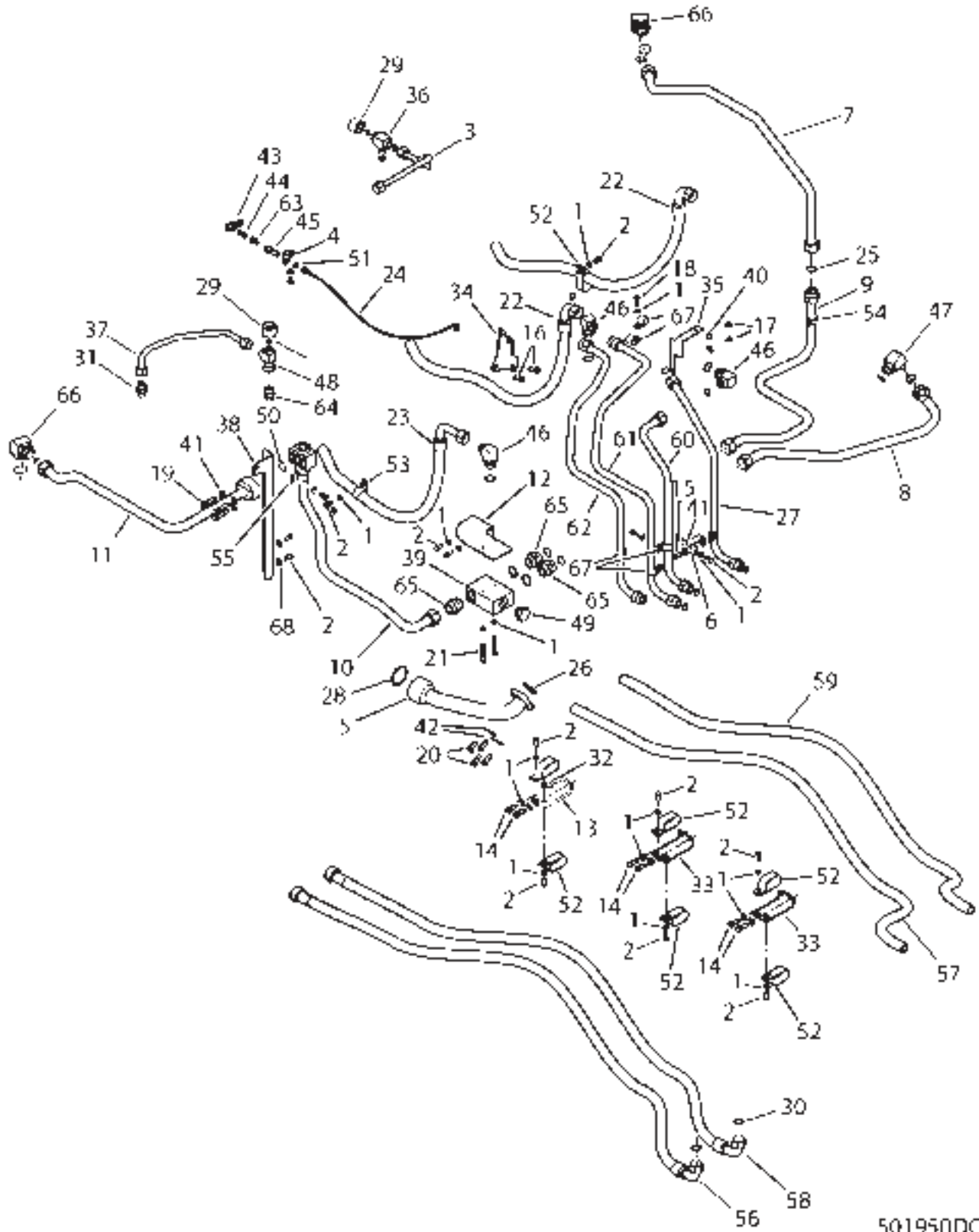
CONTINUED

[A] PART OF 501809D1 HYD AR-COMMON

501950DC
PR: t05b22n43d0342

MT800B SERIES TRACTORS
HYDRAULIC SYSTEM

LINES GP-HYD OIL
501950D1



**MT800B SERIES TRACTORS
HYDRAULIC SYSTEM**

805

**LINES GP-HYD OIL
501950D1**

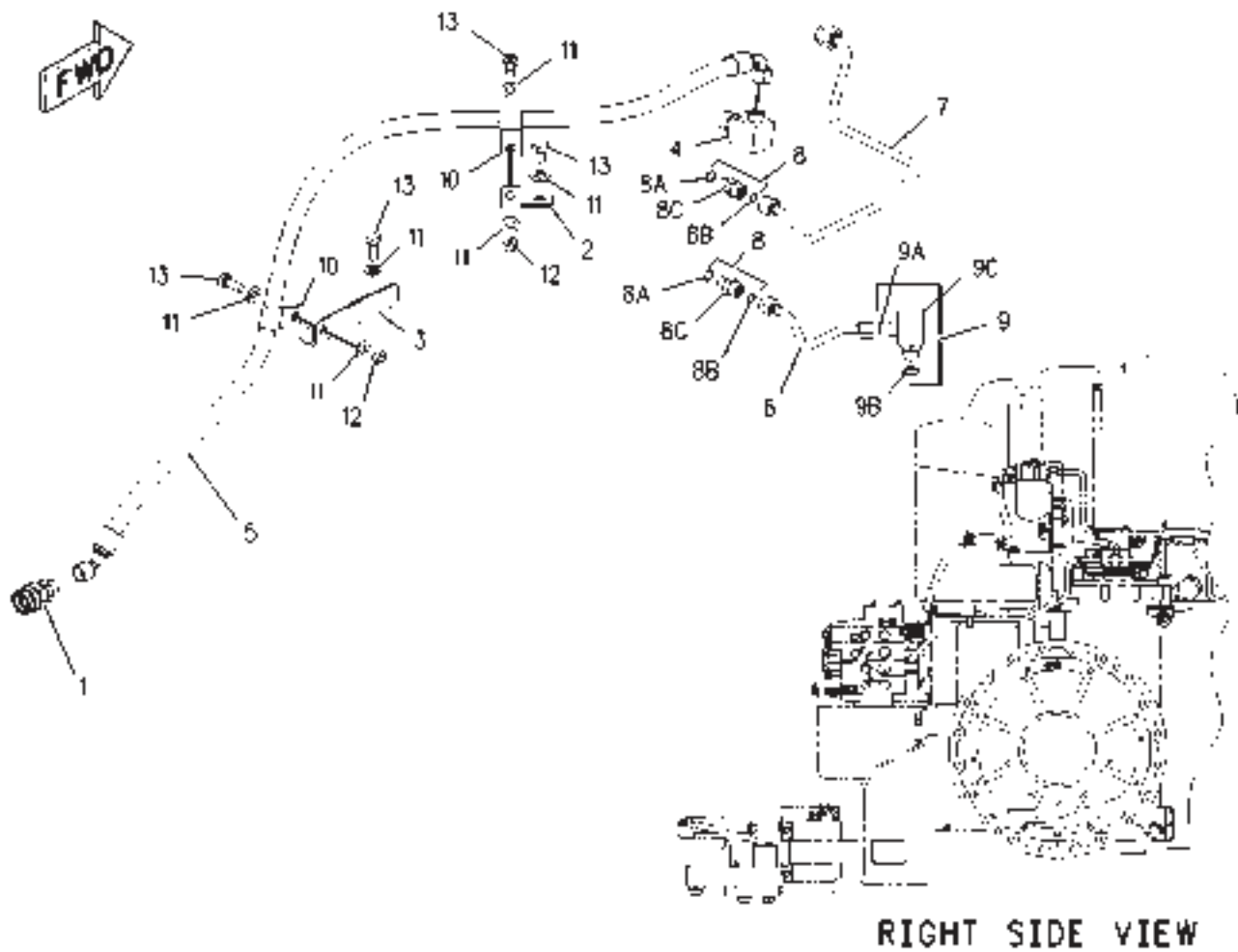
ITEM	NUMBER	QTY	DESCRIPTION
-	501950D1	-	LINES GP-HYD OIL [A] (NOT SERVICED)
46	400580X1	3	ELBOW AS-90DEG 16STOR 16ORFS
	400376X1	1	SEAL-O-RING (29.74IDX2.95DIA)
	400123X1	1	SEAL-O-RING (27.22ODX1.78DIA)
47	400582X1	1	ELBOW AS-90DEG 16STOR 20ORFS
	400365X1	1	SEAL-O-RING (33.57ODX1.78DIA)
	400376X1	1	SEAL-O-RING (29.74IDX2.95DIA)
48	400584X1	1	TEE AS-SWIVEL 12 ORFS
	400366X1	1	SEAL-O-RING 22.5 ODX1.78 DIA
49	400586X1	1	PLUG AS-STR 20 STOR
	400593X1	1	SEAL-O-RING (33.57ODX1.78DIA)
50	400588X1	1	SEAL-RECT 45 OD 4.95 THK
51	400589X1	1	NUT-LOCK 9/16-18 ZNDI BLKHD
52	400595X1	7	CLIP-38.1 ID DBL M12 OR 7/16
53	400596X1	1	CLIP-38.1 ID M14 OR 1/2
54	400597X1	1	CLIP-31.75 ID M10 OR 3/8
55	400598X1	1	CLIP-31.8 ID M10 OR 3/8
56	501037D1	1	HOSE AS (FOR 25.4 ID SAE
57	501038D1	1	HOSE AS (FOR 25.4 ID SAE
58	501039D1	1	HOSE AS (FOR 25.4 ID SAE
59	501040D1	1	HOSE AS (FOR 25.4 ID SAE
60	501043D1	1	TUBE AS
61	501938D1	1	TUBE AS
62	501939D1	1	TUBE AS
63	CH148-8305	1	ADAPTER AS-6 STOR X 4 STOR
	400318X1	1	SEAL-O-RING (11.89IDX1.98DIA)
64	CH148-8327	1	CONNECTOR AS-12 ORFSX 12STOR
	400416X1	1	SEAL-O-RING 23.47IDX2.95DIA
	400366X1	1	SEAL-O-RING 22.5 ODX1.78 DIA
65	CH148-8334	3	CONNECTOR AS-20 ORFS X 20 STOR
	400365X1	1	SEAL-O-RING (29.74IDX2.95DIA)
	400593X1	1	SEAL-O-RING (33.57ODX1.78DIA)
66	CH148-8356	2	ELBOW AS-90-20ORFS X 20STOR
	400593X1	1	SEAL-O-RING (37.46IDX3DIA)
	400365X1	1	SEAL-O-RING (33.57ODX1.78DIA)
67	CH4S-1962	6	CLIP-LOOP 25.4 ID
68	CH7X-7729	2	WASHER-11IDX5ODX3MM

PART OF 501809D1 HYD AR-COMMON

501950DC
PR: t05b22n43d0342

MT800B SERIES TRACTORS
HYDRAULIC SYSTEM

LINES GP-HYDRAULIC OIL
193-1558



MT800B SERIES TRACTORS
HYDRAULIC SYSTEM

807

LINES GP-HYDRAULIC OIL
193-1558

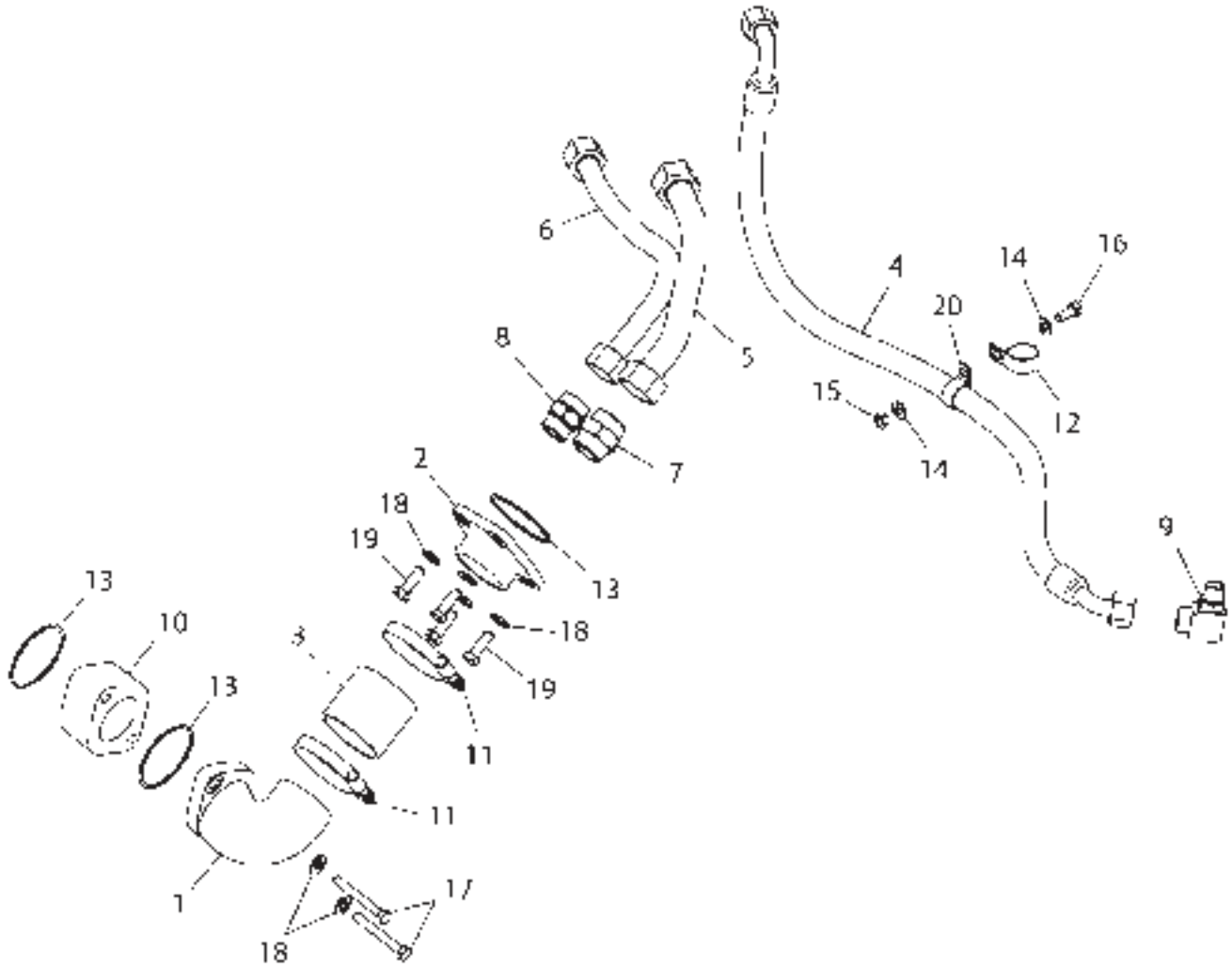
ITEM	NUMBER	QTY	DESCRIPTION
-	193-1558	-	LINES GP-HYDRAULIC [A] (NOT SERVICED)
1	CH185-3959	1	COUPLER GP-QUICK (INCLS SEAL)
	400378X1	1	SEAL-O-RING
-	CH223-9254	1	CAP-DUST (USE W/ITEM 1) (NOT SHOWN)
2	200-2992	1	BRACKET
3	200-2993	1	BRACKET
4	CH205-3692	1	ELBOW AS
	400378X1	1	SEAL-O-RING (12.83OD X 1.78 DIA)
	400319X1	1	SEAL-O-RING (19.18ID X 2.46 DIA)
5	CH208-9850	1	HOSE AS
6	208-9875	1	TUBE AS
7	208-9878	1	TUBE AS
8	400367X1	2	CONNECTOR AS 6 STOR-6 ORFS
8A	400318X1	1	SEAL-O-RING (11.89ID X 1.98 DIA)
8B	400378X1	1	SEAL-O-RING (12.83OD X 1.78 DIA)
8C		1	CONNECTOR (ORDER ITEM 8)
9	CH148-8374	1	ELBOW AS (NOT SERVICED-ORDER COMPONENTS)
9A	400378X1	1	SEAL-O-RING (12.83OD X 1.78 DIA)
9B	CH3K-0360	1	SEAL-O-RING (16.36ID X 2.21 DIA)
9C		1	ELBOW (ORDER ITEM 9)
10	CH4D-7735	2	CLIP
11	400287X1	6	WASHER-HARD (11X21X2.5)
12	7774664	4	NUT (M10X1.5)
13	400039X1	2	BOLT (M10X1.5X25MM)

[A] PART OF:
193-8199; 193-8200 VALVE AR
209-3689 KIT-HYD TRAILER BRAKE

00857381
PR: t05b22n43d0343

MT800B SERIES TRACTORS
HYDRAULIC SYSTEM

LINES GP-HYDRAULIC OIL - 209-8325
ROW & EAME ONLY



**MT800B SERIES TRACTORS
HYDRAULIC SYSTEM**

809

**LINES GP-HYDRAULIC OIL - 209-8325
ROW & EAME ONLY**

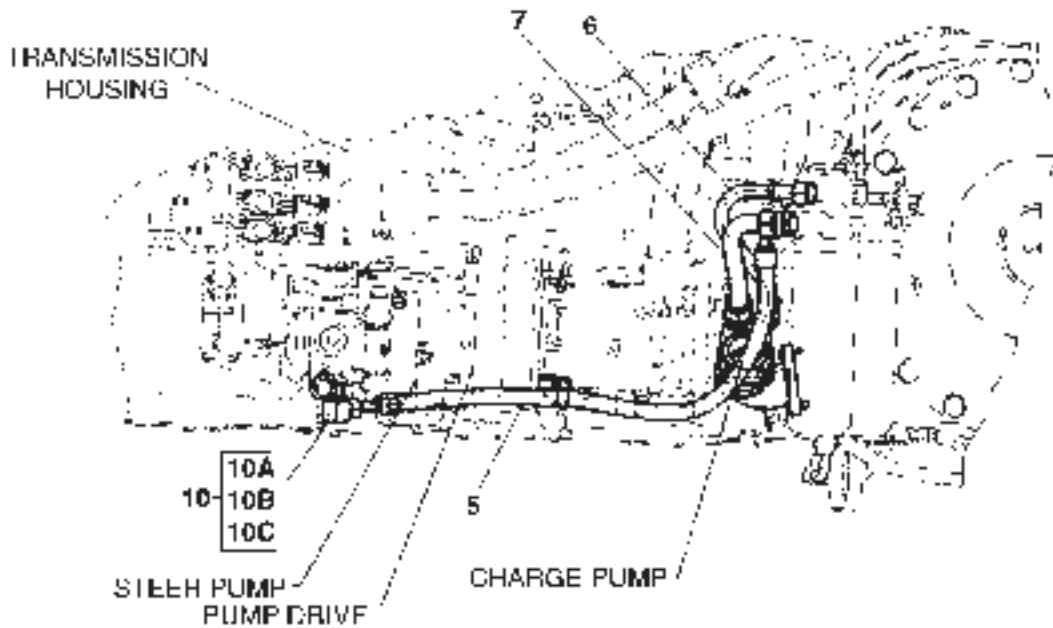
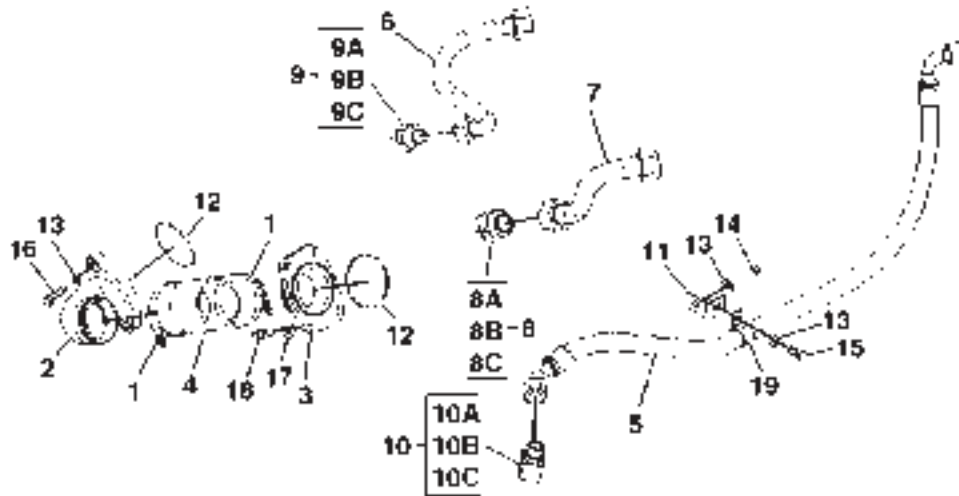
ITEM	NUMBER	QTY	DESCRIPTION
-	209-8325	-	LINES GP-HYD OIL [A] (NOT SERVICED)
1	CH207-5359	1	TUBE
2	CH207-5360	1	TUBE
3	CH208-9844	1	HOSE
4	CH210-0159	1	HOSE AS-19.0 ID SAE 100R1
5	217-4156	1	TUBE AS.
6	217-4157	1	TUBE AS.
7	CH148-8334	1	CONNECTOR AS-20 ORFS X 20 STOR
	400365X1	1	SEAL-O-RING (29.74IDX2.95DIA)
	400593X1	1	SEAL-O-RING (33.57ODX1.78DIA)
8	CH148-8335	1	CONNECTOR AS.-16 STORX16 ORFS
	400376X1	1	SEAL-O-RING
	400123X1	1	SEAL-O RING-27.22ODX1.78 DIA
9	CH148-8388	1	ELBOW-90 DEG 10 STORX12 ORFS
	400319X1	1	SEAL-O-RING (11.89X1.98)
	400366X1	1	SEAL-O-RING
10	224-1398	1	SPACER
11	400359X1	2	CLAMP-HOSE,SST 70-92X16
12	400597X1	1	CLIP-31.75 ID M10 OR 3/8
13	400103X1	3	SEAL-O RING-82.14IDX3.53 DIA
14	400287X1	2	WASHER-HARD 11IDX21ODX2.5 ZND1
15	7774664	1	NUT-M10-1.5,CL10.9,ZN,H,REG
16	400039X1	1	BOLT-M10X1.5X25 ZNDI HDD 10.9
17	400044X1	2	BOLT-M10X1.5X80 ZNDI HDD 10.9
18	400357X1	6	WASHER-HARD-M12X25.50DX3THK
19	400064X1	4	BOLT-M12X1.75X35 ZNDI HDD 10.9
20	400700X1	1	CLIP LOOP 28.58ID

[A] PART OF 180-0184 PUMP AR

2098325A
PR: t05k07n15a0027

MT800B SERIES TRACTORS
HYDRAULIC SYSTEM

LINES GP-HYDRAULIC - 209-8326
(FOR USE W/85CC CAPACITY CHARGE PUMP)



**MT800B SERIES TRACTORS
HYDRAULIC SYSTEM**

811

**LINES GP-HYDRAULIC - 209-8326
(FOR USE W/85CC CAPACITY CHARGE PUMP)**

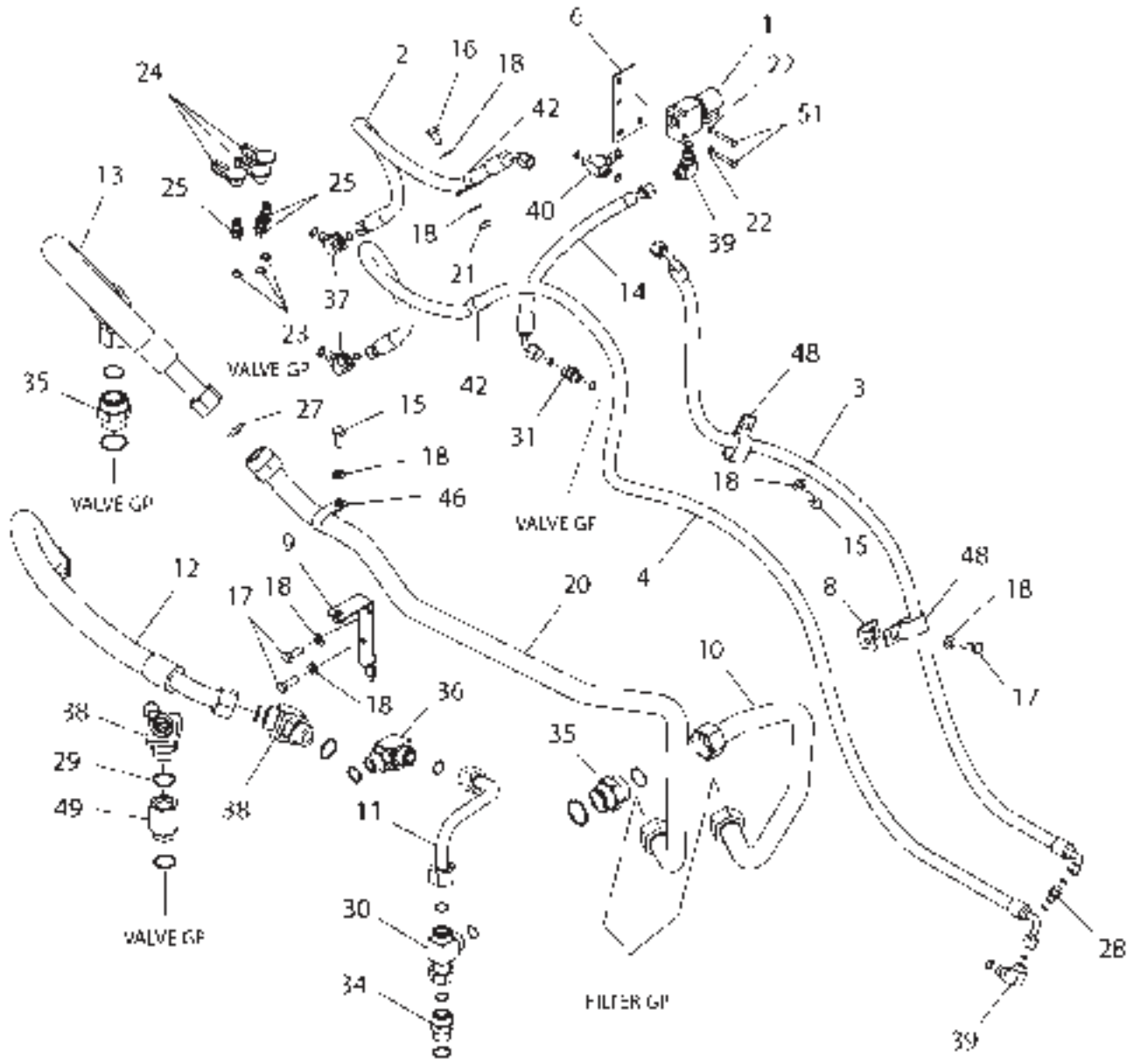
ITEM	NUMBER	QTY	DESCRIPTION
-	209-8326	-	LINES GP-HYDRAULIC [A] (NOT SERVICED)
1	400359X1	2	CLAMP-HOSE
2	CH207-5359	1	TUBE
3	CH207-5360	1	TUBE
4	CH208-9844	1	HOSE (7.5CM)
5	CH210-0159	1	HOSE ASM
6	219-7208	1	TUBE ASM
7	219-7209	1	TUBE ASM
8	CH148-8334	1	CONNECTOR AS (20ORFSX20STOR)
8A	400593X1	1	SEAL-O-RING (33.57ODX1.78DIA)
8B	400365X1	1	SEAL-O-RING (29.74IDX2.95DIA)
8C		1	CONNECTOR (ORDER ITEM 8)
9	CH148-8335	1	CONNECTOR AS.-16 STORX16 ORFS
9A	400376X1	1	SEAL-O-RING
9B	400123X1	1	SEAL-O RING-27.22ODX1.78 DIA
9C		1	CONNECTOR (ORDER ITEM 9)
10	CH148-8388	1	ELBOW-90 DEG 10 STORX12 ORFS
10A	400319X1	1	SEAL-O-RING (11.89X1.98)
10B		1	ELBOW (ORDER ITEM 10)
10C	400366X1	1	SEAL-O-RING
11	400597X1	1	CLIP-LOOP (31.75ID)
12	400103X1	2	SEAL-O-RING
13	400287X1	4	WASHER-HARD (11X21X2.5)
14	7774664	1	NUT-WELD (M10X1.5)
15	400039X1	1	BOLT (M10X1.5X25MM)
16	400059X1	3	BOLT (M10X1.5X35MM)
17	400357X1	4	WASHER-HARD (M12X25.5X3)
18	400064X1	4	BOLT (M12X1.75X35MM)
19	400700X1	1	CLIP (28.58ID)

[A] PART OF 180-0185 PUMP AR-HYDRAULIC

0889153A
PR: t05b22n43d0344

MT800B SERIES TRACTORS
HYDRAULIC SYSTEM

LINES GP-HYD - 502220D1
1 OF 2



MT800B SERIES TRACTORS
HYDRAULIC SYSTEM

813

LINES GP-HYD - 502220D1
1 OF 2

ITEM	NUMBER	QTY	DESCRIPTION
-	502220D1	-	LINES GP-HYD [A] (NOT SERVICED)
1	207-0745	1	VALVE GP- SOL
2	CH208-9972	1	HOSE AS-9.5 ID SAE 100R12
3	CH208-9973	1	HOSE AS-9.5 ID SAE 100R2AT
4	CH208-9974	1	HOSE AS-9.5 ID SAE 100R2AT
6	211-1850	1	BRACKET AS.
8	211-3715	1	BRACKET AS.
9	211-4410	1	BRACKET AS.
10	211-8315	1	TUBE AS.
11	217-7365	1	TUBE AS.
12	CH219-7932	1	HOSE AS-25.4ID SAE 100R12
13	CH225-5203	1	HOSE AS-31.8ID SAE 100R1AT
14	230-9563	1	HOSE AS.
15	400039X1	2	BOLT-M10X1.5X25 ZNDI HHD 10.9
16	400040X1	1	BOLT-M10X1.5X20 ZNDI HHD 10.9
17	400058X1	3	BOLT-M10X1.5X30 ZNDI HHD 10.9
18	400287X1	7	WASHER-HARD 11IDX21ODX2.5 ZND1
20	500129D1	1	TUBE AS.
21	7774664	2	NUT-M10-1.5,CL10.9,ZN,H,REG
22	400310X1	2	WASHER
23	400318X1	1	SEAL-O-RING 11.89IDX1.98
24	400323X1	3	CAP-DUST 12.6 DIA -RUBBER
25	400324X1	3	NIPPLE AS-QUICK DISC-4&ORING
	400318X1	1	SEAL-O-RING (11.89ID X 1.98)
27	400365X1	1	SEAL-O-RING 33.75 ODX1.78 DIA
28	400368X1	2	CONNECTOR AS (4STOR -4ORFS)
	400361X1	1	SEAL-O-RING (8.92ID X 1.83DIA)
	400377X1	1	SEAL-O-RING (11.23OD X 1.78DIA)
29	400376X1	1	SEAL-O-RING 29.74 IDX2.95 DIA

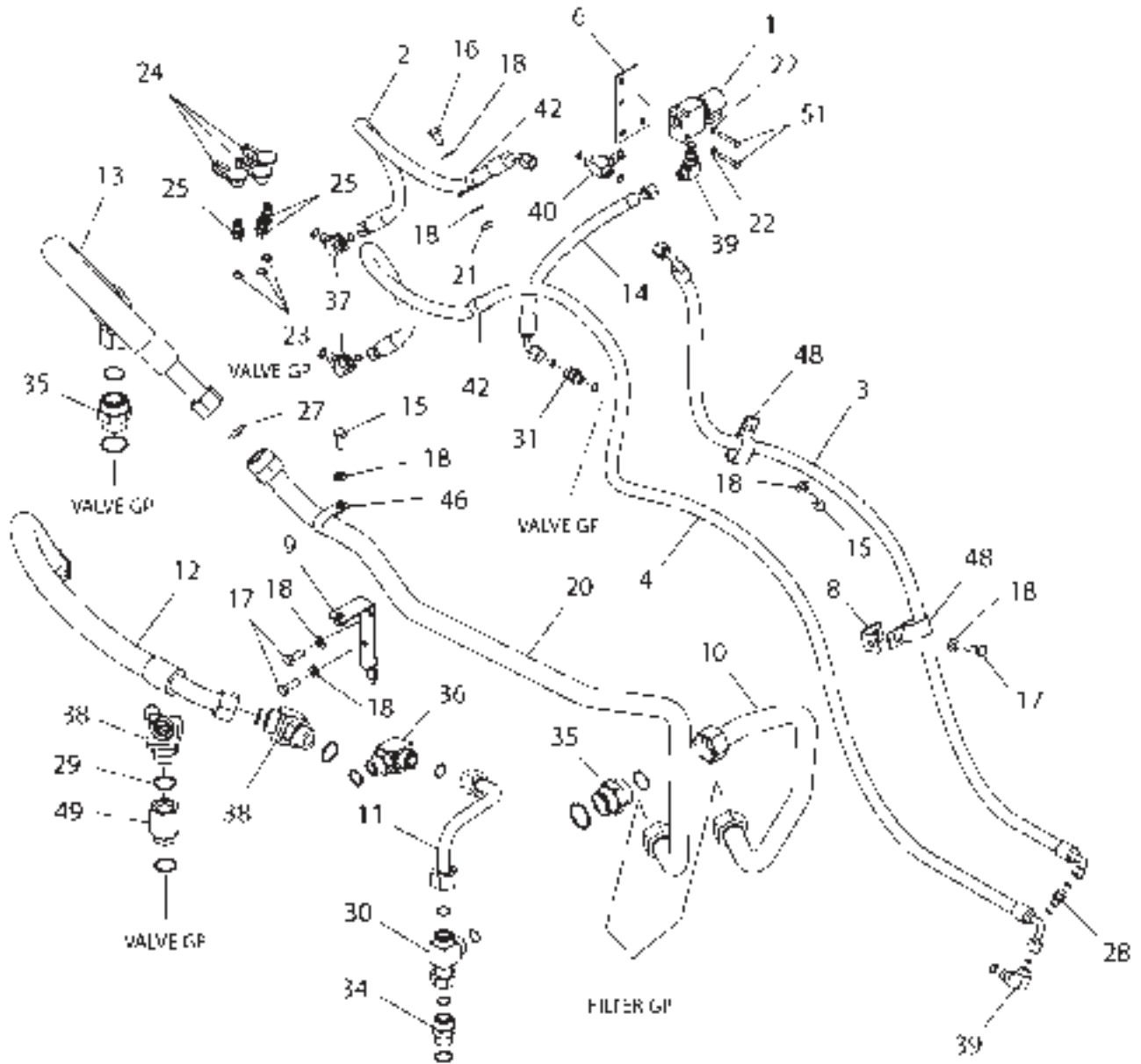
CONTINUED

[A] PART OF: 501809D1 HYD AR-COMMON

502220DA
PR: t05b22n43d0345

MT800B SERIES TRACTORS
HYDRAULIC SYSTEM

LINES GP-HYD - 502220D1
1 OF 2



**MT800B SERIES TRACTORS
HYDRAULIC SYSTEM**

815

**LINES GP-HYD - 502220D1
1 OF 2**

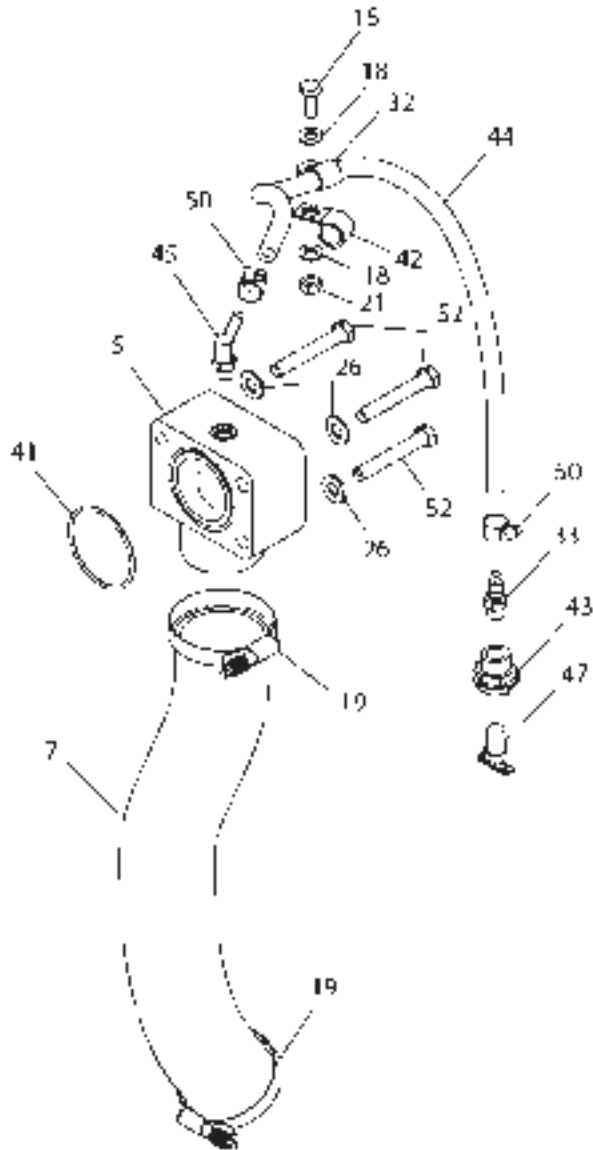
ITEM	NUMBER	QTY	DESCRIPTION
30	400584X1	1	TEE AS-SWIVEL 12 ORFS
	400366X1	1	SEAL-O-RING 22.5 ODX1.78 DIA
31	400638X1	1	CONNECTOR AS-STR-6STOR-6ORFS
	400637X1	1	SEAL-O-RING (9.25IDX1.78DIA)
	400318X1	1	SEAL-O-RING (11.89IDX1.98DIA)
34	CH148-8327	1	CONNECTOR AS-12 ORFSX 12STOR
	400416X1	1	SEAL-O-RING 23.47IDX2.95DIA
	400366X1	1	SEAL-O-RING 22.5 ODX1.78 DIA
35	CH148-8334	2	CONNECTOR AS-20 ORFS X 20 STOR
	400593X1	1	SEAL-O-RING (33.57ODX1.78DIA)
	400365X1	1	SEAL-O-RING (29.74IDX2.95DIA)
36	CH148-8347	1	ELBOW AS-90DEG 12STOR X 12ORFS
	400366X1	1	SEAL-O-RING (22.5IDX1.78DIA)
	400416X1	1	SEAL-O-RING (23.47IDX2.95DIA)
37	CH148-8353	2	ELBOW AS-45 DEG 4STOR X 6ORFS
	400378X1	1	SEAL-O-RING (12.83ODX1.78DIA)
	400318X1	1	SEAL-O-RING (11.89IDX1.98DIA)
38	CH148-8355	2	ELBOW AS-45 DEG 16STORX16ORFS
	400123X1	1	SEAL-O RING-27.22ODX1.78 DIA
	400376X1	1	SEAL-O-RING (29.74ID)
39	CH148-8378	2	ELBOW AS-90 DEG 4 STOR X6 ORFS
	400318X1	1	SEAL-O-RING (11.89IDX1.98DIA)
	400378X1	1	SEAL-O-RING (12.83ODX1.78DIA)
40	CH148-8439	1	TEE AS-6ORFS X 6ORFS X 6STOR
	400378X1	2	SEAL-O-RING (12.83ODX1.78DIA)
	400318X1	1	SEAL-O-RING (11.89IDX1.98DIA)
42	CH1S-0994	2	CLIP-LOOP 20.64 ID
46	CH6B-1032	1	CLIP-LOOP 31.8 ID
48	CH7S-1912	2	CLIP-LOOP 2X20.62 ID
49	CH8C-3051	1	ADAPTER-16STOR X 16STOR
51	400205X1	2	BOLT-M6X1X40MM ZNDI HHD 10.9

[A] PART OF: 501809D1 HYD AR-COMMON

502220DA
PR: t05b22n43d0345

MT800B SERIES TRACTORS
HYDRAULIC SYSTEM

LINES GP-HYD - 502220D1
2 OF 2



502220D1

**MT800B SERIES TRACTORS
HYDRAULIC SYSTEM**

817

**LINES GP-HYD - 502220D1
2 OF 2**

ITEM	NUMBER	QTY	DESCRIPTION
-	502220D1	-	LINES GP-HYD [A] (NOT SERVICED)
5	209-6677	1	ELBOW
7	211-3547	1	HOSE
15	400039X1	1	BOLT-M10X1.5X25 ZNDI HHD 10.9
18	400287X1	2	WASHER-HARD 11IDX21ODX2.5 ZND1
19	400359X1	2	CLAMP-HOSE,SST 70-92X16
26	400357X1	3	WASHER-HARD-M12X25.50DX3THK
32	400702X1	1	CLIP-ONE TUBE COATED
33	CH003-7764	1	CONNECTOR-6 NPTFX9.52 OD BARB
41	CH149-0231	1	SEAL-O-RING 72.62ID X 3.53DIA
42	CH1S-0994	1	CLIP-LOOP 20.64 ID
43	CH2M-1908	1	UNION-BLKHD 3/8-18 NPTF
44	CH5P-1442	AR	HOSE-BULK 9.52ID HI TEMP (79 CM)
45	CH5P-4924	1	ELBOW-90 DEG 6STOR X 9.52 BARB
47	CH6V-1520	1	VALVE-SHUT OFF -6 NPTF -10HOSE
50	400109X1	2	CLAMP-HOSE SST 11.1-19.8X13.5
52	400241X1	3	BOLT-M12X1.75X80 ZNDI HHD 10.9

[A] PART OF: 501809D1 HYD AR-COMMON

502220DB
PR: t05b22n43d0346

**MT800B SERIES TRACTORS
HYDRAULIC SYSTEM**

819

**LINES GP-IMPLEMENT - 172-4518
ROW & EAME ONLY**

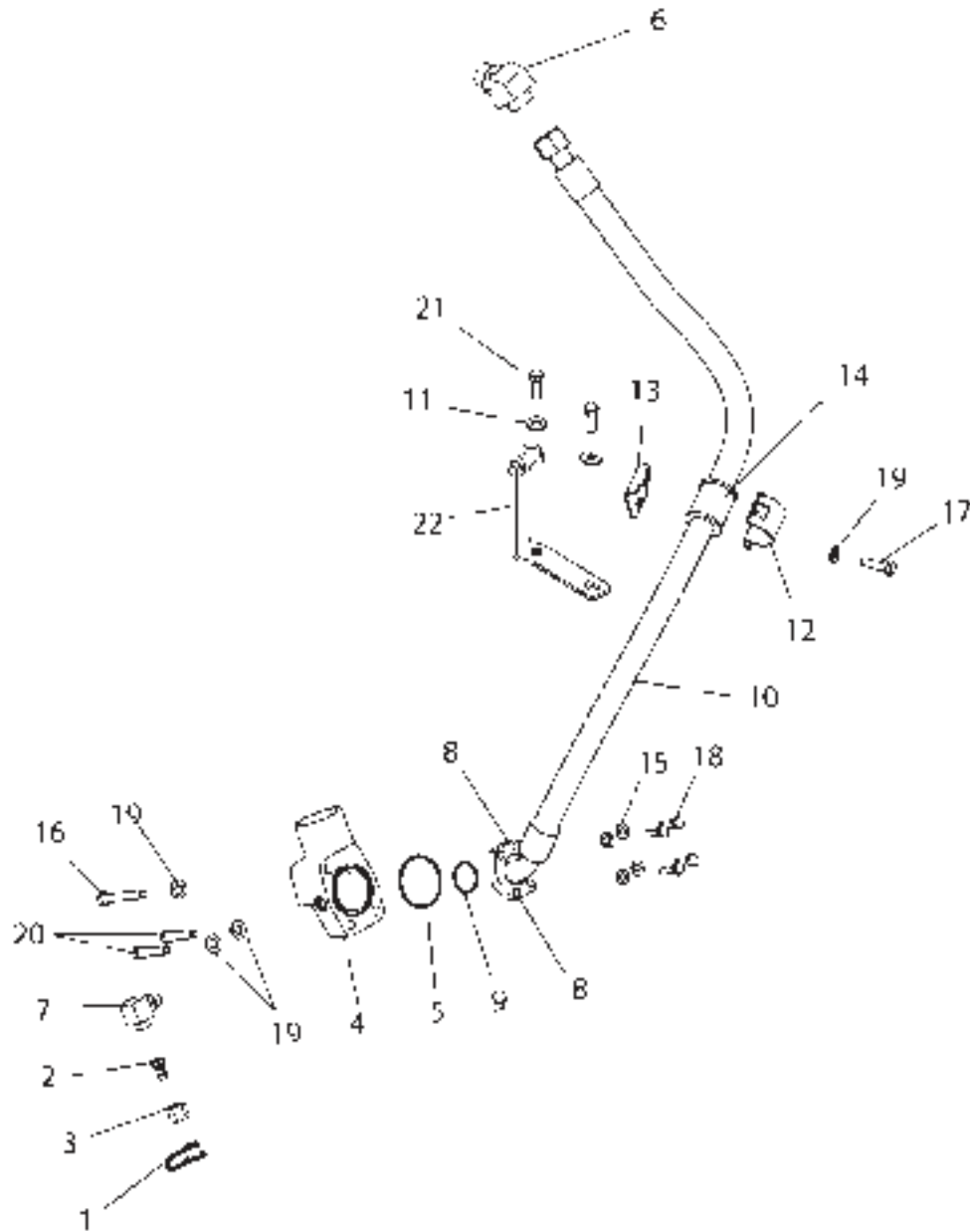
ITEM	NUMBER	QTY	DESCRIPTION
-	172-4518	-	LINES GP-IMPLEMENT [A] (NOT SERVICED)
1	400046X1	1	BOLT-M12X1.75X90 ZNDI HHD 10.9
2	400050X1	1	BOLT-M12X1.75X40 ZNDI HHD 10.9
3	400059X1	4	BOLT-M10X1.5X35 ZNDI HHD 10.9
4	400063X1	2	BOLT-M12X1.75X60 ZNDI HHD 10.9
5	400064X1	2	BOLT-M12X1.75X35 ZNDI HHD 10.9
6	500599D1	1	HOSE AS (FOR 25.4 ID SAE
7	500458D1	1	BRACKET AS
8	400100X1	1	SEAL-O RING-32.92IDX3.53DIA
9	400287X1	4	WASHER-HARD 11IDX21ODX2.5 ZND1
10	400323X1	1	CAP-DUST 12.6 DIA -RUBBER
11	400357X1	4	WASHER-HARD-M12X25.50DX3THK
12	400381X1	2	WASHER-HARD-13.5IDX30 ODX4THK
13	400607X1	1	NUT-ORFS 13/16-16 PLATED
14	CH148-8355	1	ELBOW AS-45DEG 16STORX16ORFS
	400376X1	1	SEAL-O-RING
	400123X1	1	SEAL-O RING-27.22ODX1.78 DIA
15	CH148-8364	1	ELBOW AS-90DEG (8STOR-8ORFS)
	CH3K-0360	1	SEAL-O-RING (16.36IDX2.21DIA)
	CH6V-8398	1	SEAL-O-RING (16.03ODX1.78DIA)
16	CH211-3502	1	ELBOW
17	CH5P-4892	1	SEAL-O-RING 59.92IDX3.53DIA
18	CH5P-7468	1	CLIP-HOSE TOP 52 ID
19	CH5P-7469	1	CLIP-HOSE BOTTOM 52 ID
20	CH5P-8444	1	GROMMET-RUBBER52ODX37IDX52LG
21	CH8C-3206	2	FLANGE-HALF (-16)
22	CH8C-6416	1	NIPPLE AS-QUICK DISC -4 & ORNG
	CH6V-8554	1	NUT (12.7ORFS)

[A] PART OF 180-0184 PUMP AR-HYD

1724518A
PR: t05k07n15a0028

MT800B SERIES TRACTORS
HYDRAULIC SYSTEM

LINES GP-IMPL - 172-4519
87CC CAPACITY IMPLEMENT PUMP



1724519A

**MT800B SERIES TRACTORS
HYDRAULIC SYSTEM**

821

**LINES GP-IMPL - 172-4519
87CC CAPACITY IMPLEMENT PUMP**

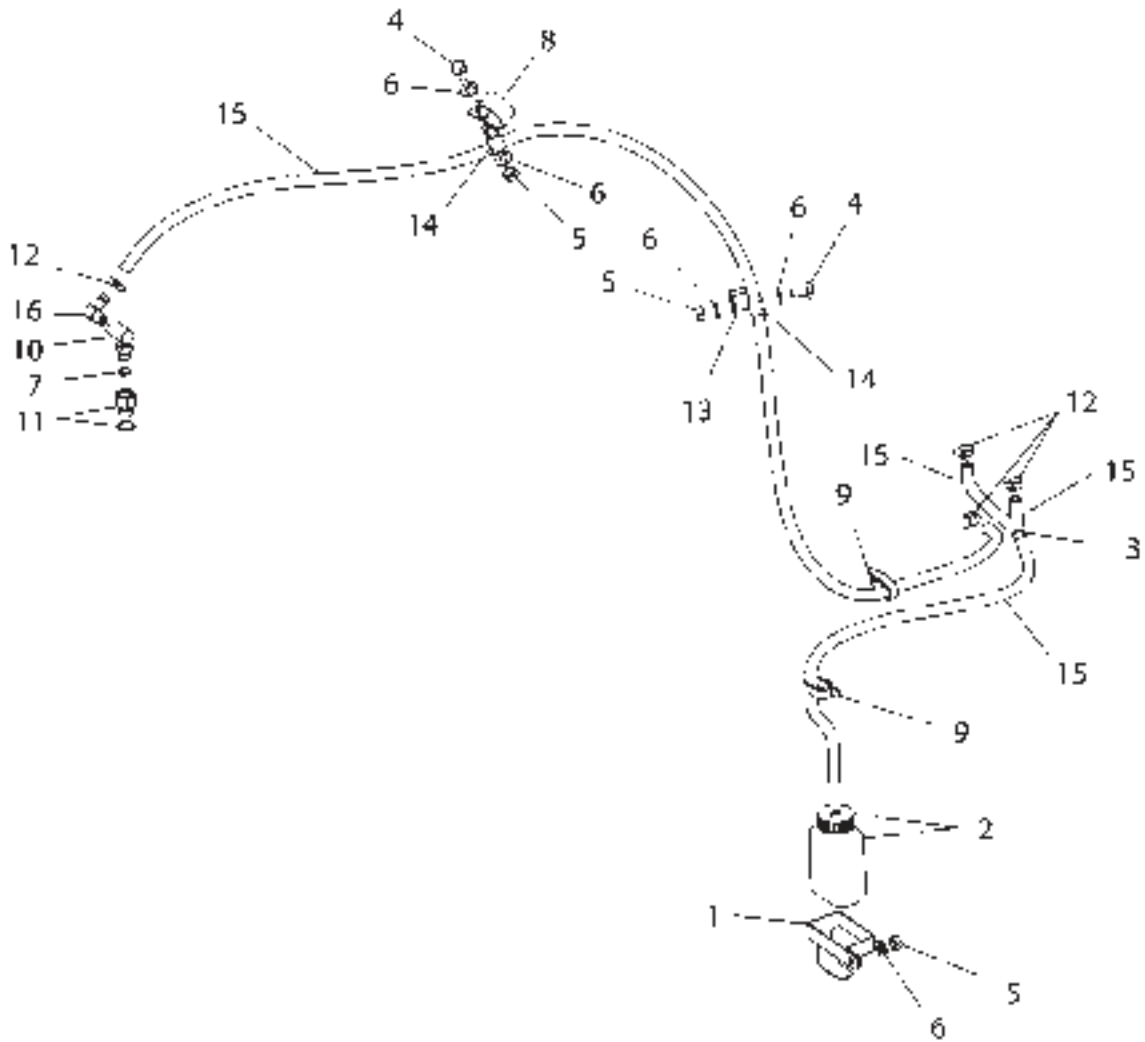
ITEM	NUMBER	QTY	DESCRIPTION
-	172-4519	-	LINES GP-IMPL [A] (NOT SERVICED)
1	400323X1	1	CAP-DUST 12.6 DIA -RUBBER
2	CH8C-6416	1	NIPPLE AS-QUICK DISC -4 & ORNG
	CH6V-8554	1	NUT (12.7ORFS)
3	400607X1	1	NUT-ORFS 13/16-16 PLATED
4	CH208-0765	1	ELBOW
5	CH033-6031	1	SEAL-O-RING 69.44IDX3.53DIA
6	CH148-8355	1	ELBOW AS-45DEG 16STORX16ORFS
	400123X1	1	SEAL-O RING-27.22ODX1.78 DIA
	400376X1	1	SEAL-O-RING (29.74ID)
7	CH148-8364	1	ELBOW AS-90DEG -8STOR -8ORFS
	CH3K-0360	1	SEAL-O-RING (16.36 ID X 2.21 DIA)
	CH6V-8398	1	SEAL-O-RING (16.03 OD X 1.78 DIA)
8	CH1P-4578	2	FLANGE-HALF (-20)
9	CH4J-0522	1	SEAL-O-RING 37.69IDX3.53DIA
10	500128D1	1	HOSE AS.
11	400381X1	2	WASHER-HARD-13.5IDX30 ODX4THK
12	CH5P-7468	1	CLIP-HOSE TOP 52 ID
13	CH5P-7469	1	CLIP-HOSE BOTTOM 52 ID
14	CH5P-8444	1	GROMMET-RUBBER52ODX37IDX52LG
15	400287X1	4	WASHER-HARD 11IDX21ODX2.5 ZND1
16	400046X1	1	BOLT-M12X1.75X90 ZNDI HHD 10.9
17	400050X1	1	BOLT-M12X1.75X40 ZNDI HHD 10.9
18	400059X1	4	BOLT-M10X1.5X35 ZNDI HHD 10.9
19	400357X1	4	WASHER-HARD-M12X25.50DX3THK
20	400063X1	2	BOLT-M12X1.75X60 ZNDI HHD 10.9
21	400064X1	2	BOLT-M12X1.75X35 ZNDI HHD 10.9
22	500458D1	1	BRACKET AS

[A] PART OF 180-0185 PUMP AR

1724519A
PR: t05b22n43d0347

MT800B SERIES TRACTORS
HYDRAULIC SYSTEM

LINES GP-ECOLOGY - 502214D1



502214DC

MT800B SERIES TRACTORS
HYDRAULIC SYSTEM

823

LINES GP-ECOLOGY - 502214D1

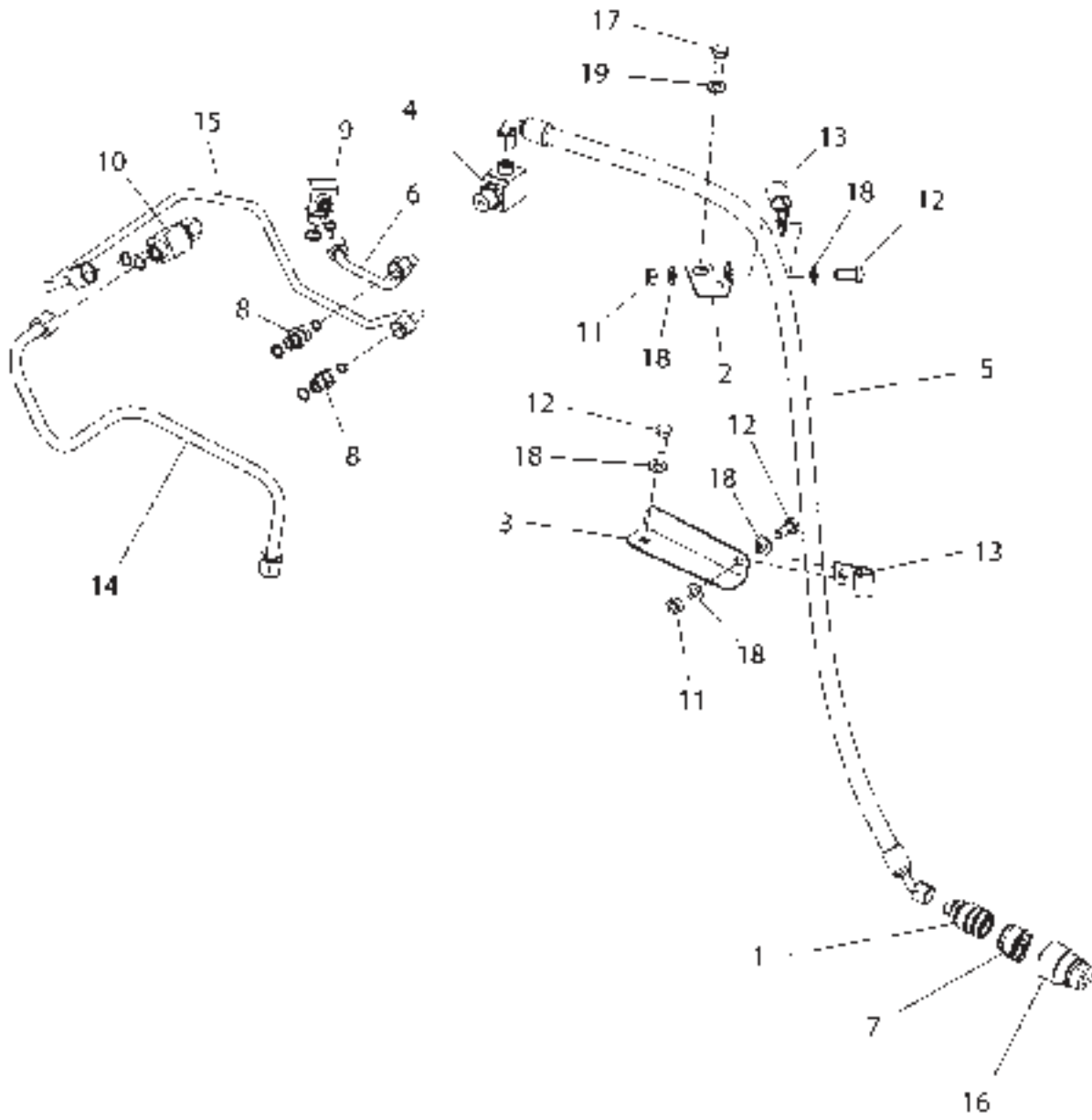
ITEM	NUMBER	QTY	DESCRIPTION
-	502214D1	-	LINES GP-ECOLOGY [A] (NOT SERVICED)
1	179-8664	1	BRACKET
2	CH179-8665	1	BOTTLE AS
3	CH222-0527	1	COUPLING-Y 3 X 7.9 OD BARB
4	400040X1	2	BOLT-M10X1.5X20 ZNDI HHD 10.9
5	7774664	3	NUT-M10-1.5,CL10.9,ZN,H,REG
6	400287X1	5	WASHER-HARD 11IDX21ODX2.5 ZND1
7	400318X1	1	SEAL-O-RING 11.89IDX DIA1.98
8	400689X1	1	CLIP LOOP 38.1ID
9	400837X1	2	STRAP-CABLE (PLASTIC)
10	CH106-2105	1	ELBOW-90DEG-STRAIGHT THD
11	CH148-8313	1	ADAPTER AS-8STOR X 6STOR (INCL O-RING)
	CH3K-0360	1	SEAL-O-RING (16.36 ID X 2.21 DIA)
12	CH1P-4278	4	CLAMP-HOSE 5.5-15.88 ID X 8
13	CH1S-0994	1	CLIP-LOOP 20.64 ID
14	CH4K-8864	2	CLIP-LOOP 14.29ID
15	CH5P-1420	-	HOSE (BULK) 7.92 DIA (245CM)
16	CH5P-9517	1	ELBOW-90DEG. X 4NPTF X 7.92OD BARB

[A] PART OF: 500795D1 VALVE AR-IMPL

502214DC
PR: t05b22n43d0348

MT800B SERIES TRACTORS
HYDRAULIC SYSTEM

LINES GP-HYDRAULIC OIL - 501130D1
HYDRAULIC TRAILER BRAKE



**MT800B SERIES TRACTORS
HYDRAULIC SYSTEM**

825

**LINES GP-HYDRAULIC OIL - 501130D1
HYDRAULIC TRAILER BRAKE**

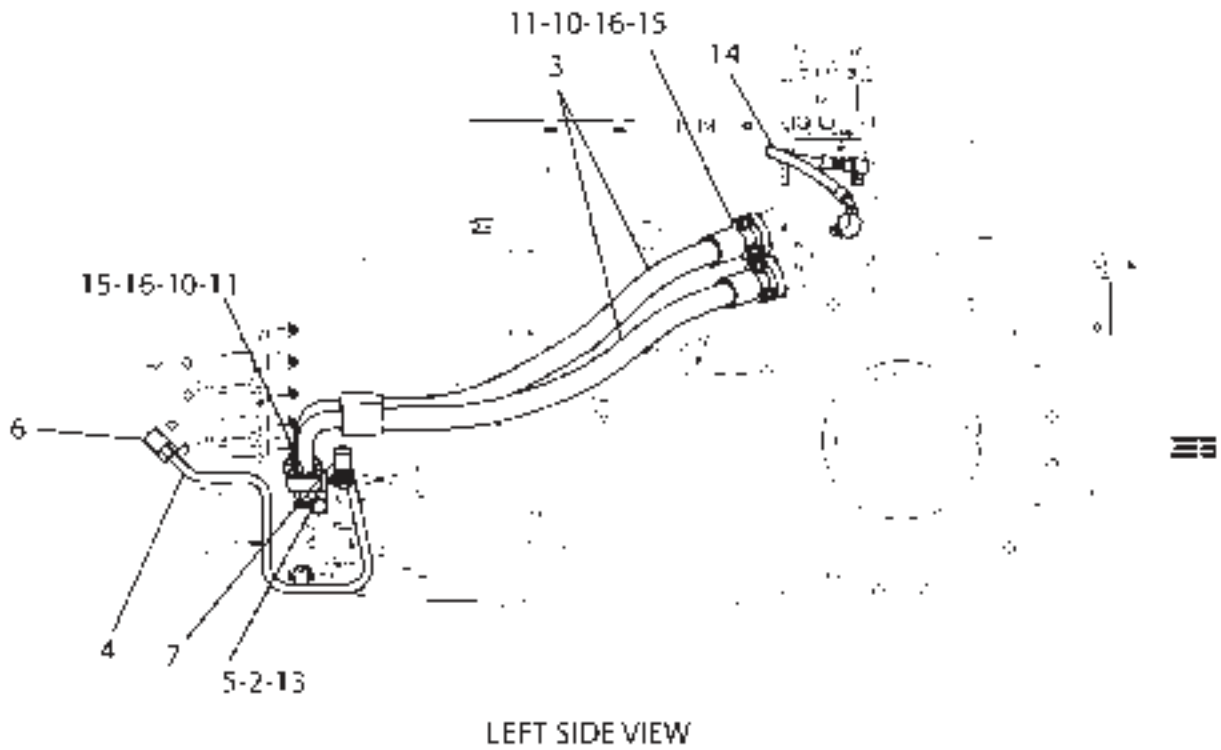
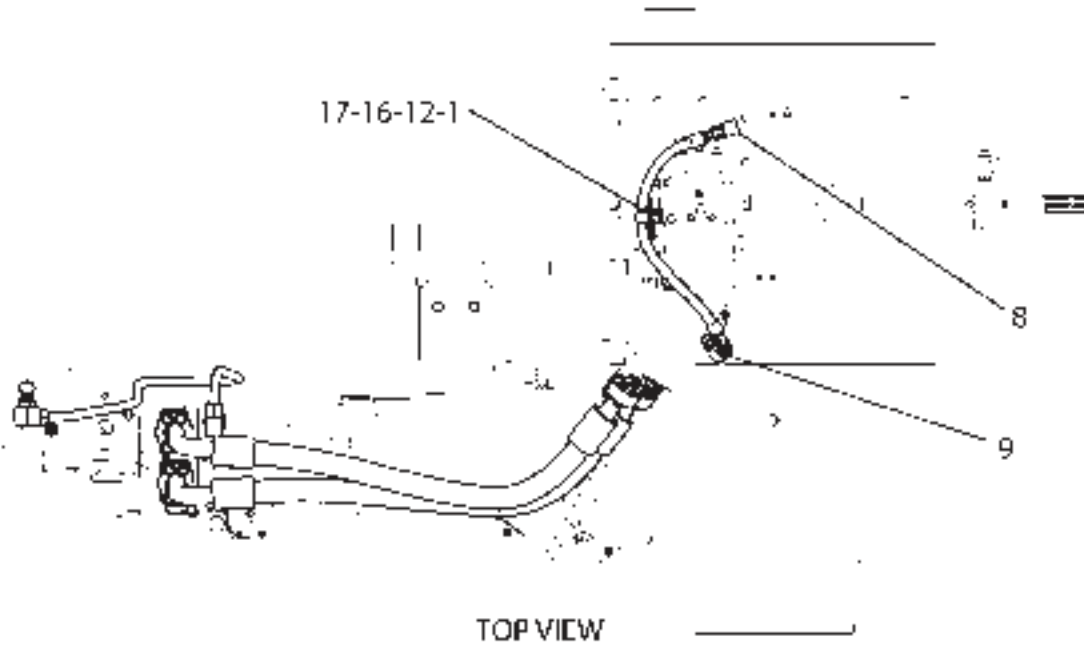
ITEM	NUMBER	QTY	DESCRIPTION
-	501130D1	-	LINES GP-HYD OIL [A] (NOT SERVICED)
1	CH185-3959	1	COUPLER-QK CONNECT 12STOR ML
2	200-2992	1	BRACKET
3	200-2993	1	BRACKET
4	CH205-3692	1	ELBOW AS-90DEG 8STOR X 8ORFS
	400378X1	1	SEAL-O-RING (12.83OD X 1.78 DIA)
	400319X1	1	SEAL-O-RING (19.18ID X 2.46 DIA)
5	CH208-9850	1	HOSE AS-9.5 ID SAE 100R2
6	208-9875	1	TUBE AS.
7	CH223-9254	1	CAP-DUST
8	400367X1	2	CONNECTOR AS-6 STOR -6 ORFS
	400378X1	1	SEAL-O-RING (12.83 ID X 1.78 DIA)
	400318X1	1	SEAL-O-RING (11.89 ID X 1.98 DIA)
9	CH148-8374	1	ELBOW AS-90DEG 6ORFS X 8STOR
	CH3K-0360	1	SEAL-O-RING (16.36 ID X 2.21 DIA)
	400378X1	1	SEAL-O-RING (12.83 ID X 1.78 DIA)
10	CH148-8444	1	TEE-SWIVEL 3X -8 ORFS
	CH6V-8398	2	SEAL-O-RING (16.03 ID X 1.78 DIA)
11	7774664	4	NUT-M10-1.5,CL10.9,ZN,H,REG
12	400039X1	3	BOLT-M10X1.5X25 ZNDI HHD 10.9
13	CH4D-7735	2	CLIP-LOOP 18.29ID
14	501127D1	1	TUBE AS
15	501128D1	1	TUBE AS
16	501129D1	1	COUPLING-TRAILER
17	400190X1	1	BOLT-M12X1.75X16 ZNDI HHD 10.9
18	400287X1	6	WASHER-HARD 11IDX21ODX2.5 ZND1
19	400357X1	1	WASHER-HARD-M12X25.50DX3THK

[A] PART OF:
501170D1 VALVE AR
501140D1 BRAKE KIT-HYD

501130DB
PR: t05b22n43d0349

MT800B SERIES TRACTORS
HYDRAULIC SYSTEM

LINES GP-STEERING - 158-2393



**MT800B SERIES TRACTORS
HYDRAULIC SYSTEM**

827

LINES GP-STEERING - 158-2393

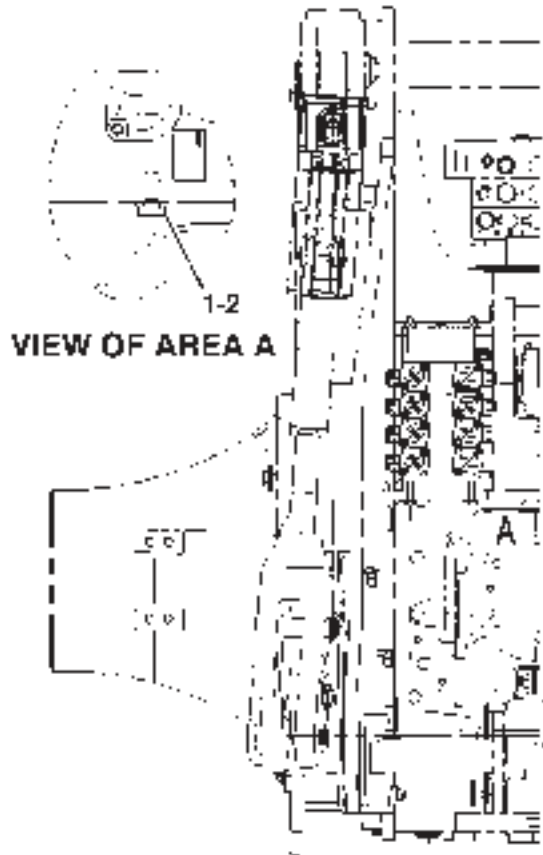
ITEM	NUMBER	QTY	DESCRIPTION
-	158-2393	-	LINES GP-STEERING [A] (NOT SERVICED)
1	CH2A-1314	1	SPACER
2	400323X1	1	CAP-DUST
3	CH192-8841	2	HOSE ASM
4	193-8098	1	TUBE ASM
5	CH110-6349	1	NIPPLE AS-QUICK CONNECT (4STOR) (INCLS O-RING)
6	CH148-8347	1	ELBOW AS-90DEG 12STOR X 12ORFS
	400366X1	1	SEAL-O-RING (22.5IDX1.78DIA)
	400416X1	1	SEAL-O-RING (23.47IDX2.95DIA)
7	CH148-8360	1	ELBOW AS-90DEG (16STORX12ORFS)
	400366X1	1	SEAL-O-RING (22.5IDX1.78DIA)
	400376X1	1	SEAL-O-RING (29.74IDX2.95DIA)
8	CH148-8364	1	ELBOW ASM-90DEG -8STOR -8ORFS
	CH3K-0360	1	SEAL-O-RING (16.36 ID X 2.21 DIA)
	CH6V-8398	1	SEAL-O-RING (16.03 OD X 1.78 DIA)
9	CH148-8372	1	ELBOW AS-90DEG 10STOR-8ORFS
	400319X1	1	SEAL-O-RING (19.18IDX2.46DIA)
	CH6V-8398	1	SEAL-O-RING (16.03ODX1.78DIA)
10	400588X1	4	SEAL-RECTANGULAR
11	CH1P-5767	8	FLANGE-half
12	CH1S-1015	1	CLIP-LOOP
13	400361X1	1	SEAL-O-RING (8.92IDX1.83DIA)
14	500127D1	1	HOSE ASM
15	400057X1	16	BOLT (M12X1.75X50MM)
16	400357X1	17	WASHER-HARD (M12X25.5X3)
17	400062X1	1	BOLT (M12X1.75X70MM)

[A] PART OF:
158-2342; 501809D1 HYD AR-COMMON

1582393F
PR: t05b22n43d0351

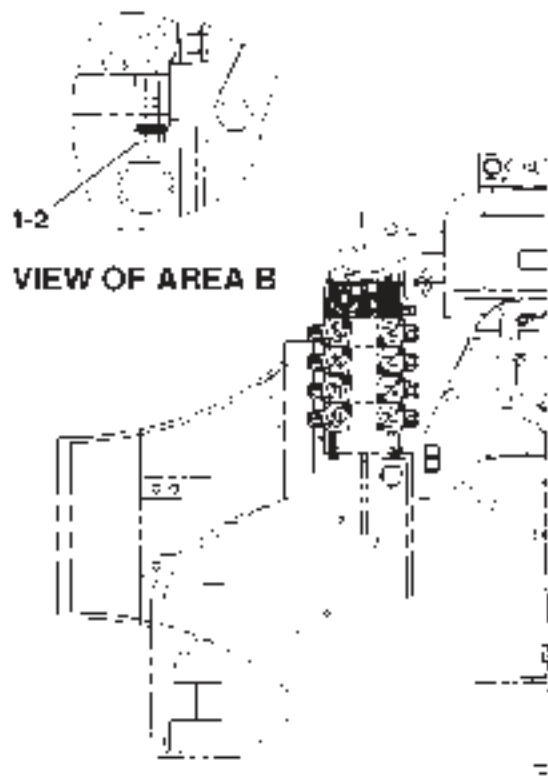
MT800B SERIES TRACTORS
HYDRAULIC SYSTEM

MOUNTING GP-VALVE - 158-2339



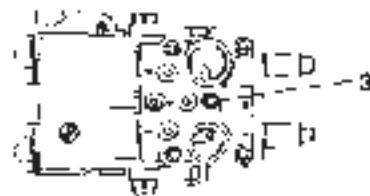
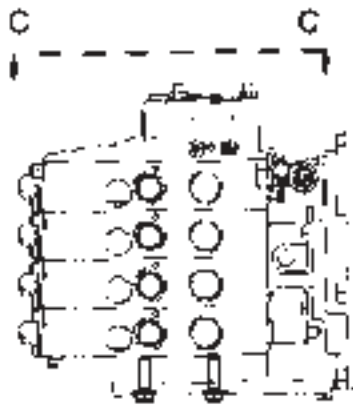
VIEW OF AREA A

REAR VIEW
(WITH 3 POINT HITCH)



VIEW OF AREA B

REAR VIEW
(WITH DRAWBAR HITCH)
(ALTERNATE CONFIGURATION)



VIEW C-C

MT800B SERIES TRACTORS
HYDRAULIC SYSTEM

829

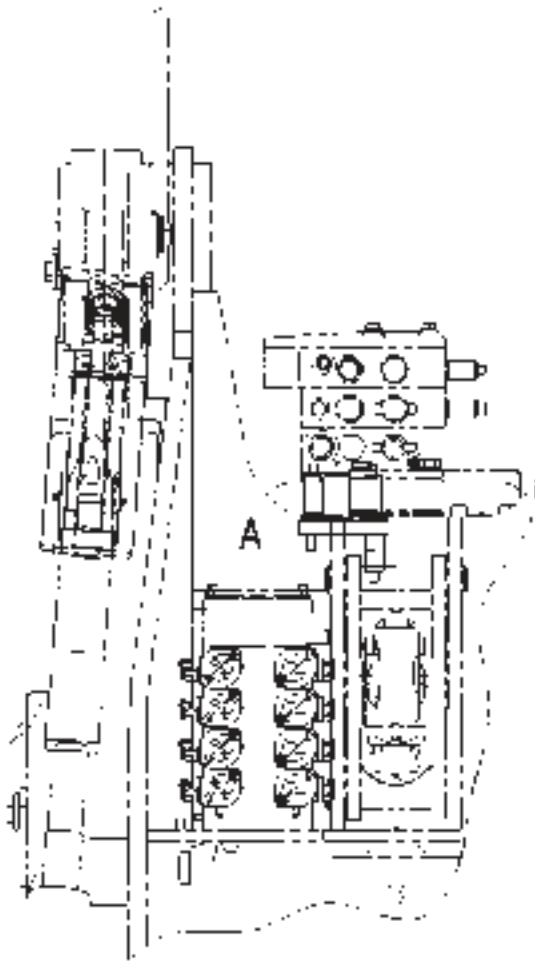
MOUNTING GP-VALVE - 158-2339

ITEM	NUMBER	QTY	DESCRIPTION
-	158-2339	-	MOUNTING GP-VALVE [A] (NOT SERVICED)
1	400050X1	4	BOLT (M12X1.75X40MM)
2	400357X1	4	WASHER-HARD (M12X25.5X3)
3	CH193-5914	1	PLUG

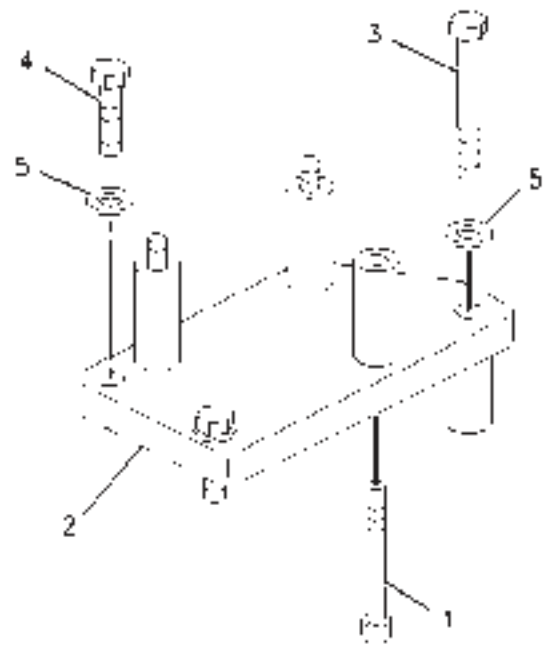
[A] PART OF:
158-2342; 501809D1 HYDRAULIC AR

0855208A
PR: t05b22n43d0352

MOUNTING GP-VALVE - 193-1548



REAR VIEW



VIEW OF AREA A

MT800B SERIES TRACTORS
HYDRAULIC SYSTEM

831

MOUNTING GP-VALVE - 193-1548

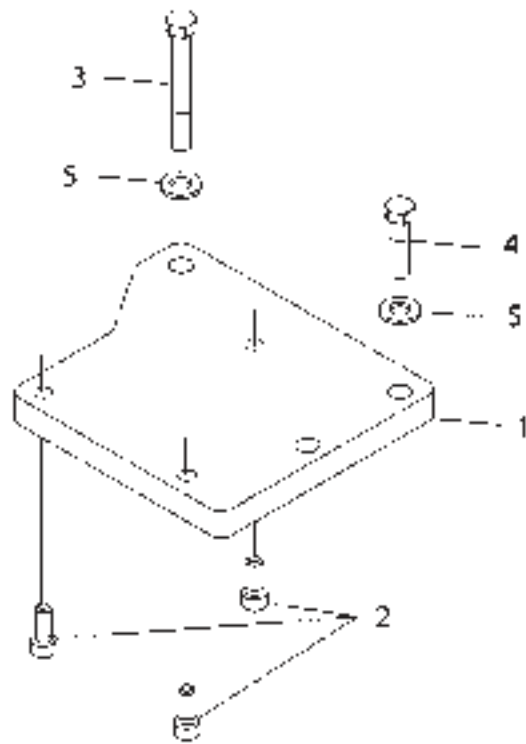
ITEM	NUMBER	QTY	DESCRIPTION
-	193-1548	-	MOUNTING GP-VALVE [A] (NOT SERVICED)
1	400000X1	3	BOLT-SKT HD (M10X1.5X85)
2	224-1399	1	BRACKET AS
3	400046X1	1	BOLT (M12X1.75X90MM)
4	400051X1	2	BOLT (M12X1.75X45MM)
5	400357X1	3	WASHER-HARD (M12X25.5X3)

[A] PART OF 193-8197; 193-8198 VALVE AR

00854860
PR: t05b22n43d0353

MT800B SERIES TRACTORS
HYDRAULIC SYSTEM

MOUNTING GP-VALVE - 162-9805



1629805D

MT800B SERIES TRACTORS
HYDRAULIC SYSTEM

833

MOUNTING GP-VALVE - 162-9805

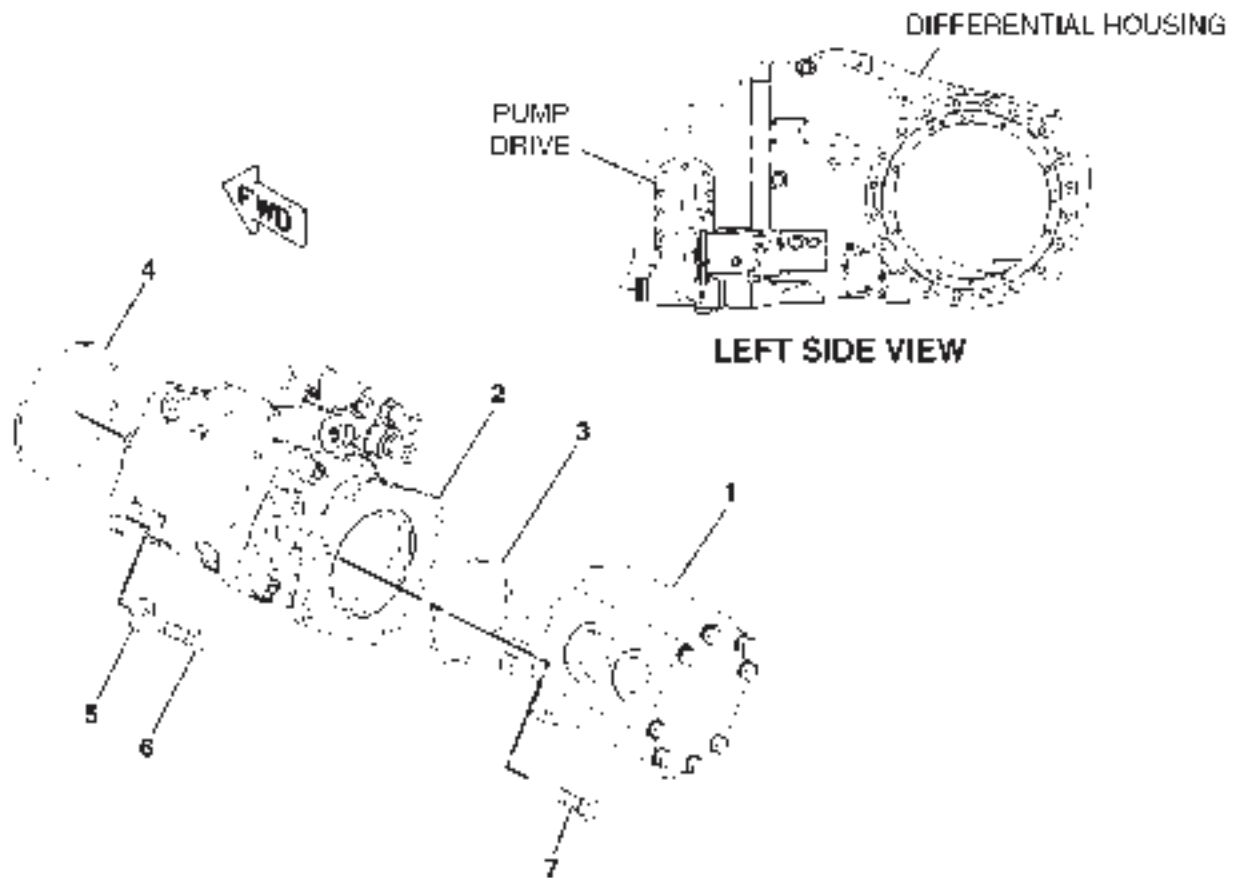
ITEM	NUMBER	QTY	DESCRIPTION
-	162-9805	-	MOUNTING GP-VALVE [A] (NOT SERVICED)
1	209-3414	1	BRACKET AS
2	400217X1	3	BOLT (M10X1.5X25MM)
3	400046X1	1	BOLT (M12X1.75X90MM)
4	400051X1	1	BOLT (M12X1.75X45MM)
5	400357X1	2	WASHER-HARD (M12X25.5X3 THK)

[A] PART OF: 501070D1;193-8199;
193-8200 VALVE AR

1629805D
PR: t05b22n43d0354

MT800B SERIES TRACTORS
HYDRAULIC SYSTEM

PUMP & MOUNTING GP - 162-9804
(63CC IMPLEMENT PUMP)



MT800B SERIES TRACTORS
HYDRAULIC SYSTEM

835

PUMP & MOUNTING GP - 162-9804
(63CC IMPLEMENT PUMP)

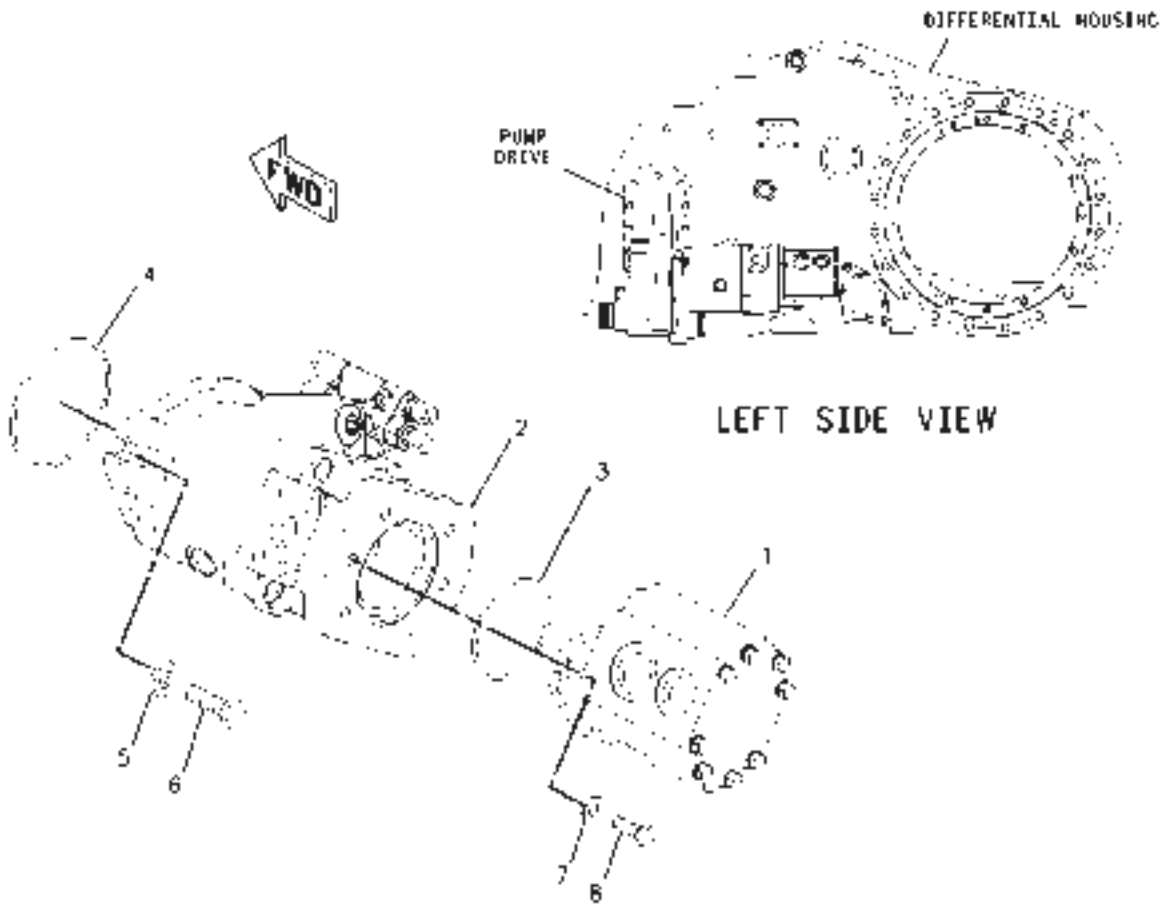
ITEM	NUMBER	QTY	DESCRIPTION
	162-9804		PUMP & MOUNTING GP [A] (NOT SERVICED)
1	CH206-6337	1	PUMP GP-GEAR (CHARGE) (SEE BREAKDOWN FOR COMPONENTS)
2	CH206-9019	1	PUMP GP-PISTON (IMPLEMENT) (SEE BREAKDOWN FOR COMPONENTS)
3	CH2H-3934	1	SEAL-O-RING
4	400101X1	1	SEAL-O-RING (126.6IDX3.5DIA)
5	400381X1	4	WASHER-HARD (13.5X30X4)
6	400050X1	4	BOLT (M12X1.75X40MM)
7	400064X1	2	BOLT (M12X1.75X35MM)

[A] PART OF 180-0184 PUMP AR-HYDRAULIC

0850708A
PR: t05b22n43d0355

MT800B SERIES TRACTORS
HYDRAULIC SYSTEM

PUMP & MOUNTING GP - 165-7901
(87CC IMPLEMENT PUMP)



**MT800B SERIES TRACTORS
HYDRAULIC SYSTEM**

837

**PUMP & MOUNTING GP - 165-7901
(87CC IMPLEMENT PUMP)**

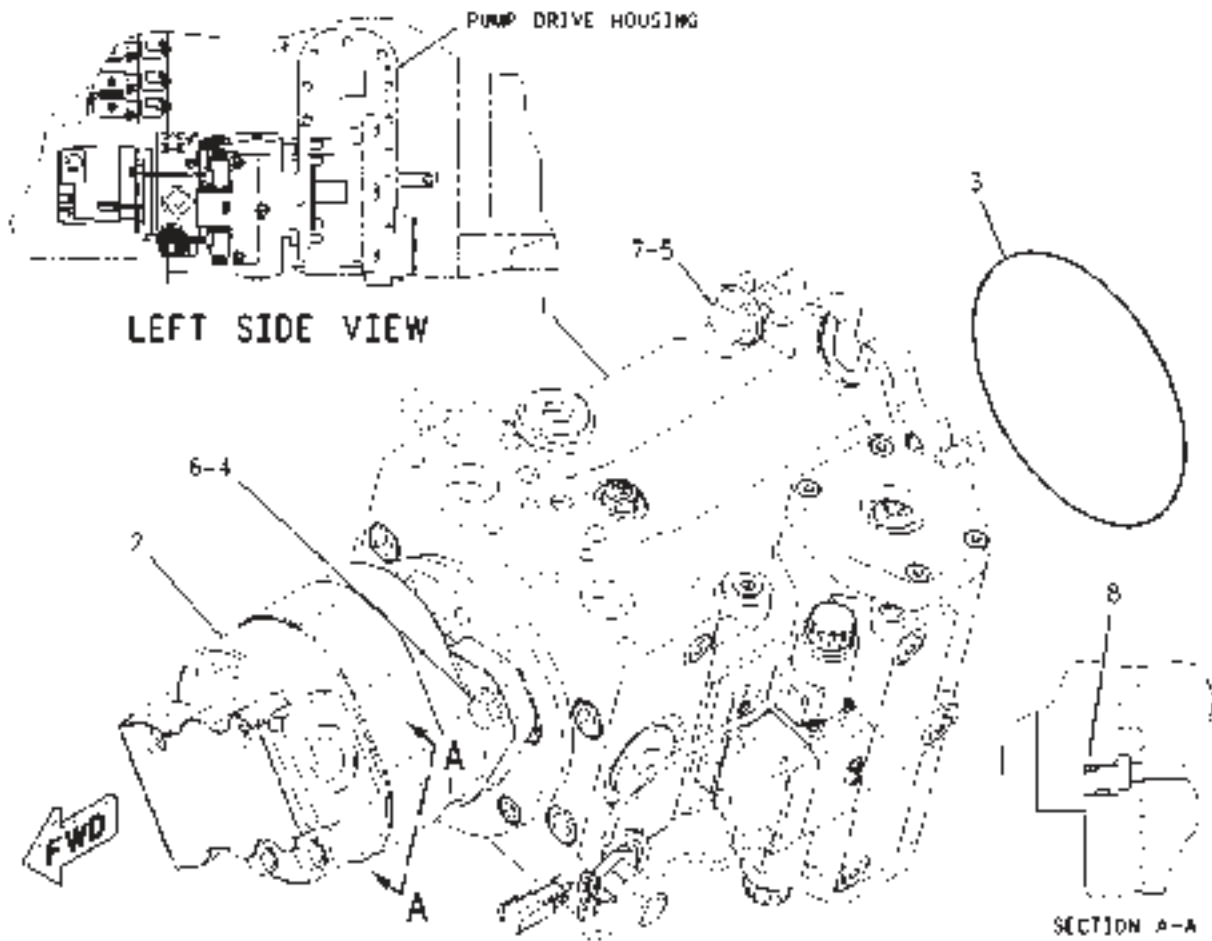
ITEM	NUMBER	QTY	DESCRIPTION
	165-7901		PUMP & MOUNTING GP [A] (NOT SERVICED)
1	CH206-6337	1	PUMP GP-GEAR (CHARGE) (SEE BREAKDOWN FOR COMPONENTS)
2	CH206-9017	1	PUMP GP-PISTON (IMPLEMENT) (SEE BREAKDOWN FOR COMPONENTS)
3	CH2H-3934	1	SEAL-O-RING
4	400101X1	1	SEAL-O-RING
5	CH7X-0515	2	WASHER-HARD (17X35X5)
6	400056X1	2	BOLT (M16X2X50MM)
7	400381X1	2	WASHER-HARD
8	400064X1	2	BOLT (M12X1.75X35MM)

[A] PART OF 180-0185 PUMP AR-HYDRAULIC

00850772
PR: t05b22n43d0356

MT800B SERIES TRACTORS
HYDRAULIC SYSTEM

PUMP & MTG GP-HYDRAULIC - 158-2397
SCAVENGE PUMP



MT800B SERIES TRACTORS
HYDRAULIC SYSTEM

839

PUMP & MTG GP-HYDRAULIC - 158-2397
SCAVENGE PUMP

ITEM	NUMBER	QTY	DESCRIPTION
-	158-2397	-	PUMP & MTG GP-HYDRAULIC [A] (NOT SERVICED)
1	CH162-9592	1	PUMP GP-PISTON (SLIPPER) SEE BREAKDOWN FOR COMPONENTS)
2	CH207-3629	1	PUMP GP-GEAR (STER, IMPL & TMSN CHARGE) SEE BREAKDOWN FOR COMPONENTS)
3	CH8F-8733	1	SEAL-O-RING
4	400050X1	2	BOLT (M12X1.75X40MM)
5	400056X1	4	BOLT (M16X2X50MM)
6	400357X1	2	WASHER-HARD (M12X25.5X3)
7	CH7X-0515	4	WASHER-HARD (17X35X5)
8	CH6D-7146	1	SEAL-O-RING (101.27IDX2.62DIA) [B]

[A] PART OF:
158-2342; 501809D1 HYDRAULIC AR

[B] THIS SEAL IS DELIVERED AS PART OF
THE PUMP GP-PISTON. THE SEAL IS
LISTED AS A SERVICE REPAIR PART IN
CASE OF CUTTING THE SEAL AT INITIAL
ASSEMBLY OR IN FIELD SERVICE.

00830561
PR: t05b22n43d0357

840

MT800B SERIES TRACTORS
HYDRAULIC SYSTEM

PUMP AR-HYDRAULIC - 180-0184
63CC IMPLEMENT PUMP HITCH

NO ILLUSTRATION

NOTIF

MT800B SERIES TRACTORS
HYDRAULIC SYSTEM

841

PUMP AR-HYDRAULIC - 180-0184
63CC IMPLEMENT PUMP HITCH

ITEM	NUMBER	QTY	DESCRIPTION
-	180-0184	-	PUMP AR-HYDRAULIC (NOT SERVICED)
	209-8325	1	LINES GP-HYDRAULIC (NOT SERVICED) SEE BREAKDOWN FOR COMPONENTS)
	172-4518	1	LINES GP-IMPLEMENT (NOT SERVICED) SEE BREAKDOWN FOR COMPONENTS)
	162-9804	1	PUMP & MOUNTING GP (NOT SERVICED) SEE BREAKDOWN FOR COMPONENTS)

NOTIF
PR: t05b22n43d0358

842

MT800B SERIES TRACTORS
HYDRAULIC SYSTEM

PUMP AR-HYDRAULIC - 180-0185
87CC IMPLEMENT PUMP

NO ILLUSTRATION

NOTIF

**MT800B SERIES TRACTORS
HYDRAULIC SYSTEM**

843

**PUMP AR-HYDRAULIC - 180-0185
87CC IMPLEMENT PUMP**

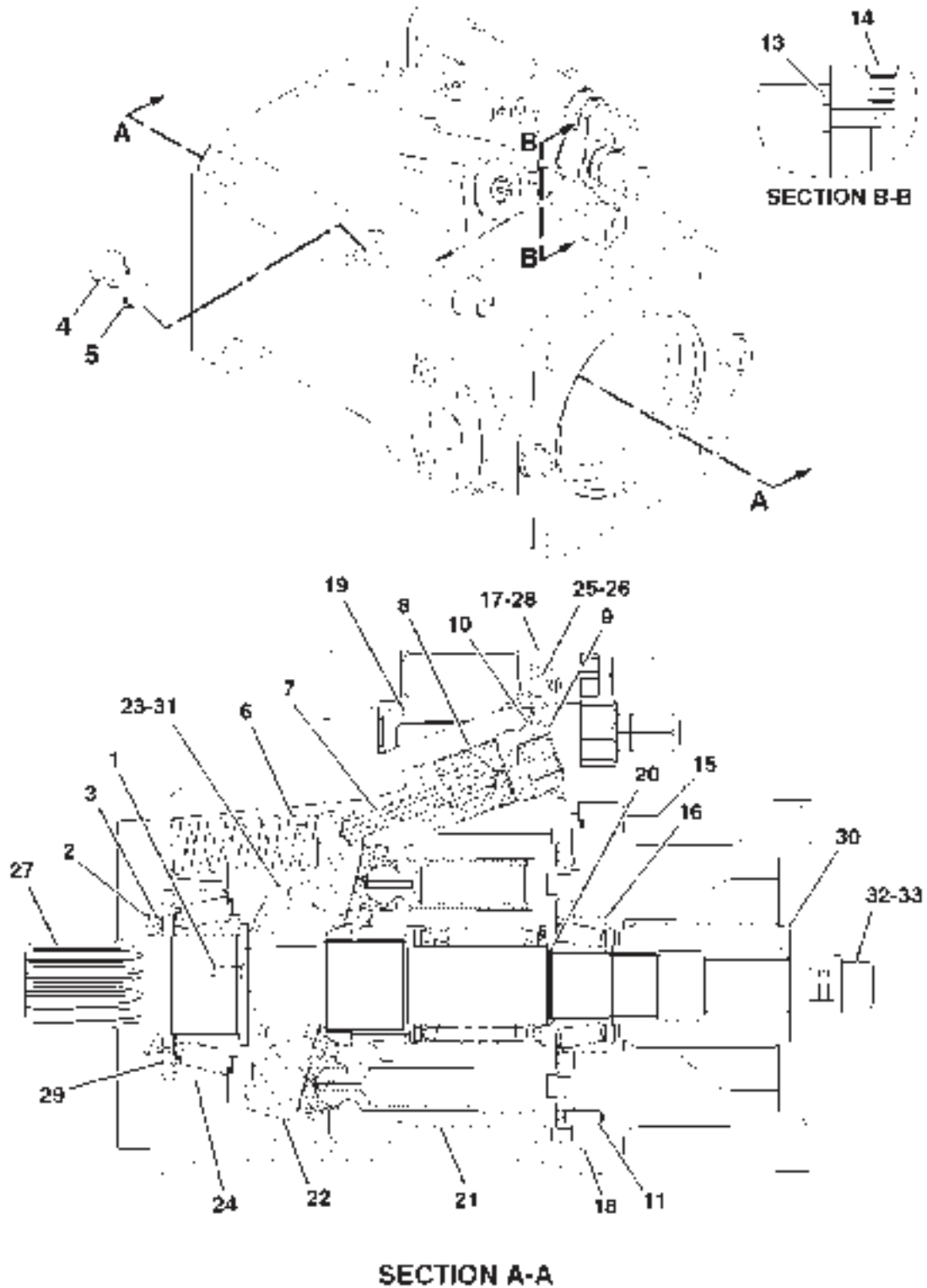
ITEM	NUMBER	QTY	DESCRIPTION
-	180-0185	-	PUMP AR-HYDRAULIC [A] (NOT SERVICED)
1	165-7901	1	PUMP & MOUNTING GP (NOT SERVICED) (SEE BREAKDOWN FOR COMPONENTS)
2	172-4519	1	LINES GP-IMPLEMENT (NOT SERVICED) (SEE BREAKDOWN FOR COMPONENTS)
3	209-8326	1	LINES GP-HYDRAULIC (NOT SERVICED) (SEE BREAKDOWN FOR COMPONENTS)

[A] PART OF: 501605D1; 501606D1;
501607D1; 501608D1; 501609D1
BASE UNIT AR;
502785D1; 502907D1 PUMP AR-HYD

NOTIF
PR: t05b22n43d0359

MT800B SERIES TRACTORS
HYDRAULIC SYSTEM

PUMP GP-PISTON (SLIPPER) - CH206-9019
63CC IMPLEMENT
ROW & EAME



**MT800B SERIES TRACTORS
HYDRAULIC SYSTEM**

845

**PUMP GP-PISTON (SLIPPER) - CH206-9019
63CC IMPLEMENT
ROW & EAME**

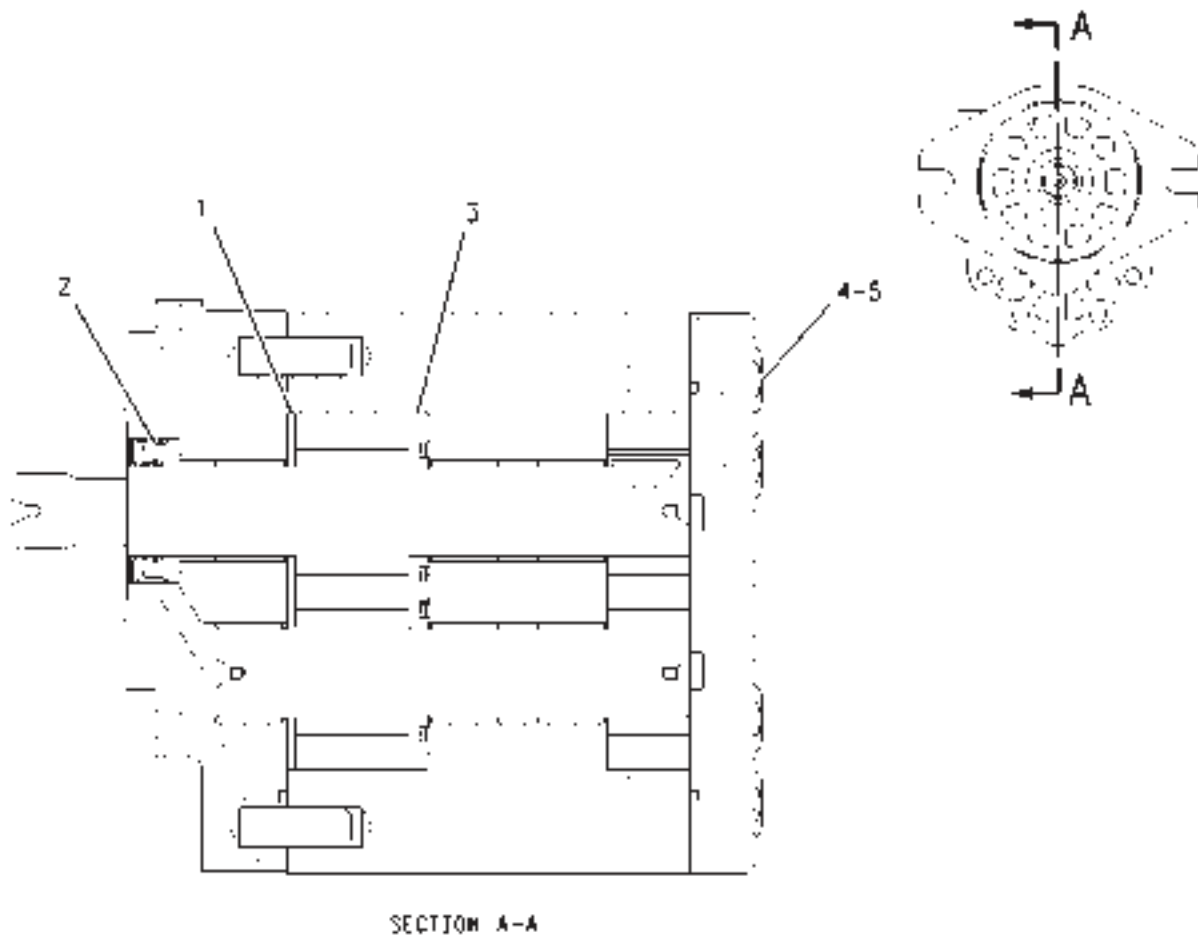
ITEM	NUMBER	QTY	DESCRIPTION
-	CH206-9019	-	PUMP GP- PISTON [A]
1	CH6R-7943	2	SCREW (M5X15.5MM)
2	CH180-6213	1	RING-RETAINING
3	CH168-7319	1	SEAL-SHAFT
4	400374X1	1	PLUG
5	400319X1	1	SEAL-O-RING
6	CH168-2197	1	SPRING
7	CH168-2198	1	LINK-CONTROL
8	CH174-9994	1	PISTON-CONTROL
9	CH168-7863	1	PLUG-CONTROL
10	CH8T-7525	1	SEAL-O-RING
11	CH9X-8979	1	DOWEL
13	CH168-3504	2	SEAL
14	CH136-8423	2	PLUG-BREAK OFF
15	CH095-0687	4	BOLT-SOCKET HEAD
16	CH185-0296	1	BEARING
17	CH9X-7680	3	SEAL-O-RING
18	CH117-8801	1	SEAL-O-RING
19	400246X1	4	BOLT-SOCKET HEAD (M6X1X30MM)
20	CH168-2203	1	SHIM-SHAFT
21	190-6501	1	ROTATING GP-PUMP (SEE BREAKDOWN FOR COMPONENTS)
22	CH168-7317	1	SWASHPLATE-PUMP
23	214-9207	1	BEARING (RIGHT HAND)
24	CH185-0295	1	BEARING
25	CH9S-8002	1	PLUG
26	400361X1	1	SEAL-O-RING
27	214-9204	1	SHAFT
28	214-9379	1	VALVE GP-PRESS & FLOW CMPNSTR (SEE BREAKDOWN FOR COMPONENTS)
29	CH190-6507	1	STOP
30	214-9205	1	COUPLING-SHAFT
31	214-9206	1	BEARING (LEFT HAND)
32	400220X1	2	BOLT-HEX SOCKET (M12X1.75X30MM)
33	400357X1	2	WASHER-HARD (M12X25.5X3)

[A] PART OF 162-9804 PUMP & MOUNTING GP

0893755A
PR: t05k07n15a0029

MT800B SERIES TRACTORS
HYDRAULIC SYSTEM

PUMP GP-GEAR - CH206-6337
STEERING, IMPLEMENT & TRANS CHARGE



MT800B SERIES TRACTORS
HYDRAULIC SYSTEM

847

PUMP GP-GEAR - CH206-6337
STEERING, IMPLEMENT & TRANS CHARGE

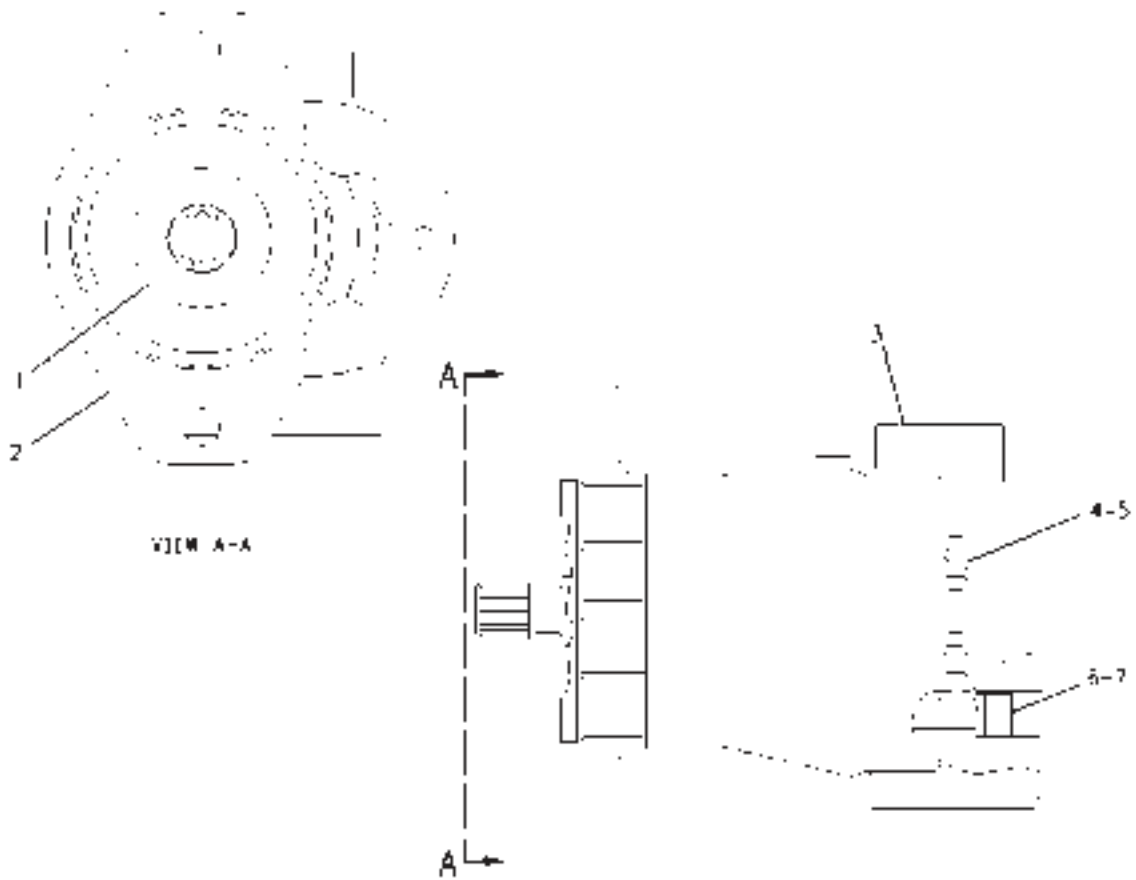
ITEM	NUMBER	QTY	DESCRIPTION
-	CH206-6337	-	PUMP GP-GEAR [A]
1	CH077-5261	1	PLATE-THRUST
2	CH202-2593	1	SEAL-SHAFT
	CH202-2595	1	KIT-SEAL (CHARGE PUMP)
3	CH202-2592	1	PLATE-WEAR
4	CH8C-7323	8	BOLT (3/8-16X6 IN)
5	CH8T-4896	8	WASHER-HARD (10.2X18.5X2.5)

[A] PART OF 162-9804; 165-7901 PUMP &
MOUNTING GP

00896358
PR: t05b22n43d0360

MT800B SERIES TRACTORS
HYDRAULIC SYSTEM

PUMP GP-GEAR - CH207-3629
SCAVANGE PUMP
STEERING, IMPLEMENT & TRANS CHARGE



MT800B SERIES TRACTORS
HYDRAULIC SYSTEM

849

PUMP GP-GEAR - CH207-3629
SCAVANGE PUMP
STEERING, IMPLEMENT & TRANS CHARGE

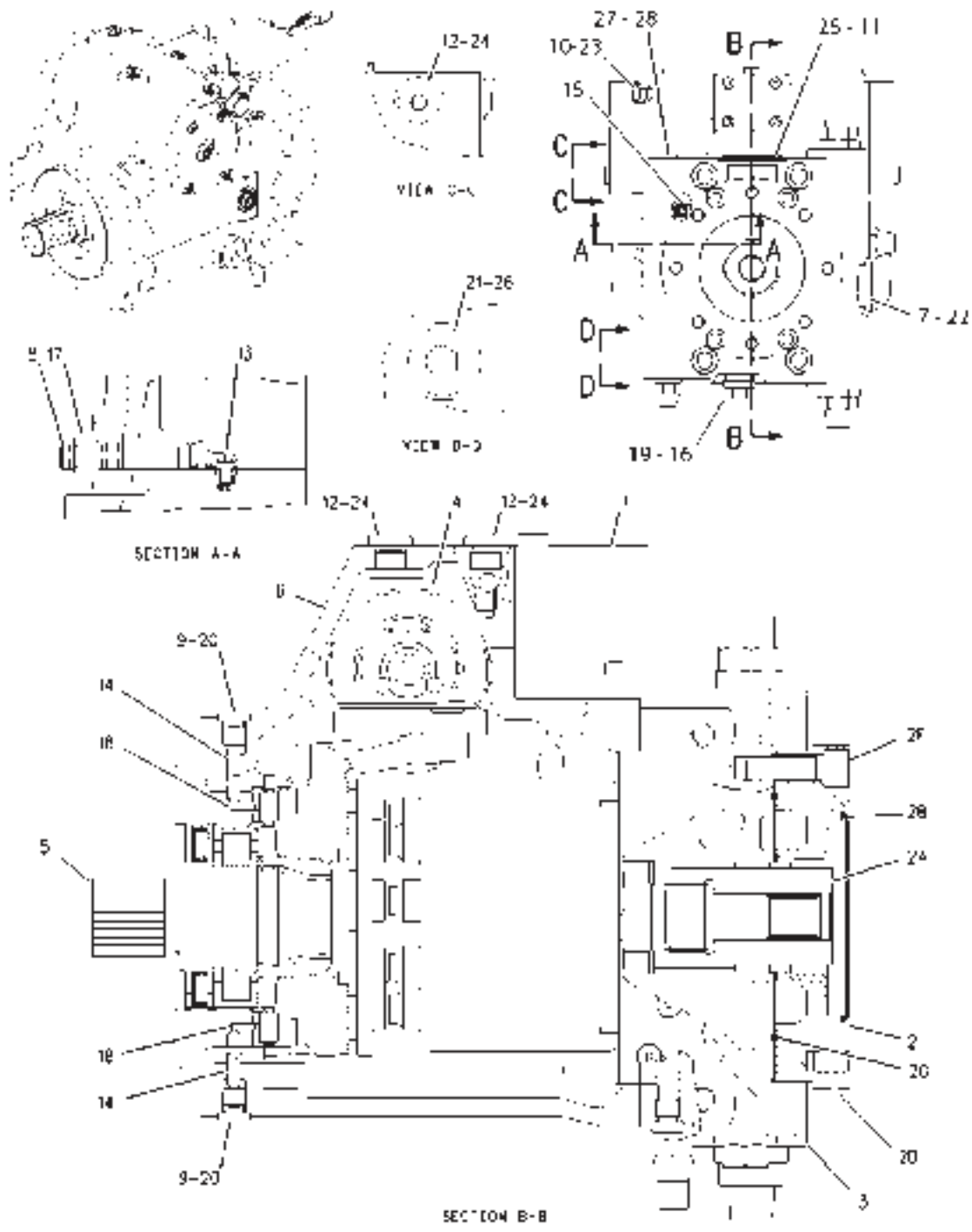
ITEM	NUMBER	QTY	DESCRIPTION
-	CH207-3629	-	PUMP GP-GEAR [A]
1	CH4M-7668	1	SEAL-LIP [B]
2	CH209-9079	1	FLANGE
3	CH209-9078	1	COVER
4	CH5P-8244	4	WASHER (12X22.5X2.5)
5	CH9F-2491	4	BOLT (7/16-14X3.75 IN)
6	CH210-0780	4	WASHER
7	CH194-8673	4	BOLT-SOCKET HEAD
-	CH210-0179	1	KIT-SEAL

[A] PART OF 158-2397 PUMP & MTG GP-HYD
[B] INCLUDED IN SEAL KIT

00852392
PR: t05b22n43d0361

MT800B SERIES TRACTORS
HYDRAULIC SYSTEM

PUMP GP-PISTON - CH162-9592
SCAVENGE PUMP SLIPPER



**MT800B SERIES TRACTORS
HYDRAULIC SYSTEM**

851

**PUMP GP-PISTON - CH162-9592
SCAVENGE PUMP SLIPPER**

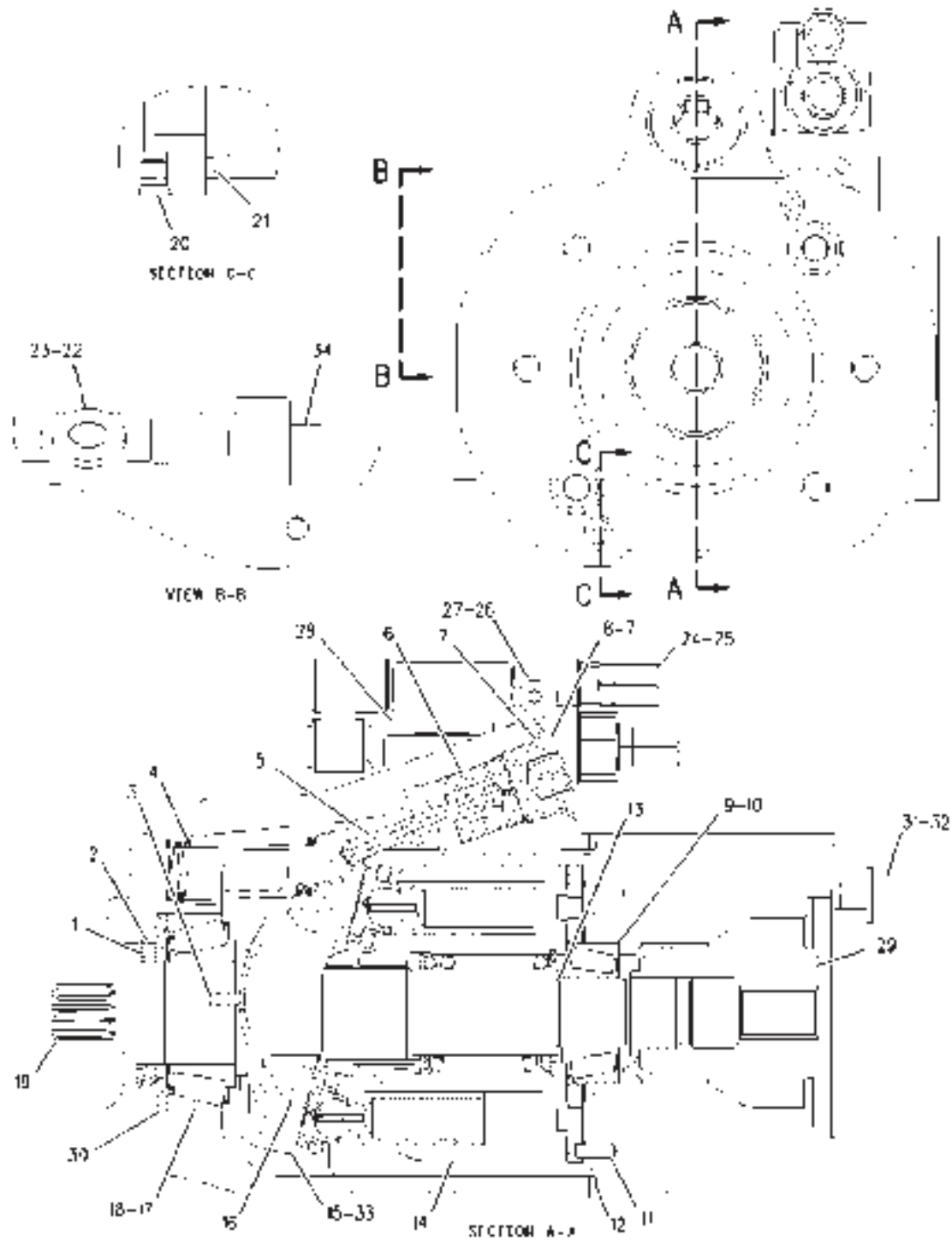
ITEM	NUMBER	QTY	DESCRIPTION
-	CH162-9592	-	PUMP GP-PISTON [A]
1	205-6412	1	VALVE GP-SERVO (SEE BREAKDOWN FOR COMPONENTS)
2	502536D1	1	DRIVE ASM (INCLUDES ITEMS 2A THRU 2G)
2A	CH205-6395	1	COUPLING
2B	CH3K-0715	1	SEAL-O-RING
2D	502537D1	1	FLANGE
2F	400210X1	4	BOLT-SOCKET HEAD (M12X1.75X40MM)
2G	CH8C-5237	2	SEAL-O-RING
3	205-6398	1	HEAD GP-PUMP (SEE BREAKDOWN FOR COMPONENTS)
4	CH183-8430	1	ACTUATOR GP-PISTON PUMP (SEE BREAKDOWN FOR COMPONENTS)
5	205-6400	1	ROTATING GP-PUMP (SEE BREAKDOWN FOR COMPONENTS)
6	CH183-8454	1	HOUSING
7	CH096-6095	1	PLUG
8	CH123-7582	1	PIN-THREADED
9	CH135-8854	3	PLUG
10	CH137-3780	2	PLUG (M10)
11	CH6K-6307	1	SEAL-O-RING
12	400318X1	4	SEAL-O-RING
13	205-6399	1	PIN-ECCENTRIC
14	CH6E-4351	2	PIN
15	CH126-1645	1	ORIFICE
16	502535D1	1	PLUG
17	CH6E-4385	1	LOCKNUT
18	CH6E-4614	2	PIN
19	CH6V-5326	1	SEAL-O-RING
20	CH6V-9028	2	SEAL-O-RING
21	7M-8485	1	SEAL-O-RING
22	CH8C-5193	1	SEAL-O-RING
23	CH8T-7876	2	SEAL-O-RING
24	CH162-0177	4	PLUG AS (INCLS SEAL-O-RING)
	400318X1	1	SEAL-O-RING
25	CH5P-7684	1	PLUG
26	400375X1	1	PLUG
27	CH9S-8002	1	PLUG
28	400361X1	1	SEAL-O-RING

[A] PART OF 158-2397 PUMP & MTG
GP-HYDRAULIC

1629592A
PR: t05b22n43d0362

MT800B SERIES TRACTORS
HYDRAULIC SYSTEM

PUMP GP-PISTON - CH206-9017
87CC IMPLEMENT



00893848

**MT800B SERIES TRACTORS
HYDRAULIC SYSTEM**

853

**PUMP GP-PISTON - CH206-9017
87CC IMPLEMENT**

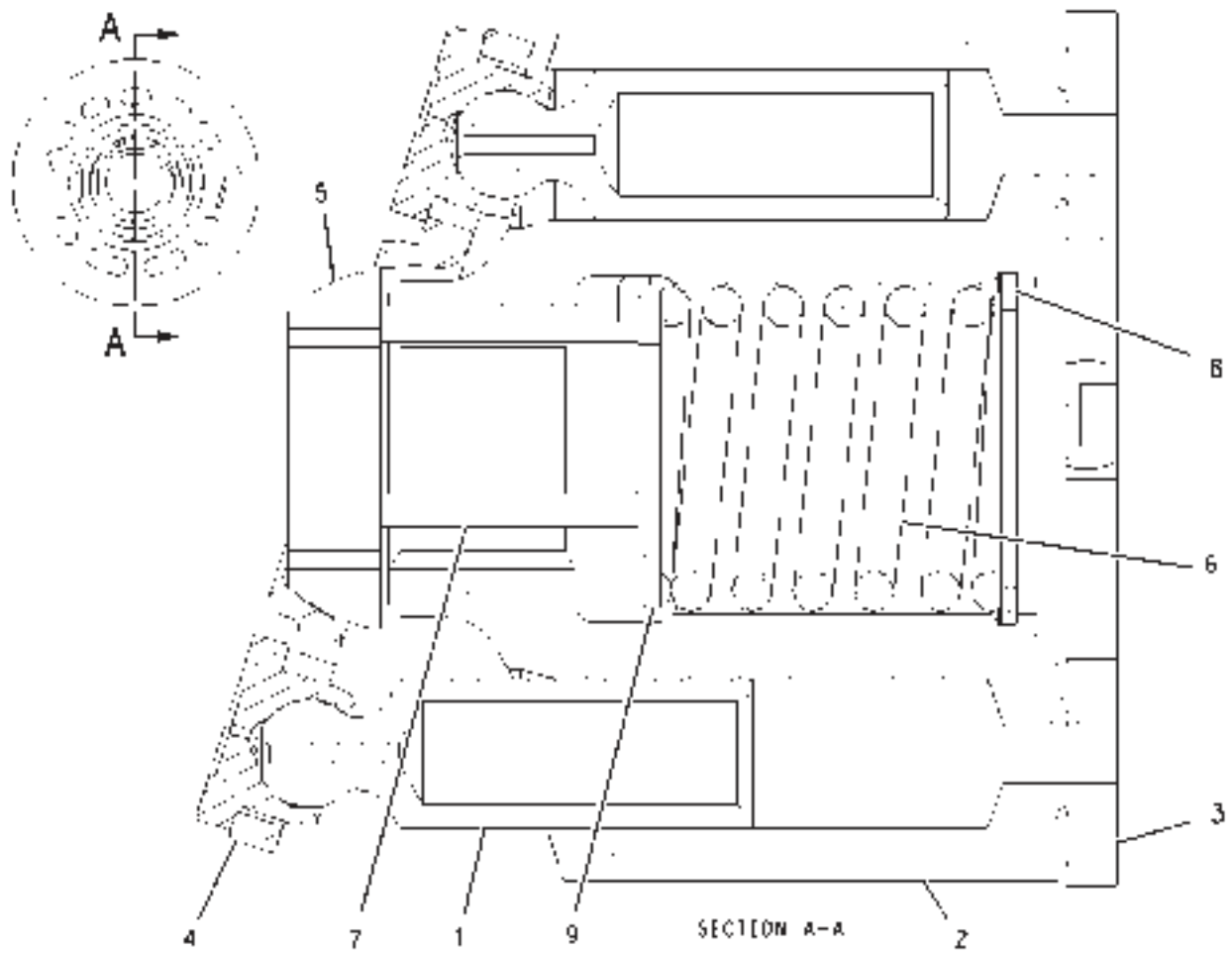
ITEM	NUMBER	QTY	DESCRIPTION
-	CH206-9017	-	PUMP GP-PISTON [A]
1	CH140-1739	1	RING-RETAINING
2	CH105-1632	1	SEAL
3	CH6R-7943	2	SCREW (M5X15.5MM)
4	CH190-6519	1	SPRING
5	CH190-3120	1	LINK
6	214-9201	1	PISTON
7	CH6V-8978	1	SEAL-O-RING
8	CH190-6518	1	PLUG
9	CH105-3033	1	CUP-BEARING
10	CH105-3032	1	CONE-BEARING
11	CH9X-8979	1	DOWEL
12	CH4V-2445	1	SEAL-O-RING
13	CH105-1638	1	SPACER
14	190-3118	1	ROTATING GP-PUMP (SEE BREAKDOWN FOR COMPONENTS)
15	CH190-6516	1	SWASHPLATE
16	CH190-6523	2	BEARING
17	CH3B-2263	1	CUP-BEARING
18	CH105-3031	1	CONE-BEARING
19	214-9202	1	SHAFT
20	CH136-8423	3	PLUG-BREAK OFF
21	CH168-3504	2	SEAL
22	CH9S-8008	1	PLUG
23	400416X1	1	SEAL-O-RING
24	214-9379	1	VALVE GP-PRESS & FLOW CMPNSTR (SEE BREAKDOWN FOR COMPONENTS)
25	CH9X-7680	3	SEAL-O-RING
26	CH9S-8002	1	PLUG (4STOR HEX SKT)
27	400361X1	1	SEAL-O-RING
28	400246X1	1	BOLT-SOCKET HEAD (M6X1X30MM)
29	CH194-6848	1	COUPLER
30	CH190-6520	1	STOP
31	400220X1	2	BOLT-HEX SOCKET (M12X1.75X30MM)
32	400357X1	2	WASHER-HARD (M12X25.5X3)
33	CH214-9203	1	PLUG-ORIFICE
34	400238X1	4	BOLT-SOCKET HEAD (M16X2X55MM)

[A] PART OF 165-7901 PUMP & MOUNTING GP

00893848
PR: t05b22n43d0363

MT800B SERIES TRACTORS
HYDRAULIC SYSTEM

ROTATING GP-PUMP - 190-6501
63CC IMPLEMENT PUMP
ROW & EAME



MT800B SERIES TRACTORS
HYDRAULIC SYSTEM

855

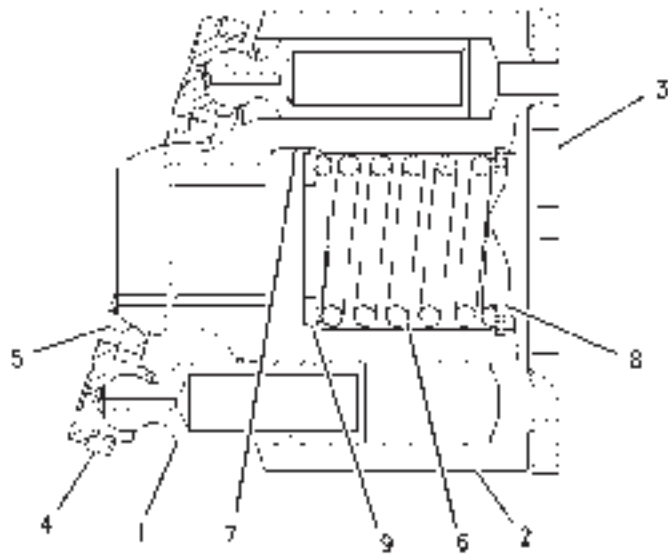
ROTATING GP-PUMP - 190-6501
63CC IMPLEMENT PUMP
ROW & EAME

ITEM	NUMBER	QTY	DESCRIPTION
-	190-6501	-	ROTATING GP-PUMP [A]
1	CH168-3384	9	PISTON-PUMP
2	CH168-3380	1	BARREL-CYLINDER
3	CH190-6508	1	PLATE
4	CH168-3385	1	PLATE-RETRACTION
5	CH168-3378	1	BEARING-SPHERICAL
6	CH168-3381	1	SPRING
7	CH168-3379	3	PIN
8	CH6V-7723	1	RING-RETAINING
9	CH168-3382	1	WASHER

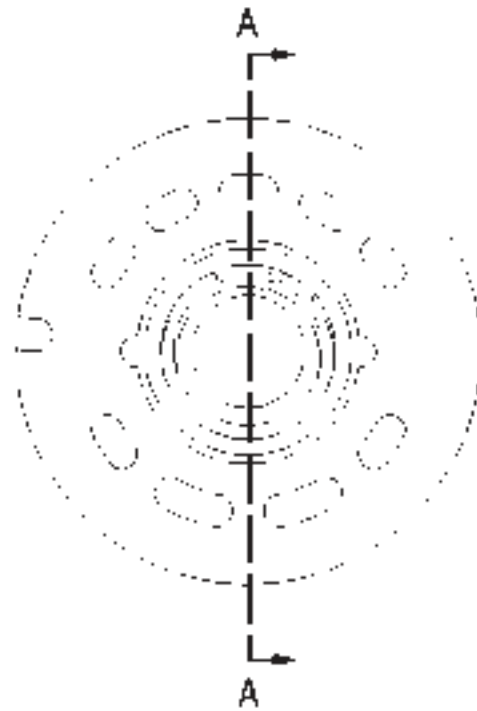
[A] PART OF 206-9019 PUMP GP-PISTON

00750145
PR: t05k07n15a0030

ROTATING GP-PUMP - 190-3118
87CC IMPLEMENT PUMP



VIEW A-A



ROTATION = LEFT

MT800B SERIES TRACTORS
HYDRAULIC SYSTEM

857

ROTATING GP-PUMP - 190-3118
87CC IMPLEMENT PUMP

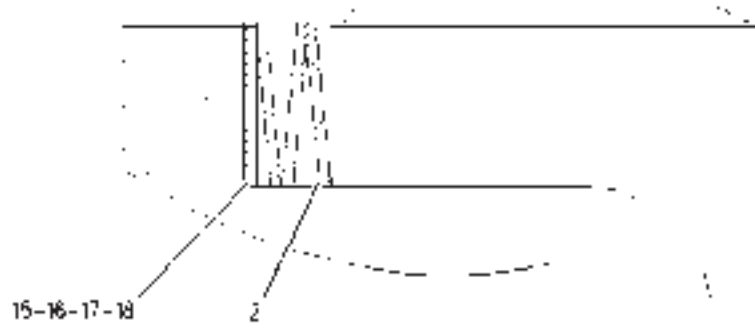
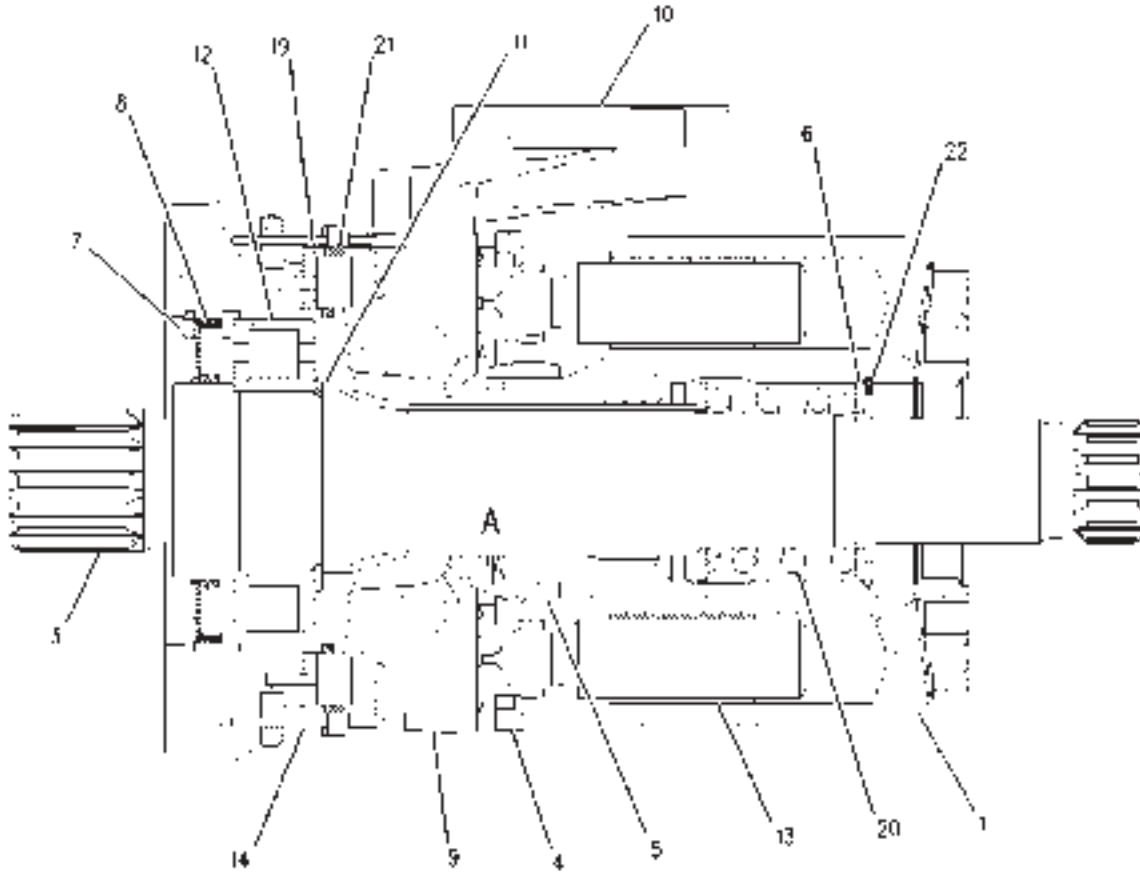
ITEM	NUMBER	QTY	DESCRIPTION
-	190-3118	-	ROTATING GP-PUMP [A]
1	CH105-1646	9	PISTON-PUMP
2	190-6526	1	BARREL
3	190-6525	1	PLATE
4	CH188-9637	1	PLATE-RETRACTION
5	CH105-1648	1	BEARING
6	CH105-1651	1	SPRING
7	CH190-6528	3	PIN
8	CH6E-3343	1	RING
9	CH105-1650	1	SPACER-BARREL

[A] PART OF CH206-9017 PUMP GP-PISTON

00750133
PR: t05b22n43d0364

MT800B SERIES TRACTORS
HYDRAULIC SYSTEM

ROTATING GP-PUMP - 205-6400
SCAVENGE PUMP



VIEW OF AREA A

MT800B SERIES TRACTORS
HYDRAULIC SYSTEM

859

ROTATING GP-PUMP - 205-6400
SCAVENGE PUMP

ITEM	NUMBER	QTY	DESCRIPTION
-	205-6400	-	ROTATING GP-PUMP [A]
1	CH183-8446	1	BARREL
2	CH183-8447	1	SPRING
3	192-0938	1	SHAFT
4	CH183-8449	1	PLATE
5	CH183-8450	1	BALL
6	CH183-8451	2	WASHER
7	CH183-8452	2	RING-RETAINING
8	CH183-8453	1	RING-SEAL
9	CH122-6606	1	SWASHPLATE
10	CH122-6607	1	LEVER
11	CH141-0243	1	RING-SNAP
12	CH6E-1571	1	BEARING
13	CH6E-4358	9	PISTON
14	CH6E-4363	2	ROD
15	CH6E-4364		SHIM (1.2)
16	CH6E-4365		SHIM (1)
17	CH6E-4366		SHIM (.8)
18	CH6E-4367		SHIM (.6)
19	CH6E-4370	1	GUIDE
20	CH6E-4373	1	SPRING
21	CH6E-4374	1	BEARING
22	CH9X-2858	1	RING-RETAINING

[A] PART OF CH162-9592 PUMP GP-PISTON

00853757
PR: t05b22n43d0365

860

**MT800B SERIES TRACTORS
HYDRAULIC SYSTEM**

**VALVE AR - 193-8197
W/O HITCH & W/O HYDRAULIC TRAILER BRAKE**

NO ILLUSTRATION

NOTIF15

MT800B SERIES TRACTORS
HYDRAULIC SYSTEM

861

VALVE AR - 193-8197
W/O HITCH & W/O HYDRAULIC TRAILER BRAKE

ITEM	NUMBER	QTY	DESCRIPTION
-	193-8197	-	VALVE AR [A] (NOT SERVICED)
	193-1548	1	MOUNTING GP-VALVE (NOT SERVICED) (SEE BREAKDOWN FOR COMPONENTS)
	192-4707	1	VALVE GP-CONTROL (SEE BREAKDOWN FOR COMPONENTS)

NOTIF15
PR: t05b22n43d0366

862

MT800B SERIES TRACTORS
HYDRAULIC SYSTEM

VALVE AR - 501070D1
W/O HITCH & W/HYDRAULIC TRAILER BRAKE

NO ILLUSTRATION

NOTIF15

**MT800B SERIES TRACTORS
HYDRAULIC SYSTEM**

863

**VALVE AR - 501070D1
W/O HITCH & W/HYDRAULIC TRAILER BRAKE**

ITEM	NUMBER	QTY	DESCRIPTION
-	501070D1	-	VALVE AR [A] (NOT SERVICED)
	162-9805	1	MOUNTING GP-VALVE (NOT SERVICED) (SEE BREAKDOWN FOR COMPONENTS)
	192-4816	1	VALVE GP-BANK 2 (SEE BREAKDOWN FOR COMPONENTS)
-	501130D1	-	LINES GP-HYDRAULIC OIL (NOT SERVICED) (SEE BREAKDOWN FOR COMPONENTS)

NOTIF15
PR: t05b22n43d0367

864

MT800B SERIES TRACTORS
HYDRAULIC SYSTEM

VALVE AR - 193-8198
W/HITCH & W/O HYDRAULIC TRAILER BRAKE

NO ILLUSTRATION

NOTIF15

**MT800B SERIES TRACTORS
HYDRAULIC SYSTEM**

865

**VALVE AR - 193-8198
W/HITCH & W/O HYDRAULIC TRAILER BRAKE**

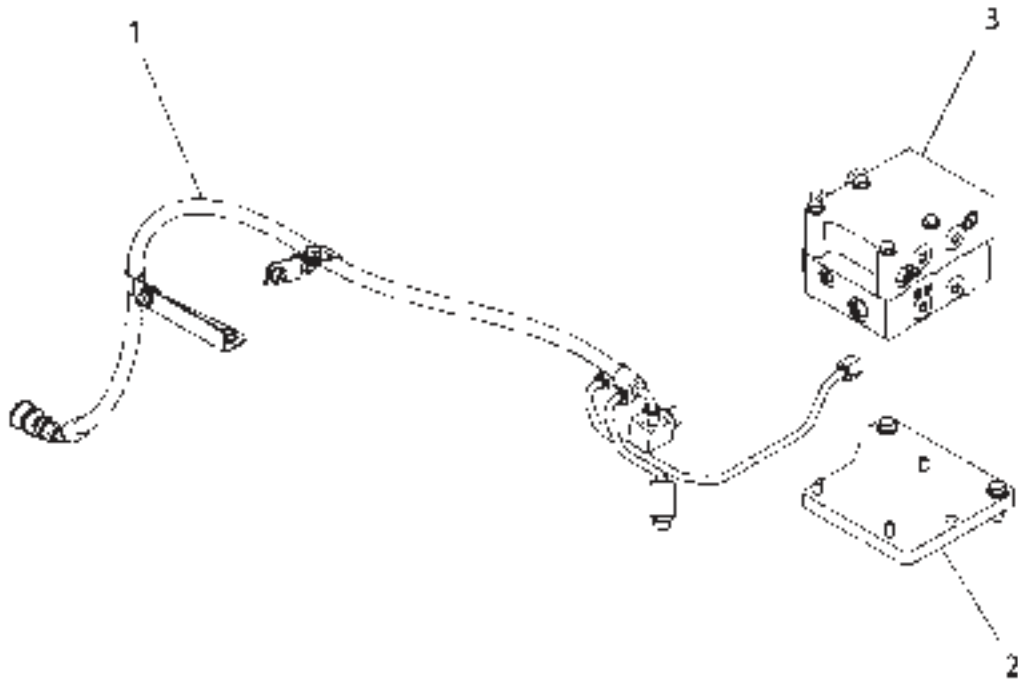
ITEM	NUMBER	QTY	DESCRIPTION
-	193-8198	-	VALVE AR [A] (NOT SERVICED) (SEE BREAKDOWN FOR COMPONENTS)
	193-1548	1	MOUNTING GP-VALVE (NOT SERVICED) (SEE BREAKDOWN FOR COMPONENTS)
	192-4708	1	VALVE GP-BANK 3 (PRIORITY W/HITCH) (SEE BREAKDOWN FOR COMPONENTS)

NOTIF15
PR: t05b22n43d0368

866

MT800B SERIES TRACTORS
HYDRAULIC SYSTEM

VALVE AR - 193-8199
W/O HITCH & W/HYDRAULIC TRAILER BRAKE
EAME ONLY



1938199C

**MT800B SERIES TRACTORS
HYDRAULIC SYSTEM**

867

**VALVE AR - 193-8199
W/O HITCH & W/HYDRAULIC TRAILER BRAKE
EAME ONLY**

ITEM	NUMBER	QTY	DESCRIPTION
-	193-8199	-	VALVE AR [A] (NOT SERVICED)
1	192-4816	1	VALVE GP-CONTROL (SEE BREAKDOWN FOR COMPONENTS)
2	162-9805	1	MOUNTING GP-VALVE (NOT SERVICED) (SEE BREAKDOWN FOR COMPONENTS)
3	193-1558	1	LINES GP-HYDRAULIC (NOT SERVICED) (SEE BREAKDOWN FOR COMPONENTS)

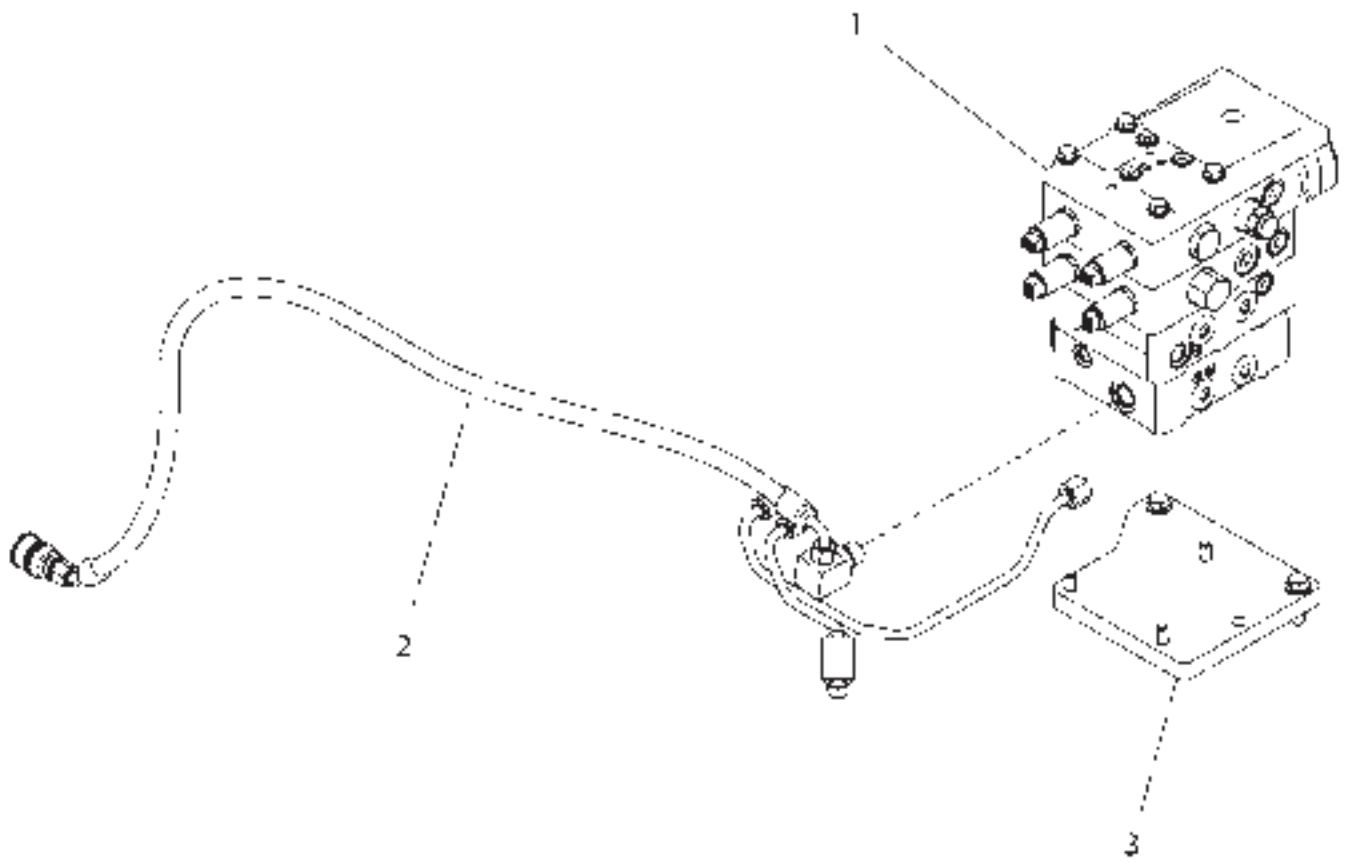
[A] PART OF 209-3688 KIT-HYD TR BRAKE

1938199C
PR: t05b22n43d0369

868

MT800B SERIES TRACTORS
HYDRAULIC SYSTEM

VALVE AR - 193-8200
W/HITCH & W/HYDRAULIC TRAILER BRAKE
EAME ONLY



1938200B

MT800B SERIES TRACTORS
HYDRAULIC SYSTEM

869

VALVE AR - 193-8200
W/HITCH & W/HYDRAULIC TRAILER BRAKE
EAME ONLY

ITEM	NUMBER	QTY	DESCRIPTION
-	193-8200	-	VALVE AR [A] (NOT SERVICED)
1	192-4817	1	VALVE GP-BANK 4
2	193-1558	1	LINES GP-HYDRAULIC OIL (NOT SERVICED, SEE BREAKDOWN)
3	162-9805	1	MOUNTING GP-VALVE (NOT SERVICED, SEE BREAKDOWN)

[A] PART OF 186-0979; 189-3300
HITCH AR-3 POINT

1938200B
PR: t05b22n43d0370

870

MT800B SERIES TRACTORS
HYDRAULIC SYSTEM

VALVE AR-BANK 4 - 180-1434

NO ILLUSTRATION

NOTIF15

MT800B SERIES TRACTORS
HYDRAULIC SYSTEM

871

VALVE AR-BANK 4 - 180-1434

ITEM	NUMBER	QTY	DESCRIPTION
-	180-1434	-	VALVE AR-BANK 4 (NOT SERVICED)
	152-0443	1	CONTROL GP-IMPLEMENT (NOT SERVICED) (SEE BREAKDOWN FOR COMPONENTS)
	180-0494	1	VALVE GP-BANK 4 (NOT SERVICED) (SEE BREAKDOWN FOR COMPONENTS)

NOTIF15
PR: t05b22n43d0371

872

MT800B SERIES TRACTORS
HYDRAULIC SYSTEM

VALVE AR - 180-1438
5 IMPLEMENTS

NO ILLUSTRATION

NOTIF15

**MT800B SERIES TRACTORS
HYDRAULIC SYSTEM**

873

**VALVE AR - 180-1438
5 IMPLEMENTS**

ITEM	NUMBER	QTY	DESCRIPTION
-	180-1438	-	VALVE AR-BANK 5 (NOT SERVICED) (SEE BREAKDOWN FOR COMPONENTS)
	136-5670	1	CONTROL & WIRING GP (SEE BREAKDOWN FOR COMPONENTS)
	166-4590	1	CONTROL GP-IMPLEMENT (NOT SERVICED) (SEE BREAKDOWN FOR COMPONENTS)
	180-0495	1	VALVE GP-BANK 5 (NOT SERVICED) (SEE BREAKDOWN FOR COMPONENTS)

NOTIF15
PR: t05b22n43d0372

874

MT800B SERIES TRACTORS
HYDRAULIC SYSTEM

VALVE AR-IMPL - 500795D1
6 IMPLEMENTS

NO ILLUSTRATION

NOTIF15

**MT800B SERIES TRACTORS
HYDRAULIC SYSTEM**

875

**VALVE AR-IMPL - 500795D1
6 IMPLEMENTS**

ITEM	NUMBER	QTY	DESCRIPTION
-	500795D1	-	VALVE AR-BANK 6 (NOT SERVICED)
1	136-5670	1	CONTROL & WIRING GP (NOT SERVICED) (SEE BREAKDOWN FOR COMPONENTS)
2	500752D1	1	VALVE GP-BANK 6 (NOT SERVICED) (SEE BREAKDOWN FOR COMPONENTS)
3	502214D1	1	LINES GP-ECOLOGY (NOT SERVICED) (SEE BREAKDOWN FOR COMPONENTS)

NOTIF15
PR: t05b22n43d0373

876

MT800B SERIES TRACTORS
HYDRAULIC SYSTEM

VALVE AR-4 IMPL - 502051D1
HIGH FLOW
SPECIAL APPLICATIONS ONLY

NO ILLUSTRATION

NOTIF15

MT800B SERIES TRACTORS
HYDRAULIC SYSTEM

877

VALVE AR-4 IMPL - 502051D1
HIGH FLOW
SPECIAL APPLICATIONS ONLY

ITEM	NUMBER	QTY	DESCRIPTION
-	502051D1	-	VALVE AR-BANK 4 (NOT SERVICED)
1	502039D1	1	VALVE GP-HIGH FLOW-BANK 4 (SEE BREAKDOWN FOR COMPONENTS)
2	152-0443	1	CONTROL & WIRING GP (NOT SERVICED) (SEE BREAKDOWN FOR COMPONENTS)

NOTIF15
PR: t05b22n43d0374

878

MT800B SERIES TRACTORS
HYDRAULIC SYSTEM

VALVE AR-6 IMPL - 502052D1
HIGH FLOW
SPECIAL APPLICATIONS ONLY

NO ILLUSTRATION

NOTIF15

**MT800B SERIES TRACTORS
HYDRAULIC SYSTEM**

879

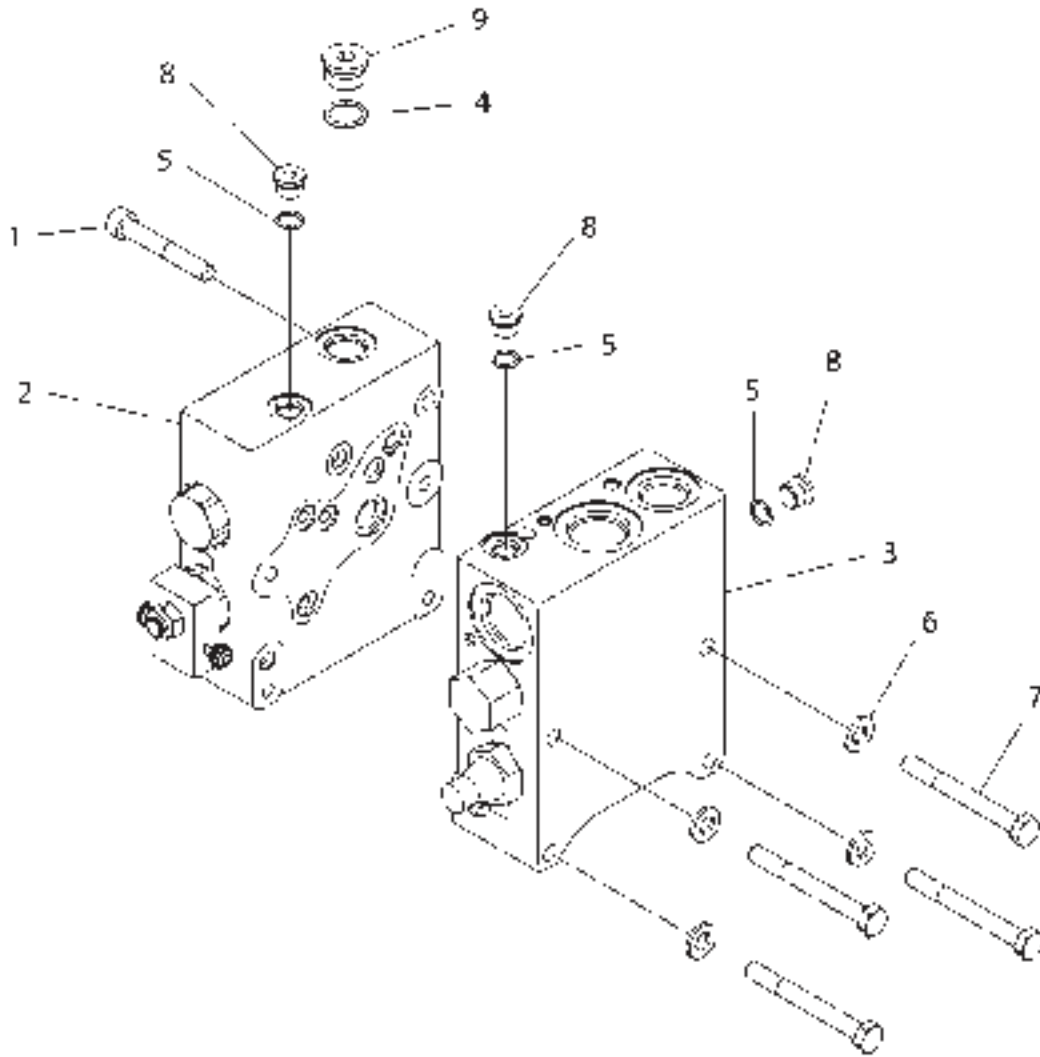
**VALVE AR-6 IMPL - 502052D1
HIGH FLOW
SPECIAL APPLICATIONS ONLY**

ITEM	NUMBER	QTY	DESCRIPTION
-	502052D1	-	VALVE AR-BANK 6 (NOT SERVICED) (REFER TO ITEMS 1 THRU 4)
1	502040D1	1	VALVE GP-HIGH FLOW-BANK 6 (SEE BREAKDOWN FOR COMPONENTS)
2	166-4590	1	CONTROL GP-IMPLEMENT 5 (NOT SERVICED, SEE BREAKDOWN)
3	152-0448	1	CONTROL GP-IMPLEMENT 6 (NOT SERVICED, SEE BREAKDOWN)
4	136-5670	1	CONTROL & WIRING GP (NOT SERVICED, SEE BREAKDOWN)

NOTIF15
PR: t05b22n43d0375

MT800B SERIES TRACTORS
HYDRAULIC SYSTEM

VALVE GP-BANK 2 - 192-4816
PRIORITY W/HYDRAULIC TRAILER BRAKE



1924816F

**MT800B SERIES TRACTORS
HYDRAULIC SYSTEM**

881

**VALVE GP-BANK 2 - 192-4816
PRIORITY W/HYDRAULIC TRAILER BRAKE**

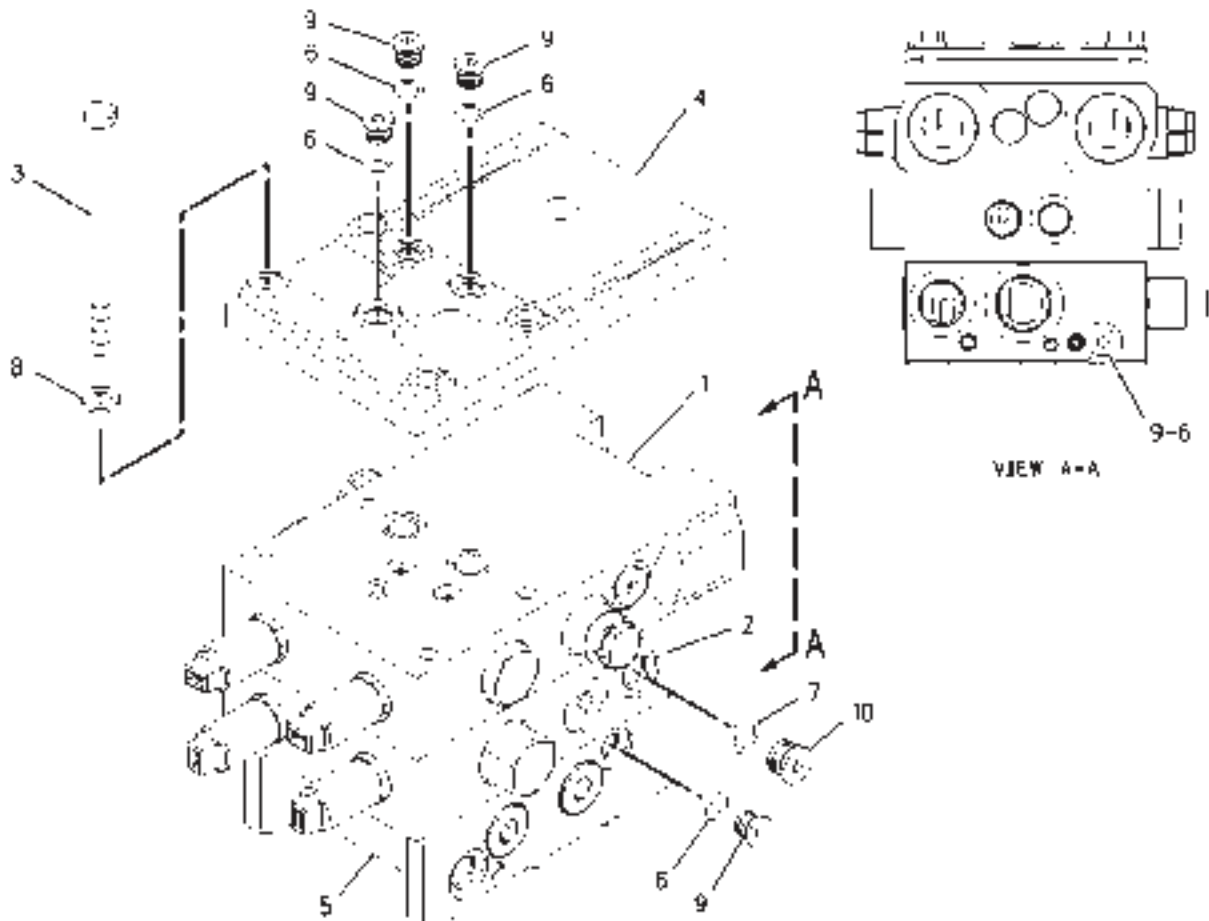
ITEM	NUMBER	QTY	DESCRIPTION
-	192-4816	-	VALVE GP-BANK 2 [A]
1	CH8T-2392	1	BOLT-HSHD (M10X1.5X65MM)
2	196-2318	1	VALVE GP-BRAKE CONTROL (HYD TRAILER BR) (SEE BREAKDOWN FOR COMPONENTS)
3	209-5020	1	VALVE GP-CONTROL (PRIORITY) (SEE BREAKDOWN FOR COMPONENTS)
4	400319X1	1	SEAL-O-RING (19.18 X 2.46 DIA)
5	400318X1	3	SEAL-O-RING (11.89 X 1.98 DIA)
6	400287X1	4	WASHER-HARD (11X21X2.5)
7	400225X1	4	BOLT-HEX HEAD (M10X1.5X90MM)
8	CH162-0177	1	PLUG AS (9/16-18 STOR)
	400318X1	1	SEAL-O-RING
9	400374X1	1	PLUG

[A] PART OF:
193-8199 VALVE AR
501070D1 VALVE AR
501140D1 VALVE AR

1924816F
PR: t05b22n43d0376

MT800B SERIES TRACTORS
HYDRAULIC SYSTEM

VALVE GP-BANK 3 - 192-4708
PRIORITY WITH HITCH



**MT800B SERIES TRACTORS
HYDRAULIC SYSTEM**

883

**VALVE GP-BANK 3 - 192-4708
PRIORITY WITH HITCH**

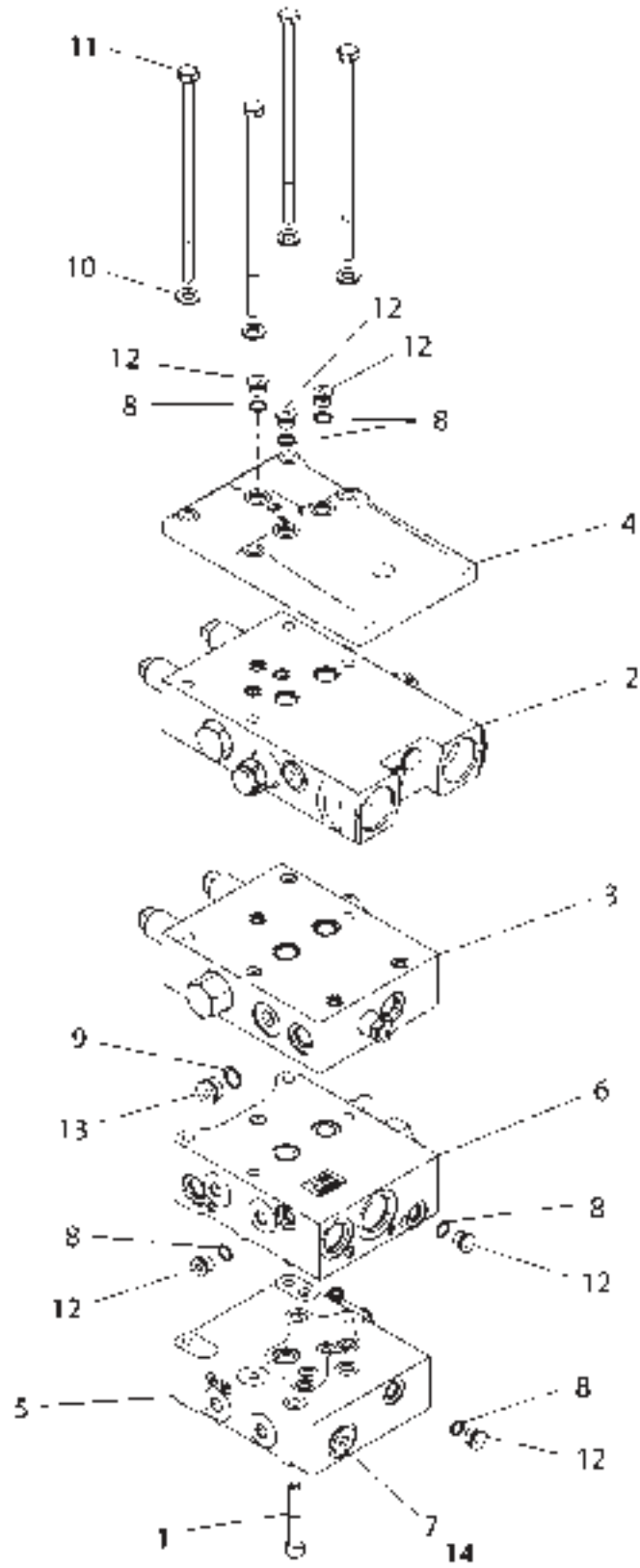
ITEM	NUMBER	QTY	DESCRIPTION
-	192-4708	-	VALVE GP-BANK 3 [A] (SERVICED BY COMPONENTS)
1	162-9817	1	VALVE GP-CONTROL (STEERABLE HITCH) (SEE BREAKDOWN FOR COMPONENTS)
2	162-9818	1	VALVE GP-CONTROL (3 POINT HITCH) (SEE BREAKDOWN FOR COMPONENTS)
3	CH178-3333	4	BOLT-HEX HEAD (M10X1.5X155MM)
4	180-0500	1	COVER-END
5	209-5019	1	VALVE GP-CONTROL (PRIORITY & ACCUMULATOR CHARGE) (SEE BREAKDOWN FOR COMPONENTS)
6	400318X1	5	SEAL-O-RING
7	CH3K-0360	1	SEAL-O-RING (16.36IDX2.21DIA)
8	CH8T-4121	4	WASHER-HARD (11X21X2.5)
9	CH162-0177	1	PLUG AS (9/16-18 STOR)
	400318X1	1	SEAL-O-RING
10	CH148-8395	1	PLUG AS (8STOR) (INCLS ITEM 7)
	CH3K-0360	1	SEAL-O-RING (16.36IDX2.21DIA)

[A] PART OF 169-0027; 169-0028 HITCH
AR-3 POINT; 193-8198 VALVE AR

00880872
PR: t05b22n43d0377

MT800B SERIES TRACTORS
HYDRAULIC SYSTEM

VALVE GP-BANK 4 - 192-4817
PRIORITY W/HITCH & W/HYDTRAILER BRAKES
EAME ONLY



MT800B SERIES TRACTORS
HYDRAULIC SYSTEM

885

VALVE GP-BANK 4 - 192-4817
PRIORITY W/HITCH & W/HYD TRAILER BRAKES
EAME ONLY

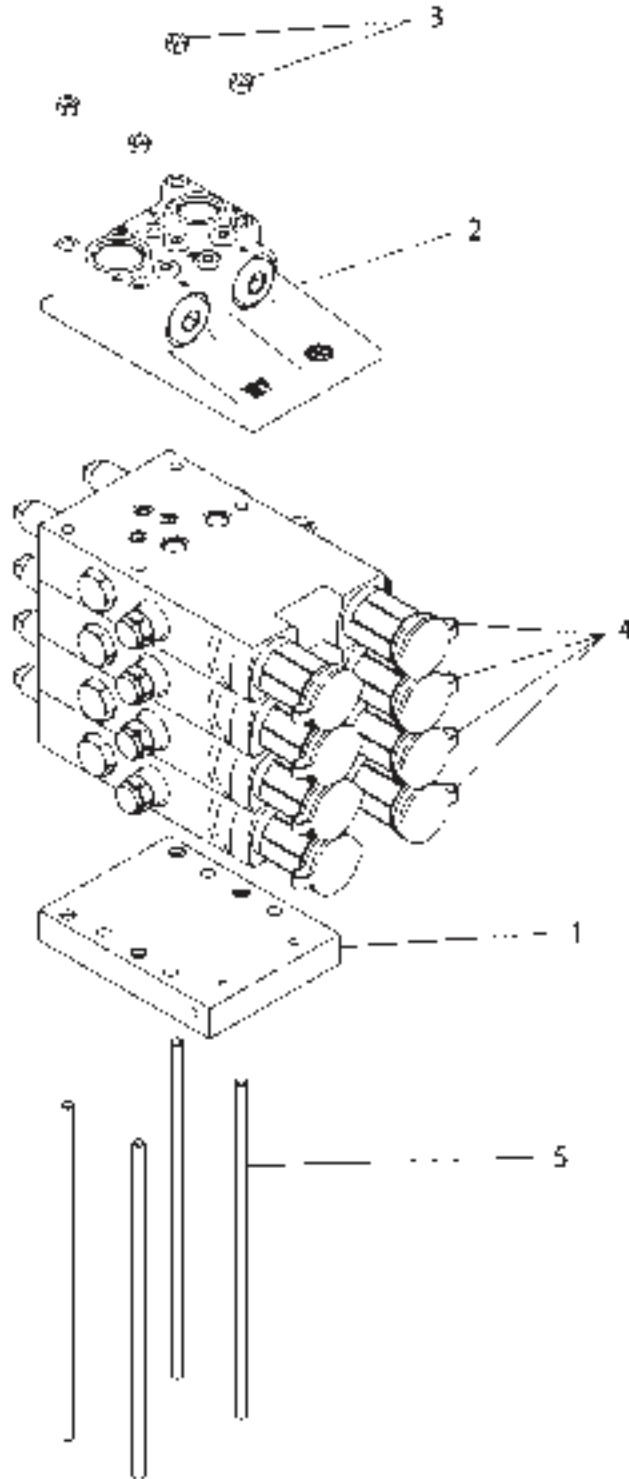
ITEM	NUMBER	QTY	DESCRIPTION
-	192-4817	-	VALVE GP-BANK 4
1	CH8T-2392	1	BOLT-SOCKET HEAD (M10X1.5X65MM)
2	162-9817	1	VALVE GP-CONTROL (STEERABLE 3PT HITCH) (SEE BREAKDOWN FOR COMPONENTS)
3	162-9818	1	VALVE GP-CONTROL (3 POINT HITCH) (SEE BREAKDOWN FOR COMPONENTS)
4	180-0500	1	COVER-END
5	196-2318	1	VALVE GP-BRAKE CONTROL (HYD TRAILER) (SEE BREAKDOWN FOR COMPONENTS)
6	209-5021	1	VALVE GP-CONTROL (PRIORITY) (SEE BREAKDOWN FOR COMPONENTS)
7	400319X1	1	SEAL-O-RING (19.18IDX2.46DIA)
8	400318X1	6	SEAL-O-RING (11.89IDX1.98DIA)
9	CH3K-0360	1	SEAL-O-RING (16.36IDX2.21DIA)
10	400287X1	4	WASHER-HARD (11X21X2.5)
11	CH7X-0474	4	BOLT (M10X1.5X220MM)
12	CH162-0177	1	PLUG AS (9/16-18 STOR)
	400318X1	1	SEAL-O-RING
13	CH148-8395	1	PLUG AS (8STOR) (INCLS ITEM 9)
	CH3K-0360	1	SEAL-O-RING (16.36IDX2.21DIA)
14	400374X1	1	PLUG

PART OF 193-8200 VALVE AR

1924817G
PR: t05b22n43d0378

MT800B SERIES TRACTORS
HYDRAULIC SYSTEM

VALVE GP-HIGH FLOW-BANK 4 - 502039D1
IMPLEMENT



MT800B SERIES TRACTORS
HYDRAULIC SYSTEM

887

VALVE GP-HIGH FLOW-BANK 4 - 502039D1
IMPLEMENT

ITEM	NUMBER	QTY	DESCRIPTION
-	502039D1	-	VALVE GP-HIGH FLOW-BANK 4 [A]
1	187-7430	1	MOUNT
2	227-8830	1	VALVE GP-FLOW CONTROL & RELIEF (SEE BREAKDOWN FOR COMPONENTS)
3	7774664	4	NUT (M10X1.5)
4	502038D1	4	VALVE GP-CONTROL (HIGH FLOW) (SEE BREAKDOWN FOR COMPONENTS)
5	CH209-7496	4	STUD

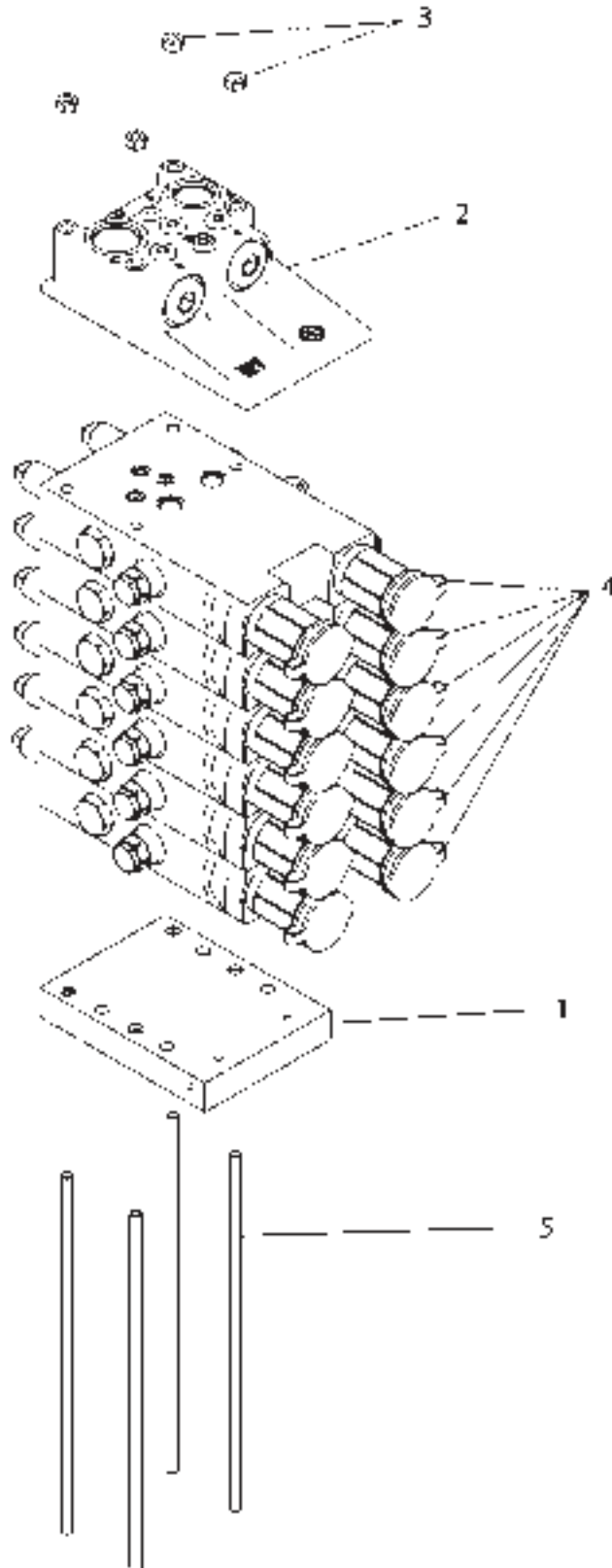
[A] PART OF 502051D1 VALVE AR-4 IMPL

502039DB
PR: t05b22n43d0379

888

MT800B SERIES TRACTORS
HYDRAULIC SYSTEM

VALVE GP-HIGH FLOW-BANK 6 - 502040D1
IMPLEMENT
SPECIAL APPLICATIONS ONLY



502040D1

MT800B SERIES TRACTORS
HYDRAULIC SYSTEM

889

VALVE GP-HIGH FLOW-BANK 6 - 502040D1
IMPLEMENT
SPECIAL APPLICATIONS ONLY

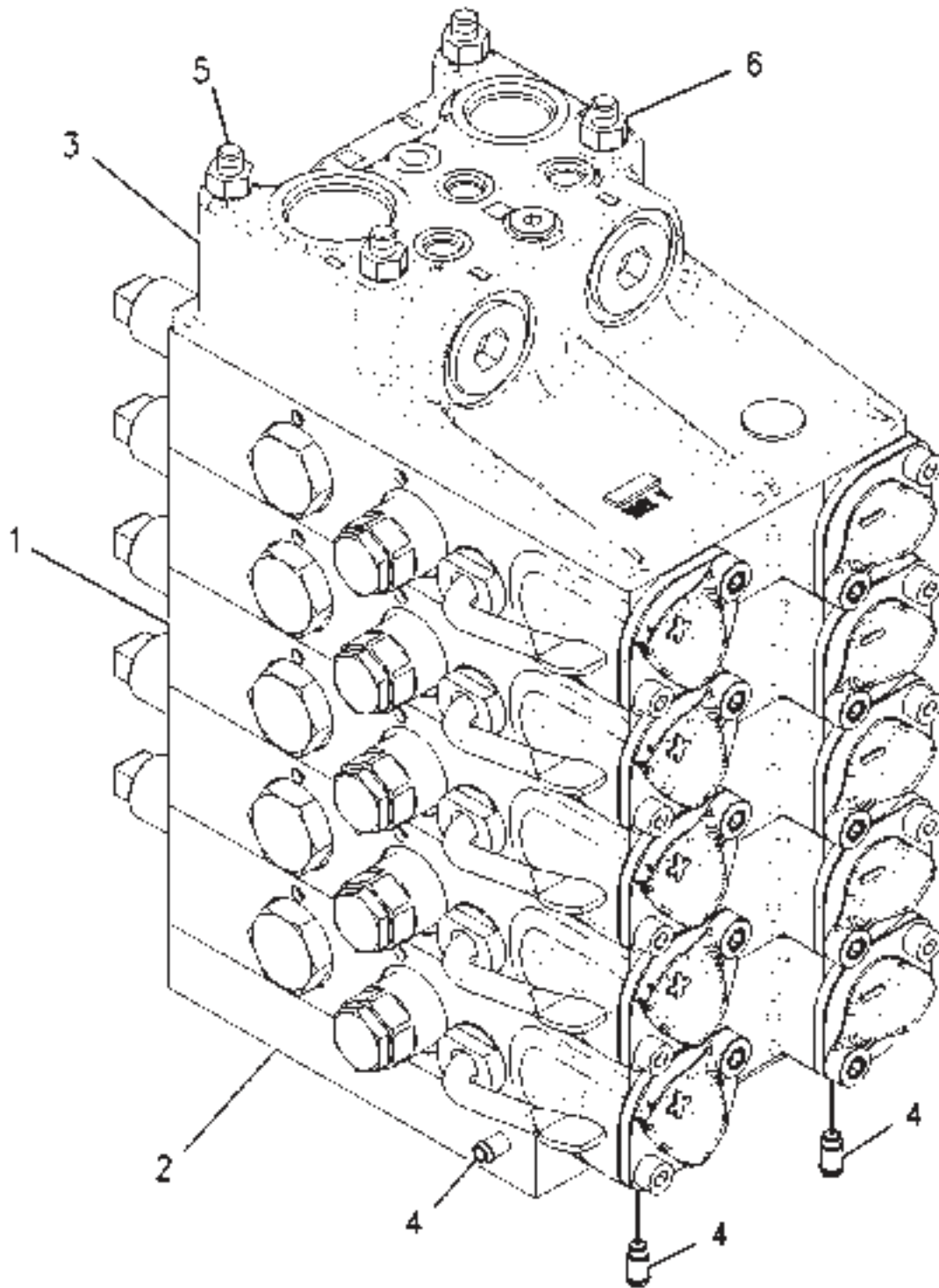
ITEM	NUMBER	QTY	DESCRIPTION
-	502040D1	-	VALVE GP-HIGH FLOW-BANK 6 [A]
1	187-7430	1	MOUNT
2	227-8830	1	VALVE GP-FLOW CONTROL & RELIEF (SEE BREAKDOWN FOR COMPONENTS)
3	7774664	4	NUT (M10X1.5)
4	502038D1	6	VALVE GP-CONTROL (HIGH FLOW) (SEE BREAKDOWN FOR COMPONENTS)
5	209-7498	4	STUD

[A] PART OF 502052D1 VALVE AR-6 IMPL

502040DB
PR: t05b22n43d0380

MT800B SERIES TRACTORS
HYDRAULIC SYSTEM

VALVE GP-BANK 5 - 180-0495
IMPLEMENT



**MT800B SERIES TRACTORS
HYDRAULIC SYSTEM**

891

**VALVE GP-BANK 5 - 180-0495
IMPLEMENT**

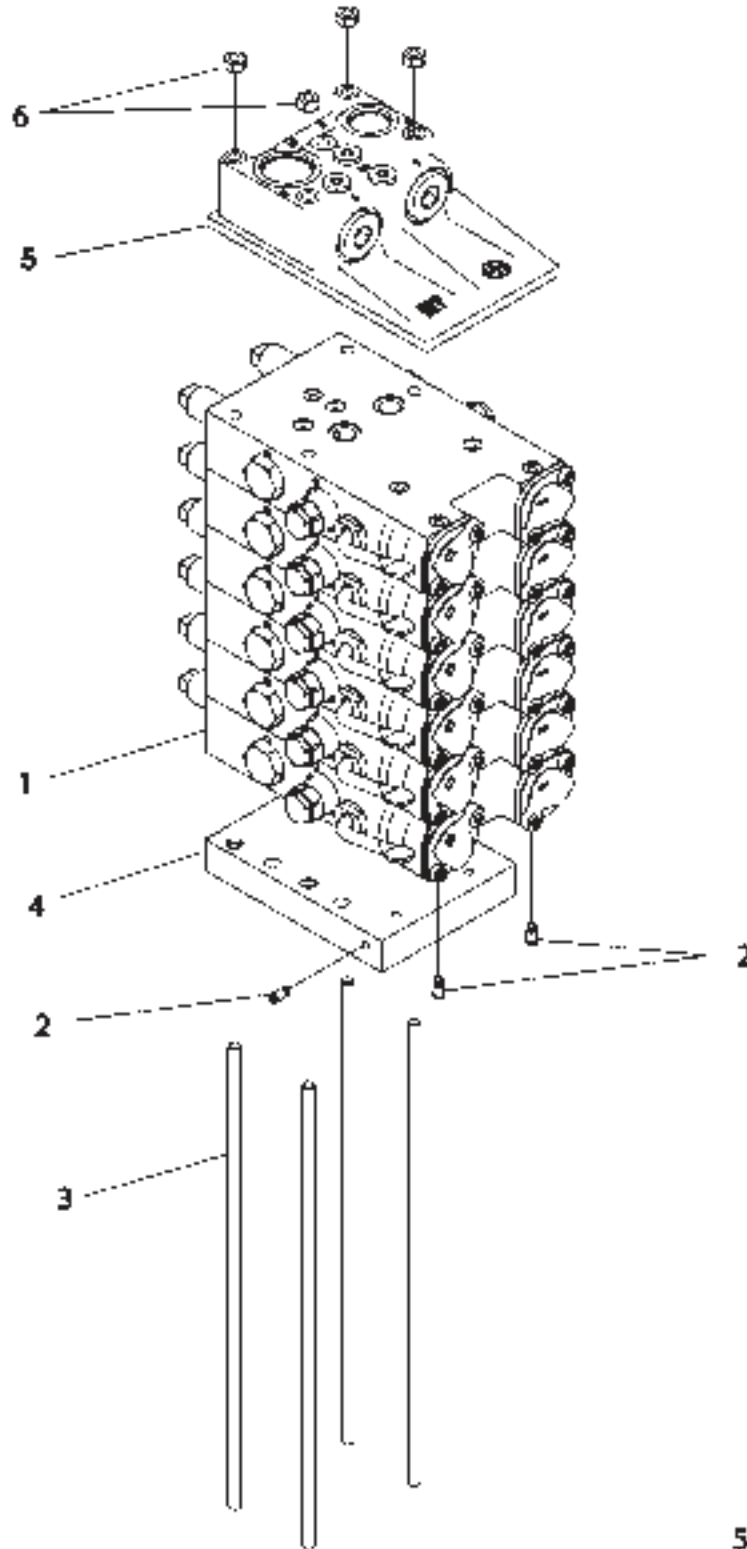
ITEM	NUMBER	QTY	DESCRIPTION
-	180-0495	-	VALVE GP-BANK 5 [A] (NOT SERVICED)
1	162-9816	5	VALVE GP-CONTROL (SEE BREAKDOWN FOR COMPONENTS)
2	187-7430	1	MOUNT
3	227-8830	1	VALVE GP-FLOW CONTROL & RELIEF (SEE BREAKDOWN FOR COMPONENTS)
4	CH188-3640	3	FITTING
5	209-7497	4	STUD
6	7774664	4	NUT (M10X1.5)

[A] PART OF 180-1438 VALVE AR-BANK 5

00886217
PR: t05b22n43d0381

MT800B SERIES TRACTORS
HYDRAULIC SYSTEM

VALVE GP-BANK 6 - 500752D1
5 REMOTES



500752DB

MT800B SERIES TRACTORS
HYDRAULIC SYSTEM

893

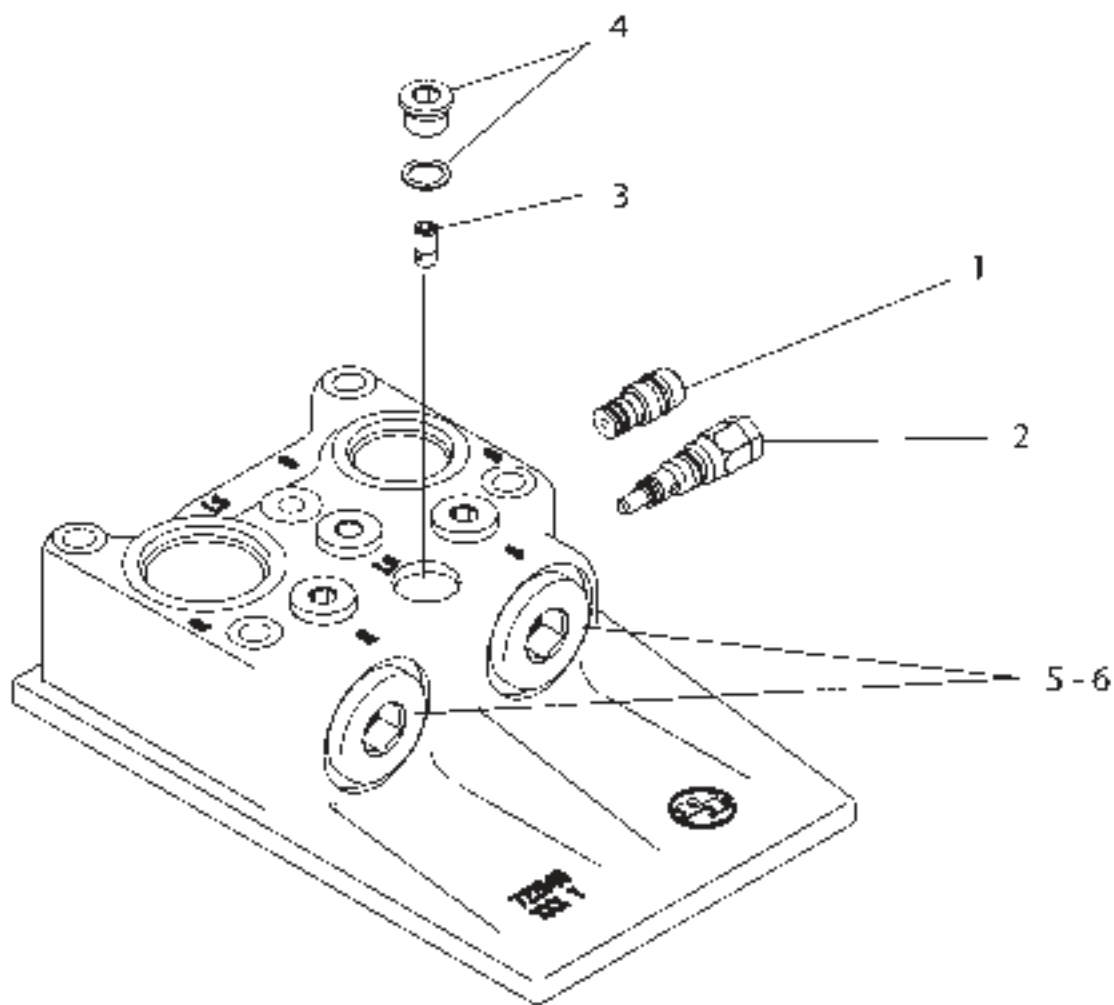
VALVE GP-BANK 6 - 500752D1
5 REMOTES

ITEM	NUMBER	QTY	DESCRIPTION
-	500752D1	-	VALVE GP-BANK 6 [A] (NOT SERVICED)
1	162-9816	6	VALVE GP-CONTROL (SEE BREAKDOWN FOR COMPONENTS)
2	CH188-3640	3	FITTING
3	CH209-7498	4	STUD
4	187-7430	1	MOUNT
5	227-8830	1	VALVE GP-FLOW CONTROL & RELIEF (SEE BREAKDOWN FOR COMPONENTS)
6	7774664	4	NUT (M10X1.5)

[A] PART OF 500795D1 VALVE AR-IMPL

500752DB
PR: t05b22n43d0383

VALVE GP-FLOW CONTROL&RELIEF - 227-8830
IMPLEMENT



2278830B

MT800B SERIES TRACTORS
HYDRAULIC SYSTEM

895

VALVE GP-FLOW CONTROL&RELIEF - 227-8830
IMPLEMENT

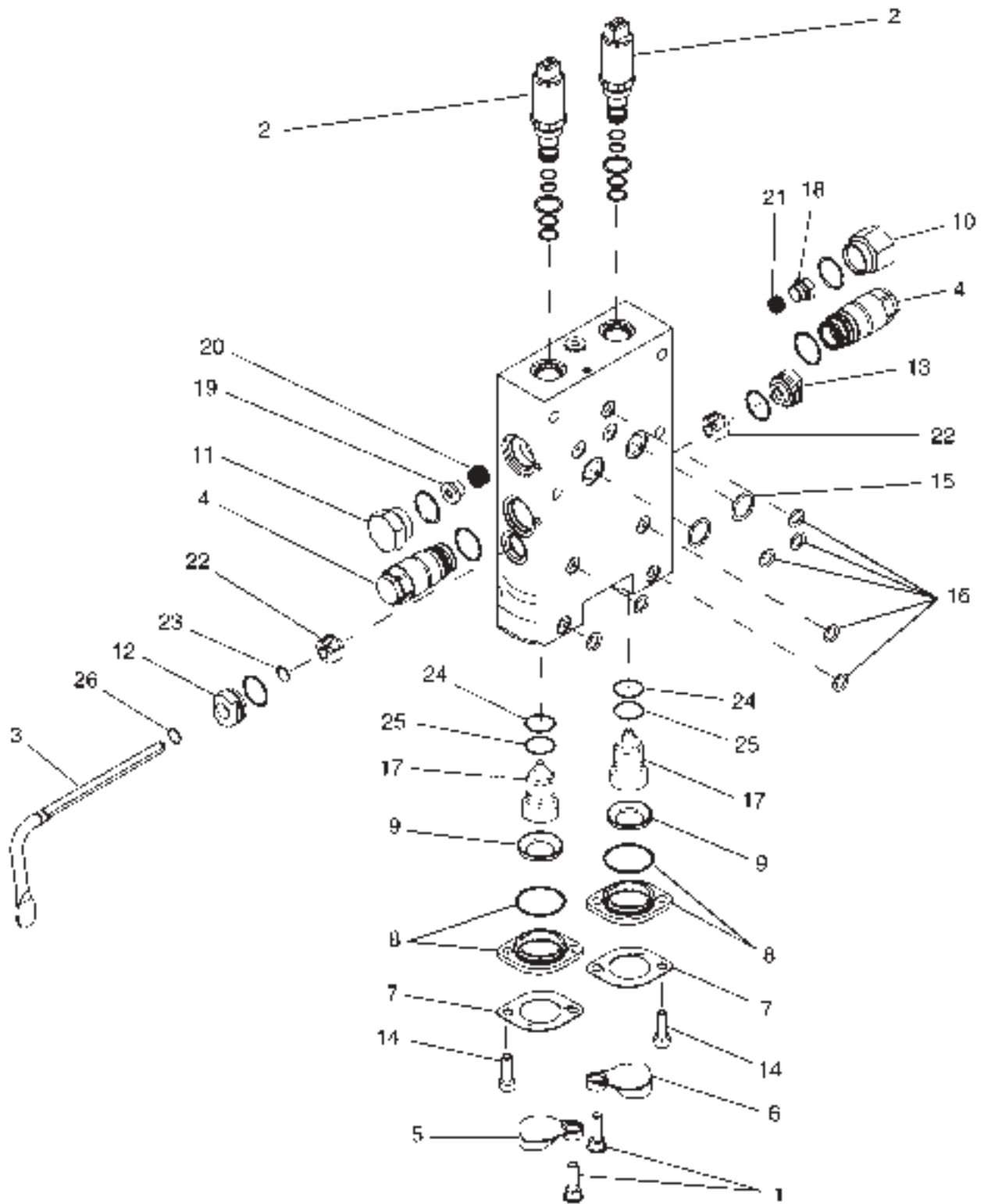
ITEM	NUMBER	QTY	DESCRIPTION
-	227-8830	-	VALVE GP-INLET FLOW CONTROL & RELIEF [A]
1	227-8726	1	VALVE GP-FLOW CNTRL (INCL SEALS & RINGS)
	CH209-7451	1	RING-BACKUP
	CH209-7452	1	RING-BACKUP
	CH033-5879	1	SEAL-O-RING
	CH192-7111	1	SEAL-O-RING
2	227-8727	1	VALVE GP-RELIEF (INCLS SEALS & RINGS)
	CH033-5879	1	SEAL-O-RING
	CH192-7111	1	SEAL-O-RING
	CH209-7451	2	RING-BACKUP
	CH209-7452	1	RING-BACKUP
3	188-3642	1	VALVE GP-CHECK (HYD POWER BEYOND LOAD SENSOR)
4	CH162-0177	1	PLUG AS (9/16-18 STOR)
	400318X1	1	SEAL-O-RING
5	400376X1	2	SEAL-O-RING
6	400375X1	2	PLUG

[A] PART OF: 180-0494 VALVE GP-BANK 4,
180-0495 VALVE GP-BANK 5 &
500752D1 VALVE GP-BANK 6

2278830B
PR: t05b22n43d0384

MT800B SERIES TRACTORS
HYDRAULIC SYSTEM

VALVE GP-CONTROL - 162-9816
IMPLEMENT



**MT800B SERIES TRACTORS
HYDRAULIC SYSTEM**

897

**VALVE GP-CONTROL - 162-9816
IMPLEMENT**

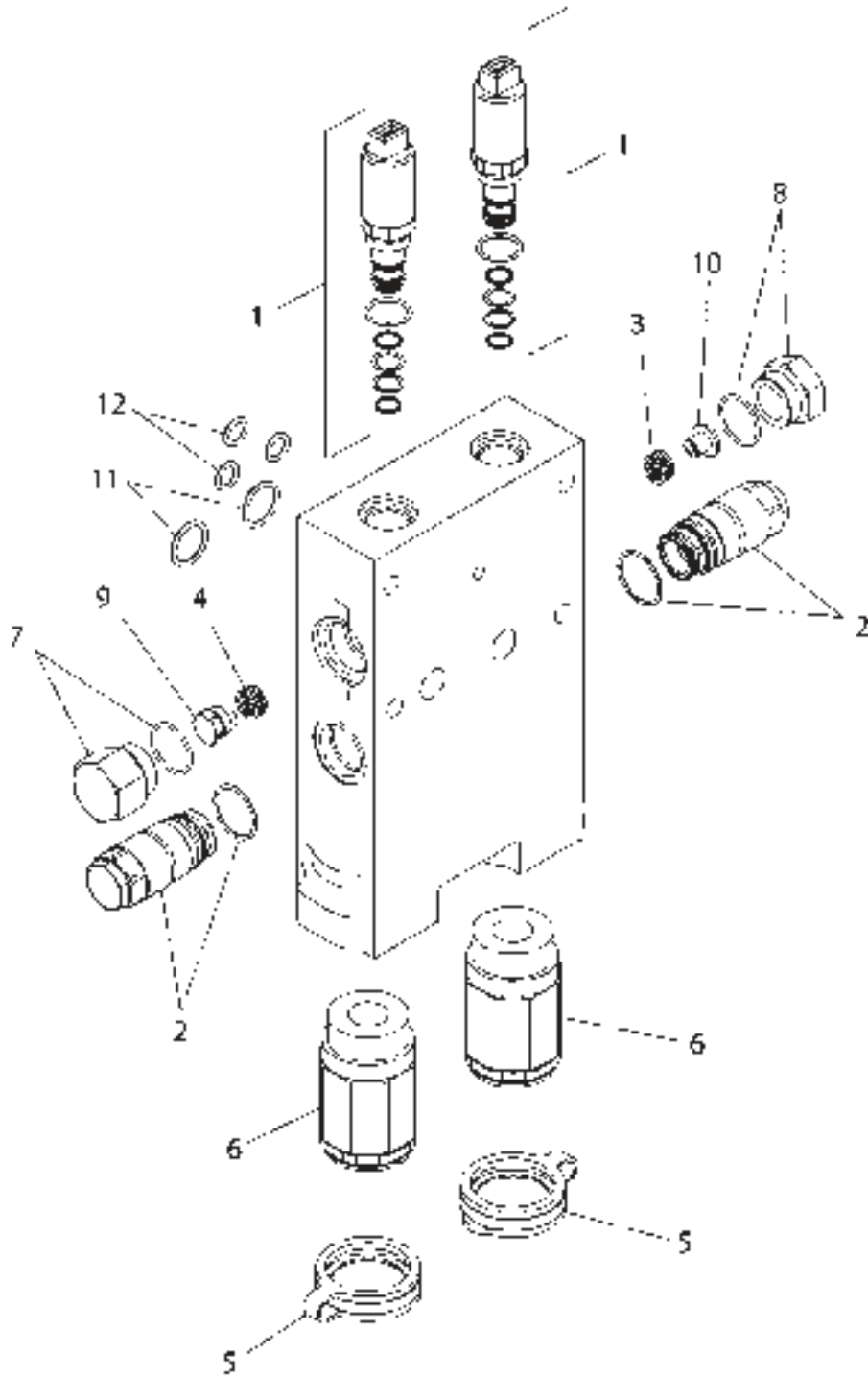
ITEM	NUMBER	QTY	DESCRIPTION
-	162-9816	-	VALVE GP-CONTROL [A]
1	CH162-9821	2	BOLT (M8X1X25MM))
2	165-8537	2	VALVE GP-SOLENOID & PRESS REDC
	CH209-9680	1	KIT-SEAL (VALVE GP-CHECK)
3	CH186-0341	1	LEVER
4	186-0346	2	VALVE GP-CHECK (INCLUDES SEAL-O-RING)
	CH033-6032	1	SEAL-O-RING
5	CH186-0347	1	COVER-DUST
6	CH186-0348	1	COVER-DUST
7	CH186-0364	2	PLATE
8	CH186-0365	2	PLATE ASM
	CH187-9630	1	SEAL-O-RING
9	CH186-0367	2	SEAL
10	CH186-0368	1	PLUG AS (STOR, M28)
	CH175-3135	1	SEAL-O-RING (25.1IDX1.78DIA)
11	CH186-0369	1	PLUG AS (M28 STOR)
	CH175-3135	1	SEAL-O-RING (25.1IDX1.78DIA)
12	CH186-0375	1	CAP AS (INCLUDES SEAL-O-RING)
	CH162-9799	1	SEAL-O-RING (24.5IDX1.5DIA)
13	CH186-0376	1	CAP ASM
	CH162-9799	1	SEAL-O-RING
14	CH209-8296	2	BOLT-SOCKET HEAD (M8X1.25X25MM)
15	CH5P-9186	2	SEAL-O-RING
16	CH8L-2777	7	SEAL-O-RING
17	186-0342	2	COUPLING GP (INCL SEAL)
	CH146-4350	1	SEAL
18	CH186-0370	1	PLUG
19	CH186-0371	1	PLUG
20	186-0372	1	SPRING
21	186-0373	1	SPRING
22	186-0377	2	CAM
23	CH096-2323	1	RING-RETAINING
24	CH146-4351	2	SEAL
25	CH5D-6539	2	SEAL-O-RING
26	CH3E-4296	1	SEAL-O-RING

[A] PART OF 209-8218; 209-8219
CONVERSION GP-CONTROL VALVE;
500752D1 VALVE GP

1629816D
PR: t05b22n43d0385

MT800B SERIES TRACTORS
HYDRAULIC SYSTEM

VALVE GP-CONTROL - 502038D1
HIGH FLOW



MT800B SERIES TRACTORS
HYDRAULIC SYSTEM

899

VALVE GP-CONTROL - 502038D1
HIGH FLOW

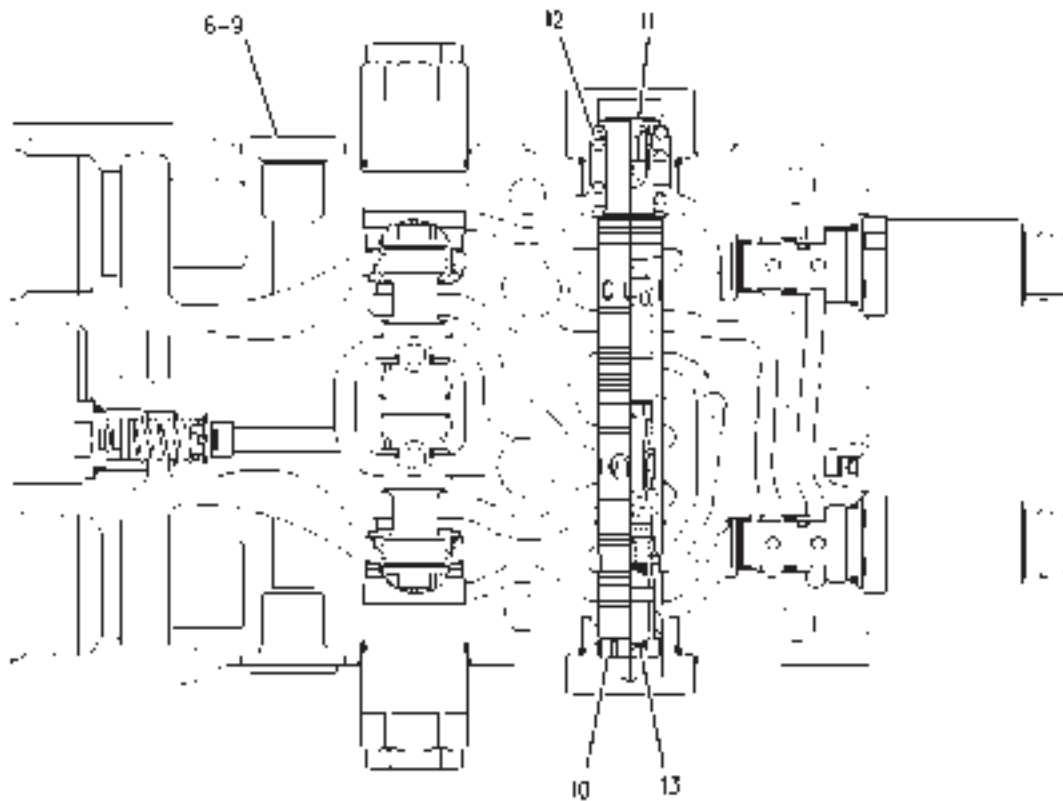
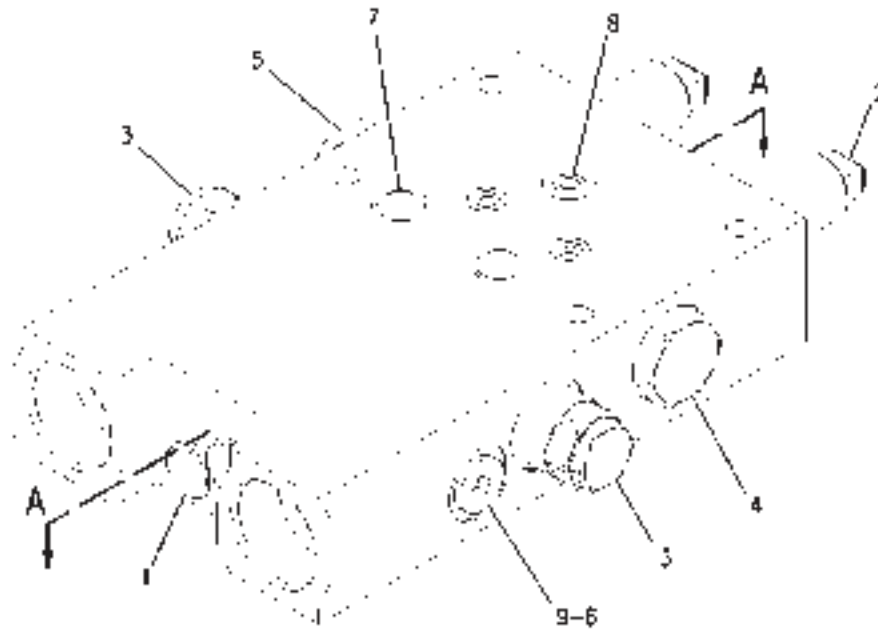
ITEM	NUMBER	QTY	DESCRIPTION
-	502038D1	-	VALVE GP-CONTROL [A]
1	165-8537	2	VALVE GP-SOLENOID & PRESS REDC
	CH209-9680	1	KIT-SEAL (VALVE GP-CHECK)
2	186-0346	2	VALVE GP-CHECK (INCLUDES SEAL-O-RING)
	CH033-6032	1	SEAL-O-RING
3	186-0372	1	SPRING-METER
4	186-0373	1	SRPING-COMP
5	501947D1	2	PLUG-DUST- X42.8
6	502031D1	2	COUPLER AS
7	CH186-0368	1	PLUG AS-STOR, M28
	CH175-3135	1	SEAL-O-RING
8	CH186-0369	1	PLUG AS-M28 STOR
	CH175-3135	1	SEAL-O-RING
9	CH186-0370	1	PLUG, M15 STOR
10	CH186-0371	1	PLUG, M10 STOR
11	CH5P-9186	2	SEAL-O-RING 20.3IDX2.62DIA
12	CH8L-2777	3	SEAL-O-RING 10.77IDX2.62DIA

[A] PART OF 502039D1 VALVE GP-BANK 4

502038DB
PR: t05b22n43d0386

MT800B SERIES TRACTORS
HYDRAULIC SYSTEM

VALVE GP-CONTROL - 162-9817
STEERABLE HITCH



SECTION A-A

00886104

**MT800B SERIES TRACTORS
HYDRAULIC SYSTEM**

901

**VALVE GP-CONTROL - 162-9817
STEERABLE HITCH**

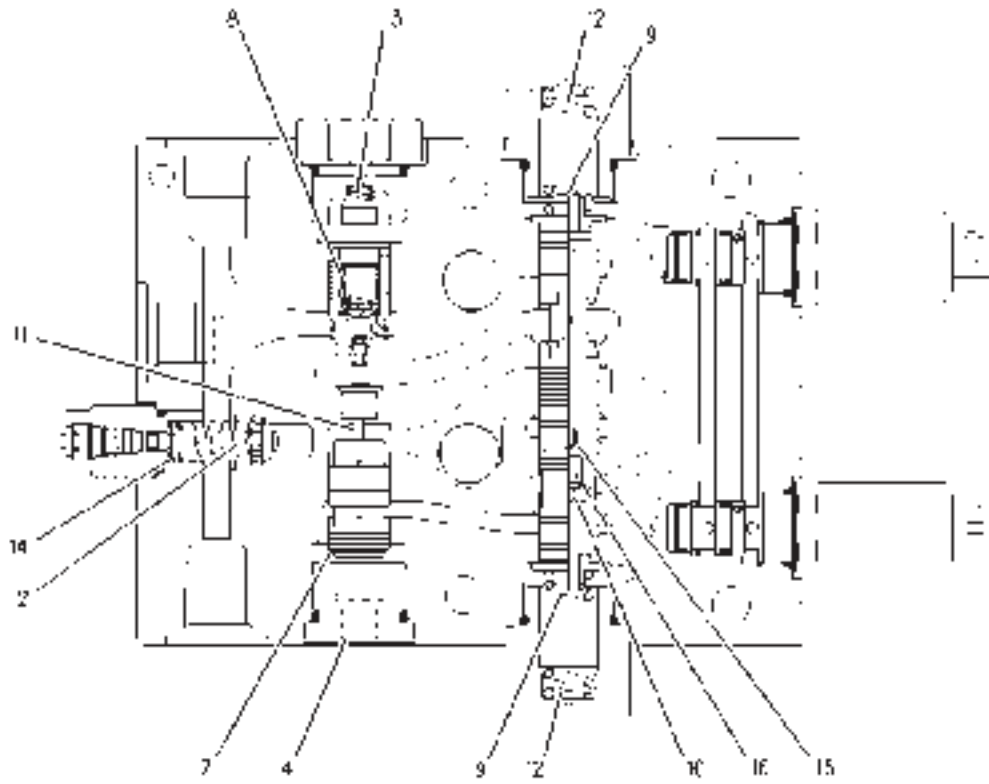
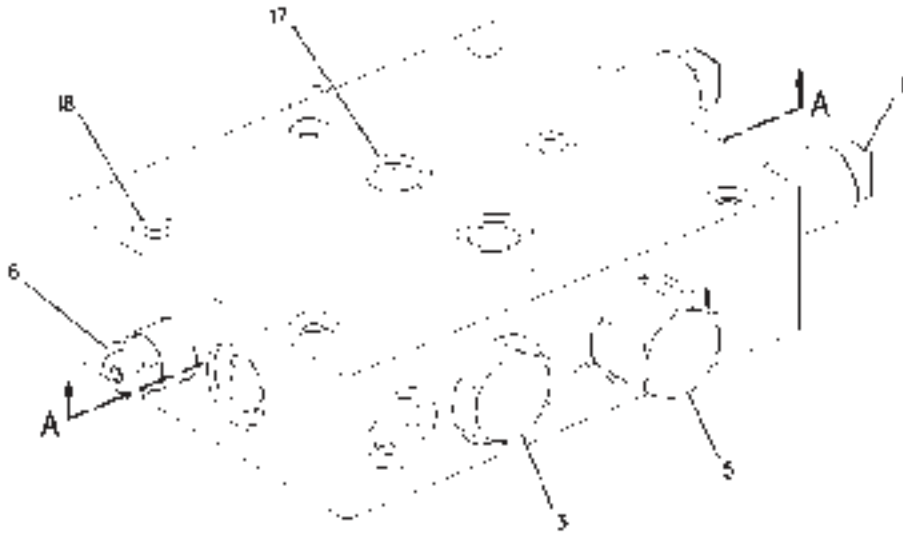
ITEM	NUMBER	QTY	DESCRIPTION
-	162-9817	-	VALVE GP-CONTROL [A]
1	162-9822	2	VALVE GP-RELIEF (INCLS O-RING SEAL)
	400322X1	1	SEAL-O-RING (19.28 ID X 1.78 DIA)
2	165-8537	2	VALVE GP-SOLENOID & PRESS REDC
	CH209-9680		KIT-SEAL (SOLENOID VALVE)
3	186-0346	2	VALVE GP-CHECK
	CH033-6032	1	SEAL-O-RING
4	CH186-0368	1	PLUG ASM
	CH175-3135	1	SEAL-O-RING
5	CH186-0369	1	PLUG ASM
	CH175-3135	1	SEAL-O-RING
6	CH3K-0360	2	SEAL-O-RING (16.36IDX2.21DIA)
7	CH5P-9186	2	SEAL-O-RING
8	CH8L-2777	3	SEAL-O-RING
9	CH148-8395	1	PLUG AS (8STOR) (INCLS ITEM 6)
	CH3K-0360	1	SEAL-O-RING (16.36IDX2.21DIA)
10	186-0370	1	PLUG
11	CH186-0371	1	PLUG
12	CH186-0372	1	SPRING
13	186-0373	1	SPRING

[A] PART OF:
192-4708 VALVE GP-BANK 3
192-4817 VALVE GP-BANK 4

00886104
PR: t05b22n43d0388

MT800B SERIES TRACTORS
HYDRAULIC SYSTEM

VALVE GP-CONTROL - 162-9818
3 POINT HITCH



SECTION A-A

MT800B SERIES TRACTORS
HYDRAULIC SYSTEM

903

VALVE GP-CONTROL - 162-9818
3 POINT HITCH

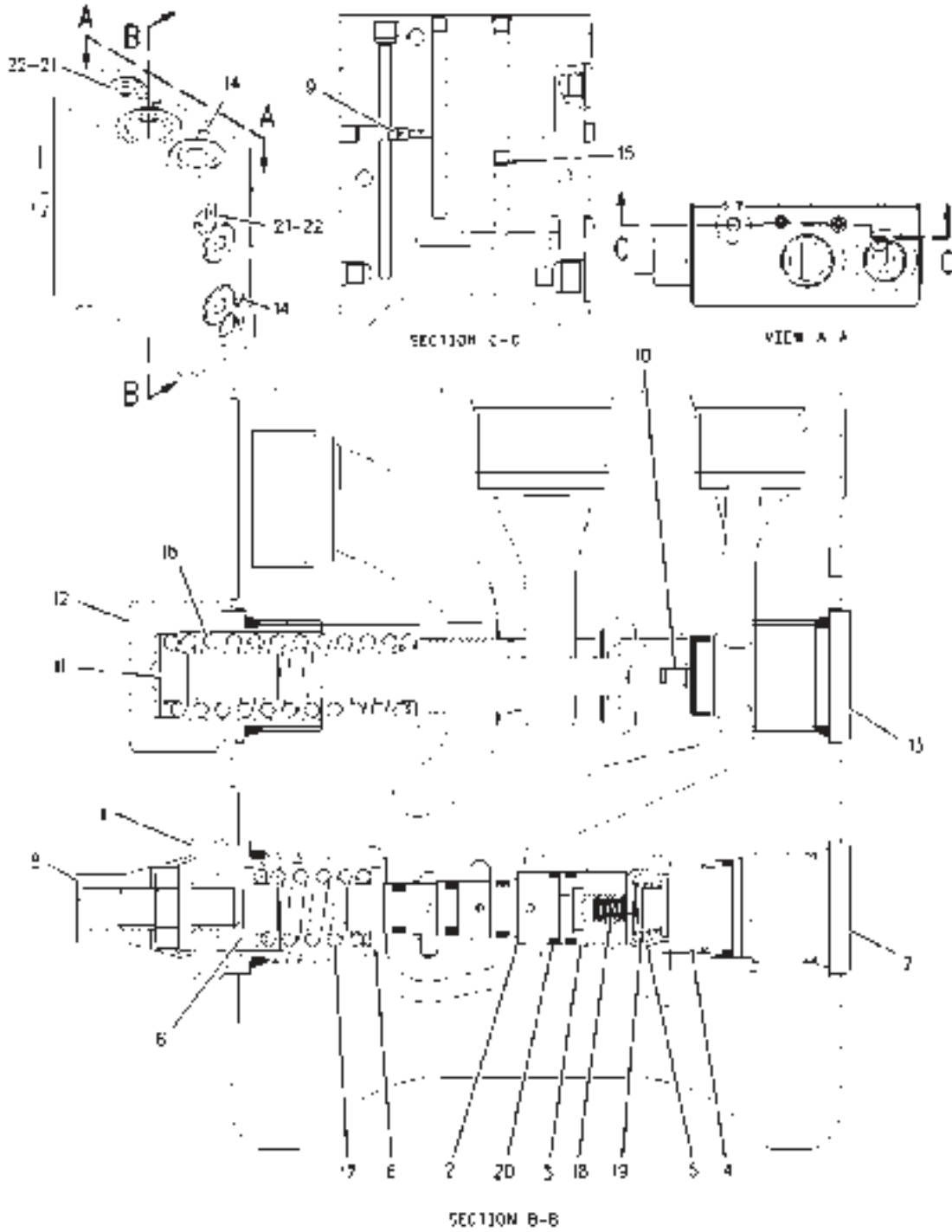
ITEM	NUMBER	QTY	DESCRIPTION
-	162-9818	-	VALVE GP-CONTROL [A]
1	165-8537	2	VALVE GP-SOLENOID & PRESS REDC (3PT HITCH RAISE/LOWER)
	209-9680	1	SEAL-KIT
2	209-7359	1	VALVE-RELIEF (3PT HITCH CNTRL CIRCUIT)
3	216-3569	1	PLUG ASM
	CH8T-7525	1	SEAL-O-RING
4	216-3458	1	PLUG ASM
	CH8T-7525	1	SEAL-O-RING
5	216-3570	2	PLUG ASM
	CH8T-7525	1	SEAL-O-RING
6	209-7599	1	SCREW-LOWERING (3PT HITCH MANUAL LOWER)
7	216-3461	1	SPOOL-VALVE
8	216-3462	1	VALVE-CHECK (3PT HITCH POSITION HOLD)
9	216-3475	2	RETAINER
10	CH216-4098	1	PLUG
11	216-3478	1	PIN
12	216-3479	2	SPRING
13	216-3480	1	SPRING
14	216-3481	1	SPRING
15	CH3G-0785	1	BALL
16	CH109-9685	1	SEAL-O-RING
17	CH5P-9186	2	SEAL-O-RING
18	CH8L-2777	3	SEAL-O-RING

[A] PART OF:
192-4708 VALVE GP-BANK 3
192-4817 VALVE GP-BANK 4

00902036
PR: t05b22n43d0389

MT800B SERIES TRACTORS
HYDRAULIC SYSTEM

VALVE GP-CONTROL - 192-4707
PRIORITY W/HYDRAULIC TRAILER BRAKES



**MT800B SERIES TRACTORS
HYDRAULIC SYSTEM**

905

**VALVE GP-CONTROL - 192-4707
PRIORITY W/HYDRAULIC TRAILER BRAKES**

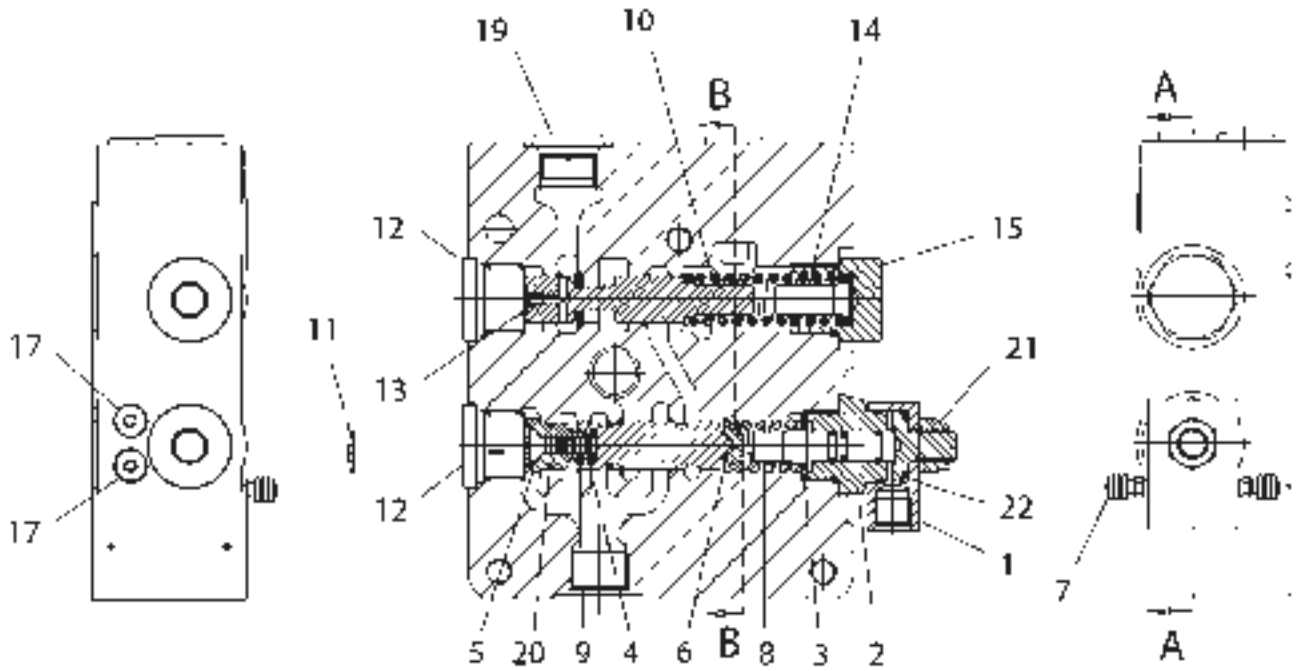
ITEM	NUMBER	QTY	DESCRIPTION
-	192-4707	-	VALVE GP-CONTROL [A]
1	216-6971	1	ADJUSTER ASM
	CH8T-7525	1	SEAL-O-RING
	216-6988	1	SCREW
	216-6990	1	SEAL
2	216-6972	1	VALVE GP-ACCUMULATOR CHARGING (SEE BREAKDOWN FOR COMPONENTS)
3	216-6973	1	SLEEVE AS
	400322X1	1	SEAL-O-RING (19.28IDX1.78DIA)
4	216-6974	1	VALVE ASM-CHECK
	CH6V-6580	1	SEAL-O-RING
5	216-6975	1	RETAINER-SPRING
6	216-6976	2	RETAINER-SPRING
7	216-6977	1	PLUG AS
	CH8T-7525	1	SEAL-O-RING
8	216-6978	1	CAP
9	216-6979	1	VALVE-CHECK
10	216-6980	1	ORIFICE
11	216-6981	1	RETAINER
12	216-6983	1	PLUG AS
	CH8T-7525	1	SEAL-O-RING
13	216-6984	1	PLUG AS
	CH8T-7525	1	SEAL-O-RING
	CH6V-8399	1	SEAL-O-RING
	CH216-7114	1	RING-BACKUP
14	216-6986	3	PLUG
15	216-6987	1	ORIFICE
16	216-6991	1	SPRING
17	216-6992	1	SPRING
18	216-7010	1	SPRING
19	216-7035	1	SPRING
20	216-7115	1	RING-BACKUP
21	CH162-0177	1	PLUG AS (9/16-18 STOR)
	400318X1	1	SEAL-O-RING
22	400318X1	2	SEAL-O-RING

[A] PART OF 193-8197 VALVE AR

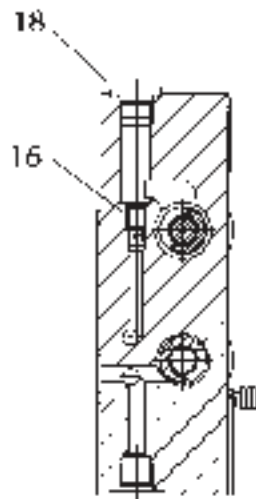
00899371
PR: t05b22n43d0390

MT800B SERIES TRACTORS
HYDRAULIC SYSTEM

VALVE GP-BRAKE CONTROL - 196-2318
HYDRAULIC TRAILER BRAKES



SECTION A-A



SECTION B-B

1962318C

MT800B SERIES TRACTORS
HYDRAULIC SYSTEM

907

VALVE GP-BRAKE CONTROL - 196-2318
HYDRAULIC TRAILER BRAKES

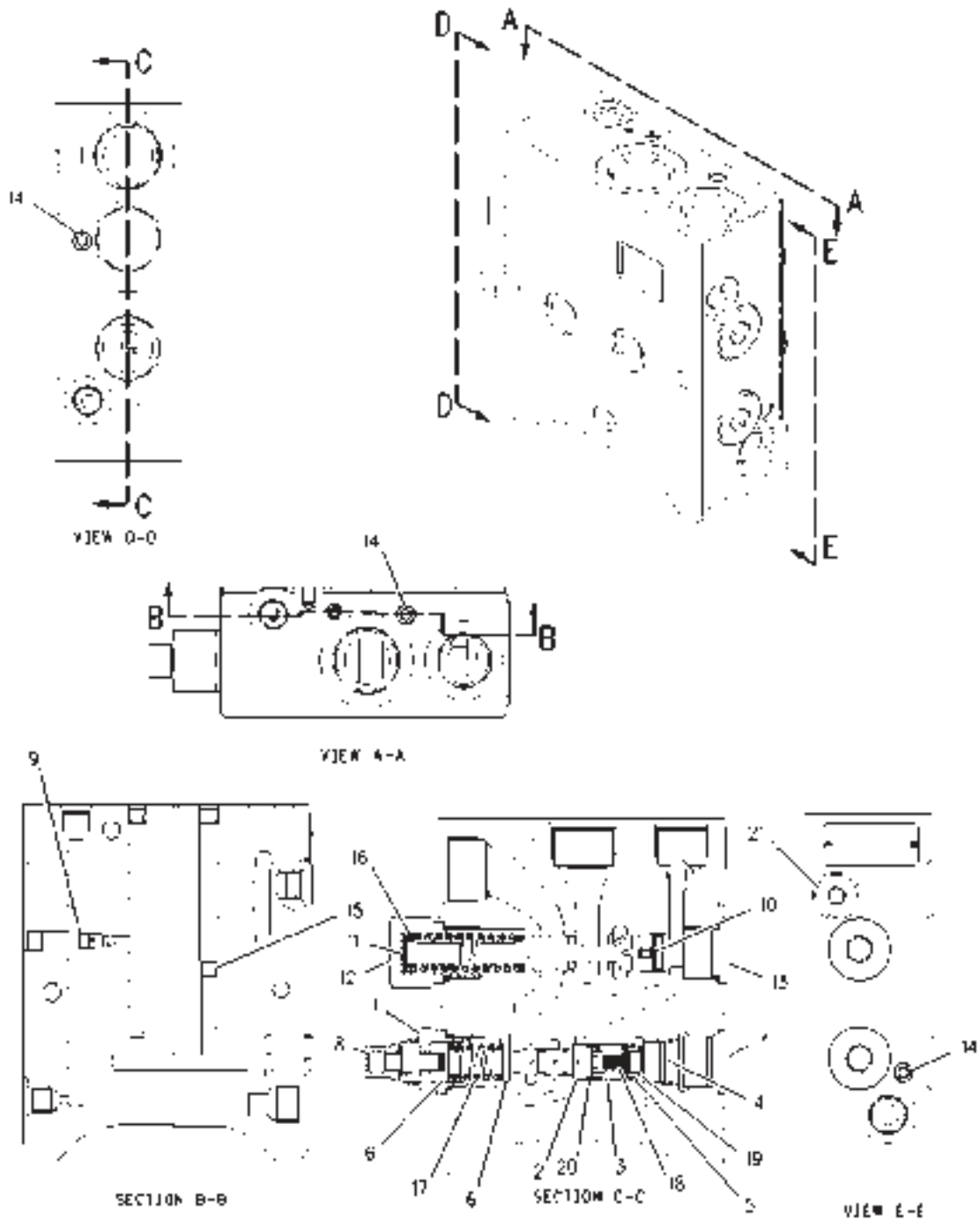
ITEM	NUMBER	QTY	DESCRIPTION
-	196-2318	-	VALVE GP-BRAKE CNTRL (COMPLETE)
1	209-9919	1	MANIFOLD
2	209-9920	1	PLUG AS
	CH8T-7525	1	SEAL-O-RING
	CH8U-7381	1	SEAL-O-RING
	CH209-9961	2	RING-GUIDE
	CH209-9962	1	RING-GUIDE
3	CH209-9921	1	WASHER
4	CH209-9927	1	SLUG
5	209-9936	1	SLEEVE
6	CH209-9947	1	SEAT-SPRING
7	209-9949	2	SCREW-PURGE
8	CH209-9955	1	SPRING
9	CH209-9957	1	SPRING
10	216-6991	1	SPRING
11	CH210-1993	1	WASHER
12	216-6977	2	PLUG AS (INCLS SEAL-O-RING)
	CH8T-7525	1	SEAL-O-RING
13	216-6980	1	ORIFICE
14	216-6981	1	RETAINER
15	CH216-8187	1	PLUG AS
	CH8T-7525	1	SEAL-O-RING
16	216-8188	1	VALVE AS-SHUTTLE
17	CH216-8189	2	PLUG AS
	CH3E-4289	1	SEAL-O-RING
18	CH216-8190	1	PLUG AS
	CH3E-4298	1	SEAL-O-RING
19	CH216-8191	1	PLUG AS
	400319X1	1	SEAL-O-RING
20	CH095-1715	1	SEAL-O-RING
21	CH188-7789	1	NUT (M12X1.50)
22	CH6V-3922	1	SEAL-O-RING

[A] PART OF:
192-4816 VALVE GP-BANK 2
192-4817 VALVE GP-BANK 4
209-3689 KIT-HYD TRAILER BRAKE

1962318C
PR: t05b22n43d0391

MT800B SERIES TRACTORS
HYDRAULIC SYSTEM

VALVE GP-CONTROL - 209-5019
PRIORITY & ACCUMULATOR CHARGE



**MT800B SERIES TRACTORS
HYDRAULIC SYSTEM**

909

**VALVE GP-CONTROL - 209-5019
PRIORITY & ACCUMULATOR CHARGE**

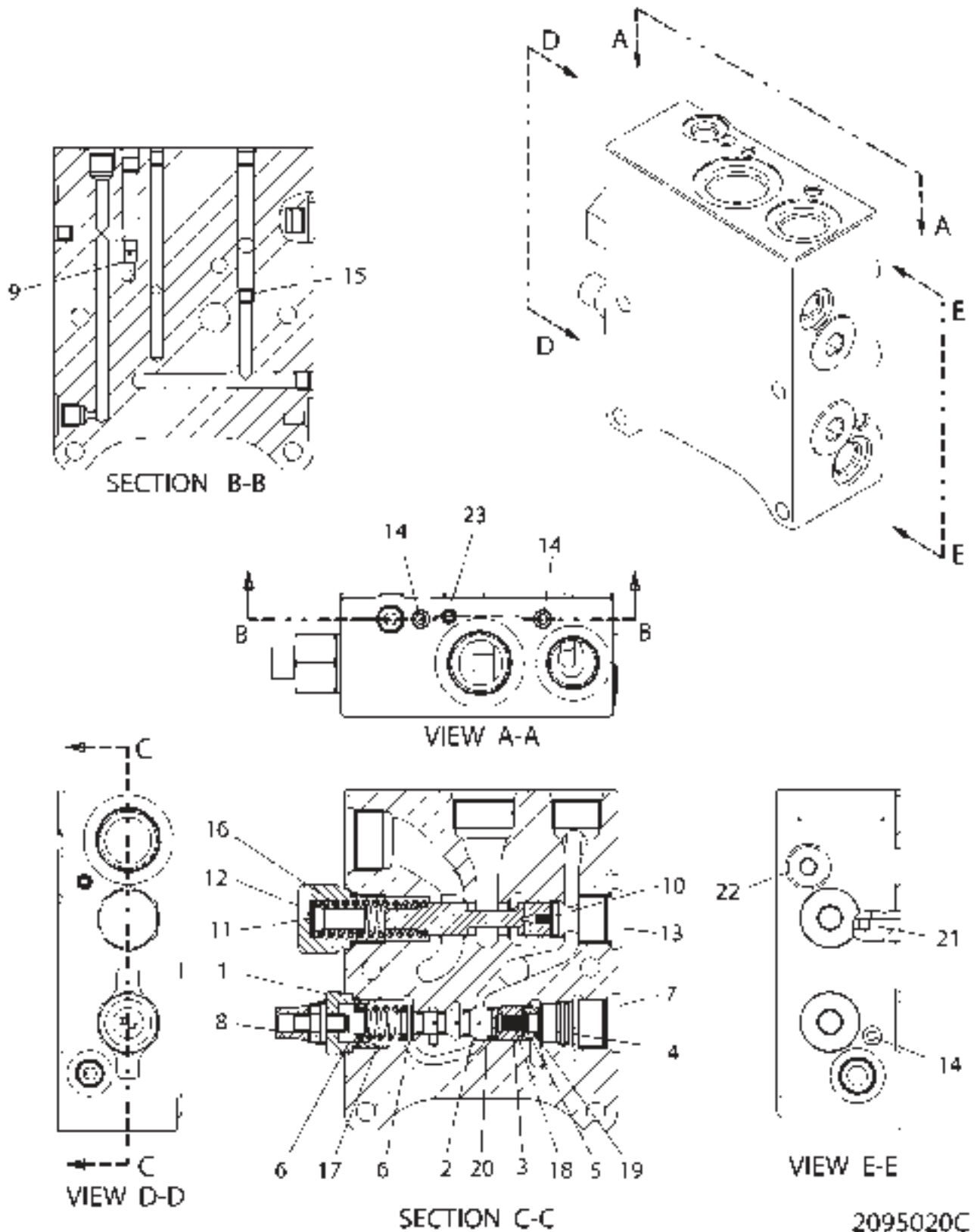
ITEM	NUMBER	QTY	DESCRIPTION
-	209-5019	-	VALVE GP-CONTROL [A]
1	216-6971	1	ADJUSTER ASM
	CH8T-7525	1	SEAL-O-RING
	216-6988	1	SCREW
	216-6990	1	SEAL
2	216-6972	1	VALVE GP-ACCUMULATOR CHARGING (SEE BREAKDOWN FOR COMPONENTS)
3	216-6973	1	SLEEVE ASM
	400322X1	1	SEAL-O-RING (19.28IDX1.78DIA)
4	216-6974	1	VALVE ASM-CHECK
	CH6V-6580	1	SEAL-O-RING
5	216-6975	1	RETAINER-SPRING
6	216-6976	2	RETAINER-SPRING
7	216-6977	1	PLUG ASM
	CH8T-7525	1	SEAL-O-RING
8	216-6978	1	CAP
9	216-6979	1	VALVE-CHECK
10	216-6980	1	ORIFICE
11	216-6981	1	RETAINER
12	216-6983	1	PLUG ASM
	CH8T-7525	1	SEAL-O-RING
13	216-6984	1	PLUG ASM
	CH8T-7525	1	SEAL-O-RING
	CH6V-8399	1	SEAL-O-RING
	CH216-7114	1	RING-BACKUP
14	216-6986	3	PLUG
15	216-6987	1	ORIFICE
16	216-6991	1	SPRING
17	216-6992	1	SPRING
18	216-7010	1	SPRING
19	216-7035	1	SPRING
20	CH216-7115	1	RING-BACKUP
21	CH162-0177	1	PLUG AS (9/16-18 STOR)
	400318X1	1	SEAL-O-RING
22	500932D1	1	PLUG-SPL (NOT SHOWN)

[A] PART OF 192-4708 VALVE GP-BANK 3

00889029
PR: t05b22n43d0392

MT800B SERIES TRACTORS
HYDRAULIC SYSTEM

VALVE GP-CONTROL - 209-5020
PRIORITY



**MT800B SERIES TRACTORS
HYDRAULIC SYSTEM**

911

**VALVE GP-CONTROL - 209-5020
PRIORITY**

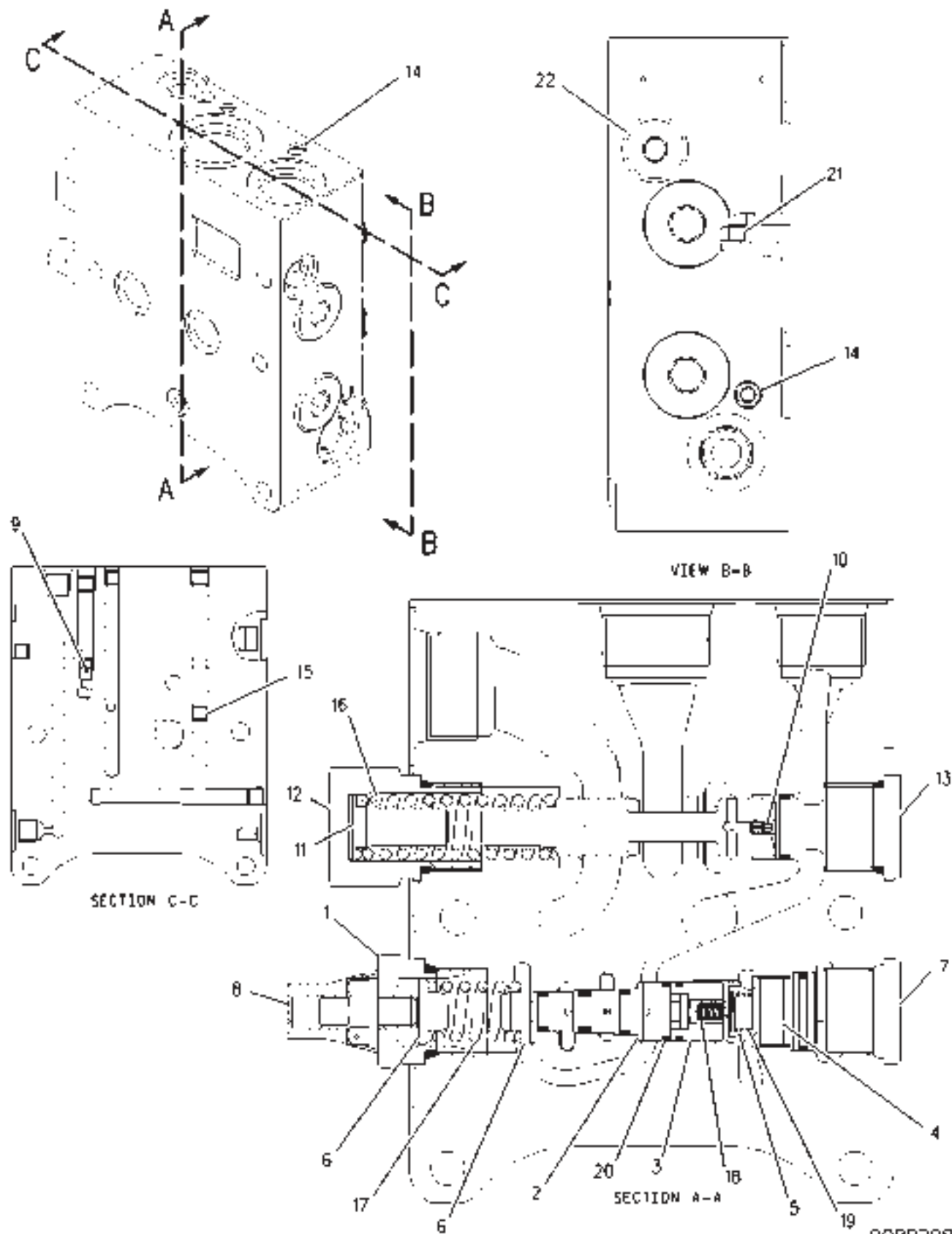
ITEM	NUMBER	QTY	DESCRIPTION
-	209-5020	-	VALVE GP-CONTROL [A]
1	216-6971	1	ADJUSTMENT AS
	CH8T-7525	1	SEAL-O-RING
	216-6988	1	SCREW
	216-6990	1	SEAL-LOCK NUT
2	216-6972	1	VALVE GP-ACCUMULATOR CHARGING (SEE BREAKDOWN FOR COMPONENTS)
3	216-6973	1	SLEEVE ASM
	400322X1	1	SEAL-O-RING (19.28IDX1.78DIA)
4	216-6974	1	VALVE ASM-CHECK
	CH6V-6580	1	SEAL-O-RING
5	216-6975	1	RETAINER-SPRING
6	216-6976	2	RETAINER-SPRING
7	216-6977	1	PLUG ASM
	CH8T-7525	1	SEAL-O-RING
8	216-6978	1	CAP
9	216-6979	1	VALVE-CHECK
10	216-6980	1	ORIFICE
11	216-6981	1	RETAINER
12	216-6983	1	PLUG ASM
	CH8T-7525	1	SEAL-O-RING
13	216-6984	1	PLUG ASM
	CH8T-7525	1	SEAL-O-RING
	CH6V-8399	1	SEAL-O-RING
	CH216-7114	1	RING-BACKUP
14	216-6986	3	PLUG
15	216-6987	1	ORIFICE
16	216-6991	1	SPRING
17	216-6992	1	SPRING
18	216-7010	1	SPRING
19	216-7035	1	SPRING
20	CH216-7115	1	RING-BACKUP
21	216-7404	1	ORIFICE-SPCL
22	CH162-0177	1	PLUG AS (9/16-18 STOR)
	400318X1	1	SEAL-O-RING
23	500932D1	1	PLUG-SPCL

[A] PART OF 192-4816 VALVE GP-BANK 2

2095020C
PR: t05b22n43d0393

MT800B SERIES TRACTORS
HYDRAULIC SYSTEM

VALVE GP-CONTROL - 209-5021



**MT800B SERIES TRACTORS
HYDRAULIC SYSTEM**

913

VALVE GP-CONTROL - 209-5021

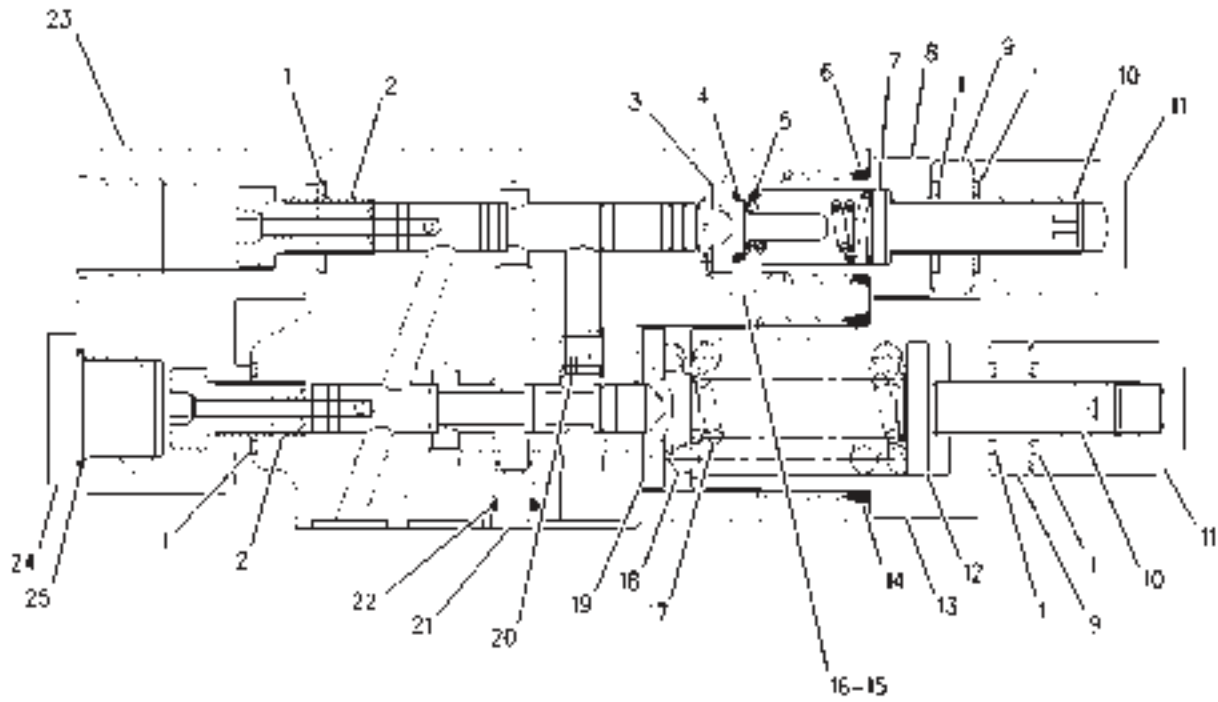
ITEM	NUMBER	QTY	DESCRIPTION
-	209-5021	-	VALVE GP-CONTROL [A]
1	216-6971	1	ADJUSTER AS
	CH8T-7525	1	SEAL-O-RING
	216-6988	1	SCREW
	216-6990	1	SEAL
2	216-6972	1	VALVE GP-ACCUMULATOR CHARGING (SEE BREAKDOWN FOR COMPONENTS)
3	216-6973	1	SLEEVE AS
	400322X1	1	SEAL-O-RING (19.28IDX1.78DIA)
4	216-6974	1	VALVE AS-CHECK
	CH6V-6580	1	SEAL-O-RING
5	216-6975	1	RETAINER-SPRING
6	216-6976	2	RETAINER-SPRING
7	216-6977	1	PLUG AS
	CH8T-7525	1	SEAL-O-RING
8	216-6978	1	CAP
9	216-6979	1	VALVE AS-CHECK
10	216-6980	1	ORIFICE
11	216-6981	1	RETAINER
12	216-6983	1	PLUG AS-SPECIAL (PRIORITY)
	CH8T-7525	1	SEAL-O-RING
13	216-6984	1	PLUG AS
	CH6V-8399	1	SEAL-O-RING
	CH8T-7525	1	SEAL-O-RING
	CH216-7114	1	RING-BACKUP
14	216-6986	3	PLUG
15	216-6987	1	ORIFICE
16	216-6991	1	SPRING
17	216-6992	1	SPRING
18	216-7010	1	SPRING
19	216-7035	1	SPRING
20	CH216-7115	1	RING-BACKUP
21	216-7404	1	ORIFICE
22	CH162-0177	1	PLUG AS (9/16-18 STOR)
	400318X1	1	SEAL-O-RING
23	500932D1	1	PLUG-SPECIAL

[A] PART OF:
209-3689 KIT-HYD TRAILER BRAKE
192-4817 VALVE GP-BANK 4

00892081
PR: t05b22n43d0394

MT800B SERIES TRACTORS
HYDRAULIC SYSTEM

VALVE GP-PRESS & FLOW CMPNSTR - 214-9379



MT800B SERIES TRACTORS
HYDRAULIC SYSTEM

915

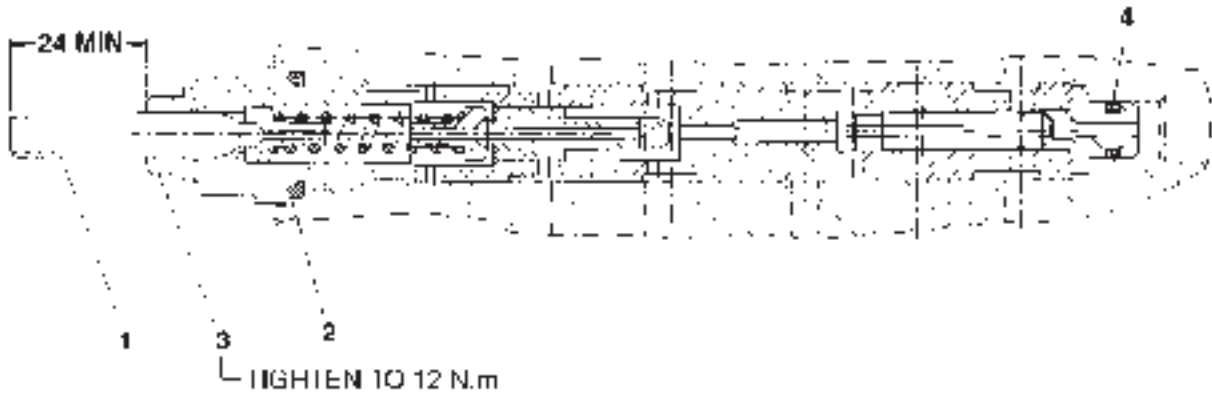
VALVE GP-PRESS & FLOW CMPNSTR - 214-9379

ITEM	NUMBER	QTY	DESCRIPTION
-	214-9379	-	VALVE GP-PRESS & FLOW CMPNSTR [A]
1	CH6E-6528	6	SEAL
2	CH194-4650	2	ADAPTER
3	CH6E-3268	1	RETAINER-SPRING
4	CH6E-3275	1	SPRING
5	CH6E-3274	1	SPRING
6	CH033-6043	1	SEAL-O-RING
7	CH6E-3272	1	SEAT
8	CH6E-6540	1	PLUG
9	CH6E-6538	2	NUT-ADJUSTMENT (M8X1)
10	CH6E-6537	2	SCREW-ADJUSTMENT (M8X1X28MM)
11	CH6E-6539	2	NUT-CAP (M8X1)
12	CH6E-3273	1	SEAT
13	CH6E-6536	1	PLUG
14	CH6V-8352	1	SEAL-O-RING
15	CH9S-8002	1	PLUG
16	400361X1	1	SEAL-O-RING
17	CH193-1036	1	SPRING
18	CH6E-3276	1	SPRING
19	CH6E-3269	1	RETAINER-SPRING
20	CH201-0780	1	ORIFICE
21	CH105-2145	1	VALVE-ORIFICE
22	CH5P-9262	1	SEAL-O-RING
23	CH194-4651	1	ADAPTER (HOUSING)
24	CH162-0177	1	PLUG AS (9/16-18 STOR)
	400318X1	1	SEAL-O-RING
25	400318X1	1	SEAL-O-RING

[A] PART OF CH206-9017; 206-9019
PUMP GP-PISTON

00893866
PR: t05b22n43d0395

VALVE GP-PRESSURE COMPENSATOR
CH6E-4392



MT800B SERIES TRACTORS
HYDRAULIC SYSTEM

917

VALVE GP-PRESSURE COMPENSATOR
CH6E-4392

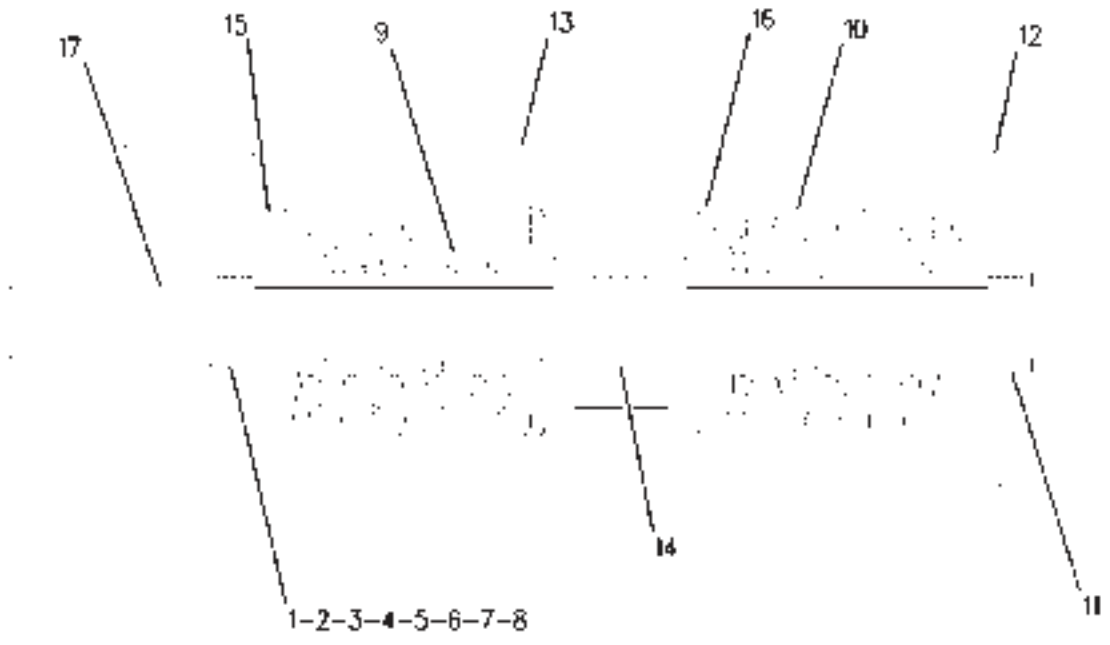
ITEM	NUMBER	QTY	DESCRIPTION
-	CH6E-4392	-	VALVE GP-PRESSURE COMPENSATOR [A]
1	CH6E-4401	1	SETSCREW-ADJUSTMENT
2	CH6V-8351	1	SEAL-O-RING
3	CH6E-1607	1	LOCKNUT-SEALING
4	CH6V-5586	1	SEAL-O-RING (6.07MM ID)

[A] PART OF 205-6398 HEAD GP-PUMP

0228708A
PR: t05b22n43d0396

MT800B SERIES TRACTORS
HYDRAULIC SYSTEM

VALVE GP-SERVO - CH183-8417



MT800B SERIES TRACTORS
HYDRAULIC SYSTEM

919

VALVE GP-SERVO - CH183-8417

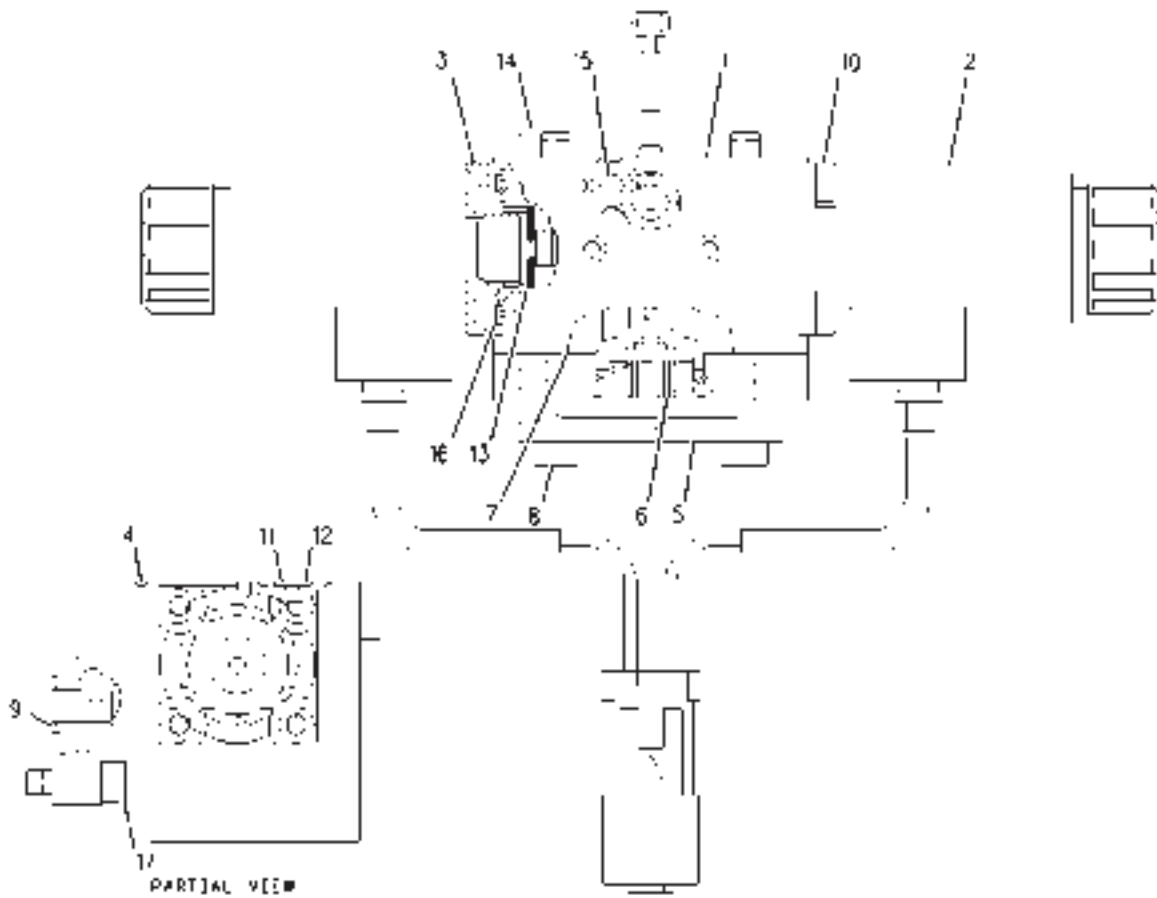
ITEM	NUMBER	QTY	DESCRIPTION
-	CH183-8417	-	VALVE GP-SERVO [A]
1	CH183-8418	2	SPACER (8.00 MM)
2	CH183-8419	1	SPACER (7.85 MM)
3	CH183-8420	1	SPACER (7.90 MM)
4	CH183-8421	1	SPACER (7.95 MM)
5	CH183-8423	1	SPACER (8.05 MM)
6	CH183-8424	1	SPACER (8.10 MM)
7	CH183-8425	11	SPACER (7.75 MM)
8	CH183-8426	1	SPACER (7.80 MM)
9	CH183-8427	2	SPRING
10	CH183-8428	2	SPRING
11	CH183-8429	2	RING
12	CH095-0942	2	RING-RETAINING (63.3MM ID)
13	CH144-9093	1	PISTON-STROKING
14	CH144-9094	1	ROD
15	CH144-9097	2	RETAINER
16	CH144-9098	2	RETAINER
17	CH161-6149	1	SEAL-O-RING

[A] PART OF CH183-8430 ACTUATOR
GP-PISTON PUMP

00664661
PR: t05b22n43d0397

MT800B SERIES TRACTORS
HYDRAULIC SYSTEM

VALVE GP-SERVO - 205-6412



MT800B SERIES TRACTORS
HYDRAULIC SYSTEM

921

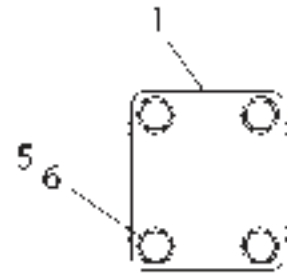
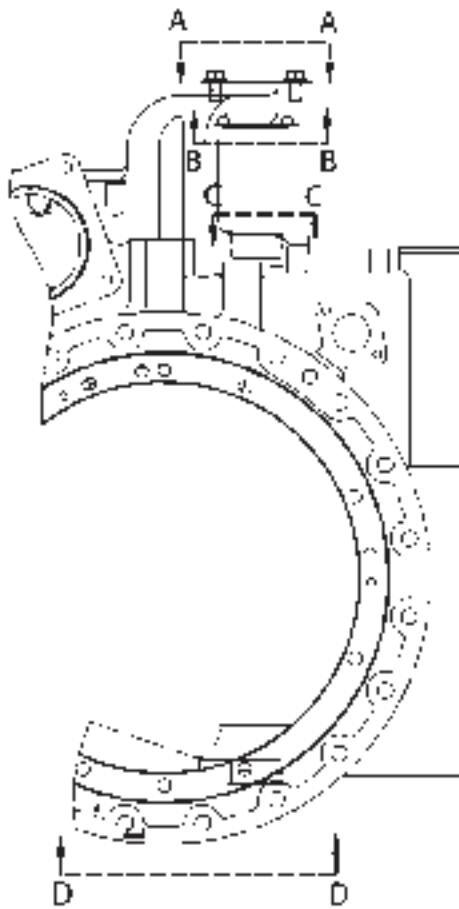
VALVE GP-SERVO - 205-6412

ITEM	NUMBER	QTY	DESCRIPTION
-	205-6412	-	VALVE GP-SERVO [A]
1	205-6464	1	HOUSING
2	196-4249	1	SOLENOID
3	CH196-4250	2	SPACER (37X37X13)
4	400365X1	1	SEAL-O-RING
5	CH111-8897	1	COVER
6	205-6411	1	SPRING
7	205-6410	1	GASKET
8	CH8T-2922	4	BOLT-SOCKET HEAD (M6X1X65MM)
9	CH6M-5062	1	SEAL-O-RING
10	CH196-9444	8	BOLT-SOCKET HEAD (M5X0.8X10MM)
11	CH6V-8398	1	SEAL-O-RING
12	CH112-4631	2	SEAL-O-RING
13	CH196-4254	2	SPRING
14	CH5E-7045	1	PIN-CYLINDER
15	CH096-5968	1	BOLT-SOCKET HEAD (M5X0.8X8MM)
16	CH6V-6228	2	SEAL-O-RING
17	CH8T-0269	2	BOLT-SOCKET HEAD (M6X1X20MM)

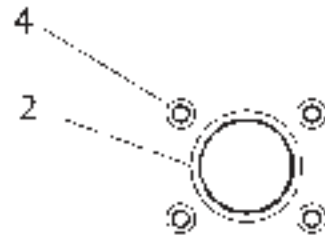
[A] PART OF CH162-9592 PUMP GP-PISTON

00853751
PR: t05b22n43d0398

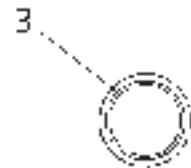
ADAPTER GP-PLUG - 180-4039
ROW AND SPECIAL APPLICATIONS



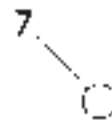
VIEW A-A



VIEW B-B



VIEW C-C



VIEW D-D

MT800B SERIES TRACTORS
DRAWBAR, THREE POINT HITCH AND PTO

923

ADAPTER GP-PLUG - 180-4039
ROW AND SPECIAL APPLICATIONS

ITEM	NUMBER	QTY	DESCRIPTION
-	180-4039	-	DRAWBAR, THREE POINT HITCH AND PTO [A]
1	CH5P-8087	2	PLUG-PROTECTIVE (M66)
2	CH198-1544	1	PLATE
3	400092X1	1	PLUG-PROTECTIVE (M80)
4	400093X1	4	PLUG-PROTECTIVE (M14)
5	400088X1	4	BOLT (M16X2X30MM)
6	400082X1	4	WASHER (17.5X30X3.5)
7	193-5918	2	PLUG-PROTECTIVE (M24)

[A] PART OF:
179-0851 HITCH AR
179-0853 HITCH AR-NON AG
184-5033 CONTROL AR-DRAWBAR

1804039F
PR: t05b22n43d0399

924

MT800B SERIES TRACTORS
DRAWBAR, THREE POINT HITCH AND PTO

CONTROL AR-DRAWBAR - 184-5033

NO ILLUSTRATION

NOTIF

MT800B SERIES TRACTORS
DRAWBAR, THREE POINT HITCH AND PTO

925

CONTROL AR-DRAWBAR - 184-5033

ITEM	NUMBER	QTY	DESCRIPTION
-	184-5033	-	CONTROL AR-DRAWBAR (NOT SERVICED) (SEE BREAKDOWN FOR COMPONENTS)
	180-4039	1	ADAPTER GP-PLUG (SEE BREAKDOWN FOR COMPONENTS)
CH184-5034		2	CYLINDER GP (SEE BREAKDOWN FOR COMPONENTS)
	180-4036	1	DRAWBAR GP-SWINGING (WIDE) (NOT SERVICED) (SEE BREAKDOWN FOR COMPONENTS)
	200-8772	1	GUARD GP-CYLINDER (NOT SERVICED) (SEE BREAKDOWN FOR COMPONENTS)
	180-0503	1	LINES GP-CYLINDER (POWERED DRAWBAR) (NOT SERVICED) (SEE BREAKDOWN FOR COMPONENTS)
	184-5035	1	MOUNTING GP-CYLINDER (CONTROLLED DRAWBAR) (NOT SERVICED) (SEE BREAKDOWN FOR COMPONENTS)
	224-9662	1	PLUG GP-3 PT HITCH (SEE BREAKDOWN FOR COMPONENTS)
	210-7509	1	SUPPORT GP-DRAWBAR (NOT SERVICED) (SEE BREAKDOWN FOR COMPONENTS)

NOTIF
PR: t05b22n43d0400

926

MT800B SERIES TRACTORS
DRAWBAR, THREE POINT HITCH AND PTO

CONTROL AR-DRAWBAR - 210-7489
WIDE SWING

NO ILLUSTRATION

NOTIF

MT800B SERIES TRACTORS
DRAWBAR, THREE POINT HITCH AND PTO

927

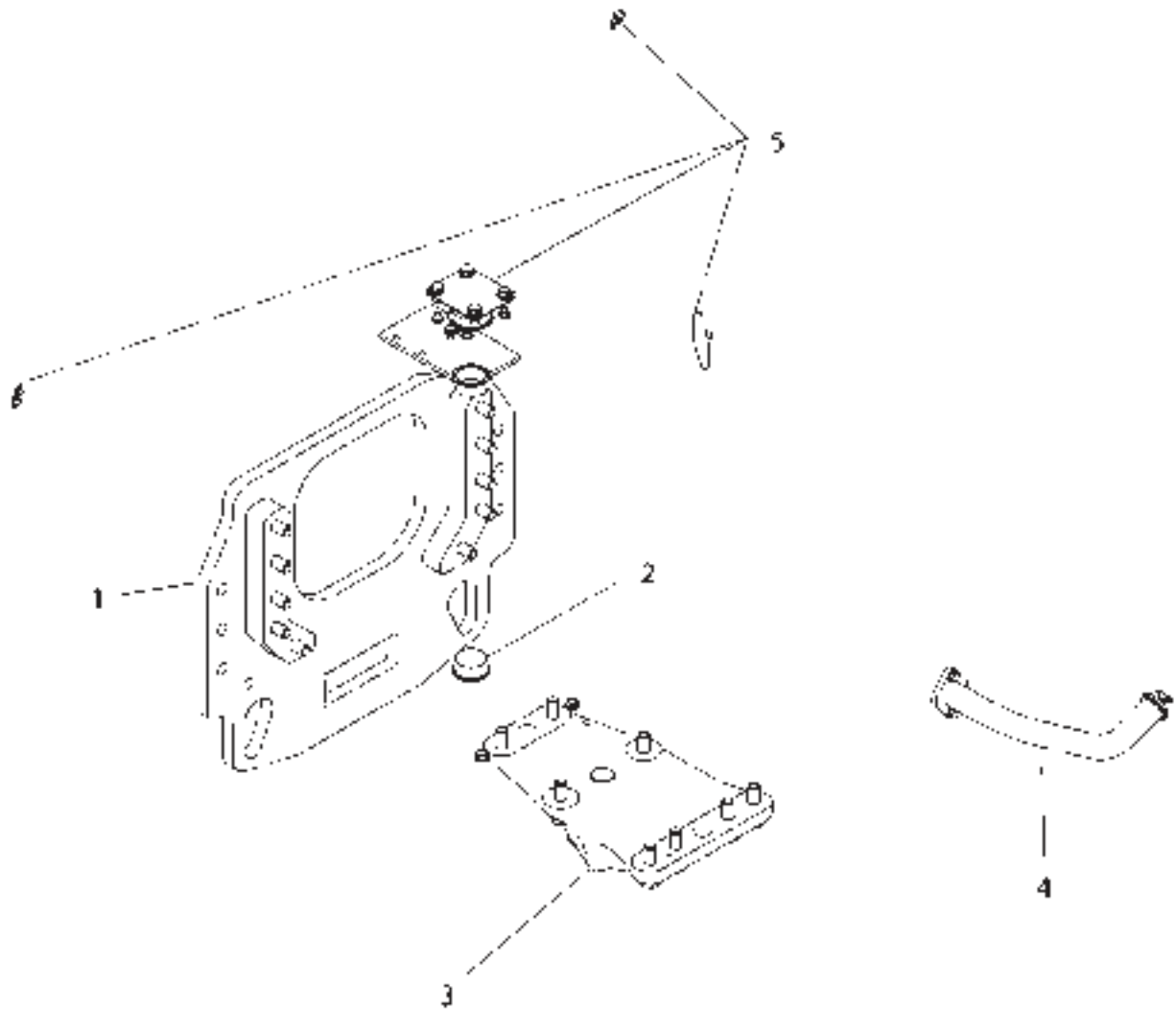
CONTROL AR-DRAWBAR - 210-7489
WIDE SWING

ITEM	NUMBER	QTY	DESCRIPTION
-	210-7489	-	CONT AR-DRAWBAR (NOT SERVICED)
1	CH184-5034	2	CYLINDER GP (SEE BREAKDOWN FOR COMPONENTS)
2	180-0503	1	LINES GP-CONTROL & (A) (NOT SERVICED) (SEE BREAKDOWN FOR COMPONENTS)
3	184-5035	1	MOUNTING GP-CYLINDER (C) (NOT SERVICED) (SEE BREAKDOWN FOR COMPONENTS)
4	200-8772	1	GUARD GP-CYLINDER (NOT SERVICED) (SEE BREAKDOWN FOR COMPONENTS)
5	210-7509	1	SUPPORT GP-FRAME (B) (NOT SERVICED) (SEE BREAKDOWN FOR COMPONENTS)

NOTIF
PR: t05b22n43d0401

MT800B SERIES TRACTORS
DRAWBAR, THREE POINT HITCH AND PTO

CONVERSION AR-NON AG - 179-0853



1790853F

MT800B SERIES TRACTORS
DRAWBAR, THREE POINT HITCH AND PTO

929

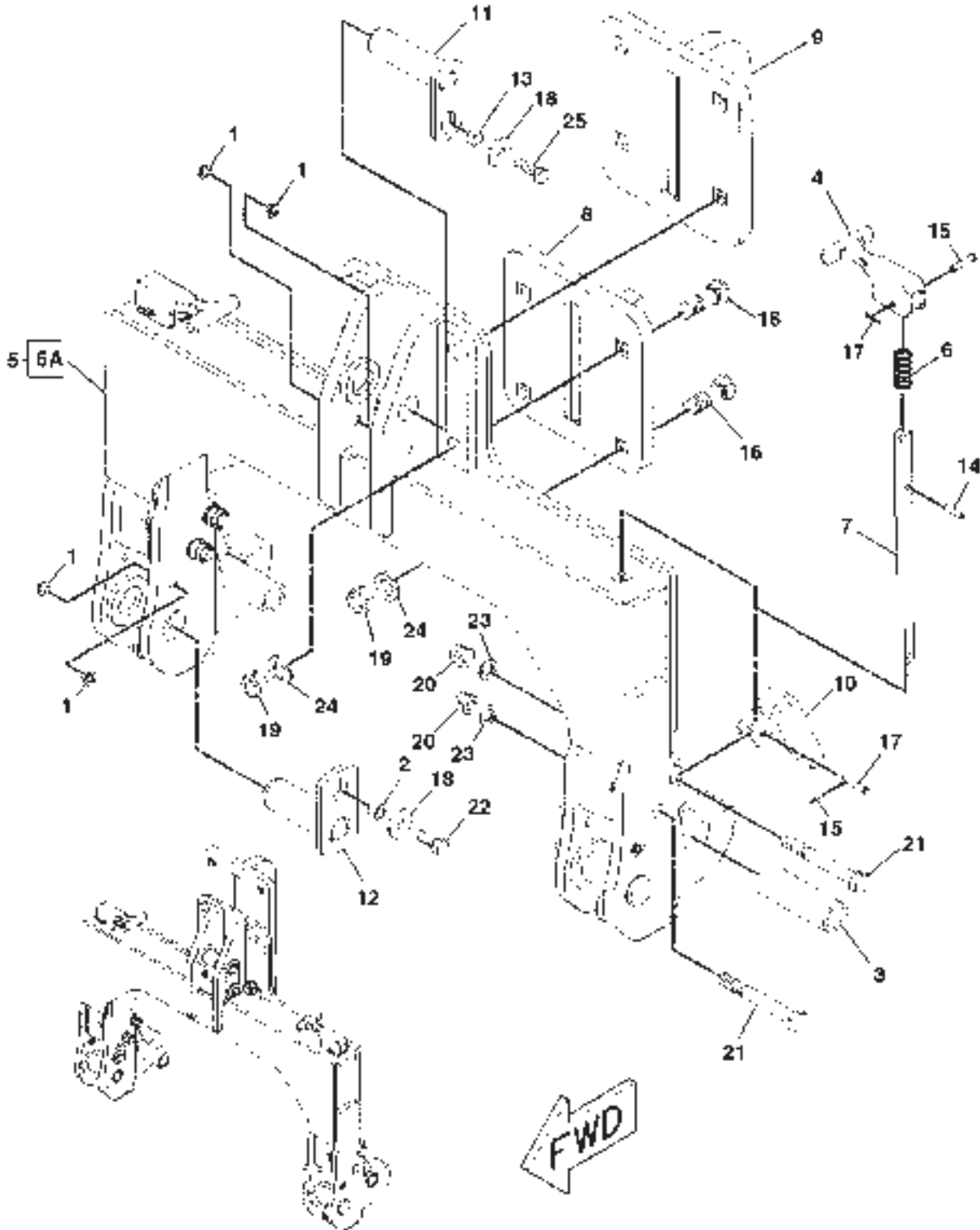
CONVERSION AR-NON AG - 179-0853

ITEM	NUMBER	QTY	DESCRIPTION
-	179-0853	-	CONVERSION AR-NON AG (NOT SERVICED) (SERVICED BY COMPONENTS BELOW)
1	180-4038	1	SUPPORT GP-DRAWBAR (REAR TIE DOWN) (SEE BREAKDOWN FOR COMPONENTS)
2	180-4039	1	ADAPTER GP-PLUG (SEE BREAKDOWN FOR COMPONENTS)
3	210-7508	1	SUPPORT GP-DRAWBAR (SEE BREAKDOWN FOR COMPONENTS)
4	502498D1	1	FILLER GP-PT OIL-DRAWBAR (SEE BREAKDOWN FOR COMPONENTS)
5	224-9662	1	PLUG GP-3 PT HITCH (SEE BREAKDOWN FOR COMPONENTS)

1790853F
PR: t05b22n43d0402

MT800B SERIES TRACTORS
DRAWBAR, THREE POINT HITCH AND PTO

COUPLER GP-QUICK - 179-3318
CATEGORY 3 & 4 NARROW



MT800B SERIES TRACTORS
DRAWBAR, THREE POINT HITCH AND PTO

931

COUPLER GP-QUICK - 179-3318
CATEGORY 3 & 4 NARROW

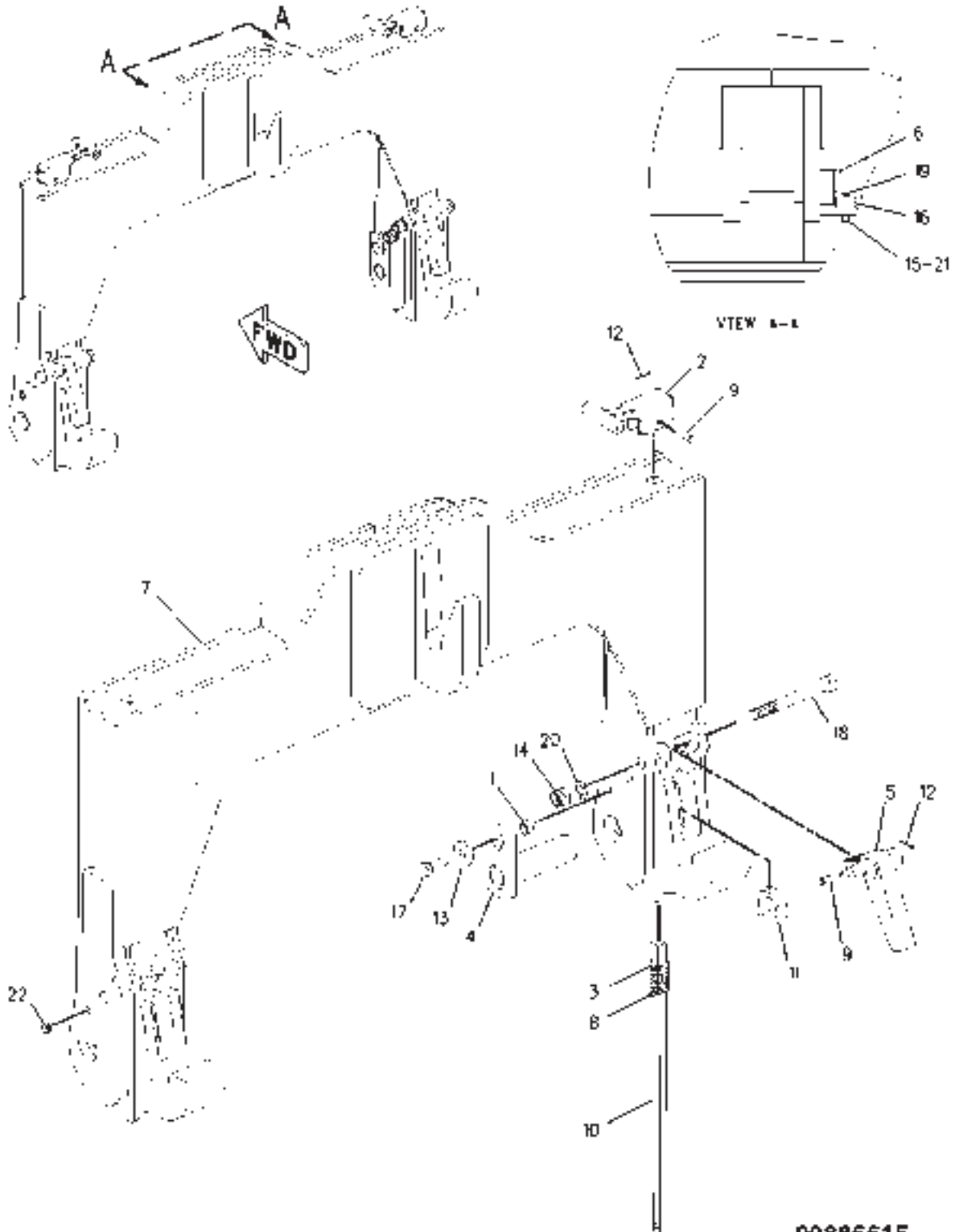
ITEM	NUMBER	QTY	DESCRIPTION
-	179-3318	-	COUPLER GP-QUICK [A]
1	400093X1	6	PLUG-SEALING
2	CH6Y-8112	2	SPACER (17X25X14)
3	CH104-3466	2	BUSHING
4	177-0661	2	HANDLE
5	189-3310	1	FRAME ASM
5A	189-3313	2	ARM ASM (COMPLETE ASM ONLY)
6	CH190-2584	2	SPRING
7	190-2601	2	ROD (LIFT)
8	196-2993	1	HOOK ASM (CAT 3)
9	196-2994	1	HOOK ASM (CAT 4)
10	196-2997	2	PLATE ASM
11	CH196-3017	1	PIN ASM
12	CH196-3022	2	PIN ASM
13	CH200-0010	1	SPACER (17.5X25.4X12.5)
14	CH183-5008	2	PIN-SPRING
15	CH1A-8827	4	PIN
16	400270X1	4	BOLT-PLOW (1-8)
17	CH3B-4617	4	PIN-COTTER
18	400078X1	3	WASHER (16.5X50X5)
19	CH6K-3632	4	LOCKNUT (1-8)
20	CH6V-7688	4	LOCKNUT (M20X2.5)
21	400026X1	4	BOLT (M20X2.5X160MM)
22	400191X1	2	BOLT (M16X2X40MM)
23	400080X1	4	WASHER-PLATED (22X35X3.5)
24	CH8T-5361	4	WASHER-HARD (28X49X5)
25	400244X1	1	BOLT (M16X2.0X45MM)

[A] PART OF:
169-0027; 179-0852; 186-0979
HITCH AR-3 POINT

0889557A
PR: t05b22n43d0403

MT800B SERIES TRACTORS
DRAWBAR, THREE POINT HITCH AND PTO

COUPLER GP-QUICK - 180-6640
CATEGORY 4



00886615

MT800B SERIES TRACTORS
DRAWBAR, THREE POINT HITCH AND PTO

933

COUPLER GP-QUICK - 180-6640
CATEGORY 4

ITEM	NUMBER	QTY	DESCRIPTION
-	180-6640	-	COUPLER GP-QUICK [A] (NOT SERVICED)
1	CH6Y-8112	2	SPACER (17X25X14)
2	177-0661	2	HANDLE
3	CH190-2584	2	SPRING
4	CH190-2615	2	PIN ASM
5	196-2997	2	PLATE ASM
6	CH196-3019	1	PIN ASM
7	206-4613	1	FRAME ASM
8	CH183-5008	2	PIN-SPRING
9	CH1A-8827	4	PIN
10	206-4633	2	ROD (LIFT)
11	CH206-4636	2	SPACER (51.3X63.5X25)
12	CH3B-4617	4	PIN-COTTER
13	400078X1	2	WASHER (16.5X50X5)
14	CH6V-7688	4	LOCKNUT (M20X2.5)
15	CH6V-8225	1	NUT (M6X1)
16	500754D1	1	SPACER (.31X1.0X.62IN THK)
17	400191X1	2	BOLT (M16X2X40MM)
18	400194X1	4	BOLT (M20X2.5X180MM)
19	400205X1	1	BOLT (M6X1X40MM)
20	400080X1	4	WASHER-PLATED (22X35X3.5)
21	400310X1	1	WASHER (6.6X12X2)
22	400093X1	4	PLUG-SEAL

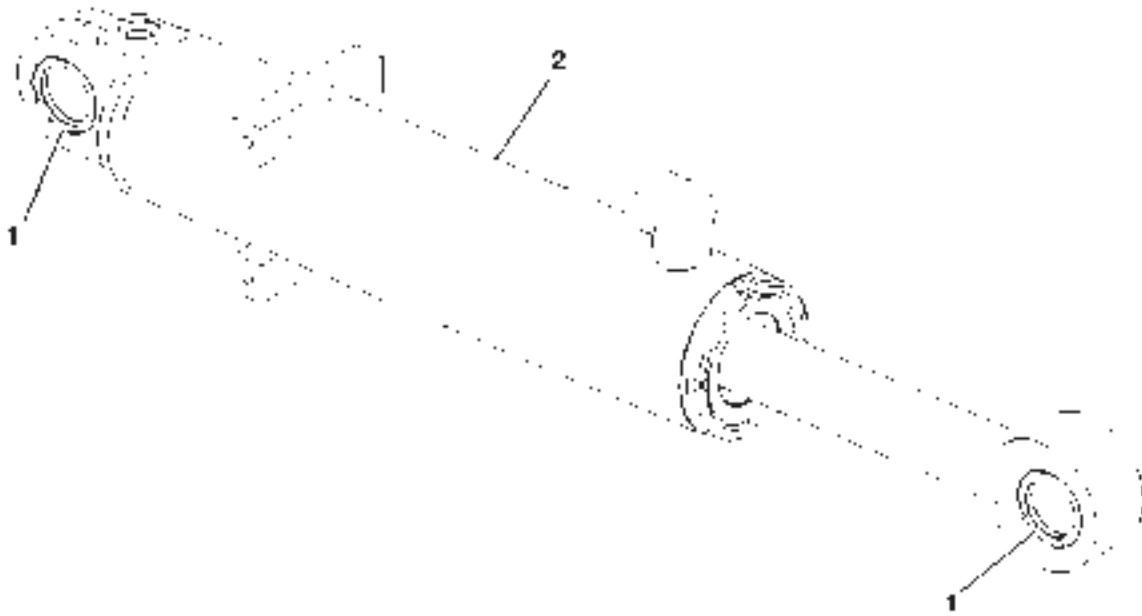
[A] PART OF 169-0028;180-6639;189-3300
HITCH AR-3 POINT

00886615
PR: t05b22n43d0404

934

MT800B SERIES TRACTORS
DRAWBAR, THREE POINT HITCH AND PTO

CYLINDER GP - CH184-5034



0836754A

MT800B SERIES TRACTORS
DRAWBAR, THREE POINT HITCH AND PTO

935

CYLINDER GP - CH184-5034

ITEM	NUMBER	QTY	DESCRIPTION
-	CH184-5034	-	CYLINDER GP (W/BEARINGS) [A]
1	CH189-4911	1	CYLINDER AS-STEERING (NOT SERVICED- ORDER CYLINDER GP (W/BEARINGS) (SEE BREAKDOWN FOR COMPONENTS)
2	186-1000	2	BEARING

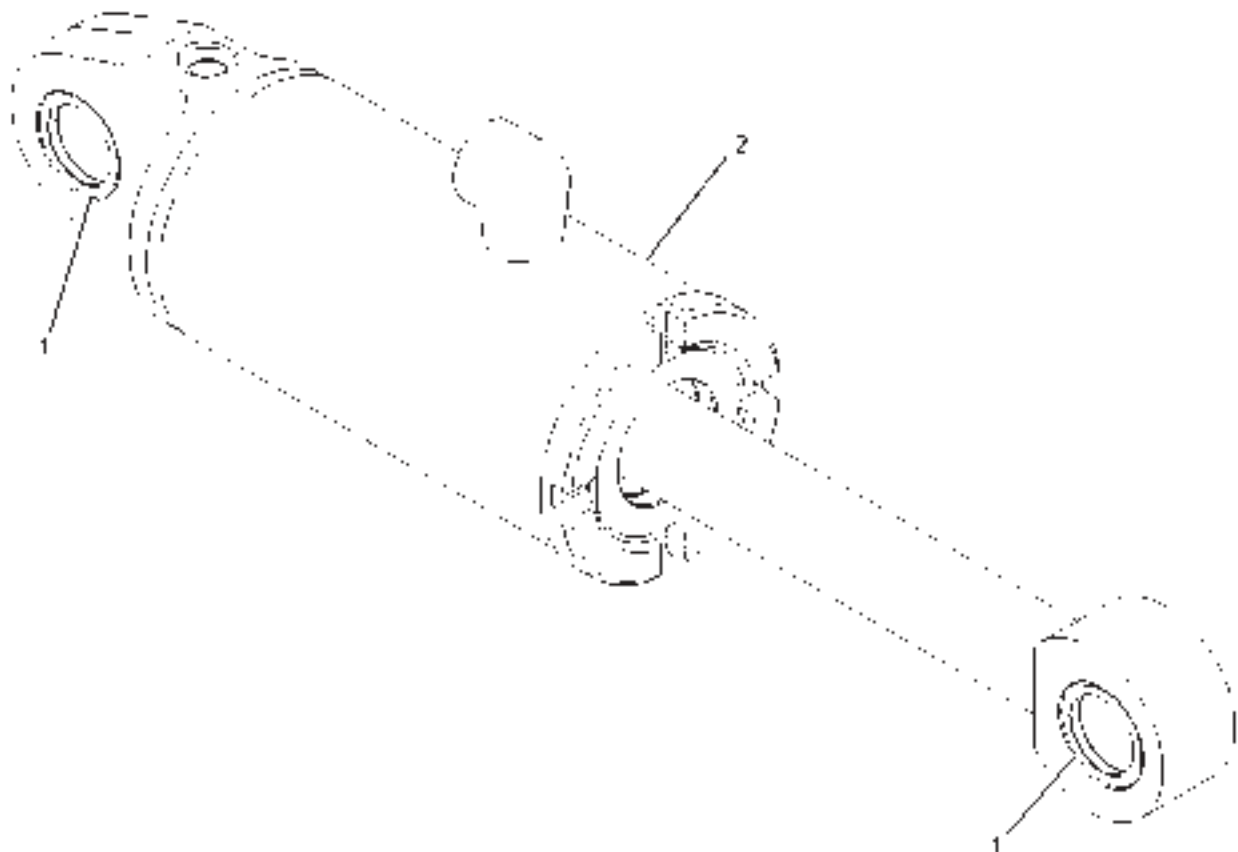
[A] PART OF: 184-5033 & 214-7489
CONTROL AR-DRAWBAR

0836754A
PR: t05b22n43d0405

936

MT800B SERIES TRACTORS
DRAWBAR, THREE POINT HITCH AND PTO

CYLINDER GP-STEERING - 183-4396



00897881

MT800B SERIES TRACTORS
DRAWBAR, THREE POINT HITCH AND PTO

937

CYLINDER GP-STEERING - 183-4396

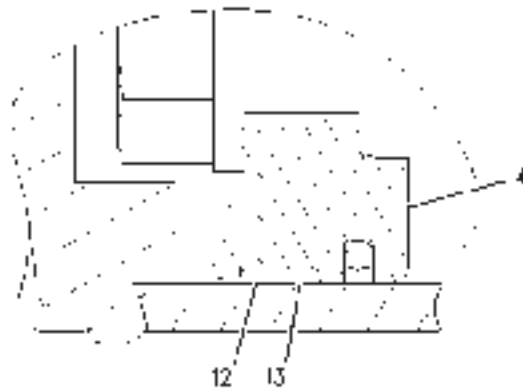
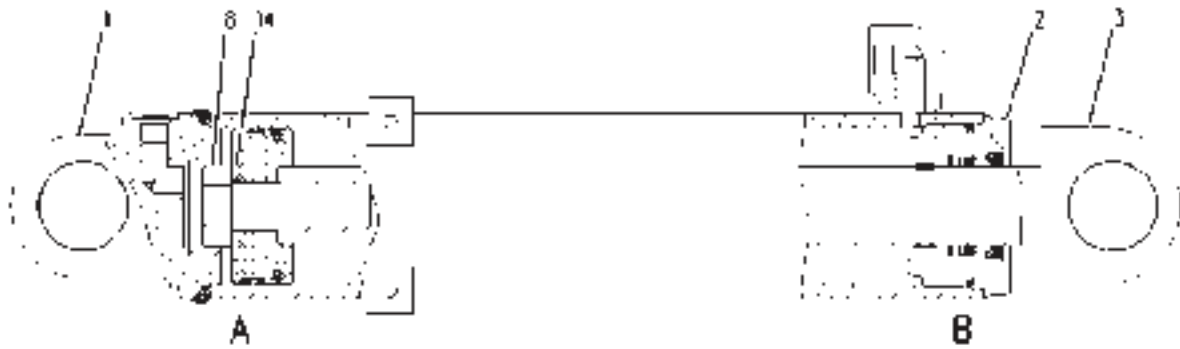
ITEM	NUMBER	QTY	DESCRIPTION
-	183-4396	-	CYLINDER GP-STEERING (W/BEARINGS) [A]
1	CH186-1000	2	BEARING-SLEEVE
2	CH189-6001	1	CYLINDER AS-STEERING (NOT SERVICED- ORDER CYLINDER GP W/BEARINGS) (SEE BREAKDOWN FOR COMPONENTS)

[A] PART OF 169-0027;169-0028;179-0852;
180-6639;186-0979 HITCH AR-3 POINT

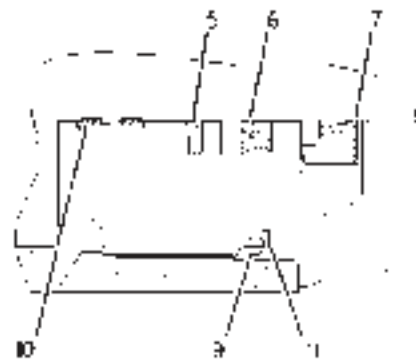
00897881
PR: t05b22n43d0406

MT800B SERIES TRACTORS
DRAWBAR, THREE POINT HITCH AND PTO

CYLINDER AS-0102-0408-Y
CH189-4911
101.6MM X 408MM (4 X 16.06")



VIEW OF AREA A



VIEW OF AREA B

MT800B SERIES TRACTORS
DRAWBAR, THREE POINT HITCH AND PTO

939

CYLINDER AS-0102-0408-Y
CH189-4911
101.6MM X 408MM (4 X 16.06")

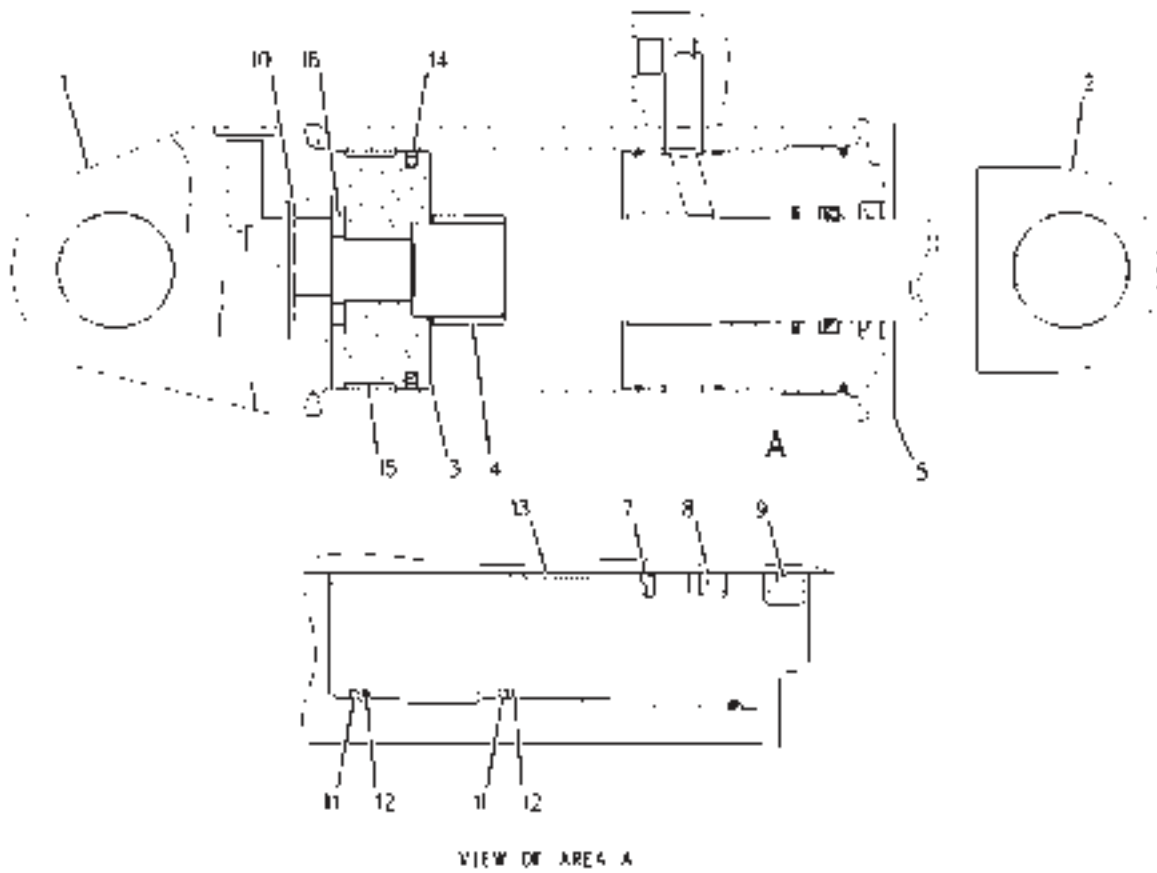
ITEM	NUMBER	QTY	DESCRIPTION
-	CH189-4911	-	CYLINDER AS-STEERING [A] (NOT SERVICED) (SERVICE W/COMPLETE GP CH184-5034)
1	CH189-4882	1	CYLINDER ASM (DRAWBAR)
2	CH189-4888	1	HEAD
3	CH189-4906	1	ROD ASM
4	CH189-4907	1	PISTON
5	CH167-2195	1	SEAL ASM-BUFFER
6	502088D1	1	SEAL-U-CUP
7	CH167-2457	1	SEAL-WIPER
8	CH173-9683	1	BOLT-HEX HEAD (M30X3.5X90MM)
9	CH175-7900	1	SEAL-O-RING
10	CH189-6397	1	RING-WEAR
11	CH2K-6830	1	RING-BACKUP
12	CH5J-7154	1	RING-WEAR
13	CH8C-9160	1	SEAL ASM
14	CH9X-8399	1	WASHER (33X56X6)

[A] PART OF CH184-5034 CYLINDER GP

00852369
PR: t05b22n43d0407

MT800B SERIES TRACTORS
DRAWBAR, THREE POINT HITCH AND PTO

CYLINDER AS-STEERING - CH189-6001



MT800B SERIES TRACTORS
DRAWBAR, THREE POINT HITCH AND PTO

941

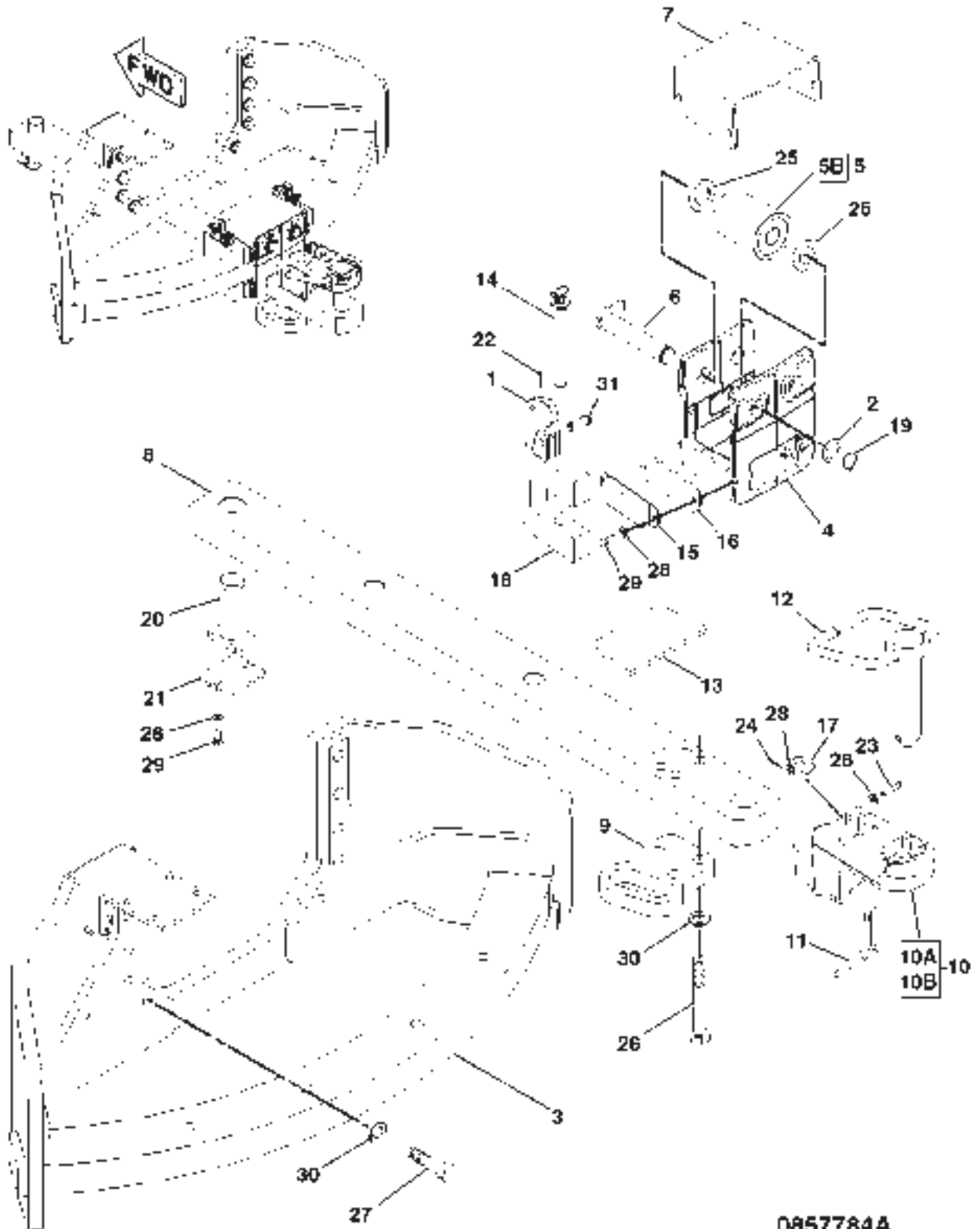
CYLINDER AS-STEERING - CH189-6001

ITEM	NUMBER	QTY	DESCRIPTION
-	CH189-6001	-	CYLINDER AS-STEERING [A] (NOT SERVICED) (SERVICE W/COMPLETE GP 183-4396)
1		1	BODY (ORDER COMPLETE ASY)
2	189-5987	1	ROD ASM
3	189-5989	1	PISTON
4		1	STOP (ORDER COMPLETE AS)
5		1	HEAD (ORDER COMPLETE AS)
6	501820D1	1	SEAL-O-RING
7	501963D1	1	SEAL ASM-BUFFER
8	502088D1	1	SEAL-U-CUP
9	502097D1	1	SEAL-WIPER
10	502095D1	1	BOLT-HEX HEAD (M30X3.5X90MM)
11	502096D1	2	SEAL-O-RING
12	500967D1	2	RING-BACKUP
13	500968D1	1	RING-WEAR
14	500936D1	1	SEAL ASM
15	500939D1	1	RING-WEAR
16	500940D1	1	WASHER (33X56X6)

[A] PART OF 183-4396 CYLINDER
GP-STEERING

00853288
PR: t05b22n43d0408

DRAWBAR GP-WIDE SWINGING
180-4036



0857784A

MT800B SERIES TRACTORS
DRAWBAR, THREE POINT HITCH AND PTO

943

DRAWBAR GP-WIDE SWINGING
180-4036

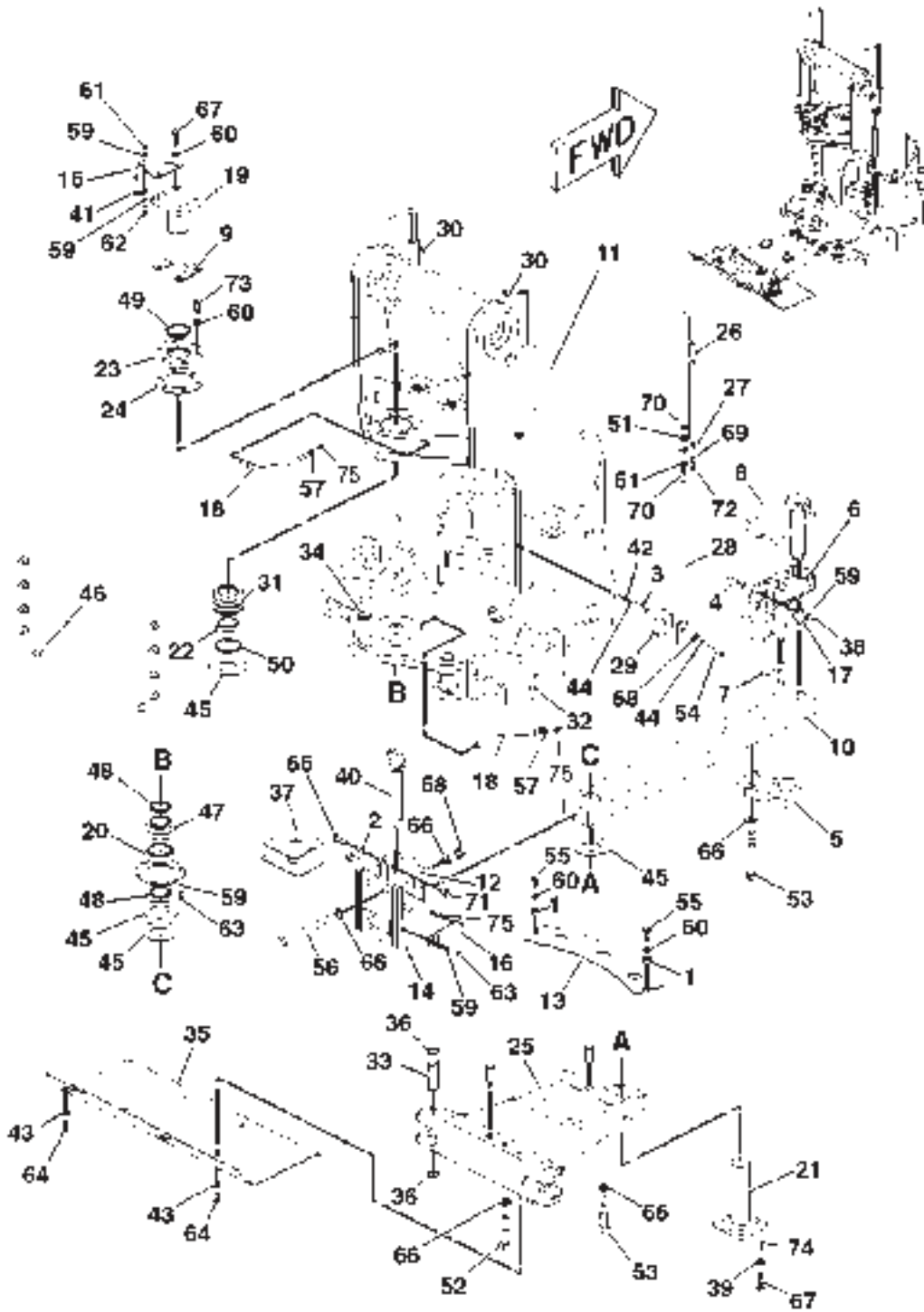
ITEM	NUMBER	QTY	DESCRIPTION
-	180-4036	-	DRAWBAR GP-SWINGING [A] (NOT SERVICED)
1	CH7B-0863	2	LATCH-PIN
2	CH117-0754	2	SHIM (1)
3	184-5042	1	PLATE ASM
	CH7T-1099	2	LINK
	400263X1	1	STUD
4	184-5049	1	BRACKET
5	184-5051	2	ROLLER ASM
5B	CH033-1097	2	BALL BEARING
6	184-5053	2	PIN ASM
7	184-5055	1	PLATE
8	184-5060	1	DRAWBAR
9	184-5062	1	PLATE
10	186-0994	1	CLEAVES ASM (NOT SERVICED)
10A	186-0995	1	CLEVIS
10B	CH8K-0589	2	DOWEL
11	CH186-0996	1	PIN
12	CH186-0997	1	PIN (50MM DIA)
13	CH186-0998	1	PLATE
14	CH200-8747	2	PIN
15	CH200-8749	4	STOP
16	200-8750	2	PLATE
17	CH206-4627	1	LOCK
18	206-4631	2	PLATE ASM
19	CH1J-6474	2	RING-RETAINING
20	CH200-8751	1	PIN-DRAWBAR
21	501948D1	1	PLATE
22	CH3B-4617	2	PIN-COTTER
23	CH177-3405	1	PIN
24	CH3B-4611	1	PIN-COTTER
25	400079X1	4	WASHER-HARD (37X60X3)
26	400182X1	3	BOLT (M24X3.0X180MM)
27	400361X1	10	BOLT (M24X3X90MM)
28	400287X1	12	WASHER-HARD (11X21X2.5)
29	400039X1	10	BOLT (M10X1.5X25MM)
30	400081X1	13	WASHER-HARD (26X44X4)
31	CH9S-1315	2	PIN-CLEVIS

[A] PART OF 184-5033 CONTROL AR-DRAWBAR

0857784A
PR: t05b22n43d0409

MT800B SERIES TRACTORS
DRAWBAR, THREE POINT HITCH AND PTO

DRAWBAR GP-SWINGING
210-7507



**MT800B SERIES TRACTORS
DRAWBAR, THREE POINT HITCH AND PTO**

945

**DRAWBAR GP-SWINGING
210-7507**

ITEM	NUMBER	QTY	DESCRIPTION
-	210-7507	-	DRAWBAR GP-SWINGING [A] (NOT SERVICED)
1	CH4L-8183	2	SPACER (16.66X29.15X9.53)
2	CH150-8766	1	LATCH
3	CH164-7491	2	TUBE (50 MM)(SEE NOTE J)
4	CH177-3405	1	PIN
5	184-5062	1	PLATE
6	186-0994	1	CLEVIS ASM (NOT SERVICED)
	186-0995	1	CLEVIS
	CH8K-0589	2	DOWEL
7	CH186-0996	1	PIN
8	CH186-0997	1	PIN (50MM DIA)
9	186-1071	1	SHIM PACK
10	186-1077	1	DRAWBAR
11	186-1078	1	FRAME ASM-HITCH
	CH7T-1099	12	LINK
	400263X1	5	STUD-WELD (M10X1.5X17.5MM)
	CH9R-2613	5	BOSS (M10X1.5X25MM)
12	196-3036	1	PLATE ASM
13	196-3037	1	PLATE
14	196-3052	1	BRACKET ASM
15	199-6265	1	BRACKET
16	CH200-8749	2	STOP ASM
17	CH206-4627	1	LOCK
18	CH210-7488	2	HOSE ASM
19	CH210-7492	1	PIN ASM (SERVICED COMPLETE)
20	210-7495	1	PLATE ASM
21	210-7497	1	PIN
22	CH210-7499	1	SPACER
23	210-7500	1	PLATE
24	210-7501	1	SHIM PACK
25	210-7504	1	PIVOT
26	210-7512	2	ROD
27	210-7513	2	PLATE
28	210-7514	2	ROD ASM
29	210-7515	2	BLOCK
30	CH210-7518	2	PIN
31	CH213-6199	1	BEARING-SELF-ALIGNING
32	CH193-5914	4	PLUG
33	CH196-3041	2	PIN
34	CH196-3042	2	PIN
35	200-8775	1	PLATE
36	CH201-8106	8	RING-RETAINING
37	206-4619	1	PLATE
38	CH3B-4611	1	PIN-COTTER
39	400078X1	4	WASHER-HARD (16.5X50X5)

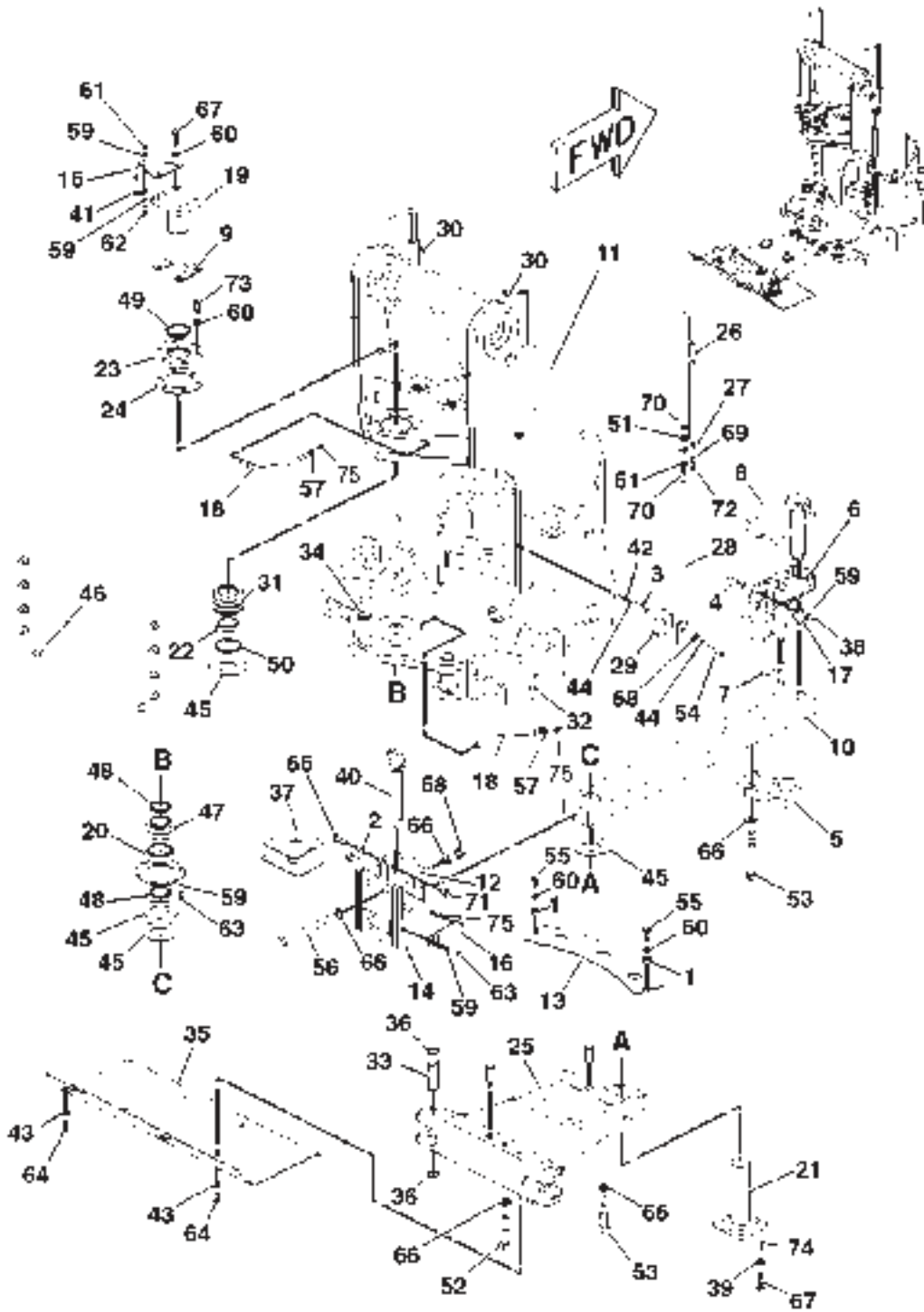
CONTINUED

[A] PART OF: 169-0027; 169-0028;
179-0852; 180-6639; 186-0979 &
189-3300 HITCH AR-3 POINT

0898157A
PR: t05b22n43d0410

MT800B SERIES TRACTORS
DRAWBAR, THREE POINT HITCH AND PTO

DRAWBAR GP-SWINGING
210-7507



MT800B SERIES TRACTORS
DRAWBAR, THREE POINT HITCH AND PTO

947

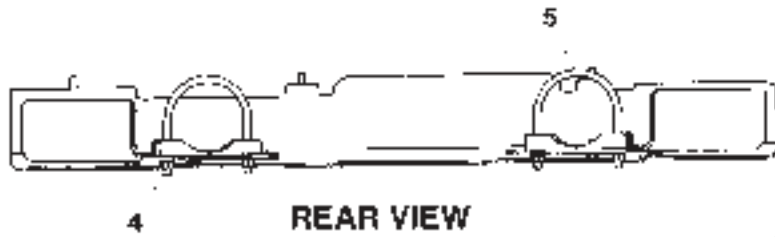
DRAWBAR GP-SWINGING
210-7507

ITEM	NUMBER	QTY	DESCRIPTION
-	210-7507	-	DRAWBAR GP-SWINGING [A] (NOT SERVICED)
40	CH3W-6116	1	PIN
41	CH4P-7428	1	CLIP
42	400300X1	2	NUT (M6X1)
43	400381X1	6	WASHER-HARD (13.5X30X4)
44	CH5P-4115	4	WASHER-HARD (7.2X19X2)
45	CH5V-0354	4	WASHER (66X133X3.0)
46	400095X1	10	PLUG-PROTECTION
47	CH7J-1309	1	BEARING
48	CH7K-9205	2	SEAL-LIP
49	CH7K-9209	1	SEAL-LIP
50	CH7K-9210	1	SEAL-LIP
51	CH7X-0605	4	WASHER-HARD (13X28X1.6)
52	400025X1	6	BOLT (M24X3X110MM)
53	400182X1	9	BOLT (M24X3.0X180MM)
54	400187X1	2	BOLT (M6X1X60MM)
55	400191X1	2	BOLT (M16X2X40MM)
56	400198X1	2	BOLT (M24X3X240MM)
57	CH8L-6557	2	CONNECTOR
58	CH8T-4001	2	NUT (M24X3)
59	400287X1	14	WASHER-HARD (11X21X2.5)
60	CH8T-4122	12	WASHER-HARD (17X32X3.5)
61	7774664	1	NUT (M10X1.5)
62	400039X1	1	BOLT (M10X1.5X25MM)
63	400040X1	10	BOLT (M10X1.5X20MM)
64	400041X1	6	BOLT (M12X1.75X30MM)
65	400222X1	1	BOLT (M16X2X60MM)
66	400081X1	19	WASHER-HARD (26X44X4)
67	400056X1	8	BOLT (M16X2X50MM)
68	400357X1	2	WASHER-HARD (M12X25.5X3)
69	400339X1	2	WASHER-HARD (8.8X16X2)
70	CH8T-4244	4	NUT (M12X1.75)
71	CH8T-4778	1	LOCKNUT (M16X2)
72	400341X1	2	BOLT (M8X1.25X25)
73	400244X1	6	BOLT (M16X2.0X45)
74	CH2A-1314	4	SPACER (16.7IDX25.4ODX23.8)
75	CH3B-8485	2	FITTING-GREASE (45 DEG X 2NPTF)

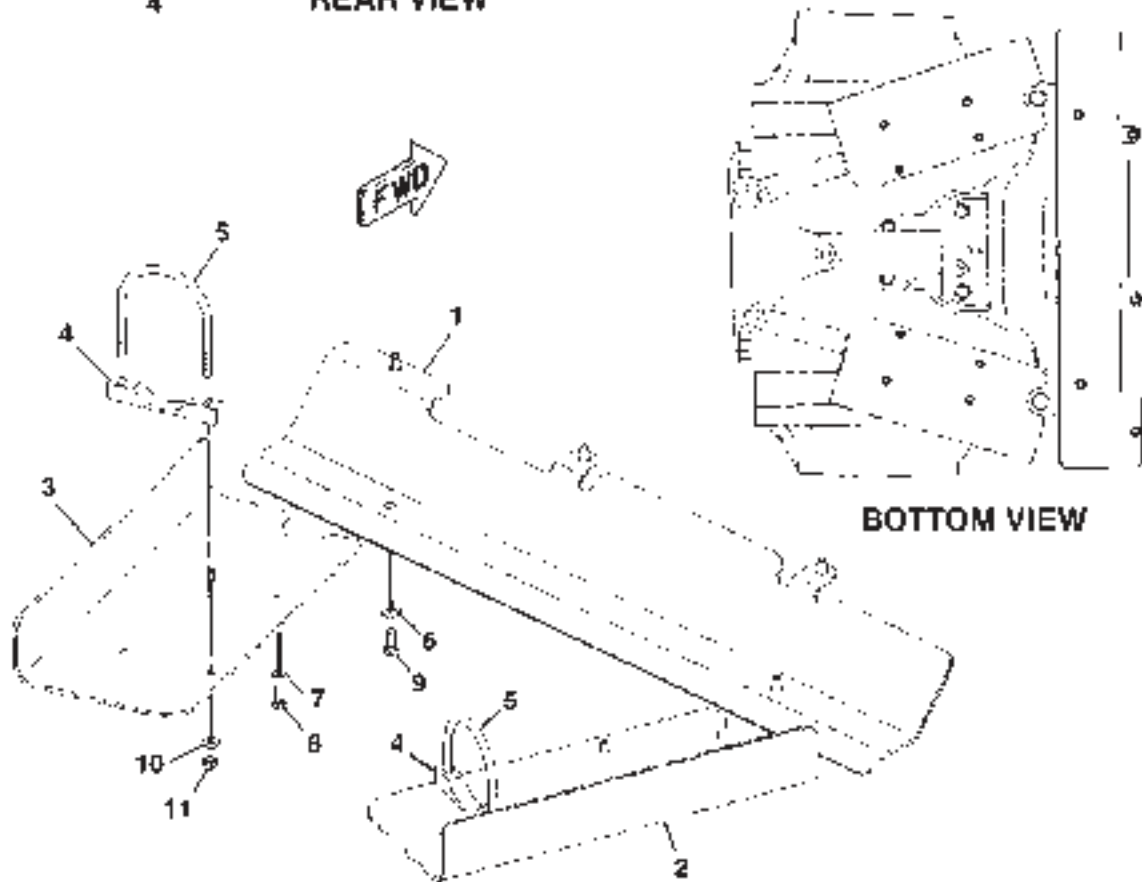
[A] PART OF: 169-0027; 169-0028;
179-0852; 180-6639; 186-0979 &
189-3300 HITCH AR-3 POINT

0898157A
PR: t05b22n43d0410

GUARD GP-CYLINDER
200-8772



REAR VIEW



BOTTOM VIEW

MT800B SERIES TRACTORS
DRAWBAR, THREE POINT HITCH AND PTO

949

GUARD GP-CYLINDER
200-8772

ITEM	NUMBER	QTY	DESCRIPTION
-	200-8772	-	GUARD GP-CYLINDER [A] (NOT SERVICED)
1	200-8773	1	PLATE
2	206-4604	1	PLATE (LH)
3	206-4605	1	PLATE (RH)
4	206-4635	2	PLATE
5	CH147-7143	2	U-BOLT (M12X1.75)
6	400381X1	5	WASHER-HARD (13.5X30X4)
7	CH7X-7729	4	WASHER (11X25X3)
8	400039X1	4	BOLT (M10X1.5X25MM)
9	400041X1	5	BOLT (M12X1.75X30MM)
10	400357X1	4	WASHER-HARD (M12X25.5X3)
11	CH8T-4244	4	NUT (M12X1.75)

[A] PART OF 184-5033 & 210-7489
CONTROL AR-DRAWBAR

0852809A
PR: t05b22n43d0411

950

MT800B SERIES TRACTORS
DRAWBAR, THREE POINT HITCH AND PTO

HITCH AR
WIDE SWINGING DRAWBAR
179-0851

NO ILLUSTRATION

NOTIF17

MT800B SERIES TRACTORS
DRAWBAR, THREE POINT HITCH AND PTO

951

HITCH AR
WIDE SWINGING DRAWBAR
179-0851

ITEM	NUMBER	QTY	DESCRIPTION
-	179-0851	-	HITCH AR (NOT SERVICED)
	180-4039	1	ADAPTER GP-PLUG (SEE BREAKDOWN FOR COMPONENTS)
	180-4036	1	DRAWBAR GP-SWINGING (NOT SERVICED) (SEE BREAKDOWN FOR COMPONENTS)
	224-9662	1	PLUG GP-3 PT HITCH (SEE BREAKDOWN FOR COMPONENTS)
	210-7508	1	SUPPORT GP-DRAWBAR (DRAWBAR) (SEE BREAKDOWN FOR COMPONENTS)

NOTIF17
PR: t05b22n43d0412

952

MT800B SERIES TRACTORS
DRAWBAR, THREE POINT HITCH AND PTO

HITCH AR-3 POINT

CAT 3 & 4 NARROW-W/O HYDTRAILER BRAKES
169-0027

NO ILLUSTRATION

NOTIF17

MT800B SERIES TRACTORS
DRAWBAR, THREE POINT HITCH AND PTO

953

HITCH AR-3 POINT
CAT 3 & 4 NARROW-W/O HYD TRAILER BRAKES
169-0027

ITEM	NUMBER	QTY	DESCRIPTION
-	169-0027	-	HITCH AR-3 PT (ORDER ON DEALER CENTRAL)
	136-5378	1	CONTROL & WIRING GP-HITCH (LIFT CIRCUIT) (NOT SERVICED) (SEE BREAKDOWN FOR COMPONENTS)
	152-0445	1	CONTROL GP-HITCH (REAR)(3 POINT) (NOT SERVICED) (SEE BREAKDOWN FOR COMPONENTS)
	179-3318	1	COUPLER GP-QUICK (SEE BREAKDOWN FOR COMPONENTS)
CH192-6280		2	CYLINDER GP-LIFT (SEE BREAKDOWN FOR COMPONENTS)
	183-4396	2	CYLINDER GP-STEERING (HITCH LIFT) (SEE BREAKDOWN FOR COMPONENTS)
	210-7507	1	DRAWBAR GP-SWINGING (NOT SERVICED) (SEE BREAKDOWN FOR COMPONENTS)
	179-3317	1	HITCH GP-3 POINT (NOT SERVICED) (SEE BREAKDOWN FOR COMPONENTS)
	158-2363	1	LINES GP-CYLINDER (3 POINT HITCH) (NOT SERVICED) (SEE BREAKDOWN FOR COMPONENTS)
	192-4708	1	VALVE GP-BANK 3 (PRIORITY WITH HITCH) (SEE BREAKDOWN FOR COMPONENTS)

NOTIF17
PR: t05b22n43d0413

954

MT800B SERIES TRACTORS
DRAWBAR, THREE POINT HITCH AND PTO

HITCH AR-3 POINT
CATEGORY 4-W/O HYDTRAILER BRAKES
169-0028

NO ILLUSTRATION

NOTIF17

MT800B SERIES TRACTORS
DRAWBAR, THREE POINT HITCH AND PTO

955

HITCH AR-3 POINT
CATEGORY 4-W/O HYD TRAILER BRAKES
169-0028

ITEM	NUMBER	QTY	DESCRIPTION
-	169-0028	-	HITCH AR-3 POINT (WHOLEGOODS) (ORDER ON DEALER CENTRAL)
	136-5378	1	CONTROL & WIRING GP-HITCH(LIFT CIRCUIT) (NOT SERVICED) (SEE BREAKDOWN FOR COMPONENTS)
	152-0445	1	CONTROL GP-HITCH (REAR)(3 POINT) (NOT SERVICED) (SEE BREAKDOWN FOR COMPONENTS)
	180-6640	1	COUPLER GP-QUICK (NOT SERVICED) (SEE BREAKDOWN FOR COMPONENTS)
CH192-6280		2	CYLINDER GP-LIFT (SEE BREAKDOWN FOR COMPONENTS)
	183-4396	2	CYLINDER GP-STEERING (HITCH LIFT) (SEE BREAKDOWN FOR COMPONENTS)
	210-7507	1	DRAWBAR GP-SWINGING (NOT SERVICED) (SEE BREAKDOWN FOR COMPONENTS)
	184-5065	1	HITCH GP-3 POINT (NOT SERVICED) (SEE BREAKDOWN FOR COMPONENTS)
	158-2363	1	LINES GP-CYLINDER (3 POINT HITCH) (NOT SERVICED) (SEE BREAKDOWN FOR COMPONENTS)
	192-4708	1	VALVE GP-BANK 3 (PRIORITY WITH HITCH) (SEE BREAKDOWN FOR COMPONENTS)

NOTIF17
PR: t05b22n43d0414

956

MT800B SERIES TRACTORS
DRAWBAR, THREE POINT HITCH AND PTO

HITCH AR-3 POINT - 179-0852
CATEGORY 3/4 W/STEERABLE

NO ILLUSTRATION

NOTIF17

MT800B SERIES TRACTORS
DRAWBAR, THREE POINT HITCH AND PTO

957

HITCH AR-3 POINT - 179-0852
CATEGORY 3/4W/STEERABLE

ITEM	NUMBER	QTY	DESCRIPTION
-	179-0852	-	HITCH AR-3 POINT (NOT SERVICED) (SEE BREAKDOWN FOR COMPONENTS)
	136-5378	1	CONTROL & WIRING GP-HITCH (NOT SERVICED) (SEE BREAKDOWN FOR COMPONENTS)
	152-0445	1	CONTROL GP-HITCH (NOT SERVICED) (SEE BREAKDOWN FOR COMPONENTS)
	179-3318	1	COUPLER GP-QUICK (SEE BREAKDOWN FOR COMPONENTS)
CH192-6280		2	CYLINDER GP-LIFT (SEE BREAKDOWN FOR COMPONENTS)
	183-4396	2	CYLINDER GP-STEERING (SEE BREAKDOWN FOR COMPONENTS)
	210-7507	1	DRAWBAR GP-SWINGING (NOT SERVICED) (SEE BREAKDOWN FOR COMPONENTS)
	179-3317	1	HITCH GP-3 POINT (NOT SERVICED) (SEE BREAKDOWN FOR COMPONENTS)
	158-2363	1	LINES GP-CYLINDER (NOT SERVICED) (SEE BREAKDOWN FOR COMPONENTS)

NOTIF17
PR: t05b22n43d0415

958

MT800B SERIES TRACTORS
DRAWBAR, THREE POINT HITCH AND PTO

HITCH AR-3 POINT - 180-6639
CATEGORY 4W/STEERABLE

NO ILLUSTRATION

NOTIF17

MT800B SERIES TRACTORS
DRAWBAR, THREE POINT HITCH AND PTO

959

HITCH AR-3 POINT - 180-6639
CATEGORY 4 W/STEERABLE

ITEM	NUMBER	QTY	DESCRIPTION
-	180-6639	-	HITCH AR-3 POINT (NOT SERVICED) (SEE BREAKDOWN FOR COMPONENTS)
	136-5378	1	CONTROL & WIRING GP-HITCH (NOT SERVICED) (SEE BREAKDOWN FOR COMPONENTS)
	152-0445	1	CONTROL GP-HITCH (NOT SERVICED) (SEE BREAKDOWN FOR COMPONENTS)
	180-6640	1	COUPLER GP-QUICK (NOT SERVICED) (SEE BREAKDOWN FOR COMPONENTS)
CH192-6280		2	CYLINDER GP-LIFT (SEE BREAKDOWN FOR COMPONENTS)
	183-4396	2	CYLINDER GP-STEERING (SEE BREAKDOWN FOR COMPONENTS)
	210-7507	1	DRAWBAR GP-SWINGING (NOT SERVICED) (SEE BREAKDOWN FOR COMPONENTS)
	184-5065	1	HITCH GP-3 POINT (NOT SERVICED) (SEE BREAKDOWN FOR COMPONENTS)
	158-2363	1	LINES GP-CYLINDER (NOT SERVICED) (SEE BREAKDOWN FOR COMPONENTS)

NOTIF17
PR: t05b22n43d0416

960

MT800B SERIES TRACTORS
DRAWBAR, THREE POINT HITCH AND PTO

HITCH AR-3 POINT - 186-0979
CATAGORY 3&4 NARROW-W/HYD TRAILER BRAKES
EAME ONLY

NO ILLUSTRATION

NOTIF17

MT800B SERIES TRACTORS
DRAWBAR, THREE POINT HITCH AND PTO

961

HITCH AR-3 POINT - 186-0979
CATAGORY 3&4 NARROW-W/HYD TRAILER BRAKES
EAME ONLY

ITEM	NUMBER	QTY	DESCRIPTION
-	186-0979	-	HITCH AR-3 POINT
1	136-5378	1	CONTROL & WIRING GP-HITCH (LIFT CIRCUIT) (NOT SERVICED, SEE BREAKDOWN)
2	152-0445	1	CONTROL GP-HITCH (REAR)(3 POINT) (NOT SERVICED, SEE BREAKDOWN)
3	158-2363	1	LINES GP-CYLINDER (3 POINT HITCH) (NOT SERVICED, SEE BREAKDOWN)
4	179-3317	1	HITCH GP-3 POINT (NOT SERVICED, SEE BREAKDOWN)
5	179-3318	1	COUPLER GP-QUICK (NOT SERVICED, SEE BREAKDOWN)
6	193-8200	1	VALVE AR (PRIORITY WITH HITCH) (NOT SERVICED, SEE BREAKDOWN)
7	210-7507	1	DRAWBAR GP-SWINGING (NOT SERVICED, SEE BREAKDOWN)
8	CH192-6280	2	CYLINDER GP-LIFT (NOT SERVICED, SEE BREAKDOWN)
9	501503D1	1	DECAL SHEET-VEHICLE (SEE BREAKDOWN FOR COMPONENTS)
10	501505D1	1	DECAL SHEET-VEHICLE (SEE BREAKDOWN FOR COMPONENTS)
11	183-4396	2	CYLINDER GP-STEERING (HITCH LIFT) (SEE BREAKDOWN FOR COMPONENTS)
12	501806D1	1	TUBE AS

NOTIF17
PR: t05b22n43d0417

962

MT800B SERIES TRACTORS
DRAWBAR, THREE POINT HITCH AND PTO

HITCH AR-3 POINT - 189-3300
CATEGORY 4-W/HYDRAULIC TRAILER BRAKES
EAME ONLY

NO ILLUSTRATION

NOTIF17

MT800B SERIES TRACTORS
DRAWBAR, THREE POINT HITCH AND PTO

963

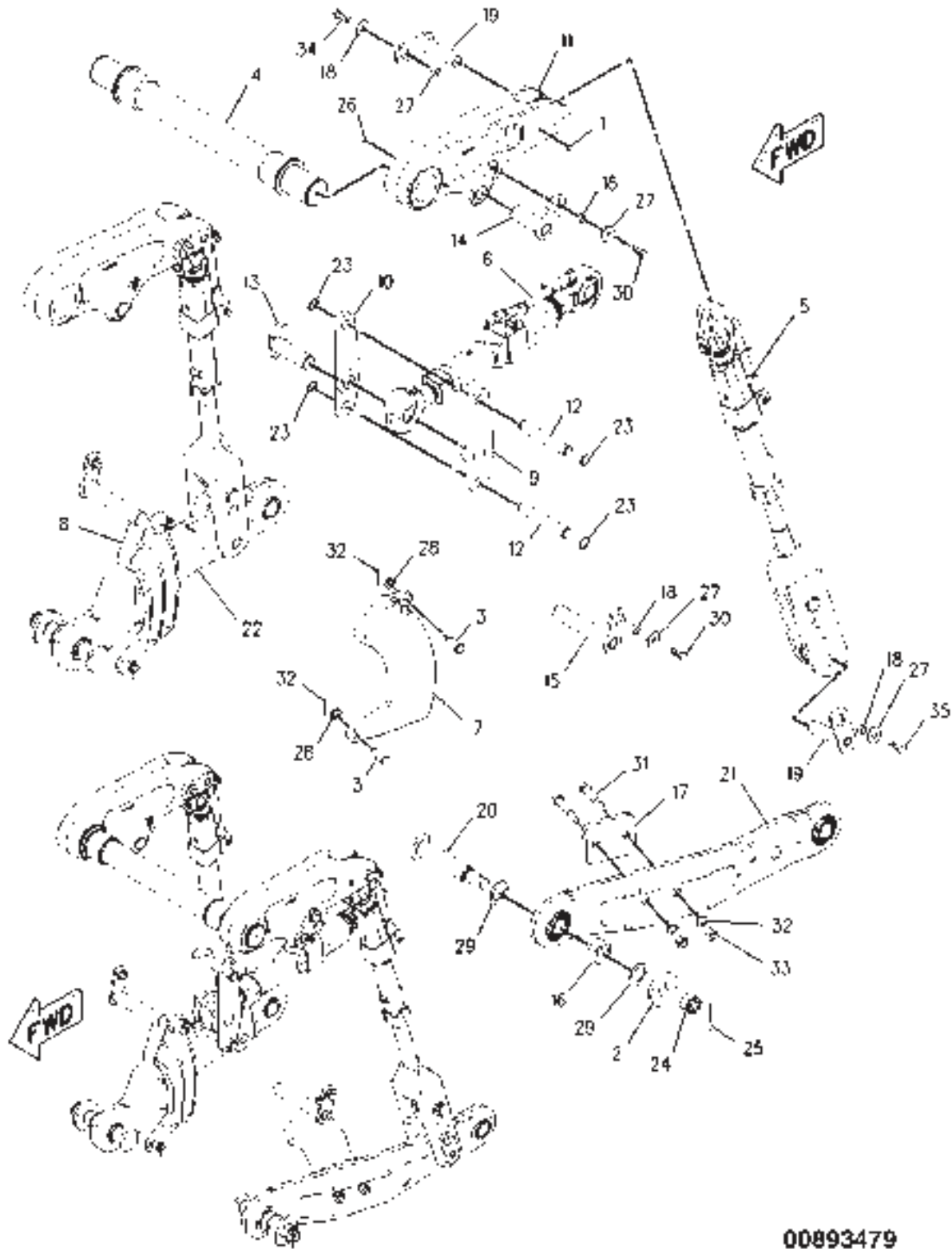
HITCH AR-3 POINT - 189-3300
CATEGORY 4-W/HYDRAULIC TRAILER BRAKES
EAME ONLY

ITEM	NUMBER	QTY	DESCRIPTION
-	189-3300	-	HITCH AR-3 POINT
1	136-5378	1	CONTROL & WIRING GP-HITCH (LIFT CIRCUIT) (NOT SERVICED, SEE BREAKDOWN)
2	152-0445	1	CONTROL GP-HITCH (REAR)(3 POINT) (NOT SERVICED, SEE BREAKDOWN)
3	158-2363	1	LINES GP-CYLINDER (3 POINT HITCH) (NOT SERVICED, SEE BREAKDOWN)
4	180-6640	1	COUPLER GP-QUICK (NOT SERVICED, SEE BREAKDOWN)
5	193-8200	1	VALVE AR (W/HITCH & HYD TRAILER BRAKE) (NOT SERVICED, SEE BREAKDOWN)
6	210-7507	1	DRAWBAR GP-SWINGING (NOT SERVICED, SEE BREAKDOWN)
7	CH192-6280	2	CYLINDER GP-LIFT (NOT SERVICED, SEE BREAKDOWN)
8	501503D1	1	DECAL SHEET-VEHICLE (SEE BREAKDOWN FOR COMPONENTS)
9	501505D1	1	DECAL SHEET-VEHICLE (SEE BREAKDOWN FOR COMPONENTS)
10	183-4396	2	CYLINDER GP-STEERING (HITCH LIFT) (SEE BREAKDOWN FOR COMPONENTS)
11	184-5065	1	HITCH GP-3 POINT (NOT SERVICED) (SEE BREAKDOWN FOR COMPONENTS)
12	501806D1	1	TUBE AS

NOTIF17
PR: t05b22n43d0418

MT800B SERIES TRACTORS
DRAWBAR, THREE POINT HITCH AND PTO

HITCH GP-3 POINT - 179-3317
CATEGORY 3/4



MT800B SERIES TRACTORS
DRAWBAR, THREE POINT HITCH AND PTO

965

HITCH GP-3 POINT - 179-3317
CATEGORY 3/4

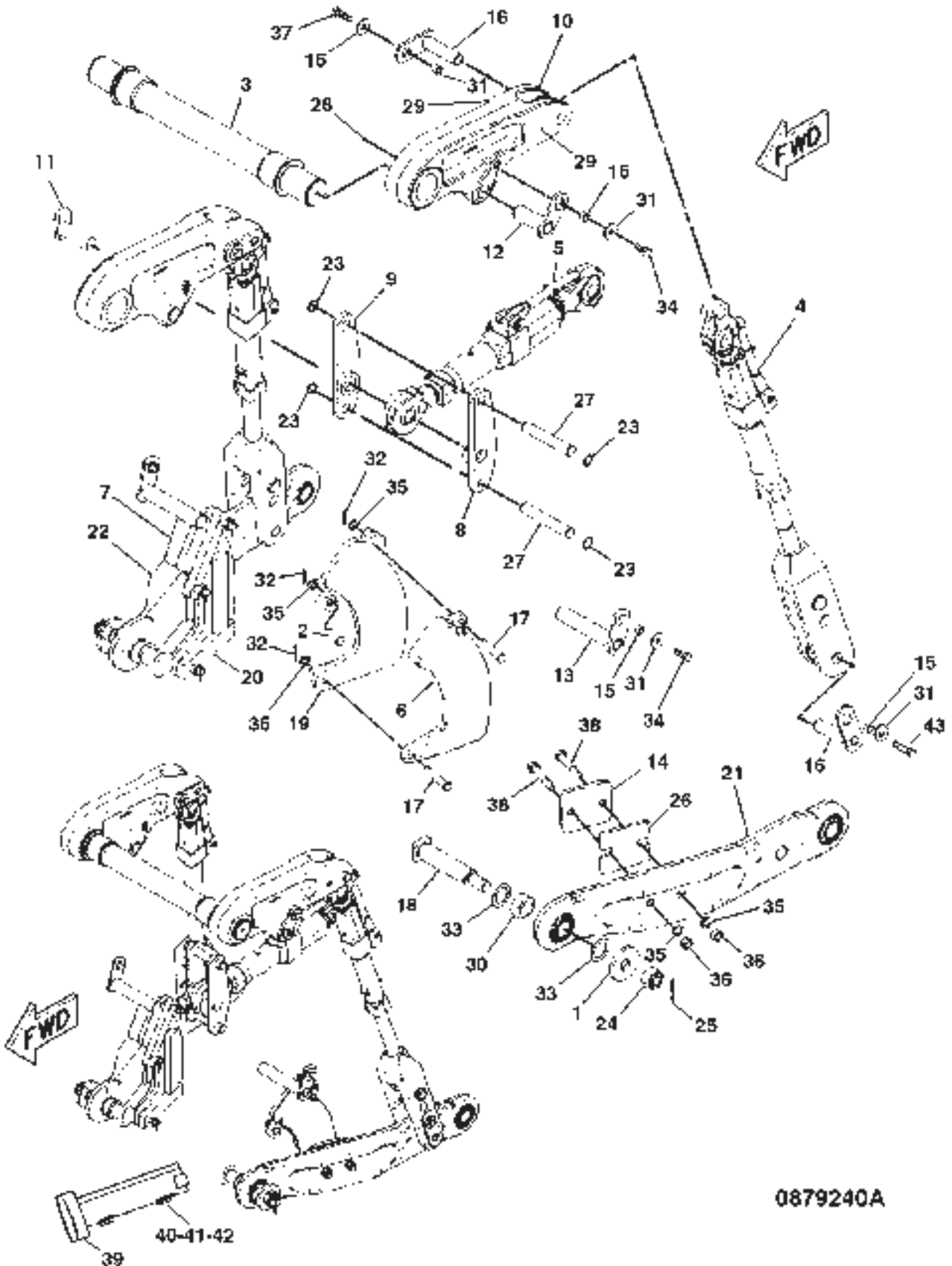
ITEM	NUMBER	QTY	DESCRIPTION
-	179-3317	-	HITCH GP-3 POINT [A] (NOT SERVICED) (SERVICED BY COMPONENTS)
1	400039X1	6	PLUG-SEAL
2	400291X1	2	SPACER (39X110X12)
3	CH152-4241	4	PIN
4	186-1063	1	ROCKSHAFT GP (NOT SERVICED) (SEE BREAKDOWN FOR COMPONENTS)
5	186-1090	2	LINK GP-LIFT (SEE BREAKDOWN FOR COMPONENTS)
6	186-1091	1	LINK GP-UPPER (SEE BREAKDOWN FOR COMPONENTS)
7	189-3307	1	LIMITER (LH)
8	189-3308	1	LIMITER (RH)
9	190-2608	1	SUPPORT ASM
10	190-2609	1	SUPPORT ASM
11	190-2624	2	ARM-LIFT
12	CH190-2634	2	PIN
13	CH196-3019	1	PIN ASM
14	CH196-3025	2	PIN ASM
15	CH196-3030	2	PIN ASM
16	CH196-3034	2	SPACER (51X70X28)
17	198-8378	2	BLOCK
18	CH200-0010	8	SPACER (17.5X25.4X12.5)
19	CH200-8708	4	PIN ASM
20	CH206-4640	2	PIN
21	213-7061	1	LINK ASM (LH) (INCLUDES LINK, BALL AND RACE)
22	213-7062	1	LINK ASM (RH) (INCLUDES LINK, BALL AND RACE)
23	400290X1	4	RING-RETAINING
24	400285X1	2	NUT-CASTLE (M36X4-6H)
25	400283X1	2	PIN-COTTER
26	400289X1	1	PLUG
27	400078X1	8	WASHER (16.5X50X5)
28	400284X1	4	PIN-COTTER
29	400288X1	4	WASHER-HARD (51X74X3)
30	400191X1	4	BOLT (M16X2X40MM)
31	400033X1	4	BOLT (M20X2.5X110MM)
32	400080X1	8	WASHER-HARD (22X35X3.5)
33	400286X1	4	NUT (M20X2.5)
34	400056X1	2	BOLT (M16X2X50MM)
35	400244X1	2	BOLT (M16X2.0X45MM)

[A] PART OF:
169-0027; 179-0852; 186-0979
HITCH AR-3 POINT

00893479
PR: t05b22n43d0419

MT800B SERIES TRACTORS
DRAWBAR, THREE POINT HITCH AND PTO

HITCH GP-3 POINT - 184-5065
CATEGORY 4



0879240A

**MT800B SERIES TRACTORS
DRAWBAR, THREE POINT HITCH AND PTO**

967

**HITCH GP-3 POINT - 184-5065
CATEGORY 4**

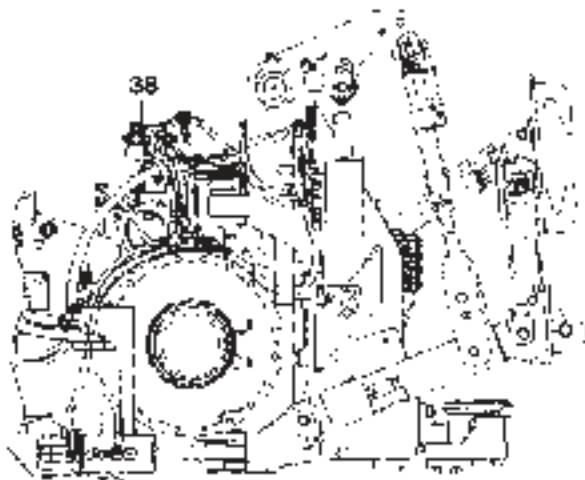
ITEM	NUMBER	QTY	DESCRIPTION
-	184-5065	-	HITCH GP-3POINT [A] (NOT SERVICED)
1	400291X1	2	SPACER (39X110X12)
2	CH152-4241	2	PIN
3	186-1063	1	ROCKSHAFT GP (NOT SERVICED) (SEE BREAKDOWN FOR COMPONENTS)
4	186-1090	2	LINK GP-LIFT (SEE BREAKDOWN FOR COMPONENTS)
5	186-1091	1	LINK GP-UPPER (SEE BREAKDOWN FOR COMPONENTS)
6	189-3307	1	LIMITER (LH)
7	189-3308	1	LIMITER (RH)
8	190-2608	1	SUPPORT ASM (TOP LINK LH)
9	190-2609	1	SUPPORT ASM (TOP LINK RH)
10	190-2624	2	ARM-LIFT (3 POINT HITCH)
11	CH196-3019	1	PIN
12	CH196-3025	2	PIN ASM (LH)
13	CH196-3030	2	PIN ASM (LH)
14	198-8378	2	BLOCK
15	CH200-0010	8	SPACER (17.5X25.4X12.5)
16	CH200-8708	4	PIN ASM (QUICK COUPLER)
17	CH223-9804	4	PIN
18	CH206-4640	2	PIN (DRAFTARM)
19	208-0563	1	SPACER ASM (LH)
20	208-0564	1	SPACER ASM (RH)
21	213-7061	1	LINK ASM (LH) (INCL. LINK, BALL & RACE)
22	213-7062	1	LINK ASM (RH) (INCL. LINK, BALL & RACE)
23	400290X1	4	RING-RETAINING, EXT (29IDX2.36)
24	400285X1	2	NUT-CASTLE (M36X4-6H)
25	400283X1	2	PIN-COTTER (6.3DIA X80)
26	189-3302	2	SPACER (SWAY BLOCK)
27	CH190-2634	2	PIN-TOP LINK SUPT (31.7DIA X194)
28	400289X1	1	PLUG-PROTECTIVE, PLASTIC (M7)
29	400093X1	6	PLUG-PROTECTIVE, PLASTIC (M14)
30	CH196-3034	2	SPACER (51X70X28)
31	400078X1	8	WASHER (16.5X50X5)
32	400284X1	6	PIN-COTTER
33	400288X1	4	WASHER-HARD (51X74X3)
34	400191X1	4	BOLT (M16X2X40MM)
35	400080X1	18	WASHER-PLATED (22X35X3.5)
36	400286X1	4	NUT (M20X2.5)
37	400056X1	2	BOLT (M16X2X50MM)
38	400236X1	4	BOLT (M20X2.5X120MM)
39	201-8342	2	LIMITER ASM-LG
40	400040X1	8	BOLT (M10X1.5X20)
41	400287X1	8	WASHER-HARD
42	201-8344	4	PLATE
43	400244X1	2	BOLT (M16X2X45)

[A] PART OF 169-0028;180-6639;189-3300
HITCH AR-3 POINT

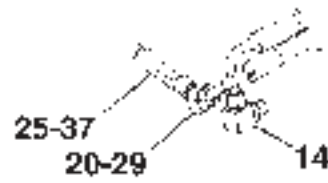
0879240A
PR: t05b22n43d0420

MT800B SERIES TRACTORS
DRAWBAR, THREE POINT HITCH AND PTO

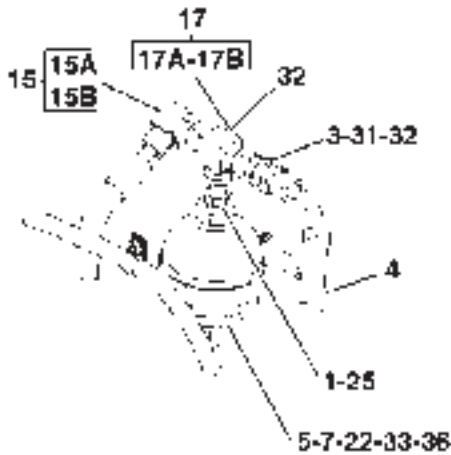
LINES GP-CYLINDER - 158-2363
3 POINT HITCH



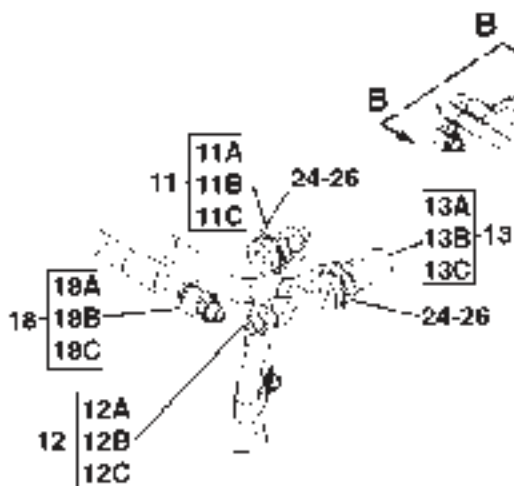
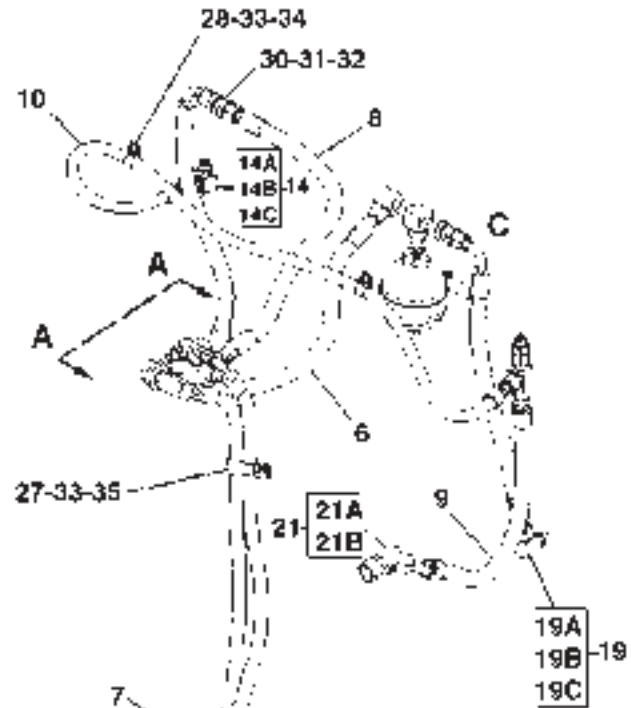
LEFT SIDE VIEW



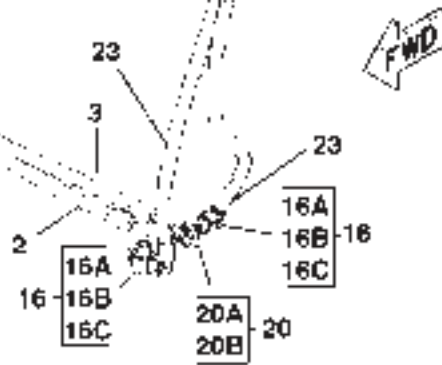
VIEW B-B



VIEW OF AREA C



VIEW A-A



LEFT SIDE VIEW
(FRONT)

0894174A

MT800B SERIES TRACTORS
DRAWBAR, THREE POINT HITCH AND PTO

969

LINES GP-CYLINDER - 158-2363
3 POINT HITCH

ITEM	NUMBER	QTY	DESCRIPTION
-	158-2363	-	LINES GP-CYLINDER [A] (NOT SERVICED)
1	CH108-7251	1	COUPLING
2	CH174-5810	1	HOSE ASM
3	CH174-9215	1	HOSE ASM
4	CH197-4832	2	HOSE ASM
5	CH199-7718	1	CLAMP
6	CH211-9968	1	HOSE ASM
7	CH212-0279	1	SPACER
8	CH213-6273	1	HOSE ASM
9	CH213-8872	1	HOSE ASM
10	CH218-2969	1	HOSE ASM
11	CH148-8340	2	CONNECTOR AS-8ORFS-8STOR
11A	CH3K-0360	1	SEAL-O-RING (16.36IDX2.21DIA)
11B	CH6V-8398	1	SEAL-O-RING (16.03ODX1.78DIA)
11C		1	CONNECTOR (ORDER IT. 11)
12	CH148-8342	2	CONNECTOR AS (20ORFSX20STOR)
12A	CH3K-0360	1	SEAL-O-RING (16.36IDX2.21DIA)
12B		1	CONNECTOR (ORDER ITEM 12)
12C	400322X1	1	SEAL-O-RING (19.28IDX1.78DIA)
13	CH148-8346	1	ELBOW AS-90DEG (8STOR-8ORFS)
13A	CH3K-0360	1	SEAL-O-RING (16.36IDX2.21DIA)
13B	CH6V-8398	1	SEAL-O-RING (16.03ODX1.78DIA)
13C		1	ELBOW (ORDER ITEM 13)
14	CH148-8364	1	ELBOW ASM-90DEG -8STOR -8ORFS
14A	CH3K-0360	1	SEAL-O-RING (16.36 ID X 2.21 DIA)
14B	CH6V-8398	1	SEAL-O-RING (16.03 OD X 1.78 DIA)
14C		1	ELBOW (ORDER ITEM 14)

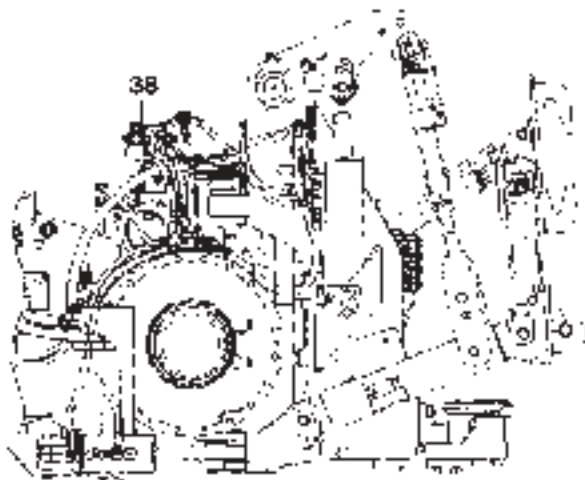
CONTINUED

[A] PART OF 169-0027;169-0028;179-0852;
180-6639 HITCH AR-3 POINT

0894174A
PR: t05b22n43d0421

MT800B SERIES TRACTORS
DRAWBAR, THREE POINT HITCH AND PTO

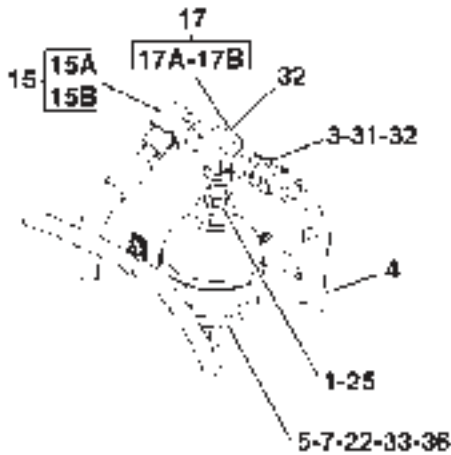
LINES GP-CYLINDER - 158-2363
3 POINT HITCH



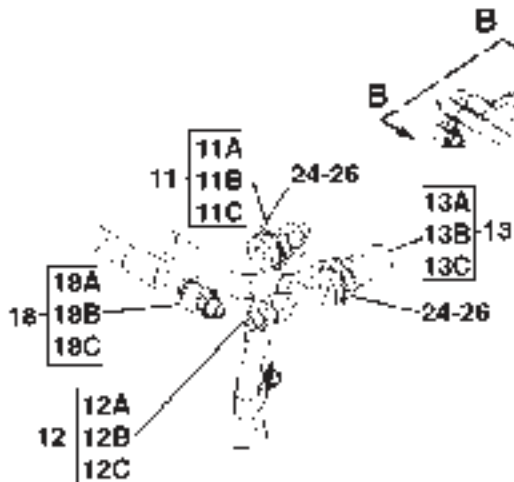
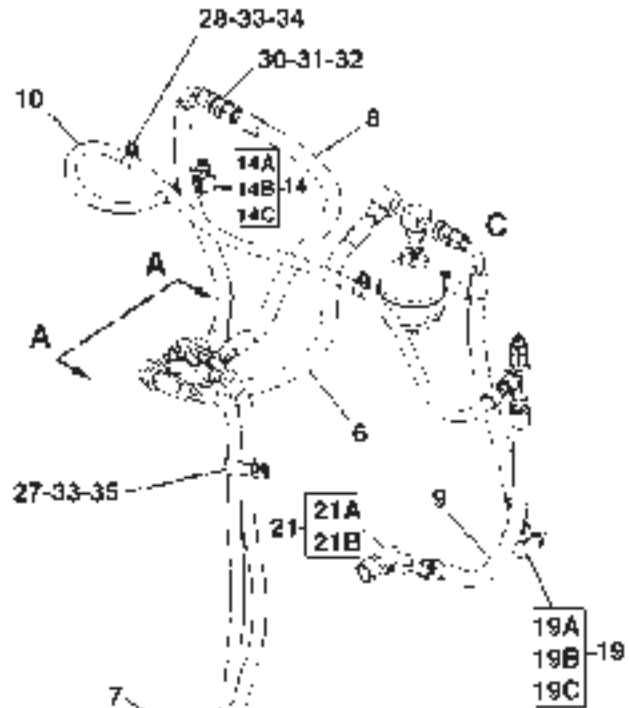
LEFT SIDE VIEW



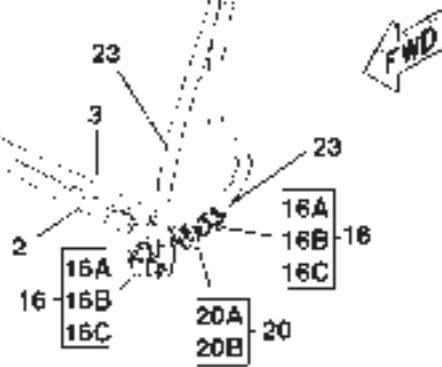
VIEW B-B



VIEW OF AREA C



VIEW A-A



LEFT SIDE VIEW
(FRONT)

0894174A

**MT800B SERIES TRACTORS
DRAWBAR, THREE POINT HITCH AND PTO**

971

**LINES GP-CYLINDER - 158-2363
3 POINT HITCH**

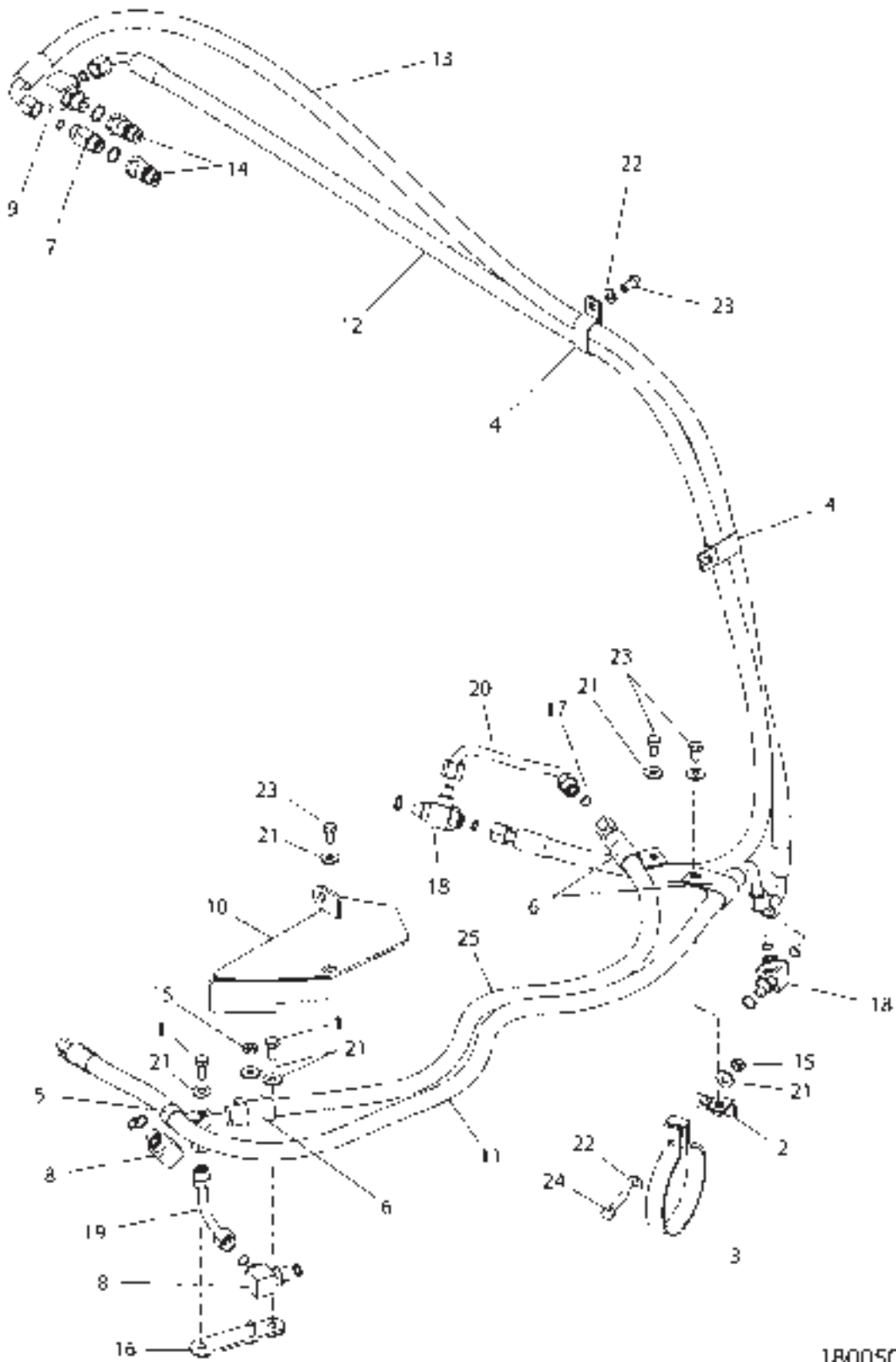
ITEM	NUMBER	QTY	DESCRIPTION
-	158-2363	-	LINES GP-CYLINDER [A] (NOT SERVICED)
15	CH148-8393	1	ELBOW AS-90DEG (10ORFS SWIVEL)
15A		1	ELBOW (ORDER ITEM 15)
15B	400322X1	1	SEAL-O-RING (19.28IDX1.78DIA)
16	CH148-8428	2	TEE AS (8ORFSX8ORFSX8STOR)
16A	CH3K-0360	1	SEAL-O-RING (16.36IDX2.21DIA)
16B	CH6V-8398	2	SEAL-O-RING (16.03ODX1.78DIA)
16C		1	TEE-FACE SEAL (ORDER ITEM 16)
17	CH148-8446	2	TEE AS-SWIVEL (10ORFSX3)
17A		1	TEE-SWIVEL (ORDER ITEM 17)
17B	400322X1	2	SEAL-O-RING (19.28IDX1.78DIA)
18	CH150-3037	1	ELBOW AS-45DEG (10ORFSX8STOR)
18A	CH3K-0360	1	SEAL-O-RING
18B	400322X1	1	SEAL-O-RING (19.28IDX1.78DIA)
18C		1	ELBOW (ORDER ITEM 18)
19	400412X1	2	ELBOW AS-90DEG (8STORX10ORFS)
19A	CH3K-0360	1	SEAL-O-RING (16.36IDX2.21DIA)
19B		1	ELBOW (ORDER ITEM 18)
19C	400322X1	1	SEAL-O-RING (19.28IDX1.78DIA)
20	400616X1	2	ELBOW AS-8 ORFS 45DEG
20A	CH6V-8398	1	SEAL-O-RING (16.03ODX1.78DIA)
20B		1	ELBOW (ORDER ITEM 20)
21	CH171-6723	1	ELBOW ASM-45DEG (12ORFSX12ORFS)
21A	400366X1	1	SEAL-O-RING (22.5ODX1.78DIA)
21B		1	ELBOW (ORDER ITEM 21)
22	211-1156	1	ACCUMULATOR ASM-HYDRAULIC
23	CH211-8202	2	HOSE ASM
24	400593X1	2	SEAL-O-RING (37.46IDX3DIA)
25	CH3K-0360	2	SEAL-O-RING (16.36IDX2.21DIA)
26	CH5P-8905	2	ADAPTER-O-RING
27	CH6D-1641	2	CLIP
28	CH6D-4246	2	CLIP
29	CH6V-8398	1	SEAL-O-RING
30	CH6V-8996	2	UNION-BULKHEAD
31	CH6V-9170	2	NUT-BULKHEAD (1-14)
32	400322X1	4	SEAL-O-RING (19.28IDX1.78DIA)
33	400287X1	4	WASHER-HARD (11X21X2.5)
34	7774664	2	NUT (M10X1.5)
35	400040X1	1	BOLT (M10X1.5X20MM)
36	400225X1	1	BOLT (M10X1.5X90MM)
37	CH9X-2304	1	CONNECTOR
38	CH193-5914	1	PLUG

[A] PART OF 169-0027;169-0028;179-0852;
180-6639 HITCH AR-3 POINT

0894174A
PR: t05b22n43d0421

MT800B SERIES TRACTORS
DRAWBAR, THREE POINT HITCH AND PTO

LINES GP-CYLINDER - 180-0503
POWERED DRAWBAR



**MT800B SERIES TRACTORS
DRAWBAR, THREE POINT HITCH AND PTO**

973

**LINES GP-CYLINDER - 180-0503
POWERED DRAWBAR**

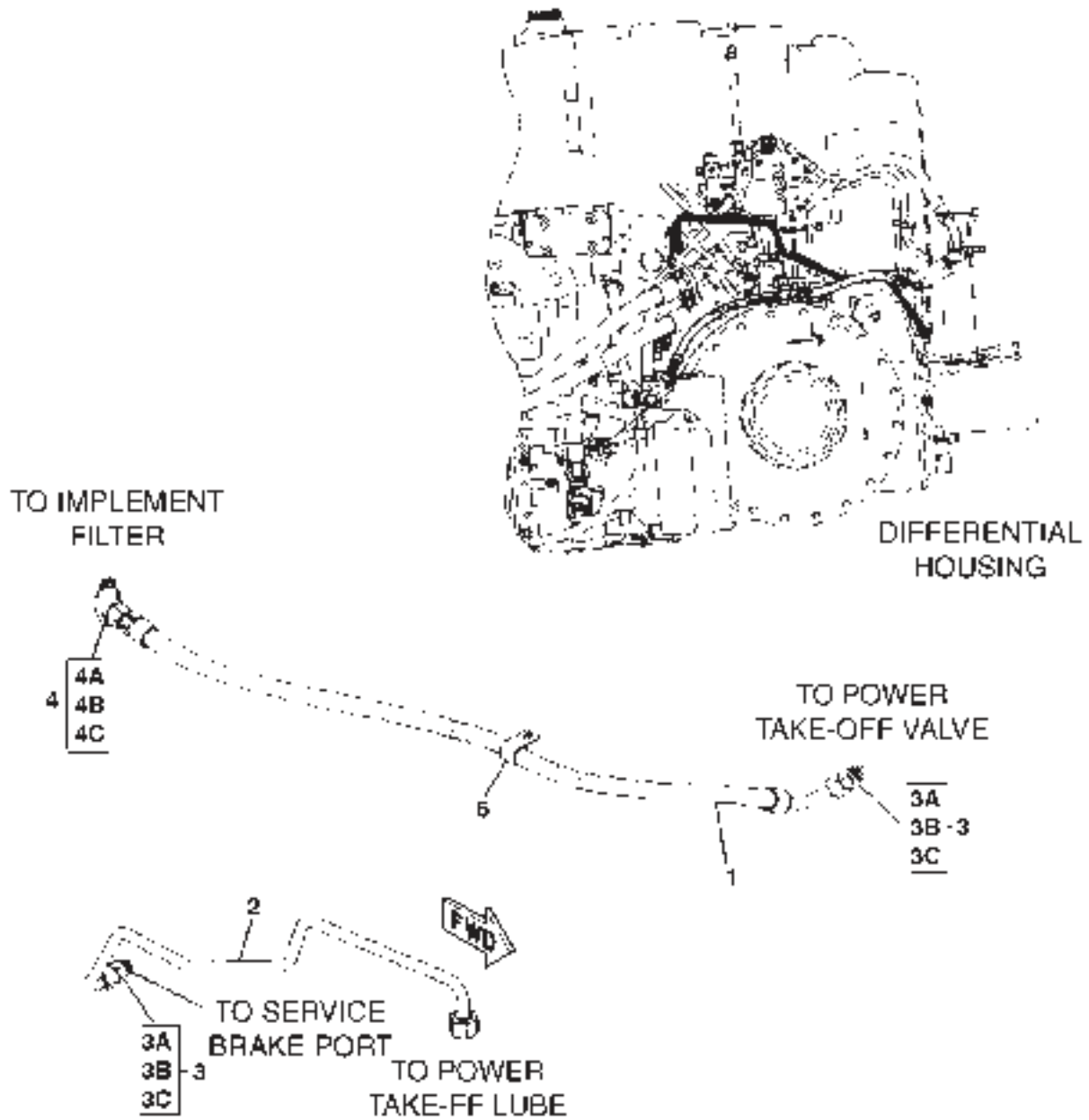
ITEM	NUMBER	QTY	DESCRIPTION
-	180-0503	-	LINES GP-CYLINDER [A] (NOT SERVICED)
1	400039X1	2	BOLT (M10X1.5X25MM)
2	209-6244	1	BRACKET ASM
3	CH122-1162	1	CLAMP
4	CH6D-1641	2	CLIP-LOOP (24IDX2)
5	CH4L-3641	1	CLIP (25.4ID)
6	CH5D-4204	3	CLIP (28.58ID)
7	CH164-5557	1	CONNECTOR AS-8ORFSX10STOR
	CH6V-8398	1	SEAL-O-RING (16.03ODX1.78DIA)
	400319X1	1	SEAL-O-RING (19.18IDX2.46DIA)
8	CH148-8364	1	ELBOW AS-90DEG -8STOR -8ORFS
	CH3K-0360	1	SEAL-O-RING (16.36 ID X 2.21 DIA)
	CH6V-8398	1	SEAL-O-RING (16.03 OD X 1.78 DIA)
9	CH148-8372	1	ELBOW AS-90DEG 10STOR-8ORFS
	400319X1	1	SEAL-O-RING (19.18IDX2.46DIA)
	CH6V-8398	1	SEAL-O-RING (16.03ODX1.78DIA)
10	210-6063	1	GUARD ASM
11	CH211-2723	1	HOSE ASM
12	CH211-2724	1	HOSE ASM
13	CH211-2725	1	HOSE ASM
14	CH159-5898	2	FITTING ASM
15	7774664	2	NUT (M10X1.5)
16	209-9800	1	PLATE ASM
17	CH6V-8398	2	SEAL-O-RING
18	CH148-8428	2	TEE AS (8ORFSX8ORFSX8STOR)
	CH3K-0360	1	SEAL-O-RING (16.36IDX2.21DIA)
	CH6V-8398	2	SEAL-O-RING (16.03ODX1.78DIA)
19	210-1503	1	TUBE ASM
20	210-4464	1	TUBE ASM
21	CH7X-7729	7	WASHER (11X25X3)
22	400287X1	2	WASHER-HARD (11X21X2.5)
23	400040X1	4	BOLT (M10X1.5X20MM)
24	400226X1	1	BOLT (M10X1.5X50MM)
25	CH211-2722	1	HOSE ASM

[A] PART OF 184-5033 & 210-7489
CONTROL AR-DRAWBAR

1800503F
PR: t05b22n43d0422

MT800B SERIES TRACTORS
DRAWBAR, THREE POINT HITCH AND PTO

LINES GP-POWER TAKE-OFF - 189-2976



MT800B SERIES TRACTORS
DRAWBAR, THREE POINT HITCH AND PTO

975

LINES GP-POWER TAKE-OFF - 189-2976

ITEM	NUMBER	QTY	DESCRIPTION
-	189-2976	-	LINES GP-PTO [A] (NOT SERVICED)
1	211-2885	1	HOSE ASM (15.9ID SAE 100R1)
2	219-8801	1	TUBE ASM
3	CH148-8342	2	CONNECTOR AS (20ORFSX20STOR)
3A	CH3K-0360	1	SEAL-O-RING (16.36IDX2.21DIA)
3B		1	CONNECTOR (ORDER ITEM 3)
3C	400322X1	1	SEAL-O-RING (19.28IDX1.78DIA)
4	CH155-3504	1	ELBOW AS-45DEG (10ORFSX10STOR)
4A	400319X1	1	SEAL-O-RING (19.18IDX2.46DIA)
4B		1	ELBOW (ORDER ITEM 4)
4C	400322X1	1	SEAL-O-RING (19.28IDX1.78DIA)
5	CH4S-1962	1	CLIP-LOOP (25.4ID)

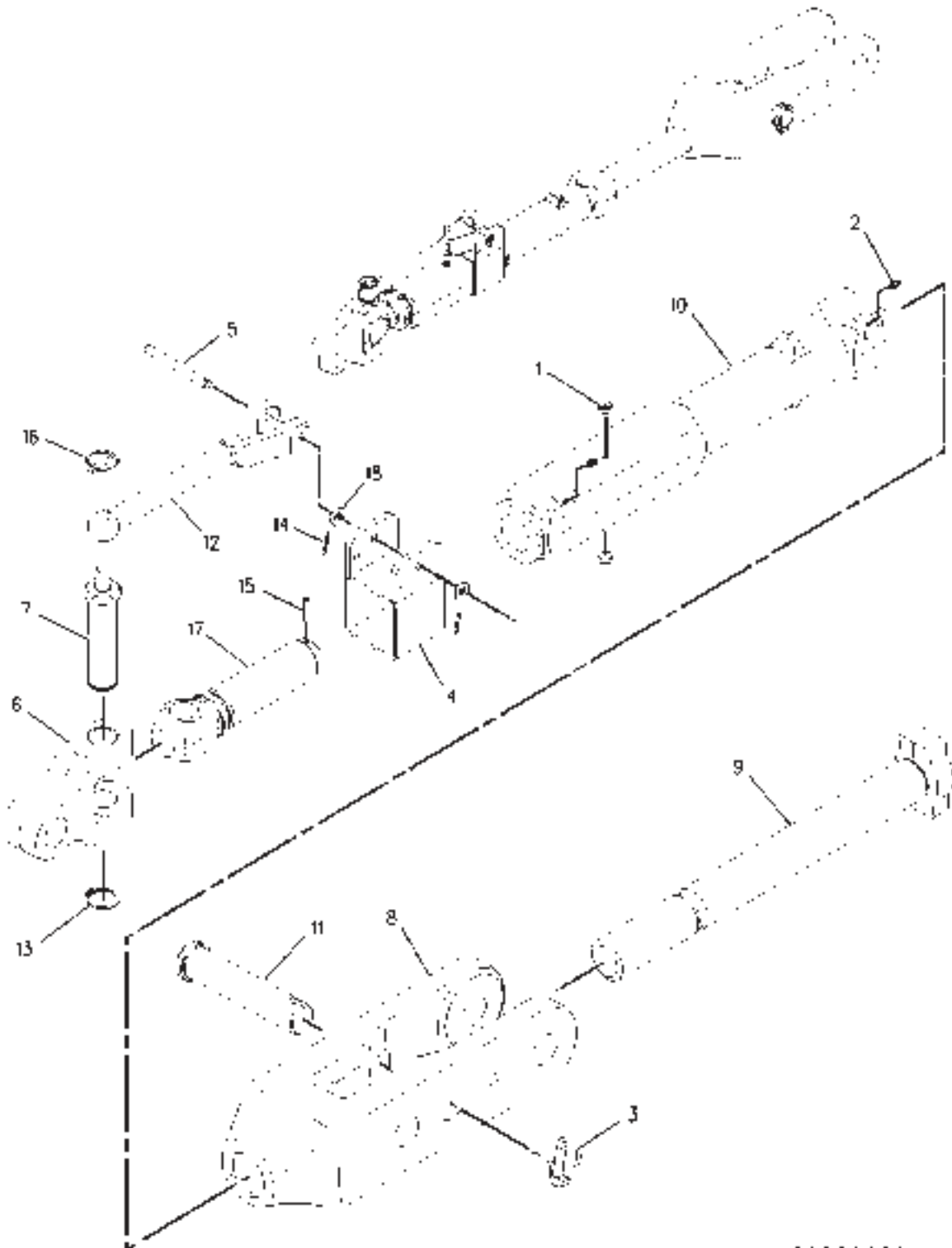
[A] PART OF 163-0400; 224-8603 KIT-PTO;
183-2197; 183-2198 GAUGE AR-TRACK

0888048A
PR: t05b22n43d0423

976

MT800B SERIES TRACTORS
DRAWBAR, THREE POINT HITCH AND PTO

LINK GP-LIFT
186-1090



00889683

MT800B SERIES TRACTORS
DRAWBAR, THREE POINT HITCH AND PTO

977

LINK GP-LIFT
186-1090

ITEM	NUMBER	QTY	DESCRIPTION
-	186-1090	-	LINK GP-LIFT [A]
1	CH0T-0200	2	PLUG-CUP
2	CH6V-1506	2	FITTING-GREASE
3	CH119-1329	1	PIN-LINCH
4	184-5063	1	FRAME ASM
5	CH186-1069	1	PIN
6	186-0983	1	PIVOT
7	CH186-1081	1	PIN
8	186-1093	1	CLEVIS
9	CH186-1094	1	ROD-LIFT LINK
10	186-1095	1	TUBE
11	CH186-1096	1	PIN
12	189-3296	1	HANDLE
13	400290X1	1	RING-RETAINING
14	CH095-0845	2	PIN-COTTER
15	CH095-9230	1	PIN-SPRING
16	CH5D-8159	1	PIN ASM
17	186-1020	1	ROD END-LOWER
18	400287X1	2	WASHER-HARD (11X21X2.5)

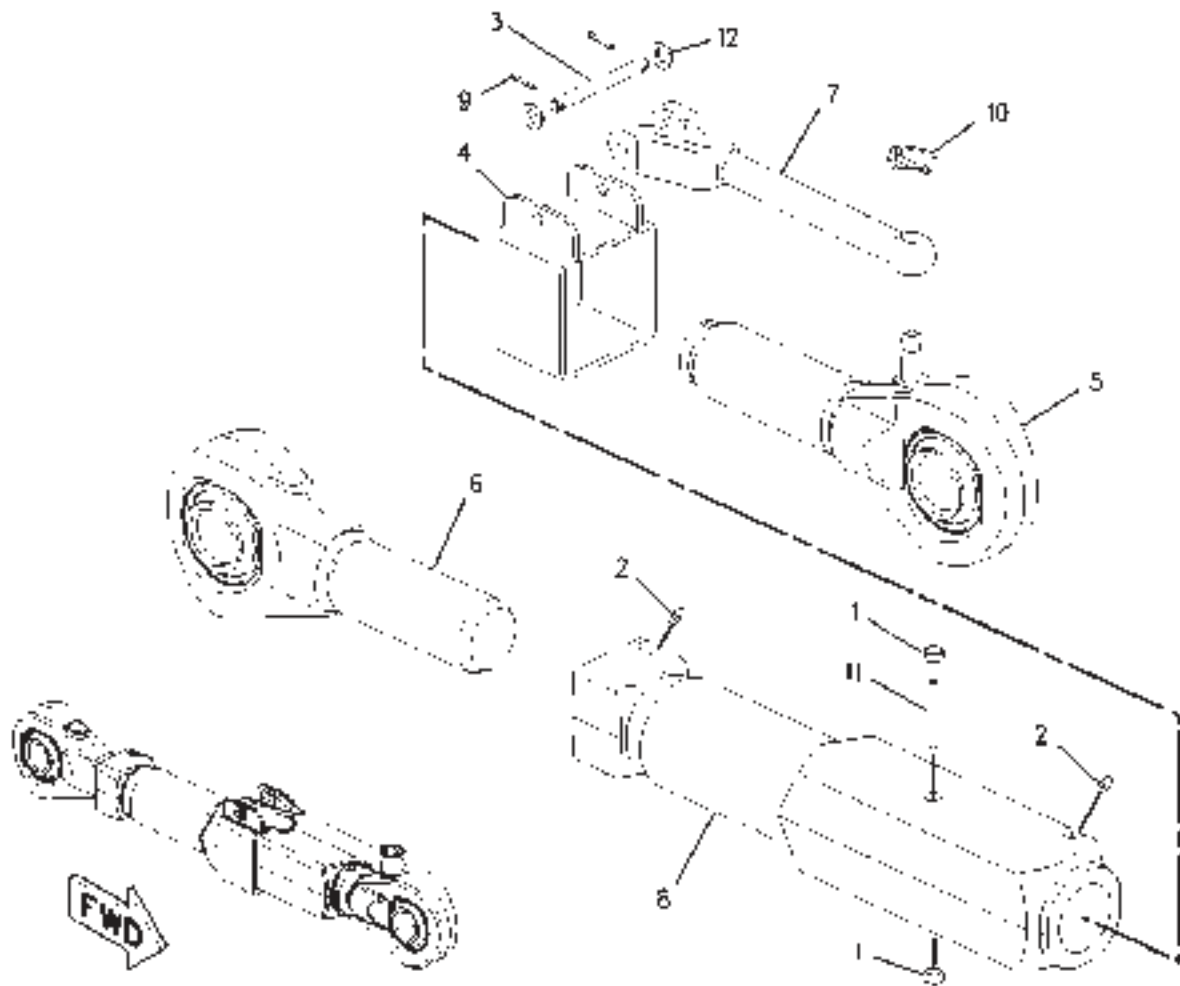
[A] PART OF 179-3317; 184-5065
HITCH GP-3 POINT

00889683
PR: t05b22n43d0424

978

MT800B SERIES TRACTORS
DRAWBAR, THREE POINT HITCH AND PTO

LINK GP-UPPER
186-1091



00898208

MT800B SERIES TRACTORS
DRAWBAR, THREE POINT HITCH AND PTO

979

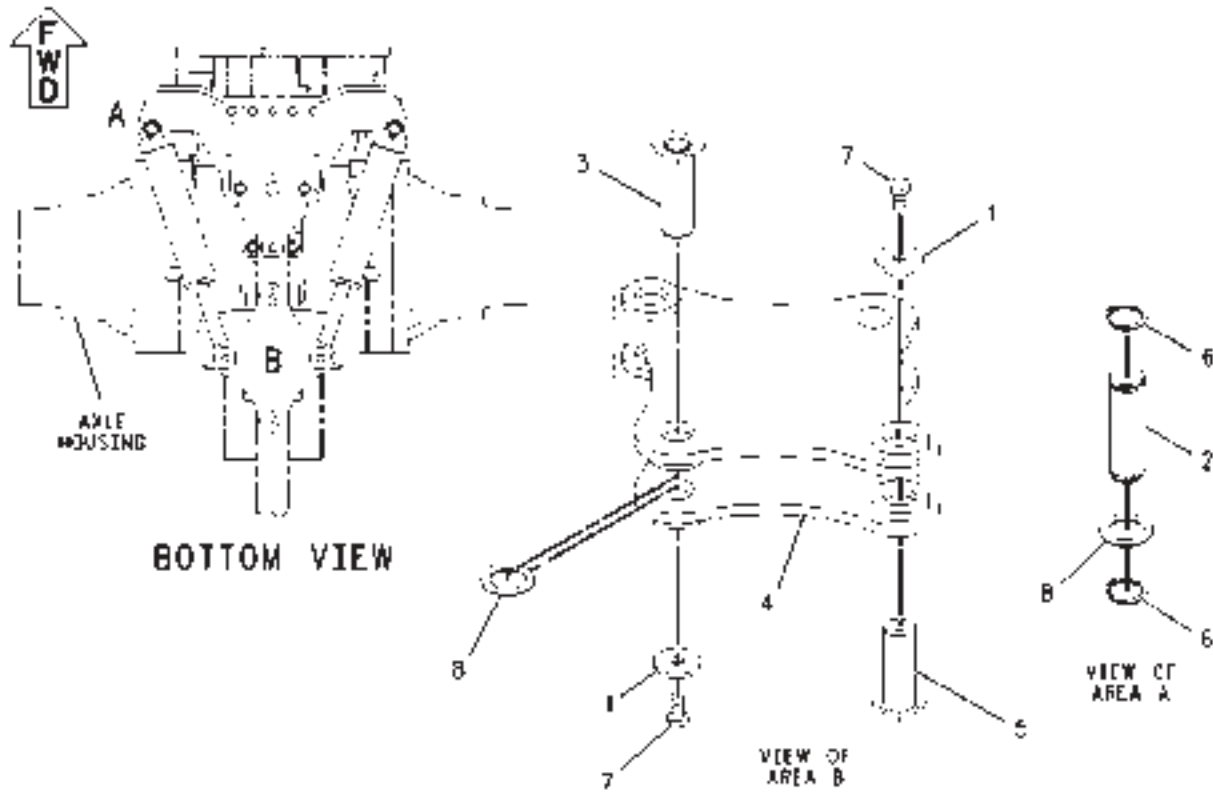
LINK GP-UPPER
186-1091

ITEM	NUMBER	QTY	DESCRIPTION
-	186-1091	-	LINK GP-UPPER [A]
1	CH0T-0200	2	PLUG-CUP
2	CH6V-1506	2	FITTING-GREASE
3	CH186-1069	1	PIN
4	CH189-3284	1	FRAME ASM
5	CH210-7531	1	ROD END ASM (LH)
6	CH210-7532	1	ROD END ASM (RH)
7	189-3296	1	HANDLE
8	210-7523	1	TUBE
9	CH095-0845	2	PIN-COTTER
10	CH5D-8159	1	PIN ASM
11	CH6V-8130	1	PIN-SPRING
12	400287X1	2	WASHER-HARD (11X21X2.5)

[A] PART OF 179-3317; 184-5065
HITCH GP-3 POINT

00898208
PR: t05b22n43d0425

MOUNTING GP-CYLINDER - 184-5035
CONTROLLED DRAWBAR



MT800B SERIES TRACTORS
DRAWBAR, THREE POINT HITCH AND PTO

981

MOUNTING GP-CYLINDER - 184-5035
CONTROLLED DRAWBAR

ITEM	NUMBER	QTY	DESCRIPTION
-	184-5035	-	MOUNTING GP-CYLINDER [A] (NOT SERVICED)
1	CH7D-0734	4	WASHER (.656X2.38X.250 IN THK)
2	CH190-2611	2	PIN
3	CH190-2612	2	PIN ASM
4	190-2613	2	PLATE ASM
5	210-7491	2	PIN ASM
6	CH201-8106	4	RING-RETAINING
7	400088X1	4	BOLT (M16X2X30MM)
8	CH9R-0158	4	WASHER (46X69X3)

[A] PART OF 184-5033 & 210-7489
CONTROL AR-DRAWBAR

00888167
PR: t05b22n43d0426

MT800B SERIES TRACTORS
DRAWBAR, THREE POINT HITCH AND PTO

PLUG GP-3 PT-HITCH - 224-9662
DRAWBAR HITCH APPLICATIONS



MT800B SERIES TRACTORS
DRAWBAR, THREE POINT HITCH AND PTO

983

PLUG GP-3 PT-HITCH - 224-9662
DRAWBAR HITCH APPLICATIONS

ITEM	NUMBER	QTY	DESCRIPTION
-	224-9662	-	PLUG GP-3 PT HITCH [A]
1	CH109-2356	2	PLUG
2	CH214-1071	1	PLUG
3	CH4P-7581	1	CLIP
4	400287X1	1	WASHER-HARD (11IDX21ODX2.5)
5	400040X1	1	BOLT (M10X1.5X20)
6	CH7K-1181	1	STRAP-CABLE

[A] PART OF:
179-0851 HITCH AR
179-0853 HITCH AR-NON AG
184-5033 CONTROL AR-DRAWBAR

2249662E
PR: t05b22n43d0427

984

MT800B SERIES TRACTORS
DRAWBAR, THREE POINT HITCH AND PTO

POWER TAKE-OFF (KIT) - 163-0400
ROW & SPECIAL APPLICATIONS

NO ILLUSTRATION

NOTIF

MT800B SERIES TRACTORS
DRAWBAR, THREE POINT HITCH AND PTO

985

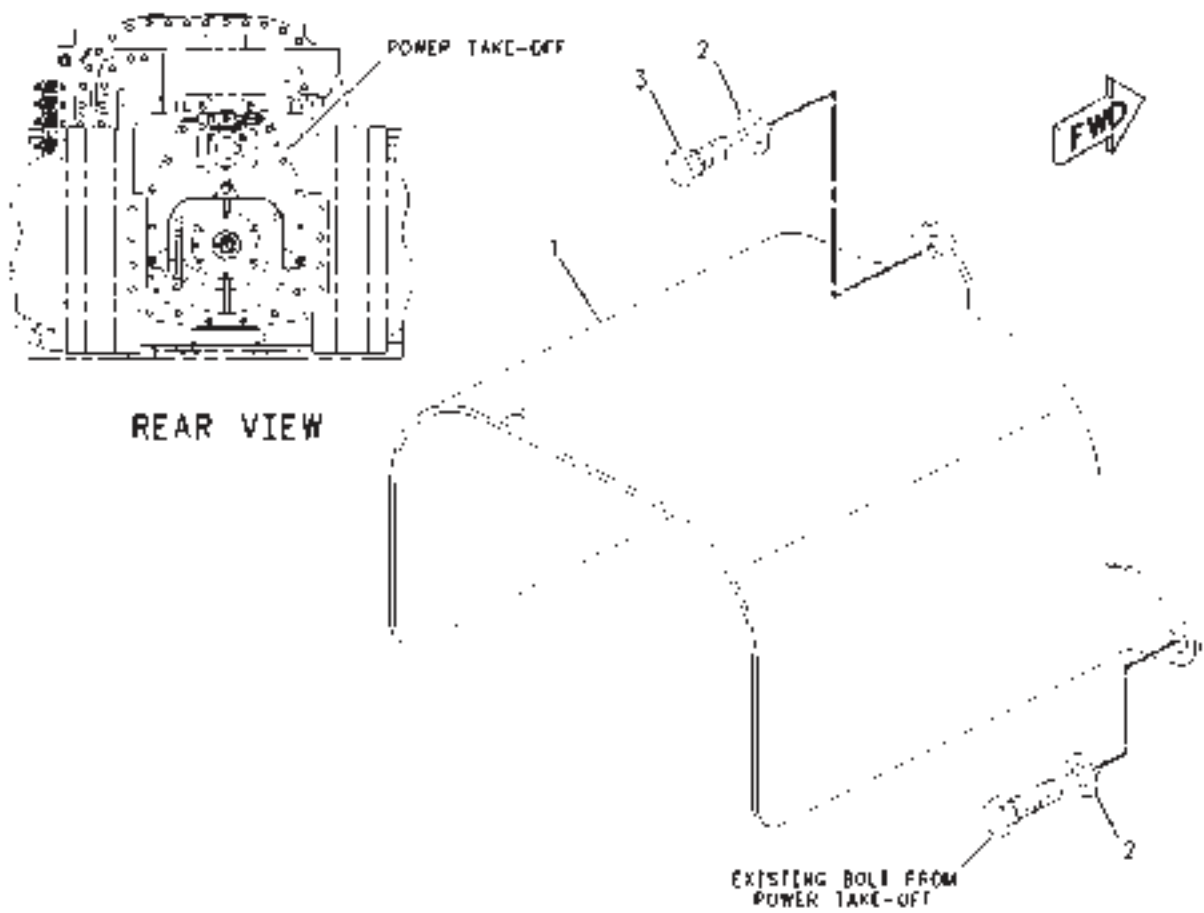
POWER TAKE-OFF (KIT) - 163-0400
ROW & SPECIAL APPLICATIONS

ITEM	NUMBER	QTY	DESCRIPTION
-	163-0400	-	KIT-PTO
1	152-0446	1	CONTROL GP-PTO (NOT SERVICED) (SEE BREAKDOWN FOR COMPONENTS)
2	183-4470	1	GUARD GP-PTO (NOT SERVICED) (SEE BREAKDOWN FOR COMPONENTS)
3	CH187-4930	1	POWER TAKE-OFF GP (NOT SERVICED) (SEE BREAKDOWN FOR COMPONENTS)
4	189-2976	1	LINES GP-PTO (NOT SERVICED) (SEE BREAKDOWN FOR COMPONENTS)

NOTIF
PR: t05b22n43d0428

MT800B SERIES TRACTORS
DRAWBAR, THREE POINT HITCH AND PTO

GUARD GP-POWER TAKE-OFF - 183-4470
EAME ONLY



MT800B SERIES TRACTORS
DRAWBAR, THREE POINT HITCH AND PTO

987

GUARD GP-POWER TAKE-OFF - 183-4470
EAME ONLY

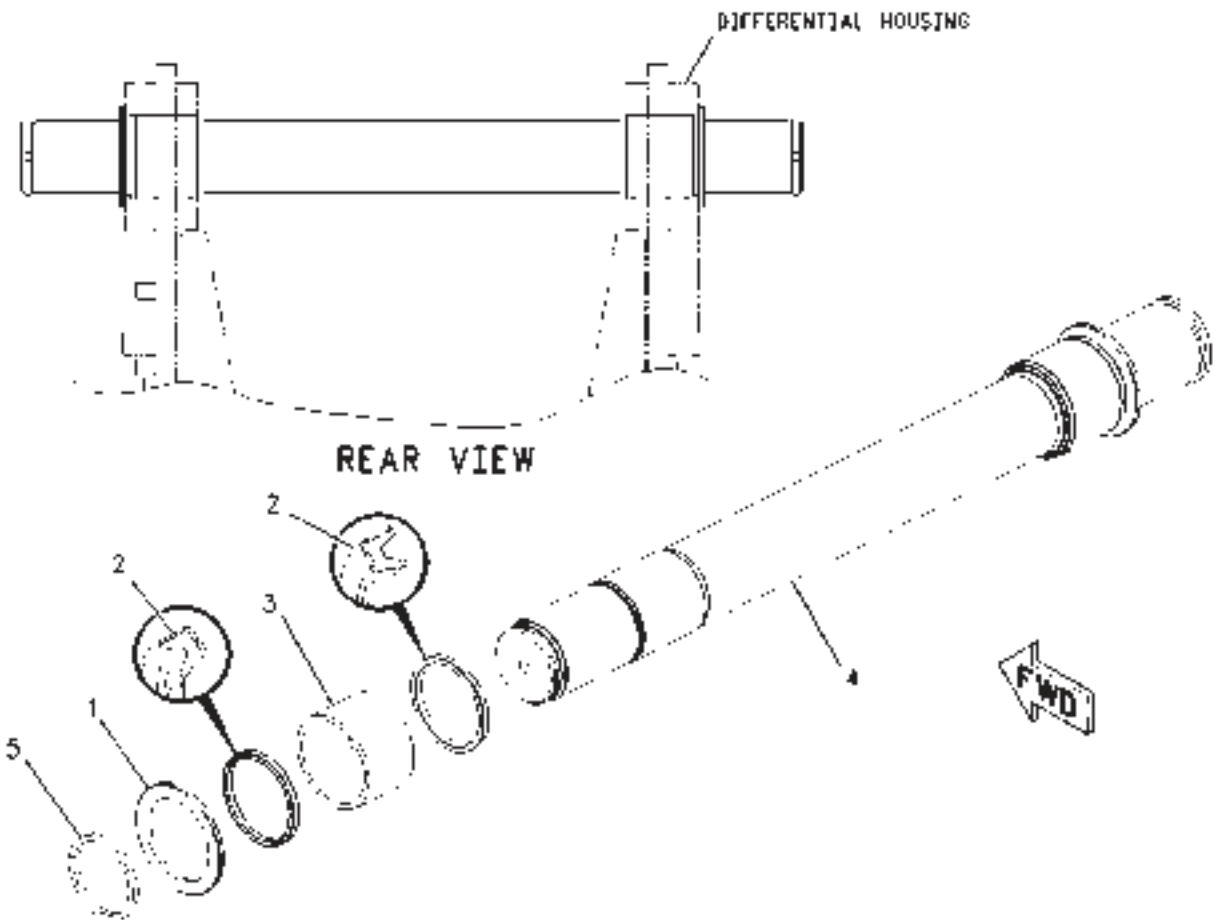
ITEM	NUMBER	QTY	DESCRIPTION
-	183-4470	-	GUARD GP-PTO (NOT SERVICED)
1	502050D1	1	PLATE
2	CH8T-4122	3	WASHER-HARD (17X32X3.5MM THK)
3	AG518357	1	BOLT (M16X2X35MM)

PART OF 183-2197 GAUGE AR-TRACK

00828240
PR: t05b22n43d0431

MT800B SERIES TRACTORS
DRAWBAR, THREE POINT HITCH AND PTO

ROCKSHAFT GP - 186-1063



MT800B SERIES TRACTORS
DRAWBAR, THREE POINT HITCH AND PTO

989

ROCKSHAFT GP - 186-1063

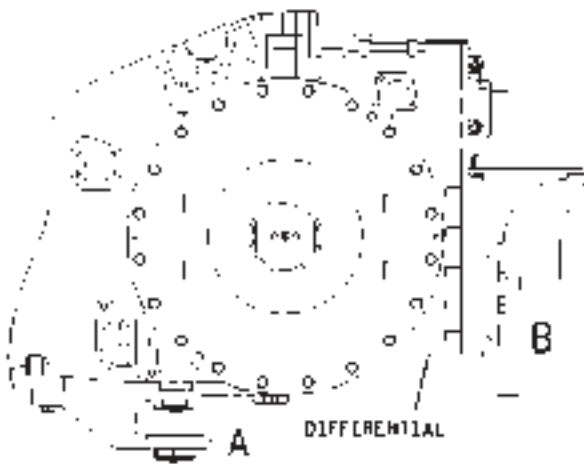
ITEM	NUMBER	QTY	DESCRIPTION
-	186-1063	-	ROCKSHAFT GP [A] (NOT SERVICED)
1	CH6K-9070	2	WASHER-THRUST
2	CH7K-9211	4	SEAL-LIP
3	CH170-2320	2	BEARING
4	186-1064	1	SHAFT-SPLINED
5	400097X1	2	RING-RETAINING

[A] PART OF 179-3317; 184-5065
HITCH GP-3 POINT

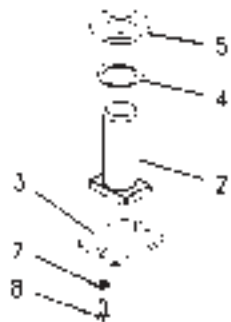
00851422
PR: t05b22n43d0432

MT800B SERIES TRACTORS
DRAWBAR, THREE POINT HITCH AND PTO

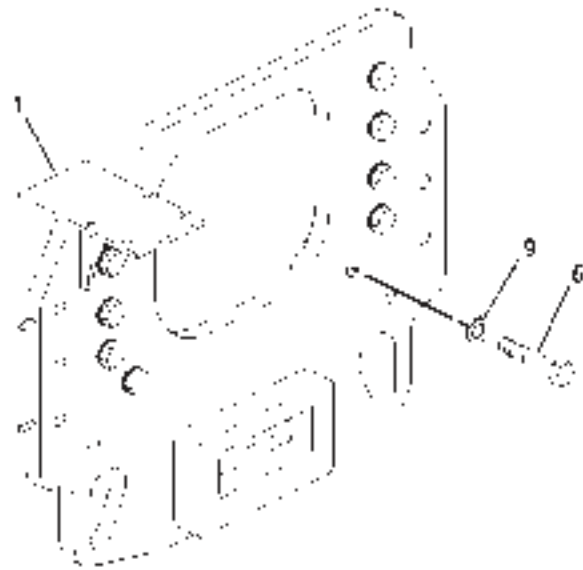
SUPPORT GP-DRAWBAR - 180-4038
SCRAPER HITCH



LEFT SIDE VIEW



VIEW OF AREA A



VIEW OF AREA B

MT800B SERIES TRACTORS
DRAWBAR, THREE POINT HITCH AND PTO

991

SUPPORT GP-DRAWBAR - 180-4038
SCRAPER HITCH

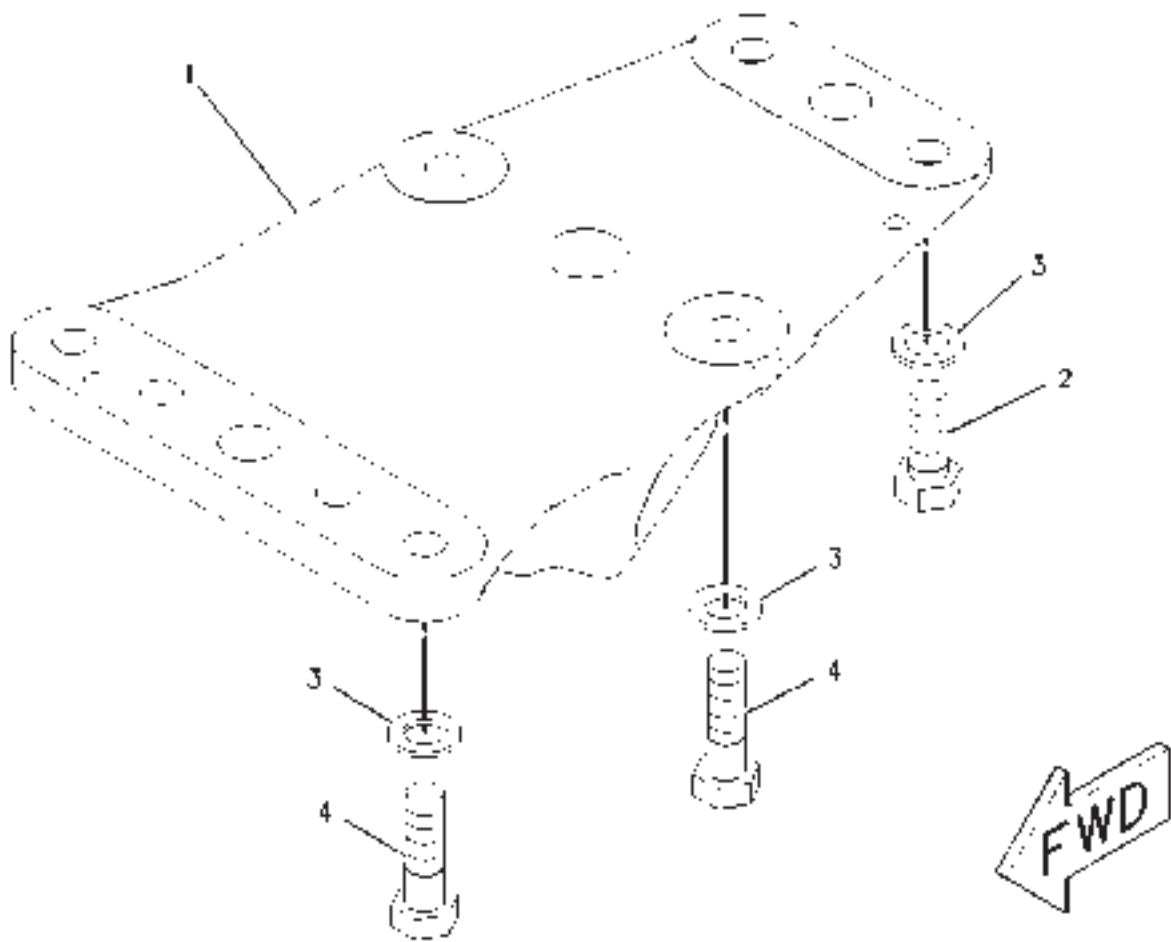
ITEM	NUMBER	QTY	DESCRIPTION
-	180-4038	-	SUPPORT GP-DRAWBAR [A]
1	189-3325	1	PLATE ASM
2	CH200-8751	1	PIN-DRAWBAR
3	501948D1	1	RETAINER
4	400288X1	1	WASHER-HARD (51X74X3)
5	CH7Y-0725	1	WASHER-HARD (52X92X8)
6	400213X1	10	BOLT (M24X3X120MM)
7	400287X1	2	WASHER-HARD (11X21X2.5)
8	400039X1	2	BOLT (M10X1.5X25MM)
9	400081X1	10	WASHER-HARD (26X44X4)

[A] PART OF 179-0853 HITCH AR-NON AG

00851221
PR: t05b22n43d0433

MT800B SERIES TRACTORS
DRAWBAR, THREE POINT HITCH AND PTO

SUPPORT GP-DRAWBAR - 210-7508
ROW AND SPECIAL APPLICATIONS



MT800B SERIES TRACTORS
DRAWBAR, THREE POINT HITCH AND PTO

993

SUPPORT GP-DRAWBAR - 210-7508
ROW AND SPECIAL APPLICATIONS

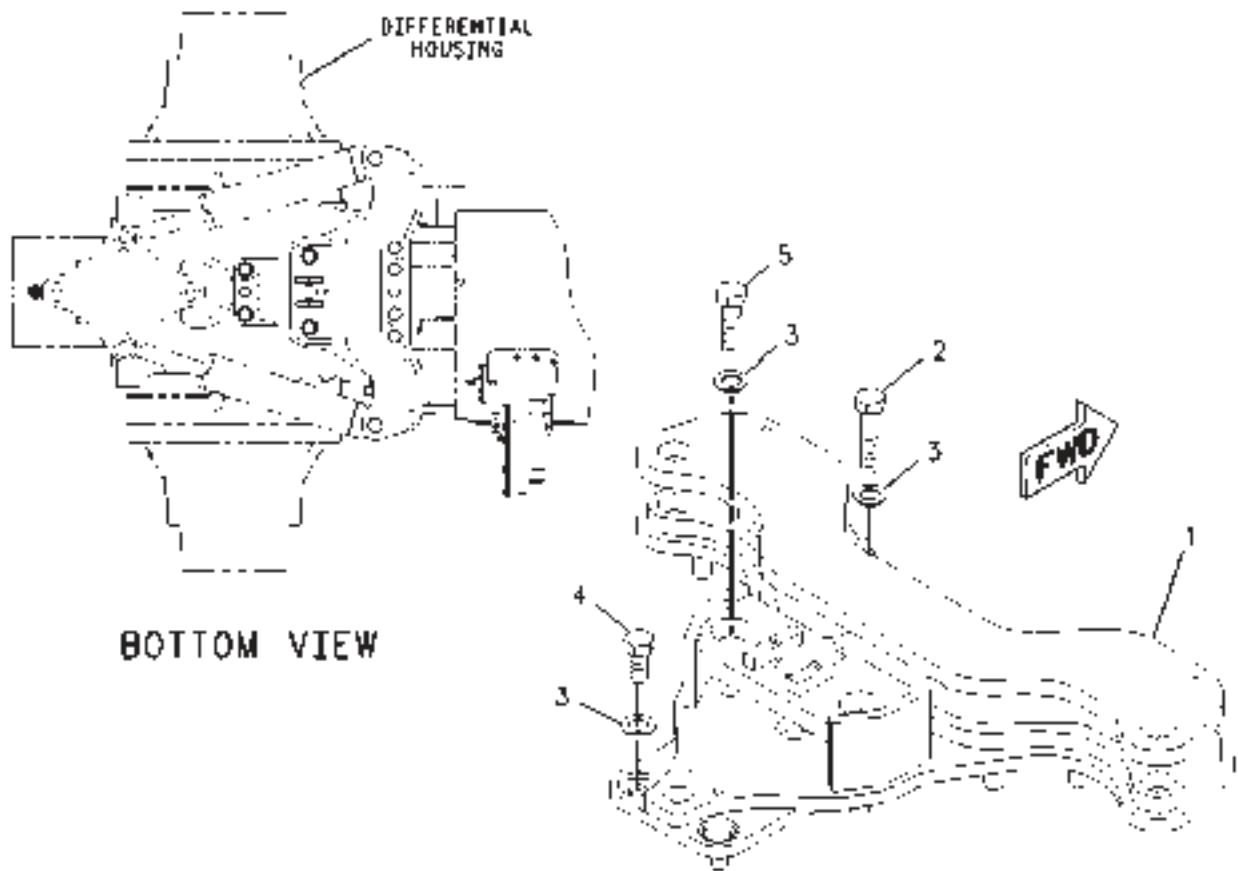
ITEM	NUMBER	QTY	DESCRIPTION
-	210-7508	-	SUPPORT GP-DRAWBAR [A]
1	210-7506	1	SUPPORT
2	400035X1	2	BOLT (M24X3X60MM)
3	400081X1	8	WASHER-HARD (26X44X4)
4	400067X1	6	BOLT (M24X3X80MM)

[A] PART OF 179-0853 HITCH AR-NON AG

00897590
PR: t05b22n43d0434

MT800B SERIES TRACTORS
DRAWBAR, THREE POINT HITCH AND PTO

SUPPORT GP-DRAWBAR - CONTROLLED
210-7509



MT800B SERIES TRACTORS
DRAWBAR, THREE POINT HITCH AND PTO

995

SUPPORT GP-DRAWBAR - CONTROLLED
210-7509

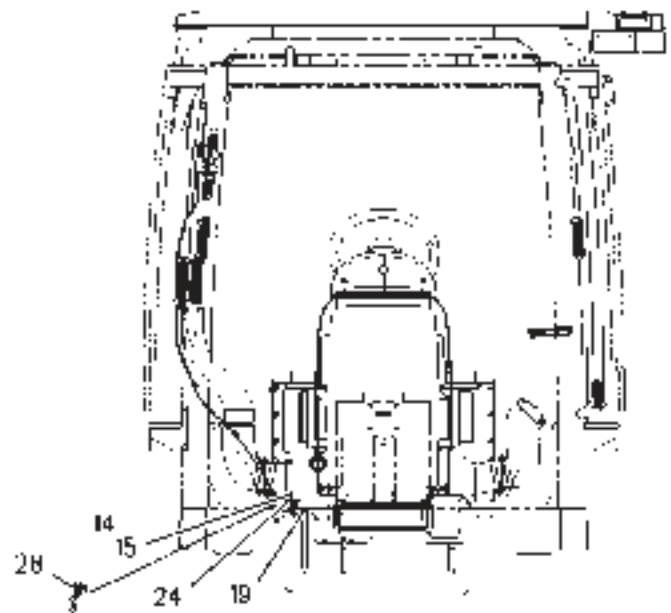
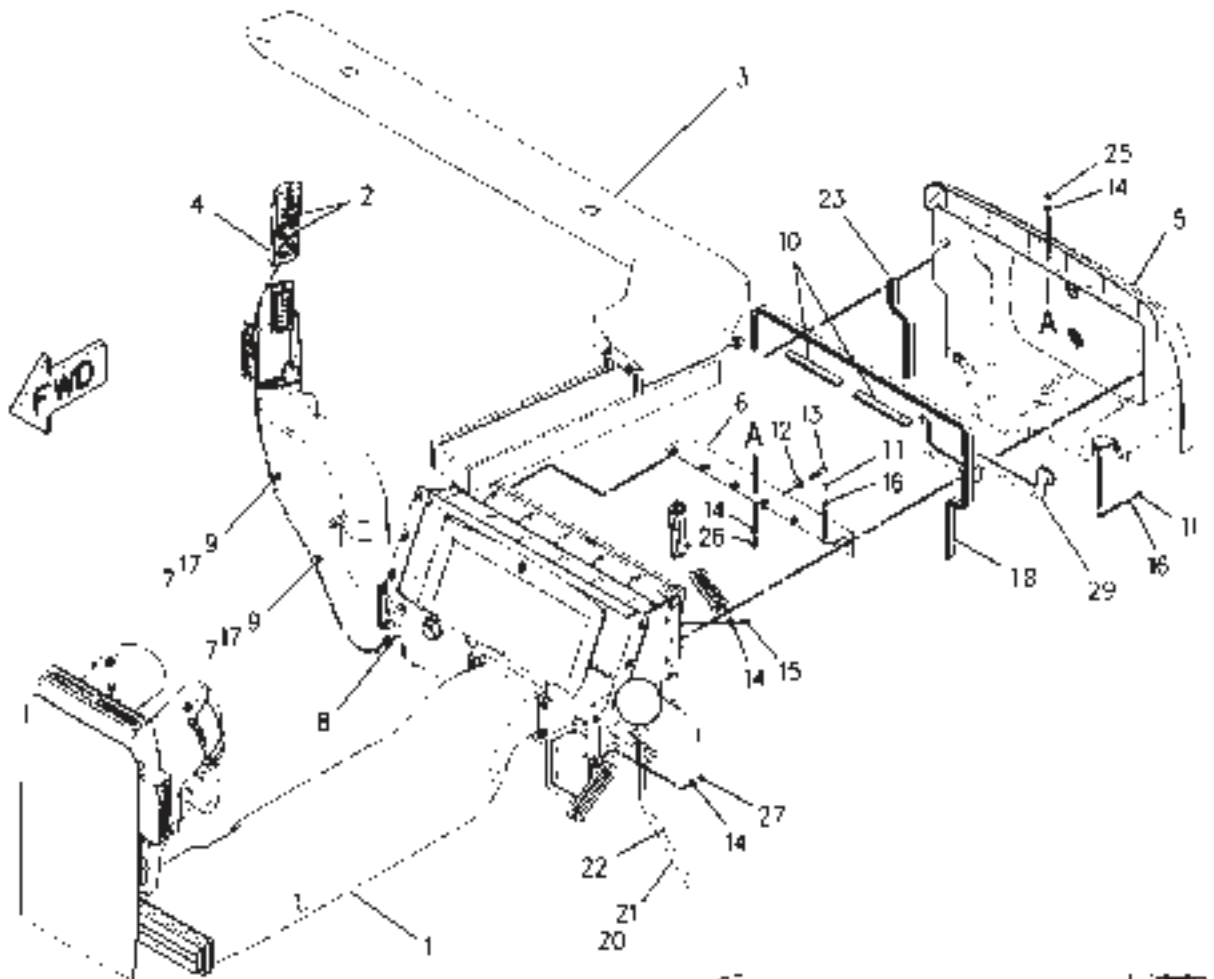
ITEM	NUMBER	QTY	DESCRIPTION
-	210-7509	-	SUPPORT GP-DRAWBAR [A] (NOT SERVICED)
1	210-7503	1	PLATE ASM
2	400184X1	4	BOLT (M24X3X100MM)
3	400081X1	8	WASHER-HARD (26X44X4)
4	400232X1	2	BOLT (M24X3X50MM)
5	400067X1	2	BOLT (M24X3X80MM)

[A] PART OF 184-5033 & 210-7489
CONTROL AR-DRAWBAR

00893786
PR: t05b22n43d0435

MT800B SERIES TRACTORS
OPERATOR STATION

AIR CONDITIONER & MOUNTING GP - BASIC
502502D1



FRONT VIEW

**MT800B SERIES TRACTORS
OPERATOR STATION**

997

**AIR CONDITIONER & MOUNTING GP - BASIC
502502D1**

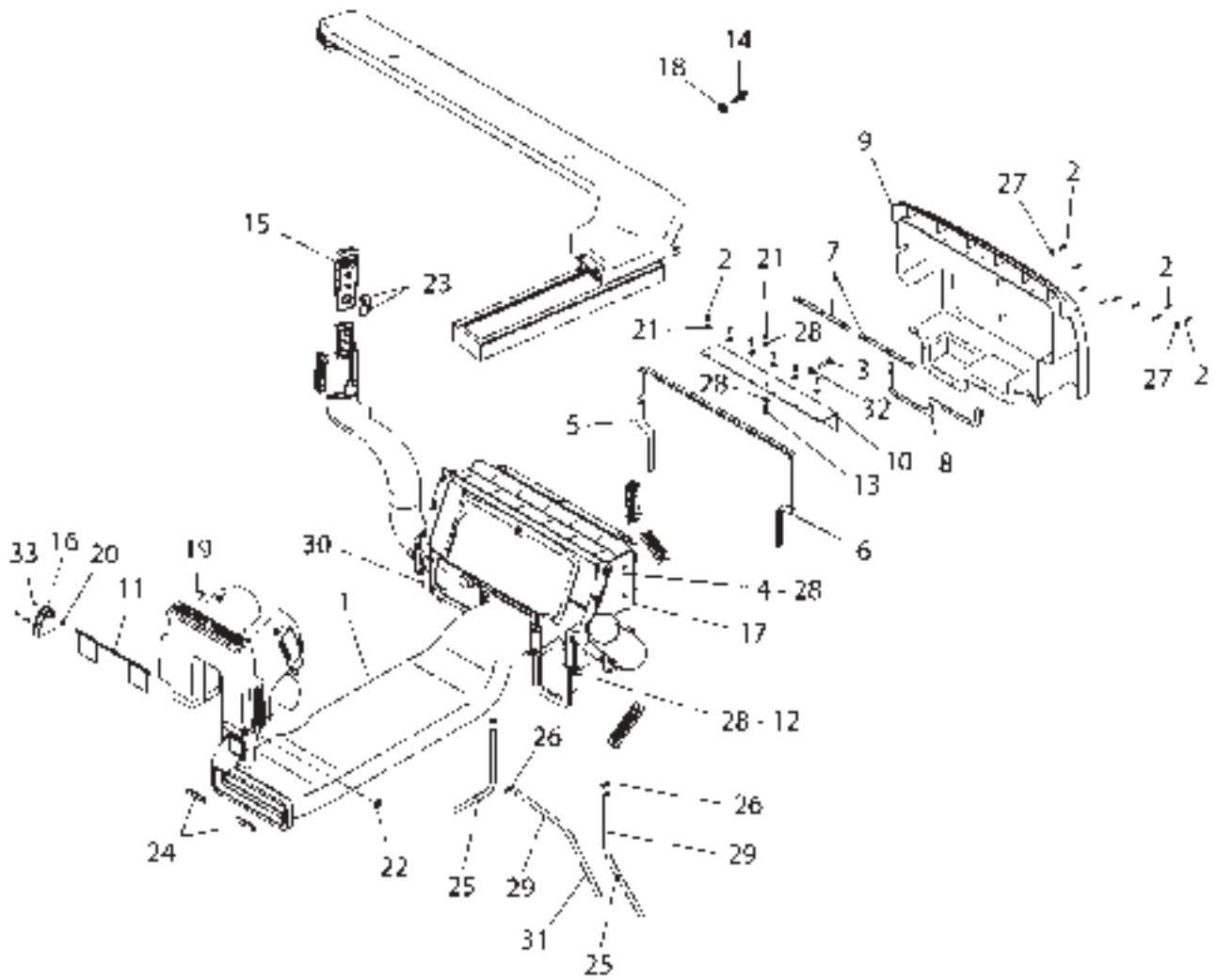
ITEM	NUMBER	QTY	DESCRIPTION
-	502502D1	-	AIR CONDITIONER & MTG GP (NOT SERVICED)
1	502500D1	1	AIR CONDITIONER GP (NOT SERVICED) (SEE BREAKDOWN FOR COMPONENTS)
2	CH216-2628	2	KNOB AS (CONTROL)
3	166-4556	1	DUCT GP-CAB AIR (NOT SERVICED) (SEE BREAKDOWN FOR COMPONENTS)
4	166-4586	1	CONTROL GP-AIR & TEMPERATURE (SEE BREAKDOWN FOR COMPONENTS)
5	166-4603	1	COVER
6	174-5770	1	BRACKET AS
7	CH195-7925	3	CLIP
8	400948X1	1	GROMMET
9	400018X1	3	BOLT (M6X1.0X10MM)
10	501147D1	2	STRIP
11	400022X1	15	BOLT (M6X1.0X25MM)
12	CH7X-7729	1	WASHER (11X25X3MM THK)
13	400049X1	1	BOLT (M10X1.5X45MM)
14	400599X1	12	WASHER-HARD (8.8X20.5X2MM THK)
15	400053X1	6	BOLT (M8X1.25X20MM)
16	CH5P-4115	8	WASHER-HARD (7.2X19X2MM THK)
17	CH9X-8267	3	WASHER (6.6X12X2MM THK)
18	501145D1	1	SEAL-FOAM
19	CH3S-5096	3	CLAMP
20	CH7T-9793	3	VALVE (CHECK)
21	CH5P-4829	AR	TUBE (44.1 DM)
22	400837X1	2	STRAP-CABLE
23	501144D1	1	SEAL-FOAM
24	CH8Y-5737	1	CLIP
25	CH131-3540	1	LOCKNUT
26	400341X1	1	BOLT (M8X1.25X25MM)
27	400340X1	4	NUT (M8X1.25 THD)
28	500473D1	1	CLIP
29	502517D1	1	PLATE

PART OF 152-0009; 152-0013;
500764D1; 500842D1; 500844D1;
500847D1; 502660D1; 502662D1 CAB AR

502502DE
PR: t05b22n43d0436

MT800B SERIES TRACTORS
OPERATOR STATION

AIR CONDITIONER & MOUNTING GP - DELUXE
502501D1



**MT800B SERIES TRACTORS
OPERATOR STATION**

999

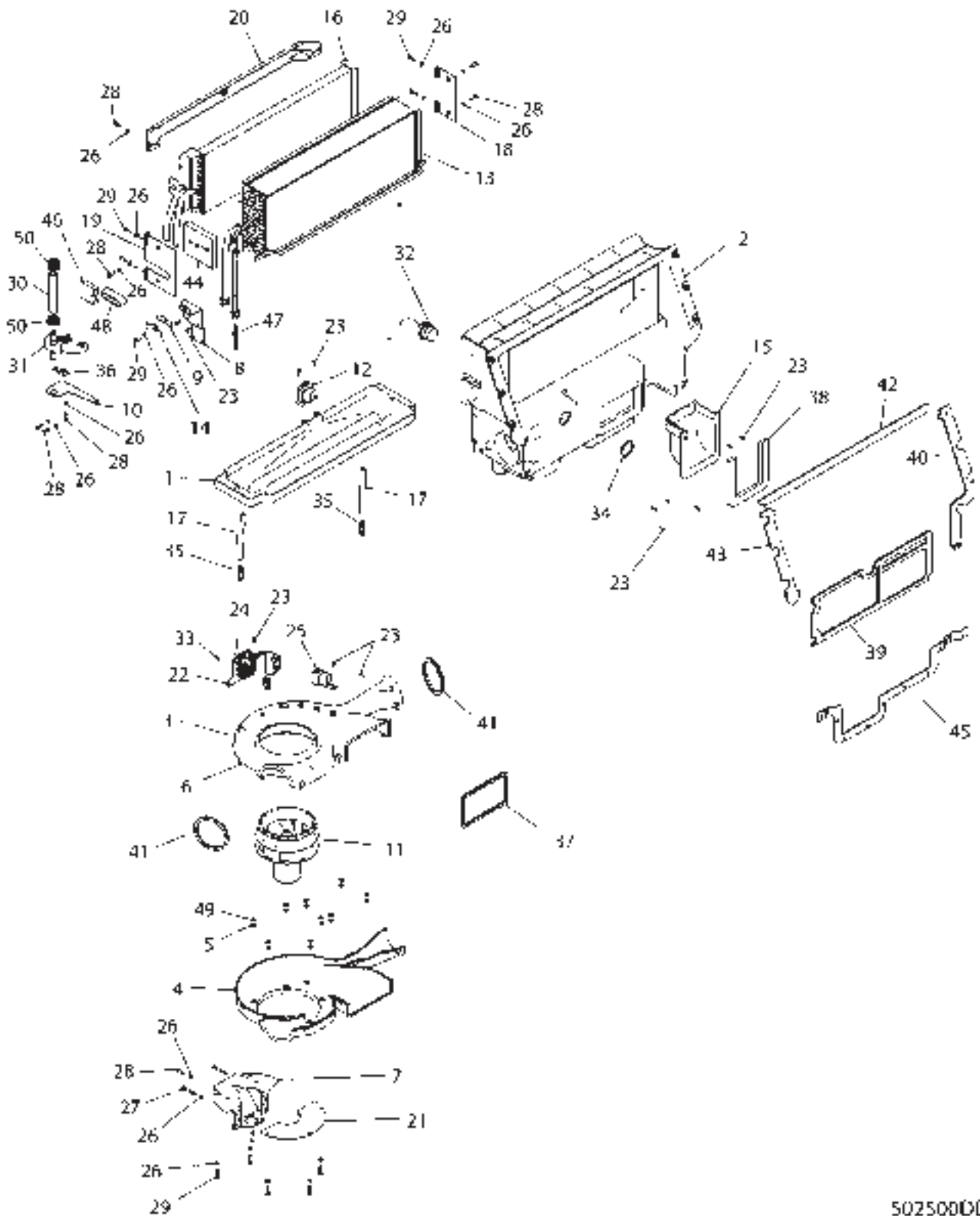
**AIR CONDITIONER & MOUNTING GP - DELUXE
502501D1**

ITEM	NUMBER	QTY	DESCRIPTION
-	502501D1	-	AIR CONDITIONER & MOUNTING GP [A] (NOT SERVICED)
1	166-4556	1	DUCT GP-CAB AIR (NOT SERVICED) (SEE BREAKDOWN FOR COMPONENTS)
2	400022X1	15	BOLT (M6X1.0X25MM)
3	400049X1	1	BOLT (M10X1.5X45MM)
4	400053X1	6	BOLT (M8X1.25X20MM)
5	501144D1	1	SEAL-FOAM
6	501145D1	1	SEAL-FOAM
7	501147D1	2	STRIP
8	502517D1	1	PLATE
9	166-4603	1	COVER
10	174-5770	1	BRACKET AS
11	198-4070	1	DOOR AS
12	400340X1	4	NUT (M8X1.25)
13	400341X1	1	BOLT (M8X1.25X25MM)
14	501697D1	1	SENSOR
15	501740D1	1	CONTROL GP-AIR & TEMPERATURE
16	501745D1	1	ACTUATOR
17	502499D1	1	AIR CONDITIONER GP (NOT SERVICED) (SEE BREAKDOWN FOR COMPONENTS)
18	CH107-5591	1	LOCKNUT (3/4-16)
19	CH128-2162	1	SENSOR GP-LIGHT (SUN LOAD)
20	CH131-3093	1	BUSHING
21	CH131-3540	1	LOCKNUT (M8X1.25)
22	CH192-4765	1	BUSHING
23	CH216-2628	2	KNOB AS-CONTROL
24	CH3E-6600	AR	SEAL (BULK) (16CM)
25	400837X1	2	STRAP-CABLE
26	CH3S-5096	3	CLAMP
27	CH5P-4115	8	WASHER-HARD (7.2X19X2)
28	400599X1	12	WASHER-HARD (8.8X20.5X2)
29	CH5P-6129	AR	TUBE (BULK) (44.1DM)
30	CH6K-6361	1	BUTTON-PLUG
31	CH7T-9793	3	VALVE (CHECK)
32	CH7X-7729	1	WASHER (11X25X3)
33	CH9X-1046	3	SCREW (M4X0.7X18MM)

[A] PART OF:
152-0008; 152-0012; 222-4146;
500763D1; 500765D1; 500767D1;
500841D1; 500843D1; 500849D1;
502659D1; 502667D1 CAB AR

502501DD
PR: t05b22n43d0437

CONDITIONER GP-AIR - BASIC
502500D1



**MT800B SERIES TRACTORS
OPERATOR STATION**

1001

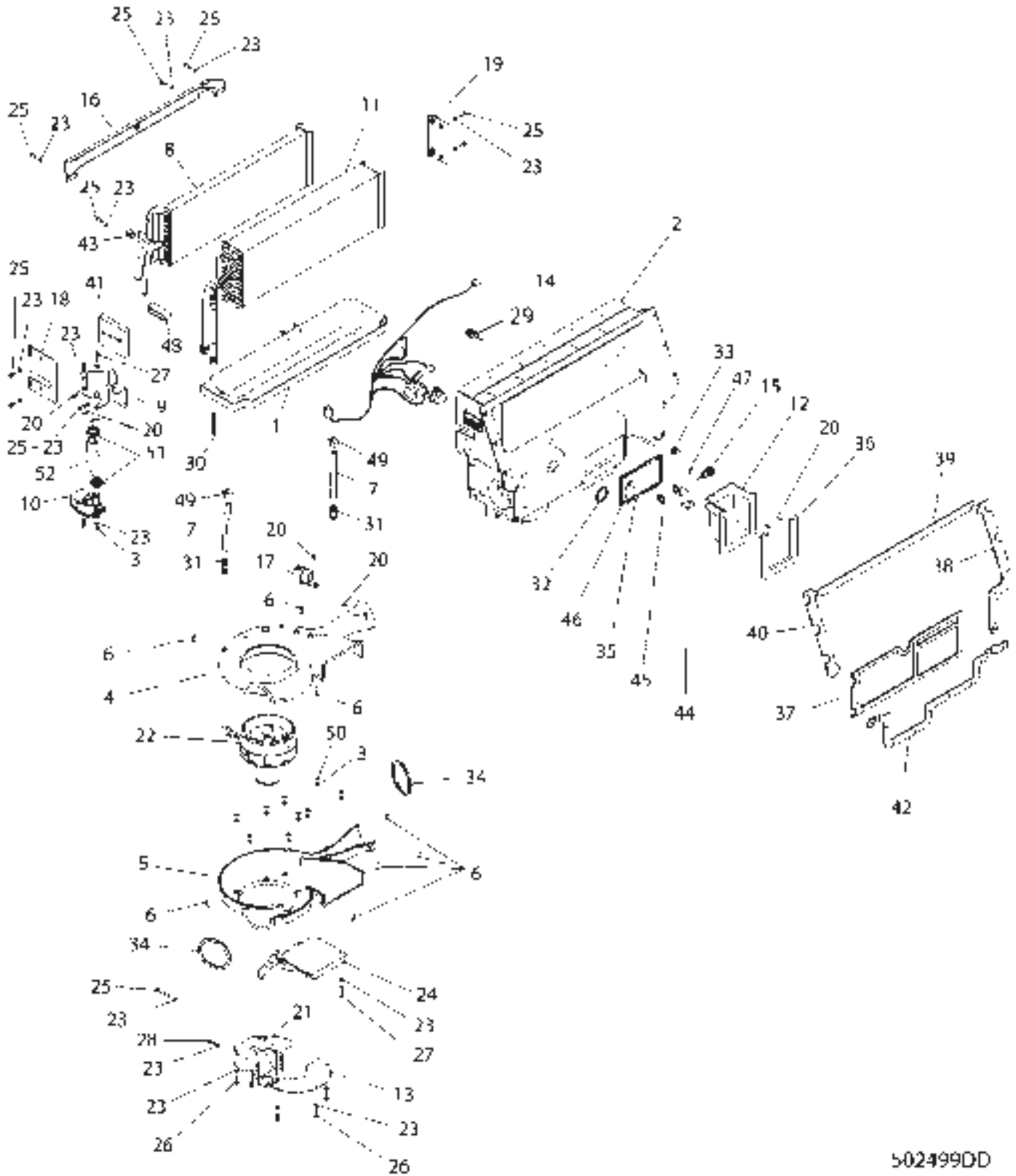
**CONDITIONER GP-AIR - BASIC
502500D1**

ITEM	NUMBER	QTY	DESCRIPTION
-	502500D1	-	CONDITIONER GP-AIR [A]
1	501705D1	1	PAN-DRAIN
2	501701D2	1	CASE AS
3	501703D1	1	HOUSING-BLOWER
4	501704D1	1	HOUSING-BLOWER
5	400300X1	9	NUT M6X1
6	400296X1	10	CLIP
7	501730D1	1	BRACKET AS.
8	501729D1	1	BRACKET AS.
9	501733D1	1	BRACKET
10	501735D1	1	ANGLE
11	501702D1	1	FAN AS.
12	400299X1	1	SWITCH AS.-THERMOSTAT
13	501709D1	1	COIL AS.-EVAP
14	501734D1	1	BRACKET
15	501706D1	1	DUCT-FRESH AIR
16	501727D1	1	COIL AS.-HEATER
17	400298X1	AR	TUBE-BULK (4 DM)
18	501716D1	1	RETAINER
19	501714D1	1	RETAINER
20	501713D1	1	BRACKET AS.
21	501731D1	1	BRACKET AS.
22	502267D1	1	THERMISTOR KIT
23	400305X1	22	SCREW-SELF TAPPING
24	501728D1	1	RESISTOR
25	400292X1	1	RELAY AS.
26	400310X1	23	WASHER
27	400307X1	4	BOLT M6X1X45
28	400221X1	14	BOLT-M6X1X20MM ZNDI HHD 10.9
29	400022X1	5	BOLT-M6X1X25MM ZNDI HHD 10.9
30	400294X1	AR	HOSE-BULK (13 CM)
31	501710D1	1	VALVE AS.-WATER
32	501711D2	1	HARNESS AS
33	400302X1	2	BOLT-HEX HEAD
34	400306X1	1	NUT-PANEL
35	400309X1	2	CONNECTOR
36	501732D1	1	BRACKET AS.
37	501719D1	1	GASKET
38	501720D2	1	GASKET
39	501721D2	1	GASKET
40	501722D2	1	GASKET
41	501718D1	2	GASKET
42	501723D2	1	GASKET
43	501724D2	1	GASKET
44	501725D1	1	GASKET
45	501726D1	1	GASKET
46	501737D1	1	GASKET
47	400932X1	1	ORIFICE AS.-A/C
48	502528D1	1	TAPE-REFRIGERANT
49	400301X1	9	WASHER-TOOTH
50	400308X1	2	CLAMP-HOSE

[A] PART OF: 502502D1 A/C & MTG GP

502500DD
PR: t05b22n43d0438

CONDITIONER GP-AIR - DELUXE
502499D1



**MT800B SERIES TRACTORS
OPERATOR STATION**

1003

**CONDITIONER GP-AIR - DELUXE
502499D1**

ITEM	NUMBER	QTY	DESCRIPTION
-	502499D1	-	CONDITIONER GP-AIR [A] (NOT SERVICED)
1	501705D1	1	PAN-DRAIN
2	501701D2	1	CASE AS
3	400300X1	11	NUT M6X1
4	501703D1	1	HOUSING-BLOWER
5	501704D1	1	HOUSING-BLOWER
6	400296X1	10	CLIP
7	400298X1	4	TUBE-BULK
8	501708D1	1	COIL AS.-HEATER
9	501712D1	1	BRACKET AS.
10	501700D1	1	VALVE AS.-WATER
11	501709D1	1	COIL AS.-EVAP
12	501706D1	1	DUCT-FRESH AIR
13	501731D1	1	BRACKET AS.
14	501707D2	1	HARNESS AS
15	501697D1	2	SENSOR GP.
16	501713D1	1	BRACKET AS.
17	400292X1	1	RELAY AS.
18	501714D1	1	RETAINER
19	501716D1	1	RETAINER
20	400305X1	7	SCREW-SELF TAPPING
21	501730D1	1	BRACKET AS.
22	501702D1	1	FAN AS.
23	400310X1	28	WASHER
24	501717D1	1	CONTROL AS.
25	400221X1	11	BOLT-M6X1X20MM ZNDI HHD 10.9
26	400022X1	5	BOLT-M6X1X25MM ZNDI HHD 10.9
27	400185X1	6	BOLT-M6X1X35MM ZNDI HHD 10.9
28	400307X1	4	BOLT M6X1
29	400293X1	1	SENSOR AS.
30	400932X1	1	ORIFICE AS.-A/C
31	400309X1	2	CONNECTOR
32	400295X1	1	NUT-HEX
33	400297X1	1	PLUG
34	501718D1	2	GASKET
35	501719D1	1	GASKET
36	501720D2	1	GASKET
37	501721D2	1	GASKET
38	501722D2	1	GASKET
39	501723D2	1	GASKET
40	501724D2	1	GASKET
41	501725D1	1	GASKET
42	501726D1	1	GASKET
43	501146D1	1	GROMMET-WIRE
44	502033D1	1	BRACKET
45	400780X1	1	NUT-JAM #8 3/4-16 UNF 2B
46	502036D1	1	GASKET HVAC SENSOR PROBE
47	CH217-5909	2	SCREW-1/4-15X12.7 PANTHD CTG
48	502528D1	1	TAPE-REFRIGERANT
49	400109X1	2	CLAMP-HOSE
50	400301X1	9	LOCKWASHER-TOOTH
51	400308X1	2	CLAMP-HOSE
52	501738D1	AR	HOSE-HEATER (3/4ID) (20CM)

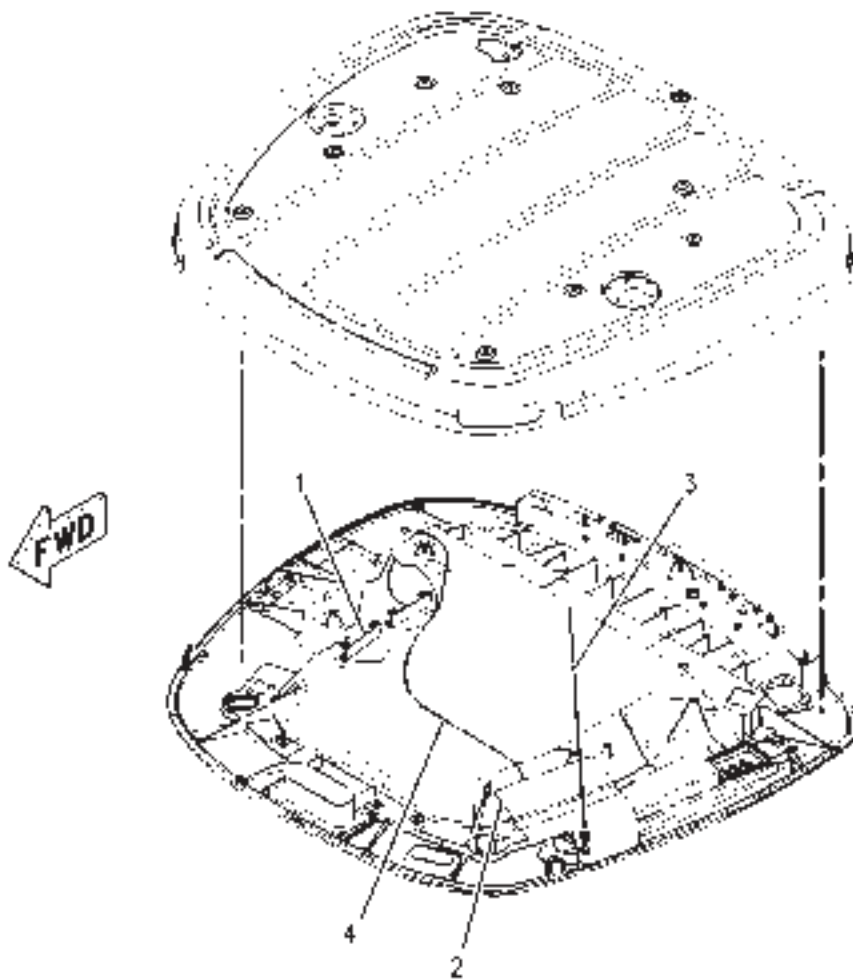
[A] PART OF 502501D1
CONDITIONER GP-MTG & AIR

502499DD
PR: t05b22n43d0439

1004

MT800B SERIES TRACTORS
OPERATOR STATION

ANTENNA GP-RADIO - 168-1951



00786383

**MT800B SERIES TRACTORS
OPERATOR STATION**

1005

ANTENNA GP-RADIO - 168-1951

ITEM	NUMBER	QTY	DESCRIPTION
-	168-1951	-	ANTENNA GP-RADIO [A] (NOT SERVICED)
1	400128X1	2	COVER
2	136-5330	1	PLATE-GROUNDING
3	CH166-4615	1	ANTENNA
4	171-1576	1	CABLE-ANTENNA

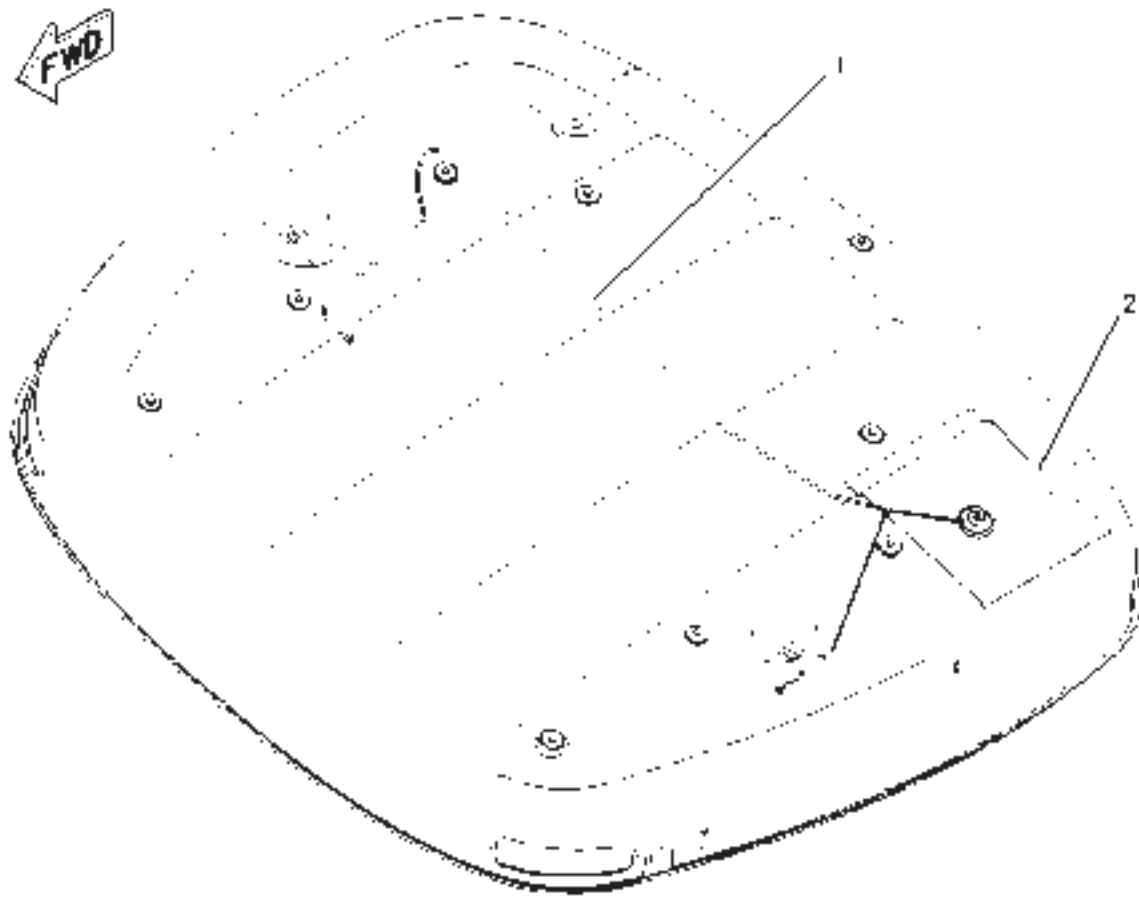
[A] PART OF 152-0008; 152-0009;
152-0012; 152-0013; 222-4146;
500763D1; 500764D1; 500765D1;
500767D1; 500841D1; 500842D1;
500843D1; 500844D1; 500849D1;
502659D1; 502660D1; 502662D1;
502667D1 CAB AR

00786383
PR: t05b22n43d0440

1006

**MT800B SERIES TRACTORS
OPERATOR STATION**

**ANTENNA GP-RADIO - 168-1951
BUSINESS BAND**



00835371

**MT800B SERIES TRACTORS
OPERATOR STATION**

1007

**ANTENNA GP-RADIO - 168-1951
BUSINESS BAND**

ITEM	NUMBER	QTY	DESCRIPTION
-	210-1570	-	ANTENNA GP-RADIO [A] (NOT SERVICED)
1	209-8430	1	CABLE
2	210-2654	1	PLATE-GROUND

[A] PART OF 152-0012; 222-4146;
500849D1 CAB AR

00835371
PR: t05b22n43d0441

1008

MT800B SERIES TRACTORS
OPERATOR STATION

CAB AR-BASIC - 500842D1
EAME ONLY

NO ILLUSTRATION

NOTIF

**MT800B SERIES TRACTORS
OPERATOR STATION**

1009

**CAB AR-BASIC - 500842D1
EAME ONLY**

ITEM	NUMBER	QTY	DESCRIPTION
-	500841D1	-	CAB AR-DELUXE (SERVICED BY COMPONENTS)
1	136-5477	1	WIRING GP-ARMREST (NOT SERVICED) (SEE BREAKDOWN FOR COMPONENTS)
2	152-0004	1	CAB GP-BASIC (SEE BREAKDOWN FOR COMPONENTS)
3	152-0005	1	WIRING GP-CAB (NOT SERVICED) (SEE BREAKDOWN FOR COMPONENTS)
4	152-0418	1	LINER GP-OPERATOR (NOT SERVICED) (SEE BREAKDOWN FOR COMPONENTS)
5	152-0419	1	SPEAKER GP-RADIO (NOT SERVICED) (SEE BREAKDOWN FOR COMPONENTS)
6	152-0424	1	VISOR GP-CAB (FRONT) (NOT SERVICED) (SEE BREAKDOWN FOR COMPONENTS)
7	500768D1	1	CONSOLE GP (NOT SERVICED) (SEE BREAKDOWN FOR COMPONENTS)
8	152-0433	1	SEAT GP-TRAINING (NOT SERVICED) (SEE BREAKDOWN FOR COMPONENTS)
9	500839D1	1	CONSOLE GP-MTG & (NOT SERVICED) (SEE BREAKDOWN FOR COMPONENTS)
10	152-0438	1	CONTROL GP-BRAKE & CLUTCH (NOT SERVICED) (SEE BREAKDOWN FOR COMPONENTS)
11	152-0444	1	ROOF GP-CAB (NOT SERVICED) (SEE BREAKDOWN FOR COMPONENTS)
12	152-0447	1	CONTROL GP-DECELERATOR (NOT SERVICED) (SEE BREAKDOWN FOR COMPONENTS)
13	162-4101	1	LIGHTING GP-WARNING (NOT SERVICED) (SEE BREAKDOWN FOR COMPONENTS)
14	502502D1	1	AIR CONDITIONER & MOUNTING GP (NOT SERVICED) (SEE BREAKDOWN FOR COMPONENTS)
15	168-1946	1	WIRING GP-CONSOLE (NOT SERVICED) (SEE BREAKDOWN FOR COMPONENTS)
16	168-1951	1	ANTENNA GP-RADIO (NOT SERVICED) (SEE BREAKDOWN FOR COMPONENTS)
17	172-6857	1	CONTROL GP-PARKING BRAKE (NOT SERVICED) (SEE BREAKDOWN FOR COMPONENTS)
18	196-3968	1	WIPER GP (DELUXE) (NOT SERVICED) (SEE BREAKDOWN FOR COMPONENTS)
19	206-0588	1	MIRROR GP (NOT SERVICED) (SEE BREAKDOWN FOR COMPONENTS)
20	208-2880	1	LINES GP-HEATER (NOT SERVICED) (SEE BREAKDOWN FOR COMPONENTS)
21	209-5608	1	MIRROR GP-REAR VIEW (NOT SERVICED) (SEE BREAKDOWN FOR COMPONENTS)
22	224-3917	1	TRIM GP-CAB (NOT SERVICED) (SEE BREAKDOWN FOR COMPONENTS)
23	500761D1	1	COVER GP (NOT SERVICED) (SEE BREAKDOWN FOR COMPONENTS)

NOTIF
PR: t05b22n43d0442

1010

MT800B SERIES TRACTORS
OPERATOR STATION

CAB AR-DELUXE - 500841D1
EAME ONLY

NO ILLUSTRATION

NOTIF

**MT800B SERIES TRACTORS
OPERATOR STATION**

1011

**CAB AR-DELUXE - 500841D1
EAME ONLY**

ITEM	NUMBER	QTY	DESCRIPTION
-	500841D1	-	CAB AR-DELUXE (SERVICED BY COMPONENTS)
1	136-5477	1	WIRING GP-ARMREST (NOT SERVICED) (SEE BREAKDOWN FOR COMPONENTS)
2	152-0004	1	CAB GP-BASIC (SEE BREAKDOWN FOR COMPONENTS)
3	152-0005	1	WIRING GP-CAB (NOT SERVICED) (SEE BREAKDOWN FOR COMPONENTS)
4	152-0418	1	LINER GP-OPERATOR (NOT SERVICED) (SEE BREAKDOWN FOR COMPONENTS)
5	152-0419	1	SPEAKER GP-RADIO (NOT SERVICED) (SEE BREAKDOWN FOR COMPONENTS)
6	152-0424	1	VISOR GP-CAB (FRONT) (NOT SERVICED) (SEE BREAKDOWN FOR COMPONENTS)
7	500768D1	1	CONSOLE GP (NOT SERVICED) (SEE BREAKDOWN FOR COMPONENTS)
8	152-0433	1	SEAT GP-TRAINING (NOT SERVICED) (SEE BREAKDOWN FOR COMPONENTS)
9	500839D1	1	CONSOLE GP-MTG & (NOT SERVICED) (SEE BREAKDOWN FOR COMPONENTS)
10	152-0438	1	CONTROL GP-BRAKE & CLUTCH (NOT SERVICED) (SEE BREAKDOWN FOR COMPONENTS)
11	152-0444	1	ROOF GP-CAB (NOT SERVICED) (SEE BREAKDOWN FOR COMPONENTS)
12	152-0447	1	CONTROL GP-DECELERATOR (NOT SERVICED) (SEE BREAKDOWN FOR COMPONENTS)
13	162-4101	1	LIGHTING GP-WARNING (NOT SERVICED) (SEE BREAKDOWN FOR COMPONENTS)
14	502501D1	1	AIR CONDITIONER & MOUNTING GP (NOT SERVICED) (SEE BREAKDOWN FOR COMPONENTS)
15	168-1946	1	WIRING GP-CONSOLE (NOT SERVICED) (SEE BREAKDOWN FOR COMPONENTS)
16	168-1951	1	ANTENNA GP-RADIO (NOT SERVICED) (SEE BREAKDOWN FOR COMPONENTS)
17	172-6857	1	CONTROL GP-PARKING BRAKE (NOT SERVICED) (SEE BREAKDOWN FOR COMPONENTS)
18	196-3968	1	WIPER GP (DELUXE) (NOT SERVICED) (SEE BREAKDOWN FOR COMPONENTS)
19	206-0588	1	MIRROR GP (NOT SERVICED) (SEE BREAKDOWN FOR COMPONENTS)
20	208-2881	1	LINES GP-HEATER (NOT SERVICED) (SEE BREAKDOWN FOR COMPONENTS)
21	209-5608	1	MIRROR GP-REAR VIEW (NOT SERVICED) (SEE BREAKDOWN FOR COMPONENTS)
22	224-3917	1	TRIM GP-CAB (NOT SERVICED) (SEE BREAKDOWN FOR COMPONENTS)
23	173-6501	1	WIRING GP-SHUTOFF (TIME DELAY LIGHTING) (NOT SERVICED) (SEE BREAKDOWN FOR COMPONENTS)
24	500761D1	1	COVER GP (NOT SERVICED) (SEE BREAKDOWN FOR COMPONENTS)

NOTIF
PR: t05b22n43d0443

1012

MT800B SERIES TRACTORS
OPERATOR STATION

CAB AR-BASIC - 500844D1
ROW & SPECIAL APPLICATIONS

NO ILLUSTRATION

NOTIF

**MT800B SERIES TRACTORS
OPERATOR STATION**

1013

**CAB AR-BASIC - 500844D1
ROW & SPECIAL APPLICATIONS**

ITEM	NUMBER	QTY	DESCRIPTION
-	500844D1	-	CAB AR (NOT SERVICED)
1	136-5477	1	WIRING GP-CONSOLE (NOT SERVICED) (SEE BREAKDOWN FOR COMPONENTS)
2	502502D1	1	AIR CONDITIONER & MOUNTING GP (NOT SERVICED) (SEE BREAKDOWN FOR COMPONENTS)
3	152-0003	1	CAB GP (SEE BREAKDOWN FOR COMPONENTS)
4	152-0417	1	ROOF GP-CAB (NOT SERVICED) (SEE BREAKDOWN FOR COMPONENTS)
5	152-0418	1	HEADLINER GP (NOT SERVICED) (SEE BREAKDOWN FOR COMPONENTS)
6	152-0420	1	WIRING GP-CAB (NOT SERVICED) (SEE BREAKDOWN FOR COMPONENTS)
7	500768D1	1	CONSOLE GP (NOT SERVICED) (SEE BREAKDOWN FOR COMPONENTS)
8	152-0433	1	SEAT GP-COMPANION (NOT SERVICED) (SEE BREAKDOWN FOR COMPONENTS)
9	500839D1	1	CONSOLE GP & MTG (NOT SERVICED) (SEE BREAKDOWN FOR COMPONENTS)
10	152-0438	1	CONTROL GP-CLUTCH & BRAKE (NOT SERVICED) (SEE BREAKDOWN FOR COMPONENTS)
11	152-0447	1	CONTROL GP-DECELERATOR (NOT SERVICED) (SEE BREAKDOWN FOR COMPONENTS)
12	168-1951	1	ANTENNA GP-RADIO (NOT SERVICED) (SEE BREAKDOWN FOR COMPONENTS)
13	208-2880	1	LINES GP-HEATER (NOT SERVICED) (SEE BREAKDOWN FOR COMPONENTS)
14	224-3917	1	TRIM GP-CAB (NOT SERVICED) (SEE BREAKDOWN FOR COMPONENTS)

NOTIF
PR: t05b22n43d0444

1014

MT800B SERIES TRACTORS
OPERATOR STATION

CAB AR-DELUXE - 500849D1
ROW & SPECIAL APPLICATIONS

NO ILLUSTRATION

NOTIF

**MT800B SERIES TRACTORS
OPERATOR STATION**

1015

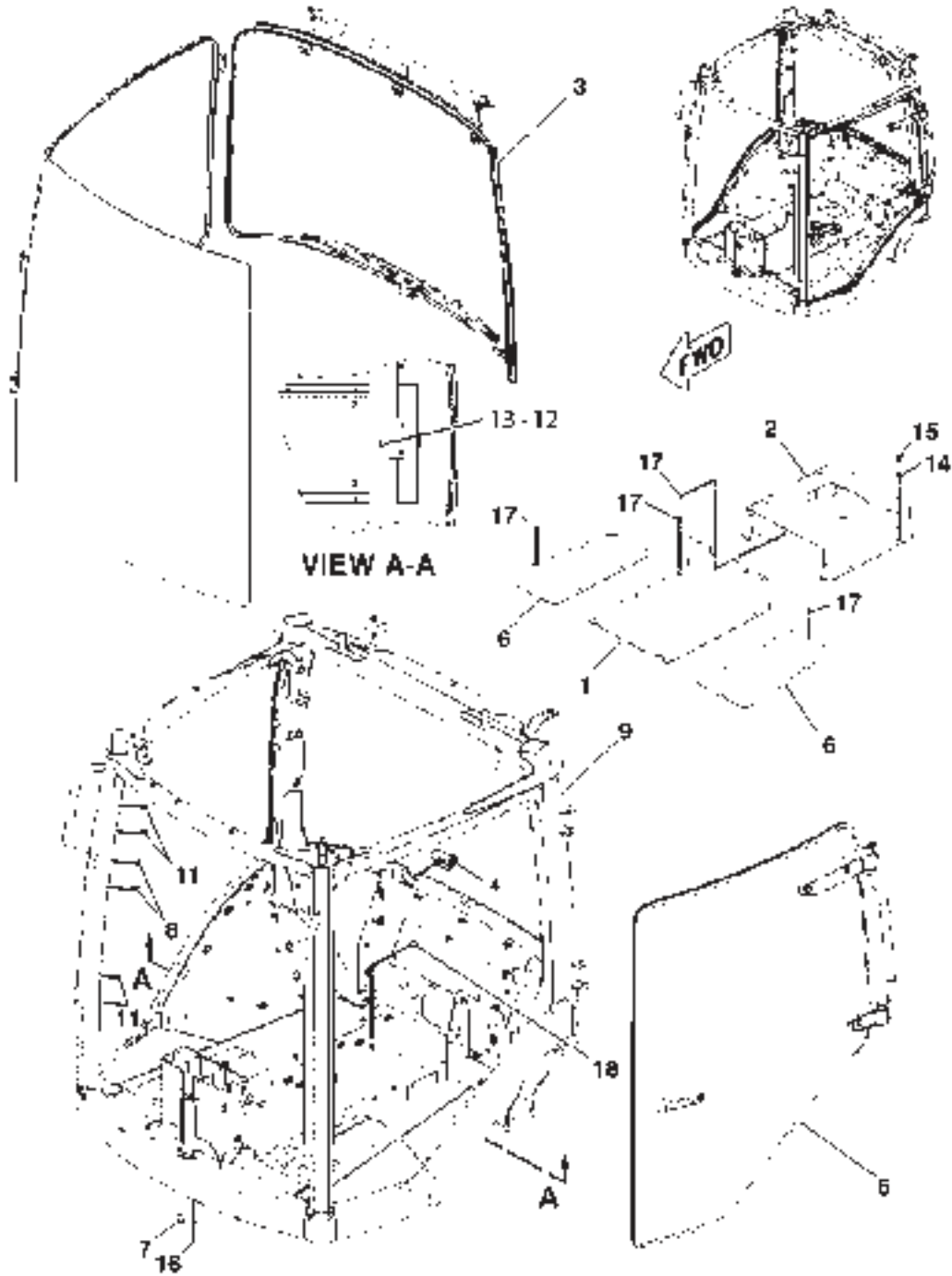
**CAB AR-DELUXE - 500849D1
ROW & SPECIAL APPLICATIONS**

ITEM	NUMBER	QTY	DESCRIPTION
-	500849D1	-	CAB AR (NOT SERVICED)
1	136-5477	1	WIRING GP-ARMREST (NOT SERVICED) (SEE BREAKDOWN FOR COMPONENTS)
2	136-5663	1	BATTERY & WIRING GP (NOT SERVICED) (SEE BREAKDOWN FOR COMPONENTS)
3	152-0003	1	CAB GP (SEE BREAKDOWN FOR COMPONENTS)
4	152-0417	1	ROOF GP-CAB (NOT SERVICED) (SEE BREAKDOWN FOR COMPONENTS)
5	152-0418	1	HEADLINER GP (NOT SERVICED) (SEE BREAKDOWN FOR COMPONENTS)
6	152-0419	1	SPEAKER GP-RADIO (NOT SERVICED) (SEE BREAKDOWN FOR COMPONENTS)
7	152-0420	1	WIRING GP-CAB (NOT SERVICED) (SEE BREAKDOWN FOR COMPONENTS)
8	152-0424	1	VISOR GP-CAB (FRONT)(NOT SERVICED) (SEE BREAKDOWN FOR COMPONENTS)
9	500768D1	1	CONSOLE GP (NOT SERVICED) (SEE BREAKDOWN FOR COMPONENTS)
10	152-0433	1	SEAT GP-COMPANION (NOT SERVICED) (SEE BREAKDOWN FOR COMPONENTS)
11	500839D1	1	CONSOLE GP-MOUNTING (NOT SERVICED) (SEE BREAKDOWN FOR COMPONENTS)
12	152-0438	1	CONTROL GP-CLUTCH & BRAKE (NOT SERVICED) (SEE BREAKDOWN FOR COMPONENTS)
13	152-0447	1	CONTROL GP-DECELERATOR (NOT SERVICED) (SEE BREAKDOWN FOR COMPONENTS)
14	162-4096	1	WIRING GP-SHUTOFF (ENGINE) (NOT SERVICED) (SEE BREAKDOWN FOR COMPONENTS)
15	162-4097	1	WIRING GP-CONSOLE (NOT SERVICED) (SEE BREAKDOWN FOR COMPONENTS)
16	502501D1	1	AIR CONDITIONER & MOUNTING GP (NOT SERVICED) (SEE BREAKDOWN FOR COMPONENTS)
17	168-1951	1	ANTENNA GP-RADIO (AM/FM) (NOT SERVICED) (SEE BREAKDOWN FOR COMPONENTS)
18	173-6501	1	WIRING GP-SHUTOFF (TIME DELAY LIGHTING) (NOT SERVICED) (SEE BREAKDOWN FOR COMPONENTS)
19	196-3968	1	WIPER GP-WINDOW (NOT SERVICED) (SEE BREAKDOWN FOR COMPONENTS)
20	208-2881	1	LINES GP-HEATER (NOT SERVICED) (SEE BREAKDOWN FOR COMPONENTS)
21	209-5608	1	MIRROR GP-REAR VIEW (NOT SERVICED) (SEE BREAKDOWN FOR COMPONENTS)
22	210-1570	1	ANTENNA GP-RADIO (BUSINESS BAND) (NOT SERVICED) (SEE BREAKDOWN FOR COMPONENTS)
23	224-3917	1	TRIM GP-CAB (NOT SERVICED) (SEE BREAKDOWN FOR COMPONENTS)

NOTIF
PR: t05b22n43d0445

MT800B SERIES TRACTORS
OPERATOR STATION

CAB GP - 152-0003
ROW & SPECIAL APPLICATIONS



**MT800B SERIES TRACTORS
OPERATOR STATION**

1017

**CAB GP - 152-0003
ROW & SPECIAL APPLICATIONS**

ITEM	NUMBER	QTY	DESCRIPTION
-	152-0003	-	CAB GP [A]
1	151-8559	1	PLATE-COVER
2	151-9961	1	PLATE ASM-SEAT PEDISTAL
3	151-9994	1	WINDOW GP-CAB (NOT SERVICED) (SEE BREAKDOWN FOR COMPONENTS)
4	164-7017	1	SEAL-WIRING (REAR)
5	500927D1	1	DOOR GP-CAB (NOT SERVICED) (SEE BREAKDOWN FOR COMPONENTS)
6	166-4558	2	COVER-FLOOR MODULE
7	180-9966	1	COVER
8	CH187-4902	8	INSERT
9		1	FRAME AS (ORDER CAB GP)
10			NOT USED
11	CH225-6215	4	BUTTON-PLUG
12	CH3E-4353	1	WASHER-HARD (11X25X3)
13	400190X1	1	BOLT (M12X1.75X16MM)
14	400287X1	6	WASHER-HARD (11X21X2.5)
15	400058X1	6	BOLT (M10X1.5X30MM)
16	400227X1	5	BOLT (M8X1.25X16MM)
17	CH9X-2042	21	SCREW-TRUSS HEAD (M6X1X12MM)
18	CH9X-3994	2	PLUG

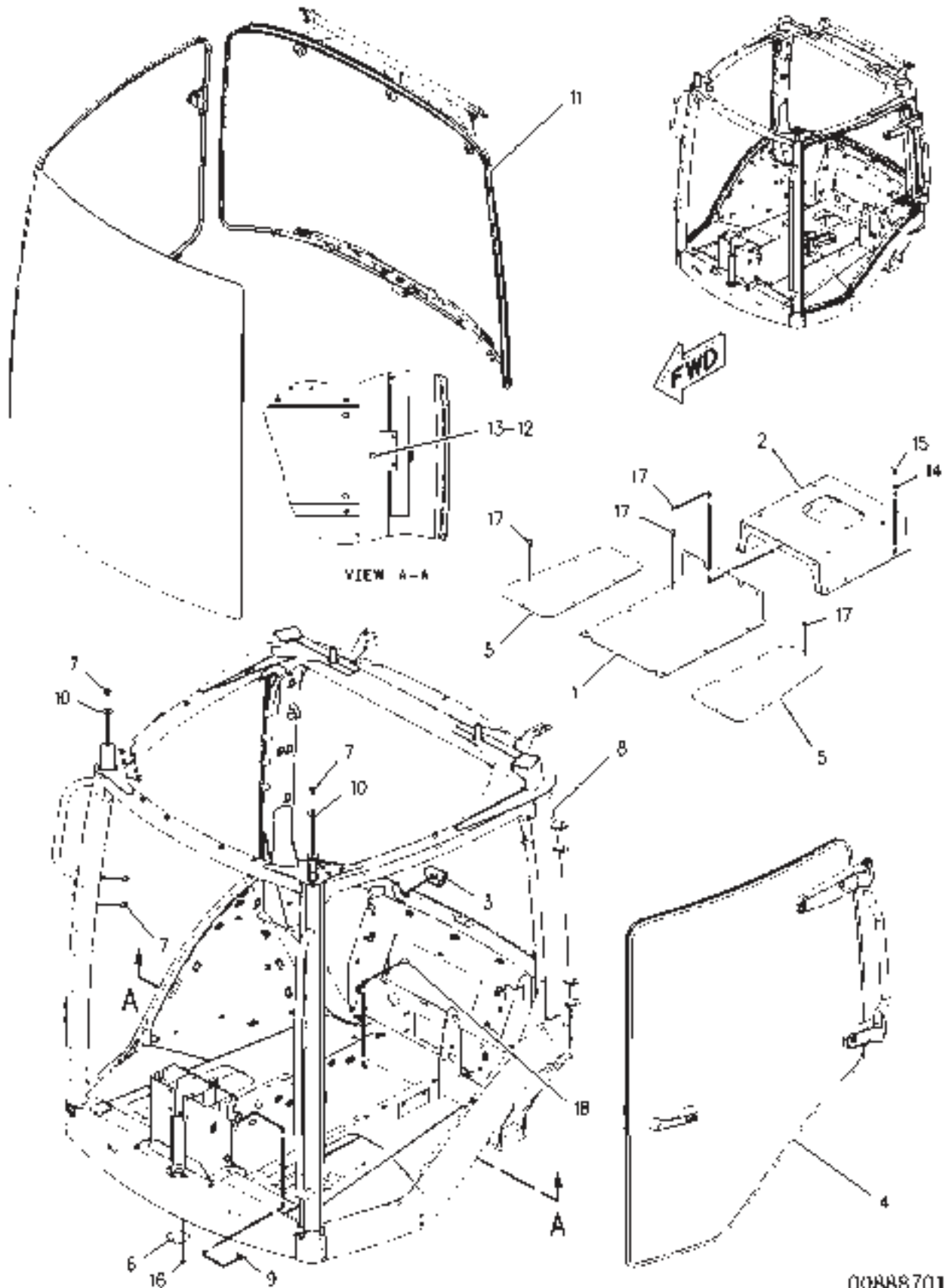
[A] PART OF 152-0012; 152-0013; 222-4146
500763D1; 500764D1; 500767D1;
500843D1; 500844D1; 500849D1;
502662D1; 502667D1 CAB AR

0888610B
PR: t05b22n43d0446

1018

MT800B SERIES TRACTORS
OPERATOR STATION

CAB GP - 152-0004
EAME ONLY



00888701

**MT800B SERIES TRACTORS
OPERATOR STATION**

1019

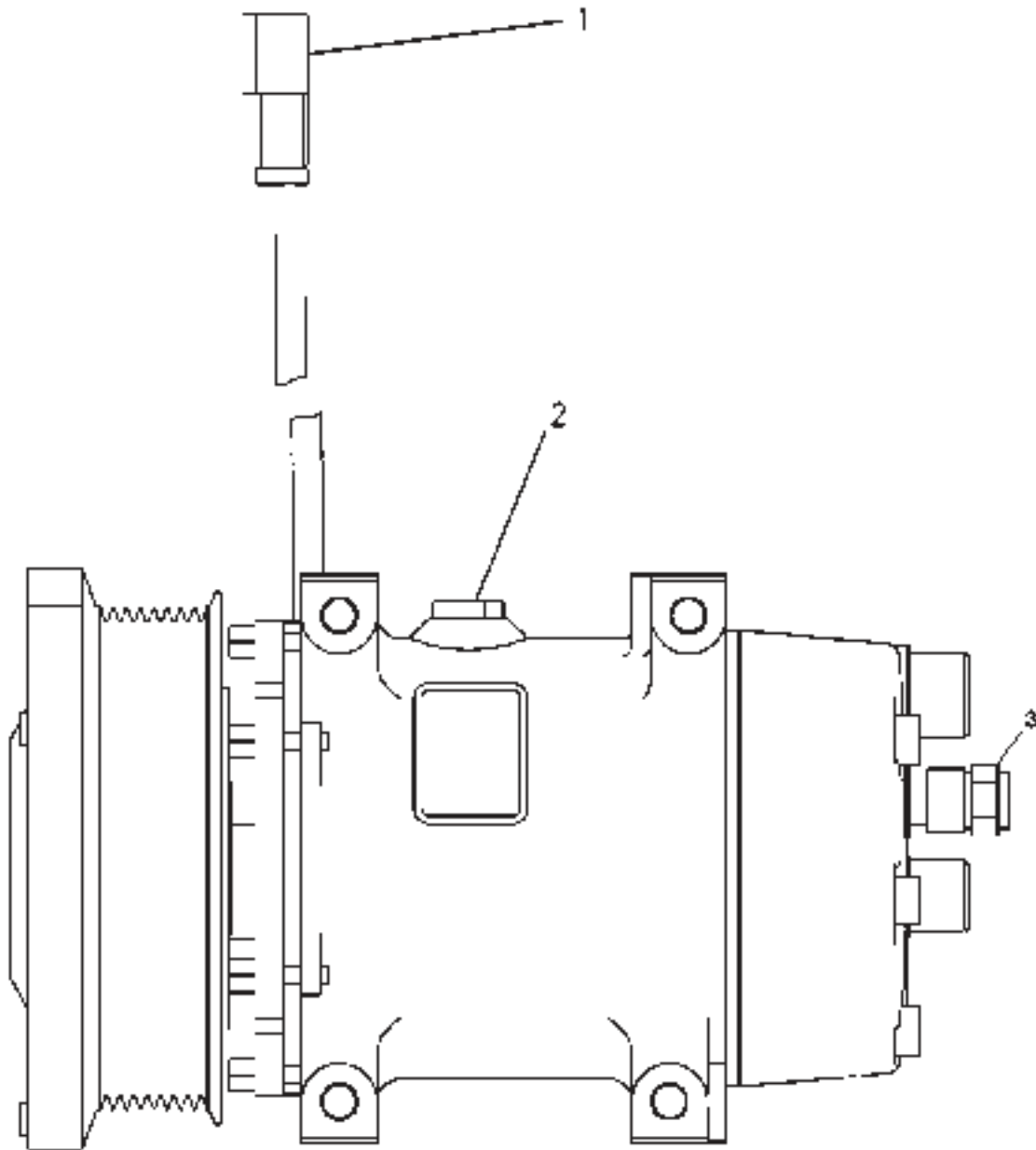
**CAB GP - 152-0004
EAME ONLY**

ITEM	NUMBER	QTY	DESCRIPTION
-	152-0004	-	CAB GP [A]
1	151-8559	1	PLATE-COVER
2	151-9961	1	PLATE AS-SEAT PEDISTAL
3	164-7017	1	SEAL-WIRING (REAR)
4	500927D1	1	DOOR GP-CAB
5	166-4558	2	COVER
6	180-9966	1	COVER
7	CH187-4902	6	INSERT
8		1	FRAME AS (ORDER CAB GP)
9	202-0843	1	PAD
10	090-8865	2	SPACER (17X40X3MM THK)
11	151-9995	1	GLASS GP-WINDSHIELD (NOT SERVICED) (SEE BREAKDOWN FOR COMPONENTS)
12	CH3E-4353	1	WASHER-HARD (11X25X3MM THK)
13	400190X1	1	BOLT (M12X1.75X16MM)
14	400287X1	6	WASHER-HARD (11X21X2.5MM THK)
15	8T-4195	6	BOLT (M10X1.5X30MM)
16	400227X1	5	BOLT (M8X1.25X16MM)
17	9X-2042	21	SCREW-TRUSS HEAD (M6X1X12MM)
18	CH9X-3994	2	PLUG

[A] PART OF: 152-0008; 152-0009;
500841D1 CAB AR

00888701
PR: t05b22n43d0447

COMPRESSOR GP-REFRIGERANT - CH178-9570



MT800B SERIES TRACTORS
OPERATOR STATION

1021

COMPRESSOR GP-REFRIGERANT - CH178-9570

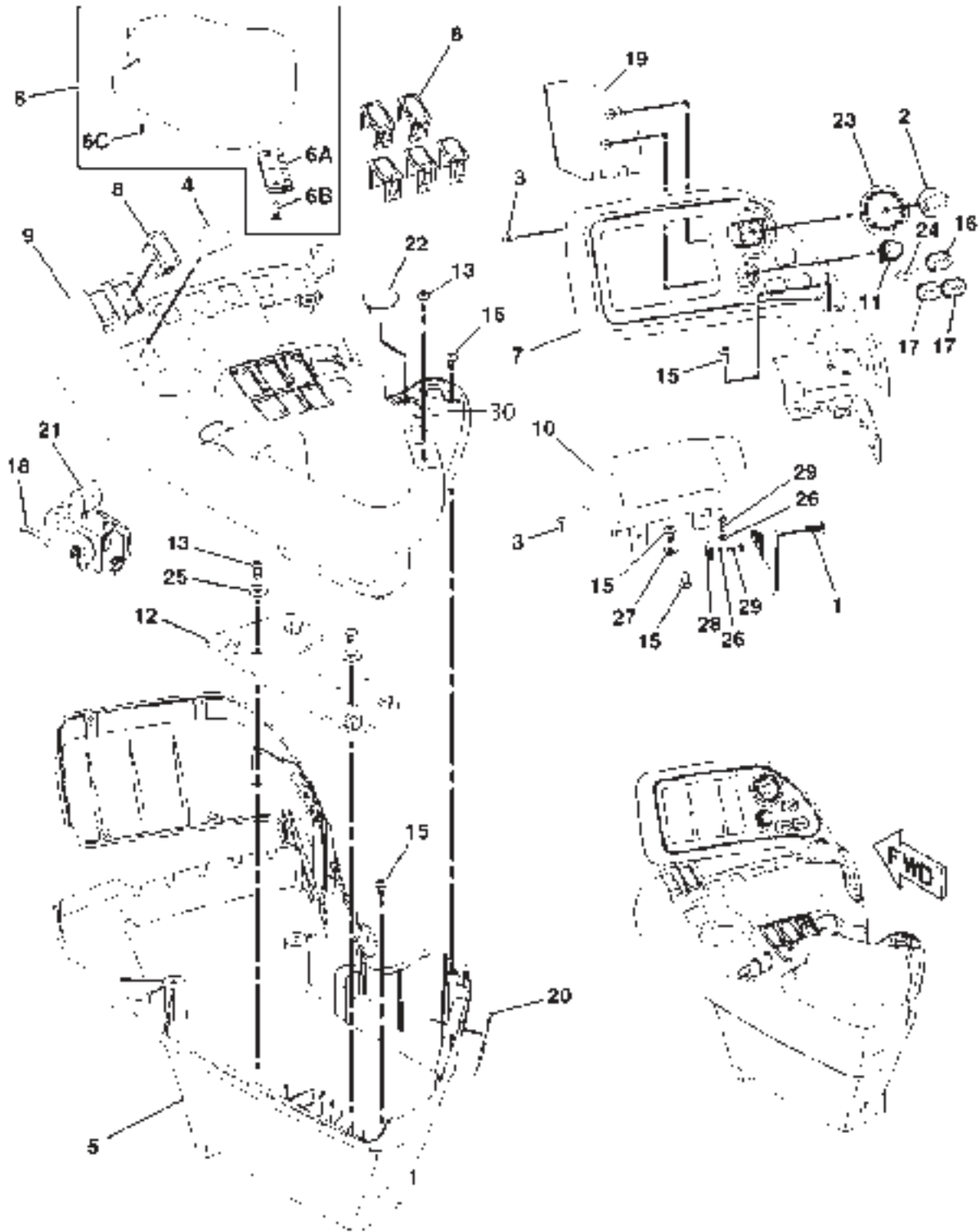
ITEM	NUMBER	QTY	DESCRIPTION
-	CH178-9570	-	COMPRESSOR GP-REFRIGERANT [A]
1	CH102-8802	1	KIT-RECEPTACLE (2 PIN) (INCLUDES WEDGE AND RECEPTACLE ASM) (SERVICED AS COMPLETE KIT ONLY)
2	CH7T-4532	1	PLUG ASM (W/SEAL)
3	CH114-3469	1	VALVE ASM (INCL SEAL)
	CH9X-7378	1	SEAL

[A] PART OF 187-1792 MOUNTING GP-
REFRIGERANT COMPR

0777332A
PR: t05b22n43d0448

MT800B SERIES TRACTORS
OPERATOR STATION

CONSOLE GP-OPERATOR - 152-0434
WITH PTO



**MT800B SERIES TRACTORS
OPERATOR STATION**

1023

**CONSOLE GP-OPERATOR - 152-0434
WITH PTO**

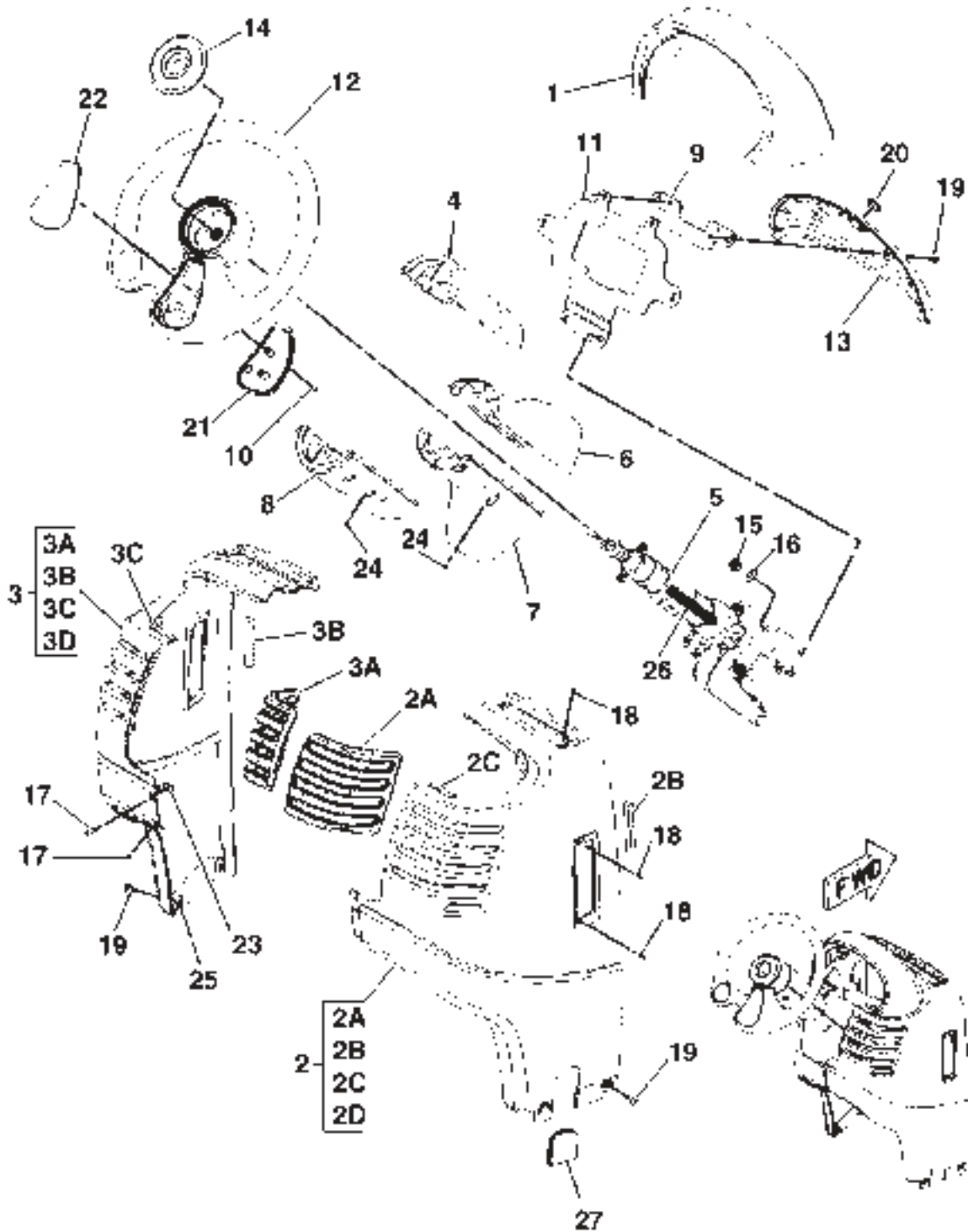
ITEM	NUMBER	QTY	DESCRIPTION
-	152-0434	-	CONSOLE GP-OPERATOR [A] (NOT SERVICED)
1	400110X1	2	CLIP-TREE
2	CH157-0449	1	KNOB-CONTROL (TRACTOR MGMT CENTER SELECTOR)
3	CH9X-1046	6	SCREW (M4X0.7X18MM)
4	501524D1	1	FILM (TRANSMISSION SHIFT)
5	162-6737	1	CONSOLE ASY. (BOTTOM)
	179-4207	3	INSERT (M6X1 THD)
6	162-6738	1	PAD ASY. (ARM)
6A	162-4105	1	HINGE ASY.
6B	207-2021	3	SCREW
6C	207-2022	5	SCREW
7	164-7042	1	HOUSING ASY.
	173-8818	4	INSERT (M4X0.7 THD)
8	CH165-5975	6	PLUG
9	502064D1	1	CONSOLE ASY. (TOP)
	173-8818	2	INSERT (M4X0.7 THD)
	179-4206	13	INSERT (M5X0.8 THD)
10	166-4608	1	PAD (PALM)
11	CH168-2333	1	KNOB (TRACTOR MGMT CENTER ADJUSTMENT)
12	169-6390	1	PLATE AS
	CH8T-3490	4	NUT-WELD (M10X1.5 THD)
13	CH207-2021	4	SCREW
15	CH9X-2044	7	SCREW-TRUSS HEAD (M6X1X16MM)
16	CH178-7962	1	BUTTON (TRACTOR MGMT CENTER ENTER KEY)
17	CH178-7963	2	BUTTON (TRACTOR MGMT CENTER TAB KEYS)
18	501531D1	1	FILM (THROTTLE INSTRUCTION)
19	180-5237	1	SEAL
20	221-5433	1	COVER
21	207-2031	1	CONTROL GP-GOVERNOR (NOT SERVICED) (SEE BREAKDOWN FOR COMPONENTS)
22	CH207-2039	1	PLUG
23	501521D1	1	FILM-IDENTIFICATION (TRACTOR MGMT CENTER SELECTOR)
24	501522D1	1	FILM-IDENTIFICATION (TRACTOR MGMT CENTER ADJUSTMENT)
25	CH9X-6165	2	WASHER (6.5X22X2.5MM THK)
26	CH2A-3211	2	WASHER (5.5X12.3X.8MM THK)
27	CH5P-0537	1	WASHER-HARD (7.2X14.5X2MM THK)
28	400356X1	1	CLIP-SPRING (M5X.8-6H)
29	CH8T-6693	2	SCREW-MACHINE (M5X0.8X16MM)
30	501532D1	1	FILM-PTO
-	501520D1	1	DECAL SHEET-CONSOLE (NOT SHOWN) (INCLS ALL DECALS)

[A] PART OF 152-0436 SEAT GP; 500484D2;
500485D2;500486D2;500487D2;500488D2;
500489D2;500491D2;500791D2;500792D2;
500793D2;500794D2 ARMREST GP

1520434A
PR: t05k07n15a0031

MT800B SERIES TRACTORS
OPERATOR STATION

CONSOLE GP - 500768D1



**MT800B SERIES TRACTORS
OPERATOR STATION**

1025

CONSOLE GP - 500768D1

ITEM	NUMBER	QTY	DESCRIPTION
-	500768D1	-	CONSOLE GP [A] (NOT SERVICED)
1	CH162-6660	1	COVER
2	200-1770	1	CONSOLE ASM-RH (INCLS 2A-2E)
2A		1	CONSOLE-RIGHT
2B	169-6386	1	SEAL
2C	201-4113	1	BUMPER
2E	201-9789	1	SEAL
3	200-1771	1	CONSOLE ASM-LH (INCLS 3A-3D)
3A		1	CONSOLE-LEFT
3B	169-6385	1	SEAL
3C	201-4113	1	BUMPER
3D	201-9789	1	SEAL
4	164-7044	1	COVER-TOP (UPPER COLUMN)
5	CH166-3611	1	STEERING COLUMN GP (SEE BREAKDOWN FOR COMPONENTS)
6	166-3754	1	COVER-TOP (LOWER COLUMN)
7	166-3755	1	COVER (LOWER COLUMN)
8	166-4555	1	COVER (UPPER COLUMN)
9	192-9017	1	BRACKET ASM
	400313X1	2	NUT-WELD (M6X1)
10	CH186-1682	3	SCREW-PAN HEAD (6-32X0.75 IN)
11	179-8220	1	BRACKET ASM
	CH7T-1099	1	LINK
12	195-5230	1	STEERING WHEEL
13	CH178-7965	1	COVER
14	195-5229	1	BUTTON-HORN
15	CH8T-0389	4	LOCKNUT (M10X1.5)
16	400287X1	4	WASHER-HARD (11X21X2.5)
17	CH9X-1046	2	SCREW (M4X0.7X18MM)
18	CH104-2091	6	SCREW-FLAT HEAD (6-20X0.5 IN)
19	CH9X-2044	6	SCREW-TRUSS HEAD (M6X1X16MM)
20	CH7X-1434	1	PLUG
21	195-5227	1	COVER (REMOTE RADIO CONTROL)
22	195-5228	1	COVER
23	400084X1	1	NUT-RETAINER (M4X0.07X0.6-3.8 PANEL)
24	CH119-5026	8	SCREW-PAN HEAD (10-16X0.63 IN)
25	400085X1	4	NUT-RETAINER (M6X1X1.63-3.8 PANEL)
26	CH191-1780	AR	CONDUIT-FLEXIBLE (14CM) (REQUIRED ONLY ON TRACTORS NOT EQUIPPED W/REMOTE RADIO CONTROLS)
27	201-4114	1	GROMMET

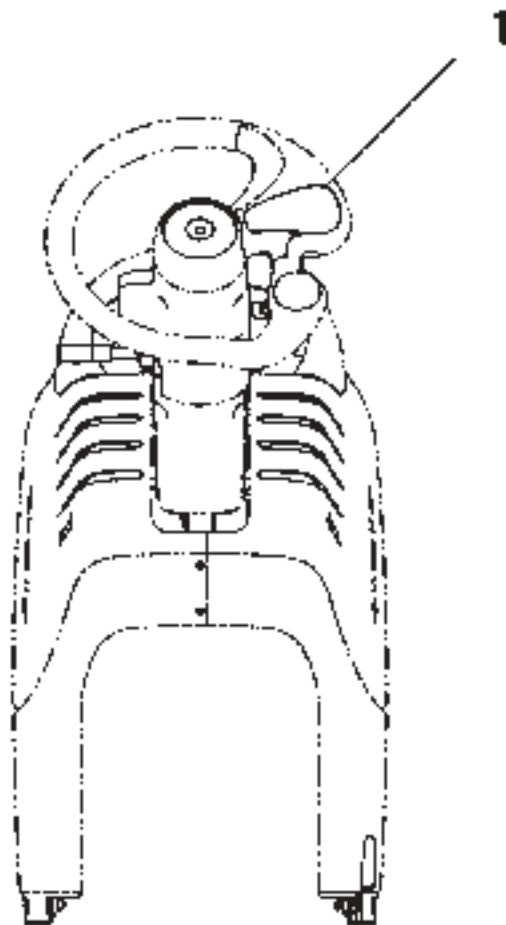
[A] PART OF 152-0012; 152-0013;
222-4146; 500841D1 CAB AR

0789409A
PR: t05b22n43d0449

1026

MT800B SERIES TRACTORS
OPERATOR STATION

COVER GP - 500761D1



500761DB

**MT800B SERIES TRACTORS
OPERATOR STATION**

1027

COVER GP - 500761D1

ITEM	NUMBER	QTY	DESCRIPTION
-	500761D1	-	COVER GP (NOT SERVICED)
1	195-5228	1	COVER

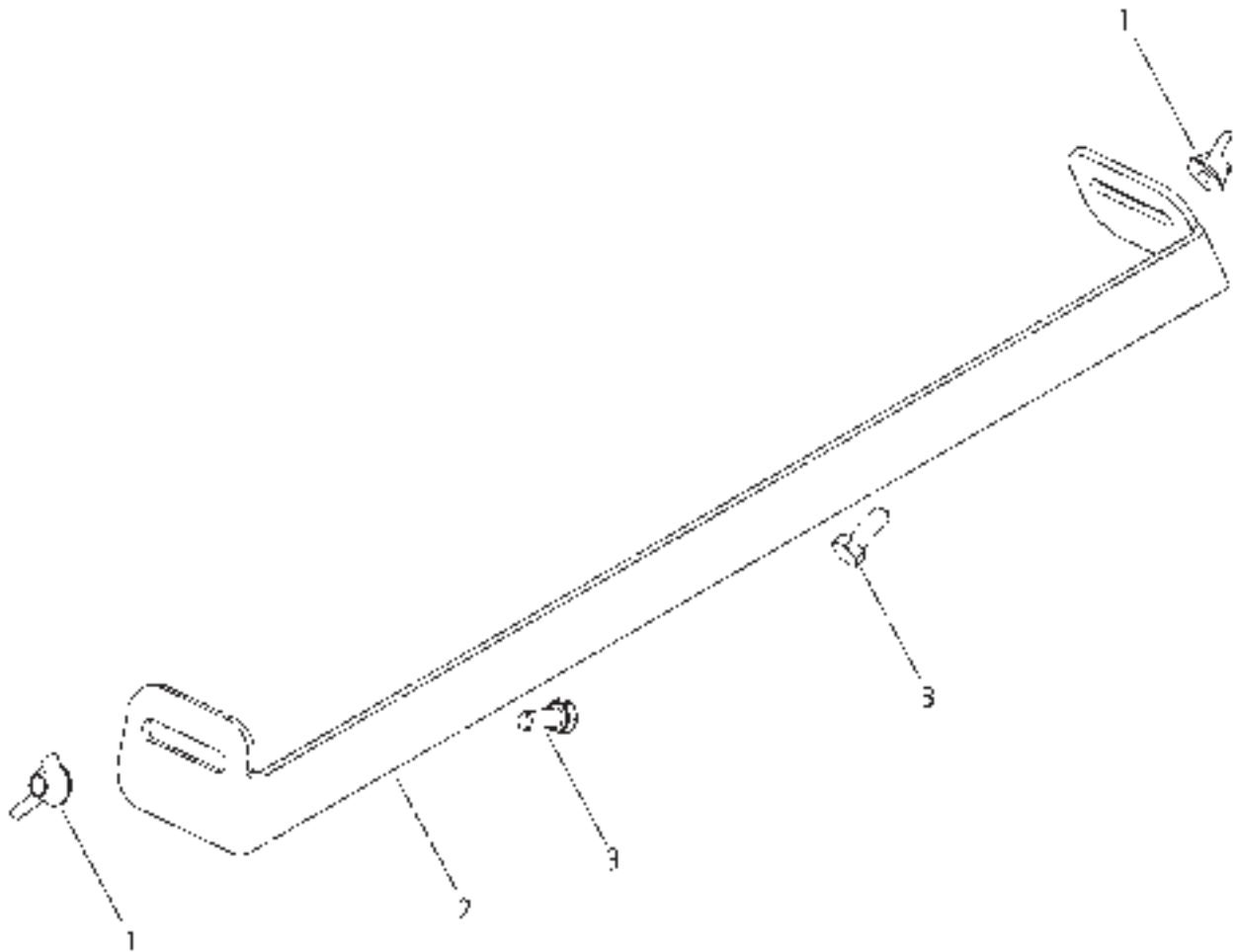
[A] PART OF: 500841D1; 500842D1;
502659D1; 502660D1 CAB AR;
502796D1 COVER GP

500761DB
PR: t05b22n43d0450

1028

MT800B SERIES TRACTORS
OPERATOR STATION

KIT-BAFFLE (AIR RECIRCULATION)
501817D1
FIELD INSTALLED



501817DA

MT800B SERIES TRACTORS
OPERATOR STATION

1029

KIT-BAFFLE (AIR RECIRCULATION)
501817D1
FIELD INSTALLED

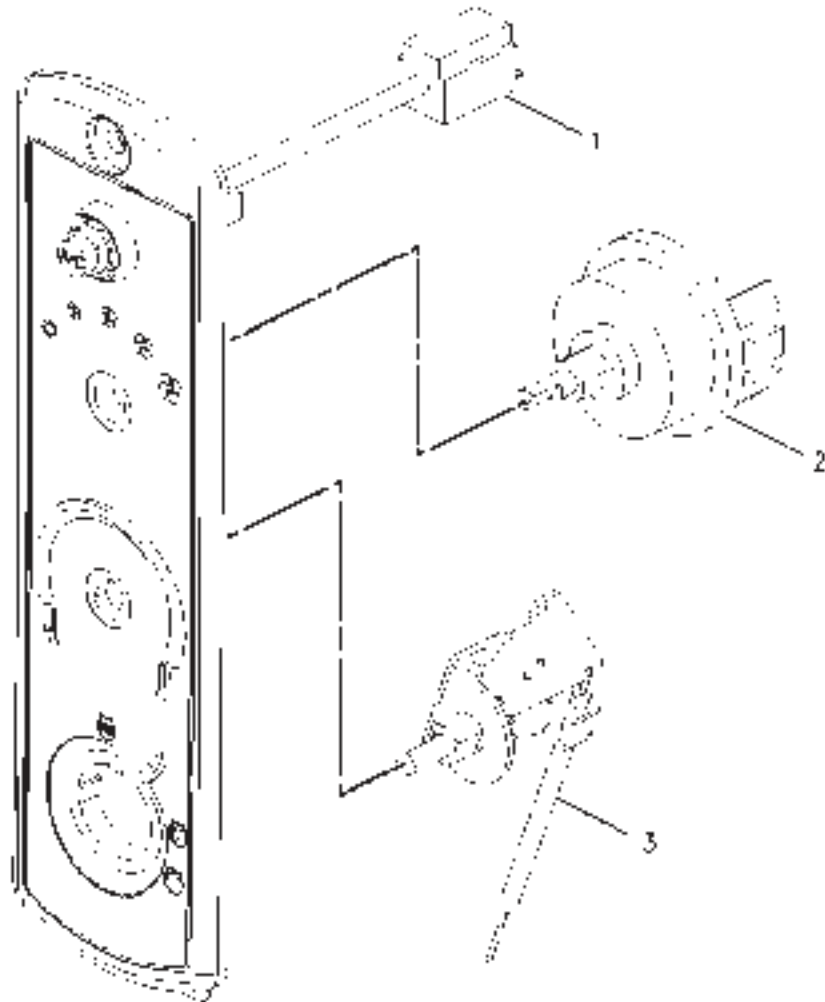
ITEM	NUMBER	QTY	DESCRIPTION
-	501817D1	-	KIT-BAFFLE (AIR RECIRCULATION)
1	400718X1	2	NUT-WING
2	501818D1	1	BAFFLE
3	400152X1	2	BOLT (M6X1X16MM)

501817DA
PR: t05k07n15a0032

1030

MT800B SERIES TRACTORS
OPERATOR STATION

CONTROL GP-AIR & TEMPERATURE
166-4586



00876899

**MT800B SERIES TRACTORS
OPERATOR STATION**

1031

**CONTROL GP-AIR & TEMPERATURE
166-4586**

ITEM	NUMBER	QTY	DESCRIPTION
-	166-4586	-	CONTROL GP-AIR & TEMPERATURE [A]
1	CH130-5742	1	SWITCH-AIR CONDITIONER
2	CH157-0217	1	SWITCH ASM-ROTARY (BLOWER FAN SPEED)
	CH6V-8362	6	SCREW-MACHINE (8-32X0.31 IN)
	CH9B-7233	6	LOCKWASHER
3	CH208-6662	1	CABLE (CAB TEMPERATURE CONTROL)

[A] PART OF 502502D1 AIR CONDITIONER &
MOUNTING GP

00876899
PR: t05b22n43d0451

**MT800B SERIES TRACTORS
OPERATOR STATION**

1033

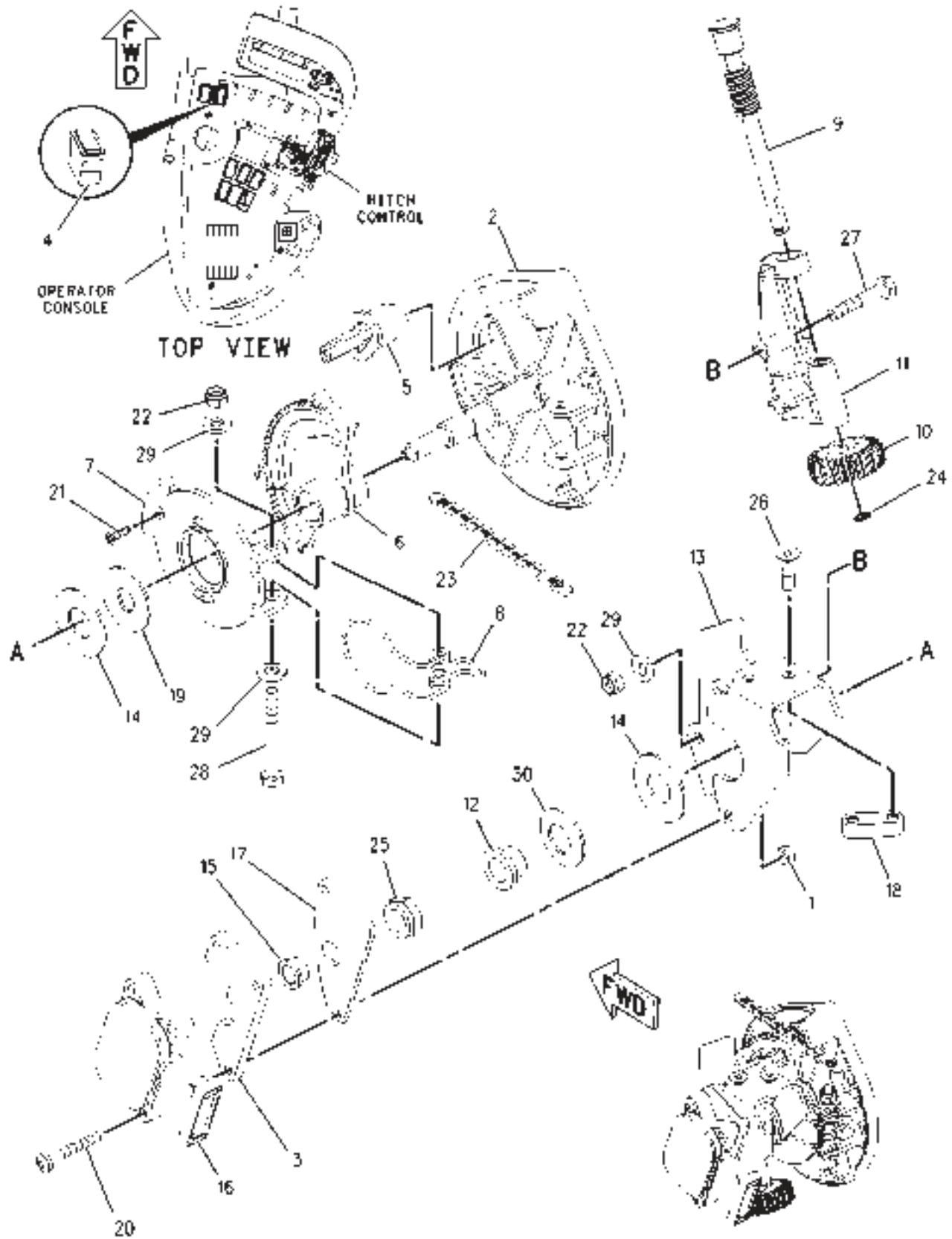
**CONTROL GP-BRAKE & CLUTCH
152-0438**

ITEM	NUMBER	QTY	DESCRIPTION
-	152-0438	-	CONTROL GP-BRAKE & CLUTCH [A] (NOT SERVICED)
1	500442D1	1	BRACKET AS.
2	CH192-4767	2	BUSHING-PLASTIC 16.3 ID W/LIP
3	501944D1	1	PEDAL-CLUTCH
4	CH212-4443	1	GROMMET-RUB 12.5 IDX32 ODX2.5
5	400120X1	1	SPRING-TORSION LH 81.3NM/TURN
6	400121X1	1	SPRING-TORSION RH 81.3NM/TURN
7	CH001-5600	2	RING-RETAINING EXT 23.5 IDX1.1
8	CH124-7346	1	WASHER-LOCK, EXT T 10.2ID
9	400004X1	2	BOLT-M6X1X23.25MM PL SHDR HSHD
10	400137X1	4	BOLT-M10X1.5X160 ZNDI HHD 10.9
11	CH1B-0676	1	PIN 9.4DIAX29 STL
12	CH1F-5403	1	ROD END-ADJUSTABLE
13	CH216-9085	2	SCREW-M3X0.5X35MM PAN, CROSS
14	CH3B-4615	1	PIN-COTTER 3.18 DIA X19MM STL
15	500378D1	1	PEDAL-BRAKE
16	CH5C-8312	2	NUT-M4X0.7 THD HEX
17	400124X1	4	BRG-SLEEVE BRZ 25.44 IDX25.4LG
18	CH6V-8183	1	NUT-3/8-24 THD FULL
19	CH8T-0328	2	WASHER-HARD 5.5IDX10ODX1MM
20	CH8T-2658	2	NUT-M3X0.5-6H HHD SLF LOCK
21	400287X1	7	WASHER-HARD 11IDX21ODX2.5 ZND1
22	400039X1	4	BOLT-M10X1.5X25 ZNDI HHD 10.9
23	400040X1	1	BOLT-M10X1.5X20 ZNDI HHD 10.9
24	400081X1	2	WASHER-HARD 26IDX44ODX4MM ZNDI
25	CH9X-2606	2	SCREW-PAN M4X0.7X30
26	CH4E-7808	1	SPACER 10 ODX6.6 IDX4
27	500619D1	1	SENSOR-POSITION
28	400553X1	1	E-CLIP 5MM SHAFT
29	400576X1	1	NUT-HEX JAM M10X1.5 THD
30	500450D1	1	BRACKET AS
31	500493D1	1	PLATE
32	500513D1	1	PIN
33	500717D1	1	SWITCH-PUSH BUTTON

[A] PART OF 152-0012; 152-0013;
222-4146; 500841D1 CAB AR

1520438B
PR: t05b22n43d0452

CONTROL GP-HITCH - 152-0445
REAR 3 POINT



**MT800B SERIES TRACTORS
OPERATOR STATION**

1035

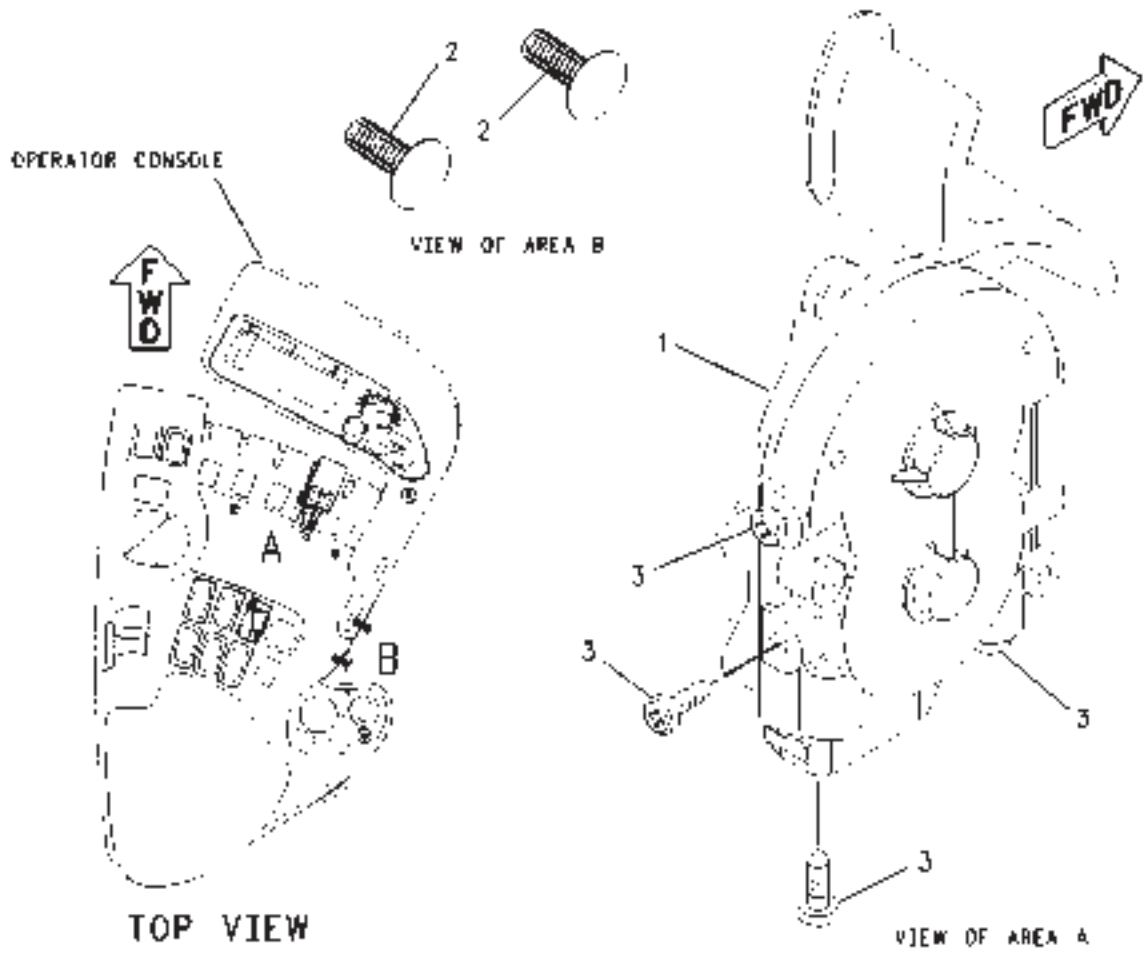
**CONTROL GP-HITCH - 152-0445
REAR 3 POINT**

ITEM	NUMBER	QTY	DESCRIPTION
-	152-0445	-	CONTROL GP-HITCH [A] (NOT SERVICED)
1	CH179-4324	2	LOCKNUT (M5X.8)
2	164-7040	1	HANDLE
3	169-6391	1	SPACER-RUBBER
4	169-8227	1	SWITCH-ROCKER (3 POINT HITCH CONTROL)
5	172-6851	1	BUTTON
6	172-6852	1	GEAR
7	172-6853	1	STOP
8	172-6858	1	SPRING
9	172-6863	1	GEAR
10	172-6864	1	KNOB (HEIGHT ADJ-3 POINT HITCH CONT)
11	172-6865	1	BRACKET
12	CH174-5747	1	BUSHING
13	179-4227	1	BRACKET
14	400334X1	2	WASHER (16.5X37X1.5)
15	CH187-4917	1	BUSHING
16	500382D1	1	SENSOR GP-POSITION
17	CH207-2023	1	PLATE
18	CH207-2024	1	PLATE
19	CH214-2184	1	WASHER
20	400071X1	2	SCREW-MACHINE (M5X0.8X35MM)
21	CH113-0899	1	SCREW-FLAT HEAD (6-20X0.5 IN)
22	CH129-3178	3	LOCKNUT (M6X1)
23	501523D1	1	FILM-INSTRUCTION (3 POINT HITCH)
24	CH3P-3547	1	RING-RETAINING
25	CH4K-8341	1	LOCKNUT (1/2-20)
26	400256X1	2	BOLT-FLSHD (M6X1X20MM)
27	400070X1	2	BOLT (M6X1X35MM)
28	400186X1	1	BOLT (M6X1X50MM)
29	CH8T-4205	4	WASHER-HARD (7.2X14.5X2MM)
30	400074X1	1	WASHER-SPRING

[A] PART OF 169-0027; 169-0028;
179-0852; 180-6639 HITCH AR-3 POINT

00902355
PR: t05b22n43d0453

CONTROL GP-IMPLEMENT - 4TH HANDLE
136-5355



MT800B SERIES TRACTORS
OPERATOR STATION

1037

CONTROL GP-IMPLEMENT - 4TH HANDLE
136-5355

ITEM	NUMBER	QTY	DESCRIPTION
-	136-5355	-	CONTROL GP-IMPLEMENT [A] (NOT SERVICED)
1	209-8704	1	CONTROL GP-IMPLEMENT (SEE BREAKDOWN FOR COMPONENTS)
2	400110X1	2	CLIP
3	212-3416	4	SCREW-TRUSS HEAD (8-16X0.5 IN)

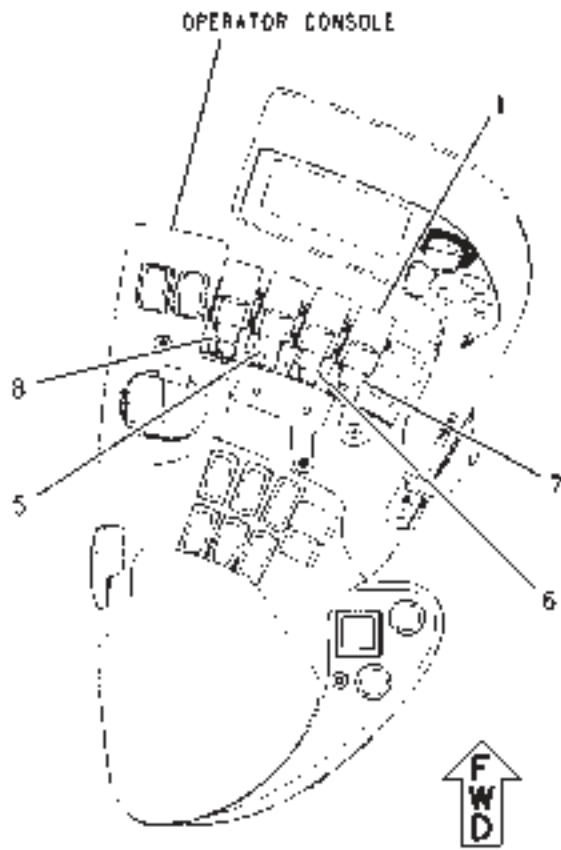
[A] PART OF 185-8699 CONVERSION GP-
CONTROL VALVE

00880990
PR: t05b22n43d0454

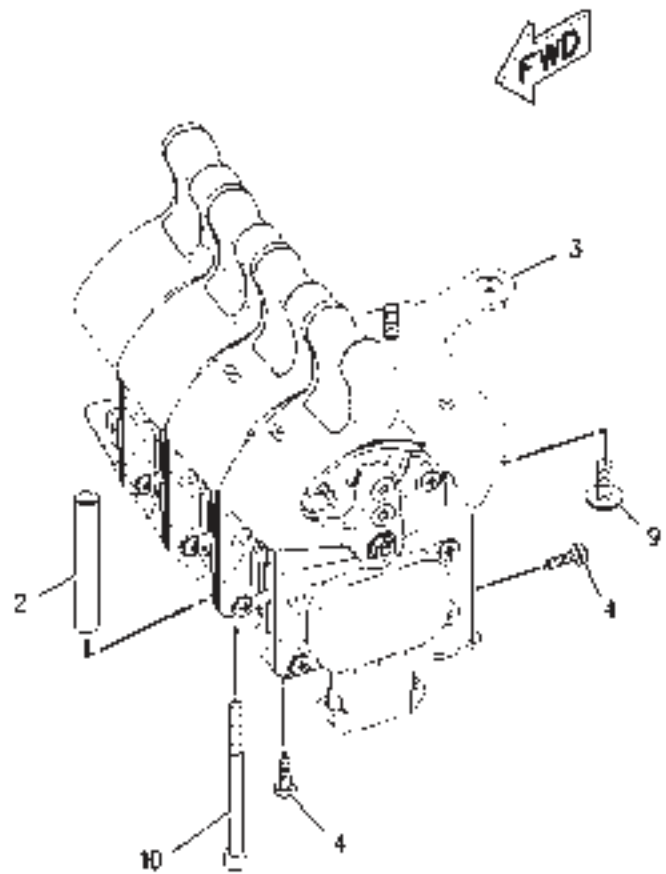
1038

MT800B SERIES TRACTORS
OPERATOR STATION

CONTROL GP-IMPLEMENT - 4 HANDLES
152-0443



TOP VIEW



00876314

**MT800B SERIES TRACTORS
OPERATOR STATION**

1039

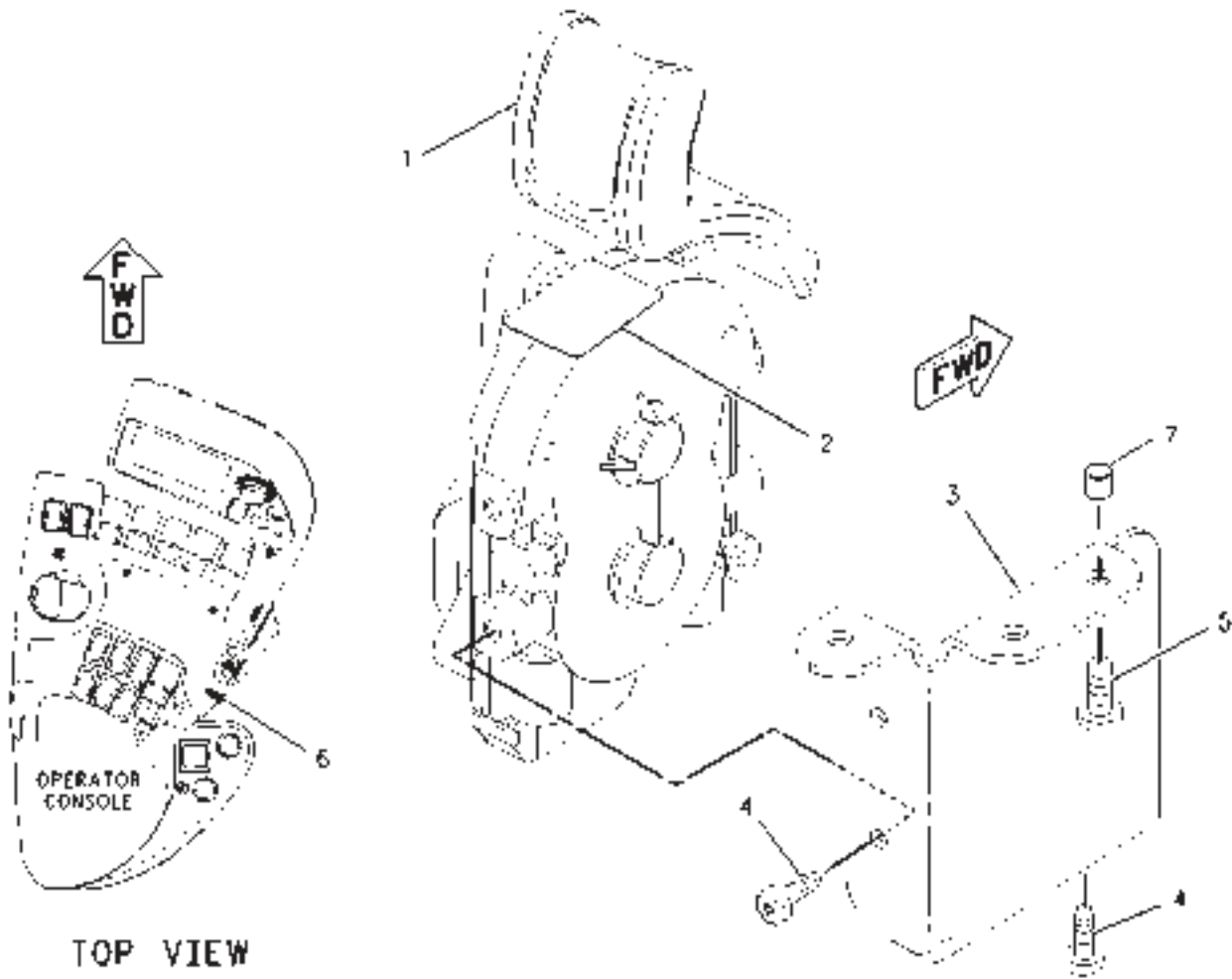
**CONTROL GP-IMPLEMENT - 4 HANDLES
152-0443**

ITEM	NUMBER	QTY	DESCRIPTION
-	152-0443	-	CONTROL GP-IMPLEMENT [A] (NOT SERVICED)
1	209-8704	4	CONTROL GP-IMPLEMENT (SEE BREAKDOWN FOR COMPONENTS)
2	CH195-2626	4	SPACER (6.4X9.6X61)
3	169-6362	1	PLATE ASM
4	CH212-3416	16	SCREW-PAN HEAD (8-16X0.5 IN)
5	501526D1	1	FILM (ELECTRO HYDRAULIC LEVER #2)
6	501527D1	1	FILM (ELECTRO HYDRAULIC LEVER #3)
7	501528D1	1	FILM (ELECTRO HYDRAULIC LEVER #4)
8	501525D1	1	FILM (ELECTRO HYDRAULIC LEVER #1)
9	CH207-2021	2	SCREW
10	400254X1	4	BOLT-SOCKET HEAD (M5X.08X70MM)

[A] PART OF:
180-1434 VALVE AR-BANK 4
502051D1 VALVE AR-4 IMPL

00876314
PR: t05b22n43d0455

CONTROL GP-IMPLEMENT - 6TH HANDLE
152-0448



MT800B SERIES TRACTORS
OPERATOR STATION

1041

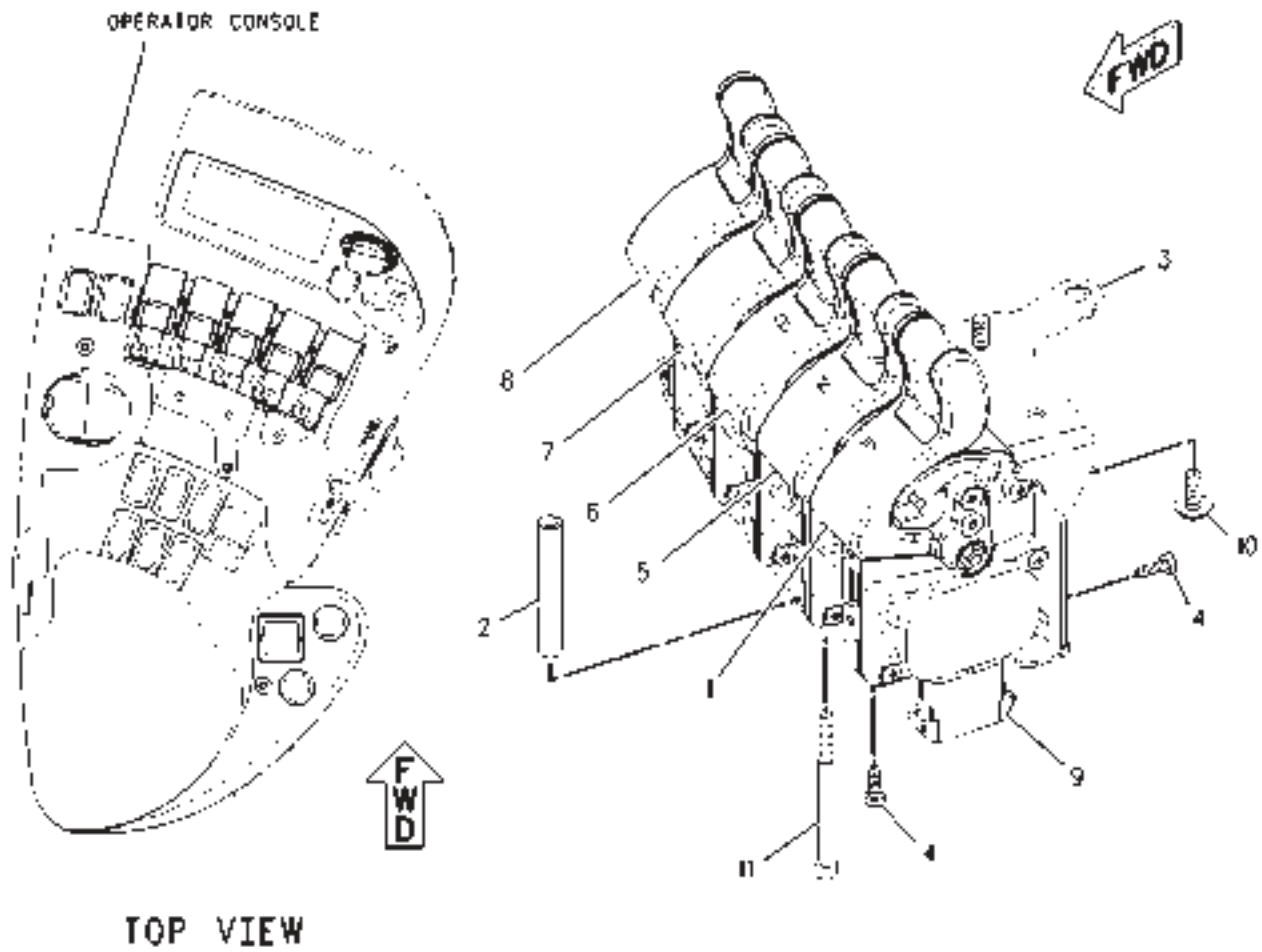
CONTROL GP-IMPLEMENT - 6TH HANDLE
152-0448

ITEM	NUMBER	QTY	DESCRIPTION
-	152-0448	-	CONTROL GP-IMPLEMENT [A] (NOT SERVICED)
1	209-8704	1	CONTROL GP-IMPLEMENT (SEE BREAKDOWN FOR COMPONENTS)
2	501530D1	1	FILM (ELECTRO HYDRAULIC LEVER)
3	169-6384	1	BRACKET
4	CH212-3416	4	SCREW-PAN HEAD (8-16X0.5 IN)
5	CH6V-9673	3	SCREW-MACHINE (M5X0.8X12MM)
6	400110X1	2	FASTENER
7	CH179-4206	3	INSERT (19/64-24 X M5 X 0.8 ID) (NOT ILLUSTRATED)

[A] PART OF:
185-8701 CONVERSION GP-CONTROL VALVE
502052D1 VALVE AR-IMPL

00879185
PR: t05b22n43d0456

CONTROL GP-IMPLEMENT - 5 HANDLES
166-4590



**MT800B SERIES TRACTORS
OPERATOR STATION**

1043

**CONTROL GP-IMPLEMENT - 5 HANDLES
166-4590**

ITEM	NUMBER	QTY	DESCRIPTION
-	166-4590	-	CONTROL GP-IMPLEMENT [A] (NOT SERVICED)
1	501529D1	1	FILM (ELECTRO HYDRAULIC LEVER)
2	CH195-2626	4	SPACER (6.4X9.6X61)
3	169-6362	1	PLATE ASM
4	CH212-3416	20	SCREW-PAN HEAD (8-16X0.5 IN)
5	501525D1	1	FILM (ELECTRO HYDRAULIC LEVER)
6	501526D1	1	FILM (ELECTRO HYDRAULIC LEVER)
7	501527D1	1	FILM (ELECTRO HYDRAULIC LEVER)
8	501528D1	1	FILM (ELECTRO HYDRAULIC LEVER)
9	209-8704	5	CONTROL GP-IMPLEMENT (SEE BREAKDOWN FOR COMPONENTS)
10	CH207-2021	2	SCREW
11	400254X1	4	BOLT-SOCKET HEAD (M5X.08X70MM)

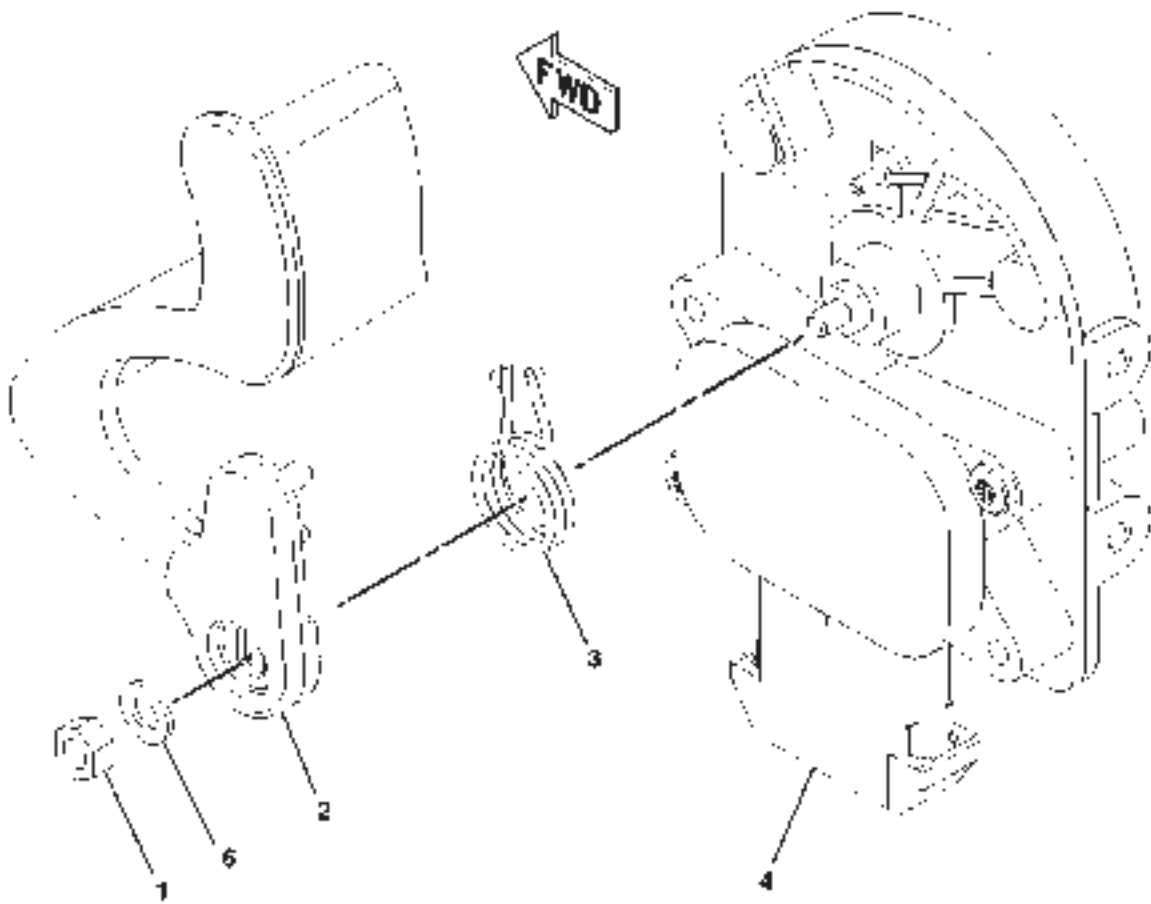
[A] PART OF:
180-1438 VALVE AR-BANK 5
502052D1 VALVE AR-IMPL

00884953
PR: t05b22n43d0457

1044

MT800B SERIES TRACTORS
OPERATOR STATION

CONTROL GP-IMPLEMENT
209-8704



0894755A

**MT800B SERIES TRACTORS
OPERATOR STATION**

1045

**CONTROL GP-IMPLEMENT
209-8704**

ITEM	NUMBER	QTY	DESCRIPTION
-	209-8704	-	CONTROL GP-IMPLEMENT [A]
1	CH162-6555	1	LOCKNUT (M5X.8)
2		1	HANDLE ASM (NOT SERVICED SEPARATELY)
3	CH206-2491	1	SPRING-TORSION RH
4		1	CONTROL ASM (NOT SERVICED SEPARATELY)
5		-	(NOT USED)
6	CH8T-3016	1	WASHER (5.3X10X1)

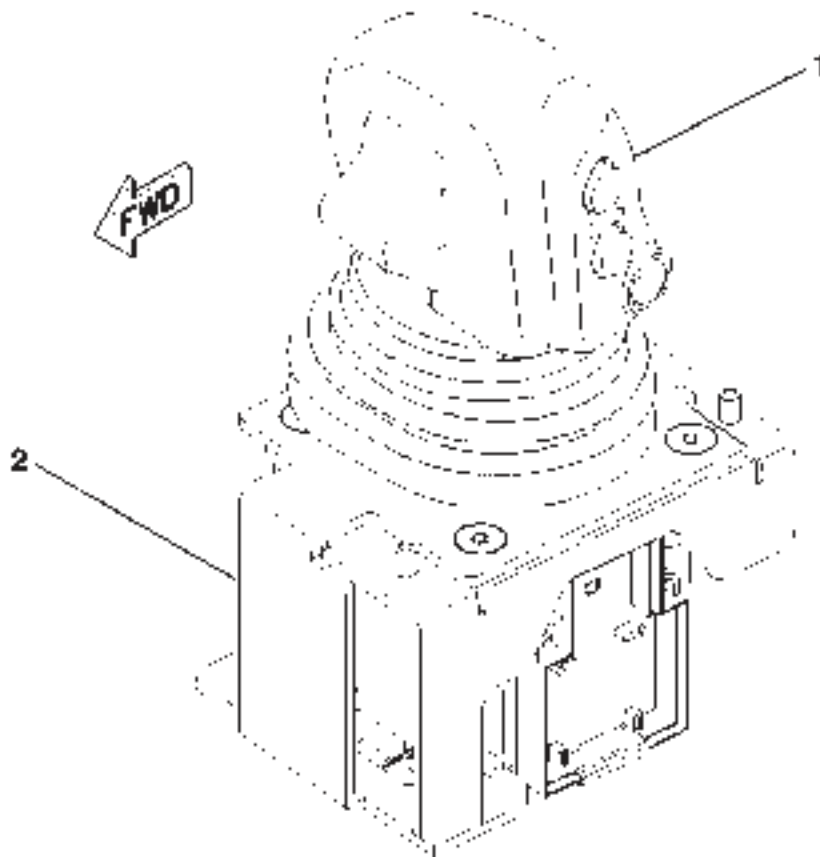
[A] PART OF 136-5355;152-0443;152-0448;
166-4590 CONTROL GP-IMPLEMENT

0894755A
PR: t05b22n43d0458

1046

MT800B SERIES TRACTORS
OPERATOR STATION

CONTROL GP-TRANSMISSION
169-6346



01696346

**MT800B SERIES TRACTORS
OPERATOR STATION**

1047

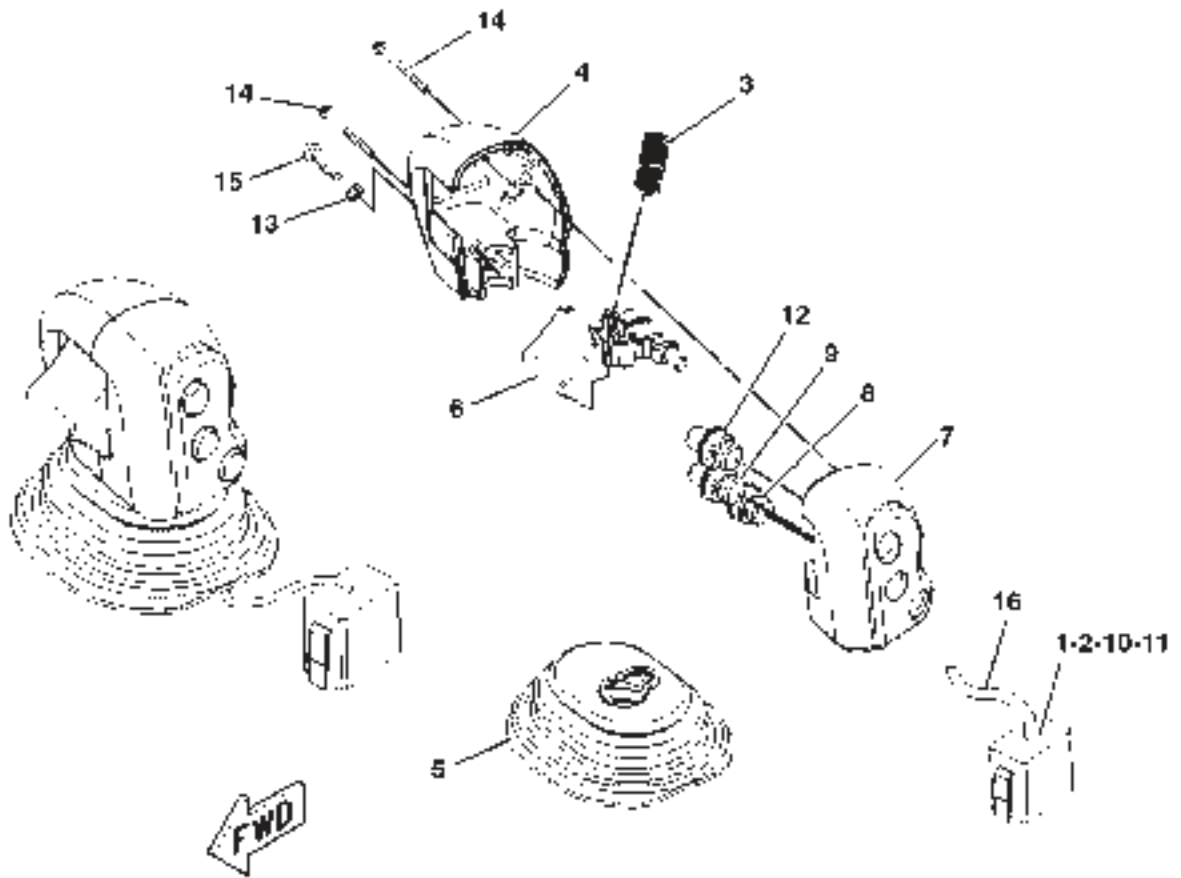
**CONTROL GP-TRANSMISSION
169-6346**

ITEM	NUMBER	QTY	DESCRIPTION
-	169-6346	-	CONTROL GP-TRANSMISSION [A] (NOT SERVICED)
1	169-6347	1	CONTROL GP-TRANSMISSION (NOT SERVICED) (SEE BREAKDOWN FOR COMPONENTS)
2	216-7694	1	CONTROL GP-TRANSMISSION (NO SERVICED COMPONENTS)

[A] PART OF 136-5477 WIRING GP-CONSOLE

01696346
PR: t05b22n43d0459

CONTROL GP-TRANSMISSION
169-6347



**MT800B SERIES TRACTORS
OPERATOR STATION**

1049

**CONTROL GP-TRANSMISSION
169-6347**

ITEM	NUMBER	QTY	DESCRIPTION
-	169-6347	-	CONTROL GP-TRANSMISSION [A] (NOT SERVICED)
1	400715X1	9	SOCKET-CONNECTOR (16-18AWG)
2	CH9G-3695	3	PLUG (GROMMET SEALING)
3	CH9S-1347	1	SPRING
4	164-7041	1	HANDLE
5	166-4553	1	BOOT
6	168-2334	1	TRIGGER
7	172-6869	1	HANDLE ASM
8	502640D1	1	SWITCH ASM (AUTO SHIFT)
	502122D1	1	CAP-PUSHBUTTON
9	502120D1	1	SWITCH ASM (DOWN SHIFT)
	502122D1	1	CAP-PUSHBUTTON
10	CH155-2258	1	WEDGE-PLUG LOCK (12 PIN)
11	CH155-2255	1	KIT-CONNECTING PLUG (12 PIN) (SERVICED ONLY AS COMPLETE KIT) (INCLUDES WEDGE AND PLUG ASM)
12	502121D1	1	SWITCH ASM (UP SHIFT)
	502122D1	1	CAP-PUSHBUTTON
13	CH3B-4501	1	LOCKWASHER (4.42X7.22X1.02MTHK)
14	400073X1	2	BOLT-HEX SCKT
15	CH6V-9492	1	SCREW-MACHINE (M4X0.7X25MM)
16		AR	LOOM (BLACK) (19CM) (NOT SERVICED)

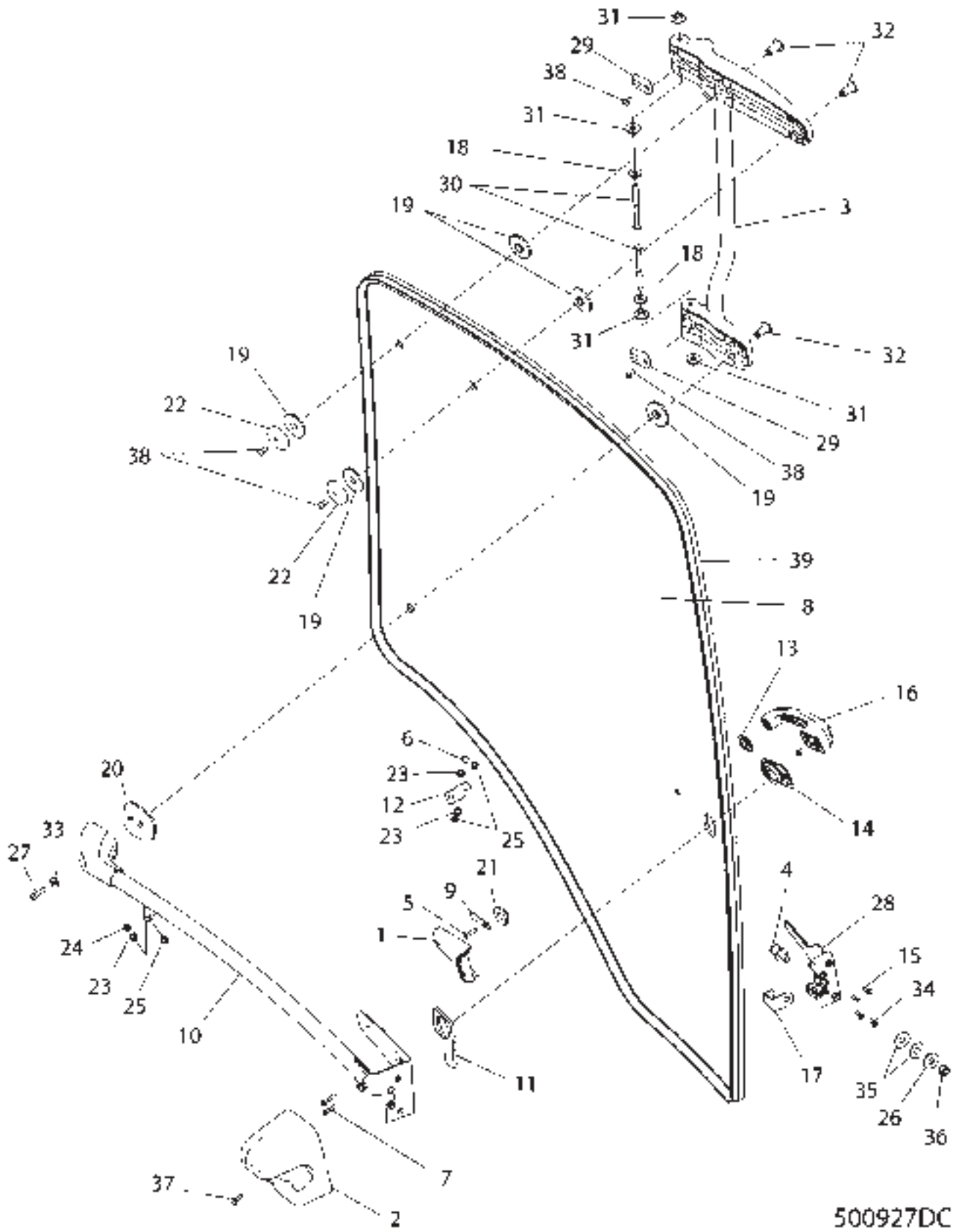
[A] PART OF 169-6346 CONTROL
GP-TRANSMISSION

1696347B
PR: t05b22n43d0460

1050

MT800B SERIES TRACTORS
OPERATOR STATION

DOOR GP-CAB (LH)
500927D1



500927DC

**MT800B SERIES TRACTORS
OPERATOR STATION**

1051

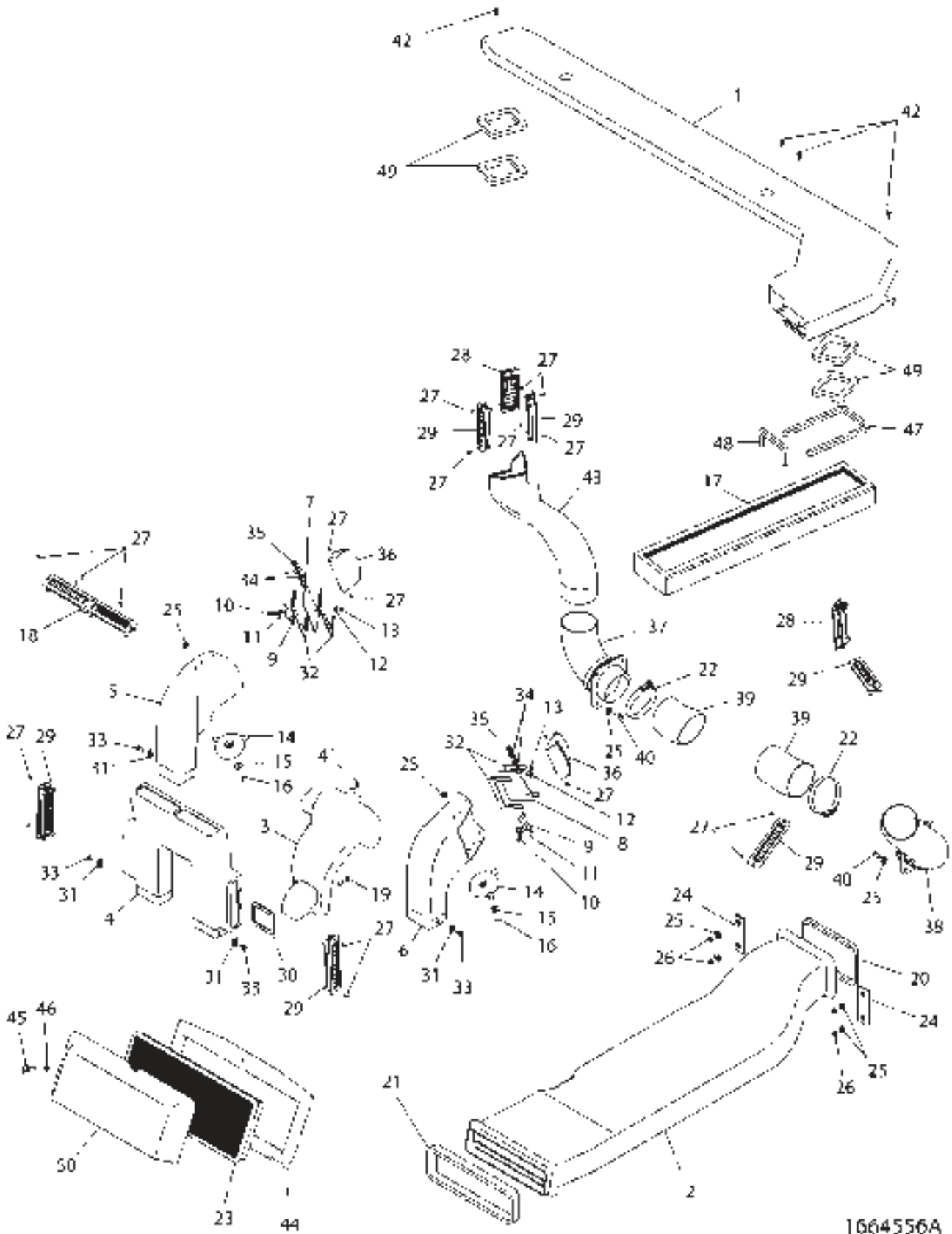
DOOR GP-CAB (LH)
500927D1

ITEM	NUMBER	QTY	DESCRIPTION
-	500927D1	-	DOOR GP-CAB [A] (NOT SERVICED)
1	164-7013	1	COVER
2	164-7014	1	COVER-DOOR LATCH (LH)
3	164-7067	1	HINGE AS-DOOR
4	180-6240	1	STRIKER AS.-LONG BODY
5	400022X1	1	BOLT-M6X1X25MM ZNDI HHD 10.9
6	400053X1	1	BOLT-M8X1.25X20 ZNDI HHD 10.9
7	400065X1	2	BOLT-M6X1X30MM ZNDI HHD 10.9
8	500625D1	1	GLASS
9	500660D1	1	CLIP
10	500931D1	1	TUBE AS
11	502010D1	1	WASHER
12	500957D1	1	BRACKET
13	500929D1	1	GASKET
14	502011D1	1	GASKET
15	400256X1	3	BOLT-M6X1X20MM PL FLSD 12.9
16	500658D1	1	HANDLE AS
	CH5P-8500	1	KEY
17	123-0380	1	GUARD-STRIKER
18	500624D1	2	WASHER-M10 NYLON
19	400330X1	5	WASHER 15 ID W/LID
20	400331X1	1	WASHER-DOOR
21	400332X1	1	WASHER (DOOR HANDLE)
22	400333X1	2	WASHER-HINGE
23	400339X1	3	WASHER-HARD
24	400340X1	2	NUT-M8X1.25X13 HEX ZND1
25	CH090-9554	2	STUD-BALL
26	CH140-5181	1	WASHER-13IDX35ODX3.2MM
27	CH142-2304	1	SCREW-BTN HD M8X1.25X35 ZND1
28	CH164-7057	1	LATCH AS.-LH
29	CH164-7070	2	CLAMP
30	CH166-4573	2	PIN-HINGE (DOOR)
31	CH166-4574	4	BUSHING-HINGE (DOOR)
32	CH169-6392	3	BOSS
33	CH3E-4352	1	WASHER-HARD 8.8IDX20.5ODX2.5MM
34	CH8C-6802	1	SCREW-FLHD M6X1X30 HHD 12.9
35	CH8T-0318	2	SHIM-35 ODX13.5 IDX0.8 ZN
36	CH8T-4244	1	NUT-M12X1.75 HEX ZN
37	CH9X-2045	1	SCREW-M6X1X20 MM ORG TORX T30
38	CH9X-2616	4	SCREW-BTNHD M8X1.25X16 ORG12.9
39	CH208-2404	AR	SEAL-BULK (520 CM)

[A] PART OF: 152-0001;152-0002
152-0003;152-0004 CAB GP

500927DC
PR: t05b22n43d0461

DUCT GP-CAB AIR
166-4556



**MT800B SERIES TRACTORS
OPERATOR STATION**

1053

**DUCT GP-CAB AIR
166-4556**

ITEM	NUMBER	QTY	DESCRIPTION
-	166-4556	-	FILTER GP-CAB AIR [A] (NOT SERVICED)
1	162-6691	1	DUCT-ROOF
2	166-4617	1	DUCT-CENTER
3	169-6337	1	DUCT-FRONT (LOWER)
4	504445D1	1	DUCT-FRONT (DEFROST)
5	164-7023	1	DUCT-RH
6	166-4595	1	DUCT-LH
7	179-4221	1	BRACKET ASM-LH
8	179-4223	1	BRACKET ASM-RH
9	179-4225	2	ROD ASM
10	400221X1	2	BOLT (M6X1X20MM)
11	214-4667	2	PLATE
12	CH117-8929	2	WASHER-HARD (6.6IDX22ODX2)
13	400300X1	2	NUT (M6X1)
14	162-6734	2	WHEEL
15	CH9T-2281	2	SPRING
16	CH3B-4605	2	PIN-COTTER
17	501881D1	1	FILTER-AIR (CAB-OUTSIDE)
18	CH164-8478	1	LOUVER ASM
19	CH9X-2046	2	SCREW-TRUSS HEAD (M6X1X35MM)
20	178-7974	1	GASKET
21	501210D1	1	GASKET
22	400127X1	6	CLAMP-HOSE
23	501153D1	1	FILTER-AIR (CAB-RECIRCULATION)
24	169-6373	2	CLAMP-CENTER DUCT
25	400599X1	14	WASHER-HARD (8.8X20.5X2)
26	400340X1	4	NUT (M8X1.25)
27	CH104-2091	26	SCREW-FLAT HEAD (6-20X0.5 IN)
28	501826D1	3	LOUVER ASM
29	CH171-4047	6	LOUVER ASM
30	187-4906	1	GASKET
31	400085X1	4	NUT (U-TYPE RETAINER)
32	187-4921	4	SEAL
33	CH9X-2044	4	SCREW-TRUSS HEAD (M6X1X16MM)
34	214-1118	4	SPACER (8.4X18X2)
35	CH131-3540	2	LOCKNUT
36	197-3083	2	PLATE
37	201-1186	1	ADAPTER ASM-RH
	210-3258	1	ADAPTER-CONDITIONER
	210-3292	1	GASKET
	CH203-6970	1	CLAMP
38	203-6965	1	ADAPTER ASM-LH
	210-3258	1	ADAPTER-CONDITIONER
	210-3292	1	GASKET
	CH203-6970	1	CLAMP
39	203-6966	2	HOSE

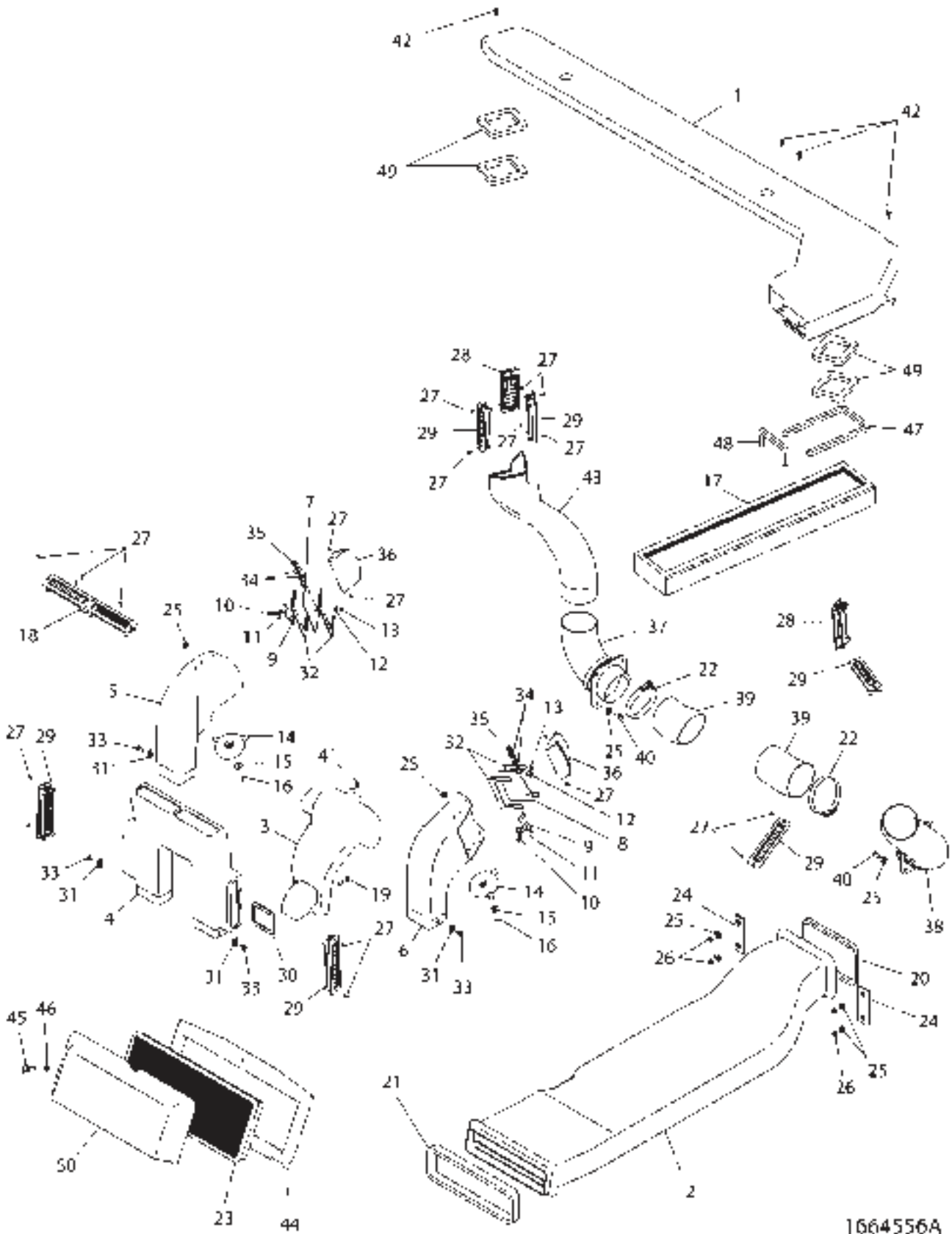
CONTINUED

[A] PART OF 151-9986; 166-4592; 502501D1
AIR CONDITIONER & MOUNTING GP

1664556A
PR: t05b22n43d0462

MT800B SERIES TRACTORS
OPERATOR STATION

DUCT GP-CAB AIR
166-4556



**MT800B SERIES TRACTORS
OPERATOR STATION**

1055

**DUCT GP-CAB AIR
166-4556**

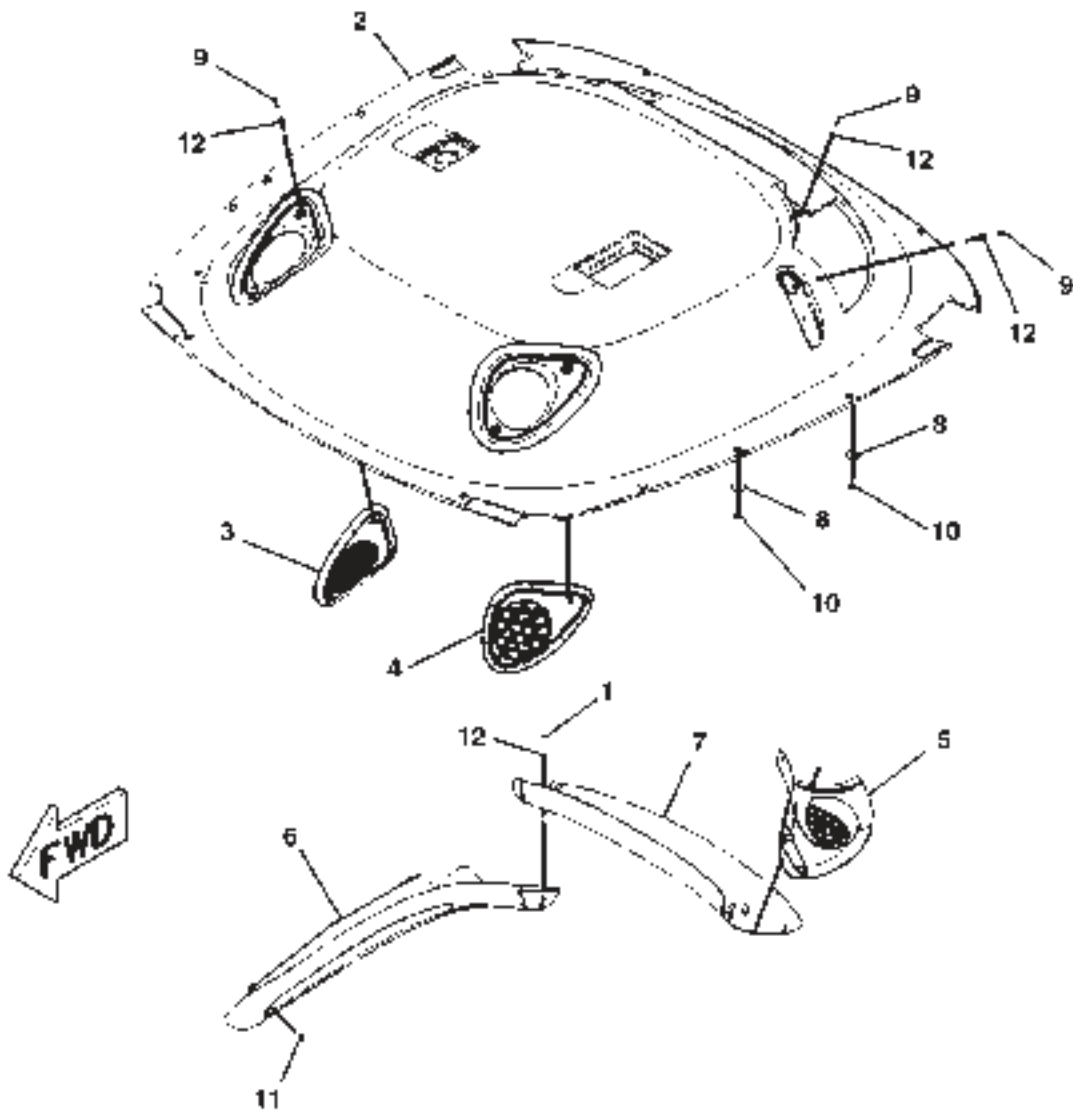
ITEM	NUMBER	QTY	DESCRIPTION
-	166-4556	-	FILTER GP-CAB AIR [A] (NOT SERVICED)
40	400053X1	8	BOLT (M8X1.25X20MM)
41	400084X1	1	NUT (U-TYPE RETAINER)
42	CH210-4352	4	SCREW-PAN HEAD
43	180-5239	1	DUCT-RH
44	202-0848	1	COVER
45	CH216-9165	1	THUMBSCREW
46	CH2R-2376	1	WASHER (7X16X.8)
47	217-3513	1	SEAL
48	217-3514	1	SEAL
49	222-4774	4	GASKET
50	225-1406	1	COVER-FILTER

[A] PART OF 151-9986; 166-4592; 502501D1
AIR CONDITIONER & MOUNTING GP

1664556A
PR: t05b22n43d0462

MT800B SERIES TRACTORS
OPERATOR STATION

HEADLINER GP - 152-0418



**MT800B SERIES TRACTORS
OPERATOR STATION**

1057

HEADLINER GP - 152-0418

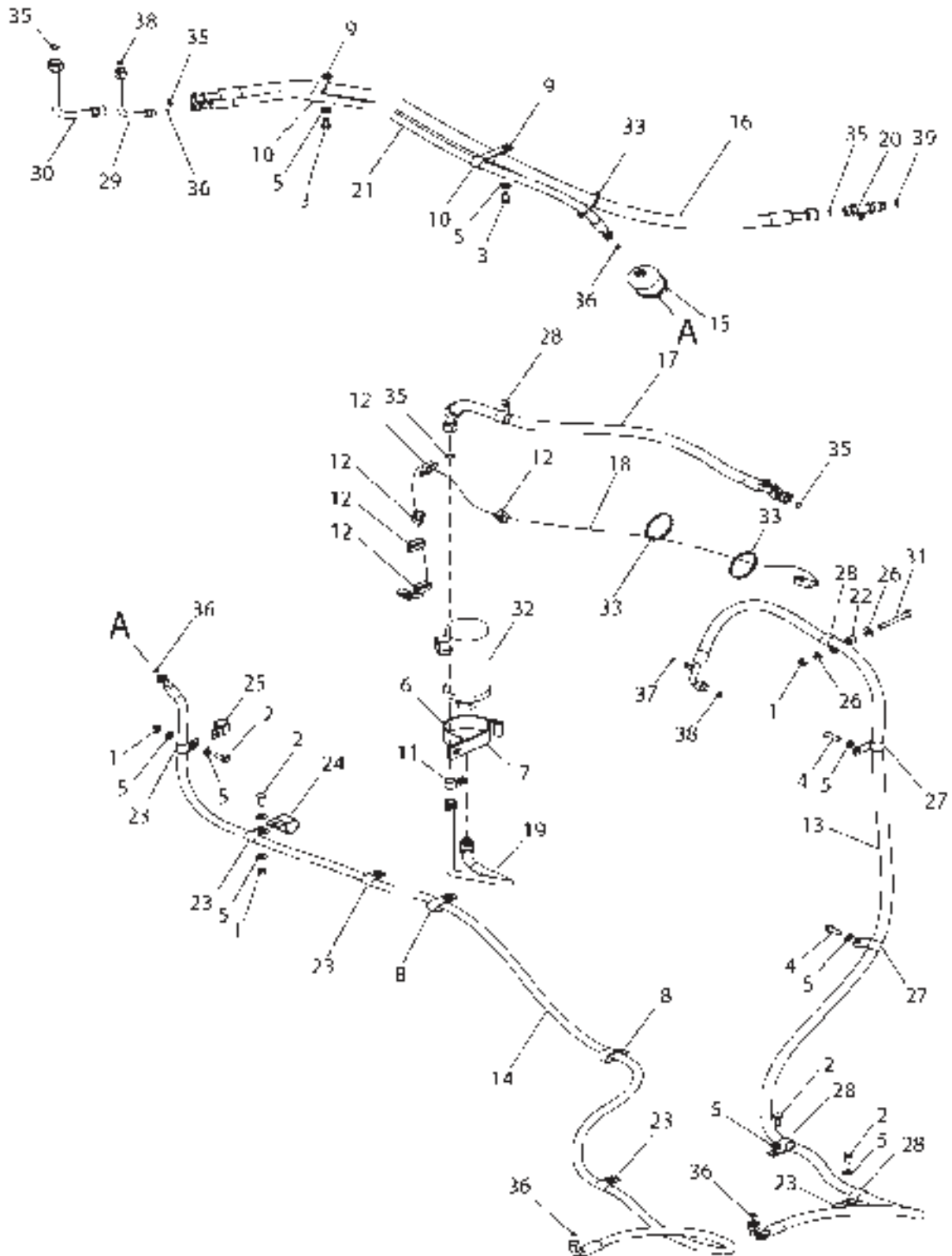
ITEM	NUMBER	QTY	DESCRIPTION
-	152-0418	-	HEADLINER GP [A] (NOT SERVICED)
1	CH4V-2264	5	NUT-PUSH
2	162-6687	1	HEADLINER
3	162-6688	1	COVER-FRONT SPEAKER (RH)
4	162-6689	1	COVER-FRONT SPEAKER (LH)
5	162-6690	1	COVER-REAR SPEAKER (LH)
6	162-6692	1	BEZEL
7	168-2305	1	COVER-REAR
8	CH101-2867	10	WASHER-HARD (8.8X25.5X2M THK)
9	CH119-5026	10	SCREW-PAN HEAD (10-16X0.63 IN)
10	CH9X-2044	10	SCREW-TRUSS HEAD (M6X1X16MM)
11	CH9X-2045	4	SCREW-TRUSS HEAD (M6X1X20MM)
12	400076X1	15	WASHER (5X16X1.2)

[A] PART OF 152-0012; 152-0013;
222-4146; 500841D1 CAB AR

0842870A
PR: t05b22n43d0463

MT800B SERIES TRACTORS
OPERATOR STATION

LINES GP-A/C - 501579D1
MT835B, MT845B, MT855B & MT865B



**MT800B SERIES TRACTORS
OPERATOR STATION**

1059

**LINES GP-A/C - 501579D1
MT835B, MT845B, MT855B & MT865B**

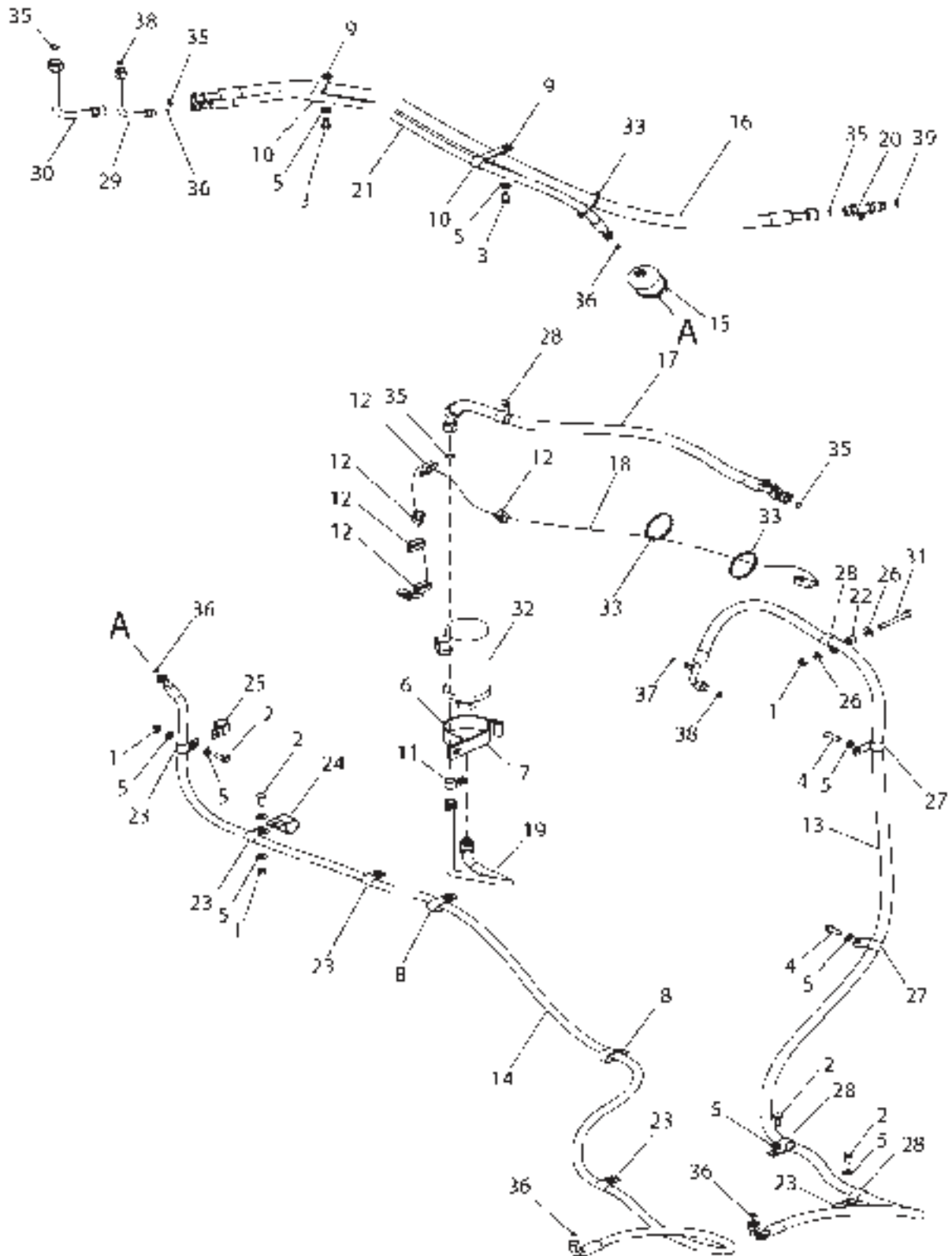
ITEM	NUMBER	QTY	DESCRIPTION
-	501579D1	-	LINES GP-A/C [A] (NOT SERVICED)
1	7774664	3	NUT-M10-1.5,CL10.9,ZN,H,REG
2	400039X1	4	BOLT-M10X1.5X25 ZNDI HHD 10.9
3	400040X1	2	BOLT-M10X1.5X20 ZNDI HHD 10.9
4	400058X1	2	BOLT-M10X1.5X30 ZNDI HHD 10.9
5	400287X1	10	WASHER-HARD 11IDX21ODX2.5 ZND1
6	400603X1	1	CLIP-2 PIECE BOTTOM 88.9 OD
7	400604X1	1	CLIP-2 PIECE TOP 88.9 OD
8	400665X1	2	CLIP-LOOP 19ID X 2
9	400695X1	2	CLIP-LOOP 20.64ID
10	400700X1	2	CLIP LOOP 28.58ID
11	400702X1	1	CLIP-ONE TUBE COATED
12	400837X1	5	STRAP-CABLE (PLASTIC)
13	500976D1	1	HOSE AS. (FOR
14	500977D1	1	HOSE AS. (FOR
15	500978D1	1	FILTER-A/C
16	500990D1	1	HOSE AS. (FOR
17	502041D1	1	HOSE AS. (FOR 12.7 ID
18	502042D1	1	HARNES AS.-JUMPER
19	502043D1	1	TUBE AS.-A/C
20	502045D1	1	ADAPTER-A/C
21	502048D1	1	HOSE AS. (FOR
22	CH114-5785	1	SPACER 10.5 IDX19 ODX11.5 ZN
23	CH3S-8664	5	CLIP-LOOP 19.05 ID
24	CH4D-7388	1	CLIP-LOOP 34.9 ID
25	CH4S-1962	1	CLIP-LOOP 25.4 ID
26	CH7X-7729	2	WASHER-11IDX5ODX3MM
27	CH8S-0948	2	CLIP-LOOP-20.64 ID
28	CH9X-8250	4	CLIP-LOOP 23.8 ID
29	195-4512	1	TUBE AS
30	195-4513	1	TUBE AS
31	400044X1	1	BOLT-M10X1.5X80 ZNDI HHD 10.9
32	500758D1	1	ACCUMULATOR DRYER-A/C
33	CH7K-1181	3	STRAP-CABLE 0.19-4.00
34			(NOT USED)
35	CH9X-7382	5	SEAL-O-RING
36	CH9X-7380	5	SEAL-O-RING
37	CH9X-7378	1	SEAL-O-RING
38	CH9X-7381	3	SEAL-O-RING
39	CH9X-7383	1	SEAL-O-RING

[A] PART OF:
501583D1; 501854D1; 501585D1;
501586D1 INSTALLATION AR

501579DC
PR: t05b22n43d0464

MT800B SERIES TRACTORS
OPERATOR STATION

LINES GP-A/C - 502733D1
MT875B



MT800B SERIES TRACTORS
OPERATOR STATION

1061

LINES GP-A/C - 502733D1
MT875B

ITEM	NUMBER	QTY	DESCRIPTION
-	502733D1	-	LINES GP-A/C (NOT SERVICED)
1	7774664	3	NUT-M10-1.5,CL10.9,ZN,H,REG
2	400039X1	4	BOLT-M10X1.5X25 ZNDI HHD 10.9
3	400040X1	2	BOLT-M10X1.5X20 ZNDI HHD 10.9
4	400058X1	2	BOLT-M10X1.5X30 ZNDI HHD 10.9
5	400287X1	10	WASHER-HARD 11IDX21ODX2.5 ZND1
6	400603X1	1	CLIP-2 PIECE BOTTOM 88.9 OD
7	400604X1	1	CLIP-2 PIECE TOP 88.9 OD
8	400665X1	2	CLIP-LOOP 19ID X 2
9	400695X1	2	CLIP-LOOP 20.64ID
10	400700X1	2	CLIP LOOP 28.58ID
11	400702X1	1	CLIP-ONE TUBE COATED
12	400837X1	5	STRAP-CABLE (PLASTIC)
13	500976D1	1	HOSE AS. (FOR
14	500977D1	1	HOSE AS. (FOR
15	500978D1	1	FILTER-A/C
16	500990D1	1	HOSE AS. (FOR
17	502041D1	1	HOSE AS. (FOR 12.7 ID
18	502042D1	1	HARNES AS.-JUMPER
19	502043D1	1	TUBE AS.-A/C
20	502045D1	1	ADAPTER-A/C
21	502048D1	1	HOSE AS. (FOR
22	CH114-5785	1	SPACER 10.5 IDX19 ODX11.5 ZN
23	CH3S-8664	5	CLIP-LOOP 19.05 ID
24	CH4D-7388	2	CLIP-LOOP 34.9 ID
25	CH4S-1962	1	CLIP-LOOP 25.4 ID
26	CH7X-7729	2	WASHER-11IDX5ODX3MM
27	CH8S-0948	2	CLIP-LOOP-20.64 ID
28	CH9X-8250	4	CLIP-LOOP 23.8 ID
29	195-4512	1	TUBE AS
30	195-4513	1	TUBE AS
31	400044X1	1	BOLT-M10X1.5X80 ZNDI HHD 10.9
34	500758D1	1	ACCUMULATOR DRYER-A/C
35	CH7K-1181	3	STRAP-CABLE 0.19-4.00 (NOT USED)
35	CH9X-7382	5	SEAL-O-RING
36	CH9X-7380	5	SEAL-O-RING
37	CH9X-7378	1	SEAL-O-RING
38	CH9X-7381	3	SEAL-O-RING
39	CH9X-7383	1	SEAL-O-RING

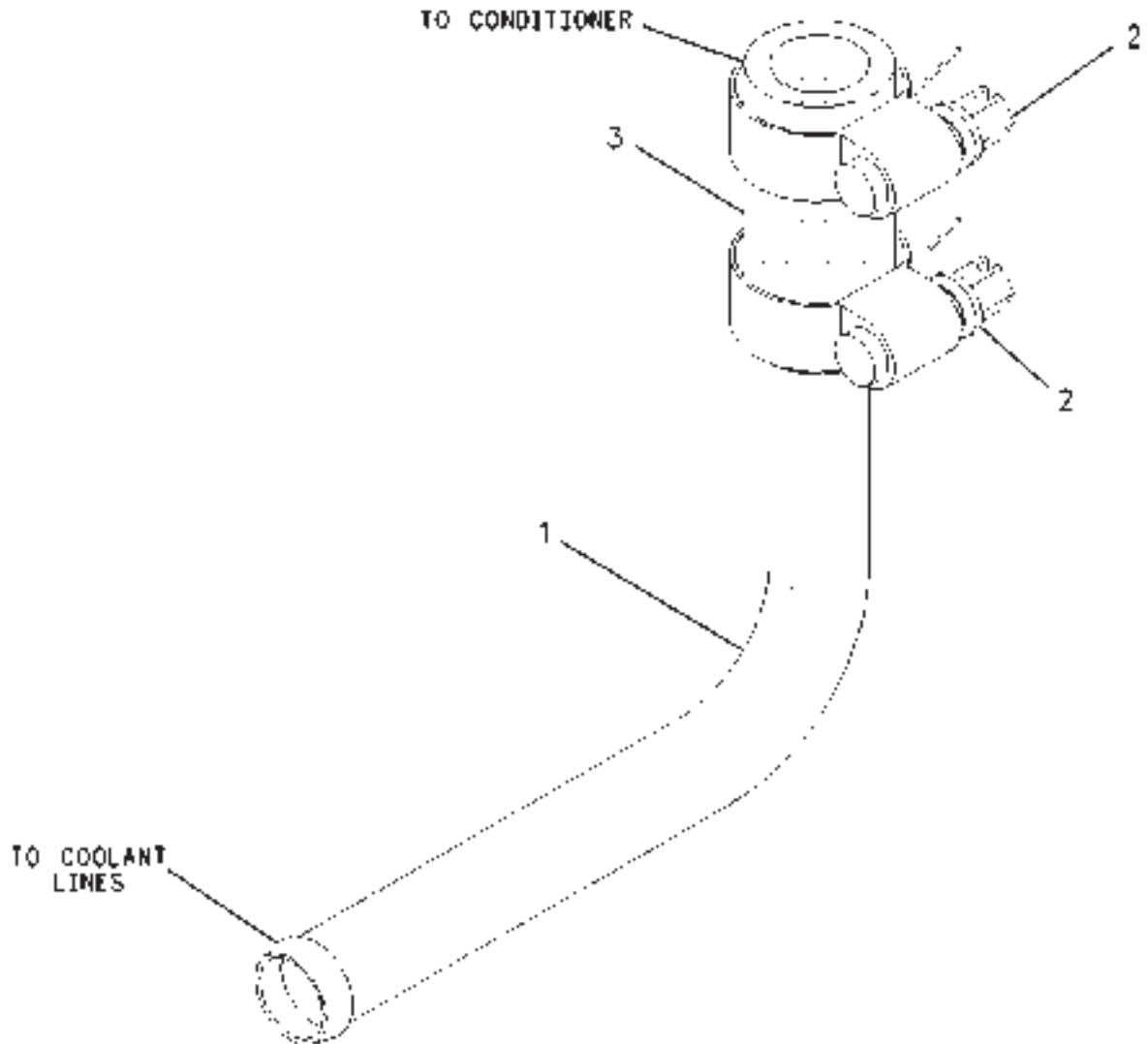
PART OF 501587D1 INSTALLATION AR

501579DC
PR: t05b22n43d0465

1062

MT800B SERIES TRACTORS
OPERATOR STATION

LINES GP-HEATER - 208-2880



00093577

**MT800B SERIES TRACTORS
OPERATOR STATION**

1063

LINES GP-HEATER - 208-2880

ITEM	NUMBER	QTY	DESCRIPTION
-	208-2880	-	LINES GP-HEATER [A] (NOT SERVICED)
1	CH208-2878	1	ELBOW
2	400108X1	2	CLAMP-HOSE
3	CH5P-0767	AR	HOSE (5 CM)

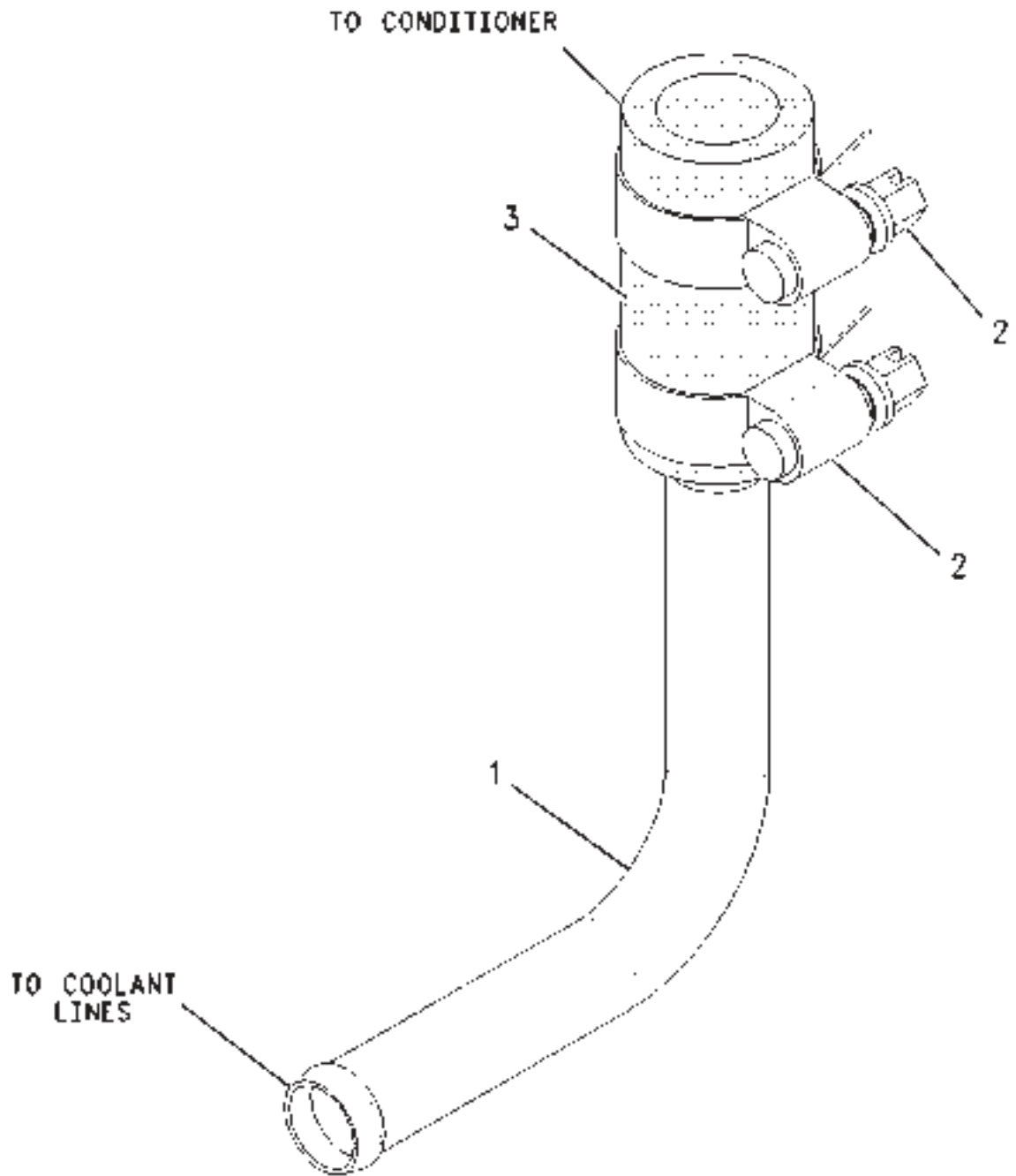
[A] PART OF 152-0009; 152-0013;
500764D1; 500842D1; 500844D1;
502660D1; 502662D1 CAB AR

00893577
PR: t05b22n43d0466

1064

MT800B SERIES TRACTORS
OPERATOR STATION

LINES GP-HEATER - DELUXE
208-2881



00893020

**MT800B SERIES TRACTORS
OPERATOR STATION**

1065

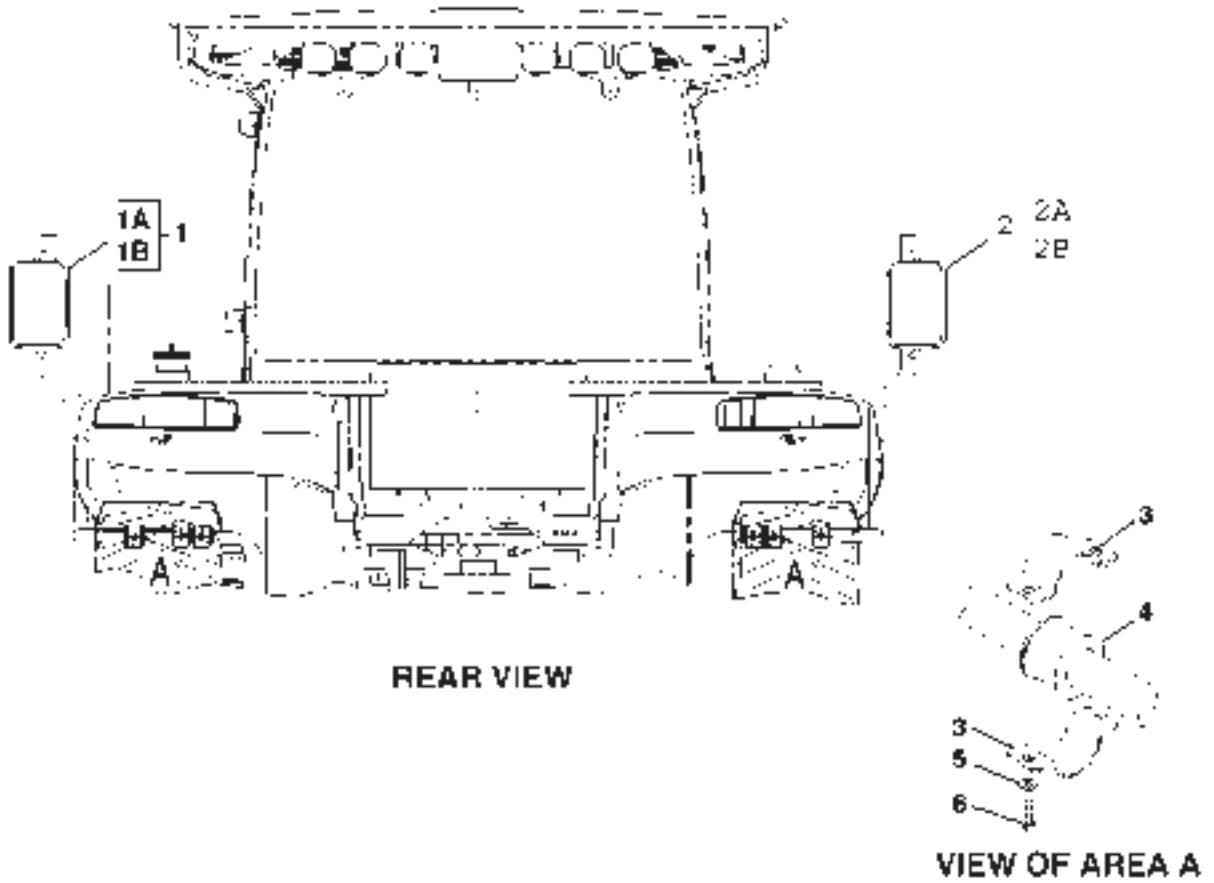
**LINES GP-HEATER - DELUXE
208-2881**

ITEM	NUMBER	QTY	DESCRIPTION
-	208-2881	-	LINE GP-HEATER [A] (NOT SERVICED)
1	195-4520	1	TUBE
2	400125X1	2	CLAMP-HOSE
3	501738D1	AR	HOSE (6CM)

[A] PART OF 152-0012; 222-4146 CAB AR

00893020
PR: t05b22n43d0467

MIRROR GP-REAR VIEW - 209-5607
MANUAL ADJUSTMENT



**MT800B SERIES TRACTORS
OPERATOR STATION**

1067

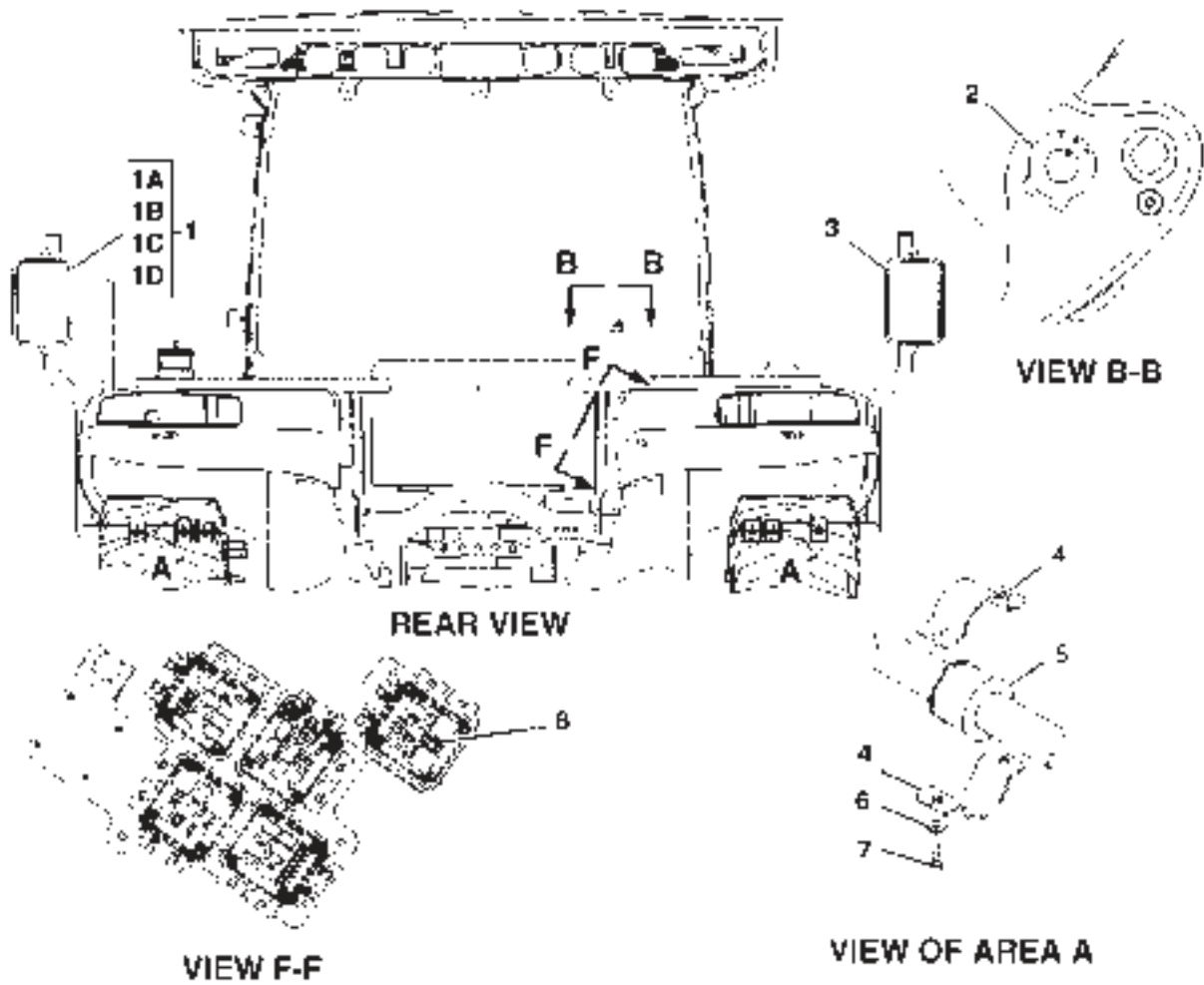
**MIRROR GP-REAR VIEW - 209-5607
MANUAL ADJUSTMENT**

ITEM	NUMBER	QTY	DESCRIPTION
-	209-5607	-	MIRROR GP-REAR VIEW [A] (NOT SERVICED, ORDER FIELD INSTALLED)
-	502776D1	-	MIRROR GP-REAR VIEW (FIELD INSTALLED)
1	206-0586	1	MIRROR ASM-REAR VIEW (LH) (INCLUDES 1A & 1B)
1A	206-0581	1	SUPPORT ASM-LH (W/PLUGS)
	502509D1	2	PLUG-TUBE
	502510D1	1	PLUG-TUBE (W/HOLE)
1B	206-0578	1	MIRROR ASM
2	209-5605	1	MIRROR GP-REAR VIEW (RH) (INCLUDES 2A & 2B)
2A	209-5604	1	SUPPORT ASM-RH (W/PLUGS)
	502509D1	2	PLUG-TUBE
	502510D1	1	PLUG-TUBE (W/HOLE)
2B	206-0578	1	MIRROR ASM
3	CH209-9233	16	CLAMP
4	400111X1	8	GROMMET
5	400599X1	16	WASHER-HARD (8.8X20.5X2)
6	400245X1	16	BOLT (M8X1.25X30MM)

0852423B
PR: t05b22n43d0468

MT800B SERIES TRACTORS
OPERATOR STATION

MIRROR GP-REAR VIEW - 209-5608
POWER ADJUSTMENT & HEATED



**MT800B SERIES TRACTORS
OPERATOR STATION**

1069

**MIRROR GP-REAR VIEW - 209-5608
POWER ADJUSTMENT & HEATED**

ITEM	NUMBER	QTY	DESCRIPTION
-	209-5608	-	MIRROR GP-REAR VIEW [A] (NOT SERVICED)
1	206-0584	1	MIRROR ASM-REAR VIEW (LH) (INCLS 1A-1D)
1A	CH102-8805	1	KIT-RECEPTACLE (6 PIN)
1B	206-0580	1	HARNES ASM (REAR VIEW MIRROR)
1C	206-0581	1	SUPPORT ASM (LH) (W/PLUGS)
	502509D1	2	PLUG-TUBE
	502510D1	1	PLUG-TUBE (W/HOLE)
1D	206-0579	1	MIRROR
	207-0511	1	GLASS-MIRROR
2	207-2038	1	SWITCH
3	209-5606	1	MIRROR GP-REAR VIEW (RH)
	CH102-8805	1	KIT-RECEPTACLE (6 PIN)
	206-0580	1	HARNES (REAR VIEW MIRROR)
	209-5604	1	SUPPORT (RH) (W/PLUGS)
	502509D1	2	PLUG-TUBE
	502510D1	1	PLUG-TUBE (W/HOLE)
	206-0579	1	MIRROR
	207-0511	1	GLASS-MIRROR
4	CH209-9233	16	CLAMP
5	400111X1	8	GROMMET
6	400599X1	16	WASHER-HARD (8.8X20.5X2)
7	400245X1	16	BOLT (M8X1.25X30MM)
8	CH146-9439	1	RELAY (12 VOLT)

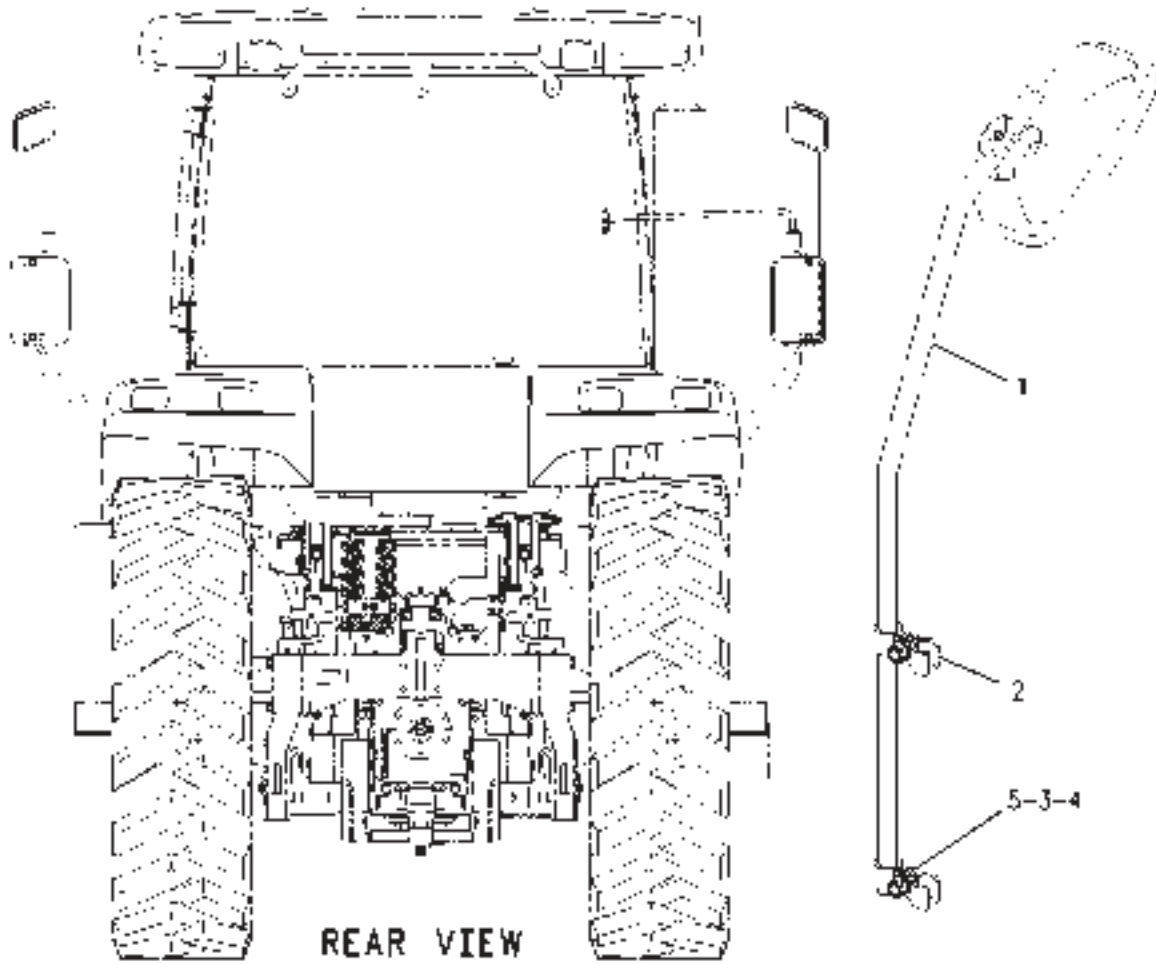
[A] PART OF 152-0008; 152-0009;
152-0012; 222-4146; 500763D1;
500767D1; 500841D1; 500842D1;
500843D1; 500849D1; 502659D1;
502660D1; 502667D1 CAB AR

0892108A
PR: t05b22n43d0469

1070

MT800B SERIES TRACTORS
OPERATOR STATION

MIRROR GP - 206-0588
SIDE AREA VIEW
EAME ONLY



**MT800B SERIES TRACTORS
OPERATOR STATION**

1071

**MIRROR GP - 206-0588
SIDE AREA VIEW
EAME ONLY**

ITEM	NUMBER	QTY	DESCRIPTION
-	206-0588	-	MIRROR GP-SIDE AREA VIEW [A] (NOT SERVICED)
1	206-0589	2	MIRROR AS
2	CH4H-7655	8	CLAMP-TUBE
3	CH8T-0389	4	LOCKNUT (M10X1.5 THD)
4	400287X1	8	WASHER-HARD (11X21X2.5MM THK)
5	400039X1	4	BOLT (M10X1.5X25MM)

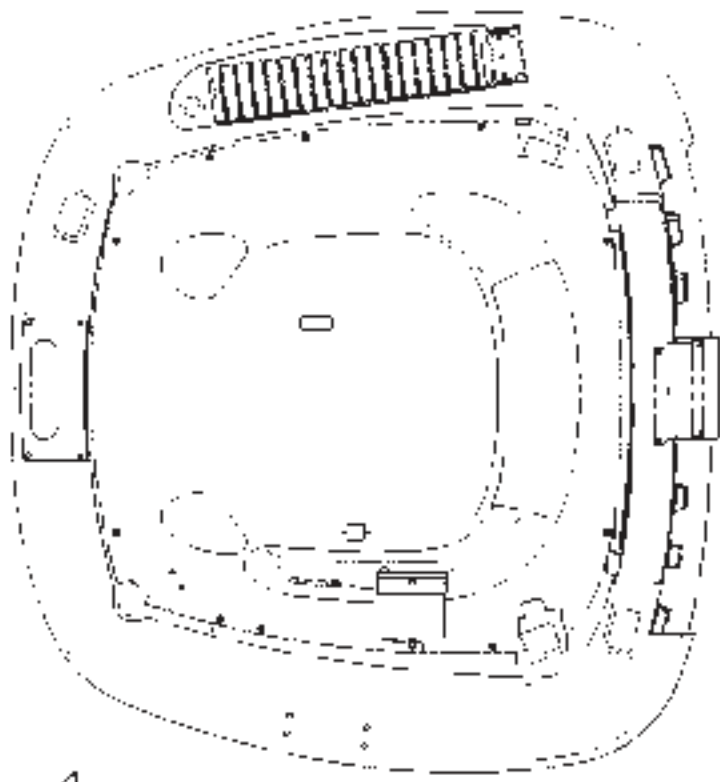
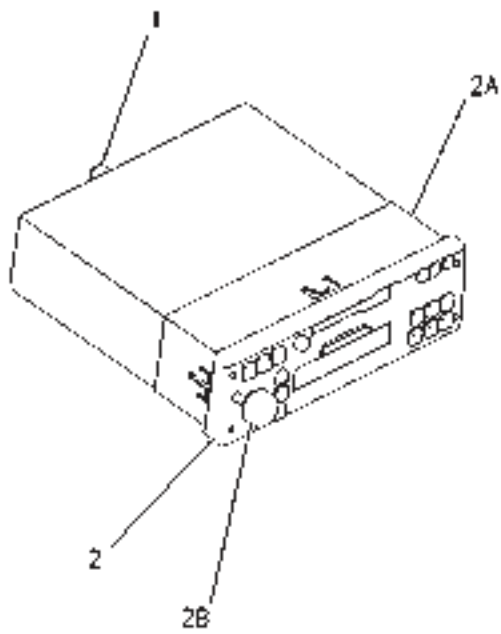
[A] PART OF 500841D1; 500842D1;
502659D1; 502660D1; CAB AR

00821303
PR: t05b22n43d0470

1072

MT800B SERIES TRACTORS
OPERATOR STATION

RADIO GP-STD - 168-1952
12V HD, AM/FM/WB/CASSW/GREEN BACKLIGHT



BOTTOM VIEW

00732187

MT800B SERIES TRACTORS
OPERATOR STATION

1073

RADIO GP-STD - 168-1952
12V HD, AM/FM/WB/CASSW/GREEN BACKLIGHT

ITEM	NUMBER	QTY	DESCRIPTION
-	168-1952	-	RADIO GP
1	CH136-5490	1	BUSHING
2	CH169-6324	1	RADIO GP
2A	CH192-7054	1	EEVE
2B	CH142-9681	1	OB (RADIO VOLUME)
-	400455X1	1	CONNECTOR [A]

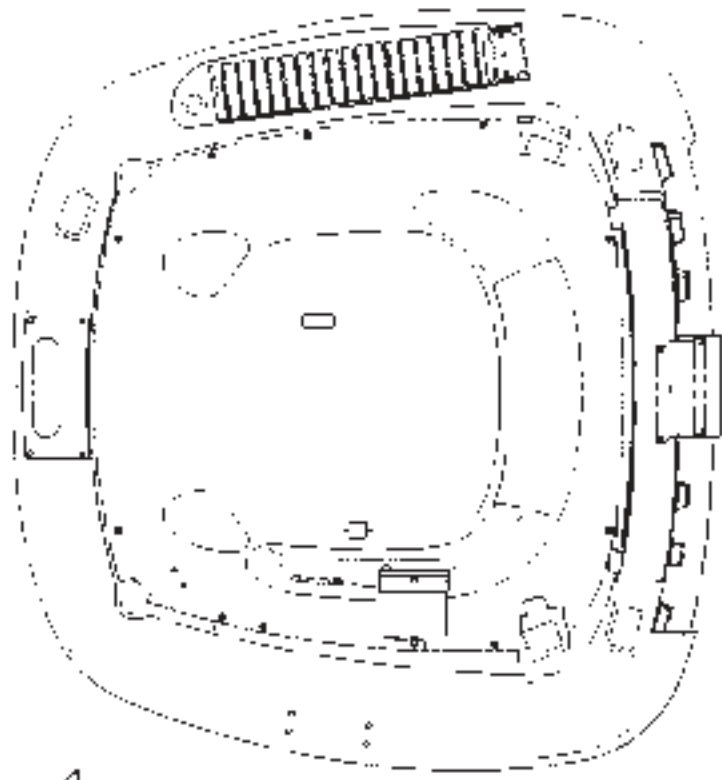
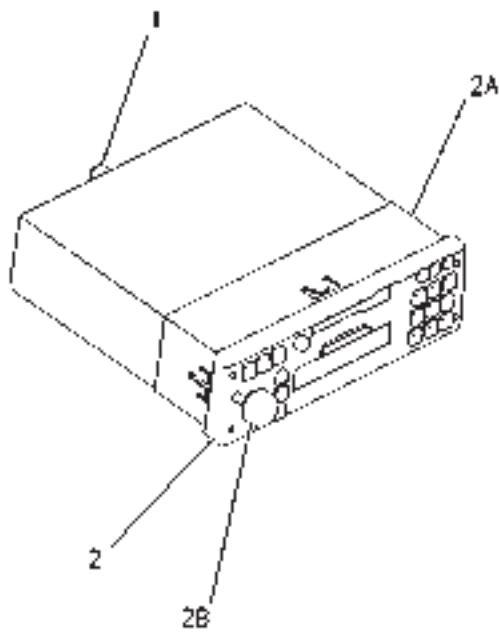
[A] MATING CONNECTOR REQUIRED TO
CONNECT RADIO

00732187
PR: t05b22n43d0471

1074

MT800B SERIES TRACTORS
OPERATOR STATION

RADIO GP-DELUXE - 168-1970
12V HD AM/FM/WB/CAS/REMOTE/GRN BACKLIGHT
ROW AND SPECIAL APPLICATIONS



FWD

BOTTOM VIEW

00732192

**MT800B SERIES TRACTORS
OPERATOR STATION**

1075

**RADIO GP-DELUXE - 168-1970
12V HD AM/FM/WB/CAS/REMOTE/GRN BACKLIGHT
ROW AND SPECIAL APPLICATIONS**

ITEM	NUMBER	QTY	DESCRIPTION
-	168-1970	-	RADIO GP
1	CH136-5490	1	BUSHING
2	CH169-6325	1	RADIO GP
2A	CH192-7054	1	SLEEVE [A]
2B	CH142-9681	1	KNOB (RADIO VOLUME)
-	CH170-7251	1	CHANGER-CD [B]
-	400455X1	1	CONNECTOR [C]

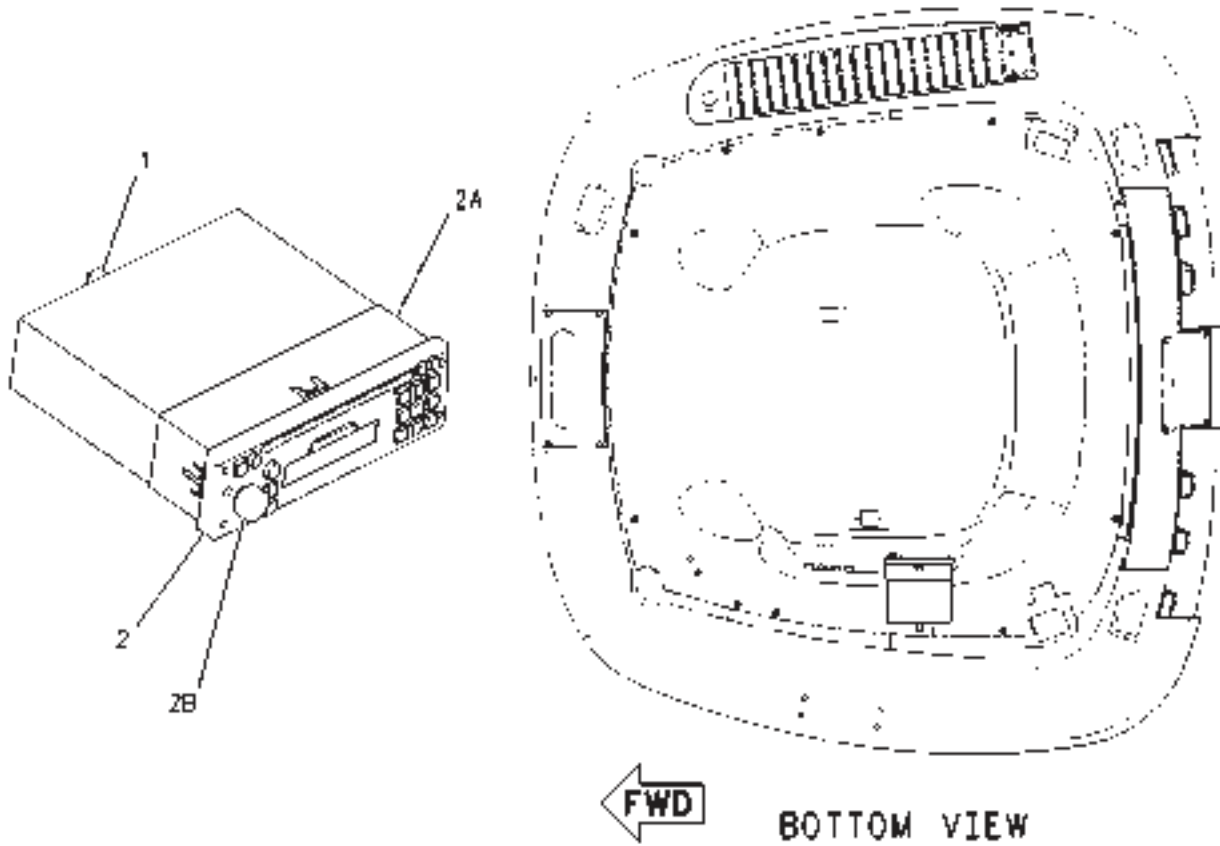
[A] FOR FRONT RADIO MOUNTING
[B] CD CHANGER WITH RADIO COMABIBLE
[C] MATING CONNECTOR REQUIRED TO
CONNECT RADIO

00732192
PR: t05b22n43d0472

1076

MT800B SERIES TRACTORS
OPERATOR STATION

RADIO GP-DELUXE CD - 170-5739
12V HD AM/FM/WB/CD/REMOTE/GRN BACKLIGHT
ROW AND SPECIAL APPLICATIONS



00732194

**MT800B SERIES TRACTORS
OPERATOR STATION**

1077

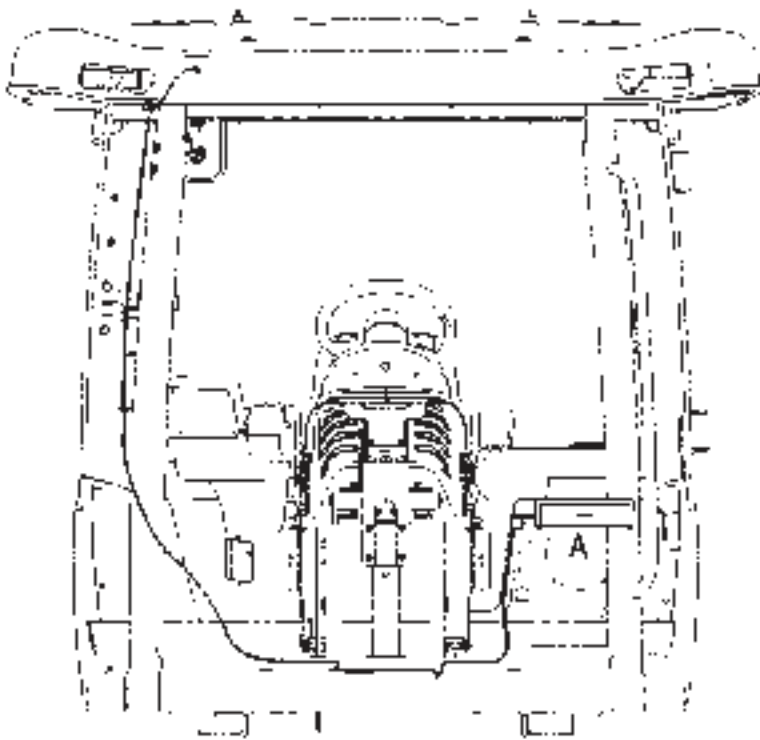
**RADIO GP-DELUXE CD - 170-5739
12V HD AM/FM/WB/CD/REMOTE/GRN BACKLIGHT
ROW AND SPECIAL APPLICATIONS**

ITEM	NUMBER	QTY	DESCRIPTION
-	170-5739	-	RADIO GP
1	CH136-5490	1	BUSHING
2	CH169-6326	1	RADIO GP
2A	CH192-7054	1	SLEEVE [A]
2B	CH142-9681	1	KNOB (RADIO VOLUME)
-	400455X1	1	CONNECTOR RADIO [B]
-	CH170-7251	1	CHANGER-CD [C]

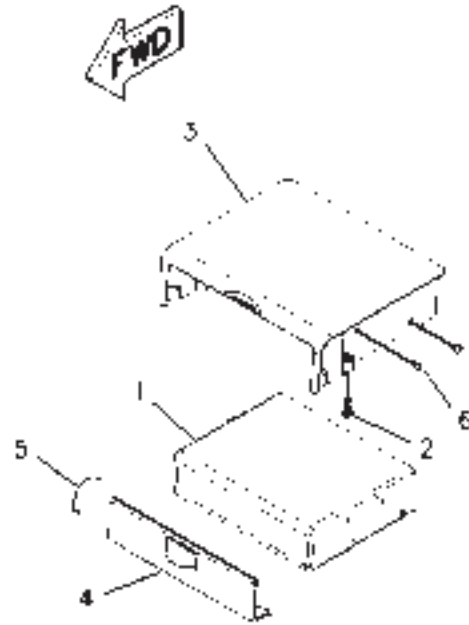
[A] FOR FRONT RADIO MOUNTING
[B] MATING CONNECTOR REQUIRED TO
CONNECT RADIO
[C] CD CHANGER COMPATIBLE WITH RADIO

00732194
PR: t05b22n43d0473

CHANGER GP-COMPACT DISC - 173-6507
ROW AND SPECIAL APPLICATIONS



FRONT VIEW



VIEW OF AREA A

MT800B SERIES TRACTORS
OPERATOR STATION

1079

CHANGER GP-COMPACT DISC - 173-6507
ROW AND SPECIAL APPLICATIONS

ITEM	NUMBER	QTY	DESCRIPTION
-	173-6507	-	CHANGER GP-COMPACT DISC
1	CH170-7251	1	CHANGER-COMPACT DISC [A]
	170-7253	1	MAGAZINE ASM-COMPACT DISC (6 DISC) [A] (NOT SHOWN, NOT PART OF THIS GROUP)
2	CH9X-2045	2	SCREW-TRUSS HEAD (M6X1X20MM)
3	172-6844	1	FRAME
4	172-6845	1	DOOR
5	CH172-6847	1	SPRING
6	CH7Y-7388	4	SCREW-BUTTON HEAD (M5X0.8X12MM)
-	400486X1	1	CONNECTOR CD CHANGER [B]

[A] CD MAGAZINE TO BE USED WITH
CD CHANGER

[B] MATING CONNECTOR REQUIRED TO
CONNECT TO CD CHANGER

00885053
PR: t05b22n43d0474

**MT800B SERIES TRACTORS
OPERATOR STATION**

1081

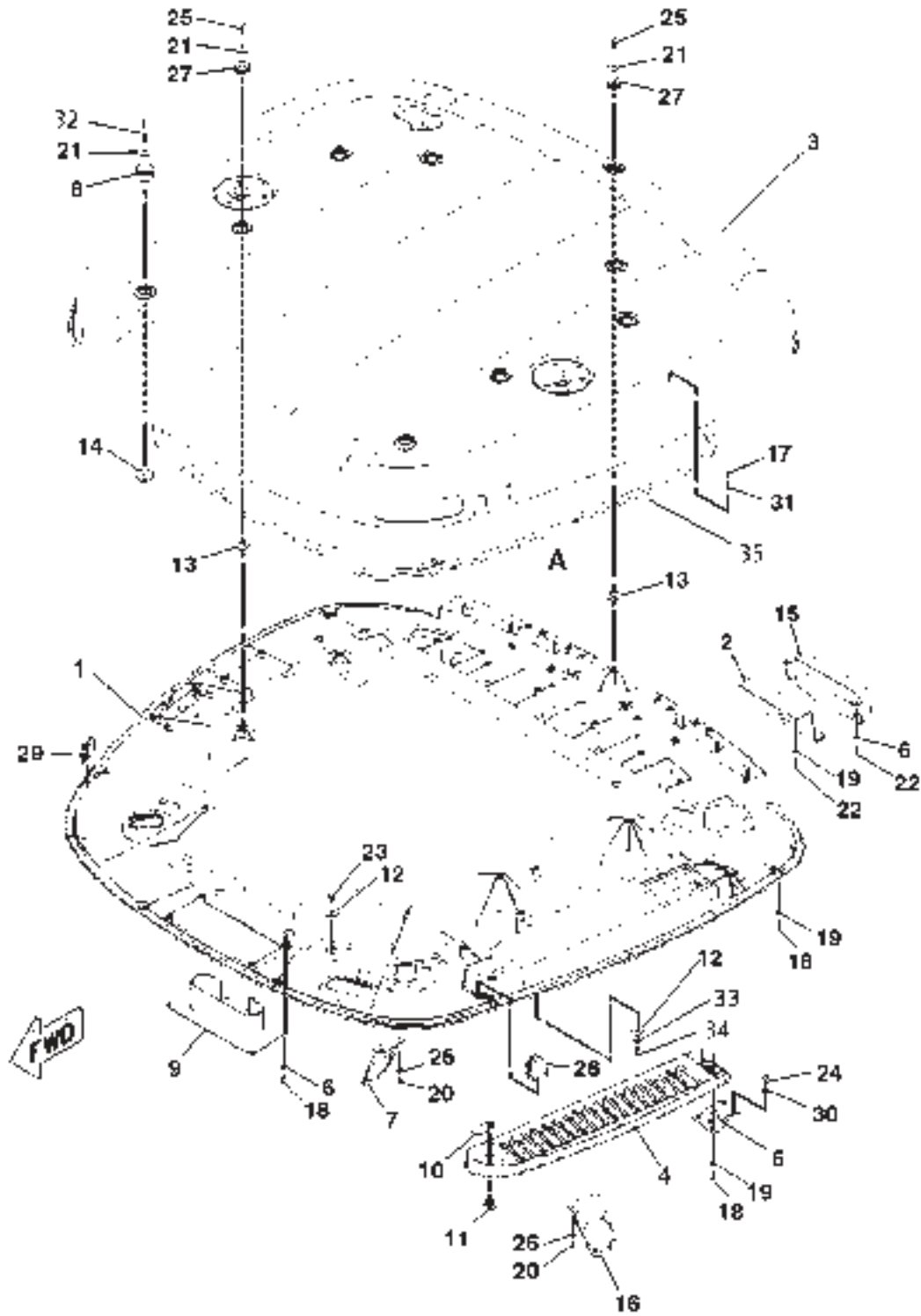
RADIO GP-AUTOGUIDE - 232-0869

ITEM	NUMBER	QTY	DESCRIPTION
-	232-0869	-	RADIO GP-AUTOGUIDE (NOT SERVICED)
1	CH7K-1181	7	STRAP-CABLE 0.19-4.00
2	219-4779	1	BRACKET
3	219-4796	2	BRACKET
4	221-2642	1	MOUNT AS.-RADIO
5	221-5389	1	HARNESS AS
6	500361D1	1	PLATE
7	500362D1	1	ANTENNA AS-FREEWAVE (INCL 7A & 7B)
7A	500364D1	1	WHIP
7B	500363D1	1	BASE
8	400300X1	4	NUT M6X1
9	400152X1	4	BOLT-M6X1X16MM ZNDI HHB 10.9
10	CH8T-4205	4	WASHER-HARD 7.2IDX14.5ODX2MM

2320869A
PR: t05b22n43d0475

MT800B SERIES TRACTORS
OPERATOR STATION

ROOF GP-CAB - 152-0417
ROW AND SPECIAL APPLICATIONS



**MT800B SERIES TRACTORS
OPERATOR STATION**

1083

**ROOF GP-CAB - 152-0417
ROW AND SPECIAL APPLICATIONS**

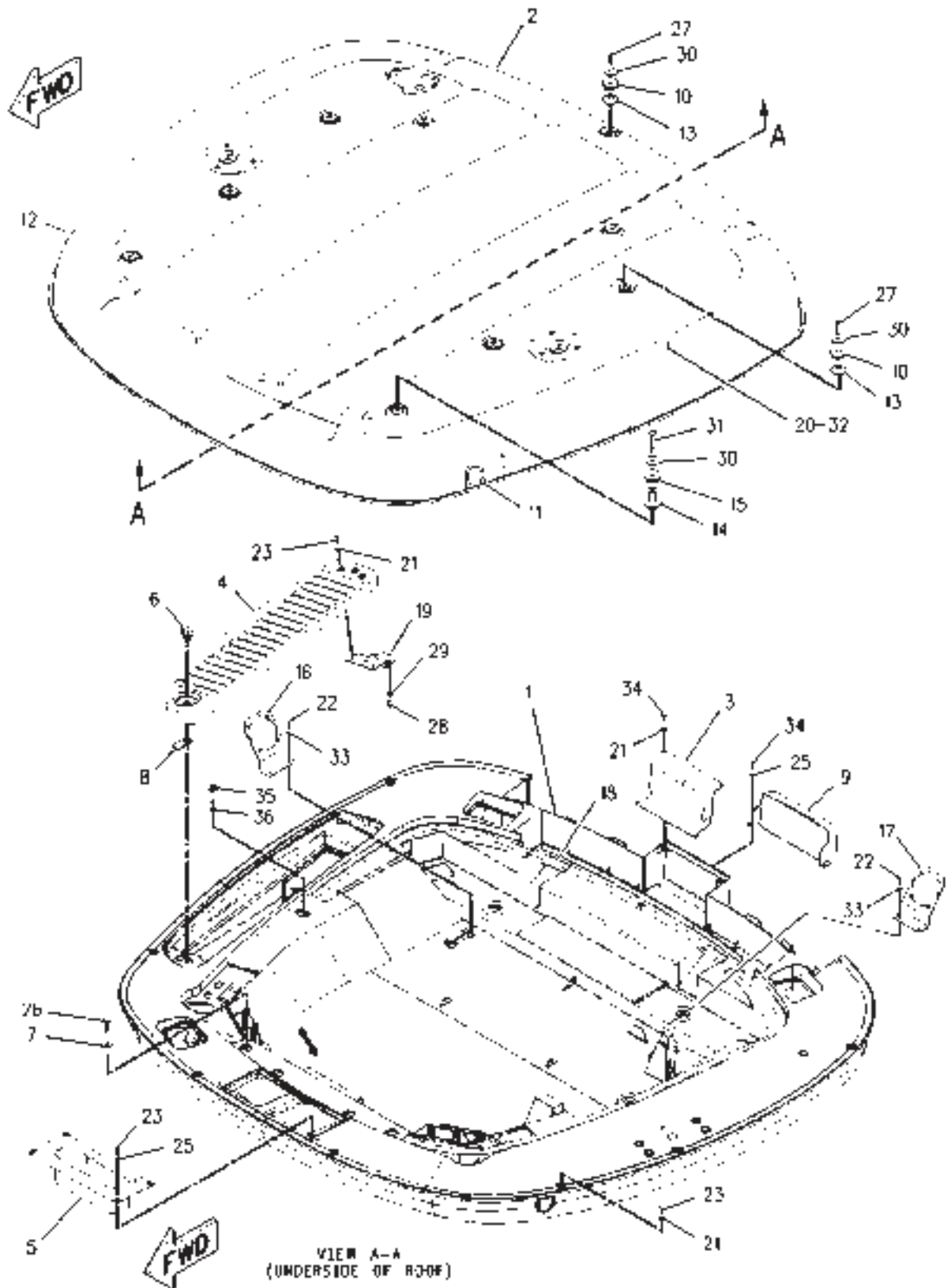
ITEM	NUMBER	QTY	DESCRIPTION
-	152-0417	-	ROOF GP-CAB [A] (NOT SERVICED)
1	152-0441	1	ROOF ASM (INNER)
	CH216-7617	14	INSERT (M6)
	CH222-4435	7	INSERT (M8X1.25)
2	162-6654	1	PLATE
3	162-6655	1	ROOF ASM (OUTER)
	CH216-7616	8	INSERT (M4)
	CH216-7617	7	INSERT (M6)
4	162-6693	1	DOOR-FILTER
5	CH195-2614	1	HINGE ASM
6	CH8T-4205	6	WASHER-HARD (7.2X14.5X2MM)
7	502322D1	1	BRACKET (REAR SPEAKER-RH)
8	CH195-2609	4	GROMMET
9	168-2284	1	COVER
10	CH179-3160	1	CAM-LATCH
11	CH174-6381	1	LATCH
12	400119X1	4	SPACER (13X44X5MM THK)
13	CH195-2607	5	SPACER
14	CH195-2608	4	SPACER
15	179-4203	1	COVER
16	502321D1	1	BRACKET (REAR SPEAKER-LH)
17	CH217-5909	1	SCREW-PAN HEAD (M6X1X16MM)
18	400048X1	14	BOLT (M6X1X20MM)
19	CH5P-4115	14	WASHER-HARD (7.2X19X2)
20	CH110-2028	4	SCREW-PAN HEAD (10-14X.75 IN)
21	CH8T-4226	9	WASHER-PLATED (10.5X45X3)
22	400152X1	6	BOLT (M6X1X16MM)
23	400040X1	2	BOLT (M10X1.5X20MM)
24	400227X1	2	BOLT (M8X1.25X16MM)
25	400042X1	5	BOLT (M8X1.25X35MM)
26	400310X1	4	WASHER (6.6X12X2)
27	CH195-2600	5	GROMMET
28	CH195-2601	1	GROMMET-LH
29	CH195-2602	1	GROMMET-RH
30	400339X1	2	WASHER-HARD (8.8X16X2)
31	CH196-2881	1	CLIP
32	400066X1	4	BOLT (M10X1.50X70MM)
33	400287X1	2	WASHER-HARD (11X21X2.5)
34	400058X1	2	BOLT (M10X1.5X30MM)
35	217-2214	1	INSULATION GP-WEATHER (NOT SERVICED) (SEE BREAKDOWN FOR COMPONENTS)

[A] PART OF 152-0012; 152-0013;
222-4146; 500763D1; 500764D1;
500765D1; 500767D1; 500843D1;
500844D1; 500849D1; 502662D1;
502667D1 CAB AR

0892132B
PR: t05b22n43d0476

MT800B SERIES TRACTORS
OPERATOR STATION

ROOF GP-CAB - 152-0444
EAME ONLY



**MT800B SERIES TRACTORS
OPERATOR STATION**

1085

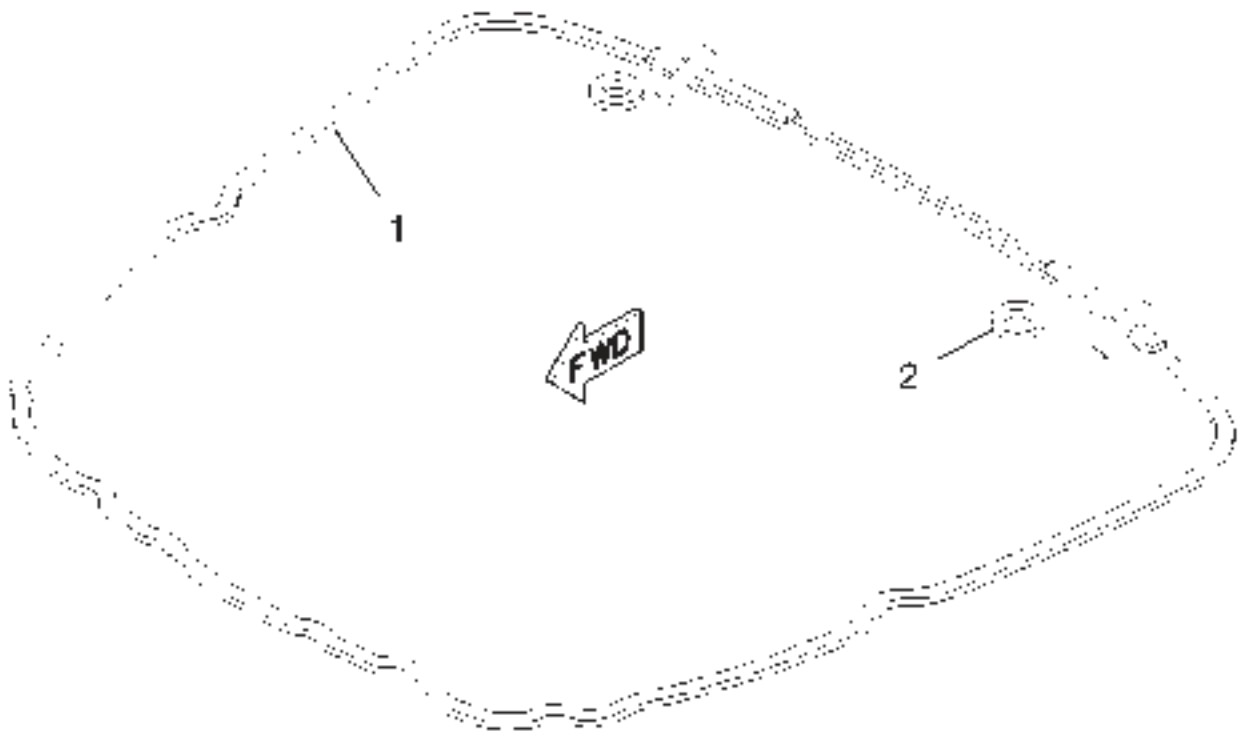
**ROOF GP-CAB - 152-0444
EAME ONLY**

ITEM	NUMBER	QTY	DESCRIPTION
-	152-0444	-	ROOF GP-CAB [A] (NOT SERVICED)
1	152-0441	1	ROOF AS (INNER)
2	162-4111	1	ROOF AS (OUTER)
3	162-6654	1	PLATE
4	162-6693	1	DOOR AS (FILTER)
5	168-2284	1	COVER
6	CH174-6381	1	LATCH AS
7	400119X1	4	SPACER (13X44X5MM THK)
8	CH179-3160	1	CAM-LATCH
9	179-4203	1	COVER
10	CH195-2600	5	GROMMET
11	CH195-2601	1	GROMMET-LH
12	CH195-2602	1	GROMMET-RH
13	CH195-2607	5	SPACER
14	CH195-2608	4	SPACER
15	CH195-2609	4	GROMMET
16	502321D1	1	BRACKET (REAR SPEAKER)(RH)
17	502322D1	1	BRACKET (REAR SPEAKER)(LH)
18	217-2214	1	INSULATION GP-WEATHER (NOT SERVICED) (SEE BREAKDOWN FOR COMPONENTS)
19	CH195-2614	1	HINGE AS
	400313X1	3	NUT-WELD (M6X1 THD)
20	CH196-2881	1	CLIP
21	CH5P-4115	14	WASHER-HARD (7.2X19X2MM THK)
22	CH110-2028	4	SCREW-PAN HEAD (10-14X.75 IN)
23	400048X1	14	BOLT (M6X1.0X20MM)
24			NOT USED
25	CH8T-4205	6	WASHER-HARD (7.2X14.5X2MM THK)
26	400040X1	4	BOLT (M10X1.5X20MM)
27	400042X1	5	BOLT (M8X1.25X35MM)
28	400227X1	2	BOLT (M8X1.25X16MM)
29	400339X1	2	WASHER-HARD (8.8X16X2MM THK)
30	CH8T-4226	9	WASHER-PLATED (10.5X45X3MM THK)
31	400066X1	4	BOLT (M10X1.50X70MM)
32	CH217-5909	1	SCREW-PAN HEAD (1/4-15X12.7)
33	400310X1	4	WASHER (6.6X12X2MM THK)
34	400152X1	6	BOLT (M6X1X16MM)
35	400287X1	2	WASHER-HARD (11X21X2.5MM THK)
36	400058X1	2	BOLT (M10X1.5X30MM)

[A] PART OF 152-0008; 152-0009;
500841D1 CAB AR

1520444B
PR: t05b22n43d0477

INSULATION GP-WEATHER - 217-2214



**MT800B SERIES TRACTORS
OPERATOR STATION**

1087

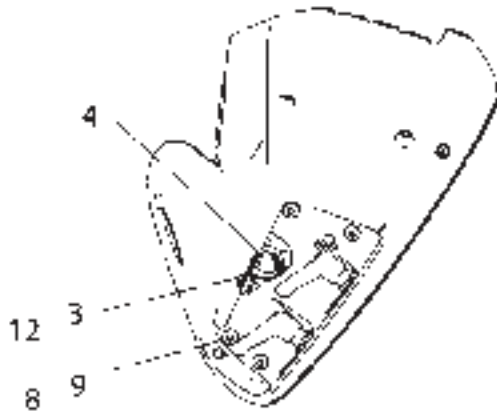
INSULATION GP-WEATHER - 217-2214

ITEM	NUMBER	QTY	DESCRIPTION
-	217-2214	-	INSULATION GP-WEATHER [A] (NOT SERVICED)
1	217-2130	1	SEAL (7620LX24WX12THK ADH BACK)
2	217-2131	2	SEAL (38IDX36ODX12THK ADH BACK)

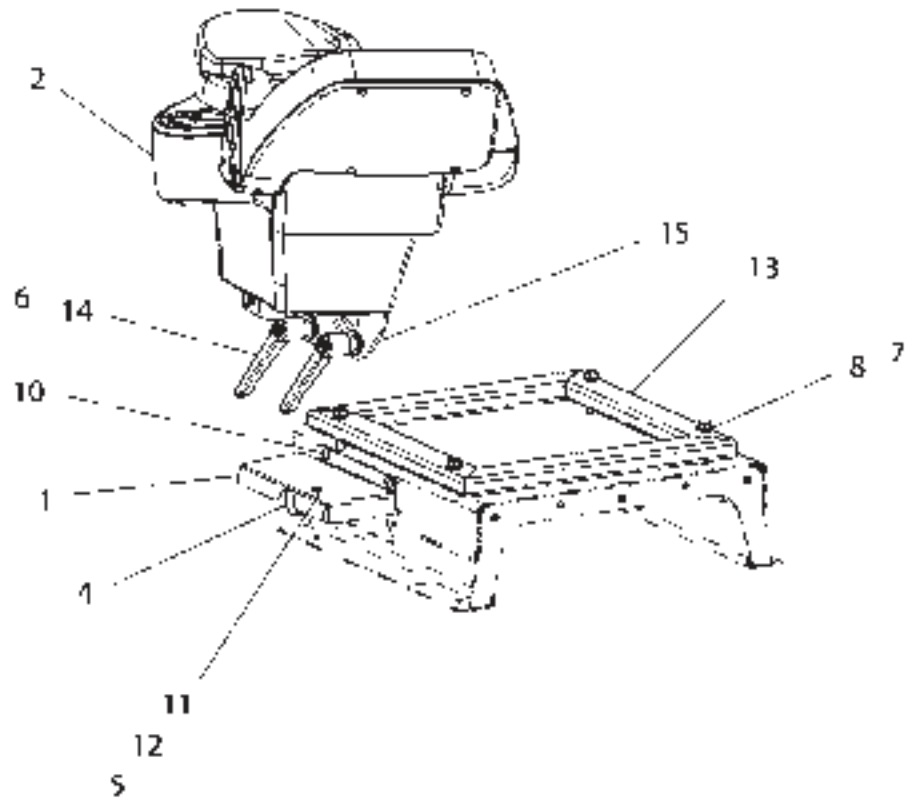
[A] PART OF 152-0417; 152-0444 CAB AR

2172214C
PR: t05b22n43d0478

CONSOLE GP-MTG - 500839D1



VIEW OF UNDERSIDE OF ARMREST



**MT800B SERIES TRACTORS
OPERATOR STATION**

1089

CONSOLE GP-MTG - 500839D1

ITEM	NUMBER	QTY	DESCRIPTION
-	500839D1	-	CONSOLE GP-MOUNTING [A] (NOT SERVICED)
1	178-7952	1	BRACKET-ARMREST
2	152-0434	1	CONSOLE GP-OPERATOR (NOT SERVICED) (SEE BREAKDOWN FOR COMPONENTS)
3	CH3E-8020	1	SCREW-M6X1X25 ORG TORX
4	CH4D-7388	2	CLIP-LOOP 34.9 ID
5	400300X1	1	NUT M6X1
6	CH5P-8247	4	WASHER-HARD 17IDX32ODX3.5MM
7	400161X1	4	BOLT-M10X1.5X50 PH&O HHD 10.9
8	CH6V-5839	8	WASHER-HARD 11IDX21ODX2.5MM
9	CH9X-2039	4	SCREW-M10X1.5X35 ORG TORX
10	CH9X-2044	2	SCREW-M6X1X16MM TRUSS HEAD
11	CH9X-2045	1	SCREW-M6X1X20 MM ORG TORX T30
12	CH9X-6165	2	WASHER-6.5IDX22ODX2.5MM
13	500483D1	1	SUPPORT AS
14	500854D1	2	LEVER
15	219-9656	1	BRACKET AS.-ARMREST

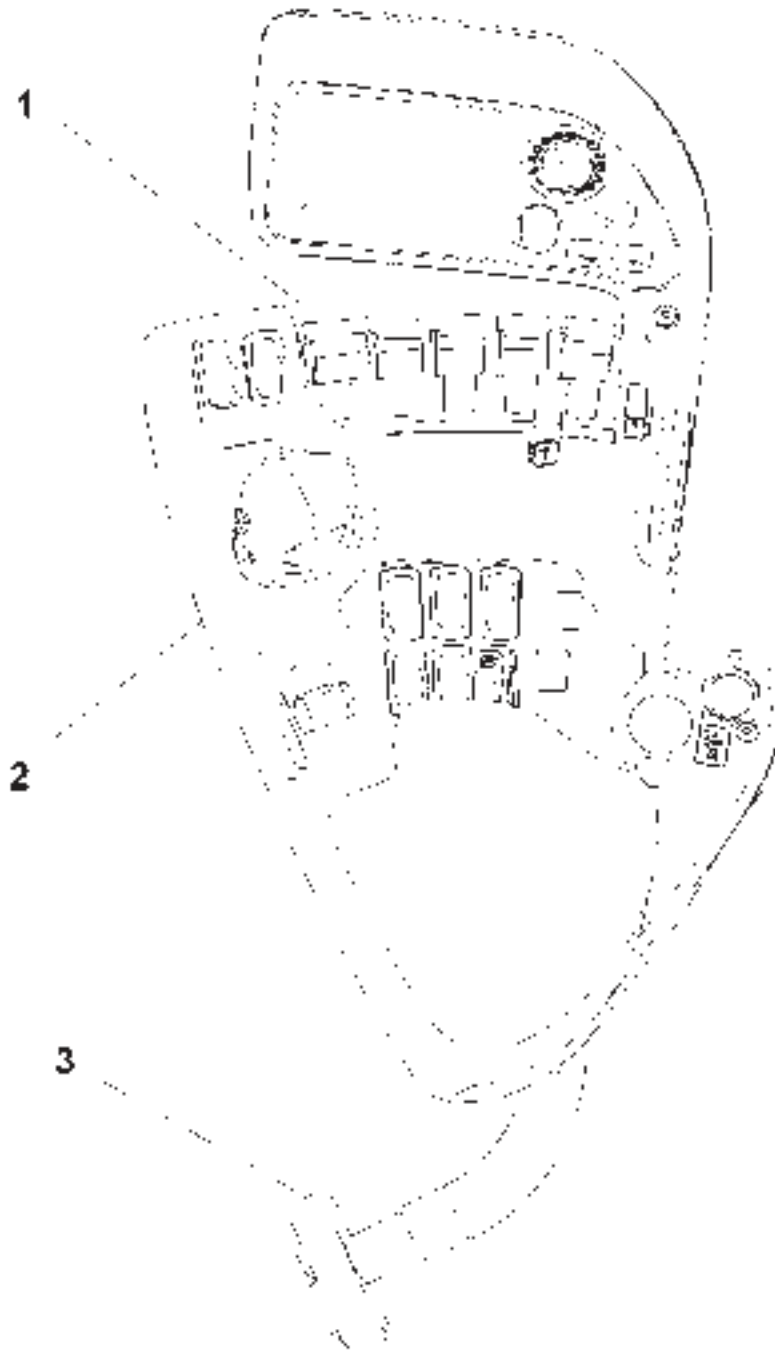
PART OF 500841D1 CAB AR

500839DC
PR: t05b22n43d0479

1090

MT800B SERIES TRACTORS
OPERATOR STATION

ARMREST GP - 500484D2
4 IMP W/PTO-W/O HTCH



500484D2

**MT800B SERIES TRACTORS
OPERATOR STATION**

1091

**ARMREST GP - 500484D2
4 IMP W/PTO-W/O HTCH**

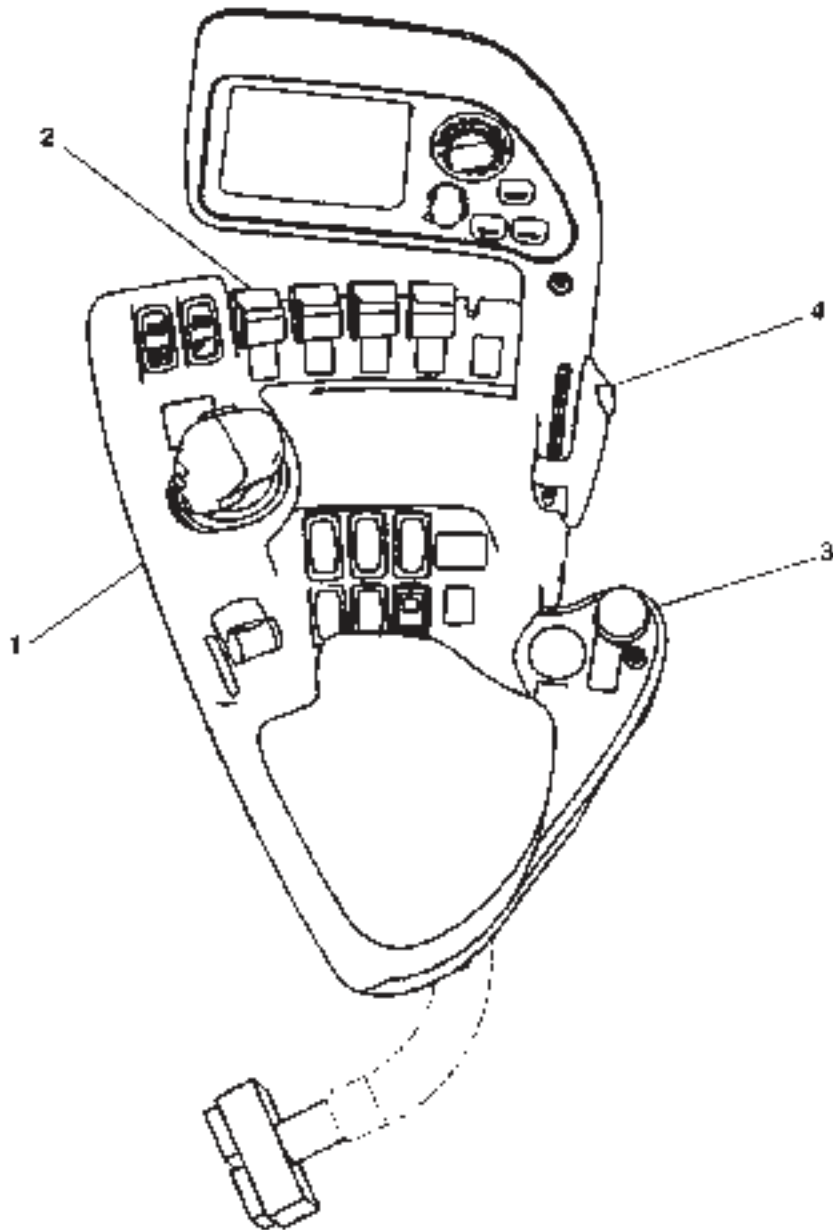
ITEM	NUMBER	QTY	DESCRIPTION
-	500484D2	-	ARMREST GP (NOT SERVICED)
1	152-0434	1	CONSOLE GP-OPERATOR (A) (NOT SERVICED) (SEE BREAKDOWN FOR COMPONENTS)
2	152-0443	1	CONTROL GP (NOT SERVICED) (SEE BREAKDOWN FOR COMPONENTS)
3	166-1211	1	WIRING GP-ARMREST (NOT SERVICED) (SEE BREAKDOWN FOR COMPONENTS)

500484D2
PR: t05b22n43d0480

1092

MT800B SERIES TRACTORS
OPERATOR STATION

ARMREST GP - 500485D2
4 IMP W/PTO-W/HITCH



500485DA

**MT800B SERIES TRACTORS
OPERATOR STATION**

1093

**ARMREST GP - 500485D2
4 IMP W/PTO-W/HITCH**

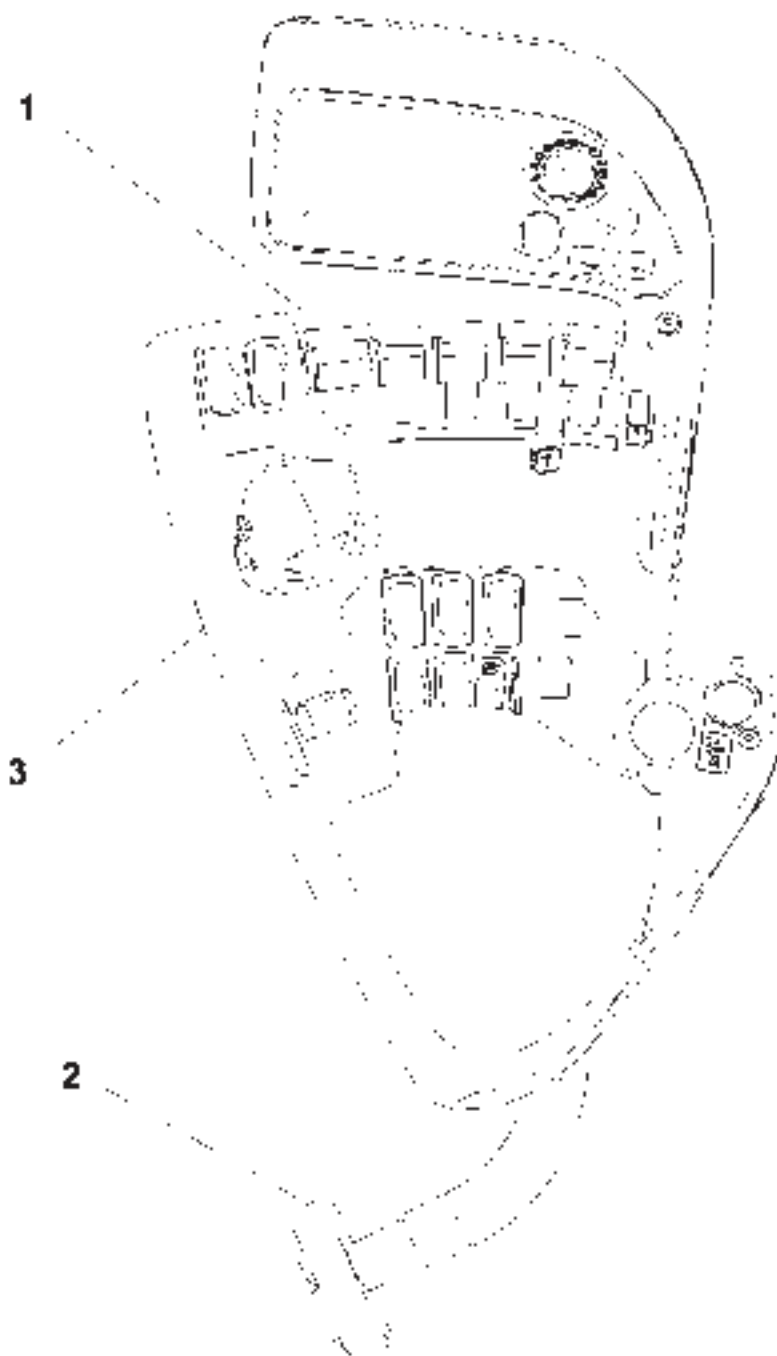
ITEM	NUMBER	QTY	DESCRIPTION
-	500485D2	-	ARMREST GP (NOT SERVICED)
1	152-0434	1	CONSOLE GP-OPERATOR (A) (NOT SERVICED) (SEE BREAKDOWN FOR COMPONENTS)
2	152-0443	1	CONTROL GP (NOT SERVICED) (SEE BREAKDOWN FOR COMPONENTS)
3	166-1211	1	WIRING GP-B (NOT SERVICED) (SEE BREAKDOWN FOR COMPONENTS)
4	152-0445	1	CONTROL GP-HITCH (NOT SERVICED) (SEE BREAKDOWN FOR COMPONENTS)

500485DA
PR: t05b22n43d0481

1094

MT800B SERIES TRACTORS
OPERATOR STATION

ARMREST GP - 500486D2
4 IMP W/O PTO-W/O HITCH



500486D2

**MT800B SERIES TRACTORS
OPERATOR STATION**

1095

**ARMREST GP - 500486D2
4 IMP W/O PTO-W/O HITCH**

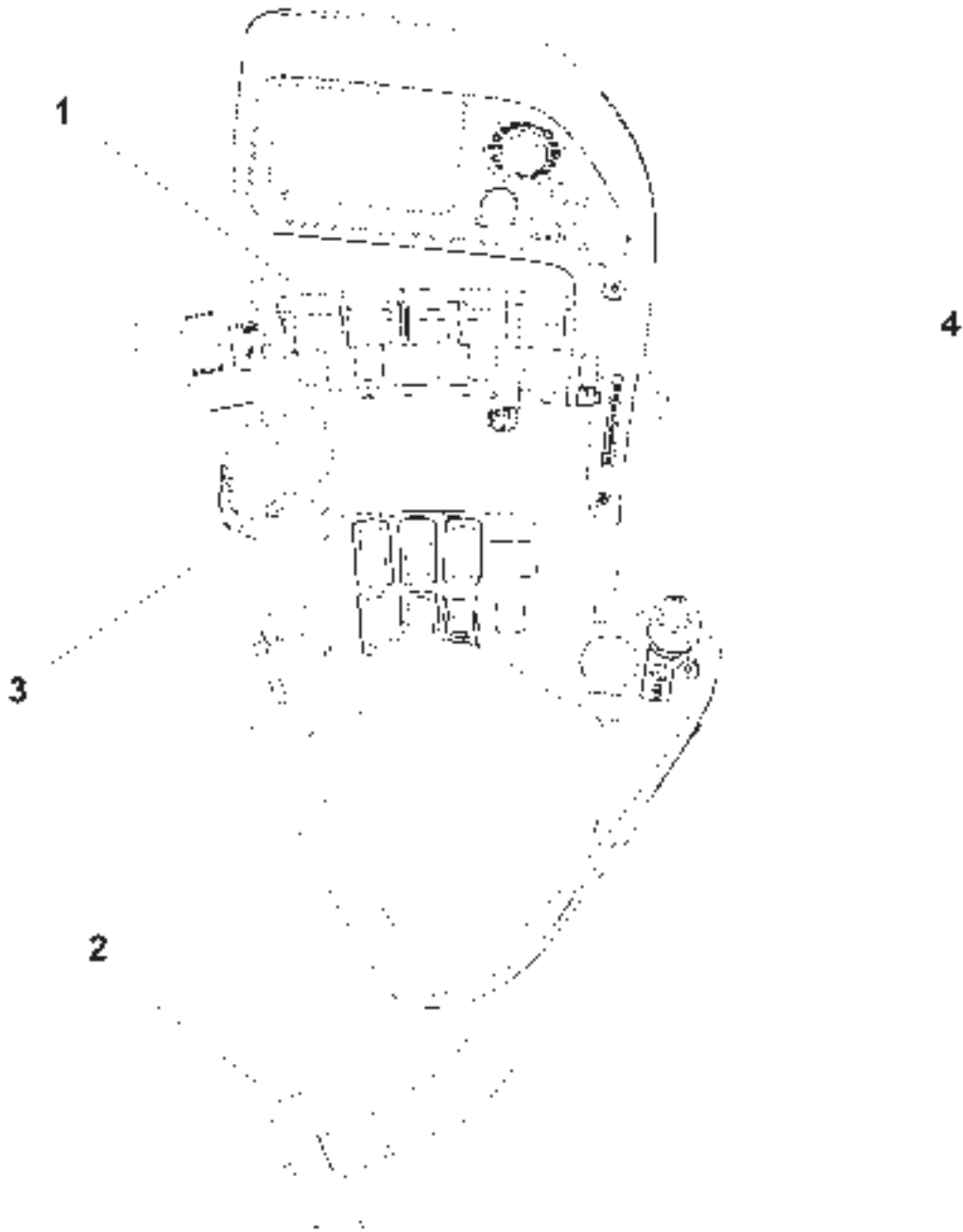
ITEM	NUMBER	QTY	DESCRIPTION
-	500486D2	-	ARMREST GP (NOT SERVICED)
1	152-0443	1	CONTROL GP (NOT SERVICED) (SEE BREAKDOWN FOR COMPONENTS)
2	136-5477	1	WIRING GP-ARMREST (NOT SERVICED) (SEE BREAKDOWN FOR COMPONENTS)
3	152-0434	1	CONSOLE GP-OPERATOR (A) (NOT SERVICED) (SEE BREAKDOWN FOR COMPONENTS)

500486D2
PR: t05b22n43d0482

1096

MT800B SERIES TRACTORS
OPERATOR STATION

ARMREST GP - 500487D2
4 IMP W/O PTO-W/HITCH



500487D2

**MT800B SERIES TRACTORS
OPERATOR STATION**

1097

**ARMREST GP - 500487D2
4 IMP W/O PTO-W/HITCH**

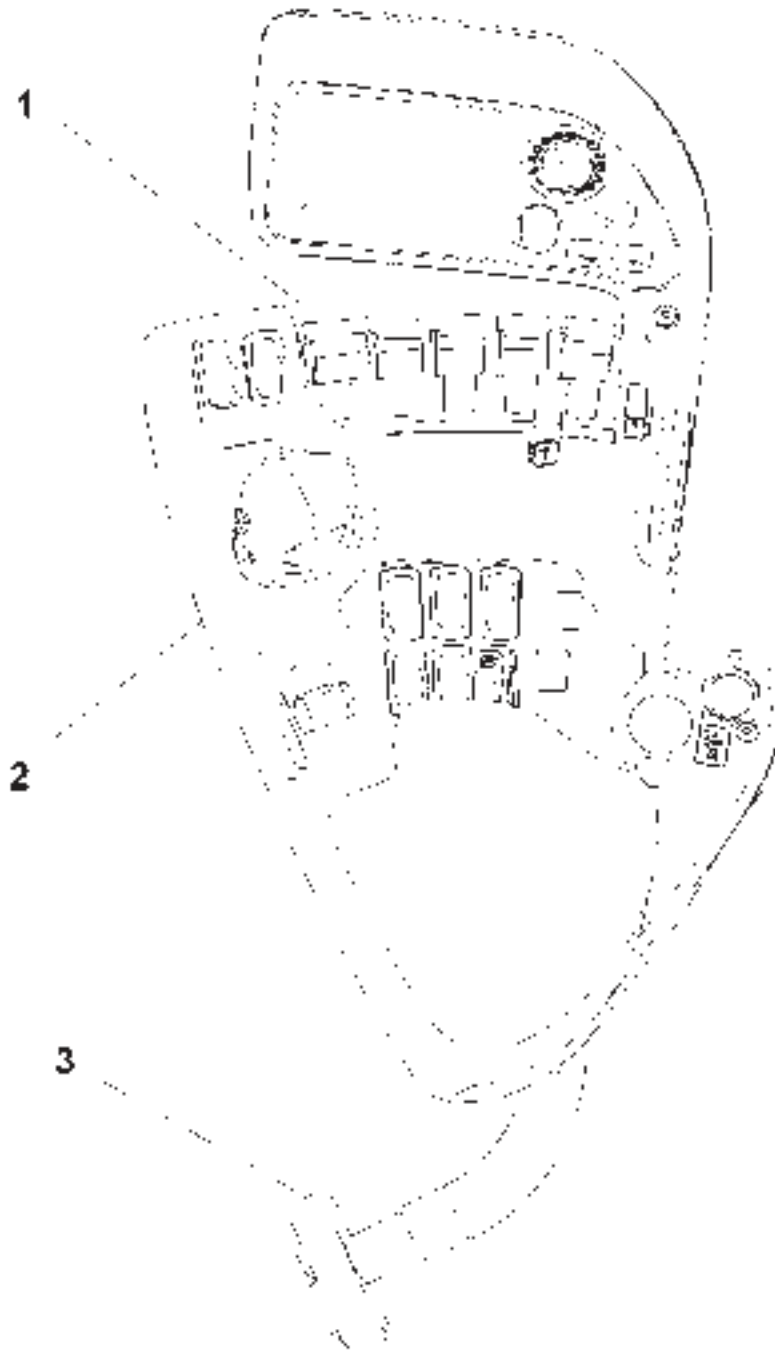
ITEM	NUMBER	QTY	DESCRIPTION
-	500487D2	-	ARMREST GP (NOT SERVICED)
1	152-0443	1	CONTROL GP (NOT SERVICED) (SEE BREAKDOWN FOR COMPONENTS)
2	136-5477	1	WIRING GP-ARMREST (NOT SERVICED) (SEE BREAKDOWN FOR COMPONENTS)
3	152-0434	1	CONSOLE GP-OPERATOR (A) (NOT SERVICED) (SEE BREAKDOWN FOR COMPONENTS)
4	152-0445	1	CONTROL GP-HITCH (NOT SERVICED) (SEE BREAKDOWN FOR COMPONENTS)

500487D2
PR: t05b22n43d0483

1098

MT800B SERIES TRACTORS
OPERATOR STATION

ARMREST GP - 500488D2
5 IMP W/PTO-W/O HITCH



500488D2

**MT800B SERIES TRACTORS
OPERATOR STATION**

1099

**ARMREST GP - 500488D2
5 IMP W/PTO-W/O HITCH**

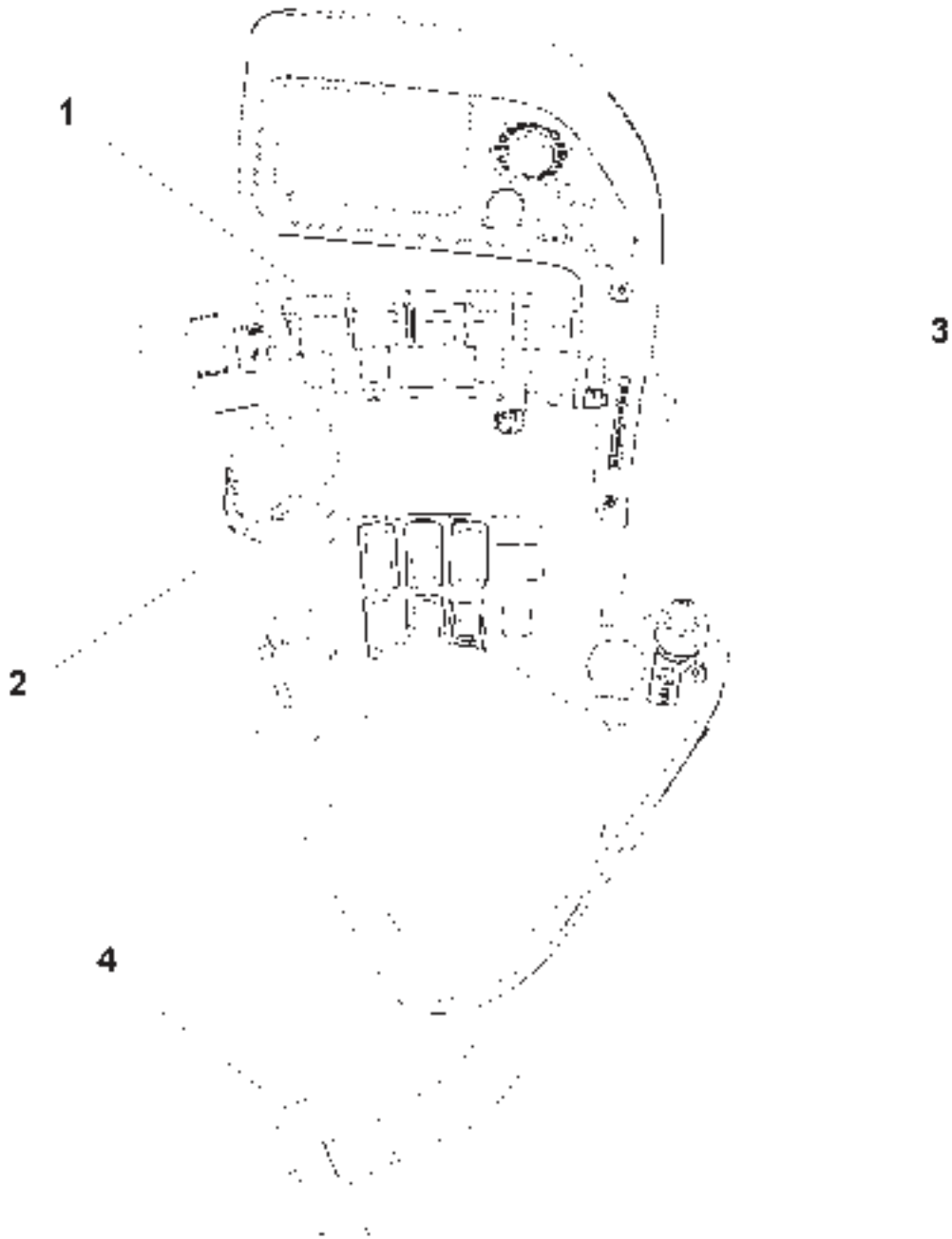
ITEM	NUMBER	QTY	DESCRIPTION
-	500488D2	-	ARMREST GP (NOT SERVICED)
1	166-4590	1	CONTROL GP (NOT SERVICED) (SEE BREAKDOWN FOR COMPONENTS)
2	152-0434	1	CONSOLE GP-OPERATOR (A) (NOT SERVICED) (SEE BREAKDOWN FOR COMPONENTS)
3	166-1211	1	WIRING GP-ARMREST (NOT SERVICED) (SEE BREAKDOWN FOR COMPONENTS)

500488D2
PR: t05b22n43d0484

1100

MT800B SERIES TRACTORS
OPERATOR STATION

ARMREST GP - 500489D2
5 IMP W/PTO-W/HTCH



500489D2

**MT800B SERIES TRACTORS
OPERATOR STATION**

1101

**ARMREST GP - 500489D2
5 IMP W/PTO-W/HTCH**

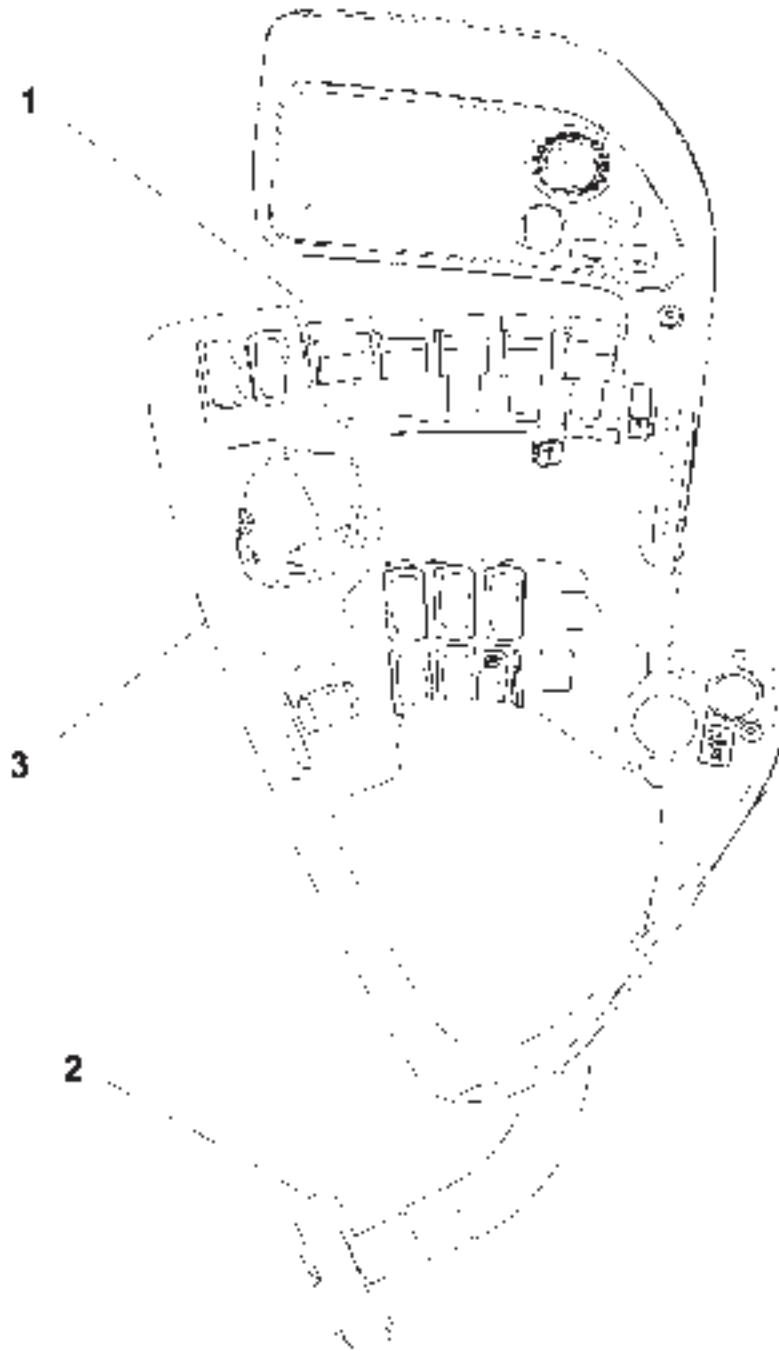
ITEM	NUMBER	QTY	DESCRIPTION
-	500489D2	-	ARMREST GP (NOT SERVICED)
1	166-4590	1	CONTROL GP (NOT SERVICED) (SEE BREAKDOWN FOR COMPONENTS)
2	152-0434	1	CONSOLE GP-OPERATOR (A) (NOT SERVICED) (SEE BREAKDOWN FOR COMPONENTS)
3	152-0445	1	CONTROL GP-HITCH (NOT SERVICED) (SEE BREAKDOWN FOR COMPONENTS)
4	166-1211	1	WIRING GP-ARMREST (NOT SERVICED) (SEE BREAKDOWN FOR COMPONENTS)

500489D2
PR: t05b22n43d0485

1102

MT800B SERIES TRACTORS
OPERATOR STATION

ARMREST GP - 500490D2
5 IMP W/O PTO-W/O HITCH



500490D2

**MT800B SERIES TRACTORS
OPERATOR STATION**

1103

**ARMREST GP - 500490D2
5 IMP W/O PTO-W/O HITCH**

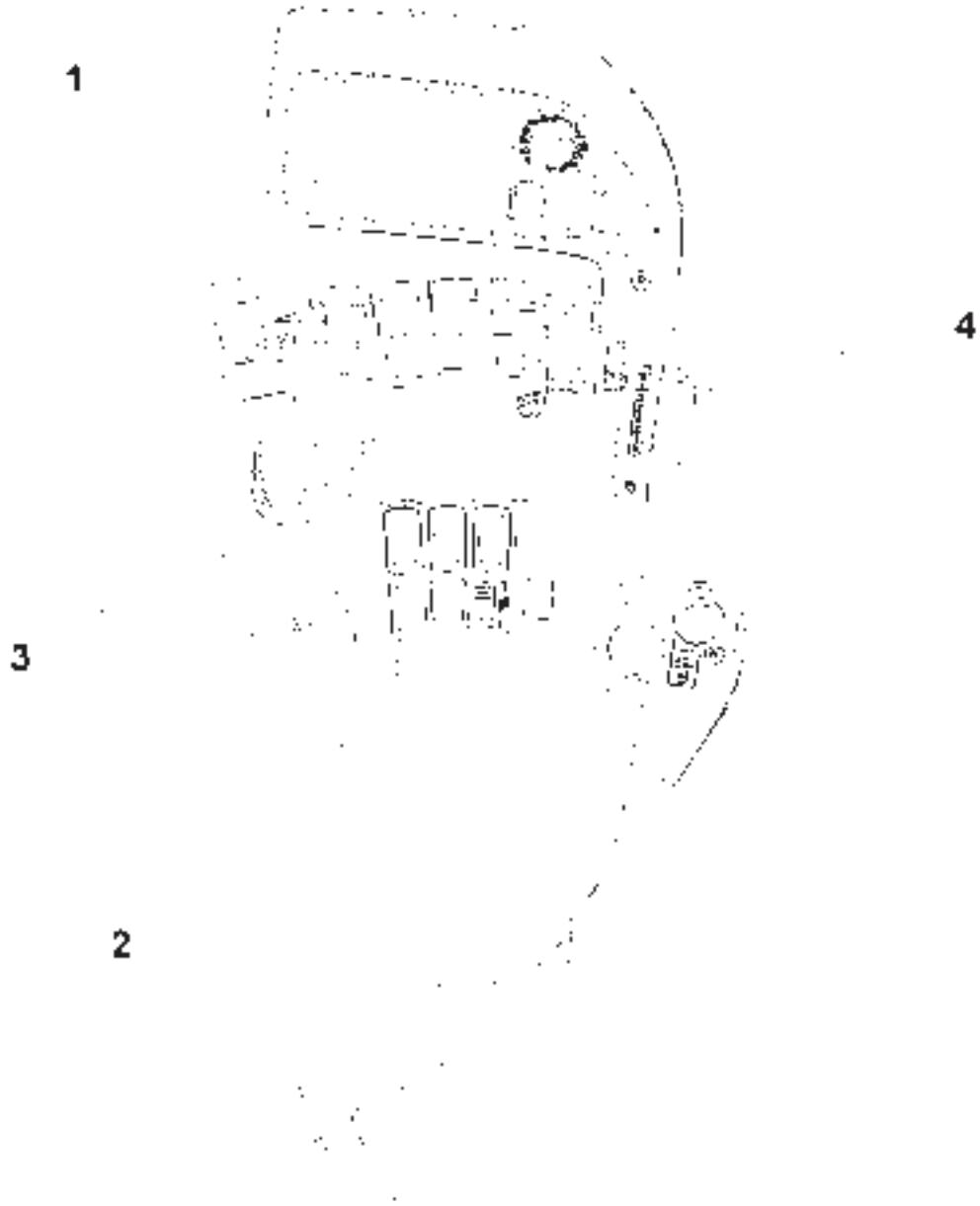
ITEM	NUMBER	QTY	DESCRIPTION
-	500490D2	-	ARMREST GP (NOT SERVICED)
1	166-4590	1	CONTROL GP (NOT SERVICED, (SEE BREAKDOWN FOR COMPONENTS)
2	136-5477	1	WIRING GP-ARMREST (NOT SERVICED) (SEE BREAKDOWN FOR COMPONENTS)
3	152-0434	1	CONSOLE GP-OPERATOR (A) (NOT SERVICED) (SEE BREAKDOWN FOR COMPONENTS)

500490D2
PR: t05b22n43d0486

1104

MT800B SERIES TRACTORS
OPERATOR STATION

ARMREST GP - 500491D2
5 IMP W/O PTO-W/HITCH



500491D2

**MT800B SERIES TRACTORS
OPERATOR STATION**

1105

**ARMREST GP - 500491D2
5 IMP W/O PTO-W/HITCH**

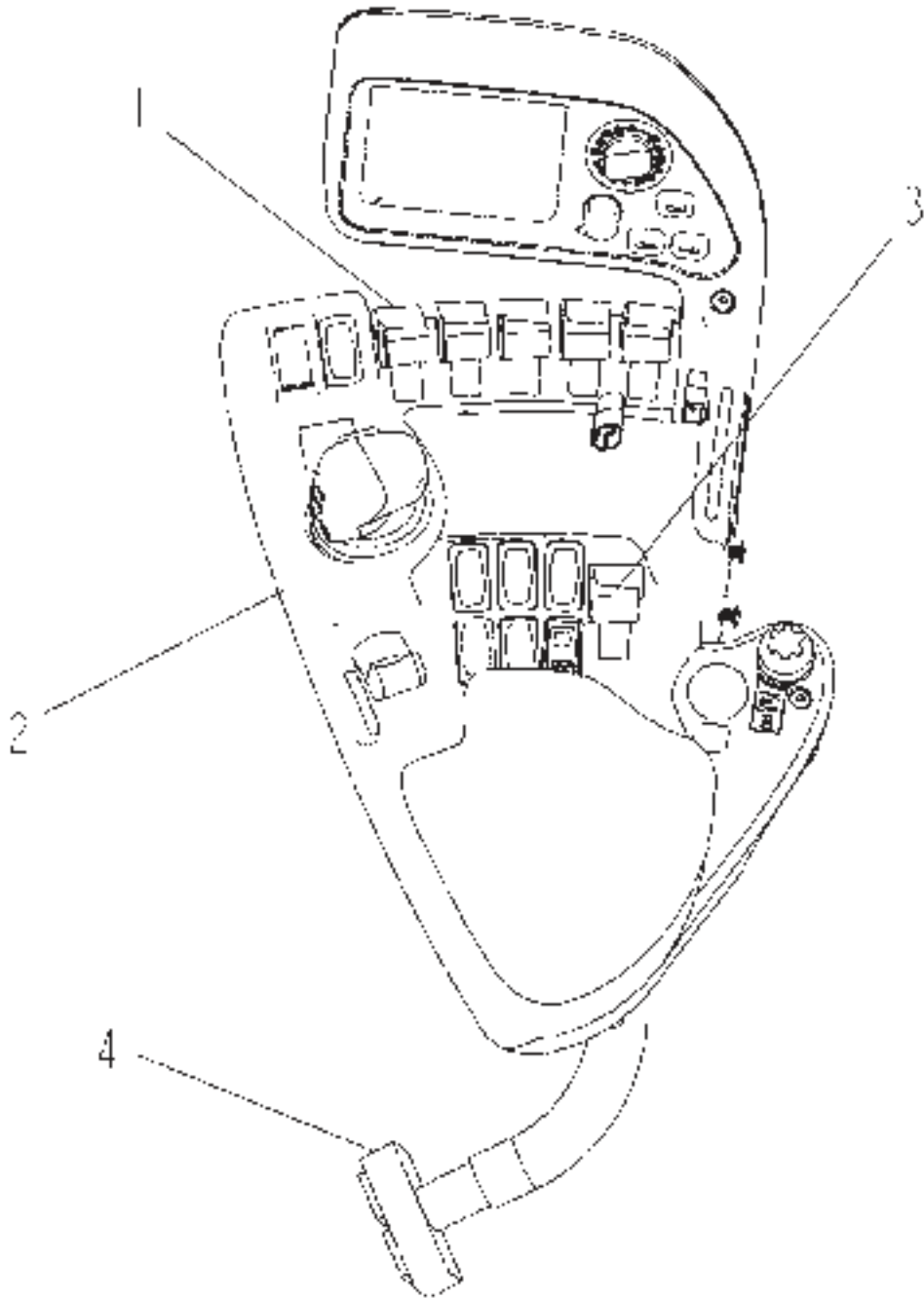
ITEM	NUMBER	QTY	DESCRIPTION
-	500491D2	-	ARMREST GP (NOT SERVICED)
1	166-4590	1	CONTROL GP (NOT SERVICED) (SEE BREAKDOWN FOR COMPONENTS)
2	136-5477	1	WIRING GP-ARMREST (NOT SERVICED) (SEE BREAKDOWN FOR COMPONENTS)
3	152-0434	1	CONSOLE GP-OPERATOR (A) (NOT SERVICED) (SEE BREAKDOWN FOR COMPONENTS)
4	152-0445	1	CONTROL GP-HITCH (NOT SERVICED) (SEE BREAKDOWN FOR COMPONENTS)

500491D2
PR: t05b22n43d0487

1106

MT800B SERIES TRACTORS
OPERATOR STATION

ARMREST GP - 500791D2
6 IMP W/PTO-W/O HITCH



500791DB

**MT800B SERIES TRACTORS
OPERATOR STATION**

1107

**ARMREST GP - 500791D2
6 IMP W/PTO-W/O HITCH**

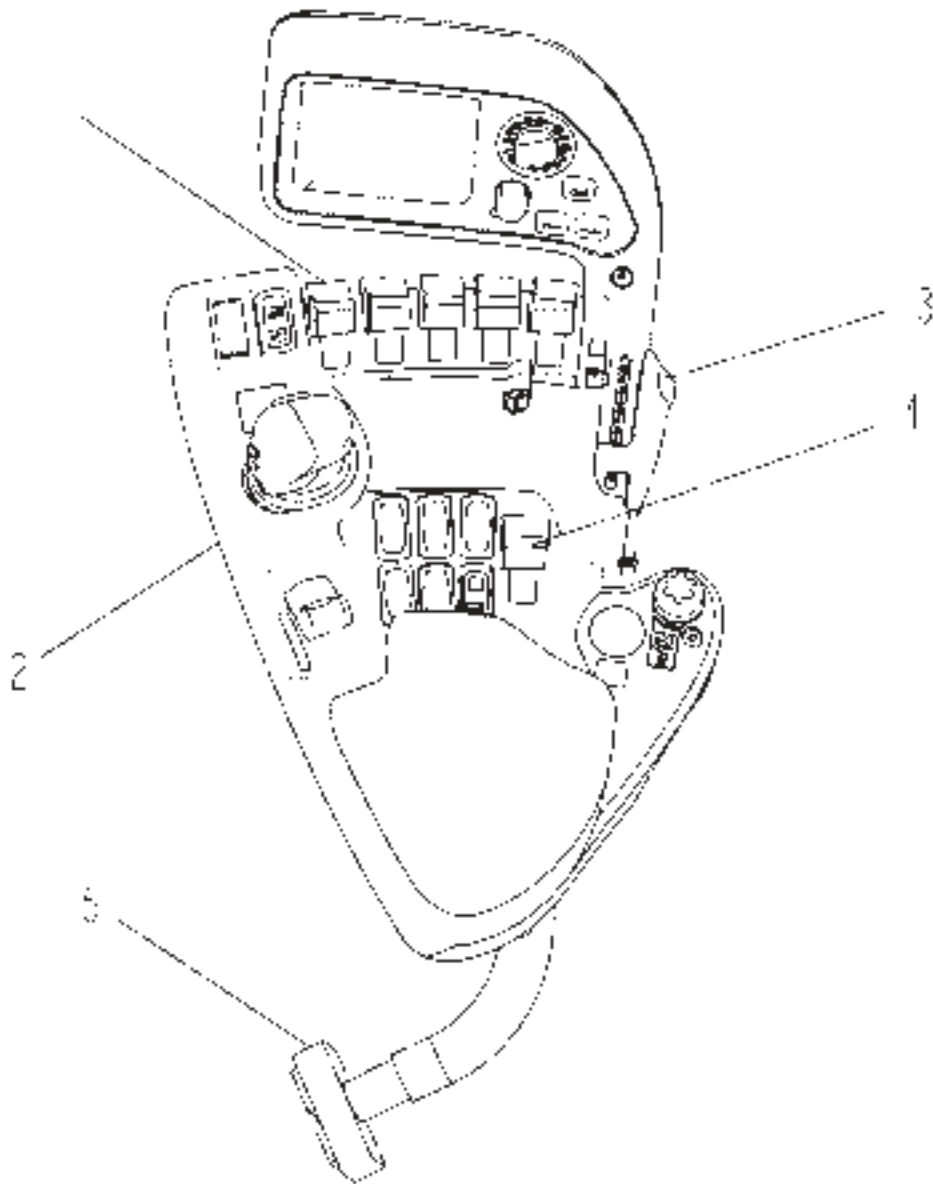
ITEM	NUMBER	QTY	DESCRIPTION
-	500791D2	-	ARMREST GP (NOT SERVICED)
1	166-4590	1	CONTROL GP (NOT SERVICED) (SEE BREAKDOWN FOR COMPONENTS)
2	152-0434	1	CONSOLE GP-OPERATOR (A) (NOT SERVICED) (SEE BREAKDOWN FOR COMPONENTS)
3	152-0448	1	CONTROL GP (NOT SERVICED) (SEE BREAKDOWN FOR COMPONENTS)
4	166-1211	1	WIRING GP-ARMREST (NOT SERVICED) (SEE BREAKDOWN FOR COMPONENTS)

500791DB
PR: t05b22n43d0488

1108

MT800B SERIES TRACTORS
OPERATOR STATION

ARMREST GP - 500792D2
6 IMP W/PTO-W/HITCH



500792DB

**MT800B SERIES TRACTORS
OPERATOR STATION**

1109

**ARMREST GP - 500792D2
6 IMP W/PTO-W/HITCH**

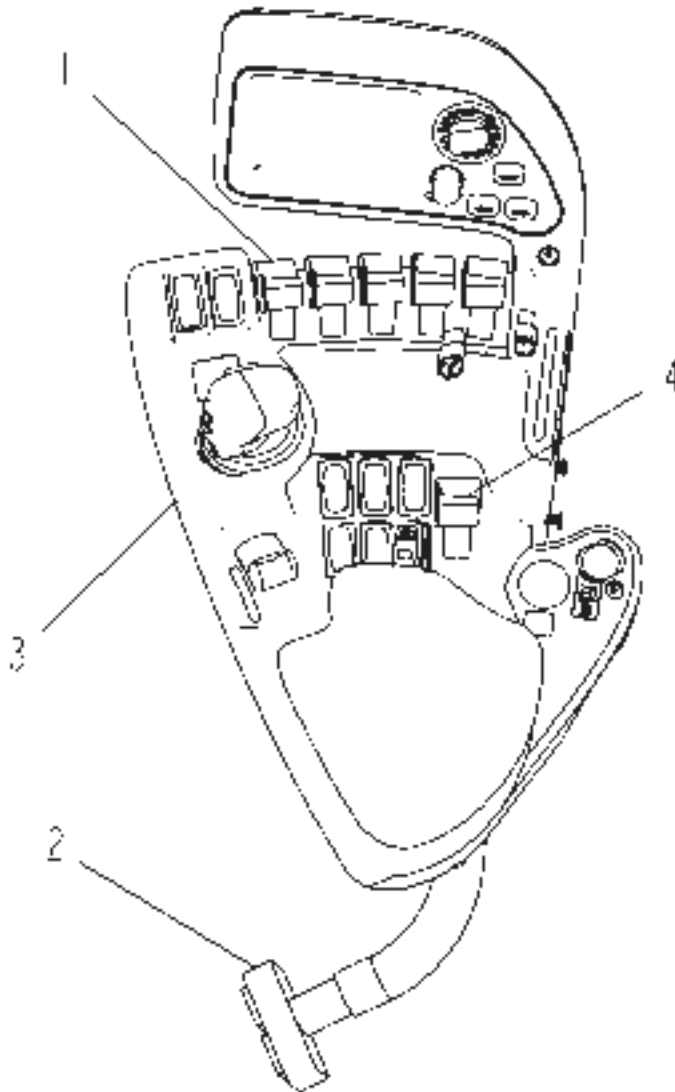
ITEM	NUMBER	QTY	DESCRIPTION
-	500792D2	-	ARMREST GP (NOT SERVICED)
1	166-4590	1	CONTROL GP (NOT SERVICED) (SEE BREAKDOWN FOR COMPONENTS)
2	152-0434	1	CONSOLE GP-OPERATOR (A) (NOT SERVICED) (SEE BREAKDOWN FOR COMPONENTS)
3	152-0445	1	CONTROL GP-HITCH (NOT SERVICED) (SEE BREAKDOWN FOR COMPONENTS)
4	152-0448	1	CONTROL GP (NOT SERVICED) (SEE BREAKDOWN FOR COMPONENTS)
5	166-1211	1	WIRING GP-ARMREST (NOT SERVICED) (SEE BREAKDOWN FOR COMPONENTS)

500792DB
PR: t05b22n43d0489

1110

MT800B SERIES TRACTORS
OPERATOR STATION

ARMREST GP - 500793D2
6 IMP W/O PTO-W/O HITCH



500793D2

**MT800B SERIES TRACTORS
OPERATOR STATION**

1111

**ARMREST GP - 500793D2
6 IMP W/O PTO-W/O HITCH**

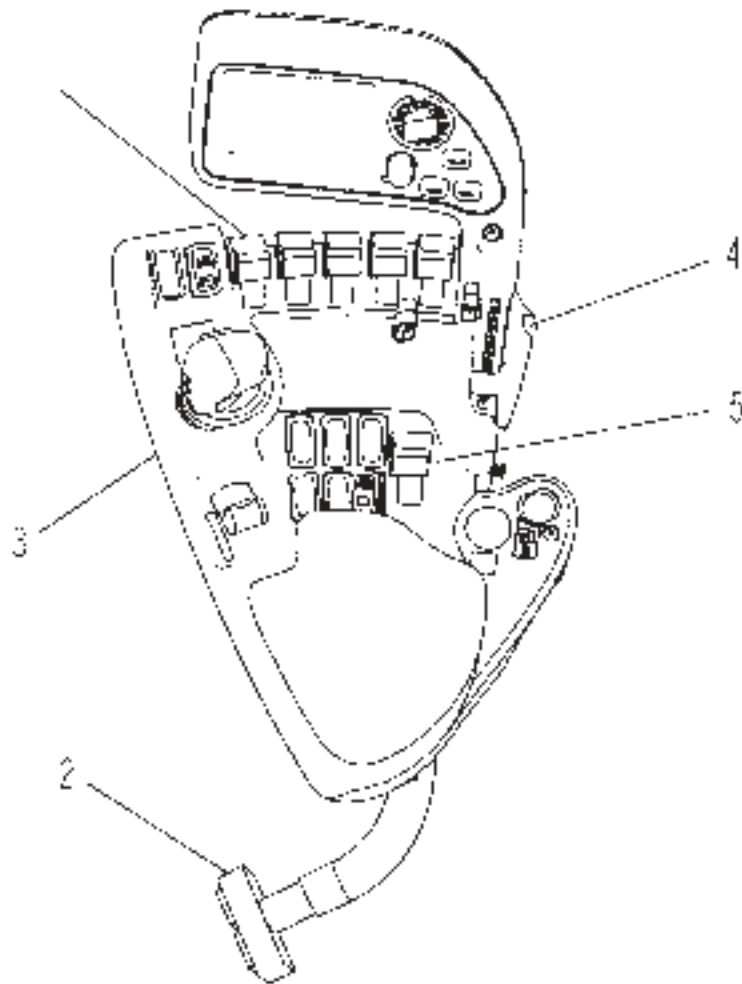
ITEM	NUMBER	QTY	DESCRIPTION
-	500793D2	-	ARMREST GP (NOT SERVICED)
1	166-4590	1	CONTROL GP (NOT SERVICED) (SEE BREAKDOWN FOR COMPONENTS)
2	136-5477	1	WIRING GP-ARMREST (NOT SERVICED) (SEE BREAKDOWN FOR COMPONENTS)
3	152-0434	1	CONSOLE GP-OPERATOR (A) (NOT SERVICED) (SEE BREAKDOWN FOR COMPONENTS)
4	152-0448	1	CONTROL GP (NOT SERVICED) (SEE BREAKDOWN FOR COMPONENTS)

500793DB
PR: t05b22n43d0490

1112

MT800B SERIES TRACTORS
OPERATOR STATION

ARMREST GP - 500794D2
6 IMP W/O PTO-W/HITCH



500794DB

**MT800B SERIES TRACTORS
OPERATOR STATION**

1113

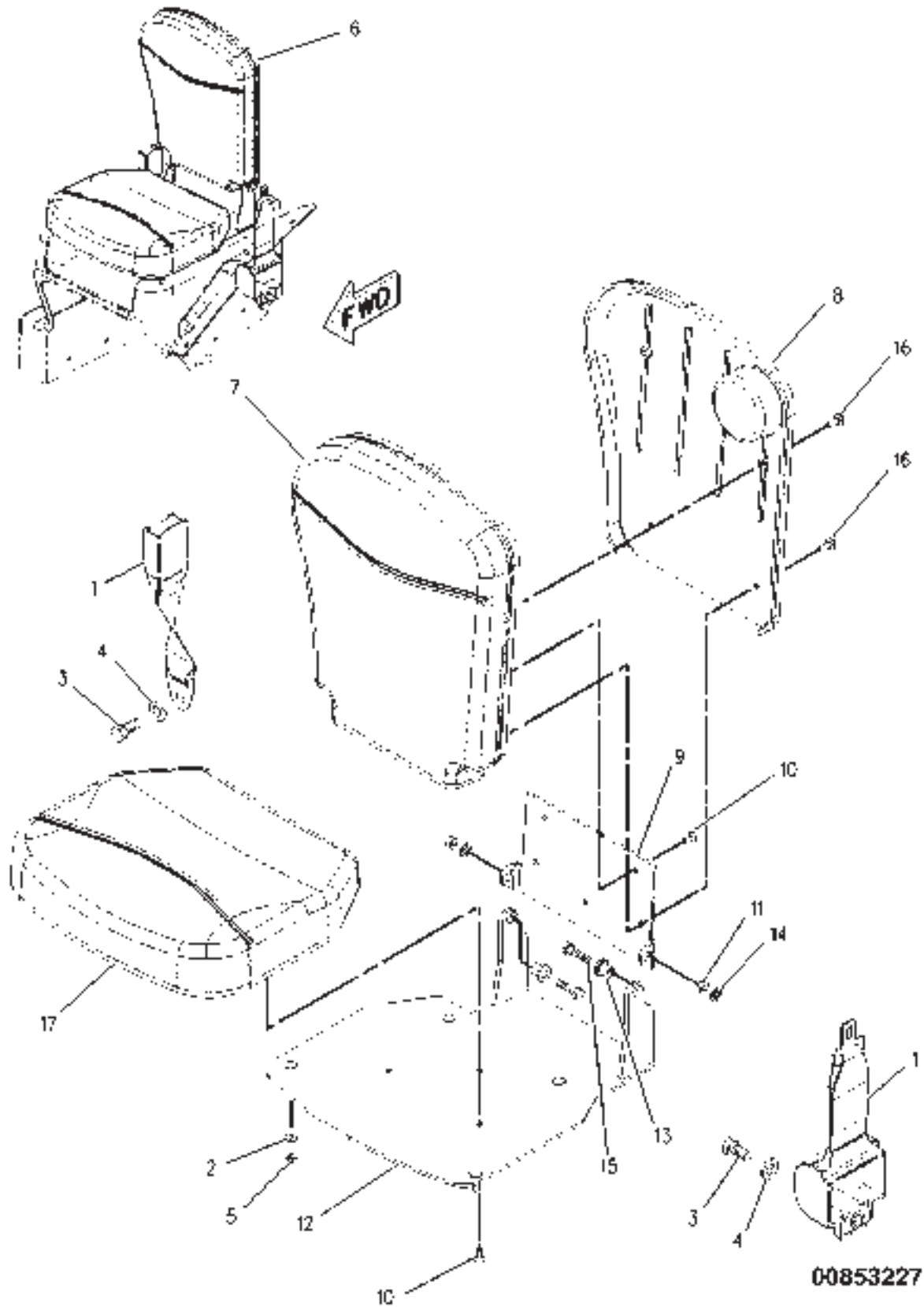
**ARMREST GP - 500794D2
6 IMP W/O PTO-W/HITCH**

ITEM	NUMBER	QTY	DESCRIPTION
-	500794D2	-	ARMREST GP (NOT SERVICED)
1	166-4590	1	CONTROL GP (NOT SERVICED) (SEE BREAKDOWN FOR COMPONENTS)
2	136-5477	1	WIRING GP-ARMREST (NOT SERVICED) (SEE BREAKDOWN FOR COMPONENTS)
3	152-0434	1	CONSOLE GP-OPERATOR (A) (NOT SERVICED) (SEE BREAKDOWN FOR COMPONENTS)
4	152-0445	1	CONTROL GP-HITCH (NOT SERVICED) (SEE BREAKDOWN FOR COMPONENTS)
5	152-0448	1	CONTROL GP (NOT SERVICED) (SEE BREAKDOWN FOR COMPONENTS)

500794DB
PR: t05b22n43d0491

MT800B SERIES TRACTORS
OPERATOR STATION

SEAT GP-COMPANION - 152-0433



**MT800B SERIES TRACTORS
OPERATOR STATION**

1115

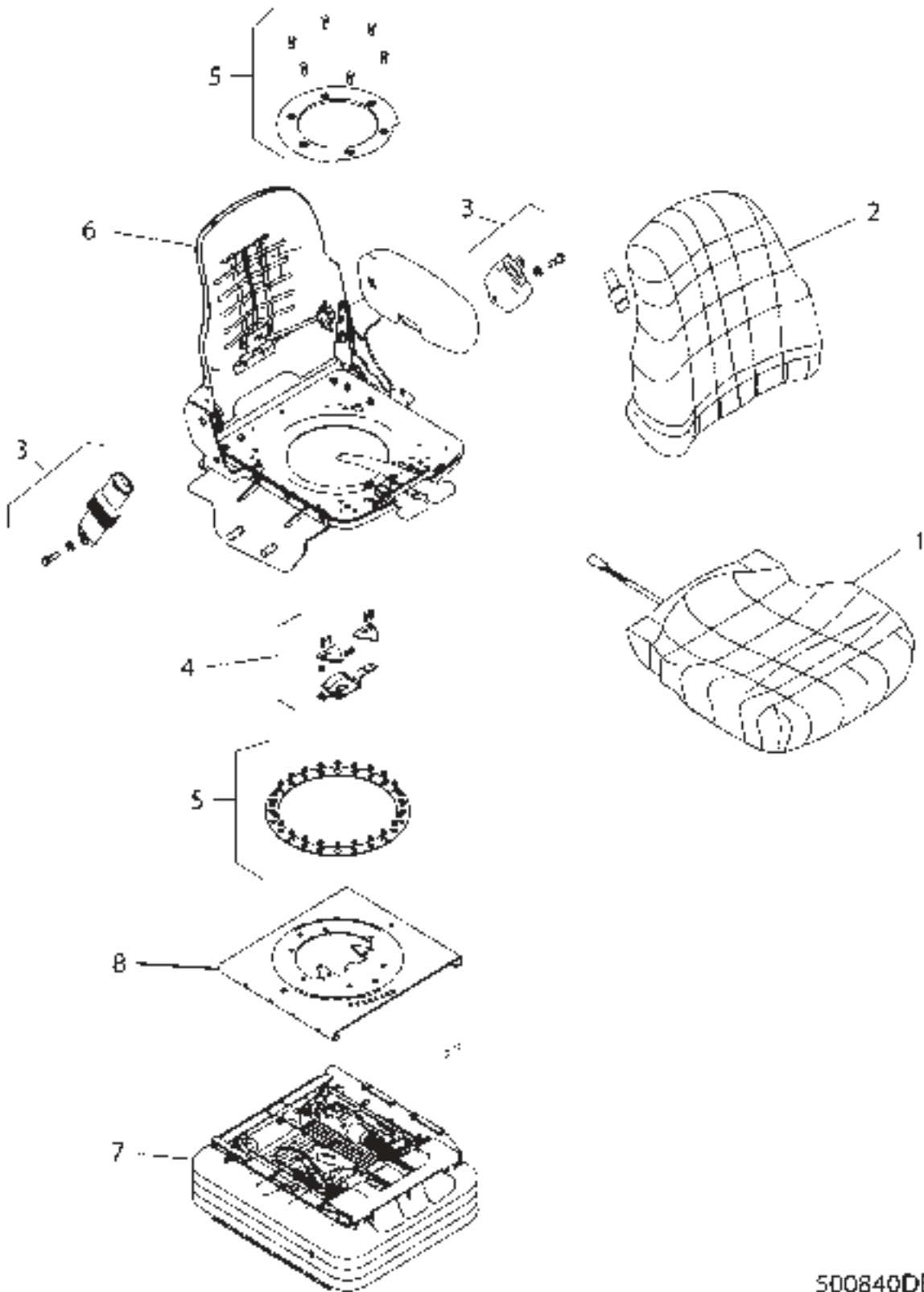
SEAT GP-COMPANION - 152-0433

ITEM	NUMBER	QTY	DESCRIPTION
-	152-0433	-	SEAT GP-COMPANION [A] (NOT SERVICED)
1	185-2151	1	BELT SET
2	CH9X-6165	4	WASHER (6.5X22X2.5)
3	400055X1	2	BOLT (M12X1.75X25MM)
4	400357X1	2	WASHER-HARD (M12X25.5X3)
5	400300X1	4	NUT (M6X1)
6	164-7062	1	SEAT ASM (INCLUDES ITEMS 7-17)
7	162-6758	1	CUSHION-BACK
8	162-6759	1	COVER-BACK
9	178-9244	1	BRACKET-HINGE
10	CH095-0759	6	SCREW-MACHINE (M6X1X16.6)
11	CH8T-7963	2	LOCKNUT (M8X1.25)
12	169-6351	1	BRACKET ASM-HINGE
13	178-9245	2	BUSHING
14	400339X1	2	WASHER-HARD (8.8X16X2)
15	WR520867	2	BOLT (M8X1.25X25MM)
16	CH9X-2044	4	SCREW-TRUSS HEAD (M6X1X16MM)
17	162-6757	1	CUSHION-BASE

[A] PART OF 152-0012; 152-0013;
222-4146; 500841D1 CAB AR

00853227
PR: t05b22n43d0492

SEAT GP-BASIC
500840D1



**MT800B SERIES TRACTORS
OPERATOR STATION**

1117

**SEAT GP-BASIC
500840D1**

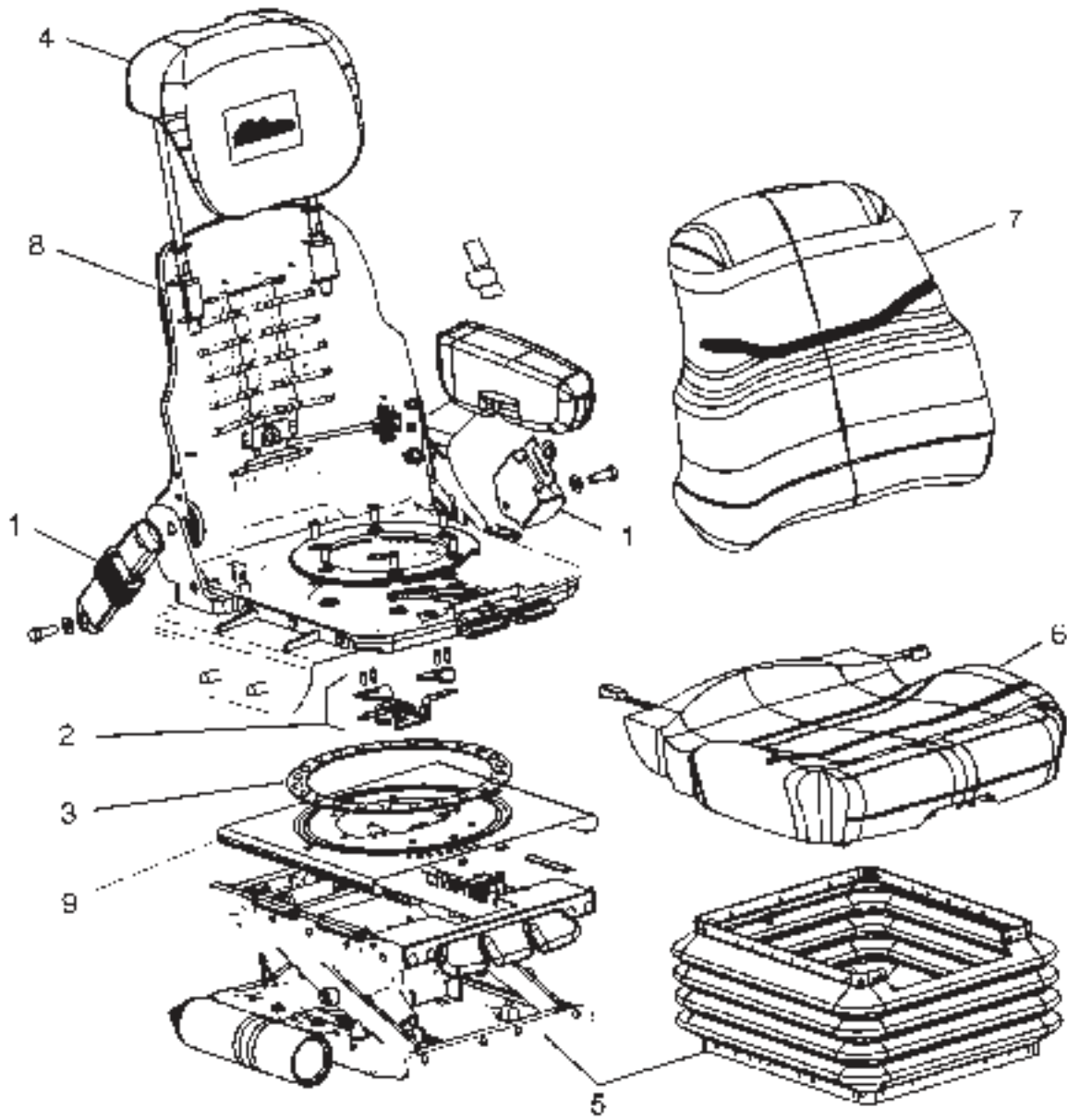
ITEM	NUMBER	QTY	DESCRIPTION
-	500840D1	-	SEAT GP-BASIC
1	197-4523	1	KIT-SEAT CUSHION AS. (INCLS SWITCH) (SERVICED AS COMPLETE KIT ONLY)
2	197-4524	1	KIT-BACK CUSHION AS. (INCLS 2 SCREWS) (SERVICED AS COMPLETE KIT ONLY)
3	197-4527	1	KIT-SEAT BELT (SERVICED AS COMPLETE KIT ONLY)
4	197-4529	1	KIT-SLIDE LATCH AS. (SERVICED AS COMPLETE KIT ONLY)
5	197-4550	1	KIT-SWIVEL AS. (UPPER) (SERVICED AS COMPLETE KIT ONLY)
6	220-2329	1	KIT-SEAT AS. (LUMBAR) (SEE BREAKDOWN)
7	501898D1	1	KIT-SEAT SUSP AS. (SEE BREAKDOWN)
8		1	PLATE WLMT, SWIVEL (LWR) (NOT SERVICED)

500840DB
PR: t05b22n43d0493

1118

MT800B SERIES TRACTORS
OPERATOR STATION

SEAT GP - DELUXE
500853D1



500853DB

**MT800B SERIES TRACTORS
OPERATOR STATION**

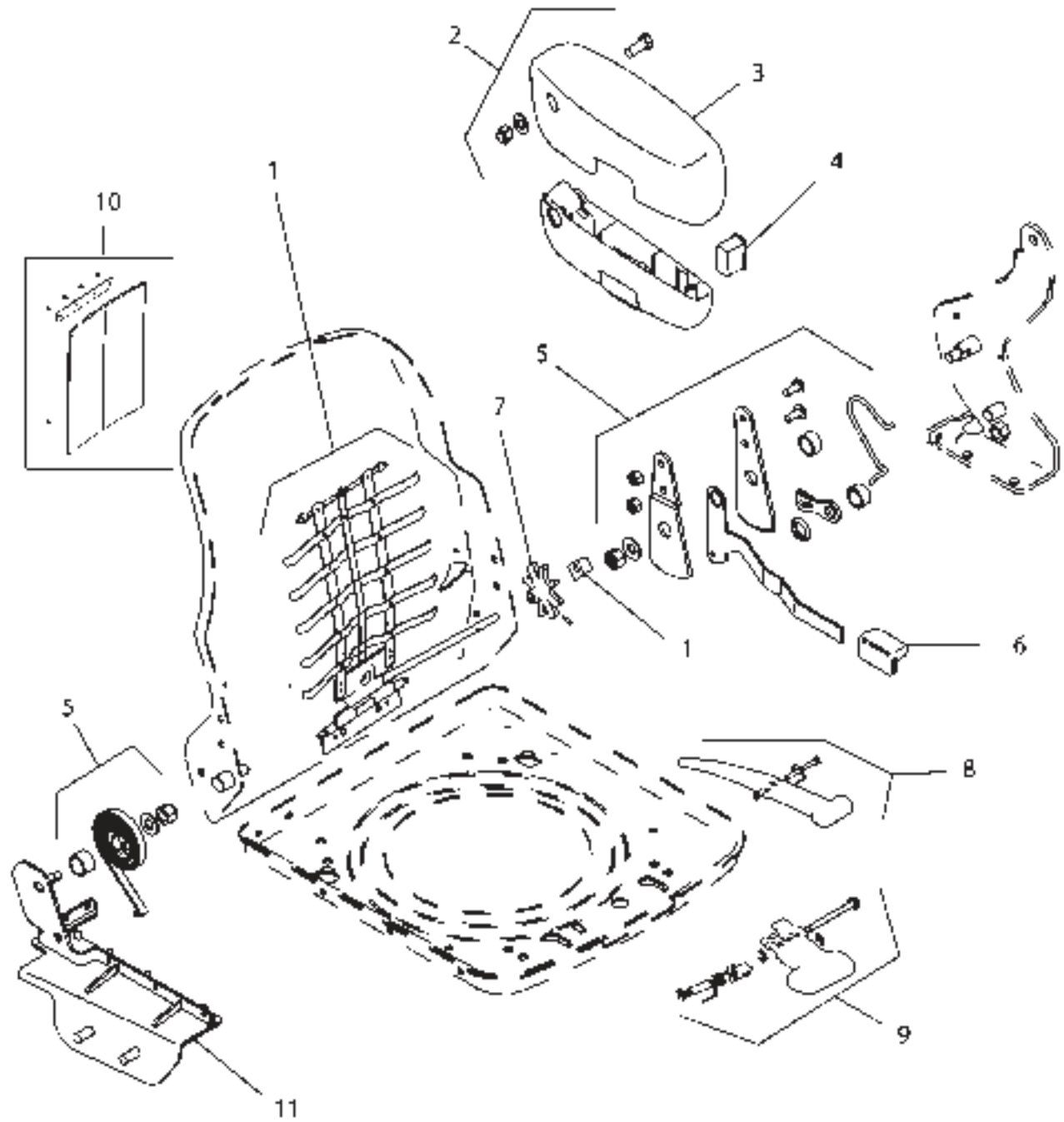
1119

**SEAT GP - DELUXE
500853D1**

ITEM	NUMBER	QTY	DESCRIPTION
-	500853D1	-	SEAT GP-DELUXE
1	197-4527	1	KIT-SEAT BELT (SERVICED AS COMPLETE KIT ONLY)
2	197-4529	1	KIT-SLIDE LATCH AS. (SERVICED AS COMPLETE KIT ONLY)
3	197-4550	1	KIT-SWIVEL AS. (UPPER) (SERVICED AS COMPLETE KIT ONLY)
4	501908D1	1	KIT-HEAD REST AS. (SERVICED AS COMPLETE KIT ONLY)
5	501909D1	1	KIT-SEAT SUSP AS. (SEE BREAKDOWN)
6	501910D1	1	KIT-SEAT CUSHION AS. (SERVICED AS COMPLETE KIT ONLY)
7	501911D1	1	KIT-BACK CUSHION AS. (SERVICED AS COMPLETE KIT ONLY)
8	501912D1	1	KIT-SEAT AS. (LUMBAR) (SEE BREAKDOWN)
9		1	PLATE WLMT-SWIVEL (LOWER) (NOT SERVICED)

500853DB
PR: t05b22n43d0494

KIT-SEAT AS (LUMBAR) - BASIC
220-2329



**MT800B SERIES TRACTORS
OPERATOR STATION**

1121

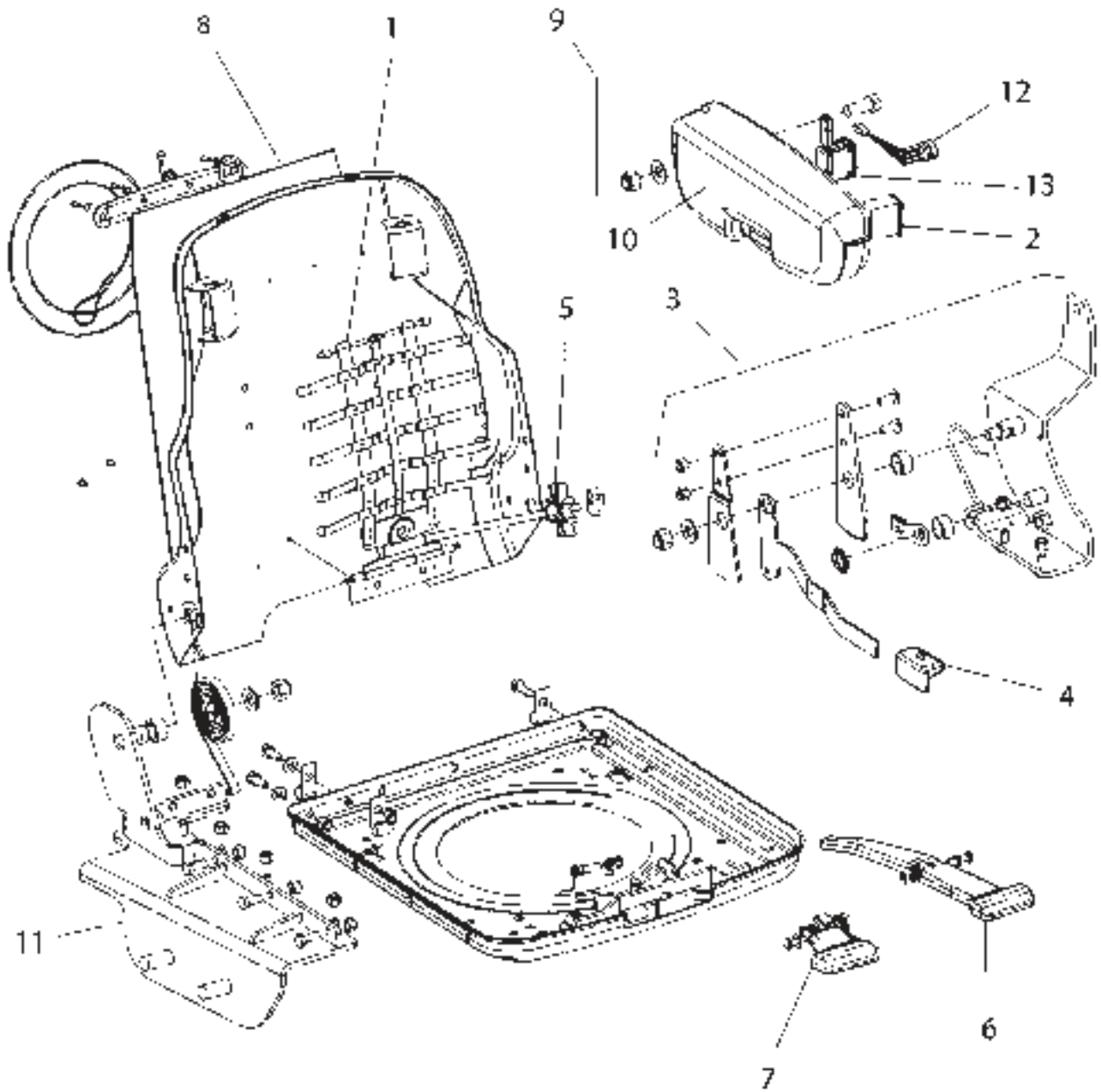
**KIT-SEAT AS (LUMBAR) - BASIC
220-2329**

ITEM	NUMBER	QTY	DESCRIPTION
-	220-2329	-	KIT-SEAT ASM [A] (INCLS 1-11)
1	197-4516	1	KIT-LUMBAR AS. (SERVICED AS COMPLETE KIT ONLY)
2	197-4517	1	KIT-ARMREST AS., LH (INCLS IT 3) (SERVICED AS COMPLETE KIT ONLY)
3	197-4518	1	KIT-ARMREST (SERVICED AS COMPLETE KIT ONLY)
4	197-4519	1	KIT-SWITCH (HEIGHT ADJUSTMENT) (SERVICED AS COMPLETE KIT ONLY)
5	197-4520	1	KIT-RECLINER AS. (INCLS IT 6) (SERVICED AS COMPLETE KIT ONLY)
6	197-4521	1	KIT-KNOB (BACKREST ANGLE ADJUSTMENT) (SERVICED AS COMPLETE KIT ONLY)
7	197-4522	1	KIT-KNOB-LUMBAR ADJ. (INCLS ROLL PIN) (SERVICED AS COMPLETE KIT ONLY)
8	197-4525	1	KIT-LEVER (FORE/AFT ADJUSTMENT) (SERVICED AS COMPLETE KIT ONLY)
9	197-4526	1	KIT-LEVER (SWIVEL) (SERVICED AS COMPLETE KIT ONLY)
10	227-9744	1	KIT-MANUAL HOLDER (SERVICED AS COMPLETE KIT ONLY)
11	220-2333	1	KIT-BRACKET AS (SEE RH CONSOLE FOR SUPT) (SERVICED AS COMPLETE KIT ONLY)

[A] PART OF 161-9200 SEAT GP-SUSPENSION
PART OF 500840D1 SEAT GP-BASIC

2202329D
PR: t05b22n43d0495

KIT-SEAT AS (LUMBAR) - DELUXE
501912D1



**MT800B SERIES TRACTORS
OPERATOR STATION**

1123

**KIT-SEAT AS (LUMBAR) - DELUXE
501912D1**

ITEM	NUMBER	QTY	DESCRIPTION
-	501912D1	-	KIT-SEAT AS.-LUMBAR (COMPLETE) [A]
1	197-4516	1	KIT-LUMBAR AS. (SERVICED AS COMPLETE KIT ONLY)
2	197-4519	1	KIT-SWITCH (HEIGHT ADJUSTMENT) (SERVICED AS COMPLETE KIT ONLY)
3	197-4520	1	KIT-RECLINER AS. (INCLS IT 4) (SERVICED AS COMPLETE KIT ONLY)
4	197-4521	1	KIT-RECLINER KNOB (SERVICED AS COMPLETE KIT ONLY)
5	197-4522	1	KIT-LUMBAR KNOB (SERVICED AS COMPLETE KIT ONLY)
6	197-4525	1	KIT-LEVER AS. (SERVICED AS COMPLETE KIT ONLY)
7	197-4526	1	KIT-LEVER AS. (SERVICED AS COMPLETE KIT ONLY)
8	501899D1	1	KIT-MANUAL HOLDER (SERVICED AS COMPLETE KIT ONLY)
9	501913D1	1	KIT-ARMREST AS. (LH) (INCLS IT 10) (SERVICED AS COMPLETE KIT ONLY)
10	501914D1	1	KIT-ARMREST (LH) (FORMED CUSHION ONLY) (SERVICED AS COMPLETE KIT ONLY)
11	501915D1	1	KIT-BRACKET WLMT.
12		1	SWITCH (HEATER)
13	501921D1	1	KIT-RIDE CONTROL SWITCH (INCLS HARNESS) [B] (SERVICED AS COMPLETE KIT ONLY)

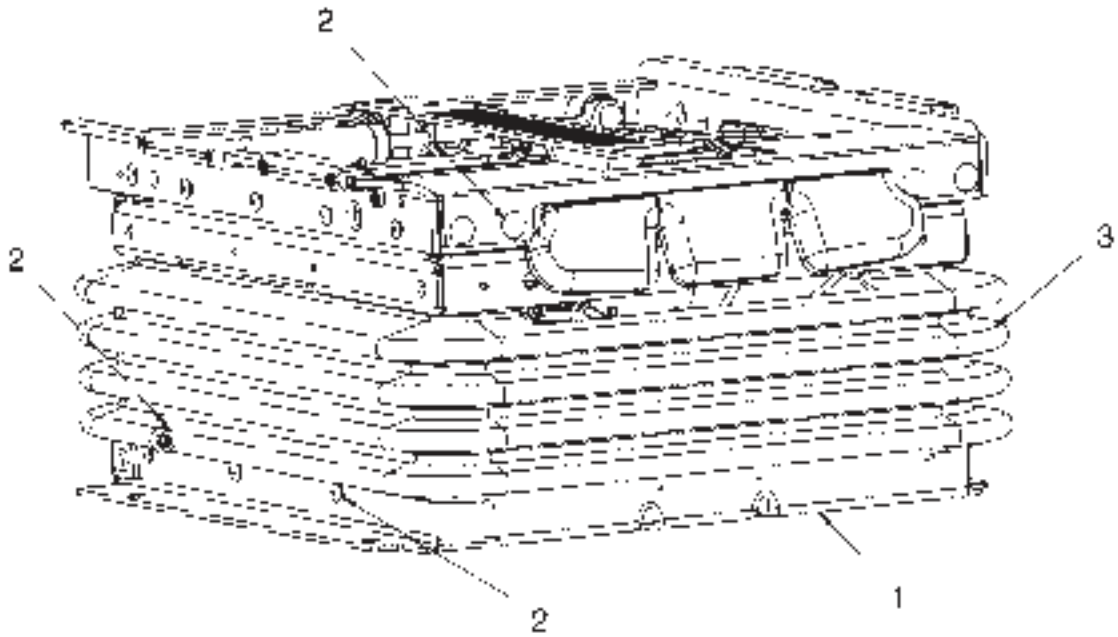
[A] PART OF 500853D1 SEAT GP.-DELUXE
[B] KIT NOT IN GP. SEE 501916D1 SUSP GP.

501912DB
PR: t05b22n43d0496

1124

MT800B SERIES TRACTORS
OPERATOR STATION

KIT-SEAT SUSPENSION - BASIC
501898D1



501898DC

**MT800B SERIES TRACTORS
OPERATOR STATION**

1125

**KIT-SEAT SUSPENSION - BASIC
501898D1**

ITEM	NUMBER	QTY	DESCRIPTION
-	501898D1	-	KIT-SEAT SUSPENSION [A]
1	501900D1	1	SUSPENSION GP-SEAT (SEE BREAKDOWN FOR COMPONENTS)
2	197-4544	1	KIT-FASTENER (SERVICED AS COMPLETE KIT ONLY)
3	197-4546	1	KIT-BOOT (SERVICED AS COMPLETE KIT ONLY)

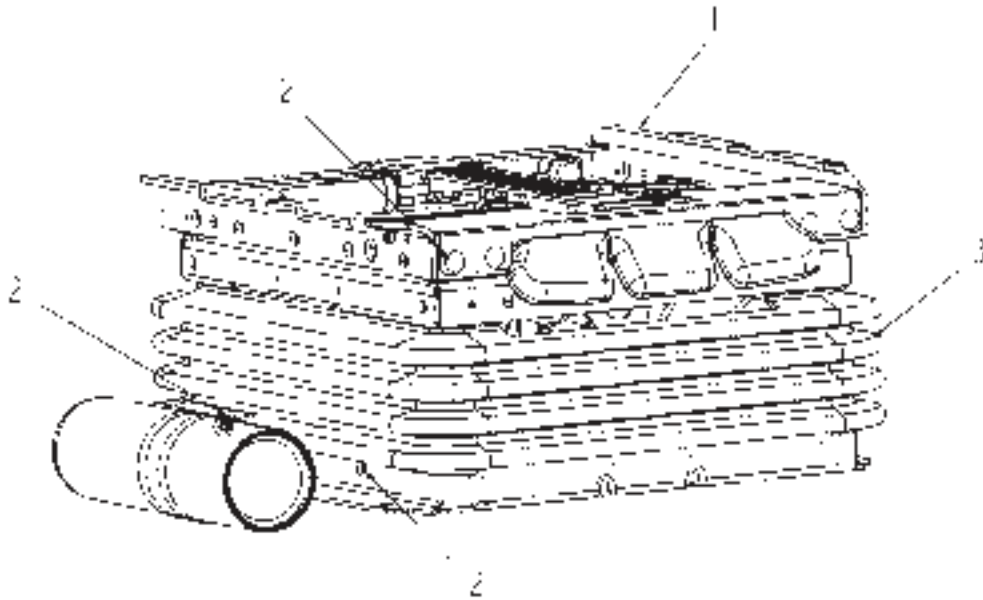
[A] PART OF 500840D1 SEAT GP-BASIC

501898DC
PR: t05b22n43d0497

1126

MT800B SERIES TRACTORS
OPERATOR STATION

KIT-SEAT SUSPENSION - DELUXE
501909D1



501909DB

**MT800B SERIES TRACTORS
OPERATOR STATION**

1127

**KIT-SEAT SUSPENSION - DELUXE
501909D1**

ITEM	NUMBER	QTY	DESCRIPTION
-	501909D1	-	KIT-SEAT SUSPENSION [A]
1	501916D1	1	SUSPENSION GP-SEAT (SEE BREAKDOWN FOR COMPONENTS)
2	197-4544	1	KIT-FASTENER (SERVICED AS COMPLETE KIT ONLY)
3	197-4546	1	KIT-BOOT (SERVICED AS COMPLETE KIT ONLY)

[A] PART OF 500853D1 SEAT GP-DELUXE

501909DB
PR: t05b22n43d0498

MT800B SERIES TRACTORS
OPERATOR STATION

KIT-SUSPENSION GP-BASIC SEAT
501900D1



501900DB

**MT800B SERIES TRACTORS
OPERATOR STATION**

1129

**KIT-SUSPENSION GP-BASIC SEAT
501900D1**

ITEM	NUMBER	QTY	DESCRIPTION
-	501900D1	-	KIT-SUSPENSION GP-SEAT
1	197-4530	1	KIT-PUCK AS. (SLIDE) (SERVICED AS COMPLETE KIT ONLY)
2	197-4531	1	KIT-COVER PLATE AS. (SERVICED AS COMPLETE KIT ONLY)
3	197-4532	1	KIT-BEARING SHAFT (SERVICED AS COMPLETE KIT ONLY)
4	197-4533	1	KIT-ROLLER BEARINGS (SERVICED AS COMPLETE KIT ONLY)
5	197-4534	1	KIT-ISOLATOR ROLLER (SERVICED AS COMPLETE KIT ONLY)
6	197-4537	1	KIT-BUMPER AS. (SUSP) (SERVICED AS COMPLETE KIT ONLY)
7	197-4538	1	KIT-AIRLINE AS. (INCLS TUBE & FITTINGS) (SERVICED AS COMPLETE KIT ONLY)
8	197-4539	1	KIT-SHOCK AS. (SUSP) (SERVICED AS COMPLETE KIT ONLY)
9	197-4540	1	KIT-COMPRESSOR AS (SERVICED AS COMPLETE KIT ONLY)
10	197-4541	1	KIT-AIR SPRING AS. (SERVICED AS COMPLETE KIT ONLY)
11	197-4545	1	KIT-KNOBS AS. (SERVICED AS COMPLETE KIT ONLY)
12	197-4547	1	KIT-FORE/AFT (SERVICED AS COMPLETE KIT ONLY)
13	501902D1	1	KIT-HARNESS (SUSPENSION) (NOT SHOWN) (SERVICED AS COMPLETE KIT ONLY)
14	501903D1	1	FRAME WLMT, ISOLATOR-LATERAL
15	501906D1	1	KIT-SPRING & SHOCK AS. (INCLS SCREWS & RETAINING RING) (SERVICED COMPLETE)
16	501907D2	1	KIT-SPRING & SHOCK AS. (SERVICED AS COMPLETE KIT ONLY)

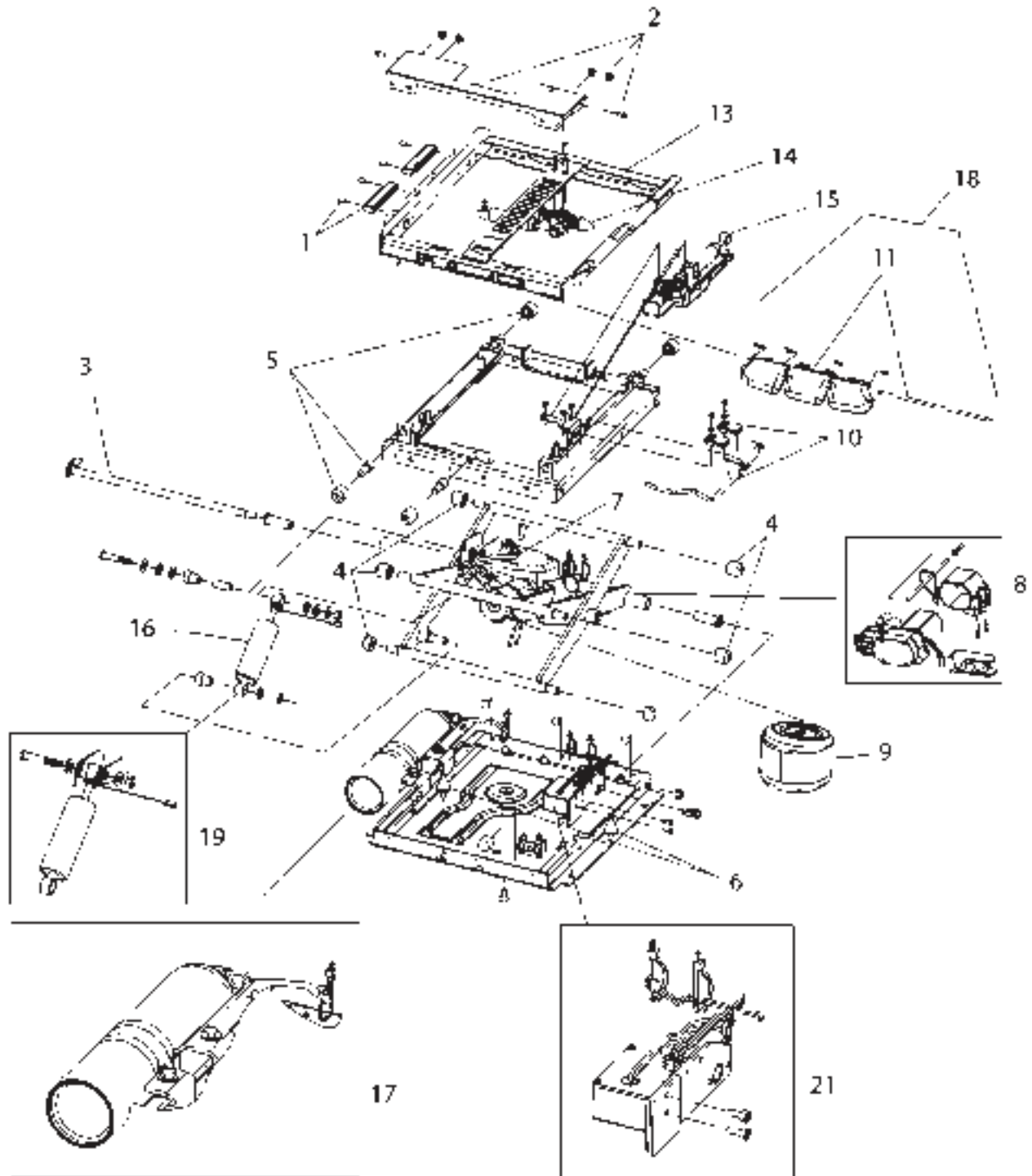
PART OF 501898D1 KIT-SEAT SUSPENSION

501900DB
PR: t05b22n43d0499

1130

MT800B SERIES TRACTORS
OPERATOR STATION

KIT-SUSPENSION GP - DELUXE SEAT
501916D1



501916DB

**MT800B SERIES TRACTORS
OPERATOR STATION**

1131

**KIT-SUSPENSION GP - DELUXE SEAT
501916D1**

ITEM	NUMBER	QTY	DESCRIPTION
-	501916D1	-	KIT-SUSPENSION GP (SEAT) [A]
1	197-4530	1	KIT-PUCK AS. (SLIDE) (SERVICED AS COMPLETE KIT ONLY)
2	197-4531	1	KIT-COVER PLATE AS. (SERVICED AS COMPLETE KIT ONLY)
3	197-4532	1	KIT-BEARING SHAFT (SERVICED AS COMPLETE KIT ONLY)
4	197-4533	1	KIT-ROLLER BEARINGS (SERVICED AS COMPLETE KIT ONLY)
5	197-4534	1	KIT-ISOLATOR ROLLER (SERVICED AS COMPLETE KIT ONLY)
6	197-4537	1	KIT-BUMPER AS. (SUSP) (SERVICED AS COMPLETE KIT ONLY)
7	197-4538	1	KIT-AIRLINE AS. (INCLS TUBE & FITTINGS) (SERVICED AS COMPLETE KIT ONLY)
8	197-4540	1	KIT-COMPRESSOR AS (SERVICED AS COMPLETE KIT ONLY)
9	197-4541	1	KIT-AIR SPRING AS. (SERVICED AS COMPLETE KIT ONLY)
10	197-4547	1	KIT-FORE/AFT (SERVICED AS COMPLETE KIT ONLY)
11	197-4548	1	KIT-CONTROL(LATERAL (SERVICED AS COMPLETE KIT ONLY)
12	501902D1	1	KIT-HARNESS (SUSPENSION) (NOT SHOWN) (SERVICED AS COMPLETE KIT ONLY)
13	501903D1	1	FRAME WLMT, ISOLATOR-LATERAL
14	501906D1	1	KIT-SPRING & SHOCK AS. (INCLS SCREWS & RETAINING RING) (SERVICED COMPLETE)
15	501907D2	1	KIT-SPRING & SHOCK AS. (SERVICED AS COMPLETE KIT ONLY)
16	501917D1	1	SHOCK (SUSP) (SHOCK ONLY)
17	501918D1	1	KIT-AIR TANK (W/FITTINGS, LINES, CLAMPS AND BRACKET) (SERVICED AS COMPLETE KIT ONLY)
18	501919D1	1	KIT-KNOB AS. (SUSP) (INCLS ITEM 11) (SERVICED AS COMPLETE KIT ONLY)
19	501920D1	1	KIT-CONTROL AS. (SHOCK) (INCLS ITEM 16) (SERVICED AS COMPLETE KIT ONLY)
20	501921D1	1	KIT-RIDE CNTRL SWITCH (INCL HARNESS) [B] (NOT SHOWN) (SERVICED AS KIT ONLY)
21	501922D1	1	KIT-CONTROL DAMPER (SERVICED AS COMPLETE KIT ONLY)

[A] PART OF 501909D1 KIT-SEAT
SUSPENSION

[B] SWITCH ON LH ARMREST. REFER TO
501912D1 KIT SEAT-LUMBAR-DELUXE

501916DB
PR: t05b22n43d0500

**MT800B SERIES TRACTORS
OPERATOR STATION**

1133

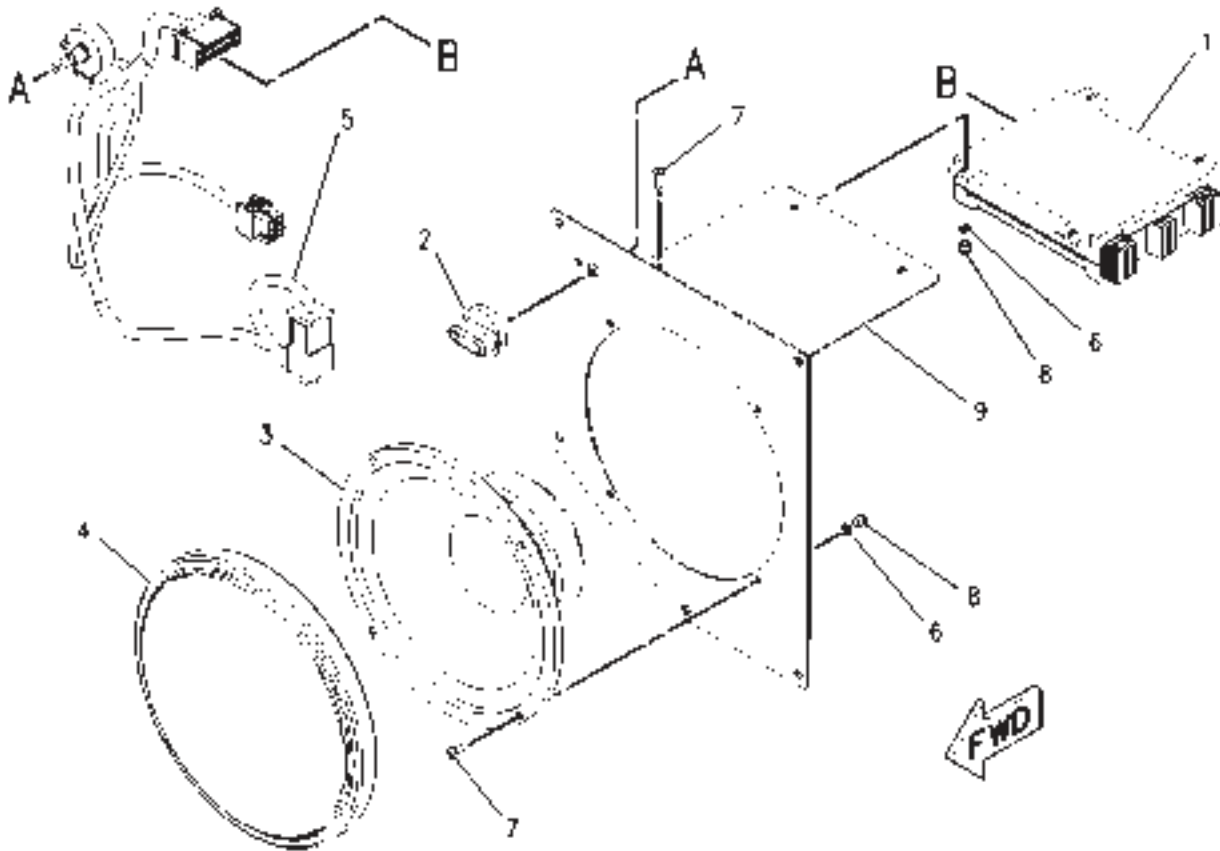
**SPEAKER GP-RADIO
152-0419**

ITEM	NUMBER	QTY	DESCRIPTION
-	152-0419	-	SPEAKER GP-RADIO [A] (NOT SERVICED)
1	CH119-5026	16	SCREW-PAN HEAD (10-16X0.63 IN)
2	CH136-5414	2	SPEAKER (FRONT)
3	CH136-5415	2	SPEAKER (REAR)
4	195-2612	2	BRACKET
5	400086X1	16	NUT, EXPANSION (7MM)(PLASTIC)
6	CH110-2028	8	SCREW-PAN HEAD (10-14X.75 IN)
7	400310X1	8	WASHER (6.6X12X2)

[A] PART OF 152-0012; 222-4146
500841D1 CAB AR

00870222
PR: t05b22n43d0501

SPEAKER GP-RADIO - SUBWOOFER
173-6506



MT800B SERIES TRACTORS
OPERATOR STATION

1135

SPEAKER GP-RADIO - SUBWOOFER
173-6506

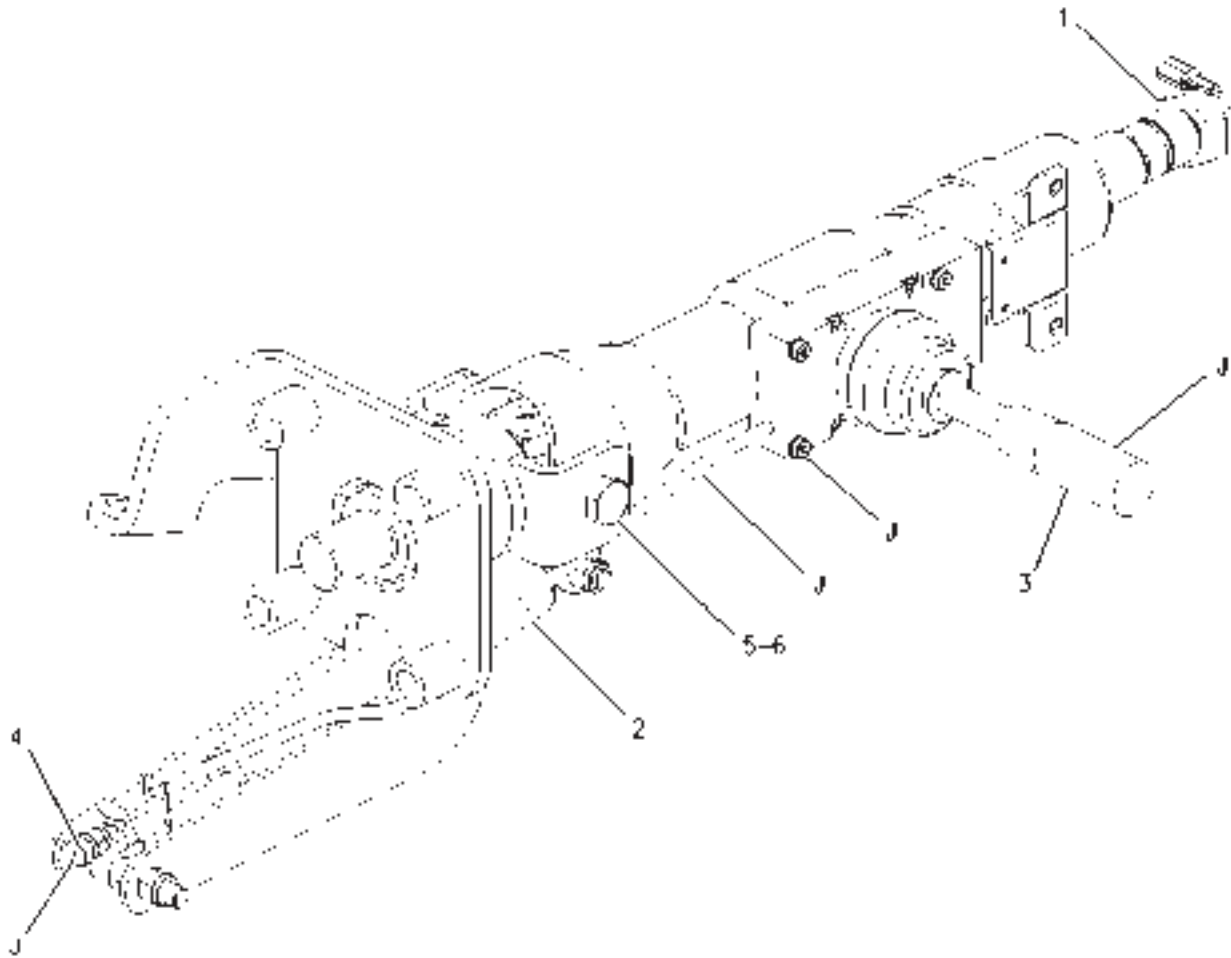
ITEM	NUMBER	QTY	DESCRIPTION
-	173-6506	-	SPEAKER GP-RADIO (NOT SERVICED)
1	CH136-5434	1	AMPLIFIER ASM
2	500419D1	1	KNOB-CONTROL (BASS VOLUME)
3	170-7255	1	SPEAKER
4	172-6842	1	GRILL
5	502191D1	1	HARNESS (SUBWOOFER)
6	CH8C-9660	8	WASHER (4.6X7.9X0.8)
7	CH7Y-3173	8	SCREW-BUTTON HEAD (M4X0.7X12MM)
8	CH8T-2659	8	LOCKNUT (M4X0.7)
9	189-9922	1	PLATE ASM

00786642
PR: t05b22n43d0502

1136

MT800B SERIES TRACTORS
OPERATOR STATION

STEERING COLUMN GP - CH166-3611



00830593

MT800B SERIES TRACTORS
OPERATOR STATION

1137

STEERING COLUMN GP - CH166-3611

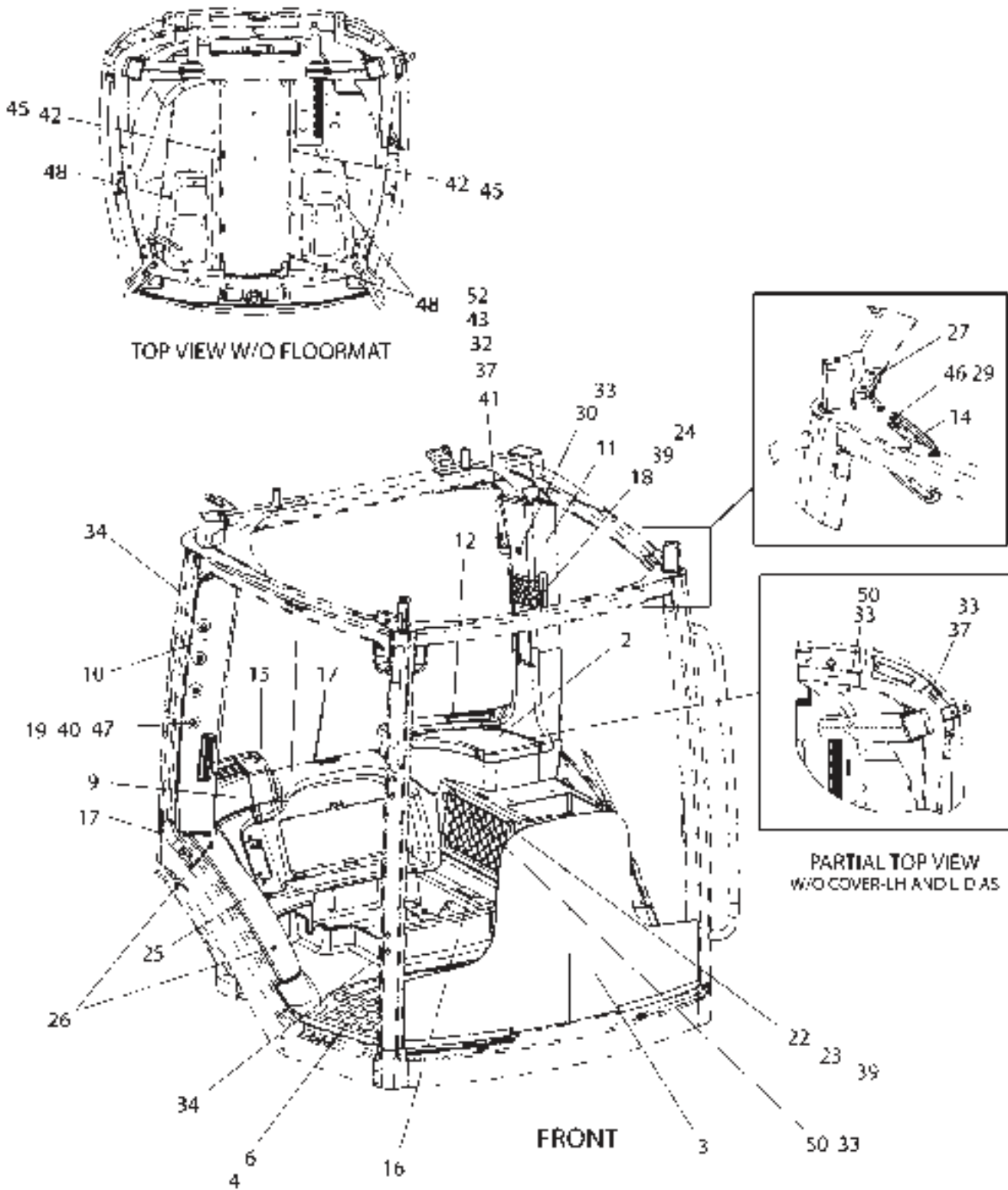
ITEM	NUMBER	QTY	DESCRIPTION
-	CH166-3611	-	STEERING COLUMN GP [A]
1	CH6V-8227	1	NUT (M18X1.5)
2	CH162-8550	1	KIT-GAS STRUT (STEERING COLUMN)
3	CH191-3701	1	CONTROL GP-STEERING COLUMN (TILT/TELESCOPE) (INCL... LEVER,CLAMP,SCREW & ITEM 4)
4	CH185-3886	1	CLAMP ASM-CABLE
5	CH196-3699	2	PIN-PIVOT
6	CH196-3698	2	BUSHING-PIVOT

[A] PART OF 500768D1 CONSOLE GP

00830593
PR: t05b22n43d0503

MT800B SERIES TRACTORS
OPERATOR STATION

TRIM GP-CAB - 224-3917
1 OF 2



**MT800B SERIES TRACTORS
OPERATOR STATION**

1139

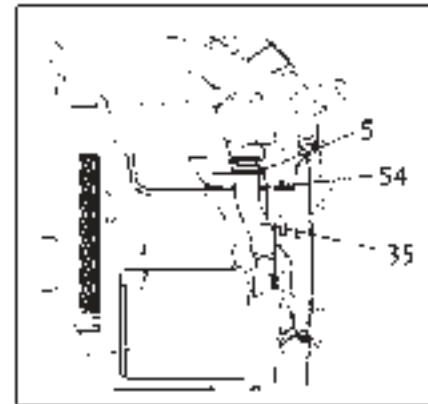
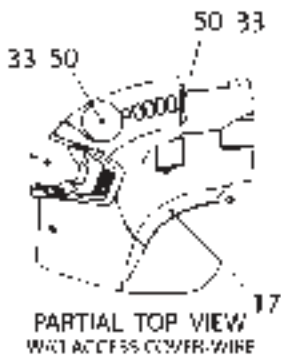
TRIM GP-CAB - 224-3917
1 OF 2

ITEM	NUMBER	QTY	DESCRIPTION
-	224-3917	-	TRIM GP [A] (NOT SERVICED)
1	162-6751	1	CONSOLE AS-CENTER
2	179-2957	1	LID AS
3	227-4312	1	MAT-FRONT GLASS
4	227-4313	1	MAT-FLOOR
6	152-0431	1	FLOOR MAT
9	164-7069	1	COVER
10	169-6342	1	COVER AS (RH)
11	169-6343	1	COVER AS (LH)
12	169-6344	1	COMPARTMENT AS
14	CH169-6352	1	MIRROR (INTERIOR CAB)
15	169-6383	1	COVER-WIRE (DOES NOT INCL SEAL)
	164-7017	1	SEAL-WIRING (FOR ITEM 15) (NOT SHOWN)
16	174-5774	1	GROMMET-BRAKE
17	400110X1	16	FASTENER
18	174-5788	2	RETAINER
19	CH174-5789	4	PLUG-MONITOR
22	180-2825	1	RETAINER
23	184-1704	1	HOLDER-STORAGE
24	190-8326	1	HOLDER-STORAGE
25	197-5852	1	COVER AS
26	CH197-5854	2	LATCH
27	CH217-2132	2	SEAL
29	CH096-6166	2	WASHER-HARD (4.5X9X1MM THK)
30	CH111-4627	1	SCREW-MACHINE (M6X1.0X30MM)
32	CH129-3178	2	LOCKNUT (M6X1 THD)
33	400085X1	8	NUT-RETAINER (M6X1X1.63-3.8 PANEL)
34	CH193-5914	6	PLUG
37	CH3E-8020	2	SCREW-TRUSS HEAD (M6X1X25MM)
39	CH5V-1496	9	RETAINER
40	CH6V-5839	4	WASHER (11X21X2.5MM THK)
41	CH6V-8928	1	HOOK-COAT
42	400039X1	6	BOLT (M10X1.5X25MM)
43	400221X1	1	BOLT (M6X1X20MM)
45	CH8T-7934	6	WASHER (11X21X5MM THK)
46	CH9X-1046	2	SCREW (M4X0.7X18MM)
47	CH9X-2040	6	SCREW-TRUSS HEAD (M10X1.5X25MM)
48	CH9X-2042	21	SCREW-TRUSS HEAD (M6X1X12MM)
50	CH9X-2045	5	SCREW-TRUSS HEAD (M6X1X20MM)
52	400310X1	2	WASHER

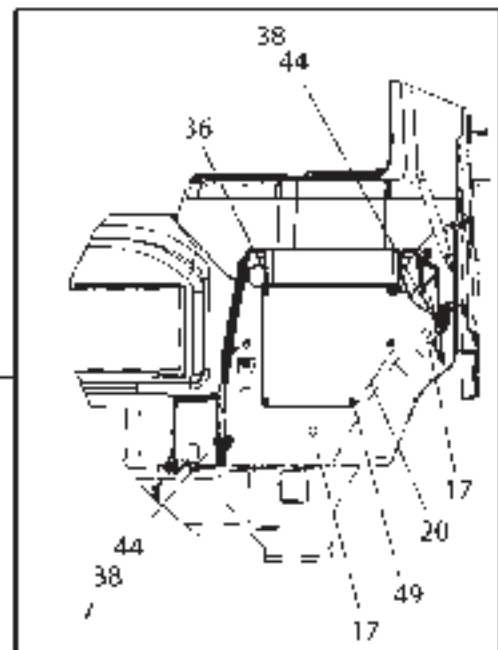
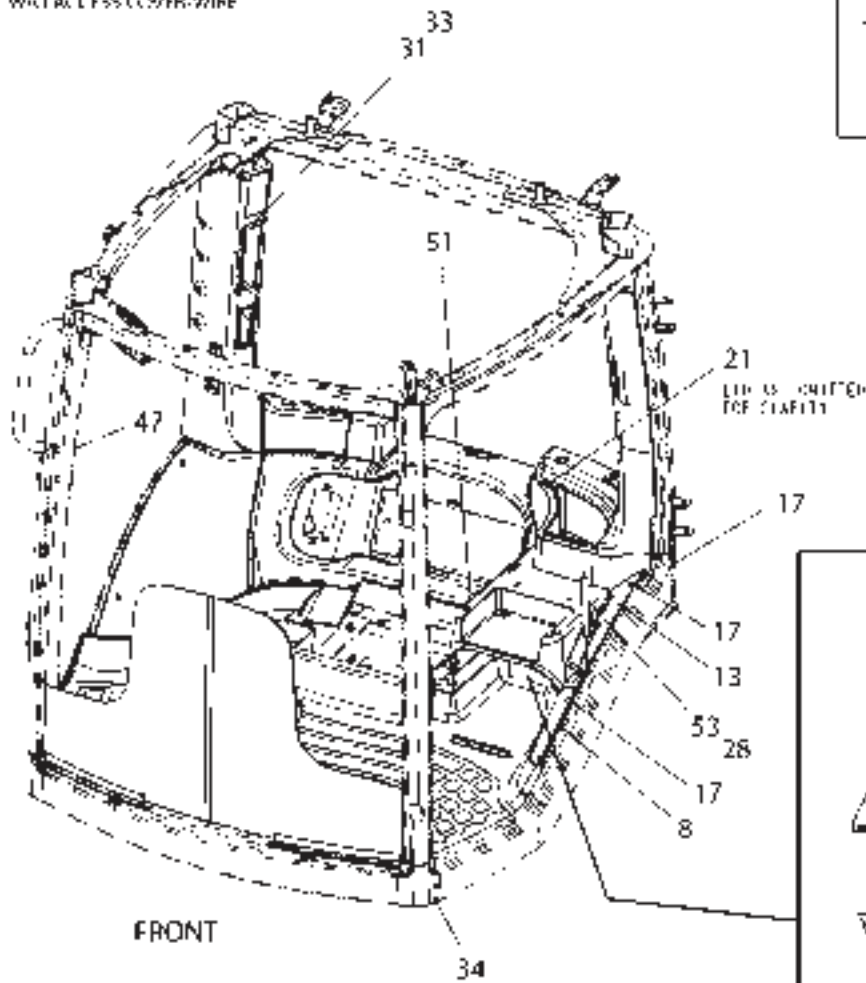
[A] PART OF: 152-0008; 152-0009;
152-0012; 152-0013; 222-4146;
500763D1; 500764D1; 500767D1;
500841D1; 500842D1; 500843D1;
500844D1; 500849D1 CAB AR

2243917A
PR: t05b22n43d0504

TRIM GP-CAB - 224-3917
2 OF 2



PARTIAL TOP VIEW



**MT800B SERIES TRACTORS
OPERATOR STATION**

1141

**TRIM GP-CAB - 224-3917
2 OF 2**

ITEM	NUMBER	QTY	DESCRIPTION
-	224-3917	-	TRIM GP [A] (NOT SERVICED)
5	CH7K-1181	2	STRAP-CABLE
7	CH154-9989	2	SPRING CLIP
8	162-6752	1	CONSOLE-LH
13	169-6345	1	SUPPORT AS
17	400110X1	16	FASTENER
20	178-6238	1	COVER-SUBWOOFER
21	CH179-2959	1	MAGNET
28	CH090-9555	2	CLIP
31	CH121-9870	1	SCREW-MACHINE (M6X1X40MM)
33	400085X1	8	NUT-RETAINER (M6X1X1.63-3.8 PANEL)
34	CH193-5914	6	PLUG
35	CH208-5521	1	HOSE (192MM)
36	400106X1	1	PLUG-RUBBER (35MM)
38	400599X1	4	WASHER-HARD (8.8X20.5X2MM THK)
44	400053X1	4	BOLT (M8X1.25X20MM)
47	CH9X-2040	6	SCREW-TRUSS HEAD (M10X1.5X25MM)
49	CH9X-2044	5	SCREW-TRUSS HEAD (M6X1X16MM)
51	400113X1	1	GROMMET
53	501026D1	1	SPRING AS-GAS
54	CH9X-2092	AR	STRIP-EDGE (8 CM)

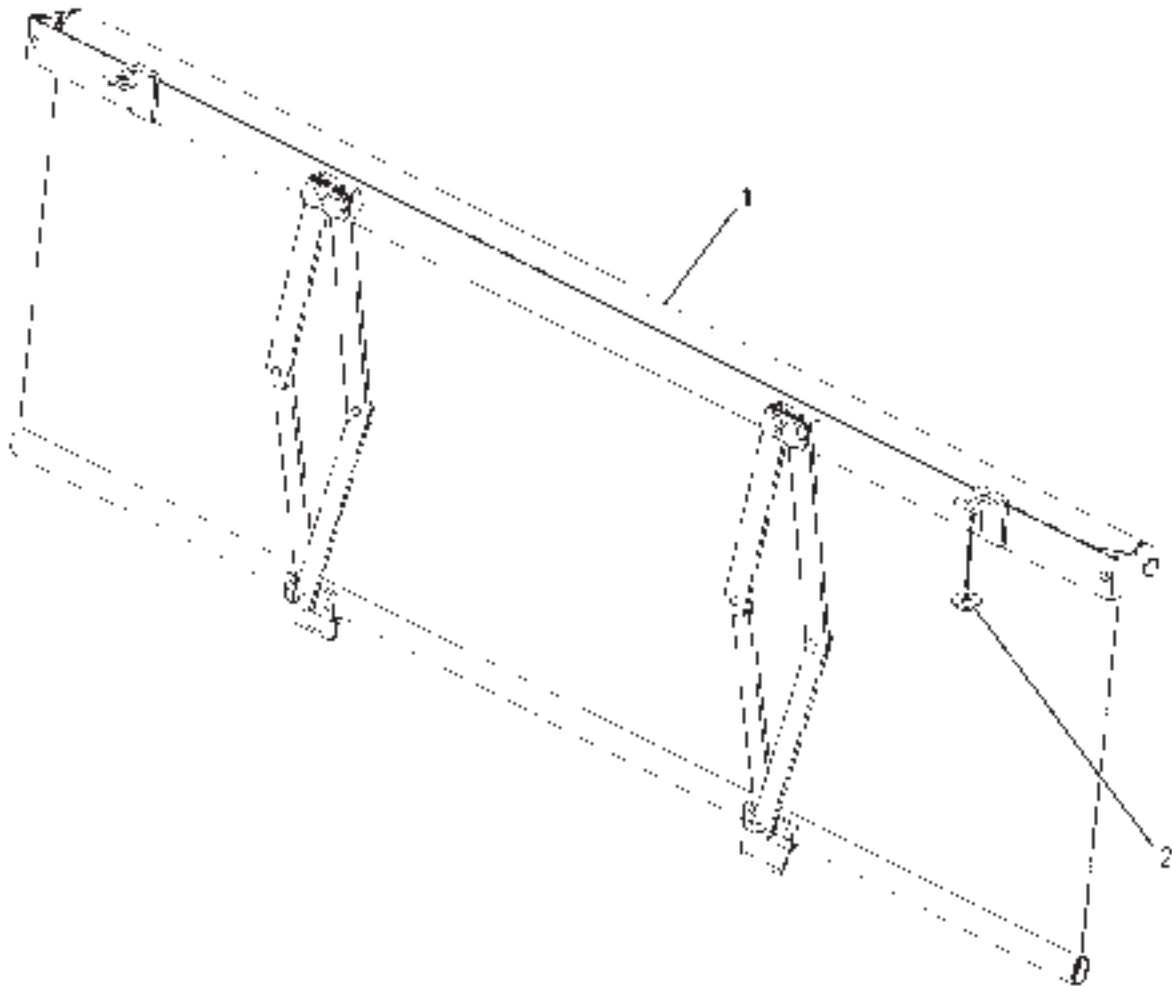
[A] PART OF: 152-0008; 152-0009;
152-0012; 152-0013; 222-4146;
500763D1; 500764D1; 500767D1;
500841D1; 500842D1; 500843D1;
500844D1; 500849D1 CAB AR

2243917B
PR: t05b22n43d0505

1142

MT800B SERIES TRACTORS
OPERATOR STATION

VISOR GP-CAB (SUN VISOR) - FRONT
152-0424



00867093

MT800B SERIES TRACTORS
OPERATOR STATION

1143

VISOR GP-CAB (SUN VISOR) - FRONT
152-0424

ITEM	NUMBER	QTY	DESCRIPTION
-	502793D1	-	KIT-VISOR-CAB (SUN VISOR) (FIELD)
-	152-0424	-	VISOR GP-CAB [A] (NOT SERVICED, ORDER FIELD INSTALLED)
1	CH169-6397	1	SCREEN-SUN
2	CH9X-2038	2	WASHER (7X19X2)

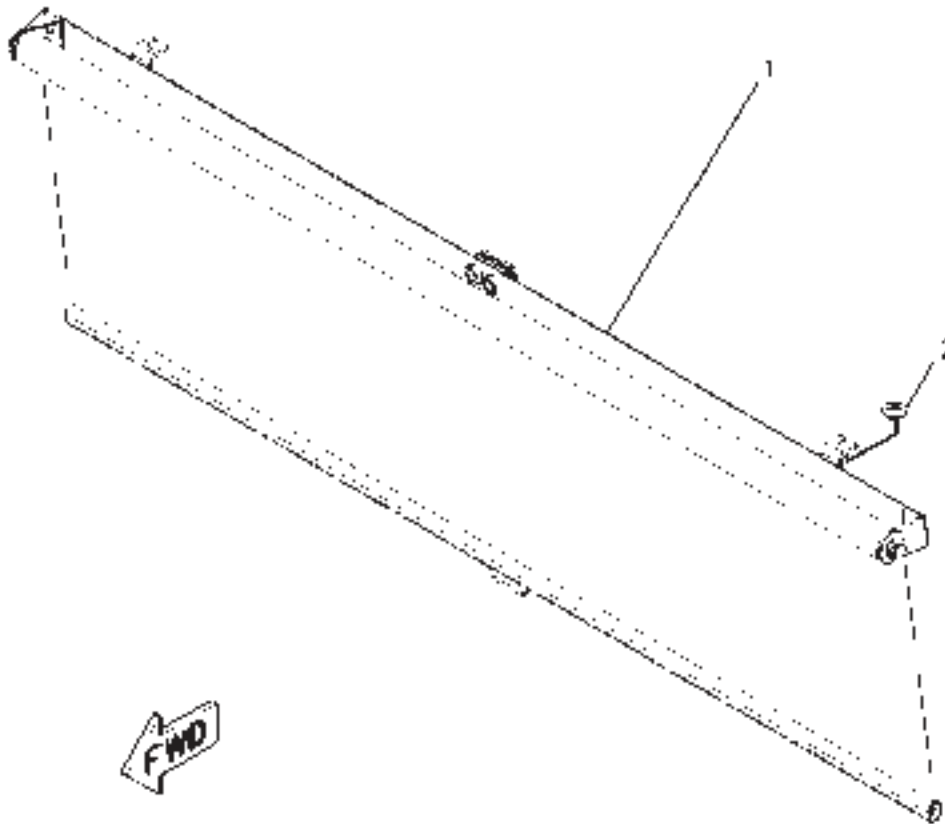
[A] PART OF 152-0012; 222-4146;
500841D1 CAB AR;
502793D1 VISOR GP

00867693
PR: t05b22n43d0506

1144

MT800B SERIES TRACTORS
OPERATOR STATION

VISOR GP-CAB (SUN VISOR) - REAR
162-4095



00867436

MT800B SERIES TRACTORS
OPERATOR STATION

1145

VISOR GP-CAB (SUN VISOR) - REAR
162-4095

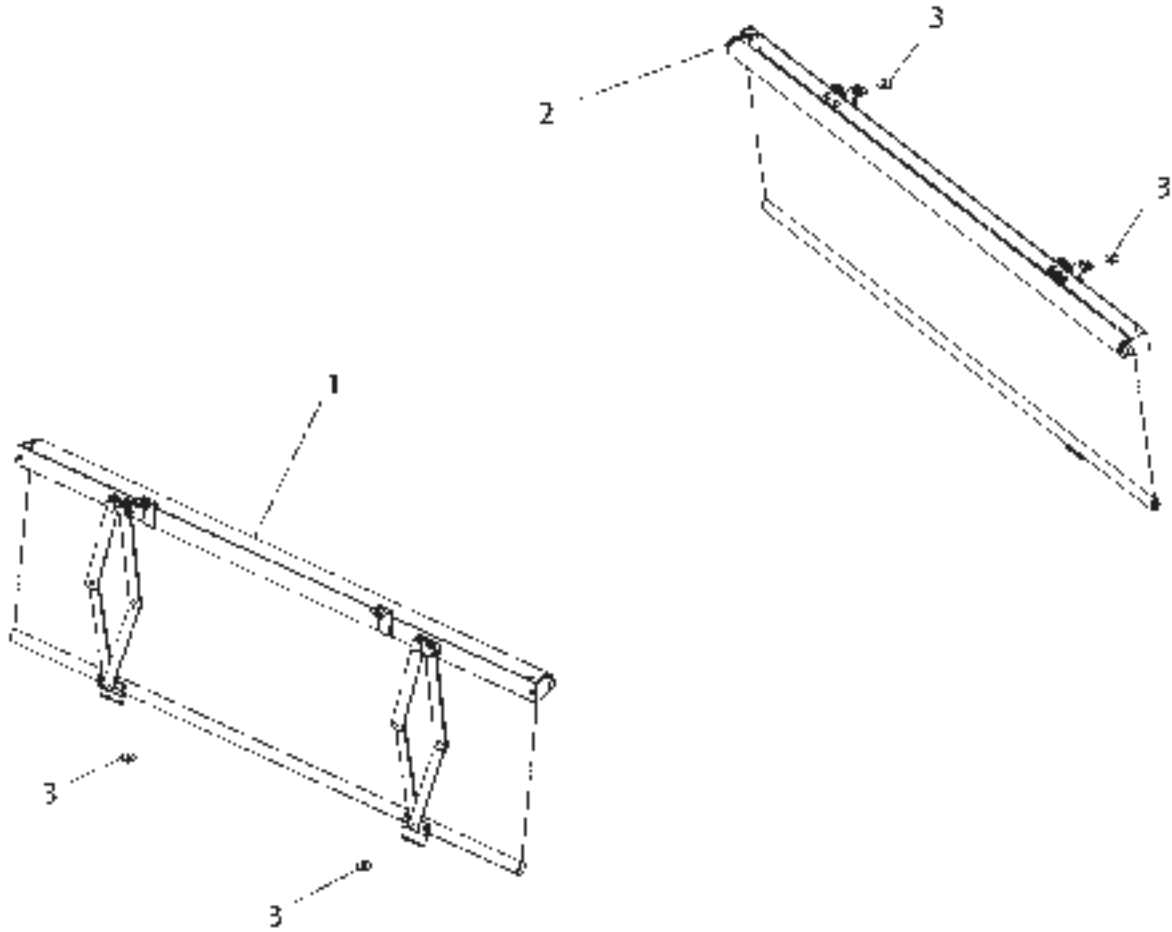
ITEM	NUMBER	QTY	DESCRIPTION
-	162-4095	-	VISOR GP-CAB (SUN VISOR) (NOT SERVICED)
1	CH169-6397	1	SCREEN GP-SUN
2	CH9X-2038	2	WASHER (7X19X2)

00867436
PR: t05b22n43d0507

1146

MT800B SERIES TRACTORS
OPERATOR STATION

VISOR GP-CAB (SUN VISOR) - SIDE
501886D1



501886D1

MT800B SERIES TRACTORS
OPERATOR STATION

1147

VISOR GP-CAB (SUN VISOR) - SIDE
501886D1

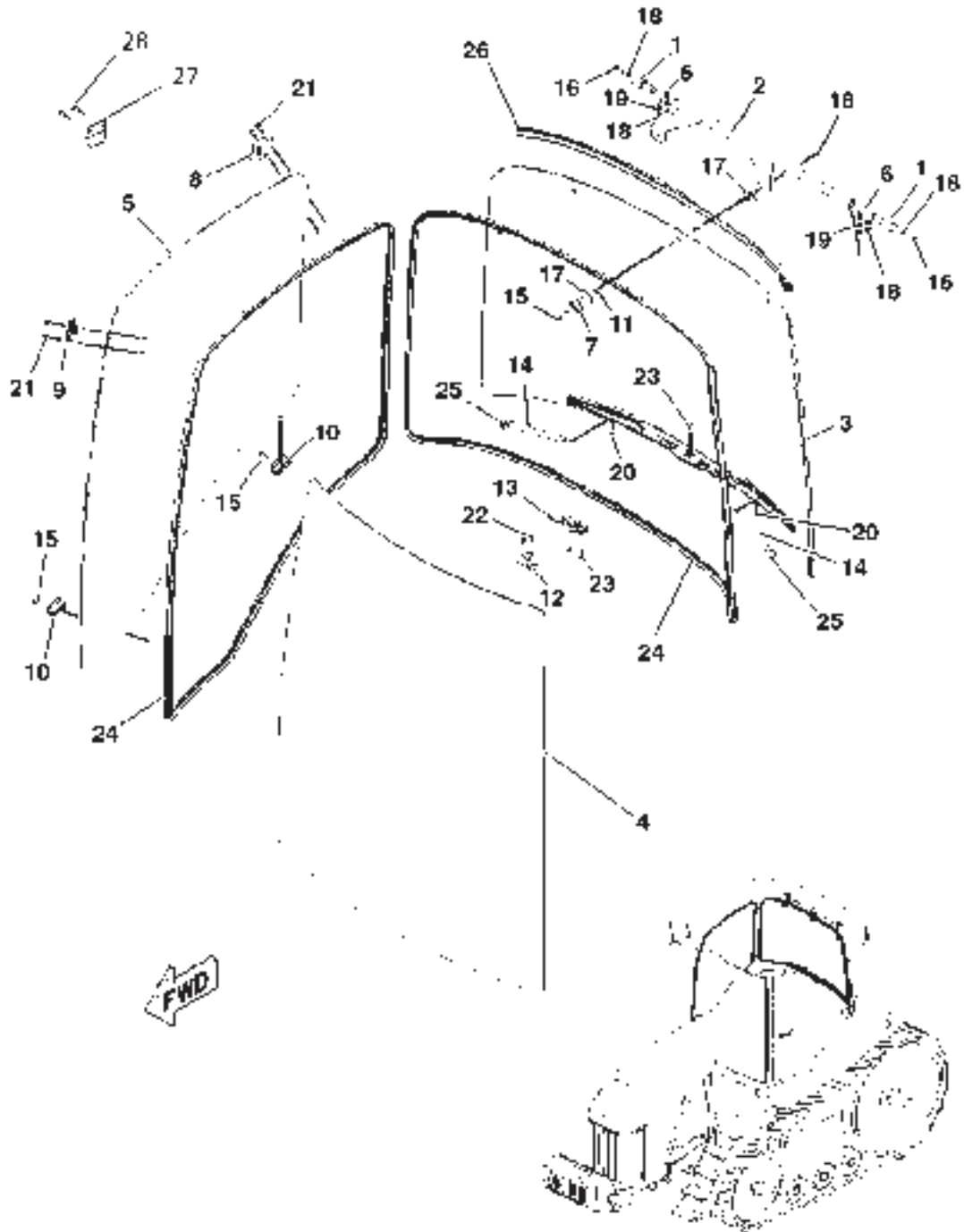
ITEM	NUMBER	QTY	DESCRIPTION
-	502777D1	-	VISOR GP-CAB (SUN VISOR) (FIELD INSTALL)
-	501886D1	-	VISOR GP-CAB [A] (NOT SERVICED) ORDER FIELD INSTALLED)
1	501885D1	1	SCREEN GP-SUN
2	502026D1	1	SCREEN GP-SUN
3	CH9X-2038	4	WASHER (7X19X2)

[A] PART OF 502777D1 VISOR GP

501886DB
PR: t05b22n43d0509

MT800B SERIES TRACTORS
OPERATOR STATION

GLASS GP-WINDSHIELD - 151-9994
ROW & SPECIAL



**MT800B SERIES TRACTORS
OPERATOR STATION**

1149

**GLASS GP-WINDSHIELD - 151-9994
ROW & SPECIAL**

ITEM	NUMBER	QTY	DESCRIPTION
-	151-9994	-	GLASS GP [A] (NOT SERVICED)
1	151-8541	2	PIN-HINGE
2	151-8545	1	PLATE
3	151-9979	1	WINDOW ASM-REAR
	169-6328	1	SUPPORT
	151-9982	1	GLASS-REAR
4	501896D1	1	WINDOW-FRONT
5	151-9984	1	GLASS-RH
6	CH151-9989	2	CLAMP
7	400333X1	3	WASHER (HINGE)
8	166-4568	1	CLAMP
9	166-4570	2	CLAMP
10	CH168-2309	2	CLAMP
11	CH169-6377	3	BUSHING (WINDOW HINGE)
12	169-6399	1	PLATE ASM
	400313X1	2	NUT-WELD (M6X1)
13	CH170-1445	1	LATCH
14	CH172-6862	2	SPRING ASM-GAS
15	CH142-2304	5	SCREW-BUTTON HEAD (M8X1.25X35MM)
16	CH160-8756	2	BOLT-HEX HEAD (M8X1.25X30MM)
17	400330X1	6	WASHER (REAR HINGE)
18	400340X1	9	NUT (M8X1.25)
19	400599X1	4	WASHER-HARD (8.8X20.5X2)
20	400300X1	2	NUT (M6X1)
21	CH8C-8585	6	BOLT-BUTTON HEAD (M10X1.5X20MM)
22	CH9X-2043	2	SCREW-TRUSS HEAD (M6X1X14MM)
23	CH9X-2045	3	SCREW-TRUSS HEAD (M6X1X20MM)
24	CH208-2404	AR	SEAL (1010CM)
25	CH8T-2444	4	STUD-BALL
26	207-2036	1	SEAL
27	501051D1	1	BRACKET
28	CH8T-3992	2	SCREW-BTN HD (M6X1X12MM)

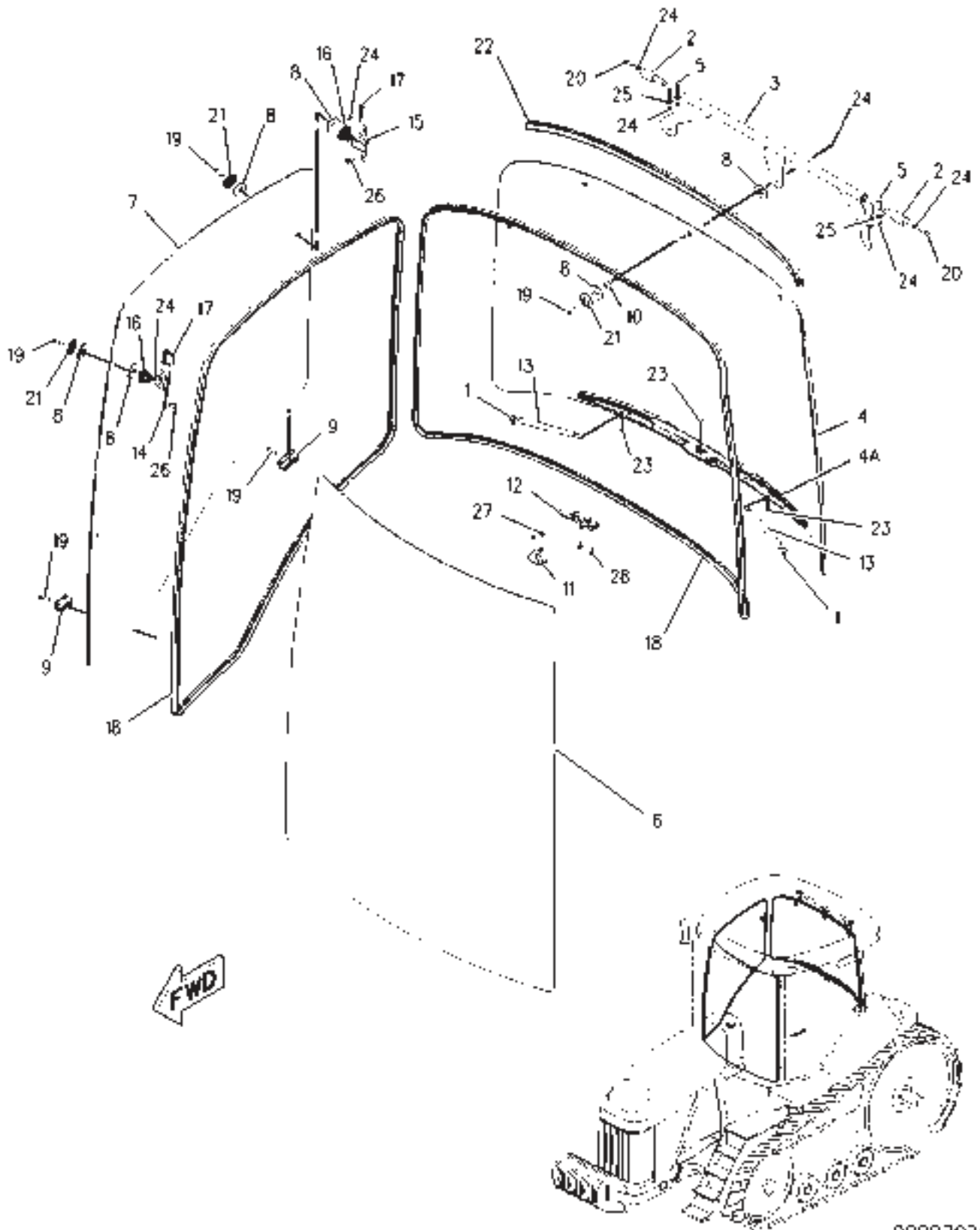
[A] PART OF 152-0003 CAB GP

0863624B
PR: t05b22n43d0510

1150

MT800B SERIES TRACTORS
OPERATOR STATION

GLASS GP-WINDSHIELD - 151-9995
EAME ONLY



00887936

**MT800B SERIES TRACTORS
OPERATOR STATION**

1151

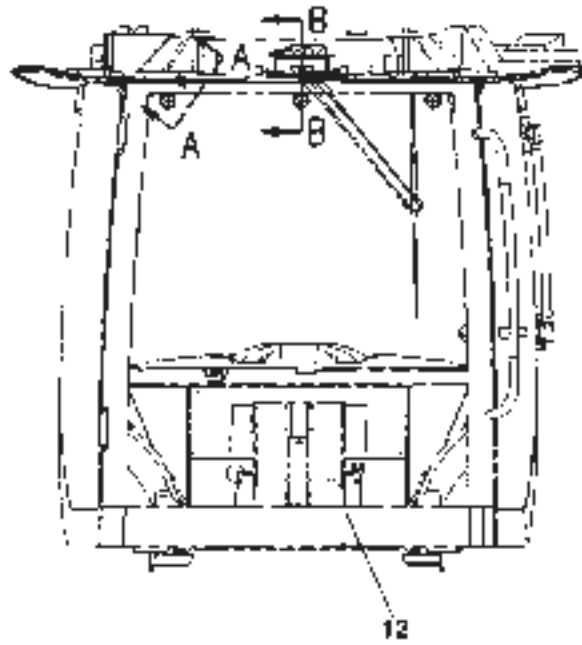
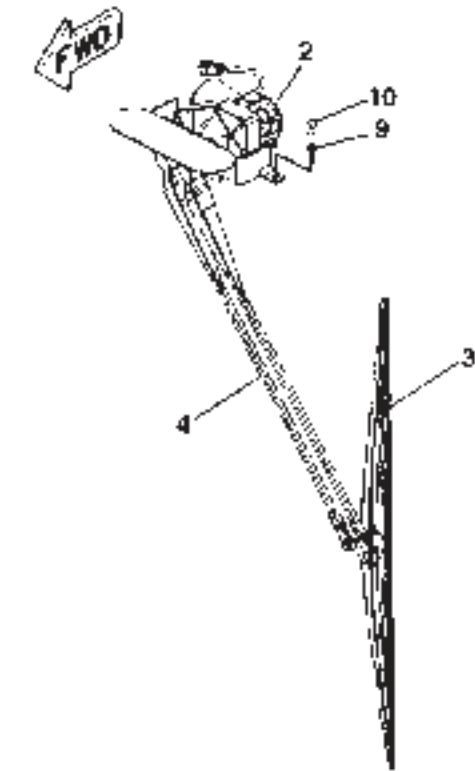
**GLASS GP-WINDSHIELD - 151-9995
EAME ONLY**

ITEM	NUMBER	QTY	DESCRIPTION
-	151-9995	-	GLASS GP-WINDSHIELD [A] (NOT SERVICED)
1	CH8T-2444	4	STUD-BALL
2	151-8541	2	PIN-HINGE
3	151-8545	1	PLATE AS-REAR HINGE
4	151-9979	1	GLASS AS-REAR
4A	169-6328	1	SUPPORT AS
5	CH151-9989	2	CLAMP
6	501896D1	1	GLASS-FRONT
7	151-9991	1	GLASS-RH
8	400333X1	6	WASHER (HINGE)
9	CH168-2309	2	CLAMP-WINDOW (LWR)
10	CH169-6377	3	BUSHING-WINDOW (HINGE)
11	169-6399	1	PLATE AS
	400313X1	2	NUT-WELD (M6X1 THD)
12	CH170-1445	1	LATCH-REAR WINDOW
13	CH172-6862	2	SPRING AS-GAS
14	178-7953	2	BRACKET
15	178-7954	1	BRACKET
16	CH178-7955	3	BOSS
17	CH179-4217	3	PIN
18	CH208-2404	AR	SEAL-BULK (1010 CM) [B, E]
19	CH142-2304	8	SCREW-BUTTON HEAD (M8X1.25X35MM)
20	CH160-8756	2	BOLT-HEX HEAD (M8X1.25X30MM)
21	400330X1	14	WASHER (REAR HINGE)
22	207-2036	1	SEAL
23	400300X1	2	NUT (M6X1 THD)
24	400340X1	12	NUT (M8X1.25 THD)
25	400599X1	4	WASHER-HARD (8.8X20.5X2MM THK)
26	CH8C-8585	6	BOLT-BUTTON HEAD (M10X1.5X20MM)
27	CH9X-2043	2	SCREW-TRUSS HEAD (M6X1X14MM)
28	CH9X-2045	3	SCREW-TRUSS HEAD (M6X1X20MM)

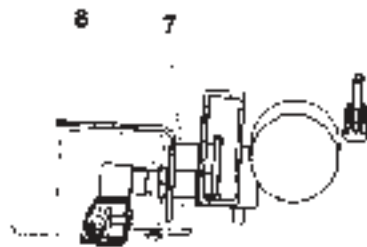
[A] PART OF 152-0004 CAB GP
[B] USE AS REQUIRED
[E] ORDER BY THE CENTIMETER

00887936
PR: t05b22n43d0511

WIPER GP-WINDOW - BASIC
152-0422



FRONT VIEW



11
SECTION B-B



VIEW A-A

MT800B SERIES TRACTORS
OPERATOR STATION

1153

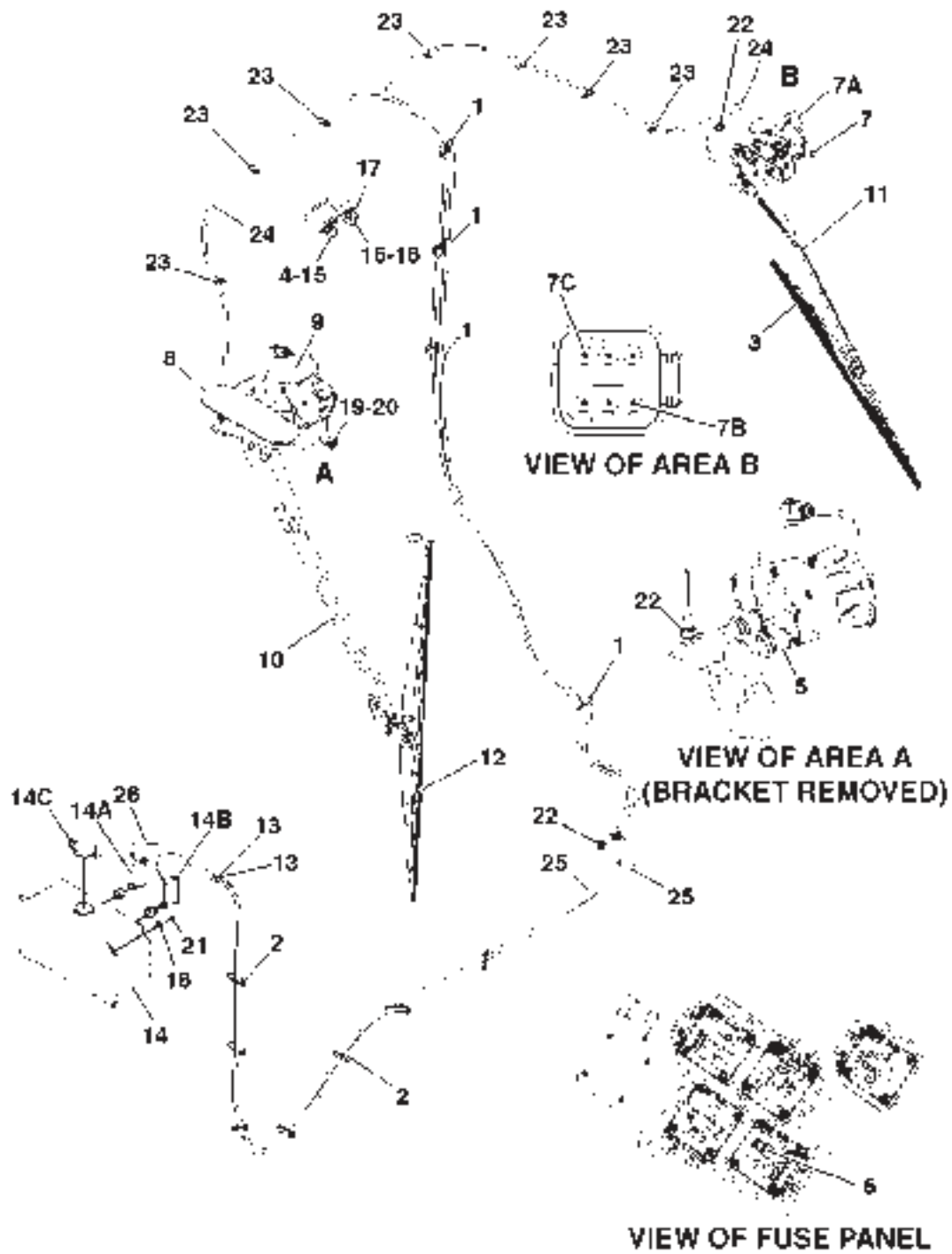
WIPER GP-WINDOW - BASIC
152-0422

ITEM	NUMBER	QTY	DESCRIPTION
-	152-0422		WIPER GP-WINDOW (NOT SERVICED)
1	CH216-2628	1	KNOB AS (FRONT WIPER & WASHER)
2	CH170-5696	1	MOTOR GP-WINDOW WIPER (12 VOLT)
	400340X1	2	NUT
	CH3F-9556	2	LOCKWASHER
	CH8T-8737	1	PLUG
	CH186-3735	5	PIN-CONNECTOR
	CH102-8805	1	KIT, RECEPTACLE (INCLS WEDGE)
3	501688D1	1	BLADE-WIPER
4	CH178-3888	1	ARM ASM-WIPER
5	CH112-6174	1	SWITCH ASM-ROTARY(24 VOLT)(FRONT WIPER)
	CH2H-3920	1	LOCKWASHER
	CH6V-8369	1	NUT (7/16-28)
	CH8T-8729	6	PIN-CONNECTOR
	CH8T-8737	2	PLUG-SEAL
	CH3E-3389	1	WEDGE
	CH102-8806	1	KIT-RECEPTACLE (8 PIN) (INCLUDES WEDGE)
6	501256D1	1	FILM-INSTRUCTION (WIPER)
7	CH141-1762	2	SPACER (20)
8	169-6323	1	BRACKET
9	400287X1	2	WASHER-HARD (11X21X2.5)
10	400040X1	2	BOLT (M10X1.5X20MM)
11	CH5P-7803	1	BUTTON-PLUG
12	CH193-5914	2	PLUG

0874347A
PR: t05b22n43d0512

MT800B SERIES TRACTORS
OPERATOR STATION

WIPER GP-WINDOW - DELUXE
196-3968



**MT800B SERIES TRACTORS
OPERATOR STATION**

1155

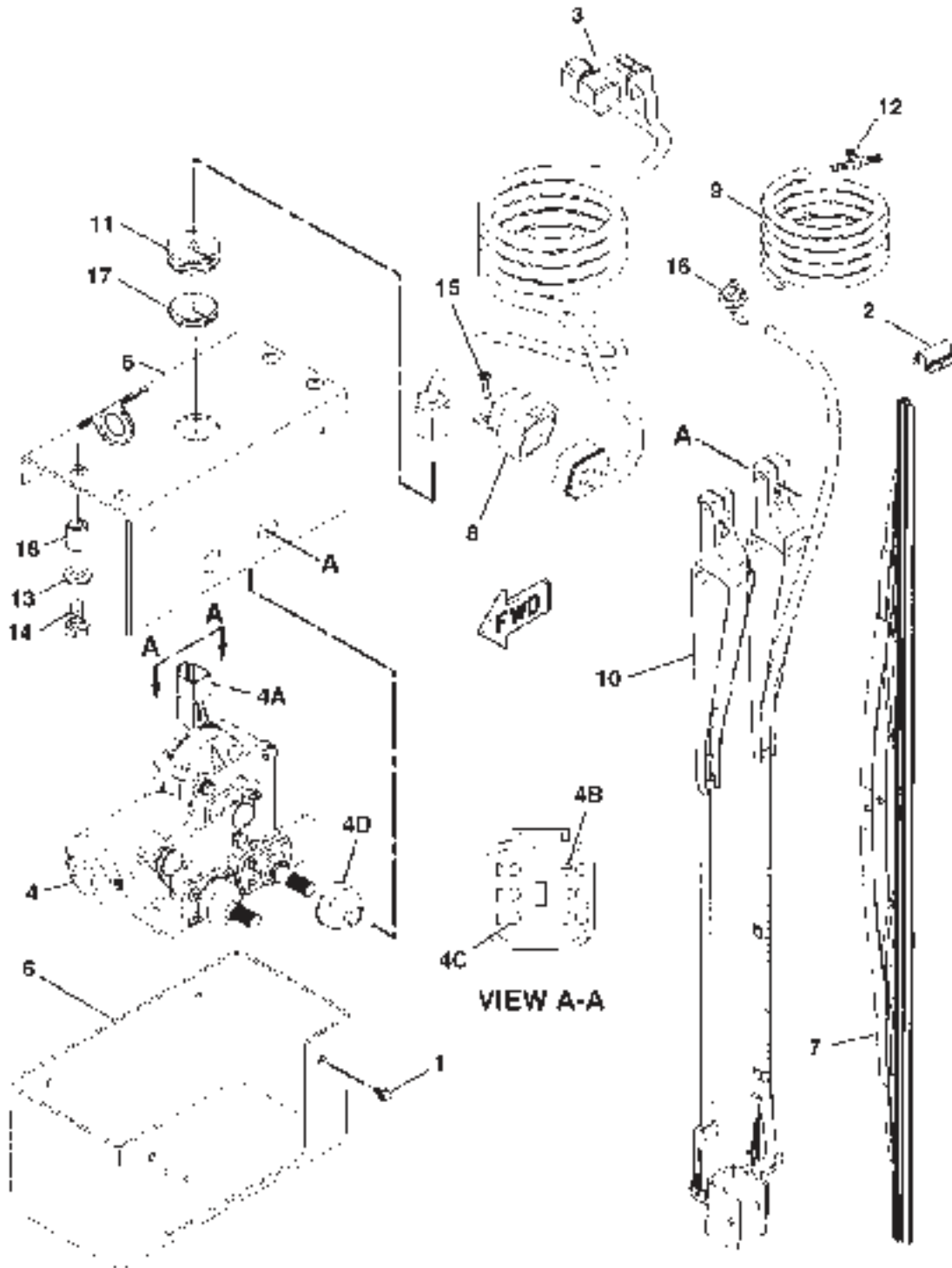
**WIPER GP-WINDOW - DELUXE
196-3968**

ITEM	NUMBER	QTY	DESCRIPTION
-	196-3968	-	WIPER GP-WINDOW [A] (NOT SERVICED)
1	400282X1	8	CLIP
2	400837X1	7	STRAP-CABLE
3	CH134-1935	1	BLADE-WIPER (REAR)
4	CH135-9967	1	SWITCH GP-WIPER (12V) (INTERMITTENT) (SEE BREAKDOWN FOR COMPONENTS)
5	CH141-1762	2	SPACER (21.2X25.4X20)
6	CH146-9439	1	RELAY (12 VOLT) (REAR WIPER)
7	CH166-4596	1	MOTOR GP-WINDOW WIPER (12 VOLT) (REAR) (INCLUDES 7A,7B & 7C)
7A	CH102-8805	1	KIT-RECEPTACLE (6 PIN) (INCLUDES RECEPTACLE ASM & WEDGE) (SERVICED AS COMPLETE KIT ONLY)
7B	CH8T-8737	1	PLUG-SEAL
7C	400561X1	5	PIN-CONNECTOR
8	169-6323	1	BRACKET
9	CH170-5696	1	MOTOR GP-WINDOW WIPER (12 VOLT) (FRONT)
	400340X1	2	NUT
	CH3F-9556	2	LOCKWASHER
	CH8T-8737	1	PLUG
	CH186-3735	5	PIN-CONNECTOR
	CH102-8805	1	KIT, RECEPTACLE (INCLUDES RECEPTACLE ASM & WEDGE)
10	501565D1	1	ARM-WIPER (FRONT)
11	501604D1	1	ARM-WIPER (REAR)
12	501688D1	1	BLADE-WIPER (FRONT)
13	501120D1	2	VALVE ASM (WIPER & WASHER)
14	CH208-9635	1	TANK GP-WINDOW WASHER (INCLS 14A-14C)
14A	CH209-4481	1	PUMP (REAR WIPER & WASHER)
14B	CH209-4481	1	PUMP (FRONT WIPER & WASHER)
14C	CH209-4482	1	CAP (WINDOW WASHER TANK)
15	CH216-2628	2	KNOB-CONTROL (FRONT WIPER & WASHER)
16	CH112-6174	1	SWITCH ASM-ROTARY (WIPER & WASHER)
	CH2H-3920	1	LOCKWASHER
	CH6V-8369	1	NUT (7/16-28)
	CH8T-8729	6	PIN-CONNECTOR
	CH8T-8737	2	PLUG-SEAL
	CH3E-3389	1	WEDGE
	CH102-8806	1	KIT-RECEPTACLE (8 PIN) (INCLUDES WEDGE)
17	501406D1	1	FILM-INSTRUCTION (DELUXE WIPER)
18	CH5P-4115	10	WASHER-HARD (7.2X19X2)
19	400287X1	2	WASHER-HARD (11X21X2.5)
20	400040X1	2	BOLT (M10X1.5X20MM)
21	400221X1	5	BOLT (M6X1X20)
	400300X1	5	NUT (M6X1)
22	CH8T-5400	4	CONNECTOR
23	CH9N-2061	7	CLIP
24	WR518622	AR	TUBING AIRLINE (824CM)
25	AG514360	AR	HOSE (640CM)
26	AG514360	AR	HOSE (640CM)

[A] PART OF 152-0012; 222-4146 CAB AR

0829737A
PR: t05b22n43d0514

WIPER GP-WINDOW - RH
162-4103



**MT800B SERIES TRACTORS
OPERATOR STATION**

1157

**WIPER GP-WINDOW - RH
162-4103**

ITEM	NUMBER	QTY	DESCRIPTION
-	162-4103	-	WIPER GP-WINDOW
1	CH030-9613	4	SCREW-FORMING (10-24X0.37 IN)
2	400282X1	2	CLIP
3	167-1258	1	HARNESS (SIDE WIPER)
4	CH211-4837	1	MOTOR GP-COMPACT DRIVE (RH WIPER) (INCLS 4A-4D)
4A	CH102-8805	1	KIT-RECEPTACLE (6 PIN) (INCLS RECEPTACLE AS & WEDGE)
4B	CH8T-8737	1	PLUG-SEAL
4C	400561X1	5	PIN-CONNECTOR
4D	CH206-5823	2	CAP
5	174-7872	1	BRACKET
6	175-0198	1	COVER
7	CH189-8610	1	BLADE-WIPER (RH WINDOW)
8	400292X1	1	RELAY ASM (12 VOLT) (RH WINDOW WIPER)
9	AG514360	-	HOSE (78 CM)
10	501603D1	1	ARM
11	CH6H-4006	1	GROMMET
12	CH6K-9632	1	TEE-HOSE (50OD BARB)
13	400287X1	4	WASHER-HARD (11X21X2.5)
14	400040X1	4	BOLT (M10X1.5X20MM)
15	CH8T-9501	1	SCREW (10-16X.75 IN)
16	CH8T-5400	1	CONNECTOR
17	400114X1	1	GROMMET
18	CH179-4209	4	INSERT

0878092A
PR: t05b22n43d0513

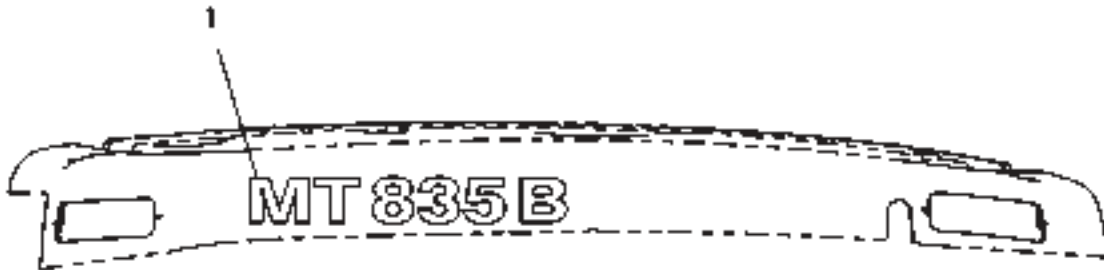
1158

MT800B SERIES TRACTORS
DECALS & MARKINGS

FILM GP - MT835B
501615D1



LEFT SIDE VIEW



RIGHT SIDE VIEW

5016150A

**MT800B SERIES TRACTORS
DECALS & MARKINGS**

1159

**FILM GP - MT835B
501615D1**

ITEM	NUMBER	QTY	DESCRIPTION
-	501615D1	-	FILM GP (MT835B) [A] (NOT SERVICED)
1	501410D1	2	FILM (MT835B)

[A] PART OF:
501588D1; 501593D1 BASE UNIT AR

501615DA
PR: t05b22n43d0515

1160

MT800B SERIES TRACTORS
DECALS & MARKINGS

FILM GP - MT845B
501616D1



LEFT SIDE VIEW



RIGHT SIDE VIEW

501616DA

**MT800B SERIES TRACTORS
DECALS & MARKINGS**

1161

**FILM GP - MT845B
501616D1**

ITEM	NUMBER	QTY	DESCRIPTION
-	501616D1	-	FILM GP (MT845B) [A] (NOT SERVICED)
1	501411D1	2	FILM (MT845B)

[A] PART OF:
501589D1; 501594D1 BASE UNIT AR

501616DA
PR: t05b22n43d0516

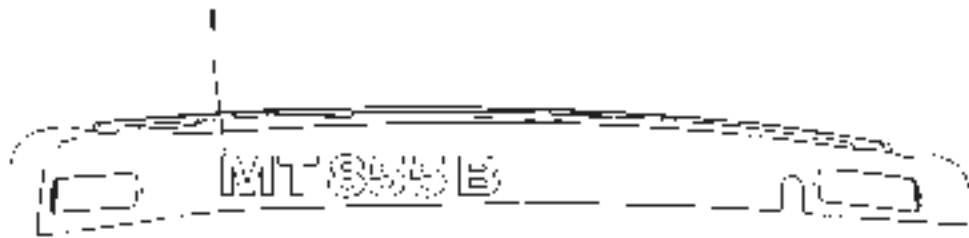
1162

MT800B SERIES TRACTORS
DECALS & MARKINGS

FILM GP - MT855B
501617D1



LEFT SIDE VIEW



RIGHT SIDE VIEW

501617DA

**MT800B SERIES TRACTORS
DECALS & MARKINGS**

1163

**FILM GP - MT855B
501617D1**

ITEM	NUMBER	QTY	DESCRIPTION
-	501617D1	-	FILM GP (MT855B) [A] (NOT SERVICED)
1	501412D1	2	FILM (MT855B)

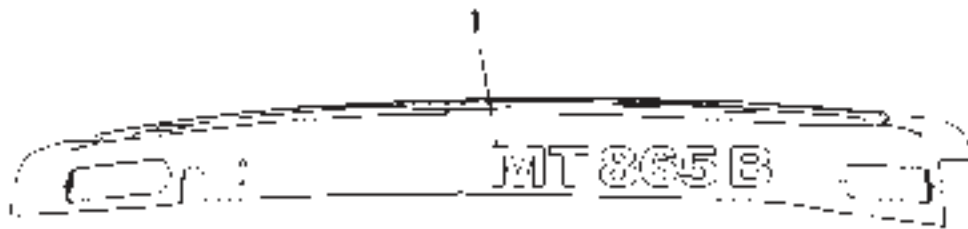
[A] PART OF:
501590D1; 501595D1 BASE UNIT AR

501617DA
PR: t05b22n43d0517

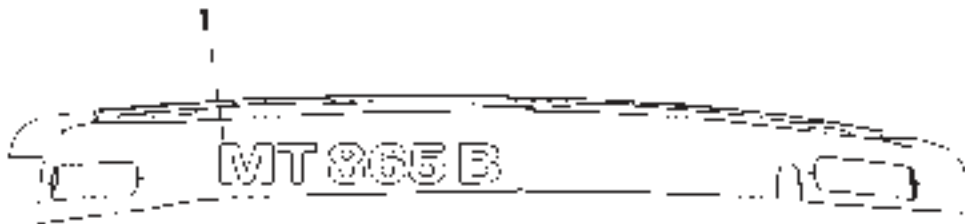
1164

MT800B SERIES TRACTORS
DECALS & MARKINGS

FILM GP - MT865B
501618D1



LEFT SIDE VIEW



RIGHT SIDE VIEW

501618DA

**MT800B SERIES TRACTORS
DECALS & MARKINGS**

1165

**FILM GP - MT865B
501618D1**

ITEM	NUMBER	QTY	DESCRIPTION
-	501618D1	-	FILM GP (MT865B) [A] (NOT SERVICED)
1	501413D1	2	FILM (MT865B)

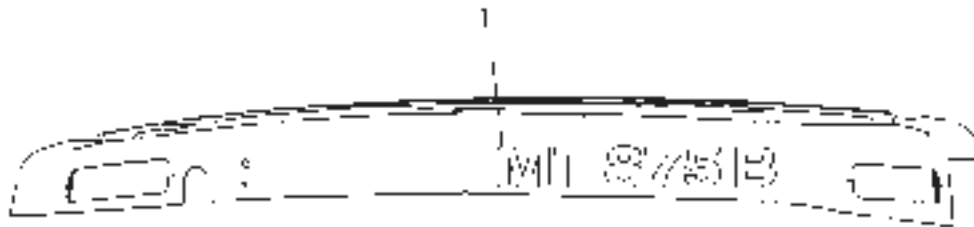
[A] PART OF:
501591D1; 501596D1 BASE UNIT AR

501618DA
PR: t05b22n43d0518

1166

MT800B SERIES TRACTORS
DECALS & MARKINGS

FILM GP - MT875B
501619D1



LEFT SIDE VIEW



RIGHT SIDE VIEW

501619DA

**MT800B SERIES TRACTORS
DECALS & MARKINGS**

1167

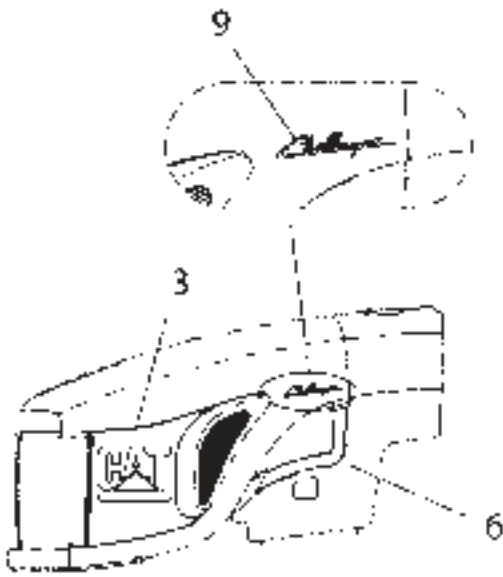
**FILM GP - MT875B
501619D1**

ITEM	NUMBER	QTY	DESCRIPTION
-	501619D1	-	FILM GP (MT875B) [A] (NOT SERVICED)
1	501414D1	2	FILM (MT875B)

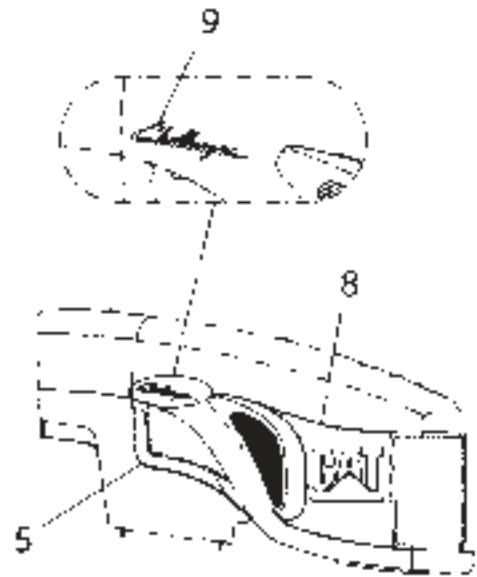
[A] PART OF:
501592D1; 501597D1 BASE UNIT AR

501619DA
PR: t05b22n43d0519

FILM GP-CAT - 500735D1



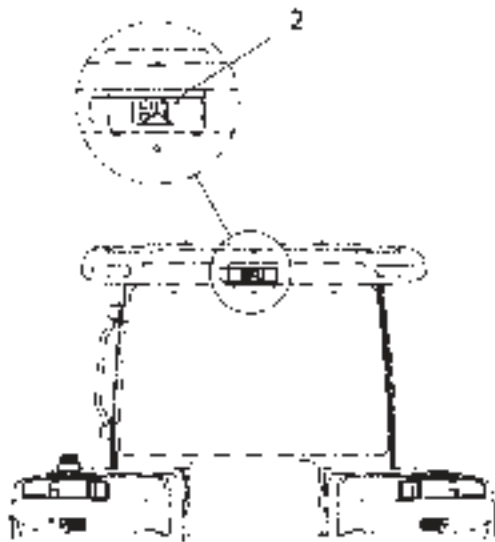
LEFT SIDE OF HOOD



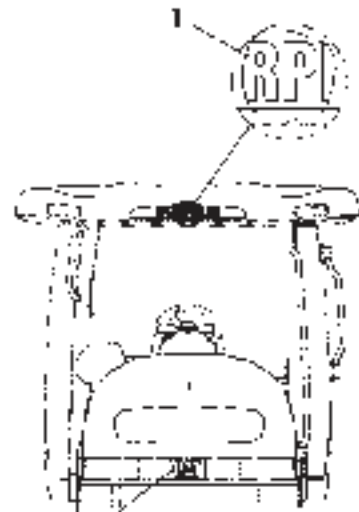
RIGHT SIDE OF HOOD



STEERING WHEEL



REAR VIEW OF CAB



FRONT VIEW

500735DB

**MT800B SERIES TRACTORS
DECALS & MARKINGS**

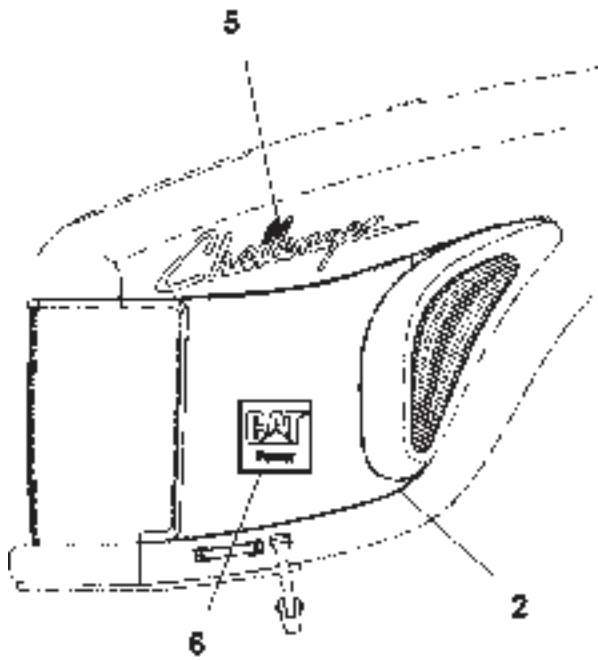
1169

FILM GP-CAT - 500735D1

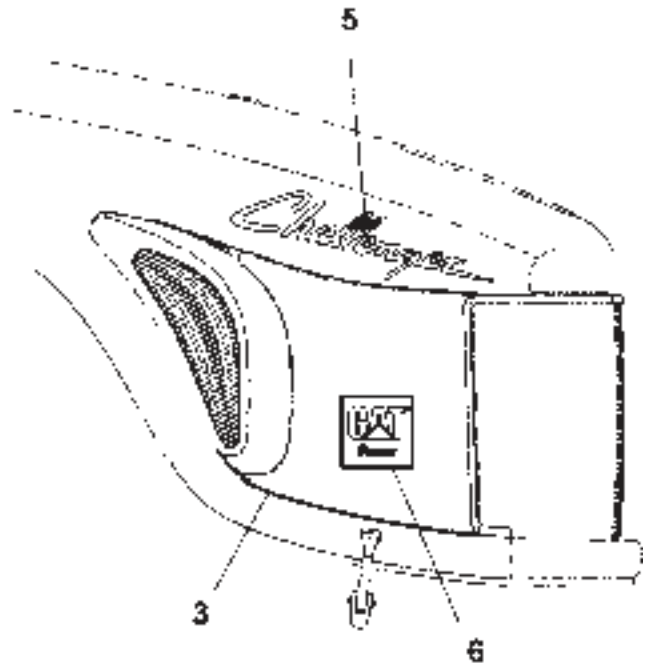
ITEM	NUMBER	QTY	DESCRIPTION
-	500735D1	-	FILM GP-CAT (NOT SERVICED)
1	501480D1	1	FILM-CATERPILLAR
2	183-9281	1	FILM-CAT
3	501482D1	1	FILM-HOOD (LEFT)
4	201-5096	1	EMBLEM AS-CAT
5	210-4357	1	FILM-SIDE PANEL
6	210-4358	1	FILM-SIDE PANEL
7	195-5221	1	FILM-CAT WHEEL LOGO
8	501483D1	1	FILM-HOOD (RIGHT)
9	500749D1	2	FILM-CHALLENGER

500735DB
PR: t05b22n43d0520

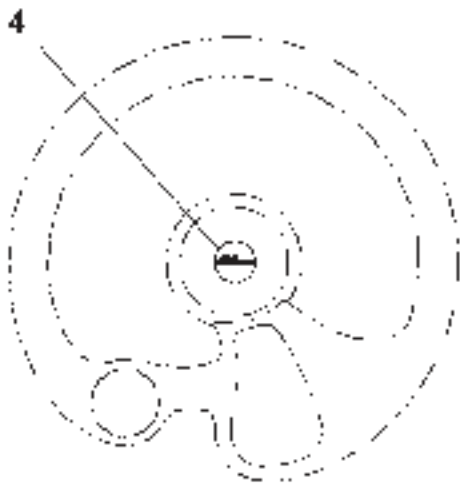
FILM GP-CHALLENGER - 500736D1



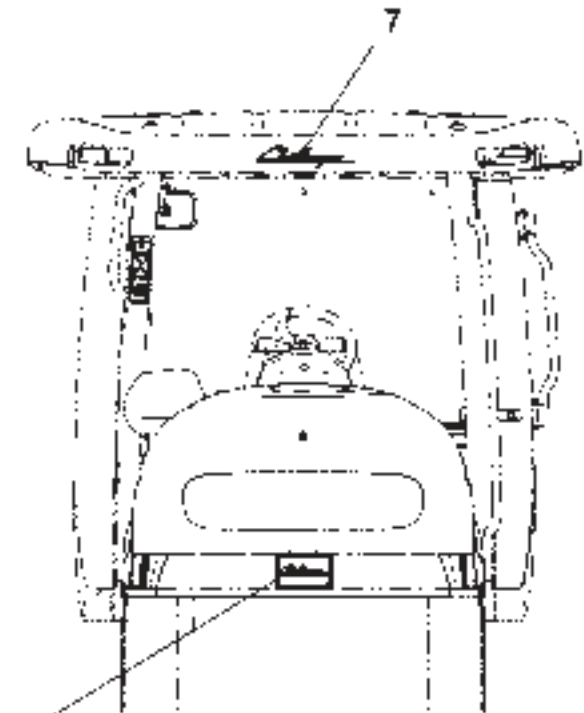
LEFT SIDE VIEW



RIGHT SIDE VIEW



STEERING WHEEL



FRONT VIEW

**MT800B SERIES TRACTORS
DECALS & MARKINGS**

1171

FILM GP-CHALLENGER - 500736D1

ITEM	NUMBER	QTY	DESCRIPTION
-	500736D1	-	FILM GP-CHALLENGER
1	500729D1	1	EMBLEM AS-CHALLENGER
2	500737D1	1	FILM-HOOD (LH)
3	500738D1	1	FILM-HOOD (RH)
4	500719D1	1	FILM-CHALLENGER
5	500734D1	2	FILM-CHALLENGER
6	500748D2	2	FILM-CAT POWER
7	500749D1	1	FILM-CHALLENGER

500736DB
PR: t05b22n43d0521

**MT800B SERIES TRACTORS
DECALS & MARKINGS**

1173

**FILM GP-PAINT & - 179-2261
EAME ONLY
(PAGE 1 OF 9)**

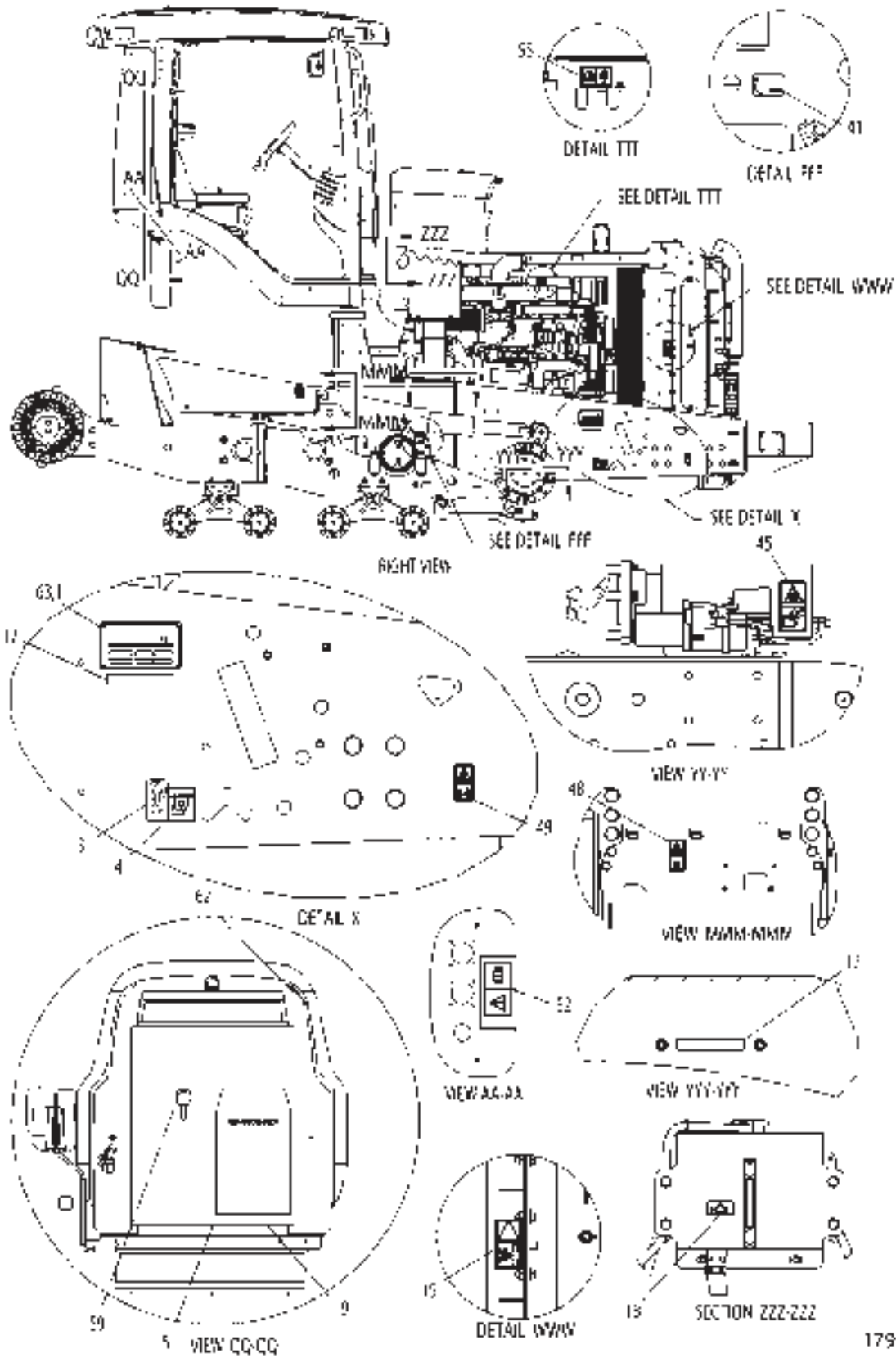
ITEM	NUMBER	QTY	DESCRIPTION
-	179-2261	-	FILM GP-PLATE & FILM [A] (NOT SERVICED)
3	500371D1	4	FILM-LIFT
4	500372D1	4	FILM-TIE-DOWN
5	CH7F-3400	1	BAG-POLYETHYLENE 305 X 380
-	501501D1	1	DECAL SHEET-CAB (INCLUDES * ITEMS)
-	501259D1	1	FILM-NOTICE * **
-	501281D1	1	FILM-MIRRORS *
-	501297D1	1	FILM-WIRE ACCESS *
-	501298D1	1	FILM-WARNING *
-	501265D1	1	FILM-NOTICE *
-	501282D1	1	FILM-ROAD SPEED *
-	501302D1	1	FILM-BRAKE *
-	501274D1	2	FILM-NOTICE *
-	501273D1	1	FILM-NOTICE *
-	501406D1	1	FILM-WIPER DELUXE *
-	501272D1	2	FILM-ATERNATE EXIT *
-	501286D1	2	FILM-INSTALLATION DATE *
-	501503D1	1	DECAL SHEET-VEHICLE (SEE BREAKDOWN)
-	501505D1	1	DECAL SHEET-VEHICLE (INCLUDES ** ITEMS)
-	501257D1	2	FILM-NOTICE **
-	501260D1	2	FILM-NOTICE **
-	501263D1	2	FILM-NOTICE **
-	501254D1	2	FILM-WARNING **
-	501262D1	4	FILM-NOTICE **
-	501303D1	1	FILM-COOLANT (COLD FILL) **
-	501277D1	1	FILM-BATTERY (INST) **
-	501291D1	1	FILM-BATTERY **
-	501294D1	2	FILM-WARNING (HITCH) **
-	501264D1	2	FILM-NOTICE **
-	501290D1	2	FILM-CRUSH/SEVER **
-	501292D1	1	FILM-WARNING (OVERFLOW) **
-	501259D1	1	FILM-NOTICE * **
-	501293D1	2	FILM-WARNING **
-	501306D1	1	FILM-AIR CLEANER **
-	501287D1	1	FILM-WARNING **
-	501261D1	1	FILM-NOTICE **
-	501301D1	2	FILM-TIGHTENING (BOLT) **
-	501300D1	2	FILM-TIGHTENING (BOLT) **
-	501299D1	4	FILM-TIGHTENING (BOLT) **
23	501295D1	1	FILM-HITCH (RIGHT) **
24	501296D1	1	FILM-HITCH (LEFT) **
25	501104D1	1	FILM-HYDRAULIC OIL
26	501106D1	1	FILM-IDENT (HYD OIL FILTER)
28	501253D1	3	FILM-IDENT (12V) * **
31	501267D1	1	FILM-HYD COUPLERS (INST) **
58	501307D1	1	FILM-XMSN OIL FILL
64	207-8227	1	WARNING GP-SPEED (NOT SERVICED)
	CH8T-0328	2	WASHER-HARD 5.5IDX10ODX1MM
	207-7534	1	PLATE
	501282D1	1	FILM-ROADING SPEED
	CH095-0741	2	SCREW-MACHINE M6X1.0X14
	CH5P-3424	2	SCREW-12-14X25.4 PAN, THD FMG

[A] PART OF 501811D1 BASE COMMON AR

1792261A
PR: t05b22n43d0522

MT800B SERIES TRACTORS
DECALS & MARKINGS

FILM GP-PAINT & - 179-2261
EAME ONLY
(PAGE 2 OF 9)



**MT800B SERIES TRACTORS
DECALS & MARKINGS**

1175

**FILM GP-PAINT & - 179-2261
EAME ONLY
(PAGE 2 OF 9)**

ITEM	NUMBER	QTY	DESCRIPTION
-	179-2261	-	FILM GP-PLATE & FILM [A] (NOT SERVICED)
1	222-2280	1	PLATE-PIN NO.
3	500371D1	4	FILM-LIFT
4	500372D1	4	FILM-TIE-DOWN
5	CH7F-3400	1	BAG-POLYETHYLENE 305 X 380
-	501501D1	1	DECAL SHEET-CAB (INCLUDES * ITEMS)
-	501259D1	1	FILM-NOTICE ***
-	501281D1	1	FILM-MIRRORS *
-	501297D1	1	FILM-WIRE ACCESS *
-	501298D1	1	FILM-WARNING *
-	501265D1	1	FILM-NOTICE *
-	501282D1	1	FILM-ROAD SPEED *
-	501253D1	3	FILM-IDENT (12V) ***
-	501302D1	1	FILM-BRAKE *
-	501273D1	1	FILM-NOTICE *
-	501406D1	1	FILM-WIPER DELUXE *
-	501272D1	2	FILM-ATERNATE EXIT *
-	501286D1	2	FILM-INSTALLATION DATE *
-	501503D1	1	DECAL SHEET-VEHICLE (SEE BREAKDOWN)
-	501505D1	1	DECAL SHEET-VEHICLE (INCLUDES ** ITEMS)
-	501257D1	2	FILM-NOTICE **
-	501260D1	2	FILM-NOTICE **
-	501254D1	2	FILM-WARNING **
-	501296D1	1	FILM-HITCH (LEFT) **
-	501253D1	3	FILM-IDENT (12V) ***
-	501277D1	1	FILM-BATTERY (INST) **
-	501291D1	1	FILM-BATTERY **
-	501295D1	1	FILM-HITCH (RIGHT) **
-	501294D1	2	FILM-WARNING (HITCH) **
-	501264D1	2	FILM-NOTICE **
-	501292D1	1	FILM-WARNING (OVERFLOW) **
-	501259D1	1	FILM-NOTICE **
-	501306D1	1	FILM-AIR CLEANER **
-	501287D1	1	FILM-WARNING **
-	501261D1	1	FILM-NOTICE **
-	501267D1	1	FILM-HYD COUPLERS (INST) **
-	501301D1	2	FILM-TIGHTENING (BOLT) **
-	501299D1	4	FILM-TIGHTENING (BOLT) **
9	CH6V-2405	1	ENVELOPE-KEY
17	501288D1	2	FILM-CLEAR COVER
18	501303D1	1	FILM-COOLANT (COLD FILL) **
19	501290D1	2	FILM-CRUSH/SEVER **
41	501300D1	2	FILM-TIGHTENING (BOLT) **
45	501258D1	2	FILM-NOTICE
48	501262D1	4	FILM-NOTICE **
49	501263D1	2	FILM-NOTICE **
52	501274D1	2	FILM-NOTICE *
55	501293D1	2	FILM-WARNING **
59	CH5P-8500	2	KEY
62	CH5P-7958	1	SLEEVE-CABLE SPLICE 2.38 OD
63	CH168-8389	4	TACK-FASTENER (METAL)

[A] PART OF 501811D1 BASE COMMON AR

1792261B
PR: t05b22n43d0523

**MT800B SERIES TRACTORS
DECALS & MARKINGS**

1177

**FILM GP-PAINT & - 179-2261
EAME ONLY
(PAGE 3 OF 9)**

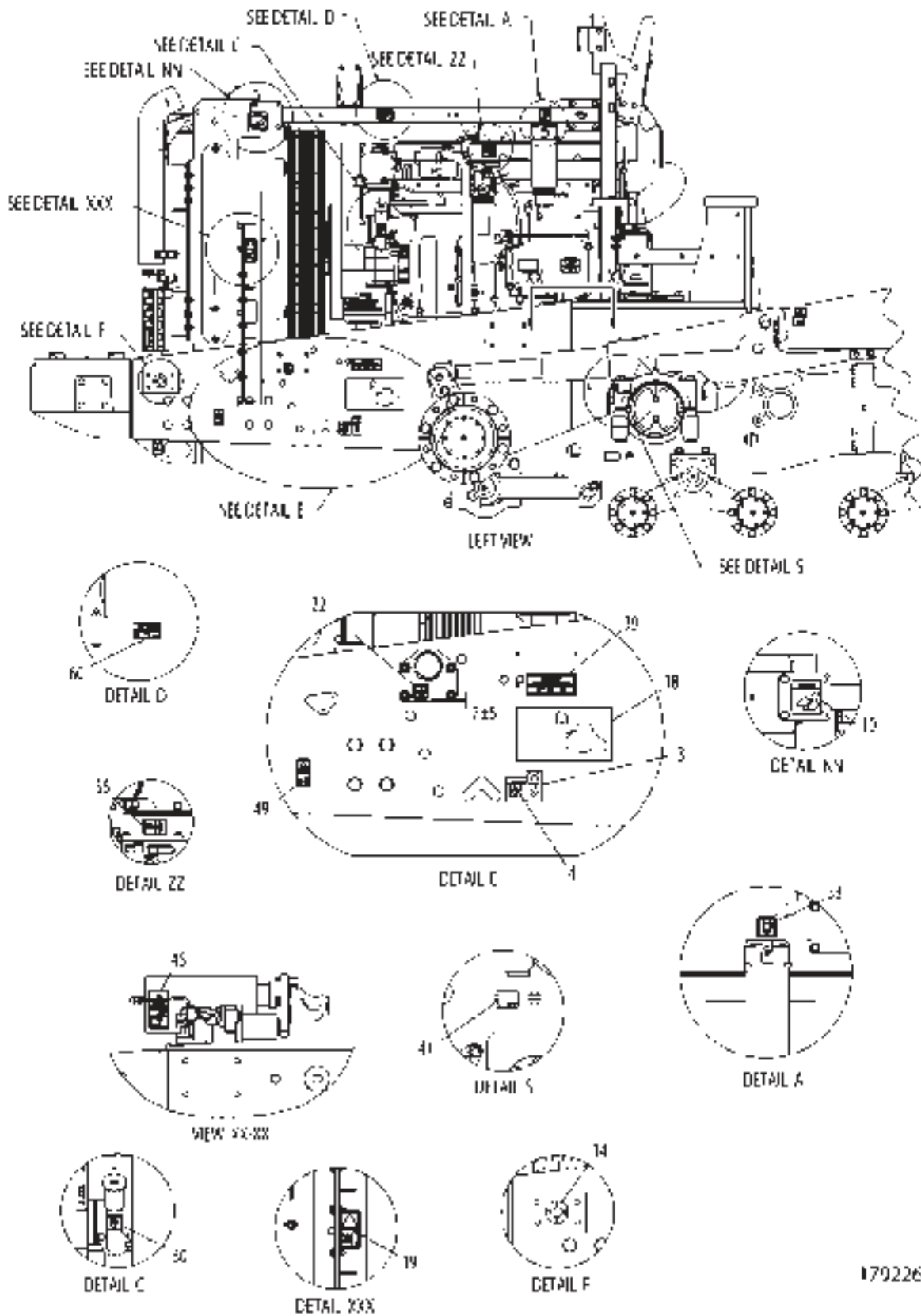
ITEM	NUMBER	QTY	DESCRIPTION
-	179-2261	-	FILM GP-PLATE & FILM [A] (NOT SERVICED)
-	501501D1	1	DECAL SHEET-CAB (INCLUDES * ITEMS)
-	501259D1	1	FILM-NOTICE ***
-	501298D1	1	FILM-WARNING *
-	501265D1	1	FILM-NOTICE *
-	501282D1	1	FILM-ROAD SPEED *
-	501253D1	3	FILM-IDENT (12V) ***
-	501274D1	2	FILM-NOTICE *
-	501273D1	1	FILM-NOTICE *
-	501406D1	1	FILM-WIPER DELUXE *
-	501272D1	2	FILM-ATERNATE EXIT *
-	501503D1	1	DECAL SHEET-VEHICLE (SEE BREAKDOWN)
-	501505D1	1	DECAL SHEET-VEHICLE (INCLUDES ** ITEMS)
-	501257D1	2	FILM-NOTICE **
-	501263D1	2	FILM-NOTICE **
-	501254D1	2	FILM-WARNING **
-	501296D1	1	FILM-HITCH (LEFT) **
-	501262D1	4	FILM-NOTICE **
-	501303D1	1	FILM-COOLANT (COLD FILL) **
-	501277D1	1	FILM-BATTERY (INST) **
-	501295D1	1	FILM-HITCH (RIGHT) **
-	501294D1	2	FILM-WARNING (HITCH) **
-	501264D1	2	FILM-NOTICE **
-	501290D1	2	FILM-CRUSH/SEVER **
-	501259D1	1	FILM-NOTICE ***
-	501293D1	2	FILM-WARNING **
-	501267D1	1	FILM-HYD COUPLERS (INST) **
-	501301D1	2	FILM-TIGHTENING (BOLT) **
-	501300D1	2	FILM-TIGHTENING (BOLT) **
-	501299D1	4	FILM-TIGHTENING (BOLT) **
11	501286D1	2	FILM-INSTALLATION DATE *
12	501306D1	1	FILM-AIR CLEANER **
15	501291D1	1	FILM-BATTERY **
16	501302D1	1	FILM-BRAKE *
21	501271D1	1	FILM-FUSE PANEL
27	501252D1	1	FILM-IDENT (12V)
28	501253D1	3	FILM-IDENT (12V) ***
29	501103D1	1	FILM-INST (FUEL FILTER)
32	501276D1	1	FILM-ENGINE OIL FILTER(INST)
34	501281D1	1	FILM-MIRRORS *
35	501251D1	2	FILM-NO STEP
46	501260D1	2	FILM-NOTICE **
47	501261D1	1	FILM-NOTICE **
53	501287D1	1	FILM-WARNING **
54	501292D1	1	FILM-WARNING (OVERFLOW) **
57	501297D1	1	FILM-WIRE ACCESS *

[A] PART OF 501811D1 BASE COMMON AR

1792261C
PR: t05b22n43d0524

MT800B SERIES TRACTORS
DECALS & MARKINGS

FILM GP-PAINT & - 179-2261
EAME ONLY
(PAGE 4 OF 9)



**MT800B SERIES TRACTORS
DECALS & MARKINGS**

1179

**FILM GP-PAINT & - 179-2261
EAME ONLY
(PAGE 4 OF 9)**

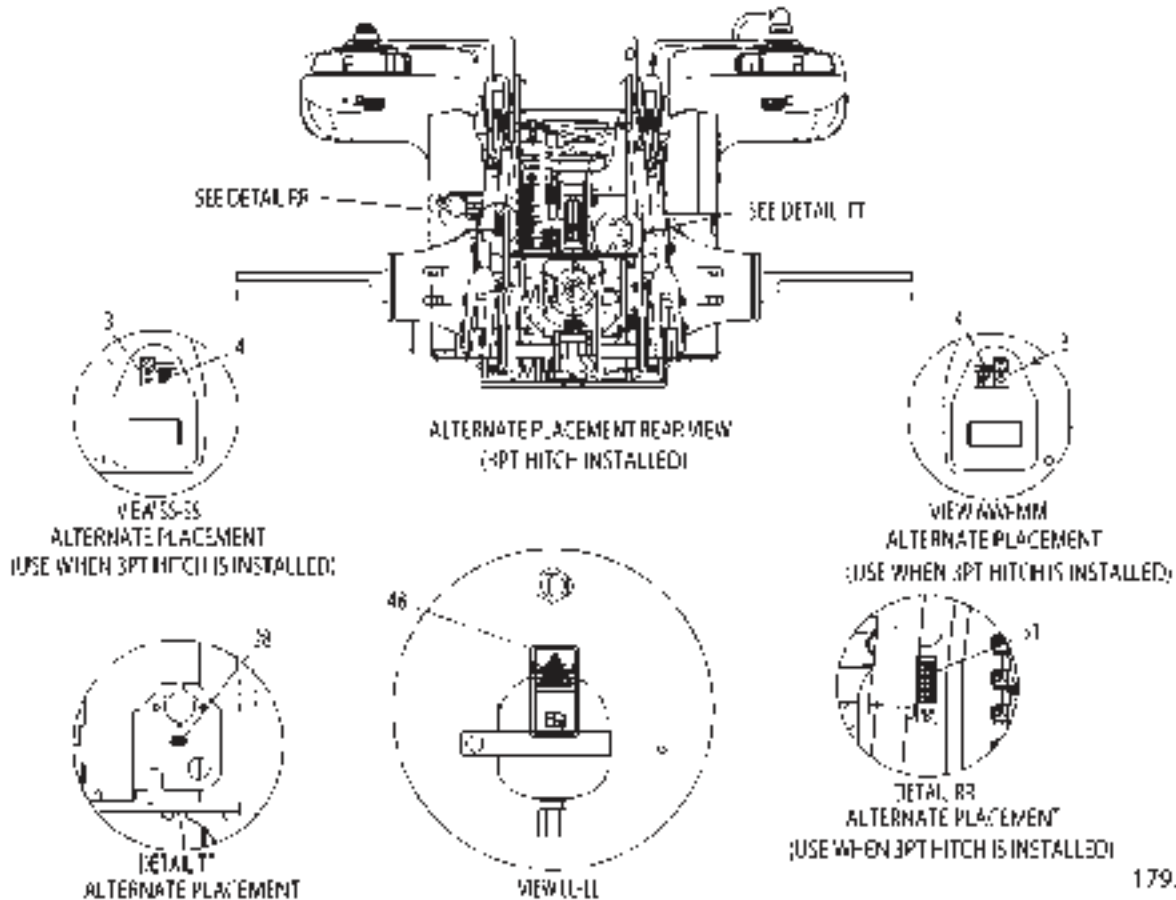
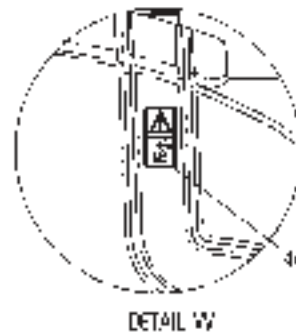
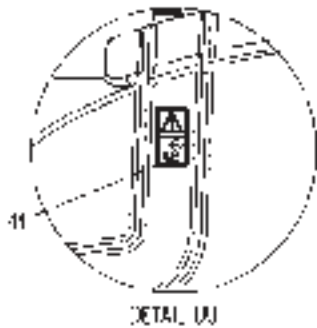
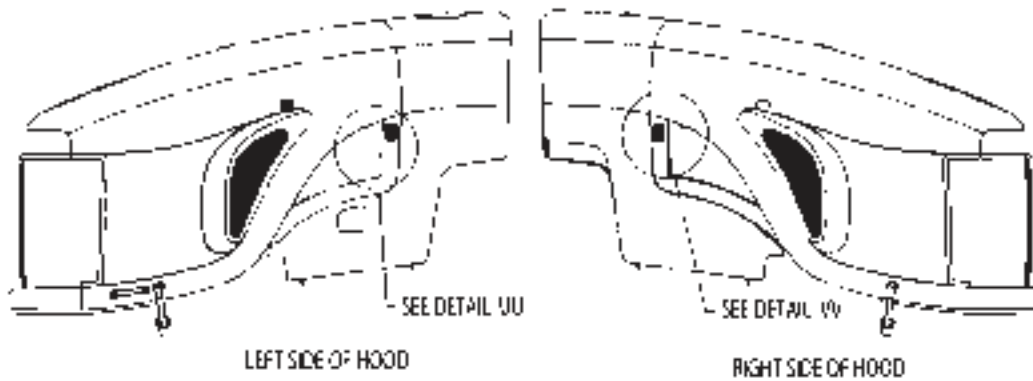
ITEM	NUMBER	QTY	DESCRIPTION
-	179-2261	-	FILM GP-PLATE & FILM [A] (NOT SERVICED)
3	500371D1	4	FILM-LIFT
-	501501D1	1	DECAL SHEET-CAB (INCLUDES * ITEMS)
-	501259D1	1	FILM-NOTICE * **
-	501281D1	1	FILM-MIRRORS *
-	501297D1	1	FILM-WIRE ACCESS *
-	501298D1	1	FILM-WARNING *
-	501265D1	1	FILM-NOTICE *
-	501282D1	1	FILM-ROAD SPEED *
-	501253D1	3	FILM-IDENT (12V) * **
-	501302D1	1	FILM-BRAKE *
-	501274D1	2	FILM-NOTICE *
-	501273D1	1	FILM-NOTICE *
-	501406D1	1	FILM-WIPER DELUXE *
-	501272D1	2	FILM-ATERNATE EXIT *
-	501286D1	2	FILM-INSTALLATION DATE *
-	501503D1	1	DECAL SHEET-VEHICLE (SEE BREAKDOWN)
-	501505D1	1	DECAL SHEET-VEHICLE (INCLUDES ** ITEMS)
-	501257D1	2	FILM-NOTICE **
-	501260D1	2	FILM-NOTICE **
-	501263D1	2	FILM-NOTICE **
-	501254D1	2	FILM-WARNING **
-	501296D1	1	FILM-HITCH (LEFT) **
-	501262D1	4	FILM-NOTICE **
-	501303D1	1	FILM-COOLANT (COLD FILL) **
-	501253D1	3	FILM-IDENT (12V) * **
-	501291D1	1	FILM-BATTERY **
-	501295D1	1	FILM-HITCH (RIGHT) **
-	501294D1	2	FILM-WARNING (HITCH) **
-	501264D1	2	FILM-NOTICE **
-	501292D1	1	FILM-WARNING (OVERFLOW) **
-	501259D1	1	FILM-NOTICE * **
-	501293D1	2	FILM-WARNING **
-	501306D1	1	FILM-AIR CLEANER **
-	501287D1	1	FILM-WARNING **
-	501261D1	1	FILM-NOTICE **
-	501267D1	1	FILM-HYD COUPLERS (INST) **
-	501301D1	2	FILM-TIGHTENING (BOLT) **
-	501299D1	4	FILM-TIGHTENING (BOLT) **
10	501278D1	1	FILM-BELT (ROUTING)
14	501277D1	1	FILM-BATTERY (INST) **
19	501290D1	2	FILM-CRUSH/SEVER **
22	501105D1	1	FILM-GROUND GEN
30	501108D1	1	FILM-INSTRUCTION
33	501280D1	1	FILM-WATER SEPARATOR
38	501269D1	1	FILM-NOTICE (SHIPPING)
39	501305D1	1	FILM-PATENT
41	501300D1	2	FILM-TIGHTENING (BOLT) **
45	501258D1	2	FILM-NOTICE
60	502279D1	1	PLATE-INST (A/C)

[A] PART OF 501811D1 BASE COMMON AR

1792261D
PR: t05b22n43d0525

MT800B SERIES TRACTORS
DECALS & MARKINGS

FILM GP-PAINT & - 179-2261
EAME ONLY
(PAGE 5 OF 9)



**MT800B SERIES TRACTORS
DECALS & MARKINGS**

1181

**FILM GP-PAINT & - 179-2261
EAME ONLY
(PAGE 5 OF 9)**

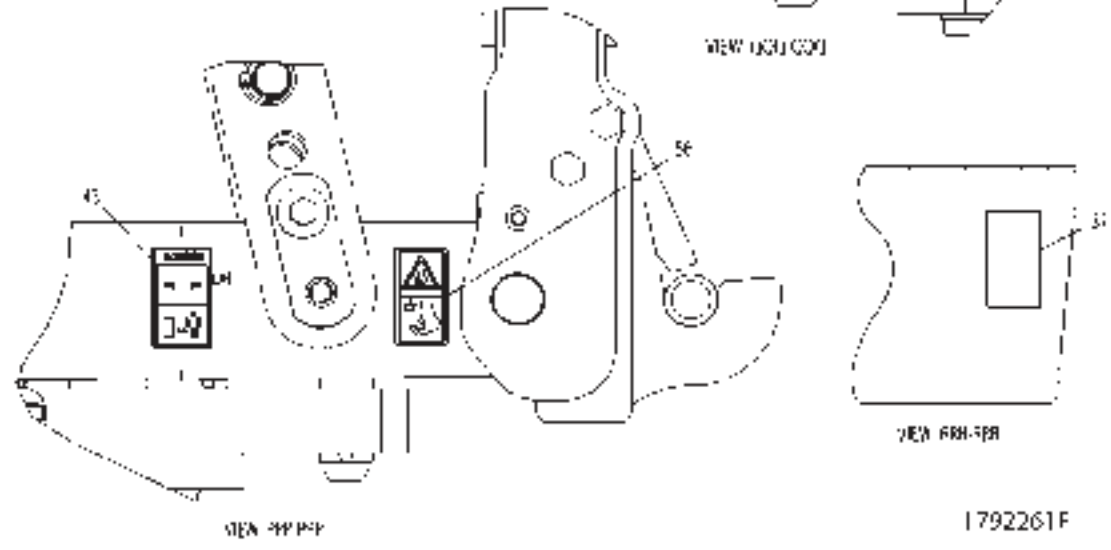
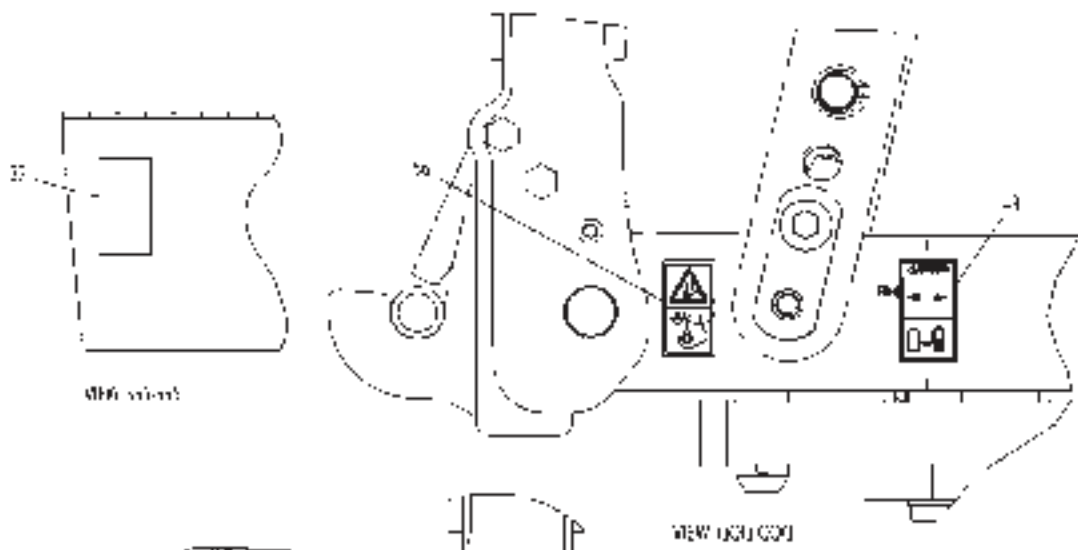
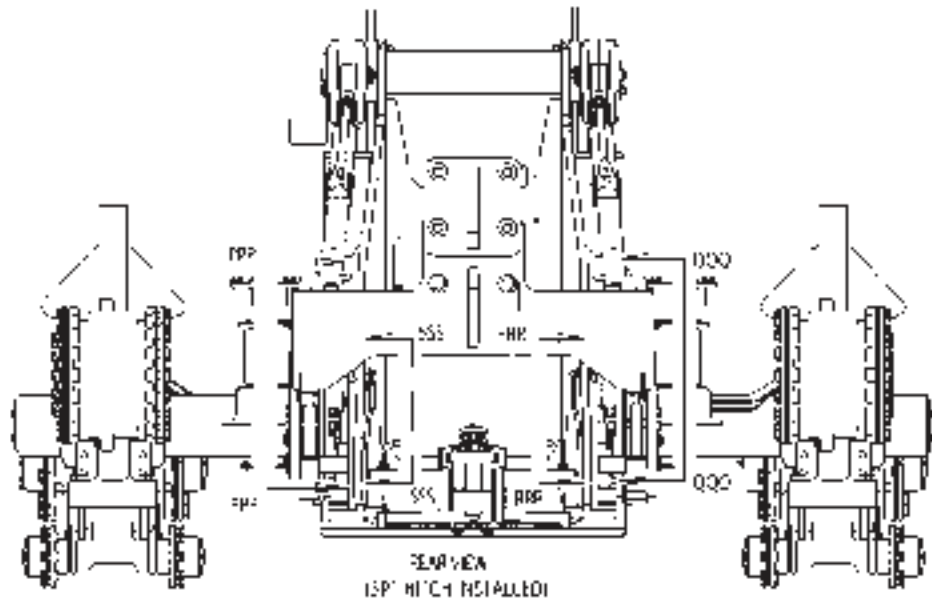
ITEM	NUMBER	QTY	DESCRIPTION
-	179-2261	-	FILM GP-PLATE & FILM [A] (NOT SERVICED)
3	500371D1	4	FILM-LIFT
4	500372D1	4	FILM-TIE-DOWN
-	501501D1	1	DECAL SHEET-CAB (INCLUDES * ITEMS)
-	501259D1	1	FILM-NOTICE ***
-	501281D1	1	FILM-MIRRORS *
-	501297D1	1	FILM-WIRE ACCESS *
-	501298D1	1	FILM-WARNING *
-	501265D1	1	FILM-NOTICE *
-	501282D1	1	FILM-ROAD SPEED *
-	501253D1	3	FILM-IDENT (12V) ***
-	501302D1	1	FILM-BRAKE *
-	501274D1	2	FILM-NOTICE *
-	501273D1	1	FILM-NOTICE *
-	501406D1	1	FILM-WIPER DELUXE *
-	501272D1	2	FILM-ATERNATE EXIT *
-	501286D1	2	FILM-INSTALLATION DATE *
-	501503D1	1	DECAL SHEET-VEHICLE (SEE BREAKDOWN)
-	501505D1	1	DECAL SHEET-VEHICLE (INCLUDES ** ITEMS)
-	501260D1	2	FILM-NOTICE **
-	501263D1	2	FILM-NOTICE **
-	501254D1	2	FILM-WARNING **
-	501296D1	1	FILM-HITCH (LEFT) **
-	501303D1	1	FILM-COOLANT (COLD FILL) **
-	501277D1	1	FILM-BATTERY (INST) **
-	501291D1	1	FILM-BATTERY **
-	501295D1	1	FILM-HITCH (RIGHT) **
-	501294D1	2	FILM-WARNING (HITCH) **
-	501264D1	2	FILM-NOTICE **
-	501290D1	2	FILM-CRUSH/SEVER **
-	501292D1	1	FILM-WARNING (OVERFLOW) **
-	501259D1	1	FILM-NOTICE ***
-	501293D1	2	FILM-WARNING **
-	501306D1	1	FILM-AIR CLEANER **
-	501287D1	1	FILM-WARNING **
-	501261D1	1	FILM-NOTICE **
-	501301D1	2	FILM-TIGHTENING (BOLT) **
-	501300D1	2	FILM-TIGHTENING (BOLT) **
-	501299D1	4	FILM-TIGHTENING (BOLT) **
28	501253D1	3	FILM-IDENT (12V) ***
31	501267D1	1	FILM-HYD COUPLERS (INST) **
44	501257D1	2	FILM-NOTICE **
48	501262D1	4	FILM-NOTICE **

[A] PART OF 501811D1 BASE COMMON AR

1792261E
PR: t05b22n43d0526

MT800B SERIES TRACTORS
DECALS & MARKINGS

FILM GP-PAINT & - 179-2261
EAME ONLY
(PAGE 6 OF 9)



**MT800B SERIES TRACTORS
DECALS & MARKINGS**

1183

**FILM GP-PAINT & - 179-2261
EAME ONLY
(PAGE 6 OF 9)**

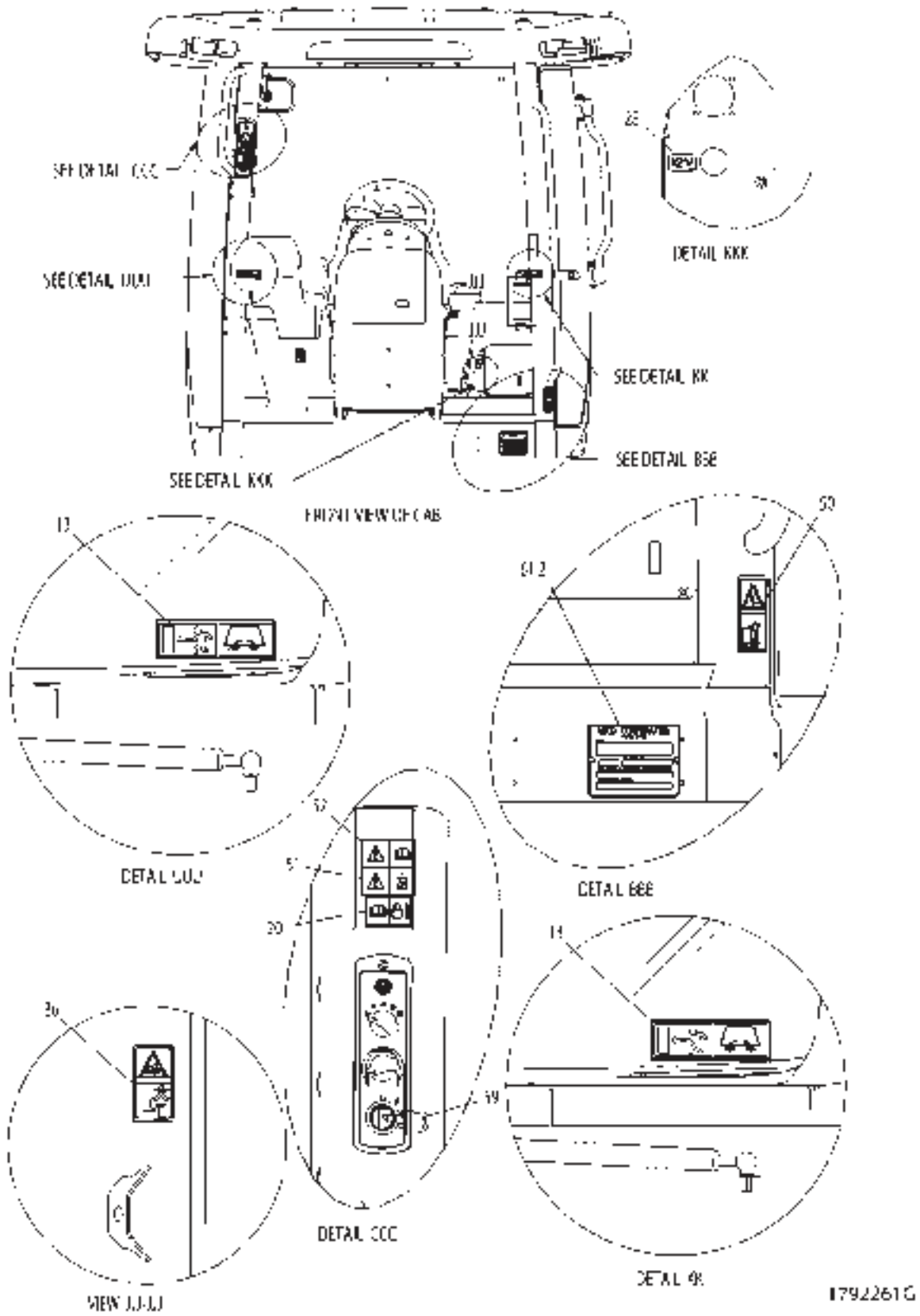
ITEM	NUMBER	QTY	DESCRIPTION
-	179-2261	-	FILM GP-PLATE & FILM [A] (NOT SERVICED)
-	501501D1	1	DECAL SHEET-CAB (INCLUDES * ITEMS)
-	501259D1	1	FILM-NOTICE ***
-	501281D1	1	FILM-MIRRORS *
-	501297D1	1	FILM-WIRE ACCESS *
-	501298D1	1	FILM-WARNING *
-	501265D1	1	FILM-NOTICE *
-	501282D1	1	FILM-ROAD SPEED *
-	501253D1	3	FILM-IDENT (12V) ***
-	501302D1	1	FILM-BRAKE *
-	501274D1	2	FILM-NOTICE *
-	501273D1	1	FILM-NOTICE *
-	501406D1	1	FILM-WIPER DELUXE *
-	501272D1	2	FILM-ATERNATE EXIT *
-	501286D1	2	FILM-INSTALLATION DATE *
-	501503D1	1	DECAL SHEET-VEHICLE (SEE BREAKDOWN)
-	501505D1	1	DECAL SHEET-VEHICLE (INCLUDES ** ITEMS)
-	501257D1	2	FILM-NOTICE **
-	501260D1	2	FILM-NOTICE **
-	501263D1	2	FILM-NOTICE **
-	501296D1	1	FILM-HITCH (LEFT) **
-	501262D1	4	FILM-NOTICE **
-	501303D1	1	FILM-COOLANT (COLD FILL) **
-	501253D1	3	FILM-IDENT (12V) ***
-	501277D1	1	FILM-BATTERY (INST) **
-	501291D1	1	FILM-BATTERY **
-	501295D1	1	FILM-HITCH (RIGHT) **
-	501290D1	2	FILM-CRUSH/SEVER **
-	501292D1	1	FILM-WARNING (OVERFLOW) **
-	501259D1	1	FILM-NOTICE * **
-	501293D1	2	FILM-WARNING **
-	501306D1	1	FILM-AIR CLEANER **
-	501287D1	1	FILM-WARNING **
-	501261D1	1	FILM-NOTICE **
-	501267D1	1	FILM-HYD COUPLERS (INST) **
-	501301D1	2	FILM-TIGHTENING (BOLT) **
-	501300D1	2	FILM-TIGHTENING (BOLT) **
-	501299D1	4	FILM-TIGHTENING (BOLT) **
37	501264D1	2	FILM-NOTICE **
43	501254D1	2	FILM-WARNING **
56	501294D1	2	FILM-WARNING (HITCH) **

[A] PART OF 501811D1 BASE COMMON AR

1792261F
PR: t05b22n43d0527

MT800B SERIES TRACTORS
DECALS & MARKINGS

FILM GP-PAINT & - 179-2261
EAME ONLY
(PAGE 7 OF 9)



**MT800B SERIES TRACTORS
DECALS & MARKINGS**

1185

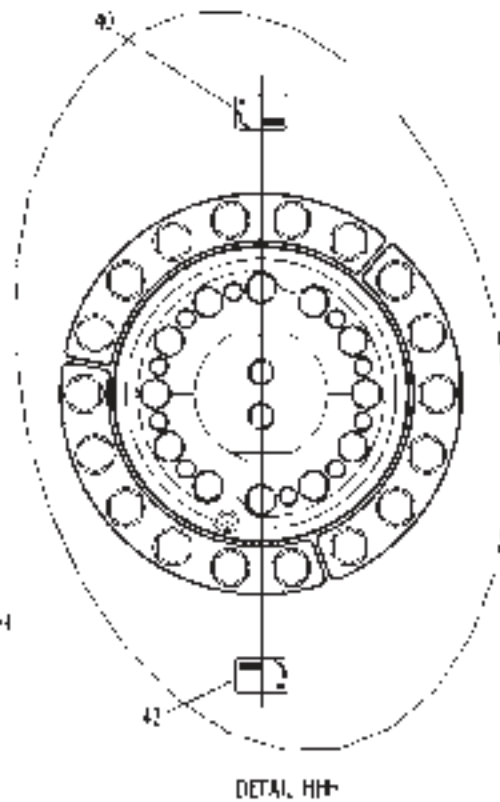
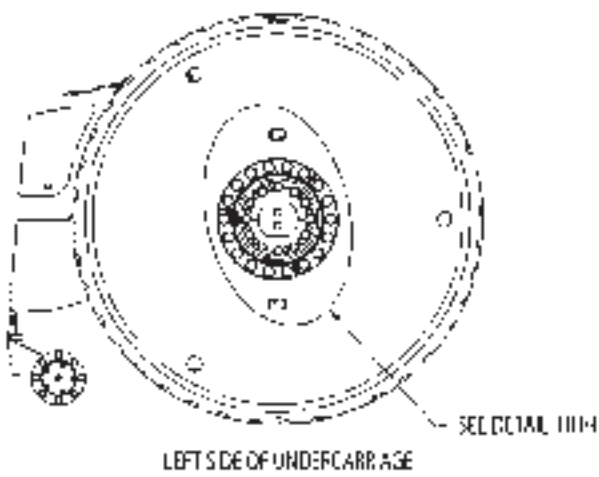
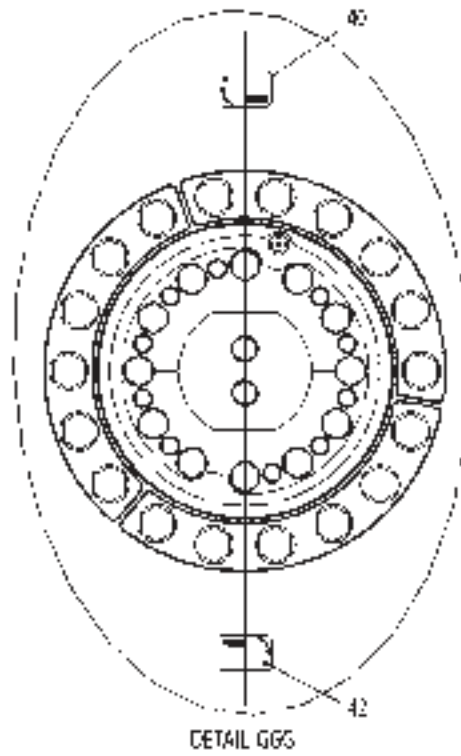
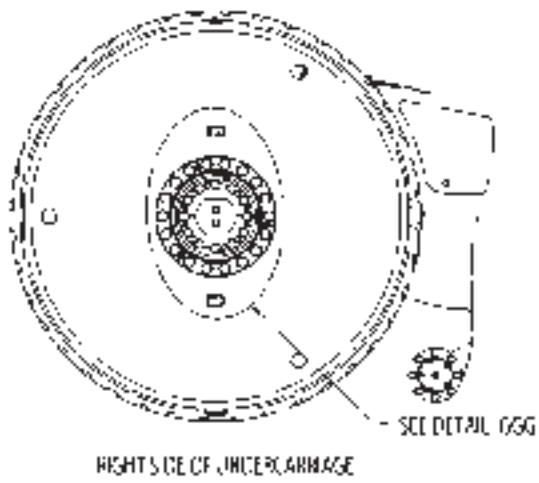
**FILM GP-PAINT & - 179-2261
EAME ONLY
(PAGE 7 OF 9)**

ITEM	NUMBER	QTY	DESCRIPTION
-	179-2261	-	FILM GP-PLATE & FILM [A] (NOT SERVICED)
2		1	PLATE-ROPS (NOT SERVICED)
-	501501D1	1	DECAL SHEET-CAB (INCLUDES * ITEMS)
-	501281D1	1	FILM-MIRRORS *
-	501297D1	1	FILM-WIRE ACCESS *
-	501282D1	1	FILM-ROAD SPEED *
-	501302D1	1	FILM-BRAKE *
-	501406D1	1	FILM-WIPER DELUXE *
-	501286D1	2	FILM-INSTALLATION DATE *
-	501503D1	1	DECAL SHEET-VEHICLE (SEE BREAKDOWN)
-	501505D1	1	DECAL SHEET-VEHICLE (INCLUDES ** ITEMS)
-	501257D1	2	FILM-NOTICE **
-	501260D1	2	FILM-NOTICE **
-	501263D1	2	FILM-NOTICE **
-	501254D1	2	FILM-WARNING **
-	501296D1	1	FILM-HITCH (LEFT) **
-	501262D1	4	FILM-NOTICE **
-	501303D1	1	FILM-COOLANT (COLD FILL) **
-	501277D1	1	FILM-BATTERY (INST) **
-	501291D1	1	FILM-BATTERY **
-	501295D1	1	FILM-HITCH (RIGHT) **
-	501294D1	2	FILM-WARNING (HITCH) **
-	501264D1	2	FILM-NOTICE **
-	501290D1	2	FILM-CRUSH/SEVER **
-	501292D1	1	FILM-WARNING (OVERFLOW) **
-	501293D1	2	FILM-WARNING **
-	501306D1	1	FILM-AIR CLEANER **
-	501287D1	1	FILM-WARNING **
-	501261D1	1	FILM-NOTICE **
-	501267D1	1	FILM-HYD COUPLERS (INST) **
-	501301D1	2	FILM-TIGHTENING (BOLT) **
-	501300D1	2	FILM-TIGHTENING (BOLT) **
-	501299D1	4	FILM-TIGHTENING (BOLT) **
13	501272D1	2	FILM-TERNATE EXIT *
20	501298D1	1	FILM-WARNING *
28	501253D1	3	FILM-IDENT (12V) * **
36	501259D1	1	FILM-NOTICE * **
50	501265D1	1	FILM-NOTICE *
51	501273D1	1	FILM-NOTICE *
52	501274D1	2	FILM-NOTICE *
59	CH5P-8500	2	KEY
61	CH8C-3348	2	RIVET-BLIND 1.6-3.18GRIPX3.18

[A] PART OF 501811D1 BASE COMMON AR

1792261G
PR: t05b22n43d0528

FILM GP-PAINT & - 179-2261
EAME ONLY
(PAGE 8 OF 9)



**MT800B SERIES TRACTORS
DECALS & MARKINGS**

1187

**FILM GP-PAINT & - 179-2261
EAME ONLY
(PAGE 8 OF 9)**

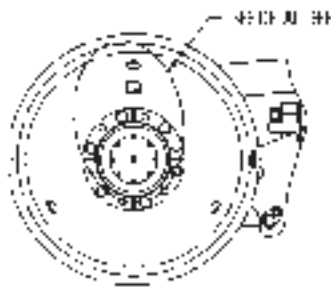
ITEM	NUMBER	QTY	DESCRIPTION
-	179-2261	-	FILM GP-PLATE & FILM [A] (NOT SERVICED)
-	501501D1	1	DECAL SHEET-CAB (INCLUDES * ITEMS)
-	501259D1	1	FILM-NOTICE ***
-	501281D1	1	FILM-MIRRORS *
-	501297D1	1	FILM-WIRE ACCESS *
-	501298D1	1	FILM-WARNING *
-	501265D1	1	FILM-NOTICE *
-	501282D1	1	FILM-ROAD SPEED *
-	501253D1	3	FILM-IDENT (12V) ***
-	501302D1	1	FILM-BRAKE *
-	501274D1	2	FILM-NOTICE *
-	501273D1	1	FILM-NOTICE *
-	501406D1	1	FILM-WIPER DELUXE *
-	501272D1	2	FILM-ATERNATE EXIT *
-	501286D1	2	FILM-INSTALLATION DATE *
-	501503D1	1	DECAL SHEET-VEHICLE (SEE BREAKDOWN)
-	501505D1	1	DECAL SHEET-VEHICLE (INCLUDES ** ITEMS)
-	501257D1	2	FILM-NOTICE **
-	501260D1	2	FILM-NOTICE **
-	501263D1	2	FILM-NOTICE **
-	501254D1	2	FILM-WARNING **
-	501296D1	1	FILM-HITCH (LEFT) **
-	501262D1	4	FILM-NOTICE **
-	501303D1	1	FILM-COOLANT (COLD FILL) **
-	501253D1	3	FILM-IDENT (12V) ***
-	501277D1	1	FILM-BATTERY (INST) **
-	501291D1	1	FILM-BATTERY **
-	501295D1	1	FILM-HITCH (RIGHT) **
-	501294D1	2	FILM-WARNING (HITCH) **
-	501264D1	2	FILM-NOTICE **
-	501290D1	2	FILM-CRUSH/SEVER **
-	501292D1	1	FILM-WARNING (OVERFLOW) **
-	501259D1	1	FILM-NOTICE ***
-	501293D1	2	FILM-WARNING **
-	501306D1	1	FILM-AIR CLEANER **
-	501287D1	1	FILM-WARNING **
-	501261D1	1	FILM-NOTICE **
-	501267D1	1	FILM-HYD COUPLERS (INST) **
-	501300D1	2	FILM-TIGHTENING (BOLT) **
40	501299D1	4	FILM-TIGHTENING (BOLT) **
42	501301D1	2	FILM-TIGHTENING (BOLT) **

[A] PART OF 501811D1 BASE COMMON AR

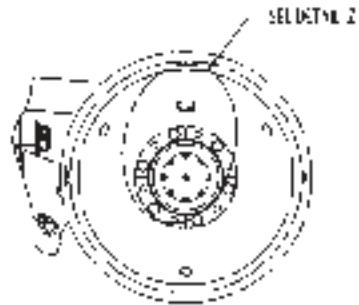
1792261H
PR: t05b22n43d0529

MT800B SERIES TRACTORS
DECALS & MARKINGS

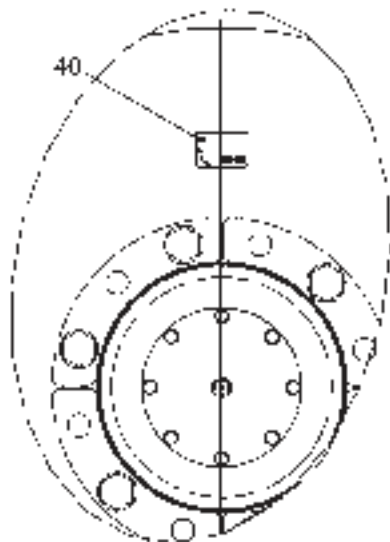
FILM GP-PAINT & - 179-2261
EAME ONLY
(PAGE 9 OF 9)



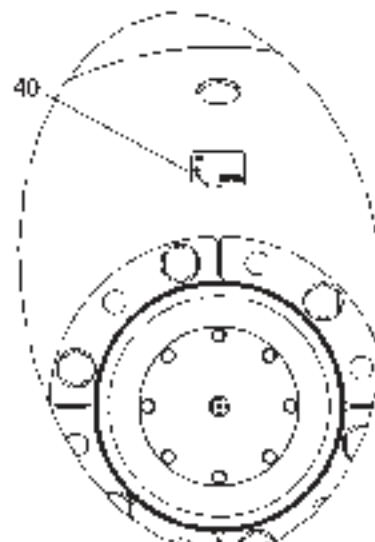
LEFT SIDE OF UNDERCARRIAGE



RIGHT SIDE OF UNDERCARRIAGE



DET# 2



REAR VIEW

**MT800B SERIES TRACTORS
DECALS & MARKINGS**

1189

**FILM GP-PAINT & - 179-2261
EAME ONLY
(PAGE 9 OF 9)**

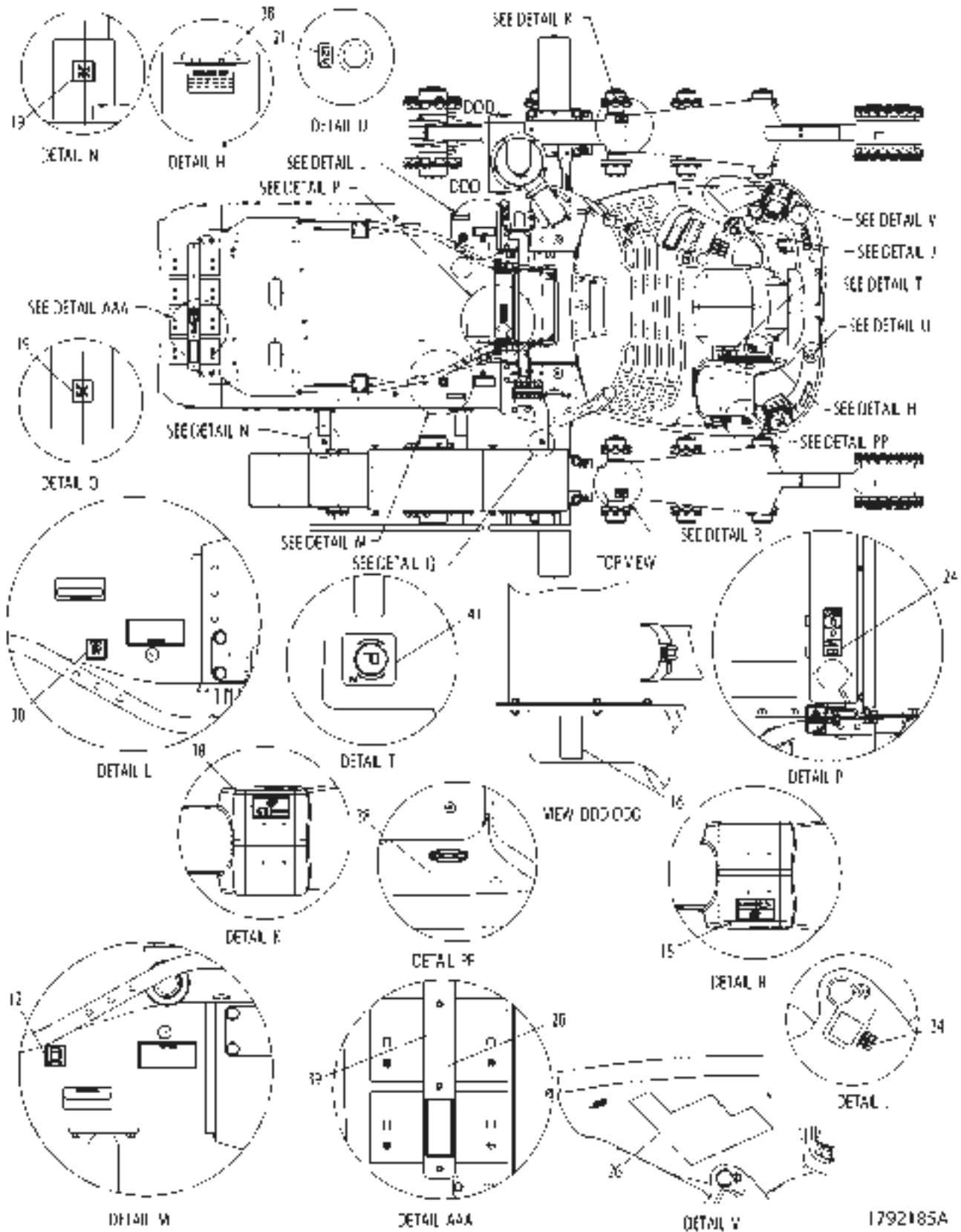
ITEM	NUMBER	QTY	DESCRIPTION
-	179-2261	-	FILM GP-PLATE & FILM [A] (NOT SERVICED)
-	501501D1	1	DECAL SHEET-CAB (INCLUDES * ITEMS)
-	501259D1	1	FILM-NOTICE ***
-	501281D1	1	FILM-MIRRORS *
-	501297D1	1	FILM-WIRE ACCESS *
-	501298D1	1	FILM-WARNING *
-	501265D1	1	FILM-NOTICE *
-	501282D1	1	FILM-ROAD SPEED *
-	501253D1	3	FILM-IDENT (12V) ***
-	501302D1	1	FILM-BRAKE *
-	501274D1	2	FILM-NOTICE *
-	501273D1	1	FILM-NOTICE *
-	501406D1	1	FILM-WIPER DELUXE *
-	501272D1	2	FILM-ATERNATE EXIT *
-	501286D1	2	FILM-INSTALLATION DATE *
-	501503D1	1	DECAL SHEET-VEHICLE (SEE BREAKDOWN)
-	501505D1	1	DECAL SHEET-VEHICLE (INCLUDES ** ITEMS)
-	501257D1	2	FILM-NOTICE **
-	501260D1	2	FILM-NOTICE **
-	501263D1	2	FILM-NOTICE **
-	501254D1	2	FILM-WARNING **
-	501296D1	1	FILM-HITCH (LEFT) **
-	501262D1	4	FILM-NOTICE **
-	501303D1	1	FILM-COOLANT (COLD FILL) **
-	501253D1	3	FILM-IDENT (12V) ***
-	501277D1	1	FILM-BATTERY (INST) **
-	501291D1	1	FILM-BATTERY **
-	501295D1	1	FILM-HITCH (RIGHT) **
-	501294D1	2	FILM-WARNING (HITCH) **
-	501264D1	2	FILM-NOTICE **
-	501290D1	2	FILM-CRUSH/SEVER **
-	501292D1	1	FILM-WARNING (OVERFLOW) **
-	501259D1	1	FILM-NOTICE ***
-	501293D1	2	FILM-WARNING **
-	501306D1	1	FILM-AIR CLEANER **
-	501287D1	1	FILM-WARNING **
-	501261D1	1	FILM-NOTICE **
-	501267D1	1	FILM-HYD COUPLERS (INST) **
-	501301D1	2	FILM-TIGHTENING (BOLT) **
-	501300D1	2	FILM-TIGHTENING (BOLT) **
40	501299D1	4	FILM-TIGHTENING (BOLT) **

[A] PART OF 501811D1 BASE COMMON AR

1792261J
PR: t05b22n43d0530

MT800B SERIES TRACTORS
DECALS & MARKINGS

FILM GP-& PLATES - 179-2185
ROW & SPECIAL
(PAGE 1 OF 5)



**MT800B SERIES TRACTORS
DECALS & MARKINGS**

1191

**FILM GP-& PLATES - 179-2185
ROW & SPECIAL
(PAGE 1 OF 5)**

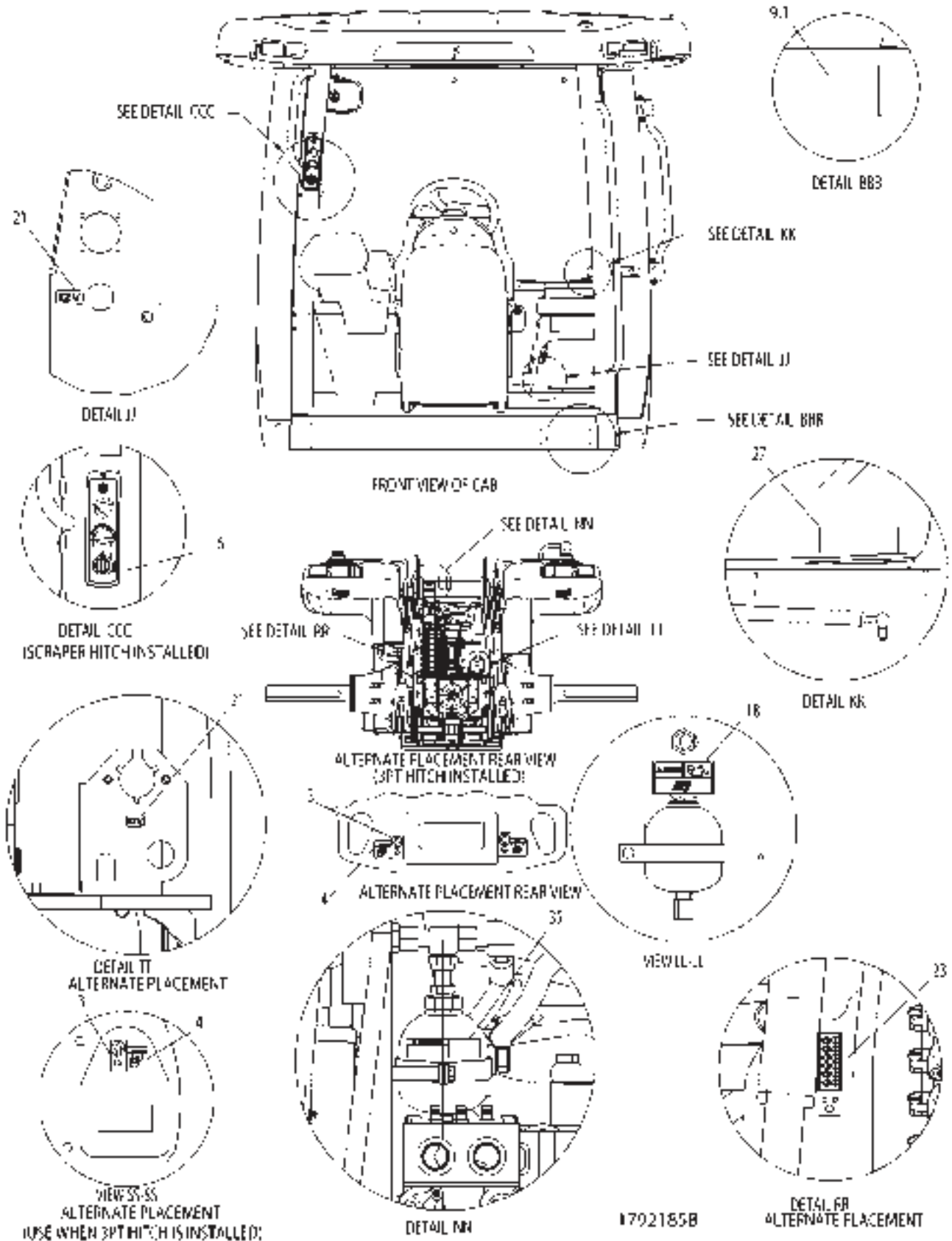
ITEM	NUMBER	QTY	DESCRIPTION
-	179-2185	-	FILM GP-PAINT & (NOT SERVICED)
12	501103D1	-	FILM-INST (FUEL FILTER)
16	501107D1	-	FILM-WARNING (HOT SURFACE)
18	501250D1	-	FILM-WARNING
19	501251D1	-	FILM-NO STEP
20	501252D1	-	FILM-IDENT (12V)
21	501253D1	-	FILM-IDENT (12V) * **
24	501268D1	-	FILM-WARNING
26	501270D1	1	FILM-FUSE PANEL
30	501276D1	-	FILM-ENGINE OIL FILTER(INST)
34	501281D1	-	FILM-MIRRORS *
38	501286D1	-	FILM-INSTALLATION DATE *
39	501287D1	-	FILM-WARNING **
41	501289D1	-	FILM-PARK BRAKE *
-	501500D1	1	DECAL SHEET-CAB (INCLUDES * ITEMS)
-	501272D1	-	FILM ALTERNATE EXIT *
-	501405D1	-	FILM-NOTICE (WIDE GAUGE) *
-	501256D1	-	FILM-WIPER BASIC *
-	501406D1	-	FILM-WIPER DELUXE *
-	501274D1	-	FILM-WARNING *
-	501503D1	1	DECAL SHEET-VEHICLE (SEE BREAKDOWN)
-	501504D1	1	DECAL SHEET-VEHICLE (INCLUDES ** ITEMS)
-	501277D1	-	PLATE-INST BATTERY **
-	501306D1	-	FILM-AIR CLEANER **
-	501267D1	-	FILM-HYD COUPLER **

PART OF:
179-1952; 501810D1 BASE COMMON AR

1792185A
PR: t05b22n43d0531

MT800B SERIES TRACTORS
DECALS & MARKINGS

FILM GP-& PLATES - 179-2185
ROW & SPECIAL
(PAGE 2 OF 5)



**MT800B SERIES TRACTORS
DECALS & MARKINGS**

1193

**FILM GP-& PLATES - 179-2185
ROW & SPECIAL
(PAGE 2 OF 5)**

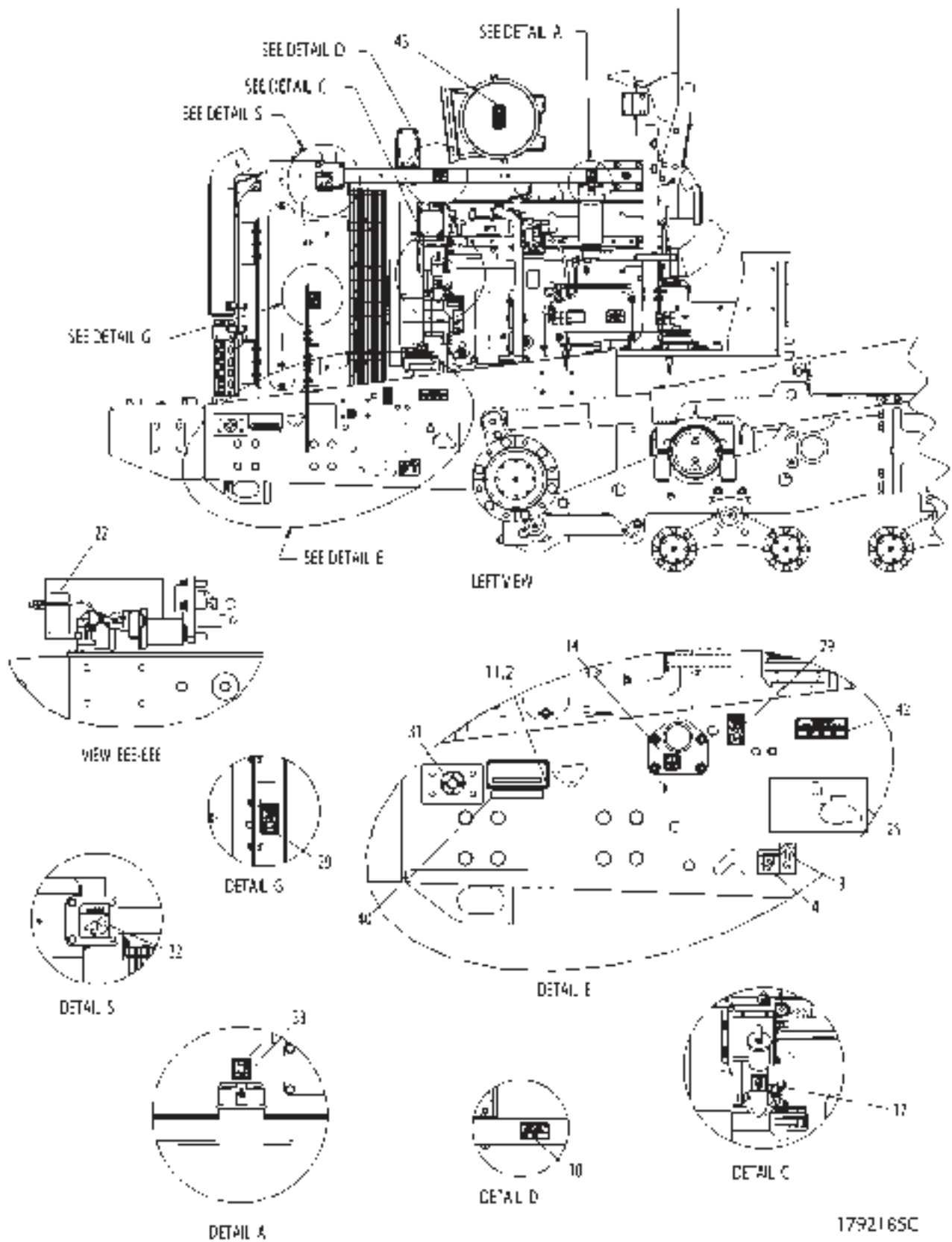
ITEM	NUMBER	QTY	DESCRIPTION
-	179-2185	-	FILM GP-PAINT & (NOT SERVICED)
1		1	PLATE-ROPS (NOT SERVICED)
3	500371D1	-	FILM-LIFT
4	500372D1	-	FILM-TIE-DOWN
6	CH5P-8500	2	KEY
9	CH8C-3348	2	RIVET-BLIND 1.6-3.18GRIPX3.18
18	501250D1	-	FILM-WARNING
21	501253D1	-	FILM-IDENT (12V) * **
23	501267D1	-	FILM-HYD COUPLERS (INST) **
27	501272D1	-	FILM-ATERNATE EXIT *
35	501283D1	-	FILM-WARNING
-	501500D1	1	DECAL SHEET-CAB (INCLUDES * ITEMS)
-	501289D1	-	FILM-PARK BRAKE *
-	501405D1	-	FILM-NOTICE (WIDE GAUGE) *
-	501256D1	-	FILM-WIPER BASIC *
-	501406D1	-	FILM-WIPER DELUXE *
-	501281D1	-	FILM-MIRRORS *
-	501286D1	-	FILM-INSTALLATION DATE *
-	501274D1	-	FILM-WARNING *
-	501503D1	1	DECAL SHEET-VEHICLE (SEE BREAKDOWN)
-	501504D1	1	DECAL SHEET-VEHICLE (INCLUDES ** ITEMS)
-	501287D1	-	FILM-WARNING **
-	501277D1	-	PLATE-INST BATTERY **
-	501306D1	-	FILM-AIR CLEANER **

PART OF:
179-1952; 501810D1 BASE COMMON AR

1792185B
PR: t05b22n43d0532

MT800B SERIES TRACTORS
DECALS & MARKINGS

FILM GP-& PLATES - 179-2185
ROW & SPECIAL
(PAGE 3 OF 5)



**MT800B SERIES TRACTORS
DECALS & MARKINGS**

1195

**FILM GP-& PLATES - 179-2185
ROW & SPECIAL
(PAGE 3 OF 5)**

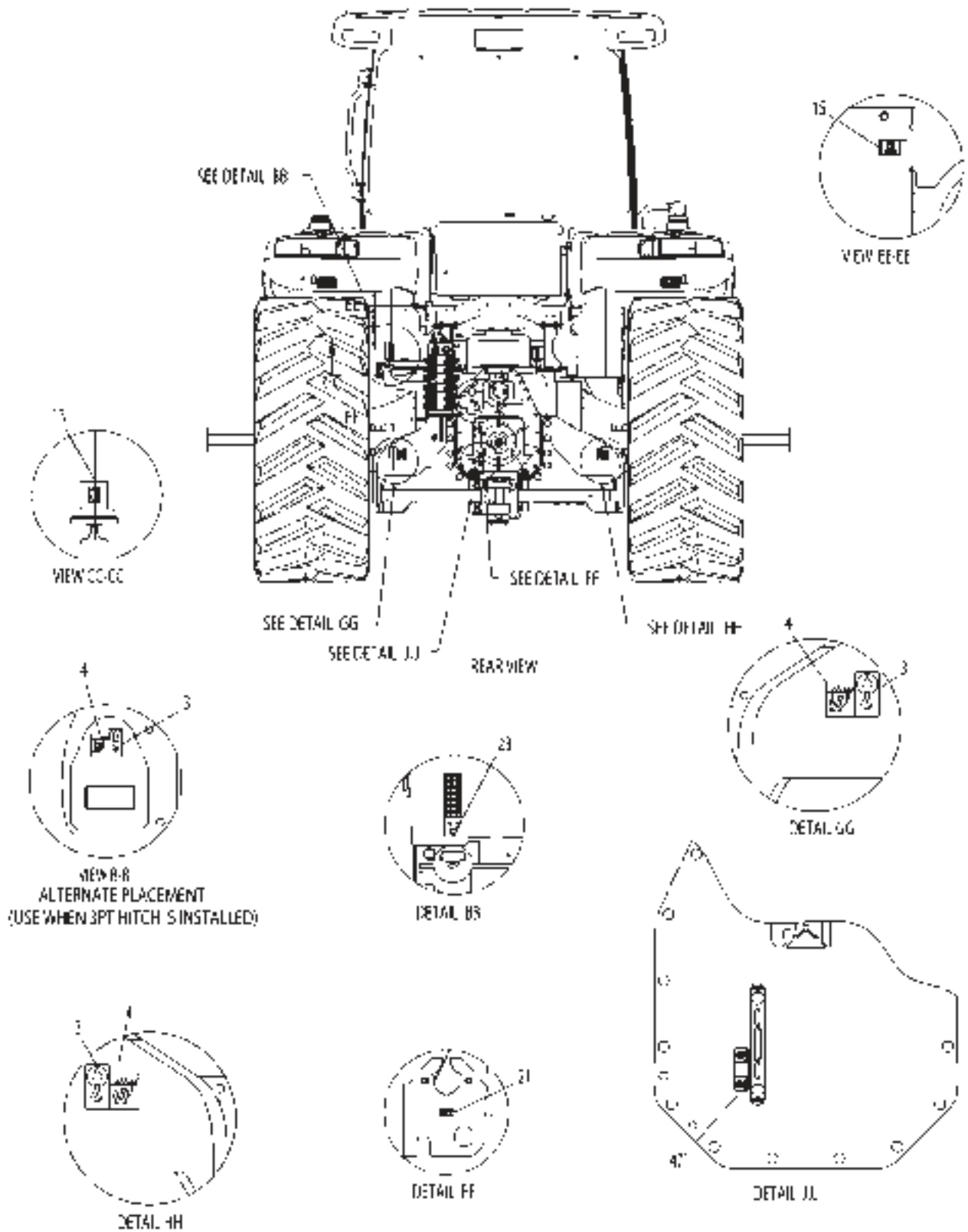
ITEM	NUMBER	QTY	DESCRIPTION
-	179-2185	-	FILM GP-PAINT & (NOT SERVICED)
2	222-2281	1	PLATE-SERIAL NO. (NOT SERVICED)
3	500371D1	-	FILM-LIFT
4	500372D1	-	FILM-TIE-DOWN
10	110-6393	1	PLATE-INST (A/C)
11	CH168-8389	4	TACK-FASTENER (METAL)
14	501105D1	-	FILM-GROUND GEN
17	501108D1	-	FILM-INSTRUCTION
22	501258D1	-	FILM-NOTICE
25	501269D1	-	FILM-NOTICE (SHIPPING)
29	501275D1	-	FILM-WARNING (FAN)
31	501277D1	-	FILM-BATTERY (INST) **
32	501278D1	-	FILM-BELT (ROUTING)
33	501280D1	-	FILM-WATER SEPARATOR
40	501288D1	-	FILM-CLEAR COVER
42	501305D1	-	FILM-PATENT
43	501306D1	-	FILM-AIR CLEANER **
44	501500D1	1	DECAL SHEET-CAB (INCLUDES * ITEMS)
-	501289D1	-	FILM-PARK BRAKE *
-	501272D1	-	FILM ALTERNATE EXIT *
-	501405D1	-	FILM-NOTICE (WIDE GAUGE) *
-	501256D1	-	FILM-WIPER BASIC *
-	501406D1	-	FILM-WIPER DELUXE *
-	501253D1	-	FILM-IDENT (12V) ***
-	501281D1	-	FILM-MIRRORS *
-	501286D1	-	FILM-INSTALLATION DATE *
-	501274D1	-	FILM-WARNING *
-	501503D1	1	DECAL SHEET-VEHICLE (SEE BREAKDOWN)
-	501504D1	1	DECAL SHEET-VEHICLE (INCLUDES ** ITEMS)
-	501253D1	-	FILM-IDENT (12V) ***
-	501287D1	-	FILM-WARNING **
-	501267D1	-	FILM-HYD COUPLERS (INST) **

PART OF:
179-1952; 501810D1 BASE COMMON AR

1792185C
PR: t05b22n43d0533

MT800B SERIES TRACTORS
DECALS & MARKINGS

FILM GP-& PLATES - 179-2185
ROW & SPECIAL
(PAGE 4 OF 5)



**MT800B SERIES TRACTORS
DECALS & MARKINGS**

1197

**FILM GP-& PLATES - 179-2185
ROW & SPECIAL
(PAGE 4 OF 5)**

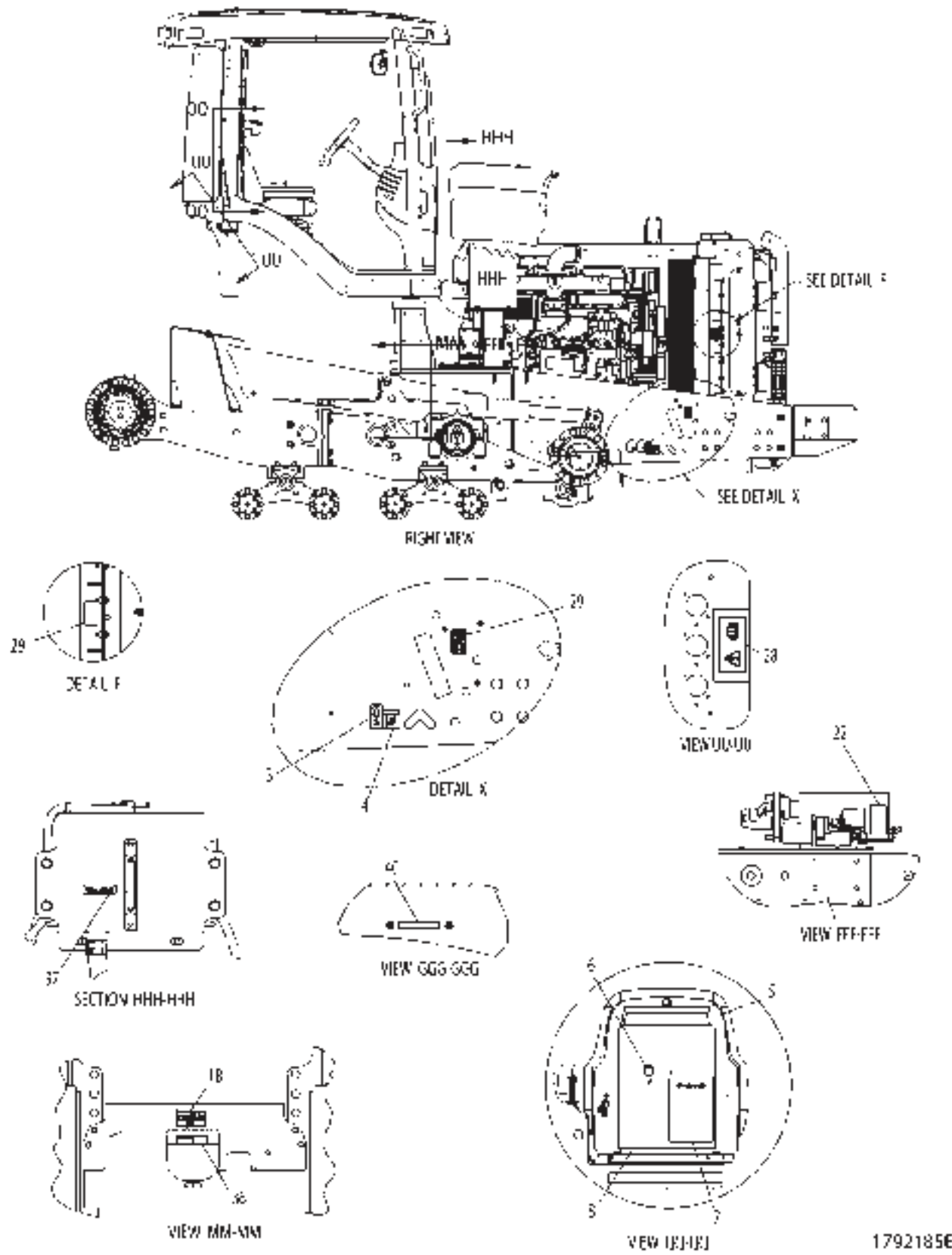
ITEM	NUMBER	QTY	DESCRIPTION
-	179-2185	-	FILM GP-PAINT & (NOT SERVICED)
3	500371D1	-	FILM-LIFT
4	500372D1	-	FILM-TIE-DOWN
13	501104D1	-	FILM-HYDRAULIC OIL
15	501106D1	-	FILM-IDENT (HYD OIL FILTER)
21	501253D1	-	FILM-IDENT (12V) ***
23	501267D1	-	FILM-HYD COUPLERS (INST) **
-	501500D1	1	DECAL SHEET-CAB (INCLUDES * ITEMS)
-	501289D1	-	FILM-PARK BRAKE *
-	501272D1	-	FILM ALTERNATE EXIT *
-	501405D1	-	FILM-NOTICE (WIDE GAUGE) *
-	501256D1	-	FILM-WIPER BASIC *
-	501406D1	-	FILM-WIPER DELUXE *
-	501281D1	-	FILM-MIRRORS *
-	501286D1	-	FILM-INSTALLATION DATE *
-	501274D1	-	FILM-WARNING *
-	501503D1	1	DECAL SHEET-VEHICLE (SEE BREAKDOWN)
-	501504D1	1	DECAL SHEET-VEHICLE (INCLUDES ** ITEMS)
-	501287D1	-	FILM-WARNING **
-	501277D1	-	FILM-BATTERY (INST) **
-	501306D1	-	FILM-AIR CLEANER **
-	501307D1	-	FILM-XMSN OIL FILL

PART OF:
179-1952; 501810D1 BASE COMMON AR

1792185D
PR: t05b22n43d0534

MT800B SERIES TRACTORS
DECALS & MARKINGS

FILM GP-& PLATES - 179-2185
ROW & SPECIAL
(PAGE 5 OF 5)



**MT800B SERIES TRACTORS
DECALS & MARKINGS**

1199

**FILM GP-& PLATES - 179-2185
ROW & SPECIAL
(PAGE 5 OF 5)**

ITEM	NUMBER	QTY	DESCRIPTION
-	179-2185	-	FILM GP-PAINT & (NOT SERVICED)
3	500371D1	-	FILM-LIFT
4	500372D1	-	FILM-TIE-DOWN
5	CH5P-7958	1	SLEEVE-CABLE SPLICE 2.38 OD
6	CH5P-8500	2	KEY
7	CH6V-2405	1	ENVELOPE-KEY
8	CH7F-3400	1	BAG-POLYETHYLENE 305 X 380
18	501250D1	-	FILM-WARNING
22	501258D1	-	FILM-NOTICE
28	501274D1	-	FILM-NOTICE *
29	501275D1	-	FILM-WARNING (FAN)
36	501284D1	-	FILM-WARNING
37	501285D1	-	FILM-FULL COLD
-	501500D1	1	DECAL SHEET-CAB (INCLUDES * ITEMS)
-	501289D1	-	FILM-PARK BRAKE *
-	501272D1	-	FILM ALTERNATE EXIT *
-	501405D1	-	FILM-NOTICE (WIDE GAUGE) *
-	501256D1	-	FILM-WIPER BASIC *
-	501406D1	-	FILM-WIPER DELUXE *
-	501253D1	-	FILM-IDENT (12V) ***
-	501281D1	-	FILM-MIRRORS *
-	501286D1	-	FILM-INSTALLATION DATE *
-	501503D1	1	DECAL SHEET-VEHICLE (SEE BREAKDOWN)
-	501504D1	1	DECAL SHEET-VEHICLE (INCLUDES ** ITEMS)
-	501253D1	-	FILM-IDENT (12V) ***
-	501287D1	-	FILM-WARNING **
-	501277D1	-	FILM-BATTERY (INST) **
-	501306D1	-	FILM-AIR CLEANER **
-	501267D1	-	FILM-HYD COUPLERS (INST) **

PART OF:
179-1952; 501810D1 BASE COMMON AR

1792185E
PR: t05b22n43d0535

**MT800B SERIES TRACTORS
DECALS & MARKINGS**

1201

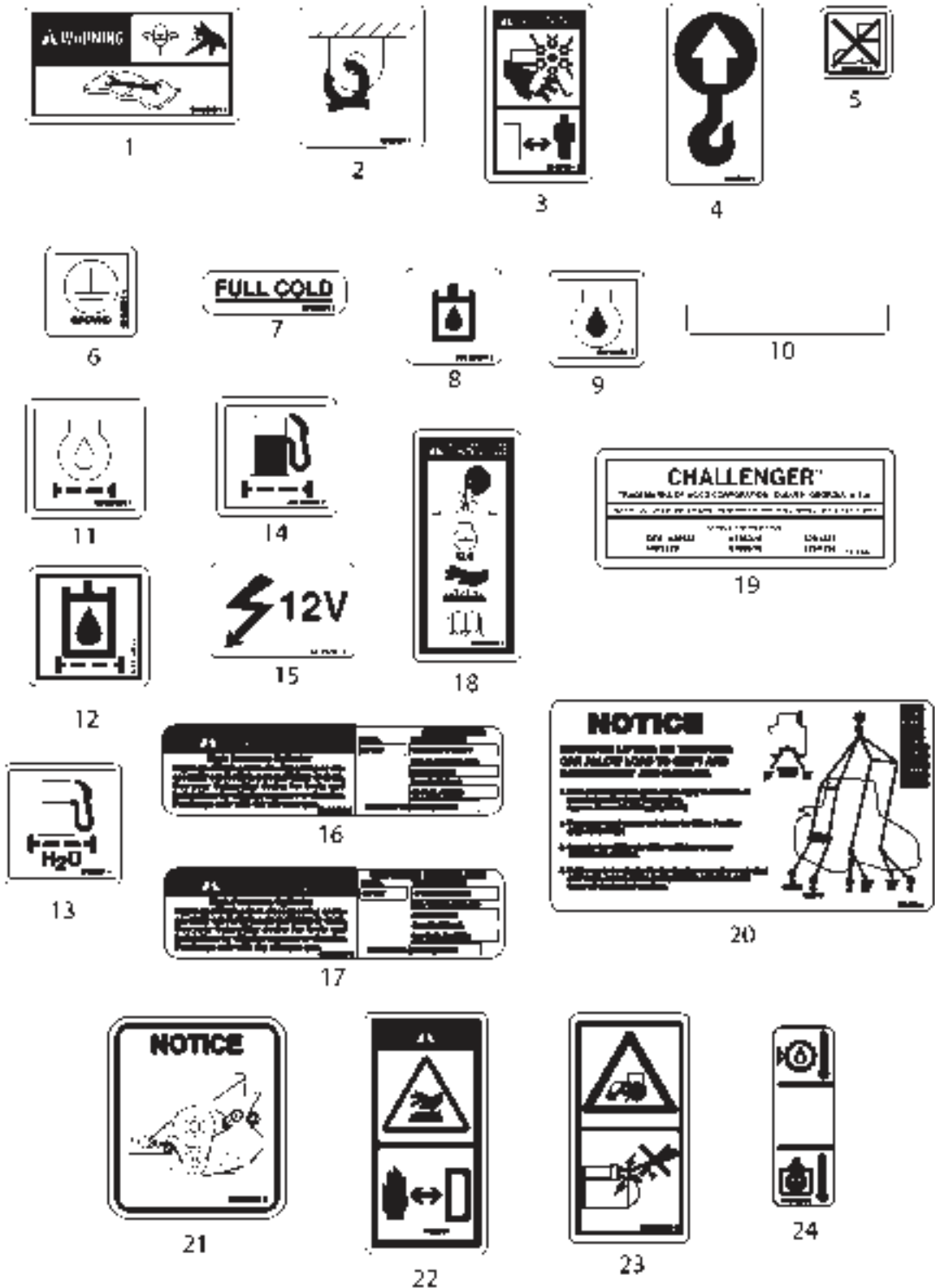
**179-2185 FILM GP-PAINT &
ROW & SPECIAL APPLICATIONS**

ITEM	NUMBER	QTY	DESCRIPTION
-	179-2185	-	FILM GP-PAINT & (NOT SERVICED)
1		1	PLATE-ROPS (NOT SERVICED)
2	222-2281	1	PLATE-SERIAL NO. (NOT SERVICED)
3	500371D1	-	FILM-LIFT
4	500372D1	-	FILM-TIE-DOWN
5	CH5P-7958	1	SLEEVE-CABLE SPLICE 2.38 OD
6	CH5P-8500	2	KEY
7	CH6V-2405	1	ENVELOPE-KEY
8	CH7F-3400	1	BAG-POLYETHYLENE 305 X 380
9	CH8C-3348	2	RIVET-BLIND 1.6-3.18GRIPX3.18
10	110-6393	1	PLATE-INST (A/C)
11	CH168-8389	4	TACK-FASTENER (METAL)
12	501103D1	-	FILM-INST (FUEL FILTER)
13	501104D1	-	FILM-HYDRAULIC OIL
14	501105D1	-	FILM-GROUND GEN
15	501106D1	-	FILM-IDENT (HYD OIL FILTER)
16	501107D1	-	FILM-WARNING (HOT SURFACE)
17	501108D1	-	FILM-INSTRUCTION
18	501250D1	-	FILM-WARNING
19	501251D1	-	FILM-NO STEP
20	501252D1	-	FILM-IDENT (12V)
21	501253D1	-	FILM-IDENT (12V)
22	501258D1	-	FILM-NOTICE
23	501267D1	-	FILM-HYD COUPLERS (INST)
24	501268D1	-	FILM-WARNING
25	501269D1	-	FILM-NOTICE (SHIPPING)
26	501270D1	1	FILM-FUSE PANEL
27	501272D1	-	FILM-ATERNATE EXIT
28	501274D1	-	FILM-NOTICE
29	501275D1	-	FILM-WARNING (FAN)
30	501276D1	-	FILM-ENGINE OIL FILTER(INST)
31	501277D1	-	FILM-BATTERY (INST)
32	501278D1	-	FILM-BELT (ROUTING)
33	501280D1	-	FILM-WATER SEPARATOR
34	501281D1	-	FILM-MIRRORS
35	501283D1	-	FILM-WARNING
36	501284D1	-	FILM-WARNING
37	501285D1	-	FILM-FULL COLD
38	501286D1	-	FILM-INSTALLATION DATE
39	501287D1	-	FILM-WARNING
40	501288D1	-	FILM-CLEAR COVER
41	501289D1	-	FILM-PARK BRAKE
42	501305D1	-	FILM-PATENT
43	501306D1	-	FILM-AIR CLEANER
44	501500D1	1	DECAL SHEET-CAB
45	501503D1	1	DECAL SHEET-VEHICLE
46	501504D1	1	DECAL SHEET-VEHICLE
47	501307D1	-	FILM-XMSN OIL FILL

PART OF:
179-1952; 501810D1 BASE COMMON AR

1792185A
PR: t05b22n43d0536

DECAL SHEET-VEHICLE - 501503D1



**MT800B SERIES TRACTORS
DECALS & MARKINGS**

1203

DECAL SHEET-VEHICLE - 501503D1

ITEM	NUMBER	QTY	DESCRIPTION
-	501503D1	-	DECAL SHEET-VEHICLE
1	501250D1	4	FILM-WARNING
2	500372D1	4	FILM-TIE-DOWN
3	501275D1	2	FILM-WARNING (FAN)
4	500371D1	4	FILM-LIFT
5	501251D1	2	FILM-NO STEP
6	501105D1	1	FILM-GROUND GEN
7	501285D1	1	FILM-FULL COLD
8	501104D1	1	FILM-HYDRAULIC OIL
9	501108D1	1	FILM-INSTRUCTION
10	501288D1	2	FILM-CLEAR COVER
11	501276D1	1	FILM-ENGINE OIL FILTER(INST)
12	501106D1	1	FILM-IDENT (HYD OIL FILTER)
13	501280D1	1	FILM-WATER SEPARATOR
14	501103D1	1	FILM-INST (FUEL FILTER)
15	501252D1	1	FILM-IDENT (12V)
16	501284D1	1	FILM-WARNING
17	501283D1	1	FILM-WARNING
18	501268D1	1	FILM-WARNING
19	501305D1	1	FILM-PATENT
20	501269D1	1	FILM-NOTICE (SHIPPING)
21	501278D1	1	FILM-BELT (ROUTING)
22	501107D1	1	FILM-WARNING (HOT SURFACE)
23	501258D1	2	FILM-NOTICE
24	501307D1	1	FILM-XMSN OIL FILL

PART OF: 186-0979 HITCH AR

501503DC
PR: t05b22n43d0537

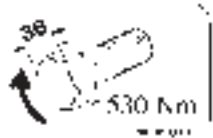
DECAL SHEET-VEHICLE
501505D1
EAME ONLY



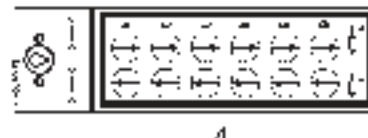
1



2



3



4



5



6



7



8



9



10



23



11



12



13



14



15



24



16



18



19



20



21



17



22

**MT800B SERIES TRACTORS
DECALS & MARKINGS**

1205

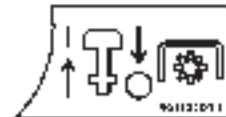
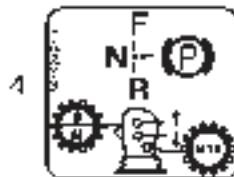
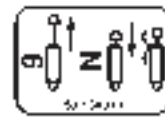
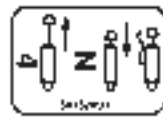
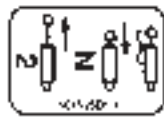
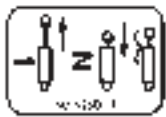
**DECAL SHEET-VEHICLE
501505D1
EAME ONLY**

ITEM	NUMBER	QTY	DESCRIPTION
-	501505D1	-	DECAL SHEET-VEHICLE
1	501299D1	4	FILM-TIGHTENING
2	501300D1	2	FILM-TIGHTENING
3	501301D1	2	FILM-TIGHTENING
4	501267D1	1	FILM-HYD COUPLER
5	501261D1	1	FILM-NOTICE
6	501287D1	1	FILM-WARNING (VOLTAGE)
7	501306D1	1	FILM-AIR CLEANER
8	501293D1	1	FILM-WARNING ELE
9	501259D1	1	FILM-WARNING
10	501292D1	1	FILM-WARNING
11	501290D1	2	FILM-CRUSH/SEVER
12	501264D1	2	FILM-NOTICE PTO WARNING
13	501294D1	2	FILM-NOTICE
14	501295D1	1	FILM-HITCH
15	501291D1	2	FILM-BATTERY
16	501277D1	2	PLATE-INST (BATTERY)
17	501253D1	1	FILM-IDENT (12V)
18	501303D1	1	FILM-COOLANT
19	501262D1	4	FILM-NOTICE ACCUMULATOR WRNG
20	501296D1	1	FILM-HITCH
21	501254D1	2	FILM-WARNING
22	501263D1	2	FILM-NOTICE BYSTANDERS
23	501260D1	2	FILM-NOTICE SERVICE MANUAL
24	501257D1	2	FILM-NOTICE SERVICE MANUAL

[A] PART OF 186-0979 HITCH AR

501505DB
PR: t05b22n43d0538

DECAL SHEET-CAB/ARMREST - 501520D1



MT800B SERIES TRACTORS
DECALS & MARKINGS

1207

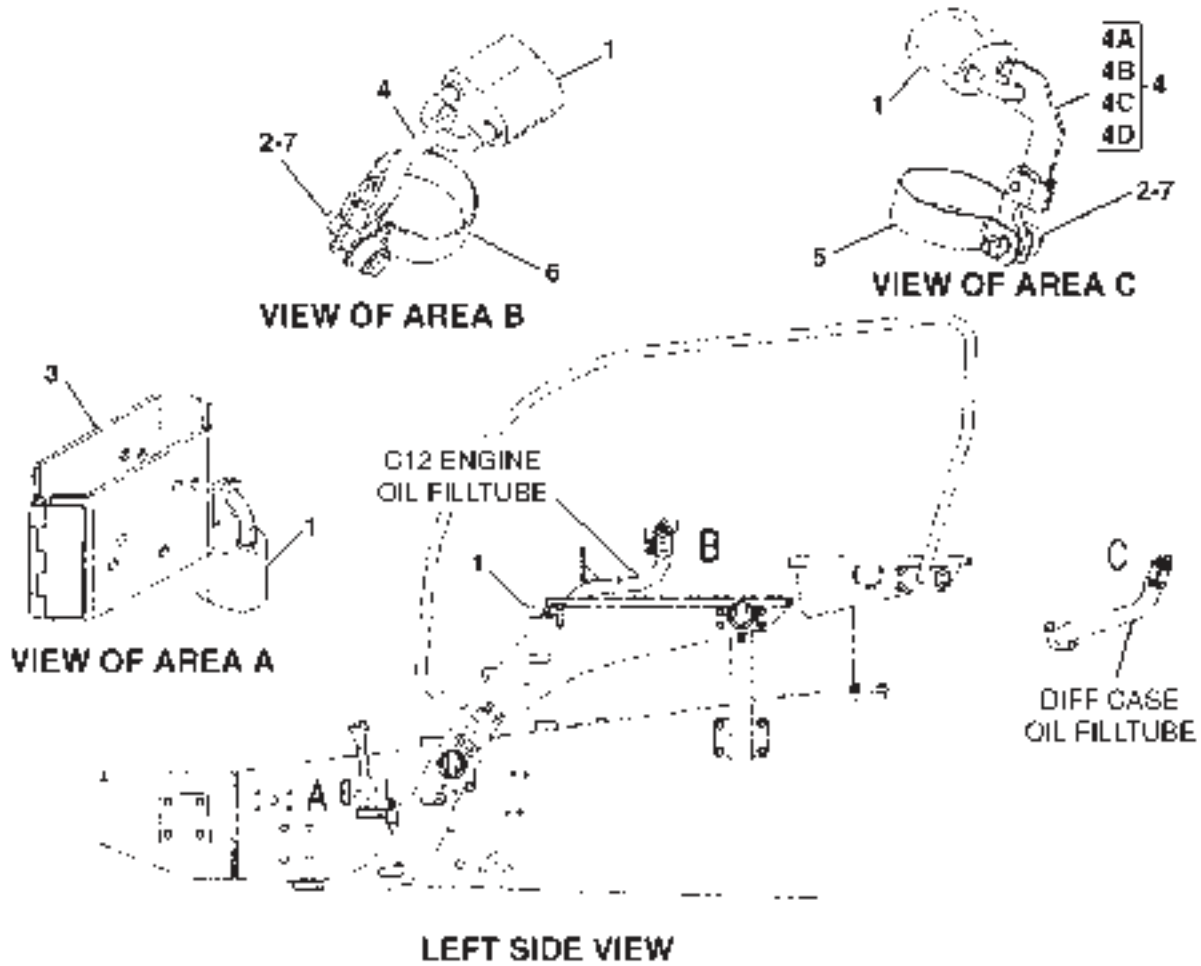
DECAL SHEET-CAB/ARMREST - 501520D1

ITEM	NUMBER	QTY	DESCRIPTION
-	501520D1	-	DECAL SHEET [A] (NOT SERVICED)
1	501521D1	1	FILM-MIDS SELECTOR (IDENT)
2	501522D1	1	FILM-MIDS (IDENT)
3	501523D1	1	FILM-3 PT HITCH (INST)
4	501524D1	1	FILM-TRANSMISSION (SHIFT)
5	501525D1	1	FILM-EH LEVER (INST)
6	501526D1	1	FILM-EH LEVER (INST)
7	501527D1	1	FILM-EH LEVER (INST)
8	501528D1	1	FILM-EH LEVER (INST)
9	501529D1	1	FILM-EH LEVER (INST)
10	501530D1	1	FILM-EH LEVER (INST)
11	501531D1	1	FILM-THROTTLE (INST)
12	501532D1	1	FILM-PTO (INST)

[A] PART OF 152-0434 CONSOLE GP

501520DA
PR: t05k07n15a0033

PROTECTION GP-VANDALISM
185-8848



**MT800B SERIES TRACTORS
SERVICE EQUIPMENT AND SUPPLIES**

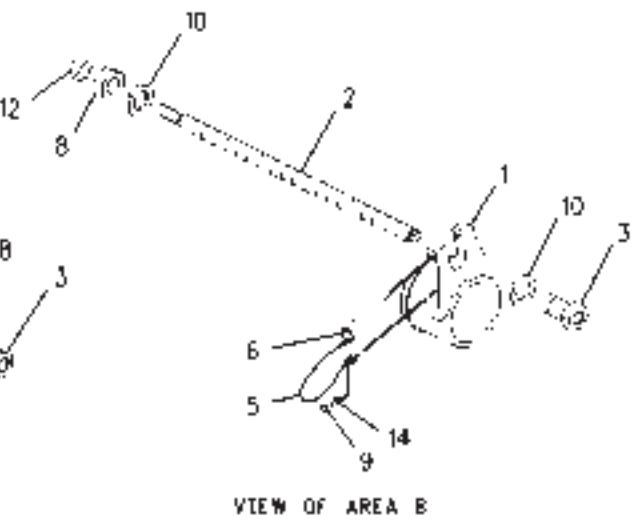
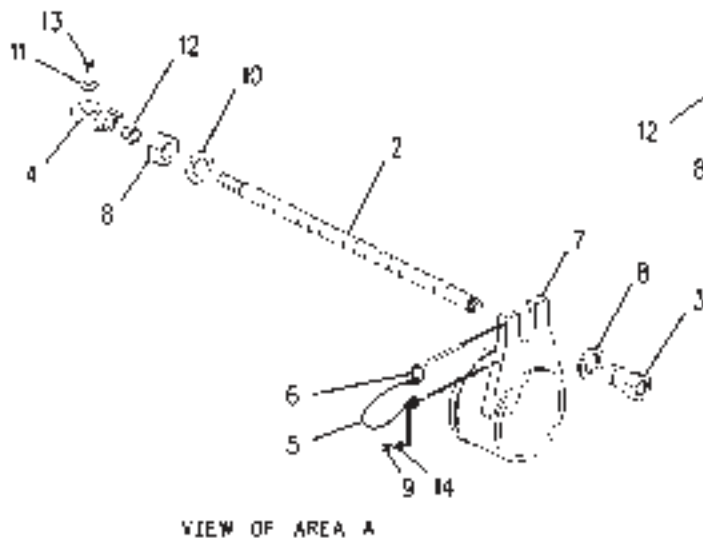
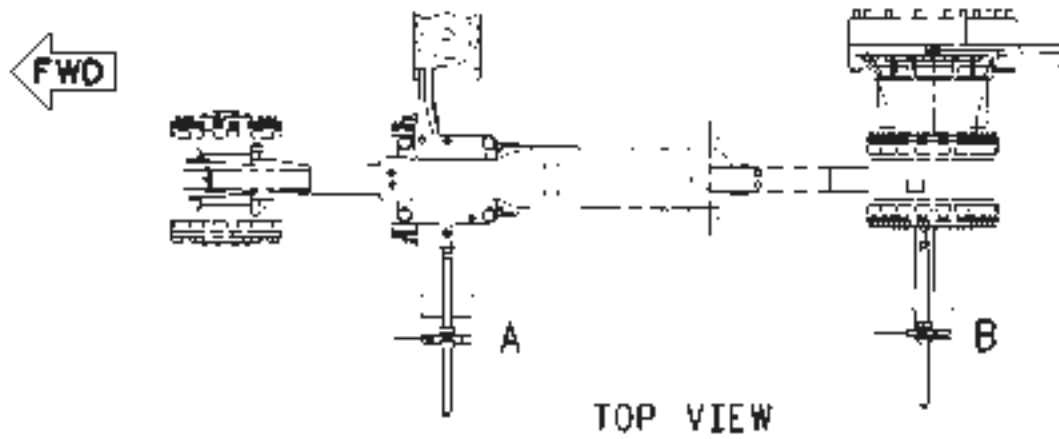
1209

**PROTECTION GP-VANDALISM
185-8848**

ITEM	NUMBER	QTY	DESCRIPTION
-	185-8848	-	PROTECTION GP-VANDALISM (NOT SERVICED)
1	CH5P-8502	4	PADLOCK (W/KEY)
	CH5P-8500	1	KEY
2	400135X1	2	BOLT-TAMPERPROOF (1/4-20X1 IN)
3	188-1155	1	COVER ASM (INCLUDES 2 PLATES AND HINGE)
4	191-8006	2	LOCK ASM (INCLS 4A-4D)
4A	CH2P-2717	1	HASP
4B	CH8D-9558	1	RIVET
4C	191-8007	1	LUG
4D	CH2A-3211	1	WASHER
5	CH191-8010	1	CLAMP
6	CH196-9321	1	CLAMP
7	CH3E-9865	2	LOCKNUT (1/4-20)
-	CH123-4950	3	SCREW-PAN HD (M16X1) (NOT SHOWN)

0891372A
PR: t05b22n43d0539

TOOL GP-AXLE GAUGE CHANGE
203-9712



**MT800B SERIES TRACTORS
SERVICE EQUIPMENT AND SUPPLIES**

1211

**TOOL GP-AXLE GAUGE CHANGE
203-9712**

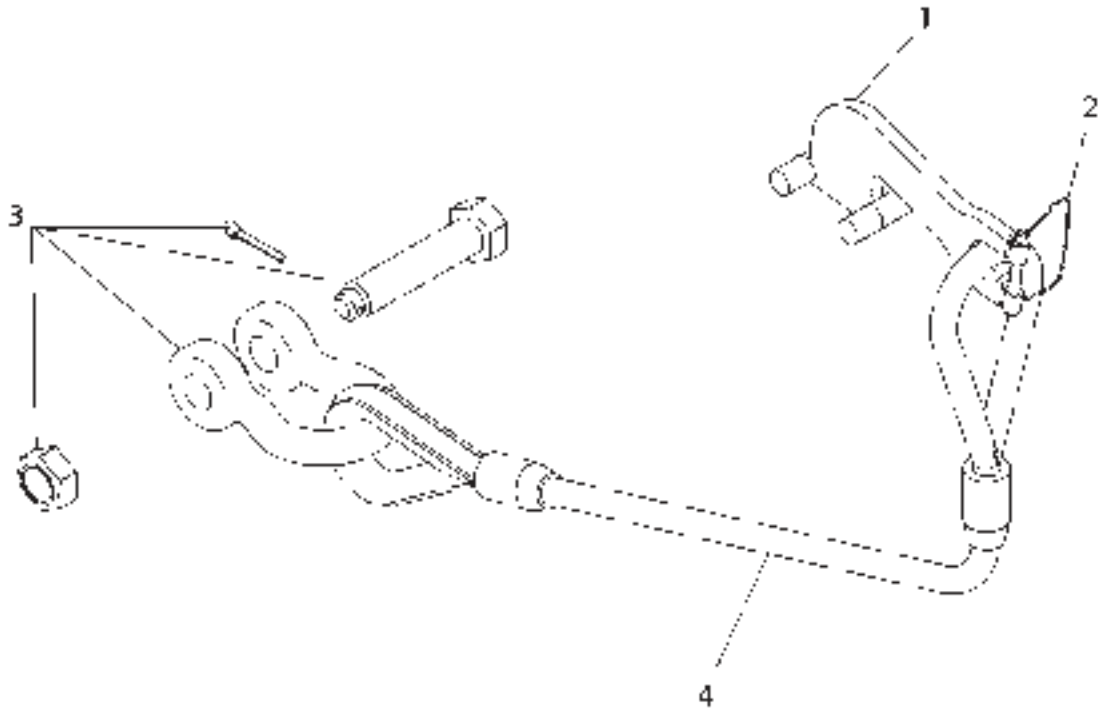
ITEM	NUMBER	QTY	DESCRIPTION
-	203-9712	-	TOOL GP-AXLE GAUGE CHANGE
1	198-4474	1	BRACKET ASM
2	198-4475	2	ROD
3	400354X1	2	NUT-SPECIAL (1-1/4"-12)
4	198-4477	1	ADAPTER ASM
5	203-6604	2	LANYARD
6	203-7787	2	PIN
7	205-8790	1	BRACKET
8	400083X1	2	NUT-JAM (1-1/4"-12-2B LH)
9	400152X1	2	BOLT (M6X1X16MM)
10	7X-0533	4	WASHER-HARD (34X55X6)
11	8C-9987	1	WASHER (8.3X28X2.5)
12	400286X1	2	NUT (M20X2.5)
13	400227X1	1	BOLT (M8X1.25X16MM)
14	CH8T-4205	2	WASHER-HARD (7.2X14.5X2MM)

00816200
PR: t05b22n43d0540

1212

MT800B SERIES TRACTORS
SERVICE EQUIPMENT AND SUPPLIES

CABLE GP.-TOW - 500039D1
SPECIAL APPLICATIONS



500039DA

**MT800B SERIES TRACTORS
SERVICE EQUIPMENT AND SUPPLIES**

1213

**CABLE GP.-TOW - 500039D1
SPECIAL APPLICATIONS**

ITEM	NUMBER	QTY	DESCRIPTION
-	500039D1	-	CABLE GP.-TOW [A] (NOT SERVICED)
1	500120D1	1	BRACKET
2	500124D1	1	PIN-HITCH
3	500125D1	1	SHACKLE
4	500126D1	1	CABLE AS.

[A] PART OF 501605D1; 501606D1;
501607D1; 501608D1; 501609D1
BASE UNIT AR

500039DA
PR: t05b22n43d0541

1214

**MT800B SERIES TRACTORS
PAINT**

**PAINT
(ORDER FROM CAT)**

NO ILLUSTRATION

PAINTGP1

**MT800B SERIES TRACTORS
PAINT**

1215

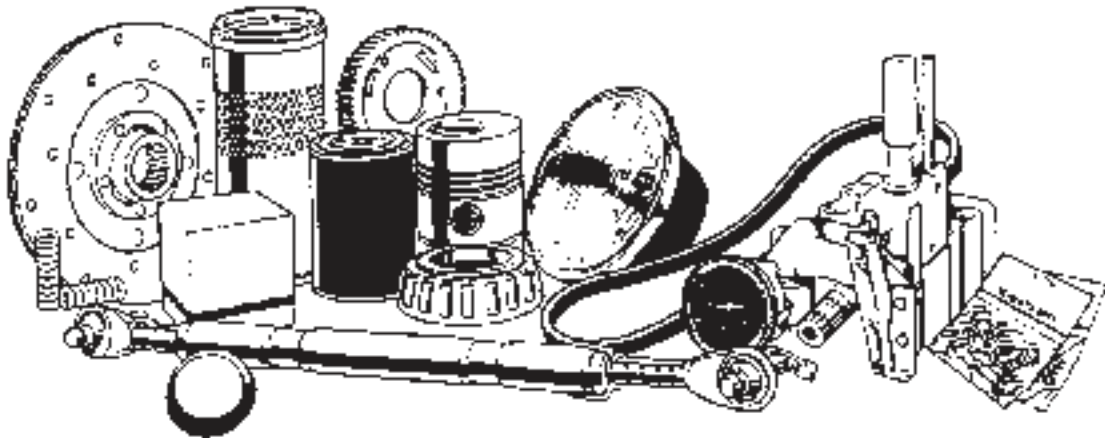
**PAINT
(ORDER FROM CAT)**

ITEM	NUMBER	QTY	DESCRIPTION
	4C-4200		YELLOW, AEROSOL
	4C-6129		YELLOW, 1 GALLON
	4C-6122		YELLOW, 5 GALLON
	4C-6127		YELLOW, 55 GALLON
	4C-4184		YELLOW, FAST DRY 1 GALLON
	4C-4192		YELLOW, FAST DRY 5 GALLON
	4C-4207		YELLOW, FAST DRY 55 GALLON
	9U-7725		YELLOW, WATER REDUCIBLE 1 GALLON
	4C-4198		BLACK, MED GLOSS AEROSOL
	4C-4183		BLACK, MED GLOSS 1 GALLON
	4C-4191		BLACK, MED GLOSS 5 GALLON
	4C-4206		BLACK, MED GLOSS 55 GALLON
	4C-4199		BLACK, MUFFLER AEROSOL
	4C-6134		URETHANE, YELLOW TOUCH-UP 1 GALLON
	4C-6126		URETHANE, YELLOW TOUCH-UP 5 GALLON
	4C-6133		URETHANE, BLACK TOUCH-UP 1 GALLON
	4C-5843		BLACK, GLOSS AEROSOL
	173-4060		GRAY, MACHINE DARK AEROSOL
	171-9773		GRAY, MACHINE DARK 1 GALLON
	171-9774		GRAY, MACHINE DARK 5 GALLON
	9U-7948		GRAY, DAWN GLOSS AEROSOL (ORDER THRU CAT DEALER)
	4C-4205		PRIMER, YELLOW AEROSOL
	4C-4190		PRIMER, YELLOW 1 GALLON
	4C-4197		PRIMER, YELLOW 5 GALLON
	4C-4211		PRIMER, YELLOW 55 GALLON

PAINTGP1
PR: t05b22n43d0542

RECOMMENDED DEALER STOCK

RECOMMENDED DEALER'S STOCK



**MT800B SERIES TRACTORS
MAINTENANCE PARTS**

1217

RECOMMENDED DEALER STOCK

ITEM	NUMBER	QTY	DESCRIPTION
	CH208-2404	48	SEAL
	186-2869	1	SHIM
	171-7234	1	COUNTERWEIGHT
	184-1695	1	SEAL
	187-8947	1	DISC
	197-6291	1	BELT
	1R-1325	1	BELT
	171-9688	1	LAMP
	154-8264	1	RETAINER
	502446D1	1	BATTERY/MAIN F
	261-2719	228	BEARING
	185-2151	1	BELT
	1R-1265	1	BELT
	1R-1266	1	BELT
	1R-1267	1	BELT
	1R-1323	1	BELT
	1R-1388	1	BELT
	500685D1	1	BELT
	501186D1	1	BELT/30" SPECI
	501196D1	1	BELT/36" SPECI
	501688D1	1	BLADE/ASY WIPE
	CH189-8610	1	BLADE/ASY WIPE
	CH134-1935	1	BLADE/WIPER
	400831X1	1	BREATHER/14-18
	CH9X-8118	1	BULB/12 V 55 W
	400862X1	1	BULB/885-12.8V
	500678D1	1	BULB/HALOGEN/8
	CH175-1323	1	BULB/HEADLAMP
	CH8I-4256	1	BULB/HEADLIGHT
	502183D1	1	CABLE/AS. - NE
	500447D1	1	CABLE/ASY
	502188D1	1	CABLE/ASY
	501109D1	1	CABLE/ASY NEG
	501110D1	1	CABLE/ASY NEG
	501111D1	1	CABLE/ASY NEG
	501112D1	1	CABLE/ASY NEG
	500892D1	1	CAP/RADIATOR W
	CH3S-5096	5	CLAMP/HOSE
	500956D1	2	CONNECTOR/ASY
	501766D2	4	FILTER,HYD/SPI
	CH1R-0771	1	FILTER/AS.- (F
	501771D1	1	FILTER/ELEMENT
	CH113-8490	2	FUSE/MINI 10 A
	CH113-8491	2	FUSE/MINI 15 A
	CH113-8492	2	FUSE/MINI 20 A
	CH124-3548	2	FUSE/MINI 30 A
	CH141-2759	2	FUSE/MINI 5 AM
	CH5P-8500	2	KEY
	216-6980	1	ORIFICE
	400932X1	1	ORIFICE/ASY
	501884D1	1	REGULATOR
	501147D1	6	STRIP
	CH3B-8485	5	ZERK-GREASE 45

NOTE: THIS LIST REPRESENTS THOSE ITEMS
RECOMMENDED TO SERVICE FIVE UNITS.

RDL
PR: t05b22n43d0543