

Challenger

Parts Manual

MT800 SERIES TRACK TRACTORS

MT835 (BAM40001-59999)
MT845 (BBP40001-59999)
MT855 (BCC40001-59999)
MT865 (BDS40001-59999)
9YY1 - Up (Transmission)
AZG1 - Up (Axle)
AZH1 - Up (Axle)
AZJ1 - Up (Axle)
AZK1 - Up (Axle)

ALPHABETICAL INDEX

The complete alphabetical index appears at the beginning of this publication. It is used to locate major groups, assemblies and components.

NUMERICAL INDEX

The numerical index of this publication follows the Alphabetical Index at the beginning of the publication and indicates at which grid location and page number a part number appears.

ILLUSTRATIONS

All illustrations are located on the left hand page with the text on the right. Except for some common hardware, all parts are identified with an item number which corresponds to the item column on the text page. This is followed by the parts number, quantity and description.

HARDWARE

Common hardware not identified such as bolts, nuts, cotter pins and lube fittings, are listed indented in the text beneath the item to which they attach or fit. Common hardware listed indented beneath an item is NOT included unless specified. Example: (Incl. BOLT, LOCKWASHER AND NUT).

ORDERING PARTS

Be sure to refer to both the text and the illustration to assure ordering the correct part.

RECOMMENDED DEALER STOCK

A recommended dealer stock listing appears at the end of this publication.



AIR INLET AND EXHAUST SYSTEM

AIR CLEANER AS-BASIC - 192-8980 MT835 & MT845	155
AIR CLEANER AS-BASIC - 196-4056 (MT855 & MT865)	157
AIR CLEANER GP - 172-5337 (MT855 & MT865)	151
AIR CLEANER GP - 172-5338 MT835 & MT845	153
LINES GP-AIR - 172-5341 MT855 & MT865	161
LINES GP-AIR - 172-5342 MT835 & MT845	159
LINES GP-EJECTOR - 197-4849 MT855 & MT865	165
LINES GP-EJECTOR - 212-4444 MT835 & MT845	163
MUFFLER GP - 172-5335 MT855 & MT865	169
MUFFLER GP - 172-5336 MT835 & MT845	167
SHIELD GP-EXHAUST - 218-2883 EAME - ITALIAN MARKET	149

BRAKING SYSTEM

BRAKE AR - 185-8860 AIR TRAILER (WITHOUT HITCH) MT835 & MT845 EAME ONLY	717
BRAKE AR - 186-1620 AIR TRAILER (WITHOUT HITCH) EAME ONLY	719
BRAKE AR - 192-6390 AIR TRAILER (WITH HITCH) MT855 & MT865	723
BRAKE AR-AIR - 192-6400 WITH HITCH MT835 & MT845 EAME ONLY	721
BRAKE GP-PARKING - 210-7510	731
CONTROL GP-PARKING BRAKE - 172-6857 EAME ONLY	733
CONTROL GP-PARKING BRAKE - 192-6350	737
CONTROL GP-PARKING BRAKE - 192-6360 SECONDARY EAME ONLY	735
CONTROL GP-SERVICE BRAKE - 200-4400	739
CYLINDER GP-MASTER - 184-5338 SERVICE BRAKE	743
KIT HYDR TRAILER BRAKE - 209-3689 WITH 3 POINT HITCH EAME ONLY	729
KIT-HYD BRAKE - 501140D1 WITHOUT 3 POINT HITCH SPECIAL APPLICATIONS	727
KIT-HYD TRAILER BRAKE - 209-3688 WITHOUT 3 POINT HITCH EAME ONLY	725
LINES & CONTROL GP (KIT) - 190-0436 AIR TRAILER BRAKE (WITHOUT HITCH) (EAME ONLY)	751
LINES & CONTROL GP - 190-0436 AIR TRAILER BRAKE (WITHOUT HITCH) (EAME ONLY)	753
LINES GP-BRAKE - 163-0386	745
LINES GP-BRAKE - 193-1547 COMMON	747
LINES GP-CONTROL (KIT) - 200-4310 AIR TRAILER BRAKE (WITH HITCH) EAME ONLY	755
LINES GP-CONTROL (KIT) - 210-4310 AIR TRAILER BRAKE (WITH HITCH) EAME ONLY	757
LINES GP-SERV BRAKE (B) - 185-8787 EAME ONLY	741
SUPPORT GP-LINES - 200-4320 EAME ONLY	759
TANK & LINES GP-AIR - 190-0435	761
TANK AR-AIR - 190-0439 MT835 & MT845 EAME ONLY	763
TANK AR-AIR - 190-0440 MT855 & MT865 EAME ONLY	765
TANK AR-AIR - 210-5703 MT835 & MT845 ROW & SPECIAL ONLY	767
TANK AR-AIR - 210-5704 MT855 & MT865 ROW & SPECIAL ONLY	769
VALVE GP-ACCUMULATOR CHARGING - 216-6972	771
VALVE GP-PARKING BRAKE - 200-4351	773

COOLING SYSTEM

COOLER GP & MOUNTING - 190-1482	127
CORE & MOUNTING GP - 229-8899	129
FAN GP - 206-6397 ENGINE	131
GUARD GP-FAN - 228-4631 MT835 & MT845	141
GUARD GP-FAN - 228-4632 MT855 & MT865	143
GUARD GP-FAN BLAST - 500038D1	139
LINES GP-COOLANT - 172-5344	135
LINES GP-COOLANT - 172-5345 MT835 & MT845	133
LINES GP-TURBOCHARGER - 503583D1 S/N: EFF 3/14/05	137
TANK GP-EXPANSION & COOLANT - 185-2220 MT855 & MT865	147
TANK GP-EXPANSION & COOLANT - 194-7966 MT835 & MT845	145

DECALS & MARKINGS

DECAL SHEET-COMPLETING AR - 501513D1 ENGLISH	1243
DECAL SHEET-COMPLETING AR - 501514D1 DUTCH	1245
DECAL SHEET-COMPLETING AR - 501515D1 FRENCH	1247
DECAL SHEET-COMPLETING AR - 501516D1 JAPANESE	1249
DECAL SHEET-COMPLETING AR - 501517D1 PORTUGUESE	1251

DECALS & MARKINGS (CONTINUED)

DECAL SHEET-COMPLETING AR - 501518D1 RUSSIAN	1253
DECAL SHEET-COMPLETING AR - 501519D1 SPANISH	1255
DECAL SHEET-VEHICLE 501505D1 EAME ONLY	1241
DECAL SHEET-VEHICLE - 501503D1	1237
DECAL SHEET-VEHICLE - 501504D1	1239
FILM GP - & PLATES - 179-2185 ROW & SPECIAL (PAGE 1 OF 5)	1227
FILM GP - & PLATES - 179-2185 ROW & SPECIAL (PAGE 2 OF 5)	1229
FILM GP - & PLATES - 179-2185 ROW & SPECIAL (PAGE 3 OF 5)	1231
FILM GP - & PLATES - 179-2185 ROW & SPECIAL (PAGE 4 OF 5)	1233
FILM GP - & PLATES - 179-2185 ROW & SPECIAL (PAGE 5 OF 5)	1235
FILM GP-CAT - 500735D1	1205
FILM GP-CHALLENGER - 500736D1	1207
FILM GP-MT835 - 500744D1	1195
FILM GP-MT845 - 500745D1	1197
FILM GP-MT855 - 500746D1	1199
FILM GP-MT865 - 500747D1	1201
FILM GP-PAINT & - 179-2261 EAME ONLY (PAGE 1 OF 9)	1209
FILM GP-PAINT & - 179-2261 EAME ONLY (PAGE 2 OF 9)	1211
FILM GP-PAINT & - 179-2261 EAME ONLY (PAGE 3 OF 9)	1213
FILM GP-PAINT & - 179-2261 EAME ONLY (PAGE 4 OF 9)	1215
FILM GP-PAINT & - 179-2261 EAME ONLY (PAGE 5 OF 9)	1217
FILM GP-PAINT & - 179-2261 EAME ONLY (PAGE 6 OF 9)	1219
FILM GP-PAINT & - 179-2261 EAME ONLY (PAGE 7 OF 9)	1221
FILM GP-PAINT & - 179-2261 EAME ONLY (PAGE 8 OF 9)	1223
FILM GP-PAINT & - 179-2261 EAME ONLY (PAGE 9 OF 9)	1225
WARNING GP-SLOW MOVING VEHICLE 172-8886	1203

DIFFERENTIAL STEERING SYSTEM

CONTROL GP-SECONDARY STEERING - 166-4623 EAME ONLY	779
CONTROL GP-STEERING (BASIC) - 217-9780	777
CONTROL GP-STEERING - 217-9779	775
HEAD GP-MOTOR - 203-1213	793
HEAD GP-PUMP - 205-6398	781
MOTOR & MOUNTING GP - 172-4517 STEERING EAME ONLY	785
MOTOR & MTG GP-STEERING - 158-2404 ROW & SPECIAL ONLY	783
MOTOR GP-PISTON - CH162-9601 STEERING	787
MOTOR GP-PISTON - CH162-9602 STEERING	789
ROTATING GP-MOTOR - 203-0189 STEERING	791

DRAWBAR, THREE POINT HITCH AND PTO

ADAPTER GP-PLUG - 180-4039 ROW AND SPECIAL APPLICATIONS	947
CONTROL AR-DRAWBAR - 184-5033 POWERED DRAWBAR	949
CONTROL AR-DRAWBAR - 210-7489 WIDE SWING	951
COUPLER GP-QUICK - 179-3318 CATEGORY 3 & 4 NARROW	957
COUPLER GP-QUICK - 180-6640 CATEGORY 4	959
CYLINDER AS-STEERING - CH189-6001	967
CYLINDER AS-0102-0408-Y CH189-4911 101.6MM X 408MM (4 X 16.06")	965
CYLINDER GP - CH184-5034	961
CYLINDER GP-STEERING - 183-4396	963
DRAWBAR GP-SWINGING 210-7507	971
DRAWBAR GP-WIDE SWINGING - 180-4036	969
GUARD GP-CYLINDER - 200-8772 POWERED DRAWBAR	975
GUARD GP-POWER TAKE-OFF - 183-4470	1013
HITCH AR - 179-0851 WIDE SWINGING DRAWBAR	953
HITCH AR-NON AG - 179-0853	955
HITCH AR-3 POINT (FIELD) - 169-0028 CATEGORY 4-W/O HYD TRAILER BRAKES	979
HITCH AR-3 POINT (FIELD) - 186-0979 CATEGORY 3&4 NARROW- W/HYD TRAILER BRAKES EAME ONLY	985
HITCH AR-3 POINT (FIELD) - 189-3300 CATEGORY 4- W/HYDRAULIC TRAILER BRAKES EAME ONLY	987
HITCH AR-3 POINT - 169-0027 CAT 3 & 4 NARROW-W/O HYD TRAILER BRAKES	977
HITCH AR-3 POINT - 179-0852 CATEGORY 3/4 W/STEERABLE	981
HITCH AR-3 POINT - 180-6639 CATEGORY 4 W/STEERABLE	983
HITCH GP-3 POINT - 179-3317 CATEGORY 3/4	989

DRAWBAR, THREE POINT HITCH AND PTO (CONTINUED)

HITCH GP-3 POINT - 184-5065 CATEGORY 4.....	991
LINES GP-CYLINDER - 158-2363 3 POINT HITCH	993
LINES GP-CYLINDER - 180-0503 POWERED DRAWBAR	997
LINES GP-POWER TAKE-OFF - 189-2976	999
LINK GP-LIFT 186-1090	1001
LINK GP-UPPER 186-1091	1003
MOUNTING GP-CYLINDER - 184-5035 CONTROLLED DRAWBAR	1005
PLUG GP-3 PT-HITCH - 224-9662 DRAWBAR HITCH APPLICATIONS	1007
POWER TAKE-OFF (KIT) - 163-0400 ROW & SPECIAL APPLICATIONS	1009
POWER TAKE-OFF (KIT) - 224-8603 EAME	1011
ROCKSHAFT GP - 186-1063.....	1015
SUPPORT GP-DRAWBAR - 180-4038 SCRAPER HITCH.....	1017
SUPPORT GP-DRAWBAR - 210-7508 ROW AND SPECIAL APPLICATIONS	1019
SUPPORT GP-FRAME - 210-7509 CONTROLLED DRAWBAR	1021

ELECTRICAL AND STARTING SYSTEM

ANTENNA GP-DATA RADIO - 501124D1 GPS BASE STATION	337
BATTERY & WIRING GP - 136-5658 3 BATTERIES WITHOUT DISCONNECT SWITCH MT835 & MT845	197
BATTERY & WIRING GP - 136-5662 4 BATTERIES WITHOUT DISCONNECT SWITCH	199
BATTERY & WIRING GP - 136-5663 4 BATTERIES WITH DISCONNECT SWITCH	201
BATTERY GP - 136-5659 3 BATTERY W/DISCONNECT SWITCH	205
BLOCK AS-FUSE 501830D1	291
BLOCK AS-FUSE 501831D1	293
BLOCK AS-FUSE 501832D1	295
BLOCK AS-FUSE 501833D1	297
BLOCK AS-FUSE 501834D1	299
BLOCK AS-FUSE 501835D1	301
BLOCK AS-FUSE - 501829D1	289
CIRCUIT BREAKER GP - 136-5654 ELECTRONIC CONTROL MODULE	207
CONTROL & WIRING GP - 136-5670	209
CONTROL & WIRING GP-HITCH - 136-5378 LIFT CIRCUIT	211
CONTROL AR - AUTOGUIDE SYSTEM 500628D1	217
CONTROL AR-COMMUNICATION - 216-0852 ISO	213
CONTROL AR-MACHINE - 216-0874 ISO READY UPGRADE	215
CONTROL GP-ELECTRONIC 501033D1	279
CONTROL GP-POWER TAKE-OFF - 152-0446 ROW	221
CONTROL GP-POWER TAKE-OFF - 224-5884 EAME	223
CONTROL GP-UNPROGRAMMED 216-0658	229
ELECTRONICS GP-IMPLEMENT (SOFTWARE) 3 POINT HITCH	227
ELECTRONICS GP-MACHINE - ISO 216-0614	231
FUSE GP - 169-6380	285
FUSE GP-CLAAS - 172-6841 EAME ONLY	287
HEATER GP-JACKET WATER-120V - 215-1802 MT835 & MT845 ROW & SPECIAL ONLY	233
HEATER GP-JACKET WATER-120V - 215-1807 MT855 & MT865 ROW & SPECIAL ONLY	235
HEATER GP-JACKET WATER-240V - 215-1808 MT835 & MT845 EAME ONLY	237
HEATER GP-JACKET WATER-240V - 215-1809 MT855 & MT865 EAME ONLY	239
HEATER GP-TRANSMISSION-120V 163-0402 ROW & SPECIAL ONLY	241
HEATER GP-TRANSMISSION-240V 163-0403 EAME ONLY	243
KIT CONTROL AR-AUTOGUIDE SYSTEM 500630D1 FIELD INSTALLED	219
KIT-GPS BASE STATION - 502609D1	335
KIT-LIGHTING - 500650D1 CONVERT STD TO DELUXE ROW AND SPECIAL APPLICATIONS	253
KIT-LIGHTING - 500651D1 CONVERT STD TO HID ROW AND SPECIAL APPLICATIONS	255
KIT-LIGHTING - 500652D1 CONVERT DELUXE TO HID ROW AND SPECIAL APPLICATIONS	257
KIT-PTO SWITCH ADAPTOR 502423D1	225
LAMP GP-HOOD - 12V HALOGEN 500775D1	259
LAMP GP-HOOD-12V HID 500776D1	261
LIGHT AS - COURTESY - 12V 501935D1	245
LIGHTING GP-ROAD (LH TRAFFIC) 168-6580 FIELD INSTALLED EAME ONLY	275
LIGHTING GP-ROAD (RH TRAFFIC) 168-6581 FIELD INSTALLED EAME ONLY	277
LIGHTING GP-SIGNAL - 12V 136-5665	265
LIGHTING GP-SIGNAL - 136-5429 EAME ONLY	269

ELECTRICAL AND STARTING SYSTEM (CONTINUED)

LIGHTING GP-SIGNAL - 216-0806 EAME ONLY	267
LIGHTING GP-WARNING - 12V 162-4101	273
LIGHTING GP-WARNING - 216-9823	271
LIGHTING GP-12V DELUXE - 500646D1	249
LIGHTING GP-12V HID - 500647D1	251
LIGHTING GP-12V STD - 500645D1 ROW AND SPECIAL APPLICATIONS	247
MOUNTING GP-BATTERY - 142-9739 4 BATTERIES	283
MOUNTING GP-BATTERY - 142-9760 3 BATTERIES	281
MOUNTING GP-GPS - 500478D1 AUTOGUIDE SYSTEM	325
MOUNTING GP-KIT - 187-4896 AUX ANTENNA & NON-AUTOGUIDE GPS RECEIVER	327
MOUNTING GP-PDA - 501168D1 AUTOGUIDE SYSTEM	333
RECEIVER GP-TRANSMITTER & GPS - 500607D1 AUTOGUIDE CONTROL	339
RECEIVER KIT-TRANSMITTER - 162-4099	331
SENSOR & MTG GP-GROUND SPEED 136-5388	303
SENSOR & MTG GP-GROUND SPEED 136-5404 EAME	305
SENSOR GP-PRESSURE - CH161-9932	395
SERVICE GP-AUTOGUIDE - 500389D1	323
STARTING AID GP-ETHER - 187-1740 MT855 & MT865	309
STARTING MOTOR AS-ELECTRIC - 502284D1 12 VOLT MT835 & MT845	315
STARTING MOTOR GP-ELECTRIC - 180-2924 MT855 & MT865	313
STARTING MOTOR GP-ELECTRIC - 208-0090 12 VOLT MT835 & MT845	311
STARTING MOTOR GP-ELECTRIC - 502282D1 12 VOLT MT855 & MT865	317
STARTING MOTOR GP-ELECTRIC - 502283D1 12 VOLT MT855 & MT865	319
STARTING AID GP-ETHER - 186-1671 MT835 & MT845	307
SWITCH GP-GUIDANCE - 500606D1 AUTOGUIDE SYSTEM	321
SWITCH GP-WIPER - CH135-9967 INTERMITTENT 12 VOLT	329
VALVE GP-ETHER - 210-8961 MT835 & MT845	341
VALVE GP-ETHER - 211-8220 MT855 & MT865	343
WARNING GP-BACKUP - 195-5968	345
WIRING GP - 214-3504 AUTOGUIDE ISO COMPATIBLE	349
WIRING GP REMOTE CONTROL - 173-6505 ROW & SPECIAL APPLICATIONS	347
WIRING GP-AUXILIARY - 162-4097	351
WIRING GP-CAB - 152-0005A EAME ONLY	359
WIRING GP-CAB - 152-0005B EAME ONLY	361
WIRING GP-CAB - 152-0420 1 OF 2 ROW & SPECIAL APPLICATIONS	353
WIRING GP-CAB - 152-0420 2 OF 2 ROW & SPECIAL APPLICATIONS	357
WIRING GP-COMPACT DISC CHANGER 195-9532	365
WIRING GP-CONSOLE - 136-5477 WITHOUT PTO	369
WIRING GP-CONSOLE - 166-1211 ARMREST W/PTO	367
WIRING GP-CONSOLE - 168-1946 (AUX POWER CLAAS) EAME ONLY	371
WIRING GP-MACHINE - 136-5668	375
WIRING GP-SHUTOFF - 162-4096 ENGINE	387
WIRING GP-SHUTOFF - 173-6501 TIME DELAY LIGHTING SHUTOFF	389
WIRING GP-TRAILER - 162-4102 CONNECTOR SWITCHES ROW & SPECIAL	391
WIRING GP-TRAILER - 168-1945 CONNECTOR SWITCHES EAME	393
WIRING GP-TRAILER JUMPER - 501940D1	363
WIRING GP-VEHICLE - 136-5668	373
WIRING GP-VEHICLE - 136-5669 1 OF 3 EAME ONLY	379
WIRING GP-VEHICLE - 136-5669 2 OF 3 EAME ONLY	381
WIRING GP-VEHICLE - 136-5669 3 OF 3 EAME ONLY	383
WORK LIGHT-HID 500634D1 & 500635D1	263

ENGINE INSTALLATION ARRANGEMENT

AIR COMPRESSOR GP - 180-2937 MT835 & MT845	93
AIR COMPRESSOR GP - 215-8055	97
COMPRESSOR GP-AIR - 500970D1 MT855 & MT865	99
DRIVE GP-ACCESSORY - 187-1791	105
DRIVE GP-FAN - 193-2265 MT855	109
DRIVE GP-FAN - 193-2266 MT835 & MT845	107
DRIVE GP-FAN - 197-5675 MT865	111
INSTALLATION AR-MT835 - 172-5361 ROW & SPECIAL APPLICATIONS	77

ENGINE INSTALLATION ARRANGEMENT (CONTINUED)

INSTALLATION AR-MT835 - 187-1741 EAME ONLY	79
INSTALLATION AR-MT845 - 172-5362 ROW & SPECIAL APPLICATIONS	81
INSTALLATION AR-MT845 - 187-1742 EAME ONLY	83
INSTALLATION AR-MT855 - 172-5363 ROW & SPECIAL APPLICATIONS	85
INSTALLATION AR-MT855 - 187-1743 EAME ONLY	87
INSTALLATION AR-MT865 - 172-5364 ROW & SPECIAL APPLICATIONS	89
INSTALLATION AR-MT865 - 187-1744 EAME ONLY	91
MOUNTING GP-ALTERNATOR - 206-6987	113
MOUNTING GP-ENGINE - 172-5333	117
MOUNTING GP-ENGINE - 172-5334 MT835 & MT845	115
MOUNTING GP-REFRIGERANT COMPR - 187-1792	119
PULLEY GP - 185-2237 MT835 & MT845	121
PULLEY GP - 185-2239 FAN BELT TIGHTENER MT855	123
PULLEY GP - 185-2240 FAN BELT TIGHTENER MT865	125

FRAME AND BODY

BRACE GP-SAFETY - 222-9033 HOOD ROW & SPECIAL	605
CHASSIS AR - 179-1953	547
COUNTERWEIGHT GP - 185-8688 ROLLER FRAME (1393KG/3071 LB) ROW AND EAME	551
COUNTERWEIGHT GP - 185-8690 ROLLER FRAME (2786KG/6142 LB) ROW AND EAME	553
COUNTERWEIGHT GP-FRONT - 184-5329 20 WEIGHTS (1440KG/3175LB) ROW ONLY	559
COUNTERWEIGHT GP-FRONT - 184-5357 32 WEIGHTS (2000KG/4409LB)	563
COUNTERWEIGHT GP-FRONT - 502116D1 6 WEIGHTS (963KG/2063LB) EAME ONLY	555
COUNTERWEIGHT GP-FRONT - 502117D1 16 WEIGHTS (1403KG/3091LB) EAME ONLY	557
COUNTERWEIGHT GP-FRONT - 502118D1 28 WEIGHTS (1963KG/4328LB) EAME ONLY	561
COUNTERWEIGHT GP-IDLER - 177-4588 (909KG/2000LB)	565
COUNTERWEIGHT GP-IDLER - 178-8047 (1575KG/3500LB)	567
COUNTERWEIGHT GP-IDLER - 185-8720 (2043KG/4500LB)	569
COVER GP-ACCESS - 190-5943	571
EXTENSION GP-FENDER - 186-2427 EAME ONLY	577
FENDER GP - 161-9174 ROW & SPECIAL	573
FENDER GP - 161-9177 EAME ONLY	575
FRAME GP - 179-1954 (MT835 & MT845)	579
GRILL GP-RADIATOR - 158-5960	581
GUARD GP - 187-8609 EAME ONLY	583
GUARD GP-BOTTOM - 185-8849	585
GUARD GP-BOTTOM - 200-8826 FOR USE WITH 197-8558 AUX FUEL TANK AR	587
GUARD GP-BOTTOM - 213-2481 REAR	589
GUARD GP-POWER TRAIN - 189-5805 (MT835 & MT845)	591
HANDHOLD GP - 203-9179 INNER	593
HANDHOLD GP - 221-8534 EAME ONLY	623
HOOD & GUARD GP - 156-1313 ROW & SPECIAL	597
HOOD & GUARD GP - 161-9173 1 OF 2 EAME ONLY	601
HOOD & GUARD GP - 161-9173 2 OF 2 EAME ONLY	603
KIT-MOUNTING - 208-7698 FIRE EXTINGUISHER ROW & SPECIAL	607
MOUNTING GP-BODY - 158-5925 LICENSE PLATE EAME ONLY	613
MOUNTING GP-CAB - 162-4112	611
MOUNTING GP-COUNTERWEIGHT - 184-5337 (504KG/1112 LB) ROW ONLY	549
MOUNTING GP-MONITOR - 222-7965	615
MOUNTING GP-WITH FIRE EXTINGUISHER 501785D1 EAME ONLY	609
PANEL GP-ENCLOSURE (CAT) - 210-4350	617
PLUG GP-COUNTERWEIGHT - 183-5789 COMPLETING	619
REFLECTOR GP - 215-7336 FOR USE WITH DRAWBAR EAME	635
REFLECTOR GP - 215-9580 FOR USE WITH HITCH EAME	637
STEP GP - 156-1327	621
SUPPORT GP-COMPONENT - 190-5441	631
SUPPORT GP-FUEL TANK - 186-5431 1 OF 2	625
SUPPORT GP-FUEL TANK - 186-5431 2 OF 2	627
TOW CABLE GP - 500039D1	595
WALKWAY GP - 183-6384	633

FUEL SYSTEM

CONTROL GP-DECELERATOR - 152-0447	171
CONTROL GP-GOVERNOR - 207-2031	173
FILTER GP-WATER SEP & FUEL - 198-0187 MT855 & MT865	177
FILTER GP-WATER SEP & FUEL - 198-0188 MT835 & MT845	175
LINES GP-FUEL - 179-2183 MT855 & MT865	181
LINES GP-FUEL - 197-1317	183
LINES GP-FUEL - 213-9315 MT835 & MT845	179
TANK & MTG GP-FUEL - 179-2182	185
TANK AR-FUEL - 197-8558 AUXILIARY 94.8 LITERS (25 GALLONS)	187
TANK GP-FUEL - 186-5432 1155 LITERS (305 GALLONS)	189
TANK GP-FUEL - 196-7742 RIGHT HAND	191
TANK GP-FUEL - 206-8891 94.63 LITERS (25 GALLONS)	195
TANK GP-FUEL - 500016D1 LEFT HAND	193

HYDRAULIC SYSTEM

ACTUATOR GP-PISTON PUMP - CH183-8430	795
CASE DRAIN GP-FLAT FACE - 502643D1 3 PT HITCH	823
CASE DRAIN GP-PIONEER - 502644D1 3-PT HITCH	825
CONNECTOR GP-VALVE - 180-7174 ABOVE 60 LPM HYDRAULIC POWER BEYOND ROW AND SPECIAL APPLICATIONS	799
CONVERSION GP-CONTROL VALVE - 185-8699 4 VALVE TO 5 VALVE UPGRADE	801
CONVERSION GP-CONTROL VALVE - 185-8701	803
CONVERSION GP-CONTROL VALVE - 189-5906 5 VALVE TO 6 VALVE UPGRADE	807
CONVERSION GP-CONTROL VALVE - 189-5910 4 VALVE TO 5 VALVE UPGRADE	805
CYLINDER GP (0125-0345-Y) 125MM X 345MM (4.92 X 13.58")	813
CYLINDER GP-LIFT	811
FILTER & MTG GP-HYDRAULIC - 158-2349	815
FILTER GP-OIL (BASIC) - 501767D1 (S/N: EFF BAM40601;BBP40472; BCC40702;BDS40823)	829
FILTER GP-OIL - 210-2395 TRANSMISSION/STEERING/IMPLEMENT (S/N: PRIOR BAM40601;BBP40472; BCC40702;BDS40823)	827
GUARD GP-HDY FILTER - 233-7373 ROW ONLY	817
HYDRAULIC AR - 158-2342	831
HYDRAULIC KIT-CASE DRAIN 189-3141 EAME ONLY	819
HYDRAULIC KIT-CASE DRAIN 189-3142	821
HYDRAULIC KIT-POWER BEYOND - 178-7162 STD FLOW (0-60 LPM) .5" COUPLER ROW AND SPECIAL APPLICATIONS	797
KIT-COUPPLING-POWER BEYOND - 189-3143 (CLAAS) EAME ONLY	809
LINES GP-COUPLER 210-0851	835
LINES GP-COUPLER - 190-0438	833
LINES GP-ECOLOGY - 502214D1	855
LINES GP-HYD OIL - 172-4516	837
LINES GP-HYDRAULIC - 209-8326 (FOR USE W/85CC CAPACITY CHARGE PUMP)	851
LINES GP-HYDRAULIC OIL - 193-1558	841
LINES GP-HYDRAULIC OIL - 209-8325	849
LINES GP-HYDRAULIC OIL - 501130D1 HYDRAULIC TRAILER BRAKE	857
LINES GP-IMPL - 172-4519 87CC CAPACITY IMPLEMENT PUMP	853
LINES GP-IMPLEMENT - 158-2356	843
LINES GP-IMPLEMENT - 172-4518	847
LINES GP-STEERING - 158-2393	859
MOUNTING GP-VALVE - 158-2339	861
MOUNTING GP-VALVE - 162-9805	865
MOUNTING GP-VALVE - 193-1548	863
PUMP & MOUNTING GP - 162-9804 (63CC IMPLEMENT PUMP)	867
PUMP & MOUNTING GP - 165-7901 (87CC IMPLEMENT PUMP)	869
PUMP & MTG GP-HYDRAULIC - 158-2397 SCAVENGE PUMP	871
PUMP AR-HYDRAULIC - 180-0184 63CC IMPLEMENT PUMP	873
PUMP AR-HYDRAULIC - 180-0185 87CC IMPLEMENT PUMP	875
PUMP GP-GEAR - CH206-6337 STEERING, IMPLEMENT & TRANS CHARGE	877
PUMP GP-GEAR - CH207-3629 SCAVENGE PUMP STEERING, IMPLEMENT & TRANS CHARGE	879
PUMP GP-PISTON (SLIPPER) - CH206-9019 63CC IMPLEMENT	885
PUMP GP-PISTON - CH162-9592 SCAVENGE PUMP SLIPPER	881
PUMP GP-PISTON - CH206-9017 87CC IMPLEMENT	883
ROTATING GP-PUMP - 190-3118 87CC IMPLEMENT PUMP	887

HYDRAULIC SYSTEM (CONTINUED)

ROTATING GP-PUMP - 190-6501 63CC IMPLEMENT PUMP	889
ROTATING GP-PUMP - 205-6400 SCAVENGE PUMP	891
VALVE AR - 180-1438 5 IMPLEMENTS	905
VALVE AR - 193-8197 W/O HITCH & W/O HYDRAULIC TRAILER BRAKE	893
VALVE AR - 193-8198 W/HITCH & W/O HYDRAULIC TRAILER BRAKE ROW & EAME	897
VALVE AR - 193-8199 W/O HITCH & W/HYDRAULIC TRAILER BRAKE EAME ONLY	899
VALVE AR - 193-8200 W/HITCH & W/HYDRAULIC TRAILER BRAKE EAME ONLY	901
VALVE AR - 501070D1 W/O HITCH & W/HYDRAULIC TRAILER BRAKE	895
VALVE AR-BANK 4 - 180-1434	903
VALVE AR-IMPL - 500795D1 6 IMPLEMENTS	907
VALVE GP-BANK 2 - 192-4816 PRIORITY W/HYDRAULIC TRAILER BRAKE	909
VALVE GP-BANK 3 - 192-4708 PRIORITY WITH HITCH	911
VALVE GP-BANK 4 - 180-0494 IMPLEMENT	913
VALVE GP-BANK 4 - 192-4817 PRIORITY W/HITCH & W/HYD TRAILER BRAKES EAME ONLY	915
VALVE GP-BANK 5 - 180-0495 IMPLEMENT	917
VALVE GP-BANK 6 - 500752D1 5 REMOTES	919
VALVE GP-BRAKE CONTROL - 196-2318 HYDRAULIC TRAILER BRAKES	931
VALVE GP-CONTROL - 162-9816 IMPLEMENT	923
VALVE GP-CONTROL - 162-9817 STEERABLE HITCH	925
VALVE GP-CONTROL - 162-9818 3 POINT HITCH	927
VALVE GP-CONTROL - 192-4707 PRIORITY W/HYDRAULIC TRAILER BRAKES	929
VALVE GP-CONTROL - 209-5019 PRIORITY & ACCUMULATOR CHARGE	933
VALVE GP-CONTROL - 209-5020 PRIORITY	935
VALVE GP-CONTROL - 209-5021 PRIORITY	937
VALVE GP-FLOW CONTROL&RELIEF - 227-8830 IMPLEMENT	921
VALVE GP-PRESS & FLOW CMPNSTR - 214-9379	939
VALVE GP-PRESSURE COMPENSATOR CH6E-4392	941
VALVE GP-SERVO - CH183-8417	943
VALVE GP-SERVO - 205-6412	945

MACHINE ARRANGEMENT

BASE COMMON AR (EURO) - 179-2180 EAME	75
BASE COMMON AR - 179-1952 ROW & SPECIAL ONLY	73
BASE UNIT AR-MT835 - 500033D1 SPECIAL APPLICATIONS	65
BASE UNIT AR-MT845 - 500034D1 SPECIAL APPLICATIONS	67
BASE UNIT AR-MT855 - 500035D1 SPECIAL APPLICATIONS	69
BASE UNIT AR-MT865 - 156-5584 ROW	55
BASE UNIT AR-MT865 - 500037D1 SPECIAL APPLICATIONS	71
BASIC UNIT AR-MT835 - 156-5581 ROW	49
BASIC UNIT AR-MT835 - 179-2193 EAME	57
BASIC UNIT AR-MT845 - 156-5582 ROW	51
BASIC UNIT AR-MT845 - 179-2194 EAME	59
BASIC UNIT AR-MT855 - 156-5583 ROW	53
BASIC UNIT AR-MT855 - 179-2195 EAME	61
BASIC UNIT AR-MT865 - 179-2196 EAME	63

MAINTENANCE PARTS

RECOMMENDED DEALER STOCK	1263
--------------------------------	------

OPERATOR STATION

AIR CONDITIONER & MOUNTING GP-BASIC 151-9986 (S/N: PRIOR TO BAM50633; BBP50486; BCC50765; BDS50909)	1023
AIR CONDITIONER & MOUNTING GP-BASIC 502502D1 (S/N: EFF BAM50633; BBP50486; BCC50765; BDS50909)	1025
AIR CONDITIONER & MOUNTING GP-DELUXE 166-4592 (S/N: PRIOR TO BAM50619; BBP50482; BCC50756; BDS50902)	1027
AIR CONDITIONER & MOUNTING GP-DELUXE 502501D1 (S/N: EFF BAM50619; BBP50482; BCC50756; BDS50902)	1029
AIR CONDITIONER GP-BASIC - 152-0428 (S/N: PRIOR TO BAM40605; BBP40472; BCC40709; BDS40834) 1 OF 3	1031
AIR CONDITIONER GP-BASIC - 152-0428 (S/N: PRIOR TO BAM40605; BBP40472; BCC40709; BDS40834) 2 OF 3	1033
AIR CONDITIONER GP-BASIC - 152-0428 (S/N: PRIOR TO BAM40605; BBP40472; BCC40709; BDS40834) 3 OF 3	1035
AIR CONDITIONER GP-DELUXE - 152-0427 (S/N: PRIOR TO BAM40575; BBP40461; BCC40683; BDS40763)	1039
AIR CONDITIONER GP-DELUXE - 502499D1 (S/N: EFF BAM40575; BBP40461; BCC40683; BDS40763)	1043
ANTENNA GP-RADIO - 168-1951	1045
ANTENNA GP-RADIO - 210-1570 BUSINESS BAND	1047
ARMREST GP - 500484D2 4 IMP W/PTO-W/O HTCH	1129
ARMREST GP - 500485D2 4 IMP W/PTO-W/HITCH	1131

OPERATOR STATION (CONTINUED)

ARMREST GP - 500486D2 4 IMP W/O PTO-W/O HITCH	1133
ARMREST GP - 500487D2 4 IMP W/O PTO-W/HITCH	1135
ARMREST GP - 500488D2 5 IMP W/PTO-W/O HITCH	1137
ARMREST GP - 500489D2 5 IMP W/PTO-W/HTCH	1139
ARMREST GP - 500490D2 5 IMP W/O PTO-W/O HITCH	1141
ARMREST GP - 500491D2 5 IMP W/O PTO-W/HITCH	1143
ARMREST GP - 500791D2 6 IMP W/PTO-W/O HITCH	1145
ARMREST GP - 500792D2 6 IMP W/PTO-W/HITCH	1147
ARMREST GP - 500793D2 6 IMP W/O PTO-W/O HITCH	1149
ARMREST GP - 500794D2 6 IMP W/O PTO-W/HITCH	1151
CAB AR-BASIC - 500842D1 EAME ONLY	1049
CAB AR-BASIC - 500844D1 ROW & SPECIAL APPLICATIONS	1053
CAB AR-DELUXE - 500841D1 EAME ONLY	1051
CAB AR-DELUXE - 500843D1 MT835 & MT845 ROW & SPECIAL APPLICATIONS	1055
CAB AR-DELUXE - 500849D1 MT855 & MT865 ROW & SPECIAL APPLICATIONS	1057
CAB GP - 152-0003 ROW & SPECIAL APPLICATIONS	1059
CAB GP - 152-0004 EAME ONLY	1061
CHANGER GP-COMPACT DISC - 173-6507 ROW AND SPECIAL APPLICATIONS	1117
COMPRESSOR GP-REFRIGERANT - CH178-9570	1063
CONDITIONER GP-AIR-BASIC - 502500D1 (S/N: PRIOR TO BAM40605; BBP40472; BCC40709; BDS40834)	1037
CONSOLE GP - 500768D1	1067
CONSOLE GP-MTG - 500839D1	1127
CONSOLE GP-OPERATOR - 152-0434 WITH PTO	1065
CONTROL GP-AIR & TEMPERATURE 166-4586	1071
CONTROL GP-BRAKE & CLUTCH 152-0438	1073
CONTROL GP-HITCH - 152-0445 REAR 3 POINT	1075
CONTROL GP-IMPLEMENT 209-8704	1085
CONTROL GP-IMPLEMENT - 4 HANDLES 152-0443	1079
CONTROL GP-IMPLEMENT - 4TH HANDLE 136-5355	1077
CONTROL GP-IMPLEMENT - 5 HANDLES 166-4590	1083
CONTROL GP-IMPLEMENT - 6TH HANDLE 152-0448	1081
CONTROL GP-TRANSMISSION 169-6347	1089
CONTROL GP-TRANSMISSION - 169-6346	1087
COVER GP - 500761D1	1069
DOOR GP-CAB (LH) - 164-7068 (S/N: PRIOR TO BAM40608; BBP40474; BCC60741; BDS40890)	1091
DOOR GP-CAB (LH) - 500927D1 (S/N: EFF BAM40608; BBP40474; BCC60741; BDS40890)	1093
DUCT GP-CAB AIR 166-4556	1095
GLASS GP-WINDSHIELD - 151-9994 ROW & SPECIAL	1185
GLASS GP-WINDSHIELD - 151-9995 EAME ONLY	1187
HEADLINER GP - 152-0418 OPERATOR COMPARTMENT	1097
INSULATION GP-WEATHER - 217-2214	1125
KIT-SEAT AS (LUMBAR) - BASIC 220-2329	1159
KIT-SEAT AS (LUMBAR) - DELUXE 501912D1	1161
KIT-SEAT SUSPENSION - BASIC 501898D1	1163
KIT-SEAT SUSPENSION - DELUXE 501909D1	1165
KIT-SUSPENSION GP - DELUXE SEAT 501916D1	1169
KIT-SUSPENSION GP-BASIC SEAT 501900D1	1167
KIT-WIPER (RH) - 162-4103	1193
LINES GP-A/C - 172-5343	1099
LINES GP-HEATER - DELUXE 208-2881	1103
LINES GP-HEATER - 208-2880	1101
MIRROR GP - 206-0588 SIDE AREA VIEW EAME ONLY	1109
MIRROR GP-REAR VIEW - 209-5607 MANUAL ADJUSTMENT	1105
MIRROR GP-REAR VIEW - 209-5608 POWER ADJUSTMENT & HEATED	1107
RADIO GP-AUTOGUIDE - 232-0869	1119
RADIO GP-DELUXE - 168-1970 12V HD AM/FM/WB/CAS/REMOTE/GRN BACKLIGHT ROW AND SPECIAL APPLICATIONS	1113
RADIO GP-DELUXE CD - 170-5739 12V HD AM/FM/WB/CD/REMOTE/GRN BACKLIGHT ROW AND SPECIAL APPLICATIONS	1115
RADIO GP-STD - 168-1952 12V HD, AM/FM/WB/CASS W/GREEN BACKLIGHT	1111
ROOF GP-CAB - 152-0417 ROW AND SPECIAL APPLICATIONS	1121
ROOF GP-CAB - 152-0444 EAME ONLY	1123

OPERATOR STATION (CONTINUED)

SEAT GP - DELUXE 500853D1	1157
SEAT GP-BASIC 500840D1	1155
SEAT GP-TRAINING - 152-0433	1153
SPEAKER GP-RADIO 152-0419	1171
SPEAKER GP-RADIO - SUBWOOFER 173-6506	1173
STEERING COLUMN GP - CH166-3611	1175
TRIM GP-CAB - 224-3917 1 OF 2	1177
TRIM GP-CAB - 224-3917 2 OF 2	1179
VISOR GP-CAB (SUN VISOR) - FRONT 152-0424	1181
VISOR GP-CAB (SUN VISOR) - REAR 162-4095	1183
WIPER GP (DELUXE) - 196-3968	1191
WIPER GP-WINDOW (BASIC) - 152-0422	1189

PAINT

PAINT	1261
-------------	------

POWER TRAIN

152-5242 TRANSMISSION AR S/N: 9YY1-UP	511
155-9571 CLUTCH GP-INPUT S/N: 9YY1-1465	427
155-9572 CLUTCH GP-INTERMEDIATE SHAFT S/N: 9YY1-1465	429
155-9575 CLUTCH GP-REVERSE S/N: 9YY1-UP	433
155-9576 CLUTCH GP-OUTPUT SHAFT S/N: 9YY1-UP	435
155-9579 CASE & PARTS GP-PLANETARY S/N: 9YY1-950	421
155-9579 CASE & PARTS GP-PLANETARY S/N: 9YY951-UP	423
155-9580 CONTROL GP-TRANSMISSION HYD S/N: 9YY1-UP	453
177-5233 CLUTCH GP-PLANETARY S/N: 9YY1-UP	439
177-5234 DRIVE GP-PUMP S/N: 9YY1-UP	493
179-9479 FINAL DRIVE GP S/N: AZG1-955; AZJ1-1479	497
179-9479 FINAL DRIVE GP S/N: AZG956-UP; AZJ1480-UP	499
179-9480 FINAL DRIVE GP S/N: AZH1-990; AZK1-987 2286-2600MM (90-102 IN) GAUGE	501
179-9480 FINAL DRIVE GP S/N: AZH991-UP; AZK988-UP	503
180-4376 DIFFERENTIAL GP-STEERING (PAGE 1 OF 2) S/N: AZG1-906; AZH1-972;	457
180-4376 DIFFERENTIAL GP-STEERING (PAGE 2 OF 2) S/N: AZG1-906; AZH1-972;	459
180-4376 DIFFERENTIAL GP-STEERING S/N: AZG1-906; AZH1-972;	455
180-4376 DIFFERENTIAL GP-STEERING S/N: AZG1013-UP; AZH1005-UP; AZJ1897-UP	483
180-4376 DIFFERENTIAL GP-STEERING S/N: AZG907-950; AZH973-983;	463
180-4376 DIFFERENTIAL GP-STEERING S/N: AZG951-1012; AZH984-1004;	473
185-3955 AXLE AR-WITH POWER TAKE-OFF S/N: AZG1-UP 2286-3251 MM (90-128 IN)	515
185-3956 AXLE AR-WITH POWER TAKE-OFF S/N: AZH1-UP 2286-2600 MM (90-102 IN)	517
185-3957 AXLE AR S/N: AZJ1-UP 2286-3251 MM (90-128 IN) CANNOT BE USED WITH POWER TAKE OFF	519
185-3958 AXLE AR-WITHOUT POWER TAKE-OFF S/N: AZK1-UP 2286-2600 MM (90-102 IN)	521
185-8737 COVER GP-DIFFERENTIAL S/N: AZJ1-UP; AZK1-UP	523
187-4930 POWER TAKE-OFF GP S/N: AZG1-879; AZH1-959	525
187-4930 POWER TAKE-OFF GP S/N: AZG880-900; AZH960-971	531
187-4930 POWER TAKE-OFF GP S/N: AZG901-UP; AZH972-UP	537
198-1013 VALVE GP-RELIEF S/N: 9YY1-UP	513
200-5027 POWER TRAIN AR - WITH PTO (2286-3251MM/90-128") GAGE	413
200-5028 POWER TRAIN AR-WITH PTO (2286-2600MM/90-102") GAGE	415
200-5029 POWER TRAIN AR - W/ PTO	417
200-5030 POWER TRAIN AR WITHOUT PTO	419
211-8277 FASTENER GP-FINAL DRIVE	495
216-5343 VALVE GP-MODULATING S/N: AZG1-879; AZH1-959	543
216-5343 VALVE GP-MODULATING S/N: AZG880-UP; AZH960-UP; 9YY1-UP 12V ELECTRONIC CLUTCH PRESSURE CONTROL	545
217-7314 HOUSING GP-DIFFERENTIAL S/N: AZG1-906; AZH1-972;	505
225-6958 HOUSING GP-DIFFERENTIAL S/N: AZG907-950;AZH973-983;	507
232-1774 CLUTCH GP-TRANSMISSION INPUT SHAFT CLUTCH GROUP S/N: 9YY1466-UP	443
232-1774 CLUTCH GP-TRANSMISSION INTERMEDIATE SHAFT CLUTCH GROUP (1 OF 2) S/N: 9YY1466-UP	445
232-1774 CLUTCH GP-TRANSMISSION INTERMEDIATE SHAFT CLUTCH GROUP (2 OF 2) S/N: 9YY1466-UP	447
232-1774 CLUTCH GP-TRANSMISSION OUTPUT SHAFT CLUTCH GROUP (1 OF 2) S/N: 9YY1466-UP	449
232-1774 CLUTCH GP-TRANSMISSION OUTPUT SHAFT CLUTCH GROUP (2 OF 2) S/N: 9YY1466-UP	451
232-1774 CLUTCH GP-TRANSMISSION REVERSE SHAFT CLUTCH GROUP S/N: 9YY1466-UP	441
242-0962 HOUSING GP-DIFFERENTIAL S/N: AZG951-UP; AZH984-UP;	509

POWER TRAIN ATTACHING

BREATHER GP-POWERTRAIN - 502496D1	
(S/N: EFF BAM40556; BBP40455; BCC40654; BDS40740)	405
DRAIN GP-ECOLOGY - CH163-0397	399
FILLER GP-POWER TRAIN OIL - 179-4304	
(S/N: PRIOR TO BAM40556; BBP40455; BCC40654; BDS40740)	403
FILLER GP-POWER TRAIN OIL - 502498D1	401
GUARD GP-AXLE - 208-3021 EAME ONLY	397
SHAFT GP-INPUT - 163-0383	407
SHAFT GP-INPUT - 163-0384 MT855 & MT865	409
UNIVERSAL JOINT GP - 163-0414	411

SERVICE EQUIPMENT AND SUPPLIES

PROTECTION GP-VANDALISM 185-8848	1257
TOOL GP-AXLE GAUGE CHANGE - 203-9712 FACTORY OPTION	1259

TRACK BELTS

BELT AR-EXTREME AP - 156-6075 (457MM/18")	645
BELT AR-EXTREME AP - 177-4522 (700MM/27.5")	647
BELT AR-EXTREME AP - 177-4523 (762MM/30")	649
BELT AR-EXTREME AP - 178-8087 (914MM/36")	651
BELT AR-GENERAL AG - 156-6079 (762MM/30")	641
BELT AR-GENERAL AG - 156-6082 (914MM/36")	643
BELT AR-GENERAL AP - 156-6077 (699MM/27.5") ROW & EAME	639
BELT AR-SPECIAL AP - 502027D1 (762MM/30")	653
BELT AR-SPECIAL AP - 502028D1 (914MM/36")	655
KIT-GUIDE BLOCK GENERAL AG & EXTREME APPLICATIONS	657

UNDERCARRIAGE

BOGIE GP - 130-4818	671
FRAME AR-LH - 156-4883	675
FRAME AR-RH 156-4882	673
FRAME GP-TRACK ROLLER - 163-0678	677
GAGE AR-TRACK (W/PTO) 2286-3251 MM (90-128 IN) ROW ONLY	661
GAUGE AR-TRACK (W/O PTO) - 177-9947 (2286-2600MM/90-102") EAME ONLY	663
GAUGE AR-TRACK (W/O PTO) - 177-9948 (2286-3251MM/90-128") ROW ONLY	659
GAUGE AR-TRACK (W/PTO) - 183-2197 (2286-2600MM/90-102") EAME ONLY	665
GUARD GP-LINES - 201-9927 TENSIONER WIRE	679
GUARD GP-LINES - 201-9928	681
IDLER GP - 127-9545	683
MOUNTING GP-IDLER - 177-4589	685
MOUNTING GP-TENSIONER - 184-6718 TRACK BELT	687
RESTRAIN GP-ROLLERFRAME - 500040D1	705
ROLLER AR - 156-4891 MIDDLE 112 MM (4.4 IN)	689
ROLLER AR - 156-4893 MIDDLE 204 MM (8 IN)	691
SUPPORT GP-DRIVE WHEEL - 156-4884 RIGHT HAND	693
SUPPORT GP-DRIVE WHEEL - 156-4885 LEFT HAND	695
SUPPORT GP-UNDERCARRIAGE - 163-1009 WIDE GAUGE	697
SUPPORT GP-UNDERCARRIAGE - 177-9945 (2286-2600MM/90-102") EAME ONLY	699
TENSIONER GP-BELT - LH 500835D1	667
TENSIONER GP-BELT - RH 500836D1	669
UNDERCARRIAGE AR - 156-4881 ROW	701
UNDERCARRIAGE AR - 177-9946 EAME ONLY	703
WEDGE GP-WHEEL - 189-8931 EAME ONLY	715
WHEEL AR-DRIVER - 220-2357 112 MM (4.4 IN) ROW & EAME	707
WHEEL AR-DRIVER - 220-2358 WIDE 196 MM (7.7 IN)	709
WHEEL AR-IDLER - 220-2355 105 MM (4.1 IN)	711
WHEEL AR-IDLER - 220-2356 192 MM (7.6 IN)	713

INDEX

Part No.	Page	Grid	Part No.	Page	Grid	Part No.	Page	Grid	Part No.	Page	Grid
AG518357	1013	1-F 7	CH1N-5970	671	1-D 21	CH108-5985	669	1-D 20	CH121-9754	275	1-C 5
CH0L-1352	97	1-B 11	CH1P-4278	145	1-B 16	CH108-6075	683	1-D 22	CH121-9754	277	1-C 5
CH0L-1352	103	1-B 12	CH1P-4278	147	1-B 16	CH108-7251	993	1-F 5	CH121-9755	275	1-C 5
CH0L-2072	747	1-E 4	CH1P-4278	175	1-B 19	CH109-2356	1007	1-F 6	CH121-9755	277	1-C 5
CH0S-1617	97	1-B 11	CH1P-4278	177	1-B 19	CH109-9685	927	1-E 22	CH121-9870	1179	1-F 23
CH0S-1617	103	1-B 12	CH1P-4278	191	1-B 21	CH110-0004	99	1-B 11	CH122-1162	997	1-F 5
CH0T-0200	1001	1-F 6	CH1P-4278	403	1-C 18	CH110-2028	331	1-C 11	CH122-6606	891	1-E 19
CH0T-0200	1003	1-F 6	CH1P-4278	405	1-C 18	CH110-2028	359	1-C 13	CH122-6607	891	1-E 19
CH001-5600	775	1-E 7	CH1P-4278	667	1-D 20	CH110-2028	1121	1-F 18	CH122-8352	145	1-B 16
CH001-5600	777	1-E 7	CH1P-4278	669	1-D 20	CH110-2028	1123	1-F 18	CH122-9250	751	1-E 5
CH001-5600	1073	1-F 13	CH1P-4278	845	1-E 14	CH110-2028	1171	1-F 23	CH122-9250	755	1-E 5
CH003-7764	145	1-B 16	CH1P-4278	855	1-E 15	CH110-6349	667	1-D 20	CH123-0707	359	1-C 13
CH003-7764	147	1-B 16	CH1P-4578	853	1-E 15	CH110-6349	669	1-D 20	CH123-1373	197	1-B 21
CH003-7764	843	1-E 14	CH1P-5767	859	1-E 15	CH110-6349	859	1-E 15	CH123-1373	199	1-B 21
CH004-7270	147	1-B 16	CH1R-0771	175	1-B 19	CH111-4627	1177	1-F 23	CH123-2017	781	1-E 8
CH006-6586	403	1-C 18	CH1R-0771	177	1-B 19	CH111-8897	945	1-E 24	CH123-4950	599	1-D 13
CH006-6586	405	1-C 18	CH1S-0994	99	1-B 11	CH112-4631	945	1-E 24	CH123-4950	601	1-D 14
CH006-7801	145	1-B 16	CH1S-0994	211	1-B 23	CH112-6174	1189	1-F 24	CH123-4950	1257	1-G 7
CH030-4606	195	1-B 21	CH1S-0994	741	1-E 4	CH113-0899	1075	1-F 13	CH123-5748	791	1-E 9
CH030-9613	1193	1-G 1	CH1S-0994	759	1-E 5	CH113-4420	791	1-E 9	CH123-7556	781	1-E 8
CH032-3631	93	1-B 11	CH1S-0994	845	1-E 14	CH113-8490	289	1-C 6	CH123-7582	881	1-E 18
CH033-1097	969	1-F 2	CH1S-0994	855	1-E 15	CH113-8490	291	1-C 7	CH123-7583	781	1-E 8
CH033-5879	921	1-E 22	CH1S-1015	859	1-E 15	CH113-8490	293	1-C 7	CH124-3548	289	1-C 6
CH033-6031	853	1-E 15	CH1U-8846	693	1-D 23	CH113-8490	295	1-C 7	CH124-3548	291	1-C 7
CH033-6032	923	1-E 22	CH1U-8846	695	1-D 23	CH113-8490	297	1-C 7	CH124-3548	293	1-C 7
CH033-6032	925	1-E 22	CH100-4036	597	1-D 13	CH113-8490	1263	1-G 8	CH124-3548	295	1-C 7
CH033-6033	179	1-B 19	CH100-4036	601	1-D 14	CH113-8491	289	1-C 6	CH124-3548	297	1-C 7
CH033-6033	181	1-B 20	CH100-4336	199	1-B 21	CH113-8491	291	1-C 7	CH124-3548	1263	1-G 8
CH033-6043	939	1-E 23	CH100-4336	203	1-B 22	CH113-8491	295	1-C 7	CH124-4653	351	1-C 13
CH033-7291	581	1-D 12	CH101-2850	155	1-B 17	CH113-8491	297	1-C 7	CH124-5572	97	1-B 11
CH034-4202	183	1-B 20	CH101-2850	157	1-B 17	CH113-8491	299	1-C 7	CH124-5572	103	1-B 12
CH053-2313	145	1-B 16	CH101-2867	1097	1-F 15	CH113-8491	301	1-C 8	CH124-7346	1073	1-F 13
CH061-9593	191	1-B 21	CH101-3129	679	1-D 21	CH113-8491	1263	1-G 8	CH125-7131	93	1-B 11
CH077-3241	399	1-C 17	CH101-3129	681	1-D 22	CH113-8492	289	1-C 6	CH126-1645	881	1-E 18
CH077-5261	877	1-E 17	CH102-0409	407	1-C 18	CH113-8492	291	1-C 7	CH126-1766	827	1-E 12
CH090-9554	1091	1-F 15	CH102-8802	341	1-C 12	CH113-8492	293	1-C 7	CH126-1773	209	1-B 22
CH090-9554	1093	1-F 15	CH102-8802	343	1-C 12	CH113-8492	299	1-C 7	CH127-2170	171	1-B 19
CH090-9555	1179	1-F 23	CH102-8802	345	1-C 12	CH113-8492	301	1-C 8	CH127-2170	705	1-D 24
CH095-0687	885	1-E 18	CH102-8802	353	1-C 13	CH113-8492	1263	1-G 8	CH127-8609	237	1-C 1
CH095-0736	347	1-C 12	CH102-8802	373	1-C 15	CH113-8880	597	1-D 13	CH127-8609	239	1-C 1
CH095-0741	1203	1-G 2	CH102-8802	379	1-C 15	CH113-8880	601	1-D 14	CH127-9548	683	1-D 22
CH095-0759	1153	1-F 21	CH102-8802	383	1-C 16	CH114-3469	1063	1-F 12	CH127-9553	683	1-D 22
CH095-0845	1001	1-F 6	CH102-8802	1063	1-F 12	CH114-4231	145	1-B 16	CH127-9554	683	1-D 22
CH095-0845	1003	1-F 6	CH102-8803	375	1-C 15	CH114-5333	373	1-C 15	CH128-0331	93	1-B 11
CH095-0915	171	1-B 19	CH102-8803	395	1-C 17	CH114-5333	379	1-C 15	CH128-2162	1027	1-F 8
CH095-0942	943	1-E 24	CH102-8805	1107	1-F 16	CH114-5785	1099	1-F 15	CH128-2162	1029	1-F 8
CH095-1316	751	1-E 5	CH102-8805	1189	1-F 24	CH114-5786	733	1-E 3	CH128-4249	213	1-B 23
CH095-1316	755	1-E 5	CH102-8805	1191	1-G 1	CH114-5793	597	1-D 13	CH128-4249	349	1-C 12
CH095-1715	931	1-E 23	CH102-8805	1193	1-G 1	CH114-5793	601	1-D 14	CH129-2181	93	1-B 11
CH095-1750	771	1-E 7	CH102-8806	329	1-C 10	CH116-5728	171	1-B 19	CH129-3178	581	1-D 12
CH095-9230	1001	1-F 6	CH102-8806	1189	1-F 24	CH116-7471	361	1-C 14	CH129-3178	597	1-D 13
CH096-2323	923	1-E 22	CH103-6216	97	1-B 11	CH117-0754	969	1-F 2	CH129-3178	599	1-D 13
CH096-5968	945	1-E 24	CH103-6216	103	1-B 12	CH117-2311	361	1-C 14	CH129-3178	601	1-D 14
CH096-6095	881	1-E 18	CH103-8089	621	1-D 16	CH117-8801	885	1-E 18	CH129-3178	603	1-D 14
CH096-6166	359	1-C 13	CH104-2091	1067	1-F 12	CH117-8929	1095	1-F 15	CH129-3178	1075	1-F 13
CH096-6166	361	1-C 14	CH104-2091	1095	1-F 15	CH118-0772	621	1-D 16	CH129-3178	1177	1-F 23
CH096-6166	1177	1-F 23	CH104-3466	957	1-F 1	CH118-4728	93	1-B 11	CH129-6457	359	1-C 13
CH1A-8827	957	1-F 1	CH105-1632	883	1-E 18	CH119-0942	795	1-E 9	CH129-6457	361	1-C 14
CH1A-8827	959	1-F 1	CH105-1638	883	1-E 18	CH119-1329	1001	1-F 6	CH130-5742	1071	1-F 13
CH1B-0676	1073	1-F 13	CH105-1646	887	1-E 18	CH119-5026	251	1-C 3	CH131-2171	93	1-B 11
CH1B-4202	743	1-E 4	CH105-1648	887	1-E 18	CH119-5026	255	1-C 3	CH131-3093	1027	1-F 8
CH1F-5403	1073	1-F 13	CH105-1650	887	1-E 18	CH119-5026	257	1-C 3	CH131-3093	1029	1-F 8
CH1G-3174	787	1-E 8	CH105-1651	887	1-E 18	CH119-5026	351	1-C 13	CH131-3540	597	1-D 13
CH1G-3174	793	1-E 9	CH105-1866	163	1-B 18	CH119-5026	371	1-C 15	CH131-3540	599	1-D 13
CH1H-8289	621	1-D 16	CH105-1866	165	1-B 18	CH119-5026	1067	1-F 12	CH131-3540	601	1-D 14
CH1J-2860	683	1-D 22	CH105-2145	939	1-E 23	CH119-5026	1097	1-F 15	CH131-3540	1023	1-F 8
CH1J-4757	683	1-D 22	CH105-3031	883	1-E 18	CH119-5026	1171	1-F 23	CH131-3540	1025	1-F 8
CH1J-6474	969	1-F 2	CH105-3032	883	1-E 18	CH119-6110	791	1-E 9	CH131-3540	1027	1-F 8
CH1J-9671	667	1-D 20	CH105-3033	883	1-E 18	CH119-7845	781	1-E 8	CH131-3540	1029	1-F 8
CH1J-9671	669	1-D 20	CH105-8034	361	1-C 14	CH119-9708	667	1-D 20	CH131-3540	1095	1-F 15
CH1J-9671	671	1-D 21	CH106-2105	843	1-E 14	CH119-9708	669	1-D 20	CH131-8627	233	1-C 1
CH1J-9671	683	1-D 22	CH106-2105	855	1-E 15	CH120-4897	209	1-B 22	CH131-8627	235	1-C 1
CH1J-9671	693	1-D 23	CH107-5591	1027	1-F 8	CH120-4897	229	1-B 24	CH132-5789	197	1-B 21
CH1J-9671	695	1-D 23	CH107-5591	1029	1-F 8	CH121-9753	275	1-C 5	CH132-5789	199	1-B 21
CH1K-6872	617	1-D 15	CH108-5985	667	1-D 20	CH121-9753	277	1-C 5	CH132-5789	203	1-B 22

MT800 SERIES TRACTORS

13 INDEX

Part No.	Page	Grid	Part No.	Page	Grid	Part No.	Page	Grid	Part No.	Page	Grid
CH132-5789	205	1-B 22	CH145-0846	361	1-C 14	CH148-8374	841	1-E 14	CH161-6149	781	1-E 8
CH132-5789	373	1-C 15	CH145-0847	361	1-C 14	CH148-8374	857	1-E 15	CH161-6149	943	1-E 24
CH132-5789	383	1-C 16	CH145-9545	581	1-D 12	CH148-8378	735	1-E 3	CH161-6154	771	1-E 7
CH133-6517	233	1-C 1	CH146-0835	97	1-B 11	CH148-8378	741	1-E 4	CH161-9932	377	1-C 15
CH133-6517	235	1-C 1	CH146-0835	103	1-B 12	CH148-8378	845	1-E 14	CH161-9932	383	1-C 16
CH133-6517	237	1-C 1	CH146-4350	923	1-E 22	CH148-8383	741	1-E 4	CH161-9932	395	1-C 17
CH133-6517	239	1-C 1	CH146-4351	923	1-E 22	CH148-8388	849	1-E 14	CH162-0177	745	1-E 4
CH134-1935	1191	1-G 1	CH146-7453	145	1-B 16	CH148-8388	851	1-E 15	CH162-0177	921	1-E 22
CH134-1935	1263	1-G 8	CH146-7453	147	1-B 16	CH148-8393	995	1-F 5	CH162-6555	1085	1-F 14
CH134-3987	377	1-C 15	CH146-7453	179	1-B 19	CH148-8419	753	1-E 5	CH162-6660	1067	1-F 12
CH134-3987	383	1-C 16	CH146-7453	181	1-B 20	CH148-8419	757	1-E 5	CH162-8550	1175	1-F 23
CH134-3988	197	1-B 21	CH146-9439	249	1-C 2	CH148-8428	995	1-F 5	CH162-9592	871	1-E 17
CH134-3988	199	1-B 21	CH146-9439	251	1-C 3	CH148-8428	997	1-F 5	CH162-9592	881	1-E 18
CH134-3988	203	1-B 22	CH146-9439	253	1-C 3	CH148-8433	741	1-E 4	CH162-9601	783	1-E 8
CH134-3988	205	1-B 22	CH146-9439	255	1-C 3	CH148-8436	747	1-E 4	CH162-9601	787	1-E 8
CH134-3988	375	1-C 15	CH146-9439	257	1-C 3	CH148-8439	845	1-E 14	CH162-9602	785	1-E 8
CH134-3988	381	1-C 16	CH146-9439	273	1-C 5	CH148-8444	741	1-E 4	CH162-9602	789	1-E 8
CH134-3988	383	1-C 16	CH146-9439	289	1-C 6	CH148-8444	747	1-E 4	CH162-9799	923	1-E 22
CH134-4126	209	1-B 22	CH146-9439	291	1-C 7	CH148-8444	857	1-E 15	CH162-9821	923	1-E 22
CH134-4126	229	1-B 24	CH146-9439	293	1-C 7	CH148-8446	995	1-F 5	CH163-0397	75	1-B 9
CH134-7489	781	1-E 8	CH146-9439	295	1-C 7	CH149-0231	845	1-E 14	CH163-0397	399	1-C 17
CH135-6260	159	1-B 17	CH146-9439	297	1-C 7	CH149-2758	281	1-C 6	CH163-0421	241	1-C 2
CH135-6261	159	1-B 17	CH146-9439	299	1-C 7	CH149-2758	283	1-C 6	CH163-2657	353	1-C 13
CH135-6261	161	1-B 18	CH146-9439	301	1-C 8	CH149-6371	373	1-C 15	CH163-2657	361	1-C 14
CH135-8854	781	1-E 8	CH146-9439	351	1-C 13	CH149-6371	379	1-C 15	CH163-6018	735	1-E 3
CH135-8854	881	1-E 18	CH146-9439	371	1-C 15	CH150-3037	995	1-F 5	CH164-0909	667	1-D 20
CH135-9967	329	1-C 10	CH146-9439	389	1-C 16	CH150-3065	797	1-E 9	CH164-0909	669	1-D 20
CH135-9967	1191	1-G 1	CH146-9439	1107	1-F 16	CH150-3065	799	1-E 9	CH164-5557	819	1-E 11
CH136-5252	247	1-C 2	CH146-9439	1191	1-G 1	CH150-3065	809	1-E 10	CH164-5557	821	1-E 12
CH136-5252	249	1-C 2	CH147-7143	975	1-F 3	CH150-8766	971	1-F 3	CH164-5557	997	1-F 5
CH136-5252	251	1-C 3	CH148-7017	265	1-C 4	CH151-6030	715	1-E 1	CH164-5624	821	1-E 12
CH136-5254	273	1-C 5	CH148-8305	667	1-D 20	CH151-9989	1185	1-F 24	CH164-7057	1091	1-F 15
CH136-5268	351	1-C 13	CH148-8305	669	1-D 20	CH151-9989	1187	1-F 24	CH164-7057	1093	1-F 15
CH136-5268	371	1-C 15	CH148-8305	837	1-E 13	CH152-4241	989	1-F 4	CH164-7070	1091	1-F 15
CH136-5414	1171	1-F 23	CH148-8313	843	1-E 14	CH152-4241	991	1-F 5	CH164-7070	1093	1-F 15
CH136-5415	1171	1-F 23	CH148-8313	855	1-E 15	CH153-4058	797	1-E 9	CH164-7491	971	1-F 3
CH136-5434	1173	1-F 23	CH148-8326	741	1-E 4	CH153-4061	797	1-E 9	CH164-8478	1095	1-F 15
CH136-5490	1111	1-F 17	CH148-8327	837	1-E 13	CH153-4061	799	1-E 9	CH164-9869	741	1-E 4
CH136-5490	1113	1-F 17	CH148-8327	843	1-E 14	CH153-6225	797	1-E 9	CH165-5694	809	1-E 10
CH136-5490	1115	1-F 17	CH148-8334	837	1-E 13	CH153-6225	799	1-E 9	CH165-5975	321	1-C 10
CH136-5511	359	1-C 13	CH148-8334	845	1-E 14	CH153-6227	799	1-E 9	CH165-5975	353	1-C 13
CH136-8423	883	1-E 18	CH148-8334	849	1-E 14	CH153-6228	799	1-E 9	CH165-5975	357	1-C 13
CH136-8423	885	1-E 18	CH148-8334	851	1-E 15	CH154-2881	237	1-C 1	CH165-5975	361	1-C 14
CH137-3780	881	1-E 18	CH148-8335	847	1-E 14	CH154-2881	239	1-C 1	CH165-5975	1065	1-F 12
CH137-9775	555	1-D 9	CH148-8335	849	1-E 14	CH154-5428	345	1-C 12	CH165-6969	791	1-E 9
CH137-9775	557	1-D 9	CH148-8335	851	1-E 15	CH154-9989	1179	1-F 23	CH166-3611	1067	1-F 12
CH137-9775	561	1-D 10	CH148-8340	741	1-E 4	CH155-2255	1089	1-F 14	CH166-3611	1175	1-F 23
CH139-6911	209	1-B 22	CH148-8340	747	1-E 4	CH155-2258	1089	1-F 14	CH166-4573	1091	1-F 15
CH139-6911	229	1-B 24	CH148-8340	993	1-F 5	CH155-2270	827	1-E 12	CH166-4573	1093	1-F 15
CH140-1739	883	1-E 18	CH148-8342	993	1-F 5	CH155-3504	137	1-B 15	CH166-4574	1091	1-F 15
CH140-5181	1091	1-F 15	CH148-8342	999	1-F 5	CH155-3504	999	1-F 5	CH166-4574	1093	1-F 15
CH140-5181	1093	1-F 15	CH148-8346	993	1-F 5	CH156-0283	247	1-C 2	CH166-4596	1191	1-G 1
CH141-0243	891	1-E 19	CH148-8347	823	1-E 12	CH156-0283	249	1-C 2	CH166-4615	1045	1-F 10
CH141-1762	1189	1-F 24	CH148-8347	825	1-E 12	CH156-0283	251	1-C 3	CH166-7413	793	1-E 9
CH141-1762	1191	1-G 1	CH148-8347	845	1-E 14	CH156-0283	253	1-C 3	CH166-7414	793	1-E 9
CH141-2759	297	1-C 7	CH148-8347	859	1-E 15	CH156-0283	255	1-C 3	CH167-2195	965	1-F 2
CH141-2759	299	1-C 7	CH148-8353	845	1-E 14	CH156-0283	257	1-C 3	CH167-2201	813	1-E 11
CH141-2759	301	1-C 8	CH148-8355	845	1-E 14	CH156-0283	731	1-E 3	CH167-2209	667	1-D 20
CH141-2759	1263	1-G 8	CH148-8355	847	1-E 14	CH156-0283	733	1-E 3	CH167-2209	669	1-D 20
CH142-2304	731	1-E 3	CH148-8355	853	1-E 15	CH156-4897	683	1-D 22	CH167-2312	813	1-E 11
CH142-2304	733	1-E 3	CH148-8356	837	1-E 13	CH156-4900	683	1-D 22	CH167-2320	667	1-D 20
CH142-2304	1091	1-F 15	CH148-8360	859	1-E 15	CH156-6175	345	1-C 12	CH167-2320	669	1-D 20
CH142-2304	1093	1-F 15	CH148-8364	741	1-E 4	CH157-0217	1071	1-F 13	CH167-2457	965	1-F 2
CH142-2304	1185	1-F 24	CH148-8364	747	1-E 4	CH157-0449	1065	1-F 12	CH168-2197	885	1-E 18
CH142-2304	1187	1-F 24	CH148-8364	847	1-E 14	CH159-5890	799	1-E 9	CH168-2198	885	1-E 18
CH142-9681	1111	1-F 17	CH148-8364	853	1-E 15	CH159-5893	797	1-E 9	CH168-2203	885	1-E 18
CH142-9681	1113	1-F 17	CH148-8364	859	1-E 15	CH159-5893	799	1-E 9	CH168-2309	1185	1-F 24
CH142-9681	1115	1-F 17	CH148-8364	993	1-F 5	CH159-5897	797	1-E 9	CH168-2309	1187	1-F 24
CH144-2179	611	1-D 15	CH148-8364	997	1-F 5	CH159-5897	799	1-E 9	CH168-2333	1065	1-F 12
CH144-9093	943	1-E 24	CH148-8367	735	1-E 3	CH159-5898	797	1-E 9	CH168-3378	889	1-E 18
CH144-9094	943	1-E 24	CH148-8370	747	1-E 4	CH159-5898	997	1-F 5	CH168-3379	889	1-E 18
CH144-9097	943	1-E 24	CH148-8372	747	1-E 4	CH160-3957	683	1-D 22	CH168-3380	889	1-E 18
CH144-9098	943	1-E 24	CH148-8372	859	1-E 15	CH160-5223	683	1-D 22	CH168-3381	889	1-E 18
CH144-9101	781	1-E 8	CH148-8372	997	1-F 5	CH160-8756	1185	1-F 24	CH168-3382	889	1-E 18
CH144-9103	781	1-E 8	CH148-8374	735	1-E 3	CH160-8756	1187	1-F 24	CH168-3384	889	1-E 18

INDEX

Part No.	Page	Grid	Part No.	Page	Grid	Part No.	Page	Grid	Part No.	Page	Grid
CH168-3385	889	1-E 18	CH173-3175	301	1-C 8	CH183-4584	377	1-C 15	CH186-0370	923	1-E 22
CH168-3504	883	1-E 18	CH173-7126	175	1-B 19	CH183-4584	381	1-C 16	CH186-0371	923	1-E 22
CH168-3504	885	1-E 18	CH173-7126	177	1-B 19	CH183-5008	957	1-F 1	CH186-0371	925	1-E 22
CH168-4599	797	1-E 9	CH173-7223	377	1-C 15	CH183-5008	959	1-F 1	CH186-0372	925	1-E 22
CH168-7317	885	1-E 18	CH173-7223	383	1-C 16	CH183-8033	129	1-B 14	CH186-0375	923	1-E 22
CH168-7319	885	1-E 18	CH173-7639	809	1-E 10	CH183-8417	795	1-E 9	CH186-0376	923	1-E 22
CH168-7710	677	1-D 21	CH173-9683	965	1-F 2	CH183-8417	943	1-E 24	CH186-0996	969	1-F 2
CH168-7863	885	1-E 18	CH174-4874	693	1-D 23	CH183-8418	943	1-E 24	CH186-0996	971	1-F 3
CH168-8389	1211	1-G 3	CH174-4874	695	1-D 23	CH183-8419	943	1-E 24	CH186-0997	969	1-F 2
CH168-8389	1231	1-G 5	CH174-5747	173	1-B 19	CH183-8420	943	1-E 24	CH186-0997	971	1-F 3
CH169-3261	1175	1-F 23	CH174-5747	1075	1-F 13	CH183-8421	943	1-E 24	CH186-0998	969	1-F 2
CH169-4273	749	1-E 4	CH174-5789	1177	1-F 23	CH183-8423	943	1-E 24	CH186-1000	963	1-F 2
CH169-6324	1111	1-F 17	CH174-5810	993	1-F 5	CH183-8424	943	1-E 24	CH186-1069	1001	1-F 6
CH169-6325	1113	1-F 17	CH174-6381	1121	1-F 18	CH183-8425	943	1-E 24	CH186-1069	1003	1-F 6
CH169-6326	1115	1-F 17	CH174-6381	1123	1-F 18	CH183-8426	943	1-E 24	CH186-1081	1001	1-F 6
CH169-6352	1177	1-F 23	CH174-9061	371	1-C 15	CH183-8427	943	1-E 24	CH186-1094	1001	1-F 6
CH169-6377	1185	1-F 24	CH174-9215	993	1-F 5	CH183-8428	943	1-E 24	CH186-1096	1001	1-F 6
CH169-6377	1187	1-F 24	CH174-9994	885	1-E 18	CH183-8429	943	1-E 24	CH186-1682	1067	1-F 12
CH169-6392	1091	1-F 15	CH175-1323	255	1-C 3	CH183-8430	795	1-E 9	CH186-3735	1189	1-F 24
CH169-6392	1093	1-F 15	CH175-1323	257	1-C 3	CH183-8430	881	1-E 18	CH186-3735	1191	1-G 1
CH169-6397	1181	1-F 24	CH175-1323	259	1-C 3	CH183-8431	795	1-E 9	CH186-4955	813	1-E 11
CH169-6397	1183	1-F 24	CH175-1323	261	1-C 4	CH183-8442	795	1-E 9	CH186-5137	813	1-E 11
CH170-0964	797	1-E 9	CH175-1323	1263	1-G 8	CH183-8443	795	1-E 9	CH186-5862	191	1-B 21
CH170-0964	799	1-E 9	CH175-2851	667	1-D 20	CH183-8444	795	1-E 9	CH187-4902	1059	1-F 11
CH170-0964	809	1-E 10	CH175-2851	669	1-D 20	CH183-8446	891	1-E 19	CH187-4902	1061	1-F 12
CH170-1445	1185	1-F 24	CH175-3135	923	1-E 22	CH183-8447	891	1-E 19	CH187-4917	1075	1-F 13
CH170-1445	1187	1-F 24	CH175-3135	925	1-E 22	CH183-8449	891	1-E 19	CH187-6297	751	1-E 5
CH170-2237	251	1-C 3	CH175-3244	375	1-C 15	CH183-8450	891	1-E 19	CH187-6297	755	1-E 5
CH170-2237	255	1-C 3	CH175-3244	383	1-C 16	CH183-8451	891	1-E 19	CH187-6297	761	1-E 6
CH170-2237	257	1-C 3	CH175-4966	399	1-C 17	CH183-8452	891	1-E 19	CH187-6486	751	1-E 5
CH170-2237	289	1-C 6	CH175-5327	761	1-E 6	CH183-8453	891	1-E 19	CH187-6486	755	1-E 5
CH170-2237	291	1-C 7	CH175-7057	359	1-C 13	CH183-8454	881	1-E 18	CH187-6486	761	1-E 6
CH170-2237	293	1-C 7	CH175-7514	671	1-D 21	CH184-5034	949	1-E 24	CH187-9018	833	1-E 13
CH170-2237	295	1-C 7	CH175-7900	965	1-F 2	CH184-5034	951	1-F 1	CH187-9018	835	1-E 13
CH170-2320	1015	1-F 7	CH176-4546	223	1-B 24	CH184-5034	961	1-F 2	CH187-9630	923	1-E 22
CH170-5282	99	1-B 11	CH177-0378	171	1-B 19	CH184-5339	743	1-E 4	CH188-3640	913	1-E 21
CH170-5696	1189	1-F 24	CH177-1872	697	1-D 23	CH184-8029	93	1-B 11	CH188-3640	917	1-E 21
CH170-5696	1191	1-G 1	CH177-1872	699	1-D 23	CH184-8029	99	1-B 11	CH188-3640	919	1-E 21
CH170-7251	1113	1-F 17	CH177-3405	969	1-F 2	CH185-0295	885	1-E 18	CH188-7789	931	1-E 23
CH170-7251	1115	1-F 17	CH177-3405	971	1-F 3	CH185-0296	885	1-E 18	CH188-9637	887	1-E 18
CH170-7251	1117	1-F 17	CH177-9778	175	1-B 19	CH185-3886	1175	1-F 23	CH188-9644	265	1-C 4
CH171-1105	751	1-E 5	CH178-3333	911	1-E 21	CH185-3959	841	1-E 14	CH188-9644	267	1-C 4
CH171-1105	755	1-E 5	CH178-3888	1189	1-F 24	CH185-3959	857	1-E 15	CH189-3284	1003	1-F 6
CH171-1106	751	1-E 5	CH178-4164	781	1-E 8	CH185-7141	331	1-C 11	CH189-4882	965	1-F 2
CH171-1106	755	1-E 5	CH178-4171	781	1-E 8	CH185-9753	751	1-E 5	CH189-4888	965	1-F 2
CH171-1107	751	1-E 5	CH178-7955	1187	1-F 24	CH185-9753	755	1-E 5	CH189-4906	965	1-F 2
CH171-1107	755	1-E 5	CH178-7962	1065	1-F 12	CH185-9753	761	1-E 6	CH189-4907	965	1-F 2
CH171-3054	791	1-E 9	CH178-7963	1065	1-F 12	CH185-9753	833	1-E 13	CH189-4911	961	1-F 2
CH171-3055	791	1-E 9	CH178-7965	1067	1-F 12	CH185-9753	835	1-E 13	CH189-4911	965	1-F 2
CH171-3057	791	1-E 9	CH178-9570	119	1-B 13	CH185-9759	751	1-E 5	CH189-6001	963	1-F 2
CH171-3058	791	1-E 9	CH178-9570	1063	1-F 12	CH185-9759	755	1-E 5	CH189-6001	967	1-F 2
CH171-3059	791	1-E 9	CH179-2959	1179	1-F 23	CH185-9762	751	1-E 5	CH189-6397	965	1-F 2
CH171-3060	791	1-E 9	CH179-3160	1121	1-F 18	CH185-9762	755	1-E 5	CH189-8610	1193	1-G 1
CH171-3061	791	1-E 9	CH179-3160	1123	1-F 18	CH185-9762	761	1-E 6	CH189-8610	1263	1-G 8
CH171-4047	1095	1-F 15	CH179-4206	1081	1-F 14	CH185-9763	833	1-E 13	CH190-0430	751	1-E 5
CH171-5989	791	1-E 9	CH179-4209	1193	1-G 1	CH185-9768	751	1-E 5	CH190-0430	755	1-E 5
CH171-6723	995	1-F 5	CH179-4217	1187	1-F 24	CH185-9768	755	1-E 5	CH190-0431	761	1-E 6
CH172-2241	121	1-B 14	CH179-4265	303	1-C 8	CH185-9768	759	1-E 5	CH190-2584	957	1-F 1
CH172-2241	123	1-B 14	CH179-4324	173	1-B 19	CH185-9772	751	1-E 5	CH190-2584	959	1-F 1
CH172-2241	125	1-B 14	CH179-4324	359	1-C 13	CH185-9772	755	1-E 5	CH190-2611	1005	1-F 6
CH172-3403	121	1-B 14	CH179-4324	1075	1-F 13	CH185-9773	751	1-E 5	CH190-2612	1005	1-F 6
CH172-3403	123	1-B 14	CH179-6898	733	1-E 3	CH185-9773	755	1-E 5	CH190-2615	959	1-F 1
CH172-3403	125	1-B 14	CH179-8665	845	1-E 14	CH185-9773	761	1-E 6	CH190-2623	811	1-E 11
CH172-3511	223	1-B 24	CH179-8665	855	1-E 15	CH185-9773	833	1-E 13	CH190-2634	989	1-F 4
CH172-4620	809	1-E 10	CH180-0613	291	1-C 7	CH185-9773	835	1-E 13	CH190-2634	991	1-F 5
CH172-4621	797	1-E 9	CH180-0613	293	1-C 7	CH186-0341	923	1-E 22	CH190-3120	883	1-E 18
CH172-4621	809	1-E 10	CH180-0613	295	1-C 7	CH186-0347	923	1-E 22	CH190-3391	693	1-D 23
CH172-4622	809	1-E 10	CH180-1120	739	1-E 3	CH186-0348	923	1-E 22	CH190-3391	695	1-D 23
CH172-4702	93	1-B 11	CH180-6213	885	1-E 18	CH186-0364	923	1-E 22	CH190-3576	687	1-D 22
CH172-5761	747	1-E 4	CH180-7317	305	1-C 8	CH186-0365	923	1-E 22	CH190-3583	687	1-D 22
CH172-6847	1117	1-F 17	CH180-9339	395	1-C 17	CH186-0367	923	1-E 22	CH190-6507	885	1-E 18
CH172-6862	1185	1-F 24	CH183-3724	799	1-E 9	CH186-0368	923	1-E 22	CH190-6508	889	1-E 18
CH172-6862	1187	1-F 24	CH183-3725	797	1-E 9	CH186-0368	925	1-E 22	CH190-6516	883	1-E 18
CH172-9287	747	1-E 4	CH183-4236	751	1-E 5	CH186-0369	923	1-E 22	CH190-6518	883	1-E 18
CH173-0566	399	1-C 17	CH183-4236	755	1-E 5	CH186-0369	925	1-E 22	CH190-6519	883	1-E 18

MT800 SERIES TRACTORS

15
INDEX

Part No.	Page	Grid	Part No.	Page	Grid	Part No.	Page	Grid	Part No.	Page	Grid
CH190-6520	883	1-E 18	CH196-3019	989	1-F 4	CH200-8649	93	1-B 11	CH208-0765	853	1-E 15
CH190-6523	883	1-E 18	CH196-3019	991	1-F 5	CH200-8649	197	1-B 21	CH208-1663	667	1-D 20
CH190-6528	887	1-E 18	CH196-3022	957	1-F 1	CH200-8649	199	1-B 21	CH208-1663	669	1-D 20
CH191-1780	1067	1-F 12	CH196-3024	811	1-E 11	CH200-8649	201	1-B 22	CH208-2404	1091	1-F 15
CH191-3701	1175	1-F 23	CH196-3025	989	1-F 4	CH200-8649	205	1-B 22	CH208-2404	1093	1-F 15
CH191-6944	809	1-E 10	CH196-3025	991	1-F 5	CH200-8708	989	1-F 4	CH208-2404	1185	1-F 24
CH191-8010	1257	1-G 7	CH196-3030	989	1-F 4	CH200-8708	991	1-F 5	CH208-2404	1187	1-F 24
CH191-9311	833	1-E 13	CH196-3030	991	1-F 5	CH200-8747	969	1-F 2	CH208-2878	1101	1-F 16
CH191-9311	835	1-E 13	CH196-3034	989	1-F 4	CH200-8749	969	1-F 2	CH208-4830	175	1-B 19
CH192-4765	1027	1-F 8	CH196-3034	991	1-F 5	CH200-8749	971	1-F 3	CH208-5384	177	1-B 19
CH192-4765	1029	1-F 8	CH196-3041	971	1-F 3	CH200-8751	969	1-F 2	CH208-5521	1179	1-F 23
CH192-4767	1073	1-F 13	CH196-3042	971	1-F 3	CH200-8751	1017	1-F 7	CH208-6662	1071	1-F 13
CH192-5173	611	1-D 15	CH196-3698	1175	1-F 23	CH201-0780	939	1-E 23	CH208-9482	347	1-C 12
CH192-6280	811	1-E 11	CH196-3699	1175	1-F 23	CH201-7614	799	1-E 9	CH208-9635	1191	1-G 1
CH192-6280	977	1-F 3	CH196-4250	945	1-E 24	CH201-7615	797	1-E 9	CH208-9829	747	1-E 4
CH192-6280	979	1-F 3	CH196-4254	945	1-E 24	CH201-8106	971	1-F 3	CH208-9830	747	1-E 4
CH192-6280	981	1-F 4	CH196-7341	273	1-C 5	CH201-8106	1005	1-F 6	CH208-9844	849	1-E 14
CH192-6280	983	1-F 4	CH196-9321	1257	1-G 7	CH201-9691	273	1-C 5	CH208-9844	851	1-E 15
CH192-6280	985	1-F 4	CH196-9444	945	1-E 24	CH201-9692	273	1-C 5	CH208-9850	841	1-E 14
CH192-6280	987	1-F 4	CH197-4832	993	1-F 5	CH202-2373	167	1-B 18	CH208-9850	857	1-E 15
CH192-6389	741	1-E 4	CH197-5854	1177	1-F 23	CH202-2373	169	1-B 18	CH208-9927	819	1-E 11
CH192-7054	1111	1-F 17	CH197-5910	741	1-E 4	CH202-2592	877	1-E 17	CH208-9927	821	1-E 12
CH192-7054	1113	1-F 17	CH198-1544	947	1-E 24	CH202-2593	877	1-E 17	CH208-9972	843	1-E 14
CH192-7054	1115	1-F 17	CH198-1963	757	1-E 5	CH202-2595	877	1-E 17	CH208-9973	843	1-E 14
CH192-7111	921	1-E 22	CH198-8789	811	1-E 11	CH202-8633	683	1-D 22	CH208-9974	843	1-E 14
CH192-8841	859	1-E 15	CH198-8789	813	1-E 11	CH202-9222	555	1-D 9	CH209-0620	167	1-B 18
CH193-1036	939	1-E 23	CH199-7718	993	1-F 5	CH202-9222	557	1-D 9	CH209-3394	135	1-B 15
CH193-5914	621	1-D 16	CH2A-1314	859	1-E 15	CH202-9222	559	1-D 9	CH209-3395	135	1-B 15
CH193-5914	679	1-D 21	CH2A-1314	973	1-F 3	CH202-9222	561	1-D 10	CH209-4481	1191	1-G 1
CH193-5914	681	1-D 22	CH2A-3211	1065	1-F 12	CH202-9222	563	1-D 10	CH209-4482	1191	1-G 1
CH193-5914	735	1-E 3	CH2A-3211	1257	1-G 7	CH202-9701	683	1-D 22	CH209-6417	331	1-C 11
CH193-5914	861	1-E 16	CH2B-0858	179	1-B 19	CH203-0343	791	1-E 9	CH209-7451	921	1-E 22
CH193-5914	971	1-F 3	CH2B-0858	181	1-B 20	CH203-3169	791	1-E 9	CH209-7452	921	1-E 22
CH193-5914	995	1-F 5	CH2B-0858	191	1-B 21	CH203-8550	777	1-E 7	CH209-7496	913	1-E 21
CH193-5914	1177	1-F 23	CH2B-0941	93	1-B 11	CH204-5041	131	1-B 15	CH209-7498	807	1-E 10
CH193-5914	1179	1-F 23	CH2B-2404	749	1-E 4	CH204-7458	377	1-C 15	CH209-8296	923	1-E 22
CH193-5914	1189	1-F 24	CH2D-9454	683	1-D 22	CH204-7458	383	1-C 16	CH209-9078	879	1-E 17
CH193-5915	579	1-D 11	CH2D-9455	683	1-D 22	CH205-3692	841	1-E 14	CH209-9079	879	1-E 17
CH193-5915	677	1-D 21	CH2H-3429	211	1-B 23	CH205-3692	857	1-E 15	CH209-9233	1105	1-F 16
CH193-5915	693	1-D 23	CH2H-3920	329	1-C 10	CH205-5366	167	1-B 18	CH209-9680	923	1-E 22
CH193-5915	695	1-D 23	CH2H-3920	1189	1-F 24	CH205-5366	169	1-B 18	CH209-9921	931	1-E 23
CH193-5916	621	1-D 16	CH2H-3934	97	1-B 11	CH205-6395	881	1-E 18	CH209-9927	931	1-E 23
CH194-4168	121	1-B 14	CH2H-3934	103	1-B 12	CH205-6397	781	1-E 8	CH209-9947	931	1-E 23
CH194-4168	123	1-B 14	CH2H-3934	867	1-E 16	CH206-0325	179	1-B 19	CH209-9955	931	1-E 23
CH194-4168	125	1-B 14	CH2H-3934	869	1-E 16	CH206-0325	181	1-B 20	CH209-9957	931	1-E 23
CH194-4650	939	1-E 23	CH2J-3961	813	1-E 11	CH206-2491	1085	1-F 14	CH209-9961	931	1-E 23
CH194-4651	939	1-E 23	CH2J-6356	171	1-B 19	CH206-4627	969	1-F 2	CH209-9962	931	1-E 23
CH194-6725	761	1-E 6	CH2J-6356	733	1-E 3	CH206-4627	971	1-F 3	CH210-0159	849	1-E 14
CH194-6848	883	1-E 18	CH2J-6356	743	1-E 4	CH206-4628	969	1-F 2	CH210-0159	851	1-E 15
CH194-7620	377	1-C 15	CH2J-8163	813	1-E 11	CH206-4636	959	1-F 1	CH210-0179	879	1-E 17
CH194-8673	879	1-E 17	CH2K-4973	93	1-B 11	CH206-4640	989	1-F 4	CH210-0181	837	1-E 13
CH195-1104	667	1-D 20	CH2K-6830	965	1-F 2	CH206-4640	991	1-F 5	CH210-0183	837	1-E 13
CH195-1104	669	1-D 20	CH2K-8199	399	1-C 17	CH206-4708	625	1-D 16	CH210-0780	879	1-E 17
CH195-2600	1121	1-F 18	CH2K-8199	799	1-E 9	CH206-5823	1193	1-G 1	CH210-1993	931	1-E 23
CH195-2600	1123	1-F 18	CH2L-6726	211	1-B 23	CH206-6337	867	1-E 16	CH210-2265	195	1-B 21
CH195-2601	1121	1-F 18	CH2M-1908	845	1-E 14	CH206-6337	869	1-E 16	CH210-2265	585	1-D 12
CH195-2601	1123	1-F 18	CH2M-5795	617	1-D 15	CH206-6337	877	1-E 17	CH210-4352	581	1-D 12
CH195-2602	1121	1-F 18	CH2N-7456	381	1-C 16	CH206-9017	869	1-E 16	CH210-4352	1095	1-F 15
CH195-2602	1123	1-F 18	CH2P-2717	1257	1-G 7	CH206-9017	883	1-E 18	CH210-4570	307	1-C 8
CH195-2607	1121	1-F 18	CH2R-2376	1095	1-F 15	CH206-9019	867	1-E 16	CH210-4570	309	1-C 8
CH195-2607	1123	1-F 18	CH2R-8613	147	1-B 16	CH206-9019	885	1-E 18	CH210-7488	971	1-F 3
CH195-2608	1121	1-F 18	CH2S-3440	191	1-B 21	CH207-2021	1065	1-F 12	CH210-7492	971	1-F 3
CH195-2608	1123	1-F 18	CH200-0010	957	1-F 1	CH207-2021	1079	1-F 13	CH210-7499	971	1-F 3
CH195-2609	1121	1-F 18	CH200-0010	989	1-F 4	CH207-2021	1083	1-F 14	CH210-7518	971	1-F 3
CH195-2609	1123	1-F 18	CH200-0010	991	1-F 5	CH207-2023	1075	1-F 13	CH210-7531	1003	1-F 6
CH195-2614	1121	1-F 18	CH200-4328	93	1-B 11	CH207-2024	1075	1-F 13	CH210-7532	1003	1-F 6
CH195-2614	1123	1-F 18	CH200-4349	751	1-E 5	CH207-2032	173	1-B 19	CH211-0912	837	1-E 13
CH195-2626	1079	1-F 13	CH200-4349	755	1-E 5	CH207-2039	1065	1-F 12	CH211-2722	997	1-F 5
CH195-2626	1083	1-F 14	CH200-4359	751	1-E 5	CH207-3629	871	1-E 17	CH211-2723	997	1-F 5
CH195-7925	1023	1-F 8	CH200-4359	755	1-E 5	CH207-3629	879	1-E 17	CH211-2724	997	1-F 5
CH195-7925	1025	1-F 8	CH200-4379	751	1-E 5	CH207-5359	849	1-E 14	CH211-2725	997	1-F 5
CH196-2881	1121	1-F 18	CH200-4379	755	1-E 5	CH207-5359	851	1-E 15	CH211-3502	847	1-E 14
CH196-2881	1123	1-F 18	CH200-4384	743	1-E 4	CH207-5360	849	1-E 14	CH211-3590	197	1-B 21
CH196-3017	957	1-F 1	CH200-6208	265	1-C 4	CH207-5360	851	1-E 15	CH211-3590	199	1-B 21
CH196-3019	959	1-F 1	CH200-6208	269	1-C 4	CH207-6797	331	1-C 11	CH211-3590	203	1-B 22

INDEX

Part No.	Page	Grid	Part No.	Page	Grid	Part No.	Page	Grid	Part No.	Page	Grid
CH211-3590	205	1-B 22	CH217-5909	259	1-C 3	CH3D-9132	693	1-D 23	CH3S-8664	199	1-B 21
CH211-4423	573	1-D 11	CH217-5909	261	1-C 4	CH3D-9132	695	1-D 23	CH3S-8664	203	1-B 22
CH211-4423	575	1-D 11	CH217-5909	581	1-D 12	CH3D-9133	693	1-D 23	CH3S-8664	205	1-B 22
CH211-4837	1193	1-G 1	CH217-5909	599	1-D 13	CH3D-9133	695	1-D 23	CH3S-8664	759	1-E 5
CH211-8202	995	1-F 5	CH217-5909	601	1-D 14	CH3E-3363	279	1-C 5	CH3S-8664	1099	1-F 15
CH211-8713	167	1-B 18	CH217-5909	1043	1-F 10	CH3E-3369	279	1-C 5	CH3S-8665	819	1-E 11
CH211-8713	169	1-B 18	CH217-5909	1121	1-F 18	CH3E-3371	395	1-C 17	CH3S-8665	821	1-E 12
CH211-9968	993	1-F 5	CH217-5909	1123	1-F 18	CH3E-3389	329	1-C 10	CH3S-9233	809	1-E 10
CH212-0279	197	1-B 21	CH218-2891	149	1-B 16	CH3E-3389	1189	1-F 24	CH3S-9557	269	1-C 4
CH212-0279	199	1-B 21	CH218-2892	149	1-B 16	CH3E-4289	931	1-E 23	CH3T-0851	259	1-C 3
CH212-0279	203	1-B 22	CH218-2969	993	1-F 5	CH3E-4296	923	1-E 22	CH3T-0851	261	1-C 4
CH212-0279	205	1-B 22	CH218-3575	741	1-E 4	CH3E-4297	751	1-E 5	CH3T-8607	353	1-C 13
CH212-0279	993	1-F 5	CH219-0664	349	1-C 12	CH3E-4297	755	1-E 5	CH3T-8607	359	1-C 13
CH212-0297	741	1-E 4	CH219-4673	357	1-C 13	CH3E-4297	761	1-E 6	CH3T-8747	407	1-C 18
CH212-0302	741	1-E 4	CH219-4673	361	1-C 14	CH3E-4298	931	1-E 23	CH3W-6116	973	1-F 3
CH212-0310	741	1-E 4	CH219-5676	837	1-E 13	CH3E-4352	1091	1-F 15	CH3W-7412	617	1-D 15
CH212-3416	1079	1-F 13	CH219-5677	837	1-E 13	CH3E-4352	1093	1-F 15	CH4B-2047	381	1-C 16
CH212-3416	1081	1-F 14	CH219-5678	837	1-E 13	CH3E-4353	1059	1-F 11	CH4B-4274	173	1-B 19
CH212-3416	1083	1-F 14	CH219-5679	837	1-E 13	CH3E-4353	1061	1-F 12	CH4B-4274	211	1-B 23
CH212-3585	747	1-E 4	CH219-7932	843	1-E 14	CH3E-4883	115	1-B 13	CH4B-4274	251	1-C 3
CH212-3812	181	1-B 20	CH219-9653	747	1-E 4	CH3E-4883	117	1-B 13	CH4B-4274	255	1-C 3
CH212-4443	365	1-C 14	CH220-8678	175	1-B 19	CH3E-6600	1027	1-F 8	CH4B-4274	257	1-C 3
CH212-4443	735	1-E 3	CH220-8678	177	1-B 19	CH3E-6600	1029	1-F 8	CH4B-4274	259	1-C 3
CH212-4443	1073	1-F 13	CH221-0050	741	1-E 4	CH3E-6762	753	1-E 5	CH4B-4274	261	1-C 4
CH212-6998	359	1-C 13	CH221-0051	741	1-E 4	CH3E-6762	757	1-E 5	CH4B-4274	381	1-C 16
CH213-1783	243	1-C 2	CH221-2002	183	1-B 20	CH3E-6762	761	1-E 6	CH4B-9302	93	1-B 11
CH213-1827	697	1-D 23	CH221-2002	191	1-B 21	CH3E-6762	833	1-E 13	CH4D-2619	779	1-E 7
CH213-1827	699	1-D 23	CH221-2003	191	1-B 21	CH3E-6762	835	1-E 13	CH4D-4431	667	1-D 20
CH213-4497	591	1-D 13	CH221-3265	191	1-B 21	CH3E-7449	93	1-B 11	CH4D-4431	669	1-D 20
CH213-6199	971	1-F 3	CH222-0527	845	1-E 14	CH3E-8008	781	1-E 8	CH4D-7388	1099	1-F 15
CH213-6273	993	1-F 5	CH222-0527	855	1-E 15	CH3E-8020	225	1-B 24	CH4D-7388	1127	1-F 18
CH213-8872	993	1-F 5	CH222-4435	1121	1-F 18	CH3E-8020	1127	1-F 18	CH4D-7733	741	1-E 4
CH214-1071	1007	1-F 6	CH223-9254	841	1-E 14	CH3E-8020	1177	1-F 23	CH4D-7735	741	1-E 4
CH214-2184	1075	1-F 13	CH223-9254	857	1-E 15	CH3E-9860	247	1-C 2	CH4D-7735	841	1-E 14
CH214-4661	677	1-D 21	CH223-9804	991	1-F 5	CH3E-9860	249	1-C 2	CH4D-7735	857	1-E 15
CH214-9203	883	1-E 18	CH225-5203	843	1-E 14	CH3E-9860	251	1-C 3	CH4D-7794	377	1-C 15
CH214-9441	171	1-B 19	CH225-6215	1059	1-F 11	CH3E-9860	253	1-C 3	CH4D-7794	381	1-C 16
CH215-1382	267	1-C 4	CH226-0372	731	1-E 3	CH3E-9860	255	1-C 3	CH4D-7794	385	1-C 16
CH215-6489	179	1-B 19	CH226-0372	733	1-E 3	CH3E-9860	257	1-C 3	CH4D-9517	177	1-B 19
CH215-6489	181	1-B 20	CH226-2711	731	1-E 3	CH3E-9860	617	1-D 15	CH4D-9517	373	1-C 15
CH215-9463	671	1-D 21	CH226-2711	733	1-E 3	CH3E-9865	1257	1-G 7	CH4D-9517	379	1-C 15
CH215-9464	683	1-D 22	CH226-6489	819	1-E 11	CH3F-9556	1189	1-F 24	CH4E-1251	171	1-B 19
CH216-2628	1023	1-F 8	CH226-6489	821	1-E 12	CH3F-9556	1191	1-G 1	CH4E-1251	733	1-E 3
CH216-2628	1025	1-F 8	CH227-8229	141	1-B 16	CH3G-0785	927	1-E 22	CH4E-2229	361	1-C 14
CH216-2628	1027	1-F 8	CH3B-0551	191	1-B 21	CH3K-0360	667	1-D 20	CH4E-7808	1073	1-F 13
CH216-2628	1029	1-F 8	CH3B-2263	883	1-E 18	CH3K-0360	669	1-D 20	CH4H-7655	1109	1-F 16
CH216-2628	1189	1-F 24	CH3B-4501	359	1-C 13	CH3K-0360	735	1-E 3	CH4I-3038	273	1-C 5
CH216-2628	1191	1-G 1	CH3B-4501	361	1-C 14	CH3K-0360	741	1-E 4	CH4I-5399	183	1-B 20
CH216-4098	927	1-E 22	CH3B-4501	377	1-C 15	CH3K-0360	745	1-E 4	CH4J-0522	853	1-E 15
CH216-6428	603	1-D 14	CH3B-4501	385	1-C 16	CH3K-0360	747	1-E 4	CH4J-2036	589	1-D 12
CH216-6428	605	1-D 14	CH3B-4501	1089	1-F 14	CH3K-0360	825	1-E 12	CH4J-2701	743	1-E 4
CH216-7114	929	1-E 22	CH3B-4503	173	1-B 19	CH3K-0360	841	1-E 14	CH4J-5050	159	1-B 17
CH216-7114	933	1-E 23	CH3B-4505	97	1-B 11	CH3K-0360	847	1-E 14	CH4J-5050	161	1-B 18
CH216-7114	935	1-E 23	CH3B-4505	103	1-B 12	CH3K-0360	853	1-E 15	CH4K-2039	93	1-B 11
CH216-7114	937	1-E 23	CH3B-4605	1095	1-F 15	CH3K-0360	855	1-E 15	CH4K-7239	683	1-D 22
CH216-7115	935	1-E 23	CH3B-4607	617	1-D 15	CH3K-0360	857	1-E 15	CH4K-8302	95	1-B 11
CH216-7115	937	1-E 23	CH3B-4610	621	1-D 16	CH3K-0360	859	1-E 15	CH4K-8302	99	1-B 11
CH216-7116	771	1-E 7	CH3B-4611	603	1-D 14	CH3K-0360	911	1-E 21	CH4K-8341	173	1-B 19
CH216-7117	771	1-E 7	CH3B-4611	605	1-D 14	CH3K-0360	915	1-E 21	CH4K-8341	1075	1-F 13
CH216-7118	771	1-E 7	CH3B-4611	969	1-F 2	CH3K-0360	925	1-E 22	CH4K-8864	197	1-B 21
CH216-7616	1121	1-F 18	CH3B-4611	971	1-F 3	CH3K-0360	993	1-F 5	CH4K-8864	199	1-B 21
CH216-7617	271	1-C 5	CH3B-4615	1073	1-F 13	CH3K-0360	995	1-F 5	CH4K-8864	203	1-B 22
CH216-7617	1121	1-F 18	CH3B-4617	733	1-E 3	CH3K-0360	997	1-F 5	CH4K-8864	205	1-B 22
CH216-8187	931	1-E 23	CH3B-4617	735	1-E 3	CH3K-0360	999	1-F 5	CH4K-8864	377	1-C 15
CH216-8189	931	1-E 23	CH3B-4617	957	1-F 1	CH3K-0715	881	1-E 18	CH4K-8864	385	1-C 16
CH216-8190	931	1-E 23	CH3B-4617	959	1-F 1	CH3K-9089	621	1-D 16	CH4K-8864	753	1-E 5
CH216-8191	931	1-E 23	CH3B-4617	969	1-F 2	CH3P-3547	1075	1-F 13	CH4K-8864	757	1-E 5
CH216-8275	1203	1-G 2	CH3B-4629	589	1-D 12	CH3S-5096	1023	1-F 8	CH4K-8864	845	1-E 14
CH216-9085	355	1-C 13	CH3B-8486	667	1-D 20	CH3S-5096	1025	1-F 8	CH4K-8864	855	1-E 15
CH216-9085	361	1-C 14	CH3B-8486	669	1-D 20	CH3S-5096	1027	1-F 8	CH4K-9097	581	1-D 12
CH216-9085	1073	1-F 13	CH3C-6969	273	1-C 5	CH3S-5096	1029	1-F 8	CH4L-3641	997	1-F 5
CH216-9165	1095	1-F 15	CH3C-6969	351	1-C 13	CH3S-5096	1263	1-G 8	CH4L-8183	971	1-F 3
CH217-2130	1125	1-F 18	CH3C-6969	361	1-C 14	CH3S-8664	179	1-B 19	CH4M-7668	879	1-E 17
CH217-2131	1125	1-F 18	CH3C-6969	371	1-C 15	CH3S-8664	181	1-B 20	CH4P-3966	97	1-B 11
CH217-2132	1177	1-F 23	CH3D-6209	633	1-D 17	CH3S-8664	197	1-B 21	CH4P-3966	103	1-B 12

MT800 SERIES TRACTORS

17
INDEX

Part No.	Page	Grid	Part No.	Page	Grid	Part No.	Page	Grid	Part No.	Page	Grid
CH4P-3977	97	1-B 11	CH5P-1420	855	1-E 15	CH5P-9186	923	1-E 22	CH6I-1418	215	1-B 23
CH4P-3977	103	1-B 12	CH5P-1442	145	1-B 16	CH5P-9186	925	1-E 22	CH6I-1418	377	1-C 15
CH4P-7428	377	1-C 15	CH5P-1442	147	1-B 16	CH5P-9186	927	1-E 22	CH6I-1418	383	1-C 16
CH4P-7428	385	1-C 16	CH5P-1442	403	1-C 18	CH5P-9205	601	1-D 14	CH6I-2505	155	1-B 17
CH4P-7428	973	1-F 3	CH5P-1442	405	1-C 18	CH5P-9262	939	1-E 23	CH6I-2506	155	1-B 17
CH4P-7581	203	1-B 22	CH5P-1442	845	1-E 14	CH5P-9517	845	1-E 14	CH6I-2509	157	1-B 17
CH4P-7581	205	1-B 22	CH5P-3602	571	1-D 11	CH5P-9517	855	1-E 15	CH6I-2510	157	1-B 17
CH4P-7581	359	1-C 13	CH5P-4115	211	1-B 23	CH5P-9651	671	1-D 21	CH6I-4465	155	1-B 17
CH4P-7581	373	1-C 15	CH5P-4115	345	1-C 12	CH5P-9652	671	1-D 21	CH6J-2245	377	1-C 15
CH4P-7581	375	1-C 15	CH5P-4115	571	1-D 11	CH5R-5676	809	1-E 10	CH6J-2245	381	1-C 16
CH4P-7581	377	1-C 15	CH5P-4115	581	1-D 12	CH5R-5718	809	1-E 10	CH6K-3274	621	1-D 16
CH4P-7581	379	1-C 15	CH5P-4115	597	1-D 13	CH5R-5780	809	1-E 10	CH6K-3632	957	1-F 1
CH4P-7581	381	1-C 16	CH5P-4115	599	1-D 13	CH5R-6304	809	1-E 10	CH6K-6307	667	1-D 20
CH4P-7581	385	1-C 16	CH5P-4115	601	1-D 14	CH5R-6305	799	1-E 9	CH6K-6307	669	1-D 20
CH4P-7581	759	1-E 5	CH5P-4115	603	1-D 14	CH5R-6868	809	1-E 10	CH6K-6307	881	1-E 18
CH4P-7581	1007	1-F 6	CH5P-4115	613	1-D 15	CH5S-9062	107	1-B 12	CH6K-6361	1027	1-F 8
CH4P-8134	359	1-C 13	CH5P-4115	973	1-F 3	CH5S-9062	109	1-B 12	CH6K-6361	1029	1-F 8
CH4S-1962	741	1-E 4	CH5P-4115	1023	1-F 8	CH5S-9062	111	1-B 13	CH6K-9070	1015	1-F 7
CH4S-1962	839	1-E 13	CH5P-4115	1025	1-F 8	CH5V-0354	973	1-F 3	CH6K-9632	1193	1-G 1
CH4S-1962	999	1-F 5	CH5P-4115	1027	1-F 8	CH5V-1496	1177	1-F 23	CH6L-3966	733	1-E 3
CH4S-1962	1099	1-F 15	CH5P-4115	1029	1-F 8	CH5W-9411	771	1-E 7	CH6M-5062	945	1-E 24
CH4V-2264	1097	1-F 15	CH5P-4115	1121	1-F 18	CH6B-1032	845	1-E 14	CH6N-6984	593	1-D 13
CH4V-2445	883	1-E 18	CH5P-4115	1123	1-F 18	CH6C-3679	129	1-B 14	CH6N-6984	621	1-D 16
CH4W-1203	107	1-B 12	CH5P-4115	1191	1-G 1	CH6D-1641	749	1-E 4	CH6N-6984	623	1-D 16
CH4W-1203	109	1-B 12	CH5P-4829	1023	1-F 8	CH6D-1641	995	1-F 5	CH6R-3185	159	1-B 17
CH4W-1203	111	1-B 13	CH5P-4829	1025	1-F 8	CH6D-1641	997	1-F 5	CH6R-7943	883	1-E 18
CH4W-1204	107	1-B 12	CH5P-4829	1027	1-F 8	CH6D-3025	211	1-B 23	CH6R-7943	885	1-E 18
CH4W-1204	109	1-B 12	CH5P-4892	847	1-E 14	CH6D-4244	741	1-E 4	CH6S-5993	375	1-C 15
CH4W-1204	111	1-B 13	CH5P-4924	845	1-E 14	CH6D-4246	179	1-B 19	CH6S-5993	385	1-C 16
CH4W-2042	107	1-B 12	CH5P-5727	579	1-D 11	CH6D-4246	181	1-B 20	CH6S-6031	671	1-D 21
CH4W-2042	109	1-B 12	CH5P-5777	667	1-D 20	CH6D-4246	183	1-B 20	CH6S-6032	671	1-D 21
CH4W-2042	111	1-B 13	CH5P-5777	669	1-D 20	CH6D-4246	741	1-E 4	CH6T-6158	159	1-B 17
CH5B-9192	753	1-E 5	CH5P-6129	1029	1-F 8	CH6D-4246	995	1-F 5	CH6T-6158	161	1-B 18
CH5B-9192	757	1-E 5	CH5P-6442	175	1-B 19	CH6D-7146	871	1-E 17	CH6T-7298	245	1-C 2
CH5C-2874	251	1-C 3	CH5P-6442	177	1-B 19	CH6E-1571	891	1-E 19	CH6V-0894	211	1-B 23
CH5C-2874	255	1-C 3	CH5P-6442	667	1-D 20	CH6E-1607	941	1-E 24	CH6V-1197	787	1-E 8
CH5C-2874	257	1-C 3	CH5P-6442	669	1-D 20	CH6E-3268	939	1-E 23	CH6V-1197	793	1-E 9
CH5C-2874	355	1-C 13	CH5P-7468	847	1-E 14	CH6E-3269	939	1-E 23	CH6V-1506	1001	1-F 6
CH5C-2874	359	1-C 13	CH5P-7468	853	1-E 15	CH6E-3272	939	1-E 23	CH6V-1506	1003	1-F 6
CH5C-8312	357	1-C 13	CH5P-7469	847	1-E 14	CH6E-3273	939	1-E 23	CH6V-1520	845	1-E 14
CH5C-8312	361	1-C 14	CH5P-7469	853	1-E 15	CH6E-3274	939	1-E 23	CH6V-1657	667	1-D 20
CH5C-8312	377	1-C 15	CH5P-7684	881	1-E 18	CH6E-3275	939	1-E 23	CH6V-1657	669	1-D 20
CH5C-8312	385	1-C 16	CH5P-7701	183	1-B 20	CH6E-3276	939	1-E 23	CH6V-2405	1211	1-G 3
CH5C-8312	1073	1-F 13	CH5P-7803	1189	1-F 24	CH6E-3343	887	1-E 18	CH6V-2405	1235	1-G 5
CH5D-4204	997	1-F 5	CH5P-7808	99	1-B 11	CH6E-4102	791	1-E 9	CH6V-3326	791	1-E 9
CH5D-5958	791	1-E 9	CH5P-7958	1211	1-G 3	CH6E-4351	881	1-E 18	CH6V-3922	931	1-E 23
CH5D-6539	923	1-E 22	CH5P-7958	1235	1-G 5	CH6E-4358	891	1-E 19	CH6V-5049	179	1-B 19
CH5D-8159	1001	1-F 6	CH5P-8087	947	1-E 24	CH6E-4363	891	1-E 19	CH6V-5049	181	1-B 20
CH5D-8159	1003	1-F 6	CH5P-8119	737	1-E 3	CH6E-4364	891	1-E 19	CH6V-5210	259	1-C 3
CH5E-7045	945	1-E 24	CH5P-8244	879	1-E 17	CH6E-4365	891	1-E 19	CH6V-5210	261	1-C 4
CH5F-1648	133	1-B 15	CH5P-8247	1127	1-F 18	CH6E-4366	891	1-E 19	CH6V-5326	781	1-E 8
CH5F-3999	813	1-E 11	CH5P-8440	679	1-D 21	CH6E-4367	891	1-E 19	CH6V-5326	881	1-E 18
CH5F-5434	93	1-B 11	CH5P-8440	681	1-D 22	CH6E-4370	891	1-E 19	CH6V-5586	781	1-E 8
CH5F-5434	99	1-B 11	CH5P-8444	847	1-E 14	CH6E-4373	891	1-E 19	CH6V-5586	941	1-E 24
CH5J-3079	733	1-E 3	CH5P-8444	853	1-E 15	CH6E-4374	891	1-E 19	CH6V-5839	615	1-D 15
CH5J-4715	197	1-B 21	CH5P-8500	353	1-C 13	CH6E-4382	781	1-E 8	CH6V-5839	1127	1-F 18
CH5J-4715	199	1-B 21	CH5P-8500	361	1-C 14	CH6E-4383	781	1-E 8	CH6V-5839	1177	1-F 23
CH5J-4715	203	1-B 22	CH5P-8500	1091	1-F 15	CH6E-4385	881	1-E 18	CH6V-6228	945	1-E 24
CH5J-4715	205	1-B 22	CH5P-8500	1093	1-F 15	CH6E-4392	781	1-E 8	CH6V-6580	929	1-E 22
CH5J-7154	965	1-F 2	CH5P-8500	1211	1-G 3	CH6E-4392	941	1-E 24	CH6V-6580	933	1-E 23
CH5K-1078	683	1-D 22	CH5P-8500	1221	1-G 4	CH6E-4401	941	1-E 24	CH6V-6580	935	1-E 23
CH5K-3294	175	1-B 19	CH5P-8500	1229	1-G 4	CH6E-4614	881	1-E 18	CH6V-6580	937	1-E 23
CH5L-4758	797	1-E 9	CH5P-8500	1235	1-G 5	CH6E-6528	939	1-E 23	CH6V-6757	667	1-D 20
CH5M-2894	733	1-E 3	CH5P-8500	1257	1-G 7	CH6E-6536	939	1-E 23	CH6V-6757	669	1-D 20
CH5P-0537	1065	1-F 12	CH5P-8500	1263	1-G 8	CH6E-6537	939	1-E 23	CH6V-7688	957	1-F 1
CH5P-0767	133	1-B 15	CH5P-8502	1257	1-G 7	CH6E-6538	939	1-E 23	CH6V-7688	959	1-F 1
CH5P-0767	135	1-B 15	CH5P-8837	555	1-D 9	CH6E-6539	939	1-E 23	CH6V-7723	889	1-E 18
CH5P-0767	1101	1-F 16	CH5P-8837	557	1-D 9	CH6E-6540	939	1-E 23	CH6V-7743	571	1-D 11
CH5P-1075	93	1-B 11	CH5P-8837	561	1-D 10	CH6F-0253	223	1-B 24	CH6V-7744	599	1-D 13
CH5P-1075	99	1-B 11	CH5P-8905	995	1-F 5	CH6H-3956	107	1-B 12	CH6V-7744	603	1-D 14
CH5P-1259	163	1-B 18	CH5P-9085	679	1-D 21	CH6H-3956	109	1-B 12	CH6V-7744	623	1-D 16
CH5P-1259	165	1-B 18	CH5P-9085	681	1-D 22	CH6H-4006	1193	1-G 1	CH6V-8130	1003	1-F 6
CH5P-1420	145	1-B 16	CH5P-9186	729	1-E 2	CH6I-1418	209	1-B 22	CH6V-8183	735	1-E 3
CH5P-1420	147	1-B 16	CH5P-9186	805	1-E 10	CH6I-1418	211	1-B 23	CH6V-8183	1073	1-F 13
CH5P-1420	845	1-E 14	CH5P-9186	807	1-E 10	CH6I-1418	213	1-B 23	CH6V-8225	321	1-C 10

INDEX

Part No.	Page	Grid	Part No.	Page	Grid	Part No.	Page	Grid	Part No.	Page	Grid
CH6V-8225	959	1-F 1	CH7G-8839	625	1-D 16	CH7X-0579	617	1-D 15	CH8C-3206	847	1-E 14
CH6V-8351	941	1-E 24	CH7H-1177	209	1-B 22	CH7X-0583	555	1-D 9	CH8C-3348	1221	1-G 4
CH6V-8352	939	1-E 23	CH7H-1177	229	1-B 24	CH7X-0583	557	1-D 9	CH8C-3348	1229	1-G 4
CH6V-8362	1071	1-F 13	CH7J-1309	973	1-F 3	CH7X-0583	559	1-D 9	CH8C-5053	183	1-B 20
CH6V-8369	329	1-C 10	CH7K-1181	145	1-B 16	CH7X-0583	561	1-D 10	CH8C-5193	881	1-E 18
CH6V-8369	1189	1-F 24	CH7K-1181	147	1-B 16	CH7X-0583	563	1-D 10	CH8C-5200	751	1-E 5
CH6V-8376	207	1-B 22	CH7K-1181	179	1-B 19	CH7X-0593	611	1-D 15	CH8C-5200	755	1-E 5
CH6V-8376	359	1-C 13	CH7K-1181	181	1-B 20	CH7X-0594	589	1-D 12	CH8C-5237	881	1-E 18
CH6V-8376	361	1-C 14	CH7K-1181	197	1-B 21	CH7X-0605	973	1-F 3	CH8C-5607	211	1-B 23
CH6V-8398	175	1-B 19	CH7K-1181	199	1-B 21	CH7X-0613	573	1-D 11	CH8C-5608	211	1-B 23
CH6V-8398	177	1-B 19	CH7K-1181	201	1-B 22	CH7X-0613	577	1-D 11	CH8C-6354	361	1-C 14
CH6V-8398	741	1-E 4	CH7K-1181	205	1-B 22	CH7X-0618	139	1-B 15	CH8C-6416	745	1-E 4
CH6V-8398	745	1-E 4	CH7K-1181	209	1-B 22	CH7X-0618	195	1-B 21	CH8C-6416	747	1-E 4
CH6V-8398	747	1-E 4	CH7K-1181	211	1-B 23	CH7X-0618	585	1-D 12	CH8C-6416	847	1-E 14
CH6V-8398	749	1-E 4	CH7K-1181	213	1-B 23	CH7X-0618	587	1-D 12	CH8C-6416	853	1-E 15
CH6V-8398	819	1-E 11	CH7K-1181	215	1-B 23	CH7X-0618	589	1-D 12	CH8C-6433	581	1-D 12
CH6V-8398	821	1-E 12	CH7K-1181	265	1-C 4	CH7X-0618	625	1-D 16	CH8C-6802	1091	1-F 15
CH6V-8398	847	1-E 14	CH7K-1181	269	1-C 4	CH7X-0618	683	1-D 22	CH8C-6802	1093	1-F 15
CH6V-8398	853	1-E 15	CH7K-1181	321	1-C 10	CH7X-0795	735	1-E 3	CH8C-6870	179	1-B 19
CH6V-8398	857	1-E 15	CH7K-1181	345	1-C 12	CH7X-1434	1067	1-F 12	CH8C-6870	181	1-B 20
CH6V-8398	859	1-E 15	CH7K-1181	355	1-C 13	CH7X-1448	403	1-C 18	CH8C-6870	183	1-B 20
CH6V-8398	945	1-E 24	CH7K-1181	359	1-C 13	CH7X-1448	405	1-C 18	CH8C-6872	179	1-B 19
CH6V-8398	993	1-F 5	CH7K-1181	375	1-C 15	CH7X-3374	743	1-E 4	CH8C-6872	181	1-B 20
CH6V-8398	995	1-F 5	CH7K-1181	377	1-C 15	CH7X-3383	819	1-E 11	CH8C-7306	95	1-B 11
CH6V-8398	997	1-F 5	CH7K-1181	381	1-C 16	CH7X-6312	233	1-C 1	CH8C-7323	877	1-E 17
CH6V-8399	929	1-E 22	CH7K-1181	383	1-C 16	CH7X-6312	235	1-C 1	CH8C-8514	359	1-C 13
CH6V-8399	933	1-E 23	CH7K-1181	403	1-C 18	CH7X-6315	209	1-B 22	CH8C-8585	1185	1-F 24
CH6V-8399	935	1-E 23	CH7K-1181	405	1-C 18	CH7X-6315	229	1-B 24	CH8C-8585	1187	1-F 24
CH6V-8399	937	1-E 23	CH7K-1181	679	1-D 21	CH7X-7729	95	1-B 11	CH8C-9101	667	1-D 20
CH6V-8548	273	1-C 5	CH7K-1181	681	1-D 22	CH7X-7729	101	1-B 12	CH8C-9101	669	1-D 20
CH6V-8554	745	1-E 4	CH7K-1181	735	1-E 3	CH7X-7729	129	1-B 14	CH8C-9160	965	1-F 2
CH6V-8554	747	1-E 4	CH7K-1181	739	1-E 3	CH7X-7729	131	1-B 15	CH8C-9660	171	1-B 19
CH6V-8628	755	1-E 5	CH7K-1181	759	1-E 5	CH7X-7729	141	1-B 16	CH8C-9660	275	1-C 5
CH6V-8639	179	1-B 19	CH7K-1181	815	1-E 11	CH7X-7729	143	1-B 16	CH8C-9660	277	1-C 5
CH6V-8639	181	1-B 20	CH7K-1181	1007	1-F 6	CH7X-7729	151	1-B 17	CH8C-9660	1173	1-F 23
CH6V-8723	841	1-E 14	CH7K-1181	1099	1-F 15	CH7X-7729	153	1-B 17	CH8C-9987	1259	1-G 7
CH6V-8928	1177	1-F 23	CH7K-1181	1119	1-F 17	CH7X-7729	281	1-C 6	CH8D-3886	667	1-D 20
CH6V-8931	213	1-B 23	CH7K-1181	1179	1-F 23	CH7X-7729	283	1-C 6	CH8D-3886	669	1-D 20
CH6V-8931	215	1-B 23	CH7K-9205	973	1-F 3	CH7X-7729	327	1-C 10	CH8D-9558	1257	1-G 7
CH6V-8935	753	1-E 5	CH7K-9209	973	1-F 3	CH7X-7729	591	1-D 13	CH8F-7702	743	1-E 4
CH6V-8935	757	1-E 5	CH7K-9210	973	1-F 3	CH7X-7729	599	1-D 13	CH8F-8513	95	1-B 11
CH6V-8978	883	1-E 18	CH7K-9211	1015	1-F 7	CH7X-7729	603	1-D 14	CH8F-8733	783	1-E 8
CH6V-8996	995	1-F 5	CH7S-1912	845	1-E 14	CH7X-7729	605	1-D 14	CH8F-8733	785	1-E 8
CH6V-9003	137	1-B 15	CH7S-4244	1191	1-G 1	CH7X-7729	617	1-D 15	CH8F-8733	871	1-E 17
CH6V-9005	853	1-E 15	CH7T-1099	153	1-B 17	CH7X-7729	625	1-D 16	CH8H-2262	671	1-D 21
CH6V-9028	781	1-E 8	CH7T-1099	265	1-C 4	CH7X-7729	667	1-D 20	CH8I-4256	275	1-C 5
CH6V-9028	881	1-E 18	CH7T-1099	579	1-D 11	CH7X-7729	669	1-D 20	CH8I-4256	277	1-C 5
CH6V-9170	995	1-F 5	CH7T-1099	625	1-D 16	CH7X-7729	679	1-D 21	CH8I-4256	1263	1-G 8
CH6V-9492	1089	1-F 14	CH7T-1099	627	1-D 16	CH7X-7729	681	1-D 22	CH8K-0589	969	1-F 2
CH6V-9671	361	1-C 14	CH7T-1099	697	1-D 23	CH7X-7729	693	1-D 23	CH8L-2746	95	1-B 11
CH6V-9673	1081	1-F 14	CH7T-1099	699	1-D 23	CH7X-7729	695	1-D 23	CH8L-2746	101	1-B 12
CH6V-9748	107	1-B 12	CH7T-1099	969	1-F 2	CH7X-7729	839	1-E 13	CH8L-2746	179	1-B 19
CH6V-9748	109	1-B 12	CH7T-1099	1067	1-F 12	CH7X-7729	975	1-F 3	CH8L-2746	181	1-B 20
CH6V-9748	111	1-B 13	CH7T-4532	1063	1-F 12	CH7X-7729	997	1-F 5	CH8L-2777	729	1-E 2
CH6V-9828	753	1-E 5	CH7T-6799	361	1-C 14	CH7X-7729	1023	1-F 8	CH8L-2777	805	1-E 10
CH6V-9828	757	1-E 5	CH7T-9793	1023	1-F 8	CH7X-7729	1025	1-F 8	CH8L-2777	807	1-E 10
CH6V-9829	735	1-E 3	CH7T-9793	1025	1-F 8	CH7X-7729	1027	1-F 8	CH8L-2777	923	1-E 22
CH6V-9876	183	1-B 20	CH7T-9793	1027	1-F 8	CH7X-7729	1029	1-F 8	CH8L-2777	925	1-E 22
CH6W-5698	191	1-B 21	CH7T-9793	1029	1-F 8	CH7X-7729	1099	1-F 15	CH8L-2777	927	1-E 22
CH6Y-0473	671	1-D 21	CH7V-0445	621	1-D 16	CH7X-7958	179	1-B 19	CH8L-2779	179	1-B 19
CH6Y-0473	683	1-D 22	CH7W-1890	145	1-B 16	CH7X-7958	181	1-B 20	CH8L-2779	181	1-B 20
CH6Y-8112	957	1-F 1	CH7W-1890	147	1-B 16	CH7X-7958	183	1-B 20	CH8L-2779	183	1-B 20
CH6Y-8112	959	1-F 1	CH7W-1890	191	1-B 21	CH7Y-0725	1017	1-F 7	CH8L-2786	179	1-B 19
CH7B-0863	969	1-F 2	CH7W-1890	193	1-B 21	CH7Y-3173	1173	1-F 23	CH8L-2786	181	1-B 20
CH7C-6178	97	1-B 11	CH7X-0474	729	1-E 2	CH7Y-5217	667	1-D 20	CH8L-2786	183	1-B 20
CH7C-6178	103	1-B 12	CH7X-0474	915	1-E 21	CH7Y-5217	669	1-D 20	CH8L-6557	95	1-B 11
CH7D-0734	1005	1-F 6	CH7X-0515	551	1-D 9	CH7Y-7256	359	1-C 13	CH8L-6557	973	1-F 3
CH7E-4808	107	1-B 12	CH7X-0515	553	1-D 9	CH7Y-7388	1117	1-F 17	CH8M-2770	95	1-B 11
CH7E-4808	109	1-B 12	CH7X-0515	687	1-D 22	CH7Y-8763	579	1-D 11	CH8M-2770	179	1-B 19
CH7E-4808	111	1-B 13	CH7X-0515	869	1-E 16	CH8B-7614	671	1-D 21	CH8M-2770	181	1-B 20
CH7F-3400	1209	1-G 2	CH7X-0515	871	1-E 17	CH8C-0572	573	1-D 11	CH8M-2770	197	1-B 21
CH7F-3400	1211	1-G 3	CH7X-0517	173	1-B 19	CH8C-0572	575	1-D 11	CH8M-2770	199	1-B 21
CH7F-3400	1235	1-G 5	CH7X-0533	1259	1-G 7	CH8C-0572	577	1-D 11	CH8M-2770	203	1-B 22
CH7G-4332	671	1-D 21	CH7X-0561	679	1-D 21	CH8C-3051	845	1-E 14	CH8M-2770	205	1-B 22
CH7G-4332	683	1-D 22	CH7X-0561	681	1-D 22	CH8C-3089	795	1-E 9	CH8M-2773	209	1-B 22

MT800 SERIES TRACTORS

19
INDEX

Part No.	Page	Grid	Part No.	Page	Grid	Part No.	Page	Grid	Part No.	Page	Grid
CH8M-2773	741	1-E 4	CH8T-3612	601	1-D 14	CH8T-4994	743	1-E 4	CH9N-0869	377	1-C 15
CH8M-4791	175	1-B 19	CH8T-3612	603	1-D 14	CH8T-4994	833	1-E 13	CH9N-0869	385	1-C 16
CH8N-4617	155	1-B 17	CH8T-3612	605	1-D 14	CH8T-4994	835	1-E 13	CH9N-1941	167	1-B 18
CH8N-4617	157	1-B 17	CH8T-3612	625	1-D 16	CH8T-5361	957	1-F 1	CH9N-1941	169	1-B 18
CH8S-0948	197	1-B 21	CH8T-3612	627	1-D 16	CH8T-5400	1191	1-G 1	CH9N-2061	1191	1-G 1
CH8S-0948	199	1-B 21	CH8T-3612	629	1-D 16	CH8T-5400	1193	1-G 1	CH9P-0356	407	1-C 18
CH8S-0948	203	1-B 22	CH8T-3612	815	1-E 11	CH8T-5439	589	1-D 12	CH9P-4809	411	1-C 19
CH8S-0948	205	1-B 22	CH8T-3992	1185	1-F 24	CH8T-6431	735	1-E 3	CH9R-0158	1005	1-F 6
CH8S-0948	1099	1-F 15	CH8T-4001	683	1-D 22	CH8T-6693	173	1-B 19	CH9R-2613	579	1-D 11
CH8S-7169	403	1-C 18	CH8T-4001	973	1-F 3	CH8T-6693	1065	1-F 12	CH9R-2640	579	1-D 11
CH8S-7169	405	1-C 18	CH8T-4121	911	1-E 21	CH8T-6762	97	1-B 11	CH9R-2672	201	1-B 22
CH8T-0255	779	1-E 7	CH8T-4122	101	1-B 12	CH8T-6762	103	1-B 12	CH9R-2672	579	1-D 11
CH8T-0269	945	1-E 24	CH8T-4122	117	1-B 13	CH8T-6764	97	1-B 11	CH9R-2821	627	1-D 16
CH8T-0285	571	1-D 11	CH8T-4122	321	1-C 10	CH8T-6764	103	1-B 12	CH9R-7941	371	1-C 15
CH8T-0318	1091	1-F 15	CH8T-4122	621	1-D 16	CH8T-6764	107	1-B 12	CH9R-7980	371	1-C 15
CH8T-0318	1093	1-F 15	CH8T-4122	631	1-D 17	CH8T-6764	109	1-B 12	CH9S-1315	969	1-F 2
CH8T-0328	1073	1-F 13	CH8T-4122	667	1-D 20	CH8T-6765	775	1-E 7	CH9S-1347	1089	1-F 14
CH8T-0334	571	1-D 11	CH8T-4122	669	1-D 20	CH8T-6765	777	1-E 7	CH9S-4167	175	1-B 19
CH8T-0337	265	1-C 4	CH8T-4122	973	1-F 3	CH8T-7525	885	1-E 18	CH9S-4181	159	1-B 17
CH8T-0337	359	1-C 13	CH8T-4122	1013	1-F 7	CH8T-7525	927	1-E 22	CH9S-4181	161	1-B 18
CH8T-0389	375	1-C 15	CH8T-4127	207	1-B 22	CH8T-7525	929	1-E 22	CH9S-7583	195	1-B 21
CH8T-0389	381	1-C 16	CH8T-4132	551	1-D 9	CH8T-7525	931	1-E 23	CH9S-8002	781	1-E 8
CH8T-0389	1067	1-F 12	CH8T-4132	553	1-D 9	CH8T-7525	933	1-E 23	CH9S-8002	881	1-E 18
CH8T-0389	1109	1-F 16	CH8T-4132	667	1-D 20	CH8T-7525	935	1-E 23	CH9S-8002	883	1-E 18
CH8T-0644	121	1-B 14	CH8T-4132	669	1-D 20	CH8T-7525	937	1-E 23	CH9S-8002	885	1-E 18
CH8T-0644	123	1-B 14	CH8T-4205	127	1-B 14	CH8T-7876	881	1-E 18	CH9S-8002	939	1-E 23
CH8T-0644	125	1-B 14	CH8T-4205	197	1-B 21	CH8T-7934	1177	1-F 23	CH9S-8003	671	1-D 21
CH8T-0785	813	1-E 11	CH8T-4205	199	1-B 21	CH8T-7963	1153	1-F 21	CH9S-8003	683	1-D 22
CH8T-0788	179	1-B 19	CH8T-4205	203	1-B 22	CH8T-8729	1189	1-F 24	CH9S-8003	693	1-D 23
CH8T-0788	181	1-B 20	CH8T-4205	205	1-B 22	CH8T-8737	329	1-C 10	CH9S-8003	695	1-D 23
CH8T-1482	551	1-D 9	CH8T-4205	207	1-B 22	CH8T-8737	1189	1-F 24	CH9S-8004	175	1-B 19
CH8T-1482	553	1-D 9	CH8T-4205	247	1-C 2	CH8T-8737	1191	1-G 1	CH9S-8004	177	1-B 19
CH8T-1482	677	1-D 21	CH8T-4205	249	1-C 2	CH8T-8737	1193	1-G 1	CH9S-8004	881	1-E 18
CH8T-1482	705	1-D 24	CH8T-4205	251	1-C 3	CH8T-8874	285	1-C 6	CH9S-8004	909	1-E 20
CH8T-1807	107	1-B 12	CH8T-4205	265	1-C 4	CH8T-8874	287	1-C 6	CH9S-8004	911	1-E 21
CH8T-1807	111	1-B 13	CH8T-4205	269	1-C 4	CH8T-8932	743	1-E 4	CH9S-8004	915	1-E 21
CH8T-2392	909	1-E 20	CH8T-4205	303	1-C 8	CH8T-9102	743	1-E 4	CH9S-8004	929	1-E 22
CH8T-2392	915	1-E 21	CH8T-4205	305	1-C 8	CH8T-9501	331	1-C 11	CH9S-8004	933	1-E 23
CH8T-2444	1185	1-F 24	CH8T-4205	321	1-C 10	CH8T-9501	581	1-D 12	CH9S-8004	935	1-E 23
CH8T-2444	1187	1-F 24	CH8T-4205	331	1-C 11	CH8T-9501	1193	1-G 1	CH9S-8004	937	1-E 23
CH8T-2658	355	1-C 13	CH8T-4205	355	1-C 13	CH8T-9655	209	1-B 22	CH9S-8004	939	1-E 23
CH8T-2658	361	1-C 14	CH8T-4205	357	1-C 13	CH8T-9655	211	1-B 23	CH9S-8005	911	1-E 21
CH8T-2658	1073	1-F 13	CH8T-4205	359	1-C 13	CH8T-9655	213	1-B 23	CH9S-8005	915	1-E 21
CH8T-2659	275	1-C 5	CH8T-4205	361	1-C 14	CH8T-9655	377	1-C 15	CH9S-8005	925	1-E 22
CH8T-2659	277	1-C 5	CH8T-4205	377	1-C 15	CH8T-9655	383	1-C 16	CH9S-8008	883	1-E 18
CH8T-2659	1173	1-F 23	CH8T-4205	385	1-C 16	CH8U-7381	931	1-E 23	CH9S-8010	667	1-D 20
CH8T-2922	945	1-E 24	CH8T-4205	613	1-D 15	CH8V-9708	197	1-B 21	CH9S-8010	669	1-D 20
CH8T-3016	1085	1-F 14	CH8T-4205	1075	1-F 13	CH8V-9708	199	1-B 21	CH9T-1576	791	1-E 9
CH8T-3282	95	1-B 11	CH8T-4205	1119	1-F 17	CH8V-9708	201	1-B 22	CH9T-1579	791	1-E 9
CH8T-3282	101	1-B 12	CH8T-4205	1121	1-F 18	CH8V-9708	205	1-B 22	CH9T-1582	791	1-E 9
CH8T-3490	153	1-B 17	CH8T-4205	1123	1-F 18	CH8V-9708	551	1-D 9	CH9T-1637	791	1-E 9
CH8T-3490	579	1-D 11	CH8T-4205	1259	1-G 7	CH8V-9708	553	1-D 9	CH9T-1642	791	1-E 9
CH8T-3490	591	1-D 13	CH8T-4226	325	1-C 10	CH8X-6167	735	1-E 3	CH9T-1643	791	1-E 9
CH8T-3490	625	1-D 16	CH8T-4226	1121	1-F 18	CH8Y-3795	579	1-D 11	CH9T-1687	791	1-E 9
CH8T-3490	627	1-D 16	CH8T-4226	1123	1-F 18	CH8Y-3795	627	1-D 16	CH9T-2281	1095	1-F 15
CH8T-3490	629	1-D 16	CH8T-4244	199	1-B 21	CH8Y-5737	1023	1-F 8	CH9T-4057	761	1-E 6
CH8T-3490	693	1-D 23	CH8T-4244	201	1-B 22	CH8Y-5737	1025	1-F 8	CH9W-3326	359	1-C 13
CH8T-3490	695	1-D 23	CH8T-4244	203	1-B 22	CH9B-7233	207	1-B 22	CH9W-9625	683	1-D 22
CH8T-3490	743	1-E 4	CH8T-4244	205	1-B 22	CH9B-7233	359	1-C 13	CH9W-9930	115	1-B 13
CH8T-3490	815	1-E 11	CH8T-4244	631	1-D 17	CH9B-7233	361	1-C 14	CH9W-9930	117	1-B 13
CH8T-3490	1065	1-F 12	CH8T-4244	973	1-F 3	CH9B-7233	1071	1-F 13	CH9X-1046	171	1-B 19
CH8T-3597	579	1-D 11	CH8T-4244	975	1-F 3	CH9F-2491	879	1-E 17	CH9X-1046	1027	1-F 8
CH8T-3597	585	1-D 12	CH8T-4244	1091	1-F 15	CH9F-4446	107	1-B 12	CH9X-1046	1029	1-F 8
CH8T-3597	587	1-D 12	CH8T-4244	1093	1-F 15	CH9F-4446	109	1-B 12	CH9X-1046	1065	1-F 12
CH8T-3597	591	1-D 13	CH8T-4778	973	1-F 3	CH9F-4446	111	1-B 13	CH9X-1046	1067	1-F 12
CH8T-3597	625	1-D 16	CH8T-4896	107	1-B 12	CH9G-3695	1089	1-F 14	CH9X-1046	1177	1-F 23
CH8T-3597	627	1-D 16	CH8T-4896	109	1-B 12	CH9H-1958	207	1-B 22	CH9X-1482	129	1-B 14
CH8T-3597	815	1-E 11	CH8T-4896	111	1-B 13	CH9H-6673	733	1-E 3	CH9X-2038	1181	1-F 24
CH8T-3612	265	1-C 4	CH8T-4896	131	1-B 15	CH9M-1974	171	1-B 19	CH9X-2038	1183	1-F 24
CH8T-3612	355	1-C 13	CH8T-4896	199	1-B 21	CH9M-2904	191	1-B 21	CH9X-2039	1127	1-F 18
CH8T-3612	381	1-C 16	CH8T-4896	203	1-B 22	CH9M-3835	617	1-D 15	CH9X-2040	615	1-D 15
CH8T-3612	575	1-D 11	CH8T-4896	877	1-E 17	CH9M-0869	209	1-B 22	CH9X-2040	1177	1-F 23
CH8T-3612	579	1-D 11	CH8T-4985	179	1-B 19	CH9N-0869	211	1-B 23	CH9X-2040	1179	1-F 23
CH8T-3612	581	1-D 12	CH8T-4985	181	1-B 20	CH9N-0869	213	1-B 23	CH9X-2041	615	1-D 15
CH8T-3612	591	1-D 13	CH8T-4994	115	1-B 13	CH9N-0869	215	1-B 23	CH9X-2042	613	1-D 15

INDEX

Part No.	Page	Grid	Part No.	Page	Grid	Part No.	Page	Grid	Part No.	Page	Grid
CH9X-2042	1059	1-F 11	WR522218	179	1-B 19	096-6166	489	1-D 2	111-7068	477	1-D 1
CH9X-2042	1061	1-F 12	WR522218	181	1-B 20	098-8968	355	1-C 13	111-7068	487	1-D 2
CH9X-2042	1177	1-F 23	WR522218	213	1-B 23	098-8968	357	1-C 13	112-5282	453	1-C 23
CH9X-2043	1185	1-F 24	WR522218	267	1-C 4	1A-0646	505	1-D 4	115-1615	1033	1-F 9
CH9X-2043	1187	1-F 24	WR522218	599	1-D 13	1A-0646	507	1-D 4	115-1615	1039	1-F 9
CH9X-2044	207	1-B 22	WR522218	603	1-D 14	1A-0646	509	1-D 4	115-4550	513	1-D 5
CH9X-2044	359	1-C 13	WR522218	605	1-D 14	1B-6577	497	1-D 3	116-7471	357	1-C 13
CH9X-2044	361	1-C 14	WR522218	617	1-D 15	1B-6577	499	1-D 3	117-0221	93	1-B 11
CH9X-2044	1065	1-F 12	WR522218	621	1-D 16	1B-6577	501	1-D 4	117-1385	453	1-C 23
CH9X-2044	1067	1-F 12	WR522218	631	1-D 17	1B-6577	503	1-D 4	117-2311	357	1-C 13
CH9X-2044	1095	1-F 15	WR522218	667	1-D 20	1C-2251	137	1-B 15	117-8131	611	1-D 15
CH9X-2044	1097	1-F 15	WR522218	669	1-D 20	1F-2771	457	1-C 23	120-8514	773	1-E 7
CH9X-2044	1127	1-F 18	WR522218	679	1-D 21	1F-2771	467	1-C 24	120-9048	773	1-E 7
CH9X-2044	1153	1-F 21	WR522218	681	1-D 22	1F-2771	477	1-D 1	120-9051	773	1-E 7
CH9X-2044	1179	1-F 23	WR522218	735	1-E 3	1F-2771	487	1-D 2	121-3120	495	1-D 3
CH9X-2045	377	1-C 15	WR522218	741	1-E 4	1F-2771	493	1-D 3	123-0380	1091	1-F 15
CH9X-2045	385	1-C 16	WR522218	749	1-E 4	1F-7567	455	1-C 23	123-0380	1093	1-F 15
CH9X-2045	1091	1-F 15	WR522218	753	1-E 5	1F-7567	465	1-C 24	123-0707	355	1-C 13
CH9X-2045	1093	1-F 15	WR522218	757	1-E 5	1F-7567	475	1-D 1	123-1373	203	1-B 22
CH9X-2045	1097	1-F 15	WR522218	759	1-E 5	1F-7567	485	1-D 2	124-0492	525	1-D 6
CH9X-2045	1117	1-F 17	WR522218	761	1-E 6	1L-3162	527	1-D 6	124-0492	531	1-D 7
CH9X-2045	1127	1-F 18	WR522218	775	1-E 7	1L-3162	533	1-D 7	124-0492	537	1-D 7
CH9X-2045	1177	1-F 23	WR522218	777	1-E 7	1L-3162	539	1-D 7	124-1479	377	1-C 15
CH9X-2045	1185	1-F 24	WR522218	805	1-E 10	1P-1669	1041	1-F 10	124-1479	759	1-E 5
CH9X-2045	1187	1-F 24	WR522218	807	1-E 10	1P-3958	461	1-C 24	124-4653	353	1-C 13
CH9X-2046	1095	1-F 15	WR522218	819	1-E 11	1P-3958	471	1-D 1	124-9536	455	1-C 23
CH9X-2092	1179	1-F 23	WR522218	821	1-E 12	1P-3958	481	1-D 2	124-9536	463	1-C 24
CH9X-2199	667	1-D 20	WR522218	823	1-E 12	1P-3958	491	1-D 3	124-9536	473	1-D 1
CH9X-2199	669	1-D 20	WR522218	825	1-E 12	1R-1234	707	1-D 24	124-9536	483	1-D 2
CH9X-2304	995	1-F 5	WR522218	833	1-E 13	1R-1235	709	1-D 24	126-7260	457	1-C 23
CH9X-2541	741	1-E 4	WR522218	839	1-E 13	1R-1238	713	1-E 1	126-7260	461	1-C 24
CH9X-2606	1073	1-F 13	WR522218	841	1-E 14	1R-1249	707	1-D 24	126-7260	467	1-C 24
CH9X-2616	1091	1-F 15	WR522218	843	1-E 14	1R-1250	709	1-D 24	126-7260	471	1-D 1
CH9X-2616	1093	1-F 15	WR522218	849	1-E 14	1R-1265	639	1-D 17	126-7260	477	1-D 1
CH9X-2858	891	1-E 19	WR522218	851	1-E 15	1R-1266	641	1-D 18	126-7260	481	1-D 2
CH9X-3994	1059	1-F 11	WR522218	855	1-E 15	1R-1267	643	1-D 18	126-7260	487	1-D 2
CH9X-3994	1061	1-F 12	WR522218	857	1-E 15	1R-1323	647	1-D 18	126-7260	491	1-D 3
CH9X-6165	1065	1-F 12	WR522218	913	1-E 21	1R-1325	649	1-D 18	127-9545	673	1-D 21
CH9X-6165	1127	1-F 18	WR522218	917	1-E 21	1R-1360	651	1-D 19	127-9545	675	1-D 21
CH9X-6165	1153	1-F 21	WR522218	919	1-E 21	1R-1388	645	1-D 18	127-9545	683	1-D 22
CH9X-7378	1063	1-F 12	WR522218	973	1-F 3	1T-1068	421	1-C 20	127-9561	671	1-D 21
CH9X-7378	1099	1-F 15	WR522218	995	1-F 5	1T-1068	423	1-C 20	127-9562	667	1-D 20
CH9X-7381	1099	1-F 15	WR522218	997	1-F 5	1T-1597	529	1-D 6	127-9562	669	1-D 20
CH9X-7382	1099	1-F 15	WR522218	1099	1-F 15	1T-1597	535	1-D 7	127-9564	667	1-D 20
CH9X-7680	883	1-E 18	WR561071	177	1-B 19	1T-1597	541	1-D 8	127-9564	669	1-D 20
CH9X-7680	885	1-E 18	005-8593	455	1-C 23	1U-8846	403	1-C 18	128-0420	93	1-B 11
CH9X-8118	273	1-C 5	005-8593	465	1-C 24	1U-8846	421	1-C 20	129-6457	353	1-C 13
CH9X-8118	1263	1-G 8	005-8593	473	1-D 1	1U-8846	425	1-C 20	129-6457	355	1-C 13
CH9X-8250	179	1-B 19	005-8593	485	1-D 2	1U-8846	459	1-C 23	130-4818	671	1-D 21
CH9X-8250	181	1-B 20	008-3178	525	1-D 6	1U-8846	469	1-C 24	130-4818	673	1-D 21
CH9X-8250	1099	1-F 15	008-3178	531	1-D 7	1U-8846	479	1-D 1	130-4818	675	1-D 21
CH9X-8267	1023	1-F 8	008-3178	537	1-D 7	1U-8846	489	1-D 2	130-9811	453	1-C 23
CH9X-8267	1025	1-F 8	031-1119	145	1-B 16	1U-8846	493	1-D 3	130-9811	1039	1-F 9
CH9X-8399	965	1-F 2	031-1119	147	1-B 16	1U-8846	495	1-D 3	130-9811	1041	1-F 10
CH9X-8979	883	1-E 18	036-9823	315	1-C 9	1U-8846	497	1-D 3	131-3718	459	1-C 23
CH9X-8979	885	1-E 18	036-9823	317	1-C 9	1U-8846	499	1-D 3	131-3718	469	1-C 24
CH9Y-6102	161	1-B 18	036-9823	319	1-C 9	1U-8846	501	1-D 4	131-3718	479	1-D 1
WR513654	621	1-D 16	061-7540	455	1-C 23	1U-8846	503	1-D 4	131-3718	489	1-D 2
WR514360	1191	1-G 1	061-7540	463	1-C 24	101-9640	99	1-B 11	131-3718	493	1-D 3
WR514360	1193	1-G 1	061-7540	473	1-D 1	102-8802	827	1-E 12	131-3718	523	1-D 6
WR516365	401	1-C 18	061-7540	483	1-D 2	102-8804	211	1-B 23	131-3718	529	1-D 6
WR518357	815	1-E 11	090-8865	1061	1-F 12	102-8804	265	1-C 4	131-3718	535	1-D 7
WR518622	1191	1-G 1	095-0670	459	1-C 23	102-8804	353	1-C 13	131-3718	541	1-D 8
WR520610	667	1-D 20	095-0670	469	1-C 24	102-8805	1107	1-F 16	131-3718	1263	1-G 8
WR520610	669	1-D 20	095-0670	479	1-D 1	105-5211	753	1-E 5	132-5789	377	1-C 15
WR520867	1153	1-F 21	095-0670	489	1-D 2	105-5211	757	1-E 5	132-5789	379	1-C 15
WR522218	95	1-B 11	095-7930	315	1-C 9	105-8034	357	1-C 13	132-6597	457	1-C 23
WR522218	101	1-B 12	095-7930	317	1-C 9	109-6497	497	1-D 3	132-6597	467	1-C 24
WR522218	129	1-B 14	095-7930	319	1-C 9	109-6497	499	1-D 3	132-6597	477	1-D 1
WR522218	131	1-B 15	096-6166	315	1-C 9	109-6497	501	1-D 4	132-6597	487	1-D 2
WR522218	133	1-B 15	096-6166	317	1-C 9	109-6497	503	1-D 4	132-6598	457	1-C 23
WR522218	141	1-B 16	096-6166	319	1-C 9	110-2028	355	1-C 13	132-6598	467	1-C 24
WR522218	143	1-B 16	096-6166	355	1-C 13	110-6393	1231	1-G 5	132-6598	477	1-D 1
WR522218	163	1-B 18	096-6166	357	1-C 13	111-7068	457	1-C 23	132-6598	487	1-D 2
WR522218	165	1-B 18	096-6166	479	1-D 1	111-7068	467	1-C 24	134-3988	377	1-C 15

MT800 SERIES TRACTORS

21
INDEX

Part No.	Page	Grid	Part No.	Page	Grid	Part No.	Page	Grid	Part No.	Page	Grid
134-4126	377	1-C 15	136-5477	369	1-C 14	142-9739	201	1-B 22	152-0420	1053	1-F 11
134-4126	383	1-C 16	136-5477	1049	1-F 10	142-9739	283	1-C 6	152-0420	1055	1-F 11
134-5645	505	1-D 4	136-5477	1051	1-F 11	142-9760	197	1-B 21	152-0420	1057	1-F 11
134-5645	507	1-D 4	136-5477	1053	1-F 11	142-9760	205	1-B 22	152-0422	1189	1-F 24
134-5645	509	1-D 4	136-5477	1055	1-F 11	142-9760	281	1-C 6	152-0424	1049	1-F 10
134-8360	427	1-C 20	136-5477	1057	1-F 11	142-9826	113	1-B 13	152-0424	1051	1-F 11
134-8360	429	1-C 20	136-5477	1133	1-F 19	142-9831	331	1-C 11	152-0424	1055	1-F 11
134-8360	431	1-C 21	136-5477	1135	1-F 19	142-9839	199	1-B 21	152-0424	1057	1-F 11
134-8360	433	1-C 21	136-5477	1141	1-F 20	142-9839	201	1-B 22	152-0424	1181	1-F 24
134-8360	437	1-C 21	136-5477	1143	1-F 20	145-0846	357	1-C 13	152-0427	1027	1-F 8
134-8360	441	1-C 22	136-5477	1149	1-F 20	145-0847	357	1-C 13	152-0427	1039	1-F 9
134-8360	443	1-C 22	136-5477	1151	1-F 21	146-3504	315	1-C 9	152-0427	1041	1-F 10
134-8360	445	1-C 22	136-5509	251	1-C 3	146-3504	317	1-C 9	152-0428	1023	1-F 8
134-8360	447	1-C 22	136-5509	255	1-C 3	146-3504	319	1-C 9	152-0428	1031	1-F 9
134-8360	451	1-C 23	136-5509	257	1-C 3	148-1925	453	1-C 23	152-0428	1033	1-F 9
134-8360	525	1-D 6	136-5511	353	1-C 13	148-8316	527	1-D 6	152-0428	1035	1-F 9
134-8360	531	1-D 7	136-5530	353	1-C 13	148-8316	533	1-D 7	152-0431	1177	1-F 23
134-8360	537	1-D 7	136-5535	391	1-C 17	148-8316	539	1-D 7	152-0433	1049	1-F 10
134-8361	427	1-C 20	136-5536	209	1-B 22	148-8385	527	1-D 6	152-0433	1051	1-F 11
134-8361	429	1-C 20	136-5566	171	1-B 19	148-8385	533	1-D 7	152-0433	1053	1-F 11
134-8361	431	1-C 21	136-5597	251	1-C 3	148-8385	539	1-D 7	152-0433	1055	1-F 11
134-8361	433	1-C 21	136-5597	255	1-C 3	148-8395	423	1-C 20	152-0433	1057	1-F 11
134-8361	437	1-C 21	136-5597	257	1-C 3	150-5146	97	1-B 11	152-0433	1153	1-F 21
134-8361	441	1-C 22	136-5598	255	1-C 3	150-5146	103	1-B 12	152-0434	1065	1-F 12
134-8361	443	1-C 22	136-5598	257	1-C 3	151-4059	715	1-E 1	152-0434	1127	1-F 18
134-8361	445	1-C 22	136-5598	261	1-C 4	151-8541	1185	1-F 24	152-0434	1129	1-F 18
134-8361	447	1-C 22	136-5600	113	1-B 13	151-8541	1187	1-F 24	152-0434	1131	1-F 19
134-8361	451	1-C 23	136-5600	207	1-B 22	151-8545	1185	1-F 24	152-0434	1133	1-F 19
134-8361	525	1-D 6	136-5600	1263	1-G 8	151-8545	1187	1-F 24	152-0434	1135	1-F 19
134-8361	531	1-D 7	136-5612	197	1-B 21	151-8559	1059	1-F 11	152-0434	1137	1-F 19
134-8361	537	1-D 7	136-5612	205	1-B 22	151-8559	1061	1-F 12	152-0434	1139	1-F 19
135-4483	353	1-C 13	136-5631	199	1-B 21	151-9961	1059	1-F 11	152-0434	1141	1-F 20
136-1953	1031	1-F 9	136-5631	201	1-B 22	151-9961	1061	1-F 12	152-0434	1143	1-F 20
136-5218	171	1-B 19	136-5654	197	1-B 21	151-9979	1185	1-F 24	152-0434	1145	1-F 20
136-5221	171	1-B 19	136-5654	199	1-B 21	151-9979	1187	1-F 24	152-0434	1147	1-F 20
136-5224	171	1-B 19	136-5654	201	1-B 22	151-9982	1185	1-F 24	152-0434	1149	1-F 20
136-5225	197	1-B 21	136-5654	205	1-B 22	151-9983	1091	1-F 15	152-0434	1151	1-F 21
136-5225	199	1-B 21	136-5654	207	1-B 22	151-9984	1185	1-F 24	152-0438	1049	1-F 10
136-5225	201	1-B 22	136-5655	207	1-B 22	151-9986	1023	1-F 8	152-0438	1051	1-F 11
136-5225	205	1-B 22	136-5657	199	1-B 21	151-9986	1049	1-F 10	152-0438	1053	1-F 11
136-5261	303	1-C 8	136-5657	201	1-B 22	151-9986	1053	1-F 11	152-0438	1055	1-F 11
136-5261	305	1-C 8	136-5658	197	1-B 21	151-9991	1187	1-F 24	152-0438	1057	1-F 11
136-5270	197	1-B 21	136-5659	57	1-B 7	151-9994	1059	1-F 11	152-0438	1073	1-F 13
136-5270	199	1-B 21	136-5659	59	1-B 7	151-9994	1185	1-F 24	152-0441	1121	1-F 18
136-5270	201	1-B 22	136-5659	205	1-B 22	151-9995	1061	1-F 12	152-0441	1123	1-F 18
136-5270	205	1-B 22	136-5659	1055	1-F 11	151-9995	1187	1-F 24	152-0443	903	1-E 20
136-5288	255	1-C 3	136-5662	199	1-B 21	152-0003	1053	1-F 11	152-0443	1079	1-F 13
136-5288	257	1-C 3	136-5663	61	1-B 8	152-0003	1055	1-F 11	152-0443	1129	1-F 18
136-5288	261	1-C 4	136-5663	63	1-B 8	152-0003	1057	1-F 11	152-0443	1131	1-F 19
136-5289	255	1-C 3	136-5663	201	1-B 22	152-0003	1059	1-F 11	152-0443	1133	1-F 19
136-5289	257	1-C 3	136-5663	203	1-B 22	152-0004	1049	1-F 10	152-0443	1135	1-F 19
136-5289	261	1-C 4	136-5663	1057	1-F 11	152-0004	1051	1-F 11	152-0444	1049	1-F 10
136-5330	1045	1-F 10	136-5665	73	1-B 9	152-0004	1061	1-F 12	152-0444	1051	1-F 11
136-5340	197	1-B 21	136-5665	265	1-C 4	152-0005	359	1-C 13	152-0444	1123	1-F 18
136-5340	199	1-B 21	136-5668	73	1-B 9	152-0005	361	1-C 14	152-0445	977	1-F 3
136-5340	201	1-B 22	136-5668	373	1-C 15	152-0005	1049	1-F 10	152-0445	979	1-F 3
136-5340	205	1-B 22	136-5668	375	1-C 15	152-0005	1051	1-F 11	152-0445	981	1-F 4
136-5355	801	1-E 10	136-5668	377	1-C 15	152-0417	1053	1-F 11	152-0445	983	1-F 4
136-5355	1077	1-F 13	136-5669	75	1-B 9	152-0417	1055	1-F 11	152-0445	985	1-F 4
136-5378	211	1-B 23	136-5669	379	1-C 15	152-0417	1057	1-F 11	152-0445	987	1-F 4
136-5378	977	1-F 3	136-5669	381	1-C 16	152-0417	1121	1-F 18	152-0445	1075	1-F 13
136-5378	979	1-F 3	136-5669	383	1-C 16	152-0418	1049	1-F 10	152-0445	1131	1-F 19
136-5378	981	1-F 4	136-5669	385	1-C 16	152-0418	1051	1-F 11	152-0445	1135	1-F 19
136-5378	983	1-F 4	136-5670	209	1-B 22	152-0418	1053	1-F 11	152-0445	1139	1-F 19
136-5378	985	1-F 4	136-5670	801	1-E 10	152-0418	1055	1-F 11	152-0445	1143	1-F 20
136-5378	987	1-F 4	136-5670	905	1-E 20	152-0418	1057	1-F 11	152-0445	1147	1-F 20
136-5380	375	1-C 15	136-5670	907	1-E 20	152-0418	1097	1-F 15	152-0445	1151	1-F 21
136-5380	381	1-C 16	141-0888	773	1-E 7	152-0419	1049	1-F 10	152-0446	221	1-B 24
136-5381	375	1-C 15	142-9677	265	1-C 4	152-0419	1051	1-F 11	152-0446	1009	1-F 6
136-5388	303	1-C 8	142-9717	205	1-B 22	152-0419	1055	1-F 11	152-0447	171	1-B 19
136-5404	305	1-C 8	142-9738	197	1-B 21	152-0419	1057	1-F 11	152-0447	1049	1-F 10
136-5429	75	1-B 9	142-9738	199	1-B 21	152-0419	1171	1-F 23	152-0447	1051	1-F 11
136-5429	269	1-C 4	142-9738	201	1-B 22	152-0420	353	1-C 13	152-0447	1053	1-F 11
136-5441	265	1-C 4	142-9738	205	1-B 22	152-0420	355	1-C 13	152-0447	1055	1-F 11
136-5476	265	1-C 4	142-9739	199	1-B 21	152-0420	357	1-C 13	152-0447	1057	1-F 11

INDEX

Part No.	Page	Grid	Part No.	Page	Grid	Part No.	Page	Grid	Part No.	Page	Grid
152-0448	803	1-E 10	156-6075	645	1-D 18	162-4091	269	1-C 4	163-0383	407	1-C 18
152-0448	1081	1-F 14	156-6077	639	1-D 17	162-4092	265	1-C 4	163-0384	85	1-B 10
152-0448	1145	1-F 20	156-6079	641	1-D 18	162-4092	269	1-C 4	163-0384	87	1-B 10
152-0448	1147	1-F 20	156-6082	643	1-D 18	162-4095	1183	1-F 24	163-0384	89	1-B 10
152-0448	1149	1-F 20	156-6084	671	1-D 21	162-4096	387	1-C 16	163-0384	91	1-B 11
152-0448	1151	1-F 21	156-8343	693	1-D 23	162-4096	1055	1-F 11	163-0384	409	1-C 18
152-5242	413	1-C 19	156-8343	695	1-D 23	162-4096	1057	1-F 11	163-0386	73	1-B 9
152-5242	415	1-C 19	158-2339	831	1-E 13	162-4097	351	1-C 13	163-0386	745	1-E 4
152-5242	417	1-C 19	158-2339	861	1-E 16	162-4097	1055	1-F 11	163-0400	1009	1-F 6
152-5242	419	1-C 19	158-2342	73	1-B 9	162-4097	1057	1-F 11	163-0402	241	1-C 2
152-5242	511	1-D 5	158-2342	75	1-B 9	162-4099	331	1-C 11	163-0403	243	1-C 2
153-9300	355	1-C 13	158-2342	831	1-E 13	162-4101	271	1-C 5	163-0405	409	1-C 18
154-8079	353	1-C 13	158-2349	815	1-E 11	162-4101	273	1-C 5	163-0412	407	1-C 18
154-8263	671	1-D 21	158-2349	831	1-E 13	162-4101	1049	1-F 10	163-0414	409	1-C 18
154-8264	671	1-D 21	158-2356	831	1-E 13	162-4101	1051	1-F 11	163-0414	411	1-C 19
154-8264	1263	1-G 8	158-2356	843	1-E 14	162-4102	391	1-C 17	163-0415	411	1-C 19
155-0014	269	1-C 4	158-2356	845	1-E 14	162-4103	1193	1-G 1	163-0425	407	1-C 18
155-0020	267	1-C 4	158-2363	977	1-F 3	162-4105	1065	1-F 12	163-0425	409	1-C 18
155-0027	265	1-C 4	158-2363	979	1-F 3	162-4111	1123	1-F 18	163-0592	455	1-C 23
155-0029	265	1-C 4	158-2363	981	1-F 4	162-4112	547	1-D 8	163-0592	463	1-C 24
155-0038	207	1-B 22	158-2363	983	1-F 4	162-4112	611	1-D 15	163-0592	473	1-D 1
155-0042	275	1-C 5	158-2363	985	1-F 4	162-6654	1121	1-F 18	163-0592	483	1-D 2
155-0043	277	1-C 5	158-2363	987	1-F 4	162-6654	1123	1-F 18	163-0678	673	1-D 21
155-2939	671	1-D 21	158-2363	993	1-F 5	162-6655	1121	1-F 18	163-0678	675	1-D 21
155-4426	543	1-D 8	158-2363	995	1-F 5	162-6687	1097	1-F 15	163-0678	677	1-D 21
155-4426	545	1-D 8	158-2393	831	1-E 13	162-6688	1097	1-F 15	163-1009	697	1-D 23
155-9571	427	1-C 20	158-2393	859	1-E 15	162-6689	1097	1-F 15	163-1009	701	1-D 24
155-9571	511	1-D 5	158-2397	831	1-E 13	162-6690	1097	1-F 15	164-2108	543	1-D 8
155-9572	429	1-C 20	158-2397	871	1-E 17	162-6691	1095	1-F 15	164-2108	545	1-D 8
155-9572	431	1-C 21	158-2404	659	1-D 19	162-6692	1097	1-F 15	164-3949	529	1-D 6
155-9572	511	1-D 5	158-2404	661	1-D 20	162-6693	1121	1-F 18	164-3949	535	1-D 7
155-9575	433	1-C 21	158-2404	783	1-E 8	162-6693	1123	1-F 18	164-3949	541	1-D 8
155-9575	511	1-D 5	158-5925	75	1-B 9	162-6696	265	1-C 4	164-3951	529	1-D 6
155-9576	435	1-C 21	158-5925	613	1-D 15	162-6697	265	1-C 4	164-3951	535	1-D 7
155-9576	437	1-C 21	158-5934	599	1-D 13	162-6698	265	1-C 4	164-3951	541	1-D 8
155-9576	511	1-D 5	158-5934	601	1-D 14	162-6699	265	1-C 4	164-4180	423	1-C 20
155-9579	421	1-C 20	158-5935	599	1-D 13	162-6734	1095	1-F 15	164-5567	423	1-C 20
155-9579	423	1-C 20	158-5935	601	1-D 14	162-6737	1065	1-F 12	164-5619	423	1-C 20
155-9579	425	1-C 20	158-5950	597	1-D 13	162-6738	1065	1-F 12	164-7013	1091	1-F 15
155-9579	511	1-D 5	158-5950	601	1-D 14	162-6738	1263	1-G 8	164-7013	1093	1-F 15
155-9580	453	1-C 23	158-5952	597	1-D 13	162-6751	1177	1-F 23	164-7014	1091	1-F 15
155-9580	511	1-D 5	158-5952	601	1-D 14	162-6752	1179	1-F 23	164-7014	1093	1-F 15
156-1313	73	1-B 9	158-5953	599	1-D 13	162-6757	1153	1-F 21	164-7017	1059	1-F 11
156-1313	597	1-D 13	158-5953	601	1-D 14	162-6758	1153	1-F 21	164-7017	1061	1-F 12
156-1313	599	1-D 13	158-5960	581	1-D 12	162-6759	1153	1-F 21	164-7023	1095	1-F 15
156-1327	547	1-D 8	158-5960	597	1-D 13	162-9766	751	1-E 5	164-7040	1075	1-F 13
156-1327	621	1-D 16	158-5961	581	1-D 12	162-9766	755	1-E 5	164-7041	1089	1-F 14
156-4881	659	1-D 19	158-5962	581	1-D 12	162-9804	867	1-E 16	164-7042	1065	1-F 12
156-4881	661	1-D 20	159-1236	401	1-C 18	162-9804	873	1-E 17	164-7044	1067	1-F 12
156-4881	701	1-D 24	159-1236	403	1-C 18	162-9805	727	1-E 2	164-7054	1091	1-F 15
156-4882	673	1-D 21	160-6789	529	1-D 6	162-9805	729	1-E 2	164-7062	1153	1-F 21
156-4882	701	1-D 24	160-6789	535	1-D 7	162-9805	865	1-E 16	164-7067	1091	1-F 15
156-4882	703	1-D 24	160-6789	541	1-D 8	162-9805	895	1-E 19	164-7067	1093	1-F 15
156-4883	675	1-D 21	161-1817	693	1-D 23	162-9805	899	1-E 19	164-7068	1059	1-F 11
156-4883	701	1-D 24	161-1817	695	1-D 23	162-9805	901	1-E 20	164-7068	1061	1-F 12
156-4883	703	1-D 24	161-8222	421	1-C 20	162-9816	807	1-E 10	164-7068	1091	1-F 15
156-4884	673	1-D 21	161-8222	423	1-C 20	162-9816	913	1-E 21	164-7069	1177	1-F 23
156-4884	693	1-D 23	161-8739	525	1-D 6	162-9816	917	1-E 21	165-0260	529	1-D 6
156-4885	675	1-D 21	161-8739	531	1-D 7	162-9816	919	1-E 21	165-0260	535	1-D 7
156-4885	695	1-D 23	161-8739	537	1-D 7	162-9816	923	1-E 22	165-0260	541	1-D 8
156-4891	689	1-D 22	161-8848	525	1-D 6	162-9817	911	1-E 21	165-0390	453	1-C 23
156-4893	65	1-B 8	161-8848	531	1-D 7	162-9817	915	1-E 21	165-0400	443	1-C 22
156-4893	67	1-B 8	161-9173	75	1-B 9	162-9817	925	1-E 22	165-0420	435	1-C 21
156-4893	69	1-B 8	161-9173	601	1-D 14	162-9818	911	1-E 21	165-0420	449	1-C 22
156-4893	71	1-B 9	161-9173	603	1-D 14	162-9818	915	1-E 21	165-5973	247	1-C 2
156-4893	691	1-D 23	161-9174	73	1-B 9	162-9818	927	1-E 22	165-5973	249	1-C 2
156-5581	49	1-B 6	161-9174	573	1-D 11	162-9822	925	1-E 22	165-5973	251	1-C 3
156-5581	65	1-B 8	161-9177	75	1-B 9	163-0267	697	1-D 23	165-7901	869	1-E 16
156-5582	51	1-B 7	161-9177	575	1-D 11	163-0267	699	1-D 23	165-7901	875	1-E 17
156-5582	67	1-B 8	162-0177	423	1-C 20	163-0268	697	1-D 23	165-8537	923	1-E 22
156-5583	53	1-B 7	162-0177	529	1-D 6	163-0268	699	1-D 23	165-8537	925	1-E 22
156-5583	69	1-B 8	162-0177	535	1-D 7	163-0383	77	1-B 9	165-8537	927	1-E 22
156-5584	55	1-B 7	162-0177	541	1-D 8	163-0383	79	1-B 9	166-1211	367	1-C 14
156-5584	71	1-B 9	162-0288	697	1-D 23	163-0383	81	1-B 10	166-1211	1129	1-F 18
156-5863	1039	1-F 9	162-4091	265	1-C 4	163-0383	83	1-B 10	166-1211	1131	1-F 19

MT800 SERIES TRACTORS

23
INDEX

Part No.	Page	Grid	Part No.	Page	Grid	Part No.	Page	Grid	Part No.	Page	Grid
166-1211	1137	1-F 19	168-2311	1039	1-F 9	171-1229	211	1-B 23	172-5343	1099	1-F 15
166-1211	1139	1-F 19	168-2311	1041	1-F 10	171-1229	1263	1-G 8	172-5344	85	1-B 10
166-1211	1145	1-F 20	168-2313	1033	1-F 9	171-1576	1045	1-F 10	172-5344	87	1-B 10
166-1211	1147	1-F 20	168-2313	1039	1-F 9	171-7234	551	1-D 9	172-5344	89	1-B 10
166-3754	1067	1-F 12	168-2313	1263	1-G 8	171-7234	553	1-D 9	172-5344	91	1-B 11
166-3755	1067	1-F 12	168-2315	1033	1-F 9	171-9687	265	1-C 4	172-5344	135	1-B 15
166-4553	1089	1-F 14	168-2315	1039	1-F 9	171-9687	269	1-C 4	172-5345	77	1-B 9
166-4555	1067	1-F 12	168-2316	1033	1-F 9	171-9687	1263	1-G 8	172-5345	79	1-B 9
166-4556	1023	1-F 8	168-2316	1039	1-F 9	171-9688	265	1-C 4	172-5345	81	1-B 10
166-4556	1025	1-F 8	168-2318	1031	1-F 9	171-9688	269	1-C 4	172-5345	83	1-B 10
166-4556	1027	1-F 8	168-2322	1041	1-F 10	171-9688	1263	1-G 8	172-5345	133	1-B 15
166-4556	1029	1-F 8	168-2324	1031	1-F 9	171-9773	1261	1-G 8	172-5361	49	1-B 6
166-4556	1095	1-F 15	168-2326	1031	1-F 9	171-9774	1261	1-G 8	172-5361	77	1-B 9
166-4558	1059	1-F 11	168-2327	1035	1-F 9	172-3441	525	1-D 6	172-5362	51	1-B 7
166-4558	1061	1-F 12	168-2334	1089	1-F 14	172-3441	531	1-D 7	172-5362	81	1-B 10
166-4568	1185	1-F 24	168-4558	525	1-D 6	172-3441	537	1-D 7	172-5363	53	1-B 7
166-4570	1185	1-F 24	168-4558	531	1-D 7	172-4155	699	1-D 23	172-5363	85	1-B 10
166-4586	1023	1-F 8	168-4558	537	1-D 7	172-4516	831	1-E 13	172-5364	55	1-B 7
166-4586	1025	1-F 8	168-6580	275	1-C 5	172-4516	837	1-E 13	172-5364	89	1-B 10
166-4586	1071	1-F 13	168-6581	277	1-C 5	172-4516	839	1-E 13	172-6841	287	1-C 6
166-4587	1027	1-F 8	169-0027	977	1-F 3	172-4517	663	1-D 20	172-6841	361	1-C 14
166-4590	905	1-E 20	169-0028	979	1-F 3	172-4517	665	1-D 20	172-6842	1173	1-F 23
166-4590	1083	1-F 14	169-6323	1189	1-F 24	172-4517	785	1-E 8	172-6844	1117	1-F 17
166-4590	1137	1-F 19	169-6323	1191	1-G 1	172-4518	847	1-E 14	172-6845	1117	1-F 17
166-4590	1139	1-F 19	169-6328	1185	1-F 24	172-4518	873	1-E 17	172-6851	1075	1-F 13
166-4590	1141	1-F 20	169-6328	1187	1-F 24	172-4519	853	1-E 15	172-6852	1075	1-F 13
166-4590	1143	1-F 20	169-6337	1095	1-F 15	172-4519	875	1-E 17	172-6853	1075	1-F 13
166-4590	1145	1-F 20	169-6342	1177	1-F 23	172-5333	85	1-B 10	172-6857	733	1-E 3
166-4590	1147	1-F 20	169-6343	1177	1-F 23	172-5333	87	1-B 10	172-6857	1049	1-F 10
166-4590	1149	1-F 20	169-6344	1177	1-F 23	172-5333	89	1-B 10	172-6857	1051	1-F 11
166-4590	1151	1-F 21	169-6345	1179	1-F 23	172-5333	91	1-B 11	172-6858	1075	1-F 13
166-4592	1027	1-F 8	169-6346	367	1-C 14	172-5333	117	1-B 13	172-6863	1075	1-F 13
166-4592	1051	1-F 11	169-6346	369	1-C 14	172-5334	77	1-B 9	172-6864	1075	1-F 13
166-4592	1055	1-F 11	169-6346	1087	1-F 14	172-5334	79	1-B 9	172-6865	1075	1-F 13
166-4592	1057	1-F 11	169-6347	1087	1-F 14	172-5334	81	1-B 10	172-6869	1089	1-F 14
166-4595	1095	1-F 15	169-6347	1089	1-F 14	172-5334	83	1-B 10	172-6945	77	1-B 9
166-4603	1023	1-F 8	169-6351	1153	1-F 21	172-5334	115	1-B 13	172-6945	79	1-B 9
166-4603	1025	1-F 8	169-6362	1079	1-F 13	172-5335	85	1-B 10	172-6946	81	1-B 10
166-4603	1027	1-F 8	169-6362	1083	1-F 14	172-5335	87	1-B 10	172-6946	83	1-B 10
166-4603	1029	1-F 8	169-6367	353	1-C 13	172-5335	89	1-B 10	172-7966	513	1-D 5
166-4608	1065	1-F 12	169-6370	353	1-C 13	172-5335	91	1-B 11	172-7968	513	1-D 5
166-4616	247	1-C 2	169-6373	1095	1-F 15	172-5335	169	1-B 18	172-8035	347	1-C 12
166-4616	249	1-C 2	169-6380	285	1-C 6	172-5336	77	1-B 9	172-8886	73	1-B 9
166-4616	251	1-C 3	169-6380	357	1-C 13	172-5336	79	1-B 9	172-8886	1203	1-G 2
166-4617	1095	1-F 15	169-6383	1177	1-F 23	172-5336	81	1-B 10	173-2743	621	1-D 16
166-4623	75	1-B 9	169-6384	1081	1-F 14	172-5336	83	1-B 10	173-2744	621	1-D 16
166-4623	779	1-E 7	169-6385	1067	1-F 12	172-5336	167	1-B 18	173-4060	1261	1-G 8
166-7774	551	1-D 9	169-6386	1067	1-F 12	172-5337	85	1-B 10	173-5392	427	1-C 20
166-7774	553	1-D 9	169-6390	1065	1-F 12	172-5337	87	1-B 10	173-5392	429	1-C 20
166-7775	551	1-D 9	169-6391	1075	1-F 13	172-5337	89	1-B 10	173-5392	431	1-C 21
166-7775	553	1-D 9	169-6399	1185	1-F 24	172-5337	91	1-B 11	173-5392	433	1-C 21
166-7776	551	1-D 9	169-6399	1187	1-F 24	172-5337	151	1-B 17	173-5392	435	1-C 21
166-7776	553	1-D 9	169-8222	321	1-C 10	172-5338	77	1-B 9	173-5392	437	1-C 21
167-1258	1193	1-G 1	169-8223	273	1-C 5	172-5338	79	1-B 9	173-5392	441	1-C 22
167-9524	543	1-D 8	169-8225	387	1-C 16	172-5338	81	1-B 10	173-5392	443	1-C 22
167-9524	545	1-D 8	169-8227	1075	1-F 13	172-5338	83	1-B 10	173-5392	445	1-C 22
168-1945	393	1-C 17	169-8227	1263	1-G 8	172-5338	153	1-B 17	173-5392	447	1-C 22
168-1946	371	1-C 15	169-8228	367	1-C 14	172-5341	85	1-B 10	173-5392	449	1-C 22
168-1946	1049	1-F 10	169-8228	369	1-C 14	172-5341	87	1-B 10	173-5392	451	1-C 23
168-1946	1051	1-F 11	169-8229	351	1-C 13	172-5341	89	1-B 10	173-5392	525	1-D 6
168-1951	1045	1-F 10	169-8229	371	1-C 15	172-5341	91	1-B 11	173-5392	531	1-D 7
168-1951	1049	1-F 10	169-8230	391	1-C 17	172-5341	161	1-B 18	173-5392	537	1-D 7
168-1951	1051	1-F 11	169-8230	393	1-C 17	172-5342	77	1-B 9	173-6501	389	1-C 16
168-1951	1053	1-F 11	169-8231	357	1-C 13	172-5342	79	1-B 9	173-6501	1051	1-F 11
168-1951	1055	1-F 11	169-8231	361	1-C 14	172-5342	81	1-B 10	173-6501	1055	1-F 11
168-1951	1057	1-F 11	170-1198	353	1-C 13	172-5342	83	1-B 10	173-6501	1057	1-F 11
168-1952	1111	1-F 17	170-2204	353	1-C 13	172-5342	159	1-B 17	173-6505	347	1-C 12
168-1970	1113	1-F 17	170-2204	359	1-C 13	172-5343	77	1-B 9	173-6506	1173	1-F 23
168-2284	1121	1-F 18	170-5739	1115	1-F 17	172-5343	79	1-B 9	173-6507	1117	1-F 17
168-2284	1123	1-F 18	170-5765	621	1-D 16	172-5343	81	1-B 10	173-7707	357	1-C 13
168-2291	327	1-C 10	170-7252	365	1-C 14	172-5343	83	1-B 10	173-7708	359	1-C 13
168-2305	1097	1-F 15	170-7253	1117	1-F 17	172-5343	85	1-B 10	173-7708	363	1-C 14
168-2311	1031	1-F 9	170-7255	1173	1-F 23	172-5343	87	1-B 10	173-8307	635	1-D 17
168-2311	1033	1-F 9	170-7290	493	1-D 3	172-5343	89	1-B 10	173-8307	637	1-D 17
168-2311	1035	1-F 9	170-7290	523	1-D 6	172-5343	91	1-B 11	173-8818	1065	1-F 12

INDEX

Part No.	Page	Grid	Part No.	Page	Grid	Part No.	Page	Grid	Part No.	Page	Grid
174-3978	1031	1-F 9	177-4522	647	1-D 18	177-5249	1263	1-G 8	177-6761	439	1-C 21
174-3979	1031	1-F 9	177-4523	649	1-D 18	177-5250	427	1-C 20	177-6762	439	1-C 21
174-3980	1033	1-F 9	177-4588	565	1-D 10	177-5250	433	1-C 21	177-6763	439	1-C 21
174-3981	1031	1-F 9	177-4589	685	1-D 22	177-5250	441	1-C 22	177-6764	439	1-C 21
174-4874	497	1-D 3	177-5233	439	1-C 21	177-5250	443	1-C 22	177-6765	439	1-C 21
174-4874	499	1-D 3	177-5233	511	1-D 5	177-5252	427	1-C 20	177-6766	439	1-C 21
174-4874	501	1-D 4	177-5234	493	1-D 3	177-5252	443	1-C 22	177-6767	439	1-C 21
174-4874	503	1-D 4	177-5234	511	1-D 5	177-5256	427	1-C 20	177-6768	439	1-C 21
174-4875	501	1-D 4	177-5236	427	1-C 20	177-5256	429	1-C 20	177-6769	437	1-C 21
174-4875	503	1-D 4	177-5236	429	1-C 20	177-5256	443	1-C 22	177-6769	451	1-C 23
174-5770	1023	1-F 8	177-5236	431	1-C 21	177-5256	445	1-C 22	177-6770	433	1-C 21
174-5770	1025	1-F 8	177-5236	433	1-C 21	177-5257	427	1-C 20	177-6770	441	1-C 22
174-5770	1027	1-F 8	177-5236	441	1-C 22	177-5257	429	1-C 20	177-6771	435	1-C 21
174-5770	1029	1-F 8	177-5236	443	1-C 22	177-5257	433	1-C 21	177-6771	437	1-C 21
174-5774	1177	1-F 23	177-5236	445	1-C 22	177-5257	441	1-C 22	177-6771	449	1-C 22
174-5788	1177	1-F 23	177-5236	447	1-C 22	177-5257	443	1-C 22	177-6771	451	1-C 23
174-5790	1065	1-F 12	177-5241	427	1-C 20	177-5257	445	1-C 22	177-6774	421	1-C 20
174-7449	513	1-D 5	177-5241	429	1-C 20	177-5258	427	1-C 20	177-6774	423	1-C 20
174-7872	1193	1-G 1	177-5241	431	1-C 21	177-5258	429	1-C 20	177-6775	421	1-C 20
174-8822	761	1-E 6	177-5241	433	1-C 21	177-5258	431	1-C 21	177-6775	423	1-C 20
174-9381	457	1-C 23	177-5241	435	1-C 21	177-5258	433	1-C 21	177-6781	493	1-D 3
174-9381	467	1-C 24	177-5241	437	1-C 21	177-5258	435	1-C 21	177-6782	493	1-D 3
174-9381	477	1-D 1	177-5241	441	1-C 22	177-5258	437	1-C 21	177-6783	493	1-D 3
174-9381	487	1-D 2	177-5241	443	1-C 22	177-5258	441	1-C 22	177-6784	493	1-D 3
174-9383	461	1-C 24	177-5241	445	1-C 22	177-5258	443	1-C 22	177-6795	435	1-C 21
174-9383	471	1-D 1	177-5241	447	1-C 22	177-5258	445	1-C 22	177-6795	449	1-C 22
174-9383	481	1-D 2	177-5241	449	1-C 22	177-5258	447	1-C 22	177-6797	427	1-C 20
174-9383	491	1-D 3	177-5241	451	1-C 23	177-5258	449	1-C 22	177-6797	429	1-C 20
174-9407	457	1-C 23	177-5241	525	1-D 6	177-5258	451	1-C 23	177-6797	431	1-C 21
174-9407	467	1-C 24	177-5241	531	1-D 7	177-5260	427	1-C 20	177-6797	433	1-C 21
174-9407	477	1-D 1	177-5241	537	1-D 7	177-5260	443	1-C 22	177-6797	437	1-C 21
174-9407	487	1-D 2	177-5243	427	1-C 20	177-5263	429	1-C 20	177-6797	441	1-C 22
174-9410	457	1-C 23	177-5243	429	1-C 20	177-5263	445	1-C 22	177-6797	443	1-C 22
174-9410	467	1-C 24	177-5243	431	1-C 21	177-5265	429	1-C 20	177-6797	445	1-C 22
174-9410	477	1-D 1	177-5243	433	1-C 21	177-5265	445	1-C 22	177-6797	447	1-C 22
174-9410	487	1-D 2	177-5243	437	1-C 21	177-5267	429	1-C 20	177-6797	451	1-C 23
175-0198	1193	1-G 1	177-5243	441	1-C 22	177-5267	435	1-C 21	177-6797	525	1-D 6
175-3097	497	1-D 3	177-5243	443	1-C 22	177-5267	445	1-C 22	177-6797	531	1-D 7
175-3097	499	1-D 3	177-5243	445	1-C 22	177-5267	449	1-C 22	177-6797	537	1-D 7
175-3097	501	1-D 4	177-5243	447	1-C 22	177-5269	433	1-C 21	177-6800	421	1-C 20
175-3097	503	1-D 4	177-5243	451	1-C 23	177-5269	441	1-C 22	177-6800	423	1-C 20
175-3097	505	1-D 4	177-5243	525	1-D 6	177-5270	433	1-C 21	177-6801	427	1-C 20
175-3097	507	1-D 4	177-5243	531	1-D 7	177-5270	441	1-C 22	177-6801	429	1-C 20
175-3097	509	1-D 4	177-5243	537	1-D 7	177-6738	435	1-C 21	177-6801	433	1-C 21
175-7513	671	1-D 21	177-5246	427	1-C 20	177-6738	437	1-C 21	177-6801	435	1-C 21
176-0373	581	1-D 12	177-5246	429	1-C 20	177-6738	449	1-C 22	177-6801	441	1-C 22
176-0374	581	1-D 12	177-5246	431	1-C 21	177-6738	451	1-C 23	177-6801	443	1-C 22
176-0379	259	1-C 3	177-5246	433	1-C 21	177-6739	435	1-C 21	177-6801	445	1-C 22
176-0380	259	1-C 3	177-5246	435	1-C 21	177-6739	449	1-C 22	177-6801	449	1-C 22
176-0997	573	1-D 11	177-5246	437	1-C 21	177-6740	435	1-C 21	177-6801	1263	1-G 8
176-0997	575	1-D 11	177-5246	441	1-C 22	177-6740	449	1-C 22	177-6802	431	1-C 21
176-0998	573	1-D 11	177-5246	443	1-C 22	177-6741	421	1-C 20	177-6802	447	1-C 22
176-0998	575	1-D 11	177-5246	445	1-C 22	177-6741	423	1-C 20	177-6804	427	1-C 20
176-0999	573	1-D 11	177-5246	447	1-C 22	177-6743	435	1-C 21	177-6804	429	1-C 20
176-0999	575	1-D 11	177-5246	449	1-C 22	177-6743	449	1-C 22	177-6804	431	1-C 21
176-1001	573	1-D 11	177-5246	451	1-C 23	177-6747	435	1-C 21	177-6804	433	1-C 21
176-1001	575	1-D 11	177-5246	525	1-D 6	177-6747	449	1-C 22	177-6804	437	1-C 21
176-1002	573	1-D 11	177-5246	531	1-D 7	177-6752	435	1-C 21	177-6804	441	1-C 22
176-1002	575	1-D 11	177-5246	537	1-D 7	177-6752	449	1-C 22	177-6804	443	1-C 22
176-1377	457	1-C 23	177-5248	427	1-C 20	177-6754	435	1-C 21	177-6804	445	1-C 22
176-1377	461	1-C 24	177-5248	433	1-C 21	177-6754	449	1-C 22	177-6804	447	1-C 22
176-1377	467	1-C 24	177-5248	441	1-C 22	177-6755	435	1-C 21	177-6804	451	1-C 23
176-1377	471	1-D 1	177-5248	443	1-C 22	177-6755	437	1-C 21	177-6804	525	1-D 6
176-1377	477	1-D 1	177-5249	427	1-C 20	177-6755	449	1-C 22	177-6804	531	1-D 7
176-1377	481	1-D 2	177-5249	429	1-C 20	177-6755	451	1-C 23	177-6804	537	1-D 7
176-1377	487	1-D 2	177-5249	431	1-C 21	177-6757	435	1-C 21	177-7107	613	1-D 15
176-1377	491	1-D 3	177-5249	433	1-C 21	177-6757	437	1-C 21	177-9555	761	1-E 6
176-2966	667	1-D 20	177-5249	435	1-C 21	177-6757	449	1-C 22	177-9641	1039	1-F 9
176-2968	669	1-D 20	177-5249	437	1-C 21	177-6757	451	1-C 23	177-9642	1039	1-F 9
177-0381	355	1-C 13	177-5249	441	1-C 22	177-6758	435	1-C 21	177-9645	1039	1-F 9
177-0381	359	1-C 13	177-5249	443	1-C 22	177-6758	437	1-C 21	177-9778	177	1-B 19
177-0385	355	1-C 13	177-5249	445	1-C 22	177-6758	449	1-C 22	177-9945	699	1-D 23
177-0385	359	1-C 13	177-5249	447	1-C 22	177-6758	451	1-C 23	177-9945	703	1-D 24
177-0661	957	1-F 1	177-5249	449	1-C 22	177-6760	435	1-C 21	177-9946	663	1-D 20
177-0661	959	1-F 1	177-5249	451	1-C 23	177-6760	449	1-C 22	177-9946	665	1-D 20

MT800 SERIES TRACTORS

25
INDEX

Part No.	Page	Grid	Part No.	Page	Grid	Part No.	Page	Grid	Part No.	Page	Grid
177-9946	703	1-D 24	179-2261	1219	1-G 3	179-9480	501	1-D 4	180-4376	457	1-C 23
177-9947	663	1-D 20	179-2261	1221	1-G 4	179-9480	503	1-D 4	180-4376	459	1-C 23
177-9948	659	1-D 19	179-2261	1223	1-G 4	179-9480	517	1-D 5	180-4376	461	1-C 24
178-1202	667	1-D 20	179-2261	1225	1-G 4	179-9480	521	1-D 6	180-4376	463	1-C 24
178-1202	669	1-D 20	179-2886	99	1-B 11	179-9488	497	1-D 3	180-4376	465	1-C 24
178-1203	667	1-D 20	179-2887	99	1-B 11	179-9488	499	1-D 3	180-4376	467	1-C 24
178-1203	669	1-D 20	179-2957	1177	1-F 23	179-9488	501	1-D 4	180-4376	469	1-C 24
178-6238	1179	1-F 23	179-3317	977	1-F 3	179-9488	503	1-D 4	180-4376	471	1-D 1
178-7162	797	1-E 9	179-3317	981	1-F 4	179-9827	821	1-E 12	180-4376	473	1-D 1
178-7197	761	1-E 6	179-3317	985	1-F 4	179-9828	821	1-E 12	180-4376	475	1-D 1
178-7952	1127	1-F 18	179-3317	989	1-F 4	180-0184	873	1-E 17	180-4376	477	1-D 1
178-7953	1187	1-F 24	179-3318	957	1-F 1	180-0185	65	1-B 8	180-4376	479	1-D 1
178-7954	1187	1-F 24	179-3318	977	1-F 3	180-0185	67	1-B 8	180-4376	481	1-D 2
178-7957	355	1-C 13	179-3318	981	1-F 4	180-0185	69	1-B 8	180-4376	483	1-D 2
178-7957	359	1-C 13	179-3318	985	1-F 4	180-0185	71	1-B 9	180-4376	485	1-D 2
178-7974	1095	1-F 15	179-4203	1121	1-F 18	180-0185	875	1-E 17	180-4376	487	1-D 2
178-8047	567	1-D 10	179-4203	1123	1-F 18	180-0494	903	1-E 20	180-4376	489	1-D 2
178-8087	651	1-D 19	179-4204	359	1-C 13	180-0494	913	1-E 21	180-4376	491	1-D 3
178-9090	377	1-C 15	179-4206	1065	1-F 12	180-0495	905	1-E 20	180-4376	515	1-D 5
178-9090	383	1-C 16	179-4207	597	1-D 13	180-0495	917	1-E 21	180-4376	517	1-D 5
178-9244	1153	1-F 21	179-4207	599	1-D 13	180-0498	805	1-E 10	180-4376	519	1-D 5
178-9245	1153	1-F 21	179-4207	1065	1-F 12	180-0500	911	1-E 21	180-4376	521	1-D 6
179-0851	953	1-F 1	179-4219	1091	1-F 15	180-0500	915	1-E 21	180-4379	461	1-C 24
179-0852	981	1-F 4	179-4221	1095	1-F 15	180-0503	949	1-E 24	180-4379	471	1-D 1
179-0853	65	1-B 8	179-4223	1095	1-F 15	180-0503	951	1-F 1	180-4379	481	1-D 2
179-0853	67	1-B 8	179-4225	1095	1-F 15	180-0503	997	1-F 5	180-4379	491	1-D 3
179-0853	69	1-B 8	179-4227	1075	1-F 13	180-1434	903	1-E 20	180-4381	461	1-C 24
179-0853	71	1-B 9	179-4304	49	1-B 6	180-1438	905	1-E 20	180-4381	471	1-D 1
179-0853	955	1-F 1	179-4304	51	1-B 7	180-1667	751	1-E 5	180-4381	481	1-D 2
179-1952	49	1-B 6	179-4304	53	1-B 7	180-1667	755	1-E 5	180-4381	491	1-D 3
179-1952	51	1-B 7	179-4304	55	1-B 7	180-2455	1039	1-F 9	180-4382	461	1-C 24
179-1952	53	1-B 7	179-4304	57	1-B 7	180-2461	1039	1-F 9	180-4382	471	1-D 1
179-1952	55	1-B 7	179-4304	59	1-B 7	180-2463	1033	1-F 9	180-4382	481	1-D 2
179-1952	73	1-B 9	179-4304	61	1-B 8	180-2463	1039	1-F 9	180-4382	491	1-D 3
179-1953	73	1-B 9	179-4304	63	1-B 8	180-2464	1033	1-F 9	180-4384	461	1-C 24
179-1953	75	1-B 9	179-4304	403	1-C 18	180-2464	1039	1-F 9	180-4384	471	1-D 1
179-1953	547	1-D 8	179-4324	357	1-C 13	180-2465	1035	1-F 9	180-4384	481	1-D 2
179-1954	547	1-D 8	179-6897	733	1-E 3	180-2465	1041	1-F 10	180-4384	491	1-D 3
179-1954	579	1-D 11	179-6899	733	1-E 3	180-2466	1035	1-F 9	180-4387	461	1-C 24
179-2180	57	1-B 7	179-6901	733	1-E 3	180-2466	1041	1-F 10	180-4387	471	1-D 1
179-2180	59	1-B 7	179-8220	1067	1-F 12	180-2467	1035	1-F 9	180-4387	481	1-D 2
179-2180	61	1-B 8	179-8664	843	1-E 14	180-2467	1041	1-F 10	180-4387	491	1-D 3
179-2180	63	1-B 8	179-8664	855	1-E 15	180-2468	1035	1-F 9	180-4502	457	1-C 23
179-2180	75	1-B 9	179-9006	457	1-C 23	180-2468	1041	1-F 10	180-4502	461	1-C 24
179-2182	185	1-B 20	179-9006	461	1-C 24	180-2469	1035	1-F 9	180-4502	467	1-C 24
179-2182	547	1-D 8	179-9006	467	1-C 24	180-2469	1041	1-F 10	180-4502	471	1-D 1
179-2183	85	1-B 10	179-9006	471	1-D 1	180-2470	1031	1-F 9	180-4502	477	1-D 1
179-2183	87	1-B 10	179-9006	477	1-D 1	180-2471	1035	1-F 9	180-4502	481	1-D 2
179-2183	89	1-B 10	179-9006	481	1-D 2	180-2471	1041	1-F 10	180-4502	487	1-D 2
179-2183	91	1-B 11	179-9006	487	1-D 2	180-2519	751	1-E 5	180-4502	491	1-D 3
179-2183	181	1-B 20	179-9006	491	1-D 3	180-2519	755	1-E 5	180-4505	457	1-C 23
179-2185	73	1-B 9	179-9007	497	1-D 3	180-2825	1177	1-F 23	180-4505	461	1-C 24
179-2185	1227	1-G 4	179-9007	499	1-D 3	180-2924	85	1-B 10	180-4505	467	1-C 24
179-2185	1229	1-G 4	179-9007	501	1-D 4	180-2924	87	1-B 10	180-4505	471	1-D 1
179-2185	1231	1-G 5	179-9007	503	1-D 4	180-2924	89	1-B 10	180-4505	477	1-D 1
179-2185	1233	1-G 5	179-9471	497	1-D 3	180-2924	91	1-B 11	180-4505	481	1-D 2
179-2185	1235	1-G 5	179-9471	499	1-D 3	180-2924	313	1-C 9	180-4505	487	1-D 2
179-2193	57	1-B 7	179-9471	501	1-D 4	180-2937	93	1-B 11	180-4505	491	1-D 3
179-2194	59	1-B 7	179-9471	503	1-D 4	180-2937	95	1-B 11	180-5237	1065	1-F 12
179-2195	61	1-B 8	179-9476	497	1-D 3	180-2937	717	1-E 1	180-5239	1095	1-F 15
179-2196	63	1-B 8	179-9476	499	1-D 3	180-2937	721	1-E 2	180-5244	355	1-C 13
179-2248	1243	1-G 6	179-9476	501	1-D 4	180-2937	763	1-E 6	180-5244	359	1-C 13
179-2249	1247	1-G 6	179-9476	503	1-D 4	180-2937	767	1-E 6	180-5485	761	1-E 6
179-2250	1255	1-G 7	179-9477	497	1-D 3	180-3667	669	1-D 20	180-6240	1091	1-F 15
179-2251	1251	1-G 7	179-9477	499	1-D 3	180-3669	667	1-D 20	180-6240	1093	1-F 15
179-2252	1245	1-G 6	179-9477	501	1-D 4	180-4036	949	1-E 24	180-6639	983	1-F 4
179-2254	1249	1-G 6	179-9477	503	1-D 4	180-4036	953	1-F 1	180-6640	959	1-F 1
179-2255	1253	1-G 7	179-9478	497	1-D 3	180-4036	969	1-F 2	180-6640	979	1-F 3
179-2257	149	1-B 16	179-9478	499	1-D 3	180-4038	955	1-F 1	180-6640	983	1-F 4
179-2261	75	1-B 9	179-9478	501	1-D 4	180-4038	1017	1-F 7	180-6640	987	1-F 4
179-2261	1209	1-G 2	179-9478	503	1-D 4	180-4039	947	1-E 24	180-7174	799	1-E 9
179-2261	1211	1-G 3	179-9479	497	1-D 3	180-4039	949	1-E 24	180-8369	529	1-D 6
179-2261	1213	1-G 3	179-9479	499	1-D 3	180-4039	953	1-F 1	180-8369	535	1-D 7
179-2261	1215	1-G 3	179-9479	515	1-D 5	180-4039	955	1-F 1	180-8369	541	1-D 8
179-2261	1217	1-G 3	179-9479	519	1-D 5	180-4376	455	1-C 23	180-8378	525	1-D 6

INDEX

Part No.	Page	Grid	Part No.	Page	Grid	Part No.	Page	Grid	Part No.	Page	Grid
180-8378	531	1-D 7	184-0790	669	1-D 20	184-7171	113	1-B 13	186-0983	1001	1-F 6
180-8378	537	1-D 7	184-1693	457	1-C 23	184-7976	633	1-D 17	186-0994	969	1-F 2
180-8382	525	1-D 6	184-1693	461	1-C 24	184-7977	633	1-D 17	186-0994	971	1-F 3
180-8382	531	1-D 7	184-1693	467	1-C 24	184-7978	633	1-D 17	186-0995	969	1-F 2
180-8382	537	1-D 7	184-1693	471	1-D 1	184-7979	633	1-D 17	186-0995	971	1-F 3
180-8385	525	1-D 6	184-1693	477	1-D 1	184-7980	633	1-D 17	186-1000	961	1-F 2
180-8385	531	1-D 7	184-1693	481	1-D 2	184-7985	633	1-D 17	186-1020	1001	1-F 6
180-8385	537	1-D 7	184-1693	487	1-D 2	185-2151	1153	1-F 21	186-1063	989	1-F 4
180-8393	525	1-D 6	184-1693	491	1-D 3	185-2151	1263	1-G 8	186-1063	991	1-F 5
180-8393	531	1-D 7	184-1694	457	1-C 23	185-2220	85	1-B 10	186-1063	1015	1-F 7
180-8393	537	1-D 7	184-1694	467	1-C 24	185-2220	87	1-B 10	186-1064	1015	1-F 7
180-8395	525	1-D 6	184-1694	477	1-D 1	185-2220	89	1-B 10	186-1071	971	1-F 3
180-8395	531	1-D 7	184-1694	487	1-D 2	185-2220	91	1-B 11	186-1077	971	1-F 3
180-8395	537	1-D 7	184-1695	457	1-C 23	185-2220	147	1-B 16	186-1078	971	1-F 3
180-8428	457	1-C 23	184-1695	461	1-C 24	185-2225	127	1-B 14	186-1090	989	1-F 4
180-8428	467	1-C 24	184-1695	467	1-C 24	185-2226	127	1-B 14	186-1090	991	1-F 5
180-8428	477	1-D 1	184-1695	471	1-D 1	185-2227	127	1-B 14	186-1090	1001	1-F 6
180-8428	487	1-D 2	184-1695	477	1-D 1	185-2237	77	1-B 9	186-1091	989	1-F 4
180-8431	505	1-D 4	184-1695	481	1-D 2	185-2237	79	1-B 9	186-1091	991	1-F 5
180-8431	507	1-D 4	184-1695	487	1-D 2	185-2237	81	1-B 10	186-1091	1003	1-F 6
180-8431	509	1-D 4	184-1695	491	1-D 3	185-2237	83	1-B 10	186-1093	1001	1-F 6
180-9214	1041	1-F 10	184-1695	1263	1-G 8	185-2237	121	1-B 14	186-1095	1001	1-F 6
180-9966	1059	1-F 11	184-1696	457	1-C 23	185-2239	85	1-B 10	186-1620	719	1-E 1
180-9966	1061	1-F 12	184-1696	461	1-C 24	185-2239	87	1-B 10	186-1671	77	1-B 9
183-2197	665	1-D 20	184-1696	467	1-C 24	185-2239	123	1-B 14	186-1671	79	1-B 9
183-2198	661	1-D 20	184-1696	471	1-D 1	185-2240	89	1-B 10	186-1671	81	1-B 10
183-2317	453	1-C 23	184-1696	477	1-D 1	185-2240	91	1-B 11	186-1671	83	1-B 10
183-3411	457	1-C 23	184-1696	481	1-D 2	185-2240	125	1-B 14	186-1671	307	1-C 8
183-3411	467	1-C 24	184-1696	487	1-D 2	185-3955	413	1-C 19	186-2427	75	1-B 9
183-3411	477	1-D 1	184-1696	491	1-D 3	185-3955	515	1-D 5	186-2427	577	1-D 11
183-3411	487	1-D 2	184-1697	461	1-C 24	185-3956	415	1-C 19	186-2867	457	1-C 23
183-3413	457	1-C 23	184-1697	471	1-D 1	185-3956	517	1-D 5	186-2867	467	1-C 24
183-3413	467	1-C 24	184-1697	481	1-D 2	185-3957	417	1-C 19	186-2867	477	1-D 1
183-3413	477	1-D 1	184-1697	491	1-D 3	185-3957	519	1-D 5	186-2867	487	1-D 2
183-3413	487	1-D 2	184-1704	1177	1-F 23	185-3958	419	1-C 19	186-2868	455	1-C 23
183-3414	457	1-C 23	184-2472	377	1-C 15	185-3958	521	1-D 6	186-2868	463	1-C 24
183-3414	467	1-C 24	184-2472	383	1-C 16	185-4015	1033	1-F 9	186-2868	473	1-D 1
183-3414	477	1-D 1	184-4356	693	1-D 23	185-4015	1039	1-F 9	186-2868	483	1-D 2
183-3414	487	1-D 2	184-4356	695	1-D 23	185-4422	461	1-C 24	186-2869	457	1-C 23
183-3415	461	1-C 24	184-5033	949	1-E 24	185-4422	471	1-D 1	186-2869	467	1-C 24
183-3415	471	1-D 1	184-5035	949	1-E 24	185-4422	481	1-D 2	186-2869	477	1-D 1
183-3415	481	1-D 2	184-5035	951	1-F 1	185-4422	491	1-D 3	186-2869	487	1-D 2
183-3415	491	1-D 3	184-5035	1005	1-F 6	185-4423	461	1-C 24	186-2869	1263	1-G 8
183-3416	461	1-C 24	184-5042	969	1-F 2	185-4423	471	1-D 1	186-3735	265	1-C 4
183-3416	471	1-D 1	184-5049	969	1-F 2	185-4423	481	1-D 2	186-3735	353	1-C 13
183-3416	481	1-D 2	184-5051	969	1-F 2	185-4423	491	1-D 3	186-3735	373	1-C 15
183-3416	491	1-D 3	184-5053	969	1-F 2	185-8617	397	1-C 17	186-3735	827	1-E 12
183-4130	579	1-D 11	184-5055	969	1-F 2	185-8688	551	1-D 9	186-5431	185	1-B 20
183-4131	579	1-D 11	184-5060	969	1-F 2	185-8690	553	1-D 9	186-5431	625	1-D 16
183-4132	579	1-D 11	184-5062	969	1-F 2	185-8699	801	1-E 10	186-5431	627	1-D 16
183-4145	579	1-D 11	184-5062	971	1-F 3	185-8701	803	1-E 10	186-5431	629	1-D 16
183-4241	753	1-E 5	184-5063	1001	1-F 6	185-8720	569	1-D 10	186-5432	185	1-B 20
183-4241	757	1-E 5	184-5065	979	1-F 3	185-8737	519	1-D 5	186-5432	189	1-B 20
183-4396	963	1-F 2	184-5065	983	1-F 4	185-8737	521	1-D 6	187-1062	627	1-D 16
183-4396	977	1-F 3	184-5065	987	1-F 4	185-8737	523	1-D 6	187-1069	627	1-D 16
183-4396	979	1-F 3	184-5065	991	1-F 5	185-8787	75	1-B 9	187-1376	421	1-C 20
183-4396	981	1-F 4	184-5329	559	1-D 9	185-8787	741	1-E 4	187-1376	423	1-C 20
183-4396	983	1-F 4	184-5337	549	1-D 8	185-8848	1257	1-G 7	187-1377	455	1-C 23
183-4396	985	1-F 4	184-5338	739	1-E 3	185-8849	585	1-D 12	187-1377	463	1-C 24
183-4396	987	1-F 4	184-5338	743	1-E 4	185-8860	717	1-E 1	187-1377	473	1-D 1
183-4470	661	1-D 20	184-5352	743	1-E 4	185-9754	761	1-E 6	187-1377	483	1-D 2
183-4470	665	1-D 20	184-5356	549	1-D 8	185-9756	761	1-E 6	187-1740	85	1-B 10
183-4470	1009	1-F 6	184-5356	555	1-D 9	185-9769	761	1-E 6	187-1740	87	1-B 10
183-4470	1011	1-F 7	184-5356	557	1-D 9	185-9771	761	1-E 6	187-1740	89	1-B 10
183-4470	1013	1-F 7	184-5356	559	1-D 9	185-9774	761	1-E 6	187-1740	91	1-B 11
183-5789	619	1-D 15	184-5356	561	1-D 10	186-0342	923	1-E 22	187-1740	309	1-C 8
183-6384	73	1-B 9	184-5356	563	1-D 10	186-0346	923	1-E 22	187-1741	57	1-B 7
183-6384	75	1-B 9	184-5357	65	1-B 8	186-0346	925	1-E 22	187-1741	79	1-B 9
183-6384	633	1-D 17	184-5357	67	1-B 8	186-0370	925	1-E 22	187-1742	59	1-B 7
183-7892	621	1-D 16	184-5357	69	1-B 8	186-0372	923	1-E 22	187-1742	83	1-B 10
183-7894	621	1-D 16	184-5357	71	1-B 9	186-0373	923	1-E 22	187-1743	61	1-B 8
183-8600	697	1-D 23	184-5357	563	1-D 10	186-0373	925	1-E 22	187-1743	87	1-B 10
183-8600	699	1-D 23	184-6718	673	1-D 21	186-0377	923	1-E 22	187-1744	63	1-B 8
183-9281	1205	1-G 2	184-6718	675	1-D 21	186-0466	581	1-D 12	187-1744	91	1-B 11
184-0790	667	1-D 20	184-6718	687	1-D 22	186-0979	985	1-F 4	187-1791	77	1-B 9

MT800 SERIES TRACTORS

27
INDEX

Part No.	Page	Grid	Part No.	Page	Grid	Part No.	Page	Grid	Part No.	Page	Grid
187-1791	79	1-B 9	187-8141	537	1-D 7	189-2089	481	1-D 2	190-2608	991	1-F 5
187-1791	81	1-B 10	187-8142	539	1-D 7	189-2089	487	1-D 2	190-2609	989	1-F 4
187-1791	83	1-B 10	187-8609	75	1-B 9	189-2089	491	1-D 3	190-2609	991	1-F 5
187-1791	85	1-B 10	187-8609	583	1-D 12	189-2976	661	1-D 20	190-2613	1005	1-F 6
187-1791	87	1-B 10	187-8611	583	1-D 12	189-2976	665	1-D 20	190-2624	989	1-F 4
187-1791	89	1-B 10	187-8947	435	1-C 21	189-2976	999	1-F 5	190-2624	991	1-F 5
187-1791	91	1-B 11	187-8947	437	1-C 21	189-2976	1009	1-F 6	190-2838	211	1-B 23
187-1791	105	1-B 12	187-8947	449	1-C 22	189-2976	1011	1-F 7	190-2839	211	1-B 23
187-1792	77	1-B 9	187-8947	451	1-C 23	189-3141	819	1-E 11	190-3118	883	1-E 18
187-1792	79	1-B 9	187-8947	1263	1-G 8	189-3142	821	1-E 12	190-3118	887	1-E 18
187-1792	81	1-B 10	187-9009	93	1-B 11	189-3142	1263	1-G 8	190-5441	547	1-D 8
187-1792	83	1-B 10	187-9009	99	1-B 11	189-3143	809	1-E 10	190-5441	631	1-D 17
187-1792	85	1-B 10	187-9012	751	1-E 5	189-3165	667	1-D 20	190-5942	571	1-D 11
187-1792	87	1-B 10	187-9012	755	1-E 5	189-3165	669	1-D 20	190-5943	571	1-D 11
187-1792	89	1-B 10	187-9020	753	1-E 5	189-3296	1001	1-F 6	190-5943	597	1-D 13
187-1792	91	1-B 11	187-9020	757	1-E 5	189-3296	1003	1-F 6	190-5943	601	1-D 14
187-1792	119	1-B 13	188-0452	599	1-D 13	189-3300	987	1-F 4	190-6043	967	1-F 2
187-3185	761	1-E 6	188-0452	603	1-D 14	189-3302	991	1-F 5	190-6501	885	1-E 18
187-3367	455	1-C 23	188-0453	599	1-D 13	189-3307	989	1-F 4	190-6501	889	1-E 18
187-3367	463	1-C 24	188-0453	603	1-D 14	189-3307	991	1-F 5	190-6525	887	1-E 18
187-3367	473	1-D 1	188-0497	627	1-D 16	189-3308	989	1-F 4	190-6526	887	1-E 18
187-3367	483	1-D 2	188-0514	597	1-D 13	189-3308	991	1-F 5	190-8326	1177	1-F 23
187-3368	455	1-C 23	188-0514	601	1-D 14	189-3310	957	1-F 1	191-0426	427	1-C 20
187-3368	463	1-C 24	188-0564	599	1-D 13	189-3313	957	1-F 1	191-0426	431	1-C 21
187-3368	473	1-D 1	188-0564	603	1-D 14	189-3325	1017	1-F 7	191-0426	443	1-C 22
187-3368	483	1-D 2	188-0568	601	1-D 14	189-4286	591	1-D 13	191-0426	447	1-C 22
187-3369	455	1-C 23	188-0632	455	1-C 23	189-4287	591	1-D 13	191-0427	427	1-C 20
187-3369	463	1-C 24	188-0632	463	1-C 24	189-4288	591	1-D 13	191-0427	429	1-C 20
187-3369	473	1-D 1	188-0632	473	1-D 1	189-4289	591	1-D 13	191-0427	433	1-C 21
187-3369	483	1-D 2	188-0632	483	1-D 2	189-5477	283	1-C 6	191-0427	441	1-C 22
187-3370	455	1-C 23	188-0633	455	1-C 23	189-5805	547	1-D 8	191-0427	443	1-C 22
187-3370	463	1-C 24	188-0633	463	1-C 24	189-5805	591	1-D 13	191-0427	445	1-C 22
187-3370	473	1-D 1	188-0633	473	1-D 1	189-5906	803	1-E 10	191-0428	435	1-C 21
187-3370	483	1-D 2	188-0633	483	1-D 2	189-5906	807	1-E 10	191-0428	449	1-C 22
187-3371	455	1-C 23	188-0635	457	1-C 23	189-5910	801	1-E 10	191-0429	437	1-C 21
187-3371	463	1-C 24	188-0635	461	1-C 24	189-5910	805	1-E 10	191-0429	451	1-C 23
187-3371	473	1-D 1	188-0635	467	1-C 24	189-5987	967	1-F 2	191-1907	455	1-C 23
187-3371	483	1-D 2	188-0635	471	1-D 1	189-5989	967	1-F 2	191-1907	463	1-C 24
187-3372	455	1-C 23	188-0635	477	1-D 1	189-9922	1173	1-F 23	191-1907	473	1-D 1
187-3372	463	1-C 24	188-0635	481	1-D 2	190-0429	753	1-E 5	191-1907	483	1-D 2
187-3372	473	1-D 1	188-0635	487	1-D 2	190-0429	757	1-E 5	191-1908	455	1-C 23
187-3372	483	1-D 2	188-0635	491	1-D 3	190-0435	717	1-E 1	191-1908	463	1-C 24
187-3373	455	1-C 23	188-0762	627	1-D 16	190-0435	719	1-E 1	191-1908	473	1-D 1
187-3373	463	1-C 24	188-0763	627	1-D 16	190-0435	721	1-E 2	191-1908	483	1-D 2
187-3373	473	1-D 1	188-0764	627	1-D 16	190-0435	723	1-E 2	191-1909	455	1-C 23
187-3373	483	1-D 2	188-0765	627	1-D 16	190-0435	761	1-E 6	191-1909	463	1-C 24
187-3374	455	1-C 23	188-0766	627	1-D 16	190-0435	763	1-E 6	191-1909	473	1-D 1
187-3374	463	1-C 24	188-0768	627	1-D 16	190-0435	765	1-E 6	191-1909	483	1-D 2
187-3374	473	1-D 1	188-0769	627	1-D 16	190-0435	767	1-E 6	191-1910	455	1-C 23
187-3374	483	1-D 2	188-0771	191	1-B 21	190-0435	769	1-E 6	191-1910	463	1-C 24
187-4896	327	1-C 10	188-0772	625	1-D 16	190-0436	717	1-E 1	191-1910	473	1-D 1
187-4906	1095	1-F 15	188-0773	625	1-D 16	190-0436	719	1-E 1	191-1910	483	1-D 2
187-4921	1095	1-F 15	188-0774	627	1-D 16	190-0436	751	1-E 5	191-1911	455	1-C 23
187-4930	515	1-D 5	188-0775	627	1-D 16	190-0436	753	1-E 5	191-1911	463	1-C 24
187-4930	517	1-D 5	188-0776	627	1-D 16	190-0438	717	1-E 1	191-1911	473	1-D 1
187-4930	525	1-D 6	188-0777	625	1-D 16	190-0438	719	1-E 1	191-1911	483	1-D 2
187-4930	527	1-D 6	188-0778	625	1-D 16	190-0438	721	1-E 2	191-1912	455	1-C 23
187-4930	529	1-D 6	188-0779	625	1-D 16	190-0438	723	1-E 2	191-1912	463	1-C 24
187-4930	531	1-D 7	188-1155	1257	1-G 7	190-0438	763	1-E 6	191-1912	473	1-D 1
187-4930	533	1-D 7	188-2162	421	1-C 20	190-0438	765	1-E 6	191-1912	483	1-D 2
187-4930	535	1-D 7	188-2162	423	1-C 20	190-0438	833	1-E 13	191-2276	357	1-C 13
187-4930	537	1-D 7	188-2618	1203	1-G 2	190-0439	763	1-E 6	191-5262	527	1-D 6
187-4930	539	1-D 7	188-3642	921	1-E 22	190-0440	765	1-E 6	191-5262	533	1-D 7
187-4930	541	1-D 8	188-7731	529	1-D 6	190-0446	761	1-E 6	191-5262	539	1-D 7
187-4930	1009	1-F 6	188-7731	535	1-D 7	190-1482	77	1-B 9	191-5988	151	1-B 17
187-4930	1011	1-F 7	188-7731	541	1-D 8	190-1482	79	1-B 9	191-5988	153	1-B 17
187-5245	761	1-E 6	188-9912	421	1-C 20	190-1482	81	1-B 10	191-8006	1257	1-G 7
187-5246	761	1-E 6	188-9912	423	1-C 20	190-1482	83	1-B 10	191-8007	1257	1-G 7
187-6226	435	1-C 21	189-1711	667	1-D 20	190-1482	85	1-B 10	191-8303	453	1-C 23
187-6226	437	1-C 21	189-1711	669	1-D 20	190-1482	87	1-B 10	191-8304	453	1-C 23
187-6226	449	1-C 22	189-2089	457	1-C 23	190-1482	89	1-B 10	192-0938	891	1-E 19
187-6226	451	1-C 23	189-2089	461	1-C 24	190-1482	91	1-B 11	192-0976	621	1-D 16
187-7430	913	1-E 21	189-2089	467	1-C 24	190-1482	127	1-B 14	192-1463	115	1-B 13
187-7430	917	1-E 21	189-2089	471	1-D 1	190-2601	957	1-F 1	192-3042	585	1-D 12
187-7430	919	1-E 21	189-2089	477	1-D 1	190-2608	989	1-F 4	192-3042	587	1-D 12

INDEX

Part No.	Page	Grid	Part No.	Page	Grid	Part No.	Page	Grid	Part No.	Page	Grid
192-4158	281	1-C 6	193-2265	123	1-B 14	196-3968	1191	1-G 1	197-4550	1157	1-F 21
192-4707	893	1-E 19	193-2266	107	1-B 12	196-4055	151	1-B 17	197-4849	85	1-B 10
192-4707	929	1-E 22	193-2266	121	1-B 14	196-4056	151	1-B 17	197-4849	87	1-B 10
192-4708	897	1-E 19	193-2271	109	1-B 12	196-4056	157	1-B 17	197-4849	89	1-B 10
192-4708	911	1-E 21	193-2272	107	1-B 12	196-4249	945	1-E 24	197-4849	91	1-B 11
192-4708	977	1-F 3	193-4445	1033	1-F 9	196-6944	571	1-D 11	197-4849	165	1-B 18
192-4708	979	1-F 3	193-4752	381	1-C 16	196-6946	571	1-D 11	197-4852	165	1-B 18
192-4776	173	1-B 19	193-7868	195	1-B 21	196-6954	571	1-D 11	197-5411	455	1-C 23
192-4777	173	1-B 19	193-8098	859	1-E 15	196-7742	189	1-B 20	197-5411	463	1-C 24
192-4816	727	1-E 2	193-8197	893	1-E 19	196-7742	191	1-B 21	197-5411	473	1-D 1
192-4816	895	1-E 19	193-8198	897	1-E 19	196-7824	631	1-D 17	197-5411	483	1-D 2
192-4816	899	1-E 19	193-8199	725	1-E 2	196-9864	585	1-D 12	197-5414	837	1-E 13
192-4816	909	1-E 20	193-8199	899	1-E 19	196-9866	585	1-D 12	197-5675	111	1-B 13
192-4817	901	1-E 20	193-8200	901	1-E 20	196-9866	587	1-D 12	197-5675	125	1-B 14
192-4817	915	1-E 21	193-8200	985	1-F 4	197-0749	93	1-B 11	197-5676	111	1-B 13
192-4975	435	1-C 21	193-8200	987	1-F 4	197-1317	183	1-B 20	197-5852	1177	1-F 23
192-4975	449	1-C 22	194-7019	497	1-D 3	197-1317	187	1-B 20	197-6291	123	1-B 14
192-5602	477	1-D 1	194-7620	383	1-C 16	197-1437	99	1-B 11	197-6291	1263	1-G 8
192-5602	487	1-D 2	194-7966	77	1-B 9	197-2996	779	1-E 7	197-6292	125	1-B 14
192-5642	265	1-C 4	194-7966	79	1-B 9	197-2997	779	1-E 7	197-6292	1263	1-G 8
192-5643	265	1-C 4	194-7966	81	1-B 10	197-2998	779	1-E 7	197-7948	183	1-B 20
192-5644	265	1-C 4	194-7966	83	1-B 10	197-2999	779	1-E 7	197-8128	625	1-D 16
192-6350	73	1-B 9	194-7966	145	1-B 16	197-3000	779	1-E 7	197-8131	625	1-D 16
192-6350	75	1-B 9	195-0499	625	1-D 16	197-3083	1095	1-F 15	197-8558	55	1-B 7
192-6350	737	1-E 3	195-0500	625	1-D 16	197-3667	677	1-D 21	197-8558	63	1-B 8
192-6360	75	1-B 9	195-0501	625	1-D 16	197-4516	1159	1-F 21	197-8558	187	1-B 20
192-6360	735	1-E 3	195-0502	627	1-D 16	197-4516	1161	1-F 22	198-0187	85	1-B 10
192-6366	751	1-E 5	195-1004	591	1-D 13	197-4517	1159	1-F 21	198-0187	87	1-B 10
192-6366	755	1-E 5	195-1016	591	1-D 13	197-4518	1159	1-F 21	198-0187	89	1-B 10
192-6371	735	1-E 3	195-2612	1171	1-F 23	197-4519	1159	1-F 21	198-0187	91	1-B 11
192-6383	731	1-E 3	195-2615	633	1-D 17	197-4519	1161	1-F 22	198-0187	177	1-B 19
192-6386	183	1-B 20	195-2616	633	1-D 17	197-4520	1159	1-F 21	198-0188	77	1-B 9
192-6390	723	1-E 2	195-3252	455	1-C 23	197-4520	1161	1-F 22	198-0188	79	1-B 9
192-6392	751	1-E 5	195-3252	463	1-C 24	197-4521	1159	1-F 21	198-0188	81	1-B 10
192-6392	755	1-E 5	195-3252	473	1-D 1	197-4521	1161	1-F 22	198-0188	83	1-B 10
192-6398	759	1-E 5	195-3252	483	1-D 2	197-4522	1159	1-F 21	198-0188	175	1-B 19
192-6400	721	1-E 2	195-4507	1099	1-F 15	197-4522	1161	1-F 22	198-0288	455	1-C 23
192-6457	631	1-D 17	195-4512	1099	1-F 15	197-4523	1155	1-F 21	198-0288	463	1-C 24
192-6460	151	1-B 17	195-4513	1099	1-F 15	197-4524	1155	1-F 21	198-0288	473	1-D 1
192-6460	153	1-B 17	195-4519	133	1-B 15	197-4525	1159	1-F 21	198-0288	483	1-D 2
192-6516	599	1-D 13	195-4519	135	1-B 15	197-4525	1161	1-F 22	198-1013	453	1-C 23
192-6516	601	1-D 14	195-4520	1103	1-F 16	197-4526	1159	1-F 21	198-1013	513	1-D 5
192-6518	599	1-D 13	195-5221	1205	1-G 2	197-4526	1161	1-F 22	198-1955	99	1-B 11
192-6529	581	1-D 12	195-5227	1067	1-F 12	197-4527	1155	1-F 21	198-1961	99	1-B 11
192-7901	677	1-D 21	195-5228	1067	1-F 12	197-4527	1157	1-F 21	198-1962	93	1-B 11
192-8979	153	1-B 17	195-5228	1069	1-F 12	197-4529	1155	1-F 21	198-2898	129	1-B 14
192-8980	153	1-B 17	195-5229	1067	1-F 12	197-4529	1157	1-F 21	198-2900	129	1-B 14
192-8980	155	1-B 17	195-5230	1067	1-F 12	197-4530	1167	1-F 22	198-4070	1027	1-F 8
192-9017	1067	1-F 12	195-5968	65	1-B 8	197-4530	1169	1-F 22	198-4070	1029	1-F 8
193-0238	1031	1-F 9	195-5968	67	1-B 8	197-4531	1167	1-F 22	198-4265	837	1-E 13
193-0362	497	1-D 3	195-5968	69	1-B 8	197-4531	1169	1-F 22	198-4474	1259	1-G 7
193-0362	499	1-D 3	195-5968	71	1-B 9	197-4532	1167	1-F 22	198-4475	1259	1-G 7
193-0362	501	1-D 4	195-5968	345	1-C 12	197-4532	1169	1-F 22	198-4477	1259	1-G 7
193-0362	503	1-D 4	195-9532	365	1-C 14	197-4533	1167	1-F 22	198-6068	137	1-B 15
193-0363	497	1-D 3	195-9633	565	1-D 10	197-4533	1169	1-F 22	198-8376	211	1-B 23
193-0363	499	1-D 3	195-9633	567	1-D 10	197-4534	1167	1-F 22	198-8377	211	1-B 23
193-0363	501	1-D 4	195-9633	569	1-D 10	197-4534	1169	1-F 22	198-8378	989	1-F 4
193-0363	503	1-D 4	196-1969	761	1-E 6	197-4537	1167	1-F 22	198-8378	991	1-F 5
193-0650	505	1-D 4	196-1970	761	1-E 6	197-4537	1169	1-F 22	199-2086	627	1-D 16
193-0650	507	1-D 4	196-1971	761	1-E 6	197-4538	1167	1-F 22	199-3481	247	1-C 2
193-0650	509	1-D 4	196-2318	729	1-E 2	197-4538	1169	1-F 22	199-3481	249	1-C 2
193-1423	151	1-B 17	196-2318	909	1-E 20	197-4539	1167	1-F 22	199-3481	251	1-C 3
193-1423	153	1-B 17	196-2318	915	1-E 21	197-4540	1167	1-F 22	199-4273	529	1-D 6
193-1547	73	1-B 9	196-2318	931	1-E 23	197-4540	1169	1-F 22	199-4273	535	1-D 7
193-1547	75	1-B 9	196-2993	957	1-F 1	197-4541	1167	1-F 22	199-4273	541	1-D 8
193-1547	747	1-E 4	196-2994	957	1-F 1	197-4541	1169	1-F 22	199-6263	211	1-B 23
193-1547	749	1-E 4	196-2997	957	1-F 1	197-4544	1163	1-F 22	199-6265	971	1-F 3
193-1548	863	1-E 16	196-2997	959	1-F 1	197-4544	1165	1-F 22	199-7107	457	1-C 23
193-1548	893	1-E 19	196-3036	971	1-F 3	197-4545	1167	1-F 22	199-7107	461	1-C 24
193-1548	897	1-E 19	196-3037	971	1-F 3	197-4546	1163	1-F 22	199-7107	467	1-C 24
193-1558	729	1-E 2	196-3052	971	1-F 3	197-4546	1165	1-F 22	199-7107	471	1-D 1
193-1558	841	1-E 14	196-3968	1049	1-F 10	197-4547	1167	1-F 22	199-7107	477	1-D 1
193-1558	899	1-E 19	196-3968	1051	1-F 11	197-4547	1169	1-F 22	199-7107	481	1-D 2
193-1558	901	1-E 20	196-3968	1055	1-F 11	197-4548	1169	1-F 22	199-7107	487	1-D 2
193-2265	109	1-B 12	196-3968	1057	1-F 11	197-4550	1155	1-F 21	199-7107	491	1-D 3

MT800 SERIES TRACTORS

29
INDEX

Part No.	Page	Grid	Part No.	Page	Grid	Part No.	Page	Grid	Part No.	Page	Grid
199-7855	573	1-D 11	200-2993	841	1-E 14	201-5096	1205	1-G 2	204-0627	139	1-B 15
199-7855	575	1-D 11	200-2993	857	1-E 15	201-8342	991	1-F 5	204-5043	617	1-D 15
199-7859	573	1-D 11	200-3039	427	1-C 20	201-8344	991	1-F 5	204-9922	621	1-D 16
199-7859	575	1-D 11	200-3039	429	1-C 20	201-8438	779	1-E 7	205-1388	625	1-D 16
199-9240	427	1-C 20	200-3039	431	1-C 21	201-9041	231	1-C 1	205-1390	627	1-D 16
199-9240	429	1-C 20	200-3039	433	1-C 21	201-9789	1067	1-F 12	205-1394	625	1-D 16
199-9240	431	1-C 21	200-3039	435	1-C 21	201-9927	679	1-D 21	205-1395	625	1-D 16
199-9240	433	1-C 21	200-3039	437	1-C 21	201-9927	701	1-D 24	205-1396	625	1-D 16
199-9240	435	1-C 21	200-3039	441	1-C 22	201-9928	681	1-D 22	205-1397	625	1-D 16
199-9240	437	1-C 21	200-3039	443	1-C 22	201-9928	703	1-D 24	205-1645	135	1-B 15
199-9240	441	1-C 22	200-3039	445	1-C 22	201-9930	679	1-D 21	205-1646	135	1-B 15
199-9240	443	1-C 22	200-3039	447	1-C 22	201-9931	681	1-D 22	205-1647	133	1-B 15
199-9240	445	1-C 22	200-3039	449	1-C 22	201-9932	679	1-D 21	205-1648	133	1-B 15
199-9240	447	1-C 22	200-3039	451	1-C 23	201-9932	681	1-D 22	205-2132	161	1-B 18
199-9240	449	1-C 22	200-3039	527	1-D 6	202-0843	1061	1-F 12	205-2133	161	1-B 18
199-9240	451	1-C 23	200-3039	533	1-D 7	202-0844	367	1-C 14	205-2134	159	1-B 17
199-9240	527	1-D 6	200-3039	539	1-D 7	202-0844	369	1-C 14	205-2135	159	1-B 17
199-9240	533	1-D 7	200-4310	721	1-E 2	202-0848	1095	1-F 15	205-5367	169	1-B 18
199-9240	539	1-D 7	200-4310	723	1-E 2	202-2356	571	1-D 11	205-6398	781	1-E 8
2A-3746	457	1-C 23	200-4310	755	1-E 5	202-2357	571	1-D 11	205-6398	881	1-E 18
2A-3746	467	1-C 24	200-4310	757	1-E 5	202-2792	791	1-E 9	205-6399	881	1-E 18
2A-3746	477	1-D 1	200-4316	743	1-E 4	202-7320	251	1-C 3	205-6400	881	1-E 18
2A-3746	487	1-D 2	200-4317	735	1-E 3	202-7320	255	1-C 3	205-6400	891	1-E 19
2D-9190	525	1-D 6	200-4320	75	1-B 9	202-7320	257	1-C 3	205-6410	945	1-E 24
2D-9190	531	1-D 7	200-4320	759	1-E 5	202-9220	555	1-D 9	205-6411	945	1-E 24
2D-9190	537	1-D 7	200-4321	759	1-E 5	202-9220	557	1-D 9	205-6412	881	1-E 18
2H-1190	455	1-C 23	200-4322	743	1-E 4	202-9220	559	1-D 9	205-6412	945	1-E 24
2H-1190	463	1-C 24	200-4323	735	1-E 3	202-9220	561	1-D 10	205-6464	945	1-E 24
2H-1190	473	1-D 1	200-4325	773	1-E 7	202-9220	563	1-D 10	205-8334	397	1-C 17
2H-1190	483	1-D 2	200-4327	773	1-E 7	202-9223	555	1-D 9	205-8771	241	1-C 2
2H-5549	455	1-C 23	200-4329	773	1-E 7	202-9223	557	1-D 9	205-8772	243	1-C 2
2H-5549	465	1-C 24	200-4335	739	1-E 3	202-9223	559	1-D 9	205-8790	1259	1-G 7
2H-5549	475	1-D 1	200-4339	759	1-E 5	202-9223	561	1-D 10	205-9961	693	1-D 23
2H-5549	485	1-D 2	200-4341	735	1-E 3	202-9223	563	1-D 10	205-9961	695	1-D 23
2J-2152	497	1-D 3	200-4343	743	1-E 4	203-0128	201	1-B 22	205-9962	693	1-D 23
2J-2152	499	1-D 3	200-4351	737	1-E 3	203-0128	205	1-B 22	205-9962	695	1-D 23
2J-2152	501	1-D 4	200-4351	773	1-E 7	203-0189	787	1-E 8	206-0578	1105	1-F 16
2J-2152	503	1-D 4	200-4369	833	1-E 13	203-0189	789	1-E 8	206-0579	1107	1-F 16
2K-1381	455	1-C 23	200-4372	735	1-E 3	203-0189	791	1-E 9	206-0580	1107	1-F 16
2K-1381	465	1-C 24	200-4374	751	1-E 5	203-0190	787	1-E 8	206-0581	1105	1-F 16
2K-1381	475	1-D 1	200-4374	755	1-E 5	203-0341	791	1-E 9	206-0581	1107	1-F 16
2K-1381	485	1-D 2	200-4375	773	1-E 7	203-1207	793	1-E 9	206-0584	1107	1-F 16
2M-9780	421	1-C 20	200-4392	735	1-E 3	203-1210	793	1-E 9	206-0586	1105	1-F 16
2M-9780	423	1-C 20	200-4400	73	1-B 9	203-1213	789	1-E 8	206-0588	1049	1-F 10
2M-9780	455	1-C 23	200-4400	75	1-B 9	203-1213	793	1-E 9	206-0588	1051	1-F 11
2M-9780	475	1-D 1	200-4400	739	1-E 3	203-2631	427	1-C 20	206-0588	1109	1-F 16
2M-9780	485	1-D 2	200-5027	413	1-C 19	203-2631	429	1-C 20	206-0589	1109	1-F 16
2M-9780	489	1-D 2	200-5027	661	1-D 20	203-2631	431	1-C 21	206-4604	975	1-F 3
2M-9780	491	1-D 3	200-5028	415	1-C 19	203-2631	433	1-C 21	206-4605	975	1-F 3
2P-1692	453	1-C 23	200-5028	665	1-D 20	203-2631	437	1-C 21	206-4613	959	1-F 1
2P-8421	421	1-C 20	200-5029	417	1-C 19	203-2631	441	1-C 22	206-4619	971	1-F 3
2S-4078	461	1-C 24	200-5029	659	1-D 19	203-2631	443	1-C 22	206-4631	969	1-F 2
2S-4078	471	1-D 1	200-5030	419	1-C 19	203-2631	445	1-C 22	206-4633	959	1-F 1
2S-4078	481	1-D 2	200-5030	663	1-D 20	203-2631	447	1-C 22	206-4635	975	1-F 3
2S-4078	491	1-D 3	200-6376	321	1-C 10	203-2631	451	1-C 23	206-4719	627	1-D 16
2S-4663	513	1-D 5	200-8750	969	1-F 2	203-2631	527	1-D 6	206-4720	629	1-D 16
2S-5835	513	1-D 5	200-8772	949	1-E 24	203-2631	533	1-D 7	206-6397	77	1-B 9
2Y-7489	455	1-C 23	200-8772	951	1-F 1	203-2631	539	1-D 7	206-6397	79	1-B 9
2Y-7489	465	1-C 24	200-8772	975	1-F 3	203-2632	435	1-C 21	206-6397	81	1-B 10
2Y-7489	475	1-D 1	200-8773	975	1-F 3	203-2632	449	1-C 22	206-6397	83	1-B 10
2Y-7489	485	1-D 2	200-8775	971	1-F 3	203-3167	791	1-E 9	206-6397	85	1-B 10
200-1300	183	1-B 20	200-8826	587	1-D 12	203-3168	791	1-E 9	206-6397	87	1-B 10
200-1770	1067	1-F 12	201-0486	273	1-C 5	203-3929	505	1-D 4	206-6397	89	1-B 10
200-1771	1067	1-F 12	201-0487	273	1-C 5	203-3929	507	1-D 4	206-6397	91	1-B 11
200-2841	191	1-B 21	201-1186	1095	1-F 15	203-3929	509	1-D 4	206-6397	131	1-B 15
200-2992	819	1-E 11	201-2440	205	1-B 22	203-6604	1259	1-G 7	206-6987	77	1-B 9
200-2992	821	1-E 12	201-2441	201	1-B 22	203-6965	1095	1-F 15	206-6987	79	1-B 9
200-2992	823	1-E 12	201-2442	201	1-B 22	203-6966	1095	1-F 15	206-6987	81	1-B 10
200-2992	825	1-E 12	201-2442	205	1-B 22	203-7787	1259	1-G 7	206-6987	83	1-B 10
200-2992	841	1-E 14	201-2442	1263	1-G 8	203-9179	593	1-D 13	206-6987	85	1-B 10
200-2992	857	1-E 15	201-4113	1067	1-F 12	203-9183	593	1-D 13	206-6987	87	1-B 10
200-2993	819	1-E 11	201-4114	1067	1-F 12	203-9200	593	1-D 13	206-6987	89	1-B 10
200-2993	821	1-E 12	201-4652	147	1-B 16	203-9200	621	1-D 16	206-6987	91	1-B 11
200-2993	823	1-E 12	201-4653	145	1-B 16	203-9200	623	1-D 16	206-6987	113	1-B 13
200-2993	825	1-E 12	201-4653	147	1-B 16	203-9712	1259	1-G 7	206-7461	1031	1-F 9

INDEX

Part No.	Page	Grid	Part No.	Page	Grid	Part No.	Page	Grid	Part No.	Page	Grid
206-7462	1033	1-F 9	209-0359	599	1-D 13	209-9919	931	1-E 23	210-7507	987	1-F 4
206-7462	1039	1-F 9	209-0359	603	1-D 14	209-9920	931	1-E 23	210-7508	953	1-F 1
206-7463	1033	1-F 9	209-0361	599	1-D 13	209-9936	931	1-E 23	210-7508	955	1-F 1
206-7463	1039	1-F 9	209-0361	603	1-D 14	209-9949	931	1-E 23	210-7508	1019	1-F 7
206-7524	267	1-C 4	209-0364	599	1-D 13	210-0184	837	1-E 13	210-7509	949	1-E 24
206-7565	127	1-B 14	209-0364	603	1-D 14	210-0851	767	1-E 6	210-7509	951	1-F 1
206-8787	317	1-C 9	209-0373	599	1-D 13	210-0851	769	1-E 6	210-7509	1021	1-F 8
206-8787	319	1-C 9	209-0373	603	1-D 14	210-0851	835	1-E 13	210-7510	73	1-B 9
206-8789	315	1-C 9	209-0376	599	1-D 13	210-1503	997	1-F 5	210-7510	731	1-E 3
206-8891	187	1-B 20	209-0376	603	1-D 14	210-1570	1047	1-F 10	210-7511	731	1-E 3
206-8891	195	1-B 21	209-0512	167	1-B 18	210-1570	1055	1-F 11	210-7512	971	1-F 3
207-0511	1107	1-F 16	209-0512	169	1-B 18	210-1570	1057	1-F 11	210-7513	971	1-F 3
207-0516	635	1-D 17	209-0799	625	1-D 16	210-1975	527	1-D 6	210-7514	971	1-F 3
207-0516	637	1-D 17	209-0800	625	1-D 16	210-1975	533	1-D 7	210-7515	971	1-F 3
207-0745	843	1-E 14	209-0801	167	1-B 18	210-1996	167	1-B 18	210-7523	1003	1-F 6
207-1293	1031	1-F 9	209-0802	169	1-B 18	210-2395	815	1-E 11	210-7526	591	1-D 13
207-2021	1065	1-F 12	209-0893	377	1-C 15	210-2395	827	1-E 12	210-7677	837	1-E 13
207-2022	1065	1-F 12	209-0893	383	1-C 16	210-2654	1047	1-F 10	210-8405	457	1-C 23
207-2031	173	1-B 19	209-1366	579	1-D 11	210-2682	625	1-D 16	210-8405	461	1-C 24
207-2031	1065	1-F 12	209-3146	599	1-D 13	210-3258	1095	1-F 15	210-8405	467	1-C 24
207-2036	1185	1-F 24	209-3146	603	1-D 14	210-3292	1095	1-F 15	210-8405	471	1-D 1
207-2036	1187	1-F 24	209-3147	599	1-D 13	210-3930	307	1-C 8	210-8405	477	1-D 1
207-2038	1107	1-F 16	209-3147	603	1-D 14	210-3930	309	1-C 8	210-8405	481	1-D 2
207-5993	457	1-C 23	209-3384	599	1-D 13	210-3931	341	1-C 12	210-8405	487	1-D 2
207-5993	467	1-C 24	209-3384	603	1-D 14	210-3932	309	1-C 8	210-8405	491	1-D 3
207-5993	477	1-D 1	209-3385	599	1-D 13	210-3933	341	1-C 12	210-8406	457	1-C 23
207-5993	487	1-D 2	209-3385	603	1-D 14	210-3933	343	1-C 12	210-8406	461	1-C 24
207-5993	1263	1-G 8	209-3389	135	1-B 15	210-4348	617	1-D 15	210-8406	467	1-C 24
207-5994	493	1-D 3	209-3392	135	1-B 15	210-4349	617	1-D 15	210-8406	471	1-D 1
207-7007	457	1-C 23	209-3414	865	1-E 16	210-4350	75	1-B 9	210-8406	477	1-D 1
207-7007	467	1-C 24	209-3688	725	1-E 2	210-4350	617	1-D 15	210-8406	481	1-D 2
207-7007	477	1-D 1	209-3689	729	1-E 2	210-4351	581	1-D 12	210-8406	487	1-D 2
207-7007	487	1-D 2	209-5019	911	1-E 21	210-4354	259	1-C 3	210-8406	491	1-D 3
207-7554	837	1-E 13	209-5019	933	1-E 23	210-4354	261	1-C 4	210-8519	341	1-C 12
207-8218	423	1-C 20	209-5020	909	1-E 20	210-4357	1205	1-G 2	210-8519	343	1-C 12
207-8227	1209	1-G 2	209-5020	935	1-E 23	210-4358	1205	1-G 2	210-8521	341	1-C 12
208-0090	77	1-B 9	209-5021	729	1-E 2	210-4406	617	1-D 15	210-8521	343	1-C 12
208-0090	79	1-B 9	209-5021	915	1-E 21	210-4407	617	1-D 15	210-8961	307	1-C 8
208-0090	81	1-B 10	209-5021	937	1-E 23	210-4408	617	1-D 15	210-8961	341	1-C 12
208-0090	83	1-B 10	209-5604	1105	1-F 16	210-4411	617	1-D 15	211-0174	573	1-D 11
208-0090	311	1-C 9	209-5604	1107	1-F 16	210-4412	617	1-D 15	211-0174	575	1-D 11
208-0563	991	1-F 5	209-5605	1105	1-F 16	210-4413	599	1-D 13	211-0178	573	1-D 11
208-0564	991	1-F 5	209-5606	1107	1-F 16	210-4413	601	1-D 14	211-0178	575	1-D 11
208-2880	1049	1-F 10	209-5607	1105	1-F 16	210-4414	599	1-D 13	211-0182	577	1-D 11
208-2880	1053	1-F 11	209-5608	1049	1-F 10	210-4414	601	1-D 14	211-0183	577	1-D 11
208-2880	1101	1-F 16	209-5608	1051	1-F 11	210-4415	599	1-D 13	211-0535	839	1-E 13
208-2881	1051	1-F 11	209-5608	1055	1-F 11	210-4415	601	1-D 14	211-1156	995	1-F 5
208-2881	1055	1-F 11	209-5608	1057	1-F 11	210-4416	571	1-D 11	211-1170	453	1-C 23
208-2881	1057	1-F 11	209-5608	1107	1-F 16	210-4418	581	1-D 12	211-1171	377	1-C 15
208-2881	1103	1-F 16	209-6244	997	1-F 5	210-4421	617	1-D 15	211-1171	383	1-C 16
208-3021	75	1-B 9	209-6295	579	1-D 11	210-4464	997	1-F 5	211-1677	307	1-C 8
208-3021	397	1-C 17	209-6434	579	1-D 11	210-5610	747	1-E 4	211-1677	309	1-C 8
208-3022	635	1-D 17	209-6677	843	1-E 14	210-5648	747	1-E 4	211-1850	843	1-E 14
208-3022	637	1-D 17	209-7359	927	1-E 22	210-5649	747	1-E 4	211-2731	421	1-C 20
208-7525	621	1-D 16	209-7497	805	1-E 10	210-5703	767	1-E 6	211-2731	423	1-C 20
208-7698	607	1-D 14	209-7497	917	1-E 21	210-5704	769	1-E 6	211-2885	999	1-F 5
208-7843	739	1-E 3	209-7599	927	1-E 22	210-6063	997	1-F 5	211-3547	843	1-E 14
208-9495	571	1-D 11	209-7709	833	1-E 13	210-7423	175	1-B 19	211-3715	843	1-E 14
208-9496	571	1-D 11	209-8325	849	1-E 14	210-7483	731	1-E 3	211-4410	843	1-E 14
208-9814	745	1-E 4	209-8325	873	1-E 17	210-7489	951	1-F 1	211-8220	309	1-C 8
208-9815	745	1-E 4	209-8326	851	1-E 15	210-7491	1005	1-F 6	211-8220	343	1-C 12
208-9838	747	1-E 4	209-8326	875	1-E 17	210-7495	971	1-F 3	211-8222	343	1-C 12
208-9839	747	1-E 4	209-8430	1047	1-F 10	210-7497	971	1-F 3	211-8276	527	1-D 6
208-9875	841	1-E 14	209-8704	1077	1-F 13	210-7500	971	1-F 3	211-8276	533	1-D 7
208-9875	857	1-E 15	209-8704	1079	1-F 13	210-7501	971	1-F 3	211-8276	539	1-D 7
208-9878	841	1-E 14	209-8704	1081	1-F 14	210-7503	1021	1-F 8	211-8277	413	1-C 19
208-9928	819	1-E 11	209-8704	1083	1-F 14	210-7504	971	1-F 3	211-8277	415	1-C 19
208-9928	821	1-E 12	209-8704	1085	1-F 14	210-7506	1019	1-F 7	211-8277	417	1-C 19
208-9928	823	1-E 12	209-9220	633	1-D 17	210-7507	971	1-F 3	211-8277	419	1-C 19
208-9928	825	1-E 12	209-9222	633	1-D 17	210-7507	973	1-F 3	211-8277	495	1-D 3
209-0094	167	1-B 18	209-9231	591	1-D 13	210-7507	977	1-F 3	211-8280	457	1-C 23
209-0095	169	1-B 18	209-9232	591	1-D 13	210-7507	979	1-F 3	211-8280	461	1-C 24
209-0141	179	1-B 19	209-9680	927	1-E 22	210-7507	981	1-F 4	211-8280	467	1-C 24
209-0141	181	1-B 20	209-9680	1263	1-G 8	210-7507	983	1-F 4	211-8280	471	1-D 1
209-0141	837	1-E 13	209-9800	997	1-F 5	210-7507	985	1-F 4	211-8280	477	1-D 1

MT800 SERIES TRACTORS

Part No.	Page	Grid	Part No.	Page	Grid	Part No.	Page	Grid	Part No.	Page	Grid
211-8280	481	1-D 2	214-1118	1095	1-F 15	216-6425	603	1-D 14	216-6988	935	1-E 23
211-8280	487	1-D 2	214-3504	349	1-C 12	216-6425	605	1-D 14	216-6988	937	1-E 23
211-8280	491	1-D 3	214-4667	1095	1-F 15	216-6426	603	1-D 14	216-6990	929	1-E 22
211-8315	843	1-E 14	214-9064	631	1-D 17	216-6426	605	1-D 14	216-6990	933	1-E 23
212-3281	167	1-B 18	214-9201	883	1-E 18	216-6429	601	1-D 14	216-6990	935	1-E 23
212-3597	93	1-B 11	214-9202	883	1-E 18	216-6429	605	1-D 14	216-6990	937	1-E 23
212-3601	833	1-E 13	214-9204	885	1-E 18	216-6430	603	1-D 14	216-6991	929	1-E 22
212-3602	99	1-B 11	214-9205	885	1-E 18	216-6430	605	1-D 14	216-6991	931	1-E 23
212-3811	179	1-B 19	214-9206	885	1-E 18	216-6971	929	1-E 22	216-6991	933	1-E 23
212-3811	181	1-B 20	214-9207	885	1-E 18	216-6971	933	1-E 23	216-6991	935	1-E 23
212-3813	179	1-B 19	214-9379	883	1-E 18	216-6971	935	1-E 23	216-6991	937	1-E 23
212-3813	181	1-B 20	214-9379	885	1-E 18	216-6971	937	1-E 23	216-6992	929	1-E 22
212-3814	179	1-B 19	214-9379	939	1-E 23	216-6972	771	1-E 7	216-6992	933	1-E 23
212-3814	181	1-B 20	215-1802	233	1-C 1	216-6972	929	1-E 22	216-6992	935	1-E 23
212-3815	179	1-B 19	215-1807	235	1-C 1	216-6972	933	1-E 23	216-6992	937	1-E 23
212-3815	181	1-B 20	215-1808	237	1-C 1	216-6972	935	1-E 23	216-7010	929	1-E 22
212-3839	93	1-B 11	215-1809	239	1-C 1	216-6972	937	1-E 23	216-7010	933	1-E 23
212-4300	169	1-B 18	215-7331	635	1-D 17	216-6973	929	1-E 22	216-7010	935	1-E 23
212-4444	77	1-B 9	215-7331	637	1-D 17	216-6973	933	1-E 23	216-7010	937	1-E 23
212-4444	79	1-B 9	215-7335	635	1-D 17	216-6973	935	1-E 23	216-7035	929	1-E 22
212-4444	81	1-B 10	215-7335	637	1-D 17	216-6973	937	1-E 23	216-7035	933	1-E 23
212-4444	83	1-B 10	215-7336	635	1-D 17	216-6974	929	1-E 22	216-7035	935	1-E 23
212-4444	163	1-B 18	215-7353	637	1-D 17	216-6974	933	1-E 23	216-7035	937	1-E 23
212-4445	163	1-B 18	215-7684	259	1-C 3	216-6974	935	1-E 23	216-7115	929	1-E 22
212-6998	353	1-C 13	215-7684	261	1-C 4	216-6974	937	1-E 23	216-7115	933	1-E 23
212-7187	131	1-B 15	215-7687	259	1-C 3	216-6975	929	1-E 22	216-7404	935	1-E 23
212-9996	573	1-D 11	215-7687	261	1-C 4	216-6975	933	1-E 23	216-7404	937	1-E 23
212-9998	573	1-D 11	215-8050	93	1-B 11	216-6975	935	1-E 23	216-7694	1087	1-F 14
213-2481	589	1-D 12	215-8051	93	1-B 11	216-6975	937	1-E 23	216-7835	339	1-C 11
213-2500	589	1-D 12	215-8051	99	1-B 11	216-6976	929	1-E 22	216-7836	339	1-C 11
213-2501	589	1-D 12	215-8051	133	1-B 15	216-6976	933	1-E 23	216-7837	339	1-C 11
213-2502	589	1-D 12	215-8051	145	1-B 16	216-6976	935	1-E 23	216-7839	339	1-C 11
213-2503	589	1-D 12	215-8052	93	1-B 11	216-6976	937	1-E 23	216-7841	339	1-C 11
213-2504	589	1-D 12	215-8054	93	1-B 11	216-6977	929	1-E 22	216-8188	931	1-E 23
213-2505	589	1-D 12	215-8055	93	1-B 11	216-6977	931	1-E 23	216-8277	353	1-C 13
213-2506	589	1-D 12	215-8055	97	1-B 11	216-6977	933	1-E 23	216-8715	497	1-D 3
213-2589	93	1-B 11	215-8055	101	1-B 12	216-6977	935	1-E 23	216-8715	499	1-D 3
213-2589	175	1-B 19	215-8055	103	1-B 12	216-6977	937	1-E 23	216-8715	501	1-D 4
213-3269	457	1-C 23	215-8364	615	1-D 15	216-6978	929	1-E 22	216-8715	503	1-D 4
213-3269	461	1-C 24	215-9109	267	1-C 4	216-6978	933	1-E 23	216-8860	321	1-C 10
213-3269	467	1-C 24	215-9580	637	1-D 17	216-6978	935	1-E 23	216-9213	527	1-D 6
213-3269	471	1-D 1	215-9809	259	1-C 3	216-6978	937	1-E 23	216-9213	533	1-D 7
213-3269	477	1-D 1	215-9809	261	1-C 4	216-6979	929	1-E 22	216-9213	539	1-D 7
213-3269	481	1-D 2	216-0614	213	1-B 23	216-6979	933	1-E 23	216-9823	65	1-B 8
213-3269	487	1-D 2	216-0614	215	1-B 23	216-6979	935	1-E 23	216-9823	67	1-B 8
213-3269	491	1-D 3	216-0614	231	1-C 1	216-6979	937	1-E 23	216-9823	69	1-B 8
213-3270	459	1-C 23	216-0658	209	1-B 22	216-6980	929	1-E 22	216-9823	71	1-B 9
213-3270	461	1-C 24	216-0658	227	1-B 24	216-6980	931	1-E 23	216-9823	271	1-C 5
213-3270	469	1-C 24	216-0658	229	1-B 24	216-6980	933	1-E 23	217-2214	1121	1-F 18
213-3270	471	1-D 1	216-0806	267	1-C 4	216-6980	935	1-E 23	217-2214	1123	1-F 18
213-3270	479	1-D 1	216-0852	213	1-B 23	216-6980	937	1-E 23	217-2214	1125	1-F 18
213-3270	481	1-D 2	216-0874	215	1-B 23	216-6980	1263	1-G 8	217-3441	1031	1-F 9
213-3270	489	1-D 2	216-0887	267	1-C 4	216-6981	929	1-E 22	217-3442	1031	1-F 9
213-3270	491	1-D 3	216-2883	149	1-B 16	216-6981	931	1-E 23	217-3443	1031	1-F 9
213-4902	573	1-D 11	216-3028	357	1-C 13	216-6981	933	1-E 23	217-3444	1031	1-F 9
213-4902	575	1-D 11	216-3028	361	1-C 14	216-6981	935	1-E 23	217-3513	1095	1-F 15
213-6190	459	1-C 23	216-3458	927	1-E 22	216-6981	937	1-E 23	217-3514	1095	1-F 15
213-6190	469	1-C 24	216-3461	927	1-E 22	216-6983	929	1-E 22	217-3555	523	1-D 6
213-6190	479	1-D 1	216-3462	927	1-E 22	216-6983	933	1-E 23	217-3556	527	1-D 6
213-6190	489	1-D 2	216-3475	927	1-E 22	216-6983	935	1-E 23	217-3556	529	1-D 6
213-6191	461	1-C 24	216-3478	927	1-E 22	216-6983	937	1-E 23	217-3556	533	1-D 7
213-6191	471	1-D 1	216-3479	927	1-E 22	216-6984	929	1-E 22	217-3556	535	1-D 7
213-6191	481	1-D 2	216-3480	927	1-E 22	216-6984	933	1-E 23	217-3556	539	1-D 7
213-6191	491	1-D 3	216-3481	927	1-E 22	216-6984	935	1-E 23	217-3557	523	1-D 6
213-7061	989	1-F 4	216-3569	927	1-E 22	216-6984	937	1-E 23	217-3557	529	1-D 6
213-7061	991	1-F 5	216-3570	927	1-E 22	216-6986	929	1-E 22	217-3557	535	1-D 7
213-7062	989	1-F 4	216-4353	267	1-C 4	216-6986	933	1-E 23	217-3557	541	1-D 8
213-7062	991	1-F 5	216-5343	453	1-C 23	216-6986	935	1-E 23	217-4156	849	1-E 14
213-9315	77	1-B 9	216-5343	529	1-D 6	216-6986	937	1-E 23	217-4157	849	1-E 14
213-9315	79	1-B 9	216-5343	535	1-D 7	216-6987	929	1-E 22	217-5924	179	1-B 19
213-9315	81	1-B 10	216-5343	541	1-D 8	216-6987	933	1-E 23	217-5924	181	1-B 20
213-9315	83	1-B 10	216-5343	543	1-D 8	216-6987	935	1-E 23	217-7314	505	1-D 4
213-9315	179	1-B 19	216-5343	545	1-D 8	216-6987	937	1-E 23	217-7365	843	1-E 14
214-0041	179	1-B 19	216-5343	1263	1-G 8	216-6988	929	1-E 22	217-8425	497	1-D 3
214-0042	179	1-B 19	216-6285	617	1-D 15	216-6988	933	1-E 23	217-8425	499	1-D 3

INDEX

Part No.	Page	Grid	Part No.	Page	Grid	Part No.	Page	Grid	Part No.	Page	Grid
217-8425	501	1-D 4	221-1230	121	1-B 14	223-6530	837	1-E 13	228-4643	143	1-B 16
217-8425	503	1-D 4	221-1230	123	1-B 14	224-1398	849	1-E 14	228-7494	741	1-E 4
217-9673	147	1-B 16	221-1230	125	1-B 14	224-1399	863	1-E 16	229-0888	209	1-B 22
217-9779	353	1-C 13	221-1233	121	1-B 14	224-2189	307	1-C 8	229-0891	211	1-B 23
217-9779	775	1-E 7	221-1233	123	1-B 14	224-3917	1049	1-F 10	229-0891	227	1-B 24
217-9780	359	1-C 13	221-1233	125	1-B 14	224-3917	1051	1-F 11	229-8893	129	1-B 14
217-9780	361	1-C 14	221-1233	1263	1-G 8	224-3917	1053	1-F 11	229-8895	129	1-B 14
217-9780	777	1-E 7	221-1775	1099	1-F 15	224-3917	1055	1-F 11	229-8898	129	1-B 14
218-2771	203	1-B 22	221-1776	177	1-B 19	224-3917	1057	1-F 11	229-8899	127	1-B 14
218-2771	205	1-B 22	221-2548	109	1-B 12	224-3917	1177	1-F 23	229-8899	129	1-B 14
218-2803	833	1-E 13	221-2548	111	1-B 13	224-3917	1179	1-F 23	230-9563	843	1-E 14
218-2805	835	1-E 13	221-2549	107	1-B 12	224-3945	837	1-E 13	230-9563	1263	1-G 8
218-2806	833	1-E 13	221-2642	1119	1-F 17	224-3946	837	1-E 13	231-5219	137	1-B 15
218-2806	835	1-E 13	221-2762	127	1-B 14	224-5868	499	1-D 3	231-6106	599	1-D 13
218-2807	93	1-B 11	221-2763	127	1-B 14	224-5869	501	1-D 4	231-6106	603	1-D 14
218-2808	99	1-B 11	221-5334	457	1-C 23	224-5869	503	1-D 4	232-0345	421	1-C 20
218-2809	101	1-B 12	221-5334	461	1-C 24	224-5870	499	1-D 3	232-0345	423	1-C 20
218-2886	149	1-B 16	221-5334	467	1-C 24	224-5870	501	1-D 4	232-0838	741	1-E 4
218-2888	149	1-B 16	221-5334	471	1-D 1	224-5870	503	1-D 4	232-0869	1119	1-F 17
218-2889	149	1-B 16	221-5334	477	1-D 1	224-5884	223	1-B 24	232-0879	335	1-C 11
219-4775	321	1-C 10	221-5334	481	1-D 2	224-5884	665	1-D 20	232-1774	441	1-C 22
219-4779	1119	1-F 17	221-5334	487	1-D 2	224-5884	1011	1-F 7	232-1774	443	1-C 22
219-4796	1119	1-F 17	221-5334	491	1-D 3	224-6641	591	1-D 13	232-1774	445	1-C 22
219-6551	837	1-E 13	221-5389	1119	1-F 17	224-6641	817	1-E 11	232-1774	447	1-C 22
219-7208	851	1-E 15	221-5433	1065	1-F 12	224-7075	179	1-B 19	232-1774	449	1-C 22
219-7209	851	1-E 15	221-7640	613	1-D 15	224-8603	1011	1-F 7	232-1774	451	1-C 23
219-7563	629	1-D 16	221-8534	75	1-B 9	224-9662	949	1-E 24	232-1774	511	1-D 5
219-7564	625	1-D 16	221-8534	623	1-D 16	224-9662	953	1-F 1	233-6580	1119	1-F 17
219-7565	625	1-D 16	221-8535	623	1-D 16	224-9662	955	1-F 1	233-7373	817	1-E 11
219-7565	629	1-D 16	221-8536	623	1-D 16	224-9662	1007	1-F 6	233-8642	839	1-E 13
219-7566	625	1-D 16	221-8537	623	1-D 16	225-0175	837	1-E 13	235-4672	85	1-B 10
219-7566	629	1-D 16	221-9201	267	1-C 4	225-0176	837	1-E 13	235-4672	87	1-B 10
219-8629	159	1-B 17	222-1887	613	1-D 15	225-1406	1095	1-F 15	235-4673	89	1-B 10
219-8629	161	1-B 18	222-1903	461	1-C 24	225-6958	455	1-C 23	235-4673	91	1-B 11
219-8630	159	1-B 17	222-1903	471	1-D 1	225-6958	465	1-C 24	235-6166	457	1-C 23
219-8630	161	1-B 18	222-1903	481	1-D 2	225-6958	507	1-D 4	235-6166	467	1-C 24
219-8631	159	1-B 17	222-1903	491	1-D 3	225-8514	617	1-D 15	235-6166	477	1-D 1
219-8632	161	1-B 18	222-1904	459	1-C 23	225-8861	621	1-D 16	235-6166	487	1-D 2
219-8787	837	1-E 13	222-1904	469	1-C 24	226-0919	631	1-D 17	239-9822	461	1-C 24
219-8801	999	1-F 5	222-1904	479	1-D 1	226-0921	631	1-D 17	239-9822	471	1-D 1
219-9652	747	1-E 4	222-1904	489	1-D 2	226-1882	837	1-E 13	239-9822	481	1-D 2
219-9656	1127	1-F 18	222-2280	1211	1-G 3	226-4324	375	1-C 15	239-9822	491	1-D 3
220-2329	1155	1-F 21	222-2281	1231	1-G 5	226-4324	381	1-C 16	240-5529	429	1-C 20
220-2329	1159	1-F 21	222-2457	367	1-C 14	226-4325	375	1-C 15	240-5529	445	1-C 22
220-2333	1159	1-F 21	222-2457	369	1-C 14	226-4325	381	1-C 16	241-6205	513	1-D 5
220-2355	711	1-E 1	222-4774	1095	1-F 15	226-4754	373	1-C 15	242-0962	473	1-D 1
220-2356	65	1-B 8	222-7965	65	1-B 8	226-4754	379	1-C 15	242-0962	485	1-D 2
220-2356	67	1-B 8	222-7965	67	1-B 8	226-7570	145	1-B 16	242-0962	509	1-D 4
220-2356	69	1-B 8	222-7965	69	1-B 8	226-7570	147	1-B 16	242-5086	457	1-C 23
220-2356	71	1-B 9	222-7965	71	1-B 9	227-4312	1177	1-F 23	242-5086	461	1-C 24
220-2356	713	1-E 1	222-7965	615	1-D 15	227-4313	1177	1-F 23	242-5086	467	1-C 24
220-2357	707	1-D 24	222-9033	605	1-D 14	227-5269	839	1-E 13	242-5086	471	1-D 1
220-2358	65	1-B 8	222-9156	269	1-C 4	227-5270	839	1-E 13	242-5086	477	1-D 1
220-2358	67	1-B 8	222-9854	815	1-E 11	227-6744	827	1-E 12	242-5086	481	1-D 2
220-2358	69	1-B 8	222-9855	815	1-E 11	227-6745	827	1-E 12	242-5086	487	1-D 2
220-2358	71	1-B 9	223-0623	461	1-C 24	227-8224	143	1-B 16	242-5086	491	1-D 3
220-2358	709	1-D 24	223-0623	471	1-D 1	227-8726	921	1-E 22	244-3699	479	1-D 1
220-2730	621	1-D 16	223-0623	481	1-D 2	227-8727	921	1-E 22	244-3699	489	1-D 2
220-3664	747	1-E 4	223-0623	491	1-D 3	227-8830	913	1-E 21	252-2226	459	1-C 23
220-3810	403	1-C 18	223-0687	197	1-B 21	227-8830	917	1-E 21	252-2226	469	1-C 24
220-4138	383	1-C 16	223-0687	199	1-B 21	227-8830	919	1-E 21	252-2227	479	1-D 1
220-5736	207	1-B 22	223-0687	203	1-B 22	227-8830	921	1-E 22	252-2227	489	1-D 2
220-5736	1263	1-G 8	223-0687	205	1-B 22	227-9327	455	1-C 23	256-0176	227	1-B 24
220-8642	179	1-B 19	223-0701	117	1-B 13	227-9327	463	1-C 24	256-0176	377	1-C 15
220-8642	181	1-B 20	223-1637	465	1-C 24	227-9327	473	1-D 1	256-0184	209	1-B 22
221-0331	741	1-E 4	223-1637	475	1-D 1	227-9327	483	1-D 2	256-0187	231	1-C 1
221-0691	459	1-C 23	223-1637	485	1-D 2	227-9744	1159	1-F 21	260-9471	497	1-D 3
221-0691	469	1-C 24	223-2480	697	1-D 23	228-2777	1191	1-G 1	260-9471	499	1-D 3
221-0691	479	1-D 1	223-2480	699	1-D 23	228-4278	453	1-C 23	260-9471	501	1-D 4
221-0691	489	1-D 2	223-3273	697	1-D 23	228-4631	141	1-B 16	260-9471	503	1-D 4
221-0807	129	1-B 14	223-3273	699	1-D 23	228-4632	143	1-B 16	261-2719	497	1-D 3
221-0808	107	1-B 12	223-4304	677	1-D 21	228-4633	143	1-B 16	261-2719	499	1-D 3
221-0808	109	1-B 12	223-4941	1031	1-F 9	228-4642	141	1-B 16	261-2719	501	1-D 4
221-0808	111	1-B 13	223-5887	597	1-D 13	228-4642	143	1-B 16	261-2719	503	1-D 4
221-1229	129	1-B 14	223-5887	603	1-D 14	228-4643	141	1-B 16	266-0216	497	1-D 3

MT800 SERIES TRACTORS

33
INDEX

Part No.	Page	Grid	Part No.	Page	Grid	Part No.	Page	Grid	Part No.	Page	Grid
266-0216	499	1-D 3	3T-3434	317	1-C 9	4M-1831	315	1-C 9	400035X1	695	1-D 23
266-0216	501	1-D 4	3T-3434	319	1-C 9	4M-1831	317	1-C 9	400035X1	1019	1-F 7
266-0216	503	1-D 4	4B-9782	455	1-C 23	4M-1831	319	1-C 9	400036X1	969	1-F 2
267-8459	383	1-C 16	4B-9782	463	1-C 24	4M-2381	513	1-D 5	400039X1	95	1-B 11
3B-4501	355	1-C 13	4B-9782	473	1-D 1	4M-5905	513	1-D 5	400039X1	101	1-B 12
3B-4501	357	1-C 13	4B-9782	483	1-D 2	4N-0952	479	1-D 1	400039X1	121	1-B 14
3B-8485	973	1-F 3	4B-9783	465	1-C 24	4P-7428	453	1-C 23	400039X1	123	1-B 14
3C-6969	355	1-C 13	4B-9783	475	1-D 1	4P-7581	355	1-C 13	400039X1	125	1-B 14
3C-6969	357	1-C 13	4B-9783	485	1-D 2	4P-7581	453	1-C 23	400039X1	145	1-B 16
3D-2824	421	1-C 20	4B-9880	513	1-D 5	4P-7581	529	1-D 6	400039X1	151	1-B 17
3D-8317	513	1-D 5	4C-4183	1261	1-G 8	4P-7581	535	1-D 7	400039X1	153	1-B 17
3E-3377	353	1-C 13	4C-4184	1261	1-G 8	4P-7581	541	1-D 8	400039X1	179	1-B 19
3E-4353	527	1-D 6	4C-4190	1261	1-G 8	4P-8134	355	1-C 13	400039X1	181	1-B 20
3E-4353	533	1-D 7	4C-4191	1261	1-G 8	4P-8134	357	1-C 13	400039X1	183	1-B 20
3E-4353	539	1-D 7	4C-4192	1261	1-G 8	4P-8134	453	1-C 23	400039X1	197	1-B 21
3E-5464	1031	1-F 9	4C-4197	1261	1-G 8	4T-2201	439	1-C 21	400039X1	199	1-B 21
3E-6284	353	1-C 13	4C-4198	1261	1-G 8	4T-4200	525	1-D 6	400039X1	203	1-B 22
3E-7775	315	1-C 9	4C-4199	1261	1-G 8	4T-4200	531	1-D 7	400039X1	205	1-B 22
3E-7775	319	1-C 9	4C-4200	1261	1-G 8	4T-4200	537	1-D 7	400039X1	209	1-B 22
3F-0379	315	1-C 9	4C-4205	1261	1-G 8	400000X1	863	1-E 16	400039X1	211	1-B 23
3F-0379	317	1-C 9	4C-4206	1261	1-G 8	400001X1	209	1-B 22	400039X1	213	1-B 23
3F-0379	319	1-C 9	4C-4207	1261	1-G 8	400001X1	377	1-C 15	400039X1	215	1-B 23
3F-0957	421	1-C 20	4C-4211	1261	1-G 8	400001X1	383	1-C 16	400039X1	267	1-C 4
3H-0703	449	1-C 22	4C-5843	1261	1-G 8	400002X1	683	1-D 22	400039X1	357	1-C 13
3J-1907	421	1-C 20	4C-6122	1261	1-G 8	400004X1	171	1-B 19	400039X1	361	1-C 14
3J-1907	423	1-C 20	4C-6126	1261	1-G 8	400004X1	1073	1-F 13	400039X1	375	1-C 15
3J-1907	455	1-C 23	4C-6127	1261	1-G 8	400005X1	281	1-C 6	400039X1	381	1-C 16
3J-1907	465	1-C 24	4C-6129	1261	1-G 8	400005X1	283	1-C 6	400039X1	385	1-C 16
3J-1907	475	1-D 1	4C-6133	1261	1-G 8	400006X1	351	1-C 13	400039X1	579	1-D 11
3J-1907	485	1-D 2	4C-6134	1261	1-G 8	400006X1	371	1-C 15	400039X1	591	1-D 13
3J-1907	513	1-D 5	4D-7889	427	1-C 20	400008X1	697	1-D 23	400039X1	621	1-D 16
3J-1907	529	1-D 6	4D-7889	429	1-C 20	400008X1	699	1-D 23	400039X1	625	1-D 16
3J-1907	535	1-D 7	4D-7889	431	1-C 21	400009X1	683	1-D 22	400039X1	629	1-D 16
3J-1907	541	1-D 8	4D-7889	433	1-C 21	400011X1	761	1-E 6	400039X1	735	1-E 3
3J-1907	543	1-D 8	4D-7889	437	1-C 21	400013X1	599	1-D 13	400039X1	739	1-E 3
3J-1907	545	1-D 8	4D-7889	441	1-C 22	400013X1	603	1-D 14	400039X1	741	1-E 4
3J-7354	527	1-D 6	4D-7889	443	1-C 22	400014X1	677	1-D 21	400039X1	743	1-E 4
3J-7354	533	1-D 7	4D-7889	445	1-C 22	400015X1	621	1-D 16	400039X1	749	1-E 4
3J-7354	539	1-D 7	4D-7889	447	1-C 22	400017X1	359	1-C 13	400039X1	753	1-E 5
3K-0360	421	1-C 20	4D-7889	451	1-C 23	400018X1	177	1-B 19	400039X1	757	1-E 5
3K-0360	423	1-C 20	4D-7889	525	1-D 6	400018X1	1023	1-F 8	400039X1	759	1-E 5
3K-0360	459	1-C 23	4D-7889	531	1-D 7	400018X1	1025	1-F 8	400039X1	819	1-E 11
3K-0360	469	1-C 24	4D-7889	537	1-D 7	400019X1	131	1-B 15	400039X1	821	1-E 12
3K-0360	479	1-D 1	4E-2229	357	1-C 13	400019X1	135	1-B 15	400039X1	823	1-E 12
3K-0360	489	1-D 2	4E-2250	211	1-B 23	400021X1	259	1-C 3	400039X1	825	1-E 12
3K-0360	513	1-D 5	4F-4097	421	1-C 20	400021X1	261	1-C 4	400039X1	839	1-E 13
3K-0360	735	1-E 3	4F-4097	423	1-C 20	400022X1	1023	1-F 8	400039X1	841	1-E 14
3K-0715	421	1-C 20	4H-0408	759	1-E 5	400022X1	1025	1-F 8	400039X1	843	1-E 14
3K-0715	423	1-C 20	4H-6507	455	1-C 23	400022X1	1027	1-F 8	400039X1	849	1-E 14
3P-3441	459	1-C 23	4H-6507	463	1-C 24	400022X1	1029	1-F 8	400039X1	851	1-E 15
3P-3441	461	1-C 24	4H-6507	473	1-D 1	400022X1	1037	1-F 9	400039X1	857	1-E 15
3P-3441	469	1-C 24	4H-6507	483	1-D 2	400022X1	1043	1-F 10	400039X1	969	1-F 2
3P-3441	471	1-D 1	4J-5140	461	1-C 24	400022X1	1091	1-F 15	400039X1	973	1-F 3
3P-3441	479	1-D 1	4J-5140	471	1-D 1	400022X1	1093	1-F 15	400039X1	975	1-F 3
3P-3441	481	1-D 2	4J-5140	481	1-D 2	400023X1	679	1-D 21	400039X1	989	1-F 4
3P-3441	489	1-D 2	4J-5140	491	1-D 3	400023X1	681	1-D 22	400039X1	997	1-F 5
3P-3441	491	1-D 3	4J-5140	529	1-D 6	400024X1	573	1-D 11	400039X1	1017	1-F 7
3S-2093	357	1-C 13	4J-5140	535	1-D 7	400024X1	575	1-D 11	400039X1	1073	1-F 13
3S-2093	453	1-C 23	4J-5140	541	1-D 8	400024X1	749	1-E 4	400039X1	1099	1-F 15
3S-2708	435	1-C 21	4J-5477	527	1-D 6	400025X1	973	1-F 3	400039X1	1109	1-F 16
3S-2708	437	1-C 21	4J-5477	533	1-D 7	400026X1	957	1-F 1	400039X1	1177	1-F 23
3S-2708	449	1-C 22	4J-5477	539	1-D 7	400027X1	683	1-D 22	400040X1	95	1-B 11
3S-2708	451	1-C 23	4J-8996	421	1-C 20	400028X1	119	1-B 13	400040X1	133	1-B 15
3S-2708	459	1-C 23	4J-8996	423	1-C 20	400028X1	741	1-E 4	400040X1	135	1-B 15
3S-2708	461	1-C 24	4K-3892	457	1-C 23	400029X1	625	1-D 16	400040X1	145	1-B 16
3S-2708	469	1-C 24	4K-3892	461	1-C 24	400031X1	565	1-D 10	400040X1	147	1-B 16
3S-2708	471	1-D 1	4K-3892	467	1-C 24	400031X1	567	1-D 10	400040X1	179	1-B 19
3S-2708	479	1-D 1	4K-3892	471	1-D 1	400031X1	569	1-D 10	400040X1	181	1-B 20
3S-2708	481	1-D 2	4K-3892	477	1-D 1	400031X1	589	1-D 12	400040X1	197	1-B 21
3S-2708	489	1-D 2	4K-3892	481	1-D 2	400032X1	697	1-D 23	400040X1	199	1-B 21
3S-2708	491	1-D 3	4K-3892	487	1-D 2	400032X1	699	1-D 23	400040X1	203	1-B 22
3T-3422	315	1-C 9	4K-3892	491	1-D 3	400033X1	989	1-F 4	400040X1	205	1-B 22
3T-3422	317	1-C 9	4K-9429	635	1-D 17	400035X1	683	1-D 22	400040X1	307	1-C 8
3T-3422	319	1-C 9	4K-9429	637	1-D 17	400035X1	685	1-D 22	400040X1	309	1-C 8
3T-3434	315	1-C 9	4M-0189	493	1-D 3	400035X1	693	1-D 23	400040X1	385	1-C 16

INDEX

Part No.	Page	Grid	Part No.	Page	Grid	Part No.	Page	Grid	Part No.	Page	Grid
400040X1	579	1-D 11	400050X1	853	1-E 15	400058X1	181	1-B 20	400065X1	1093	1-F 15
400040X1	629	1-D 16	400050X1	861	1-E 16	400058X1	183	1-B 20	400066X1	179	1-B 19
400040X1	749	1-E 4	400050X1	867	1-E 16	400058X1	197	1-B 21	400066X1	181	1-B 20
400040X1	759	1-E 5	400050X1	871	1-E 17	400058X1	199	1-B 21	400066X1	629	1-D 16
400040X1	837	1-E 13	400051X1	621	1-D 16	400058X1	203	1-B 22	400066X1	839	1-E 13
400040X1	843	1-E 14	400051X1	633	1-D 17	400058X1	205	1-B 22	400066X1	1121	1-F 18
400040X1	855	1-E 15	400051X1	839	1-E 13	400058X1	357	1-C 13	400066X1	1123	1-F 18
400040X1	973	1-F 3	400051X1	863	1-E 16	400058X1	361	1-C 14	400067X1	565	1-D 10
400040X1	991	1-F 5	400051X1	865	1-E 16	400058X1	599	1-D 13	400067X1	567	1-D 10
400040X1	995	1-F 5	400052X1	197	1-B 21	400058X1	603	1-D 14	400067X1	569	1-D 10
400040X1	997	1-F 5	400052X1	199	1-B 21	400058X1	617	1-D 15	400067X1	629	1-D 16
400040X1	1007	1-F 6	400052X1	203	1-B 22	400058X1	625	1-D 16	400067X1	693	1-D 23
400040X1	1073	1-F 13	400052X1	205	1-B 22	400058X1	629	1-D 16	400067X1	695	1-D 23
400040X1	1099	1-F 15	400052X1	593	1-D 13	400058X1	631	1-D 17	400067X1	1019	1-F 7
400040X1	1121	1-F 18	400052X1	621	1-D 16	400058X1	633	1-D 17	400067X1	1021	1-F 8
400040X1	1123	1-F 18	400052X1	623	1-D 16	400058X1	637	1-D 17	400068X1	779	1-E 7
400040X1	1189	1-F 24	400053X1	149	1-B 16	400058X1	667	1-D 20	400069X1	407	1-C 18
400040X1	1191	1-G 1	400053X1	573	1-D 11	400058X1	669	1-D 20	400069X1	409	1-C 18
400040X1	1193	1-G 1	400053X1	577	1-D 11	400058X1	693	1-D 23	400070X1	1075	1-F 13
400041X1	303	1-C 8	400053X1	581	1-D 12	400058X1	695	1-D 23	400071X1	1075	1-F 13
400041X1	305	1-C 8	400053X1	591	1-D 13	400058X1	741	1-E 4	400072X1	173	1-B 19
400041X1	385	1-C 16	400053X1	607	1-D 14	400058X1	761	1-E 6	400073X1	1089	1-F 14
400041X1	407	1-C 18	400053X1	625	1-D 16	400058X1	839	1-E 13	400074X1	173	1-B 19
400041X1	409	1-C 18	400053X1	629	1-D 16	400058X1	843	1-E 14	400074X1	1075	1-F 13
400041X1	555	1-D 9	400053X1	633	1-D 17	400058X1	1059	1-F 11	400075X1	671	1-D 21
400041X1	557	1-D 9	400053X1	705	1-D 24	400058X1	1061	1-F 12	400076X1	359	1-C 13
400041X1	559	1-D 9	400053X1	779	1-E 7	400058X1	1099	1-F 15	400076X1	571	1-D 11
400041X1	561	1-D 10	400053X1	819	1-E 11	400058X1	1121	1-F 18	400076X1	1097	1-F 15
400041X1	563	1-D 10	400053X1	821	1-E 12	400058X1	1123	1-F 18	400077X1	133	1-B 15
400041X1	625	1-D 16	400053X1	823	1-E 12	400059X1	175	1-B 19	400078X1	957	1-F 1
400041X1	631	1-D 17	400053X1	825	1-E 12	400059X1	177	1-B 19	400078X1	959	1-F 1
400041X1	635	1-D 17	400053X1	839	1-E 13	400059X1	203	1-B 22	400078X1	971	1-F 3
400041X1	637	1-D 17	400053X1	1023	1-F 8	400059X1	205	1-B 22	400078X1	989	1-F 4
400041X1	839	1-E 13	400053X1	1025	1-F 8	400059X1	591	1-D 13	400078X1	991	1-F 5
400041X1	973	1-F 3	400053X1	1027	1-F 8	400059X1	599	1-D 13	400079X1	969	1-F 2
400041X1	975	1-F 3	400053X1	1029	1-F 8	400059X1	603	1-D 14	400080X1	549	1-D 8
400042X1	1121	1-F 18	400053X1	1091	1-F 15	400059X1	605	1-D 14	400080X1	555	1-D 9
400042X1	1123	1-F 18	400053X1	1093	1-F 15	400059X1	617	1-D 15	400080X1	557	1-D 9
400044X1	141	1-B 16	400053X1	1095	1-F 15	400059X1	629	1-D 16	400080X1	559	1-D 9
400044X1	327	1-C 10	400053X1	1179	1-F 23	400059X1	633	1-D 17	400080X1	561	1-D 10
400044X1	623	1-D 16	400055X1	197	1-B 21	400059X1	833	1-E 13	400080X1	563	1-D 10
400044X1	625	1-D 16	400055X1	199	1-B 21	400059X1	847	1-E 14	400080X1	565	1-D 10
400044X1	737	1-E 3	400055X1	203	1-B 22	400059X1	851	1-E 15	400080X1	567	1-D 10
400044X1	849	1-E 14	400055X1	205	1-B 22	400059X1	853	1-E 15	400080X1	569	1-D 10
400044X1	1099	1-F 15	400055X1	385	1-C 16	400060X1	127	1-B 14	400080X1	579	1-D 11
400046X1	197	1-B 21	400055X1	401	1-C 18	400060X1	211	1-B 23	400080X1	671	1-D 21
400046X1	199	1-B 21	400055X1	403	1-C 18	400062X1	629	1-D 16	400080X1	683	1-D 22
400046X1	203	1-B 22	400055X1	683	1-D 22	400062X1	859	1-E 15	400080X1	693	1-D 23
400046X1	205	1-B 22	400055X1	1153	1-F 21	400063X1	407	1-C 18	400080X1	695	1-D 23
400046X1	847	1-E 14	400056X1	167	1-B 18	400063X1	409	1-C 18	400080X1	697	1-D 23
400046X1	853	1-E 15	400056X1	169	1-B 18	400063X1	551	1-D 9	400080X1	699	1-D 23
400046X1	863	1-E 16	400056X1	783	1-E 8	400063X1	553	1-D 9	400080X1	749	1-E 4
400046X1	865	1-E 16	400056X1	785	1-E 8	400063X1	819	1-E 11	400080X1	957	1-F 1
400047X1	375	1-C 15	400056X1	869	1-E 16	400063X1	821	1-E 12	400080X1	959	1-F 1
400047X1	697	1-D 23	400056X1	871	1-E 17	400063X1	823	1-E 12	400080X1	989	1-F 4
400047X1	699	1-D 23	400056X1	973	1-F 3	400063X1	825	1-E 12	400080X1	991	1-F 5
400048X1	1121	1-F 18	400056X1	989	1-F 4	400063X1	839	1-E 13	400081X1	115	1-B 13
400048X1	1123	1-F 18	400056X1	991	1-F 5	400063X1	847	1-E 14	400081X1	117	1-B 13
400049X1	95	1-B 11	400057X1	195	1-B 21	400063X1	853	1-E 15	400081X1	565	1-D 10
400049X1	621	1-D 16	400057X1	407	1-C 18	400064X1	139	1-B 15	400081X1	567	1-D 10
400049X1	1023	1-F 8	400057X1	411	1-C 19	400064X1	583	1-D 12	400081X1	569	1-D 10
400049X1	1025	1-F 8	400057X1	585	1-D 12	400064X1	591	1-D 13	400081X1	579	1-D 11
400049X1	1027	1-F 8	400057X1	587	1-D 12	400064X1	629	1-D 16	400081X1	629	1-D 16
400049X1	1029	1-F 8	400057X1	859	1-E 15	400064X1	697	1-D 23	400081X1	683	1-D 22
400050X1	107	1-B 12	400058X1	95	1-B 11	400064X1	699	1-D 23	400081X1	685	1-D 22
400050X1	109	1-B 12	400058X1	101	1-B 12	400064X1	761	1-E 6	400081X1	693	1-D 23
400050X1	111	1-B 13	400058X1	129	1-B 14	400064X1	815	1-E 11	400081X1	695	1-D 23
400050X1	127	1-B 14	400058X1	133	1-B 15	400064X1	839	1-E 13	400081X1	969	1-F 2
400050X1	589	1-D 12	400058X1	141	1-B 16	400064X1	847	1-E 14	400081X1	973	1-F 3
400050X1	621	1-D 16	400058X1	143	1-B 16	400064X1	849	1-E 14	400081X1	1017	1-F 7
400050X1	625	1-D 16	400058X1	145	1-B 16	400064X1	851	1-E 15	400081X1	1019	1-F 7
400050X1	629	1-D 16	400058X1	147	1-B 16	400064X1	853	1-E 15	400081X1	1021	1-F 8
400050X1	631	1-D 17	400058X1	167	1-B 18	400064X1	867	1-E 16	400081X1	1073	1-F 13
400050X1	633	1-D 17	400058X1	169	1-B 18	400064X1	869	1-E 16	400082X1	167	1-B 18
400050X1	847	1-E 14	400058X1	179	1-B 19	400065X1	1091	1-F 15	400082X1	169	1-B 18

MT800 SERIES TRACTORS

35 INDEX

Part No.	Page	Grid	Part No.	Page	Grid	Part No.	Page	Grid	Part No.	Page	Grid
400082X1	407	1-C 18	400123X1	851	1-E 15	400191X1	671	1-D 21	400227X1	153	1-B 17
400082X1	409	1-C 18	400123X1	853	1-E 15	400191X1	693	1-D 23	400227X1	211	1-B 23
400082X1	579	1-D 11	400124X1	1073	1-F 13	400191X1	695	1-D 23	400227X1	267	1-C 4
400082X1	629	1-D 16	400125X1	1103	1-F 16	400191X1	957	1-F 1	400227X1	357	1-C 13
400082X1	671	1-D 21	400126X1	163	1-B 18	400191X1	959	1-F 1	400227X1	359	1-C 13
400082X1	693	1-D 23	400126X1	165	1-B 18	400191X1	973	1-F 3	400227X1	375	1-C 15
400082X1	695	1-D 23	400127X1	159	1-B 17	400191X1	989	1-F 4	400227X1	377	1-C 15
400082X1	783	1-E 8	400127X1	161	1-B 18	400191X1	991	1-F 5	400227X1	381	1-C 16
400082X1	785	1-E 8	400127X1	1095	1-F 15	400194X1	549	1-D 8	400227X1	385	1-C 16
400082X1	815	1-E 11	400128X1	1045	1-F 10	400194X1	555	1-D 9	400227X1	573	1-D 11
400082X1	947	1-E 24	400129X2	1203	1-G 2	400194X1	557	1-D 9	400227X1	575	1-D 11
400083X1	1259	1-G 7	400130X1	99	1-B 11	400194X1	559	1-D 9	400227X1	671	1-D 21
400084X1	359	1-C 13	400132X1	275	1-C 5	400194X1	561	1-D 10	400227X1	683	1-D 22
400084X1	1067	1-F 12	400132X1	277	1-C 5	400194X1	563	1-D 10	400227X1	753	1-E 5
400084X1	1095	1-F 15	400134X1	579	1-D 11	400194X1	959	1-F 1	400227X1	757	1-E 5
400085X1	1067	1-F 12	400135X1	1257	1-G 7	400197X1	579	1-D 11	400227X1	1059	1-F 11
400085X1	1095	1-F 15	400137X1	1073	1-F 13	400198X1	973	1-F 3	400227X1	1061	1-F 12
400085X1	1177	1-F 23	400138X1	571	1-D 11	400199X1	611	1-D 15	400227X1	1121	1-F 18
400085X1	1179	1-F 23	400139X1	273	1-C 5	400200X1	611	1-D 15	400227X1	1123	1-F 18
400086X1	1171	1-F 23	400140X1	603	1-D 14	400201X1	95	1-B 11	400227X1	1259	1-G 7
400087X1	259	1-C 3	400140X1	605	1-D 14	400202X1	129	1-B 14	400228X1	667	1-D 20
400087X1	261	1-C 4	400142X1	683	1-D 22	400205X1	211	1-B 23	400228X1	669	1-D 20
400088X1	629	1-D 16	400143X1	631	1-D 17	400205X1	845	1-E 14	400229X1	115	1-B 13
400088X1	947	1-E 24	400146X1	107	1-B 12	400205X1	959	1-F 1	400229X1	117	1-B 13
400088X1	1005	1-F 6	400146X1	109	1-B 12	400208X1	213	1-B 23	400230X1	247	1-C 2
400090X1	565	1-D 10	400146X1	111	1-B 13	400208X1	215	1-B 23	400230X1	249	1-C 2
400091X1	551	1-D 9	400149X1	99	1-B 11	400208X1	285	1-C 6	400230X1	251	1-C 3
400092X1	947	1-E 24	400151X1	795	1-E 9	400208X1	287	1-C 6	400232X1	1021	1-F 8
400093X1	947	1-E 24	400152X1	197	1-B 21	400209X1	377	1-C 15	400233X1	197	1-B 21
400095X1	973	1-F 3	400152X1	199	1-B 21	400209X1	381	1-C 16	400233X1	205	1-B 22
400097X1	1015	1-F 7	400152X1	203	1-B 22	400210X1	881	1-E 18	400234X1	579	1-D 11
400098X1	693	1-D 23	400152X1	205	1-B 22	400211X1	251	1-C 3	400234X1	749	1-E 4
400100X1	847	1-E 14	400152X1	265	1-C 4	400211X1	255	1-C 3	400236X1	549	1-D 8
400101X1	867	1-E 16	400152X1	269	1-C 4	400211X1	257	1-C 3	400236X1	555	1-D 9
400101X1	869	1-E 16	400152X1	303	1-C 8	400213X1	551	1-D 9	400236X1	557	1-D 9
400103X1	849	1-E 14	400152X1	305	1-C 8	400213X1	553	1-D 9	400236X1	559	1-D 9
400103X1	851	1-E 15	400152X1	321	1-C 10	400213X1	705	1-D 24	400236X1	561	1-D 10
400104X1	599	1-D 13	400152X1	345	1-C 12	400213X1	1017	1-F 7	400236X1	563	1-D 10
400104X1	603	1-D 14	400152X1	1023	1-F 8	400217X1	865	1-E 16	400236X1	991	1-F 5
400106X1	1179	1-F 23	400152X1	1027	1-F 8	400220X1	787	1-E 8	400238X1	883	1-E 18
400107X1	839	1-E 13	400152X1	1119	1-F 17	400220X1	793	1-E 9	400239X1	101	1-B 12
400108X1	133	1-B 15	400152X1	1121	1-F 18	400220X1	883	1-E 18	400239X1	141	1-B 16
400108X1	135	1-B 15	400152X1	1123	1-F 18	400220X1	885	1-E 18	400239X1	143	1-B 16
400108X1	195	1-B 21	400152X1	1259	1-G 7	400221X1	203	1-B 22	400239X1	145	1-B 16
400108X1	585	1-D 12	400153X1	199	1-B 21	400221X1	205	1-B 22	400239X1	741	1-E 4
400108X1	1101	1-F 16	400153X1	203	1-B 22	400221X1	269	1-C 4	400240X1	179	1-B 19
400109X1	145	1-B 16	400154X1	407	1-C 18	400221X1	599	1-D 13	400240X1	325	1-C 10
400109X1	147	1-B 16	400157X1	147	1-B 16	400221X1	603	1-D 14	400240X1	757	1-E 5
400109X1	845	1-E 14	400160X1	211	1-B 23	400221X1	613	1-D 15	400241X1	175	1-B 19
400109X1	1043	1-F 10	400161X1	1127	1-F 18	400221X1	1037	1-F 9	400241X1	625	1-D 16
400110X1	1065	1-F 12	400162X1	597	1-D 13	400221X1	1043	1-F 10	400241X1	845	1-E 14
400110X1	1077	1-F 13	400162X1	601	1-D 14	400221X1	1095	1-F 15	400242X1	753	1-E 5
400110X1	1081	1-F 14	400171X1	133	1-B 15	400221X1	1177	1-F 23	400242X1	757	1-E 5
400110X1	1177	1-F 23	400172X1	321	1-C 10	400221X1	1191	1-G 1	400244X1	407	1-C 18
400110X1	1179	1-F 23	400173X1	127	1-B 14	400222X1	973	1-F 3	400244X1	409	1-C 18
400111X1	1105	1-F 16	400175X1	135	1-B 15	400225X1	95	1-B 11	400244X1	687	1-D 22
400111X1	1107	1-F 16	400176X1	199	1-B 21	400225X1	121	1-B 14	400244X1	957	1-F 1
400113X1	1179	1-F 23	400176X1	203	1-B 22	400225X1	123	1-B 14	400244X1	973	1-F 3
400114X1	731	1-E 3	400177X1	99	1-B 11	400225X1	125	1-B 14	400244X1	989	1-F 4
400114X1	1193	1-G 1	400179X1	321	1-C 10	400225X1	151	1-B 17	400244X1	991	1-F 5
400115X1	597	1-D 13	400180X1	117	1-B 13	400225X1	153	1-B 17	400245X1	599	1-D 13
400115X1	601	1-D 14	400181X1	115	1-B 13	400225X1	197	1-B 21	400245X1	603	1-D 14
400117X1	743	1-E 4	400182X1	969	1-F 2	400225X1	199	1-B 21	400245X1	715	1-E 1
400117X1	753	1-E 5	400182X1	973	1-F 3	400225X1	203	1-B 22	400245X1	739	1-E 3
400117X1	757	1-E 5	400184X1	1021	1-F 8	400225X1	205	1-B 22	400245X1	1105	1-F 16
400119X1	1121	1-F 18	400185X1	1043	1-F 10	400225X1	617	1-D 15	400245X1	1107	1-F 16
400119X1	1123	1-F 18	400186X1	1075	1-F 13	400225X1	631	1-D 17	400246X1	883	1-E 18
400120X1	1073	1-F 13	400187X1	973	1-F 3	400225X1	731	1-E 3	400246X1	885	1-E 18
400121X1	1073	1-F 13	400188X1	211	1-B 23	400225X1	737	1-E 3	400247X1	135	1-B 15
400122X1	579	1-D 11	400190X1	857	1-E 15	400225X1	909	1-E 20	400249X1	95	1-B 11
400123X1	829	1-E 12	400190X1	1059	1-F 11	400225X1	995	1-F 5	400249X1	101	1-B 12
400123X1	837	1-E 13	400190X1	1061	1-F 12	400226X1	591	1-D 13	400250X1	95	1-B 11
400123X1	839	1-E 13	400191X1	579	1-D 11	400226X1	749	1-E 4	400251X1	359	1-C 13
400123X1	847	1-E 14	400191X1	621	1-D 16	400226X1	997	1-F 5	400251X1	361	1-C 14
400123X1	849	1-E 14	400191X1	631	1-D 17	400227X1	151	1-B 17	400251X1	377	1-C 15

INDEX

Part No.	Page	Grid	Part No.	Page	Grid	Part No.	Page	Grid	Part No.	Page	Grid
400251X1	385	1-C 16	400287X1	309	1-C 8	400289X1	991	1-F 5	400318X1	175	1-B 19
400252X1	107	1-B 12	400287X1	357	1-C 13	400290X1	989	1-F 4	400318X1	177	1-B 19
400252X1	109	1-B 12	400287X1	361	1-C 14	400290X1	991	1-F 5	400318X1	375	1-C 15
400252X1	111	1-B 13	400287X1	375	1-C 15	400290X1	1001	1-F 6	400318X1	377	1-C 15
400254X1	1079	1-F 13	400287X1	381	1-C 16	400291X1	989	1-F 4	400318X1	383	1-C 16
400254X1	1083	1-F 14	400287X1	385	1-C 16	400291X1	991	1-F 5	400318X1	385	1-C 16
400256X1	1075	1-F 13	400287X1	579	1-D 11	400292X1	1037	1-F 9	400318X1	403	1-C 18
400256X1	1091	1-F 15	400287X1	591	1-D 13	400292X1	1043	1-F 10	400318X1	405	1-C 18
400256X1	1093	1-F 15	400287X1	593	1-D 13	400292X1	1193	1-G 1	400318X1	667	1-D 20
400257X1	573	1-D 11	400287X1	599	1-D 13	400293X1	1043	1-F 10	400318X1	669	1-D 20
400257X1	577	1-D 11	400287X1	617	1-D 15	400294X1	1037	1-F 9	400318X1	735	1-E 3
400260X1	671	1-D 21	400287X1	621	1-D 16	400295X1	213	1-B 23	400318X1	741	1-E 4
400261X1	683	1-D 22	400287X1	623	1-D 16	400295X1	349	1-C 12	400318X1	745	1-E 4
400263X1	969	1-F 2	400287X1	625	1-D 16	400295X1	1043	1-F 10	400318X1	747	1-E 4
400265X1	311	1-C 9	400287X1	629	1-D 16	400296X1	1037	1-F 9	400318X1	749	1-E 4
400265X1	313	1-C 9	400287X1	631	1-D 17	400296X1	1043	1-F 10	400318X1	797	1-E 9
400267X1	557	1-D 9	400287X1	633	1-D 17	400297X1	1043	1-F 10	400318X1	799	1-E 9
400267X1	559	1-D 9	400287X1	637	1-D 17	400298X1	1037	1-F 9	400318X1	809	1-E 10
400267X1	561	1-D 10	400287X1	729	1-E 2	400298X1	1043	1-F 10	400318X1	821	1-E 12
400267X1	563	1-D 10	400287X1	731	1-E 3	400299X1	1037	1-F 9	400318X1	827	1-E 12
400268X1	555	1-D 9	400287X1	735	1-E 3	400300X1	203	1-B 22	400318X1	829	1-E 12
400270X1	957	1-F 1	400287X1	737	1-E 3	400300X1	205	1-B 22	400318X1	837	1-E 13
400272X1	693	1-D 23	400287X1	739	1-E 3	400300X1	247	1-C 2	400318X1	841	1-E 14
400272X1	695	1-D 23	400287X1	741	1-E 4	400300X1	249	1-C 2	400318X1	843	1-E 14
400274X1	113	1-B 13	400287X1	743	1-E 4	400300X1	251	1-C 3	400318X1	845	1-E 14
400275X1	617	1-D 15	400287X1	749	1-E 4	400300X1	265	1-C 4	400318X1	855	1-E 15
400276X1	657	1-D 19	400287X1	753	1-E 5	400300X1	321	1-C 10	400318X1	857	1-E 15
400277X1	599	1-D 13	400287X1	757	1-E 5	400300X1	571	1-D 11	400318X1	881	1-E 18
400277X1	603	1-D 14	400287X1	759	1-E 5	400300X1	613	1-D 15	400318X1	909	1-E 20
400277X1	605	1-D 14	400287X1	761	1-E 6	400300X1	973	1-F 3	400318X1	911	1-E 21
400278X1	657	1-D 19	400287X1	775	1-E 7	400300X1	1033	1-F 9	400318X1	915	1-E 21
400280X1	99	1-B 11	400287X1	777	1-E 7	400300X1	1037	1-F 9	400318X1	921	1-E 22
400281X1	99	1-B 11	400287X1	819	1-E 11	400300X1	1039	1-F 9	400318X1	929	1-E 22
400282X1	1191	1-G 1	400287X1	821	1-E 12	400300X1	1043	1-F 10	400318X1	939	1-E 23
400282X1	1193	1-G 1	400287X1	823	1-E 12	400300X1	1095	1-F 15	400319X1	137	1-B 15
400283X1	989	1-F 4	400287X1	825	1-E 12	400300X1	1119	1-F 17	400319X1	741	1-E 4
400283X1	991	1-F 5	400287X1	833	1-E 13	400300X1	1127	1-F 18	400319X1	747	1-E 4
400284X1	989	1-F 4	400287X1	839	1-E 13	400300X1	1153	1-F 21	400319X1	787	1-E 8
400284X1	991	1-F 5	400287X1	841	1-E 14	400300X1	1185	1-F 24	400319X1	789	1-E 8
400285X1	989	1-F 4	400287X1	843	1-E 14	400300X1	1187	1-F 24	400319X1	819	1-E 11
400285X1	991	1-F 5	400287X1	847	1-E 14	400300X1	1191	1-G 1	400319X1	821	1-E 12
400286X1	671	1-D 21	400287X1	849	1-E 14	400301X1	1037	1-F 9	400319X1	823	1-E 12
400286X1	989	1-F 4	400287X1	851	1-E 15	400301X1	1043	1-F 10	400319X1	825	1-E 12
400286X1	991	1-F 5	400287X1	853	1-E 15	400302X1	1037	1-F 9	400319X1	829	1-E 12
400286X1	1259	1-G 7	400287X1	855	1-E 15	400305X1	1037	1-F 9	400319X1	839	1-E 13
400287X1	95	1-B 11	400287X1	857	1-E 15	400305X1	1043	1-F 10	400319X1	849	1-E 14
400287X1	101	1-B 12	400287X1	909	1-E 20	400306X1	1037	1-F 9	400319X1	851	1-E 15
400287X1	121	1-B 14	400287X1	915	1-E 21	400307X1	1037	1-F 9	400319X1	859	1-E 15
400287X1	123	1-B 14	400287X1	969	1-F 2	400307X1	1043	1-F 10	400319X1	885	1-E 18
400287X1	125	1-B 14	400287X1	973	1-F 3	400308X1	1037	1-F 9	400319X1	909	1-E 20
400287X1	133	1-B 15	400287X1	991	1-F 5	400308X1	1043	1-F 10	400319X1	915	1-E 21
400287X1	135	1-B 15	400287X1	995	1-F 5	400309X1	1037	1-F 9	400319X1	931	1-E 23
400287X1	145	1-B 16	400287X1	997	1-F 5	400309X1	1043	1-F 10	400319X1	997	1-F 5
400287X1	147	1-B 16	400287X1	1001	1-F 6	400310X1	173	1-B 19	400319X1	999	1-F 5
400287X1	151	1-B 17	400287X1	1003	1-F 6	400310X1	269	1-C 4	400322X1	93	1-B 11
400287X1	153	1-B 17	400287X1	1007	1-F 6	400310X1	367	1-C 14	400322X1	99	1-B 11
400287X1	163	1-B 18	400287X1	1017	1-F 7	400310X1	369	1-C 14	400322X1	133	1-B 15
400287X1	165	1-B 18	400287X1	1059	1-F 11	400310X1	571	1-D 11	400322X1	135	1-B 15
400287X1	167	1-B 18	400287X1	1061	1-F 12	400310X1	599	1-D 13	400322X1	137	1-B 15
400287X1	169	1-B 18	400287X1	1067	1-F 12	400310X1	601	1-D 14	400322X1	371	1-C 15
400287X1	175	1-B 19	400287X1	1073	1-F 13	400310X1	603	1-D 14	400322X1	821	1-E 12
400287X1	177	1-B 19	400287X1	1099	1-F 15	400310X1	843	1-E 14	400322X1	925	1-E 22
400287X1	179	1-B 19	400287X1	1109	1-F 16	400310X1	959	1-F 1	400322X1	929	1-E 22
400287X1	181	1-B 20	400287X1	1121	1-F 18	400310X1	1037	1-F 9	400322X1	933	1-E 23
400287X1	183	1-B 20	400287X1	1123	1-F 18	400310X1	1043	1-F 10	400322X1	935	1-E 23
400287X1	197	1-B 21	400287X1	1189	1-F 24	400310X1	1121	1-F 18	400322X1	937	1-E 23
400287X1	199	1-B 21	400287X1	1191	1-G 1	400310X1	1123	1-F 18	400322X1	993	1-F 5
400287X1	203	1-B 22	400287X1	1193	1-G 1	400310X1	1171	1-F 23	400322X1	995	1-F 5
400287X1	205	1-B 22	400288X1	989	1-F 4	400310X1	1177	1-F 23	400322X1	999	1-F 5
400287X1	209	1-B 22	400288X1	991	1-F 5	400310X1	1203	1-G 2	400323X1	667	1-D 20
400287X1	211	1-B 23	400288X1	1017	1-F 7	400311X1	811	1-E 11	400323X1	669	1-D 20
400287X1	213	1-B 23	400289X1	579	1-D 11	400313X1	1067	1-F 12	400323X1	735	1-E 3
400287X1	215	1-B 23	400289X1	679	1-D 21	400313X1	1123	1-F 18	400323X1	741	1-E 4
400287X1	267	1-C 4	400289X1	681	1-D 22	400313X1	1185	1-F 24	400323X1	745	1-E 4
400287X1	307	1-C 8	400289X1	989	1-F 4	400313X1	1187	1-F 24	400323X1	747	1-E 4

MT800 SERIES TRACTORS

37
INDEX

Part No.	Page	Grid	Part No.	Page	Grid	Part No.	Page	Grid	Part No.	Page	Grid
400323X1	829	1-E 12	400340X1	609	1-D 14	400357X1	621	1-D 16	400366X1	823	1-E 12
400323X1	843	1-E 14	400340X1	715	1-E 1	400357X1	625	1-D 16	400366X1	825	1-E 12
400323X1	847	1-E 14	400340X1	779	1-E 7	400357X1	629	1-D 16	400366X1	829	1-E 12
400323X1	853	1-E 15	400340X1	1023	1-F 8	400357X1	631	1-D 17	400366X1	837	1-E 13
400323X1	859	1-E 15	400340X1	1025	1-F 8	400357X1	633	1-D 17	400366X1	839	1-E 13
400324X1	735	1-E 3	400340X1	1027	1-F 8	400357X1	635	1-D 17	400366X1	843	1-E 14
400324X1	741	1-E 4	400340X1	1029	1-F 8	400357X1	637	1-D 17	400366X1	845	1-E 14
400324X1	829	1-E 12	400340X1	1091	1-F 15	400357X1	697	1-D 23	400366X1	849	1-E 14
400324X1	843	1-E 14	400340X1	1093	1-F 15	400357X1	699	1-D 23	400366X1	851	1-E 15
400325X1	829	1-E 12	400340X1	1095	1-F 15	400357X1	761	1-E 6	400366X1	859	1-E 15
400330X1	1091	1-F 15	400340X1	1185	1-F 24	400357X1	815	1-E 11	400366X1	995	1-F 5
400330X1	1093	1-F 15	400340X1	1187	1-F 24	400357X1	819	1-E 11	400367X1	741	1-E 4
400330X1	1185	1-F 24	400340X1	1189	1-F 24	400357X1	821	1-E 12	400367X1	829	1-E 12
400330X1	1187	1-F 24	400340X1	1191	1-G 1	400357X1	823	1-E 12	400367X1	841	1-E 14
400331X1	1091	1-F 15	400341X1	211	1-B 23	400357X1	825	1-E 12	400367X1	857	1-E 15
400331X1	1093	1-F 15	400341X1	307	1-C 8	400357X1	839	1-E 13	400368X1	747	1-E 4
400332X1	819	1-E 11	400341X1	309	1-C 8	400357X1	843	1-E 14	400368X1	829	1-E 12
400332X1	1091	1-F 15	400341X1	375	1-C 15	400357X1	847	1-E 14	400368X1	843	1-E 14
400332X1	1093	1-F 15	400341X1	377	1-C 15	400357X1	849	1-E 14	400369X1	829	1-E 12
400333X1	1091	1-F 15	400341X1	381	1-C 16	400357X1	851	1-E 15	400370X1	829	1-E 12
400333X1	1093	1-F 15	400341X1	573	1-D 11	400357X1	853	1-E 15	400372X1	841	1-E 14
400333X1	1185	1-F 24	400341X1	575	1-D 11	400357X1	857	1-E 15	400374X1	787	1-E 8
400333X1	1187	1-F 24	400341X1	581	1-D 12	400357X1	859	1-E 15	400374X1	789	1-E 8
400334X1	173	1-B 19	400341X1	599	1-D 13	400357X1	861	1-E 16	400374X1	829	1-E 12
400334X1	1075	1-F 13	400341X1	601	1-D 14	400357X1	863	1-E 16	400374X1	885	1-E 18
400336X1	115	1-B 13	400341X1	603	1-D 14	400357X1	865	1-E 16	400374X1	909	1-E 20
400336X1	117	1-B 13	400341X1	609	1-D 14	400357X1	871	1-E 17	400374X1	915	1-E 21
400339X1	95	1-B 11	400341X1	625	1-D 16	400357X1	881	1-E 18	400375X1	555	1-D 9
400339X1	101	1-B 12	400341X1	735	1-E 3	400357X1	883	1-E 18	400375X1	557	1-D 9
400339X1	119	1-B 13	400341X1	973	1-F 3	400357X1	885	1-E 18	400375X1	667	1-D 20
400339X1	211	1-B 23	400341X1	1023	1-F 8	400357X1	973	1-F 3	400375X1	669	1-D 20
400339X1	265	1-C 4	400341X1	1025	1-F 8	400357X1	975	1-F 3	400375X1	921	1-E 22
400339X1	267	1-C 4	400341X1	1027	1-F 8	400357X1	1153	1-F 21	400376X1	95	1-B 11
400339X1	307	1-C 8	400341X1	1029	1-F 8	400358X1	101	1-B 12	400376X1	99	1-B 11
400339X1	309	1-C 8	400347X1	749	1-E 4	400358X1	407	1-C 18	400376X1	101	1-B 12
400339X1	375	1-C 15	400348X1	749	1-E 4	400358X1	409	1-C 18	400376X1	159	1-B 17
400339X1	377	1-C 15	400348X1	819	1-E 11	400358X1	657	1-D 19	400376X1	161	1-B 18
400339X1	381	1-C 16	400350X1	551	1-D 9	400358X1	839	1-E 13	400376X1	399	1-C 17
400339X1	385	1-C 16	400350X1	553	1-D 9	400359X1	843	1-E 14	400376X1	667	1-D 20
400339X1	581	1-D 12	400352X1	751	1-E 5	400359X1	849	1-E 14	400376X1	669	1-D 20
400339X1	607	1-D 14	400352X1	755	1-E 5	400359X1	851	1-E 15	400376X1	797	1-E 9
400339X1	609	1-D 14	400352X1	761	1-E 6	400360X1	827	1-E 12	400376X1	809	1-E 10
400339X1	621	1-D 16	400354X1	1259	1-G 7	400360X1	829	1-E 12	400376X1	829	1-E 12
400339X1	625	1-D 16	400356X1	1065	1-F 12	400361X1	99	1-B 11	400376X1	837	1-E 13
400339X1	629	1-D 16	400357X1	95	1-B 11	400361X1	377	1-C 15	400376X1	843	1-E 14
400339X1	671	1-D 21	400357X1	107	1-B 12	400361X1	383	1-C 16	400376X1	847	1-E 14
400339X1	683	1-D 22	400357X1	109	1-B 12	400361X1	747	1-E 4	400376X1	849	1-E 14
400339X1	735	1-E 3	400357X1	111	1-B 13	400361X1	751	1-E 5	400376X1	851	1-E 15
400339X1	739	1-E 3	400357X1	113	1-B 13	400361X1	755	1-E 5	400376X1	853	1-E 15
400339X1	741	1-E 4	400357X1	127	1-B 14	400361X1	761	1-E 6	400376X1	859	1-E 15
400339X1	749	1-E 4	400357X1	129	1-B 14	400361X1	781	1-E 8	400376X1	881	1-E 18
400339X1	753	1-E 5	400357X1	173	1-B 19	400361X1	829	1-E 12	400376X1	921	1-E 22
400339X1	757	1-E 5	400357X1	197	1-B 21	400361X1	837	1-E 13	400377X1	747	1-E 4
400339X1	779	1-E 7	400357X1	199	1-B 21	400361X1	843	1-E 14	400377X1	751	1-E 5
400339X1	819	1-E 11	400357X1	201	1-B 22	400361X1	859	1-E 15	400377X1	753	1-E 5
400339X1	821	1-E 12	400357X1	203	1-B 22	400361X1	881	1-E 18	400377X1	755	1-E 5
400339X1	823	1-E 12	400357X1	205	1-B 22	400361X1	883	1-E 18	400377X1	757	1-E 5
400339X1	825	1-E 12	400357X1	303	1-C 8	400361X1	885	1-E 18	400377X1	829	1-E 12
400339X1	839	1-E 13	400357X1	305	1-C 8	400361X1	939	1-E 23	400377X1	837	1-E 13
400339X1	973	1-F 3	400357X1	375	1-C 15	400363X1	837	1-E 13	400377X1	843	1-E 14
400339X1	1091	1-F 15	400357X1	385	1-C 16	400365X1	183	1-B 20	400378X1	735	1-E 3
400339X1	1093	1-F 15	400357X1	401	1-C 18	400365X1	829	1-E 12	400378X1	741	1-E 4
400339X1	1121	1-F 18	400357X1	403	1-C 18	400365X1	837	1-E 13	400378X1	747	1-E 4
400339X1	1123	1-F 18	400357X1	407	1-C 18	400365X1	839	1-E 13	400378X1	749	1-E 4
400339X1	1153	1-F 21	400357X1	409	1-C 18	400365X1	843	1-E 14	400378X1	841	1-E 14
400340X1	133	1-B 15	400357X1	551	1-D 9	400365X1	845	1-E 14	400378X1	845	1-E 14
400340X1	149	1-B 16	400357X1	553	1-D 9	400365X1	849	1-E 14	400378X1	857	1-E 15
400340X1	211	1-B 23	400357X1	559	1-D 9	400365X1	851	1-E 15	400380X1	815	1-E 11
400340X1	213	1-B 23	400357X1	561	1-D 10	400365X1	945	1-E 24	400381X1	625	1-D 16
400340X1	215	1-B 23	400357X1	563	1-D 10	400366X1	93	1-B 11	400381X1	683	1-D 22
400340X1	265	1-C 4	400357X1	583	1-D 12	400366X1	99	1-B 11	400381X1	815	1-E 11
400340X1	267	1-C 4	400357X1	591	1-D 13	400366X1	133	1-B 15	400381X1	847	1-E 14
400340X1	307	1-C 8	400357X1	603	1-D 14	400366X1	135	1-B 15	400381X1	853	1-E 15
400340X1	309	1-C 8	400357X1	605	1-D 14	400366X1	741	1-E 4	400381X1	867	1-E 16
400340X1	573	1-D 11	400357X1	617	1-D 15	400366X1	761	1-E 6	400381X1	869	1-E 16

INDEX

Part No.	Page	Grid	Part No.	Page	Grid	Part No.	Page	Grid	Part No.	Page	Grid
400381X1	973	1-F 3	400588X1	839	1-E 13	400645X1	741	1-E 4	400702X1	145	1-B 16
400381X1	975	1-F 3	400588X1	859	1-E 15	400647X1	133	1-B 15	400702X1	147	1-B 16
400382X1	215	1-B 23	400589X1	839	1-E 13	400647X1	135	1-B 15	400702X1	179	1-B 19
400403X1	245	1-C 2	400590X1	839	1-E 13	400649X1	97	1-B 11	400702X1	181	1-B 20
400404X1	245	1-C 2	400591X1	839	1-E 13	400649X1	103	1-B 12	400702X1	843	1-E 14
400405X1	245	1-C 2	400593X1	241	1-C 2	400650X1	751	1-E 5	400702X1	1099	1-F 15
400406X1	245	1-C 2	400593X1	243	1-C 2	400650X1	755	1-E 5	400703X1	95	1-B 11
400407X1	245	1-C 2	400593X1	667	1-D 20	400654X1	133	1-B 15	400703X1	101	1-B 12
400408X1	361	1-C 14	400593X1	669	1-D 20	400654X1	135	1-B 15	400704X1	93	1-B 11
400410X1	819	1-E 11	400593X1	837	1-E 13	400655X1	133	1-B 15	400704X1	99	1-B 11
400410X1	821	1-E 12	400593X1	845	1-E 14	400655X1	135	1-B 15	400706X1	395	1-E 17
400412X1	995	1-F 5	400593X1	849	1-E 14	400657X1	135	1-B 15	400708X1	361	1-C 14
400414X1	819	1-E 11	400593X1	851	1-E 15	400658X1	99	1-B 11	400715X1	1089	1-F 14
400414X1	821	1-E 12	400593X1	995	1-F 5	400659X1	99	1-B 11	400717X1	279	1-C 5
400416X1	749	1-E 4	400595X1	837	1-E 13	400665X1	99	1-B 11	400753X1	273	1-C 5
400416X1	809	1-E 10	400596X1	837	1-E 13	400665X1	1099	1-F 15	400754X1	223	1-B 24
400416X1	819	1-E 11	400597X1	145	1-B 16	400667X1	133	1-B 15	400780X1	1043	1-F 10
400416X1	821	1-E 12	400597X1	375	1-C 15	400667X1	135	1-B 15	400781X1	361	1-C 14
400416X1	823	1-E 12	400597X1	377	1-C 15	400674X1	93	1-B 11	400782X1	225	1-B 24
400416X1	825	1-E 12	400597X1	385	1-C 16	400674X1	99	1-B 11	400782X1	367	1-C 14
400416X1	837	1-E 13	400597X1	839	1-E 13	400675X1	93	1-B 11	400825X1	749	1-E 4
400416X1	843	1-E 14	400597X1	849	1-E 14	400675X1	99	1-B 11	400826X1	113	1-B 13
400416X1	845	1-E 14	400597X1	851	1-E 15	400678X1	95	1-B 11	400831X1	403	1-C 18
400416X1	859	1-E 15	400598X1	183	1-B 20	400678X1	99	1-B 11	400831X1	405	1-C 18
400416X1	883	1-E 18	400598X1	839	1-E 13	400681X1	95	1-B 11	400834X1	367	1-C 14
400417X1	745	1-E 4	400599X1	93	1-B 11	400681X1	99	1-B 11	400834X1	369	1-C 14
400418X1	175	1-B 19	400599X1	99	1-B 11	400682X1	95	1-B 11	400834X1	1077	1-F 13
400419X1	821	1-E 12	400599X1	127	1-B 14	400682X1	99	1-B 11	400835X1	367	1-C 14
400420X1	821	1-E 12	400599X1	135	1-B 15	400682X1	581	1-D 12	400835X1	369	1-C 14
400421X1	821	1-E 12	400599X1	149	1-B 16	400682X1	617	1-D 15	400835X1	775	1-E 7
400422X1	821	1-E 12	400599X1	151	1-B 17	400684X1	95	1-B 11	400835X1	777	1-E 7
400423X1	821	1-E 12	400599X1	153	1-B 17	400684X1	99	1-B 11	400836X1	367	1-C 14
400428X1	741	1-E 4	400599X1	581	1-D 12	400686X1	179	1-B 19	400836X1	369	1-C 14
400428X1	745	1-E 4	400599X1	591	1-D 13	400686X1	181	1-B 20	400837X1	145	1-B 16
400428X1	749	1-E 4	400599X1	597	1-D 13	400687X1	99	1-B 11	400837X1	147	1-B 16
400429X1	179	1-B 19	400599X1	599	1-D 13	400688X1	147	1-B 16	400837X1	197	1-B 21
400453X1	321	1-C 10	400599X1	601	1-D 14	400688X1	759	1-E 5	400837X1	199	1-B 21
400455X1	1111	1-F 17	400599X1	603	1-D 14	400689X1	95	1-B 11	400837X1	201	1-B 22
400455X1	1113	1-F 17	400599X1	625	1-D 16	400689X1	99	1-B 11	400837X1	205	1-B 22
400455X1	1115	1-F 17	400599X1	633	1-D 17	400689X1	179	1-B 19	400837X1	241	1-C 2
400486X1	1117	1-F 17	400599X1	705	1-D 24	400689X1	181	1-B 20	400837X1	243	1-C 2
400497X1	395	1-C 17	400599X1	715	1-E 1	400689X1	843	1-E 14	400837X1	331	1-C 11
400511X1	201	1-B 22	400599X1	1023	1-F 8	400689X1	855	1-E 15	400837X1	351	1-C 13
400511X1	279	1-C 5	400599X1	1025	1-F 8	400691X1	179	1-B 19	400837X1	353	1-C 13
400511X1	353	1-C 13	400599X1	1027	1-F 8	400691X1	181	1-B 20	400837X1	359	1-C 13
400511X1	379	1-C 15	400599X1	1029	1-F 8	400692X1	93	1-B 11	400837X1	361	1-C 14
400553X1	1073	1-F 13	400599X1	1095	1-F 15	400692X1	99	1-B 11	400837X1	367	1-C 14
400561X1	223	1-B 24	400599X1	1105	1-F 16	400693X1	93	1-B 11	400837X1	369	1-C 14
400561X1	1191	1-G 1	400599X1	1107	1-F 16	400693X1	101	1-B 12	400837X1	371	1-C 15
400561X1	1193	1-G 1	400599X1	1179	1-F 23	400693X1	133	1-B 15	400837X1	387	1-C 16
400562X1	225	1-B 24	400599X1	1185	1-F 24	400693X1	135	1-B 15	400837X1	391	1-C 17
400562X1	245	1-C 2	400599X1	1187	1-F 24	400694X1	133	1-B 15	400837X1	393	1-C 17
400562X1	279	1-C 5	400602X1	307	1-C 8	400694X1	135	1-B 15	400837X1	843	1-E 14
400562X1	329	1-C 10	400602X1	309	1-C 8	400695X1	197	1-B 21	400837X1	855	1-E 15
400562X1	361	1-C 14	400603X1	1099	1-F 15	400695X1	199	1-B 21	400837X1	1023	1-F 8
400562X1	367	1-C 14	400604X1	1099	1-F 15	400695X1	203	1-B 22	400837X1	1025	1-F 8
400562X1	373	1-C 15	400607X1	745	1-E 4	400695X1	205	1-B 22	400837X1	1027	1-F 8
400562X1	375	1-C 15	400607X1	747	1-E 4	400695X1	1099	1-F 15	400837X1	1029	1-F 8
400562X1	379	1-C 15	400607X1	847	1-E 14	400696X1	101	1-B 12	400837X1	1099	1-F 15
400562X1	383	1-C 16	400607X1	853	1-E 15	400697X1	93	1-B 11	400837X1	1191	1-G 1
400564X1	819	1-E 11	400614X1	749	1-E 4	400697X1	101	1-B 12	400861X1	329	1-C 10
400564X1	825	1-E 12	400616X1	819	1-E 11	400699X1	133	1-B 15	400862X1	247	1-C 2
400565X1	819	1-E 11	400616X1	995	1-F 5	400699X1	135	1-B 15	400862X1	249	1-C 2
400568X1	825	1-E 12	400618X1	749	1-E 4	400700X1	823	1-E 12	400862X1	251	1-C 3
400569X1	825	1-E 12	400620X1	735	1-E 3	400700X1	825	1-E 12	400862X1	253	1-C 3
400570X1	113	1-B 13	400621X1	753	1-E 5	400700X1	849	1-E 14	400862X1	255	1-C 3
400576X1	1073	1-F 13	400621X1	757	1-E 5	400700X1	851	1-E 15	400862X1	1263	1-G 8
400577X1	837	1-E 13	400621X1	759	1-E 5	400700X1	1099	1-F 15	400864X1	269	1-C 4
400578X1	837	1-E 13	400625X1	741	1-E 4	400701X1	95	1-B 11	400865X1	383	1-C 16
400580X1	837	1-E 13	400627X1	179	1-B 19	400701X1	101	1-B 12	400899X1	215	1-B 23
400582X1	837	1-E 13	400627X1	181	1-B 20	400701X1	145	1-B 16	400932X1	1037	1-F 9
400583X1	183	1-B 20	400628X1	735	1-E 3	400701X1	147	1-B 16	400932X1	1043	1-F 10
400584X1	837	1-E 13	400636X1	749	1-E 4	400702X1	101	1-B 12	400941X1	215	1-B 23
400584X1	843	1-E 14	400638X1	741	1-E 4	400702X1	133	1-B 15	400948X1	1023	1-F 8
400586X1	837	1-E 13	400638X1	843	1-E 14	400702X1	135	1-B 15	400948X1	1025	1-F 8

MT800 SERIES TRACTORS

39
INDEX

Part No.	Page	Grid	Part No.	Page	Grid	Part No.	Page	Grid	Part No.	Page	Grid
400961X1	823	1-E 12	5S-7349	317	1-C 9	500450D1	1073	1-F 13	500650D1	253	1-C 3
400963X1	825	1-E 12	5S-7349	319	1-C 9	500458D1	847	1-E 14	500651D1	255	1-C 3
400965X1	823	1-E 12	500014D1	377	1-C 15	500458D1	853	1-E 15	500652D1	257	1-C 3
400965X1	825	1-E 12	500014D1	385	1-C 16	500468D1	705	1-D 24	500653D1	247	1-C 2
400967X1	823	1-E 12	500016D1	189	1-B 20	500469D1	705	1-D 24	500653D1	249	1-C 2
400967X1	825	1-E 12	500016D1	193	1-B 21	500470D1	705	1-D 24	500653D1	251	1-C 3
400968X1	823	1-E 12	500017D1	193	1-B 21	500473D1	1023	1-F 8	500653D1	253	1-C 3
400968X1	825	1-E 12	500019D1	193	1-B 21	500473D1	1025	1-F 8	500653D1	255	1-C 3
5B-5821	421	1-C 20	500033D1	65	1-B 8	500475D1	325	1-C 10	500654D1	247	1-C 2
5B-5821	423	1-C 20	500034D1	67	1-B 8	500476D1	325	1-C 10	500654D1	249	1-C 2
5B-5821	493	1-D 3	500035D1	69	1-B 8	500477D1	325	1-C 10	500654D1	251	1-C 3
5B-5821	505	1-D 4	500037D1	71	1-B 9	500478D1	321	1-C 10	500654D1	253	1-C 3
5B-5821	507	1-D 4	500038D1	139	1-B 15	500478D1	325	1-C 10	500654D1	255	1-C 3
5B-5821	509	1-D 4	500039D1	65	1-B 8	500483D1	1127	1-F 18	500658D1	1091	1-F 15
5F-3144	459	1-C 23	500039D1	67	1-B 8	500484D2	1129	1-F 18	500658D1	1093	1-F 15
5F-3144	469	1-C 24	500039D1	69	1-B 8	500485D2	1131	1-F 19	500660D1	1093	1-F 15
5F-3144	479	1-D 1	500039D1	71	1-B 9	500486D2	1133	1-F 19	500671D1	829	1-E 12
5F-3144	489	1-D 2	500039D1	595	1-D 13	500487D2	1135	1-F 19	500672D1	829	1-E 12
5F-3999	529	1-D 6	500040D1	65	1-B 8	500488D2	1137	1-F 19	500674D1	263	1-C 4
5F-3999	535	1-D 7	500040D1	67	1-B 8	500489D2	1139	1-F 19	500676D1	263	1-C 4
5F-3999	541	1-D 8	500040D1	69	1-B 8	500490D2	1141	1-F 20	500676D2	247	1-C 2
5H-3193	493	1-D 3	500040D1	71	1-B 9	500491D2	1143	1-F 20	500676D2	249	1-C 2
5H-3252	529	1-D 6	500040D1	705	1-D 24	500493D1	1073	1-F 13	500676D2	251	1-C 3
5H-3252	535	1-D 7	500062D1	711	1-E 1	500494D1	747	1-E 4	500676D2	253	1-C 3
5H-3252	541	1-D 8	500081D1	705	1-D 24	500505D1	607	1-D 14	500676D2	255	1-C 3
5H-6005	455	1-C 23	500120D1	595	1-D 13	500510D1	213	1-B 23	500677D1	263	1-C 4
5H-6005	465	1-C 24	500124D1	595	1-D 13	500510D1	375	1-C 15	500677D2	249	1-C 2
5H-6005	475	1-D 1	500125D1	595	1-D 13	500510D1	381	1-C 16	500677D2	251	1-C 3
5H-6005	485	1-D 2	500126D1	595	1-D 13	500513D1	1073	1-F 13	500678D1	265	1-C 4
5H-8038	421	1-C 20	500127D1	859	1-E 15	500515D1	101	1-B 12	500678D1	1263	1-G 8
5H-8038	423	1-C 20	500128D1	853	1-E 15	500516D1	93	1-B 11	500679D1	331	1-C 11
5H-8985	429	1-C 20	500129D1	843	1-E 14	500517D1	133	1-B 15	500680D1	331	1-C 11
5H-8985	433	1-C 21	500142D1	179	1-B 19	500518D1	133	1-B 15	500682D1	331	1-C 11
5H-8985	435	1-C 21	500142D1	181	1-B 20	500519D1	105	1-B 12	500685D1	105	1-B 12
5H-8985	441	1-C 22	500291D1	179	1-B 19	500523D1	839	1-E 13	500685D1	1263	1-G 8
5H-8985	445	1-C 22	500291D1	181	1-B 20	500524D1	839	1-E 13	500686D1	813	1-E 11
5H-8985	449	1-C 22	500316D1	113	1-B 13	500529D1	267	1-C 4	500687D1	667	1-D 20
5J-3886	421	1-C 20	500317D1	171	1-B 19	500530D1	267	1-C 4	500687D1	669	1-D 20
5J-3886	423	1-C 20	500317D1	173	1-B 19	500599D1	847	1-E 14	500717D1	1073	1-F 13
5L-4751	459	1-C 23	500317D1	355	1-C 13	500606D1	217	1-B 23	500717D1	1263	1-G 8
5L-4751	469	1-C 24	500361D1	1119	1-F 17	500606D1	219	1-B 23	500719D1	1207	1-G 2
5L-4751	479	1-D 1	500362D1	1119	1-F 17	500606D1	321	1-C 10	500729D1	1207	1-G 2
5L-4751	489	1-D 2	500363D1	1119	1-F 17	500607D1	217	1-B 23	500730D1	1195	1-G 1
5M-0578	461	1-C 24	500364D1	1119	1-F 17	500607D1	219	1-B 23	500731D1	1197	1-G 1
5M-0578	471	1-D 1	500367D1	333	1-C 11	500607D1	339	1-C 11	500732D1	1199	1-G 1
5M-0578	481	1-D 2	500371D1	1209	1-G 2	500610D1	321	1-C 10	500733D1	1201	1-G 2
5M-0578	491	1-D 3	500371D1	1211	1-G 3	500612D1	1155	1-F 21	500734D1	1207	1-G 2
5M-2051	493	1-D 3	500371D1	1215	1-G 3	500612D1	1157	1-F 21	500735D1	1205	1-G 2
5M-2894	137	1-B 15	500371D1	1217	1-G 3	500619D1	211	1-B 23	500736D1	1207	1-G 2
5M-6509	459	1-C 23	500371D1	1229	1-G 4	500619D1	1073	1-F 13	500737D1	1207	1-G 2
5M-6509	469	1-C 24	500371D1	1231	1-G 5	500624D1	1091	1-F 15	500738D1	1207	1-G 2
5M-6509	479	1-D 1	500371D1	1233	1-G 5	500624D1	1093	1-F 15	500744D1	49	1-B 6
5M-6509	489	1-D 2	500371D1	1235	1-G 5	500625D1	1093	1-F 15	500744D1	57	1-B 7
5M-7937	421	1-C 20	500371D1	1237	1-G 5	500627D1	197	1-B 21	500744D1	1195	1-G 1
5M-7937	423	1-C 20	500372D1	1209	1-G 2	500627D1	199	1-B 21	500745D1	51	1-B 7
5M-7937	505	1-D 4	500372D1	1211	1-G 3	500627D1	201	1-B 22	500745D1	59	1-B 7
5M-7937	507	1-D 4	500372D1	1217	1-G 3	500627D1	205	1-B 22	500745D1	1197	1-G 1
5M-7937	509	1-D 4	500372D1	1229	1-G 4	500628D1	217	1-B 23	500746D1	53	1-B 7
5M-7937	527	1-D 6	500372D1	1231	1-G 5	500630D1	219	1-B 23	500746D1	61	1-B 8
5M-7937	533	1-D 7	500372D1	1233	1-G 5	500634D1	251	1-C 3	500746D1	1199	1-G 1
5M-7937	539	1-D 7	500372D1	1235	1-G 5	500634D1	255	1-C 3	500747D1	55	1-B 7
5M-8034	265	1-C 4	500372D1	1237	1-G 5	500634D1	257	1-C 3	500747D1	63	1-B 8
5P-0765	1039	1-F 9	500378D1	1073	1-F 13	500634D1	263	1-C 4	500747D1	1201	1-G 2
5P-1404	425	1-C 20	500382D1	1075	1-F 13	500635D1	251	1-C 3	500748D2	1207	1-G 2
5P-3413	307	1-C 8	500389D1	323	1-C 10	500635D1	255	1-C 3	500749D1	1205	1-G 2
5P-3413	309	1-C 8	500392D1	323	1-C 10	500635D1	257	1-C 3	500749D1	1207	1-G 2
5P-6254	457	1-C 23	500395D2	693	1-D 23	500635D1	263	1-C 4	500752D1	907	1-E 20
5P-6254	467	1-C 24	500395D2	695	1-D 23	500637D1	263	1-C 4	500752D1	919	1-E 21
5P-6254	477	1-D 1	500396D2	693	1-D 23	500638D1	263	1-C 4	500754D1	959	1-F 1
5P-6254	487	1-D 2	500396D2	695	1-D 23	500639D1	251	1-C 3	500758D1	1099	1-F 15
5P-7843	455	1-C 23	500419D1	1173	1-F 23	500639D1	255	1-C 3	500761D1	1049	1-F 10
5P-7843	463	1-C 24	500441D2	621	1-D 16	500639D1	257	1-C 3	500761D1	1051	1-F 11
5P-7843	473	1-D 1	500442D1	1073	1-F 13	500645D1	247	1-C 2	500761D1	1069	1-F 12
5P-7843	483	1-D 2	500446D1	359	1-C 13	500646D1	249	1-C 2	500768D1	1049	1-F 10
5S-7349	315	1-C 9	500447D1	739	1-E 3	500647D1	251	1-C 3	500768D1	1051	1-F 11

INDEX

Part No.	Page	Grid	Part No.	Page	Grid	Part No.	Page	Grid	Part No.	Page	Grid
500768D1	1053	1-F 11	501070D1	895	1-E 19	501251D1	1213	1-G 3	501261D1	1213	1-G 3
500768D1	1055	1-F 11	501073D1	335	1-C 11	501251D1	1227	1-G 4	501261D1	1215	1-G 4
500768D1	1057	1-F 11	501073D1	337	1-C 11	501251D1	1237	1-G 5	501261D1	1217	1-G 3
500768D1	1067	1-F 12	501074D1	335	1-C 11	501252D1	1213	1-G 3	501261D1	1219	1-G 3
500775D1	247	1-C 2	501074D1	337	1-C 11	501252D1	1227	1-G 4	501261D1	1221	1-G 4
500775D1	249	1-C 2	501075D1	335	1-C 11	501252D1	1237	1-G 5	501261D1	1223	1-G 4
500775D1	259	1-C 3	501075D1	337	1-C 11	501253D1	1209	1-G 2	501261D1	1225	1-G 4
500776D1	251	1-C 3	501103D1	1213	1-G 3	501253D1	1211	1-G 3	501261D1	1241	1-G 6
500776D1	261	1-C 4	501103D1	1227	1-G 4	501253D1	1213	1-G 3	501262D1	1209	1-G 2
500791D2	1145	1-F 20	501103D1	1237	1-G 5	501253D1	1215	1-G 3	501262D1	1211	1-G 3
500792D2	1147	1-F 20	501104D1	1209	1-G 2	501253D1	1217	1-G 3	501262D1	1213	1-G 3
500793D2	1149	1-F 20	501104D1	1233	1-G 5	501253D1	1219	1-G 3	501262D1	1215	1-G 3
500794D2	1151	1-F 21	501104D1	1237	1-G 5	501253D1	1221	1-G 4	501262D1	1217	1-G 3
500795D1	907	1-E 20	501105D1	1215	1-G 3	501253D1	1223	1-G 4	501262D1	1219	1-G 3
500834D1	667	1-D 20	501105D1	1231	1-G 5	501253D1	1225	1-G 4	501262D1	1221	1-G 4
500834D1	669	1-D 20	501105D1	1237	1-G 5	501253D1	1227	1-G 4	501262D1	1223	1-G 4
500835D1	667	1-D 20	501106D1	1209	1-G 2	501253D1	1229	1-G 4	501262D1	1225	1-G 4
500835D1	675	1-D 21	501106D1	1233	1-G 5	501253D1	1231	1-G 5	501262D1	1241	1-G 6
500836D1	669	1-D 20	501106D1	1237	1-G 5	501253D1	1233	1-G 5	501263D1	1209	1-G 2
500836D1	673	1-D 21	501107D1	1227	1-G 4	501253D1	1235	1-G 5	501263D1	1211	1-G 3
500839D1	1049	1-F 10	501107D1	1237	1-G 5	501253D1	1239	1-G 5	501263D1	1213	1-G 3
500839D1	1051	1-F 11	501108D1	1215	1-G 3	501253D1	1241	1-G 6	501263D1	1215	1-G 3
500839D1	1053	1-F 11	501108D1	1231	1-G 5	501254D1	1209	1-G 2	501263D1	1217	1-G 3
500839D1	1055	1-F 11	501108D1	1237	1-G 5	501254D1	1211	1-G 3	501263D1	1219	1-G 3
500839D1	1057	1-F 11	501109D1	201	1-B 22	501254D1	1213	1-G 3	501263D1	1221	1-G 4
500839D1	1127	1-F 18	501110D1	199	1-B 21	501254D1	1215	1-G 3	501263D1	1223	1-G 4
500840D1	1155	1-F 21	501111D1	201	1-B 22	501254D1	1217	1-G 3	501263D1	1225	1-G 4
500841D1	1051	1-F 11	501112D1	199	1-B 21	501254D1	1219	1-G 3	501263D1	1241	1-G 6
500842D1	1049	1-F 10	501113D1	205	1-B 22	501254D1	1221	1-G 4	501264D1	1209	1-G 2
500843D1	1055	1-F 11	501114D1	197	1-B 21	501254D1	1223	1-G 4	501264D1	1211	1-G 3
500844D1	1053	1-F 11	501118D1	211	1-B 23	501254D1	1225	1-G 4	501264D1	1213	1-G 3
500849D1	1057	1-F 11	501120D1	1191	1-G 1	501254D1	1241	1-G 6	501264D1	1215	1-G 3
500853D1	1157	1-F 21	501124D1	337	1-C 11	501256D1	1189	1-F 24	501264D1	1217	1-G 3
500854D1	1127	1-F 18	501127D1	857	1-E 15	501256D1	1227	1-G 4	501264D1	1219	1-G 3
500882D1	321	1-C 10	501128D1	857	1-E 15	501256D1	1229	1-G 4	501264D1	1221	1-G 4
500910D1	213	1-B 23	501129D1	857	1-E 15	501256D1	1231	1-G 5	501264D1	1223	1-G 4
500910D1	349	1-C 12	501130D1	727	1-E 2	501256D1	1233	1-G 5	501264D1	1225	1-G 4
500925D1	671	1-D 21	501130D1	857	1-E 15	501256D1	1235	1-G 5	501264D1	1241	1-G 6
500925D1	683	1-D 22	501130D1	895	1-E 19	501257D1	1209	1-G 2	501265D1	1209	1-G 2
500927D1	1059	1-F 11	501140D1	727	1-E 2	501257D1	1211	1-G 3	501265D1	1211	1-G 3
500927D1	1061	1-F 12	501144D1	1023	1-F 8	501257D1	1213	1-G 3	501265D1	1213	1-G 3
500927D1	1093	1-F 15	501144D1	1025	1-F 8	501257D1	1215	1-G 3	501265D1	1215	1-G 3
500929D1	1091	1-F 15	501144D1	1027	1-F 8	501257D1	1217	1-G 3	501265D1	1217	1-G 3
500929D1	1093	1-F 15	501144D1	1029	1-F 8	501257D1	1219	1-G 3	501265D1	1219	1-G 3
500931D1	1093	1-F 15	501145D1	1023	1-F 8	501257D1	1221	1-G 4	501265D1	1221	1-G 4
500932D1	929	1-E 22	501145D1	1025	1-F 8	501257D1	1223	1-G 4	501265D1	1223	1-G 4
500932D1	933	1-E 23	501145D1	1027	1-F 8	501257D1	1225	1-G 4	501265D1	1225	1-G 4
500932D1	935	1-E 23	501145D1	1029	1-F 8	501257D1	1241	1-G 6	501267D1	1209	1-G 2
500932D1	937	1-E 23	501146D1	1043	1-F 10	501258D1	1211	1-G 3	501267D1	1211	1-G 3
500936D1	967	1-F 2	501147D1	1023	1-F 8	501258D1	1215	1-G 3	501267D1	1213	1-G 3
500939D1	967	1-F 2	501147D1	1025	1-F 8	501258D1	1231	1-G 5	501267D1	1215	1-G 3
500940D1	967	1-F 2	501147D1	1027	1-F 8	501258D1	1235	1-G 5	501267D1	1217	1-G 3
500950D1	749	1-E 4	501147D1	1029	1-F 8	501258D1	1237	1-G 5	501267D1	1219	1-G 3
500956D1	839	1-E 13	501148D1	597	1-D 13	501259D1	1209	1-G 2	501267D1	1221	1-G 4
500957D1	1091	1-F 15	501148D1	601	1-D 14	501259D1	1211	1-G 3	501267D1	1223	1-G 4
500957D1	1093	1-F 15	501153D1	1095	1-F 15	501259D1	1213	1-G 3	501267D1	1225	1-G 4
500967D1	967	1-F 2	501153D1	1263	1-G 8	501259D1	1215	1-G 3	501267D1	1227	1-G 4
500968D1	967	1-F 2	501168D1	333	1-C 11	501259D1	1217	1-G 3	501267D1	1229	1-G 4
500970D1	99	1-B 11	501169D1	333	1-C 11	501259D1	1219	1-G 3	501267D1	1231	1-G 5
500970D1	101	1-B 12	501170D1	333	1-C 11	501259D1	1221	1-G 4	501267D1	1233	1-G 5
500970D1	719	1-E 1	501171D1	333	1-C 11	501259D1	1223	1-G 4	501267D1	1235	1-G 5
500970D1	723	1-E 2	501178D1	121	1-B 14	501259D1	1225	1-G 4	501267D1	1239	1-G 5
500970D1	765	1-E 6	501178D1	1263	1-G 8	501259D1	1241	1-G 6	501267D1	1241	1-G 6
500970D1	769	1-E 6	501186D1	653	1-D 19	501260D1	1209	1-G 2	501268D1	1227	1-G 4
500973D1	1099	1-F 15	501196D1	655	1-D 19	501260D1	1211	1-G 3	501268D1	1237	1-G 5
500978D1	1099	1-F 15	501197D1	657	1-D 19	501260D1	1213	1-G 3	501269D1	1215	1-G 3
500990D1	1099	1-F 15	501198D1	657	1-D 19	501260D1	1215	1-G 3	501269D1	1231	1-G 5
501026D1	1179	1-F 23	501205D1	617	1-D 15	501260D1	1217	1-G 3	501269D1	1237	1-G 5
501026D1	1263	1-G 8	501210D1	1095	1-F 15	501260D1	1219	1-G 3	501270D1	1227	1-G 4
501028D1	1091	1-F 15	501215D1	657	1-D 19	501260D1	1221	1-G 4	501271D1	1213	1-G 3
501033D1	279	1-C 5	501216D1	657	1-D 19	501260D1	1223	1-G 4	501272D1	1209	1-G 2
501033D1	367	1-C 14	501250D1	1227	1-G 4	501260D1	1225	1-G 4	501272D1	1211	1-G 3
501033D1	369	1-C 14	501250D1	1229	1-G 4	501260D1	1241	1-G 6	501272D1	1213	1-G 3
501045D1	141	1-B 16	501250D1	1235	1-G 5	501261D1	1209	1-G 2	501272D1	1215	1-G 3
501051D1	1185	1-F 24	501250D1	1237	1-G 5	501261D1	1211	1-G 3	501272D1	1217	1-G 3

MT800 SERIES TRACTORS

Part No.	Page	Grid	Part No.	Page	Grid	Part No.	Page	Grid	Part No.	Page	Grid
501272D1	1219	1-G 3	501282D1	1211	1-G 3	501292D1	1215	1-G 3	501300D1	1209	1-G 2
501272D1	1221	1-G 4	501282D1	1213	1-G 3	501292D1	1217	1-G 3	501300D1	1211	1-G 3
501272D1	1223	1-G 4	501282D1	1215	1-G 3	501292D1	1219	1-G 3	501300D1	1213	1-G 3
501272D1	1225	1-G 4	501282D1	1217	1-G 3	501292D1	1221	1-G 4	501300D1	1215	1-G 3
501272D1	1227	1-G 4	501282D1	1219	1-G 3	501292D1	1223	1-G 4	501300D1	1217	1-G 3
501272D1	1229	1-G 4	501282D1	1221	1-G 4	501292D1	1225	1-G 4	501300D1	1219	1-G 3
501272D1	1231	1-G 5	501282D1	1223	1-G 4	501292D1	1241	1-G 6	501300D1	1221	1-G 4
501272D1	1233	1-G 5	501282D1	1225	1-G 4	501293D1	1209	1-G 2	501300D1	1223	1-G 4
501272D1	1235	1-G 5	501283D1	1229	1-G 4	501293D1	1211	1-G 3	501300D1	1225	1-G 4
501273D1	1209	1-G 2	501283D1	1237	1-G 5	501293D1	1213	1-G 3	501300D1	1241	1-G 6
501273D1	1211	1-G 3	501284D1	1235	1-G 5	501293D1	1215	1-G 3	501301D1	1209	1-G 2
501273D1	1213	1-G 3	501284D1	1237	1-G 5	501293D1	1217	1-G 3	501301D1	1211	1-G 3
501273D1	1215	1-G 3	501285D1	1235	1-G 5	501293D1	1219	1-G 3	501301D1	1213	1-G 3
501273D1	1217	1-G 3	501285D1	1237	1-G 5	501293D1	1221	1-G 4	501301D1	1215	1-G 3
501273D1	1219	1-G 3	501286D1	1209	1-G 2	501293D1	1223	1-G 4	501301D1	1217	1-G 3
501273D1	1221	1-G 4	501286D1	1211	1-G 3	501293D1	1225	1-G 4	501301D1	1219	1-G 3
501273D1	1223	1-G 4	501286D1	1213	1-G 3	501293D1	1241	1-G 6	501301D1	1221	1-G 4
501273D1	1225	1-G 4	501286D1	1215	1-G 3	501294D1	1209	1-G 2	501301D1	1223	1-G 4
501274D1	1209	1-G 2	501286D1	1217	1-G 3	501294D1	1211	1-G 3	501301D1	1225	1-G 4
501274D1	1211	1-G 3	501286D1	1219	1-G 3	501294D1	1213	1-G 3	501301D1	1241	1-G 6
501274D1	1213	1-G 3	501286D1	1221	1-G 4	501294D1	1215	1-G 3	501302D1	1209	1-G 2
501274D1	1215	1-G 3	501286D1	1223	1-G 4	501294D1	1217	1-G 3	501302D1	1211	1-G 3
501274D1	1217	1-G 3	501286D1	1225	1-G 4	501294D1	1219	1-G 3	501302D1	1213	1-G 3
501274D1	1219	1-G 3	501286D1	1227	1-G 4	501294D1	1221	1-G 4	501302D1	1215	1-G 3
501274D1	1221	1-G 4	501286D1	1229	1-G 4	501294D1	1223	1-G 4	501302D1	1217	1-G 3
501274D1	1223	1-G 4	501286D1	1231	1-G 5	501294D1	1225	1-G 4	501302D1	1219	1-G 3
501274D1	1225	1-G 4	501286D1	1233	1-G 5	501294D1	1241	1-G 6	501302D1	1221	1-G 4
501274D1	1227	1-G 4	501286D1	1235	1-G 5	501295D1	1209	1-G 2	501302D1	1223	1-G 4
501274D1	1229	1-G 4	501287D1	1209	1-G 2	501295D1	1211	1-G 3	501302D1	1225	1-G 4
501274D1	1231	1-G 5	501287D1	1211	1-G 3	501295D1	1213	1-G 3	501303D1	1209	1-G 2
501274D1	1233	1-G 5	501287D1	1213	1-G 3	501295D1	1215	1-G 3	501303D1	1211	1-G 3
501274D1	1235	1-G 5	501287D1	1215	1-G 3	501295D1	1217	1-G 3	501303D1	1213	1-G 3
501275D1	1231	1-G 5	501287D1	1217	1-G 3	501295D1	1219	1-G 3	501303D1	1215	1-G 3
501275D1	1235	1-G 5	501287D1	1219	1-G 3	501295D1	1221	1-G 4	501303D1	1217	1-G 3
501275D1	1237	1-G 5	501287D1	1221	1-G 4	501295D1	1223	1-G 4	501303D1	1219	1-G 3
501276D1	1213	1-G 3	501287D1	1223	1-G 4	501295D1	1225	1-G 4	501303D1	1221	1-G 4
501276D1	1227	1-G 4	501287D1	1225	1-G 4	501295D1	1241	1-G 6	501303D1	1223	1-G 4
501276D1	1237	1-G 5	501287D1	1227	1-G 4	501296D1	1209	1-G 2	501303D1	1225	1-G 4
501277D1	1209	1-G 2	501287D1	1229	1-G 4	501296D1	1211	1-G 3	501303D1	1241	1-G 6
501277D1	1211	1-G 3	501287D1	1231	1-G 5	501296D1	1213	1-G 3	501305D1	1215	1-G 3
501277D1	1213	1-G 3	501287D1	1233	1-G 5	501296D1	1215	1-G 3	501305D1	1231	1-G 5
501277D1	1215	1-G 3	501287D1	1235	1-G 5	501296D1	1217	1-G 3	501305D1	1237	1-G 5
501277D1	1217	1-G 3	501287D1	1239	1-G 5	501296D1	1219	1-G 3	501306D1	1209	1-G 2
501277D1	1219	1-G 3	501287D1	1241	1-G 6	501296D1	1221	1-G 4	501306D1	1211	1-G 3
501277D1	1221	1-G 4	501288D1	1211	1-G 3	501296D1	1223	1-G 4	501306D1	1213	1-G 3
501277D1	1223	1-G 4	501288D1	1231	1-G 5	501296D1	1225	1-G 4	501306D1	1215	1-G 3
501277D1	1225	1-G 4	501288D1	1237	1-G 5	501296D1	1241	1-G 6	501306D1	1217	1-G 3
501277D1	1227	1-G 4	501289D1	1227	1-G 4	501297D1	1209	1-G 2	501306D1	1219	1-G 3
501277D1	1229	1-G 4	501289D1	1229	1-G 4	501297D1	1211	1-G 3	501306D1	1221	1-G 4
501277D1	1231	1-G 5	501289D1	1231	1-G 5	501297D1	1213	1-G 3	501306D1	1223	1-G 4
501277D1	1233	1-G 5	501289D1	1233	1-G 5	501297D1	1215	1-G 3	501306D1	1225	1-G 4
501277D1	1235	1-G 5	501289D1	1235	1-G 5	501297D1	1217	1-G 3	501306D1	1227	1-G 4
501277D1	1239	1-G 5	501290D1	1209	1-G 2	501297D1	1219	1-G 3	501306D1	1229	1-G 4
501277D1	1241	1-G 6	501290D1	1211	1-G 3	501297D1	1221	1-G 4	501306D1	1231	1-G 5
501278D1	1215	1-G 3	501290D1	1213	1-G 3	501297D1	1223	1-G 4	501306D1	1233	1-G 5
501278D1	1231	1-G 5	501290D1	1215	1-G 3	501297D1	1225	1-G 4	501306D1	1235	1-G 5
501278D1	1237	1-G 5	501290D1	1217	1-G 3	501298D1	1209	1-G 2	501306D1	1239	1-G 5
501280D1	1215	1-G 3	501290D1	1219	1-G 3	501298D1	1211	1-G 3	501306D1	1241	1-G 6
501280D1	1231	1-G 5	501290D1	1221	1-G 4	501298D1	1213	1-G 3	501307D1	1209	1-G 2
501280D1	1237	1-G 5	501290D1	1223	1-G 4	501298D1	1215	1-G 3	501307D1	1233	1-G 5
501281D1	1209	1-G 2	501290D1	1225	1-G 4	501298D1	1217	1-G 3	501307D1	1237	1-G 5
501281D1	1211	1-G 3	501290D1	1241	1-G 6	501298D1	1219	1-G 3	501314D1	1243	1-G 6
501281D1	1213	1-G 3	501291D1	1209	1-G 2	501298D1	1221	1-G 4	501315D1	1247	1-G 6
501281D1	1215	1-G 3	501291D1	1211	1-G 3	501298D1	1223	1-G 4	501316D1	1255	1-G 7
501281D1	1217	1-G 3	501291D1	1213	1-G 3	501298D1	1225	1-G 4	501317D1	1251	1-G 7
501281D1	1219	1-G 3	501291D1	1215	1-G 3	501299D1	1209	1-G 2	501318D1	1253	1-G 7
501281D1	1221	1-G 4	501291D1	1217	1-G 3	501299D1	1211	1-G 3	501319D1	1245	1-G 6
501281D1	1223	1-G 4	501291D1	1219	1-G 3	501299D1	1213	1-G 3	501320D1	1249	1-G 6
501281D1	1225	1-G 4	501291D1	1221	1-G 4	501299D1	1215	1-G 3	501321D1	1243	1-G 6
501281D1	1227	1-G 4	501291D1	1223	1-G 4	501299D1	1217	1-G 3	501322D1	1245	1-G 6
501281D1	1229	1-G 4	501291D1	1225	1-G 4	501299D1	1219	1-G 3	501323D1	1247	1-G 6
501281D1	1231	1-G 5	501291D1	1241	1-G 6	501299D1	1221	1-G 4	501324D1	1249	1-G 6
501281D1	1233	1-G 5	501292D1	1209	1-G 2	501299D1	1223	1-G 4	501325D1	1251	1-G 7
501281D1	1235	1-G 5	501292D1	1211	1-G 3	501299D1	1225	1-G 4	501326D1	1253	1-G 7
501282D1	1209	1-G 2	501292D1	1213	1-G 3	501299D1	1241	1-G 6	501327D1	1255	1-G 7

INDEX

Part No.	Page	Grid	Part No.	Page	Grid	Part No.	Page	Grid	Part No.	Page	Grid
501328D1	1243	1-G 6	501406D1	1221	1-G 4	501525D1	1083	1-F 14	501730D1	1043	1-F 10
501329D1	1245	1-G 6	501406D1	1223	1-G 4	501526D1	1079	1-F 13	501731D1	1037	1-F 9
501330D1	1247	1-G 6	501406D1	1225	1-G 4	501526D1	1083	1-F 14	501731D1	1043	1-F 10
501331D1	1249	1-G 6	501406D1	1227	1-G 4	501527D1	1079	1-F 13	501732D1	1037	1-F 9
501332D1	1251	1-G 7	501406D1	1229	1-G 4	501527D1	1083	1-F 14	501733D1	1037	1-F 9
501333D1	1253	1-G 7	501406D1	1231	1-G 5	501528D1	1079	1-F 13	501734D1	1037	1-F 9
501334D1	1255	1-G 7	501406D1	1233	1-G 5	501528D1	1083	1-F 14	501735D1	1037	1-F 9
501335D1	1243	1-G 6	501406D1	1235	1-G 5	501529D1	1083	1-F 14	501737D1	1037	1-F 9
501336D1	1245	1-G 6	501480D1	1205	1-G 2	501530D1	1065	1-F 12	501738D1	1043	1-F 10
501337D1	1247	1-G 6	501482D1	1205	1-G 2	501530D1	1081	1-F 14	501738D1	1103	1-F 16
501338D1	1249	1-G 6	501483D1	1205	1-G 2	501531D1	1065	1-F 12	501739D1	639	1-D 17
501339D1	1251	1-G 7	501500D1	1227	1-G 4	501532D1	225	1-B 24	501739D1	641	1-D 18
501340D1	1253	1-G 7	501500D1	1229	1-G 4	501532D1	1065	1-F 12	501739D1	643	1-D 18
501341D1	1255	1-G 7	501500D1	1231	1-G 5	501564D1	1191	1-G 1	501739D1	645	1-D 18
501342D1	1243	1-G 6	501500D1	1233	1-G 5	501565D1	1191	1-G 1	501739D1	647	1-D 18
501343D1	1245	1-G 6	501500D1	1235	1-G 5	501566D1	1191	1-G 1	501739D1	649	1-D 18
501344D1	1247	1-G 6	501501D1	1209	1-G 2	501603D1	1193	1-G 1	501739D1	651	1-D 19
501345D1	1251	1-G 7	501501D1	1211	1-G 3	501604D1	1191	1-G 1	501739D1	653	1-D 19
501346D1	1253	1-G 7	501501D1	1213	1-G 3	501688D1	1189	1-F 24	501739D1	655	1-D 19
501347D1	1255	1-G 7	501501D1	1215	1-G 3	501688D1	1191	1-G 1	501740D1	1027	1-F 8
501348D1	1249	1-G 6	501501D1	1217	1-G 3	501688D1	1263	1-G 8	501740D1	1029	1-F 8
501349D1	1243	1-G 6	501501D1	1219	1-G 3	501697D1	1027	1-F 8	501742D1	639	1-D 17
501350D1	1245	1-G 6	501501D1	1221	1-G 4	501697D1	1029	1-F 8	501742D1	641	1-D 18
501351D1	1247	1-G 6	501501D1	1223	1-G 4	501697D1	1043	1-F 10	501742D1	643	1-D 18
501352D1	1249	1-G 6	501501D1	1225	1-G 4	501700D1	1043	1-F 10	501742D1	645	1-D 18
501353D1	1251	1-G 7	501503D1	979	1-F 3	501701D2	1037	1-F 9	501742D1	647	1-D 18
501354D1	1253	1-G 7	501503D1	985	1-F 4	501701D2	1043	1-F 10	501742D1	649	1-D 18
501355D1	1255	1-G 7	501503D1	987	1-F 4	501702D1	1037	1-F 9	501742D1	651	1-D 19
501356D1	1243	1-G 6	501503D1	1209	1-G 2	501702D1	1043	1-F 10	501742D1	653	1-D 19
501357D1	1245	1-G 6	501503D1	1211	1-G 3	501703D1	1037	1-F 9	501742D1	655	1-D 19
501358D1	1247	1-G 6	501503D1	1213	1-G 3	501703D1	1043	1-F 10	501743D1	639	1-D 17
501359D1	1249	1-G 6	501503D1	1215	1-G 3	501704D1	1037	1-F 9	501743D1	641	1-D 18
501360D1	1251	1-G 7	501503D1	1217	1-G 3	501704D1	1043	1-F 10	501743D1	643	1-D 18
501361D1	1253	1-G 7	501503D1	1219	1-G 3	501705D1	1037	1-F 9	501743D1	645	1-D 18
501362D1	1255	1-G 7	501503D1	1221	1-G 4	501705D1	1043	1-F 10	501743D1	647	1-D 18
501370D1	1243	1-G 6	501503D1	1223	1-G 4	501706D1	1035	1-F 9	501743D1	649	1-D 18
501371D1	1247	1-G 6	501503D1	1225	1-G 4	501706D1	1037	1-F 9	501743D1	651	1-D 19
501372D1	1255	1-G 7	501503D1	1227	1-G 4	501706D1	1041	1-F 10	501743D1	653	1-D 19
501373D1	1251	1-G 7	501503D1	1229	1-G 4	501706D1	1043	1-F 10	501743D1	655	1-D 19
501374D1	1245	1-G 6	501503D1	1231	1-G 5	501707D2	1043	1-F 10	501745D1	1027	1-F 8
501375D1	1249	1-G 6	501503D1	1233	1-G 5	501708D1	1043	1-F 10	501745D1	1029	1-F 8
501376D1	1253	1-G 7	501503D1	1235	1-G 5	501709D1	1037	1-F 9	501766D1	827	1-E 12
501377D1	1243	1-G 6	501503D1	1237	1-G 5	501709D1	1043	1-F 10	501766D1	829	1-E 12
501378D1	1245	1-G 6	501504D1	979	1-F 3	501710D1	1037	1-F 9	501766D1	1263	1-G 8
501379D1	1247	1-G 6	501504D1	1227	1-G 4	501711D2	1037	1-F 9	501767D1	815	1-E 11
501380D1	1249	1-G 6	501504D1	1229	1-G 4	501712D1	1043	1-F 10	501767D1	829	1-E 12
501381D1	1251	1-G 7	501504D1	1231	1-G 5	501713D1	1037	1-F 9	501771D1	819	1-E 11
501382D1	1253	1-G 7	501504D1	1233	1-G 5	501713D1	1043	1-F 10	501771D1	821	1-E 12
501383D1	1255	1-G 7	501504D1	1235	1-G 5	501714D1	1037	1-F 9	501771D1	823	1-E 12
501384D1	1243	1-G 6	501504D1	1239	1-G 5	501714D1	1043	1-F 10	501771D1	825	1-E 12
501385D1	1247	1-G 6	501505D1	985	1-F 4	501716D1	1037	1-F 9	501771D1	1263	1-G 8
501386D1	1255	1-G 7	501505D1	987	1-F 4	501716D1	1043	1-F 10	501774D1	113	1-B 13
501387D1	1251	1-G 7	501505D1	1209	1-G 2	501717D1	1043	1-F 10	501775D1	609	1-D 14
501388D1	1245	1-G 6	501505D1	1211	1-G 3	501718D1	1037	1-F 9	501785D1	609	1-D 14
501389D1	1249	1-G 6	501505D1	1213	1-G 3	501718D1	1043	1-F 10	501787D1	409	1-C 18
501390D1	1253	1-G 7	501505D1	1215	1-G 3	501719D1	1037	1-F 9	501806D1	401	1-C 18
501391D1	1247	1-G 6	501505D1	1217	1-G 3	501719D1	1043	1-F 10	501806D1	979	1-F 3
501392D1	1255	1-G 7	501505D1	1219	1-G 3	501720D2	1037	1-F 9	501806D1	985	1-F 4
501393D1	1251	1-G 7	501505D1	1221	1-G 4	501720D2	1043	1-F 10	501806D1	987	1-F 4
501394D1	1245	1-G 6	501505D1	1223	1-G 4	501721D2	1037	1-F 9	501820D1	967	1-F 2
501395D1	1249	1-G 6	501505D1	1225	1-G 4	501721D2	1043	1-F 10	501826D1	1095	1-F 15
501396D1	1253	1-G 7	501505D1	1241	1-G 6	501722D2	1037	1-F 9	501829D1	213	1-B 23
501397D1	1243	1-G 6	501513D1	979	1-F 3	501722D2	1043	1-F 10	501829D1	215	1-B 23
501405D1	1227	1-G 4	501513D1	1243	1-G 6	501723D2	1037	1-F 9	501829D1	289	1-C 6
501405D1	1229	1-G 4	501514D1	1245	1-G 6	501723D2	1043	1-F 10	501830D1	285	1-C 6
501405D1	1231	1-G 5	501515D1	1247	1-G 6	501724D2	1037	1-F 9	501830D1	291	1-C 7
501405D1	1233	1-G 5	501516D1	1249	1-G 6	501724D2	1043	1-F 10	501831D1	287	1-C 6
501405D1	1235	1-G 5	501517D1	1251	1-G 7	501725D1	1037	1-F 9	501831D1	293	1-C 7
501406D1	1191	1-G 1	501518D1	1253	1-G 7	501725D1	1043	1-F 10	501832D1	285	1-C 6
501406D1	1209	1-G 2	501519D1	1255	1-G 7	501726D1	1037	1-F 9	501832D1	287	1-C 6
501406D1	1211	1-G 3	501521D1	1065	1-F 12	501726D1	1043	1-F 10	501832D1	295	1-C 7
501406D1	1213	1-G 3	501522D1	1065	1-F 12	501727D1	1037	1-F 9	501833D1	285	1-C 6
501406D1	1215	1-G 3	501523D1	1075	1-F 13	501728D1	1037	1-F 9	501833D1	287	1-C 6
501406D1	1217	1-G 3	501524D1	1065	1-F 12	501729D1	1037	1-F 9	501833D1	297	1-C 7
501406D1	1219	1-G 3	501525D1	1079	1-F 13	501730D1	1037	1-F 9	501834D1	285	1-C 6

MT800 SERIES TRACTORS

43
INDEX

Part No.	Page	Grid	Part No.	Page	Grid	Part No.	Page	Grid	Part No.	Page	Grid
501834D1	287	1-C 6	501949D1	359	1-C 13	502179D1	273	1-C 5	502496D1	63	1-B 8
501834D1	299	1-C 7	501952D1	375	1-C 15	502180D1	351	1-C 13	502496D1	405	1-C 18
501835D1	285	1-C 6	501952D1	381	1-C 16	502183D1	197	1-B 21	502498D1	401	1-C 18
501835D1	287	1-C 6	501962D1	245	1-C 2	502183D1	199	1-B 21	502498D1	949	1-E 24
501835D1	301	1-C 8	501962D1	383	1-C 16	502183D1	201	1-B 22	502498D1	953	1-F 1
501836D1	289	1-C 6	501963D1	967	1-F 2	502183D1	205	1-B 22	502498D1	955	1-F 1
501836D1	291	1-C 7	501973D1	177	1-B 19	502183D1	1263	1-G 8	502499D1	1027	1-F 8
501836D1	293	1-C 7	501996D1	633	1-D 17	502185D1	639	1-D 17	502499D1	1029	1-F 8
501836D1	295	1-C 7	501997D1	633	1-D 17	502185D1	641	1-D 18	502499D1	1043	1-F 10
501836D1	297	1-C 7	501998D1	377	1-C 15	502185D1	643	1-D 18	502500D1	1023	1-F 8
501836D1	299	1-C 7	501998D1	381	1-C 16	502185D1	645	1-D 18	502500D1	1025	1-F 8
501836D1	301	1-C 8	502003D1	211	1-B 23	502185D1	647	1-D 18	502500D1	1037	1-F 9
501837D1	291	1-C 7	502005D1	367	1-C 14	502185D1	649	1-D 18	502501D1	1029	1-F 8
501838D1	297	1-C 7	502005D1	369	1-C 14	502185D1	651	1-D 19	502501D1	1051	1-F 11
501839D1	299	1-C 7	502006D1	367	1-C 14	502185D1	653	1-D 19	502501D1	1055	1-F 11
501840D1	293	1-C 7	502006D1	369	1-C 14	502185D1	655	1-D 19	502501D1	1057	1-F 11
501841D1	289	1-C 6	502009D1	225	1-B 24	502188D1	355	1-C 13	502502D1	1025	1-F 8
501842D1	301	1-C 8	502009D1	367	1-C 14	502188D1	359	1-C 13	502502D1	1049	1-F 10
501877D1	295	1-C 7	502010D1	1093	1-F 15	502190D1	273	1-C 5	502502D1	1053	1-F 11
501881D1	1095	1-F 15	502011D1	1091	1-F 15	502191D1	1173	1-F 23	502517D1	1023	1-F 8
501883D1	113	1-B 13	502011D1	1093	1-F 15	502197D1	375	1-C 15	502517D1	1025	1-F 8
501884D1	113	1-B 13	502013D1	323	1-C 10	502198D1	393	1-C 17	502517D1	1027	1-F 8
501887D1	285	1-C 6	502014D1	323	1-C 10	502207D1	201	1-B 22	502517D1	1029	1-F 8
501887D1	287	1-C 6	502027D1	653	1-D 19	502214D1	855	1-E 15	502523D1	673	1-D 21
501896D1	1185	1-F 24	502028D1	655	1-D 19	502214D1	903	1-E 20	502523D1	675	1-D 21
501896D1	1187	1-F 24	502033D1	1043	1-F 10	502214D1	905	1-E 20	502528D1	1037	1-F 9
501898D1	1155	1-F 21	502035D1	367	1-C 14	502214D1	907	1-E 20	502528D1	1043	1-F 10
501898D1	1163	1-F 22	502035D1	369	1-C 14	502242D1	215	1-B 23	502535D1	881	1-E 18
501899D1	1161	1-F 22	502036D1	1043	1-F 10	502244D1	347	1-C 12	502536D1	881	1-E 18
501900D1	1163	1-F 22	502041D1	1099	1-F 15	502245D1	269	1-C 4	502537D1	881	1-E 18
501900D1	1167	1-F 22	502042D1	1099	1-F 15	502267D1	1037	1-F 9	502556D1	135	1-B 15
501902D1	1167	1-F 22	502043D1	1099	1-F 15	502276D1	381	1-C 16	502609D1	335	1-C 11
501902D1	1169	1-F 22	502044D1	1099	1-F 15	502279D1	1215	1-G 3	502610D1	335	1-C 11
501903D1	1167	1-F 22	502045D1	1099	1-F 15	502282D1	313	1-C 9	502611D1	335	1-C 11
501903D1	1169	1-F 22	502050D1	1013	1-F 7	502282D1	317	1-C 9	502612D1	335	1-C 11
501906D1	1167	1-F 22	502064D1	1065	1-F 12	502283D1	313	1-C 9	502619D1	1229	1-G 4
501906D1	1169	1-F 22	502072D1	269	1-C 4	502283D1	319	1-C 9	502620D1	1221	1-G 4
501907D2	1167	1-F 22	502088D1	965	1-F 2	502284D1	311	1-C 9	502640D1	1089	1-F 14
501907D2	1169	1-F 22	502088D1	967	1-F 2	502284D1	315	1-C 9	502643D1	823	1-E 12
501908D1	1157	1-F 21	502094D1	247	1-C 2	502321D1	1121	1-F 18	502644D1	825	1-E 12
501909D1	1157	1-F 21	502095D1	967	1-F 2	502321D1	1123	1-F 18	502655D1	631	1-D 17
501909D1	1165	1-F 22	502096D1	967	1-F 2	502322D1	1121	1-F 18	502679D1	819	1-E 11
501910D1	1157	1-F 21	502097D1	967	1-F 2	502322D1	1123	1-F 18	502679D1	821	1-E 12
501911D1	1157	1-F 21	502099D1	225	1-B 24	502327D1	675	1-D 21	502679D1	823	1-E 12
501912D1	1157	1-F 21	502105D1	739	1-E 3	502328D1	673	1-D 21	502679D1	825	1-E 12
501912D1	1161	1-F 22	502113D1	555	1-D 9	502338D1	1099	1-F 15	502682D1	823	1-E 12
501913D1	1161	1-F 22	502113D1	557	1-D 9	502423D1	221	1-B 24	502683D1	825	1-E 12
501914D1	1161	1-F 22	502116D1	555	1-D 9	502423D1	223	1-B 24	502757D1	303	1-C 8
501915D1	1161	1-F 22	502117D1	557	1-D 9	502423D1	225	1-B 24	502758D1	585	1-D 12
501916D1	1165	1-F 22	502118D1	561	1-D 10	502434D1	213	1-B 23	502759D1	345	1-C 12
501916D1	1169	1-F 22	502120D1	1089	1-F 14	502434D1	215	1-B 23	502760D1	187	1-B 20
501917D1	1169	1-F 22	502121D1	1089	1-F 14	502446D1	197	1-B 21	502761D1	587	1-D 12
501918D1	1169	1-F 22	502122D1	1089	1-F 14	502446D1	199	1-B 21	502762D1	593	1-D 13
501919D1	1169	1-F 22	502130D1	561	1-D 10	502446D1	203	1-B 22	502763D1	1259	1-G 7
501920D1	1169	1-F 22	502141D1	645	1-D 18	502446D1	205	1-B 22	502764D1	589	1-D 12
501921D1	1161	1-F 22	502142D1	639	1-D 17	502468D1	823	1-E 12	502765D1	271	1-C 5
501921D1	1169	1-F 22	502143D1	647	1-D 18	502468D1	825	1-E 12	502768D1	705	1-D 24
501922D1	1169	1-F 22	502144D1	641	1-D 18	502469D1	823	1-E 12	502769D1	705	1-D 24
501926D1	839	1-E 13	502145D1	649	1-D 18	502469D1	825	1-E 12	502770D1	345	1-C 12
501927D1	839	1-E 13	502146D1	643	1-D 18	502471D1	825	1-E 12	502771D1	187	1-B 20
501929D1	407	1-C 18	502147D1	651	1-D 19	502472D1	823	1-E 12	502772D1	593	1-D 13
501931D1	409	1-C 18	502148D1	653	1-D 19	502473D1	823	1-E 12	502773D1	271	1-C 5
501934D1	245	1-C 2	502149D1	655	1-D 19	502474D1	215	1-B 23	502774D1	305	1-C 8
501934D1	683	1-D 22	502158D1	707	1-D 24	502475D1	823	1-E 12	502776D1	1105	1-F 16
501935D1	245	1-C 2	502159D1	689	1-D 22	502486D1	213	1-B 23	502778D1	615	1-D 15
501935D1	359	1-C 13	502160D1	711	1-E 1	502486D1	215	1-B 23	502779D1	647	1-D 18
501936D1	245	1-C 2	502161D1	709	1-D 24	502487D1	215	1-B 23	502780D1	649	1-D 18
501940D1	355	1-C 13	502162D1	691	1-D 23	502488D1	141	1-B 16	502781D1	651	1-D 19
501940D1	363	1-C 14	502163D1	713	1-E 1	502496D1	49	1-B 6	502782D1	653	1-D 19
501941D1	361	1-C 14	502173D1	361	1-C 14	502496D1	51	1-B 7	502783D1	655	1-D 19
501942D1	99	1-B 11	502175D1	371	1-C 15	502496D1	53	1-B 7	502784D1	563	1-D 10
501944D1	1073	1-F 13	502176D1	331	1-C 11	502496D1	55	1-B 7	502785D1	875	1-E 17
501948D1	969	1-F 2	502177D1	251	1-C 3	502496D1	57	1-B 7	502786D1	691	1-D 23
501948D1	1017	1-F 7	502177D1	255	1-C 3	502496D1	59	1-B 7	502787D1	713	1-E 1
501949D1	353	1-C 13	502177D1	257	1-C 3	502496D1	61	1-B 8	502788D1	709	1-D 24

INDEX

Part No.	Page	Grid	Part No.	Page	Grid	Part No.	Page	Grid	Part No.	Page	Grid
502793D1	1181	1-F 24	6V-3668	489	1-D 2	6V-8724	485	1-D 2	7T-3275	319	1-C 9
502794D1	1171	1-F 23	6V-3940	513	1-D 5	6V-9000	527	1-D 6	7T-3279	315	1-C 9
502795D1	351	1-C 13	6V-3965	421	1-C 20	6V-9000	533	1-D 7	7T-3279	317	1-C 9
502796D1	1069	1-F 12	6V-3965	423	1-C 20	6V-9000	539	1-D 7	7T-3279	319	1-C 9
502798D1	615	1-D 15	6V-3965	529	1-D 6	6V-9028	753	1-E 5	7T-3451	315	1-C 9
502901D1	399	1-C 17	6V-3965	535	1-D 7	6V-9028	757	1-E 5	7T-3451	317	1-C 9
502905D1	1191	1-G 1	6V-3965	541	1-D 8	6V-9189	497	1-D 3	7T-3451	319	1-C 9
502906D1	201	1-B 22	6V-3965	543	1-D 8	6V-9189	499	1-D 3	7T-3454	315	1-C 9
502907D1	875	1-E 17	6V-3965	545	1-D 8	6V-9189	501	1-D 4	7T-3454	317	1-C 9
502913D1	709	1-D 24	6V-3965	735	1-E 3	6V-9189	503	1-D 4	7T-3454	319	1-C 9
502914D1	691	1-D 23	6V-4249	539	1-D 7	6V-9671	357	1-C 13	7T-3973	317	1-C 9
502915D1	713	1-E 1	6V-4442	461	1-C 24	6Y-1223	493	1-D 3	7T-3974	315	1-C 9
502916D1	563	1-D 10	6V-4442	471	1-D 1	6Y-5631	525	1-D 6	7T-3974	317	1-C 9
502918D1	955	1-F 1	6V-4442	481	1-D 2	6Y-5631	531	1-D 7	7T-3974	319	1-C 9
502919D1	595	1-D 13	6V-4442	491	1-D 3	6Y-5631	537	1-D 7	7T-5594	427	1-C 20
502931D1	689	1-D 22	6V-5215	527	1-D 6	6Y-7968	525	1-D 6	7T-5594	429	1-C 20
502932D1	691	1-D 23	6V-5215	533	1-D 7	6Y-7968	531	1-D 7	7T-5594	431	1-C 21
503583D1	135	1-B 15	6V-5215	539	1-D 7	6Y-7968	537	1-D 7	7T-5594	433	1-C 21
503583D1	137	1-B 15	6V-5218	513	1-D 5	7C-6467	497	1-D 3	7T-5594	435	1-C 21
503754D1	323	1-C 10	6V-5224	499	1-D 3	7C-6467	499	1-D 3	7T-5594	437	1-C 21
504445D1	1095	1-F 15	6V-5224	501	1-D 4	7C-6467	501	1-D 4	7T-5594	441	1-C 22
505003D1	359	1-C 13	6V-5224	503	1-D 4	7C-6467	503	1-D 4	7T-5594	443	1-C 22
6A-5591	421	1-C 20	6V-5684	439	1-C 21	7C-6467	529	1-D 6	7T-5594	445	1-C 22
6A-5591	423	1-C 20	6V-5815	433	1-C 21	7C-6467	535	1-D 7	7T-5594	447	1-C 22
6F-2956	421	1-C 20	6V-5815	441	1-C 22	7C-6467	541	1-D 8	7T-5594	449	1-C 22
6F-2956	423	1-C 20	6V-5839	453	1-C 23	7E-8923	97	1-B 11	7T-5594	451	1-C 23
6F-2956	455	1-C 23	6V-5842	527	1-D 6	7E-8923	103	1-B 12	7T-5594	527	1-D 6
6F-2956	463	1-C 24	6V-5842	533	1-D 7	7E-8925	97	1-B 11	7T-5594	533	1-D 7
6F-2956	473	1-D 1	6V-6640	407	1-C 18	7E-8925	103	1-B 12	7T-5594	539	1-D 7
6F-2956	483	1-D 2	6V-6654	461	1-C 24	7E-8926	97	1-B 11	7T-6799	353	1-C 13
6F-7044	353	1-C 13	6V-6654	471	1-D 1	7E-8926	103	1-B 12	7T-9356	525	1-D 6
6F-7044	359	1-C 13	6V-6654	481	1-D 2	7E-8928	97	1-B 11	7T-9356	531	1-D 7
6H-3956	111	1-B 13	6V-6654	491	1-D 3	7E-8928	103	1-B 12	7T-9356	537	1-D 7
6H-7611	525	1-D 6	6V-7357	1033	1-F 9	7G-2510	435	1-C 21	7X-0562	315	1-C 9
6H-7611	531	1-D 7	6V-7357	1039	1-F 9	7G-2510	437	1-C 21	7X-0562	317	1-C 9
6H-7611	537	1-D 7	6V-8084	497	1-D 3	7G-2510	449	1-C 22	7X-0562	319	1-C 9
6I-3907	101	1-B 12	6V-8084	499	1-D 3	7G-2510	451	1-C 23	7X-2049	1031	1-F 9
6I-4467	157	1-B 17	6V-8084	501	1-D 4	7G-6945	439	1-C 21	7X-2532	495	1-D 3
6N-3826	315	1-C 9	6V-8084	503	1-D 4	7H-0832	455	1-C 23	7X-2553	495	1-D 3
6N-3826	317	1-C 9	6V-8188	315	1-C 9	7H-0832	463	1-C 24	7X-2566	421	1-C 20
6N-3826	319	1-C 9	6V-8188	317	1-C 9	7H-0832	473	1-D 1	7X-2566	425	1-C 20
6S-3002	421	1-C 20	6V-8188	319	1-C 9	7H-0832	483	1-D 2	7X-2569	495	1-D 3
6S-3002	425	1-C 20	6V-8376	353	1-C 13	7H-3937	1033	1-F 9	7X-2578	497	1-D 3
6T-7298	353	1-C 13	6V-8376	355	1-C 13	7H-3937	1039	1-F 9	7X-2578	499	1-D 3
6V-0347	427	1-C 20	6V-8376	357	1-C 13	7I-2272	1033	1-F 9	7X-2578	501	1-D 4
6V-0347	429	1-C 20	6V-8378	315	1-C 9	7J-0204	421	1-C 20	7X-2578	503	1-D 4
6V-0347	431	1-C 21	6V-8378	317	1-C 9	7J-0204	423	1-C 20	7X-3373	315	1-C 9
6V-0347	433	1-C 21	6V-8378	319	1-C 9	7L-2894	315	1-C 9	7X-3373	317	1-C 9
6V-0347	435	1-C 21	6V-8397	455	1-C 23	7L-2894	317	1-C 9	7X-3373	319	1-C 9
6V-0347	437	1-C 21	6V-8397	465	1-C 24	7L-2894	319	1-C 9	7X-3396	505	1-D 4
6V-0347	441	1-C 22	6V-8397	475	1-D 1	7M-8485	421	1-C 20	7X-3396	507	1-D 4
6V-0347	443	1-C 22	6V-8397	485	1-D 2	7M-8485	423	1-C 20	7X-3396	509	1-D 4
6V-0347	445	1-C 22	6V-8490	435	1-C 21	7M-8485	461	1-C 24	7X-6315	377	1-C 15
6V-0347	447	1-C 22	6V-8490	449	1-C 22	7M-8485	471	1-D 1	7X-6315	383	1-C 16
6V-0347	449	1-C 22	6V-8554	753	1-E 5	7M-8485	481	1-D 2	7X-7816	457	1-C 23
6V-0347	451	1-C 23	6V-8554	757	1-E 5	7M-8485	491	1-D 3	7X-7816	467	1-C 24
6V-0347	455	1-C 23	6V-8634	735	1-E 3	7M-8485	1263	1-G 8	7X-7816	477	1-D 1
6V-0347	463	1-C 24	6V-8636	455	1-C 23	7N-0296	307	1-C 8	7X-7816	487	1-D 2
6V-0347	473	1-D 1	6V-8636	465	1-C 24	7N-0296	309	1-C 8	7Y-7256	355	1-C 13
6V-0347	483	1-D 2	6V-8636	475	1-D 1	7T-0093	1033	1-F 9	700719352	819	1-E 11
6V-0484	421	1-C 20	6V-8636	485	1-D 2	7T-0093	1039	1-F 9	72571005	323	1-C 10
6V-0484	423	1-C 20	6V-8647	527	1-D 6	7T-1099	453	1-C 23	72571006	335	1-C 11
6V-0852	421	1-C 20	6V-8647	533	1-D 7	7T-1099	583	1-D 12	72571008	339	1-C 11
6V-0852	423	1-C 20	6V-8647	539	1-D 7	7T-1099	971	1-F 3	72571022	339	1-C 11
6V-0852	453	1-C 23	6V-8675	459	1-C 23	7T-3267	315	1-C 9	72571023	323	1-C 10
6V-0852	529	1-D 6	6V-8675	461	1-C 24	7T-3267	317	1-C 9	79019518B	217	1-B 23
6V-0852	535	1-D 7	6V-8675	469	1-C 24	7T-3267	319	1-C 9	79019518B	219	1-B 23
6V-0852	541	1-D 8	6V-8675	471	1-D 1	7T-3268	315	1-C 9	8C-3075	421	1-C 20
6V-3532	459	1-C 23	6V-8675	479	1-D 1	7T-3268	317	1-C 9	8C-3075	425	1-C 20
6V-3532	469	1-C 24	6V-8675	481	1-D 2	7T-3268	319	1-C 9	8C-3428	453	1-C 23
6V-3532	479	1-D 1	6V-8675	489	1-D 2	7T-3271	315	1-C 9	8C-5224	457	1-C 23
6V-3532	489	1-D 2	6V-8675	491	1-D 3	7T-3271	317	1-C 9	8C-5224	467	1-C 24
6V-3668	459	1-C 23	6V-8724	455	1-C 23	7T-3271	319	1-C 9	8C-5224	477	1-D 1
6V-3668	469	1-C 24	6V-8724	465	1-C 24	7T-3275	315	1-C 9	8C-5224	487	1-D 2
6V-3668	479	1-D 1	6V-8724	475	1-D 1	7T-3275	317	1-C 9	8C-5224	495	1-D 3

MT800 SERIES TRACTORS

Part No.	Page	Grid	Part No.	Page	Grid	Part No.	Page	Grid	Part No.	Page	Grid
8C-5224	497	1-D 3	8T-0070	471	1-D 1	8T-4139	533	1-D 7	8T-8568	315	1-C 9
8C-5224	499	1-D 3	8T-0070	481	1-D 2	8T-4139	535	1-D 7	8T-8568	317	1-C 9
8C-5224	501	1-D 4	8T-0070	491	1-D 3	8T-4139	539	1-D 7	8T-8568	319	1-C 9
8C-5224	503	1-D 4	8T-0100	497	1-D 3	8T-4139	541	1-D 8	8T-8569	315	1-C 9
8C-6354	357	1-C 13	8T-0100	499	1-D 3	8T-4139	817	1-E 11	8T-8569	317	1-C 9
8C-8514	355	1-C 13	8T-0100	501	1-D 4	8T-4141	421	1-C 20	8T-8569	319	1-C 9
8D-2256	457	1-C 23	8T-0100	503	1-D 4	8T-4141	425	1-C 20	8T-8570	315	1-C 9
8D-2256	467	1-C 24	8T-0285	479	1-D 1	8T-4141	495	1-D 3	8T-8570	317	1-C 9
8D-2256	477	1-D 1	8T-0285	489	1-D 2	8T-4167	497	1-D 3	8T-8570	319	1-C 9
8D-2256	487	1-D 2	8T-0328	315	1-C 9	8T-4167	499	1-D 3	8T-9405	355	1-C 13
8E-1143	513	1-D 5	8T-0328	317	1-C 9	8T-4167	501	1-D 4	8T-9405	357	1-C 13
8E-8276	525	1-D 6	8T-0328	319	1-C 9	8T-4167	503	1-D 4	8T-9884	315	1-C 9
8E-8276	531	1-D 7	8T-0337	355	1-C 13	8T-4179	453	1-C 23	8T-9884	317	1-C 9
8E-8276	537	1-D 7	8T-0646	439	1-C 21	8T-4183	493	1-D 3	8T-9884	319	1-C 9
8E-8277	525	1-D 6	8T-0657	459	1-C 23	8T-4189	421	1-C 20	8T-9885	315	1-C 9
8E-8277	531	1-D 7	8T-0657	469	1-C 24	8T-4189	425	1-C 20	8T-9885	317	1-C 9
8E-8277	537	1-D 7	8T-0657	479	1-D 1	8T-4195	421	1-C 20	8T-9885	319	1-C 9
8E-8310	457	1-C 23	8T-0657	489	1-D 2	8T-4195	425	1-C 20	9B-0453	353	1-C 13
8E-8310	461	1-C 24	8T-1159	455	1-C 23	8T-4195	455	1-C 23	9B-0453	359	1-C 13
8E-8310	467	1-C 24	8T-1159	465	1-C 24	8T-4195	459	1-C 23	9B-7233	315	1-C 9
8E-8310	471	1-D 1	8T-1159	475	1-D 1	8T-4195	465	1-C 24	9B-7233	317	1-C 9
8E-8310	477	1-D 1	8T-1159	485	1-D 2	8T-4195	469	1-C 24	9B-7233	319	1-C 9
8E-8310	481	1-D 2	8T-2572	427	1-C 20	8T-4195	475	1-D 1	9B-7233	353	1-C 13
8E-8310	487	1-D 2	8T-2572	429	1-C 20	8T-4195	479	1-D 1	9B-7233	355	1-C 13
8E-8310	491	1-D 3	8T-2572	431	1-C 21	8T-4195	485	1-D 2	9B-7233	357	1-C 13
8E-8316	461	1-C 24	8T-2572	433	1-C 21	8T-4195	489	1-D 2	9G-3695	201	1-B 22
8E-8316	471	1-D 1	8T-2572	435	1-C 21	8T-4195	493	1-D 3	9H-5545	439	1-C 21
8E-8316	481	1-D 2	8T-2572	437	1-C 21	8T-4195	523	1-D 6	9K-1171	457	1-C 23
8E-8316	491	1-D 3	8T-2572	441	1-C 22	8T-4195	529	1-D 6	9K-1171	467	1-C 24
8E-8652	457	1-C 23	8T-2572	443	1-C 22	8T-4195	535	1-D 7	9K-1171	477	1-D 1
8E-8652	461	1-C 24	8T-2572	445	1-C 22	8T-4195	541	1-D 8	9K-1171	487	1-D 2
8E-8652	467	1-C 24	8T-2572	447	1-C 22	8T-4196	817	1-E 11	9M-1974	513	1-D 5
8E-8652	471	1-D 1	8T-2572	449	1-C 22	8T-4200	453	1-C 23	9M-2110	513	1-D 5
8E-8652	477	1-D 1	8T-2572	451	1-C 23	8T-4205	315	1-C 9	9P-2343	435	1-C 21
8E-8652	481	1-D 2	8T-2572	527	1-C 26	8T-4205	317	1-C 9	9P-2343	449	1-C 22
8E-8652	487	1-D 2	8T-2572	533	1-D 7	8T-4205	319	1-C 9	9R-2613	971	1-F 3
8E-8652	491	1-D 3	8T-2572	539	1-D 7	8T-4219	971	1-F 3	9S-3902	453	1-C 23
8E-8653	525	1-D 6	8T-2659	355	1-C 13	8T-4223	453	1-C 23	9S-4167	177	1-B 19
8E-8653	531	1-D 7	8T-4121	455	1-C 23	8T-4223	527	1-D 6	9S-4181	421	1-C 20
8E-8653	537	1-D 7	8T-4121	459	1-C 23	8T-4223	529	1-D 6	9S-4181	423	1-C 20
8F-1434	315	1-C 9	8T-4121	465	1-C 24	8T-4223	533	1-D 7	9S-4181	461	1-C 24
8F-1434	317	1-C 9	8T-4121	469	1-C 24	8T-4223	535	1-D 7	9S-4181	471	1-D 1
8F-1434	319	1-C 9	8T-4121	475	1-D 1	8T-4223	539	1-D 7	9S-4181	481	1-D 2
8F-3469	439	1-C 21	8T-4121	479	1-D 1	8T-4223	541	1-D 8	9S-4181	491	1-D 3
8F-3469	1263	1-G 8	8T-4121	485	1-D 2	8T-4223	817	1-E 11	9S-4190	455	1-C 23
8H-1141	315	1-C 9	8T-4121	489	1-D 2	8T-4224	453	1-C 23	9S-4190	465	1-C 24
8H-1141	317	1-C 9	8T-4121	505	1-D 4	8T-4224	529	1-D 6	9S-4190	475	1-D 1
8H-1141	319	1-C 9	8T-4121	507	1-D 4	8T-4224	535	1-D 7	9S-4190	485	1-D 2
8J-8879	493	1-D 3	8T-4121	509	1-D 4	8T-4224	541	1-D 8	9S-6130	461	1-C 24
8K-0589	971	1-F 3	8T-4121	529	1-D 6	8T-4910	455	1-C 23	9S-6130	471	1-D 1
8L-2777	459	1-C 23	8T-4121	535	1-D 7	8T-4910	465	1-C 24	9S-6130	481	1-D 2
8L-2777	469	1-C 24	8T-4121	541	1-D 8	8T-4910	475	1-D 1	9S-6130	491	1-D 3
8L-2777	479	1-D 1	8T-4121	817	1-E 11	8T-4910	485	1-D 2	9S-8004	421	1-C 20
8L-2777	489	1-D 2	8T-4122	459	1-C 23	8T-5041	493	1-D 3	9S-8004	423	1-C 20
8L-9381	1031	1-F 9	8T-4122	469	1-C 24	8T-5436	429	1-C 20	9S-8004	513	1-D 5
8L-9381	1033	1-F 9	8T-4122	479	1-D 1	8T-5436	435	1-C 21	9S-8004	529	1-D 6
8L-9381	1035	1-F 9	8T-4122	489	1-D 2	8T-5436	445	1-C 22	9S-8004	535	1-D 7
8L-9381	1039	1-F 9	8T-4123	421	1-C 20	8T-5436	449	1-C 22	9S-8004	541	1-D 8
8L-9381	1041	1-F 10	8T-4123	425	1-C 20	8T-6466	459	1-C 23	9S-8005	421	1-C 20
8M-5253	513	1-D 5	8T-4123	495	1-D 3	8T-6466	469	1-C 24	9S-8005	423	1-C 20
8M-7160	421	1-C 20	8T-4136	505	1-D 4	8T-6466	479	1-D 1	9S-8005	459	1-C 23
8M-7160	423	1-C 20	8T-4136	507	1-D 4	8T-6466	489	1-D 2	9S-8005	469	1-C 24
8M-7160	461	1-C 24	8T-4136	509	1-D 4	8T-6764	111	1-B 13	9S-8005	479	1-D 1
8M-7160	471	1-D 1	8T-4137	453	1-C 23	8T-6869	453	1-C 23	9S-8005	489	1-D 2
8M-7160	481	1-D 2	8T-4137	455	1-C 23	8T-6869	529	1-D 6	9S-8006	421	1-C 20
8M-7160	491	1-D 3	8T-4137	465	1-C 24	8T-6869	535	1-D 7	9S-8006	423	1-C 20
8N-1536	1035	1-F 9	8T-4137	475	1-D 1	8T-6869	541	1-D 8	9S-8007	421	1-C 20
8P-7898	493	1-D 3	8T-4137	485	1-D 2	8T-6870	453	1-C 23	9S-8007	423	1-C 20
8S-0527	449	1-C 22	8T-4137	505	1-D 4	8T-7338	459	1-C 23	9S-8010	453	1-C 23
8S-0527	451	1-C 23	8T-4137	507	1-D 4	8T-7338	469	1-C 24	9U-0512	611	1-D 15
8S-0768	453	1-C 23	8T-4137	509	1-D 4	8T-7338	479	1-D 1	9U-7725	1261	1-G 8
8S-0768	529	1-D 6	8T-4137	817	1-E 11	8T-7338	489	1-D 2	9U-7948	1261	1-G 8
8S-0768	535	1-D 7	8T-4138	1031	1-F 9	8T-8566	315	1-C 9	9U-8669	513	1-D 5
8S-0768	541	1-D 8	8T-4139	527	1-D 6	8T-8566	317	1-C 9	9U-8875	527	1-D 6
8T-0070	461	1-C 24	8T-4139	529	1-D 6	8T-8566	319	1-C 9	9U-8875	533	1-D 7

MT800 SERIESTRACTORS

47
INDEX

Part No.	Page	Grid	Part No.	Page	Grid	Part No.	Page	Grid	Part No.	Page	Grid
----------	------	------	----------	------	------	----------	------	------	----------	------	------

BASIC UNIT AR-MT835 - 156-5581
ROW

NO ILLUSTRATION

NOTIF

**MT800 SERIESTRACTORS
MACHINE ARRANGEMENT**

49

**BASIC UNIT AR-MT835 - 156-5581
ROW**

ITEM	NUMBER	QTY	DESCRIPTION
-	156-5581	--	BASIC UNIT AR-MT835 [A] (NOT SERVICED)
1	500744D1	1	FILM GP (MT835) (NOT SERVICED) (SEE BREAKDOWN FOR COMPONENTS)
2	172-5361	1	INSTALLATION AR-ENGINE (NOT SERVICED) (SEE BREAKDOWN FOR COMPONENTS)
3	179-1952	--	BASE AR-COMMON (NOT SERVICED) (SEE BREAKDOWN FOR COMPONENTS)
4	179-4304	--	FILLER GP-POWERTRAIN OIL (NOT SERVICED) (S/N PRIOR TO BAM40556) (SEE BREAKDOWN FOR COMPONENTS)
4	502496D1	--	BREATHER GP-POWERTRAIN (NOT SERVICED) (S/N EFF BAM40556) (SEE BREAKDOWN FOR COMPONENTS)

[A] PART OF 500033D1 BASE UNIT AR

NOTIF
PR: t05i29k58b0001

BASIC UNIT AR-MT845 - 156-5582
ROW

NO ILLUSTRATION

NOTIF

**MT800 SERIESTRACTORS
MACHINE ARRANGEMENT**

51

**BASIC UNIT AR-MT845 - 156-5582
ROW**

ITEM	NUMBER	QTY	DESCRIPTION
-	156-5582	--	BASIC UNIT AR-MT845 [A] (NOT SERVICED)
1	500745D1	1	FILM GP (MT845) (NOT SERVICED) (SEE BREAKDOWN FOR COMPONENTS)
2	172-5362	1	INSTALLATION AR-ENGINE (NOT SERVICED) (SEE BREAKDOWN FOR COMPONENTS)
3	179-1952	--	BASE AR-COMMON (NOT SERVICED) (SEE BREAKDOWN FOR COMPONENTS)
4	179-4304	--	FILLER GP-POWERTRAIN OIL (NOT SERVICED) (S/N PRIOR TO BBP40455) (SEE BREAKDOWN FOR COMPONENTS)
4	502496D1	--	BREATHER GP-POWERTRAIN (NOT SERVICED) (S/N EFF BBP40455) (SEE BREAKDOWN FOR COMPONENTS)

[A] PART OF 500034D1 BASE UNIT AR

NOTIF
PR: t05i29k58b0002

BASIC UNIT AR-MT855 - 156-5583
ROW

NO ILLUSTRATION

NOTIF

**MT800 SERIESTRACTORS
MACHINE ARRANGEMENT**

53

**BASIC UNIT AR-MT855 - 156-5583
ROW**

ITEM	NUMBER	QTY	DESCRIPTION
-	156-5583	--	BASIC UNIT AR-MT855 [A] (NOT SERVICED)
1	500746D1	1	FILM GP (MT855) (NOT SERVICED) (SEE BREAKDOWN FOR COMPONENTS)
2	172-5363	1	INSTALLATION AR-ENGINE (NOT SERVICED) (SEE BREAKDOWN FOR COMPONENTS)
3	179-1952	--	BASE AR-COMMON (NOT SERVICED) (SEE BREAKDOWN FOR COMPONENTS)
4	179-4304	--	FILLER GP-POWERTRAIN OIL (NOT SERVICED) (S/N PRIOR TO BCC40654) (SEE BREAKDOWN FOR COMPONENTS)
4	502496D1	--	BREATHER GP-POWERTRAIN (NOT SERVICED) (S/N EFF BCC40654) (SEE BREAKDOWN FOR COMPONENTS)

[A] PART OF 500035D1 BASE UNIT AR

NOTIF
PR: t05i29k58b0003

BASE UNIT AR-MT865 - 156-5584
ROW

NO ILLUSTRATION

NOTIF

**MT800 SERIESTRACTORS
MACHINE ARRANGEMENT**

55

**BASE UNIT AR-MT865 - 156-5584
ROW**

ITEM	NUMBER	QTY	DESCRIPTION
-	156-5584	--	BASE UNIT AR-MT865 [A] (NOT SERVICED)
1	179-4304	1	FILLER GP-POWER TRAIN OIL (NOT SERVICED) (S/N: PRIOR TO BDS40740) (SEE BREAKDOWN FOR COMPONENTS)
1	502496D1	1	BREATHER GP-POWERTRAIN (NOT SERVICED) (S/N: EFF BDS40740) (SEE BREAKDOWN FOR COMPONENTS)
2	197-8558	1	TANK AR-FUEL (SEE BREAKDOWN FOR COMPONENTS)
3	179-1952	--	BASE AR-COMMON (NOT SERVICED) (SEE BREAKDOWN FOR COMPONENTS)
4	172-5364	1	INSTALLATION AR-ENGINE (NOT SERVICED) (SEE BREAKDOWN FOR COMPONENTS)
5	500747D1	1	FILM GP (MT865) (NOT SERVICED) (SEE BREAKDOWN FOR COMPONENTS)

[A] PART OF 500037D1 BASE UNIT AR

NOTIF
PR: t05i29k58b0004

BASIC UNIT AR-MT835 - 179-2193
EAME

NO ILLUSTRATION

NOTIF

**MT800 SERIESTRACTORS
MACHINE ARRANGEMENT**

57

**BASIC UNIT AR-MT835 - 179-2193
EAME**

ITEM	NUMBER	QTY	DESCRIPTION
-	179-2193	--	BASIC UNIT AR-MT835 (NOT SERVICED)
1	136-5659	1	BATTERY GP (NOT SERVICED) (SEE BREAKDOWN FOR COMPONENTS)
2	179-2180	1	BASE COMMON AR (EURO) (NOT SERVICED) (SEE BREAKDOWN FOR COMPONENTS)
3	187-1741	1	INSTALLATION AR (NOT SERVICED) (SEE BREAKDOWN FOR COMPONENTS)
4	500744D1	1	FILM GP (MT835) (NOT SERVICED) (SEE BREAKDOWN FOR COMPONENTS)
5	179-4304	1	FILLER GP-POWERTRAIN OIL (NOT SERVICED) (S/N PRIOR TO BAM40556) (SEE BREAKDOWN FOR COMPONENTS)
5	502496D1	1	BREATHER GP-POWERTRAIN (NOT SERVICED) (S/N EFF BAM40556) (SEE BREAKDOWN FOR COMPONENTS)

NOTIF
PR: t05i29k58b0005

BASIC UNIT AR-MT845 - 179-2194
EAME

NO ILLUSTRATION

NOTIF

**MT800 SERIESTRACTORS
MACHINE ARRANGEMENT**

59

**BASIC UNIT AR-MT845 - 179-2194
EAME**

ITEM	NUMBER	QTY	DESCRIPTION
-	179-2194	--	BASIC UNIT AR-MT845 (NOT SERVICED)
1	136-5659	1	BATTERY GP (NOT SERVICED) (SEE BREAKDOWN FOR COMPONENTS)
2	179-2180	1	BASE COMMON AR (EURO) (NOT SERVICED) (SEE BREAKDOWN FOR COMPONENTS)
3	187-1742	1	INSTALLATION AR (NOT SERVICED) (SEE BREAKDOWN FOR COMPONENTS)
4	500745D1	1	FILM GP (MT845) (NOT SERVICED) (SEE BREAKDOWN FOR COMPONENTS)
5	179-4304	1	FILLER GP-POWERTRAIN OIL (NOT SERVICED) (S/N PRIOR TO BBP40455) (SEE BREAKDOWN FOR COMPONENTS)
5	502496D1	1	BREATHER GP-POWERTRAIN (NOT SERVICED) (S/N EFF BBP40455) (SEE BREAKDOWN FOR COMPONENTS)

NOTIF
PR: t05i29k58b0006

BASIC UNIT AR-MT855 - 179-2195
EAME

NO ILLUSTRATION

NOTIF

**MT800 SERIESTRACTORS
MACHINE ARRANGEMENT**

61

**BASIC UNIT AR-MT855 - 179-2195
EAME**

ITEM	NUMBER	QTY	DESCRIPTION
-	179-2195	--	BASIC UNIT AR-MT855 (NOT SERVICED)
1	136-5663	1	BATTERY GP (NOT SERVICED) (SEE BREAKDOWN FOR COMPONENTS)
2	179-2180	1	BASE COMMON AR (EURO) (NOT SERVICED) (SEE BREAKDOWN FOR COMPONENTS)
3	187-1743	1	INSTALLATION AR (NOT SERVICED) (SEE BREAKDOWN FOR COMPONENTS)
4	500746D1	1	FILM GP (MT855) (NOT SERVICED) (SEE BREAKDOWN FOR COMPONENTS)
5	179-4304	1	FILLER GP-POWERTRAIN OIL (NOT SERVICED) (S/N PRIOR TO BCC40654) (SEE BREAKDOWN FOR COMPONENTS)
5	502496D1	1	BREATHER GP-POWERTRAIN (NOT SERVICED) (S/N EFF BCC40654) (SEE BREAKDOWN FOR COMPONENTS)

NOTIF
PR: t05i29k58b0007

62

MT800 SERIESTRACTORS
MACHINE ARRANGEMENT

BASIC UNIT AR-MT865 - 179-2196
EAME

NO ILLUSTRATION

NOTIF

**MT800 SERIES TRACTORS
MACHINE ARRANGEMENT**

63

**BASIC UNIT AR-MT865 - 179-2196
EAME**

ITEM	NUMBER	QTY	DESCRIPTION
-	179-2196	--	BASIC UNIT AR-MT865 (NOT SERVICED)
1	136-5663	1	BATTERY GP (NOT SERVICED) (SEE BREAKDOWN FOR COMPONENTS)
2	179-2180	1	BASE COMMON AR (EURO) (NOT SERVICED) (SEE BREAKDOWN FOR COMPONENTS)
3	187-1744	1	INSTALLATION AR (NOT SERVICED) (SEE BREAKDOWN FOR COMPONENTS)
4	197-8558	1	TANK AR-FUEL (NOT SERVICED) (SEE BREAKDOWN FOR COMPONENTS)
5	500747D1	1	FILM GP (MT865) (NOT SERVICED) (SEE BREAKDOWN FOR COMPONENTS)
6	179-4304	1	FILLER GP-POWERTRAIN OIL (NOT SERVICED) (S/N: PRIOR TO BDS40740) (SEE BREAKDOWN FOR COMPONENTS)
6	502496D1	1	BREATHER GP-POWERTRAIN (NOT SERVICED) (SEE BREAKDOWN FOR COMPONENTS) (S/N: EFF BDS40740)

NOTIF
PR: t05i29k58b0008

MT800 SERIESTRACTORS
MACHINE ARRANGEMENT

BASE UNIT AR-MT835 - 500033D1
SPECIAL APPLICATIONS

NO ILLUSTRATION

NOTIF

**MT800 SERIES TRACTORS
MACHINE ARRANGEMENT**

65

**BASE UNIT AR-MT835 - 500033D1
SPECIAL APPLICATIONS**

ITEM	NUMBER	QTY	DESCRIPTION
-	500033D1	--	BASE UNIT AR-MT835 (NOT SERVICED)
1	156-4893	1	MIDROLLER WHL AR, WIDE (NOT SERVICED) (SEE BREAKDOWN FOR COMPONENTS)
2	156-5581	1	BASIC UNIT AR (NOT SERVICED) (SEE BREAKDOWN FOR COMPONENTS)
3	179-0853	1	HITCH AR-NON AG (NOT SERVICED) (SEE BREAKDOWN FOR COMPONENTS)
4	180-0185	1	PUMP AR-HYD (NOT SERVICED) (SEE BREAKDOWN FOR COMPONENTS)
5	184-5357	1	COUNTERWEIGHT GP-FRONT (NOT SERVICED) (SEE BREAKDOWN FOR COMPONENTS)
6	195-5968	1	WARNING GP-BACKUP (NOT SERVICED) (SEE BREAKDOWN FOR COMPONENTS)
7	-----	1	PLUG GP-SHIPPING (NOT SERVICED)
8	216-9823	1	LIGHTING GP-WARNING (NOT SERVICED) (SEE BREAKDOWN FOR COMPONENTS)
9	220-2356	1	WHEEL AR-IDLER (NOT SERVICED) (SEE BREAKDOWN FOR COMPONENTS)
10	220-2358	1	WHEEL AR-DRIVER (NOT SERVICED) (SEE BREAKDOWN FOR COMPONENTS)
11	222-7965	1	MOUNTING GP (MONITOR) (NOT SERVICED) (SEE BREAKDOWN FOR COMPONENTS)
12	500039D1	1	CABLE GP-TOW (NOT SERVICED) (SEE BREAKDOWN FOR COMPONENTS)
13	500040D1	1	RESTRAIN GP-ROLLERFRAME (NOT SERVICED) (SEE BREAKDOWN FOR COMPONENTS)

NOTIF
PR: t05i29k58b0009

MT800 SERIESTRACTORS
MACHINE ARRANGEMENT

BASE UNIT AR-MT845 - 500034D1
SPECIAL APPLICATIONS

NO ILLUSTRATION

NOTIF

**MT800 SERIES TRACTORS
MACHINE ARRANGEMENT**

67

**BASE UNIT AR-MT845 - 500034D1
SPECIAL APPLICATIONS**

ITEM	NUMBER	QTY	DESCRIPTION
-	500034D1	--	BASE UNIT AR-MT845 (NOT SERVICED)
1	156-4893	1	MIDROLLER WHL AR, WIDE (NOT SERVICED) (SEE BREAKDOWN FOR COMPONENTS)
2	156-5582	1	BASIC UNIT AR (NOT SERVICED) (SEE BREAKDOWN FOR COMPONENTS)
3	179-0853	1	HITCH AR-NON AG (NOT SERVICED) (SEE BREAKDOWN FOR COMPONENTS)
4	180-0185	1	PUMP AR-HYD (NOT SERVICED) (SEE BREAKDOWN FOR COMPONENTS)
5	184-5357	1	COUNTERWEIGHT GP-FRONT (NOT SERVICED) (SEE BREAKDOWN FOR COMPONENTS)
6	195-5968	1	WARNING GP-BACKUP (NOT SERVICED) (SEE BREAKDOWN FOR COMPONENTS)
7	-----	1	PLUG GP (NOT SERVICED)
8	216-9823	1	LIGHTING GP-WARNING (NOT SERVICED) (SEE BREAKDOWN FOR COMPONENTS)
9	220-2356	1	WHEEL AR-IDLER (NOT SERVICED) (SEE BREAKDOWN FOR COMPONENTS)
10	220-2358	1	WHEEL AR-DRIVER (NOT SERVICED) (SEE BREAKDOWN FOR COMPONENTS)
11	222-7965	1	MOUNTING GP (MONITOR) (NOT SERVICED) (SEE BREAKDOWN FOR COMPONENTS)
12	500039D1	1	CABLE GP-TOW (NOT SERVICED) (SEE BREAKDOWN FOR COMPONENTS)
13	500040D1	1	RESTRAIN GP-ROLLERFRAME (NOT SERVICED) (SEE BREAKDOWN FOR COMPONENTS)

NOTIF
PR: t05i29k58b0010

MT800 SERIESTRACTORS
MACHINE ARRANGEMENT

BASE UNIT AR-MT855 - 500035D1
SPECIAL APPLICATIONS

NO ILLUSTRATION

NOTIF

**MT800 SERIES TRACTORS
MACHINE ARRANGEMENT**

69

**BASE UNIT AR-MT855 - 500035D1
SPECIAL APPLICATIONS**

ITEM	NUMBER	QTY	DESCRIPTION
-	500035D1	--	BASE UNIT AR-MT855 (NOT SERVICED)
1	156-4893	1	MIDROLLER WHL AR, WIDE (NOT SERVICED) (SEE BREAKDOWN FOR COMPONENTS)
2	156-5583	1	BASIC UNIT AR (NOT SERVICED) (SEE BREAKDOWN FOR COMPONENTS)
3	179-0853	1	HITCH AR-NON AG (NOT SERVICED) (SEE BREAKDOWN FOR COMPONENTS)
4	180-0185	1	PUMP AR-HYD (NOT SERVICED) (SEE BREAKDOWN FOR COMPONENTS)
5	184-5357	1	COUNTERWEIGHT GP-FRONT (NOT SERVICED) (SEE BREAKDOWN FOR COMPONENTS)
6	195-5968	1	WARNING GP-BACKUP (NOT SERVICED) (SEE BREAKDOWN FOR COMPONENTS)
7	-----	1	PLUG GP (NOT SERVICED)
8	216-9823	1	LIGHTING GP-WARNING (NOT SERVICED) (SEE BREAKDOWN FOR COMPONENTS)
9	220-2356	1	WHEEL AR-IDLER (NOT SERVICED) (SEE BREAKDOWN FOR COMPONENTS)
10	220-2358	1	WHEEL AR-DRIVER (NOT SERVICED) (SEE BREAKDOWN FOR COMPONENTS)
11	222-7965	1	MOUNTING GP (MONITOR) (NOT SERVICED) (SEE BREAKDOWN FOR COMPONENTS)
12	500039D1	1	CABLE GP-TOW (NOT SERVICED) (SEE BREAKDOWN FOR COMPONENTS)
13	500040D1	1	RESTRAIN GP-ROLLERFRAME (NOT SERVICED) (SEE BREAKDOWN FOR COMPONENTS)

NOTIF
PR: t05i29k58b0011

BASE UNIT AR-MT865 - 500037D1
SPECIAL APPLICATIONS

NO ILLUSTRATION

NOTIF

**MT800 SERIES TRACTORS
MACHINE ARRANGEMENT**

71

**BASE UNIT AR-MT865 - 500037D1
SPECIAL APPLICATIONS**

ITEM	NUMBER	QTY	DESCRIPTION
-	500037D1	--	BASE UNIT AR-MT865 (NOT SERVICED)
1	156-4893	1	MIDROLLER WHL AR, WIDE (NOT SERVICED) (SEE BREAKDOWN FOR COMPONENTS)
2	156-5584	1	BASIC UNIT AR (NOT SERVICED) (SEE BREAKDOWN FOR COMPONENTS)
3	179-0853	1	HITCH AR-NON AG (NOT SERVICED) (SEE BREAKDOWN FOR COMPONENTS)
4	180-0185	1	PUMP AR-HYD (NOT SERVICED) (SEE BREAKDOWN FOR COMPONENTS)
5	184-5357	1	COUNTERWEIGHT GP-FRONT (NOT SERVICED) (SEE BREAKDOWN FOR COMPONENTS)
6	195-5968	1	WARNING GP-BACKUP (NOT SERVICED) (SEE BREAKDOWN FOR COMPONENTS)
7	-----	1	PLUG GP (NOT SERVICED)
8	216-9823	1	LIGHTING GP-WARNING (NOT SERVICED) (SEE BREAKDOWN FOR COMPONENTS)
9	220-2356	1	WHEEL AR-IDLER (NOT SERVICED) (SEE BREAKDOWN FOR COMPONENTS)
10	220-2358	1	WHEEL AR-DRIVER (NOT SERVICED) (SEE BREAKDOWN FOR COMPONENTS)
11	222-7965	1	MOUNTING GP (MONITOR) (NOT SERVICED) (SEE BREAKDOWN FOR COMPONENTS)
12	500039D1	1	CABLE GP-TOW (NOT SERVICED) (SEE BREAKDOWN FOR COMPONENTS)
13	500040D1	1	RESTRAIN GP-ROLLERFRAME (NOT SERVICED) (SEE BREAKDOWN FOR COMPONENTS)

NOTIF
PR: t05i29k58b0012

**MT800 SERIESTRACTORS
MACHINE ARRANGEMENT**

**BASE COMMON AR - 179-1952
ROW & SPECIAL ONLY**

NO ILLUSTRATION

NOTIF

**MT800 SERIES TRACTORS
MACHINE ARRANGEMENT**

73

**BASE COMMON AR - 179-1952
ROW & SPECIAL ONLY**

ITEM	NUMBER	QTY	DESCRIPTION
-	179-1952	--	BASE COMMON AR (NOT SERVICED) [A]
1	136-5665	1	LIGHTING GP-SIGNAL (NOT SERVICED) (SEE BREAKDOWN FOR COMPONENTS)
2	136-5668	1	WIRING GP-MACHINE (NOT SERVICED) (SEE BREAKDOWN FOR COMPONENTS)
3	156-1313	1	HOOD & GUARD GP (NOT SERVICED) (SEE BREAKDOWN FOR COMPONENTS)
4	158-2342	1	HYDRAULIC AR (NOT SERVICED) (SEE BREAKDOWN FOR COMPONENTS)
5	161-9174	1	FENDER GP (NOT SERVICED) (SEE BREAKDOWN FOR COMPONENTS)
6	163-0386	1	LINES GP-BRAKE (NOT SERVICED) (SEE BREAKDOWN FOR COMPONENTS)
7	172-8886	1	WARNING GP-SLOW MOVING VEHICLE (NOT SERVICED) (SEE BREAKDOWN FOR COMPONENTS)
8	179-1953	1	CHASSIS AR (NOT SERVICED) (SEE BREAKDOWN FOR COMPONENTS)
9	179-2185	1	PLATE & FILM GP (NOT SERVICED) (SEE BREAKDOWN FOR COMPONENTS)
10	183-6384	1	WALKWAY GP (NOT SERVICED) (SEE BREAKDOWN FOR COMPONENTS)
11	192-6350	1	CONTROL GP-PARKING BRAKE (NOT SERVICED) (SEE BREAKDOWN FOR COMPONENTS)
12	193-1547	1	LINES GP-BRAKE (COMMON) (NOT SERVICED) (SEE BREAKDOWN FOR COMPONENTS)
13	200-4400	1	CONTROL GP-SERVICE BRAKE (NOT SERVICED) (SEE BREAKDOWN FOR COMPONENTS)
14	210-7510	1	BRAKE GP-PARKING (NOT SERVICED) (SEE BREAKDOWN FOR COMPONENTS)

[A] PART OF 156-5581;156-5582;156-5583;
156-5584 BASE UNIT AR

NOTIF
PR: t05i29k58b0013

BASE COMMON AR (EURO) - 179-2180
EAME

NO ILLUSTRATION

NOTIF

**MT800 SERIESTRACTORS
MACHINE ARRANGEMENT**

75

**BASE COMMON AR (EURO) - 179-2180
EAME**

ITEM	NUMBER	QTY	DESCRIPTION
-	179-2180	--	BASE COMMON AR [A] (NOT SERVICED)
1	136-5429	1	LIGHTING GP-SIGNAL (NOT SERVICED) (SEE BREAKDOWN FOR COMPONENTS)
2	136-5669	1	WIRING GP-VEHICLE (NOT SERVICED) (SEE BREAKDOWN FOR COMPONENTS)
3	158-2342	1	HYD AR- COMMON (NOT SERVICED) (SEE BREAKDOWN FOR COMPONENTS)
4	158-5925	1	MOUNTING GP-BODY (NOT SERVICED) (SEE BREAKDOWN FOR COMPONENTS)
5	161-9173	1	HOOD GP-GUARD (NOT SERVICED) (SEE BREAKDOWN FOR COMPONENTS)
6	161-9177	1	FENDER GP (EAME) (NOT SERVICED) (SEE BREAKDOWN FOR COMPONENTS)
7	CH163-0397	1	DRAIN GP (ECOLOGY) (NOT SERVICED) (SEE BREAKDOWN FOR COMPONENTS)
8	166-4623	1	CONTROL GP MOUNTING & (NOT SERVICED) (SEE BREAKDOWN FOR COMPONENTS)
9	179-1953	1	CHASSIS AR-COM (NOT SERVICED) (SEE BREAKDOWN FOR COMPONENTS)
10	179-2261	1	FILM GP-PAINT & (NOT SERVICED) (SEE BREAKDOWN FOR COMPONENTS)
11	183-6384	1	WALKWAY GP (NOT SERVICED) (SEE BREAKDOWN FOR COMPONENTS)
12	185-8787	1	LINES GP-SERV BRAKE(B) (NOT SERVICED) (SEE BREAKDOWN FOR COMPONENTS)
13	186-2427	1	EXTENSION GP-FENDER (NOT SERVICED) (SEE BREAKDOWN FOR COMPONENTS)
14	187-8609	1	GUARD GP (NOT SERVICED) (SEE BREAKDOWN FOR COMPONENTS)
15	192-6350	1	CONTROL GP-PARK BRAKE (NOT SERVICED) (SEE BREAKDOWN FOR COMPONENTS)
16	192-6360	1	CONTROL GP-BRAKE (Q) (NOT SERVICED) (SEE BREAKDOWN FOR COMPONENTS)
17	193-1547	1	LINES GP-SERV BRAKE (A) (NOT SERVICED) (SEE BREAKDOWN FOR COMPONENTS)
18	200-4320	1	SUPPORT GP-LINES (NOT SERVICED) (SEE BREAKDOWN FOR COMPONENTS)
19	200-4400	1	CONTROL GP-BRAKE(A) (NOT SERVICED) (SEE BREAKDOWN FOR COMPONENTS)
20	210-4350	1	ENCLOSURE GP (CAT) (NOT SERVICED) (SEE BREAKDOWN FOR COMPONENTS)
21	221-8534	1	HANDRAIL GP (NOT SERVICED) (SEE BREAKDOWN FOR COMPONENTS)
22	208-3021	1	GUARD GP-AXLE (SEE BREAKDOWN FOR COMPONENTS)

[A] PART OF 179-2193; 179-2194;
179-2195; 179-2196 BASE UNIT AR

NOTIF
PR: t05i29k58b0014

MT800 SERIESTRACTORS
ENGINE INSTALLATION ARRANGEMENT

INSTALLATION AR-MT835 - 172-5361
ROW & SPECIAL APPLICATIONS

NO ILLUSTRATION

NOTIF

**MT800 SERIESTRACTORS
ENGINE INSTALLATION ARRANGEMENT**

77

**INSTALLATION AR-MT835 - 172-5361
ROW & SPECIAL APPLICATIONS**

ITEM	NUMBER	QTY	DESCRIPTION
-	172-5361	--	INSTALLATION AR-MT835 [A] (NOT SERVICED)
1	163-0383	1	SHAFT GP-INPUT (NOT SERVICED) (SEE BREAKDOWN FOR COMPONENTS)
2	172-5334	1	MOUNTING GP-ENGINE (NOT SERVICED) (SEE BREAKDOWN FOR COMPONENTS)
3	172-5336	1	MUFFLER GP (NOT SERVICED) (SEE BREAKDOWN FOR COMPONENTS)
4	172-5338	1	CLEANER GP-AIR (A) (NOT SERVICED) (SEE BREAKDOWN FOR COMPONENTS)
5	172-5342	1	LINES GP-AIR (NOT SERVICED) (SEE BREAKDOWN FOR COMPONENTS)
6	172-5343	1	LINES GP-A/C (NOT SERVICED) (SEE BREAKDOWN FOR COMPONENTS)
7	172-5345	1	LINES GP-COOLANT (NOT SERVICED) (SEE BREAKDOWN FOR COMPONENTS)
8	172-6945	1	ENGINE AR-COMPL (340HP) (ORDER COMPONENTS THRU CAT ENG DIV.)
9	185-2237	1	PULLEY GP (NOT SERVICED) (SEE BREAKDOWN FOR COMPONENTS)
10	186-1671	1	AID GP-ETHER STARTING (NOT SERVICED) (SEE BREAKDOWN FOR COMPONENTS)
11	187-1791	1	DRIVE GP-ACCESSORY (NOT SERVICED) (SEE BREAKDOWN FOR COMPONENTS)
12	187-1792	1	MOUNTING GP-COMPRESSOR (NOT SERVICED) (SEE BREAKDOWN FOR COMPONENTS)
13	190-1482	1	COOLER GP-MTG & (NOT SERVICED) (SEE BREAKDOWN FOR COMPONENTS)
14	194-7966	1	TANK GP-EXP & COOLANT (NOT SERVICED) (SEE BREAKDOWN FOR COMPONENTS)
15	198-0188	1	FILTER GP-WATER (NOT SERVICED) (SEE BREAKDOWN FOR COMPONENTS)
16	206-6397	1	FAN GP-ENGINE (NOT SERVICED) (SEE BREAKDOWN FOR COMPONENTS)
17	206-6987	1	MOUNTING GP-ALTERNATOR (SEE BREAKDOWN FOR COMPONENTS)
18	208-0090	1	MOTOR GP-ELECTRIC (SEE BREAKDOWN FOR COMPONENTS)
19	212-4444	1	LINES GP- DUST EJECTOR (NOT SERVICED) (SEE BREAKDOWN FOR COMPONENTS)
20	213-9315	1	LINES GP-FUEL (NOT SERVICED) (SEE BREAKDOWN FOR COMPONENTS)

[A] PART OF 156-5581 BASIC UNIT AR

NOTIF
PR: t05i29k58b0015

MT800 SERIESTRACTORS
ENGINE INSTALLATION ARRANGEMENT

INSTALLATION AR-MT835 - 187-1741
EAME ONLY

NO ILLUSTRATION

NOTIF

**MT800 SERIESTRACTORS
ENGINE INSTALLATION ARRANGEMENT**

79

**INSTALLATION AR-MT835 - 187-1741
EAME ONLY**

ITEM	NUMBER	QTY	DESCRIPTION
-	187-1741	--	INSTALLATION AR-MT835 [A] (NOT SERVICED)
1	163-0383	1	SHAFT GP-INPUT (NOT SERVICED) (SEE BREAKDOWN FOR COMPONENTS)
2	172-5334	1	MOUNTING GP-ENGINE (NOT SERVICED) (SEE BREAKDOWN FOR COMPONENTS)
3	172-5336	1	MUFFLER GP (NOT SERVICED) (SEE BREAKDOWN FOR COMPONENTS)
4	172-5338	1	CLEANER GP-AIR (A) (NOT SERVICED) (SEE BREAKDOWN FOR COMPONENTS)
5	172-5342	1	LINES GP-AIR (NOT SERVICED) (SEE BREAKDOWN FOR COMPONENTS)
6	172-5343	1	LINES GP-A/C (NOT SERVICED) (SEE BREAKDOWN FOR COMPONENTS)
7	172-5345	1	LINES GP-COOLANT (NOT SERVICED) (SEE BREAKDOWN FOR COMPONENTS)
8	172-6945	1	ENGINE AR-COMPL (340HP) (ORDER COMPONENTS THRU CAT ENG DIV.)
9	185-2237	1	PULLEY GP (NOT SERVICED) (SEE BREAKDOWN FOR COMPONENTS)
10	186-1671	1	AID GP-ETHER STARTING (NOT SERVICED) (SEE BREAKDOWN FOR COMPONENTS)
11	187-1791	1	DRIVE GP-ACCESSORY (NOT SERVICED) (SEE BREAKDOWN FOR COMPONENTS)
12	187-1792	1	MOUNTING GP-COMPRESSOR (NOT SERVICED) (SEE BREAKDOWN FOR COMPONENTS)
13	190-1482	1	COOLER GP-MTG & (NOT SERVICED) (SEE BREAKDOWN FOR COMPONENTS)
14	194-7966	1	TANK GP-EXP & COOLANT (NOT SERVICED) (SEE BREAKDOWN FOR COMPONENTS)
15	198-0188	1	FILTER GP-WATER (NOT SERVICED) (SEE BREAKDOWN FOR COMPONENTS)
16	206-6397	1	FAN GP-ENGINE (NOT SERVICED) (SEE BREAKDOWN FOR COMPONENTS)
17	206-6987	1	MOUNTING GP-ALTERNATOR (SEE BREAKDOWN FOR COMPONENTS)
18	208-0090	1	MOTOR GP-ELECTRIC (SEE BREAKDOWN FOR COMPONENTS)
19	212-4444	1	LINES GP- DUST EJECTOR (NOT SERVICED) (SEE BREAKDOWN FOR COMPONENTS)
20	213-9315	1	LINES GP-FUEL (NOT SERVICED) (SEE BREAKDOWN FOR COMPONENTS)

[A] PART OF 179-2193 BASIC UNIT AR

NOTIF
PR: t05i29k58b0016

MT800 SERIESTRACTORS
ENGINE INSTALLATION ARRANGEMENT

INSTALLATION AR-MT845 - 172-5362
ROW & SPECIAL APPLICATIONS

NO ILLUSTRATION

NOTIF

**MT800 SERIESTRACTORS
ENGINE INSTALLATION ARRANGEMENT**

81

**INSTALLATION AR-MT845 - 172-5362
ROW & SPECIAL APPLICATIONS**

ITEM	NUMBER	QTY	DESCRIPTION
-	172-5362	--	INSTALLATION AR-MT845 [A] (NOT SERVICED)
1	163-0383	1	SHAFT GP-INPUT (NOT SERVICED) (SEE BREAKDOWN FOR COMPONENTS)
2	172-5334	1	MOUNTING GP-ENGINE (NOT SERVICED) (SEE BREAKDOWN FOR COMPONENTS)
3	172-5336	1	MUFFLER GP (NOT SERVICED) (SEE BREAKDOWN FOR COMPONENTS)
4	172-5338	1	CLEANER GP-AIR (A) (NOT SERVICED) (SEE BREAKDOWN FOR COMPONENTS)
5	172-5342	1	LINES GP-AIR (NOT SERVICED) (SEE BREAKDOWN FOR COMPONENTS)
6	172-5343	1	LINES GP-A/C (NOT SERVICED) (SEE BREAKDOWN FOR COMPONENTS)
7	172-5345	1	LINES GP-COOLANT (NOT SERVICED) (SEE BREAKDOWN FOR COMPONENTS)
8	172-6946	1	ENGINE AR-COMPL (380HP) (ORDER COMPONENTS THRU CAT ENG DIV.)
9	185-2237	1	PULLEY GP (NOT SERVICED) (SEE BREAKDOWN FOR COMPONENTS)
10	186-1671	1	AID GP-ETHER STARTING (NOT SERVICED) (SEE BREAKDOWN FOR COMPONENTS)
11	187-1791	1	DRIVE GP-ACCESSORY (NOT SERVICED) (SEE BREAKDOWN FOR COMPONENTS)
12	187-1792	1	MOUNTING GP-COMPRESSOR (NOT SERVICED) (SEE BREAKDOWN FOR COMPONENTS)
13	190-1482	1	COOLER GP-MTG & (NOT SERVICED) (SEE BREAKDOWN FOR COMPONENTS)
14	194-7966	1	TANK GP-EXP & COOLANT (NOT SERVICED) (SEE BREAKDOWN FOR COMPONENTS)
15	198-0188	1	FILTER GP-WATER (NOT SERVICED) (SEE BREAKDOWN FOR COMPONENTS)
16	206-6397	1	FAN GP-ENGINE (NOT SERVICED) (SEE BREAKDOWN FOR COMPONENTS)
17	206-6987	1	MOUNTING GP-ALTERNATOR (SEE BREAKDOWN FOR COMPONENTS)
18	208-0090	1	MOTOR GP-ELECTRIC (SEE BREAKDOWN FOR COMPONENTS)
19	212-4444	1	LINES GP- DUST EJECTOR (NOT SERVICED) (SEE BREAKDOWN FOR COMPONENTS)
20	213-9315	1	LINES GP-FUEL (NOT SERVICED) (SEE BREAKDOWN FOR COMPONENTS)

[A] PART OF 156-5582 BASIC UNIT AR

NOTIF
PR: t05i29k58b0017

MT800 SERIESTRACTORS
ENGINE INSTALLATION ARRANGEMENT

INSTALLATION AR-MT845 - 187-1742
EAME ONLY

NO ILLUSTRATION

NOTIF

**MT800 SERIESTRACTORS
ENGINE INSTALLATION ARRANGEMENT**

83

**INSTALLATION AR-MT845 - 187-1742
EAME ONLY**

ITEM	NUMBER	QTY	DESCRIPTION
-	187-1742	--	INSTALLATION AR-MT845 [A] (NOT SERVICED)
1	163-0383	1	SHAFT GP-INPUT (NOT SERVICED) (SEE BREAKDOWN FOR COMPONENTS)
2	172-5334	1	MOUNTING GP-ENGINE (NOT SERVICED) (SEE BREAKDOWN FOR COMPONENTS)
3	172-5336	1	MUFFLER GP (NOT SERVICED) (SEE BREAKDOWN FOR COMPONENTS)
4	172-5338	1	CLEANER GP-AIR (A) (NOT SERVICED) (SEE BREAKDOWN FOR COMPONENTS)
5	172-5342	1	LINES GP-AIR (NOT SERVICED) (SEE BREAKDOWN FOR COMPONENTS)
6	172-5343	1	LINES GP-A/C (NOT SERVICED) (SEE BREAKDOWN FOR COMPONENTS)
7	172-5345	1	LINES GP-COOLANT (NOT SERVICED) (SEE BREAKDOWN FOR COMPONENTS)
8	172-6946	1	ENGINE AR-COMPL (380HP) (ORDER COMPONENTS THRU CAT ENG DIV.)
9	185-2237	1	PULLEY GP (NOT SERVICED) (SEE BREAKDOWN FOR COMPONENTS)
10	186-1671	1	AID GP-ETHER STARTING (NOT SERVICED) (SEE BREAKDOWN FOR COMPONENTS)
11	187-1791	1	DRIVE GP-ACCESSORY (NOT SERVICED) (SEE BREAKDOWN FOR COMPONENTS)
12	187-1792	1	MOUNTING GP-COMPRESSOR (NOT SERVICED) (SEE BREAKDOWN FOR COMPONENTS)
13	190-1482	1	COOLER GP-MTG & (NOT SERVICED) (SEE BREAKDOWN FOR COMPONENTS)
14	194-7966	1	TANK GP-EXP & COOLANT (NOT SERVICED) (SEE BREAKDOWN FOR COMPONENTS)
15	198-0188	1	FILTER GP-WATER (NOT SERVICED) (SEE BREAKDOWN FOR COMPONENTS)
16	206-6397	1	FAN GP-ENGINE (NOT SERVICED) (SEE BREAKDOWN FOR COMPONENTS)
17	206-6987	1	MOUNTING GP-ALTERNATOR (SEE BREAKDOWN FOR COMPONENTS)
18	208-0090	1	MOTOR GP-ELECTRIC (SEE BREAKDOWN FOR COMPONENTS)
19	212-4444	1	LINES GP-DUST EJECTOR (NOT SERVICED) (SEE BREAKDOWN FOR COMPONENTS)
20	213-9315	1	LINES GP-FUEL (NOT SERVICED) (SEE BREAKDOWN FOR COMPONENTS)

[A] PART OF 179-2194 BASIC UNIT AR

NOTIF
PR: t05i29k58b0018

MT800 SERIESTRACTORS
ENGINE INSTALLATION ARRANGEMENT

INSTALLATION AR-MT855 - 172-5363
ROW & SPECIAL APPLICATIONS

NO ILLUSTRATION

NOTIF

**MT800 SERIESTRACTORS
ENGINE INSTALLATION ARRANGEMENT**

85

**INSTALLATION AR-MT855 - 172-5363
ROW & SPECIAL APPLICATIONS**

ITEM	NUMBER	QTY	DESCRIPTION
-	172-5363	--	INSTALLATION AR-MT855 [A] (NOT SERVICED)
1	163-0384	1	SHAFT GP-INPUT (NOT SERVICED) (SEE BREAKDOWN FOR COMPONENTS)
2	172-5333	1	MOUNTING GP-ENGINE (NOT SERVICED) (SEE BREAKDOWN FOR COMPONENTS)
3	172-5335	1	MUFFLER GP (NOT SERVICED) (SEE BREAKDOWN FOR COMPONENTS)
4	172-5337	1	CLEANER GP-AIR (A) (NOT SERVICED) (SEE BREAKDOWN FOR COMPONENTS)
5	172-5341	1	LINES GP-AIR (NOT SERVICED) (SEE BREAKDOWN FOR COMPONENTS)
6	172-5343	1	LINES GP-A/C (NOT SERVICED) (SEE BREAKDOWN FOR COMPONENTS)
7	172-5344	1	LINES GP-COOLANT (NOT SERVICED) (SEE BREAKDOWN FOR COMPONENTS)
8	235-4672	1	ENGINE AR-COMPL (450 HP) (ORDER COMPONENTS THRU CAT ENG DIV.)
9	185-2239	1	PULLEY GP (NOT SERVICED) (SEE BREAKDOWN FOR COMPONENTS)
10	187-1740	1	AID GP-ETHER STARTING (NOT SERVICED) (SEE BREAKDOWN FOR COMPONENTS)
11	187-1791	1	DRIVE GP-ACCESSORY (NOT SERVICED) (SEE BREAKDOWN FOR COMPONENTS)
12	187-1792	1	MOUNTING GP-COMPRESSOR (NOT SERVICED) (SEE BREAKDOWN FOR COMPONENTS)
13	190-1482	1	COOLER GP-MTG & (NOT SERVICED) (SEE BREAKDOWN FOR COMPONENTS)
14	185-2220	1	TANK GP-EXP & COOLANT (NOT SERVICED) (SEE BREAKDOWN FOR COMPONENTS)
15	198-0187	1	FILTER GP-WATER (NOT SERVICED) (SEE BREAKDOWN FOR COMPONENTS)
16	206-6397	1	FAN GP-ENGINE (NOT SERVICED) (SEE BREAKDOWN FOR COMPONENTS)
17	206-6987	1	MOUNTING GP-ALTERNATOR (SEE BREAKDOWN FOR COMPONENTS)
18	180-2924	1	MOTOR GP-ELECTRIC (SEE BREAKDOWN FOR COMPONENTS)
19	197-4849	1	LINES GP-DUST EJECTOR (NOT SERVICED) (SEE BREAKDOWN FOR COMPONENTS)
20	179-2183	1	LINES GP-FUEL (NOT SERVICED) (SEE BREAKDOWN FOR COMPONENTS)

[A] PART OF 156-5583 BASIC UNIT AR

NOTIF
PR: t05i29k58b0019

MT800 SERIESTRACTORS
ENGINE INSTALLATION ARRANGEMENT

INSTALLATION AR-MT855 - 187-1743
EAME ONLY

NO ILLUSTRATION

NOTIF

**MT800 SERIES TRACTORS
ENGINE INSTALLATION ARRANGEMENT**

87

**INSTALLATION AR-MT855 - 187-1743
EAME ONLY**

ITEM	NUMBER	QTY	DESCRIPTION
-	187-1743	--	INSTALLATION AR-MT855 [A] (NOT SERVICED)
1	163-0384	1	SHAFT GP-INPUT (NOT SERVICED) (SEE BREAKDOWN FOR COMPONENTS)
2	172-5333	1	MOUNTING GP-ENGINE (NOT SERVICED) (SEE BREAKDOWN FOR COMPONENTS)
3	172-5335	1	MUFFLER GP (NOT SERVICED) (SEE BREAKDOWN FOR COMPONENTS)
4	172-5337	1	CLEANER GP-AIR (A) (NOT SERVICED) (SEE BREAKDOWN FOR COMPONENTS)
5	172-5341	1	LINES GP-AIR (NOT SERVICED) (SEE BREAKDOWN FOR COMPONENTS)
6	172-5343	1	LINES GP-A/C (NOT SERVICED) (SEE BREAKDOWN FOR COMPONENTS)
7	172-5344	1	LINES GP-COOLANT (NOT SERVICED) (SEE BREAKDOWN FOR COMPONENTS)
8	235-4672	1	ENGINE AR-COMPL (435HP) (ORDER COMPONENTS THRU CAT ENG DIV.)
9	179-2183	1	LINES GP-FUEL (NOT SERVICED) (SEE BREAKDOWN FOR COMPONENTS)
10	180-2924	1	MOTOR GP-ELECTRIC (SEE BREAKDOWN FOR COMPONENTS)
11	185-2220	1	TANK GP-EXP & COOLANT (NOT SERVICED) (SEE BREAKDOWN FOR COMPONENTS)
12	185-2239	1	PULLEY GP (NOT SERVICED) (SEE BREAKDOWN FOR COMPONENTS)
13	187-1740	1	AID GP-ETHER STARTING (NOT SERVICED) (SEE BREAKDOWN FOR COMPONENTS)
14	187-1791	1	DRIVE GP-ACCESSORY (NOT SERVICED) (SEE BREAKDOWN FOR COMPONENTS)
15	187-1792	1	MOUNTING GP-COMPRESSOR (NOT SERVICED) (SEE BREAKDOWN FOR COMPONENTS)
16	190-1482	1	COOLER GP-MTG & (NOT SERVICED) (SEE BREAKDOWN FOR COMPONENTS)
17	197-4849	1	LINES GP- DUST EJECTOR (NOT SERVICED) (SEE BREAKDOWN FOR COMPONENTS)
18	198-0187	1	FILTER GP-WATER (NOT SERVICED) (SEE BREAKDOWN FOR COMPONENTS)
19	206-6397	1	FAN GP-ENGINE (NOT SERVICED) (SEE BREAKDOWN FOR COMPONENTS)
20	206-6987	1	MOUNTING GP-ALTERNATOR (SEE BREAKDOWN FOR COMPONENTS)

[A] PART OF 179-2195 BASIC UNIT AR

NOTIF
PR: t05i29k58b0020

MT800 SERIESTRACTORS
ENGINE INSTALLATION ARRANGEMENT

INSTALLATION AR-MT865 - 172-5364
ROW & SPECIAL APPLICATIONS

NO ILLUSTRATION

NOTIF

**MT800 SERIESTRACTORS
ENGINE INSTALLATION ARRANGEMENT**

89

**INSTALLATION AR-MT865 - 172-5364
ROW & SPECIAL APPLICATIONS**

ITEM	NUMBER	QTY	DESCRIPTION
-	172-5364	--	INSTALLATION AR-MT865 [A] (NOT SERVICED)
1	163-0384	1	SHAFT GP-INPUT (NOT SERVICED) (SEE BREAKDOWN FOR COMPONENTS)
2	172-5333	1	MOUNTING GP-ENGINE (NOT SERVICED) (SEE BREAKDOWN FOR COMPONENTS)
3	172-5335	1	MUFFLER GP (NOT SERVICED) (SEE BREAKDOWN FOR COMPONENTS)
4	172-5337	1	CLEANER GP-AIR (A) (NOT SERVICED) (SEE BREAKDOWN FOR COMPONENTS)
5	172-5341	1	LINES GP-AIR (NOT SERVICED) (SEE BREAKDOWN FOR COMPONENTS)
6	172-5343	1	LINES GP-A/C (NOT SERVICED) (SEE BREAKDOWN FOR COMPONENTS)
7	172-5344	1	LINES GP-COOLANT (NOT SERVICED) (SEE BREAKDOWN FOR COMPONENTS)
8	235-4673	1	ENGINE AR-COMPL (500 HP) (ORDER COMPONENTS THRU CAT ENG DIV.)
9	185-2240	1	PULLEY GP (NOT SERVICED) (SEE BREAKDOWN FOR COMPONENTS)
10	187-1740	1	AID GP-ETHER STARTING (NOT SERVICED) (SEE BREAKDOWN FOR COMPONENTS)
11	187-1791	1	DRIVE GP-ACCESSORY (NOT SERVICED) (SEE BREAKDOWN FOR COMPONENTS)
12	187-1792	1	MOUNTING GP-COMPRESSOR (NOT SERVICED) (SEE BREAKDOWN FOR COMPONENTS)
13	190-1482	1	COOLER GP-MTG & (NOT SERVICED) (SEE BREAKDOWN FOR COMPONENTS)
14	185-2220	1	TANK GP-EXP & COOLANT (NOT SERVICED) (SEE BREAKDOWN FOR COMPONENTS)
15	198-0187	1	FILTER GP-WATER (NOT SERVICED) (SEE BREAKDOWN FOR COMPONENTS)
16	206-6397	1	FAN GP-ENGINE (NOT SERVICED) (SEE BREAKDOWN FOR COMPONENTS)
17	206-6987	1	MOUNTING GP-ALTERNATOR (SEE BREAKDOWN FOR COMPONENTS)
18	180-2924	1	MOTOR GP-ELECTRIC (SEE BREAKDOWN FOR COMPONENTS)
19	197-4849	1	LINES GP- DUST EJECTOR (NOT SERVICED) (SEE BREAKDOWN FOR COMPONENTS)
20	179-2183	1	LINES GP-FUEL (NOT SERVICED) (SEE BREAKDOWN FOR COMPONENTS)

[A] PART OF 156-5583 BASIC UNIT AR

NOTIF
PR: t05i29k58b0021

MT800 SERIESTRACTORS
ENGINE INSTALLATION ARRANGEMENT

INSTALLATION AR-MT865 - 187-1744
EAME ONLY

NO ILLUSTRATION

NOTIF

**MT800 SERIES TRACTORS
ENGINE INSTALLATION ARRANGEMENT**

91

**INSTALLATION AR-MT865 - 187-1744
EAME ONLY**

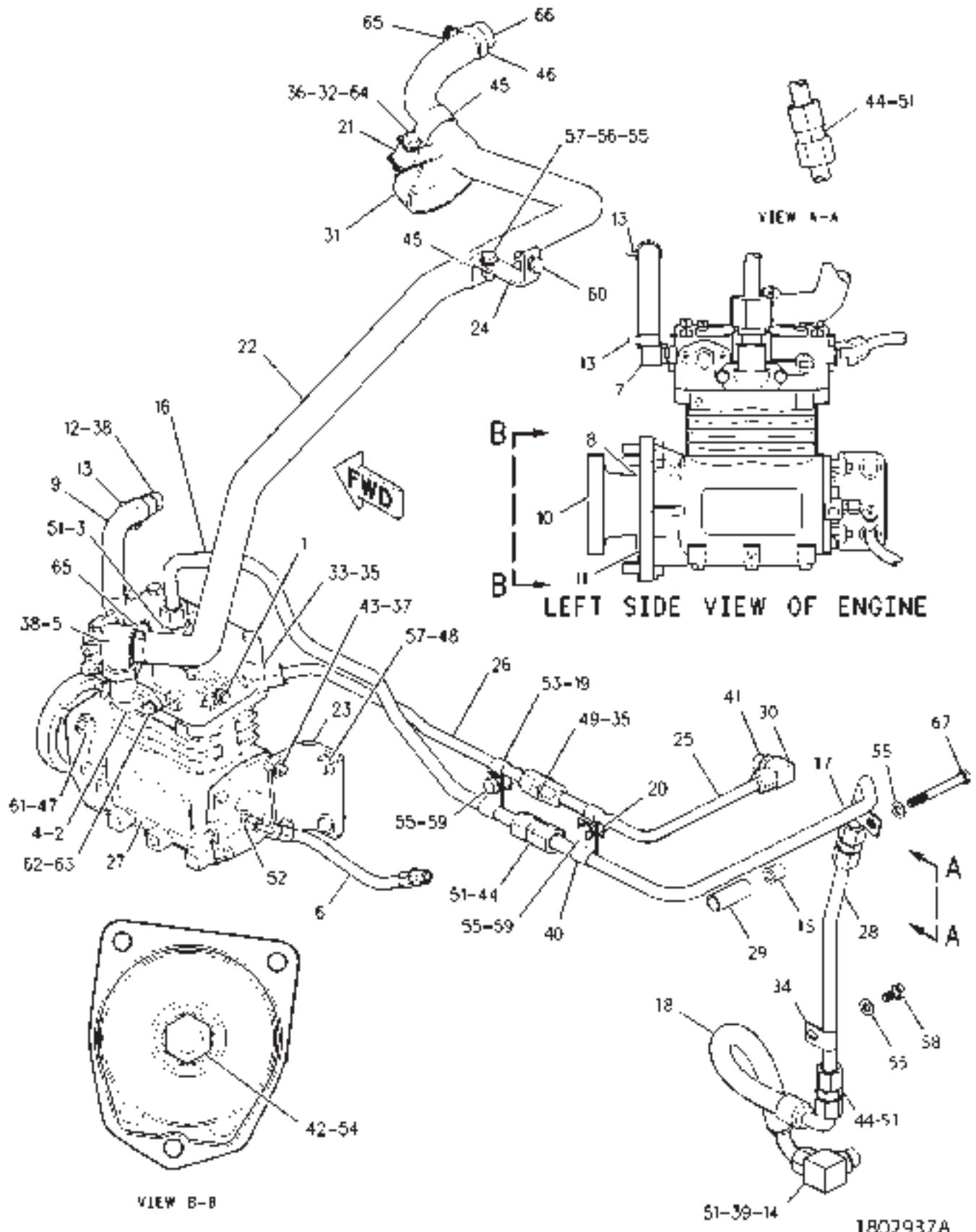
ITEM	NUMBER	QTY	DESCRIPTION
-	187-1744	--	INSTALLATION AR-MT865 [A] (NOT SERVICED)
1	163-0384	1	SHAFT GP-INPUT (NOT SERVICED) (SEE BREAKDOWN FOR COMPONENTS)
2	172-5333	1	MOUNTING GP-ENGINE (NOT SERVICED) (SEE BREAKDOWN FOR COMPONENTS)
3	172-5335	1	MUFFLER GP (NOT SERVICED) (SEE BREAKDOWN FOR COMPONENTS)
4	172-5337	1	CLEANER GP-AIR (A) (NOT SERVICED) (SEE BREAKDOWN FOR COMPONENTS)
5	172-5341	1	LINES GP-AIR (NOT SERVICED) (SEE BREAKDOWN FOR COMPONENTS)
6	172-5343	1	LINES GP-A/C (NOT SERVICED) (SEE BREAKDOWN FOR COMPONENTS)
7	172-5344	1	LINES GP-COOLANT (NOT SERVICED) (SEE BREAKDOWN FOR COMPONENTS)
8	235-4673	1	ENGINE AR-COMPL (500HP) (ORDER COMPONENTS THRU CAT ENG DIV.)
9	179-2183	1	LINES GP-FUEL (NOT SERVICED) (SEE BREAKDOWN FOR COMPONENTS)
10	180-2924	1	MOTOR GP-ELECTRIC (SEE BREAKDOWN FOR COMPONENTS)
11	185-2220	1	TANK GP-EXP & COOLANT (NOT SERVICED) (SEE BREAKDOWN FOR COMPONENTS)
12	185-2240	1	PULLEY GP (NOT SERVICED) (SEE BREAKDOWN FOR COMPONENTS)
13	187-1740	1	AID GP-ETHER STARTING (NOT SERVICED) (SEE BREAKDOWN FOR COMPONENTS)
14	187-1791	1	DRIVE GP-ACCESSORY (NOT SERVICED) (SEE BREAKDOWN FOR COMPONENTS)
15	187-1792	1	MOUNTING GP-COMPRESSOR (NOT SERVICED) (SEE BREAKDOWN FOR COMPONENTS)
16	190-1482	1	COOLER GP-MTG & (NOT SERVICED) (SEE BREAKDOWN FOR COMPONENTS)
17	197-4849	1	LINES GP-DUST EJECTOR (NOT SERVICED) (SEE BREAKDOWN FOR COMPONENTS)
18	198-0187	1	FILTER GP-WATER (NOT SERVICED) (SEE BREAKDOWN FOR COMPONENTS)
19	206-6397	1	FAN GP-ENGINE (NOT SERVICED) (SEE BREAKDOWN FOR COMPONENTS)
20	206-6987	1	MOUNTING GP-ALTERNATOR (SEE BREAKDOWN FOR COMPONENTS)

[A] PART OF 179-2196 BASIC UNIT AR

NOTIF
PR: t05i29k58b0022

MT800 SERIES TRACTORS
ENGINE INSTALLATION ARRANGEMENT

AIR COMPRESSOR GP - 180-2937
MT835 & MT845



**MT800 SERIESTRACTORS
ENGINE INSTALLATION ARRANGEMENT**

93

**AIR COMPRESSOR GP - 180-2937
MT835 & MT845**

ITEM	NUMBER	QTY	DESCRIPTION
-	180-2937	--	AIR COMPRESSOR GP [A] (NOT SERVICED)
1	CH5F-5434	1	VALVE-RELIEF
2	400692X1	1	ELBOW
3	400693X1	1	ADAPTER-STR,0.50MNPTFX-10MORFS
4	400697X1	1	GASKET-AIR INLET
5	400704X1	1	CONNECTOR-90DEG 10 STORX25.4 OD BARB
6	9Y-1116	1	HOSE-END
7	CH032-3631	1	ELBOW
8	117-0221	1	RING-PILOT
9	CH128-0331	1	HOSE
10	128-0420	1	GEAR (42 TEETH)
11	CH129-2181	1	SEAL-INTEGRAL
12	CH131-2171	1	CONNECTOR (10STORX15.9BARB)
13	CH172-4702	2	CLAMP
14	CH184-8029	1	ELBOW AS.-90DEG 10 ORFS X M22
	400322X1	1	SEAL-O-RING (19.28IDX1.78DIA)
	400366X1	1	SEAL-O-RING (22.5ODX1.78DIA)
	187-9009	1	RING-RETAINING
15	CH2B-0941	1	SPACER (19ODX10.5IDX19)
16	197-0749	1	TUBE
17	500516D1	1	TUBE
18	198-1962	1	HOSE
19	CH200-4328	2	SPACER (11X19.05X10.5)
20	CH200-8649	2	SPACER (.5X.75X.56 IN THK)
21	212-3597	1	SPACER
22	212-3839	1	HOSE-AIR INLET
23	215-8050	1	BRACKET
24	215-8051	1	BRACKET
25	215-8052	1	TUBE
26	215-8054	1	TUBE
27	215-8055	1	AIR COMPRESSOR GP (SEE BREAKDOWN FOR COMPONENTS)
28	218-2807	1	TUBE
29	213-2589	1	SPACER
30	CH118-4728	1	ELBOW-90DEG (8FLAR37X8STOR)
31	CH125-7131	1	CLIP
32	CH2K-4973	1	LOCKNUT (3/8-16)
33	CH3E-7449	1	ELBOW
34	CH4B-9302	1	CLIP
35	CH4K-2039	2	SEAL-O-RING
36	CH5P-1075	2	WASHER-HARD (10.2X22.5X3)
37	400599X1	2	WASHER-HARD (M8X20.5X2)
38	400674X1	2	SEAL-O-RING
39	400675X1	1	SEAL-O-RING

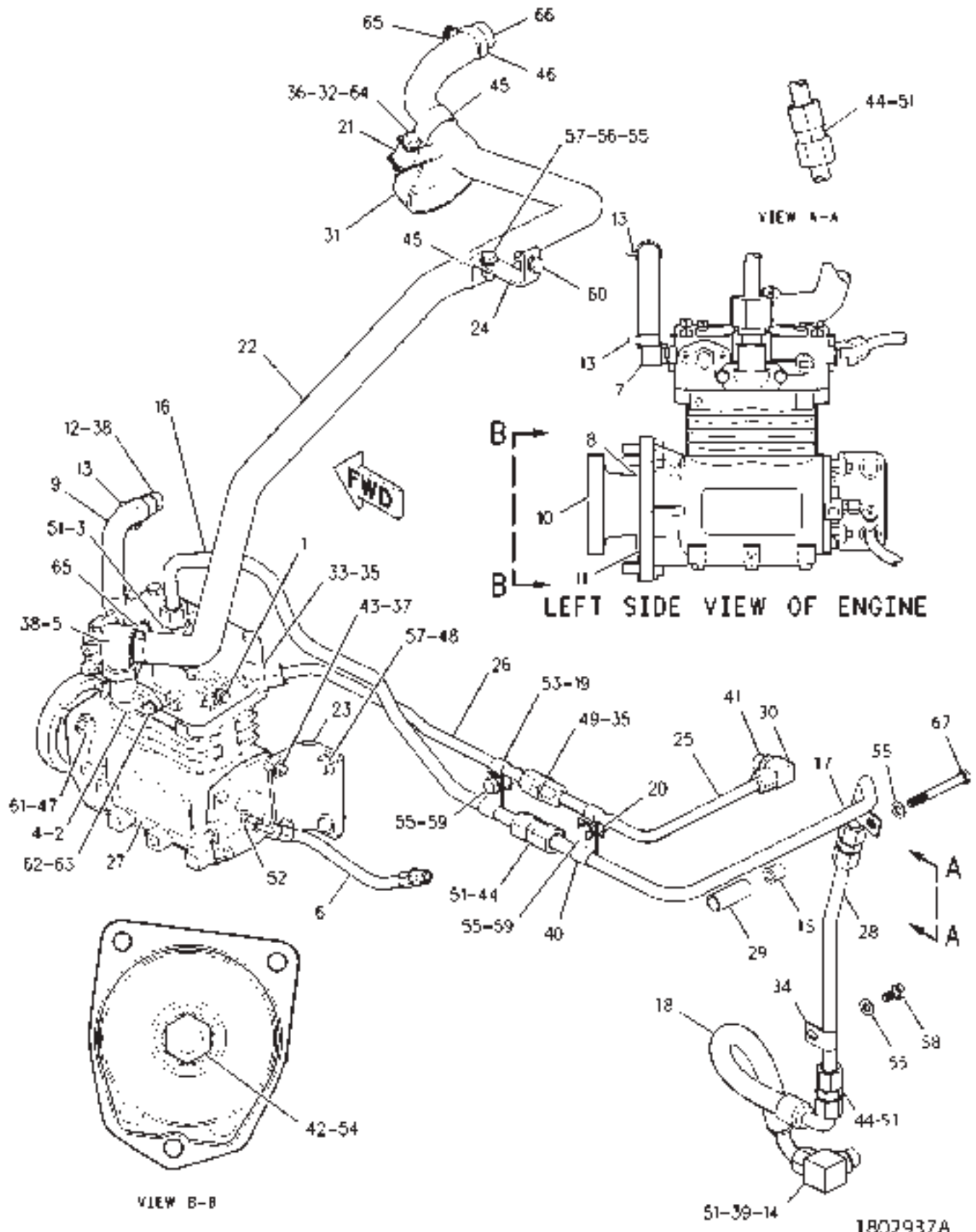
CONTINUED

[A] PART OF:
185-8860;192-6400 BRAKE AR-AIR
190-0439;210-5703 TANK AR-AIR

1802937A
PR: t05i29k58b0023

MT800 SERIES TRACTORS
ENGINE INSTALLATION ARRANGEMENT

AIR COMPRESSOR GP - 180-2937
MT835 & MT845



**MT800 SERIESTRACTORS
ENGINE INSTALLATION ARRANGEMENT**

95

**AIR COMPRESSOR GP - 180-2937
MT835 & MT845**

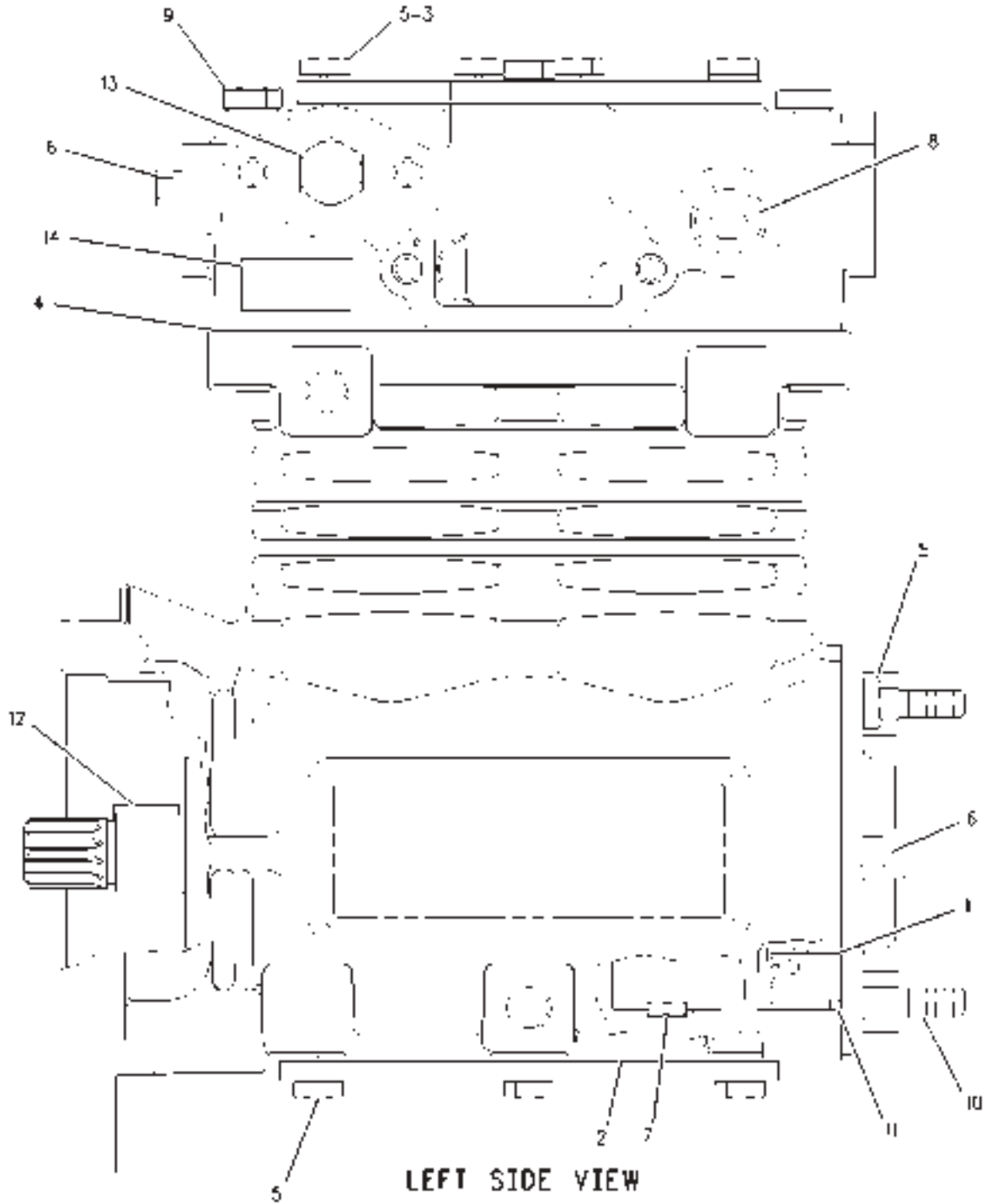
ITEM	NUMBER	QTY	DESCRIPTION
-	180-2937	--	AIR COMPRESSOR GP [A] (NOT SERVICED)
40	CH4K-8302	2	CLAMP-LOOP (15.88ID W/COAT)
41	400678X1	1	SEAL-O-RING (16.36IDX2.21DIA)
42	400681X1	1	NUT-FULL (M20X2.50)
43	400682X1	2	NUT (5/16-18)
44	400684X1	3	UNION-FACE SEAL
45	400689X1	2	CLIP-LOOP (38.1 ID)
46	400376X1	1	SEAL-O-RING (29.74IDX2.95DIA)
47	400201X1	3	BOLT (M12X1.75)
48	CH7X-7729	2	WASHER (11X25X3)
49	CH8C-7306	1	ADAPTER
50	CH8F-8513	1	CLIP
51	CH8L-2746	8	SEAL-O-RING
52	CH8L-6557	1	CONNECTOR
53	CH8M-2770	2	CLIP
54	CH8T-3282	1	WASHER-HARD (22X35X3.5)
55	400287X1	7	WASHER-HARD (11X21X2.5)
56	WR522218	1	NUT (M10X1.5)
57	400039X1	3	BOLT (M10X1.5X25MM)
58	400040X1	1	BOLT (M10X1.5X20MM)
59	400049X1	2	BOLT (M10X1.5X45MM)
60	400058X1	1	BOLT (M10X1.5X30MM)
61	400357X1	3	WASHER-HARD (M12X25.5X3)
62	400339X1	2	WASHER-HARD (8.8X16X2)
63	400249X1	2	BOLT (5/16-18X.875 IN)
64	400250X1	1	BOLT (3/8-16X2.25 IN)
65	400701X1	2	CLAMP-HOSE
66	400703X1	1	CONNECTOR AS (16STORX25.4BARB)
	400376X1	1	SEAL-O-RING (29.74IDX2.95DIA)
67	400225X1	2	BOLT (M10X1.5X90MM)

[A] PART OF:
185-8860;192-6400 BRAKE AR-AIR
190-0439;210-5703 TANK AR-AIR

1802937A
PR: t05i29k58b0023

MT800 SERIESTRACTORS
ENGINE INSTALLATION ARRANGEMENT

AIR COMPRESSOR GP - 215-8055



MT800 SERIESTRACTORS
ENGINE INSTALLATION ARRANGEMENT

97

AIR COMPRESSOR GP - 215-8055

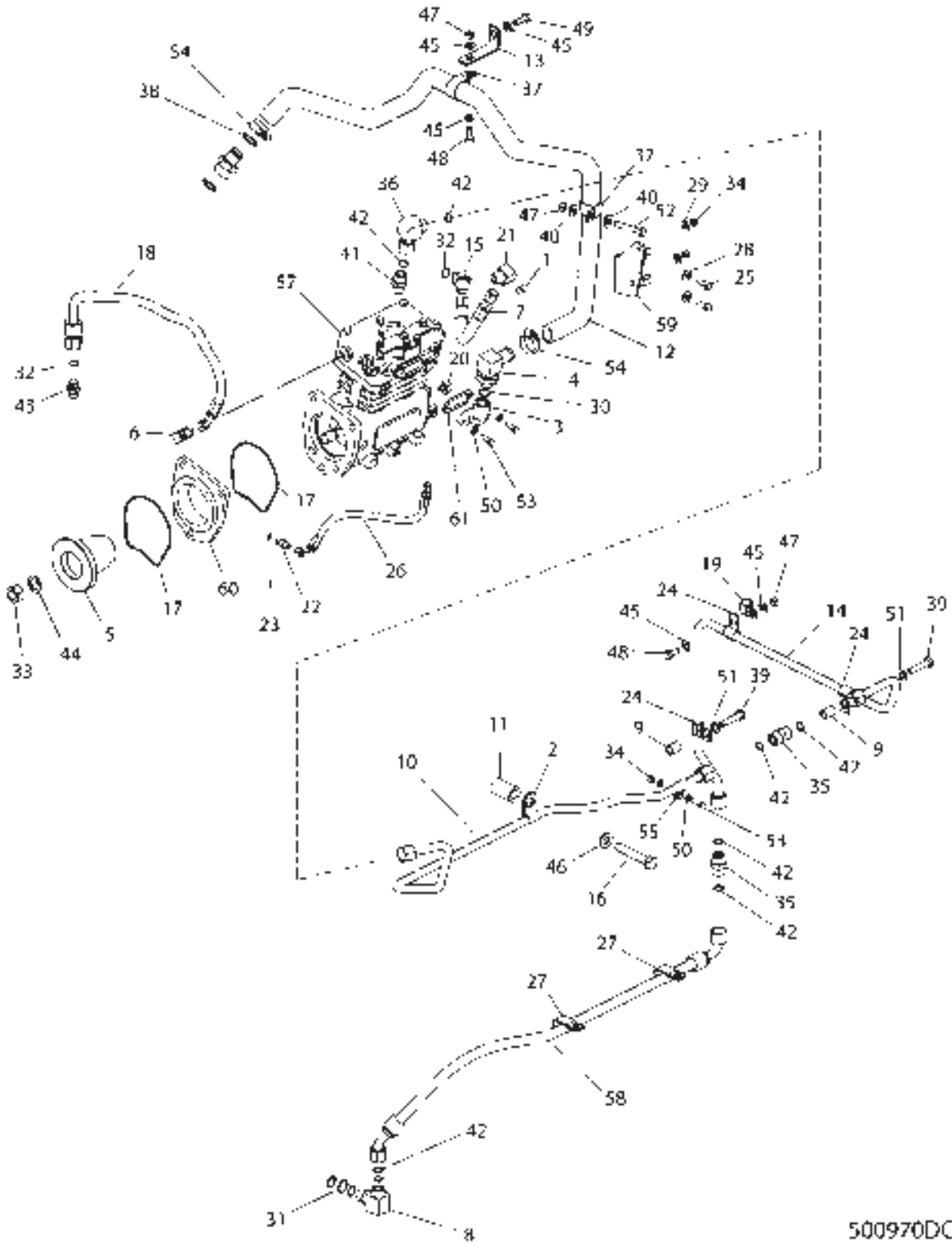
ITEM	NUMBER	QTY	DESCRIPTION
-	215-8055	--	AIR COMPRESSOR GP [A]
1	CH7C-6178	2	BEARING-REAR
2	7E-8928	1	GASKET-BASE
3	CH3B-4505	4	LOCKWASHER (.097IN THK)
4	CH4P-3977	1	GASKET-CYLINDER HEAD
5	CH0S-1617	12	BOLT (5/16-18X0.75 IN)
6	CH8T-6764	2	PLUG-PIPE
7	CH4P-3966	2	PISTON & ROD AS
8	CH8T-6762	1	PLUG-PIPE
9	CH0L-1352	6	BOLT (3/8-16X3.25 IN)
10	CH146-0835	2	STUD-END COVER
11	CH2H-3934	1	SEAL-O-RING
12	CH103-6216	1	KEY
13	CH124-5572	1	VALVE
14	400649X1	1	PLATE-INFORMATION
-	7E-8923	1	KIT-CRANKSHAFT BEARING
-	7E-8925	1	KIT-STANDARD RING
-	7E-8926	1	KIT-CYLINDER HEAD
-	150-5146	1	KIT-UNLOADER

[A] PART OF 180-2937; 500970D1
AIR COMPRESSOR GP

00783724
PR: t05i29k58b0024

MT800 SERIESTRACTORS
ENGINE INSTALLATION ARRANGEMENT

COMPRESSOR GP-AIR - 500970D1
MT855 & MT865



**MT800 SERIESTRACTORS
ENGINE INSTALLATION ARRANGEMENT**

99

**COMPRESSOR GP-AIR - 500970D1
MT855 & MT865**

ITEM	NUMBER	QTY	DESCRIPTION
-	500970D1	--	AIR COMPRESSOR GP [A] (NOT SERVICED)
1	CH5F-5434	1	VENT AS-1/8NPTF
2	CH5P-7808	1	CLIP-LOOP 16.0 ID
3	400692X1	1	ELBOW
4	400704X1	1	CONNECTOR-90DEG 10 STORX25.4 OD BARB
5	101-9640	1	GEAR-AIR COMPRESSOR
6	CH170-5282	1	ELBOW-90DEG 8FLAR37X8NPTF
7	179-2886	1	HOSE AS-12.7 ID CMS 5883
8	CH184-8029	1	ELBOW AS.-90DEG 10 ORFS X M22
	400366X1	1	SEAL-O-RING (22.5ODX1.78DIA)
	400322X1	1	SEAL-O-RING (19.28IDX1.78DIA)
	187-9009	1	RING-RETAINING
9	197-1437	2	SPACER
10	198-1955	1	TUBE AS.
11	198-1961	1	SPACER
12	212-3602	1	HOSE-AIR INLET
13	215-8051	1	BRACKET
14	218-2808	1	TUBE AS.
15	400280X1	1	ELBOW-45DEG 8STOR 8 37DEG FLARED
16	400130X1	1	BOLT-5/8-18X88.9 PH&O HHD 10.9
17	CH110-0004	2	SEAL (AIR COMP MTG)
18	179-2887	1	HOSE AS-12.7 ID CMS 5883
19	CH1S-0994	1	CLIP-LOOP 20.64 ID
20	400658X1	1	ELBOW-90DEG 4 FLAR 37 X 2 NPTF
21	400659X1	1	ELBOW-90 DEG 8 FLAR37 X 8 NPTF
22	400281X1	1	CONNECTOR-4 STOR 4 37DEG FLARED
23	400361X1	1	SEAL-O-RING (8.92ID X 1.83DIA)
24	CH4K-8302	3	CLIP-LOOP 15.88 ID W/COAT
25	400149X1	2	BOLT-3/8-16X25.4 ZNDI HHD 10.9
26	501942D1	1	HOSE ASM-7/16-20 THD,FJS/FJS90
27	400665X1	2	CLIP-LOOP 19ID X 2
28	CH5P-1075	2	WASHER-HARD 10.2IDX22.5ODX3ORG
29	400599X1	2	WASHER-HARD,M8X20.5ODX2THK
30	400674X1	1	SEAL-O-RING 19.18IDX2.46DIA
31	400675X1	1	SEAL-O-RING 19.18IDX2.46DIA
32	400678X1	2	SEAL-O-RING 16.36IDX2.21DIA
33	400681X1	1	NUT M20 X 2.5 THD X 18
34	400682X1	3	NUT 5/16-18 THD 6.75
35	400684X1	2	UNION- 10 ORFS
36	400687X1	1	ELBOW-90DEG 10 ORFS SWVL
37	400689X1	2	CLIP LOOP 38.1ID
38	400376X1	1	SEAL-O-RING 29.74 IDX2.95 DIA
39	400177X1	2	BOLT-7/16-14X50 ZNDI HHD 10.9

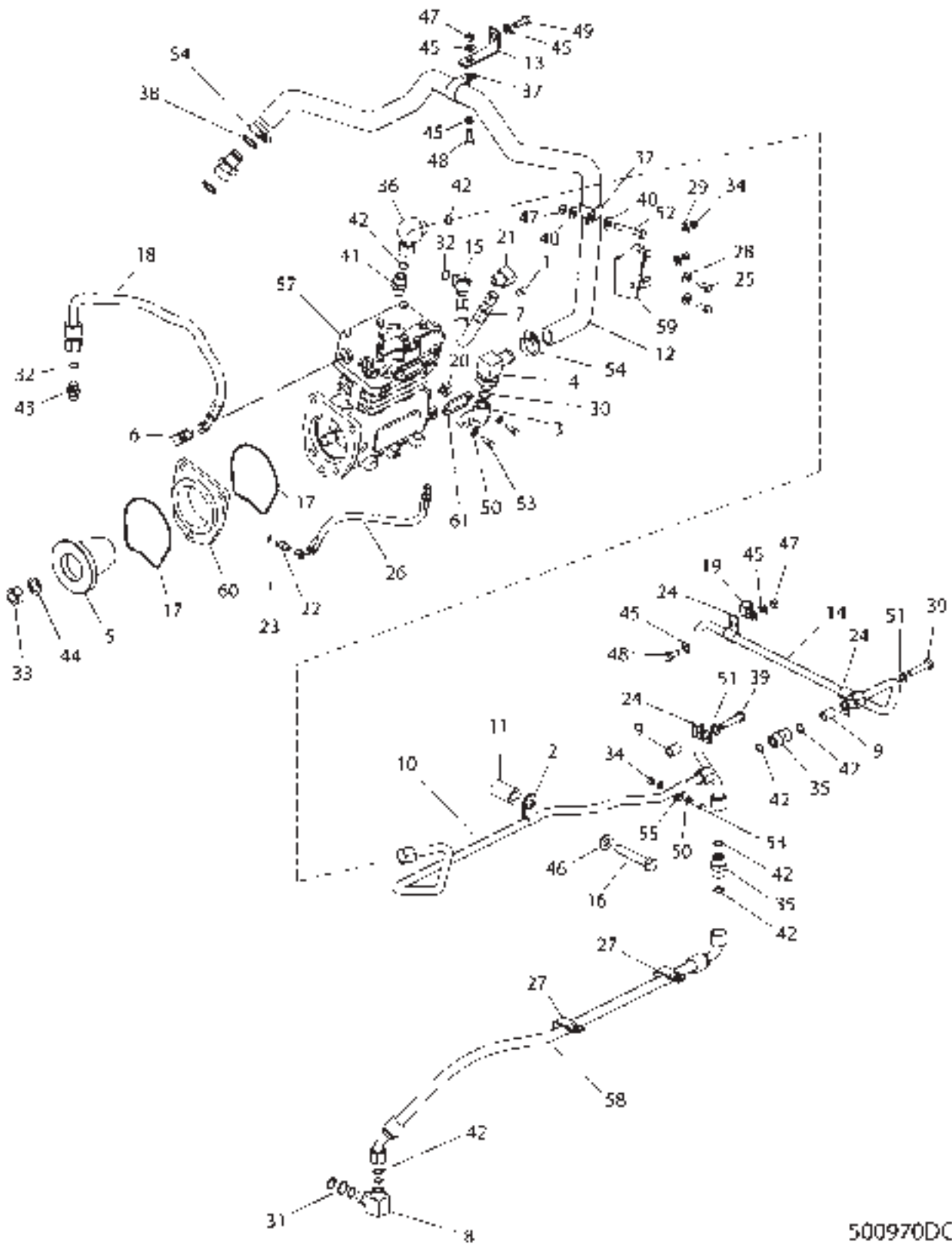
CONTINUED

[A] PART OF:
186-1620; 192-6390 BRAKE AR-AIR TRA
190-0440; 210-5704 TANK AR-AIR

500970DC
PR: t05i29k58b0025

MT800 SERIES TRACTORS
ENGINE INSTALLATION ARRANGEMENT

COMPRESSOR GP-AIR - 500970D1
MT855 & MT865



**MT800 SERIESTRACTORS
ENGINE INSTALLATION ARRANGEMENT**

101

**COMPRESSOR GP-AIR - 500970D1
MT855 & MT865**

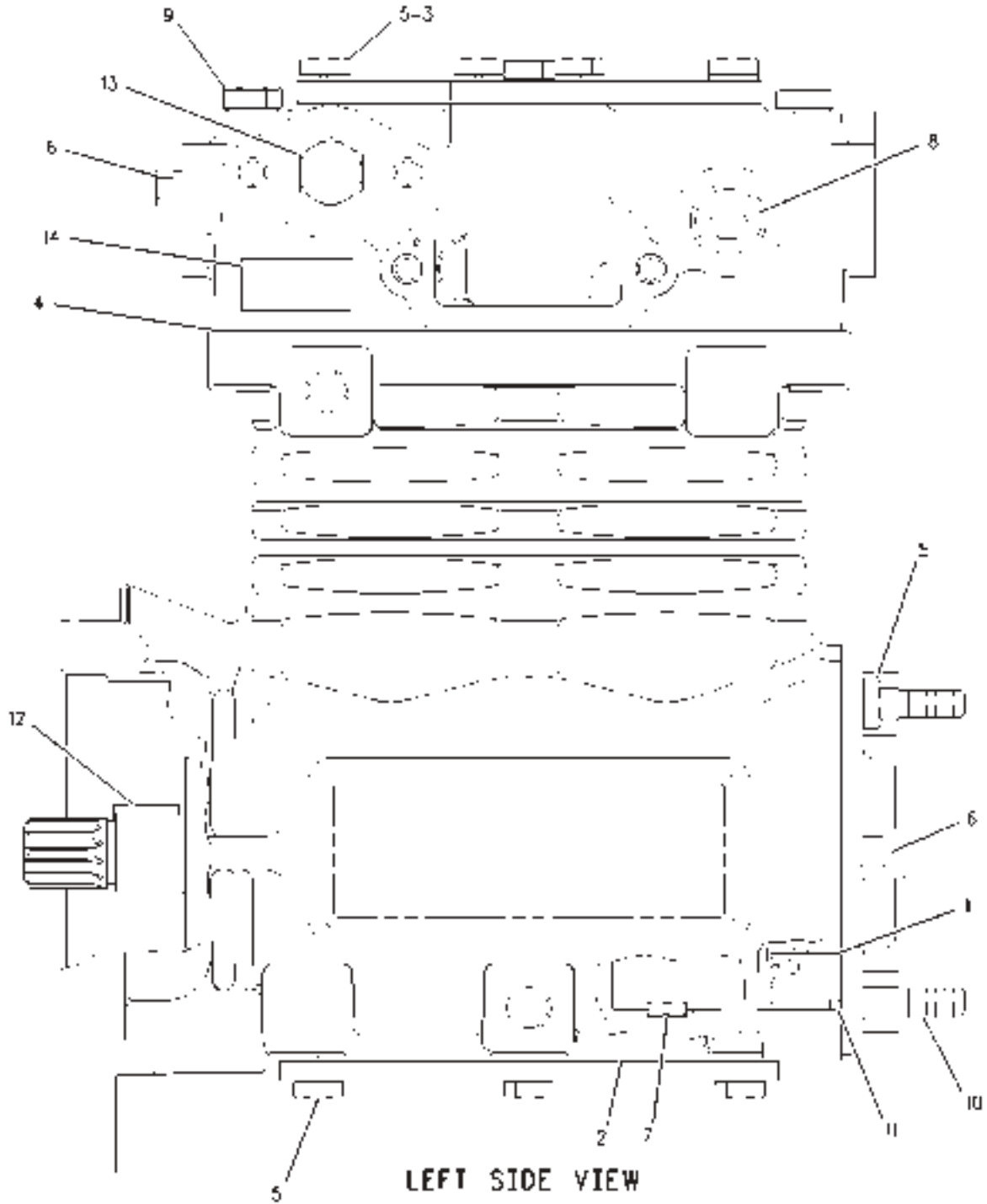
ITEM	NUMBER	QTY	DESCRIPTION
-	500970D1	--	AIR COMPRESSOR GP [A] (NOT SERVICED)
40	CH7X-7729	2	WASHER-11IDX5ODX3MM
41	400693X1	1	ADAPTER-STR,0.50MNPTFX-10MORFS
42	CH8L-2746	7	SEAL-O-RING 15.61IDX1.78DIA
43	400696X1	1	CONNECTOR-8FLAR 37 X 8STOR
44	CH8T-3282	1	WASHER HARD-22IDX35ODX3.5MM
45	400287X1	5	WASHER-HARD 11IDX21ODX2.5 ZND1
46	CH8T-4122	1	WASHER HARD-17IDX32ODX3.5MM
47	WR522218	3	NUT-M10-1.5,CL10.9,ZN,H,REG
48	400039X1	2	BOLT-M10X1.5X25 ZNDI HHD 10.9
49	400058X1	1	BOLT-M10X1.5X30 ZNDI HHD 10.9
50	400339X1	4	WASHER-HARD
51	400358X1	2	WASHER-HARD-7/16X22.50DX2.5THK
52	400239X1	1	BOLT-M10X1.5X60 ZNDI HHD 10.9
53	400249X1	3	BOLT-5/16-18X22.2 ZNDI HHD10.9
54	400701X1	2	CLAMP-HOSE SST22.2-44.5IDX13.5
55	400702X1	1	CLIP-ONE TUBE COATED
56	400703X1	1	CONNECTOR AS-16STORX25.4 BARB
	400376X1	1	SEAL-O-RING
57	215-8055	1	COMPRESSOR AS-AIR (SEE BREAKDOWN FOR COMPONENTS)
58	218-2809	1	HOSE AS-15.9 ID CMS 5758A
59	500515D1	1	BRACKET
60	6I-3907	1	ADAPTER-PILOT
61	400697X1	1	GASKET-AIR COMPRESSOR

[A] PART OF:
186-1620; 192-6390 BRAKE AR-AIR TRA
190-0440; 210-5704 TANK AR-AIR

500970DC
PR: t05i29k58b0025

MT800 SERIESTRACTORS
ENGINE INSTALLATION ARRANGEMENT

AIR COMPRESSOR GP - 215-8055



**MT800 SERIESTRACTORS
ENGINE INSTALLATION ARRANGEMENT**

103

AIR COMPRESSOR GP - 215-8055

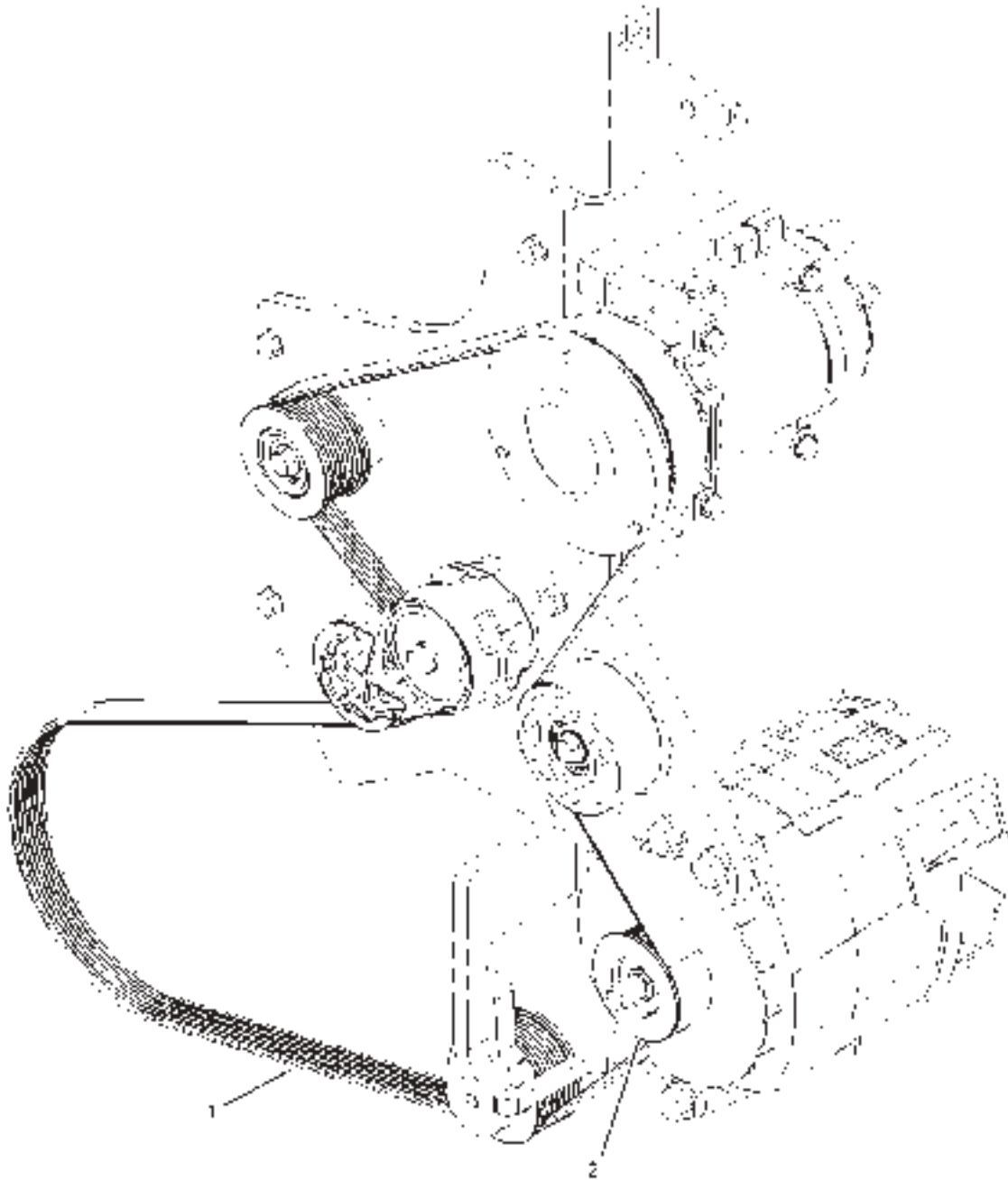
ITEM	NUMBER	QTY	DESCRIPTION
-	215-8055	--	AIR COMPRESSOR GP [A]
1	CH7C-6178	2	BEARING-REAR
2	7E-8928	1	GASKET-BASE
3	CH3B-4505	4	LOCKWASHER (.097IN THK)
4	CH4P-3977	1	GASKET-CYLINDER HEAD
5	CH0S-1617	12	BOLT (5/16-18X0.75 IN)
6	CH8T-6764	2	PLUG-PIPE
7	CH4P-3966	2	PISTON & ROD AS
8	CH8T-6762	1	PLUG-PIPE
9	CH0L-1352	6	BOLT (3/8-16X3.25 IN)
10	CH146-0835	2	STUD-END COVER
11	CH2H-3934	1	SEAL-O-RING
12	CH103-6216	1	KEY
13	CH124-5572	1	VALVE
14	400649X1	1	PLATE-INFORMATION
-	7E-8923	1	KIT-CRANKSHAFT BEARING
-	7E-8925	1	KIT-STANDARD RING
-	7E-8926	1	KIT-CYLINDER HEAD
-	150-5146	1	KIT-UNLOADER

[A] PART OF 180-2937; 180-2398;
500970D1 AIR COMPRESSOR GP

00783724
PR: t05i29k58b0026

MT800 SERIESTRACTORS
ENGINE INSTALLATION ARRANGEMENT

DRIVE GP-ACCESSORY - 187-1791



**MT800 SERIESTRACTORS
ENGINE INSTALLATION ARRANGEMENT**

105

DRIVE GP-ACCESSORY - 187-1791

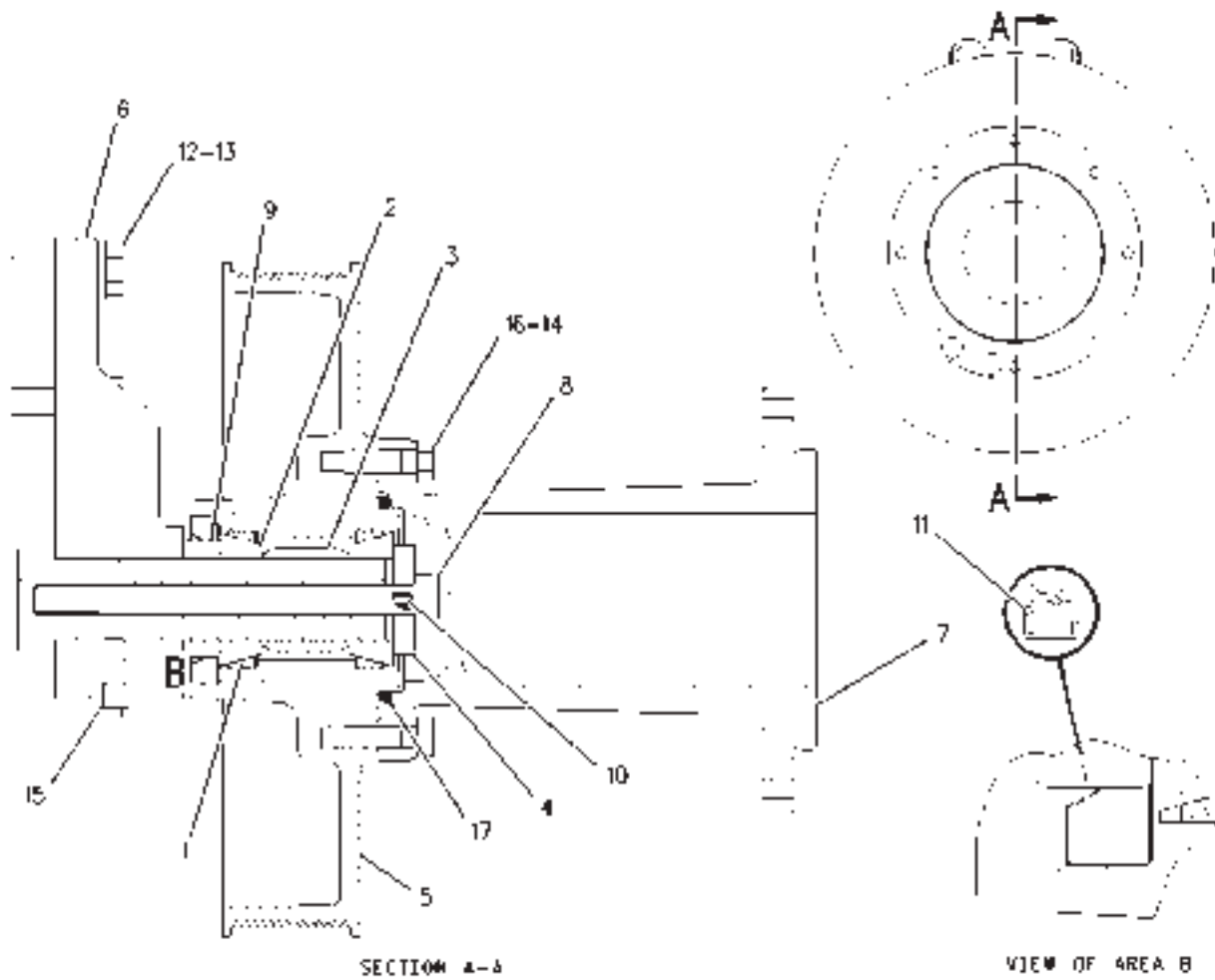
ITEM	NUMBER	QTY	DESCRIPTION
-	187-1791	--	DRIVE GP-ACCESSORY [A] (NOT SERVICED)
1	500685D1	1	BELT (ALTERNATOR)
2	500519D1	1	PULLEY-ALTERNATOR (8 GROOVE)

[A] PART OF 172-5361;172-5362;172-5363;
172-5364;187-1741;187-1742;187-1743;
187-1744 INSTALLATION AR-ENGINE

00869546
PR: t05i29k58b0027

MT800 SERIESTRACTORS
ENGINE INSTALLATION ARRANGEMENT

DRIVE GP-FAN - 193-2266
MT835 & MT845



**MT800 SERIESTRACTORS
ENGINE INSTALLATION ARRANGEMENT**

107

**DRIVE GP-FAN - 193-2266
MT835 & MT845**

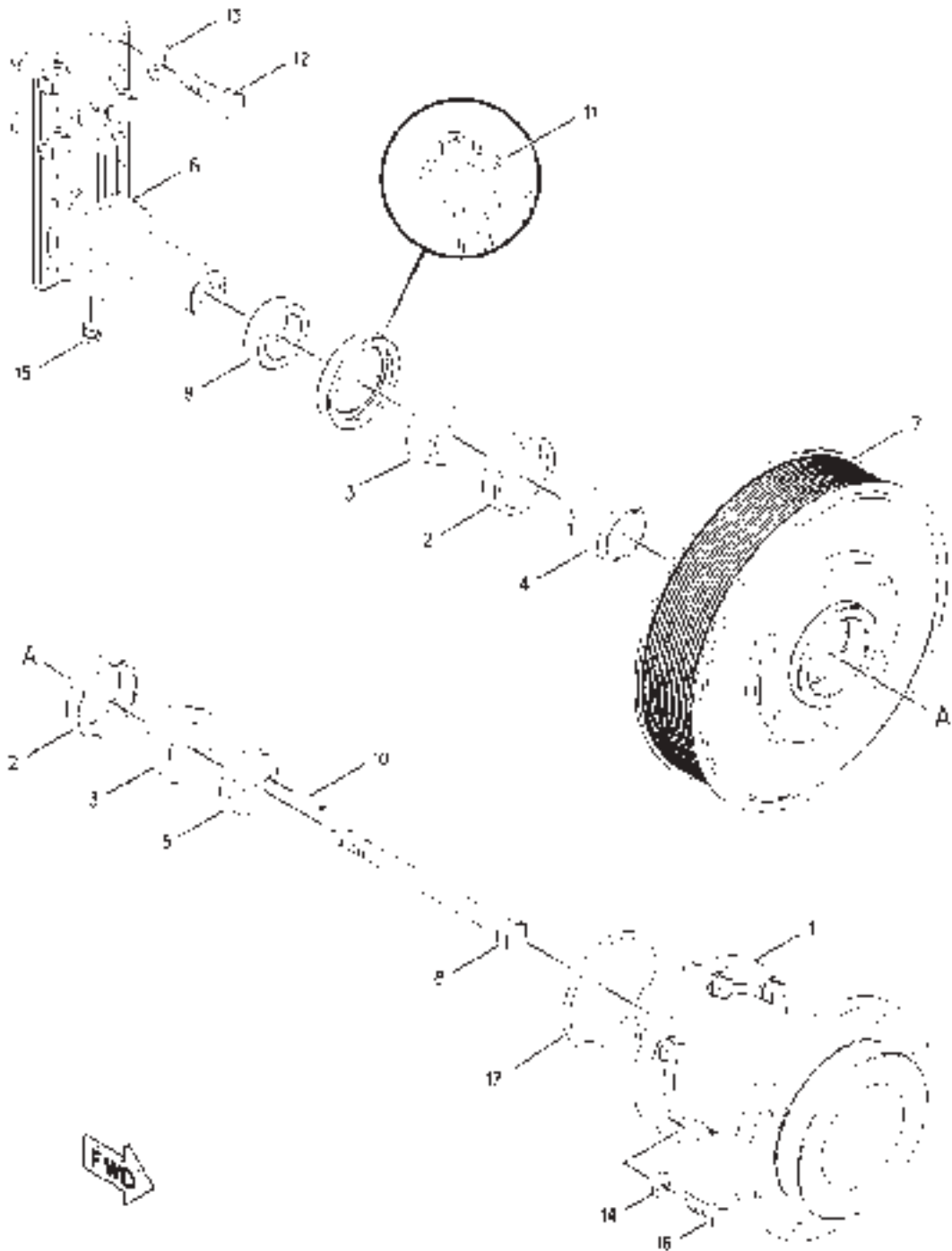
ITEM	NUMBER	QTY	DESCRIPTION
-	193-2266	--	DRIVE GP-FAN [A] (NOT SERVICED)
1	CH4W-1203	2	CUP-BEARING
2	CH4W-1204	2	CONE-BEARING
3	CH4W-2042	1	SPACER (35.3X45.5X38.331)
4	CH7E-4808	1	PLATE
5	193-2272	1	PULLEY-FAN
6	221-0808	1	BRACKET
7	221-2549	1	ADAPTER-FAN
8	400146X1	1	BOLT (1/2-13X6.5 IN)
9	CH5S-9062	1	SPACER (35.032X50.8X15.88)
10	CH6H-3956	1	PIN
11	CH6V-9748	1	SEAL-LIP
12	400050X1	4	BOLT (M12X1.75X40MM)
13	400357X1	4	WASHER-HARD (M12X25.5X3)
14	CH8T-4896	6	WASHER-HARD (10.2X18.5X2.5)
15	CH8T-6764	1	PLUG-PIPE
16	400252X1	6	BOLT (3/8-16X1.25 IN)
17	CH9F-4446	1	SEAL-O-RING (78.74MM ID)
18	CH8T-1807		LUBRICANT [B]

[A] PART OF 185-2237 PULLEY GP
[B] LUBRICATE DRIVE GP WITH 40 GRAMS
OF BEARING LUB. LIGHTLY LUB. THE
SEALING LIPS WITH BEARING LUB.

00901705
PR: t05i29k58b0028

MT800 SERIESTRACTORS
ENGINE INSTALLATION ARRANGEMENT

DRIVE GP-FAN - 193-2265
MT855



**MT800 SERIESTRACTORS
ENGINE INSTALLATION ARRANGEMENT**

109

**DRIVE GP-FAN - 193-2265
MT855**

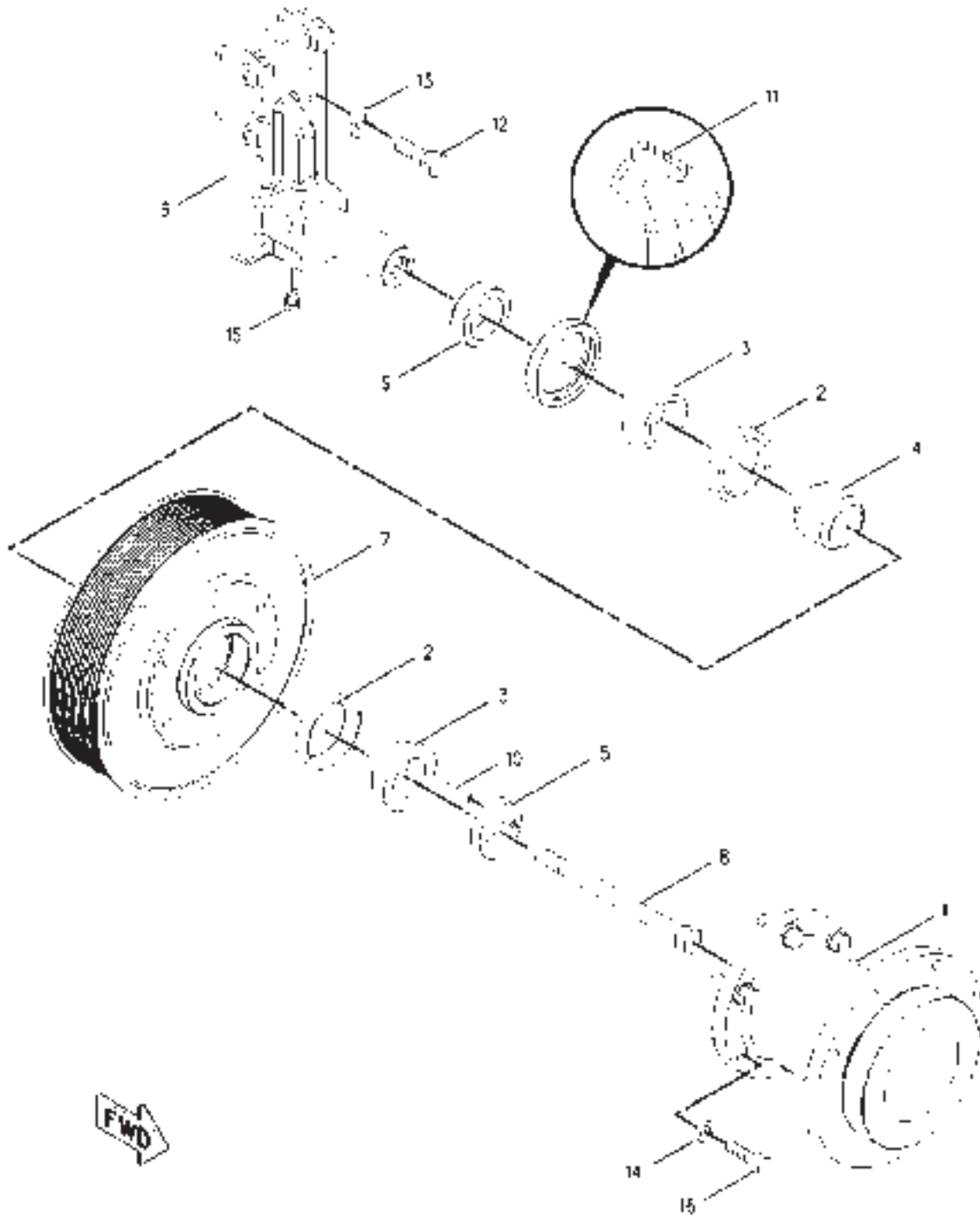
ITEM	NUMBER	QTY	DESCRIPTION
-	193-2265	--	DRIVE GP-FAN [A]
1	221-2548	1	ADAPTER-FAN
2	CH4W-1203	2	CUP-BEARING
3	CH4W-1204	2	CONE-BEARING
4	CH4W-2042	1	SPACER (35.3X45.5X38.331)
5	CH7E-4808	1	PLATE
6	221-0808	1	BRACKET
7	193-2271	1	PULLEY-FAN
8	400146X1	1	BOLT (1/2-13X6.5 IN)
9	CH5S-9062	1	SPACER (35.032X50.8X15.88)
10	CH6H-3956	1	PIN
11	CH6V-9748	1	SEAL-LIP
12	400050X1	4	BOLT (M12X1.75X40MM)
13	400357X1	4	WASHER-HARD (M12X25.5X3)
14	CH8T-4896	6	WASHER-HARD (10.2X18.5X2.5)
15	CH8T-6764	1	PLUG-PIPE
16	400252X1	6	BOLT (3/8-16X1.25 IN)
17	CH9F-4446	1	SEAL-O-RING

[A] PART OF 185-2239 PULLEY GP

00886751
PR: t05i29k58b0029

MT800 SERIESTRACTORS
ENGINE INSTALLATION ARRANGEMENT

DRIVE GP-FAN - 197-5675
MT865



00878552

**MT800 SERIESTRACTORS
ENGINE INSTALLATION ARRANGEMENT**

111

**DRIVE GP-FAN - 197-5675
MT865**

ITEM	NUMBER	QTY	DESCRIPTION
-	197-5675	--	DRIVE GP-FAN [A] (NOT SERVICED)
1	221-2548	1	ADAPTER-FAN
2	CH4W-1203	2	CUP-BEARING
3	CH4W-1204	2	CONE-BEARING
4	CH4W-2042	1	SPACER (35.3X45.5X38.331)
5	CH7E-4808	1	PLATE
6	221-0808	1	BRACKET
7	197-5676	1	PULLEY-FAN
8	400146X1	1	BOLT (1/2-13X165)
9	CH5S-9062	1	SPACER (35.032X50.8X15.88)
10	6H-3956	1	PIN
11	CH6V-9748	1	SEAL-LIP
12	400050X1	4	BOLT (M12X1.75X40MM)
13	400357X1	4	WASHER-HARD (M12X25.5X3)
14	CH8T-4896	6	WASHER-HARD (10.2X18.5X2.5)
15	8T-6764	1	PLUG-PIPE
16	400252X1	6	BOLT (3/8-16X1.25 IN)
17	CH9F-4446	1	SEAL-O-RING (NOT SHOWN)
18	CH8T-1807	AR	LUBRICANT (NOT SHOWN) [B]

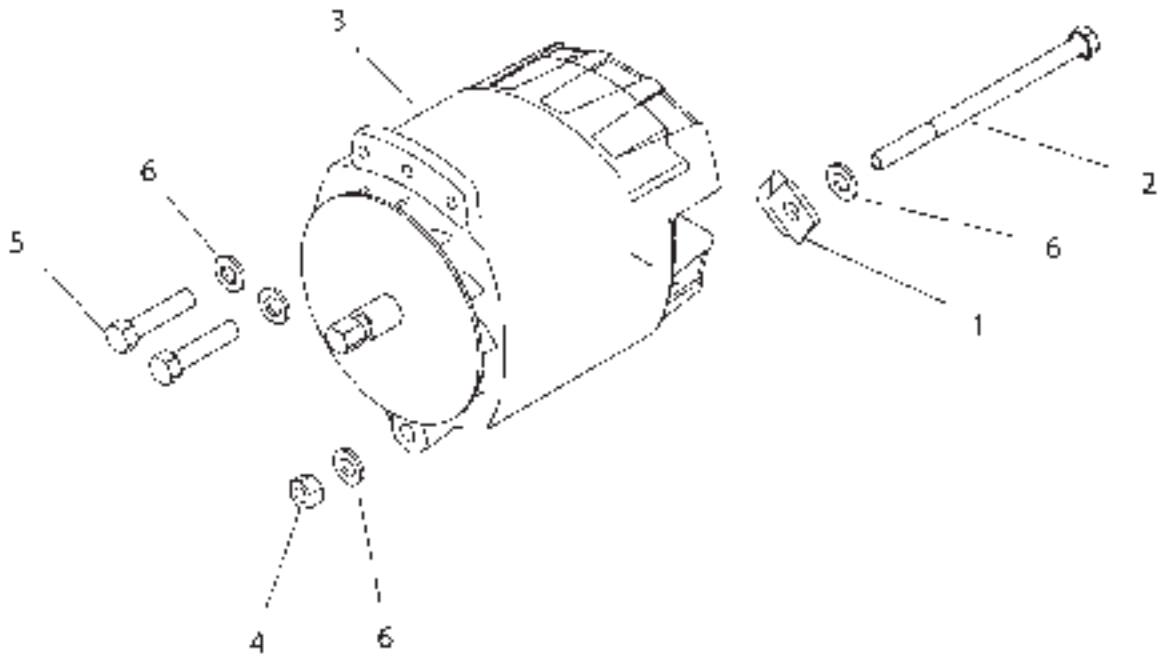
[A] PART OF 185-2240 PULLEY GP

[B] LUBRICATE DRIVE GP WITH 40 GRAMS OF BEARING LUBRICANT. LIGHTLY LUB. THE SEALING LIPS WITH BEARING LUB. ADD 10 GRAMS IN CAVITY BETWEEN BEARINGS AN PUT 30 GRAMS IN THE FAN ADAPTER CAVITY.

00878552
PR: t05i29k58b0030

MT800 SERIESTRACTORS
ENGINE INSTALLATION ARRANGEMENT

MOUNTING GP-ALTERNATOR - 206-6987



206698/A

**MT800 SERIESTRACTORS
ENGINE INSTALLATION ARRANGEMENT**

113

MOUNTING GP-ALTERNATOR - 206-6987

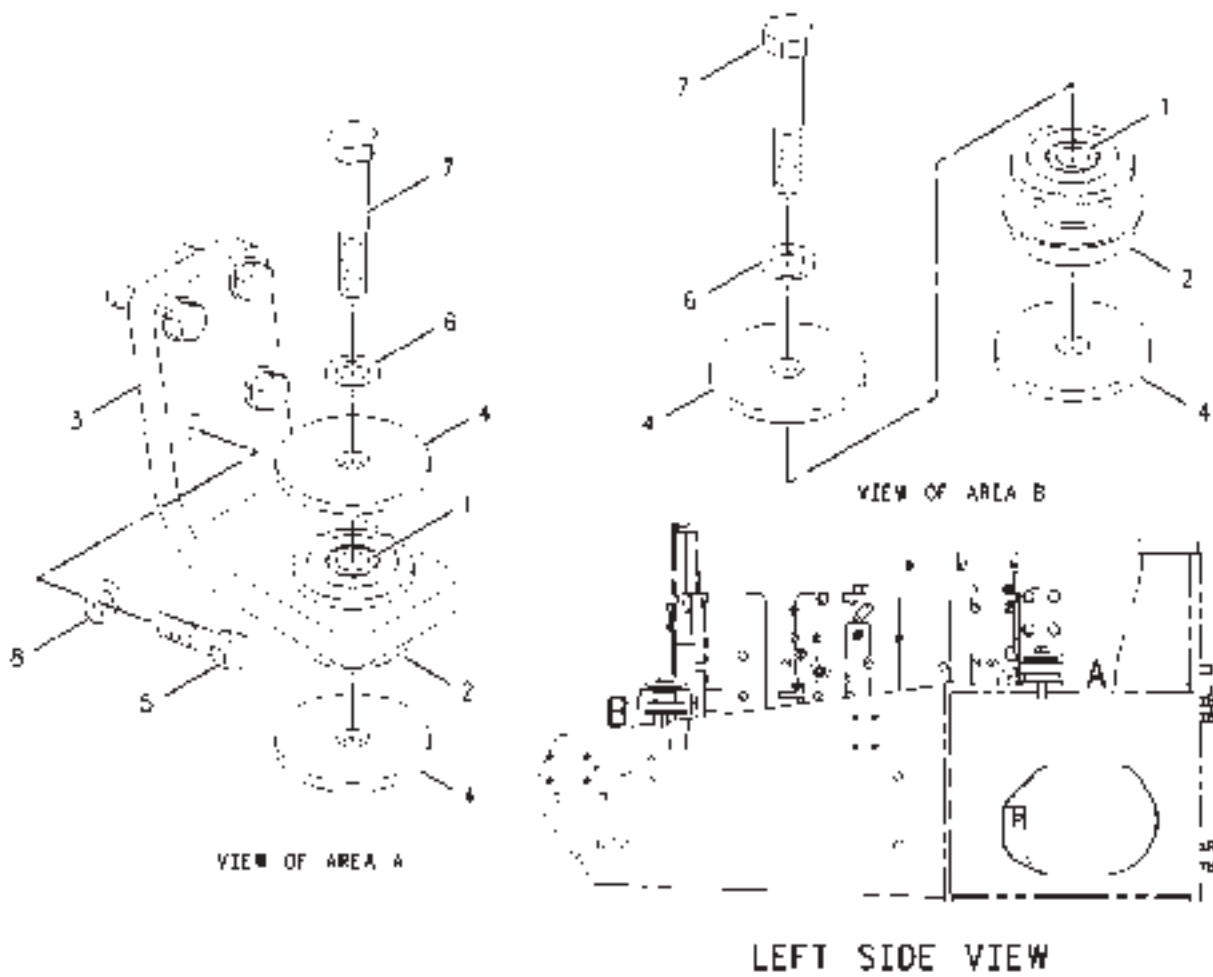
ITEM	NUMBER	QTY	DESCRIPTION
-	206-6987	--	MOUNTING GP-ALT [A] (NOT SERVICED)
1	142-9826	1	BRACKET ASM
2	400826X1	1	BOLT (1/2-13X7.5")
3	184-7171	1	ALTERNATOR-12V 160A (S/N: PRIOR TO BAM40569;BBP40459;BCC40674;BDS40753)
	136-5600		FUSE
3	501774D1	1	ALTERNATOR-12V 160A (S/N: EFF BAM40569;BBP40459;BCC40674;BDS40753)
	501883D1	1	GUARD
	501884D1	1	REGULATOR
4	400570X1	1	NUT (1/2-13)
5	500316D1	2	BOLT (1/2-13X2") (EARLY VERSION)
5	400274X1	2	BOLT (1/2-13X2.25") (LATER VERSION)
6	400357X1	4	WASHER-HARD (M12X25.5X3)

[A] PART OF 172-5361;172-5362;172-5363;
172-5364;187-1741;187-1742;187-1743;
187-1744 INSTALLATION AR-ENGINE

2066987A
PR: t05i29k58b0031

MT800 SERIESTRACTORS
ENGINE INSTALLATION ARRANGEMENT

MOUNTING GP-ENGINE - 172-5334
MT835 & MT845



00898127

**MT800 SERIESTRACTORS
ENGINE INSTALLATION ARRANGEMENT**

115

**MOUNTING GP-ENGINE - 172-5334
MT835 & MT845**

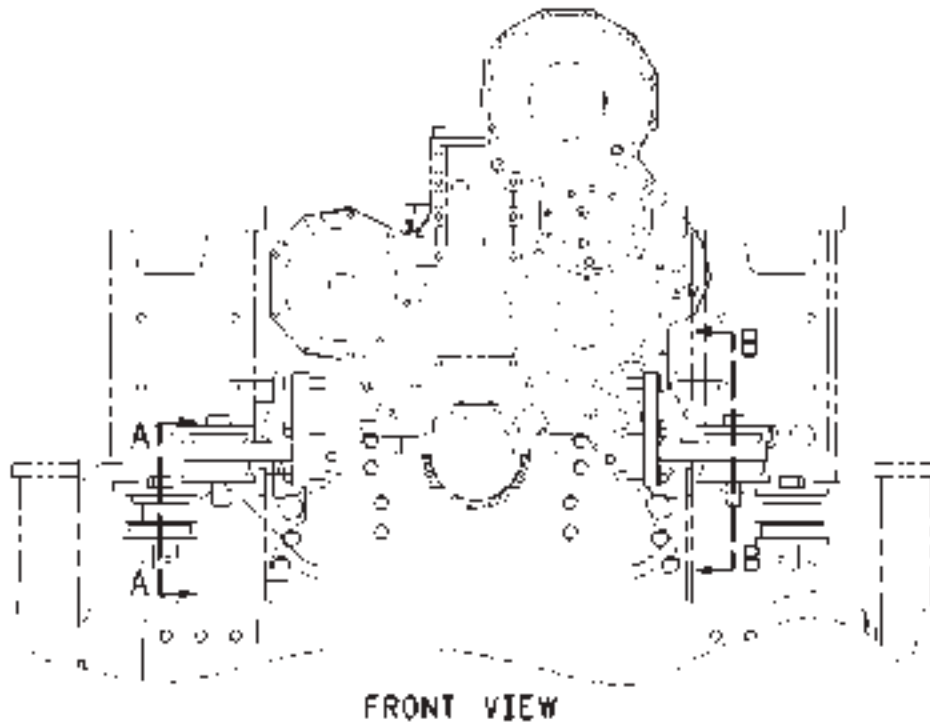
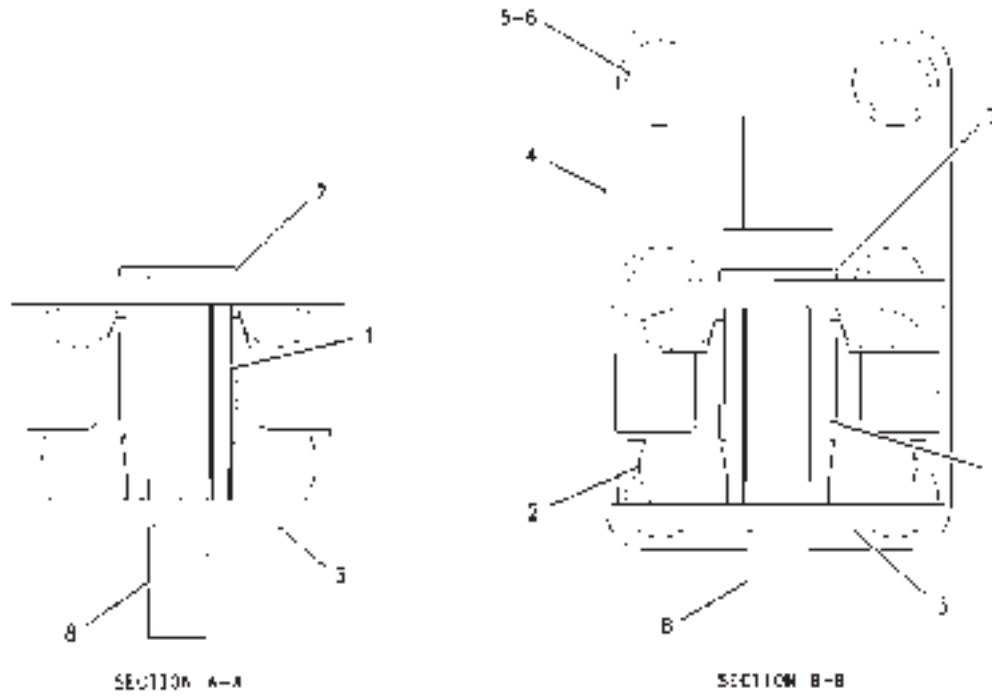
ITEM	NUMBER	QTY	DESCRIPTION
-	172-5334	--	MOUNTING GP-ENGINE [A] (NOT SERVICED)
1	CH3E-4883	4	SLEEVE
2	CH9W-9930	4	MOUNT ASM (INCLUDES PAD & MOUNT)
3	192-1463	2	SUPPORT (REAR)
4	400336X1	8	WASHER (26IDX126ODX10
5	400181X1	8	BOLT (3/4-10X3 IN)
6	400081X1	4	WASHER-HARD (26X44X4)
7	400229X1	4	BOLT (M24X3X140MM)
8	CH8T-4994	8	WASHER-HARD (20X36.5X3.5)

[A] PART OF 172-5361; 172-5362
INSTALLATION AR-ENGINE
NOTE: QUANTITIES SHOWN ARE THOSE
REQUIRED FOR BOTH RH AND LH SIDES.

00898127
PR: t05i29k58b0032

MT800 SERIES TRACTORS
ENGINE INSTALLATION ARRANGEMENT

MOUNTING GP-ENGINE - 172-5333



**MT800 SERIESTRACTORS
ENGINE INSTALLATION ARRANGEMENT**

117

MOUNTING GP-ENGINE - 172-5333

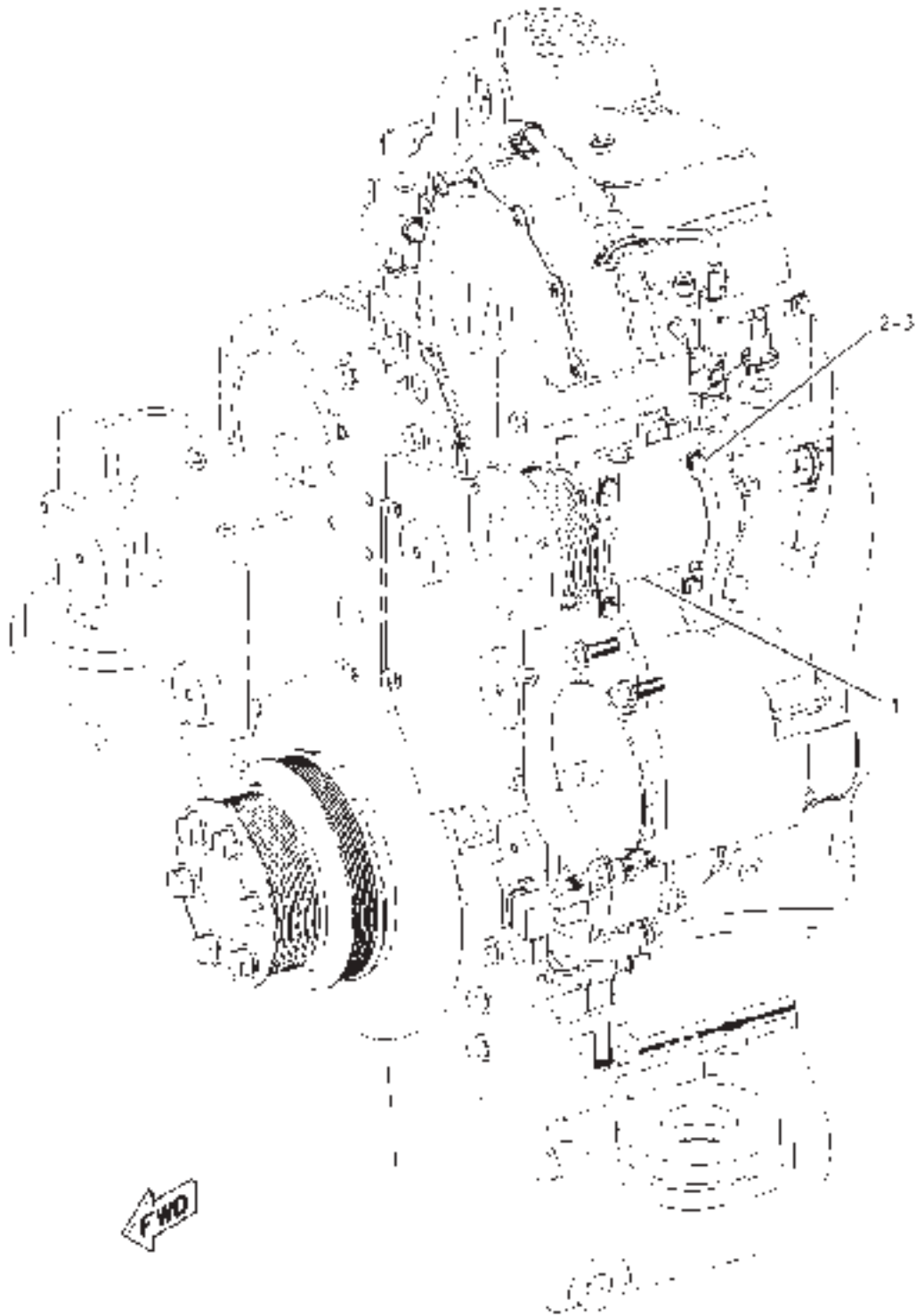
ITEM	NUMBER	QTY	DESCRIPTION
-	172-5333	--	MOUNTING GP-ENGINE [A] (NOT SERVICED)
1	CH3E-4883	4	SLEEVE
2	CH9W-9930	4	MOUNT ASM (INCLUDES PAD & MOUNT)
3	400336X1	8	WASHER
4	223-0701	2	BRACKET-SUPPORT ENGINE
5	400180X1	12	BOLT (5/8-11X50.8)
6	CH8T-4122	12	WASHER-HARD (17X32X3.5)
7	400081X1	4	WASHER-HARD (26X44X4)
8	400229X1	4	BOLT (M24X3X140MM)

[A] PART OF 172-5363;172-5364;187-1743;
187-1744 INSTALLATION AR-ENGINE

00867786
PR: t05i29k58b0033

MT800 SERIESTRACTORS
ENGINE INSTALLATION ARRANGEMENT

MOUNTING GP-REFRIGERANT COMPR - 187-1792



MT800 SERIESTRACTORS **119**
ENGINE INSTALLATION ARRANGEMENT
MOUNTING GP-REFRIGERANT COMPR - 187-1792

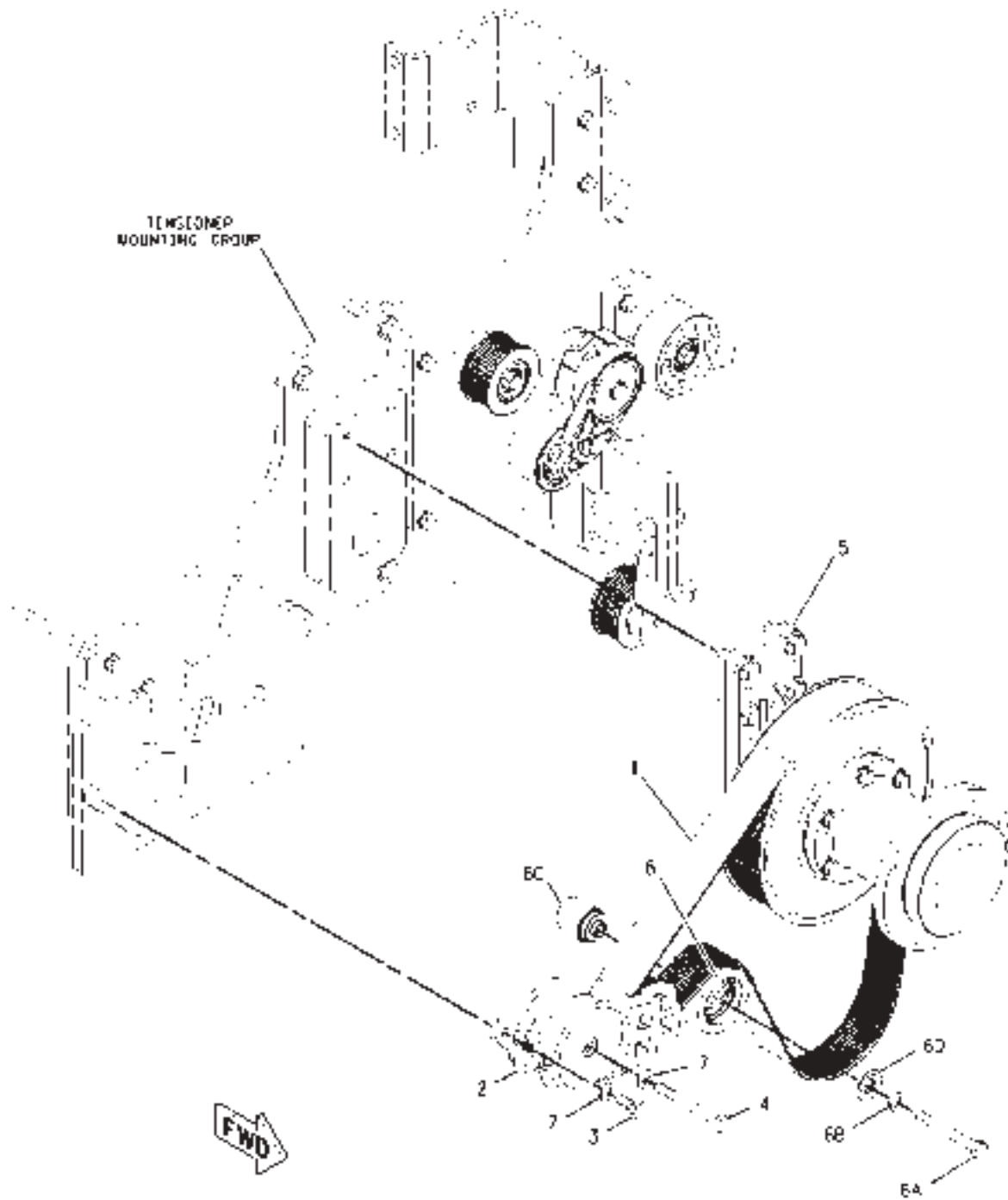
ITEM	NUMBER	QTY	DESCRIPTION
-	187-1792	--	MOUNTING GP-REFRIGERANT COMPR [A] (NOT SERVICED)
1	CH178-9570	1	COMPRESSOR GP-REFRIGERANT (SEE BREAKDOWN FOR COMPONENTS)
2	400028X1	4	BOLT (M8X1.25X100MM)
3	400339X1	4	WASHER-HARD (8.8X16X2)

[A] PART OF 172-5361;172-5362;172-5363;
172-5364;187-1741;187-1742;187-1743;
187-1744 INSTALLATION AR-ENGINE

00867656
PR: t05i29k58b0034

MT800 SERIESTRACTORS
ENGINE INSTALLATION ARRANGEMENT

PULLEY GP - 185-2237
MT835 & MT845



**MT800 SERIESTRACTORS
ENGINE INSTALLATION ARRANGEMENT**

121

**PULLEY GP - 185-2237
MT835 & MT845**

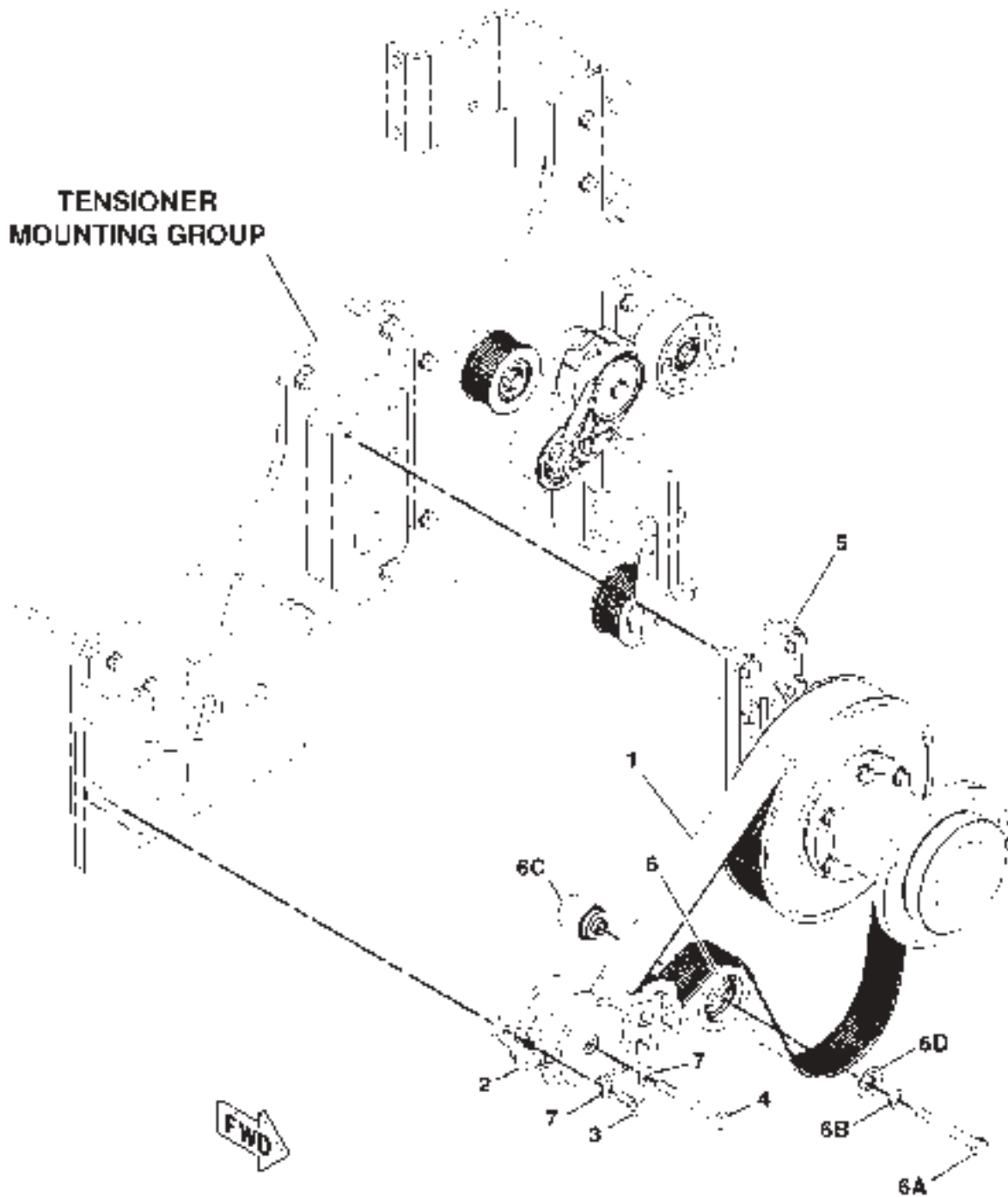
ITEM	NUMBER	QTY	DESCRIPTION
-	185-2237	--	PULLEY GP [A] (NOT SERVICED)
1	501178D1	1	BELT (FAN DRIVE)
2	221-1230	1	BELT TIGHTENER
3	400039X1	1	BOLT (M10X1.5X25MM)
4	400225X1	1	BOLT (M10X1.5X90MM)
5	193-2266	1	DRIVE GP-FAN (NOT SERVICED) (SEE BREAKDOWN FOR COMPONENTS)
6	221-1233	1	PULLEY ASM-IDLER (INCLUDES PULLEY ASM)
	CH172-2241	1	PULLEY ASM (INCLUDES 6A THRU 6D)
6A	CH8T-0644	1	BOLT (M10X1.50X90MM)
6B	400287X1	1	WASHER-HARD (11X21X2.5)
6C	CH172-3403	1	SPACER
6D	CH194-4168	1	COVER-DUST
7	400287X1	2	WASHER-HARD (11X21X2.5)

[A] PART OF 172-5361; 172-5362
INSTALLATION AR-ENGINE

00868139
PR: t05i29k58b0035

**MT800 SERIESTRACTORS
ENGINE INSTALLATION ARRANGEMENT**

**PULLEY GP - 185-2239
FAN BELT TIGHTENER
MT855**



**MT800 SERIESTRACTORS
ENGINE INSTALLATION ARRANGEMENT**

123

**PULLEY GP - 185-2239
FAN BELT TIGHTENER
MT855**

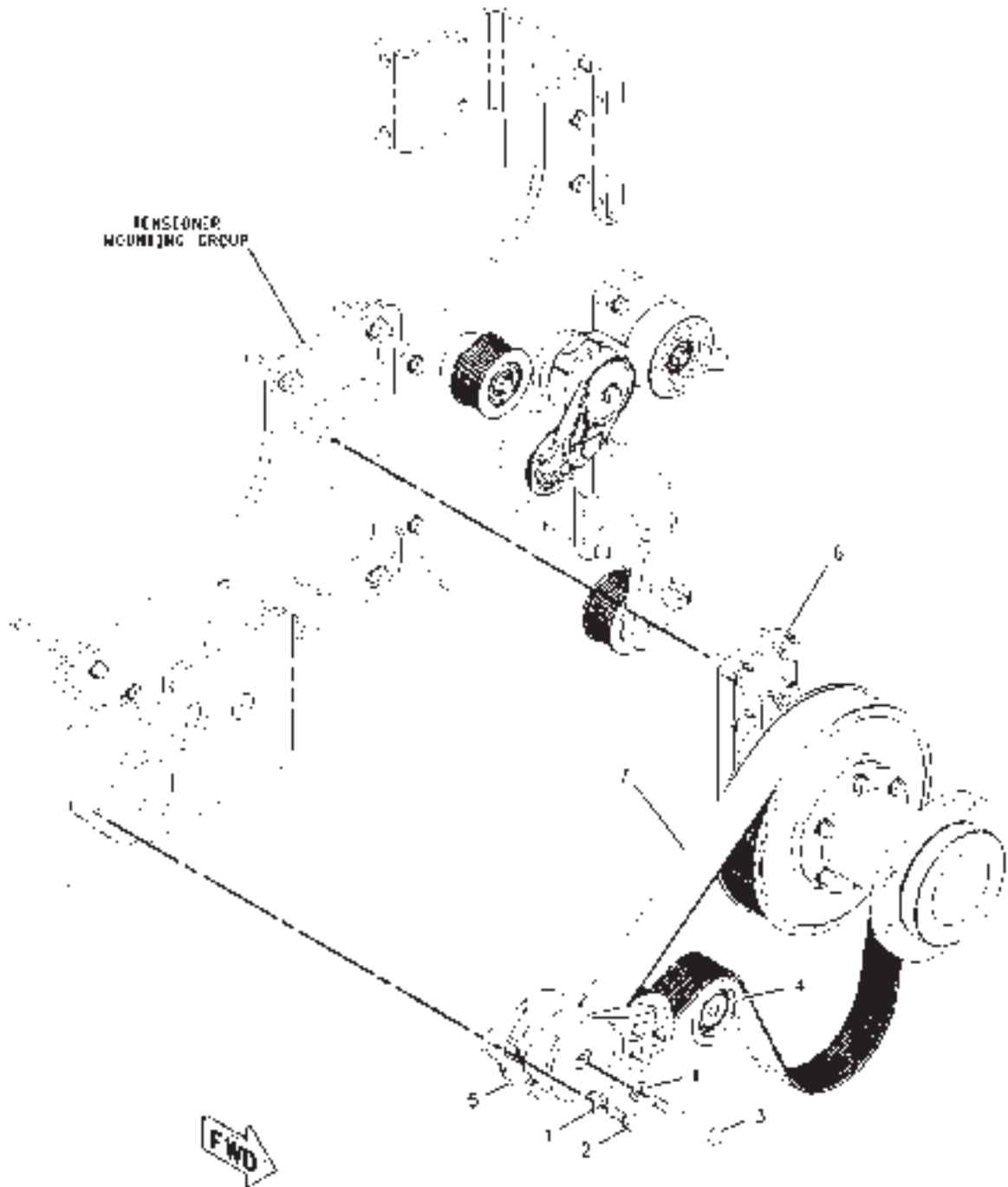
ITEM	NUMBER	QTY	DESCRIPTION
-	185-2239	--	PULLEY GP [A] (NOT SERVICED)
1	197-6291	1	BELT (FAN DRIVE)
2	221-1230	1	TIGHTENER-BELT
3	400039X1	1	BOLT (M10X1.5X25MM)
4	400225X1	1	BOLT (M10X1.5X90MM)
5	193-2265	1	DRIVE GP-FAN (SEE BREAKDOWN FOR COMPONENTS)
6	221-1233	1	PULLEY ASM-IDLER
	CH172-2241	1	PULLEY ASM-IDLER (INCLS 6A THRU 6D)
6A	CH8T-0644	1	BOLT (M10X1.50X90MM)
6B	400287X1	1	WASHER-HARD (11X21X2.5)
6C	CH172-3403	1	SPACER
6D	CH194-4168	1	COVER-DUST
7	400287X1	2	WASHER-HARD (11X21X2.5)

[A] PART OF 172-5363; 187-1743
INSTALLATION AR-ENGINE

0868139A
PR: t05i29k58b0036

MT800 SERIES TRACTORS
ENGINE INSTALLATION ARRANGEMENT

PULLEY GP - 185-2240
FAN BELT TIGHTENER
MT865



**MT800 SERIESTRACTORS
ENGINE INSTALLATION ARRANGEMENT**

125

**PULLEY GP - 185-2240
FAN BELT TIGHTENER
MT865**

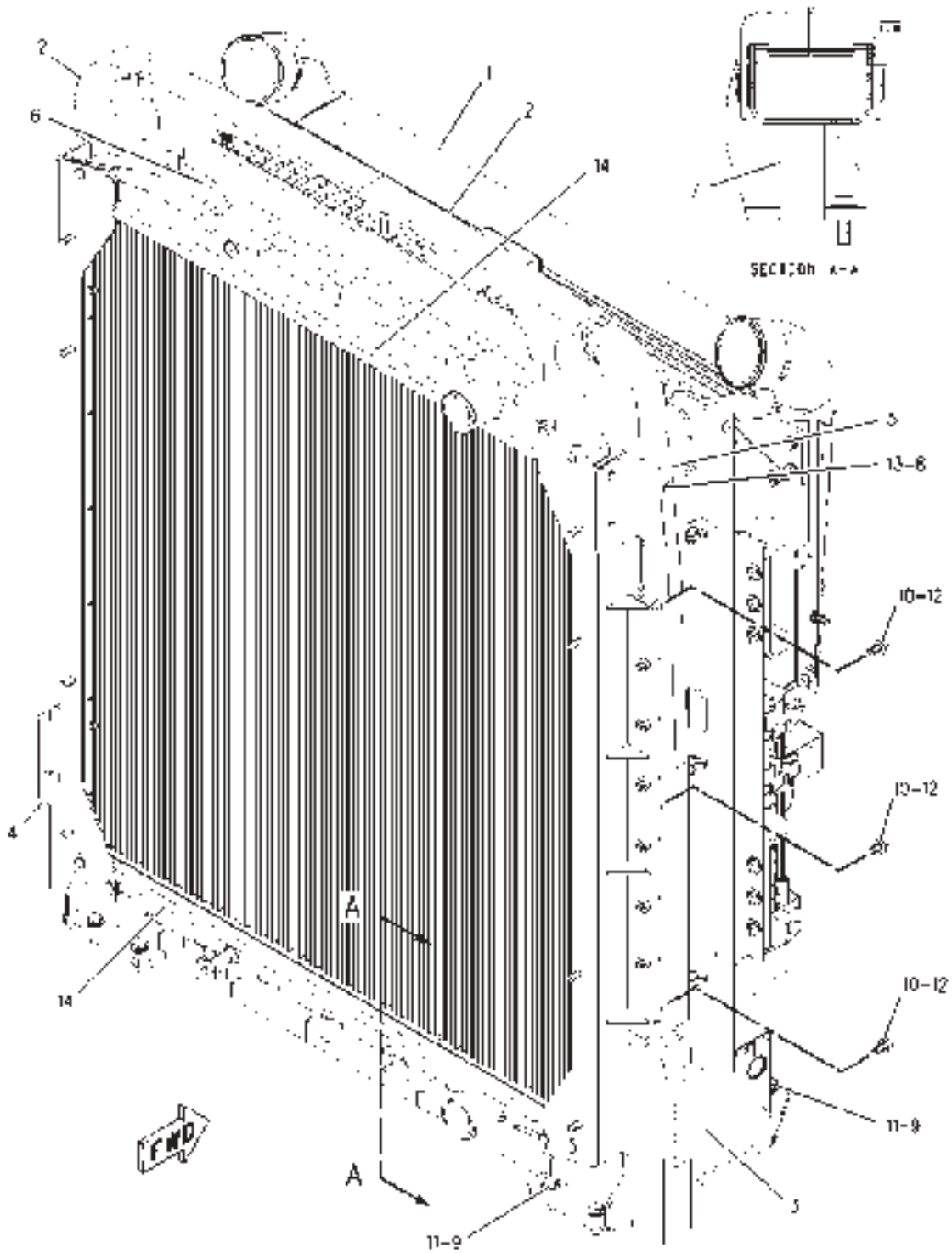
ITEM	NUMBER	QTY	DESCRIPTION
-	185-2240	--	PULLEY GP [A] (NOT SERVICED)
1	400287X1	2	WASHER-HARD (11X21X2.5)
2	400039X1	1	BOLT (M10X1.5X25MM)
3	400225X1	1	BOLT (M10X1.5X90MM)
4	221-1233	1	PULLEY ASM-IDLER
	CH172-2241		PULLEY (INCLUDES 4A THRU 4D)
4A	CH8T-0644	1	BOLT (M10X1.5X90MM)
4B	400287X1	1	WASHER-HARD (11X21X2.5)
4C	CH172-3403	1	SPACER
4D	CH194-4168	1	COVER-DUST
5	221-1230	1	BELT TIGHTENER
6	197-5675	1	DRIVE GP-FAN (NOT SERVICED) (SEE BREAKDOWN FOR COMPONENTS)
7	197-6292	1	BELT

[A] PART OF 172-5364; 187-1744
INSTALLATION AR-ENGINE

00899835
PR: t05i29k58b0037

MT800 SERIES TRACTORS
COOLING SYSTEM

COOLER GP & MOUNTING - 190-1482



00887515

**MT800 SERIES TRACTORS
COOLING SYSTEM**

127

COOLER GP & MOUNTING - 190-1482

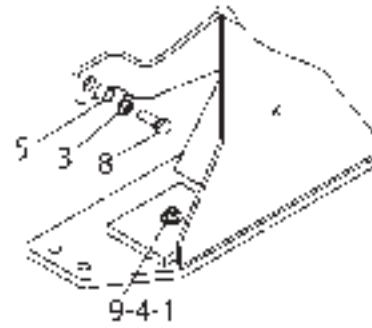
ITEM	NUMBER	QTY	DESCRIPTION
-	190-1482	--	COOL GP-ENGINE OIL [A] (NOT SERVICED)
1	229-8899	1	CORE GP & MOUNTING (NOT SERVICED) (SEE BREAKDOWN FOR COMPONENTS)
2	185-2225	2	BAFFLE
3	185-2226	1	BAFFLE (RH)
4	185-2227	1	BAFFLE (LH)
5	206-7565	2	GUIDE
6	221-2762	1	BAFFLE
7	221-2763	1	BAFFLE
8	400173X1	2	BOLT-SOCKET HEAD (M6X1X40MM)
9	400050X1	8	BOLT (M12X1.75X40MM)
10	400060X1	6	BOLT (M8X1.25X40MM)
11	400357X1	8	WASHER-HARD (M12X25.5X3)
12	400599X1	6	WASHER-HARD (M8X20.5X2)
13	CH8T-4205	2	WASHER (7.2IDX14.5X2)
14	-----		NOT USED

[A] PART OF 172-5361;172-5362;172-5363;
172-5364;187-1741;187-1742;187-1743;
187-1744 INSTALLATION AR-ENGINE

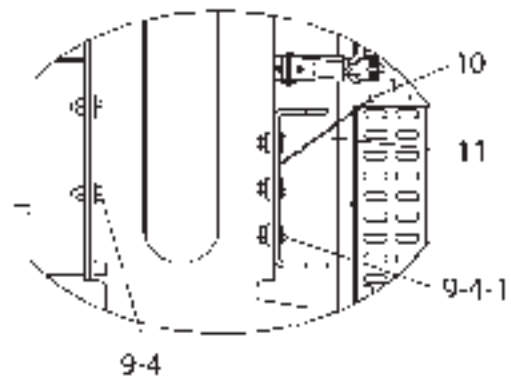
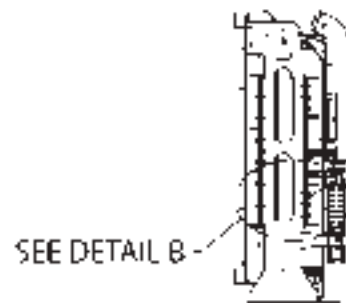
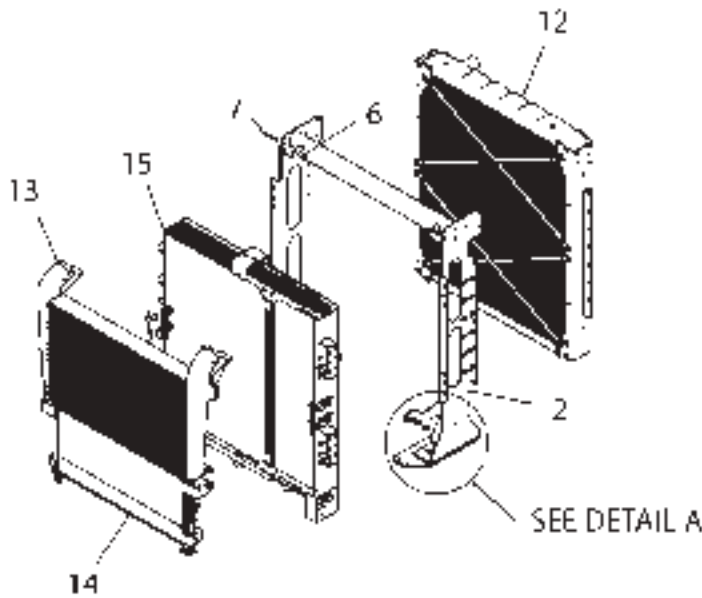
00887515
PR: t05i29k58b0038

MT800 SERIES TRACTORS
COOLING SYSTEM

CORE & MOUNTING GP - 229-8899



DETAIL A



DETAIL B

2298899A

MT800 SERIESTRACTORS
COOLING SYSTEM

129

CORE & MOUNTING GP - 229-8899

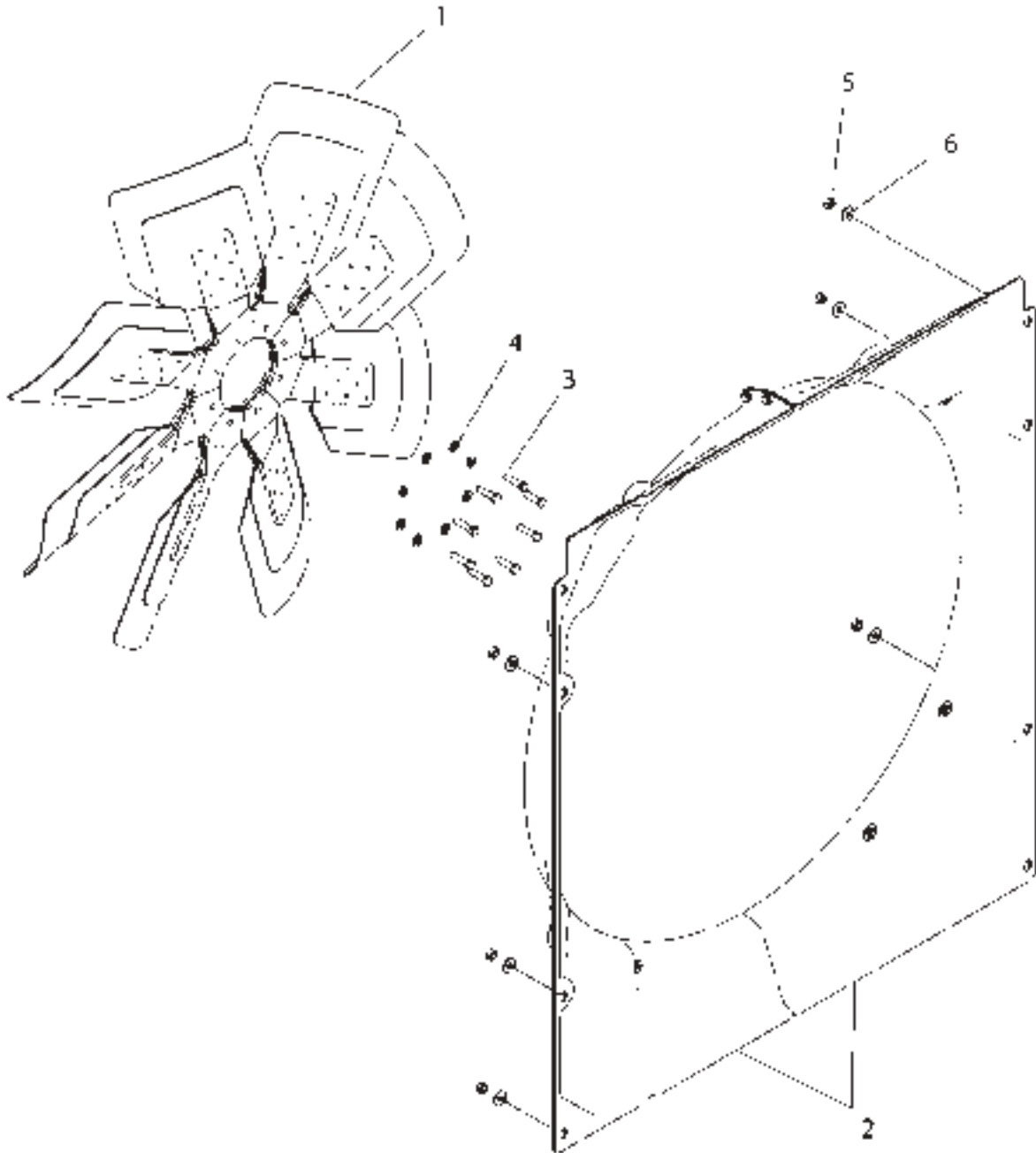
ITEM	NUMBER	QTY	DESCRIPTION
-	229-8899	--	CORE & MOUNTING GP [A]
1	WR522218	14	NUT-M10-1.5,CL10.9,ZN,H,REG
2	198-2898	1	SUPPORT AS-CORE
3	400357X1	2	WASHER-HARD-M12X25.50DX3THK
4	CH7X-7729	40	WASHER-11IDX5ODX3MM
5	CH9X-1482	2	SPACER-19ODX13.51IDX13.51 ZN
6	CH183-8033	2	CLIP-8DIA
7	198-2900	2	PIN
8	400202X1	2	BOLT-M12X1.75X35 PH&O LK 10.9
9	400058X1	26	BOLT-M10X1.5X30 ZNDI HDD 10.9
10	CH6C-3679	2	RIVET-BLIND2-6.5 GRIPX4.75 SST
11	221-0807	1	CABLE AS
12	221-1229	1	RADIATOR GP-(BASIC) (D)
13	229-8895	1	AFTERCOOLER GP-AIR
14	229-8893	1	CORE AS-CONDENSER
15	229-8898	1	COOLER GP-OIL

[A] PART OF 190-1482 COOLER & MTG GP

2298899A
PR: t05i29k58b0039

MT800 SERIES TRACTORS
COOLING SYSTEM

FAN GP - 206-6397
ENGINE



**MT800 SERIESTRACTORS
COOLING SYSTEM**

131

**FAN GP - 206-6397
ENGINE**

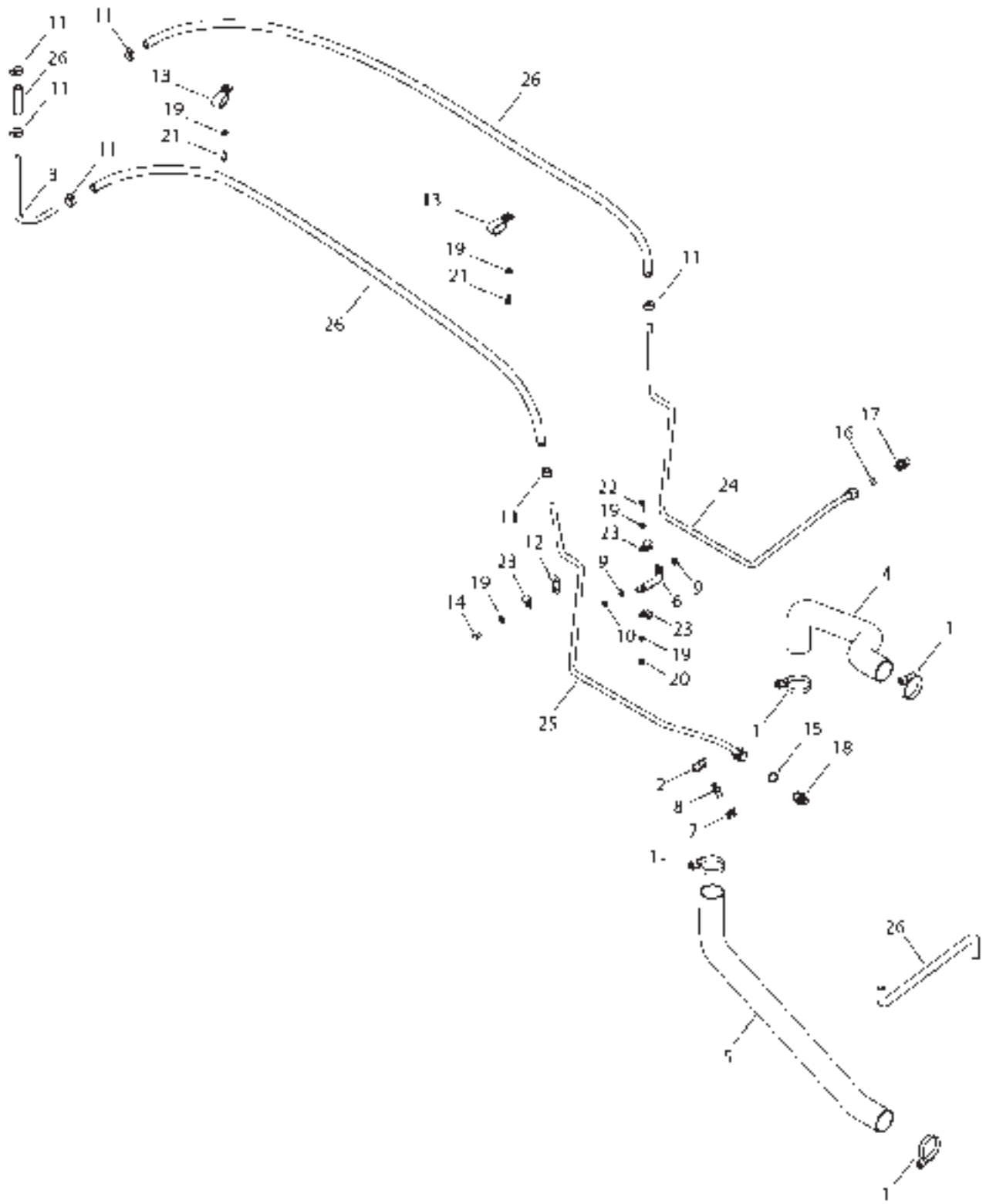
ITEM	NUMBER	QTY	DESCRIPTION
-	206-6397	--	FAN GP [A] (NOT SERVICED)
1	CH204-5041	1	SPIDER-FAN
2	212-7187	1	SHROUD GP-RADIATOR (COMPONENTS NOT SERVICED SEPARATELY)
3	400019X1	8	BOLT (3/8-16X1.5 IN)
4	CH7X-7729	8	WASHER (11X25X3)
5	WR522218	8	NUT (M10X1.5)
6	CH8T-4896	8	WASHER-HARD (10X18.5X2.5)

[A] PART OF 172-5361;172-5362;172-5363;
172-5364;187-1741;187-1742;187-1743;
187-1744 INSTALLATION AR-ENGINE

2066397A
PR: t05i29k58b0040

MT800 SERIES TRACTORS
COOLING SYSTEM

LINES GP-COOLANT - 172-5345
MT835 & MT845



**MT800 SERIES TRACTORS
COOLING SYSTEM**

133

**LINES GP-COOLANT - 172-5345
MT835 & MT845**

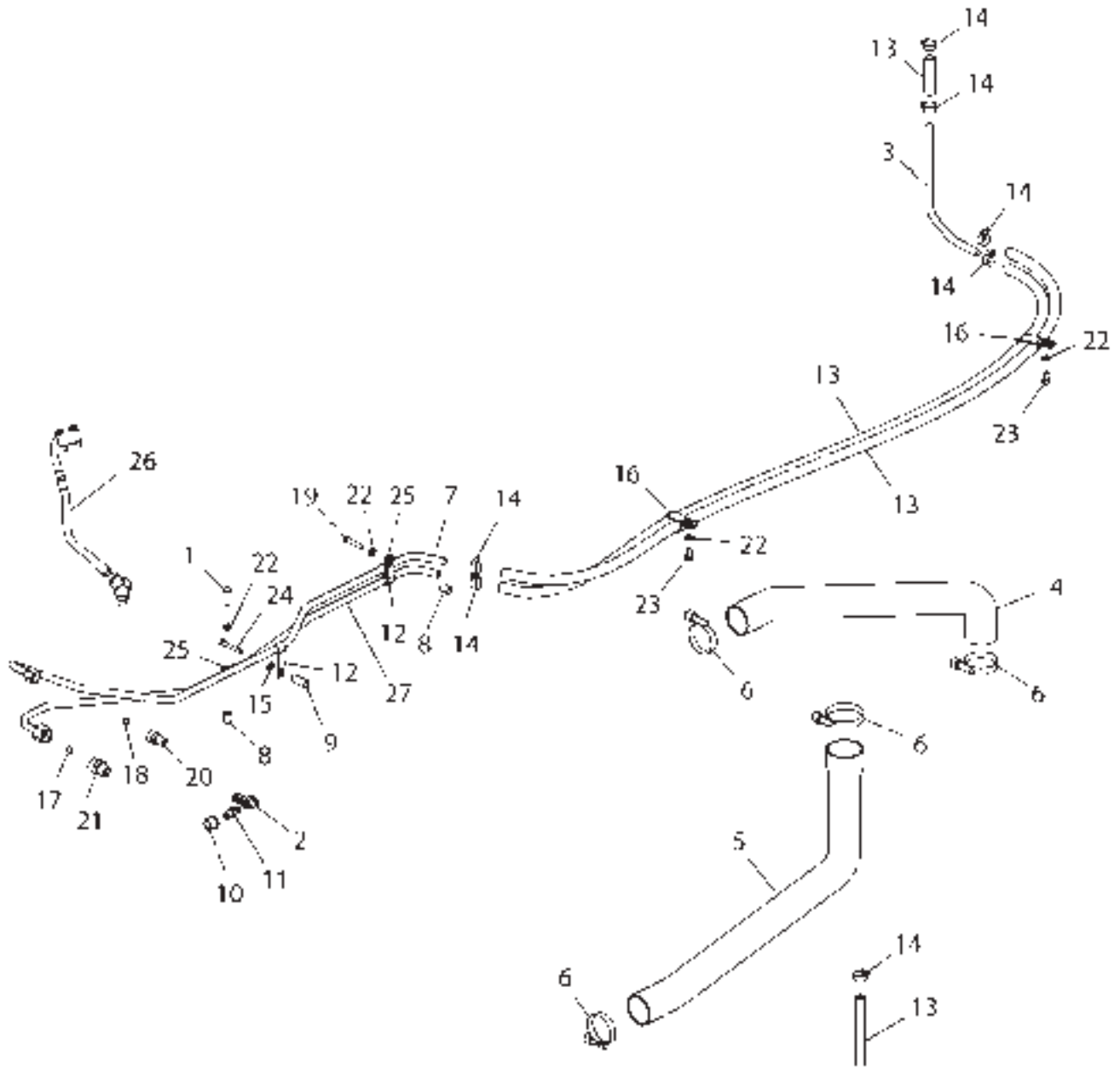
ITEM	NUMBER	QTY	DESCRIPTION
-	172-5345	--	LINES GP-COOLANT [A] (NOT SERVICED)
1	400699X1	4	CLAMP-HOSE (UNIFORM LOAD)
2	400655X1	1	CAP-DUST (ENGINE COOLANT)
3	195-4519	1	TUBE
4	205-1647	1	HOSE-RADIATOR (INLET)
5	205-1648	1	HOSE-RADIATOR (OUTLET)
6	215-8051	1	BRACKET
7	400647X1	1	BSHG-RDCR,HEX,0.75X0.37NPTF,BR
8	400654X1	1	VALVE-FLUID SAMPLING 6 NPTF
9	400077X1	2	WASHER-HARD 8.8IDX25.5ODX2 ORG
10	400340X1	1	NUT-M8X1.25X13 HEX ZND1
11	400108X1	7	CLAMP-HOSE SST 15.9-26.9X13.5
12	CH5F-1648	1	CLIP-LOOP 15.88 ID
13	400667X1	2	CLIP-TWO TUBE COATED
14	400171X1	1	BOLT-M10X1.5X16 PH&O HHD 10.9
15	400366X1	1	SEAL-O-RING 22.5 ODX1.78 DIA
16	400322X1	1	SEAL-O-RING 19.28 ODX1.78 DIA
17	400693X1	1	ADAPTER-STR,0.50MNPTFX-10MORFS
18	400694X1	1	ADAPTER-STR,0.75MNPTFX-12MORFS
19	400287X1	5	WASHER-HARD 11IDX21ODX2.5 ZND1
20	WR522218	1	NUT-M10-1.5,CL10.9,ZN,H,REG
21	400040X1	2	BOLT-M10X1.5X20 ZNDI HHD 10.9
22	400058X1	1	BOLT-M10X1.5X30 ZNDI HHD 10.9
23	400702X1	3	CLIP-ONE TUBE COATED
24	500517D1	1	TUBE AS.
25	500518D1	1	TUBE AS.
26	CH5P-0767	AR	HOSE-BULK 15.88 ID (438 CM)

[A] PART OF 172-5361;172-5362;187-1741;
187-1742 INSTALLATION AR

1725345A
PR: t05i29k58b0041

MT800 SERIE TRACTORS
COOLING SYSTEM

LINES GP-COOLANT - 172-5344



1725344A

**MT800 SERIES TRACTORS
COOLING SYSTEM**

135

LINES GP-COOLANT - 172-5344

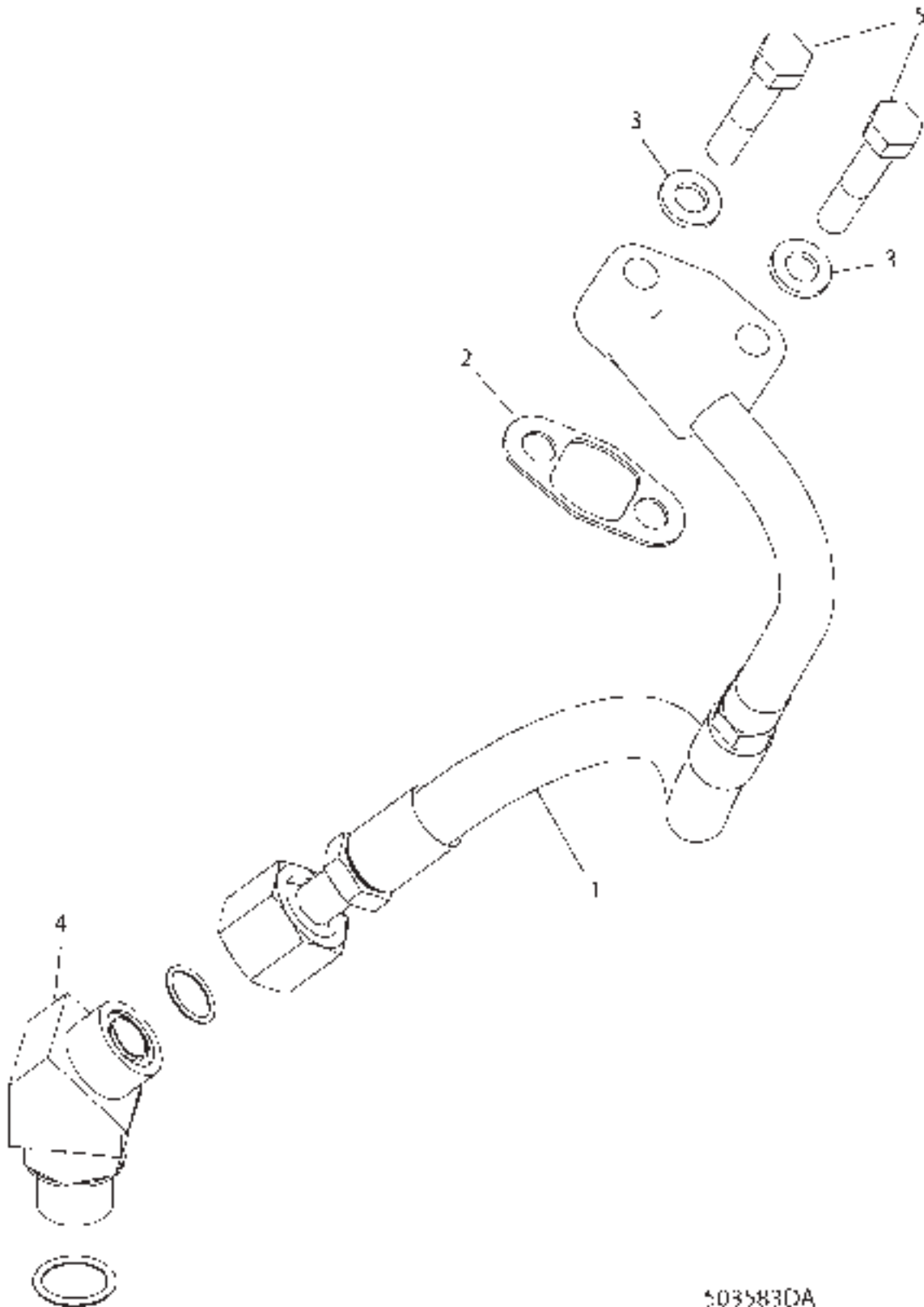
ITEM	NUMBER	QTY	DESCRIPTION
-	172-5344	--	LINES GP-COOLANT [A] (NOT SERVICED)
1	400019X1	1	BOLT-3/8-16X38.1 ZNDI HHD 10.9
2	400655X1	1	CAP-DUST (ENGINE COOLANT)
3	195-4519	1	TUBE
4	205-1645	1	HOSE-RADIATOR (INLET)
5	205-1646	1	HOSE-RADIATOR (OUTLET)
6	400699X1	4	CLAMP-HOSE (UNIFORM LOAD)
7	209-3392	1	TUBE AS
8	CH209-3394	2	SPACER-17.14ODX12.52IDX22.4 ZN
9	CH209-3395	1	SPACER-17.14ODX12.52IDX40 ZN
10	400647X1	1	BSHG-RDCR,HEX,0.75X0.37NPTF,BR
11	400654X1	1	VALVE-FLUID SAMPLING 6 NPTF
12	400657X1	2	CLIP-ONE TUBE-COATED
13	CH5P-0767	AR	HOSE-BULK 15.88 ID (448CM)
14	400108X1	7	CLAMP-HOSE SST 15.9-26.9X13.5
15	400599X1	1	WASHER-HARD,M8X20.5ODX2THK
16	400667X1	2	CLIP-TWO TUBE COATED
17	400366X1	1	SEAL-O-RING 22.5ODX1.78 DIA
18	400322X1	1	SEAL-O-RING 19.28IDX1.78 DIA
19	400175X1	1	BOLT-3/8-16X47.6 ZNDI HHD 10.9
20	400693X1	1	ADAPTER-STR,0.50MNPTFX-10MORFS
21	400694X1	1	ADAPTER-STR,0.75MNPTFX-12MORFS
22	400287X1	4	WASHER-HARD 11IDX21ODX2.5 ZND1
23	400040X1	2	BOLT-M10X1.5X20 ZNDI HHD 10.9
24	400247X1	1	BOLT-5/16-18X57.1 ZNDI HHD10.9
25	400702X1	2	CLIP-ONE TUBE COATED
26	503583D1	1	LINES GP-TURBOCHARGER (S/N: EFF BAM50670;BBP50501;BCC50790;BDS50965) (SEE BREAKDOWN FOR COMPONENTS)
27	209-3389	1	TUBE AS. (S/N: PRIOR BAM50670;BBP50501; BCC50790;BDS50965)
27	502556D1	1	TUBE AS. (S/N: EFF BAM50670;BBP50501; BCC50790;BDS50965)

[A] PART OF 172-5363;172-5364;187-1743;
187-1744 INSTALLATION AR

1725344A
PR: t05i29k58b0042

MT800 SERIE TRACTORS
COOLING SYSTEM

LINES GP-TURBOCHARGER - 503583D1
S/N: EFF 3/14/05



503583DA

**MT800 SERIESTRACTORS
COOLING SYSTEM**

137

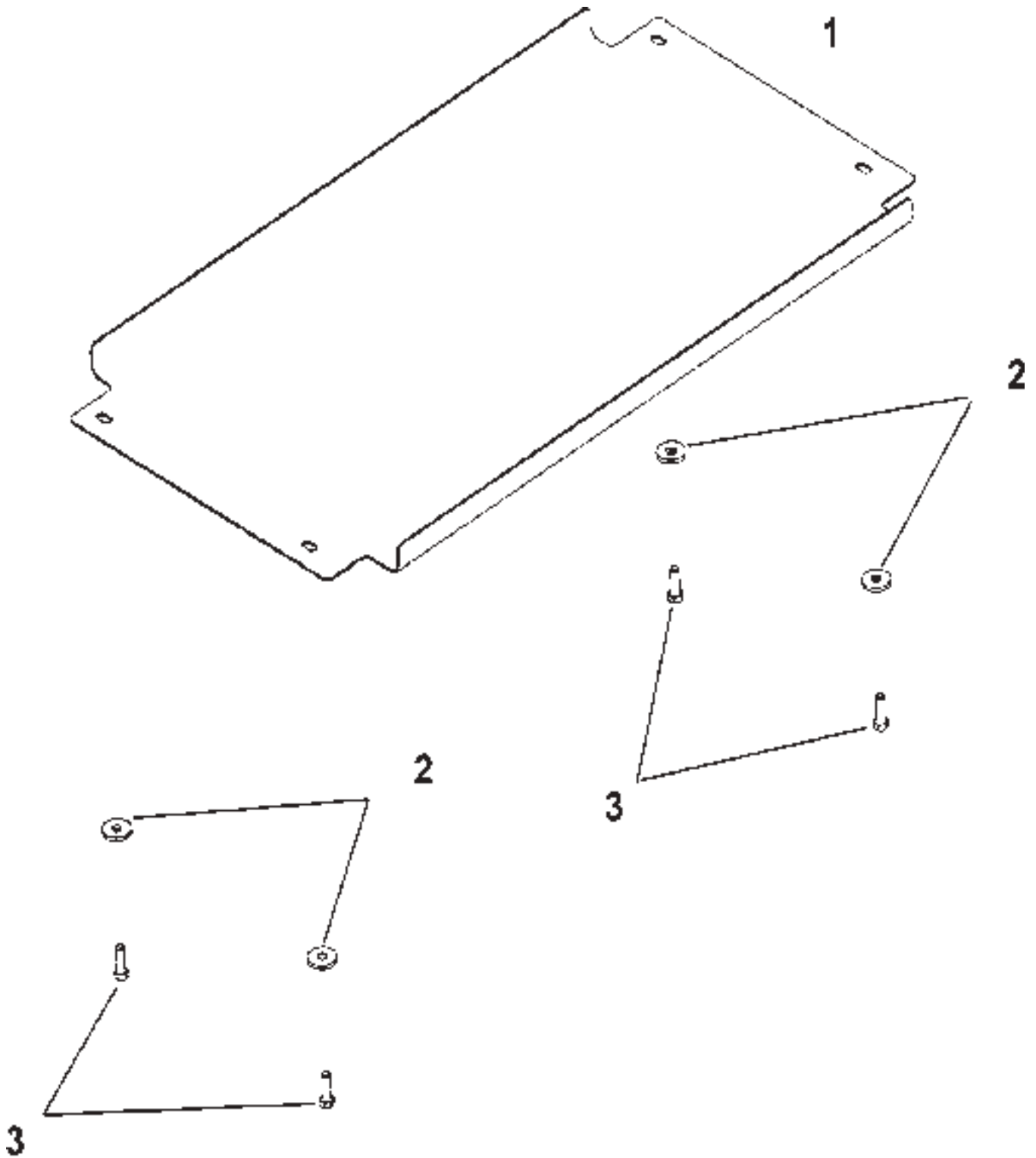
**LINES GP-TURBOCHARGER - 503583D1
S/N: EFF 3/14/05**

ITEM	NUMBER	QTY	DESCRIPTION
-	503583D1	--	LINES GP-TURBOCHARGER [A] (NOT SERVICED)
1	231-5219	1	HOSE AS
2	198-6068	1	SEAL-INTEGRAL
3	5M-2894	2	WASHER-HARD M10(3/8) 18.5OD
4	CH155-3504	1	ELBOW AS-45DEG 10ORFS X 10STOR
	400319X1	1	SEAL-O-RING (19.18IDX2.46DIA)
	CH6V-9003	1	ELBOW-SEAL
	400322X1	1	SEAL-O-RING (19.28ODX1.78DIA)
5	1C-2251	2	BOLT

[A] PART OF 172-5344 LINES GP-COOLANT

503583DA
PR: t05i29k58b0043

GUARD GP-FAN BLAST - 500038D1



500038D1

**MT800 SERIESTRACTORS
COOLING SYSTEM**

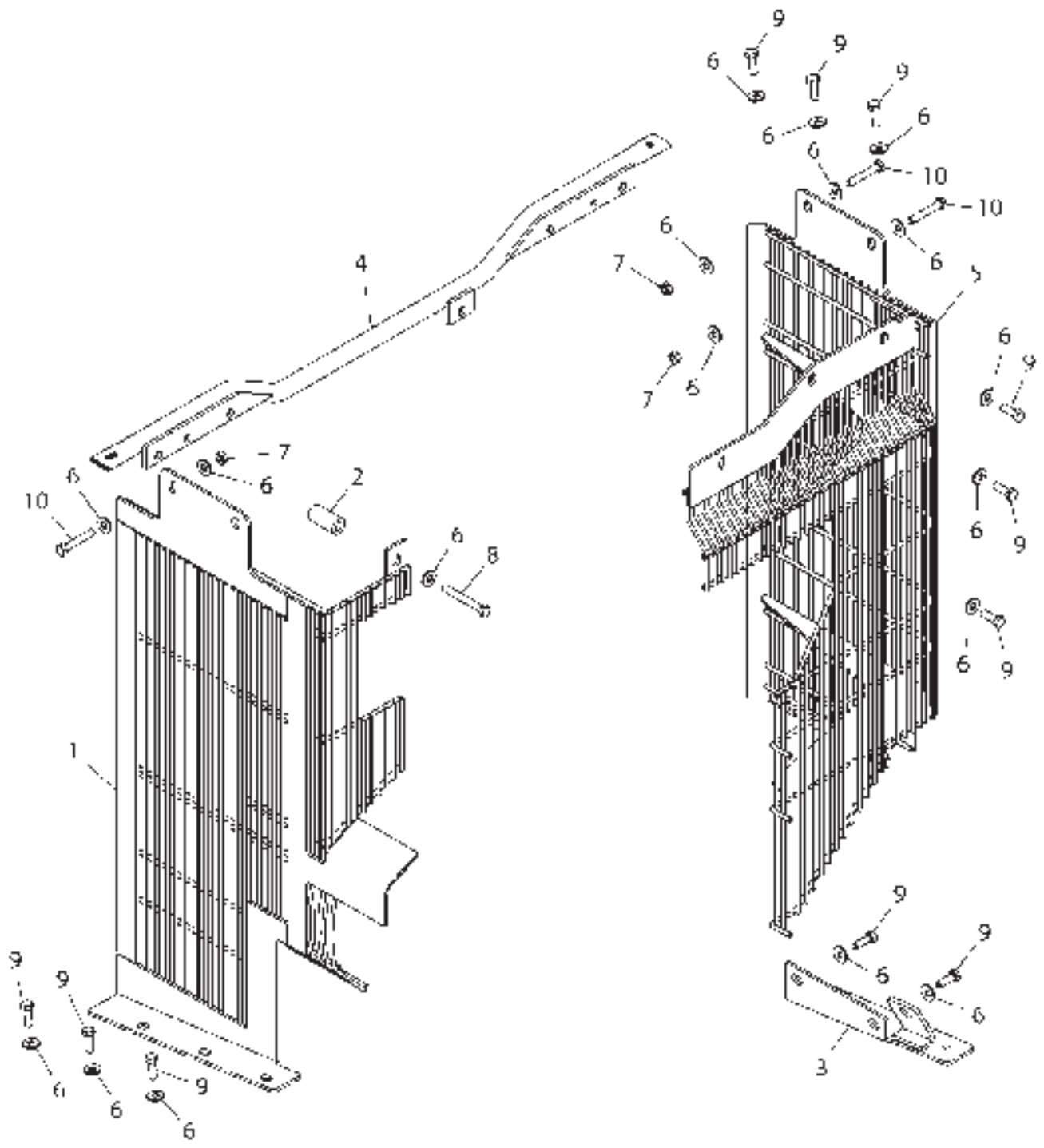
139

GUARD GP-FAN BLAST - 500038D1

ITEM	NUMBER	QTY	DESCRIPTION
-	500038D1	--	GUARD GP-FAN BLAST (SERVICED BY COMPONENTS)
1	204-0627	1	SHIELD-FAN BLAST
2	CH7X-0618	4	WASHER-HARD (13.5X40X5)
3	400064X1	4	BOLT (M12X1.75X35)

500038D1
PR: t05i29k58b0044

GUARD GP-FAN - 228-4631
MT835 & MT845



2284631A

**MT800 SERIESTRACTORS
COOLING SYSTEM**

141

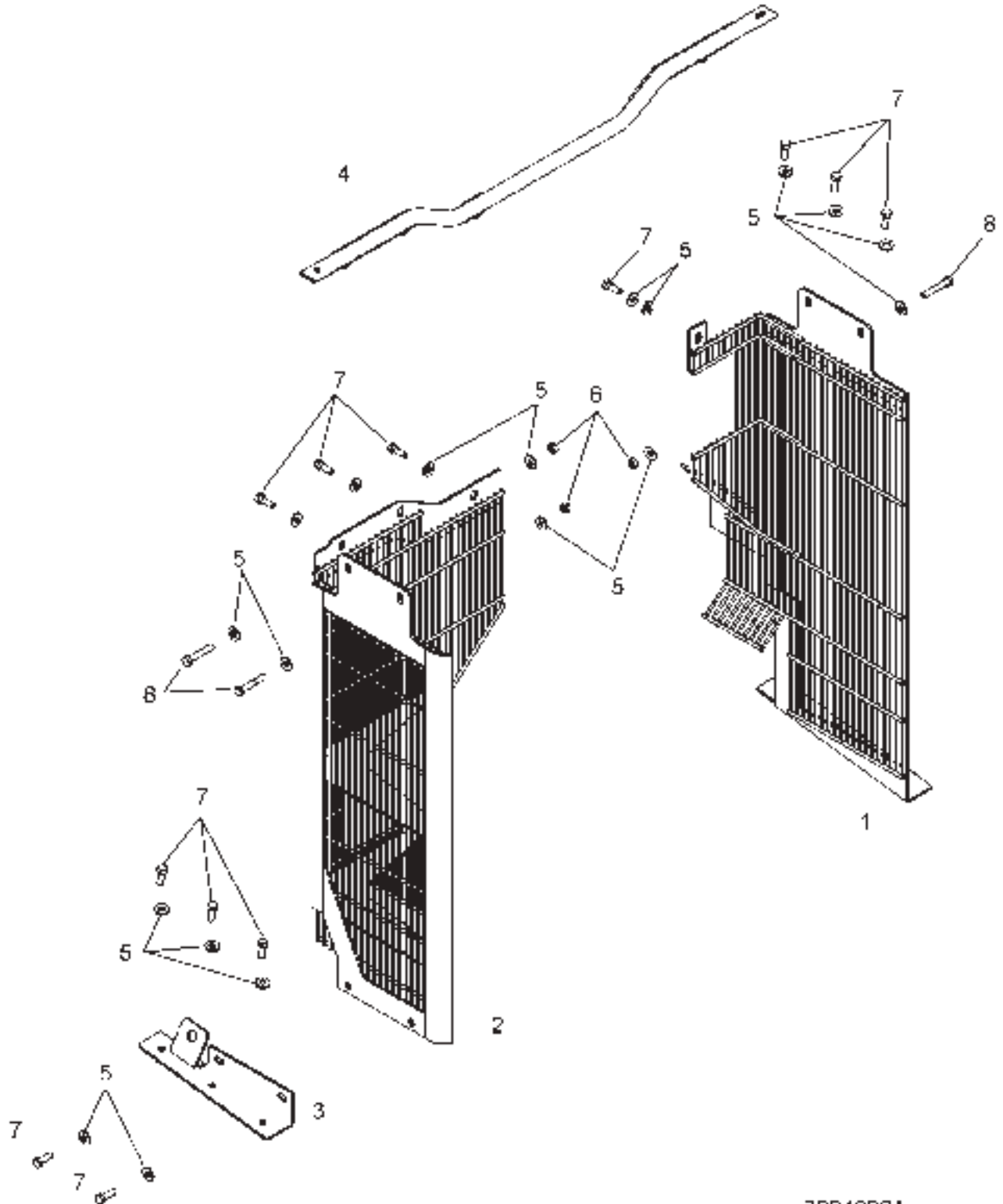
GUARD GP-FAN - 228-4631
MT835 & MT845

ITEM	NUMBER	QTY	DESCRIPTION
-	228-4631	--	GUARD GP-FAN
1	502488D1	1	GUARD ASSEMBLY (LH)
2	CH227-8229	1	SPACER-25.4ODX19.05IDX49.1 STL
3	228-4642	1	BRACKET AS.
4	228-4643	1	SUPPORT AS.
5	501045D1	1	GUARD AS. (RH)
6	CH7X-7729	18	WASHER-11IDX5ODX3MM
7	WR522218	3	NUT-M10-1.5,CL10.9,ZN,H,REG
8	400044X1	1	BOLT-M10X1.5X80 ZNDI HHD 10.9
9	400058X1	11	BOLT-M10X1.5X30 ZNDI HHD 10.9
10	400239X1	3	BOLT-M10X1.5X60 ZNDI HHD 10.9

2284631A
PR: t05i29k58b0045

MT800 SERIES TRACTORS
COOLING SYSTEM

GUARD GP-FAN - 228-4632
MT855 & MT865



**MT800 SERIESTRACTORS
COOLING SYSTEM**

143

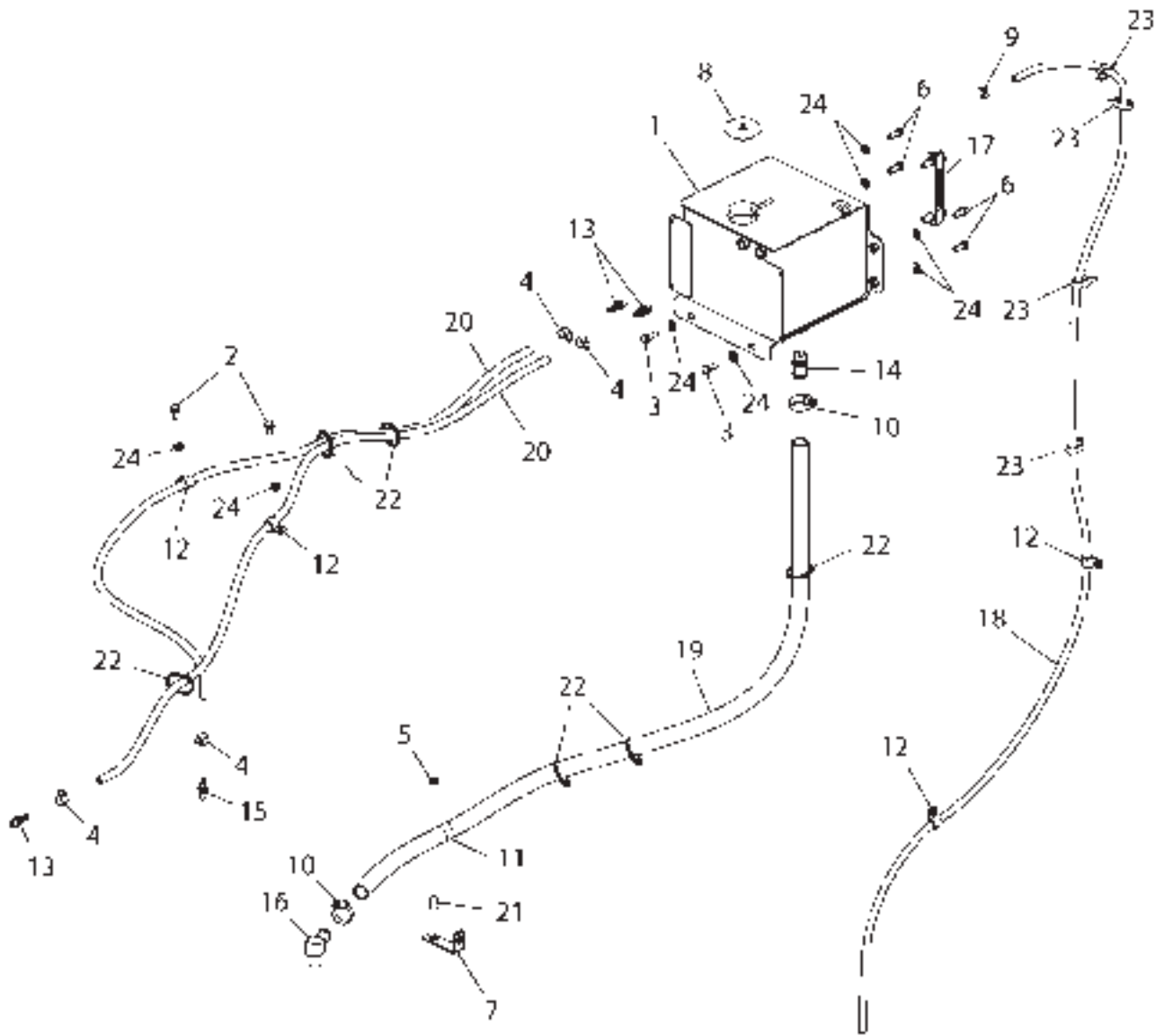
**GUARD GP-FAN - 228-4632
MT855 & MT865**

ITEM	NUMBER	QTY	DESCRIPTION
-	228-4632	--	GUARD GP-FAN
1	227-8224	1	GUARD AS. (LH)
2	228-4633	1	GUARD AS. (RH)
3	228-4642	1	BRACKET AS.
4	228-4643	1	SUPPORT AS.
5	CH7X-7729	19	WASHER-11IDX5ODX3MM
6	WR522218	3	NUT
7	400058X1	12	BOLT-M10X1.5X30 ZNDI HHD
8	400239X1	3	BOLT-M10X1.5X60 ZNDI HHD 10.9

2284632A
PR: t05i29k58b0046

MT800 SERIESTRACTORS
COOLING SYSTEM

TANK GP-EXPANSION & COOLANT - 194-7966
MT835 & MT845



**MT800 SERIES TRACTORS
COOLING SYSTEM**

145

**TANK GP-EXPANSION & COOLANT - 194-7966
MT835 & MT845**

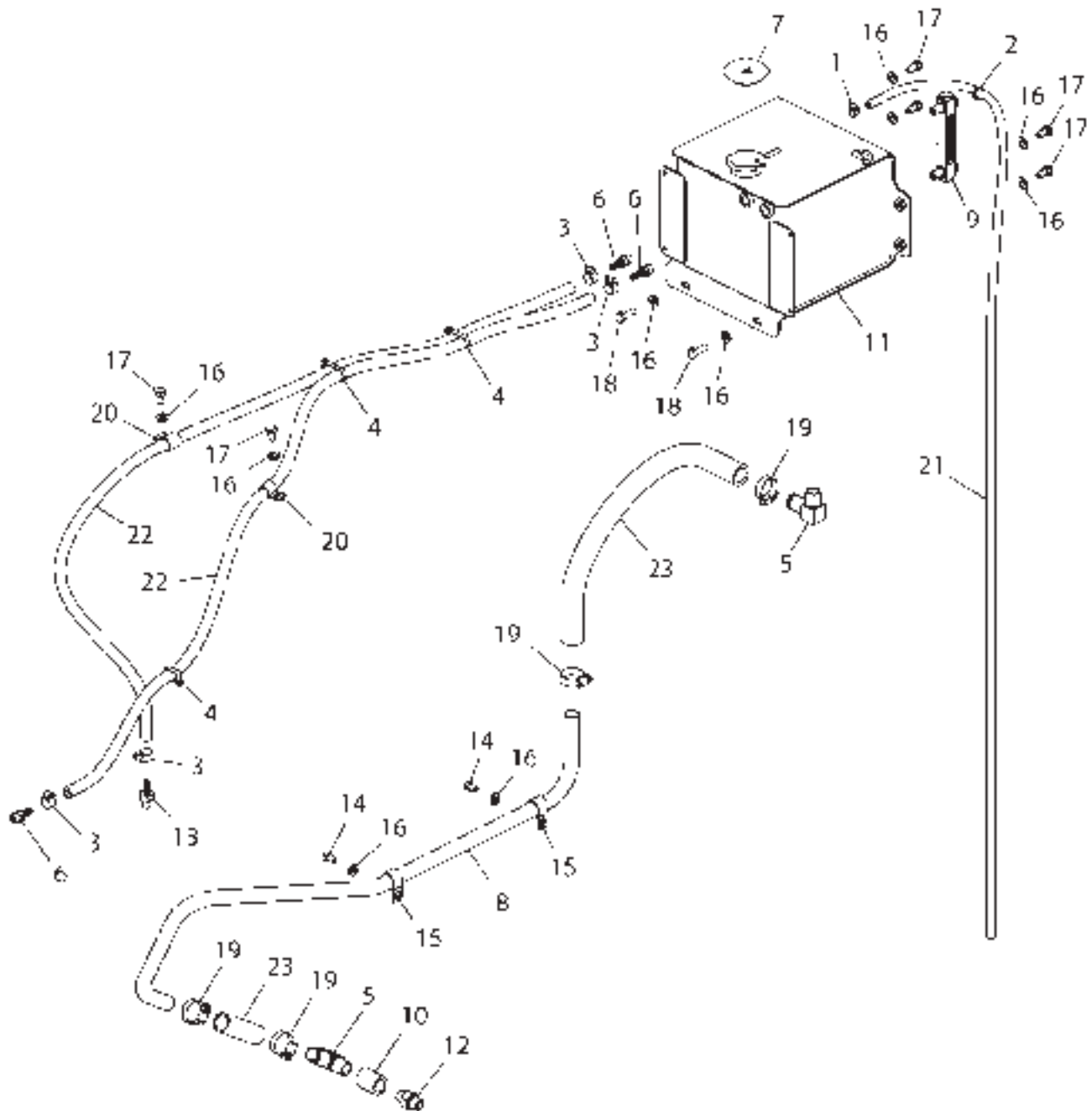
ITEM	NUMBER	QTY	DESCRIPTION
-	194-7966	--	TANK GP-EXPANSION & COOLANT [A] (NOT SERVICED)
1	226-7570	1	TANK AS
2	400040X1	2	BOLT-M10X1.5X20 ZNDI HHD 10.9
3	400058X1	2	BOLT-M10X1.5X30 ZNDI HHD 10.9
4	400109X1	4	CLAMP-HOSE SST 11.1-19.8X13.5
5	400239X1	1	BOLT-M10X1.5X60 ZNDI HHD 10.9
6	400039X1	4	BOLT-M10X1.5X25 ZNDI HHD 10.9
7	215-8051	1	BRACKET
8	031-1119	1	CAP AS-RADIATOR
9	CH1P-4278	1	CLAMP-HOSE 5.5-15.88 ID X 8
10	400701X1	2	CLAMP-HOSE SST22.2-44.5IDX13.5
11	400597X1	1	CLIP-31.75 ID M10 OR 3/8
12	400702X1	4	CLIP-ONE TUBE COATED
13	CH003-7764	3	CONNECTOR-6 NPTFX9.52 OD BARB
14	CH053-2313	1	CONNECTOR-12NPTF X 25 BARB BRS
15	CH006-7801	1	CONNECTOR-6NPTFX9.52 BARB
16	CH7W-1890	1	ELBOW-90DEG.12NPTFX25.4OD BARB
17	201-4653	1	GAGE-SIGHT
	CH114-4231	2	BOLT-MTG (1/2-20X2AX45.30MM)
	CH122-8352	4	SEAL-O-RING (15.54IDX2.62DIA)
18	CH5P-1420	--	HOSE (BULK) 7.92 DIA (253CM)
19	CH146-7453	--	HOSE-BULK 25.4 ID HTEMP L PRES (170CM)
20	CH5P-1442	--	HOSE-BULK 9.52ID HI TEMP (320CM)
21	CH209-3394	1	SPACER-17.14ODX12.52IDX22.4 ZN
22	CH7K-1181	6	STRAP-CABLE 0.19-4.00
23	400837X1	4	STRAP-CABLE (PLASTIC)
24	400287X1	8	WASHER-HARD 11IDX21ODX2.5 ZND1

[A] PART OF 172-5361;172-5362;187-1741
187-1742 INSTALLATION AR

1947966A
PR: t05i29k58b0047

MT800 SERIES TRACTORS
COOLING SYSTEM

TANK GP-EXPANSION & COOLANT - 185-2220
MT855 & MT865



1852220A

**MT800 SERIES TRACTORS
COOLING SYSTEM**

147

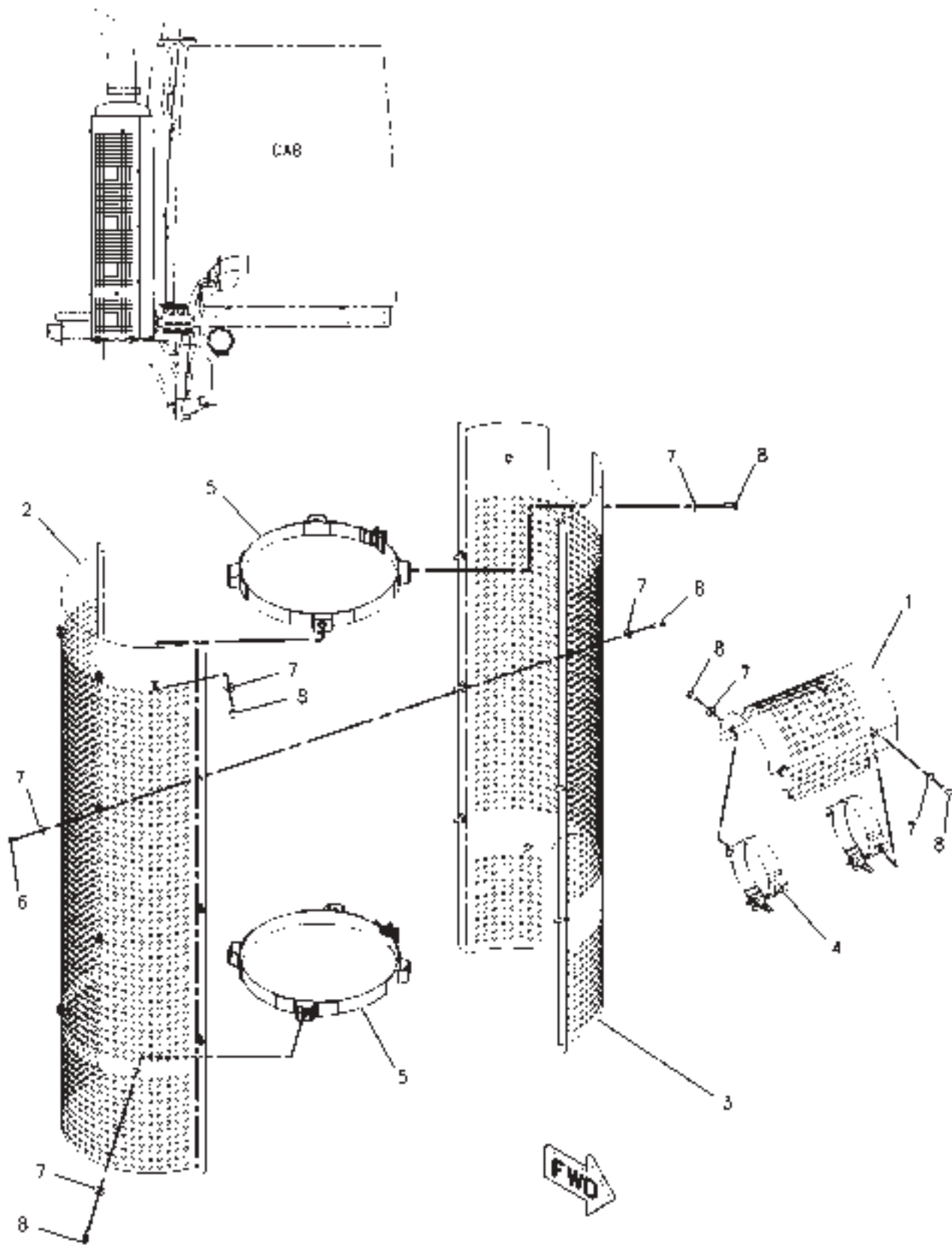
**TANK GP-EXPANSION & COOLANT - 185-2220
MT855 & MT865**

ITEM	NUMBER	QTY	DESCRIPTION
-	185-2220	--	TANK GP-EXP & COOLANT [A] (NOT SERVICED)
1	CH1P-4278	1	CLAMP-HOSE 5.5-15.88 ID X 8
2	400837X1	1	STRAP-CABLE 44.45X4.93MM (SOME UNITS)
3	400109X1	4	CLAMP-HOSE SST 11.1-19.8X13.5
4	CH7K-1181	3	STRAP-CABLE 0.19-4.00
5	CH7W-1890	2	ELBOW-90DEG.12NPTFX25.4OD BARB
6	CH003-7764	3	CONNECTOR-6 NPTFX9.52 OD BARB
7	031-1119	1	CAP AS-RADIATOR
8	201-4652	1	TUBE
9	201-4653	1	GAGE-SIGHT
10	217-9673	1	COUPLING-12 NPTF
11	226-7570	1	TANK AS
12	CH004-7270	1	NIPPLE-12 NPTF
13	CH2R-8613	1	ADAPTER-8 NPTF X 9.52 OD BARB
14	400157X1	2	BOLT-3/8-16X15.8 ZNDI HHD 10.9
15	400688X1	2	CLIP LOOP 25.4ID
16	400287X1	10	WASHER-HARD 11IDX21ODX2.5 ZND1
17	400040X1	6	BOLT-M10X1.5X20 ZNDI HHD 10.9
18	400058X1	2	BOLT-M10X1.5X30 ZNDI HHD 10.9
19	400701X1	4	CLAMP-HOSE SST22.2-44.5IDX13.5
20	400702X1	2	CLIP-ONE TUBE COATED
21	CH5P-1420	AR	HOSE (BULK) 7.92 DIA (190CM)
22	CH5P-1442	AR	HOSE-BULK 9.52ID HI TEMP (317CM)
23	CH146-7453	AR	HOSE-BULK 25.4 ID HTEMP L PRES (65CM)

[A] PART OF 172-5363;172-5364;187-1743
187-1744 INSTALLATION AR

1852220A
PR: t05i29k58b0048

SHIELD GP-EXHAUST - 218-2883
EAME - ITALIAN MARKET



MT800 SERIE TRACTORS
AIR INLET AND EXHAUST SYSTEM

149

SHIELD GP-EXHAUST - 218-2883
EAME - ITALIAN MARKET

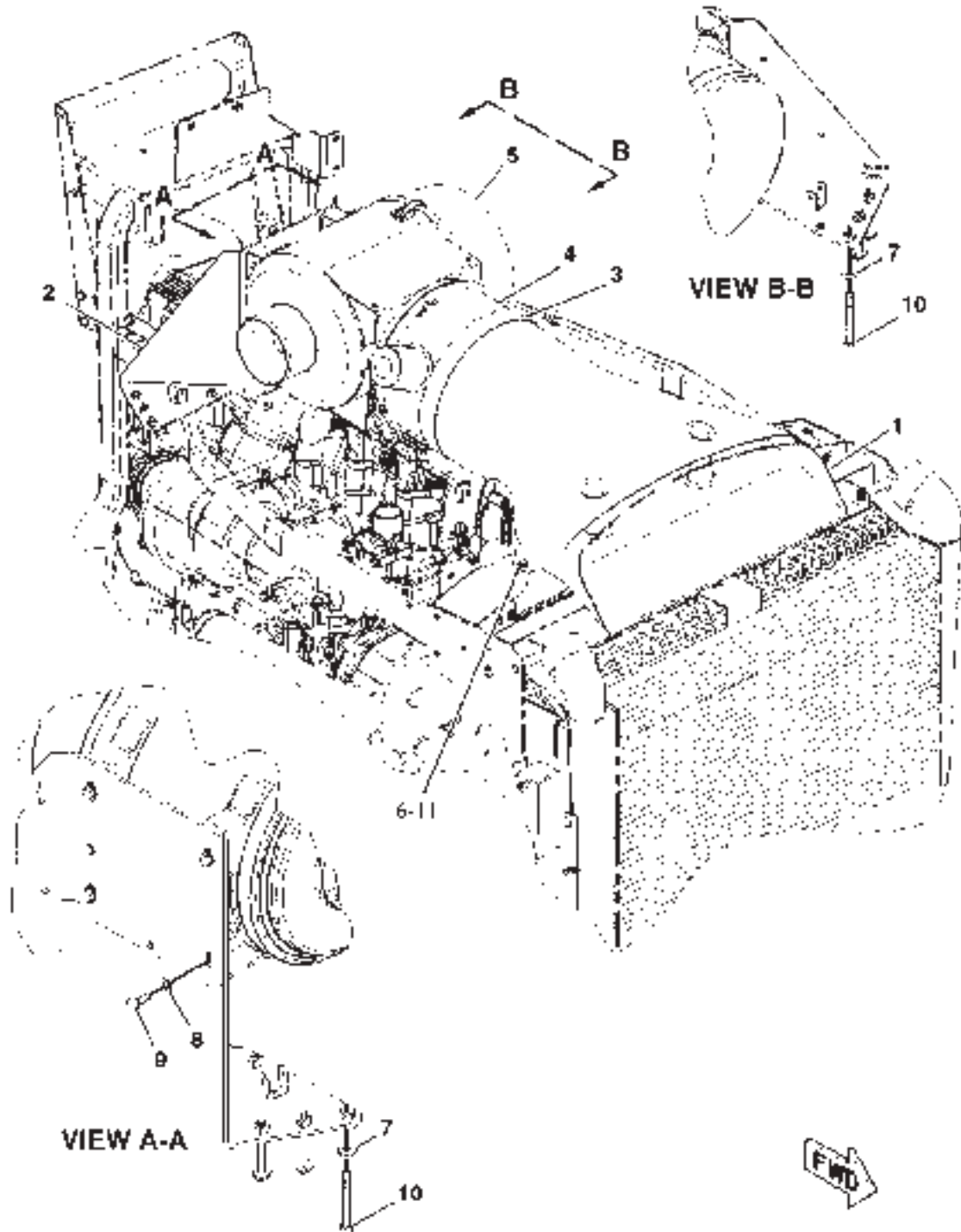
ITEM	NUMBER	QTY	DESCRIPTION
-	179-2257	--	COMPLETING AR-ITALIAN (REF ONLY- NOT SERVICED)
-	216-2883	--	SHIELD GP-EXHAUST [A] (NOT SERVICED) (INCLUDES ITEMS 1-8)
1	218-2886	1	SHIELD
2	218-2888	1	SHIELD
3	218-2889	1	SHIELD
4	CH218-2891	2	CLAMP
5	CH218-2892	2	CLAMP
6	400340X1	6	NUT (M8X1.25)
7	400599X1	24	WASHER-HARD (8.8X20.5X2)
8	400053X1	18	BOLT (M8X1.25X20MM)

[A] PART OF 179-2257 COMPLETING AR
-ITALIAN

00894235
PR: t05i29k58b0049

MT800 SERIESTRACTORS
AIR INLET AND EXHAUST SYSTEM

AIR CLEANER GP - 172-5337
(MT855 & MT865)



MT800 SERIESTRACTORS
AIR INLET AND EXHAUST SYSTEM

151

AIR CLEANER GP - 172-5337
(MT855 & MT865)

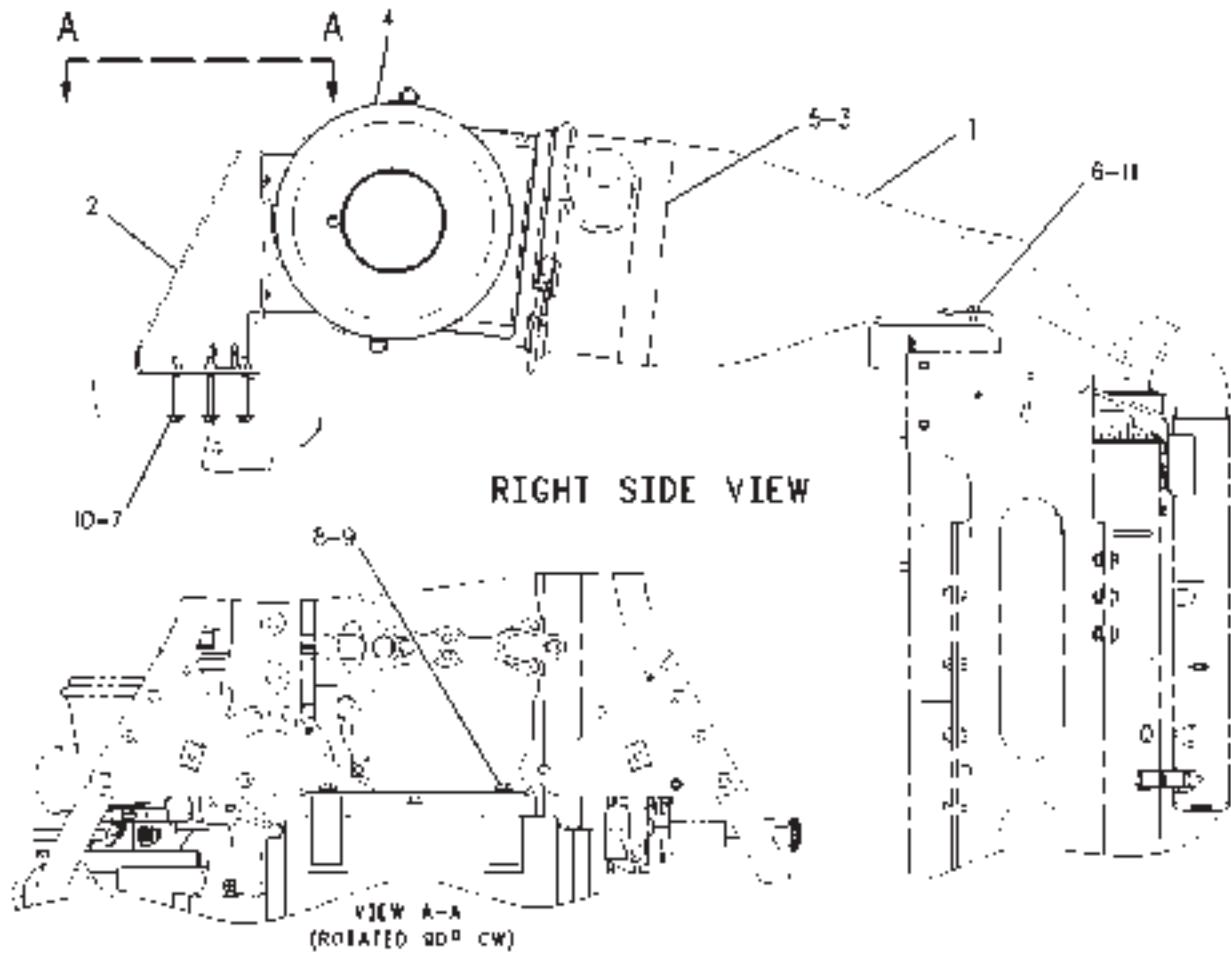
ITEM	NUMBER	QTY	DESCRIPTION
-	172-5337	--	AIR CLEANER GP [A] (NOT SERVICED)
1	191-5988	1	DUCT-INLET
2	192-6460	1	BRACKET ASM
3	193-1423	1	SEAL
4	196-4055	1	BODY-PRECLEANER
5	196-4056	1	AIR CLEANER GP (SEE BREAKDOWN FOR COMPONENTS)
6	400599X1	2	WASHER-HARD (8.8X20.5X2)
7	CH7X-7729	6	WASHER (11X25X3)
8	400287X1	4	WASHER-HARD (11X21X2.5)
9	400039X1	4	BOLT (M10X1.5X25MM)
10	400225X1	6	BOLT (M10X1.5X90MM)
11	400227X1	2	BOLT (M8X1.25X16MM)

[A] PART OF 172-5363;172-5364;187-1743;
187-1744 INSTALLATION AR-ENGINE

0869409A
PR: t05i29k58b0050

MT800 SERIESTRACTORS
AIR INLET AND EXHAUST SYSTEM

AIR CLEANER GP - 172-5338
MT835 & MT845



MT800 SERIESTRACTORS
AIR INLET AND EXHAUST SYSTEM

153

AIR CLEANER GP - 172-5338
MT835 & MT845

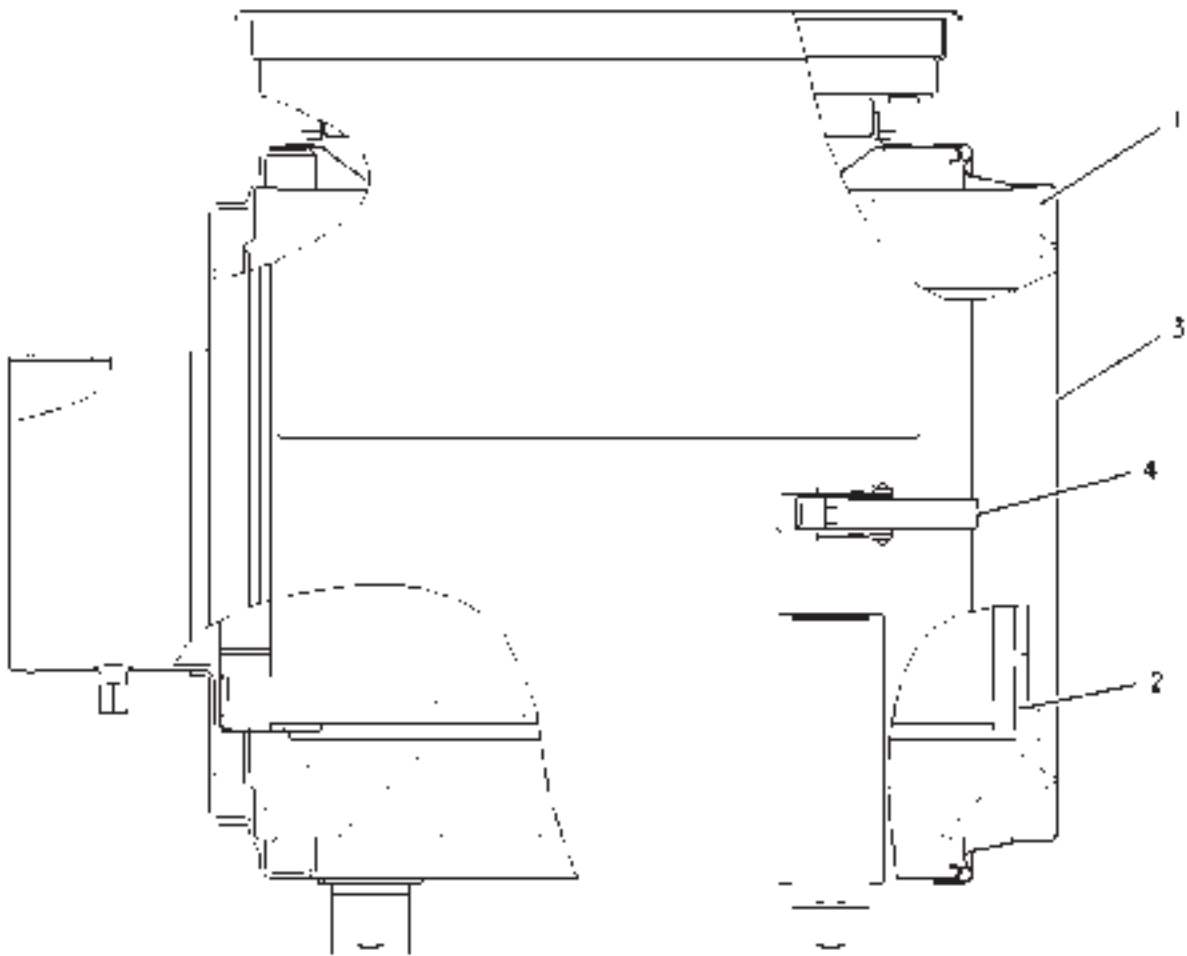
ITEM	NUMBER	QTY	DESCRIPTION
-	172-5338	--	AIR CLEANER GP [A] (NOT SERVICED)
1	191-5988	1	DUCT-INLET
2	192-6460	1	BRACKET ASM
	CH7T-1099	1	LINK
	CH8T-3490	10	NUT-WELD
3	192-8979	1	BODY-PRECLEANER
4	192-8980	1	AIR CLEANER GP (SEE BREAKDOWN FOR COMPONENTS)
5	193-1423	1	SEAL
6	400599X1	2	WASHER-HARD (8.8X20.5X2)
7	CH7X-7729	6	WASHER (11X25X3)
8	400287X1	4	WASHER-HARD (11X21X2.5)
9	400039X1	4	BOLT (M10X1.5X25MM)
10	400225X1	6	BOLT (M10X1.5X90MM)
11	400227X1	2	BOLT (M8X1.25X16MM)

[A] PART OF 172-5361;172-5362;187-1741;
187-1742 INSTALLATION AR-ENGINE

00888102
PR: t05i29k58b0051

MT800 SERIE TRACTORS
AIR INLET AND EXHAUST SYSTEM

AIR CLEANER AS-BASIC - 192-8980
MT835 & MT845



MT800 SERIESTRACTORS
AIR INLET AND EXHAUST SYSTEM

155

AIR CLEANER AS-BASIC - 192-8980
MT835 & MT845

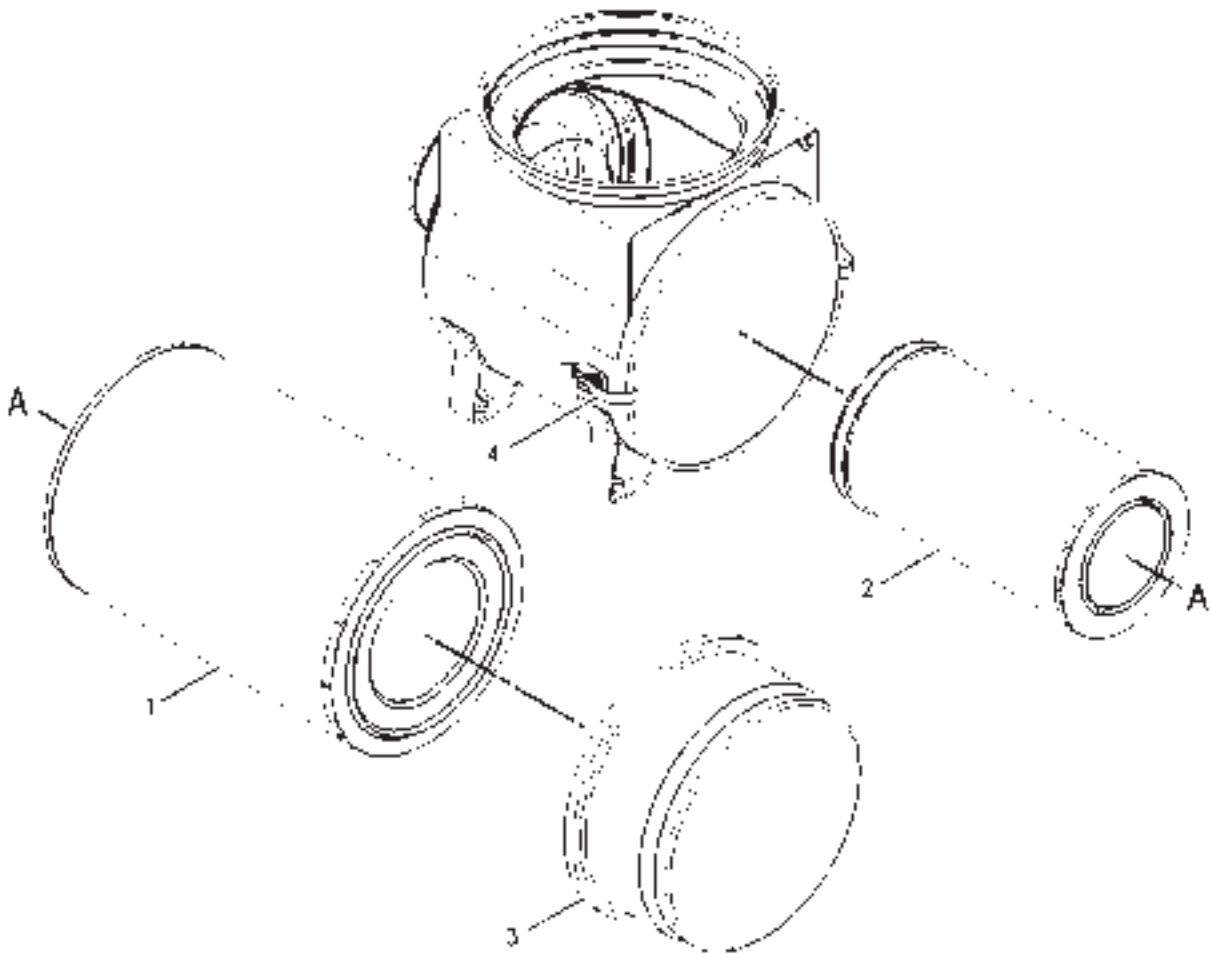
ITEM	NUMBER	QTY	DESCRIPTION
-	192-8980	--	AIR CLEANER AS [A]
1	CH6I-2505	1	FILTER ELEMENT-AIR (PRIMARY)
2	CH6I-2506	1	FILTER ELEMENT-AIR (SECONDARY)
3	CH6I-4465	1	COVER ASM-AIR CLEANER
	CH101-2850	1	FILM-AIR CLEANER (RADIAL SEAL)
4	CH8N-4617	2	KIT-CLAMP (INCLS CLAMP & RIVET)

[A] PART OF 172-5338 AIR CLEANER GP

00887696
PR: t05i29k58b0052

MT800 SERIESTRACTORS
AIR INLET AND EXHAUST SYSTEM

AIR CLEANER AS-BASIC - 196-4056
(MT855 & MT865)



MT800 SERIESTRACTORS
AIR INLET AND EXHAUST SYSTEM

157

AIR CLEANER AS-BASIC - 196-4056
(MT855 & MT865)

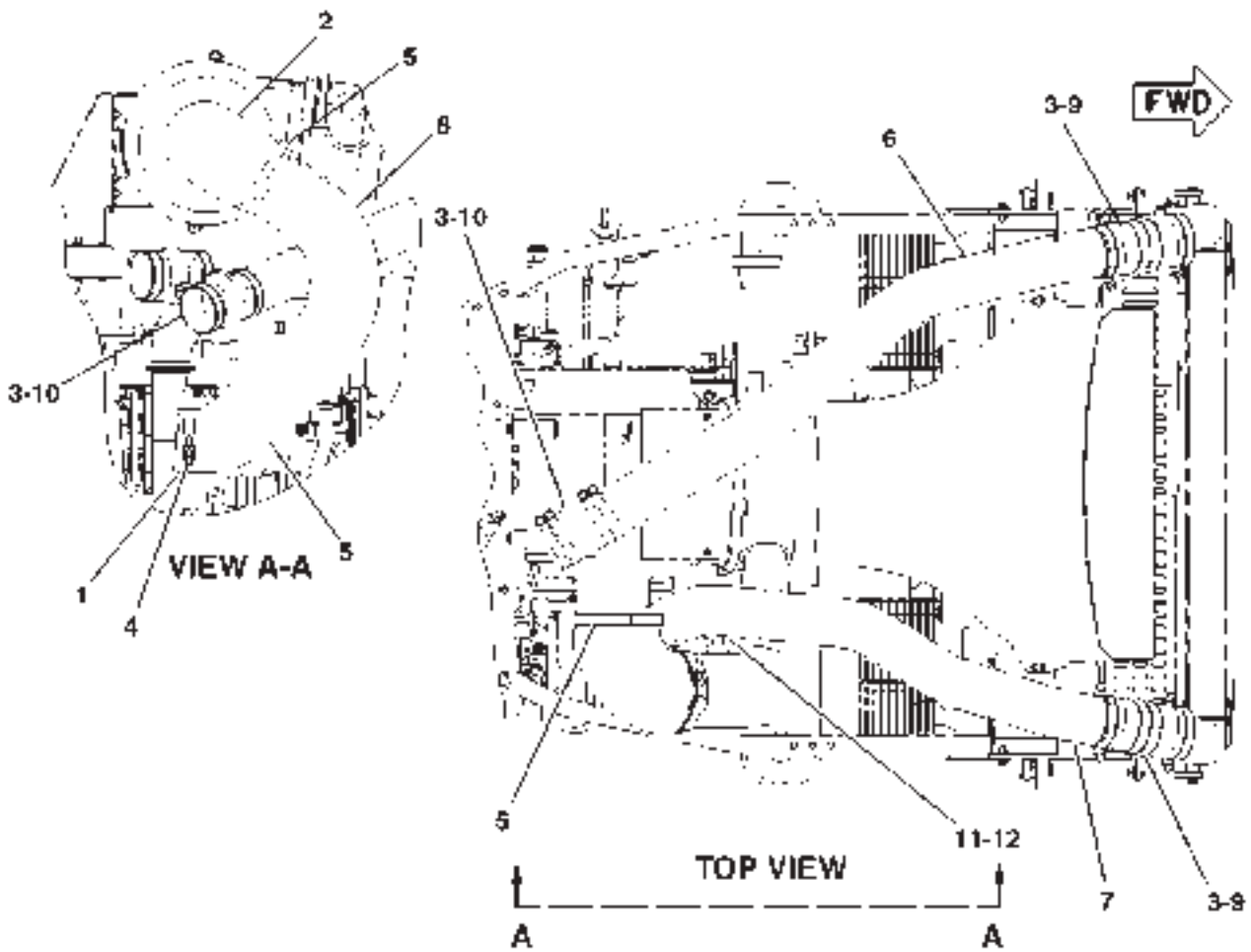
ITEM	NUMBER	QTY	DESCRIPTION
-	196-4056	--	AIR CLEANER GP [A]
1	CH6I-2509	1	FILTER ELEMENT-AIR (PRIMARY)
2	CH6I-2510	1	FILTER ELEMENT-AIR (SECONDARY)
3	6I-4467	1	COVER-AIR CLEANER
	CH101-2850	1	FILM-AIR CLEANER (RADIAL SEAL)
4	CH8N-4617	2	KIT-AIR CLEANER CLAMP (SERVICED AS COMPLETE KIT ONLY) (INCLUDES CLIP ASM AND RIVET)

[A] PART OF 172-5337 AIR CLEANER GP

00874425
PR: t05i29k58b0053

MT800 SERIES TRACTORS
AIR INLET AND EXHAUST SYSTEM

LINES GP-AIR - 172-5342
MT835 & MT845



MT800 SERIESTRACTORS
AIR INLET AND EXHAUST SYSTEM

159

LINES GP-AIR - 172-5342
MT835 & MT845

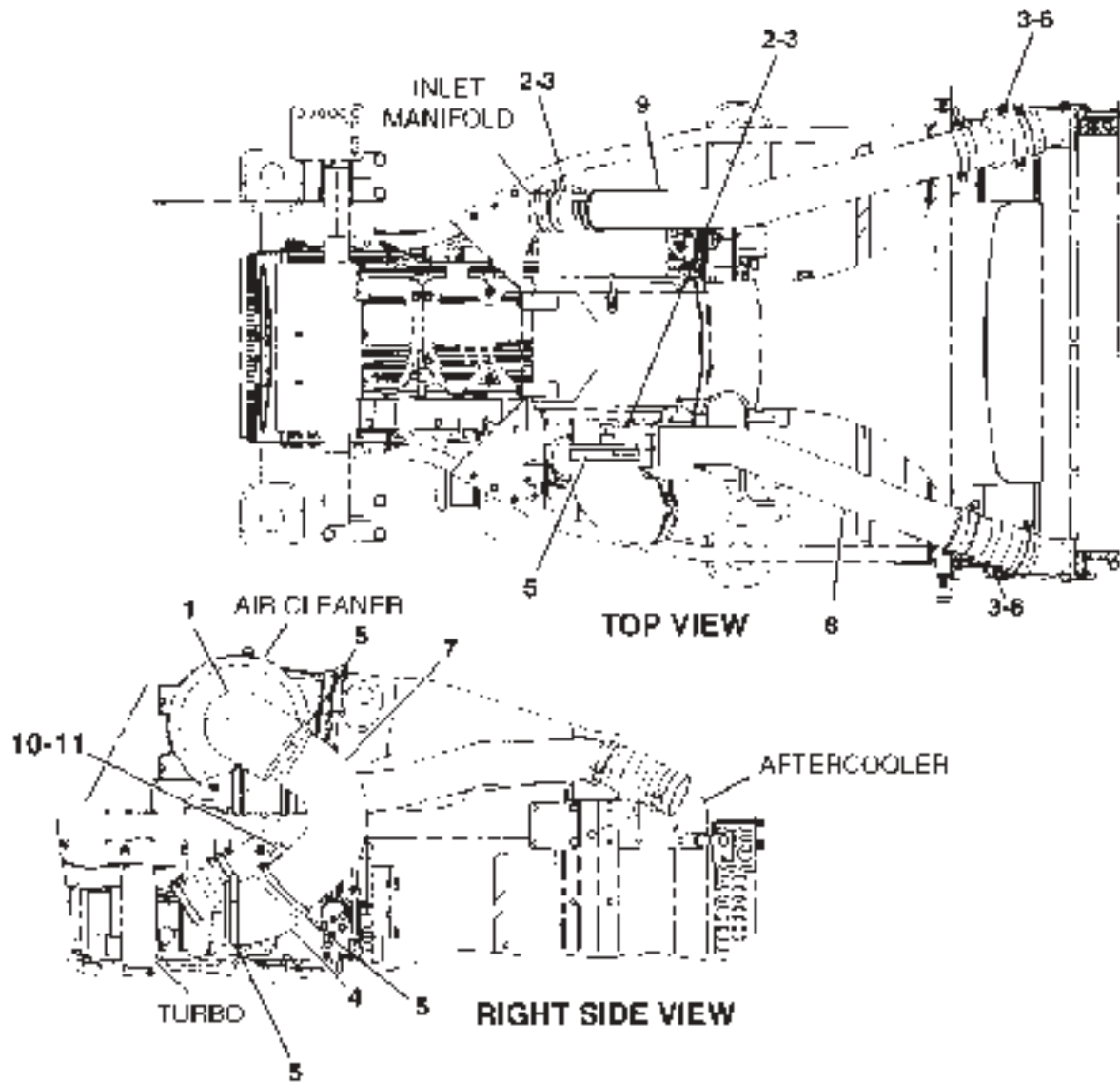
ITEM	NUMBER	QTY	DESCRIPTION
-	172-5342	--	LINES GP-AIR [A] (NOT SERVICED)
1	CH6R-3185	1	REDUCER
2	CH6T-6158	1	ELBOW
3	400127X1	16	CLAMP
4	CH135-6260	1	CLAMP
5	CH135-6261	3	CLAMP
6	205-2134	1	TUBE-INLET
7	205-2135	1	TUBE-OUTLET
8	219-8631	1	TUBE ASM-INLET
	CH4J-5050	1	BOSS
9	219-8629	2	HOSE-HUMP
10	219-8630	2	HOSE-HUMP
11	400376X1	1	SEAL-O-RING
12	CH9S-4181	1	PLUG

[A] PART OF 172-5361;172-5362;187-1741;
187-1742 INSTALLATION AR-ENGINE

0887727A
PR: t05i29k58b0054

MT800 SERIES TRACTORS
AIR INLET AND EXHAUST SYSTEM

LINES GP-AIR - 172-5341
MT855 & MT865



MT800 SERIESTRACTORS
AIR INLET AND EXHAUST SYSTEM

161

LINES GP-AIR - 172-5341
MT855 & MT865

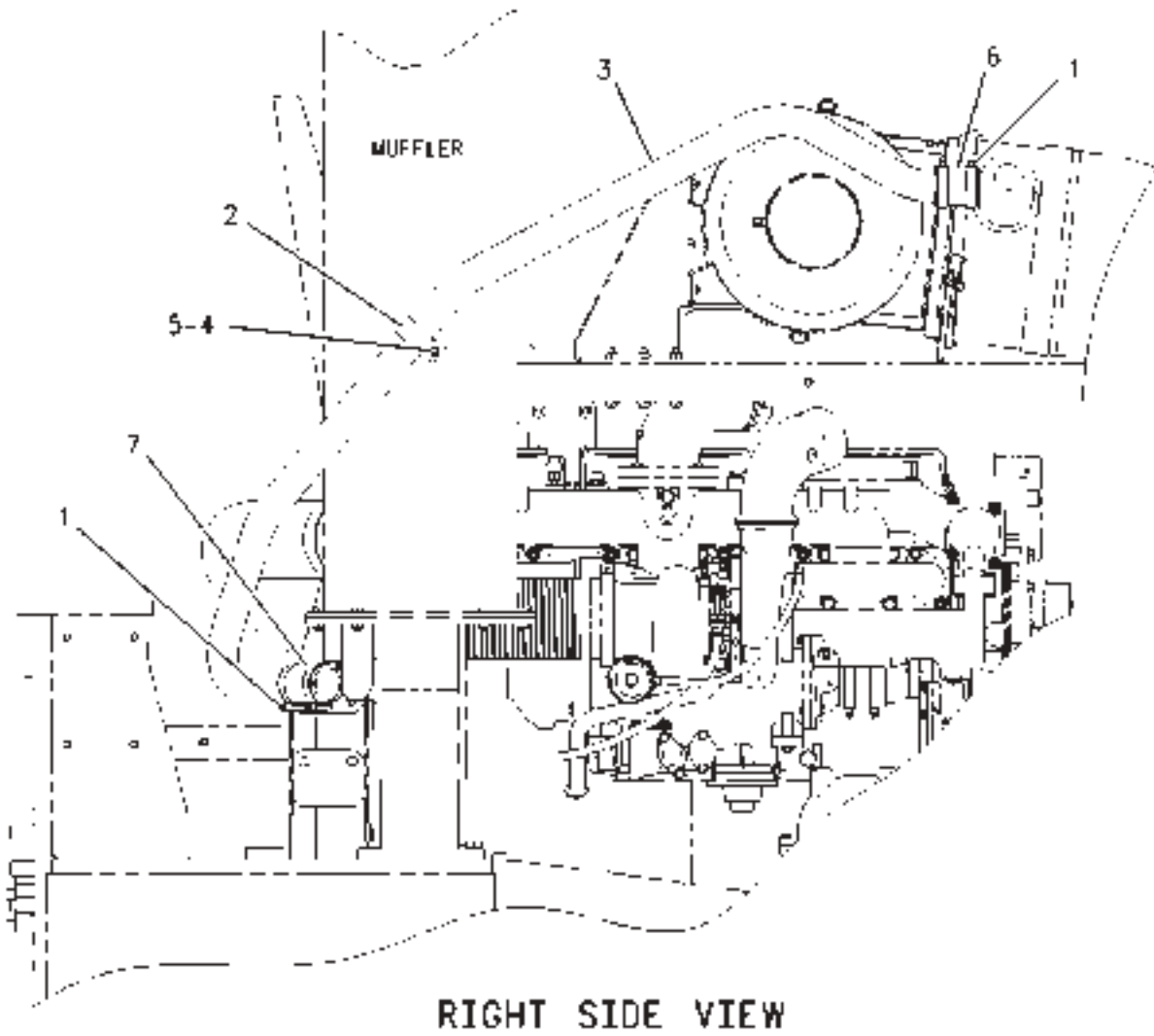
ITEM	NUMBER	QTY	DESCRIPTION
-	172-5341	--	LINES GP-AIR [A] (NOT SERVICED)
1	CH6T-6158	1	ELBOW
2	219-8630	2	HOSE-HUMP
3	400127X1	16	CLAMP-HOSE
4	CH9Y-6102	1	ELBOW
5	CH135-6261	4	CLAMP
6	219-8629	2	HOSE
7	219-8632	1	TUBE ASM-INLET(INCLUDES BOSS & TUBE)
	CH4J-5050		BOSS
8	205-2132	1	TUBE-OUTLET
9	205-2133	1	TUBE-INLET
10	400376X1	1	SEAL-O-RING
11	CH9S-4181	1	PLUG

[A] PART OF 172-5363;172-5364;187-1743;
187-1744 INSTALLATION AR-ENGINE

0882882A
PR: t05i29k58b0055

MT800 SERIESTRACTORS
AIR INLET AND EXHAUST SYSTEM

LINES GP-EJECTOR - 212-4444
MT835 & MT845



MT800 SERIESTRACTORS
AIR INLET AND EXHAUST SYSTEM

163

LINES GP-EJECTOR - 212-4444
MT835 & MT845

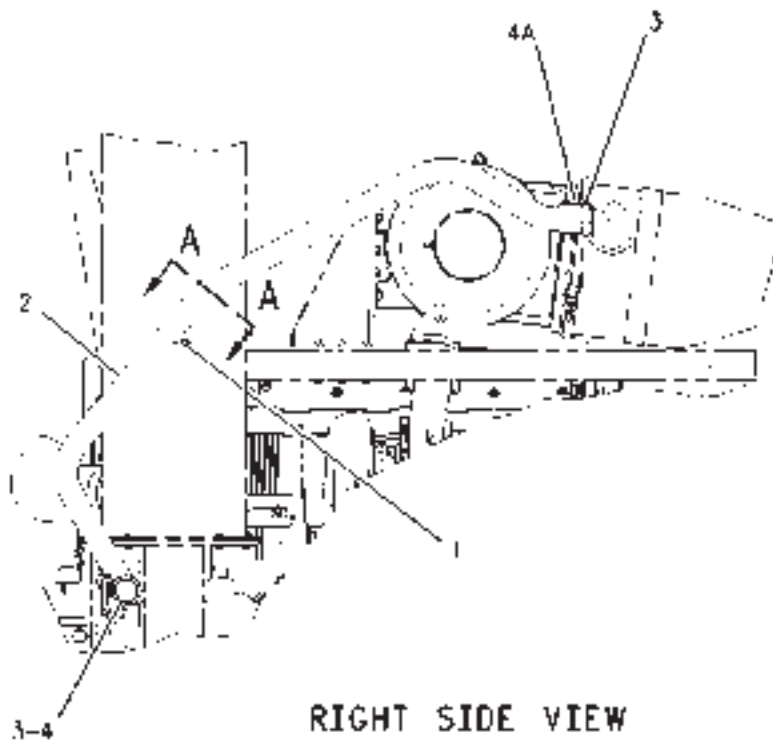
ITEM	NUMBER	QTY	DESCRIPTION
-	212-4444	--	LINES GP-EJECTOR [A] (NOT SERVICED)
1	400126X1	4	CLAMP-HOSE
2	CH105-1866	1	CLIP
3	212-4445	1	TUBE
4	400287X1	1	WASHER-HARD (11X21X2.5)
5	WR522218	2	NUT (M10X1.5)
6	CH5P-1259	--	HOSE (7.25CM)
7	CH5P-1259	--	HOSE (10.75CM)

[A] PART OF 172-5361; 172-5362
INSTALLATION AR-ENGINE

00888277
PR: t05i29k58b0056

MT800 SERIESTRACTORS
AIR INLET AND EXHAUST SYSTEM

LINES GP-EJECTOR - 197-4849
MT855 & MT865



RIGHT SIDE VIEW



SECTION 4-4

**MT800 SERIESTRACTORS
AIR INLET AND EXHAUST SYSTEM**

165

**LINES GP-EJECTOR - 197-4849
MT855 & MT865**

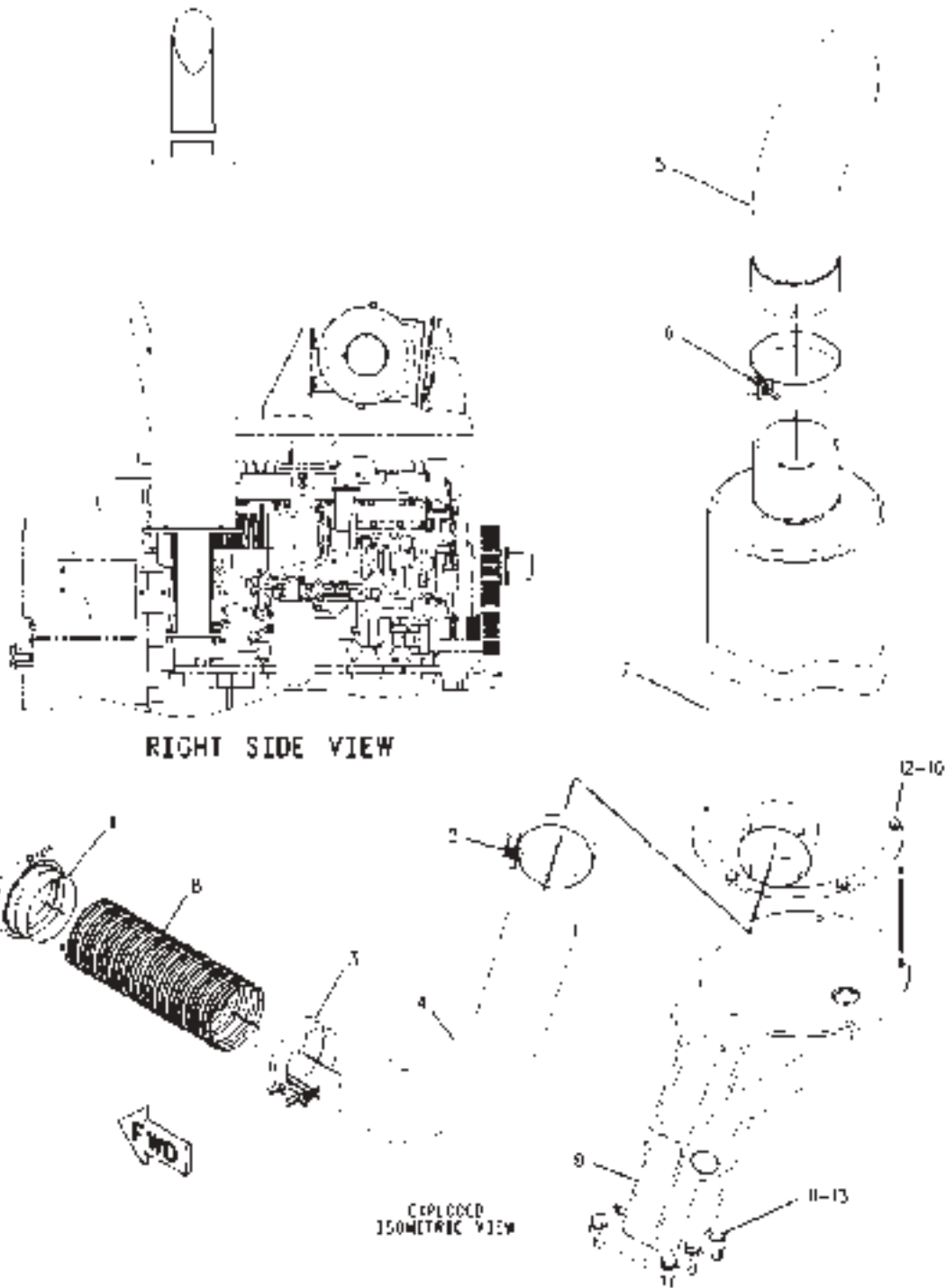
ITEM	NUMBER	QTY	DESCRIPTION
-	197-4849	--	LINES GP-EJECTOR [A] (NOT SERVICED)
1	CH105-1866	1	CLIP
2	197-4852	1	TUBE
3	400126X1	4	CLAMP-HOSE
4	CH5P-1259	--	HOSE (50.80ID X 10.7CM)
4A	CH5P-1259	--	HOSE (50.80ID X 7.2CM)
5	WR522218	2	NUT (M10X1.5)
6	400287X1	1	WASHER-HARD (11X21X2.5)

[A] PART OF: 172-5363;172-5364;187-1743;
187-1744 INSTALLATION AR-ENGINE

00868057
PR: t05i29k58b0057

MT800 SERIES TRACTORS
AIR INLET AND EXHAUST SYSTEM

MUFFLER GP - 172-5336
MT835 & MT845



MT800 SERIESTRACTORS
AIR INLET AND EXHAUST SYSTEM

167

MUFFLER GP - 172-5336
MT835 & MT845

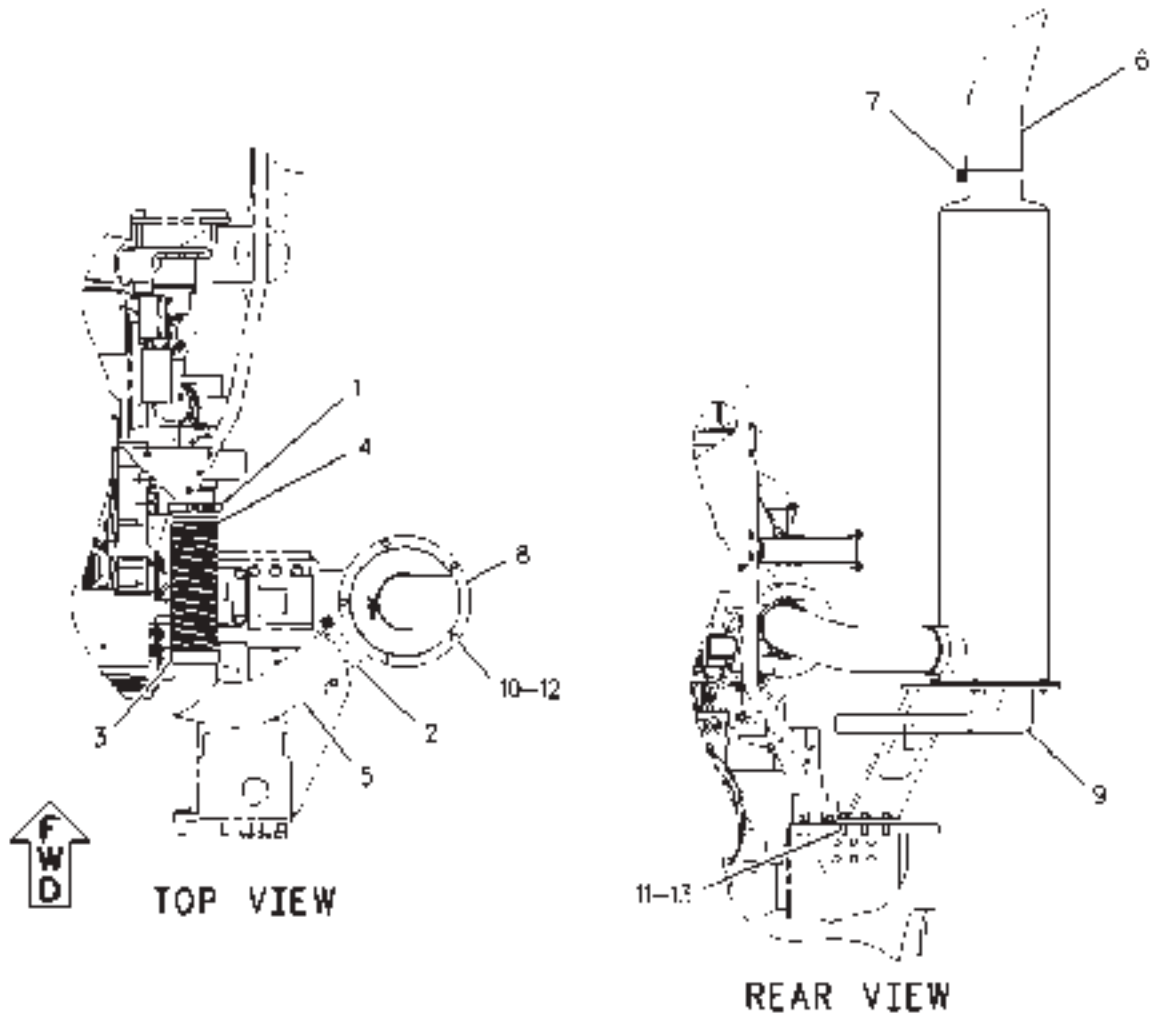
ITEM	NUMBER	QTY	DESCRIPTION
-	172-5336	--	MUFFLER GP [A] (NOT SERVICED)
1	CH9N-1941	1	CLAMP-V-BAND
2	CH202-2373	1	CLAMP
3	CH205-5366	1	CLAMP
4	209-0094	1	TUBE ASM
5	209-0512	1	EXTENSION
6	CH209-0620	1	CLAMP
7	209-0801	1	MUFFLER
8	210-1996	1	TUBE-FLEXIBLE
9	212-3281	1	SUPPORT ASM-EXHAUST (MT835 & MT845)
10	400287X1	5	WASHER-HARD (11X21X2.5)
11	400056X1	6	BOLT (M16X2X50MM)
12	400058X1	5	BOLT (M10X1.5X30MM)
13	400082X1	6	WASHER (17.5X30X3.5)
14	CH211-8713		SEALANT (NOT SHOWN)

[A] PART OF 172-5361;172-5362;187-1741;
187-1742 INSTALLATION AR-ENGINE

00899722
PR: t05i29k58b0058

MT800 SERIE TRACTORS
AIR INLET AND EXHAUST SYSTEM

MUFFLER GP - 172-5335
MT855 & MT865



MT800 SERIESTRACTORS
AIR INLET AND EXHAUST SYSTEM

169

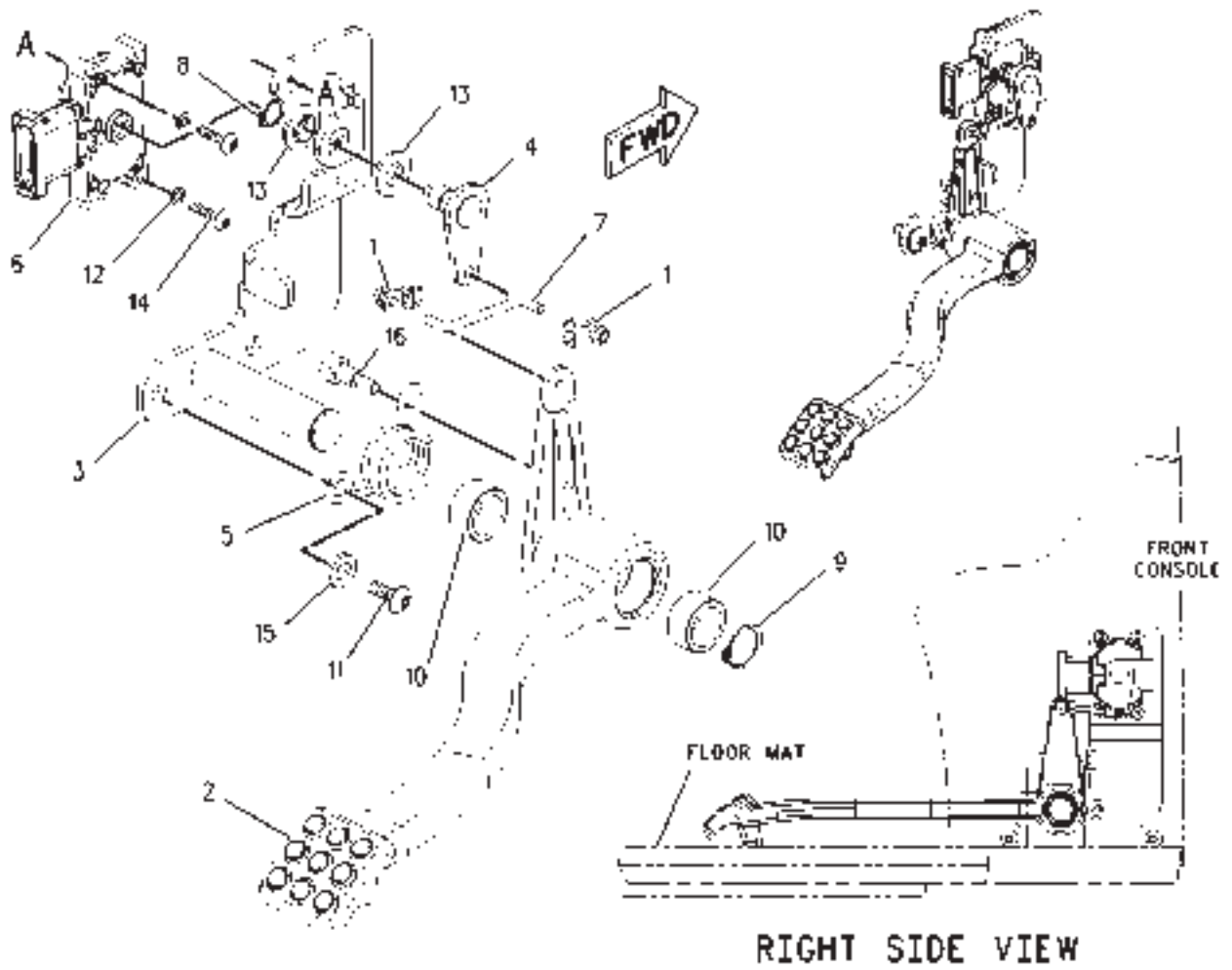
MUFFLER GP - 172-5335
MT855 & MT865

ITEM	NUMBER	QTY	DESCRIPTION
-	172-5335	--	MUFFLER GP [A] (NOT SERVICED)
1	CH9N-1941	1	CLAMP-V-BAND
2	CH202-2373	1	CLAMP
3	CH205-5366	1	CLAMP
4	205-5367	1	TUBE-FLEXIBLE
5	209-0095	1	TUBE-EXHAUST
6	209-0512	1	EXTENSION
7	CH209-0620	1	CLAMP
8	209-0802	1	MUFFLER
9	212-4300	1	SUPPORT ASM (INCLUDES SUPPORT & TUBE) (FOR MT855 AND MT865)
10	400287X1	5	WASHER-HARD (11X21X2.5)
11	400056X1	6	BOLT (M16X2X50MM)
12	400058X1	5	BOLT (M10X1.5X30MM)
13	400082X1	6	WASHER (17.5X30X3.5)
14	CH211-8713		SEALANT (NOT SHOWN)

[A] PART OF 172-5363;172-5364;187-1743
187-1744 INSTALLATION AR-ENGINE

00868168
PR: t05i29k58b0059

CONTROL GP-DECELERATOR - 152-0447



MT800 SERIESTRACTORS
FUEL SYSTEM

171

CONTROL GP-DECELERATOR - 152-0447

ITEM	NUMBER	QTY	DESCRIPTION
-	152-0447	--	CONTROL GP-DECELERATOR [A] (NOT SERVICED)
1	CH116-5728	2	CLIP-ROD END
2	136-5218	1	PEDAL-DECELERATOR
3	136-5221	1	BRACKET ASM (INCLUDES BRACKET & SHAFT)
4	136-5224	1	ARM ASM (INCLUDES SHAFT & PLATE)
5	CH214-9441	1	SPRING
6	500317D1	1	SENSOR POSITION
7	136-5566	1	LINK
8	CH095-0915	1	RING-RETAINING
9	CH2J-6356	1	RING-RETAINING
10	CH4E-1251	2	BEARING-SLEEVE
11	CH127-2170	2	SCREW-TRUSS HEAD (M8X1.25X20MM)
12	CH8C-9660	2	WASHER (4.6X7.9X0.8)
13	CH177-0378	2	BUSHING
14	CH9X-1046	2	SCREW (M4X0.7X18MM)
15	CH9M-1974	2	WASHER-HARD (8.8X16X2)
16	400004X1	1	BOLT-SHOULDER (M6X1X23.25MM)

[A] PART OF 500841D1;500842D1;500844D1;
500849D1 CAB AR

00850574
PR: t05i29k58b0060

**MT800 SERIESTRACTORS
FUEL SYSTEM**

173

CONTROL GP-GOVERNOR - 207-2031

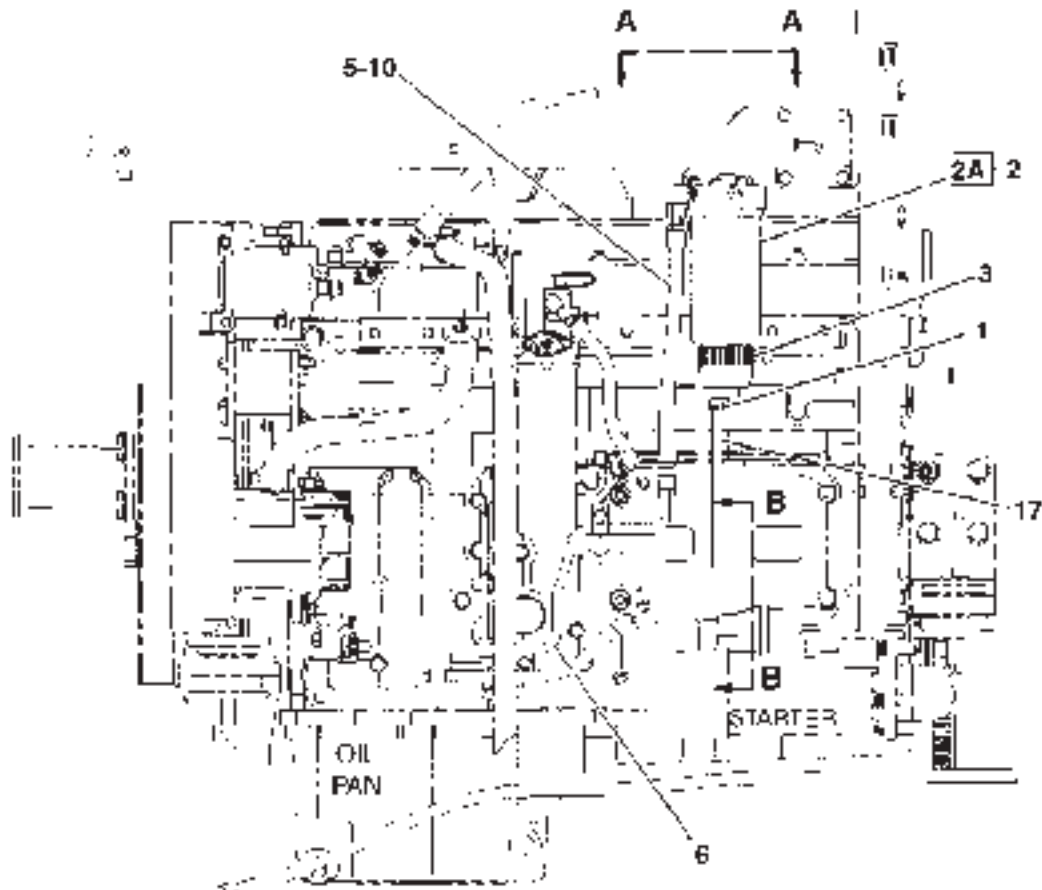
ITEM	NUMBER	QTY	DESCRIPTION
-	207-2031	--	CONTROL GP-GOVERNOR [A] (NOT SERVICED)
1	CH174-5747	1	BUSHING
2	400334X1	2	WASHER (16.5X37X1.5)
3	192-4776	1	SHAFT ASM(INCLUDES PIN, PLATE & SHAFT)
4	192-4777	1	BRACKET
5	500317D1	1	SENSOR-POSITION (SENSOR A)
6	CH207-2032	1	HANDLE
7	400072X1	2	BOLT-HX SCKT HD (M5X0.8X25MM)
8	CH3B-4503	2	LOCKWASHER
9	CH179-4324	3	LOCKNUT-NYLON INSRT (M5X.8)
10	CH4B-4274	1	WASHER (5.5X13X1.2)
11	CH4K-8341	1	LOCKNUT (1/2-20)
12	CH7X-0517	1	WASHER-HARD (17X38X2.5)
13	400357X1	1	WASHER-HARD (M12X25.5X3)
14	CH8T-6693	2	SCREW-MACHINE (M5X0.8X16MM)
15	400074X1	1	WASHER-BELLVILLE
16	400310X1	2	WASHER (6.6X12X2)

[A] PART OF 152-0434 CONSOLE
GP-OPERATOR

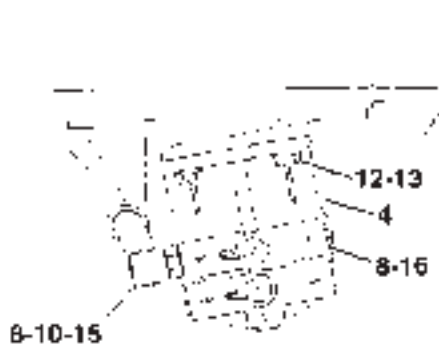
00867630
PR: t05i29k58b0061

MT800 SERIESTRACTORS
FUEL SYSTEM

FILTER GP-WATER SEP & FUEL - 198-0188
MT835 & MT845



LEFT SIDE VIEW



VIEW A-A



VIEW B-B

**MT800 SERIESTRACTORS
FUEL SYSTEM**

175

**FILTER GP-WATER SEP & FUEL - 198-0188
MT835 & MT845**

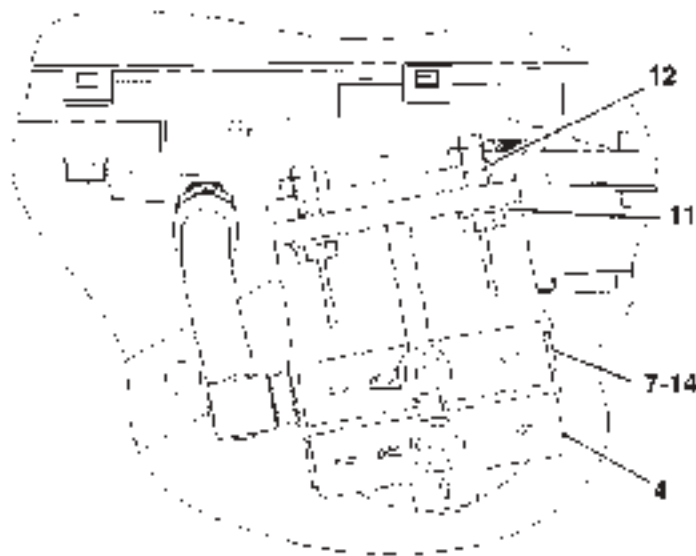
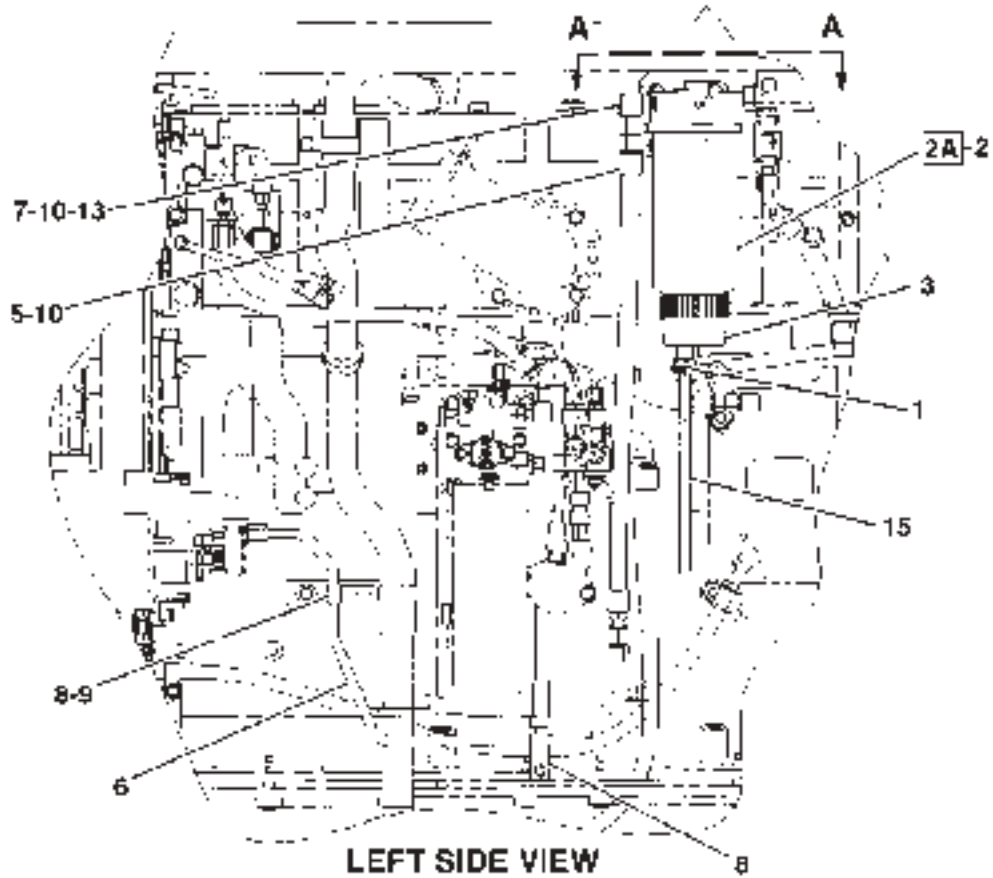
ITEM	NUMBER	QTY	DESCRIPTION
-	198-0188	--	FILTER GP-WATER SEP & FUEL [A] (NOT SERVICED)
1	CH1P-4278	1	CLAMP-HOSE
2	CH1R-0771	1	FILTER ASM-FUEL (INCLS 2A)
2A	CH220-8678	1	SEAL
3	CH173-7126	1	BOWL
4	CH177-9778	1	BASE ASM (INCLUDES STUD)
	CH9S-4167	1	STUD-HOLLOW
5	CH208-4830	1	HOSE ASM
6	210-7423	1	TUBE ASM
7	213-2589	1	SPACER
8	400318X1	6	SEAL-O-RING (11.89IDX1.98DIA)
9	CH5K-3294	1	CLIP
10	CH6V-8398	2	SEAL-O-RING (16.03ODX1.78DIA)
11	CH8M-4791	1	WASHER-HARD
12	400287X1	3	WASHER-HARD (11X21X2.5)
13	400059X1	3	BOLT (M10X1.5X35MM)
14	400241X1	1	BOLT (M12X1.75X80MM)
15	400418X1	1	ELBOW-90DEG -6STOR -8ORFS
16	CH9S-8004	5	PLUG
17	CH5P-6442	AR	HOSE (26CM)

[A] PART OF 172-5361; 172-5362
INSTALLATION AR-ENGINE

0888323A
PR: t05i29k58b0062

MT800 SERIESTRACTORS
FUEL SYSTEM

FILTER GP-WATER SEP & FUEL - 198-0187
MT855 & MT865



MT800 SERIESTRACTORS
FUEL SYSTEM

177

FILTER GP-WATER SEP & FUEL - 198-0187
MT855 & MT865

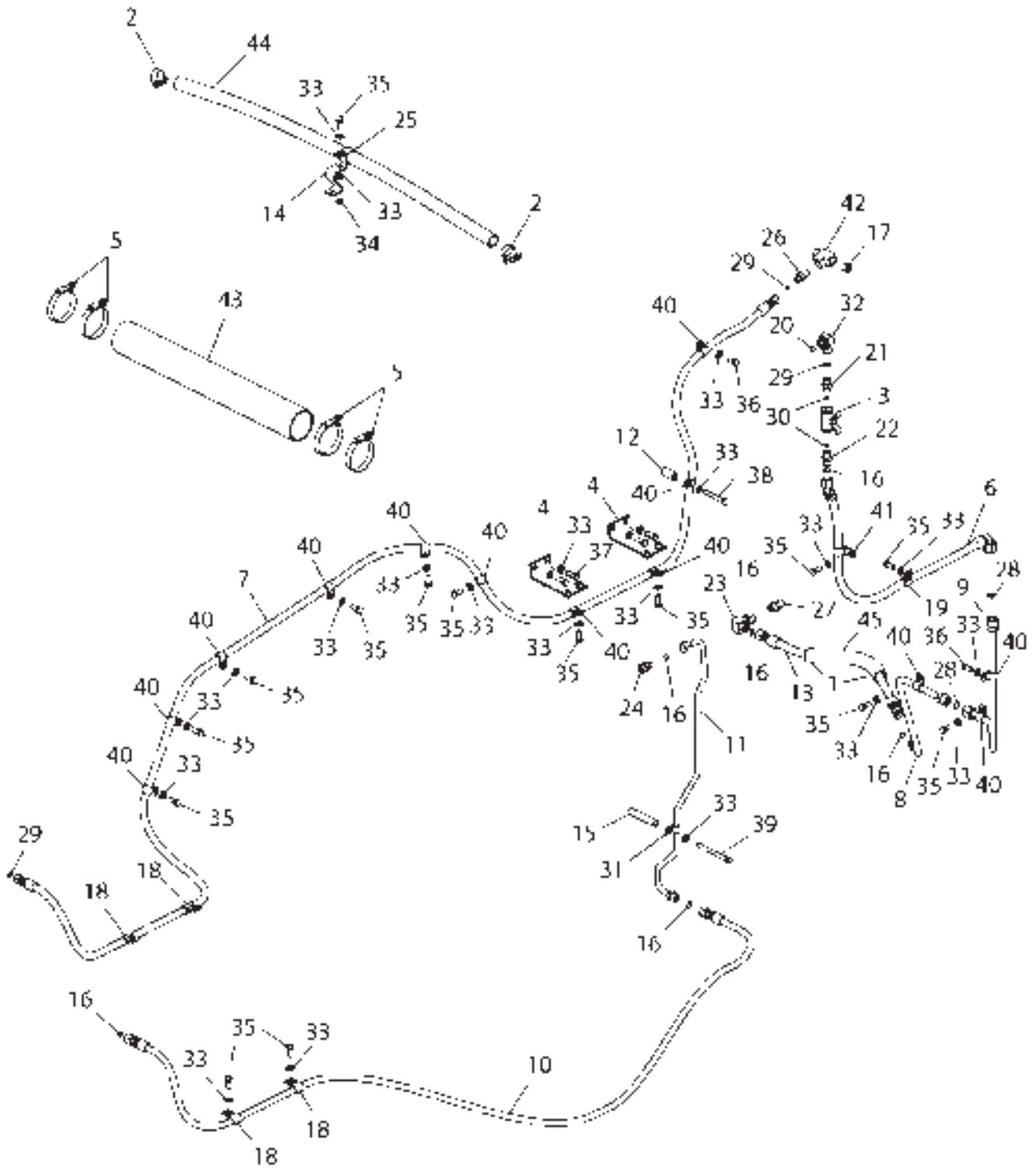
ITEM	NUMBER	QTY	DESCRIPTION
-	198-0187	--	FILTER GP-WATER SEP & FUEL [A] (NOT SERVICED)
1	CH1P-4278	1	CLAMP-HOSE
2	CH1R-0771	1	FILTER ASM-FUEL FOR SEAL REPLACEMENT ORDER 2A)
2A	CH220-8678	1	SEAL
3	CH173-7126	1	BOWL
4	177-9778	1	BASE ASM (INCLUDES STUD)
	9S-4167	1	STUD
5	CH208-5384	1	HOSE ASM
6	221-1776	1	TUBE ASM
7	400318X1	6	SEAL-O-RING
8	CH4D-9517	1	CLIP
9	WR561071	1	BOLT (3/8-16X3)
10	CH6V-8398	2	SEAL-O-RING
11	400287X1	4	WASHER-HARD (11X21X2.5)
12	400059X1	3	BOLT (M10X1.5X35MM)
13	400018X1	1	ELBOW
14	CH9S-8004	5	PLUG
15	CH5P-6442	1	HOSE (26CM)

[A] PART OF 172-5363;172-5364;187-1743;
187-1744 INSTALLATION AR-ENGINE

0898139A
PR: t05i29k58b0063

MT800 SERIES TRACTORS
FUEL SYSTEM

LINES GP-FUEL - 213-9315
MT835 & MT845



**MT800 SERIESTRACTORS
FUEL SYSTEM**

179

**LINES GP-FUEL - 213-9315
MT835 & MT845**

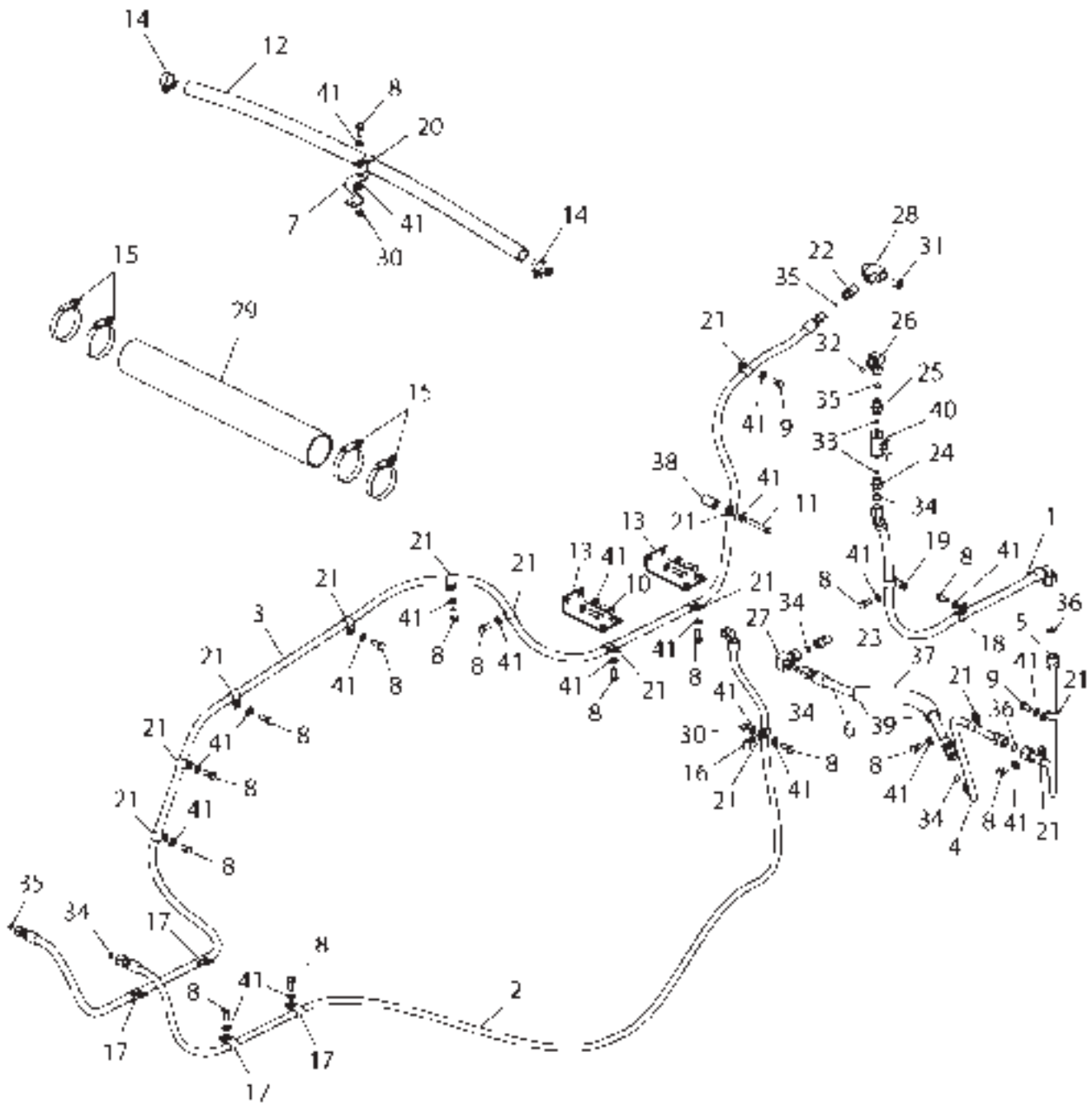
ITEM	NUMBER	QTY	DESCRIPTION
	213-9315		LINES GP-FUEL [A] (NOT SERVICED)
1	CH7K-1181	2	STRAP-CABLE 0.19-4.00
2	CH7X-7958	2	CLAMP-25-44IDX16 CONST TENSION
3	CH206-0325	1	VALVE-3/4-16 THD
4	209-0141	2	BRACKET AS
5	CH8T-4985	4	CLAMP-HOSE 83-105ID CONST LOAD
6	212-3811	1	HOSE AS-12.7 ID CMS 5774
7	212-3813	1	HOSE AS-9.5 ID CMS 5774
8	212-3814	1	TUBE AS.
9	212-3815	1	TUBE AS.
10	214-0041	1	HOSE AS-9.52 ID CMS 5774
11	214-0042	1	TUBE AS.
12	CH215-6489	1	SPACER-12 IDX22 ODX40 ZN
13	217-5924	1	HOSE AS-12.7 ID CMS 5574
14	220-8642	1	BRACKET
15	224-7075	1	SPACER
16	CH033-6033	7	SEAL-O-RING 12.4IDX1.78DIA
17	CH2B-0858	1	PLUG-8 NPTF 9.52SQR.CNTRSK
18	CH3S-8664	4	CLIP-LOOP 19.05 ID
19	CH6D-4246	1	CLIP-LOOP 19.05ID
20	CH6V-5049	2	SEAL-O RING 11.89IDX1.98 DIA
21	400627X1	1	CONNECTOR-STR-8STOR-6ORFS
22	CH6V-8639	1	CONNECTOR-STR-12.7 STR -8 ORFS
23	400686X1	1	ELBOW-90DEG 8 ORFS SWVL
24	400429X1	1	CONNECTOR-STR -6 STOR-8 ORFS
25	400689X1	1	CLIP LOOP 38.1ID
26	CH8C-6870	1	CONNECTOR-8 NPTF X 6 ORFS
27	CH8C-6872	1	CONNECTOR-8 NPTF X 8 ORFS
28	CH8L-2746	2	SEAL-O-RING 15.61IDX1.78DIA
29	CH8L-2779	3	SEAL-O-RING 9.25ID X 1.78DIA
30	CH8L-2786	2	SEAL-O RING 16.36IDX2.21 DIA
31	CH8M-2770	1	CLIP-LOOP 12.7 ID
32	CH8T-0788	1	ELBOW-90DEG 6STORX6 ORFS SWVL
33	400287X1	24	WASHER-HARD 11IDX21ODX2.5 ZND1
34	WR522218	1	NUT-M10-1.5,CL10.9,ZN,H,REG
35	400039X1	15	BOLT-M10X1.5X25 ZNDI HHD 10.9
36	400040X1	2	BOLT-M10X1.5X20 ZNDI HHD 10.9
37	400058X1	4	BOLT-M10X1.5X30 ZNDI HHD 10.9
38	400066X1	1	BOLT-M10X1.5X70 ZNDI HHD 10.9
39	400240X1	1	BOLT-M10X1.5X110 ZNDI HHD 10.9
40	400702X1	13	CLIP-ONE TUBE COATED
41	CH9X-8250	1	CLIP-LOOP 23.8 ID
42	500142D1	1	FITTING-TEE
43	500291D1	1	HOSE-TRANSFER
44	CH146-7453	AR	HOSE-BULK 25.4 ID HTEMP L PRES (116CM)
45	400691X1	AR	SLEEVE-ABRASION BULK 31.75ID (25CM)

[A] PART OF 172-5361;172-5362;187-1741;
187-1742 INSTALLATION AR

2139315A
PR: t05i29k58b0064

MT800 SERIESTRACTORS
FUEL SYSTEM

LINES GP-FUEL - 179-2183
MT855 & MT865



**MT800 SERIESTRACTORS
FUEL SYSTEM**

181

**LINES GP-FUEL - 179-2183
MT855 & MT865**

ITEM	NUMBER	QTY	DESCRIPTION
-	179-2183	--	LINES GP-FUEL [A] (NOT SERVICED)
1	212-3811	1	HOSE AS-12.7 ID CMS 5774
2	CH212-3812	1	HOSE AS 9.5 ID CMS 5774
3	212-3813	1	HOSE AS-9.5 ID CMS 5774
4	212-3814	1	TUBE AS.
5	212-3815	1	TUBE AS.
6	217-5924	1	HOSE AS-12.7 ID CMS 5574
7	220-8642	1	BRACKET
8	400039X1	16	BOLT-M10X1.5X25 ZNDI HHD 10.9
9	400040X1	16	BOLT-M10X1.5X20 ZNDI HHD 10.9
10	400058X1	16	BOLT-M10X1.5X30 ZNDI HHD 10.9
11	400066X1	16	BOLT-M10X1.5X70 ZNDI HHD 10.9
12	CH146-7453	116	HOSE-BULK 25.4 ID HTEMP L PRES (116CM)
13	209-0141	2	BRACKET AS
14	CH7X-7958	2	CLAMP-25-44IDX16 CONST TENSION
15	CH8T-4985	4	CLAMP-HOSE 83-105ID CONST LOAD
16	CH8M-2770	1	CLIP-LOOP 12.7 ID
17	CH3S-8664	4	CLIP-LOOP 19.05 ID
18	CH6D-4246	1	CLIP-LOOP 19.05ID
19	CH9X-8250	1	CLIP-LOOP 23.8 ID
20	400689X1	1	CLIP LOOP 38.1ID
21	400702X1	14	CLIP-ONE TUBE COATED
22	CH8C-6870	1	CONNECTOR-8 NPTF X 6 ORFS
23	CH8C-6872	1	CONNECTOR-8 NPTF X 8 ORFS
24	CH6V-8639	1	CONNECTOR-STR-12.7 STR -8 ORFS
25	400627X1	1	CONNECTOR-STR-8STOR-6ORFS
26	CH8T-0788	1	ELBOW-90DEG 6STORX6 ORFS SWVL
27	400686X1	1	ELBOW-90DEG 8 ORFS SWVL
28	500142D1	1	FITTING-TEE
29	500291D1	1	HOSE-TRANSFER
30	WR522218	2	NUT-M10-1.5,CL10.9,ZN,H,REG
31	CH2B-0858	1	PLUG-8 NPTF 9.52SQR.CNTRSK
32	CH6V-5049	1	SEAL-O RING 11.89IDX1.98 DIA
33	CH8L-2786	2	SEAL-O RING 16.36IDX2.21 DIA
34	CH033-6033	5	SEAL-O-RING 12.4IDX1.78DIA
35	CH8L-2779	3	SEAL-O-RING 9.25ID X 1.78DIA
36	CH8L-2746	2	SEAL-O-RING 15.61IDX1.78DIA
37	400691X1	25	SLEEVE-ABRASION BULK 31.75ID (25CM)
38	CH215-6489	1	SPACER-12 IDX22 ODX40 ZN
39	CH7K-1181	2	STRAP-CABLE 0.19-4.00
40	CH206-0325	1	VALVE-3/4-16 THD
41	400287X1	25	WASHER-HARD 11IDX21ODX2.5 ZND1

[A] PART OF 172-5363;172-5364;187-1743;
187-1744 INSTALLATION AR-ENGINE

1792183A
PR: t05i29k58b0065

MT800 SERIESTRACTORS
FUEL SYSTEM

183

LINES GP-FUEL - 197-1317

ITEM	NUMBER	QTY	DESCRIPTION
-	197-1317	--	LINES GP-FUEL [A]
1	CH8C-5053	1	ADAPTER
2	CH7X-7958	1	CLAMP-HOSE
3	CH034-4202	1	ELBOW
4	197-7948	1	HOSE
5	200-1300	1	TUBE ASM
6	192-6386	1	HOSE
7	CH4I-5399	1	GROMMET
8	CH5P-7701	2	SEAL-O-RING
9	CH6D-4246	2	CLIP
10	400365X1	2	SEAL-O-RING
11	CH6V-9876	1	ELBOW
12	400583X1	1	ELBOW
13	400598X1	2	CLIP
14	CH8L-2779	2	SEAL-O-RING
15	CH8L-2786	1	SEAL-O-RING
16	400058X1	2	BOLT (M10X1.5X30MM)
17	400287X1	3	WASHER-HARD (11X21X2.5)
18	400039X1	1	BOLT (M10X1.5X25MM)
19	CH221-2002	1	VALVE-BALL (8NPTF)
20	CH8C-6870	1	CONNECTOR (6ORFSX8NPT)

[A] PART OF 197-8558 TANK AR-FUEL

1971317A
PR: t05i29k58b0066

NO ILLUSTRATION

**MT800 SERIESTRACTORS
FUEL SYSTEM**

185

TANK & MTG GP-FUEL - 179-2182

ITEM	NUMBER	QTY	DESCRIPTION
-	179-2182	--	TANK & MTG GP-FUEL [A] (NOT SERVICED)
1	186-5431	1	SUPPORT GP-FUEL TANK (NOT SERVICED) (SEE BREAKDOWN FOR COMPONENTS)
2	186-5432	1	TANK GP-FUEL (NOT SERVICED) (SEE BREAKDOWN FOR COMPONENTS)

[A] PART OF 179-1953 CHASSIS AR

NOTIF1
PR: t05i29k58b0067

186

MT800 SERIESTRACTORS
FUEL SYSTEM

TANK AR-FUEL - 197-8558
AUXILIARY 94.8 LITERS (25 GALLONS)

NO ILLUSTRATION

NOTIF2

**MT800 SERIESTRACTORS
FUEL SYSTEM**

187

**TANK AR-FUEL - 197-8558
AUXILIARY 94.8 LITERS (25 GALLONS)**

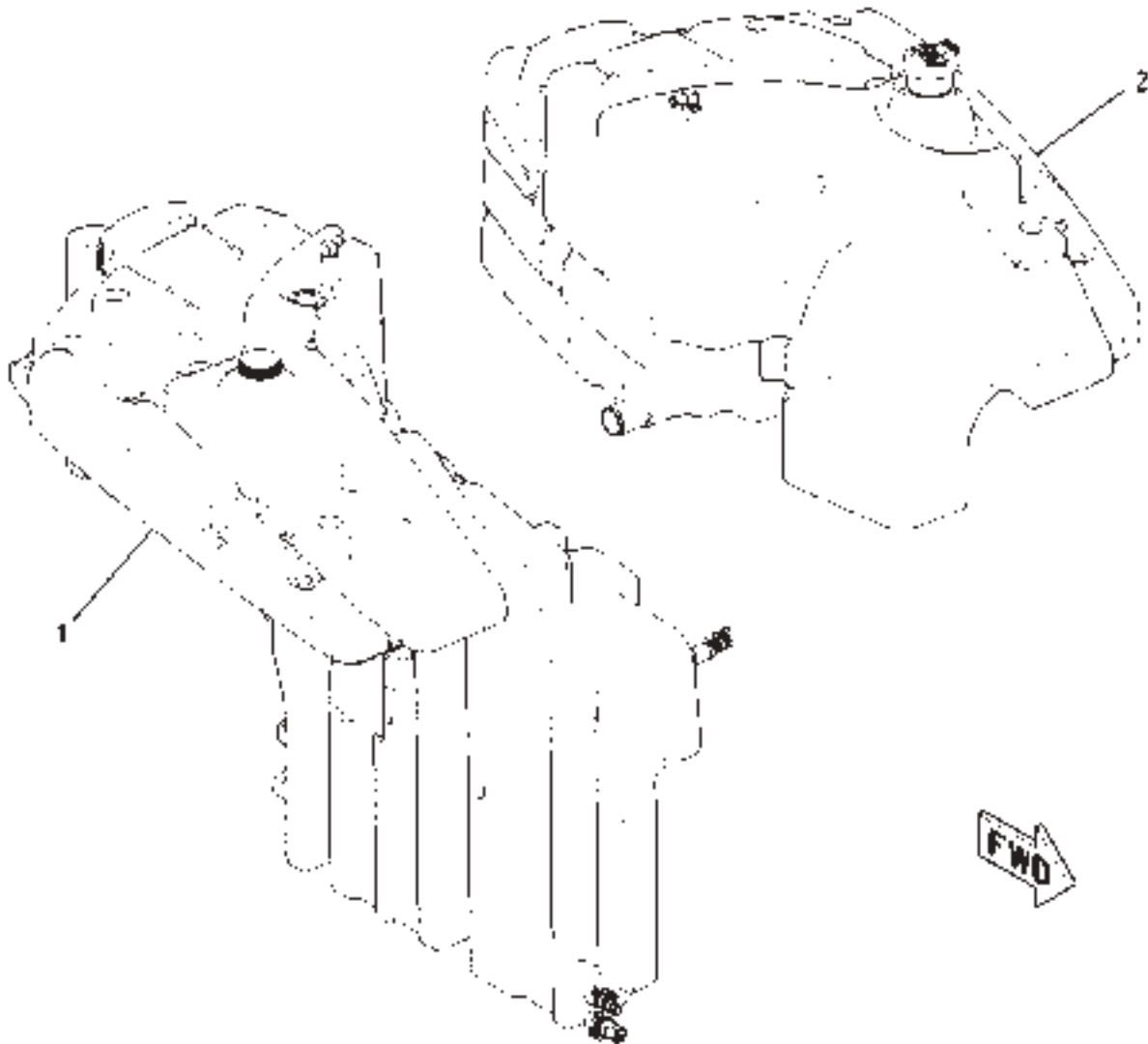
ITEM	NUMBER	QTY	DESCRIPTION
-	502771D1	--	TANK AR-3RD FUEL TANK (FACT OPT) (MT835,MT845,MT855) (NOT SERVICED)
-	502760D1	--	TANK AR-3RD FUEL TANK (FIELD INSTALLED) (INCLUDES 197-8558 & INSTRUCTIONS) (MT835,MT845,MT855)
-	197-8558	--	TANK AR-FUEL [A] (INCLS ITEMS 1 & 2)
1	197-1317	1	LINES GP-FUEL (NOT SERVICED) (SEE BREAKDOWN FOR COMPONENTS)
2	206-8891	1	TANK GP-FUEL (NOT SERVICED) (SEE BREAKDOWN FOR COMPONENTS)

[A] PART OF:
156-5584; 179-2196 BASE UNIT AR;
502760D1; 502771D1 TANK AR-FUEL

NOTIF2
PR: t05i29k58b0068

MT800 SERIE TRACTORS
FUEL SYSTEM

TANK GP-FUEL - 186-5432
1155 LITERS (305 GALLONS)



**MT800 SERIESTRACTORS
FUEL SYSTEM**

189

**TANK GP-FUEL - 186-5432
1155 LITERS (305 GALLONS)**

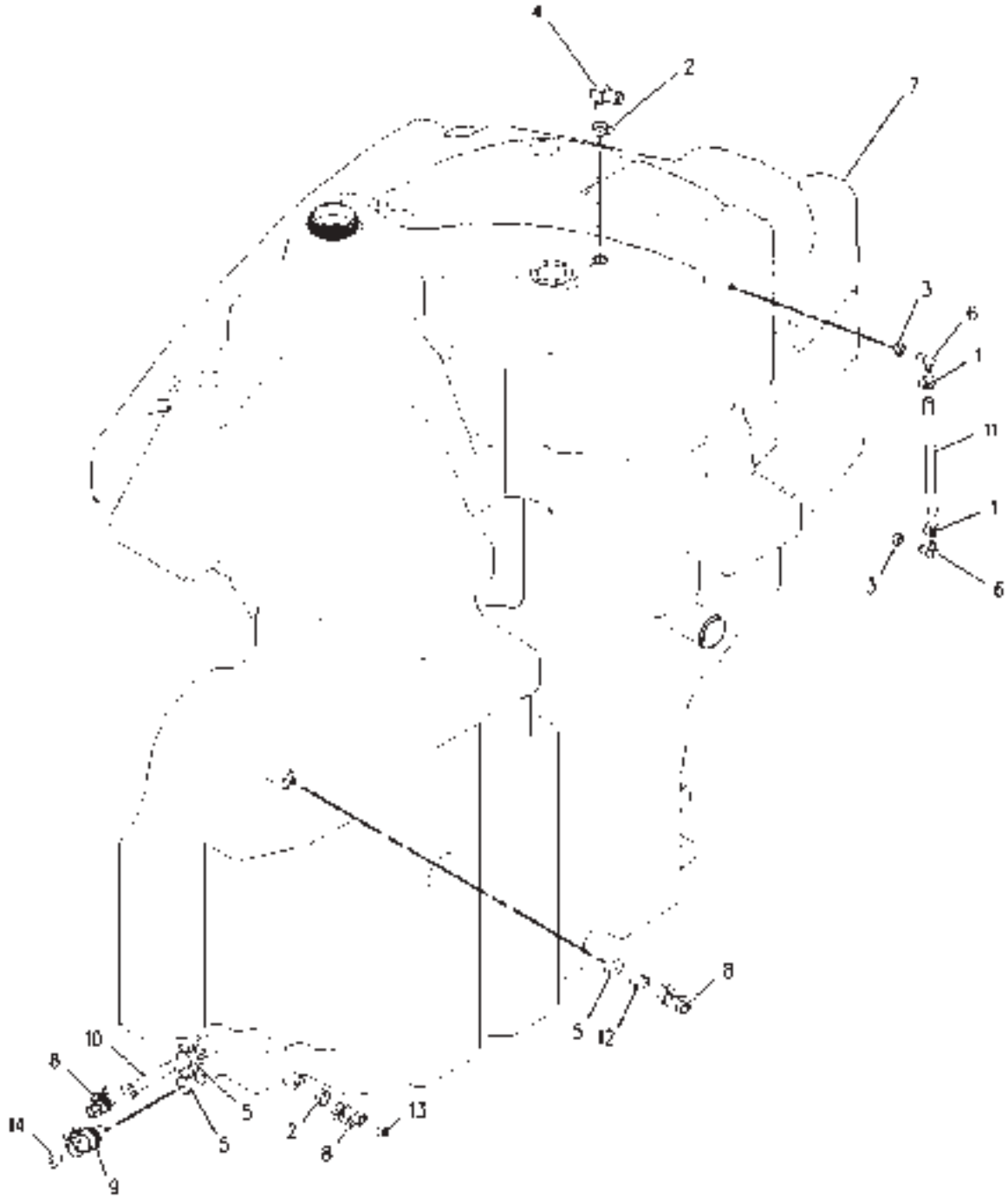
ITEM	NUMBER	QTY	DESCRIPTION
-	186-5432	--	TANK GP-FUEL [A] (NOT SERVICED)
1	196-7742	1	TANK GP-FUEL (RH) (NOT SERVICED) (SEE BREAKDOWN FOR COMPONENTS)
2	500016D1	1	TANK GP-FUEL (LH) (NOT SERVICED) (SEE BREAKDOWN FOR COMPONENTS)

[A] PART OF 179-2182 TANK & MTG GP-FUEL

00886907
PR: t05i29k58b0069

MT800 SERIE TRACTORS
FUEL SYSTEM

TANK GP-FUEL - 196-7742
RIGHT HAND



**MT800 SERIESTRACTORS
FUEL SYSTEM**

191

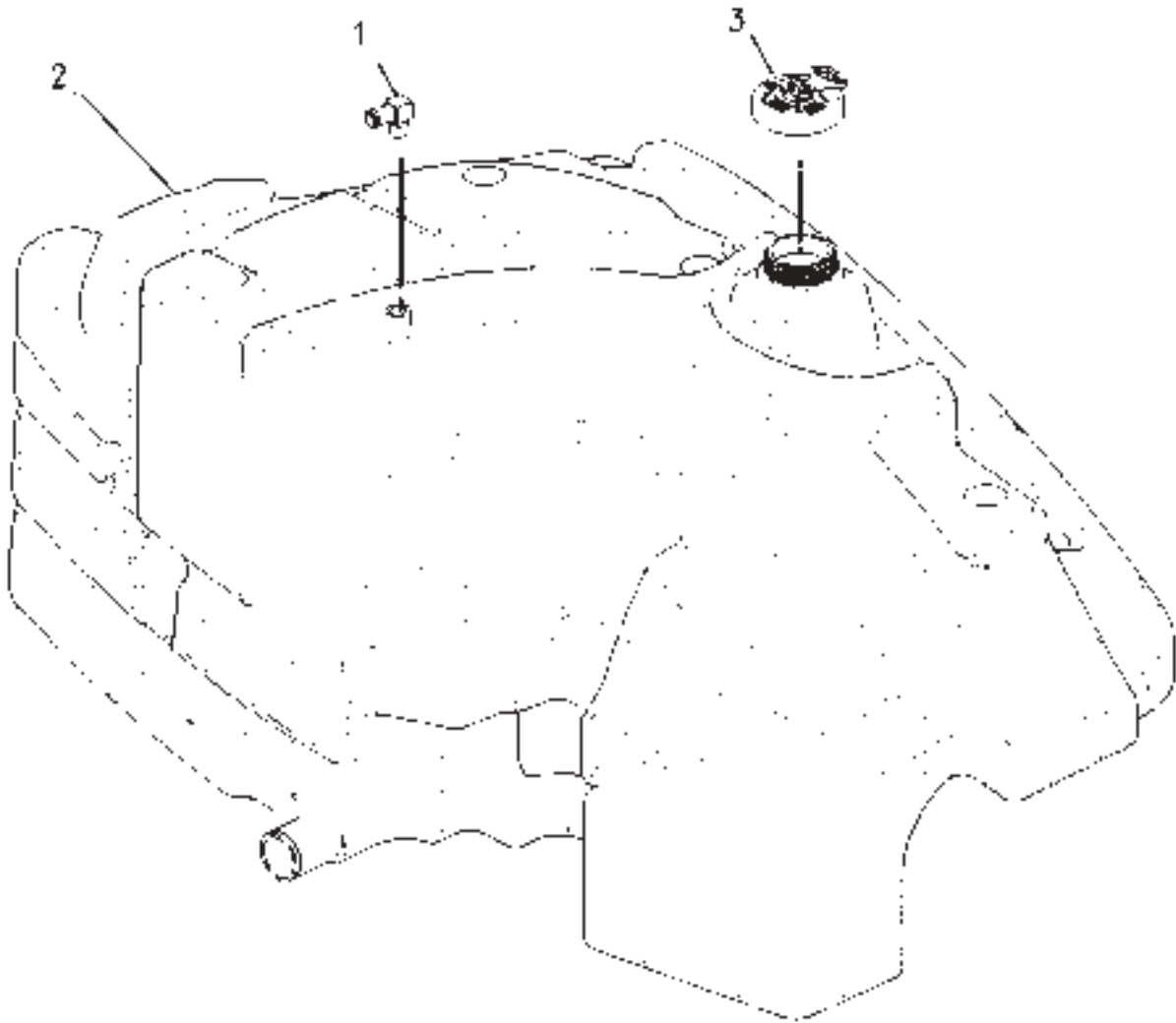
**TANK GP-FUEL - 196-7742
RIGHT HAND**

ITEM	NUMBER	QTY	DESCRIPTION
-	196-7742	--	TANK GP-FUEL [A] (NOT SERVICED)
1	CH1P-4278	2	CLAMP-HOSE
2	CH2S-3440	2	CLAMP-HOSE
3	CH6W-5698	2	GROMMET
4	CH7W-1890	1	ELBOW
5	CH9M-2904	3	CLAMP-HOSE
6	CH186-5862	2	ELBOW
7	188-0771	1	TANK-FUEL (RH)
8	CH221-2002	3	VALVE-BALL (FUEL SHUT-OFF)
9	CH221-2003	1	VALVE-BALL (FUEL SHUT-OFF)
10	CH221-3265	1	STRAINER (SUCTION)
11	200-2841	AR	HOSE-BULK-90CM (31CM REQ'D)
12	CH061-9593	1	BUSHING-REDUCER
13	CH2B-0858	1	PLUG-PIPE
14	CH3B-0551	1	PLUG-PIPE

[A] PART OF 186-5432 TANK GP-FUEL

00888761
PR: t05i29k58b0070

TANK GP-FUEL - 500016D1
LEFT HAND



**MT800 SERIESTRACTORS
FUEL SYSTEM**

193

**TANK GP-FUEL - 500016D1
LEFT HAND**

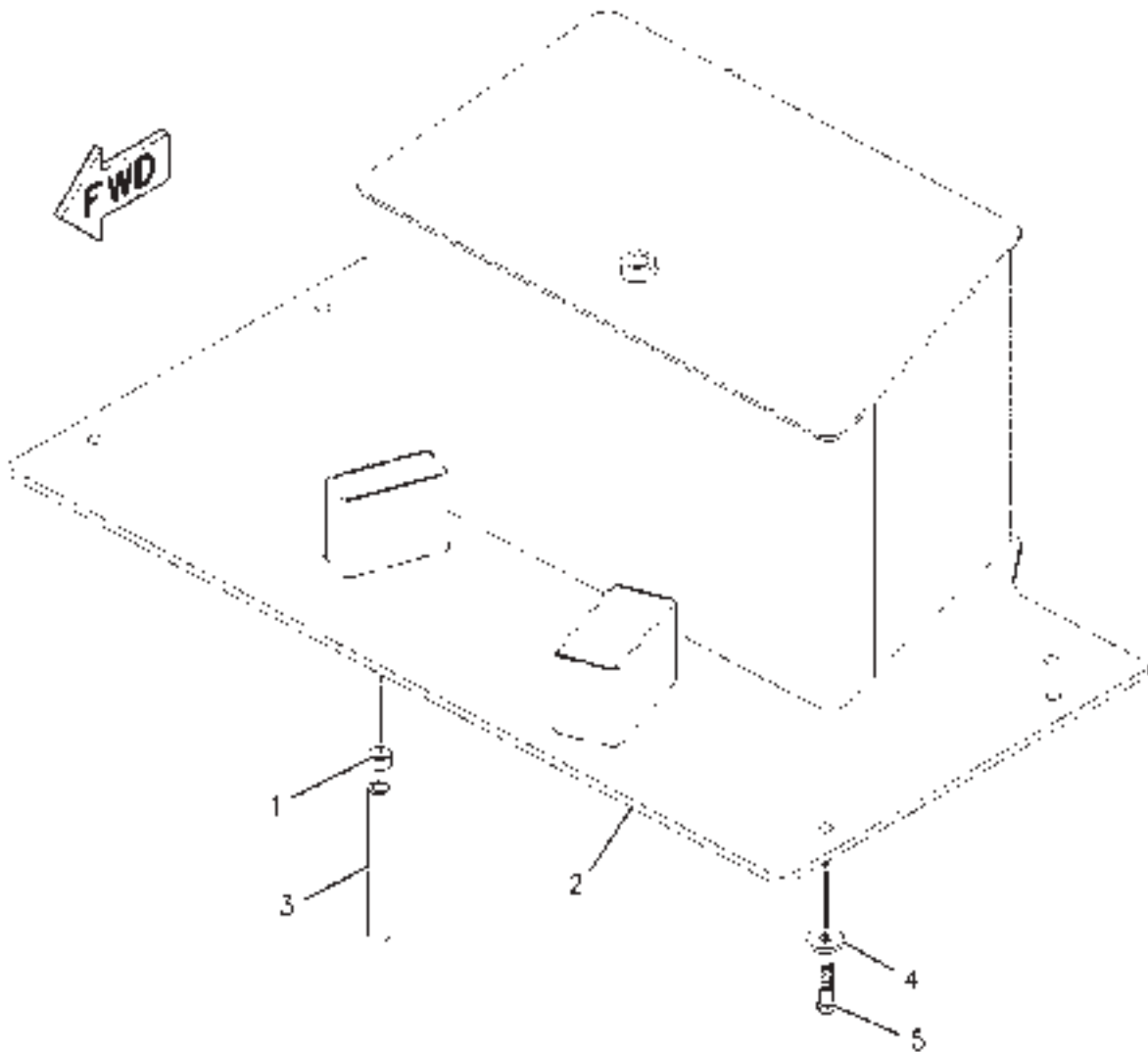
ITEM	NUMBER	QTY	DESCRIPTION
-	500016D1	--	TANK GP-FUEL [A] (NOT SERVICED)
1	CH7W-1890	1	ELBOW-90DEG (12NPTFX25.4ODBARB)
2	500017D1	1	TANK-FUEL (LH)
3	500019D1	1	FUEL CAP AS-2 WAY VENTING

[A] PART OF 186-5432 TANK GP-FUEL

500016DB
PR: t05i29k58b0071

MT800 SERIESTRACTORS
FUEL SYSTEM

TANK GP-FUEL - 206-8891
94.63 LITERS (25 GALLONS)



00891934

**MT800 SERIESTRACTORS
FUEL SYSTEM**

195

**TANK GP-FUEL - 206-8891
94.63 LITERS (25 GALLONS)**

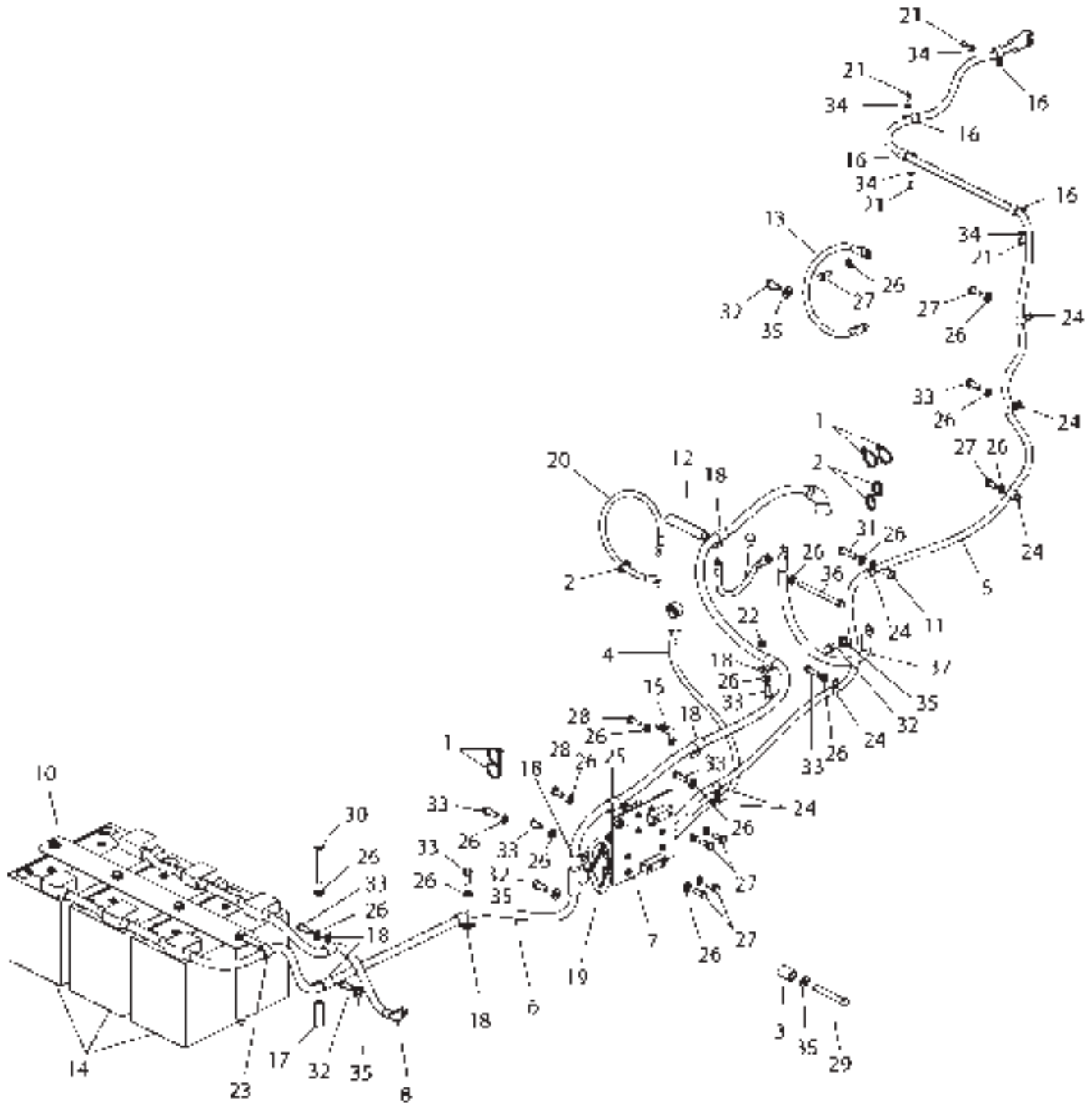
ITEM	NUMBER	QTY	DESCRIPTION
-	206-8891	--	TANK GP-FUEL [A] (NOT SERVICED)
1	400108X1	1	CLAMP-HOSE
2	193-7868	1	TANK GP-FUEL
	CH9S-7583	1	PLUG (2 1/2-12)
	CH030-4606	1	SEAL-O-RING
3	CH210-2265		HOSE (19 CM)
4	CH7X-0618	6	WASHER-HARD (13.5X40X5)
5	400057X1	6	BOLT (M12X1.75X50MM)

[A] PART OF 197-8558 TANK AR-FUEL

00891934
PR: t05i29k58b0072

MT800 SERIESTRACTORS
ELECTRICAL AND STARTING SYSTEM

BATTERY & WIRING GP - 136-5658
3 BATTERIES WITHOUT DISCONNECT SWITCH
MT835 & MT845



**MT800 SERIESTRACTORS
ELECTRICAL AND STARTING SYSTEM**

197

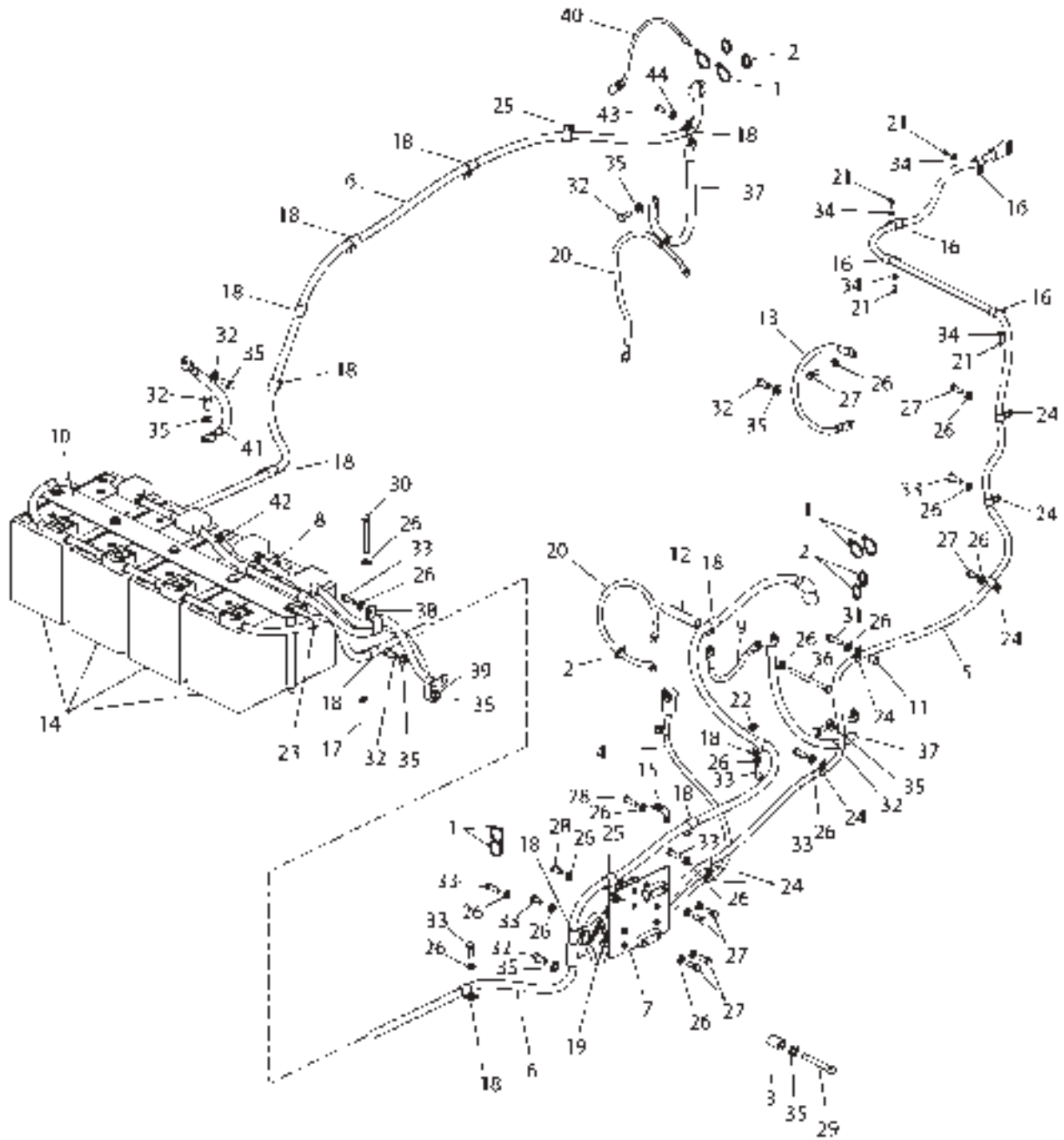
**BATTERY & WIRING GP - 136-5658
3 BATTERIES WITHOUT DISCONNECT SWITCH
MT835 & MT845**

ITEM	NUMBER	QTY	DESCRIPTION
-	136-5658	--	BATTERY & WIRING GP (NOT SERVICED)
1	400837X1	6	STRAP-CABLE (44.45X4.93MM)
2	CH7K-1181	3	STRAP-CABLE (0.19-4.00)
3	CH8V-9708	1	SPACER (4.31IDX25.4ODX35MM)
4	136-5225	1	CABLE ASM-BATTERY (POSITIVE)
5	136-5270	1	CABLE ASM-BATTERY (POSITIVE)
6	136-5612	1	CABLE ASM (POSITIVE)
7	136-5654	1	CIRCUIT BREAKER GP (NOT SERVICED) (SEE BREAKDOWN FOR COMPONENTS)
8	501114D1	1	CABLE ASM-4AWG (NEGATIVE)
9	142-9738	1	CABLE ASM (NEGATIVE)
10	142-9760	1	MOUNTING GP-BATTERY (NOT SERVICED) (SEE BREAKDOWN FOR COMPONENTS)
11	CH200-8649	1	SPACER
12	CH211-3590	1	SPACER
13	223-0687	1	CABLE-GROUND
14	502446D1	3	BATTERY-MAINT FREE (DRY)
	CH123-1373	6	PLUG ASM-FILLER
15	CH132-5789	1	CLIP-LADDER 90DEGX47.5MM V COAT
16	CH134-3988	4	CLIP
17	CH212-0279	1	SPACER
18	CH3S-8664	7	CLIP-LOOP (19.05ID)
19	CH4K-8864	4	CLIP-LOOP (14.29ID)
20	500627D1	1	CABLE ASM-NEG (ALT GND) (1060MM LG) (EARLY VERSION)
20	502183D1	1	CABLE ASM-NEG (ALT GND) (472.5MM LG) (LATER VERSION)
21	400152X1	4	BOLT (M6X1X16MM)
22	CH5J-4715	1	WASHER
23	400695X1	1	CLIP-LOOP (20.64ID)
24	CH8M-2770	8	CLIP
25	CH8S-0948	1	CLIP
26	400287X1	22	WASHER-HARD (11X21X2.5)
27	400039X1	6	BOLT (M10X1.5X25MM)
28	400040X1	5	BOLT (M10X1.5X20MM)
29	400046X1	1	BOLT (M12X1.75X90)
30	400225X1	1	BOLT (M10X1.5X90MM)
31	400052X1	1	BOLT (M10X1.5X40)
32	400055X1	4	BOLT (M12X1.75X25)
33	400058X1	8	BOLT (M10X1.5X30MM)
34	CH8T-4205	4	WASHER-HARD (7.2X14.5X2MM)
35	400357X1	5	WASHER-HARD (M12X25.5X3)
36	400233X1	1	BOLT (M10X1.5X130)
37	136-5340	1	CABLE ASM (NEGATIVE)

1365658A
PR: t05i29k58b0073

MT800 SERIES TRACTORS
ELECTRICAL AND STARTING SYSTEM

BATTERY & WIRING GP - 136-5662
4 BATTERIES WITHOUT DISCONNECT SWITCH



1365662A

**MT800 SERIESTRACTORS
ELECTRICAL AND STARTING SYSTEM**

199

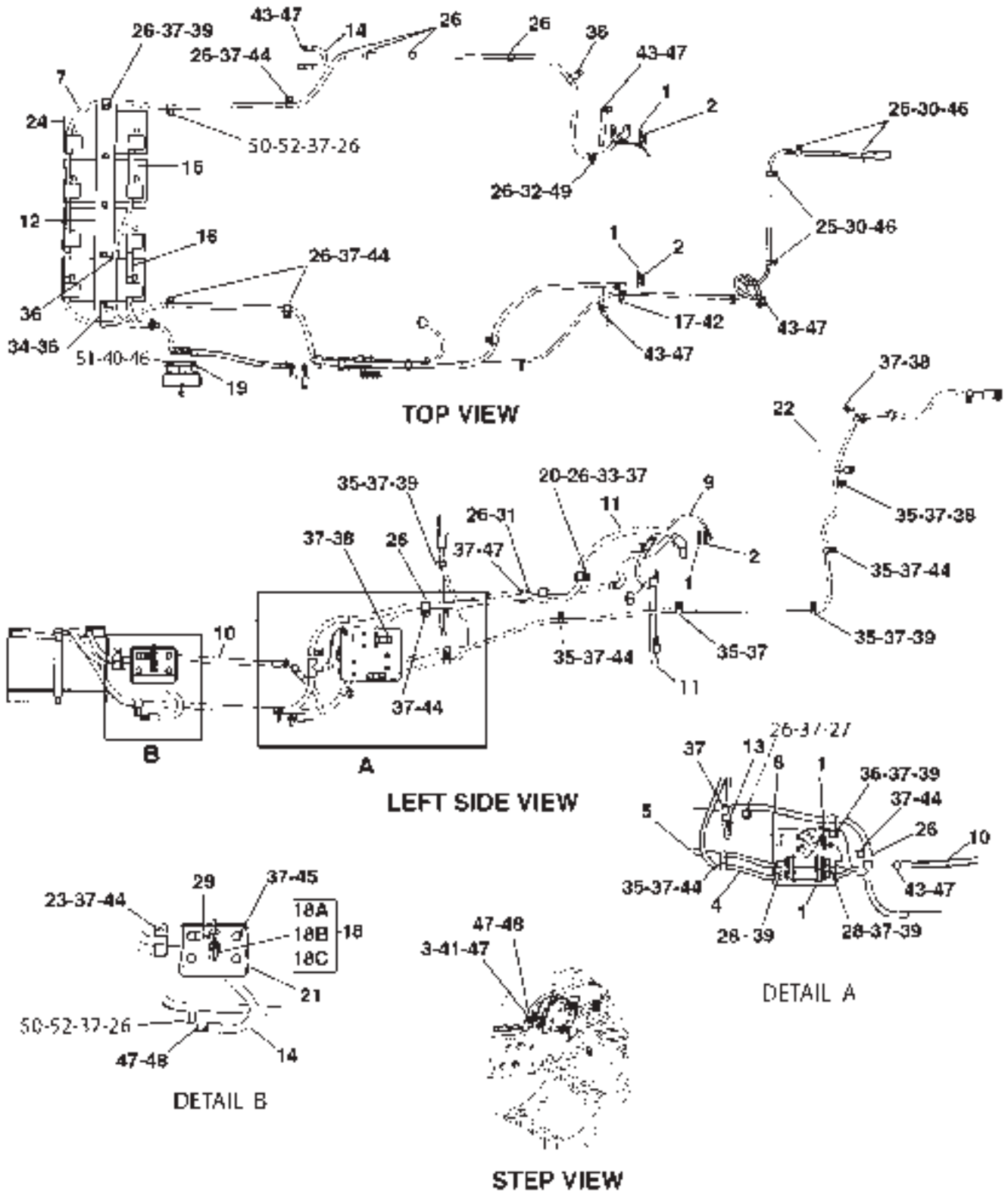
**BATTERY & WIRING GP - 136-5662
4 BATTERIES WITHOUT DISCONNECT SWITCH**

ITEM	NUMBER	QTY	DESCRIPTION
-	136-5662	--	BATTERY & WIRING GP (NOT SERVICED)
1	400837X1	9	STRAP-CABLE (44.45X4.93MM)
2	CH7K-1181	5	STRAP-CABLE (0.19-4.00)
3	CH8V-9708	1	SPACER (4.31IDX25.4ODX35MM)
4	136-5225	1	CABLE ASM-BATTERY (POSITIVE)
5	136-5270	1	CABLE ASM-BATTERY (POSITIVE)
6	136-5631	1	CABLE ASM (POSITIVE)
7	136-5654	1	CIRCUIT BREAKER GP (NOT SERVICED) (SEE BREAKDOWN FOR COMPONENTS)
8	501112D1	1	CABLE ASM-4AWG (NEGATIVE)
9	142-9738	1	CABLE ASM (NEGATIVE)
10	142-9739	1	MOUNTING GP-BATTERY (NOT SERVICED) (SEE BREAKDOWN FOR COMPONENTS)
11	CH200-8649	1	SPACER
12	CH211-3590	1	SPACER
13	223-0687	1	CABLE-GROUND
14	502446D1	4	BATTERY-MAINT FREE (DRY)
	CH123-1373	6	PLUG ASM-FILLER
15	CH132-5789	1	CLIP-LADDER 90DEGX47.5MM V COAT
16	CH134-3988	4	CLIP
17	CH212-0279	2	SPACER
18	CH3S-8664	14	CLIP-LOOP (19.05ID)
19	CH4K-8864	4	CLIP-LOOP (14.29ID)
20	500627D1	1	CABLE ASM-NEG (ALT GND) (1060MM LG) (EARLY VERSION)
20	502183D1	1	CABLE ASM-NEG (ALT GND) (472.5MM LG) (LATER VERSION)
21	400152X1	4	BOLT (M6X1X16MM)
22	CH5J-4715	1	WASHER
23	400695X1	1	CLIP-LOOP (20.64ID)
24	CH8M-2770	8	CLIP
25	CH8S-0948	4	CLIP
26	400287X1	25	WASHER-HARD (11X21X2.5)
27	400039X1	6	BOLT (M10X1.5X25MM)
28	400040X1	6	BOLT (M10X1.5X20MM)
29	400046X1	1	BOLT (M12X1.75X90)
30	400225X1	2	BOLT (M10X1.5X90MM)
31	400052X1	1	BOLT (M10X1.5X40)
32	400055X1	7	BOLT (M12X1.75X25)
33	400058X1	9	BOLT (M10X1.5X30MM)
34	CH8T-4205	4	WASHER-HARD (7.2X14.5X2MM)
35	400357X1	9	WASHER-HARD (M12X25.5X3)
36	400176X1	1	BOLT (M10X1.5X130)
37	136-5340	2	CABLE ASM (NEGATIVE)
38	CH100-4336	1	CLIP-LOOP (10.3 DBL)
39	CH8T-4244	1	NUT (M12X1.75)
40	136-5657	1	HARNESS ASM
41	142-9839	2	CABLE ASM (NEGATIVE)
42	501110D1	1	CABLE ASM (NEGATIVE)
43	400153X1	1	BOLT (3/8-16X19MM)
44	CH8T-4896	1	WASHER-HARD (10IDX18.5ODX2.5)

1365662A
PR: t05i29k58b0074

MT800 SERIES TRACTORS
ELECTRICAL AND STARTING SYSTEM

BATTERY & WIRING GP - 136-5663
4 BATTERIES WITH DISCONNECT SWITCH



**MT800 SERIESTRACTORS
ELECTRICAL AND STARTING SYSTEM**

201

**BATTERY & WIRING GP - 136-5663
4 BATTERIES WITH DISCONNECT SWITCH**

ITEM	NUMBER	QTY	DESCRIPTION
-	502906D1	--	BATTERY & WIRING GP (NOT SERVICED)
-	136-5663	--	BATTERY & WIRING GP [A] (NOT SERVICED)
1	400837X1	9	STRAP-CABLE
2	CH7K-1181	5	STRAP-CABLE
3	CH8V-9708	1	SPACER
4	136-5225	1	CABLE ASM-BATTERY (POSITIVE)
5	136-5270	1	CABLE ASM-BATTERY (POSITIVE)
6	136-5340	2	CABLE ASM (NEGATIVE)
7	136-5631	1	CABLE ASM-POSITIVE
8	136-5654	1	CIRCUIT BREAKER GP (NOT SERVICED) (SEE BREAKDOWN FOR COMPONENTS)
9	136-5657	1	HARNESS ASM (STARTER CONNECTOR)
	400511X1	1	WEDGE
	9G-3695	1	PLUG
10	502207D1	1	CABLE ASM (NEGATIVE)
11	142-9738	1	CABLE ASM (NEGATIVE)
12	142-9739	1	MOUNTING GP-BATTERY (NOT SERVICED) (SEE BREAKDOWN FOR COMPONENTS)
13	500627D1	1	STRAP (NEGATIVE) (S/N: PRIOR BAM40456;BBP40455;BCC40639;BDS40721)
13	500627D1	1	CABLE ASM (NEGATIVE) (S/N: EFF BAM40456- 40600;BBP40455-40471;BCC40639-40696; BDS40721-40815)
13	502183D1	1	CABLE ASM (NEGATIVE) (S/N: EFF BAM40601; BBP40472;BCC40697;BDS40816)
14	142-9839	2	CABLE ASM (NEGATIVE)
15	501109D1	1	CABLE (NEGATIVE)
16	501111D1	1	CABLE (NEGATIVE)
17	CH200-8649	1	SPACER
18	201-2441	1	SWITCH ASM-DISCONNECT (INCLS ITEMS 18A THRU 18C)
18A	400357X1	4	WASHER-HARD (M12X25.5X3)
18B	CH8T-4244	4	NUT (M12X1.75)
18C	201-2442	1	KEY
19	203-0128	1	PLATE ASM
	CH9R-2672	4	BOSS (M10X20MM)

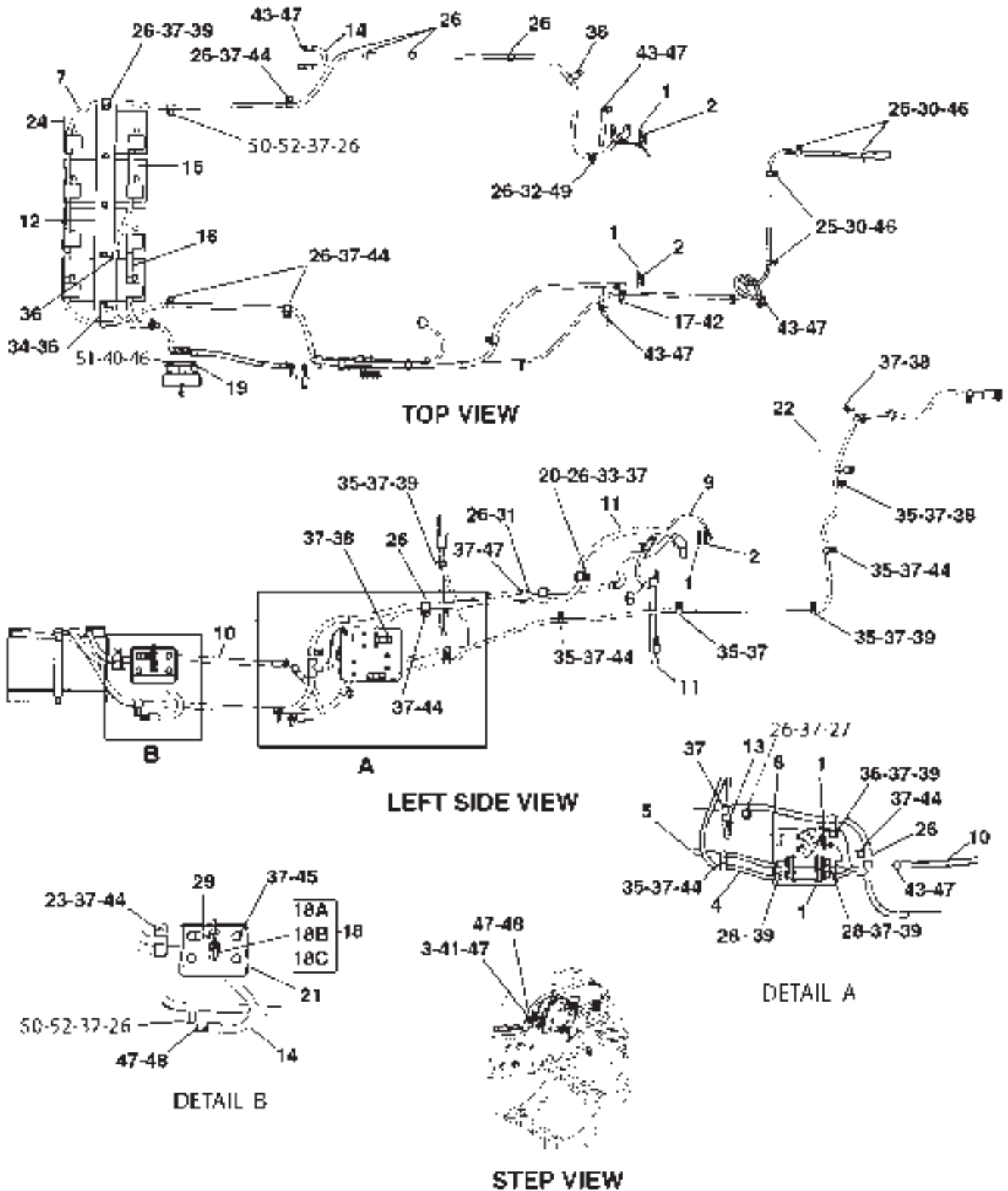
CONTINUED

[A] PART OF: 179-2195; 179-2196;
BASE UNIT AR;
502906D1 BATTERY GP;
500849D1 CAB AR-DELUXE

0892416B
PR: t05i29k58b0075

MT800 SERIES TRACTORS
ELECTRICAL AND STARTING SYSTEM

BATTERY & WIRING GP - 136-5663
4 BATTERIES WITH DISCONNECT SWITCH



**MT800 SERIESTRACTORS
ELECTRICAL AND STARTING SYSTEM**

203

**BATTERY & WIRING GP - 136-5663
4 BATTERIES WITH DISCONNECT SWITCH**

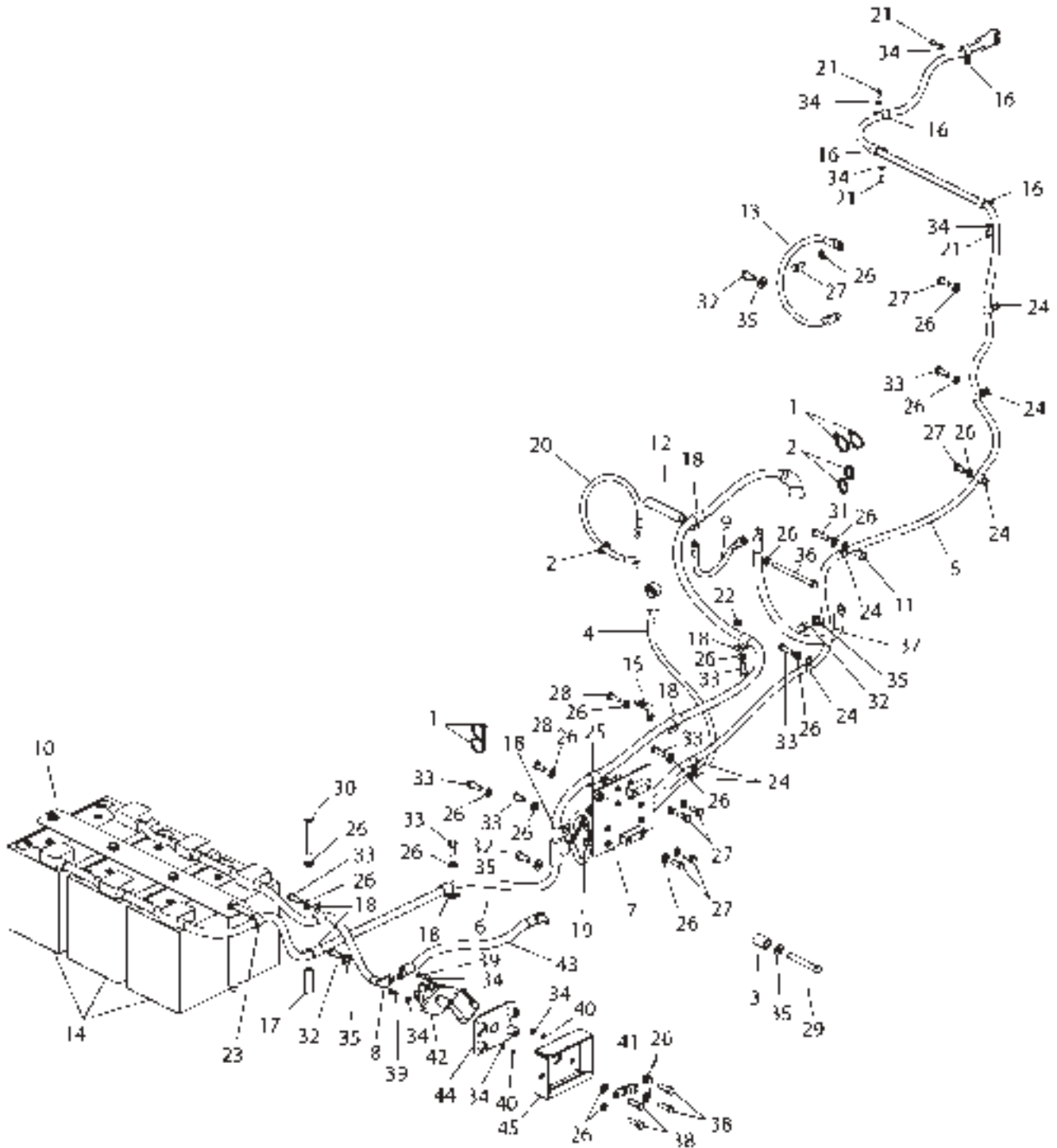
ITEM	NUMBER	QTY	DESCRIPTION
-	136-5663	--	BATTERY & WIRING GP [A] (NOT SERVICED)
20	CH211-3590	1	SPACER
21	218-2771	1	GUARD
22	223-0687	1	CABLE ASM-GROUND
23	CH100-4336	1	CLIP
24	502446D1	4	BATTERY (MAINT-FREE 12V-DRY)
	123-1373	6	PLUG ASM-FILLER
25	CH134-3988	4	CLIP-LOOP (15.88 ID COATED)
26	CH3S-8664	14	CLIP-LOOP (19.05 ID)
27	CH132-5789	1	CLIP-LADDER (90DEGX47.5MM VCOAT)
28	CH4K-8864	4	CLIP-LOOP (14.29 ID)
29	CH4P-7581	1	CLIP-LADDER (15DEGX12.5MM VCOAT)
30	400152X1	4	BOLT (M6X1X16MM)
31	CH5J-4715	1	WASHER (10.3X20.6X4.2)
32	400153X1	1	BOLT (3/8-16X0.75 IN)
33	400176X1	1	BOLT (3/8-16X133)
34	400695X1	1	CLIP-LOOP (20.64 ID)
35	CH8M-2770	8	CLIP-LOOP (12.7 ID)
36	CH8S-0948	4	CLIP-LOOP (20.64 ID)
37	400287X1	29	WASHER-HARD (11X21X2.5)
38	400039X1	6	BOLT (M10X1.5X25MM)
39	400040X1	6	BOLT (M10X1.5X20MM)
40	400221X1	2	BOLT (M6X1X20MM)
41	400046X1	1	BOLT (M12X1.75X90)
42	400052X1	1	BOLT (M10X1.5X40)
43	400055X1	6	BOLT (M12X1.75X25)
44	400058X1	9	BOLT (M10X1.5X30MM)
45	400059X1	4	BOLT (M10X1.5X35MM)
46	CH8T-4205	8	WASHER-HARD (7.2X14.5X2MM)
47	400357X1	9	WASHER-HARD (M12X25.5X3)
48	CH8T-4244	2	NUT (M12X1.75)
49	CH8T-4896	1	WASHER-HARD (10.2X18.5X2.5)
50	CH212-0279	2	SPACER (19.1ODX11.1X62)
51	400300X1	2	NUT (M6X1)
52	400225X1	1	BOLT (M10X1.5X90)

[A] PART OF: 179-2195; 179-2196;
BASE UNIT AR;
502906D1 BATTERY GP;
500849D1 CAB AR-DELUXE

0892416B
PR: t05i29k58b0075

MT800 SERIES TRACTORS
ELECTRICAL AND STARTING SYSTEM

BATTERY GP - 136-5659
3 BATTERY W/DISCONNECT SWITCH



**MT800 SERIESTRACTORS
ELECTRICAL AND STARTING SYSTEM**

205

**BATTERY GP - 136-5659
3 BATTERY W/DISCONNECT SWITCH**

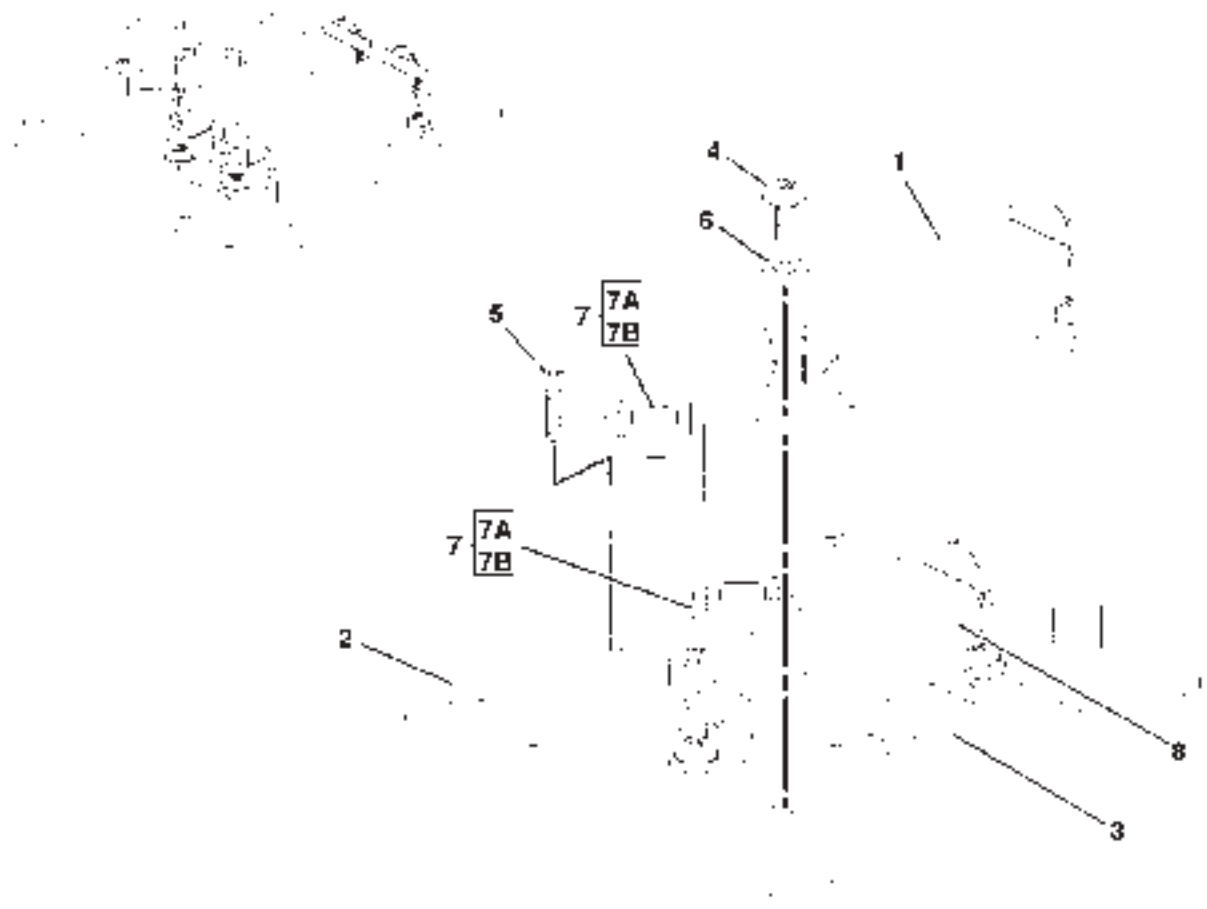
ITEM	NUMBER	QTY	DESCRIPTION
-	136-5659	--	BATTERY GP
1	400837X1	7	STRAP-CABLE (PLASTIC)
2	CH7K-1181	3	STRAP-CABLE 0.19-4.00
3	CH8V-9708	1	SPACER
4	136-5225	1	CABLE AS-POS
5	136-5270	1	CABLE AS-POS
6	136-5612	1	CABLE AS-POS
7	136-5654	1	BREAKER GP-CIRCUIT (NOT SERVICED) (SEE BREAKDOWN FOR COMPONENTS)
8	501113D1	1	CABLE AS-NEG
9	142-9738	1	CABLE AS-NEG
10	142-9760	1	MOUNTING GP-BATTERY (NOT SERVICED) (SEE BREAKDOWN FOR COMPONENTS)
11	CH200-8649	1	SPACER-19ODX12.7IDX14.3MM
12	CH211-3590	1	SPACER-21.34ODX15.8IDX14.3MM
13	223-0687	1	CABLE AS-GND
14	502446D1	3	BATTERY (MAINT FREE-DRY)
15	CH132-5789	1	CLIP-LADDER 90DEGX47.5MM V COAT
16	CH134-3988	4	CLIP-LOOP 15.88 ID W/COAT
17	CH212-0279	1	SPACER 19.1ODX11.1IDX62
18	CH3S-8664	7	CLIP-LOOP 19.05 ID
19	CH4K-8864	4	CLIP-LOOP 14.29ID
20	500627D1	1	CABLE ASM (NEGATIVE) (S/N: PRIOR BAM40601;BBP40472;BCC40697;BDS40816)
20	502183D1	1	CABLE ASM (NEGATIVE) (S/N: EFF BAM40601; BBP40472;BCC40697;BDS40816)
21	400152X1	4	BOLT-M6X1X16MM ZNDI HHD 10.9
22	CH5J-4715	1	WASHER-HARD 10.3IDX20.6ODX4.2
23	400695X1	1	CLIP-LOOP 20.64ID
24	CH8M-2770	8	CLIP-LOOP 12.7 ID
25	CH8S-0948	1	CLIP-LOOP-20.64 ID
26	400287X1	25	WASHER-HARD 11IDX21ODX2.5 ZND1
27	400039X1	8	BOLT-M10X1.5X25 ZNDI HHD 10.9
28	400040X1	4	BOLT-M10X1.5X20 ZNDI HHD 10.9
29	400046X1	1	BOLT-M12X1.75X90 ZNDI HHD 10.9
30	400225X1	1	BOLT-M10X1.5X90 ZNDI HHD 10.9
31	400052X1	1	BOLT-M10X1.5X40 ZNDI HHD 10.9
32	400055X1	3	BOLT-M12X1.75X25 ZNDI HHD 10.9
33	400058X1	8	BOLT-M10X1.5X30 ZNDI HHD 10.9
34	CH8T-4205	8	WASHER-HARD 7.2IDX14.5ODX2MM
35	400357X1	4	WASHER-HARD-M12X25.5ODX3THK
36	400233X1	1	BOLT-M10X1.5X130 ZNDI HHD 10.9
37	136-5340	1	CABLE AS-NEG
38	400059X1	4	BOLT-M10X1.5X35 ZNDI HHD 10.9
39	400221X1	2	BOLT-M6X1X20MM ZNDI HHD 10.9
40	400300X1	2	NUT M6X1
41	CH4P-7581	1	CLIP-LADDER 15DEGX12.5MM V COAT
42	201-2440	1	SWITCH AS-MASTER
	201-2442	1	KEY
	400357X1	2	WASHER-HARD
	CH8T-4244	2	NUT
43	142-9717	1	CABLE AS-NEG
44	203-0128	1	PLATE AS
45	218-2771	1	GUARD

PART OF 179-2193; 179-2194
BASIC UNIT AR

1365659A
PR: t05i29k58b0076

MT800 SERIESTRACTORS
ELECTRICAL AND STARTING SYSTEM

CIRCUIT BREAKER GP - 136-5654
ELECTRONIC CONTROL MODULE



**MT800 SERIESTRACTORS
ELECTRICAL AND STARTING SYSTEM**

207

**CIRCUIT BREAKER GP - 136-5654
ELECTRONIC CONTROL MODULE**

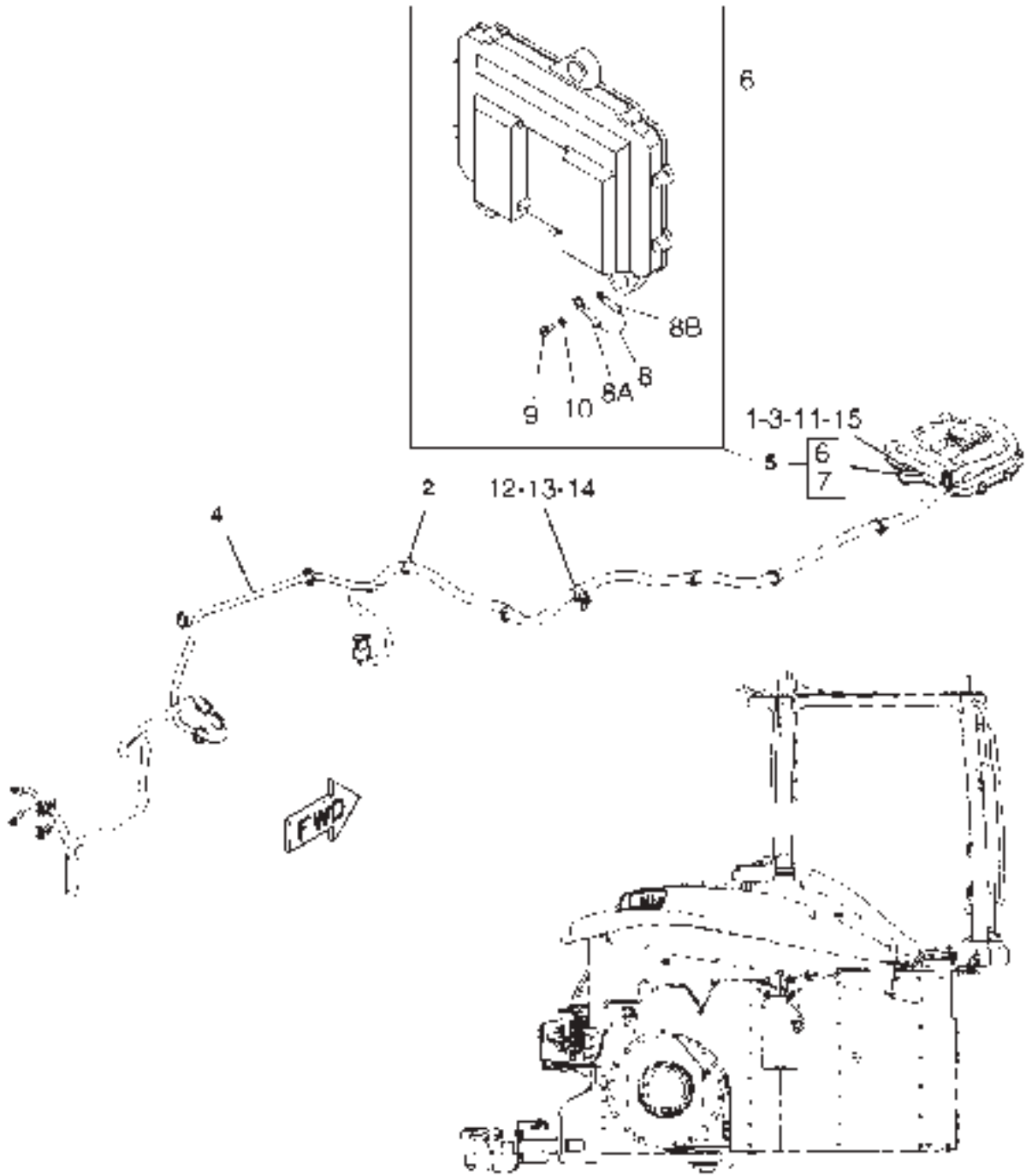
ITEM	NUMBER	QTY	DESCRIPTION
-	136-5654	--	CIRCUIT BREAKER GP [A] (NOT SERVICED)
1	136-5600	1	FUSE (BATTERY)(175 AMP)
2	136-5655	1	BRACKET ASM
3	155-0038	2	HOLDER-FUSE
4	CH9X-2044	4	SCREW-TRUSS HEAD (M6X1X16MM)
5	CH8T-4127	4	SCREW-MACHINE (M5X0.8X20MM)
6	CH8T-4205	4	WASHER-HARD (7.2X14.5X2MM)
7	CH9H-1958	1	CIRCUIT BREAKER GP (20 AMP)(ENGINE ECM)
7A	CH6V-8376	2	SCREW-MACHINE (8-32X0.25 IN)
7B	CH9B-7233	2	LOCKWASHER
8	220-5736	1	FUSE (ALTERNATOR)(200 AMP)

[A] PART OF 136-5658;136-5659;136-5662;
136-5663 BATTERY & WIRING GP

0899311A
PR: t05i29k58b0077

MT800 SERIESTRACTORS
ELECTRICAL AND STARTING SYSTEM

CONTROL & WIRING GP - 136-5670



RIGHT SIDE VIEW

1365670E

**MT800 SERIESTRACTORS
ELECTRICAL AND STARTING SYSTEM**

209

CONTROL & WIRING GP - 136-5670

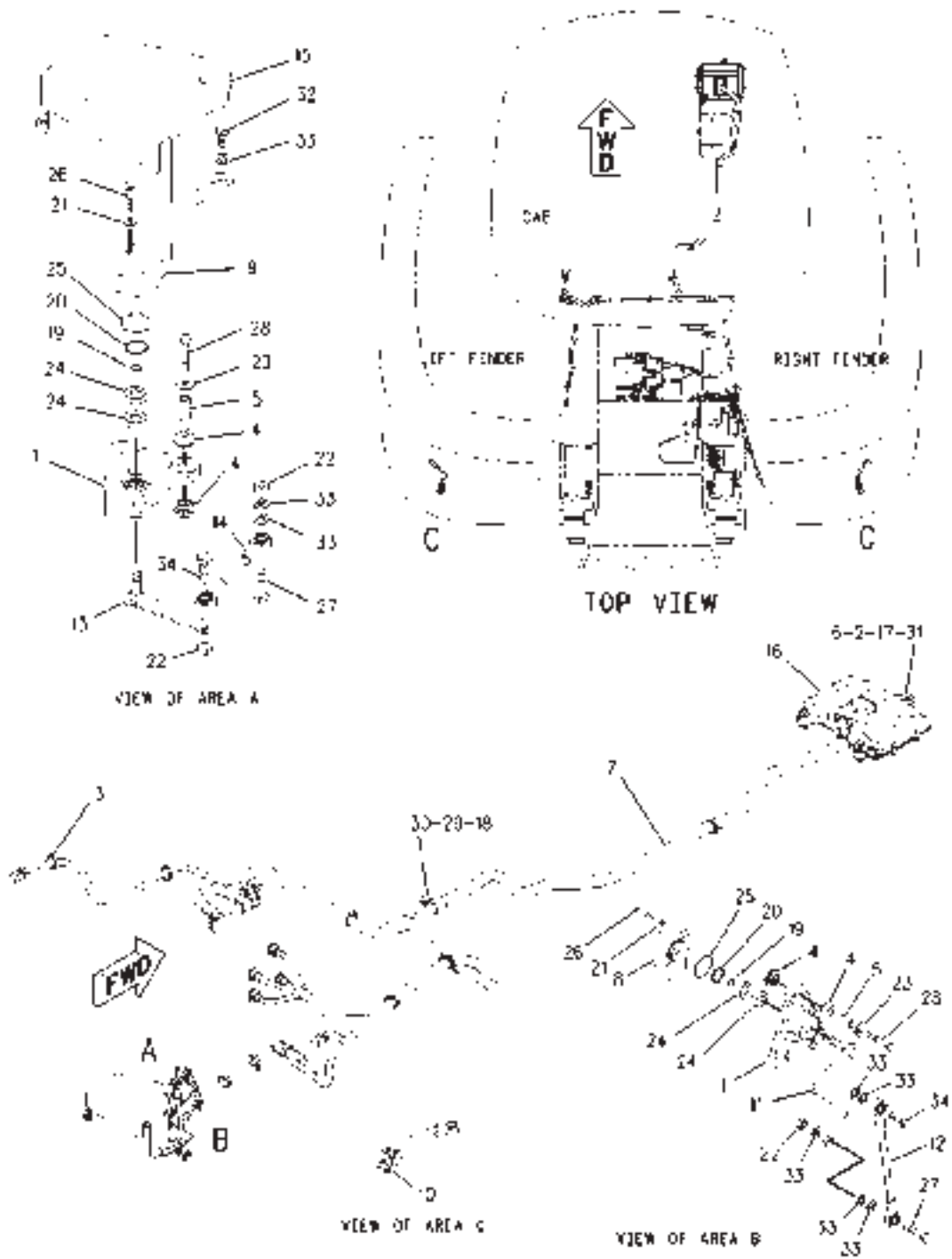
ITEM	NUMBER	QTY	DESCRIPTION
-	136-5670	--	CONTROL & WIRING GP [A][B]
1	CH6I-1418	3	SPACER (8.2X12.7X28.7)
2	CH7K-1181	11	STRAP-CABLE
3	CH8T-9655	6	MOUNT (ISOLATION)
4	136-5536	1	HARNESS ASM
5	229-0888	1	ELECTRONICS GP (INCLS ITEMS 6 & 7) (NOT SERVICED)
6	216-0658	1	CONTROL GP (INCLS ITEMS 8 THRU 10)
	CH126-1773	1	CAP-CONNECTOR (SEALED)
7	256-0184	1	SOFTWARE (LOCATED ON "ONEAGCO" OR CALL 507-847-7222)
8	CH7X-6315	1	STRAP ASM (INCLS 8A & 8B)
8A	CH139-6911	1	TERMINAL-RING
8B	CH7H-1177	1	TERMINAL-RING
9	CH120-4897	1	SCREW-PAN HEAD (M4X0.7X9.5)
10	CH134-4126	1	WASHER (4.52X8.28X.76)
11	400001X1	3	BOLT (M8X1.25X40MM)
12	CH8M-2773	1	CLIP
13	400287X1	1	WASHER-HARD (11X21X2.5)
14	400039X1	1	BOLT (M10X1.5X25MM)
15	CH9N-0869	3	WASHER-HARD (8.8X25.5X2)

[A] PART OF:
180-1438 VALVE AR-IMPL
500795D1 VALVE AR-IMPL
502052D1 VALVE AR-IMPL
502218D1 CONVERSION GP-CONTROL VALVE
185-8699 CONVERSION GP-CONTROL VALVE

1365670E
PR: t05i29k58b0078

MT800 SERIESTRACTORS
ELECTRICAL AND STARTING SYSTEM

CONTROL & WIRING GP-HITCH - 136-5378
LIFT CIRCUIT



**MT800 SERIESTRACTORS
ELECTRICAL AND STARTING SYSTEM**

211

**CONTROL & WIRING GP-HITCH - 136-5378
LIFT CIRCUIT**

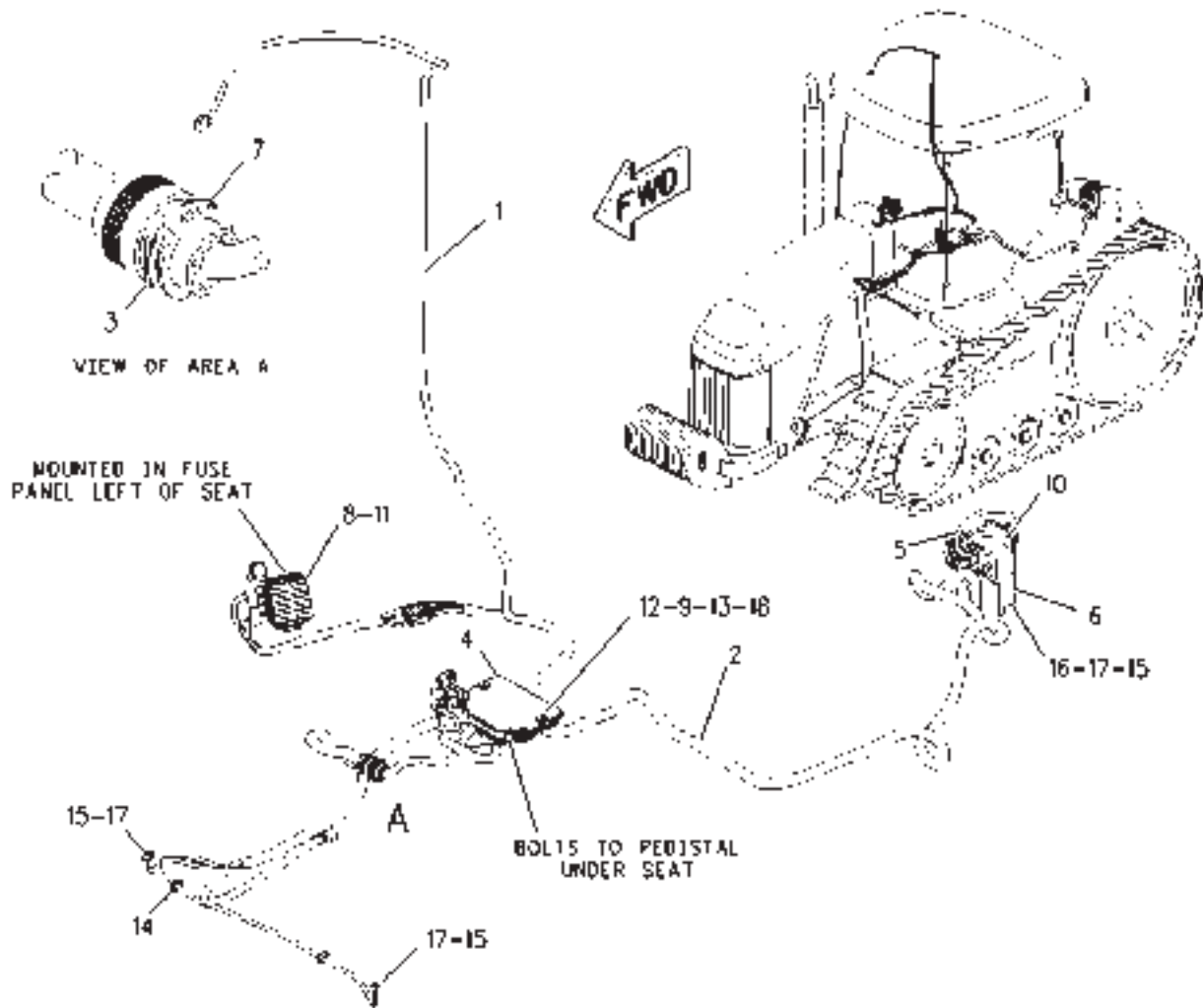
ITEM	NUMBER	QTY	DESCRIPTION
-	136-5378	--	CONTROL & WIRING GP-HITCH [A] (NOT SERVICED)
1	4E-2250	2	HOUSING
2	CH6I-1418	3	SPACER (8.2X12.7X28.7)
3	CH7K-1181	17	STRAP-CABLE
4	CH8C-5607	12	MOUNT (ISOLATION)
5	CH8C-5608	6	SPACER (6.5X9.5X25.4)
6	CH8T-9655	6	MOUNT (ISOLATION)
7	501118D1	1	HARNESS ASM-3PT HITCH
8	500619D1	1	SENSOR GP-POSITION (REAR HITCH HEIGHT-OUTER)
9	502003D1	1	SENSOR GP-POSITION (REAR HITCH HEIGHT-INNER)
10	171-1229	2	SWITCH ASM (REAR HITCH RAISE/LOWER) (INCLS RECEPTACLE)
	102-8804	1	KIT-RECEPTACLE (4 PIN)(W/WEDGE)
11	190-2838	1	ARM ASM
12	190-2839	1	ROD ASM
13	198-8376	1	ARM ASM
14	198-8377	1	ROD ASM
15	199-6263	1	SHIELD
16	229-0891	1	ELECTRONICS GP-A2004 (HITCH SDM) (NOT SERVICED) (SEE BREAKDOWN FOR COMPONENTS)
17	CH9N-0869	3	WASHER-HARD (8.8X25.5X2)
18	CH1S-0994	1	CLIP (20.64ID)
19	CH2H-3429	2	RING-RETAINING
20	CH2L-6726	2	RING-RETAINING
21	CH4B-4274	4	WASHER (5.5X13X1.2)
22	400340X1	3	NUT (M8X1.25)
23	CH5P-4115	6	WASHER-HARD (7.2X19X2)
24	CH6D-3025	4	BALL BEARING
25	CH6V-0894	2	SEAL-O-RING
26	400160X1	4	BOLT (M5X0.8X30MM)
27	400188X1	2	BOLT (M8X1.25X35MM)
28	400205X1	6	BOLT (M6X1X40MM)
29	400287X1	1	WASHER-HARD (11X21X2.5)
30	400039X1	1	BOLT (M10X1.5X25MM)
31	400060X1	3	BOLT (M8X1.25X40MM)
32	400227X1	3	BOLT (M8X1.25X16MM)
33	400339X1	10	WASHER-HARD (8.8X16X2)
34	400341X1	2	BOLT (M8X1.25X25MM)

[A] PART OF 169-0027;169-0028;179-0852;
180-6639 HITCH AR-3 POINT

00884276
PR: t05i29k58b0079

MT800 SERIESTRACTORS
ELECTRICAL AND STARTING SYSTEM

CONTROL AR-COMMUNICATION - 216-0852
ISO



**MT800 SERIESTRACTORS
ELECTRICAL AND STARTING SYSTEM**

213

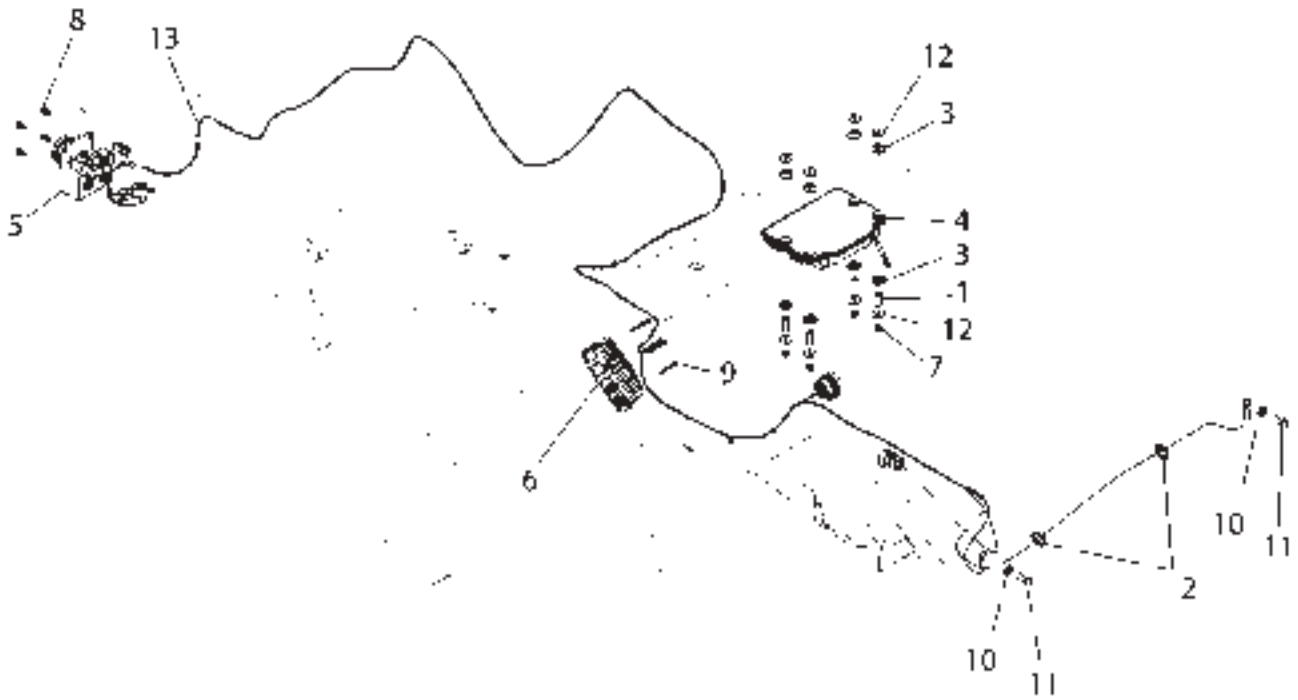
**CONTROL AR-COMMUNICATION - 216-0852
ISO**

ITEM	NUMBER	QTY	DESCRIPTION
-	216-0852	--	CONTROL AR-COMMUNICATIONS (NOT SERVICED)
1	500910D1	1	HARNESS ASM (MAIN CAB)
2	502434D1	1	HARNESS ASM (ISO)
3	400295X1	1	NUT (1 11/16-18)
4	216-0614	1	ELECTRONICS GP-MACHINE (COMMUNICATION) (NOT SERVICED) (SEE BREAKDOWN FOR COMPONENTS)
5	502486D1	1	HARNESS ASM
6	500510D1	1	BRACKET
7	CH128-4249	1	LOCKWASHER
8	501829D1	1	BLOCK ASY-FUSE (SEE BREAKDOWN FOR COMPONENTS)
9	400340X1	4	NUT (M8X1.25)
10	CH6V-8931	4	SCREW-WASHER HEAD (M6X1X16)
11	400208X1	4	BOLT-SOCKET HEAD (M5X0.8X40MM)
12	CH9N-0869	8	WASHER-HARD (8.8X25.5X2)
13	CH6I-1418	4	SPACER (8.2X12.7X28.7)
14	CH7K-1181	22	STRAP-CABLE
15	400287X1	2	WASHER-HARD (11X21X2.5)
16	WR522218	2	NUT (M10X1.5)
17	400039X1	4	BOLT (M10X1.5X25MM)
18	CH8T-9655	8	MOUNT-ISOLATION

00892916
PR: t05i29k58b0080

MT800 SERIESTRACTORS
ELECTRICAL AND STARTING SYSTEM

CONTROL AR-MACHINE - 216-0874
ISO READY UPGRADE



MT800 SERIESTRACTORS
ELECTRICAL AND STARTING SYSTEM

215

CONTROL AR-MACHINE - 216-0874
ISO READY UPGRADE

ITEM	NUMBER	QTY	DESCRIPTION
-	216-0874	--	CONTROL AR-MACHINE
1	CH6I-1418	4	SPACER
2	CH7K-1181	22	STRAP-CABLE
3	400941X1	8	MOUNT-ISO
4	216-0614	1	ELECTRONICS GP-MACHINE (COMMUNICATION) (NOT SERVICED) (SEE BREAKDOWN FOR COMPONENTS)
5	502486D1	1	HARNESS ASM-ISO
	502242D1	1	HARNESS ASM
	502487D1	1	CONNECTOR ASM (REPLACEMENT PINS LISTED BELOW)
	400382X1	2	PIN-CONNECTOR (12-14AWG)
	400899X1	2	PIN-CONNECTOR (8-10AWG)
6	501829D1	1	PANEL GP-FUSE (SEE BREAKDOWN FOR COMPONENTS)
7	400340X1	4	NUT (M8X1.25)
8	CH6V-8931	4	SCREW-WASHER HEAD (M6X1X16)
9	400208X1	4	BOLT-SOCKET HEAD (M5X0.8X40MM)
10	400287X1	2	WASHER-HARD
11	400039X1	2	BOLT (M10X1.5X25)
12	CH9N-0869	8	WASHER-HARD (8.8X25.5X2)
13	502434D1	1	HARNESS ASM (W/TERMINATOR)
	502474D1	1	TERMINATOR-ACTIVE

2160874F
PR: t05i29k58b0081

216

MT800 SERIESTRACTORS
ELECTRICAL AND STARTING SYSTEM

CONTROL AR - AUTOGUIDE SYSTEM
500628D1

NO ILLUSTRATION

NOTIF

MT800 SERIESTRACTORS
ELECTRICAL AND STARTING SYSTEM

217

CONTROL AR - AUTOGUIDE SYSTEM
500628D1

ITEM	NUMBER	QTY	DESCRIPTION
-	500628D1	--	CONTROL AR (NOT SERVICED)
	79019518B		MANUAL, OPERATOR'S-AUTOGUIDE
	500606D1	1	SWITCH GP-GUIDANCE (NOT SERVICED, (SEE BREAKDOWN FOR COMPONENTS)
	500607D1	1	TRANSMITTER & RECEIVER GP (GLOBAL POSITIONING SYSTEM) (SEE BREAKDOWN FOR COMPONENTS)

NOTIF
PR: t05i29k58b0082

218

MT800 SERIESTRACTORS
ELECTRICAL AND STARTING SYSTEM

KIT CONTROL AR-AUTOGUIDE SYSTEM

500630D1

FIELD INSTALLED

NO ILLUSTRATION

NOTIF

MT800 SERIESTRACTORS
ELECTRICAL AND STARTING SYSTEM

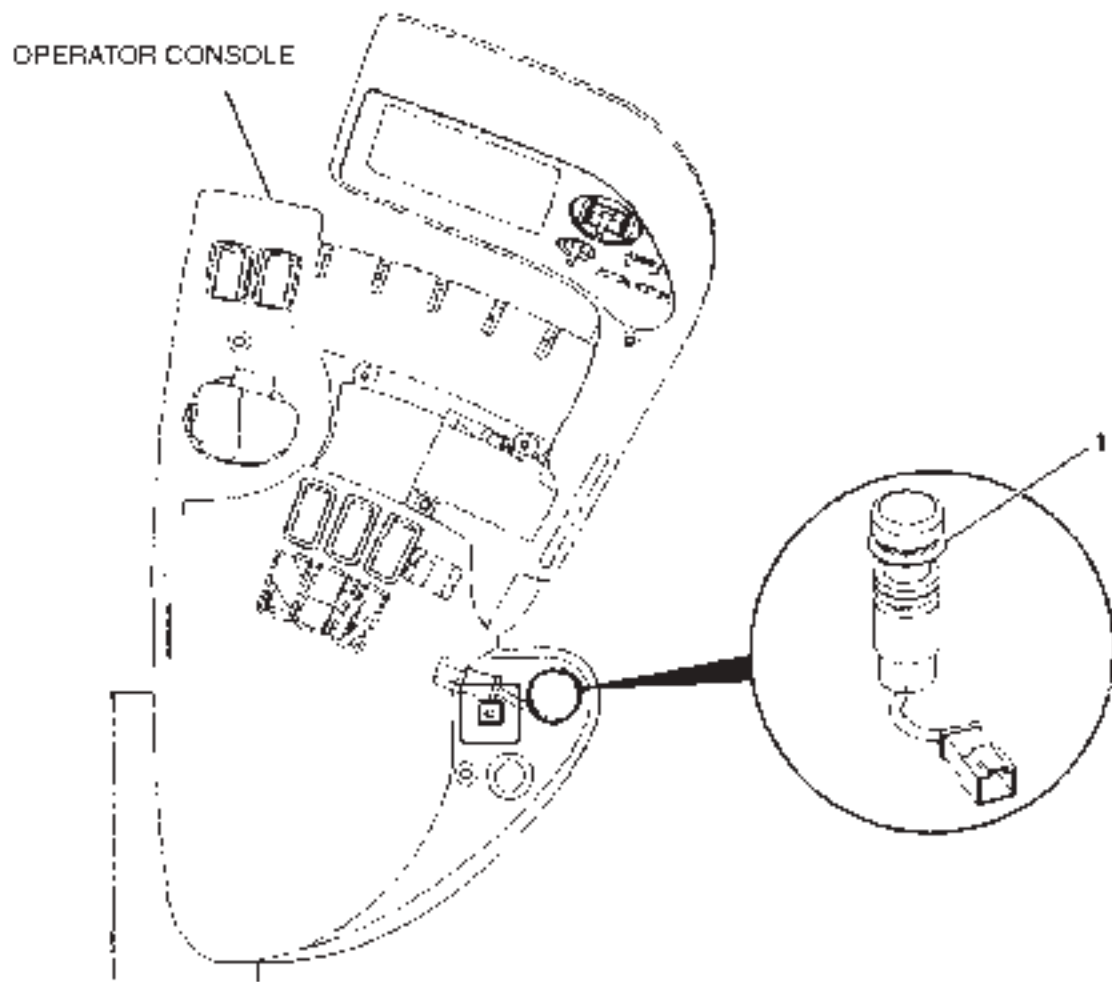
219

KIT CONTROL AR-AUTOGUIDE SYSTEM
500630D1
FIELD INSTALLED

ITEM	NUMBER	QTY	DESCRIPTION
-	500630D1	--	KIT CONTROL AR
1	79019518B	1	MANUAL, OPERATOR'S-AUTOGUIDE
2	500606D1	1	SWITCH GP-GUIDANCE (GPS) (NOT SERVICED) (SEE BREAKDOWN FOR COMPONENTS)
3	500607D1	1	RECEIVER GP-TRANSMITTER (GPS) (SEE BREAKDOWN FOR COMPONENTS)
4	-----	1	(NOT USED ON THIS MODEL)

NOTIF
PR: t05i29k58b0083

CONTROL GP-POWER TAKE-OFF - 152-0446
ROW



TOP VIEW

1520446A

MT800 SERIESTRACTORS
ELECTRICAL AND STARTING SYSTEM

221

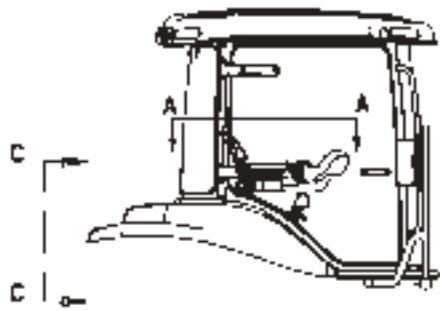
CONTROL GP-POWER TAKE-OFF - 152-0446
ROW

ITEM	NUMBER	QTY	DESCRIPTION
-	152-0446	--	CONTROL GP-PTO [A] (NOT SERVICED)
1	502423D1	1	KIT-PTO SWITCH ADAPT (SEE BREAKDOWN FOR COMPONENTS)

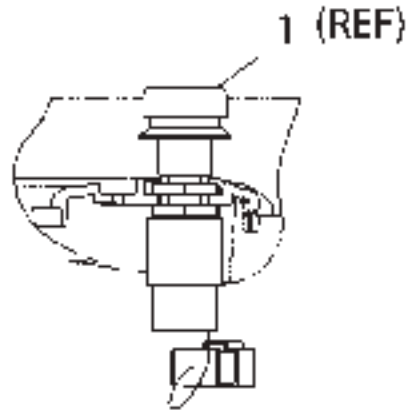
[A] PART OF 163-0400 KIT-PTO

1520446A
PR: t05i29k58b0084

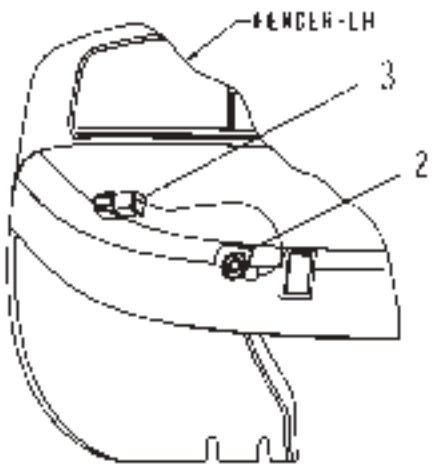
CONTROL GP-POWER TAKE-OFF - 224-5884
EAME



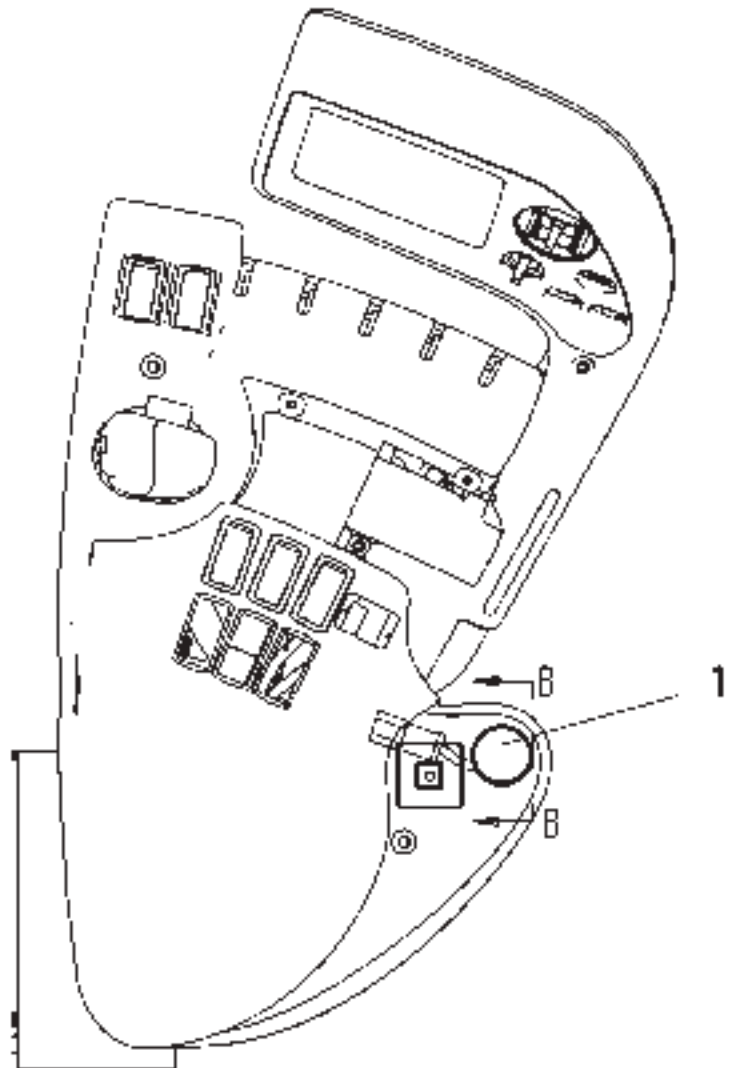
RIGHT SIDE VIEW OF CAB



VIEW B-B
ROTATED CW 90°



VIEW C-C



VIEW A-A

MT800 SERIESTRACTORS
ELECTRICAL AND STARTING SYSTEM

223

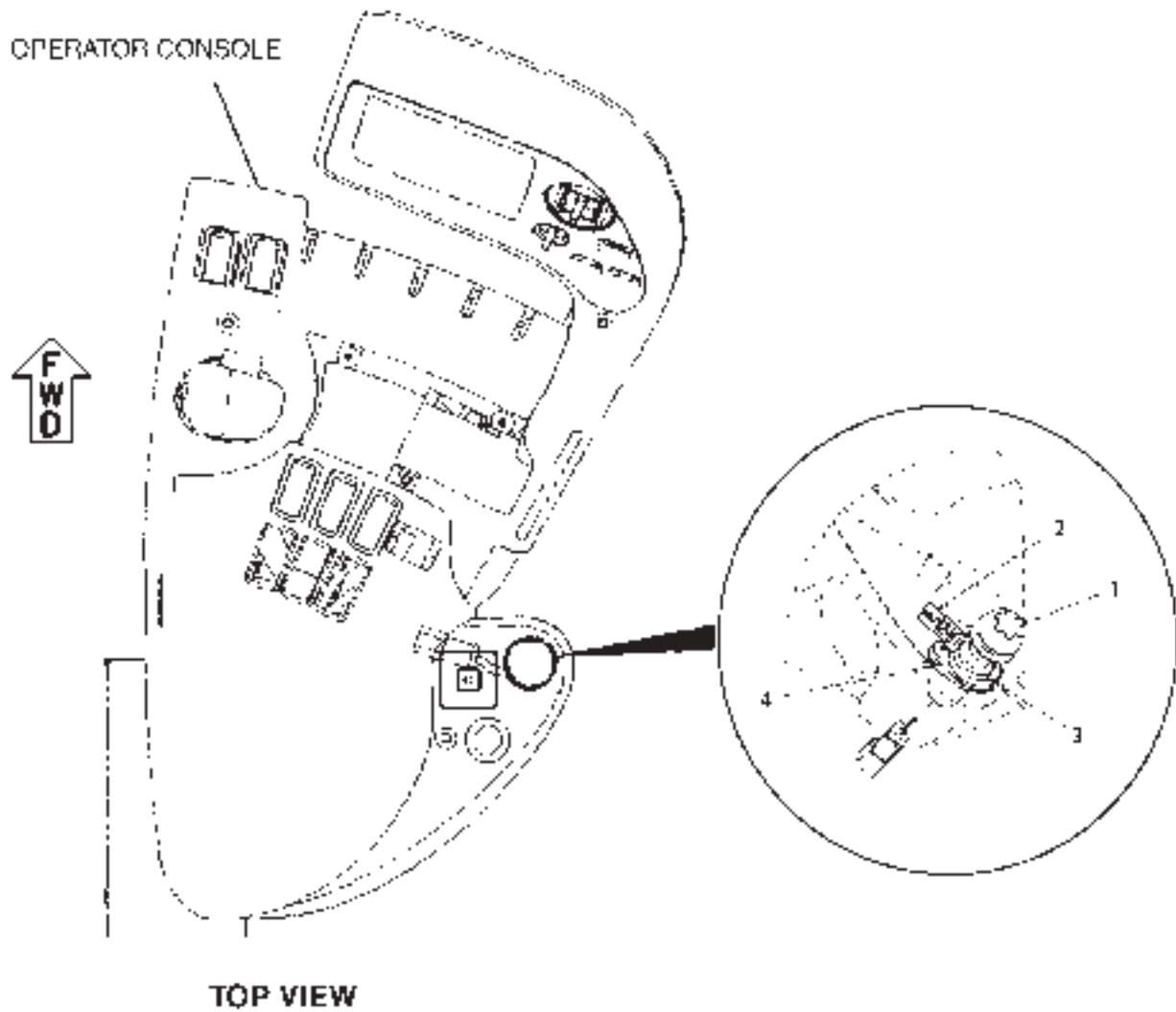
CONTROL GP-POWER TAKE-OFF - 224-5884
EAME

ITEM	NUMBER	QTY	DESCRIPTION
-	224-5884	--	CONTROL GP-PTO [A] (NOT SERVICED)
1	502423D1	1	KIT-PTO SWITCH ADAPT (SEE BREAKDOWN FOR COMPONENTS)
2	CH176-4546	1	SWITCH ASM (PUSHBUTTON)
	CH172-3511	1	NUT-SWITCH MTG (5/8-24)
	CH6F-0253	1	WASHER-LOCK
	400561X1	5	PIN-CONNECTOR
3	400754X1	1	RECEPTICLE KIT, CONNECTOR

[A] PART OF 183-2197 GAUGE AR-TRACK;
224-8603 KIT-PTO

2245884C
PR: t05i29k58b0085

KIT-PTO SWITCH ADAPTOR
502423D1



**MT800 SERIESTRACTORS
ELECTRICAL AND STARTING SYSTEM**

225

**KIT-PTO SWITCH ADAPTOR
502423D1**

ITEM	NUMBER	QTY	DESCRIPTION
-	502423D1	--	KIT-PTO SWITCH ADAPTOR [A]
1	502009D1	1	SWITCH ASM-PTO
	400562X1	4	PIN
	400782X1	1	CONNECTOR-RECEPT
2	501532D1	1	FILM-PTO
3	502099D1	1	ADAPTOR
4	CH3E-8020	1	SCREW-TRUSS HD (M6X1X25MM)

[A] PART OF 502428D1;502428D1
REWORK AR;
152-0446;224-5884 CONTROL GP-PTO

502423DA
PR: t05i29k58b0086

226

MT800 SERIESTRACTORS
ELECTRICAL AND STARTING SYSTEM

ELECTRONICS GP-IMPLEMENT - 229-0891
(SOFTWARE)
3 POINT HITCH

NO ILLUSTRATION

NOTIF

**MT800 SERIESTRACTORS
ELECTRICAL AND STARTING SYSTEM**

227

**ELECTRONICS GP-IMPLEMENT - 229-0891
(SOFTWARE)
3 POINT HITCH**

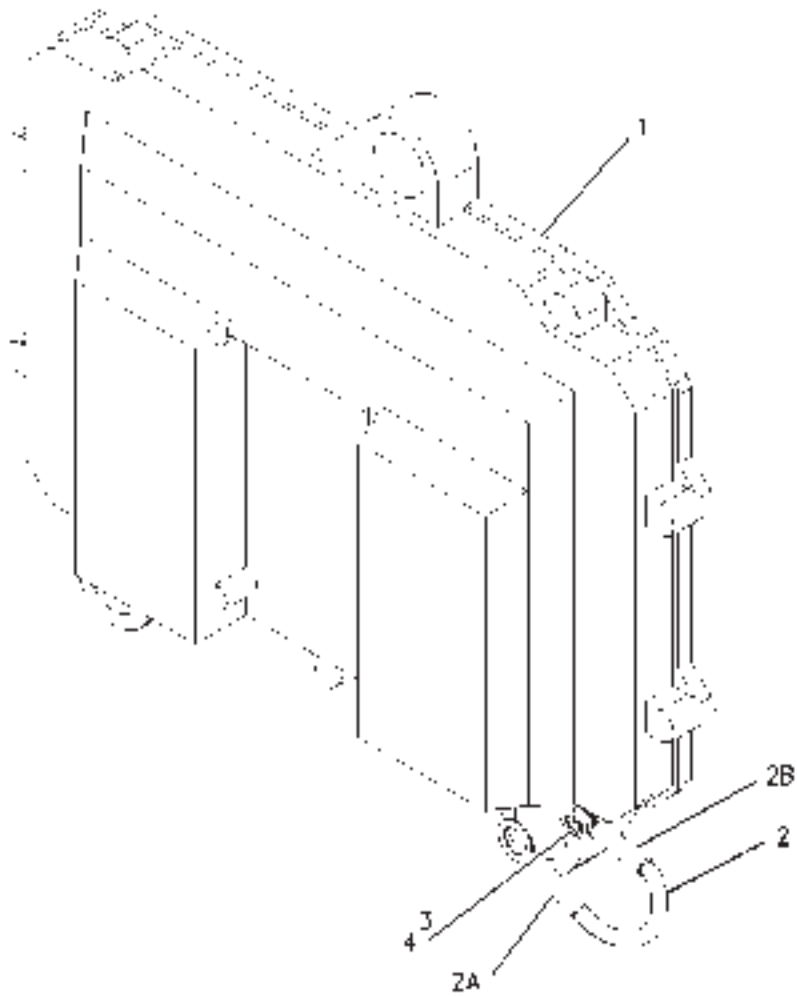
ITEM	NUMBER	QTY	DESCRIPTION
-	229-0891	--	ELECTRONICS GP-IMPLEMENT [A] (NOT SERVICED)
1	256-0176	1	SOFTWARE GP-IMPLEMENT (REAR HITCH) (SOFTWARE ONLY) (LOCATED ON "ONEAGCO" OR CALL 507-847-7222)
2	216-0658	1	CONTROL GP-UNPROGRAMMED (HITCH) (SEE BREAKDOWN FOR COMPONENTS)

[A] PART OF 136-5378 CONTROL &
WIRING GP-HITCH

NOTIF
PR: t05i29k58b0087

MT800 SERIESTRACTORS
ELECTRICAL AND STARTING SYSTEM

CONTROL GP-UNPROGRAMMED
216-0658



**MT800 SERIESTRACTORS
ELECTRICAL AND STARTING SYSTEM**

229

**CONTROL GP-UNPROGRAMMED
216-0658**

ITEM	NUMBER	QTY	DESCRIPTION
-	216-0658	--	CONTROL GP-UNPROGRAMMED [A]
1	-----	1	CONTROL ASM (NOT SERVICED SEPARATELY)
2	CH7X-6315	1	STRAP ASM
2A	CH139-6911	1	TERMINAL-RING
2B	CH7H-1177	1	TERMINAL-RING
3	CH120-4897	1	SCREW-PAN HEAD (M4X0.7X9.5)
4	CH134-4126	1	WASHER (4.52X8.28X.76)

[A] PART OF 229-0891 ELECTRONICS GP-
IMPLEMENT

00818553
PR: t05i29k58b0088

230

MT800 SERIESTRACTORS
ELECTRICAL AND STARTING SYSTEM

ELECTRONICS GP-MACHINE - ISO
216-0614

NO ILLUSTRATION

NOTIF

**MT800 SERIESTRACTORS
ELECTRICAL AND STARTING SYSTEM**

231

**ELECTRONICS GP-MACHINE - ISO
216-0614**

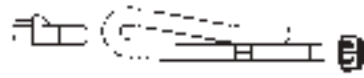
ITEM	NUMBER	QTY	DESCRIPTION
-	216-0614	--	ELECTRONICS GP-MACHINE [A] (NOT SERVICED)
	201-9041	1	CONTROL GP-ENGINE ELECTRONIC
	256-0187	1	SOFTWARE GP-COMMUNICATION (LOCATED ON "ONEAGCO" OR CALL 507-847-7222)

[A] PART OF 216-0852;216-0874
CONTROL AR-COMMUNICATION

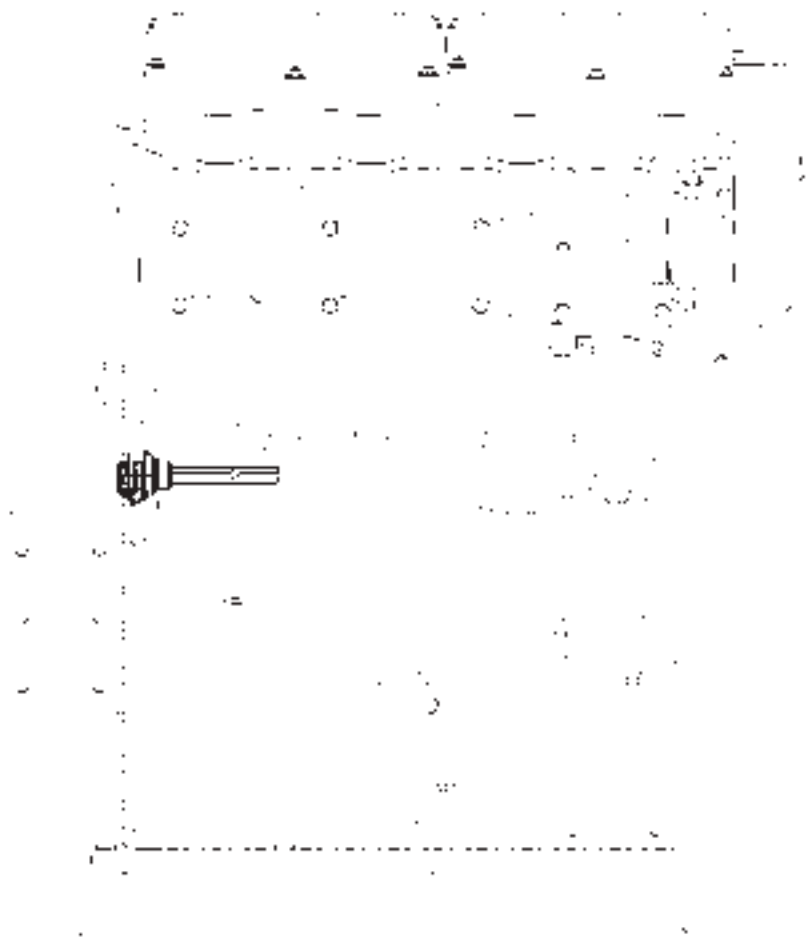
NOTIF
PR: t05i29k58b0089

MT800 SERIESTRACTORS
ELECTRICAL AND STARTING SYSTEM

HEATER GP-JACKETWATER-120V - 215-1802
MT835 & MT845
ROW & SPECIAL ONLY



CORD ASY. STORED UNDER TRAINER SEAT



RIGHT SIDE VIEW OF MACHINE

2151807B

MT800 SERIESTRACTORS
ELECTRICAL AND STARTING SYSTEM

233

HEATER GP-JACKET WATER-120V - 215-1802

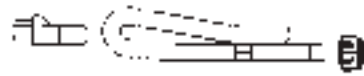
MT835 & MT845
ROW & SPECIAL ONLY

ITEM	NUMBER	QTY	DESCRIPTION
-	215-1802	--	HEATER GP-JACKET WATER (NOT SERVICED)
1	CH131-8627	1	ELEMENT ASM-HEATER (120V/1250W) (INCLS 1A)
1A	CH133-6517	1	CAP ASM-DUST
2	CH7X-6312	1	CORD ASM (120 VOLT/15 AMPERE)

2151807B
PR: t05i29k58b0090

MT800 SERIESTRACTORS
ELECTRICAL AND STARTING SYSTEM

HEATER GP-JACKETWATER-120V - 215-1807
MT855 & MT865
ROW & SPECIAL ONLY



CORD ASY. STORED UNDER TRAINER SEAT



RIGHT SIDE VIEW OF MACHINE

2151807B

MT800 SERIESTRACTORS
ELECTRICAL AND STARTING SYSTEM

235

HEATER GP-JACKET WATER-120V - 215-1807

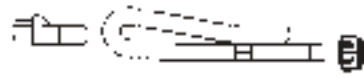
MT855 & MT865
ROW & SPECIAL ONLY

ITEM	NUMBER	QTY	DESCRIPTION
-	215-1807	--	HEATER GP-JACKET WATER (NOT SERVICED)
1	CH131-8627	1	ELEMENT ASM-HEATER (120V/1250W) (INCLS 1A)
1A	CH133-6517	1	CAP ASM-DUST
2	CH7X-6312	1	CORD ASM (120 VOLT/15 AMPERE)

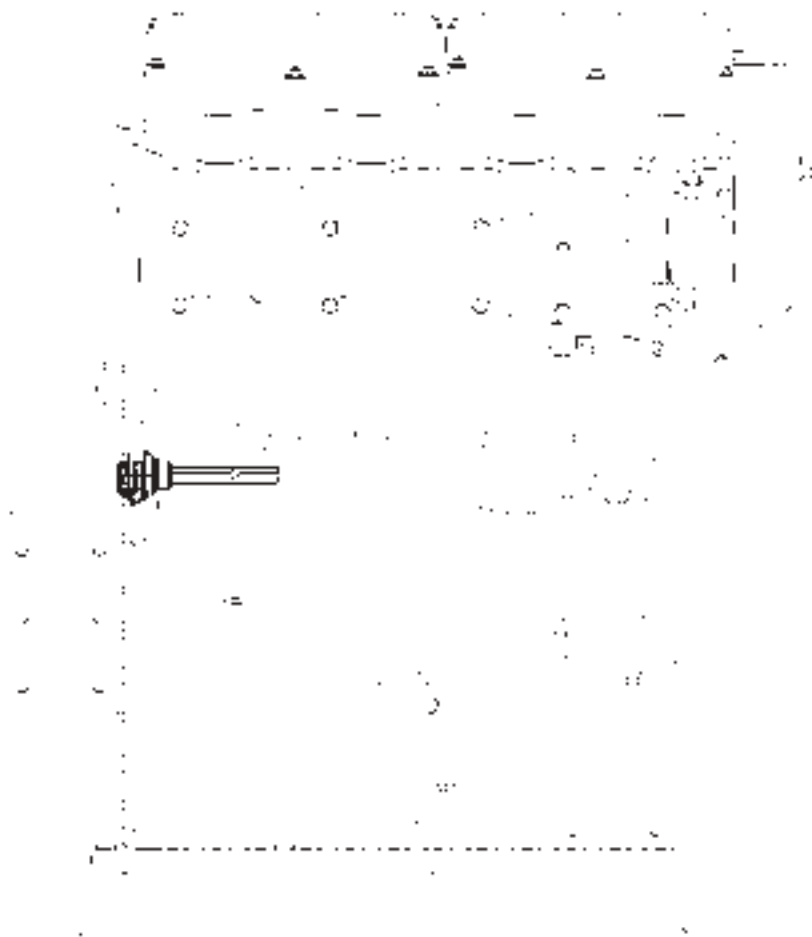
2151807B
PR: t05i29k58b0091

MT800 SERIESTRACTORS
ELECTRICAL AND STARTING SYSTEM

HEATER GP-JACKETWATER-240V - 215-1808
MT835 & MT845
EAME ONLY



CORD ASY. STORED UNDER TRAINER SEAT



RIGHT SIDE VIEW OF MACHINE

MT800 SERIESTRACTORS
ELECTRICAL AND STARTING SYSTEM

237

HEATER GP-JACKET WATER-240V - 215-1808

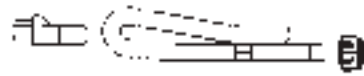
MT835 & MT845
EAME ONLY

ITEM	NUMBER	QTY	DESCRIPTION
-	215-1808	--	HEATER GP-JACKET WATER (NOT SERVICED)
1	CH154-2881	1	ELEMENT ASM-HEATER (240V/1250W) (INCLS 1A)
1A	CH133-6517	1	CAP ASM-DUST
2	CH127-8609	1	CORD ASM (240 VAC/15 AMP)

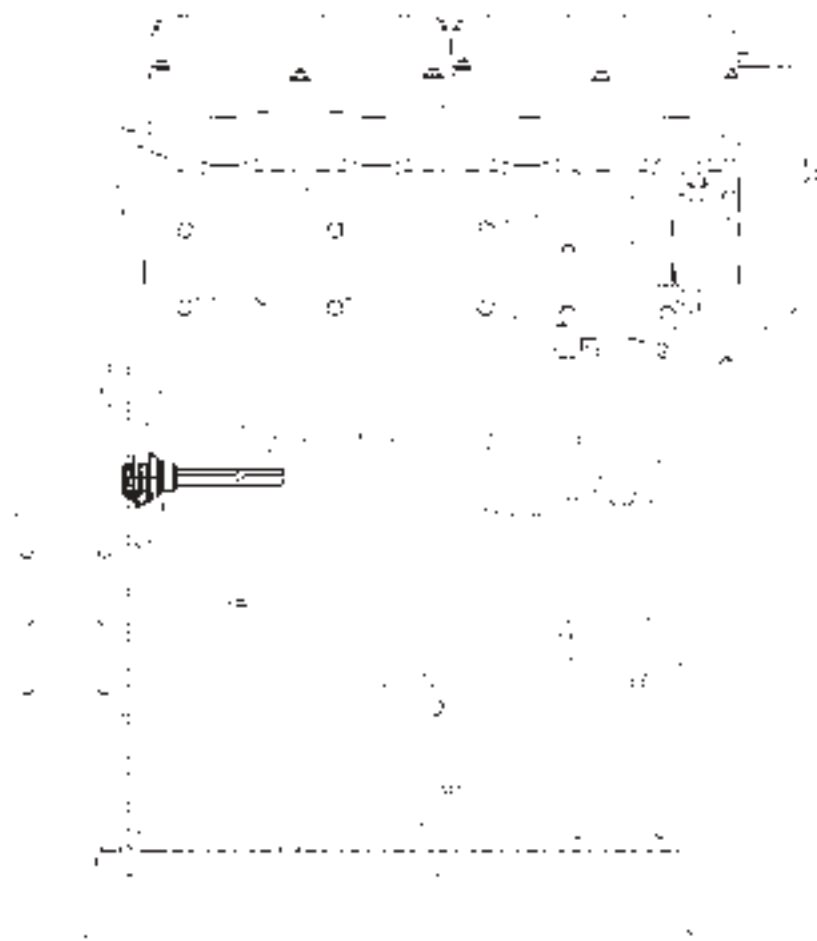
2151807B
PR: t05i29k58b0092

MT800 SERIESTRACTORS
ELECTRICAL AND STARTING SYSTEM

HEATER GP-JACKETWATER-240V - 215-1809
MT855 & MT865
EAME ONLY



CORD ASY. STORED UNDER TRAINER SEAT



RIGHT SIDE VIEW OF MACHINE

MT800 SERIESTRACTORS
ELECTRICAL AND STARTING SYSTEM

239

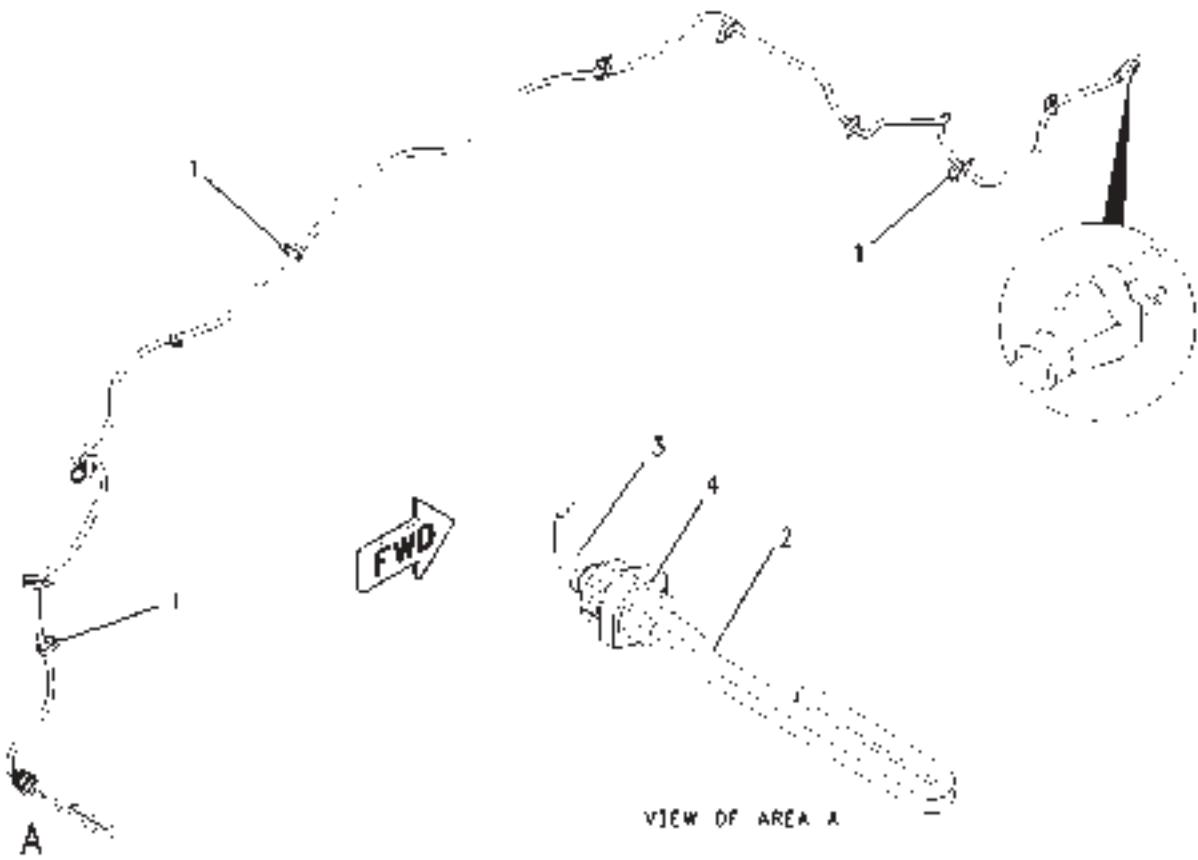
HEATER GP-JACKET WATER-240V - 215-1809

MT855 & MT865
EAME ONLY

ITEM	NUMBER	QTY	DESCRIPTION
-	215-1809	--	HEATER GP-JACKET WATER (NOT SERVICED)
1	CH154-2881	1	ELEMENT ASM-HEATER (240V/1250W) (INCLS 1A)
1A	CH133-6517	1	CAP ASM-DUST
2	CH127-8609	1	CORD ASM (240 VAC/15 AMP)

2151807B
PR: t05i29k58b0093

HEATER GP-TRANSMISSION-120V
163-0402
ROW & SPECIAL ONLY



MT800 SERIESTRACTORS
ELECTRICAL AND STARTING SYSTEM

241

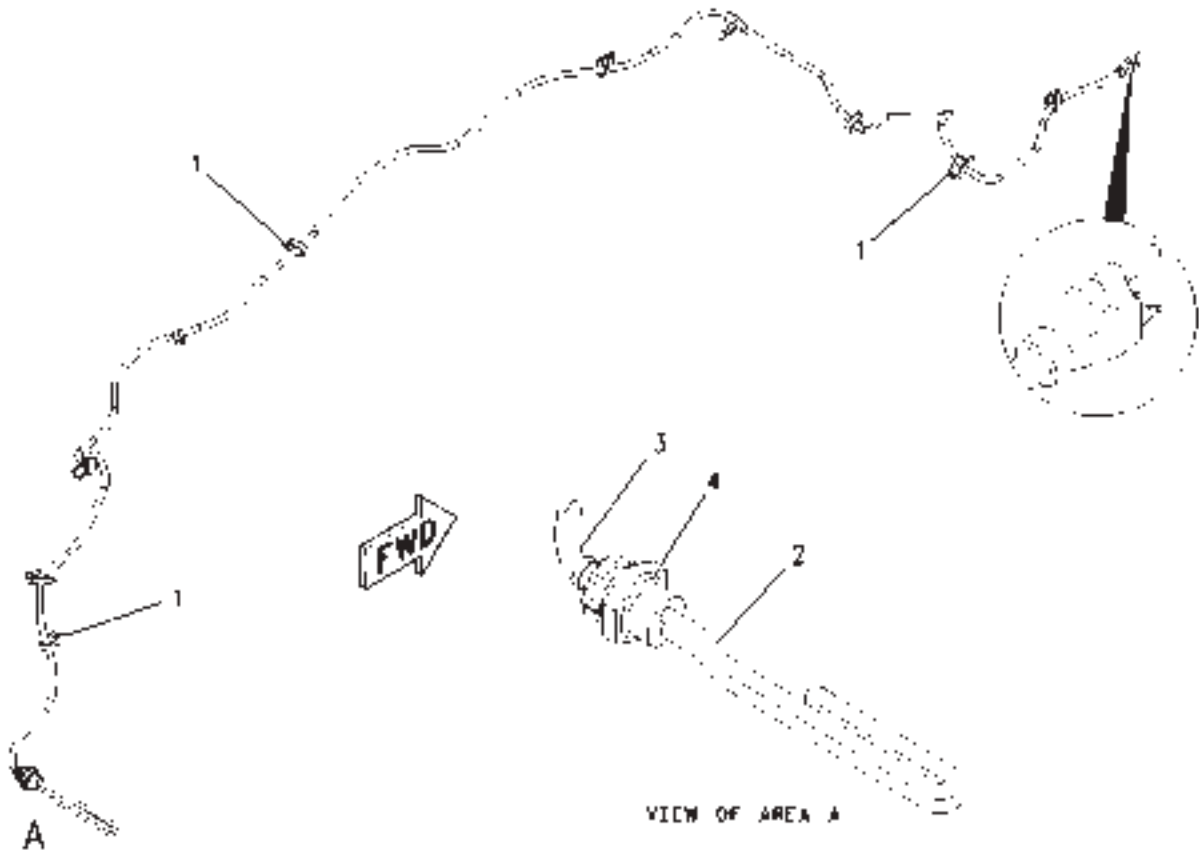
HEATER GP-TRANSMISSION-120V
163-0402
ROW & SPECIAL ONLY

ITEM	NUMBER	QTY	DESCRIPTION
-	163-0402	--	HEATER GP-TRANSMISSION (NOT SERVICED)
1	400837X1	10	STRAP-CABLE
2	205-8771	1	ELEMENT ASM (120 VOLT) (TRANSMISSION)
3	CH163-0421	1	CORD ASM
4	400593X1	1	SEAL-O-RING

00851879
PR: t05i29k58b0094

MT800 SERIESTRACTORS
ELECTRICAL AND STARTING SYSTEM

HEATER GP-TRANSMISSION-240V
163-0403
EAME ONLY



MT800 SERIESTRACTORS
ELECTRICAL AND STARTING SYSTEM

243

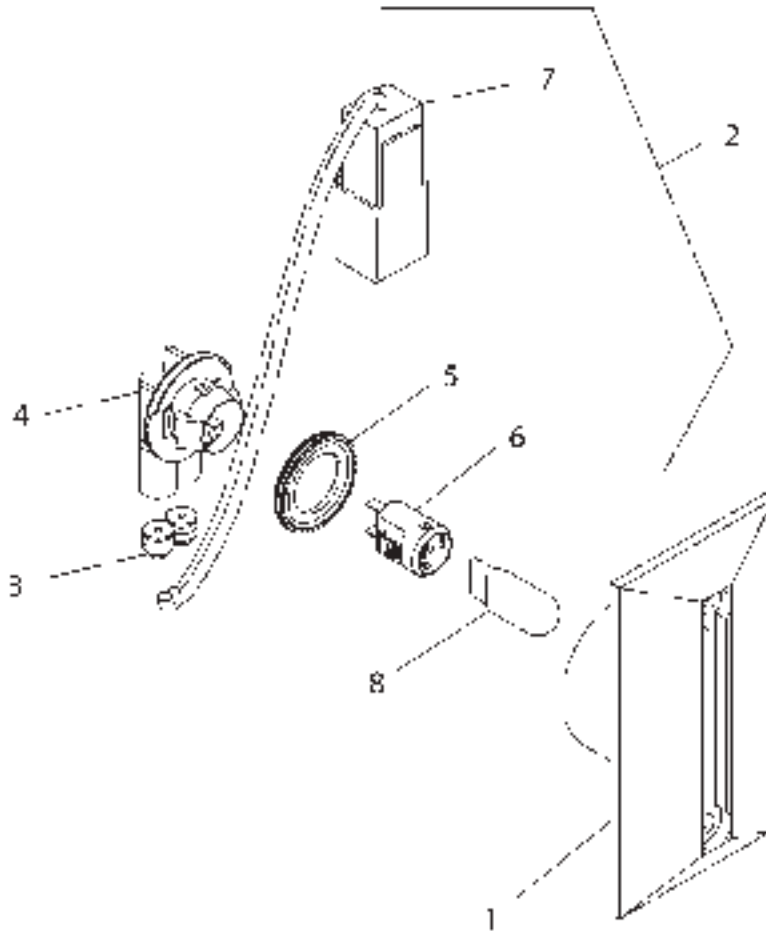
HEATER GP-TRANSMISSION-240V
163-0403
EAME ONLY

ITEM	NUMBER	QTY	DESCRIPTION
-	163-0403	--	HEATER GP-TRANSMISSION (NOT SERVICED)
1	400837X1	10	STRAP-CABLE
2	205-8772	1	ELEMENT ASM (240 VOLT) (TRANSMISSION HEATER)
3	CH213-1783	1	CORD ASM
4	400593X1	1	SEAL-O-RING

00856912
PR: t05i29k58b0095

MT800 SERIESTRACTORS
ELECTRICAL AND STARTING SYSTEM

LIGHT AS - COURTESY - 12V
501935D1



**MT800 SERIESTRACTORS
ELECTRICAL AND STARTING SYSTEM**

245

**LIGHT AS - COURTESY - 12V
501935D1**

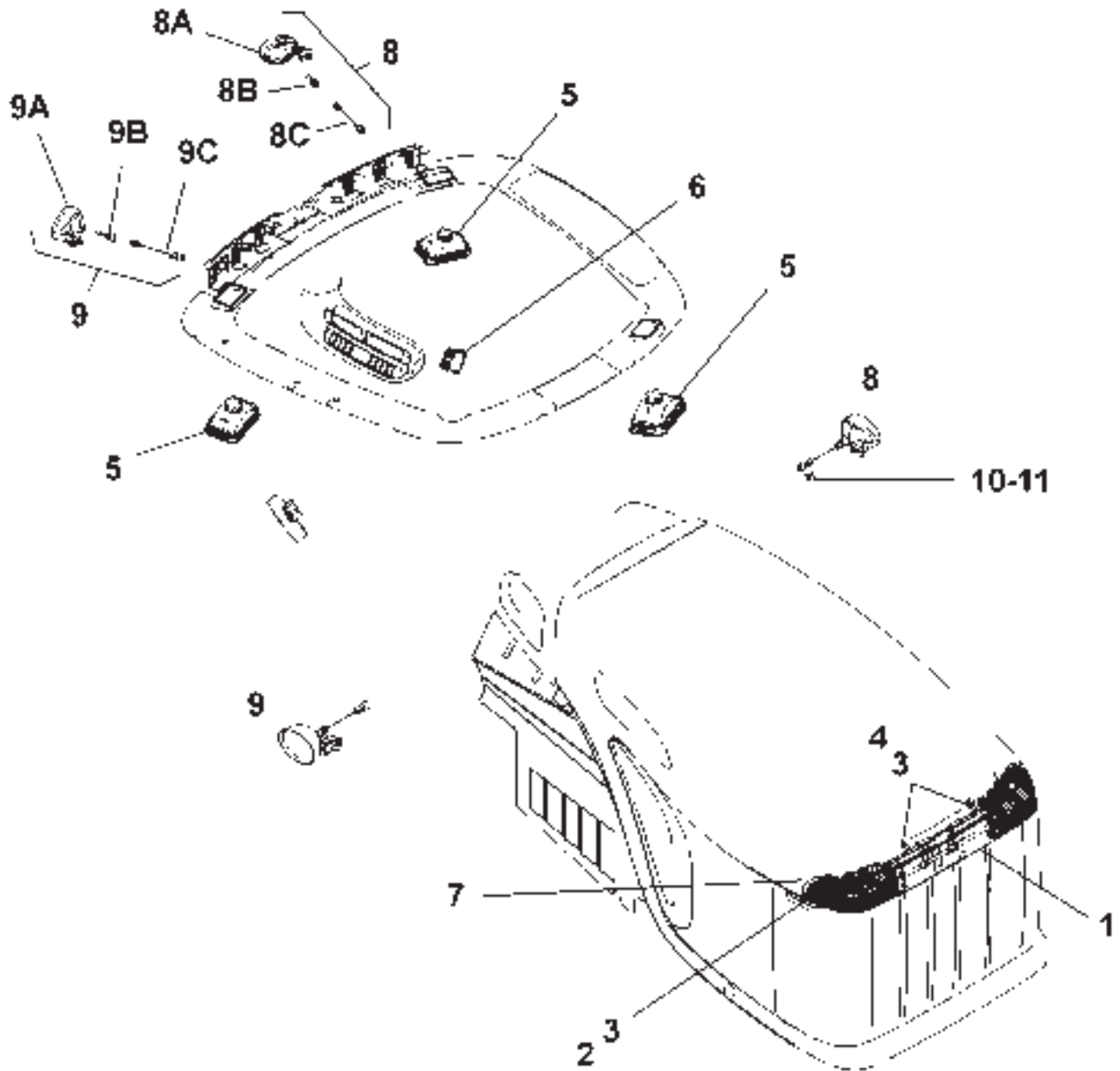
ITEM	NUMBER	QTY	DESCRIPTION
-	501935D1	--	LIGHT AS-COURTESY [A]
1	501936D1	1	HOUSING
2	501934D1	1	LAMP AS (INCLS 3-10)
3	400403X1	2	SEAL
4	400405X1	1	CONNECTOR
5	400406X1	1	SEAL
6	400407X1	1	LAMP SOCKET INSERT
7	501962D1	1	RECEPTACLE-CONN DEUTSCH 2 PIN
8	CH6T-7298	1	LAMP-12V BASE W-2 CLEAR
9	400404X1	2	SOCKET (NOT SHOWN)
10	400562X1	2	PIN-CONNECTOR 16-18 AWG (NOT SHOWN)

[A] PART OF 152-0005 WIRING GP

501935DB
PR: t05i29k58b0096

MT800 SERIESTRACTORS
ELECTRICAL AND STARTING SYSTEM

LIGHTING GP-12V STD - 500645D1
ROW AND SPECIAL APPLICATIONS



500645DD

**MT800 SERIESTRACTORS
ELECTRICAL AND STARTING SYSTEM**

247

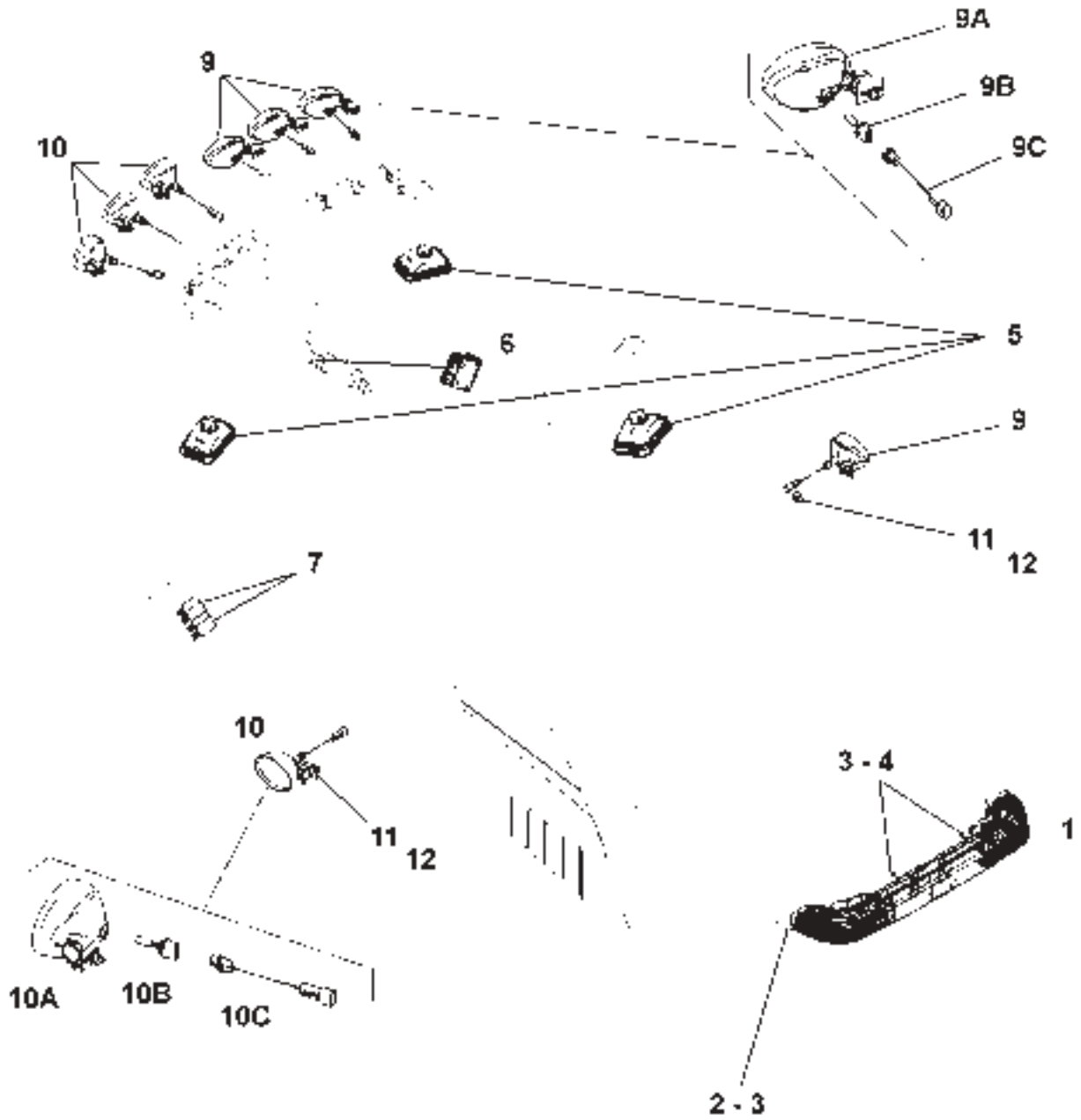
**LIGHTING GP-12V STD - 500645D1
ROW AND SPECIAL APPLICATIONS**

ITEM	NUMBER	QTY	DESCRIPTION
-	500645D1	--	LIGHTING GP
1	500775D1	1	LAMP GP (HOOD) (NOT SERVICED) (SEE BREAKDOWN FOR COMPONENTS)
2	400230X1	2	BOLT-M6X1X14MM ZNDI HHD 10.9
3	CH8T-4205	4	WASHER-HARD 7.2IDX14.5ODX2MM
4	400300X1	2	NUT M6X1
5	166-4616	3	LAMP GP-PORCH (INCL BULB)
	CH136-5252	--	LAMP-MINIATURE
6	165-5973	1	SWITCH AS.-ROCKER
7	199-3481	1	SEAL-HOOD
8	500654D1	2	WORK LIGHT (LH) (OVAL)
8A	500676D2	1	LIGHT
8B	400862X1	1	BULB
8C	502094D1	1	HARNESS AS-JUMPER
9	500653D1	2	WORK LIGHT (RH) (OVAL)
9A	500676D2	1	LIGHT
9B	400862X1	1	BULB
9C	502094D1	1	HARNESS AS-JUMPER
10	CH156-0283	4	WASHER-HARD 8.4IDX35ODX2.5 MM
11	CH3E-9860	4	LOCKNUT-5/16-18 ZNDI

500645DD
PR: t05i29k58b0097

MT800 SERIESTRACTORS
ELECTRICAL AND STARTING SYSTEM

LIGHTING GP-12V DELUXE - 500646D1



**MT800 SERIESTRACTORS
ELECTRICAL AND STARTING SYSTEM**

249

LIGHTING GP-12V DELUXE - 500646D1

ITEM	NUMBER	QTY	DESCRIPTION
-	500646D1	--	LIGHTING GP (NOT SERVICED)
1	500775D1	1	LAMP GP (HOOD) (NOT SERVICED) (SEE BREAKDOWN FOR COMPONENTS)
2	400230X1	2	BOLT-M6X1X14MM ZNDI HHD 10.9
3	CH8T-4205	4	WASHER-HARD 7.2IDX14.5ODX2MM
4	400300X1	2	NUT M6X1
5	166-4616	3	LAMP GP-PORCH (INCL BULB)
	CH136-5252	--	LAMP-MINIATURE
6	165-5973	1	SWITCH AS.-ROCKER
7	CH146-9439	2	RELAY AS
8	199-3481	1	SEAL-HOOD (NOT SHOWN)
9	500654D1	4	WORK LIGHT (LH) (INCLS 9A-9C)
9A	500677D2	1	LIGHT
9B	400862X1	1	BULB
9C	502094D1	1	HARNES AS-JUMPER
10	500653D1	4	WORK LIGHT (RH) (INCLS 10A-10C)
10A	500676D2	1	LIGHT
10B	400862X1	1	BULB
10C	502094D1	1	HARNES AS-JUMPER
11	CH156-0283	8	WASHER-HARD 8.4IDX35ODX2.5 MM
12	CH3E-9860	8	LOCKNUT-5/16-18 ZNDI

500646DD
PR: t05i29k58b0098

**MT800 SERIESTRACTORS
ELECTRICAL AND STARTING SYSTEM**

251

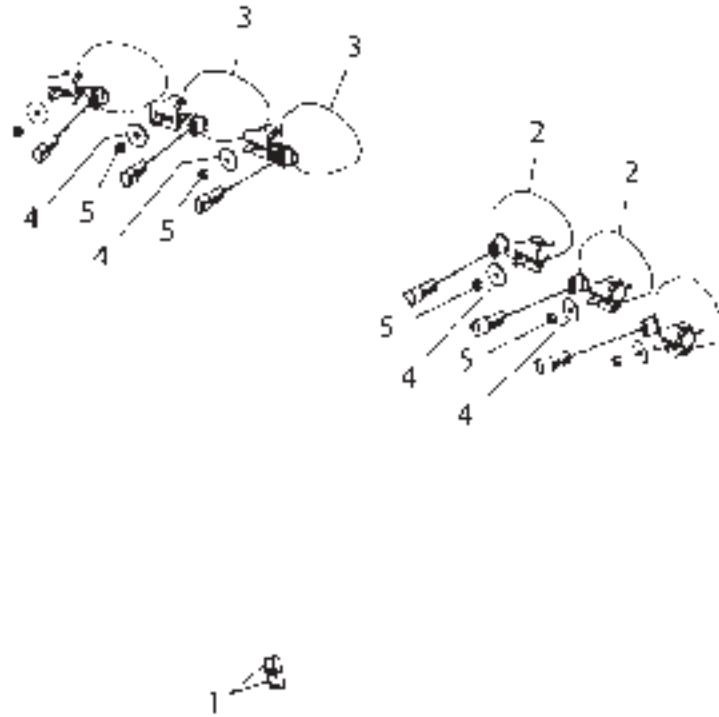
LIGHTING GP-12V HID - 500647D1

ITEM	NUMBER	QTY	DESCRIPTION
-	500647D1	--	LIGHTING GP (HID)
1	500776D1	1	LAMP GP (HOOD) (SEE BREAKDOWN FOR COMPONENTS)
2	400230X1	2	BOLT-M6X1X14MM ZNDI HHD 10.9
3	CH8T-4205	4	WASHER-HARD 7.2IDX14.5ODX2MM
4	400300X1	2	NUT M6X1
5	136-5597	2	BALLAST AS.-HID
6	136-5509	2	BRACKET-BALLAST
7	502177D1	2	HARNESS AS.-BALLAST
8	202-7320	1	HARNESS AS.-HID
9	202-7320	1	HARNESS AS.-HID
10	400211X1	6	BOLT-M5X0.8-6GX20 ZN HHD 8.8
11	CH4B-4274	6	WASHER-5.5IDX13ODX1.2MM
12	CH5C-2874	6	NUT-M5X0.8THD HEX ZNDI
13	166-4616	3	LAMP GP-PORCH
	CH136-5252	--	LAMP-MINIATURE
14	165-5973	1	SWITCH AS.-ROCKER
15	CH146-9439	1	RELAY AS.
16	CH170-2237	1	RELAY AS.-12 VDC
17	199-3481	1	SEAL-HOOD
18	500654D1	3	WORK LIGHT (LH)
	500676D2	1	LIGHT
	400862X1	1	BULB
	502094D1	1	HARNESS AS-JUMPER
19	500653D1	3	WORK LIGHT (RH)
	500677D2	1	LIGHT
	400862X1	1	BULB
	502094D1	1	HARNESS AS-JUMPER
20	500639D1	2	BRACKET, HID BALLAST
21	500634D1	1	WORK LIGHT-HID (RH) (SEE BREAKDOWN FOR COMPONENTS)
22	500635D1	1	WORK LIGHT-HID (LH) (SEE BREAKDOWN FOR COMPONENTS)
23	CH119-5026	14	SCREW-#10-16X16MM PAN THD CTG
24	CH156-0283	8	WASHER-HARD 8.4IDX35ODX2.5MM
25	CH3E-9860	8	LOCKNUT-5/16-18 ZNDI

500647DE
PR: t05i29k58b0099

MT800 SERIESTRACTORS
ELECTRICAL AND STARTING SYSTEM

KIT-LIGHTING - 500650D1
CONVERT STD TO DELUXE
ROW AND SPECIAL APPLICATIONS



500650DA

**MT800 SERIESTRACTORS
ELECTRICAL AND STARTING SYSTEM**

253

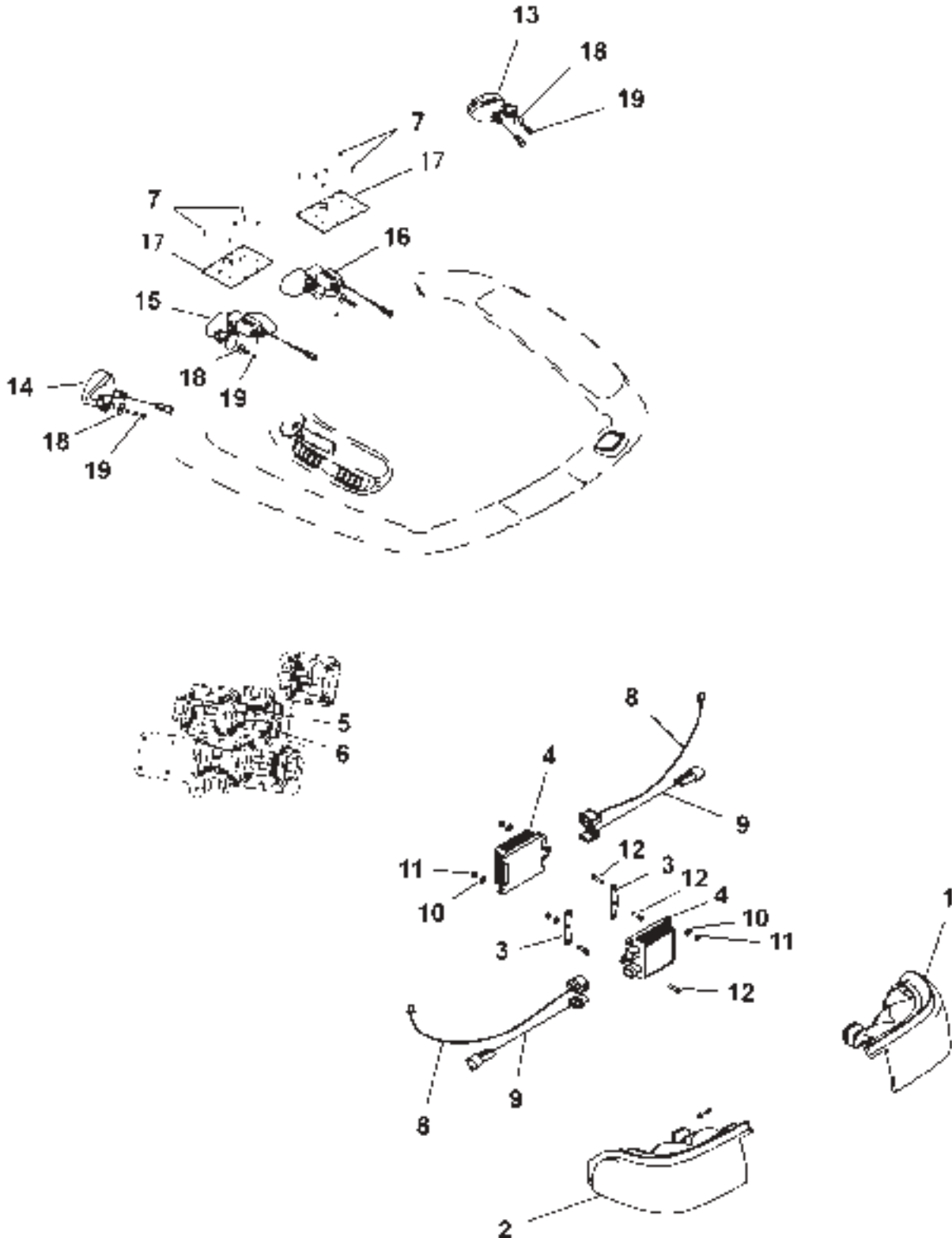
**KIT-LIGHTING - 500650D1
CONVERT STD TO DELUXE
ROW AND SPECIAL APPLICATIONS**

ITEM	NUMBER	QTY	DESCRIPTION
-	500650D1	--	LIGHTING GP
1	CH146-9439	2	RELAY AS.
2	500654D1	2	WORK LIGHT (LH) (OVAL)
	500676D2	1	LIGHT
	400862X1	1	BULB
	502094D1	1	HARNES AS-JUMPER
3	500653D1	2	WORK LIGHT (RH) (OVAL)
	500676D2	1	LIGHT
	400862X1	1	BULB
	502094D1	1	HARNES AS-JUMPER
4	CH156-0283	4	WASHER-HARD 8.4IDX35ODX2.5 MM
5	CH3E-9860	4	LOCKNUT-5/16-18 ZNDI

500650DA
PR: t05i29k58b0100

MT800 SERIESTRACTORS
ELECTRICAL AND STARTING SYSTEM

KIT-LIGHTING - 500651D1
CONVERT STD TO HID
ROW AND SPECIAL APPLICATIONS



**MT800 SERIESTRACTORS
ELECTRICAL AND STARTING SYSTEM**

255

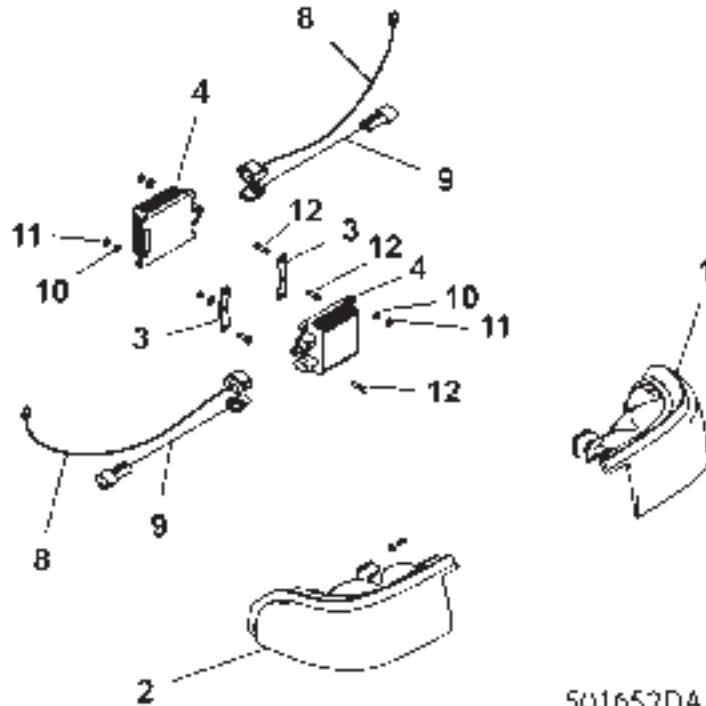
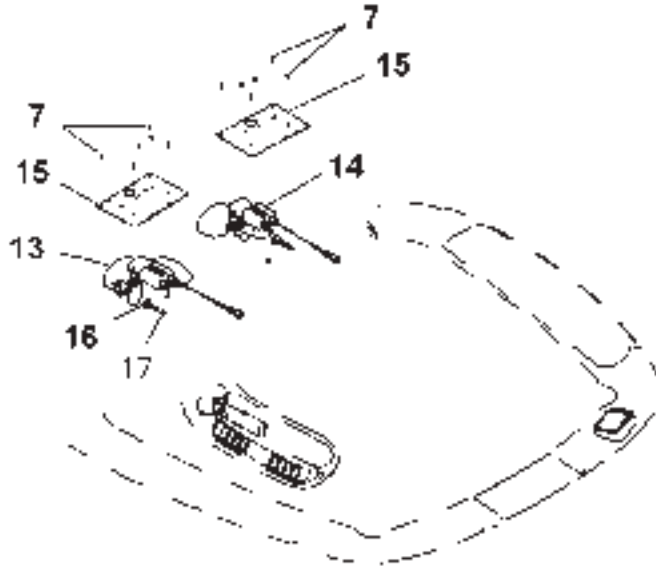
**KIT-LIGHTING - 500651D1
CONVERT STD TO HID
ROW AND SPECIAL APPLICATIONS**

ITEM	NUMBER	QTY	DESCRIPTION
-	500651D1	--	KIT-LIGHTING (STD TO HID)
1	136-5288	1	HEADLAMP AS-HID (LH)
	136-5598	1	LAMP (12V)(35 WATT)
	CH175-1323	2	LAMP (12V)(55 WATT)
2	136-5289	1	HEADLAMP AS-HID (RH)
	136-5598	1	LAMP (12V)(35 WATT)
	CH175-1323	2	LAMP (12V)(55 WATT)
3	136-5509	2	BRACKET-BALLAST
4	136-5597	2	BALLAST AS-HID
5	CH146-9439	1	RELAY AS.
6	CH170-2237	1	RELAY AS.-12 VDC
7	CH119-5026	12	SCREW-#10-16X16MM PAN THD CTG
8	202-7320	2	HARNESS AS-HID
9	502177D1	2	HARNESS AS-BALLAST
10	CH4B-4274	6	WASHER-5.5IDX13ODX1.2MM
11	CH5C-2874	6	NUT-M5X0.8THD HEX ZNDI
12	400211X1	6	BOLT-M5X0.8-6GX20 ZN HHD 8.8
13	500654D1	1	WORK LIGHT (LH)
	500676D2	1	LIGHT
	400862X1	1	BULB
	502094D1	1	HARNESS AS-JUMPER
14	500653D1	1	WORK LIGHT (RH)
	500676D2	1	LIGHT
	400862X1	1	BULB
	502094D1	1	HARNESS AS-JUMPER
15	500634D1	1	WORK LIGHT-HID (RH) (SEE BREAKDOWN FOR COMPONENTS)
16	500635D1	1	WORK LIGHT-HID (LH) (SEE BREAKDOWN FOR COMPONENTS)
17	500639D1	2	BRACKET, HID BALLAST
18	CH156-0283	4	WASHER-HARD 8.4IDX35ODX2.5 MM
19	CH3E-9860	4	LOCKNUT-5/16-18 ZNDI

500651DA
PR: t05i29k58b0101

MT800 SERIES TRACTORS
ELECTRICAL AND STARTING SYSTEM

KIT-LIGHTING - 500652D1
CONVERT DELUXE TO HID
ROW AND SPECIAL APPLICATIONS



501652DA

**MT800 SERIESTRACTORS
ELECTRICAL AND STARTING SYSTEM**

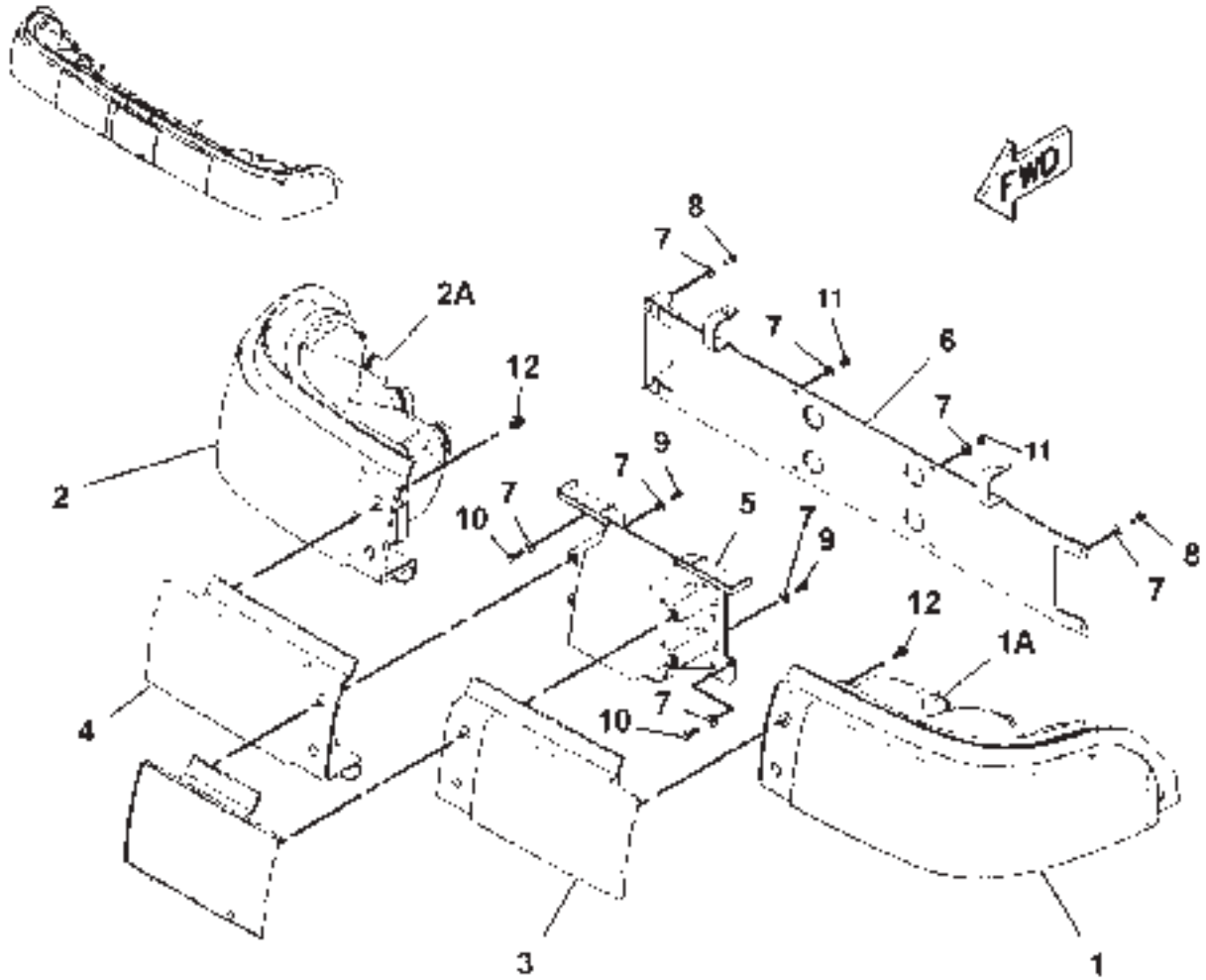
257

**KIT-LIGHTING - 500652D1
CONVERT DELUXE TO HID
ROW AND SPECIAL APPLICATIONS**

ITEM	NUMBER	QTY	DESCRIPTION
-	500652D1	--	KIT-LIGHTING (DLX TO HID)
1	136-5288	1	HEADLAMP AS-HID (LH)
	136-5598	1	LAMP (12V)(35 WATT)
	CH175-1323	2	LAMP (12V)(55 WATT)
2	136-5289	1	HEADLAMP AS-HID (RH)
	136-5598	1	LAMP (12V)(35 WATT)
	CH175-1323	2	LAMP (12V)(55 WATT)
3	136-5509	2	BRACKET-BALLAST
4	136-5597	2	BALLAST AS-HID
5	CH146-9439	1	RELAY AS.
6	CH170-2237	1	RELAY AS.-12 VDC
7	CH119-5026	12	SCREW-#10-16X16MM PAN THD CTG
8	202-7320	2	HARNESS AS-HID
9	502177D1	2	HARNESS AS-BALLAST
10	CH4B-4274	6	WASHER-5.5IDX13ODX1.2MM
11	CH5C-2874	6	NUT-M5X0.8THD HEX ZNDI
12	400211X1	6	BOLT-M5X0.8-6GX20 ZN HHD 8.8
13	500634D1	1	WORK LIGHT-HID (RH) (SEE BREAKDOWN FOR COMPONENTS)
14	500635D1	1	WORK LIGHT-HID (LH) (SEE BREAKDOWN FOR COMPONENTS)
15	500639D1	2	BRACKET, HID BALLAST
16	CH156-0283	2	WASHER-HARD 8.4IDX35ODX2.5 MM
17	CH3E-9860	2	LOCKNUT-5/16-18 ZNDI

500652DA
PR: t05i29k58b0102

LAMP GP-HOOD - 12V HALOGEN
500775D1



**MT800 SERIESTRACTORS
ELECTRICAL AND STARTING SYSTEM**

259

**LAMP GP-HOOD - 12V HALOGEN
500775D1**

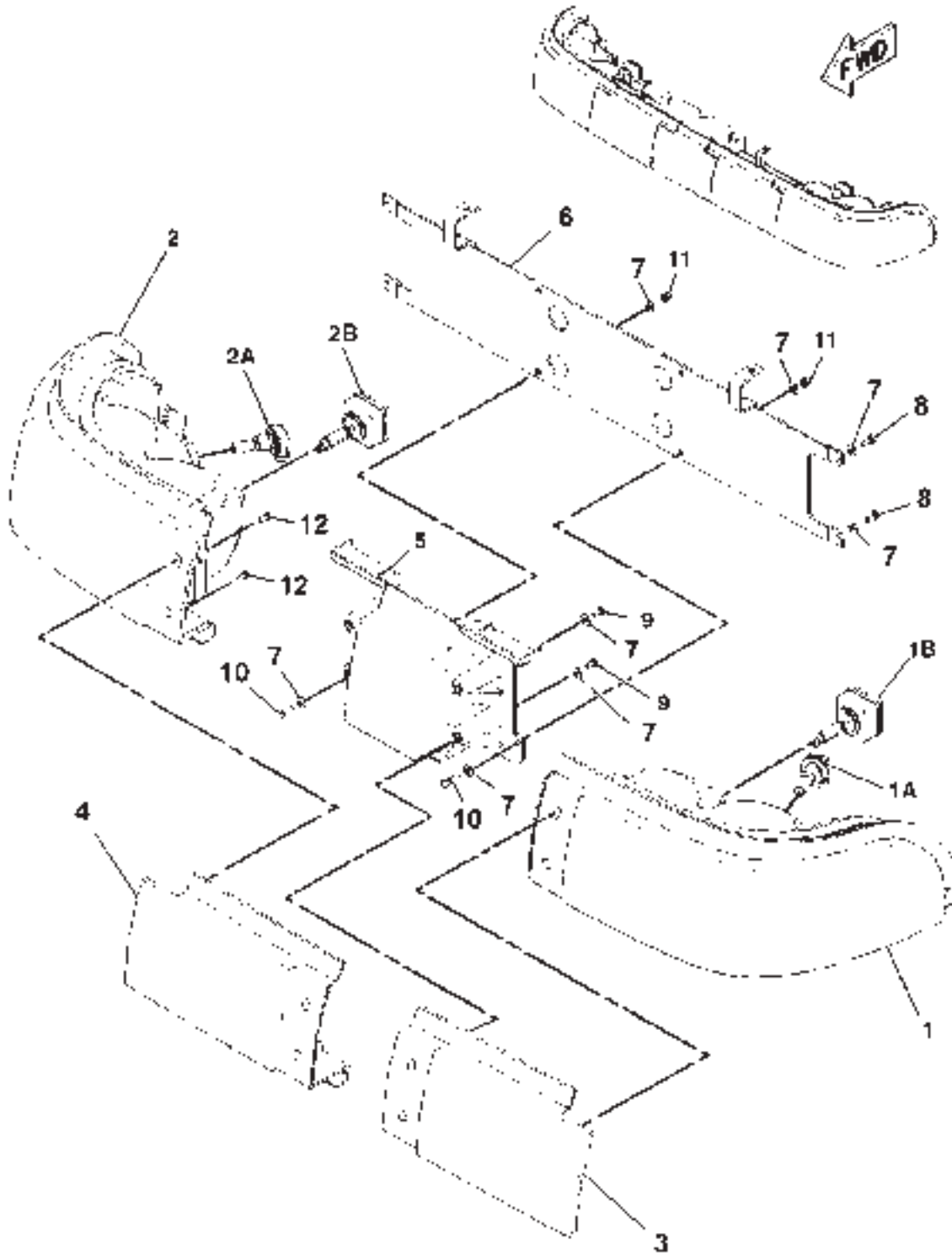
ITEM	NUMBER	QTY	DESCRIPTION
-	500775D1	--	LAMP GP-HOOD [A] (NOT SERVICED) (SERVICED BY COMPONENTS)
1	176-0379	1	HEADLAMP AS.-LH
1A	CH175-1323	3	LAMP (12 VOLT)(55 WATT)
2	176-0380	1	HEADLAMP AS.-RH
2A	CH175-1323	3	LAMP (12 VOLT)(55 WATT)
3	215-7684	1	PANEL-LH (HEADLIGHT)
4	215-7687	1	PANEL-RH (HEADLIGHT)
5	210-4354	1	BRACKET-HEADLIGHT
6	215-9809	1	BRACKET-HEADLIGHT
7	CH4B-4274	16	WASHER-5.5IDX13ODX1.2MM
8	400087X1	4	SCREW-#10-16X12.7 PAN,THD CTG
9	CH6V-5210	4	SCREW-PAN M4X0.7X10 CROSS
10	400021X1	4	BOLT-M5X0.8-6GX16MM ZN HHD
11	CH3T-0851	4	NUT-LOCK M5X0.8
12	CH217-5909	4	SCREW-NO10-15X12.7 PAN THD CTG

[A] PART OF 500645D1 & 500646D1
LIGHTING GROUPS

500775DB
PR: t05i29k58b0103

MT800 SERIESTRACTORS
ELECTRICAL AND STARTING SYSTEM

LAMP GP-HOOD-12V HID
500776D1



**MT800 SERIESTRACTORS
ELECTRICAL AND STARTING SYSTEM**

261

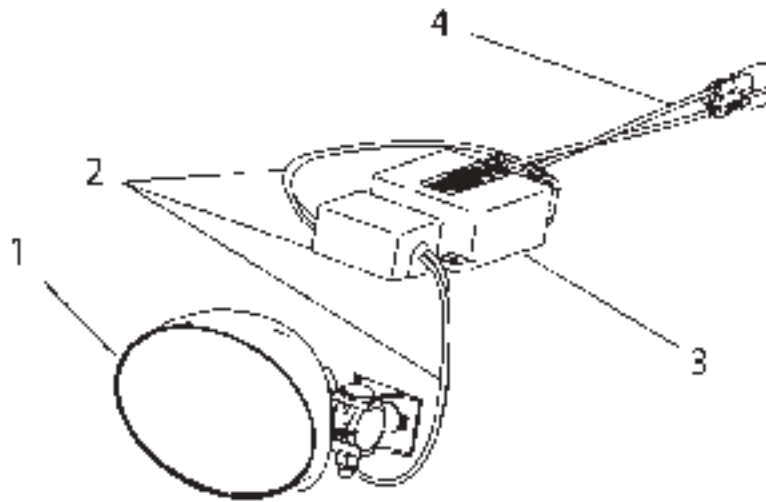
**LAMP GP-HOOD-12V HID
500776D1**

ITEM	NUMBER	QTY	DESCRIPTION
-	500776D1	--	LAMP GP-HOOD [A] (SERVICE BY COMPONENTS)
1	136-5288	1	LAMP GP-HEAD (LH) (INCLS 1A & 1B)
1A	136-5598	1	LAMP (12V)(35 WATT)
1B	CH175-1323	2	LAMP (12V)(55 WATT)
2	136-5289	1	LAMP GP-HEAD (RH) (INCLS 2A & 2B)
2A	136-5598	1	LAMP (12V)(35 WATT)
2B	CH175-1323	2	LAMP (12V)(55 WATT)
3	215-7684	1	PANEL-LH (HEADLIGHT)
4	215-7687	1	PANEL-RH (HEADLIGHT)
5	210-4354	1	BRACKET-HEADLIGHT
6	215-9809	1	BRACKET-HEADLIGHT
7	CH4B-4274	16	WASHER-5.5IDX13ODX1.2MM
8	400087X1	4	SCREW-#10-16X12.7 PAN,THD CTG
9	CH6V-5210	4	SCREW-PAN M4X0.7X10 CROSS
10	400021X1	4	BOLT-M5X0.8-6GX16MM ZN HHD
11	CH3T-0851	4	NUT-LOCK M5X0.8
12	CH217-5909	4	SCREW-NO10-15X12.7 PAN THD CTG

[A] PART OF 500647D1 LIGHTING GROUP-HID

500776DB
PR: t05i29k58b0104

WORK LIGHT-HID
500634D1 & 500635D1



501634DA

**MT800 SERIESTRACTORS
ELECTRICAL AND STARTING SYSTEM**

263

**WORK LIGHT-HID
500634D1 & 500635D1**

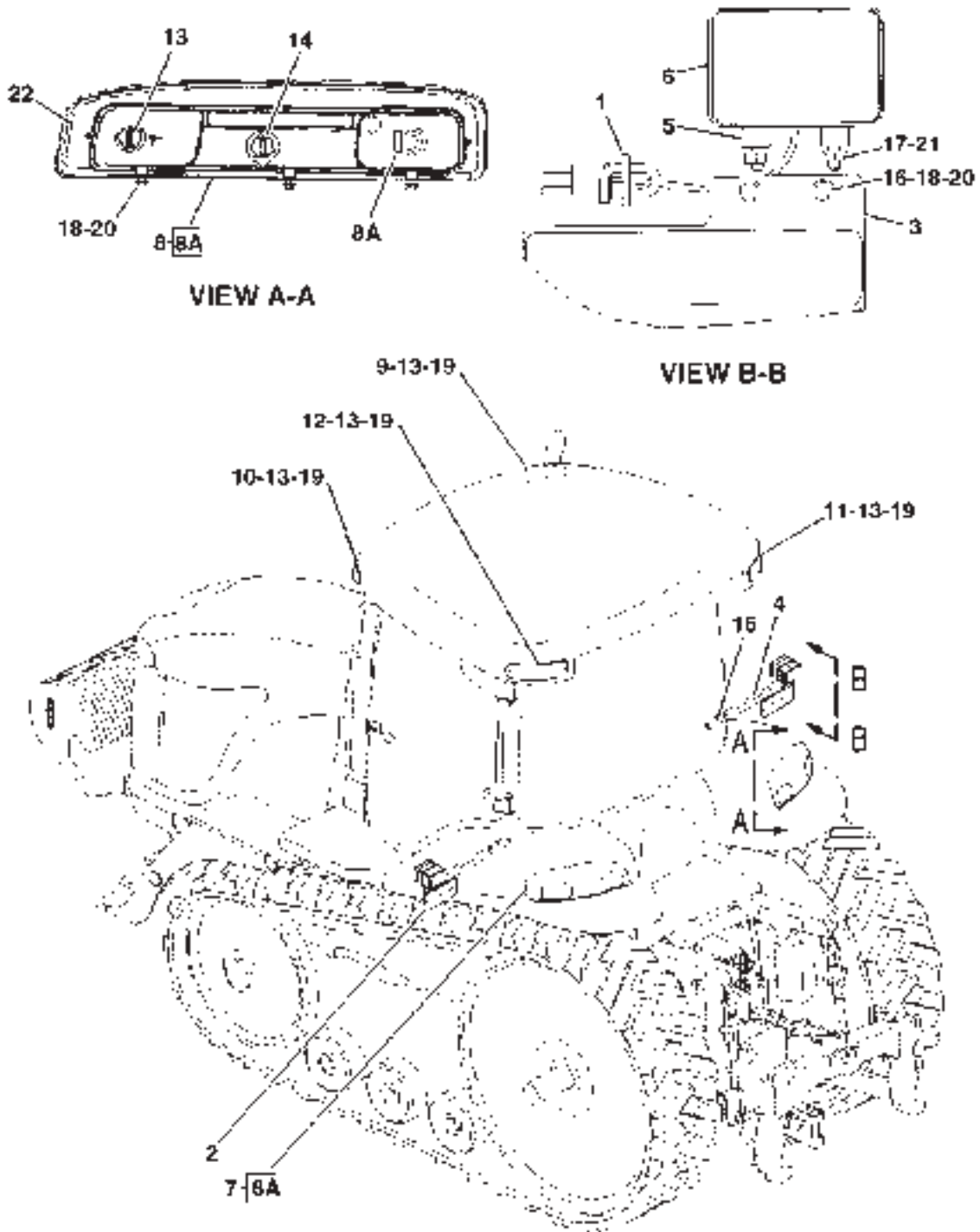
ITEM	NUMBER	QTY	DESCRIPTION
-	500634D1	--	WORK LIGHT-RH [A] (SHOWN)
-	500635D1	--	WORK LIGHT-LH [A] (NOT SHOWN)
1	500676D1	1	WORK LIGHT (RH) (SHOWN)
	500677D1	1	WORK LIGHT (LH) (NOT SHOWN)
2	500638D1	1	HARNESS AS
3	500637D1	1	BALLAST AS.-HID
4	500674D1	1	HARNESS AS

[A] PART OF 500647D1 LIGHTING GROUP-HID

500634DA
PR: t05i29k58b0105

MT800 SERIESTRACTORS
ELECTRICAL AND STARTING SYSTEM

LIGHTING GP-SIGNAL - 12V
136-5665



0886924A

**MT800 SERIESTRACTORS
ELECTRICAL AND STARTING SYSTEM**

265

LIGHTING GP-SIGNAL - 12V
136-5665

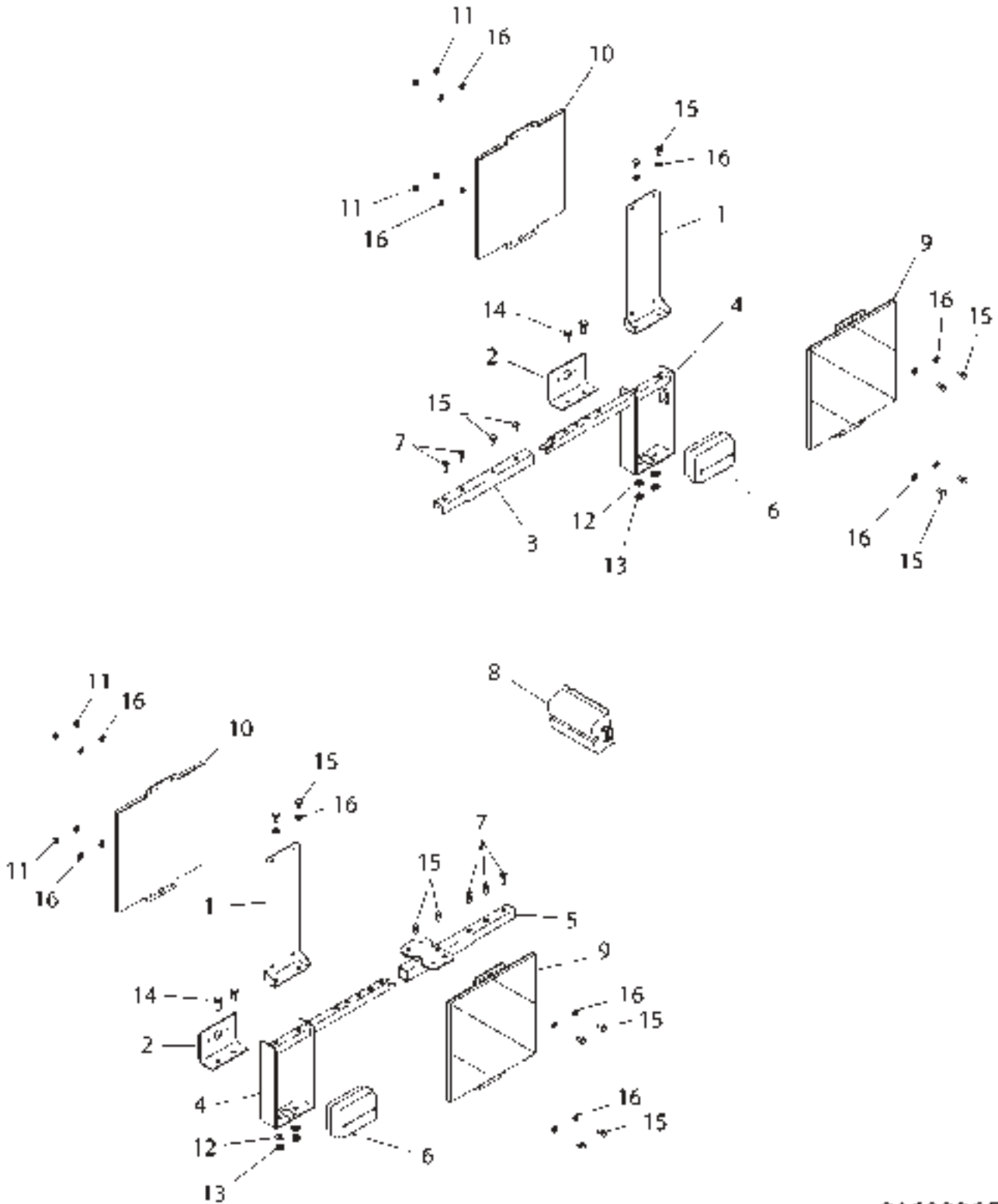
ITEM	NUMBER	QTY	DESCRIPTION
-	136-5665	--	LIGHTING GP-SIGNAL [A] (NOT SERVICED)
1	CH7K-1181	2	STRAP-CABLE
2	136-5441	1	PLATE ASM-LH (INCLUDES PLATE AND FILM)
	192-5642	1	FILM-RED
	192-5643	1	FILM-YELLOW
	192-5644	1	FILM-ORANGE
3	136-5476	1	PLATE ASM-RH (INCLUDES PLATE AND FILM)
	192-5642	1	FILM-RED
	192-5643	1	FILM-YELLOW
	192-5644	1	FILM-ORANGE
4	142-9677	2	EXTENSION ASM (INCLUDED LINK, NUT AND BRACKET)
	CH7T-1099	2	LINK
	CH8T-3612	2	NUT-WELD (M8X1.25)
5	CH148-7017	4	SPACER (10.2X19.05X13)
6	155-0027	2	LAMP GP (TURN SIGNAL) (INCLUDES BODY-LAMP) (SERVICE REPAIR ORDER THE FOLLOWING 6A, 6B, 6C AND 6D)
6A	5M-8034	2	LAMP (12 VOLT) (TURN SIGNAL)
6B	186-3735	2	PIN-CONNECTOR
6C	102-8804	1	KIT-RECEPTACLE (4 PIN) (INCLUDES RECEPTACLE ASM AND WEDGE) (SERVICED AS COMPLETE KIT ONLY)
6D	155-0029	2	LENS (AMBER) (TURN SIGNAL)
7	162-4091	1	LAMP GP-SIGNAL (FENDER)(LH) (SERVICE REPAIR BULB ORDER 8A)
8	162-4092	1	LAMP GP-SIGNAL (FENDER)(RH) (SERVICE REPAIR BULB ORDER 8A)
8A	500678D1	1	LAMP (12 VOLT)(50 WATT) (FENDER)
9	162-6696	1	LAMP (ROOF-FRONT RH)
10	162-6697	1	LAMP (ROOF-FRONT LH)
11	162-6698	1	LAMP (ROOF-REAR RH)
12	162-6699	1	LAMP (ROOF-REAR LH)
13	171-9687	6	LAMP (12 VOLT)(SINGLE FILAMENT)
14	171-9688	2	LAMP (12 VOLT)(DOUBLE FILAMENT)
15	400300X1	4	NUT (M6X1)
16	400340X1	4	NUT (M8X1.25)
17	CH188-9644	4	SCREW-FLAT HEAD
18	400152X1	10	BOLT (M6X1X16MM)
19	CH8T-0337	8	SCREW-MACHINE (M4X0.7X12MM)
20	CH8T-4205	14	WASHER-HARD (7.2X14.5X2MM)
21	400339X1	4	WASHER-HARD (8.8X16X2)
22	CH200-6208	AR	SEAL (9.5X4.7 ADH BACK) (274CM)

[A] PART OF 179-1952 BASE COMMON AR

0886924A
PR: t05i29k58b0106

MT800 SERIE STRACTORS
ELECTRICAL AND STARTING SYSTEM

LIGHTING GP-SIGNAL - 216-0806
EAME ONLY



2160806G

MT800 SERIESTRACTORS
ELECTRICAL AND STARTING SYSTEM

267

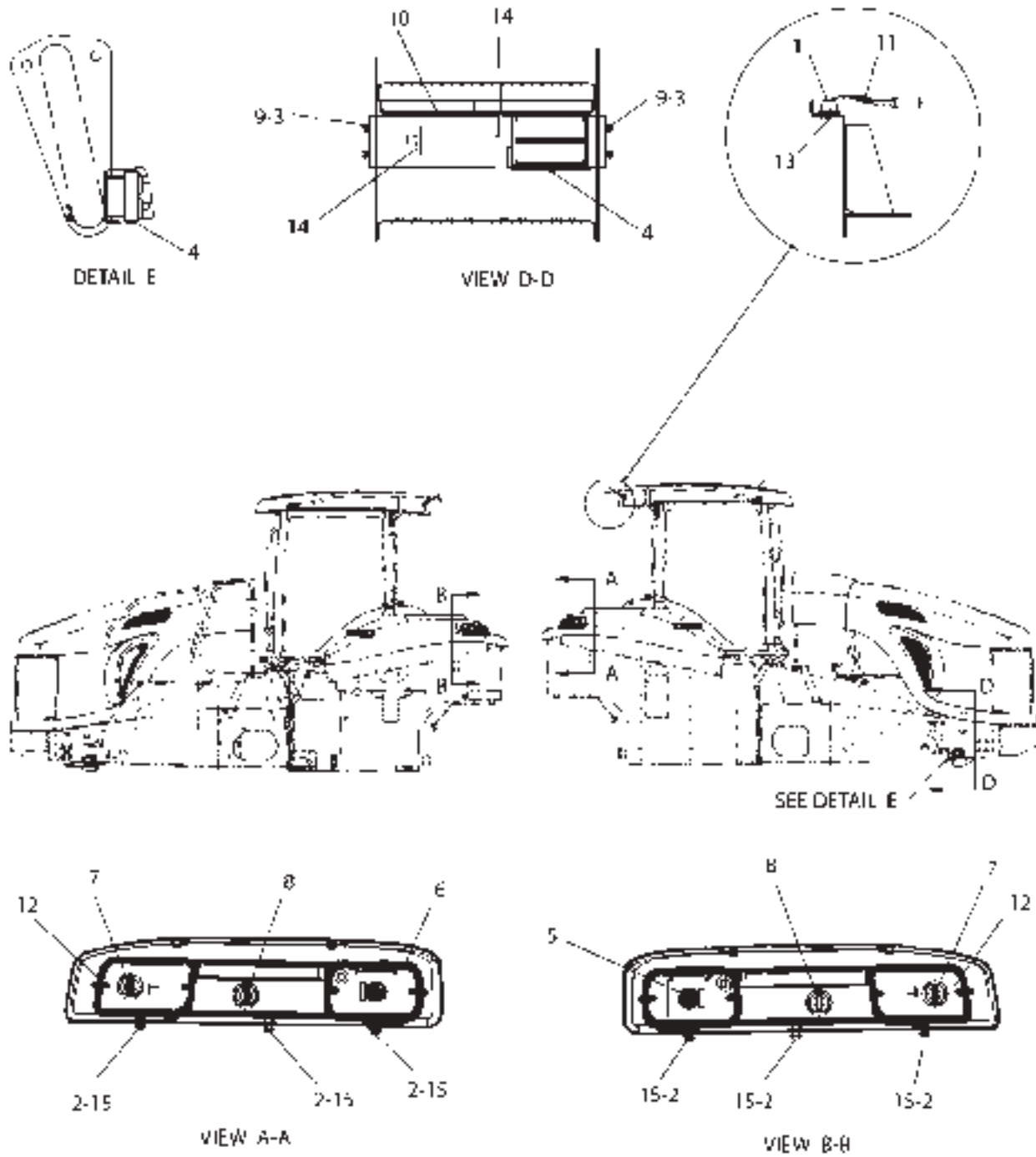
LIGHTING GP-SIGNAL - 216-0806
EAME ONLY

ITEM	NUMBER	QTY	DESCRIPTION
-	216-0806	--	LIGHTING GP-SIGNAL
1	206-7524	2	BRACKET
2	215-9109	2	BRACKET
3	216-0887	1	TUBE-EXTENSION
4	216-4353	2	BRACKET AS.
5	221-9201	1	TUBE AS-EXTENSION
6	155-0020	2	LIGHT AS.-EXTREMITY
7	CH188-9644	4	SCREW-M8X1.25X25MM FLAT HSHD
8	CH215-1382	1	FLASHER-SOLID STATE-12 VDC
9	500529D1	2	PLATE-WARNING (EAME)
10	500530D1	2	PLATE-WARNING (EAME)
11	400340X1	8	NUT-M8X1.25X13 HEX ZND1
12	400287X1	4	WASHER-HARD 11IDX21ODX2.5 ZND1
13	WR522218	4	NUT-M10-1.5,CL10.9,ZN,H,REG
14	400039X1	4	BOLT-M10X1.5X25 ZNDI HHD 10.9
15	400227X1	16	BOLT-M8X1.25X16 ZNDI HHD 10.9
16	400339X1	20	WASHER-HARD

2160806G
PR: t05i29k58b0107

MT800 SERIES TRACTORS
ELECTRICAL AND STARTING SYSTEM

LIGHTING GP-SIGNAL - 136-5429
EAME ONLY



**MT800 SERIESTRACTORS
ELECTRICAL AND STARTING SYSTEM**

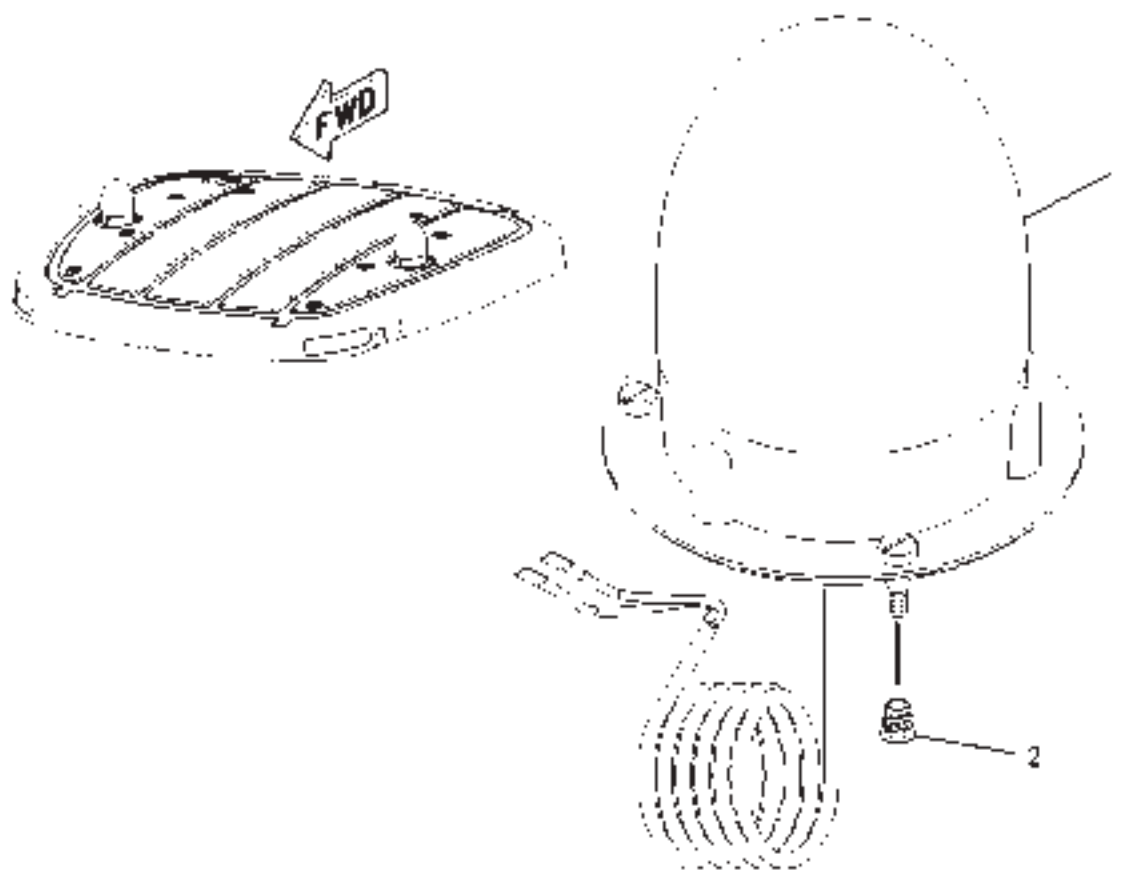
269

**LIGHTING GP-SIGNAL - 136-5429
EAME ONLY**

ITEM	NUMBER	QTY	DESCRIPTION
-	136-5429	--	LIGHTING GP-SIGNAL [A] (NOT SERVICED)
1	222-9156	2	LAMP AS
2	400152X1	6	BOLT-M6X1X16MM ZNDI HHD 10.9
3	400221X1	4	BOLT-M6X1X20MM ZNDI HHD 10.9
4	155-0014	2	LIGHT AS-EXTREMITY
5	162-4091	1	LAMP AS-FENDER (LH)
	400864X1	1	BULB (12V-50W)
6	162-4092	1	LAMP AS-FENDER (RH)
	400864X1	1	BULB (12V-50W)
7	171-9687	2	BULB-12V (S8)
8	171-9688	2	BULB-12V (S8)
9	400310X1	4	WASHER
10	502072D1	1	BRACKET AS
11	502245D1	1	HARNESS AS.
12	CH200-6208	--	SEAL BULK 9.5X4.7 ADH BACKING (274CM)
13	CH3S-9557	4	SCREW-PAN 4-40 THD X12.7 CROSS
14	CH7K-1181	2	STRAP-CABLE 0.19-4.00
15	CH8T-4205	6	WASHER-HARD 7.2IDX14.5ODX2MM

[A] PART OF 179-2180 BASE COMMON AR

1365429A
PR: t05i29k58b0108



**MT800 SERIESTRACTORS
ELECTRICAL AND STARTING SYSTEM**

271

LIGHTING GP-WARNING - 216-9823

ITEM	NUMBER	QTY	DESCRIPTION
-	502765D1	--	LIGHTING GP-WARNING (FIELD KIT)
-	502773D1	--	LIGHTING GP-WARNING (FACTORY OPT) (NOT SERVICED, ORDER FIELD INSTAL'D)
-	216-9823	--	LIGHTING GP-WARN'G [A] (ORDER FIELD KIT)
1	162-4101	1	LIGHTING GP-WARNING (SEE BREAKDOWN FOR COMPONENTS)
2	CH216-7617	6	INSERT

[A] PART OF 502765D1 LIGHTING GP-WARN.

00891621
PR: t05i29k58b0109

**MT800 SERIESTRACTORS
ELECTRICAL AND STARTING SYSTEM**

273

**LIGHTING GP-WARNING - 12V
162-4101**

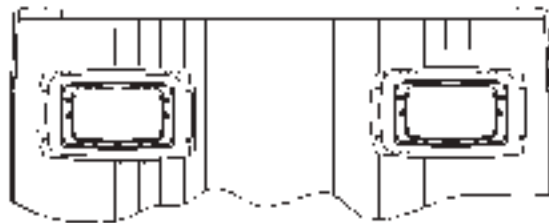
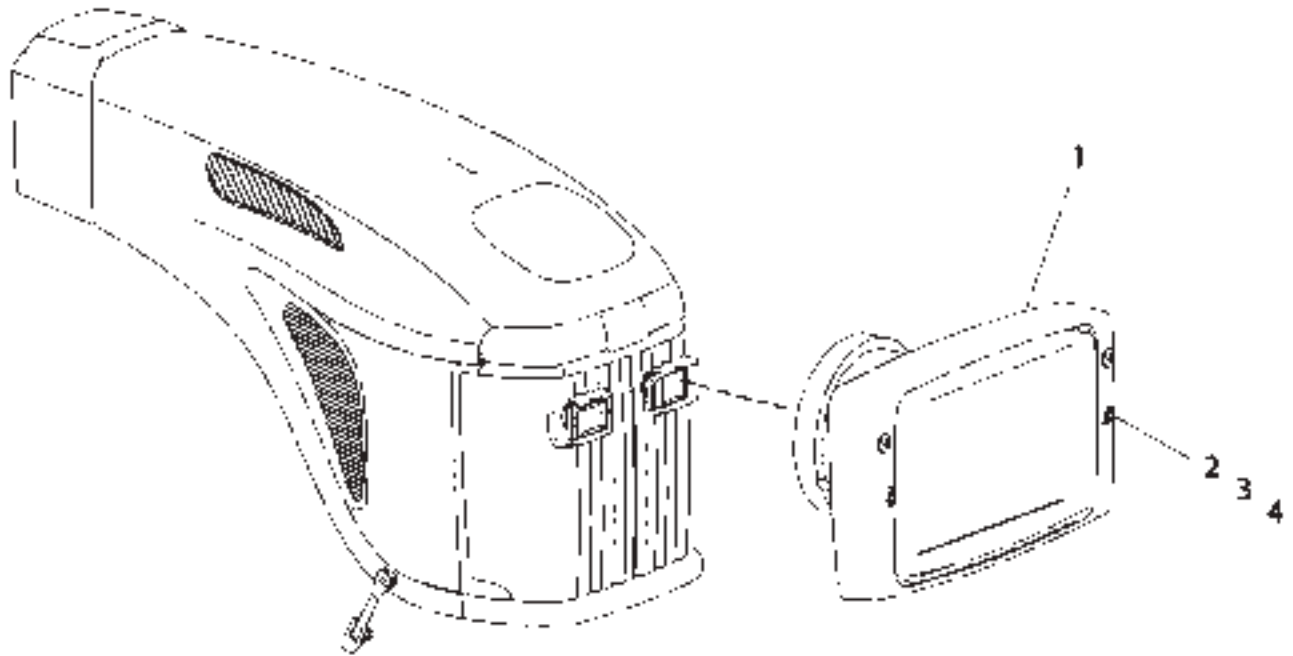
ITEM	NUMBER	QTY	DESCRIPTION
-	162-4101	--	LIGHTING GP-WARNING [A] (NOT SERVICED)
1	CH4I-3038	16	WASHER (3.3X8X0.5)
2	169-8223	1	SWITCH-ROCKER (BEACON)
3	CH196-7341	2	LAMP GP-WARNING BEACON
	CH136-5254	1	LENS (ROTATING BEACON) (AMBER)
	CH9X-8118	1	LAMP (12 VOLT)
4	201-0486	2	PLATE
5	201-0487	2	GASKET
6	502190D1	2	HARNESS ASM (BEACON)
7	502179D1	2	HARNESS ASM
8	400753X1	2	CAP-SEALING
9	CH201-9691	6	SCREW (M6X1X26MM)
10	CH201-9692	6	RETAINER
11	400139X1	8	BOLT-SOCKET HEAD (M3X0.5X25MM)
12	CH3C-6969	8	NUT (M3X0.5)
13	CH6V-8548	6	SCREW-WASHER HEAD (8-32X.85 IN)
14	CH146-9439	1	RELAY (12 VOLT)

[A] PART OF 216-9823 LIGHTING
GP-WARNING

0842107A
PR: t05i29k58b0110

MT800 SERIESTRACTORS
ELECTRICAL AND STARTING SYSTEM

LIGHTING GP-ROAD (LHTRAFFIC)
168-6580
FIELD INSTALLED
EAME ONLY



ALTERNATE CONFIGURATION
(T955, T956, T957, T958)

**MT800 SERIESTRACTORS
ELECTRICAL AND STARTING SYSTEM**

275

**LIGHTING GP-ROAD (LH TRAFFIC)
168-6580
FIELD INSTALLED
EAME ONLY**

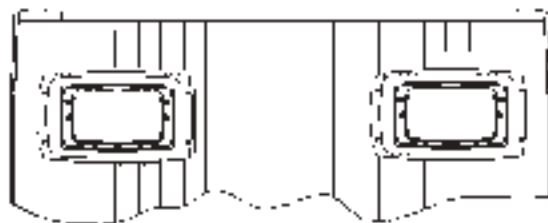
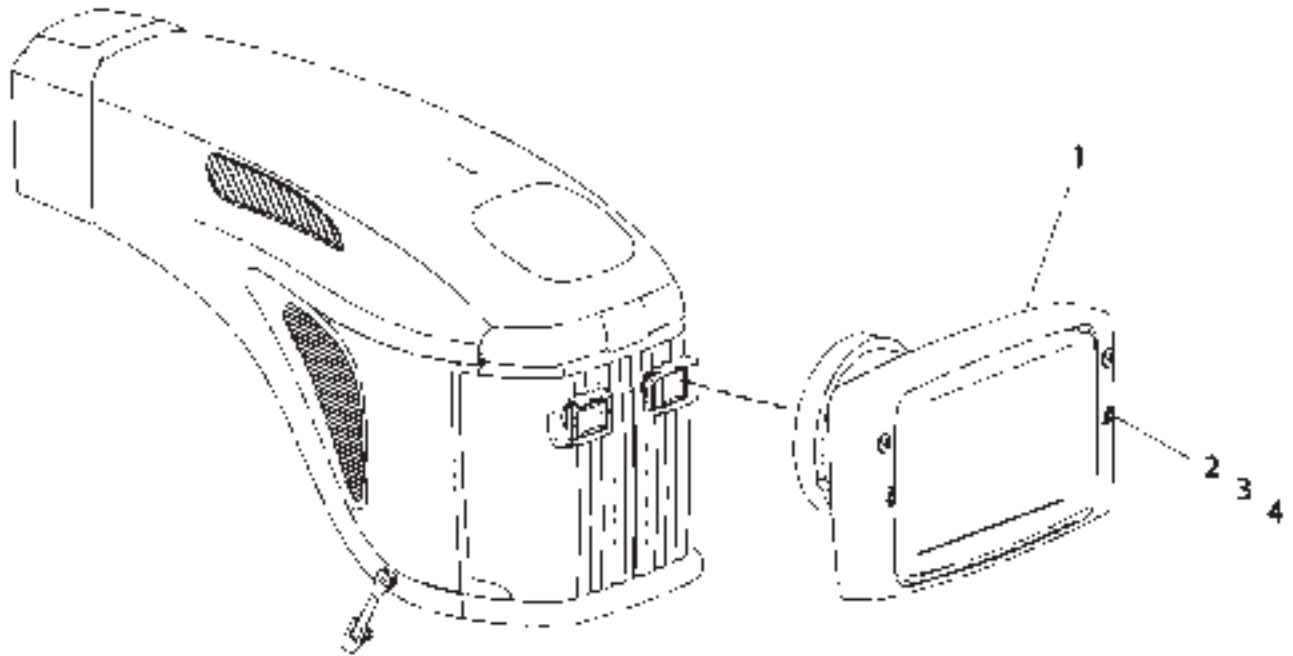
ITEM	NUMBER	QTY	DESCRIPTION
-	168-6580	--	LIGHTING GP-ROADING (LH TRAFFIC) [A]
1	155-0042	2	LAMP GP-HEAD
	CH8I-4256	1	BULB-HEADLAMP (12V-60W)
	CH121-9755	2	WASHER-SOFT (4.3IDX8ODX0.5)
	CH121-9754	1	CAP
	CH121-9753	2	WASHER-SOFT (4.3IDX9ODX0.5)
2	400132X1	4	BOLT (M4X0.7X30MM)
3	CH8C-9660	4	WASHER (4.6IDX7.9ODX0.8)
4	CH8T-2659	4	NUT (M4X0.7-6H THD SELF LOCK)

[A] KIT INSTALLED IN EUROPE ONLY

1686580F
PR: t05i29k58b0111

MT800 SERIESTRACTORS
ELECTRICAL AND STARTING SYSTEM

LIGHTING GP-ROAD (RHTRAFFIC)
168-6581
FIELD INSTALLED
EAME ONLY



ALTERNATE CONFIGURATION
(T955, T956, T957, T958)

MT800 SERIESTRACTORS
ELECTRICAL AND STARTING SYSTEM

277

LIGHTING GP-ROAD (RH TRAFFIC)
168-6581
FIELD INSTALLED
EAME ONLY

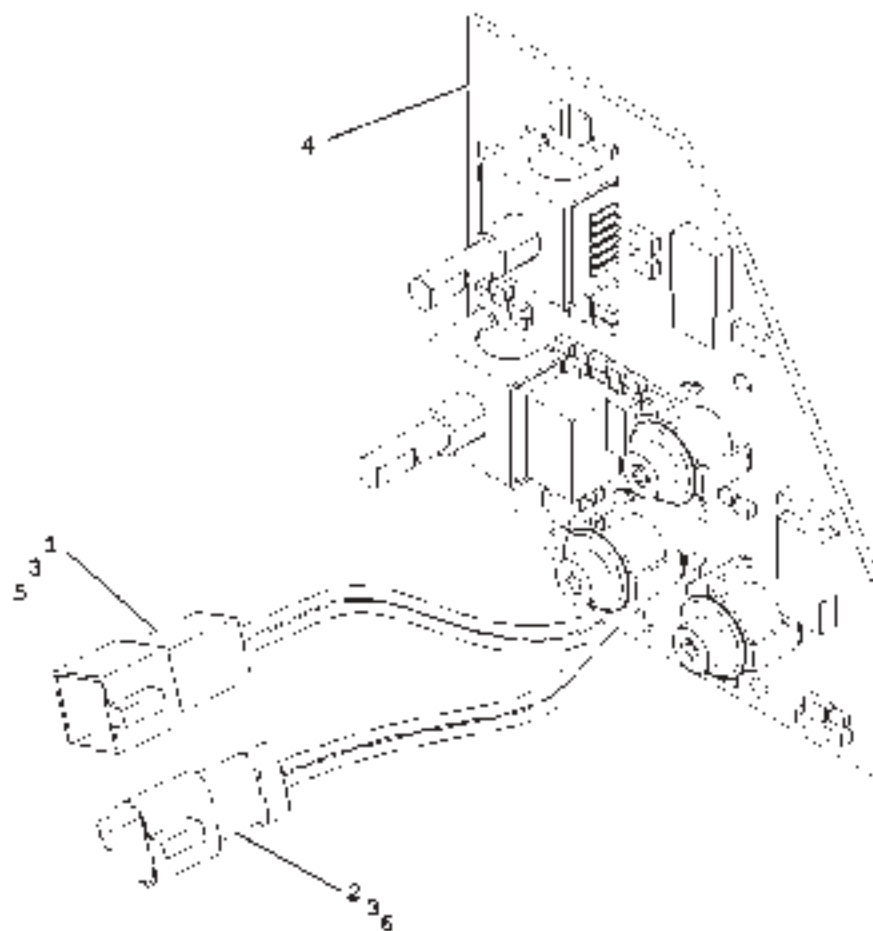
ITEM	NUMBER	QTY	DESCRIPTION
-	168-6581	--	LIGHTING GP-ROADING (LH TRAFFIC) [A]
1	155-0043	2	LAMP GP-HEAD
	CH8I-4256	1	BULB-HEADLAMP (12V-60W)
	CH121-9755	2	WASHER-SOFT (4.3IDX8ODX0.5)
	CH121-9754	1	CAP
	CH121-9753	2	WASHER-SOFT (4.3IDX9ODX0.5)
2	400132X1	4	BOLT (M4X0.7X30MM)
3	CH8C-9660	4	WASHER (4.6IDX7.9ODX0.8)
4	CH8T-2659	4	NUT (M4X0.7-6H THD SELF LOCK)

[A] KIT INSTALLED IN EUROPE ONLY

1686580F
PR: t05i29k58b0112

MT800 SERIE TRACTORS
ELECTRICAL AND STARTING SYSTEM

CONTROL GP-ELECTRONIC
501033D1



**MT800 SERIESTRACTORS
ELECTRICAL AND STARTING SYSTEM**

279

**CONTROL GP-ELECTRONIC
501033D1**

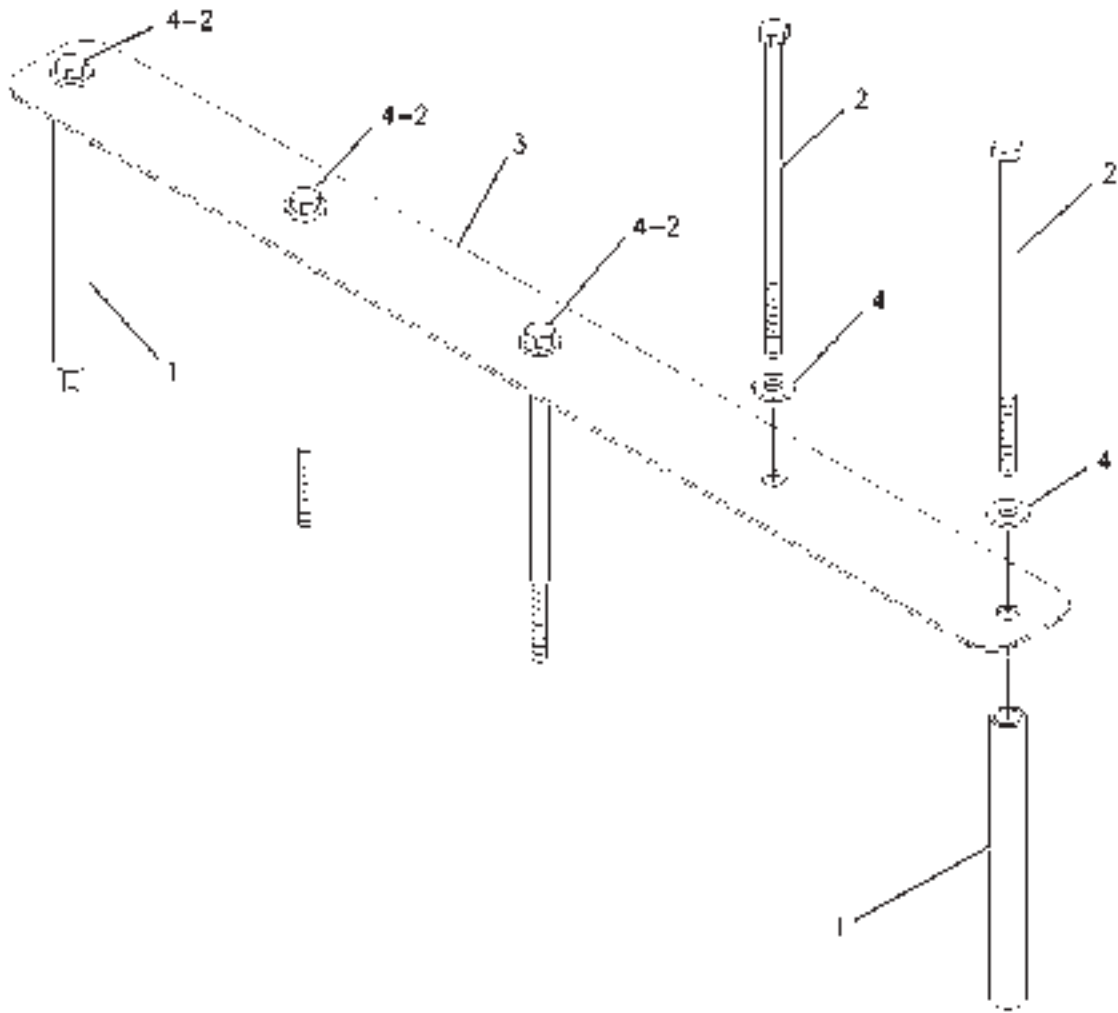
ITEM	NUMBER	QTY	DESCRIPTION
-	501033D1	--	CONTROL GP-ELECTRONIC [A]
1	400511X1	1	WEDGE-RECEPTACLE LOCK (2 PIN)
2	400717X1	1	WEDGE-RECEPTACLE LOCK (3 PIN)
3	400562X1	5	PIN-CONNECTOR
4	-----	1	CONTROL ASM-ELECTRONIC [B]
5	CH3E-3363	1	RECEPTACLE (2 PIN)
6	CH3E-3369	1	RECEPTACLE (3 PIN)

[A] PART OF 136-5477;166-1211
WIRING GP-CONSOLE
[B] NOT SERVICED SEPARATELY

00759685
PR: t05i29k58b0113

MT800 SERIESTRACTORS
ELECTRICAL AND STARTING SYSTEM

MOUNTING GP-BATTERY - 142-9760
3 BATTERIES



MT800 SERIESTRACTORS
ELECTRICAL AND STARTING SYSTEM

281

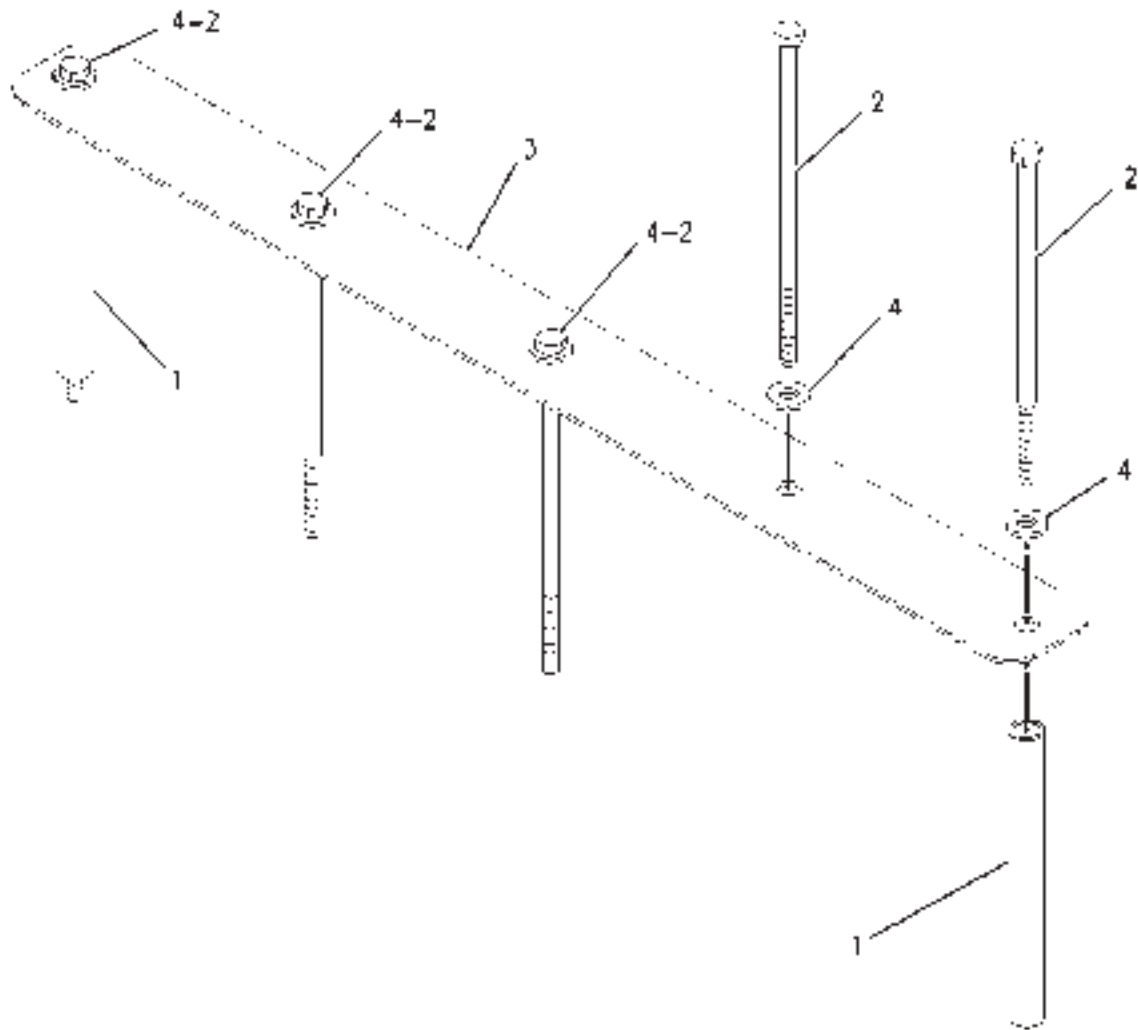
MOUNTING GP-BATTERY - 142-9760
3 BATTERIES

ITEM	NUMBER	QTY	DESCRIPTION
-	142-9760	--	MOUNTING GP-BATTERY [A] (NOT SERVICED)
1	CH149-2758	2	SPACER (15.9X21.4X204.22)
2	400005X1	4	BOLT-HEX HEAD (M10X1.5X230MM)
3	192-4158	1	PLATE
4	CH7X-7729	4	WASHER (11X25X3)

[A] PART OF 136-5658; 136-5659
BATTERY & WIRING GP

00837389
PR: t05i29k58b0114

MOUNTING GP-BATTERY - 142-9739
4 BATTERIES



**MT800 SERIESTRACTORS
ELECTRICAL AND STARTING SYSTEM**

283

**MOUNTING GP-BATTERY - 142-9739
4 BATTERIES**

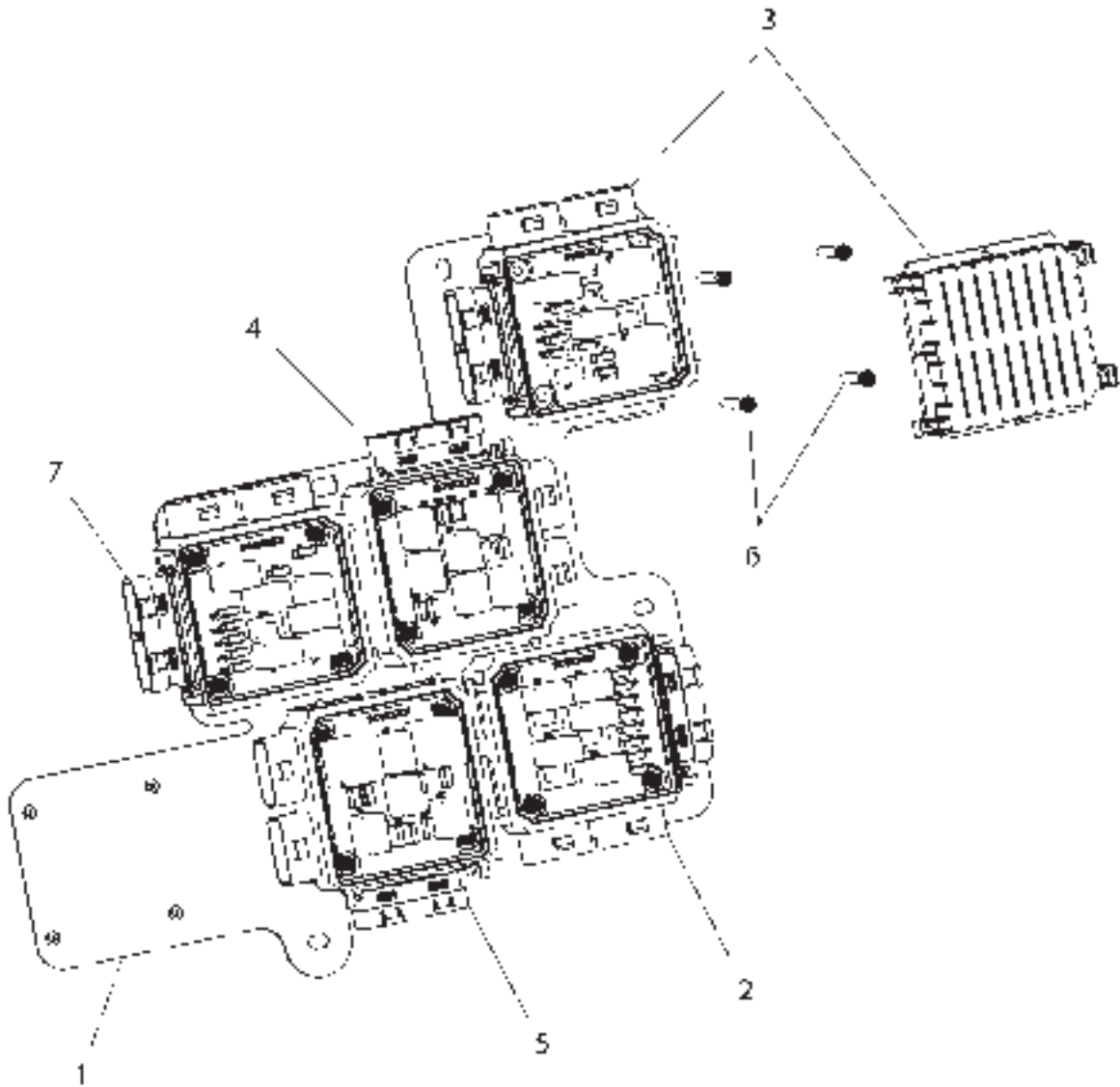
ITEM	NUMBER	QTY	DESCRIPTION
-	142-9739	--	MOUNTING GP-BATTERY [A] (NOT SERVICED)
1	CH149-2758	2	SPACER (15.9X21.4X204.22)
2	400005X1	5	BOLT-HEX HEAD (M10X1.5X230MM)
3	189-5477	1	PLATE
4	CH7X-7729	5	WASHER (11X25X3)

[A] PART OF 136-5662; 136-5663 BATTERY
& WIRING GP

00837360
PR: t05i29k58b0115

MT800 SERIESTRACTORS
ELECTRICAL AND STARTING SYSTEM

FUSE GP - 169-6380



**MT800 SERIESTRACTORS
ELECTRICAL AND STARTING SYSTEM**

285

FUSE GP - 169-6380

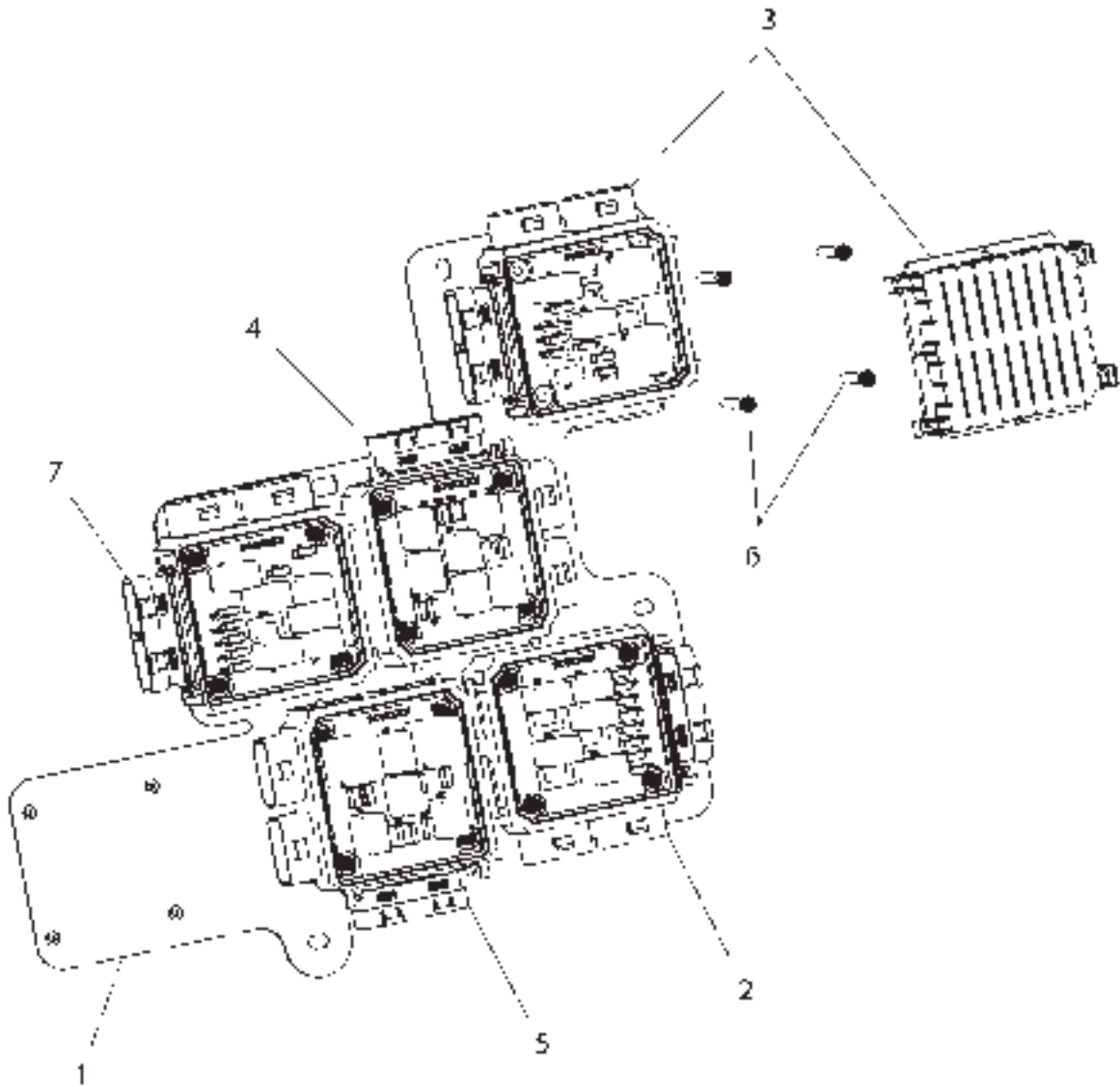
ITEM	NUMBER	QTY	DESCRIPTION
-	169-6380	--	PANEL GP-FUSE (NOT SERVICED) [A]
1	501887D1	1	PLATE AS
	CH8T-8874	20	NUT-WELD (M5X0.8 THD)
2	501834D1	1	BLOCK AS-FUSE (SEE BREAKDOWN FOR COMPONENTS)
3	501830D1	1	BLOCK AS-FUSE (SEE BREAKDOWN (SEE BREAKDOWN FOR COMPONENTS)
4	501833D1	1	BLOCK AS-FUSE (SEE BREAKDOWN FOR COMPONENTS)
5	501832D1	1	BLOCK AS-FUSE (SEE BREAKDOWN FOR COMPONENTS)
6	400208X1	20	BOLT-SOCKET HEAD (M5X0.8X40MM)
7	501835D1	1	BLOCK AS-FUSE (SEE BREAKDOWN FOR COMPONENTS)

[A] PART OF 152-0420 WIRING GP-CAB

1726841J
PR: t05i29k58b0116

MT800 SERIESTRACTORS
ELECTRICAL AND STARTING SYSTEM

FUSE GP-CLAAS - 172-6841
EAME ONLY



1726841J

**MT800 SERIESTRACTORS
ELECTRICAL AND STARTING SYSTEM**

287

**FUSE GP-CLAAS - 172-6841
EAME ONLY**

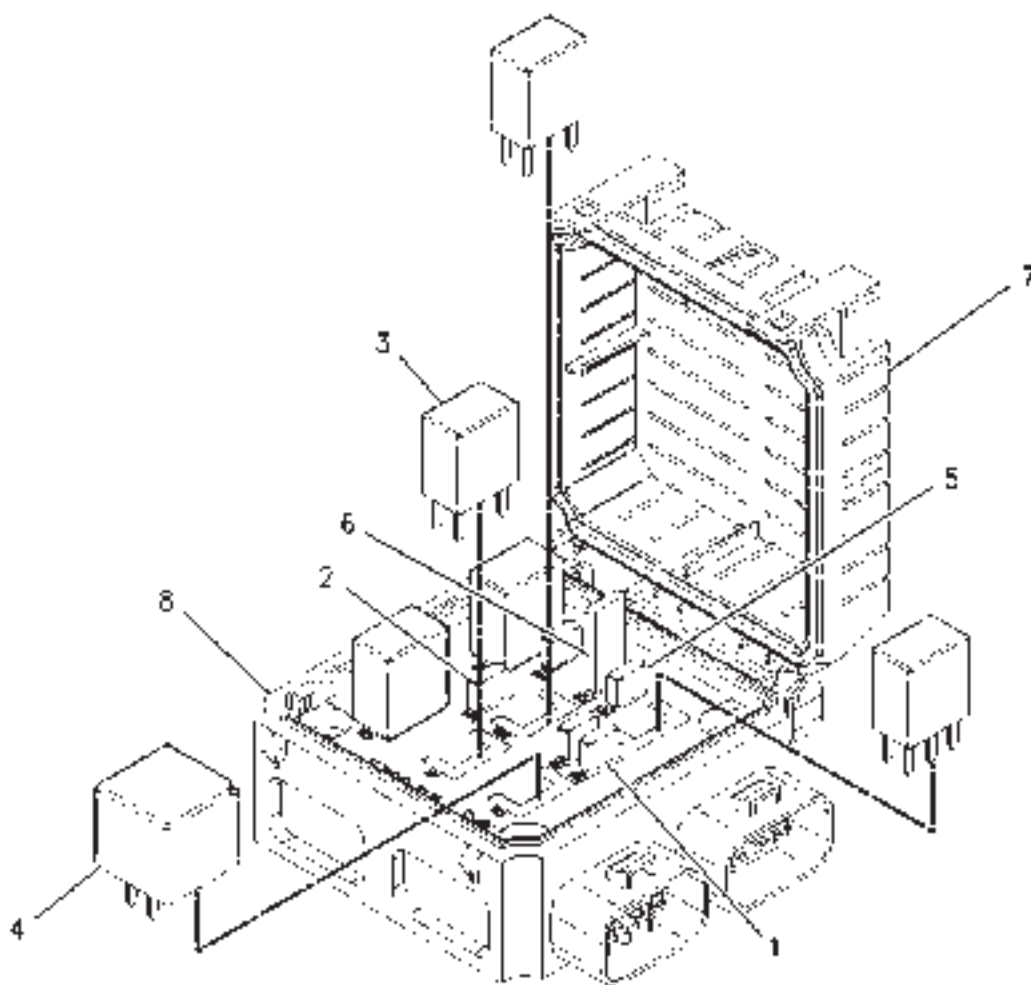
ITEM	NUMBER	QTY	DESCRIPTION
-	172-6841	--	PANEL GP-FUSE [A]
1	501887D1	1	PLATE AS
	CH8T-8874	20	NUT-WELD (M5X0.8 THD)
2	501834D1	1	BLOCK AS-FUSE (SEE BREAKDOWN FOR COMPONENTS)
3	501831D1	1	BLOCK AS-FUSE (SEE BREAKDOWN (SEE BREAKDOWN FOR COMPONENTS)
4	501833D1	1	BLOCK AS-FUSE (SEE BREAKDOWN FOR COMPONENTS)
5	501832D1	1	BLOCK AS-FUSE (SEE BREAKDOWN FOR COMPONENTS)
6	400208X1	20	BOLT-SOCKET HEAD (M5X0.8X40MM)
7	501835D1	1	BLOCK AS-FUSE (SEE BREAKDOWN FOR COMPONENTS)

[A] PART OF 152-0005 WIRING GP-CAB

1726841J
PR: t05i29k58b0117

MT800 SERIE STRACTORS
ELECTRICAL AND STARTING SYSTEM

BLOCK AS-FUSE - 501829D1



MT800 SERIESTRACTORS
ELECTRICAL AND STARTING SYSTEM

289

BLOCK AS-FUSE - 501829D1

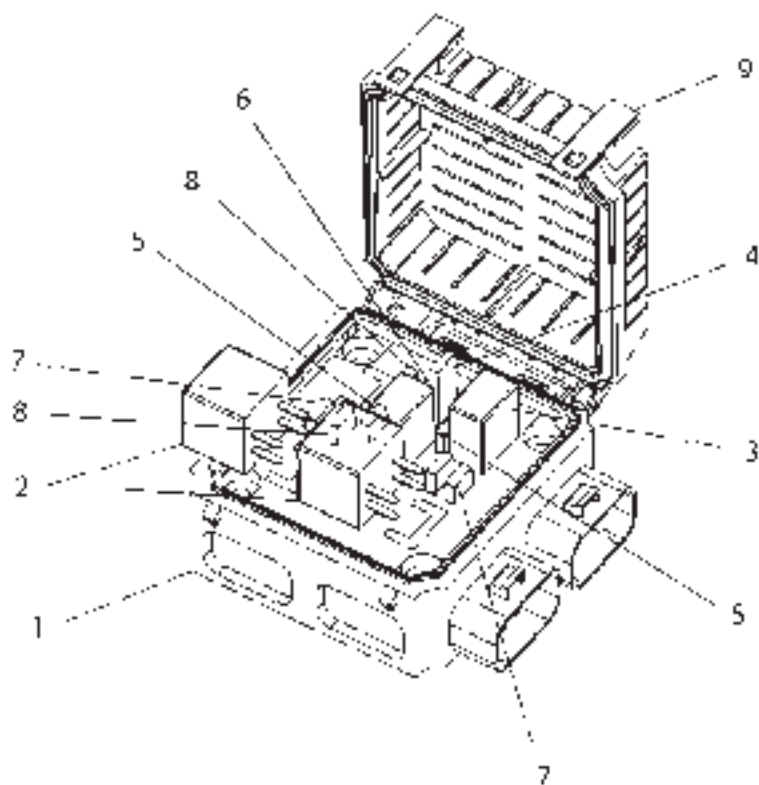
ITEM	NUMBER	QTY	DESCRIPTION
-	501829D1	--	BLOCK ASY-FUSE (COMPLETE) [A]
1	CH113-8490	2	FUSE (10 AMP)
2	CH113-8491	2	FUSE (15 AMP)
3	CH146-9439	5	RELAY (12 VOLT)
4	CH170-2237	1	RELAY (12 VOLT)
5	CH113-8492	1	FUSE (20 AMP)
6	CH124-3548	1	FUSE (30 AMP)
7	501836D1	1	COVER
8	501841D1	1	BLOCK-FUSE

[A] PART OF 216-0852 CONTROL AR-
COMMUNICATION

00878049
PR: t05i29k58b0118

MT800 SERIESTRACTORS
ELECTRICAL AND STARTING SYSTEM

BLOCK AS-FUSE
501830D1



501830DA

MT800 SERIESTRACTORS
ELECTRICAL AND STARTING SYSTEM

291

BLOCK AS-FUSE
501830D1

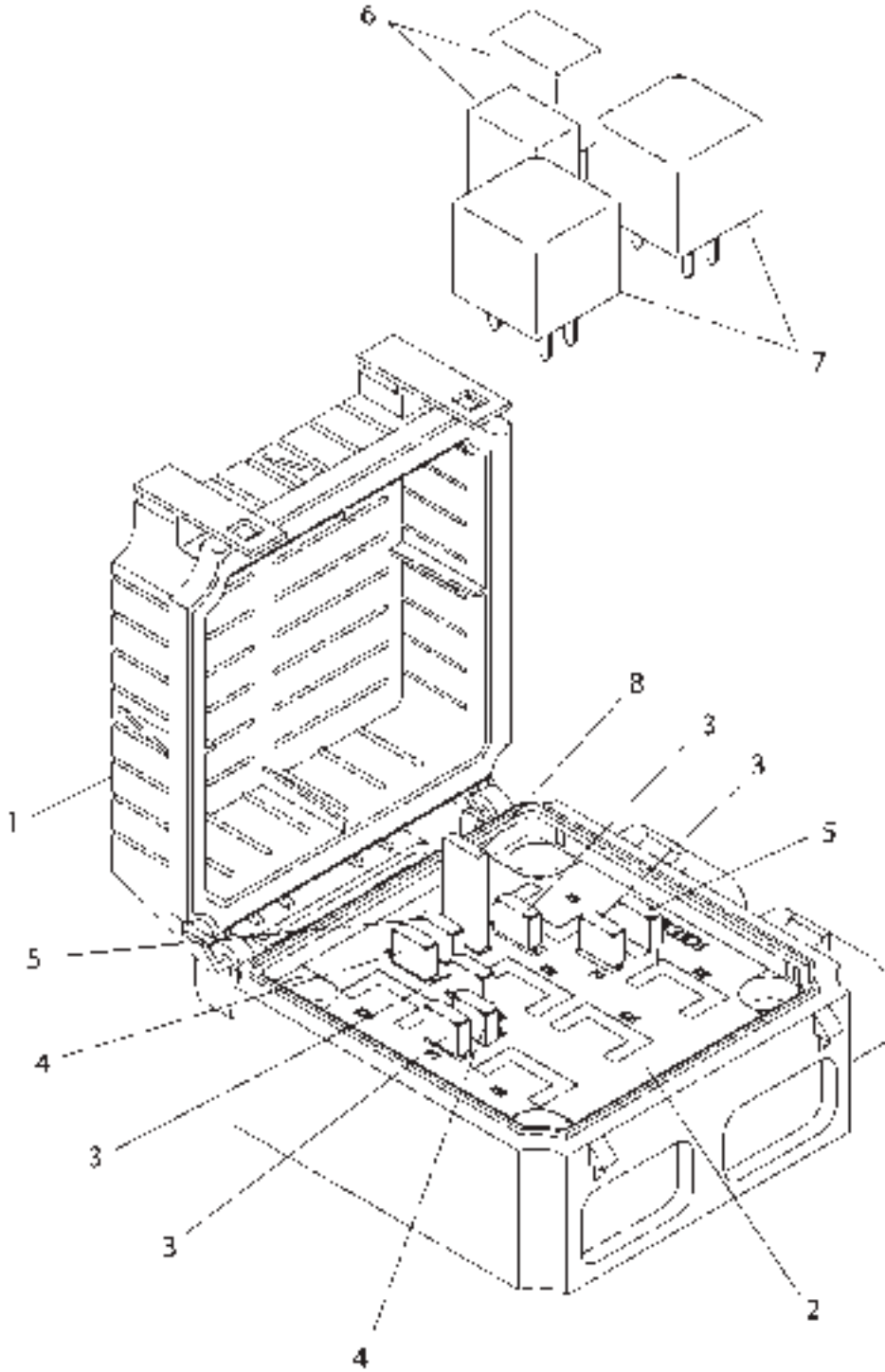
ITEM	NUMBER	QTY	DESCRIPTION
-	501830D1	--	BLOCK AS-FUSE [A]
1	501837D1	1	BLOCK-FUSE
2	CH170-2237	2	RELAY AS (12V)
3	CH146-9439	2	RELAY AS (12V)
4	CH180-0613	1	BREAKER AS-CIRCUIT (30A)
5	CH113-8490	3	FUSE (10A)
6	CH113-8491	1	FUSE (15A)
7	CH124-3548	2	FUSE (30A)
8	CH113-8492	2	FUSE (20A)
9	501836D1	1	COVER-FUSE BLOCK

[A] PART OF 169-6380 FUSE GP

501830DA
PR: t05i29k58b0119

MT800 SERIE STRACTORS
ELECTRICAL AND STARTING SYSTEM

BLOCK AS-FUSE
501831D1



501831DC

MT800 SERIESTRACTORS
ELECTRICAL AND STARTING SYSTEM

293

BLOCK AS-FUSE
501831D1

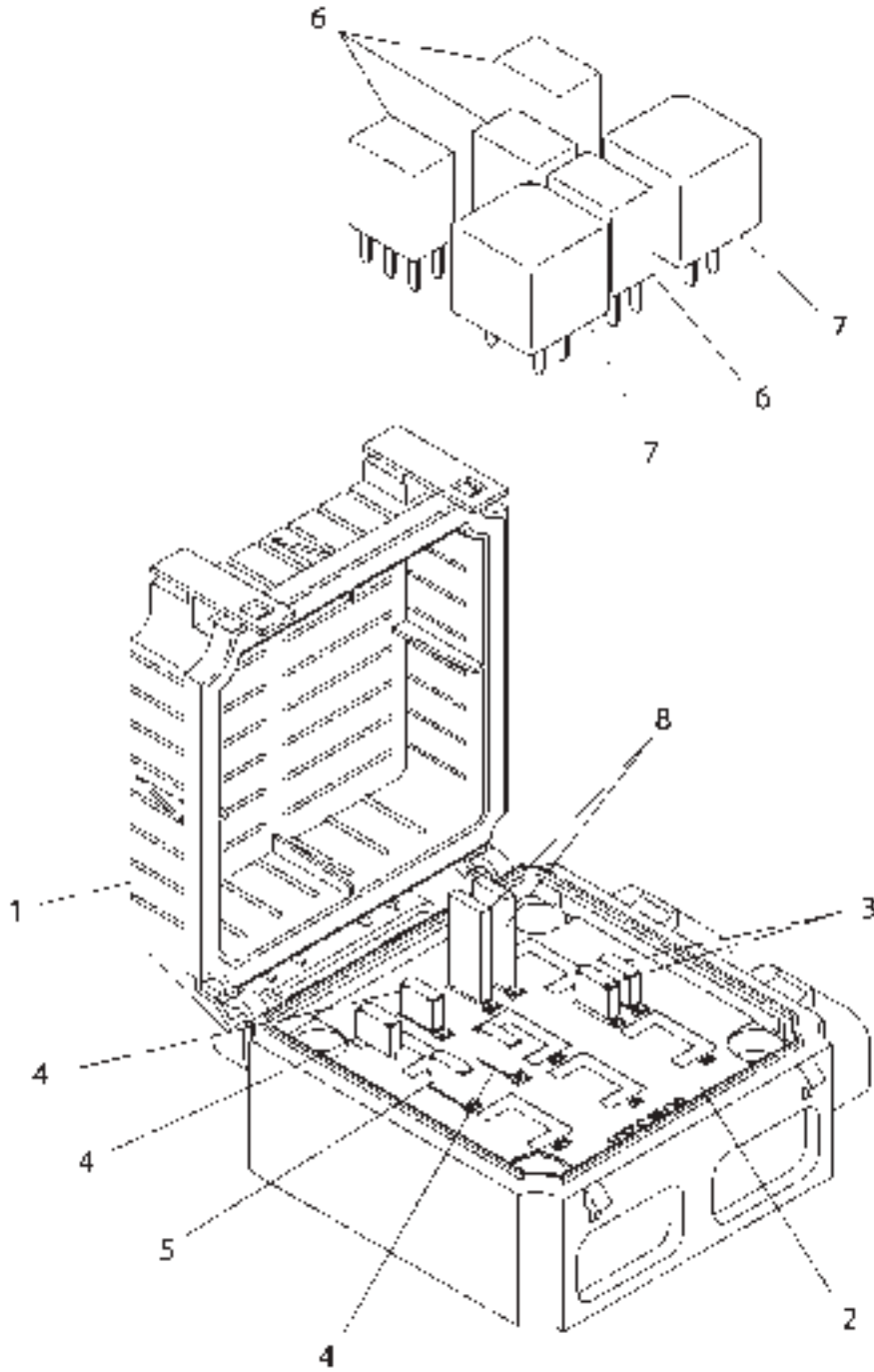
ITEM	NUMBER	QTY	DESCRIPTION
-	501831D1	--	BLOCK AS-FUSE [A]
1	501836D1	1	COVER
2	501840D1	1	BLOCK-FUSE
3	CH113-8490	4	FUSE (10A)
4	CH113-8492	2	FUSE (20A)
5	CH124-3548	2	FUSE (30A)
6	CH146-9439	2	RELAY AS (12V)
7	CH170-2237	2	RELAY AS (12V)
8	CH180-0613	1	BREAKER AS-CIRCUIT (30A)

[A] PART OF 172-6841 FUSE GP

501831DC
PR: t05i29k58b0120

MT800 SERIE STRACTORS
ELECTRICAL AND STARTING SYSTEM

BLOCK AS-FUSE
501832D1



MT800 SERIESTRACTORS
ELECTRICAL AND STARTING SYSTEM

295

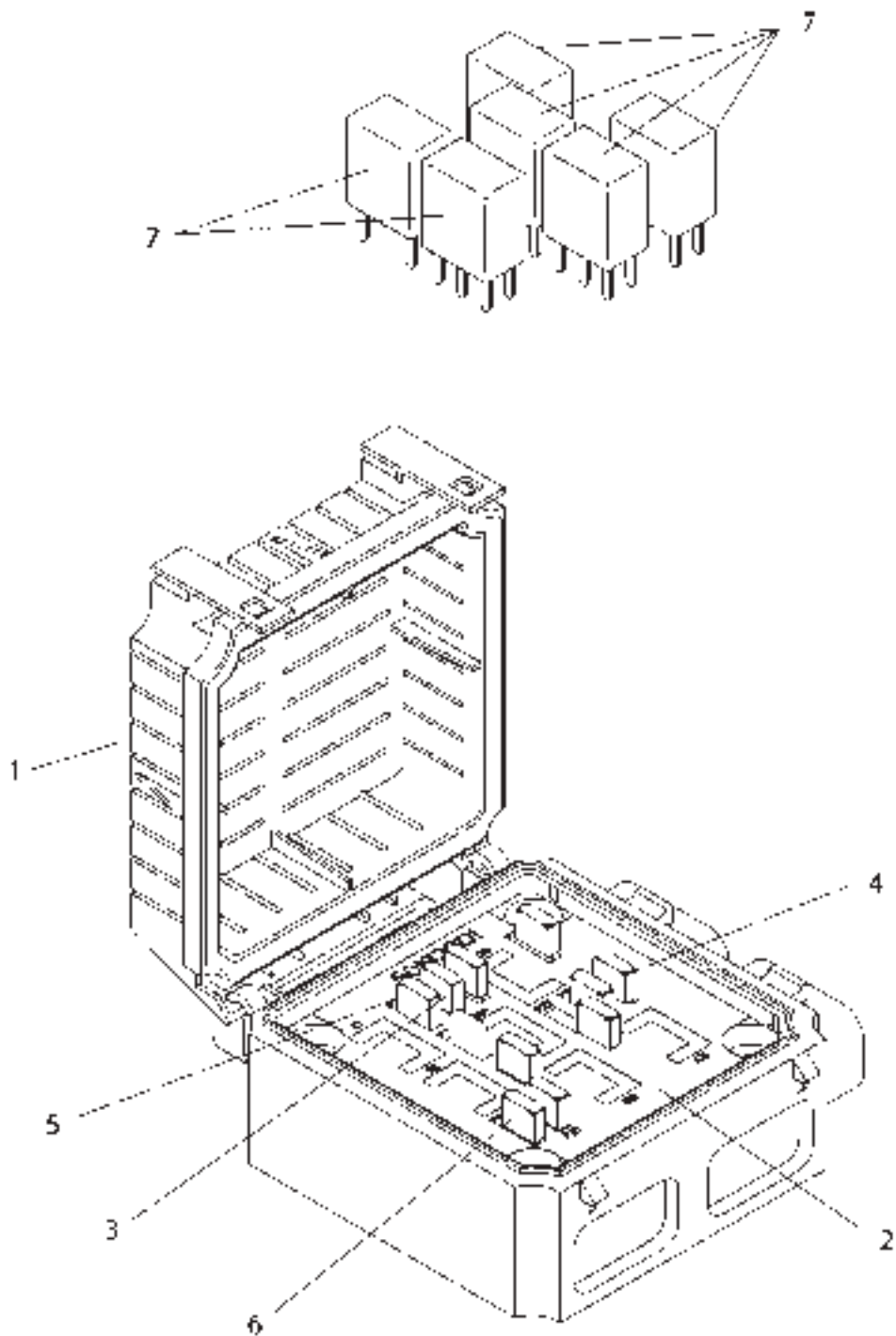
BLOCK AS-FUSE
501832D1

ITEM	NUMBER	QTY	DESCRIPTION
-	501832D1	--	BLOCK AS-FUSE [A]
1	501836D1	1	COVER
2	501877D1	1	BLOCK-FUSE
3	CH113-8490	2	FUSE (10A)
4	CH113-8491	3	FUSE (15A)
5	CH124-3548	1	FUSE (30A)
6	CH146-9439	4	RELAY AS (12V)
7	CH170-2237	2	RELAY AS (12V)
8	CH180-0613	2	BREAKER AS-CIRCUIT (30A)

[A] PART OF 172-6841 FUSE GP

501832DC
PR: t05i29k58b0121

BLOCK AS-FUSE
501833D1



MT800 SERIESTRACTORS
ELECTRICAL AND STARTING SYSTEM

297

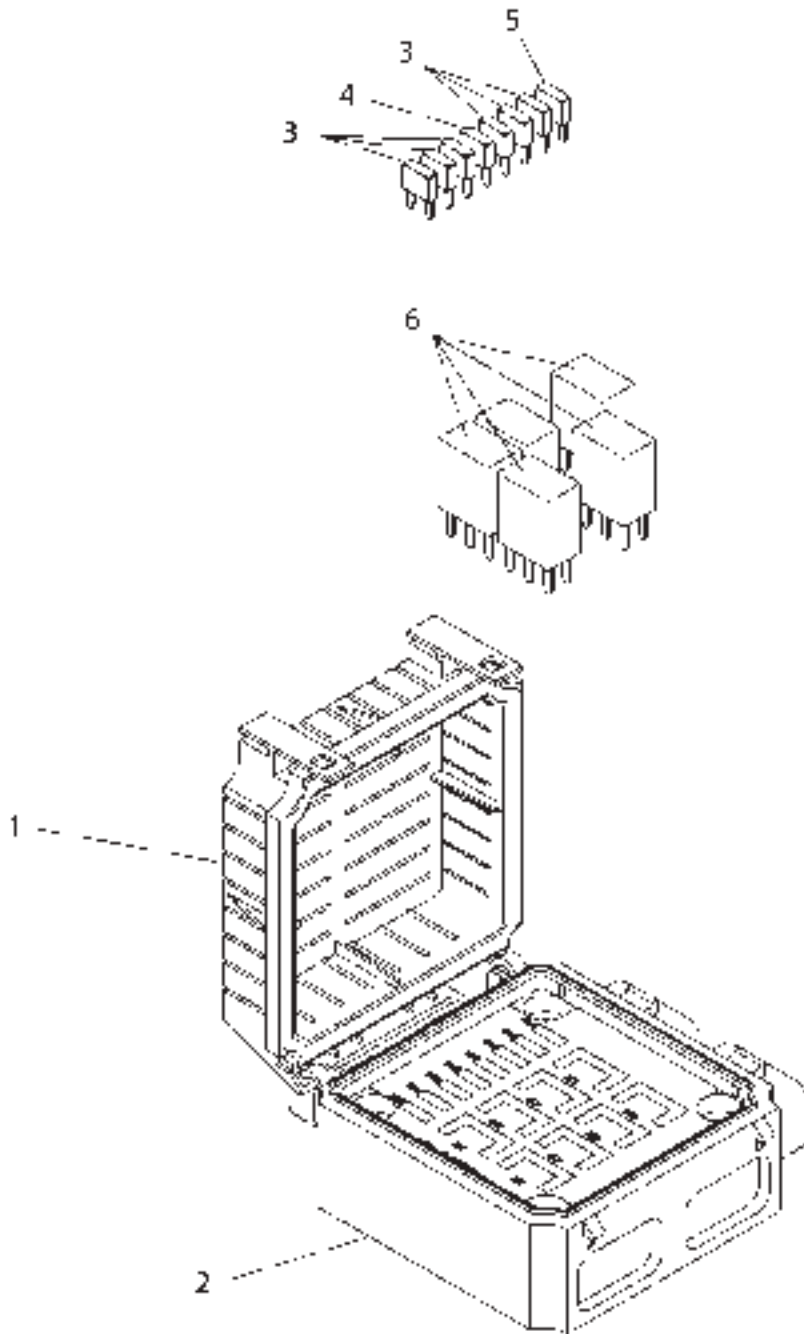
BLOCK AS-FUSE
501833D1

ITEM	NUMBER	QTY	DESCRIPTION
-	501833D1	--	BLOCK AS-FUSE [A]
1	501836D1	1	COVER
2	501838D1	1	BLOCK-FUSE
3	CH113-8490	3	FUSE (10V)
4	CH113-8491	4	FUSE (15A)
5	CH124-3548	2	FUSE (30A)
6	CH141-2759	2	FUSE (5A)
7	CH146-9439	6	RELAY AS (12V)

[A] PART OF 172-6841 FUSE GP

501833DC
PR: t05i29k58b0122

BLOCK AS-FUSE
501834D1



MT800 SERIESTRACTORS
ELECTRICAL AND STARTING SYSTEM

299

BLOCK AS-FUSE
501834D1

ITEM	NUMBER	QTY	DESCRIPTION
-	501834D1	--	BLOCK AS-FUSE [A]
1	501836D1	1	COVER
2	501839D1	1	BLOCK-FUSE
3	CH113-8491	6	FUSE (15A)
4	CH113-8492	1	FUSE (20V)
5	CH141-2759	1	FUSE (5A)
6	CH146-9439	5	RELAY AS (12V)

[A] PART OF 172-6841 FUSE GP

501834DC
PR: t05i29k58b0123

MT800 SERIESTRACTORS
ELECTRICAL AND STARTING SYSTEM

301

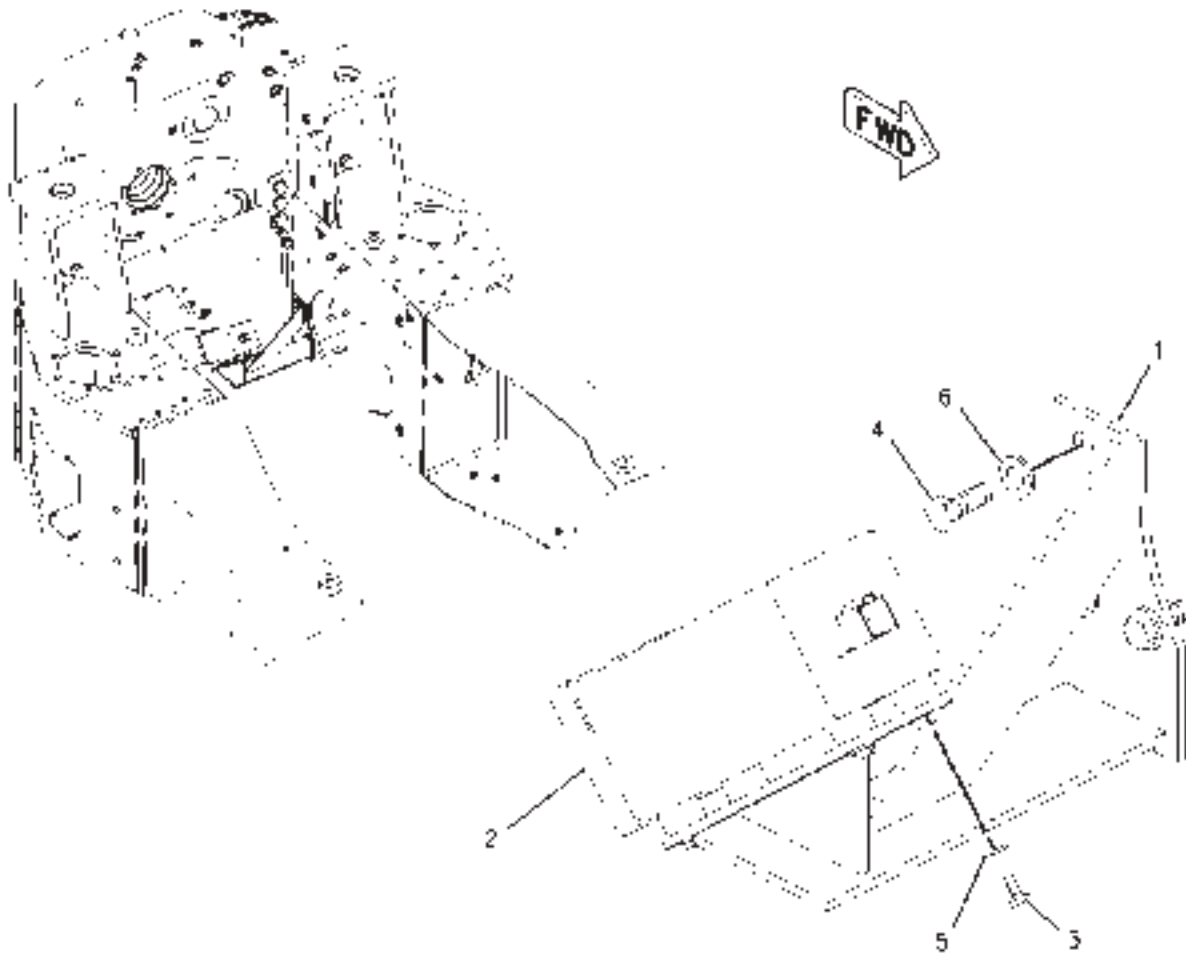
BLOCK AS-FUSE
501835D1

ITEM	NUMBER	QTY	DESCRIPTION
-	501835D1	--	BLOCK AS-FUSE [A]
1	501836D1	1	COVER
2	501842D1	1	BLOCK-FUSE
3	CH113-8491	3	FUSE (15A)
4	CH113-8492	1	FUSE (20V)
5	CH141-2759	1	FUSE (5A)
6	CH146-9439	6	RELAY AS (12V)
7	CH173-3175	2	BREAKER AS-CIRCUIT (20A)

[A] PART OF 172-6841 FUSE GP

501835DC
PR: t05i29k58b0124

SENSOR & MTG GP-GROUND SPEED
136-5388



MT800 SERIESTRACTORS
ELECTRICAL AND STARTING SYSTEM

303

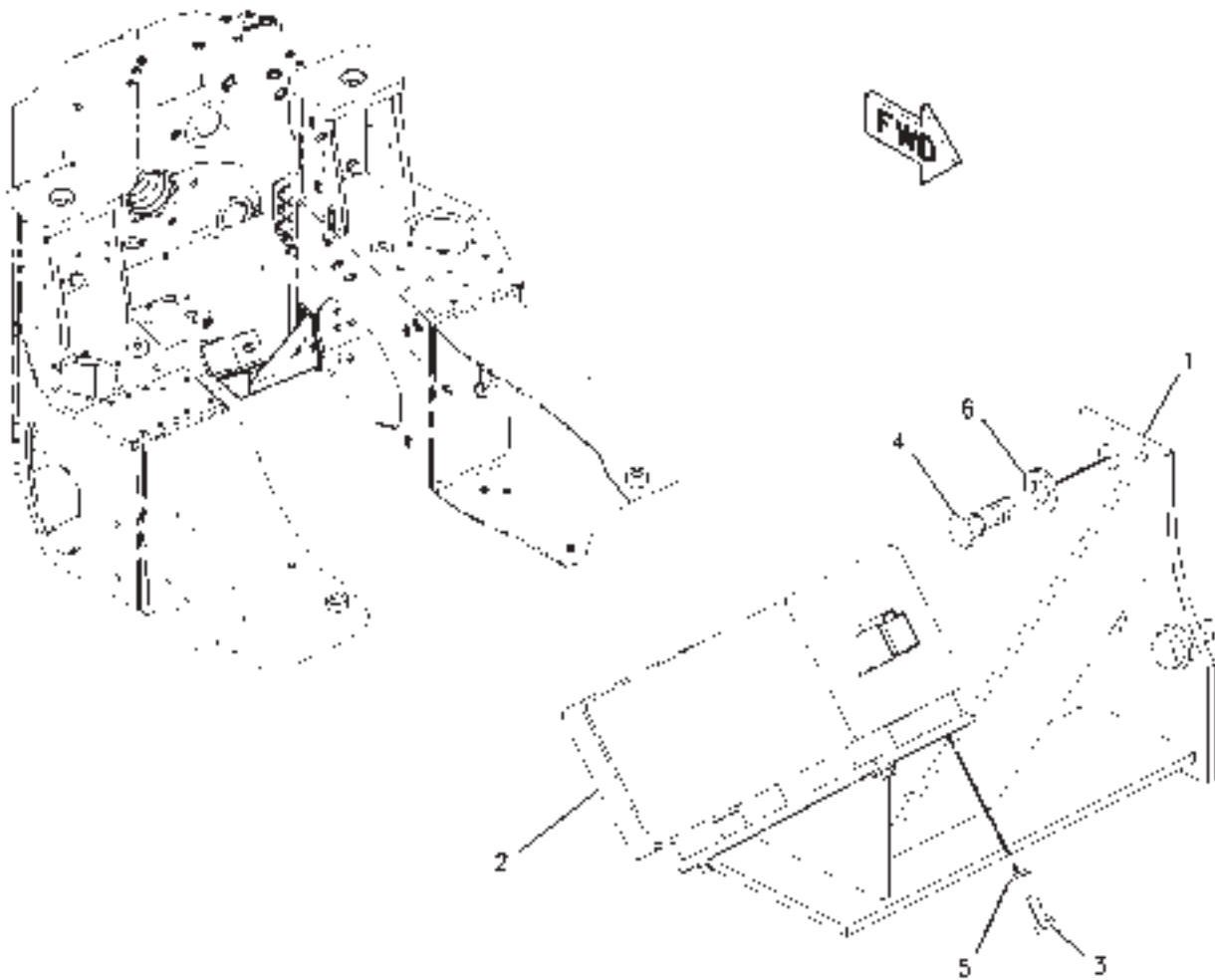
SENSOR & MTG GP-GROUND SPEED
136-5388

ITEM	NUMBER	QTY	DESCRIPTION
-	502757D1	--	SENSOR & MTG GP-GROUND SPEED (FIELD INSTALLED)
-	136-5388	--	SENSOR & MTG GP-GND SPD [A] (FACTORY) (NOT SERVICED-ORDER FIELD INSTALLED)
1	136-5261	1	BRACKET ASM
2	CH179-4265	1	SENSOR GP-GROUND SPEED
3	400152X1	4	BOLT (M6X1X16MM)
4	400041X1	3	BOLT (M12X1.75X30MM)
5	CH8T-4205	4	WASHER-HARD (7.2X14.5X2MM)
6	400357X1	3	WASHER-HARD (M12X25.5X3)

[A] PART OF 502757D1 SENSOR GP

00850277
PR: t05i29k58b0125

SENSOR & MTG GP-GROUND SPEED
136-5404
EAME



MT800 SERIESTRACTORS
ELECTRICAL AND STARTING SYSTEM

305

SENSOR & MTG GP-GROUND SPEED
136-5404
EAME

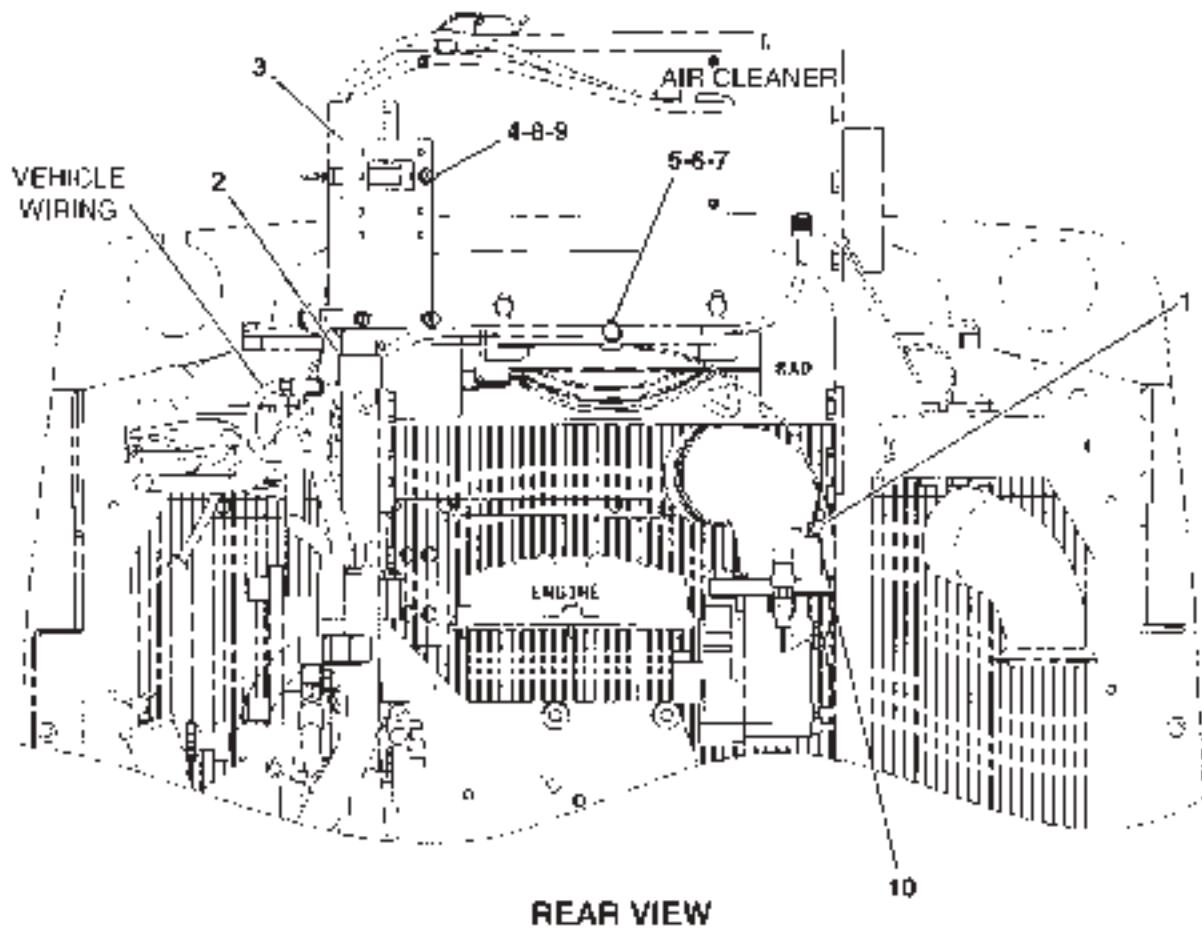
ITEM	NUMBER	QTY	DESCRIPTION
-	502774D1	--	SENSOR & MTG GP-GROUND SPEED (FIELD INSTALLED)
-	136-5404	--	SENSOR & MTG GP-GND SPD [A] (FACTORY) (NOT SERVICED-ORDER FIELD INSTALLED)
1	136-5261	1	BRACKET AS
2	CH180-7317	1	SENSOR GP-GROUND SPEED
3	400152X1	4	BOLT (M6X1X16MM)
4	400041X1	3	BOLT (M12X1.75X30MM)
5	CH8T-4205	4	WASHER-HARD (7.2X14.5X2MM)
6	400357X1	3	WASHER-HARD (M12X25.5X3)

[A] PART OF 502774D1 SENSOR GP

00784295
PR: t05i29k58b0126

MT800 SERIES TRACTORS
ELECTRICAL AND STARTING SYSTEM

STATING AID GP-ETHER - 186-1671
MT835 & MT845



**MT800 SERIESTRACTORS
ELECTRICAL AND STARTING SYSTEM**

307

**STATING AID GP-ETHER - 186-1671
MT835 & MT845**

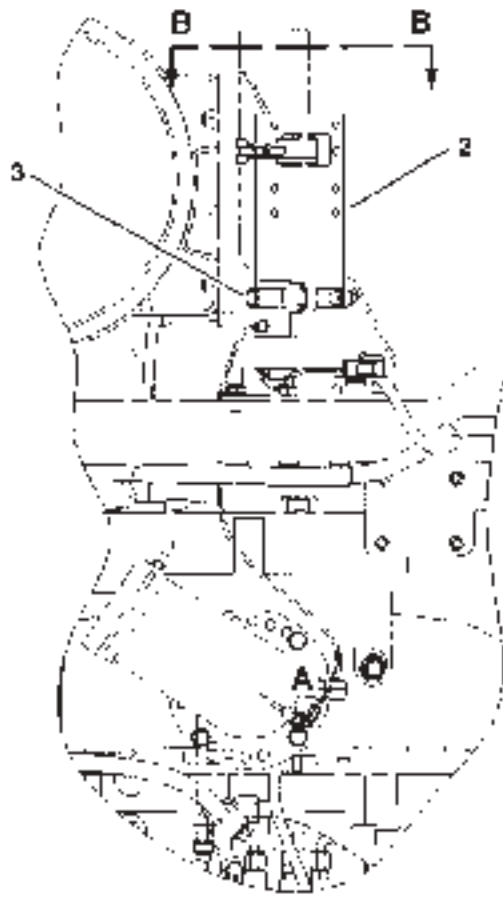
ITEM	NUMBER	QTY	DESCRIPTION
-	186-1671	--	STARTING AID GP-ETHER [A] (NOT SERVICED) (INCL. ITEM 1 THRU 9)
1	224-2189	1	ATOMIZER
2	210-8961	1	VALVE GP-ETHER (SEE BREAKDOWN FOR COMPONENTS)
3	211-1677	1	MOUNTING GP-ETHER CANISTER
	CH210-4570	1	CLAMP-HOSE T-BOLT
	210-3930	1	BRACKET-ETHER VALVE
4	400340X1	3	NUT (M8X1.25)
5	400602X1	1	CLIP
6	400287X1	1	WASHER-HARD (11X21X2.5)
7	400040X1	1	BOLT (M10X1.5X20MM)
8	400339X1	6	WASHER-HARD (8.8X16X2)
9	400341X1	3	BOLT (M8X1.25X25MM)
10	5P-3413		SEALANT-PIPE (50 ML TUBE)
	7N-0296	1	CYLINDER-ETHER (NOT SHOWN)

[A] PART OF 172-5361; 172-5362
INSTALLATION AR-ENGINE

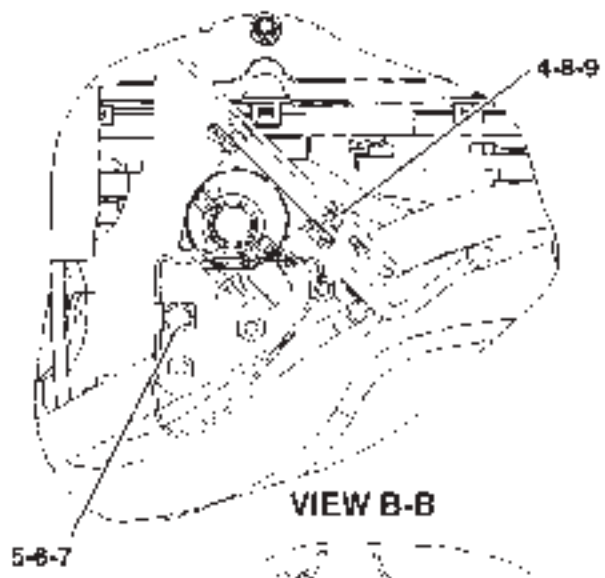
0888158A
PR: t05i29k58b0127

MT800 SERIESTRACTORS
ELECTRICAL AND STARTING SYSTEM

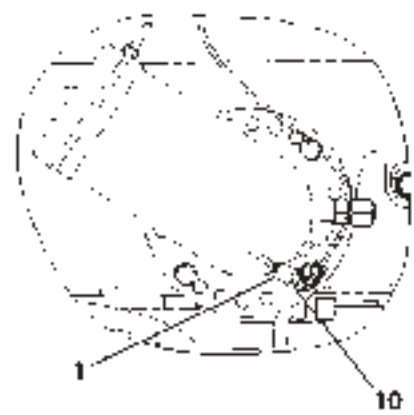
STARTING AID GP-ETHER - 187-1740
MT855 & MT865



LEFT SIDE VIEW



VIEW B-B



VIEW OF AREA A

**MT800 SERIESTRACTORS
ELECTRICAL AND STARTING SYSTEM**

309

**STARTING AID GP-ETHER - 187-1740
MT855 & MT865**

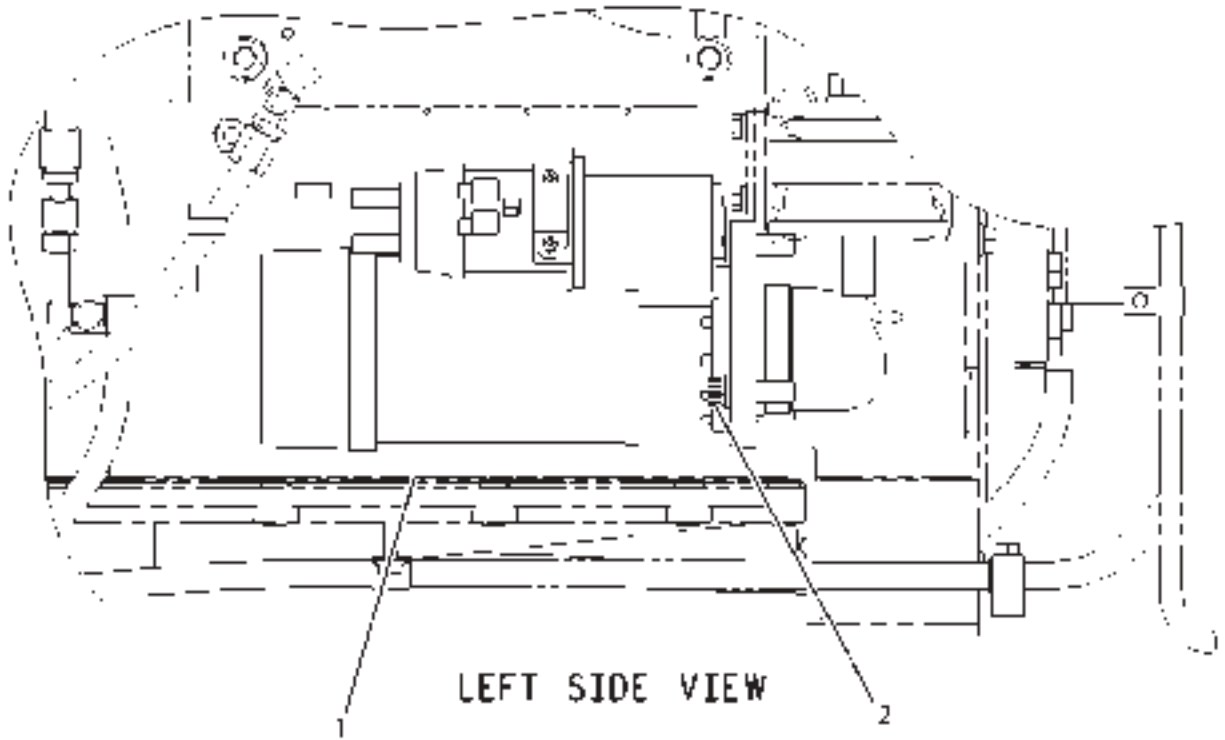
ITEM	NUMBER	QTY	DESCRIPTION
-	187-1740	--	STARTING AID GP-ETHER [A] (NOT SERVICED) (INCL. ITEM 1 THRU 9)
1	210-3932	1	ATOMIZER
2	211-1677	1	MOUNTING GP-ETHER CANISTER
	CH210-4570	1	CLAMP-HOSE T-BOLT
	210-3930	1	BRACKET-ETHER VALVE
3	211-8220	1	VALVE GP-ETHER (SEE BREAKDOWN FOR COMPONENTS)
4	400340X1	3	NUT (M8X1.25)
5	400602X1	1	CLIP
6	400287X1	1	WASHER-HARD (11X21X2.5)
7	400040X1	1	BOLT (M10X1.5X20MM)
8	400339X1	6	WASHER-HARD (8.8X16X2)
9	400341X1	3	BOLT (M8X1.25X25MM)
10	5P-3413		SEALANT-PIPE (50 ML TUBE)
	7N-0296	1	CYLINDER-ETHER (NOT SHOWN)

[A] PART OF 172-5363; 172-5364
INSTALLATION AR-ENGINE

0902125A
PR: t05i29k58b0128

MT800 SERIESTRACTORS
ELECTRICAL AND STARTING SYSTEM

STARTING MOTOR GP-ELECTRIC - 208-0090
12 VOLT
MT835 & MT845



MT800 SERIESTRACTORS
ELECTRICAL AND STARTING SYSTEM

311

STARTING MOTOR GP-ELECTRIC - 208-0090

12 VOLT
MT835 & MT845

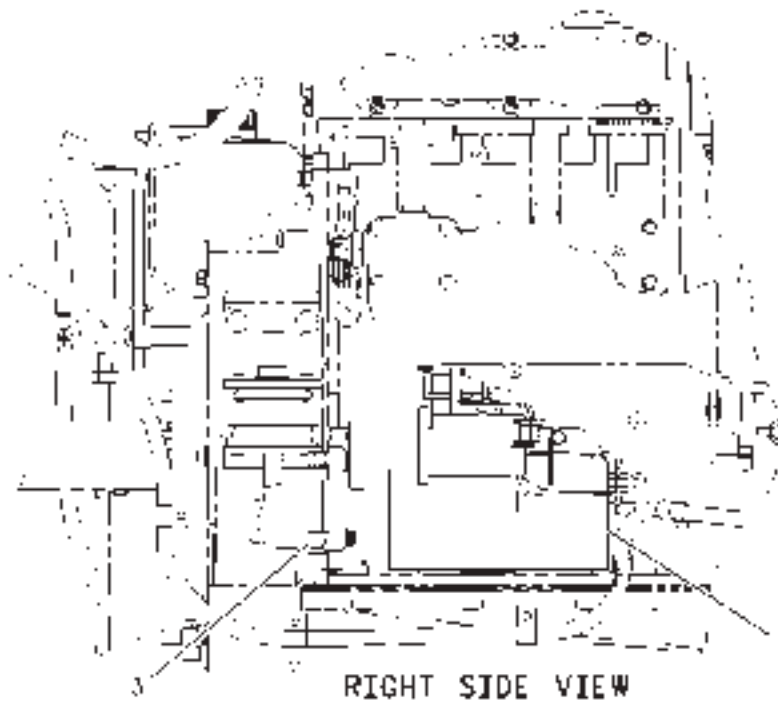
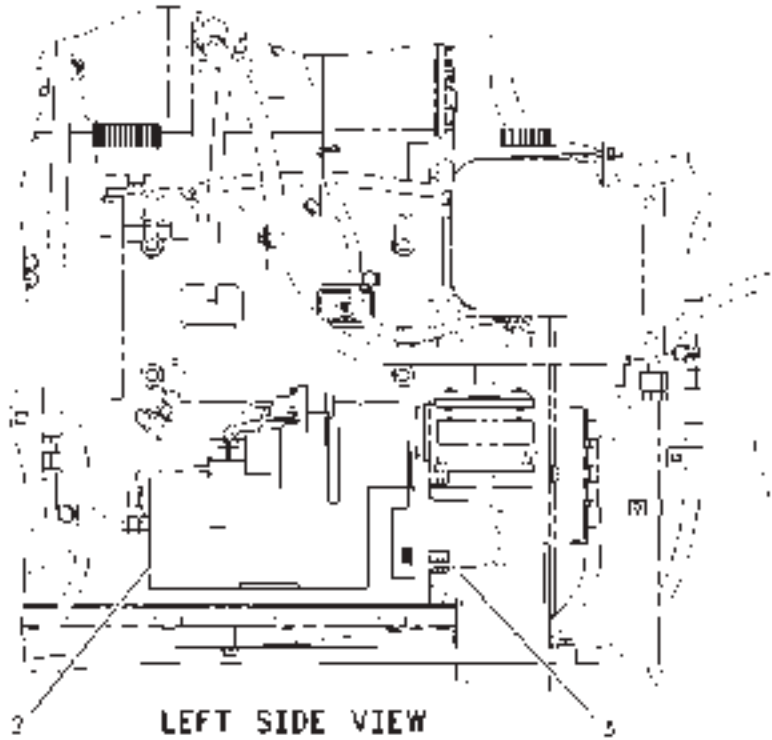
ITEM	NUMBER	QTY	DESCRIPTION
-	208-0090	--	STARTING MOTOR GP-ELECTRIC [A] (NOT SERVICED)
1	502284D1	1	STARTING MOTOR AS-ELECTRIC (SEE BREAKDOWN FOR COMPONENTS)
2	400265X1	3	BOLT-12PT (5/8-11X44.4MM)

[A] PART OF 172-5361; 172-5362
INSTALLATION AR-ENGINE

00887867
PR: t05i29k58b0129

MT800 SERIESTRACTORS
ELECTRICAL AND STARTING SYSTEM

STARTING MOTOR GP-ELECTRIC - 180-2924
MT855 & MT865



MT800 SERIESTRACTORS
ELECTRICAL AND STARTING SYSTEM

313

STARTING MOTOR GP-ELECTRIC - 180-2924
MT855 & MT865

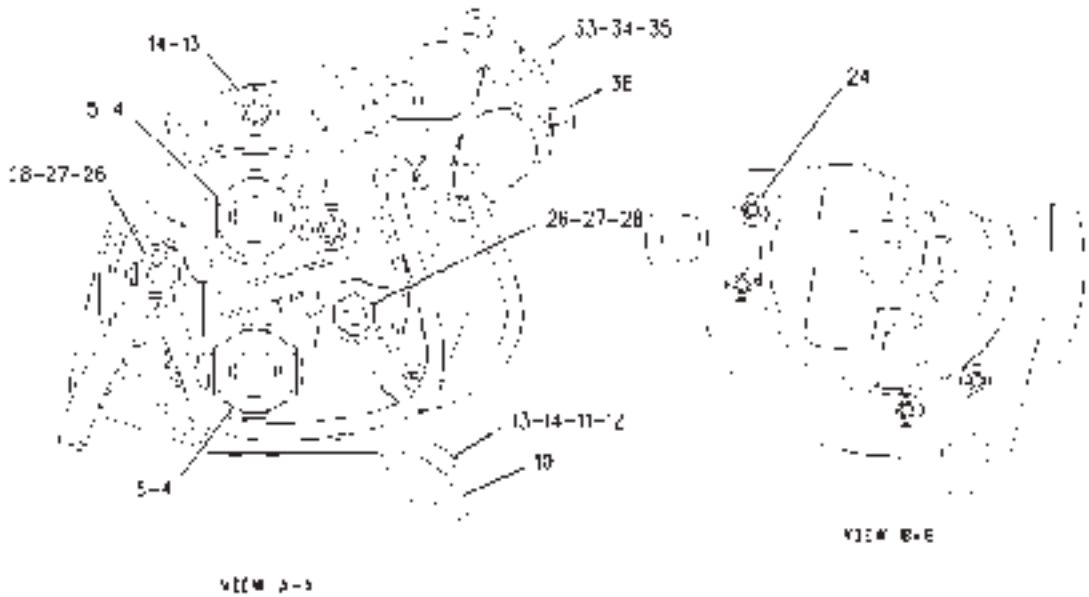
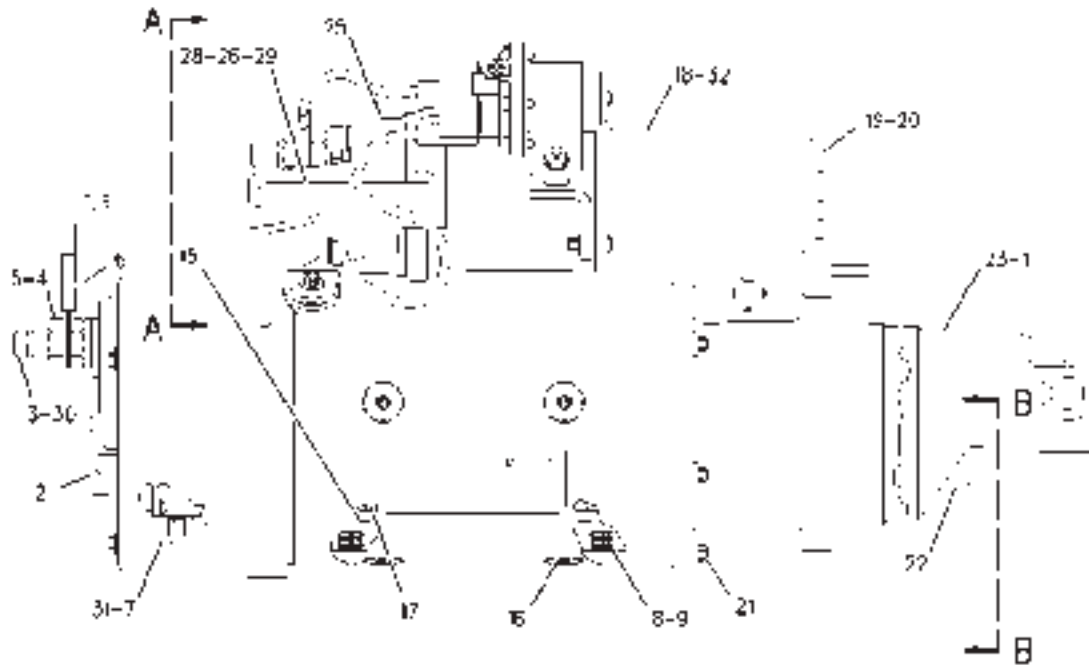
ITEM	NUMBER	QTY	DESCRIPTION
-	180-2924	--	STARTING MOTOR GP-ELECTRIC [A] (NOT SERVICED)
1	502282D1	1	STARTING MOTOR GP-ELECTRIC (RH) (SEE BREAKDOWN FOR COMPONENTS)
2	502283D1	1	STARTING MOTOR GP-ELECTRIC (LH) (SEE BREAKDOWN FOR COMPONENTS)
3	400265X1	6	BOLT-12 POINT HEAD (5/8-11X44.4DAC)

[A] PART OF 172-5363;172-5364;187-1743;
187-1744 INSTALLATION AR-ENGINE

00868926
PR: t05i29k58b0130

MT800 SERIES TRACTORS
ELECTRICAL AND STARTING SYSTEM

STARTING MOTOR AS-ELECTRIC - 502284D1
12 VOLT
MT835 & MT845



**MT800 SERIESTRACTORS
ELECTRICAL AND STARTING SYSTEM**

315

STARTING MOTOR AS-ELECTRIC - 502284D1

12 VOLT
MT835 & MT845

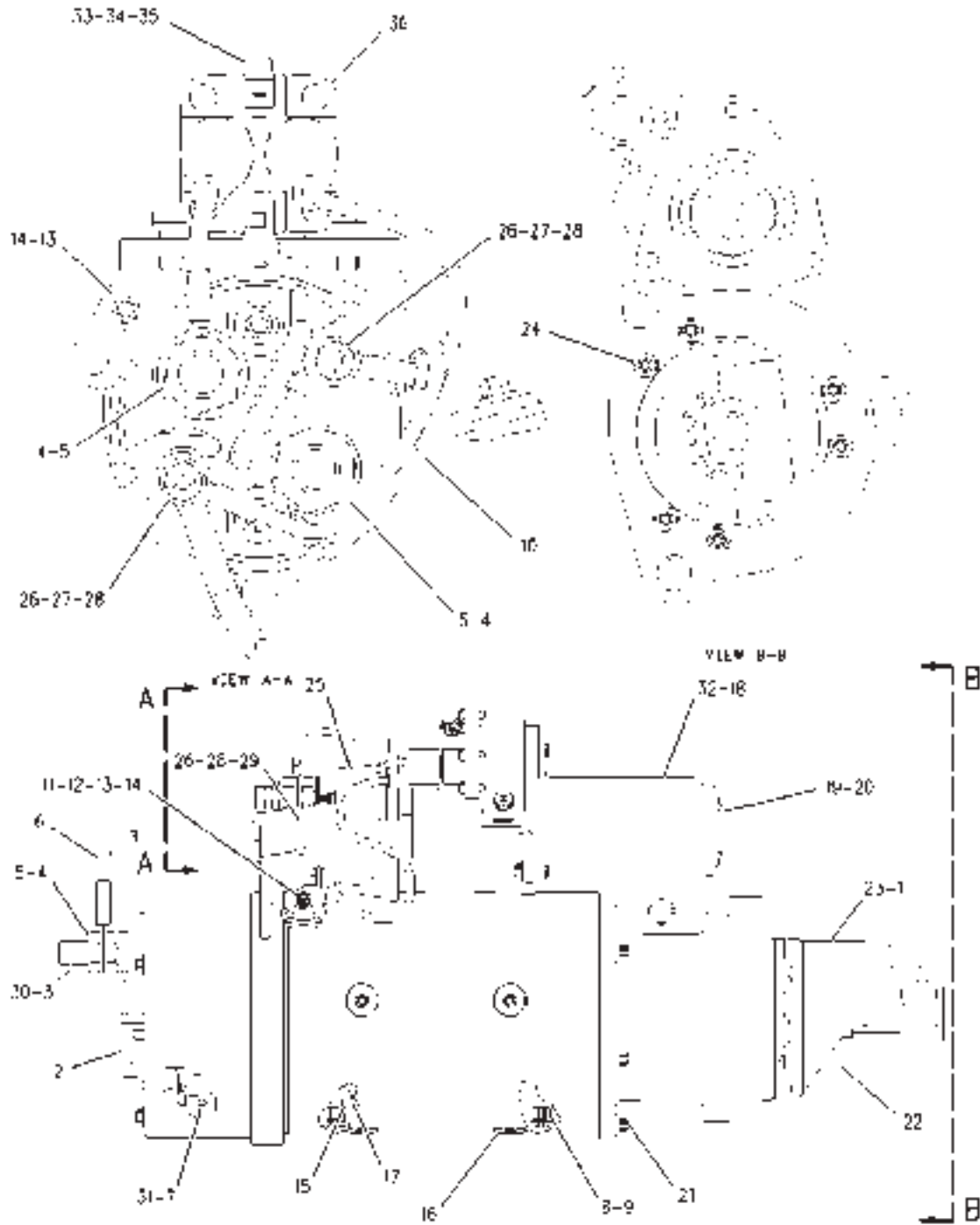
ITEM	NUMBER	QTY	DESCRIPTION
-	502284D1	--	STARTING MOTOR AS-ELECTRIC [A]
1	3T-3434	6	PLUG
2	7T-3279	1	HOUSING
3	8T-8566	1	TERMINAL
4	6V-8188	4	NUT (1/2-13)
5	7X-0562	4	WASHER-HARD (13.5X19X0.8)
6	3T-3422	1	WIRE
7	8T-8570	1	HOLDER-BRUSH
8	8T-8568	1	COIL-FIELD
9	7T-3454	1	INSULATOR
10	7T-3271	1	CONNECTOR
11	7T-3451	1	INSULATOR-TERMINAL
12	8T-8569	1	INSULATOR-TERMINAL
13	5S-7349	4	BOLT (1/4-20X0.5 IN)
14	8T-4205	4	WASHER-HARD (7.2X14.5X2MM)
15	8H-1141	4	SHOE-POLE
16	3F-0379	8	SCREW-POLE SHOE (3/8-24)
17	7T-3275	1	ARMATURE
18	3E-7775	1	HOUSING
19	4M-1831	1	PLUG-LEVER HOUSING
20	7L-2894	1	GASKET
21	036-9823	5	BOLT
22	6N-3826	1	DRIVE-MOTOR
23	7T-3974	1	HOUSING-DRIVE
24	7X-3373	6	BOLT (5/16-18X0.88 IN)
25	206-8789	1	KIT-SOLENOID (12V) (STARTING MOTOR) (INCLUDES SOLENOID AS, BOLT & NUTS)
26	6V-8378	3	NUT (10-32)
27	8F-1434	2	LOCKWASHER
28	8T-0328	3	WASHER-HARD (5.5X10X1)
29	9X-4824	1	COVER-STARTING MOTOR
30	8T-9884	1	KIT-INSULATOR (STARTING MOTOR) (SERVICED AS COMPLETE KIT ONLY) (INCLUDES INSULATORS AND BUSHING)
31	8T-9885	1	KIT-BRUSH (STARTING MOTOR) (12 VOLT) (SERVICED AS COMPLETE KIT ONLY) (INCLUDES BRUSHES, SPRINGS, SCREWS, SEAL AND SCREW ASM)
32	7T-3268	1	KIT-LEVER (STARTING MOTOR) (SERVICED AS COMPLETE KIT ONLY) (INCLUDES 2 LEVER ASM, 2 SEALS, NUT, GASKET AND RETAINER)
33	095-7930	1	SCREW-MACHINE
34	096-6166	1	WASHER-HARD (4.5X9X1)
35	9B-7233	1	LOCKWASHER
36	146-3504	1	SWITCH-RELAY (12V) (STARTING MOTOR)
-	7T-3267	1	KIT-BUSHING (STARTING MOTOR)

[A] PART OF 208-0090 STARTING MOTOR
GP-ELECTRIC

00888492
PR: t05i29k58b0131

MT800 SERIES TRACTORS
ELECTRICAL AND STARTING SYSTEM

STARTING MOTOR GP-ELECTRIC - 502282D1
12 VOLT
MT855 & MT865



**MT800 SERIESTRACTORS
ELECTRICAL AND STARTING SYSTEM**

317

STARTING MOTOR GP-ELECTRIC - 502282D1

12 VOLT
MT855 & MT865

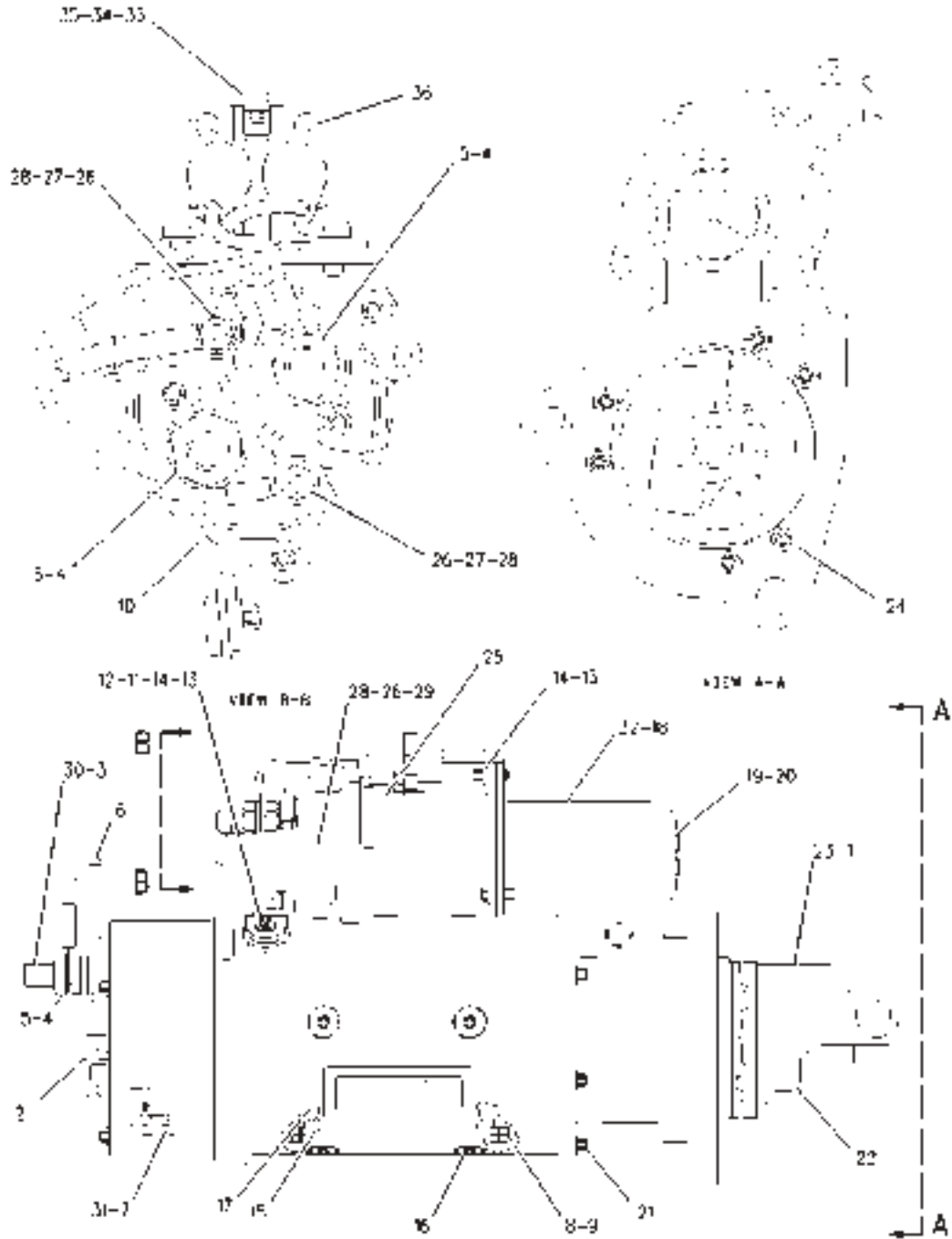
ITEM	NUMBER	QTY	DESCRIPTION
-	502282D1	--	STARTING MOTOR GP-ELECTRIC [A]
1	3T-3434	6	PLUG
2	7T-3279	1	HOUSING
3	8T-8566	1	TERMINAL
4	6V-8188	4	NUT (1/2-13)
5	7X-0562	4	WASHER-HARD (13.5X19X0.8)
6	3T-3422	1	WIRE
7	8T-8570	1	HOLDER-BRUSH
8	8T-8568	1	COIL-FIELD
9	7T-3454	1	INSULATOR
10	7T-3271	1	CONNECTOR
11	7T-3451	1	INSULATOR-TERMINAL
12	8T-8569	1	INSULATOR-TERMINAL
13	5S-7349	4	BOLT (1/4-20X0.5 IN)
14	8T-4205	4	WASHER-HARD (7.2X14.5X2MM)
15	8H-1141	4	SHOE-POLE
16	3F-0379	8	SCREW-POLE SHOE (3/8-24)
17	7T-3275	1	ARMATURE
18	7T-3973	1	HOUSING-LEVER
19	4M-1831	1	PLUG-LEVER HOUSING
20	7L-2894	1	GASKET
21	036-9823	5	BOLT
22	6N-3826	1	DRIVE-MOTOR
23	7T-3974	1	HOUSING-DRIVE
24	7X-3373	6	BOLT (5/16-18X0.88 IN)
25	206-8787	1	KIT-SOLENOID (SERVICED AS COMPLETE KIT ONLY)
26	6V-8378	3	NUT (10-32)
27	8F-1434	2	LOCKWASHER
28	8T-0328	3	WASHER-HARD (5.5X10X1)
29	9X-4824	1	COVER-STARTING MOTOR
30	8T-9884	1	KIT-INSULATOR (STARTING MOTOR) (SERVICED-COMPLETE KIT ONLY) (INCLUDES: INSULATORS AND BUSHING)
31	8T-9885	1	KIT-BRUSH (SERVICED-COMPLETE KIT ONLY) (INCLUDES BRUSHES, SPRINGS, SCREW, SEAL, AND SCREW ASM)
32	7T-3268	1	KIT-LEVER (STARTING MOTOR) (SERVICED-COMPLETE KIT ONLY) (INCLUDES: 2 LEVER ASM, 2 SEALS, NUT, GASKET, AND RETAINER)
33	095-7930	1	SCREW-MACHINE
34	096-6166	1	WASHER-HARD (4.5X9X1)
35	9B-7233	1	LOCKWASHER
36	146-3504	1	SWITCH-RELAY (STARTING MOTOR)
-	7T-3267	1	KIT-BUSHING (STARTING MOTOR) (NOT SHOWN)

[A] PART OF 180-2924 STARTING MOTOR GP-
ELECTRIC

00867504
PR: t05i29k58b0132

MT800 SERIES TRACTORS
ELECTRICAL AND STARTING SYSTEM

STARTING MOTOR GP-ELECTRIC - 502283D1
12 VOLT
MT855 & MT865



**MT800 SERIESTRACTORS
ELECTRICAL AND STARTING SYSTEM**

319

STARTING MOTOR GP-ELECTRIC - 502283D1

12 VOLT
MT855 & MT865

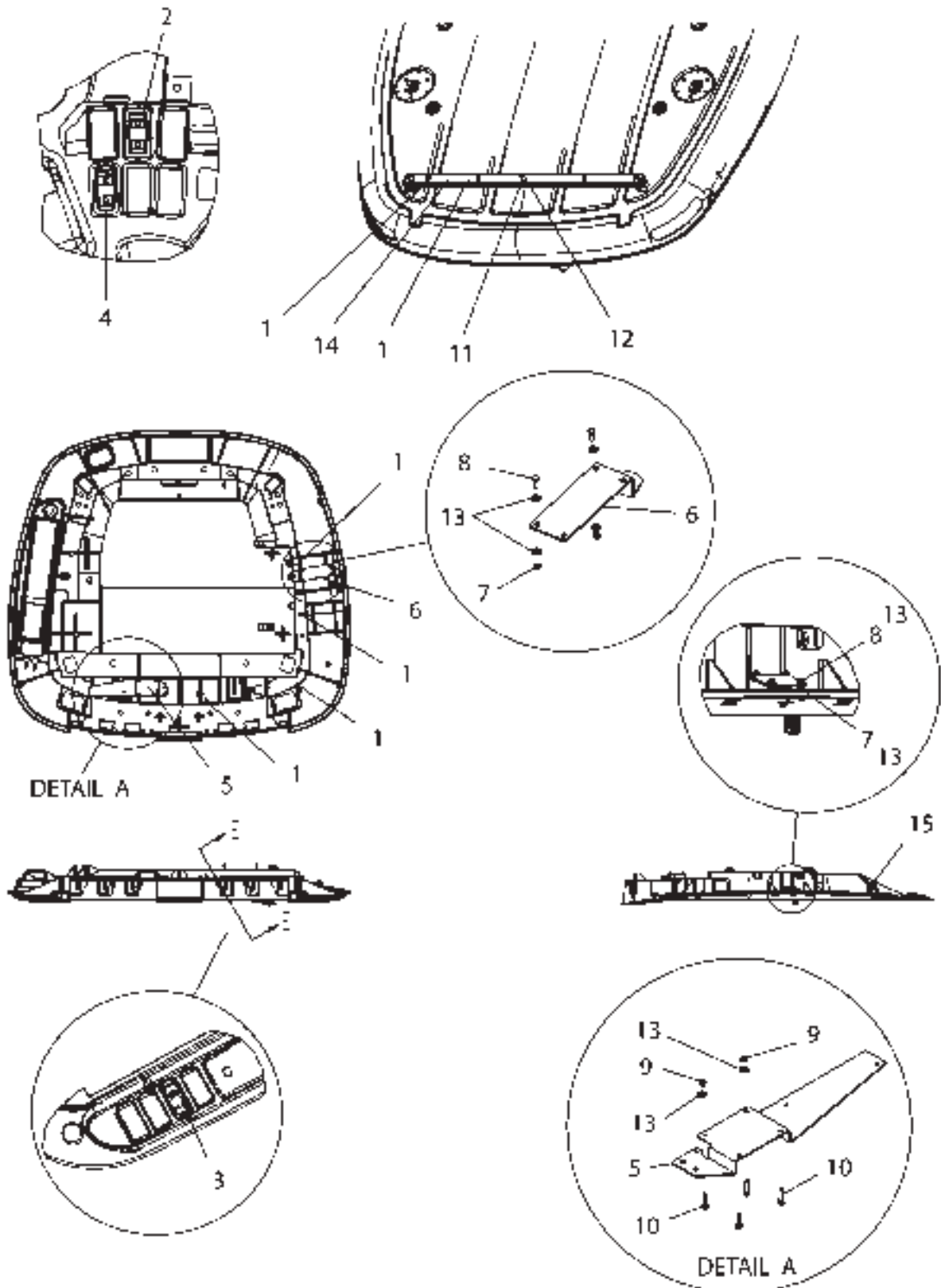
ITEM	NUMBER	QTY	DESCRIPTION
-	502283D1	--	STARTING MOTOR GP-ELECTRIC [A]
1	3T-3434	6	PLUG
2	7T-3279	1	HOUSING
3	8T-8566	1	TERMINAL
4	6V-8188	4	NUT (1/2-13)
5	7X-0562	4	WASHER-HARD (13.5X19X0.8)
6	3T-3422	1	WIRE
7	8T-8570	1	HOLDER-BRUSH
8	8T-8568	1	COIL-FIELD
9	7T-3454	1	INSULATOR
10	7T-3271	1	CONNECTOR
11	7T-3451	1	INSULATOR-TERMINAL
12	8T-8569	1	INSULATOR-TERMINAL
13	5S-7349	4	BOLT (1/4-20X0.5 IN)
14	8T-4205	4	WASHER-HARD (7.2X14.5X2MM)
15	8H-1141	4	SHOE-POLE
16	3F-0379	8	SCREW-POLE SHOE (3/8-24)
17	7T-3275	1	ARMATURE
18	3E-7775	1	HOUSING
19	4M-1831	1	PLUG-LEVER HOUSING
20	7L-2894	1	GASKET
21	036-9823	5	BOLT
22	6N-3826	1	DRIVE-MOTOR
23	7T-3974	1	HOUSING-DRIVE
24	7X-3373	6	BOLT (5/16-18X0.88 IN)
25	206-8787	1	KIT-SOLENOID (SERVICED AS COMPLETE KIT ONLY)
26	6V-8378	3	NUT (10-32)
27	8F-1434	2	LOCKWASHER
28	8T-0328	3	WASHER-HARD (5.5X10X1)
29	9X-4824	1	COVER-STARTING MOTOR
30	8T-9884	1	KIT-INSULATOR (STARTING MOTOR) (SERVICED AS COMPLETE KIT ONLY) (INCLUDES: INSULATORS AND BUSHING)
31	8T-9885	1	KIT-BRUSH (SERVICED-COMPLETE KIT ONLY) (INCLUDES BRUSHES, SPRINGS, SCREW, SEAL, AND SCREW ASM)
32	7T-3268	1	KIT-LEVER (STARTING MOTOR) (SERVICED-COMPLETE KIT ONLY) (INCLUDES: 2 LEVER ASM, 2 SEALS, NUT, GASKET, AND RETAINER)
33	095-7930	1	SCREW-MACHINE
34	096-6166	1	WASHER-HARD (4.5X9X1)
35	9B-7233	1	LOCKWASHER
36	146-3504	1	SWITCH-RELAY (STARTING MOTOR)
	7T-3267	1	KIT-BUSHING (STARTING MOTOR)

[A] PART OF 180-2924 STARTING MOTOR GP-ELECTRIC

00867507
PR: t05i29k58b0133

MT800 SERIE TRACTORS
ELECTRICAL AND STARTING SYSTEM

SWITCH GP-GUIDANCE - 500606D1
AUTOGUIDE SYSTEM



500606DC

**MT800 SERIESTRACTORS
ELECTRICAL AND STARTING SYSTEM**

321

**SWITCH GP-GUIDANCE - 500606D1
AUTOGUIDE SYSTEM**

ITEM	NUMBER	QTY	DESCRIPTION
-	500606D1	--	SWITCH GP-RECEIVER [A] (NOT SERVICED)
1	CH7K-1181	6	STRAP-CABLE
2	169-8222	1	SWITCH ASM-ROCKER (AUTO GUIDE CONTROL)
	400453X1		PLUG-CONNECTOR
	CH165-5975		PLUG-PANEL (FOR COVERING MTG HOLE)
3	500882D1	1	SWITCH ASM-ROCKER (AUTO GUIDE POWER)
	400453X1		PLUG-CONNECTOR
	CH165-5975		PLUG-PANEL (FOR COVERING MTG HOLE)
4	200-6376	1	SWITCH ASM-ROCKER (AUTO GUIDE MARKING)
	400453X1		PLUG-CONNECTOR
	CH165-5975		PLUG-PANEL (FOR COVERING MTG HOLE)
5	216-8860	1	BRACKET ASM
6	219-4775	1	BRACKET ASM
7	400300X1	4	NUT (M6X1)
8	400152X1	4	BOLT (M6X1X16MM)
9	CH6V-8225	4	NUT (M6X1)
10	400172X1	4	BOLT (M6X1X25MM)
11	400179X1	1	BOLT (5/8-11)
12	CH8T-4122	1	WASHER-HARD
13	CH8T-4205	12	WASHER-HARD (7.2X14.5X2MM)
14	500478D1	1	MOUNTING GP-GPS (SEE BREAKDOWN FOR COMPONENTS)
15	500610D1	1	GROMMET-RH (HANDRAIL) (REPLACES PART PROVIDED IN ROOF GP-CAB)

[A] PART OF 500628D1 CONTROL GP-
COMMUNICATION

500606DC
PR: t05i29k58b0134

NO ILLUSTRATION

NOTIF

MT800 SERIESTRACTORS
ELECTRICAL AND STARTING SYSTEM

323

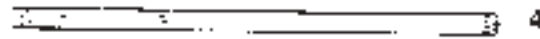
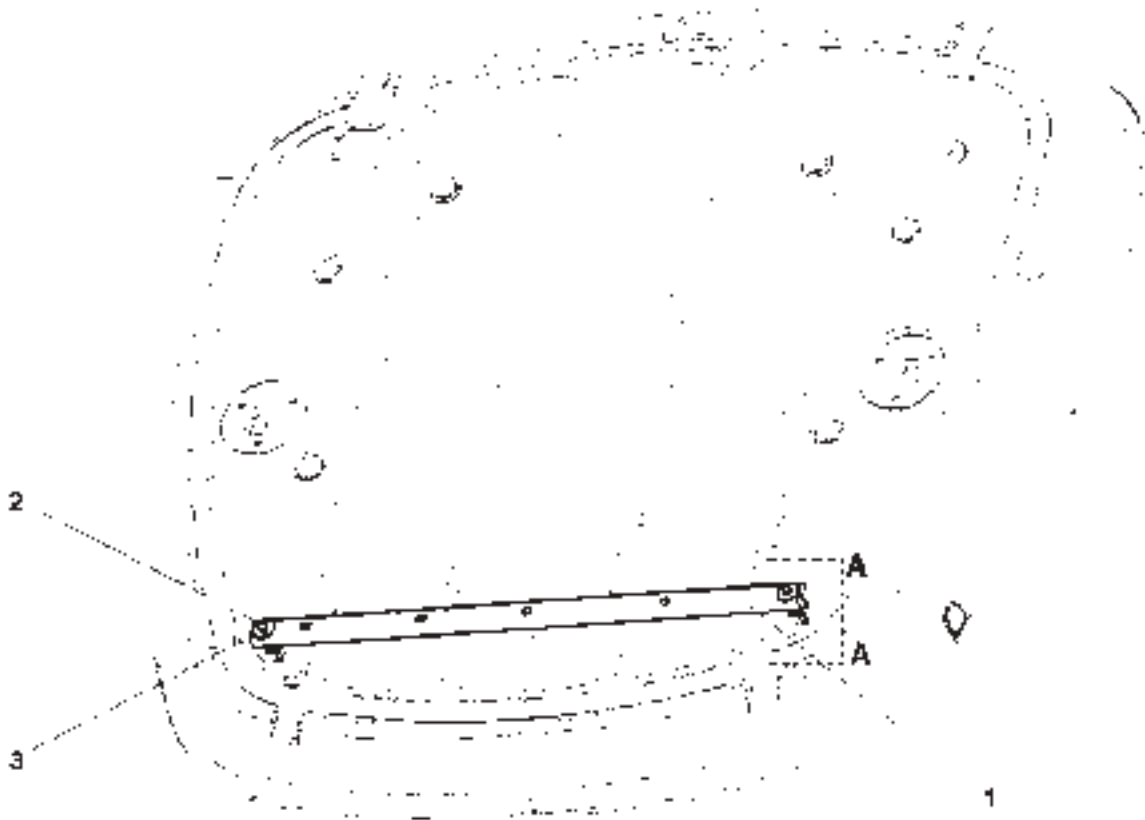
SERVICE GP-AUTOGUIDE - 500389D1

ITEM	NUMBER	QTY	DESCRIPTION
-	500389D1	--	SERVICE GP-AUTOGUIDE
1	500392D1	1	HARNESS AS-SERIAL
2	72571023	1	SERVICE TOOL-AUTOGUIDE (ORDER ON AGCO DEALER INFO NET)
3	503754D1	1	HARNESS-COM 3 SERIAL CABLE
	502013D1	1	HARNESS-COM, CAB
	502014D1	1	HARNESS-COM, RECEIVER
4	72571005	1	MANUAL-SERVICE TOOL-AUTO GUIDE (ORDER ON AGCO DEALER INFO NET)

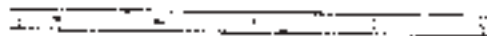
NOTIF
PR: t05i29k58b0135

MT800 SERIESTRACTORS
ELECTRICAL AND STARTING SYSTEM

MOUNTING GP-GPS - 500478D1
AUTOGUIDE SYSTEM



5



SEE A-A

MT800 SERIESTRACTORS
ELECTRICAL AND STARTING SYSTEM

325

MOUNTING GP-GPS - 500478D1
AUTOGUIDE SYSTEM

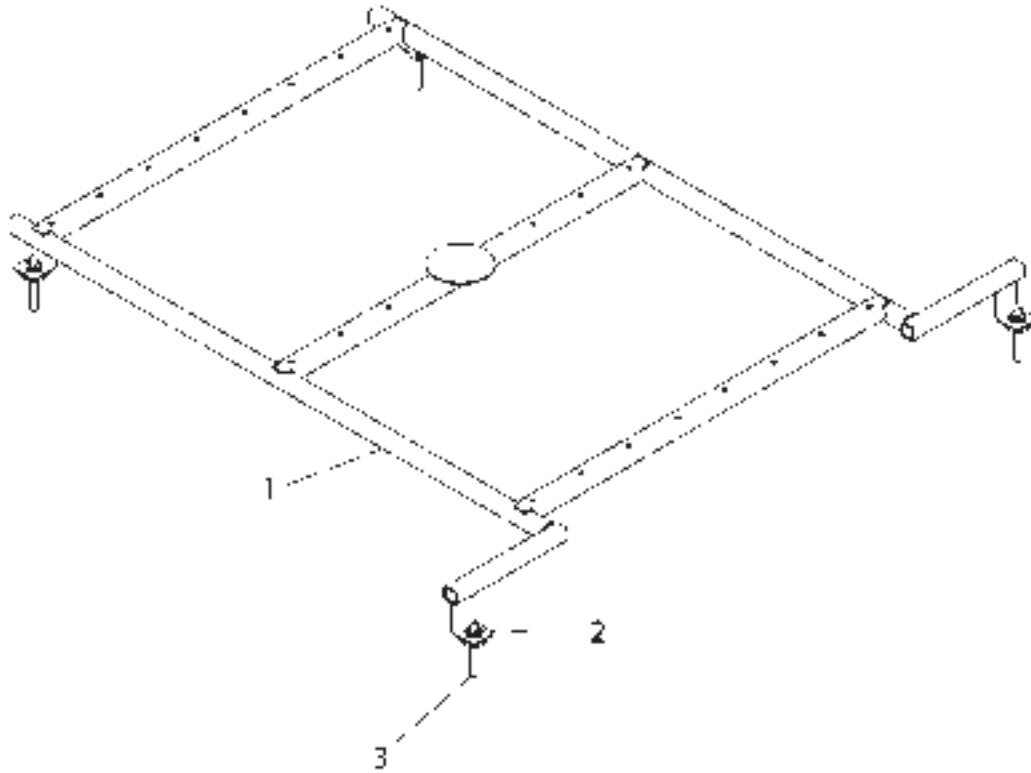
ITEM	NUMBER	QTY	DESCRIPTION
-	500478D1	--	MOUNTING GP [A] (NOT SERVICED)
1	500477D1		BRACKET ASM (INCLUDES ITEMS 4 AND 5)
2	400240X1	2	BOLT (M10X1.5X110)
3	CH8T-4226	2	WASHER-PLATED
4	500475D1	2	SPACER
5	500476D1	1	BRACKET

[A] PART OF 500606D1 SWITCH GP

0890702M
PR: t05i29k58b0136

MT800 SERIESTRACTORS
ELECTRICAL AND STARTING SYSTEM

MOUNTING GP-KIT - 187-4896
AUX ANTENNA & NON-AUTOGUIDE GPS RECEIVER



1874896D

MT800 SERIESTRACTORS
ELECTRICAL AND STARTING SYSTEM

327

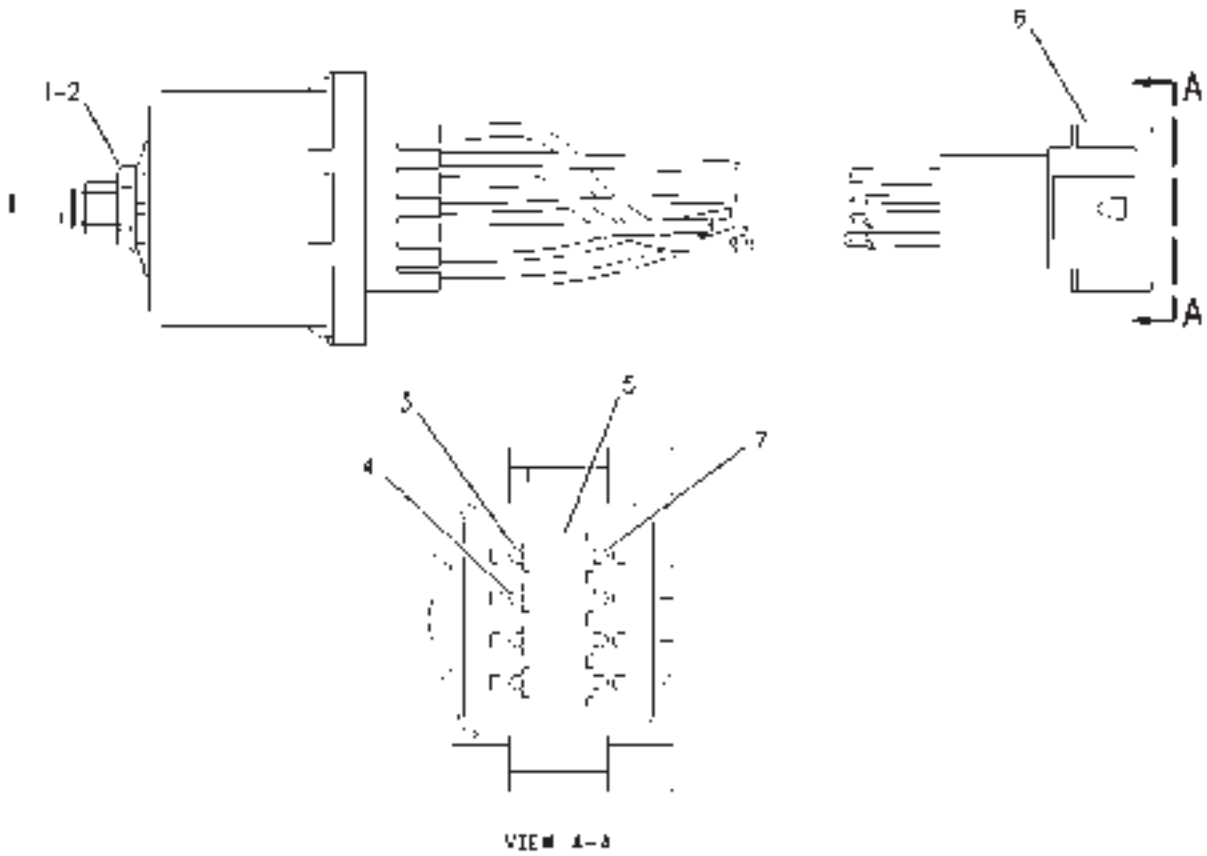
MOUNTING GP-KIT - 187-4896
AUX ANTENNA & NON-AUTOGUIDE GPS RECEIVER

ITEM	NUMBER	QTY	DESCRIPTION
-	187-4896	--	MOUNTING GP (KIT)
1	168-2291	1	RACK ASM
2	CH7X-7729	4	WASHER (11X25X3)
3	400044X1	4	BOLT (M10X1.5X80)

1874896D
PR: t05i29k58b0137

MT800 SERIESTRACTORS
ELECTRICAL AND STARTING SYSTEM

SWITCH GP-WIPER - CH135-9967
INTERMITTENT 12 VOLT



MT800 SERIESTRACTORS
ELECTRICAL AND STARTING SYSTEM

329

SWITCH GP-WIPER - CH135-9967
INTERMITTENT 12 VOLT

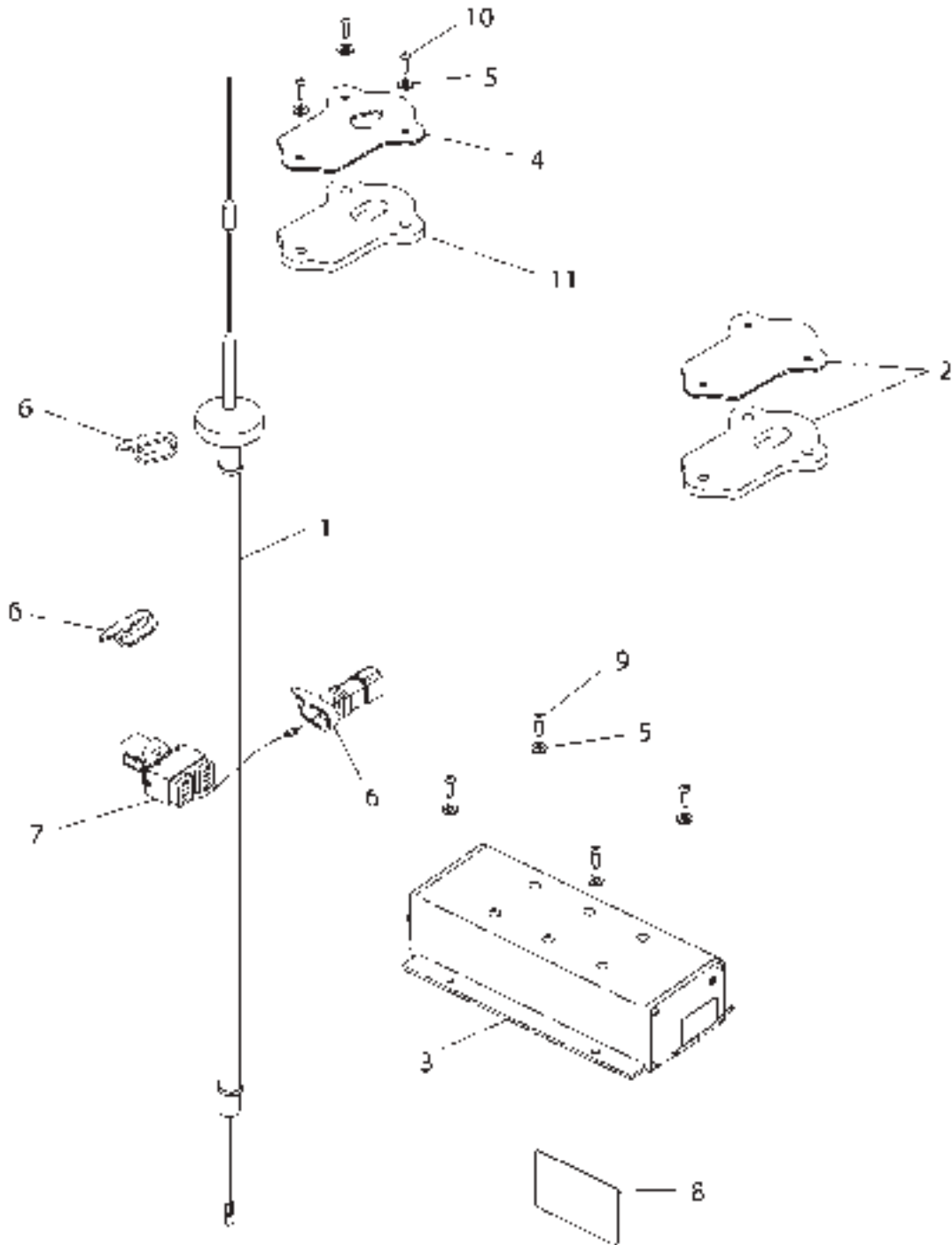
ITEM	NUMBER	QTY	DESCRIPTION
-	CH135-9967	--	SWITCH AS-WIPER [A]
1	CH6V-8369	1	NUT (7/16-28)
2	CH2H-3920	1	LOCKWASHER (11.38MM ID)
3	CH8T-8737	1	PLUG-SEAL
4	400562X1	3	PIN-CONNECTOR
5	CH3E-3389	1	WEDGE-RECEPTACLE LOCK
6	CH102-8806	1	KIT-RECEPTACLE (8 PIN) (INCLUDES RECEPTACLE ASM AND WEDGE) (SERVICED AS COMPLETE KIT ONLY)
7	400861X1	4	PIN-CONNECTOR

[A] PART OF 196-3968 WIPER GP-WINDOW

00673034
PR: t05i29k58b0138

MT800 SERIESTRACTORS
ELECTRICAL AND STARTING SYSTEM

RECEIVER KIT-TRANSMITTER - 162-4099



MT800 SERIESTRACTORS
ELECTRICAL AND STARTING SYSTEM

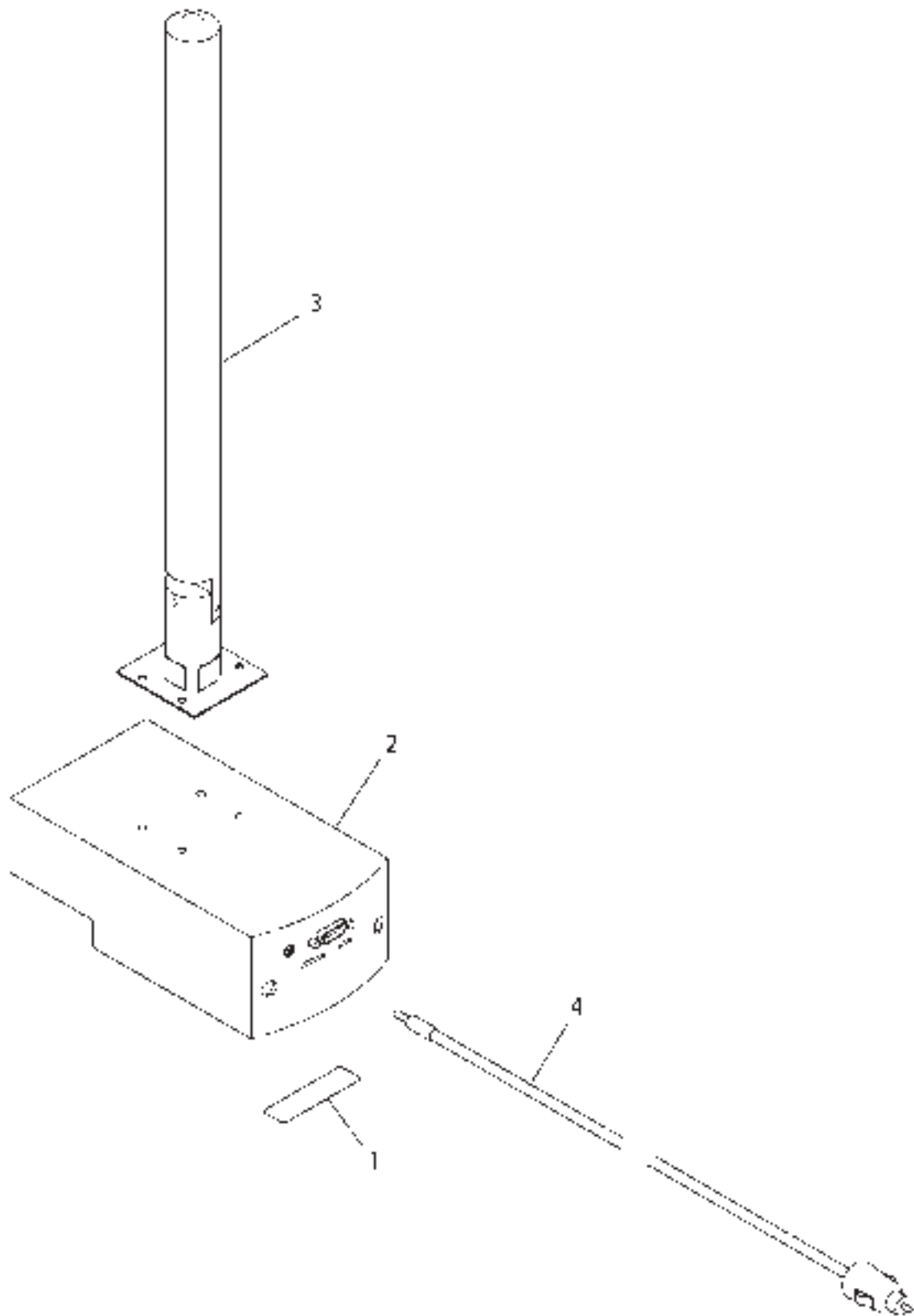
331

RECEIVER KIT-TRANSMITTER - 162-4099

ITEM	NUMBER	QTY	DESCRIPTION
	162-4099	--	RECEIVER KIT-TRANSMITTER
1	CH207-6797	1	ANTENNA AS.-ROOF(GPS/VHF)
2	142-9831	1	COVER KIT-CAB
	500679D1	1	PLATE
	500682D1	1	GASKET-COVER (PL201 ANTENNA)
3	CH209-6417	1	CONTROL GP-ELECTRONIC
4	500680D1	1	BRACKET
5	CH8T-4205	7	WASHER-HARD 7.2IDX14.5ODX2MM
6	400837X1	4	STRAP-CABLE (PLASTIC)
7	502176D1	1	HARNESS AS.
8	CH185-7141	1	FILM-WARN (LINK RADIO)
9	CH110-2028	4	SCREW-NO10-14X19MM PAN,THD CTG
10	CH8T-9501	3	SCREW-10-16X19.05 PAN,THD FMG
11	500682D1	1	GASKET-COVER (PL201 ANTENNA)

1624099J
PR: t05i29k58b0139

MOUNTING GP-PDA - 501168D1
AUTOGUIDE SYSTEM



MT800 SERIESTRACTORS
ELECTRICAL AND STARTING SYSTEM

333

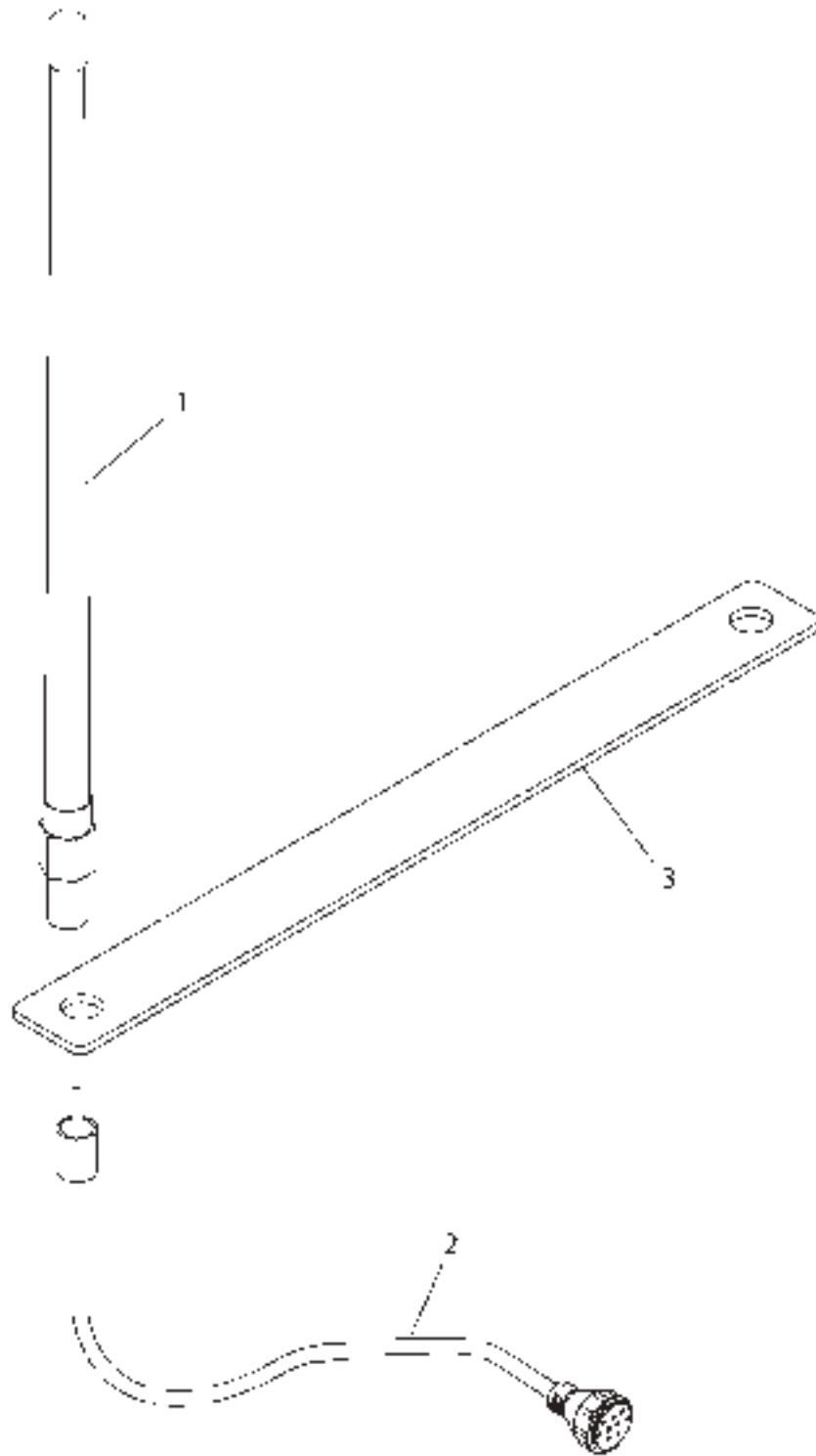
MOUNTING GP-PDA - 501168D1
AUTOGUIDE SYSTEM

ITEM	NUMBER	QTY	DESCRIPTION
-	501168D1	--	MOUNTING GP-PDA
1	500367D1	1	FILM-AUTOGUIDE
2	501169D1	1	CRADLE GP
3	501170D1	1	ARM
4	501171D1	1	CABLE-ADAPTOR PLUG

501168DA
PR: t05i29k58b0140

MT800 SERIESTRACTORS
ELECTRICAL AND STARTING SYSTEM

KIT-GPS BASE STATION - 502609D1



MT800 SERIESTRACTORS
ELECTRICAL AND STARTING SYSTEM

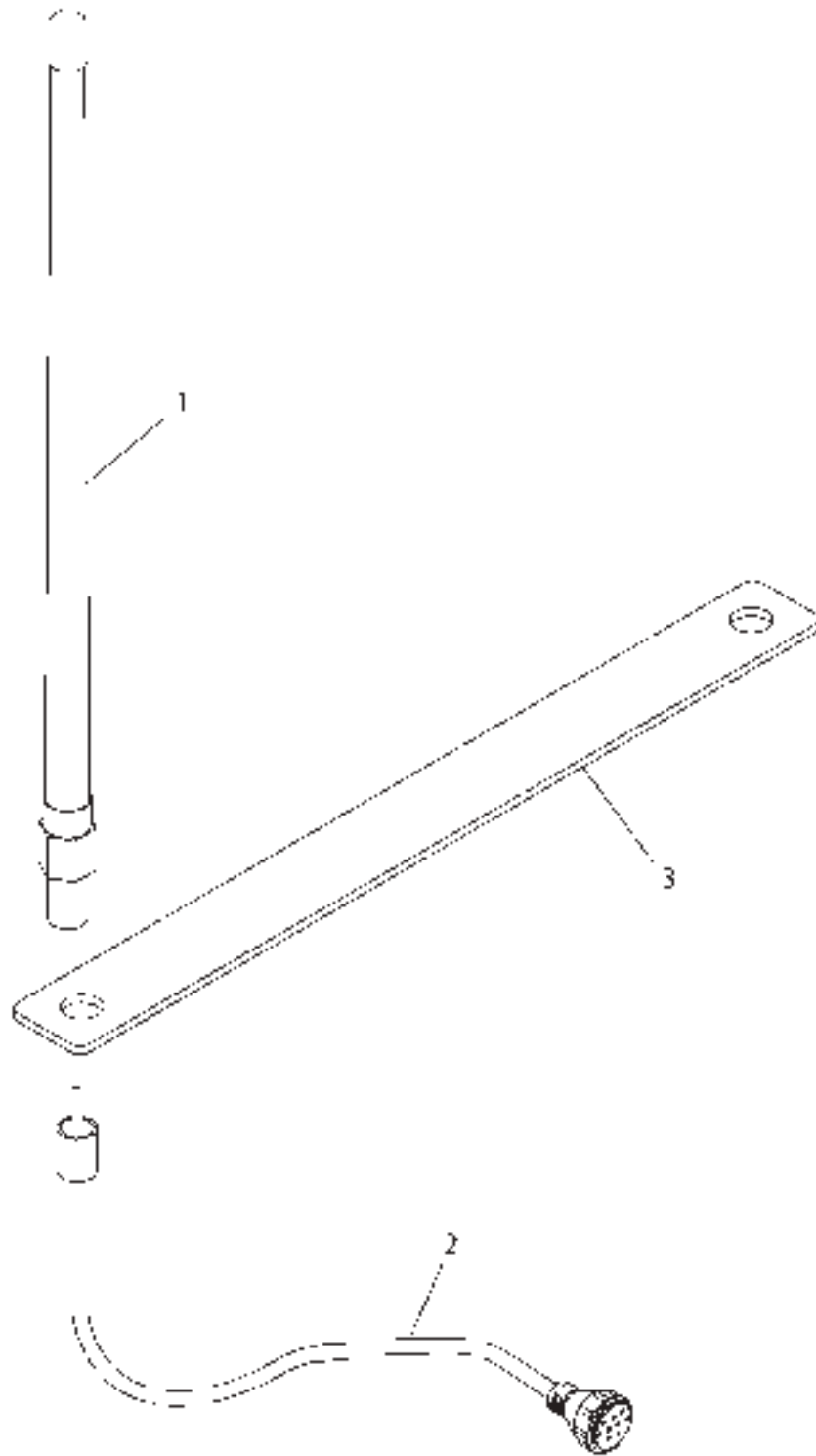
335

KIT-GPS BASE STATION - 502609D1

ITEM	NUMBER	QTY	DESCRIPTION
-	502609D1	--	KIT-GPS BASE STATION
1	501073D1	1	ANTENNA AS-DATA RADIO
2	501074D1	1	CABLE AS
3	501075D1	1	BRACKET
4	72571006	1	SOFTWARE (NOT SHOWN) (ORDER FROM AGCO DEALER INFO NET)
5	502610D1	1	RECEIVER GP-GPS BASE STATION (NOT SHOWN)
6	502611D1	1	HARNESS AS-GPS BASE PWR (NOT SHOWN)
7	502612D1	1	CASE AS-GPS BASE (NOT SHOWN)
-	232-0879	1	TRIPOD AS (NOT PART OF KIT) (SERVICED AS COMPLETE AS)

501124DA
PR: t05i29k58b0141

ANTENNA GP-DATA RADIO - 501124D1
GPS BASE STATION



MT800 SERIESTRACTORS
ELECTRICAL AND STARTING SYSTEM

337

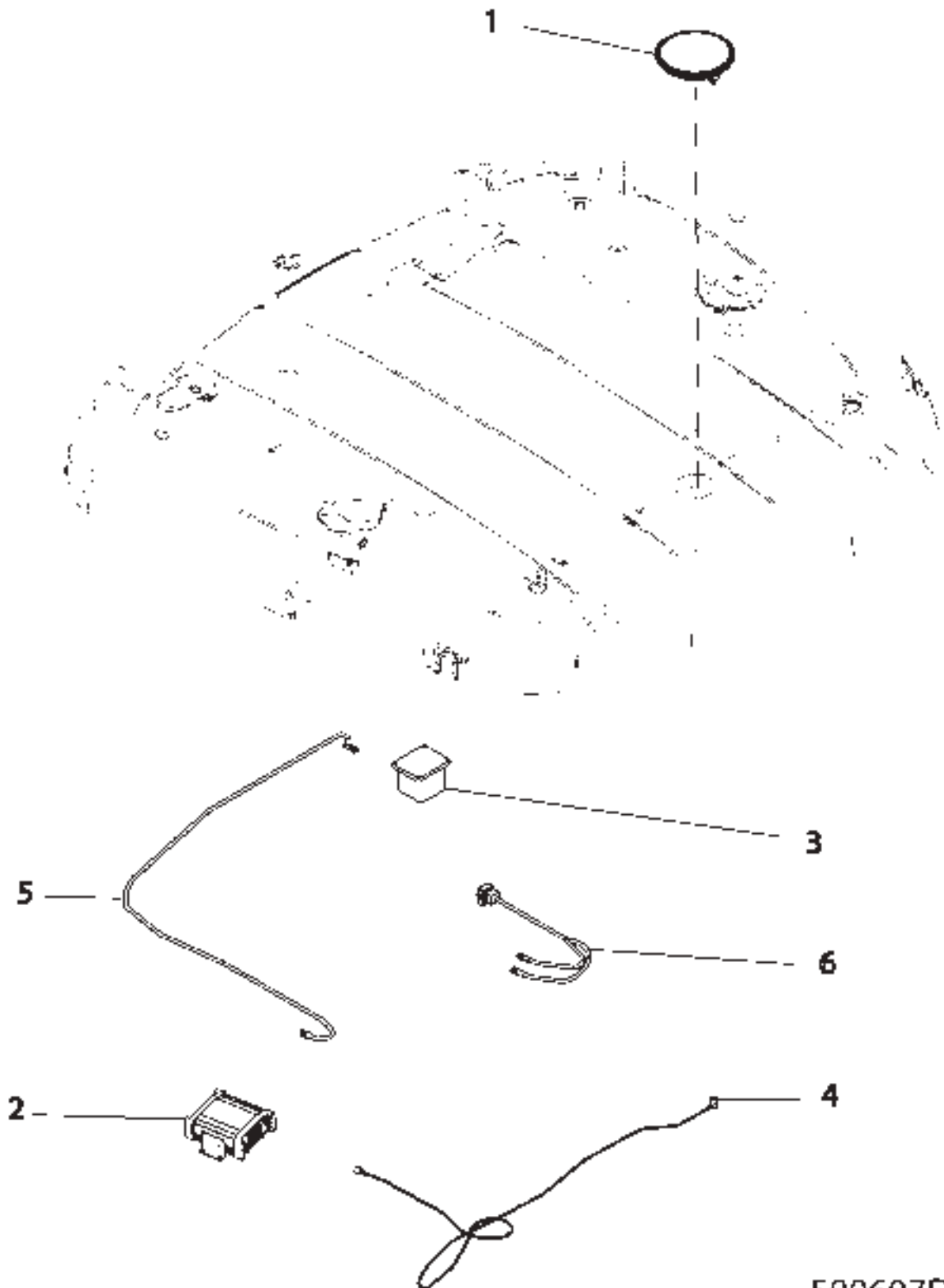
ANTENNA GP-DATA RADIO - 501124D1
GPS BASE STATION

ITEM	NUMBER	QTY	DESCRIPTION
-	501124D1	--	ANTENNA GP-DATA RADIO
1	501073D1	1	ANTENNA AS-DATA RADIO
2	501074D1	1	CABLE AS
3	501075D1	1	BRACKET

501124DA
PR: t05i29k58b0142

MT800 SERIESTRACTORS
ELECTRICAL AND STARTING SYSTEM

RECEIVER GP-TRANSMITTER & GPS - 500607D1
AUTOGUIDE CONTROL



500607DD

**MT800 SERIESTRACTORS
ELECTRICAL AND STARTING SYSTEM**

339

**RECEIVER GP-TRANSMITTER & GPS - 500607D1
AUTOGUIDE CONTROL**

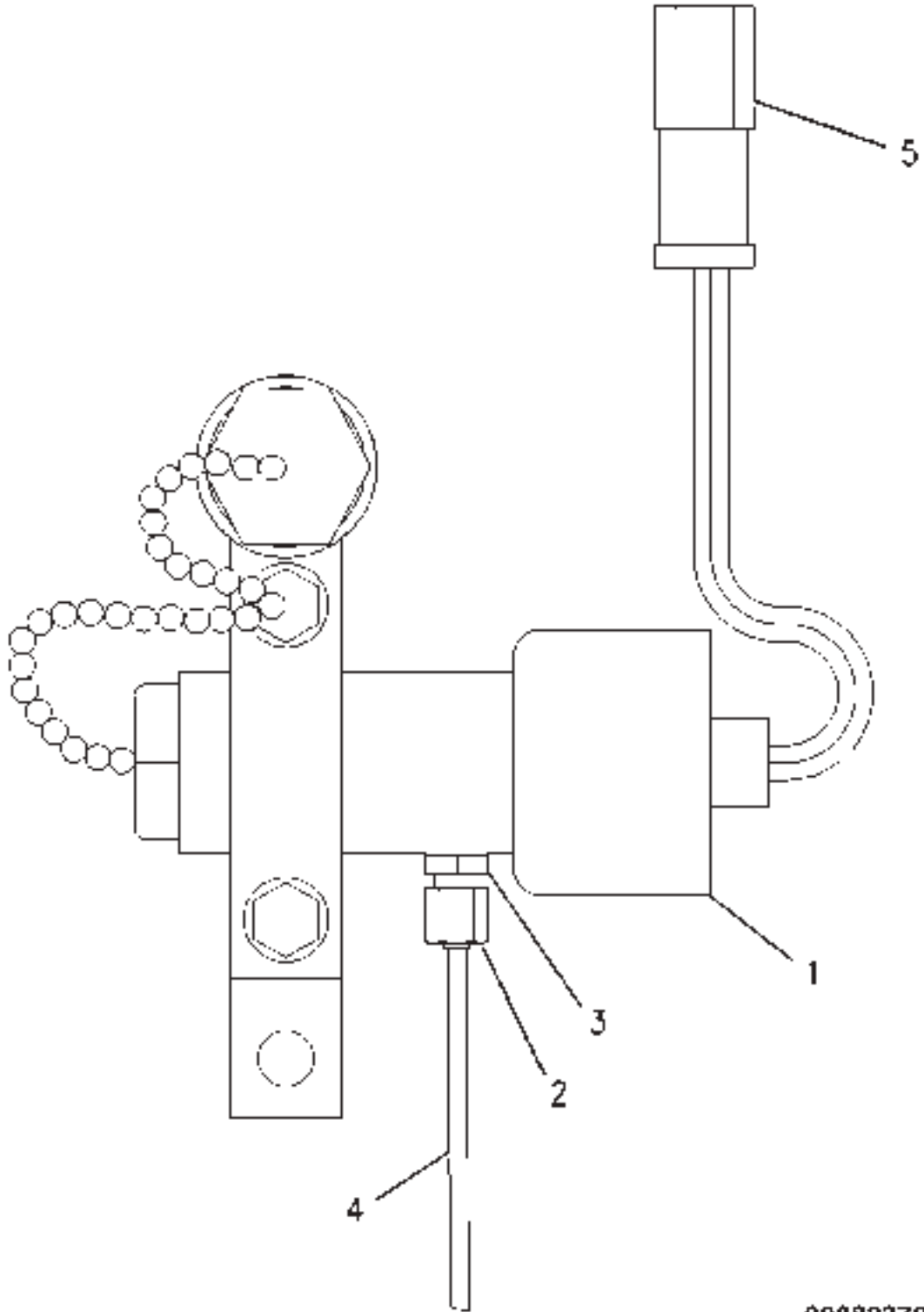
ITEM	NUMBER	QTY	DESCRIPTION
-	500607D1	--	RECEIVER GP-TRANSMITTER GPS [A]
1	216-7835	1	MOUNT (ANTENNA)
2	216-7837	1	RECEIVER MODULE
3	72571008	1	SENSOR GP-DMU (3AXIS)
4	216-7836	1	CABLE (ANTENNA)
5	216-7839	1	HARNESS (SENSOR GP-POSITION)
6	216-7841	1	HARNESS (RECEIVER-GPS)
7	72571022	1	SOFTWARE (NOT SHOWN) (ORDER FROM DEALER INFO NET)

[A] PART OF 500628D1 & 500630D1
CONTROL AR-AUTOGUIDE

500607DD
PR: t05i29k58b0143

MT800 SERIE TRACTORS
ELECTRICAL AND STARTING SYSTEM

VALVE GP-ETHER - 210-8961
MT835 & MT845



00888370

**MT800 SERIESTRACTORS
ELECTRICAL AND STARTING SYSTEM**

341

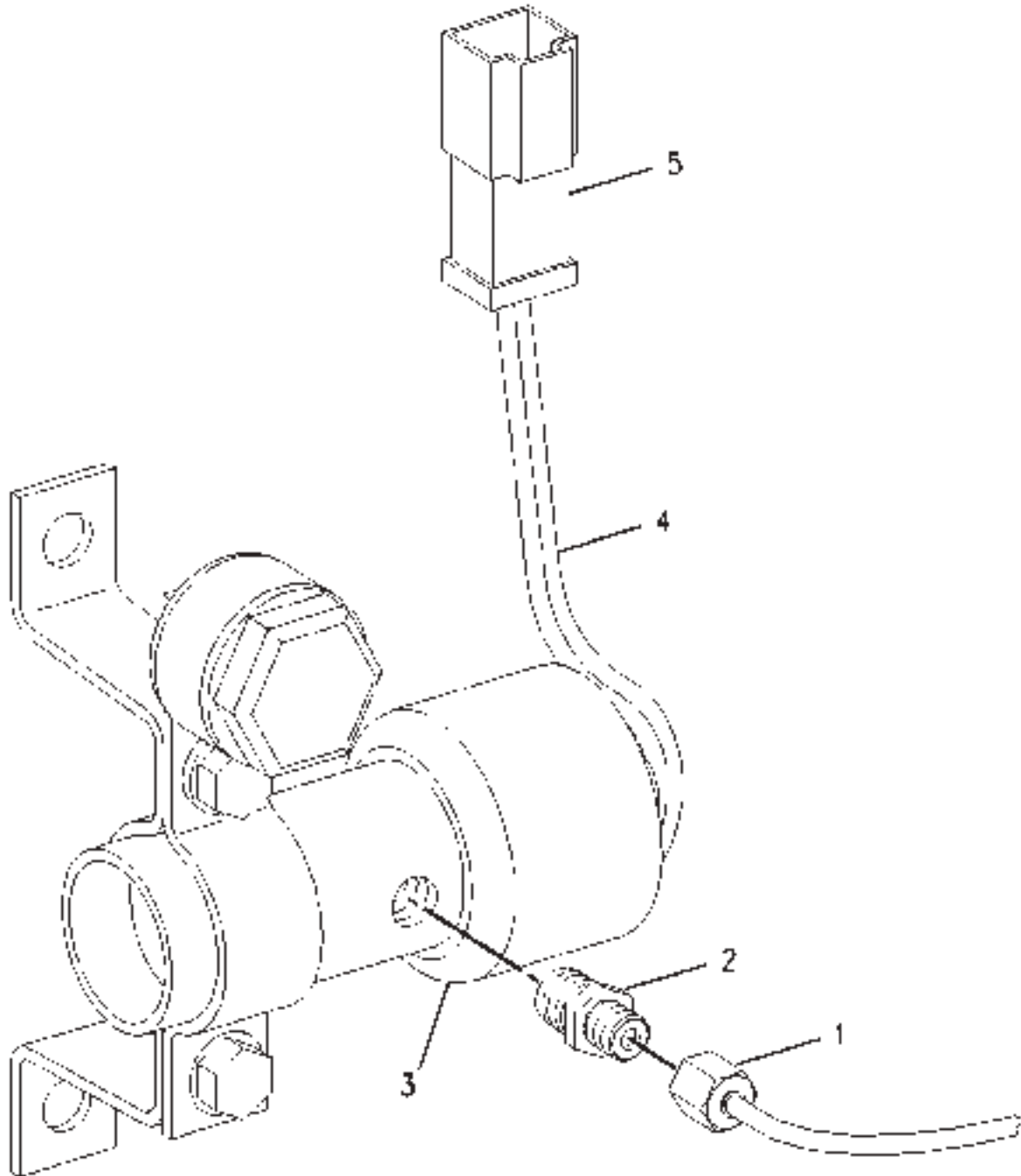
**VALVE GP-ETHER - 210-8961
MT835 & MT845**

ITEM	NUMBER	QTY	DESCRIPTION
-	210-8961	--	VALVE GP-ETHER [A]
1	210-3931	1	VALVE-ETHER
2	210-8519	1	NUT
3	210-8521	1	FITTING
4	210-3933	AR	TUBE (64 cm)
5	CH102-8802	1	KIT-RECEPTACLE (2 PIN) (INCLUDES WEDGE AND RECEPTACLE ASM) (SERVICED AS COMPLETE KIT ONLY)

[A] PART OF 186-1671 STARTING AIDR
GP-ETHER

00888370
PR: t05i29k58b0144

VALVE GP-ETHER - 211-8220
MT855 & MT865



MT800 SERIESTRACTORS
ELECTRICAL AND STARTING SYSTEM

343

VALVE GP-ETHER - 211-8220
MT855 & MT865

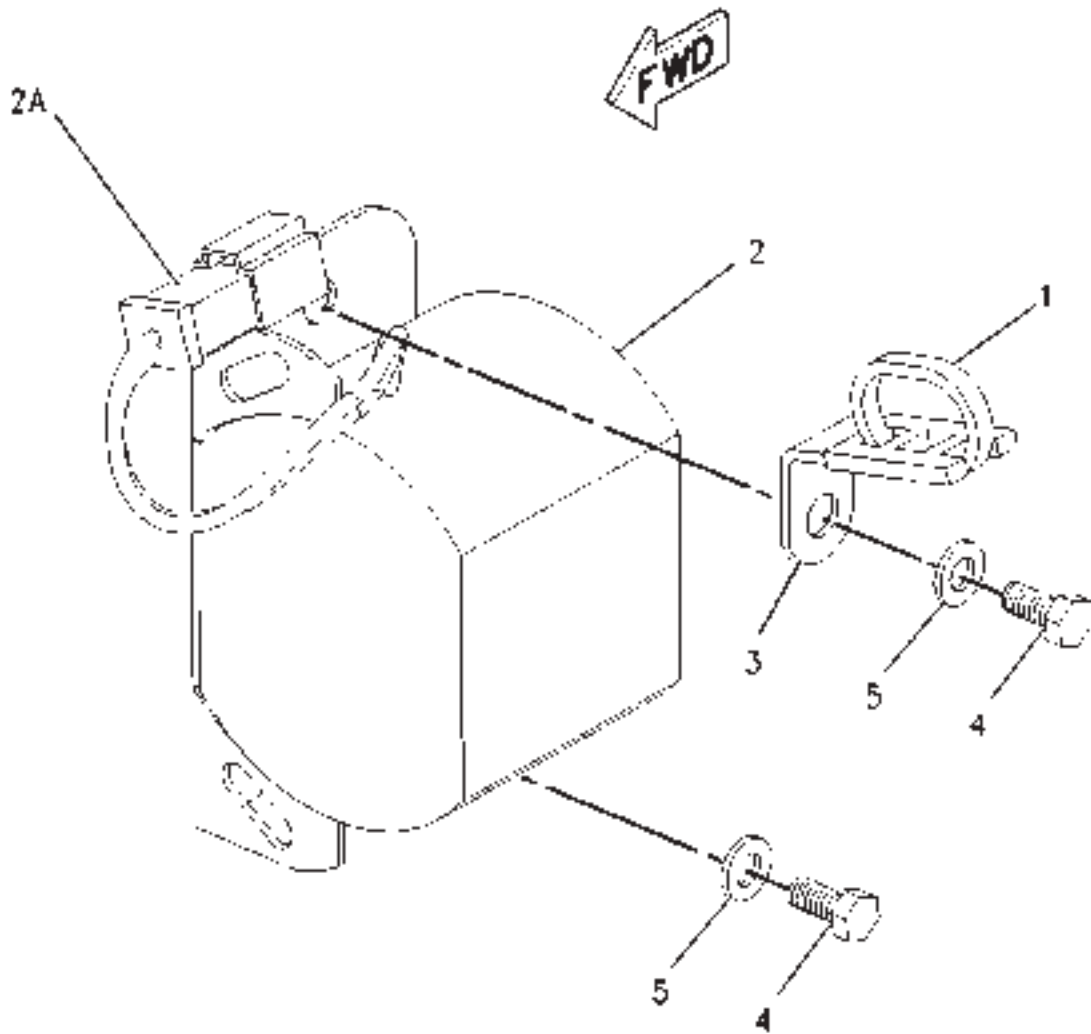
ITEM	NUMBER	QTY	DESCRIPTION
-	211-8220	--	VALVE GP-ETHER [A]
1	210-8519	1	NUT
2	210-8521	1	FITTING
3	211-8222	1	VALVE-ETHER
4	210-3933		TUBE (64CM)
5	CH102-8802	1	KIT-RECEPTACLE (2 PIN) (INCLUDES RECEPTACLE ASM AND WEDGE) (SERVICED AS COMPLETE KIT ONLY)

[A] PART OF 187-1740 AID GP-ETHER START

00878638
PR: t05i29k58b0145

MT800 SERIESTRACTORS
ELECTRICAL AND STARTING SYSTEM

WARNING GP-BACKUP - 195-5968



**MT800 SERIESTRACTORS
ELECTRICAL AND STARTING SYSTEM**

345

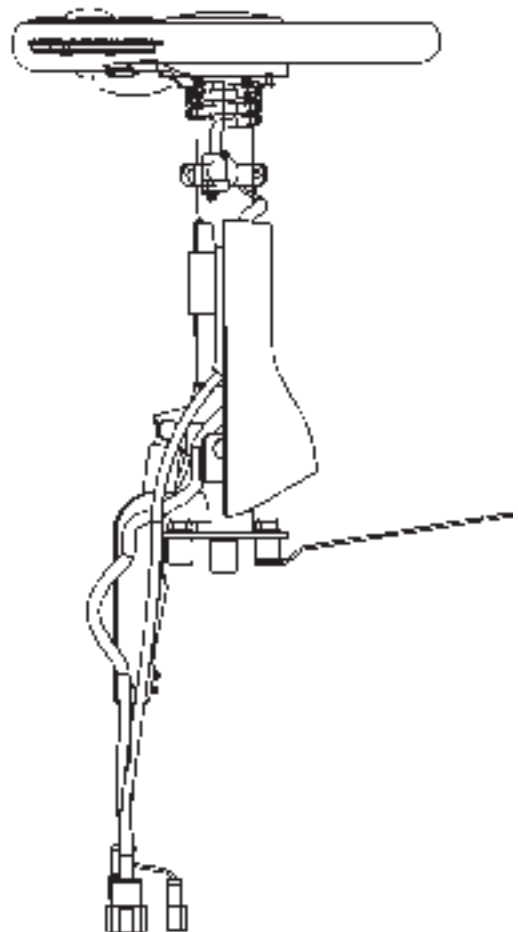
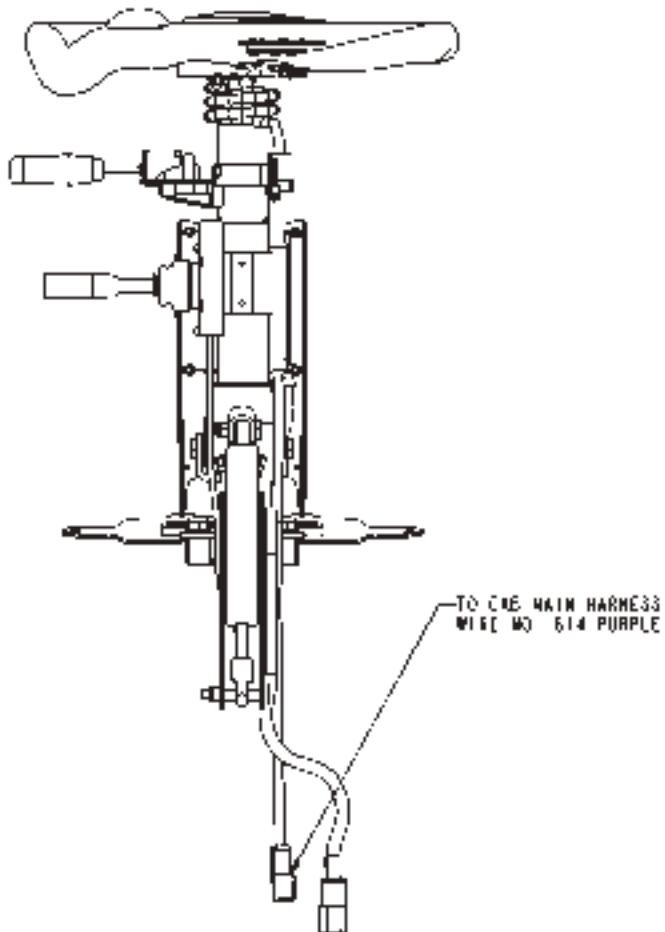
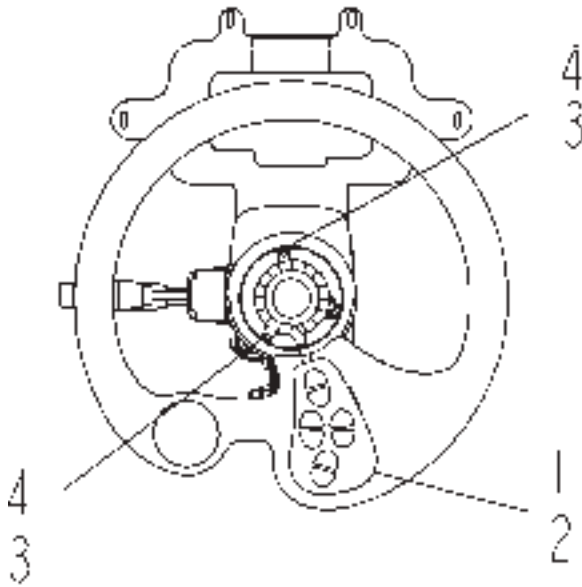
WARNING GP-BACKUP - 195-5968

ITEM	NUMBER	QTY	DESCRIPTION
-	502759D1	--	WARNING GP-BACKUP (FIELD INSTALLED)
-	502770D1	--	WARNING GP-BACKUP (FACT) (NOT SERVICED, ORDER FIELD INSTALLED)
-	195-5968	--	WARNING GP-BACKUP [A]
1	CH7K-1181	1	STRAP-CABLE
2	CH154-5428	1	ALARM-BACK UP
2A	CH102-8802	1	KIT-RECEPTACLE (2 PIN) (INCLUDES RECEPTACLE ASM AND WEDGE) (SERVICED AS COMPLETE KIT ONLY)
3	CH156-6175	1	CLIP
4	400152X1	2	BOLT (M6X1X16MM)
5	CH5P-4115	2	WASHER-HARD (7.2X19X2)

[A] PART OF 502759D1;502770D1 WARNING GP

00743485
PR: t05i29k58b0146

WIRING GP REMOTE CONTROL - 173-6505
ROW & SPECIAL APPLICATIONS



MT800 SERIESTRACTORS
ELECTRICAL AND STARTING SYSTEM

347

WIRING GP REMOTE CONTROL - 173-6505
ROW & SPECIAL APPLICATIONS

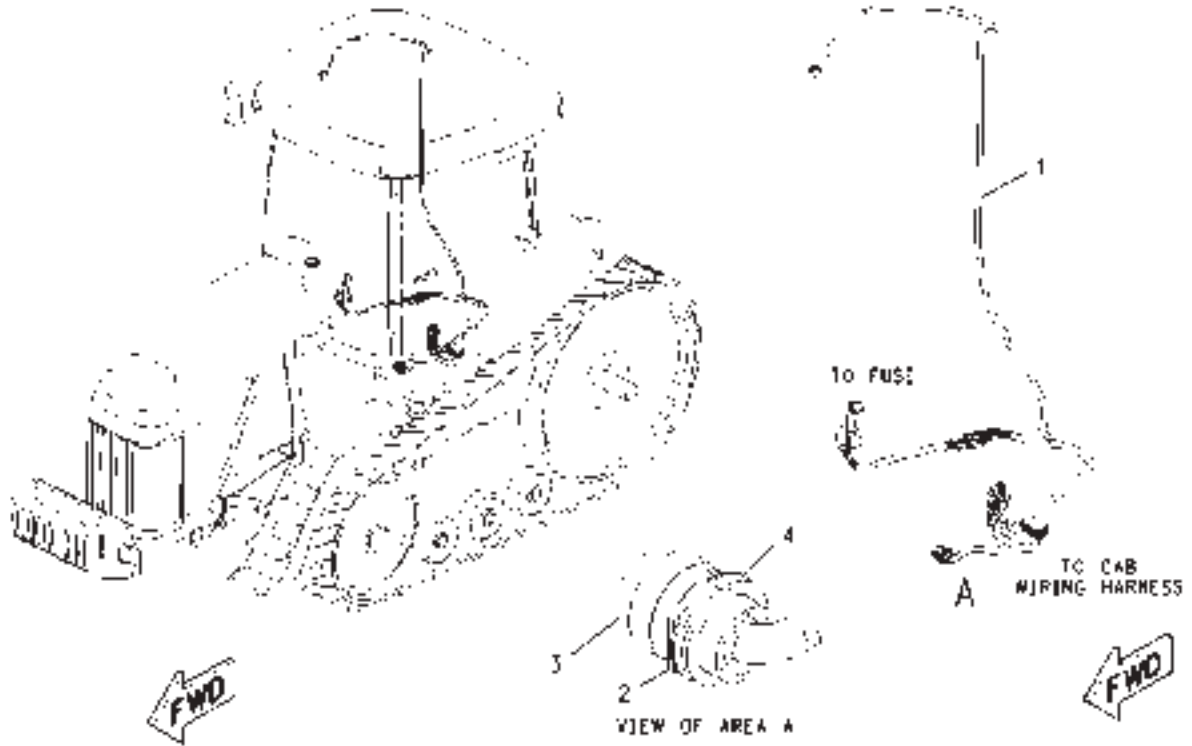
ITEM	NUMBER	QTY	DESCRIPTION
-	173-6505	--	WIRING GP [A] (NOT SERVICED)
1	502244D1	1	HARNESS-RADIO (REMOTE CONTROL)
2	172-8035	1	SWITCH (STEERING WHEEL RADIO CONTROLS)
3	CH208-9482	2	CLIP
4	CH095-0736	2	SCREW-MACHINE (M5X0.8X10MM)

[A] STEERING WHEEL MOUNTED RADIO
CONTROLS

1736505E
PR: t05i29k58b0147

MT800 SERIESTRACTORS
ELECTRICAL AND STARTING SYSTEM

WIRING GP - 214-3504
AUTOGUIDE ISO COMPATIBLE



MT800 SERIESTRACTORS
ELECTRICAL AND STARTING SYSTEM

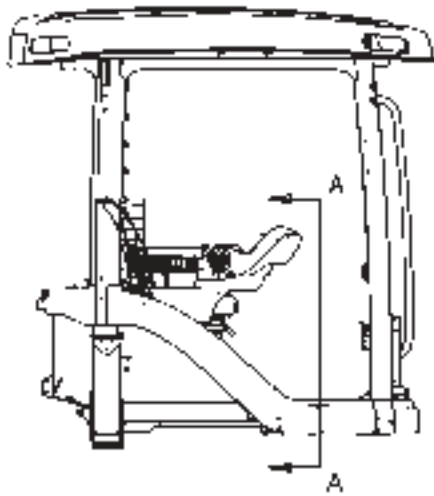
349

WIRING GP - 214-3504
AUTOGUIDE ISO COMPATIBLE

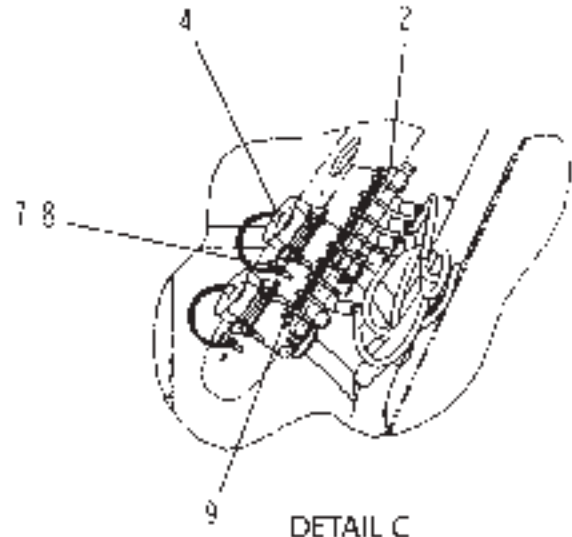
ITEM	NUMBER	QTY	DESCRIPTION
-	214-3504	--	WIRING GP (NOT SERVICED)
1	500910D1	1	HARNESS ASM (ISO)
2	400295X1	1	NUT (1 11/16-18 UNEF-2B)
3	CH219-0664	1	CAP
4	CH128-4249	1	LOCKWASHER

00895779
PR: t05i29k58b0148

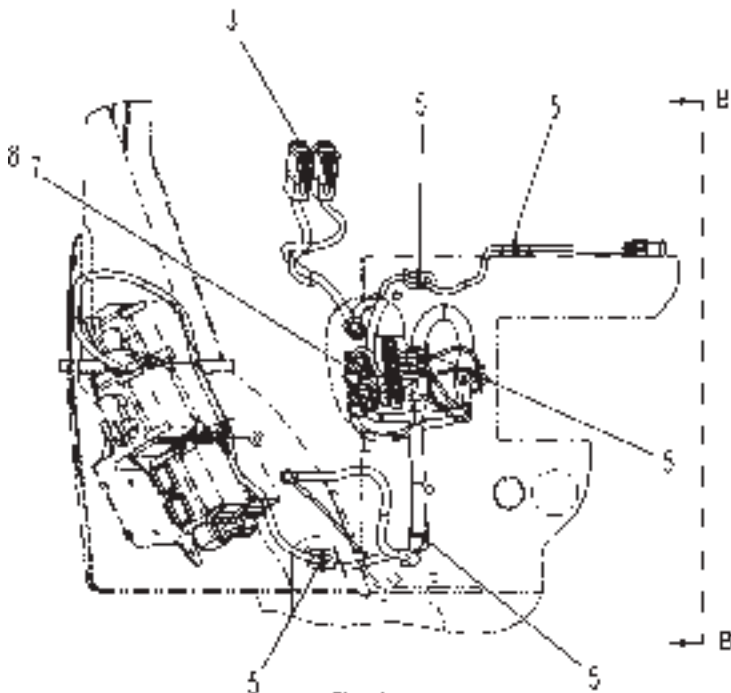
WIRING GP-AUXILIARY - 162-4097



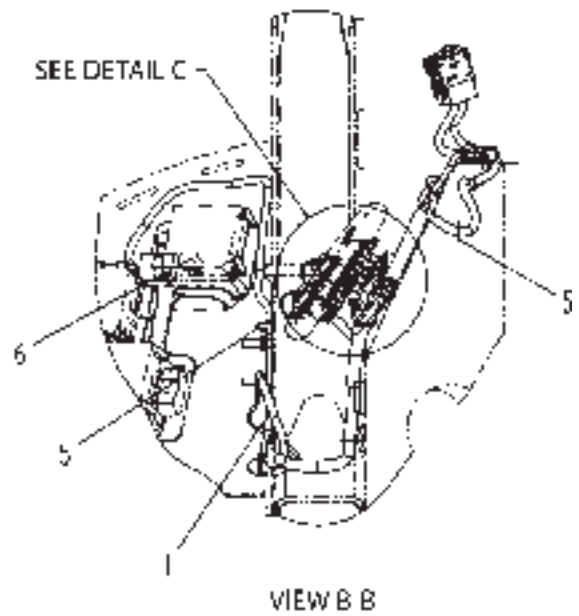
RIGHT SIDE VIEW OF CAB



DETAIL C



VIEW A-A
(SEAT NOT SHOWN)



VIEW B-B

MT800 SERIESTRACTORS
ELECTRICAL AND STARTING SYSTEM

351

WIRING GP-AUXILIARY - 162-4097

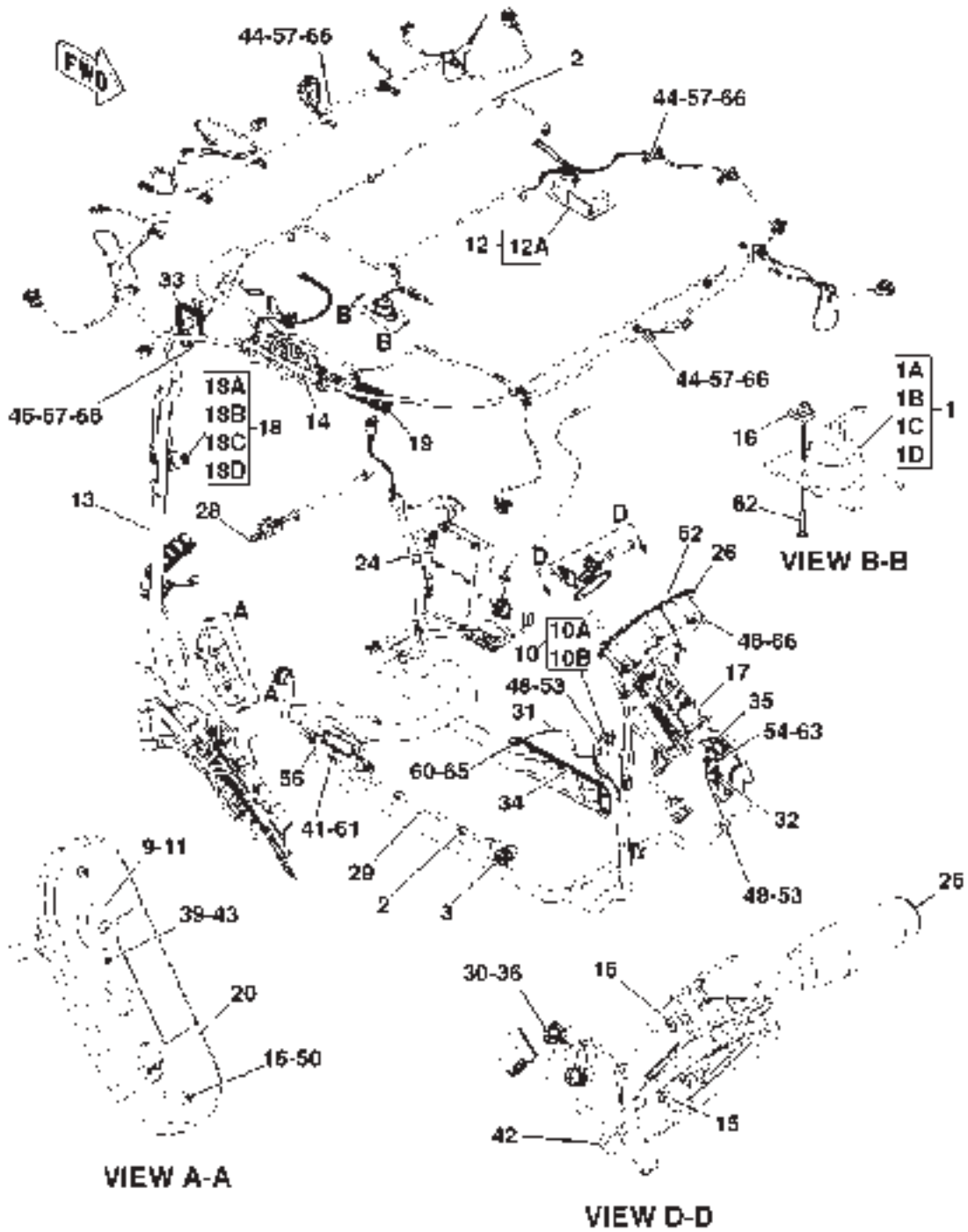
ITEM	NUMBER	QTY	DESCRIPTION
-	502795D1	--	WIRING GP-AUXILIARY (NOT SERVICED)
-	162-4097	--	WIRING GP-AUXILIARY [A] (REF ONLY) (NOT SERVICED)
1	502180D1	1	HARNESS ASM (AUXILIARY POWER)
2	CH136-5268	1	STRIP
3	169-8229	2	SWITCH-ROCKER (AUXILIARY POWER)
4	CH124-4653	2	CAP
5	400837X1	7	STRAP-CABLE
6	CH146-9439	1	RELAY(12V)(AUXILIARY POWER SWITCHES)
7	400006X1	6	BOLT-SOCKET HEAD (M3X0.5X12MM)
8	CH3C-6969	6	NUT (M3X0.5)
9	CH119-5026	2	SCREW-PAN HEAD (10-16X0.63 IN)

[A] PART OF 500843D1;500849D1 CAB AR;
502795D1 WIRING GP-CONSOLE

1624097F
PR: t05i29k58b0149

MT800 SERIESTRACTORS
ELECTRICAL AND STARTING SYSTEM

WIRING GP-CAB - 152-0420
1 OF 2
ROW & SPECIAL APPLICATIONS



**MT800 SERIESTRACTORS
ELECTRICAL AND STARTING SYSTEM**

353

WIRING GP-CAB - 152-0420
1 OF 2
ROW & SPECIAL APPLICATIONS

ITEM	NUMBER	QTY	DESCRIPTION
-	152-0420	--	WIRING GP-CAB [A] (NOT SERVICED)
1	3E-6284	1	LAMP ASM-IMPLEMENT CONTROL (12 VOLT) (SERVICE REPAIR ORDER 1A THRU 1D)
1A	CH102-8802	1	KIT-RECEPTACLE (2 PIN) (INCLUDES RECEPTACLE ASM AND WEDGE) (SERVICED AS COMPLETE KIT ONLY)
1B	6T-7298	1	LAMP (12 VOLT) (IMPLEMENT CONTROL)
1C	186-3735	2	PIN-CONNECTOR
1D	400511X1	1	WEDGE
2	400837X1	62	STRAP-CABLE
3	CH3T-8607	1	TERMINAL ASM
	6F-7044	2	NUT-FULL (1/2-20)
	9B-0453	2	LOCKWASHER
9	124-4653	1	CAP
10	129-6457	1	SWITCH ASM-LIMIT (BRAKE LIGHT) (FOR SERVICE REPAIR ORDER 10A & 10B)
10A	6V-8376	3	SCREW-MACHINE (8-32X0.25 IN)
10B	9B-7233	3	LOCKWASHER
11	135-4483	4	RETAINER
12	136-5511	1	LAMP ASM-DOME (FOR SERVICE REPAIR ORDER 12A)
12A	9W-3326	1	LAMP (12 VOLT) (DOME LIGHT)
13	136-5530	1	HARNESS ASM (CAB MAIN)
14	501949D1	1	HARNESS ASM (ROOF)
15	216-8277	4	BOLT-SOCKET HEAD
16	154-8079	4	NUT (U-TYPE RETAINER)
17	217-9779	1	CONTROL GP-STEERING (SEE BREAKDOWN FOR COMPONENTS)
18	CH163-2657	1	SWITCH GP-START [B] (FOR SERVICE REPAIR ORDER 18A THRU 18D)
18A	3E-3377	1	WEDGE-RECEPTACLE LOCK
18B	7T-6799	1	NUT-MOUNTING (1-32)
18C	186-3735	2	PIN-CONNECTOR
18D	102-8804	1	KIT-RECEPTACLE (4 PIN) (INCLUDES RECEPTACLE ASM AND WEDGE) (SERVICED AS COMPLETE KIT ONLY)
-	CH5P-8500	1	KEY IGNITION
19	CH165-5975	10	PLUG-PANEL
20	169-6367	1	PANEL ASM (SERVICE)
		1	DOOR (ORDER ITEM 20)
	169-6370	1	PANEL
		1	SPRING-TORSION (ORDER ITEM 20)
24	170-1198	1	MODULE-FLASHER
25	170-2204	1	SWITCH ASM (HIGH/LOW BEAM,ROADING,TURN)
26	212-6998	1	MODULE GP-DISPLAY (DASH)

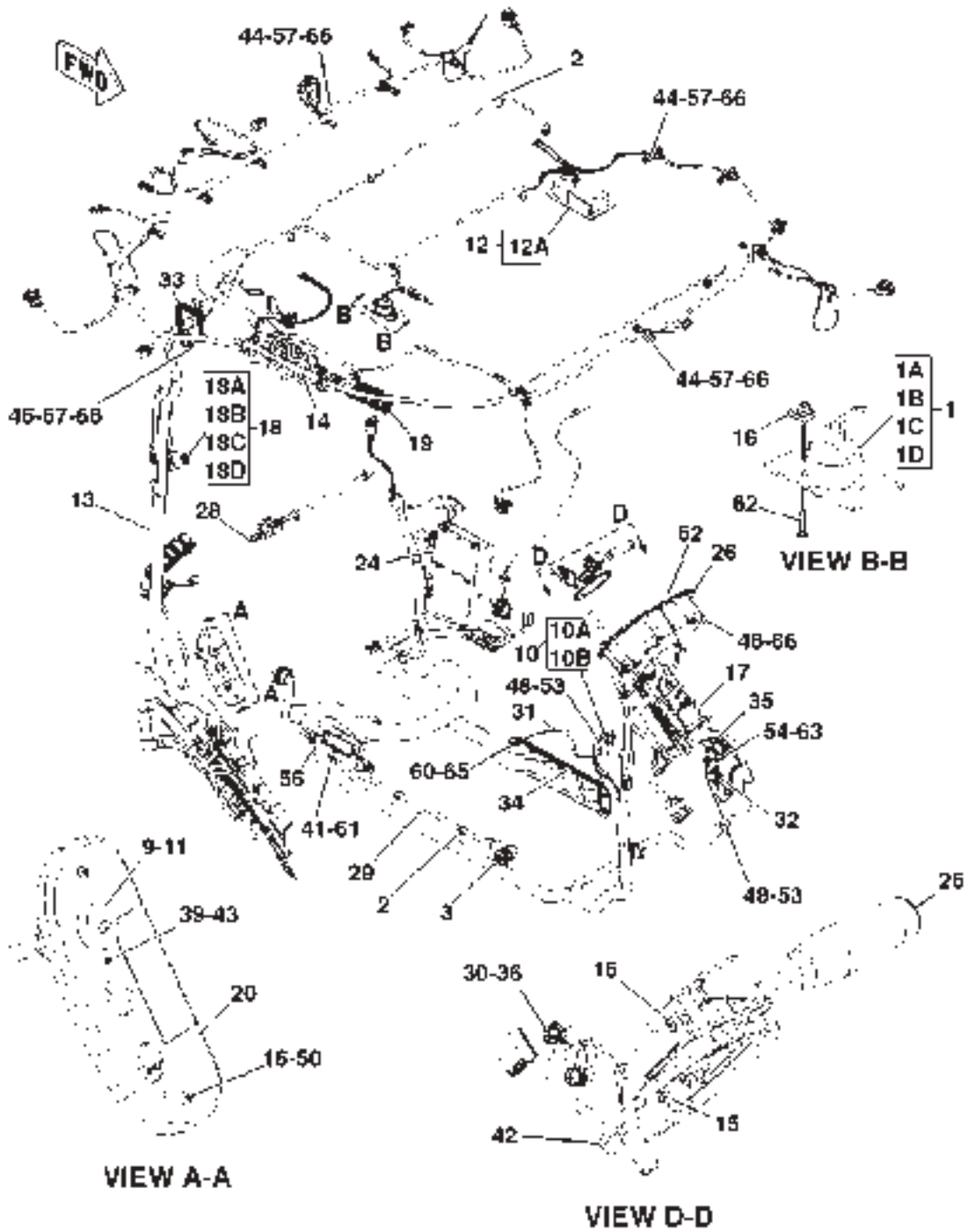
CONTINUED

[A] PART OF 500843D1;500844D1;500849D1
CAB AR
[B] REQUIRES CH5P-8500 KEY

0898288A
PR: t05i29k58b0150

MT800 SERIESTRACTORS
ELECTRICAL AND STARTING SYSTEM

WIRING GP-CAB - 152-0420
1 OF 2
ROW & SPECIAL APPLICATIONS



**MT800 SERIESTRACTORS
ELECTRICAL AND STARTING SYSTEM**

355

**WIRING GP-CAB - 152-0420
1 OF 2
ROW & SPECIAL APPLICATIONS**

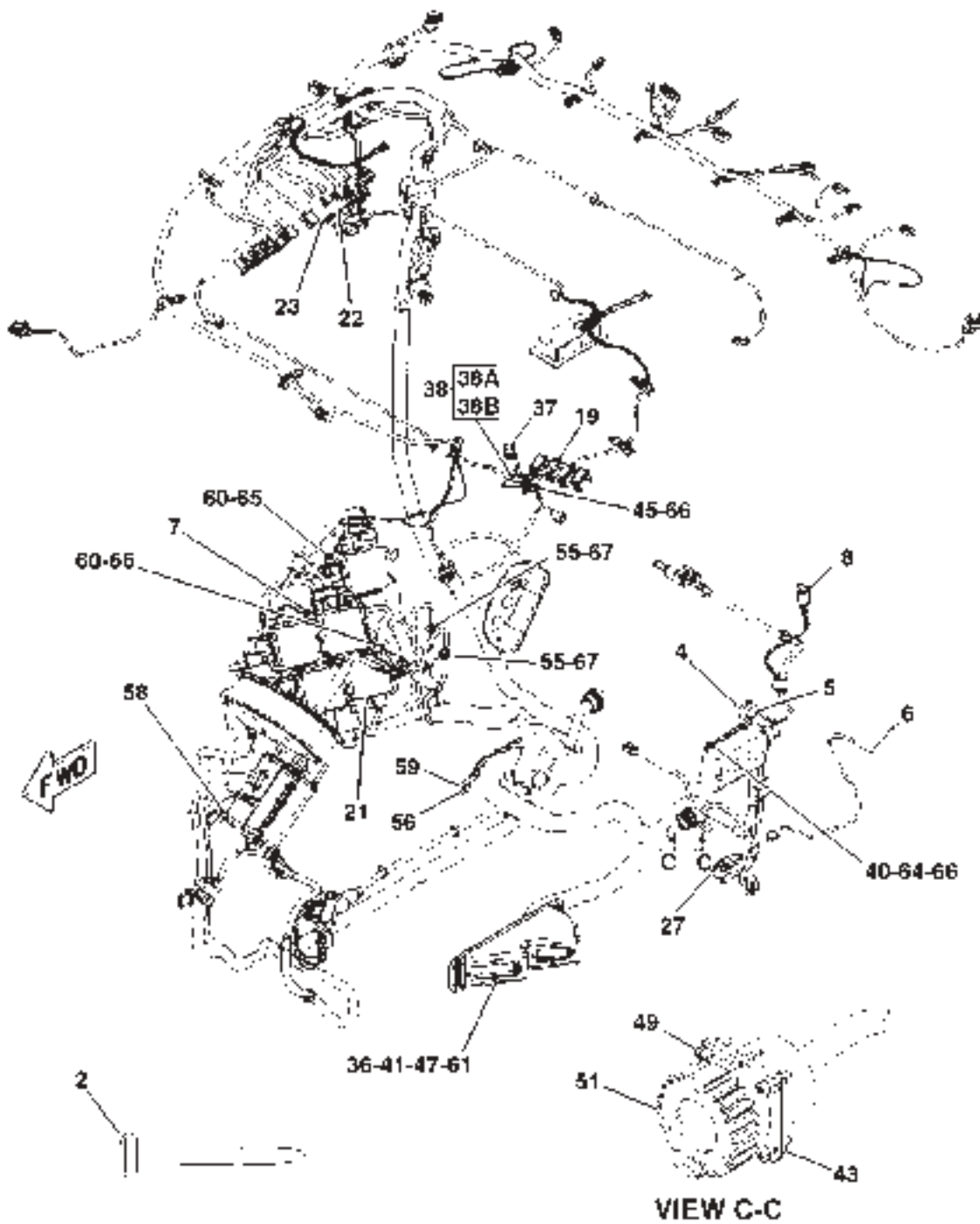
ITEM	NUMBER	QTY	DESCRIPTION
-	152-0420	--	WIRING GP-CAB [A] (NOT SERVICED)
28	501940D1	1	WIRING GP-TRAILER JUMPER (SEE BREAKDOWN)
29	502188D1	1	CABLE (CAB POWER)
30	8C-8514	2	SCREW-MACHINE (8-32X.375 IN)
31	177-0381	1	HOUSING
32	129-6457	1	SWITCH ASM-LIMIT (INCHING PEDAL) (FOR SERVICE REPAIR ORDER 32A & 32B)
32A	6V-8376	3	SCREW-MACHINE (8-32X0.25 IN)
32B	9B-7233	3	LOCKWASHER
33	178-7957	1	GROMMET
34	180-5244	1	SEAL-CONNECTOR
35	500317D1	1	SENSOR GP-POSITION (INCHING PEDAL)
36	096-6166	10	WASHER-HARD (4.5X9X1)
39	153-9300	1	BOLT-SOCKET HEAD (M3X0.5X12MM)
41	3B-4501	12	LOCKWASHER
42	CH7K-1181	1	STRAP-CABLE
43	3C-6969	5	NUT (M3X0.5)
44	4P-7581	15	CLIP
45	4P-8134	2	CLIP
46	CH5C-2874	4	NUT (M5X.8)
48	CH216-9085	4	SCREW-PAN HEAD
50	7Y-7256	2	SCREW-TRUSS HEAD (M4X0.7X35MM)
52	8T-0337	6	SCREW-MACHINE (M4X0.7X12MM)
53	CH8T-2658	4	LOCKNUT (M3X0.5)
54	8T-2659	2	LOCKNUT (M4X0.7)
56	177-0385	1	PLATE ASM
	CH8T-3612	2	NUT-WELD (M8X1.25)
57	110-2028	17	SCREW-PAN HEAD (10-14X.75 IN) (10-14X.75IN)
60	CH8T-4205	7	WASHER-HARD (7.2X14.5X2MM)
61	8T-9405	12	BOLT-SOCKET HEAD (M4X0.7X16MM)
62	123-0707	2	SCREW-HEX SOCKET (M4X0.7X20MM)
63	9X-1046	2	SCREW (M4X0.7X18MM)
65	9X-2044	7	SCREW-TRUSS HEAD (M6X1X16MM)
66	098-8968	25	WASHER (5X16X1.2)

[A] PART OF 500843D1;500844D1;500849D1
CAB AR
[B] REQUIRES CH5P-8500 KEY

0898288A
PR: t05i29k58b0150

MT800 SERIES TRACTORS
ELECTRICAL AND STARTING SYSTEM

WIRING GP-CAB - 152-0420
2 OF 2
ROW & SPECIAL APPLICATIONS



**MT800 SERIESTRACTORS
ELECTRICAL AND STARTING SYSTEM**

357

**WIRING GP-CAB - 152-0420
2 OF 2
ROW & SPECIAL APPLICATIONS**

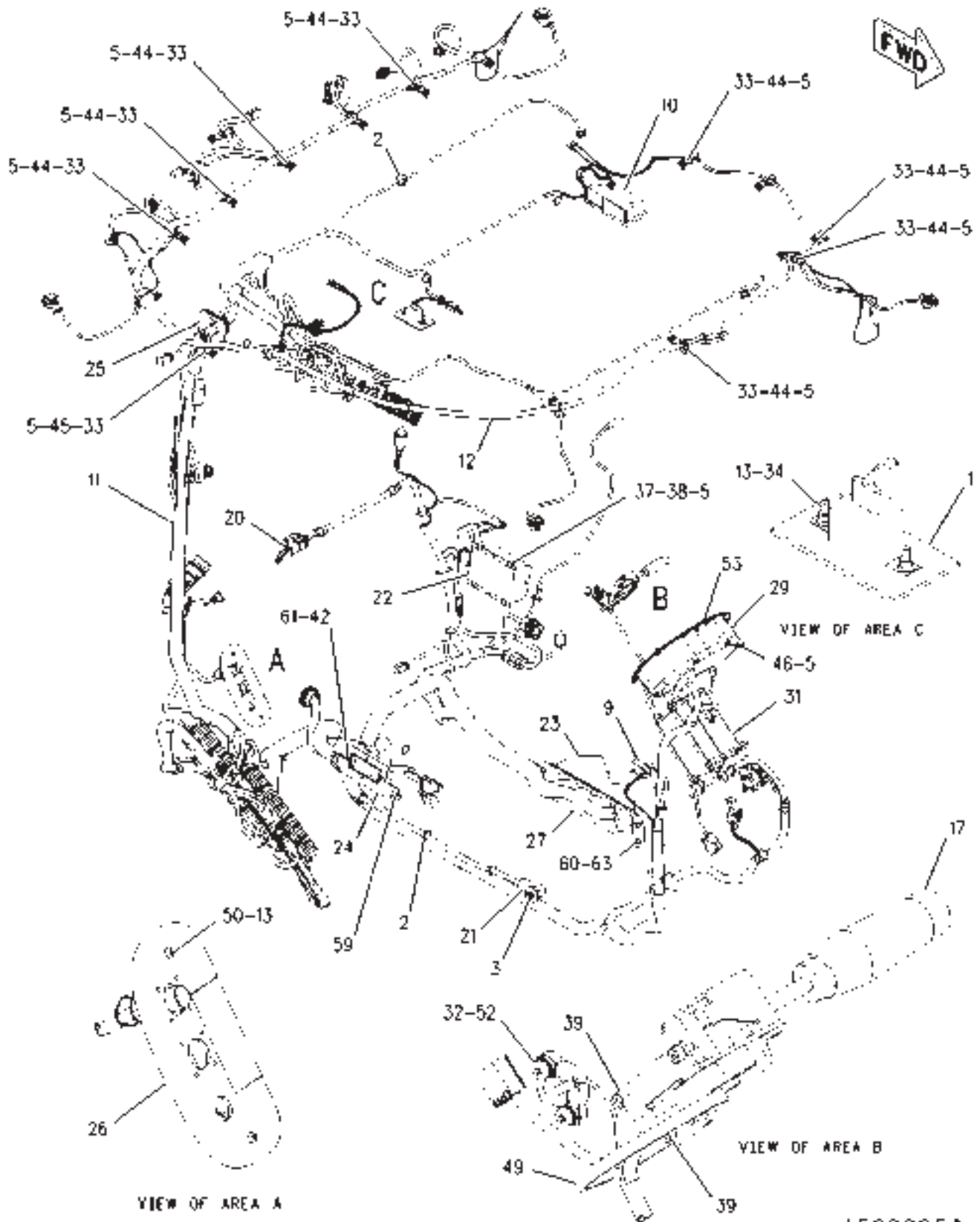
ITEM	NUMBER	QTY	DESCRIPTION
-	152-0420	--	WIRING GP-CAB [A] (NOT SERVICED)
2	3S-2093	62	STRAP-CABLE
4	4E-2229	1	DAMPER-ALARM (VOLUME CONTROL)
5	CH219-4673	1	HORN (OPERATOR AUDIBLE ALARM)
6	105-8034	1	SWITCH-LIMIT (CAB DOOR)
7	116-7471	1	PULLER-MINIFUSE
8	117-2311	1	RECEPTACLE-POWER (12 VOLT)
19	CH165-5975	10	PLUG
21	169-6380	1	PANEL GP-FUSE (NOT SERVICED) (SEE BREAKDOWN FOR COMPONENTS)
22	216-3028	1	SWITCH-ROCKER (HAZARD)
23	169-8231	1	SWITCH-ROCKER (FLOOD LIGHTS)
27	173-7707	1	HARNES (FLASHER)
36	096-6166	10	WASHER-HARD (4.5X9X1)
37	145-0846	1	KNOB-LIGHTER
38	145-0847	1	HOUSING ASM (LIGHTER) (FOR SERVICE REPAIR ORDER 38A & 38B)
38A	6V-8376	1	SCREW-MACHINE (8-32X0.25 IN)
38B	9B-7233	1	LOCKWASHER
40	191-2276	4	SCREW-TRUSS HEAD (M5X0.8)
41	3B-4501	12	LOCKWASHER
43	3C-6969	5	NUT (M3X0.5)
45	4P-8134	2	CLIP
47	CH5C-8312	8	NUT (M4X0.7)
49	6V-9671	4	SCREW-MACHINE (M3X0.5X12MM)
51	8C-6354	1	CAP-RECEPTACLE
55	400287X1	2	WASHER-HARD (11X21X2.5)
56	177-0385	1	PLATE ASM
	CH8T-3612	2	NUT-WELD (M8X1.25)
58	400058X1	4	BOLT (M10X1.5X30MM)
59	400227X1	2	BOLT (M8X1.25X16MM)
60	CH8T-4205	7	WASHER-HARD (7.2X14.5X2MM)
61	8T-9405	12	BOLT-SOCKET HEAD (M4X0.7X16MM)
64	179-4324	4	LOCKNUT (M5X0.8)
65	9X-2044	7	SCREW-TRUSS HEAD (M6X1X16MM)
66	098-8968	25	WASHER (5X16X1.2)
67	400039X1	2	BOLT (M10X1.5X25MM)

[A] PART OF 500843D1;500844D1;500849D1
CAB AR

0898293A
PR: t05i29k58b0151

MT800 SERIESTRACTORS
ELECTRICAL AND STARTING SYSTEM

WIRING GP-CAB - 152-0005A
EAME ONLY



**MT800 SERIESTRACTORS
ELECTRICAL AND STARTING SYSTEM**

359

**WIRING GP-CAB - 152-0005A
EAME ONLY**

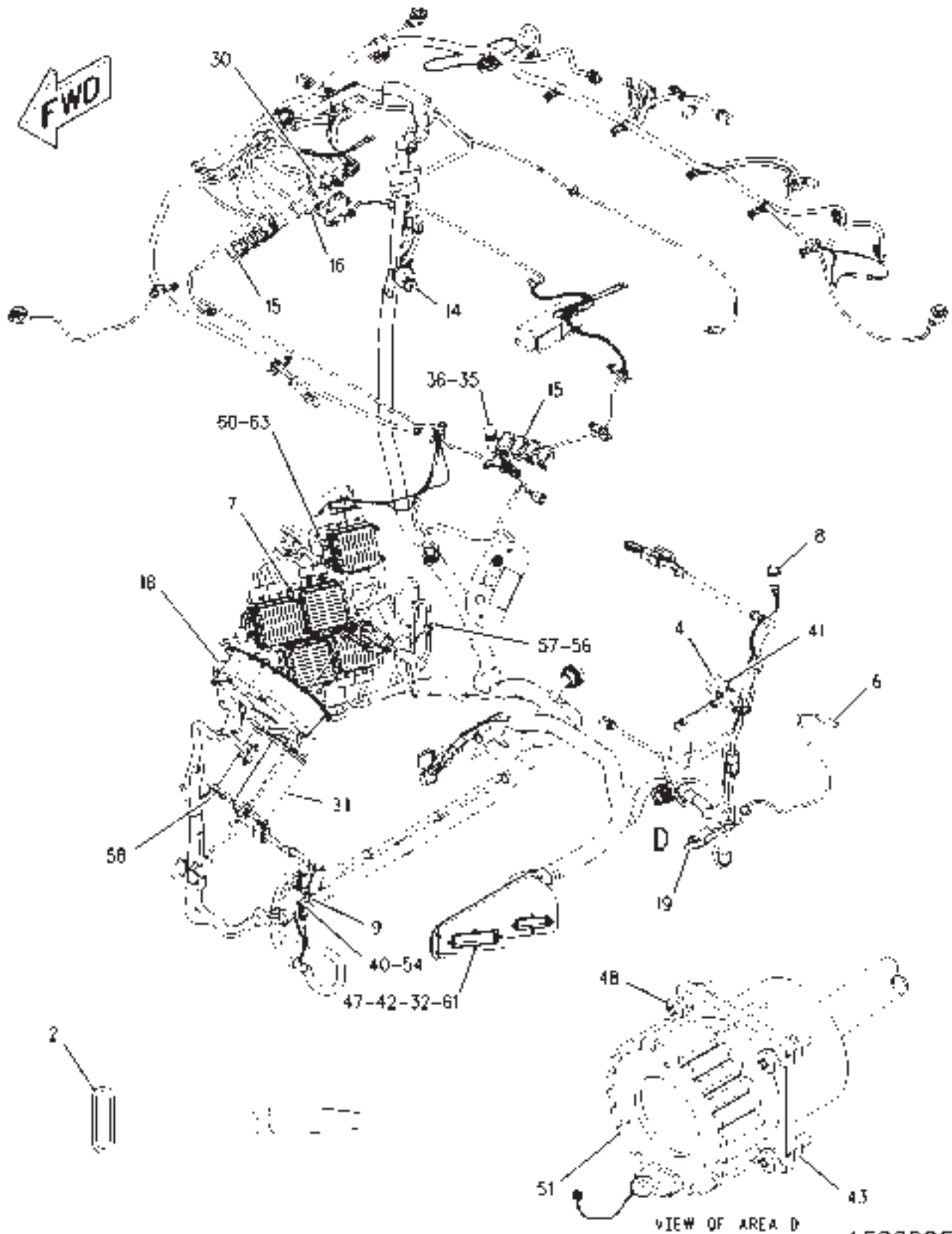
ITEM	NUMBER	QTY	DESCRIPTION
-	152-0005	--	WIRING GP-CAB [A] (NOT SERVICED)
1	501935D1	1	COURTESY LIGHT AS (12 VOLT) (SEE BREAKDOWN FOR COMPONENTS)
2	400837X1	63	STRAP-CABLE [B]
3	CH3T-8607	1	STUD ASY-POWER TERMINAL
	6F-7044	2	NUT-FULL (1/2-20)
	9B-0453	2	LOCKWASHER
5	400076X1	25	WASHER (5X16X1.2)
9	CH129-6457	1	SWITCH AS-LIMIT (BRAKE LIGHT)
	CH6V-8376	3	SCREW-MACHINE (8-32X0.25 IN)
	CH9B-7233	3	LOCKWASHER
10	CH136-5511	1	LAMP AS-DOME
	CH9W-3326	1	LAMP (12 VOLT)
11	500446D1	1	HARNESS AS (CAB MAIN)
12	501949D1	1	HARNESS AS (ROOF)
13	400084X1	4	NUT-RETAINER (M4X0.07X0.6-3.8PANEL)
17	170-2204	1	SWITCH AS (HIGH/LOW BEAM, ROADING, TURN)
20	173-7708	1	HARNESS AS (TRAILER CONNECTOR)
21	502188D1	1	CABLE AS (CAB POWER)
22	CH175-7057	1	MODULE-FLASHER
23	177-0381	1	HOUSING-CAB INTERFACE
24	177-0385	1	PLATE AS
25	178-7957	1	GROMMET-INNER ROOF
26	179-4204	1	PANEL AS (SERVICE)
27	180-5244	1	SEAL-CONNECTOR
29	CH212-6998	1	MODULE GP-DISPLAY
31	217-9780	1	CONTROL GP-STEERING (SEE BREAKDOWN FOR COMPONENTS)
32	CH096-6166	10	WASHER-HARD (4.5X9X1)
33	CH110-2028	17	SCREW-PAN HEAD (10-14X.75 IN)
34	CH123-0707	2	SCREW-HEX SOCKET (M4X0.7X20MM)
37	CH179-4324	4	LOCKNUT
38	505003D1	4	SCREW (M5X0.8X20MM)
39	400017X1	4	BOLT-SCKT HD (M4X0.7X8)
42	CH3B-4501	12	LOCKWASHER
44	CH4P-7581	15	CLIP
45	CH4P-8134	2	CLIP
46	CH5C-2874	4	NUT (M5X.8)
49	CH7K-1181	1	STRAP-CABLE
50	CH7Y-7256	2	SCREW-TRUSS HEAD (M4X0.7X35MM)
52	CH8C-8514	2	SCREW-MACHINE (8-32X.375 IN)
53	CH8T-0337	6	SCREW-MACHINE (M4X0.7X12MM)
59	400227X1	2	BOLT (M8X1.25X16MM)
60	CH8T-4205	7	WASHER-HARD (7.2X14.5X2)
61	400251X1	12	BOLT-SOCKET HEAD (M4X0.7X16MM)
63	CH9X-2044	7	SCREW-TRUSS HEAD (M6X1X16MM)

[A] PART OF 152-0008; 152-0009 CAB AR
[B] USE AS REQUIRED

1520005A
PR: t05i29k58b0152

MT800 SERIES TRACTORS
ELECTRICAL AND STARTING SYSTEM

WIRING GP-CAB - 152-0005B
EAME ONLY



**MT800 SERIESTRACTORS
ELECTRICAL AND STARTING SYSTEM**

361

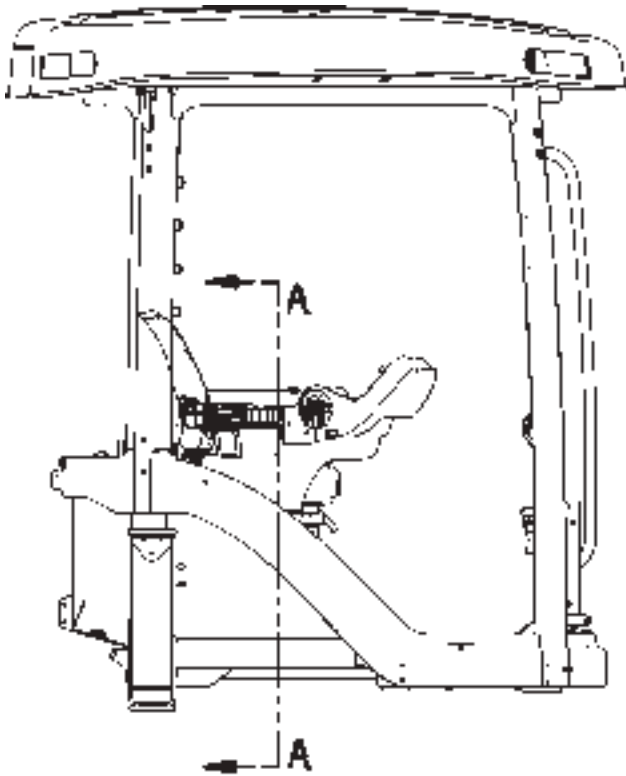
**WIRING GP-CAB - 152-0005B
EAME ONLY**

ITEM	NUMBER	QTY	DESCRIPTION
-	152-0005	--	WIRING GP-CAB [A] (NOT SERVICED)
2	400837X1	63	STRAP-CABLE [B]
4	CH4E-2229	1	DAMPER AS-ALARM
6	CH105-8034	1	SWITCH AS-LIMIT (CAB DOOR)
7	CH116-7471	1	PULLER-MINIFUSE
8	CH117-2311	2	RECEPTACLE AS-POWER (12 VOLT)
9	CH129-6457	1	SWITCH AS-LIMIT
	CH6V-8376	3	SCREW-MACHINE (8-32X0.25 IN)
	CH9B-7233	3	LOCKWASHER
14	CH163-2657	1	SWITCH GP-START
	400781X1	1	WEDGE-RECEPTACLE LOCK
	CH7T-6799	1	NUT-MOUNTING (1-32)
	400562X1	2	PIN-CONNECTOR
	400708X1	1	KIT-RECEPTACLE (4 PIN) (INCLUDES RECEPTACLE AS WEDGE)
	CH5P-8500	1	KEY-IGNITION
15	CH165-5975	8	PLUG
16	169-8231	1	SWITCH AS-ROCKER (FLOOD)
18	172-6841	1	PANEL GP-FUSE (CLAAS) (SEE BREAKDOWN FOR COMPONENTS)
19	502173D1	1	HARNESS AS (FLASHER)
30	216-3028	1	SWITCH AS-ROCKER (HAZARD)
31	217-9780	1	CONTROL GP-STEERING (SEE BREAKDOWN FOR COMPONENTS)
32	CH096-6166	10	WASHER-HARD (4.5X9X1)
35	CH145-0846	1	KNOB AS-LIGHTER
36	CH145-0847	1	HOUSING AS-LIGHTER
	CH6V-8376	1	SCREW-MACHINE (8-32X0.25 IN)
	CH9B-7233	1	LOCKWASHER
40	CH216-9085	4	SCREW-PAN HEAD
41	CH219-4673	1	HORN (12 VOLT)
42	CH3B-4501	12	LOCKWASHER
43	CH3C-6969	4	NUT (M3X0.5)
47	CH5C-8312	8	NUT (M4X0.7)
48	CH6V-9671	4	SCREW-MACHINE (M3X0.5X12MM)
51	501941D1	1	CAP AS-W/LANYARD
	CH8C-6354	1	CAP-RECEPTACLE
	400408X1	1	LANYARD
54	CH8T-2658	4	LOCKNUT (M3X0.5)
56	400287X1	2	WASHER-HARD (11X21X2.5)
57	400039X1	2	BOLT (M10X1.5X25MM)
58	400058X1	4	BOLT (M10X1.5X30MM)
60	CH8T-4205	7	WASHER-HARD (7.2X14.5X2)
61	400251X1	12	BOLT-SOCKET HEAD (M4X0.7X16MM)
63	CH9X-2044	7	SCREW-TRUSS HEAD (M6X1X16MM)

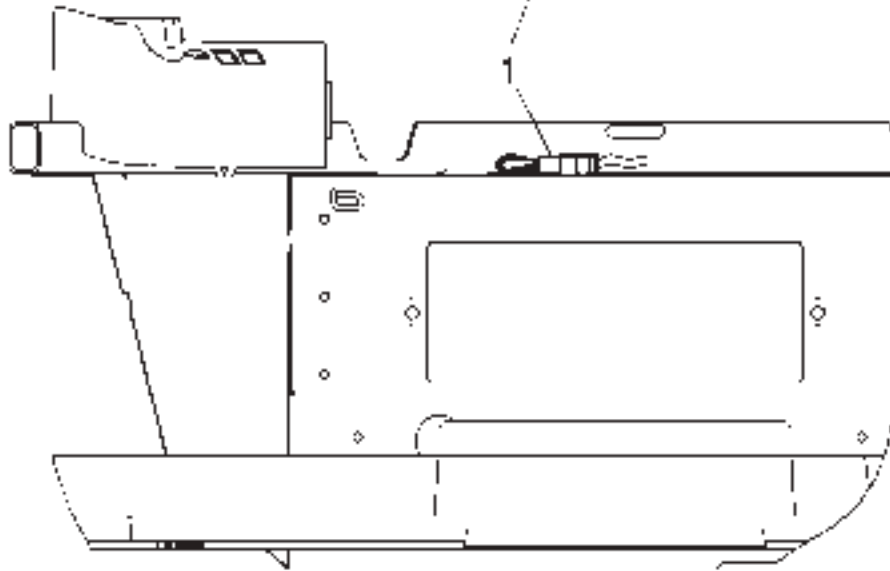
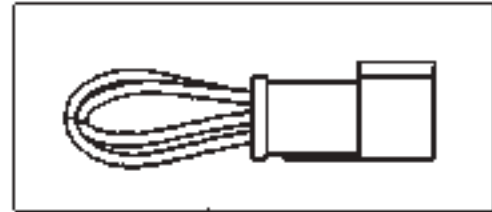
[A] PART OF 152-0008; 152-0009 CAB AR
[B] USE AS REQUIRED

1520005B
PR: t05i29k58b0153

WIRING GP-TRAILER JUMPER - 501940D1



RIGHT SIDE VIEW OF CAB



SECTION A-A
(SEAT AND REAR WRAP REMOVED)

MT800 SERIESTRACTORS
ELECTRICAL AND STARTING SYSTEM

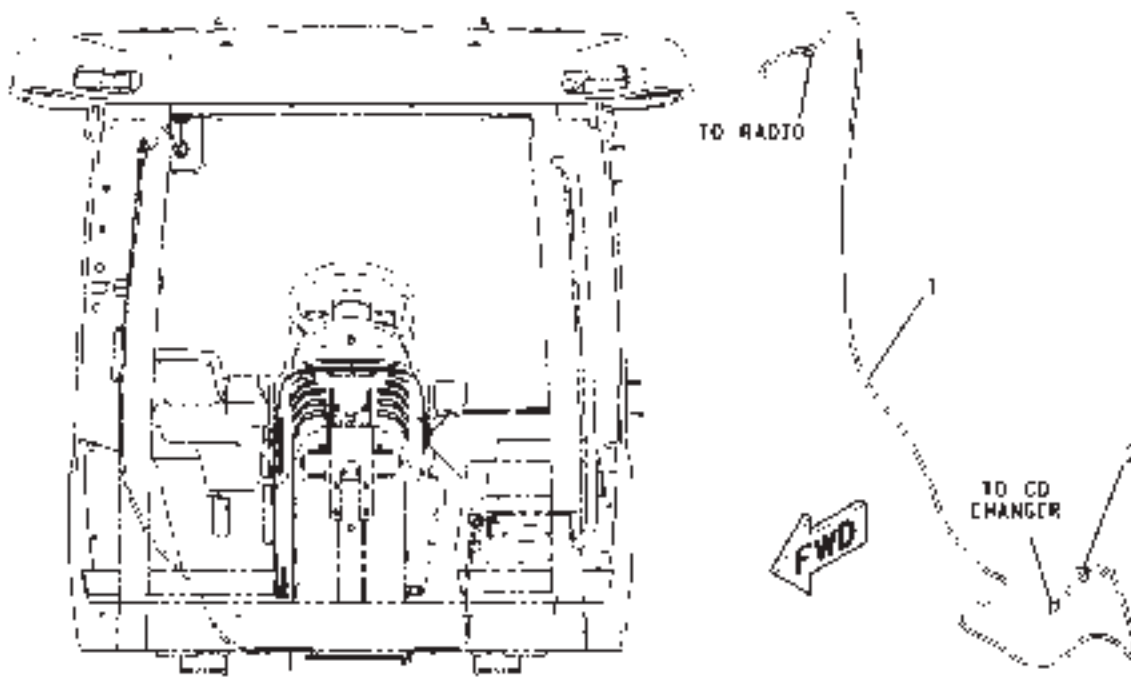
363

WIRING GP-TRAILER JUMPER - 501940D1

ITEM	NUMBER	QTY	DESCRIPTION
-	501940D1	--	WIRING GP-TRAILER JUMPER
1	173-7708	1	HARNESS AS-TRAILER

501940DC
PR: t05i29k58b0154

WIRING GP-COMPACT DISC CHANGER
195-9532



FRONT VIEW

MT800 SERIESTRACTORS
ELECTRICAL AND STARTING SYSTEM

365

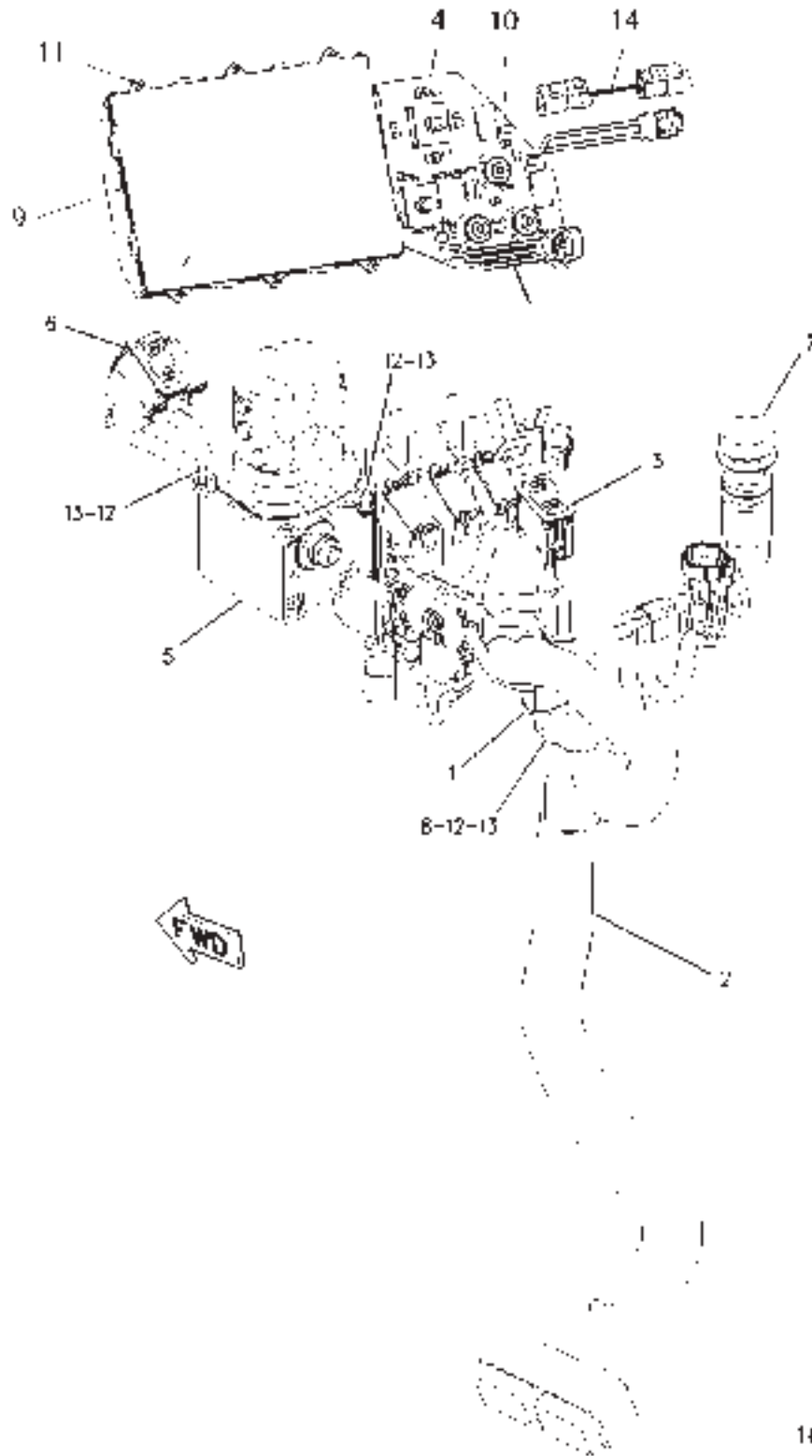
WIRING GP-COMPACT DISC CHANGER
195-9532

ITEM	NUMBER	QTY	DESCRIPTION
-	195-9532	--	WIRING GP-COMPACT DISC CHANGER (NOT SERVICED)
1	170-7252	1	HARNESS (COMPACT DISC CHANGER)
2	CH212-4443	1	GROMMET

00825421
PR: t05i29k58b0155

MT800 SERIESTRACTORS
ELECTRICAL AND STARTING SYSTEM

WIRING GP-CONSOLE - 166-1211
ARMREST W/PTO



**MT800 SERIESTRACTORS
ELECTRICAL AND STARTING SYSTEM**

367

**WIRING GP-CONSOLE - 166-1211
ARMREST W/PTO**

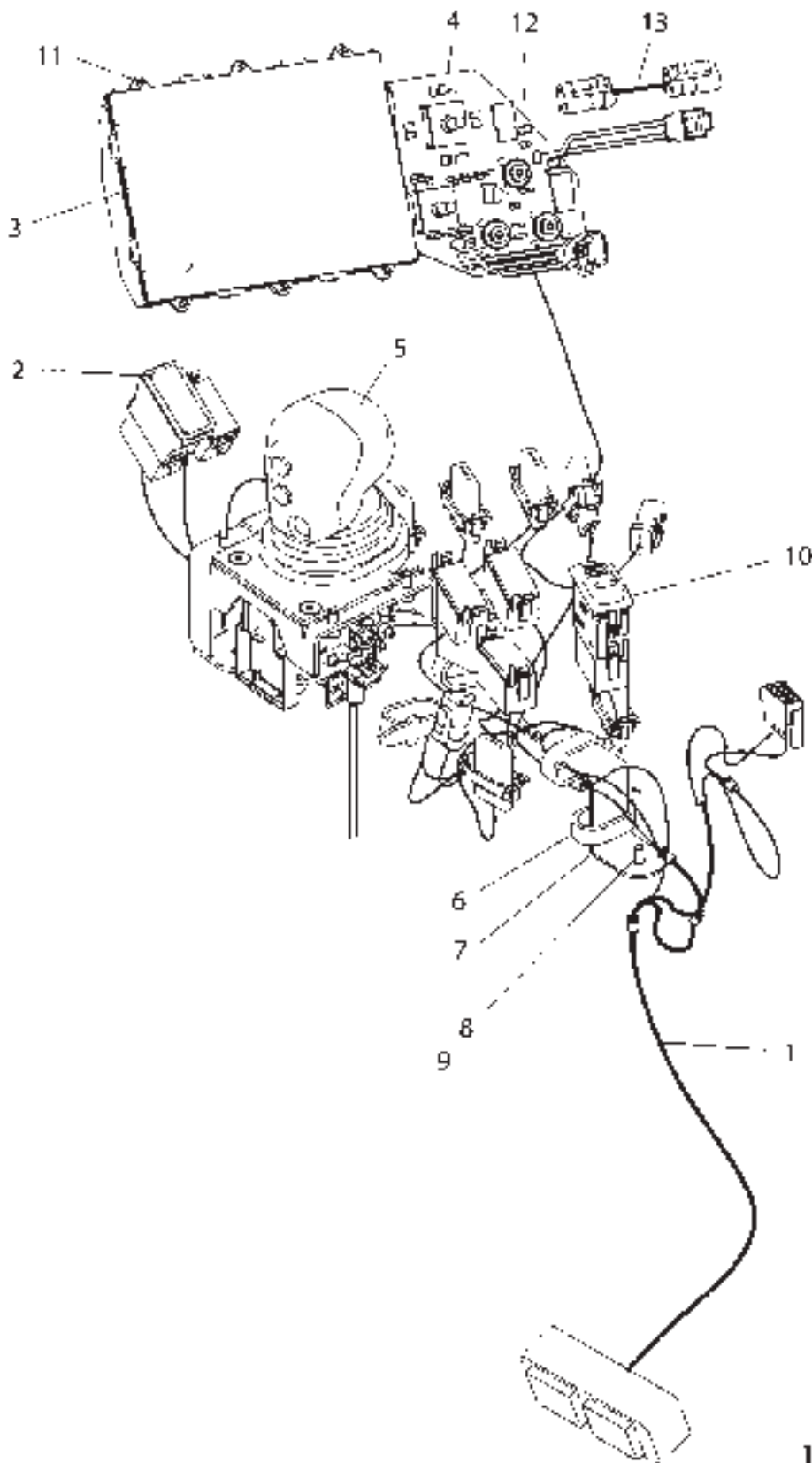
ITEM	NUMBER	QTY	DESCRIPTION
-	166-1211	--	WIRING GP-CONSOLE [A] (NOT SERVICED)
1	400837X1	4	STRAP-CABLE
2	502035D1	1	HARNESS AS. (ARMREST)
3	222-2457	1	SWITCH-ROCKER (LOADING LOCKOUT)
4	501033D1	1	MODULE GP-MONITOR KEYPAD (TR MGMT CNTR) (SEE BREAKDOWN FOR COMPONENTS)
5	169-6346	1	CONTROL GP-TRANSMISSION (NOT SERVICED) (SEE BREAKDOWN FOR COMPONENTS)
6	169-8228	1	SWITCH-ROCKER (ONE TOUCH MULTI-FUNCTION)
7	502009D1	1	SWITCH AS. (POWER TAKE-OFF)
	400782X1	1	CONNECTOR-RECP.
	400562X1	4	PIN-CONNECTOR
8	202-0844	1	BRACKET
9	502006D1	1	DISPLAY (TRACTOR MGMT CENTER)
10	400834X1	4	SCREW-TRUSS HD (8-16X0.5IN)
11	400835X1	6	SCREW-PAN HEAD (6-19X0.5IN)
12	400836X1	3	SCREW-MACHINE (M5X0.8 THD)
13	400310X1	3	WASHER (6.6X12X2MM THK)
14	502005D1	1	JUMPER HARNESS-SWITCH MODULE

[A] PART OF 500484D2; 500485D2;
500488D2; 500489D2; 500791D2;
500792D2 ARMREST GP

1661211A
PR: t05i29k58b0156

MT800 SERIESTRACTORS
ELECTRICAL AND STARTING SYSTEM

WIRING GP-CONSOLE - 136-5477
WITHOUT PTO



**MT800 SERIESTRACTORS
ELECTRICAL AND STARTING SYSTEM**

369

**WIRING GP-CONSOLE - 136-5477
WITHOUT PTO**

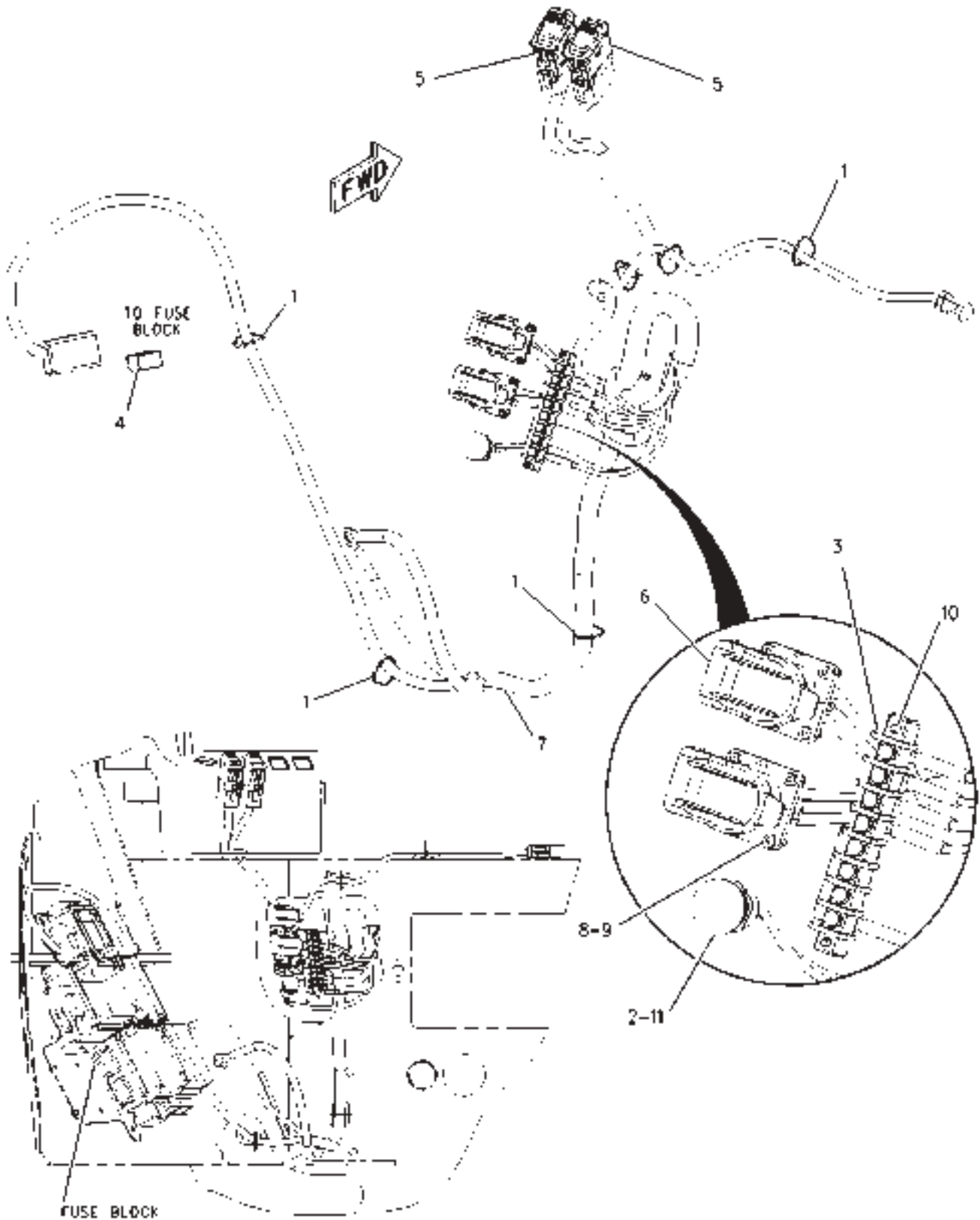
ITEM	NUMBER	QTY	DESCRIPTION
-	136-5477	--	WIRING GP-CONSOLE [A] (NOT SERVICED)
1	502035D1	1	HARNESS ASM (ARMREST)
2	169-8228	1	SWITCH ASM-ROCKER (ONE TOUCH MULTI-FUNCTION)
3	502006D1	1	DISPLAY
4	501033D1	1	CONTROL GP-ELECTRONIC (SEE BREAKDOWN FOR COMPONENTS)
5	169-6346	1	CONTROL GP-TRANSMISSION (NOT SERVICED) (SEE BREAKDOWN FOR COMPONENTS)
6	400837X1	4	STRAP-CABLE
7	202-0844	1	BRACKET
8	400310X1	3	WASHER (6.6X12X2)
9	400836X1	3	SCREW-PAN HD (M5X0.8X14)
10	222-2457	1	SWITCH-ROCKER (IMPLEMENT LOCKOUT)
11	400835X1	6	SCREW-PAN HD (6-19X12.7)
12	400834X1	4	SCREW-TRUSS HD (8-16X12.7MM)
13	502005D1	1	JUMPER HARNESS-SWITCH MODULE

[A] PART OF:
500486D2; 500487D2; 500490D2;
500491D2; 500793D2;
500794D2 ARMREST GP
500841D1; 500842D1; 500843D1;
500844D1; 500849D1 CAB AR

1365477J
PR: t05i29k58b0157

MT800 SERIESTRACTORS
ELECTRICAL AND STARTING SYSTEM

WIRING GP-CONSOLE - 168-1946
(AUX POWER CLAAS)
EAME ONLY



FRONT VIEW

MT800 SERIESTRACTORS
ELECTRICAL AND STARTING SYSTEM

371

WIRING GP-CONSOLE - 168-1946
(AUX POWER CLAAS)
EAME ONLY

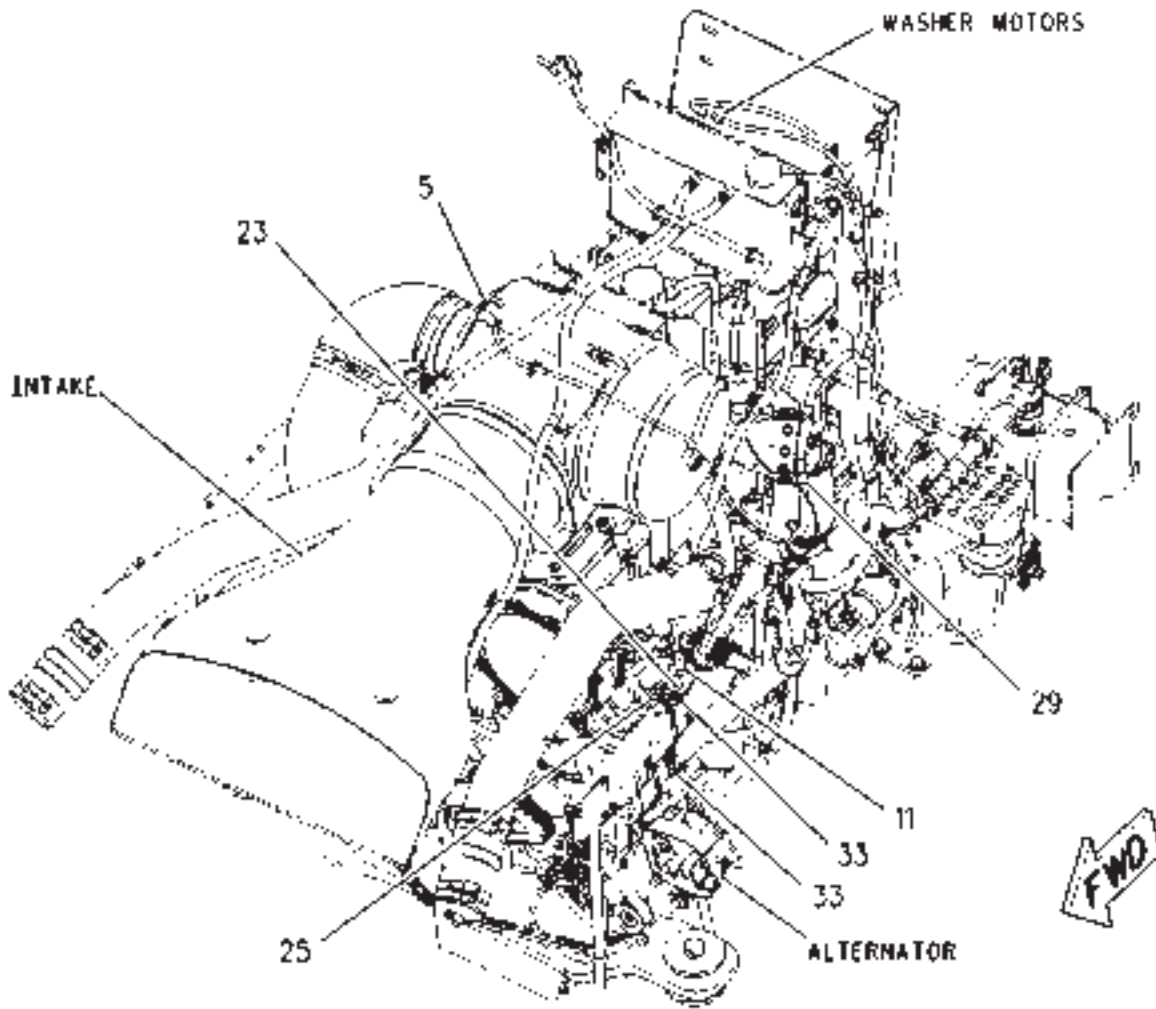
ITEM	NUMBER	QTY	DESCRIPTION
-	168-1946	--	WIRING GP-CONSOLE [A]
1	400837X1	7	STRAP-CABLE
2	CH9R-7941	1	RECEPTACLE AS-POWER (24 VOLTS)
	CH9R-7980	1	COVER
3	CH136-5268	1	STRIP AS
4	CH146-9439	1	RELAY AS (12 VOLT) (AUXILIARY POWER SWITCHES)
5	169-8229	2	SWITCH AS-ROCKER (AUXILIARY POWER)
6	CH174-9061	2	CONNECTOR
7	502175D1	1	HARNESS AS (AUXILIARY POWER)
8	400006X1	8	BOLT-SOCKET HEAD (M3X0.5X12MM)
9	CH3C-6969	8	NUT (M3X0.5 THD)
10	CH119-5026	2	SCREW-PAN HEAD (10-16X0.63 IN)
11	400322X1	1	SEAL-O-RING (19.28ODX1.78DIA)

[A] PART OF 500841D1; 500842D1
CAB AR

00883528
PR: t05i29k58b0158

MT800 SERIESTRACTORS
ELECTRICAL AND STARTING SYSTEM

WIRING GP-VEHICLE - 136-5668



VIEW OF HARNESS
AROUND ENGINE

**MT800 SERIESTRACTORS
ELECTRICAL AND STARTING SYSTEM**

373

WIRING GP-VEHICLE - 136-5668

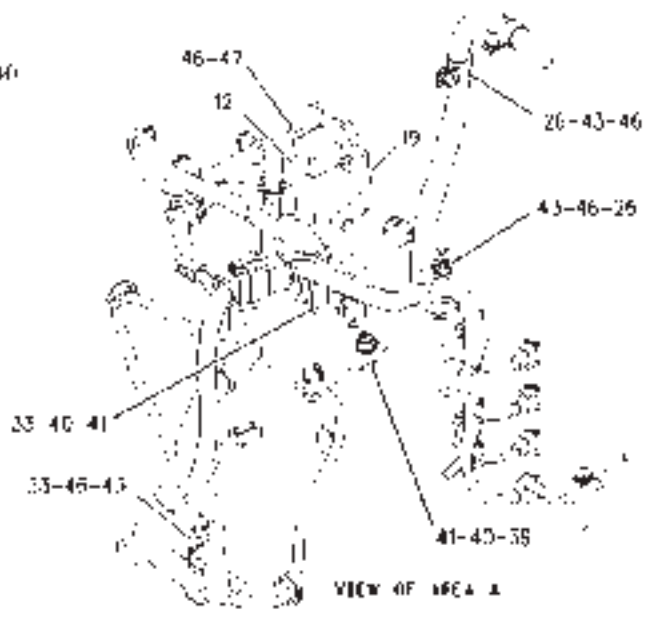
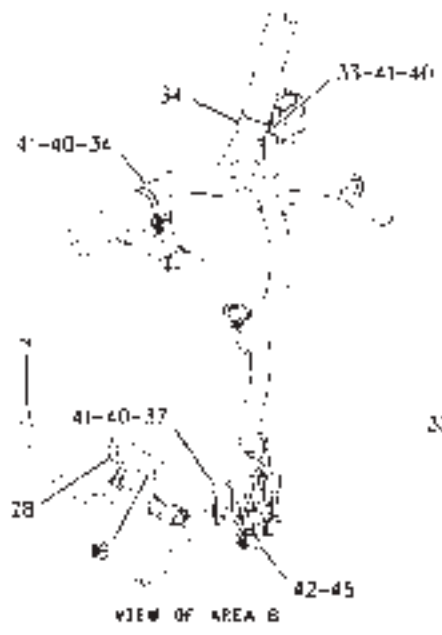
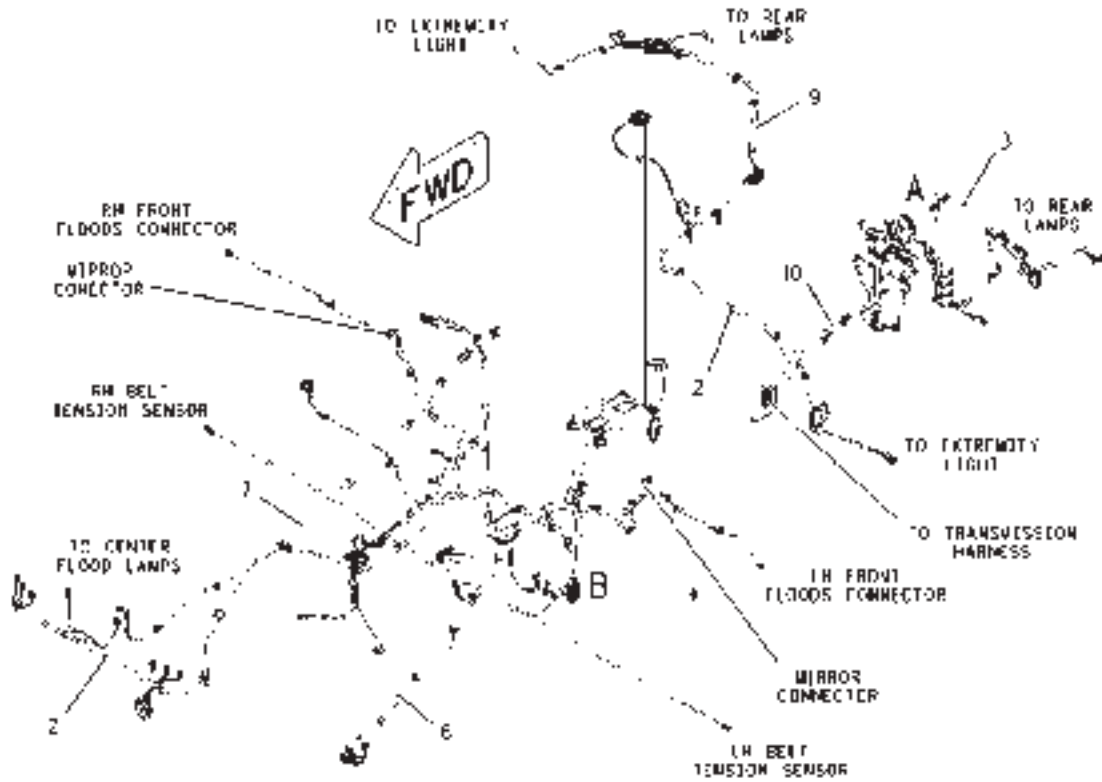
ITEM	NUMBER	QTY	DESCRIPTION
-	136-5668	--	WIRING GP-MACHINE [A] (NOT SERVICED)
5	226-4754	1	SWITCH ASM
11	CH149-6371	1	SWITCH ASM-PRESSURE
	CH102-8802	1	KIT-RECEPTACLE (2 PIN) (INCLUDES WEDGE AND RECEPTACLE ASM) (SERVICED AS COMPLETE KIT ONLY)
	400562X1	2	PIN-CONNECTOR
23	CH114-5333	1	SWITCH ASM-PRESSURE (HI-LOW)
	CH102-8802	1	KIT-RECEPTACLE (2 PIN) (INCLUDES WEDGE AND RECEPTACLE ASM) (SERVICED AS COMPLETE KIT ONLY)
	186-3735	2	PIN-CONNECTOR
25	CH132-5789	2	CLIP-LADDER (90DEGX47.5MM)
29	CH4D-9517	1	CLIP-LOOP (12.7ID)
33	CH4P-7581	11	CLIP-LADDER (15DEGX12.5MM)

[A] PART OF:
179-1952; 501810D1 BASE COMMON AR

00897024
PR: t05i29k58b0159

MT800 SERIES TRACTORS
ELECTRICAL AND STARTING SYSTEM

WIRING GP-MACHINE - 136-5668



**MT800 SERIESTRACTORS
ELECTRICAL AND STARTING SYSTEM**

375

WIRING GP-MACHINE - 136-5668

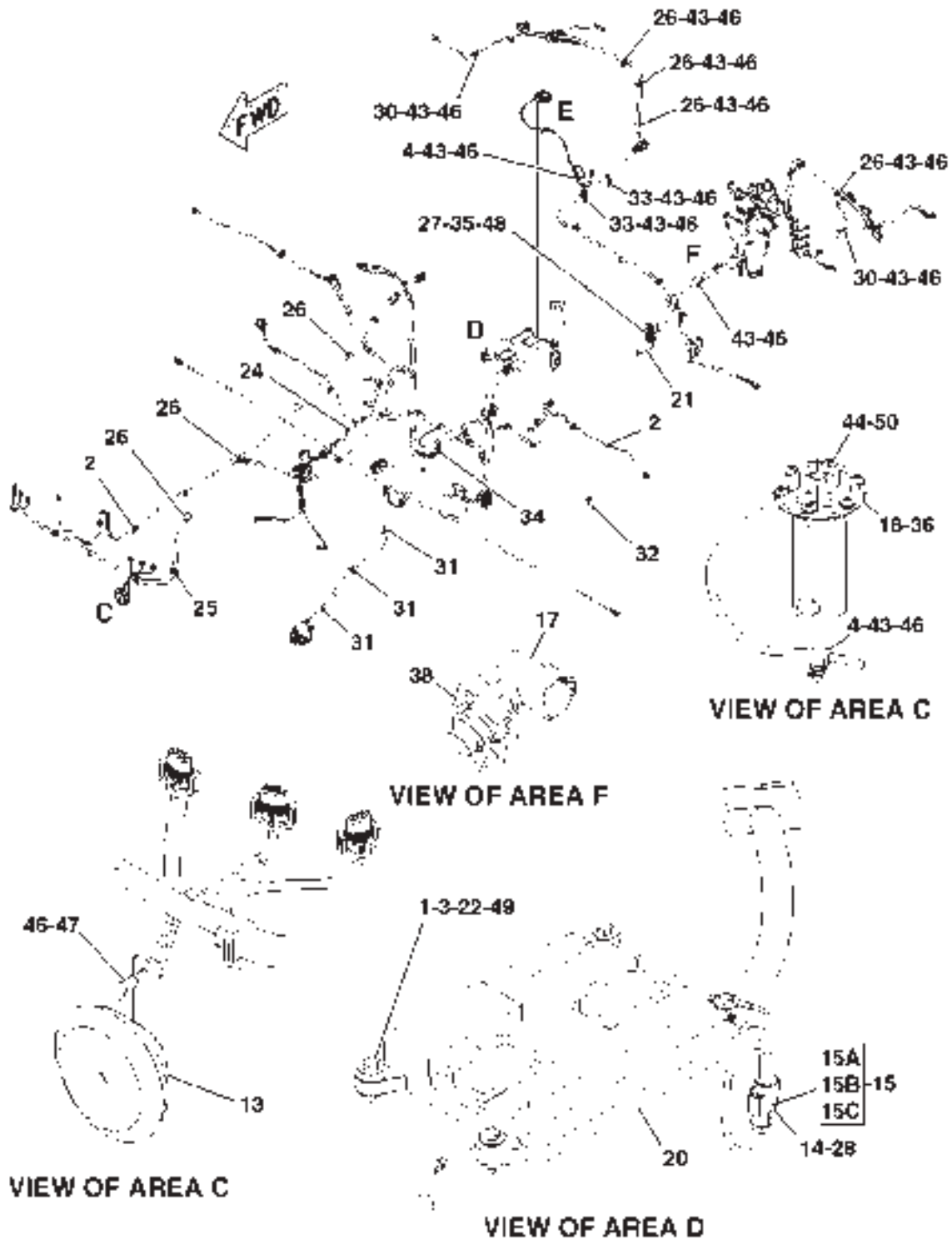
ITEM	NUMBER	QTY	DESCRIPTION
-	136-5668	--	WIRING GP-MACHINE [A] (NOT SERVICED)
2	CH7K-1181	87	STRAP-CABLE
6	136-5380	1	HARNESS ASM-CHASSIS
7	136-5381	1	HARNESS ASM (HOOD)
8	226-4324	1	HARNESS ASM (LH)
9	226-4325	1	HARNESS ASM (RH)
10	501952D1	1	HARNESS ASM (REAR)
12	502197D1	1	HARNESS ASM-TRAILER
16	CH175-3244	1	SWITCH ASM-PRESSURE
	CH102-8803	1	KIT-RECEPTACLE (3 PIN) (INCLUDES WEDGE AND RECEPTACLE ASM) (SERVICED AS COMPLETE KIT ONLY)
	400562X1	1	PIN-CONNECTOR
19	500510D1	1	BRACKET ASM (INCLUDES BRACKET & NUT)
26	CH134-3988	11	CLIP-LOOP (15.88ID)
28	400318X1	2	SEAL-O-RING (11.89ID X 1.98 DIA)
33	CH4P-7581	11	CLIP-LADDER (15DEGX12.5MM)
34	400597X1	3	CLIP (31.75ID 3/8)
37	CH6S-5993	1	CLIP-LOOP (11.9ID)
39	CH8T-0389	2	LOCKNUT (M10X1.5)
40	400287X1	6	WASHER-HARD (11X21X2.5)
41	400039X1	6	BOLT (M10X1.5X25MM)
42	400047X1	2	BOLT (M12X1.75X20MM)
43	400227X1	18	BOLT (M8X1.25X16MM)
45	400357X1	2	WASHER-HARD (M12X25.5X3)
46	400339X1	23	WASHER-HARD (8.8X16X2)
47	400341X1	3	BOLT (M8X1.25X25MM)

[A] PART OF:
179-1952; 501810D1 BASE COMMON AR

00896821
PR: t05i29k58b0160

MT800 SERIES TRACTORS
ELECTRICAL AND STARTING SYSTEM

WIRING GP-MACHINE - 136-5668



**MT800 SERIESTRACTORS
ELECTRICAL AND STARTING SYSTEM**

377

WIRING GP-MACHINE - 136-5668

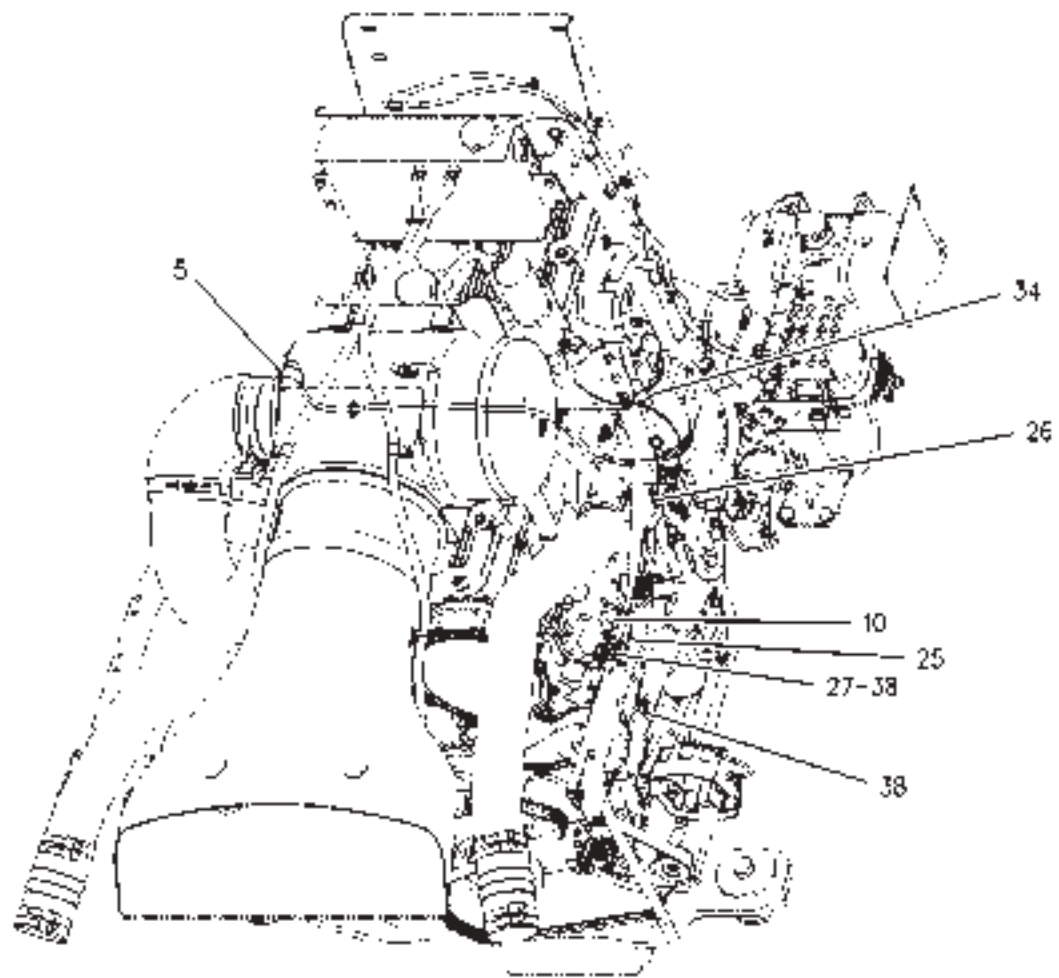
ITEM	NUMBER	QTY	DESCRIPTION
-	136-5668	--	WIRING GP-MACHINE [A] (NOT SERVICED)
1	CH6I-1418	4	SPACER (8.2X12.7X28.7)
2	CH7K-1181	87	STRAP-CABLE
3	CH8T-9655	8	MOUNT (ISOLATION)
4	CH134-3987	2	CLIP
13	501998D1	1	HORN (12 VOLT)
14	CH161-9932	1	SENSOR GP-PRESSURE (SEE BREAKDOWN FOR COMPONENTS)
15	CH173-7223	1	ADAPTER AS (INCLS 15A-15C)
15A	-----	1	ADAPTER (ORDER ITEM 15)
15B	400361X1	1	SEAL-O-RING (8.92ID X 1.83DIA)
15C	400318X1	1	SEAL-O-RING (11.89IDX1.98DIA)
17	CH183-4584	1	SENSOR GP-SPEED
	CH6J-2245		SEAL-O-RING (17.12IDX2.62DIA)
18	CH194-7620	1	SENDER AS-FUEL LEVEL
	CH204-7458	1	SENSOR KIT
20	209-0893	1	ELECTRONICS GP-MACHINE (TRANSMISSION/MACHINE)(NOT SERVICED)
	256-0176	1	SOFTWARE GP-POWER TRAIN (TRANSMISSION/MACHINE) (SOFTWARE ONLY) (LOCATED ON "ONEAGCO" OR CALL 507-847-7222)
	178-9090	1	CONTROL GP-UNPROGRAMMED
		1	CONTROL ASM
	7X-6315	1	STRAP ASM-GROUND
	134-4126	1	WASHER (4.52X8.28X.76)
	184-2472	1	SCREW-PAN HEAD (LUBRICATED)
21	211-1171	1	BRACKET ASM
22	400001X1	4	BOLT (M8X1.25X40MM)
24	124-1479	1	CLIP
25	132-5789	2	CLIP
26	134-3988	12	CLIP
27	CH3B-4501	4	LOCKWASHER
28	400318X1	2	SEAL-O-RING (11.89IDX1.98DIA)
30	CH4D-7794	4	CLIP
31	CH4K-8864	3	CLIP
32	CH4P-7428	1	CLIP
33	CH4P-7581	11	CLIP
34	400597X1	3	CLIP
35	CH5C-8312	4	NUT (M4X0.7)
36	500014D1	1	GASKET
38	400209X1	2	BOLT-SOCKET HEAD (M6X1X12MM)
43	400227X1	18	BOLT (M8X1.25X16MM)
44	CH8T-4205	6	WASHER-HARD (7.2X14.5X2MM)
46	400339X1	23	WASHER-HARD (8.8X16X2)
47	400341X1	5	BOLT (M8X1.25X25MM)
48	400251X1	4	BOLT-SOCKET HEAD (M4X0.7X16MM)
49	CH9N-0869	4	WASHER-HARD (8.8X25.5X2)
50	CH9X-2045	6	SCREW-TRUSS HEAD (M6X1X20MM)

[A] PART OF:
179-1952; 501810D1 BASE COMMON AR

0896824A
PR: t05i29k58b0161

MT800 SERIESTRACTORS
ELECTRICAL AND STARTING SYSTEM

WIRING GP-VEHICLE - 136-5669
1 OF 3
EAME ONLY



VIEW OF ENGINE

**MT800 SERIESTRACTORS
ELECTRICAL AND STARTING SYSTEM**

379

**WIRING GP-VEHICLE - 136-5669
1 OF 3
EAME ONLY**

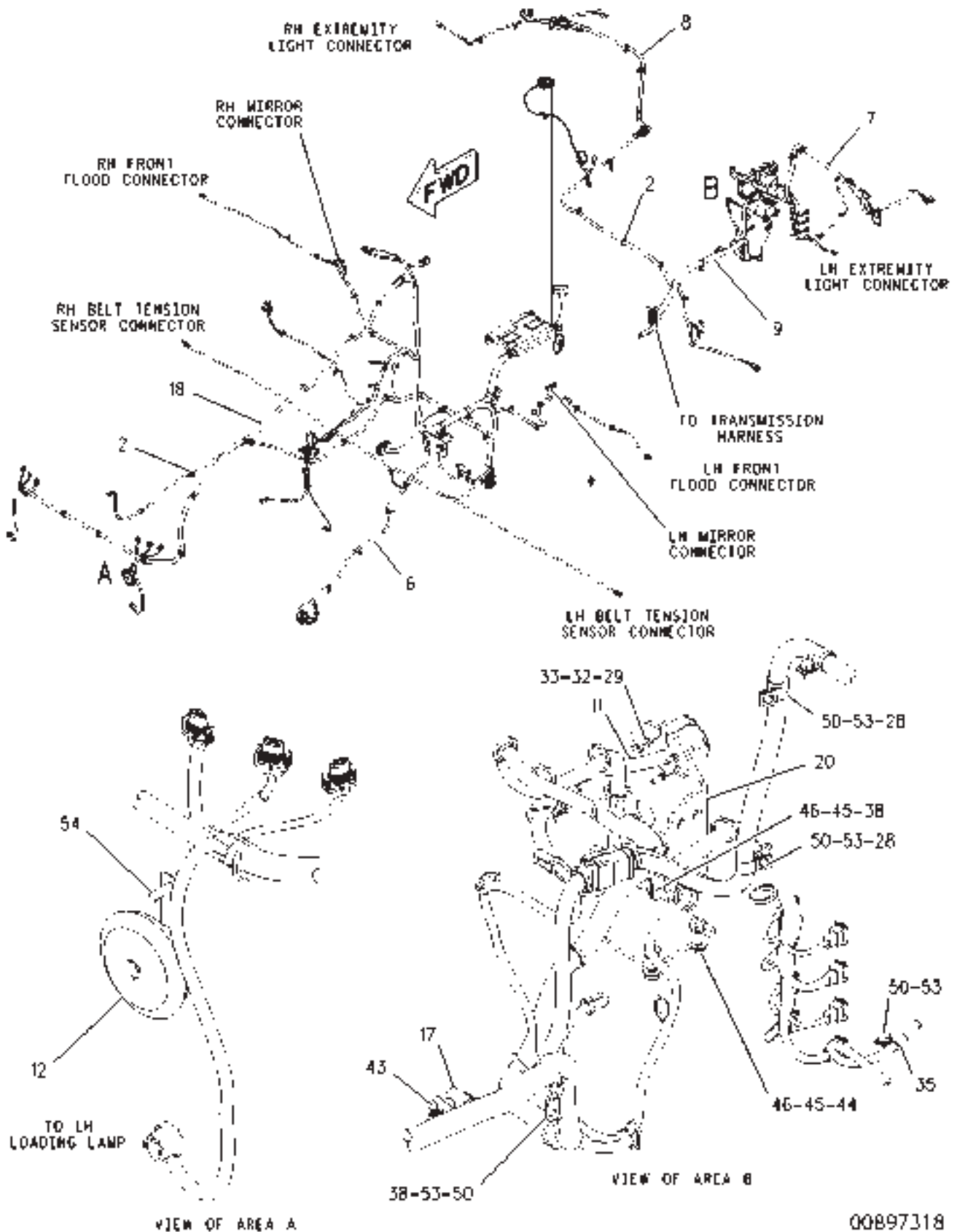
ITEM	NUMBER	QTY	DESCRIPTION
-	136-5669	--	WIRING GP-VEHICLE [A] (NOT SERVICED)
5	226-4754	1	SWITCH AS
10	CH149-6371	1	SWITCH AS-PRESSURE (AIR CONDITIONER LOW)
	CH102-8802	1	KIT-RECEPTACLE (2 PIN) (RECEPTACLE AS WEDGE)
	400562X1	2	PIN-CONNECTOR (16-18AWG)
25	CH114-5333	1	SWITCH AS-PRESSURE (HI-LOW)
	CH102-8802	1	KIT-RECEPTACLE (2 PIN) (INCLUDES RECEPTACLE AS WEDGE)
	400511X1	1	WEDGE-RECEPTACLE LOCK (2 PIN)
	400562X1	2	PIN-CONNECTOR
26	CH4D-9517	1	CLIP
27	132-5789	2	CLIP
34	CH4P-7581	1	CLIP
38	CH4P-7581	8	CLIP

[A] PART OF 179-2180 BASE COMMON AR
[B] USE AS REQUIRED
[E] ORDER BY THE CENTIMETER

00897317
PR: t05i29k58b0162

MT800 SERIES TRACTORS
ELECTRICAL AND STARTING SYSTEM

WIRING GP-VEHICLE - 136-5669
2 OF 3
EAME ONLY



**MT800 SERIESTRACTORS
ELECTRICAL AND STARTING SYSTEM**

381

**WIRING GP-VEHICLE - 136-5669
2 OF 3
EAME ONLY**

ITEM	NUMBER	QTY	DESCRIPTION
-	136-5669	--	WIRING GP-VEHICLE [A] (NOT SERVICED)
2	CH7K-1181	90	STRAP-CABLE
6	136-5380	1	HARNESS AS-CHASSIS
7	226-4324	1	HARNESS AS (LH)
8	226-4325	1	HARNESS AS (RH)
9	501952D1	1	HARNESS AS (REAR)
11	502276D1	1	HARNESS AS-TRAILER
12	501998D1	1	HORN (12 VOLT)
17	CH183-4584	1	SENSOR GP-SPEED
	CH6J-2245	1	SEAL-O-RING (17.12IDX2.62DIA)
18	193-4752	1	HARNESS AS (HOOD)
20	500510D1	1	BRACKET AS
	CH8T-3612	2	NUT-WELD (M8X1.25 THD)
28	CH134-3988	11	CLIP
29	CH2N-7456	3	SCREW-MACHINE (10-24X1.5IN)
32	CH4B-2047	3	NUT (10-24 THD)
33	CH4B-4274	3	WASHER (5.5X13X1.2MM THK)
35	CH4D-7794	4	CLIP
38	CH4P-7581	8	CLIP-LADDER (15DEGX12.5MM-VCOAT)
43	400209X1	2	BOLT-SOCKET HEAD (M6X1X12MM)
44	CH8T-0389	2	LOCKNUT (M10X1.5 THD)
45	400287X1	6	WASHER-HARD (11X21X2.5MM THK)
46	400039X1	5	BOLT (M10X1.5X25MM)
50	400227X1	18	BOLT (M8X1.25X16MM)
53	400339X1	21	WASHER-HARD (8.8X16X2MM THK)
54	400341X1	3	BOLT (M8X1.25X25MM)

[A] PART OF 179-2180 BASE COMMON AR
[B] USE AS REQUIRED
[E] ORDER BY THE CENTIMETER

00897318
PR: t05i29k58b0163

**MT800 SERIESTRACTORS
ELECTRICAL AND STARTING SYSTEM**

383

**WIRING GP-VEHICLE - 136-5669
3 OF 3
EAME ONLY**

ITEM	NUMBER	QTY	DESCRIPTION
-	136-5669	--	WIRING GP-VEHICLE [A] (NOT SERVICED)
1	CH6I-1418	4	SPACER (8.2X12.7X28.7MM THK)
2	CH7K-1181	90	STRAP-CABLE
3	CH8T-9655	8	MOUNT (ISOLATION)
4	CH134-3987	2	CLIP
13	CH161-9932	1	SENSOR GP-PRESSURE (SEE BREAKDOWN FOR COMPONENTS)
14	501962D1	1	RECEPTACLE AS (12V EXTERNAL PWR OUTLET)
	400865X1	1	RECEPTACLE AS (HSG & COVER ONLY)
	CH102-8802	1	KIT-RECEPTACLE CONNECTOR (2 PIN) (RECEPTACLE AND WEDGE)
	400562X1	2	PIN-CONNECTOR (16-18AWG)
15	CH173-7223	1	ADAPTER AS (4STORX6STOR)
	400318X1	1	SEAL-O-RING (11.89IDX1.98DIA)
	400361X1	1	SEAL-O-RING (8.92ID X 1.83DIA)
16	CH175-3244	1	SWITCH AS-PRESSURE
	CH102-8802	1	KIT-RECEPTACLE-3 PIN (INCL WEDGE)
	400562X1	3	PIN-CONNECTOR
19	194-7620	1	SENDER AS-FUEL LEVEL
	CH204-7458	1	KIT-SENSOR (FUEL LEVEL)
	CH102-8802	1	KIT-RECEPTACLE-2 PIN (INCL WEDGE)
21	209-0893	1	ELECTRONICS GP-MACHINE (TRANSMISSION/MACHINE)(NOT SERVICED)
	267-8459	1	SOFTWARE GP-POWER TRAIN (TRANSMISSION/MACHINE) (SOFTWARE ONLY) (LOCATED ON "ONEAGCO" OR CALL 507-847-7222)
	178-9090	1	CONTROL GP-UNPROGRAMMED
		1	CONTROL ASM
	7X-6315	1	STRAP ASM-GROUND
	134-4126	1	WASHER (4.52X8.28X.76)
	184-2472	1	SCREW-PAN HEAD (LUBRICATED)
22	211-1171	1	BRACKET AS
23	220-4138	1	BRACKET
24	400001X1	4	BOLT (M8X1.25X40MM)
27	CH132-5789	2	CLIP
28	CH134-3988	12	CLIP

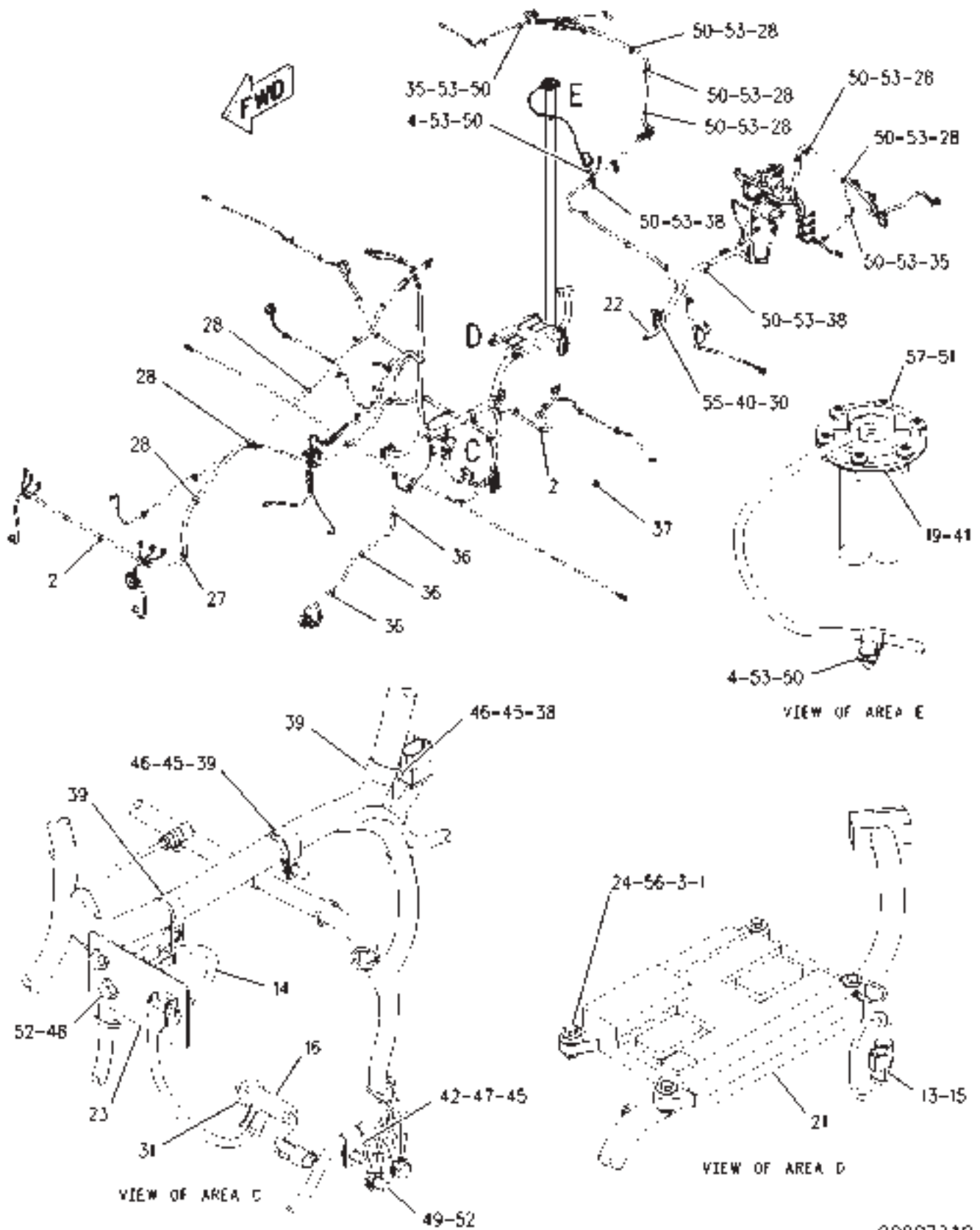
CONTINUED

[A] PART OF 179-2180 BASE COMMON AR

00897319
PR: t05i29k58b0164

MT800 SERIES TRACTORS
ELECTRICAL AND STARTING SYSTEM

WIRING GP-VEHICLE - 136-5669
3 OF 3
EAME ONLY



**MT800 SERIESTRACTORS
ELECTRICAL AND STARTING SYSTEM**

385

**WIRING GP-VEHICLE - 136-5669
3 OF 3
EAME ONLY**

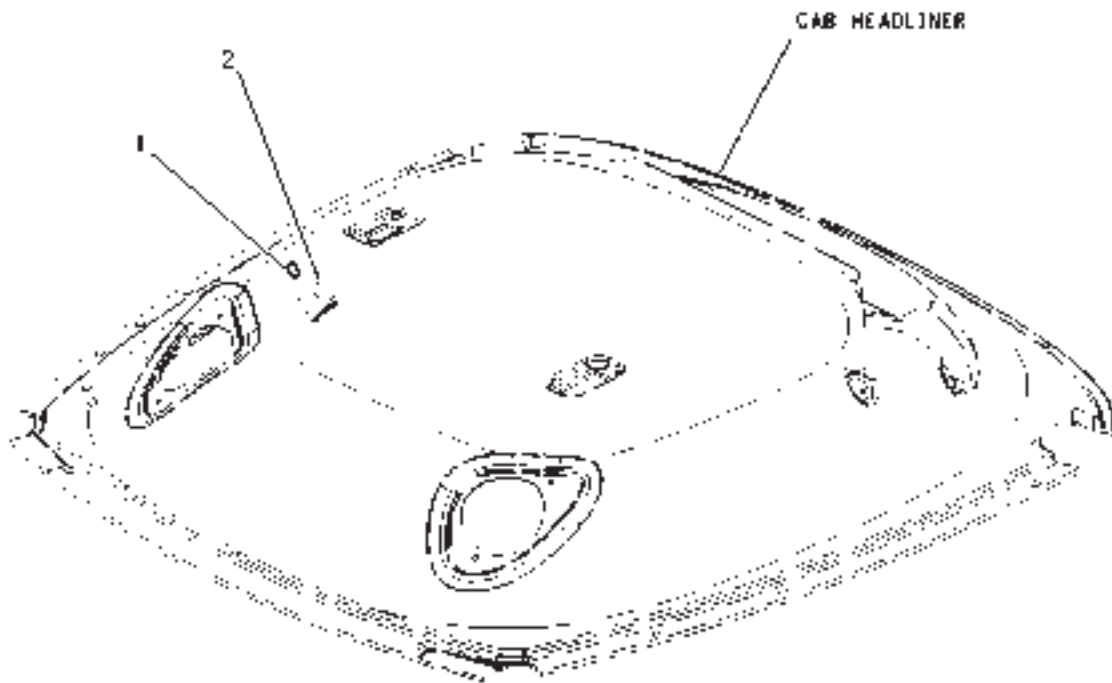
ITEM	NUMBER	QTY	DESCRIPTION
-	136-5669	--	WIRING GP-VEHICLE [A] (NOT SERVICED)
30	CH3B-4501	4	LOCKWASHER
31	400318X1	1	SEAL-O-RING (11.89ID X 1.98 DIA)
35	CH4D-7794	4	CLIP-LOOP (10.00ID W/COAT)
36	CH4K-8864	3	CLIP-LOOP (14.29ID)
37	CH4P-7428	1	CLIP-LADDER (15DEGX35.5MM)
38	CH4P-7581	11	CLIP-LADDER (15DEGX12.5MM-VCOAT)
39	400597X1	3	CLIP (31.75ID 3/8)
40	CH5C-8312	4	NUT (M4X0.7 THD)
41	500014D1	1	GASKET
42	CH6S-5993	1	CLIP
45	400287X1	6	WASHER-HARD (11X21X2.5MM THK)
46	400039X1	5	BOLT (M10X1.5X25MM)
47	400040X1	1	BOLT (M10X1.5X20MM)
48	400041X1	2	BOLT (M12X1.75X30MM)
49	400055X1	2	BOLT (M12X1.75X25MM)
50	400227X1	18	BOLT (M8X1.25X16MM)
51	CH8T-4205	6	WASHER-HARD (7.2X14.5X2MM THK)
52	400357X1	4	WASHER-HARD (M12X25.5X3MM THK)
53	400339X1	21	WASHER-HARD (8.8X16X2MM THK)
55	400251X1	4	BOLT-SOCKET HEAD (M4X0.7X16MM)
56	CH9N-0869	4	WASHER-HARD (8.8X25.5X2MM THK)
57	CH9X-2045	6	SCREW-TRUSS HEAD (M6X1X20MM)

[A] PART OF 179-2180 BASE COMMON AR

00897319
PR: t05i29k58b0164

MT800 SERIESTRACTORS
ELECTRICAL AND STARTING SYSTEM

WIRING GP-SHUTOFF - 162-4096
ENGINE



**MT800 SERIESTRACTORS
ELECTRICAL AND STARTING SYSTEM**

387

**WIRING GP-SHUTOFF - 162-4096
ENGINE**

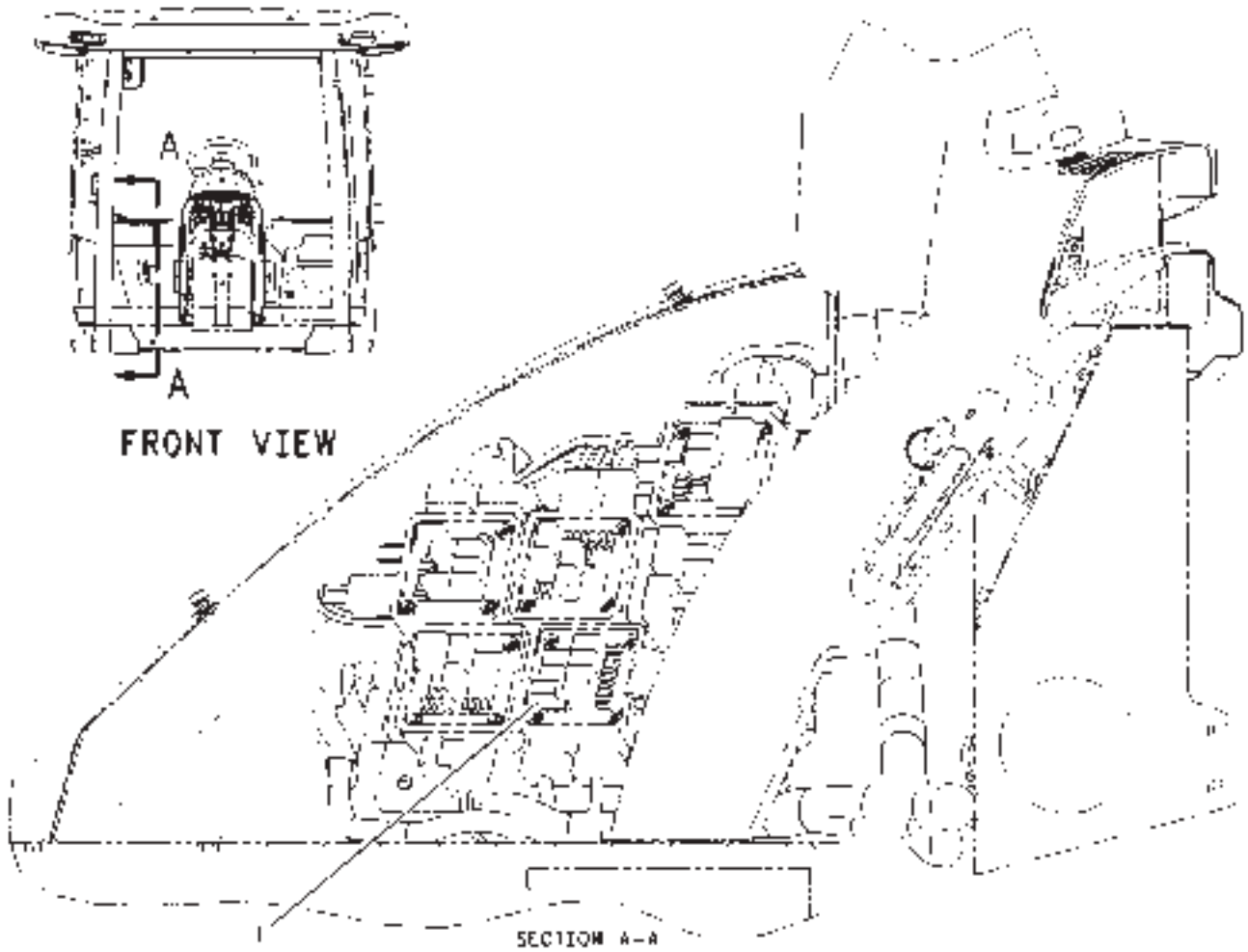
ITEM	NUMBER	QTY	DESCRIPTION
-	162-4096	--	WIRING GP-SHUTOFF [A] (NOT SERVICED)
1	400837X1	1	STRAP-CABLE
2	169-8225	1	SWITCH ASM-ROCKER (ENGINE IDLE TIMER)

[A] PART OF 500843D1;500849D1 CAB AR

00664360
PR: t05i29k58b0165

MT800 SERIESTRACTORS
ELECTRICAL AND STARTING SYSTEM

WIRING GP-SHUTOFF - 173-6501
TIME DELAY LIGHTING SHUTOFF



MT800 SERIESTRACTORS
ELECTRICAL AND STARTING SYSTEM

389

WIRING GP-SHUTOFF - 173-6501
TIME DELAY LIGHTING SHUTOFF

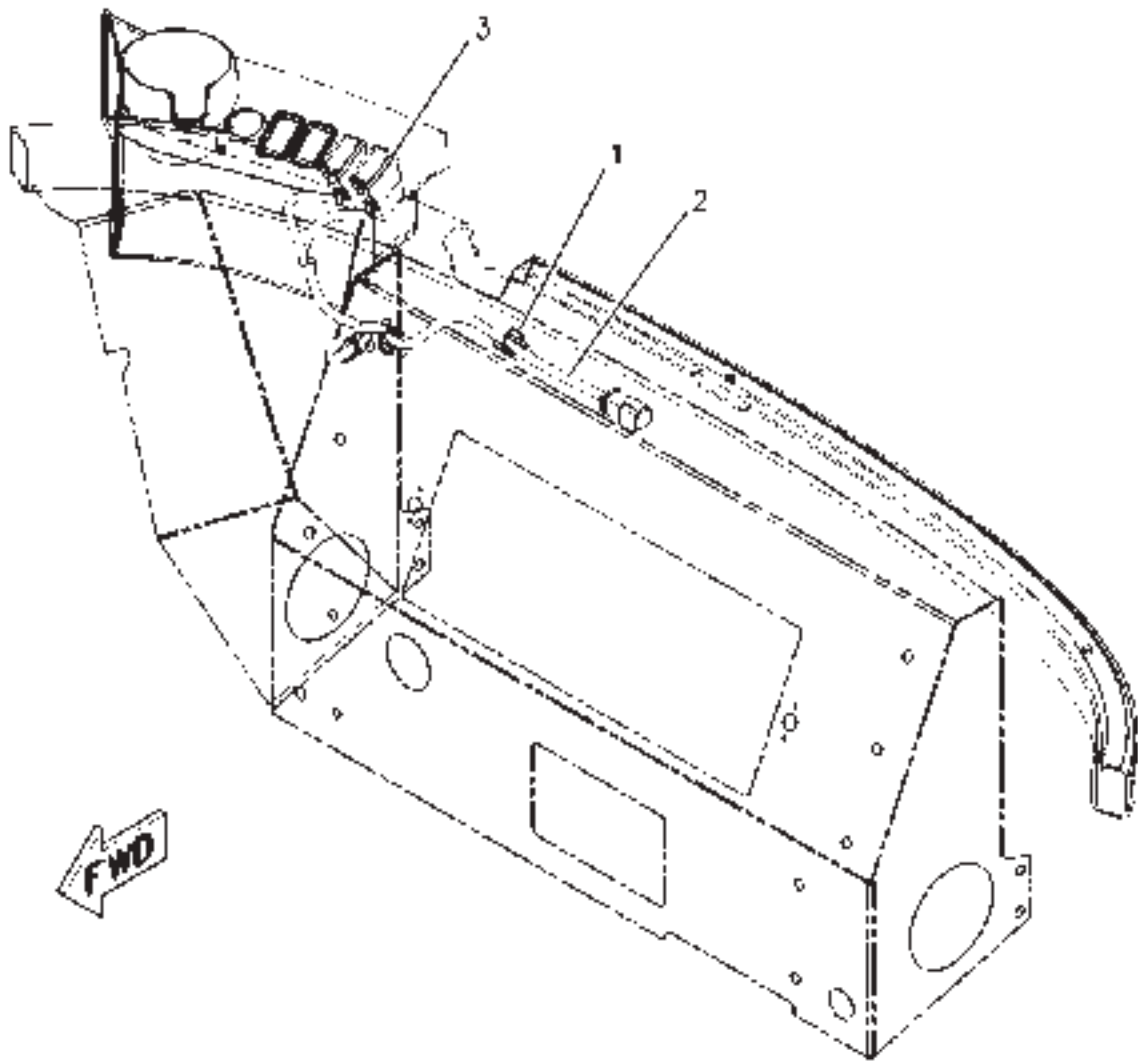
ITEM	NUMBER	QTY	DESCRIPTION
-	173-6501	--	WIRING GP-SHUTOFF [A] (NOT SERVICED)
1	CH146-9439	1	RELAY (12 VOLT) (WORK LIGHTS TIMER)

[A] 500841D1; 500843D1; 500849D1;
CAB AR

00676197
PR: t05i29k58b0166

MT800 SERIESTRACTORS
ELECTRICAL AND STARTING SYSTEM

WIRING GP-TRAILER - 162-4102
CONNECTOR SWITCHES
ROW & SPECIAL



MT800 SERIESTRACTORS
ELECTRICAL AND STARTING SYSTEM

391

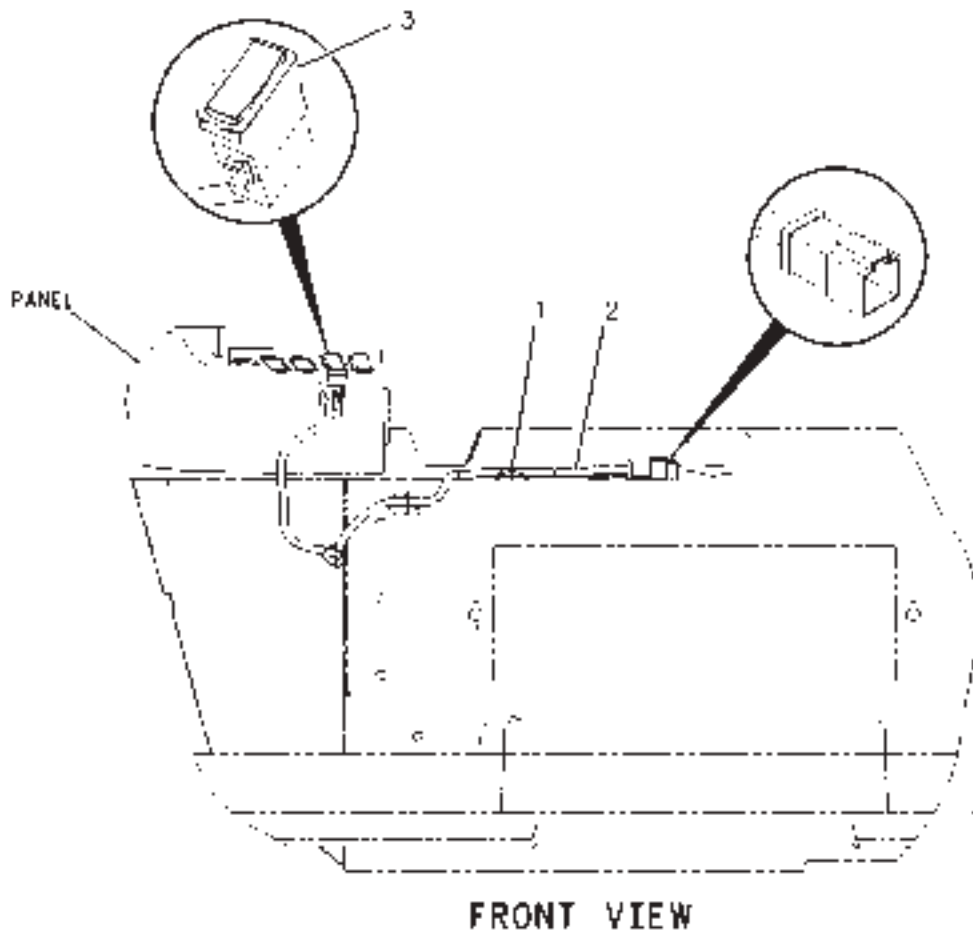
WIRING GP-TRAILER - 162-4102
CONNECTOR SWITCHES
ROW & SPECIAL

ITEM	NUMBER	QTY	DESCRIPTION
-	162-4102	--	WIRING GP-TRAILER (NOT SERVICED)
1	400837X1	3	STRAP-CABLE
2	136-5535	1	HARNESS ASM (TRAILER SWITCHES)
3	169-8230	2	SWITCH ASM-ROCKER (TRAILER)

00664369
PR: t05i29k58b0167

MT800 SERIESTRACTORS
ELECTRICAL AND STARTING SYSTEM

WIRING GP-TRAILER - 168-1945
CONNECTOR SWITCHES
EAME



MT800 SERIESTRACTORS
ELECTRICAL AND STARTING SYSTEM

393

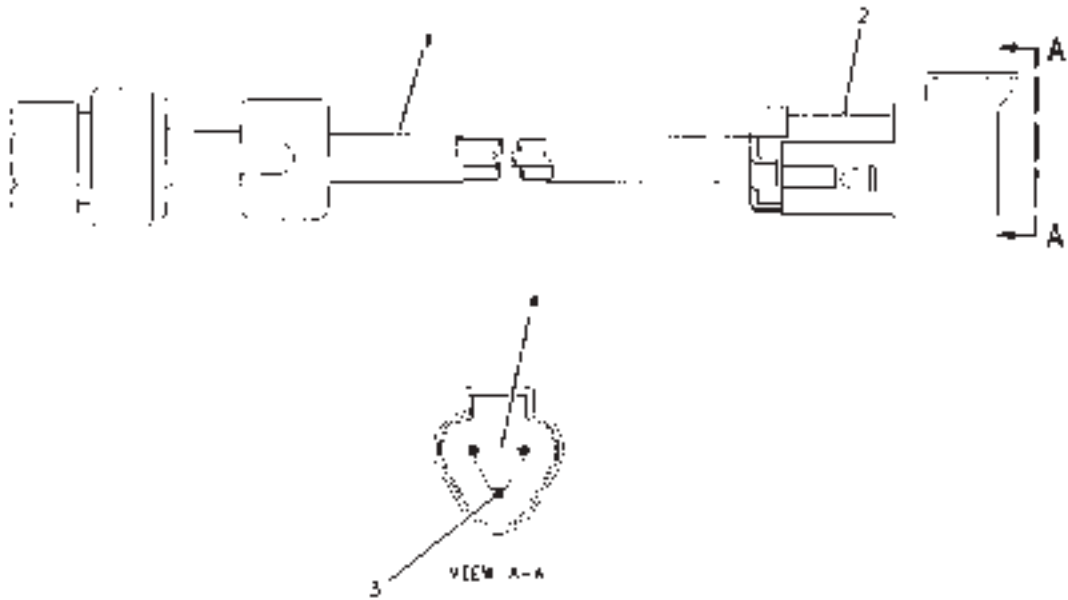
WIRING GP-TRAILER - 168-1945
CONNECTOR SWITCHES
EAME

ITEM	NUMBER	QTY	DESCRIPTION
-	168-1945	--	WIRING GP-TRAILER (NOT SERVICED)
1	400837X1	3	STRAP-CABLE
2	502198D1	1	HARNESS AS (TRAILER CONNECTOR SWITCH)
3	169-8230	1	SWITCH AS-ROCKER (TRAILER)

00723129
PR: t05i29k58b0168

MT800 SERIESTRACTORS
ELECTRICAL AND STARTING SYSTEM

SENSOR GP-PRESSURE - CH161-9932



MT800 SERIESTRACTORS
ELECTRICAL AND STARTING SYSTEM

395

SENSOR GP-PRESSURE - CH161-9932

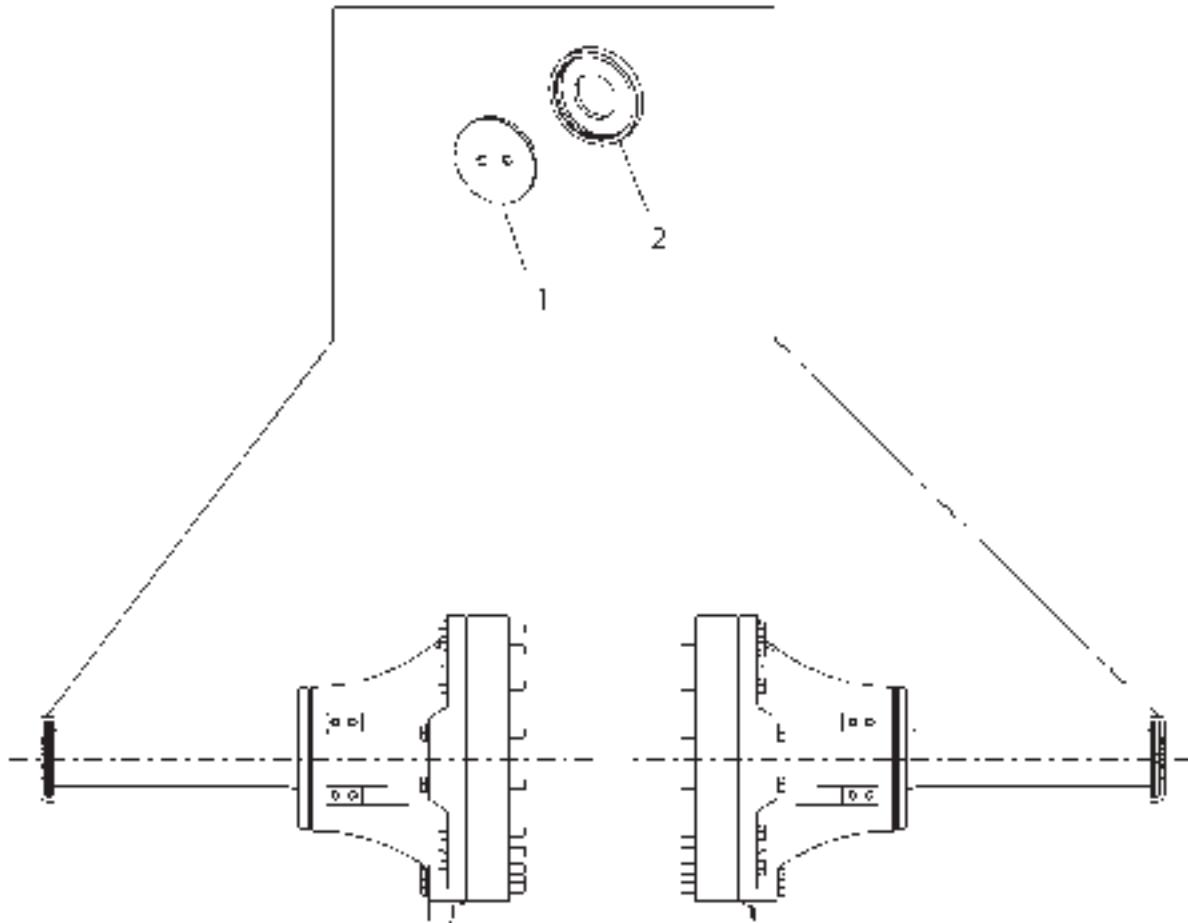
ITEM	NUMBER	QTY	DESCRIPTION
-	CH161-9932	--	SENSOR GP-PRESSURE [A]
1	-----		SLEEVE (15CM)
2	CH102-8803	1	KIT-RECEPTACLE AS (3 PIN) (INCLS ITEM 4)
3	CH180-9339	3	PIN-CONNECTOR (14-18 AWG GOLD)
	400497X1	1	PIN-CONNECTOR (14AWG)
	400706X1	1	PIN-CONNECTOR (16-18AWG)
4	CH3E-3371	1	WEDGE-RECEPT LOCK

[A] PART OF 136-5668;136-5669
WIRING GP-VEHICLE

00612982
PR: t05i29k58b0169

MT800 SERIES TRACTORS
POWER TRAIN ATTACHING

GUARD GP-AXLE - 208-3021
EAME ONLY



2083021A

MT800 SERIESTRACTORS
POWER TRAIN ATTACHING

397

GUARD GP-AXLE - 208-3021
EAME ONLY

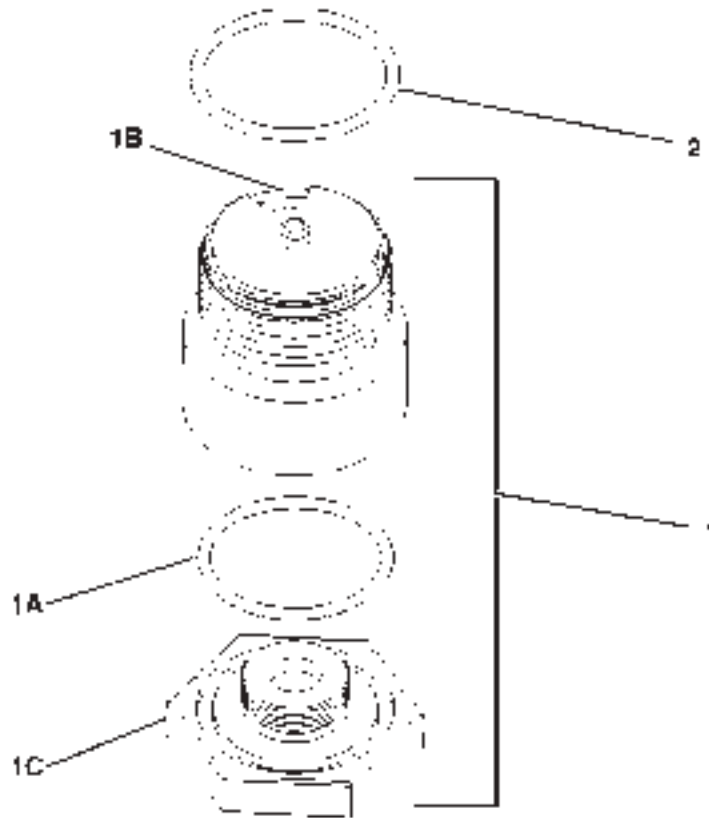
ITEM	NUMBER	QTY	DESCRIPTION
-	208-3021	--	GUARD GP-AXLE [A]
1	185-8617	2	PLATE-END
2	205-8334	2	CAP

[A] PART OF BASE COMMON AR

2083021A
PR: t05i29k58b0170

TO REAR TRANSMISSION
CASE ON MT800 TRACTORS

TO FRONT
TRANSMISSION CASE
ON MT700 TRACTORS



**MT800 SERIESTRACTORS
POWER TRAIN ATTACHING**

399

DRAIN GP-ECOLOGY - CH163-0397

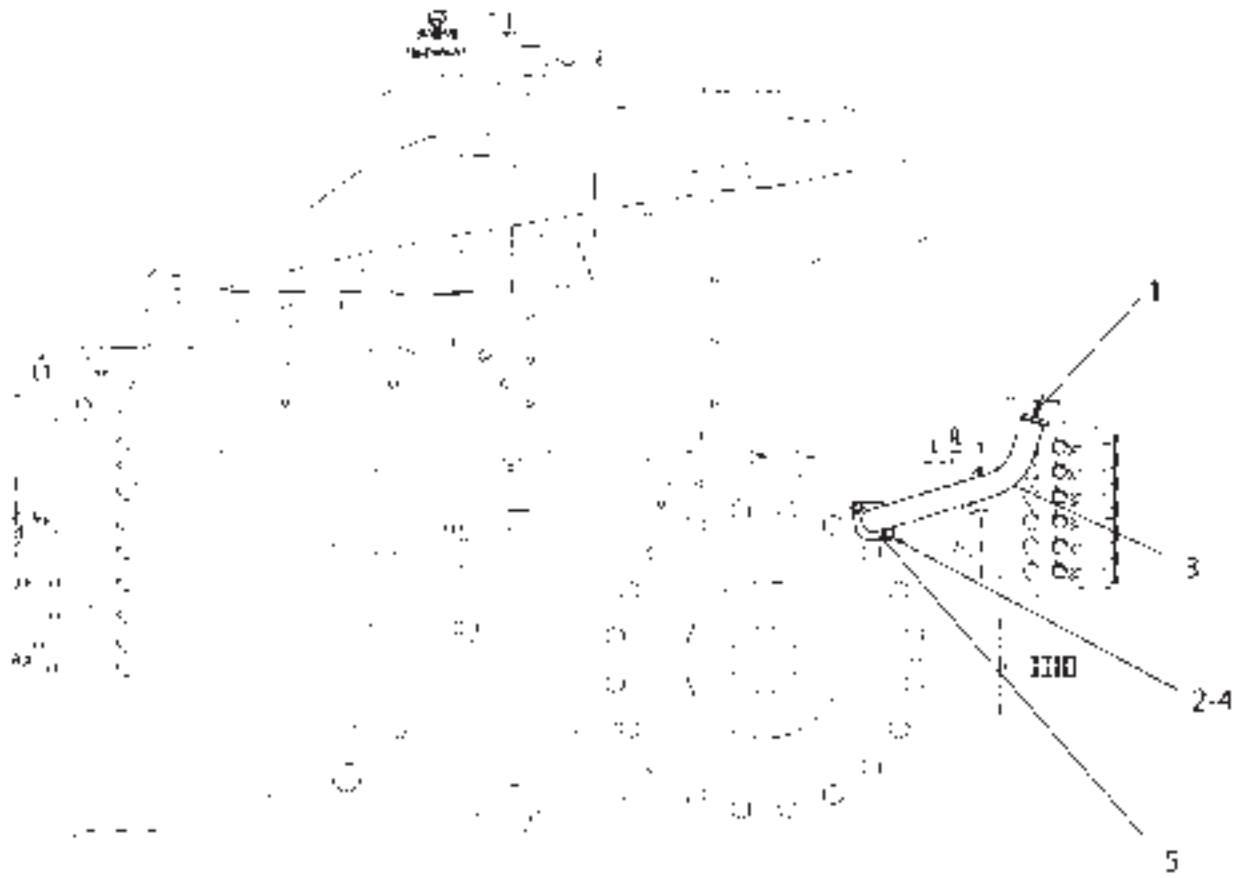
ITEM	NUMBER	QTY	DESCRIPTION
-	502901D1	--	DRAIN GP-ECOLOGY (FACT OPTION-REF ONLY) (NOT SERVICED)
-	CH163-0397	--	DRAIN GP-ECOLOGY [A] (NOT SERVICED)
1	CH173-0566	1	DRAIN GP-ECOLOGY (INCLS 1A-1C)
1A	CH2K-8199	1	SEAL-O-RING
1B	CH077-3241	1	SEAL-O-RING
1C	CH175-4966	1	PLUG (TRANSMISSION DRAIN)
2	400376X1	1	SEAL-O-RING

[A] PART OF:
179-2180 BASE COMMON AR
502901D1 DRAIN GP

0883187A
PR: t05i29k58b0171

MT800 SERIESTRACTORS
POWER TRAIN ATTACHING

FILLER GP-POWER TRAIN OIL - 502498D1



502498DA

MT800 SERIESTRACTORS
POWER TRAIN ATTACHING

401

FILLER GP-POWER TRAIN OIL - 502498D1

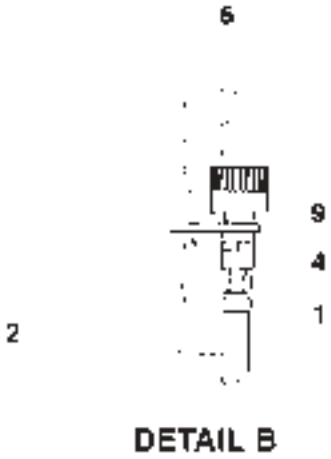
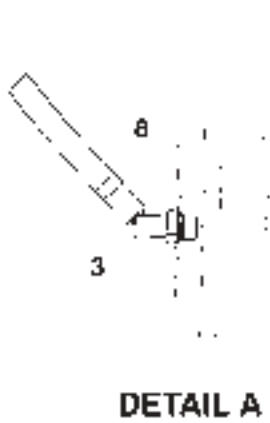
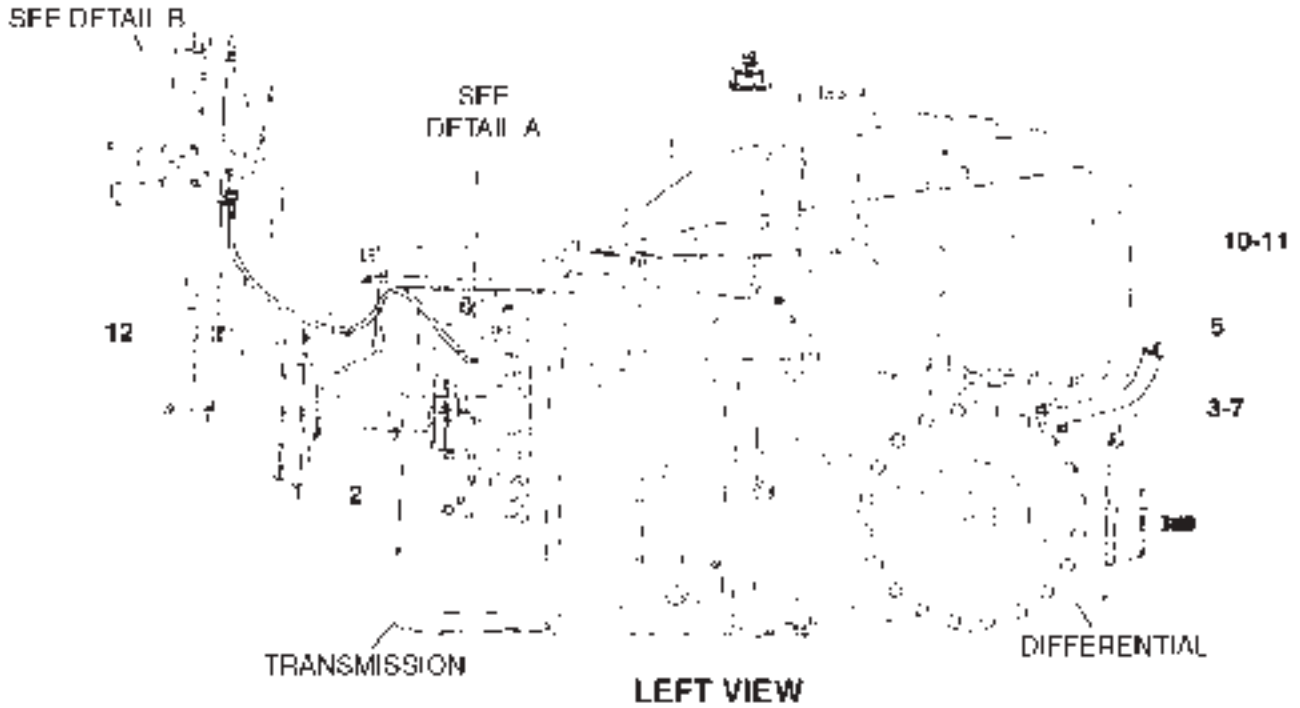
ITEM	NUMBER	QTY	DESCRIPTION
-	502498D1	--	FILLER GP-POWER TRAIN OIL [A] (NOT SERVICED)
1	159-1236	1	CAP-BREATHER (POWER TRAIN)
2	400055X1	2	BOLT (M12X1.75X25MM)
3	501806D1	1	TUBE ASM
4	400357X1	2	WASHER-HARD (M12X25.5X3)
5	WR516365	AR	SEALANT-GASKET 515 (50ML BOTTLE)

[A] PART OF: 179-0851; 179-0853 HITCH AR
184-5033 CONT AR-DRAWBAR

502498DA
PR: t05i29k58b0172

MT800 SERIESTRACTORS
POWER TRAIN ATTACHING

FILLER GP-POWER TRAIN OIL - 179-4304
(S/N: PRIOR TO BAM40556; BBP40455;
BCC40654; BDS40740)



**MT800 SERIESTRACTORS
POWER TRAIN ATTACHING**

403

FILLER GP-POWER TRAIN OIL - 179-4304
(S/N: PRIOR TO BAM40556; BBP40455;
BCC40654; BDS40740)

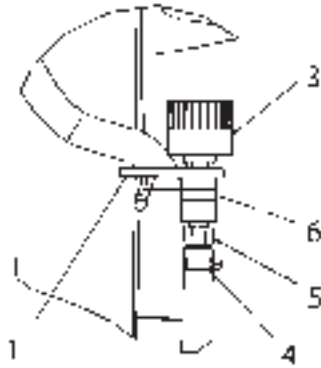
ITEM	NUMBER	QTY	DESCRIPTION
-	179-4304	--	FILLER GP-POWER TRAIN OIL [A] (NOT SERVICED)
1	CH1P-4278	2	CLAMP-HOSE
2	CH7K-1181	2	STRAP-CABLE
3	CH7X-1448	1	ELBOW
4	CH006-6586	1	CONNECTOR-HOSE
5	159-1236	1	CAP-BREATHER (POWER TRAIN)
6	400831X1	1	BREATHER (POWER TRAIN)
7	220-3810	1	TUBE ASM
8	400318X1	1	SEAL-O-RING (11.89ID X 1.98 DIA)
9	CH8S-7169	1	COUPLING
10	400055X1	2	BOLT (M12X1.75X25MM)
11	400357X1	2	WASHER-HARD (M12X25.5X3)
12	CH5P-1442	110	HOSE (ORDER cm)
	1U-8846		SEALANT-GASKET (USE AS REQUIRED)

[A] PART OF 156-5581;156-5582;156-5583;
156-5584;179-2193;179-2194;179-2195;
179-2196 BASE UNIT AR

0886011A
PR: t05i29k58b0173

MT800 SERIES TRACTORS
POWER TRAIN ATTACHING

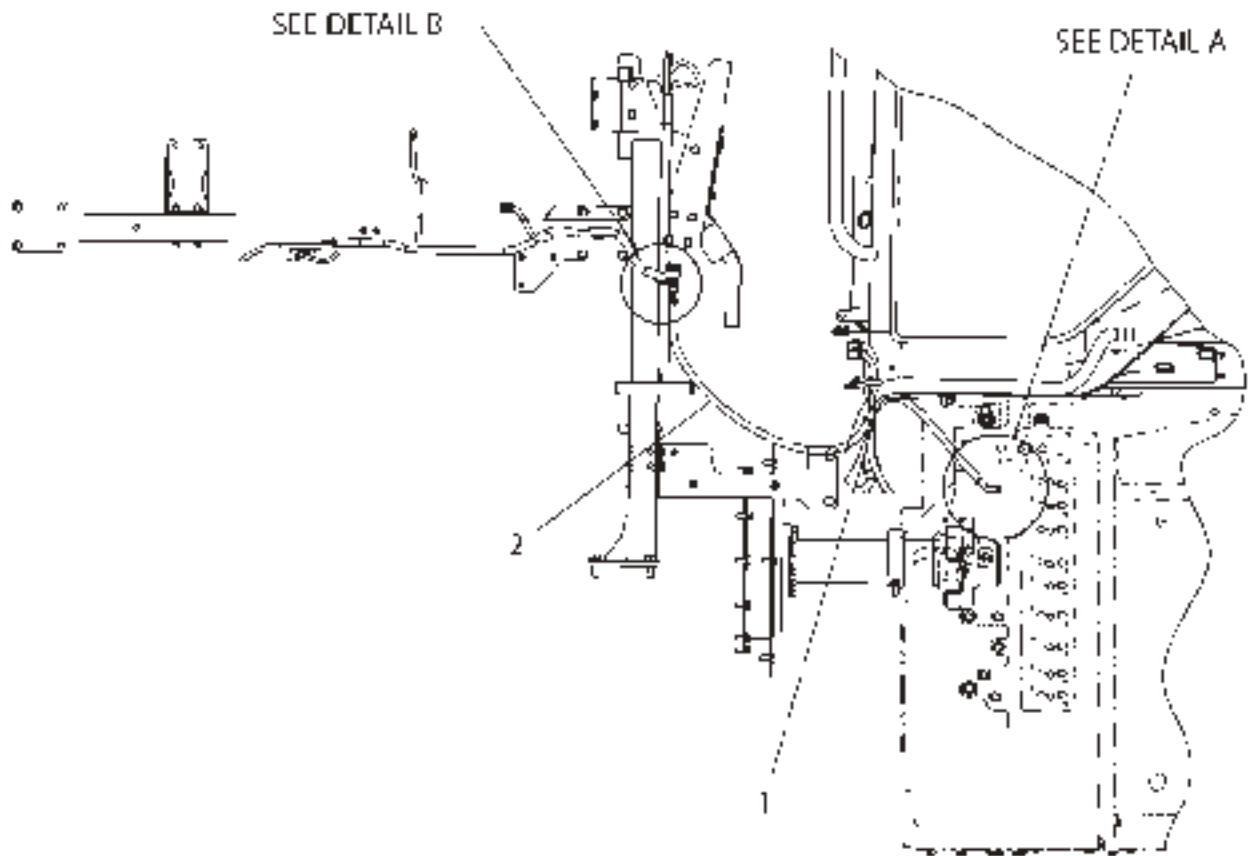
BREATHER GP-POWERTRAIN - 502496D1
(S/N: EFF BAM40556; BBP40455;
BCC40654; BDS40740)



DETAIL B



DETAIL A



**MT800 SERIESTRACTORS
POWER TRAIN ATTACHING**

405

BREATHER GP-POWERTRAIN - 502496D1
(S/N: EFF BAM40556; BBP40455;
BCC40654; BDS40740)

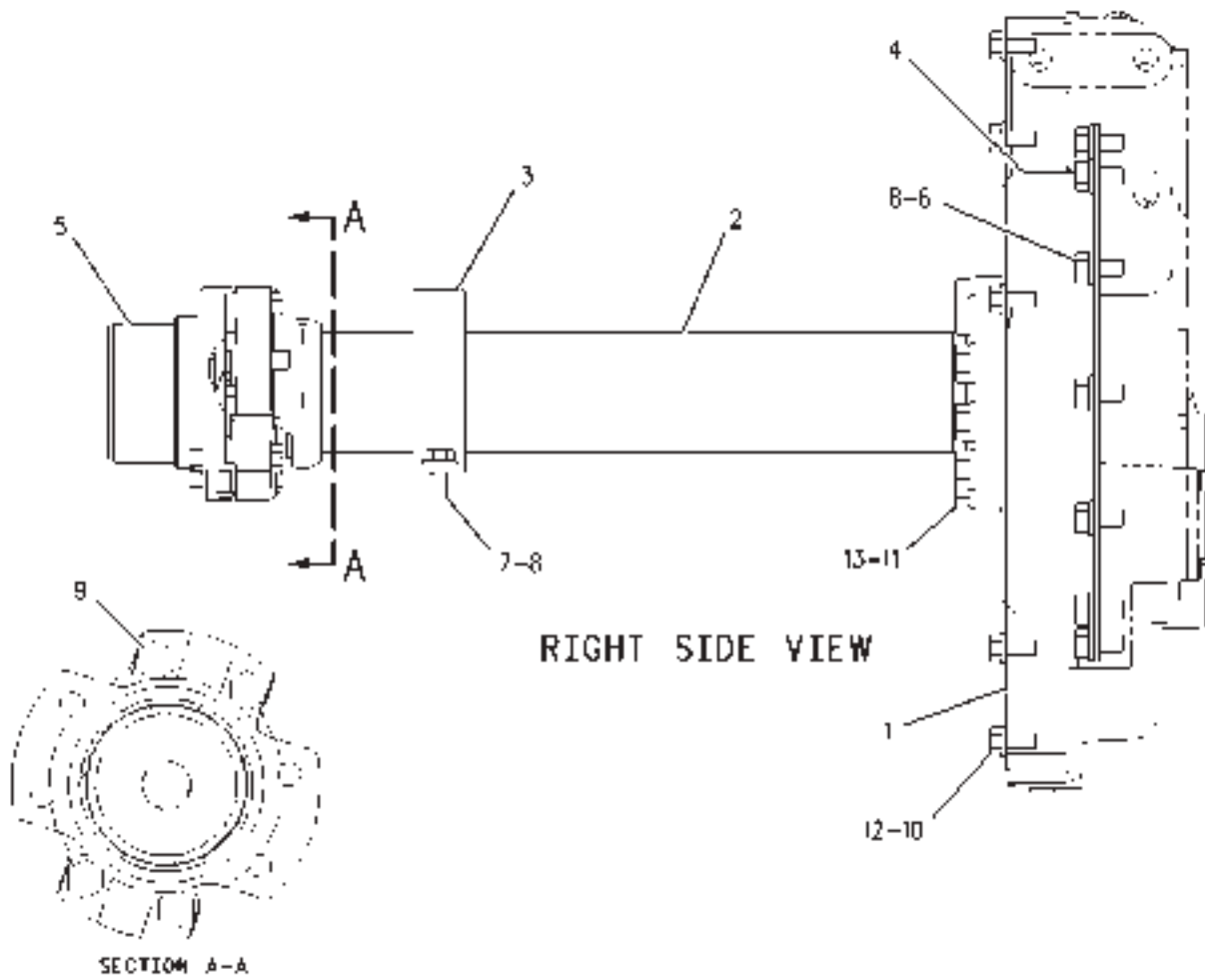
ITEM	NUMBER	QTY	DESCRIPTION
-	502496D1	--	BREATHER GP-POWERTRAIN [A] (NOT SERVICED)
1	CH7K-1181	2	STRAP-CABLE 0.19-4.00
2	CH5P-1442	--	HOSE-BULK 9.52ID HI TEMP (110CM)
3	400831X1	1	BREATHER-1/4-18 NPTF
4	CH1P-4278	2	CLAMP-HOSE 5.5-15.88 ID X 8
5	CH006-6586	1	CONNECTOR-4NPTFX9.52 OD BARB
6	CH8S-7169	1	COUPLING-4NPTF HEX
7	CH7X-1448	1	ELBOW-45DEG 6STOR X 9.52 BARB
8	400318X1	1	SEAL-O-RING (11.89ID X 1.98 DIA)

[A] PART OF: 156-5581;156-5582;156-5583;
156-5584;179-2193;179-2194;179-2195;
179-2196 BASE UNIT AR

502496DA
PR: t05i29k58b0174

MT800 SERIES TRACTORS
POWER TRAIN ATTACHING

SHAFT GP-INPUT - 163-0383



**MT800 SERIESTRACTORS
POWER TRAIN ATTACHING**

407

SHAFT GP-INPUT - 163-0383

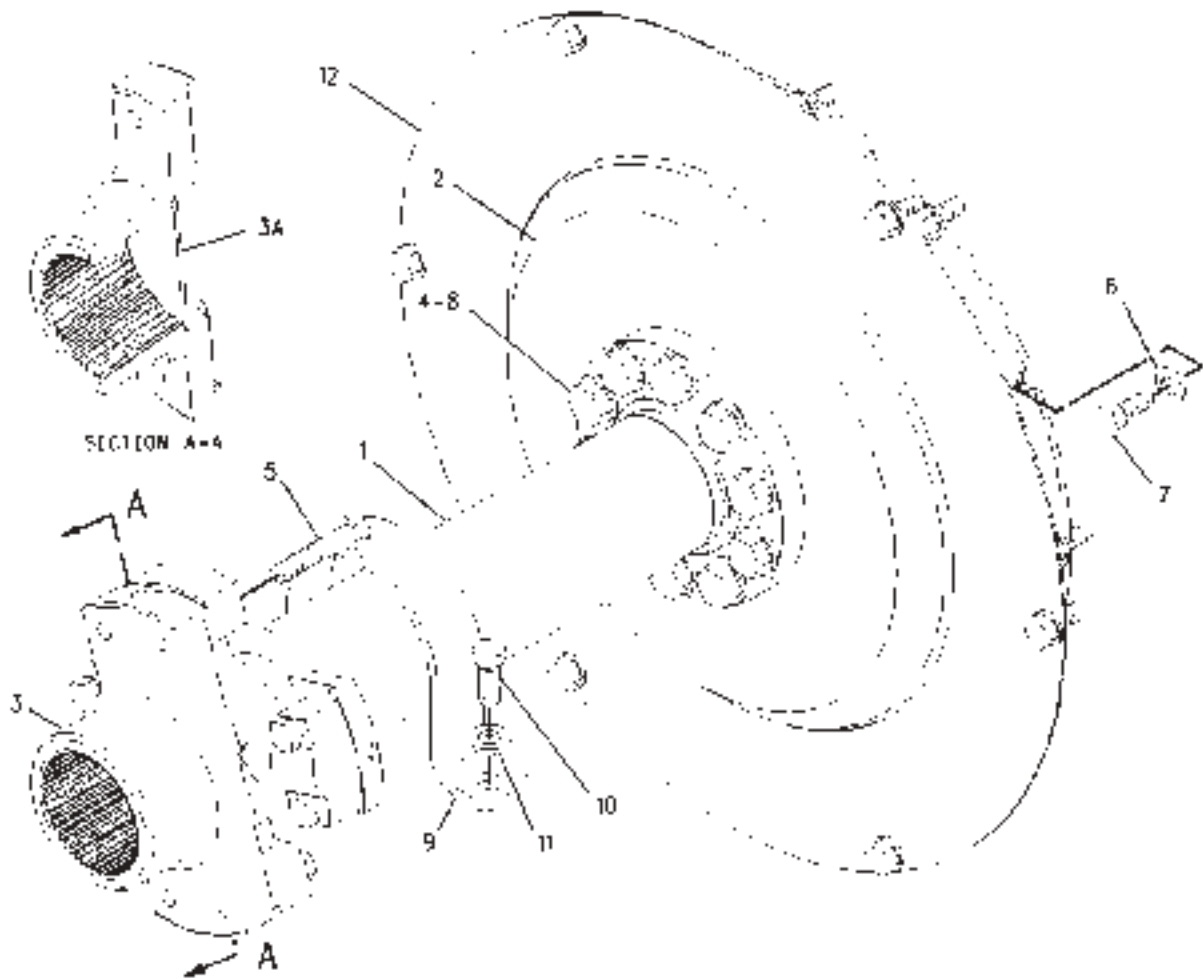
ITEM	NUMBER	QTY	DESCRIPTION
-	163-0383	--	SHAFT GP-INPUT [A] (NOT SERVICED)
1	CH102-0409	1	COVER
2	163-0412	1	UNIVERSAL JOINT GP [A]
	400057X1	4	BOLT (M12X1.75X50MM)
	CH9P-0356	1	SPIDER & BEARING
3	163-0425	1	BRACKET
4	501929D1	1	COUPLING
5	501929D1	1	YOKE ASM (INCLUDES PLUG)
	CH3T-8747	1	PLUG-CORE
	6V-6640		SEALANT (USE AS REQUIRED)
6	400154X1	12	BOLT (1/2-13X25MM)
7	400041X1	2	BOLT (M12X1.75X30MM)
8	400357X1	14	WASHER-HARD (M12X25.5X3)
9	400063X1	4	BOLT (M12X1.75X60MM)
10	400358X1	6	WASHER (7/16X22.5X2.5)
11	400244X1	10	BOLT (M16X2.0X45MM)
12	400069X1	6	BOLT (7/16-14X1 IN)
13	400082X1	10	WASHER (17.5X30X3.5)

[A] PART OF 172-5361;172-5362;187-1741;
187-1742 INSTALLATION AR-ENGINE

00887891
PR: t05i29k58b0175

MT800 SERIES TRACTORS
POWER TRAIN ATTACHING

SHAFT GP-INPUT - 163-0384
MT855 & MT865



**MT800 SERIESTRACTORS
POWER TRAIN ATTACHING**

409

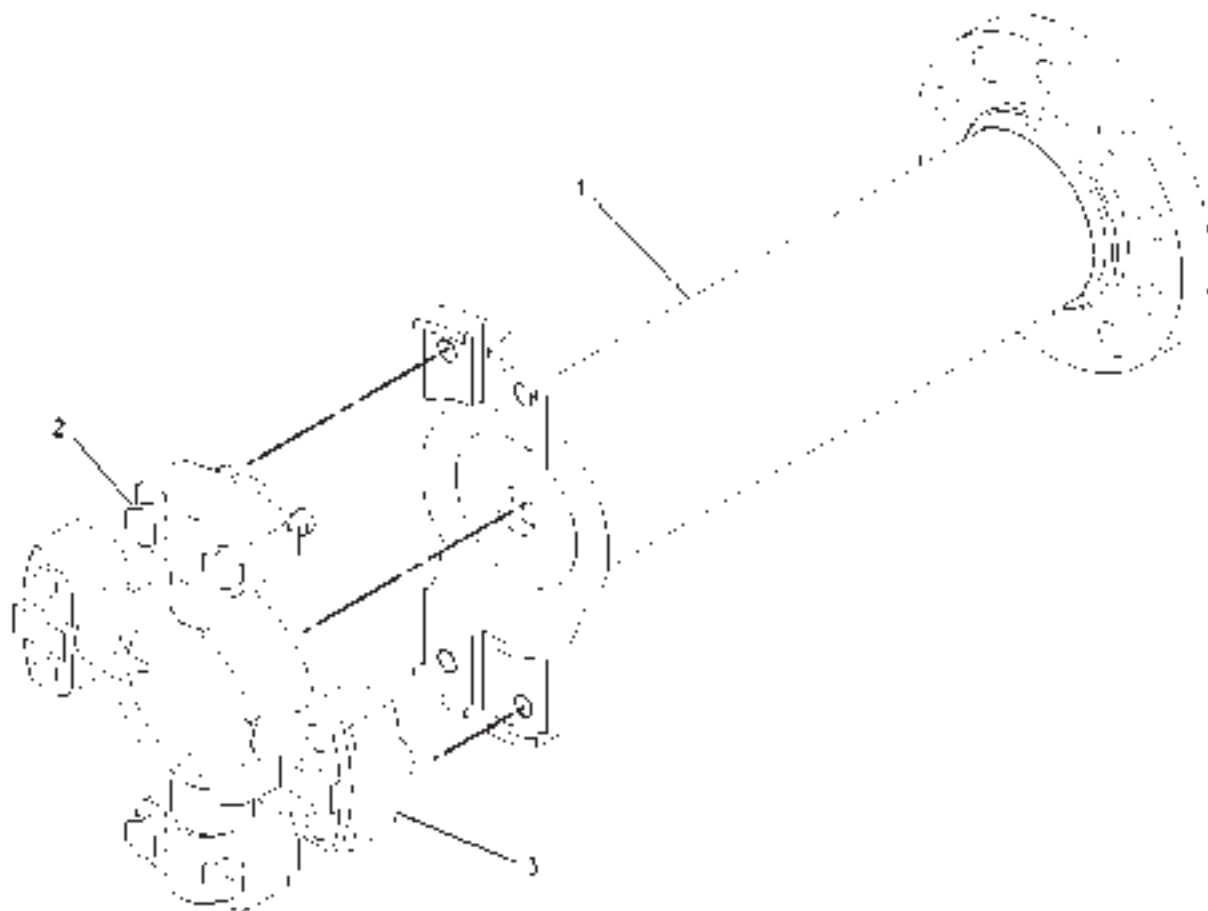
**SHAFT GP-INPUT - 163-0384
MT855 & MT865**

ITEM	NUMBER	QTY	DESCRIPTION
-	163-0384	--	SHAFT GP-INPUT [A] (NOT SERVICED)
1	163-0414	1	UNIVERSAL JOINT GP (SEE BREAKDOWN FOR COMPONENTS)
2	501931D1	1	COUPLING AS-FLYWHEEL
3	501787D1	1	YOKE ASM
4	400244X1	10	BOLT (M16X2.0X45MM)
5	400063X1	4	BOLT (M12X1.75X60MM)
6	400358X1	18	WASHER (7/16X22.5X2.5)
7	400069X1	18	BOLT (7/16-14X1 IN)
8	400082X1	10	WASHER (17.5X30X3.5)
9	163-0425	1	BRACKET
10	400041X1	2	BOLT (M12X1.75X30MM)
11	400357X1	2	WASHER-HARD (M12X25.5X3)
12	163-0405	1	COVER

[A] PART OF 172-5363;172-5364;187-1743;
187-1744 INSTALLATION AR-ENGINE

00867568
PR: t05i29k58b0176

UNIVERSAL JOINT GP - 163-0414



**MT800 SERIESTRACTORS
POWER TRAIN ATTACHING**

411

UNIVERSAL JOINT GP - 163-0414

ITEM	NUMBER	QTY	DESCRIPTION
-	163-0414	--	UNIVERSAL JOINT GP [A]
1	163-0415	1	TUBE
2	400057X1	4	BOLT (M12X1.75X50MM)
3	CH9P-4809	1	SPIDER & BEARING AS

[A] PART OF 163-0384 SHAFT GP-INPUT

00750174
PR: t05i29k58b0177

412

MT800 SERIESTRACTORS
POWER TRAIN

200-5027 POWER TRAIN AR - WITH PTO
(2286-3251MM/90-128") GAGE

NO ILLUSTRATION

NOTIF

MT800 SERIESTRACTORS
POWER TRAIN

413

200-5027 POWER TRAIN AR - WITH PTO
(2286-3251MM/90-128") GAGE

ITEM	NUMBER	QTY	DESCRIPTION
-	200-5027	--	POWER TRAIN AR (NOT SERVICED)
	185-3955	1	AXLE AR (NOT SERVICED) (SEE BREAKDOWN FOR COMPONENTS)
	211-8277	1	FASTENER GP-FINAL DRIVE (NOT SERVICED) (SEE BREAKDOWN FOR COMPONENTS)
	152-5242	1	TRANSMISSION AR (SEE BREAKDOWN FOR COMPONENTS)

NOTIF
PR: t05i29k58b0178

414

MT800 SERIESTRACTORS
POWER TRAIN

200-5028 POWER TRAIN AR-WITH PTO
(2286-2600MM/90-102") GAGE

NO ILLUSTRATION

NOTIF

MT800 SERIESTRACTORS
POWER TRAIN

415

200-5028 POWERTRAIN AR-WITH PTO
(2286-2600MM/90-102") GAGE

ITEM	NUMBER	QTY	DESCRIPTION
-	200-5028	--	POWER TRAIN AR (NOT SERVICED)
	185-3956	1	AXLE AR (NOT SERVICED) (SEE BREAKDOWN FOR COMPONENTS)
	211-8277	1	FASTENER GP-FINAL DRIVE (NOT SERVICED) (SEE BREAKDOWN FOR COMPONENTS)
	152-5242	1	TRANSMISSION AR (SEE BREAKDOWN FOR COMPONENTS)

NOTIF
PR: t05i29k58b0179

416

MT800 SERIESTRACTORS
POWER TRAIN

200-5029 POWER TRAIN AR - W/ PTO

NO ILLUSTRATION

NOTIF

MT800 SERIESTRACTORS
POWER TRAIN

417

200-5029 POWER TRAIN AR - W/ PTO

ITEM	NUMBER	QTY	DESCRIPTION
-	200-5029	--	POWER TRAIN AR (NOT SERVICED)
1	152-5242	1	TRANSMISSION AR (SEE BREAKDOWN FOR COMPONENTS)
2	185-3957	1	AXLE AR (NOT SERVICED) (SEE BREAKDOWN FOR COMPONENTS)
3	211-8277	1	FASTENER GP-FINAL DRIVE (NOT SERVICED) (SEE BREAKDOWN FOR COMPONENTS)

NOTIF
PR: t05i29k58b0180

NO ILLUSTRATION

NOTIF

MT800 SERIESTRACTORS
POWER TRAIN

419

200-5030 POWER TRAIN AR WITHOUT PTO

ITEM	NUMBER	QTY	DESCRIPTION
-	200-5030	--	POWER TRAIN AR (NOT SERVICED)
1	152-5242	1	TRANSMISSION AR (SEE BREAKDOWN FOR COMPONENTS)
2	185-3958	1	AXLE AR (NOT SERVICED) (SEE BREAKDOWN FOR COMPONENTS)
3	211-8277	1	FASTENER GP-FINAL DRIVE (NOT SERVICED) (SEE BREAKDOWN FOR COMPONENTS)

[N] NEW PART

NOTIF
PR: t05i29k58b0181

**MT800 SERIESTRACTORS
POWER TRAIN**

421

**155-9579 CASE & PARTS GP-PLANETARY
S/N: 9YY1-950**

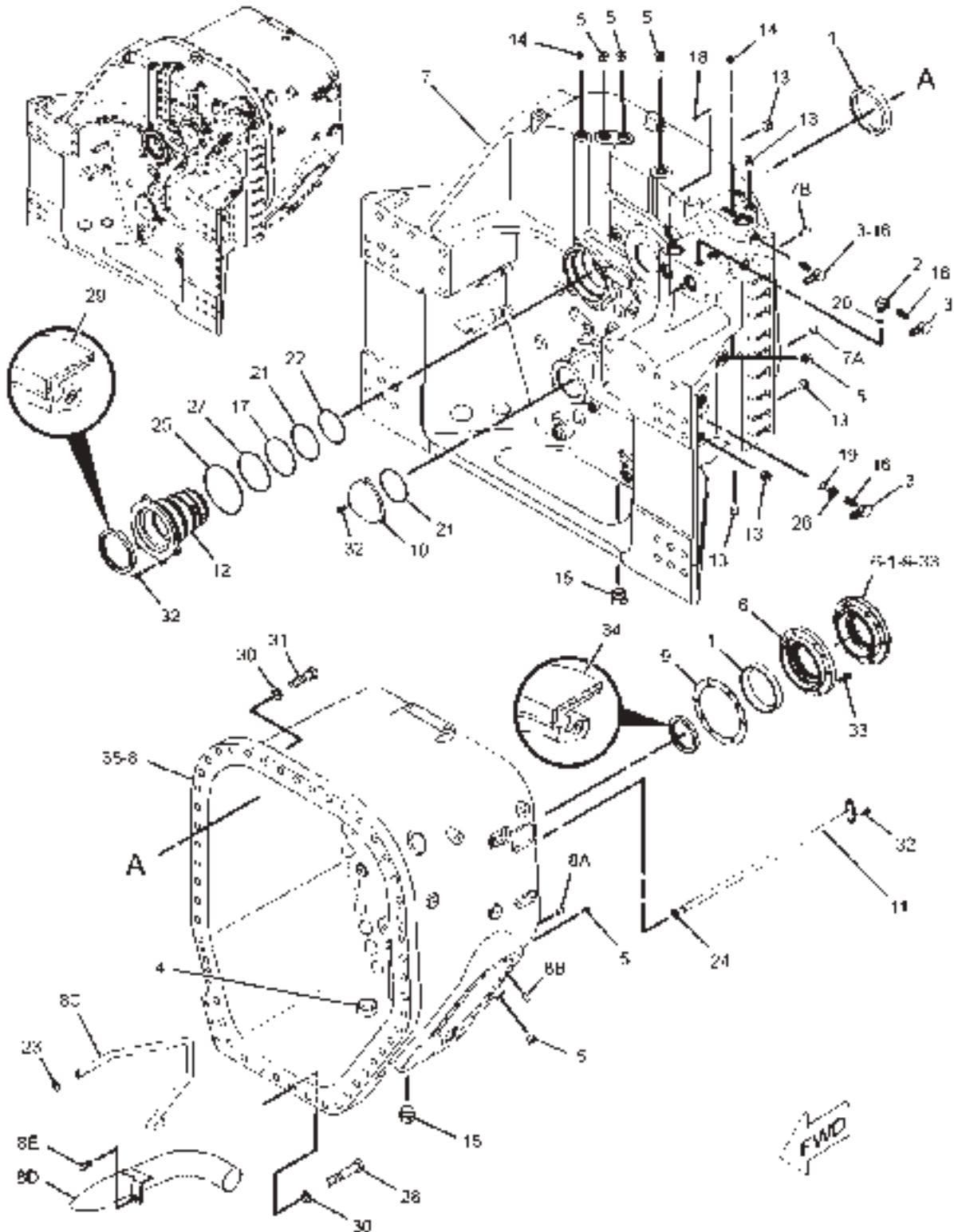
ITEM	NUMBER	QTY	DESCRIPTION
-	155-9579	--	CASE & PARTS GP-PLANETARY [A] (NOT SERVICED)
1	6F-2956	8	CUP-BEARING
2	6V-0484	1	ADAPTER-O-RING
3	6V-0852	3	CAP-DUST
4	6V-3965	3	FITTING AS
5	9S-8006	7	PLUG
	2M-9780	1	SEAL-O-RING
6	177-6741	4	CAGE-BEARING
7	177-6774	1	CASE AS (FRONT)
	211-2731	1	TUBE
7A	3F-0957	2	DOWEL
7B	5M-7937	2	DOWEL
8	177-6775	1	CASE AS (REAR)
8A	3F-0957	2	DOWEL
8B	5B-5821	2	DOWEL
8C	177-6800	1	TUBE
8D	161-8222	1	TUBE AS
8E	6A-5591	1	BOLT (M12X1.75X25-MM)
9	232-0345	1	HOUSING
10	187-1376	4	SHIM PACK (INCLUDES 13-SHIMS)
11	188-2162	3	COVER
12	188-9912	1	TUBE AS
13	9X-7719	1	SEAL-LIP TYPE
14	1T-1068	1	SEAL-O-RING
15	2P-8421	1	ADAPTER-O-RING
16	3D-2824	1	SEAL-O-RING
17	3J-1907	4	SEAL-O-RING
18	3K-0715	4	SEAL-O-RING
19	4F-4097	1	SEAL-O-RING
20	4J-8996	1	SEAL-O-RING
21	5H-8038	1	SEAL-O-RING
22	5J-3886	1	SEAL-O-RING
23	6S-3002	1	SEAL-O-RING
24	9S-4181	2	PLUG
	7M-8485	2	SEAL-O-RING
25	1U-8846	AR	SEALANT-GASKET
26	8C-3075	1	SEAL-LIP TYPE
27	8T-4123	50	WASHER-PLATED (22X35X3.5-MM THK)
28	8T-4141	38	BOLT (M20X2.5X70-MM)
29	8T-4189	15	BOLT (M8X1.25X20-MM)
30	8T-4195	24	BOLT (M10X1.5X30-MM)
31	9S-8004	2	PLUG
	3J-1907	2	SEAL-O-RING
32	7X-2566	12	BOLT (M20X2.5X110-MM)
33	8M-7160	1	MAGNET
34	7J-0204	1	SEAL-O-RING
	9S-8007	1	PLUG
35	3K-0360	16	SEAL-O-RING
	9S-8005	16	PLUG

[A] PART OF 152-5242 TRANSMISSION AR

00835051
PR: t05i29k58b0182

MT800 SERIES TRACTORS
POWER TRAIN

155-9579 CASE & PARTS GP-PLANETARY
S/N: 9YY951-UP



01119596

**MT800 SERIES TRACTORS
POWER TRAIN**

423

**155-9579 CASE & PARTS GP-PLANETARY
S/N: 9YY951-UP**

ITEM	NUMBER	QTY	DESCRIPTION
-	155-9579	--	CASE & PARTS GP-PLANETARY [A] (NOT SERVICED)
1	6F-2956	8	CUP-BEARING
2	6V-0484	1	ADAPTER-O-RING
3	6V-0852	3	CAP-DUST
4	8M-7160	1	MAGNET
5	164-5619	6	PLUG AS
	9S-8006	1	PLUG
	2M-9780	1	SEAL-O-RING
6	177-6741	4	CAGE-BEARING
7	177-6774	1	CASE AS (FRONT)
	211-2731	1	TUBE
7A	3F-0957	2	DOWEL
7B	5M-7937	2	DOWEL
8	177-6775	1	CASE AS (REAR)
8A	3F-0957	2	DOWEL
8B	5B-5821	2	DOWEL
8C	177-6800	1	TUBE
8D	161-8222	1	TUBE AS
8E	6A-5591	1	BOLT (M12X1.75X25-MM)
9	187-1376	4	SHIM PACK (INCLUDES 13-SHIMS)
10	188-2162	3	COVER
11	188-9912	1	TUBE AS
12	232-0345	1	HOUSING-SEAL
13	148-8395	16	PLUG AS
	3K-0360	1	SEAL-O-RING
	9S-8005	1	PLUG
14	162-0177	2	PLUG AS
	9S-8004	1	PLUG
	3J-1907	1	SEAL-O-RING
15	164-4180	2	PLUG AS
	9S-4181	1	PLUG
	7M-8485	1	SEAL-O-RING
16	164-5567	3	FITTING GP-COUPLING
	3J-1907	1	SEAL-O-RING
	6V-3965	1	FITTING AS
17	1T-1068	1	SEAL-O-RING
18	207-8218	1	PLUG AS
	7J-0204	1	SEAL-O-RING
	9S-8007	1	PLUG
19	2M-9780	1	SEAL-O-RING
20	3J-1907	1	SEAL-O-RING
21	3K-0715	4	SEAL-O-RING
22	4F-4097	1	SEAL-O-RING
23	4J-8996	1	SEAL-O-RING
24	5H-8038	1	SEAL-O-RING
25	5J-3886	1	SEAL-O-RING

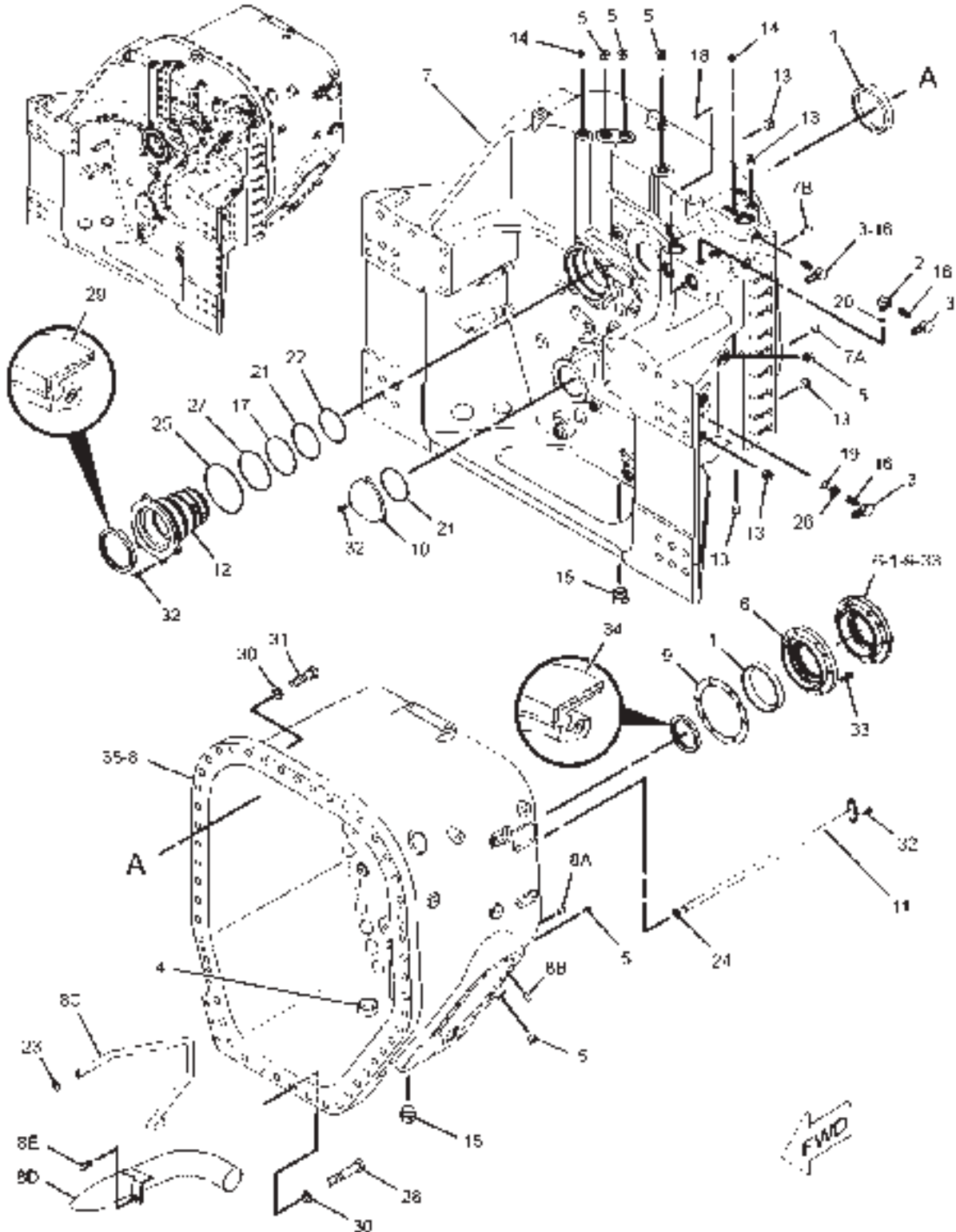
CONTINUED

[A] PART OF 152-5242 TRANSMISSION AR

01119596
PR: t05i29k58b0183

MT800 SERIES TRACTORS
POWER TRAIN

155-9579 CASE & PARTS GP-PLANETARY
S/N: 9YY951-UP



01119596

**MT800 SERIESTRACTORS
POWER TRAIN**

425

**155-9579 CASE & PARTS GP-PLANETARY
S/N: 9YY951-UP**

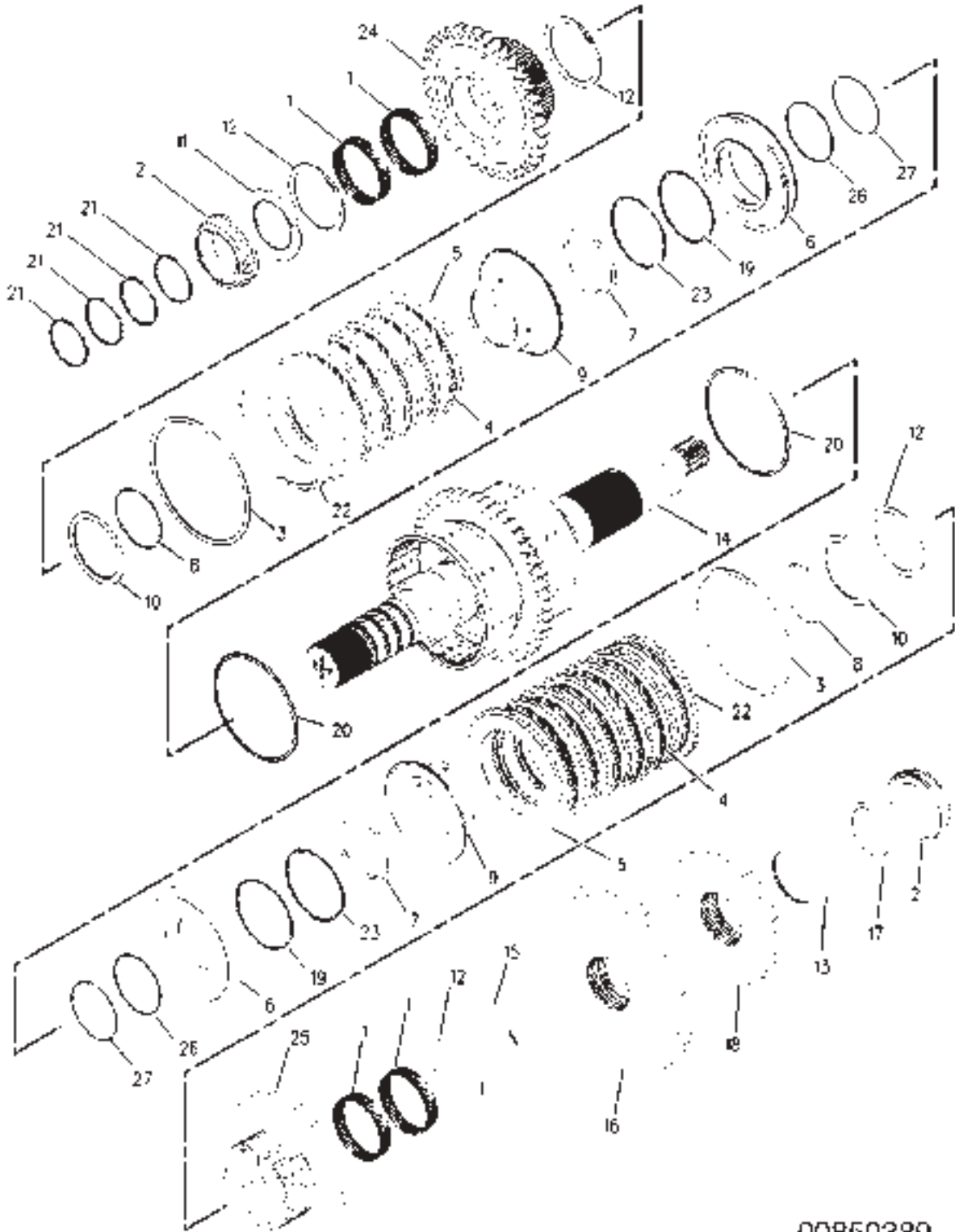
ITEM	NUMBER	QTY	DESCRIPTION
-	155-9579	--	CASE & PARTS GP-PLANETARY[A] (NOT SERVICED)
26	5P-1404	1	ADAPTER-O-RING
27	6S-3002	1	SEAL-O-RING
28	7X-2566	12	BOLT (M20X2.5X110-MM)
29	8C-3075	1	SEAL-LIP TYPE
30	8T-4123	50	WASHER-PLATED (22X35X3.5-MM THK)
31	8T-4141	38	BOLT (M20X2.5X70-MM)
32	8T-4189	14	BOLT (M8X1.25X20-MM)
33	8T-4195	24	BOLT (M10X1.5X30-MM)
34	9X-7719	1	SEAL-LIP TYPE
35	1U-8846	AR	SEALANT-GASKET

[A] PART OF 152-5242 TRANSMISSION AR

01119596
PR: t05i29k58b0183

MT800 SERIES TRACTORS
POWER TRAIN

155-9571 CLUTCH GP-INPUT
S/N: 9YY1-1465



00850389

MT800 SERIESTRACTORS
POWER TRAIN

427

155-9571 CLUTCH GP-INPUT
S/N: 9YY1-1465

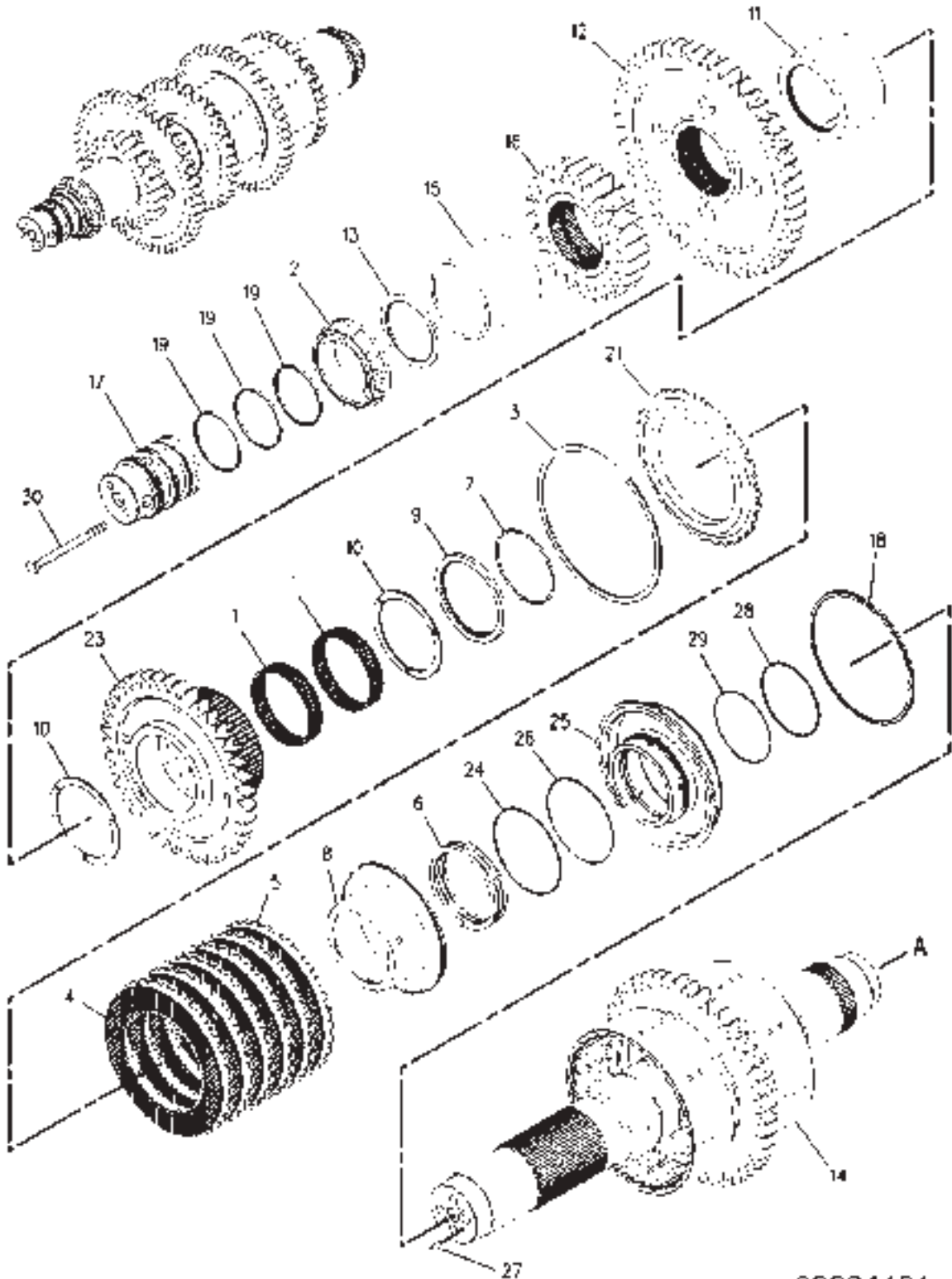
ITEM	NUMBER	QTY	DESCRIPTION
-	155-9571	--	CLUTCH GP-INPUT [A] (NOT SERVICED)
1	177-5236	4	BEARING
2	6V-0347	2	CONE-BEARING
3	4D-7889	2	RING
4	134-8360	12	DISC-FRICTION
5	134-8361	12	PLATE-CLUTCH
6	203-2631	2	PISTON
7	173-5392	2	SPRING
8	177-5241	2	RING-RETAINING
9	177-5243	2	SEAL AS
10	177-5246	2	RING-SPACER
11	177-5248	1	SPACER (86.25X126X5MM THK)
12	177-5249	4	DISC-THRUST
13	177-5250	1	SPACER
14	177-5252	1	SHAFT AS (45 TEETH)
15	177-5256	1	SPACER
16	177-5257	1	GEAR (50 TEETH)
17	177-5258	1	SPACER (86.3X106X5MM THK)
18	177-5260	1	GEAR (35 TEETH)
19	200-3039	2	RING-SEAL (EXTERNAL)
20	177-6797	2	RING-SEAL (EXTERNAL)
21	177-6801	4	RING-SEAL
22	177-6804	2	PLATE-END
23	199-9240	2	SEAL-O-RING
24	191-0426	1	GEAR (35 TEETH)
25	191-0427	1	GEAR (40 TEETH)
26	7T-5594	2	RING-SEAL
27	8T-2572	2	SEAL-O-RING

[A] PART OF 152-5242 TRANSMISSION AR

00850389
PR: t05i29k58b0184

MT800 SERIES TRACTORS
POWER TRAIN

155-9572 CLUTCH GP-INTERMEDIATE SHAFT
S/N: 9YY1-1465



00894191

MT800 SERIESTRACTORS
POWER TRAIN

429

155-9572 CLUTCH GP-INTERMEDIATE SHAFT
S/N: 9YY1-1465

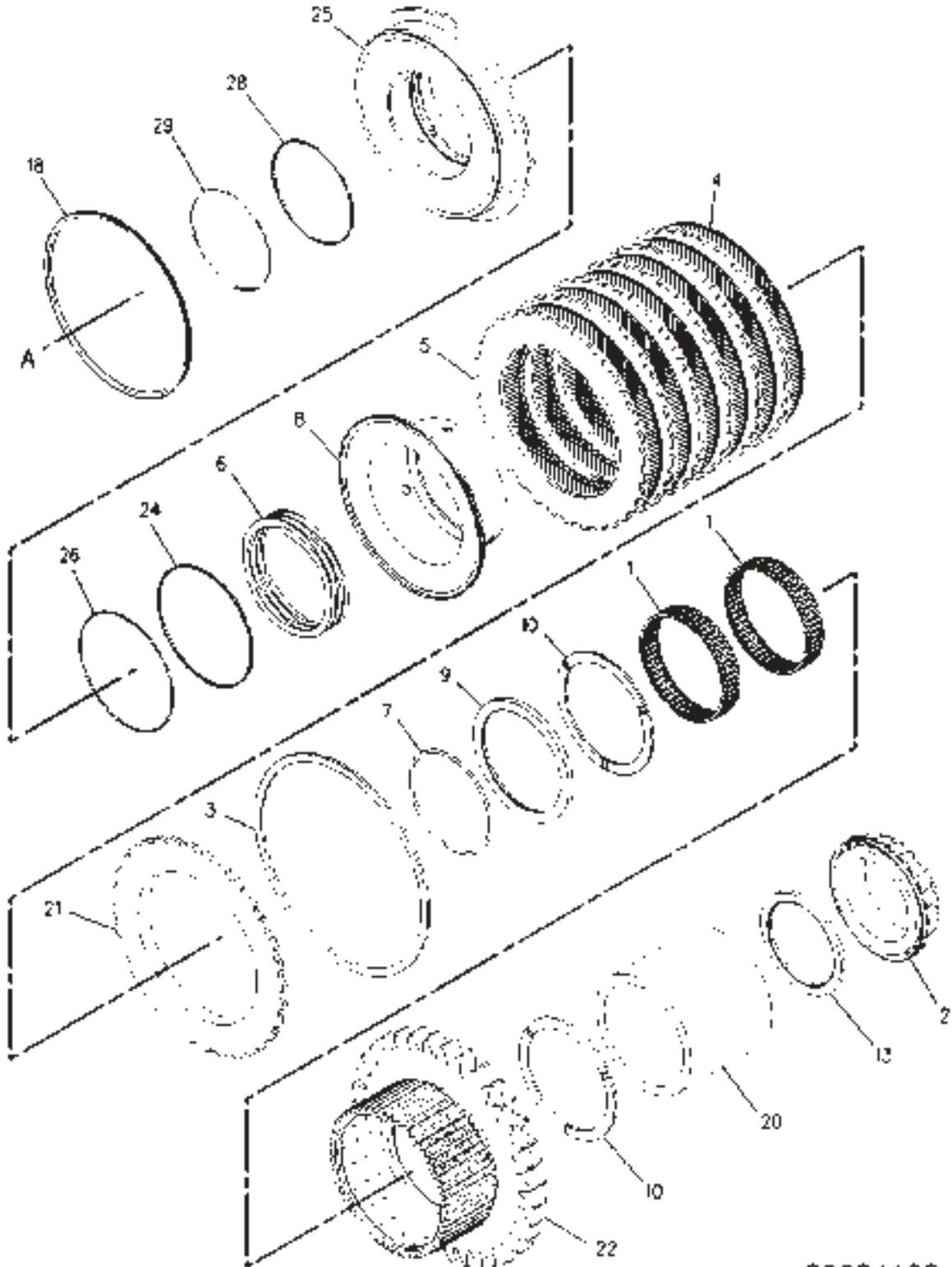
ITEM	NUMBER	QTY	DESCRIPTION
-	155-9572	--	CLUTCH GP-INTERMEDIATE SHAFT [A] (NOT SERVICED)
1	177-5236	2	BEARING
2	6V-0347	1	CONE-BEARING
3	4D-7889	1	RING
4	134-8360	6	DISC-FRICTION
5	134-8361	6	PLATE-CLUTCH
6	173-5392	1	SPRING
7	177-5241	1	RING-RETAINING
8	177-5243	1	SEAL AS
9	177-5246	1	RING-SPACER
10	177-5249	2	DISC-THRUST
11	177-5256	1	SPACER
12	177-5257	1	GEAR (50-TEETH)
13	177-5258	1	SPACER (86.3X106X5-MM THK)
14	240-5529	1	SHAFT AS
15	177-5263	1	SPACER
16	177-5265	1	GEAR (25-TEETH)
17	177-5267	1	CARRIER-SEAL
18	177-6797	1	RING-SEAL
19	177-6801	3	RING-SEAL
21	177-6804	1	PLATE-END
23	191-0427	1	GEAR (40-TEETH)
24	200-3039	1	RING-SEAL
25	203-2631	1	PISTON
26	199-9240	1	SEAL-O-RING
27	5H-8985	1	PIN-SPRING
28	7T-5594	1	RING-SEAL
29	8T-2572	1	SEAL-O-RING
30	8T-5436	2	BOLT (M10X1.5X130-MM)

[A] PART OF 152-5242 TRANSMISSION AR

00894191
PR: t05i29k58b0185

MT800 SERIES TRACTORS
POWER TRAIN

155-9572 CLUTCH GP-INTERMEDIATE SHAFT
S/N: 9YY1-1465



MT800 SERIESTRACTORS
POWER TRAIN

431

155-9572 CLUTCH GP-INTERMEDIATE SHAFT
S/N: 9YY1-1465

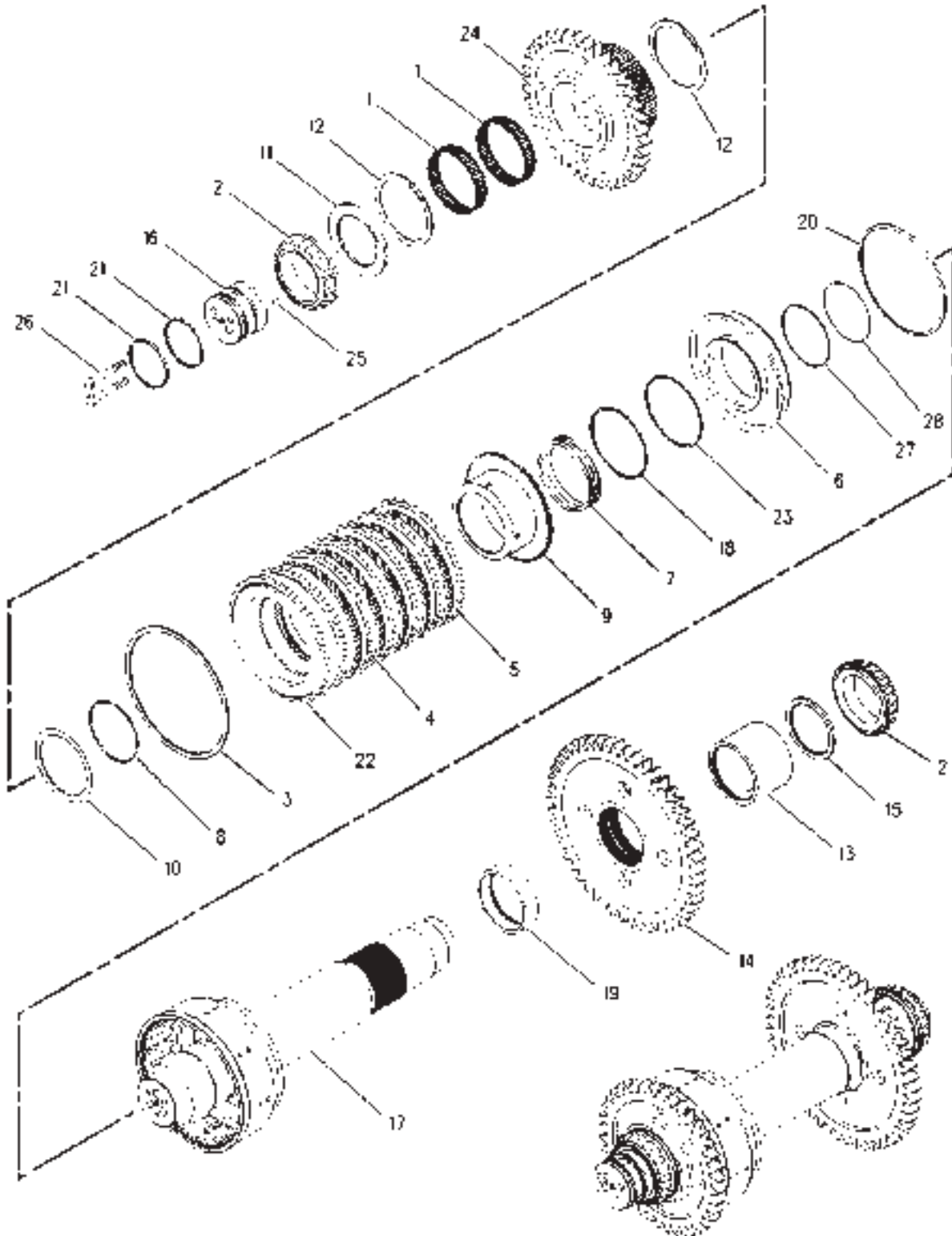
ITEM	NUMBER	QTY	DESCRIPTION
-	155-9572	--	CLUTCH GP-INTERMEDIATE SHAFT [A] (NOT SERVICED)
1	177-5236	2	BEARING
2	6V-0347	1	CONE-BEARING
3	4D-7889	1	RING
4	134-8360	6	DISC-FRICTION
5	134-8361	6	PLATE-CLUTCH
6	173-5392	1	SPRING
7	177-5241	1	RING-RETAINING
8	177-5243	1	SEAL AS
9	177-5246	1	RING-SPACER
10	177-5249	2	DISC-THRUST
13	177-5258	1	SPACER (86.3X106X5-MM THK)
18	177-6797	1	RING-SEAL
20	177-6802	1	SPACER
21	177-6804	1	PLATE-END
22	191-0426	1	GEAR (35-TEETH)
24	200-3039	1	RING-SEAL
25	203-2631	1	PISTON
26	199-9240	1	SEAL-O-RING
28	7T-5594	1	RING-SEAL
29	8T-2572	1	SEAL-O-RING

[A] PART OF 152-5242 TRANSMISSION AR

00894192
PR: t05i29k58b0186

MT800 SERIES TRACTORS
POWER TRAIN

155-9575 CLUTCH GP-REVERSE
S/N: 9YY1-UP



00875690

MT800 SERIESTRACTORS
POWER TRAIN

433

155-9575 CLUTCH GP-REVERSE
S/N: 9YY1-UP

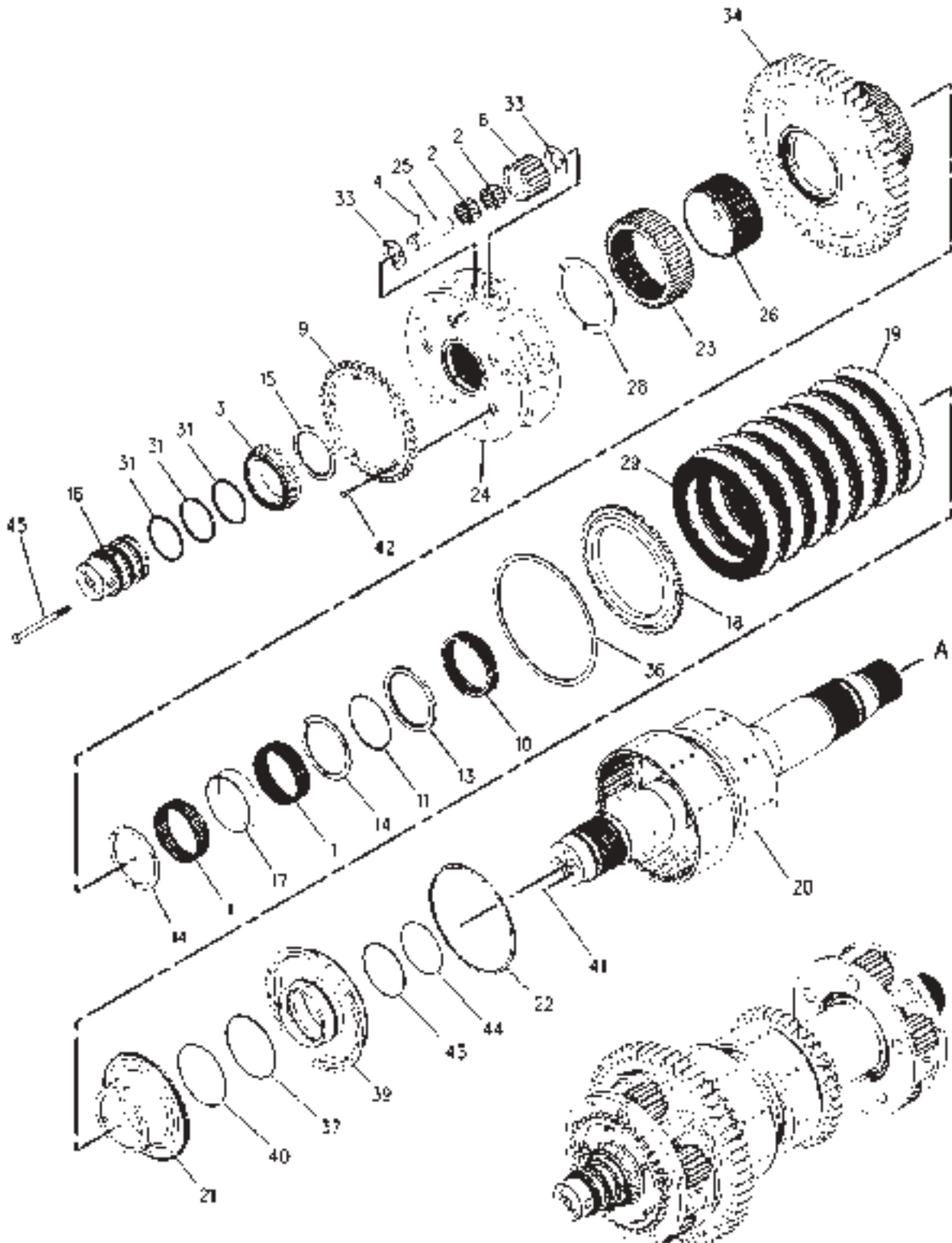
ITEM	NUMBER	QTY	DESCRIPTION
-	155-9575	--	CLUTCH GP-REVERSE [A] (NOT SERVICED)
1	177-5236	2	BEARING
2	6V-0347	2	CONE-BEARING
3	4D-7889	1	RING
4	134-8360	6	DISC-FRICTION
5	134-8361	6	PLATE-CLUTCH
6	203-2631	1	PISTON
7	173-5392	1	SPRING
8	177-5241	1	RING-RETAINING
9	177-5243	1	SEAL AS
10	177-5246	1	RING-SPACER
11	177-5248	1	SPACER
12	177-5249	2	DISC-THRUST
13	177-5250	1	SPACER
14	177-5257	1	GEAR (50 TEETH)
15	177-5258	1	SPACER (86.3X106X5MM THK)
16	177-5269	1	CARRIER-SEAL
17	177-5270	1	SHAFT AS
18	200-3039	1	RING-SEAL
19	177-6770	1	SPACER
20	177-6797	1	RING-SEAL (EXTERNAL)
21	177-6801	2	RING-SEAL
22	177-6804	1	PLATE-END
23	199-9240	1	SEAL-O-RING
24	191-0427	1	GEAR (40 TEETH)
25	5H-8985	1	PIN-SPRING
26	6V-5815	2	BOLT (M10X1.5X75MM)
27	7T-5594	1	RING-SEAL
28	8T-2572	1	SEAL-O-RING

[A] PART OF 152-5242 TRANSMISSION AR

00875690
PR: t05i29k58b0187

MT800 SERIES TRACTORS
POWER TRAIN

155-9576 CLUTCH GP-OUTPUT SHAFT
S/N: 9YY1-UP



00734520

**MT800 SERIESTRACTORS
POWER TRAIN**

435

**155-9576 CLUTCH GP-OUTPUT SHAFT
S/N: 9YY1-UP**

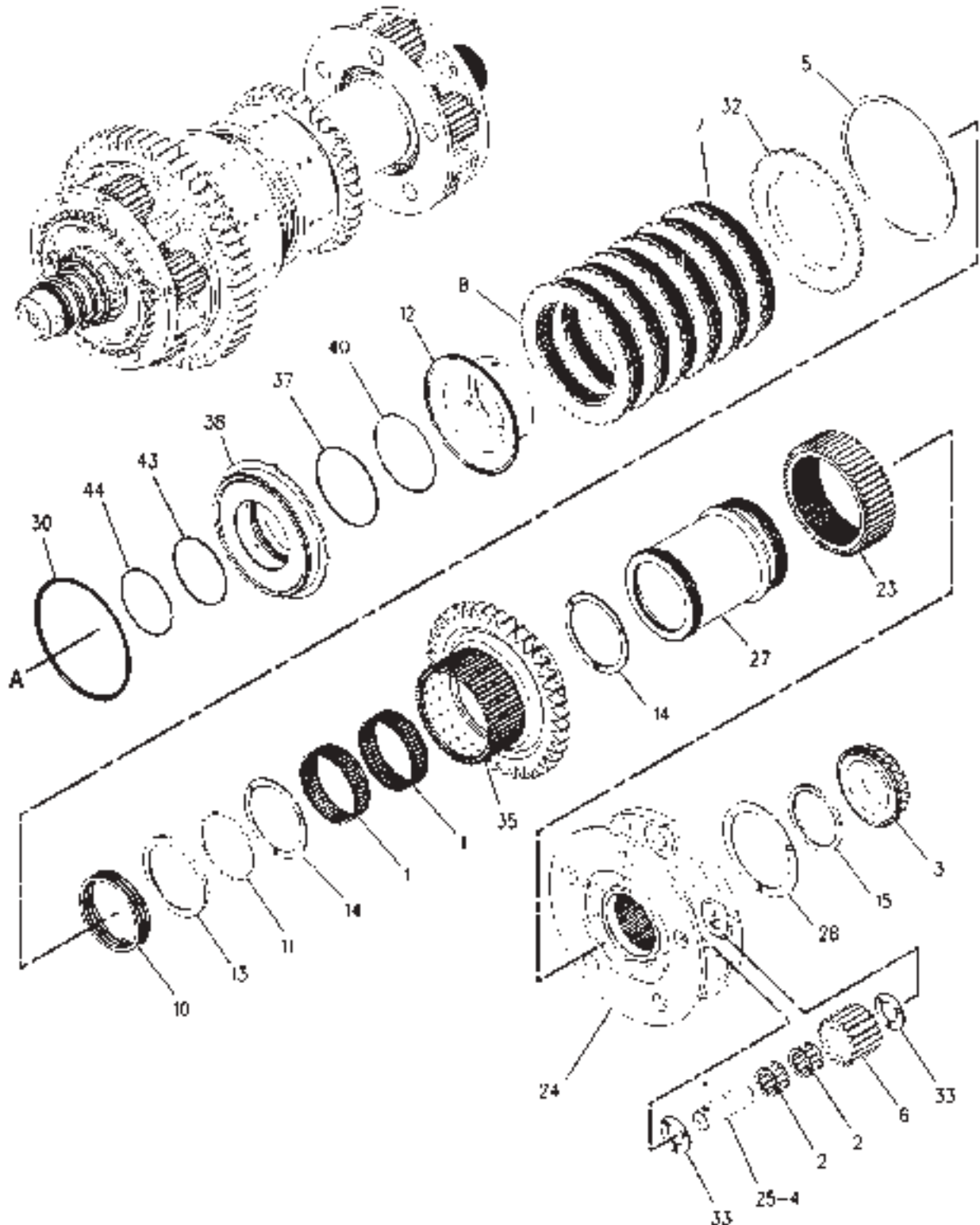
ITEM	NUMBER	QTY	DESCRIPTION
-	155-9576	--	CLUTCH GP-OUTPUT SHAFT [A] (NOT SERVICED)
1	177-6738	2	BEARING
2	187-6226	10	BEARING-SPECIAL
3	6V-0347	1	CONE-BEARING
4	3S-2708	5	PIN-SPRING
6	7G-2510	5	GEAR-PLANETARY (20 TEETH)
9	165-0420	1	ROTOR AS
10	173-5392	1	SPRING
11	177-5241	1	RING-RETAINING
13	177-5246	1	RING-SPACER
14	177-5249	2	DISC-THRUST
15	177-5258	1	SPACER (86.3X106X5MM THK)
16	177-5267	1	CARRIER-SEAL
17	177-6739	1	SPACER
18	177-6740	1	PLATE-END
19	177-6743	7	PLATE-CLUTCH
20	177-6747	1	SHAFT AS
	9P-2343	1	PLUG-ORIFICE
21	177-6752	1	SEAL AS
22	177-6754	1	RING-SEAL
23	177-6755	1	GEAR-SUN (53 TEETH)
24	177-6757	1	CARRIER-PLANETARY
25	177-6758	5	SHAFT AS
26	177-6760	1	SHAFT-DRIVE (LH)
28	177-6771	1	DISC-THRUST
29	177-6795	7	DISC-FRICTION
31	177-6801	3	RING-SEAL
33	187-8947	10	DISC-THRUST
34	191-0428	1	GEAR (54 TEETH)
36	192-4975	1	RING-RETAINING
37	200-3039	1	RING-SEAL
39	203-2632	1	PISTON
40	199-9240	1	SEAL-O-RING
41	5H-8985	1	PIN-SPRING
42	6V-8490	3	BOLT (M6X1X25MM)
43	7T-5594	1	RING-SEAL
44	8T-2572	1	SEAL-O-RING
45	8T-5436	2	BOLT (M10X1.50X130MM)

[A] PART OF 152-5242 TRANSMISSION AR

00734520
PR: t05i29k58b0188

MT800 SERIES TRACTORS
POWER TRAIN

155-9576 CLUTCH GP-OUTPUT SHAFT
S/N: 9YY1-UP



00893905

MT800 SERIES TRACTORS
POWER TRAIN

437

155-9576 CLUTCH GP-OUTPUT SHAFT
S/N: 9YY1-UP

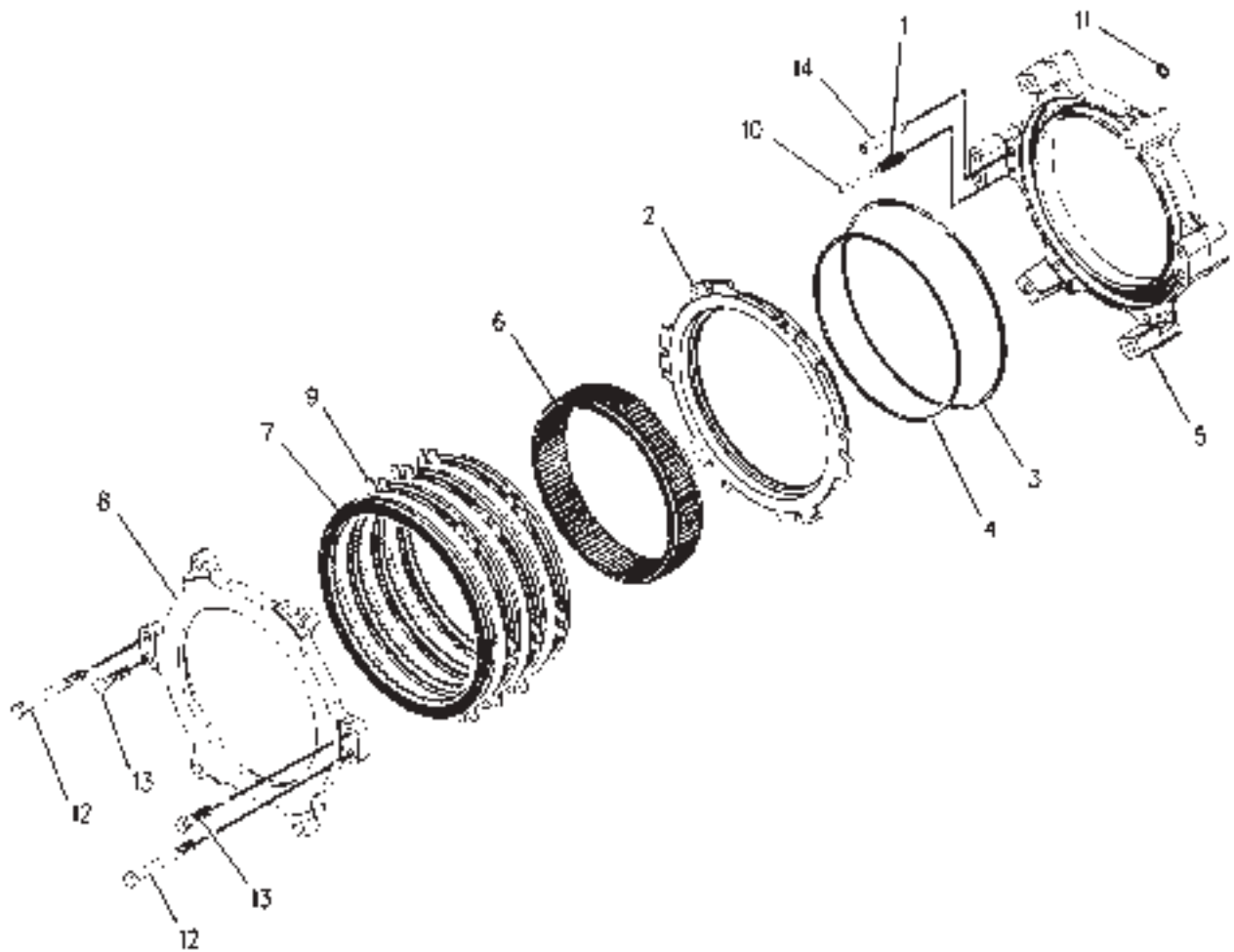
ITEM	NUMBER	QTY	DESCRIPTION
-	155-9576	--	CLUTCH GP-OUTPUT SHAFT [A] (NOT SERVICED)
1	177-6738	2	BEARING
2	187-6226	10	BEARING-SPECIAL
3	6V-0347	1	CONE-BEARING
4	3S-2708	5	PIN-SPRING
5	4D-7889	1	RING
6	7G-2510	5	GEAR-PLANETARY (20 TEETH)
7	134-8360	6	DISC-FRICTION
8	134-8361	6	PLATE-CLUTCH
10	173-5392	1	SPRING
11	177-5241	1	RING-RETAINING
12	177-5243	1	SEAL AS
13	177-5246	1	RING-SPACER
14	177-5249	2	DISC-THRUST
15	177-5258	1	SPACER (86.3X106X5MM THK)
23	177-6755	1	GEAR-SUN (53 TEETH)
24	177-6757	1	CARRIER-PLANETARY
25	177-6758	5	SHAFT AS
27	177-6769	1	SHAFT-DRIVE (RH)
28	177-6771	1	DISC-THRUST
30	177-6797	1	RING-SEAL
32	177-6804	1	PLATE-END
33	187-8947	10	DISC-THRUST
35	191-0429	1	GEAR (40 TEETH)
37	200-3039	1	RING-SEAL
38	203-2631	1	PISTON
40	199-9240	1	SEAL-O-RING
43	7T-5594	1	RING-SEAL
44	8T-2572	1	SEAL-O-RING

[A] PART OF 152-5242 TRANSMISSION AR

00893905
PR: t05i29k58b0189

MT800 SERIES TRACTORS
POWER TRAIN

177-5233 CLUTCH GP-PLANETARY
S/N: 9YY1-UP



00734552

MT800 SERIESTRACTORS
POWER TRAIN

439

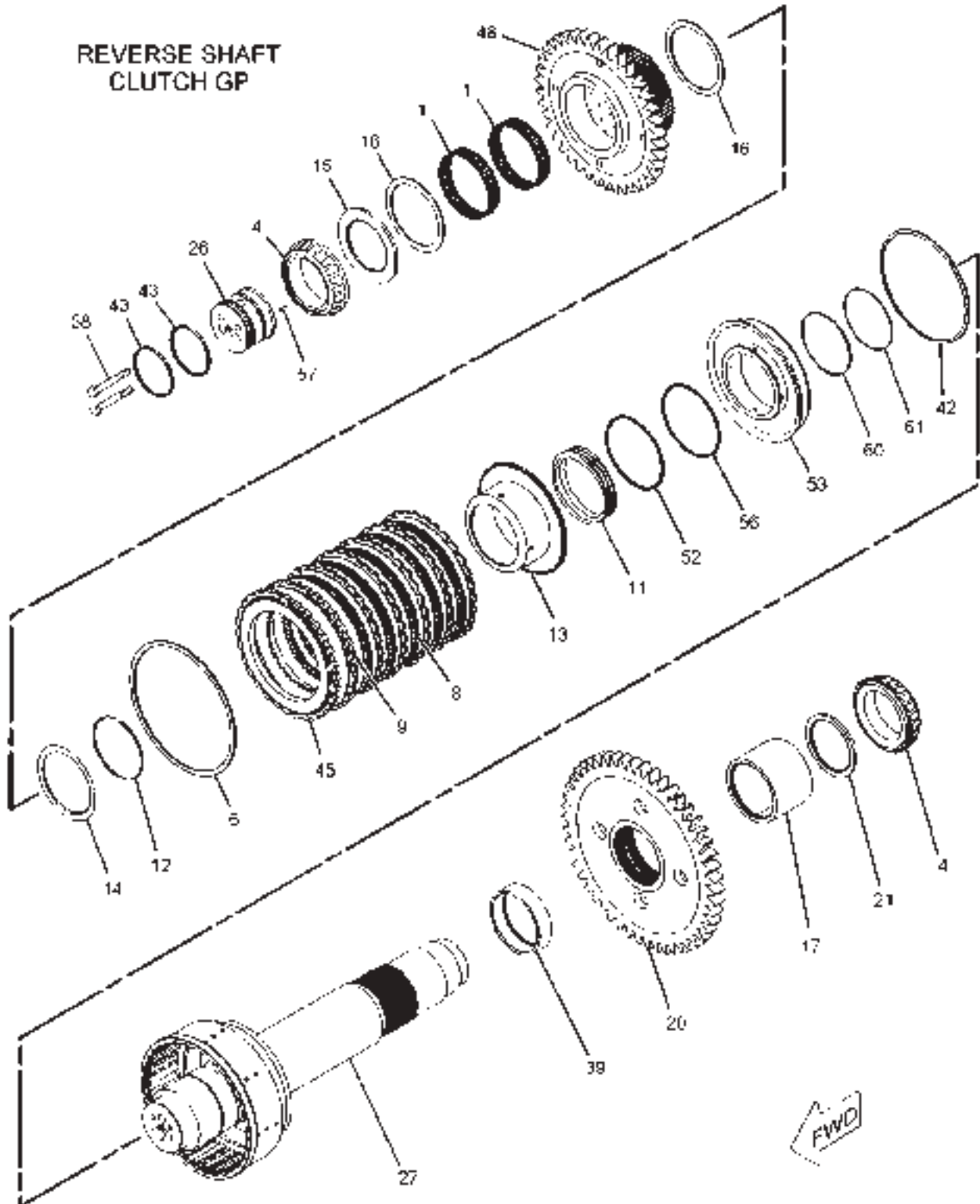
177-5233 CLUTCH GP-PLANETARY
S/N: 9YY1-UP

ITEM	NUMBER	QTY	DESCRIPTION
-	177-5233	--	CLUTCH GP-PLANETARY [A] (NOT SERVICED)
1	7G-6945	6	SPRING
2	177-6761	1	PISTON
3	177-6762	1	RING-SEAL (EXTERNAL)
4	177-6763	1	RING-SEAL (INTERNAL)
5	177-6764	1	HOUSING-CLUTCH
6	177-6765	1	GEAR-RING (92 TEETH)
7	177-6766	4	DISC-FRICTION
8	177-6767	1	PLATE-END
9	177-6768	3	PLATE-CLUTCH
10	4T-2201	6	ROD
11	8F-3469	2	SEAL-O-RING
12	8T-0646	6	BOLT (M12X1.75X110MM)
13	6V-5684	2	BOLT (M12X1.75X45MM)
14	9H-5545	6	DOWEL-REACTION

[A] PART OF 152-5242 TRANSMISSION AR

00734552
PR: t05i29k58b0190

232-1774 CLUTCH GP-TRANSMISSION
REVERSE SHAFT CLUTCH GROUP
S/N: 9YY1466-UP



01120031

**MT800 SERIESTRACTORS
POWER TRAIN**

441

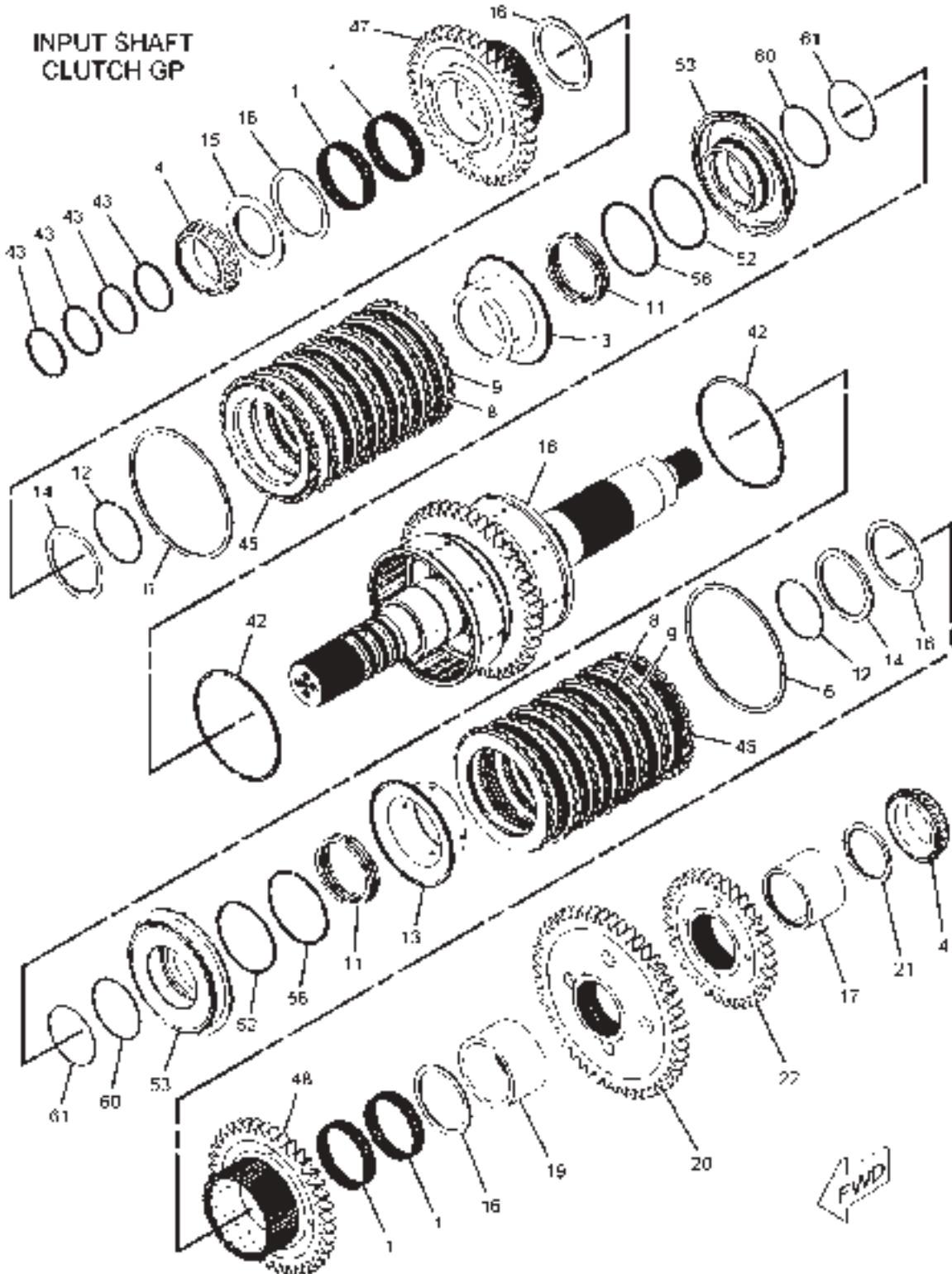
**232-1774 CLUTCH GP-TRANSMISSION
REVERSE SHAFT CLUTCH GROUP
S/N: 9YY1466-UP**

ITEM	NUMBER	QTY	DESCRIPTION
-	232-1774	--	CLUTCH GP-TRANSMISSION [A] (NOT SERVICED)
1	177-5236	2	BEARING
4	6V-0347	2	CONE-BEARING
6	4D-7889	1	RING
8	134-8360	6	DISC-FRICTION
9	134-8361	6	PLATE-CLUTCH
11	173-5392	1	SPRING
12	177-5241	1	RING-RETAINING
13	177-5243	1	SEAL AS
14	177-5246	1	RING-SPACER
15	177-5248	1	SPACER
16	177-5249	2	DISC-THRUST
17	177-5250	1	SPACER
20	177-5257	1	GEAR (50-TEETH)
21	177-5258	1	SPACER (86.3X106X5-MM THK)
26	177-5269	1	CARRIER-SEAL
27	177-5270	1	SHAFT AS
39	177-6770	1	SPACER
42	177-6797	1	RING-SEAL
43	177-6801	2	RING-SEAL
45	177-6804	1	PLATE-END
48	191-0427	1	GEAR (40-TEETH)
52	200-3039	1	RING-SEAL
53	203-2631	1	PISTON
56	199-9240	1	SEAL-O-RING
57	5H-8985	1	PIN-SPRING
58	6V-5815	2	BOLT (M10X1.5X75-MM)
60	7T-5594	1	RING-SEAL
61	8T-2572	1	SEAL-O-RING

[A] PART OF 152-5242 TRANSMISSION AR

01120031
PR: t05i29k58b0191

232-1774 CLUTCH GP-TRANSMISSION
INPUT SHAFT CLUTCH GROUP
S/N: 9YY1466-UP



01120032

**MT800 SERIESTRACTORS
POWER TRAIN**

443

**232-1774 CLUTCH GP-TRANSMISSION
INPUT SHAFT CLUTCH GROUP
S/N: 9YY1466-UP**

ITEM	NUMBER	QTY	DESCRIPTION
-	232-1774	--	CLUTCH GP-TRANSMISSION [A] (NOT SERVICED)
1	177-5236	4	BEARING
4	6V-0347	2	CONE-BEARING
6	4D-7889	2	RING
8	134-8360	12	DISC-FRICTION
9	134-8361	12	PLATE-CLUTCH
11	173-5392	2	SPRING
12	177-5241	2	RING-RETAINING
13	177-5243	2	SEAL AS
14	177-5246	2	RING-SPACER
15	177-5248	1	SPACER
16	177-5249	4	DISC-THRUST
17	177-5250	1	SPACER
18	177-5252	1	SHAFT AS
	165-0400	4	PLUG
19	177-5256	1	SPACER
20	177-5257	1	GEAR (50-TEETH)
21	177-5258	1	SPACER (86.3X106X5-MM THK)
22	177-5260	1	GEAR (35-TEETH)
42	177-6797	2	RING-SEAL
43	177-6801	4	RING-SEAL
45	177-6804	2	PLATE-END
47	191-0426	1	GEAR (35-TEETH)
48	191-0427	1	GEAR (40-TEETH)
52	200-3039	2	RING-SEAL
53	203-2631	2	PISTON
56	199-9240	1	SEAL-O-RING
60	7T-5594	2	RING-SEAL
61	8T-2572	2	SEAL-O-RING

[A] PART OF 152-5242 TRANSMISSION AR

01120032
PR: t05i29k58b0192

MT800 SERIESTRACTORS
POWER TRAIN

445

232-1774 CLUTCH GP-TRANSMISSION
INTERMEDIATE SHAFT CLUTCH GROUP (1 OF 2)
S/N: 9YY1466-UP

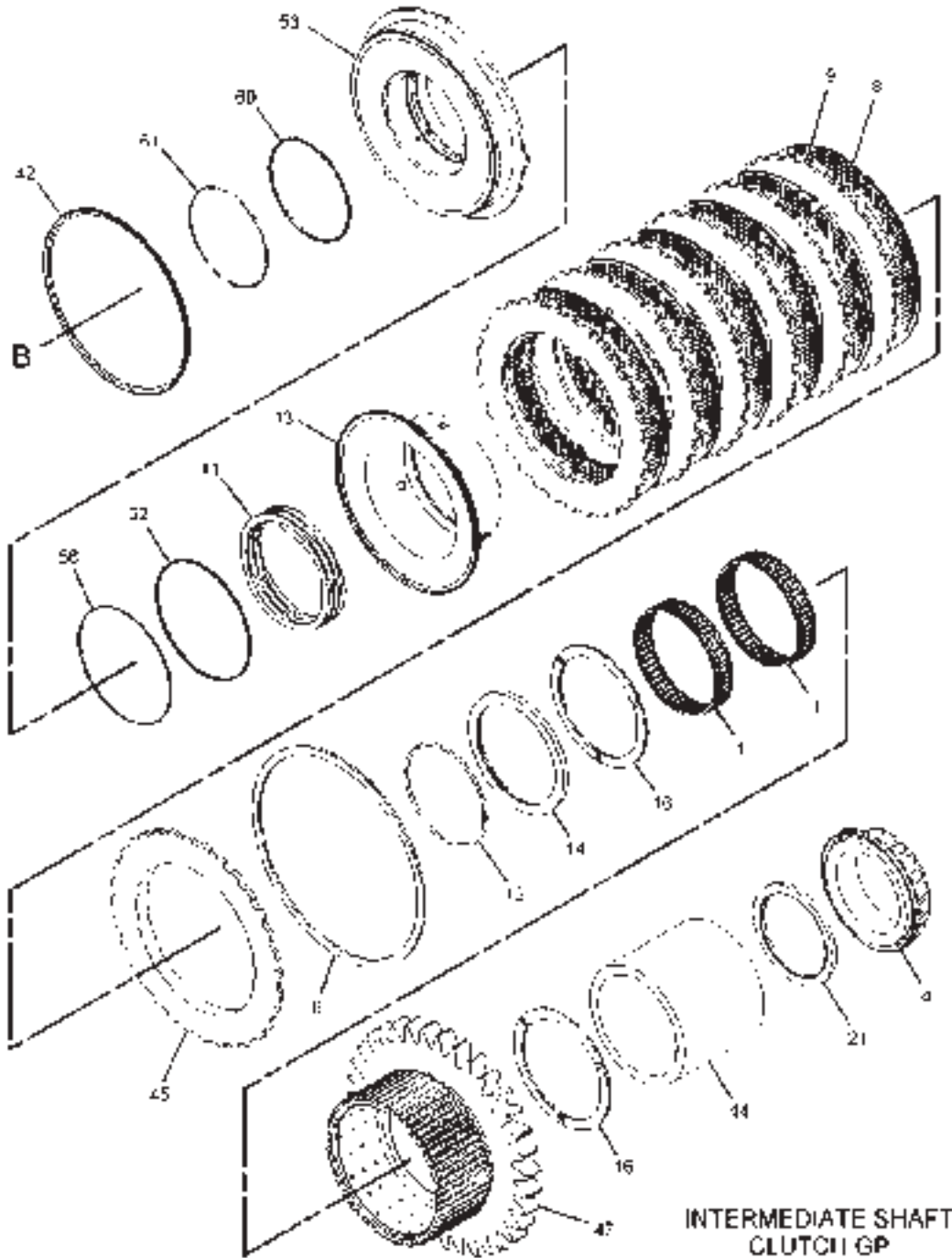
ITEM	NUMBER	QTY	DESCRIPTION
-	232-1774	--	CLUTCH GP-TRANSMISSION [A] (NOT SERVICED)
1	177-5236	2	BEARING
4	6V-0347	1	CONE-BEARING
6	4D-7889	1	RING
8	134-8360	6	DISC-FRICTION
9	134-8361	6	PLATE-CLUTCH
11	173-5392	1	SPRING
12	177-5241	1	RING-RETAINING
13	177-5243	1	SEAL AS
14	177-5246	1	RING-SPACER
16	177-5249	2	DISC-THRUST
19	177-5256	1	SPACER
20	177-5257	1	GEAR (50-TEETH)
21	177-5258	1	SPACER (86.3X106X5-MM THK)
23	177-5263	1	SPACER
24	177-5265	1	GEAR (25-TEETH)
25	177-5267	1	CARRIER-SEAL
42	177-6797	1	RING-SEAL
43	177-6801	3	RING-SEAL
45	177-6804	1	PLATE-END
48	191-0427	1	GEAR (40-TEETH)
52	200-3039	1	RING-SEAL
53	203-2631	1	PISTON
55	240-5529	1	SHAFT AS
56	199-9240	1	SEAL-O-RING
57	5H-8985	1	PIN-SPRING
60	7T-5594	1	RING-SEAL
61	8T-2572	1	SEAL-O-RING
62	8T-5436	1	BOLT (M10X1.5X130-MM)

[A] PART OF 152-5242 TRANSMISSION AR

01120033
PR: t05i29k58b0193

MT800 SERIES TRACTORS
POWER TRAIN

232-1774 CLUTCH GP-TRANSMISSION
INTERMEDIATE SHAFT CLUTCH GROUP (2 OF 2)
S/N: 9YY1466-UP



01120035

MT800 SERIESTRACTORS
POWER TRAIN

447

232-1774 CLUTCH GP-TRANSMISSION
INTERMEDIATE SHAFT CLUTCH GROUP (2 OF 2)
S/N: 9YY1466-UP

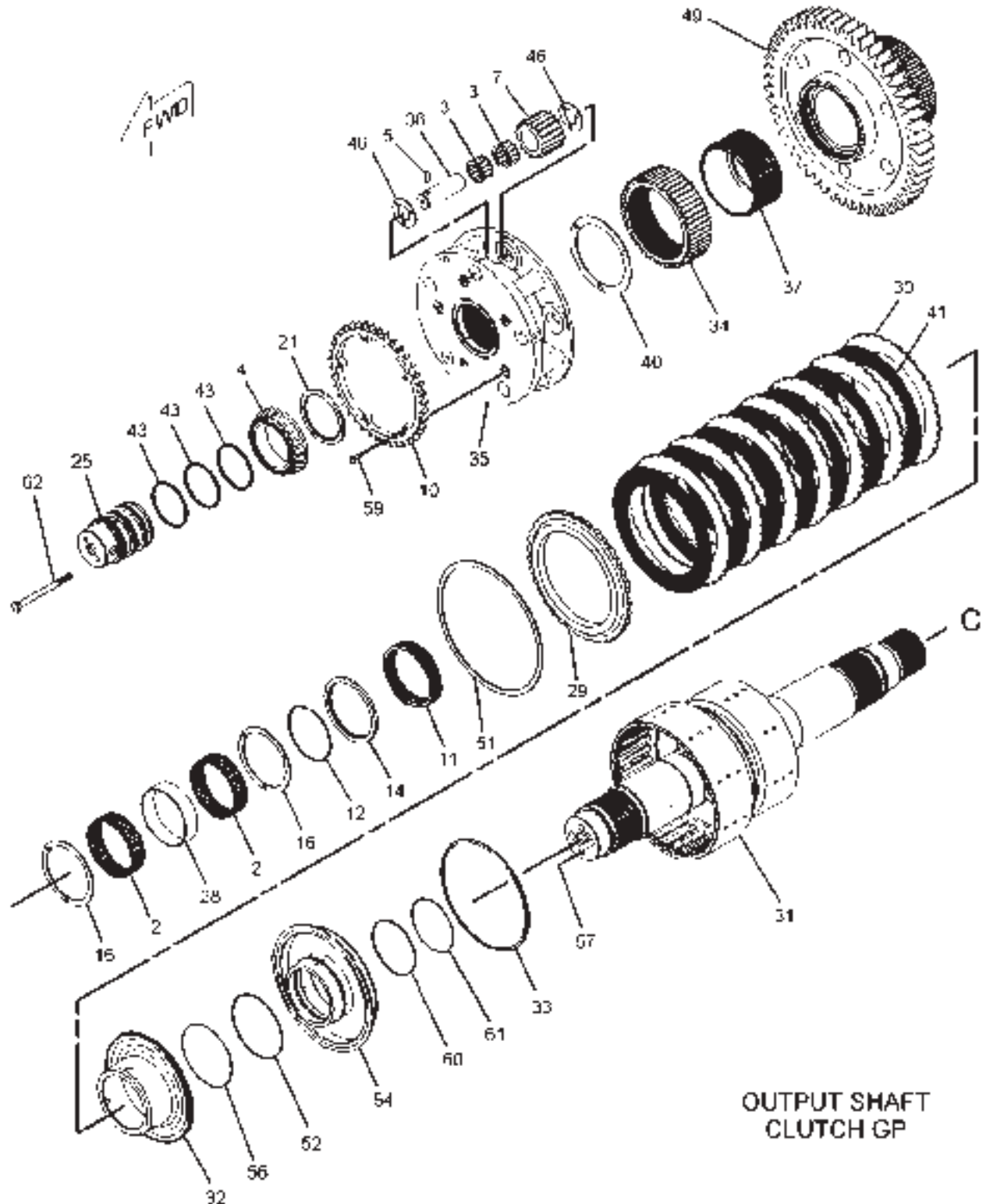
ITEM	NUMBER	QTY	DESCRIPTION
-	232-1774	--	CLUTCH GP-TRANSMISSION [A] (NOT SERVICED)
1	177-5236	2	BEARING
4	6V-0347	1	CONE-BEARING
6	4D-7889	1	RING
8	134-8360	6	DISC-FRICTION
9	134-8361	6	PLATE-CLUTCH
11	173-5392	1	SPRING
12	177-5241	1	RING-RETAINING
13	177-5243	1	SEAL AS
14	177-5246	1	RING-SPACER
16	177-5249	2	DISC-THRUST
21	177-5258	1	SPACER (86.3X106X5-MM THK)
42	177-6797	1	RING-SEAL
44	177-6802	1	SPACER
45	177-6804	1	PLATE-END
47	191-0426	1	GEAR (35-TEETH)
52	200-3039	1	RING-SEAL
53	203-2631	1	PISTON
56	199-9240	1	SEAL-O-RING
60	7T-5594	1	RING-SEAL
61	8T-2572	1	SEAL-O-RING

[A] PART OF 152-5242 TRANSMISSION AR

01120035
PR: t05i29k58b0194

MT800 SERIES TRACTORS
POWER TRAIN

232-1774 CLUTCH GP-TRANSMISSION
OUTPUT SHAFT CLUTCH GROUP (1 OF 2)
S/N: 9YY1466-UP



OUTPUT SHAFT
CLUTCH GP

01120036

**MT800 SERIESTRACTORS
POWER TRAIN**

449

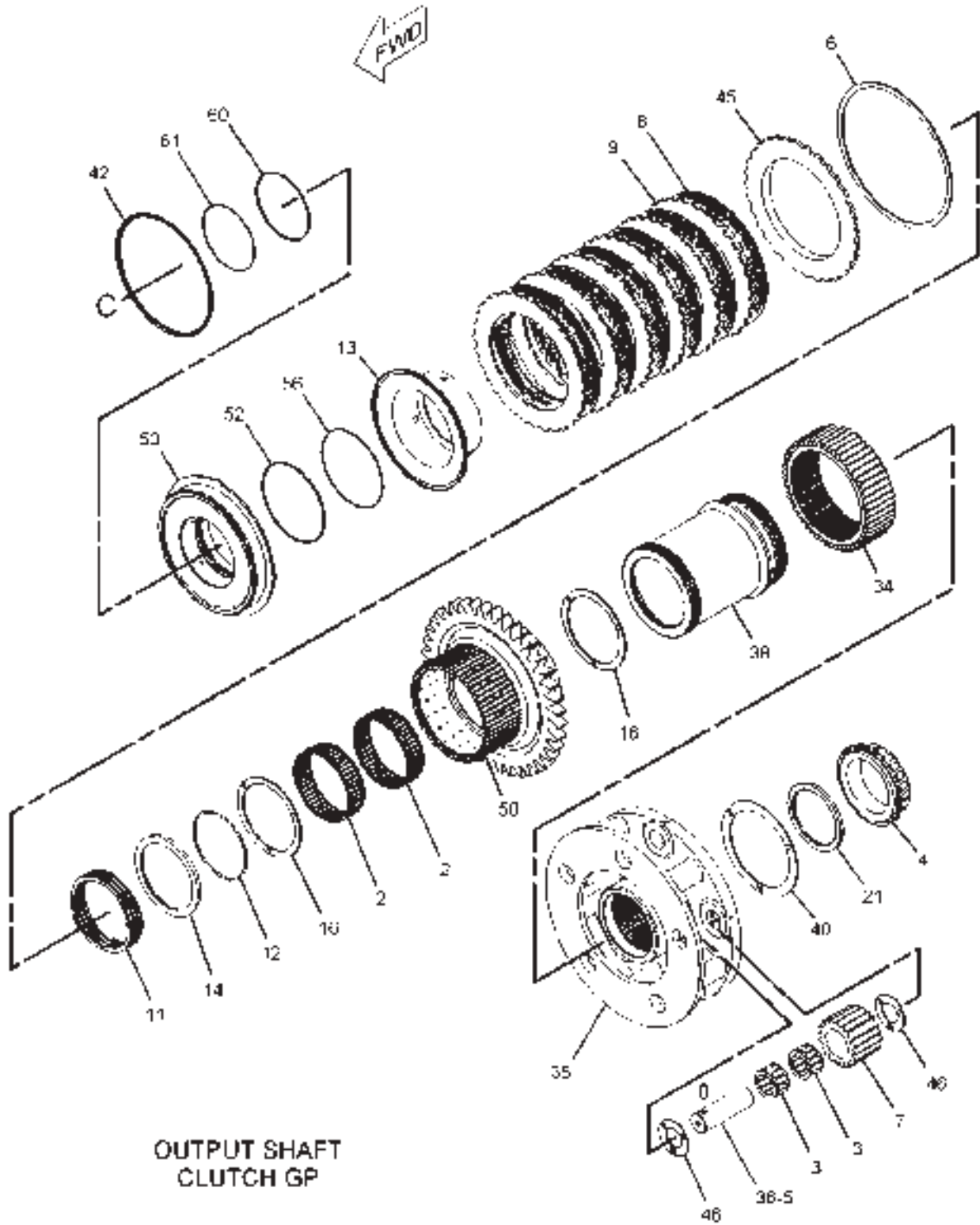
**232-1774 CLUTCH GP-TRANSMISSION
OUTPUT SHAFT CLUTCH GROUP (1 OF 2)
S/N: 9YY1466-UP**

ITEM	NUMBER	QTY	DESCRIPTION
-	232-1774	--	CLUTCH GP-TRANSMISSION [A] (NOT SERVICED)
2	177-6738	2	BEARING
3	187-6226	2	BEARING-SPECIAL
4	6V-0347	1	CONE-BEARING
5	3S-2708	1	PIN-SPRING
7	7G-2510	1	GEAR-PLANETARY (20-TEETH)
10	165-0420	1	ROTOR AS
	3H-0703	2	DOWEL
11	173-5392	1	SPRING
12	177-5241	1	RING-RETAINING
14	177-5246	1	RING-SPACER
16	177-5249	2	DISC-THRUST
21	177-5258	1	SPACER (86.3X106X5-MM THK)
25	177-5267	1	CARRIER-SEAL
28	177-6739	1	SPACER
29	177-6740	1	PLATE-END
30	177-6743	1	PLATE-CLUTCH
31	177-6747	1	SHAFT AS
	9P-2343	1	PLUG-ORIFICE
32	177-6752	1	SEAL AS
33	177-6754	1	RING-SEAL
34	177-6755	1	GEAR-SUN (53-TEETH)
35	177-6757	1	CARRIER-PLANETARY
36	177-6758	1	SHAFT AS
	8S-0527	1	PLUG-CUP
37	177-6760	1	SHAFT-DRIVE (LH)
40	177-6771	1	DISC-THRUST
41	177-6795	1	DISC-FRICTION
43	177-6801	3	RING-SEAL
46	187-8947	2	DISC-THRUST
49	191-0428	1	GEAR (54-TEETH)
51	192-4975	1	RING-RETAINING
52	200-3039	1	RING-SEAL
54	203-2632	1	PISTON
56	199-9240	1	SEAL-O-RING
57	5H-8985	1	PIN-SPRING
59	6V-8490	1	BOLT (M6X1X25-MM)
60	7T-5594	1	RING-SEAL
61	8T-2572	1	SEAL-O-RING
62	8T-5436	1	BOLT (M10X1.5X130-MM)

[A] PART OF 152-5242 TRANSMISSION AR

01120036
PR: t05i29k58b0195

232-1774 CLUTCH GP-TRANSMISSION
OUTPUT SHAFT CLUTCH GROUP (2 OF 2)
S/N: 9YY1466-UP



OUTPUT SHAFT
CLUTCH GP

MT800 SERIESTRACTORS
POWER TRAIN

451

232-1774 CLUTCH GP-TRANSMISSION
OUTPUT SHAFT CLUTCH GROUP (2 OF 2)
S/N: 9YY1466-UP

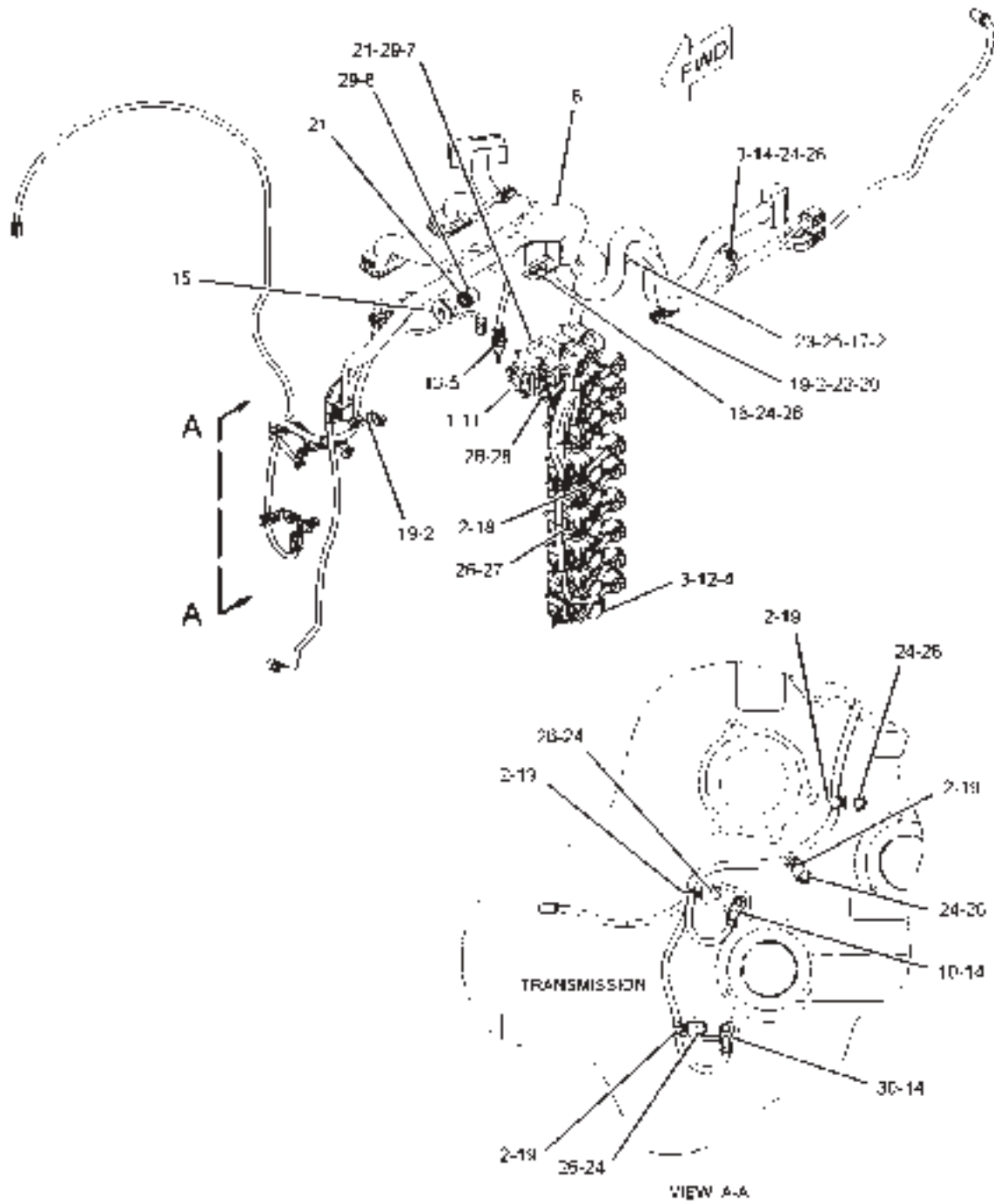
ITEM	NUMBER	QTY	DESCRIPTION
-	232-1774	--	CLUTCH GP-TRANSMISSION [A] (NOT SERVICED)
2	177-6738	2	BEARING
3	187-6226	2	BEARING-SPECIAL
4	6V-0347	1	CONE-BEARING
5	3S-2708	1	PIN-SPRING
6	4D-7889	1	RING
7	7G-2510	1	GEAR-PLANETARY (20-TEETH)
8	134-8360	6	DISC-FRICTION
9	134-8361	6	PLATE-CLUTCH
11	173-5392	1	SPRING
12	177-5241	1	RING-RETAINING
13	177-5243	1	SEAL AS
14	177-5246	1	RING-SPACER
16	177-5249	2	DISC-THRUST
21	177-5258	1	SPACER (86.3X106X5-MM THK)
34	177-6755	1	GEAR-SUN (53-TEETH)
35	177-6757	1	CARRIER-PLANETARY
36	177-6758	1	SHAFT AS
	8S-0527	1	PLUG-CUP
38	177-6769	1	SHAFT-DRIVE (RH)
40	177-6771	1	DISC-THRUST
42	177-6797	1	RING-SEAL
45	177-6804	1	PLATE-END
46	187-8947	2	DISC-THRUST
50	191-0429	1	GEAR (40-TEETH)
52	200-3039	1	RING-SEAL
53	203-2631	1	PISTON
56	199-9240	1	SEAL-O-RING
60	7T-5594	1	RING-SEAL
61	8T-2572	1	SEAL-O-RING

[A] PART OF 152-5242 TRANSMISSION AR

01120038
PR: t05i29k58b0196

MT800 SERIES TRACTORS
POWER TRAIN

155-9580 CONTROL GP-TRANSMISSION HYD
S/N: 9YY1-UP



**MT800 SERIESTRACTORS
POWER TRAIN**

453

**155-9580 CONTROL GP-TRANSMISSION HYD
S/N: 9YY1-UP**

ITEM	NUMBER	QTY	DESCRIPTION
-	155-9580	--	CONTROL GP-TRANSMISSION HYD [A] (NOT SERVICED)
1	2P-1692	1	SEAL-O-RING
2	3S-2093	18	STRAP-CABLE
3	6V-0852	9	CAP-DUST
4	8S-0768	9	SEAL-O-RING
5	130-9811	1	SENSOR GP-TEMPERATURE (HYDRAULIC OIL)
6	228-4278	1	HARNESS AS-TRANSMISSION
7	148-1925	1	VALVE-RELIEF (COOLER BYPASS)
8	165-0390	1	VALVE-RELIEF (TRANSMISSION-LUBE)
9	191-8303	1	SENSOR GP-SPEED (TRANSMISSION-INPUT)
10	191-8304	1	SENSOR GP-SPEED (TRANSMISSION-OUTPUT #1)
11	198-1013	1	VALVE GP-RELIEF (HYDRAULIC CONTROL SYSTEM) (SEE BREAKDOWN FOR COMPONENTS)
12	216-5343	9	VALVE GP-MODULATING (ELEK CLUTCH PRESS CONT) (SEE BREAKDOWN FOR COMPONENTS)
13	112-5282	1	SEAL-O-RING
14	117-1385	3	SEAL-O-RING
15	9S-3902	1	PLUG AS
	9S-8010	1	PLUG
	183-2317	1	SEAL-O-RING
16	211-1170	1	BRACKET AS
	7T-1099	2	LINK
17	4P-7428	1	CLIP
18	4P-7581	11	CLIP
19	4P-8134	6	CLIP
20	6V-5839	1	WASHER (11X21X2.5-MM THK)
21	8C-3428	2	RING-RETAINING
22	8T-4137	1	BOLT (M10X1.5X20-MM)
23	8T-4179	1	BOLT (M12X1.75X20-MM)
24	8T-4200	7	BOLT (M8X1.25X16-MM)
25	8T-4223	1	WASHER-HARD (13.5X25.5X3-MM THK)
26	8T-4224	31	WASHER-HARD (8.8X16X2-MM THK)
27	8T-6869	22	BOLT (M8X1.25X60-MM)
28	8T-6870	2	BOLT (M8X1.25X70-MM)
29	9X-4609	2	SEAL-O-RING
30	191-8304	1	SENSOR GP-SPEED TRANSMISSION-OUTPUT #2

[A] PART OF 152-5242 TRANSMISSION AR

01120531
PR: t05i29k58b0197

**MT800 SERIESTRACTORS
POWER TRAIN**

455

180-4376 DIFFERENTIAL GP-STEERING
S/N: AZG1-906; AZH1-972;
AZJ1-1112; AZK1-968

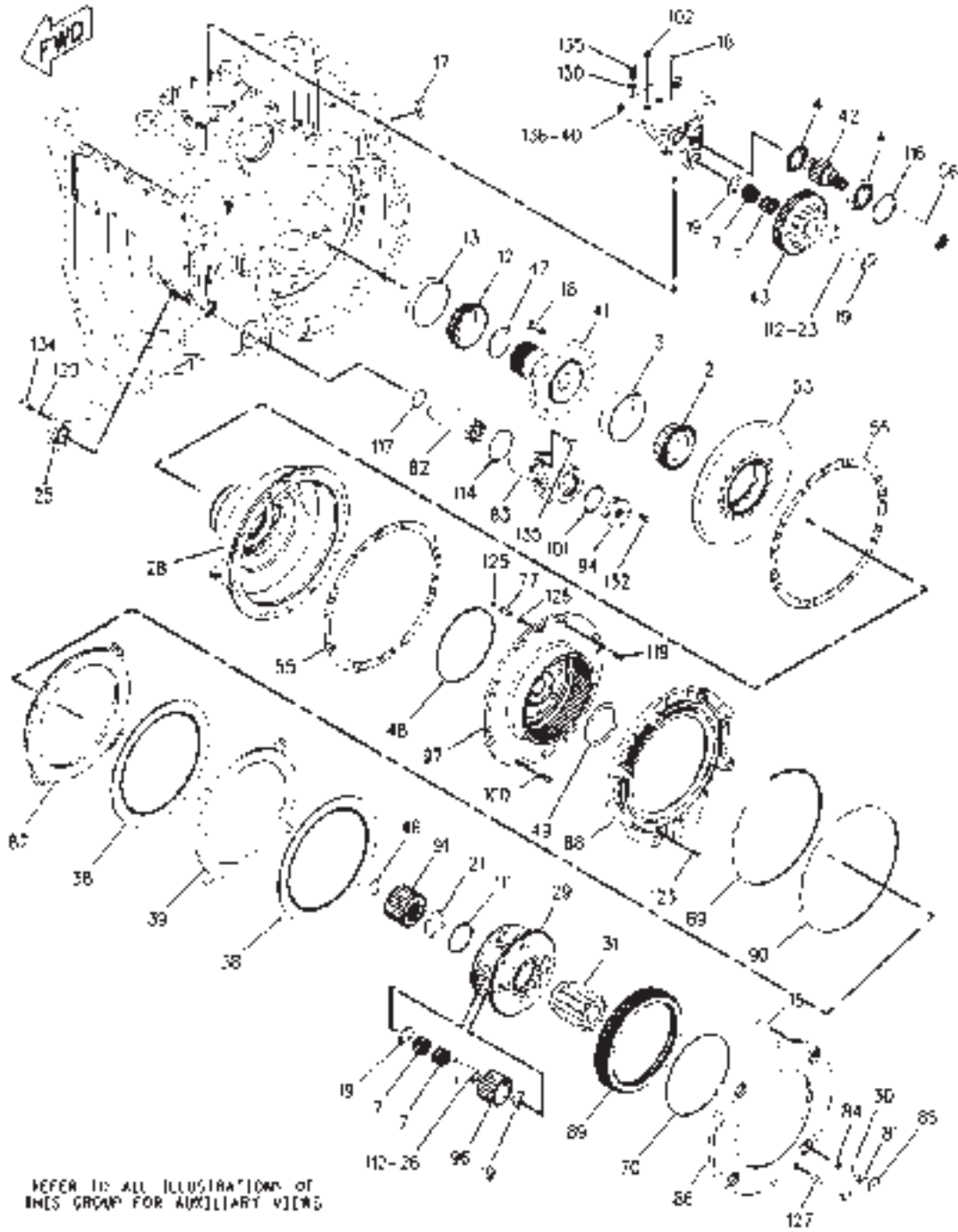
ITEM	NUMBER	QTY	DESCRIPTION
-	180-4376	--	DIFFERENTIAL GP-STEERING [A] (NOT SERVICED)
1	124-9536	1	CONE-BEARING
8	5P-7843	1	CUP-BEARING
9	6F-2956	1	CUP-BEARING
10	6V-0347	1	CONE-BEARING
14	4H-6507	1	LOCKNUT
16	7H-0832	1	SPRING
24	163-0592	1	VALVE GP-CHECK (HYDRAULIC)
	061-7540	1	SEAL-O-RING
54	186-2868	1	PINION-BEVEL (17-TEETH)
57	187-1377	1	COUPLING
58	227-9327	1	PISTON
59	187-3367	1	PLATE-END
60	187-3368	1	PLATE-SPRING
61	187-3369	2	SPRING
62	187-3370	1	DISC-FRICTION
63	187-3371	6	PLATE-CLUTCH
64	187-3372	1	HUB-CLUTCH
65	187-3373	1	TUBE AS
66	187-3374	1	HOUSING AS
66A	2H-1190	2	DOWEL
66B	4B-9782	1	BALL
67	188-0632	1	SEAL-BRAKE
68	188-0633	1	SEAL-BRAKE
71	191-1907	AR	SHIM (0.9MM THK)
72	191-1908	AR	SHIM (0.8MM THK)
73	191-1909	AR	SHIM (0.7MM THK)
74	191-1910	AR	SHIM (0.6MM THK)
75	191-1911	AR	SHIM (0.5MM THK)
76	191-1912	1	PLATE-RETAINER
78	195-3252	1	TUBE AS
79	197-5411	1	FLANGE
80	198-0288	1	RING-RETAINING
93	225-6958	1	HOUSING GP-DIFFERENTIAL (NOT SERVICED) (SEE BREAKDOWN FOR COMPONENTS)
99	005-8593	1	SEAL-O-RING
103	9S-4190	1	PLUG
	2M-9780	1	SEAL-O-RING
106	1F-7567	1	CLIP
107	2H-5549	1	RING-RETAINING
108	2K-1381	1	RING-RETAINING
109	2Y-7489	4	DOWEL
110	3J-1907	3	SEAL-O-RING
115	5H-6005	2	SEAL-O-RING
121	6V-8397	3	SEAL-O-RING
122	6V-8636	1	CONNECTOR
124	6V-8724	2	ELBOW
128	8T-1159	3	BOLT-SOCKET HEAD (M10X1.5X25-MM)
129	8T-4121	1	WASHER-HARD (11X21X2.5-MM THK)
131	8T-4137	1	BOLT (M10X1.5X20-MM)
132	8T-4195	10	BOLT (M10X1.5X30-MM)
133	8T-4910	4	BOLT (M12X1.75X60-MM)

[A] 185-3955, 185-3956,
185-3957, 185-3958 AXLE AR

00897499
PR: t05i29k58b0198

MT800 SERIES TRACTORS
POWER TRAIN

180-4376 DIFFERENTIAL GP-STEERING
(PAGE 1 OF 2)
S/N: AZG1-906; AZH1-972;
AZJ1-1112; AZK1-968



REFER TO ALL ILLUSTRATIONS OF
THIS GROUP FOR AUXILIARY VIEWS

00897500

**MT800 SERIES TRACTORS
POWER TRAIN**

457

180-4376 DIFFERENTIAL GP-STEERING

(PAGE 1 OF 2)

S/N: AZG1-906; AZH1-972;
AZJ1-1112; AZK1-968

ITEM	NUMBER	QTY	DESCRIPTION
-	180-4376	--	DIFFERENTIAL GP-STEERING [A] (NOT SERVICED)
2	132-6597	1	CONE-BEARING
3	132-6598	1	CUP-BEARING
4	1F-2771	2	BALL BEARING
7	5P-6254	10	BEARING
12	8D-2256	1	CONE-BEARING
13	9K-1171	1	CUP-BEARING
15	4K-3892	4	DOWEL
17	7X-7816	1	PLATE-SERIAL NUMBER (TRANSMISSION)
	-----	2	TACK
18	8C-5224	3	PLUG-SEAL
19	8E-8310	9	DISC-THRUST
21	8E-8652	1	DISC-THRUST
23	111-7068	1	SHAFT AS
	2A-3746	1	PLUG-CUP
25	-----	1	TUBE
26	174-9381	4	SHAFT-PLANETARY
28	174-9407	1	SUPPORT
29	174-9410	1	CARRIER-PLANETARY
30	176-1377	4	PIN-SPRING
31	179-9006	1	GEAR-SUN (15-TEETH)
38	180-4502	2	DISC-FRICTION
39	180-4505	1	PLATE
40	180-8428	1	SUPPORT AS
	2A-3746	4	PLUG-CUP
41	183-3411	1	SHAFT-BEVEL GEAR
42	183-3413	1	GEAR (18-TEETH)
43	183-3414	1	GEAR (54-TEETH)
46	184-1693	1	RING-RETAINING
47	184-1694	1	RING-RETAINING
48	184-1695	1	SEAL-RING
49	184-1696	1	DISC-THRUST
53	186-2867	1	GEAR-BEVEL (48-TEETH)
55	186-2869	2	SHIM PACK (INCLUDES 14-SHIMS)
56	235-6166	1	COUPLING
69	188-0635	1	SEAL-BRAKE
70	189-2089	1	RING-LOCK
77	192-5602	2	SLEEVE
81	199-7107	4	SPRING
82	207-5993	1	SCREEN
83	207-7007	1	HOUSING
84	210-8405	4	BUSHING
85	210-8406	4	PLATE-SPRING
86	221-5334	1	PLATE-REACTION
87	211-8280	1	PISTON-BRAKE
88	242-5086	1	HOUSING AS
	126-7260	1	PLUG
89	213-3269	1	HUB-BRAKE

CONTINUED

[A] 185-3955, 185-3956,
185-3957, 185-3958 AXLE AR

00897500
PR: t05i29k58b0199

MT800 SERIESTRACTORS
POWER TRAIN

459

180-4376 DIFFERENTIAL GP-STEERING

(PAGE 2 OF 2)

S/N: AZG1-906; AZH1-972;
AZJ1-1112; AZK1-968

ITEM	NUMBER	QTY	DESCRIPTION
-	180-4376	--	DIFFERENTIAL GP [A] (NOT SERVICED)
90	213-3270	1	SEAL-D-RING
91	213-6190	1	GEAR-SUN (28-TEETH)
94	221-0691	1	COVER
96	222-1904	4	GEAR-PLANETARY (23-TEETH)
97	252-2226	1	GEAR-RING
100	095-0670	3	BOLT (M12X1.75X45-MM)
101	131-3718	1	SEAL-O-RING
102	9S-8005	1	PLUG
	3K-0360	1	SEAL-O-RING
111	3P-3441	1	RING-RETAINING
112	3S-2708	5	PIN-SPRING
114	5F-3144	1	SEAL-O-RING
116	5L-4751	1	RING-RETAINING
117	5M-6509	1	SEAL-O-RING
118	6V-3532	16	BOLT (M20X2.5X60-MM)
119	6V-3668	6	BOLT (M12X1.75X30-MM)
123	6V-8675	1	BOLT (M12X1.75X35-MM)
125	8L-2777	4	SEAL-O-RING
127	8T-0657	9	BOLT (M20X2.5X160-MM)
129	8T-4121	3	WASHER-HARD (11X21X2.5-MM THK)
130	8T-4122	9	WASHER-HARD (17X32X3.5-MM THK)
132	8T-4195	4	BOLT (M10X1.5X30-MM)
134	8T-6466	3	BOLT (M10X1.5X60-MM)
135	8T-7338	11	BOLT (M16X2X45-MM)
136	1U-8846	AR	SEALANT-GASKET

[A] 185-3955, 185-3956,
185-3957, 185-3958 AXLE AR

00897500
PR: t05i29k58b0199

**MT800 SERIESTRACTORS
POWER TRAIN**

461

180-4376 DIFFERENTIAL GP-STEERING
S/N: AZG1-906; AZH1-972;
AZJ1-1112; AZK1-968

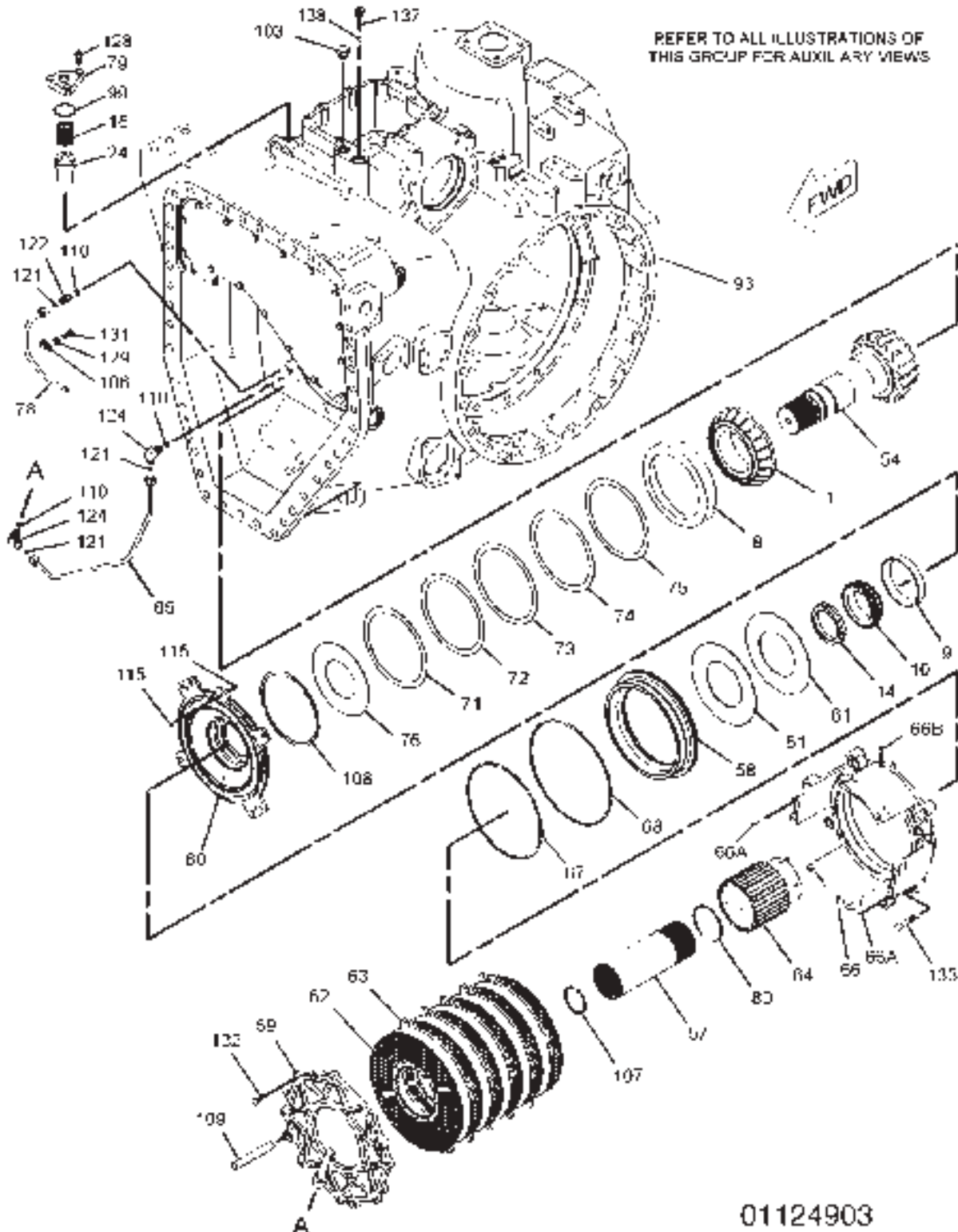
ITEM	NUMBER	QTY	DESCRIPTION
-	180-4376	--	DIFFERENTIAL GP-STEERING [A] (NOT SERVICED)
5	1P-3958	8	ROLLER AS-SPECIAL
6	5M-0578	4	BEARING AS-ROLLER
11	6V-6654	1	BEARING AS-ROLLER
15	4K-3892	4	DOWEL
19	8E-8310	9	DISC-THRUST
20	8E-8316	8	DISC-THRUST
21	8E-8652	1	DISC-THRUST
22	8M-7160	1	MAGNET
27	174-9383	4	SHAFT-PLANETARY
30	176-1377	4	PIN-SPRING
31	179-9006	1	GEAR-SUN (15-TEETH)
32	239-9822	1	GEAR-RING (72-TEETH)
33	180-4379	4	GEAR-PLANETARY (23-TEETH)
34	180-4381	1	GEAR-SUN (28-TEETH)
35	180-4382	1	CARRIER-PLANETARY
36	180-4384	1	GEAR-RING (75-TEETH)
37	180-4387	1	CARRIER-PLANETARY
38	180-4502	2	DISC-FRICTION
39	180-4505	1	PLATE
44	183-3415	1	GEAR (58-TEETH)
45	183-3416	1	SHAFT
46	184-1693	1	RING-RETAINING
48	184-1695	2	SEAL-RING
49	184-1696	1	DISC-THRUST
50	184-1697	1	DISC-THRUST
51	185-4422	1	RING-LOCK
52	185-4423	1	RING-RETAINING
69	188-0635	1	SEAL-BRAKE
70	189-2089	1	RING-LOCK
81	199-7107	4	SPRING
84	210-8405	4	BUSHING
85	210-8406	4	PLATE-SPRING
86	221-5334	1	PLATE-REACTION
87	211-8280	1	PISTON-BRAKE
88	242-5086	1	HOUSING AS
	126-7260	1	PLUG
89	213-3269	1	HUB-BRAKE
90	213-3270	1	SEAL-D-RING
92	213-6191	1	GEAR-SUN (34-TEETH)
95	222-1903	4	GEAR-PLANETARY (27-TEETH)
98	223-0623	4	SHAFT-PLANETARY
104	9S-4181	1	PLUG
	7M-8485	1	SEAL-O-RING
105	9S-6130	1	PLUG
	2S-4078	1	SEAL-O-RING
111	3P-3441	1	RING-RETAINING
112	3S-2708	8	PIN-SPRING
113	4J-5140	2	SEAL-O-RING
120	6V-4442	1	RING-RETAINING
123	6V-8675	1	BOLT (M12X1.75X35-MM)
126	8T-0070	9	BOLT (M20X2.5X120-MM)

[A] 185-3955, 185-3956,
185-3957, 185-3958 AXLE AR

00900264
PR: t05i29k58b0200

MT800 SERIES TRACTORS
POWER TRAIN

180-4376 DIFFERENTIAL GP-STEERING
S/N: AZG907-950; AZH973-983;
AZJ1113-1434; AZK969-979



01124903

MT800 SERIES TRACTORS
POWER TRAIN

463

180-4376 DIFFERENTIAL GP-STEERING
S/N: AZG907-950; AZH973-983;
AZJ1113-1434; AZK969-979

ITEM	NUMBER	QTY	DESCRIPTION
-	180-4376	--	DIFFERENTIAL GP-STEERING [A] (NOT SERVICED)
1	124-9536	1	CONE-BEARING
8	5P-7843	1	CUP-BEARING
9	6F-2956	1	CUP-BEARING
10	6V-0347	1	CONE-BEARING
14	4H-6507	1	LOCKNUT
16	7H-0832	1	SPRING
24	163-0592	1	VALVE GP-CHECK (HYDRAULIC)
	061-7540	1	SEAL-O-RING
54	186-2868	1	PINION-BEVEL (17-TEETH)
57	187-1377	1	COUPLING
58	227-9327	1	PISTON
59	187-3367	1	PLATE-END
60	187-3368	1	PLATE-SPRING
61	187-3369	2	SPRING
62	187-3370	6	DISC-FRICTION
63	187-3371	6	PLATE-CLUTCH
64	187-3372	1	HUB-CLUTCH
65	187-3373	1	TUBE AS
66	187-3374	1	HOUSING AS
66A	2H-1190	2	DOWEL
66B	4B-9782	1	BALL
67	188-0632	1	SEAL-BRAKE
68	188-0633	1	SEAL-BRAKE
71	191-1907	AR	SHIM (0.9MM THK)
72	191-1908	AR	SHIM (0.8MM THK)
73	191-1909	AR	SHIM (0.7MM THK)
74	191-1910	AR	SHIM (0.6MM THK)
75	191-1911	AR	SHIM (0.5MM THK)
76	191-1912	1	PLATE-RETAINER
78	195-3252	1	TUBE AS
79	197-5411	1	FLANGE
80	198-0288	1	RING-RETAINING

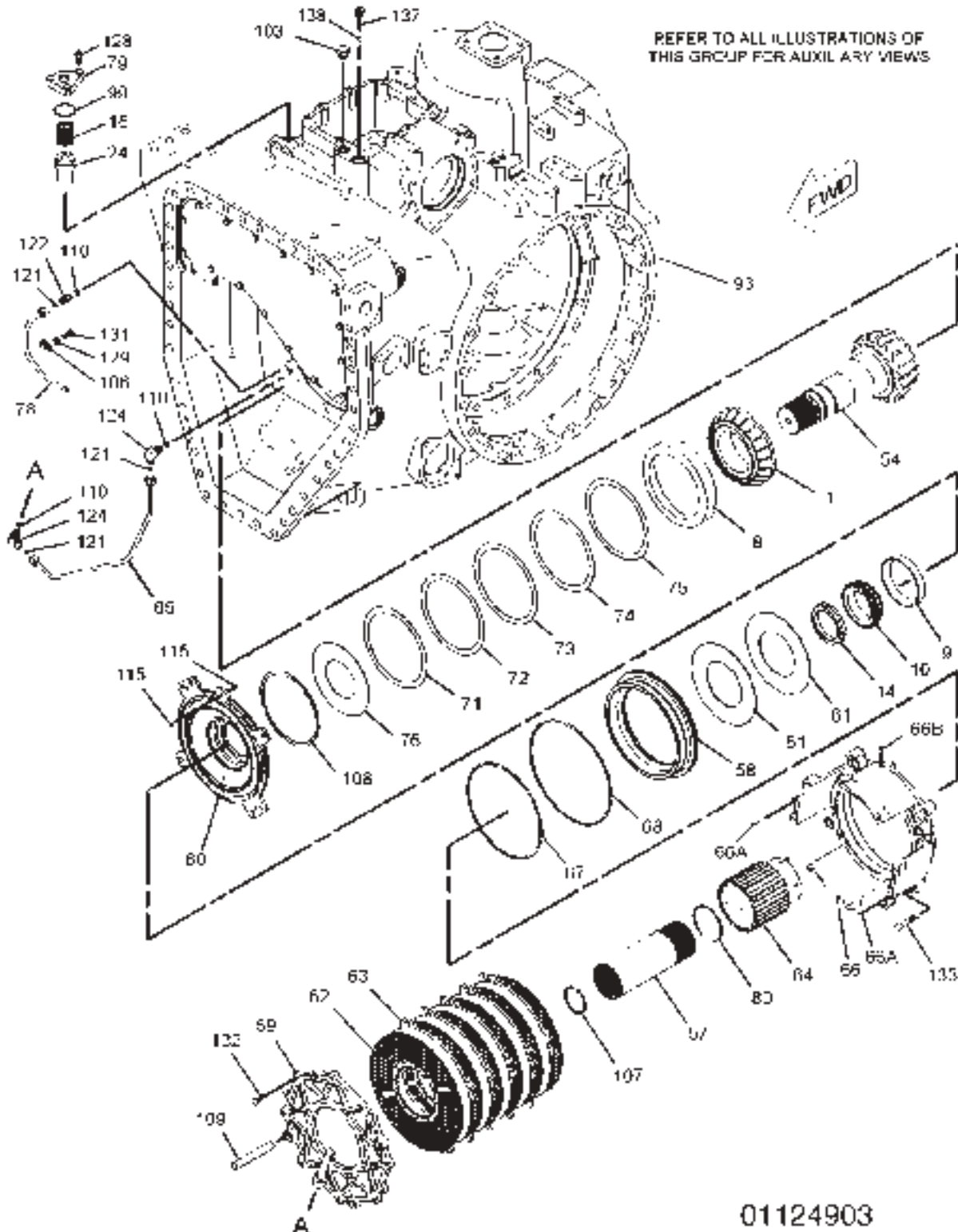
CONTINUED

[A] 185-3955, 185-3956,
185-3957, 185-3958 AXLE AR
[C] CHANGE FROM PREVIOUS TYPE

01124903
PR: t05i29k58b0201

MT800 SERIES TRACTORS POWER TRAIN

180-4376 DIFFERENTIAL GP-STEERING
S/N: AZG907-950; AZH973-983;
AZJ1113-1434; AZK969-979



MT800 SERIESTRACTORS
POWER TRAIN

465

180-4376 DIFFERENTIAL GP-STEERING
S/N: AZG907-950; AZH973-983;
AZJ1113-1434; AZK969-979

ITEM	NUMBER	QTY	DESCRIPTION
-	180-4376	--	DIFFERENTIAL GP-STEERING [A] (NOT SERVICED)
93	225-6958	1	HOUSING GP-DIFFERENTIAL [C] (NOT SERVICED) (SEE BREAKDOWN FOR COMPONENTS)
99	005-8593	1	SEAL-O-RING
103	9S-4190	1	PLUG
106	1F-7567	1	CLIP
107	2H-5549	1	RING-RETAINING
108	2K-1381	1	RING-RETAINING
109	2Y-7489	4	DOWEL
110	3J-1907	3	SEAL-O-RING
115	5H-6005	2	SEAL-O-RING
121	6V-8397	3	SEAL-O-RING
122	6V-8636	1	CONNECTOR
124	6V-8724	2	ELBOW
128	8T-1159	3	BOLT-SOCKET HEAD (M10X1.5X25-MM)
129	8T-4121	1	WASHER-HARD (11X21X2.5-MM THK)
131	8T-4137	1	BOLT (M10X1.5X20-MM)
132	8T-4195	10	BOLT (M10X1.5X30-MM)
133	8T-4910	4	BOLT (M12X1.75X60-MM)
137	223-1637	1	PLUG AS
138	4B-9783	1	BALL

[A] 185-3955, 185-3956,
185-3957, 185-3958 AXLE AR
[C] CHANGE FROM PREVIOUS TYPE

01124903
PR: t05i29k58b0201

**MT800 SERIESTRACTORS
POWER TRAIN**

467

180-4376 DIFFERENTIAL GP-STEERING
S/N: AZG907-950; AZH973-983;
AZJ1113-1434; AZK969-979

ITEM	NUMBER	QTY	DESCRIPTION
-	180-4376	--	DIFFERENTIAL GP-STEERING [A] (NOT SERVICED)
2	132-6597	1	CONE-BEARING
3	132-6598	1	CUP-BEARING
4	1F-2771	2	BALL BEARING
7	5P-6254	10	BEARING
12	8D-2256	1	CONE-BEARING
13	9K-1171	1	CUP-BEARING
15	4K-3892	4	DOWEL
17	7X-7816	1	PLATE-SERIAL NUMBER (TRANSMISSION)
	-----	2	TACK
18	8C-5224	3	PLUG-SEAL
19	8E-8310	9	DISC-THRUST
21	8E-8652	1	DISC-THRUST
23	111-7068	1	SHAFT AS
	2A-3746	1	PLUG-CUP
25	-----	1	TUBE
26	174-9381	4	SHAFT-PLANETARY
28	174-9407	1	SUPPORT
29	174-9410	1	CARRIER-PLANETARY
30	176-1377	4	PIN-SPRING
31	179-9006	1	GEAR-SUN (15-TEETH)
38	180-4502	2	DISC-FRICTION
39	180-4505	1	PLATE
40	180-8428	1	SUPPORT AS
	2A-3746	4	PLUG-CUP
41	183-3411	1	SHAFT-BEVEL GEAR
42	183-3413	1	GEAR (18-TEETH)
43	183-3414	1	GEAR (54-TEETH)
46	184-1693	1	RING-RETAINING
47	184-1694	1	RING-RETAINING
48	184-1695	1	SEAL-RING
49	184-1696	1	DISC-THRUST
53	186-2867	1	GEAR-BEVEL (48-TEETH)
55	186-2869	2	SHIM PACK (INCLUDES 14-SHIMS)
56	235-6166	1	COUPLING
69	188-0635	1	SEAL-BRAKE
70	189-2089	1	RING-LOCK
77	192-5602	2	SLEEVE
81	199-7107	4	SPRING
82	207-5993	1	SCREEN
83	207-7007	1	HOUSING
84	210-8405	4	BUSHING
85	210-8406	4	PLATE-SPRING
86	221-5334	1	PLATE-REACTION
87	211-8280	1	PISTON-BRAKE
88	242-5086	1	HOUSING AS
	126-7260	1	PLUG
89	213-3269	1	HUB-BRAKE

CONTINUED

[A] 185-3955, 185-3956,
185-3957, 185-3958 AXLE AR

00897500
PR: t05i29k58b0202

**MT800 SERIESTRACTORS
POWER TRAIN**

469

180-4376 DIFFERENTIAL GP-STEERING
S/N: AZG907-950; AZH973-983;
AZJ1113-1434; AZK969-979

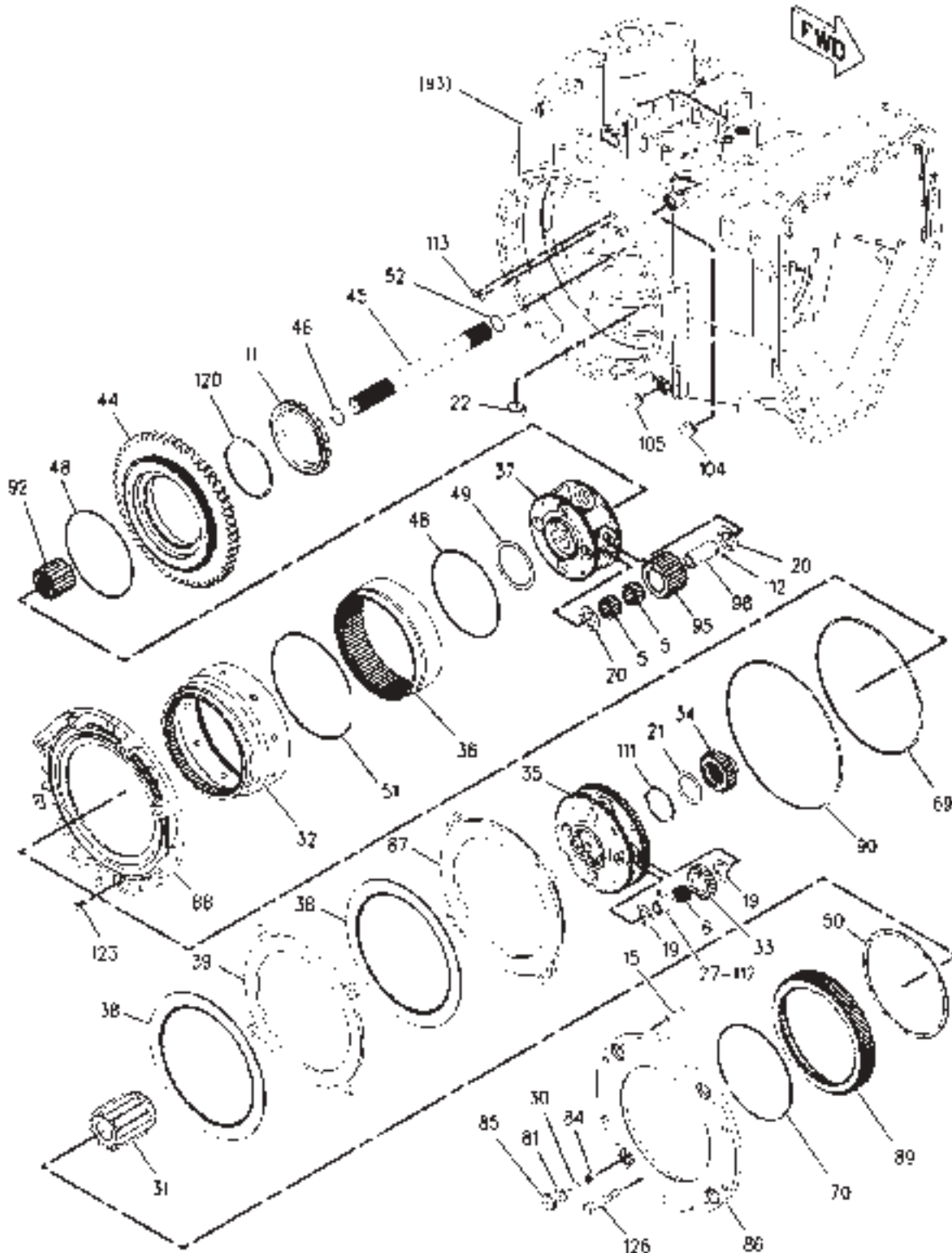
ITEM	NUMBER	QTY	DESCRIPTION
-	180-4376	--	DIFFERENTIAL GP [A] (NOT SERVICED)
90	213-3270	1	SEAL-D-RING
91	213-6190	1	GEAR-SUN (28-TEETH)
94	221-0691	1	COVER
96	222-1904	4	GEAR-PLANETARY (23-TEETH)
97	252-2226	1	GEAR-RING
100	095-0670	3	BOLT (M12X1.75X45-MM)
101	131-3718	1	SEAL-O-RING
102	9S-8005	1	PLUG
	3K-0360	1	SEAL-O-RING
111	3P-3441	1	RING-RETAINING
112	3S-2708	5	PIN-SPRING
114	5F-3144	1	SEAL-O-RING
116	5L-4751	1	RING-RETAINING
117	5M-6509	1	SEAL-O-RING
118	6V-3532	16	BOLT (M20X2.5X60-MM)
119	6V-3668	6	BOLT (M12X1.75X30-MM)
123	6V-8675	1	BOLT (M12X1.75X35-MM)
125	8L-2777	4	SEAL-O-RING
127	8T-0657	9	BOLT (M20X2.5X160-MM)
129	8T-4121	3	WASHER-HARD (11X21X2.5-MM THK)
130	8T-4122	9	WASHER-HARD (17X32X3.5-MM THK)
132	8T-4195	4	BOLT (M10X1.5X30-MM)
134	8T-6466	3	BOLT (M10X1.5X60-MM)
135	8T-7338	11	BOLT (M16X2X45-MM)
136	1U-8846	AR	SEALANT-GASKET

[A] 185-3955, 185-3956,
185-3957, 185-3958 AXLE AR

00897500
PR: t05i29k58b0202

MT800 SERIES TRACTORS
POWER TRAIN

180-4376 DIFFERENTIAL GP-STEERING
S/N: AZG907-950; AZH973-983;
AZJ1113-1434; AZK969-979



00900264

**MT800 SERIES TRACTORS
POWER TRAIN**

471

180-4376 DIFFERENTIAL GP-STEERING
S/N: AZG907-950; AZH973-983;
AZJ1113-1434; AZK969-979

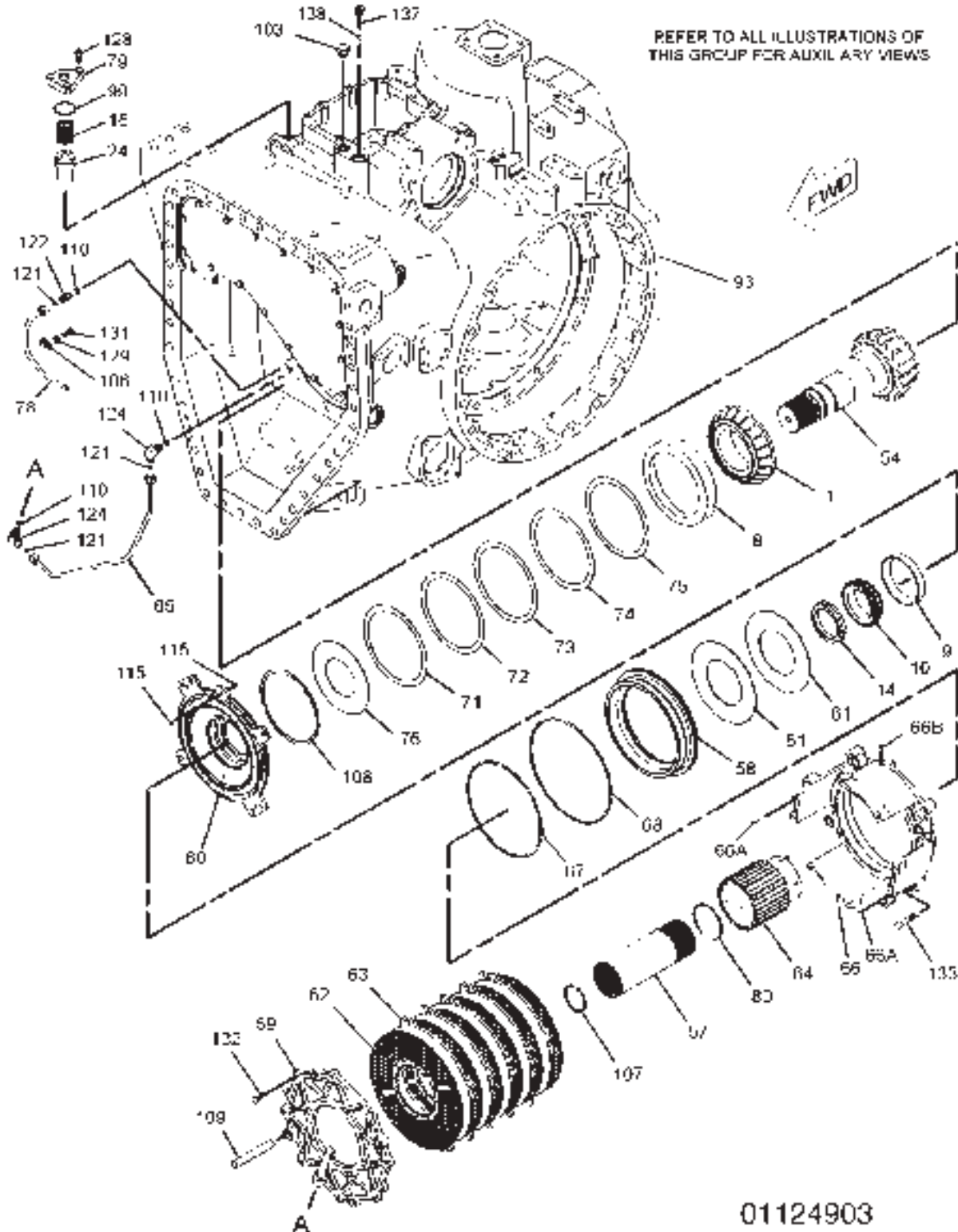
ITEM	NUMBER	QTY	DESCRIPTION
-	180-4376	--	DIFFERENTIAL GP-STEERING [A] (NOT SERVICED)
5	1P-3958	8	ROLLER AS-SPECIAL
6	5M-0578	4	BEARING AS-ROLLER
11	6V-6654	1	BEARING AS-ROLLER
15	4K-3892	4	DOWEL
19	8E-8310	8	DISC-THRUST
20	8E-8316	8	DISC-THRUST
21	8E-8652	1	DISC-THRUST
22	8M-7160	1	MAGNET
27	174-9383	4	SHAFT-PLANETARY
30	176-1377	4	PIN-SPRING
31	179-9006	1	GEAR-SUN (15-TEETH)
32	239-9822	1	GEAR-RING (72-TEETH)
33	180-4379	4	GEAR-PLANETARY (23-TEETH)
34	180-4381	1	GEAR-SUN (28-TEETH)
35	180-4382	1	CARRIER-PLANETARY
36	180-4384	1	GEAR-RING (75-TEETH)
37	180-4387	1	CARRIER-PLANETARY
38	180-4502	2	DISC-FRICTION
39	180-4505	1	PLATE
44	183-3415	1	GEAR (58-TEETH)
45	183-3416	1	SHAFT
46	184-1693	1	RING-RETAINING
48	184-1695	2	SEAL-RING
49	184-1696	1	DISC-THRUST
50	184-1697	1	DISC-THRUST
51	185-4422	1	RING-LOCK
52	185-4423	1	RING-RETAINING
69	188-0635	1	SEAL-BRAKE
70	189-2089	1	RING-LOCK
81	199-7107	4	SPRING
84	210-8405	4	BUSHING
85	210-8406	4	PLATE-SPRING
86	221-5334	1	PLATE-REACTION
87	211-8280	1	PISTON-BRAKE
88	242-5086	1	HOUSING AS PLUG
89	213-3269	1	HUB-BRAKE
90	213-3270	1	SEAL-D-RING
92	213-6191	1	GEAR-SUN (34-TEETH)
95	222-1903	4	GEAR-PLANETARY (27-TEETH)
98	223-0623	4	SHAFT-PLANETARY
104	9S-4181	1	PLUG
	7M-8485	1	SEAL-O-RING
105	9S-6130	1	PLUG
	2S-4078	1	SEAL-O-RING
111	3P-3441	1	RING-RETAINING
112	3S-2708	8	PIN-SPRING
113	4J-5140	2	SEAL-O-RING
120	6V-4442	1	RING-RETAINING
123	6V-8675	1	BOLT (M12X1.75X35-MM)
126	8T-0070	9	BOLT (M20X2.5X120-MM)

[A] 185-3955, 185-3956,
185-3957, 185-3958 AXLE AR

00900264
PR: t05i29k58b0203

MT800 SERIES TRACTORS
POWER TRAIN

180-4376 DIFFERENTIAL GP-STEERING
S/N: AZG951-1012; AZH984-1004;
AZJ1435-1896; AZK980-1002



01124903

MT800 SERIES TRACTORS
POWER TRAIN

473

180-4376 DIFFERENTIAL GP-STEERING
S/N: AZG951-1012; AZH984-1004;
AZJ1435-1896; AZK980-1002

ITEM	NUMBER	QTY	DESCRIPTION
-	180-4376	--	DIFFERENTIAL GP-STEERING [A] (NOT SERVICED)
1	124-9536	1	CONE-BEARING
8	5P-7843	1	CUP-BEARING
9	6F-2956	1	CUP-BEARING
10	6V-0347	1	CONE-BEARING
14	4H-6507	1	LOCKNUT
16	7H-0832	1	SPRING
24	163-0592	1	VALVE GP-CHECK (HYDRAULIC)
	061-7540	1	SEAL-O-RING
54	186-2868	1	PINION-BEVEL (17-TEETH)
57	187-1377	1	COUPLING
58	227-9327	1	PISTON
59	187-3367	1	PLATE-END
60	187-3368	1	PLATE-SPRING
61	187-3369	2	SPRING
62	187-3370	6	DISC-FRICTION
63	187-3371	6	PLATE-CLUTCH
64	187-3372	1	HUB-CLUTCH
65	187-3373	1	TUBE AS
66	187-3374	1	HOUSING AS
66A	2H-1190	2	DOWEL
66B	4B-9782	1	BALL
67	188-0632	1	SEAL-BRAKE
68	188-0633	1	SEAL-BRAKE
71	191-1907	AR	SHIM (0.9MM THK)
72	191-1908	AR	SHIM (0.8MM THK)
73	191-1909	AR	SHIM (0.7MM THK)
74	191-1910	AR	SHIM (0.6MM THK)
75	191-1911	AR	SHIM (0.5MM THK)
76	191-1912	1	PLATE-RETAINER
78	195-3252	1	TUBE AS
79	197-5411	1	FLANGE
80	198-0288	1	RING-RETAINING
93	242-0962	1	HOUSING GP-DIFFERENTIAL [C] (SEE BREAKDOWN FOR COMPONENTS)
99	005-8593	1	SEAL-O-RING

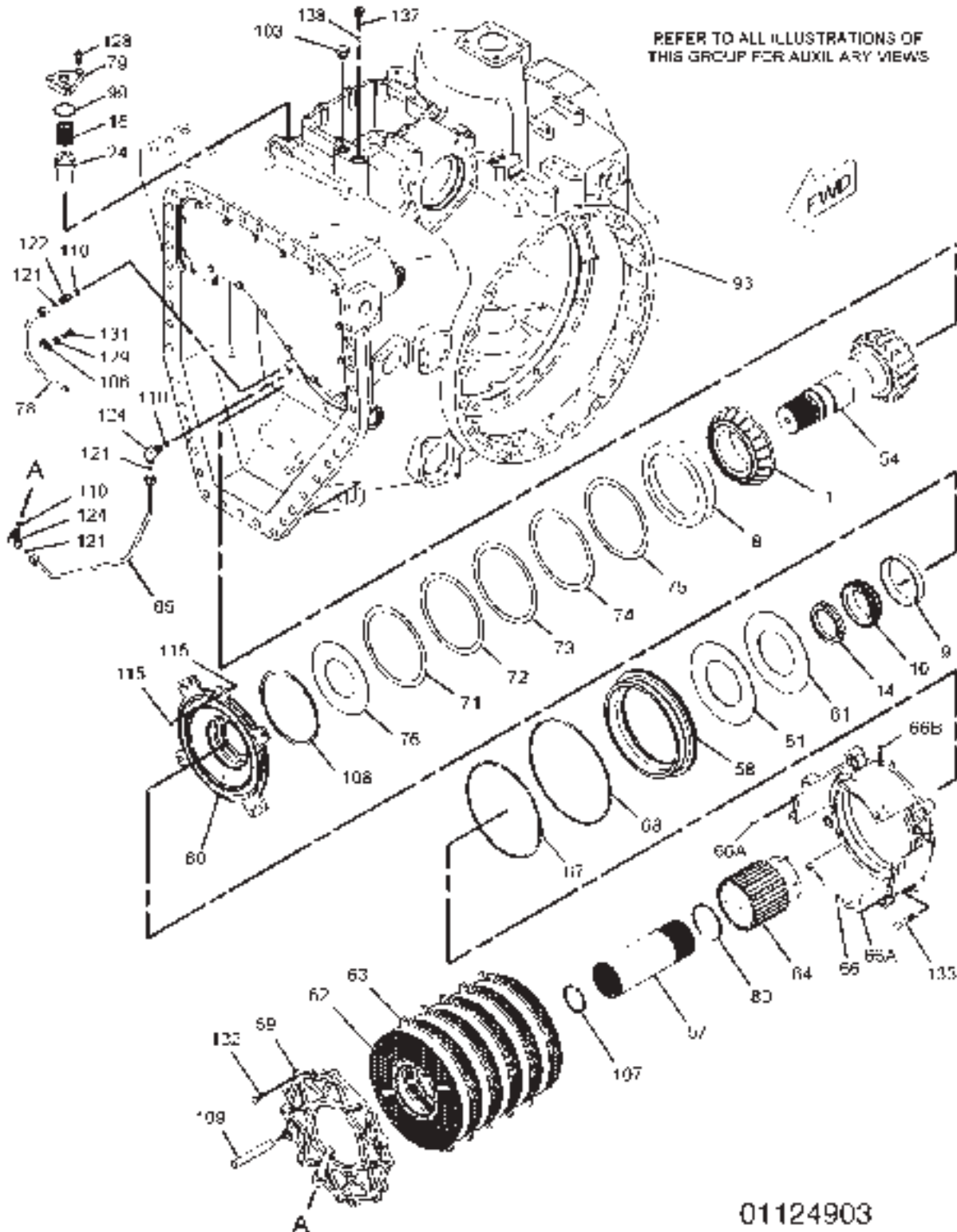
CONTINUED

[A] 185-3955, 185-3956,
185-3957, 185-3958 AXLE AR
[C] CHANGE FROM PREVIOUS TYPE

01124903
PR: t05i29k58b0204

MT800 SERIES TRACTORS
POWER TRAIN

180-4376 DIFFERENTIAL GP-STEERING
S/N: AZG951-1012; AZH984-1004;
AZJ1435-1896; AZK980-1002



01124903

MT800 SERIESTRACTORS
POWER TRAIN

475

180-4376 DIFFERENTIAL GP-STEERING
S/N: AZG951-1012; AZH984-1004;
AZJ1435-1896; AZK980-1002

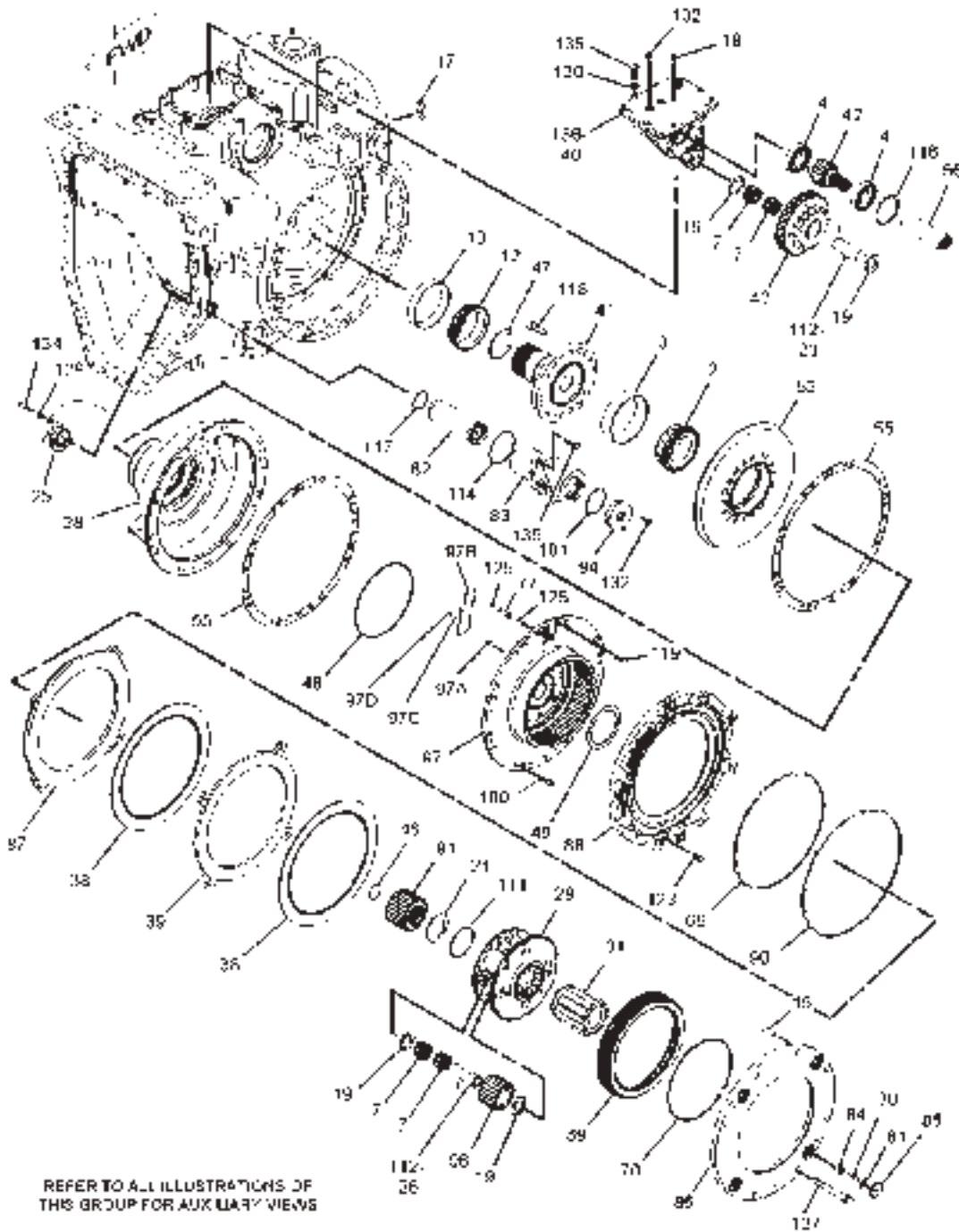
ITEM	NUMBER	QTY	DESCRIPTION
-	180-4376	--	DIFFERENTIAL GP-STEERING [A] (NOT SERVICED)
103	9S-4190	1	PLUG
	2M-9780	1	SEAL-O-RING
106	1F-7567	1	CLIP
107	2H-5549	1	RING-RETAINING
108	2K-1381	1	RING-RETAINING
109	2Y-7489	4	DOWEL
110	3J-1907	3	SEAL-O-RING
115	5H-6005	2	SEAL-O-RING
121	6V-8397	3	SEAL-O-RING
122	6V-8636	1	CONNECTOR
124	6V-8724	2	ELBOW
128	8T-1159	3	BOLT-SOCKET HEAD (M10X1.5X25-MM)
129	8T-4121	1	WASHER-HARD (11X21X2.5-MM THK)
131	8T-4137	1	BOLT (M10X1.5X20-MM)
132	8T-4195	10	BOLT (M10X1.5X30-MM)
133	8T-4910	4	BOLT (M12X1.75X60-MM)
137	223-1637	1	PLUG AS
138	4B-9783	1	BALL

[A] 185-3955, 185-3956,
185-3957, 185-3958 AXLE AR

01124903
PR: t05i29k58b0204

MT800 SERIES TRACTORS
POWER TRAIN

180-4376 DIFFERENTIAL GP-STEERING
S/N: AZG951-1012; AZH984-1004;
AZJ1435-1896; AZK980-1002



REFER TO ALL ILLUSTRATIONS OF
THIS GROUP FOR AUXILIARY VIEWS

**MT800 SERIESTRACTORS
POWER TRAIN**

477

180-4376 DIFFERENTIAL GP-STEERING
S/N: AZG951-1012; AZH984-1004;
AZJ1435-1896; AZK980-1002

ITEM	NUMBER	QTY	DESCRIPTION
-	180-4376	--	DIFFERENTIAL GP-STEERING [A] (NOT SERVICED)
2	132-6597	1	CONE-BEARING
3	132-6598	1	CUP-BEARING
4	1F-2771	2	BALL BEARING
7	5P-6254	10	BEARING
12	8D-2256	1	CONE-BEARING
13	9K-1171	1	CUP-BEARING
15	4K-3892	4	DOWEL
17	7X-7816	1	PLATE-SERIAL NUMBER (TRANSMISSION)
	-----	2	TACK
18	8C-5224	3	PLUG-SEAL
19	8E-8310	10	DISC-THRUST
21	8E-8652	1	DISC-THRUST
23	111-7068	1	SHAFT AS
	2A-3746	1	PLUG-CUP
25	-----	1	TUBE
26	174-9381	4	SHAFT-PLANETARY
28	174-9407	1	SUPPORT
29	174-9410	1	CARRIER-PLANETARY
30	176-1377	4	PIN-SPRING
31	179-9006	1	GEAR-SUN (15-TEETH)
38	180-4502	2	DISC-FRICTION
39	180-4505	1	PLATE
40	180-8428	1	SUPPORT AS
	2A-3746	4	PLUG-CUP
41	183-3411	1	SHAFT-BEVEL GEAR
42	183-3413	1	GEAR (18-TEETH)
43	183-3414	1	GEAR (54-TEETH)
46	184-1693	1	RING-RETAINING
47	184-1694	1	RING-RETAINING
48	184-1695	1	SEAL-RING
49	184-1696	1	DISC-THRUST
53	186-2867	1	GEAR-BEVEL (48-TEETH)
55	186-2869	2	SHIM PACK (INCLUDES 14-SHIMS)
56	235-6166	1	COUPLING
69	188-0635	1	SEAL-BRAKE
70	189-2089	1	RING-LOCK
77	192-5602	2	SLEEVE
81	199-7107	4	SPRING
82	207-5993	1	SCREEN
83	207-7007	1	HOUSING
84	210-8405	4	BUSHING
85	210-8406	4	PLATE-SPRING
86	221-5334	1	PLATE-REACTION
87	211-8280	1	PISTON-BRAKE
88	242-5086	2	HOUSING AS
	126-7260	2	PLUG
89	213-3269	2	HUB-BRAKE

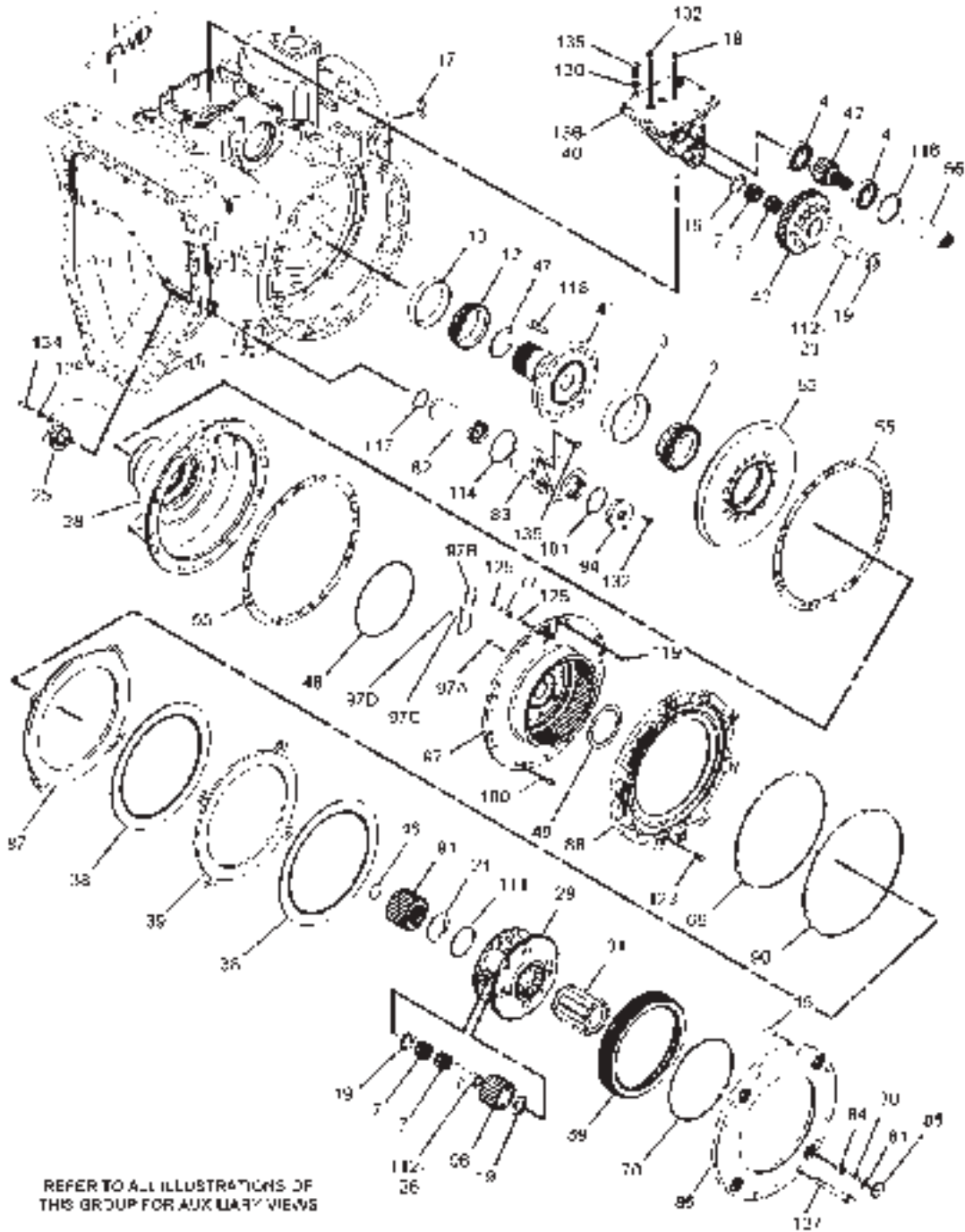
CONTINUED

[A] 185-3955, 185-3956,
185-3957, 185-3958 AXLE AR

01125249
PR: t05i29k58b0205

MT800 SERIES TRACTORS
POWER TRAIN

180-4376 DIFFERENTIAL GP-STEERING
S/N: AZG951-1012; AZH984-1004;
AZJ1435-1896; AZK980-1002



**MT800 SERIESTRACTORS
POWER TRAIN**

479

180-4376 DIFFERENTIAL GP-STEERING
S/N: AZG951-1012; AZH984-1004;
AZJ1435-1896; AZK980-1002

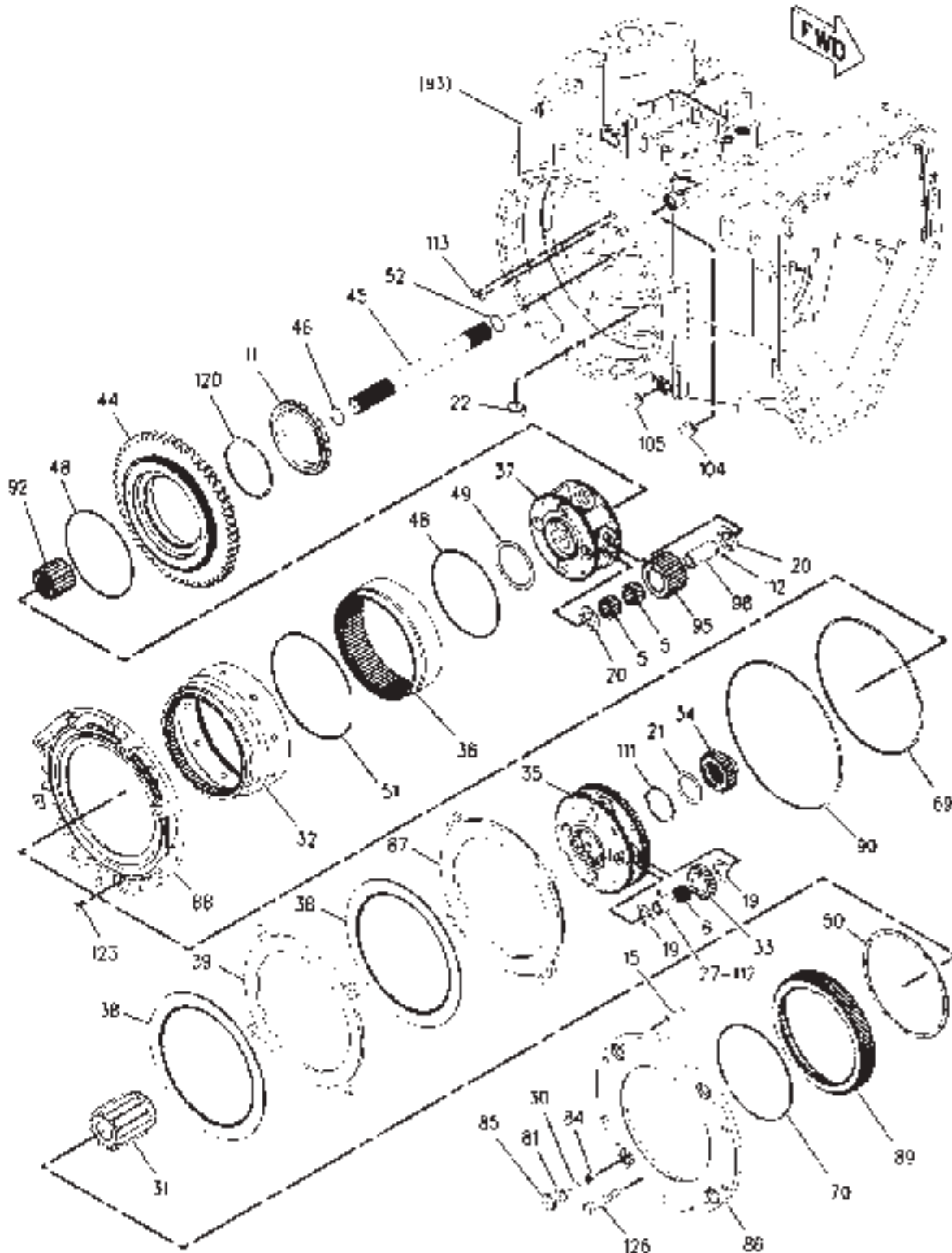
ITEM	NUMBER	QTY	DESCRIPTION
-	180-4376	--	DIFFERENTIAL GP [A] (NOT SERVICED)
90	213-3270	1	SEAL-D-RING
91	213-6190	1	GEAR-SUN (28-TEETH)
94	221-0691	1	COVER
96	222-1904	4	GEAR-PLANETARY (23-TEETH)
97	252-2227	1	GEAR AS-RING
97A	4N-0952	1	PLUG-CUP
97B	244-3699	1	PLATE
97C	096-6166	6	WASHER-HARD (4.5X9X1-MM THK)
97D	8T-0285	6	SCREW-MACHINE (M4X0.7X12-MM)
100	095-0670	3	BOLT (M12X1.75X45-MM)
101	131-3718	1	SEAL-O-RING
102	9S-8005	1	PLUG
	3K-0360	1	SEAL-O-RING
111	3P-3441	1	RING-RETAINING
112	3S-2708	5	PIN-SPRING
114	5F-3144	1	SEAL-O-RING
116	5L-4751	1	RING-RETAINING
117	5M-6509	1	SEAL-O-RING
118	6V-3532	16	BOLT (M20X2.5X60-MM)
119	6V-3668	6	BOLT (M12X1.75X30-MM)
123	6V-8675	1	BOLT (M12X1.75X35-MM)
125	8L-2777	4	SEAL-O-RING
127	8T-0657	9	BOLT (M20X2.5X160-MM)
129	8T-4121	3	WASHER-HARD (11X21X2.5-MM THK)
130	8T-4122	9	WASHER-HARD (17X32X3.5-MM THK)
132	8T-4195	4	BOLT (M10X1.5X30-MM)
134	8T-6466	3	BOLT (M10X1.5X60-MM)
135	8T-7338	11	BOLT (M16X2X45-MM)
136	1U-8846	AR	SEALANT-GASKET

[A] 185-3955, 185-3956,
185-3957, 185-3958 AXLE AR

01125249
PR: t05i29k58b0205

MT800 SERIES TRACTORS
POWER TRAIN

180-4376 DIFFERENTIAL GP-STEERING
S/N: AZG951-1012; AZH984-1004;
AZJ1435-1896; AZK980-1002



00900264

**MT800 SERIESTRACTORS
POWER TRAIN**

481

180-4376 DIFFERENTIAL GP-STEERING
S/N: AZG951-1012; AZH984-1004;
AZJ1435-1896; AZK980-1002

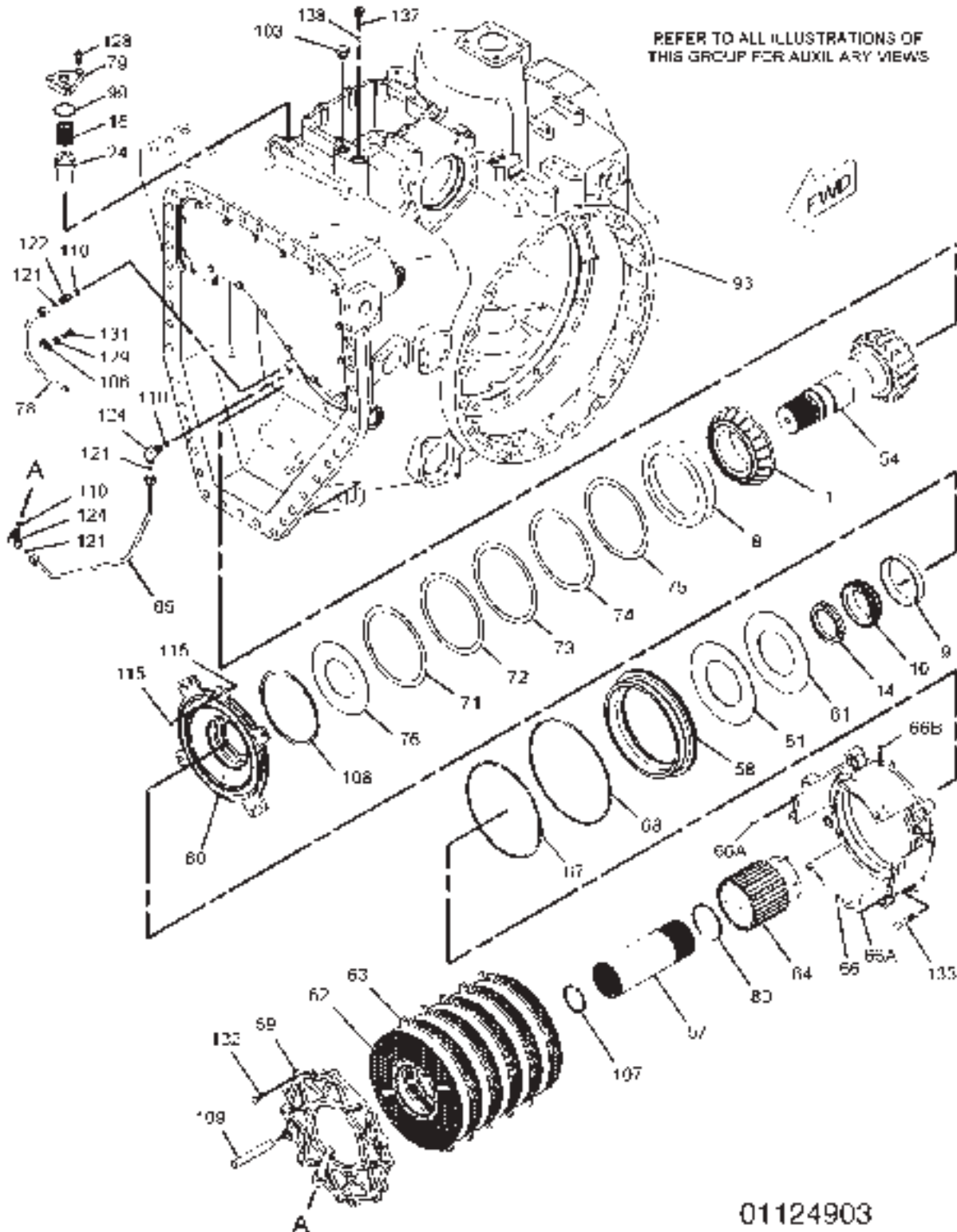
ITEM	NUMBER	QTY	DESCRIPTION
-	180-4376	--	DIFFERENTIAL GP-STEERING [A] (NOT SERVICED)
5	1P-3958	8	ROLLER AS-SPECIAL
6	5M-0578	4	BEARING AS-ROLLER
11	6V-6654	1	BEARING AS-ROLLER
15	4K-3892	4	DOWEL
19	8E-8310	8	DISC-THRUST
20	8E-8316	8	DISC-THRUST
21	8E-8652	1	DISC-THRUST
22	8M-7160	1	MAGNET
27	174-9383	4	SHAFT-PLANETARY
30	176-1377	4	PIN-SPRING
31	179-9006	1	GEAR-SUN (15-TEETH)
32	239-9822	1	GEAR-RING (72-TEETH)
33	180-4379	4	GEAR-PLANETARY (23-TEETH)
34	180-4381	1	GEAR-SUN (28-TEETH)
35	180-4382	1	CARRIER-PLANETARY
36	180-4384	1	GEAR-RING (75-TEETH)
37	180-4387	1	CARRIER-PLANETARY
38	180-4502	2	DISC-FRICTION
39	180-4505	1	PLATE
44	183-3415	1	GEAR (58-TEETH)
45	183-3416	1	SHAFT
46	184-1693	1	RING-RETAINING
48	184-1695	2	SEAL-RING
49	184-1696	1	DISC-THRUST
50	184-1697	1	DISC-THRUST
51	185-4422	1	RING-LOCK
52	185-4423	1	RING-RETAINING
69	188-0635	1	SEAL-BRAKE
70	189-2089	1	RING-LOCK
81	199-7107	4	SPRING
84	210-8405	4	BUSHING
85	210-8406	4	PLATE-SPRING
86	221-5334	1	PLATE-REACTION
87	211-8280	1	PISTON-BRAKE
88	242-5086	1	HOUSING AS PLUG
89	213-3269	1	HUB-BRAKE
90	213-3270	1	SEAL-D-RING
92	213-6191	1	GEAR-SUN (34-TEETH)
95	222-1903	4	GEAR-PLANETARY (27-TEETH)
98	223-0623	4	SHAFT-PLANETARY
104	9S-4181	1	PLUG
	7M-8485	1	SEAL-O-RING
105	9S-6130	1	PLUG
	2S-4078	1	SEAL-O-RING
111	3P-3441	1	RING-RETAINING
112	3S-2708	8	PIN-SPRING
113	4J-5140	2	SEAL-O-RING
120	6V-4442	1	RING-RETAINING
123	6V-8675	1	BOLT (M12X1.75X35-MM)
126	8T-0070	9	BOLT (M20X2.5X120-MM)

[A] 185-3955, 185-3956,
185-3957, 185-3958 AXLE AR

00900264
PR: t05i29k58b0206

MT800 SERIES TRACTORS
POWER TRAIN

180-4376 DIFFERENTIAL GP-STEERING
S/N: AZG1013-UP; AZH1005-UP; AZJ1897-UP



01124903

MT800 SERIES TRACTORS
POWER TRAIN

483

180-4376 DIFFERENTIAL GP-STEERING
S/N: AZG1013-UP; AZH1005-UP; AZJ1897-UP

ITEM	NUMBER	QTY	DESCRIPTION
-	180-4376	--	DIFFERENTIAL GP-STEERING [A] (NOT SERVICED)
1	124-9536	1	CONE-BEARING
8	5P-7843	1	CUP-BEARING
9	6F-2956	1	CUP-BEARING
10	6V-0347	1	CONE-BEARING
14	4H-6507	1	LOCKNUT
16	7H-0832	1	SPRING
24	163-0592	1	VALVE GP-CHECK (HYDRAULIC)
	061-7540	1	SEAL-O-RING
54	186-2868	1	PINION-BEVEL (17-TEETH)
57	187-1377	1	COUPLING
58	227-9327	1	PISTON
59	187-3367	1	PLATE-END
60	187-3368	1	PLATE-SPRING
61	187-3369	2	SPRING
62	187-3370	6	DISC-FRICTION
63	187-3371	6	PLATE-CLUTCH
64	187-3372	1	HUB-CLUTCH
65	187-3373	1	TUBE AS
66	187-3374	1	HOUSING AS
66A	2H-1190	2	DOWEL
66B	4B-9782	1	BALL
67	188-0632	1	SEAL-BRAKE
68	188-0633	1	SEAL-BRAKE
71	191-1907	AR	SHIM (0.9MM THK)
72	191-1908	AR	SHIM (0.8MM THK)
73	191-1909	AR	SHIM (0.7MM THK)
74	191-1910	AR	SHIM (0.6MM THK)
75	191-1911	AR	SHIM (0.5MM THK)
76	191-1912	1	PLATE-RETAINER
78	195-3252	1	TUBE AS
79	197-5411	1	FLANGE
80	198-0288	1	RING-RETAINING

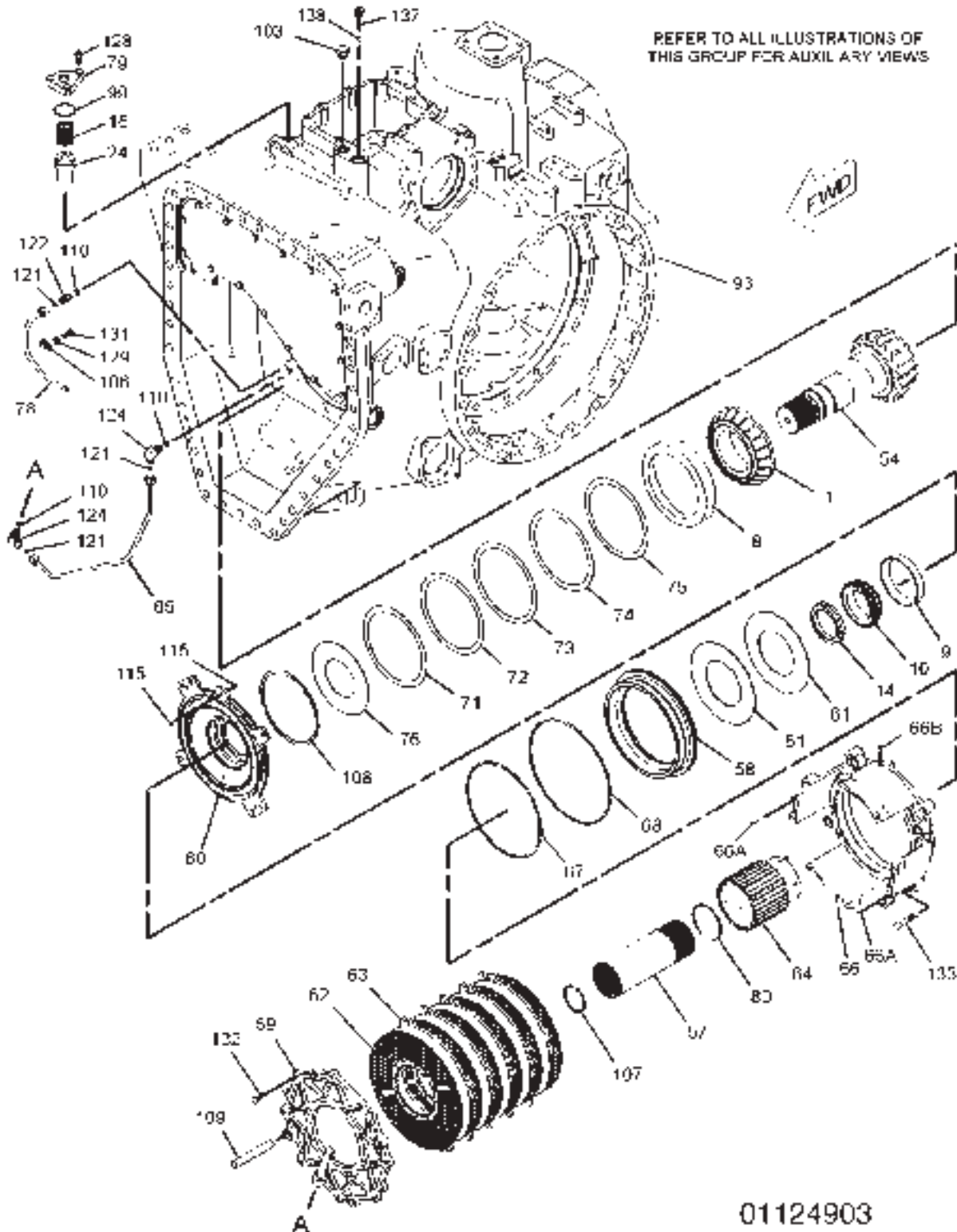
CONTINUED

[A] 185-3955, 185-3956, 185-3957 AXLE AR

01124903
PR: t05i29k58b0207

MT800 SERIES TRACTORS
POWER TRAIN

180-4376 DIFFERENTIAL GP-STEERING
S/N: AZG1013-UP; AZH1005-UP; AZJ1897-UP



01124903

MT800 SERIESTRACTORS
POWER TRAIN

485

180-4376 DIFFERENTIAL GP-STEERING
S/N: AZG1013-UP; AZH1005-UP; AZJ1897-UP

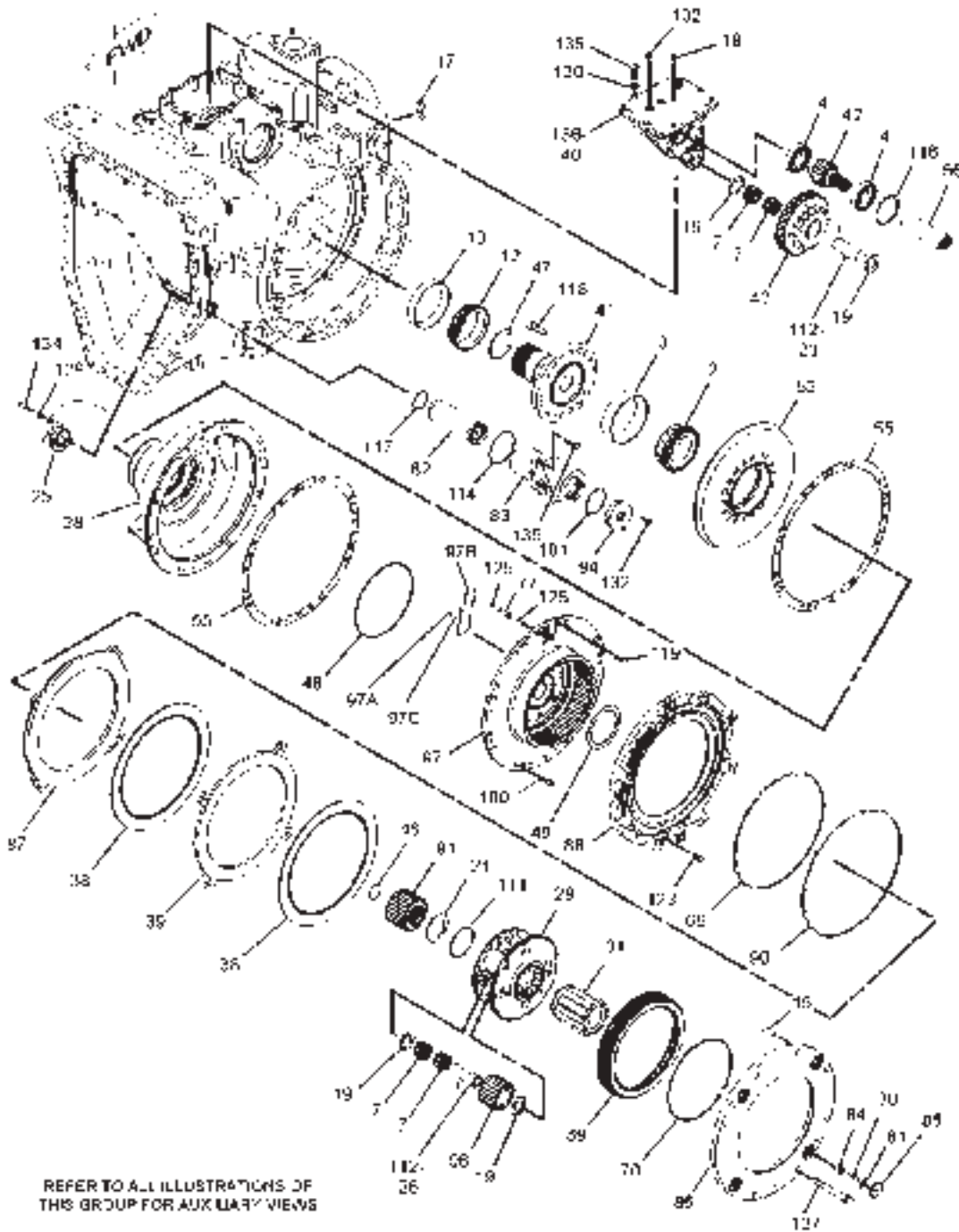
ITEM	NUMBER	QTY	DESCRIPTION
-	180-4376	--	DIFFERENTIAL GP-STEERING [A] (NOT SERVICED)
93	242-0962	1	HOUSING GP-DIFFERENTIAL (SEE BREAKDOWN FOR COMPONENTS)
99	005-8593	1	SEAL-O-RING
103	9S-4190	1	PLUG
	2M-9780	1	SEAL-O-RING
106	1F-7567	1	CLIP
107	2H-5549	1	RING-RETAINING
108	2K-1381	1	RING-RETAINING
109	2Y-7489	4	DOWEL
110	3J-1907	3	SEAL-O-RING
115	5H-6005	2	SEAL-O-RING
121	6V-8397	3	SEAL-O-RING
122	6V-8636	1	CONNECTOR
124	6V-8724	2	ELBOW
128	8T-1159	3	BOLT-SOCKET HEAD (M10X1.5X25-MM)
129	8T-4121	1	WASHER-HARD (11X21X2.5-MM THK)
131	8T-4137	1	BOLT (M10X1.5X20-MM)
132	8T-4195	10	BOLT (M10X1.5X30-MM)
133	8T-4910	4	BOLT (M12X1.75X60-MM)
137	223-1637	1	PLUG AS
138	4B-9783	1	BALL

[A] 185-3955, 185-3956, 185-3957 AXLE AR

01124903
PR: t05i29k58b0207

MT800 SERIES TRACTORS
POWER TRAIN

180-4376 DIFFERENTIAL GP-STEERING
S/N: AZG1013-UP; AZH1005-UP; AZJ1897-UP



01125322

**MT800 SERIESTRACTORS
POWER TRAIN**

487

180-4376 DIFFERENTIAL GP-STEERING
S/N: AZG1013-UP; AZH1005-UP; AZJ1897-UP

ITEM	NUMBER	QTY	DESCRIPTION
-	180-4376	--	DIFFERENTIAL GP-STEERING [A] (NOT SERVICED)
2	132-6597	1	CONE-BEARING
3	132-6598	1	CUP-BEARING
4	1F-2771	2	BALL BEARING
7	5P-6254	10	BEARING
12	8D-2256	1	CONE-BEARING
13	9K-1171	1	CUP-BEARING
15	4K-3892	4	DOWEL
17	7X-7816	1	PLATE-SERIAL NUMBER (TRANSMISSION)
	-----	2	TACK
18	8C-5224	3	PLUG-SEAL
19	8E-8310	10	DISC-THRUST
21	8E-8652	1	DISC-THRUST
23	111-7068	1	SHAFT AS
	2A-3746	1	PLUG-CUP
25	-----	1	TUBE
26	174-9381	4	SHAFT-PLANETARY
28	174-9407	1	SUPPORT
29	174-9410	1	CARRIER-PLANETARY
30	176-1377	4	PIN-SPRING
31	179-9006	1	GEAR-SUN (15-TEETH)
38	180-4502	2	DISC-FRICTION
39	180-4505	1	PLATE
40	180-8428	1	SUPPORT AS
	2A-3746	4	PLUG-CUP
41	183-3411	1	SHAFT-BEVEL GEAR
42	183-3413	1	GEAR (18-TEETH)
43	183-3414	1	GEAR (54-TEETH)
46	184-1693	1	RING-RETAINING
47	184-1694	1	RING-RETAINING
48	184-1695	1	SEAL-RING
49	184-1696	1	DISC-THRUST
53	186-2867	1	GEAR-BEVEL (48-TEETH)
55	186-2869	2	SHIM PACK (INCLUDES 14-SHIMS)
56	235-6166	1	COUPLING
69	188-0635	1	SEAL-BRAKE
70	189-2089	1	RING-LOCK
77	192-5602	2	SLEEVE
81	199-7107	4	SPRING
82	207-5993	1	SCREEN
83	207-7007	1	HOUSING
84	210-8405	4	BUSHING
85	210-8406	4	PLATE-SPRING
86	221-5334	1	PLATE-REACTION
87	211-8280	1	PISTON-BRAKE
88	242-5086	1	HOUSING AS
	126-7260	1	PLUG
89	213-3269	1	HUB-BRAKE

CONTINUED

[A] 185-3955, 185-3956, 185-3957 AXLE AR

01125322
PR: t05i29k58b0208

**MT800 SERIESTRACTORS
POWER TRAIN**

489

180-4376 DIFFERENTIAL GP-STEERING
S/N: AZG1013-UP; AZH1005-UP; AZJ1897-UP

ITEM	NUMBER	QTY	DESCRIPTION
-	180-4376	--	DIFFERENTIAL GP-STEERING [A] (NOT SERVICED)
90	213-3270	1	SEAL-D-RING
91	213-6190	1	GEAR-SUN (28-TEETH)
94	221-0691	1	COVER
96	222-1904	4	GEAR-PLANETARY (23-TEETH)
97	252-2227	1	GEAR AS-RING
97A	8T-0285	6	SCREW-MACHINE (M4X0.7X12-MM)
97B	244-3699	1	PLATE
97C	096-6166	6	WASHER-HARD (4.5X9X1-MM THK)
100	095-0670	3	BOLT (M12X1.75X45-MM)
101	131-3718	1	SEAL-O-RING
102	9S-8005	1	PLUG
	3K-0360	1	SEAL-O-RING
	2M-9780	1	SEAL-O-RING
111	3P-3441	1	RING-RETAINING
112	3S-2708	5	PIN-SPRING
114	5F-3144	1	SEAL-O-RING
116	5L-4751	1	RING-RETAINING
117	5M-6509	1	SEAL-O-RING
118	6V-3532	16	BOLT (M20X2.5X60-MM)
119	6V-3668	6	BOLT (M12X1.75X30-MM)
123	6V-8675	1	BOLT (M12X1.75X35-MM)
125	8L-2777	4	SEAL-O-RING
127	8T-0657	9	BOLT (M20X2.5X160-MM)
129	8T-4121	3	WASHER-HARD (11X21X2.5-MM THK)
130	8T-4122	9	WASHER-HARD (17X32X3.5-MM THK)
132	8T-4195	4	BOLT (M10X1.5X30-MM)
134	8T-6466	3	BOLT (M10X1.5X60-MM)
135	8T-7338	11	BOLT (M16X2X45-MM)
136	1U-8846	AR	SEALANT-GASKET

[A] 185-3955, 185-3956, 185-3957 AXLE AR

01125322
PR: t05i29k58b0208

**MT800 SERIESTRACTORS
POWER TRAIN**

491

180-4376 DIFFERENTIAL GP-STEERING
S/N: AZG1013-UP; AZH1005-UP; AZJ1897-UP

ITEM	NUMBER	QTY	DESCRIPTION
-	180-4376	--	DIFFERENTIAL GP-STEERING [A] (NOT SERVICED)
5	1P-3958	8	ROLLER AS-SPECIAL
6	5M-0578	4	BEARING AS-ROLLER
11	6V-6654	1	BEARING AS-ROLLER
15	4K-3892	4	DOWEL
19	8E-8310	8	DISC-THRUST
20	8E-8316	8	DISC-THRUST
21	8E-8652	1	DISC-THRUST
22	8M-7160	1	MAGNET
27	174-9383	4	SHAFT-PLANETARY
30	176-1377	4	PIN-SPRING
31	179-9006	1	GEAR-SUN (15-TEETH)
32	239-9822	1	GEAR-RING (72-TEETH)
33	180-4379	4	GEAR-PLANETARY (23-TEETH)
34	180-4381	1	GEAR-SUN (28-TEETH)
35	180-4382	1	CARRIER-PLANETARY
36	180-4384	1	GEAR-RING (75-TEETH)
37	180-4387	1	CARRIER-PLANETARY
38	180-4502	2	DISC-FRICTION
39	180-4505	1	PLATE
44	183-3415	1	GEAR (58-TEETH)
45	183-3416	1	SHAFT
46	184-1693	1	RING-RETAINING
48	184-1695	2	SEAL-RING
49	184-1696	1	DISC-THRUST
50	184-1697	1	DISC-THRUST
51	185-4422	1	RING-LOCK
52	185-4423	1	RING-RETAINING
69	188-0635	1	SEAL-BRAKE
70	189-2089	1	RING-LOCK
81	199-7107	4	SPRING
84	210-8405	4	BUSHING
85	210-8406	4	PLATE-SPRING
86	221-5334	1	PLATE-REACTION
87	211-8280	1	PISTON-BRAKE
88	242-5086	1	HOUSING AS PLUG
89	213-3269	1	HUB-BRAKE
90	213-3270	1	SEAL-D-RING
92	213-6191	1	GEAR-SUN (34-TEETH)
95	222-1903	4	GEAR-PLANETARY (27-TEETH)
98	223-0623	4	SHAFT-PLANETARY
	2M-9780	1	SEAL-O-RING
104	9S-4181	1	PLUG
	7M-8485	1	SEAL-O-RING
105	9S-6130	1	PLUG
	2S-4078	1	SEAL-O-RING
111	3P-3441	1	RING-RETAINING
112	3S-2708	8	PIN-SPRING
113	4J-5140	2	SEAL-O-RING
120	6V-4442	1	RING-RETAINING
123	6V-8675	1	BOLT (M12X1.75X35-MM)
126	8T-0070	9	BOLT (M20X2.5X120-MM)

[A] 185-3955, 185-3956, 185-3957 AXLE AR

00900264
PR: t05i29k58b0209

MT800 SERIESTRACTORS
POWER TRAIN

493

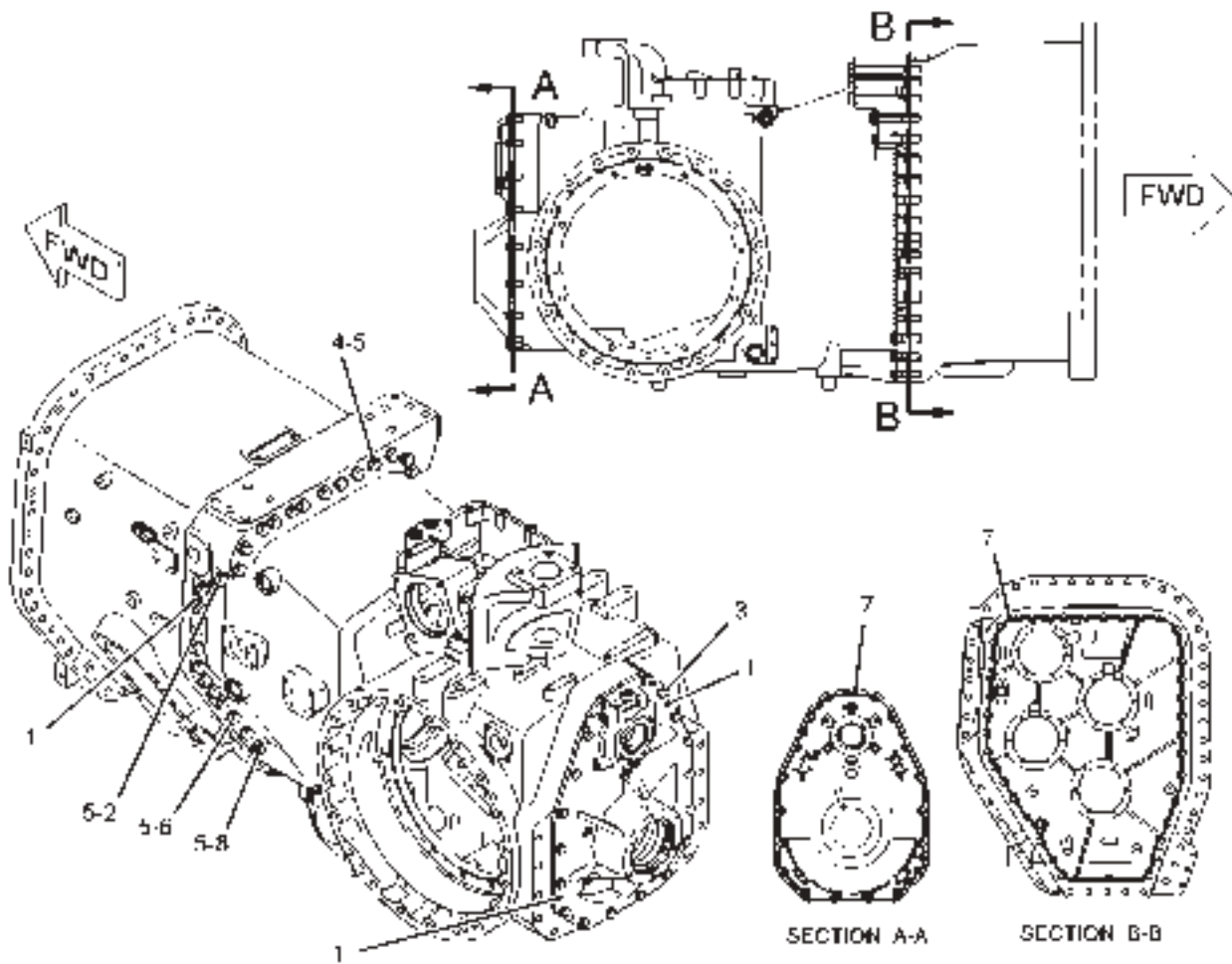
177-5234 DRIVE GP-PUMP
S/N: 9YY1-UP

ITEM	NUMBER	QTY	DESCRIPTION
-	177-5234	--	DRIVE GP-PUMP [A] (NOT SERVICED)
1	1F-2771	2	BALL BEARING
2	5M-2051	1	BEARING-CAGED
3	6Y-1223	2	DISC-THRUST
4	8P-7898	1	SHAFT-PLANETARY
5	170-7290	1	COVER
6	177-6781	1	GEAR (36-TEETH)
7	177-6782	1	GEAR (39-TEETH)
8	177-6783	1	COVER
9	177-6784	1	HOUSING
10	207-5994	1	SCREEN (PUMP DRIVE INLET)
11	131-3718	1	SEAL-O-RING
12	4M-0189	1	SEAL-O-RING
13	5B-5821	2	DOWEL
14	5H-3193	1	PIN-SPRING
15	8J-8879	1	SEAL-O-RING
16	8T-4183	15	BOLT (M12X1.75X40-MM)
17	8T-4195	10	BOLT (M10X1.5X30-MM)
18	8T-5041	2	BOLT (M12X1.75X120-MM)
19	1U-8846	AR	SEALANT-GASKET

[A] PART OF 152-5242 TRANSMISSION AR

00872185
PR: t05i29k58b0210

211-8277 FASTENER GP-FINAL DRIVE



01118299

**MT800 SERIESTRACTORS
POWER TRAIN**

495

211-8277 FASTENER GP-FINAL DRIVE

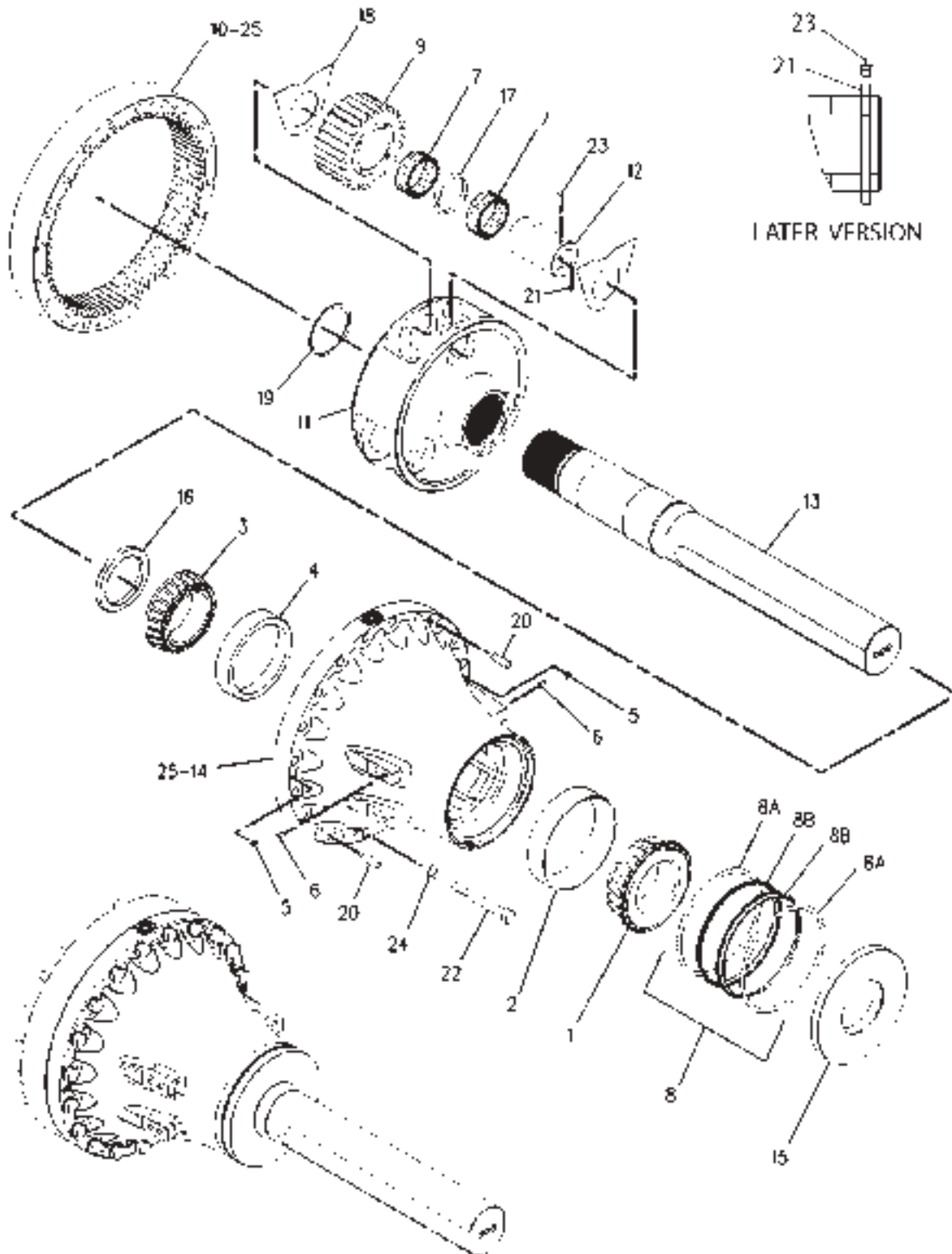
ITEM	NUMBER	QTY	DESCRIPTION
-	211-8277	--	FASTENER GP-FINAL DRIVE [A] (NOT SERVICED)
1	8C-5224	4	PLUG-SEAL
2	7X-2532	3	BOLT (M20X2.5X130-MM)
3	7X-2553	18	BOLT (M16X2X40-MM)
4	7X-2569	13	BOLT (M20X2.5X200-MM)
5	8T-4123	43	WASHER-PLATED (22X35X3.5-MM THK)
6	8T-4141	18	BOLT (M20X2.5X70-MM)
7	1U-8846	AR	SEALANT-GASKET
8	121-3120	9	BOLT-12 POINT HEAD (M20X2.5X70-MM)

[A] PART OF 200-5027, 200-5028,
200-5029, 200-5030 POWER TRAIN AR

01118299
PR: t05i29k58b0211

MT800 SERIES TRACTORS
POWER TRAIN

179-9479 FINAL DRIVE GP
S/N: AZG1-955; AZJ1-1479



00750396

**MT800 SERIES TRACTORS
POWER TRAIN**

497

179-9479 FINAL DRIVE GP
S/N: AZG1-955; AZJ1-1479

ITEM	NUMBER	QTY	DESCRIPTION
-	179-9479	--	FINAL DRIVE GP [A] (NOT SERVICED)
1	193-0362	1	CONE-BEARING
2	193-0363	1	CUP-BEARING
3	1B-6577	1	CONE-BEARING
4	2J-2152	1	CUP-BEARING
5	7C-6467	2	PLUG
6	8C-5224	8	PLUG-SEAL
7	261-2719	228	BEARING-NEEDLE
8	174-4874	1	SEAL GP-DUO-CONE
8A	-----	2	RING-TORIC [Z]
8B	-----	2	SEAL-RING [Z]
9	179-9007	3	GEAR-PLANETARY (30-TEETH)
10	217-8425	1	GEAR-RING (78-TEETH)
11	260-9471	1	CARRIER-PLANETARY
12	179-9471	3	SHAFT-PLANETARY
13	194-7019	1	SHAFT-AXLE
14	179-9476	1	HOUSING-AXLE
15	179-9477	1	SPACER (160X350X36-MM THK)
16	179-9478	1	NUT-BEARING
17	179-9488	3	RACE-THRUST
18	216-8715	6	WASHER-THRUST
19	109-6497	1	RING-RETAINING
20	175-3097	2	DOWEL
21	6V-9189	3	LOCKNUT (M8X1.25) (EARLY VERSION)
21	266-0216	3	PIN (M8.5X135) (LATER VERSION)
22	7X-2578	20	BOLT (M24X3X200-MM)
23	8T-0100	3	BOLT (M8X1.25X60-MM) (EARLY VERSION)
23	6V-8084	3	BOLT (M10X1.5X12) (LATER VERSION)
24	8T-4167	20	WASHER-HARD (26X44X4-MM THK)
25	1U-8846	AR	SEALANT-GASKET

[A] PART OF 185-3955, 185-3957 AXLE AR
[Z] NOT SERVICED SEPARATELY

00750396
PR: t05i29k58b0212

**MT800 SERIESTRACTORS
POWER TRAIN**

499

179-9479 FINAL DRIVE GP
S/N: AZG956-UP; AZJ1480-UP

ITEM	NUMBER	QTY	DESCRIPTION
-	179-9479	--	FINAL DRIVE GP [A] (NOT SERVICED)
1	193-0362	1	CONE-BEARING
2	193-0363	1	CUP-BEARING
3	1B-6577	1	CONE-BEARING
4	2J-2152	1	CUP-BEARING
5	7C-6467	2	PLUG
6	8C-5224	8	PLUG-SEAL
7	261-2719	228	BEARING-NEEDLE
8	174-4874	1	SEAL GP-DUO-CONE
8A	-----	2	RING-TORIC [Z]
8B	-----	2	SEAL-RING [Z]
9	179-9007	3	GEAR-PLANETARY (30-TEETH)
10	217-8425	1	GEAR-RING (78-TEETH)
11	260-9471	1	CARRIER-PLANETARY
12	179-9471	3	SHAFT-PLANETARY
13	224-5868	1	SHAFT-AXLE
14	179-9476	1	HOUSING-AXLE
15	179-9477	1	SPACER (160X350X36-MM THK)
16	179-9478	1	NUT-BEARING
17	179-9488	3	RACE-THRUST
18	216-8715	6	WASHER-THRUST
19	109-6497	1	RING-RETAINING
20	175-3097	2	DOWEL
21	6V-9189	3	LOCKNUT (M8X1.25) (EARLY VERSION)
21	266-0216	3	PIN (M8.5X135) (LATER VERSION)
22	7X-2578	20	BOLT (M24X3X200-MM)
23	8T-0100	3	BOLT (M8X1.25X60-MM) (EARLY VERSION)
23	6V-8084	3	BOLT (M10X1.5X12) (LATER VERSION)
24	8T-4167	20	WASHER-HARD (26X44X4-MM THK)
25	1U-8846	AR	SEALANT-GASKET
26	224-5870	1	WASHER-THRUST
27	9X-8268	1	WASHER (17.5X30X3.5-MM THK)
28	6V-5224	1	BOLT (M16X2X25-MM)

[A] PART OF 185-3955, 185-3957 AXLE AR
[Z] NOT SERVICED SEPARATELY

01124505
PR: t05i29k58b0213

**MT800 SERIESTRACTORS
POWER TRAIN**

501

**179-9480 FINAL DRIVE GP
S/N: AZH1-990; AZK1-987
2286-2600MM (90-102 IN) GAUGE**

ITEM	NUMBER	QTY	DESCRIPTION
-	179-9480	--	FINAL DRIVE GP (NOT SERVICED)
1	193-0362	1	CONE-BEARING
2	193-0363	1	CUP-BEARING
3	1B-6577	1	CONE-BEARING
4	2J-2152	1	CUP-BEARING
5	7C-6467	2	PLUG
6	8C-5224	8	PLUG-SEAL
7	261-2719	228	BEARING-NEEDLE
8	174-4874	1	SEAL GP-DUO-CONE
8A	174-4875	2	RING-TORIC
8B	-----	2	SEAL-RING [Z]
9	179-9007	3	GEAR-PLANETARY (30-TEETH)
10	217-8425	1	GEAR-RING (78-TEETH)
11	260-9471	1	CARRIER-PLANETARY
12	179-9471	3	SHAFT-PLANETARY
13	224-5869	1	SHAFT-AXLE
	224-5870	1	WASHER
	6V-5224	1	BOLT
	9X-8268	1	WASHER
14	179-9476	1	HOUSING-AXLE
15	179-9477	1	SPACER (160X350X36-MM THK)
16	179-9478	1	NUT-BEARING
17	179-9488	3	RACE-THRUST
18	216-8715	6	WASHER-THRUST
19	109-6497	1	RING-RETAINING
20	175-3097	2	DOWEL
21	6V-9189	3	LOCKNUT (M8X1.25) (EARLY VERSION)
21	266-0216	3	PIN (M8.5X135) (LATER VERSION)
22	7X-2578	20	BOLT (M24X3X200-MM)
23	8T-0100	3	BOLT (M8X1.25X60-MM) (EARLY VERSION)
23	6V-8084	3	BOLT (M10X1.5X12) (LATER VERSION)
24	8T-4167	20	WASHER-HARD (26X44X4-MM THK)
25	1U-8846	AR	SEALANT-GASKET

[A] PART OF 185-3956, 185-3958 AXLE AR
[Z] NOT SERVICED SEPARATELY

00886393
PR: t05i29k58b0214

**MT800 SERIES TRACTORS
POWER TRAIN**

503

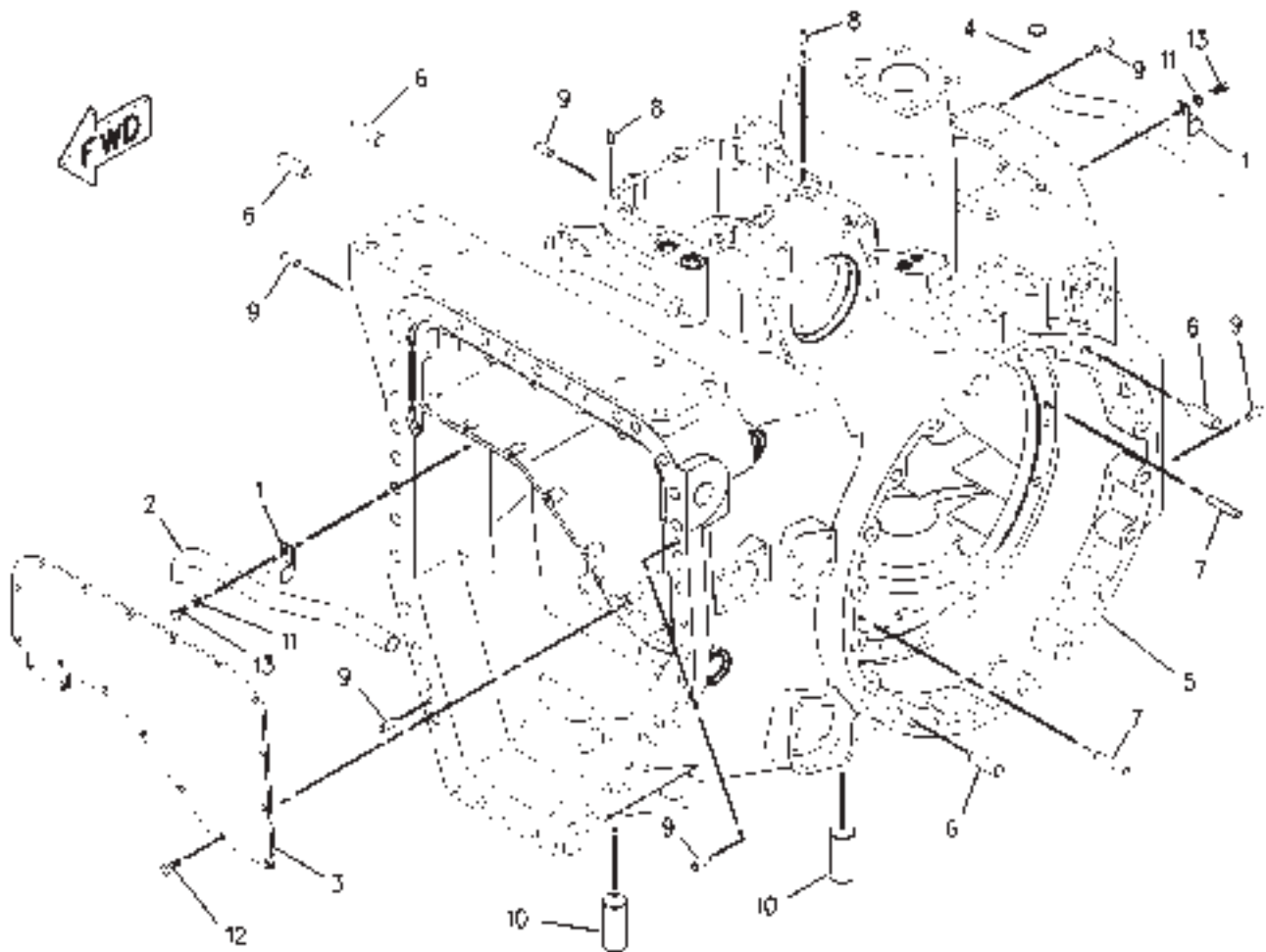
179-9480 FINAL DRIVE GP
S/N: AZH991-UP; AZK988-UP

ITEM	NUMBER	QTY	DESCRIPTION
-	179-9480	--	FINAL DRIVE GP [A] (NOT SERVICED)
1	193-0362	1	CONE-BEARING
2	193-0363	1	CUP-BEARING
3	1B-6577	1	CONE-BEARING
4	2J-2152	1	CUP-BEARING
5	7C-6467	2	PLUG
6	8C-5224	8	PLUG-SEAL
7	261-2719	228	BEARING-NEEDLE
8	174-4874	1	SEAL GP-DUO-CONE
8A	174-4875	2	RING-TORIC
8B	-----	2	SEAL-RING [Z]
9	179-9007	3	GEAR-PLANETARY (30-TEETH)
10	217-8425	1	GEAR-RING (78-TEETH)
11	260-9471	1	CARRIER-PLANETARY
12	179-9471	3	SHAFT-PLANETARY
13	224-5869	1	SHAFT-AXLE
14	179-9476	1	HOUSING-AXLE
15	179-9477	1	SPACER (160X350X36-MM THK)
16	179-9478	1	NUT-BEARING
17	179-9488	3	RACE-THRUST
18	216-8715	6	WASHER-THRUST
19	109-6497	1	RING-RETAINING
20	175-3097	2	DOWEL
21	6V-9189	3	LOCKNUT (M8X1.25) (EARLY VERSION)
21	266-0216	3	PIN (M8.5X135) (LATER VERSION)
22	7X-2578	20	BOLT (M24X3X200-MM)
23	8T-0100	3	BOLT (M8X1.25X60-MM) (EARLY VERSION)
23	6V-8084	3	BOLT (M10X1.5X12) (LATER VERSION)
24	8T-4167	20	WASHER-HARD (26X44X4-MM THK)
25	1U-8846	AR	SEALANT-GASKET
26	224-5870	1	WASHER-THRUST
27	9X-8268	1	WASHER (17.5X30X3.5-MM THK)
28	6V-5224	1	BOLT (M16X2X25-MM)

[A] PART OF 185-3956, 185-3958 AXLE AR
[Z] NOT SERVICED SEPARATELY

01123081
PR: t05i29k58b0215

217-7314 HOUSING GP-DIFFERENTIAL
S/N: AZG1-906; AZH1-972;
AZJ1-1112; AZK1-968



00898342

MT800 SERIE TRACTORS
POWER TRAIN

505

217-7314 HOUSING GP-DIFFERENTIAL
S/N: AZG1-906; AZH1-972;
AZJ1-1112; AZK1-968

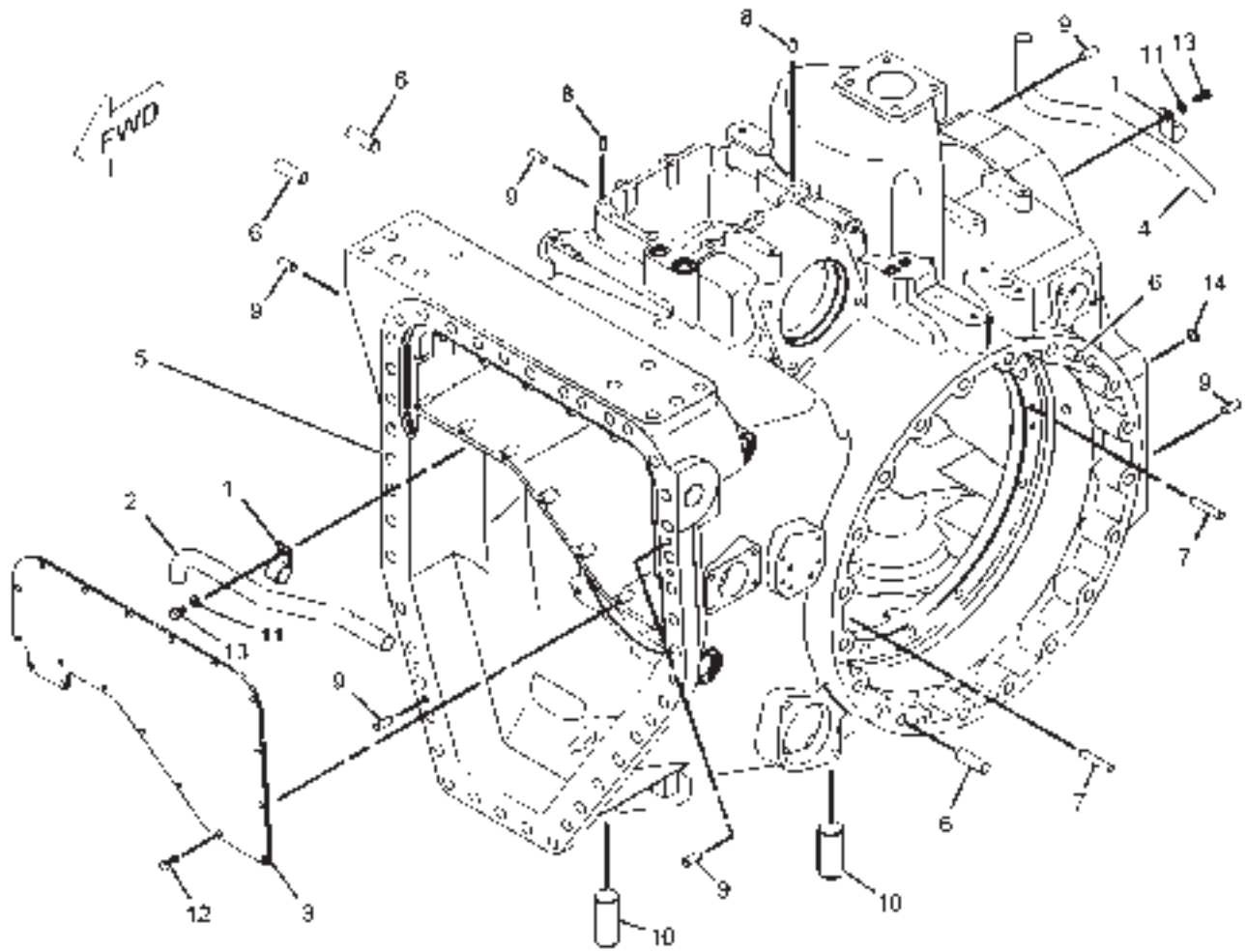
ITEM	NUMBER	QTY	DESCRIPTION
-	217-7314	--	HOUSING GP-DIFFERENTIAL [A] (NLA-ORDER 225-6958)
1	134-5645	2	CLIP
2	180-8431	1	TUBE
3	193-0650	1	COVER
4	203-3929	1	TUBE
5	-----	1	HOUSING
6	175-3097	4	DOWEL
7	1A-0646	2	DOWEL
8	5B-5821	2	DOWEL
9	5M-7937	6	DOWEL
10	7X-3396	2	DOWEL
11	8T-4121	2	WASHER-HARD (11X21X2.5-MM THK)
12	8T-4136	16	BOLT (M10X1.5X25-MM)
13	8T-4137	2	BOLT (M10X1.5X20-MM) 00898342

[A] PART OF 180-4376 DIFFERENTIAL GP

00898342
PR: t05i29k58b0216

MT800 SERIES TRACTORS
POWER TRAIN

225-6958 HOUSING GP-DIFFERENTIAL
S/N: AZG907-950; AZH973-983;
AZJ1113-1434; AZK968-979



01122771

MT800 SERIESTRACTORS
POWER TRAIN

507

225-6958 HOUSING GP-DIFFERENTIAL
S/N: AZG907-950;AZH973-983;
AZJ1113-1434; AZK968-979

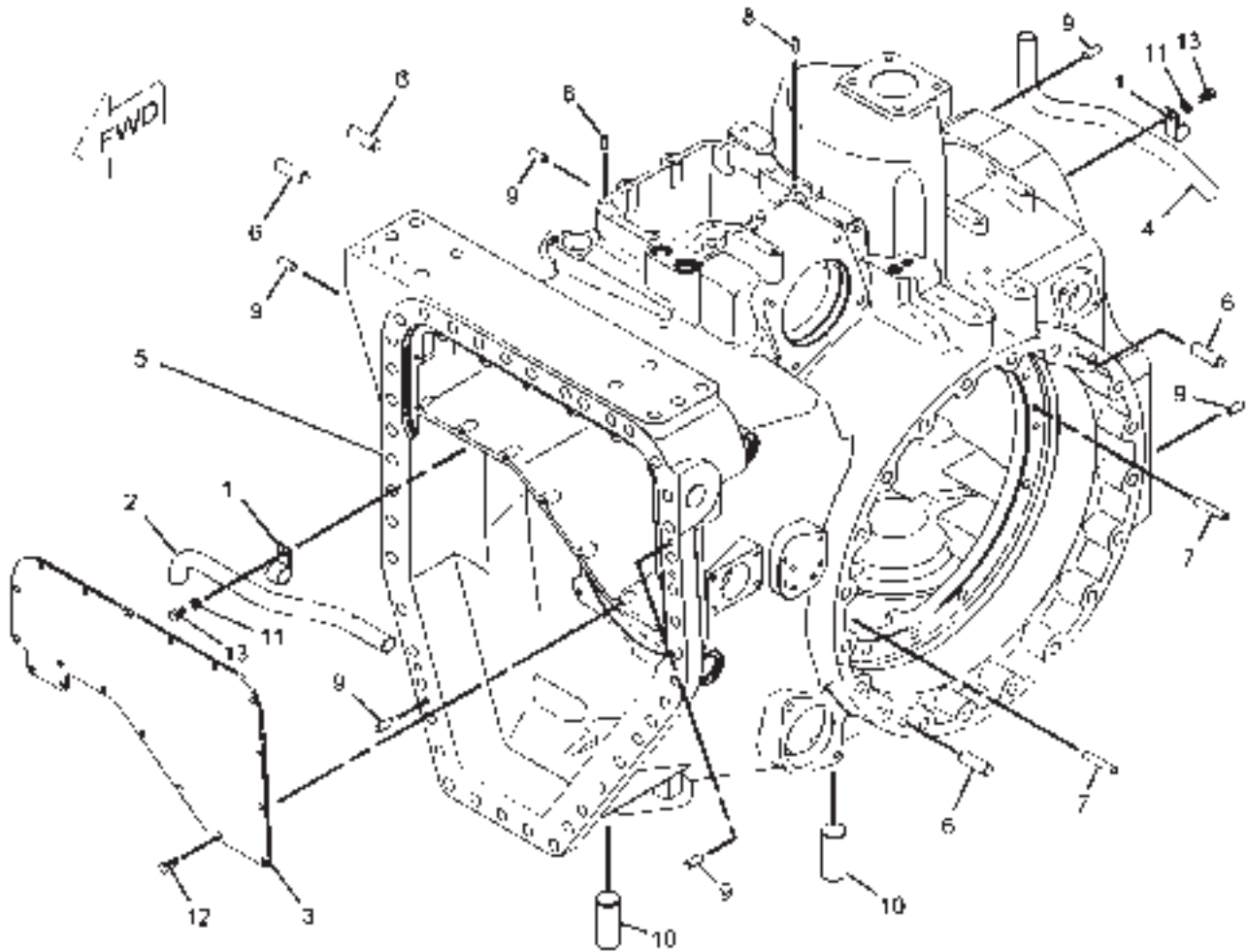
ITEM	NUMBER	QTY	DESCRIPTION
-	225-6958	--	HOUSING GP-DIFFERENTIAL [A] (NOT SERVICED)
1	134-5645	2	CLIP
2	180-8431	1	TUBE
3	193-0650	1	COVER
4	203-3929	1	TUBE
5	-----	1	HOUSING [Z]
6	175-3097	4	DOWEL
7	1A-0646	2	DOWEL
8	5B-5821	2	DOWEL
9	5M-7937	6	DOWEL
10	7X-3396	2	DOWEL
11	8T-4121	2	WASHER-HARD (11X21X2.5-MM THK)
12	8T-4136	16	BOLT (M10X1.5X25-MM)
13	8T-4137	2	BOLT (M10X1.5X20-MM)
14	4N-0952	1	PLUG-CUP

[A] PART OF 180-4376 DIFFERENTIAL GP
[Z] NOT SERVICED SEPARATELY

01122771
PR: t05i29k58b0217

MT800 SERIES TRACTORS
POWER TRAIN

242-0962 HOUSING GP-DIFFERENTIAL
S/N: AZG951-UP; AZH984-UP;
AZJ1435-UP; AZK980-UP



MT800 SERIE TRACTORS
POWER TRAIN

509

242-0962 HOUSING GP-DIFFERENTIAL
S/N: AZG951-UP; AZH984-UP;
AZJ1435-UP; AZK980-UP

ITEM	NUMBER	QTY	DESCRIPTION
-	242-0962	--	HOUSING GP-DIFFERENTIAL [A]
1	134-5645	2	CLIP
2	180-8431	1	TUBE
3	193-0650	1	COVER
4	203-3929	1	TUBE
5	-----	1	HOUSING [Z]
6	175-3097	4	DOWEL
7	1A-0646	2	DOWEL
8	5B-5821	2	DOWEL
9	5M-7937	6	DOWEL
10	7X-3396	2	DOWEL
11	8T-4121	2	WASHER-HARD (11X21X2.5-MM THK)
12	8T-4136	16	BOLT (M10X1.5X25-MM)
13	8T-4137	2	BOLT (M10X1.5X20-MM)

[A] PART OF 180-4376 DIFFERENTIAL GP
[Z] NOT SERVICED SEPARATELY

01122772
PR: t05i29k58b0218

510

MT800 SERIESTRACTORS
POWER TRAIN

152-5242 TRANSMISSION AR
S/N: 9YY1-UP

NO ILLUSTRATION

NOTIF

**MT800 SERIESTRACTORS
POWER TRAIN**

511

**152-5242 TRANSMISSION AR
S/N: 9YY1-UP**

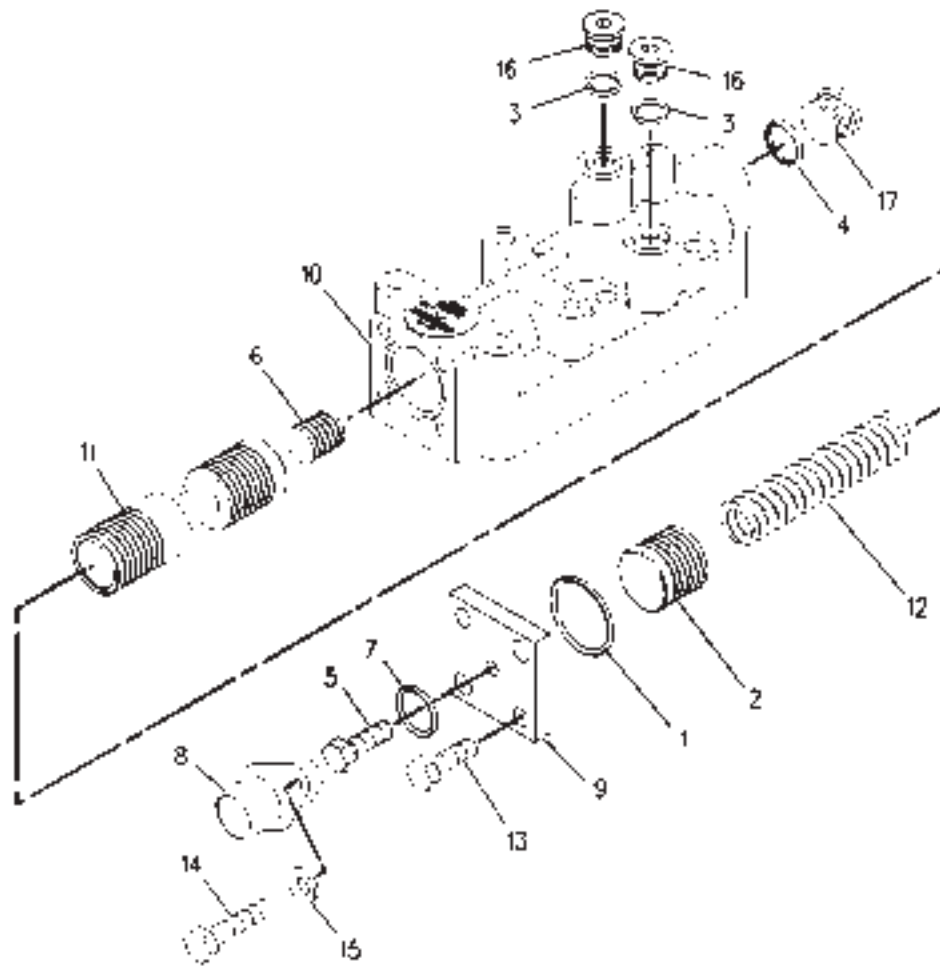
ITEM	NUMBER	QTY	DESCRIPTION
-	152-5242	--	TRANSMISSION AR
	155-9579	1	CASE & PARTS GP-PLANETARY 1 (NOT SERVICED) (SEE BREAKDOWN FOR COMPONENTS)
	155-9571	1	CLUTCH GP (INPUT) S/N: 9YY1-1465 (NOT SERVICED) (SEE BREAKDOWN FOR COMPONENTS)
	155-9572	1	CLUTCH GP (INTERMEDIATE) S/N: 9YY1-1465 (NOT SERVICED) (SEE BREAKDOWN FOR COMPONENTS)
	155-9575	1	CLUTCH GP (REVERSE) S/N: 9YY1-1465 (NOT SERVICED) (SEE BREAKDOWN FOR COMPONENTS)
	155-9576	1	CLUTCH GP (OUTPUT) (S/N: 9YY1-1465) (NOT SERVICED) (SEE BREAKDOWN FOR COMPONENTS)
	232-1774	1	CLUTCH GP-TRANSMISSION (S/N: 9YY1466-UP) (NOT SERVICED) (SEE BREAKDOWN FOR COMPONENTS)
	177-5233	2	CLUTCH GP (PLANETARY) (NOT SERVICED) (SEE BREAKDOWN FOR COMPONENTS)
	155-9580	1	CONTROL GP-TRANSMISSION HYD (NOT SERVICED) (SEE BREAKDOWN FOR COMPONENTS)
	177-5234	1	DRIVE GP-PUMP (NOT SERVICED) (SEE BREAKDOWN FOR COMPONENTS)

[A] PART OF 200-5027, 200-5028,
200-5029, 200-5030 POWER TRAIN AR

NOTIF
PR: t05i29k58b0219

MT800 SERIES TRACTORS
POWER TRAIN

198-1013 VALVE GP-RELIEF
S/N: 9YY1-UP



00894902

MT800 SERIESTRACTORS
POWER TRAIN

513

198-1013 VALVE GP-RELIEF
S/N: 9YY1-UP

ITEM	NUMBER	QTY	DESCRIPTION
-	198-1013	--	VALVE GP-RELIEF [A]
1	2S-4663	1	SEAL-O-RING
2	2S-5835	1	PISTON-LOAD
3	3J-1907	2	SEAL-O-RING
4	3K-0360	1	SEAL-O-RING
5	4M-5905	1	SCREW-ADJUSTMENT (5/16-18X1-IN)
6	8E-1143	1	SLUG
7	8M-5253	1	SEAL-O-RING
8	9M-2110	1	COVER-ADJUSTMENT
9	115-4550	1	COVER
10	172-7966	1	BODY
11	172-7968	1	SPOOL AS
	3D-8317	1	RING-RETAINING
	4B-9880	1	BALL
	4M-2381	1	SPRING
	9U-8669	1	RETAINER
12	174-7449	1	SPRING
13	6V-3940	2	BOLT (M8X1.25X25-MM)
14	6V-5218	2	BOLT (M8X1.25X35-MM)
15	9M-1974	2	WASHER-HARD (8.8X16X2-MM THK)
16	9S-8004	2	PLUG
17	241-6205	1	PLUG

[A] PART OF 155-9580 CONTROL GP
-TRANSMISSION HYD

00894902
PR: t05i29k58b0220

514

MT800 SERIESTRACTORS
POWER TRAIN

185-3955 AXLE AR-WITH POWER TAKE-OFF

S/N: AZG1-UP

2286-3251 MM (90-128 IN)

NO ILLUSTRATION

NOTIF

MT800 SERIESTRACTORS
POWER TRAIN

515

185-3955 AXLE AR-WITH POWER TAKE-OFF
S/N: AZG1-UP
2286-3251 MM (90-128 IN)

ITEM	NUMBER	QTY	DESCRIPTION
-	185-3955	--	AXLE AR-WITH POWER TAKE-OFF [A] (NOT SERVICED)
1	179-9479	2	FINAL DRIVE GP (NOT SERVICED) (SEE BREAKDOWN FOR COMPONENTS)
2	180-4376	1	DIFFERENTIAL GP (NOT SERVICED) (SEE BREAKDOWN FOR COMPONENTS)
3	187-4930	1	POWER TAKE-OFF GP (NOT SERVICED) (SEE BREAKDOWN FOR COMPONENTS)

[A] PART OF 200-5027 POWER TRAIN AR

NOTIF
PR: t05i29k58b0221

516

MT800 SERIESTRACTORS
POWER TRAIN

185-3956 AXLE AR-WITH POWER TAKE-OFF
S/N: AZH1-UP
2286-2600 MM (90-102 IN)

NO ILLUSTRATION

NOTIF

MT800 SERIESTRACTORS
POWER TRAIN

517

185-3956 AXLE AR-WITH POWER TAKE-OFF
S/N: AZH1-UP
2286-2600 MM (90-102 IN)

ITEM	NUMBER	QTY	DESCRIPTION
-	185-3956	--	AXLE AR-WITH POWER TAKE-OFF [A] (NOT SERVICED)
	180-4376	1	DIFFERENTIAL GP (NOT SERVICED) (SEE BREAKDOWN FOR COMPONENTS)
	179-9480	2	FINAL DRIVE GP (NOT SERVICED) (SEE BREAKDOWN FOR COMPONENTS)
	187-4930	1	POWER TAKE-OFF GP (NOT SERVICED) (SEE BREAKDOWN FOR COMPONENTS)

[A] PART OF 200-5028 POWER TRAIN AR

NOTIF
PR: t05i29k58b0222

518

MT800 SERIESTRACTORS
POWER TRAIN

185-3957 AXLE AR

S/N: AZJ1-UP

2286-3251 MM (90-128 IN)

CANNOT BE USED WITH POWER TAKE OFF

NO ILLUSTRATION

NOTIF

**MT800 SERIESTRACTORS
POWER TRAIN**

519

185-3957 AXLE AR

S/N: AZJ1-UP

2286-3251 MM (90-128 IN)

CANNOT BE USED WITH POWER TAKE OFF

ITEM	NUMBER	QTY	DESCRIPTION
-	185-3957	--	AXLE AR [A] (NOT SERVICED)
	185-8737	1	COVER GP-DIFFERENTIAL (NOT SERVICED) (SEE BREAKDOWN FOR COMPONENTS)
	180-4376	1	DIFFERENTIAL GP (NOT SERVICED) (SEE BREAKDOWN FOR COMPONENTS)
	179-9479	2	FINAL DRIVE GP (NOT SERVICED) (SEE BREAKDOWN FOR COMPONENTS)

[A] PART OF 200-5029 POWER TRAIN AR

NOTIF
PR: t05i29k58b0223

520

MT800 SERIESTRACTORS
POWER TRAIN

185-3958 AXLE AR-WITHOUT POWERTAKE-OFF

S/N: AZK1-UP

2286-2600 MM (90-102 IN)

NO ILLUSTRATION

NOTIF

MT800 SERIESTRACTORS
POWER TRAIN

521

185-3958 AXLE AR-WITHOUT POWER TAKE-OFF

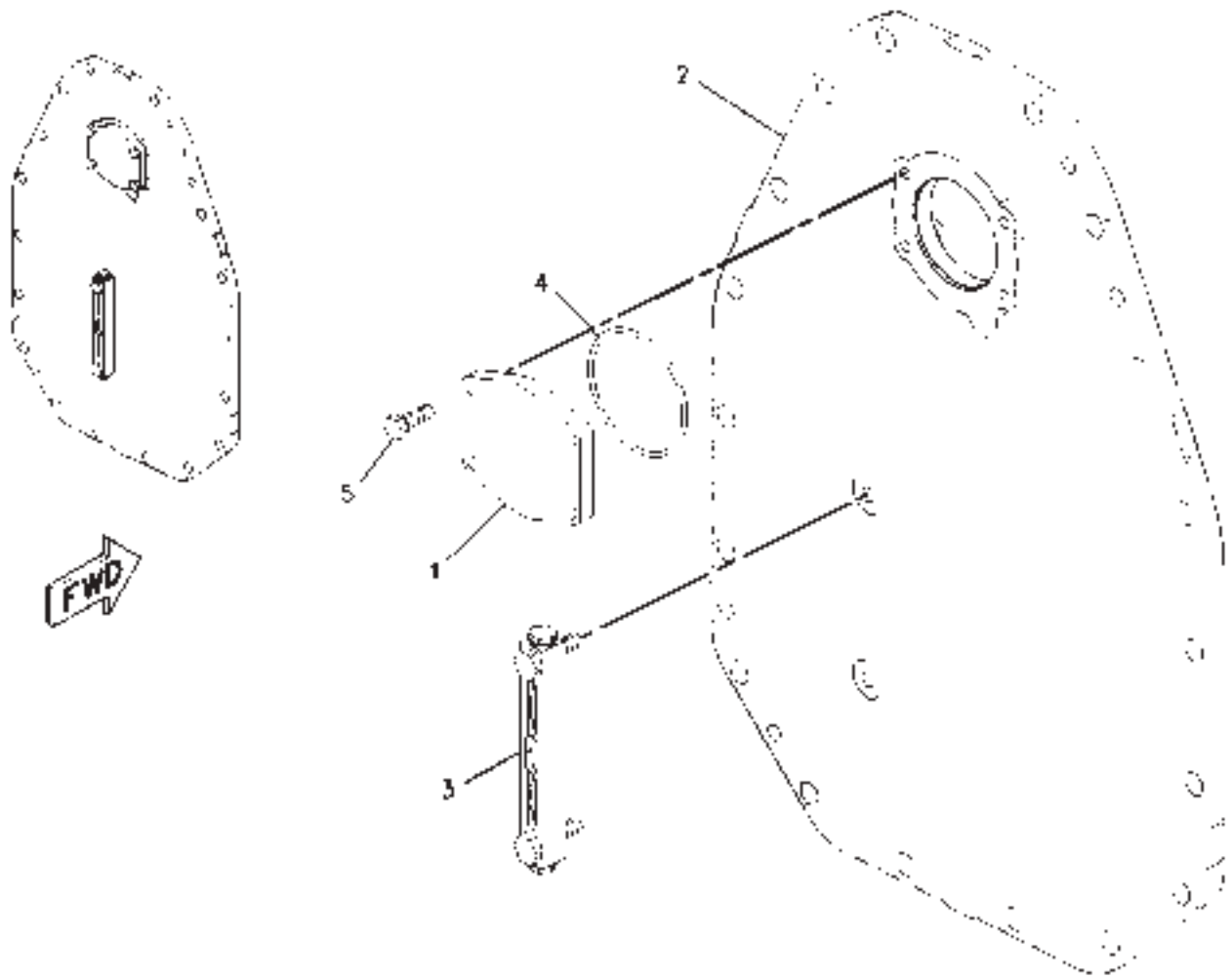
S/N: AZK1-UP
2286-2600 MM (90-102 IN)

ITEM	NUMBER	QTY	DESCRIPTION
-	185-3958	--	AXLE AR-WITHOUT POWER TAKE-OFF [A] (NOT SERVICED)
	185-8737	1	COVER GP-DIFFERENTIAL (NOT SERVICED) (SEE BREAKDOWN FOR COMPONENTS)
	180-4376	1	DIFFERENTIAL GP (NOT SERVICED) (SEE BREAKDOWN FOR COMPONENTS)
	179-9480	2	FINAL DRIVE GP (NOT SERVICED) (SEE BREAKDOWN FOR COMPONENTS)

[A] PART OF 200-5030 POWER TRAIN AR

NOTIF
PR: t05i29k58b0224

185-8737 COVER GP-DIFFERENTIAL
S/N: AZJ1-UP; AZK1-UP



MT800 SERIESTRACTORS
POWER TRAIN

523

185-8737 COVER GP-DIFFERENTIAL
S/N: AZJ1-UP; AZK1-UP

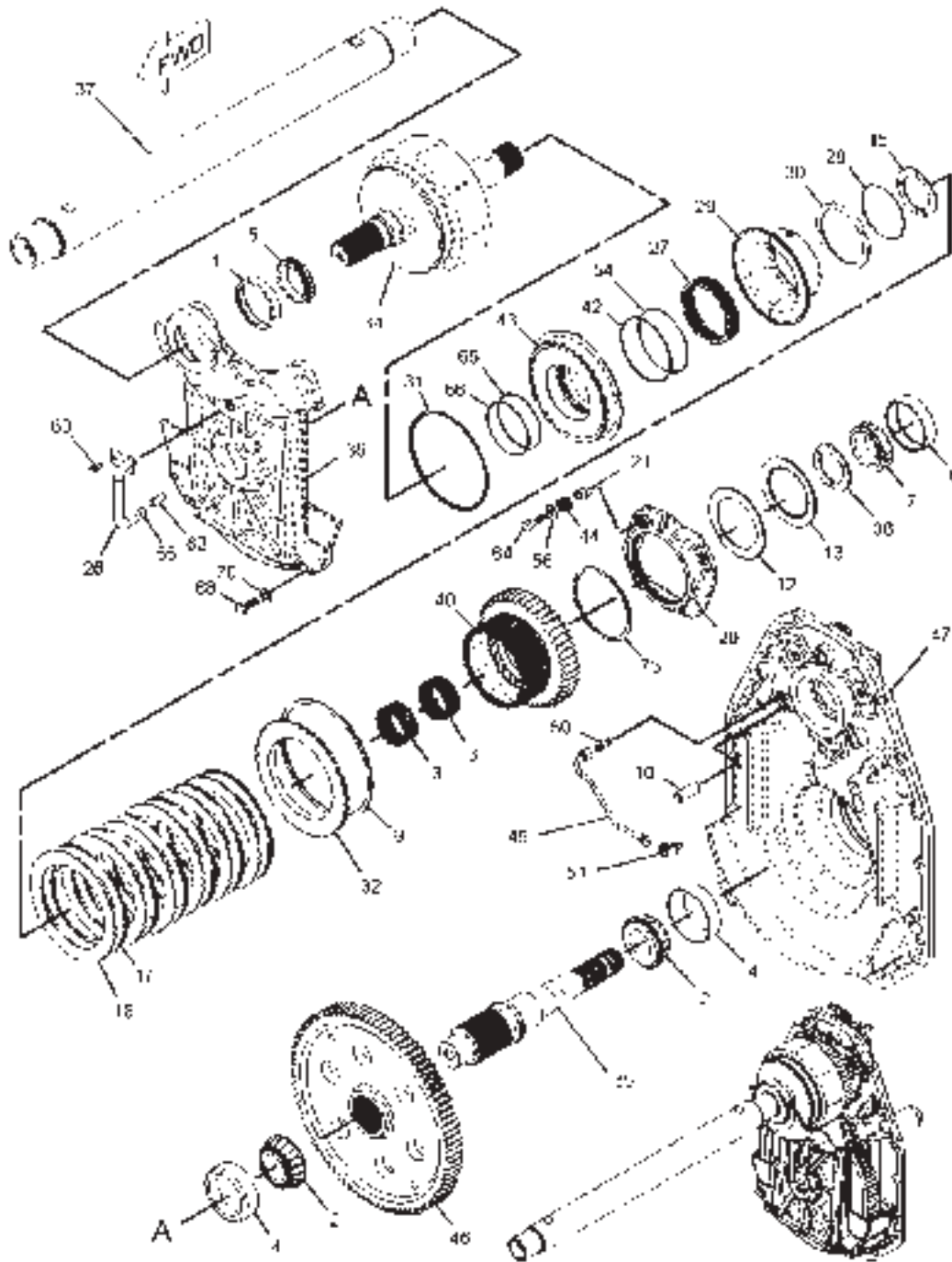
ITEM	NUMBER	QTY	DESCRIPTION
-	185-8737	--	COVER GP-DIFFERENTIAL [A] (NOT SERVICED)
1	170-7290	1	COVER
2	217-3555	1	COVER
3	217-3557	1	GAUGE-SIGHT
4	131-3718	1	SEAL-O-RING
5	8T-4195	4	BOLT (M10X1.5X30MM)

[A] PART OF 185-3957, 185-3958 AXLE AR

00893383
PR: t05i29k58b0225

MT800 SERIES TRACTORS
POWER TRAIN

187-4930 POWER TAKE-OFF GP
S/N: AZG1-879; AZH1-959



MT800 SERIESTRACTORS
POWER TRAIN

525

187-4930 POWER TAKE-OFF GP
S/N: AZG1-879; AZH1-959

ITEM	NUMBER	QTY	DESCRIPTION
-	187-4930	--	POWER TAKE-OFF GP (NOT SERVICED)
1	172-3441	1	RACE-ROLLER BEARING
2	008-3178	2	CONE-BEARING
3	124-0492	2	BEARING-CAGED
4	2D-9190	2	CUP-BEARING
5	6H-7611	1	BEARING-INNER
6	8E-8276	1	RACE-BEARING OUTER
7	8E-8277	1	BEARING-INNER
9	4D-7889	1	RING
10	4T-4200	3	SLUG
12	6Y-5631	1	PLATE-CLUTCH
13	6Y-7968	1	DISC-FRICTION
15	8E-8653	1	DISC-THRUST
17	134-8360	6	DISC-FRICTION
18	134-8361	6	PLATE-CLUTCH
20	161-8739	1	PLATE-BRAKE
21	161-8848	3	BUSHING
26	168-4558	1	TUBE AS
27	173-5392	1	SPRING
28	177-5241	1	RING-RETAINING
29	177-5243	1	SEAL AS
30	177-5246	1	RING-SPACER
31	177-6797	1	RING-SEAL
32	177-6804	1	PLATE-END
34	180-8378	1	SHAFT AS
	7T-9356	1	PLUG-CUP
	9W-0719	1	PLUG
35	180-8382	1	SHAFT
36	180-8385	1	CARRIER-BEARING
37	180-8393	1	SHAFT AS
38	180-8395	1	DISC-THRUST

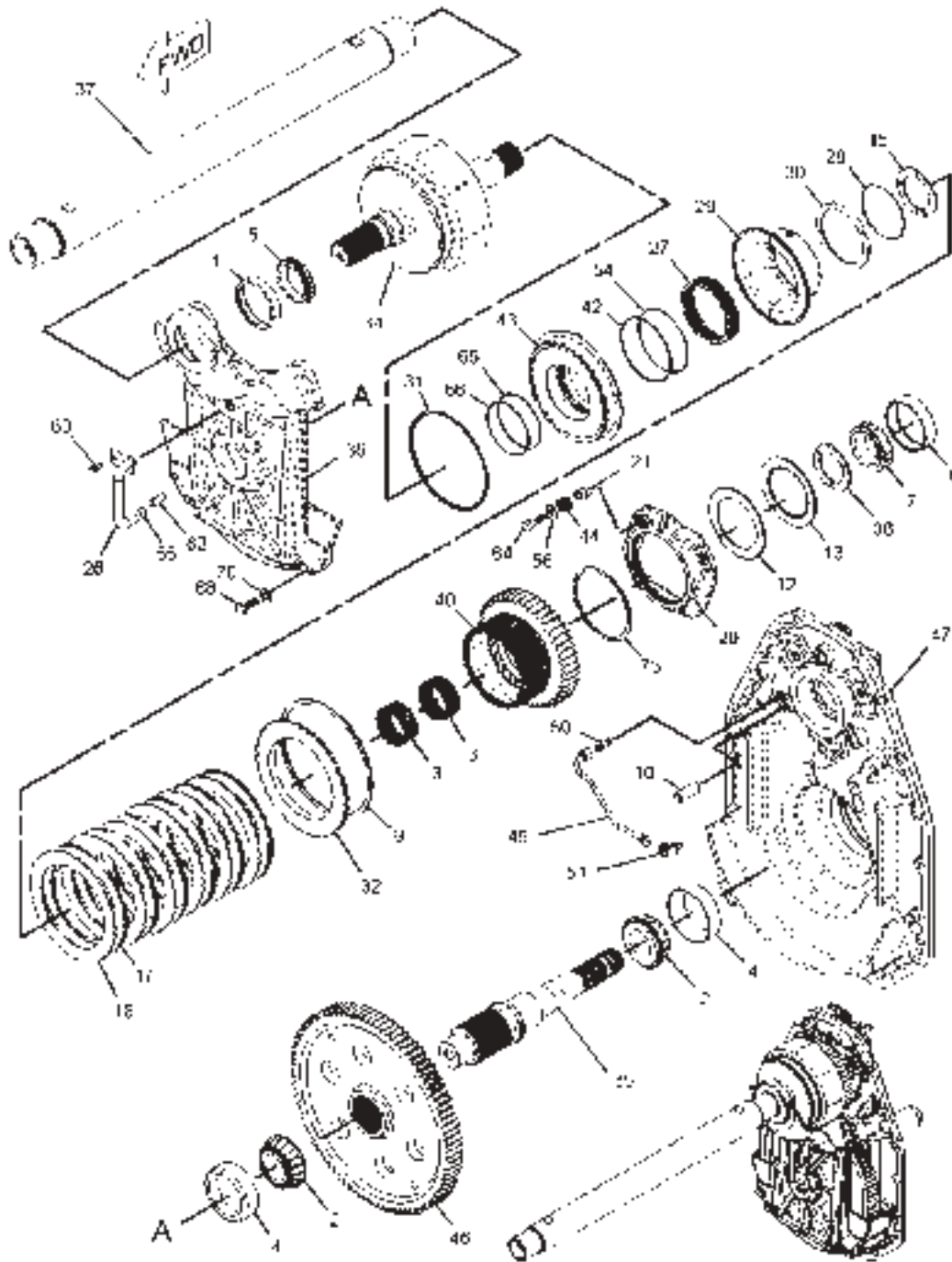
CONTINUED

[A] PART OF 185-3955, 185-3956 AXLE AR

01122766
PR: t05i29k58b0226

MT800 SERIES TRACTORS
POWER TRAIN

187-4930 POWER TAKE-OFF GP
S/N: AZG1-879; AZH1-959



01122766

**MT800 SERIESTRACTORS
POWER TRAIN**

527

**187-4930 POWER TAKE-OFF GP
S/N: AZG1-879; AZH1-959**

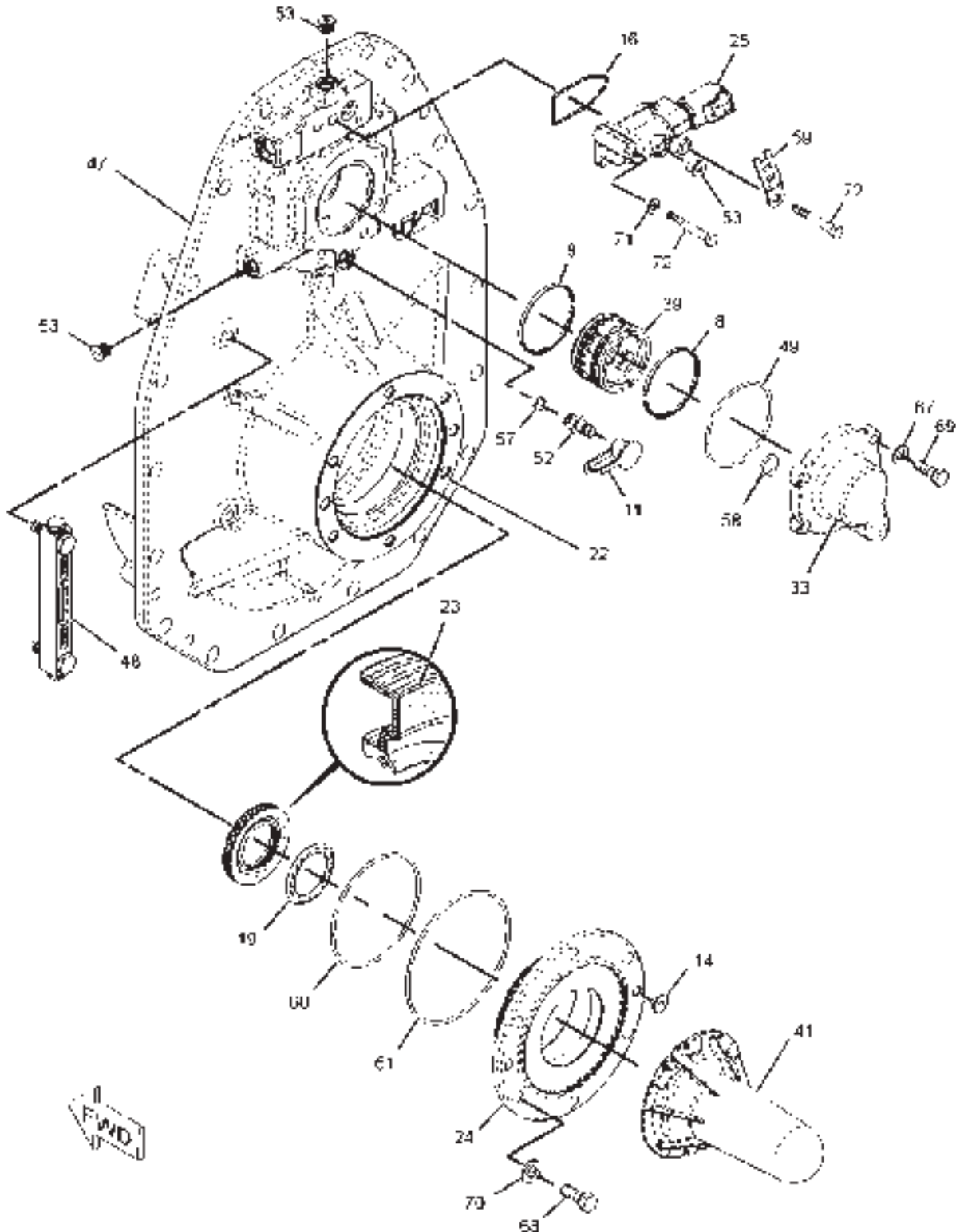
ITEM	NUMBER	QTY	DESCRIPTION
-	187-4930	--	POWER TAKE-OFF GP (NOT SERVICED)
40	191-5262	1	GEAR (48-TEETH)
42	200-3039	1	RING-SEAL
43	203-2631	1	PISTON
44	210-1975	3	SPRING
45	211-8276	1	TUBE AS
46	216-9213	1	GEAR (95-TEETH)
47	217-3556	1	COVER
50	148-8316	1	CONNECTOR AS
	3J-7354	1	SEAL-O-RING
	4J-5477	1	SEAL-O-RING
	6V-8647	1	CONNECTOR
51	148-8385	1	ELBOW AS
	3J-7354	1	SEAL-O-RING
	4J-5477	1	SEAL-O-RING
	6V-9000	1	ELBOW
54	199-9240	1	SEAL-O-RING
55	1L-3162	1	RING-RETAINING
56	3E-4353	3	WASHER-HARD (11X25X3-MM THK)
62	5M-7937	2	DOWEL
63	6V-5215	1	BOLT (M8X1.25X16-MM)
64	6V-5842	3	BOLT (M10X1.5X40-MM)
65	7T-5594	1	RING-SEAL
66	8T-2572	1	SEAL-O-RING
68	8T-4139	8	BOLT (M12X1.75X30-MM)
70	8T-4223	8	WASHER-HARD (13.5X25.5X3-MM THK)
73	9U-8875	1	RING-RETAINING

[A] PART OF 185-3955, 185-3956 AXLE AR

01122766
PR: t05i29k58b0226

MT800 SERIES TRACTORS
POWER TRAIN

187-4930 POWER TAKE-OFF GP
S/N: AZG1-879; AZH1-959



01124521

**MT800 SERIESTRACTORS
POWER TRAIN**

529

187-4930 POWER TAKE-OFF GP
S/N: AZG1-879; AZH1-959

ITEM	NUMBER	QTY	DESCRIPTION
-	187-4930	--	POWER TAKE-OFF GP (NOT SERVICED)
8	1T-1597	2	RING-SEAL
11	6V-0852	1	CAP-DUST
14	7C-6467	2	PLUG
16	8S-0768	1	SEAL-O-RING
19	160-6789	1	GUARD
22	164-3949	1	SHIM PACK (INCLUDES 13-SHIMS)
23	164-3951	1	SEAL-LIP TYPE
24	165-0260	1	CAGE-BEARING
25	216-5343	1	VALVE GP-MODULATING (CLUTCH PACK HYDRAULIC OIL) (SEE BREAKDOWN FOR COMPONENTS)
33	180-8369	1	COVER
39	188-7731	1	CARRIER-RING
41	199-4273	1	COVER AS
47	217-3556	1	COVER
48	217-3557	1	GAUGE-SIGHT
49	131-3718	1	SEAL-O-RING
52	6V-3965	1	FITTING AS [B]
53	162-0177	3	PLUG AS
	3J-1907	1	SEAL-O-RING
	9S-8004	1	PLUG
57	3J-1907	1	SEAL-O-RING
58	4J-5140	1	SEAL-O-RING
59	4P-7581	1	CLIP
60	5F-3999	1	SEAL-O-RING
61	5H-3252	1	SEAL-O-RING
67	8T-4121	4	WASHER-HARD (11X21X2.5-MM THK)
68	8T-4139	6	BOLT (M12X1.75X30-MM)
69	8T-4195	4	BOLT (M10X1.5X30-MM)
70	8T-4223	6	WASHER-HARD (13.5X25.5X3-MM THK)
71	8T-4224	1	WASHER-HARD (8.8X16X2-MM THK)
72	8T-6869	2	BOLT (M8X1.25X60-MM)

[A] PART OF 185-3955, 185-3956 AXLE AR
[B] NOT PART OF THIS GROUP

01124521
PR: t05i29k58b0227

MT800 SERIESTRACTORS
POWER TRAIN

531

187-4930 POWER TAKE-OFF GP
S/N: AZG880-900; AZH960-971

ITEM	NUMBER	QTY	DESCRIPTION
-	187-4930	--	POWER TAKE-OFF GP [A] (NOT SERVICED)
1	172-3441	1	RACE-ROLLER BEARING
2	008-3178	2	CONE-BEARING
3	124-0492	2	BEARING-CAGED
4	2D-9190	2	CUP-BEARING
5	6H-7611	1	BEARING-INNER
6	8E-8276	1	RACE-BEARING OUTER
7	8E-8277	1	BEARING-INNER
9	4D-7889	1	RING
10	4T-4200	3	SLUG
12	6Y-5631	1	PLATE-CLUTCH
13	6Y-7968	1	DISC-FRICTION
15	8E-8653	1	DISC-THRUST
17	134-8360	6	DISC-FRICTION
18	134-8361	6	PLATE-CLUTCH
20	161-8739	1	PLATE-BRAKE
21	161-8848	3	BUSHING
26	168-4558	1	TUBE AS
27	173-5392	1	SPRING
28	177-5241	1	RING-RETAINING
29	177-5243	1	SEAL AS
30	177-5246	1	RING-SPACER
31	177-6797	1	RING-SEAL
32	177-6804	1	PLATE-END
34	180-8378	1	SHAFT AS
	7T-9356	1	PLUG-CUP
	9W-0719	1	PLUG
35	180-8382	1	SHAFT
36	180-8385	1	CARRIER-BEARING
37	180-8393	1	SHAFT AS
38	180-8395	1	DISC-THRUST

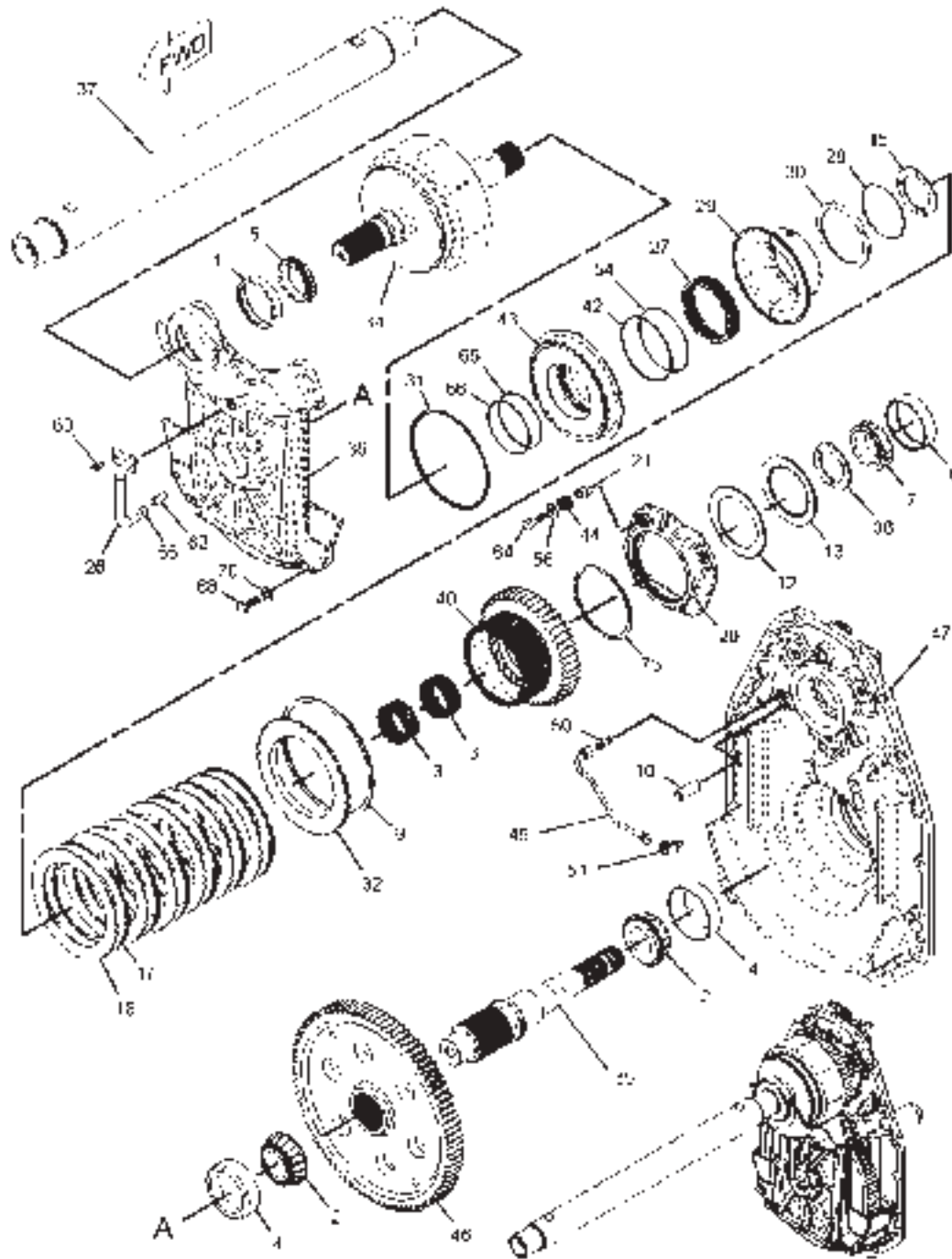
CONTINUED

[A] PART OF 185-3955, 185-3956 AXLE AR

01122766
PR: t05i29k58b0228

MT800 SERIES TRACTORS
POWER TRAIN

187-4930 POWER TAKE-OFF GP
S/N: AZG880-900; AZH960-971



MT800 SERIES TRACTORS
POWER TRAIN

533

187-4930 POWER TAKE-OFF GP
S/N: AZG880-900; AZH960-971

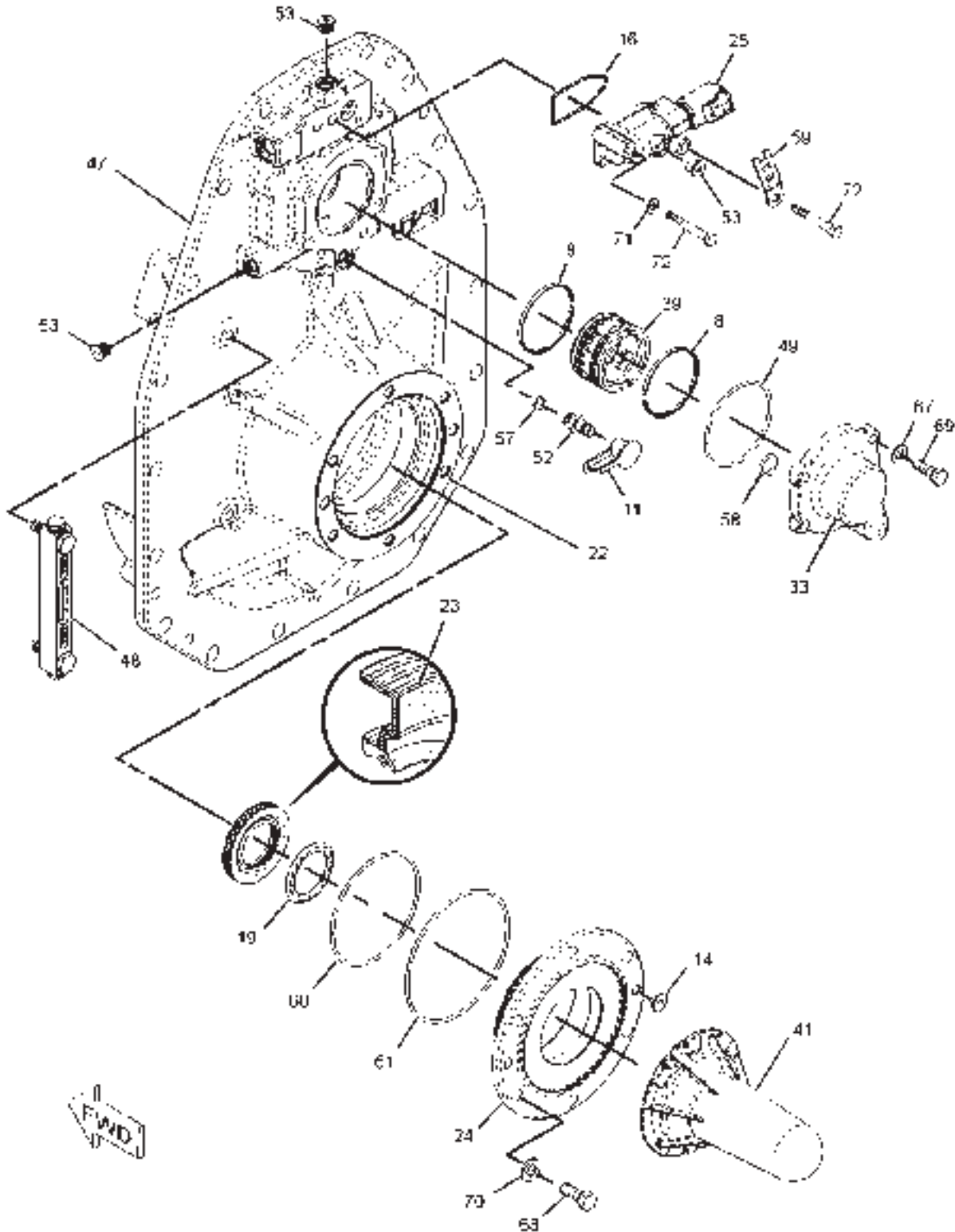
ITEM	NUMBER	QTY	DESCRIPTION
-	187-4930	--	POWER TAKE-OFF GP [A] (NOT SERVICED)
40	191-5262	1	GEAR (48-TEETH)
42	200-3039	1	RING-SEAL
43	203-2631	1	PISTON
44	210-1975	3	SPRING
45	211-8276	1	TUBE AS
46	216-9213	1	GEAR (95-TEETH)
47	217-3556	1	COVER
50	148-8316	1	CONNECTOR AS
	3J-7354	1	SEAL-O-RING
	4J-5477	1	SEAL-O-RING
	6V-8647	1	CONNECTOR
51	148-8385	1	ELBOW AS
	3J-7354	1	SEAL-O-RING
	4J-5477	1	SEAL-O-RING
	6V-9000	1	ELBOW
54	199-9240	1	SEAL-O-RING
55	1L-3162	1	RING-RETAINING
56	3E-4353	3	WASHER-HARD (11X25X3-MM THK)
62	5M-7937	2	DOWEL
63	6V-5215	1	BOLT (M8X1.25X16-MM)
64	6V-5842	3	BOLT (M10X1.5X40-MM)
65	7T-5594	1	RING-SEAL
66	8T-2572	1	SEAL-O-RING
68	8T-4139	8	BOLT (M12X1.75X30-MM)
70	8T-4223	8	WASHER-HARD (13.5X25.5X3-MM THK)
73	9U-8875	1	RING-RETAINING

[A] PART OF 185-3955, 185-3956 AXLE AR

01122766
PR: t05i29k58b0228

MT800 SERIES TRACTORS
POWER TRAIN

187-4930 POWER TAKE-OFF GP
S/N: AZG880-900; AZH960-971



01124521

**MT800 SERIES TRACTORS
POWER TRAIN**

535

187-4930 POWER TAKE-OFF GP
S/N: AZG880-900; AZH960-971

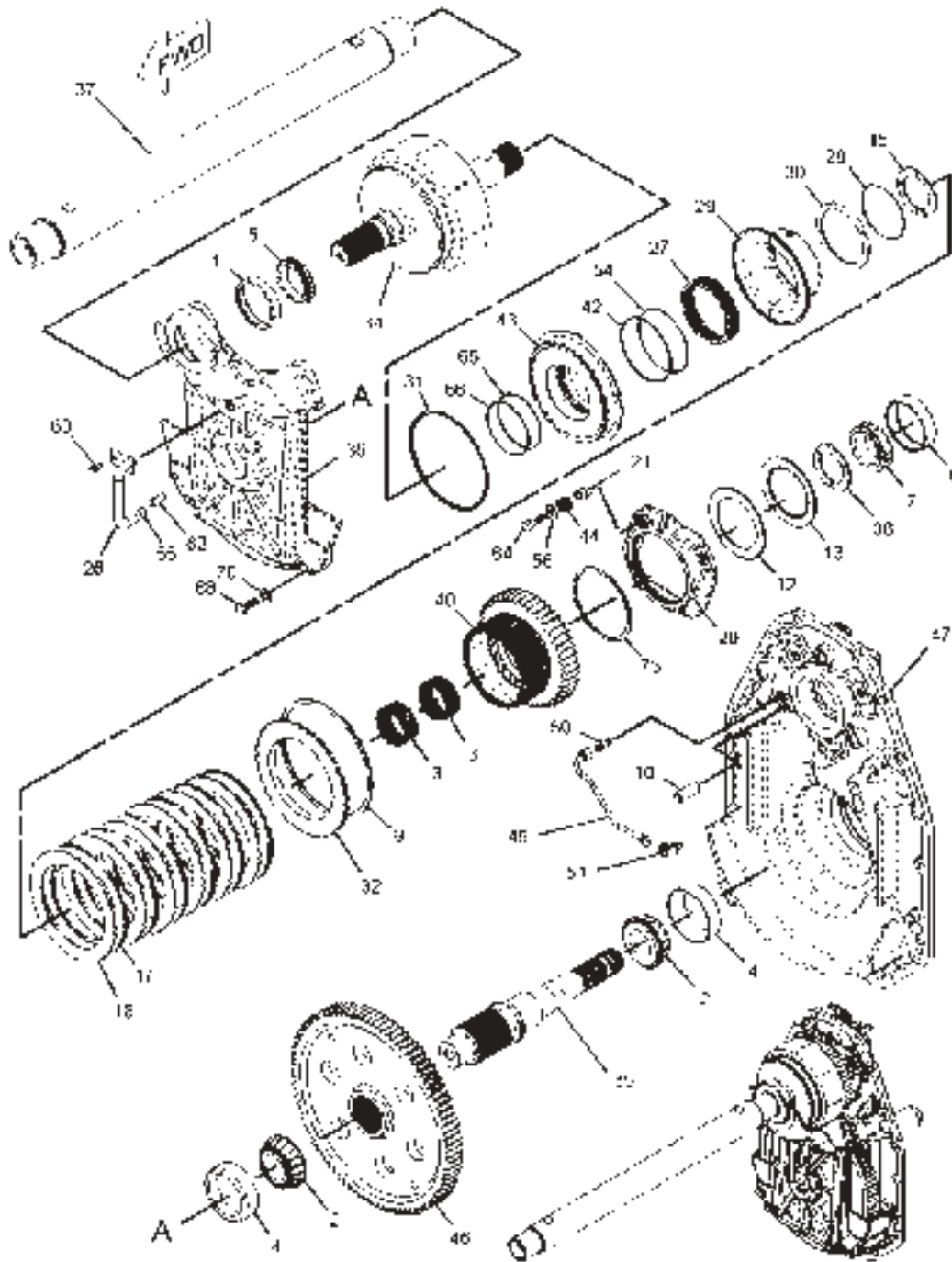
ITEM	NUMBER	QTY	DESCRIPTION
-	187-4930	--	POWER TAKE-OFF GP [A] (NOT SERVICED)
8	1T-1597	2	RING-SEAL
11	6V-0852	1	CAP-DUST
14	7C-6467	2	PLUG
16	8S-0768	1	SEAL-O-RING
19	160-6789	1	GUARD
22	164-3949	AR	SHIM PACK (INCLUDES 13-SHIMS)
23	164-3951	1	SEAL-LIP TYPE
24	165-0260	1	CAGE-BEARING
25	216-5343	1	VALVE GP-MODULATING [C] (CLUTCH PACK HYDRAULIC OIL) (SEE BREAKDOWN FOR COMPONENTS)
33	180-8369	1	COVER
39	188-7731	1	CARRIER-RING
41	199-4273	1	COVER AS
47	217-3556	1	COVER
48	217-3557	1	GAUGE-SIGHT
49	131-3718	1	SEAL-O-RING
52	6V-3965	1	FITTING AS [B]
53	162-0177	3	PLUG AS
	3J-1907	1	SEAL-O-RING
	9S-8004	1	PLUG
57	3J-1907	1	SEAL-O-RING
58	4J-5140	1	SEAL-O-RING
59	4P-7581	1	CLIP
60	5F-3999	1	SEAL-O-RING
61	5H-3252	1	SEAL-O-RING
67	8T-4121	4	WASHER-HARD (11X21X2.5-MM THK)
68	8T-4139	6	BOLT (M12X1.75X30-MM)
69	8T-4195	4	BOLT (M10X1.5X30-MM)
70	8T-4223	6	WASHER-HARD (13.5X25.5X3-MM THK)
71	8T-4224	1	WASHER-HARD (8.8X16X2-MM THK)
72	8T-6869	2	BOLT (M8X1.25X60-MM)

[A] PART OF 185-3955, 185-3956 AXLE AR
[B] NOT PART OF THIS GROUP
[C] CHANGE FROM PREVIOUS TYPE

01124521
PR: t05i29k58b0229

MT800 SERIES TRACTORS
POWER TRAIN

187-4930 POWER TAKE-OFF GP
S/N: AZG901-UP; AZH972-UP



MT800 SERIESTRACTORS
POWER TRAIN

537

187-4930 POWER TAKE-OFF GP
S/N: AZG901-UP; AZH972-UP

ITEM	NUMBER	QTY	DESCRIPTION
-	187-4930	--	POWER TAKE-OFF GP [A] (NOT SERVICED)
1	172-3441	1	RACE-ROLLER BEARING
2	008-3178	2	CONE-BEARING
3	124-0492	2	BEARING-CAGED
4	2D-9190	2	CUP-BEARING
5	6H-7611	1	BEARING-INNER
6	8E-8276	1	RACE-BEARING OUTER
7	8E-8277	1	BEARING-INNER
9	4D-7889	1	RING
10	4T-4200	3	SLUG
12	6Y-5631	1	PLATE-CLUTCH
13	6Y-7968	1	DISC-FRICTION
15	8E-8653	1	DISC-THRUST
17	134-8360	6	DISC-FRICTION
18	134-8361	6	PLATE-CLUTCH
20	161-8739	1	PLATE-BRAKE
21	187-8141	3	BUSHING
26	168-4558	1	TUBE AS
27	173-5392	1	SPRING
28	177-5241	1	RING-RETAINING
29	177-5243	1	SEAL AS
30	177-5246	1	RING-SPACER
31	177-6797	1	RING-SEAL
32	177-6804	1	PLATE-END
34	180-8378	1	SHAFT AS
	7T-9356	1	PLUG-CUP
	9W-0719	1	PLUG
35	180-8382	1	SHAFT
36	180-8385	1	CARRIER-BEARING
37	180-8393	1	SHAFT AS
38	180-8395	1	DISC-THRUST

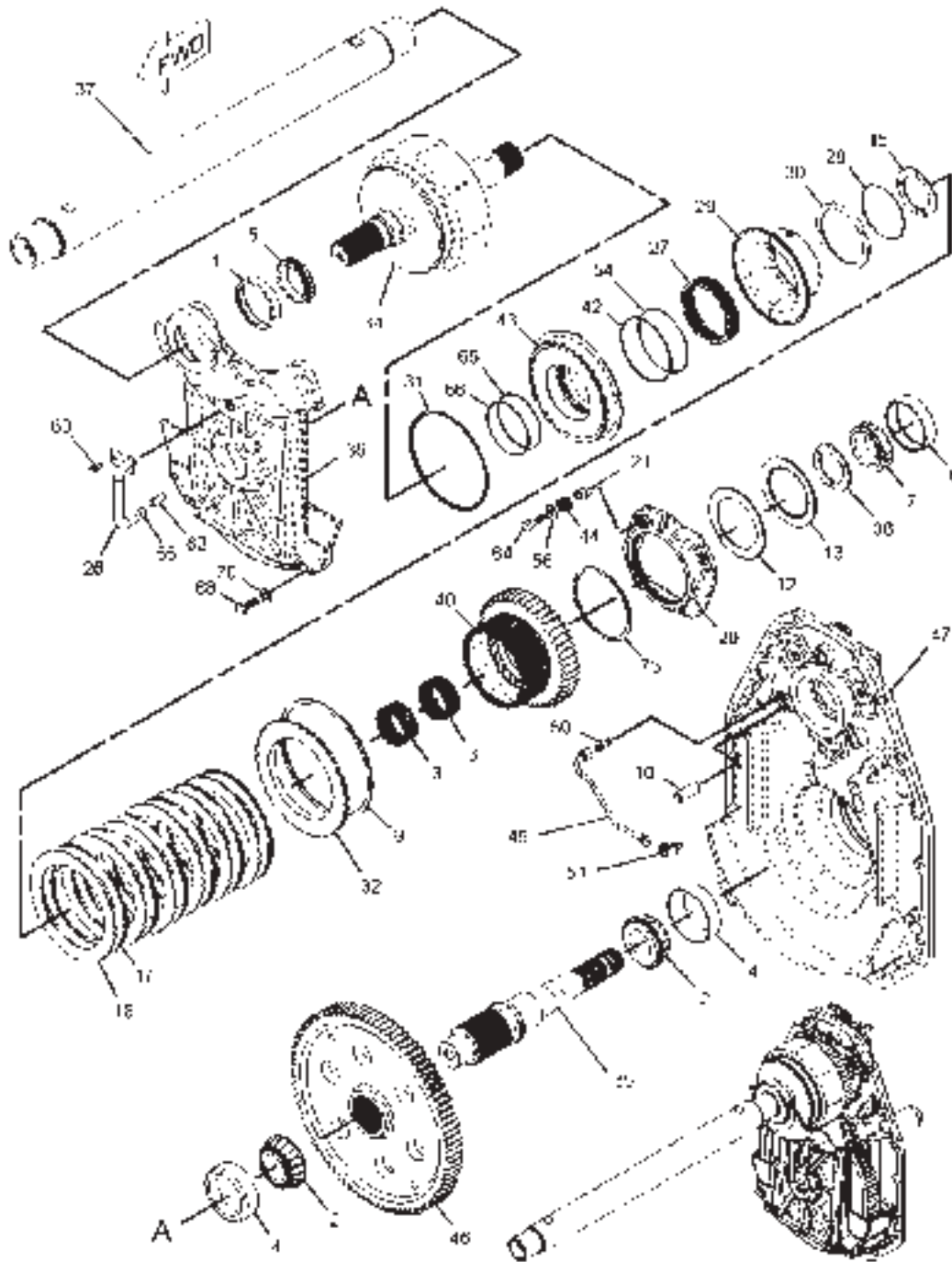
CONTINUED

[A] PART OF 185-3955, 185-3956 AXLE AR

01122766
PR: t05i29k58b0230

MT800 SERIES TRACTORS
POWER TRAIN

187-4930 POWER TAKE-OFF GP
S/N: AZG901-UP; AZH972-UP



MT800 SERIES TRACTORS
POWER TRAIN

539

187-4930 POWER TAKE-OFF GP
S/N: AZG901-UP; AZH972-UP

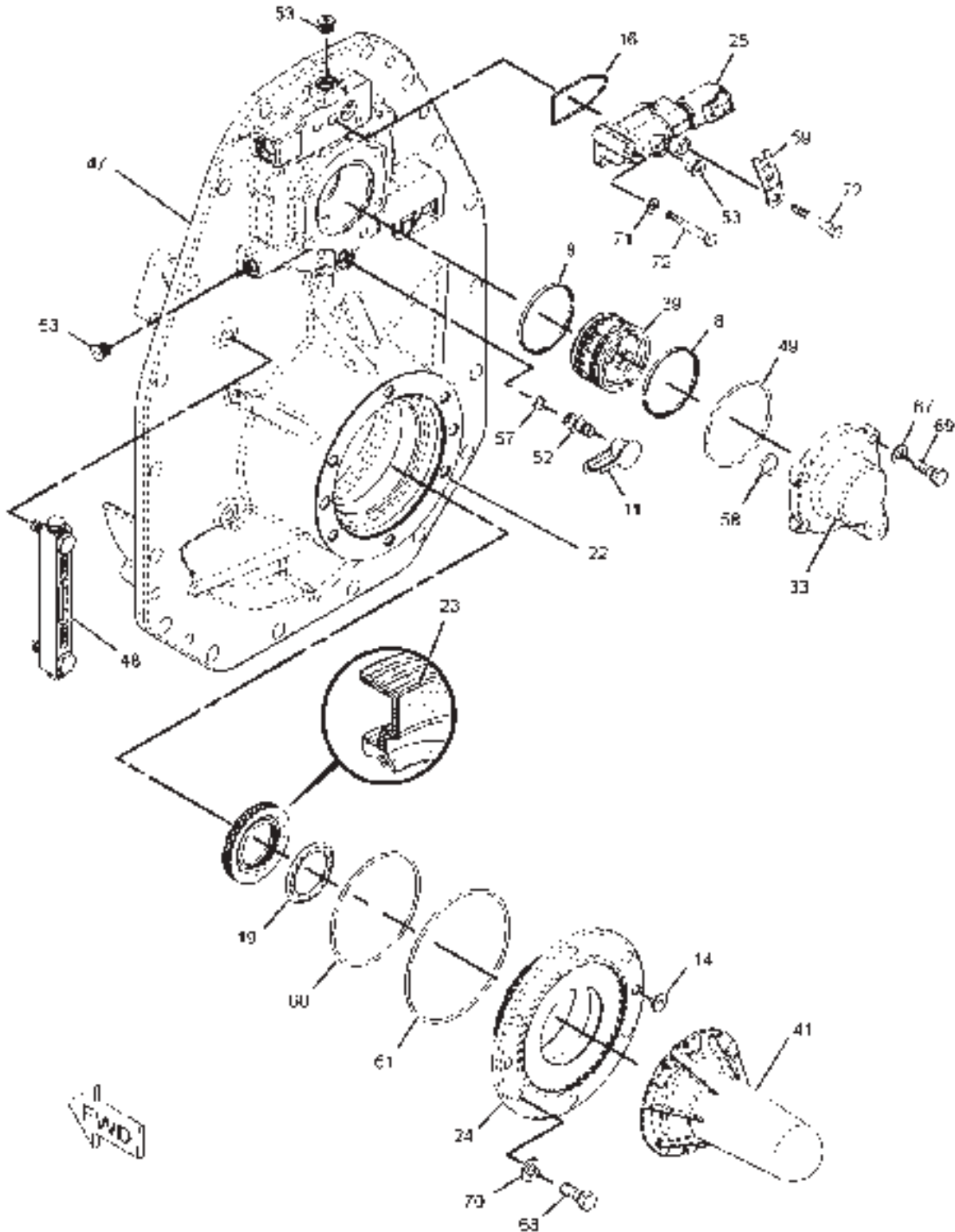
ITEM	NUMBER	QTY	DESCRIPTION
-	187-4930	--	POWER TAKE-OFF GP [A] (NOT SERVICED)
40	191-5262	1	GEAR (48-TEETH)
42	200-3039	1	RING-SEAL
43	203-2631	1	PISTON
44	187-8142	3	SPRING
45	211-8276	1	TUBE AS
46	216-9213	1	GEAR (95-TEETH)
47	217-3556	1	COVER
50	148-8316	1	CONNECTOR AS
	3J-7354	1	SEAL-O-RING
	4J-5477	1	SEAL-O-RING
	6V-8647	1	CONNECTOR
51	148-8385	1	ELBOW AS
	3J-7354	1	SEAL-O-RING
	4J-5477	1	SEAL-O-RING
	6V-9000	1	ELBOW
54	199-9240	1	SEAL-O-RING
55	1L-3162	1	RING-RETAINING
56	3E-4353	3	WASHER-HARD (11X25X3-MM THK)
62	5M-7937	2	DOWEL
63	6V-5215	1	BOLT (M8X1.25X16-MM)
64	6V-4249	3	BOLT (M10X1.5X50-MM)
65	7T-5594	1	RING-SEAL
66	8T-2572	1	SEAL-O-RING
68	8T-4139	8	BOLT (M12X1.75X30-MM)
70	8T-4223	8	WASHER-HARD (13.5X25.5X3-MM THK)
73	9U-8875	1	RING-RETAINING

[A] PART OF 185-3955, 185-3956 AXLE AR

01122766
PR: t05i29k58b0230

MT800 SERIES TRACTORS
POWER TRAIN

187-4930 POWER TAKE-OFF GP
S/N: AZG901-UP; AZH972-UP



01124521

**MT800 SERIESTRACTORS
POWER TRAIN**

541

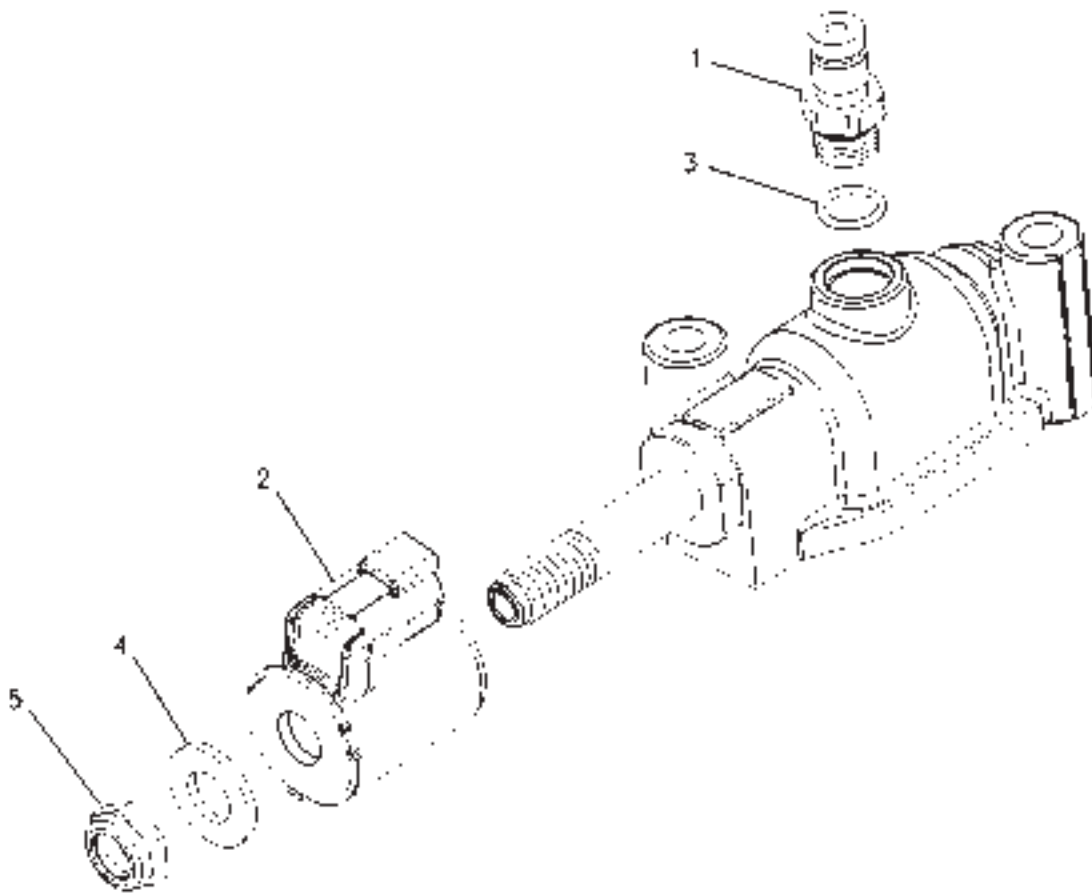
187-4930 POWER TAKE-OFF GP
S/N: AZG901-UP; AZH972-UP

ITEM	NUMBER	QTY	DESCRIPTION
-	187-4930	--	POWER TAKE-OFF GP [A] (NOT SERVICED)
8	1T-1597	2	RING-SEAL
11	6V-0852	1	CAP-DUST
14	7C-6467	2	PLUG
16	8S-0768	1	SEAL-O-RING
19	160-6789	1	GUARD
22	164-3949	AR	SHIM PACK (INCLUDES 13-SHIMS)
23	164-3951	1	SEAL-LIP TYPE
24	165-0260	1	CAGE-BEARING
25	216-5343	1	VALVE GP-MODULATING (CLUTCH PACK HYDRAULIC OIL) (SEE BREAKDOWN FOR COMPONENTS)
33	180-8369	1	COVER
39	188-7731	1	CARRIER-RING
41	199-4273	1	COVER AS
47	217-3556	1	COVER
48	217-3557	1	GAUGE-SIGHT
49	131-3718	1	SEAL-O-RING
52	6V-3965	1	FITTING AS [B]
53	162-0177	3	PLUG AS
	3J-1907	1	SEAL-O-RING
	9S-8004	1	PLUG
57	3J-1907	1	SEAL-O-RING
58	4J-5140	1	SEAL-O-RING
59	4P-7581	1	CLIP
60	5F-3999	1	SEAL-O-RING
61	5H-3252	1	SEAL-O-RING
67	8T-4121	4	WASHER-HARD (11X21X2.5-MM THK)
68	8T-4139	6	BOLT (M12X1.75X30-MM)
69	8T-4195	4	BOLT (M10X1.5X30-MM)
70	8T-4223	6	WASHER-HARD (13.5X25.5X3-MM THK)
71	8T-4224	1	WASHER-HARD (8.8X16X2-MM THK)
72	8T-6869	2	BOLT (M8X1.25X60-MM)

[A] PART OF 185-3955, 185-3956 AXLE AR
[B] NOT PART OF THIS GROUP

01124521
PR: t05i29k58b0231

216-5343 VALVE GP-MODULATING
S/N: AZG1-879; AZH1-959



MT800 SERIESTRACTORS
POWER TRAIN

543

216-5343 VALVE GP-MODULATING
S/N: AZG1-879; AZH1-959

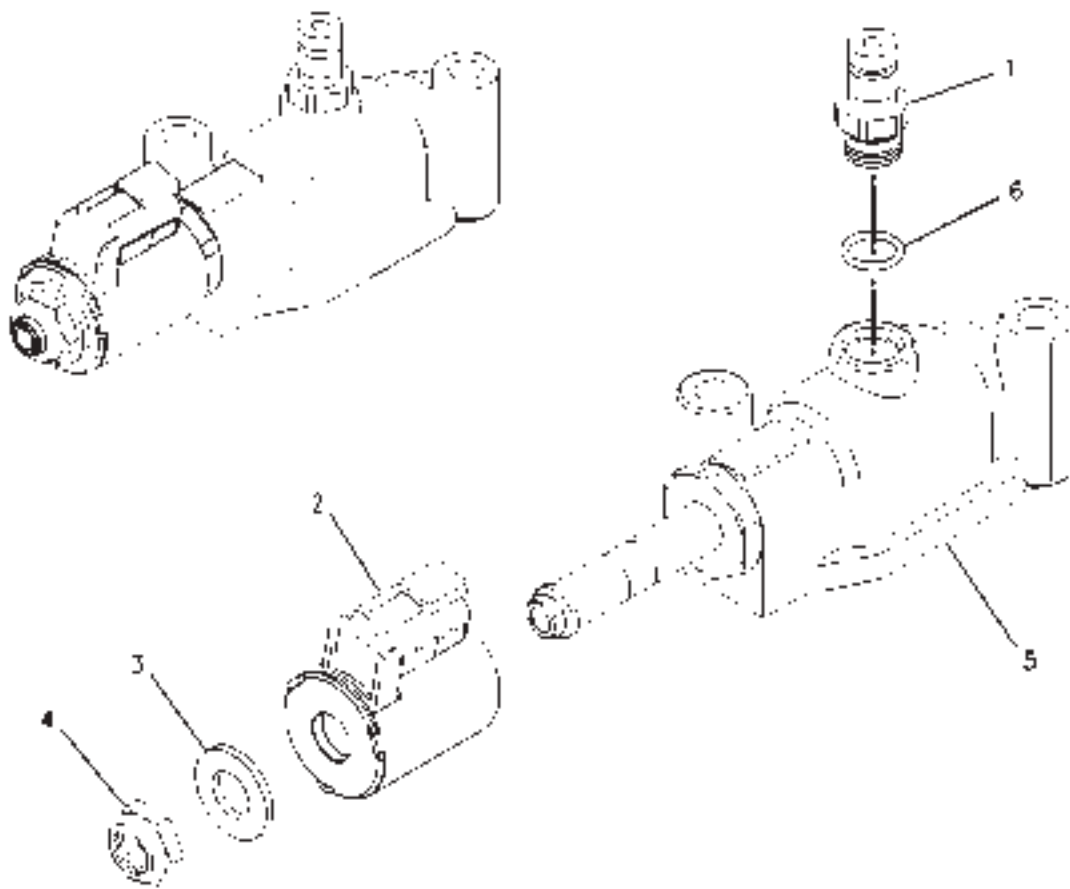
ITEM	NUMBER	QTY	DESCRIPTION
-	216-5343	--	VALVE GP-MODULATING [A]
1	6V-3965	1	FITTING AS
2	155-4426	1	COIL AS
3	3J-1907	1	SEAL-O-RING
4	164-2108	1	WASHER (13.03X25.4X2.38-MM THK)
5	167-9524	1	NUT-SELF-LOCKING (1/2-28-THD)

[A] PART OF 187-4930 POWER TAKE-OFF GP

00672893
PR: t05i29k58b0232

MT800 SERIES TRACTORS
POWER TRAIN

216-5343 VALVE GP-MODULATING
S/N: AZG880-UP; AZH960-UP; 9YY1-UP
12V ELECTRONIC CLUTCH PRESSURE CONTROL



00890963

MT800 SERIESTRACTORS
POWER TRAIN

545

216-5343 VALVE GP-MODULATING
S/N: AZG880-UP; AZH960-UP; 9YY1-UP
12V ELECTRONIC CLUTCH PRESSURE CONTROL

ITEM	NUMBER	QTY	DESCRIPTION
-	216-5343	--	VALVE GP-MODULATING [A]
1	6V-3965	1	FITTING AS
2	155-4426	1	COIL AS
3	164-2108	1	WASHER (13.03X25.4X2.38-MM THK)
4	167-9524	1	NUT-SELF-LOCKING (1/2-28-THD)
5	-----	1	VALVE AS [Z]
6	3J-1907	1	SEAL-O-RING

[A] PART OF:
155-9580 CONTROL GP-TRANSMISSION HYD
187-4930 POWER TAKE-OFF GP
[Z] NOT SERVICED SEPARATELY

00890963
PR: t05i29k58b0233

546

MT800 SERIESTRACTORS
FRAME AND BODY

CHASSIS AR - 179-1953

NO ILLUSTRATION

NOTIF 8

MT800 SERIESTRACTORS
FRAME AND BODY

547

CHASSIS AR - 179-1953

ITEM	NUMBER	QTY	DESCRIPTION
-	179-1953	--	CHASSIS AR [A] (NOT SERVICED)
1	179-1954	1	FRAME GP (NOT SERVICED) (SEE BREAKDOWN FOR COMPONENTS)
2	189-5805	1	GUARD GP-POWER TRAIN (NOT SERVICED) (SEE BREAKDOWN FOR COMPONENTS)
3	162-4112	1	MOUNTING GP-CAB (NOT SERVICED) (SEE BREAKDOWN FOR COMPONENTS)
4	156-1327	1	STEP GP (NOT SERVICED) (SEE BREAKDOWN FOR COMPONENTS)
5	190-5441	1	SUPPORT GP-HOOD (NOT SERVICED) (SEE BREAKDOWN FOR COMPONENTS)
6	179-2182	1	TANK & MTG GP-FUEL (NOT SERVICED) (SEE BREAKDOWN FOR COMPONENTS)

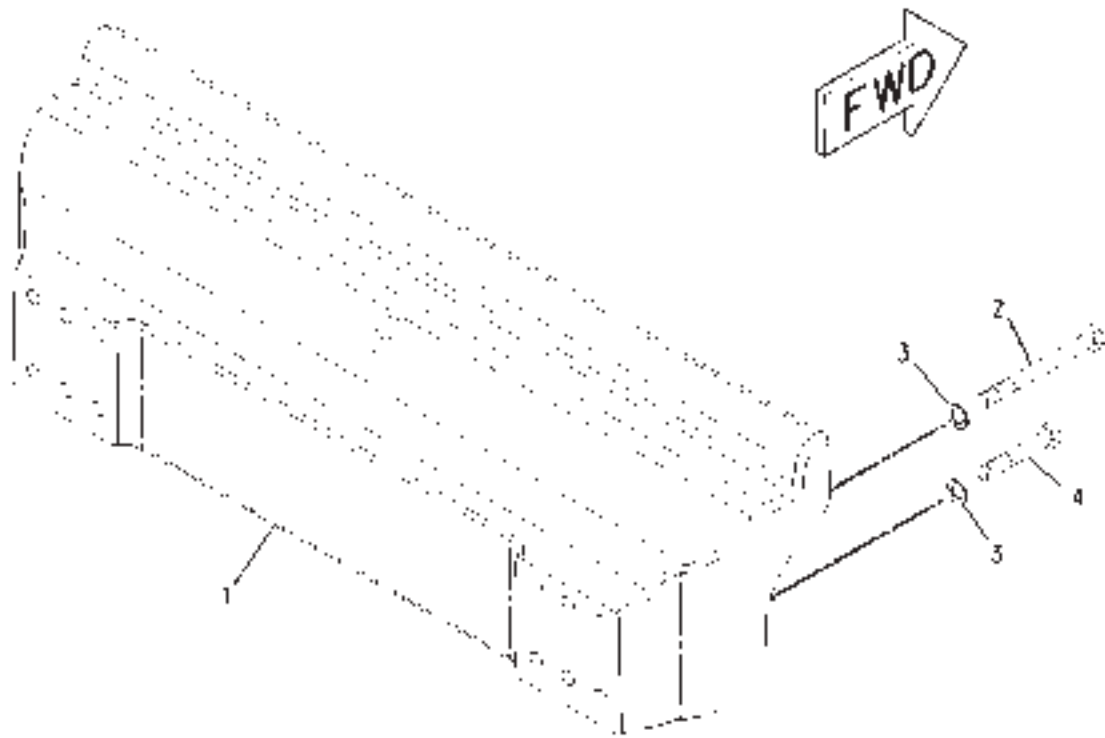
[A] PART OF:
179-1952; 179-2180 BASE COMMON AR

NOTIF8
PR: t05i29k58b0234

548

MT800 SERIESTRACTORS
FRAME AND BODY

MOUNTING GP-COUNTERWEIGHT - 184-5337
(504KG/1112 LB)
ROW ONLY



00835473

MT800 SERIESTRACTORS
FRAME AND BODY

549

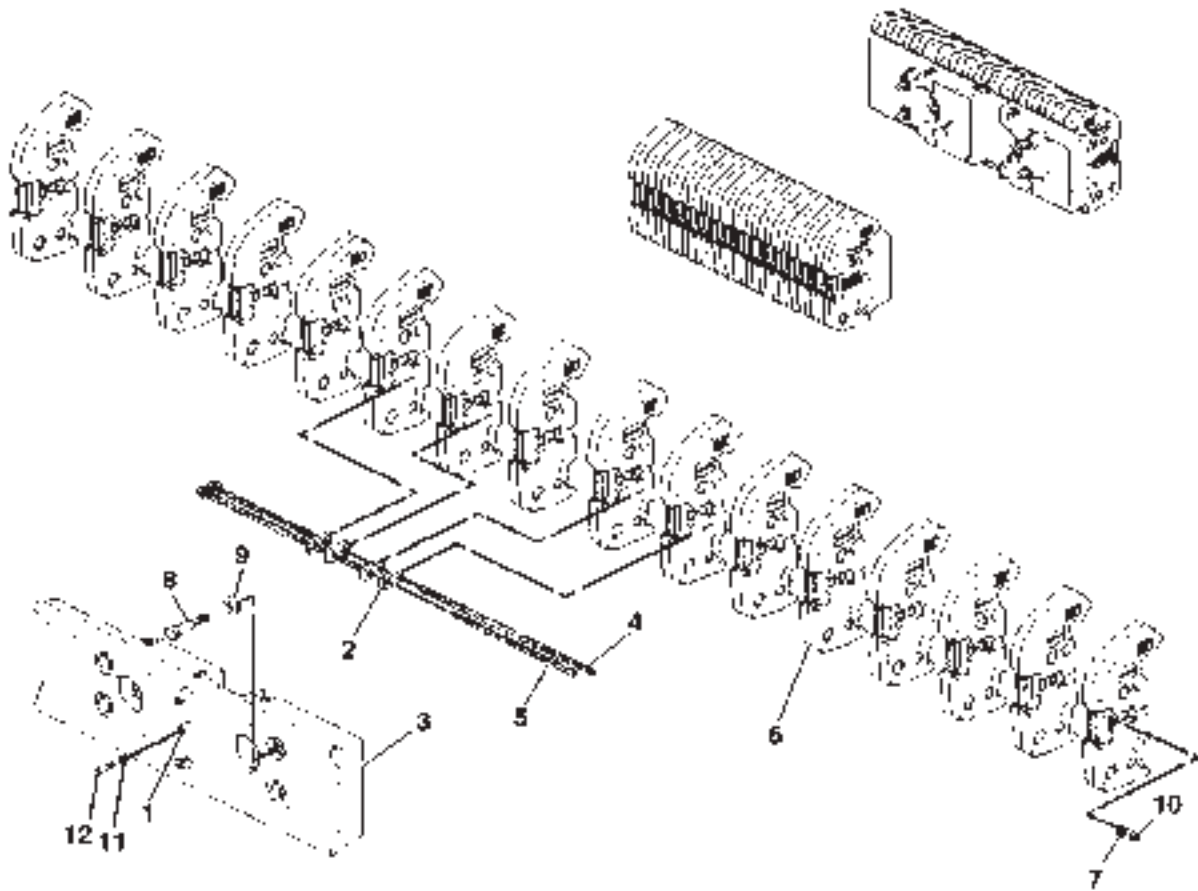
MOUNTING GP-COUNTERWEIGHT - 184-5337
(504KG/1112 LB)
ROW ONLY

ITEM	NUMBER	QTY	DESCRIPTION
-	184-5337	--	MOUNTING GP-COUNTERWGHT (NOT SERVICED)
1	184-5356	1	BRACKET
2	400194X1	6	BOLT (M20X2.5X180MM)
3	400080X1	12	WASHER-PLATED (22X35X3.5)
4	400236X1	6	BOLT (M20X2.5X120MM)

00835473
PR: t05i29k58b0235

MT800 SERIES TRACTORS
FRAME AND BODY

COUNTERWEIGHT GP - 185-8688
ROLLER FRAME (1393KG/3071 LB)
ROW AND EAME



**MT800 SERIESTRACTORS
FRAME AND BODY**

551

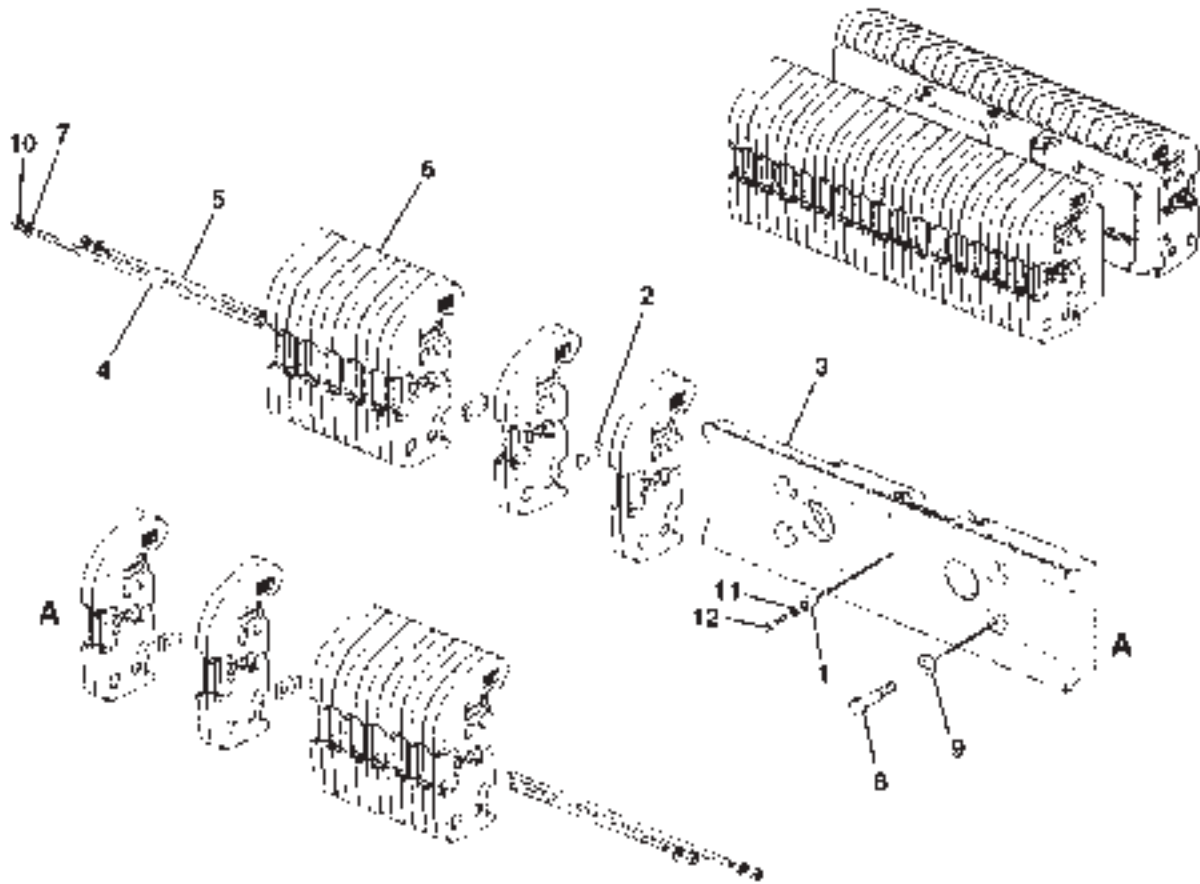
**COUNTERWEIGHT GP - 185-8688
ROLLER FRAME (1393KG/3071 LB)
ROW AND EAME**

ITEM	NUMBER	QTY	DESCRIPTION
-	185-8688	--	COUNTERWEIGHT GP (NOT SERVICED)
1	CH8V-9708	6	SPACER (14.3X25.4X35)
2	400350X1	8	NUT-RETAINER
3	166-7774	2	SUPPORT
4	166-7775	4	ROD (COUNTERWEIGHT)
5	166-7776	4	ROD (COUNTERWEIGHT)
6	171-7234	32	WEIGHT
7	CH7X-0515	8	WASHER-HARD (17X35X5)
8	400213X1	8	BOLT (M24X3X120MM)
9	CH8T-1482	8	WASHER-HARD (26X50X8)
10	CH8T-4132	8	NUT (M16X2)
11	400357X1	6	WASHER-HARD (M12X25.5X3)
12	400063X1	6	BOLT (M12X1.75X60MM)
13	400091X1	6	PLUG PROTECTIVE (NOT SHOWN)

0886635A
PR: t05i29k58b0236

MT800 SERIESTRACTORS
FRAME AND BODY

COUNTERWEIGHT GP - 185-8690
ROLLER FRAME (2786KG/6142 LB)
ROW AND EAME



MT800 SERIESTRACTORS
FRAME AND BODY

553

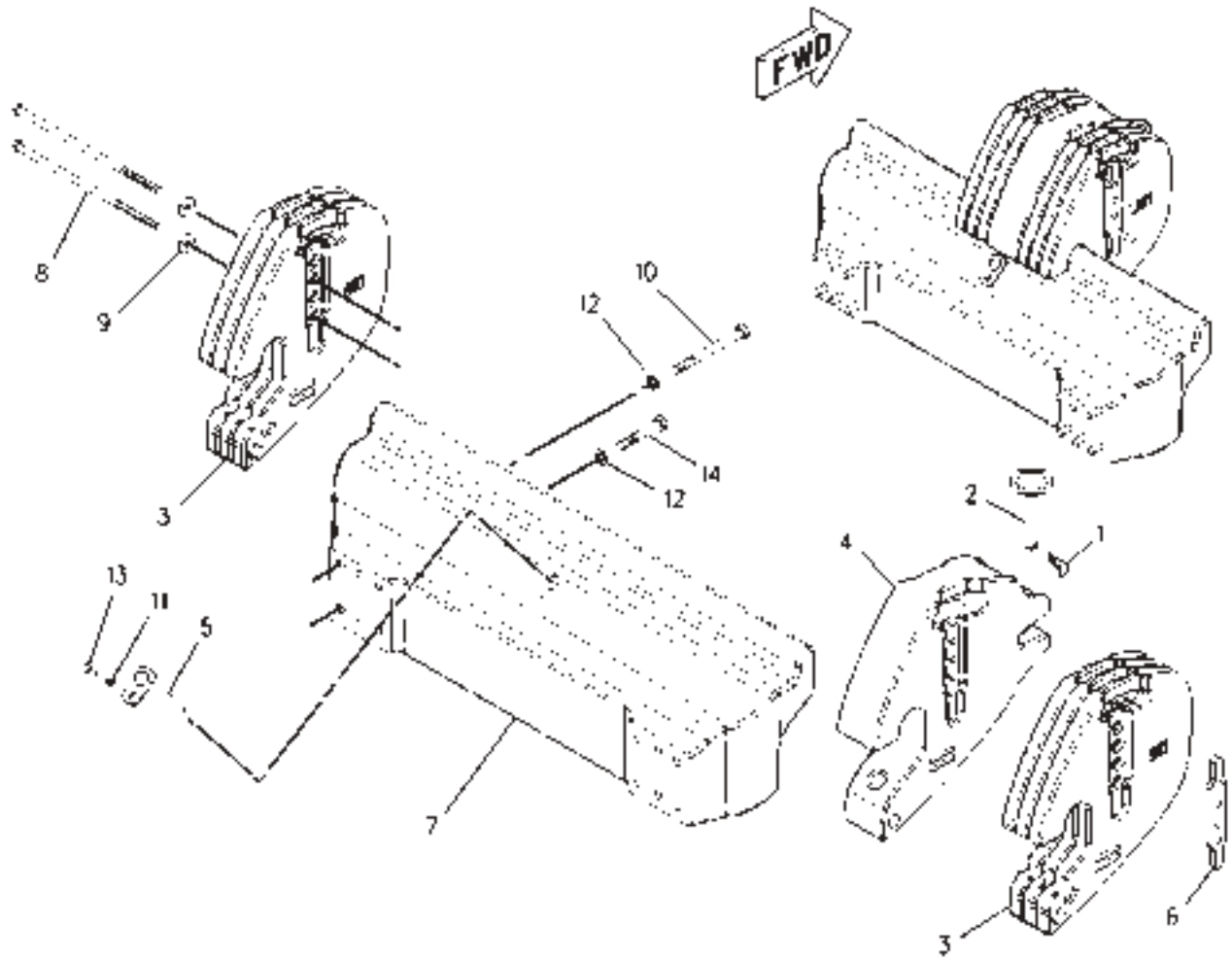
COUNTERWEIGHT GP - 185-8690
ROLLER FRAME (2786KG/6142 LB)
ROW AND EAME

ITEM	NUMBER	QTY	DESCRIPTION
-	185-8690	--	COUNTERWEIGHT GP (NOT SERVICED)
1	CH8V-9708	12	SPACER (14.3X25.4X35)
2	400350X1	16	NUT-RETAINER
3	166-7774	4	SUPPORT
4	166-7775	8	ROD
5	166-7776	8	ROD
6	171-7234	64	WEIGHT
7	CH7X-0515	16	WASHER-HARD (17X35X5)
8	400213X1	16	BOLT (M24X3X)
9	CH8T-1482	16	WASHER-HARD (26X50X8)
10	CH8T-4132	16	NUT (M16X2)
11	400357X1	12	WASHER-HARD (M12X25.5X3)
12	400063X1	12	BOLT (M12X1.75X60MM)

0887109A
PR: t05i29k58b0237

MT800 SERIESTRACTORS
FRAME AND BODY

COUNTERWEIGHT GP-FRONT - 502116D1
6 WEIGHTS (963KG/2063LB)
EAME ONLY



MT800 SERIESTRACTORS
FRAME AND BODY

555

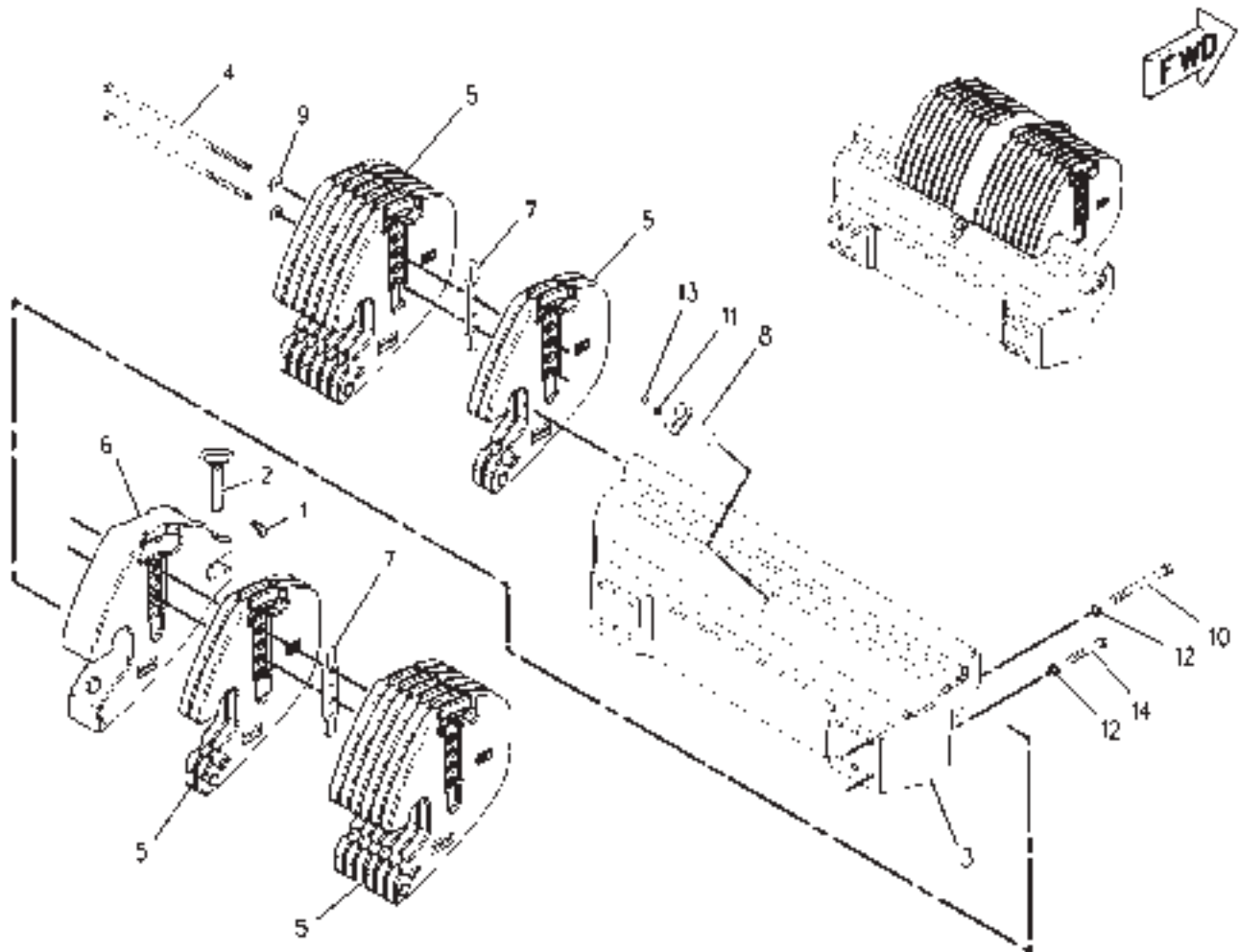
COUNTERWEIGHT GP-FRONT - 502116D1
6 WEIGHTS (963KG/2063LB)
EAME ONLY

ITEM	NUMBER	QTY	DESCRIPTION
-	502116D1	--	COUNTERWEIGHT GP-FRONT
1	CH5P-8837	1	LOCK PIN
2	CH137-9775	1	PIN AS
3	202-9220	6	WEIGHT
4	502113D1	1	WEIGHT (CENTER)
5	CH202-9222	1	PIN AS
6	202-9223	1	PLATE
7	184-5356	1	BRACKET
8	400268X1	2	BOLT (M16X2X440MM)
9	CH7X-0583	2	WASHER-HARD (17X45X6)
10	400194X1	6	BOLT (M20X2.5X180MM)
11	400375X1	1	WASHER-HARD (M12X25.5X3)
12	400080X1	12	WASHER-PLATED (22X35X3.5)
13	400041X1	1	BOLT (M12X1.75X30MM)
14	400236X1	6	BOLT (M20X2.5X120MM)

00776682
PR: t05i29k58b0238

MT800 SERIESTRACTORS
FRAME AND BODY

COUNTERWEIGHT GP-FRONT - 502117D1
16 WEIGHTS (1403KG/3091LB)
EAME ONLY



MT800 SERIESTRACTORS
FRAME AND BODY

557

COUNTERWEIGHT GP-FRONT - 502117D1
16 WEIGHTS (1403KG/3091LB)
EAME ONLY

ITEM	NUMBER	QTY	DESCRIPTION
-	502117D1	--	COUNTERWEIGHT GP-FRONT
1	CH5P-8837	1	LOCK PIN
2	CH137-9775	1	PIN AS
3	184-5356	1	BRACKET
4	400267X1	2	BOLT (M16X2X550MM)
5	202-9220	16	WEIGHT
6	502113D1	1	WEIGHT (CENTER)
7	202-9223	2	PLATE
8	CH202-9222	1	PIN AS
9	CH7X-0583	2	WASHER-HARD (17X45X6)
10	400194X1	6	BOLT (M20X2.5X180MM)
11	400375X1	1	WASHER-HARD (M12X25.5X3)
12	400080X1	12	WASHER-PLATED (22X35X3.5)
13	400041X1	1	BOLT (M12X1.75X30MM)
14	400236X1	6	BOLT (M20X2.5X120MM)

00875121
PR: t05i29k58b0239

MT800 SERIESTRACTORS
FRAME AND BODY

559

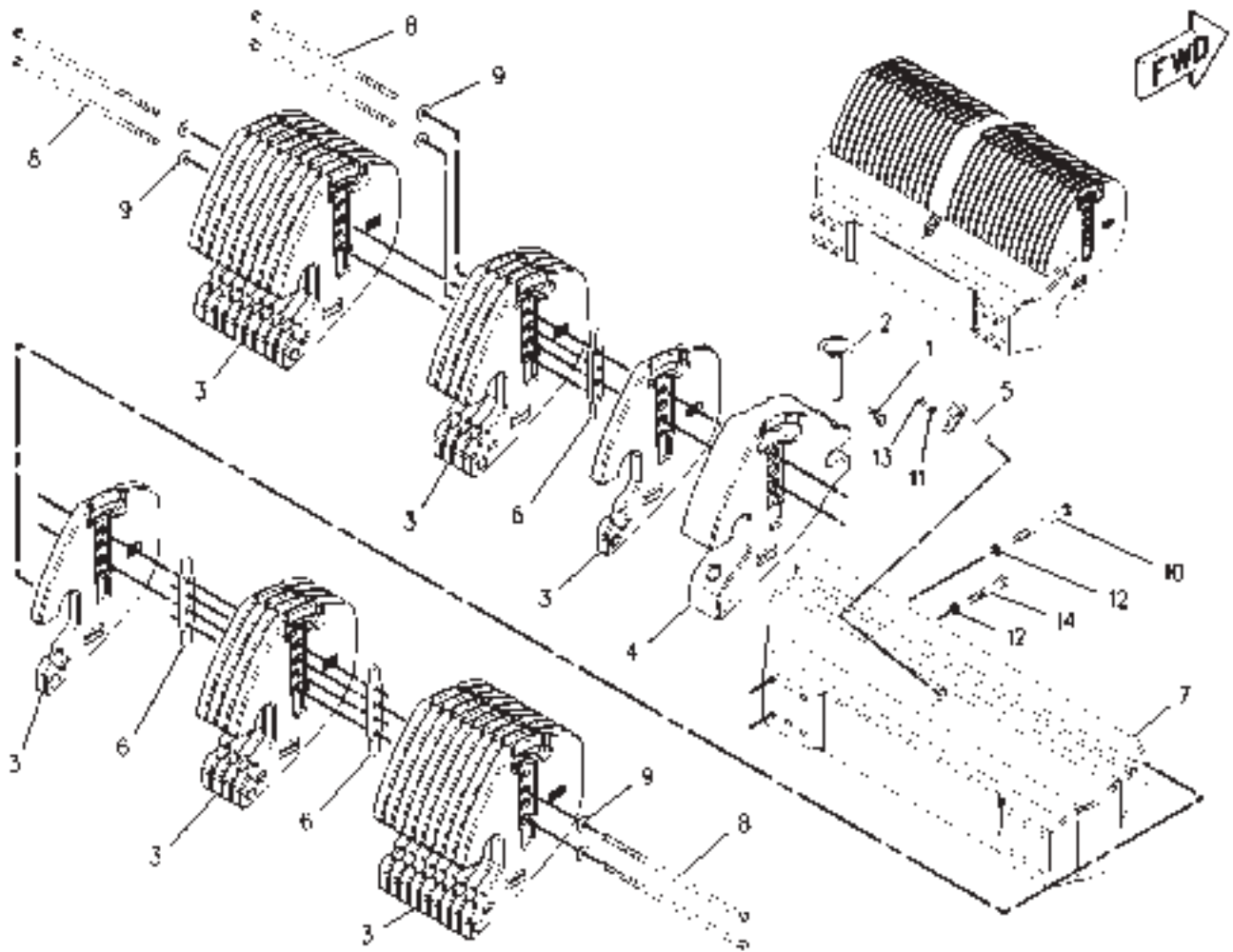
COUNTERWEIGHT GP-FRONT - 184-5329
20 WEIGHTS (1440KG/3175LB)
ROW ONLY

ITEM	NUMBER	QTY	DESCRIPTION
-	184-5329	--	COUNTERWEIGHT GP-FRONT
1	184-5356	1	BRACKET
2	400267X1	2	BOLT (M16X2X550MM)
3	202-9220	20	WEIGHT
4	202-9223	2	PLATE
5	CH202-9222	1	PIN ASM
6	CH7X-0583	2	WASHER-HARD (17X45X6)
7	400194X1	6	BOLT (M20X2.5X180MM)
8	400080X1	12	WASHER-PLATED (22X35X3.5)
9	400041X1	1	BOLT (M12X1.75X30MM)
10	400357X1	1	WASHER-HARD (M12X25.5X3)
11	400236X1	6	BOLT (M20X2.5X120MM)

00887128
PR: t05i29k58b0240

MT800 SERIESTRACTORS
FRAME AND BODY

COUNTERWEIGHT GP-FRONT - 502118D1
28 WEIGHTS (1963KG/4328LB)
EAME ONLY



MT800 SERIESTRACTORS
FRAME AND BODY

561

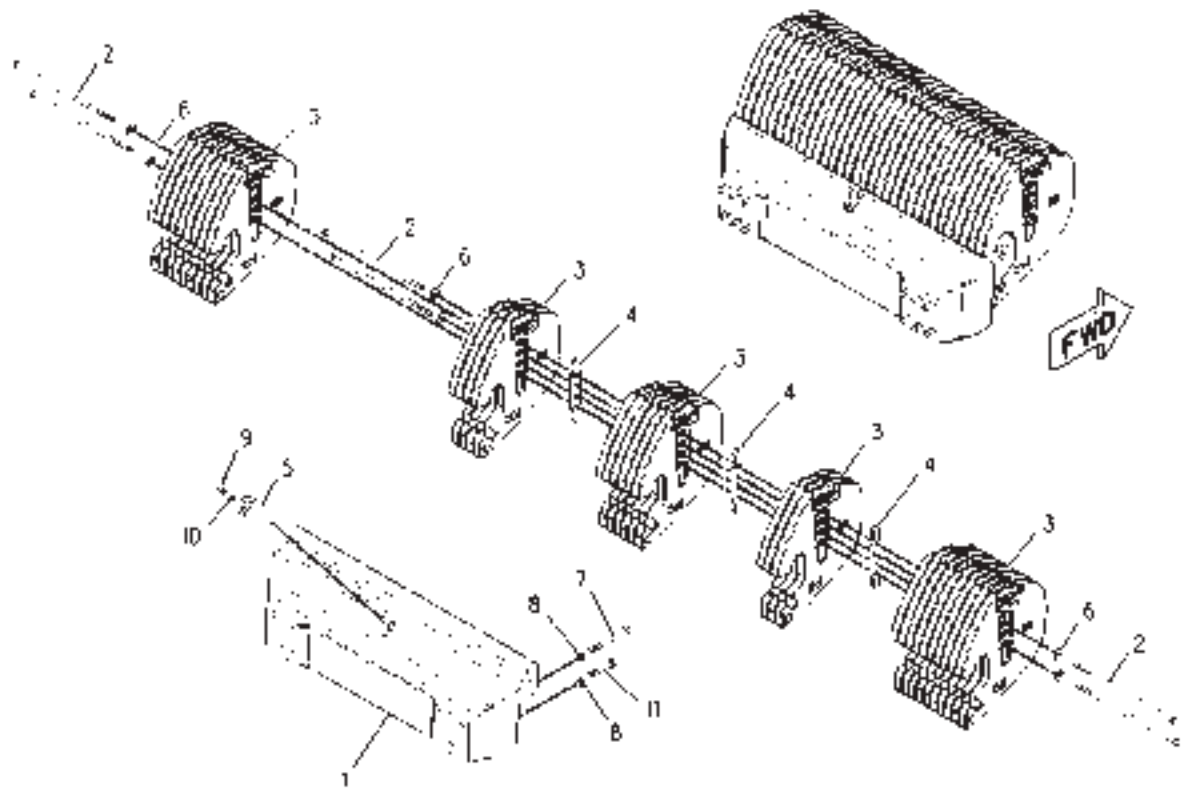
COUNTERWEIGHT GP-FRONT - 502118D1
28 WEIGHTS (1963KG/4328LB)
EAME ONLY

ITEM	NUMBER	QTY	DESCRIPTION
-	502118D1	--	COUNTERWEIGHT GP-FRONT
1	CH5P-8837	1	LOCK PIN
2	CH137-9775	1	PIN AS
3	202-9220	28	WEIGHT
4	502130D1	1	WEIGHT (CENTER)
5	CH202-9222	1	PIN AS
6	202-9223	3	PLATE
7	184-5356	1	BRACKET
8	400267X1	6	BOLT (M16X2X550MM)
9	CH7X-0583	6	WASHER-HARD (17X45X6)
10	400194X1	6	BOLT (M20X2.5X180MM)
11	400357X1	1	WASHER-HARD (M12X25.5X3)
12	400080X1	12	WASHER-PLATED (22X35X3.5)
13	400041X1	1	BOLT (M12X1.75X30MM)
14	400236X1	6	BOLT (M20X2.5X120MM)

00779332
PR: t05i29k58b0241

MT800 SERIE TRACTORS
FRAME AND BODY

COUNTERWEIGHT GP-FRONT - 184-5357
32 WEIGHTS (2000KG/4409LB)



00835430

**MT800 SERIESTRACTORS
FRAME AND BODY**

563

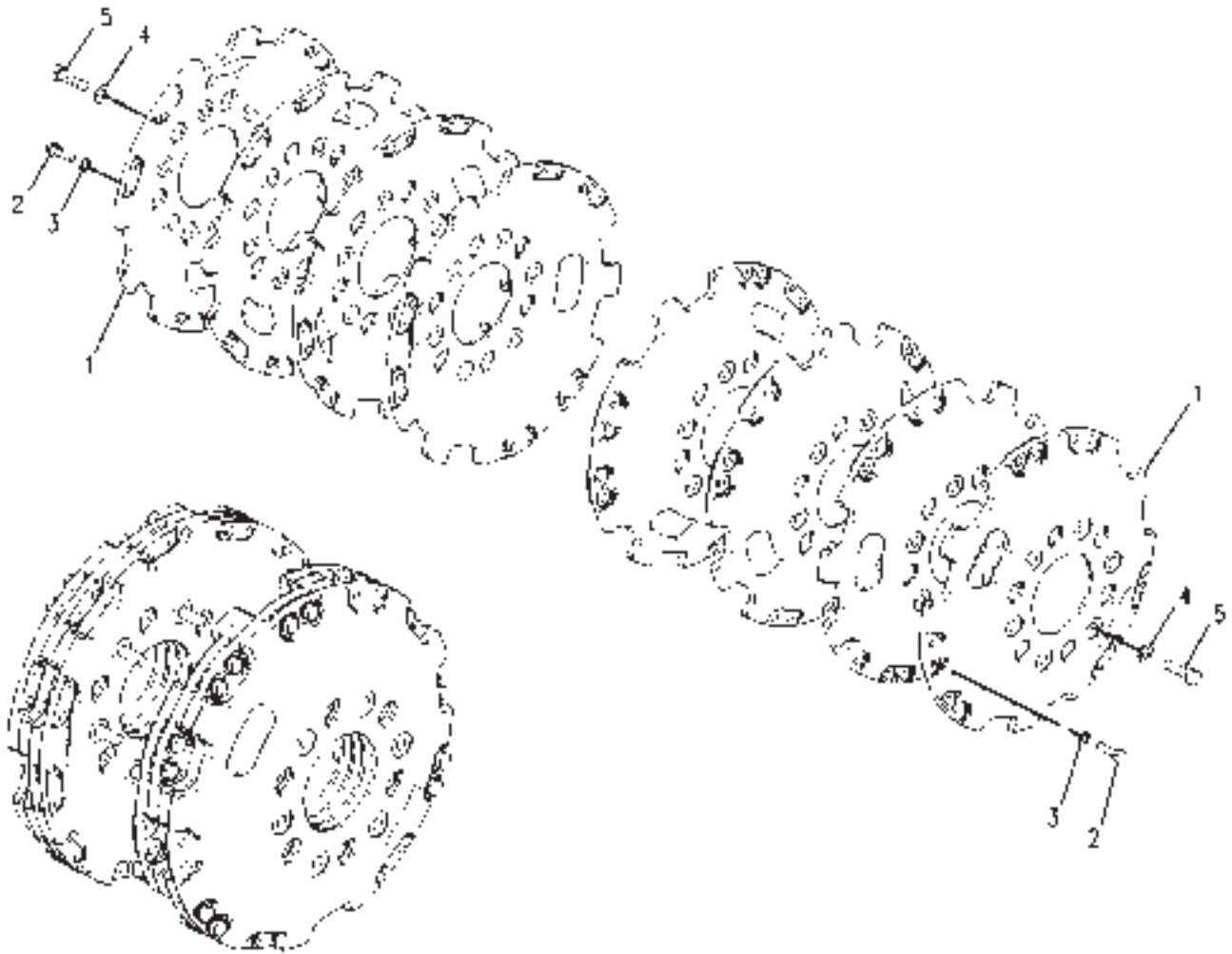
**COUNTERWEIGHT GP-FRONT - 184-5357
32 WEIGHTS (2000KG/4409LB)**

ITEM	NUMBER	QTY	DESCRIPTION
-	502784D1	--	COUNTERWEIGHT GP-FRNT [A] (FIELD INST)
-	502916D1	--	COUNTERWEIGHT GP-FRNT [A] (FACT OPTION) (NOT SERVICED)
-	184-5357	--	COUNTERWEIGHT GP-FRNT [A] (NOT SERVICED, ORDER FIELD INSTALLED)
1	184-5356	1	BRACKET
2	400267X1	6	BOLT (M16X2X550MM)
3	202-9220	32	WEIGHT
4	202-9223	3	PLATE
5	CH202-9222	1	PIN ASM
6	CH7X-0583	6	WASHER-HARD (17X45X6)
7	400194X1	6	BOLT (M20X2.5X180MM)
8	400080X1	12	WASHER-PLATED (22X35X3.5)
9	400041X1	1	BOLT (M12X1.75X30MM)
10	400357X1	1	WASHER-HARD (M12X25.5X3)
11	400236X1	6	BOLT (M20X2.5X120MM)

[A] PART OF 502784D1;502916D1
CNTRWGHT GP-FRONT

00835430
PR: t05i29k58b0242

COUNTERWEIGHT GP-IDLER - 177-4588
(909KG/2000LB)



MT800 SERIESTRACTORS
FRAME AND BODY

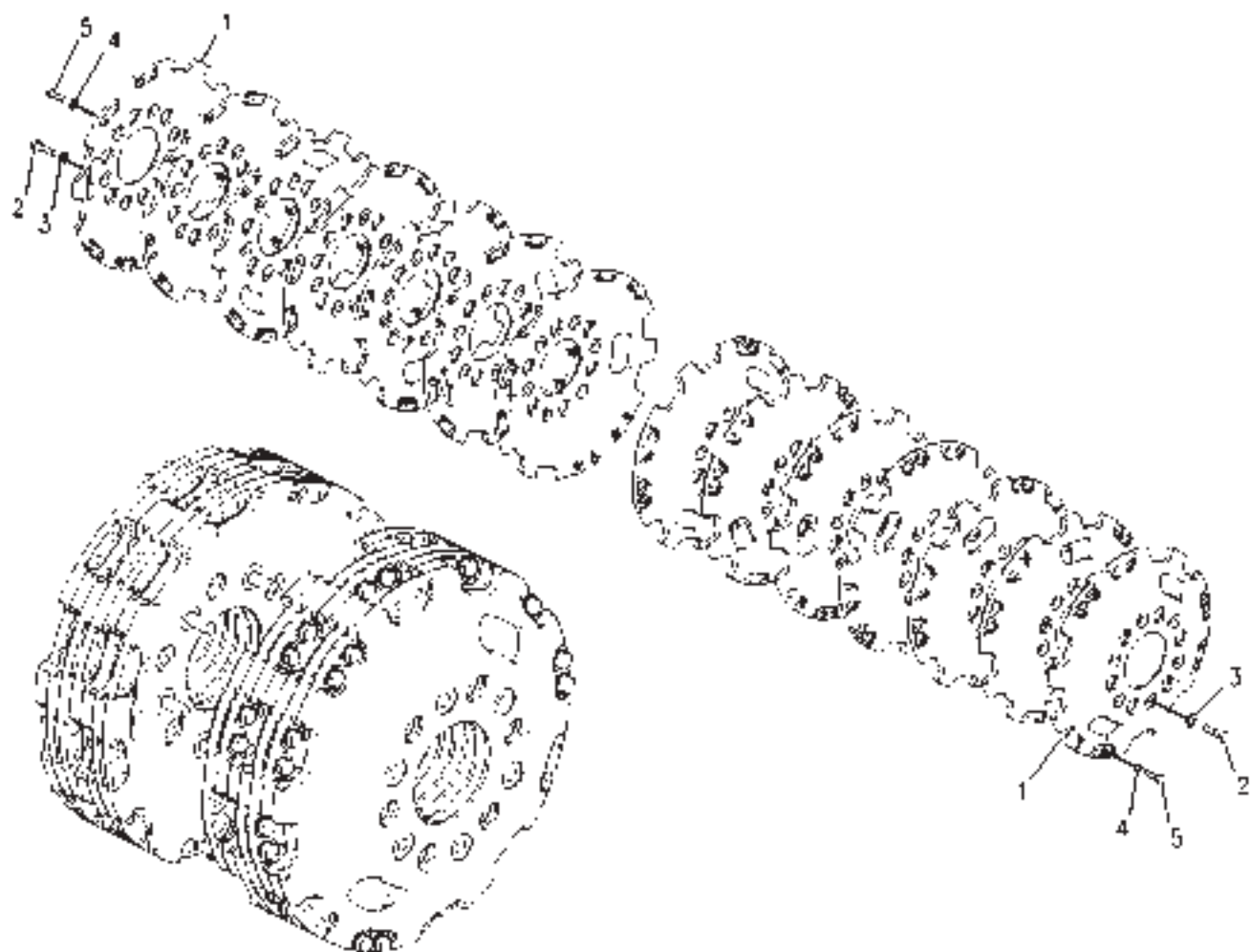
565

COUNTERWEIGHT GP-IDLER - 177-4588
(909KG/2000LB)

ITEM	NUMBER	QTY	DESCRIPTION
-	177-4588	--	COUNTERWEIGHT GP-IDLER (NOT SERVICED)
1	195-9633	16	COUNTERWEIGHT
2	400031X1	72	BOLT (M20X2.5X60MM)
3	400080X1	72	WASHER-PLATED (22X35X3.5)
4	400081X1	24	WASHER-HARD (26X44X4)
5	400067X1	24	BOLT (M24X3X80MM)
6	400090X1	24	PLUG, PLASTIC (M20) (NOT SHOWN)

00814137
PR: t05i29k58b0243

COUNTERWEIGHT GP-IDLER - 178-8047
(1575KG/3500LB)



MT800 SERIESTRACTORS
FRAME AND BODY

567

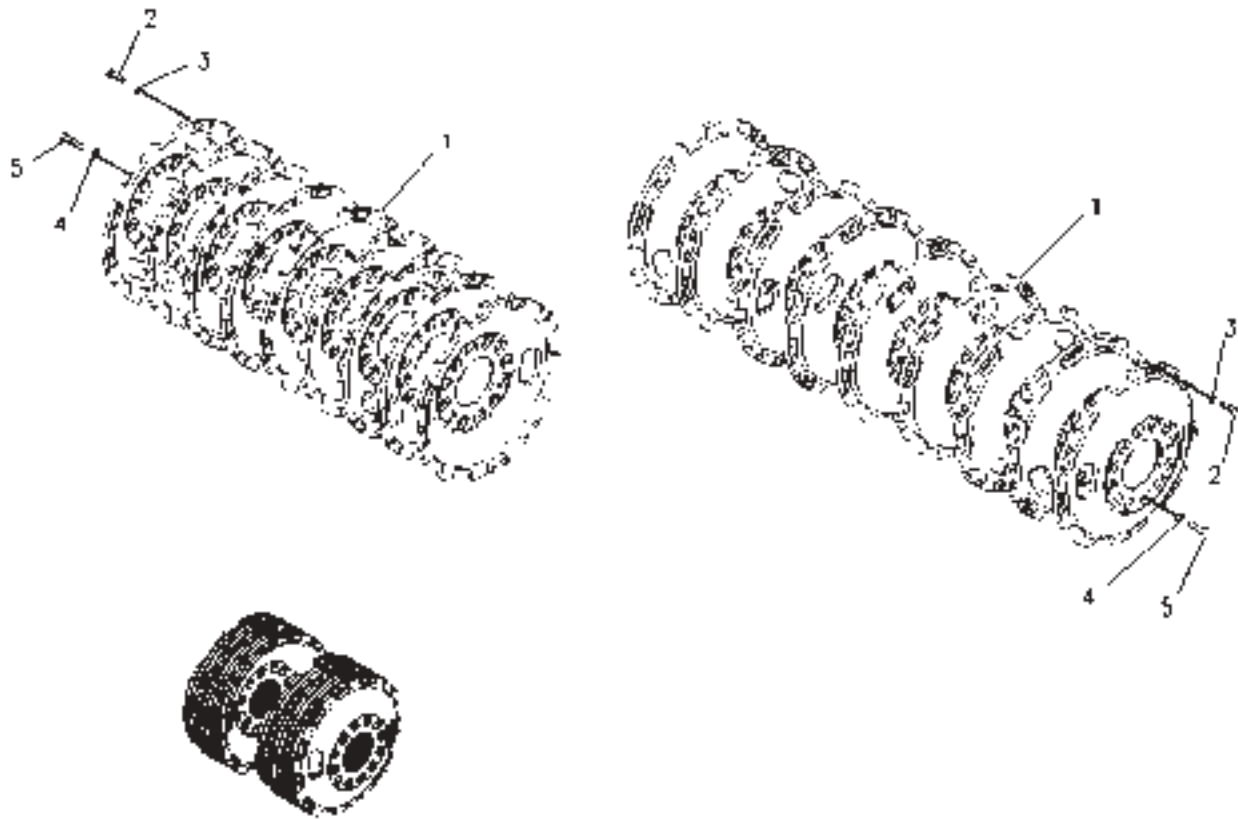
COUNTERWEIGHT GP-IDLER - 178-8047
(1575KG/3500LB)

ITEM	NUMBER	QTY	DESCRIPTION
-	178-8047	--	COUNTERWEIGHT GP-IDLER (NOT SERVICED)
1	195-9633	28	COUNTERWEIGHT
2	400031X1	144	BOLT (M20X2.5X60MM)
3	400080X1	144	WASHER-PLATED (22X35X3.5)
4	400081X1	24	WASHER-HARD (26X44X4)
5	400067X1	24	BOLT (M24X3X80MM)
6	400090X1	24	PLUG, PLASTIC (M20) (NOT SHOWN)

00814444
PR: t05i29k58b0244

MT800 SERIESTRACTORS
FRAME AND BODY

COUNTERWEIGHT GP-IDLER - 185-8720
(2043KG/4500LB)



MT800 SERIESTRACTORS
FRAME AND BODY

569

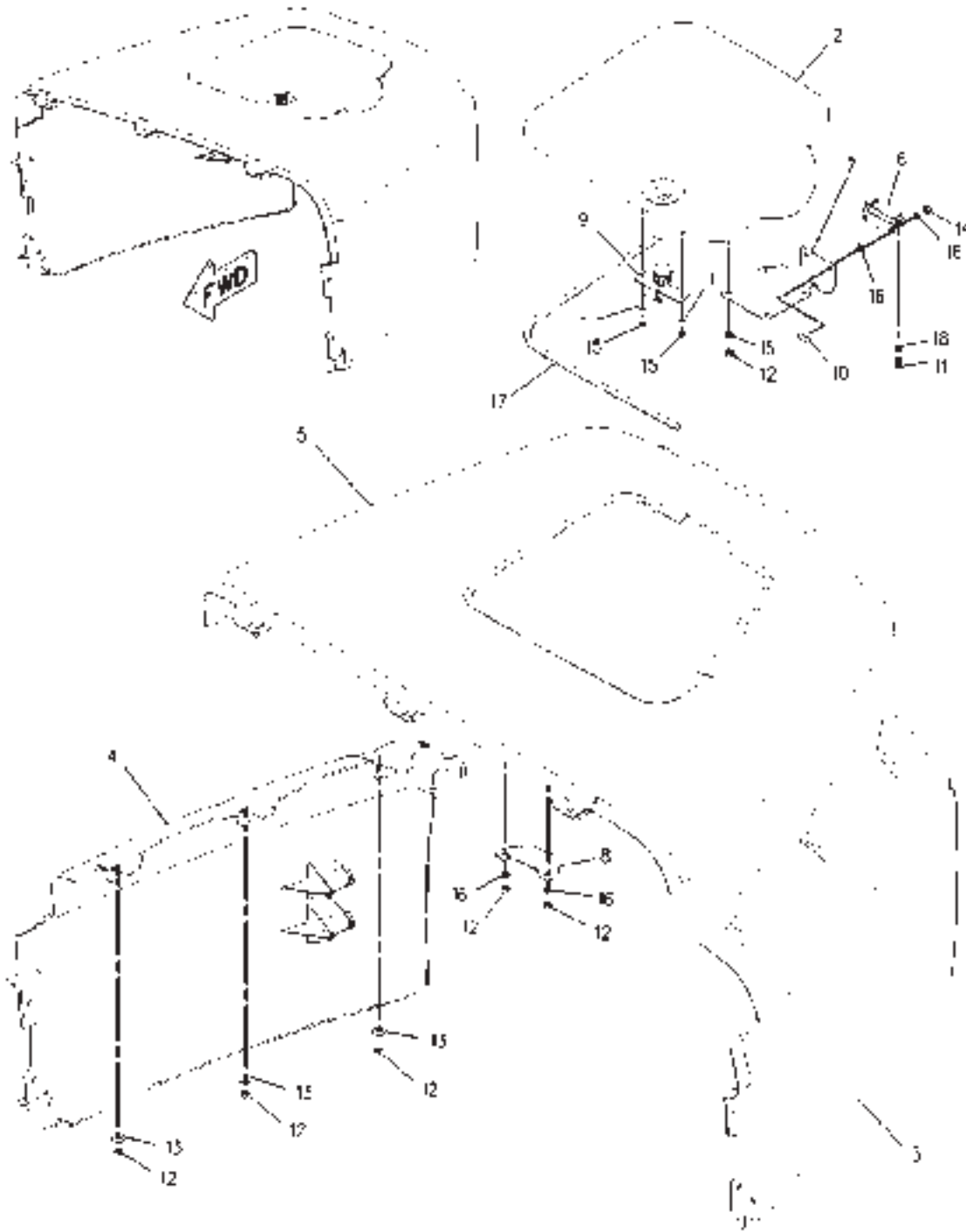
COUNTERWEIGHT GP-IDLER - 185-8720
(2043KG/4500LB)

ITEM	NUMBER	QTY	DESCRIPTION
-	185-8720	--	COUNTERWEIGHT GP-IDLER (NOT SERVICED)
1	195-9633	36	COUNTERWEIGHT
2	400031X1	192	BOLT (M20X2.5X60MM)
3	400080X1	192	WASHER-PLATED (22X35X3.5)
4	400081X1	24	WASHER-HARD (26X44X4)
5	400067X1	24	BOLT (M24X3X80MM)
6	400090X1	--	PLUG, PLASTIC (M20) (NOT SHOWN)

00835573
PR: t05i29k58b0245

MT800 SERIE TRACTORS
FRAME AND BODY

COVER GP-ACCESS - 190-5943



MT800 SERIESTRACTORS
FRAME AND BODY

571

COVER GP-ACCESS - 190-5943

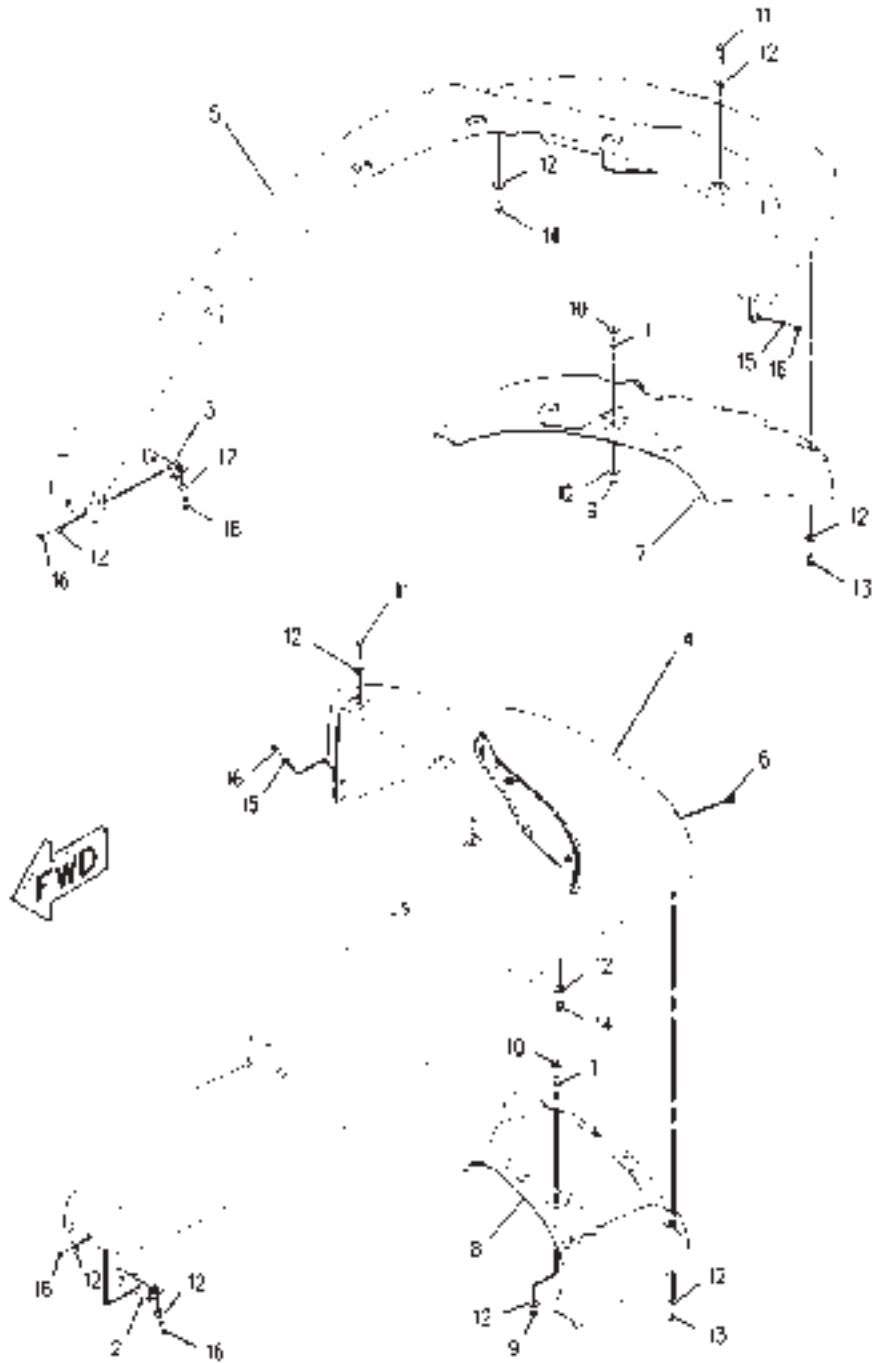
ITEM	NUMBER	QTY	DESCRIPTION
-	190-5943	--	COVER GP-ACCESS [A]
1	400076X1	2	WASHER (5X16X1.2)
2	190-5942	1	LID ASM
3	196-6944	1	PANEL ASM (LH)
4	196-6946	1	PANEL ASM (RH)
5	196-6954	1	PANEL ASM (TOP)
6	202-2356	1	HINGE
7	202-2357	1	BRACKET
8	208-9495	1	BRACKET
9	208-9496	1	LATCH ASM
10	210-4416	2	SCREW (M6)
11	400138X1	2	BOLT-SOCKET HEAD (M6X1X10.0MM)
12	400300X1	12	NUT (M6X1)
13	CH5P-4115	6	WASHER-HARD (7.2X19X2)
14	CH6V-7743	2	LOCKNUT (M6X1)
15	CH8T-0285	2	SCREW-MACHINE (M4X0.7X12MM)
16	400310X1	10	WASHER (6.6X12X2)
17	CH5P-3602		SEAL (6 DM)
18	CH8T-0334	2	WASHER-HARD (6.6X12.5X1.6)

[A] PART OF 156-1313; 161-9173
HOOD & GUARD GP

00891537
PR: t05i29k58b0246

MT800 SERIESTRACTORS
FRAME AND BODY

FENDER GP - 161-9174
ROW & SPECIAL



**MT800 SERIESTRACTORS
FRAME AND BODY**

573

**FENDER GP - 161-9174
ROW & SPECIAL**

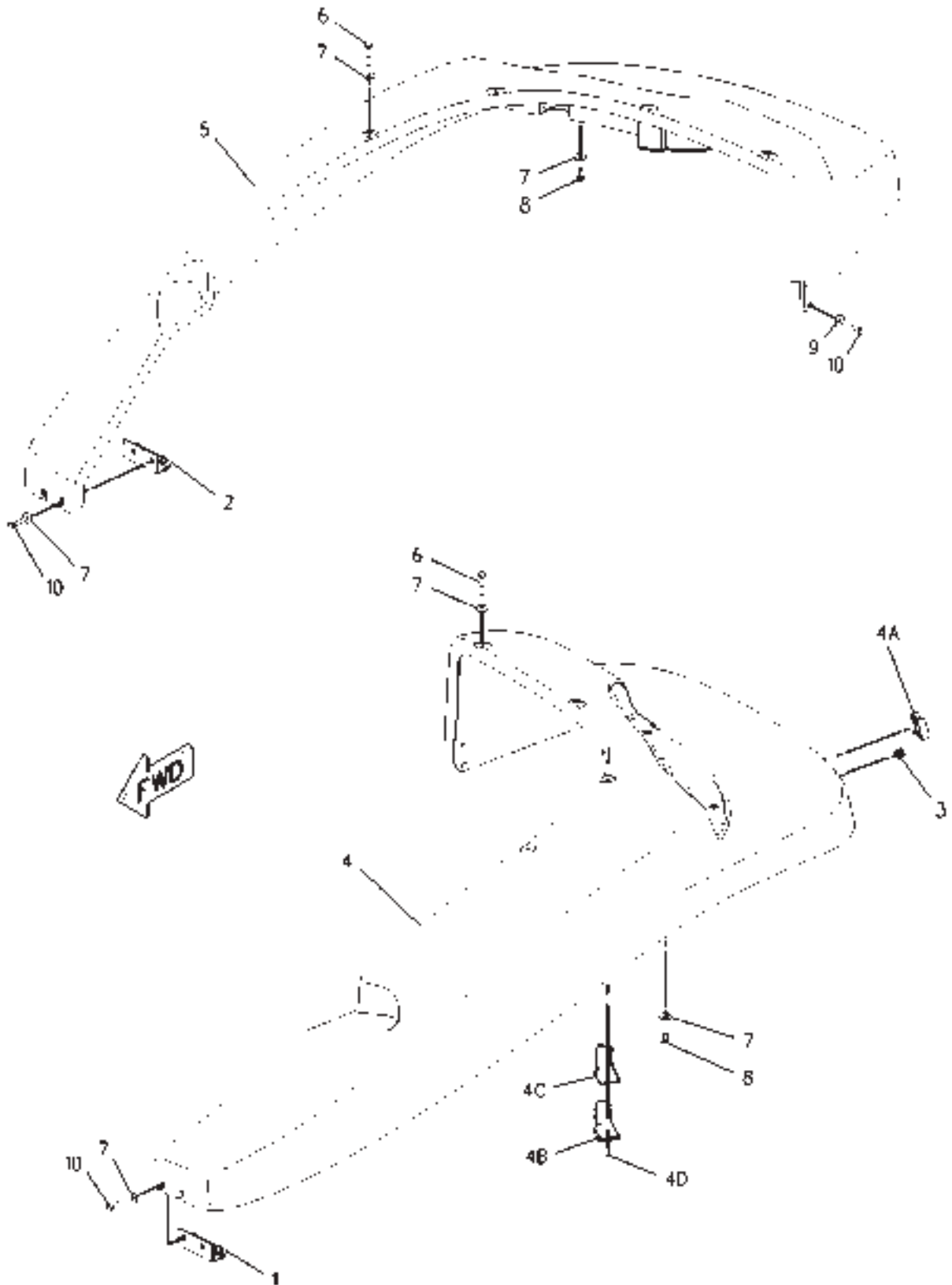
ITEM	NUMBER	QTY	DESCRIPTION
-	161-9174	--	FENDER GP [A] (NOT SERVICED)
1	400257X1	4	STUDBOLT (M8X1.25X20)
2	199-7855	1	BRACKET ASM
3	199-7859	1	BRACKET ASM
4	211-0174	1	FENDER ASM (LH)
	213-4902	1	GUARD (SWITCH)
	176-0997	1	COVER-LH
	176-0998	1	GASKET-LH
	176-0999	3	RIVET
5	211-0178	1	FENDER ASM (RH)
	213-4902	1	GUARD (SWITCH)
	176-0999	3	RIVET
	176-1001	1	COVER-RH
	176-1002	1	GASKET-RH
6	CH211-4423	1	PLUG
7	212-9998	1	GUARD
8	212-9996	1	GUARD
9	400340X1	4	NUT (M8X1.25)
10	CH7X-0613	4	WASHER-HARD (8.8X25.5X5)
11	400024X1	8	BOLT (M8X1.25X45MM)
12	CH8C-0572	32	WASHER (8.8X25.5X2)
13	400053X1	8	BOLT (M8X1.25X20MM)
14	400227X1	4	BOLT (M8X1.25X16MM)
15	CH8C-0572	4	WASHER (8.8X25.5X2)
16	400341X1	12	BOLT (M8X1.25X25MM)

[A] PART OF 179-1952 BASE COMMON AR

00857778
PR: t05i29k58b0247

MT800 SERIESTRACTORS
FRAME AND BODY

FENDER GP - 161-9177
EAME ONLY



**MT800 SERIESTRACTORS
FRAME AND BODY**

575

**FENDER GP - 161-9177
EAME ONLY**

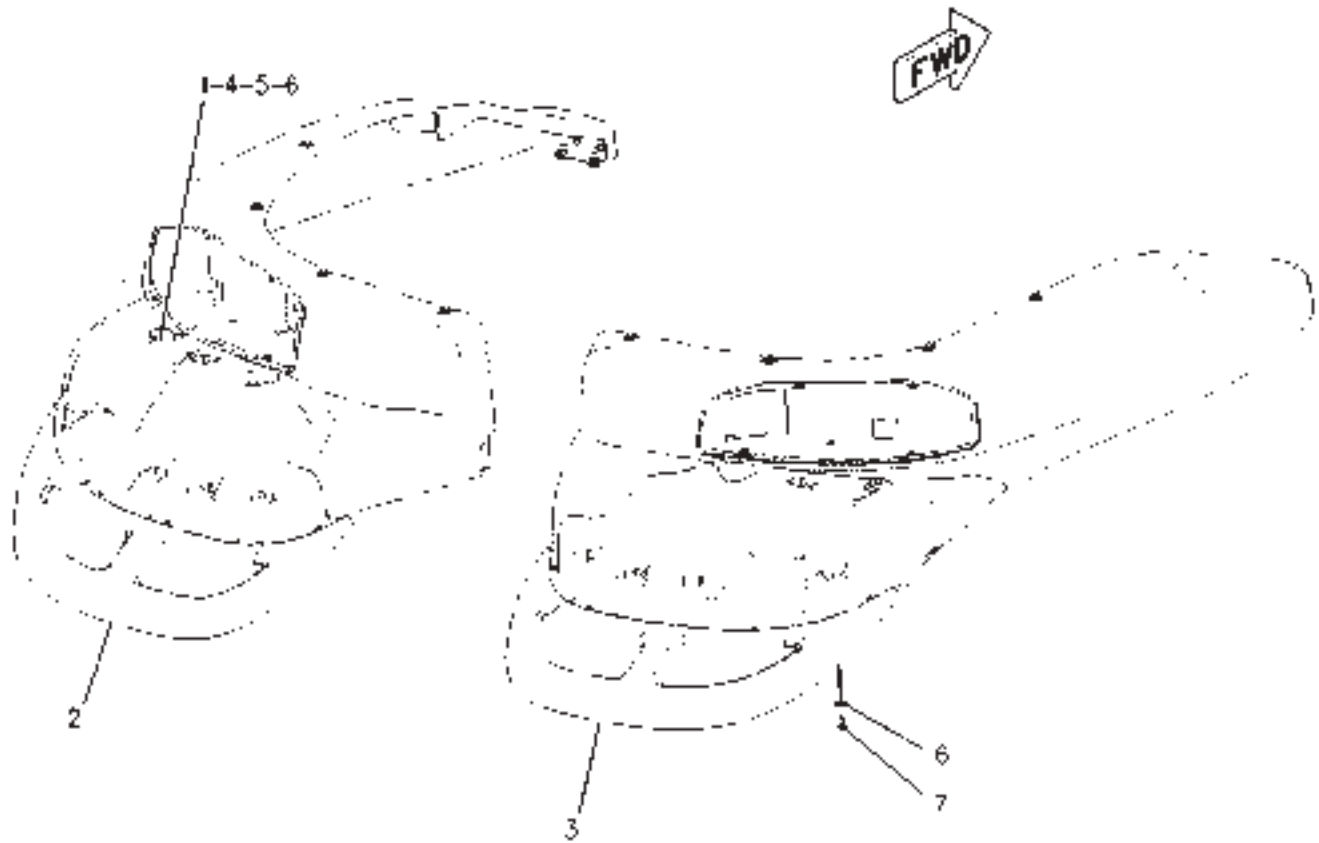
ITEM	NUMBER	QTY	DESCRIPTION
-	161-9177	--	FENDER GP [A] (NOT SERVICED)
1	199-7855	1	BRACKET AS
2	199-7859	1	BRACKET AS
	CH8T-3612	4	NUT-WELD (M8X1.25 THD)
3	CH211-4423	1	PLUG
4	211-0174	1	FENDER AS (LH)
4A	213-4902	1	GUARD
4B	176-0997	1	COVER-LH
4C	176-0998	1	GASKET-LH
4D	176-0999	3	RIVET
5	211-0178	1	FENDER AS (RH)
	213-4902	1	GUARD
	176-0999	3	RIVET
	176-1001	1	COVER-RH
	176-1002	1	ASKET-RH
6	400024X1	8	BOLT (M8X1.25X45MM)
7	CH8C-0572	24	WASHER (8.8X25.5X2MM THK)
8	400227X1	4	BOLT (M8X1.25X16MM)
9	CH8C-0572	4	WASHER (8.8X25.5X2MM THK)
10	400341X1	12	BOLT (M8X1.25X25MM)

[A] PART OF 179-2180; 501811D1;
502936D1 BASE COMMON AR

00857779
PR: t05i29k58b0248

MT800 SERIESTRACTORS
FRAME AND BODY

EXTENSION GP-FENDER - 186-2427
EAME ONLY



MT800 SERIESTRACTORS
FRAME AND BODY

577

EXTENSION GP-FENDER - 186-2427
EAME ONLY

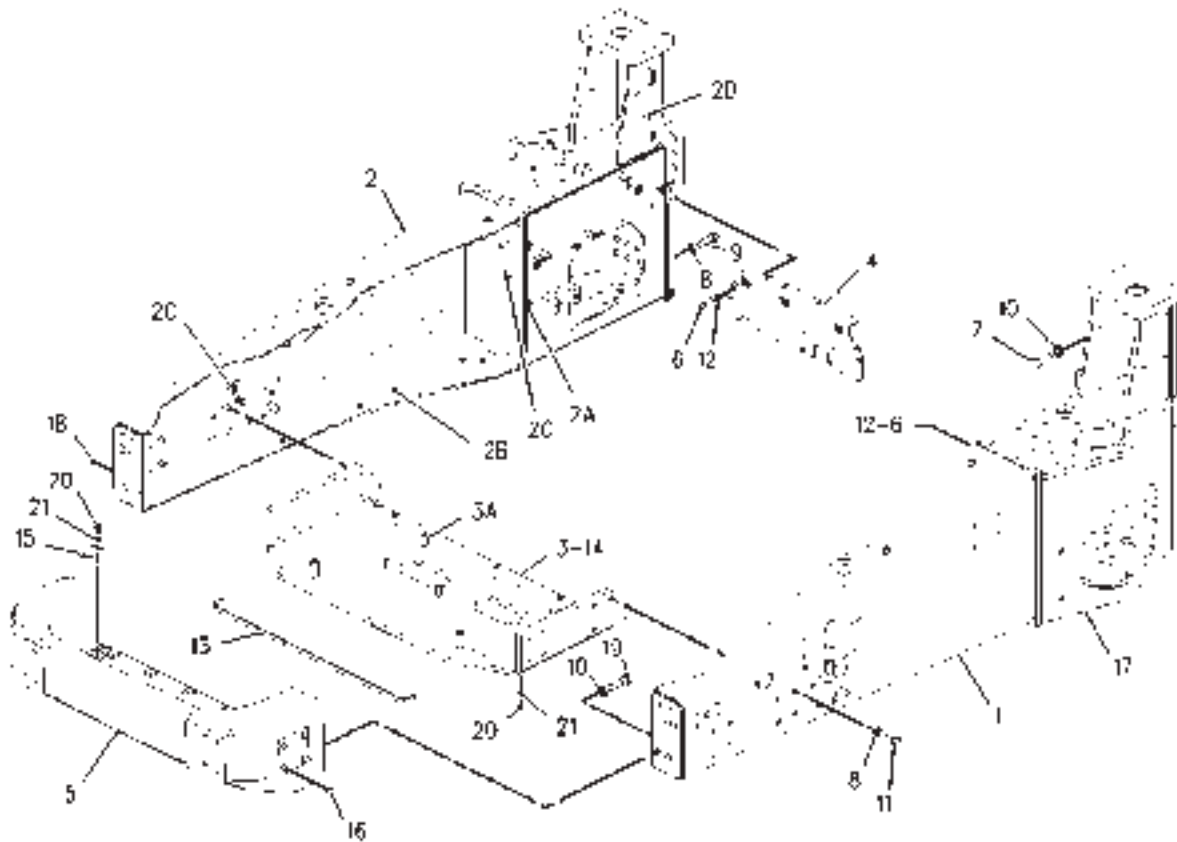
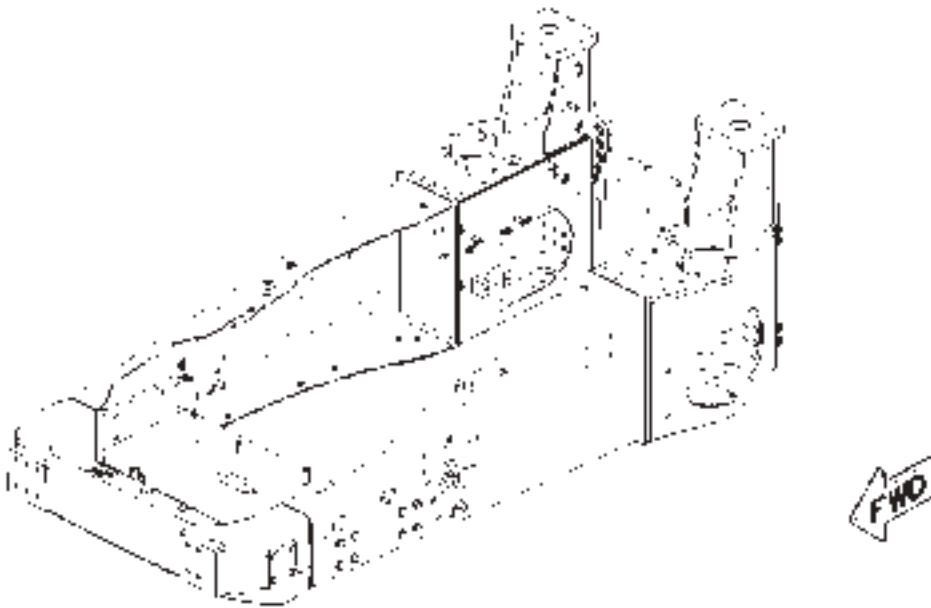
ITEM	NUMBER	QTY	DESCRIPTION
-	186-2427	--	EXTENSION GP-FENER [A] (NOT SERVICED)
1	400257X1	4	STUDBOLT (M8X1.25 THD)
2	211-0182	1	EXTENSION (LH)
3	211-0183	1	EXTENSION (RH)
4	400053X1	4	NUT (M8X1.25 THD)
5	CH7X-0613	4	WASHER-HARD (8.8X25.5X5MM THK)
6	CH8C-0572	12	WASHER (8.8X25.5X2MM THK)
7	400053X1	8	BOLT (M8X1.25X20MM)

[A] PART OF 179-2180 BASE COMMON AR

00887875
PR: t05i29k58b0249

MT800 SERIESTRACTORS
FRAME AND BODY

FRAME GP - 179-1954
(MT835 & MT845)



**MT800 SERIESTRACTORS
FRAME AND BODY**

579

**FRAME GP - 179-1954
(MT835 & MT845)**

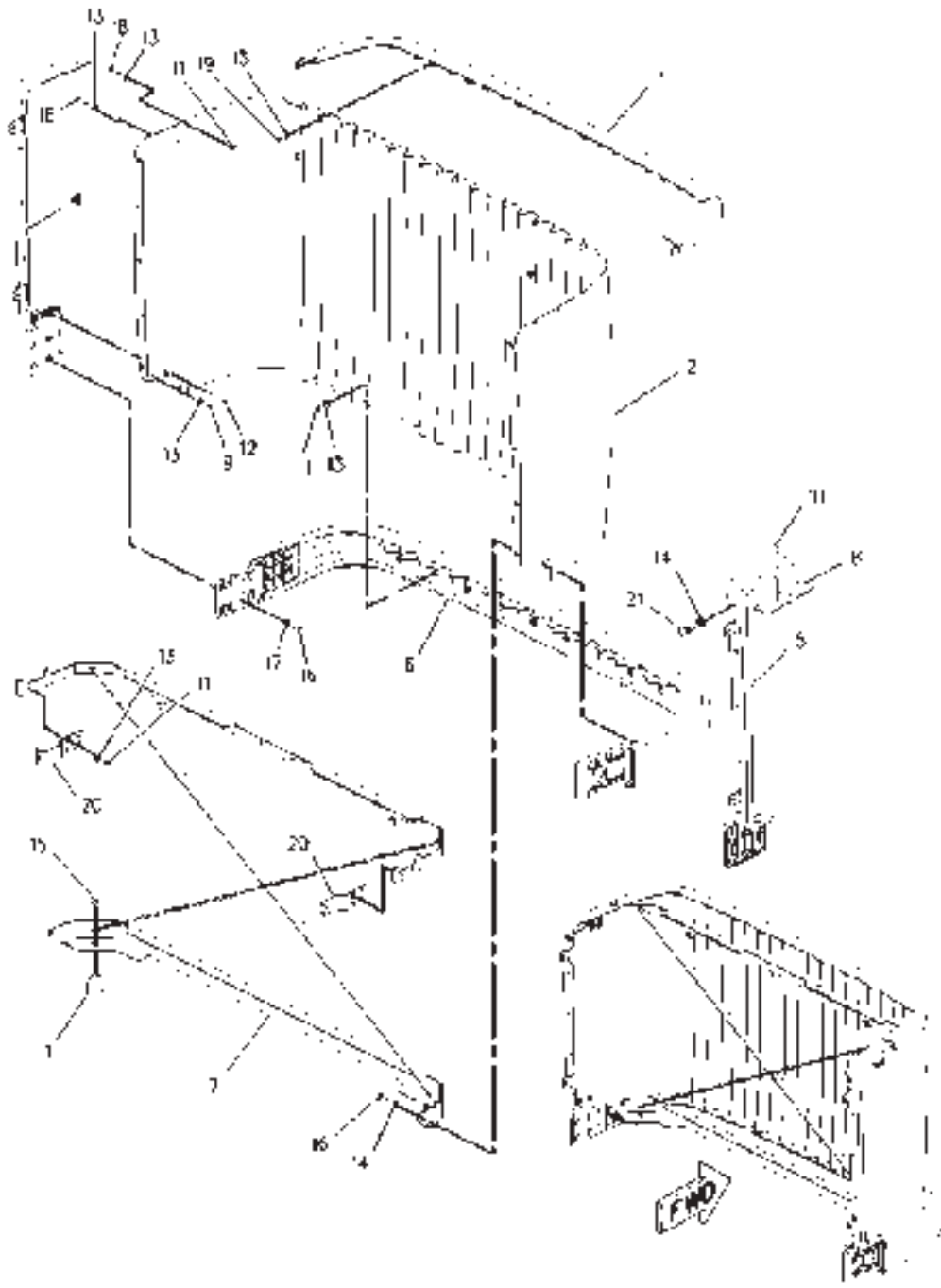
ITEM	NUMBER	QTY	DESCRIPTION
-	179-1954	--	FRAME GP [A] (NOT SERVICED)
1	183-4130	1	FRAME ASM-LH
	CH7T-1099	7	LINK
	CH7Y-8763	1	BOSS (M10X1.5-6HX30MM)
	CH8T-3490	5	NUT-WELD (M10X1.5)
	CH8T-3597	19	NUT-WELD (M12X1.75)
	CH8Y-3795	7	BOSS (M10X1.5X39MM)
	CH9R-2613	1	BOSS (M10X1.5)
	CH9R-2640	6	BOSS (M12X1.75)
	CH9R-2672	1	BOSS (M10X1.5)
2	183-4131	1	FRAME ASM-RH
	CH8T-3490	10	NUT-WELD (M10X1.5)
2A	CH7T-1099	8	LINK
2B	CH8T-3597	11	NUT-WELD (M12X1.75)
2C	CH9R-2640	2	BOSS
2D	CH8Y-3795	11	BOSS (M10X1.5X39MM)
3	183-4132	1	HOOK ASM-TOW
3A	CH8Y-3795	3	BOSS (M10X1.5X39MM)
	CH9R-2613	3	BOSS (M10X1.5X25MM)
	CH9R-2640	2	BOSS
4	183-4145	1	PLATE ASM
	CH7T-1099	3	LINK
	CH8T-3490	3	NUT-WELD (M10X1.5)
	CH8T-3597	2	NUT-WELD (M12X1.75)
	CH8T-3612	2	NUT-WELD (M8X1.25)
5	209-1366	1	SUPPORT
6	400191X1	4	BOLT (M16X2X40MM)
7	400197X1	12	BOLT (M24X3X70MM)
8	400080X1	40	WASHER-PLATED (22X35X3.5)
9	400122X1	24	BOLT (M20X2.5X70MM)
10	400081X1	24	WASHER-HARD (26X44X4)
11	400234X1	16	BOLT (M20X2.5X40MM)
12	400082X1	4	WASHER (17.5X30X3.5)
13	CH5P-5727	116	SEAL (CM)
14	209-6434	2	PLATE
15	209-6295	2	SCREEN
16	400091X1	10	PLUG (M24)
17	CH193-5915	28	PLUG (M12)
18	400289X1	6	PLUG (M7)
19	400134X1	12	BOLT (M24X3X80MM)
20	400039X1	4	BOLT (M10X1.5X25MM)
	400040X1	6	BOLT (M10X1.5X20MM)
21	400287X1	10	WASHER-HARD (11X21X2.5)

[A] PART OF 179-1953 CHASSIS AR-COM

00897283
PR: t05i29k58b0250

MT800 SERIE TRACTORS
FRAME AND BODY

GRILL GP-RADIATOR - 158-5960



**MT800 SERIESTRACTORS
FRAME AND BODY**

581

GRILL GP-RADIATOR - 158-5960

ITEM	NUMBER	QTY	DESCRIPTION
-	158-5960	--	GRILL GP-RADIATOR [A]
1	CH145-9545	2	BUMPER
2	158-5961	1	GRILL
3	158-5962	1	RETAINER ASM (UPPER)
4	176-0373	1	RETAINER ASM (LH)
5	176-0374	1	RETAINER ASM (RH)
6	186-0466	1	RETAINER ASM (LOWER)
7	192-6529	1	BAR ASM
	CH4K-9097	2	NUT-WELD (5/16-18)
	CH8T-3612	2	NUT-WELD (M8X1.25)
8	210-4351	2	PLATE
9	CH210-4352	2	SCREW-PAN HEAD
10	CH033-7291	4	RIVET-POP
11	CH129-3178	13	LOCKNUT (M6X1)
12	CH217-5909	2	SCREW-PAN HEAD (1/4-15X0.50 IN)
13	CH5P-4115	27	WASHER-HARD (7.2X19X2)
14	400599X1	8	WASHER-HARD (8.8X20.5X2)
15	400682X1	2	NUT (5/16-18)
16	400053X1	10	BOLT (M8X1.25X20MM)
17	400339X1	4	WASHER-HARD (8.8X16X2)
18	CH8C-6433	4	BOLT (M6X1X30MM)
19	CH8T-9501	8	SCREW (10-16X.75 IN)
20	210-4418	2	BRACKET AS
21	400341X1	2	BOLT (M8X1.25X25MM)

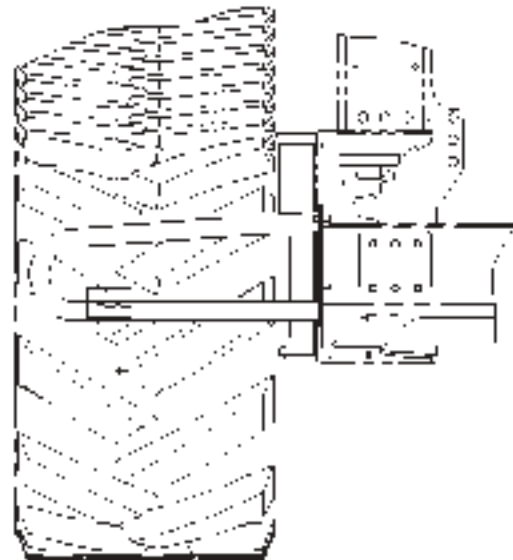
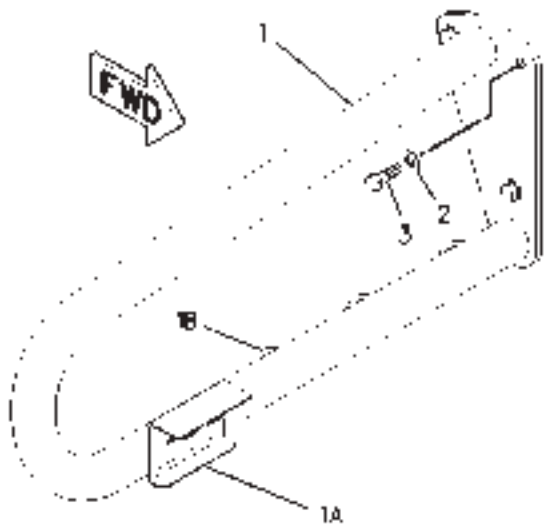
[A] PART OF 156-1313 HOOD & GUARD GP

00857765
PR: t05i29k58b0251

582

MT800 SERIESTRACTORS
FRAME AND BODY

GUARD GP - 187-8609
EAME ONLY



FRONT VIEW

MT800 SERIESTRACTORS
FRAME AND BODY

583

GUARD GP - 187-8609
EAME ONLY

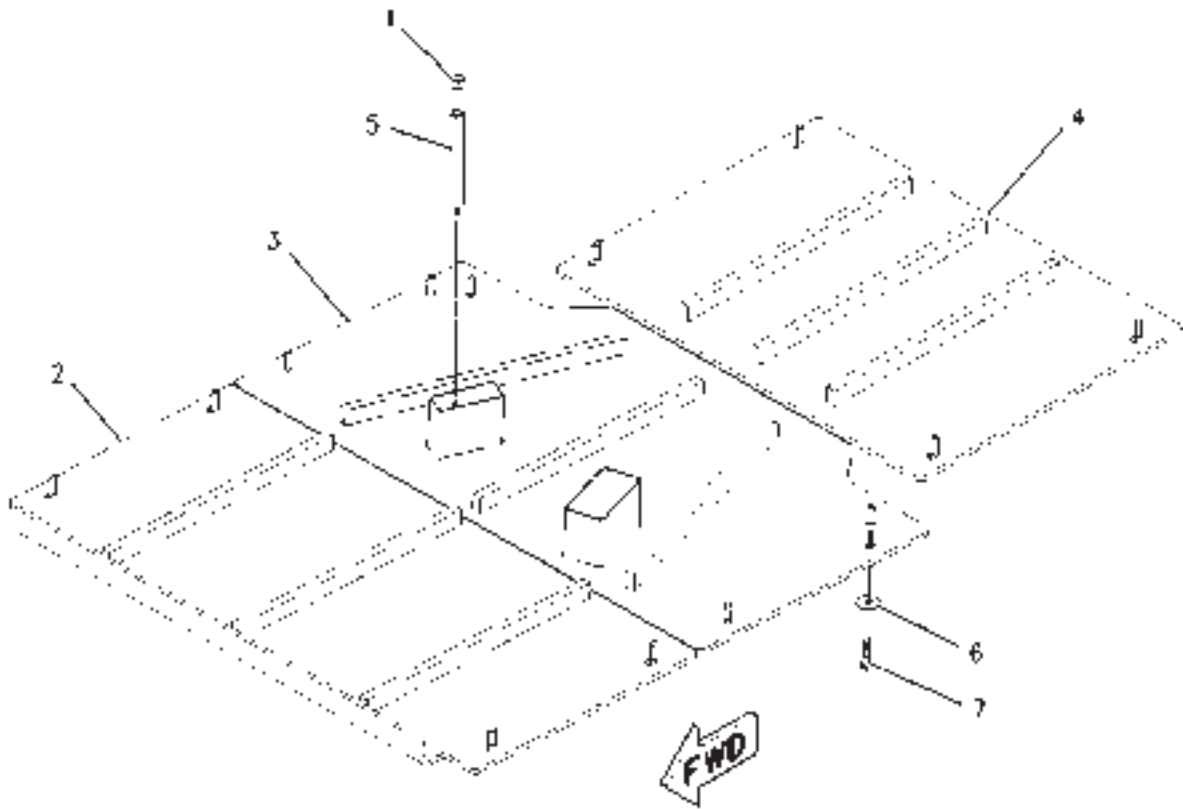
ITEM	NUMBER	QTY	DESCRIPTION
-	187-8609	--	GUARD GP [A] (NOT SERVICED)
1	187-8611	1	GUARD AS (INCLS 1A-1B)
1A		1	BRACKET [Z]
1B	7T-1099	3	LINK
2	400357X1	3	WASHER-HARD (M12X25.5X3MM THK)
3	400064X1	3	BOLT (M12X1.75X35MM)

[A] PART OF 179-2180 BASE COMMON AR
[Z] NOT SERVICED SEPARATELY

00857946
PR: t05i29k58b0252

MT800 SERIESTRACTORS
FRAME AND BODY

GUARD GP-BOTTOM - 185-8849



MT800 SERIESTRACTORS
FRAME AND BODY

585

GUARD GP-BOTTOM - 185-8849

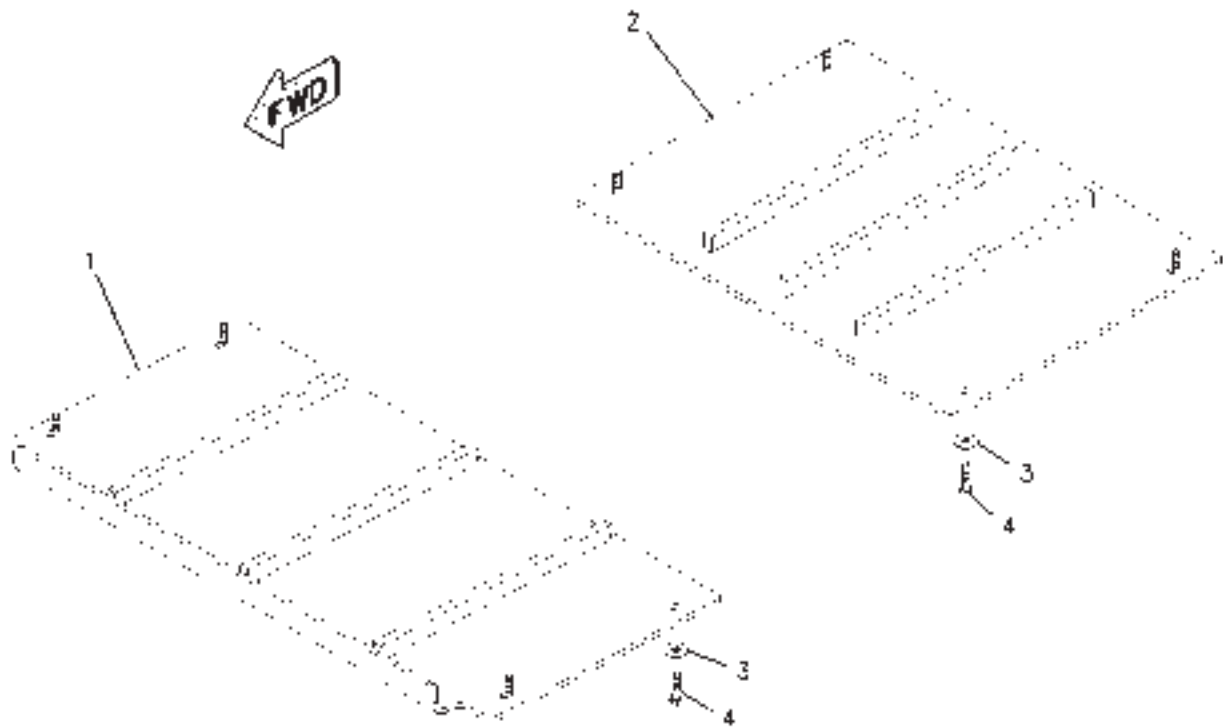
ITEM	NUMBER	QTY	DESCRIPTION
-	502758D1	--	GUARD GP-BOTTOM (FIELD INSTALLED)
-	185-8849	--	GUARD GP-BOTTOM [A][B] (NOT SERVICED, ORDER FIELD INSTALLED)
1	400108X1	1	CLAMP-HOSE
2	192-3042	1	GUARD ASM (FRONT)
3	196-9864	1	GUARD ASM (MIDDLE)
4	196-9866	1	GUARD AS (REAR)
	CH8T-3597	3	NUT-WELD (M12X1.75)
5	CH210-2265	1	HOSE (19CM)
6	CH7X-0618	14	WASHER-HARD (13.5X40X5)
7	400057X1	14	BOLT (M12X1.75X50MM)

[A] PART OF 502758D1 GUARD GP
[B] THIS GROUP CANNOT BE USED WITH
197-9558 AUX FUEL TANK AR.

00890678
PR: t05i29k58b0253

MT800 SERIESTRACTORS
FRAME AND BODY

GUARD GP-BOTTOM - 200-8826
FOR USE WITH 197-8558 AUX FUEL TANK AR



MT800 SERIESTRACTORS
FRAME AND BODY

587

GUARD GP-BOTTOM - 200-8826
FOR USE WITH 197-8558 AUX FUEL TANK AR

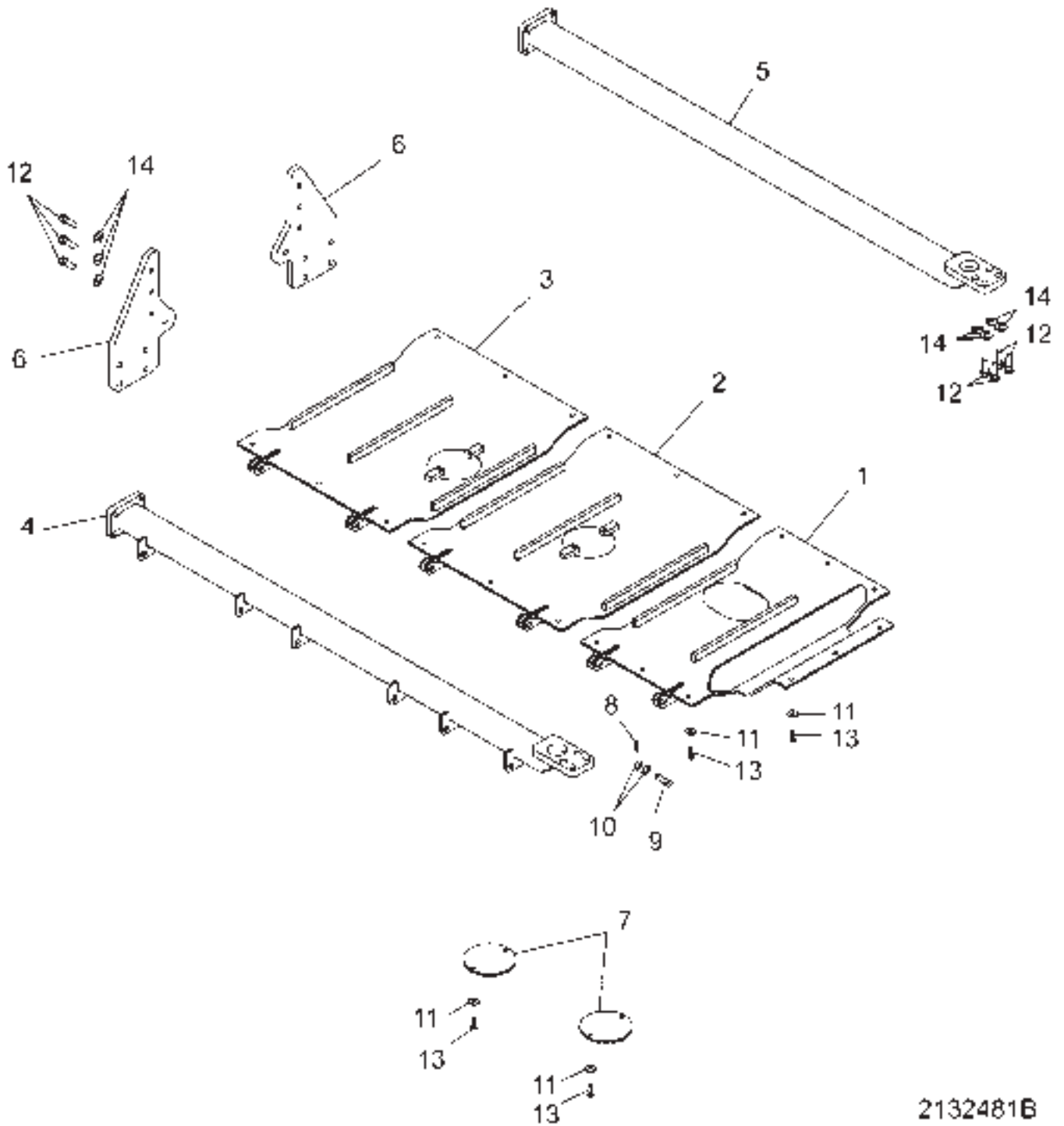
ITEM	NUMBER	QTY	DESCRIPTION
-	502761D1	--	KIT/GUARD GP-BOTTOM (FIELD INSTALLED)
-	200-8826	--	GUARD GP-BOTTOM [A] (NOT SERVICED, ORDER FIELD INSTALLED)
1	192-3042	1	GUARD ASM (FRONT)
2	196-9866	1	GUARD ASM (REAR)
	CH8T-3597	3	NUT-WELD (M12X1.75)
3	CH7X-0618	8	WASHER-HARD (13.5X40X5)
4	400057X1	8	BOLT (M12X1.75X50MM)

[A] PART OF 502761D1 GUARD GP

00891867
PR: t05i29k58b0254

MT800 SERIESTRACTORS
FRAME AND BODY

GUARD GP-BOTTOM - 213-2481
REAR



**MT800 SERIESTRACTORS
FRAME AND BODY**

589

**GUARD GP-BOTTOM - 213-2481
REAR**

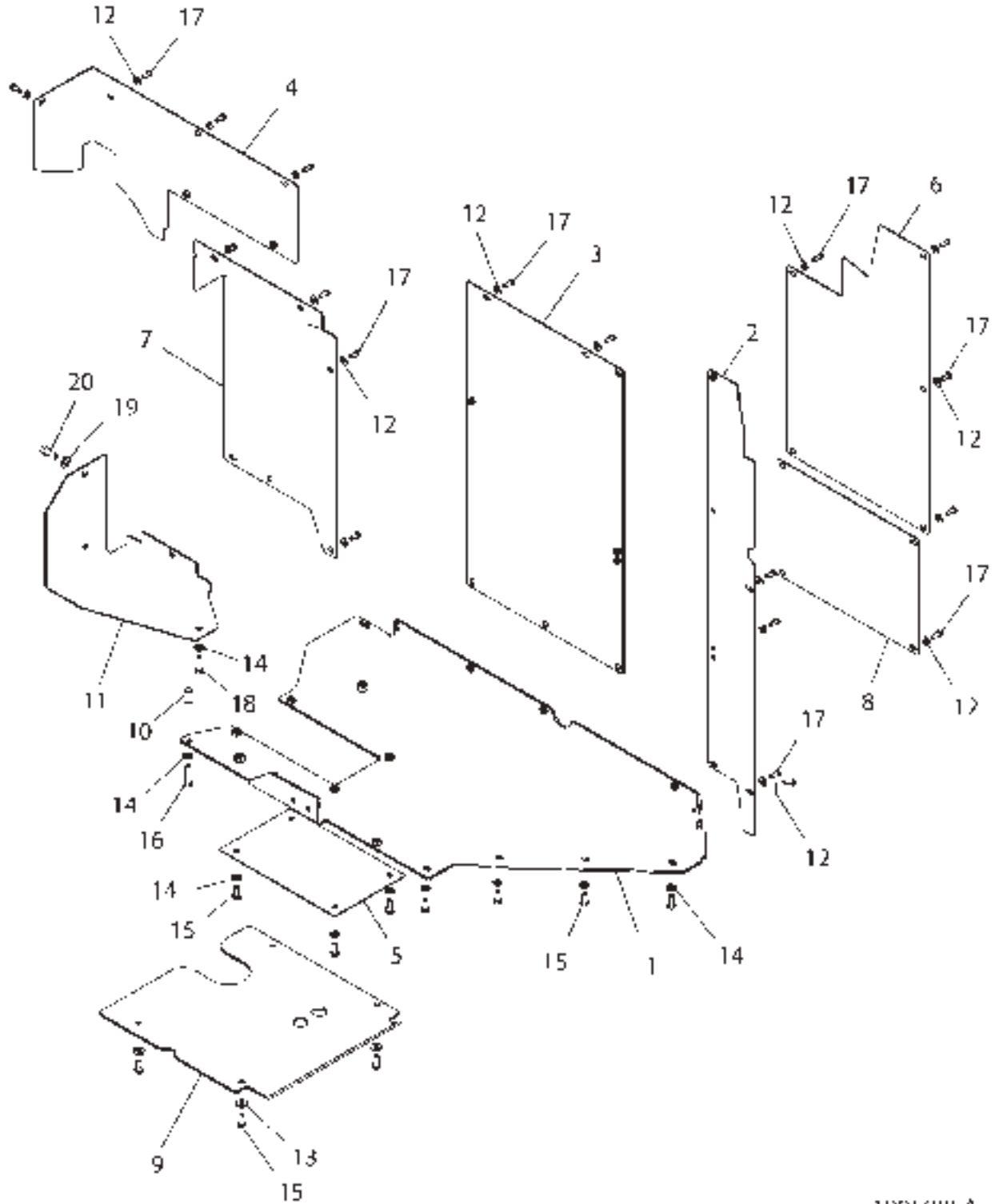
ITEM	NUMBER	QTY	DESCRIPTION
-	502764D1	--	KIT/GUARD-BOTTOM-REAR (FIELD INSTALLED)
-	213-2481	--	GUARD GP-BOTTOM-REAR [A] (NOT SERVICED, ORDER FIELD INSTALLED)
1	213-2500	1	GUARD AS-BOTTOM
2	213-2501	1	GUARD AS-BOTTOM
3	213-2502	1	GUARD AS-BOTTOM
4	213-2503	1	SUPPORT AS-RH
5	213-2504	1	SUPPORT AS-LH
6	213-2505	2	SUPPORT
7	213-2506	2	PLATE
8	CH3B-4629	6	COTTER PIN 4.76 DIA X 38.1
9	CH4J-2036	6	PIN
10	CH7X-0594	12	WASHER HARD
11	CH7X-0618	25	WASHER HARD 13.5IDX40ODX5 ZNDI
12	400031X1	24	BOLT-M20X2.5X60 ZNDI HHD 10.9
13	400050X1	25	BOLT-M12X1.75X40 ZNDI HHD 10.9
14	CH8T-5439	24	WASHER- HARD

[A] PART OF 502764D1 GUARD GP

2132481B
PR: t05i29k58b0255

MT800 SERIESTRACTORS
FRAME AND BODY

GUARD GP-POWERTRAIN - 189-5805
(MT835 & MT845)



**MT800 SERIESTRACTORS
FRAME AND BODY**

591

**GUARD GP-POWERTRAIN - 189-5805
(MT835 & MT845)**

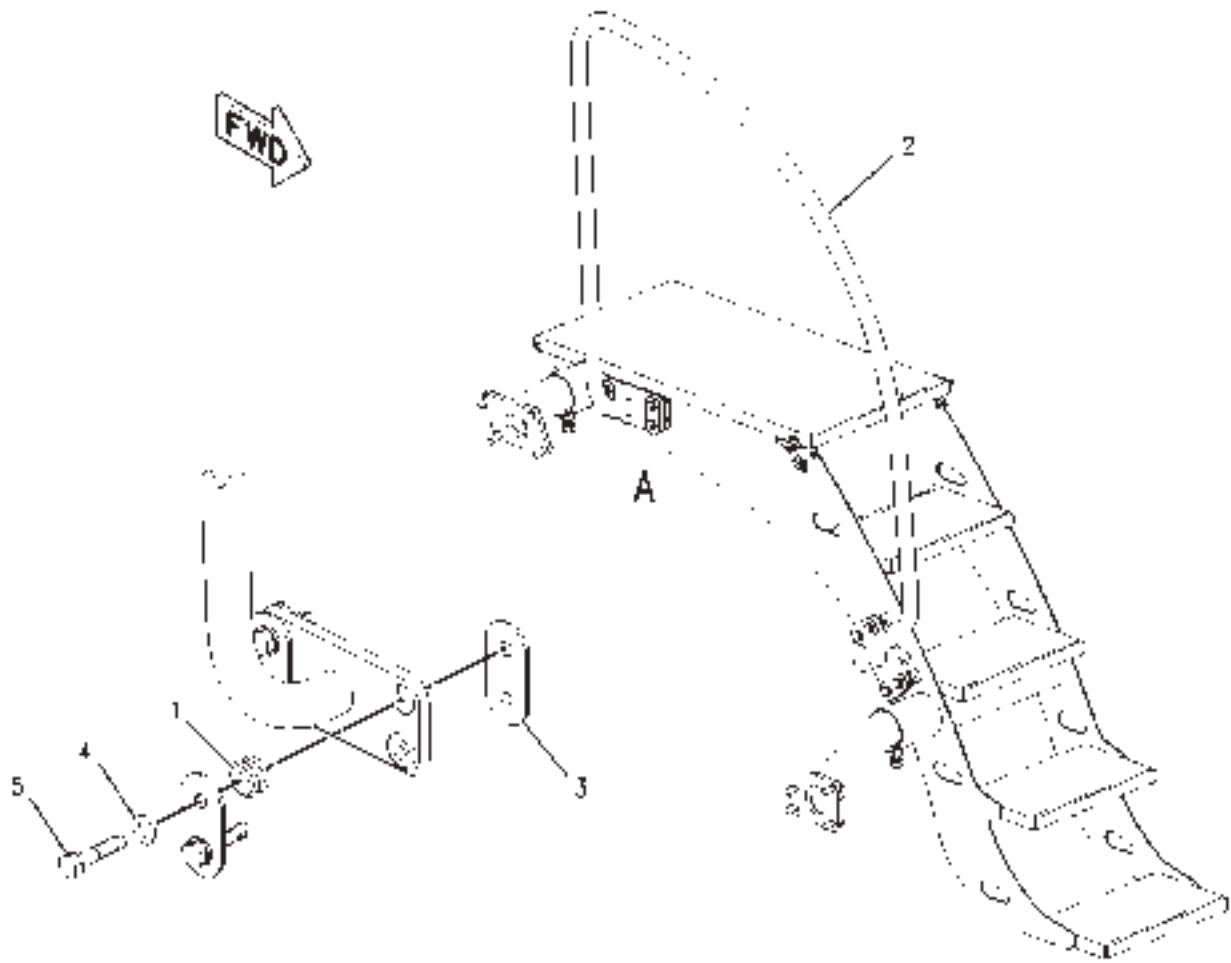
ITEM	NUMBER	QTY	DESCRIPTION
-	189-5805	--	GUARD GP-POWER TRAIN [A] (NOT SERVICED)
1	189-4286	1	GUARD ASM
	CH8T-3597	2	NUT-WELD (M12X1.75)
	CH8T-3490	8	NUT-WELD (M10X1.5)
	CH8T-3612	5	NUT-WELD (M8X1.25)
2	189-4287	1	GUARD ASM
	CH8T-3612	4	NUT-WELD (M8X1.25)
3	189-4288	1	GUARD AS
	CH8T-3612	3	NUT-WELD (M8X1.25)
4	189-4289	1	GUARD ASM
	CH8T-3612	2	NUT-WELD (M8X1.25)
5	195-1004	1	COVER
6	195-1016	1	COVER
7	209-9231	1	GUARD
8	209-9232	1	COVER
9	210-7526	1	PLATE
10	CH213-4497	1	SPACER (12.75X19.1X29)
11	224-6641	1	PLATE AS
12	400599X1	24	WASHER-HARD (8.8X20.5X2)
13	CH7X-7729	4	WASHER (11X25X3)
14	400287X1	10	WASHER-HARD (11X21X2.5)
15	400039X1	12	BOLT (M10X1.5X25MM)
16	400226X1	1	BOLT (M10X1.5X50MM)
17	400053X1	24	BOLT (M8X1.25X20MM)
18	400059X1	1	BOLT (M10X1.5X35MM)
19	400357X1	2	WASHER (M12X25.5X3)
20	400064X1	2	BOLT (M12X1.75X35MM)

[A] PART OF 179-1953 CHASSIS AR

1895805A
PR: t05i29k58b0256

MT800 SERIE TRACTORS
FRAME AND BODY

HANDHOLD GP - 203-9179
INNER



MT800 SERIESTRACTORS
FRAME AND BODY

593

HANDHOLD GP - 203-9179
INNER

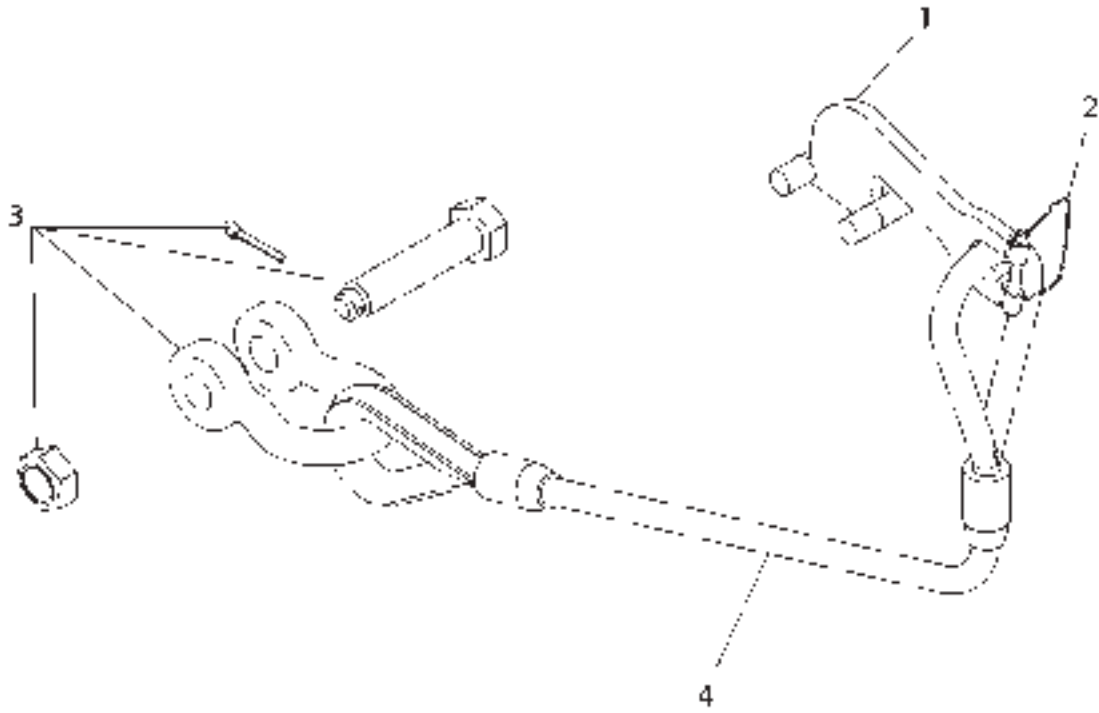
ITEM	NUMBER	QTY	DESCRIPTION
-	502762D1	--	HANDHOLD GP (FIELD INSTALLED)
-	502772D1	--	HANDHOLD GP (FACTORY) (NOT SERVICED, ORDER FIELD INSTALLED)
-	203-9179	--	HANDHOLD GP [A] (REF ONLY) (NOT SERVICED, ORDER FIELD INSTALLED)
1	CH6N-6984	8	MOUNT
2	203-9183	1	HANDHOLD ASM
3	203-9200	8	PLATE
4	400287X1	8	WASHER-HARD (11X21X2.5)
5	400052X1	8	BOLT (M10X1.5X45MM)

[A] PART OF 502762D1 & 502772D1
HANDHOLD GP

00810595
PR: t05i29k58b0257

MT800 SERIESTRACTORS
FRAME AND BODY

TOW CABLE GP - 500039D1



500039DA

MT800 SERIESTRACTORS
FRAME AND BODY

595

TOW CABLE GP - 500039D1

ITEM	NUMBER	QTY	DESCRIPTION
-	502919D1	--	KIT-CABLE GP-TOW (FIELD INSTALLED)
-	500039D1	--	CABLE GP-TOW [A]
1	500120D1	1	BRACKET AS
2	500124D1	1	HITCH PIN AS
3	500125D1	1	SHACKLE AS
4	500126D1	1	CABLE AS

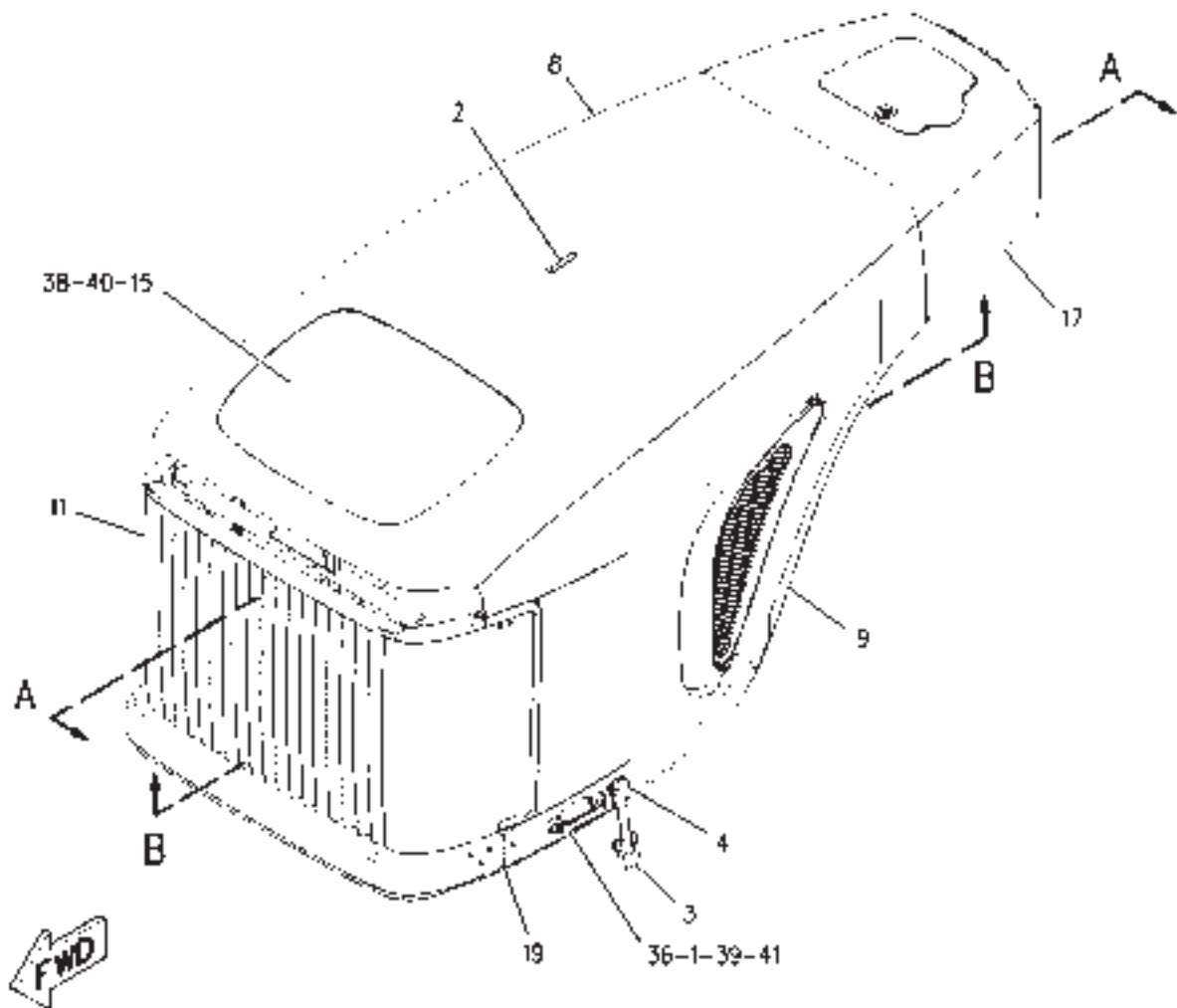
[A] PART OF 502919D1 KIT-TOW CABLE GP;
500033D1; 500034D1; 500035D1;
500037D1 BASE UNIT AR

500039DA
PR: t05i29k58b0258

MT800 SERIESTRACTORS
FRAME AND BODY

HOOD & GUARD GP - 156-1313
ROW & SPECIAL

REFER TO ALL ILLUSTRATIONS OF
THIS GROUP FOR AUXILIARY VIEWS



**MT800 SERIESTRACTORS
FRAME AND BODY**

597

**HOOD & GUARD GP - 156-1313
ROW & SPECIAL**

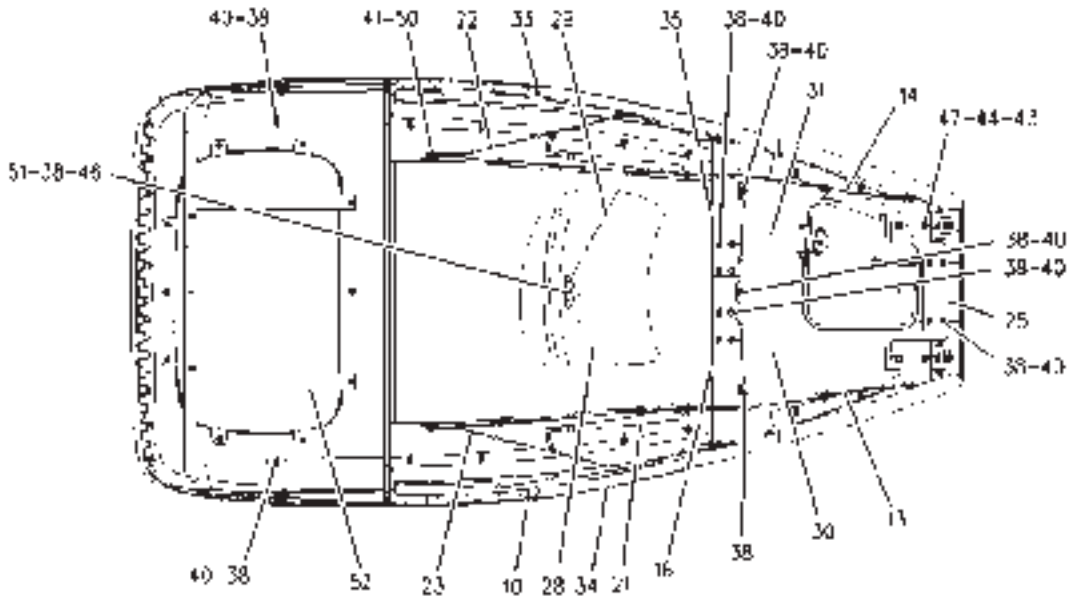
ITEM	NUMBER	QTY	DESCRIPTION
-	156-1313	--	HOOD & GUARD GP [A] (NOT SERVICED)
1	400162X1	2	BOLT-SOCKET HEAD (M8X1.25X50 MM)
2	CH100-4036	1	MARKER-HOOD
3	CH113-8880	2	LATCH ASM
4	CH114-5793	2	KEEPER
8	158-5950	1	HOOD AS
9	158-5952	1	PANEL AS (LH)
	179-4207	1	INSERT
11	158-5960	1	GRILL GP-RADIATOR (SEE BREAKDOWN FOR COMPONENTS)
15	188-0514	1	GRILL (TOP)
17	190-5943	1	COVER GP-ACCESS (SEE BREAKDOWN FOR COMPONENTS)
19	501148D1		SEAL (GRILL) (3015MM)
36	400115X1	1	HANDLE
38	CH129-3178	60	LOCKNUT (M6X1 THD)
39	CH131-3540	12	LOCKNUT
40	CH5P-4115	51	WASHER-HARD (7.2X19X2MM THK)
41	400599X1	50	WASHER-HARD (8.8X20.5X2MM THK)

[A] PART OF 179-1952 BASE AR-COMMON

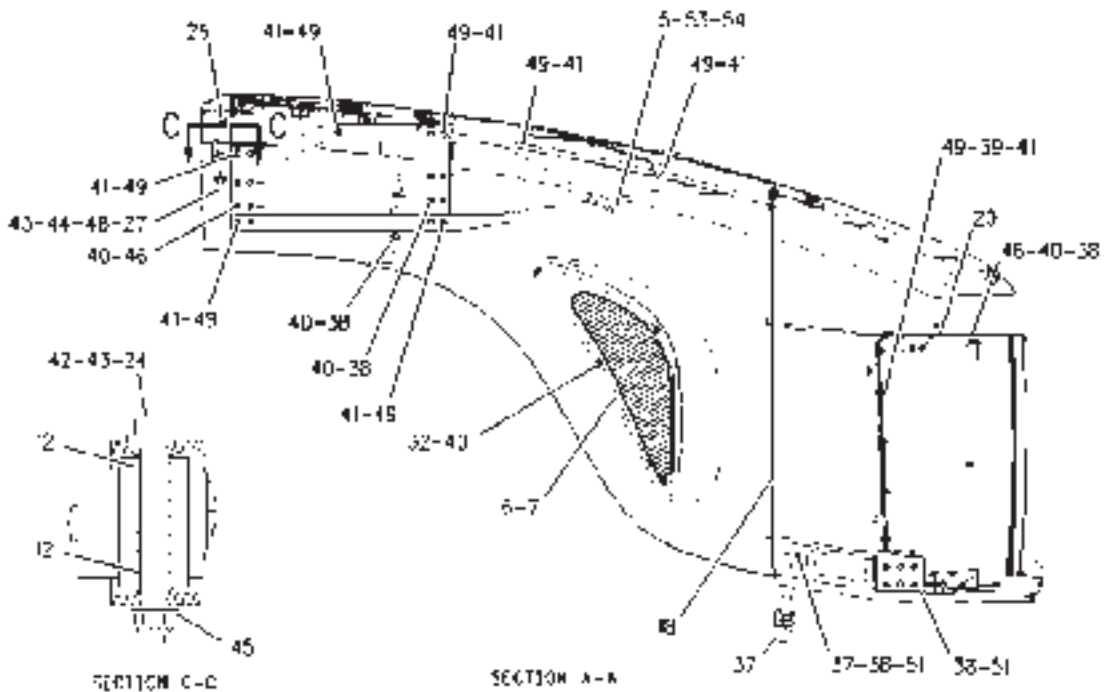
00887940
PR: t05i29k58b0259

MT800 SERIE TRACTORS
FRAME AND BODY

HOOD & GUARD GP - 156-1313
ROW & SPECIAL



SECTION B-B



**MT800 SERIESTRACTORS
FRAME AND BODY**

599

**HOOD & GUARD GP - 156-1313
ROW & SPECIAL**

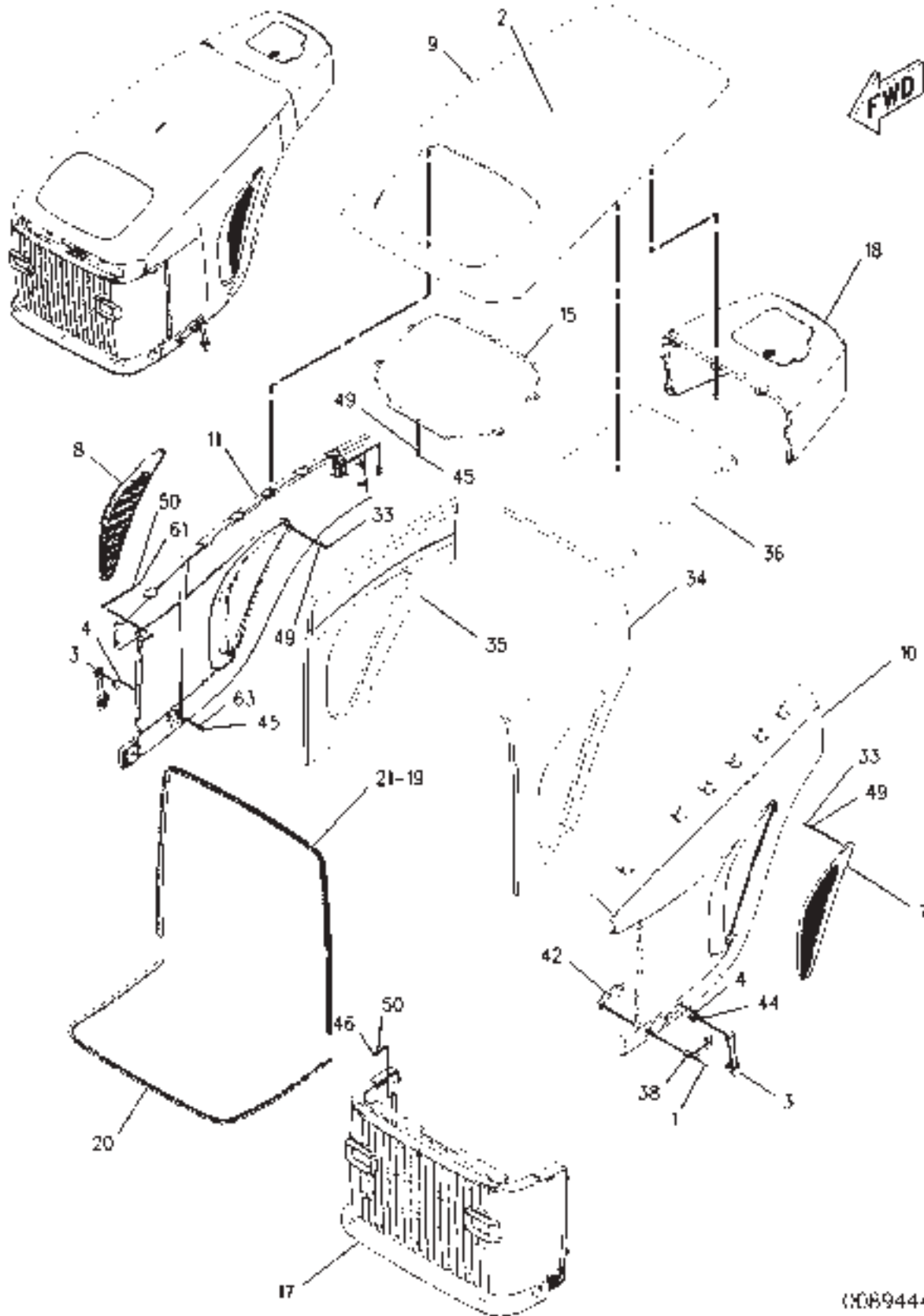
ITEM	NUMBER	QTY	DESCRIPTION
-	156-1313	--	HOOD & GUARD GP [A] (NOT SERVICED)
5	-----	--	NOT USED
6	158-5934	1	GRILL LOWER (LH)
7	158-5935	1	GRILL LOWER (RH)
10	158-5953	1	PANEL ASM (RH)
	179-4207	1	INSERT (M6)
12	400104X1	4	BEARING
13	188-0452	1	PLATE (RH)
14	188-0453	1	PLATE (LH)
16	188-0564	1	BRACKET
18	192-6516	1	SEAL (HOOD) (LH)
20	192-6518	1	SEAL (HOOD) (LH)
21	231-6106	2	STRUT-GAS
22	209-0359	1	BRACKET
23	209-0361	1	BRACKET
24	400013X1	2	BOLT-SHOULDER (M10X1.5X96)
25	209-0364	1	BRACKET
26	209-0373	2	BRACKET
27	209-0376	2	ANGLE ASM
28	209-3146	1	BRACKET
29	209-3147	1	BRACKET
30	209-3384	1	BRACKET
31	209-3385	1	BRACKET
32	CH217-5909	8	SCREW-PAN HEAD
33	210-4413	1	INSULATION (LH)
34	210-4414	1	INSULATION (RH)
35	210-4415	1	INSULATION (TOP)
37	CH123-4950	12	SCREW-PAN HEAD (M6X1X16MM)
38	CH129-3178	60	LOCKNUT (M6X1 THD)
39	CH131-3540	12	LOCKNUT
40	CH5P-4115	51	WASHER-HARD (7.2X19X2MM THK)
41	400599X1	50	WASHER-HARD (8.8X20.5X2MM THK)
42	400277X1	2	WASHER-HARD (13.5X25.5X3MM THK)
43	CH6V-7744	10	LOCKNUT (M10X1.5 THD)
44	CH7X-7729	16	WASHER (11X25X3MM THK)
45	400287X1	6	WASHER-HARD (11X21X2.5MM THK)
46	400221X1	11	BOLT (M6X1X20MM)
47	400058X1	4	BOLT (M10X1.5X30MM)
48	400059X1	4	BOLT (M10X1.5X35MM)
49	400341X1	36	BOLT (M8X1.25X25MM)
50	400245X1	2	BOLT (M8X1.25X30MM)
51	400310X1	16	WASHER (6.6X12X2MM THK)
52	223-5887	2	BRACKET
53	400287X1	4	WASHER-HARD (11X21X2.5)
54	WR522218	4	NUT (M8X1.25)

[A] PART OF 179-1952 BASE AR-COMMON

00887941
PR: t05i29k58b0260

MT800 SERIE TRACTORS
FRAME AND BODY

HOOD & GUARD GP - 161-9173
1 OF 2
EAME ONLY



**MT800 SERIESTRACTORS
FRAME AND BODY**

601

**HOOD & GUARD GP - 161-9173
1 OF 2
EAME ONLY**

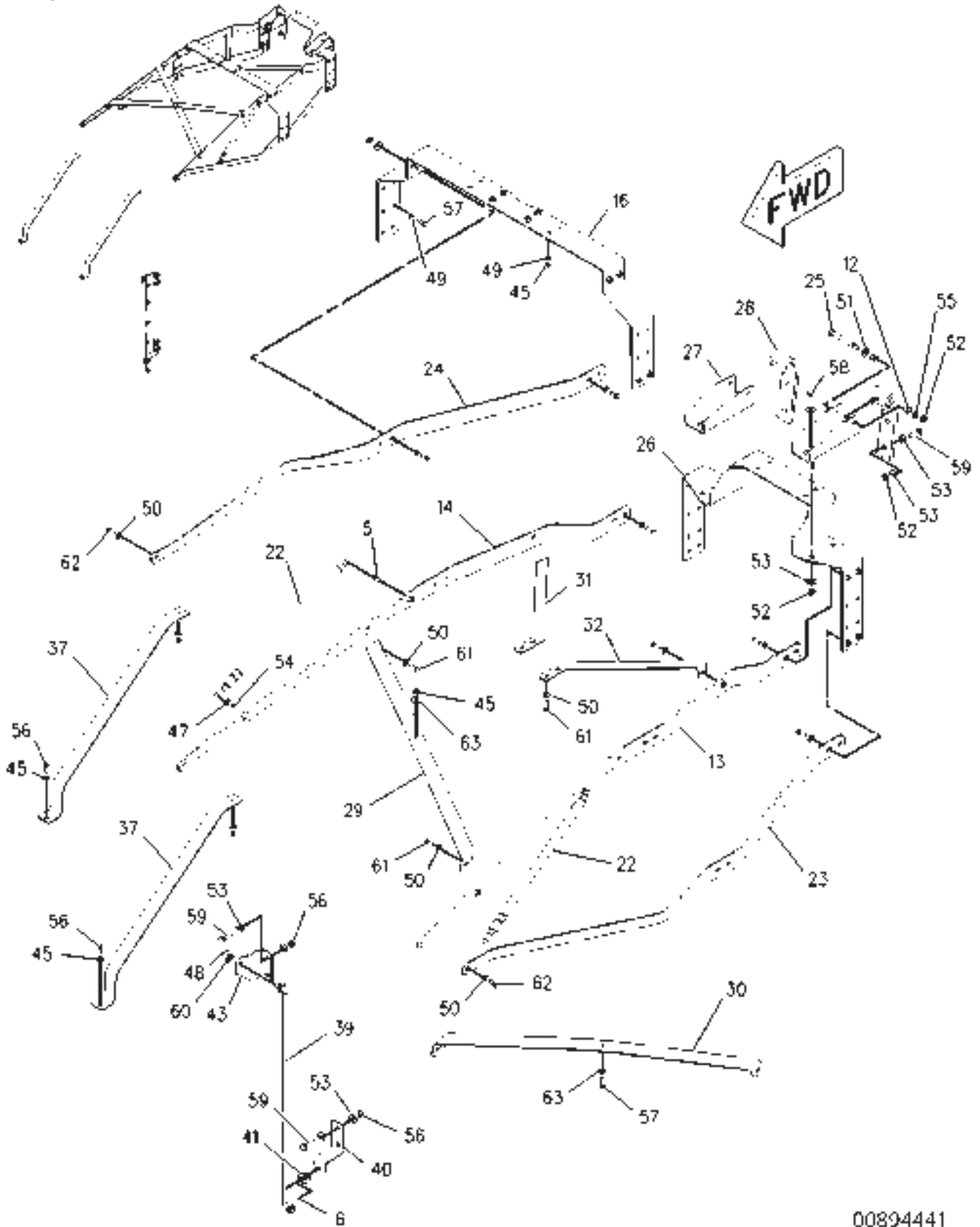
ITEM	NUMBER	QTY	DESCRIPTION
-	161-9173	--	HOOD & GUARD GP [A] (NOT SERVICED)
1	400162X1	2	BOLT-SOCKET HEAD (M8X1.25X50 MM)
2	CH100-4036	1	MARKER-HOOD
3	CH113-8880	2	LATCH AS
4	CH114-5793	2	KEEPER
7	158-5934	1	GRILL AS-LWR (LH)
8	158-5935	1	GRILL AS-LWR (RH)
9	158-5950	1	HOOD AS
10	158-5952	1	PANEL AS (LH)
11	158-5953	1	PANEL AS (RH)
15	188-0514	1	GRILL (TOP)
17	188-0568	1	GRILL AS
18	190-5943	1	COVER GP-ACCESS (SEE BREAKDOWN FOR COMPONENTS)
19	192-6516	1	SEAL (HOOD-LH) (3430MM)
20	501148D1	1	SEAL (GRILL)
21	CH5P-9205	1	SEAL (HOOD-UPPER) (1469MM) (ORDER BY THE METER)
33	CH217-5909	8	SCREW-PAN HEAD
34	210-4413	1	INSULATION (LH)
35	210-4414	1	INSULATION (RH)
36	210-4415	1	INSULATION (TOP)
38	400115X1	1	HANDLE
42	216-6429	1	BRACKET AS
	CH8T-3612	2	NUT-WELD (M8X1.25 THD)
44	CH123-4950	12	SCREW-PAN HEAD (M6X1X16MM)
45	CH129-3178	60	LOCKNUT (M6X1 THD)
46	CH131-3540	10	LOCKNUT
49	CH5P-4115	51	WASHER-HARD (7.2X19X2MM THK)
50	400599X1	48	WASHER-HARD (8.8X20.5X2MM THK)
61	400341X1	36	BOLT (M8X1.25X25MM)
63	400310X1	16	WASHER (6.6X12X2MM THK)

[A] PART OF 179-2180 BASE COMMON AR

00894440
PR: t05i29k58b0261

MT800 SERIESTRACTORS
FRAME AND BODY

HOOD & GUARD GP - 161-9173
2 OF 2
EAME ONLY



**MT800 SERIESTRACTORS
FRAME AND BODY**

603

**HOOD & GUARD GP - 161-9173
2 OF 2
EAME ONLY**

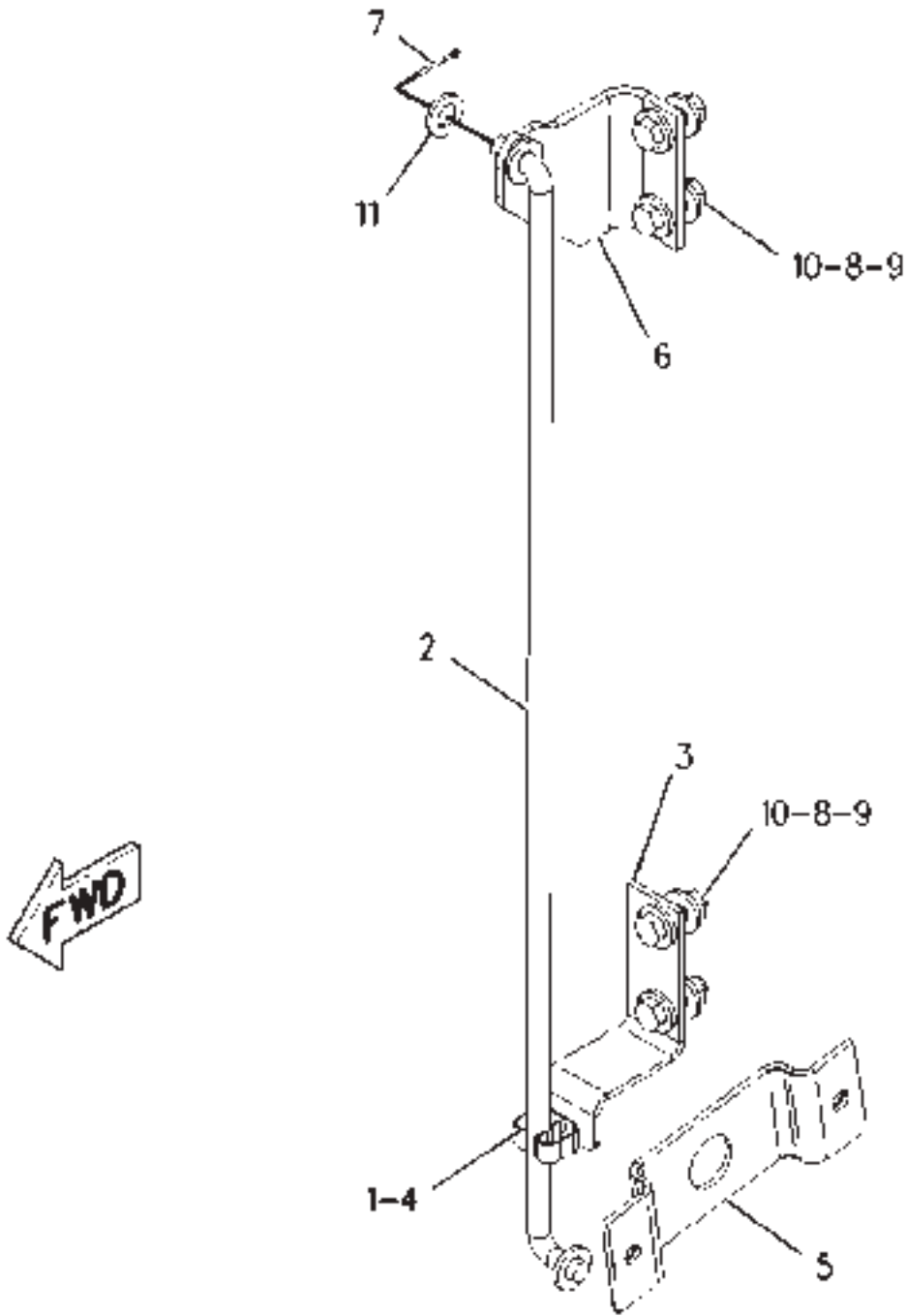
ITEM	NUMBER	QTY	DESCRIPTION
-	161-9173	--	HOOD & GUARD GP [A] (NOT SERVICED)
5			NOT USED
6	400140X1	1	BOLT-SOCKET HEAD (M4X0.7X10MM)
12	400104X1	4	BEARING
13	188-0452	1	PLATE AS (RH)
14	188-0453	1	PLATE AS (LH)
	CH8T-3612	4	NUT-WELD (M8X1.25 THD)
16	188-0564	1	BRACKET AS
	CH8T-3612	12	NUT-WELD (M8X1.25 THD)
22	231-6106	2	SPRING-GAS
23	209-0359	1	BRACKET
24	209-0361	1	BRACKET
25	400013X1	2	BOLT (M10X1.5X96)
26	209-0364	1	BRACKET AS
	CH8T-3612	8	NUT-WELD (M8X1.25 THD)
27	209-0373	2	BRACKET
28	209-0376	2	ANGLE AS
29	209-3146	1	BRACKET
30	209-3147	1	BRACKET
31	209-3384	1	BRACKET
32	209-3385	1	BRACKET
37	223-5887	2	BRACKET
39	216-6425	1	ROD AS
40	216-6426	1	BRACKET AS
41	CH216-6428	1	CLIP
43	216-6430	1	SUPPORT
45	CH129-3178	60	LOCKNUT (M6X1 THD)
47			NOT USED
48	CH3B-4611	1	PIN-COTTER
49	CH5P-4115	61	WASHER-HARD (7.2X19X2MM THK)
50	400599X1	48	WASHER-HARD (8.8X20.5X2MM THK)
51	400277X1	2	WASHER-HARD (M12X25.5X3MM THK)
52	CH6V-7744	10	LOCKNUT (M10X1.5 THD)
53	CH7X-7729	24	WASHER (11X25X3MM THK)
54	WR522218	2	NUT (M10X1.5 THD)
55			NOT USED
56	WR522218	4	NUT (M10X1.5 THD)
57	400221X1	11	BOLT (M6X1X20MM)
58	400058X1	4	BOLT (M10X1.5X30MM)
59	400059X1	8	BOLT (M10X1.5X35MM)
60	400357X1	1	WASHER-HARD (M12X25.5X3MM THK)
61	400341X1	36	BOLT (M8X1.25X25MM)
62	400245X1	2	BOLT (M8X1.25X30MM)
63	400310X1	16	WASHER (6.6X12X2MM THK)

[A] PART OF 179-2180 BASE COMMON AR

00894441
PR: t05i29k58b0262

MT800 SERIESTRACTORS
FRAME AND BODY

BRACE GP-SAFETY - 222-9033
HOOD
ROW & SPECIAL



MT800 SERIESTRACTORS
FRAME AND BODY

605

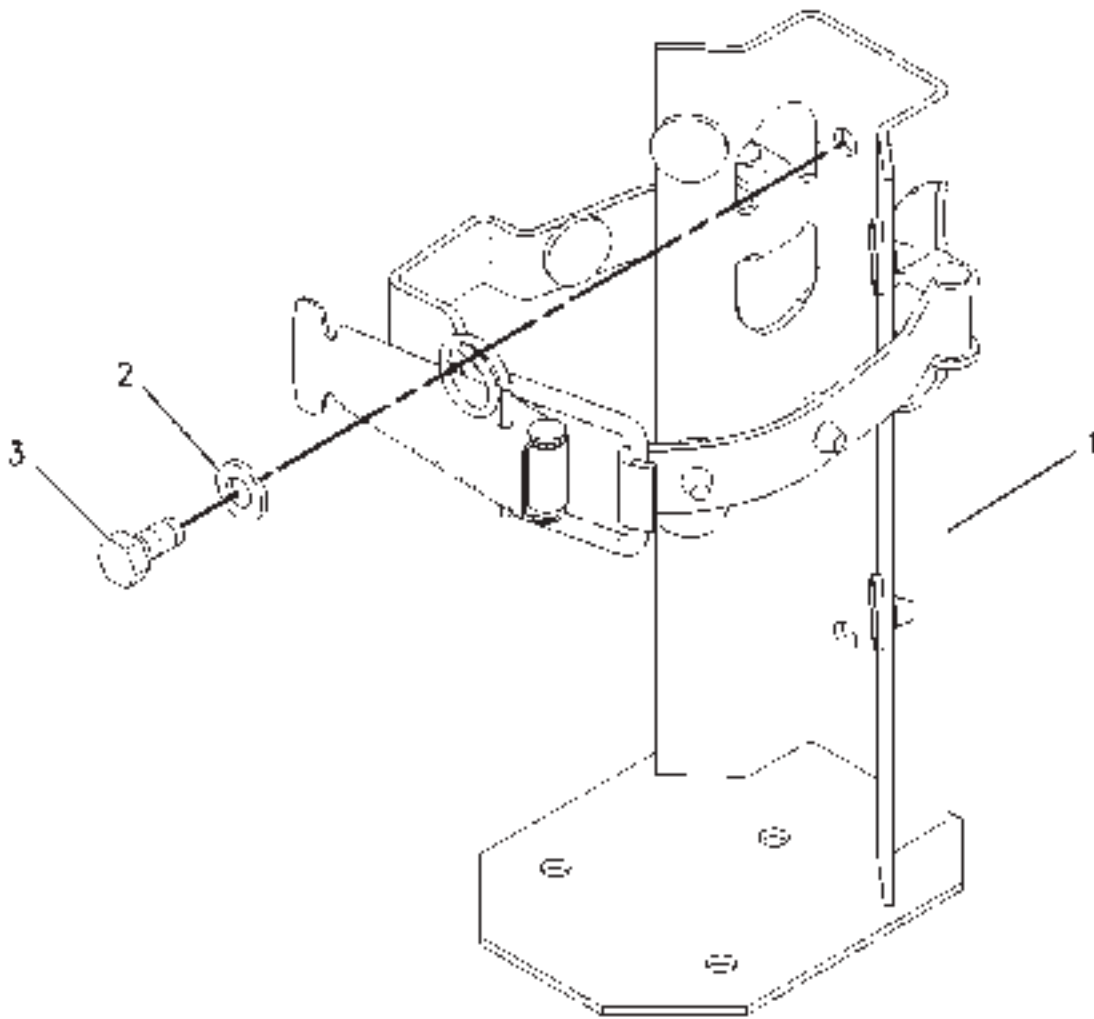
BRACE GP-SAFETY - 222-9033
HOOD
ROW & SPECIAL

ITEM	NUMBER	QTY	DESCRIPTION
-	222-9033	--	BRACE GP-SAFETY
1	400140X1	1	BOLT-SOCKET HEAD (M4X0.7X10MM)
2	216-6425	1	ROD ASM
	400277X1	2	WASHER-HARD
3	216-6426	1	BRACKET ASM
4	CH216-6428	1	CLIP
5	216-6429	1	BRACKET ASM
	CH8T-3612	2	NUT-WELD (M8X1.25)
6	216-6430	1	SUPPORT
7	CH3B-4611	1	PIN-COTTER
8	CH7X-7729	8	WASHER (11X25X3)
9	WR522218	4	NUT (M10X1.5)
10	400059X1	4	BOLT (M10X1.5X35MM)
11	400357X1	1	WASHER-HARD (M12X25.5X3)

00899424
PR: t05i29k58b0263

MT800 SERIE TRACTORS
FRAME AND BODY

KIT-MOUNTING - 208-7698
FIRE EXTINGUISHER
ROW & SPECIAL



MT800 SERIESTRACTORS
FRAME AND BODY

607

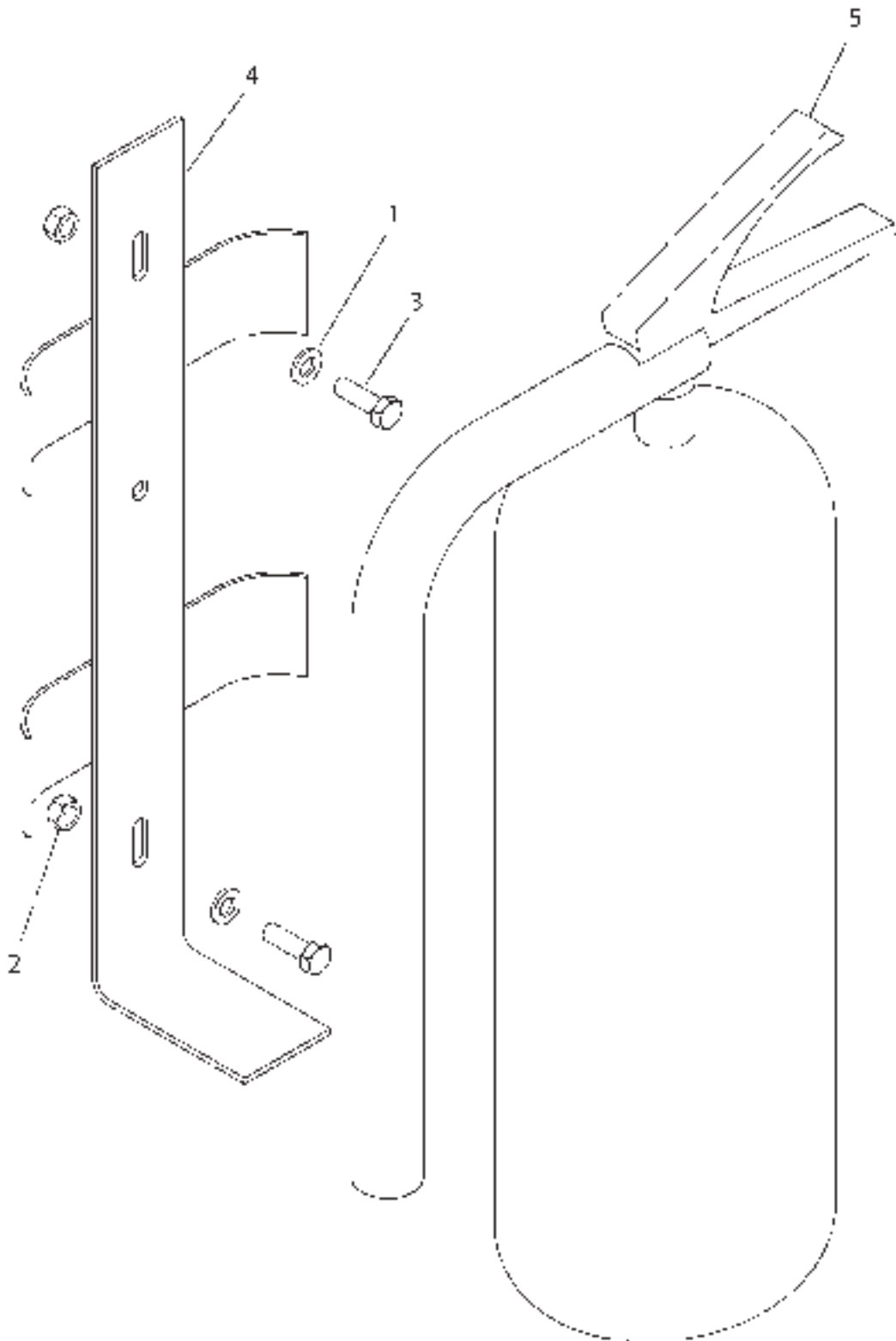
KIT-MOUNTING - 208-7698
FIRE EXTINGUISHER
ROW & SPECIAL

ITEM	NUMBER	QTY	DESCRIPTION
-	208-7698	--	KIT MOUNTING
1	500505D1	1	BRACKET
2	400339X1	4	WASHER-HARD (8.8X16X2)
3	400053X1	4	BOLT (M8X1.25X20MM)

00888925
PR: t05i29k58b0264

MT800 SERIESTRACTORS
FRAME AND BODY

MOUNTING GP-WITH FIRE EXTINGUISHER
501785D1
EAME ONLY



MT800 SERIESTRACTORS
FRAME AND BODY

609

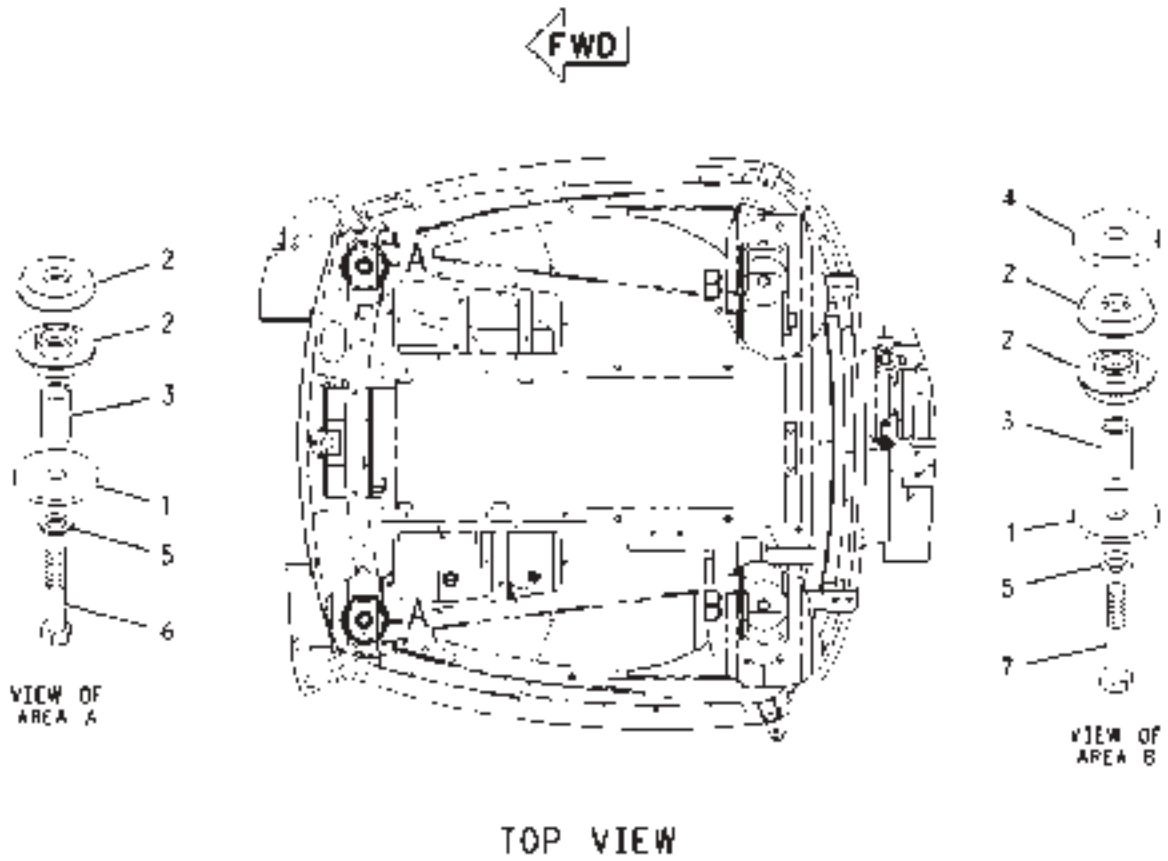
MOUNTING GP-WITH FIRE EXTINGUISHER
501785D1
EAME ONLY

ITEM	NUMBER	QTY	DESCRIPTION
-	501785D1	--	MOUNTING GP-FIRE EXTINGUISHER
1	400339X1	2	WASHER-HARD
2	400340X1	2	NUT
3	400341X1	2	BOLT-HEX HD
4	501775D1	1	BRACKET-FIRE EXTG
5	501785D1	1	EXTENGUISHER-FIRE

501785DA
PR: t05i29k58b0265

MT800 SERIE TRACTORS
FRAME AND BODY

MOUNTING GP-CAB - 162-4112



**MT800 SERIESTRACTORS
FRAME AND BODY**

611

MOUNTING GP-CAB - 162-4112

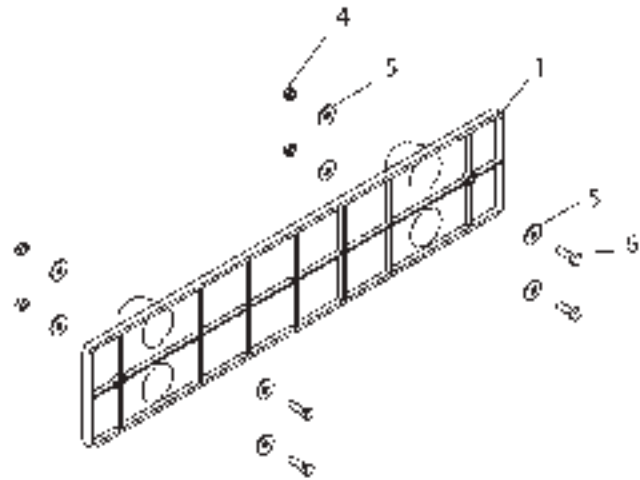
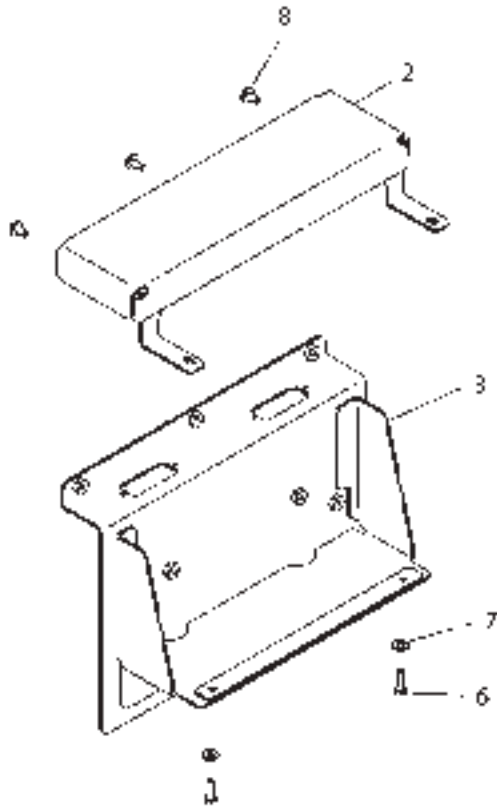
ITEM	NUMBER	QTY	DESCRIPTION
-	162-4112	--	MOUNTING GP-CAB [A] (NOT SERVICED)
1	9U-0512	4	WASHER (12.0)
2	117-8131	8	MOUNT
3	CH144-2179	4	SLEEVE
4	CH192-5173	2	PLATE
5	CH7X-0593	4	WASHER-HARD (34X57X6)
6	400199X1	2	BOLT (M30X3.5X160)
7	400200X1	2	BOLT (M30X3.5X180)

[A] PART OF 179-1953 CHASSIS AR

00850697
PR: t05i29k58b0266

MT800 SERIES TRACTORS
FRAME AND BODY

MOUNTING GP-BODY - 158-5925
LICENSE PLATE
EAME ONLY



MT800 SERIESTRACTORS
FRAME AND BODY

613

MOUNTING GP-BODY - 158-5925
LICENSE PLATE
EAME ONLY

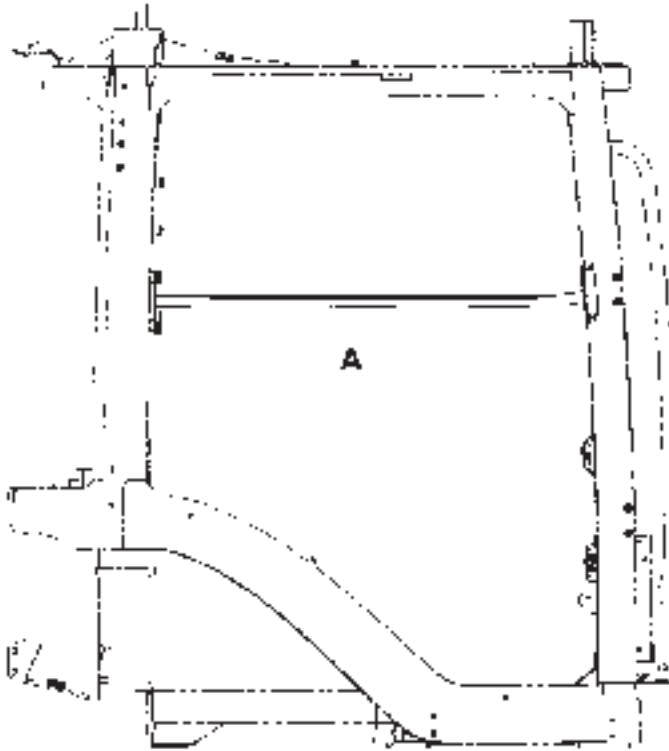
ITEM	NUMBER	QTY	DESCRIPTION
-	158-5925	--	MOUNTING GP-LICENSE PLATE [A] (NOT SERVICED)
1	177-7107	1	PLATE AS.-LICENSE
2	221-7640	1	BRACKET AS.
3	222-1887	1	BRACKET AS
4	400300X1	4	NUT M6X1
5	CH5P-4115	8	WASHER-7.2IDX19ODX2MM
6	400221X1	6	BOLT-M6X1X20MM ZNDI HHD 10.9
7	CH8T-4205	2	WASHER-HARD 7.2IDX14.5ODX2MM
8	CH9X-2042	3	SCREW-M6X1X12 ORG TORX

[A] PART OF 179-2180 BASE COMMON AR

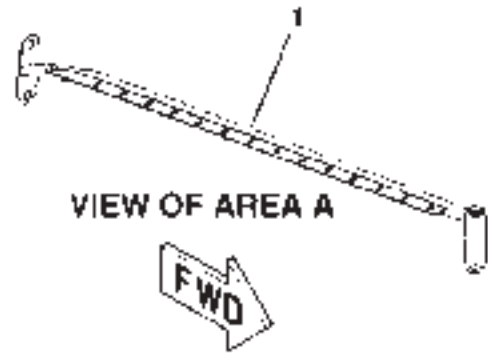
1585925A
PR: t05i29k58b0267

MT800 SERIESTRACTORS
FRAME AND BODY

MOUNTING GP-MONITOR - 222-7965



RIGHT SIDE VIEW



VIEW OF AREA A

**MT800 SERIESTRACTORS
FRAME AND BODY**

615

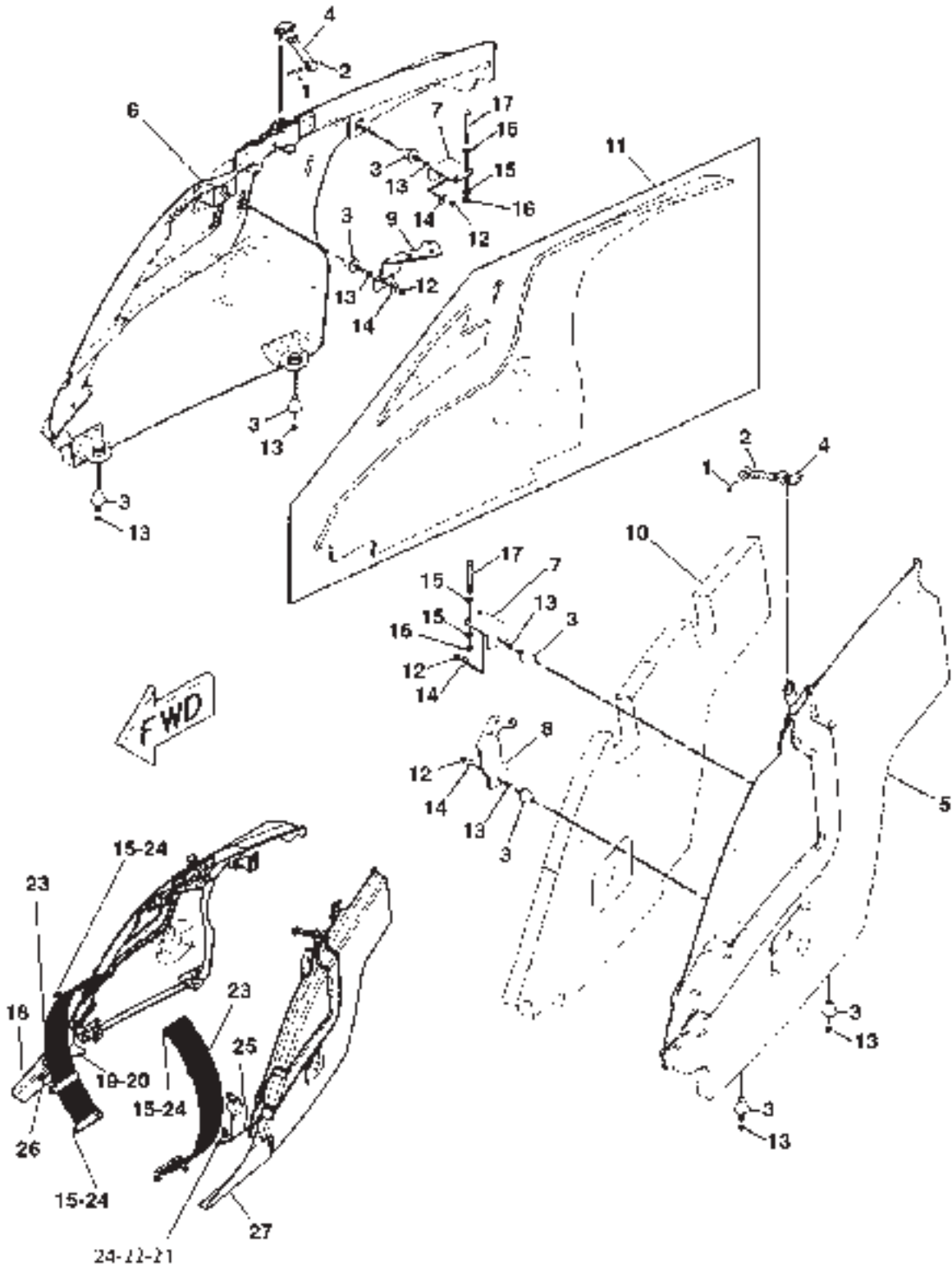
MOUNTING GP-MONITOR - 222-7965

ITEM	NUMBER	QTY	DESCRIPTION
-	502778D1	--	MOUNTING GP-MONITOR (FIELD INSTALLED)
-	502798D1	--	MOUNTING GP-MONITOR (FACTORY) (NOT SERVICED, ORDER FIELD INSTALLED)
-	222-7965	--	MOUNTING GP-MONITOR [A] (NOT SERVICED, ORDER FIELD INSTALLED)
1	215-8364	1	TUBE ASM
	CH6V-5839	2	WASHER (11IDX21X2.5MM) (NOT SHOWN)
	CH9X-2040	2	SCREW-TRS HD (M10X1.5X20) (NOT SHOWN)
	CH9X-2041	2	SCREW-TRS HD (M10X1.5X25) (NOT SHOWN)

[A] PART OF 500033D1;500034D1;500035D1;
500037D1 BASE UNIT AR;
BASE UNIT AR;
502778D1; 502798D1 MTG GP-MONITOR

0894860A
PR: t05i29k58b0268

PANEL GP-ENCLOSURE (CAT) - 210-4350



MT800 SERIESTRACTORS
FRAME AND BODY

617

PANEL GP-ENCLOSURE (CAT) - 210-4350

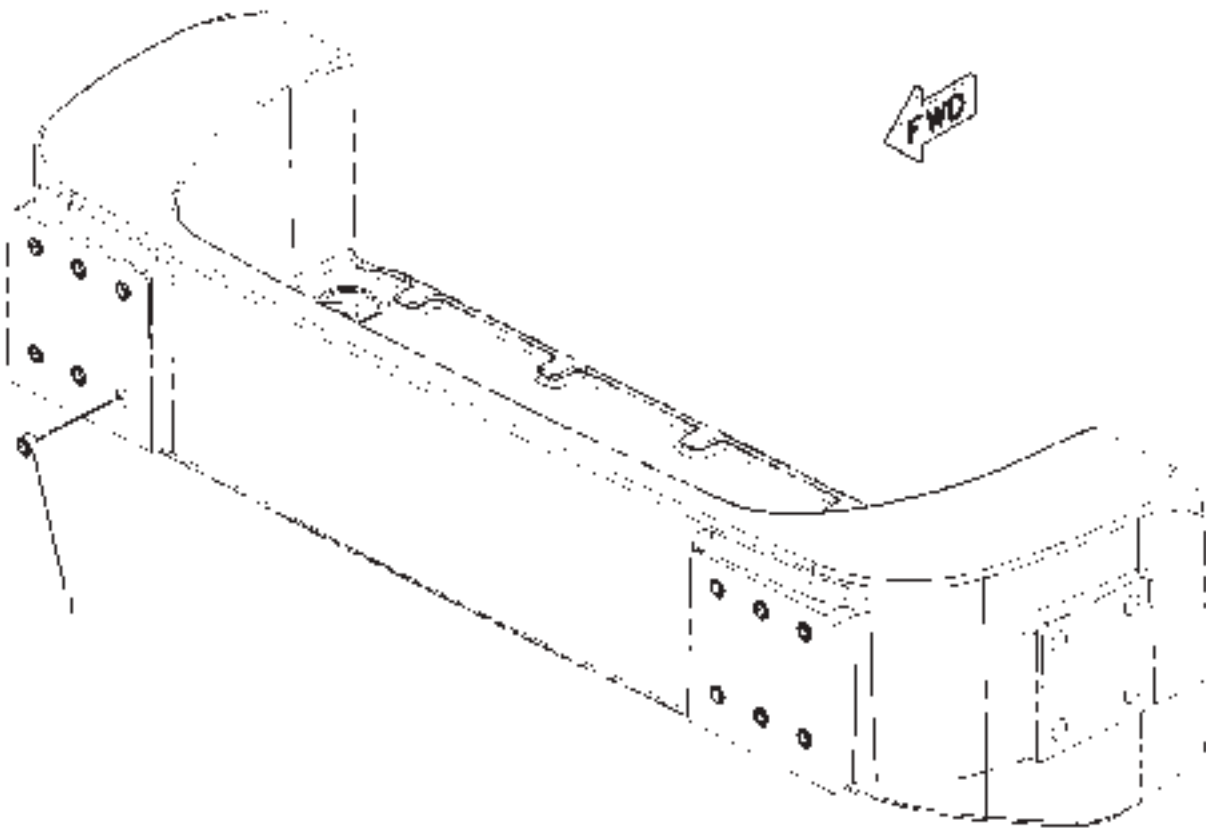
ITEM	NUMBER	QTY	DESCRIPTION
-	210-4350	--	PANEL GP-ENCLOSURE [A] (NOT SERVICED)
1	CH2M-5795	2	PIN-CLEVIS
2	CH3B-4607	2	PIN-COTTER
3	CH3W-7412	8	BUMPER-CONICAL
4	CH9M-3835	2	LATCH-RUBBER
5	210-4348	1	PANEL ASM (LH)
6	210-4349	1	PANEL ASM (RH)
7	210-4406	2	BRACKET
8	210-4407	1	BRACKET (LH)
9	210-4408	1	BRACKET (RH)
10	210-4411	1	INSULATION (LH)
11	210-4412	1	INSULATION (RH)
12	CH3E-9860	4	LOCKNUT (5/16-18)
13	400682X1	8	NUT (5/16-18)
14	CH7X-0579	8	WASHER-HARD (8.8X25.5X2)
15	400287X1	14	WASHER-HARD (11X21X2.5)
16	WR522218	4	NUT (M10X1.5)
17	400225X1	4	BOLT (M10X1.5X90MM)
18	210-4421	1	BRACKET
19	CH7X-7729	4	WASHER
20	400059X1	4	BOLT (M10X1.5)
21	-----	2	NUT-HEX 1/2-13 (USE LOCKNUT)
21	CH1K-6872	2	NUT-LOCK 1/2-13
22	400357X1	2	WASHER-HARD
23	204-5043	2	GUARD ASM-FAN
24	400058X1	6	BOLT (M10X1.5X30)
25	501205D1	1	GUARD-ALTERNATOR
26	225-8514	1	PLATE
27	216-6285	1	BRACKET
28	400275X1	2	GROMMET (USED W/ITEM 25) (NOT SHOWN)

[A] PART OF 179-2180 BASE COMMON AR

0893711A
PR: t05i29k58b0269

MT800 SERIESTRACTORS
FRAME AND BODY

PLUG GP-COUNTERWEIGHT - 183-5789
COMPLETING



MT800 SERIESTRACTORS
FRAME AND BODY

619

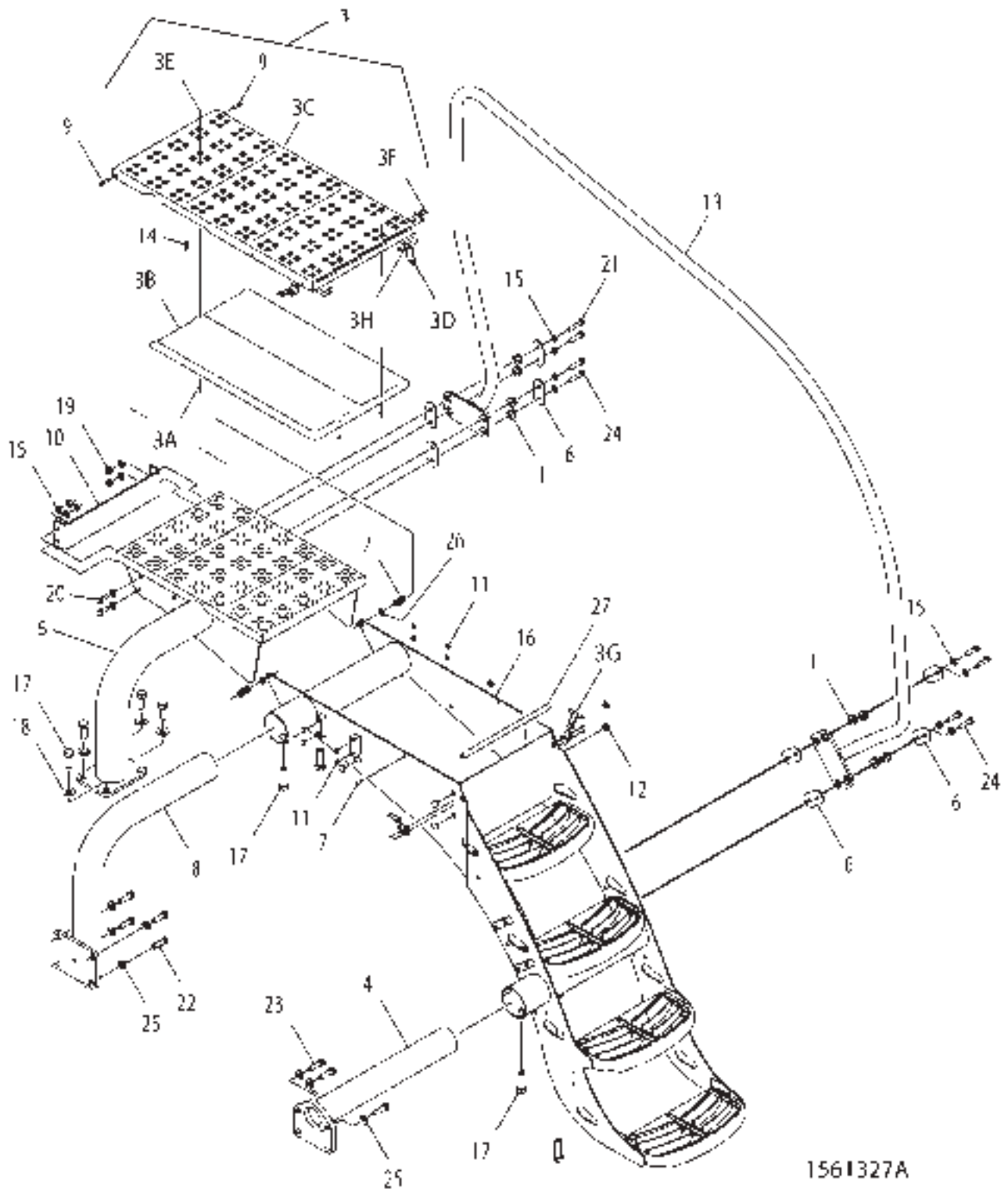
PLUG GP-COUNTERWEIGHT - 183-5789
COMPLETING

ITEM	NUMBER	QTY	DESCRIPTION
-	183-5789	--	PLUG GP-COUNTERWEIGHT (NOT SERVICED)
1	400090X1	12	PLUG

00851420
PR: t05i29k58b0270

MT800 SERIE TRACTORS
FRAME AND BODY

STEP GP - 156-1327



1561327A

**MT800 SERIESTRACTORS
FRAME AND BODY**

621

STEP GP - 156-1327

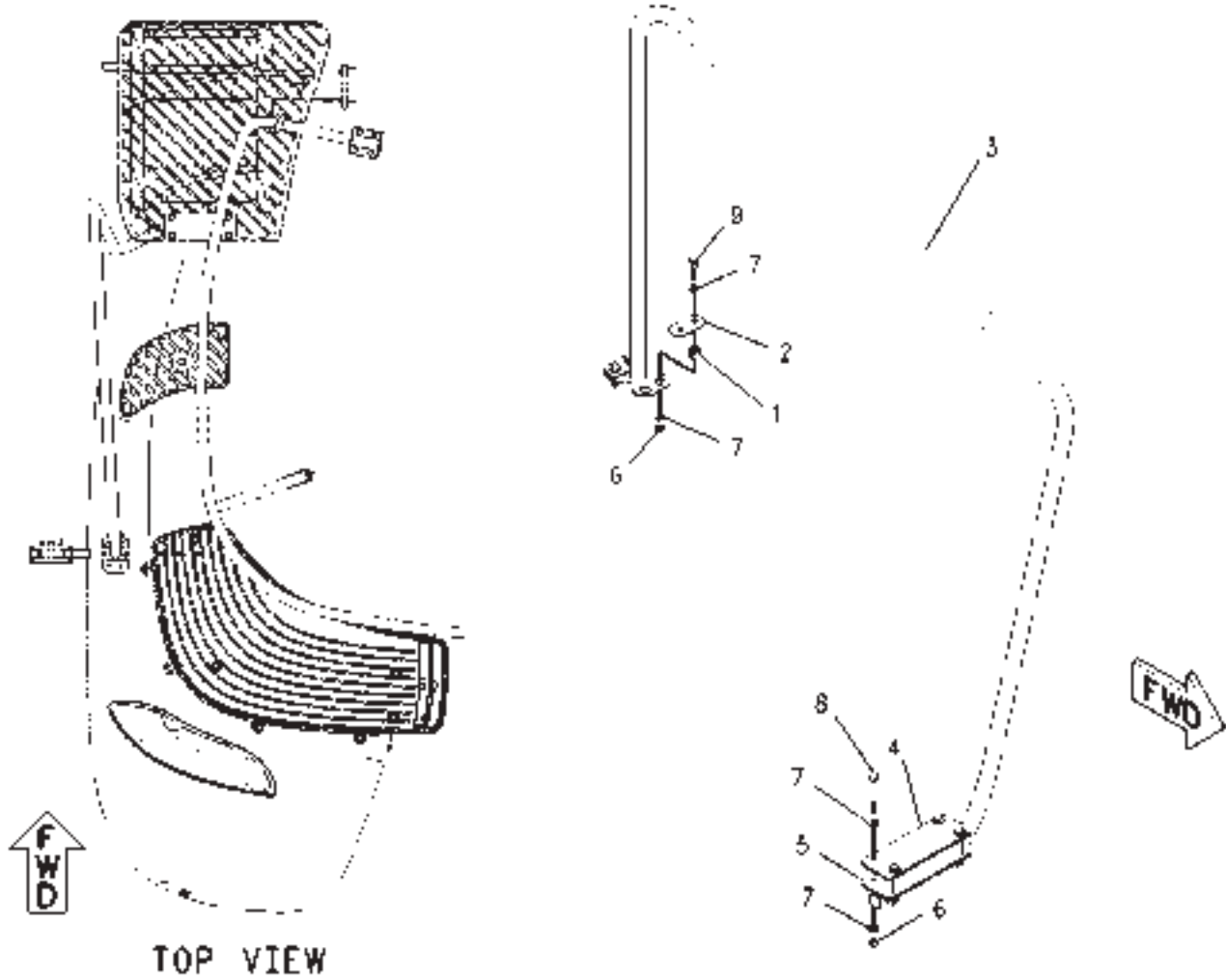
ITEM	NUMBER	QTY	DESCRIPTION
-	156-1327	--	STEP GP [A] (NOT SERVICED)
1	CH6N-6984	8	MOUNTING
2	CH7V-0445	2	SPRING-COMP 15.24 OD X 19.05
3	173-2743	1	STEP AS-TOP DECK (NOT SERVICED) (ORDER 3A-3H)
3A	CH6K-3274	3	PLATE-RIVET 3.3 X 9.5 X 1.5
3B	170-5765	1	SHIELD
3C	173-2744	1	STEP-TOP
3D	192-0976	1	PLATE-LOCK TAB
3E	CH103-8089	3	RIVET-BL 3.18 X 6.38-7.92 GRIP
3F	CH1H-8289	8	SCREW-PAN 5-40 THD SLOTTED
3G	CH118-0772	2	LATCH AS-T BALL
3H	CH3K-9089	8	NUT-SELF LOCKING 5-40-3B THD
4	183-7892	1	PIPE AS-FRONT
5	183-7894	1	STEP AS
6	203-9200	6	PLATE
7	204-9922	1	ROD
8	208-7525	1	PIPE AS. -REAR
9	400015X1	2	BOLT-M8X1.25X33 ZNDI HSHD 12.9
10	225-8861	1	BRACKET
11	CH193-5914	12	PLUG-PROTECTIVE PLASTIC,M10
12	CH193-5916	6	PLUG-PROTECTIVE PLASTIC M16
13	220-2730	1	TUBE AS-HANDRAIL
14	CH3B-4610	1	PIN-COTTER 2.38 DIA X 22.2MM STL
15	400287X1	16	WASHER-HARD 11IDX21ODX2.5 ZND1
16	500441D2	1	STEP AS
17	400191X1	8	BOLT-M16X2X40MM ZNDI HHD 10.9
18	CH8T-4122	4	WASHER HARD-17IDX32ODX3.5MM
19	WR522218	6	NUT-M10-1.5,CL10.9,ZN,H,REG
20	400039X1	2	BOLT-M10X1.5X25 ZNDI HHD 10.9
21	400049X1	2	BOLT-M10X1.5X45 ZNDI HHD 10.9
22	400050X1	4	BOLT-M12X1.75X40 ZNDI HHD 10.9
23	400051X1	3	BOLT-M12X1.75X45 ZNDI HHD 10.9
24	400052X1	6	BOLT-M10X1.5X40 ZNDI HHD 10.9
25	400357X1	7	WASHER-HARD-M12X25.50DX3THK
26	400339X1	2	WASHER-HARD
27	WR513654	1	EDGE LINER .19" TK MAT PVC (33CM)

PART OF 179-1953 CHASSIS AR

1561327A
PR: t05i29k58b0271

MT800 SERIESTRACTORS
FRAME AND BODY

HANDHOLD GP - 221-8534
EAME ONLY



MT800 SERIESTRACTORS
FRAME AND BODY

623

HANDHOLD GP - 221-8534
EAME ONLY

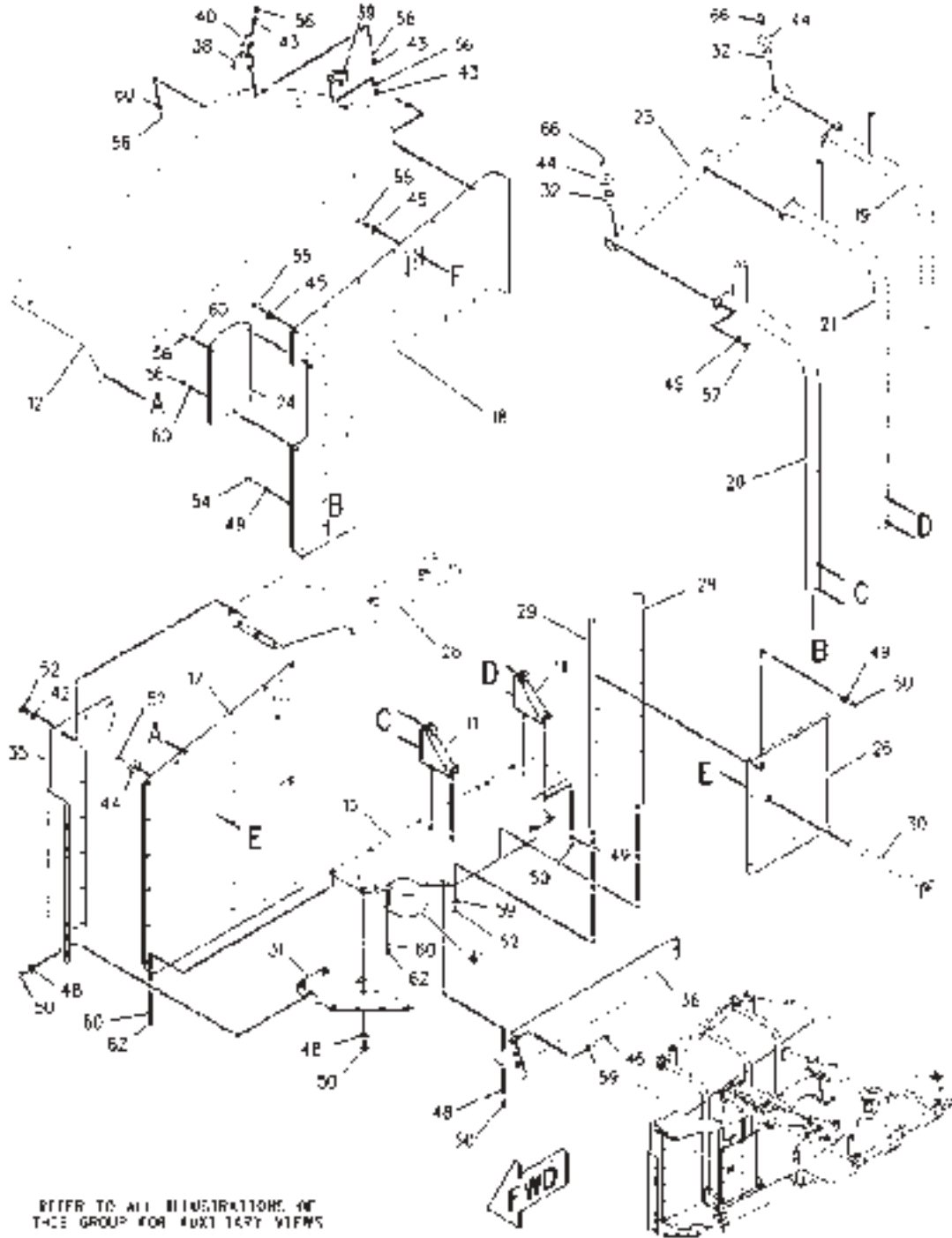
ITEM	NUMBER	QTY	DESCRIPTION
-	221-8534	--	HANDHOLD GP [A] (NOT SERVICED)
1	CH6N-6984	4	MOUNT
2	203-9200	2	PLATE
3	221-8535	1	HANDHOLD AS
4	221-8536	1	PLATE
5	221-8537	2	INSULATION
6	CH6V-7744	8	LOCKNUT (M10X1.5 THD)
7	400287X1	16	WASHER-HARD (11X21X2.5MM THK)
8	400044X1	4	BOLT (M10X1.50X80MM)
9	400052X1	4	BOLT (M10X1.5X40MM)

[A] PART OF 179-2180 BASE COMMON AR

00895637
PR: t05i29k58b0272

MT800 SERIESTRACTORS
FRAME AND BODY

SUPPORT GP-FUEL TANK - 186-5431
1 OF 2



**MT800 SERIESTRACTORS
FRAME AND BODY**

625

**SUPPORT GP-FUEL TANK - 186-5431
1 OF 2**

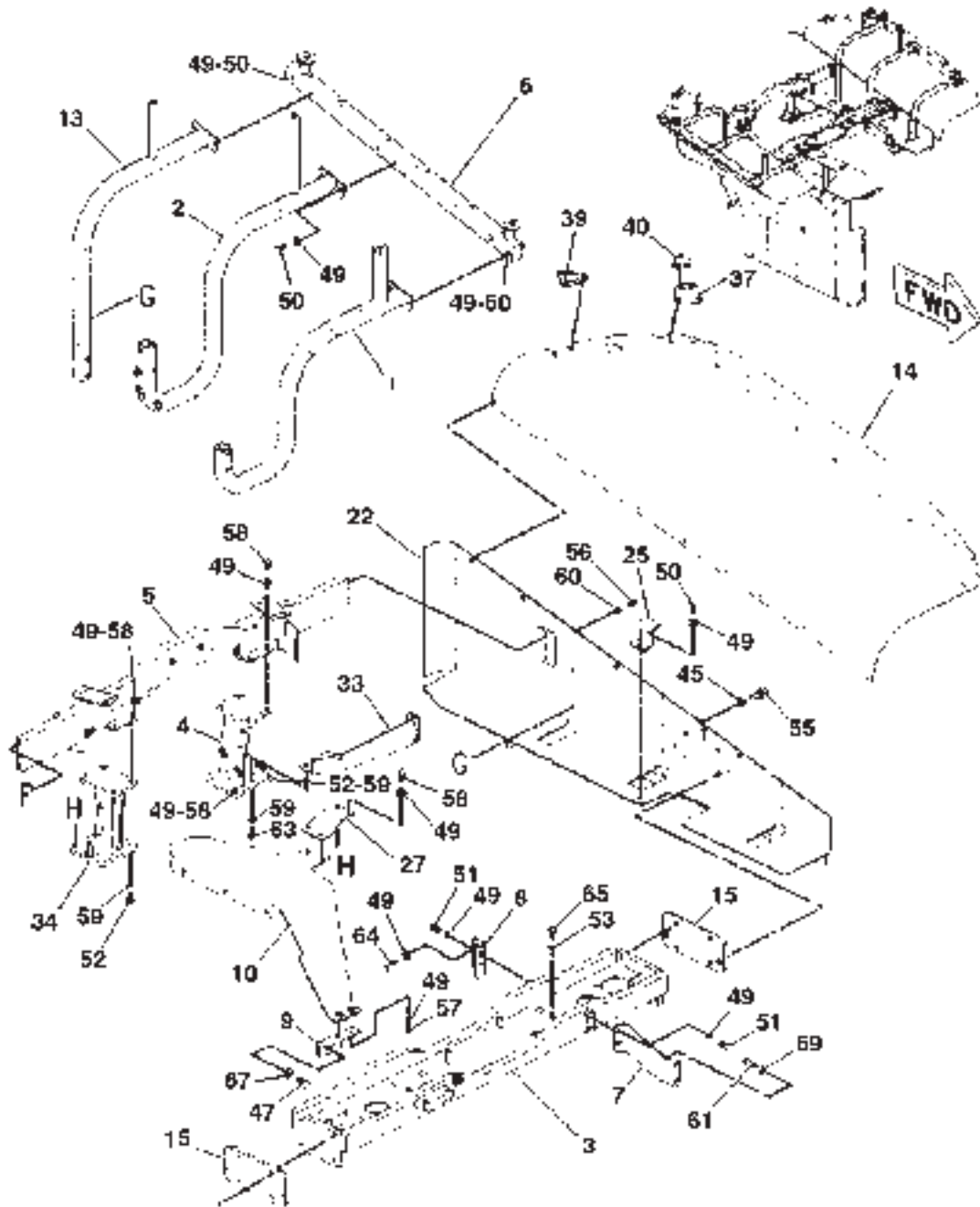
ITEM	NUMBER	QTY	DESCRIPTION
-	186-5431	--	SUPPORT GP-FUEL TANK [A] (NOT SERVICED)
11	188-0772	2	PLATE ASM (INCL.NUT-WELD, AND PLATES)
	CH8T-3490	4	NUT-WELD (M10X1.5)
12	188-0773	1	SHIELD
16	188-0777	1	PLATE ASM (RH) (TANK SUPPORT)
	CH8T-3490	5	NUT-WELD (M10X1.5)
	CH8T-3612	10	NUT-WELD (M8X1.25)
17	188-0778	1	SHIELD AS
	CH8T-3612	12	NUT-WELD (M8X1.25)
18	188-0779	1	SHIELD AS
	CH8T-3612	6	NUT-WELD (M8X1.25)
19	195-0499	1	TUBE AS
20	195-0500	1	TUBE AS
	CH8T-3597	1	NUT-WELD (M12X1.75)
21	195-0501	1	TUBE AS (INCLUDES PLATE, ROD & TUBE)
23	197-8128	1	SUPPORT
24	197-8131	1	SHIELD (RH)
26	205-1388	1	PLATE
28	205-1394	1	PLATE ASM(INCL. PLATE, LINK & NUT-WELD)
	CH7T-1099	2	LINK
	CH8T-3597	3	NUT-WELD (M12X1.75)
29	205-1395	2	BAR
30	205-1396	1	PIN ASM (INCLUDES SPACE-BAR & PLATE)
31	205-1397	1	SHIELD AS (INCLUDES PLATE & NUT-WELD)
	CH8T-3490	3	NUT-WELD (M10X1.5)
32	CH206-4708	4	SPACER (22.2X31.8X50)
35	209-0799	1	SHIELD (RH) (FRONT)
36	209-0800	1	BRACKET ASM (INCL. BRACKET & NUT-WELD)
	CH8T-3490	2	NUT-WELD (M10X1.50)
	CH8T-3597	4	NUT-WELD (M12X1.75)
38	219-7564	1	BRACKET ASM(INCLUDES PLATE & NUT-WELD)
	CH8T-3612	4	NUT-WELD (M8X1.25)
39	219-7565	2	BRACKET ASM(INCLUDES PLATE & NUT-WELD)
	CH8T-3612	2	NUT-WELD (M8X1.25)
40	219-7566	2	BRACKET
41	210-2682	1	COVER
42	400381X1	3	WASHER-HARD (13.5X30X4)
43	400599X1	12	WASHER-HARD (8.8X20.5X2)
44	CH7G-8839	5	SPACER (13.5X57X6)
45	CH7X-0618	14	WASHER-HARD (13.5X40X5)
46	400029X1	3	BOLT (M12X1.75X100MM)
48	CH7X-7729	9	WASHER (11X25X3)
49	400287X1	59	WASHER-HARD (11X21X2.5)
50	400039X1	31	BOLT (M10X1.5X25MM)
52	400041X1	33	BOLT (M12X1.75X30MM)
54	400044X1	6	BOLT (M10X1.50X80MM)
55	400050X1	14	BOLT (M12X1.75X40MM)
56	400053X1	72	BOLT (M8X1.25X20MM)
57	400058X1	12	BOLT (M10X1.5X30MM)
59	400357X1	35	WASHER-HARD (M12X25.5X3)
60	400339X1	69	WASHER-HARD (8.8X16X2)
62	400341X1	9	BOLT (M8X1.25X25MM)
66	400241X1	4	BOLT (M12X1.75X80MM)

[A] PART OF 179-2182 TANK & MTG GP-FUEL

00890185
PR: t05i29k58b0273

MT800 SERIESTRACTORS
FRAME AND BODY

SUPPORT GP-FUEL TANK - 186-5431
2 OF 2



REFER TO ALL ILLUSTRATIONS OF
THIS GROUP FOR AUXILIARY VIEWS

**MT800 SERIESTRACTORS
FRAME AND BODY**

627

**SUPPORT GP-FUEL TANK - 186-5431
2 OF 2**

ITEM	NUMBER	QTY	DESCRIPTION
-	186-5431	--	SUPPORT GP-FUEL TANK [A] (NOT SERVICED)
1	187-1062	1	TUBE ASM
	CH7T-1099	1	LINK
	CH8T-3597	1	NUT-WELD (M12X1.75)
2	187-1069	1	TUBE ASM
	CH7T-1099	3	LINK
	CH8T-3490	2	NUT-WELD (M10X1.5)
3	188-0497	1	BRACKET ASM
	CH7T-1099	4	LINK
	CH8Y-3795	1	BOSS (M10X1.5X39MM)
4	188-0762	1	BRACKET ASM
	CH7T-1099	3	LINK
	CH8T-3490	8	NUT-WELD (M10X1.5)
	CH9R-2821	1	BOSS
5	188-0763	1	SUPPORT ASM
	CH7T-1099	3	LINK
6	188-0764	1	SUPPORT AS
7	188-0765	1	ARM ASM
	CH8T-3597	2	NUT-WELD (M12X1.75)
8	188-0766	1	ANGLE
9	188-0768	1	BRACKET
10	188-0769	1	BRACKET ASM
	CH8T-3490	7	NUT-WELD (M10X1.5)
13	188-0774	1	TUBE ASM
	CH8T-3490	2	NUT-WELD (M10X1.5)
14	188-0775	1	SHIELD
15	188-0776	2	PLATE ASM
	CH8T-3490	2	NUT-WELD (M10X1.5)
22	195-0502	1	SUPPORT ASM
	CH8T-3490	1	NUT-WELD (M10X1.5)
	CH8T-3612	5	NUT-WELD (M8X1.25)
25	199-2086	1	BRACKET (LH)
27	205-1390	1	BRACKET
33	206-4719	1	SUPPORT ASM (ARM)
	CH7T-1099	1	LINK
	CH8T-3490	2	NUT-WELD (M10X1.5)
	CH8T-3612	1	NUT-WELD (M8X1.25)

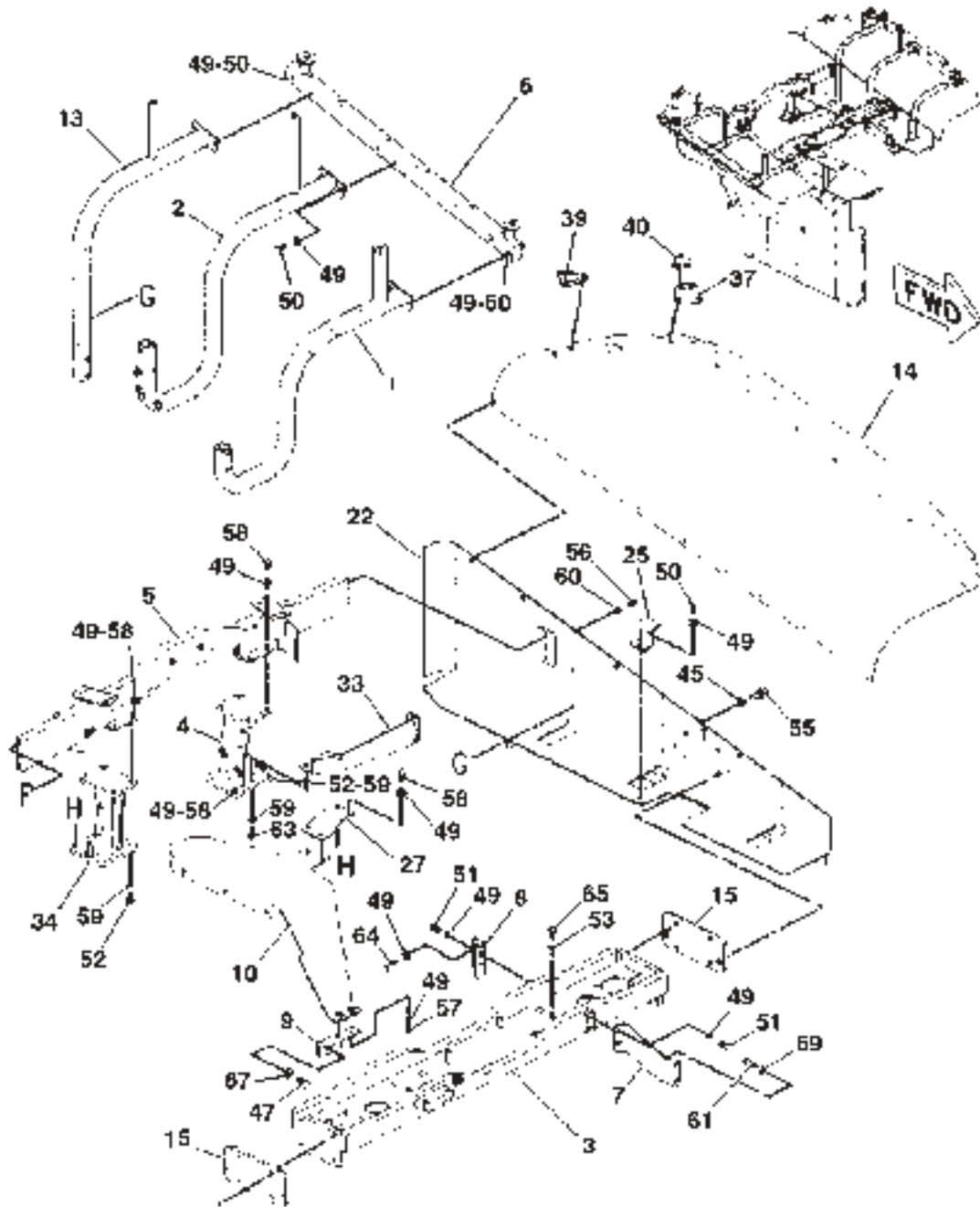
CONTINUED

[A] PART OF 179-2182 TANK & MTG GP-FUEL

0890186A
PR: t05i29k58b0274

MT800 SERIESTRACTORS
FRAME AND BODY

SUPPORT GP-FUEL TANK - 186-5431
2 OF 2



REFER TO ALL ILLUSTRATIONS OF
THIS GROUP FOR AUXILIARY VIEWS

MT800 SERIESTRACTORS
FRAME AND BODY

629

SUPPORT GP-FUEL TANK - 186-5431
2 OF 2

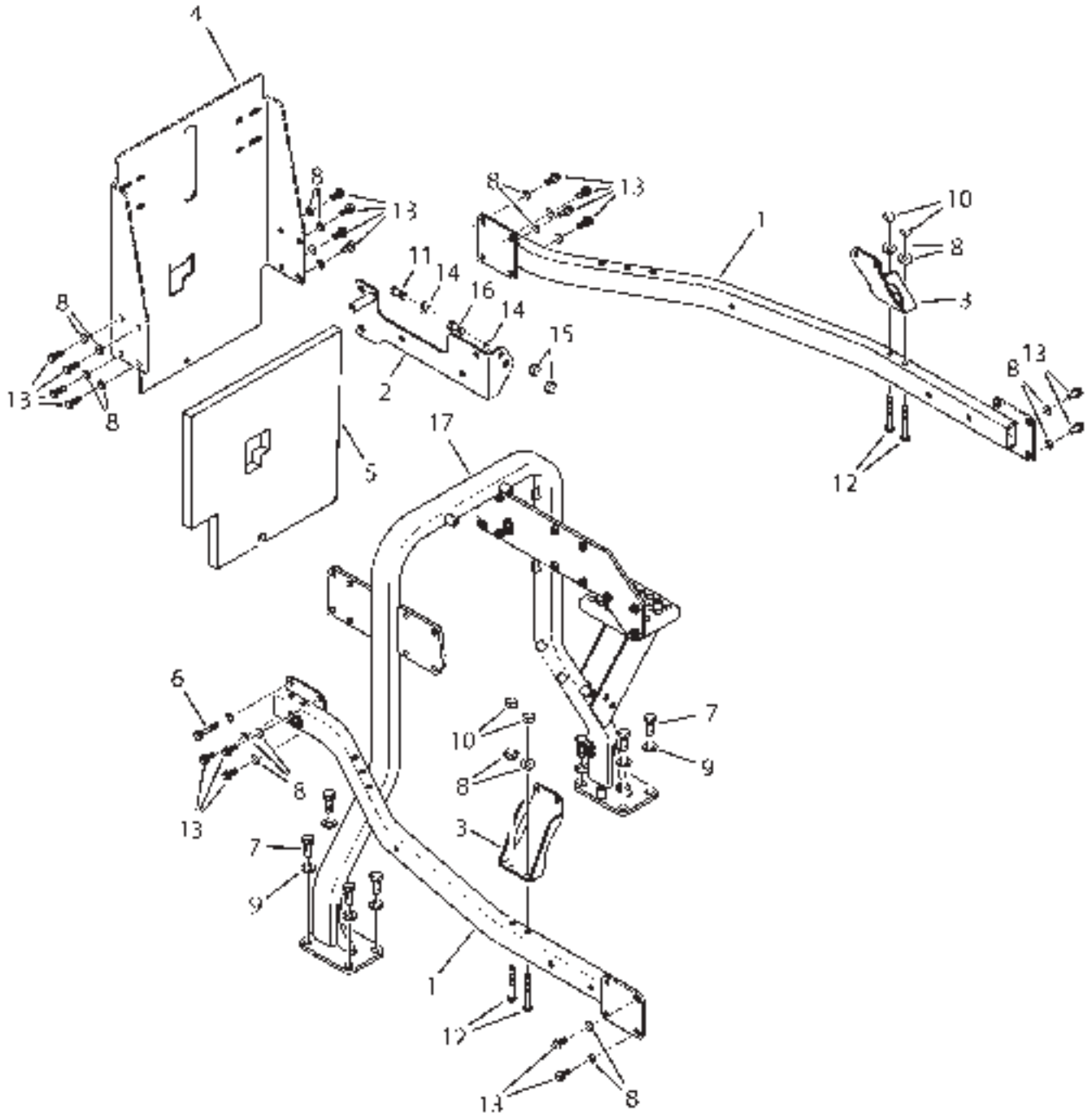
ITEM	NUMBER	QTY	DESCRIPTION
-	186-5431	--	SUPPORT GP-FUEL TANK [A] (NOT SERVICED)
34	206-4720	1	BRACKET ASM
	CH8T-3490	6	NUT-WELD (M10X1.5)
37	219-7563	1	BRACKET ASM
	CH8T-3612	4	NUT-WELD (M8X1.25)
39	219-7565	2	BRACKET ASM
	CH8T-3612	2	NUT-WELD (M8X1.25)
40	219-7566	2	BRACKET
45	CH7X-0618	14	WASHER-HARD (13.5X40X5)
47	400088X1	2	BOLT (M16X2X30MM)
49	400287X1	59	WASHER-HARD (11X21X2.5)
50	400039X1	31	BOLT (M10X1.5X25MM)
51	400040X1	4	BOLT (M10X1.5X20MM)
52	400041X1	33	BOLT (M12X1.75X30MM)
53	400081X1	10	WASHER-HARD (26X44X4)
55	400050X1	14	BOLT (M12X1.75X40MM)
56	400053X1	72	BOLT (M8X1.25X20MM)
57	400058X1	12	BOLT (M10X1.5X30MM)
58	400059X1	13	BOLT (M10X1.5X35MM)
59	400357X1	35	WASHER-HARD (M12X25.5X3)
60	400339X1	69	WASHER-HARD (8.8X16X2)
61	400062X1	2	BOLT (M12X1.75X70MM)
63	400064X1	1	BOLT (M12X1.75X35MM)
64	400066X1	2	BOLT (M10X1.50X70MM)
65	400067X1	10	BOLT (M24X3X80MM)
67	400082X1	2	WASHER (17.5X30X3.5)

[A] PART OF 179-2182 TANK & MTG GP-FUEL

0890186A
PR: t05i29k58b0274

MT800 SERIESTRACTORS
FRAME AND BODY

SUPPORT GP-COMPONENT - 190-5441



**MT800 SERIESTRACTORS
FRAME AND BODY**

631

SUPPORT GP-COMPONENT - 190-5441

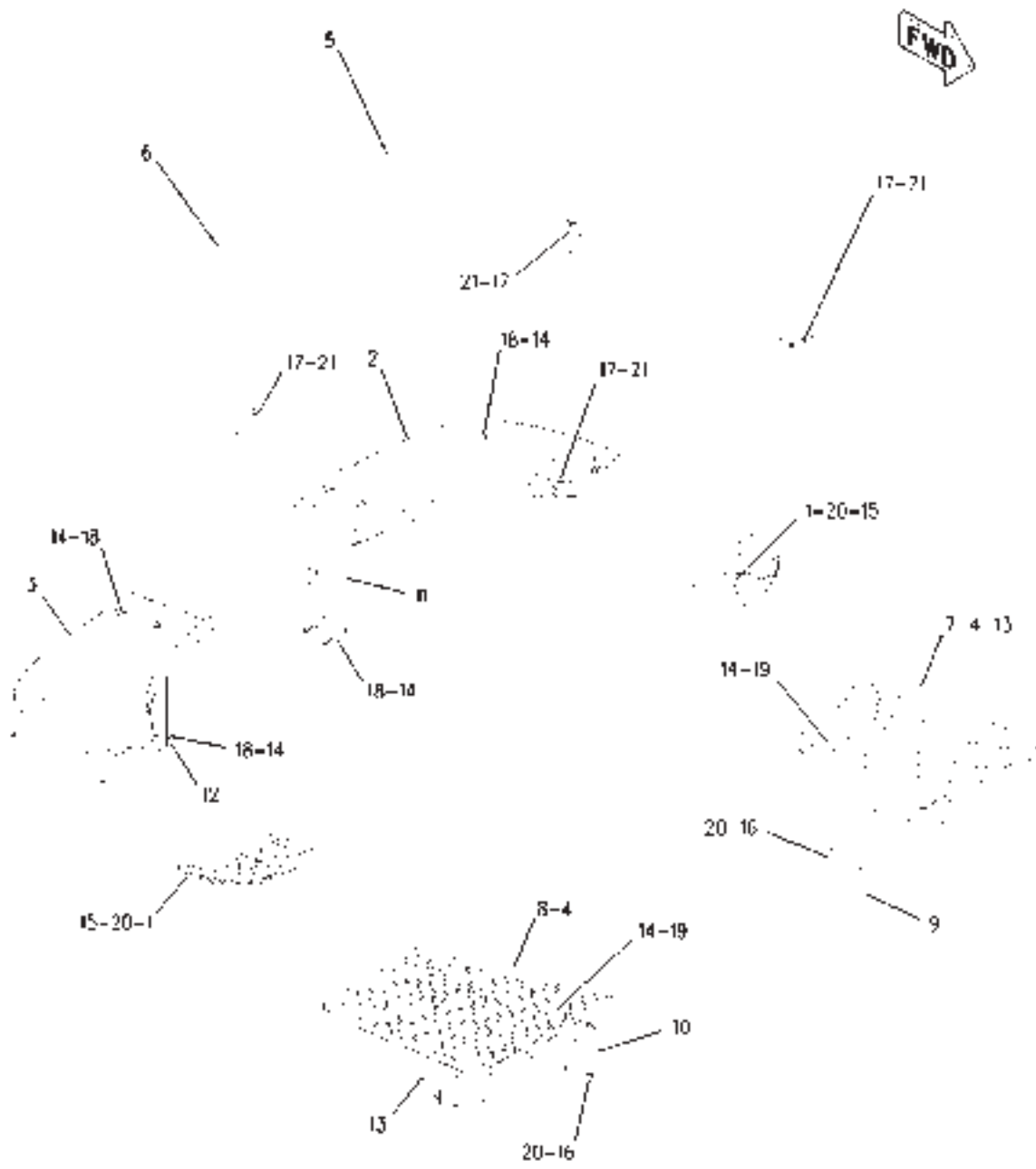
ITEM	NUMBER	QTY	DESCRIPTION
-	190-5441	--	SUPPORT GP-COMPONENT [A] (NOT SERVICED)
1	192-6457	2	TUBE AS (SIDE)
2	196-7824	1	PLATE AS.
3	214-9064	2	BRACKET AS
4	226-0921	1	SUPPORT
5	502655D1	1	INSULATION-REAR ENGINE
6	400143X1	1	BOLT-M10X1.5X60 ZNDI HHD 10.9
7	400191X1	8	BOLT-M16X2X40MM ZNDI HHD 10.9
8	400287X1	28	WASHER-HARD 11IDX21ODX2.5 ZND1
9	CH8T-4122	8	WASHER HARD-17IDX32ODX3.5MM
10	WR522218	4	NUT-M10-1.5,CL10.9,ZN,H,REG
11	400041X1	3	BOLT-M12X1.75X30 ZNDI HHD 10.9
12	400225X1	4	BOLT-M10X1.5X90 ZNDI HHD 10.9
13	400058X1	19	BOLT-M10X1.5X30 ZNDI HHD 10.9
14	400357X1	4	WASHER-HARD-M12X25.50DX3THK
15	CH8T-4244	2	NUT-M12X1.75 HEX ZN
16	400050X1	1	BOLT-M12X1.75X40 ZNDI HHD 10.9
17	226-0919	1	TUBE AS.-CMPNT

PART OF 179-1953 CHASSIS AR

1905441A
PR: t05i29k58b0275

MT800 SERIESTRACTORS
FRAME AND BODY

WALKWAY GP - 183-6384



**MT800 SERIESTRACTORS
FRAME AND BODY**

633

WALKWAY GP - 183-6384

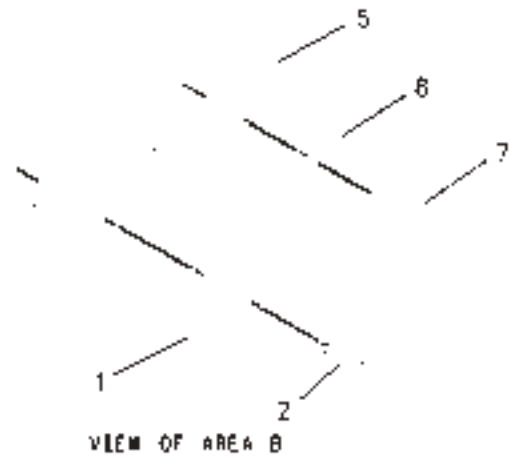
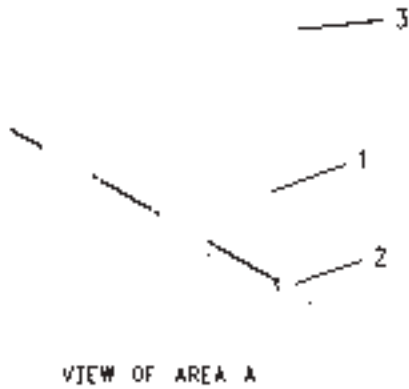
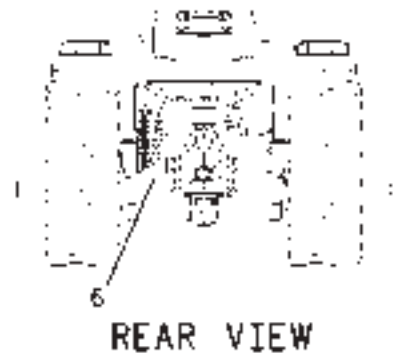
ITEM	NUMBER	QTY	DESCRIPTION
-	183-6384	--	WALKWAY GP [A] (NOT SERVICED)
1	184-7976	2	STEP
2	184-7977	1	PLATFORM (LH)
3	184-7978	1	PLATFORM (RH)
4	184-7979	2	STEP
5	184-7980	1	HANDHOLD LH
6	184-7985	1	HANDHOLD RH
7	195-2615	1	GROMMET (LH)
8	195-2616	1	GROMMET (RH)
9	209-9220	1	SUPPORT ASM
10	209-9222	1	SUPPORT ASM
11	501997D1	1	BRACKET ASM (LH)
12	501996D1	1	BRACKET ASM (RH)
13	CH3D-6209	6	GROMMET
14	400287X1	24	WASHER-HARD (11X21X2.5)
15	400050X1	2	BOLT (M12X1.75X40MM)
16	400051X1	8	BOLT (M12X1.75X45MM)
17	400053X1	12	BOLT (M8X1.25X20MM)
18	400058X1	16	BOLT (M10X1.5X30MM)
19	400059X1	8	BOLT (M10X1.5X35MM)
20	400357X1	10	WASHER-HARD (M12X25.5X3)
21	400599X1	12	WASHER-HARD (M8X20.5X2)

[A] PART OF:
179-1952; 179-2180 BASE COMMON AR

00823178
PR: t05i29k58b0276

MT800 SERIESTRACTORS
FRAME AND BODY

REFLECTOR GP - 215-7336
FOR USE WITH DRAWBAR
EAME



MT800 SERIESTRACTORS
FRAME AND BODY

635

REFLECTOR GP - 215-7336
FOR USE WITH DRAWBAR
EAME

ITEM	NUMBER	QTY	DESCRIPTION
-	215-7336	--	KIT, REFLECTOR
1	207-0516	6	REFLECTOR
2	4K-9429	6	RIVET
3	173-8307	2	BRACKET (FRONT)
4	208-3022	2	FILM (YELLOW REFLECTIVE)
5	215-7331	4	BRACKET AS (CENTER)
6	215-7335	2	FILM (RED REFLECTIVE)
7	400041X1	8	BOLT (M12X1.75X30MM)
8	400357X1	8	WASHER-HARD (M12X25.5X3)

00894260
PR: t05i29k58b0277

MT800 SERIESTRACTORS
FRAME AND BODY

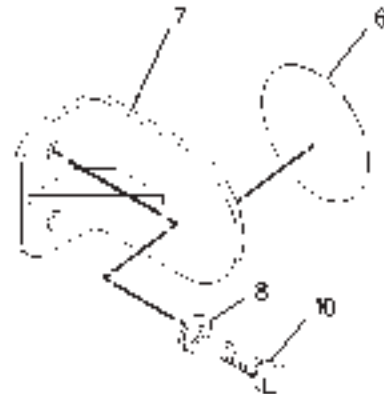
REFLECTOR GP - 215-9580
FOR USE WITH HITCH
EAME



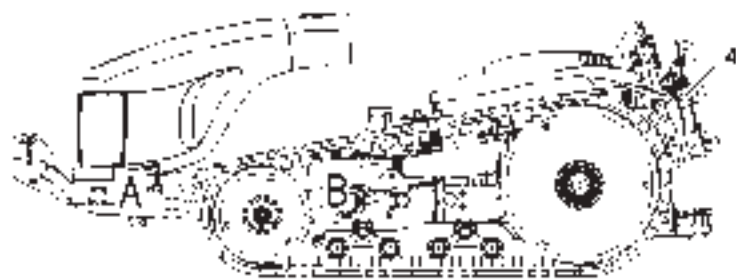
VIEW OF AREA A



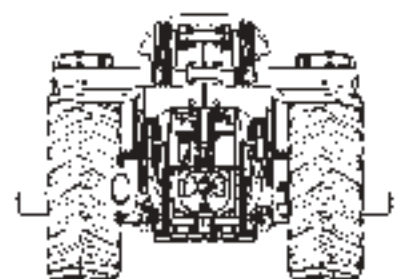
VIEW OF AREA B



VIEW OF AREA C



LEFT SIDE VIEW



REAR VIEW

**MT800 SERIESTRACTORS
FRAME AND BODY**

637

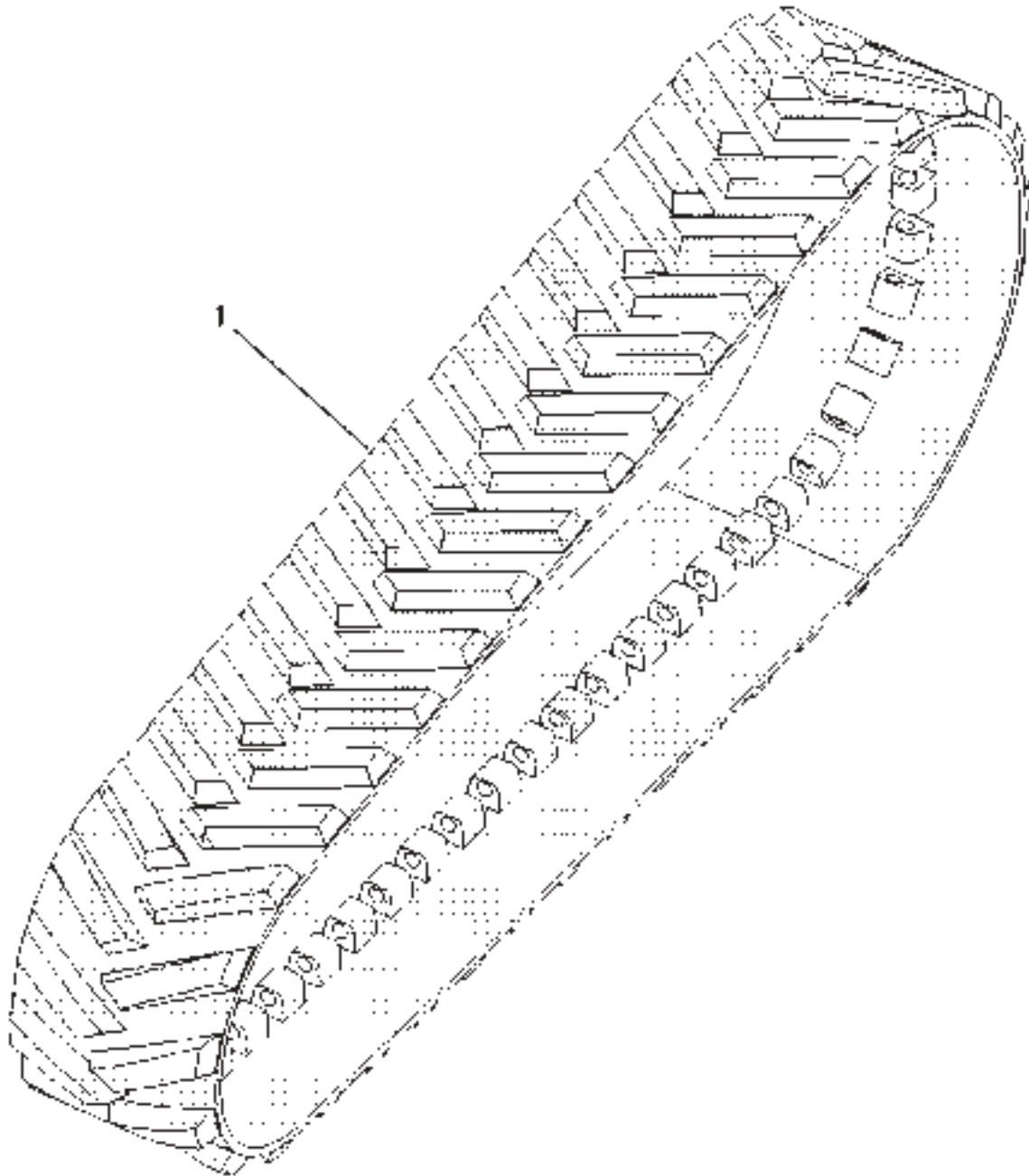
**REFLECTOR GP - 215-9580
FOR USE WITH HITCH
EAME**

ITEM	NUMBER	QTY	DESCRIPTION
-	215-9580	--	KIT, REFLECTOR
1	207-0516	6	REFLECTOR
2	4K-9429	6	RIVET
3	173-8307	2	BRACKET (FRONT)
4	208-3022	2	FILM (YELLOW REFLECTIVE)
5	215-7331	4	BRACKET AS (CENTER)
6	215-7335	2	FILM (RED REFLECTIVE)
7	215-7353	2	BRACKET AS
8	400287X1	4	WASHER-HARD (11X21X2.5)
9	400041X1	8	BOLT (M12X1.75X30MM)
10	400058X1	4	BOLT (M10X1.5X30MM)
11	400357X1	8	WASHER-HARD (M12X25.5X3)

00893300
PR: t05i29k58b0278

MT800 SERIE TRACTORS
TRACK BELTS

BELT AR-GENERAL AP - 156-6077
(699MM/27.5")
ROW & EAME



**MT800 SERIESTRACTORS
TRACK BELTS**

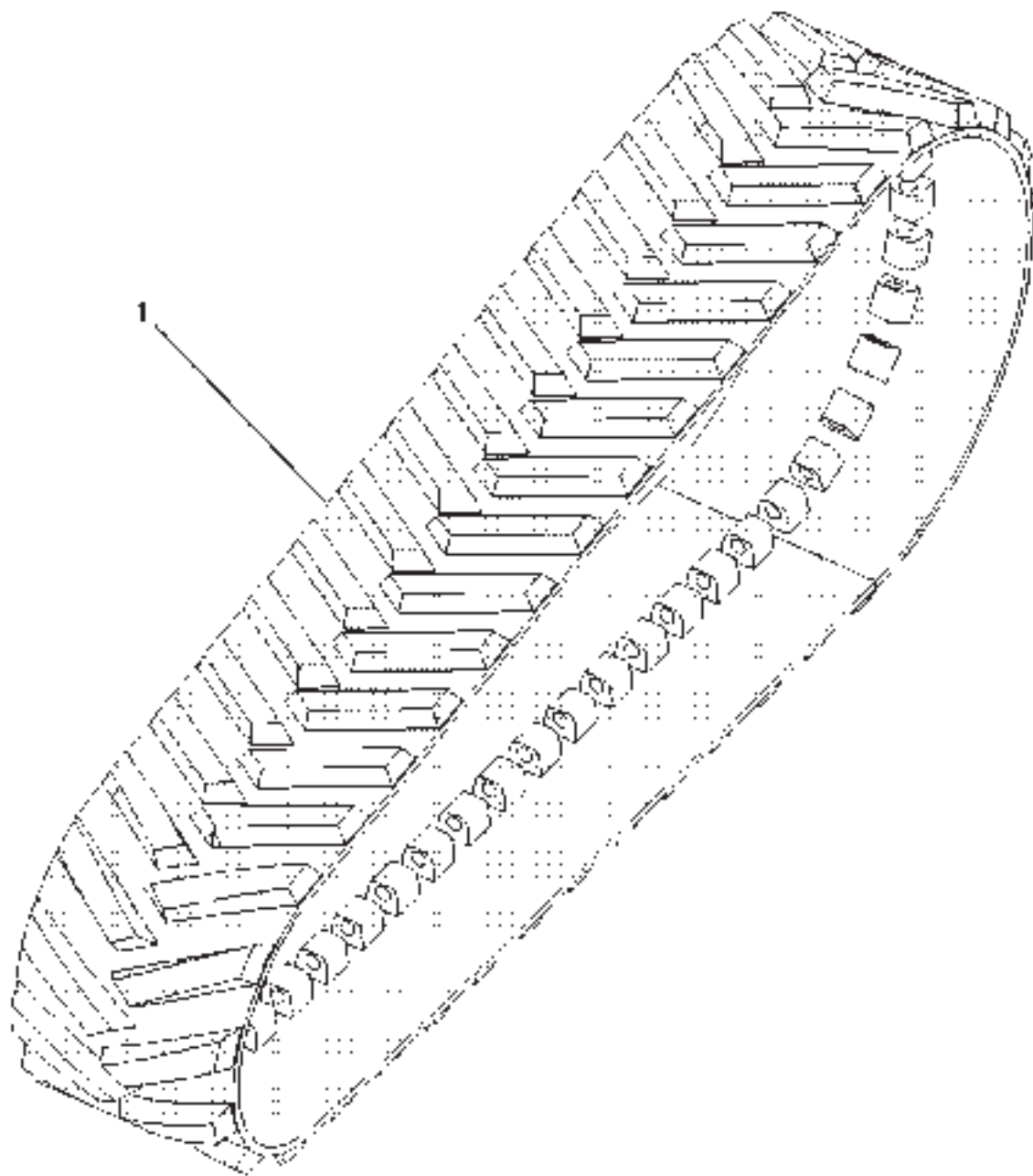
639

**BELT AR-GENERAL AP - 156-6077
(699MM/27.5")
ROW & EAME**

ITEM	NUMBER	QTY	DESCRIPTION
-	156-6077	--	BELT AR (ORDER ON WHOLEGOODS)
-	502142D1	--	BELT AR-FIELD (INCLS 1 OF ITEM 1)
1	1R-1265	2	BELT
-	502185D1	--	KIT, BELT REPAIR
-	501739D1		ELASTOMER
-	501742D1		SOLIDIFIER
-	501743D1	--	BELT CONDITIONER

00750372
PR: t05i29k58b0279

BELT AR-GENERAL AG - 156-6079
(762MM/30")



MT800 SERIESTRACTORS
TRACK BELTS

641

BELT AR-GENERAL AG - 156-6079
(762MM/30")

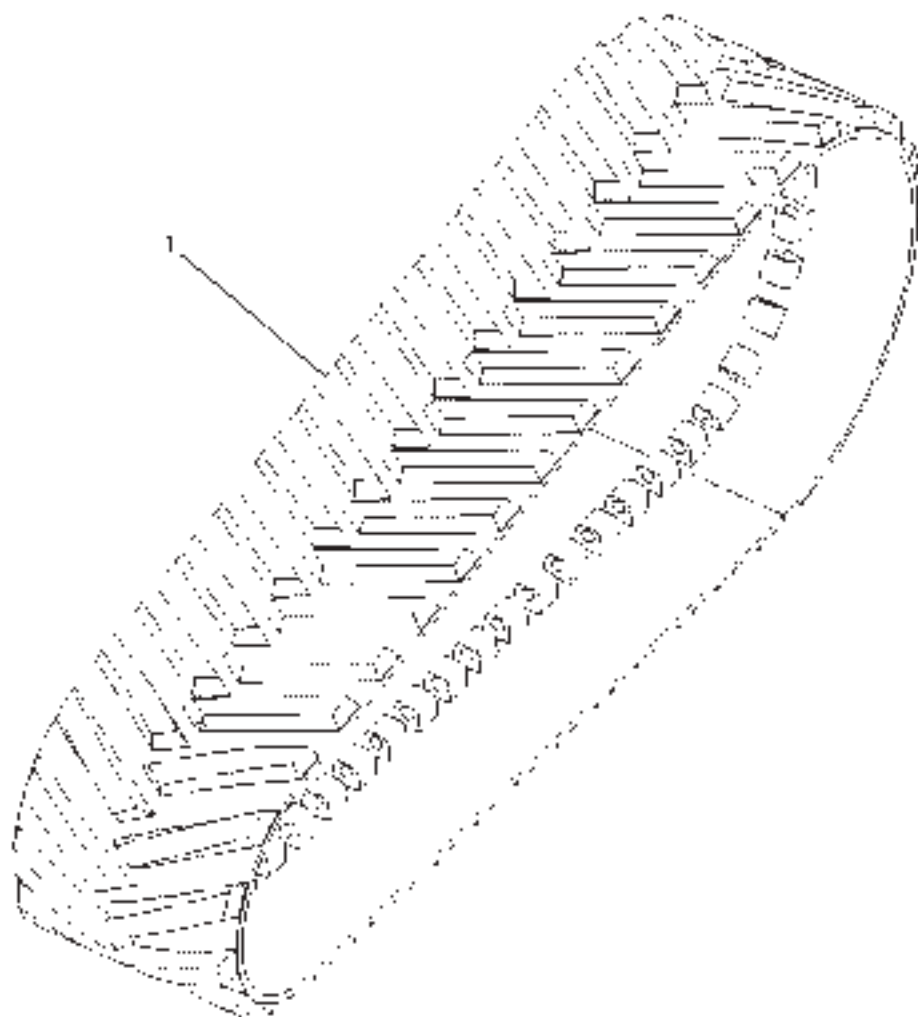
ITEM	NUMBER	QTY	DESCRIPTION
-	156-6079	--	BELT AR (ORDER ON WHOLEGOODS)
1	1R-1266	2	BELT
-	502144D1	--	BELT AR-30"-FIELD (INCLS 1 OF ITEM 1)
-	502185D1	--	KIT, BELT REPAIR
	501739D1		ELASTOMER
	501742D1		SOLIDIFIER
-	501743D1	--	BELT CONDITIONER

00750377
PR: t05i29k58b0280

642

MT800 SERIE TRACTORS
TRACK BELTS

BELT AR-GENERAL AG - 156-6082
(914MM/36")



00750562

MT800 SERIESTRACTORS
TRACK BELTS

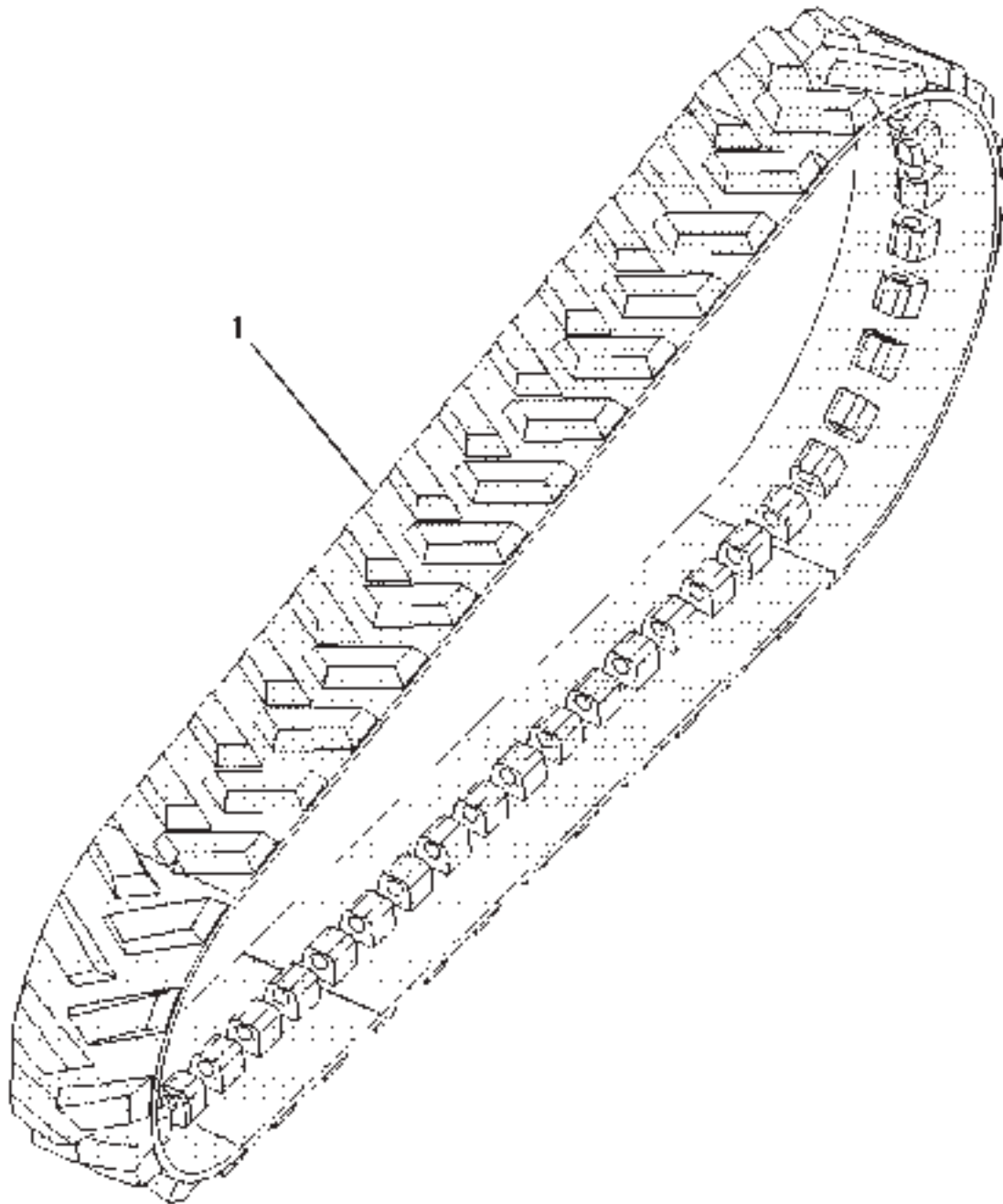
643

BELT AR-GENERAL AG - 156-6082
(914MM/36")

ITEM	NUMBER	QTY	DESCRIPTION
-	156-6082	--	BELT AR-36" (ORDER ON WHOLEGOODS)
1	1R-1267	2	BELT
-	502146D1	--	BELT AR-36"-FIELD (INCLS 1 OF ITEM 1)
-	502185D1	--	KIT, BELT REPAIR
	501739D1		ELASTOMER
	501742D1		SOLIDIFIER
-	501743D1	--	BELT CONDITIONER

00750562
PR: t05i29k58b0281

BELT AR-EXTREME AP - 156-6075
(457MM/18")



MT800 SERIESTRACTORS
TRACK BELTS

645

BELT AR-EXTREME AP - 156-6075
(457MM/18")

ITEM	NUMBER	QTY	DESCRIPTION
-	156-6075	--	BELT AR (ORDER ON WHOLEGOODS)
1	1R-1388	2	BELT
-	502141D1	--	BELT AR (INCLS 1 OF ITEM 1)
-	502185D1	--	KIT, BELT REPAIR
	501739D1		ELASTOMER
	501742D1		SOLIDIFIER
-	501743D1	--	BELT CONDITIONER

00750319
PR: t05i29k58b0282

MT800 SERIESTRACTORS
TRACK BELTS

BELT AR-EXTREME AP - 177-4522
(700MM/27.5")



**MT800 SERIESTRACTORS
TRACK BELTS**

647

**BELT AR-EXTREME AP - 177-4522
(700MM/27.5")**

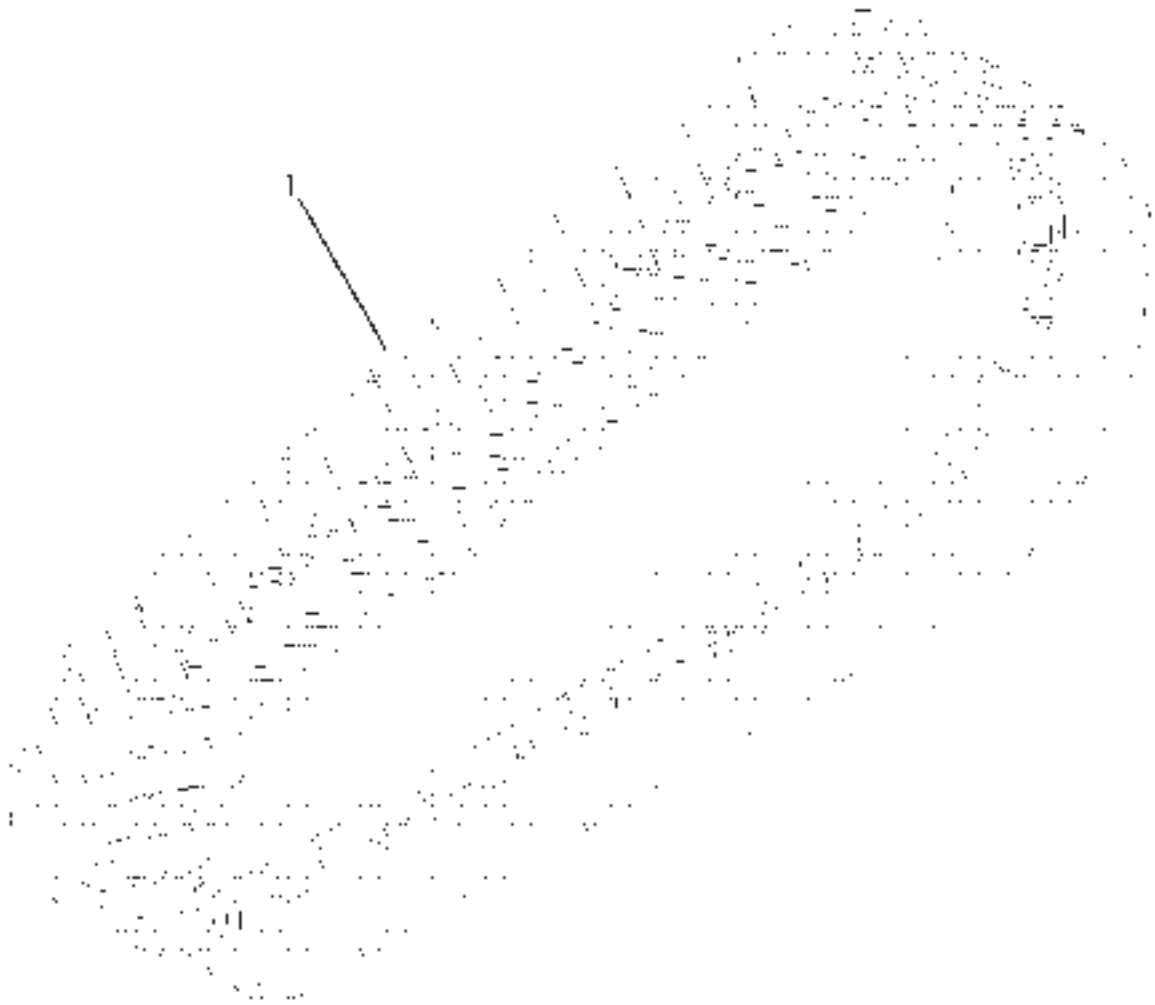
ITEM	NUMBER	QTY	DESCRIPTION
-	502779D1	--	BELT AR-27.5" [R] (FIELD INSTALLED) (INCLS 2 OF ITEM 1)
-	502143D1	--	BELT AR-27.5"-FIELD (INCLS 1 OF ITEM 1)
-	177-4522	--	BELT AR-27.5" [A] (ORDER ON WHOLEGOODS)
1	1R-1323	2	BELT
-	502143D1	--	BELT AR-30"-FIELD (INCLS 1 OF ITEM 1)
-	502185D1	--	KIT, BELT REPAIR
-	501739D1	--	ELASTOMER
-	501742D1	--	SOLIDIFIER
-	501743D1	--	BELT CONDITIONER

[A] PART OF 502779D1 BELT AR
[R] ROW ONLY

00851106
PR: t05i29k58b0283

MT800 SERIESTRACTORS
TRACK BELTS

BELT AR-EXTREME AP - 177-4523
(762MM/30")



**MT800 SERIESTRACTORS
TRACK BELTS**

649

**BELT AR-EXTREME AP - 177-4523
(762MM/30")**

ITEM	NUMBER	QTY	DESCRIPTION
-	502780D1	--	BELT AR-30" [R] (FIELD INSTALLED) (INCLS 2 OF ITEM 1)
-	502145D1	--	BELT AR-30"-FIELD (INCLS 1 OF ITEM 1)
-	177-4523	--	BELT AR-30"-FACT [A] (INCLS 2 OF ITEM 1) (ORDER ON WHOLEGOODS)
1	1R-1325	2	BELT
-	502185D1	--	KIT, BELT REPAIR
	501739D1		ELASTOMER
	501742D1		SOLIDIFIER
-	501743D1	--	BELT CONDITIONER

[A] PART OF 502780D1 BELT AR
[R] ROW ONLY

00851108
PR: t05i29k58b0284

650

MT800 SERIESTRACTORS
TRACK BELTS

BELT AR-EXTREME AP - 178-8087
(914MM/36")



00851176

**MT800 SERIESTRACTORS
TRACK BELTS**

651

**BELT AR-EXTREME AP - 178-8087
(914MM/36")**

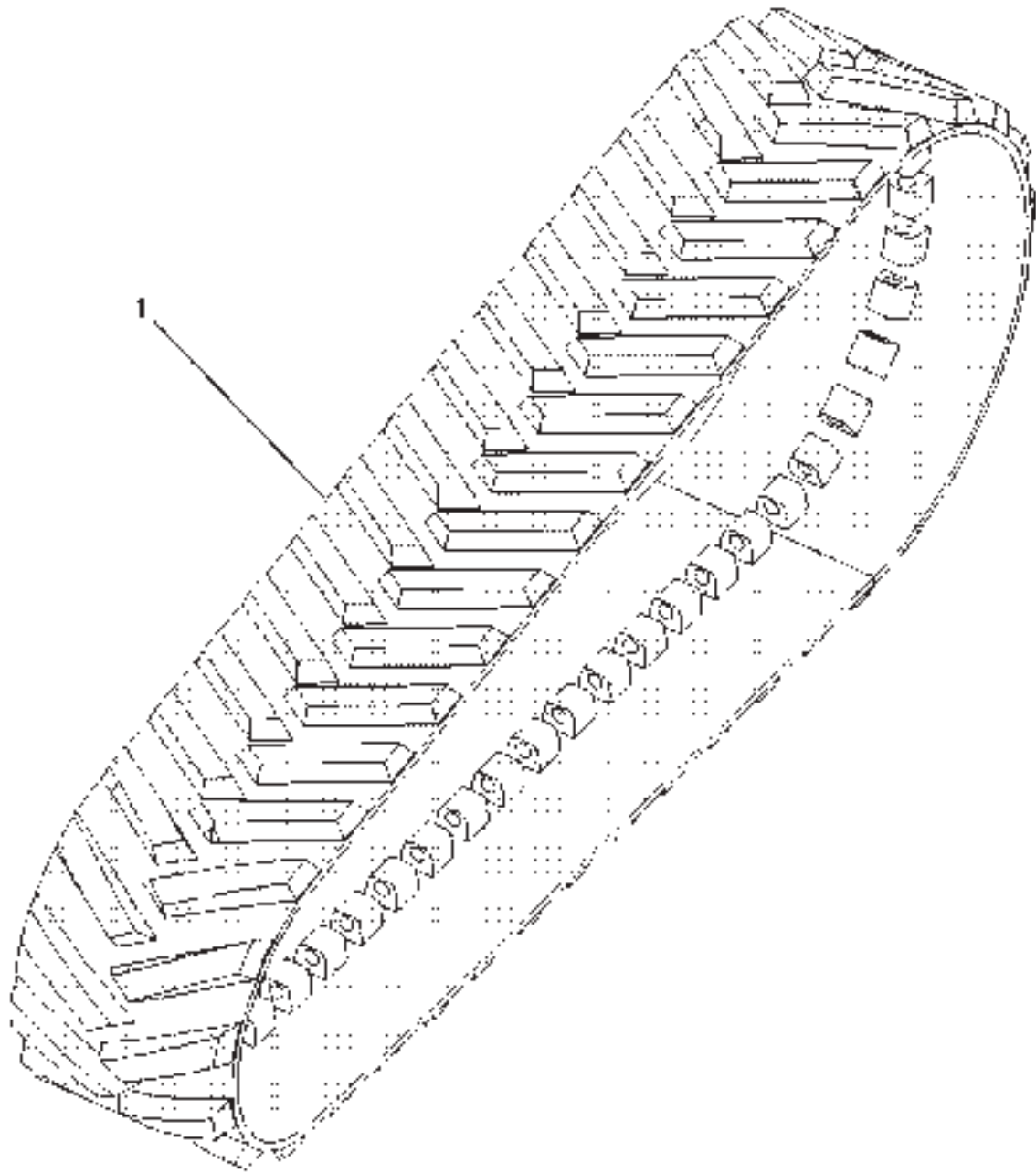
ITEM	NUMBER	QTY	DESCRIPTION
-	502781D1	--	BELT AR-36" [R] (FIELD INSTALLED) (INCLS 2 OF ITEM 1)
-	502147D1	--	BELT AR-36"-FIELD (INCLS 1 OF ITEM 1)
-	178-8087	--	BELT AR-36" [A] (INCLS 2 OF ITEM 1) (ORDER ON WHOLEGOODS)
1	1R-1360	2	BELT
-	502185D1	--	KIT, BELT REPAIR
-	501739D1	--	ELASTOMER
-	501742D1	--	SOLIDIFIER
-	501743D1	--	BELT CONDITIONER

[A] PART OF 502781D1 BELT AR
[R] ROW ONLY

00851176
PR: t05i29k58b0285

MT800 SERIES TRACTORS
TRACK BELTS

BELT AR-SPECIAL AP - 502027D1
(762MM/30")



**MT800 SERIESTRACTORS
TRACK BELTS**

653

**BELT AR-SPECIAL AP - 502027D1
(762MM/30")**

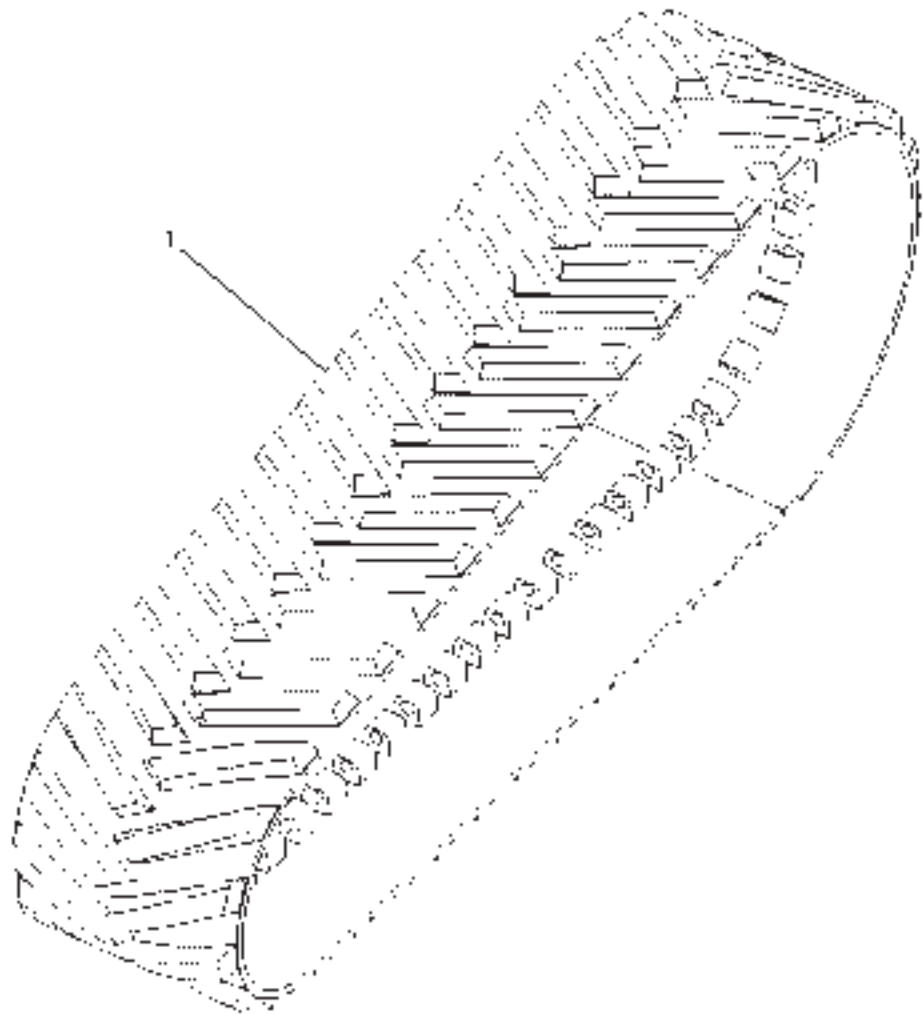
ITEM	NUMBER	QTY	DESCRIPTION
-	502782D1	--	BELT AR-30" [R] (FIELD INSTALLED) (INCLS 2 OF ITEM 1)
-	502027D1	--	BELT AR [A] (ORDER ON WHOLEGOODS) (INCLS 2 OF ITEM 1)
-	502148D1	--	BELT AR-FIELD (INCLS 1 OF ITEM 1)
1	501186D1	2	BELT
-	502185D1	--	KIT, BELT REPAIR
-	501739D1	--	ELASTOMER
-	501742D1	--	SOLIDIFIER
-	501743D1	--	BELT CONDITIONER

[A] PART OF 502782D1
[R] ROW ONLY

00750377
PR: t05i29k58b0286

MT800 SERIE TRACTORS
TRACK BELTS

BELT AR-SPECIAL AP - 502028D1
(914MM/36")



**MT800 SERIESTRACTORS
TRACK BELTS**

655

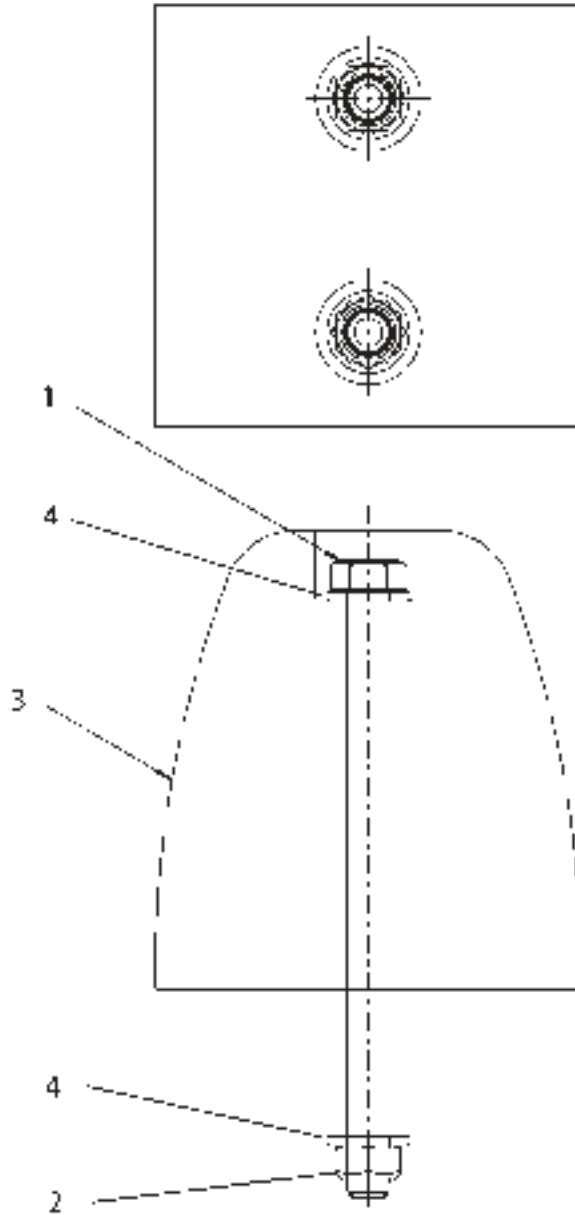
**BELT AR-SPECIAL AP - 502028D1
(914MM/36")**

ITEM	NUMBER	QTY	DESCRIPTION
-	502783D1	--	BELT AR-36" [R] (FIELD INSTALLED) (INCLS 2 OF ITEM 1)
-	502028D1	--	BELT AR-36" [A] (ORDER ON WHOLEGOODS) (INCLS 2 OF ITEM 1)
-	502149D1	--	BELT AR-36"-FIELD (INCLS 1 OF ITEM 1)
1	501196D1	2	BELT
-	502185D1	--	KIT, BELT REPAIR
-	501739D1		ELASTOMER
-	501742D1		SOLIDIFIER
-	501743D1	--	BELT CONDITIONER

[A] PART OF 502783D1
[R] ROW ONLY

00750562
PR: t05i29k58b0287

KIT-GUIDE BLOCK
GENERAL AG & EXTREME APPLICATIONS



**MT800 SERIESTRACTORS
TRACK BELTS**

657

**KIT-GUIDE BLOCK
GENERAL AG & EXTREME APPLICATIONS**

ITEM	NUMBER	QTY	DESCRIPTION
-	501215D1	--	KIT-GUIDE BLOCK (GEN AG)
-	501216D1	--	KIT-GUIDE BLOCK (EXTREME AP)
1	400276X1	2	BOLT-7/16-14X165 ZNDI HHD 10.9
2	400278X1	2	NUT-LOCK 7/16-14 ZNDI&WAX HEX
3	501197D1	1	BLOCK-GUIDE (GEN AG)
	501198D1	1	BLOCK-GUIDE (EXTREME AP)
4	400358X1	4	WASHER-HARD-7/16X22.50DX2.5THK

501213DA
PR: t05i29k58b0288

658

MT800 SERIESTRACTORS
UNDERCARRIAGE

GAUGE AR-TRACK (W/O PTO) - 177-9948
(2286-3251MM/90-128")
ROW ONLY

NO ILLUSTRATION

NOTIF

**MT800 SERIESTRACTORS
UNDERCARRIAGE**

659

**GAUGE AR-TRACK (W/O PTO) - 177-9948
(2286-3251MM/90-128")
ROW ONLY**

ITEM	NUMBER	QTY	DESCRIPTION
-	177-9948	--	GAUGE AR-TRACK (NOT SERVICED)
1	156-4881	1	UNDERCARRIAGE AR (NOT SERVICED) (SEE BREAKDOWN FOR COMPONENTS)
2	158-2404	1	MOTOR & MTG GP-STEERING (NOT SERVICED) (SEE BREAKDOWN FOR COMPONENTS)
3	200-5029	1	POWER TRAIN AR (NOT SERVICED) (SEE BREAKDOWN FOR COMPONENTS)

NOTIF
PR: t05i29k58b0289

660

MT800 SERIESTRACTORS
UNDERCARRIAGE

GAGE AR-TRACK (W/PTO)
2286-3251 MM (90-128 IN)
ROW ONLY

NO ILLUSTRATION

NOTIF

**MT800 SERIESTRACTORS
UNDERCARRIAGE**

661

**GAGE AR-TRACK (W/PTO)
2286-3251 MM (90-128 IN)
ROW ONLY**

ITEM	NUMBER	QTY	DESCRIPTION
-	183-2198	--	GAUGE AR-TRACK (NOT SERVICED)
-	183-4470	1	GUARD GP-POWER TAKE-OFF (SEE BREAKDOWN FOR COMPONENTS)
-	189-2976	1	LINES GP-POWER TAKE-OFF (NOT SERVICED) (SEE BREAKDOWN FOR COMPONENTS)
-	158-2404	1	MOTOR & MTG GP-STEERING (NOT SERVICED) (SEE BREAKDOWN FOR COMPONENTS)
-	200-5027	1	POWER TRAIN AR (NOT SERVICED) (SEE BREAKDOWN FOR COMPONENTS)
-	156-4881	1	UNDERCARRIAGE AR (NOT SERVICED) (SEE BREAKDOWN FOR COMPONENTS)

NOTIF
PR: t05i29k58b0290

662

MT800 SERIESTRACTORS
UNDERCARRIAGE

GAUGE AR-TRACK (W/O PTO) - 177-9947
(2286-2600MM/90-102")
EAME ONLY

NO ILLUSTRATION

NOTIF

**MT800 SERIESTRACTORS
UNDERCARRIAGE**

663

**GAUGE AR-TRACK (W/O PTO) - 177-9947
(2286-2600MM/90-102")
EAME ONLY**

ITEM	NUMBER	QTY	DESCRIPTION
-	177-9947	--	GAUGE AR-TRACK (NOT SERVICED)
1	172-4517	1	MOTOR & MOUNTING GP (STEERING) (NOT SERVICED) (SEE BREAKDOWN FOR COMPONENTS)
2	177-9946	1	UNDERCARRIAGE AR (NOT SERVICED) (SEE BREAKDOWN FOR COMPONENTS)
3	200-5030	1	POWER TRAIN AR (NOT SERVICED) (SEE BREAKDOWN FOR COMPONENTS)

NOTIF
PR: t05i29k58b0291

664

MT800 SERIESTRACTORS
UNDERCARRIAGE

GAUGE AR-TRACK (W/PTO) - 183-2197
(2286-2600MM/90-102")
EAME ONLY

NO ILLUSTRATION

NOTIF

**MT800 SERIESTRACTORS
UNDERCARRIAGE**

665

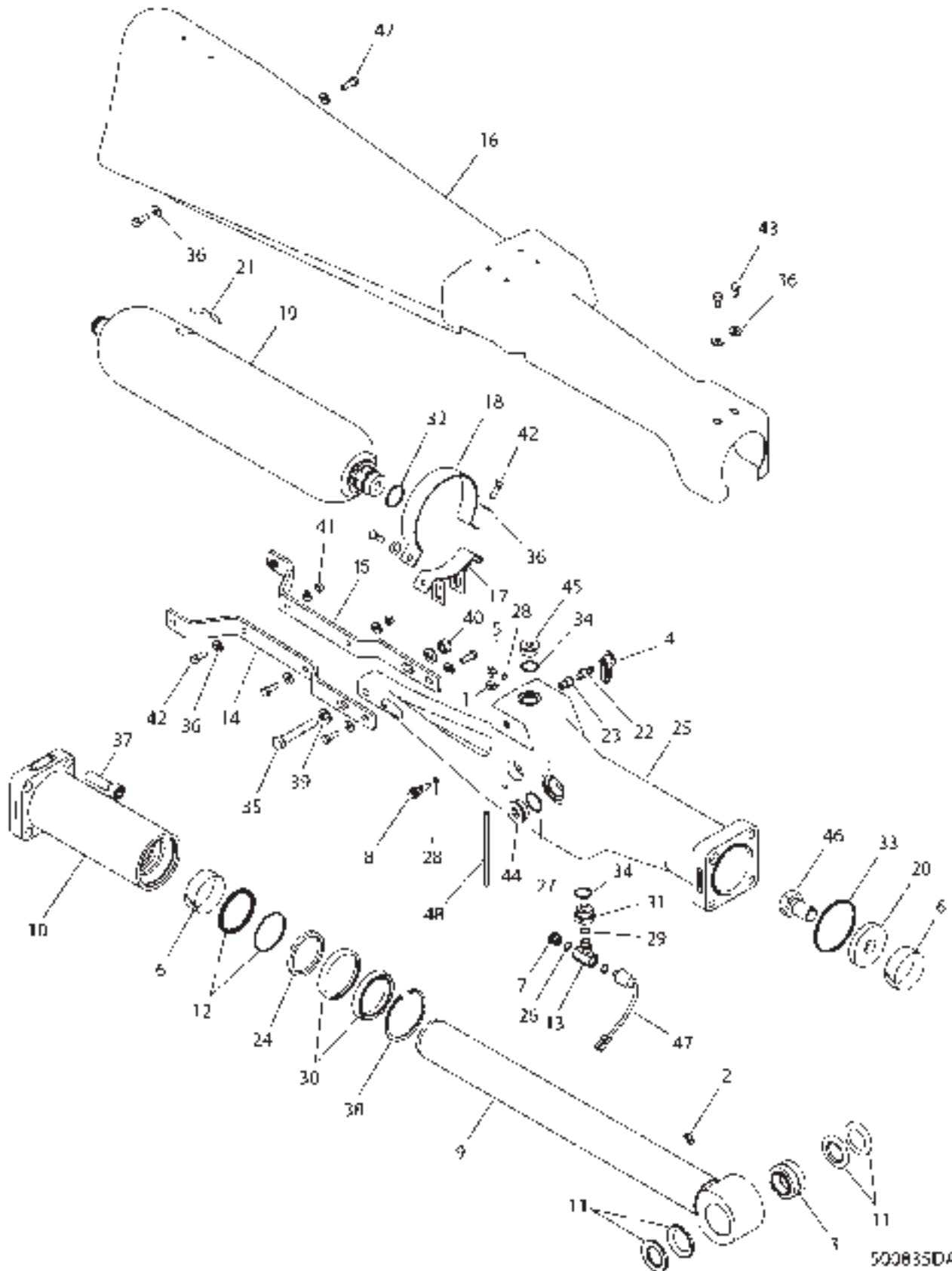
**GAUGE AR-TRACK (W/PTO) - 183-2197
(2286-2600MM/90-102")
EAME ONLY**

ITEM	NUMBER	QTY	DESCRIPTION
-	183-2197	--	GAUGE AR-TRACK (NOT SERVICED)
-	224-5884	1	CONTROL GP-POWER TAKE-OFF (NOT SERVICED) (SEE BREAKDOWN FOR COMPONENTS)
-	183-4470	1	GUARD GP-POWER TAKE-OFF (NOT SERVICED) (SEE BREAKDOWN FOR COMPONENTS)
-	189-2976	1	LINES GP-POWER TAKE-OFF (NOT SERVICED) (SEE BREAKDOWN FOR COMPONENTS)
-	172-4517	1	MOTOR & MOUNTING GP (NOT SERVICED) (SEE BREAKDOWN FOR COMPONENTS)
-	200-5028	1	POWER TRAIN AR (NOT SERVICED) (SEE BREAKDOWN FOR COMPONENTS)
-	177-9946	1	UNDERCARRIAGE AR (NOT SERVICED) (SEE BREAKDOWN FOR COMPONENTS)

NOTIF
PR: t05i29k58b0292

MT800 SERIES TRACTORS
UNDERCARRIAGE

TENSIONER GP-BELT - LH
500835D1



**MT800 SERIESTRACTORS
UNDERCARRIAGE**

667

**TENSIONER GP-BELT - LH
500835D1**

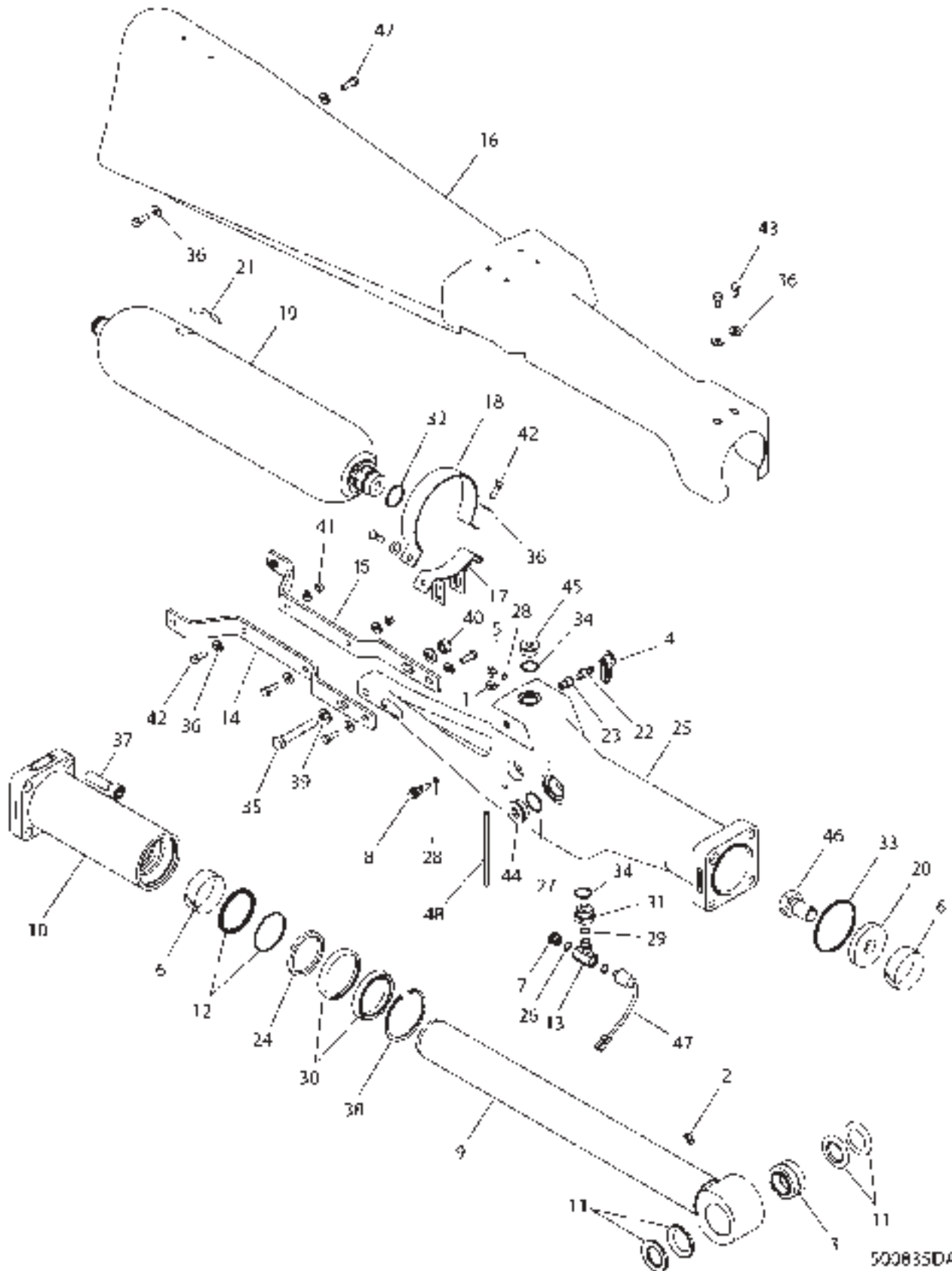
ITEM	NUMBER	QTY	DESCRIPTION
-	500835D1	--	TENSIONER GP-BELT [A] (NOT SERVICED)
1	CH1P-4278	1	CLAMP-HOSE 5.5-15.88 ID X 8
2	CH3B-8486	1	FITTING-ZERK 45 DEG 2 NPTF ZN
3	CH4D-4431	1	BEARING-SLF ALNG44.45 X 71.438
4	400323X1	1	CAP-DUST 12.6 DIA -RUBBER
5	CH6V-6757	1	ELBOW-90DEG 4NPTFX6.35 OD BARB
6	CH8C-9101	2	RING-WEAR 82.5 IDX1.5X28.25
7	CH108-5985	1	VALVE-DISC RELIEF 8STOR
8	CH119-9708	2	VALVE-NEEDLE M12X1.75-6G HEX
9	127-9562	1	ROD AS
10	127-9564	1	GUIDE
11	CH164-0909	2	SEAL-PIN 11.29 PINX71.4ODX6.35
12	CH167-2209	1	SEAL AS-98.83 BORE X 82.5 ROD
13	CH175-2851	1	TEE-8STOR X 8STOR X 5STOR
14	178-1202	1	BRACKET AS.-RH
15	178-1203	1	BRACKET AS.-LH
16	180-3669	1	GUARD AS-LH
17	184-0790	1	SUPPORT AS.-ACCUMULATOR
18	189-1711	1	CLAMP-SUPPORT
19	189-3165	1	ACCUMULATOR AS.
20	CH195-1104	1	SPACER 30.5 IDX92 ODX15MM
21	CH208-1663	1	FILM-WARNING ACCUMULATOR
22	CH110-6349	1	NIPPLE-QUICK CONNECT 4STOR
23	CH148-8305	1	ADAPTER AS-6 STOR X 4 STOR
24	CH167-2320	1	SEAL-UCUP 95.3 BORE X 82.5 ROD
25	176-2966	1	CYLINDER-LH (TENSIONER)
26	CH1J-9671	1	SEAL-O-RING 10.52IDX1.83DIA
27	400593X1	1	SEAL-O-RING 37.46 IDX3 DIA
28	400318X1	2	SEAL-O-RING (11.89ID X 1.98 DIA)
29	CH3K-0360	2	SEAL-O-RING 16.36IDX2.21DIA
30	500687D1	1	SEAL-WIPER(DOUBLE LIP)
31	CH5P-5777	1	ADAPTER-16 STOR X 8 STOR
32	CH6K-6307	1	SEAL-O RING 43.69 IDX3DIA
33	CH6V-1657	1	SEAL-RECT 116.4ODX3.4WX4.95THK
34	400376X1	2	SEAL-O-RING 29.74 IDX2.95 DIA
35	WR520610	1	BOLT-M16-2.0X100,CL10.9,ZN,HHD
36	CH7X-7729	12	WASHER-11IDX5ODX3MM
37	CH7Y-5217	4	BOLT-SOCKET M20X2.5X70
38	CH8D-3886	1	RING RETAIN INT 114.05 ODX2.8
39	CH8T-4122	2	WASHER HARD-17IDX32ODX3.5MM
40	CH8T-4132	1	NUT-M16X2X14.8
41	WR522218	2	NUT-M10-1.5,CL10.9,ZN,H,REG
42	400058X1	8	BOLT-M10X1.5X30 ZNDI HHD 10.9
43	400228X1	2	BOLT-M10X1.5X20 ZNDI LK 10.9
44	CH9S-8010	1	PLUG-20 STOR HEX SOCKET
45	400375X1	1	PLUG-16 STOR ZN HSHD
46	CH9X-2199	1	BOLT-M30X3.5X50 HHD 10.9
47	500834D1	1	SENSOR GP-PRESSURE
48	CH5P-6442	AR	HOSE-BULK RUBBER 6.35ID (18CM)

[A] PART OF
156-4883 FRAME AR TRACK-LH

500835DA
PR: t05i29k58b0293

MT800 SERIES TRACTORS
UNDERCARRIAGE

TENSIONER GP-BELT - RH
500836D1



**MT800 SERIESTRACTORS
UNDERCARRIAGE**

669

**TENSIONER GP-BELT - RH
500836D1**

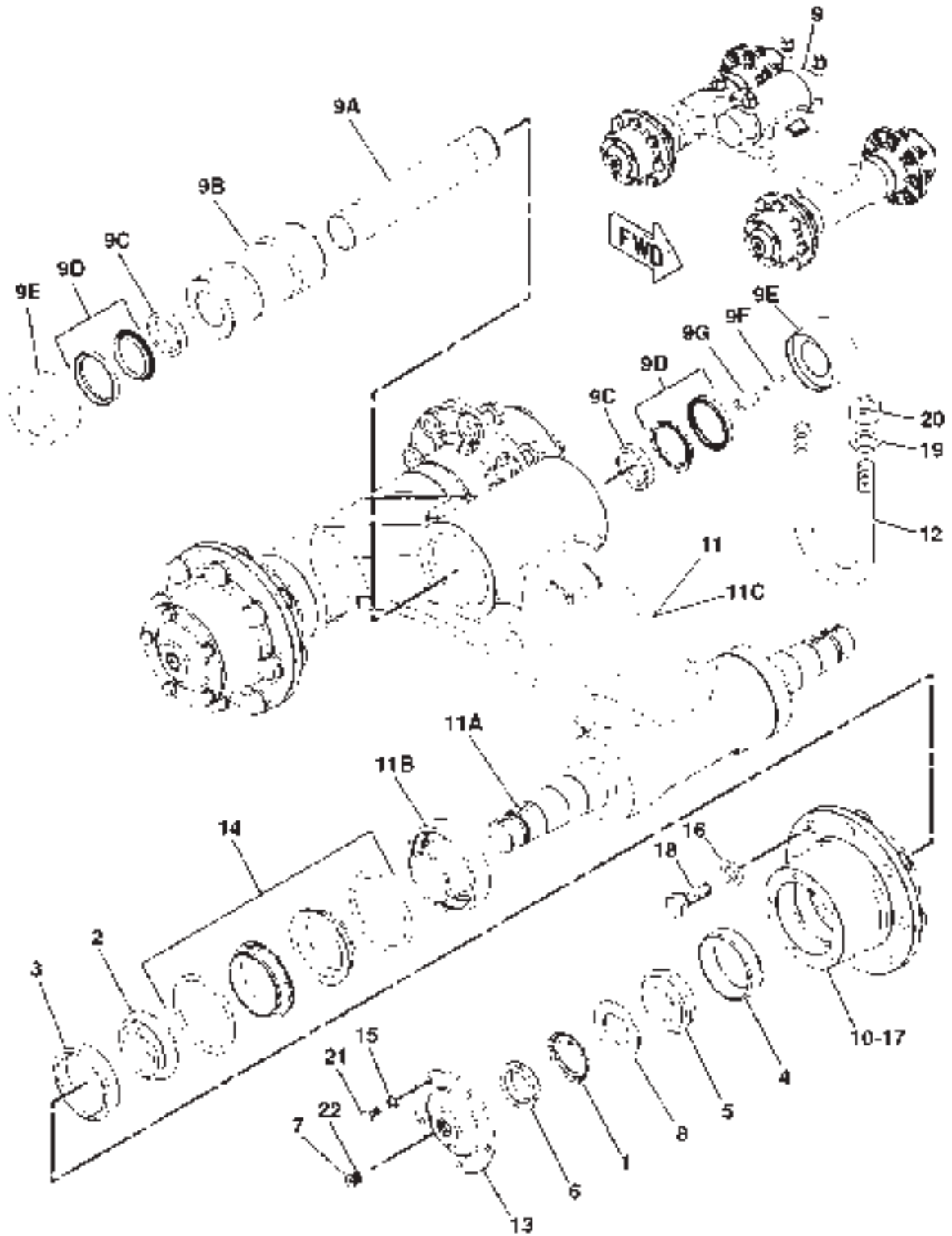
ITEM	NUMBER	QTY	DESCRIPTION
-	500836D1	--	TENSIONER GP-BELT [A] (NOT SERVICED)
1	CH1P-4278	1	CLAMP-HOSE 5.5-15.88 ID X 8
2	CH3B-8486	1	FITTING-ZERK 45 DEG 2 NPTF ZN
3	CH4D-4431	1	BEARING-SLF ALNG44.45 X 71.438
4	400323X1	1	CAP-DUST 12.6 DIA -RUBBER
5	CH6V-6757	1	ELBOW-90DEG 4NPTFX6.35 OD BARB
6	CH8C-9101	2	RING-WEAR 82.5 IDX1.5X28.25
7	CH108-5985	1	VALVE-DISC RELIEF 8STOR
8	CH119-9708	2	VALVE-NEEDLE M12X1.75-6G HEX
9	127-9562	1	ROD AS
10	127-9564	1	GUIDE
11	CH164-0909	2	SEAL-PIN 11.29 PINX71.4ODX6.35
12	CH167-2209	1	SEAL AS-98.83 BORE X 82.5 ROD
13	CH175-2851	1	TEE-8STOR X 8STOR X 5STOR
14	178-1202	1	BRACKET AS.-RH
15	178-1203	1	BRACKET AS.-LH
16	180-3667	1	GUARD AS.-RH
17	184-0790	1	SUPPORT AS.-ACCUMULATOR
18	189-1711	1	CLAMP-SUPPORT
19	189-3165	1	ACCUMULATOR AS.
20	CH195-1104	1	SPACER 30.5 IDX92 ODX15MM
21	CH208-1663	1	FILM-WARNING ACCUMULATOR
22	CH110-6349	1	NIPPLE-QUICK CONNECT 4STOR
23	CH148-8305	1	ADAPTER AS-6 STOR X 4 STOR
24	CH167-2320	1	SEAL-UCUP 95.3 BORE X 82.5 ROD
25	176-2968	1	CYLINDER-RH (TENSIONER)
26	CH1J-9671	1	SEAL-O-RING 10.52IDX1.83DIA
27	400593X1	1	SEAL-O-RING 37.46 IDX3 DIA
28	400318X1	2	SEAL-O-RING (11.89ID X 1.98 DIA)
29	CH3K-0360	2	SEAL-O-RING 16.36IDX2.21DIA
30	500687D1	1	SEAL-WIPER(DOUBLE LIP)
31	CH5P-5777	1	ADAPTER-16 STOR X 8 STOR
32	CH6K-6307	1	SEAL-O RING 43.69 IDX3DIA
33	CH6V-1657	1	SEAL-RECT 116.4ODX3.4WX4.95THK
34	400376X1	2	SEAL-O-RING 29.74 IDX2.95 DIA
35	WR520610	1	BOLT-M16-2.0X100,CL10.9,ZN,HHD
36	CH7X-7729	12	WASHER-11IDX5ODX3MM
37	CH7Y-5217	4	BOLT-SOCKET M20X2.5X70
38	CH8D-3886	1	RING RETAIN INT 114.05 ODX2.8
39	CH8T-4122	2	WASHER HARD-17IDX32ODX3.5MM
40	CH8T-4132	1	NUT-M16X2X14.8
41	WR522218	2	NUT-M10-1.5,CL10.9,ZN,H,REG
42	400058X1	8	BOLT-M10X1.5X30 ZNDI HHD 10.9
43	400228X1	2	BOLT-M10X1.5X20 ZNDI LK 10.9
44	CH9S-8010	1	PLUG-20 STOR HEX SOCKET
45	400375X1	1	PLUG-16 STOR ZN HSHD
46	CH9X-2199	1	BOLT-M30X3.5X50 HHD 10.9
47	500834D1	1	SENSOR GP-PRESSURE
48	CH5P-6442	AR	HOSE-BULK RUBBER 6.35ID (18CM)

[A] PART OF
156-4882 FRAME AR TRACK-RH

500835DA
PR: t05i29k58b0294

MT800 SERIES TRACTORS
UNDERCARRIAGE

BOGIE GP - 130-4818



**MT800 SERIES TRACTORS
UNDERCARRIAGE**

671

BOGIE GP - 130-4818

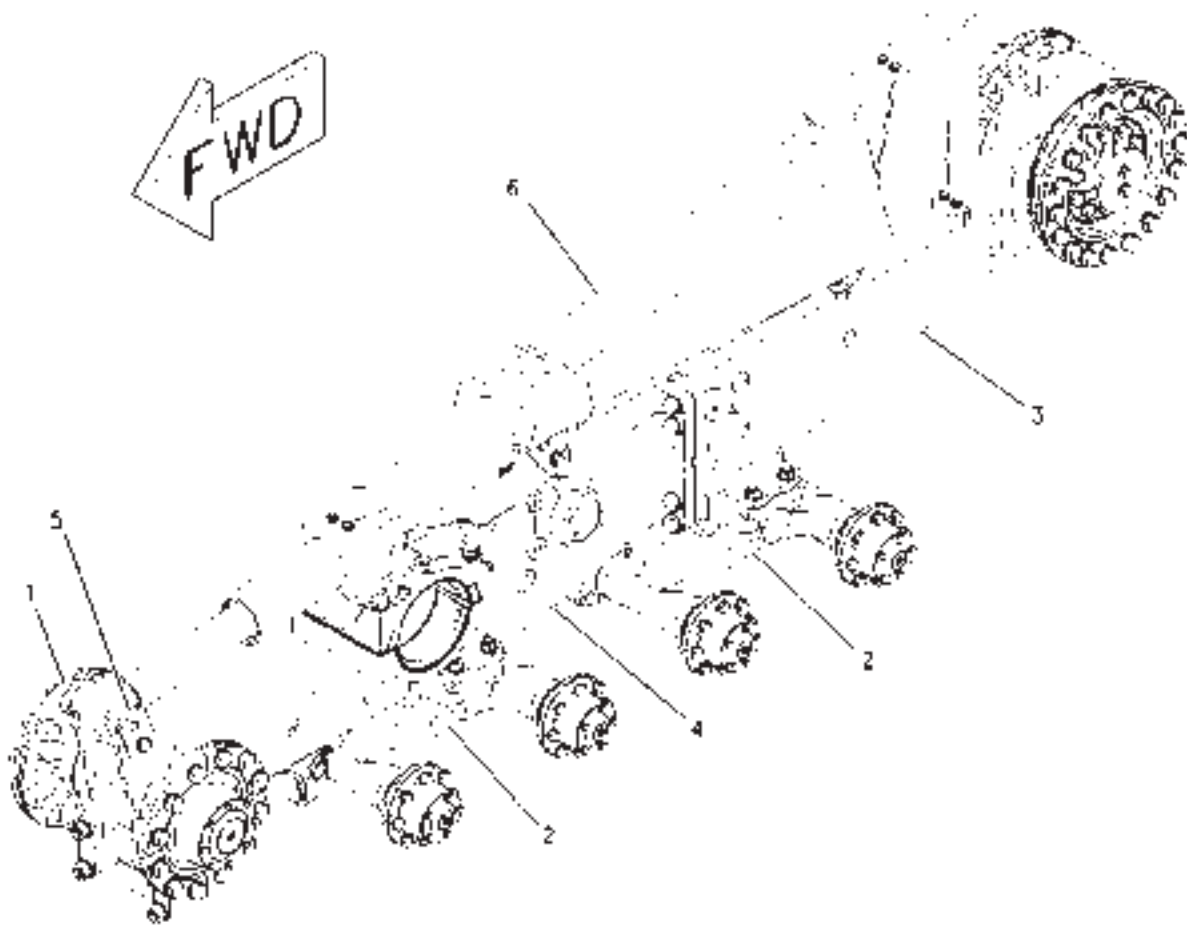
ITEM	NUMBER	QTY	DESCRIPTION
-	130-4818	--	BOGIE GP [A] (NOT SERVICED)
1	CH1N-5970	4	LOCKWASHER
2	CH5P-9651	4	CONE-BEARING
3	CH5P-9652	4	CUP-BEARING
4	CH6S-6031	4	CUP-BEARING
5	CH6S-6032	4	CONE-BEARING
6	CH8B-7614	4	NUT-BEARING
7	CH9S-8003	4	PLUG
8	400075X1	4	WASHER-BRG (40.46X69.85X3)
9	500925D1	1	PIN GP (INCLUDES 9A THRU 9G)
9A	-----	1	PIN-TRACK
9B	-----	1	BEARING-SLEEVE
9C	-----	2	RING-THRUST
9D	-----	2	SEAL ASM
9E	-----	2	COLLAR
9F	CH6Y-0473	1	PLUG-CLEAR
9G	CH7G-4332	1	STOPPER
10	127-9561	4	HUB
11	155-2939	1	BOGIE ASM (INCLUDES 11A THRU 11C)
11A	154-8263	2	AXLE
11B	154-8264	4	RETAINER
11C	-----	1	BOGIE MINOR (ORDER COMPLETE AS)
12	400260X1	2	U-BOLT
13	156-6084	4	COVER
14	175-7513	4	SEAL GP-DUO-CONE
14A	CH8H-2262	2	SEAL-O-RING
14B	CH175-7514	2	SEAL-RING
15	400339X1	20	WASHER-HARD (8.8X16X2)
16	400082X1	32	WASHER (17.5X30X3.5)
17	CH215-9463	4	GASKET
18	400191X1	32	BOLT (M16X2X40MM)
19	400080X1	4	WASHER-PLATED (22X35X3.5)
20	400286X1	4	NUT (M20X2.5)
21	400227X1	20	BOLT (M8X1.25X16MM)
22	CH1J-9671	4	SEAL-O-RING

[A] PART OF 156-4882; 156-4883 FRAME AR

0862331A
PR: t05i29k58b0295

MT800 SERIES TRACTORS
UNDERCARRIAGE

FRAME AR-RH
156-4882



00838123

**MT800 SERIESTRACTORS
UNDERCARRIAGE**

673

**FRAME AR-RH
156-4882**

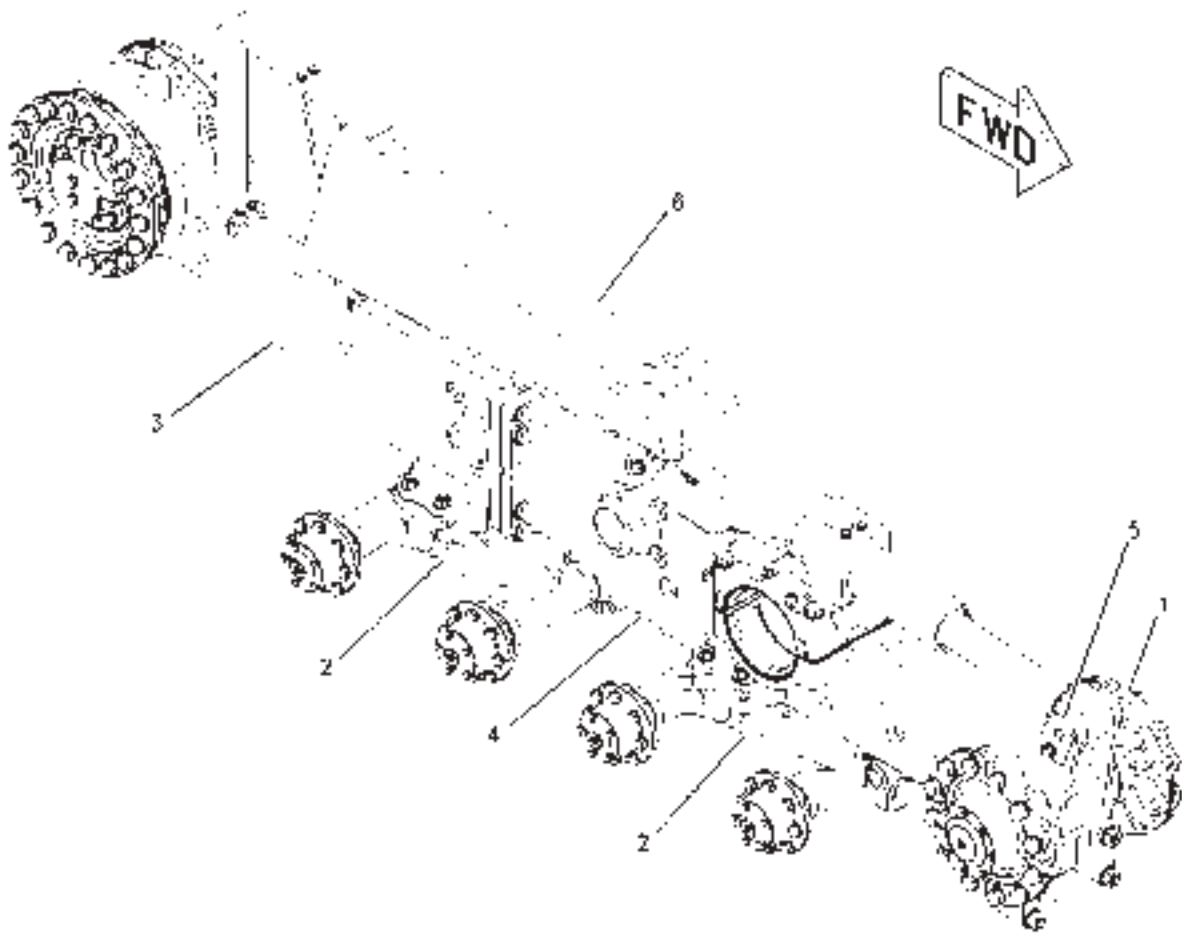
ITEM	NUMBER	QTY	DESCRIPTION
-	502328D1	--	FRAME AS-TRACK-RH (OPTION)
-	156-4882	--	FRAME AR [A] (NOT SERVICED)
1	127-9545	1	IDLER GP (NOT SERVICED) (SEE BREAKDOWN FOR COMPONENTS)
2	130-4818	2	BOGIE GP (NOT SERVICED) (SEE BREAKDOWN FOR COMPONENTS)
3	156-4884	1	SUPPORT GP-DRIVE WHEEL (RH) (SEE BREAKDOWN FOR COMPONENTS)
4	163-0678	1	FRAME GP-TRACK ROLLER (NOT SERVICED) (SEE BREAKDOWN FOR COMPONENTS)
5	184-6718	1	MOUNTING GP-TENSIONER (NOT SERVICED) (SEE BREAKDOWN FOR COMPONENTS)
6	500836D1	1	BELT TENSIONER GP (NOT SERVICED) (SEE BREAKDOWN FOR COMPONENTS)
7	502523D1	4	CAP-PLUG (NOT SHOWN)

[A] PART OF 156-4881; 177-9947
UNDERCARRIAGE AR;
502328D1 FRAME AS

00838123
PR: t05i29k58b0296

MT800 SERIES TRACTORS
UNDERCARRIAGE

FRAME AR-LH - 156-4883



**MT800 SERIESTRACTORS
UNDERCARRIAGE**

675

FRAME AR-LH - 156-4883

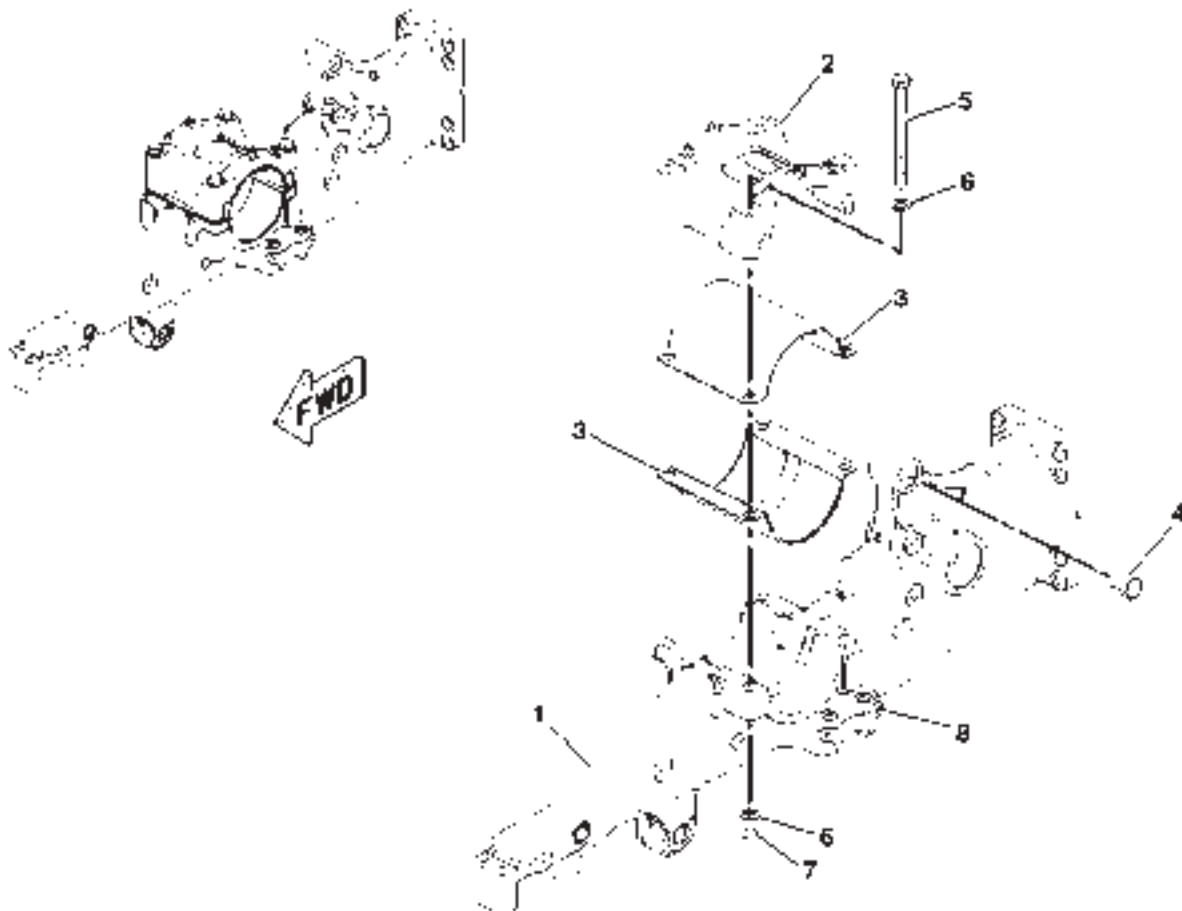
ITEM	NUMBER	QTY	DESCRIPTION
-	502327D1	--	FRAME AS-TRACK-LH (OPTION)
-	156-4883	--	FRAME AR [A] (NOT SERVICED)
1	127-9545	1	IDLER GP (NOT SERVICED) (SEE BREAKDOWN FOR COMPONENTS)
2	130-4818	2	BOGIE GP (NOT SERVICED) (SEE BREAKDOWN FOR COMPONENTS)
3	156-4885	1	SUPPORT GP-DRIVE WHEEL(LH)(NOT SERVICED) (SEE BREAKDOWN FOR COMPONENTS)
4	163-0678	1	FRAME GP-TRACK ROLLER (NOT SERVICED) (SEE BREAKDOWN FOR COMPONENTS)
5	184-6718	1	MOUNTING GP-TENSIONER (NOT SERVICED) (SEE BREAKDOWN FOR COMPONENTS)
6	500835D1	1	BELT TENSIONER GP (NOT SERVICED) (SEE BREAKDOWN FOR COMPONENTS)
7	502523D1	4	CAP-PLUG (NOT SHOWN)

[A] PART OF 156-4881; 177-9946
UNDERCARRIAGE AR;
502327D1 FRAME AS-TRACK-LH

00837737
PR: t05i29k58b0297

MT800 SERIES TRACTORS
UNDERCARRIAGE

FRAME GP-TRACK ROLLER - 163-0678



**MT800 SERIESTRACTORS
UNDERCARRIAGE**

677

FRAME GP-TRACK ROLLER - 163-0678

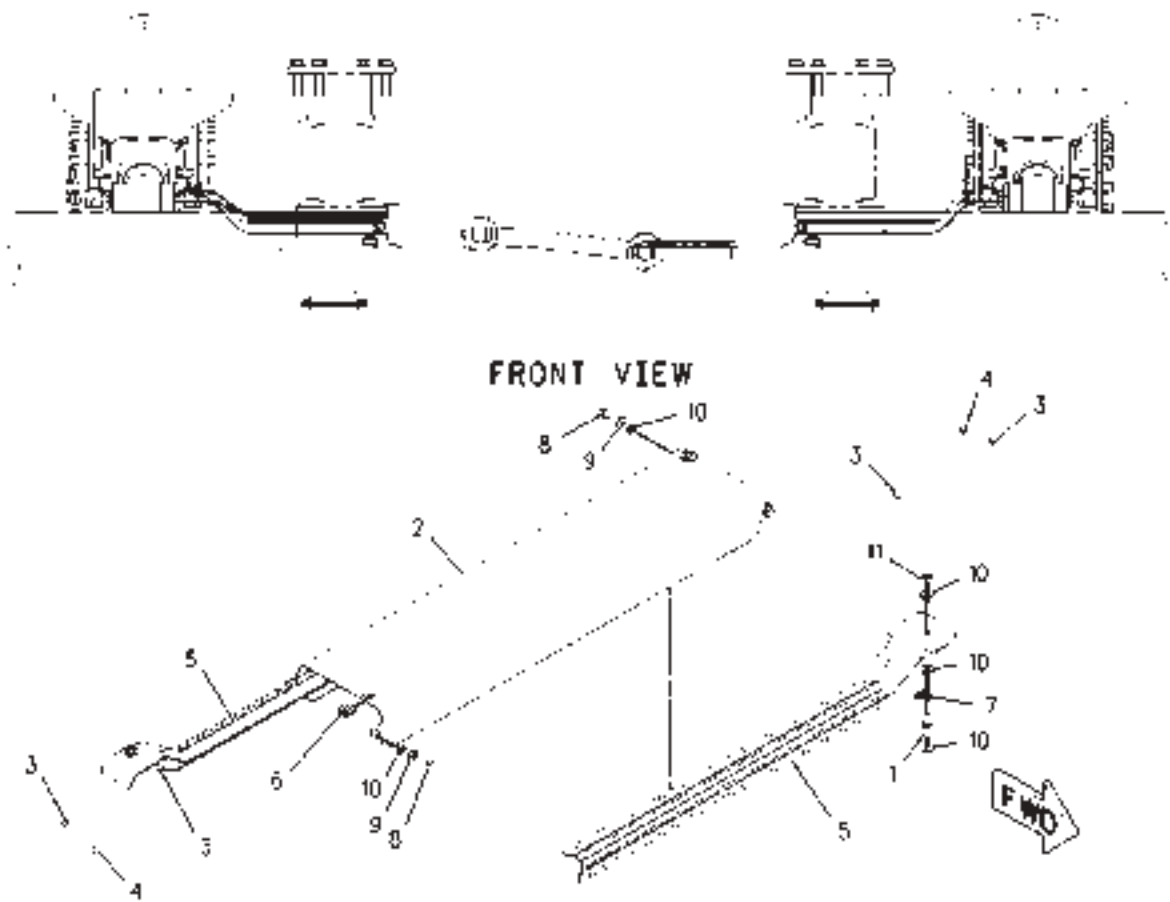
ITEM	NUMBER	QTY	DESCRIPTION
-	163-0678	--	FRAME GP-TRACK ROLLER [A] (NOT SERVICED)
1	197-3667	1	FRAME
2	192-7901	1	CAP
3	CH214-4661	2	BEARING ASM
4	CH168-7710	1	BEARING
5	400014X1	4	BOLT (M24X3X255MM)
6	CH8T-1482	4	WASHER-HARD (26X50X8)
7	223-4304	4	NUT-RETAINER
8	CH193-5915	4	PLUG

[A] PART OF 156-4882; 156-4883 FRAME AR

0850720A
PR: t05i29k58b0298

MT800 SERIES TRACTORS
UNDERCARRIAGE

GUARD GP-LINES - 201-9927
TENSIONER WIRE



**MT800 SERIESTRACTORS
UNDERCARRIAGE**

679

**GUARD GP-LINES - 201-9927
TENSIONER WIRE**

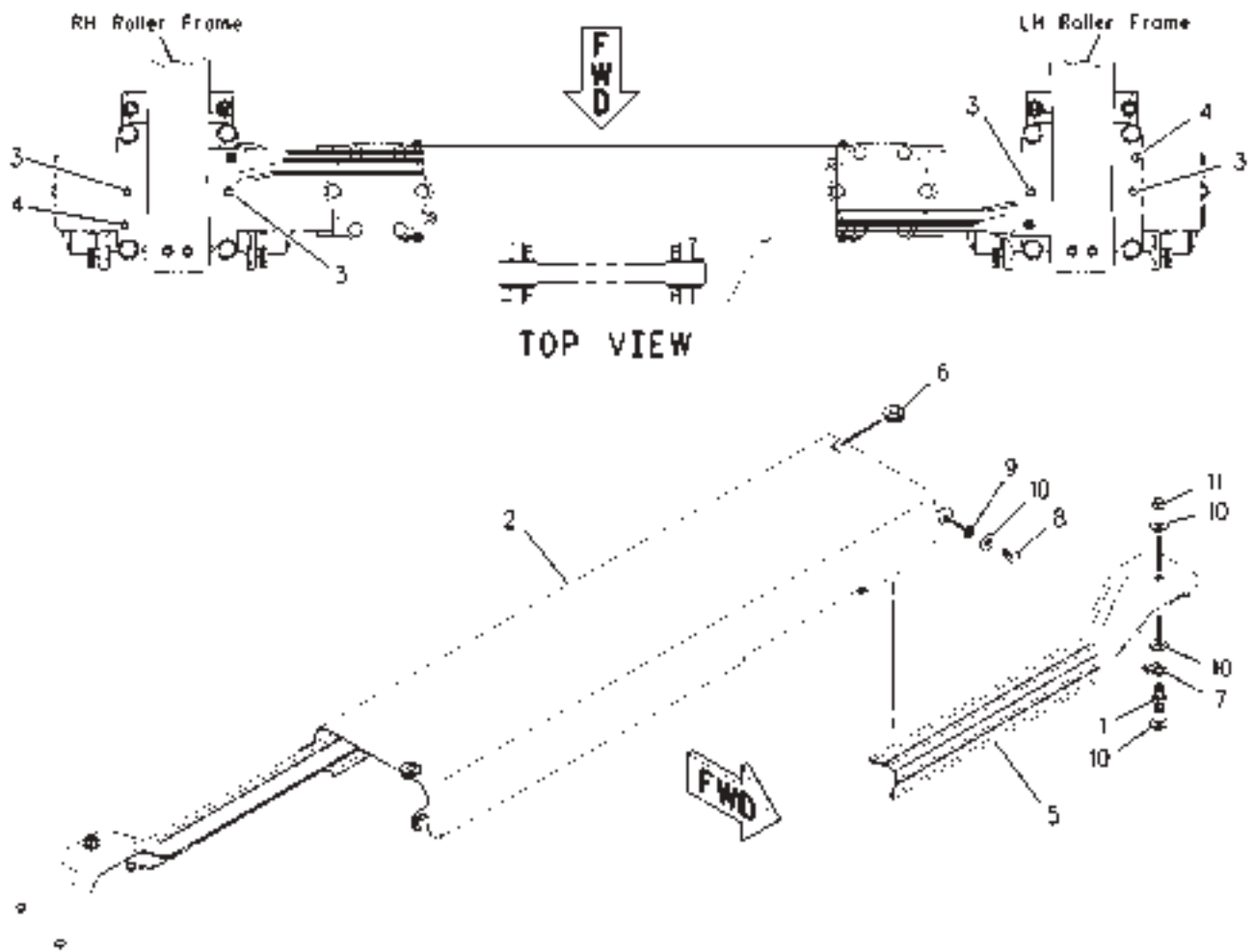
ITEM	NUMBER	QTY	DESCRIPTION
-	201-9927	--	GUARD GP-LINES [A] (NOT SERVICED)
1	CH101-3129	2	STUD (M10X1.5)
2	201-9932	1	COVER
3	400289X1	4	PLUG-PROTECTIVE (M7)
4	CH193-5914	2	PLUG-PROTECTIVE (M10)
5	201-9930	2	GUARD-WIRE
6	CH5P-8440	2	GROMMET
7	CH5P-9085	2	CLIP
8	400023X1	4	BOLT (M10X1.5X16MM)
9	CH7X-0561	4	WASHER-HARD (12X18.5X3)
10	CH7X-7729	10	WASHER (11X25X3)
11	WR522218	2	NUT (M10X1.5)
12	CH7K-1181	4	STRAP-CABLE (0.19X4) (NOT SHOWN)

[A] PART OF 156-4881 UNDERCARRIAGE AR

00853301
PR: t05i29k58b0299

MT800 SERIES TRACTORS
UNDERCARRIAGE

GUARD GP-LINES - 201-9928



**MT800 SERIESTRACTORS
UNDERCARRIAGE**

681

GUARD GP-LINES - 201-9928

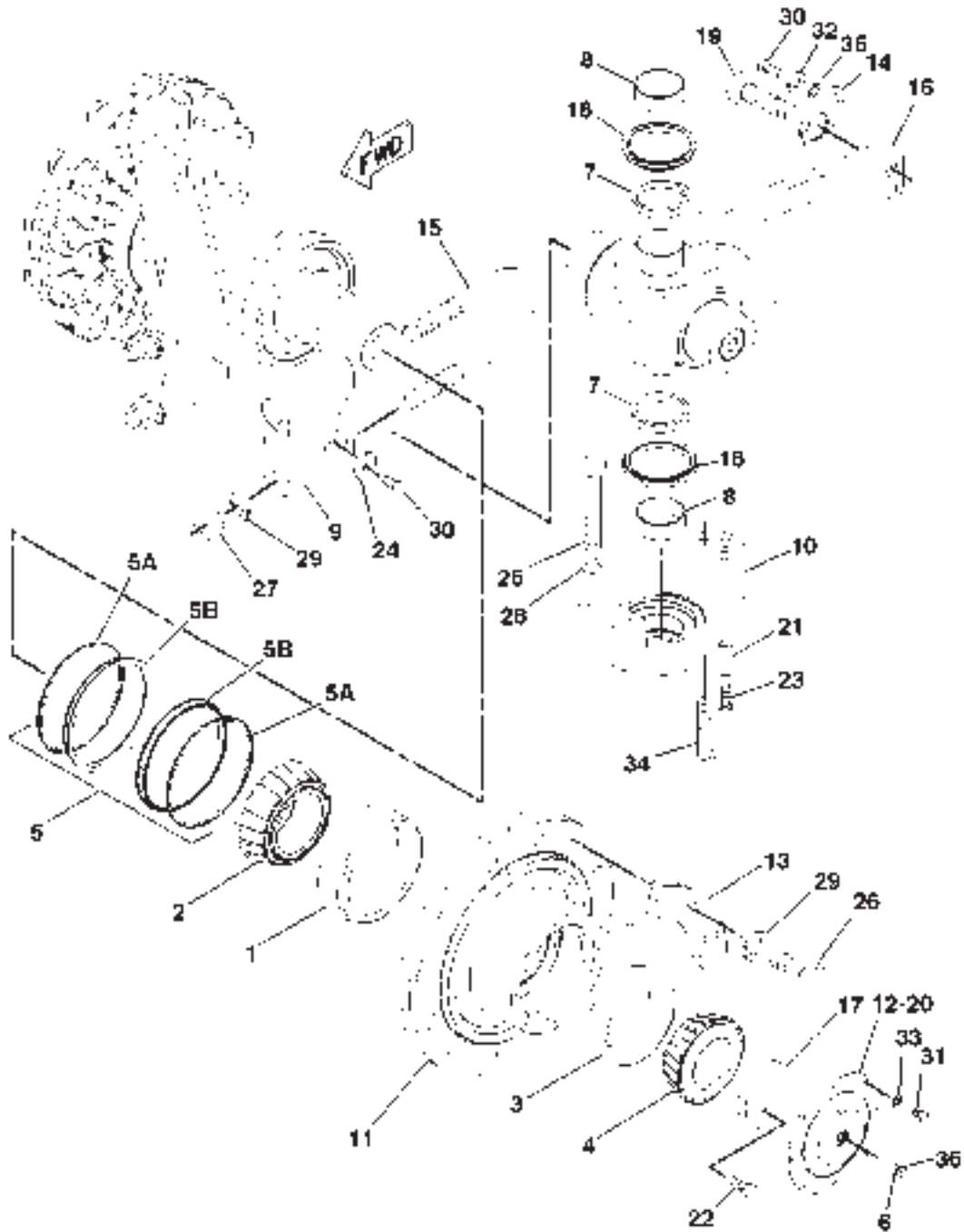
ITEM	NUMBER	QTY	DESCRIPTION
-	201-9928	--	(TENSIONER WIRE) GUARD GP-LINES
1	CH101-3129	2	STUD (M10X1.5 THD)
2	201-9932	1	COVER
3	400289X1	4	PLUG-PROTECTIVE (M7)
4	CH193-5914	2	PLUG-PROTECTIVE (M10)
5	201-9931	2	GUARD-WIRE
6	CH5P-8440	2	GROMMET
7	CH5P-9085	2	CLIP
8	400023X1	4	BOLT (M10X1.5X16MM)
9	CH7X-0561	4	WASHER-HARD
10	CH7X-7729	10	WASHER (11X25X3MM THK)
11	WR522218	2	NUT (M10X1.5 THD)
12	CH7K-1181	4	STRAP-CABLE (0.19X4) (NOT SHOWN)

[A] PART OF 177-9946 UNDERCARRIAGE AR

00853303
PR: t05i29k58b0300

MT800 SERIES TRACTORS
UNDERCARRIAGE

IDLER GP - 127-9545



**MT800 SERIESTRACTORS
UNDERCARRIAGE**

683

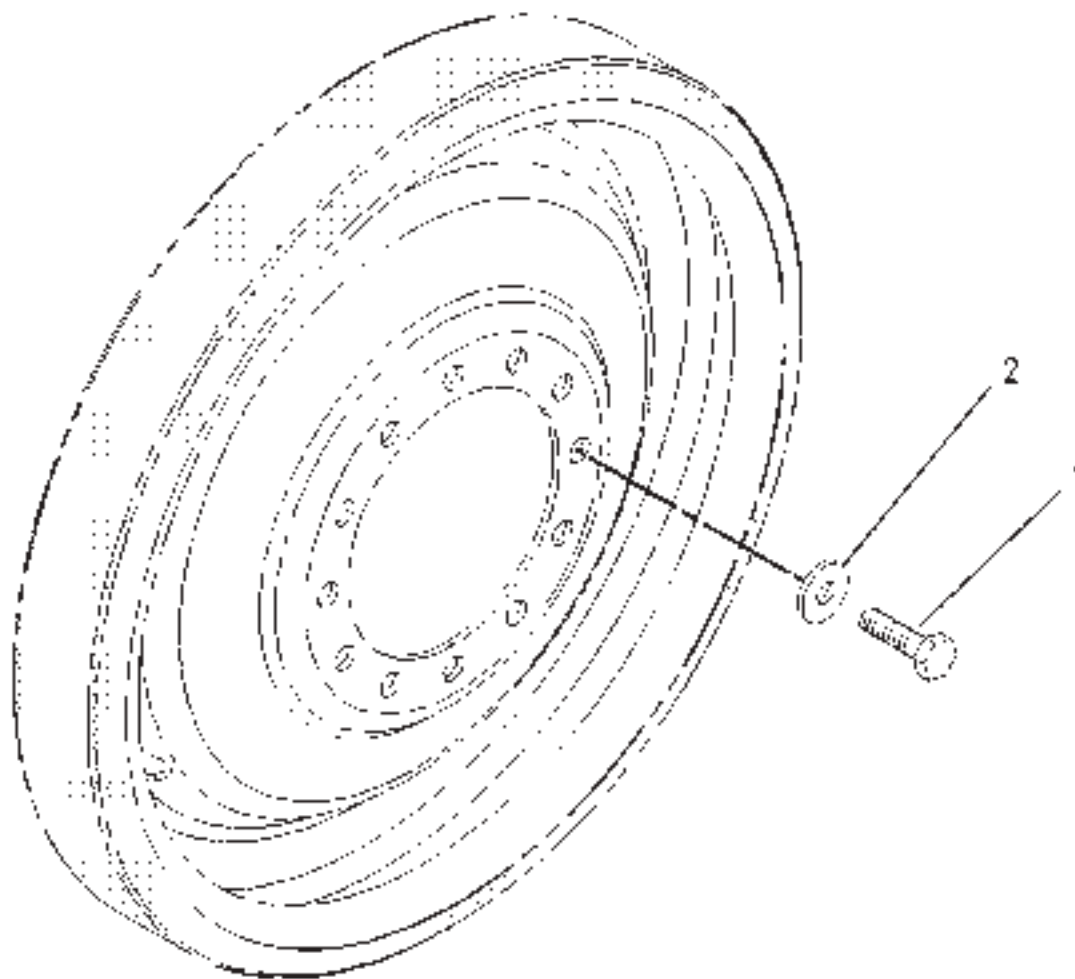
IDLER GP - 127-9545

ITEM	NUMBER	QTY	DESCRIPTION
-	127-9545	--	IDLER GP [A] (NOT SERVICED)
1	CH1J-2860	2	CUP-BEARING
2	CH1J-4757	2	CONE-BEARING
3	CH2D-9454	2	CUP-BEARING
4	CH2D-9455	2	CONE-BEARING
5	CH5K-1078	2	SEAL GP-DUO-CONE
6	CH9S-8003	2	PLUG
7	CH9W-9625	2	RING-THRUST
8	CH108-6075	2	BUSHING
9	CH127-9548	1	LINK-SWING
10	CH127-9553	1	CAP
11	CH127-9554	2	HUB
12	CH156-4897	2	COVER
13	CH156-4900	8	PLATE
14	CH202-8633	2	PLATE-LOCK
15	400261X1	2	U-BOLT
16	CH160-3957	1	LEVER GP-IDLER
	500925D1	1	PIN AS (SERVICED BY ** ITEMS)
	CH6Y-0473	1	**PLUG-CLEAR
	CH7G-4332	1	**STOPPER
17	CH160-5223	2	PLATE
18	501934D1	2	SEAL ASM
19	400009X1	2	BOLT (M24X3X88MM)
20	CH215-9464	2	GASKET
21	CH4K-7239	1	DOWEL
22	400227X1	6	BOLT (M12X1.75X30MM)
23	400002X1	1	BOLT-SOCKET HEAD (M12X1.75X35MM)
24	CH7X-0618	2	WASHER-HARD (13.5X40X5)
25	400027X1	2	BOLT (M20X2.5X130MM)
26	400035X1	12	BOLT (M24X3X60MM)
27	CH8T-4001	4	NUT (M24X3)
28	400080X1	2	WASHER-PLATED (22X35X3.5)
29	400081X1	16	WASHER-HARD (26X44X4)
30	400055X1	4	BOLT (M12X1.75X25MM)
31	400227X1	16	BOLT (M8X1.25X16MM)
32	400381X1	2	WASHER-HARD (13.5X30X4)
33	400339X1	16	WASHER-HARD (8.8X16X2)
34	400142X1	2	BOLT-SOCKET HEAD (M20X2.5X90)
35	CH202-9701	2	SPACER (12.95X19.05X5)
36	CH1J-9671	2	SEAL-O-RING

[A] PART OF 156-4882; 156-4883 FRAME AR

0862342A
PR: t05i29k58b0301

MOUNTING GP-IDLER - 177-4589



**MT800 SERIESTRACTORS
UNDERCARRIAGE**

685

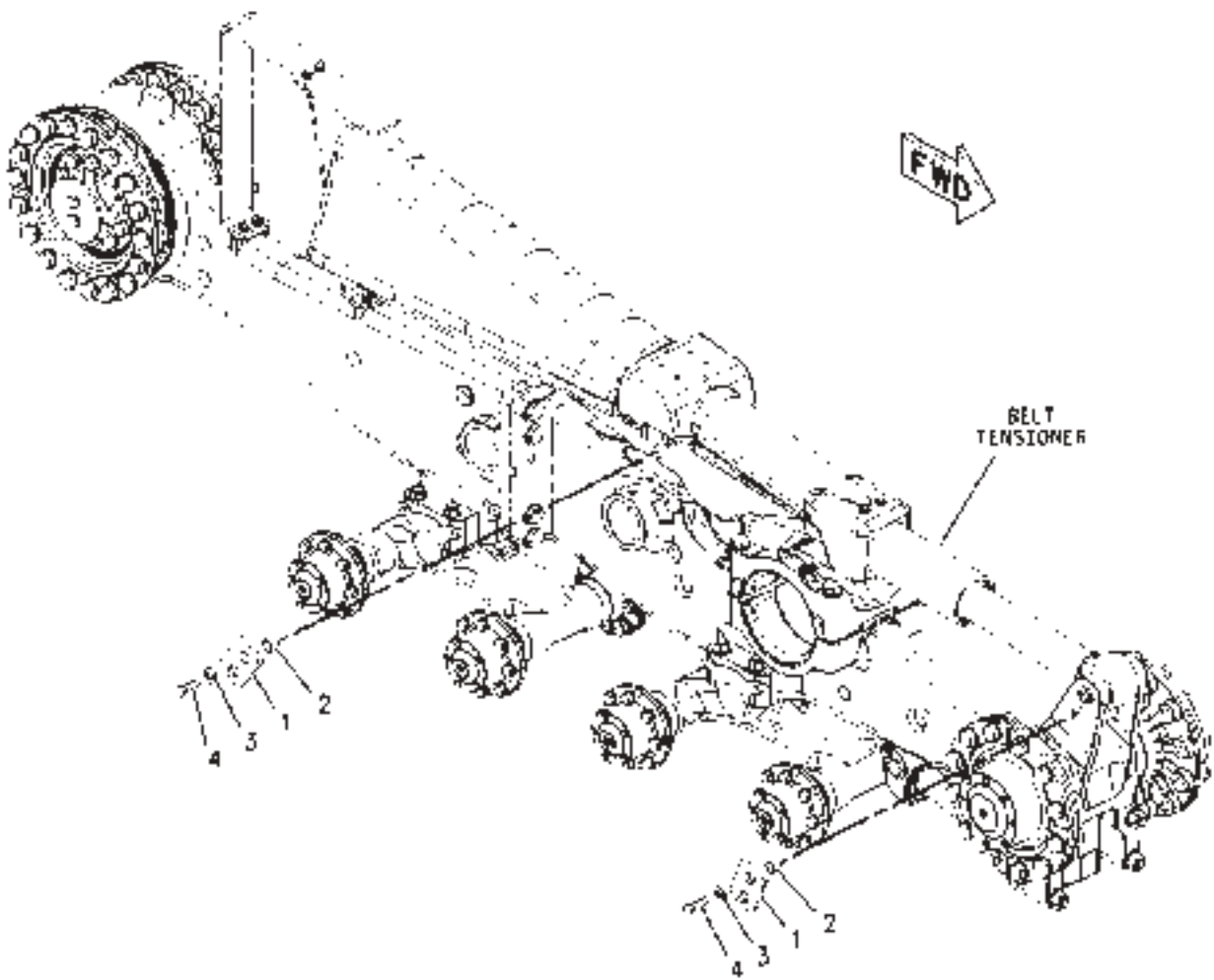
MOUNTING GP-IDLER - 177-4589

ITEM	NUMBER	QTY	DESCRIPTION
-	177-4589	--	MOUNTING GP-IDLER (NOT SERVICED)
1	400035X1	24	BOLT (M24X3X60MM)
2	400081X1	24	WASHER-HARD (26X44X4)

00640046
PR: t05i29k58b0302

MT800 SERIES TRACTORS
UNDERCARRIAGE

MOUNTING GP-TENSIONER - 184-6718
TRACK BELT



**MT800 SERIESTRACTORS
UNDERCARRIAGE**

687

**MOUNTING GP-TENSIONER - 184-6718
TRACK BELT**

ITEM	NUMBER	QTY	DESCRIPTION
-	184-6718	--	MOUNTING GP-TENSIONER [A] (NOT SERVICED)
1	CH190-3576	2	PIN ASM
2	CH190-3583	2	SPACER (20X28.6X19)
3	CH7X-0515	2	WASHER-HARD (17X35X5)
4	400244X1	2	BOLT (M16X2.0X45MM)

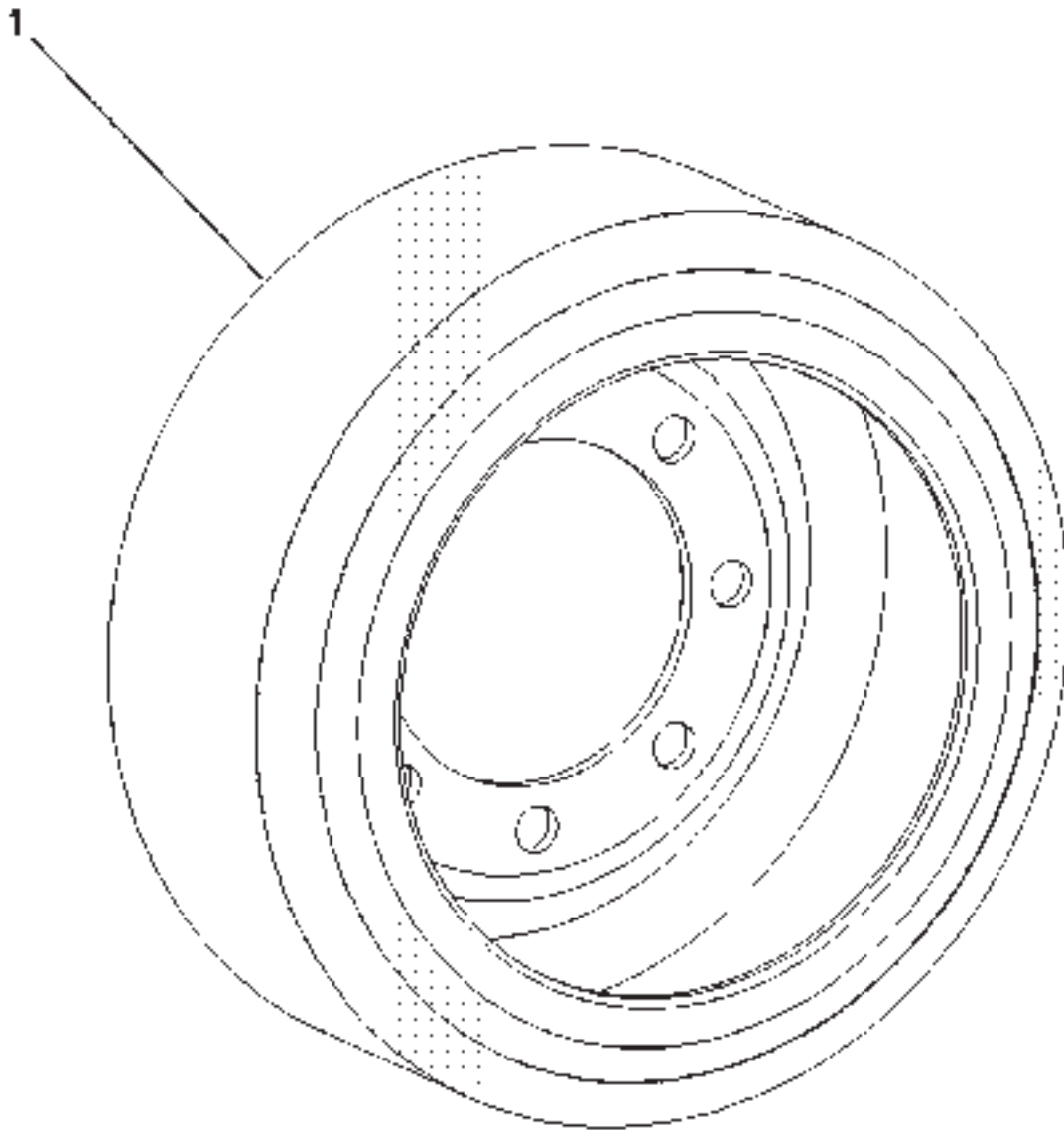
[A] PART OF 156-4882; 156-4883 FRAME AR

00851415
PR: t05i29k58b0303

688

MT800 SERIES TRACTORS
UNDERCARRIAGE

ROLLER AR - 156-4891
MIDDLE 112 MM (4.4 IN)



00648929

**MT800 SERIESTRACTORS
UNDERCARRIAGE**

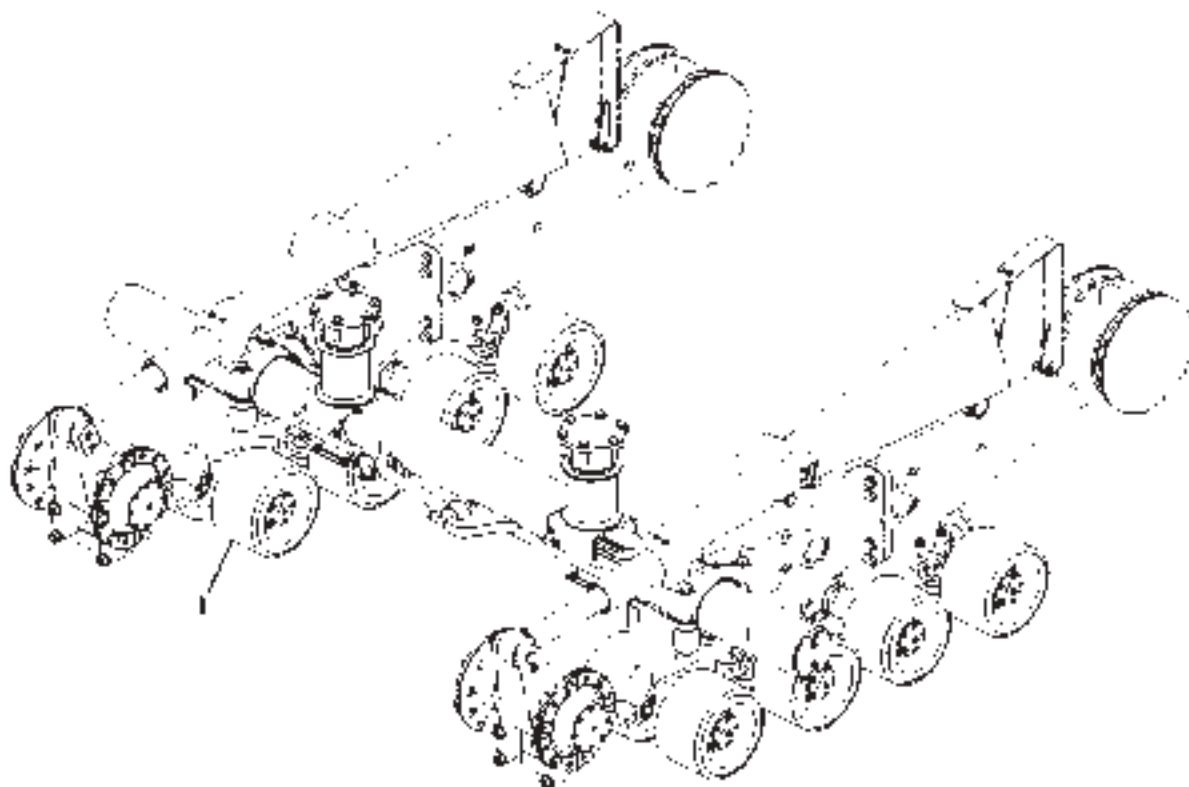
689

**ROLLER AR - 156-4891
MIDDLE 112 MM (4.4 IN)**

ITEM	NUMBER	QTY	DESCRIPTION
-	156-4891	--	ROLLER AR (NOT SERVICED)
1	502931D1	16	ROLLER ASM
-	502159D1	--	ROLLER AR (INCLUDES 8 OF ITEM 1)

00648929
PR: t05i29k58b0304

ROLLER AR - 156-4893
MIDDLE 204 MM (8 IN)



**MT800 SERIESTRACTORS
UNDERCARRIAGE**

691

**ROLLER AR - 156-4893
MIDDLE 204 MM (8 IN)**

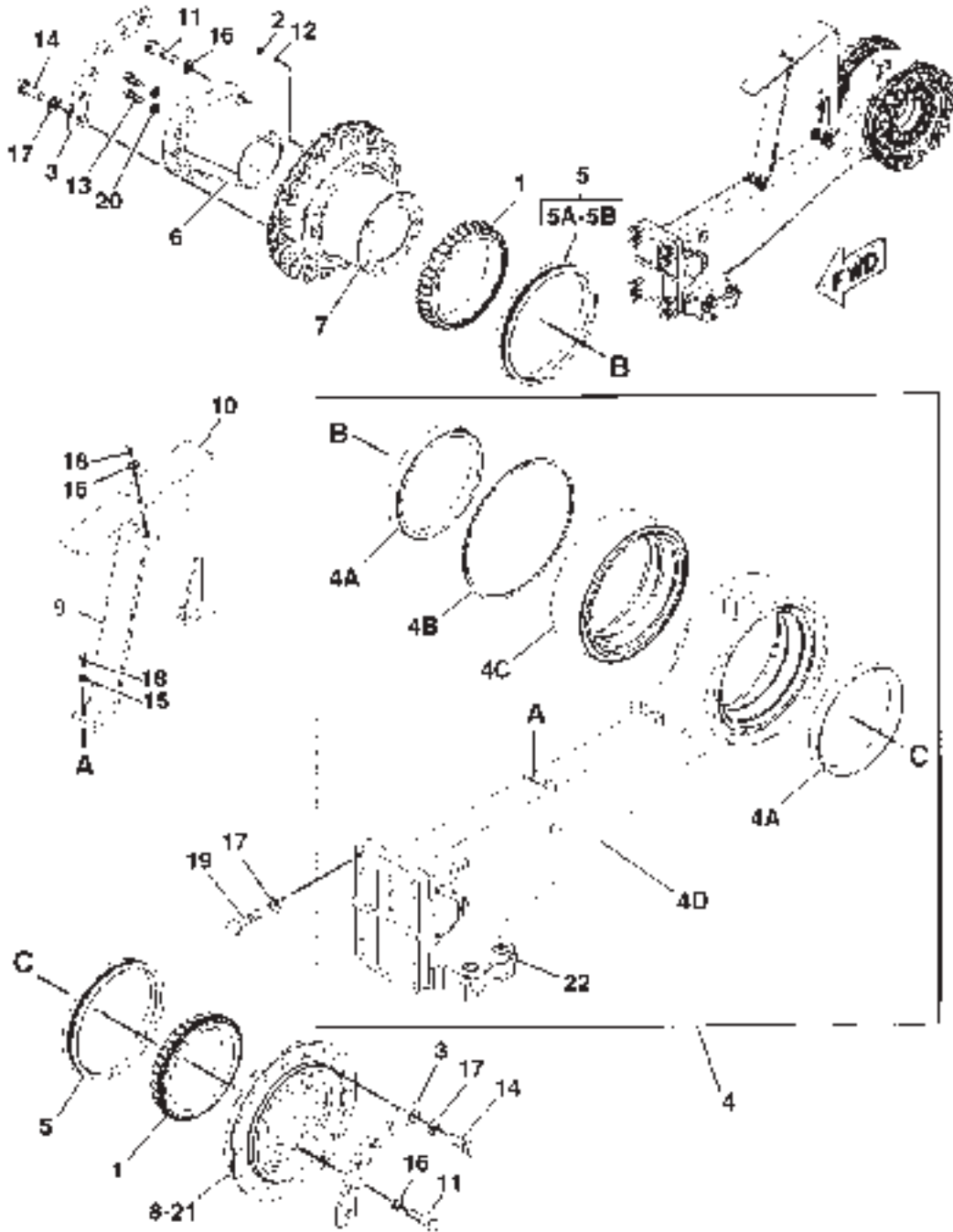
ITEM	NUMBER	QTY	DESCRIPTION
-	502786D1	--	ROLLER AR (FIELD INSTALLED)
-	502914D1	--	ROLLER AR (FACTORY) (NOT SERVICED, ORDER FIELD INSTALLED)
-	156-4893	--	MIDROLLER WHEEL AR [A] (REF) (NOT SERVICED, ORDER FIELD INSTALLED)
1	502932D1	16	ROLLER ASM
-	502162D1	--	ROLLER AR (INCLUDES 8 OF ITEM 1)

[A] PART OF 502768D1;502914D1 ROLLER AS

00885773
PR: t05i29k58b0305

MT800 SERIES TRACTORS
UNDERCARRIAGE

SUPPORT GP-DRIVE WHEEL - 156-4884
RIGHT HAND



**MT800 SERIESTRACTORS
UNDERCARRIAGE**

693

**SUPPORT GP-DRIVE WHEEL - 156-4884
RIGHT HAND**

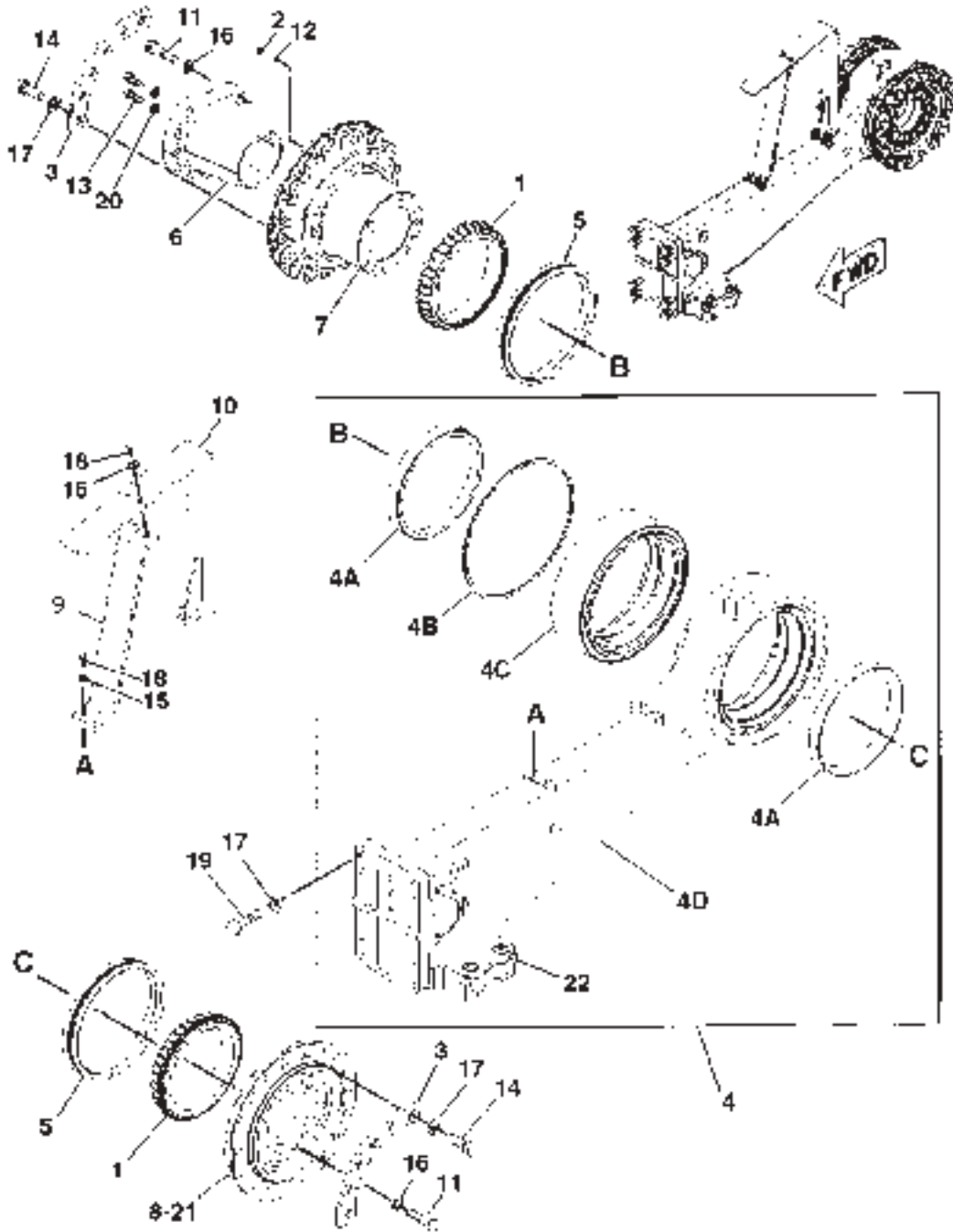
ITEM	NUMBER	QTY	DESCRIPTION
-	156-4884	--	SUPPORT GP-DRIVE WHEEL [A] (NOT SERVICED)
1	CH3D-9132	2	CONE-BEARING
2	CH9S-8003	1	PLUG
3	156-8343	6	PLATE-BACKUP
4	161-1817	1	ARM ASM
4A	CH3D-9133	2	CUP-BEARING
4B	400098X1	1	RING-RETAINING (400 OD X 2.82)
4C	CH190-3391	1	HOUSING ASM
4D	-----	1	ARM-REACTION (ORDER ITEM 4)
5	CH174-4874	2	SEAL GP-DUO-CONE
6	184-4356	1	COLLET
7	500396D2	1	HUB-OUTER
8	500395D2	1	HUB-INNER
9	205-9961	1	BRACKET ASM
	CH8T-3490	2	NUT-WELD (M10X1.5)
10	205-9962	1	BRACKET
11	400272X1	27	BOLT (M20X2.5X80MM)
12	CH1J-9671	1	SEAL-O-RING
13	400191X1	2	BOLT (M16X2X40MM)
14	400035X1	36	BOLT (M24X3X60MM)
15	CH7X-7729	6	WASHER (11X25X3)
16	400080X1	27	WASHER-PLATED (22X35X3.5)
17	400081X1	44	WASHER-HARD (26X44X4)
18	400058X1	6	BOLT (M10X1.5X30MM)
19	400067X1	8	BOLT (M24X3X80MM)
20	400082X1	2	WASHER (17.5X30X3.5)
21	CH1U-8846		SEALANT-GASKET
22	CH193-5915	4	PLUG

[A] PART OF 156-4882 FRAME AR

0829713A
PR: t05i29k58b0306

MT800 SERIES TRACTORS
UNDERCARRIAGE

SUPPORT GP-DRIVE WHEEL - 156-4885
LEFT HAND



**MT800 SERIES TRACTORS
UNDERCARRIAGE**

695

**SUPPORT GP-DRIVE WHEEL - 156-4885
LEFT HAND**

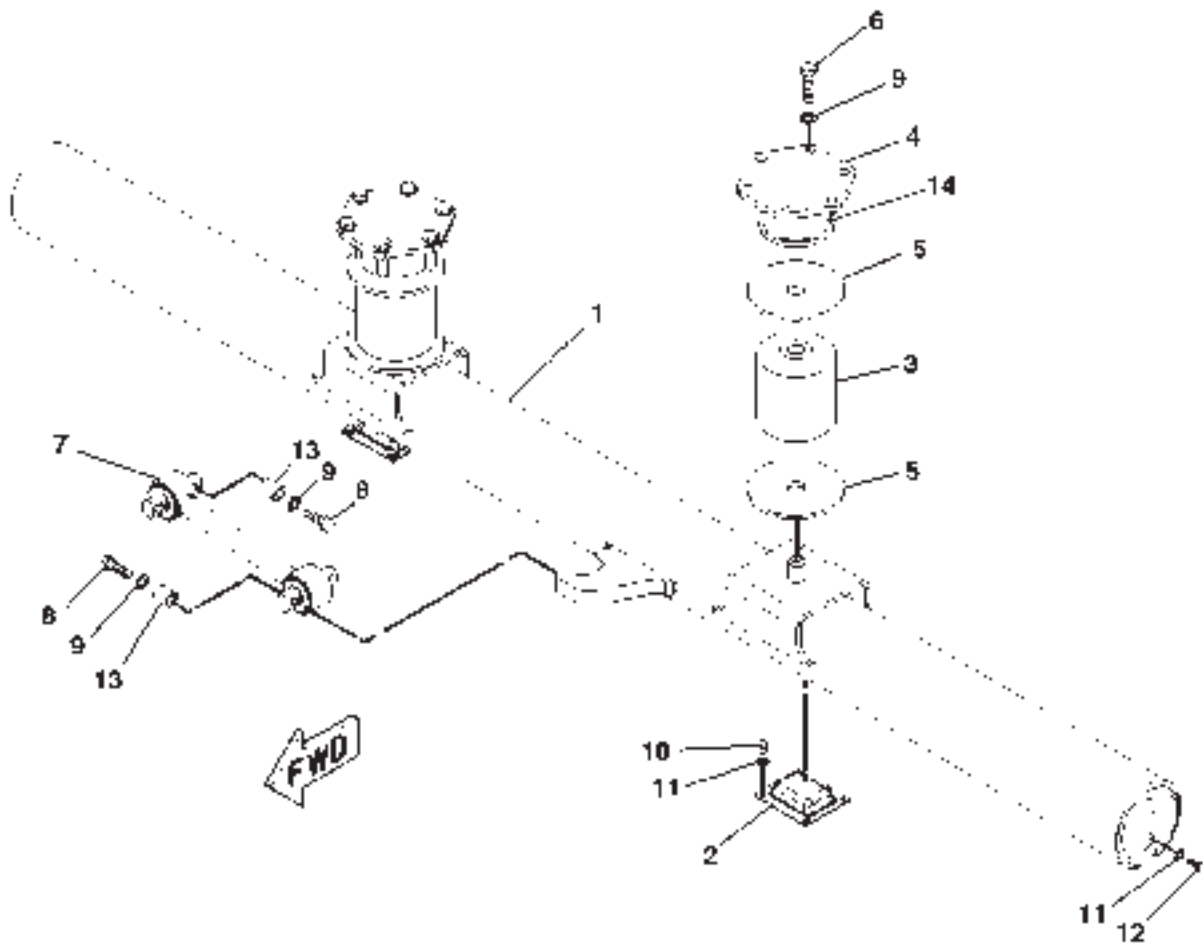
ITEM	NUMBER	QTY	DESCRIPTION
-	156-4885	--	SUPPORT GP-DRIVE WHEEL [A] (NOT SERVICED)
1	CH3D-9132	2	CONE-BEARING
2	CH9S-8003	1	PLUG
3	156-8343	6	PLATE-BACKUP
4	161-1817	1	ARM ASM (ORDER COMPLETE OR 4A THRU 4C)
4A	CH3D-9133	2	CUP-BEARING
4B	400098X1	1	RING-RETAINING (400 OD X 2.82)
4C	CH190-3391	1	HOUSING ASM
4D	-----	1	ARM-REACTION (NOT SERVICED SEPARATELY)
5	CH174-4874	2	SEAL GP-DUO-CONE (ORDER COMPLETE OR
6	184-4356	1	COLLET
7	500396D2	1	HUB-OUTER
8	500395D2	1	HUB-INNER
9	205-9961	1	BRACKET ASM
	CH8T-3490	2	NUT-WELD (M10X1.5)
10	205-9962	1	BRACKET
11	400272X1	27	BOLT (M20X2.5X80MM)
12	CH1J-9671	1	SEAL-O-RING
13	400191X1	2	BOLT (M16X2X40MM)
14	400035X1	36	BOLT (M24X3X60MM)
15	CH7X-7729	6	WASHER (11X25X3)
16	400080X1	27	WASHER-PLATED (22X35X3.5)
17	400081X1	44	WASHER-HARD (26X44X4)
18	400058X1	6	BOLT (M10X1.5X30MM)
19	400067X1	8	BOLT (M24X3X80MM)
20	400082X1	2	WASHER (17.5X30X3.5)
21	CH1U-8846		SEALANT-GASKET
22	CH193-5915	4	PLUG

[A] PART OF 156-4883 FRAME AR

0829713B
PR: t05i29k58b0307

MT800 SERIES TRACTORS
UNDERCARRIAGE

SUPPORT GP-UNDERCARRIAGE - 163-1009
WIDE GAUGE



**MT800 SERIESTRACTORS
UNDERCARRIAGE**

697

**SUPPORT GP-UNDERCARRIAGE - 163-1009
WIDE GAUGE**

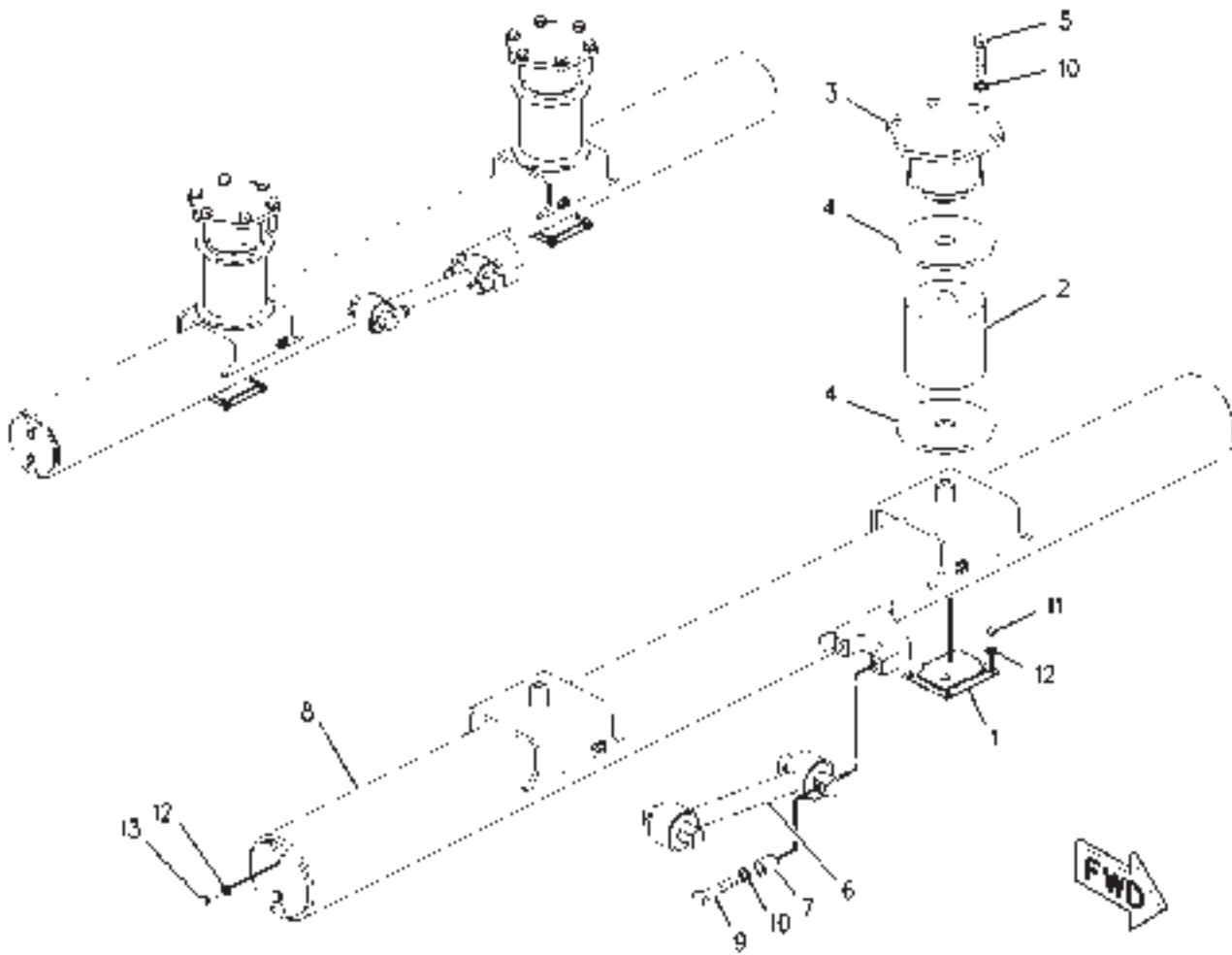
ITEM	NUMBER	QTY	DESCRIPTION
-	163-1009	--	SUPPORT GP-UNDERCARRIAGE [A] (NOT SERVICED)
1	162-0288	1	SUPPORT ASM
	CH7T-1099	2	LINK
2	163-0267	2	PAD ASM
3	163-0268	2	SPRING (RUBBER)
4	223-3273	2	PLATE
5	CH177-1872	4	PLATE
6	400008X1	12	BOLT-HEX HEAD (M20X2.5X80MM)
7	183-8600	1	ROD
8	400032X1	4	BOLT (M20X2.5X100MM)
9	400080X1	16	WASHER-PLATED (22X35X3.5)
10	400047X1	8	BOLT (M12X1.75X20MM)
11	400357X1	12	WASHER-HARD (M12X25.5X3)
12	400064X1	4	BOLT (M12X1.75X35MM)
13	CH213-1827	4	SPACER (22X35X40)
14	223-2480	2	SUPPORT

[A] PART OF
156-4881; 502325D1 UNDERCARRIAGE AR

0850229A
PR: t05i29k58b0308

MT800 SERIES TRACTORS
UNDERCARRIAGE

SUPPORT GP-UNDERCARRIAGE - 177-9945
(2286-2600MM/90-102")
EAME ONLY



**MT800 SERIESTRACTORS
UNDERCARRIAGE**

699

**SUPPORT GP-UNDERCARRIAGE - 177-9945
(2286-2600MM/90-102")
EAME ONLY**

ITEM	NUMBER	QTY	DESCRIPTION
-	177-9945	--	SUPPORT GP-UNDERCARRIAGE [A] (NOT SERVICED)
1	163-0267	2	PAD AS (SUPPORT)
2	163-0268	2	SPRING (RUBBER)
3	223-3273	2	PLATE
	223-2480	2	SUPPORT
4	CH177-1872	4	PLATE
5	400008X1	12	BOLT-HEX HEAD (M20X2.5X80MM)
6	183-8600	1	ROD
7	CH213-1827	4	SPACER (22X35X40MM THK)
8	172-4155	1	SUPPORT AS
	CH7T-1099	2	LINK
9	400032X1	4	BOLT (M20X2.5X100MM)
10	400080X1	16	WASHER-PLATED (22X35X3.5MM THK)
11	400047X1	8	BOLT (M12X1.75X20MM)
12	400357X1	12	WASHER-HARD (M12X25.5X3MM THK)
13	400064X1	4	BOLT (M12X1.75X35MM)

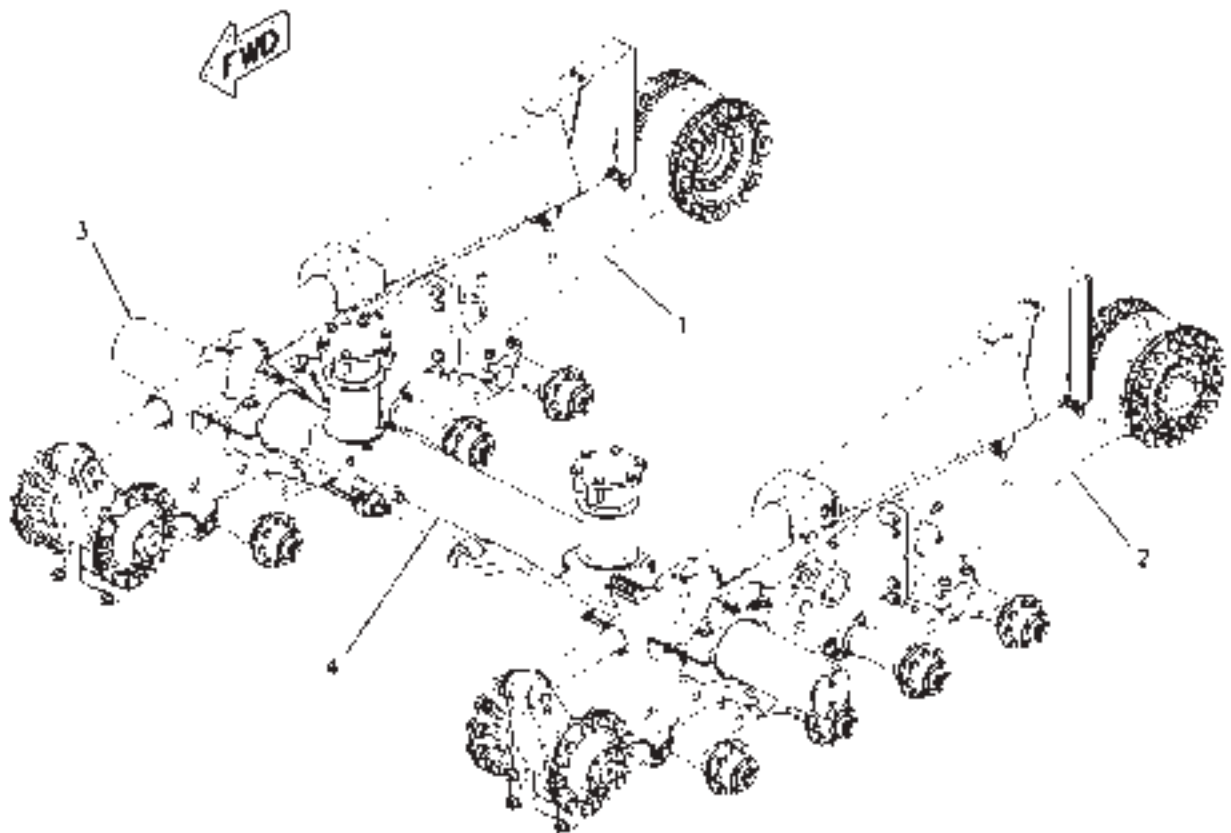
[A] PART OF 177-9946 UNDERCARRIAGE AR

00853117
PR: t05i29k58b0309

700

MT800 SERIES TRACTORS
UNDERCARRIAGE

UNDERCARRIAGE AR - 156-4881
ROW



00850503

**MT800 SERIESTRACTORS
UNDERCARRIAGE**

701

**UNDERCARRIAGE AR - 156-4881
ROW**

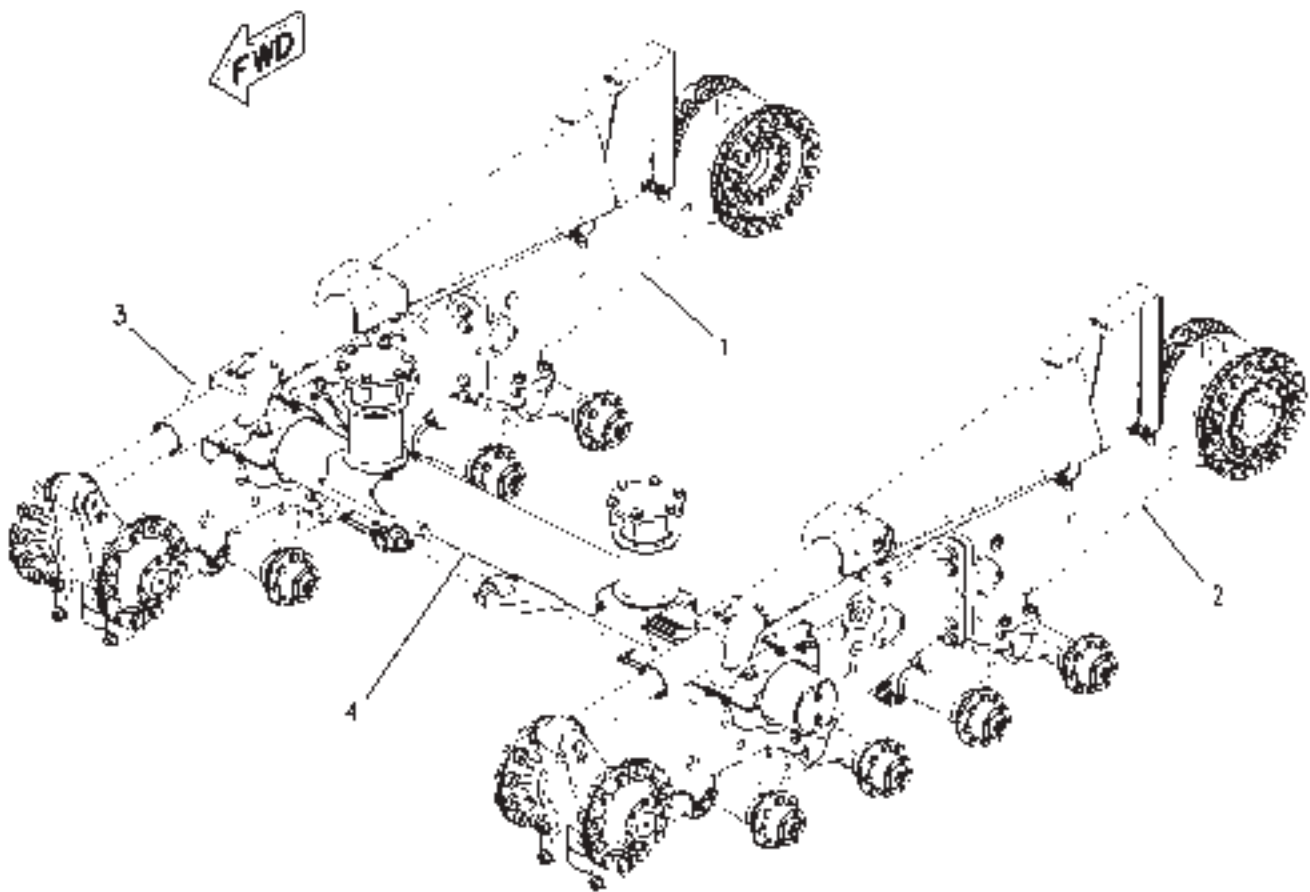
ITEM	NUMBER	QTY	DESCRIPTION
-	156-4881	--	UNDERCARRIAGE AR [A] (NOT SERVICED)
1	156-4882	1	FRAME AR (RH) (NOT SERVICED) (SEE BREAKDOWN FOR COMPONENTS)
2	156-4883	1	FRAME AR (LH) (NOT SERVICED) (SEE BREAKDOWN FOR COMPONENTS)
3	163-1009	1	SUPPORT GP-UNDERCARRIAGE (NOT SERVICED) (SEE BREAKDOWN FOR COMPONENTS)
4	201-9927	1	GUARD GP-LINES (NOT SERVICED) (SEE BREAKDOWN FOR COMPONENTS)

[A] PART OF 177-9948; 183-2198 GAUGE
AR-TRACK

00850503
PR: t05i29k58b0310

MT800 SERIES TRACTORS
UNDERCARRIAGE

UNDERCARRIAGE AR - 177-9946
EAME ONLY



**MT800 SERIESTRACTORS
UNDERCARRIAGE**

703

**UNDERCARRIAGE AR - 177-9946
EAME ONLY**

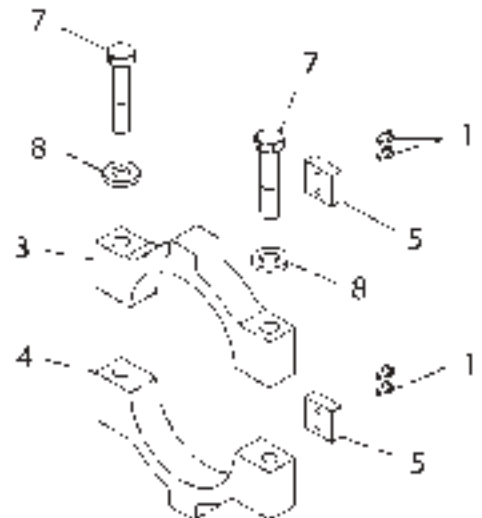
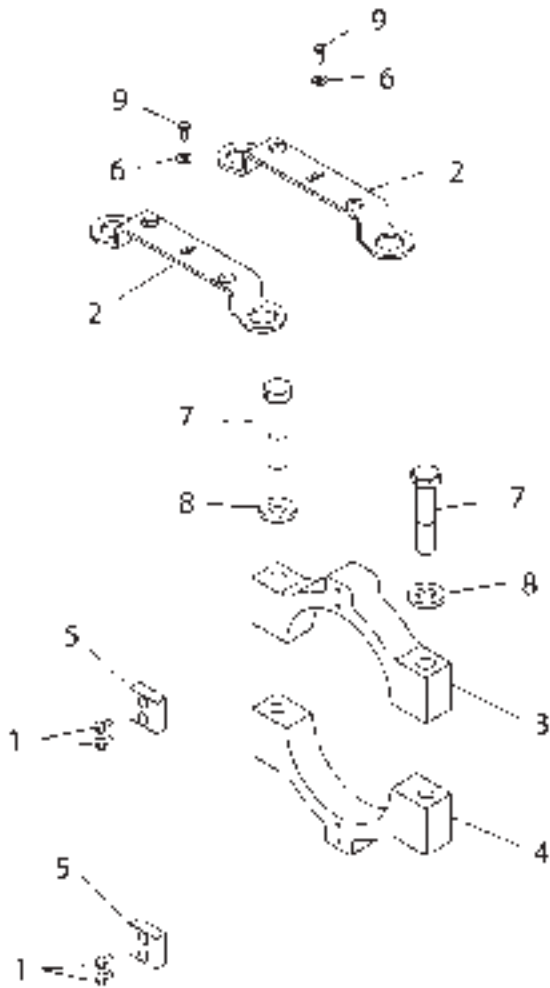
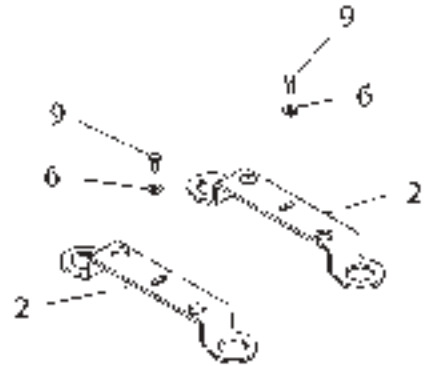
ITEM	NUMBER	QTY	DESCRIPTION
-	177-9946	--	UNDERCARRIAGE AR
1	156-4882	1	FRAME AR (RH) (NOT SERVICED) (SEE BREAKDOWN FOR COMPONENTS)
2	156-4883	1	FRAME AR (LH) (NOT SERVICED) (SEE BREAKDOWN FOR COMPONENTS)
3	177-9945	1	SUPPORT GP-UNDERCARRIAGE (NOT SERVICED) (SEE BREAKDOWN FOR COMPONENTS)
4	201-9928	1	GUARD GP-LINES (NOT SERVICED) (SEE BREAKDOWN FOR COMPONENTS)

[A] PART OF:
177-9947; 183-2197 GAUGE AR-TRACK

00851114
PR: t05i29k58b0311

MT800 SERIES TRACTORS
UNDERCARRIAGE

RESTRAIN GP-ROLLERFRAME - 500040D1



**MT800 SERIESTRACTORS
UNDERCARRIAGE**

705

RESTRAIN GP-ROLLERFRAME - 500040D1

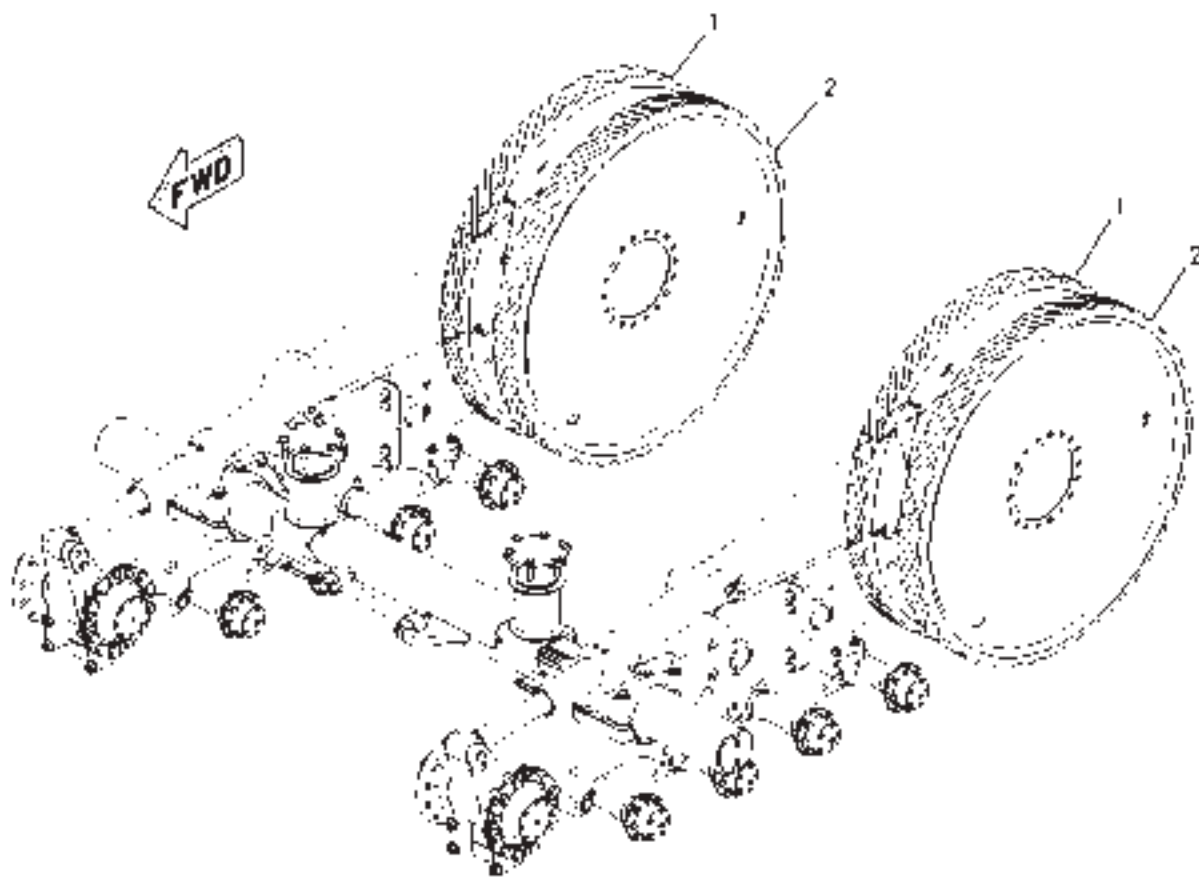
ITEM	NUMBER	QTY	DESCRIPTION
-	502769D1	--	RESTRAIN GP-ROLLERFRAME (FIELD INSTALL)
-	502768D1	--	RESTRAIN GP-ROLLERFRAME (FACTORY) (NOT SERVICED, ORDER FIELD INSTALLED)
-	500040D1	--	RESTRAIN GP-ROLLERFRAME [A] (NOT SERVICED, ORDER FIELD INSTALLED)
1	CH127-2170	8	SCREW-M8X1.25X20MM TRUSS HD
2	500081D1	4	BRACKET-LOCK
3	500468D1	2	CLAMP-TOP
4	500469D1	2	CLAMP-BOTTOM
5	500470D1	4	PAD-WEAR
6	400599X1	4	WASHER-HARD,M8X20.5ODX2THK
7	400213X1	4	BOLT-M24X3X120MM
8	CH8T-1482	4	WASHER-HARD (26IDX50ODX8MM)
9	400053X1	4	BOLT-M8X1.25X20

[A] PART OF 502768D1;502769D1 RESTAIN GP

500040DC
PR: t05i29k58b0312

MT800 SERIES TRACTORS
UNDERCARRIAGE

WHEEL AR-DRIVER - 220-2357
112 MM (4.4 IN)
ROW & EAME



**MT800 SERIESTRACTORS
UNDERCARRIAGE**

707

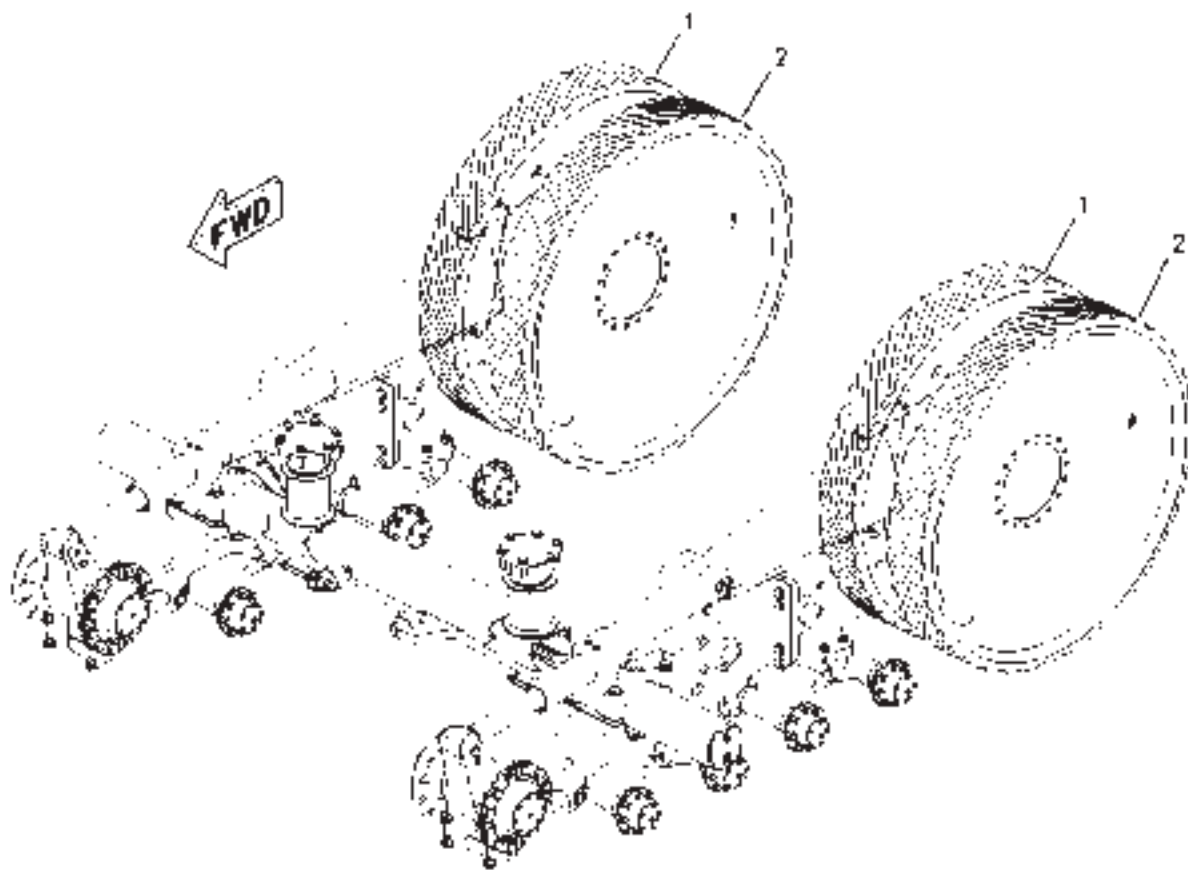
**WHEEL AR-DRIVER - 220-2357
112 MM (4.4 IN)
ROW & EAME**

ITEM	NUMBER	QTY	DESCRIPTION
-	220-2357	--	WHEEL AR-DRIVER (NOT SERVICED)
1	1R-1234	2	WHEEL ASM
2	1R-1249	2	WHEEL ASM
-	502158D1	--	KIT-WHEEL AR-DRIVER (FIELD INSTALLED) (INCLUDES 1 EA OF ITEM 1 & 2)

00889595
PR: t05i29k58b0313

MT800 SERIES TRACTORS
UNDERCARRIAGE

WHEEL AR-DRIVER - 220-2358
WIDE
196 MM (7.7 IN)



**MT800 SERIESTRACTORS
UNDERCARRIAGE**

709

**WHEEL AR-DRIVER - 220-2358
WIDE
196 MM (7.7 IN)**

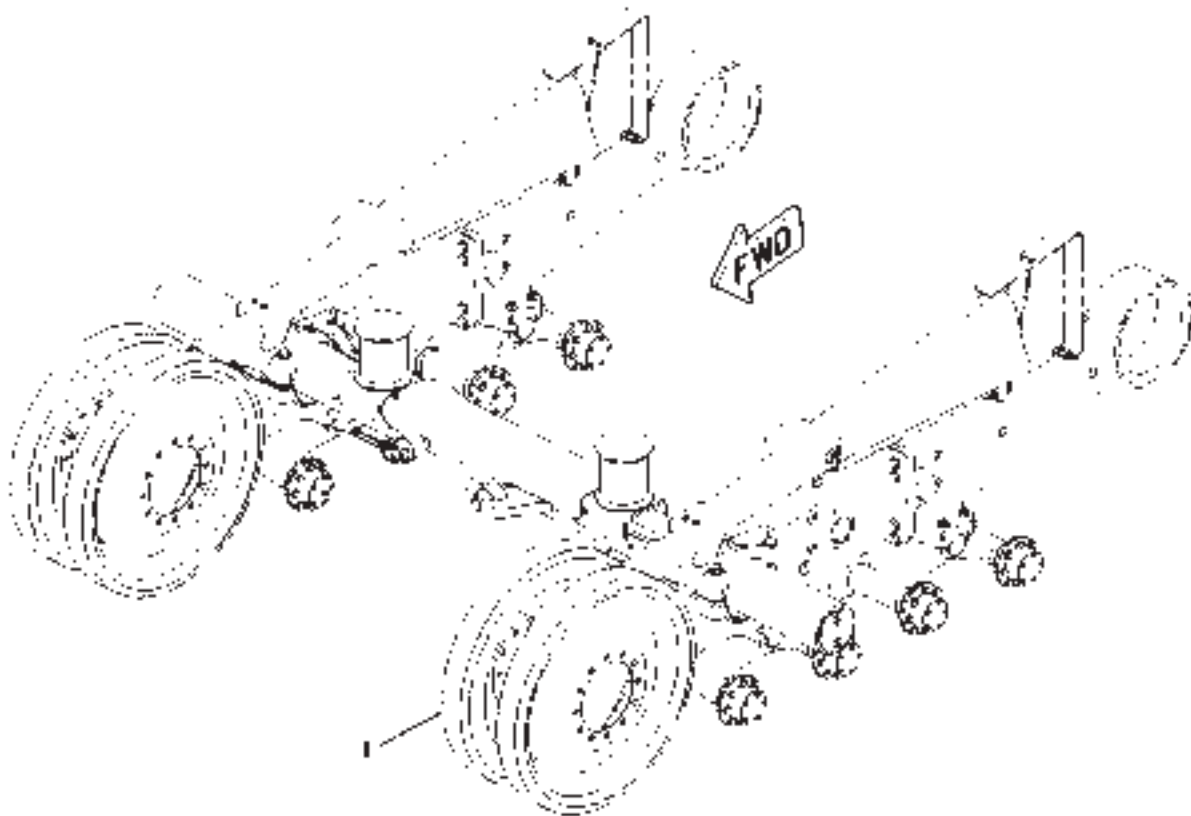
ITEM	NUMBER	QTY	DESCRIPTION
-	220-2358	--	WHEEL AR-DRIVER [A] (NOT SERVICED)
-	502788D1	--	KIT-WHEEL AR-DRIVER (FIELD INSTALLED)
-	502913D1	--	WHEEL AR-DRIVER (EAME/ROW)(NOT SERVICED)
1	1R-1235	2	WHEEL ASM
2	1R-1250	2	WHEEL ASM
-	502161D1	--	KIT-WHEEL AR-DRIVER (FIELD INSTALLED) (INCLUDES 1 EA OF ITEM 1 & 2)

[A] PART OF 500033D1;500034D1;500035D1;
500037D1 BASE UNIT AR;
502788D1 WHEEL AR-DRIVER;
502913D1 WHEEL AR-DRIVER

00889641
PR: t05i29k58b0314

MT800 SERIES TRACTORS
UNDERCARRIAGE

WHEEL AR-IDLER - 220-2355
105 MM (4.1 IN)



**MT800 SERIESTRACTORS
UNDERCARRIAGE**

711

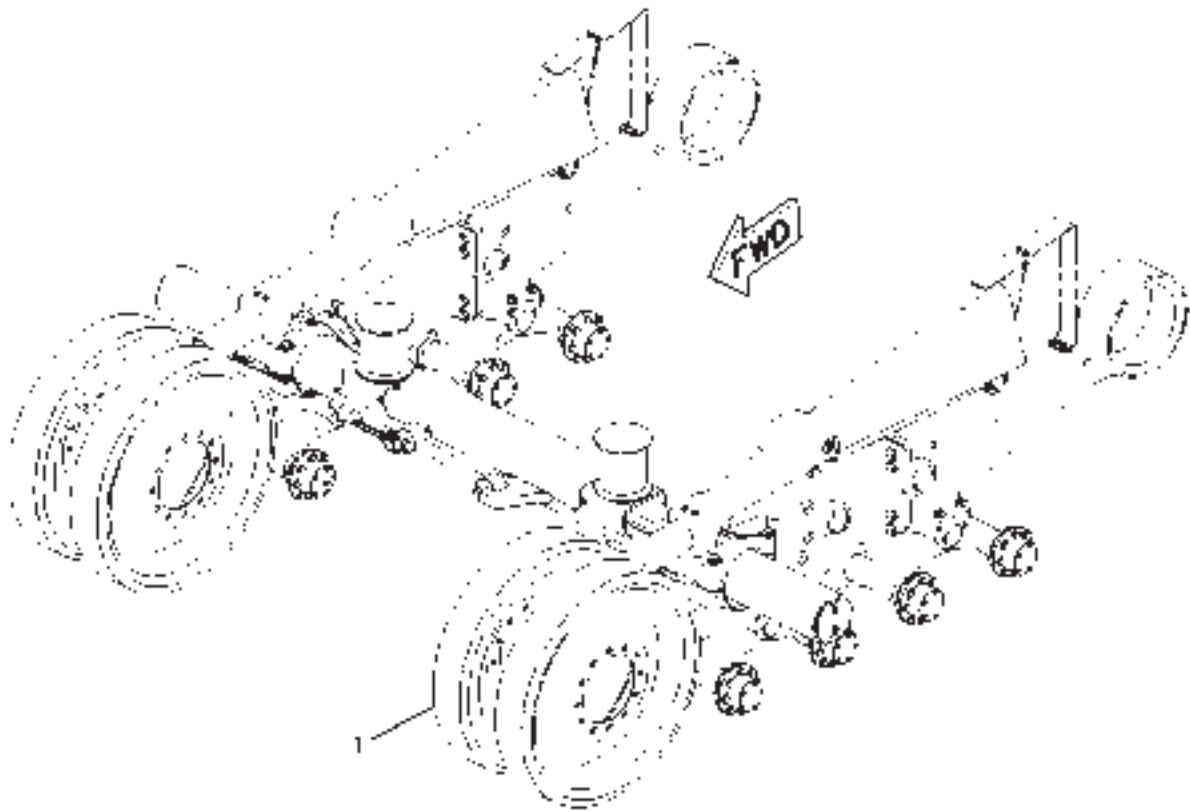
WHEEL AR-IDLER - 220-2355
105 MM (4.1 IN)

ITEM	NUMBER	QTY	DESCRIPTION
-	220-2355	--	WHEEL AR-IDLER (NOT SERVICED)
1	500062D1	4	WHEEL ASM-IDLER
-	502160D1	--	WHEEL AR-IDLER (KIT) (INCLS 2 OF ITEM 1)

00889409
PR: t05i29k58b0315

MT800 SERIES TRACTORS
UNDERCARRIAGE

WHEEL AR-IDLER - 220-2356
192 MM (7.6 IN)



**MT800 SERIESTRACTORS
UNDERCARRIAGE**

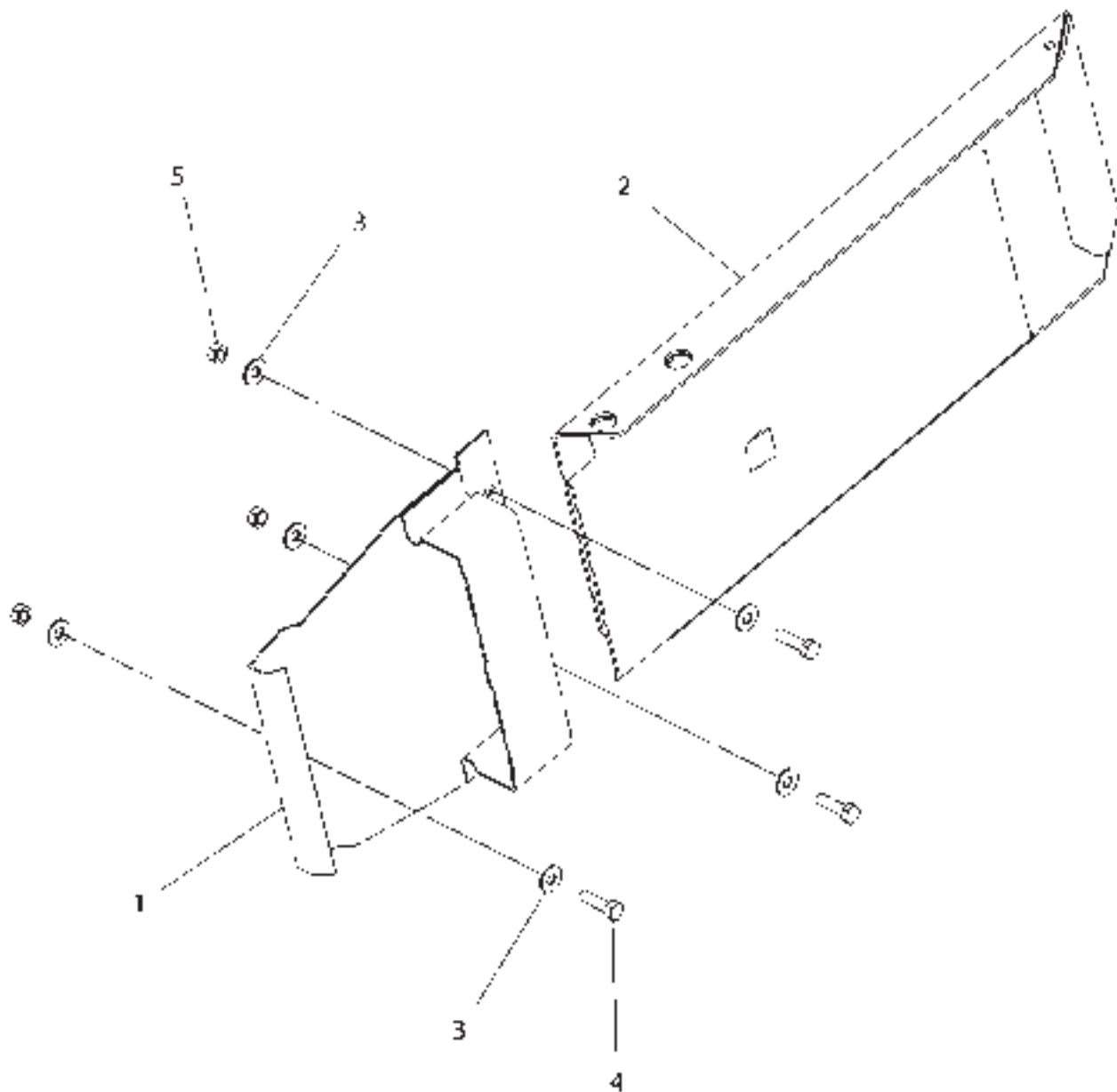
713

WHEEL AR-IDLER - 220-2356
192 MM (7.6 IN)

ITEM	NUMBER	QTY	DESCRIPTION
-	502787D1	--	WHEEL AR-IDLER (FIELD INSTALLED)
-	502915D1	--	WHEEL AR-IDLER (FACT) (NOT SERVICED, ORDER FIELD INSTALLED)
-	220-2356	--	WHEEL AR-IDLER (REF ONLY-NOT SERVICED, ORDER FIELD INSTALLED)
1	1R-1238	4	WHEEL ASM-IDLER
-	502163D1	--	WHEEL AR-IDLER (KIT) (INCLS 2 OF ITEM 1)

00889550
PR: t05i29k58b0316

WEDGE GP-WHEEL - 189-8931
EAME ONLY



1898931C

**MT800 SERIESTRACTORS
UNDERCARRIAGE**

715

**WEDGE GP-WHEEL - 189-8931
EAME ONLY**

ITEM	NUMBER	QTY	DESCRIPTION
1	CH151-6030	1	BRACKET AS.
2	151-4059	1	WHEEL BLOCK
3	400599X1	6	WASHER-HARD,M8X20.5ODX2THK
4	400245X1	3	BOLT-M8X1.25X30 ZNDI HHD 10.9
5	400340X1	3	NUT-M8X1.25X13 HEX ZND1

1898931C
PR: t05i29k58b0317

716

**MT800 SERIESTRACTORS
BRAKING SYSTEM**

**BRAKE AR - 185-8860
AIR TRAILER (WITHOUT HITCH)
MT835 & MT845
EAME ONLY**

NO ILLUSTRATION

NOTIF

**MT800 SERIESTRACTORS
BRAKING SYSTEM**

717

**BRAKE AR - 185-8860
AIR TRAILER (WITHOUT HITCH)
MT835 & MT845
EAME ONLY**

ITEM	NUMBER	QTY	DESCRIPTION
-	185-8860	--	BRAKE AR-W/O HITCH (SERVICED BY GROUPS)
1	180-2937	1	AIR COMPRESSOR GP (NOT SERVICED) (SEE BREAKDOWN FOR COMPONENTS)
2	190-0435	1	TANK & LINES GP-AIR (NOT SERVICED) (SEE BREAKDOWN FOR COMPONENTS)
3	190-0436	1	LINES GP-CONTROL (KIT) (SEE BREAKDOWN FOR COMPONENTS)
4	190-0438	1	LINES GP-COUPLER (NOT SERVICED) (SEE BREAKDOWN FOR COMPONENTS)

NOTIF
PR: t05i29k58b0318

718

**MT800 SERIESTRACTORS
BRAKING SYSTEM**

**BRAKE AR - 186-1620
AIR TRAILER (WITHOUT HITCH)
EAME ONLY**

NO ILLUSTRATION

NOTIF

**MT800 SERIESTRACTORS
BRAKING SYSTEM**

719

**BRAKE AR - 186-1620
AIR TRAILER (WITHOUT HITCH)
EAME ONLY**

ITEM	NUMBER	QTY	DESCRIPTION
-	186-1620	--	BRAKE AR-W/O HITCH
1	500970D1	1	AIR COMPRESSOR GP (NOT SERVICED) (SEE BREAKDOWN FOR COMPONENTS)
2	190-0435	1	TANK & LINES GP-AIR (NOT SERVICED) (SEE BREAKDOWN FOR COMPONENTS)
3	190-0436	1	LINES GP-CONTROL (KIT) (SEE BREAKDOWN FOR COMPONENTS)
4	190-0438	1	LINES GP-COUPLER (NOT SERVICED) (SEE BREAKDOWN FOR COMPONENTS)

NOTIF
PR: t05i29k58b0319

720

**MT800 SERIESTRACTORS
BRAKING SYSTEM**

**BRAKE AR-AIR - 192-6400
WITH HITCH
MT835 & MT845
EAME ONLY**

NO ILLUSTRATION

NOTIF

**MT800 SERIESTRACTORS
BRAKING SYSTEM**

721

**BRAKE AR-AIR - 192-6400
WITH HITCH
MT835 & MT845
EAME ONLY**

ITEM	NUMBER	QTY	DESCRIPTION
-	192-6400	--	BRAKE AR-AIR (NOT SERVICED)
1	180-2937	1	AIR COMPRESSOR GP (NOT SERVICED) (SEE BREAKDOWN FOR COMPONENTS)
2	200-4310	--	LINES & CONTROL GP (KIT) (SEE BREAKDOWN FOR COMPONENTS)
3	190-0438	1	LINES GP-COUPLER (NOT SERVICED) (SEE BREAKDOWN FOR COMPONENTS)
4	190-0435	1	TANK & LINES GP-AIR (NOT SERVICED) (SEE BREAKDOWN FOR COMPONENTS)

NOTIF
PR: t05i29k58b0320

722

**MT800 SERIESTRACTORS
BRAKING SYSTEM**

**BRAKE AR - 192-6390
AIR TRAILER (WITH HITCH)
MT855 & MT865**

NO ILLUSTRATION

NOTIF

**MT800 SERIESTRACTORS
BRAKING SYSTEM**

723

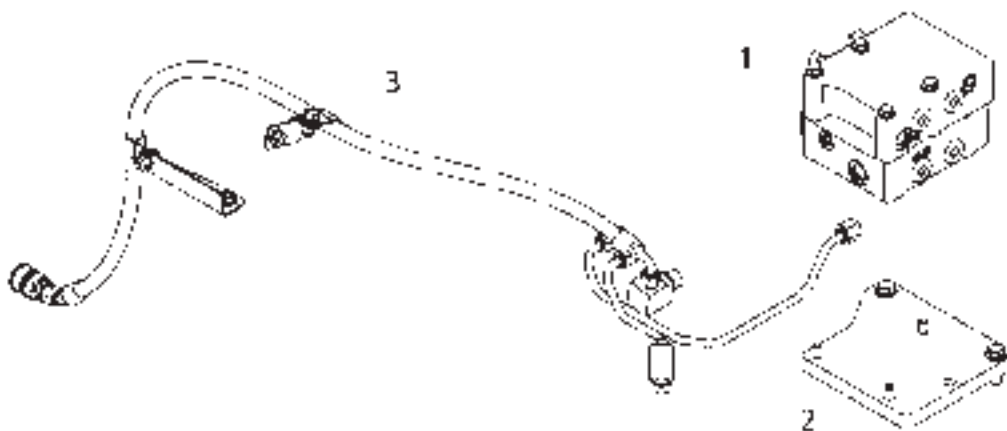
**BRAKE AR - 192-6390
AIR TRAILER (WITH HITCH)
MT855 & MT865**

ITEM	NUMBER	QTY	DESCRIPTION
-	192-6390	--	BRAKE AR-AIR TRAILER
1	500970D1	1	AIR COMPRESSOR GP (NOT SERVICED) (SEE BREAKDOWN FOR COMPONENTS)
2	200-4310	--	LINES & CONTROL GP (KIT) (SEE BREAKDOWN FOR COMPONENTS)
3	190-0435	1	TANK & LINES GP-AIR (NOT SERVICED) (SEE BREAKDOWN FOR COMPONENTS)
4	190-0438	1	LINES GP-COUPLER (NOT SERVICED) (SEE BREAKDOWN FOR COMPONENTS)

NOTIF
PR: t05i29k58b0321

MT800 SERIESTRACTORS
BRAKING SYSTEM

KIT-HYD TRAILER BRAKE - 209-3688
WITHOUT 3 POINT HITCH
EAME ONLY



2093688C

**MT800 SERIESTRACTORS
BRAKING SYSTEM**

725

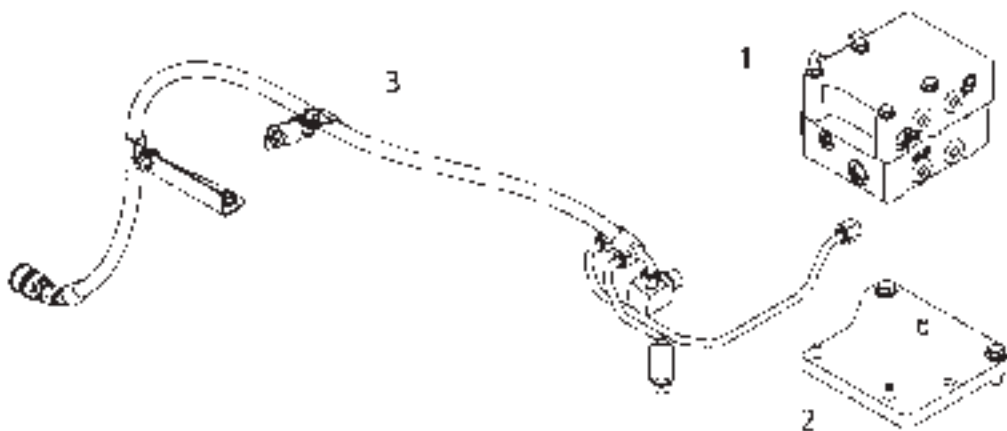
**KIT-HYDTRAILER BRAKE - 209-3688
WITHOUT 3 POINT HITCH
EAME ONLY**

ITEM	NUMBER	QTY	DESCRIPTION
-	209-3688	--	KIT-HYD TRAILER BRAKE
	193-8199	1	VALVE AR (NOT SERVICED) (INCLUDES ITEMS 1-3) (SEE BREAKDOWN FOR COMPONENTS)

2093688C
PR: t05i29k58b0322

MT800 SERIESTRACTORS
BRAKING SYSTEM

KIT-HYD BRAKE - 501140D1
WITHOUT 3 POINT HITCH
SPECIAL APPLICATIONS



2093688C

**MT800 SERIESTRACTORS
BRAKING SYSTEM**

727

**KIT-HYD BRAKE - 501140D1
WITHOUT 3 POINT HITCH
SPECIAL APPLICATIONS**

ITEM	NUMBER	QTY	DESCRIPTION
-	501140D1	--	KIT-HYD BRAKE (FIELD INSTALLED)
1	192-4816	1	VALVE GP-BANK 2 (SEE BREAKDOWN FOR COMPONENTS)
2	162-9805	1	MOUNTING GP-VALVE (NOT SERVICED) (SEE BREAKDOWN FOR COMPONENTS)
3	501130D1	1	LINES GP-HYDRAULIC OIL (NOT SERVICED) (SEE BREAKDOWN FOR COMPONENTS)

2093688C
PR: t05i29k58b0323

728

**MT800 SERIESTRACTORS
BRAKING SYSTEM**

**KIT HYDR TRAILER BRAKE - 209-3689
WITH 3 POINT HITCH
EAME ONLY**

NO ILLUSTRATION

NOTIF

**MT800 SERIES TRACTORS
BRAKING SYSTEM**

729

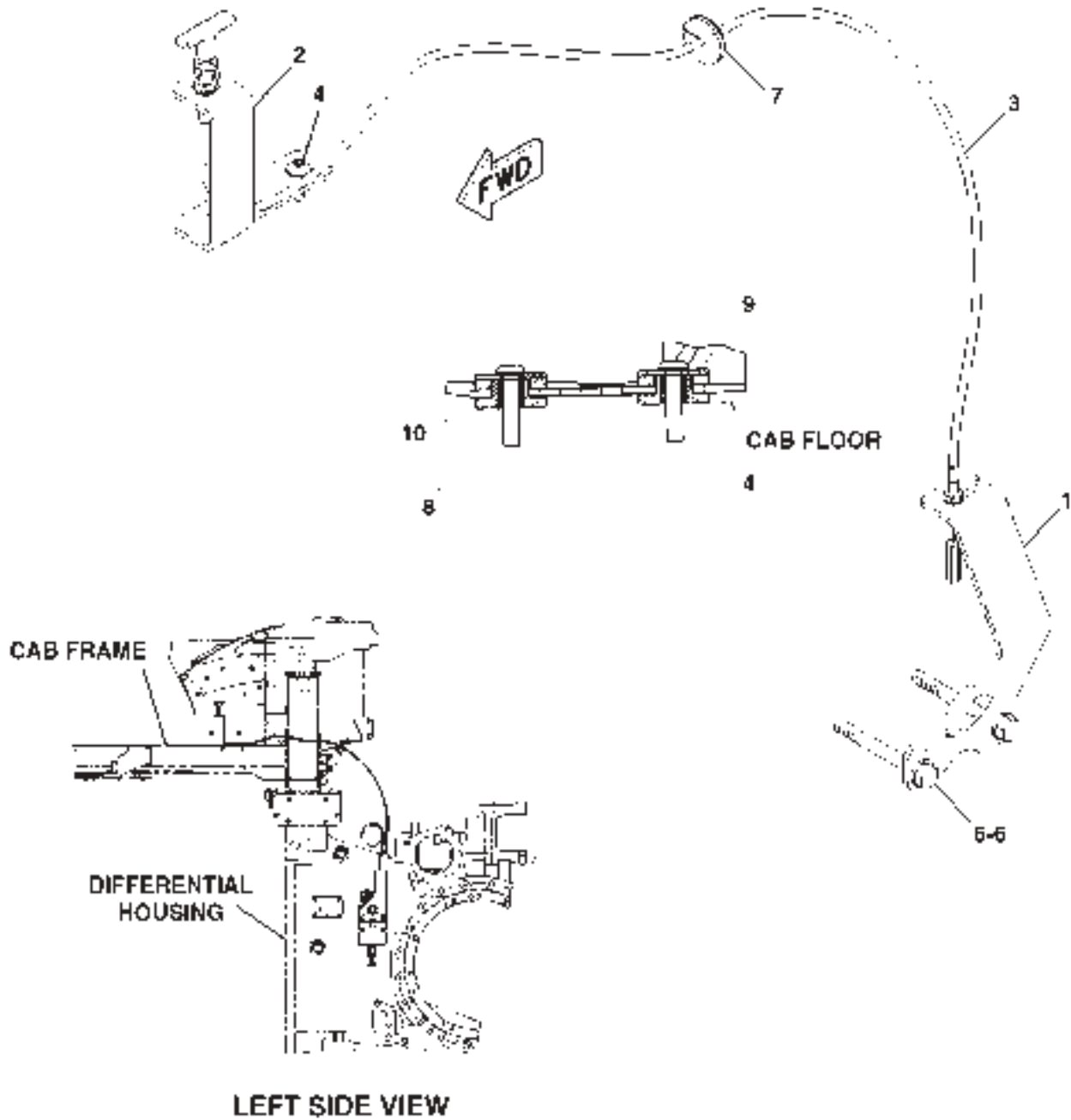
**KIT HYDR TRAILER BRAKE - 209-3689
WITH 3 POINT HITCH
EAME ONLY**

ITEM	NUMBER	QTY	DESCRIPTION
-	209-3689	--	BRAKE AR-TRAILER (SERVICED BY GROUPS)
1	CH7X-0474	4	BOLT (M10X1.5X220MM)
2	400287X1	4	WASHER-HARD (11X21X2.5)
3	162-9805	1	MOUNTING GP-VALVE (NOT SERVICED) (SEE BREAKDOWN FOR COMPONENTS)
4	193-1558	1	LINES GP-HYDRAULIC (NOT SERVICED) (SEE BREAKDOWN FOR COMPONENTS)
5	196-2318	1	VALVE GP-BRAKE CONTROL (SEE BREAKDOWN FOR COMPONENTS)
6	209-5021	1	VALVE GP-CONTROL (PRIORITY) (SEE BREAKDOWN FOR COMPONENTS)
7	CH5P-9186	8	SEAL-O-RING [J]
8	CH8L-2777	7	SEAL-O-RING [J]

[J] QUANTITIES SHOWN REFLECT
REPLACEMENT SEALS FOR THE VALVE
SECTION IMMEDIATELY BELOW THE TOP
PLATE AND DUPLICATE SEALS FOR THOSE
PRESENT IN THE ADDITIONAL VALVE GP

NOTIF
PR: t05i29k58b0324

BRAKE GP-PARKING - 210-7510



**MT800 SERIESTRACTORS
BRAKING SYSTEM**

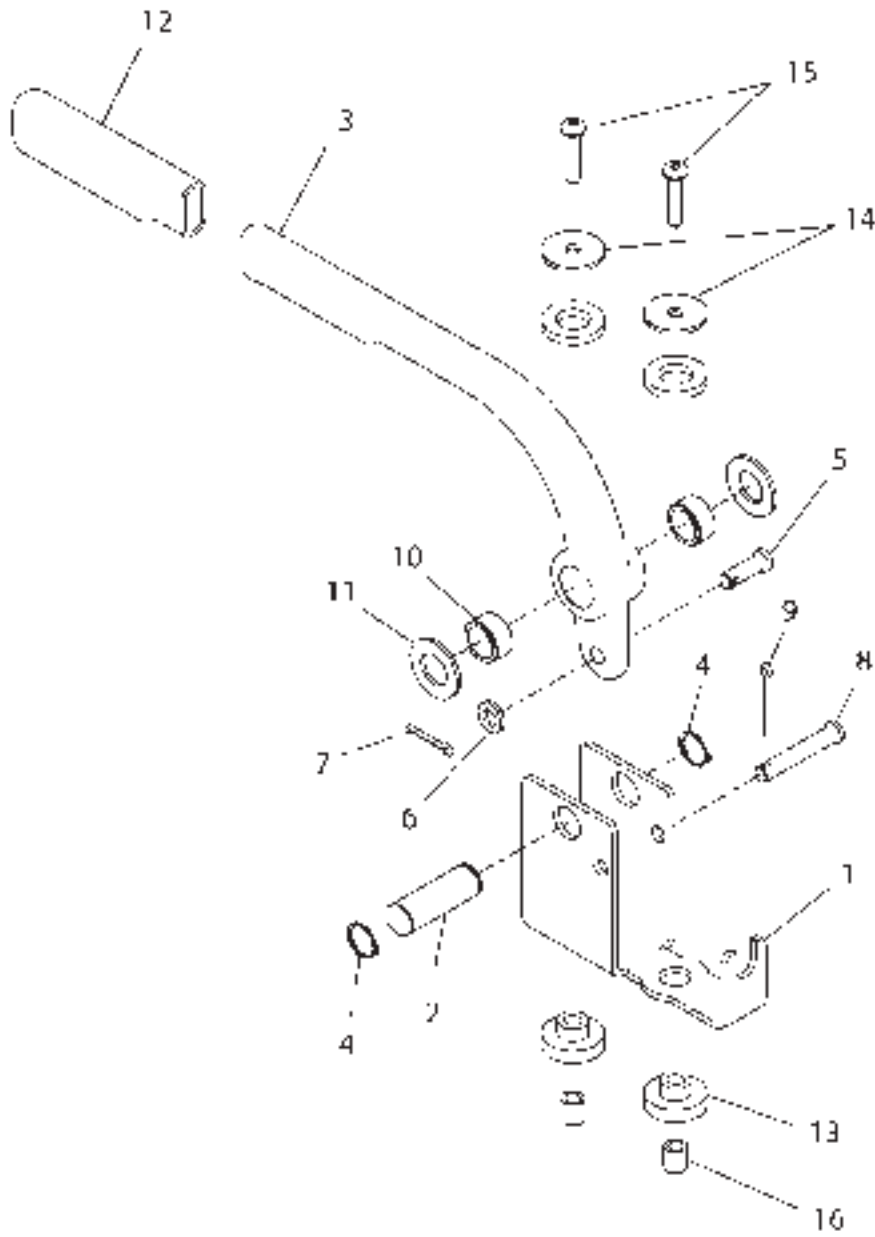
731

BRAKE GP-PARKING - 210-7510

ITEM	NUMBER	QTY	DESCRIPTION
-	210-7510	--	BRAKE GP-PARKING [A] (NOT SERVICED)
1	192-6383	1	BRACKET
2	210-7483	1	BRACKET
3	210-7511	1	CABLE (PARKING BRAKE)
4	CH142-2304	2	SCREW (M8 X 1.25)
5	400287X1	2	WASHER-HARD (11X21X2.5)
6	400225X1	2	BOLT (M10X1.5X90MM)
7	400114X1	1	GROMMET (30ODX7IDX3LG)
8	CH226-2711	2	SPACER
9	CH156-0283	2	WASHER-HARD
10	CH226-0372	2	MOUNT

[A] PART OF 179-1952 BASE AR-COMMON

0893359B
PR: t05i29k58b0325

MT800 SERIES TRACTORS
BRAKING SYSTEM**CONTROL GP-PARKING BRAKE - 172-6857**
EAME ONLY

1726857F

**MT800 SERIESTRACTORS
BRAKING SYSTEM**

733

**CONTROL GP-PARKING BRAKE - 172-6857
EAME ONLY**

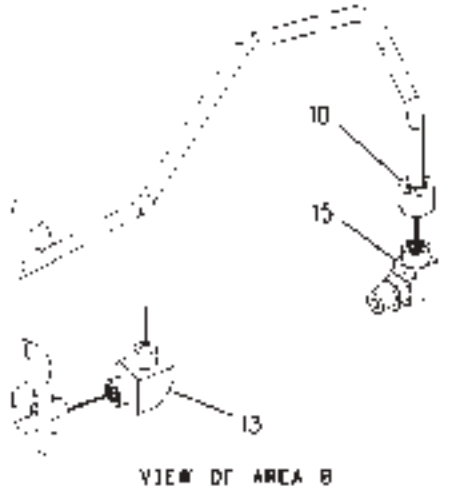
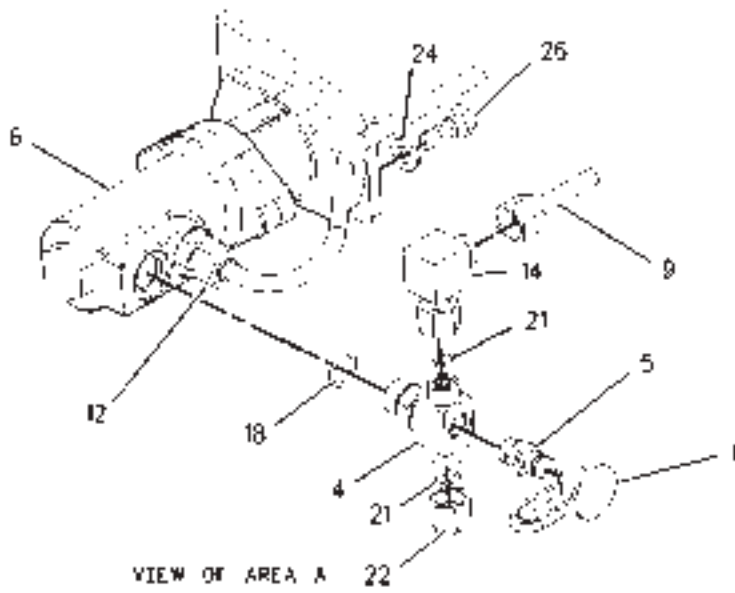
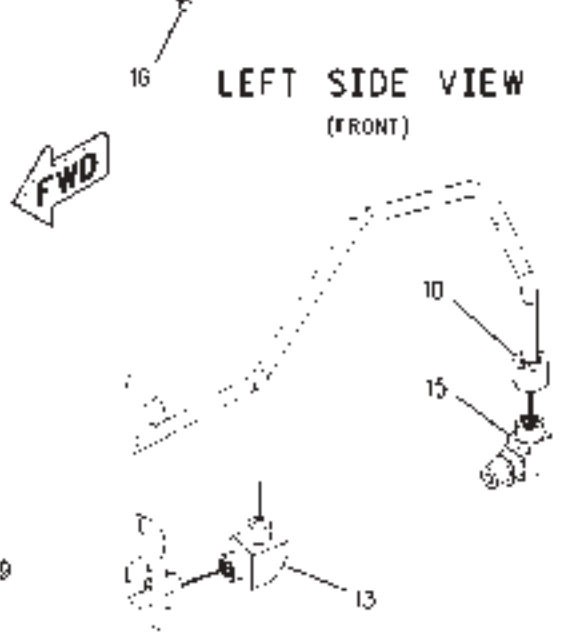
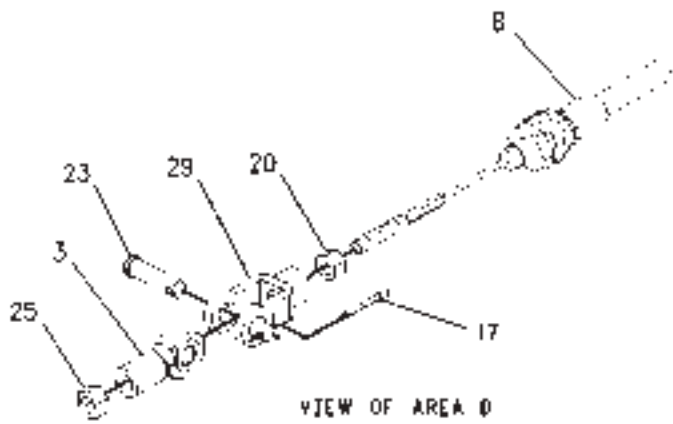
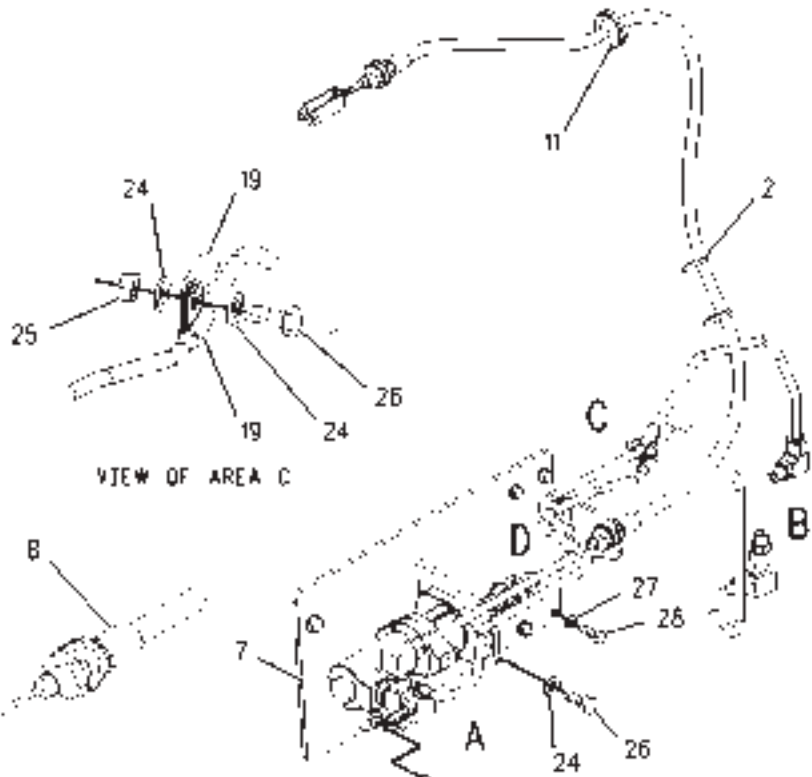
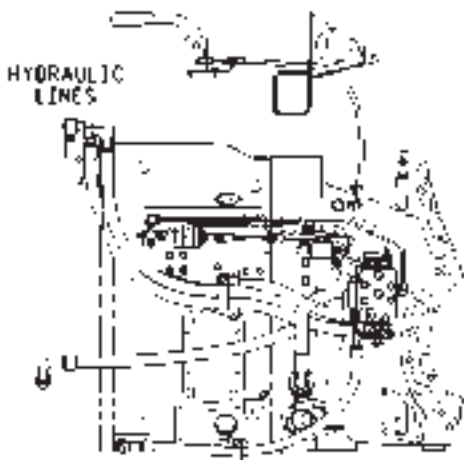
ITEM	NUMBER	QTY	DESCRIPTION
-	172-6857	--	CONTROL GP-PARK BRAKE [A] (NOT SERVICED)
1	179-6897	1	BRACKET
2	CH179-6898	1	PIN
3	179-6901	1	HANDLE
4	CH2J-6356	2	RING-RETAINING
5	CH9H-6673	1	PIN
6	CH5M-2894	1	WASHER-HARD (10.2X18.5X2.5MM THK)
7	CH3B-4617	1	PIN-COTTER
8	CH6L-3966	1	PIN
9	CH5J-3079	1	PIN-COTTER
10	CH4E-1251	2	BEARING-SLEEVE
11	CH114-5786	2	WASHER-NYLON (19.5X36.2X2.5MM THK)
12	179-6899	1	COVER
13	CH226-0372	2	BUSHING MOUNT (34.9ODX9.5ID)
14	CH156-0283	2	WASHER-HARD (8.4X35X2.5MM THK)
15	CH142-2304	2	BOLT-BTN HD (M8X1.25X35MM)
16	CH226-2711	2	SPACER (12.7IDX8.2ODX14)

[A] PART OF 500841D1; 500842D1 CAB AR

1726857F
PR: t05i29k58b0326

MT800 SERIES TRACTORS
BRAKING SYSTEM

CONTROL GP-PARKING BRAKE - 192-6360
SECONDARY
EAME ONLY



**MT800 SERIES TRACTORS
BRAKING SYSTEM**

735

**CONTROL GP-PARKING BRAKE - 192-6360
SECONDARY
EAME ONLY**

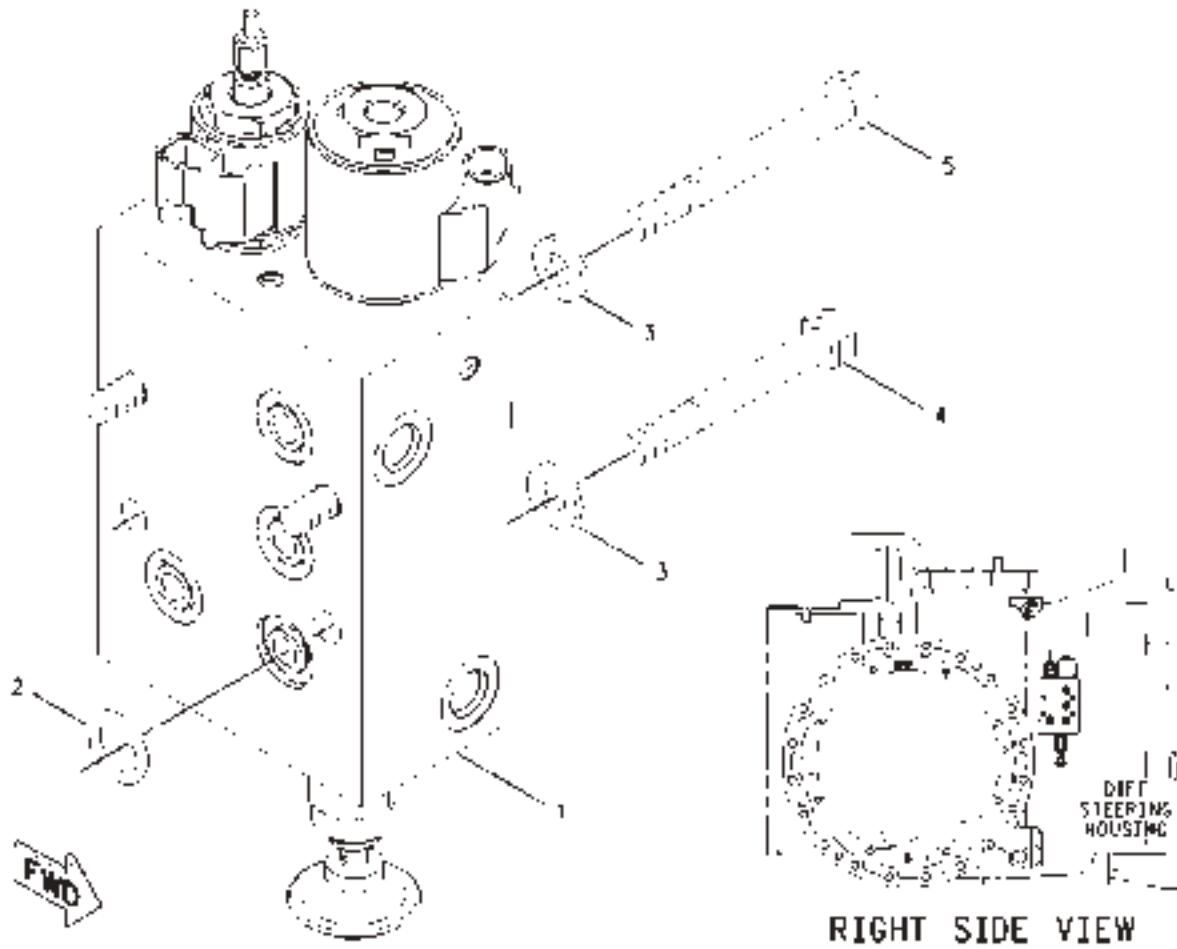
ITEM	NUMBER	QTY	DESCRIPTION
-	192-6360	--	CONTROL GP-PARKING BRAKE
1	400323X1	1	CAP-DUST
2	CH7K-1181	2	STRAP-CABLE
3	CH8T-6431	1	ROD END
4	CH163-6018	1	TEE
5	400324X1	1	FITTING AS
	400318X1	1	SEAL-O-RING (11.89IDX1.98DIA)
	6V-3965	1	FITTING AS
6	192-6371	1	VALVE AS-BRAKE [J]
7	200-4317	1	BRACKET AS
8	200-4323	1	CABLE AS
9	200-4392	1	TUBE AS
10	200-4372	1	TUBE AS
11	CH212-4443	1	GROMMET
12	400628X1	1	CONNECTOR AS
	3K-0360	1	SEAL-O-RING
	400378X1	1	SEAL-O-RING (12.83ODX1.78DIA)
	6V-8634	1	CONNECTOR
13	CH148-8374	1	ELBOW AS-90DEG 6ORFS X 8STOR
	CH3K-0360	1	SEAL-O-RING (16.36IDX2.21DIA)
	400378X1	1	SEAL-O-RING (12.83ODX1.78DIA)
14	CH148-8367	1	ELBOW AS-90DEG 6ORFS X 6ORFS SWVL
	400378X1	1	SEAL-O-RING (12.83ODX1.78DIA)
15	CH148-8378	1	ELBOW AS-90 DEG 4 STOR X6 ORFS
	400318X1	1	SEAL-O-RING (11.89IDX1.98DIA)
	400378X1	1	SEAL-O-RING (12.83ODX1.78DIA)
16	CH193-5914	4	PLUG
17	CH3B-4617	1	PIN-COTTER
18	CH3K-0360	1	SEAL-O-RING
19	400620X1	2	CLIP
20	CH6V-8183	1	NUT-FULL (3/8-24 THD)
21	400378X1	2	SEAL-O-RING (12.83ODX1.78DIA)
22	CH6V-9829	1	CAP AS
23	CH7X-0795	1	PIN
24	400287X1	6	WASHER-HARD (11X21X2.5MM THK)
25	WR522218	2	NUT (M10X1.5 THD)
26	400039X1	5	BOLT (M10X1.5X25MM)
27	400339X1	4	WASHER-HARD (8.8X16X2MM THK)
28	400341X1	4	BOLT (M8X1.25X25MM)
29	CH8X-6167	1	ROD END
	200-4341	1	KIT-REPAIR (VALVE AS-BRAKE) [J]

[A] PART OF 179-2180 BASE COMMON AR
[J] REPAIR KIT(S) MARKED J AVAILABLE
FOR PART(S) MARKED J

0894062A
PR: t05i29k58b0327

MT800 SERIES TRACTORS
BRAKING SYSTEM

CONTROL GP-PARKING BRAKE - 192-6350



**MT800 SERIESTRACTORS
BRAKING SYSTEM**

737

CONTROL GP-PARKING BRAKE - 192-6350

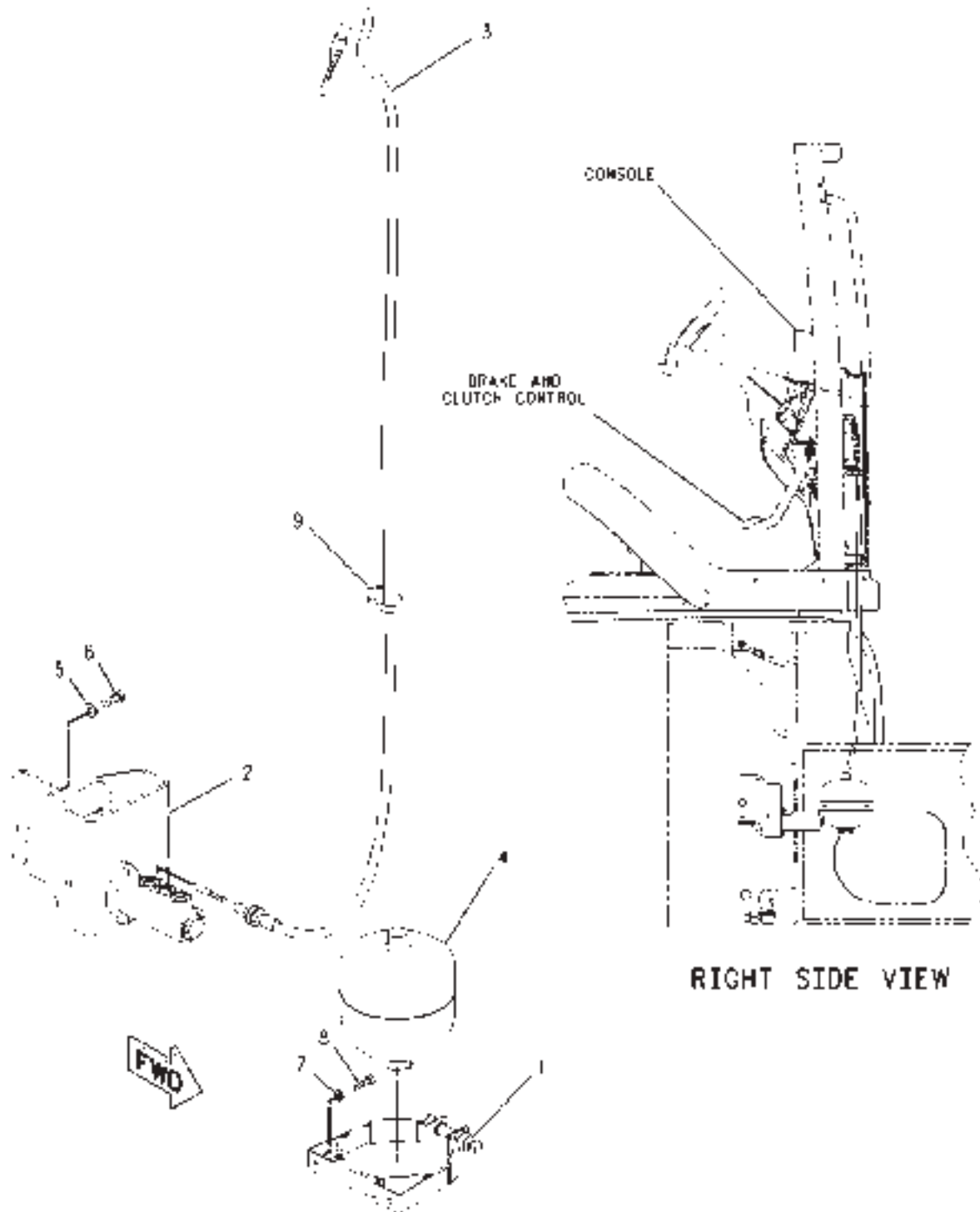
ITEM	NUMBER	QTY	DESCRIPTION
-	192-6350	--	CONTROL GP-PARKING BRAKE [A] (NOT SERVICED)
1	200-4351	1	VALVE GP-PARKING BRAKE (SEE BREAKDOWN FOR COMPONENTS)
2	CH5P-8119	4	SEAL-O-RING
3	400287X1	4	WASHER-HARD (11X21X2.5)
4	400044X1	3	BOLT (M10X1.50X80MM)
5	400225X1	1	BOLT (M10X1.5X90MM)

[A] PART OF:
179-1952; 179-2180 BASE COMMON AR

00856740
PR: t05i29k58b0328

MT800 SERIES TRACTORS
BRAKING SYSTEM

CONTROL GP-SERVICE BRAKE - 200-4400



0088809

**MT800 SERIESTRACTORS
BRAKING SYSTEM**

739

CONTROL GP-SERVICE BRAKE - 200-4400

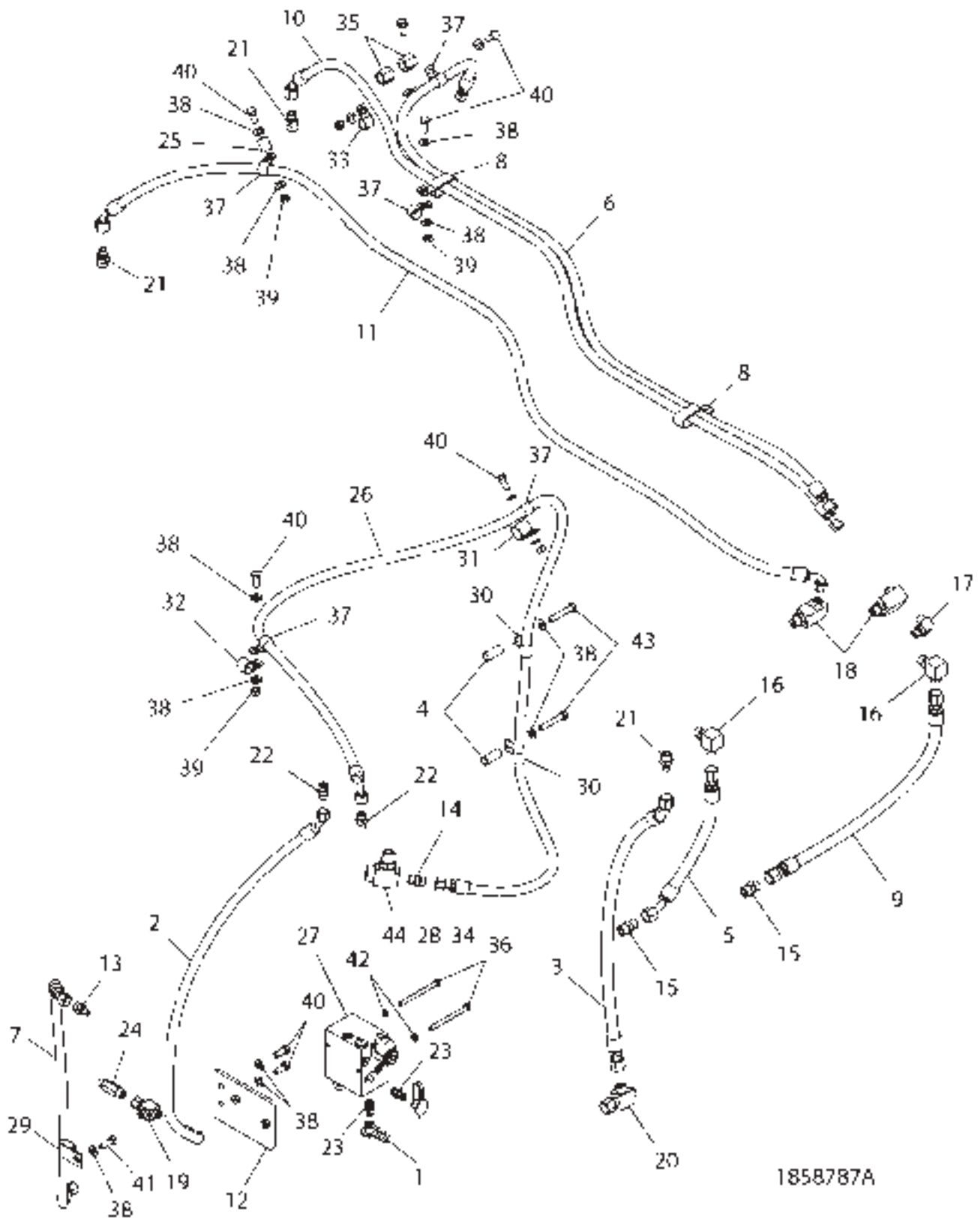
ITEM	NUMBER	QTY	DESCRIPTION
-	200-4400	--	CONTROL GP-SERVICE BRAKE [A] (NOT SERVICED)
1	CH180-1120	1	CLAMP
2	184-5338	1	CYLINDER GP-MASTER (SEE BREAKDOWN FOR COMPONENTS)
3	500447D1	1	CABLE (SERVICE BRAKE)
4	200-4335	1	ACCUMULATOR ASM-BRAKE
	502105D1	1	TAG-CYLINDER
	208-7843	1	FILM-ACCUMULATOR
5	400287X1	3	WASHER-HARD (11X21X2.5)
6	400039X1	3	BOLT (M10X1.5X25MM)
7	400339X1	2	WASHER-HARD (8.8X16X2)
8	400245X1	2	BOLT (M8X1.25X30MM)
9	CH7K-1181	1	STRAP-CABLE

[A] PART OF:
179-1952; 179-2180 BASE AR-COMMON

00888809
PR: t05i29k58b0329

MT800 SERIES TRACTORS
BRAKING SYSTEM

LINES GP-SERV BRAKE (B) - 185-8787
EAME ONLY



1858787A

**MT800 SERIES TRACTORS
BRAKING SYSTEM**

741

**LINES GP-SERV BRAKE (B) - 185-8787
EAME ONLY**

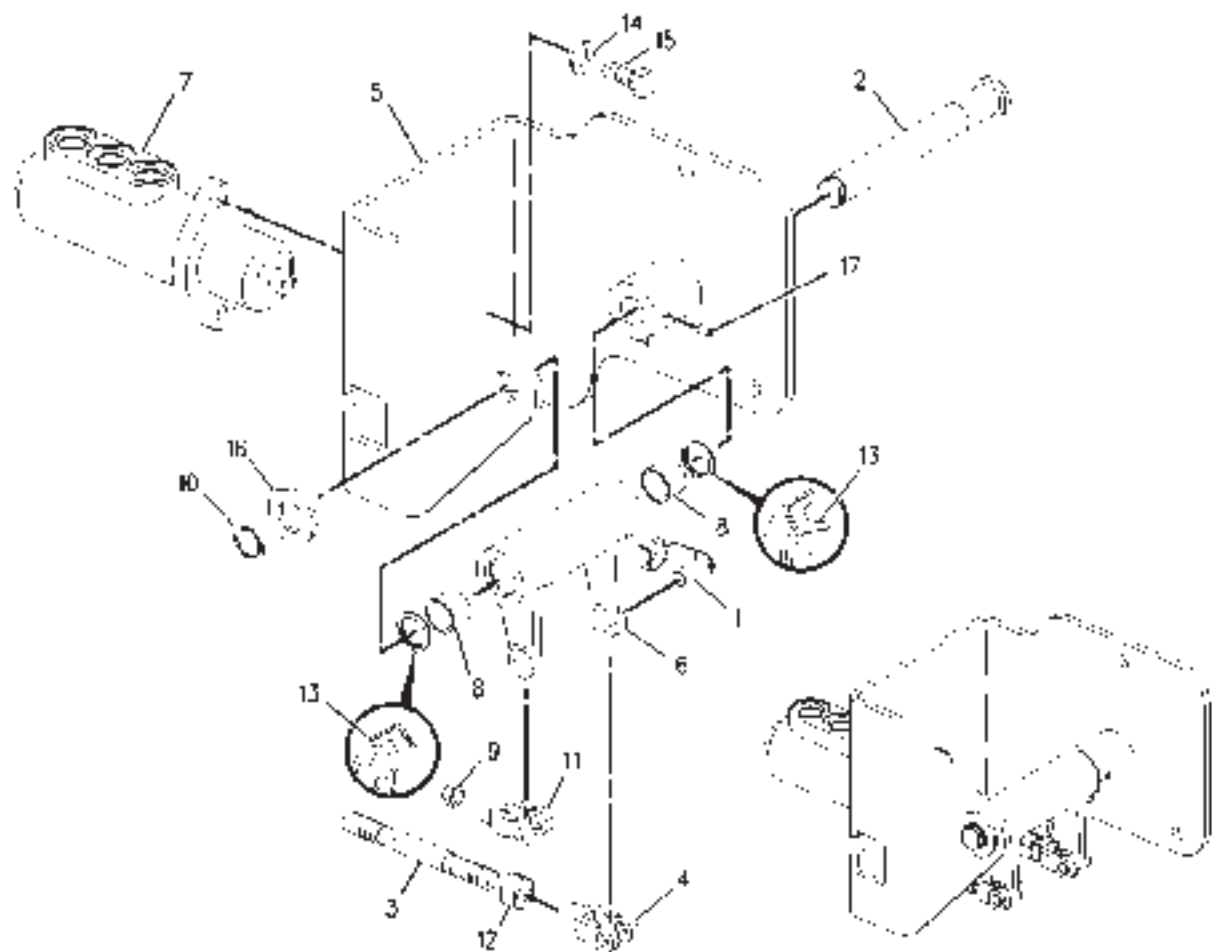
ITEM	NUMBER	QTY	DESCRIPTION
-	185-8787	--	LINES GP-SERV BRAKE (B) [A] (NOT SERVICED)
1	400323X1	2	CAP-DUST 12.6 DIA -RUBBER
2	CH192-6389	1	HOSE AS.-9.5 ID SAE 100R1
3	CH197-5910	1	HOSE AS.-12.7 ID SAE 100R1
4	CH209-3395	2	SPACER-17.14ODX12.52IDX40 ZN
5	CH212-0297	1	HOSE AS.-12.7 ID SAE 100R1
6	CH212-0302	2	HOSE AS.-9.5 ID SAE 100R1
7	CH212-0310	1	HOSE AS.-9.5 ID SAE 100R1
8	400625X1	2	CLIP-19.05 ID DBL,M10 OR 3/8
9	CH218-3575	1	HOSE AS.-12.7 ID SAE 100R1
10	CH221-0050	1	HOSE AS.-9.5 ID SAE 100R1
11	CH221-0051	1	HOSE AS.-9.5 ID SAE 100R1
12	221-0331	1	BRACKET AS
13	CH148-8326	1	CONNECTOR AS-6 ORFS X 4 STOR
14	400367X1	1	CONNECTOR AS-6 STOR -6 ORFS
15	CH148-8340	2	CONNECTOR AS. ELEC
	CH3K-0360	1	SEAL-O-RING (16.36IDX2.21DIA)
	CH6V-8398	1	SEAL-O-RING (16.03ODX1.78DIA)
16	CH148-8364	2	ELBOW AS-90DEG (8STOR-8ORFS)
	CH3K-0360	1	SEAL-O-RING (16.36IDX2.21DIA)
	CH6V-8398	1	SEAL-O-RING (16.03ODX1.78DIA)
17	CH148-8378	1	ELBOW AS-90 DEG 4 STOR X6 ORFS
	400318X1	1	SEAL-O-RING (11.89IDX1.98DIA)
	400378X1	1	SEAL-O-RING (12.83ODX1.78DIA)
18	CH148-8383	2	ELBOW AS-90DEG 8STOR X 6ORFS
	CH3K-0360	1	SEAL-O-RING (16.36IDX2.21DIA)
	400378X1	1	SEAL-O-RING (12.83ODX1.78DIA)
19	CH148-8433	1	TEE AS-6 ORFS X 3
	400378X1	2	SEAL-O-RING (12.83ODX1.78DIA)
20	CH148-8444	1	TEE-SWIVEL 3X -8 ORFS
	CH6V-8398	2	SEAL-O-RING (16.03IDX1.78DIA)
21	400428X1	3	CONNECTOR AS-STR-6STOR-8ORFS
22	400638X1	2	CONNECTOR AS-STR-6STOR-6ORFS
23	400324X1	2	NIPPLE AS-QUICK DISC-4&ORING
24	CH164-9869	1	CONNECTOR AS-6STOR X 6ORFS
25	CH1S-0994	1	CLIP-LOOP 20.64 ID
26	228-7494	1	HOSE AS.
27	232-0838	1	VALVE AS.
28	400319X1	1	SEAL-O-RING 19.18 IDX2.46 DIA
29	CH4D-7733	1	CLIP-LOOP 17.46ID
30	CH4D-7735	2	CLIP-LOOP 18.29ID
31	CH4S-1962	1	CLIP-LOOP 25.4 ID
32	CH6D-4244	1	CLIP-LOOP 22.22 ID W/COAT
33	CH6D-4246	4	CLIP-LOOP 19.05ID
34	400366X1	1	SEAL-O-RING 22.5 ODX1.78 DIA
35	400645X1	2	CAP AS-12.7 OD-8 ORFS
36	400028X1	2	BOLT-M8X1.25X100 ZNDI HHD 10.9
37	CH8M-2773	5	CLIP-LOOP 47.6 ID
38	400287X1	16	WASHER-HARD 11IDX21ODX2.5 ZND1
39	WR522218	5	NUT-M10-1.5,CL10.9,ZN,H,REG
40	400039X1	8	BOLT-M10X1.5X25 ZNDI HHD 10.9
41	400058X1	1	BOLT-M10X1.5X30 ZNDI HHD 10.9
42	400339X1	2	WASHER-HARD
43	400239X1	2	BOLT-M10X1.5X60 ZNDI HHD 10.9
44	CH9X-2541	1	TEE-6STOR X 10STOR X 12ORFS

[A] PART OF 179-2180 BASE COMMON AR

1858787A
PR: t05i29k58b0330

MT800 SERIES TRACTORS
BRAKING SYSTEM

CYLINDER GP-MASTER - 184-5338
SERVICE BRAKE



**MT800 SERIESTRACTORS
BRAKING SYSTEM**

743

**CYLINDER GP-MASTER - 184-5338
SERVICE BRAKE**

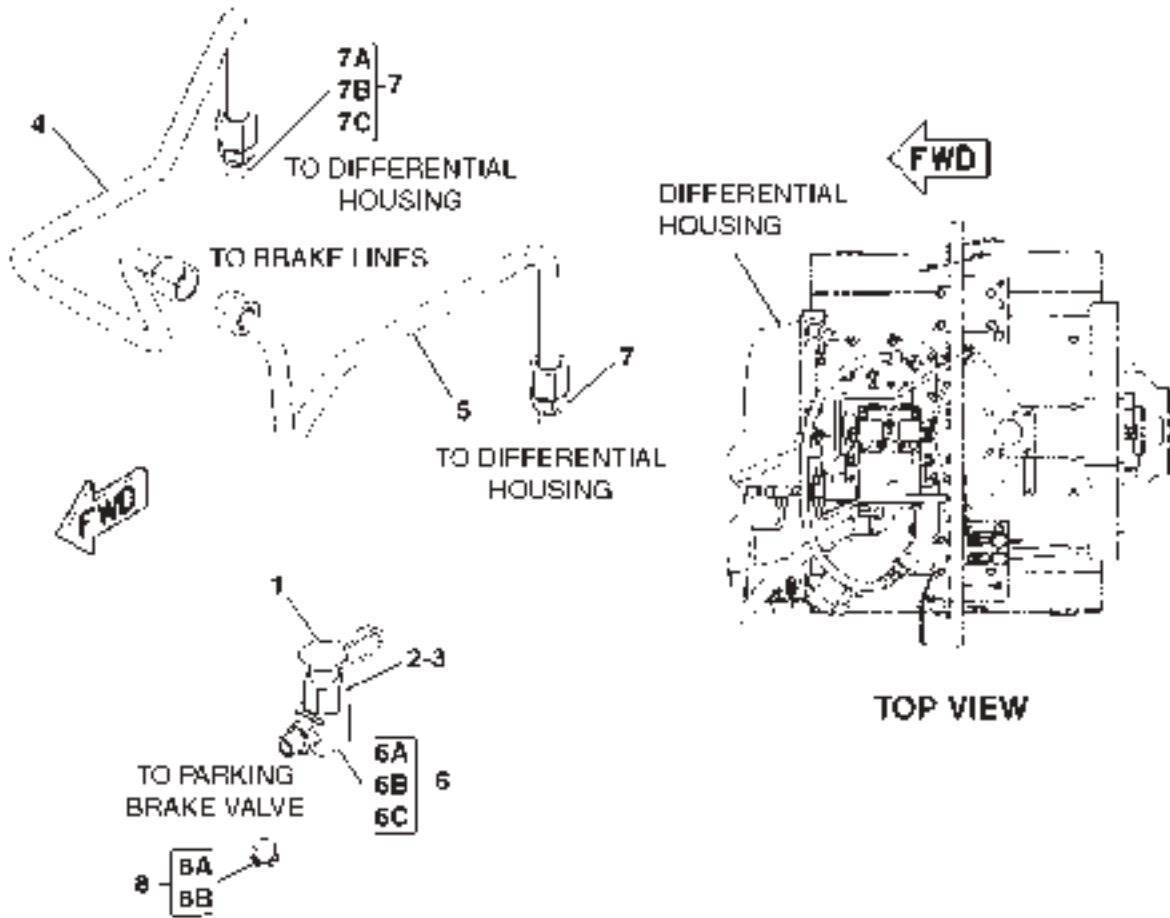
ITEM	NUMBER	QTY	DESCRIPTION
-	184-5338	--	CYLINDER GP-MASTER [A]
1	CH8T-8932	2	PIN-SPRING
2	CH184-5339	1	ROD
3	184-5352	1	STEM
4	400117X1	1	ROD END
5	200-4316	1	BRACKET ASM
	CH8T-3490	1	NUT
6	200-4322	1	LEVER
7	200-4343	1	VALVE (BRAKE)
8	CH200-4384	2	BEARING
9	CH1B-4202	1	NUT (5/16-24)
10	CH2J-6356	1	RING-RETAINING
11	CH4J-2701	1	ROD END
12	CH7X-3374	1	NUT-FULL (1/2-20)
13	CH8F-7702	2	SEAL-LIP
14	400287X1	2	WASHER-HARD (11X21X2.5)
15	400039X1	2	BOLT (M10X1.5X25MM)
16	CH8T-4994	1	WASHER-HARD (20X36.5X3.5)
17	CH8T-9102	1	SETSCREW-SOCKET (M5X0.8X10MM)

[A] PART OF 200-4400 CONTROL GP-SRVC
BRAKE

00886571
PR: t05i29k58b0331

MT800 SERIES TRACTORS
BRAKING SYSTEM

LINES GP-BRAKE - 163-0386



**MT800 SERIESTRACTORS
BRAKING SYSTEM**

745

LINES GP-BRAKE - 163-0386

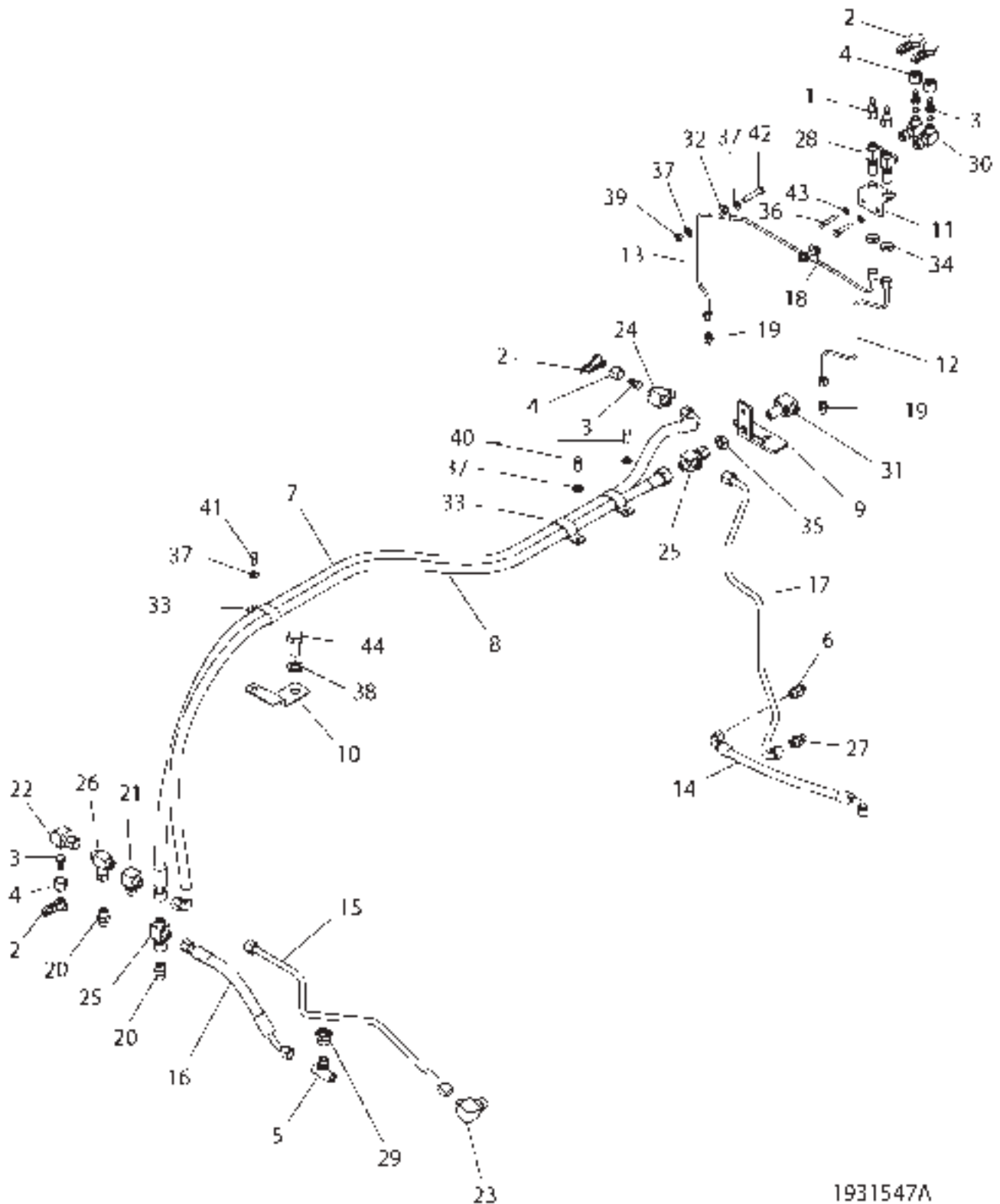
ITEM	NUMBER	QTY	DESCRIPTION
-	163-0386	--	LINES GP-BRAKE [A] (NOT SERVICED)
1	400323X1	1	CAP-DUST
2	CH8C-6416	1	FITTING (INCLUDES NUT)
	CH6V-8554	1	NUT
3	400607X1	1	NUT (13/16-16)
4	208-9814	1	TUBE ASM(INCLUDES NUT, SLEEVE, TUBE)
5	208-9815	1	TUBE ASM
6	400417X1	1	ELBOW AS (90DEG-6STOR-8ORFS)
6A	400318X1	1	SEAL-O-RING (11.89IDX1.98DIA)
6B	CH6V-8398	1	SEAL-O-RING (16.03ODX1.78DIA)
7	400428X1	2	CONNECTOR AS-STR (6STOR-8ORFS)
7A	400318X1	1	SEAL-O-RING (11.89IDX1.98DIA)
7B	CH6V-8398	1	SEAL-O-RING (16.03ODX1.78DIA)
7C	-----	1	CONNECTOR-SEAL (ORDER ITEM 7)
8	CH162-0177	1	PLUG AS-HSHD (9/16-18)
8A	CH3K-0360	1	SEAL-O-RING
8B	-----	1	PLUG (ORDER ITEM 8)

[A] PART OF 179-1952 BASE AR-COMMON

0823177A
PR: t05i29k58b0332

MT800 SERIES TRACTORS
BRAKING SYSTEM

LINES GP-BRAKE - 193-1547
COMMON



**MT800 SERIES TRACTORS
BRAKING SYSTEM**

747

**LINES GP-BRAKE - 193-1547
COMMON**

ITEM	NUMBER	QTY	DESCRIPTION
-	193-1547	--	LINES GP-BRAKE (COMMON) [A]
1	500494D1	2	VALVE GP-PURGE (BLEEDER)
2	400323X1	4	CAP-DUST
3	CH8C-6416	4	NIPPLE AS
	CH6V-8554	1	NUT
4	400607X1	4	NUT (13/16-16)
5	CH172-5761	1	TEE AS (6STORX8STORX8ORFS)
	CH3K-0360	1	SEAL-O-RING (16.36IDX2.21DIA)
	CH6V-8398	1	SEAL-O-RING (16.03ODX1.78DIA)
6	CH172-9287	1	CONNECTOR AS (6 STOR -6 ORFS)
	400318X1	1	SEAL-O-RING (11.89IDX1.98DIA)
	400378X1	1	SEAL-O-RING (12.83ODX1.78DIA)
7	CH208-9829	1	HOSE ASM
8	CH208-9830	1	HOSE ASM
9	208-9838	1	BRACKET ASM
10	208-9839	1	BRACKET ASM
11	210-5610	1	BRACKET ASM
12	210-5648	1	TUBE ASM
13	210-5649	1	TUBE ASM
14	CH212-3585	1	HOSE ASM
15	219-9652	1	TUBE ASM
16	CH219-9653	1	HOSE ASM
17	220-3664	1	TUBE ASM
18	CH0L-2072	2	CLIP
19	400368X1	2	CONNECTOR AS (4STOR -4ORFS)
	400361X1	1	SEAL-O-RING (8.92ID X 1.83DIA)
	400377X1	1	SEAL-O-RING (11.23OD X 1.78DIA)
20	CH148-8340	2	CONNECTOR AS (8ORFS 8STOR)
	CH3K-0360	1	SEAL-O-RING (16.36IDX2.21DIA)
	CH6V-8398	1	SEAL-O-RING (16.03ODX1.78DIA)
21	CH148-8364	1	ELBOW AS-90DEG (8STOR-8ORFS)
	CH3K-0360	1	SEAL-O-RING (16.36IDX2.21DIA)
	CH6V-8398	1	SEAL-O-RING (16.03ODX1.78DIA)
22	CH148-8370	1	ELBOW AS-90DEG (8 ORFS SWVL)
	CH6V-8398	1	SEAL-O-RING (16.03ODX1.78DIA)
23	CH148-8372	1	ELBOW AS (10STOR 8ORFS)
	400319X1	1	SEAL-O-RING (19.18IDX2.46DIA)
	CH6V-8398	1	SEAL-O-RING (16.03ODX1.78DIA)
24	CH148-8436	1	TEE ASM (6 ORFS)
	CH3K-0360	1	SEAL-O-RING (16.36IDX2.21DIA)
	CH6V-8398	2	SEAL-O-RING (16.03ODX1.78DIA)
25	CH148-8444	3	TEE-SWIVEL 3X -8 ORFS
	CH6V-8398	2	SEAL-O-RING (16.03IDX1.78DIA)

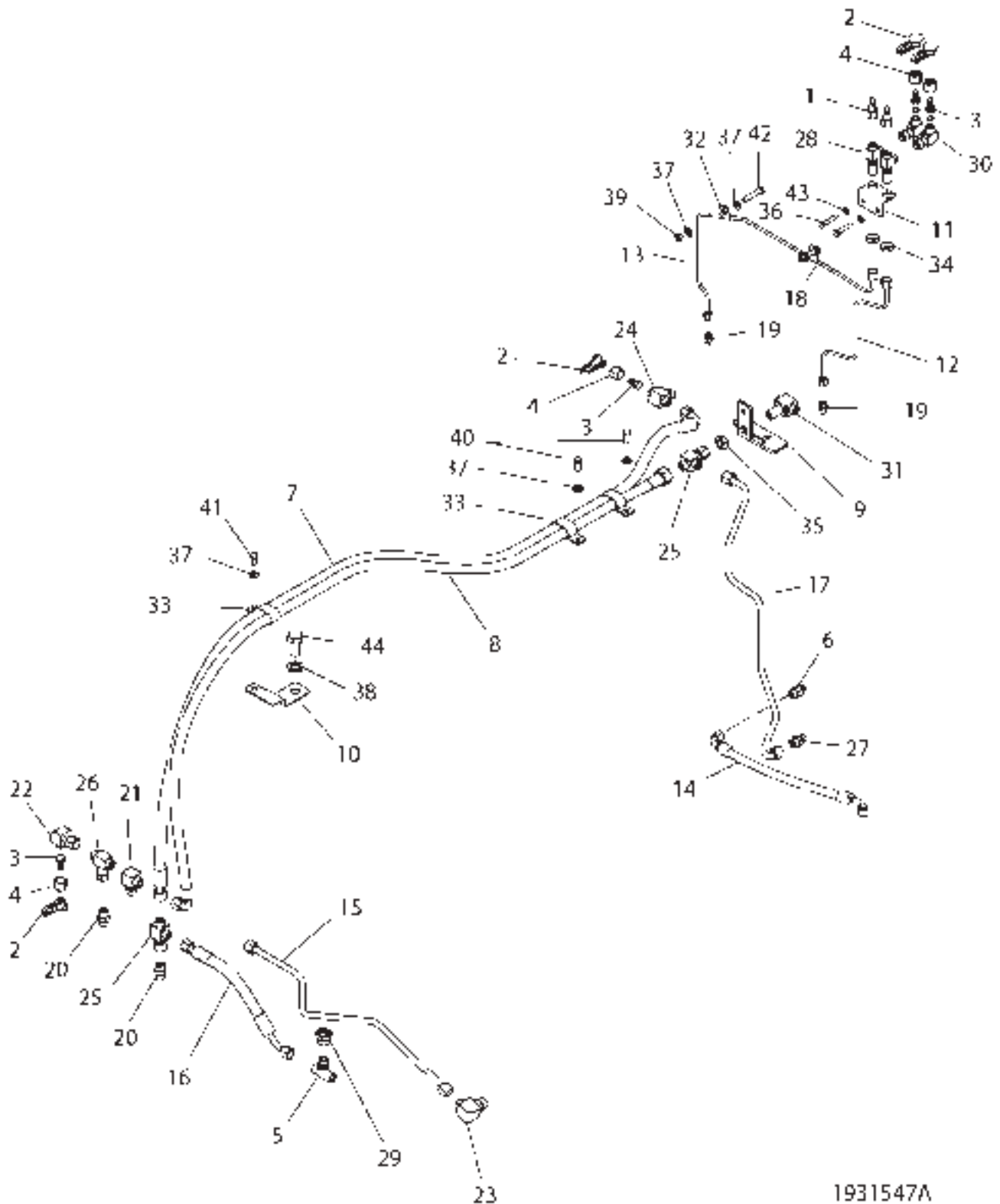
CONTINUED

[A] PART OF:
179-1952; 179-2180 BASE COMMON AR

1931547A
PR: t05i29k58b0333

MT800 SERIES TRACTORS
BRAKING SYSTEM

LINES GP-BRAKE - 193-1547
COMMON



**MT800 SERIESTRACTORS
BRAKING SYSTEM**

749

**LINES GP-BRAKE - 193-1547
COMMON**

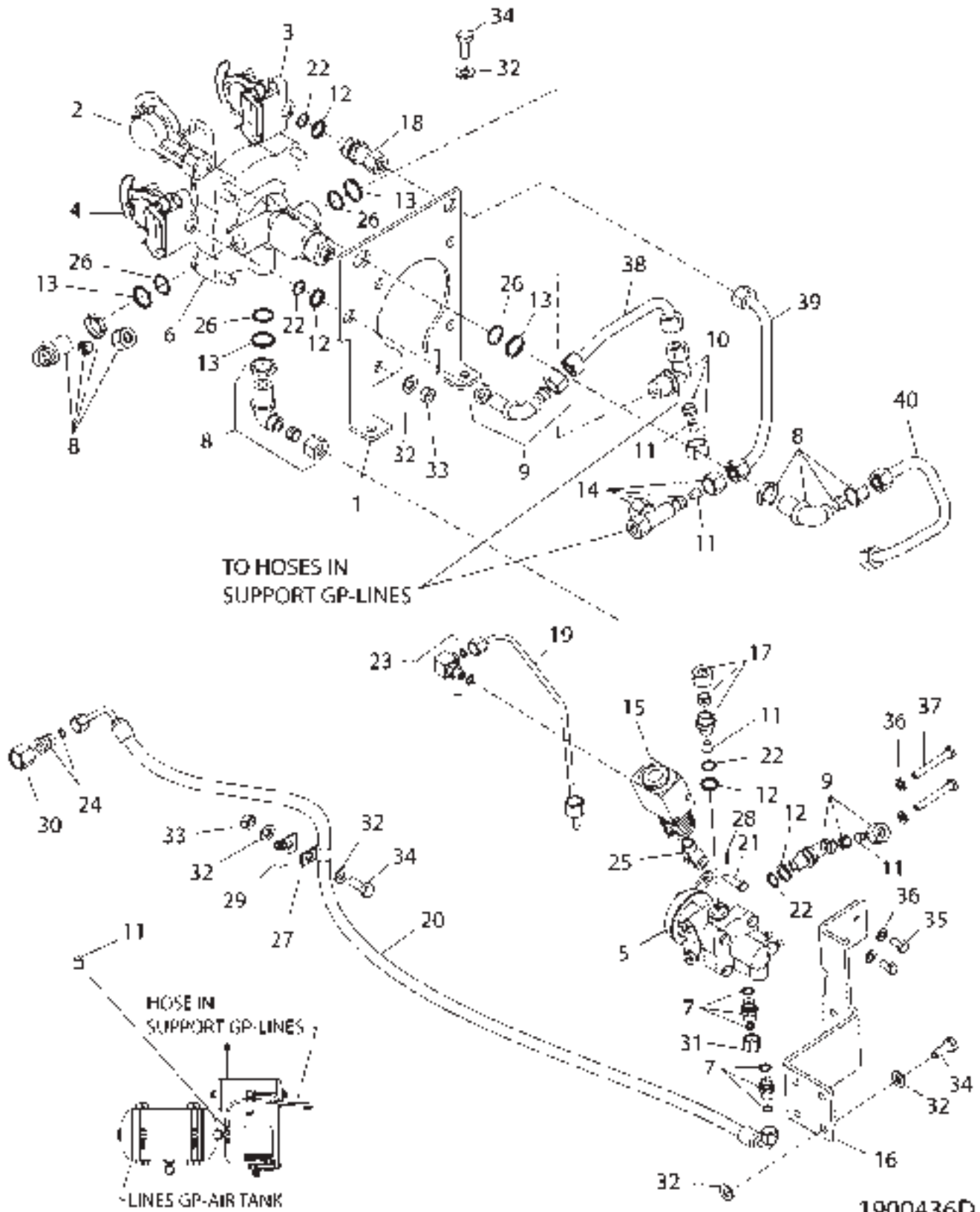
ITEM	NUMBER	QTY	DESCRIPTION
-	193-1547	--	LINES GP-BRAKE (COMMON) [A] (NOT SERVICED)
26	400614X1	1	TEE AS (8 ORFS)
	CH6V-8398	2	SEAL-O-RING (16.03ODX1.78DIA)
27	400428X1	1	CONNECTOR AS -6STOR-8ORFS
	400318X1	1	SEAL-O-RING (11.89IDX1.98DIA)
	CH6V-8398	1	SEAL-O-RING (16.03ODX1.78DIA)
28	400618X1	2	TEE AS-BLKHD (6 ORFS)
	400378X1	3	SEAL-O-RING (12.83ODX1.78DIA)
29	400636X1	1	ADAPTER AS (STR-12 STOR-8 PORT)
	400416X1	1	SEAL-O-RING (23.47IDX2.95DIA)
30	400825X1	2	ELBOW AS-90DEG (8ORFS)
	CH6V-8398	2	SEAL-O-RING (16.03ODX1.78DIA)
31	CH169-4273	1	TEE AS-BLKHD UNION (8ORFS)
	CH6V-8398	3	SEAL-O-RING (16.03ODX1.78DIA)
32	CH2B-2404	1	CLIP
33	CH6D-1641	3	CLIP
34	400347X1	2	NUT-BULKHEAD (11/16-16)
35	400348X1	1	NUT-BULKHEAD (13/16-16)
36	400024X1	2	BOLT (M8X1.25X45MM)
37	400287X1	7	WASHER-HARD (11X21X2.5)
38	400080X1	1	WASHER-PLATED (22X35X3.5)
39	WR522218	2	NUT (M10X1.5)
40	400039X1	2	BOLT (M10X1.5X25MM)
41	400040X1	1	BOLT (M10X1.5X20MM)
42	400226X1	2	BOLT (M10X1.5X50MM)
43	400339X1	2	WASHER-HARD (8.8X16X2)
44	400234X1	1	BOLT (M20X2.5X40MM)
45	500950D1	2	NUT-TUBE (NOT SHOWN)

[A] PART OF:
179-1952; 179-2180 BASE COMMON AR

1931547A
PR: t05i29k58b0333

**MT800 SERIES TRACTORS
BRAKING SYSTEM**

LINES & CONTROL GP (KIT) - 190-0436
AIR TRAILER BRAKE (WITHOUT HITCH)
(EAME ONLY)



**MT800 SERIES TRACTORS
BRAKING SYSTEM**

751

**LINES & CONTROL GP (KIT) - 190-0436
AIR TRAILER BRAKE (WITHOUT HITCH)
(EAME ONLY)**

ITEM	NUMBER	QTY	DESCRIPTION
-	190-0436	--	LINES & CONTROL GP
1	162-9766	1	BRACKET
2	CH171-1105	1	CONNECTOR AS (QUICK)
3	CH171-1106	1	CONNECTOR AS (QUICK)
4	CH171-1107	1	CONNECTOR AS (QUICK)
5	180-1667	1	VALVE-CONTROL
6	180-2519	1	VALVE-CONTROL
7	CH183-4236	2	ADAPTER GP
	400377X1	1	SEAL-O-RING (11.23OD X 1.78DIA)
	CH8C-5200	1	SEAL
8	CH185-9753	3	ELBOW AS-90DEG (M16XM18)
9	CH185-9759	2	ELBOW AS-90DEG (M16XM18)
	CH187-6297	1	FERRULE
	400352X1	1	NUT-TUBE (M18X1.5)
	187-9012	1	LOCKNUT
10	CH185-9762	1	TEE AS (M18XM22XM18)
	CH187-6297	2	FERRULE
	400352X1	2	NUT-TUBE (M18X1.5)
	CH187-6486	1	LOCKNUT
11	CH185-9768	5	INSERT
12	CH185-9772	4	RING-BACKUP
13	CH185-9773	4	RING-BACKUP
14	CH190-0430	1	TEE AS (M18X3)
	CH3E-4297	1	SEAL-O-RING (10IDX1.5DIA)
	CH187-6297	2	FERRULE (12OD TUBE)
	400352X1	2	NUT-TUBE (M18X1.5)
15	192-6366	1	ACTUATOR AS
16	192-6392	1	BRACKET AS
17	CH200-4349	1	ADAPTER (M18XM16)
	CH187-6297	1	FERRULE (12OD TUBE)
	400352X1	1	NUT-TUBE (M18X1.5)
18	CH200-4359	1	COUPLING
19	200-4374	1	TUBE AS
20	CH200-4379	1	HOSE AS
21	CH095-1316	1	PIN-CLEVIS
22	CH122-9250	4	SEAL-O-RING
23	400650X1	1	ELBOW AS-90DEG-4STORX4ORFS
	400361X1	1	SEAL-O-RING (8.92ID X 1.83DIA)
	400377X1	1	SEAL-O-RING (11.23OD X 1.78DIA)
	-----	1	ELBOW (ORDER ITEM 23)

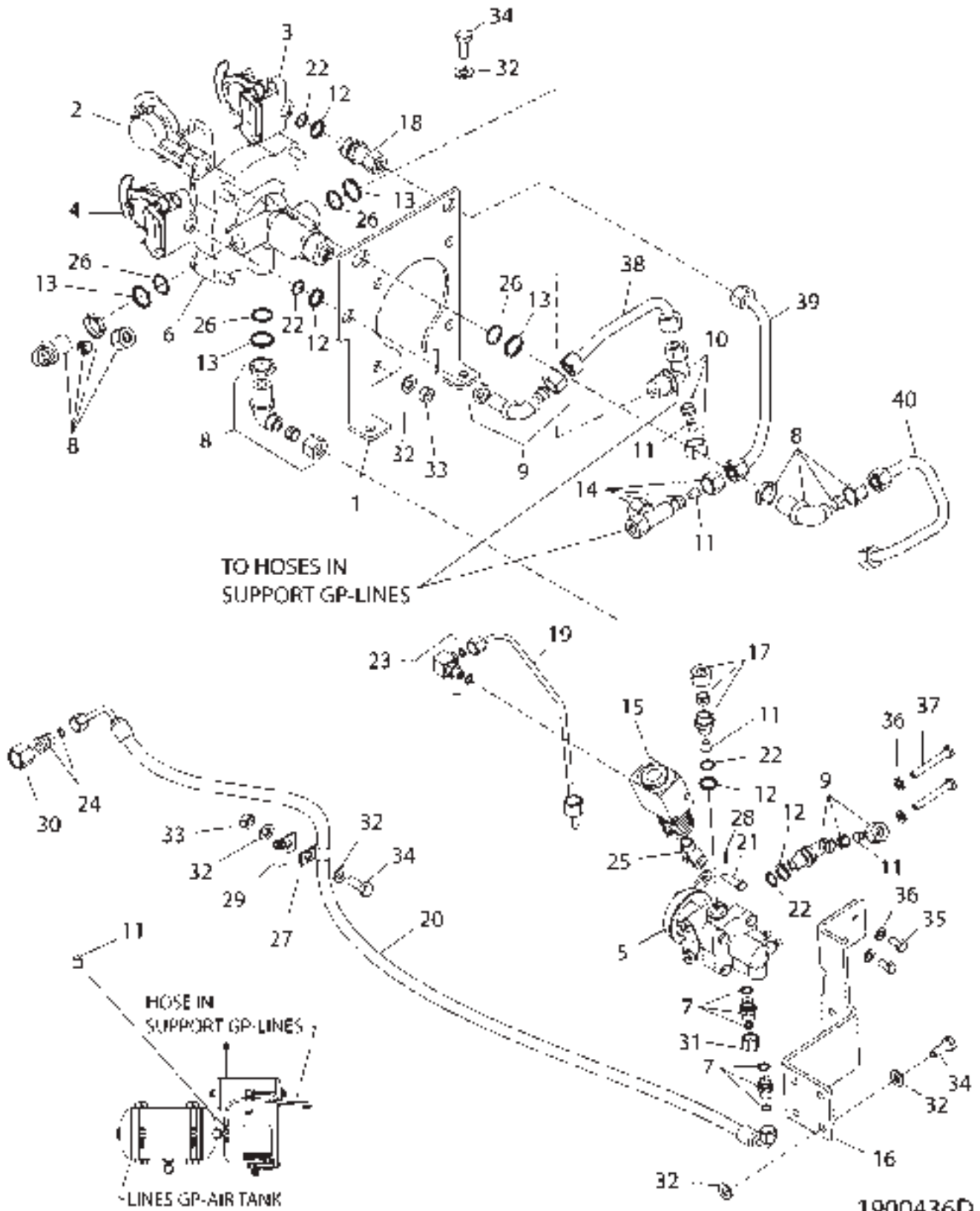
[A] PART OF:
185-8860 BRAKE AR-AIR
186-1620 BRAKE AR-AIR

CONTINUED

1900436D
PR: t05i29k58b0334

MT800 SERIES TRACTORS
BRAKING SYSTEM

LINES & CONTROL GP - 190-0436
AIR TRAILER BRAKE (WITHOUT HITCH)
(EAME ONLY)



**MT800 SERIES TRACTORS
BRAKING SYSTEM**

753

**LINES & CONTROL GP - 190-0436
AIR TRAILER BRAKE (WITHOUT HITCH)
(EAME ONLY)**

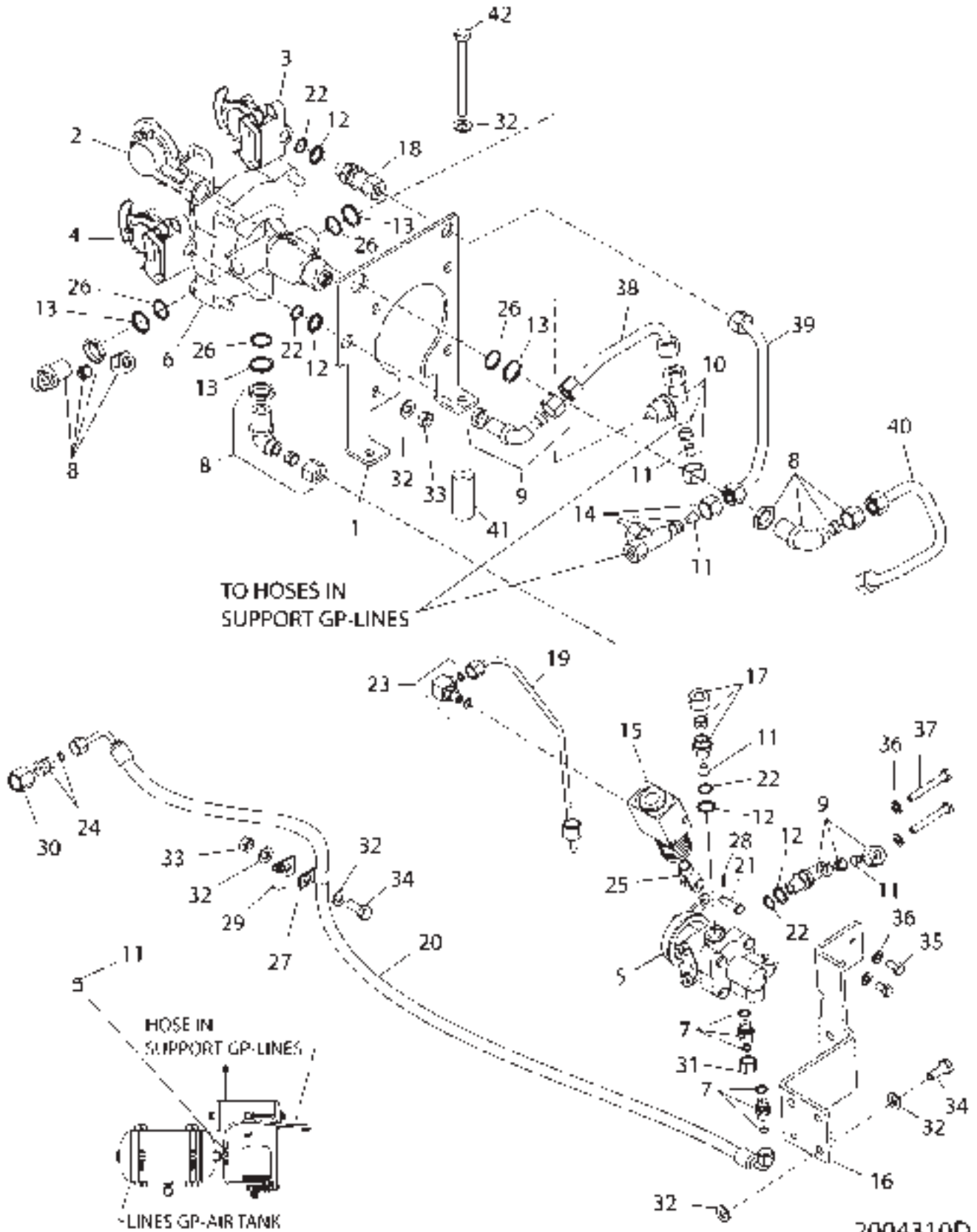
ITEM	NUMBER	QTY	DESCRIPTION
-	190-0436	--	LINES GP-CONTRL (SERVICED BY COMPONENTS)
24	CH148-8419	1	REDUCER AS (40RFSX80RFS)
	400377X1	1	SEAL-O-RING (11.23OD X 1.78DIA)
	CH6V-8935	1	REDUCER-O-RING
25	400117X1	1	END-YOKE ROD
26	CH3E-6762	4	SEAL-O-RING (20.3ID X 2.4DIA)
27	CH4K-8864	1	CLIP-LOOP (14.29ID)
28	CH5B-9192	1	PIN-COTTER (1.59DIA X 15.88 BRS)
29	400621X1	1	CLIP (12.7ID X 3/8)
30	6V-8554	1	NUT (12.7 ORFS)
31	CH6V-9828	1	CAP AS
31	105-5211	1	PLUG (OLDER MODELS) (INCL SEAL)
	6V-9028	1	SEAL-O-RING
32	400287X1	12	WASHER-HARD (11X21X2.5)
33	WR522218	5	NUT (M10X1.5)
34	400039X1	7	BOLT (M10X1.5X25MM)
35	400227X1	2	BOLT (M8X1.25X16MM)
36	400339X1	4	WASHER-HARD (8.8X16X2)
37	400242X1	2	BOLT (M8X1.25X60MM)
38	183-4241	1	TUBE AS
39	187-9020	1	TUBE AS
40	190-0429	1	TUBE AS

[A] PART OF:
185-8860 BRAKE AR-AIR
186-1620 BRAKE AR-AIR

1900436D
PR: t05i29k58b0334

MT800 SERIES TRACTORS
BRAKING SYSTEM

LINES GP-CONTROL (KIT) - 200-4310
AIR TRAILER BRAKE (WITH HITCH)
EAME ONLY



**MT800 SERIES TRACTORS
BRAKING SYSTEM**

755

**LINES GP-CONTROL (KIT) - 200-4310
AIR TRAILER BRAKE (WITH HITCH)
EAME ONLY**

ITEM	NUMBER	QTY	DESCRIPTION
-	200-4310	--	LINES GP-AIR TR BRAKE [A]
1	162-9766	1	BRACKET
2	CH171-1105	1	CONNECTOR AS (QUICK)
3	CH171-1106	1	CONNECTOR AS (QUICK)
4	CH171-1107	1	CONNECTOR AS (QUICK)
5	180-1667	1	VALVE-CONTROL
6	180-2519	1	VALVE-CONTROL
7	CH183-4236	2	ADAPTER GP
	400377X1	1	SEAL-O-RING (11.23OD X 1.78DIA)
	CH8C-5200	1	SEAL
8	CH185-9753	3	ELBOW AS-90DEG (M16XM18)
9	CH185-9759	2	ELBOW AS-90DEG (M16XM18)
	CH187-6297	1	FERRULE
	400352X1	1	NUT-TUBE (M18X1.5)
	187-9012	1	LOCKNUT
10	CH185-9762	1	TEE AS (M18XM22XM18)
	CH187-6297	2	FERRULE
	400352X1	2	NUT-TUBE (M18X1.5)
	CH187-6486	1	LOCKNUT
11	CH185-9768	5	INSERT
12	CH185-9772	4	RING-BACKUP
13	CH185-9773	4	RING-BACKUP
14	CH190-0430	1	TEE AS (M18X3)
	CH3E-4297	1	SEAL-O-RING (10IDX1.5DIA)
	CH187-6297	2	FERRULE (12OD TUBE)
	400352X1	2	NUT-TUBE (M18X1.5)
15	192-6366	1	ACTUATOR AS
16	192-6392	1	BRACKET AS
17	CH200-4349	1	ADAPTER (M18XM16)
	CH187-6297	1	FERRULE (12OD TUBE)
	400352X1	1	NUT-TUBE (M18X1.5)
18	CH200-4359	1	COUPLING
19	200-4374	1	TUBE AS
20	CH200-4379	1	HOSE AS
21	CH095-1316	1	PIN-CLEVIS
22	CH122-9250	4	SEAL-O-RING
23	400650X1	1	ELBOW AS-90DEG-4STORX4ORFS
	400361X1	1	SEAL-O-RING (8.92ID X 1.83DIA)
	400377X1	1	SEAL-O-RING (11.23OD X 1.78DIA)
	CH6V-8628	1	ELBOW

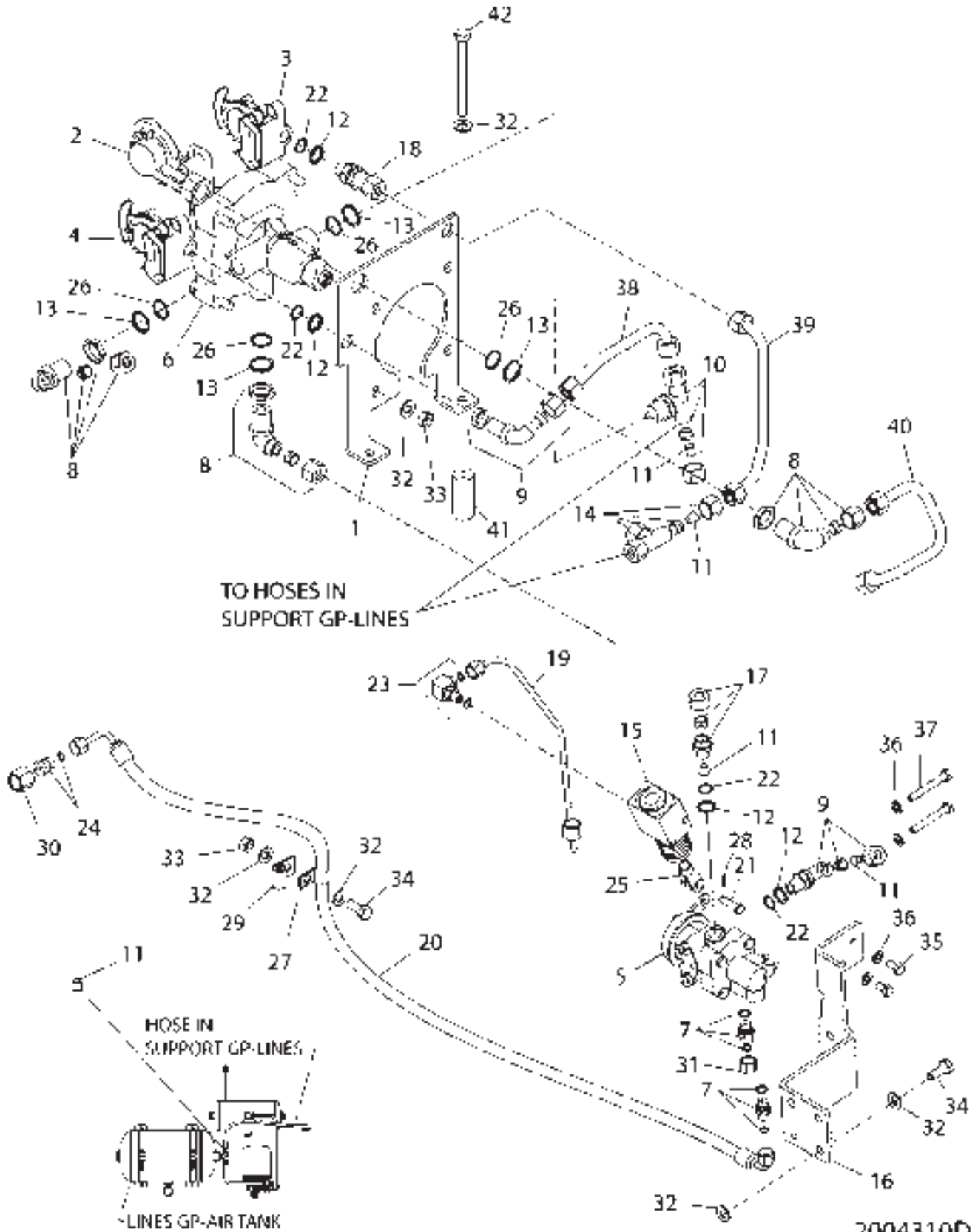
[A] PART OF 192-6390; 192-6400;
502358D1 BRAKE AR-AIR

CONTINUED

2004310D
PR: t05i29k58b0335

MT800 SERIES TRACTORS
BRAKING SYSTEM

LINES GP-CONTROL (KIT) - 210-4310
AIR TRAILER BRAKE (WITH HITCH)
EAME ONLY



**MT800 SERIES TRACTORS
BRAKING SYSTEM**

757

**LINES GP-CONTROL (KIT) - 210-4310
AIR TRAILER BRAKE (WITH HITCH)
EAME ONLY**

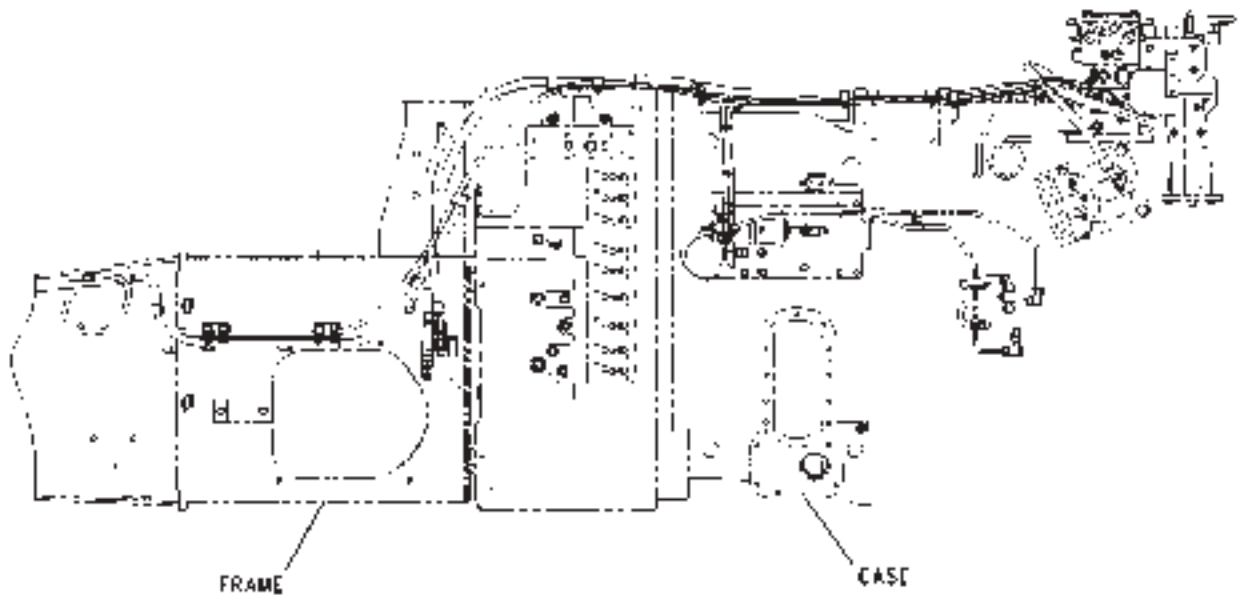
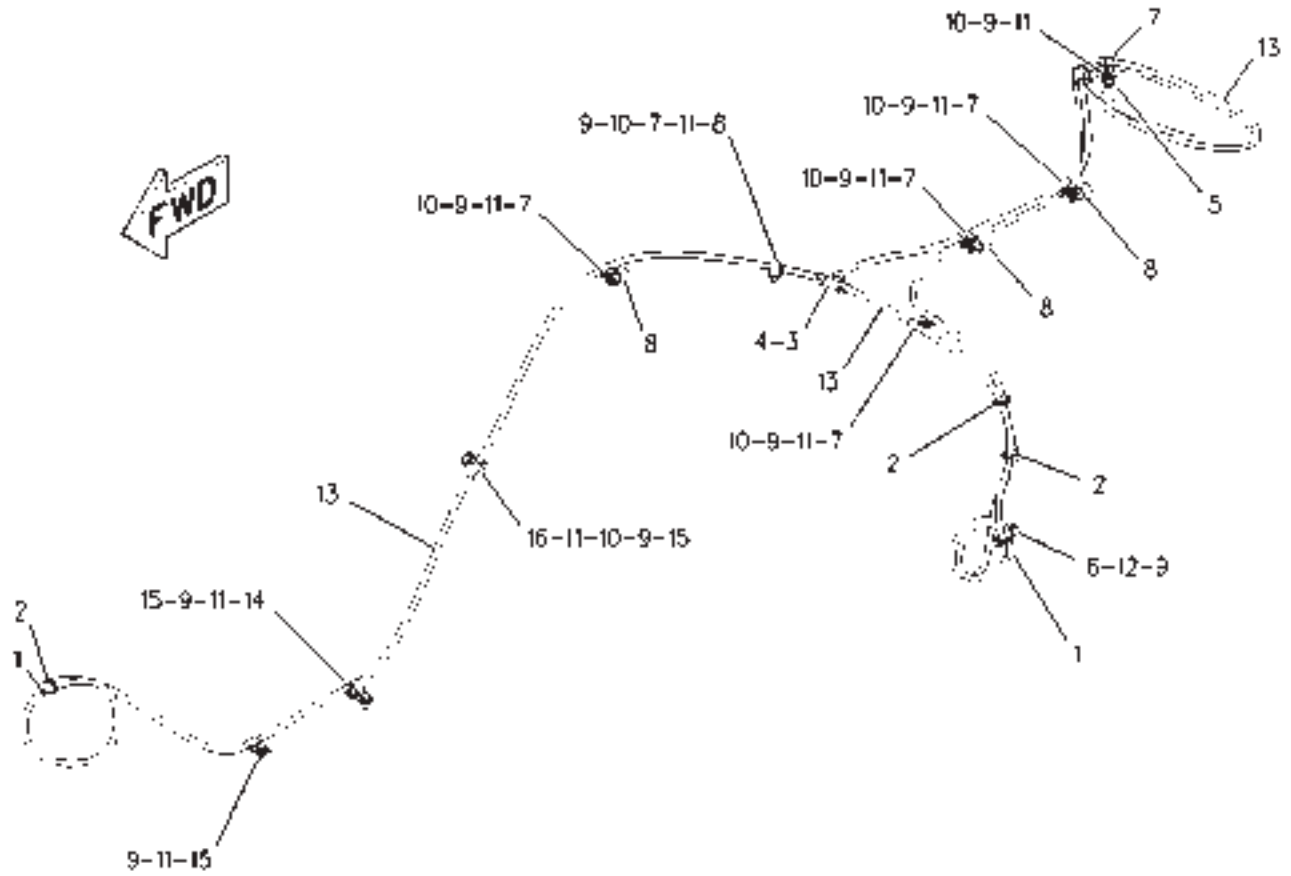
ITEM	NUMBER	QTY	DESCRIPTION
-	200-4310	--	LINES GP-AIR TR BRAKE [A]
24	CH148-8419	1	REDUCER AS (40RFSX80RFS)
	400377X1	1	SEAL-O-RING (11.23OD X 1.78DIA)
	CH6V-8935	1	REDUCER-O-RING
25	400117X1	1	END-YOKE ROD
26	CH3E-6762	4	SEAL-O-RING (20.3ID X 2.4DIA)
27	CH4K-8864	1	CLIP-LOOP (14.29ID)
28	CH5B-9192	1	PIN-COTTER (1.59DIA X 15.88 BRS)
29	400621X1	3	CLIP (12.7ID X 3/8)
30	6V-8554	1	NUT (12.7 ORFS)
31	CH6V-9828	1	CAP AS
31	105-5211	1	PLUG (OLDER MODELS) (INCLS SEAL)
	6V-9028	1	SEAL-O-RING
32	400287X1	14	WASHER-HARD (11X21X2.5)
33	WR522218	6	NUT (M10X1.5)
34	400039X1	6	BOLT (M10X1.5X25MM)
35	400227X1	2	BOLT (M8X1.25X16MM)
36	400339X1	4	WASHER-HARD (8.8X16X2)
37	400242X1	2	BOLT (M8X1.25X60MM)
38	183-4241	1	TUBE AS
39	187-9020	1	TUBE AS
40	190-0429	1	TUBE AS
41	CH198-1963	2	SPACER
42	400240X1	2	BOLT (M10X1.5X110)

[A] PART OF 192-6390; 192-6400;
502358D1 BRAKE AR-AIR

2004310D
PR: t05i29k58b0335

MT800 SERIES TRACTORS
BRAKING SYSTEM

SUPPORT GP-LINES - 200-4320
EAME ONLY



LEFT SIDE VIEW

**MT800 SERIESTRACTORS
BRAKING SYSTEM**

759

**SUPPORT GP-LINES - 200-4320
EAME ONLY**

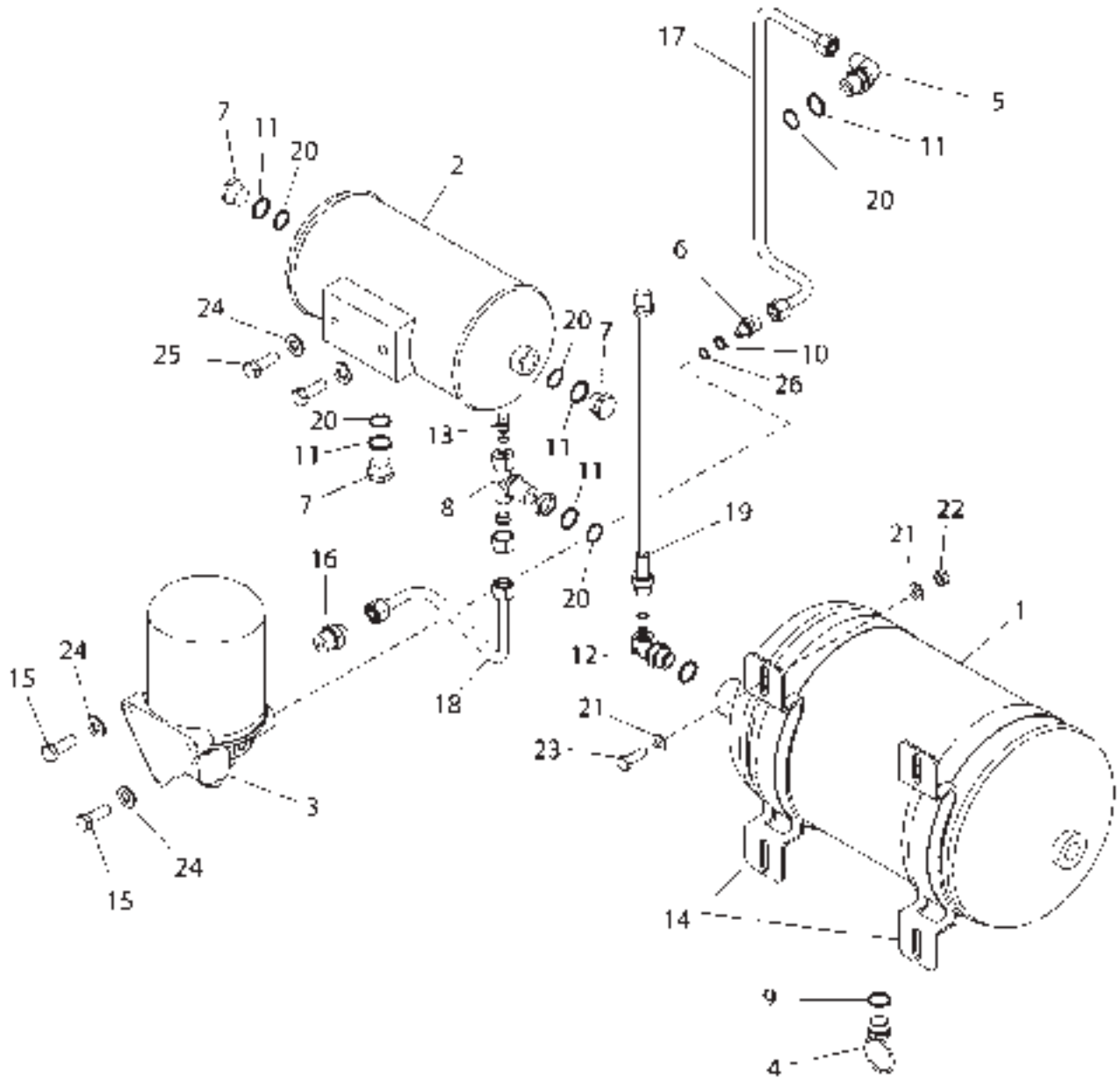
ITEM	NUMBER	QTY	DESCRIPTION
-	200-4320	--	SUPPORT GP-LINES [A] (NOT SERVICED)
1	4H-0408	5	PLUG-PROTECTION (10MM)
2	CH7K-1181	6	STRAP-CABLE
3	192-6398	1	FITTING AS
4	CH185-9768	3	INSERT
5	CH1S-0994	1	CLIP
6	CH4P-7581	1	CLIP
7	400621X1	10	CLIP
8	400688X1	4	CLIP
9	400287X1	17	WASHER-HARD (11X21X2.5MM THK)
10	WR522218	7	NUT (M10X1.5 THD)
11	400039X1	9	BOLT (M10X1.5X25MM)
12	400040X1	1	BOLT (M10X1.5X20MM)
13	200-4321	AR	TUBE-PLASTIC (938CM)
14	200-4339	1	CLIP
15	124-1479	3	CLIP
16	CH3S-8664	1	CLIP

[A] PART OF 179-2180 BASE COMMON AR

00887780
PR: t05i29k58b0336

MT800 SERIE TRACTORS
BRAKING SYSTEM

TANK & LINES GP-AIR - 190-0435



**MT800 SERIES TRACTORS
BRAKING SYSTEM**

761

TANK & LINES GP-AIR - 190-0435

ITEM	NUMBER	QTY	DESCRIPTION
-	190-0435	--	TANK & LINES GP-AIR [A] (NOT SERVICED)
1	174-8822	1	TANK-AIR
2	177-9555	1	TANK-AIR
3	178-7197	1	AIR DRYER GP
	187-3185	1	KIT-CARTRIDGE (DESICCANT)
	187-5245	1	KIT-VALVE (PURGE)
	187-5246	1	KIT-GOVERNOR
4	180-5485	1	VALVE-DRAIN
5	CH185-9753	1	ELBOW AS-90DEG (M16XM18)
6	185-9754	1	ADAPTER
7	185-9756	3	PLUG
8	CH185-9762	1	TEE GP (M18XM22XM18)(INCLS ITEMS BELOW)
	CH187-6297	2	FERRULE
	400352X1	2	NUT-TUBE (M18X1.5)
	CH187-6486	1	LOCKNUT (M22X1.5)
9	185-9769	1	WASHER-SEAL (22.2X26.9X1.5)
10	185-9771	1	RING-BACKUP
11	CH185-9773	5	RING-BACKUP
12	185-9774	1	ELBOW (INCLS SEALS)
	400361X1	1	SEAL-O-RING (8.92ID X 1.83DIA)
	400366X1	1	SEAL-O-RING (22.5OD X 1.78DIA)
13	CH190-0431	1	CAP (INCLS SEAL)
	CH3E-4297	1	SEAL-O-RING
14	190-0446	2	BRACKET
15	400011X1	3	BOLT (M12X1.5X35MM)
16	196-1969	1	ADAPTER ASM (INCLS SEAL)
	CH175-5327	1	SEAL
17	196-1970	1	TUBE ASM(INCL. FERRUEL, NUT & TUBE)
18	196-1971	1	TUBE ASM (INCL. FERRULE, NUT & TUBE)
19	CH194-6725	1	SENSOR GP-PRESSURE [B]
20	CH3E-6762	5	SEAL-O-RING
21	400287X1	8	WASHER-HARD (11X21X2.5)
22	WR522218	4	NUT (M10X1.5)
23	400058X1	4	BOLT (M10X1.5X30MM)
24	400357X1	5	WASHER-HARD (M12X25.5X3)
25	400064X1	2	BOLT (M12X1.75X35MM)
26	CH9T-4057	1	SEAL-O-RING

[A] PART OF:

185-8660; 186-1620 BRAKE AR-AIR TR
190-0439; 190-0440 TANK AR-AIR
192-6390; 192-6400 BRAKE AR-AIR
210-5703; 210-5704 TANK AR-AIR
502357D1; 502358D1 BRAKE AR-AIR
502359D1; 502360D1 TANK AR-AIR

[B] SENSOR ITEM 19:

THIS SENSOR IS USED IN MULTIPLE
APPLICATIONS DO NOT USE SPN
MODIFIER YOU MUST USE APPLICATION
SPECIFIC MODIFIERS IN DBAM I.E.

1900435D
PR: t05i29k58b0337

762

**MT800 SERIESTRACTORS
BRAKING SYSTEM**

TANK AR-AIR - 190-0439
MT835 & MT845
EAME ONLY

NO ILLUSTRATION

NOTIF

**MT800 SERIESTRACTORS
BRAKING SYSTEM**

763

**TANK AR-AIR - 190-0439
MT835 & MT845
EAME ONLY**

ITEM	NUMBER	QTY	DESCRIPTION
-	190-0439	--	TANK AR-AIR
1	180-2937	1	AIR COMPRESSOR GP (NOT SERVICED) (SEE BREAKDOWN FOR COMPONENTS)
2	190-0435	1	TANK & LINES GP-AIR (NOT SERVICED) (SEE BREAKDOWN FOR COMPONENTS)
3	190-0438	1	LINES GP-COUPLER (NOT SERVICED) (SEE BREAKDOWN FOR COMPONENTS)

NOTIF
PR: t05i29k58b0338

764

**MT800 SERIESTRACTORS
BRAKING SYSTEM**

TANK AR-AIR - 190-0440
MT855 & MT865
EAME ONLY

NO ILLUSTRATION

NOTIF

**MT800 SERIESTRACTORS
BRAKING SYSTEM**

765

**TANK AR-AIR - 190-0440
MT855 & MT865
EAME ONLY**

ITEM	NUMBER	QTY	DESCRIPTION
-	190-0440	--	TANK AR-AIR
1	500970D1	1	AIR COMPRESSOR GP (NOT SERVICED) (SEE BREAKDOWN FOR COMPONENTS)
2	190-0435	1	TANK & LINES GP-AIR (NOT SERVICED) (SEE BREAKDOWN FOR COMPONENTS)
3	190-0438	1	LINES GP-COUPLER (NOT SERVICED) (SEE BREAKDOWN FOR COMPONENTS)

NOTIF
PR: t05i29k58b0339

766

MT800 SERIESTRACTORS
BRAKING SYSTEM

TANK AR-AIR - 210-5703
MT835 & MT845
ROW & SPECIAL ONLY

NO ILLUSTRATION

NOTIF

**MT800 SERIESTRACTORS
BRAKING SYSTEM**

767

**TANK AR-AIR - 210-5703
MT835 & MT845
ROW & SPECIAL ONLY**

ITEM	NUMBER	QTY	DESCRIPTION
-	210-5703	--	TANK AR-AIR
1	180-2937	1	AIR COMPRESSOR GP (NOT SERVICED) (SEE BREAKDOWN FOR COMPONENTS)
2	190-0435	1	TANK & LINES GP-AIR (NOT SERVICED) (SEE BREAKDOWN FOR COMPONENTS)
3	210-0851	1	LINES GP-COUPLER (NOT SERVICED) (SEE BREAKDOWN FOR COMPONENTS)

NOTIF
PR: t05i29k58b0340

768

**MT800 SERIESTRACTORS
BRAKING SYSTEM**

TANK AR-AIR - 210-5704
MT855 & MT865
ROW & SPECIAL ONLY

NO ILLUSTRATION

NOTIF

**MT800 SERIESTRACTORS
BRAKING SYSTEM**

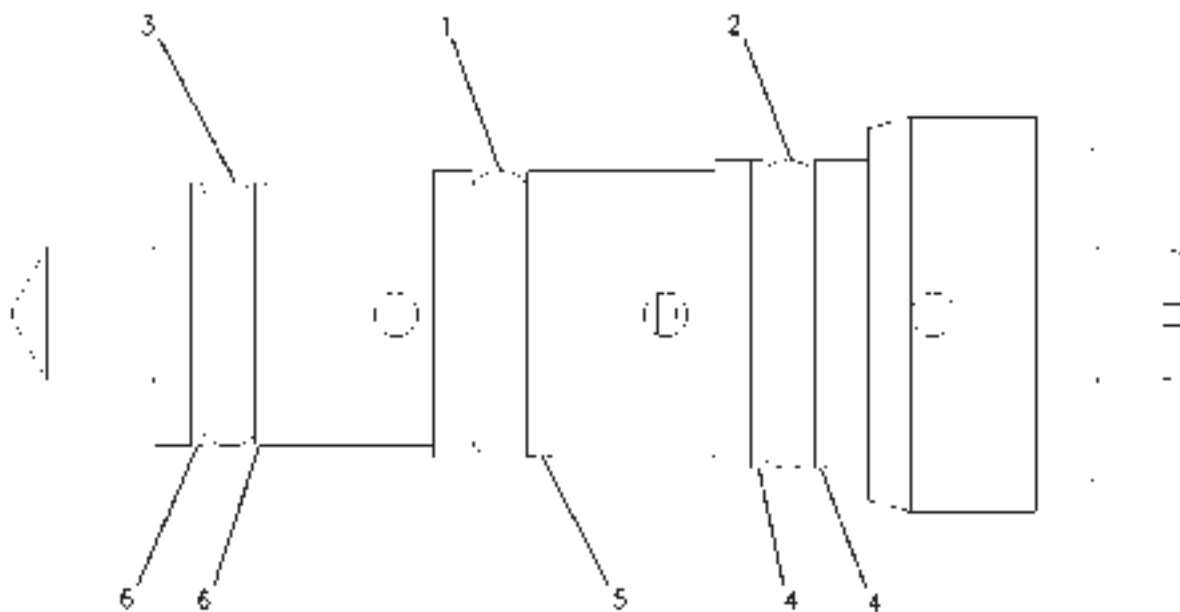
769

**TANK AR-AIR - 210-5704
MT855 & MT865
ROW & SPECIAL ONLY**

ITEM	NUMBER	QTY	DESCRIPTION
-	210-5704	--	TANK AR-AIR
1	500970D1	1	AIR COMPRESSOR GP (NOT SERVICED) (SEE BREAKDOWN FOR COMPONENTS)
2	190-0435	1	TANK & LINES GP-AIR (NOT SERVICED) (SEE BREAKDOWN FOR COMPONENTS)
3	210-0851	1	LINES GP-COUPLER (NOT SERVICED) (SEE BREAKDOWN FOR COMPONENTS)

NOTIF
PR: t05i29k58b0341

VALVE GP-ACCUMULATOR CHARGING - 216-6972



**MT800 SERIESTRACTORS
BRAKING SYSTEM**

771

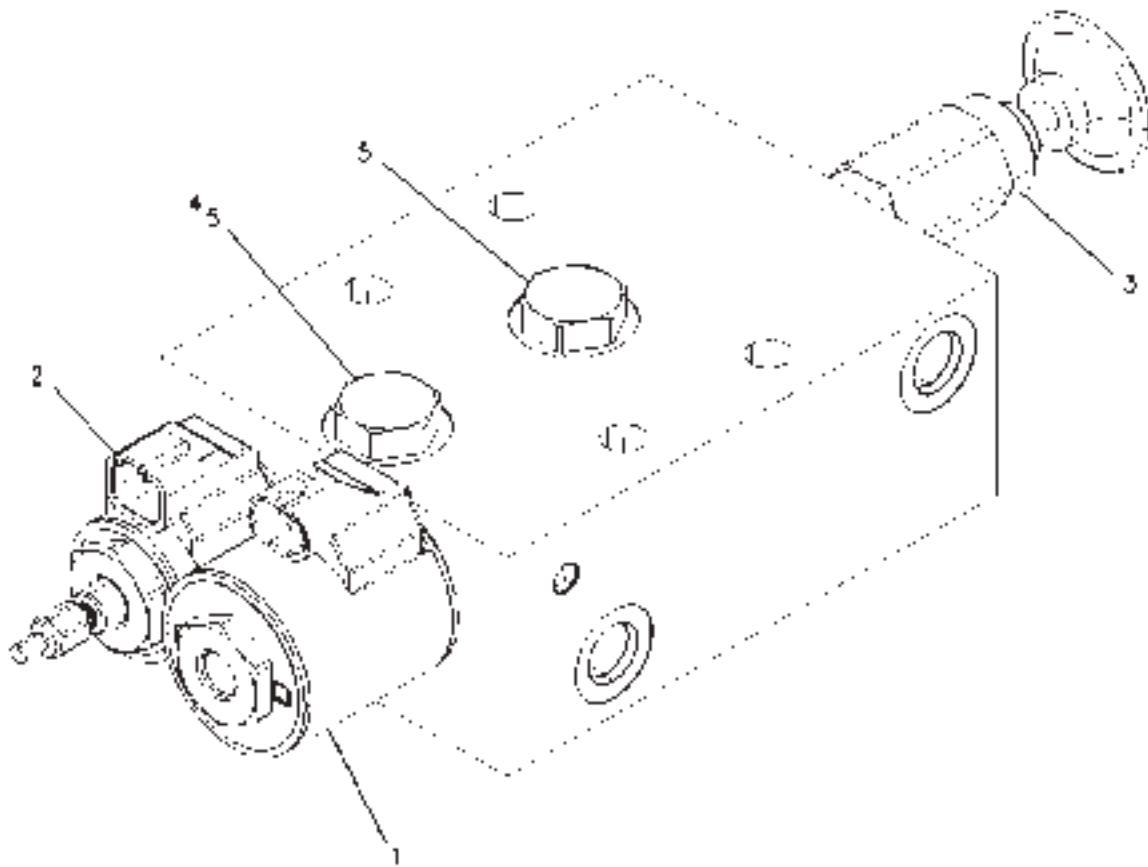
VALVE GP-ACCUMULATOR CHARGING - 216-6972

ITEM	NUMBER	QTY	DESCRIPTION
-	216-6972	--	VALVE GP-ACCUMULATOR CHARGING [A]
1	CH5W-9411	1	SEAL-O-RING
2	CH095-1750	1	SEAL-O-RING
3	CH161-6154	1	SEAL-O-RING
4	CH216-7116	2	RING-BACKUP
5	CH216-7117	1	RING-BACKUP
6	CH216-7118	2	RING-BACKUP

[A] PART OF:
192-4707 VALVE GP-CONTROL
209-5019 VALVE GP-CONTROL
209-5021 VALVE GP-CONTROL

00894814
PR: t05i29k58b0342

VALVE GP-PARKING BRAKE - 200-4351



**MT800 SERIESTRACTORS
BRAKING SYSTEM**

773

VALVE GP-PARKING BRAKE - 200-4351

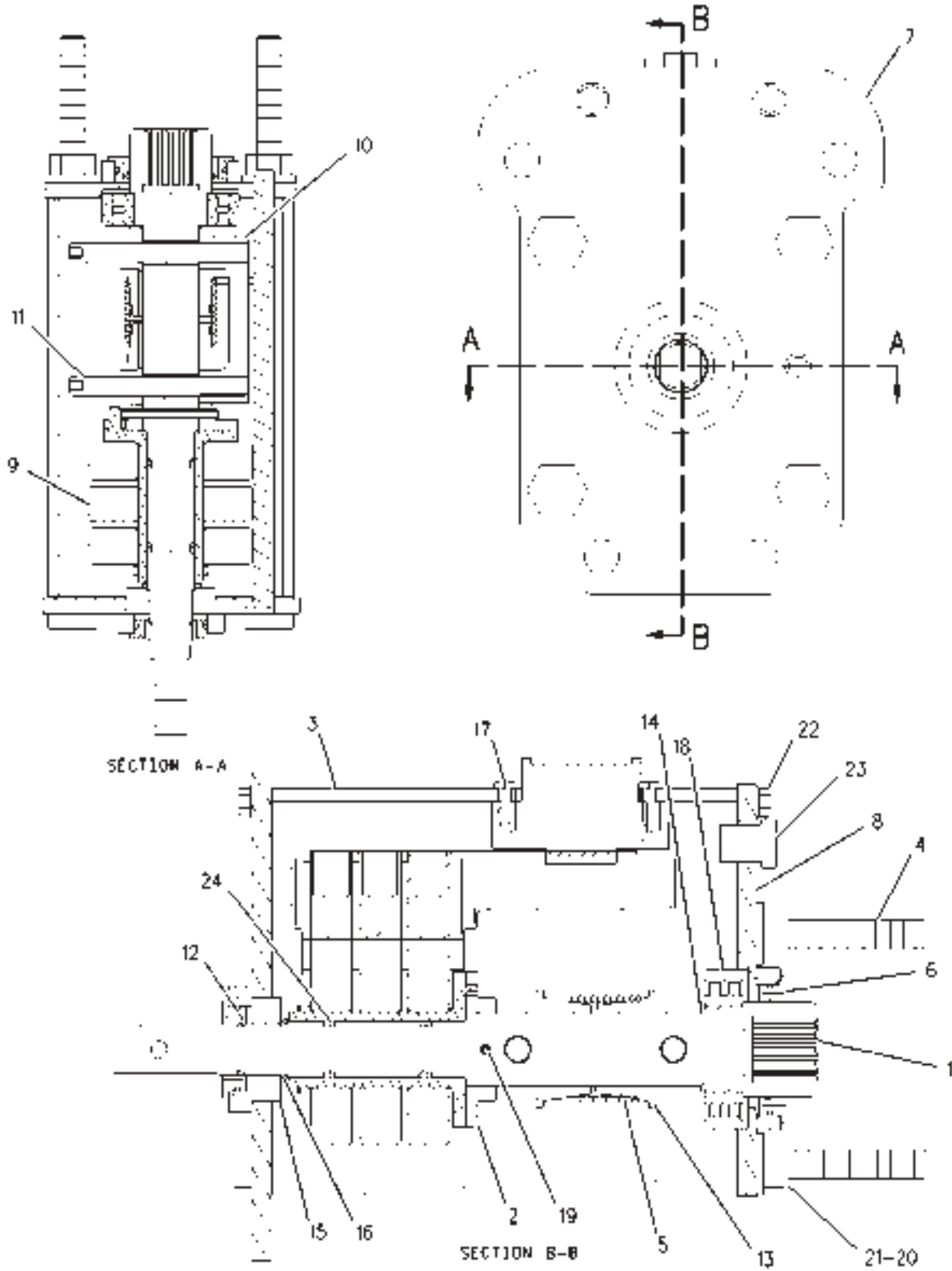
ITEM	NUMBER	QTY	DESCRIPTION
-	200-4351	--	VALVE GP-PARKING BRAKE [A]
1	200-4325	1	VALVE ASM-SOLENOID
	120-8514	1	KIT-SEAL
2	200-4327	1	VALVE ASM-SOLENOID
	120-9051	1	KIT-SEAL
3	200-4329	1	VALVE ASM
	141-0888	1	KIT-SEAL
4	200-4375	1	ORIFICE
5	120-9048	2	VALVE-CHECK

[A] PART OF:
192-6350 CONTROL GP-PARKING BRAKE

00871963
PR: t05i29k58b0343

MT800 SERIESTRACTORS
DIFFERENTIAL STEERING SYSTEM

CONTROL GP-STEERING - 217-9779



**MT800 SERIESTRACTORS
DIFFERENTIAL STEERING SYSTEM**

775

CONTROL GP-STEERING - 217-9779

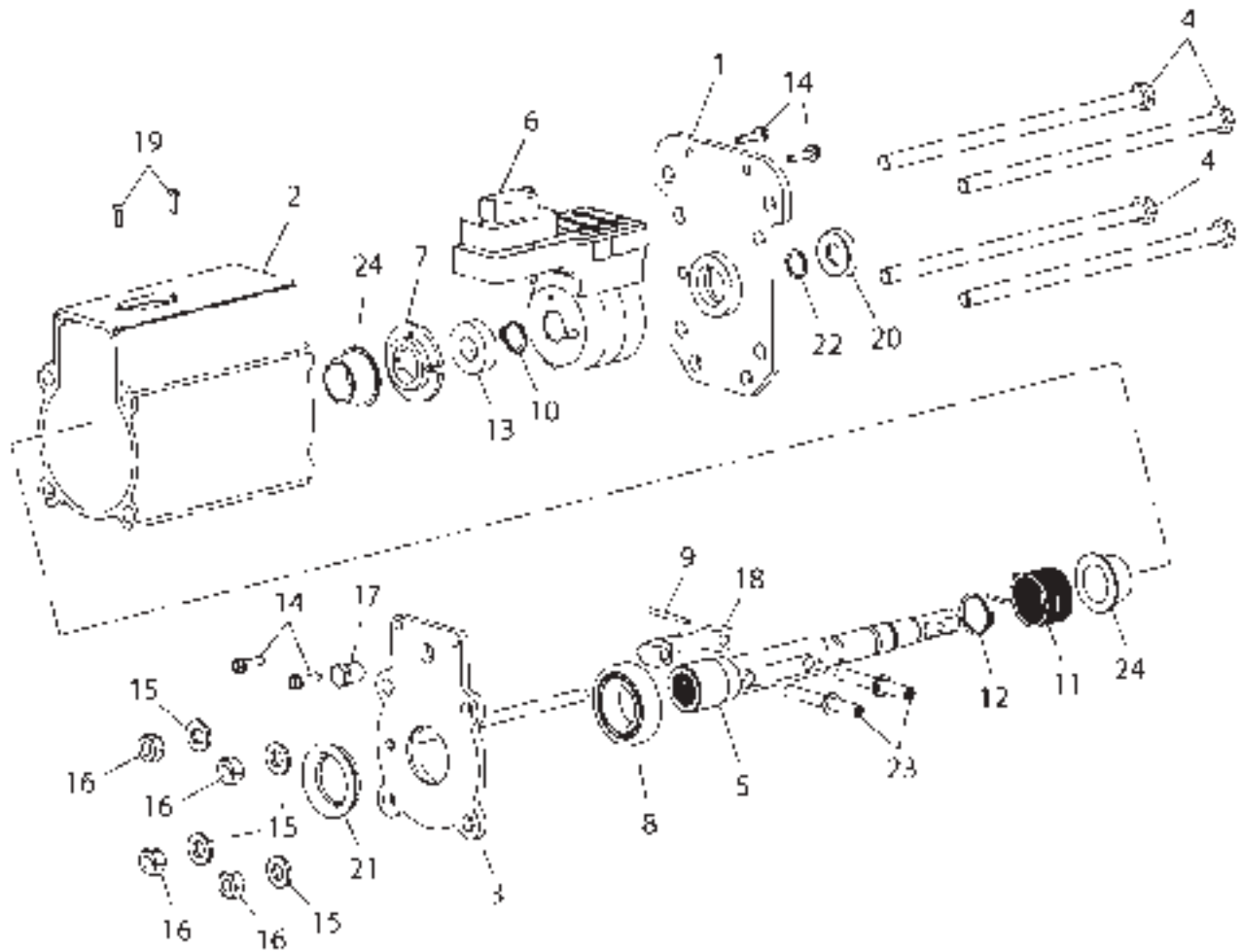
ITEM	NUMBER	QTY	DESCRIPTION
-	217-9779	--	CONTROL GP-STEERING [A]
1	-----	1	SHAFT-STEERING
2	-----	1	COLLAR (ORDER COMPLETE AS)
3	-----	1	HOUSING (ORDER COMPLETE AS)
4	-----	4	STUD (ORDER COMPLETE AS)
5	-----	1	SPRING
6	-----	1	SEAL-LIP TYPE (ORDER COMPLETE AS)
7	-----	1	PLATE ASM (ORDER COMPLETE AS)
8	-----	1	PLATE ASM (ORDER COMPLETE AS)
9	-----	1	SENSOR GP-POSITION (ORDER COMPLETE AS)
10	-----	1	STOP
11	-----	2	STUD
12	-----	1	SEAL-LIP TYPE
13	-----	2	BUSHING
14	CH001-5600	1	RING-SNAP
15	-----	1	BALL BEARING (ORDER COMPLETE AS)
16	-----	1	RING-RETAINING
17	400835X1	2	SCREW-PAN HEAD (6-19X0.5 IN)
18	-----	1	BEARING (ORDER ITEM 15)
19	-----	1	PIN-SPRING
20	400287X1	4	WASHER-HARD (11X21X2.5)
21	WR522218	4	NUT (M10X1.5)
22	-----	4	SCREW-MACHINE (M5X0.8X20MM)
23	CH8T-6765	1	PLUG-PIPE
24	-----	2	SEAL-O-RING

[A] PART OF 152-0420 WIRING GP-CAB

00882993
PR: t05i29k58b0344

MT800 SERIE TRACTORS
DIFFERENTIAL STEERING SYSTEM

CONTROL GP-STEERING (BASIC) - 217-9780



MT800 SERIESTRACTORS
DIFFERENTIAL STEERING SYSTEM

777

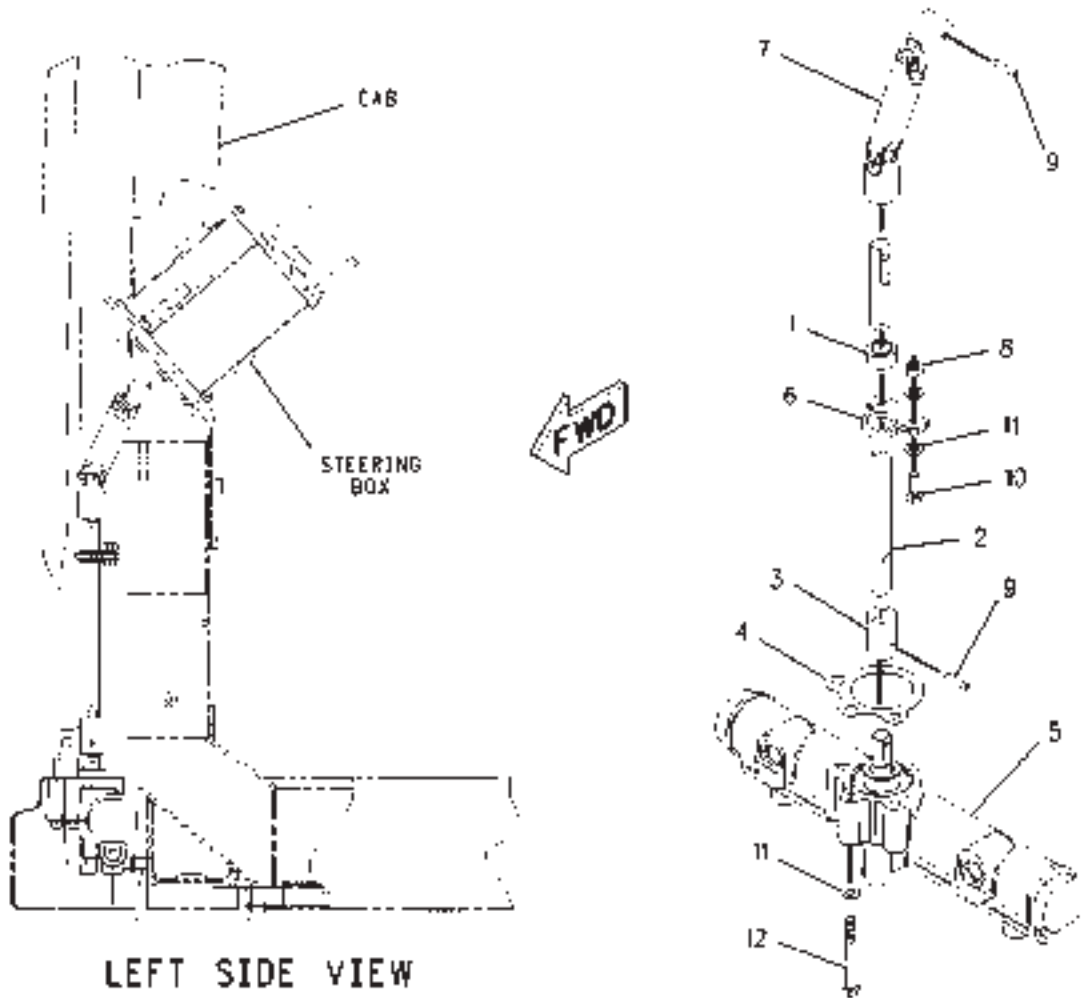
CONTROL GP-STEERING (BASIC) - 217-9780

ITEM	NUMBER	QTY	DESCRIPTION
-	217-9780	--	CONTROL GP-STEERING (BASIC) [A]
1	217-9780	1	PLATE AS. (NOT SERVICED)
2	-----	1	HOUSING (NOT SERVICED)
3	-----	1	PLATE AS (NOT SERVICED)
4	-----	4	BOLT-STUD M10X1.5X229 ZN 10.9
5	-----	1	SHAFT-STEERING (NOT SERVICED)
6	-----	1	SENSOR-STEERING
7	-----	1	PIN-DRIVE (NOT SERVICED)
8	-----	1	BEARING-BALL 28.58 IDX53.98 OD
9	-----	1	PIN-SPG 3.2DIA X38.1
10	-----	1	RING-RETAINING EXT 17.5 IDX1.2
11	CH203-8550	1	SPRING-TORSION RH 3.66NM/TURN
12	CH001-5600	1	RING-RETAINING EXT 23.5 IDX1.1
13	-----	1	BEARING-BALL 17 IDX35 OD
14	-----	4	SCREW (NOT SERVICED)
15	400287X1	4	WASHER-HARD 11IDX21ODX2.5 ZND1
16	WR522218	4	NUT-M10-1.5,CL10.9,ZN,H,REG
17	CH8T-6765	1	PLUG-PIPE 1/4-18 ZN HHD
18	-----	1	STOP (NOT SERVICED)
19	400835X1	2	SCREW #6-19X12.7 R/B 400835X1
20	-----	1	SEAL-LIP 17SFT X 25.58 BORE
21	-----	1	SEAL-LIP 31.75 SHFTX44.45 BORE
22	-----	2	SEAL-O-RING (NOT SERVICED)
23	-----	2	BOLT-STUD M8X1.25X41.5 10.9
24	-----	2	BUSHING-TAPERED 35DIA X25.5ID

[A] PART OF 152-0005 WIRING GP

2179780A
PR: t05i29k58b0345

CONTROL GP-SECONDARY STEERING - 166-4623
EAME ONLY



MT800 SERIESTRACTORS
DIFFERENTIAL STEERING SYSTEM

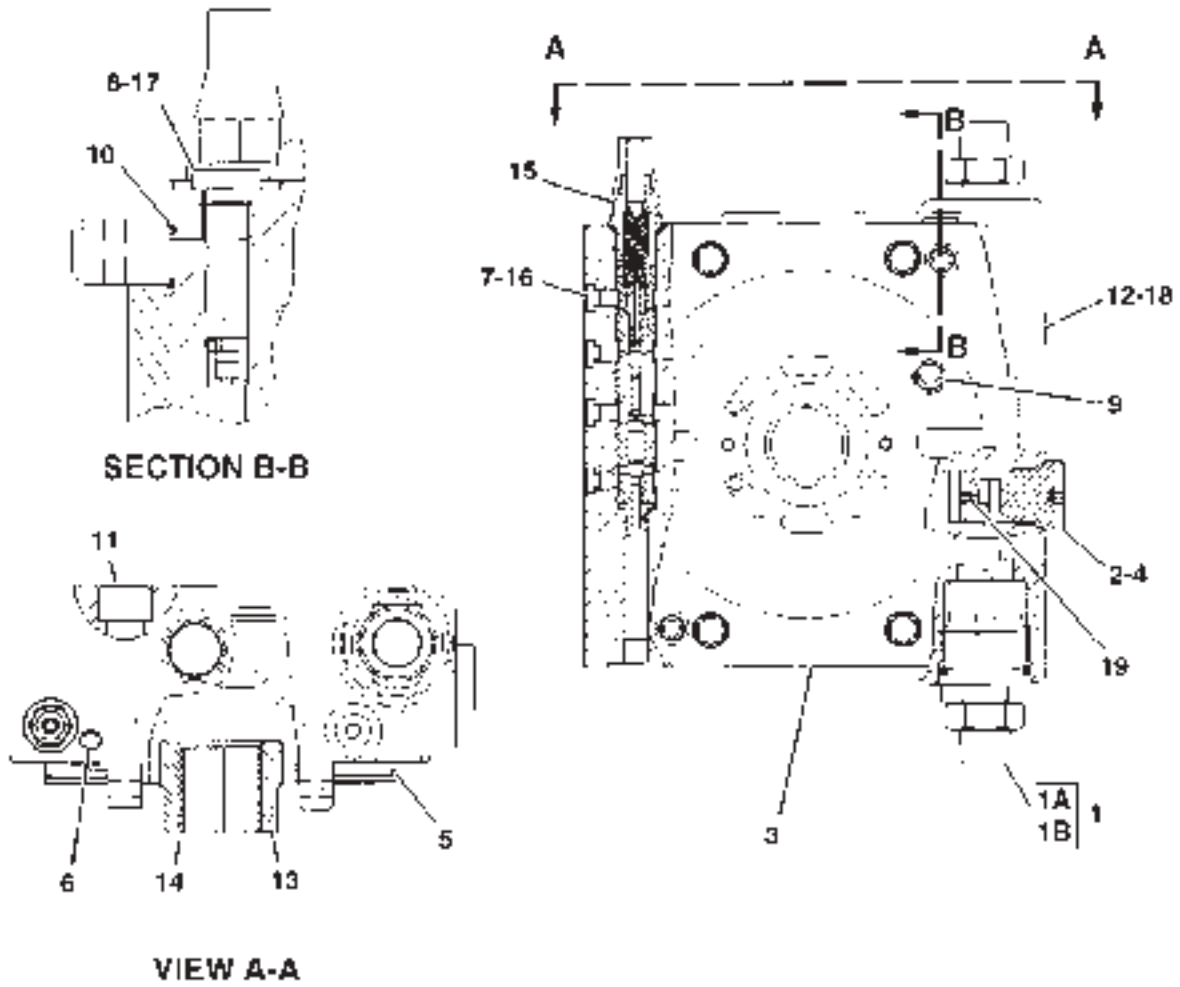
779

CONTROL GP-SECONDARY STEERING - 166-4623
EAME ONLY

ITEM	NUMBER	QTY	DESCRIPTION
-	166-4623	--	CONTROL GP-SECONDARY STEERING [A] (NOT SERVICED)
1	CH4D-2619	1	BEARING
2	197-2997	1	SHAFT
3	197-2998	1	COLLAR
4	197-2999	1	GASKET
5	197-3000	1	CONTROL GP-SECONDARY STEERING
6	201-8438	1	MOUNT
7	197-2996	1	JOINT AS
8	400340X1	2	NUT (M8X1.25 THD)
9	CH8T-0255	2	PIN-SPRING
10	400053X1	2	BOLT (M8X1.25X20MM)
11	400339X1	7	WASHER-HARD (8.8X16X2MM THK)
12	400068X1	3	BOLT (M8X1.25X70MM)

[A] PART OF 179-2180 BASE COMMON AR

00811388
PR: t05i29k58b0346



MT800 SERIESTRACTORS
DIFFERENTIAL STEERING SYSTEM

781

HEAD GP-PUMP - 205-6398

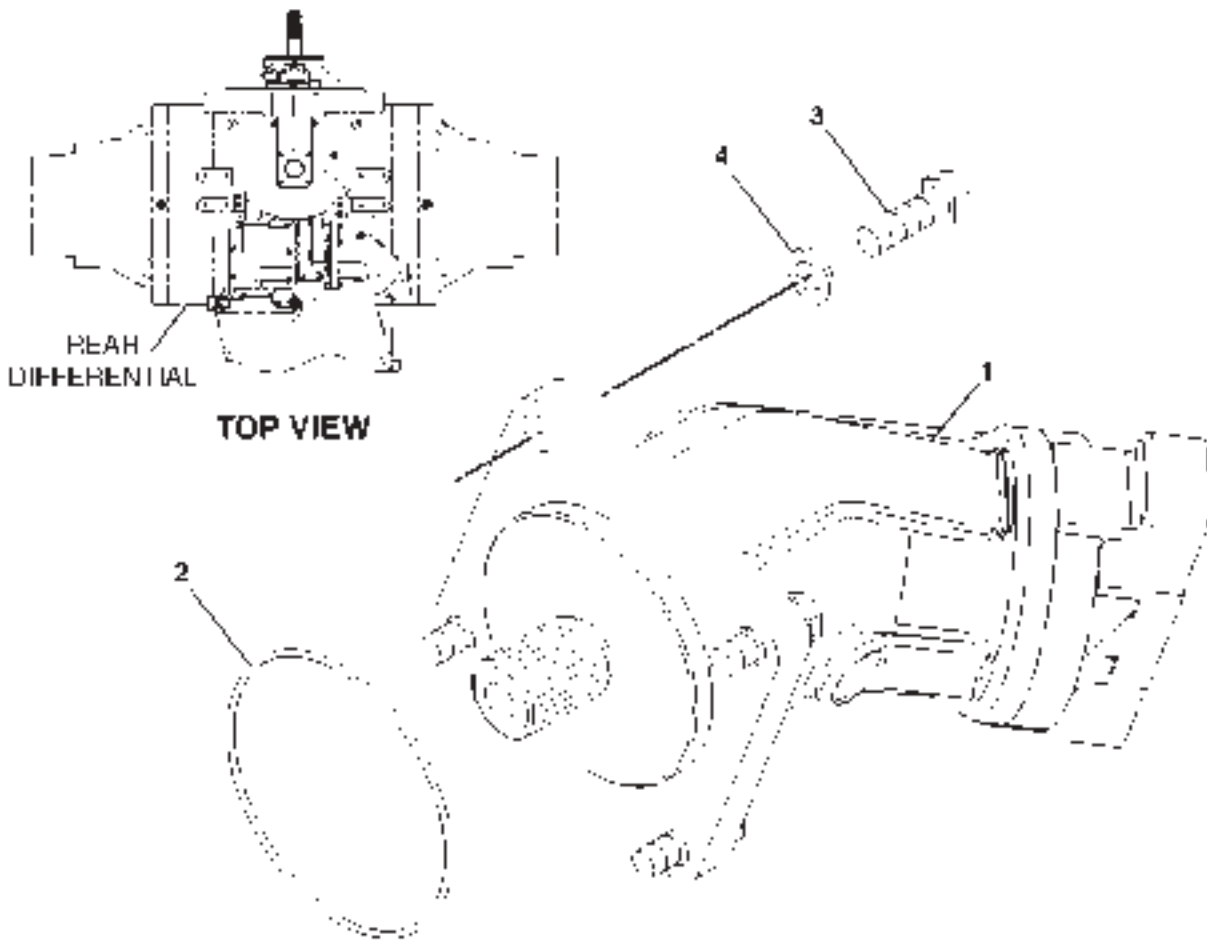
ITEM	NUMBER	QTY	DESCRIPTION
-	205-6398	--	HEAD GP-PUMP [A]
1	CH178-4164	2	VALVE GP-RELIEF (SERVICE REPAIR ORDER 1A AND 1B)
1A	CH178-4171	1	SEAL KIT
1B	CH123-7556	1	CAP
2	CH144-9103	1	PLUG
3	CH205-6397	1	HEAD
4	CH6V-5326	1	SEAL-O-RING
5	CH119-7845	1	SEAL-O-RING
6	CH123-2017	1	PLUG
7	CH134-7489	4	PLUG (M8X1)
8	CH135-8854	1	PLUG
9	CH144-9101	1	PLUG-BREAK OFF
10	CH161-6149	2	SEAL-O-RING
11	CH3E-8008	4	BOLT-SOCKET HEAD (M16X2X90MM)
12	400361X1	2	SEAL-O-RING (8.92ID X 1.83DIA)
13	CH6E-4382	1	BUSHING
14	CH6E-4383	1	BUSHING
15	CH6E-4392	1	VALVE GP-PRESSURE COMPENSATOR (SEE BREAKDOWN FOR COMPONENTS)
16	CH6V-5586	4	SEAL-O-RING
17	CH6V-9028	1	SEAL-O-RING
18	CH9S-8002	2	PLUG
19	CH123-7583	1	ORIFICE (1.8MM)

[A] PART OF CH162-9592 PUMP GP-PISTON

0853334A
PR: t05i29k58b0347

MT800 SERIESTRACTORS
DIFFERENTIAL STEERING SYSTEM

MOTOR & MTG GP-STEERING - 158-2404
ROW & SPECIAL ONLY



**MT800 SERIESTRACTORS
DIFFERENTIAL STEERING SYSTEM**

783

**MOTOR & MTG GP-STEERING - 158-2404
ROW & SPECIAL ONLY**

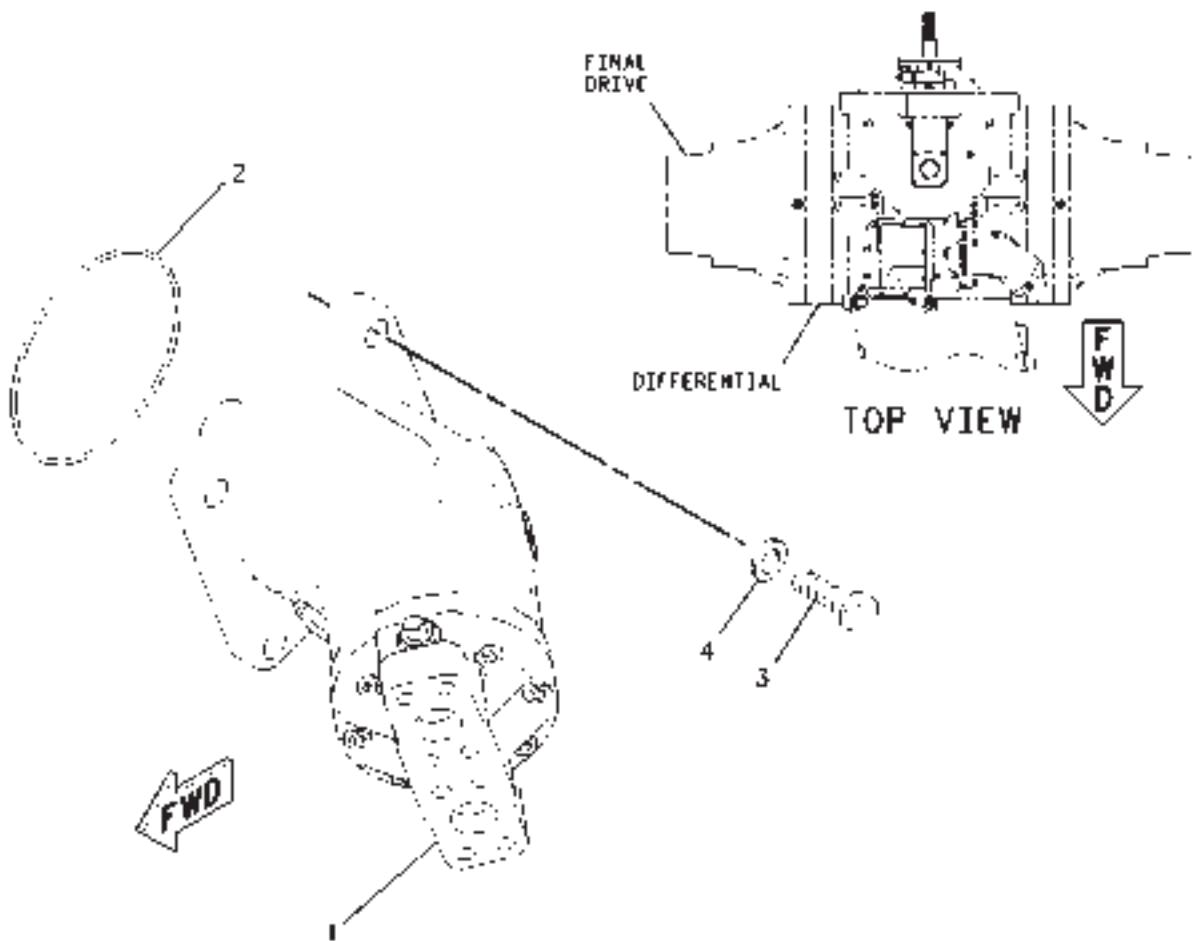
ITEM	NUMBER	QTY	DESCRIPTION
-	158-2404	--	MOTOR & MTG GP STEERING [A] (NOT SERVICED)
1	CH162-9601	1	MOTOR GP-PISTON (STEERING) (SEE BREAKDOWN FOR COMPONENTS)
2	CH8F-8733	1	SEAL-O-RING
3	400056X1	4	BOLT (M16X2X50MM)
4	400082X1	4	WASHER (17.5X30X3.5)

[A] PART OF 177-9948; 183-2198
GAUGE AR-TRACK

0901627A
PR: t05i29k58b0348

MT800 SERIES TRACTORS
DIFFERENTIAL STEERING SYSTEM

MOTOR & MOUNTING GP - 172-4517
STEERING
EAME ONLY



**MT800 SERIESTRACTORS
DIFFERENTIAL STEERING SYSTEM**

785

**MOTOR & MOUNTING GP - 172-4517
STEERING
EAME ONLY**

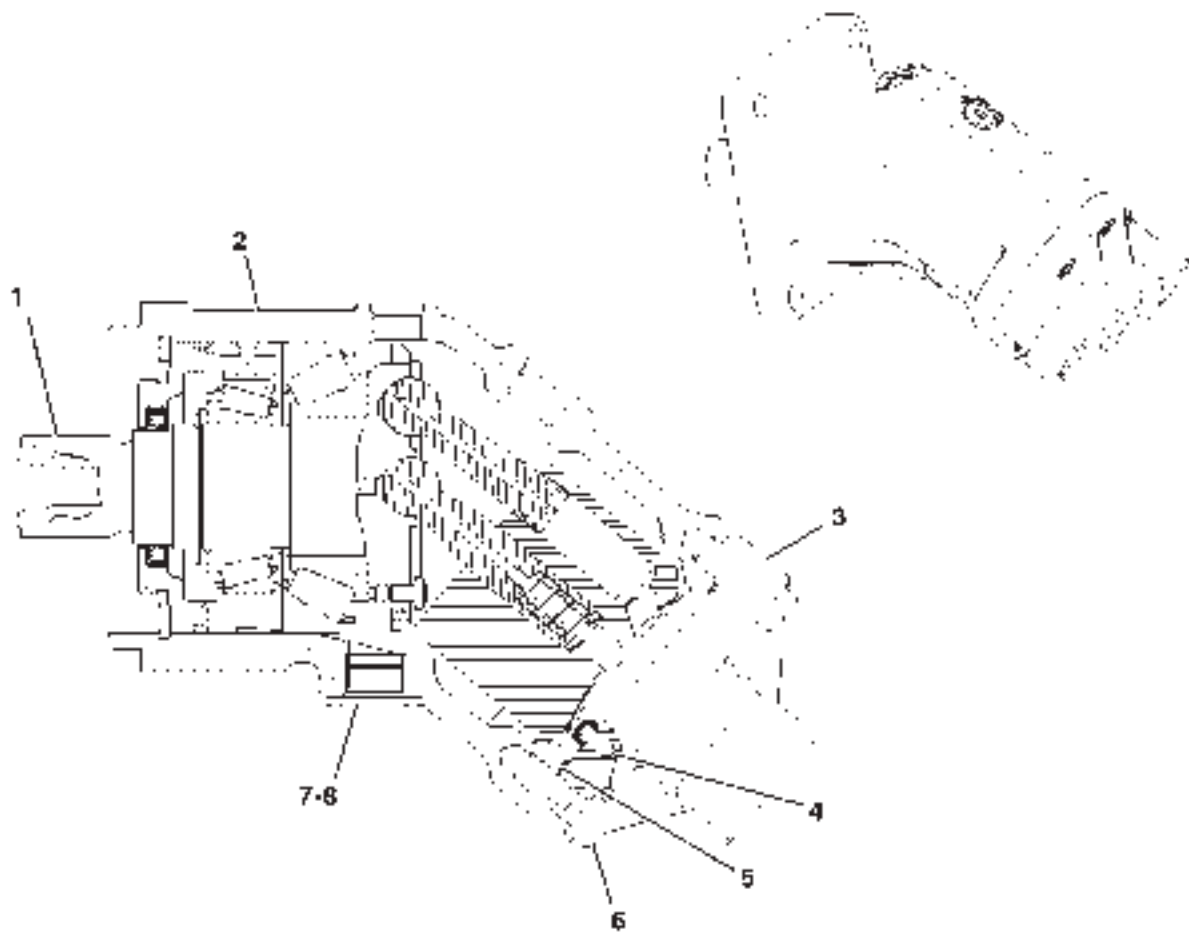
ITEM	NUMBER	QTY	DESCRIPTION
-	172-4517	--	MOTOR & MTG GP STEERING [A]
1	CH162-9602	1	MOTOR GP-PISTON (STEERING) (SEE BREAKDOWN FOR COMPONENTS)
2	CH8F-8733	1	SEAL-O-RING
3	400056X1	4	BOLT (M16X2X50MM)
4	400082X1	4	WASHER (17.5X30X3.5MM THK)

[A] PART OF:
177-9947; 183-2197 GAUGE AR-TRACK

00779015
PR: t05i29k58b0349

MT800 SERIE TRACTORS
DIFFERENTIAL STEERING SYSTEM

MOTOR GP-PISTON - CH162-9601
STEERING



**MT800 SERIESTRACTORS
DIFFERENTIAL STEERING SYSTEM**

787

**MOTOR GP-PISTON - CH162-9601
STEERING**

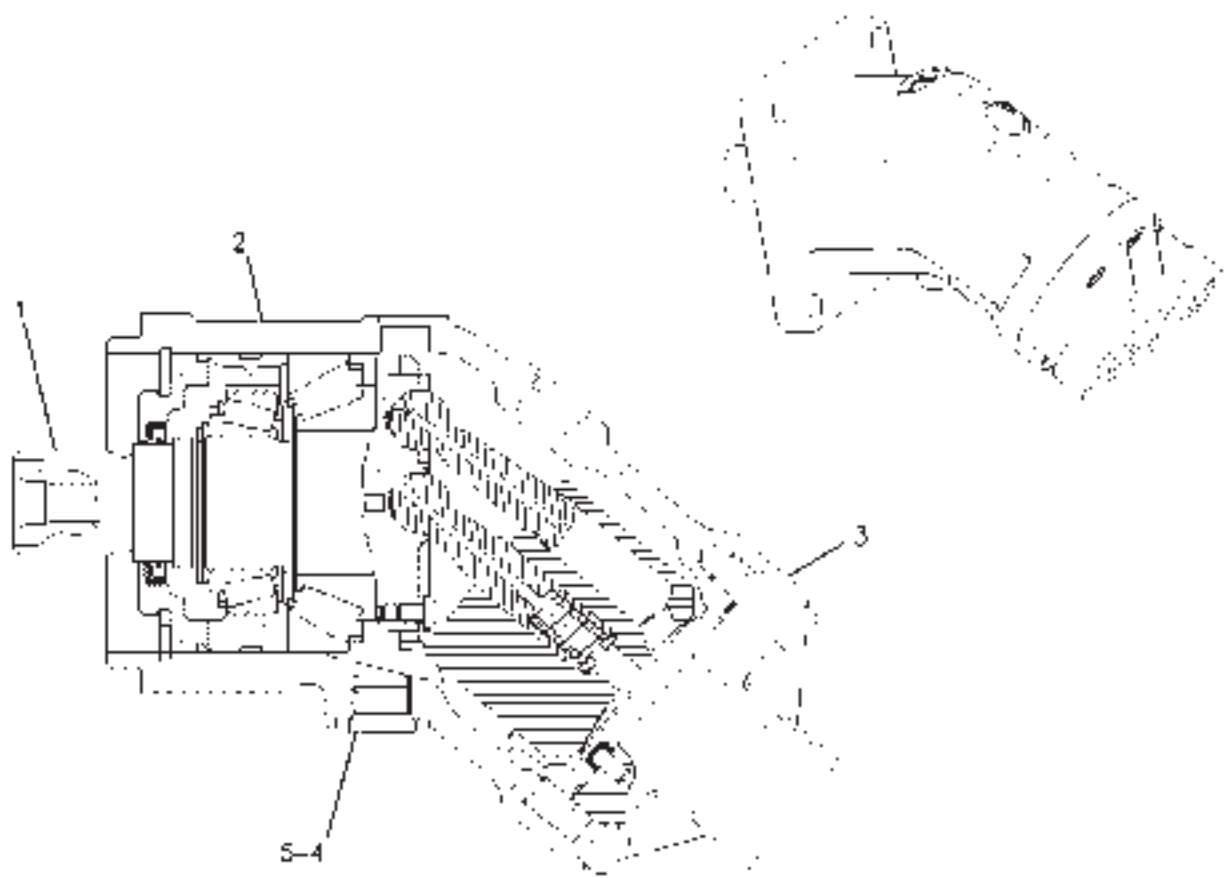
ITEM	NUMBER	QTY	DESCRIPTION
-	CH162-9601	--	MOTOR GP-PISTON [A]
1	203-0189	1	ROTATING GP-MOTOR (SEE BREAKDOWN FOR COMPONENTS)
2	-----	1	HOUSING (ORDER MOTOR GP-PISTON)
3	203-0190	1	HEAD
4	CH1G-3174	1	PIN
5	CH6V-1197	1	SEAL-O-RING
6	400220X1	6	BOLT-HEX SOCKET (M12X1.75X30MM)
7	400374X1	1	PLUG
8	400319X1	1	SEAL-O-RING (19.18IDX2.46DIA)

[A] PART OF 158-2404 MOTOR & MTG
GP-STEERING

0829718A
PR: t05i29k58b0350

MT800 SERIE TRACTORS
DIFFERENTIAL STEERING SYSTEM

MOTOR GP-PISTON - CH162-9602
STEERING



**MT800 SERIESTRACTORS
DIFFERENTIAL STEERING SYSTEM**

789

**MOTOR GP-PISTON - CH162-9602
STEERING**

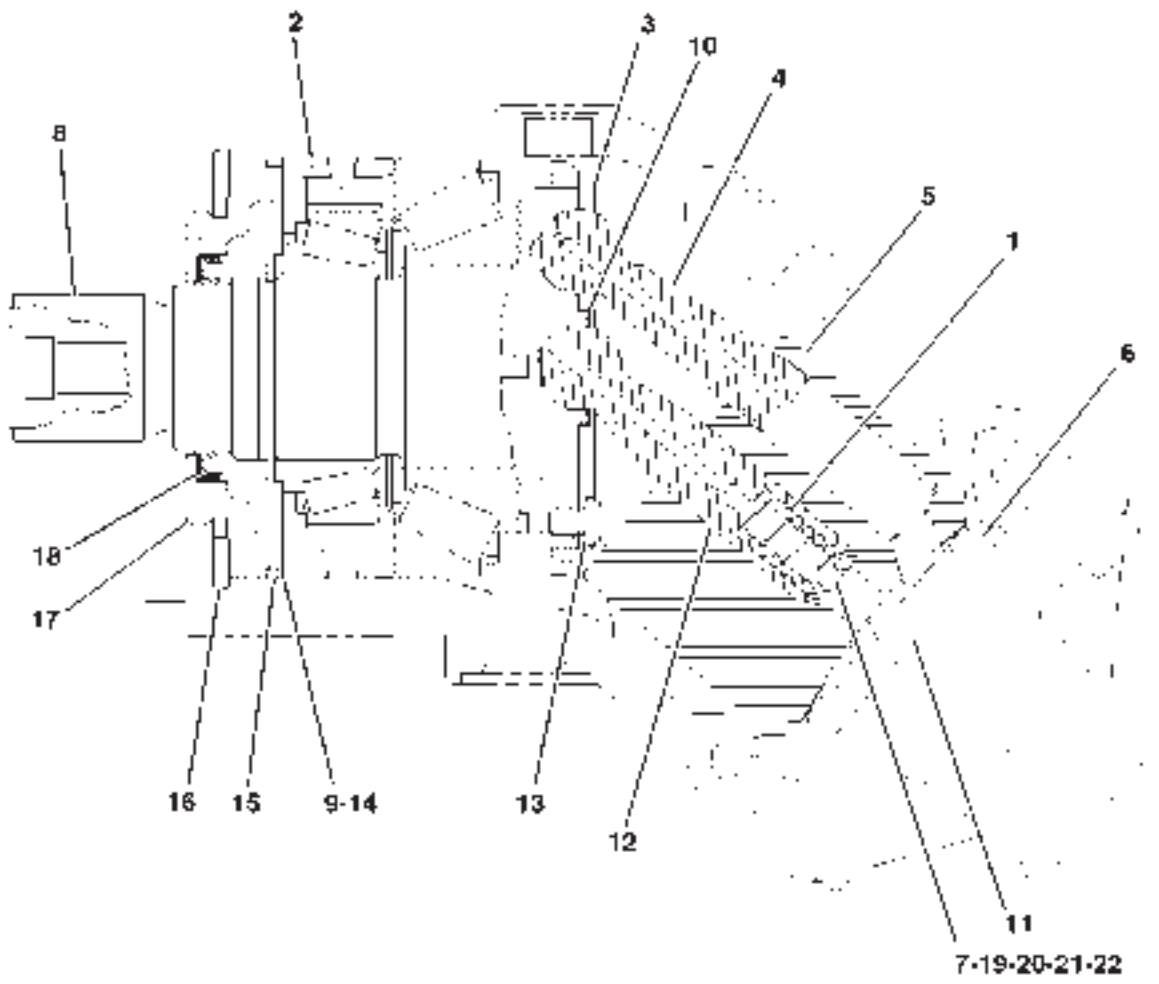
ITEM	NUMBER	QTY	DESCRIPTION
-	CH162-9602	--	MOTOR GP-PISTON [A]
1	203-0189	1	ROTATING GP-MOTOR (SEE BREAKDOWN FOR COMPONENTS)
2	-----	1	HOUSING (ORDER MOTOR GP-PISTON)
3	203-1213	1	HEAD (SEE BREAKDOWN FOR COMPONENTS)
4	400374X1	1	PLUG (10STOR)
5	400319X1	1	SEAL-O-RING (19.18IDX2.46DIA)

[A] PART OF 172-4517 MOTOR & MTG GP

00850707
PR: t05i29k58b0351

MT800 SERIESTRACTORS
DIFFERENTIAL STEERING SYSTEM

ROTATING GP-MOTOR - 203-0189
STEERING



**MT800 SERIESTRACTORS
DIFFERENTIAL STEERING SYSTEM**

791

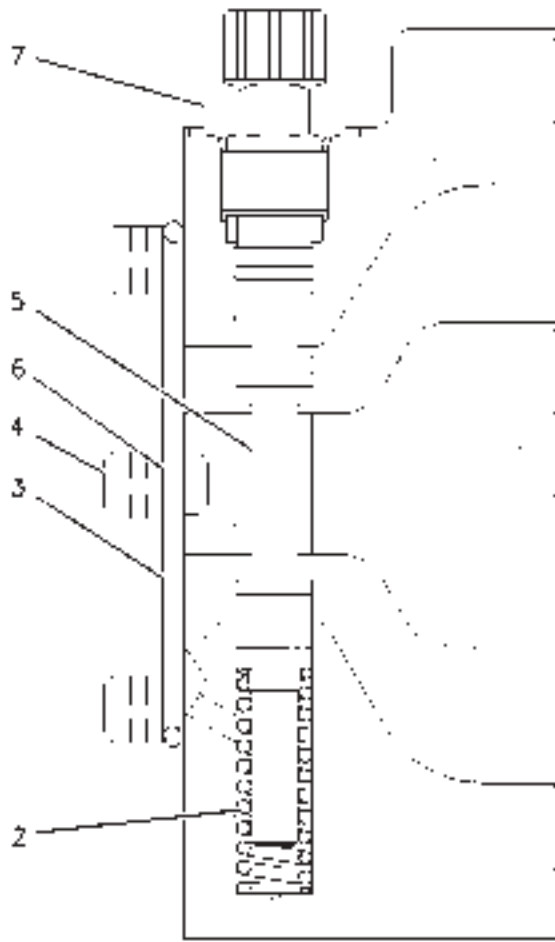
**ROTATING GP-MOTOR - 203-0189
STEERING**

ITEM	NUMBER	QTY	DESCRIPTION
-	203-0189	--	ROTATING GP-MOTOR [A]
1	CH171-3061	1	SPRING
2	CH171-5989	1	KIT-BEARING [R]
3	CH9T-1642	1	PLATE-RETAINING
4	CH165-6969	7	PISTON ASM
	CH9T-1582	2	RING
5	CH9T-1687	1	BARREL-CYLINDER
6	203-0341	1	VALVE GP-FLUSHING (HYD STEERING) A
6A	203-3167	1	PLATE
6B	203-3168	1	PIN
6C	CH119-6110	2	RETAINER
6D	CH6E-4102	2	SPRING
6E	CH203-3169	2	PIN
7	CH171-3060	1	SHIM (3.6mm)
8	202-2792	1	SHAFT ASM-MOTOR
9	CH9T-1579	1	SHIM (0.3)
10	CH9T-1643	1	DISC-RETAINING
11	CH203-0343	1	WASHER
12	CH171-3054	1	PIN-CENTER
13	CH113-4420	7	SCREW (M6X20MM)
14	CH9T-1576	2	SHIM (0.1)
15	CH5D-5958	1	SEAL-O-RING
16	CH6V-3326	1	RING-RETAINING
17	CH9T-1637	1	COVER-FRONT
18	CH123-5748	1	SEAL-SHAFT
19	CH171-3059	1	SHIM (3.7mm)
20	CH171-3058	1	SHIM (3.8mm)
21	CH171-3057	1	SHIM (3.9mm)
22	CH171-3055	1	SHIM (4.0mm)

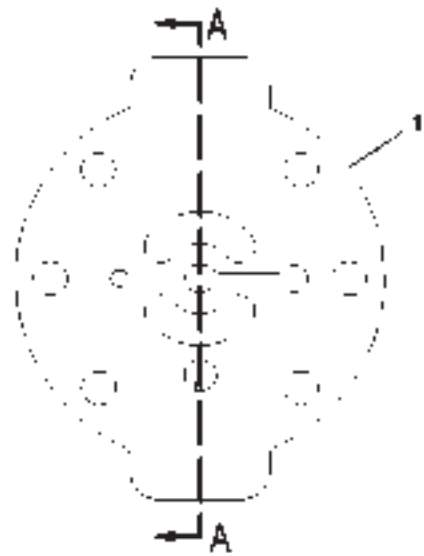
[A] PART OF CH162-9601 & CH162-9602
MOTOR GP-PISTON
[R] REPLACE COMPLETE

0829761A
PR: t05i29k58b0352

HEAD GP-MOTOR - 203-1213



SECTION A-A



00852712

MT800 SERIESTRACTORS
DIFFERENTIAL STEERING SYSTEM

793

HEAD GP-MOTOR - 203-1213

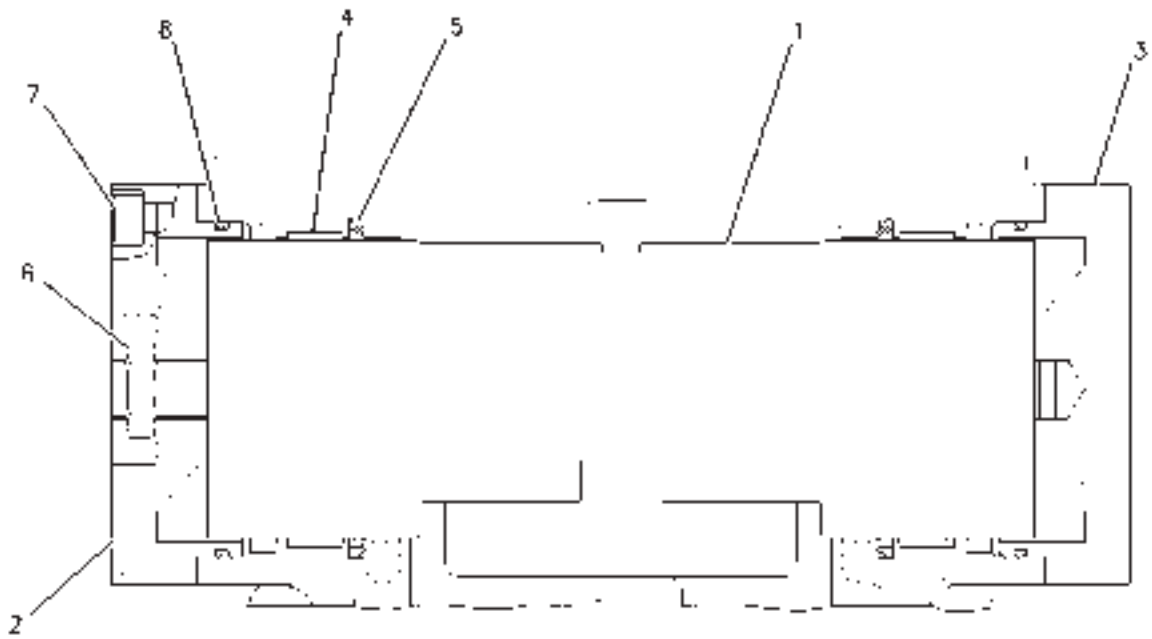
ITEM	NUMBER	QTY	DESCRIPTION
-	203-1213	--	HEAD GP-MOTOR
1	203-1207	1	HEAD
2	CH166-7413	1	SPRING
3	CH6V-1197	1	SEAL-O-RING
4	400220X1	6	BOLT-HEX SOCKET (M12X1.75X30MM)
5	203-1210	1	SPOOL
6	CH1G-3174	1	PIN
7	CH166-7414	1	FITTING

[A] PART OF 162-9602 MOTOR GP-PISTON

00852712
PR: t05i29k58b0353

MT800 SERIE TRACTORS
HYDRAULIC SYSTEM

ACTUATOR GP-PISTON PUMP - CH183-8430



MT800 SERIE TRACTORS
HYDRAULIC SYSTEM

795

ACTUATOR GP-PISTON PUMP - CH183-8430

ITEM	NUMBER	QTY	DESCRIPTION
-	CH183-8430	--	ACTUATOR GP-PISTON PUMP [A]
1	CH183-8417	1	VALVE GP-SERVO (SEE BREAKDOWN FOR COMPONENTS)
2	CH183-8431	1	COVER
3	CH183-8442	1	COVER
4	CH183-8443	2	RING-WEAR
5	CH183-8444	2	RING-SEAL
6	CH119-0942	1	NUT
7	400151X1	8	BOLT-SOCKET HEAD (M8X1.25X25MM)
8	CH8C-3089	2	SEAL-O-RING (82.22MM ID)

[A] PART OF CH162-9592 PUMP GP-PISTON

00664406
PR: t05i29k58b0354

**MT800 SERIESTRACTORS
HYDRAULIC SYSTEM**

797

**HYDRAULIC KIT-POWER BEYOND - 178-7162
STD FLOW (0-60 LPM) .5" COUPLER
ROW AND SPECIAL APPLICATIONS**

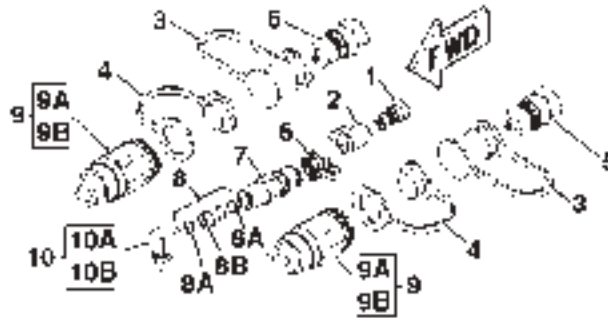
ITEM	NUMBER	QTY	DESCRIPTION
-	178-7162	--	CONNECTOR GP-VALVE
1	CH153-4061	1	FITTING
-	CH153-4058	1	COUPLING (NOT SHOWN) [A]
2	CH153-6225	1	CAP-DUST
3	CH159-5893	1	CAP-DUST
4	CH159-5897	1	COUPLER AS
5	CH170-0964	1	CONNECTOR AS (6STOR X 6STOR)
5A	400318X1	2	SEAL-O-RING (11.89DIA X 1.98)
5B	-----	1	CONNECTOR (ORDER ITEM 5)
6	CH172-4621	2	ADAPTER AS (16STOR X 12STOR)
6A	-----	1	ADAPTER-STR (ORDER ITEM 6)
6B	400376X1	1	SEAL-O-RING (29.74ID X 2.95DIA)
7	CH183-3725	2	COUPLER ASM
7A	CH168-4599	1	CAP-DUST
7B	CH5L-4758	1	SEAL-O-RING
7C	CH201-7615	1	RING-BACKUP
-	CH159-5898	1	NIPPLE ASM (NOT SHOWN) [B]
8	CH150-3065	1	ADAPTER AS-90DEG (6STORX6STOR) [C]
8A	400318X1	1	SEAL-O-RING (11.89ID X 1.98)
8B	-----	1	ADAPTER (ORDER ITEM 8)

[A] MATING PART FOR ITEM 1
[B] MATING PART FOR ITEM 7
[C] PART REQ'D FOR MODELS
MT835, MT845, MT855, MT865 ONLY

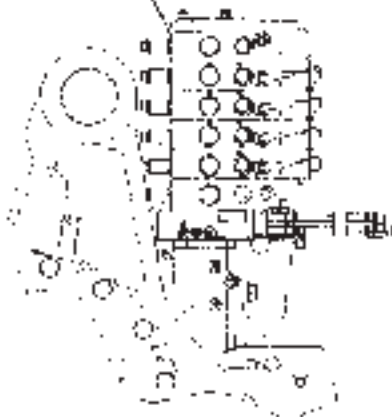
00885028
PR: t05i29k58b0355

MT800 SERIES TRACTORS
HYDRAULIC SYSTEM

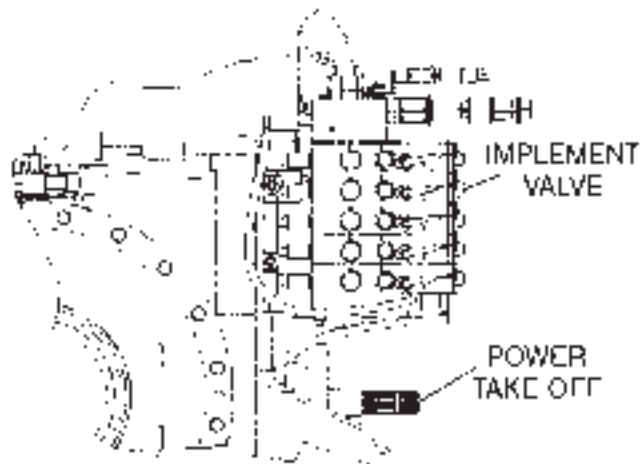
CONNECTOR GP-VALVE - 180-7174
ABOVE 60 LPM HYDRAULIC POWER BEYOND
ROW AND SPECIAL APPLICATIONS



IMPLEMENT VALVE



RIGHT SIDE VIEW



LEFT SIDE VIEW

**MT800 SERIES TRACTORS
HYDRAULIC SYSTEM**

799

**CONNECTOR GP-VALVE - 180-7174
ABOVE 60 LPM HYDRAULIC POWER BEYOND
ROW AND SPECIAL APPLICATIONS**

ITEM	NUMBER	QTY	DESCRIPTION
-	180-7174	--	CONNECTOR GP-VALVE
1	CH153-4061	1	FITTING
2	CH153-6225	1	CAP-DUST
3	CH153-6227	2	CAP-DUST
4	CH153-6228	2	PLUG-DUST [A]
5	CH159-5890	2	FITTING ASM (INCLUDES COUPLING & CAP)
	CH153-6227	1	CAP-DUST
6	CH159-5893	1	CAP-DUST
7	CH159-5897	1	COUPLER
8	CH170-0964	1	CONNECTOR AS (6STORX6STOR)
8A	400318X1	2	SEAL-O-RING (11.89IDX1.98DIA)
8B	-----	1	CONNECTOR (ORDER ITEM 8)
9	CH183-3724	2	COUPLER AS
9A	CH2K-8199	1	SEAL-O-RING
9B	CH201-7614	1	RING-BACKUP
-	CH5R-6305	1	NIPPLE ASM (NOT SHOWN) [B]
10	CH150-3065	1	ADAPTER AS (90DEG-6STOR X 6STOR) [C]
10A	400318X1	1	SEAL-O-RING (11.89IDX1.98DIA)
10B	-----	1	ADAPTER (ORDER ITEM 10)

[A] DUST PROTECTION
[B] MATING PART
[C] PARTS FOR MT800 SERIES ONLY

0824172A
PR: t05i29k58b0356

800

MT800 SERIESTRACTORS
HYDRAULIC SYSTEM

CONVERSION GP-CONTROL VALVE - 185-8699
4 VALVE TO 5 VALVE UPGRADE

NO ILLUSTRATION

NOTIF

MT800 SERIESTRACTORS
HYDRAULIC SYSTEM

801

CONVERSION GP-CONTROL VALVE - 185-8699
4 VALVE TO 5 VALVE UPGRADE

ITEM	NUMBER	QTY	DESCRIPTION
-	185-8699	--	CONVERSION GP-CONTROL VALVE
	136-5670	1	CONTROL & WIRING GP (NOT SERVICED) (SEE BREAKDOWN FOR COMPONENTS)
	136-5355	1	CONTROL GP-IMPLEMENT (NOT SERVICED) (SEE BREAKDOWN FOR COMPONENTS)
	189-5910	1	CONVERSION GP-CONTROL VALVE (FOUR TO FIVE BANK VALVE) (SEE BREAKDOWN FOR COMPONENTS)

NOTIF
PR: t05i29k58b0357

802

MT800 SERIESTRACTORS
HYDRAULIC SYSTEM

CONVERSION GP-CONTROL VALVE - 185-8701

NO ILLUSTRATION

NOTIF

MT800 SERIESTRACTORS
HYDRAULIC SYSTEM

803

CONVERSION GP-CONTROL VALVE - 185-8701

ITEM	NUMBER	QTY	DESCRIPTION
-	185-8701	--	CONVERSION GP-CONTROL VALVE [A]
	152-0448	1	CONTROL GP-IMPLEMENT (NOT SERVICED) (SEE BREAKDOWN FOR COMPONENTS)
	189-5906	1	CONVERSION GP-CONTROL VALVE (FIVE TO SIX BANK VALVE) (SEE BREAKDOWN FOR COMPONENTS)

[A] 5 VALVE TO 6 VALVE UPGRADE

NOTIF
PR: t05i29k58b0358

804

MT800 SERIESTRACTORS
HYDRAULIC SYSTEM

CONVERSION GP-CONTROL VALVE - 189-5910
4 VALVE TO 5 VALVE UPGRADE

NO ILLUSTRATION

NOTIF

MT800 SERIES TRACTORS
HYDRAULIC SYSTEM

805

CONVERSION GP-CONTROL VALVE - 189-5910
4 VALVE TO 5 VALVE UPGRADE

ITEM	NUMBER	QTY	DESCRIPTION
-	189-5910	--	CONVERSION GP-CONTROL VALVE [A]
	180-0498	1	VALVE GP-CONTROL (SEE BREAKDOWN FOR COMPONENTS)
	WR522218	4	NUT (M10X1.5)
	CH5P-9186	14	SEAL-O-RING
	CH8L-2777	4	SEAL-O-RING
	209-7497	4	STUD

[A] PART OF 185-8699 CONV GP-CONTROL
VALVE

NOTE:
QUANTITIES SHOWN ON SEAL-O-RING REFLECT
REPLACEMENT SEALS FOR THE VALVE
SECTION IMMEDIATELY BELOW THE TOP
PLATE AND DUPLICATE SEALS FOR THOSE
PRESENT IN THE ADDITIONAL VALVE GP

THIS KIT CONVERTS A FOUR (4) REMOTE
VALVE NONSTEERABLE HITCH VALVE STACK TO
FIVE (5) REMOTE VALVE NONSTEERABLE
HITCH VALVE STOCK.

NOTIF
PR: t05i29k58b0359

806

MT800 SERIESTRACTORS
HYDRAULIC SYSTEM

CONVERSION GP-CONTROL VALVE - 189-5906
5 VALVE TO 6 VALVE UPGRADE

NO ILLUSTRATION

NOTIF

MT800 SERIESTRACTORS
HYDRAULIC SYSTEM

807

CONVERSION GP-CONTROL VALVE - 189-5906
5 VALVE TO 6 VALVE UPGRADE

ITEM	NUMBER	QTY	DESCRIPTION
-	189-5906	--	CONVERSION GP-CONTROL VALVE [A]
1	162-9816	1	VALVE GP-CONTROL (SEE BREAKDOWN FOR COMPONENTS)
2	WR522218	4	NUT (M10X1.5)
3	CH5P-9186	14	SEAL-O-RING [J]
4	CH8L-2777	4	SEAL-O-RING [J]
5	CH209-7498	4	STUD

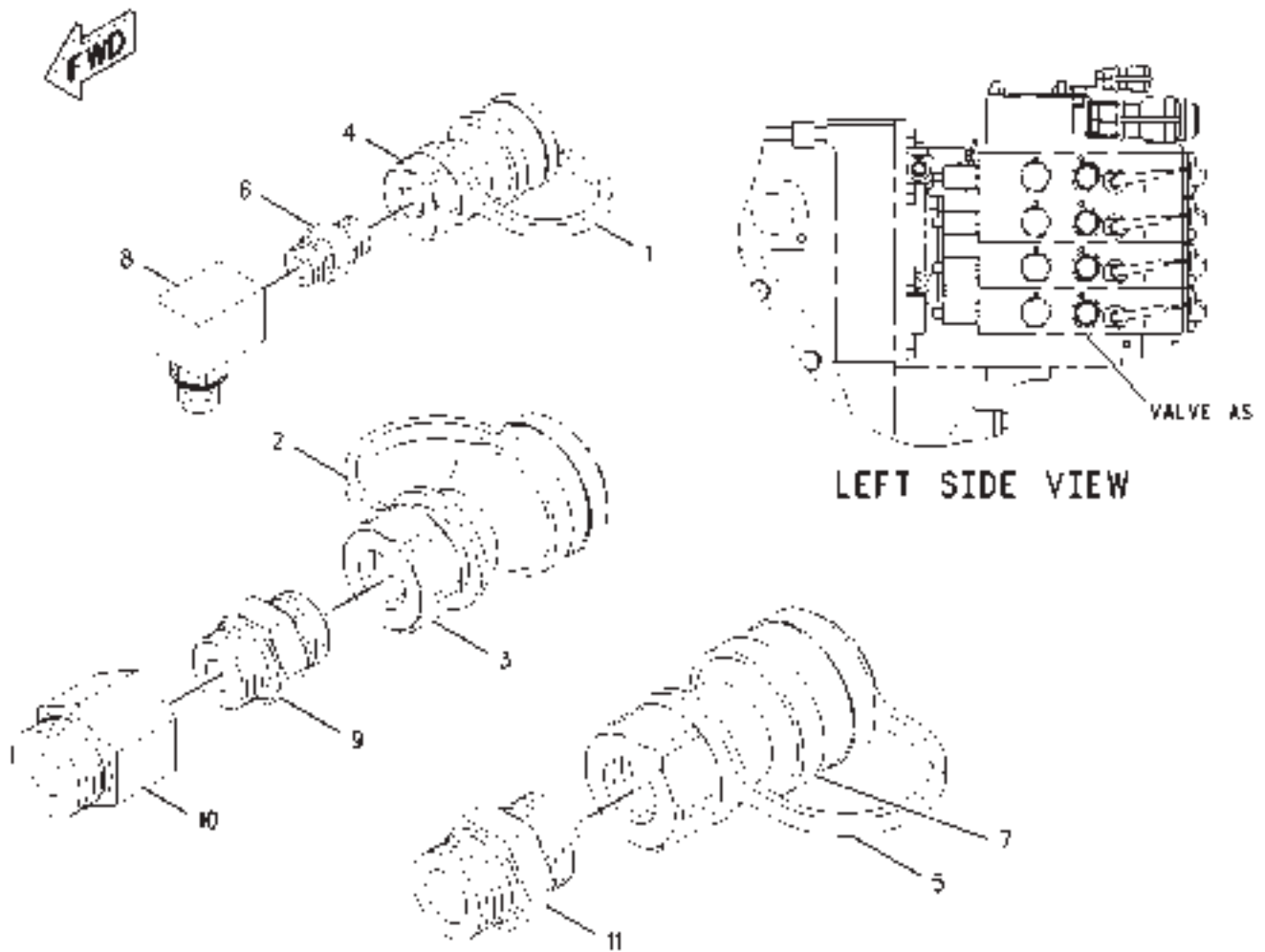
[A] PART OF 185-8701 CONVERSION
GP-CONTROL VALVE

[J] QUANTITIES SHOWN REFLECT
REPLACEMENT SEALS FOR THE VALVE
SECTION IMMEDIATELY BELOW THE TOP
PLATE AND DUPLICATE SEALS FOR THOSE
PRESENT IN THE ADDITIONAL VALVE GP.

NOTIF
PR: t05i29k58b0360

MT800 SERIES TRACTORS
HYDRAULIC SYSTEM

KIT-COUPLING-POWER BEYOND - 189-3143
(CLAAS)
EAME ONLY



MT800 SERIESTRACTORS
HYDRAULIC SYSTEM

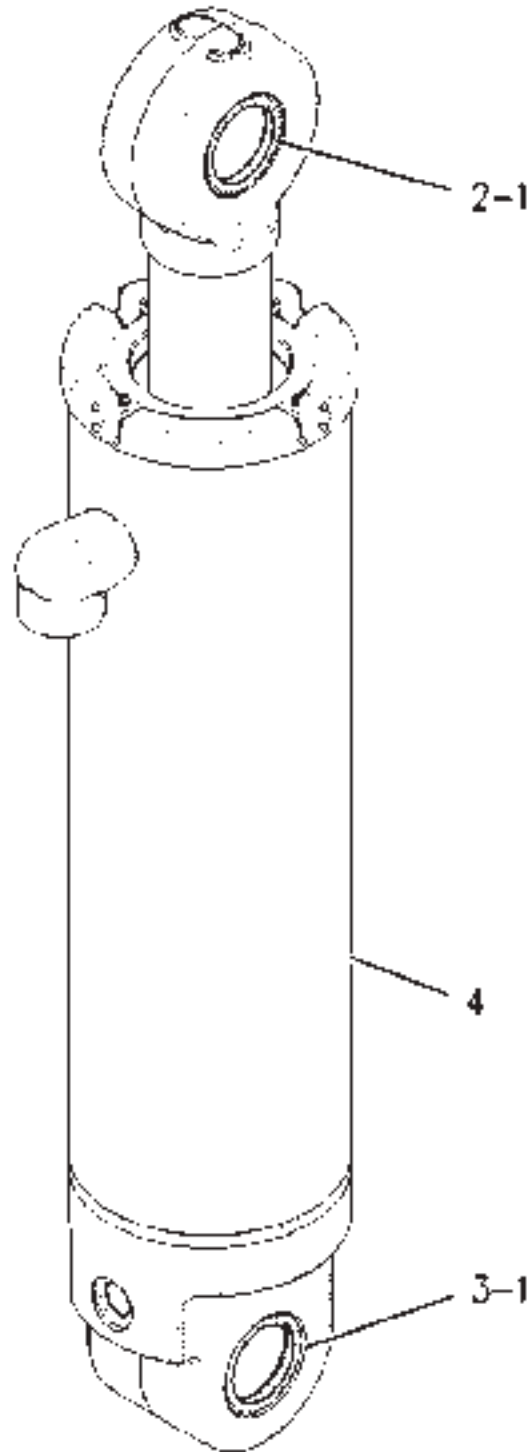
809

KIT-COUPLING-POWER BEYOND - 189-3143
(CLAAS)
EAME ONLY

ITEM	NUMBER	QTY	DESCRIPTION
-	189-3143	--	KIT-COUPLING-POWER BEYOND
1	CH5R-5676	1	PLUG-DUST
2	CH5R-5718	1	PLUG-DUST
3	CH5R-6304	1	COUPLER-QUICK CONNECT (12STOR-FEM)
	CH3S-9233	1	SEAL-O-RING
	CH5R-5780	1	RETAINER
4	CH5R-6868	1	COUPLER-QUICK CONNECT (6STOR-FEM)
5	CH165-5694	1	PLUG-DUST
6	CH170-0964	1	CONNECTOR AS (6STOR X 6STOR)
	400318X1	2	SEAL-O-RING (11.89ID X 1.98 DIA)
7	CH173-7639	1	COUPLER-QUICK CONNECT (16STOR-FEM)
	CH191-6944	1	KIT-SEAL (COUPLING AS)
8	CH150-3065	1	ADAPTER AS (90DEG-6STOR X 6STOR)
	400318X1	1	SEAL-O-RING (11.89ID X 1.98 DIA)
9	CH172-4620	1	CONNECTOR AS (12STOR HEX)
	400416X1	2	SEAL-O-RING (23.47ID X 2.95DIA)
10	CH172-4621	1	ADAPTER AS (16STOR X 12STOR)
	400376X1	2	SEAL-O-RING (29.74ID X 2.95DIA)
11	CH172-4622	1	UNION AS (16STOR HEX)
	400376X1	2	SEAL-O-RING (29.74ID X 2.95DIA)

00893843
PR: t05i29k58b0361

CYLINDER GP-LIFT



**MT800 SERIESTRACTORS
HYDRAULIC SYSTEM**

811

CYLINDER GP-LIFT

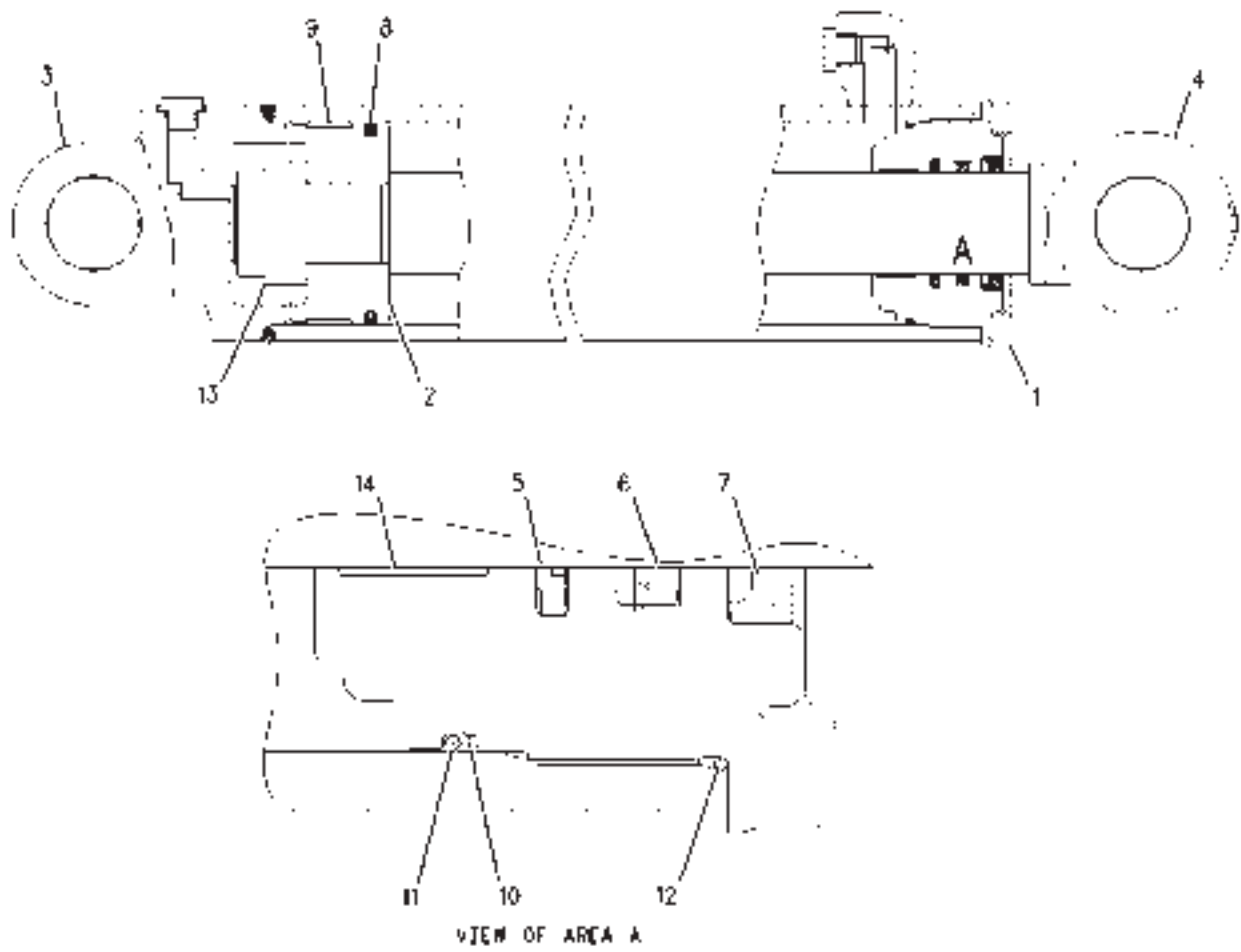
ITEM	NUMBER	QTY	DESCRIPTION
-	CH192-6280	--	CYLINDER GP-LIFT (W/BRGS & SEALS) [A]
1	400311X1	4	SEAL-LIP
2	CH190-2623	1	BEARING
3	CH196-3024	1	BEARING
4	CH198-8789	1	CYLINDER GP (0125-0345-Y) (NOT SERVICED, ORDER CYLINDER GP-W/BRGS & SEALS) (SEE BREAKDOWN FOR COMPONENTS)

[A] PART OF: 169-0027;169-0028;
179-0852;180-6639;186-0979 &
189-3300 HITCH AR-3 POINT

00852391
PR: t05i29k58b0362

MT800 SERIES TRACTORS
HYDRAULIC SYSTEM

CYLINDER GP (0125-0345-Y)
125MM X 345MM (4.92 X 13.58")



MT800 SERIESTRACTORS
HYDRAULIC SYSTEM

813

CYLINDER GP (0125-0345-Y)
125MM X 345MM (4.92 X 13.58")

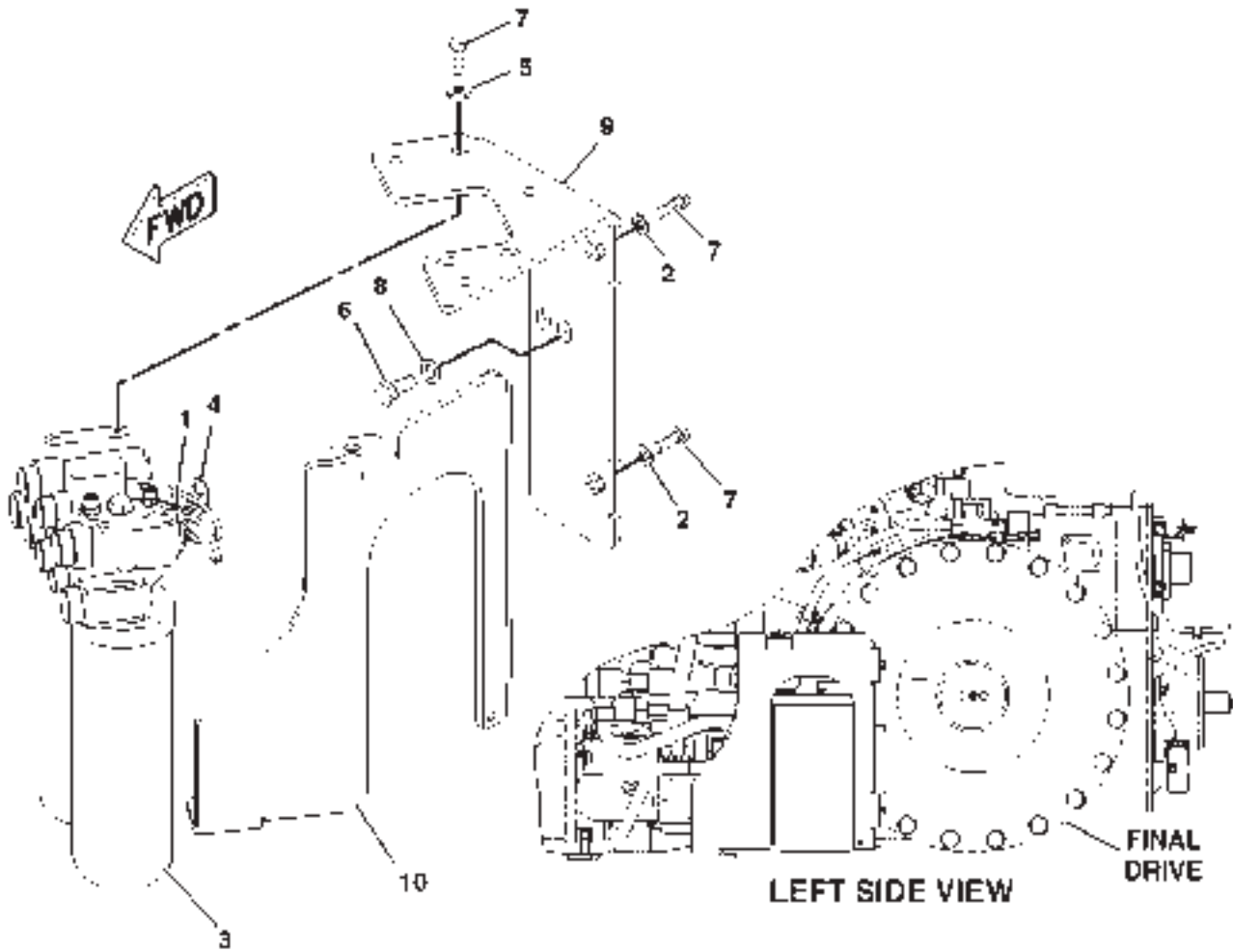
ITEM	NUMBER	QTY	DESCRIPTION
-	CH198-8789	--	CYLINDER GP [A] (NOT SERVICED) (ORDER CYLINDER GP-LIFT CH192-6280)
1	----	1	HEAD
2	----	1	PISTON
3	----	1	BODY
4	----	1	ROD ASM
5	CH167-2201	1	SEAL ASM-BUFFER
6	CH167-2312	1	SEAL-U-CUP
7	500686D1	1	SEAL-WIPER (DOUBLE LIP)
8	CH186-4955	1	SEAL-PISTON
9	CH186-5137	1	RING-WEAR
10	CH2J-3961	1	RING-BACKUP
11	CH2J-8163	1	SEAL-O-RING (117.07X3.53)
12	CH5F-3999	1	SEAL-O-RING (123.42X3.53)
13	----	1	NUT-SELF LOCKING
14	CH8T-0785	1	RING-WEAR

[A] PART OF CH192-6280 CYLINDER GP-LIFT

00852903
PR: t05i29k58b0363

MT800 SERIES TRACTORS
HYDRAULIC SYSTEM

FILTER & MTG GP-HYDRAULIC - 158-2349



0895667A

**MT800 SERIES TRACTORS
HYDRAULIC SYSTEM**

815

FILTER & MTG GP-HYDRAULIC - 158-2349

ITEM	NUMBER	QTY	DESCRIPTION
-	158-2349	--	FILTER & MTG GP-HYD [A] (NOT SERVICED)
1	CH7K-1181	1	STRAP-CABLE
2	400357X1	2	WASHER-HARD (M12X25.5X3)
3	210-2395	--	FILTER GP-OIL (HYDRAULIC) (S/N: PRIOR BAM40601;BBP40472;BCC40702;BDS40823)
3	501767D1	1	FILTER GP-OIL (HYDRAULIC) (S/N: EFF BAM40601;BBP40472;BCC40702;BDS40823) (TRANS/STEERING/IMPLEMENT) (SEE BREAKDOWN FOR COMPONENTS)
4	400380X1	1	CLIP
5	400381X1	4	WASHER-HARD (13.5X30X4)
6	WR518357	4	BOLT (M16X2X35MM)
7	400064X1	6	BOLT (M12X1.75X35MM)
8	400082X1	4	WASHER (17.5X30X3.5)
9	222-9854	1	PLATE ASM
	CH8T-3597	5	NUT-WELD (M12X1.75)
10	222-9855	1	PLATE ASM
	CH8T-3612	1	NUT-WELD (M8X1.25)
	CH8T-3490	1	NUT-WELD (M10X1.5)
	CH8T-3597	1	NUT-WELD (M12X1.75)

[A] PART OF 158-2342 HYD AR-COMMON

0895667A
PR: t05i29k58b0364

GUARD GP-HDY FILTER - 233-7373
ROW ONLY



MT800 SERIESTRACTORS
HYDRAULIC SYSTEM

817

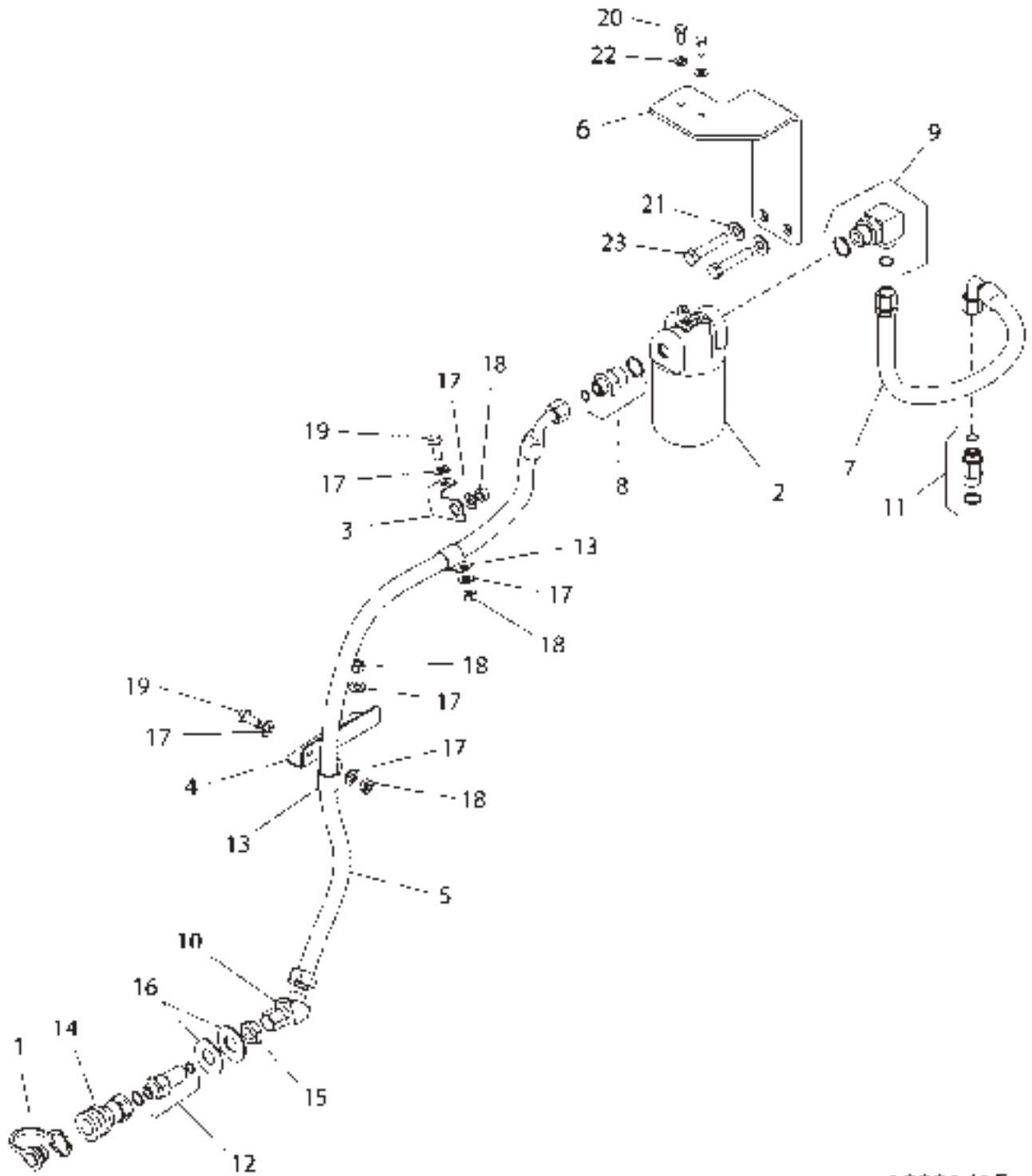
GUARD GP-HDY FILTER - 233-7373
ROW ONLY

ITEM	NUMBER	QTY	DESCRIPTION
-	233-7373	--	GUARD GP-HDY FILTER
1	224-6641	1	PLATE AS.
2	8T-4121	2	WASHER-HARD M10
3	8T-4137	1	BOLT- M10X1.5 X20ZNDI HHD 10.9
4	8T-4139	2	BOLT- M12X1.75X30 ZNDI HHD10.9
5	8T-4196	1	BOLT
6	8T-4223	2	WASHER-HARD M12(1/2) 26OD

2337373A
PR: t05i29k58b0365

MT800 SERIES TRACTORS
HYDRAULIC SYSTEM

HYDRAULIC KIT-CASE DRAIN
189-3141
EAME ONLY



**MT800 SERIES TRACTORS
HYDRAULIC SYSTEM**

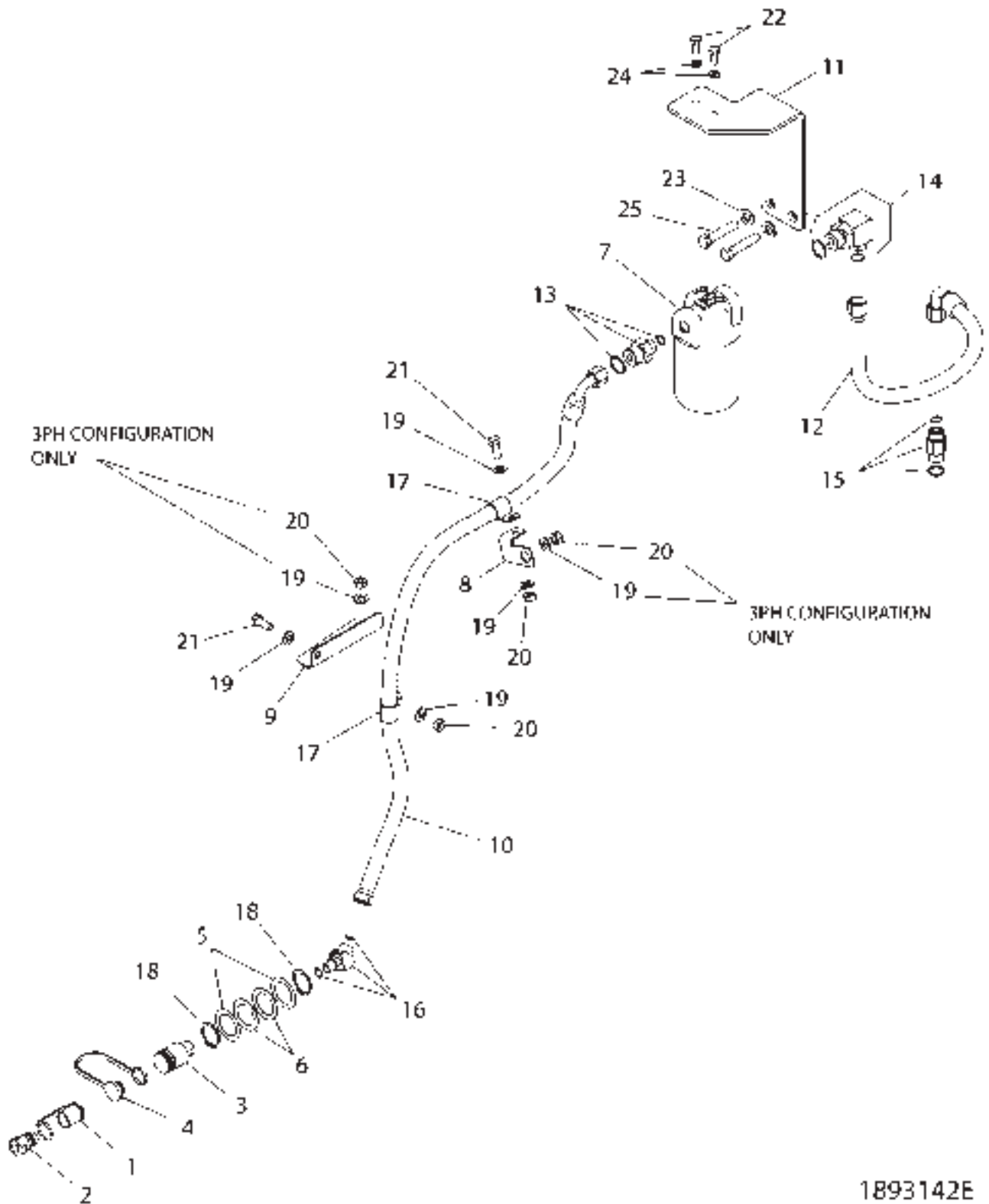
819

**HYDRAULIC KIT-CASE DRAIN
189-3141
EAME ONLY**

ITEM	NUMBER	QTY	DESCRIPTION
-	189-3141	--	HYDRAULIC KIT-CASE DRAIN FOR COMPLETE REPLACEMENT, RDER 502682D1-FLAT FACE OR 02683D1-PIONEER)
1	400564X1	1	PLUG-DUST-23.4 DIA
2	502679D1	1	FILTER GP-HYD (INCLS ELEMENT)
	501771D1	1	ELEMENT-OIL FILTER
3	200-2992	1	BRACKET
4	200-2993	1	BRACKET
5	CH208-9927	1	HOSE AS-12.7 ID SAE 100R1
6	208-9928	1	BRACKET AS
7	CH226-6489	1	HOSE AS 12.7 ID SAE 100R1 AT
8	400414X1	1	CONNECTOR AS-STR-12STOR-8ORFS
	CH6V-8398	1	SEAL-O-RING (16.03OD X 1.78)
	400319X1	1	SEAL-O-RING (19.18ID X 2.46)
9	400410X1	1	ELBOW AS-90DEG-12STOR-10ORFS
	400332X1	1	SEAL-O-RING (19.28ID X 1.78)
	400416X1	1	SEAL-O-RING (23.47ID X 2.95 DIA)
10	400616X1	1	ELBOW AS-8 ORFS 45DEG
	CH6V-8398	1	SEAL-O-RING (16.03ODX1.78)
11	CH164-5557	1	CONNECTOR AS-8ORFS X 10STOR
	400319X1	1	SEAL-O-RING (19.18IDX2.46)
	CH6V-8398	1	SEAL-O-RING (16.03ODX1.78DIA)
12	400565X1	1	CONNECTOR AS-BLKHD-8STOR-8ORFS
13	CH3S-8665	2	CLIP-LOOP 22.2 ID W/COAT
14	700719352	1	COUPLER/HALF-QUICK DISC-FEMALE
15	400348X1	1	NUT-BULKHEAD 13/16-16
16	CH7X-3383	2	WASHER-22 ID X 50 OD X 3 ZN
17	400287X1	6	WASHER-HARD 11IDX21ODX2.5 ZND1
18	WR522218	4	NUT-M10-1.5,CL10.9,ZN,H,REG
19	400039X1	2	BOLT-M10X1.5X25 ZNDI HDD 10.9
20	400053X1	2	BOLT-M8X1.25X20 ZNDI HDD 10.9
21	400357X1	2	WASHER-HARD-M12X25.50DX3THK
22	400339X1	2	WASHER-HARD
23	400063X1	2	BOLT-M12X1.75X60 ZNDI HDD 10.9

1893141E
PR: t05i29k58b0366

HYDRAULIC KIT-CASE DRAIN
189-3142



**MT800 SERIES TRACTORS
HYDRAULIC SYSTEM**

821

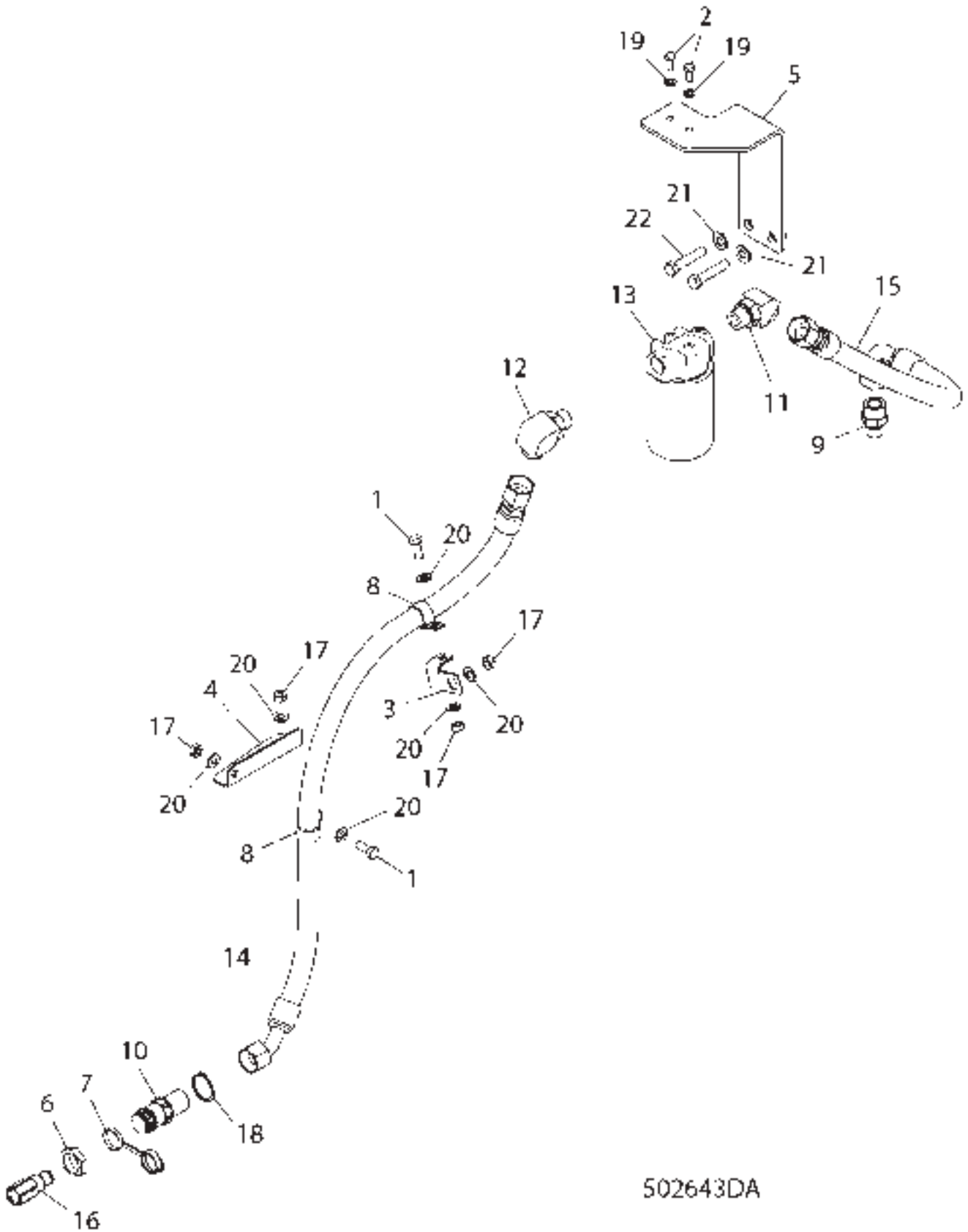
**HYDRAULIC KIT-CASE DRAIN
189-3142**

ITEM	NUMBER	QTY	DESCRIPTION
-	189-3142	--	HYDRAULIC KIT-CASE DRAIN FOR COMPLETE REPLACEMENT, RDER 502682D1-FLAT FACE OR 02683D1-PIONEER)
1	400423X1	1	CAP-PROTECTIVE (22 DIA)
2	400419X1	1	NIPPLE AS-QUICK DISC
3	400420X1	1	COUPLING AS-QUICK DISC
4	400422X1	1	PLUG-DUST
5	179-9827	2	SHIM
6	179-9828	2	SHIM
7	502679D1	1	FILTER GP-OIL
	501771D1	1	ELEMENT-OIL FILTER
8	200-2992	1	BRACKET
9	200-2993	1	BRACKET
10	CH208-9927	1	HOSE ASM
11	208-9928	1	BRACKET ASM
12	CH226-6489	1	HOSE ASM
13	400414X1	1	CONNECTOR AS-STR-12STOR-8ORFS
	400416X1	1	SEAL-O-RING (23.47IDX2.95DIA)
	CH6V-8398	1	SEAL-O-RING (16.03ODX1.78DIA)
14	400410X1	1	ELBOW AS (90DEG-12STOR-10ORFS)
	400416X1	1	SEAL-O-RING (23.47IDX2.95DIA)
	400322X1	1	SEAL-O-RING (19.28ID X 1.78)
15	CH164-5557	1	CONNECTOR AS-8ORFS X 10STOR
	400319X1	1	SEAL-O-RING (19.18ID X 2.46)
	CH6V-8398	1	SEAL-O-RING (16.03ODX1.78DIA)
16	CH164-5624	1	ELBOW AS (45DEG-6STOR-8ORFS)
	CH6V-8398	1	SEAL-O-RING (16.03ODX1.78DIA)
	400318X1	1	SEAL-O-RING (11.89ID X 1.98)
17	CH3S-8665	2	CLIP-LOOP 22.2 ID W/COAT
18	400421X1	2	RING-RETAINING,EXT (31IDX1.27)
19	400287X1	6	WASHER-HARD (11X21X2.5)
20	WR522218	4	NUT (M10X1.5)
21	400039X1	2	BOLT (M10X1.5X25MM)
22	400053X1	2	BOLT (M8X1.25X20MM)
23	400357X1	2	WASHER-HARD (M12X25.5X3)
24	400339X1	2	WASHER-HARD (8.8X16X2)
25	400063X1	2	BOLT (M12X1.75X60)

1893142E
PR: t05i29k58b0367

MT800 SERIES TRACTORS
HYDRAULIC SYSTEM

CASE DRAIN GP-FLAT FACE - 502643D1
3 PT HITCH



502643DA

**MT800 SERIESTRACTORS
HYDRAULIC SYSTEM**

823

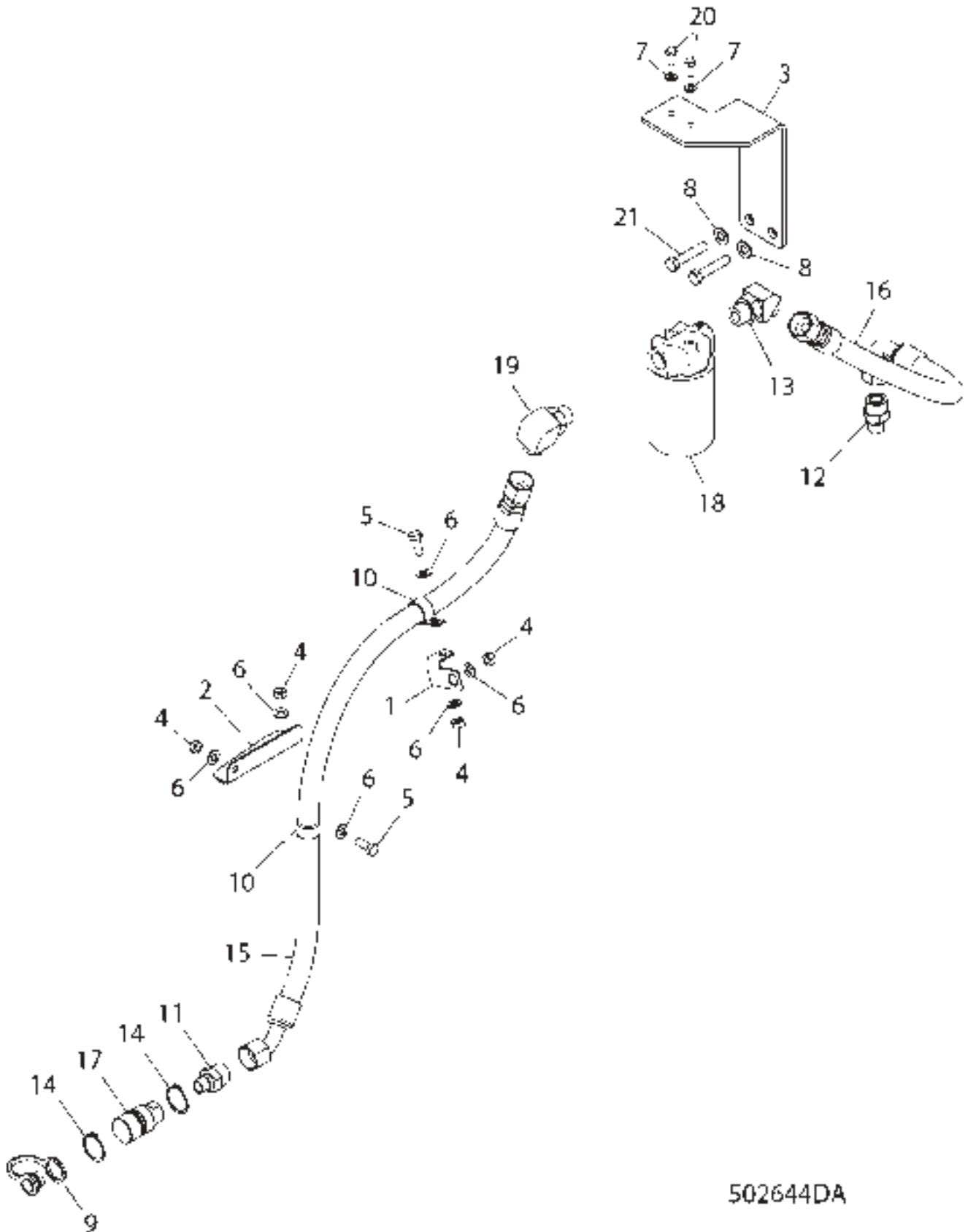
**CASE DRAIN GP-FLAT FACE - 502643D1
3 PT HITCH**

ITEM	NUMBER	QTY	DESCRIPTION
-	502643D1	--	CASE DRAIN GP-FLAT FACE (NOT SERVICED, ORDER FIELD INSTALLED)
-	502682D1	--	HYDRAULIC KIT-CASE DRAIN (FIELD INSTALLED)
1	400039X1	2	BOLT-M10X1.5X25 ZNDI HDD 10.9
2	400053X1	2	BOLT-M8X1.25X20 ZNDI HDD 10.9
3	200-2992	1	BRACKET
4	200-2993	1	BRACKET
5	208-9928	1	BRACKET AS
6	400961X1	1	BULKHEAD NUT-12ORFS
7	502473D1	1	CAP-DUST
8	400700X1	2	CLIP LOOP 28.58ID
9	400965X1	1	CONNECTOR AS-STR 10STOR-12ORFS
	400319X1	1	SEAL-O-RING (19.18ID X 2.46DIA)
	400366X1	1	SEAL-O-RING (22.5OD X 1.78DIA)
10	502475D1	1	COUPLER AS
	400366X1	1	SEAL-O-RING (22.5IDX1.78DIA)
11	400967X1	1	ELBOW AS-45 -12STOR-12ORFS
	400366X1	1	SEAL-O-RING (22.5OD X 1.78DIA)
	400416X1	1	SEAL-O-RING (23.47ID X 2.95DIA)
12	CH148-8347	1	ELBOW AS-90DEG 12STOR X 12ORFS
	400366X1	1	SEAL-O-RING (22.5IDX1.78DIA)
	400416X1	1	SEAL-O-RING (23.47IDX2.95DIA)
13	502679D1	1	FILTER GP-HYD
	501771D1	1	FILTER AS-HYD
14	502468D1	1	HOSE AS (FOR 19.1 ID SAE)
15	502469D1	1	HOSE AS
16	502472D1	1	NIPPLE AS-FLAT FACE-SIZE 6
17	WR522218	4	NUT-M10-1.5,CL10.9,ZN,H,REG
18	400968X1	1	SNAP RING EXT
19	400339X1	2	WASHER-HARD
20	400287X1	6	WASHER-HARD 11IDX21ODX2.5 ZND1
21	400357X1	2	WASHER-HARD-M12X25.5ODX3THK
22	400063X1	2	BOLT-M12X1.75X60 ZNDI HDD 10.9

502643DA
PR: t05i29k58b0368

MT800 SERIES TRACTORS
HYDRAULIC SYSTEM

CASE DRAIN GP-PIONEER - 502644D1
3-PT HITCH



**MT800 SERIES TRACTORS
HYDRAULIC SYSTEM**

825

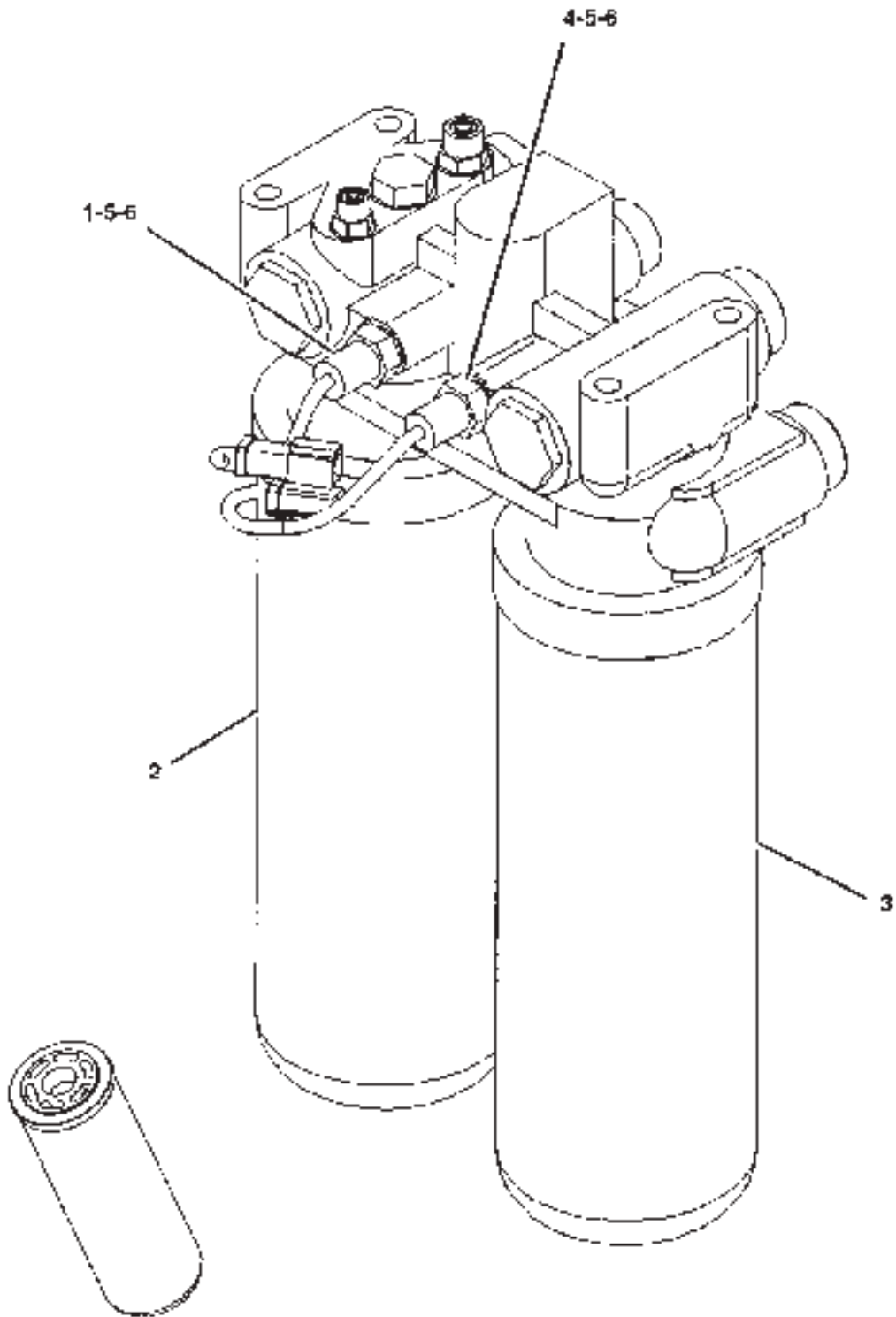
**CASE DRAIN GP-PIONEER - 502644D1
3-PT HITCH**

ITEM	NUMBER	QTY	DESCRIPTION
-	502644D1	--	CASE DRAIN GP-PIONEER (NOT SERVICED, ORDER FIELD INSTALLED)
-	502683D1	--	CASE DRAIN GP-PIONEER (FIELD INSTALLED)
1	200-2992	1	BRACKET
2	200-2993	1	BRACKET
3	208-9928	1	BRACKET AS
4	WR522218	4	NUT-M10-1.5,CL10.9,ZN,H,REG
5	400039X1	2	BOLT-M10X1.5X25 ZNDI HHD 10.9
6	400287X1	6	WASHER-HARD 11IDX21ODX2.5 ZND1
7	400339X1	2	WASHER-HARD
8	400357X1	2	WASHER-HARD-M12X25.50DX3THK
9	400564X1	1	PLUG-DUST-23.4 DIA
10	400700X1	2	CLIP LOOP 28.58ID
11	400963X1	1	CONNECTOR AS-STR -8STOR-12ORFS
	CH3K-0360	1	SEAL-O-RING
	400366X1	1	SEAL-O-RING (23.47ODX2.95DIA)
12	400965X1	1	CONNECTOR AS-STR 10STOR-12ORFS
	400319X1	1	SEAL-O-RING (19.18ID X 2.46DIA)
	400366X1	1	SEAL-O-RING (22.5OD X 1.78DIA)
13	400967X1	1	ELBOW AS-45 -12STOR-12ORFS
	400366X1	1	SEAL-O-RING (22.5OD X 1.78DIA)
	400416X1	1	SEAL-O-RING (23.47ID X 2.95DIA)
14	400968X1	2	SNAP RING EXT
15	502468D1	1	HOSE AS (FOR 19.1 ID SAE
16	502469D1	1	HOSE AS
17	502471D1	1	COUPLER AS-PIONEER-SIZE 8
	400569X1	1	SEAL-O-RING (20.22X3.53)
	400568X1	1	RETAINER (20.81IDX26.6ODX0.81THK)
18	502679D1	1	FILTER GP-HYD
	501771D1	1	FILTER AS-HYD
19	CH148-8347	1	ELBOW AS-90DEG 12STOR X 12ORFS
20	400053X1	2	BOLT-M8X1.25X20 ZNDI HHD 10.9
21	400063X1	2	BOLT-M12X1.75X60 ZNDI HHD 10.9

502644DA
PR: t05i29k58b0369

MT800 SERIES TRACTORS
HYDRAULIC SYSTEM

FILTER GP-OIL - 210-2395
TRANSMISSION/STEERING/IMPLEMENT
(S/N: PRIOR BAM40601;BBP40472;
BCC40702;BDS40823)



PICTORIAL VIEW

**MT800 SERIES TRACTORS
HYDRAULIC SYSTEM**

827

**FILTER GP-OIL - 210-2395
TRANSMISSION/STEERING/IMPLEMENT
(S/N: PRIOR BAM40601;BBP40472;
BCC40702;BDS40823)**

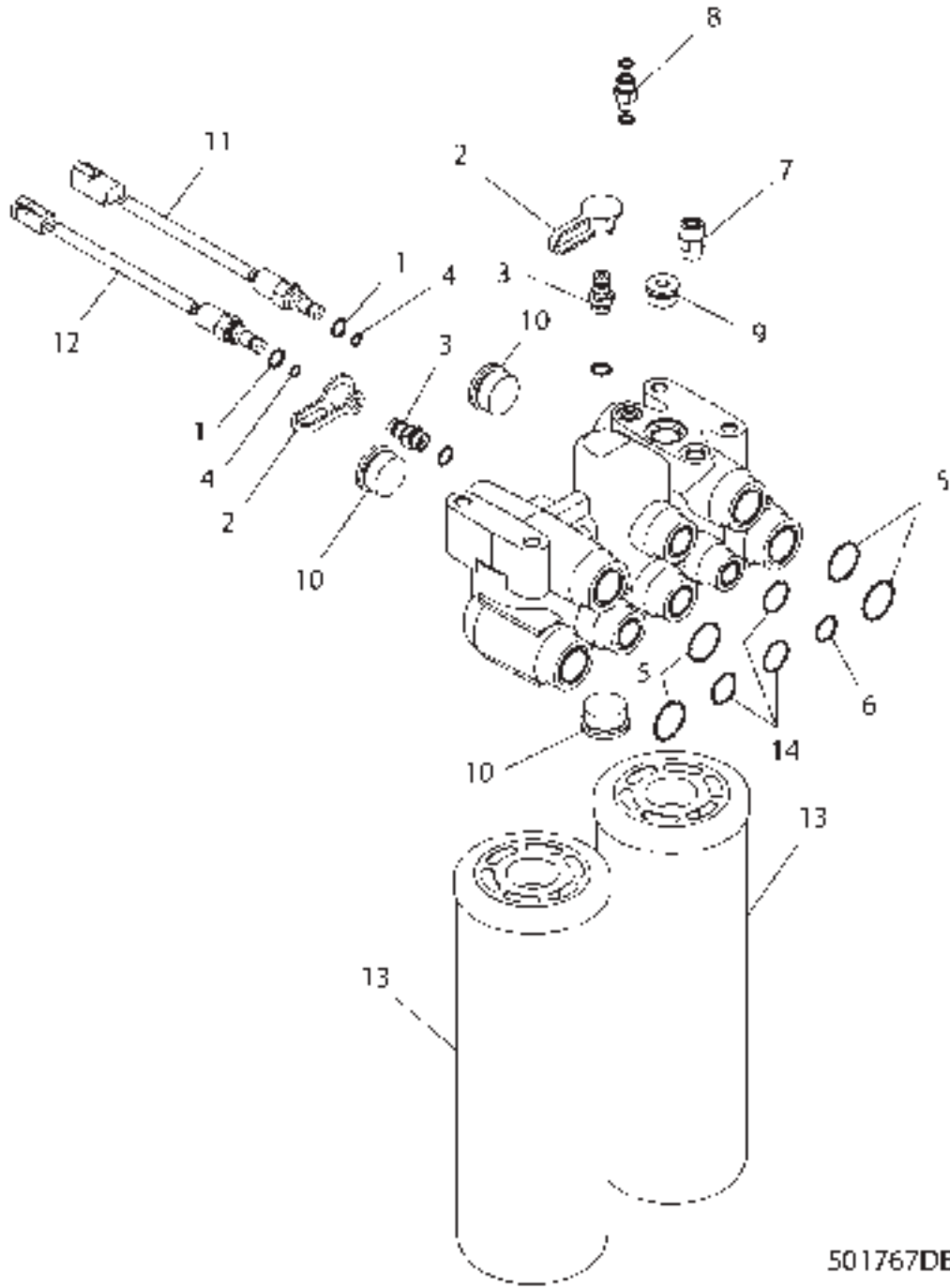
ITEM	NUMBER	QTY	DESCRIPTION
-	210-2395	--	FILTER GP-OIL [A] (NO LONGER AVAILABLE, ORDER EFF. FILTER GP-OIL)
1	227-6744	1	SWITCH ASM-PRESSURE (TRANSMISSION & STEERING)
	102-8802	1	KIT-RECEPTACLE (2 PIN) (INCLUDES RECEPTACLE ASM AND WEDGE) (SERVICED AS COMPLETE KIT ONLY)
	186-3735 9X-1813	1	PIN-CONNECTOR SLEEVE
2	501766D1	1	FILTER ELEMENT ASM-OIL (HYDRAULIC) (IMPLEMENT)
3	501766D1	1	FILTER ELEMENT ASM-OIL (HYDRAULIC) (TRANSMISSION & STEERING)
4	227-6745	1	SWITCH ASM-PRESSURE (IMPLEMENT)
	CH155-2270	1	KIT-CONNECTING PLUG (2 PIN) (INCLS PLUG AS WEDGE-PLUG LOCK) (SERVICED AS COMPLETE KIT ONLY)
	CH126-1766 9X-1813	2	SOCKET-CONNECTOR SLEEVE
5	400318X1	2	SEAL-O-RING
6	400360X1	2	SEAL-O-RING

[A] PART OF 158-2349 FILTER & MTG GP

0889254A
PR: t05i29k58b0370

MT800 SERIE TRACTORS
HYDRAULIC SYSTEM

FILTER GP-OIL (BASIC) - 501767D1
(S/N: EFF BAM40601;BBP40472;
BCC40702;BDS40823)



501767DB

**MT800 SERIESTRACTORS
HYDRAULIC SYSTEM**

829

FILTER GP-OIL (BASIC) - 501767D1
(S/N: EFF BAM40601;BBP40472;
BCC40702;BDS40823)

ITEM	NUMBER	QTY	DESCRIPTION
-	501767D1	--	FILTER GP-OIL (BASIC) [A]
1	400318X1	2	SEAL-O-RING (11.89ID X 1.98 DIA)
2	400323X1	2	CAP-DUST 12.6 DIA -RUBBER
3	400324X1	2	NIPPLE AS-QUICK DISC-4&ORING
	400318X1	1	SEAL-O-RING (11.89ID X 1.98)
	400325X1	1	NIPPLE AS-QUICK DISC
4	400360X1	2	SEAL-O-RING 7.65 IDX1.78 DIA
5	400365X1	4	SEAL-O-RING 33.75 ODX1.78 DIA
6	400366X1	1	SEAL-O-RING 22.5 ODX1.78 DIA
7	400367X1	1	CONNECTOR AS-6 STOR -6 ORFS
8	400368X1	1	CONNECTOR AS-STR -4STOR -4ORFS
	400361X1	1	SEAL-O-RING (8.92ID X 1.83DIA)
	400377X1	1	SEAL-O-RING (11.23OD X 1.78DIA)
9	400369X1	1	PLUG AS-10 STOR ZN HSHD&ORING
	400319X1	1	SEAL-O-RING (19.18ID X 2.46)
	400374X1	1	PLUG (10STOR)
10	400370X1	3	PLUG AS-16 STOR ZN HSHD&ORING
	400376X1	1	SEAL-O-RING (29.74ID X 2.95)
	400374X1	1	PLUG (16STOR)
11	500671D1	1	SWITCH AS-PRESSURE
12	500672D1	1	SWITCH AS-PRESSURE
13	501766D1	2	FILTER AS-HYD
14	400123X1	3	SEAL-O RING-27.22ODX1.78 DIA

[A] PART OF 158-2349 FILTER & MTG GP

501767DB
PR: t05i29k58b0371

830

MT800 SERIESTRACTORS
HYDRAULIC SYSTEM

HYDRAULIC AR - 158-2342

NO ILLUSTRATION

NOTIF13

MT800 SERIESTRACTORS
HYDRAULIC SYSTEM

831

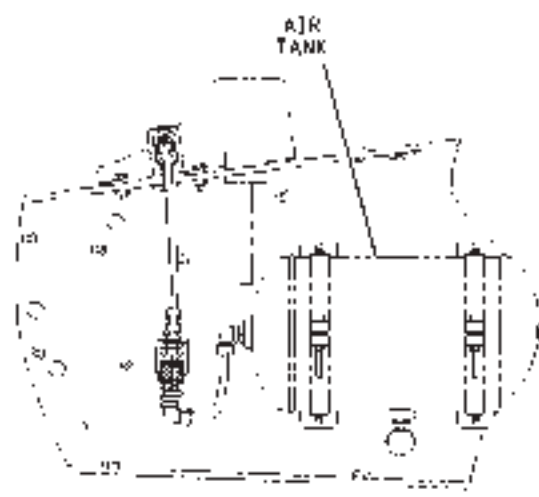
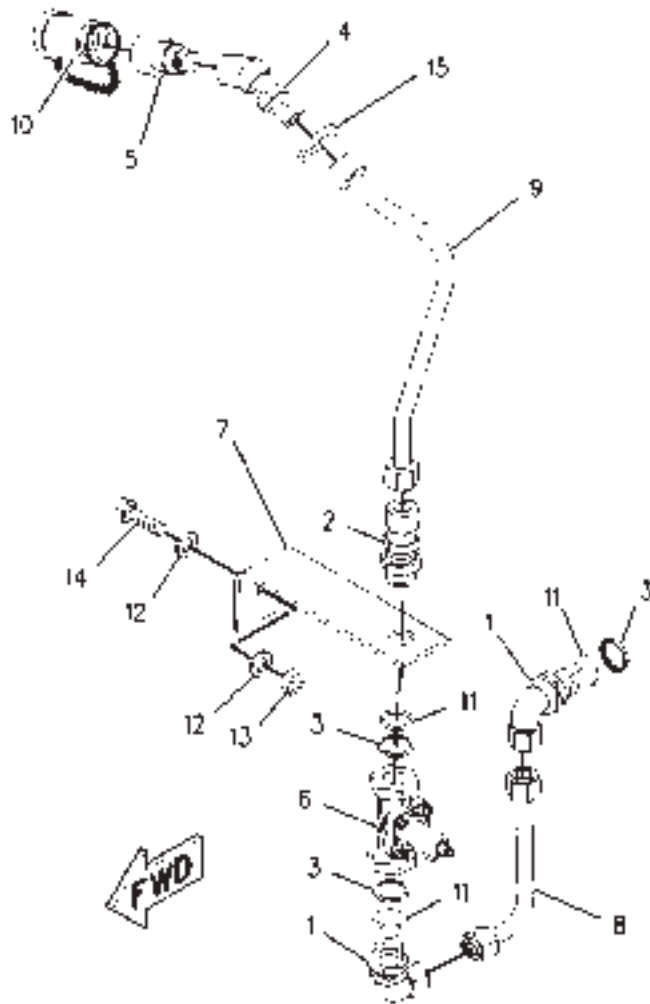
HYDRAULIC AR - 158-2342

ITEM	NUMBER	QTY	DESCRIPTION
-	158-2342	1	HYDRAULIC AR [A] (NOT SERVICED)
1	158-2339	1	MOUNTING GP-VALVE (NOT SERVICED) (SEE BREAKDOWN FOR COMPONENTS)
2	158-2349	1	FILTER & MTG GP-HYDRAULIC (NOT SERVICED) (SEE BREAKDOWN FOR COMPONENTS)
3	158-2356	1	LINES GP-IMPLEMENT (NOT SERVICED) (SEE BREAKDOWN FOR COMPONENTS)
4	158-2393	1	LINES GP-STEERING (NOT SERVICED) (SEE BREAKDOWN FOR COMPONENTS)
5	158-2397	1	PUMP & MTG GP-HYDRAULIC (NOT SERVICED) (SEE BREAKDOWN FOR COMPONENTS)
6	172-4516	1	LINES GP-HYDRAULI OIL (NOT SERVICED) (SEE BREAKDOWN FOR COMPONENTS)

[A] PART OF 179-1952; 179-2180
BASE COMMON AR

NOTIF13
PR: t05i29k58b0372

LINES GP-COUPLER - 190-0438



LEFT SIDE VIEW

1900438H

MT800 SERIESTRACTORS
HYDRAULIC SYSTEM

833

LINES GP-COUPLER - 190-0438

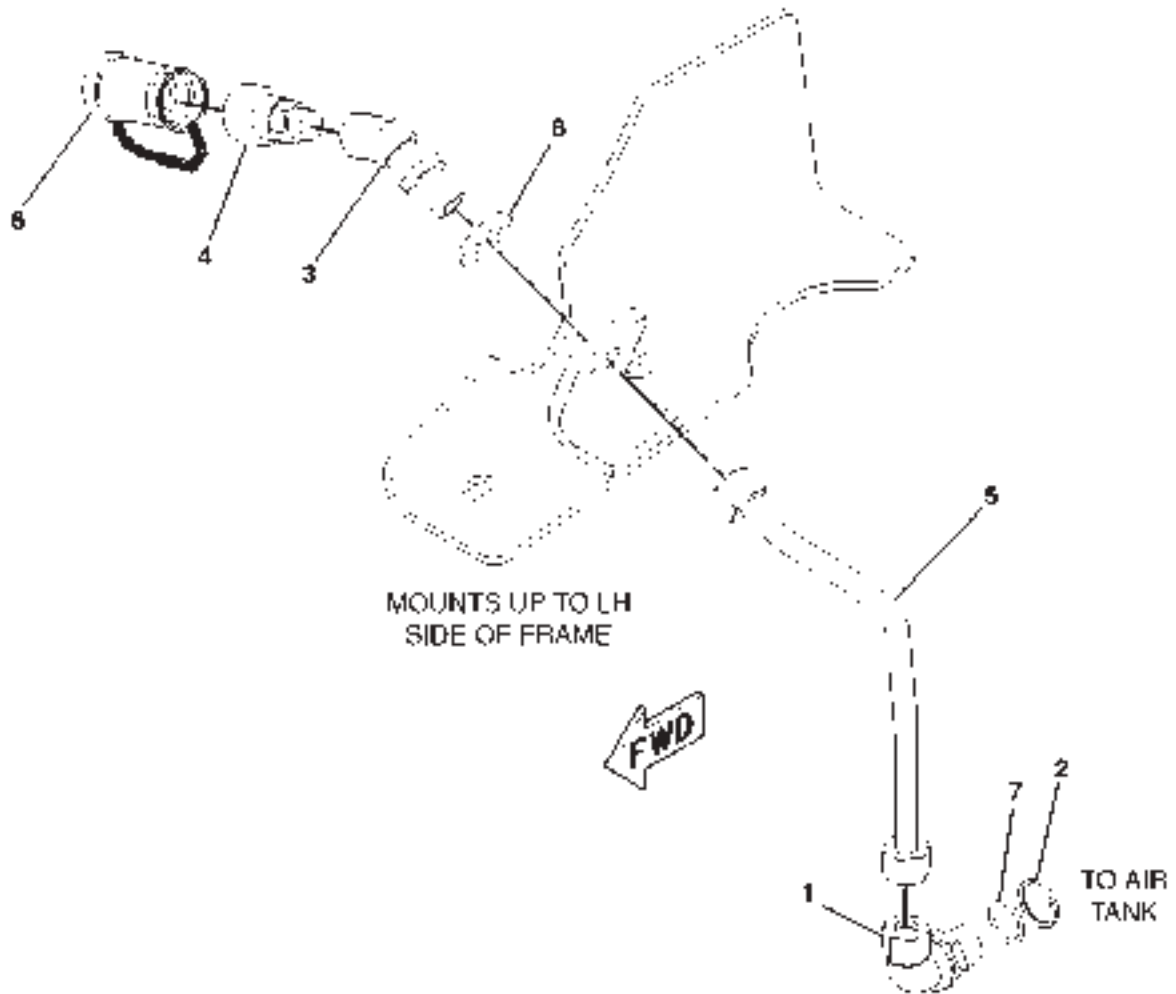
ITEM	NUMBER	QTY	DESCRIPTION
-	190-0438	--	LINES GP-COUPLER [A]
1	CH185-9753	2	ELBOW AS-90DEG (M16XM18)
2	CH185-9763	1	CONNECTOR
3	CH185-9773	3	RING-BACKUP
4	CH187-9018	1	ADAPTER-BULKHEAD (3/8-18XM18)
5	CH191-9311	1	COUPLING
6	200-4369	1	VALVE-CHARGING
7	209-7709	1	BRACKET
8	212-3601	1	TUBE AS
9	218-2803	1	TUBE AS
10	218-2806	1	CAP-DUST
11	CH3E-6762	3	SEAL-O-RING
12	400287X1	2	WASHER-HARD (11X21X2.5)
13	WR522218	1	NUT (M10X1.5)
14	400059X1	1	BOLT (M10X1.5X35MM)
15	CH8T-4994	1	WASHER-HARD (20X36.5X3.5)

[A] PART OF:

185-8860;186-1620;192-6390 BRAKE AR
192-6400;502357D1;502358D1 BRAKE AR
190-0439;190-0440;502359D1 TANK AR

1900438H
PR: t05i29k58b0373

LINES GP-COUPLER
210-0851



**MT800 SERIESTRACTORS
HYDRAULIC SYSTEM**

835

**LINES GP-COUPLER
210-0851**

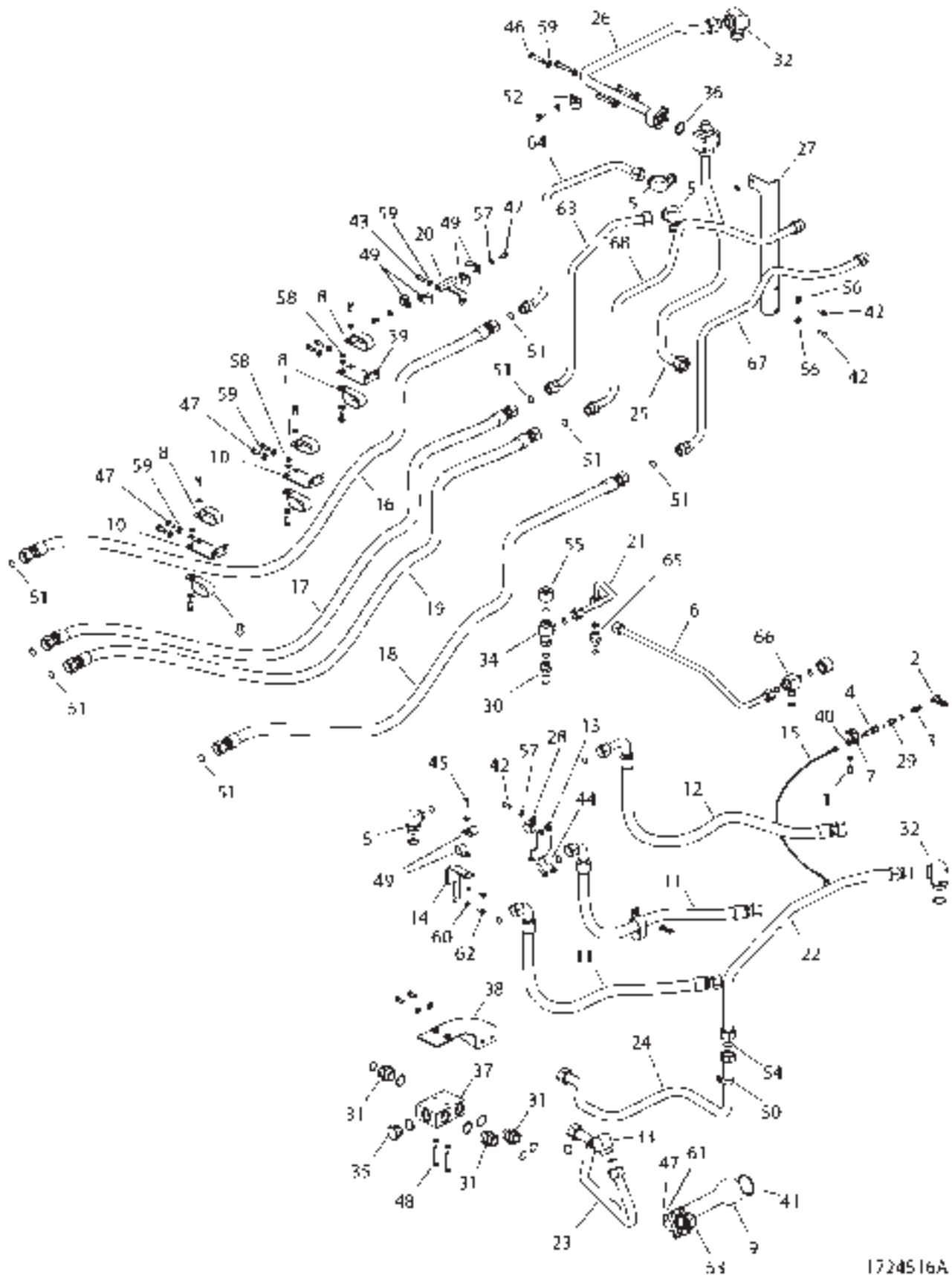
ITEM	NUMBER	QTY	DESCRIPTION
-	210-0851	--	LINES GP-COUPLER [A] (NOT SERVICED)
1	CH185-9753	1	ELBOW AS-90DEG (M16XM18)
2	CH185-9773	1	RING-BACKUP
3	CH187-9018	1	ADAPTER
4	CH191-9311	1	COUPLING
5	218-2805	1	TUBE ASM
6	218-2806	1	CAP-DUST
7	CH3E-6762	1	SEAL-O-RING
8	CH8T-4994	1	WASHER-HARD (20X36.5X3.5)

[A] PART OF 210-5703;210-5704;502360D1
TANK AR-AIR

0889197A
PR: t05i29k58b0374

MT800 SERIES TRACTORS
HYDRAULIC SYSTEM

LINES GP-HYD OIL - 172-4516



**MT800 SERIESTRACTORS
HYDRAULIC SYSTEM**

837

LINES GP-HYD OIL - 172-4516

ITEM	NUMBER	QTY	DESCRIPTION
-	172-4516	--	LINES GP-HYD OIL [A] (NOT SERVICED)
1	400040X1	5	BOLT-M10X1.5X20 ZNDI HHD 10.9
2	400363X1	1	CAP-DUST-12.6 DIA -RUBBER
3	400577X1	1	VALVE AS-4 3500 KPA
	400361X1	1	SEAL-O-RING (8.92IDX1.83DIA)
4	400578X1	1	ADAPTER AS-BLKDH-4ORFS-6PORT
	400377X1	1	SEAL-O-RING (11.23IDX1.78DIA)
5	400580X1	3	ELBOW AS-90DEG 16STOR 16ORFS
	400376X1	1	SEAL-O-RING (29.74IDX2.95DIA)
	400123X1	1	SEAL-O-RING (27.22ODX1.78DIA)
6	197-5414	1	TUBE AS.
7	198-4265	1	BRACKET
8	400595X1	7	CLIP-38.1 ID DBL M12 OR 7/16
9	207-7554	1	TUBE
10	209-0141	2	BRACKET AS
11	CH210-0181	2	HOSE AS-25.4ID SAE 100R1AT
12	CH210-0183	1	HOSE AS-25.4ID SAE 100R1AT
13	210-0184	1	BRACKET AS
14	210-7677	1	PLATE AS
15	CH211-0912	1	HOSE AS-6.3ID SAE 100R1AT
16	CH219-5676	1	HOSE AS-25.4ID SAE 100R1AT
17	CH219-5677	1	HOSE AS-25.4ID SAE 100R1AT
18	CH219-5678	1	HOSE AS-25.4ID SAE 100R1AT
19	CH219-5679	1	HOSE AS-25.4ID SAE 100R1AT
20	219-6551	1	BRACKET AS.
21	219-8787	1	TUBE AS.
22	223-6530	1	TUBE AS
23	224-3945	1	TUBE AS.
24	224-3946	1	TUBE AS.
25	225-0175	1	TUBE AS.
26	225-0176	1	TUBE AS.
27	226-1882	1	PLATE AS
28	400596X1	1	CLIP-38.1 ID M14 OR 1/2
29	CH148-8305	1	ADAPTER AS-6 STOR X 4 STOR
	400318X1	1	SEAL-O-RING (11.89IDX1.98DIA)
30	CH148-8327	1	CONNECTOR AS-12 ORFSX 12STOR
	400416X1	1	SEAL-O-RING 23.47IDX2.95DIA
	400366X1	1	SEAL-O-RING 22.5 ODX1.78 DIA
31	CH148-8334	3	CONNECTOR AS-20 ORFS X 20 STOR
	400365X1	1	SEAL-O-RING (29.74IDX2.95DIA)
	400593X1	1	SEAL-O-RING (33.57ODX1.78DIA)
32	CH148-8356	2	ELBOW AS-90-20ORFS X 20STOR
	400593X1	1	SEAL-O-RING (37.46IDX3DIA)
	400365X1	1	SEAL-O-RING (33.57ODX1.78DIA)
33	400582X1	1	ELBOW AS-90DEG 16STOR 20ORFS
	400365X1	1	SEAL-O-RING (33.57ODX1.78DIA)
	400376X1	1	SEAL-O-RING (29.74IDX2.95DIA)
34	400584X1	1	TEE AS-SWIVEL 12 ORFS
	400366X1	1	SEAL-O-RING 22.5 ODX1.78 DIA
35	400586X1	1	PLUG AS-STR 20 STOR
	400593X1	1	SEAL-O-RING (33.57ODX1.78DIA)

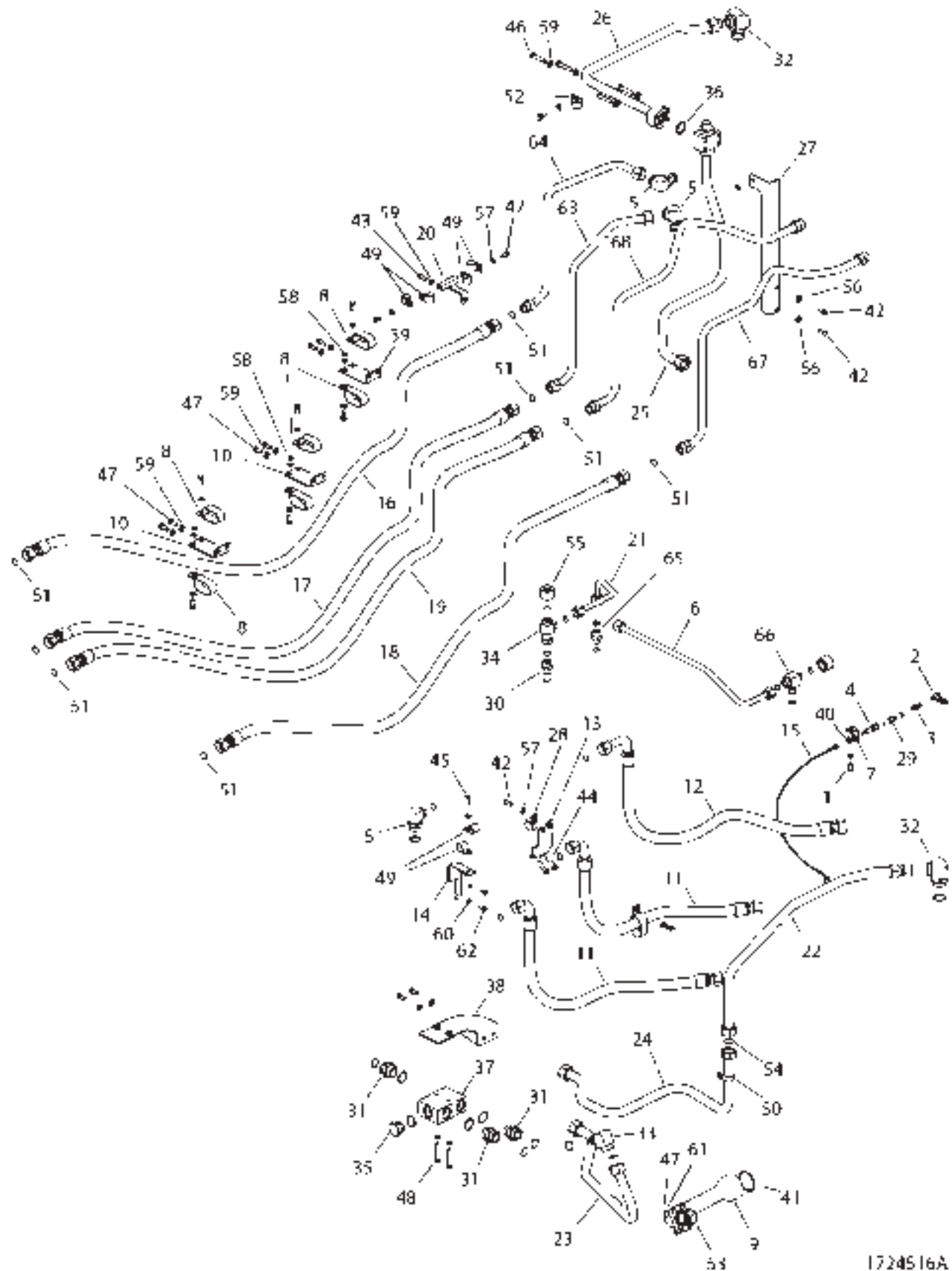
CONTINUED

[A] PART OF 158-2342 HYD AR-COMMON

1724516A
PR: t05i29k58b0375

MT800 SERIES TRACTORS
HYDRAULIC SYSTEM

LINES GP-HYD OIL - 172-4516



**MT800 SERIES TRACTORS
HYDRAULIC SYSTEM**

839

LINES GP-HYD OIL - 172-4516

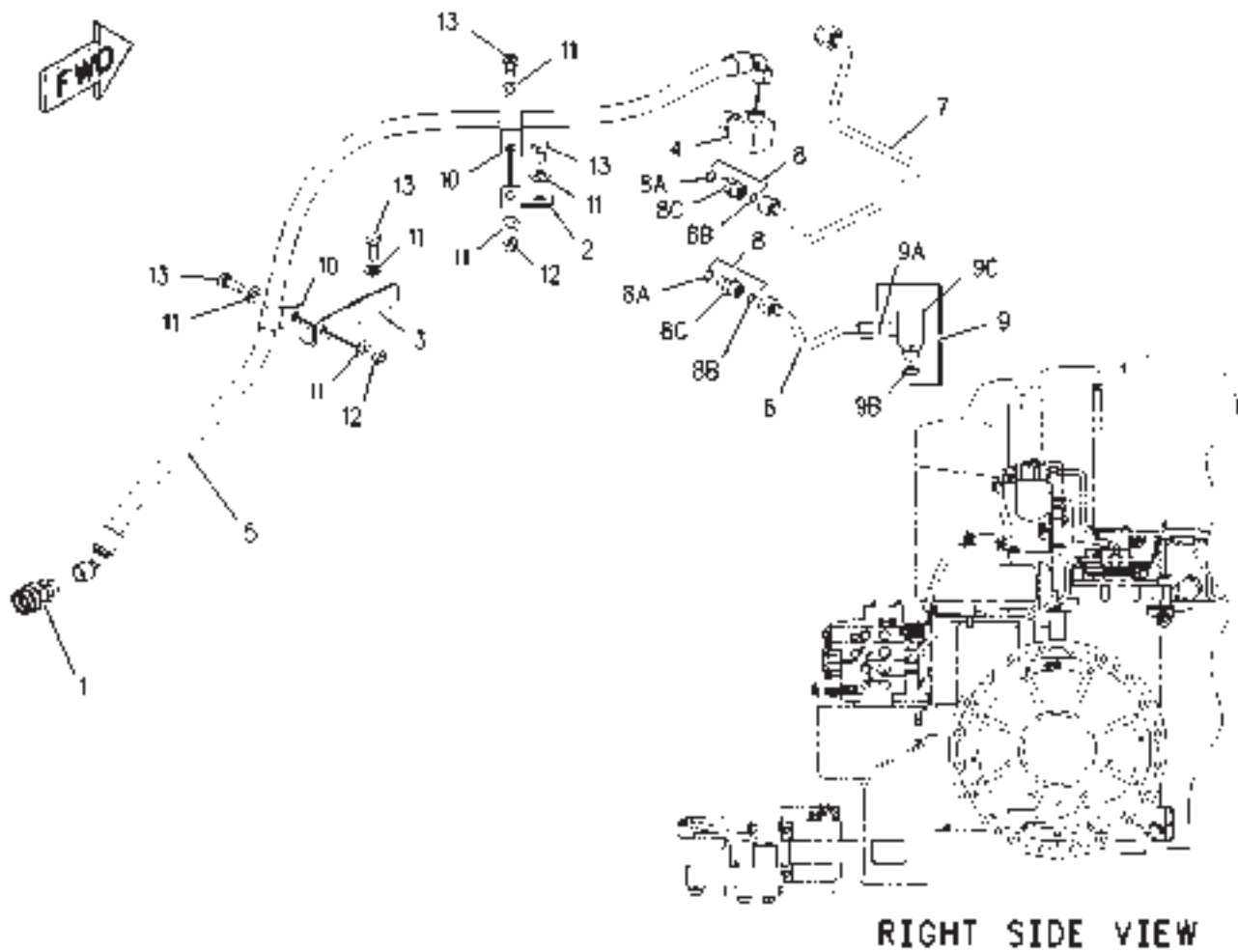
ITEM	NUMBER	QTY	DESCRIPTION
-	172-4516	--	LINES GP-HYD OIL [A] (NOT SERVICED)
36	400588X1	1	SEAL-RECT 45 OD 4.95 THK
37	227-5269	1	MANIFOLD
38	227-5270	1	BRACKET AS.
39	233-8642	1	BRACKET
40	400589X1	1	NUT-LOCK 9/16-18 ZNDI BLKHD
41	400590X1	1	SEAL-O-RING 66.04 IDX5.33 DIA
42	400039X1	15	BOLT-M10X1.5X25 ZNDI HDD 10.9
43	400041X1	1	BOLT-M12X1.75X30 ZNDI HDD 10.9
44	400051X1	2	BOLT-M12X1.75X45 ZNDI HDD 10.9
45	400058X1	1	BOLT-M10X1.5X30 ZNDI HDD 10.9
46	400063X1	4	BOLT-M12X1.75X60 ZNDI HDD 10.9
47	400064X1	6	BOLT-M12X1.75X35 ZNDI HDD 10.9
48	400066X1	2	BOLT-M10X1.5X70 ZNDI HDD 10.9
49	CH4S-1962	6	CLIP-LOOP 25.4 ID
50	400597X1	1	CLIP-31.75 ID M10 OR 3/8
51	400123X1	10	SEAL-O RING-27.22ODX1.78 DIA
52	400598X1	1	CLIP-31.8 ID M10 OR 3/8
53	400591X1	1	SEAL-O-RING 50.39 IDX3.53 DIA
54	400365X1	1	SEAL-O-RING 33.75 ODX1.78 DIA
55	400107X1	1	CAP AS 19.05 OD TUBE
56	CH7X-7729	2	WASHER-11IDX5ODX3MM
57	400287X1	23	WASHER-HARD 11IDX21ODX2.5 ZND1
58	WR522218	2	NUT-M10-1.5,CL10.9,ZN,H,REG
59	400357X1	7	WASHER-HARD-M12X25.5ODX3THK
60	400339X1	2	WASHER-HARD
61	400358X1	4	WASHER-HARD-7/16X22.5ODX2.5THK
62	400053X1	2	BOLT-M8X1.25X20 ZNDI HDD 10.9
63	500523D1	1	TUBE AS.
64	500524D1	1	TUBE AS.
65	500956D1	1	CONNECTOR AS-ORFS
	400319X1	1	SEAL-O-RING 19.18IDX2.46DIA
	400366X1	1	SEAL-O-RING 22.5ODX1.78DIA
66	211-0535	1	TEE AS-10 STOR-12 ORFS
	400319X1	1	SEAL-O-RING 19.18IDX2.46DIA
	400366X1	2	SEAL-O-RING 22.5ODX1.78DIA
67	501926D1	1	TUBE AS
68	501927D1	1	TUBE AS

[A] PART OF 158-2342 HYD AR-COMMON

1724516A
PR: t05i29k58b0375

MT800 SERIES TRACTORS
HYDRAULIC SYSTEM

LINES GP-HYDRAULIC OIL - 193-1558



**MT800 SERIES TRACTORS
HYDRAULIC SYSTEM**

841

LINES GP-HYDRAULIC OIL - 193-1558

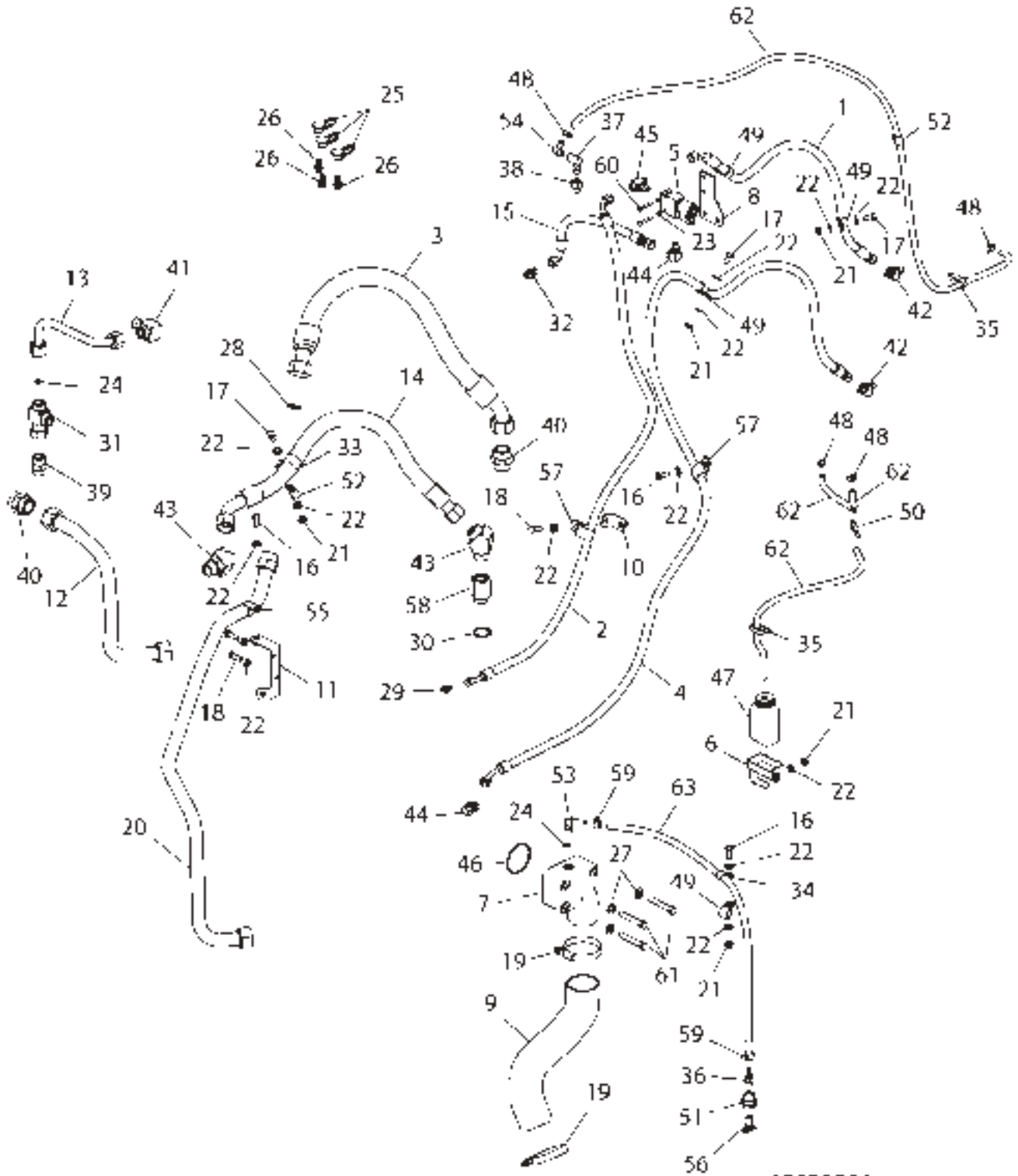
ITEM	NUMBER	QTY	DESCRIPTION
-	193-1558	--	LINES GP-HYDRAULIC [A] (NOT SERVICED)
1	CH185-3959	1	COUPLER GP-QUICK (INCLS SEAL)
	400378X1	1	SEAL-O-RING (12.83ODX1.78DIA)
-	CH223-9254	1	CAP-DUST (USE W/ITEM 1) (NOT SHOWN)
2	200-2992	1	BRACKET
3	200-2993	1	BRACKET
4	CH205-3692	1	ELBOW AS
5	CH208-9850	1	HOSE AS
6	208-9875	1	TUBE AS
7	208-9878	1	TUBE AS
8	400367X1	2	CONNECTOR AS 6 STOR-6 (INCLS 8A-8C)
8A	400318X1	1	SEAL-O-RING (11.89ID X 1.98 DIA)
8B	400378X1	1	SEAL-O-RING (12.83OD X 1.78 DIA)
8C	400372X1	1	CONNECTOR-STR -6 STOR -6 ORFS
9	CH148-8374	1	ELBOW AS-90DEG 6ORFS X 8STOR
9A	400378X1	1	SEAL-O-RING (12.83OD X 1.78 DIA)
9B	CH3K-0360	1	SEAL-O-RING (16.36ID X 2.21 DIA)
9C	CH6V-8723	1	ELBOW
10	CH4D-7735	2	CLIP
11	400287X1	6	WASHER-HARD (11X21X2.5)
12	WR522218	4	NUT (M10X1.5)
13	400039X1	2	BOLT (M10X1.5X25MM)

[A] PART OF:
193-8199; 193-8200 VALVE AR
209-3689 KIT-HYD TRAILER BRAKE

00857381
PR: t05i29k58b0376

MT800 SERIES TRACTORS
HYDRAULIC SYSTEM

LINES GP-IMPLEMENT - 158-2356



1582356A

**MT800 SERIES TRACTORS
HYDRAULIC SYSTEM**

843

LINES GP-IMPLEMENT - 158-2356

ITEM	NUMBER	QTY	DESCRIPTION
-	158-2356	--	LINES GP-IMPLEMENT [A] (NOT SERVICED)
1	CH208-9972	1	HOSE AS-9.5 ID SAE 100R12
2	CH208-9973	1	HOSE AS-9.5 ID SAE 100R2AT
3	CH225-5203	1	HOSE AS-31.81ID SAE 100R1AT
4	CH208-9974	1	HOSE AS-9.5 ID SAE 100R2AT
5	207-0745	1	VALVE GP- SOL
6	179-8664	1	BRACKET
7	209-6677	1	ELBOW
8	211-1850	1	BRACKET AS.
9	211-3547	1	HOSE
10	211-3715	1	BRACKET AS.
11	211-4410	1	BRACKET AS.
12	211-8315	1	TUBE AS.
13	217-7365	1	TUBE AS.
14	CH219-7932	1	HOSE AS-25.4ID SAE 100R12
15	230-9563	1	HOSE AS.
16	400039X1	3	BOLT-M10X1.5X25 ZNDI HHD 10.9
17	400040X1	3	BOLT-M10X1.5X20 ZNDI HHD 10.9
18	400058X1	3	BOLT-M10X1.5X30 ZNDI HHD 10.9
19	400359X1	2	CLAMP-HOSE,SST 70-92X16
20	500129D1	1	TUBE AS.
21	WR522218	5	NUT-M10-1.5,CL10.9,ZN,H,REG
22	400287X1	14	WASHER-HARD 11IDX21ODX2.5 ZND1
23	400310X1	2	WASHER
24	400318X1	2	SEAL-O-RING 11.89IDX1.98
25	400323X1	3	CAP-DUST 12.6 DIA -RUBBER
26	400324X1	3	NIPPLE AS-QUICK DISC-4&ORING
27	400357X1	3	WASHER-HARD-M12X25.50DX3THK
28	400365X1	1	SEAL-O-RING 33.75 ODX1.78 DIA
29	400368X1	1	CONNECTOR AS-STR -4STOR -4ORFS
	400361X1	1	SEAL-O-RING (8.92ID X 1.83DIA)
	400377X1	1	SEAL-O-RING (11.23OD X 1.78DIA)
30	400376X1	1	SEAL-O-RING 29.74 IDX2.95 DIA
31	400584X1	1	TEE AS-SWIVEL 12 ORFS
	400366X1	1	SEAL-O-RING 22.5 ODX1.78 DIA
32	400638X1	1	CONNECTOR AS-STR-6STOR-6ORFS
33	400689X1	1	CLIP LOOP 38.1ID
34	400702X1	1	CLIP-ONE TUBE COATED
35	400837X1	4	STRAP-CABLE (PLASTIC)
36	CH003-7764	1	CONNECTOR-6 NPTFX9.52 OD BARB
37	CH106-2105	1	ELBOW-90DEG-STRAIGHT THD
38	CH148-8313	1	ADAPTER AS-8STOR X 6STOR
39	CH148-8327	1	CONNECTOR AS-12 ORFSX 12STOR
	400416X1	1	SEAL-O-RING 23.47IDX2.95DIA
	400366X1	1	SEAL-O-RING 22.5 ODX1.78 DIA

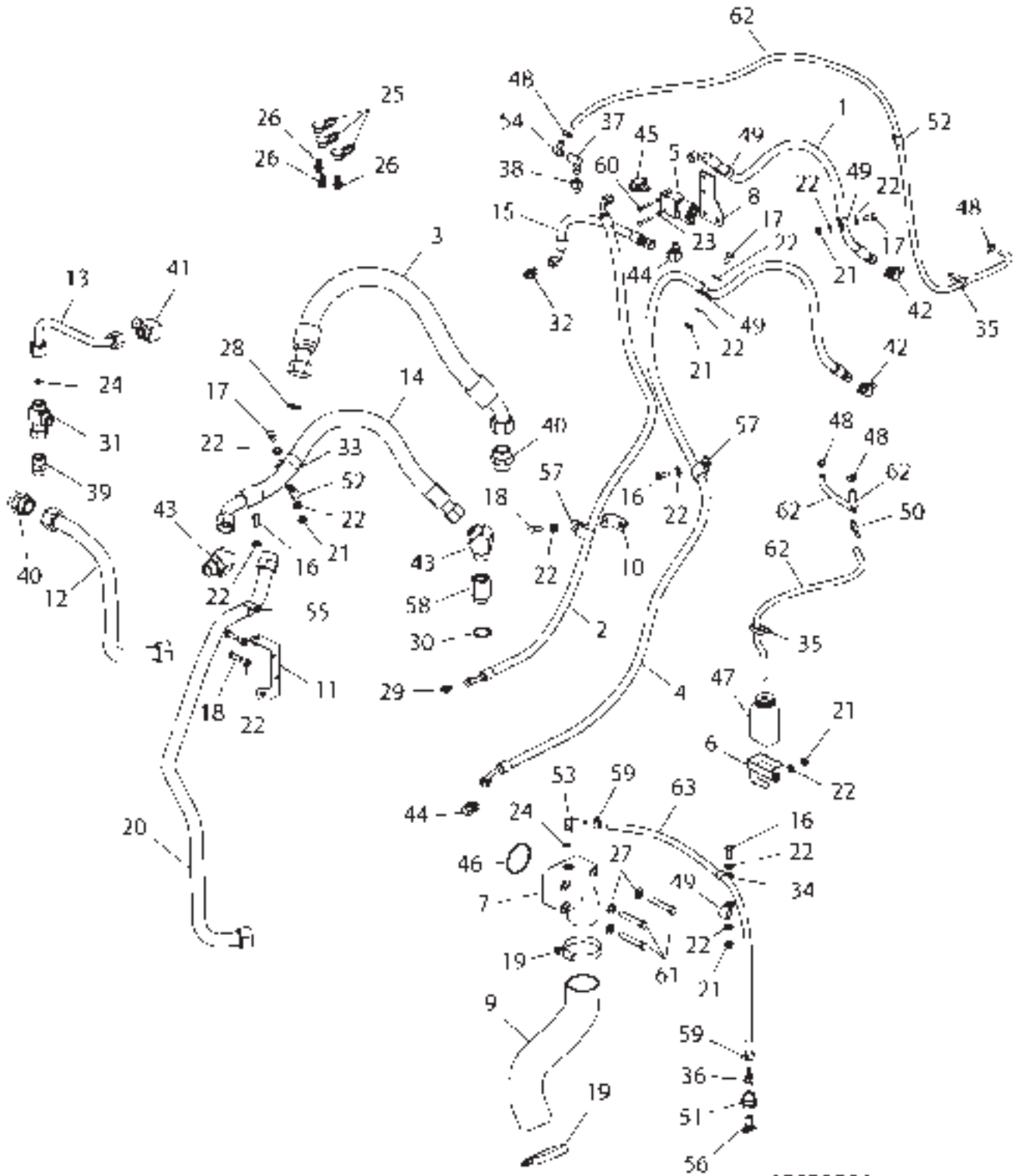
CONTINUED

[A] PART OF 158-2342 HYD AR-COMMON

1582356A
PR: t05i29k58b0377

MT800 SERIES TRACTORS
HYDRAULIC SYSTEM

LINES GP-IMPLEMENT - 158-2356



1582356A

**MT800 SERIES TRACTORS
HYDRAULIC SYSTEM**

845

LINES GP-IMPLEMENT - 158-2356

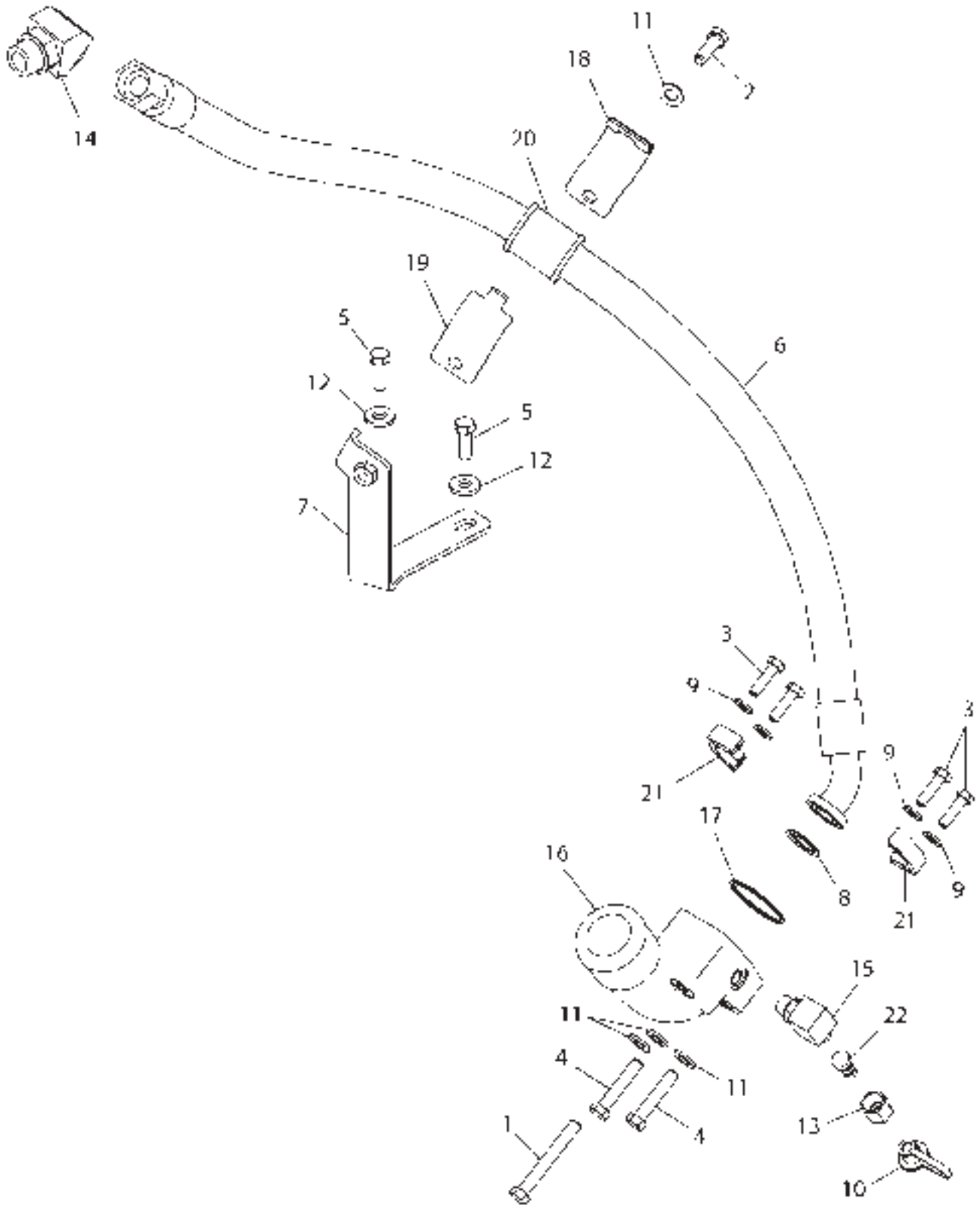
ITEM	NUMBER	QTY	DESCRIPTION
-	158-2356	--	LINES GP-IMPLEMENT [A] (NOT SERVICED)
40	CH148-8334	2	CONNECTOR AS-20 ORFS X 20 STOR
	400365X1	1	SEAL-O-RING (29.74ID X 2.95DIA)
	400593X1	1	SEAL-O-RING (33.57OD X 1.78DIA)
41	CH148-8347	1	ELBOW AS-90DEG 12STOR X 12ORFS
	400366X1	1	SEAL-O-RING (22.5ID X 1.78DIA)
	400416X1	1	SEAL-O-RING (23.47ID X 2.95DIA)
42	CH148-8353	2	ELBOW AS-45DEG 6STOR X 6ORFS
43	CH148-8355	2	ELBOW AS-45DEG 16STOR X 16ORFS
44	CH148-8378	2	ELBOW AS-90 DEG 4 STOR X 6 ORFS
	400318X1	1	SEAL-O-RING (11.89ID X 1.98DIA)
	400378X1	1	SEAL-O-RING (12.83OD X 1.78DIA)
45	CH148-8439	1	TEE AS-6ORFS X 6ORFS X 6STOR
46	CH149-0231	1	SEAL-O-RING 72.62ID X 3.53DIA
47	CH179-8665	1	BOTTLE AS
48	CH1P-4278	4	CLAMP-HOSE 5.5-15.88 ID X 8
49	CH1S-0994	4	CLIP-LOOP 20.64 ID
50	CH222-0527	1	COUPLING-Y 3 X 7.9 OD BARB
51	CH2M-1908	1	UNION-BLKHD 3/8-18 NPTF
52	CH4K-8864	2	CLIP-LOOP 14.29ID
53	CH5P-4924	1	ELBOW-90DEG 6STOR X 9.52 BARB
54	CH5P-9517	1	ELBOW-90DEG 4NPTF X 7.92 OD BARB
55	CH6B-1032	1	CLIP-LOOP 31.8 ID
56	CH6V-1520	1	VALVE-SHUT OFF -6 NPTF -10HOSE
57	CH7S-1912	2	CLIP-LOOP 2X20.62 ID
58	CH8C-3051	1	ADAPTER-16STOR X 16STOR
59	400109X1	2	CLAMP-HOSE SST 11.1-19.8X13.5
60	400205X1	2	BOLT-M6X1X40MM ZNDI HDD 10.9
61	400241X1	3	BOLT-M12X1.75X80 ZNDI HDD 10.9
62	CH5P-1420	AR	HOSE (BULK) 7.92 DIA (245CM)
63	CH5P-1442	AR	HOSE-BULK 9.52ID HI TEMP (78CM)

[A] PART OF 158-2342 HYD AR-COMMON

1582356A
PR: t05i29k58b0377

MT800 SERIES TRACTORS
HYDRAULIC SYSTEM

LINES GP-IMPLEMENT - 172-4518



1724518A

**MT800 SERIES TRACTORS
HYDRAULIC SYSTEM**

847

LINES GP-IMPLEMENT - 172-4518

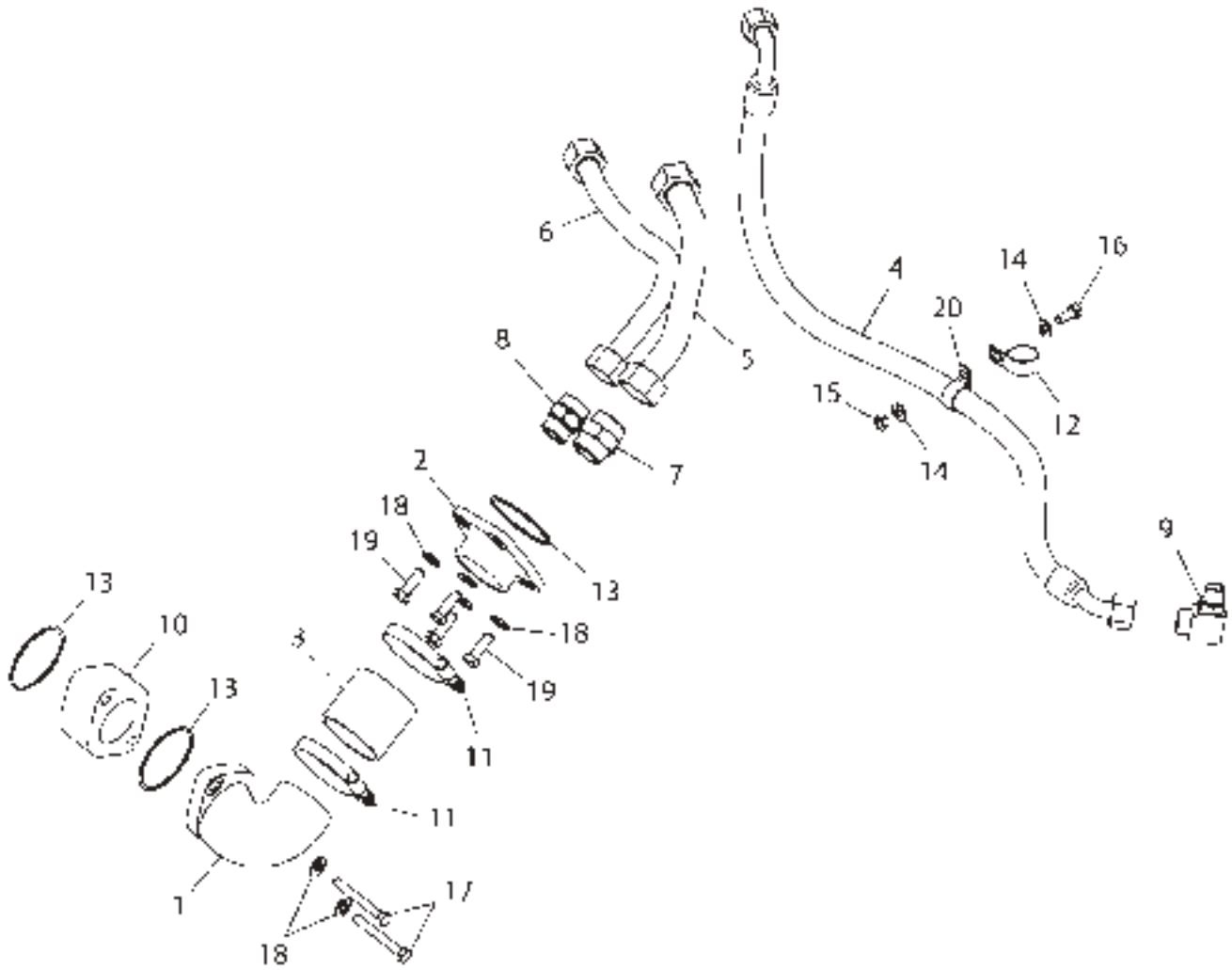
ITEM	NUMBER	QTY	DESCRIPTION
-	172-4518	--	LINES GP-IMPLEMENT [A] (NOT SERVICED)
1	400046X1	1	BOLT-M12X1.75X90 ZNDI HHD 10.9
2	400050X1	1	BOLT-M12X1.75X40 ZNDI HHD 10.9
3	400059X1	4	BOLT-M10X1.5X35 ZNDI HHD 10.9
4	400063X1	2	BOLT-M12X1.75X60 ZNDI HHD 10.9
5	400064X1	2	BOLT-M12X1.75X35 ZNDI HHD 10.9
6	500599D1	1	HOSE AS (FOR 25.4 ID SAE
7	500458D1	1	BRACKET AS
8	400100X1	1	SEAL-O RING-32.92IDX3.53DIA
9	400287X1	4	WASHER-HARD 11IDX21ODX2.5 ZND1
10	400323X1	1	CAP-DUST 12.6 DIA -RUBBER
11	400357X1	4	WASHER-HARD-M12X25.50DX3THK
12	400381X1	2	WASHER-HARD-13.5IDX30 ODX4THK
13	400607X1	1	NUT-ORFS 13/16-16 PLATED
14	CH148-8355	1	ELBOW AS-45DEG 16STORX16ORFS
	400376X1	1	SEAL-O-RING
	400123X1	1	SEAL-O RING-27.22ODX1.78 DIA
15	CH148-8364	1	ELBOW AS-90DEG (8STOR-8ORFS)
	CH3K-0360	1	SEAL-O-RING (16.36IDX2.21DIA)
	CH6V-8398	1	SEAL-O-RING (16.03ODX1.78DIA)
16	CH211-3502	1	ELBOW
17	CH5P-4892	1	SEAL-O-RING 59.92IDX3.53DIA
18	CH5P-7468	1	CLIP-HOSE TOP 52 ID
19	CH5P-7469	1	CLIP-HOSE BOTTOM 52 ID
20	CH5P-8444	1	GROMMET-RUBBER52ODX37IDX52LG
21	CH8C-3206	2	FLANGE-HALF (-16)
22	CH8C-6416	1	NIPPLE AS-QUICK DISC -4 & ORNG

[A] PART OF 180-0184 PUMP AR-HYD

1724518A
PR: t05i29k58b0378

MT800 SERIE TRACTORS
HYDRAULIC SYSTEM

LINES GP-HYDRAULIC OIL - 209-8325



2098325A

**MT800 SERIES TRACTORS
HYDRAULIC SYSTEM**

849

LINES GP-HYDRAULIC OIL - 209-8325

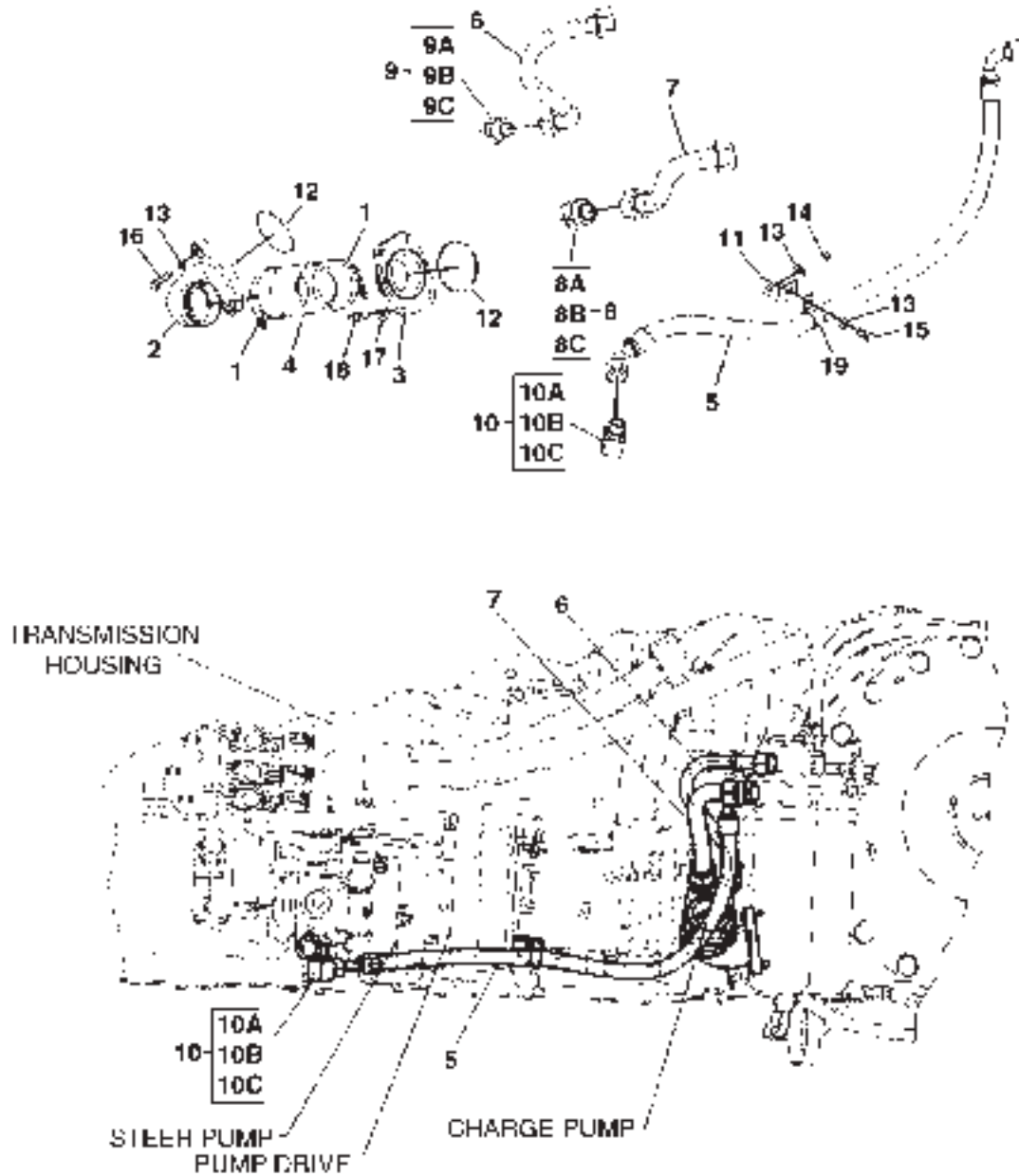
ITEM	NUMBER	QTY	DESCRIPTION
-	209-8325	--	LINES GP-HYD OIL [A] (NOT SERVICED)
1	CH207-5359	1	TUBE
2	CH207-5360	1	TUBE
3	CH208-9844	1	HOSE
4	CH210-0159	1	HOSE AS-19.0 ID SAE 100R1
5	217-4156	1	TUBE AS.
6	217-4157	1	TUBE AS.
7	CH148-8334	1	CONNECTOR AS-20 ORFS X 20 STOR
	400365X1	1	SEAL-O-RING (29.74ID X 2.95DIA)
	400593X1	1	SEAL-O-RING (33.57OD X 1.78DIA)
8	CH148-8335	1	CONNECTOR AS.-16 STOR X 16 ORFS
	400376X1	1	SEAL-O-RING
	400123X1	1	SEAL-O RING-27.22OD X 1.78 DIA
9	CH148-8388	1	ELBOW-90 DEG 10 STOR X 12 ORFS
	400319X1	1	SEAL-O-RING (11.89 X 1.98)
	400366X1	1	SEAL-O-RING
10	224-1398	1	SPACER
11	400359X1	2	CLAMP-HOSE, SST 70-92 X 16
12	400597X1	1	CLIP-31.75 ID M10 OR 3/8
13	400103X1	3	SEAL-O RING-82.14ID X 3.53 DIA
14	400287X1	2	WASHER-HARD 11ID X 21OD X 2.5 ZND1
15	WR522218	1	NUT-M10-1.5, CL10.9, ZN, H, REG
16	400039X1	1	BOLT-M10 X 1.5 X 25 ZNDI HDD 10.9
17	400044X1	2	BOLT-M10 X 1.5 X 80 ZNDI HDD 10.9
18	400357X1	6	WASHER-HARD-M12 X 25.50D X 3THK
19	400064X1	4	BOLT-M12 X 1.75 X 35 ZNDI HDD 10.9
20	400700X1	1	CLIP LOOP 28.58ID

[A] PART OF 180-0184 PUMP AR

2098325A
PR: t05i29k58b0379

MT800 SERIES TRACTORS
HYDRAULIC SYSTEM

LINES GP-HYDRAULIC - 209-8326
(FOR USE W/85CC CAPACITY CHARGE PUMP)



**MT800 SERIES TRACTORS
HYDRAULIC SYSTEM**

851

**LINES GP-HYDRAULIC - 209-8326
(FOR USE W/85CC CAPACITY CHARGE PUMP)**

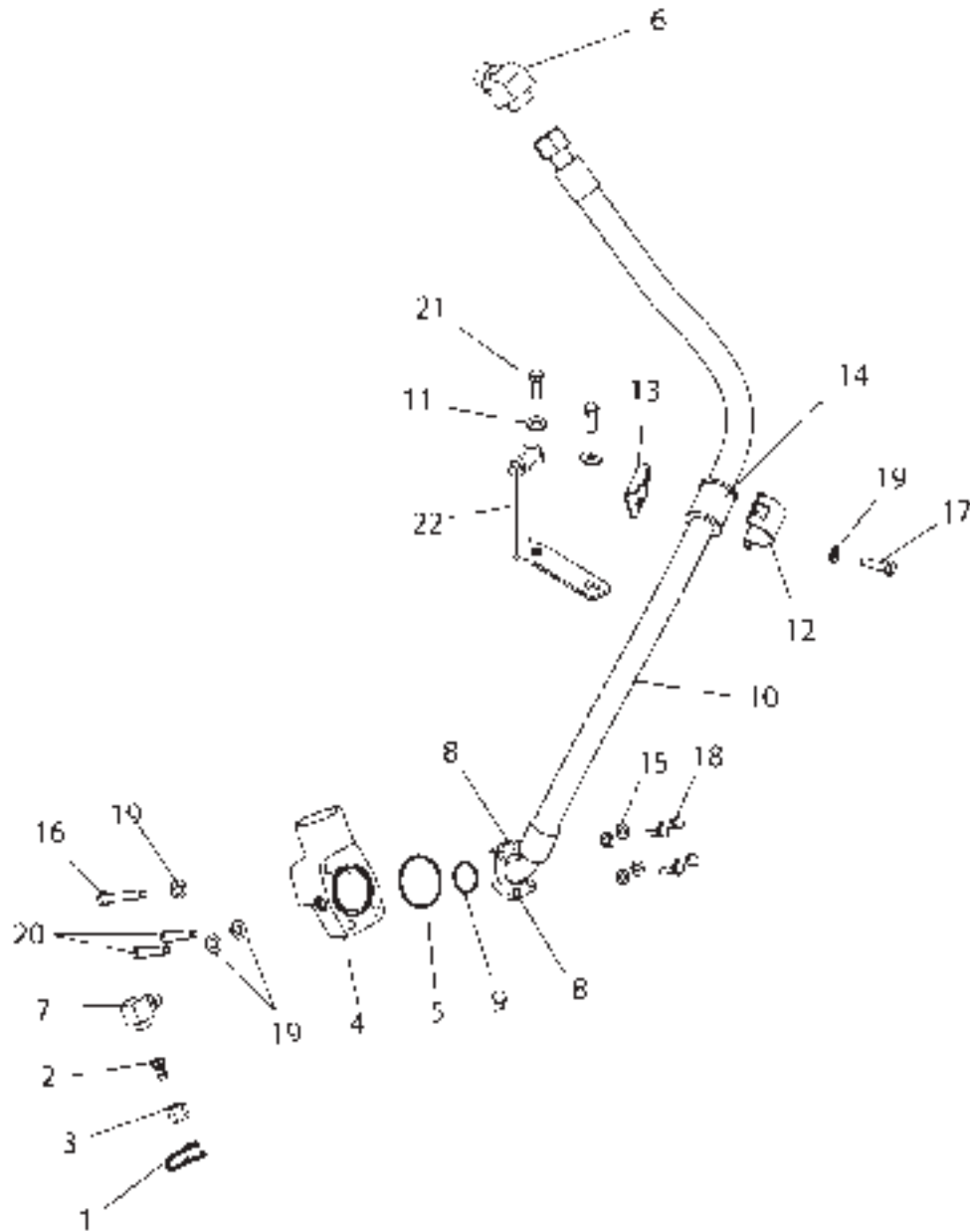
ITEM	NUMBER	QTY	DESCRIPTION
-	209-8326	--	LINES GP-HYDRAULIC [A] (NOT SERVICED)
1	400359X1	2	CLAMP-HOSE
2	CH207-5359	1	TUBE
3	CH207-5360	1	TUBE
4	CH208-9844	1	HOSE (7.5CM)
5	CH210-0159	1	HOSE ASM
6	219-7208	1	TUBE ASM
7	219-7209	1	TUBE ASM
8	CH148-8334	1	CONNECTOR AS-20 ORFS X 20 STOR
8A	400593X1	1	SEAL-O-RING
8B	400365X1	1	SEAL-O-RING
8C	-----	1	CONNECTOR (ORDER ITEM 8)
9	CH148-8335	1	CONNECTOR AS.-16 STORX16 ORFS
9A	400376X1	1	SEAL-O-RING
9B	400123X1	1	SEAL-O RING-27.22ODX1.78 DIA
9C	-----	1	CONNECTOR (ORDER ITEM 9)
10	CH148-8388	1	ELBOW-90 DEG 10 STORX12 ORFS
10A	400319X1	1	SEAL-O-RING (11.89X1.98)
10B	-----	1	ELBOW (ORDER ITEM 10)
10C	400366X1	1	SEAL-O-RING
11	400597X1	1	CLIP-LOOP (31.75ID)
12	400103X1	2	SEAL-O-RING
13	400287X1	4	WASHER-HARD (11X21X2.5)
14	WR522218	1	NUT-WELD (M10X1.5)
15	400039X1	1	BOLT (M10X1.5X25MM)
16	400059X1	3	BOLT (M10X1.5X35MM)
17	400357X1	4	WASHER-HARD (M12X25.5X3)
18	400064X1	4	BOLT (M12X1.75X35MM)
19	400700X1	1	CLIP (28.58ID)

[A] PART OF 180-0185 PUMP AR-HYDRAULIC

0889153A
PR: t05i29k58b0380

MT800 SERIES TRACTORS
HYDRAULIC SYSTEM

LINES GP-IMPL - 172-4519
87CC CAPACITY IMPLEMENT PUMP



1724519A

**MT800 SERIESTRACTORS
HYDRAULIC SYSTEM**

853

**LINES GP-IMPL - 172-4519
87CC CAPACITY IMPLEMENT PUMP**

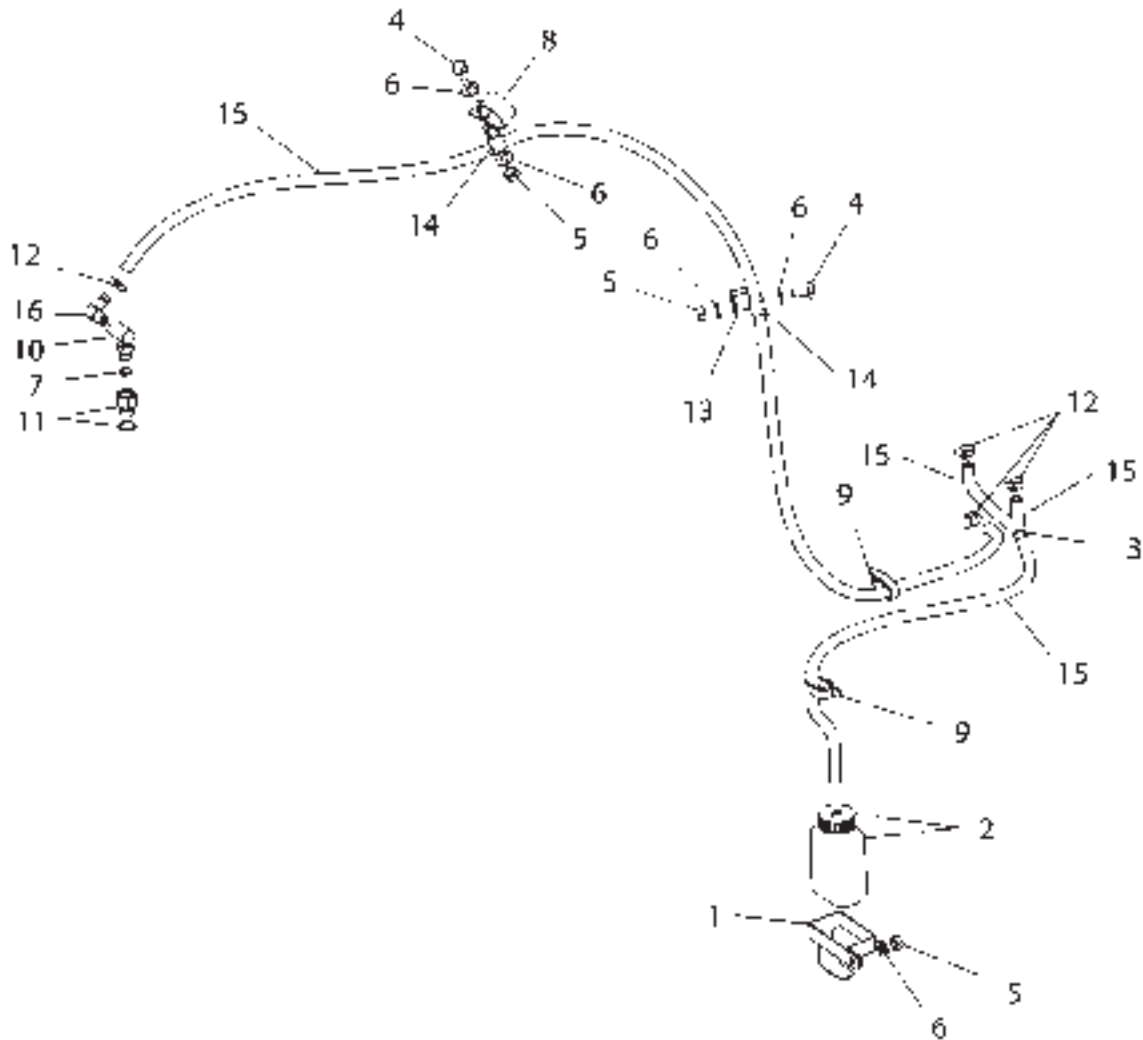
ITEM	NUMBER	QTY	DESCRIPTION
-	172-4519	--	LINES GP-IMPL [A] (NOT SERVICED)
1	400323X1	1	CAP-DUST 12.6 DIA -RUBBER
2	CH8C-6416	1	NIPPLE AS-QUICK DISC -4 & ORNG
3	400607X1	1	NUT-ORFS 13/16-16 PLATED
4	CH208-0765	1	ELBOW
5	CH033-6031	1	SEAL-O-RING 69.44IDX3.53DIA
6	CH148-8355	1	ELBOW AS-45DEG 16STORX16ORFS
	CH6V-9005	1	ELBOW-45DEG
	400123X1	1	SEAL-O RING-27.22ODX1.78 DIA
	400376X1	1	SEAL-O-RING (29.74ID)
7	CH148-8364	1	ELBOW AS-90DEG (8STOR-8ORFS)
	CH3K-0360	1	SEAL-O-RING (16.36IDX2.21DIA)
	CH6V-8398	1	SEAL-O-RING (16.03ODX1.78DIA)
8	CH1P-4578	2	FLANGE-HALF (-20)
9	CH4J-0522	1	SEAL-O-RING 37.69IDX3.53DIA
10	500128D1	1	HOSE AS.
11	400381X1	2	WASHER-HARD-13.5IDX30 ODX4THK
12	CH5P-7468	1	CLIP-HOSE TOP 52 ID
13	CH5P-7469	1	CLIP-HOSE BOTTOM 52 ID
14	CH5P-8444	1	GROMMET-RUBBER52ODX37IDX52LG
15	400287X1	4	WASHER-HARD 11IDX21ODX2.5 ZND1
16	400046X1	1	BOLT-M12X1.75X90 ZNDI HDD 10.9
17	400050X1	1	BOLT-M12X1.75X40 ZNDI HDD 10.9
18	400059X1	4	BOLT-M10X1.5X35 ZNDI HDD 10.9
19	400357X1	4	WASHER-HARD-M12X25.5ODX3THK
20	400063X1	2	BOLT-M12X1.75X60 ZNDI HDD 10.9
21	400064X1	2	BOLT-M12X1.75X35 ZNDI HDD 10.9
22	500458D1	1	BRACKET AS

[A] PART OF 180-0185 PUMP AR

1724519A
PR: t05i29k58b0381

MT800 SERIES TRACTORS
HYDRAULIC SYSTEM

LINES GP-ECOLOGY - 502214D1



502214DC

**MT800 SERIESTRACTORS
HYDRAULIC SYSTEM**

855

LINES GP-ECOLOGY - 502214D1

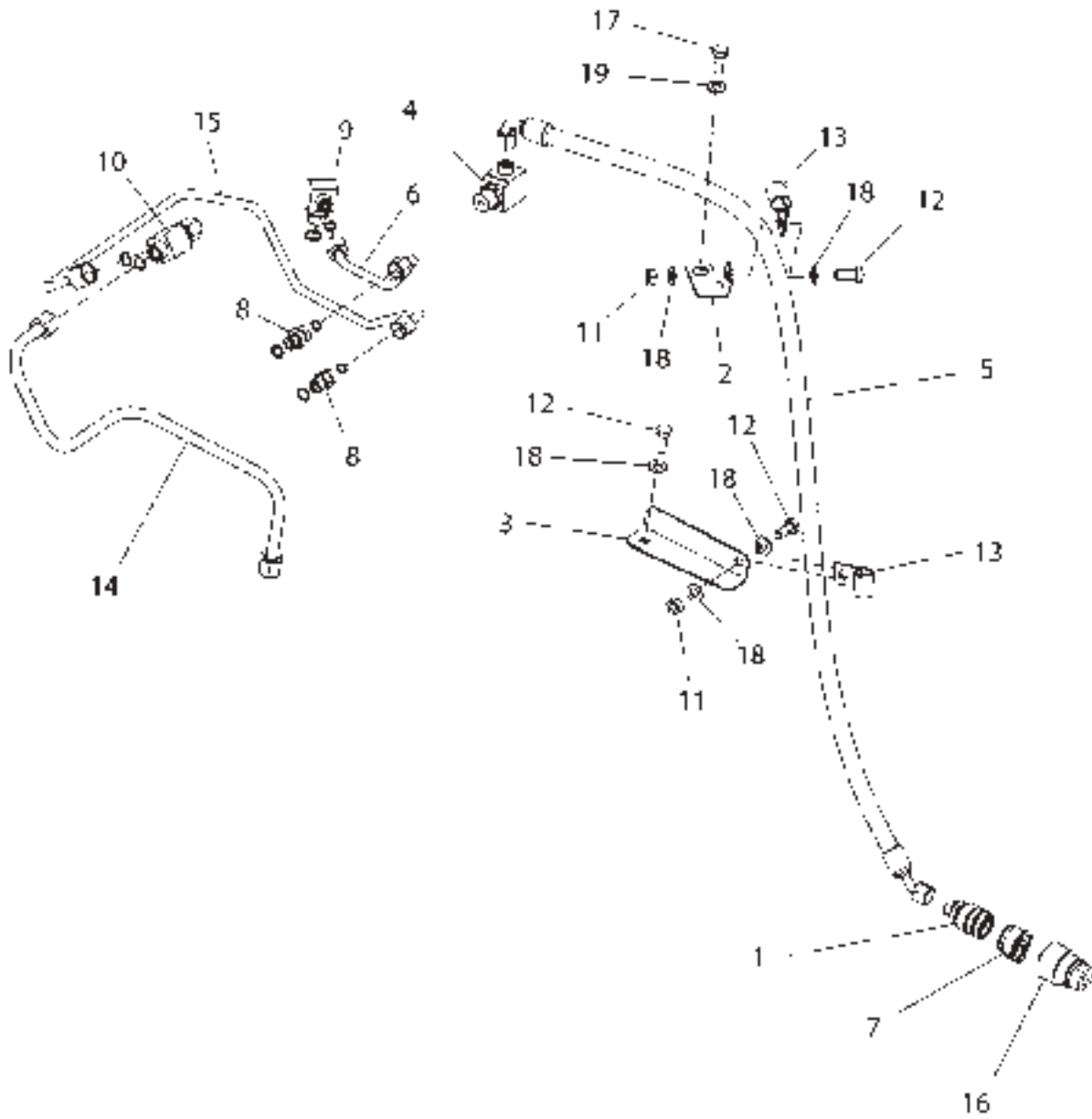
ITEM	NUMBER	QTY	DESCRIPTION
-	502214D1	--	LINES GP-ECOLOGY [A] (NOT SERVICED)
1	179-8664	1	BRACKET
2	CH179-8665	1	BOTTLE AS
3	CH222-0527	1	COUPLING-Y 3 X 7.9 OD BARB
4	400040X1	2	BOLT-M10X1.5X20 ZNDI HHD 10.9
5	WR522218	3	NUT-M10-1.5,CL10.9,ZN,H,REG
6	400287X1	5	WASHER-HARD 11IDX21ODX2.5 ZND1
7	400318X1	1	SEAL-O-RING (11.89ID X 1.98 DIA)
8	400689X1	1	CLIP LOOP 38.1ID
9	400837X1	2	STRAP-CABLE (PLASTIC)
10	CH106-2105	1	ELBOW-900-STRAIGHT THD
11	CH148-8313	1	ADAPTER AS-8STOR X 6STOR (INCL O-RING)
	CH3K-0360	1	SEAL-O-RING (16.36 ID X 2.21 DIA)
12	CH1P-4278	4	CLAMP-HOSE 5.5-15.88 ID X 8
13	CH1S-0994	1	CLIP-LOOP 20.64 ID
14	CH4K-8864	2	CLIP-LOOP 14.29ID
15	CH5P-1420	--	HOSE (BULK) 7.92 DIA (245CM)
16	CH5P-9517	1	ELBOW-90 DEG. X 4NPTF X 7.92 OD BARB

[A] PART OF: 180-1434;500795D1
VALVE AR-IMPL

502214DC
PR: t05i29k58b0382

MT800 SERIES TRACTORS
HYDRAULIC SYSTEM

LINES GP-HYDRAULIC OIL - 501130D1
HYDRAULIC TRAILER BRAKE



**MT800 SERIES TRACTORS
HYDRAULIC SYSTEM**

857

**LINES GP-HYDRAULIC OIL - 501130D1
HYDRAULIC TRAILER BRAKE**

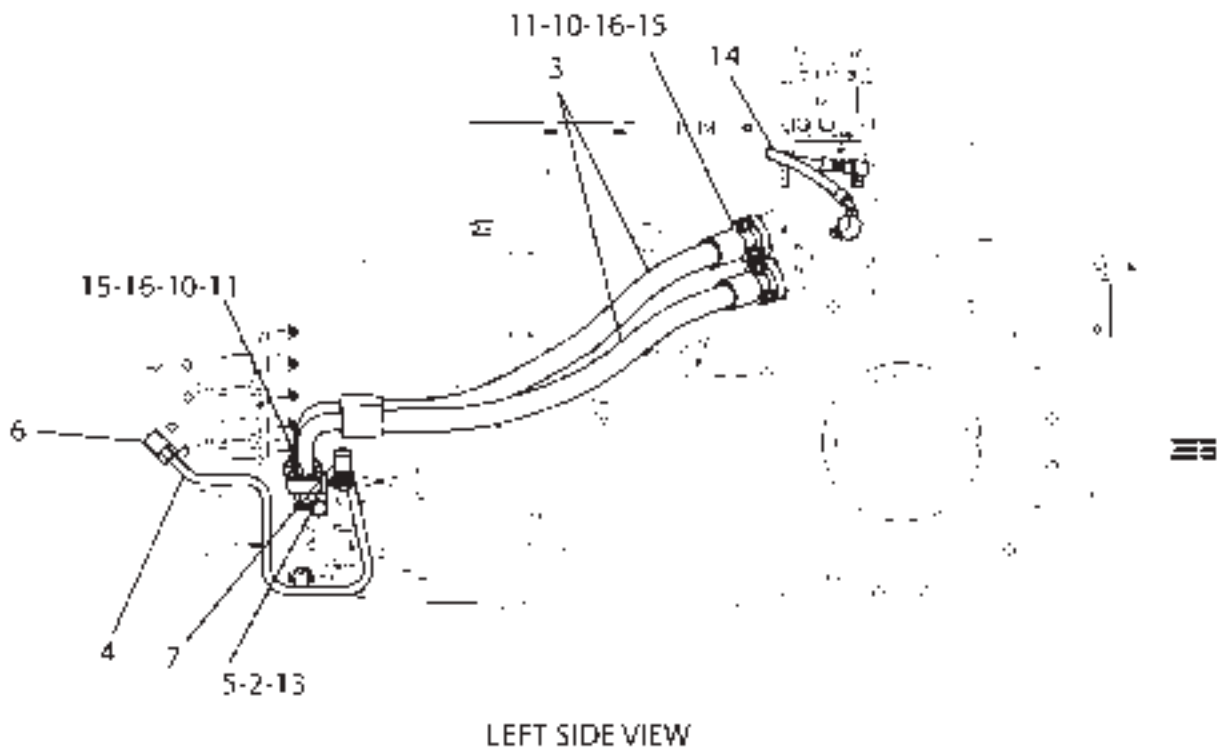
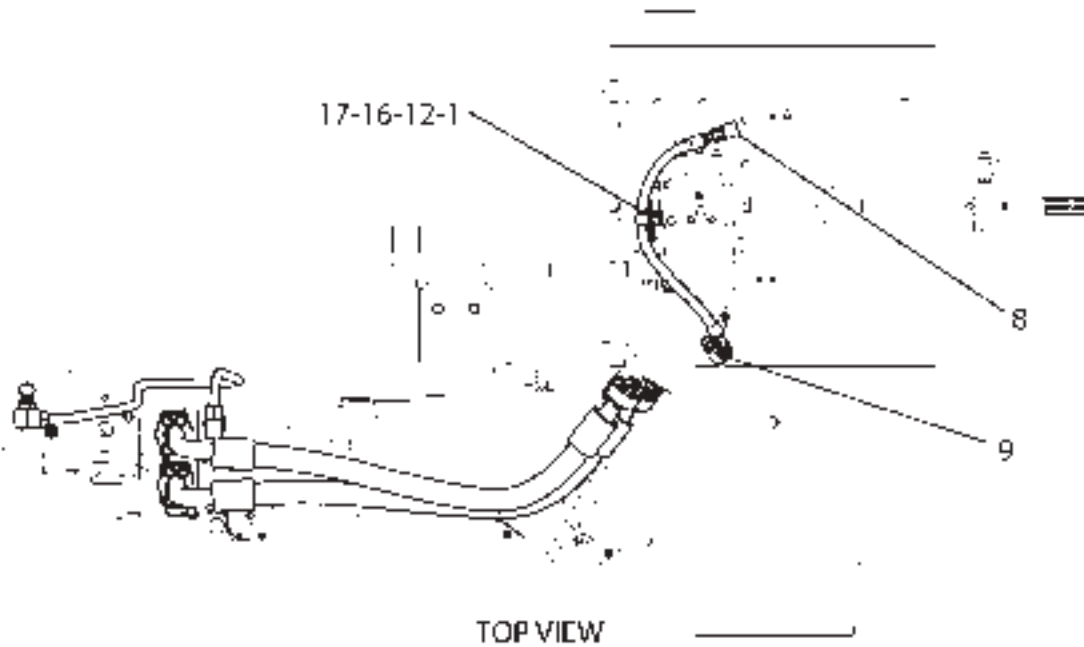
ITEM	NUMBER	QTY	DESCRIPTION
-	501130D1	--	LINES GP-HYD OIL (NOT SERVICED)
1	CH185-3959	1	COUPLER-QK CONNECT 12STOR ML
2	200-2992	1	BRACKET
3	200-2993	1	BRACKET
4	CH205-3692	1	ELBOW AS-900 8STOR X 8ORFS
5	CH208-9850	1	HOSE AS-9.5 ID SAE 100R2
6	208-9875	1	TUBE AS.
7	CH223-9254	1	CAP-DUST
8	400367X1	2	CONNECTOR AS-6 STOR -6 ORFS
	400378X1	1	SEAL-O-RING (12.83ODX1.78DIA)
	400318X1	1	SEAL-O-RING (11.89ID X 1.98 DIA)
9	CH148-8374	1	ELBOW AS-90DEG 6ORFS X 8STOR
	CH3K-0360	1	SEAL-O-RING (16.36 ID X 2.21 DIA)
	400378X1	1	SEAL-O-RING (12.83ODX1.78DIA)
10	CH148-8444	1	TEE-SWIVEL 3X -8 ORFS
	CH6V-8398	2	SEAL-O-RING (16.03IDX1.78DIA)
11	WR522218	4	NUT-M10-1.5,CL10.9,ZN,H,REG
12	400039X1	3	BOLT-M10X1.5X25 ZNDI HDD 10.9
13	CH4D-7735	2	CLIP-LOOP 18.29ID
14	501127D1	1	TUBE AS
15	501128D1	1	TUBE AS
16	501129D1	1	COUPLING-TRAILER
17	400190X1	1	BOLT-M12X1.75X16 ZNDI HDD 10.9
18	400287X1	6	WASHER-HARD 11IDX21ODX2.5 ZND1
19	400357X1	1	WASHER-HARD-M12X25.50DX3THK

[A] PART OF:
501170D1 VALVE AR
501140D1 BRAKE KIT-HYD

501130DB
PR: t05i29k58b0383

MT800 SERIES TRACTORS
HYDRAULIC SYSTEM

LINES GP-STEERING - 158-2393



**MT800 SERIES TRACTORS
HYDRAULIC SYSTEM**

859

LINES GP-STEERING - 158-2393

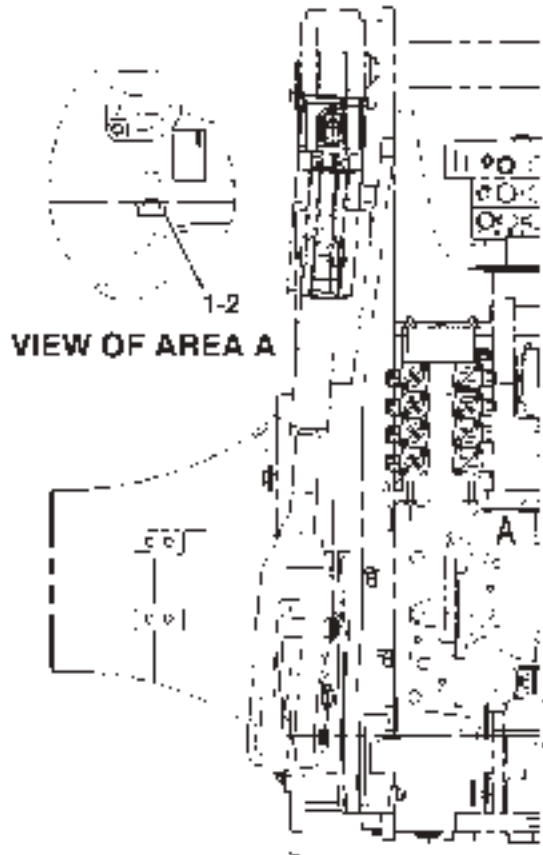
ITEM	NUMBER	QTY	DESCRIPTION
-	158-2393	--	LINES GP-STEERING [A] (NOT SERVICED)
1	CH2A-1314	1	SPACER
2	400323X1	1	CAP-DUST
3	CH192-8841	2	HOSE ASM
4	193-8098	1	TUBE ASM
5	CH110-6349	1	FITTING AS
6	CH148-8347	1	ELBOW AS (12STORX12ORFS)
	400366X1	1	SEAL-O-RING (22.5IDX1.78DIA)
	400416X1	1	SEAL-O-RING (23.47IDX2.95DIA)
7	CH148-8360	1	ELBOW AS (16STORX12ORFS)
	400366X1	1	SEAL-O-RING (22.5IDX1.78DIA)
	400376X1	1	SEAL-O-RING (29.74IDX2.95DIA)
8	CH148-8364	1	ELBOW AS-90DEG (8STOR-8ORFS)
	CH3K-0360	1	SEAL-O-RING (16.36IDX2.21DIA)
	CH6V-8398	1	SEAL-O-RING (16.03ODX1.78DIA)
9	CH148-8372	1	ELBOW AS-90DEG (10STOR-8ORFS)
	CH6V-8398	1	SEAL-O-RING (16.03 OD X 1.78 DIA)
	400319X1	1	SEAL-O-RING (19.81IDX2.46DIA)
10	400588X1	4	SEAL-RECTANGULAR
11	CH1P-5767	8	FLANGE-half
12	CH1S-1015	1	CLIP-LOOP
13	400361X1	1	SEAL-O-RING (8.92IDX1.83DIA)
14	500127D1	1	HOSE ASM
15	400057X1	16	BOLT (M12X1.75X50MM)
16	400357X1	17	WASHER-HARD (M12X25.5X3)
17	400062X1	1	BOLT (M12X1.75X70MM)

[A] PART OF:
158-2342; 501809D1 HYD AR-COMMON

1582393F
PR: t05i29k58b0384

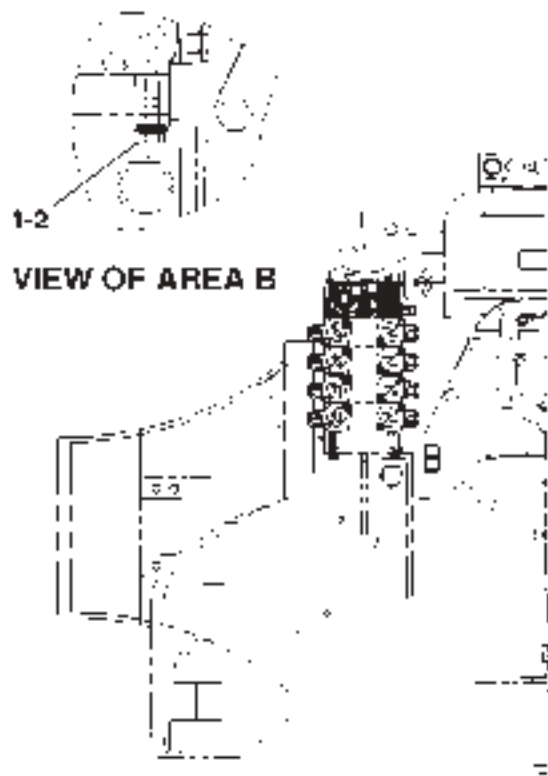
MT800 SERIES TRACTORS
HYDRAULIC SYSTEM

MOUNTING GP-VALVE - 158-2339



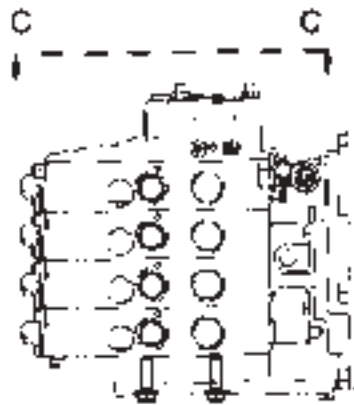
VIEW OF AREA A

REAR VIEW
(WITH 3 POINT HITCH)



VIEW OF AREA B

REAR VIEW
(WITH DRAWBAR HITCH)
(ALTERNATE CONFIGURATION)



VIEW C-C

MT800 SERIESTRACTORS
HYDRAULIC SYSTEM

861

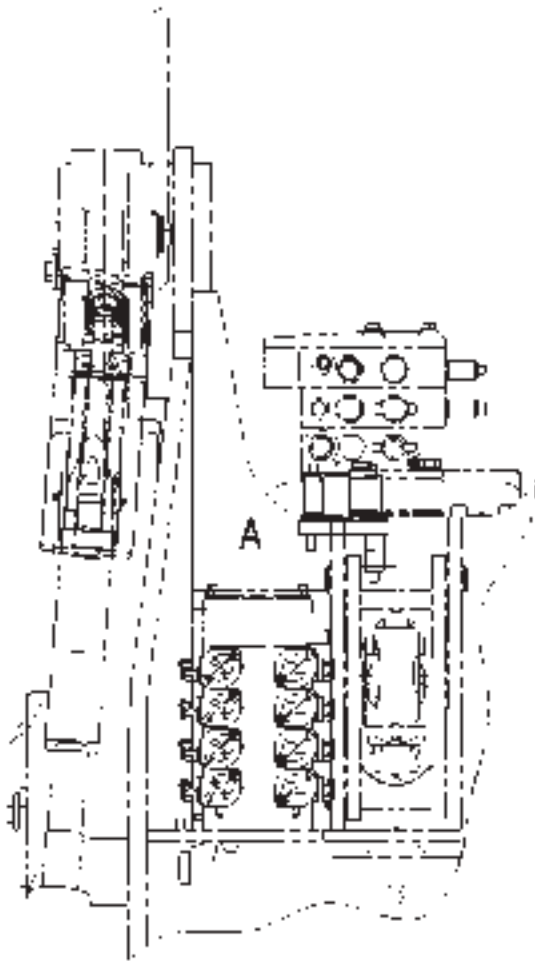
MOUNTING GP-VALVE - 158-2339

ITEM	NUMBER	QTY	DESCRIPTION
-	158-2339	--	MOUNTING GP-VALVE [A]
1	400050X1	4	BOLT (M12X1.75X40MM)
2	400357X1	4	WASHER-HARD (M12X25.5X3)
3	CH193-5914	1	PLUG

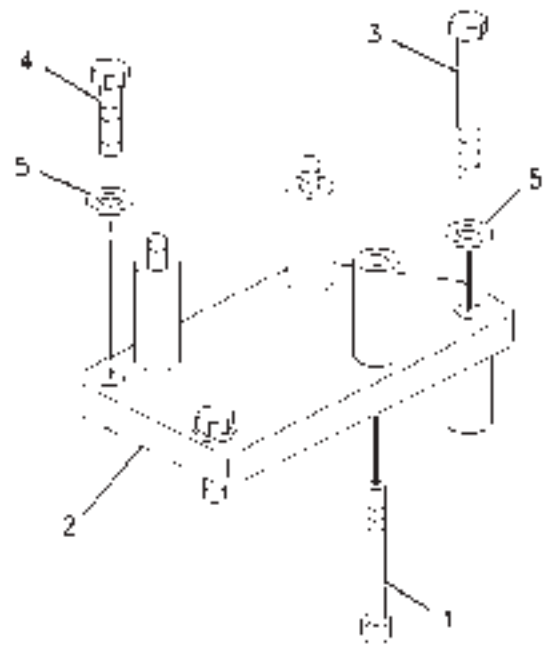
[A] PART OF 158-2342 HYDRAULIC AR

0855208A
PR: t05i29k58b0385

MOUNTING GP-VALVE - 193-1548



REAR VIEW



VIEW OF AREA A

MT800 SERIESTRACTORS
HYDRAULIC SYSTEM

863

MOUNTING GP-VALVE - 193-1548

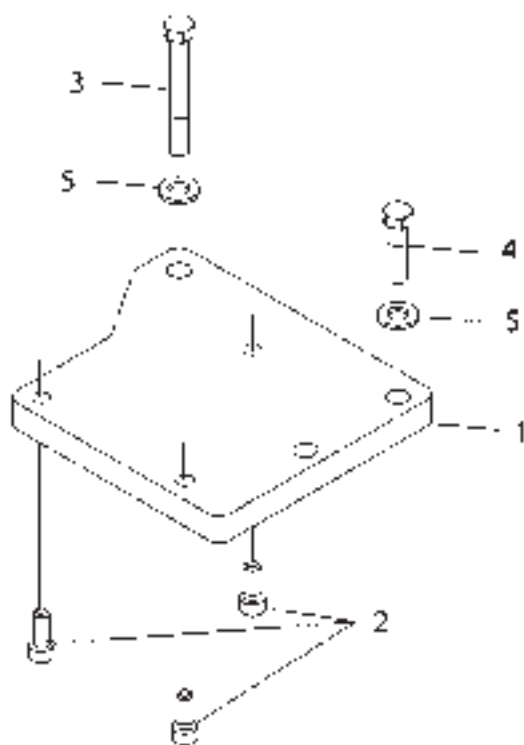
ITEM	NUMBER	QTY	DESCRIPTION
-	193-1548	--	MOUNTING GP-VALVE [A] (NOT SERVICED)
1	400000X1	3	BOLT-SOCKET HEAD (M10X1.5X85)
2	224-1399	1	BRACKET AS
3	400046X1	1	BOLT (M12X1.75X90MM)
4	400051X1	2	BOLT (M12X1.75X45MM)
5	400357X1	2	WASHER-HARD (M12X25.5X3)

[A] PART OF 193-8197; 193-8198 VALVE AR

00854860
PR: t05i29k58b0386

MT800 SERIES TRACTORS
HYDRAULIC SYSTEM

MOUNTING GP-VALVE - 162-9805



1629805D

MT800 SERIESTRACTORS
HYDRAULIC SYSTEM

865

MOUNTING GP-VALVE - 162-9805

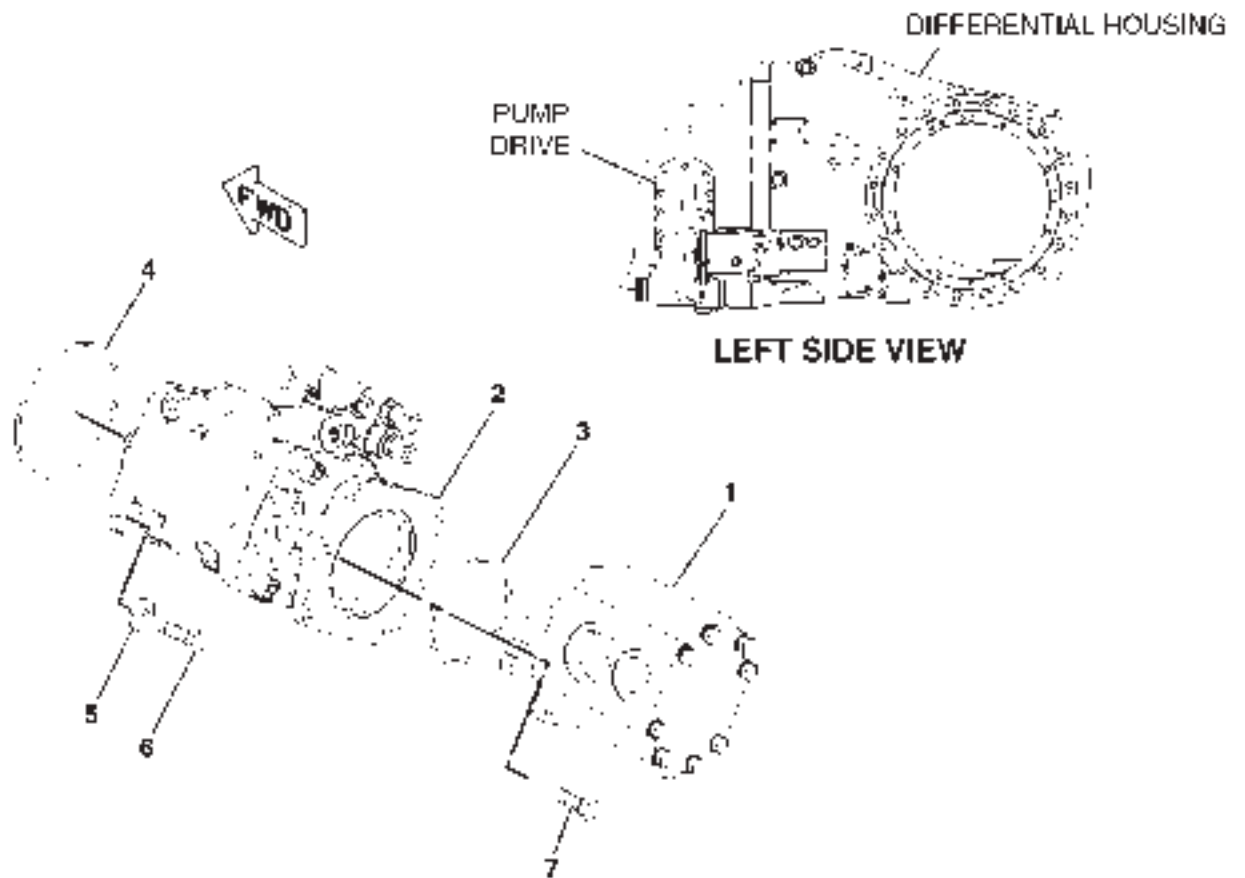
ITEM	NUMBER	QTY	DESCRIPTION
-	162-9805	--	MOUNTING GP-VALVE [A] (NOT SERVICED)
1	209-3414	1	BRACKET AS
2	400217X1	3	BOLT (M10X1.5X25MM)
3	400046X1	1	BOLT (M12X1.75X90MM)
4	400051X1	1	BOLT (M12X1.75X45MM)
5	400357X1	2	WASHER-HARD (M12X25.5X3 THK)

[A] PART OF:
193-8199;193-8200;501070D1 VALVE AR
209-3689;501140D1 KIT-HYD BRAKE

1629805D
PR: t05i29k58b0387

MT800 SERIES TRACTORS
HYDRAULIC SYSTEM

PUMP & MOUNTING GP - 162-9804
(63CC IMPLEMENT PUMP)



**MT800 SERIESTRACTORS
HYDRAULIC SYSTEM**

867

**PUMP & MOUNTING GP - 162-9804
(63CC IMPLEMENT PUMP)**

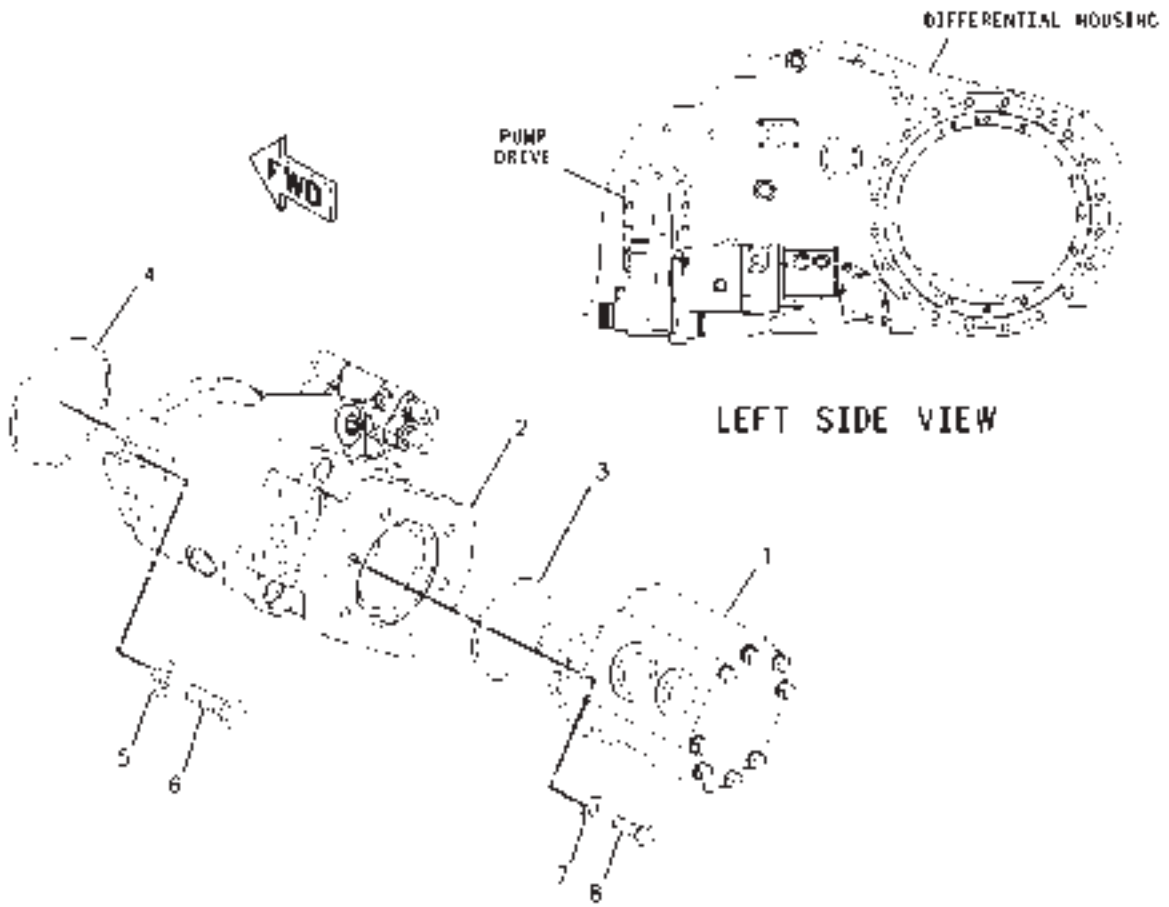
ITEM	NUMBER	QTY	DESCRIPTION
-	162-9804	--	PUMP & MOUNTING GP [A] (NOT SERVICED)
1	CH206-6337	1	PUMP GP-GEAR (CHARGE) (SEE BREAKDOWN FOR COMPONENTS)
2	CH206-9019	1	PUMP GP-PISTON (IMPLEMENT) (SEE BREAKDOWN FOR COMPONENTS)
3	CH2H-3934	1	SEAL-O-RING (98.02IDX3.53DIA)
4	400101X1	1	SEAL-O-RING (126.61IDX3.53DIA)
5	400381X1	4	WASHER-HARD (13.5X30X4)
6	400050X1	4	BOLT (M12X1.75X40MM)
7	400064X1	2	BOLT (M12X1.75X35MM)

[A] PART OF 180-0184 PUMP AR-HYDRAULIC

0850708A
PR: t05i29k58b0388

MT800 SERIES TRACTORS
HYDRAULIC SYSTEM

PUMP & MOUNTING GP - 165-7901
(87CC IMPLEMENT PUMP)



LEFT SIDE VIEW

**MT800 SERIESTRACTORS
HYDRAULIC SYSTEM**

869

**PUMP & MOUNTING GP - 165-7901
(87CC IMPLEMENT PUMP)**

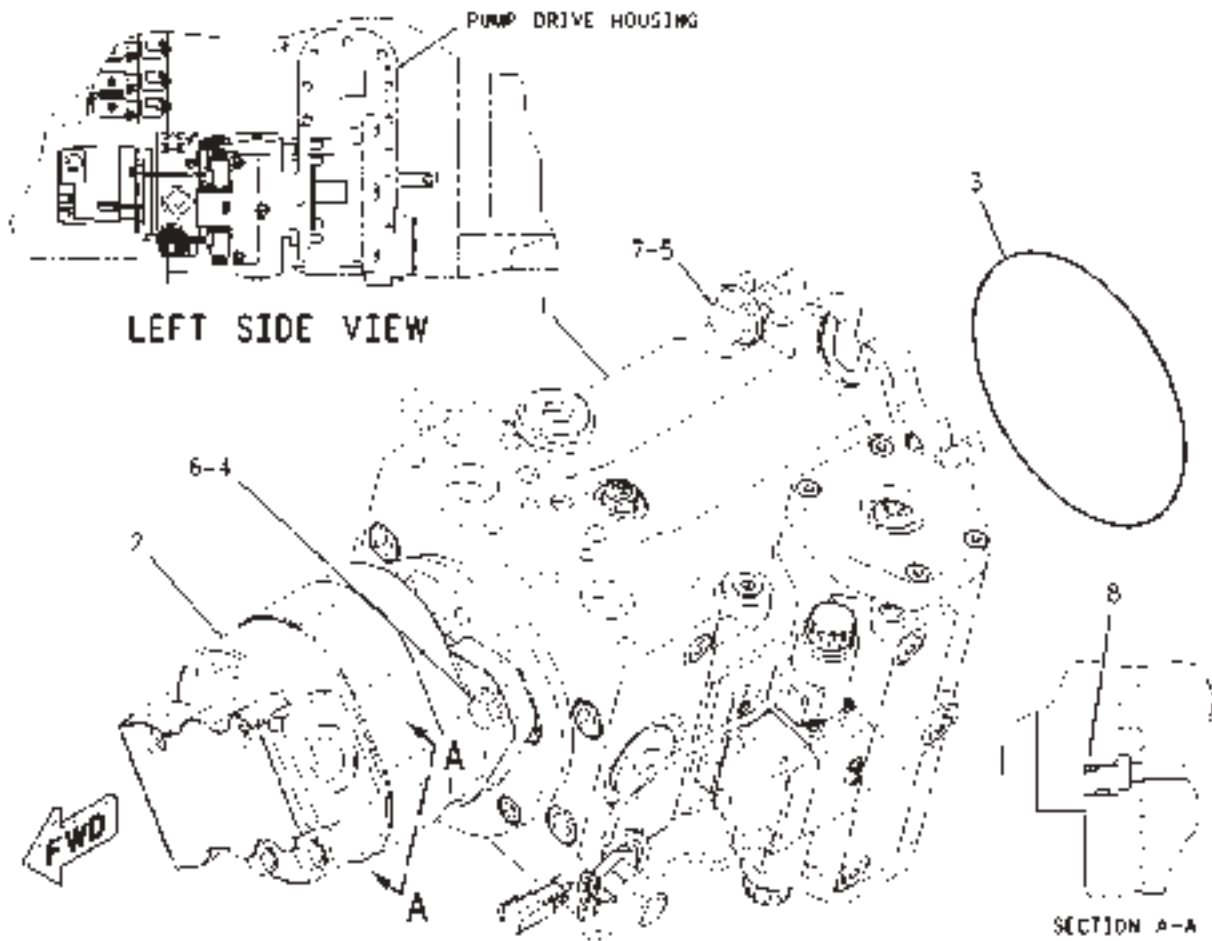
ITEM	NUMBER	QTY	DESCRIPTION
	165-7901		PUMP & MOUNTING GP [A] (NOT SERVICED)
1	CH206-6337	1	PUMP GP-GEAR (CHARGE) (SEE BREAKDOWN FOR COMPONENTS)
2	CH206-9017	1	PUMP GP-PISTON (IMPLEMENT) (SEE BREAKDOWN FOR COMPONENTS)
3	CH2H-3934	1	SEAL-O-RING
4	400101X1	1	SEAL-O-RING
5	CH7X-0515	2	WASHER-HARD (17X35X5)
6	400056X1	2	BOLT (M16X2X50MM)
7	400381X1	2	WASHER-HARD
8	400064X1	2	BOLT (M12X1.75X35MM)

[A] PART OF 180-0185 PUMP AR-HYDRAULIC

00850772
PR: t05i29k58b0389

MT800 SERIES TRACTORS
HYDRAULIC SYSTEM

PUMP & MTG GP-HYDRAULIC - 158-2397
SCAVENGE PUMP



**MT800 SERIESTRACTORS
HYDRAULIC SYSTEM**

871

**PUMP & MTG GP-HYDRAULIC - 158-2397
SCAVENGE PUMP**

ITEM	NUMBER	QTY	DESCRIPTION
-	158-2397	--	PUMP & MTG GP-HYDRAULIC [A] (NOT SERVICED)
1	CH162-9592	1	PUMP GP-PISTON (SLIPPER) SEE BREAKDOWN FOR COMPONENTS)
2	CH207-3629	1	PUMP GP-GEAR (STER, IMPL & TMSN CHARGE) SEE BREAKDOWN FOR COMPONENTS)
3	CH8F-8733	1	SEAL-O-RING
4	400050X1	2	BOLT (M12X1.75X40MM)
5	400056X1	4	BOLT (M16X2X50MM)
6	400357X1	2	WASHER-HARD (M12X25.5X3)
7	CH7X-0515	4	WASHER-HARD (17X35X5)
8	CH6D-7146	1	SEAL-O-RING (101.27IDX2.62DIA) [B]

[A] PART OF 158-2342 HYDRAULIC AR

[B] THIS SEAL IS DELIVERED AS PART OF
THE PUMP GP-PISTON. THE SEAL IS
LISTED AS A SERVICE REPAIR PART IN
CASE OF CUTTING THE SEAL AT INITIAL
ASSEMBLY OR IN FIELD SERVICE.

00830561
PR: t05i29k58b0390

872

MT800 SERIESTRACTORS
HYDRAULIC SYSTEM

PUMP AR-HYDRAULIC - 180-0184
63CC IMPLEMENT PUMP HITCH

NO ILLUSTRATION

NOTIF

MT800 SERIESTRACTORS
HYDRAULIC SYSTEM

873

PUMP AR-HYDRAULIC - 180-0184
63CC IMPLEMENT PUMP HITCH

ITEM	NUMBER	QTY	DESCRIPTION
-	180-0184	--	PUMP AR-HYDRAULIC (NOT SERVICED)
1	162-9804	1	PUMP & MOUNTING GP (NOT SERVICED) SEE BREAKDOWN FOR COMPONENTS)
2	172-4518	1	LINES GP-IMPLEMENT (NOT SERVICED) SEE BREAKDOWN FOR COMPONENTS)
3	209-8325	1	LINES GP-HYDRAULIC (NOT SERVICED) SEE BREAKDOWN FOR COMPONENTS)

NOTIF
PR: t05i29k58b0391

874

MT800 SERIESTRACTORS
HYDRAULIC SYSTEM

PUMP AR-HYDRAULIC - 180-0185
87CC IMPLEMENT PUMP

NO ILLUSTRATION

NOTIF

**MT800 SERIESTRACTORS
HYDRAULIC SYSTEM**

875

**PUMP AR-HYDRAULIC - 180-0185
87CC IMPLEMENT PUMP**

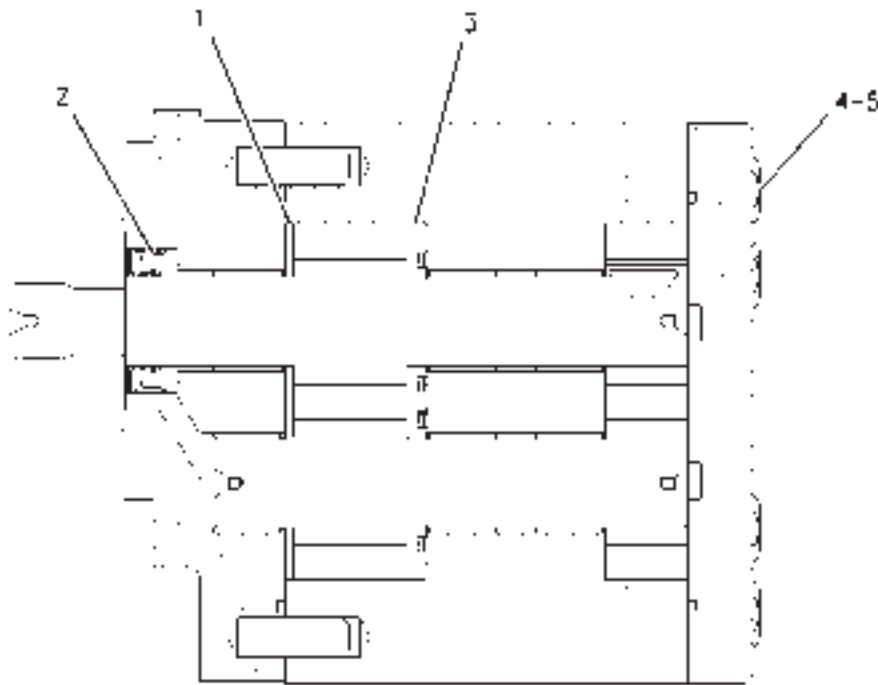
ITEM	NUMBER	QTY	DESCRIPTION
-	502785D1	--	PUMP AR-HYDRAULIC (FIELD INSTALLED)
-	502907D1	--	PUMP AR-HYDRAULIC (FACT) (NOT SERVICED, ORDER FIELD INSTALLED)
-	180-0185	--	PUMP AR-HYDRAULIC [A] (NOT SERVICED, ORDER FIELD INSTALLED)
1	165-7901	1	PUMP & MOUNTING GP (NOT SERVICED) (SEE BREAKDOWN FOR COMPONENTS)
2	172-4519	1	LINES GP-IMPLEMENT (NOT SERVICED) (SEE BREAKDOWN FOR COMPONENTS)
3	209-8326	1	LINES GP-HYDRAULIC (NOT SERVICED) (SEE BREAKDOWN FOR COMPONENTS)

[A] PART OF: 500033D1; 500034D1;
500035D1; 500037D1 BASE UNIT AR;
502785D1; 502907D1 PUMP AR-HYD

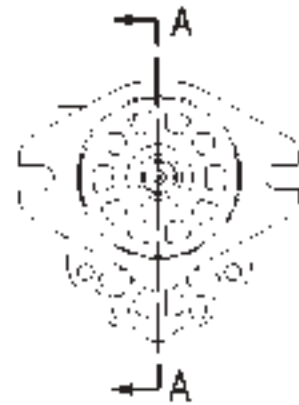
NOTIF
PR: t05i29k58b0392

MT800 SERIES TRACTORS
HYDRAULIC SYSTEM

PUMP GP-GEAR - CH206-6337
STEERING, IMPLEMENT & TRANS CHARGE



SECTION A-A



MT800 SERIESTRACTORS
HYDRAULIC SYSTEM

877

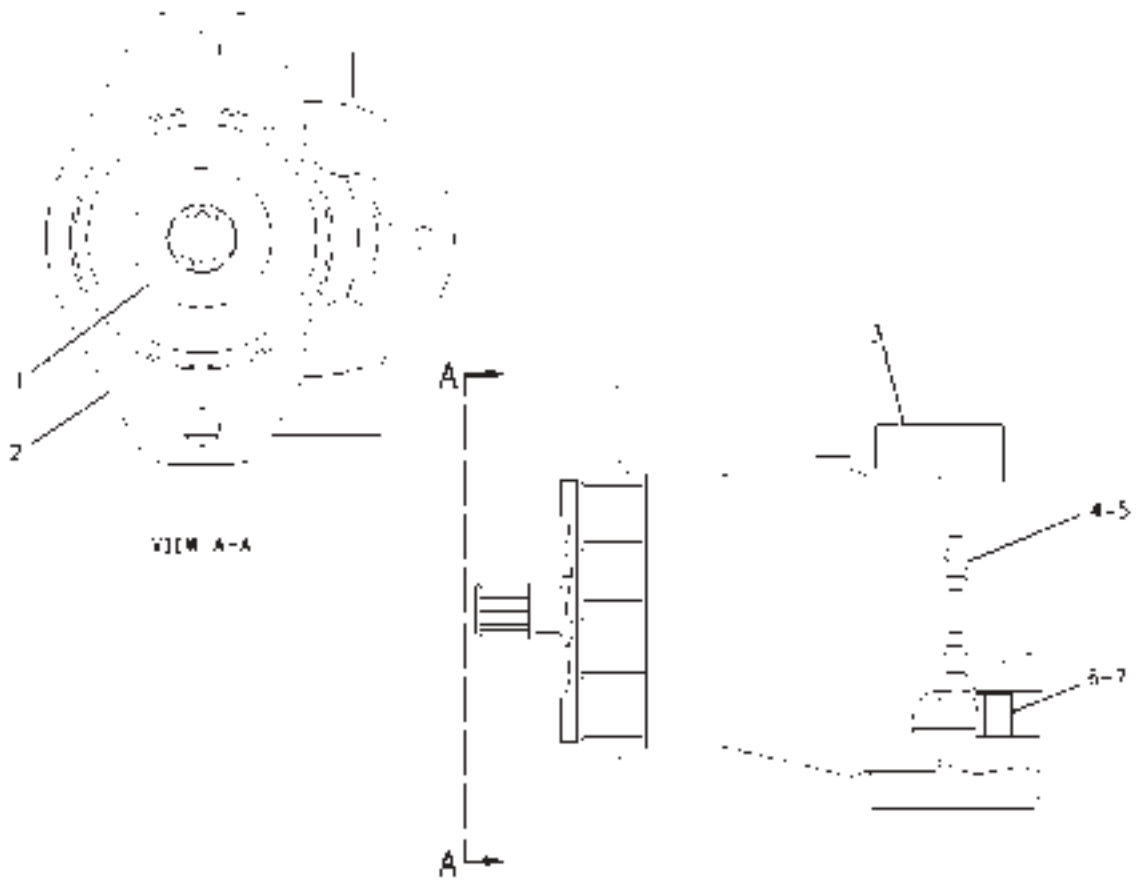
PUMP GP-GEAR - CH206-6337
STEERING, IMPLEMENT & TRANS CHARGE

ITEM	NUMBER	QTY	DESCRIPTION
-	CH206-6337	--	PUMP GP-GEAR [A]
1	CH077-5261	1	PLATE-THRUST
2	CH202-2593	1	SEAL-SHAFT
	CH202-2595	1	KIT-SEAL (CHARGE PUMP)
3	CH202-2592	1	PLATE-WEAR
4	CH8C-7323	8	BOLT (3/8-16X6 IN)
5	CH8T-4896	8	WASHER-HARD (10.2X18.5X2.5)

[A] PART OF 162-9804; 165-7901 PUMP &
MOUNTING GP

00896358
PR: t05i29k58b0393

PUMP GP-GEAR - CH207-3629
SCAVANGE PUMP
STEERING, IMPLEMENT & TRANS CHARGE



MT800 SERIESTRACTORS
HYDRAULIC SYSTEM

879

PUMP GP-GEAR - CH207-3629
SCAVANGE PUMP
STEERING, IMPLEMENT & TRANS CHARGE

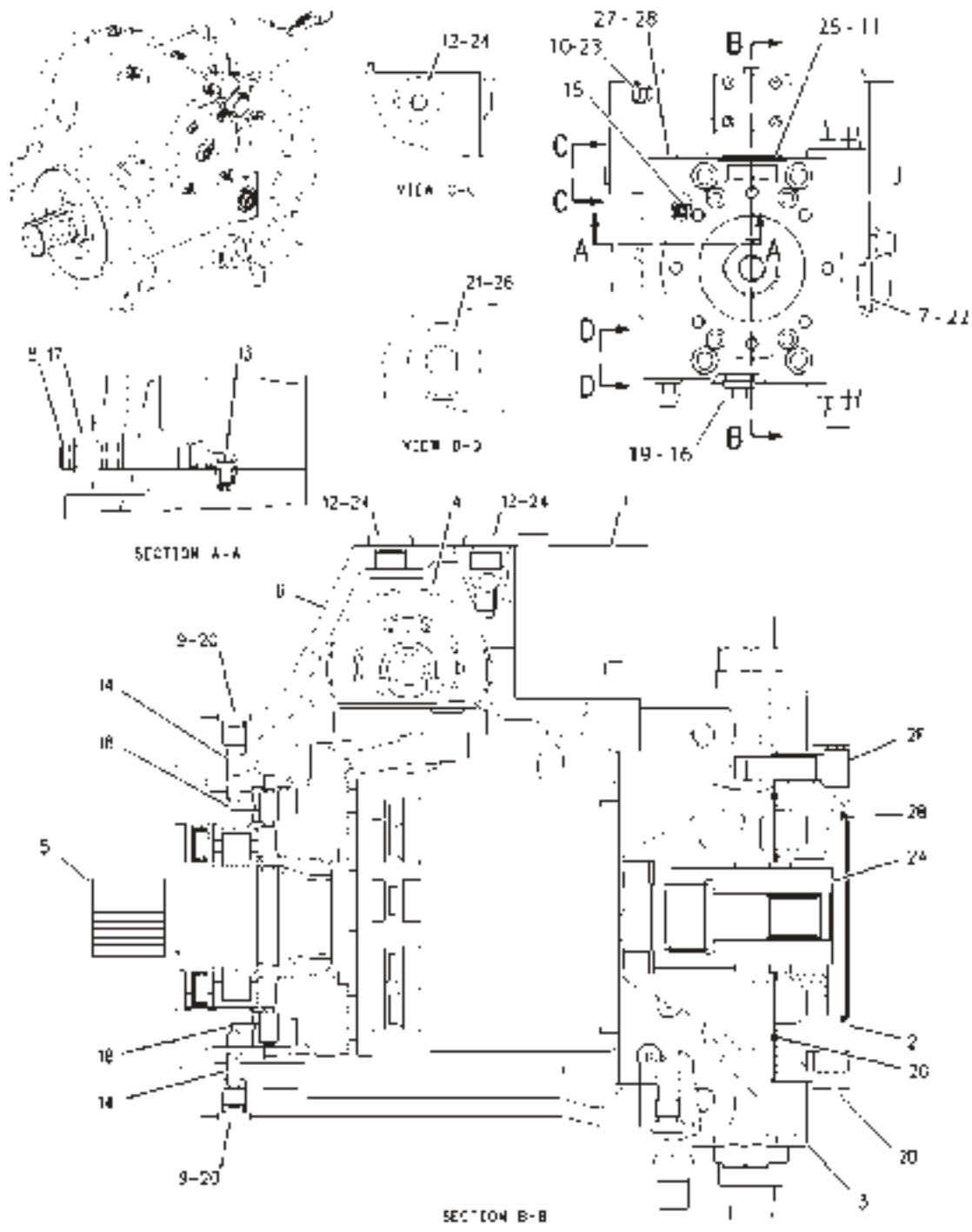
ITEM	NUMBER	QTY	DESCRIPTION
-	CH207-3629	--	PUMP GP-GEAR [A]
1	CH4M-7668	1	SEAL-LIP [B]
2	CH209-9079	1	FLANGE
3	CH209-9078	1	COVER
4	CH5P-8244	4	WASHER (12X22.5X2.5)
5	CH9F-2491	4	BOLT (7/16-14X3.75 IN)
6	CH210-0780	4	WASHER
7	CH194-8673	4	BOLT-SOCKET HEAD
-	CH210-0179	1	KIT-SEAL

[A] PART OF 158-2397 PUMP & MTG GP-HYD
[B] INCLUDED IN SEAL KIT

00852392
PR: t05i29k58b0394

MT800 SERIES TRACTORS
HYDRAULIC SYSTEM

PUMP GP-PISTON - CH162-9592
SCAVENGE PUMP SLIPPER



**MT800 SERIES TRACTORS
HYDRAULIC SYSTEM**

881

**PUMP GP-PISTON - CH162-9592
SCAVENGE PUMP SLIPPER**

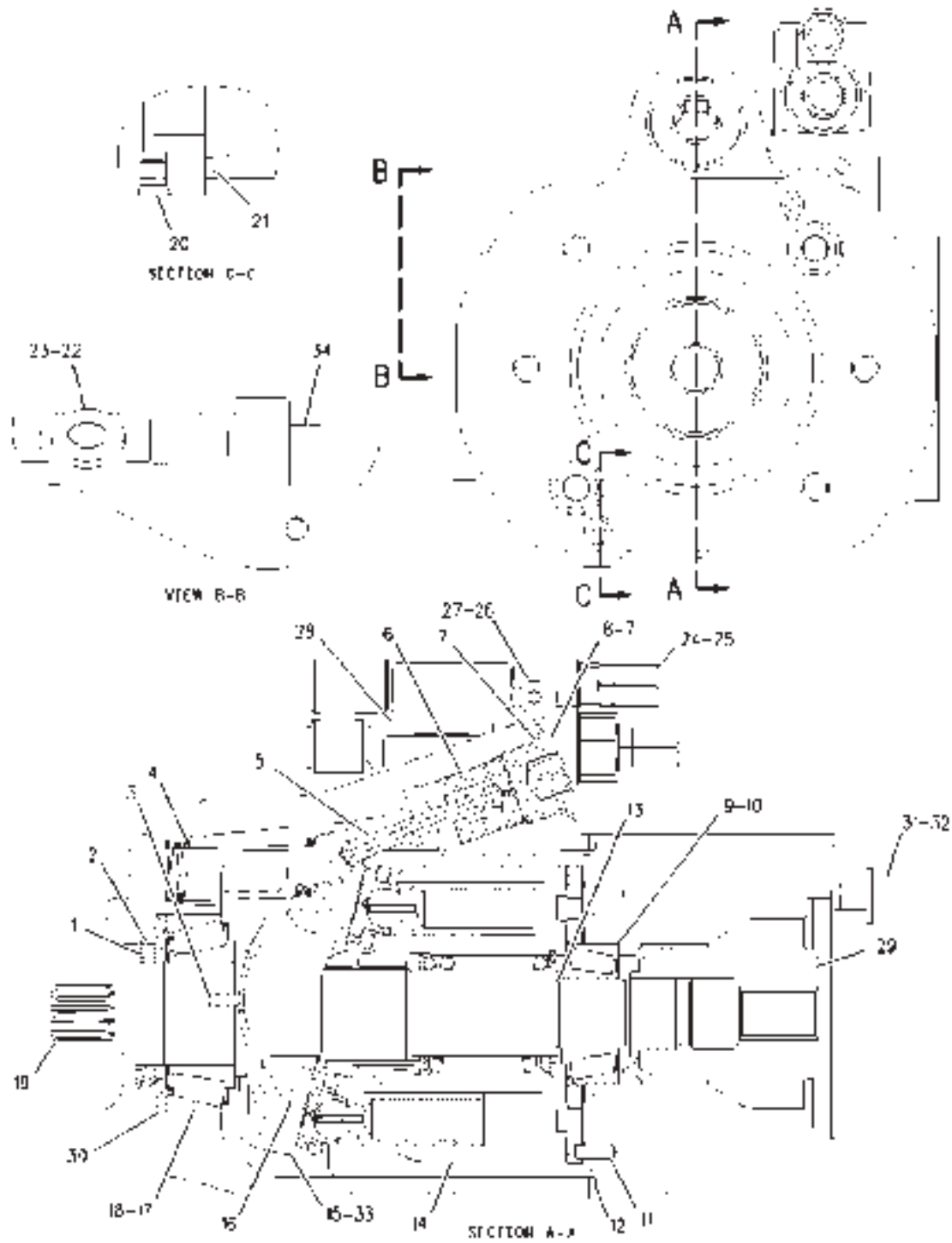
ITEM	NUMBER	QTY	DESCRIPTION
-	CH162-9592	--	PUMP GP-PISTON [A]
1	205-6412	1	VALVE GP-SERVO (SEE BREAKDOWN FOR COMPONENTS)
2	502536D1	1	DRIVE ASM (INCLUDES ITEMS 2A THRU 2G)
2A	CH205-6395	1	COUPLING
2B	CH3K-0715	1	SEAL-O-RING
2D	502537D1	1	FLANGE
2F	400210X1	4	BOLT-SOCKET HEAD (M12X1.75X40MM)
2G	CH8C-5237	2	SEAL-O-RING
3	205-6398	1	HEAD GP-PUMP (SEE BREAKDOWN FOR COMPONENTS)
4	CH183-8430	1	ACTUATOR GP-PISTON PUMP (SEE BREAKDOWN FOR COMPONENTS)
5	205-6400	1	ROTATING GP-PUMP (SEE BREAKDOWN FOR COMPONENTS)
6	CH183-8454	1	HOUSING
7	CH096-6095	1	PLUG
8	CH123-7582	1	PIN-THREADED
9	CH135-8854	3	PLUG
10	CH137-3780	2	PLUG (M10)
11	CH6K-6307	1	SEAL-O-RING
12	400318X1	4	SEAL-O-RING (11.89ID X 1.98 DIA)
13	205-6399	1	PIN-ECCENTRIC
14	CH6E-4351	2	PIN
15	CH126-1645	1	ORIFICE
16	502535D1	1	PLUG
17	CH6E-4385	1	LOCKNUT
18	CH6E-4614	2	PIN
19	CH6V-5326	1	SEAL-O-RING
20	CH6V-9028	2	SEAL-O-RING
21	400376X1	1	SEAL-O-RING
22	CH8C-5193	1	SEAL-O-RING
23	CH8T-7876	2	SEAL-O-RING
24	CH9S-8004	4	PLUG
25	CH5P-7684	1	PLUG
26	400357X1	1	PLUG
27	CH9S-8002	1	PLUG
28	400361X1	1	SEAL-O-RING (8.92ID X 1.83DIA)

[A] PART OF 158-2397 PUMP & MTG
GP-HYDRAULIC

1629592A
PR: t05i29k58b0395

MT800 SERIES TRACTORS
HYDRAULIC SYSTEM

PUMP GP-PISTON - CH206-9017
87CC IMPLEMENT



00893848

**MT800 SERIES TRACTORS
HYDRAULIC SYSTEM**

883

**PUMP GP-PISTON - CH206-9017
87CC IMPLEMENT**

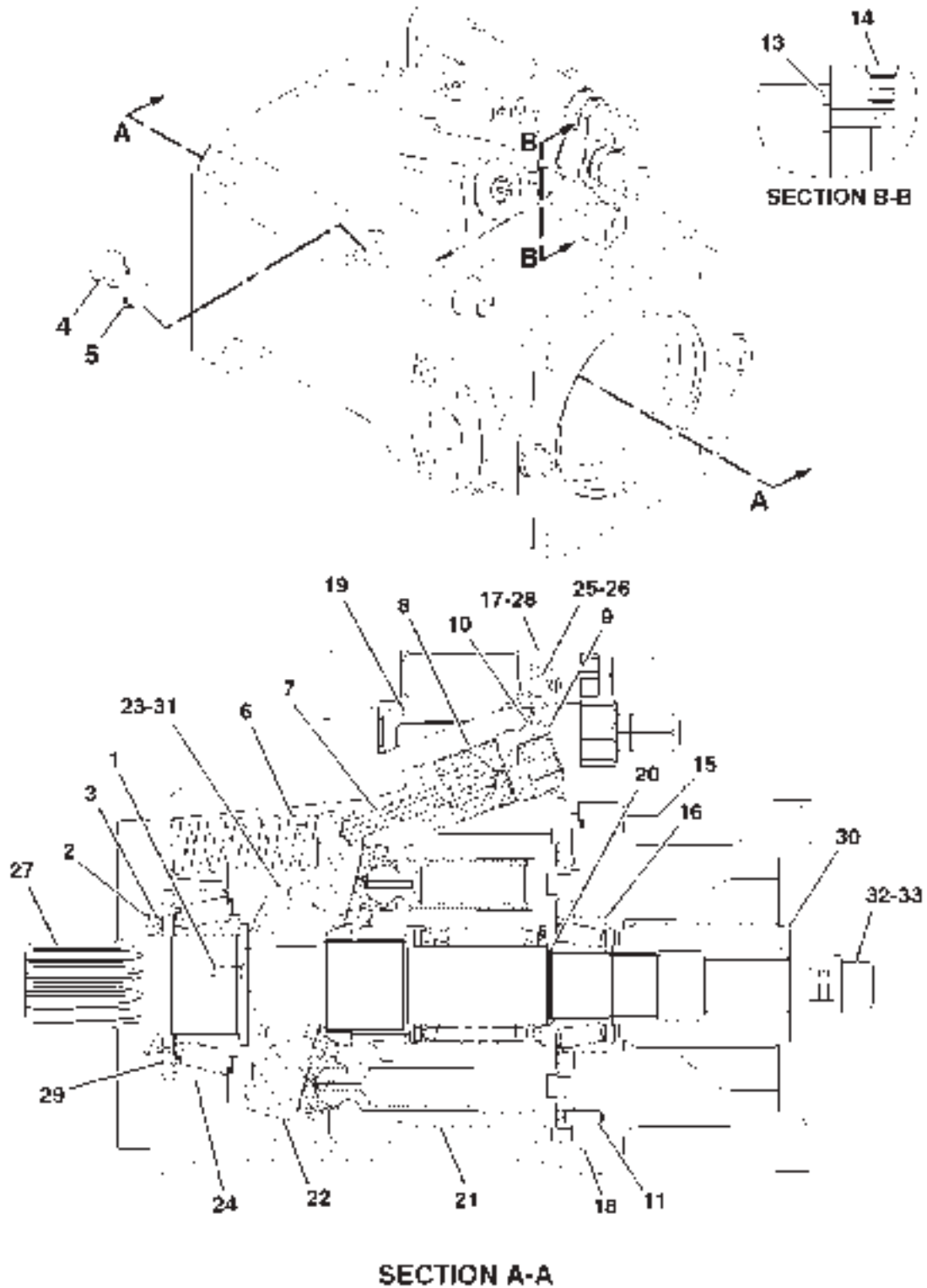
ITEM	NUMBER	QTY	DESCRIPTION
-	CH206-9017	--	PUMP GP-PISTON [A]
1	CH140-1739	1	RING-RETAINING
2	CH105-1632	1	SEAL
3	CH6R-7943	2	SCREW (M5X15.5MM)
4	CH190-6519	1	SPRING
5	CH190-3120	1	LINK
6	214-9201	1	PISTON
7	CH6V-8978	1	SEAL-O-RING
8	CH190-6518	1	PLUG
9	CH105-3033	1	CUP-BEARING
10	CH105-3032	1	CONE-BEARING
11	CH9X-8979	1	DOWEL
12	CH4V-2445	1	SEAL-O-RING
13	CH105-1638	1	SPACER
14	190-3118	1	ROTATING GP-PUMP (SEE BREAKDOWN FOR COMPONENTS)
15	CH190-6516	1	SWASHPLATE
16	CH190-6523	2	BEARING
17	CH3B-2263	1	CUP-BEARING
18	CH105-3031	1	CONE-BEARING
19	214-9202	1	SHAFT
20	CH136-8423	3	PLUG-BREAK OFF
21	CH168-3504	2	SEAL
22	CH9S-8008	1	PLUG
23	400416X1	1	SEAL-O-RING
24	214-9379	1	VALVE GP-PRESS & FLOW CMPNSTR (SEE BREAKDOWN FOR COMPONENTS)
25	CH9X-7680	3	SEAL-O-RING
26	CH9S-8002	1	PLUG
27	400361X1	1	SEAL-O-RING (8.92ID X 1.83DIA)
28	400246X1	1	BOLT-SOCKET HEAD (M6X1X30MM)
29	CH194-6848	1	COUPLER
30	CH190-6520	1	STOP
31	400220X1	2	BOLT-HEX SOCKET (M12X1.75X30MM)
32	400357X1	2	WASHER-HARD (M12X25.5X3)
33	CH214-9203	1	PLUG-ORIFICE
34	400238X1	4	BOLT-SOCKET HEAD (M16X2X55MM)

[A] PART OF 165-7901 PUMP & MOUNTING GP

00893848
PR: t05i29k58b0396

MT800 SERIES TRACTORS
HYDRAULIC SYSTEM

PUMP GP-PISTON (SLIPPER) - CH206-9019
63CC IMPLEMENT



**MT800 SERIES TRACTORS
HYDRAULIC SYSTEM**

885

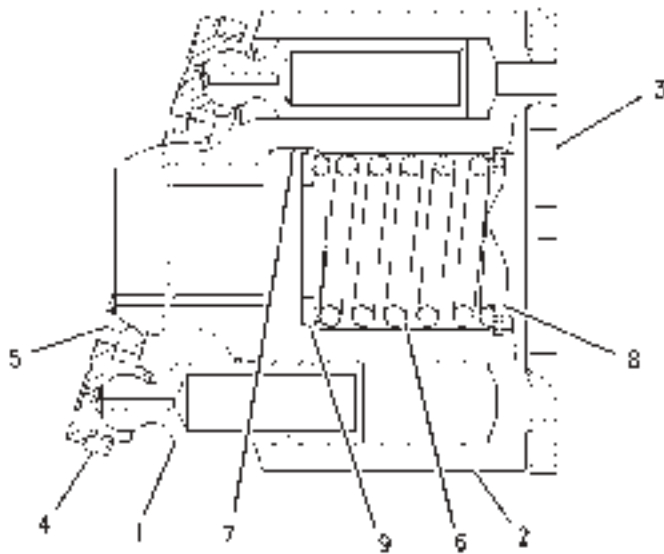
**PUMP GP-PISTON (SLIPPER) - CH206-9019
63CC IMPLEMENT**

ITEM	NUMBER	QTY	DESCRIPTION
-	CH206-9019	--	PUMP GP- PISTON [A]
1	CH6R-7943	2	SCREW (M5X15.5MM)
2	CH180-6213	1	RING-RETAINING
3	CH168-7319	1	SEAL-SHAFT
4	400374X1	1	PLUG
5	400319X1	1	SEAL-O-RING
6	CH168-2197	1	SPRING
7	CH168-2198	1	LINK-CONTROL
8	CH174-9994	1	PISTON-CONTROL
9	CH168-7863	1	PLUG-CONTROL
10	CH8T-7525	1	SEAL-O-RING
11	CH9X-8979	1	DOWEL
13	CH168-3504	2	SEAL
14	CH136-8423	2	PLUG-BREAK OFF
15	CH095-0687	4	BOLT-SOCKET HEAD
16	CH185-0296	1	BEARING
17	CH9X-7680	3	SEAL-O-RING
18	CH117-8801	1	SEAL-O-RING
19	400246X1	4	BOLT-SOCKET HEAD (M6X1X30MM)
20	CH168-2203	1	SHIM-SHAFT
21	190-6501	1	ROTATING GP-PUMP (SEE BREAKDOWN FOR COMPONENTS)
22	CH168-7317	1	SWASHPLATE-PUMP
23	214-9207	1	BEARING (RIGHT HAND)
24	CH185-0295	1	BEARING
25	CH9S-8002	1	PLUG
26	400361X1	1	SEAL-O-RING
27	214-9204	1	SHAFT
28	214-9379	1	VALVE GP-PRESS & FLOW CMPNSTR (SEE BREAKDOWN FOR COMPONENTS)
29	CH190-6507	1	STOP
30	214-9205	1	COUPLING-SHAFT
31	214-9206	1	BEARING (LEFT HAND)
32	400220X1	2	BOLT-HEX SOCKET (M12X1.75X30MM)
33	400357X1	2	WASHER-HARD (M12X25.5X3)

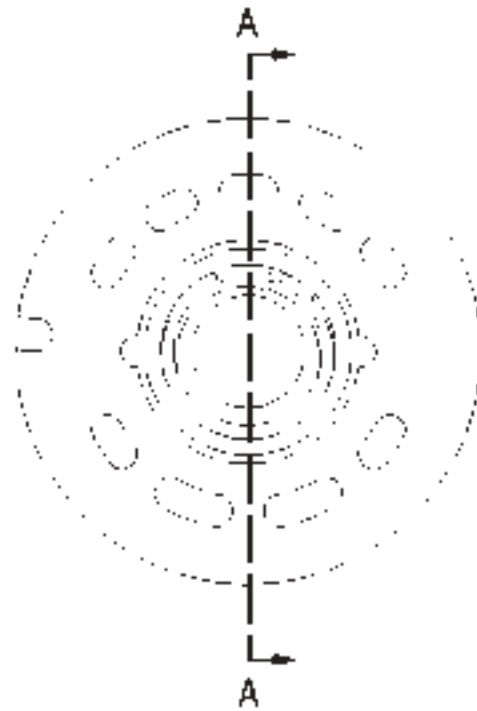
[A] PART OF 162-9804 PUMP & MOUNTING GP

0893755A
PR: t05i29k58b0397

ROTATING GP-PUMP - 190-3118
87CC IMPLEMENT PUMP



VIEW A-A



ROTATION = LEFT

MT800 SERIE TRACTORS
HYDRAULIC SYSTEM

887

ROTATING GP-PUMP - 190-3118
87CC IMPLEMENT PUMP

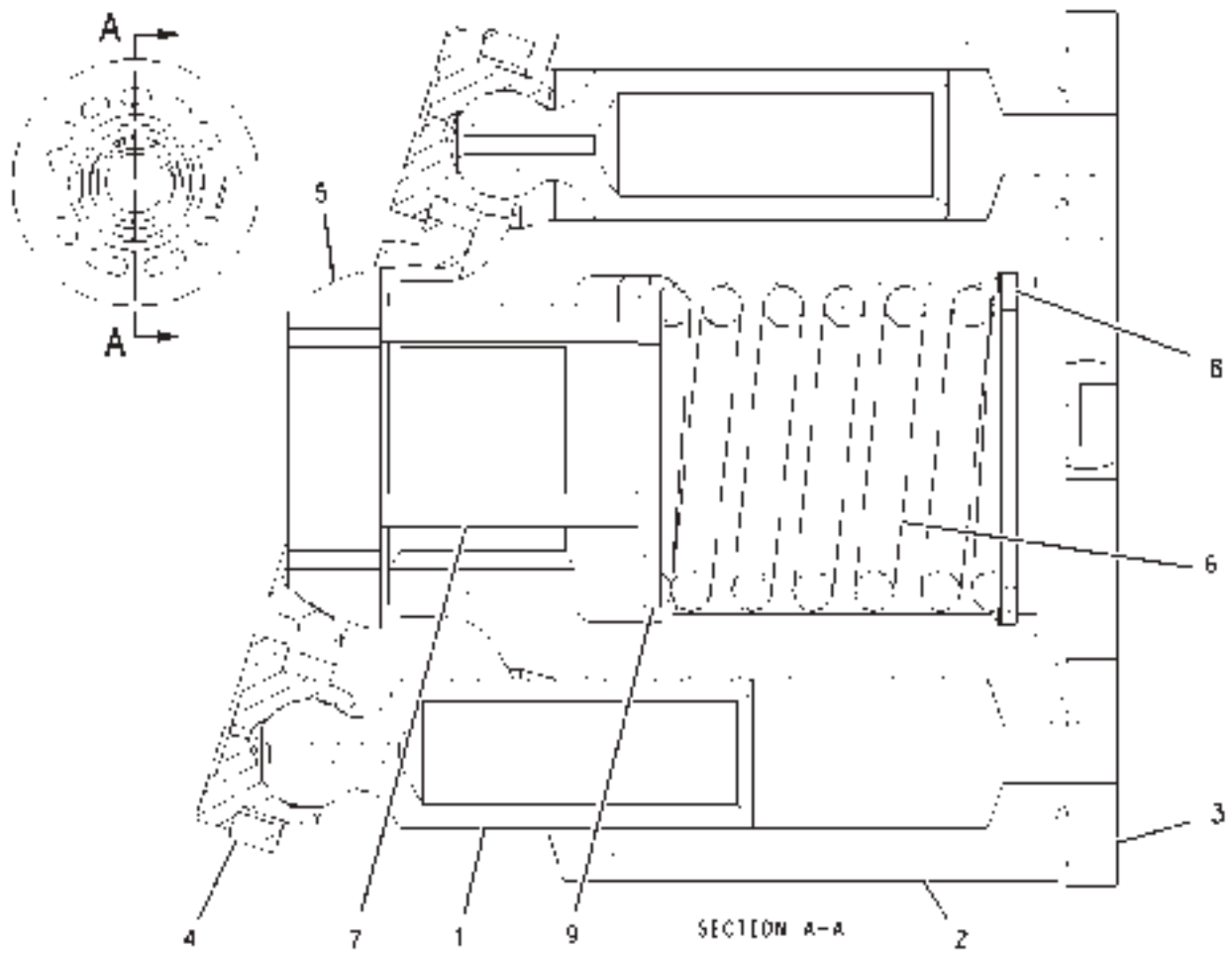
ITEM	NUMBER	QTY	DESCRIPTION
-	190-3118	--	ROTATING GP-PUMP [A]
1	CH105-1646	9	PISTON-PUMP
2	190-6526	1	BARREL
3	190-6525	1	PLATE
4	CH188-9637	1	PLATE-RETRACTION
5	CH105-1648	1	BEARING
6	CH105-1651	1	SPRING
7	CH190-6528	3	PIN
8	CH6E-3343	1	RING
9	CH105-1650	1	SPACER-BARREL

[A] PART OF CH206-9017 PUMP GP-PISTON

00750133
PR: t05i29k58b0398

MT800 SERIES TRACTORS
HYDRAULIC SYSTEM

ROTATING GP-PUMP - 190-6501
63CC IMPLEMENT PUMP



MT800 SERIESTRACTORS
HYDRAULIC SYSTEM

889

ROTATING GP-PUMP - 190-6501
63CC IMPLEMENT PUMP

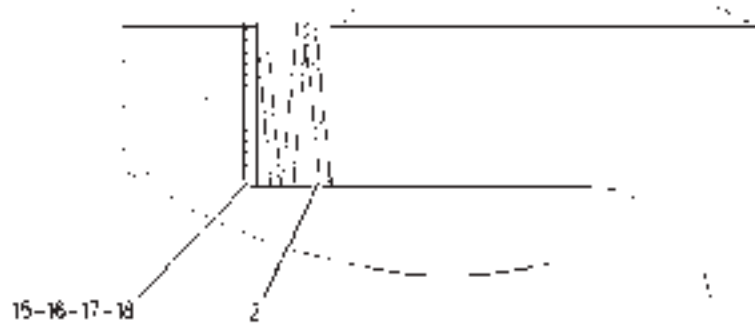
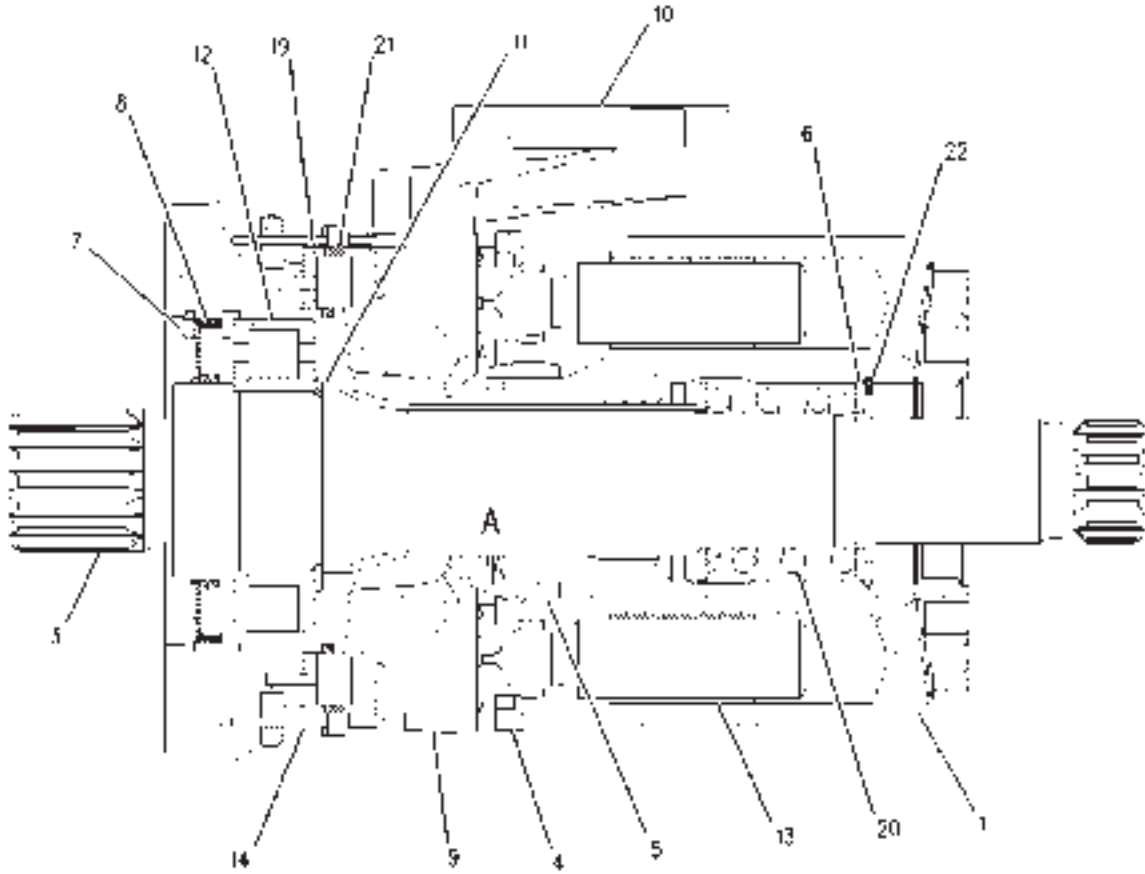
ITEM	NUMBER	QTY	DESCRIPTION
-	190-6501	--	ROTATING GP-PUMP [A]
1	CH168-3384	9	PISTON-PUMP
2	CH168-3380	1	BARREL-CYLINDER
3	CH190-6508	1	PLATE
4	CH168-3385	1	PLATE-RETRACTION
5	CH168-3378	1	BEARING-SPHERICAL
6	CH168-3381	1	SPRING
7	CH168-3379	3	PIN
8	CH6V-7723	1	RING-RETAINING
9	CH168-3382	1	WASHER

[A] PART OF 206-9019 PUMP GP-PISTON

00750145
PR: t05i29k58b0399

MT800 SERIES TRACTORS
HYDRAULIC SYSTEM

ROTATING GP-PUMP - 205-6400
SCAVENGE PUMP



VIEW OF AREA A

MT800 SERIESTRACTORS
HYDRAULIC SYSTEM

891

ROTATING GP-PUMP - 205-6400
SCAVENGE PUMP

ITEM	NUMBER	QTY	DESCRIPTION
-	205-6400	--	ROTATING GP-PUMP [A]
1	CH183-8446	1	BARREL
2	CH183-8447	1	SPRING
3	192-0938	1	SHAFT
4	CH183-8449	1	PLATE
5	CH183-8450	1	BALL
6	CH183-8451	2	WASHER
7	CH183-8452	2	RING-RETAINING
8	CH183-8453	1	RING-SEAL
9	CH122-6606	1	SWASHPLATE
10	CH122-6607	1	LEVER
11	CH141-0243	1	RING-SNAP
12	CH6E-1571	1	BEARING
13	CH6E-4358	9	PISTON
14	CH6E-4363	2	ROD
15	CH6E-4364		SHIM (1.2)
16	CH6E-4365		SHIM (1)
17	CH6E-4366		SHIM (.8)
18	CH6E-4367		SHIM (.6)
19	CH6E-4370	1	GUIDE
20	CH6E-4373	1	SPRING
21	CH6E-4374	1	BEARING
22	CH9X-2858	1	RING-RETAINING

[A] PART OF CH162-9592 PUMP GP-PISTON

00853757
PR: t05i29k58b0400

892

MT800 SERIESTRACTORS
HYDRAULIC SYSTEM

VALVE AR - 193-8197

W/O HITCH & W/O HYDRAULIC TRAILER BRAKE

NO ILLUSTRATION

NOTIF

MT800 SERIESTRACTORS
HYDRAULIC SYSTEM

893

VALVE AR - 193-8197
W/O HITCH & W/O HYDRAULIC TRAILER BRAKE

ITEM	NUMBER	QTY	DESCRIPTION
-	193-8197	--	VALVE AR [A] (NOT SERVICED)
1	192-4707	1	VALVE GP-CONTROL (SEE BREAKDOWN FOR COMPONENTS)
2	193-1548	1	MOUNTING GP-VALVE (NOT SERVICED) (SEE BREAKDOWN FOR COMPONENTS)

NOTIF
PR: t05i29k58b0401

894

MT800 SERIESTRACTORS
HYDRAULIC SYSTEM

VALVE AR - 501070D1
W/O HITCH & W/HYDRAULIC TRAILER BRAKE

NO ILLUSTRATION

NOTIF

**MT800 SERIESTRACTORS
HYDRAULIC SYSTEM**

895

**VALVE AR - 501070D1
W/O HITCH & W/HYDRAULIC TRAILER BRAKE**

ITEM	NUMBER	QTY	DESCRIPTION
-	501070D1	--	VALVE AR [A] (NOT SERVICED)
	162-9805	1	MOUNTING GP-VALVE (NOT SERVICED) (SEE BREAKDOWN FOR COMPONENTS)
	192-4816	1	VALVE GP-BANK 2 (SEE BREAKDOWN FOR COMPONENTS)
-	501130D1	--	LINES GP-HYDRAULIC OIL (NOT SERVICED) (SEE BREAKDOWN FOR COMPONENTS)

NOTIF
PR: t05i29k58b0402

896

MT800 SERIESTRACTORS
HYDRAULIC SYSTEM

VALVE AR - 193-8198
W/HITCH & W/O HYDRAULIC TRAILER BRAKE
ROW & EAME

NO ILLUSTRATION

NOTIF15

MT800 SERIESTRACTORS
HYDRAULIC SYSTEM

897

VALVE AR - 193-8198
W/HITCH & W/O HYDRAULIC TRAILER BRAKE
ROW & EAME

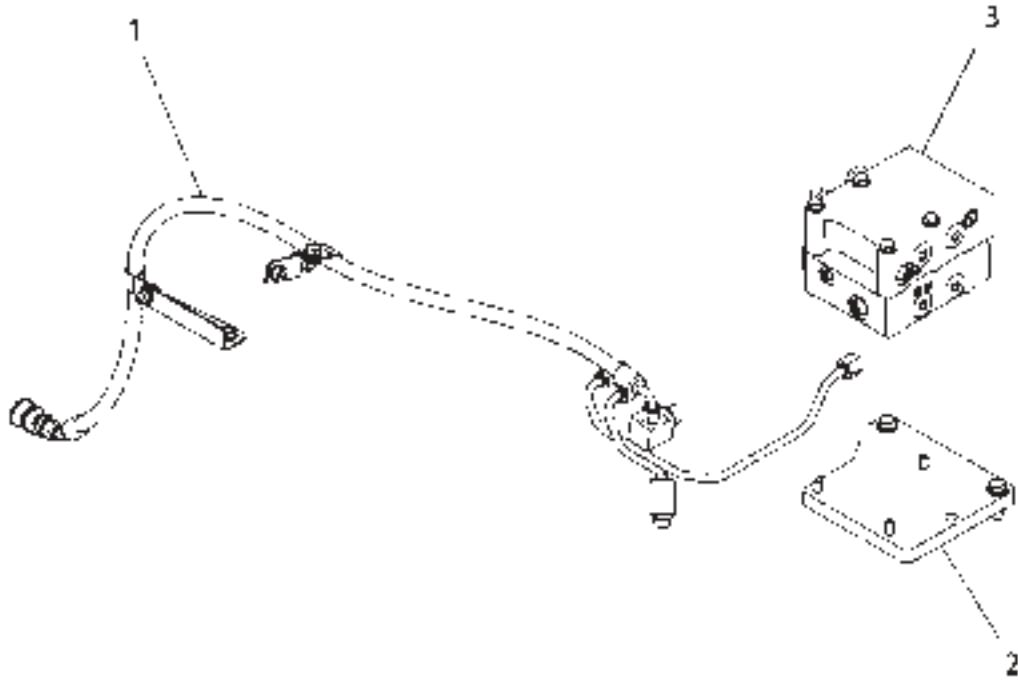
ITEM	NUMBER	QTY	DESCRIPTION
-	193-8198	--	VALVE AR [A] (NOT SERVICED)
1	192-4708	1	VALVE GP-BANK 3 (PRIORITY W/HITCH) (SEE BREAKDOWN FOR COMPONENTS)
2	193-1548	1	MOUNTING GP-VALVE (NOT SERVICED) (SEE BREAKDOWN FOR COMPONENTS)

NOTIF15
PR: t05i29k58b0403

898

MT800 SERIES TRACTORS
HYDRAULIC SYSTEM

VALVE AR - 193-8199
W/O HITCH & W/HYDRAULIC TRAILER BRAKE
EAME ONLY



1938199C

MT800 SERIESTRACTORS
HYDRAULIC SYSTEM

899

VALVE AR - 193-8199
W/O HITCH & W/HYDRAULIC TRAILER BRAKE
EAME ONLY

ITEM	NUMBER	QTY	DESCRIPTION
-	193-8199	--	VALVE AR [A] (NOT SERVICED)
1	192-4816	1	VALVE GP-CONTROL (SEE BREAKDOWN FOR COMPONENTS)
2	162-9805	1	MOUNTING GP-VALVE (NOT SERVICED) (SEE BREAKDOWN FOR COMPONENTS)
3	193-1558	1	LINES GP-HYDRAULIC (NOT SERVICED) (SEE BREAKDOWN FOR COMPONENTS)

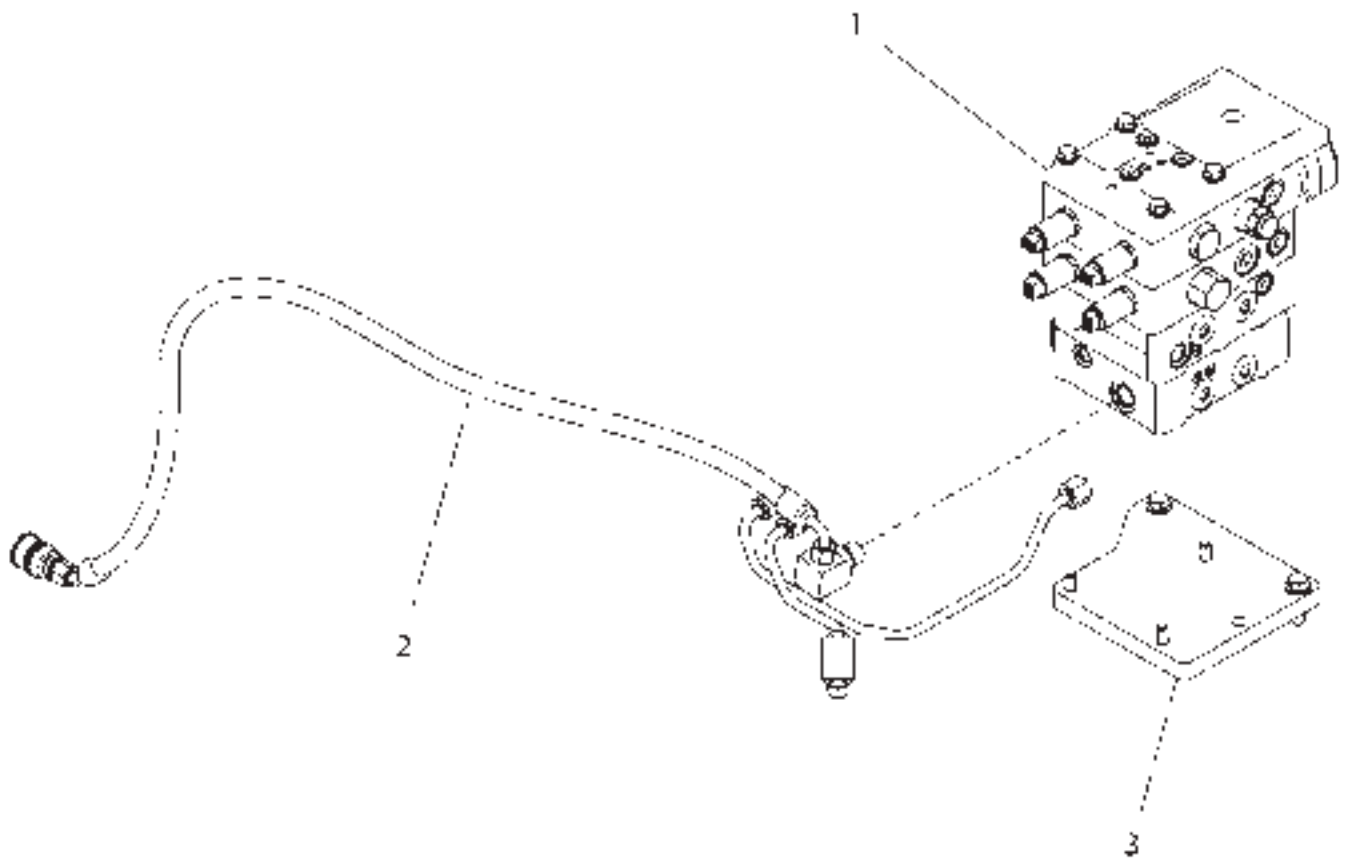
[A] PART OF 209-3688 KIT-HYD TR BRAKE

1938199C
PR: t05i29k58b0404

900

MT800 SERIES TRACTORS
HYDRAULIC SYSTEM

VALVE AR - 193-8200
W/HITCH & W/HYDRAULIC TRAILER BRAKE
EAME ONLY



1938200B

**MT800 SERIESTRACTORS
HYDRAULIC SYSTEM**

901

**VALVE AR - 193-8200
W/HITCH & W/HYDRAULIC TRAILER BRAKE
EAME ONLY**

ITEM	NUMBER	QTY	DESCRIPTION
-	193-8200	--	VALVE AR [A] (NOT SERVICED)
1	192-4817	1	VALVE GP-BANK 4 (SEE BREAKDOWN FOR COMPONENTS)
2	193-1558	1	LINES GP-HYDRAULIC OIL (NOT SERVICED) (SEE BREAKDOWN FOR COMPONENTS)
3	162-9805	1	MOUNTING GP-VALVE (NOT SERVICED) (SEE BREAKDOWN FOR COMPONENTS)

[A] PART OF 186-0979; 189-3300
HITCH AR-3 POINT

1938200B
PR: t05i29k58b0405

902

MT800 SERIESTRACTORS
HYDRAULIC SYSTEM

VALVE AR-BANK 4 - 180-1434

NO ILLUSTRATION

NOTIF

**MT800 SERIESTRACTORS
HYDRAULIC SYSTEM**

903

VALVE AR-BANK 4 - 180-1434

ITEM	NUMBER	QTY	DESCRIPTION
-	180-1434	--	VALVE AR-BANK 4 (NOT SERVICED)
1	152-0443	1	CONTROL GP-IMPLEMENT (NOT SERVICED) (SEE BREAKDOWN FOR COMPONENTS)
2	180-0494	1	VALVE GP-BANK 4 (NOT SERVICED) (SEE BREAKDOWN FOR COMPONENTS)
3	502214D1	1	LINES GP-ECOLOGY (NOT SERVICED) (SEE BREAKDOWN FOR COMPONENTS)

NOTIF
PR: t05i29k58b0406

904

MT800 SERIESTRACTORS
HYDRAULIC SYSTEM

VALVE AR - 180-1438
5 IMPLEMENTS

NO ILLUSTRATION

NOTIF

**MT800 SERIESTRACTORS
HYDRAULIC SYSTEM**

905

**VALVE AR - 180-1438
5 IMPLEMENTS**

ITEM	NUMBER	QTY	DESCRIPTION
-	180-1438	--	VALVE AR-IMPL-5 (NOT SERVICED)
1	180-0495	1	VALVE GP-BANK 5 (SEE BREAKDOWN FOR COMPONENTS)
2	166-4590	1	CONTROL GP-IMPLEMENT (NOT SERVICED) (SEE BREAKDOWN FOR COMPONENTS)
3	136-5670	1	CONTROL & WIRING GP (NOT SERVICED) (SEE BREAKDOWN FOR COMPONENTS)
4	502214D1	1	LINES GP-ECOLOGY (NOT SERVICED) (SEE BREAKDOWN FOR COMPONENTS)

NOTIF
PR: t05i29k58b0407

906

MT800 SERIESTRACTORS
HYDRAULIC SYSTEM

VALVE AR-IMPL - 500795D1
6 IMPLEMENTS

NO ILLUSTRATION

NOTIF

**MT800 SERIESTRACTORS
HYDRAULIC SYSTEM**

907

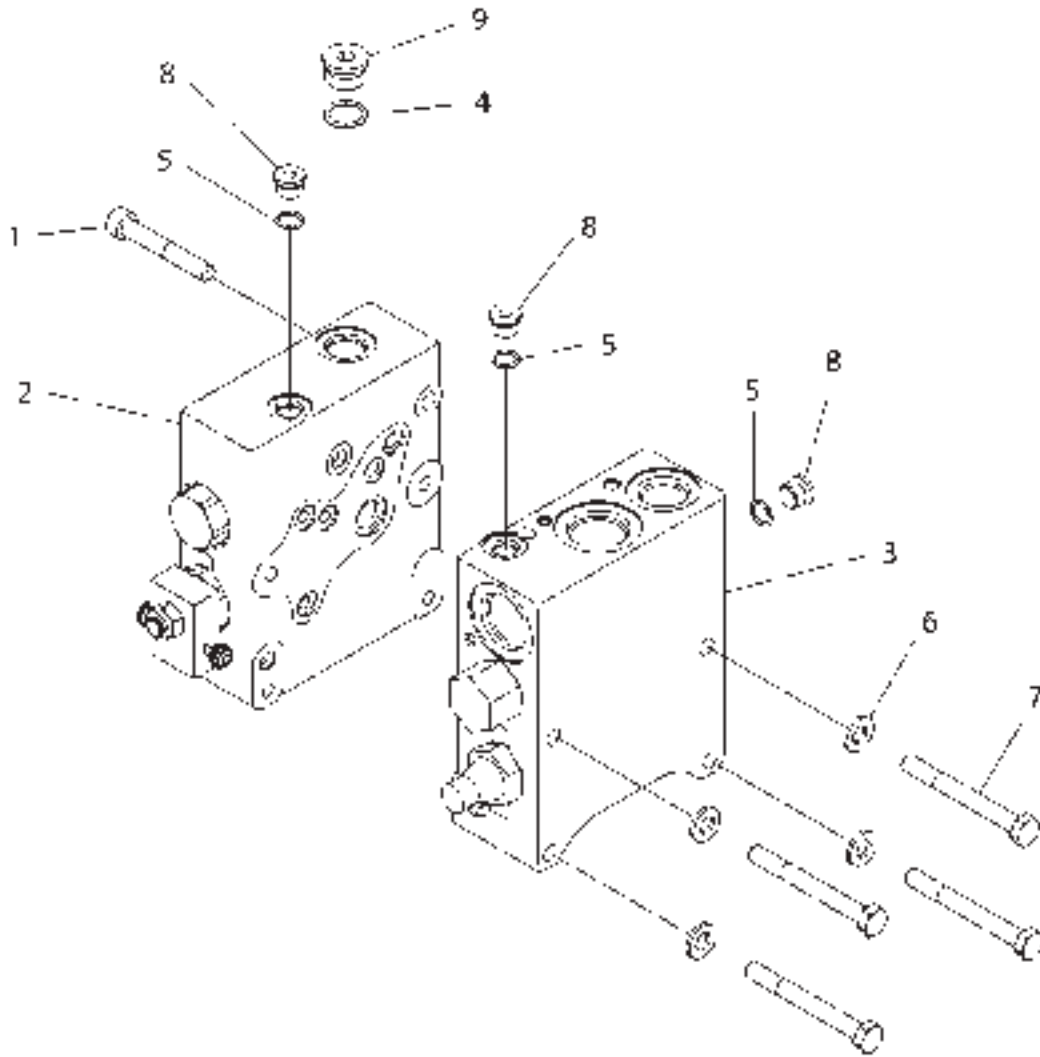
**VALVE AR-IMPL - 500795D1
6 IMPLEMENTS**

ITEM	NUMBER	QTY	DESCRIPTION
-	500795D1	--	VALVE AR-BANK 6 (NOT SERVICED)
1	136-5670	1	CONTROL & WIRING GP (NOT SERVICED) (SEE BREAKDOWN FOR COMPONENTS)
2	500752D1	1	VALVE GP-BANK 6 (NOT SERVICED) (SEE BREAKDOWN FOR COMPONENTS)
3	502214D1	1	LINES GP-ECOLOGY (NOT SERVICED) (SEE BREAKDOWN FOR COMPONENTS)

NOTIF
PR: t05i29k58b0408

MT800 SERIES TRACTORS
HYDRAULIC SYSTEM

VALVE GP-BANK 2 - 192-4816
PRIORITY W/HYDRAULIC TRAILER BRAKE



1924816F

**MT800 SERIESTRACTORS
HYDRAULIC SYSTEM**

909

**VALVE GP-BANK 2 - 192-4816
PRIORITY W/HYDRAULIC TRAILER BRAKE**

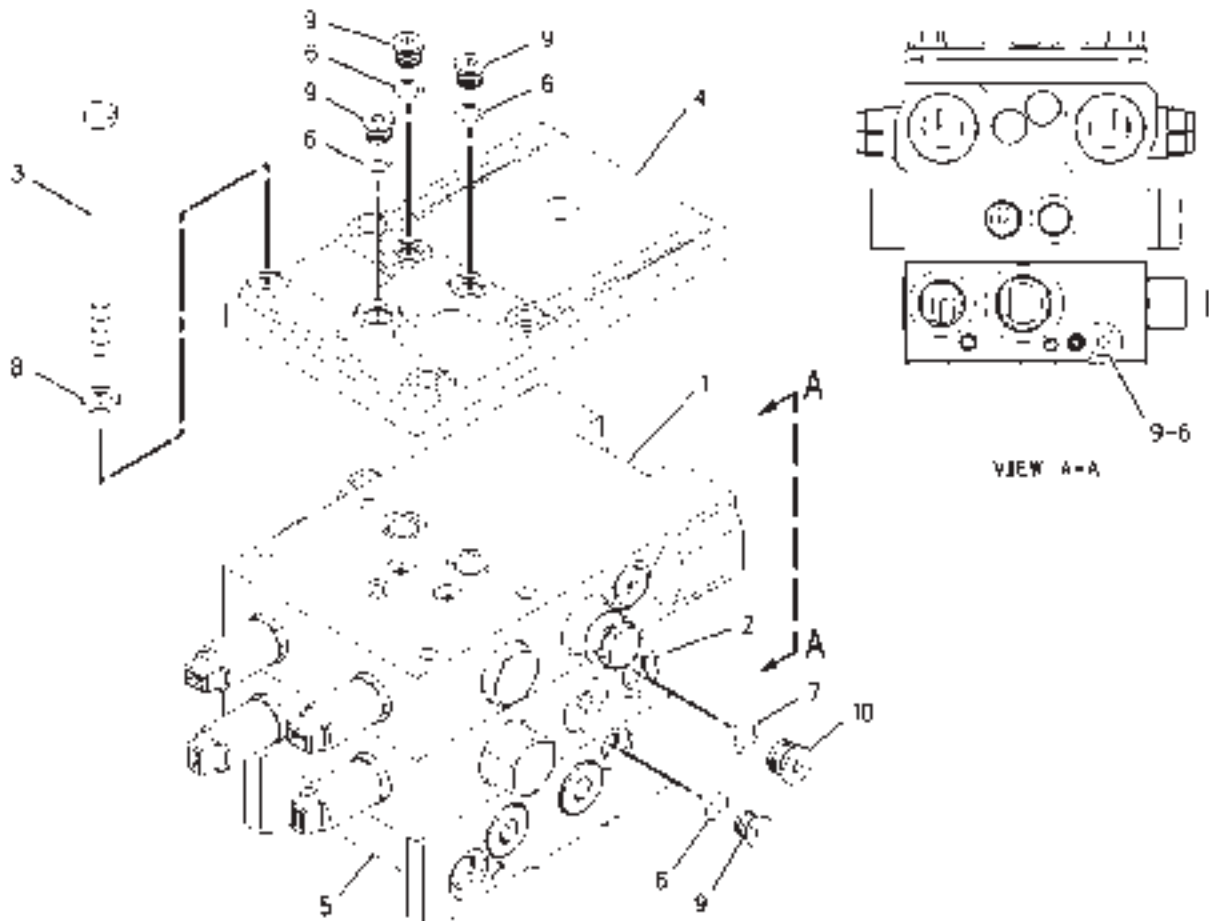
ITEM	NUMBER	QTY	DESCRIPTION
-	192-4816	--	VALVE GP-BANK 2 [A]
1	CH8T-2392	1	BOLT-HSHD (M10X1.5X65MM)
2	196-2318	1	VALVE GP-BRAKE CONTROL (HYD TRAILER BR) (SEE BREAKDOWN FOR COMPONENTS)
3	209-5020	1	VALVE GP-CONTROL (PRIORITY) (SEE BREAKDOWN FOR COMPONENTS)
4	400319X1	1	SEAL-O-RING (19.18 X 2.46 DIA)
5	400318X1	3	SEAL-O-RING (11.89 X 1.98 DIA)
6	400287X1	4	WASHER-HARD (11X21X2.5)
7	400225X1	4	BOLT-HEX HEAD (M10X1.5X90MM)
8	CH9S-8004	3	PLUG
9	400374X1	1	PLUG

[A] PART OF:
193-8199 VALVE AR
501070D1 VALVE AR
501140D1 VALVE AR

1924816F
PR: t05i29k58b0409

MT800 SERIES TRACTORS
HYDRAULIC SYSTEM

VALVE GP-BANK 3 - 192-4708
PRIORITY WITH HITCH



**MT800 SERIESTRACTORS
HYDRAULIC SYSTEM**

911

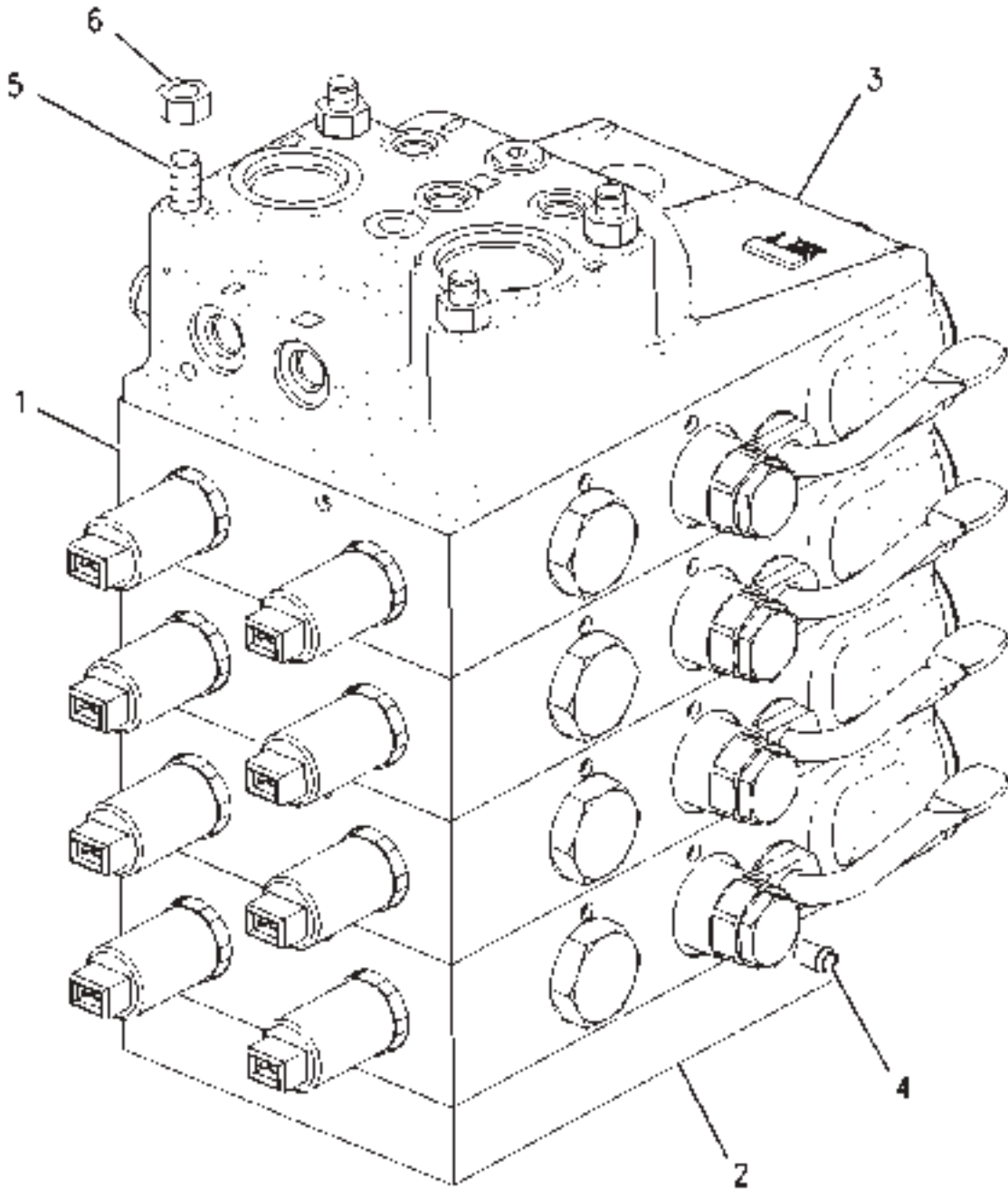
**VALVE GP-BANK 3 - 192-4708
PRIORITY WITH HITCH**

ITEM	NUMBER	QTY	DESCRIPTION
-	192-4708	--	VALVE GP-BANK 3 [A]
1	162-9817	1	VALVE GP-CONTROL (STEERABLE HITCH) (SEE BREAKDOWN FOR COMPONENTS)
2	162-9818	1	VALVE GP-CONTROL (3 POINT HITCH) (SEE BREAKDOWN FOR COMPONENTS)
3	CH178-3333	4	BOLT-HEX HEAD (M10X1.5X155MM)
4	180-0500	1	COVER-END
5	209-5019	1	VALVE GP-CONTROL (PRIORITY & ACCUMULATOR CHARGE) (SEE BREAKDOWN FOR COMPONENTS)
6	400318X1	5	SEAL-O-RING (11.89ID X 1.98 DIA)
7	CH3K-0360	1	SEAL-O-RING
8	CH8T-4121	4	WASHER-HARD (11X21X2.5)
9	CH9S-8004	5	PLUG
10	CH9S-8005	1	PLUG

[A] PART OF 169-0027; 169-0028 HITCH
AR-3 POINT; 193-8198 VALVE AR

00880872
PR: t05i29k58b0410

VALVE GP-BANK 4 - 180-0494
IMPLEMENT



**MT800 SERIESTRACTORS
HYDRAULIC SYSTEM**

913

**VALVE GP-BANK 4 - 180-0494
IMPLEMENT**

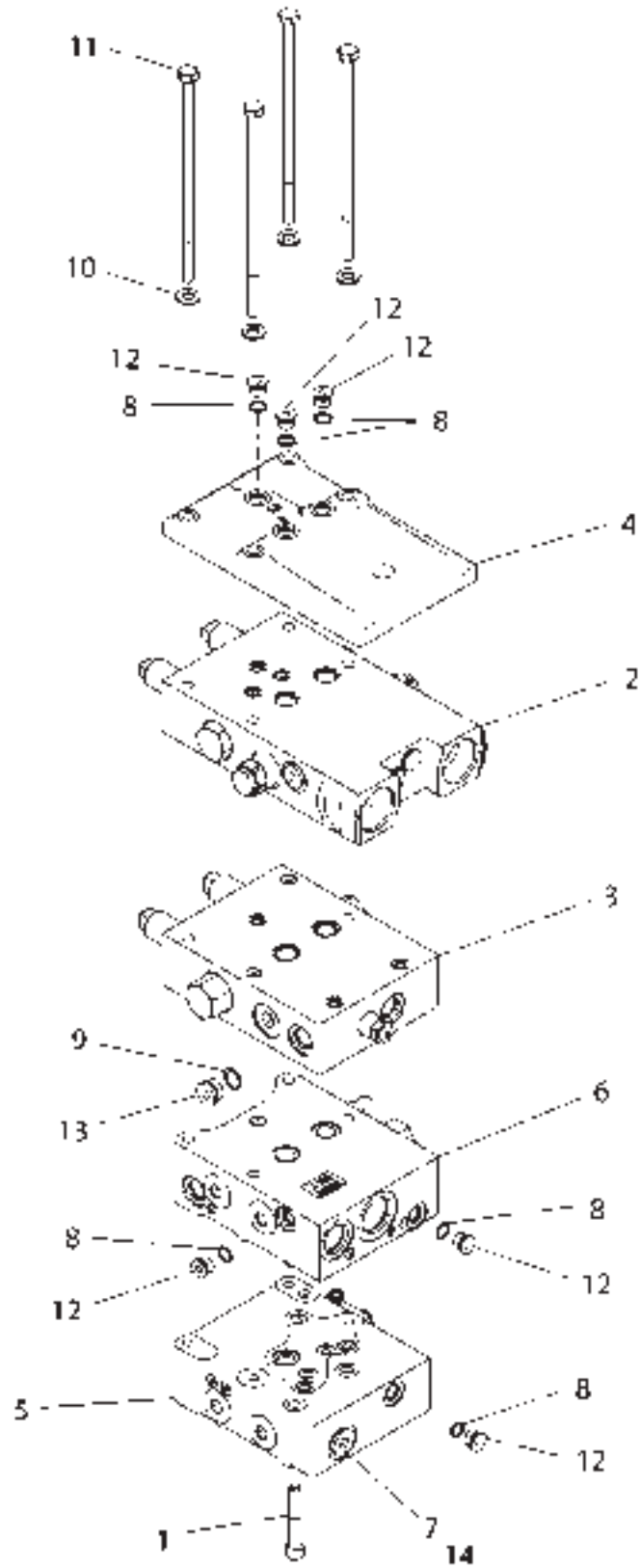
ITEM	NUMBER	QTY	DESCRIPTION
-	180-0494	--	VALVE GP-BANK 4 [A] (NOT SERVICED)
1	162-9816	4	VALVE GP-CONTROL (IMPLEMENTS) (SEE BREAKDOWN FOR COMPONENTS)
2	187-7430	1	MOUNT
3	227-8830	1	VALVE GP-FLOW CONTROL & RELIEF (SEE BREAKDOWN FOR COMPONENTS)
4	CH188-3640	3	FITTING
5	CH209-7496	4	STUD
6	WR522218	4	NUT (M10X1.5)

[A] PART OF 180-1434 VALVE AR-BANK 4

00887124
PR: t05i29k58b0411

MT800 SERIES TRACTORS
HYDRAULIC SYSTEM

VALVE GP-BANK 4 - 192-4817
PRIORITY W/HITCH & W/HYD TRAILER BRAKES
EAME ONLY



**MT800 SERIESTRACTORS
HYDRAULIC SYSTEM**

915

**VALVE GP-BANK 4 - 192-4817
PRIORITY W/HITCH & W/HYD TRAILER BRAKES
EAME ONLY**

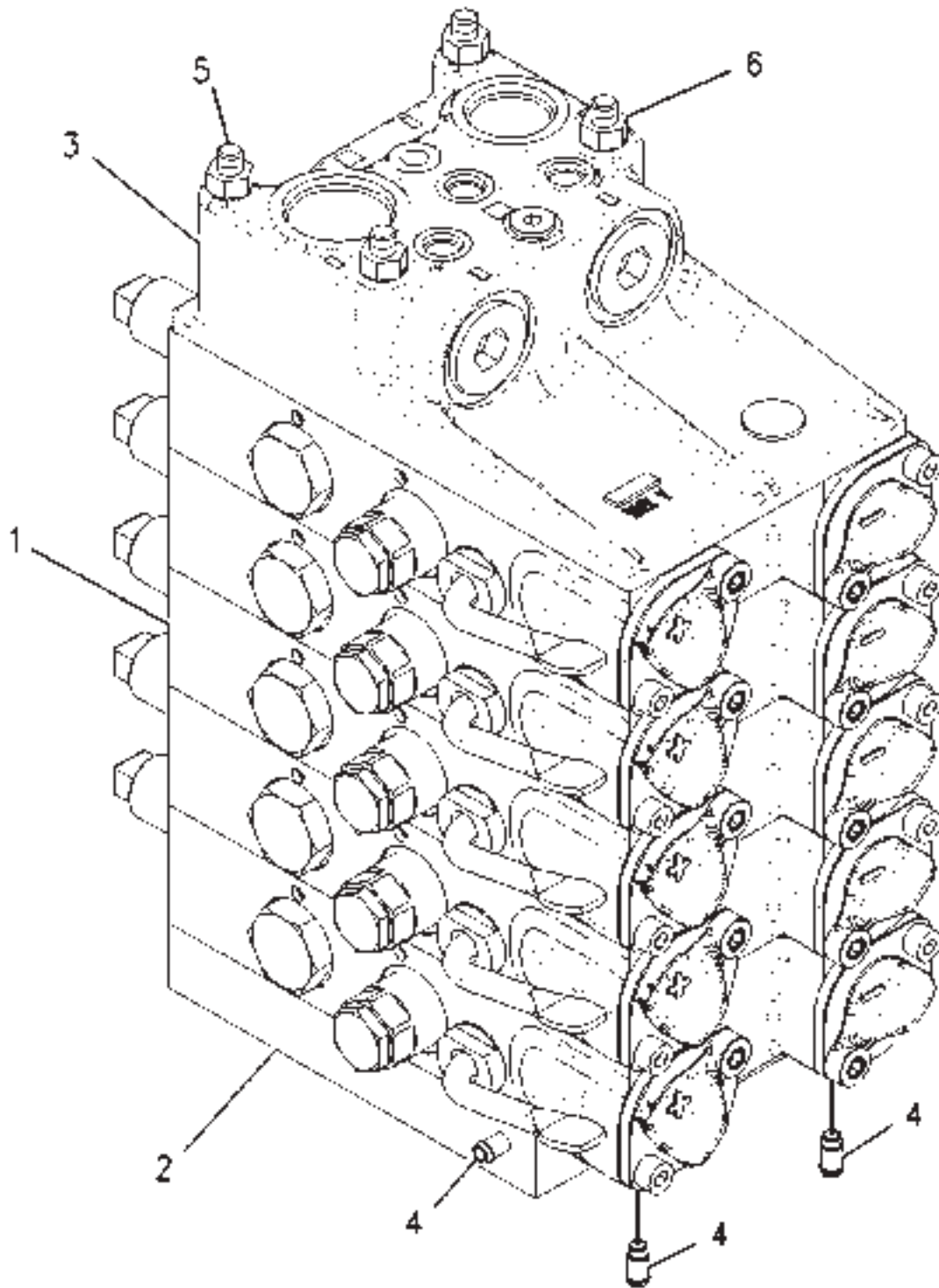
ITEM	NUMBER	QTY	DESCRIPTION
-	192-4817	--	VALVE GP-BANK 4 [A]
1	CH8T-2392	1	BOLT-SOCKET HEAD (M10X1.5X65MM)
2	162-9817	1	VALVE GP-CONTROL (STEERABLE 3PT HITCH) (SEE BREAKDOWN FOR COMPONENTS)
3	162-9818	1	VALVE GP-CONTROL (3 POINT HITCH) (SEE BREAKDOWN FOR COMPONENTS)
4	180-0500	1	COVER-END
5	196-2318	1	VALVE GP-BRAKE CONTROL (HYD TRAILER) (SEE BREAKDOWN FOR COMPONENTS)
6	209-5021	1	VALVE GP-CONTROL (PRIORITY) (SEE BREAKDOWN FOR COMPONENTS)
7	400319X1	1	SEAL-O-RING (19.18IDX2.46DIA)
8	400318X1	6	SEAL-O-RING (11.89IDX1.98DIA)
9	CH3K-0360	1	SEAL-O-RING (16.36IDX2.21DIA)
10	400287X1	4	WASHER-HARD (11X21X2.5)
11	CH7X-0474	4	BOLT (M10X1.5X220MM)
12	CH9S-8004	6	PLUG
13	CH9S-8005	1	PLUG
14	400374X1	1	PLUG

[A] PART OF 193-8200 VALVE AR

1924817G
PR: t05i29k58b0412

MT800 SERIES TRACTORS
HYDRAULIC SYSTEM

VALVE GP-BANK 5 - 180-0495
IMPLEMENT



**MT800 SERIESTRACTORS
HYDRAULIC SYSTEM**

917

**VALVE GP-BANK 5 - 180-0495
IMPLEMENT**

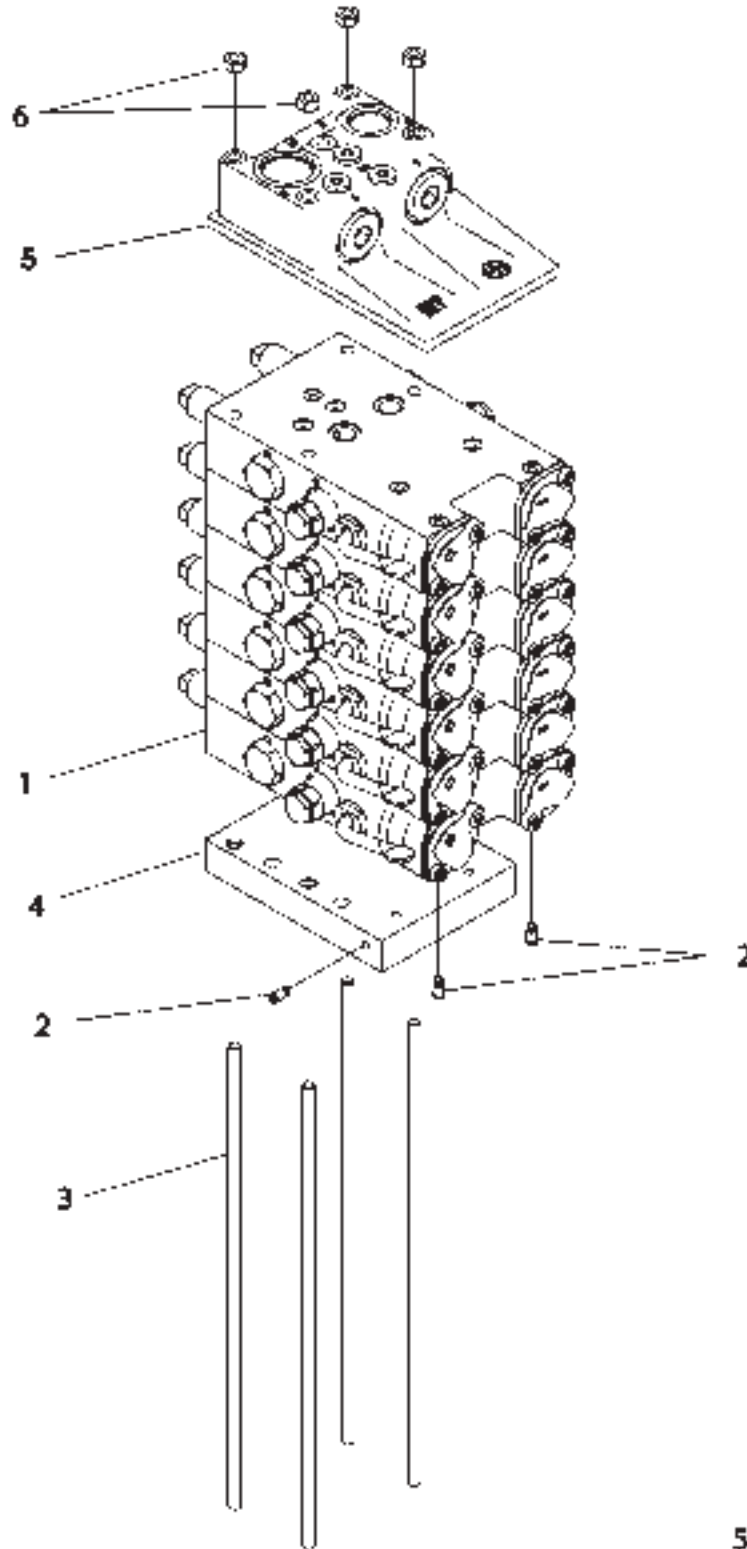
ITEM	NUMBER	QTY	DESCRIPTION
-	180-0495	--	VALVE GP-BANK 5 [A]
1	162-9816	5	VALVE GP-CONTROL (SEE BREAKDOWN FOR COMPONENTS)
2	187-7430	1	MOUNT
3	227-8830	1	VALVE GP-FLOW CONTROL & RELIEF (SEE BREAKDOWN FOR COMPONENTS)
4	CH188-3640	3	FITTING
5	209-7497	4	STUD
6	WR522218	4	NUT (M10X1.5)

[A] PART OF 180-1438 VALVE AR-BANK 5

00886217
PR: t05i29k58b0413

MT800 SERIE TRACTORS
HYDRAULIC SYSTEM

VALVE GP-BANK 6 - 500752D1
5 REMOTES



500752DB

**MT800 SERIESTRACTORS
HYDRAULIC SYSTEM**

919

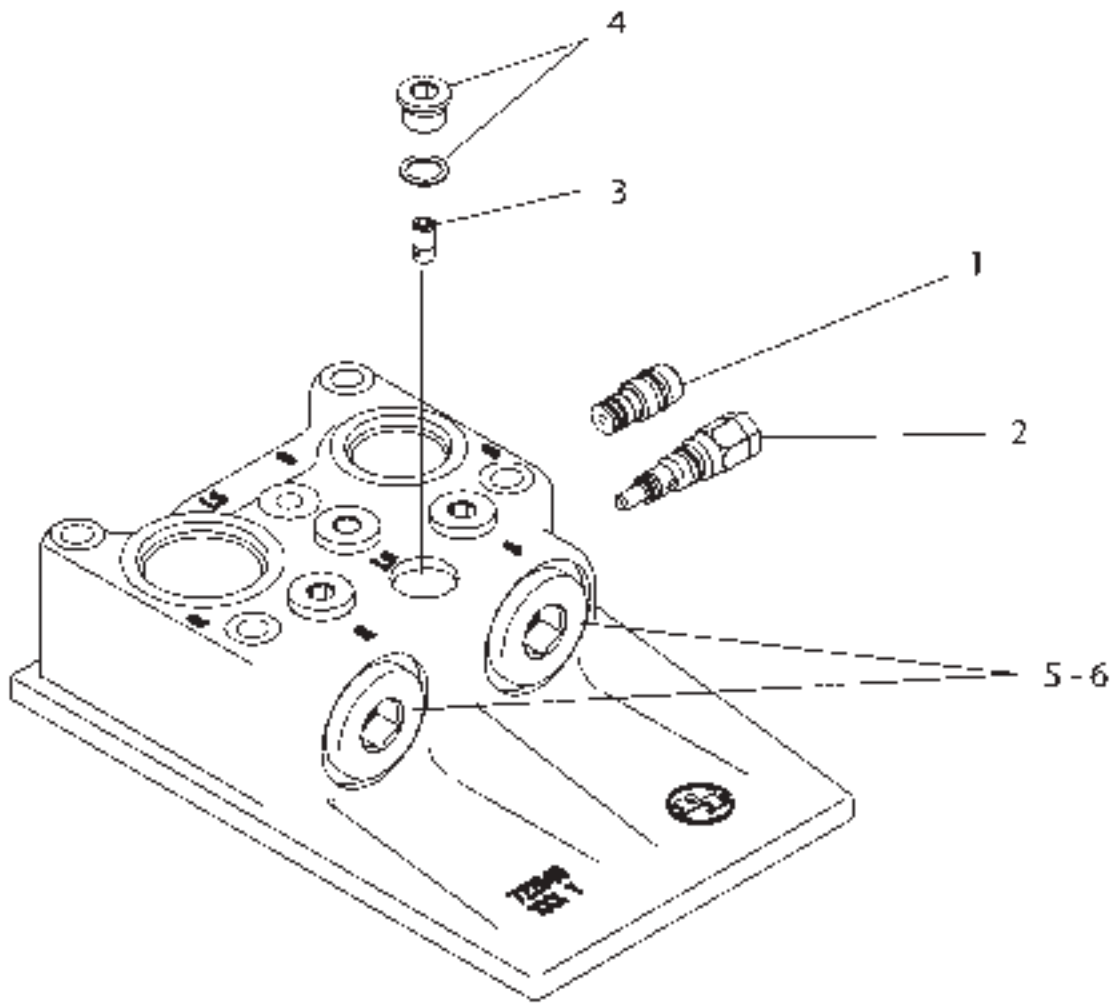
**VALVE GP-BANK 6 - 500752D1
5 REMOTES**

ITEM	NUMBER	QTY	DESCRIPTION
-	500752D1	--	VALVE GP-BANK 6 [A] (NOT SERVICED)
1	162-9816	6	VALVE GP-CONTROL (SEE BREAKDOWN FOR COMPONENTS)
2	CH188-3640	3	FITTING
3	CH209-7498	4	STUD
4	187-7430	1	MOUNT
5	227-8830	1	VALVE GP-FLOW CONTROL & RELIEF (SEE BREAKDOWN FOR COMPONENTS)
6	WR522218	4	NUT (M10X1.5)

[A] PART OF 500795D1 VALVE AR-IMPL

500752DB
PR: t05i29k58b0414

VALVE GP-FLOW CONTROL & RELIEF - 227-8830
IMPLEMENT



2278830B

**MT800 SERIESTRACTORS
HYDRAULIC SYSTEM**

921

**VALVE GP-FLOW CONTROL&RELIEF - 227-8830
IMPLEMENT**

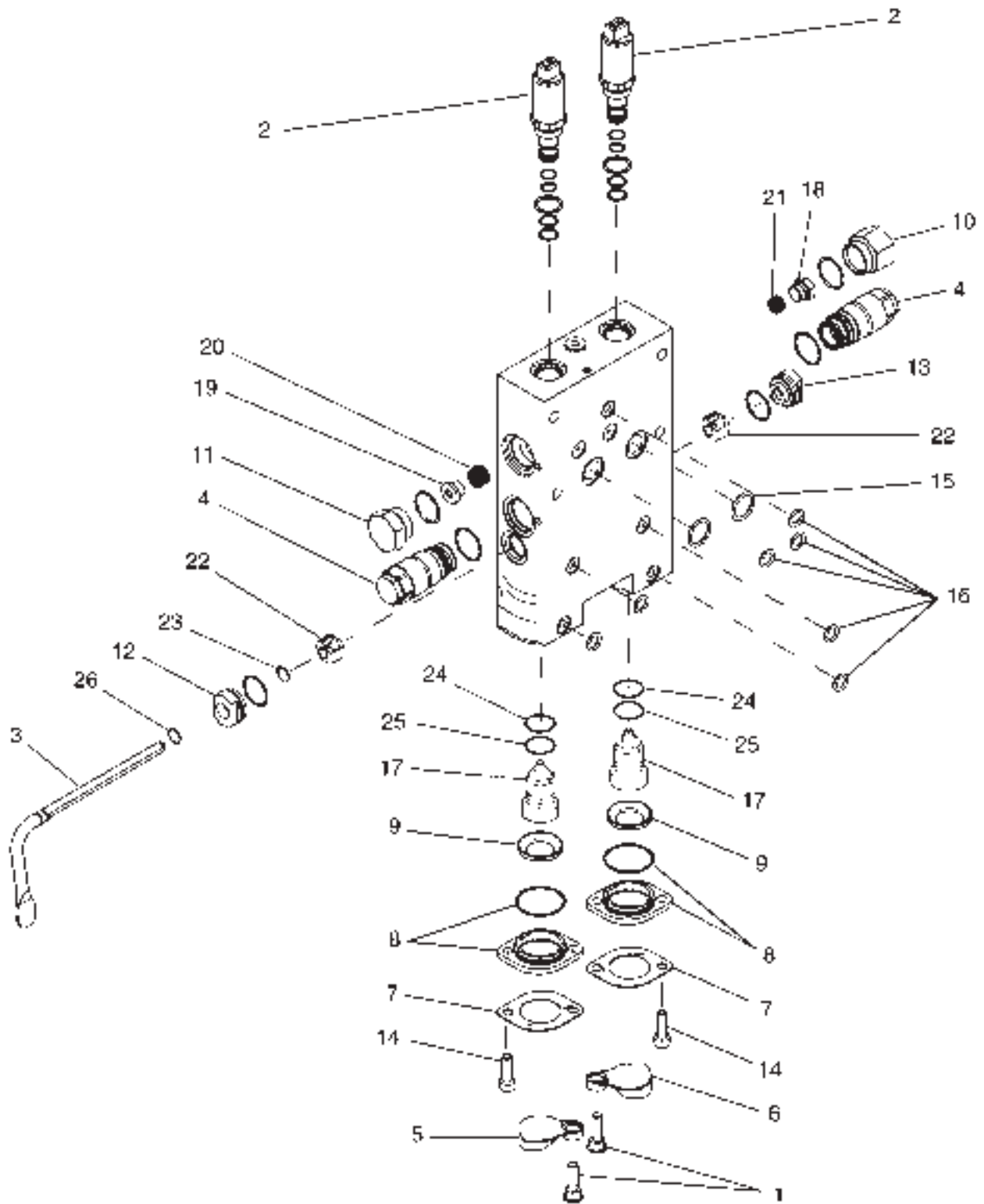
ITEM	NUMBER	QTY	DESCRIPTION
-	227-8830	--	VALVE GP-INLET FLOW CONTROL & RELIEF [A]
1	227-8726	1	VALVE GP-FLOW CNTRL (INCL SEALS & RINGS)
	CH209-7451	1	RING-BACKUP
	CH209-7452	1	RING-BACKUP
	CH033-5879	1	SEAL-O-RING
	CH192-7111	1	SEAL-O-RING
2	227-8727	1	VALVE GP-RELIEF (INCLS SEALS & RINGS)
	CH033-5879	1	SEAL-O-RING
	CH192-7111	1	SEAL-O-RING
	CH209-7451	2	RING-BACKUP
	CH209-7452	1	RING-BACKUP
3	188-3642	1	VALVE GP-CHECK (HYD POWER BEYOND LOAD SENSOR)
4	CH162-0177	1	PLUG AS-HSHD (9/16-18)
	400318X1	1	SEAL-O-RING (11.89ID X 1.98 DIA)
5	400376X1	2	SEAL-O-RING
6	400375X1	2	PLUG

[A] PART OF: 180-0494 VALVE GP-BANK 4,
180-0495 VALVE GP-BANK 5 &
500752D1 VALVE GP-BANK 6

2278830B
PR: t05i29k58b0415

MT800 SERIES TRACTORS
HYDRAULIC SYSTEM

VALVE GP-CONTROL - 162-9816
IMPLEMENT



**MT800 SERIES TRACTORS
HYDRAULIC SYSTEM**

923

**VALVE GP-CONTROL - 162-9816
IMPLEMENT**

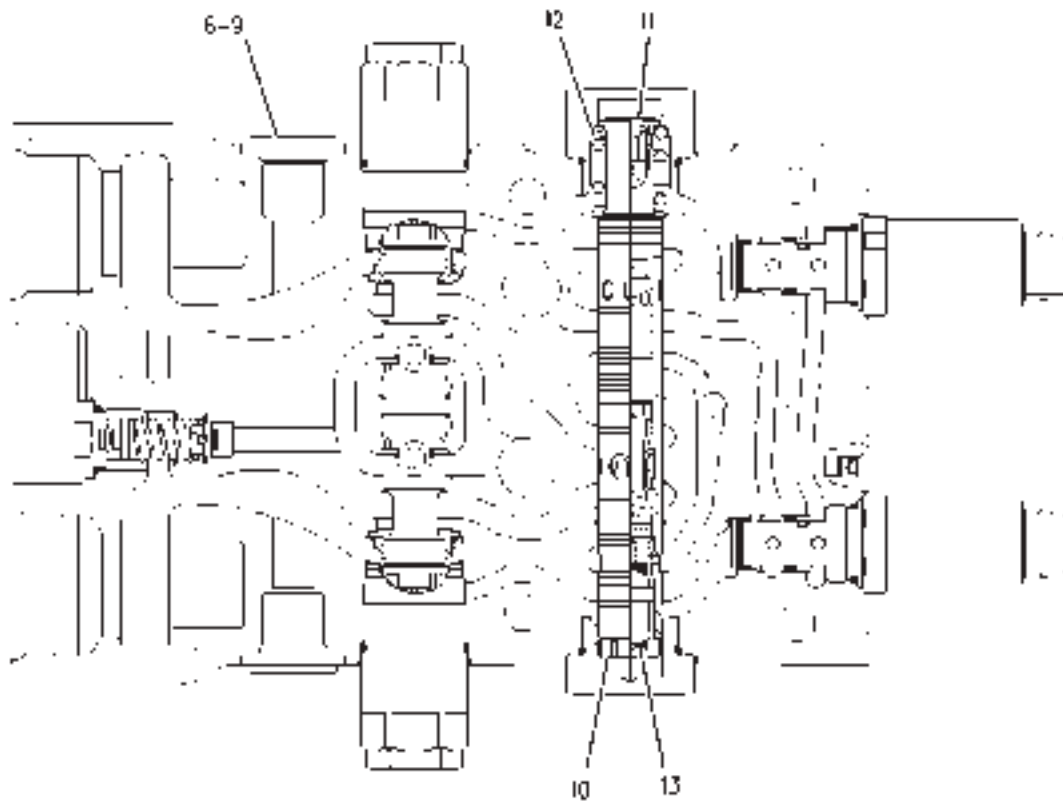
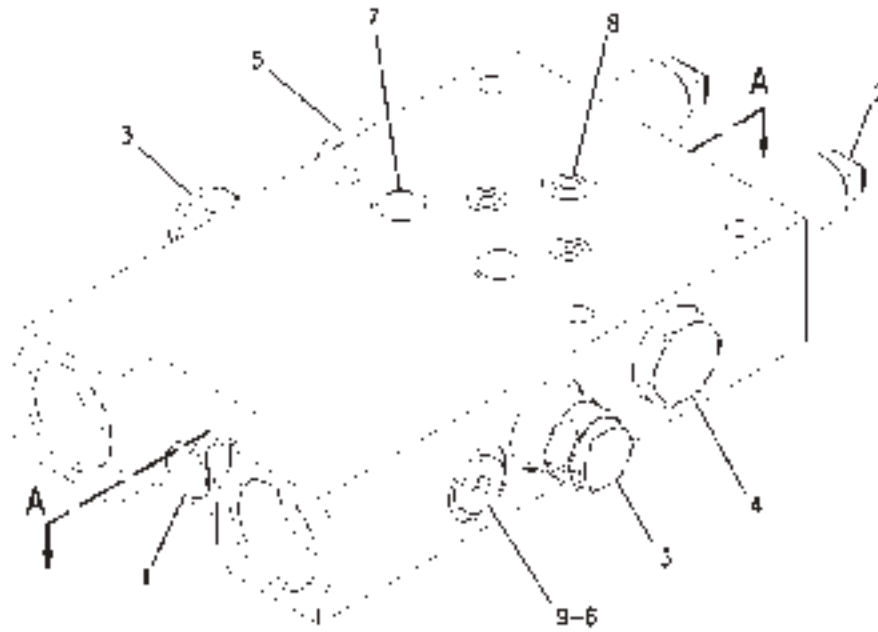
ITEM	NUMBER	QTY	DESCRIPTION
-	162-9816	--	VALVE GP-CONTROL [A]
1	CH162-9821	2	BOLT (M8X1X25MM)
2	165-8537	2	VALVE GP-SOLENOID & PRESS REDC
	CH209-9680	1	KIT-SEAL (VALVE GP-CHECK)
3	CH186-0341	1	LEVER
4	186-0346	2	VALVE GP-CHECK (INCLUDES SEAL-O-RING)
	CH033-6032	1	SEAL-O-RING
5	CH186-0347	1	COVER-DUST
6	CH186-0348	1	COVER-DUST
7	CH186-0364	2	PLATE
8	CH186-0365	2	PLATE ASM
	CH187-9630	1	SEAL-O-RING
9	CH186-0367	2	SEAL
10	CH186-0368	1	PLUG ASM (INCLUDES SEAL-O-RING)
	CH175-3135	1	SEAL-O-RING
11	CH186-0369	1	PLUG ASM (INCLUDES SEAL-O-RING)
	CH175-3135	1	SEAL-O-RING
12	CH186-0375	1	CAP ASM (INCLUDES SEAL-O-RING)
	CH162-9799	1	SEAL-O-RING
13	CH186-0376	1	CAP ASM
	CH162-9799	1	SEAL-O-RING
14	CH209-8296	2	BOLT-SOCKET HEAD (M8X1.25X25MM)
15	CH5P-9186	2	SEAL-O-RING
16	CH8L-2777	7	SEAL-O-RING
17	186-0342	2	COUPLING GP (INCL SEAL)
	CH146-4350	1	SEAL
18	CH186-0370	1	PLUG
19	CH186-0371	1	PLUG
20	186-0372	1	SPRING
21	186-0373	1	SPRING
22	186-0377	2	CAM
23	CH096-2323	1	RING-RETAINING
24	CH146-4351	2	SEAL
25	CH5D-6539	2	SEAL-O-RING
26	CH3E-4296	1	SEAL-O-RING

[A] PART OF 180-0494;180-0495
500752D1 VALVE GP;
189-5906 KIT-HYDRAULIC

1629816D
PR: t05i29k58b0416

MT800 SERIES TRACTORS
HYDRAULIC SYSTEM

VALVE GP-CONTROL - 162-9817
STEERABLE HITCH



SECTION A-A

00886104

MT800 SERIE TRACTORS
HYDRAULIC SYSTEM

925

VALVE GP-CONTROL - 162-9817
STEERABLE HITCH

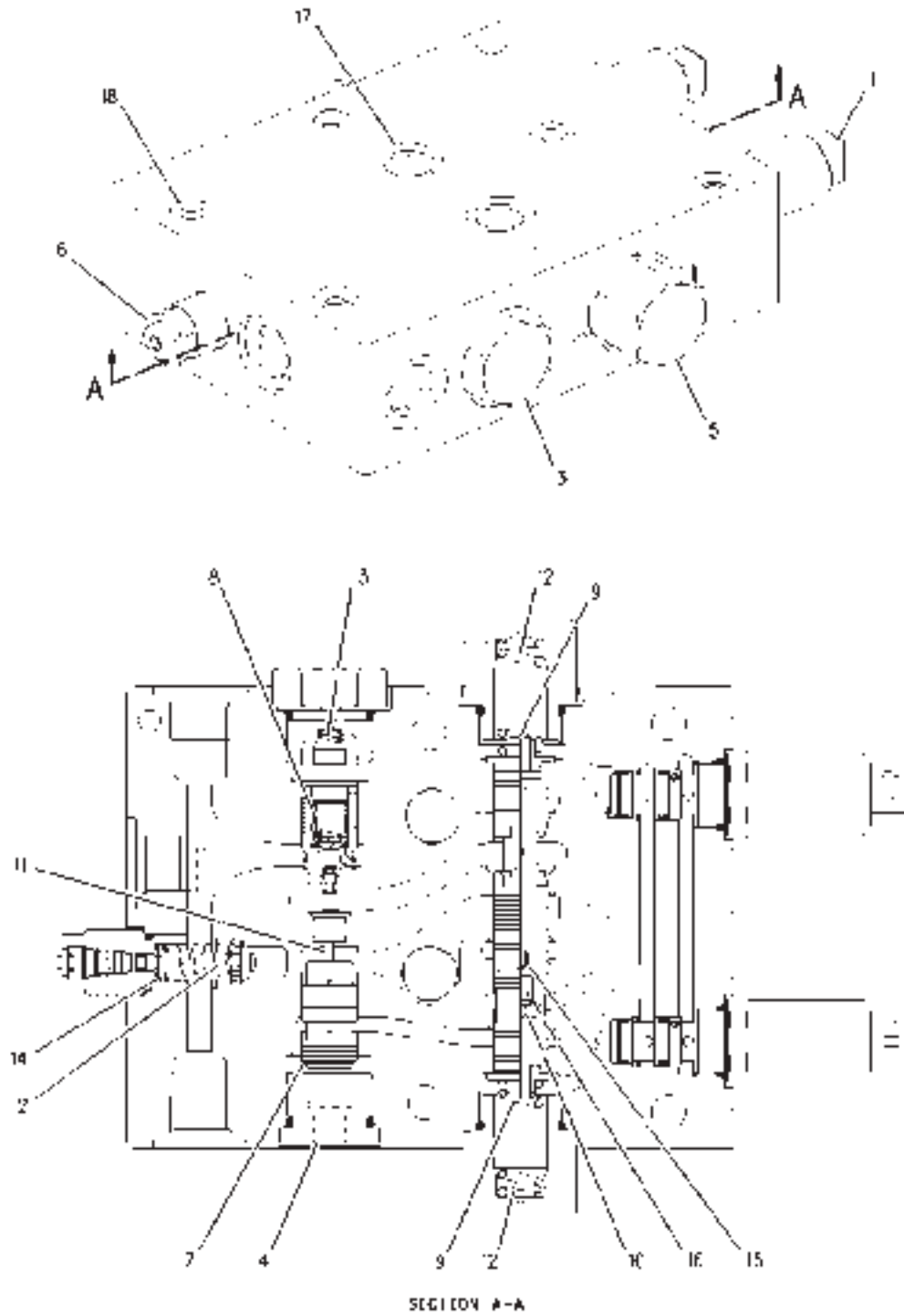
ITEM	NUMBER	QTY	DESCRIPTION
-	162-9817	--	VALVE GP-CONTROL [A]
1	162-9822	2	VALVE GP-RELIEF (INCLS O-RING SEAL)
	400322X1	1	SEAL-O-RING (19.28 ID X 1.78 DIA)
2	165-8537	2	VALVE GP-SOLENOID & PRESS REDC
	CH209-9680		KIT-SEAL (SOLENOID VALVE)
3	186-0346	2	VALVE GP-CHECK
	CH033-6032	1	SEAL-O-RING
4	CH186-0368	1	PLUG ASM
	CH175-3135	1	SEAL-O-RING
5	CH186-0369	1	PLUG ASM
	CH175-3135	1	SEAL-O-RING
6	CH3K-0360	2	SEAL-O-RING
7	CH5P-9186	2	SEAL-O-RING
8	CH8L-2777	3	SEAL-O-RING
9	CH9S-8005	2	PLUG
10	186-0370	1	PLUG
11	CH186-0371	1	PLUG
12	CH186-0372	1	SPRING
13	186-0373	1	SPRING

[A] PART OF:
192-4708 VALVE GP-BANK 3
192-4817 VALVE GP-BANK 4

00886104
PR: t05i29k58b0417

MT800 SERIES TRACTORS
HYDRAULIC SYSTEM

VALVE GP-CONTROL - 162-9818
3 POINT HITCH



00902036

MT800 SERIES TRACTORS
HYDRAULIC SYSTEM

927

VALVE GP-CONTROL - 162-9818
3 POINT HITCH

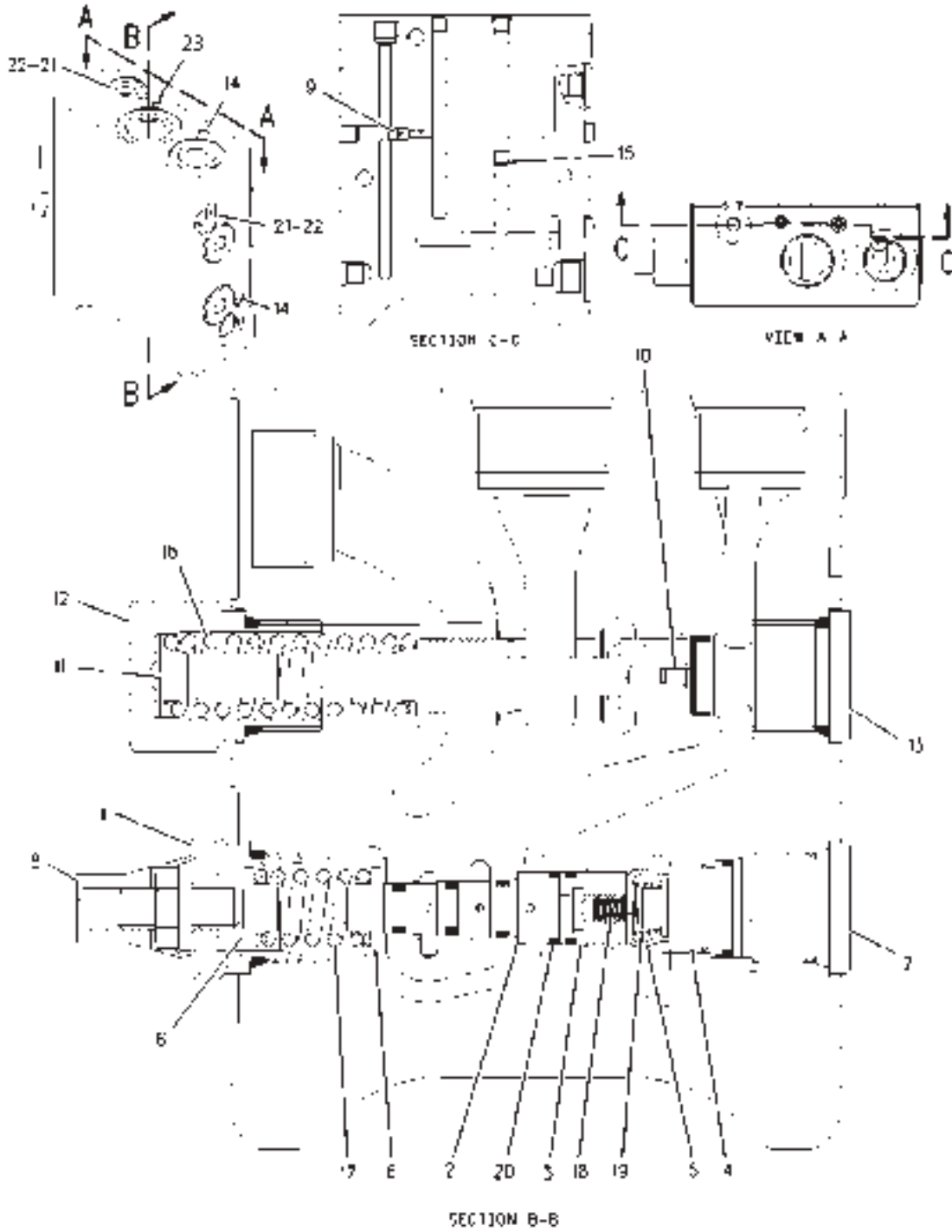
ITEM	NUMBER	QTY	DESCRIPTION
-	162-9818	--	VALVE GP-CONTROL [A]
1	165-8537	2	VALVE GP-SOLENOID & PRESS REDC (3PT HITCH RAISE/LOWER)
	209-9680	1	SEAL-KIT
2	209-7359	1	VALVE-RELIEF (3PT HITCH CNTRL CIRCUIT)
3	216-3569	1	PLUG ASM
	CH8T-7525	1	SEAL-O-RING
4	216-3458	1	PLUG ASM
	CH8T-7525	1	SEAL-O-RING
5	216-3570	2	PLUG ASM
	CH8T-7525	1	SEAL-O-RING
6	209-7599	1	SCREW-LOWERING (3PT HITCH MANUAL LOWER)
7	216-3461	1	SPOOL-VALVE
8	216-3462	1	VALVE-CHECK (3PT HITCH POSITION HOLD)
9	216-3475	2	RETAINER
10	CH216-4098	1	PLUG
11	216-3478	1	PIN
12	216-3479	2	SPRING
13	216-3480	1	SPRING
14	216-3481	1	SPRING
15	CH3G-0785	1	BALL
16	CH109-9685	1	SEAL-O-RING (6.07IDX1.63DIA)
17	CH5P-9186	2	SEAL-O-RING (20.31IDX2.62DIA)
18	CH8L-2777	3	SEAL-O-RING (10.77IDX2.62DIA)

[A] PART OF:
192-4708 VALVE GP-BANK 3
192-4817 VALVE GP-BANK 4

00902036
PR: t05i29k58b0418

MT800 SERIES TRACTORS
HYDRAULIC SYSTEM

VALVE GP-CONTROL - 192-4707
PRIORITY W/HYDRAULIC TRAILER BRAKES



**MT800 SERIES TRACTORS
HYDRAULIC SYSTEM**

929

**VALVE GP-CONTROL - 192-4707
PRIORITY W/HYDRAULIC TRAILER BRAKES**

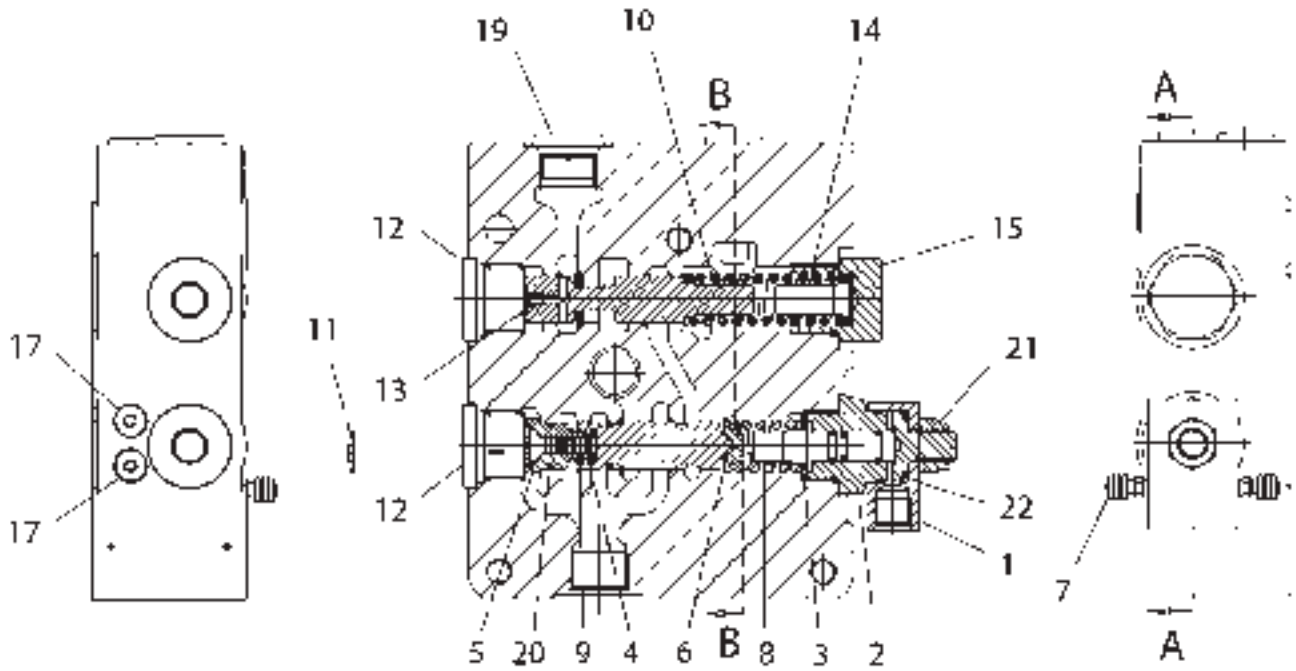
ITEM	NUMBER	QTY	DESCRIPTION
-	192-4707	--	VALVE GP-CONTROL [A]
1	216-6971	1	ADJUSTER ASM
	CH8T-7525	1	SEAL-O-RING
	216-6988	1	SCREW
	216-6990	1	SEAL
2	216-6972	1	VALVE GP-ACCUMULATOR CHARGING (SEE BREAKDOWN FOR COMPONENTS)
3	216-6973	1	SLEEVE ASM
	400322X1	1	SEAL-O-RING
4	216-6974	1	VALVE ASM-CHECK
	CH6V-6580	1	SEAL-O-RING
5	216-6975	1	RETAINER-SPRING
6	216-6976	2	RETAINER-SPRING
7	216-6977	1	PLUG ASM
	CH8T-7525	1	SEAL-O-RING
8	216-6978	1	CAP
9	216-6979	1	VALVE-CHECK
10	216-6980	1	ORIFICE
11	216-6981	1	RETAINER
12	216-6983	1	PLUG ASM
	CH8T-7525	1	SEAL-O-RING
13	216-6984	1	PLUG ASM
	CH8T-7525	1	SEAL-O-RING
	CH6V-8399	1	SEAL-O-RING
	CH216-7114	1	RING-BACKUP
14	216-6986	3	PLUG-SPL
15	216-6987	1	ORIFICE
16	216-6991	1	SPRING
17	216-6992	1	SPRING
18	216-7010	1	SPRING
19	216-7035	1	SPRING
20	216-7115	1	RING-BACKUP
21	CH9S-8004	2	PLUG
22	400318X1	2	SEAL-O-RING (11.89ID X 1.98 DIA)
23	500932D1	1	PLUG-SPL

[A] PART OF 193-8197 VALVE AR

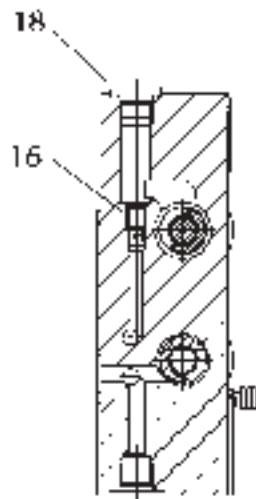
1924707A
PR: t05i29k58b0419

MT800 SERIES TRACTORS
HYDRAULIC SYSTEM

VALVE GP-BRAKE CONTROL - 196-2318
HYDRAULIC TRAILER BRAKES



SECTION A-A



SECTION B-B

1962318C

MT800 SERIES TRACTORS
HYDRAULIC SYSTEM

931

VALVE GP-BRAKE CONTROL - 196-2318
HYDRAULIC TRAILER BRAKES

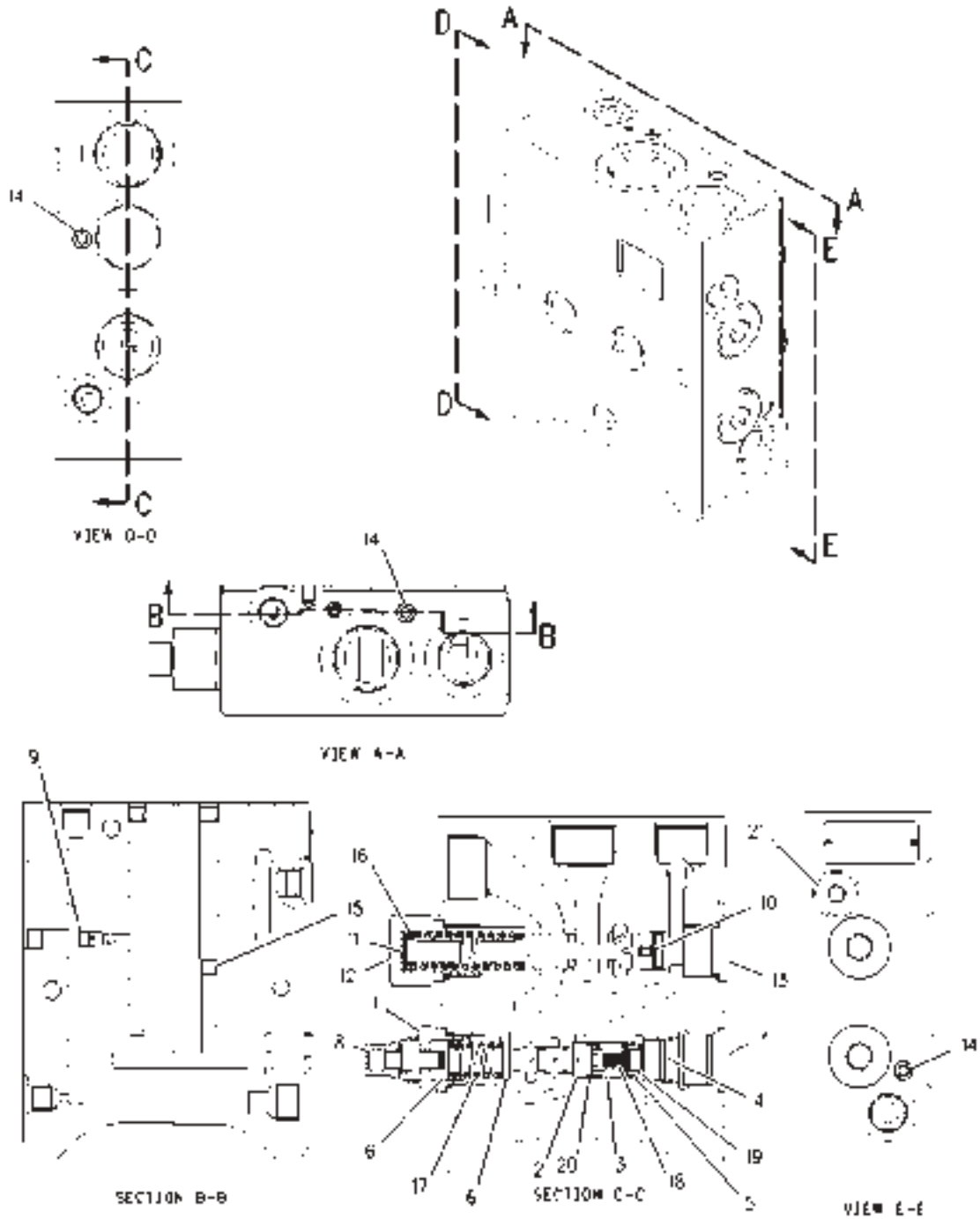
ITEM	NUMBER	QTY	DESCRIPTION
-	196-2318	--	VALVE GP-BRAKE CNTRL (COMPLETE)
1	209-9919	1	MANIFOLD
2	209-9920	1	PLUG AS
	CH8T-7525	1	SEAL-O-RING
	CH8U-7381	1	SEAL-O-RING
	CH209-9961	2	RING-GUIDE
	CH209-9962	1	RING-GUIDE
3	CH209-9921	1	WASHER
4	CH209-9927	1	SLUG
5	209-9936	1	SLEEVE
6	CH209-9947	1	SEAT-SPRING
7	209-9949	2	SCREW-PURGE
8	CH209-9955	1	SPRING
9	CH209-9957	1	SPRING
10	216-6991	1	SPRING
11	CH210-1993	1	WASHER
12	216-6977	2	PLUG AS
	CH8T-7525	1	SEAL-O-RING
13	216-6980	1	ORIFICE
14	216-6981	1	RETAINER
15	CH216-8187	1	PLUG AS
	CH8T-7525	1	SEAL-O-RING
16	216-8188	1	VALVE AS-SHUTTLE
17	CH216-8189	2	PLUG AS
	CH3E-4289	1	SEAL-O-RING
18	CH216-8190	1	PLUG AS
	CH3E-4298	1	SEAL-O-RING
19	CH216-8191	1	PLUG AS
	400319X1	1	SEAL-O-RING
20	CH095-1715	1	SEAL-O-RING
21	CH188-7789	1	NUT (M12X1.50)
22	CH6V-3922	1	SEAL-O-RING

[A] PART OF:
192-4816 VALVE GP-BANK 2
192-4817 VALVE GP-BANK 4
209-3689 KIT-HYD TRAILER BRAKE

1962318C
PR: t05i29k58b0420

MT800 SERIES TRACTORS
HYDRAULIC SYSTEM

VALVE GP-CONTROL - 209-5019
PRIORITY & ACCUMULATOR CHARGE



**MT800 SERIESTRACTORS
HYDRAULIC SYSTEM**

933

**VALVE GP-CONTROL - 209-5019
PRIORITY & ACCUMULATOR CHARGE**

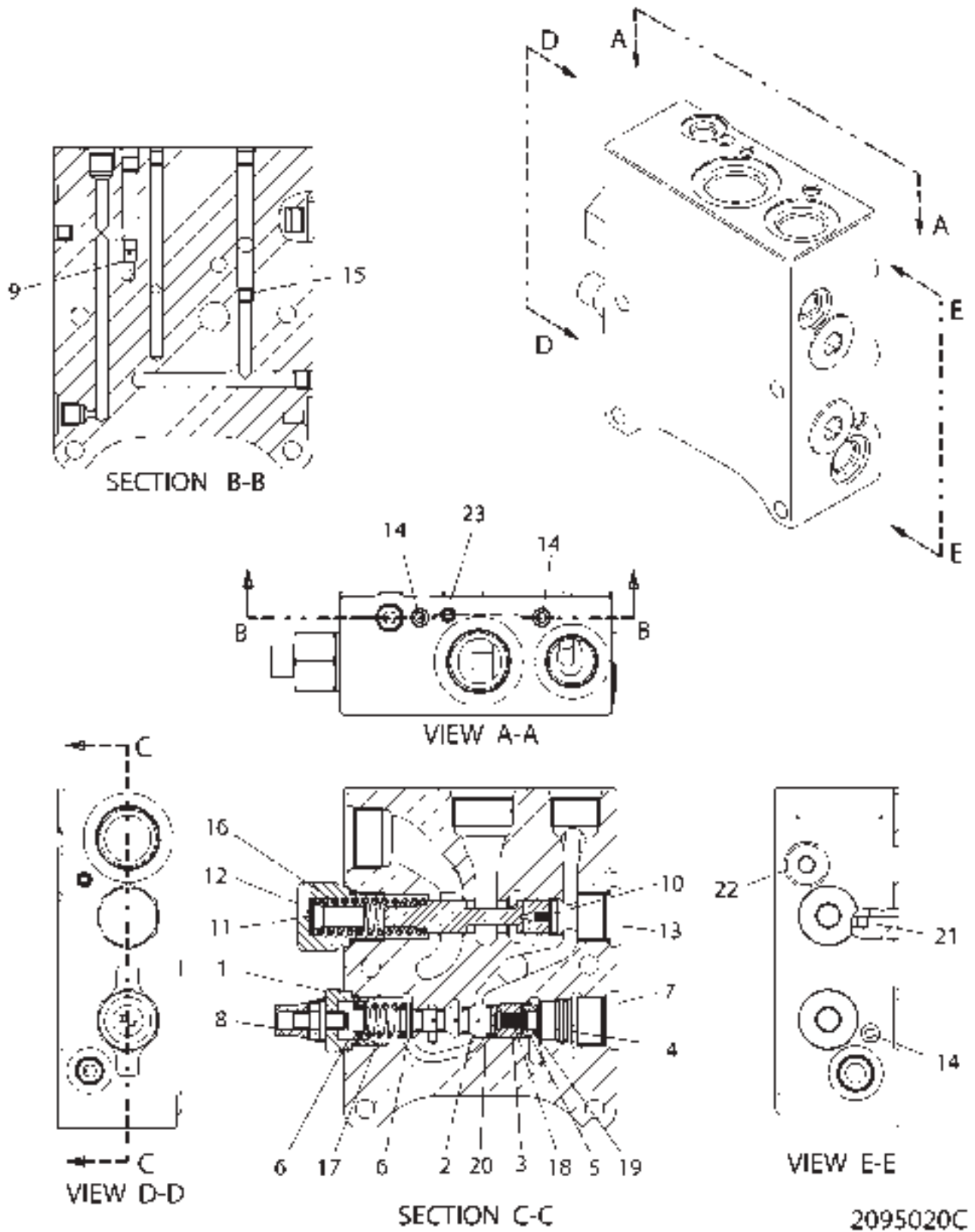
ITEM	NUMBER	QTY	DESCRIPTION
-	209-5019	--	VALVE GP-CONTROL [A]
1	216-6971	1	ADJUSTER ASM
	CH8T-7525	1	SEAL-O-RING
	216-6988	1	SCREW
	216-6990	1	SEAL
2	216-6972	1	VALVE GP-ACCUMULATOR CHARGING (SEE BREAKDOWN FOR COMPONENTS)
3	216-6973	1	SLEEVE ASM
	400322X1	1	SEAL-O-RING
4	216-6974	1	VALVE ASM-CHECK
	CH6V-6580	1	SEAL-O-RING
5	216-6975	1	RETAINER-SPRING
6	216-6976	2	RETAINER-SPRING
7	216-6977	1	PLUG ASM
	CH8T-7525	1	SEAL-O-RING
8	216-6978	1	CAP
9	216-6979	1	VALVE-CHECK
10	216-6980	1	ORIFICE
11	216-6981	1	RETAINER
12	216-6983	1	PLUG ASM
	CH8T-7525	1	SEAL-O-RING
13	216-6984	1	PLUG ASM
	CH8T-7525	1	SEAL-O-RING
	CH6V-8399	1	SEAL-O-RING
	CH216-7114	1	RING-BACKUP
14	216-6986	3	PLUG
15	216-6987	1	ORIFICE
16	216-6991	1	SPRING
17	216-6992	1	SPRING
18	216-7010	1	SPRING
19	216-7035	1	SPRING
20	216-7115	1	RING-BACKUP
21	CH9S-8004	1	PLUG
22	500932D1	1	PLUG-SPCL (NOT SHOWN)

[A] PART OF 192-4708 VALVE GP-BANK 3

00889029
PR: t05i29k58b0421

MT800 SERIES TRACTORS
HYDRAULIC SYSTEM

VALVE GP-CONTROL - 209-5020
PRIORITY



**MT800 SERIES TRACTORS
HYDRAULIC SYSTEM**

935

**VALVE GP-CONTROL - 209-5020
PRIORITY**

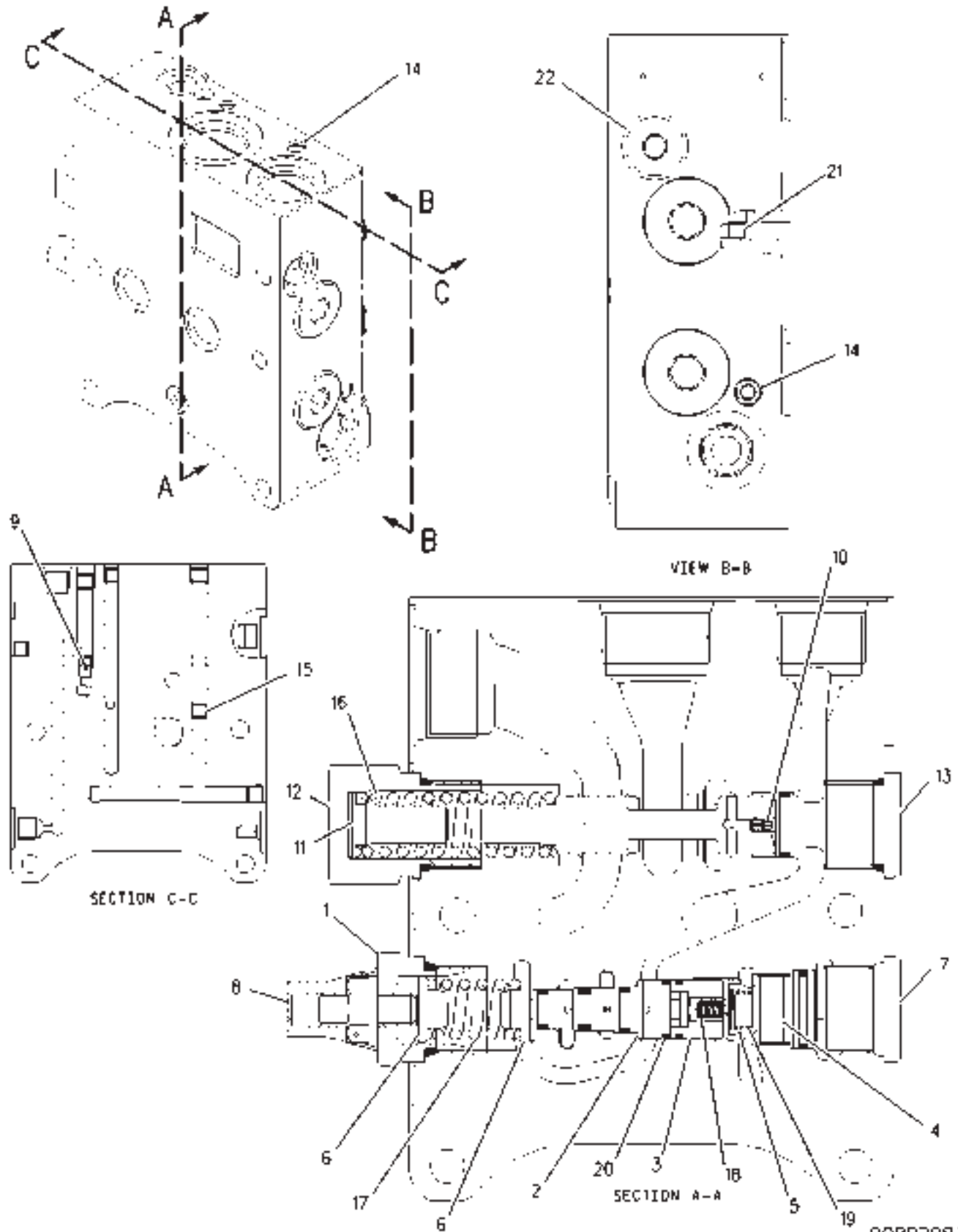
ITEM	NUMBER	QTY	DESCRIPTION
-	209-5020	--	VALVE GP-CONTROL [A]
1	216-6971	1	ADJUSTMENT AS
	CH8T-7525	1	SEAL-O-RING
	216-6988	1	SCREW
	216-6990	1	SEAL-LOCK NUT
2	216-6972	1	VALVE GP-ACCUMULATOR CHARGING (SEE BREAKDOWN FOR COMPONENTS)
3	216-6973	1	SLEEVE ASM
	400322X1	1	SEAL-O-RING
4	216-6974	1	VALVE ASM-CHECK
	CH6V-6580	1	SEAL-O-RING
5	216-6975	1	RETAINER-SPRING
6	216-6976	2	RETAINER-SPRING
7	216-6977	1	PLUG ASM
	CH8T-7525	1	SEAL-O-RING
8	216-6978	1	CAP
9	216-6979	1	VALVE-CHECK
10	216-6980	1	ORIFICE
11	216-6981	1	RETAINER
12	216-6983	1	PLUG ASM
	CH8T-7525	1	SEAL-O-RING
13	216-6984	1	PLUG ASM
	CH8T-7525	1	SEAL-O-RING
	CH6V-8399	1	SEAL-O-RING
	CH216-7114	1	RING-BACKUP
14	216-6986	3	PLUG
15	216-6987	1	ORIFICE
16	216-6991	1	SPRING
17	216-6992	1	SPRING
18	216-7010	1	SPRING
19	216-7035	1	SPRING
20	CH216-7115	1	RING-BACKUP
21	216-7404	1	ORIFICE-SPCL
22	CH9S-8004	1	PLUG AS
23	500932D1	1	PLUG-SPCL (NOT SHOWN)

[A] PART OF 192-4816 VALVE GP-BANK 2

2095020C
PR: t05i29k58b0422

MT800 SERIES TRACTORS
HYDRAULIC SYSTEM

VALVE GP-CONTROL - 209-5021
PRIORITY



**MT800 SERIES TRACTORS
HYDRAULIC SYSTEM**

937

**VALVE GP-CONTROL - 209-5021
PRIORITY**

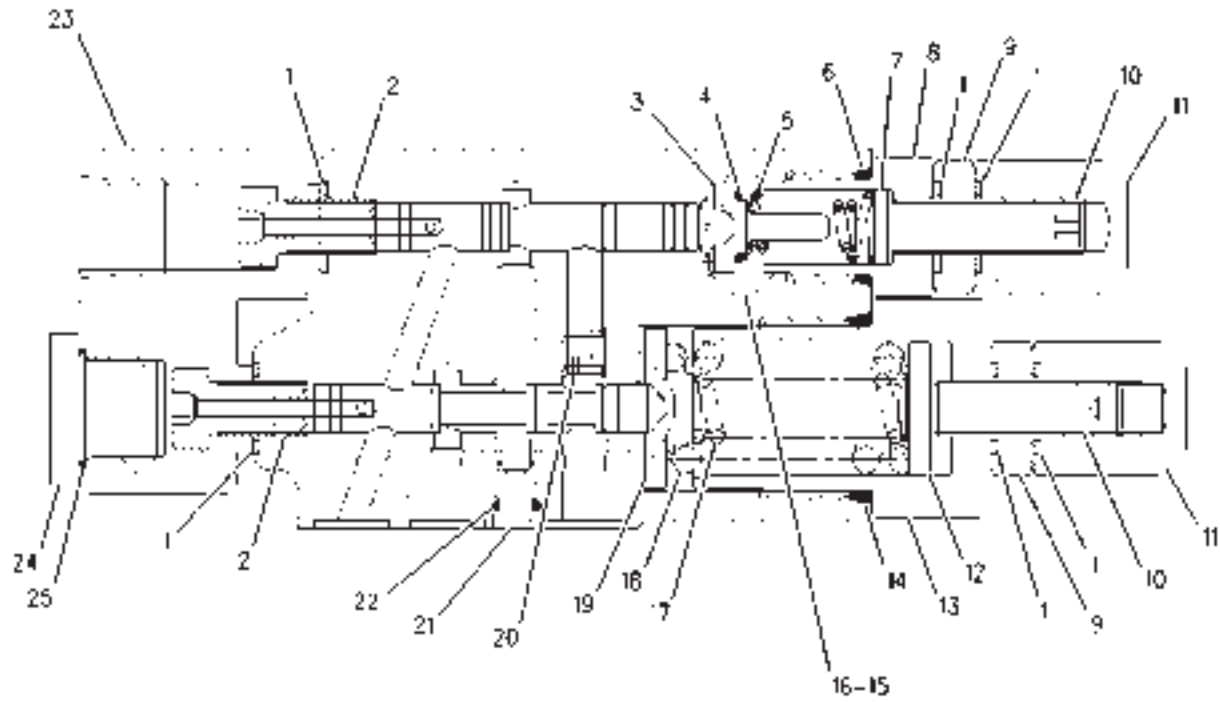
ITEM	NUMBER	QTY	DESCRIPTION
-	209-5021	--	VALVE GP-CONTROL [A]
1	216-6971	1	ADJUSTER AS
	CH8T-7525	1	SEAL-O-RING
	216-6988	1	SCREW
	216-6990	1	SEAL
2	216-6972	1	VALVE GP-ACCUMULATOR CHARGING (SEE BREAKDOWN FOR COMPONENTS)
3	216-6973	1	SLEEVE AS
	400322X1	1	SEAL-O-RING
4	216-6974	1	VALVE AS-CHECK
	CH6V-6580	1	SEAL-O-RING
5	216-6975	1	RETAINER-SPRING
6	216-6976	2	RETAINER-SPRING
7	216-6977	1	PLUG AS
	CH8T-7525	1	SEAL-O-RING
8	216-6978	1	CAP
9	216-6979	1	VALVE AS-CHECK
10	216-6980	1	ORIFICE
11	216-6981	1	RETAINER
12	216-6983	1	PLUG AS-SPECIAL (PRIORITY)
	CH8T-7525	1	SEAL-O-RING
13	216-6984	1	PLUG AS
	CH6V-8399	1	SEAL-O-RING
	CH8T-7525	1	SEAL-O-RING
	CH216-7114	1	RING-BACKUP
14	216-6986	3	PLUG
15	216-6987	1	ORIFICE
16	216-6991	1	SPRING
17	216-6992	1	SPRING
18	216-7010	1	SPRING
19	216-7035	1	SPRING
20	CH216-7115	1	RING-BACKUP
21	216-7404	1	ORIFICE
22	CH9S-8004	1	PLUG AS
23	500932D1	1	PLUG-SPCL (NOT SHOWN)

[A] PART OF:
209-3689 KIT-HYD TRAILER BRAKE
192-4817 VALVE GP-BANK 4

00892081
PR: t05i29k58b0423

MT800 SERIES TRACTORS
HYDRAULIC SYSTEM

VALVE GP-PRESS & FLOW CMPNSTR - 214-9379



MT800 SERIESTRACTORS
HYDRAULIC SYSTEM

939

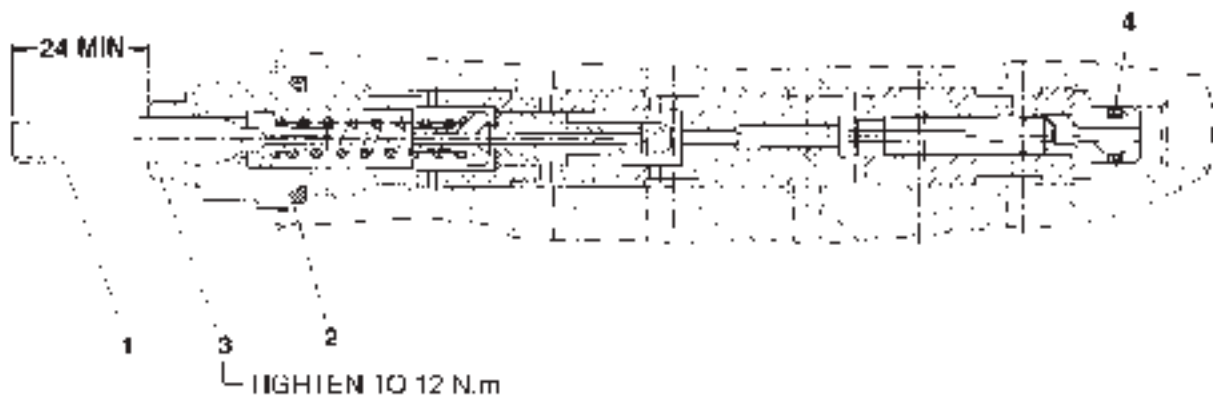
VALVE GP-PRESS & FLOW CMPNSTR - 214-9379

ITEM	NUMBER	QTY	DESCRIPTION
-	214-9379	--	VALVE GP-PRESS & FLOW CMPNSTR [A]
1	CH6E-6528	6	SEAL
2	CH194-4650	2	ADAPTER
3	CH6E-3268	1	RETAINER-SPRING
4	CH6E-3275	1	SPRING
5	CH6E-3274	1	SPRING
6	CH033-6043	1	SEAL-O-RING
7	CH6E-3272	1	SEAT
8	CH6E-6540	1	PLUG
9	CH6E-6538	2	NUT-ADJUSTMENT (M8X1)
10	CH6E-6537	2	SCREW-ADJUSTMENT (M8X1X28MM)
11	CH6E-6539	2	NUT-CAP (M8X1)
12	CH6E-3273	1	SEAT
13	CH6E-6536	1	PLUG
14	CH6V-8352	1	SEAL-O-RING
15	CH9S-8002	1	PLUG
16	400361X1	1	SEAL-O-RING (8.92ID X 1.83DIA)
17	CH193-1036	1	SPRING
18	CH6E-3276	1	SPRING
19	CH6E-3269	1	RETAINER-SPRING
20	CH201-0780	1	ORIFICE
21	CH105-2145	1	VALVE-ORIFICE
22	CH5P-9262	1	SEAL-O-RING
23	CH194-4651	1	ADAPTER (HOUSING)
24	CH9S-8004	1	PLUG
25	400318X1	1	SEAL-O-RING (11.89ID X 1.98 DIA)

[A] PART OF CH206-9017; CH206-9019
PUMP GP-PISTON

00893866
PR: t05i29k58b0424

VALVE GP-PRESSURE COMPENSATOR
CH6E-4392



MT800 SERIESTRACTORS
HYDRAULIC SYSTEM

941

VALVE GP-PRESSURE COMPENSATOR
CH6E-4392

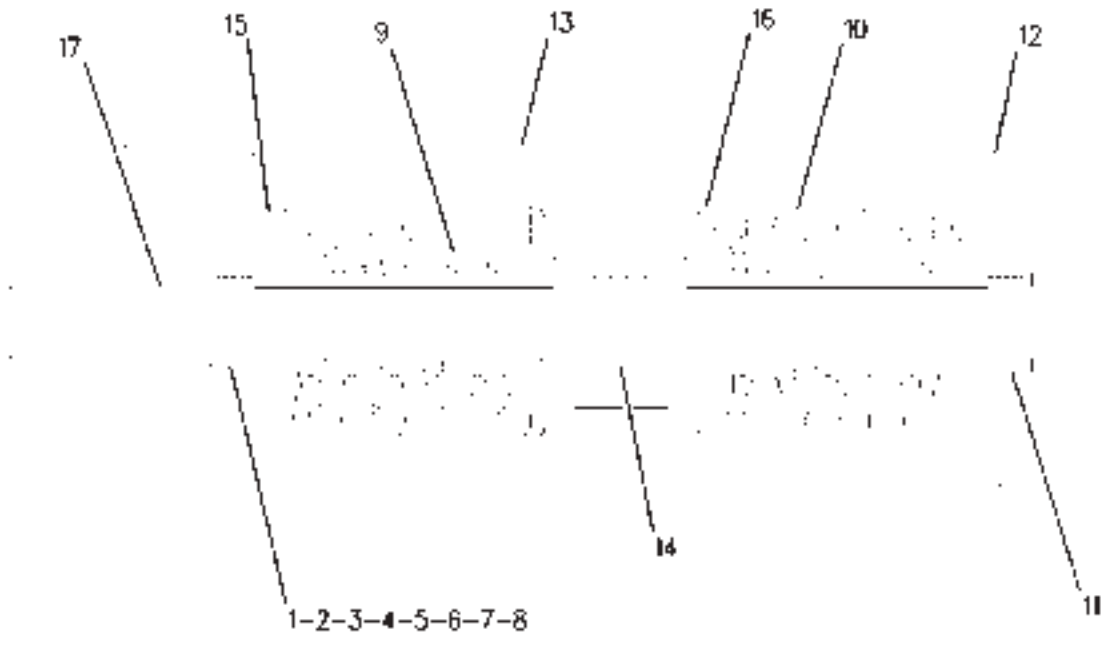
ITEM	NUMBER	QTY	DESCRIPTION
-	CH6E-4392	--	VALVE GP-PRESSURE COMPENSATOR [A]
1	CH6E-4401	1	SETSCREW-ADJUSTMENT
2	CH6V-8351	1	SEAL-O-RING
3	CH6E-1607	1	LOCKNUT-SEALING
4	CH6V-5586	1	SEAL-O-RING (6.07MM ID)

[A] PART OF 205-6398 HEAD GP-PUMP

0228708A
PR: t05i29k58b0425

MT800 SERIESTRACTORS
HYDRAULIC SYSTEM

VALVE GP-SERVO - CH183-8417



MT800 SERIES TRACTORS
HYDRAULIC SYSTEM

943

VALVE GP-SERVO - CH183-8417

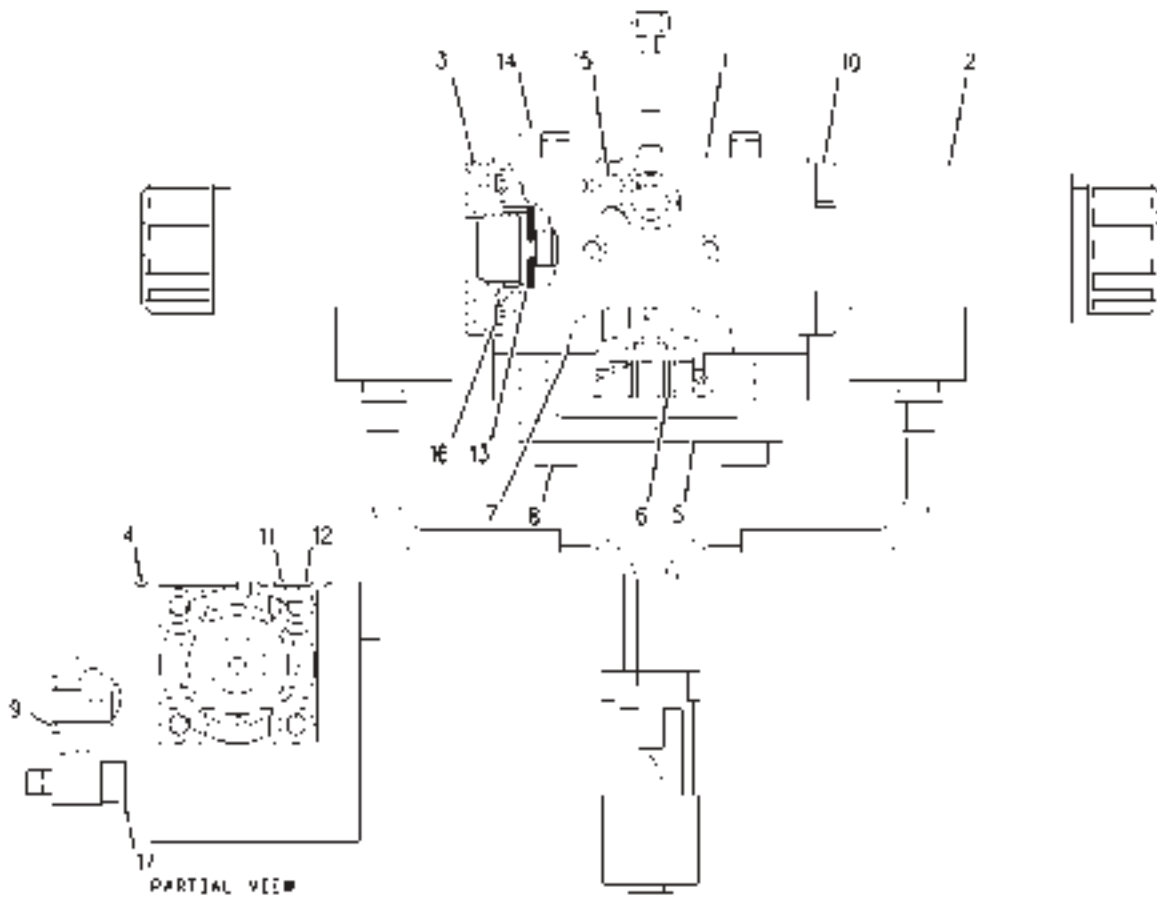
ITEM	NUMBER	QTY	DESCRIPTION
-	CH183-8417	--	VALVE GP-SERVO [A]
1	CH183-8418	2	SPACER (8.00 MM)
2	CH183-8419	1	SPACER (7.85 MM)
3	CH183-8420	1	SPACER (7.90 MM)
4	CH183-8421	1	SPACER (7.95 MM)
5	CH183-8423	1	SPACER (8.05 MM)
6	CH183-8424	1	SPACER (8.10 MM)
7	CH183-8425	11	SPACER (7.75 MM)
8	CH183-8426	1	SPACER (7.80 MM)
9	CH183-8427	2	SPRING
10	CH183-8428	2	SPRING
11	CH183-8429	2	RING
12	CH095-0942	2	RING-RETAINING (63.3MM ID)
13	CH144-9093	1	PISTON-STROKING
14	CH144-9094	1	ROD
15	CH144-9097	2	RETAINER
16	CH144-9098	2	RETAINER
17	CH161-6149	1	SEAL-O-RING

[A] PART OF CH183-8430 ACTUATOR
GP-PISTON PUMP

00664661
PR: t05i29k58b0426

MT800 SERIES TRACTORS
HYDRAULIC SYSTEM

VALVE GP-SERVO - 205-6412



MT800 SERIE TRACTORS
HYDRAULIC SYSTEM

945

VALVE GP-SERVO - 205-6412

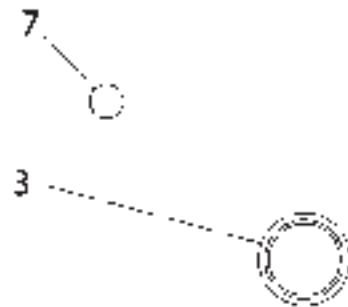
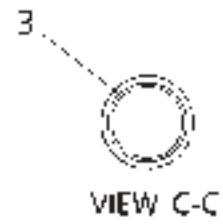
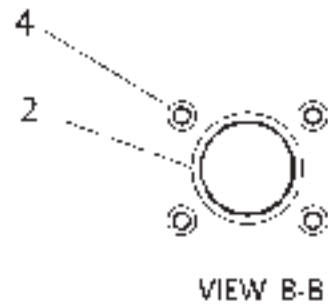
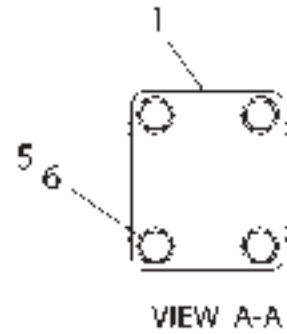
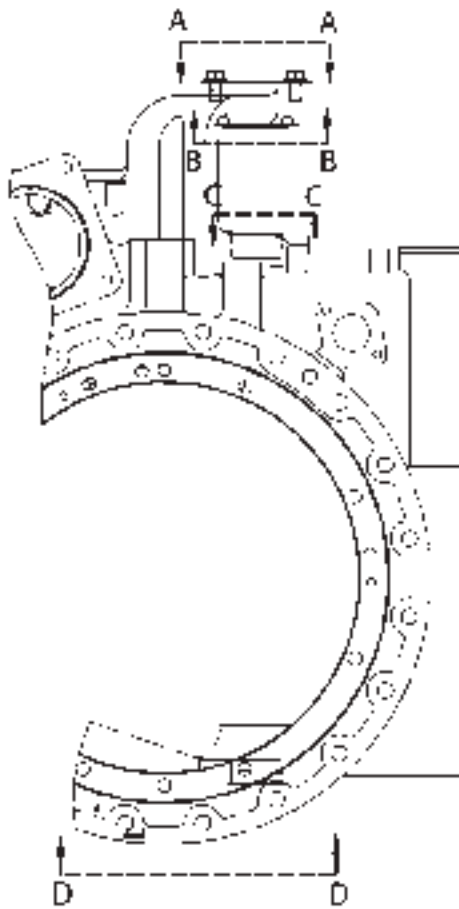
ITEM	NUMBER	QTY	DESCRIPTION
-	205-6412	--	VALVE GP-SERVO [A]
1	205-6464	1	HOUSING
2	196-4249	1	SOLENOID
3	CH196-4250	2	SPACER (37X37X13)
4	400365X1	1	SEAL-O-RING
5	CH111-8897	1	COVER
6	205-6411	1	SPRING
7	205-6410	1	GASKET
8	CH8T-2922	4	BOLT-SOCKET HEAD (M6X1X65MM)
9	CH6M-5062	1	SEAL-O-RING
10	CH196-9444	8	BOLT-SOCKET HEAD (M5X0.8X10MM)
11	CH6V-8398	1	SEAL-O-RING (16.03ODX1.78DIA)
12	CH112-4631	2	SEAL-O-RING
13	CH196-4254	2	SPRING
14	CH5E-7045	1	PIN-CYLINDER
15	CH096-5968	1	BOLT-SOCKET HEAD (M5X0.8X8MM)
16	CH6V-6228	2	SEAL-O-RING
17	CH8T-0269	2	BOLT-SOCKET HEAD (M6X1X20MM)

[A] PART OF CH162-9592 PUMP GP-PISTON

00853751
PR: t05i29k58b0427

MT800 SERIESTRACTORS
DRAWBAR, THREE POINT HITCH AND PTO

ADAPTER GP-PLUG - 180-4039
ROW AND SPECIAL APPLICATIONS



MT800 SERIESTRACTORS
DRAWBAR, THREE POINT HITCH AND PTO

947

ADAPTER GP-PLUG - 180-4039
ROW AND SPECIAL APPLICATIONS

ITEM	NUMBER	QTY	DESCRIPTION
-	180-4039	--	DRAWBAR, THREE POINT HITCH AND PTO [A]
1	CH5P-8087	2	PLUG-PROTECTIVE (M66)
2	CH198-1544	1	PLATE
3	400092X1	1	PLUG-PROTECTIVE (M80)
4	400093X1	4	PLUG-PROTECTIVE (M14)
5	400088X1	4	BOLT (M16X2X30MM)
6	400082X1	4	WASHER (17.5X30X3.5)
7	400091X1	2	PLUG-PROTECTIVE (M24)

[A] PART OF:
179-0851 HITCH AR
179-0853 HITCH AR-NON AG
184-5033 CONTROL AR-DRAWBAR

1804039F
PR: t05i29k58b0428

948

MT800 SERIESTRACTORS
DRAWBAR, THREE POINT HITCH AND PTO

CONTROL AR-DRAWBAR - 184-5033
POWERED DRAWBAR

NO ILLUSTRATION

NOTIF

MT800 SERIESTRACTORS
DRAWBAR, THREE POINT HITCH AND PTO

949

CONTROL AR-DRAWBAR - 184-5033
POWERED DRAWBAR

ITEM	NUMBER	QTY	DESCRIPTION
-	184-5033	--	CONTROL AR-DRAWBAR (NOT SERVICED)
	180-4039	1	ADAPTER GP-PLUG (SEE BREAKDOWN FOR COMPONENTS)
CH184-5034		2	CYLINDER GP (SEE BREAKDOWN FOR COMPONENTS)
	180-4036	1	DRAWBAR GP-SWINGING (WIDE) (NOT SERVICED) (SEE BREAKDOWN FOR COMPONENTS)
	200-8772	1	GUARD GP-CYLINDER (NOT SERVICED) (SEE BREAKDOWN FOR COMPONENTS)
	180-0503	1	LINES GP-CYLINDER (POWERED DRAWBAR) (NOT SERVICED) (SEE BREAKDOWN FOR COMPONENTS)
	184-5035	1	MOUNTING GP-CYLINDER(CONTROLLED DRAWBAR) (NOT SERVICED) (SEE BREAKDOWN FOR COMPONENTS)
	224-9662	1	PLUG GP-3 PT HITCH (SEE BREAKDOWN FOR COMPONENTS)
	210-7509	1	SUPPORT GP-DRAWBAR (NOT SERVICED) (SEE BREAKDOWN FOR COMPONENTS)
	502498D1	1	FILLER GP-PT OIL-DRAWBAR (NOT SERVICED) (SEE BREAKDOWN FOR COMPONENTS)

NOTIF
PR: t05i29k58b0429

950

MT800 SERIESTRACTORS
DRAWBAR, THREE POINT HITCH AND PTO

CONTROL AR-DRAWBAR - 210-7489
WIDE SWING

NO ILLUSTRATION

NOTIF

MT800 SERIESTRACTORS
DRAWBAR, THREE POINT HITCH AND PTO

951

CONTROL AR-DRAWBAR - 210-7489
WIDE SWING

ITEM	NUMBER	QTY	DESCRIPTION
-	210-7489	--	CONTROL AR-DRAWBAR
1	CH184-5034	2	CYLINDER GP (SEE BREAKDOWN FOR COMPONENTS)
2	180-0503	1	LINES GP-CONTROL (NOT SERVICED) (SEE BREAKDOWN FOR COMPONENTS)
3	184-5035	1	MOUNTING GP-CYLINDER (NOT SERVICED) (SEE BREAKDOWN FOR COMPONENTS)
4	200-8772	1	GUARD GP-CYLINDER (NOT SERVICED) (SEE BREAKDOWN FOR COMPONENTS)
5	210-7509	1	SUPPORT GP-FRAME (NOT SERVICED) (SEE BREAKDOWN FOR COMPONENTS)

NOTIF
PR: t05i29k58b0430

952

MT800 SERIESTRACTORS
DRAWBAR, THREE POINT HITCH AND PTO

HITCH AR - 179-0851
WIDE SWINGING DRAWBAR

NO ILLUSTRATION

NOTIF

MT800 SERIESTRACTORS
DRAWBAR, THREE POINT HITCH AND PTO

953

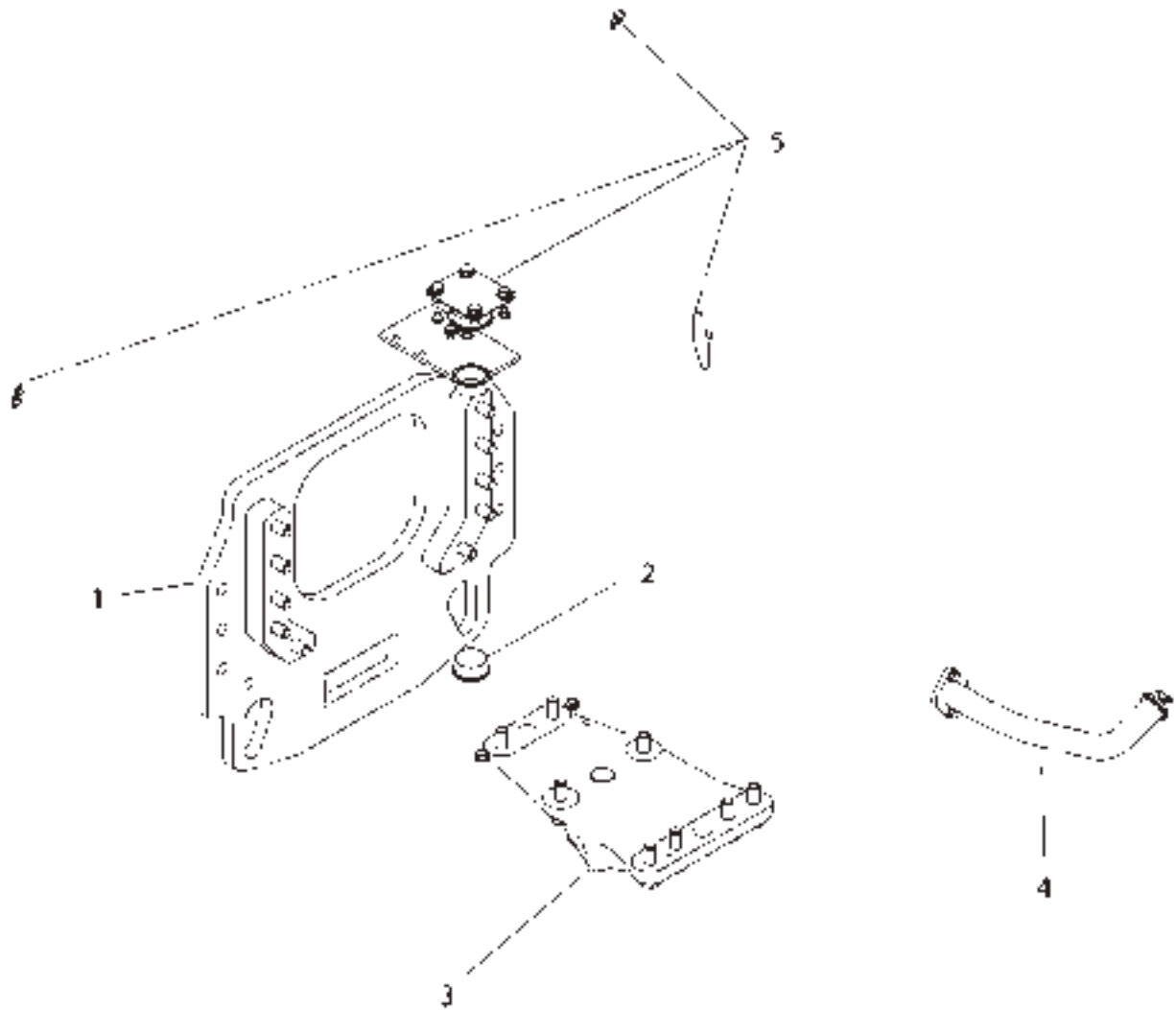
HITCH AR - 179-0851
WIDE SWINGING DRAWBAR

ITEM	NUMBER	QTY	DESCRIPTION
-	179-0851	--	HITCH AR (NOT SERVICED)
	180-4039	1	ADAPTER GP-PLUG (SEE BREAKDOWN FOR COMPONENTS)
	180-4036	1	DRAWBAR GP-SWINGING (NOT SERVICED) (SEE BREAKDOWN FOR COMPONENTS)
	224-9662	1	PLUG GP-3 PT HITCH (SEE BREAKDOWN FOR COMPONENTS)
	210-7508	1	SUPPORT GP-DRAWBAR (DRAWBAR) (SEE BREAKDOWN FOR COMPONENTS)
	502498D1	1	FILLER GP-PT OIL-DRAWBAR (NOT SERVICED) (SEE BREAKDOWN FOR COMPONENTS)

NOTIF
PR: t05i29k58b0431

MT800 SERIE TRACTORS
DRAWBAR, THREE POINT HITCH AND PTO

HITCH AR-NON AG - 179-0853



1790853F

MT800 SERIESTRACTORS
DRAWBAR, THREE POINT HITCH AND PTO

955

HITCH AR-NON AG - 179-0853

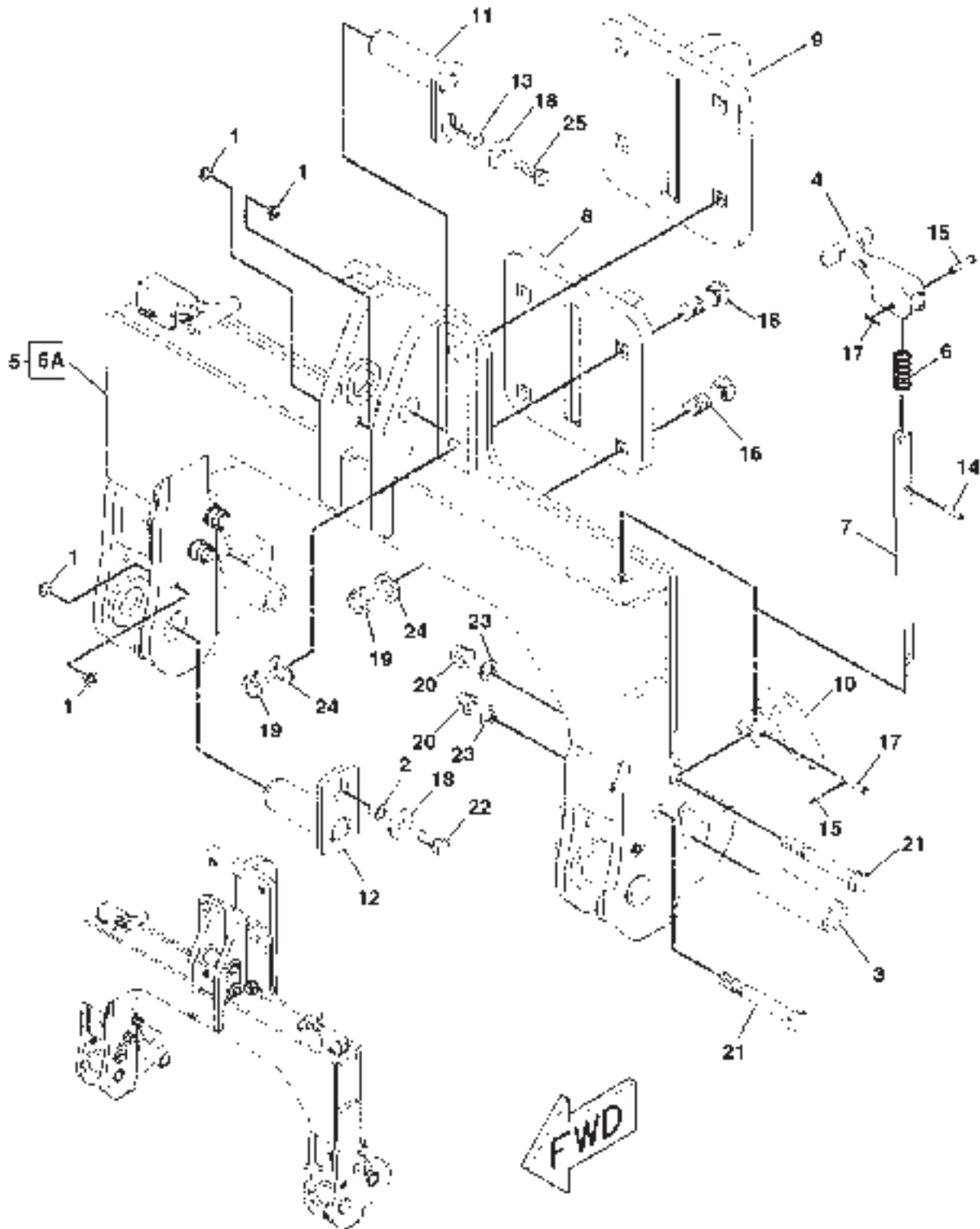
ITEM	NUMBER	QTY	DESCRIPTION
-	502918D1	--	HITCH AR-NON AG (FIELD INSTALLED)
-	179-0853	--	HITCH AR-NON AG [A] (NOT SERVICED, ORDER FIELD INSTALLED)
1	180-4038	1	SUPPORT GP-DRAWBAR (REAR TIE DOWN) (SEE BREAKDOWN FOR COMPONENTS)
2	180-4039	1	ADAPTER GP-PLUG (SEE BREAKDOWN FOR COMPONENTS)
3	210-7508	1	SUPPORT GP-DRAWBAR (SEE BREAKDOWN FOR COMPONENTS)
4	502498D1	1	FILLER GP-PT OIL-DRAWBAR (NOT SERVICED) (SEE BREAKDOWN FOR COMPONENTS)
5	224-9662	1	PLUG GP-3 PT HITCH (SEE BREAKDOWN FOR COMPONENTS)

[A] PART OF 502918D1 HITCH AR-NON AG

1790853F
PR: t05i29k58b0432

MT800 SERIE TRACTORS
DRAWBAR, THREE POINT HITCH AND PTO

COUPLER GP-QUICK - 179-3318
CATEGORY 3 & 4 NARROW



MT800 SERIESTRACTORS
DRAWBAR, THREE POINT HITCH AND PTO

957

COUPLER GP-QUICK - 179-3318
CATEGORY 3 & 4 NARROW

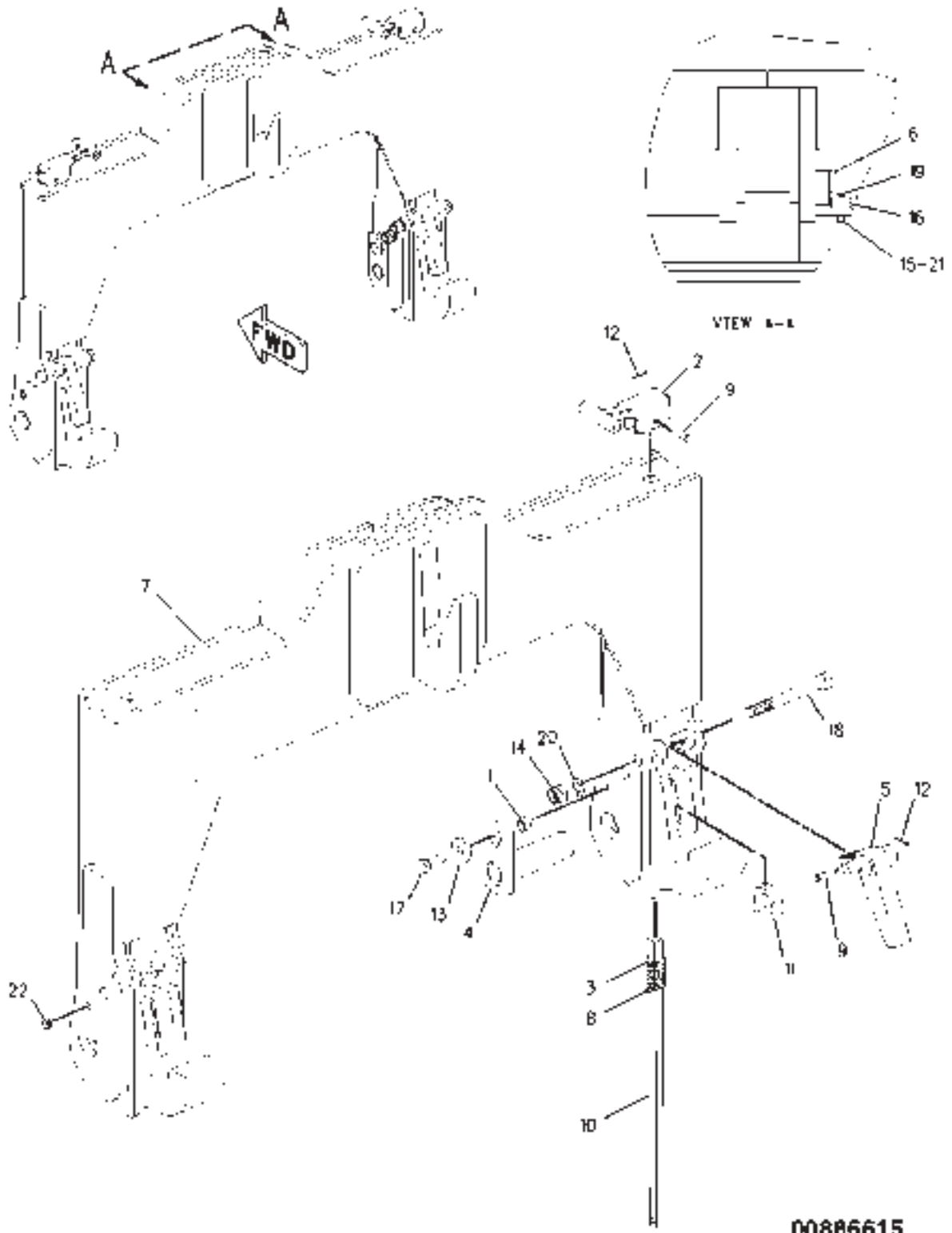
ITEM	NUMBER	QTY	DESCRIPTION
-	179-3318	--	COUPLER GP-QUICK [A]
1	400093X1	6	PLUG-SEALING
2	CH6Y-8112	2	SPACER (17X25X14)
3	CH104-3466	2	BUSHING
4	177-0661	2	HANDLE
5	189-3310	1	FRAME ASM
5A	189-3313	2	ARM ASM (COMPLETE ASM ONLY)
6	CH190-2584	2	SPRING
7	190-2601	2	ROD (LIFT)
8	196-2993	1	HOOK ASM (CAT 3)
9	196-2994	1	HOOK ASM (CAT 4)
10	196-2997	2	PLATE ASM
11	CH196-3017	1	PIN ASM
12	CH196-3022	2	PIN ASM
13	CH200-0010	1	SPACER (17.5X25.4X12.5)
14	CH183-5008	2	PIN-SPRING
15	CH1A-8827	4	PIN
16	400270X1	4	BOLT-PLOW (1-8)
17	CH3B-4617	4	PIN-COTTER
18	400078X1	3	WASHER (16.5X50X5)
19	CH6K-3632	4	LOCKNUT (1-8)
20	CH6V-7688	4	LOCKNUT (M20X2.5)
21	400026X1	4	BOLT (M20X2.5X160MM)
22	400191X1	2	BOLT (M16X2X40MM)
23	400080X1	4	WASHER-PLATED (22X35X3.5)
24	CH8T-5361	4	WASHER-HARD (28X49X5)
25	400244X1	1	BOLT (M16X2.0X45MM)

[A] PART OF:
169-0027; 179-0852; 186-0979
HITCH AR-3 POINT

0889557A
PR: t05i29k58b0433

MT800 SERIESTRACTORS
DRAWBAR, THREE POINT HITCH AND PTO

COUPLER GP-QUICK - 180-6640
CATEGORY 4



00886615

MT800 SERIESTRACTORS
DRAWBAR, THREE POINT HITCH AND PTO

959

COUPLER GP-QUICK - 180-6640
CATEGORY 4

ITEM	NUMBER	QTY	DESCRIPTION
-	180-6640	--	COUPLER GP-QUICK [A] (NOT SERVICED)
1	CH6Y-8112	2	SPACER (17X25X14)
2	177-0661	2	HANDLE
3	CH190-2584	2	SPRING
4	CH190-2615	2	PIN ASM
5	196-2997	2	PLATE ASM
6	CH196-3019	1	PIN ASM
7	206-4613	1	FRAME ASM
8	CH183-5008	2	PIN-SPRING
9	CH1A-8827	4	PIN
10	206-4633	2	ROD (LIFT)
11	CH206-4636	2	SPACER (51.3X63.5X25)
12	CH3B-4617	4	PIN-COTTER
13	400078X1	2	WASHER (16.5X50X5)
14	CH6V-7688	4	LOCKNUT (M20X2.5)
15	CH6V-8225	1	NUT (M6X1)
16	500754D1	1	SPACER (.31X1.0X.62IN THK)
17	400191X1	2	BOLT (M16X2X40MM)
18	400194X1	4	BOLT (M20X2.5X180MM)
19	400205X1	1	BOLT (M6X1X40MM)
20	400080X1	4	WASHER-PLATED (22X35X3.5)
21	400310X1	1	WASHER (6.6X12X2)
22	400093X1	4	PLUG-SEAL

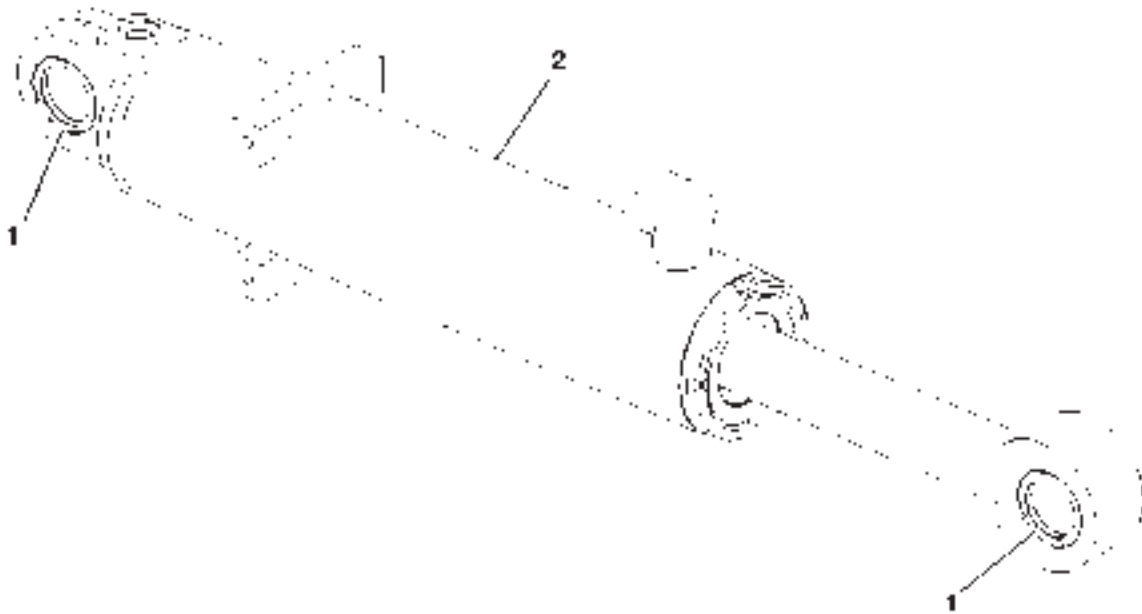
[A] PART OF 169-0028;180-6639;189-3300
HITCH AR-3 POINT

00886615
PR: t05i29k58b0434

960

MT800 SERIESTRACTORS
DRAWBAR, THREE POINT HITCH AND PTO

CYLINDER GP - CH184-5034



0836754A

MT800 SERIESTRACTORS
DRAWBAR, THREE POINT HITCH AND PTO

961

CYLINDER GP - CH184-5034

ITEM	NUMBER	QTY	DESCRIPTION
-	CH184-5034	--	CYLINDER GP (W/BRG) [A]
1	CH189-4911	1	CYLINDER AS-STRG (NOT SERVICED, ORDER CYL GROUP W/BRG, OR COMPONENTS) (SEE BREAKDOWN FOR COMPONENTS)
2	186-1000	2	BEARING

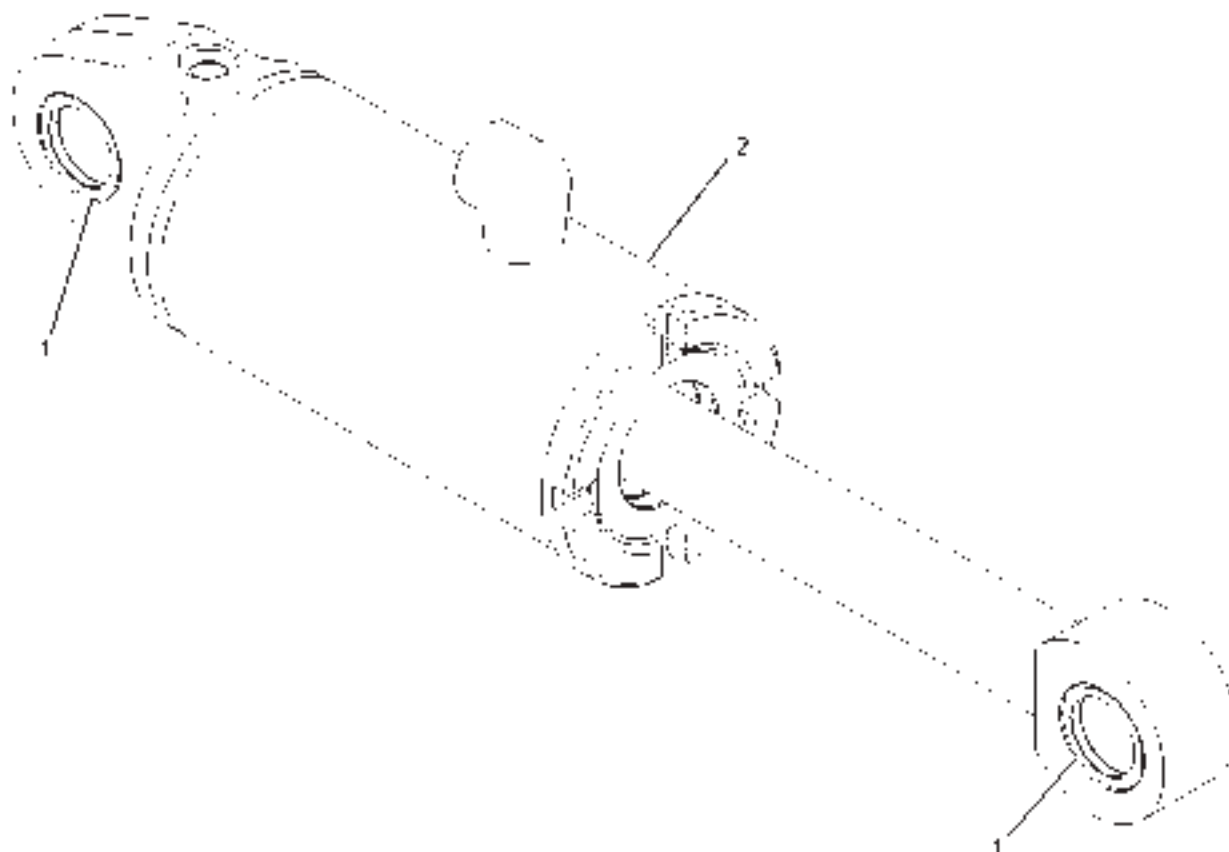
[A] PART OF: 184-5033 & 214-7489
CONTROL AR-DRAWBAR

0836754A
PR: t05i29k58b0435

962

MT800 SERIE TRACTORS
DRAWBAR, THREE POINT HITCH AND PTO

CYLINDER GP-STEERING - 183-4396



00897881

MT800 SERIESTRACTORS
DRAWBAR, THREE POINT HITCH AND PTO

963

CYLINDER GP-STEERING - 183-4396

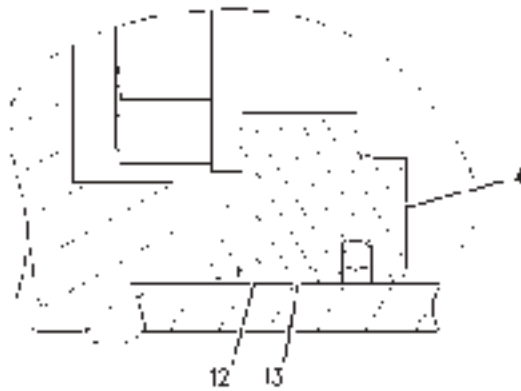
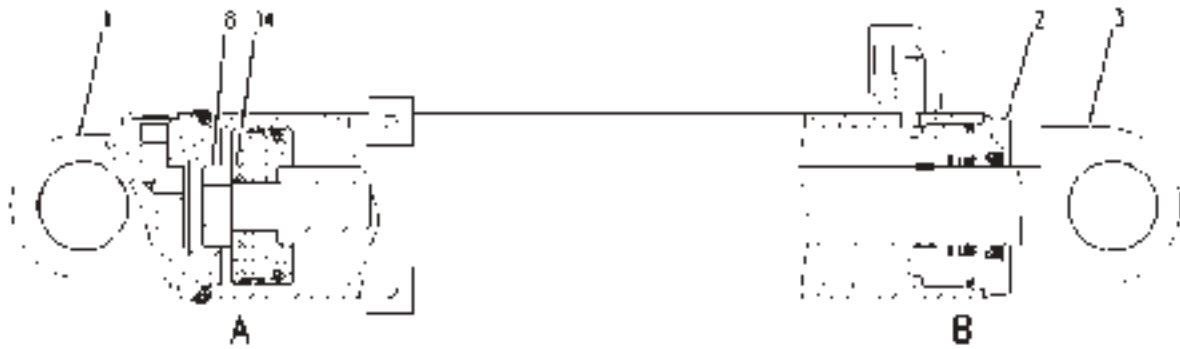
ITEM	NUMBER	QTY	DESCRIPTION
-	183-4396	--	CYLINDER GP-STEERING (W/BEARINGS) [A]
1	CH186-1000	2	BEARING-SLEEVE
2	CH189-6001	1	CYLINDER AS-STEERING (NOT SERVICED, ORDER CYLINDER GP W/BRGS) (SEE BREAKDOWN FOR COMPONENTS)

[A] PART OF 169-0027;169-0028;179-0852;
180-6639;186-0979 HITCH AR-3 POINT

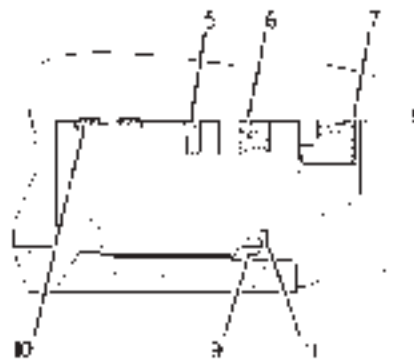
00897881
PR: t05i29k58b0436

MT800 SERIESTRACTORS
DRAWBAR, THREE POINT HITCH AND PTO

CYLINDER AS-0102-0408-Y
CH189-4911
101.6MM X 408MM (4 X 16.06")



VIEW OF AREA A



VIEW OF AREA B

MT800 SERIESTRACTORS
DRAWBAR, THREE POINT HITCH AND PTO

965

CYLINDER AS-0102-0408-Y
CH189-4911
101.6MM X 408MM (4 X 16.06")

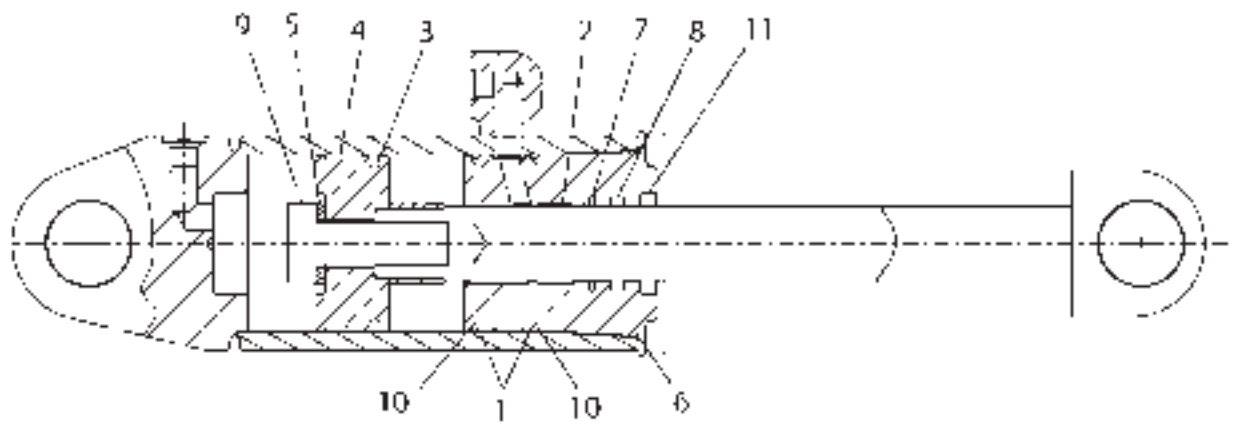
ITEM	NUMBER	QTY	DESCRIPTION
-	CH189-4911	--	CYLINDER AS-STEERING [A] (NOT SERVICED) (ORDER COMPLETE GP CH184-5034)
1	CH189-4882	1	CYLINDER ASM (DRAWBAR)
2	CH189-4888	1	HEAD
3	CH189-4906	1	ROD ASM
4	CH189-4907	1	PISTON
5	CH167-2195	1	SEAL ASM-BUFFER
6	502088D1	1	SEAL-U-CUP
7	CH167-2457	1	SEAL-WIPER
8	CH173-9683	1	BOLT-HEX HEAD (M30X3.5X90MM)
9	CH175-7900	1	SEAL-O-RING
10	CH189-6397	1	RING-WEAR
11	CH2K-6830	1	RING-BACKUP
12	CH5J-7154	1	RING-WEAR
13	CH8C-9160	1	SEAL ASM
14	CH9X-8399	1	WASHER (33X56X6)

[A] PART OF CH184-5034 CYLINDER GP

00852369
PR: t05i29k58b0437

MT800 SERIESTRACTORS
DRAWBAR, THREE POINT HITCH AND PTO

CYLINDER AS-STEERING - CH189-6001



1896001A

MT800 SERIESTRACTORS
DRAWBAR, THREE POINT HITCH AND PTO

967

CYLINDER AS-STEERING - CH189-6001

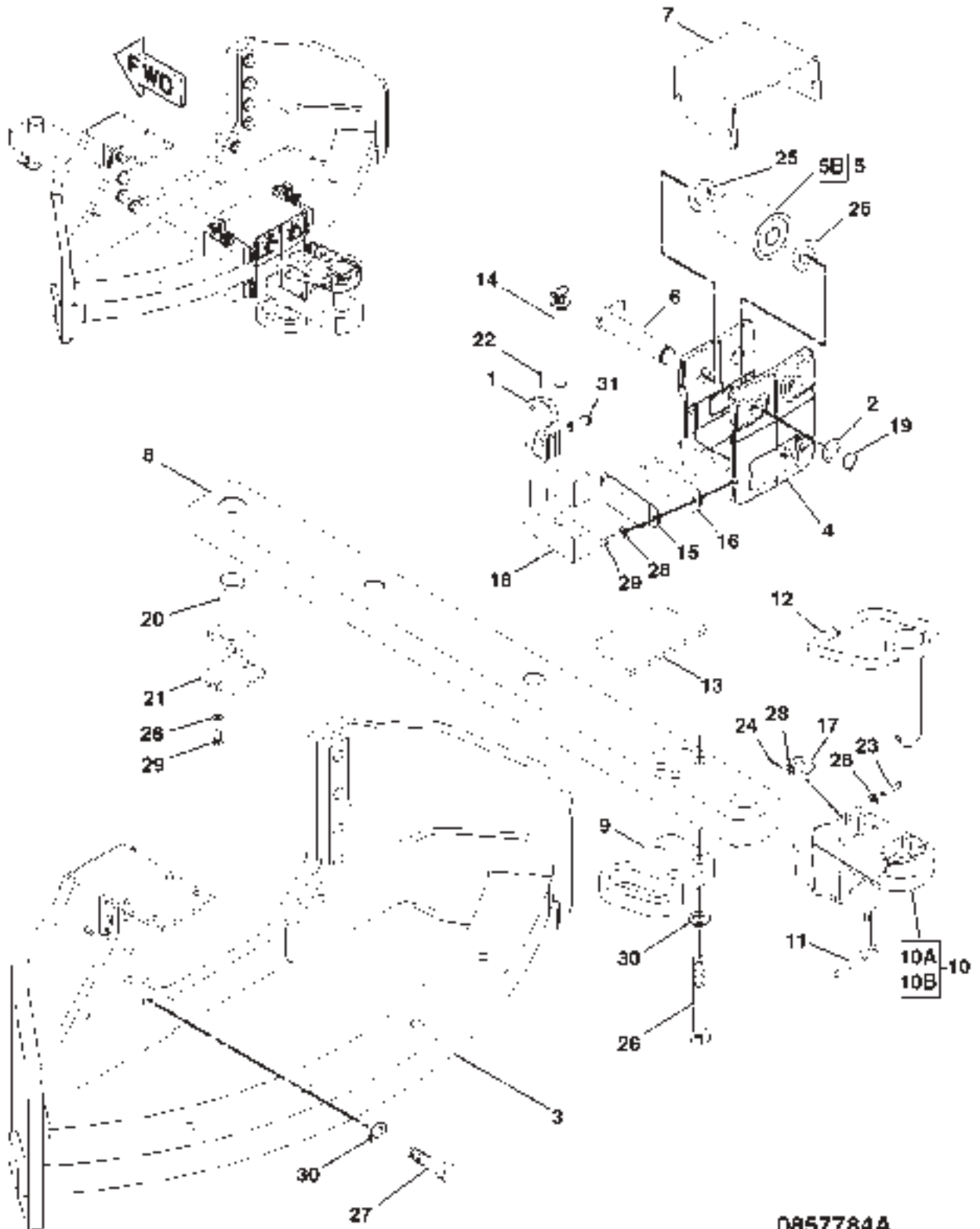
ITEM	NUMBER	QTY	DESCRIPTION
-	CH189-6001	--	CYLINDER AS-STEERING [A] (NOT SERVICED) (SERVICE W/COMPLETE GP 183-4396)
1	500967D1	2	RING-BACKUP
2	500968D1	1	RING-WEAR
3	500936D1	1	SEAL ASM
4	500939D1	1	RING-WEAR
5	500940D1	1	WASHER (33X56X6)
6	501820D1	1	SEAL-O-RING
7	501963D1	1	SEAL ASM-BUFFER
8	502088D1	1	SEAL-U-CUP
9	502095D1	1	BOLT-HEX HEAD (M30X3.5X90MM)
10	502096D1	2	SEAL-O-RING
11	502097D1	1	SEAL-WIPER

[A] PART OF 183-4396 CYLINDER
GP-STEERING

1896001A
PR: t05i29k58b0438

MT800 SERIESTRACTORS
DRAWBAR, THREE POINT HITCH AND PTO

DRAWBAR GP-WIDE SWINGING - 180-4036



0857784A

MT800 SERIESTRACTORS
DRAWBAR, THREE POINT HITCH AND PTO

969

DRAWBAR GP-WIDE SWINGING - 180-4036

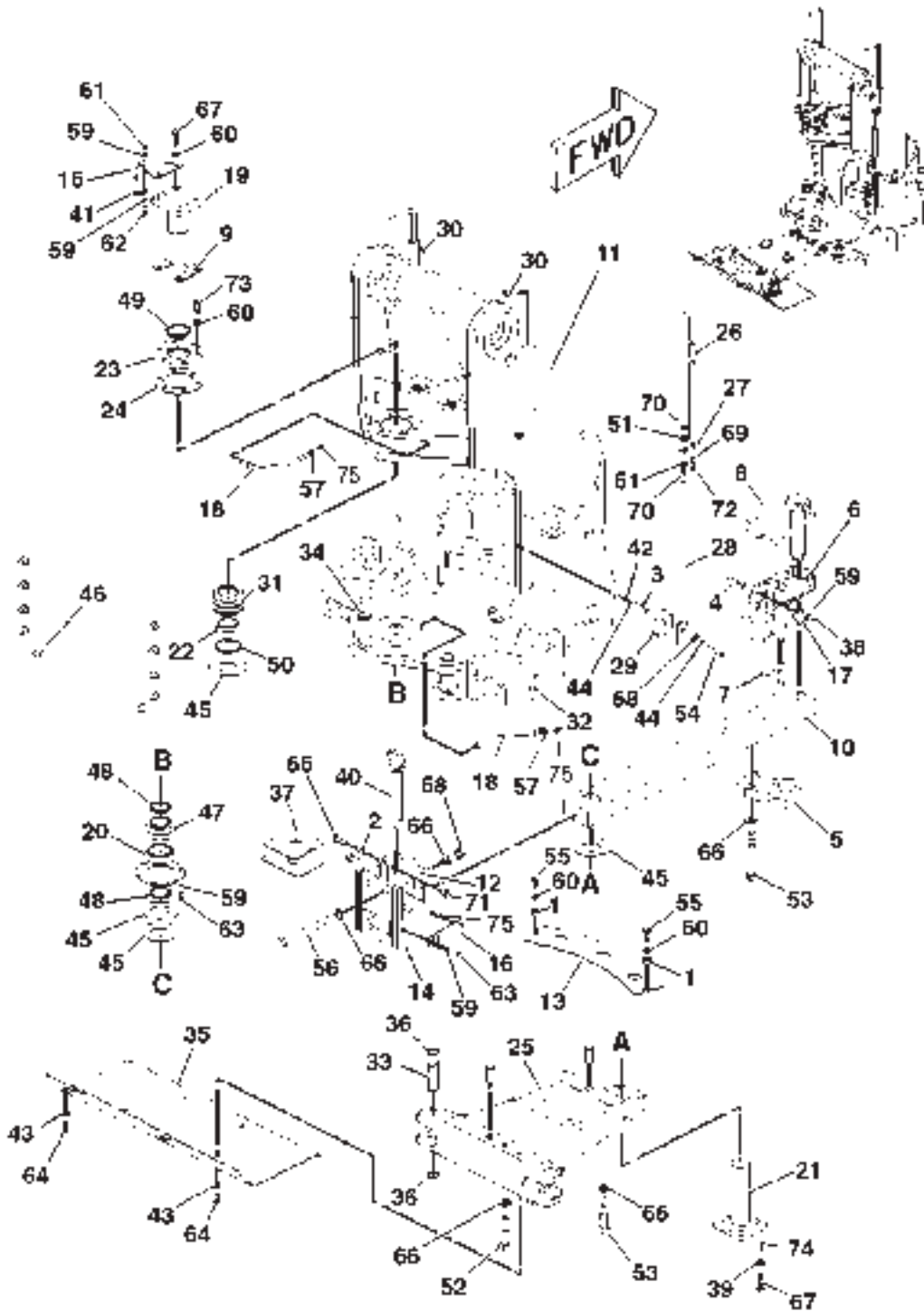
ITEM	NUMBER	QTY	DESCRIPTION
-	180-4036	--	DRAWBAR GP-SWINGING [A] (NOT SERVICED)
1	CH7B-0863	2	LATCH-PIN
2	CH117-0754	2	SHIM (1)
3	184-5042	1	PLATE ASM
	CH7T-1099	2	LINK
	400263X1	1	STUD
4	184-5049	1	BRACKET
5	184-5051	2	ROLLER ASM
5B	CH033-1097	2	BALL BEARING
6	184-5053	2	PIN ASM
7	184-5055	1	PLATE
8	184-5060	1	DRAWBAR
9	184-5062	1	PLATE
10	186-0994	1	CLEAVIS ASM (NOT SERVICED)
10A	186-0995	1	CLEVIS
10B	CH8K-0589	2	DOWEL
11	CH186-0996	1	PIN
12	CH186-0997	1	PIN (50MM DIA)
13	CH186-0998	1	PLATE
14	CH200-8747	2	PIN
15	CH200-8749	4	STOP
16	200-8750	2	PLATE
17	CH206-4627	1	LOCK
18	206-4631	2	PLATE ASM
19	CH1J-6474	2	RING-RETAINING
20	CH200-8751	1	PIN-DRAWBAR
21	CH206-4628	1	PLATE-RETAINING (SHOWN) (EARLY TYPE)
	501948D1	1	RETAINER-PIN (DUCTILE IRON) (LATER TYPE)
22	CH3B-4617	2	PIN-COTTER
23	CH177-3405	1	PIN
24	CH3B-4611	1	PIN-COTTER
25	400079X1	4	WASHER-HARD (37X60X3)
26	400182X1	3	BOLT (M24X3.0X180MM)
27	400036X1	10	BOLT (M24X3X90MM)
28	400287X1	12	WASHER-HARD (11X21X2.5)
29	400039X1	10	BOLT (M10X1.5X25MM)
30	400081X1	13	WASHER-HARD (26X44X4)
31	CH9S-1315	2	PIN-CLEVIS

[A] PART OF 184-5033 CONTROL AR-DRAWBAR

0857784A
PR: t05i29k58b0439

MT800 SERIESTRACTORS
DRAWBAR, THREE POINT HITCH AND PTO

DRAWBAR GP-SWINGING
210-7507



MT800 SERIESTRACTORS
DRAWBAR, THREE POINT HITCH AND PTO

971

DRAWBAR GP-SWINGING
210-7507

ITEM	NUMBER	QTY	DESCRIPTION
-	210-7507	--	DRAWBAR GP-SWINGING [A] (NOT SERVICED)
1	CH4L-8183	2	SPACER (16.66X29.15X9.53)
2	CH150-8766	1	LATCH
3	CH164-7491	2	TUBE (50 MM)(SEE NOTE J)
4	CH177-3405	1	PIN
5	184-5062	1	PLATE
6	186-0994	1	CLEVIS ASM (NOT SERVICED)
	186-0995	1	CLEVIS
	8K-0589	2	DOWEL
7	CH186-0996	1	PIN
8	CH186-0997	1	PIN (50MM DIA)
9	186-1071	1	SHIM PACK
10	186-1077	1	DRAWBAR
11	186-1078	1	FRAME ASM-HITCH
	7T-1099	12	LINK
	8T-4219	5	STUD-WELD (M10X1.5X17.5MM)
	9R-2613	5	BOSS (M10X1.5X25MM)
12	196-3036	1	PLATE ASM
13	196-3037	1	PLATE
14	196-3052	1	BRACKET ASM
15	199-6265	1	BRACKET
16	CH200-8749	2	STOP ASM
17	CH206-4627	1	LOCK
18	CH210-7488	2	HOSE ASM
19	CH210-7492	1	PIN ASM (SERVICED COMPLETE)
20	210-7495	1	PLATE ASM
21	210-7497	1	PIN
22	CH210-7499	1	SPACER
23	210-7500	1	PLATE
24	210-7501	1	SHIM PACK
25	210-7504	1	PIVOT
26	210-7512	2	ROD
27	210-7513	2	PLATE
28	210-7514	2	ROD ASM
29	210-7515	2	BLOCK
30	CH210-7518	2	PIN
31	CH213-6199	1	BEARING-SELF-ALIGNING
32	CH193-5914	4	PLUG
33	CH196-3041	2	PIN
34	CH196-3042	2	PIN
35	200-8775	1	PLATE
36	CH201-8106	8	RING-RETAINING
37	206-4619	1	PLATE
38	CH3B-4611	1	PIN-COTTER
39	400078X1	4	WASHER-HARD (16.5X50X5)

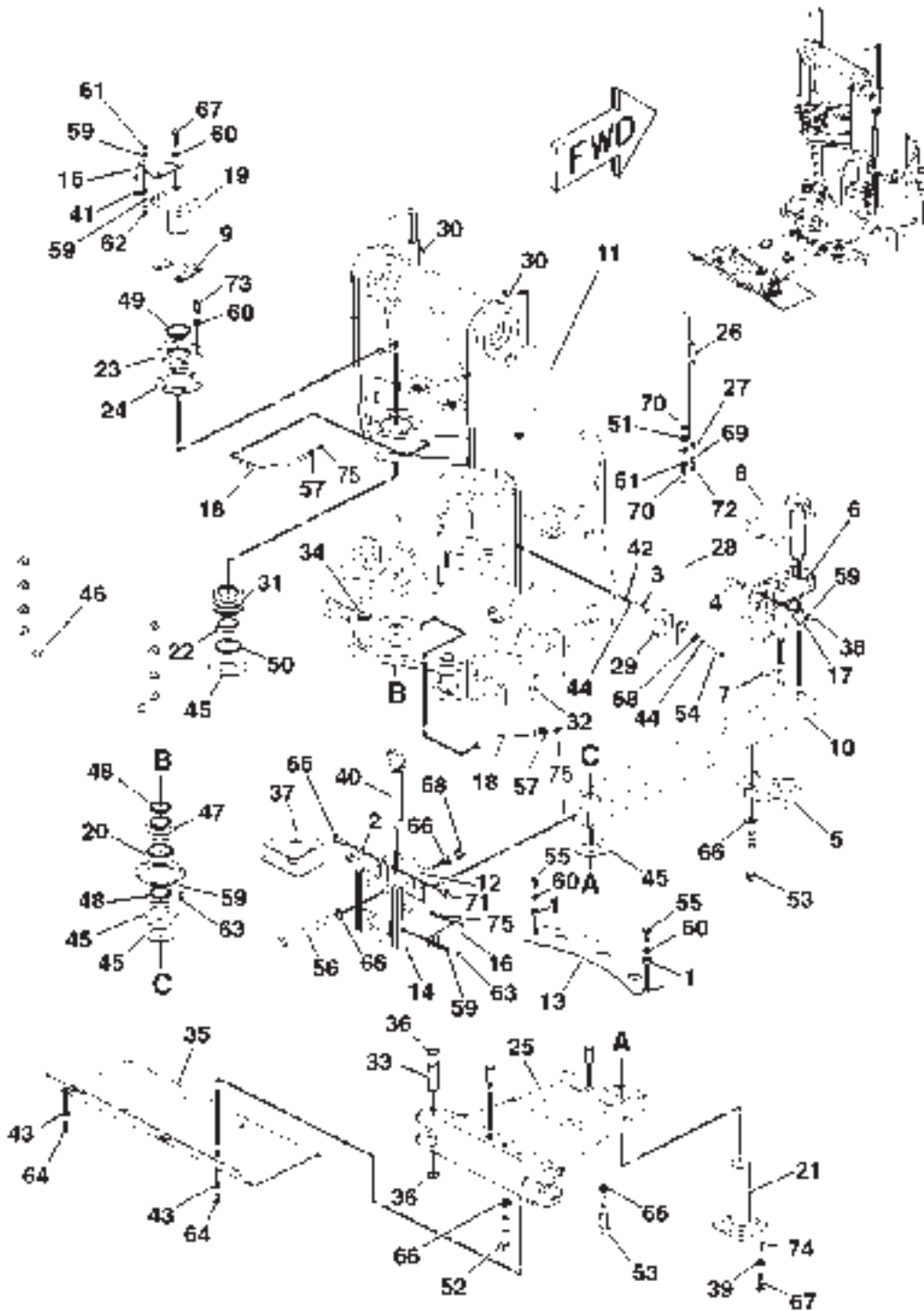
CONTINUED

[A] PART OF: 169-0027; 169-0028;
179-0852; 180-6639; 186-0979 &
189-3300 HITCH AR-3 POINT

0898157A
PR: t05i29k58b0440

MT800 SERIESTRACTORS
DRAWBAR, THREE POINT HITCH AND PTO

DRAWBAR GP-SWINGING
210-7507



MT800 SERIESTRACTORS
DRAWBAR, THREE POINT HITCH AND PTO

973

DRAWBAR GP-SWINGING
210-7507

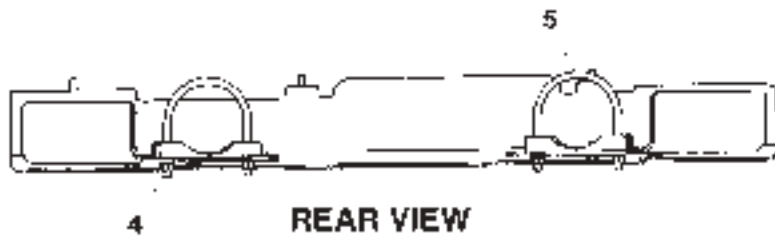
ITEM	NUMBER	QTY	DESCRIPTION
-	210-7507	--	DRAWBAR GP-SWINGING [A] (NOT SERVICED)
40	CH3W-6116	1	PIN
41	CH4P-7428	1	CLIP
42	400300X1	2	NUT (M6X1)
43	400381X1	6	WASHER-HARD (13.5X30X4)
44	CH5P-4115	4	WASHER-HARD (7.2X19X2)
45	CH5V-0354	4	WASHER (66X133X3.0)
46	400095X1	10	PLUG-PROTECTION
47	CH7J-1309	1	BEARING
48	CH7K-9205	2	SEAL-LIP
49	CH7K-9209	1	SEAL-LIP
50	CH7K-9210	1	SEAL-LIP
51	CH7X-0605	4	WASHER-HARD (13X28X1.6)
52	400025X1	6	BOLT (M24X3X110MM)
53	400182X1	9	BOLT (M24X3.0X180MM)
54	400187X1	2	BOLT (M6X1X60MM)
55	400191X1	2	BOLT (M16X2X40MM)
56	400198X1	2	BOLT (M24X3X240MM)
57	CH8L-6557	2	CONNECTOR
58	CH8T-4001	2	NUT (M24X3)
59	400287X1	14	WASHER-HARD (11X21X2.5)
60	CH8T-4122	12	WASHER-HARD (17X32X3.5)
61	WR522218	1	NUT (M10X1.5)
62	400039X1	1	BOLT (M10X1.5X25MM)
63	400040X1	10	BOLT (M10X1.5X20MM)
64	400041X1	6	BOLT (M12X1.75X30MM)
65	400222X1	1	BOLT (M16X2X60MM)
66	400081X1	19	WASHER-HARD (26X44X4)
67	400056X1	8	BOLT (M16X2X50MM)
68	400357X1	2	WASHER-HARD (M12X25.5X3)
69	400339X1	2	WASHER-HARD (8.8X16X2)
70	CH8T-4244	4	NUT (M12X1.75)
71	CH8T-4778	1	LOCKNUT (M16X2)
72	400341X1	2	BOLT (M8X1.25X25)
73	400244X1	6	BOLT (M16X2.0X45)
74	CH2A-1314	4	SPACER (16.7IDX25.4ODX23.8)
75	3B-8485	2	FITTING-GREASE (45 DEG X 2NPTF)

[A] PART OF: 169-0027; 169-0028;
179-0852; 180-6639; 186-0979 &
189-3300 HITCH AR-3 POINT

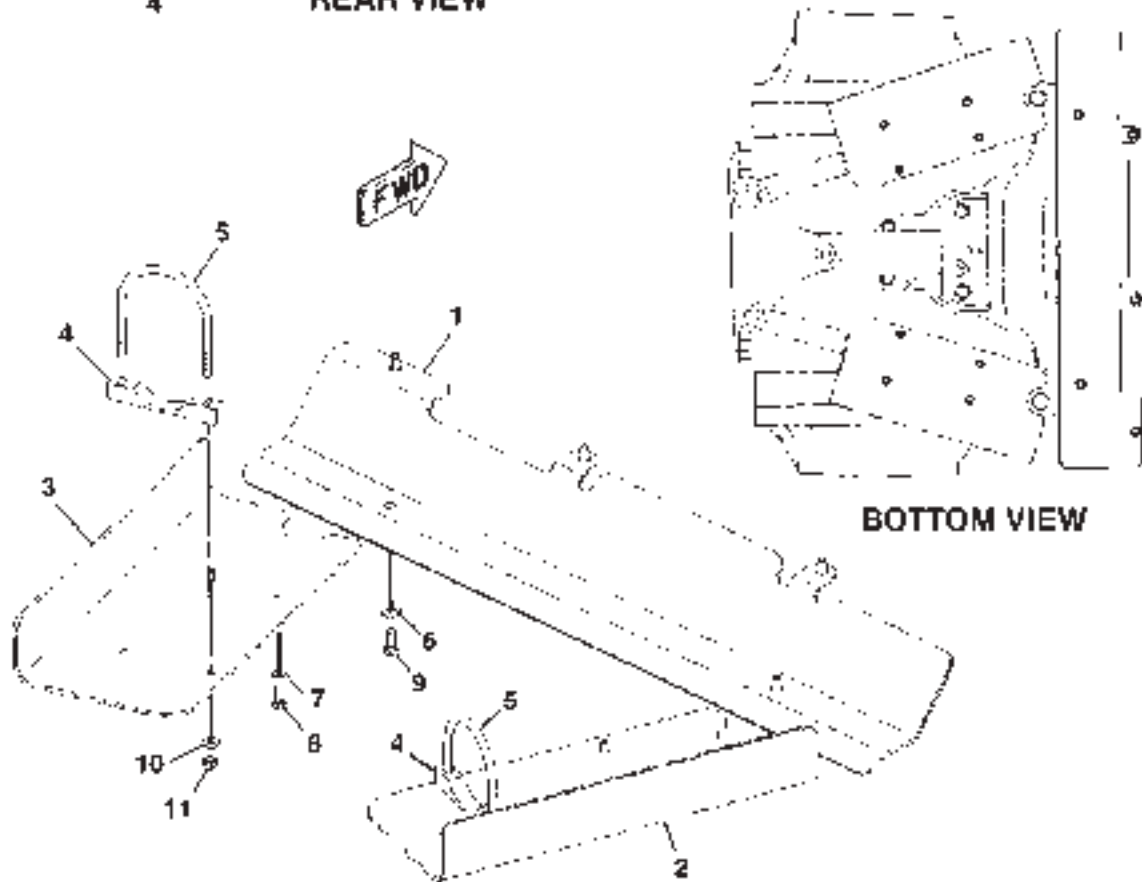
0898157A
PR: t05i29k58b0440

MT800 SERIE TRACTORS
DRAWBAR, THREE POINT HITCH AND PTO

GUARD GP-CYLINDER - 200-8772
POWERED DRAWBAR



REAR VIEW



BOTTOM VIEW

MT800 SERIESTRACTORS
DRAWBAR, THREE POINT HITCH AND PTO

975

GUARD GP-CYLINDER - 200-8772
POWERED DRAWBAR

ITEM	NUMBER	QTY	DESCRIPTION
-	200-8772	--	GUARD GP-CYLINDER [A] (NOT SERVICED)
1	200-8773	1	PLATE
2	206-4604	1	PLATE (LH)
3	206-4605	1	PLATE (RH)
4	206-4635	2	PLATE
5	CH147-7143	2	U-BOLT (M12X1.75)
6	400381X1	5	WASHER-HARD (13.5X30X4)
7	CH7X-7729	4	WASHER (11X25X3)
8	400039X1	4	BOLT (M10X1.5X25MM)
9	400041X1	5	BOLT (M12X1.75X30MM)
10	400357X1	4	WASHER-HARD (M12X25.5X3)
11	CH8T-4244	4	NUT (M12X1.75)

[A] PART OF 184-5033 & 210-7489
CONTROL AR-DRAWBAR

0852809A
PR: t05i29k58b0441

976

MT800 SERIESTRACTORS
DRAWBAR, THREE POINT HITCH AND PTO

HITCH AR-3 POINT - 169-0027
CAT 3 & 4 NARROW-W/O HYD TRAILER BRAKES

NO ILLUSTRATION

NOTIF

MT800 SERIESTRACTORS
DRAWBAR, THREE POINT HITCH AND PTO

977

HITCH AR-3 POINT - 169-0027
CAT 3 & 4 NARROW-W/O HYD TRAILER BRAKES

ITEM	NUMBER	QTY	DESCRIPTION
-	169-0027	--	HITCH AR-3 PT (ORDER ON DEALER CENTRAL)
1	136-5378	1	CONTROL & WIRING GP-HITCH (LIFT CIRCUIT) (NOT SERVICED) (SEE BREAKDOWN FOR COMPONENTS)
2	152-0445	1	CONTROL GP-HITCH (REAR)(3 POINT) (SEE BREAKDOWN FOR COMPONENTS)
3	179-3318	1	COUPLER GP-QUICK (SEE BREAKDOWN FOR COMPONENTS)
4	CH192-6280	2	CYLINDER GP-LIFT (SEE BREAKDOWN FOR COMPONENTS)
5	183-4396	2	CYLINDER GP-STEERING (HITCH LIFT) (SEE BREAKDOWN FOR COMPONENTS)
6	210-7507	1	DRAWBAR GP-SWINGING (NOT SERVICED) (SEE BREAKDOWN FOR COMPONENTS)
7	179-3317	1	HITCH GP-3 POINT (NOT SERVICED) (SEE BREAKDOWN FOR COMPONENTS)
8	158-2363	1	LINES GP-CYLINDER (3 POINT HITCH) (NOT SERVICED) (SEE BREAKDOWN FOR COMPONENTS)
9	192-4708	1	VALVE GP-BANK 3 (PRIORITY WITH HITCH) (SEE BREAKDOWN FOR COMPONENTS)

NOTIF
PR: t05i29k58b0442

978

MT800 SERIESTRACTORS
DRAWBAR, THREE POINT HITCH AND PTO

HITCH AR-3 POINT (FIELD) - 169-0028
CATEGORY 4-W/O HYD TRAILER BRAKES

NO ILLUSTRATION

NOTIF

MT800 SERIESTRACTORS
DRAWBAR, THREE POINT HITCH AND PTO

979

HITCH AR-3 POINT (FIELD) - 169-0028
CATEGORY 4-W/O HYD TRAILER BRAKES

ITEM	NUMBER	QTY	DESCRIPTION
-	169-0028	--	HITCH AR-3 POINT (ORDER ON WHOLEGOODS)
1	136-5378	1	CONTROL & WIRING GP-HITCH(LIFT CIRCUIT) (NOT SERVICED) (SEE BREAKDOWN FOR COMPONENTS)
2	152-0445	1	CONTROL GP-HITCH (REAR)(3 POINT) (SEE BREAKDOWN FOR COMPONENTS)
3	158-2363	1	LINES GP-CYLINDER (3 POINT HITCH) (NOT SERVICED) (SEE BREAKDOWN FOR COMPONENTS)
4	180-6640	1	COUPLER GP-QUICK (NOT SERVICED) (SEE BREAKDOWN FOR COMPONENTS)
5	192-4708	1	VALVE GP-BANK 3 (PRIORITY WITH HITCH) (SEE BREAKDOWN FOR COMPONENTS)
6	210-7507	1	DRAWBAR GP-SWINGING (NOT SERVICED) (SEE BREAKDOWN FOR COMPONENTS)
7	CH192-6280	2	CYLINDER GP-LIFT (SEE BREAKDOWN FOR COMPONENTS)
8	501503D1	1	DECAL SHEET-VEHICLE (SEE BREAKDOWN FOR COMPONENTS)
9	501504D1	--	DECAL SHEET-VEHICLE [A] (SEE BREAKDOWN FOR COMPONENTS)
10	501513D1	--	DECAL SHEET-TRANSLATIONS-ENGLISH (SEE BREAKDOWN FOR COMPONENTS)
11	183-4396	2	CYLINDER GP-STEERING (HITCH LIFT) (SEE BREAKDOWN FOR COMPONENTS)
12	184-5065	1	HITCH GP-3 POINT (NOT SERVICED) (SEE BREAKDOWN FOR COMPONENTS)
12	501806D1	1	TUBE AS

NOTIF
PR: t05i29k58b0443

980

MT800 SERIESTRACTORS
DRAWBAR, THREE POINT HITCH AND PTO

HITCH AR-3 POINT - 179-0852
CATEGORY 3/4 W/STEERABLE

NO ILLUSTRATION

NOTIF

MT800 SERIESTRACTORS
DRAWBAR, THREE POINT HITCH AND PTO

981

HITCH AR-3 POINT - 179-0852
CATEGORY 3/4 W/STEERABLE

ITEM	NUMBER	QTY	DESCRIPTION
-	179-0852	--	HITCH AR-3 POINT (NOT SERVICED)
	136-5378	1	CONTROL & WIRING GP-HITCH (NOT SERVICED) (SEE BREAKDOWN FOR COMPONENTS)
	152-0445	1	CONTROL GP-HITCH (SEE BREAKDOWN FOR COMPONENTS)
	179-3318	1	COUPLER GP-QUICK (SEE BREAKDOWN FOR COMPONENTS)
CH192-6280		2	CYLINDER GP-LIFT (SEE BREAKDOWN FOR COMPONENTS)
	183-4396	2	CYLINDER GP-STEERING (SEE BREAKDOWN FOR COMPONENTS)
	210-7507	1	DRAWBAR GP-SWINGING (NOT SERVICED) (SEE BREAKDOWN FOR COMPONENTS)
	179-3317	1	HITCH GP-3 POINT (NOT SERVICED) (SEE BREAKDOWN FOR COMPONENTS)
	158-2363	1	LINES GP-CYLINDER (NOT SERVICED) (SEE BREAKDOWN FOR COMPONENTS)

NOTIF
PR: t05i29k58b0444

982

MT800 SERIESTRACTORS
DRAWBAR, THREE POINT HITCH AND PTO

HITCH AR-3 POINT - 180-6639
CATEGORY 4 W/STEERABLE

NO ILLUSTRATION

NOTIF

MT800 SERIESTRACTORS
DRAWBAR, THREE POINT HITCH AND PTO

983

HITCH AR-3 POINT - 180-6639
CATEGORY 4 W/STEERABLE

ITEM	NUMBER	QTY	DESCRIPTION
-	180-6639	--	HITCH AR-3 POINT
	136-5378	1	CONTROL & WIRING GP-HITCH (NOT SERVICED) (SEE BREAKDOWN FOR COMPONENTS)
	152-0445	1	CONTROL GP-HITCH (SEE BREAKDOWN FOR COMPONENTS)
	180-6640	1	COUPLER GP-QUICK (NOT SERVICED) (SEE BREAKDOWN FOR COMPONENTS)
CH192-6280		2	CYLINDER GP-LIFT (SEE BREAKDOWN FOR COMPONENTS)
	183-4396	2	CYLINDER GP-STEERING (SEE BREAKDOWN FOR COMPONENTS)
	210-7507	1	DRAWBAR GP-SWINGING (NOT SERVICED) (SEE BREAKDOWN FOR COMPONENTS)
	184-5065	1	HITCH GP-3 POINT (NOT SERVICED) (SEE BREAKDOWN FOR COMPONENTS)
	158-2363	1	LINES GP-CYLINDER (NOT SERVICED) (SEE BREAKDOWN FOR COMPONENTS)

NOTIF
PR: t05i29k58b0445

984

MT800 SERIESTRACTORS
DRAWBAR, THREE POINT HITCH AND PTO

HITCH AR-3 POINT (FIELD) - 186-0979
CATAGORY 3&4 NARROW-W/HYD TRAILER BRAKES
EAME ONLY

NO ILLUSTRATION

NOTIF

MT800 SERIESTRACTORS
DRAWBAR, THREE POINT HITCH AND PTO

985

HITCH AR-3 POINT (FIELD) - 186-0979
CATAGORY 3&4 NARROW-W/HYD TRAILER BRAKES
EAME ONLY

ITEM	NUMBER	QTY	DESCRIPTION
-	186-0979	--	HITCH AR-3 POINT
1	136-5378	1	CONTROL & WIRING GP-HITCH (LIFT CIRCUIT) (NOT SERVICED) (SEE BREAKDOWN FOR COMPONENTS)
2	152-0445	1	CONTROL GP-HITCH (REAR)(3 POINT) (SEE BREAKDOWN FOR COMPONENTS)
3	158-2363	1	LINES GP-CYLINDER (3 POINT HITCH) (NOT SERVICED) (SEE BREAKDOWN FOR COMPONENTS)
4	179-3317	1	HITCH GP-3 POINT (NOT SERVICED) (SEE BREAKDOWN FOR COMPONENTS)
5	179-3318	1	COUPLER GP-QUICK (SEE BREAKDOWN FOR COMPONENTS)
6	193-8200	1	VALVE AR (PRIORITY WITH HITCH) (NOT SERVICED) (SEE BREAKDOWN FOR COMPONENTS)
7	210-7507	1	DRAWBAR GP-SWINGING (NOT SERVICED) (SEE BREAKDOWN FOR COMPONENTS)
8	CH192-6280	2	CYLINDER GP-LIFT (SEE BREAKDOWN FOR COMPONENTS)
9	501503D1	1	DECAL SHEET-VEHICLE (SEE BREAKDOWN FOR COMPONENTS)
10	501505D1	1	DECAL SHEET-VEHICLE (SEE BREAKDOWN FOR COMPONENTS)
11	183-4396	2	CYLINDER GP-STEERING (HITCH LIFT) (SEE BREAKDOWN FOR COMPONENTS)
12	501806D1	1	TUBE AS

NOTIF
PR: t05i29k58b0446

986

MT800 SERIESTRACTORS
DRAWBAR, THREE POINT HITCH AND PTO

HITCH AR-3 POINT (FIELD) - 189-3300
CATEGORY 4-W/HYDRAULIC TRAILER BRAKES
EAME ONLY

NO ILLUSTRATION

NOTIF

MT800 SERIESTRACTORS
DRAWBAR, THREE POINT HITCH AND PTO

987

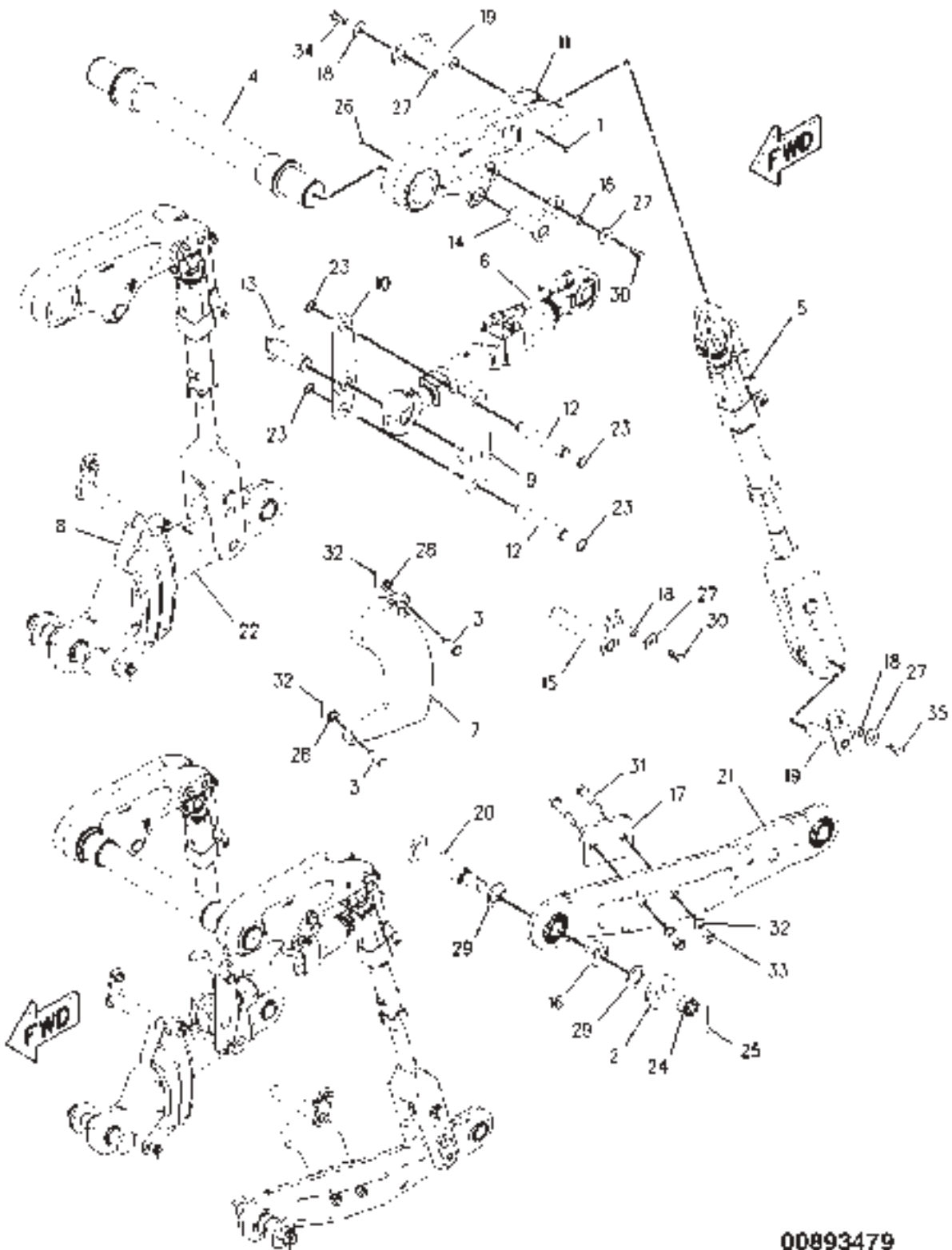
HITCH AR-3 POINT (FIELD) - 189-3300
CATEGORY 4-W/HYDRAULIC TRAILER BRAKES
EAME ONLY

ITEM	NUMBER	QTY	DESCRIPTION
-	189-3300	--	HITCH AR-3 POINT
1	136-5378	1	CONTROL & WIRING GP-HITCH (LIFT CIRCUIT) (NOT SERVICED) (SEE BREAKDOWN FOR COMPONENTS)
2	152-0445	1	CONTROL GP-HITCH (REAR)(3 POINT) (SEE BREAKDOWN FOR COMPONENTS)
3	158-2363	1	LINES GP-CYLINDER (3 POINT HITCH) (NOT SERVICED) (SEE BREAKDOWN FOR COMPONENTS)
4	180-6640	1	COUPLER GP-QUICK (NOT SERVICED) (SEE BREAKDOWN FOR COMPONENTS)
5	193-8200	1	VALVE AR (W/HITCH & HYD TRAILER BRAKE) (NOT SERVICED) (SEE BREAKDOWN FOR COMPONENTS)
6	210-7507	1	DRAWBAR GP-SWINGING (NOT SERVICED) (SEE BREAKDOWN FOR COMPONENTS)
7	CH192-6280	2	CYLINDER GP-LIFT (SEE BREAKDOWN FOR COMPONENTS)
8	501503D1	1	DECAL SHEET-VEHICLE (SEE BREAKDOWN FOR COMPONENTS)
9	501505D1	1	DECAL SHEET-VEHICLE (SEE BREAKDOWN FOR COMPONENTS)
10	183-4396	2	CYLINDER GP-STEERING (HITCH LIFT) (SEE BREAKDOWN FOR COMPONENTS)
11	184-5065	1	HITCH GP-3 POINT (NOT SERVICED) (SEE BREAKDOWN FOR COMPONENTS)
12	501806D1	1	TUBE AS

NOTIF
PR: t05i29k58b0447

MT800 SERIES TRACTORS
DRAWBAR, THREE POINT HITCH AND PTO

HITCH GP-3 POINT - 179-3317
CATEGORY 3/4



MT800 SERIESTRACTORS
DRAWBAR, THREE POINT HITCH AND PTO

989

HITCH GP-3 POINT - 179-3317
CATEGORY 3/4

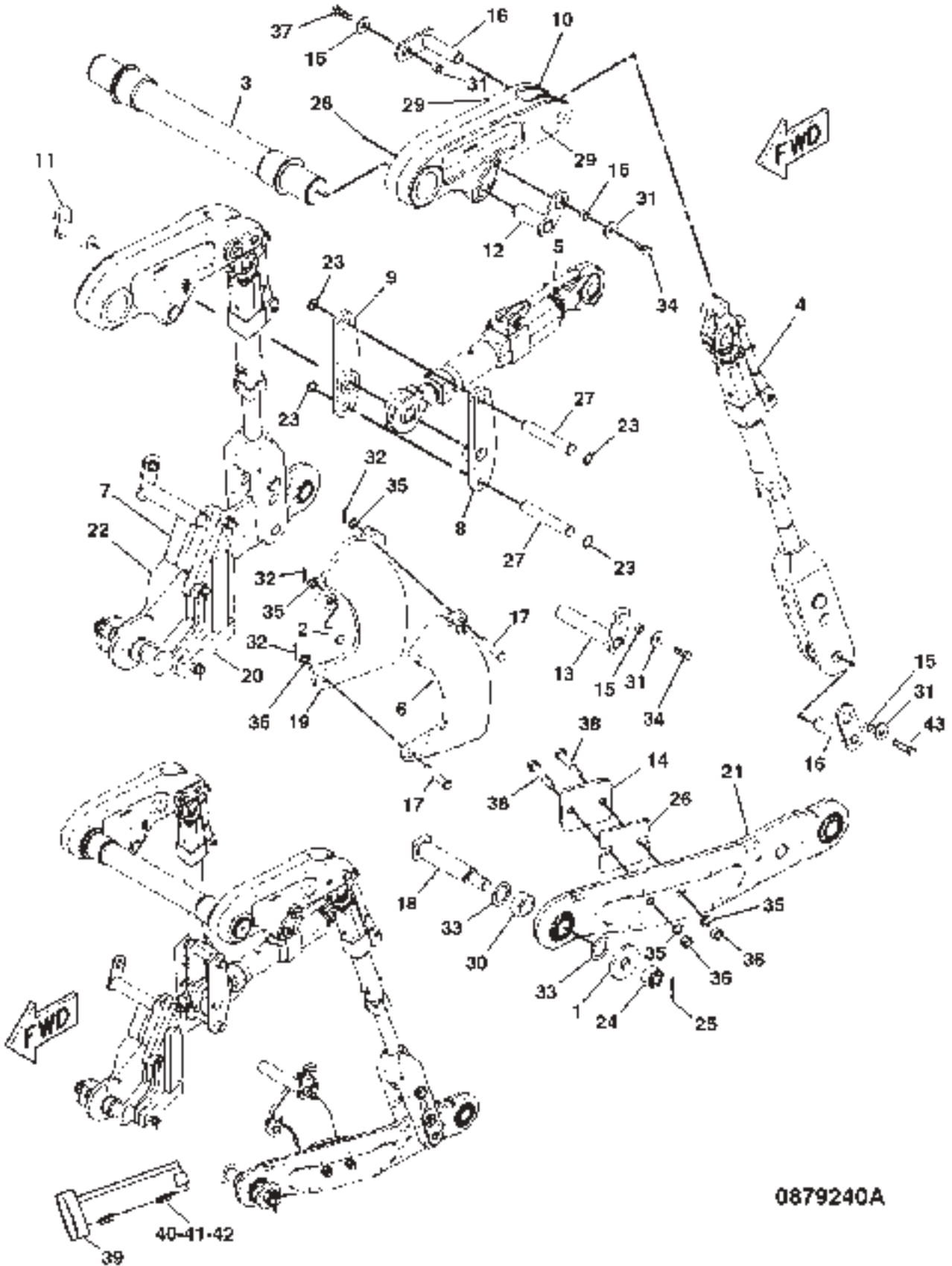
ITEM	NUMBER	QTY	DESCRIPTION
-	179-3317	--	HITCH GP-3 POINT [A] (NOT SERVICED)
1	400039X1	6	PLUG-SEAL
2	400291X1	2	SPACER (39X110X12)
3	CH152-4241	4	PIN
4	186-1063	1	ROCKSHAFT GP (NOT SERVICED) (SEE BREAKDOWN FOR COMPONENTS)
5	186-1090	2	LINK GP-LIFT (SEE BREAKDOWN FOR COMPONENTS)
6	186-1091	1	LINK GP-UPPER (SEE BREAKDOWN FOR COMPONENTS)
7	189-3307	1	LIMITER (LH)
8	189-3308	1	LIMITER (RH)
9	190-2608	1	SUPPORT ASM
10	190-2609	1	SUPPORT ASM
11	190-2624	2	ARM-LIFT
12	CH190-2634	2	PIN
13	CH196-3019	1	PIN ASM
14	CH196-3025	2	PIN ASM
15	CH196-3030	2	PIN ASM
16	CH196-3034	2	SPACER (51X70X28)
17	198-8378	2	BLOCK
18	CH200-0010	8	SPACER (17.5X25.4X12.5)
19	CH200-8708	4	PIN ASM
20	CH206-4640	2	PIN
21	213-7061	1	LINK ASM (LH) (INCLUDES LINK, BALL AND RACE)
22	213-7062	1	LINK ASM (RH) (INCLUDES LINK, BALL AND RACE)
23	400290X1	4	RING-RETAINING
24	400285X1	2	NUT-CASTLE (M36X4-6H)
25	400283X1	2	PIN-COTTER
26	400289X1	1	PLUG
27	400078X1	8	WASHER (16.5X50X5)
28	400284X1	4	PIN-COTTER
29	400288X1	4	WASHER-HARD (51X74X3)
30	400191X1	4	BOLT (M16X2X40MM)
31	400033X1	4	BOLT (M20X2.5X110MM)
32	400080X1	8	WASHER-HARD (22X35X3.5)
33	400286X1	4	NUT (M20X2.5)
34	400056X1	2	BOLT (M16X2X50MM)
35	400244X1	2	BOLT (M16X2.0X45MM)

[A] PART OF:
169-0027; 179-0852; 186-0979
HITCH AR-3 POINT

00893479
PR: t05i29k58b0448

MT800 SERIES TRACTORS
DRAWBAR, THREE POINT HITCH AND PTO

HITCH GP-3 POINT - 184-5065
CATEGORY 4



0879240A

MT800 SERIESTRACTORS
DRAWBAR, THREE POINT HITCH AND PTO

991

HITCH GP-3 POINT - 184-5065
CATEGORY 4

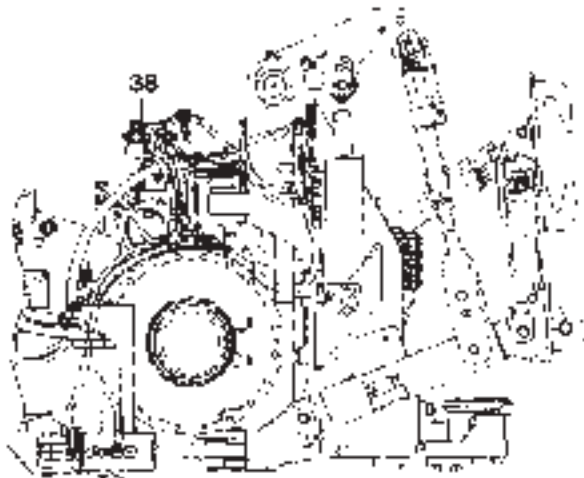
ITEM	NUMBER	QTY	DESCRIPTION
-	184-5065	--	HITCH GP-3POINT [A] (NOT SERVICED)
1	400291X1	2	SPACER (39X110X12)
2	CH152-4241	2	PIN
3	186-1063	1	ROCKSHAFT GP (NOT SERVICED) (SEE BREAKDOWN FOR COMPONENTS)
4	186-1090	2	LINK GP-LIFT (SEE BREAKDOWN FOR COMPONENTS)
5	186-1091	1	LINK GP-UPPER (SEE BREAKDOWN FOR COMPONENTS)
6	189-3307	1	LIMITER (LH)
7	189-3308	1	LIMITER (RH)
8	190-2608	1	SUPPORT ASM (TOP LINK LH)
9	190-2609	1	SUPPORT ASM (TOP LINK RH)
10	190-2624	2	ARM-LIFT (3 POINT HITCH)
11	CH196-3019	1	PIN
12	CH196-3025	2	PIN ASM (LH)
13	CH196-3030	2	PIN ASM (LH)
14	198-8378	2	BLOCK
15	CH200-0010	8	SPACER (17.5X25.4X12.5)
16	CH200-8708	4	PIN ASM (QUICK COUPLER)
17	CH223-9804	4	PIN
18	CH206-4640	2	PIN (DRAFTARM)
19	208-0563	1	SPACER ASM (LH)
20	208-0564	1	SPACER ASM (RH)
21	213-7061	1	LINK ASM (LH) (INCL. LINK, BALL & RACE)
22	213-7062	1	LINK ASM (RH) (INCL. LINK, BALL & RACE)
23	400290X1	4	RING-RETAINING,EXT (29IDX2.36)
24	400285X1	2	NUT-CASTLE (M36X4-6H)
25	400283X1	2	PIN-COTTER (6.3DIAX80)
26	189-3302	2	SPACER (SWAY BLOCK)
27	CH190-2634	2	PIN-TOP LINK SUPT (31.7DIAX194)
28	400289X1	1	PLUG-PROTECTIVE, PLASTIC (M7)
29	400093X1	6	PLUG-PROTECTIVE, PLASTIC (M14)
30	CH196-3034	2	SPACER (51X70X28)
31	400078X1	8	WASHER (16.5X50X5)
32	400284X1	6	PIN-COTTER
33	400288X1	4	WASHER-HARD (51X74X3)
34	400191X1	4	BOLT (M16X2X40MM)
35	400080X1	18	WASHER-PLATED (22X35X3.5)
36	400286X1	4	NUT (M20X2.5)
37	400056X1	2	BOLT (M16X2X50MM)
38	400236X1	4	BOLT (M20X2.5X120MM)
39	201-8342	2	LIMITER ASM-LG
40	400040X1	8	BOLT (M10X1.5X20)
41	400287X1	8	WASHER-HARD
42	201-8344	4	PLATE
43	400244X1	2	BOLT (M16X2X45)

[A] PART OF 169-0028;180-6639;189-3300
HITCH AR-3 POINT

0879240A
PR: t05i29k58b0449

MT800 SERIESTRACTORS
DRAWBAR, THREE POINT HITCH AND PTO

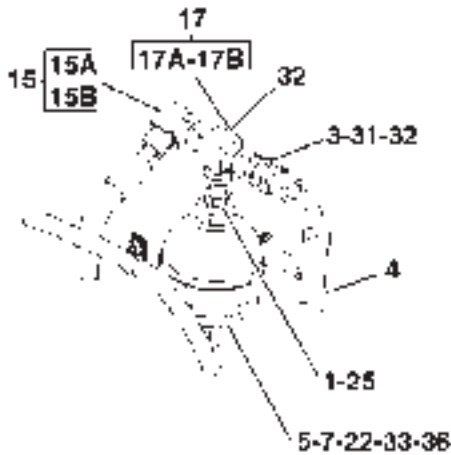
LINES GP-CYLINDER - 158-2363
3 POINT HITCH



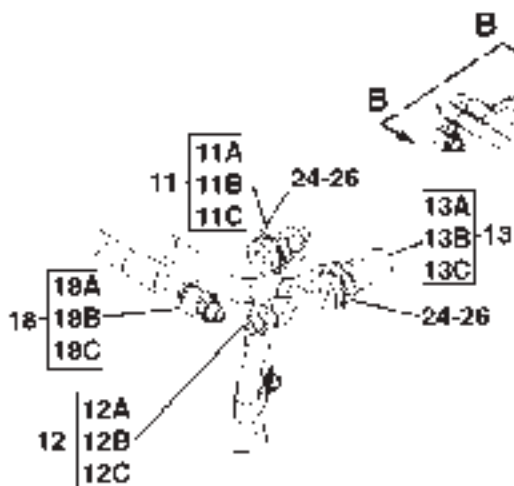
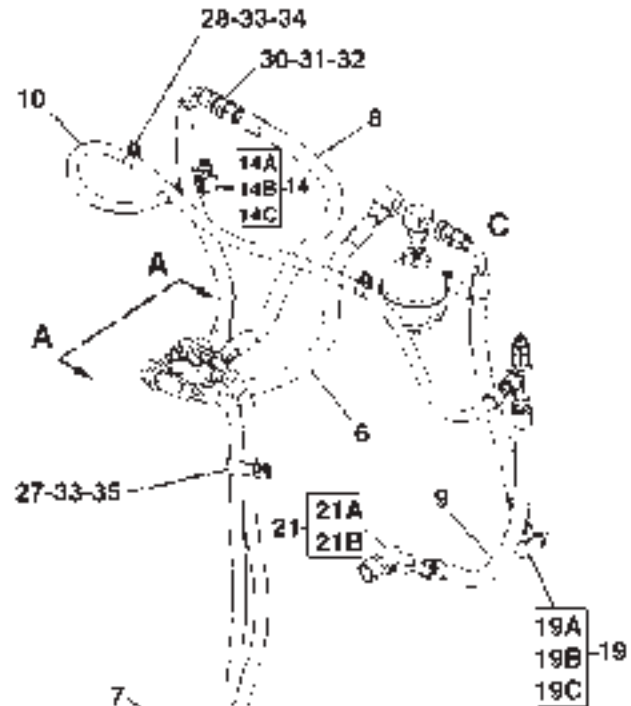
LEFT SIDE VIEW



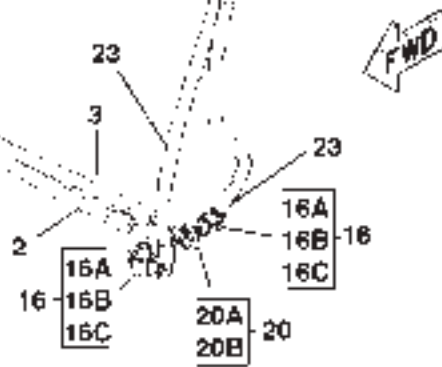
VIEW B-B



VIEW OF AREA C



VIEW A-A



LEFT SIDE VIEW
(FRONT)

0894174A

MT800 SERIESTRACTORS
DRAWBAR, THREE POINT HITCH AND PTO

993

LINES GP-CYLINDER - 158-2363
3 POINT HITCH

ITEM	NUMBER	QTY	DESCRIPTION
-	158-2363	--	LINES GP-CYLINDER [A] (NOT SERVICED)
1	CH108-7251	1	COUPLING
2	CH174-5810	1	HOSE ASM
3	CH174-9215	1	HOSE ASM
4	CH197-4832	2	HOSE ASM
5	CH199-7718	1	CLAMP
6	CH211-9968	1	HOSE ASM
7	CH212-0279	1	SPACER
8	CH213-6273	1	HOSE ASM
9	CH213-8872	1	HOSE ASM
10	CH218-2969	1	HOSE ASM
11	CH148-8340	1	CONNECTOR AS -8ORFS-8STOR
11A	CH3K-0360	1	SEAL-O-RING (16.36IDX2.21DIA)
11B	CH6V-8398	1	SEAL-O-RING (16.03ODX1.78DIA)
11C	-----	1	CONNECTOR (ORDER ITEM 11)
12	CH148-8342	2	CONNECTOR AS (20ORFSX20STOR)
12A	CH3K-0360	1	SEAL-O-RING
12B	-----	1	CONNECTOR (ORDER ITEM 12)
12C	400322X1	1	SEAL-O-RING
13	CH148-8346	1	ELBOW AS-90DEG (8STOR-8ORFS)
13A	CH3K-0360	1	SEAL-O-RING (16.36IDX2.21DIA)
13B	CH6V-8398	1	SEAL-O-RING (16.03ODX1.78DIA)
13C	-----	1	ELBOW (ORDER ITEM 13)
14	CH148-8364	2	ELBOW AS-90DEG (10 PORT ORFS)
14A	CH3K-0360	1	SEAL-O-RING (16.36IDX2.21DIA)
14B	CH6V-8398	1	SEAL-O-RING (16.03ODX1.78DIA)
14C	-----	1	ELBOW (ORDER ITEM 14)

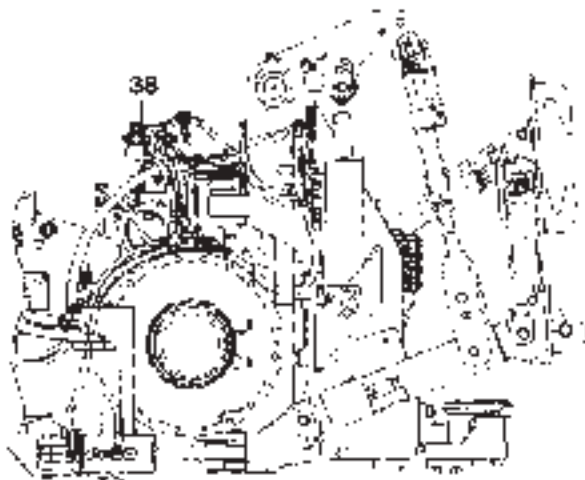
CONTINUED

[A] PART OF 169-0027;169-0028;179-0852;
180-6639 HITCH AR-3 POINT
[B] PART REQUIRED WHEN HOSE ASM IS
SERVICED WITH REUSABLE COUPLINGS

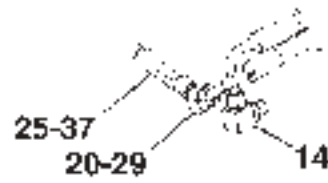
0894174A
PR: t05i29k58b0450

MT800 SERIESTRACTORS
DRAWBAR, THREE POINT HITCH AND PTO

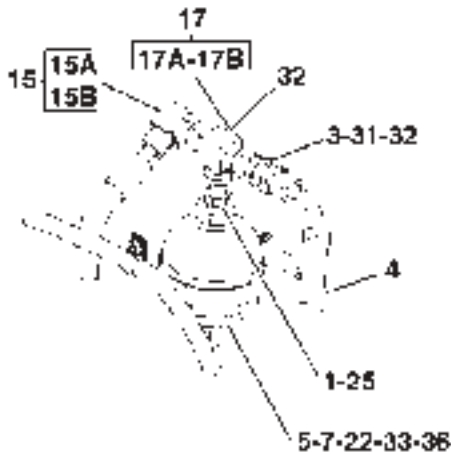
LINES GP-CYLINDER - 158-2363
3 POINT HITCH



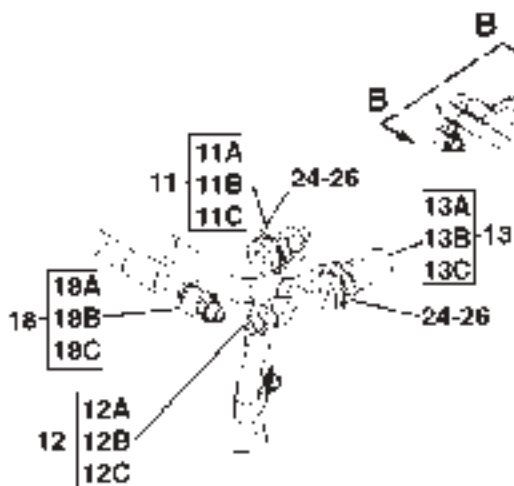
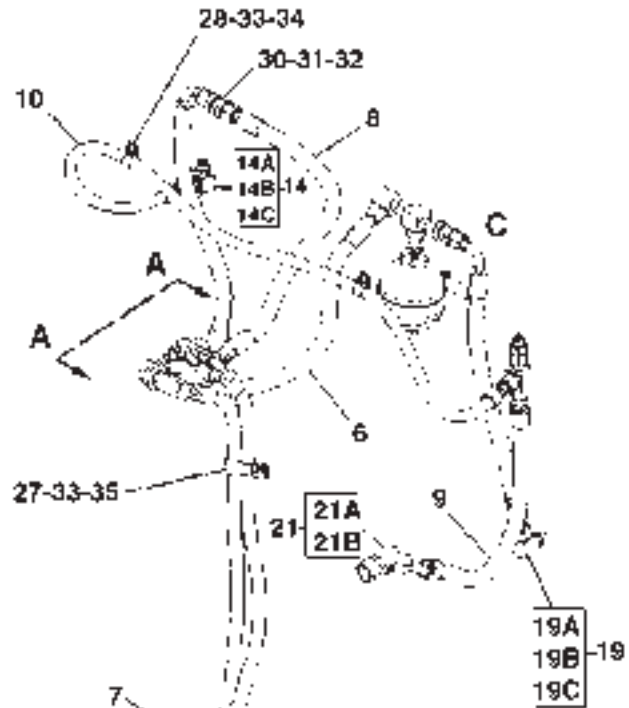
LEFT SIDE VIEW



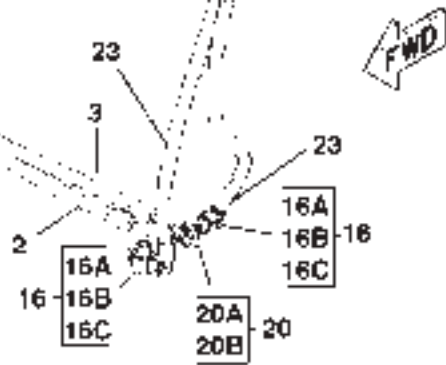
VIEW B-B



VIEW OF AREA C



VIEW A-A



LEFT SIDE VIEW
(FRONT)

0894174A

MT800 SERIESTRACTORS
DRAWBAR, THREE POINT HITCH AND PTO

995

LINES GP-CYLINDER - 158-2363
3 POINT HITCH

ITEM	NUMBER	QTY	DESCRIPTION
-	158-2363	--	LINES GP-CYLINDER [A] (NOT SERVICED)
15	CH148-8393	1	ELBOW AS-90DEG (10ORFS SWIVEL)
15A	-----	1	ELBOW (ORDER ITEM 15)
15B	400322X1	1	SEAL-O-RING (19.28IDX1.78DIA)
16	CH148-8428	2	TEE AS (8ORFSX8ORFSX8STOR)
16A	CH3K-0360	1	SEAL-O-RING
16B	CH6V-8398	2	SEAL-O-RING (16.03ODX1.78DIA)
16C	-----	1	TEE-FACE SEAL (ORDER ITEM 16)
17	CH148-8446	2	TEE AS-SWIVEL (10ORFSX3)
17A	-----	1	TEE-SWIVEL (ORDER ITEM 17)
17B	400322X1	2	SEAL-O-RING (19.28IDX1.78DIA)
18	CH150-3037	1	ELBOW AS-45DEG (10ORFSX8STOR)
18A	CH3K-0360	1	SEAL-O-RING
18B	400322X1	1	SEAL-O-RING (19.28IDX1.78DIA)
18C	-----	1	ELBOW (ORDER ITEM 18)
19	400412X1	2	ELBOW AS-90DEG (8STORX10ORFS)
19A	CH3K-0360	1	SEAL-O-RING (16.36IDX2.21DIA)
19B	-----	1	ELBOW (ORDER ITEM 18)
19C	400322X1	1	SEAL-O-RING (19.28IDX1.78DIA)
20	400616X1	2	ELBOW AS-8 ORFS 45DEG
20A	CH6V-8398	1	SEAL-O-RING (16.03ODX1.78DIA)
20B	-----	1	ELBOW (ORDER ITEM 20)
21	CH171-6723	1	ELBOW ASM-45DEG (12ORFSX12ORFS)
21A	400366X1	1	SEAL-O-RING (22.5ODX1.78DIA)
21B	-----	1	ELBOW (ORDER ITEM 21)
22	211-1156	1	ACCUMULATOR ASM-HYDRAULIC
23	CH211-8202	2	HOSE ASM
24	400593X1	2	SEAL-O-RING (37.46IDX3DIA)
25	CH3K-0360	2	SEAL-O-RING (16.36IDX2.21DIA)
26	CH5P-8905	2	ADAPTER-O-RING
27	CH6D-1641	2	CLIP
28	CH6D-4246	2	CLIP
29	CH6V-8398	1	SEAL-O-RING (16.03ODX1.78DIA)
30	CH6V-8996	2	UNION-BULKHEAD
31	CH6V-9170	2	NUT-BULKHEAD (1-14)
32	400322X1	4	SEAL-O-RING
33	400287X1	4	WASHER-HARD (11X21X2.5)
34	WR522218	2	NUT (M10X1.5)
35	400040X1	1	BOLT (M10X1.5X20MM)
36	400225X1	1	BOLT (M10X1.5X90MM)
37	CH9X-2304	1	CONNECTOR
38	CH193-5914	1	PLUG

[A] PART OF 169-0027;169-0028;179-0852;
180-6639 HITCH AR-3 POINT
[B] PART REQUIRED WHEN HOSE ASM IS
SERVICED WITH REUSABLE COUPLINGS

0894174A
PR: t05i29k58b0450

MT800 SERIESTRACTORS
DRAWBAR, THREE POINT HITCH AND PTO

997

LINES GP-CYLINDER - 180-0503
POWERED DRAWBAR

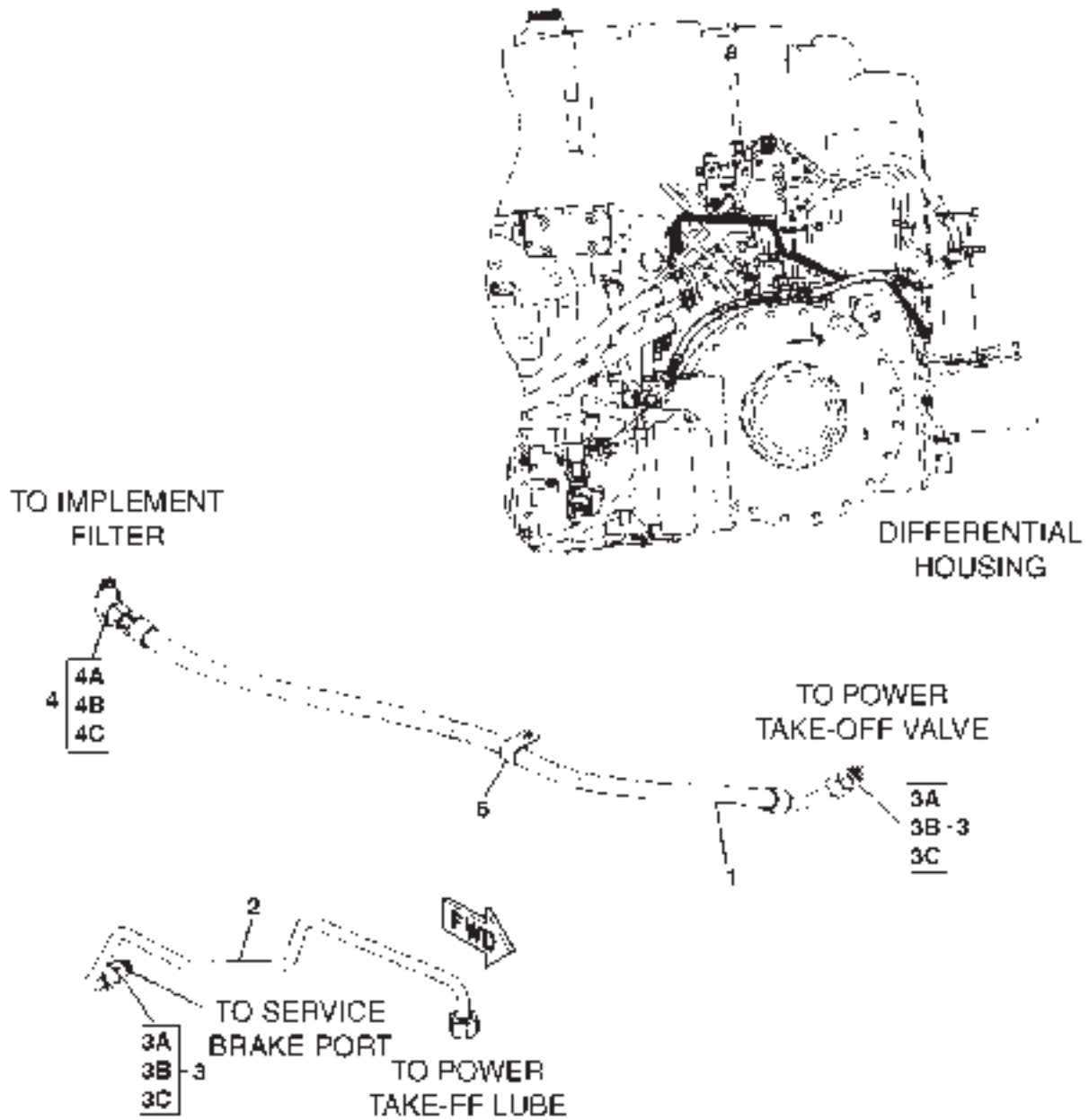
ITEM	NUMBER	QTY	DESCRIPTION
-	180-0503	--	LINES GP-CYLINDER [A] (NOT SERVICED)
1	400039X1	2	BOLT (M10X1.5X25MM)
2	209-6244	1	BRACKET ASM
3	CH122-1162	1	CLAMP
4	CH6D-1641	2	CLIP-LOOP (24IDX2)
5	CH4L-3641	1	CLIP (25.4ID)
6	CH5D-4204	3	CLIP (28.58ID)
7	CH164-5557	1	CONNECTOR ASM (8ORFSX10STOR)
	400319X1	1	SEAL-O-RING (19.18IDX2.46DIA)
	CH6V-8398	1	SEAL-O-RING (16.03ODX1.78DIA)
8	CH148-8364	2	ELBOW AS-90DEG (8STOR-8ORFS)
	CH3K-0360	1	SEAL-O-RING (16.36IDX2.21DIA)
	CH6V-8398	1	SEAL-O-RING (16.03ODX1.78DIA)
9	CH148-8372	1	ELBOW AS (10STOR-8ORFS)
	400319X1	1	SEAL-O-RING (19.18IDX2.46DIA)
	CH6V-8398	1	SEAL-O-RING (16.03ODX1.78DIA)
10	210-6063	1	GUARD ASM
11	CH211-2723	1	HOSE ASM
12	CH211-2724	1	HOSE ASM
13	CH211-2725	1	HOSE ASM
14	CH159-5898	2	FITTING ASM
15	WR522218	2	NUT (M10X1.5)
16	209-9800	1	PLATE ASM
17	CH6V-8398	2	SEAL-O-RING (16.03ODX1.78DIA)
18	CH148-8428	2	TEE AS (8ORFSX8ORFSX8STOR)
	CH3K-0360	1	SEAL-O-RING (16.36IDX2.21DIA)
	CH6V-8398	2	SEAL-O-RING (16.03ODX1.78DIA)
19	210-1503	1	TUBE ASM
20	210-4464	1	TUBE ASM
21	CH7X-7729	7	WASHER (11X25X3)
22	400287X1	2	WASHER-HARD (11X21X2.5)
23	400040X1	4	BOLT (M10X1.5X20MM)
24	400226X1	1	BOLT (M10X1.5X50MM)
25	CH211-2722	1	HOSE ASM

[A] PART OF 184-5033 & 210-7489
CONTROL AR-DRAWBAR

1800503F
PR: t05i29k58b0451

MT800 SERIESTRACTORS
DRAWBAR, THREE POINT HITCH AND PTO

LINES GP-POWER TAKE-OFF - 189-2976



MT800 SERIESTRACTORS
DRAWBAR, THREE POINT HITCH AND PTO

999

LINES GP-POWER TAKE-OFF - 189-2976

ITEM	NUMBER	QTY	DESCRIPTION
-	189-2976	--	LINES GP-PTO [A] (NOT SERVICED)
1	211-2885	1	HOSE ASM (15.9ID SAE 100R1)
2	219-8801	1	TUBE ASM
3	CH148-8342	2	CONNECTOR AS (20ORFSX20STOR)
3A	CH3K-0360	1	SEAL-O-RING (16.36IDX2.21DIA)
3B	-----	1	CONNECTOR (ORDER ITEM 12)
3C	400322X1	1	SEAL-O-RING (19.28IDX1.78DIA)
4	CH155-3504	1	ELBOW AS-45DEG (10ORFSX10STOR)
4A	400319X1	1	SEAL-O-RING (19.18IDX2.46DIA)
4B	-----	1	ELBOW (ORDER ITEM 4)
4C	400322X1	1	SEAL-O-RING (19.28IDX1.78DIA)
5	CH4S-1962	1	CLIP-LOOP (25.4ID)

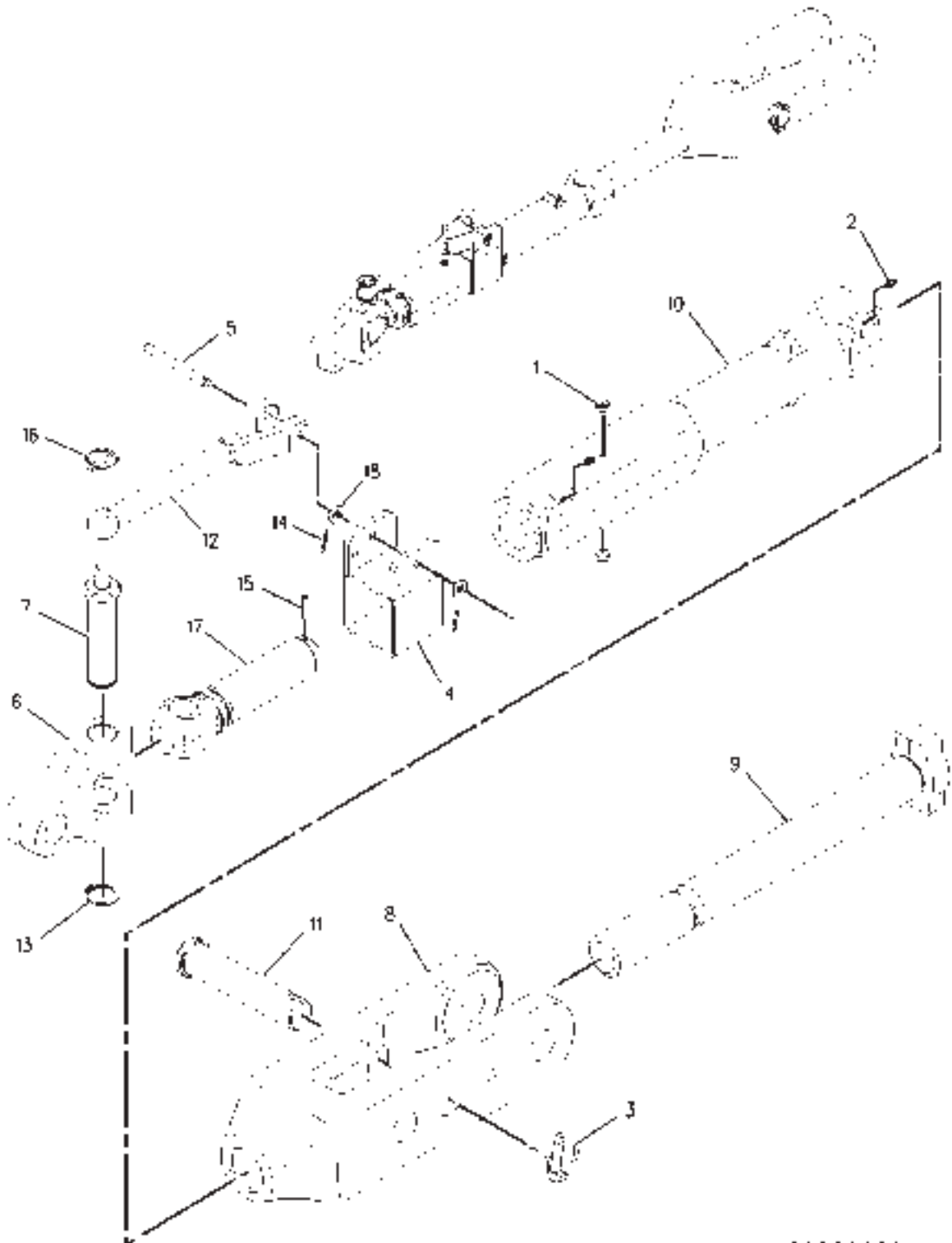
[A] PART OF 163-0400; 224-8603 KIT-PTO;
183-2197; 183-2198 GAUGE AR-TRACK

0888048A
PR: t05i29k58b0452

1000

MT800 SERIE TRACTORS
DRAWBAR, THREE POINT HITCH AND PTO

LINK GP-LIFT
186-1090



00889683

MT800 SERIESTRACTORS
DRAWBAR, THREE POINT HITCH AND PTO

1001

LINK GP-LIFT
186-1090

ITEM	NUMBER	QTY	DESCRIPTION
-	186-1090	--	LINK GP-LIFT [A]
1	CH0T-0200	2	PLUG-CUP
2	CH6V-1506	2	FITTING-GREASE
3	CH119-1329	1	PIN-LINCH
4	184-5063	1	FRAME ASM
5	CH186-1069	1	PIN
6	186-0983	1	PIVOT
7	CH186-1081	1	PIN
8	186-1093	1	CLEVIS
9	CH186-1094	1	ROD-LIFT LINK
10	186-1095	1	TUBE
11	CH186-1096	1	PIN
12	189-3296	1	HANDLE
13	400290X1	1	RING-RETAINING
14	CH095-0845	2	PIN-COTTER
15	CH095-9230	1	PIN-SPRING
16	CH5D-8159	1	PIN ASM
17	186-1020	1	ROD END-LOWER
18	400287X1	2	WASHER-HARD (11X21X2.5)

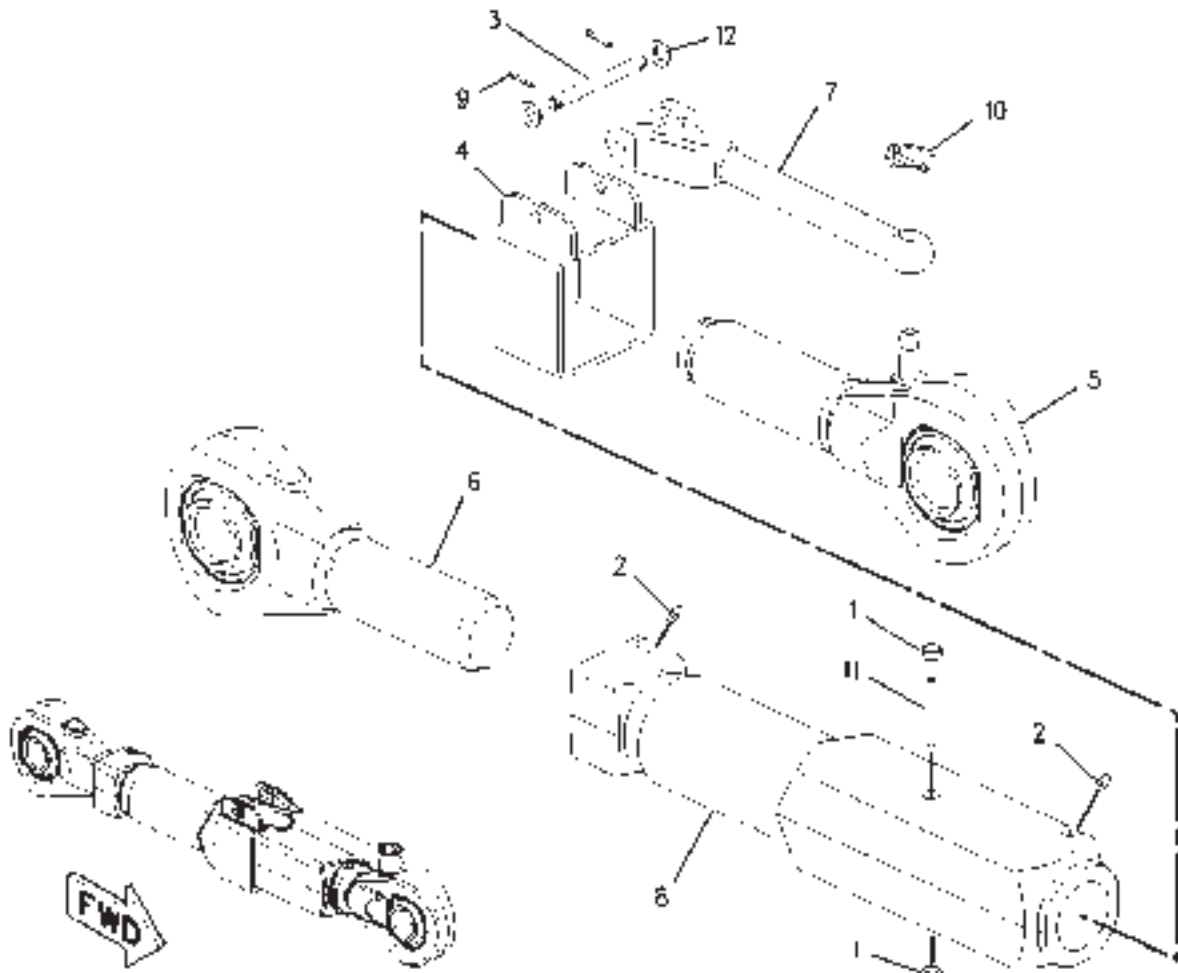
[A] PART OF 179-3317; 184-5065
HITCH GP-3 POINT

00889683
PR: t05i29k58b0453

1002

MT800 SERIE TRACTORS
DRAWBAR, THREE POINT HITCH AND PTO

LINK GP-UPPER
186-1091



00898208

MT800 SERIESTRACTORS
DRAWBAR, THREE POINT HITCH AND PTO

1003

LINK GP-UPPER
186-1091

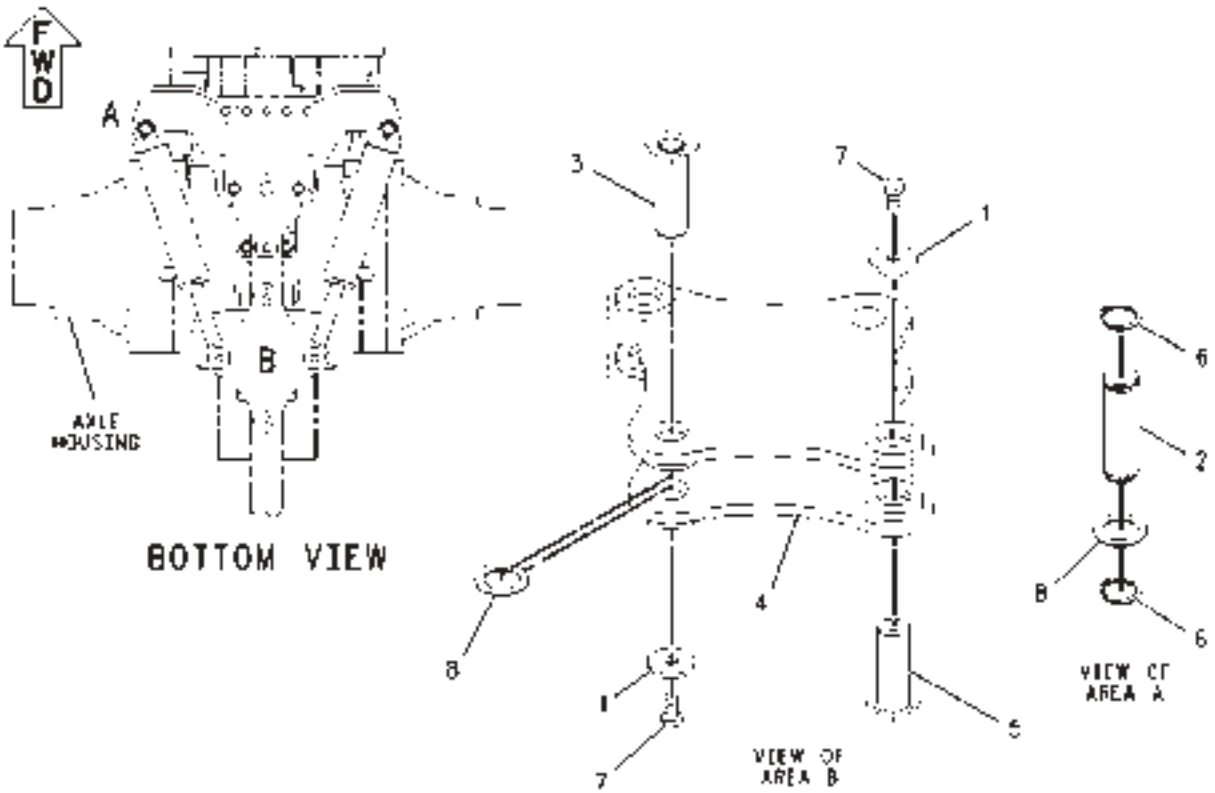
ITEM	NUMBER	QTY	DESCRIPTION
-	186-1091	--	LINK GP-UPPER [A]
1	CH0T-0200	2	PLUG-CUP
2	CH6V-1506	2	FITTING-GREASE
3	CH186-1069	1	PIN
4	CH189-3284	1	FRAME ASM
5	CH210-7531	1	ROD END ASM (LH)
6	CH210-7532	1	ROD END ASM (RH)
7	189-3296	1	HANDLE
8	210-7523	1	TUBE
9	CH095-0845	2	PIN-COTTER
10	CH5D-8159	1	PIN ASM
11	CH6V-8130	1	PIN-SPRING
12	400287X1	2	WASHER-HARD (11X21X2.5)

[A] PART OF 179-3317; 184-5065
HITCH GP-3 POINT

00898208
PR: t05i29k58b0454

MT800 SERIESTRACTORS
DRAWBAR, THREE POINT HITCH AND PTO

MOUNTING GP-CYLINDER - 184-5035
CONTROLLED DRAWBAR



MT800 SERIESTRACTORS
DRAWBAR, THREE POINT HITCH AND PTO

1005

MOUNTING GP-CYLINDER - 184-5035
CONTROLLED DRAWBAR

ITEM	NUMBER	QTY	DESCRIPTION
-	184-5035	--	MOUNTING GP-CYLINDER [A] (NOT SERVICED)
1	CH7D-0734	4	WASHER (.656X2.38X.250 IN THK)
2	CH190-2611	2	PIN
3	CH190-2612	2	PIN ASM
4	190-2613	2	PLATE ASM
5	210-7491	2	PIN ASM
6	CH201-8106	4	RING-RETAINING
7	400088X1	4	BOLT (M16X2X30MM)
8	CH9R-0158	4	WASHER (46X69X3)

[A] PART OF 184-5033 & 210-7489
CONTROL AR-DRAWBAR

00888167
PR: t05i29k58b0455

1006

MT800 SERIESTRACTORS
DRAWBAR, THREE POINT HITCH AND PTO

PLUG GP-3 PT-HITCH - 224-9662
DRAWBAR HITCH APPLICATIONS



2249662E

MT800 SERIESTRACTORS
DRAWBAR, THREE POINT HITCH AND PTO

1007

PLUG GP-3 PT-HITCH - 224-9662
DRAWBAR HITCH APPLICATIONS

ITEM	NUMBER	QTY	DESCRIPTION
-	224-9662	--	PLUG GP-3 PT HITCH [A]
1	CH109-2356	2	PLUG
2	CH214-1071	1	PLUG
3	CH4P-7581	1	CLIP
4	400287X1	1	WASHER-HARD (11IDX21ODX2.5)
5	400040X1	1	BOLT (M10X1.5X20)
6	CH7K-1181	1	STRAP-CABLE

[A] PART OF:
179-0851 HITCH AR
179-0853 HITCH AR-NON AG
184-5033 CONTROL AR-DRAWBAR

2249662E
PR: t05i29k58b0456

1008

MT800 SERIESTRACTORS
DRAWBAR, THREE POINT HITCH AND PTO

POWERTAKE-OFF (KIT) - 163-0400
ROW & SPECIAL APPLICATIONS

NO ILLUSTRATION

NOTIF

MT800 SERIESTRACTORS
DRAWBAR, THREE POINT HITCH AND PTO

1009

POWER TAKE-OFF (KIT) - 163-0400
ROW & SPECIAL APPLICATIONS

ITEM	NUMBER	QTY	DESCRIPTION
-	163-0400	--	KIT-PTO
1	152-0446	1	CONTROL GP-PTO (NOT SERVICED) (SEE BREAKDOWN FOR COMPONENTS)
2	183-4470	1	GUARD GP-PTO (NOT SERVICED) (SEE BREAKDOWN FOR COMPONENTS)
3	187-4930	1	POWER TAKE-OFF GP (NOT SERVICED) (SEE BREAKDOWN FOR COMPONENTS)
4	189-2976	1	LINES GP-PTO (NOT SERVICED) (SEE BREAKDOWN FOR COMPONENTS)

NOTIF
PR: t05i29k58b0457

1010

MT800 SERIESTRACTORS
DRAWBAR, THREE POINT HITCH AND PTO

POWERTAKE-OFF (KIT) - 224-8603
EAME

NO ILLUSTRATION

NOTIF

MT800 SERIESTRACTORS
DRAWBAR, THREE POINT HITCH AND PTO

1011

POWER TAKE-OFF (KIT) - 224-8603
EAME

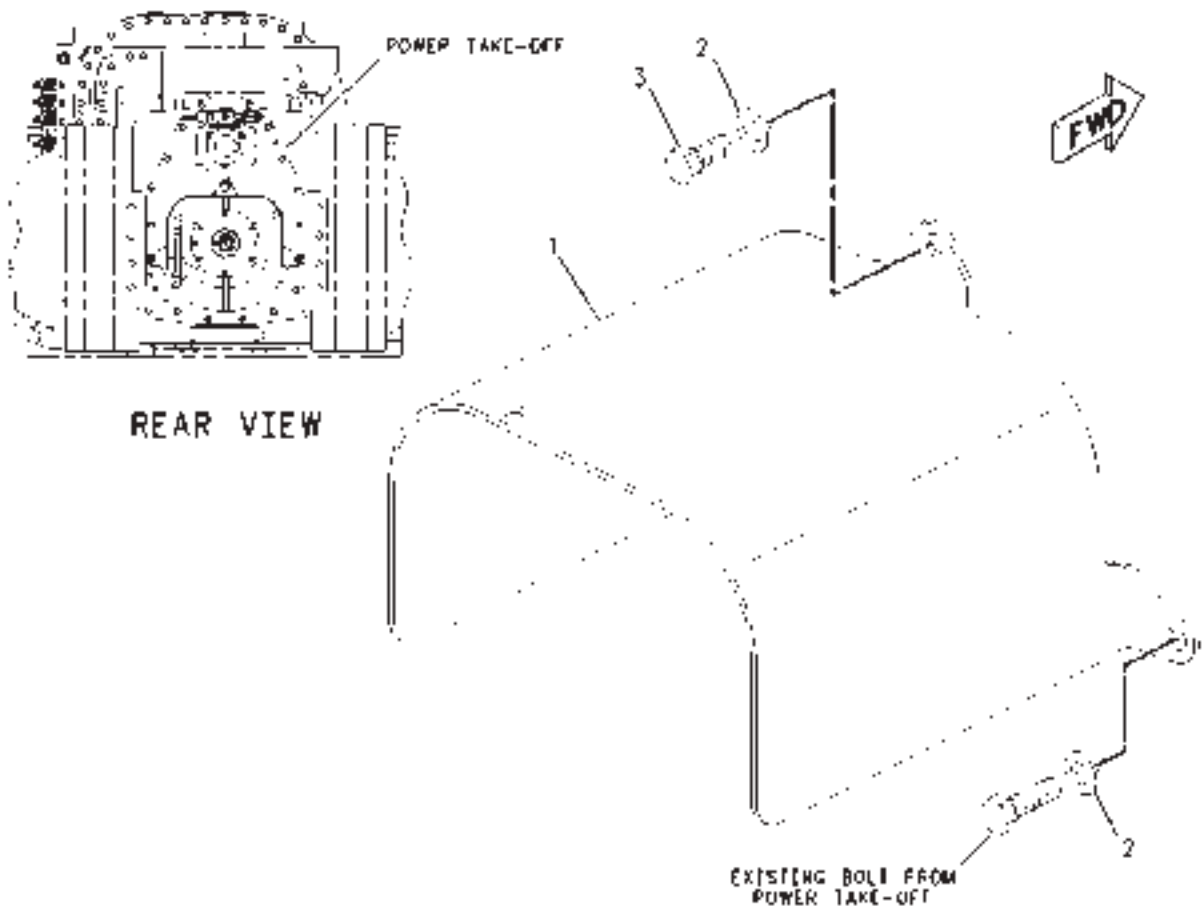
ITEM	NUMBER	QTY	DESCRIPTION
-	224-8603	--	KIT-PTO
1	224-5884	1	CONTROL GP-PTO (NOT SERVICED) (SEE BREAKDOWN FOR COMPONENTS)
2	183-4470	1	GUARD GP-PTO (NOT SERVICED) (SEE BREAKDOWN FOR COMPONENTS)
3	187-4930	1	POWER TAKE-OFF GP (NOT SERVICED) (SEE BREAKDOWN FOR COMPONENTS)
4	189-2976	1	LINES GP-PTO (NOT SERVICED) (SEE BREAKDOWN FOR COMPONENTS)

NOTIF
PR: t05i29k58b0458

1012

MT800 SERIESTRACTORS
DRAWBAR, THREE POINT HITCH AND PTO

GUARD GP-POWER TAKE-OFF - 183-4470



00828240

MT800 SERIESTRACTORS
DRAWBAR, THREE POINT HITCH AND PTO

1013

GUARD GP-POWERTAKE-OFF - 183-4470

ITEM	NUMBER	QTY	DESCRIPTION
-	183-4470	--	GUARD GP-POWER TAKE-OFF [A] (NOT SERVICED)
1	502050D1	1	PLATE
2	CH8T-4122	3	WASHER-HARD (17X32X3.5MM THK)
3	AG518357	1	BOLT (M16X2X35MM)

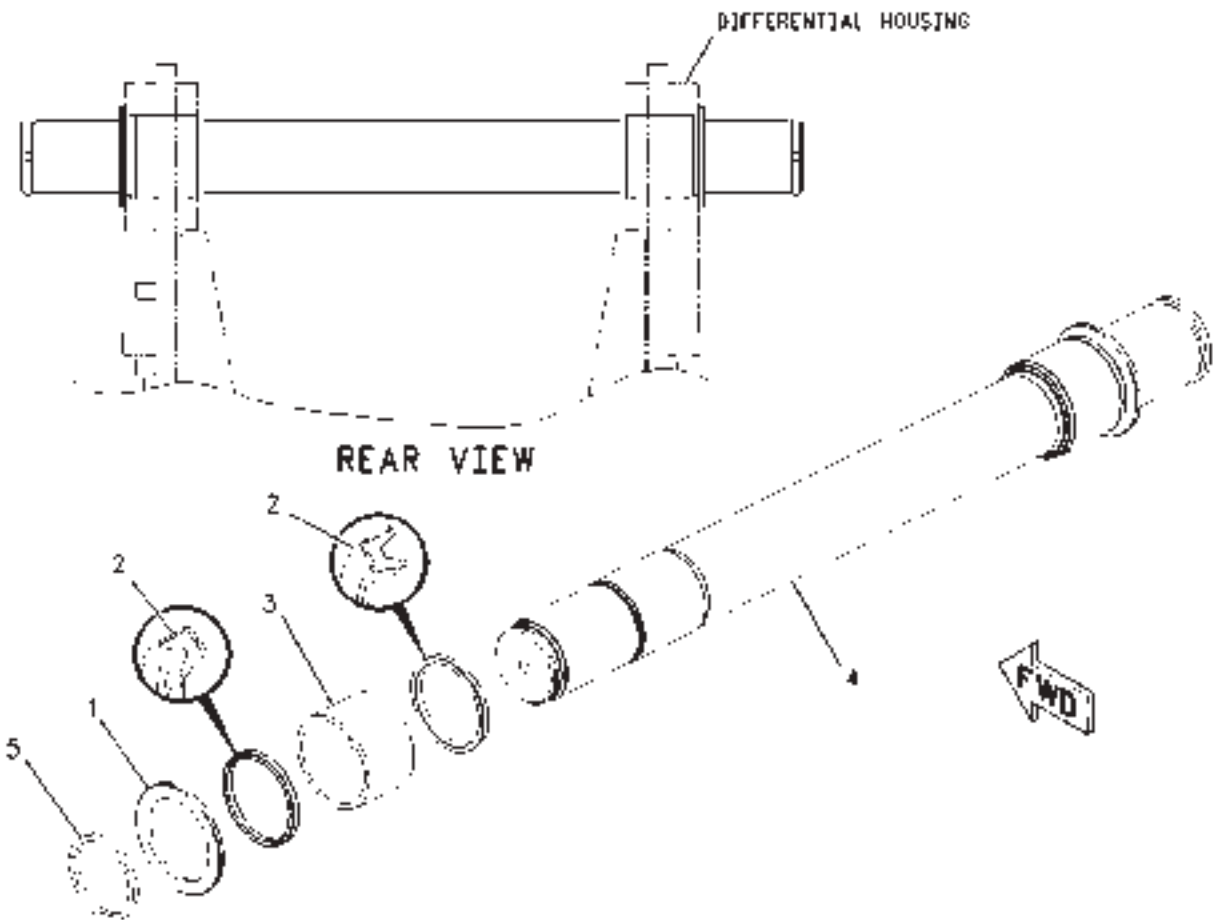
[A] PART OF 163-0400; 224-8603 KIT-PTO;
183-2197; 183-2198 GAUGE AR-TRACK

00828240
PR: t05i29k58b0459

1014

MT800 SERIE TRACTORS
DRAWBAR, THREE POINT HITCH AND PTO

ROCKSHAFT GP - 186-1063



00851422

MT800 SERIESTRACTORS
DRAWBAR, THREE POINT HITCH AND PTO

1015

ROCKSHAFT GP - 186-1063

ITEM	NUMBER	QTY	DESCRIPTION
-	186-1063	--	ROCKSHAFT GP [A] (NOT SERVICED)
1	CH6K-9070	2	WASHER-THRUST
2	CH7K-9211	4	SEAL-LIP
3	CH170-2320	2	BEARING
4	186-1064	1	SHAFT-SPLINED
5	400097X1	2	RING-RETAINING

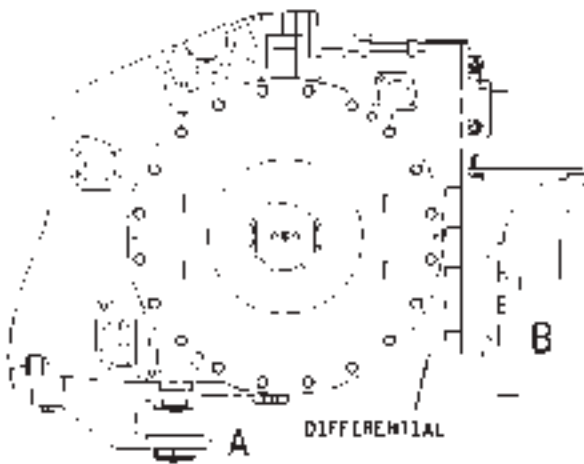
[A] PART OF 179-3317; 184-5065
HITCH GP-3 POINT

00851422
PR: t05i29k58b0460

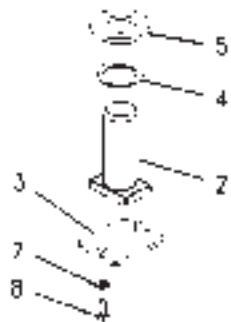
1016

MT800 SERIESTRACTORS
DRAWBAR, THREE POINT HITCH AND PTO

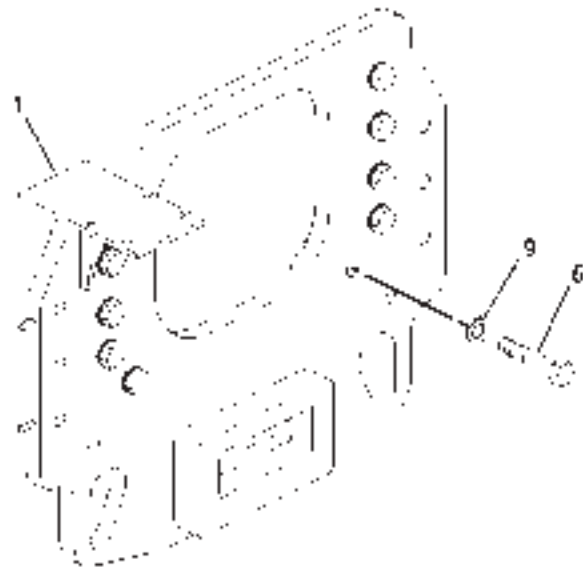
SUPPORT GP-DRAWBAR - 180-4038
SCRAPER HITCH



LEFT SIDE VIEW



VIEW OF AREA A



VIEW OF AREA B

00851221

MT800 SERIESTRACTORS
DRAWBAR, THREE POINT HITCH AND PTO

1017

SUPPORT GP-DRAWBAR - 180-4038
SCRAPER HITCH

ITEM	NUMBER	QTY	DESCRIPTION
-	180-4038	--	SUPPORT GP-DRAWBAR [A]
1	189-3325	1	PLATE ASM
2	CH200-8751	1	PIN-DRAWBAR
3	501948D1	1	RETAINER
4	400288X1	1	WASHER-HARD (51X74X3)
5	CH7Y-0725	1	WASHER-HARD (52X92X8)
6	400213X1	10	BOLT (M24X3X120MM)
7	400287X1	2	WASHER-HARD (11X21X2.5)
8	400039X1	2	BOLT (M10X1.5X25MM)
9	400081X1	10	WASHER-HARD (26X44X4)

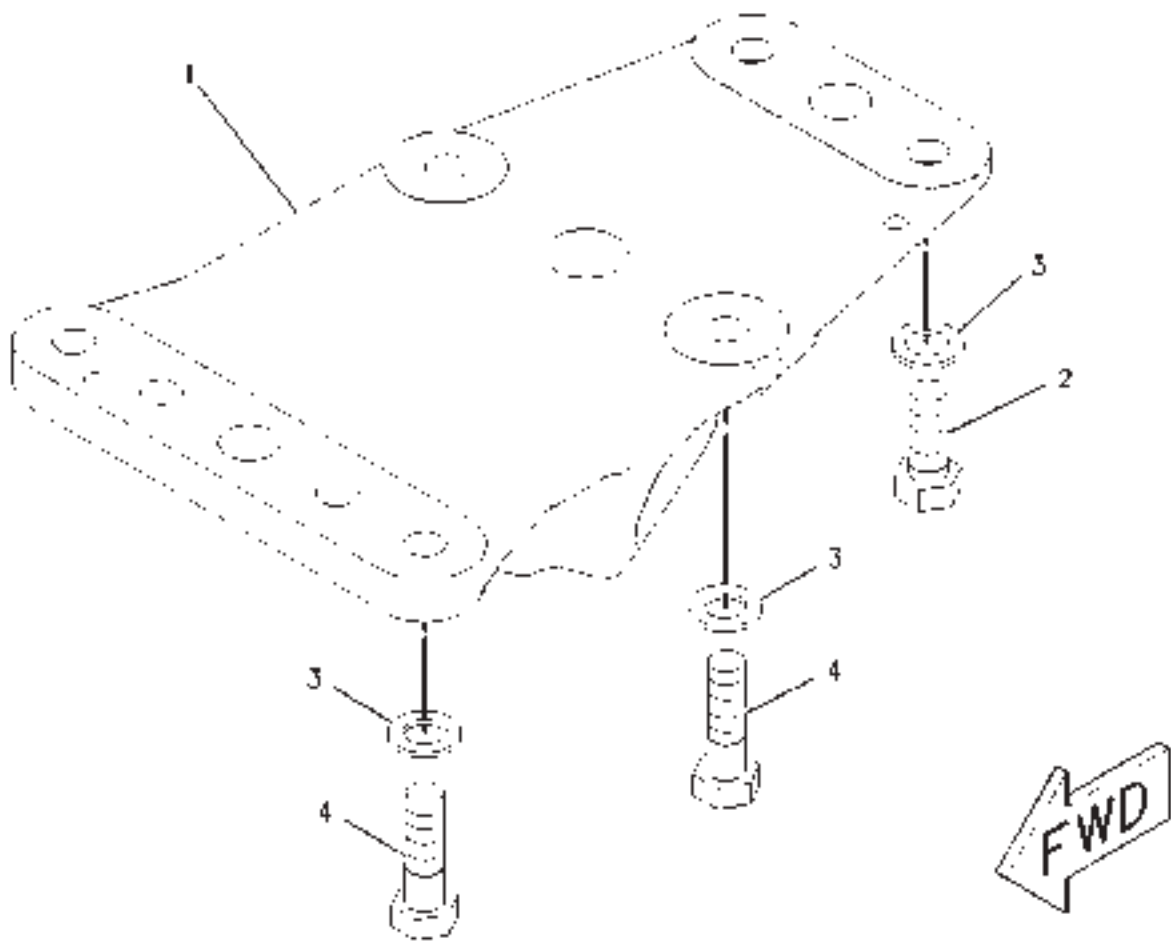
[A] PART OF 179-0853 HITCH AR-NON AG

00851221
PR: t05i29k58b0461

1018

MT800 SERIESTRACTORS
DRAWBAR, THREE POINT HITCH AND PTO

SUPPORT GP-DRAWBAR - 210-7508
ROW AND SPECIAL APPLICATIONS



00897590

MT800 SERIESTRACTORS
DRAWBAR, THREE POINT HITCH AND PTO

1019

SUPPORT GP-DRAWBAR - 210-7508
ROW AND SPECIAL APPLICATIONS

ITEM	NUMBER	QTY	DESCRIPTION
-	210-7508	--	SUPPORT GP-DRAWBAR [A]
1	210-7506	1	SUPPORT
2	400035X1	2	BOLT (M24X3X60MM)
3	400081X1	8	WASHER-HARD (26X44X4)
4	400067X1	6	BOLT (M24X3X80MM)

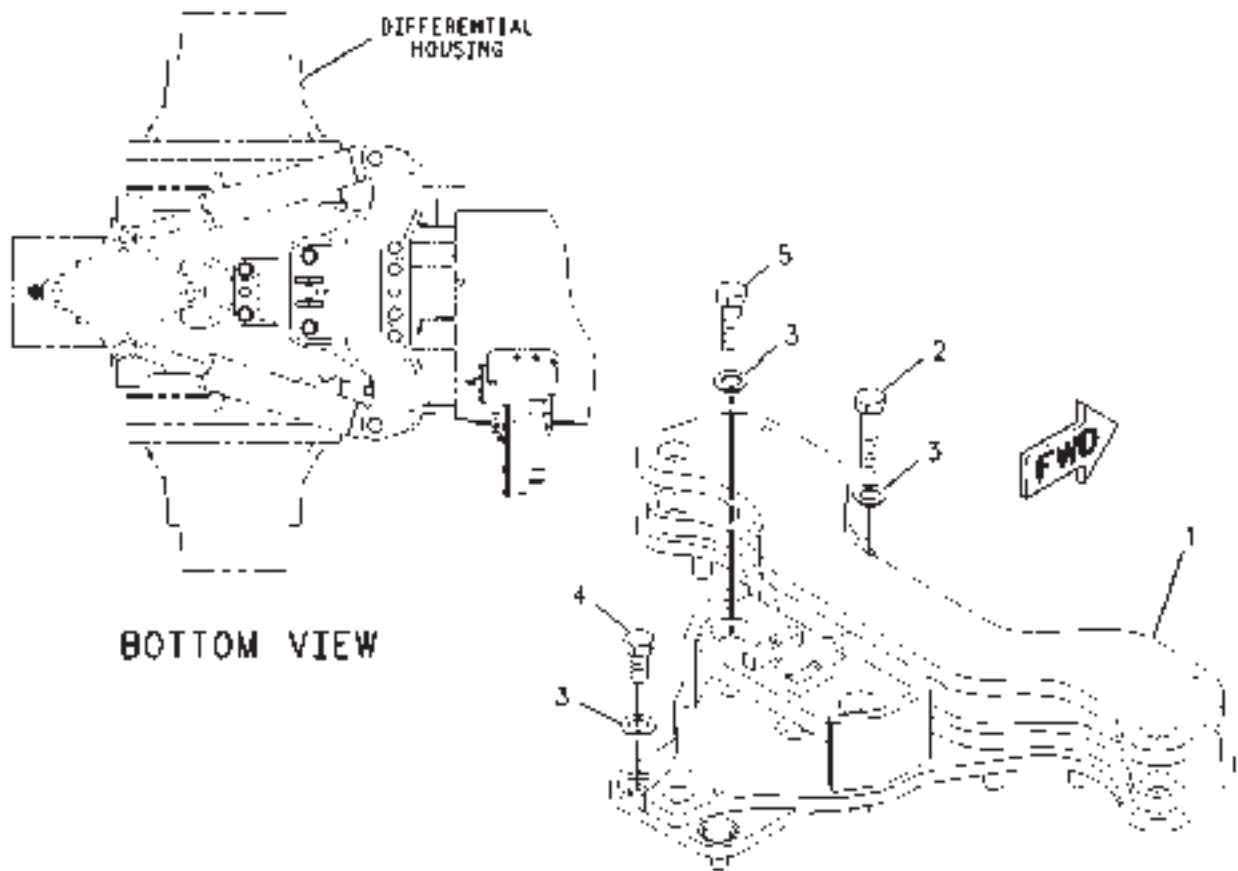
[A] PART OF 179-0853 HITCH AR-NON AG

00897590
PR: t05i29k58b0462

1020

MT800 SERIESTRACTORS
DRAWBAR, THREE POINT HITCH AND PTO

SUPPORT GP-FRAME - 210-7509
CONTROLLED DRAWBAR



00893786

MT800 SERIESTRACTORS
DRAWBAR, THREE POINT HITCH AND PTO

1021

SUPPORT GP-FRAME - 210-7509
CONTROLLED DRAWBAR

ITEM	NUMBER	QTY	DESCRIPTION
-	210-7509	--	SUPPORT GP-DRAWBAR [A] (NOT SERVICED)
1	210-7503	1	PLATE ASM
2	400184X1	4	BOLT (M24X3X100MM)
3	400081X1	8	WASHER-HARD (26X44X4)
4	400232X1	2	BOLT (M24X3X50MM)
5	400067X1	2	BOLT (M24X3X80MM)

[A] PART OF 184-5033 & 210-7489
CONTROL AR-DRAWBAR

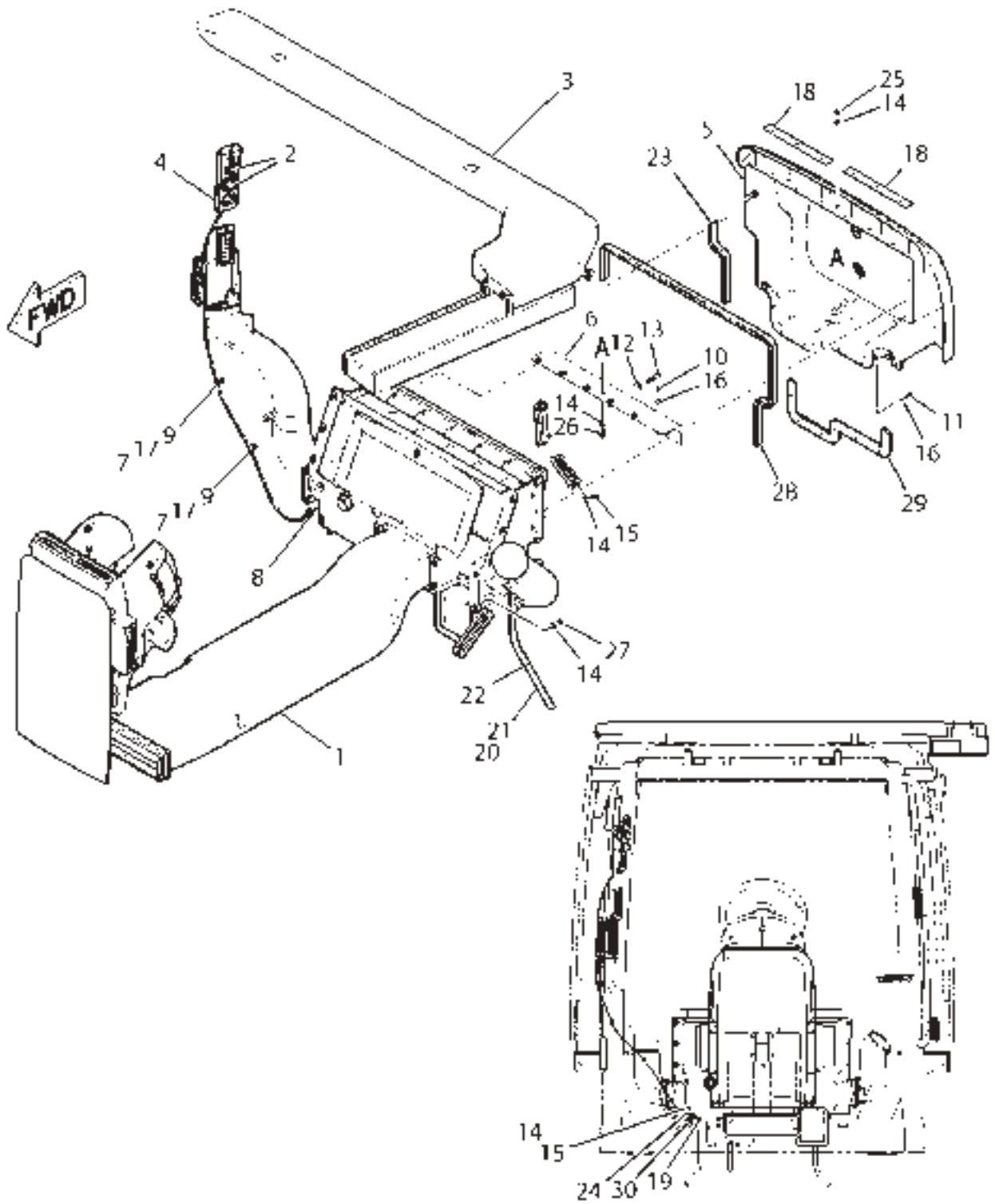
00893786
PR: t05i29k58b0463

MT800 SERIES TRACTORS
OPERATOR STATION

AIR CONDITIONER & MOUNTING GP-BASIC

151-9986

(S/N: PRIOR TO BAM50633; BBP50486;
BCC50765; BDS50909)



FRONT VIEW

**MT800 SERIES TRACTORS
OPERATOR STATION**

1023

AIR CONDITIONER & MOUNTING GP-BASIC

151-9986

(S/N: PRIOR TO BAM50633; BBP50486;
BCC50765; BDS50909)

ITEM	NUMBER	QTY	DESCRIPTION
-	151-9986	--	AIR CONDITIONER & MOUNTING GP [A] (NOT SERVICED)
1	152-0428	1	AIR CONDITIONER GP (S/N: PRIOR TO BAM40605;BBP40472;BCC40709;BDS40834) (NOT SERVICED) (SEE BREAKDOWN FOR COMPONENTS)
1	502500D1	1	AIR CONDITIONER GP (S/N: EFF BAM40605;BBP40472;BCC40709;BDS40834) (NOT SERVICED) (SEE BREAKDOWN FOR COMPONENTS)
2	CH216-2628	2	KNOB AS
3	166-4556	1	FILTER GP-CAB AIR (NOT SERVICED) (SEE BREAKDOWN FOR COMPONENTS)
4	166-4586	1	CONTROL GP-AIR & TEMP (NOT SERVICED) (SEE BREAKDOWN FOR COMPONENTS)
5	166-4603	1	COVER
6	174-5770	1	BRACKET ASY.
7	CH195-7925	3	CLIP
8	400948X1	1	GROMMET
9	400018X1	3	BOLT (M6X1.0X10MM)
10	400152X1	6	BOLT (M6X1X16MM)
11	400022X1	9	BOLT (M6X1.0X25MM)
12	CH7X-7729	1	WASHER (11X25X3MM THK)
13	400049X1	1	BOLT (M10X1.5X45MM)
14	400599X1	12	WASHER-HARD (M8X20.5X2MM THK)
15	400053X1	6	BOLT (M8X1.25X20MM)
16	CH5P-4115	9	WASHER-HARD (7.2X19X2MM THK)
17	CH9X-8267	3	WASHER (6.6X12X2MM THK)
18	501147D1	2	STRIP
19	CH3S-5096	3	CLAMP
20	CH7T-9793	3	VALVE (CHECK)
21	CH5P-4829	AR	TUBE (42DM)
22	400837X1	3	STRAP-CABLE
23	501144D1	1	SEAL
24	500473D1	1	CLIP
25	CH131-3540	1	LOCKNUT
26	400341X1	1	BOLT (M8X1.25X25MM)
27	400340X1	4	NUT (M8X1.25 THD)
28	501145D1	1	SEAL
29	502517D1	1	PLATE
30	CH8Y-5737	1	CLIP-COMP (4.3IDX5.1ODX4.8)

[A] PART OF 500842D1; 500844D1 CAB AR

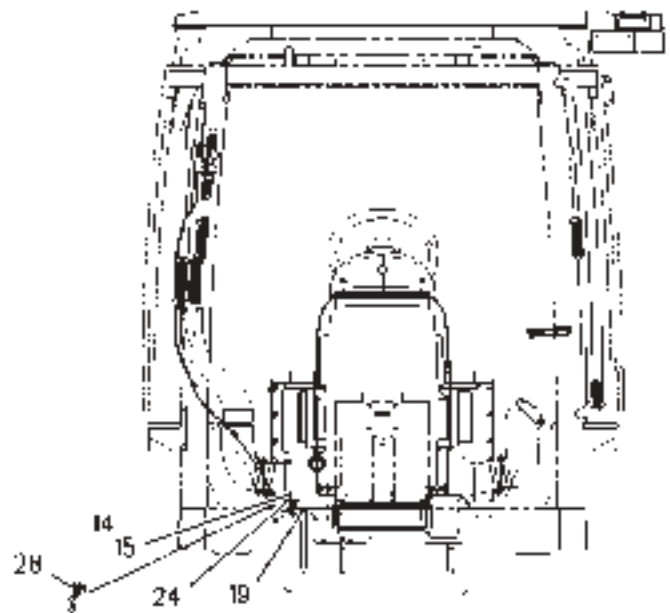
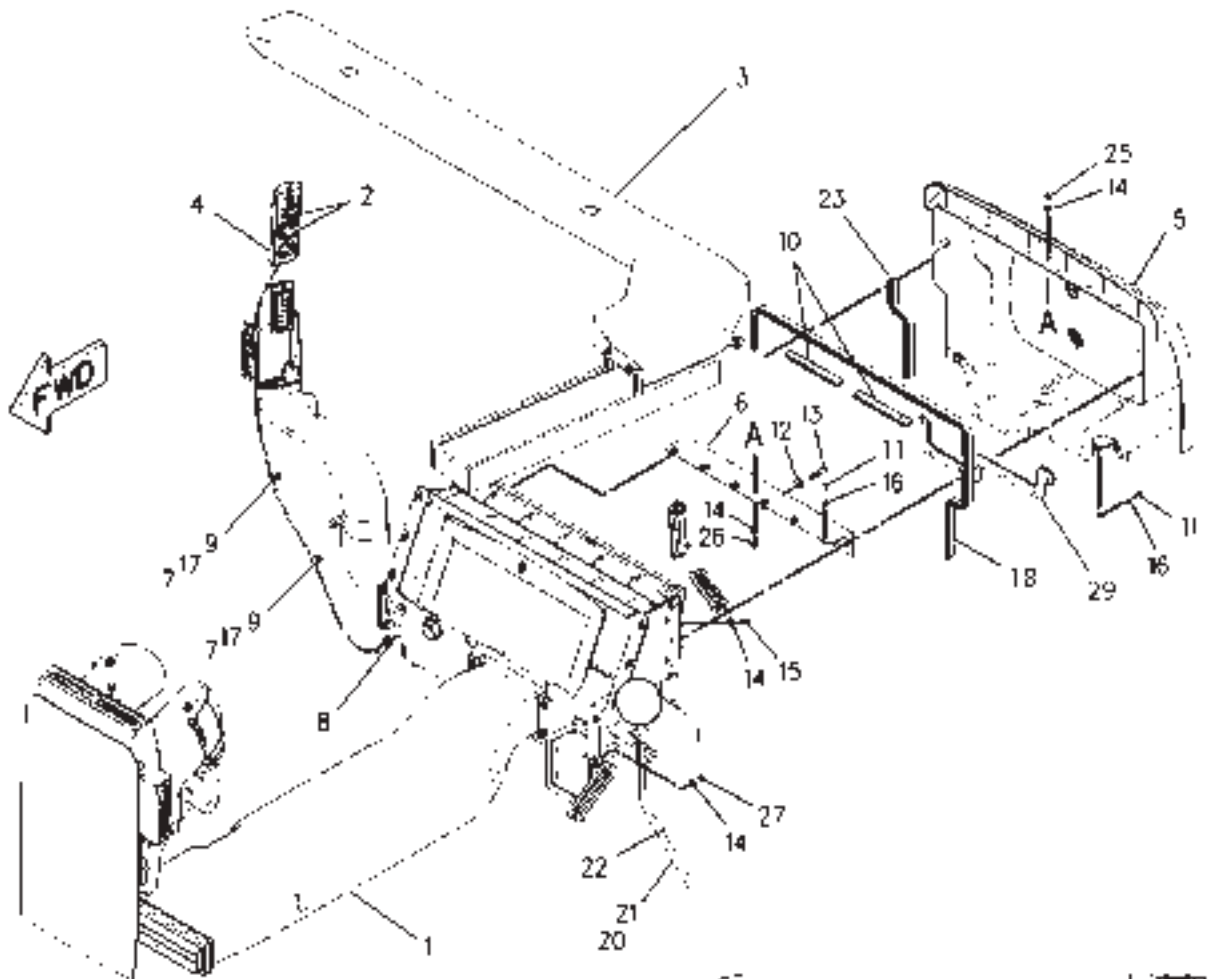
1519986A
PR: t05i29k58b0464

MT800 SERIES TRACTORS
OPERATOR STATION

AIR CONDITIONER & MOUNTING GP-BASIC

502502D1

(S/N: EFF BAM50633; BBP50486;
BCC50765; BDS50909)



FRONT VIEW

502502D1

**MT800 SERIES TRACTORS
OPERATOR STATION**

1025

AIR CONDITIONER & MOUNTING GP-BASIC

502502D1

**(S/N: EFF BAM50633; BBP50486;
BCC50765; BDS50909)**

ITEM	NUMBER	QTY	DESCRIPTION
-	502502D1	--	AIR CONDITIONER & MTG GP [A] (NOT SERVICED)
1	502500D1	1	AIR CONDITIONER GP (NOT SERVICED) (SEE BREAKDOWN FOR COMPONENTS)
2	CH216-2628	2	KNOB AS (CONTROL)
3	166-4556	1	DUCT GP-CAB AIR (NOT SERVICED) (SEE BREAKDOWN FOR COMPONENTS)
4	166-4586	1	CONTROL GP-AIR & TEMPERATURE (SEE BREAKDOWN FOR COMPONENTS)
5	166-4603	1	COVER
6	174-5770	1	BRACKET AS
7	CH195-7925	3	CLIP
8	400948X1	1	GROMMET
9	400018X1	3	BOLT (M6X1.0X10MM)
10	501147D1	2	STRIP
11	400022X1	15	BOLT (M6X1.0X25MM)
12	CH7X-7729	1	WASHER (11X25X3MM THK)
13	400049X1	1	BOLT (M10X1.5X45MM)
14	400599X1	12	WASHER-HARD (8.8X20.5X2MM THK)
15	400053X1	6	BOLT (M8X1.25X20MM)
16	CH5P-4115	8	WASHER-HARD (7.2X19X2MM THK)
17	CH9X-8267	3	WASHER (6.6X12X2MM THK)
18	501145D1	1	SEAL-FOAM
19	CH3S-5096	3	CLAMP
20	CH7T-9793	3	VALVE (CHECK)
21	CH5P-4829	AR	TUBE (44.1 DM)
22	400837X1	2	STRAP-CABLE
23	501144D1	1	SEAL-FOAM
24	CH8Y-5737	1	CLIP
25	CH131-3540	1	LOCKNUT
26	400341X1	1	BOLT (M8X1.25X25MM)
27	400340X1	4	NUT (M8X1.25 THD)
28	500473D1	1	CLIP
29	502517D1	1	PLATE

[A] PART OF 500842D1; 500844D1 CAB AR

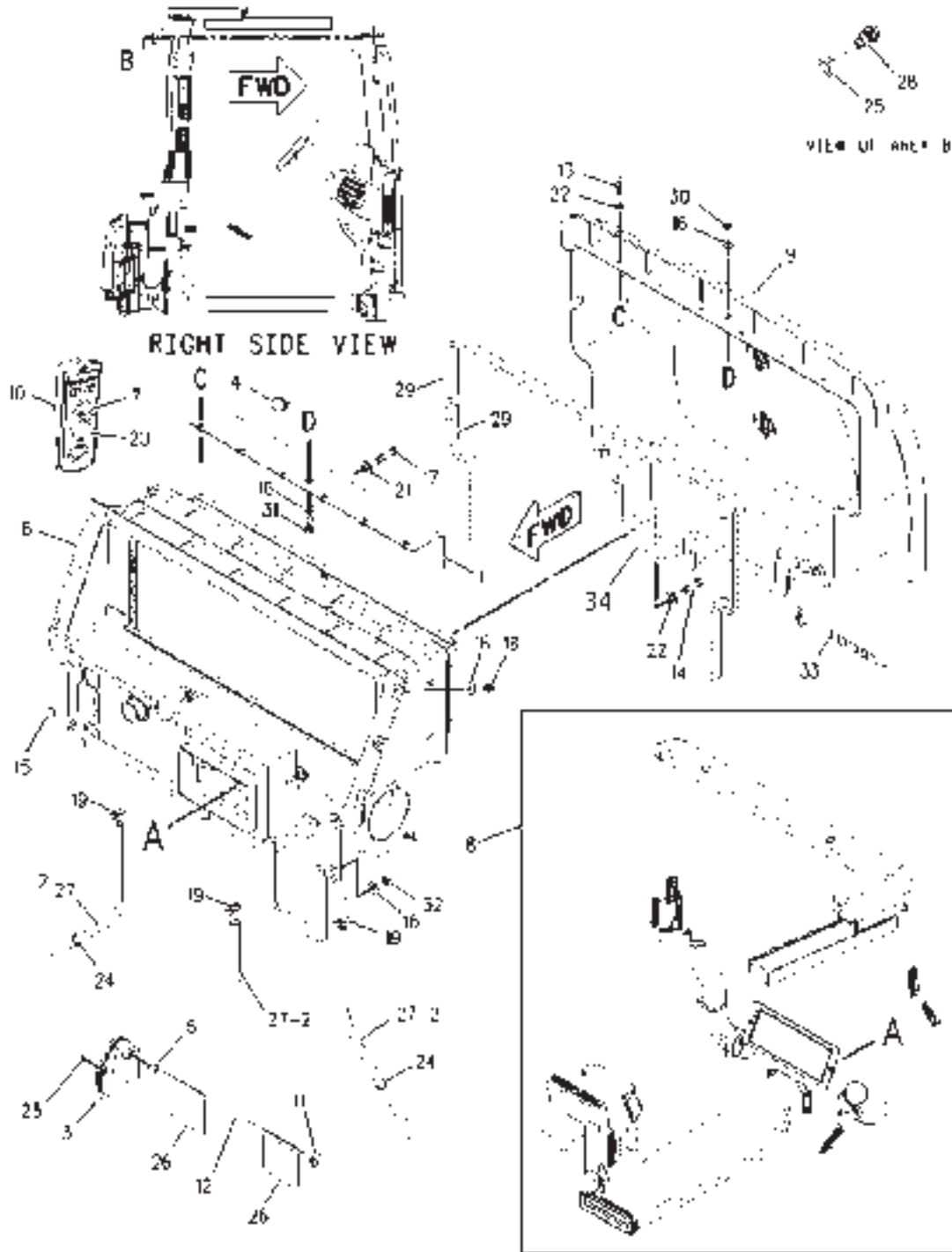
502502DE
PR: t05i29k58b0465

MT800 SERIES TRACTORS
OPERATOR STATION

AIR CONDITIONER & MOUNTING GP-DELUXE

166-4592

(S/N: PRIOR TO BAM50619; BBP50482;
BCC50756; BDS50902)



**MT800 SERIES TRACTORS
OPERATOR STATION**

1027

AIR CONDITIONER & MOUNTING GP-DELUXE

166-4592

(S/N: PRIOR TO BAM50619; BBP50482;
BCC50756; BDS50902)

ITEM	NUMBER	QTY	DESCRIPTION
-	166-4592	--	AIR CONDITIONER & MOUNTING GP [A] (NOT SERVICED)
1	174-5770	1	BRACKET AS
2	CH7T-9793	3	VALVE (CHECK) (A/C DRAIN)
3	501745D1	1	ACTUATOR
4	CH128-2162	1	SENSOR GP-LIGHT (SUN LOAD)
5	CH131-3093	1	BUSHING
6	152-0427	1	AIR CONDITIONER GP (S/N: PRIOR TO BAM40575;BBP40461;BCC40683;BDS40763) (NOT SERVICED) (SEE BREAKDOWN FOR COMPONENTS)
6	502499D1	1	AIR CONDITIONER GP (S/N: EFF BAM40575; BBP40461;BCC40683;BDS40763) (NOT SERVICED) (SEE BREAKDOWN FOR COMPONENTS)
7	CH216-2628	2	KNOB AS
8	166-4556	1	FILTER GP-CAB AIR (NOT SERVICED) (SEE BREAKDOWN FOR COMPONENTS)
9	166-4603	1	COVER
10	166-4587	1	CONTROL GP-AIR & TEMP (S/N: PRIOR TO BAM40608;BBP40474;BCC40730;BDS40873)
10	501740D1	1	CONTROL GP-AIR & TEMP (S/N: EFF BAM40608;BBP40474;BCC40730;BDS40873)
11	CH192-4765	1	BUSHING
12	198-4070	1	DOOR ASY.
13	400152X1	6	BOLT (M6X1X16MM)
14	400022X1	9	BOLT (M6X1.0X25MM)
15	CH6K-6361	1	BUTTON-PLUG
16	400599X1	12	WASHER-HARD (8.8X20.5X2MM THK)
17	400049X1	1	BOLT (M10X1.5X45MM)
18	400053X1	6	BOLT (M8X1.25X20MM)
19	CH3S-5096	3	CLAMP
20	501144D1	1	SEAL-FOAM
21	CH7X-7729	1	WASHER (11X25X3MM THK)
22	CH5P-4115	8	WASHER-HARD (7.2X19X2MM THK)
23	CH9X-1046	3	SCREW (M4X0.7X18MM)
24	400837X1	3	STRAP-CABLE
25	CH107-5591	1	NUT-JAM (3/4-16 THD)
26	CH3E-6600	AR	SEAL (BULK) (16CM)
27	CH5P-4829	AR	TUBE (42DM)
28	501697D1	1	SENDER GP-TEMPERATURE (OUTSIDE AIR)
29	501145D1	1	SEAL-FOAM
30	CH131-3540	1	LOCKNUT
31	400341X1	1	BOLT (M8X1.25X25MM)
32	400340X1	4	NUT (M8X1.25 THD)
33	501147D1	2	STRIP
34	502517D1	1	PLATE

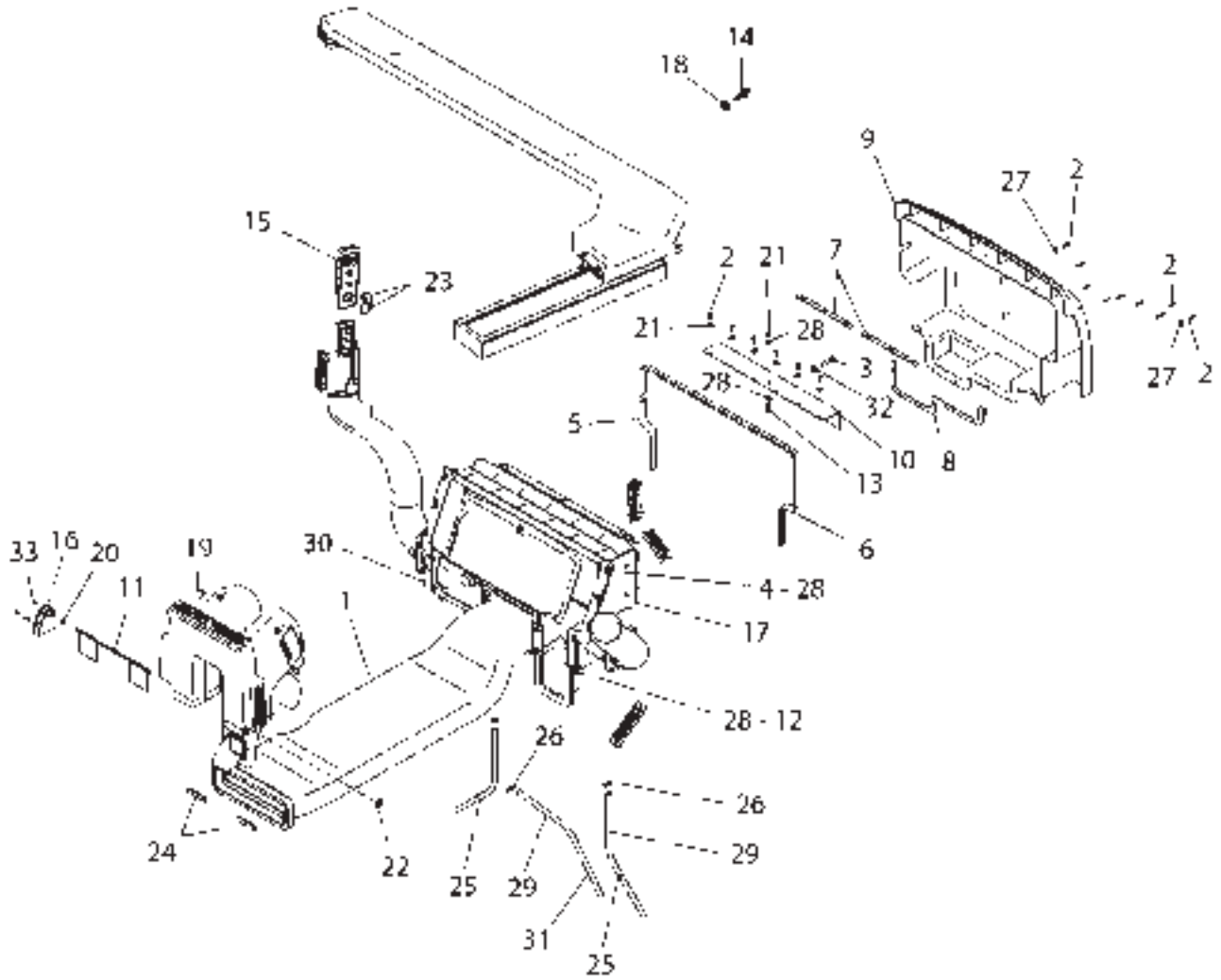
[A] PART OF 500841D1;500843D1;500849D1
CAB AR

00891734
PR: t05i29k58b0466

AIR CONDITIONER & MOUNTING GP-DELUXE

502501D1

(S/N: EFF BAM50619;BBP50482;
BCC50756;BDS50902)



**MT800 SERIES TRACTORS
OPERATOR STATION**

1029

AIR CONDITIONER & MOUNTING GP-DELUXE

502501D1

(S/N: EFF BAM50619;BBP50482;
BCC50756;BDS50902)

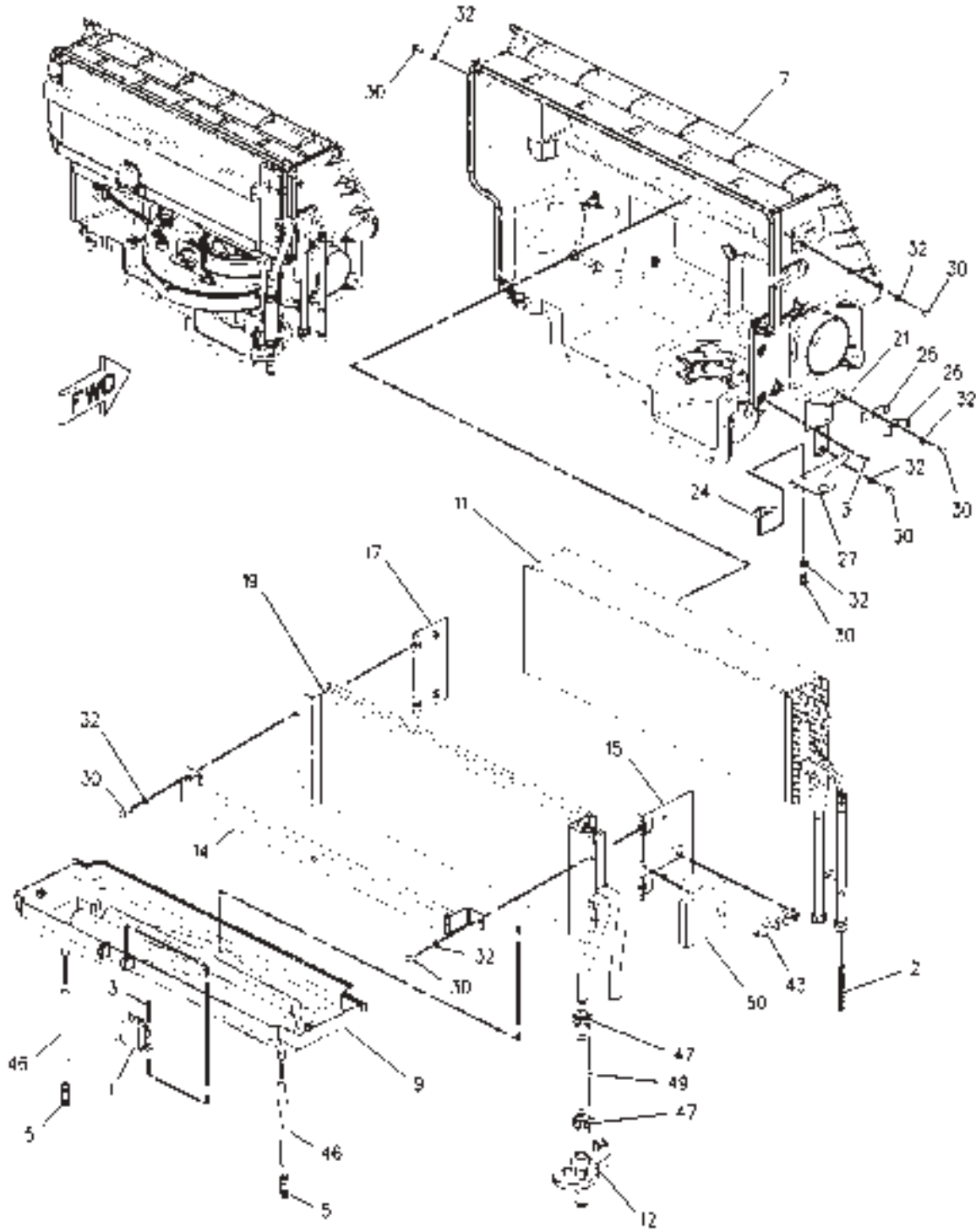
ITEM	NUMBER	QTY	DESCRIPTION
-	502501D1	--	AIR CONDITIONER & MOUNTING GP [A] (NOT SERVICED)
1	166-4556	1	DUCT GP-CAB AIR (NOT SERVICED) (SEE BREAKDOWN FOR COMPONENTS)
2	400022X1	15	BOLT (M6X1.0X25MM)
3	400049X1	1	BOLT (M10X1.5X45MM)
4	400053X1	6	BOLT (M8X1.25X20MM)
5	501144D1	1	SEAL-FOAM
6	501145D1	1	SEAL-FOAM
7	501147D1	2	STRIP
8	502517D1	1	PLATE
9	166-4603	1	COVER
10	174-5770	1	BRACKET AS
11	198-4070	1	DOOR AS
12	400340X1	4	NUT (M8X1.25)
13	400341X1	1	BOLT (M8X1.25X25MM)
14	501697D1	1	SENSOR
15	501740D1	1	CONTROL GP-AIR & TEMPERATURE
16	501745D1	1	ACTUATOR
17	502499D1	1	AIR CONDITIONER GP (NOT SERVICED) (SEE BREAKDOWN FOR COMPONENTS)
18	CH107-5591	1	LOCKNUT (3/4-16)
19	CH128-2162	1	SENSOR GP-LIGHT (SUN LOAD)
20	CH131-3093	1	BUSHING
21	CH131-3540	1	LOCKNUT (M8X1.25)
22	CH192-4765	1	BUSHING
23	CH216-2628	2	KNOB AS-CONTROL
24	CH3E-6600	AR	SEAL (BULK) (16CM)
25	400837X1	2	STRAP-CABLE
26	CH3S-5096	3	CLAMP
27	CH5P-4115	8	WASHER-HARD (7.2X19X2)
28	400599X1	12	WASHER-HARD (8.8X20.5X2)
29	CH5P-6129	AR	TUBE (BULK) (44.1DM)
30	CH6K-6361	1	BUTTON-PLUG
31	CH7T-9793	3	VALVE (CHECK)
32	CH7X-7729	1	WASHER (11X25X3)
33	CH9X-1046	3	SCREW (M4X0.7X18MM)

[A] PART OF 500841D1;500843D1;500849D1
CAB AR

502501DD
PR: t05i29k58b0467

MT800 SERIES TRACTORS
OPERATOR STATION

AIR CONDITIONER GP-BASIC - 152-0428
(S/N: PRIOR TO BAM40605; BBP40472;
BCC40709; BDS40834)
1 OF 3



**MT800 SERIES TRACTORS
OPERATOR STATION**

1031

AIR CONDITIONER GP-BASIC - 152-0428

(S/N: PRIOR TO BAM40605; BBP40472;
BCC40709; BDS40834)

1 OF 3

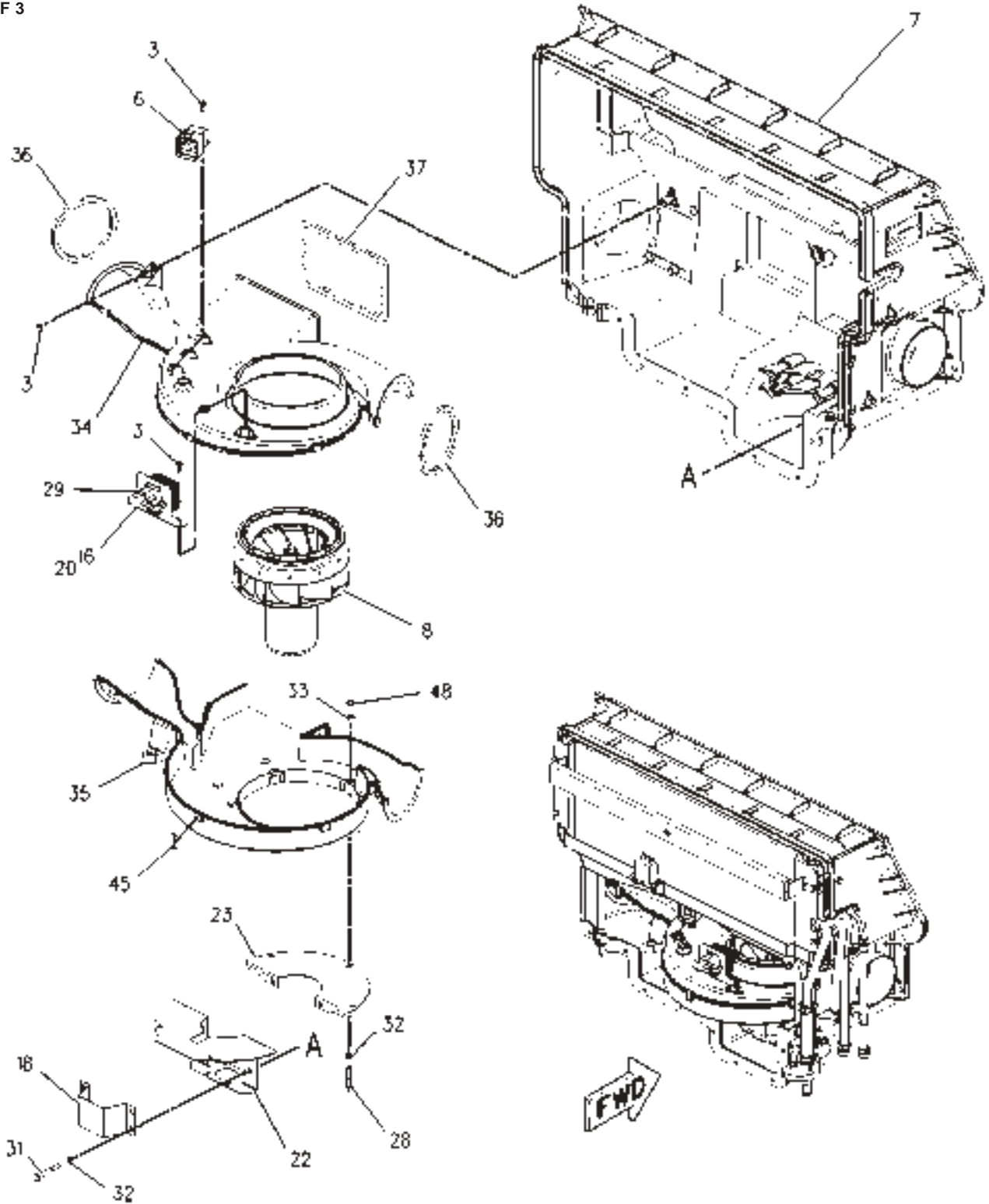
ITEM	NUMBER	QTY	DESCRIPTION
-	152-0428	--	AIR CONDITIONER GP [A] (NOT SERVICED)
1	3E-5464	1	SWITCH ASY-THERMOSTAT (AIR CONDITIONER)
2	7X-2049	1	TUBE ASY-REFRIGERANT ORIFICE
3	8L-9381	12	SCREW-TAPPING (8-32X0.50 IN)
5	9X-4994	2	CONNECTOR
7	168-2311	1	CASE ASY.
9	168-2318	1	PAN-DRAIN
11	168-2324	1	COIL ASY-EVAPORATOR
12	168-2326	1	VALVE ASY-WATER (CAB HEATER)
14	174-3978	1	BRACKET
15	174-3979	1	RETAINER
17	174-3981	1	RETAINER
19	193-0238	1	COIL ASY-HEATER
21	206-7461	1	BRACKET ASY.
24	217-3441	1	BRACKET ASY.
25	217-3442	1	BRACKET
26	217-3443	1	BRACKET
27	217-3444	1	ANGLE
30	8T-4138	14	BOLT (M6X1X20MM)
32	9X-8256	23	WASHER (6.6X12X2MM THK)
43	180-2470	1	GASKET
46	207-1293	AR	TUBE (4DM)
47	9X-2488	2	CLAMP-HOSE
49	136-1953	AR	HOSE (13 CM)
50	223-4941	1	GASKET

[A] PART OF 151-9986 AIR CONDITIONER
AND MOUNTING GP

00898876
PR: t05i29k58b0468

MT800 SERIES TRACTORS
OPERATOR STATION

AIR CONDITIONER GP-BASIC - 152-0428
(S/N: PRIOR TO BAM40605; BBP40472;
BCC40709; BDS40834)
2 OF 3



**MT800 SERIES TRACTORS
OPERATOR STATION**

1033

AIR CONDITIONER GP-BASIC - 152-0428

(S/N: PRIOR TO BAM40605; BBP40472;
BCC40709; BDS40834)

2 OF 3

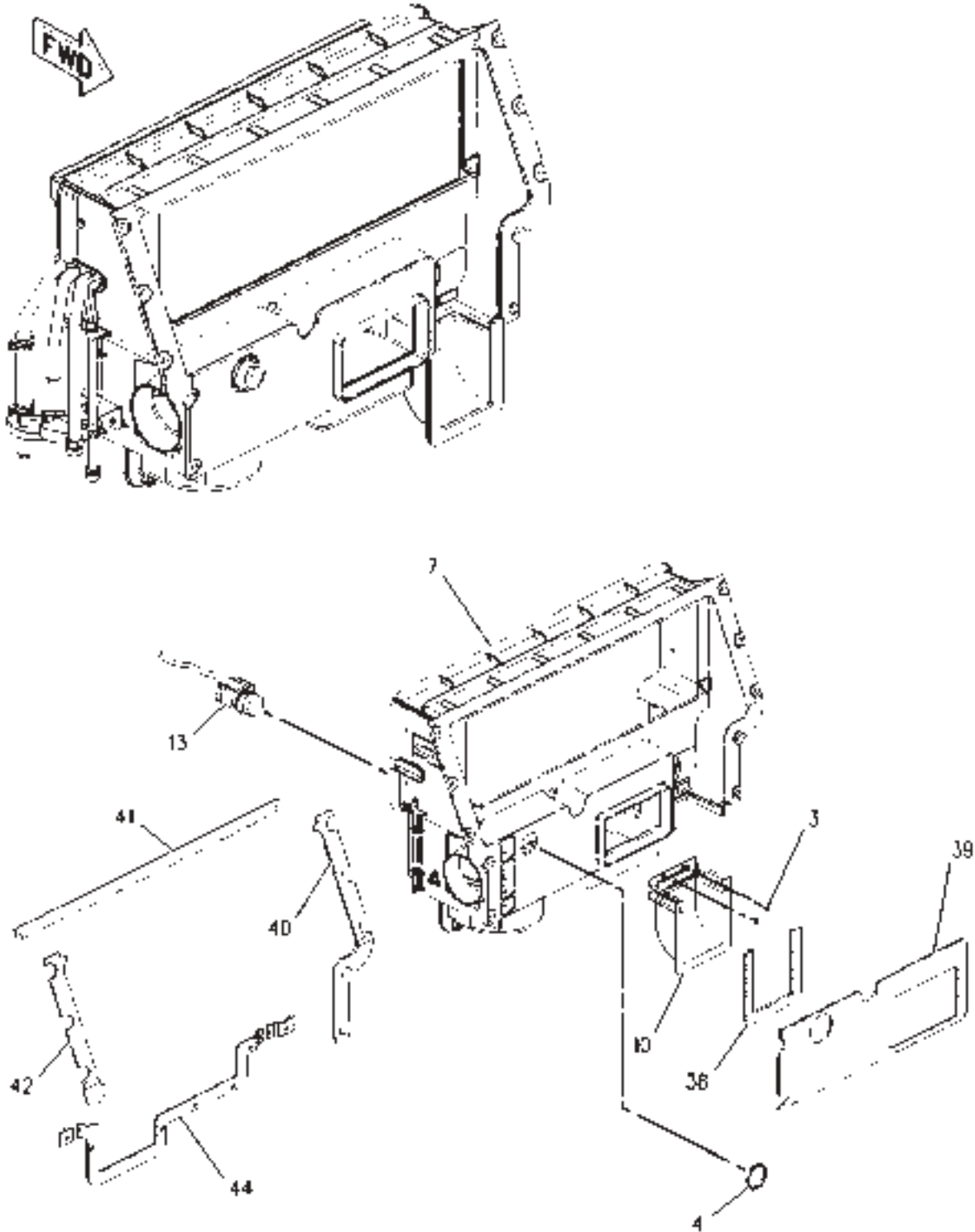
ITEM	NUMBER	QTY	DESCRIPTION
-	152-0428	--	AIR CONDITIONER GP [A] (NOT SERVICED)
3	8L-9381	12	SCREW-TAPPING (8-32X0.50 IN)
6	115-1615	1	RELAY ASY. (12 VOLT) (CAB BLOWER FAN)
7	168-2311	1	CASE ASY.
8	168-2313	1	FAN ASY. (CAB BLOWER)
	7T-0093	2	PIN-CONNECTOR
16	174-3980	1	BRACKET ASY.
18			NOT USED
20	193-4445	1	RESISTOR
22	206-7462	1	BRACKET
23	206-7463	1	BRACKET ASY.
28	6V-7357	5	BOLT (M6X1.0X25MM)
29	7I-2272	2	BOLT (M5X0.8X12MM)
31	9X-2480	4	BOLT (M6X1.0X45MM)
32	9X-8256	23	WASHER (6.6X12X2MM THK)
33	400300X1	9	NUT (M6X1 THD)
34	168-2315	1	HOUSING-BLOWER
35	168-2316	1	HOUSING-BLOWER
36	180-2463	2	GASKET
37	180-2464	1	GASKET
45	185-4015	10	CLIP
48	7H-3937	9	LOCKWASHER

[A] PART OF 151-9986 AIR CONDITIONER
AND MOUNTING GP

00874740
PR: t05i29k58b0469

MT800 SERIES TRACTORS
OPERATOR STATION

AIR CONDITIONER GP-BASIC - 152-0428
(S/N: PRIOR TO BAM40605; BBP40472;
BCC40709; BDS40834)
3 OF 3



**MT800 SERIESTRACTORS
OPERATOR STATION**

1035

AIR CONDITIONER GP-BASIC - 152-0428

(S/N: PRIOR TO BAM40605; BBP40472;
BCC40709; BDS40834)

3 OF 3

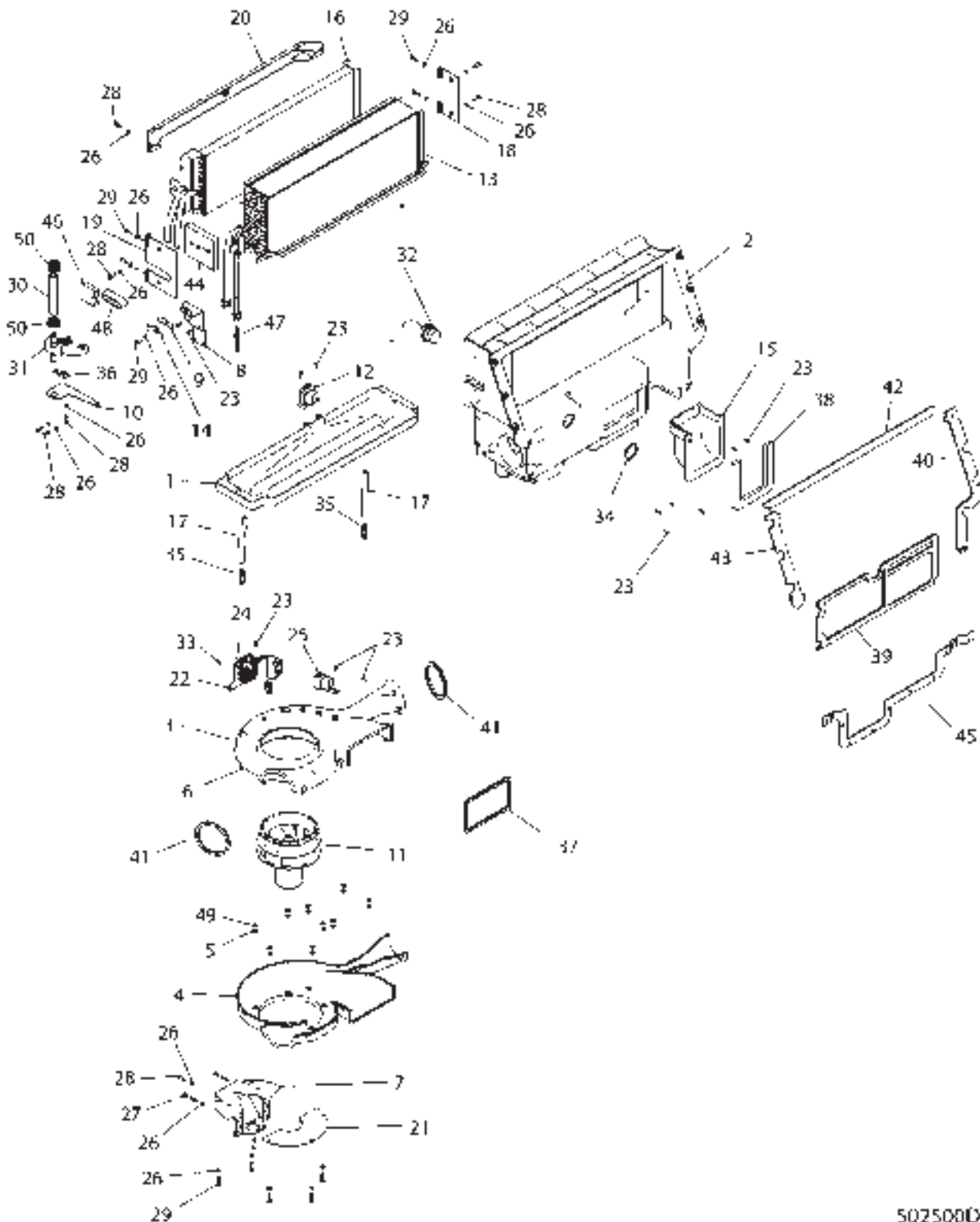
ITEM	NUMBER	QTY	DESCRIPTION
-	152-0428	--	AIR CONDITIONER GP [A] (NOT SERVICED)
3	8L-9381	12	SCREW-TAPPING (8-32X0.50 IN)
4	8N-1536	1	NUT (1 5/8-18 THD)
7	168-2311	1	CASE ASY.
10	501706D1	1	DUCT - FRESH AIR
13	168-2327	1	HARNES ASY. (HEATER/AC)
38	180-2465	1	GASKET
39	180-2466	1	GASKET
40	180-2467	1	GASKET
41	180-2468	1	GASKET
42	180-2469	1	GASKET
44	180-2471	1	GASKET

[A] PART OF 151-9986 AIR CONDITIONER
AND MOUNTING GP

00874741
PR: t05i29k58b0470

MT800 SERIES TRACTORS
OPERATOR STATION

CONDITIONER GP-AIR-BASIC - 502500D1
(S/N: PRIOR TO BAM40605; BBP40472;
BCC40709; BDS40834)



**MT800 SERIES TRACTORS
OPERATOR STATION**

1037

CONDITIONER GP-AIR-BASIC - 502500D1
(S/N: PRIOR TO BAM40605; BBP40472;
BCC40709; BDS40834)

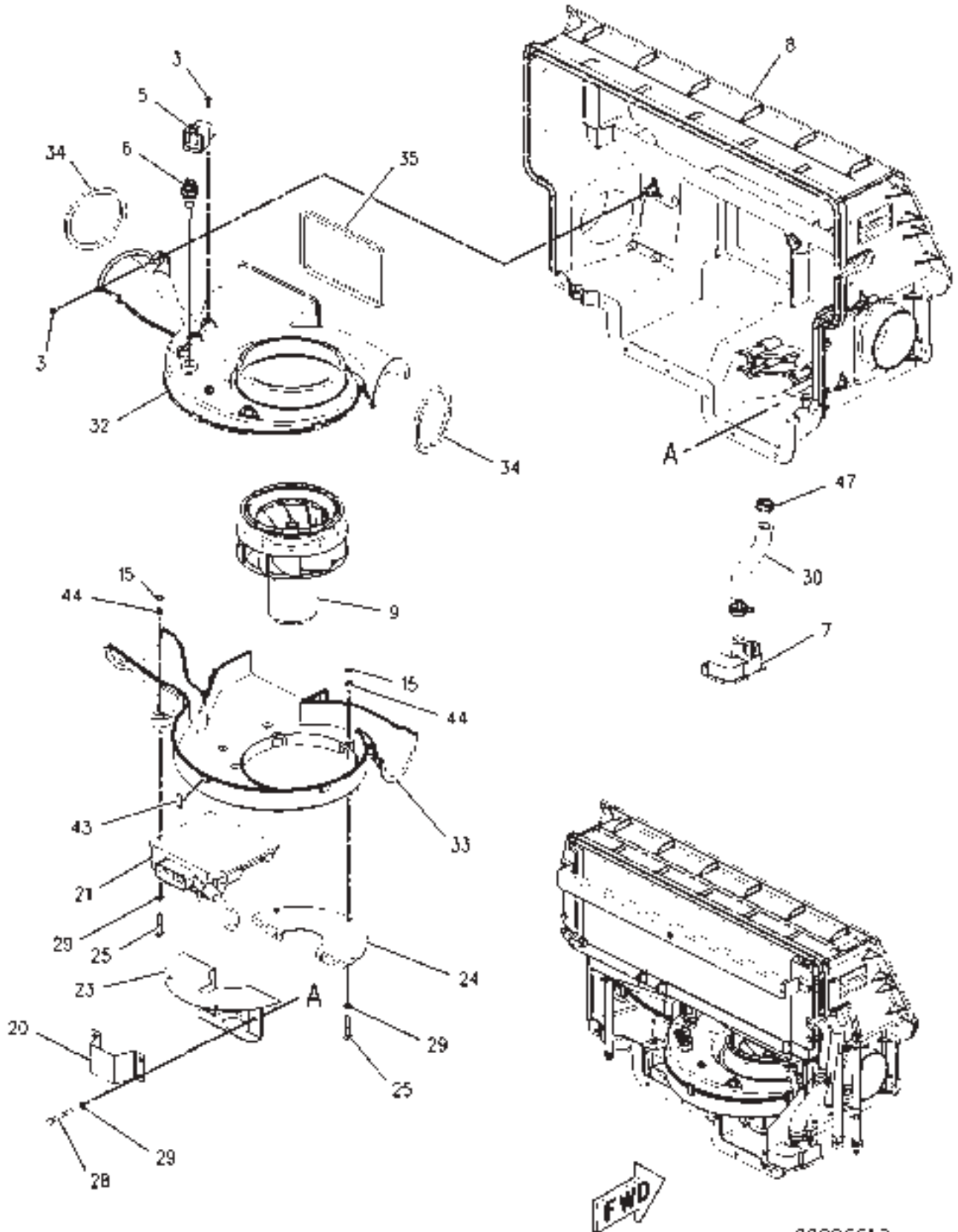
ITEM	NUMBER	QTY	DESCRIPTION
-	502500D1	--	CONDITIONER GP-AIR [A] (NOT SERVICED)
1	501705D1	1	PAN-DRAIN
2	501701D2	1	CASE AS
3	501703D1	1	HOUSING-BLOWER
4	501704D1	1	HOUSING-BLOWER
5	400300X1	9	NUT M6X1
6	400296X1	10	CLIP
7	501730D1	1	BRACKET AS.
8	501729D1	1	BRACKET AS.
9	501733D1	1	BRACKET
10	501735D1	1	ANGLE
11	501702D1	1	FAN AS.
12	400299X1	1	SWITCH AS.-THERMOSTAT
13	501709D1	1	COIL AS.-EVAP
14	501734D1	1	BRACKET
15	501706D1	1	DUCT-FRESH AIR
16	501727D1	1	COIL AS.-HEATER
17	400298X1	AR	TUBE-BULK (4 DM)
18	501716D1	1	RETAINER
19	501714D1	1	RETAINER
20	501713D1	1	BRACKET AS.
21	501731D1	1	BRACKET AS.
22	502267D1	1	THERMISTOR KIT
23	400305X1	22	SCREW-SELF TAPPING
24	501728D1	1	RESISTOR
25	400292X1	1	RELAY AS.
26	400310X1	23	WASHER
27	400307X1	4	BOLT M6X1X45
28	400221X1	14	BOLT-M6X1X20MM ZNDI HHD 10.9
29	400022X1	5	BOLT-M6X1X25MM ZNDI HHD 10.9
30	400294X1	AR	HOSE-BULK (13 CM)
31	501710D1	1	VALVE AS.-WATER
32	501711D2	1	HARNESS AS
33	400302X1	2	BOLT-HEX HEAD
34	400306X1	1	NUT-PANEL
35	400309X1	2	CONNECTOR
36	501732D1	1	BRACKET AS.
37	501719D1	1	GASKET
38	501720D2	1	GASKET
39	501721D2	1	GASKET
40	501722D2	1	GASKET
41	501718D1	2	GASKET
42	501723D2	1	GASKET
43	501724D2	1	GASKET
44	501725D1	1	GASKET
45	501726D1	1	GASKET
46	501737D1	1	GASKET
47	400932X1	1	ORIFICE AS.-A/C
48	502528D1	1	TAPE-REFRIGERANT
49	400301X1	9	WASHER-TOOTH
50	400308X1	2	CLAMP-HOSE

[A] PART OF: 502502D1 A/C & MTG GP

502500DD
PR: t05i29k58b0471

MT800 SERIES TRACTORS
OPERATOR STATION

AIR CONDITIONER GP-DELUXE - 152-0427
(S/N: PRIOR TO BAM40575;BBP40461;
BCC40683;BDS40763)



**MT800 SERIES TRACTORS
OPERATOR STATION**

1039

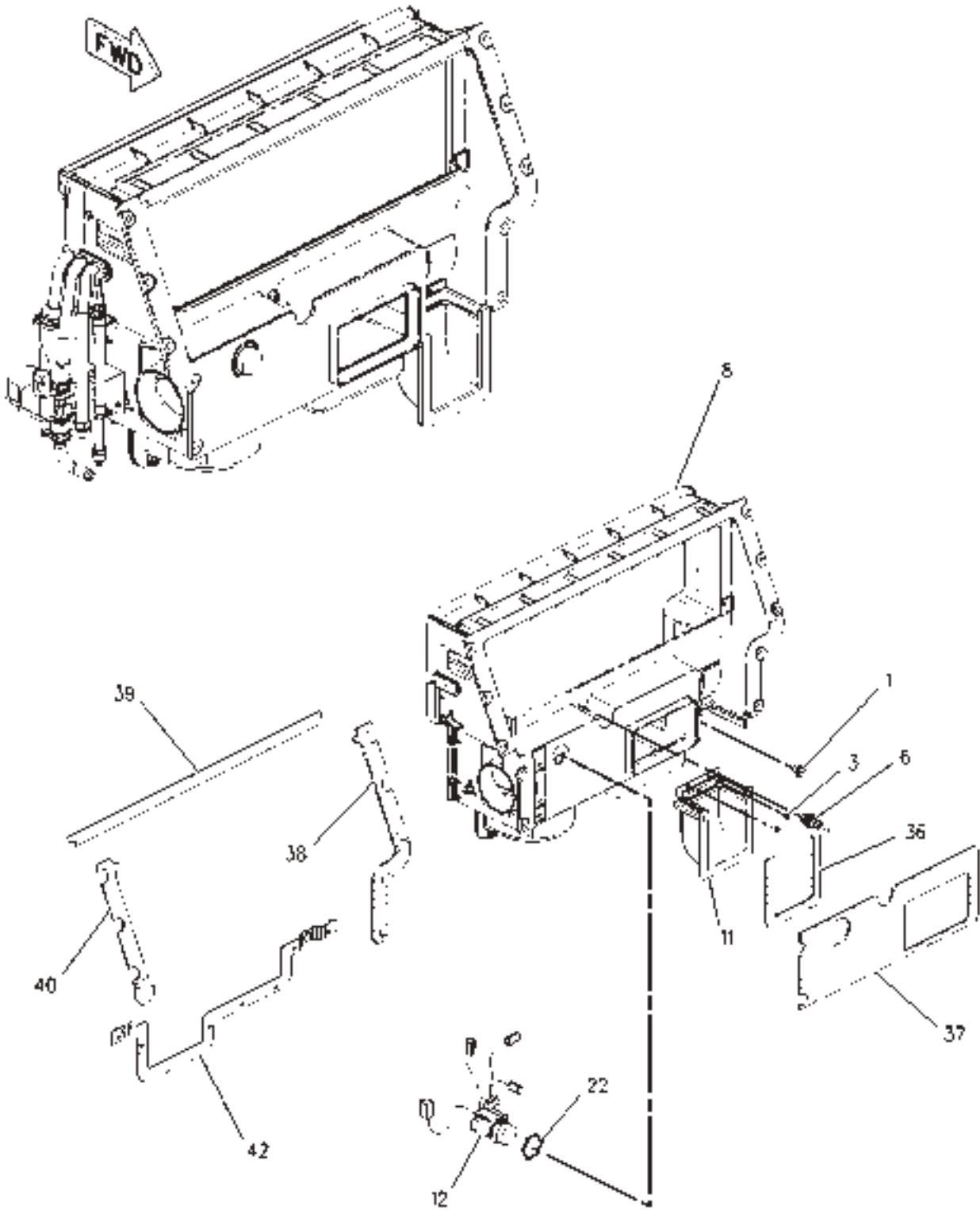
**AIR CONDITIONER GP-DELUXE - 152-0427
(S/N: PRIOR TO BAM40575;BBP40461;
BCC40683;BDS40763)**

ITEM	NUMBER	QTY	DESCRIPTION
-	152-0427	--	AIR CONDITIONER GP [A] (NOT SERVICED)
3	8L-9381	7	SCREW-TAPPING (8-32X0.50 IN)
5	115-1615	1	RELAY ASY. (12 VOLT)
6	130-9811	2	SENSOR GP-TEMPERATURE
7	156-5863	1	VALVE AS-WATER
8	168-2311	1	CASE ASY.
9	168-2313	1	FAN ASY.
	7T-0093	2	PIN-CONNECTOR (ONE MALE PIN)
	177-9645	1	KIT-RECEPTACLE (2 PIN)(INCL. FOLLOWING)
	177-9641	1	RECEPTACLE ASY.
	177-9642	1	WEDGE
15	7H-3937	9	LOCKWASHER
20	180-2455	1	BRACKET
21	180-2461	1	CONTROL ASY.
23	206-7462		BRACKET
24	206-7463	1	BRACKET ASY.
25	6V-7357	5	BOLT (M6X1.0X25MM)
28	9X-2480	4	BOLT (M6X1.0X45MM)
29	9X-8256	28	WASHER (6.6X12X2MM THK)
30	5P-0765	AR	HOSE (20CM)
32	168-2315	1	HOUSING-BLOWER
33	168-2316	1	HOUSING-BLOWER
34	180-2463	2	GASKET
35	180-2464	1	GASKET
43	185-4015	10	CLIP
44	400300X1	11	NUT (M6X1 THD)
47	9X-2488	4	CLAMP-HOSE

[A] PART OF 166-4592 AIR CONDITIONER
AND MOUNTING GP

00826613
PR: t05i29k58b0472

AIR CONDITIONER GP-DELUXE - 152-0427
(S/N: PRIOR TO BAM40575;BBP40461;
BCC40683;BDS40763)



**MT800 SERIESTRACTORS
OPERATOR STATION**

1041

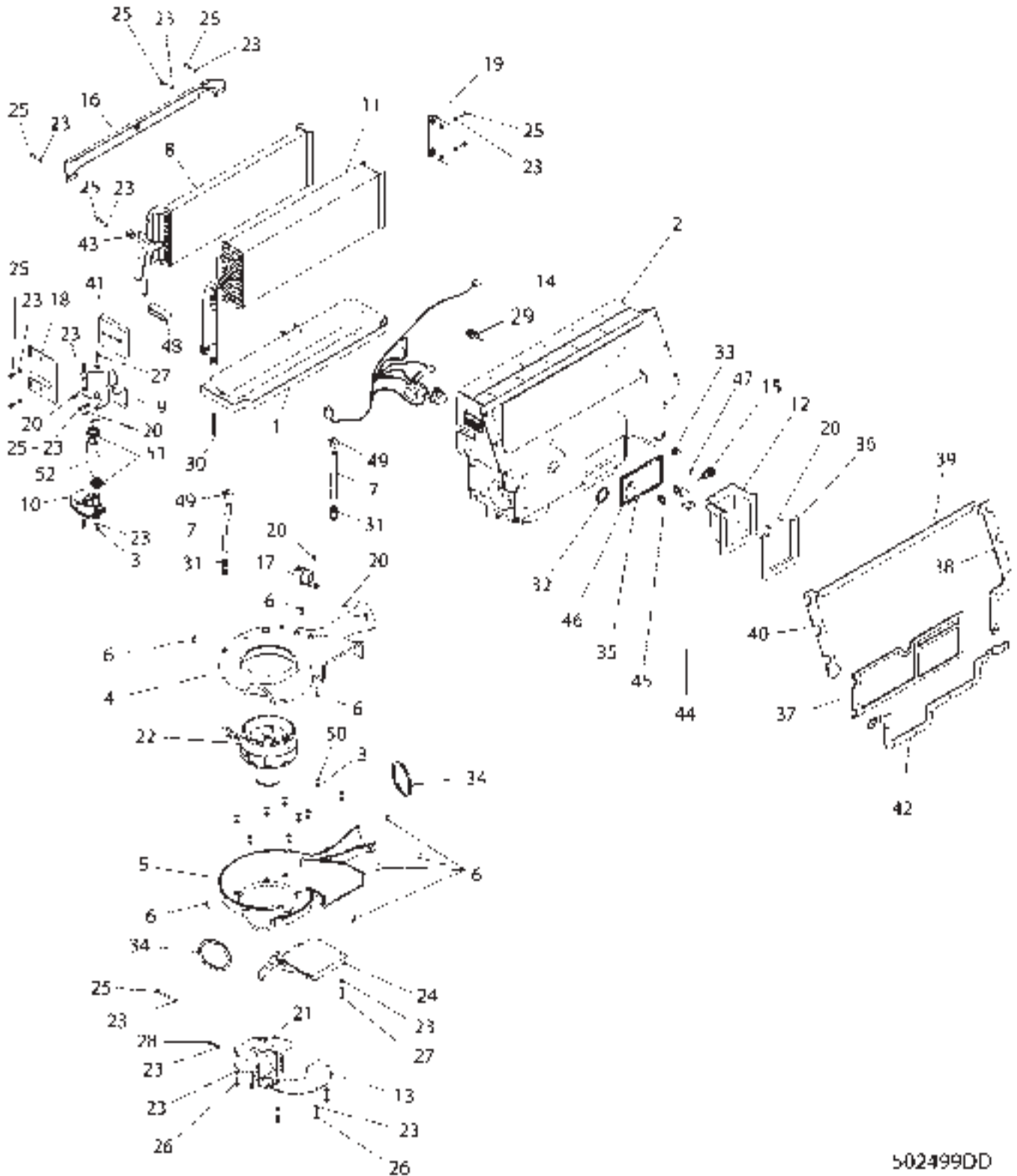
AIR CONDITIONER GP-DELUXE - 152-0427
(S/N: PRIOR TO BAM40575;BBP40461;
BCC40683;BDS40763)

ITEM	NUMBER	QTY	DESCRIPTION
-	152-0427	--	AIR CONDITIONER GP [A] (NOT SERVICED)
1	1P-1669	1	PLUG-SEAL
3	8L-9381	7	SCREW-TAPPING (8-32X0.50 IN)
6	130-9811	2	SENSOR GP-TEMPERATURE
8	168-2311	1	CASE ASY.
11	501706D1	1	DUCT - FRESH AIR
12	168-2322	1	HARNESS ASY. (AIR CONDITIONER)
22	180-9214	1	NUT (11/16-18 THD)
36	180-2465	1	GASKET
37	180-2466	1	GASKET
38	180-2467	1	GASKET
39	180-2468	1	GASKET
40	180-2469	1	GASKET
42	180-2471	1	GASKET

[A] PART OF 166-4592 AIR CONDITIONER
AND MOUNTING GP

00826614
PR: t05i29k58b0473

AIR CONDITIONER GP-DELUXE - 502499D1
(S/N: EFF BAM40575;BBP40461;
BCC40683;BDS40763)



**MT800 SERIES TRACTORS
OPERATOR STATION**

1043

**AIR CONDITIONER GP-DELUXE - 502499D1
(S/N: EFF BAM40575;BBP40461;
BCC40683;BDS40763)**

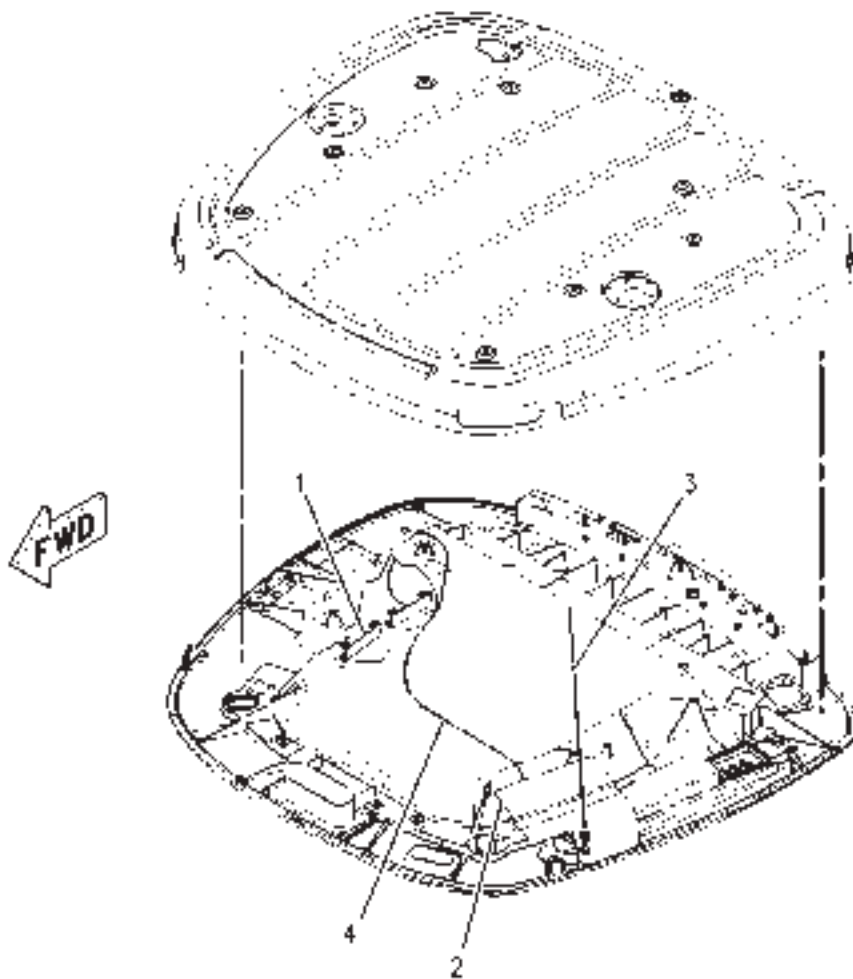
ITEM	NUMBER	QTY	DESCRIPTION
-	502499D1	--	CONDITIONER GP-AIR [A] (NOT SERVICED)
1	501705D1	1	PAN-DRAIN
2	501701D2	1	CASE AS
3	400300X1	11	NUT M6X1
4	501703D1	1	HOUSING-BLOWER
5	501704D1	1	HOUSING-BLOWER
6	400296X1	10	CLIP
7	400298X1	4	TUBE-BULK
8	501708D1	1	COIL AS.-HEATER
9	501712D1	1	BRACKET AS.
10	501700D1	1	VALVE AS.-WATER
11	501709D1	1	COIL AS.-EVAP
12	501706D1	1	DUCT-FRESH AIR
13	501731D1	1	BRACKET AS.
14	501707D2	1	HARNESS AS
15	501697D1	2	SENSOR GP.
16	501713D1	1	BRACKET AS.
17	400292X1	1	RELAY AS.
18	501714D1	1	RETAINER
19	501716D1	1	RETAINER
20	400305X1	7	SCREW-SELF TAPPING
21	501730D1	1	BRACKET AS.
22	501702D1	1	FAN AS.
23	400310X1	28	WASHER
24	501717D1	1	CONTROL AS.
25	400221X1	11	BOLT-M6X1X20MM ZNDI HHD 10.9
26	400022X1	5	BOLT-M6X1X25MM ZNDI HHD 10.9
27	400185X1	6	BOLT-M6X1X35MM ZNDI HHD 10.9
28	400307X1	4	BOLT M6X1
29	400293X1	1	SENSOR AS.
30	400932X1	1	ORIFICE AS.-A/C
31	400309X1	2	CONNECTOR
32	400295X1	1	NUT-HEX
33	400297X1	1	PLUG
34	501718D1	2	GASKET
35	501719D1	1	GASKET
36	501720D2	1	GASKET
37	501721D2	1	GASKET
38	501722D2	1	GASKET
39	501723D2	1	GASKET
40	501724D2	1	GASKET
41	501725D1	1	GASKET
42	501726D1	1	GASKET
43	501146D1	1	GROMMET-WIRE
44	502033D1	1	BRACKET
45	400780X1	1	NUT-JAM #8 3/4-16 UNF 2B
46	502036D1	1	GASKET HVAC SENSOR PROBE
47	CH217-5909	2	SCREW-1/4-15X12.7 PAN THD CTG
48	502528D1	1	TAPE-REFRIGERANT
49	400109X1	2	CLAMP-HOSE
50	400301X1	9	LOCKWASHER-TOOTH
51	400308X1	2	CLAMP-HOSE
52	501738D1	AR	HOSE-HEATER (3/4ID) (20CM)

[A] PART OF 502501D1
AIR CONDITIONER & MTG GP

502499DD
PR: t05i29k58b0474

MT800 SERIES TRACTORS
OPERATOR STATION

ANTENNA GP-RADIO - 168-1951



**MT800 SERIES TRACTORS
OPERATOR STATION**

1045

ANTENNA GP-RADIO - 168-1951

ITEM	NUMBER	QTY	DESCRIPTION
-	168-1951	--	ANTENNA GP-RADIO [A] (NOT SERVICED)
1	400128X1	2	COVER
2	136-5330	1	PLATE-GROUNDING
3	CH166-4615	1	ANTENNA
4	171-1576	1	CABLE-ANTENNA

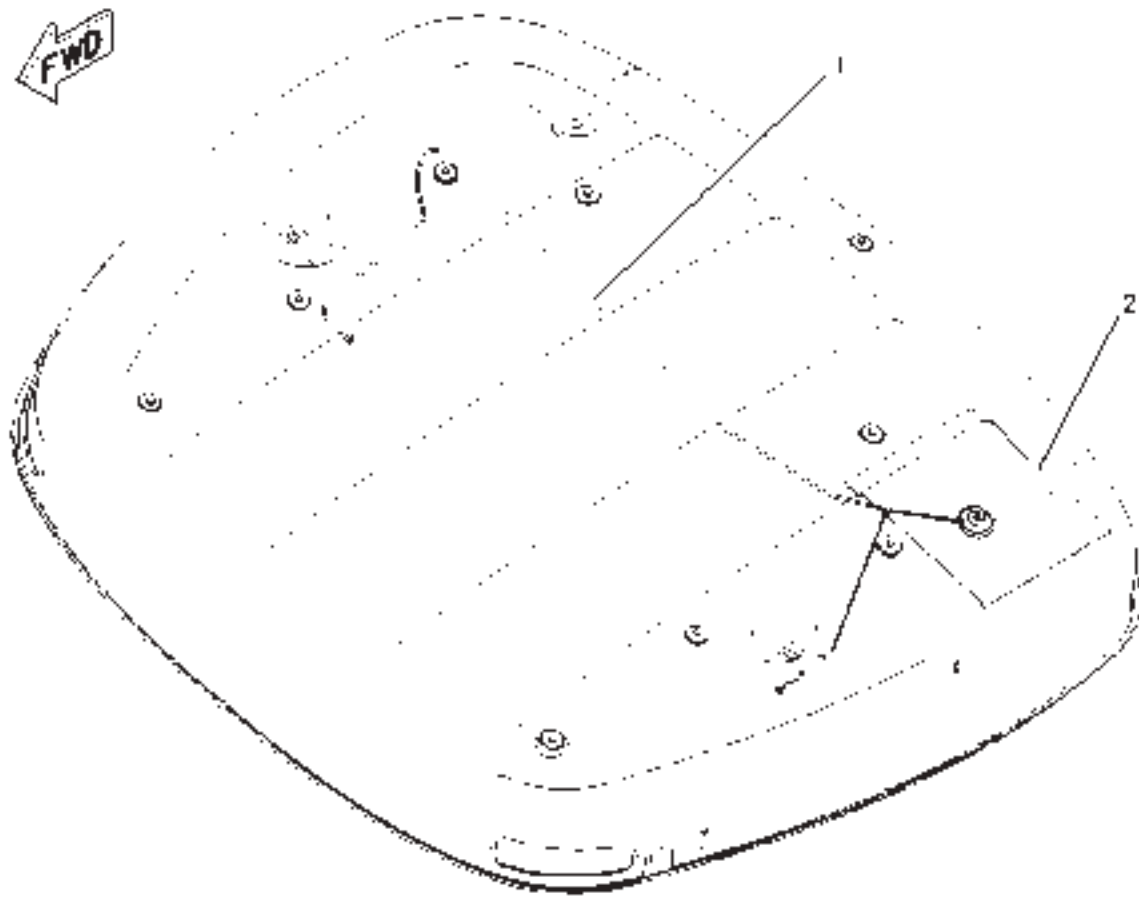
[A] PART OF 500841D1; 500842D1;
500844D1; 500849D1 CAB AR

00786383
PR: t05i29k58b0475

1046

MT800 SERIES TRACTORS
OPERATOR STATION

ANTENNA GP-RADIO - 210-1570
BUSINESS BAND



00835371

**MT800 SERIESTRACTORS
OPERATOR STATION**

1047

**ANTENNA GP-RADIO - 210-1570
BUSINESS BAND**

ITEM	NUMBER	QTY	DESCRIPTION
-	210-1570	--	ANTENNA GP-RADIO [A] (NOT SERVICED)
1	209-8430	1	CABLE
2	210-2654	1	PLATE-GROUND

[A] PART OF 500843D1; 500849D1 CAB AR

00835371
PR: t05i29k58b0476

1048

MT800 SERIESTRACTORS
OPERATOR STATION

CAB AR-BASIC - 500842D1
EAME ONLY

NO ILLUSTRATION

NOTIF

**MT800 SERIES TRACTORS
OPERATOR STATION**

1049

**CAB AR-BASIC - 500842D1
EAME ONLY**

ITEM	NUMBER	QTY	DESCRIPTION
-	500842D1	--	CAB AR-BASIC (SERVICED BY COMPONENTS)
1	136-5477	1	WIRING GP-ARMREST (NOT SERVICED) (SEE BREAKDOWN FOR COMPONENTS)
2	152-0004	1	CAB GP-BASIC (SEE BREAKDOWN FOR COMPONENTS)
3	152-0005	1	WIRING GP-CAB (NOT SERVICED) (SEE BREAKDOWN FOR COMPONENTS)
4	152-0418	1	LINER GP-OPERATOR (NOT SERVICED) (SEE BREAKDOWN FOR COMPONENTS)
5	152-0419	1	SPEAKER GP-RADIO (NOT SERVICED) (SEE BREAKDOWN FOR COMPONENTS)
6	152-0424	1	VISOR GP-CAB (FRONT) (NOT SERVICED) (SEE BREAKDOWN FOR COMPONENTS)
7	500768D1	1	CONSOLE GP (NOT SERVICED) (SEE BREAKDOWN FOR COMPONENTS)
8	152-0433	1	SEAT GP-TRAINING (NOT SERVICED) (SEE BREAKDOWN FOR COMPONENTS)
9	500839D1	1	CONSOLE GP-MTG & (NOT SERVICED) (SEE BREAKDOWN FOR COMPONENTS)
10	152-0438	1	CONTROL GP-BRAKE & CLUTCH (NOT SERVICED) (SEE BREAKDOWN FOR COMPONENTS)
11	152-0444	1	ROOF GP-CAB (NOT SERVICED) (SEE BREAKDOWN FOR COMPONENTS)
12	152-0447	1	CONTROL GP-DECELERATOR (NOT SERVICED) (SEE BREAKDOWN FOR COMPONENTS)
13	162-4101	1	LIGHTING GP-WARNING (NOT SERVICED) (SEE BREAKDOWN FOR COMPONENTS)
14	151-9986	1	AIR CONDITIONER & MTG GP (S/N: PRIOR TO BAM50633;BBP50486;BCC50765;BDS50909) (NOT SERVICED) (SEE BREAKDOWN FOR COMPONENTS)
14	502502D1	1	AIR CONDITIONER & MTG GP (S/N: EFF BAM50633;BBP50486;BCC50765;BDS50909) (NOT SERVICED) (SEE BREAKDOWN FOR COMPONENTS)
15	168-1946	1	WIRING GP-CONSOLE (NOT SERVICED) (SEE BREAKDOWN FOR COMPONENTS)
16	168-1951	1	ANTENNA GP-RADIO (NOT SERVICED) (SEE BREAKDOWN FOR COMPONENTS)
17	172-6857	1	CONTROL GP-PARKING BRAKE (NOT SERVICED) (SEE BREAKDOWN FOR COMPONENTS)
18	196-3968	1	WIPER GP (DELUXE) (NOT SERVICED) (SEE BREAKDOWN FOR COMPONENTS)
19	206-0588	1	MIRROR GP (NOT SERVICED) (SEE BREAKDOWN FOR COMPONENTS)
20	208-2880	1	LINES GP-HEATER (NOT SERVICED) (SEE BREAKDOWN FOR COMPONENTS)
21	209-5608	1	MIRROR GP-REAR VIEW (NOT SERVICED) (SEE BREAKDOWN FOR COMPONENTS)
22	224-3917	1	TRIM GP-CAB (NOT SERVICED) (SEE BREAKDOWN FOR COMPONENTS)
23	500761D1	1	COVER GP (NOT SERVICED) (SEE BREAKDOWN FOR COMPONENTS)

NOTIF
PR: t05i29k58b0477

1050

MT800 SERIESTRACTORS
OPERATOR STATION

CAB AR-DELUXE - 500841D1
EAME ONLY

NO ILLUSTRATION

NOTIF

**MT800 SERIES TRACTORS
OPERATOR STATION**

1051

**CAB AR-DELUXE - 500841D1
EAME ONLY**

ITEM	NUMBER	QTY	DESCRIPTION
-	500841D1	--	CAB AR-DELUXE (SERVICED BY COMPONENTS)
1	136-5477	1	WIRING GP-ARMREST (NOT SERVICED) (SEE BREAKDOWN FOR COMPONENTS)
2	152-0004	1	CAB GP-BASIC (SEE BREAKDOWN FOR COMPONENTS)
3	152-0005	1	WIRING GP-CAB (NOT SERVICED) (SEE BREAKDOWN FOR COMPONENTS)
4	152-0418	1	LINER GP-OPERATOR (NOT SERVICED) (SEE BREAKDOWN FOR COMPONENTS)
5	152-0419	1	SPEAKER GP-RADIO (NOT SERVICED) (SEE BREAKDOWN FOR COMPONENTS)
6	152-0424	1	VISOR GP-CAB (FRONT) (NOT SERVICED) (SEE BREAKDOWN FOR COMPONENTS)
7	500768D1	1	CONSOLE GP (NOT SERVICED) (SEE BREAKDOWN FOR COMPONENTS)
8	152-0433	1	SEAT GP-TRAINING (NOT SERVICED) (SEE BREAKDOWN FOR COMPONENTS)
9	500839D1	1	CONSOLE GP-MTG & (NOT SERVICED) (SEE BREAKDOWN FOR COMPONENTS)
10	152-0438	1	CONTROL GP-BRAKE & CLUTCH (NOT SERVICED) (SEE BREAKDOWN FOR COMPONENTS)
11	152-0444	1	ROOF GP-CAB (NOT SERVICED) (SEE BREAKDOWN FOR COMPONENTS)
12	152-0447	1	CONTROL GP-DECELERATOR (NOT SERVICED) (SEE BREAKDOWN FOR COMPONENTS)
13	162-4101	1	LIGHTING GP-WARNING (NOT SERVICED) (SEE BREAKDOWN FOR COMPONENTS)
14	166-4592	1	CONDITIONER GP-MOUNTING & (NOT SERVICED) (S/N: PRIOR TO BAM50619;BBP50482; BCC50756;BDS50902) (SEE BREAKDOWN FOR COMPONENTS)
14	502501D1	1	CONDITIONER GP-MOUNTING & (NOT SERVICED) (S/N: EFF BAM50619;BBP50482; BCC50756;BDS50902) (SEE BREAKDOWN FOR COMPONENTS)
15	168-1946	1	WIRING GP-CONSOLE (NOT SERVICED) (SEE BREAKDOWN FOR COMPONENTS)
16	168-1951	1	ANTENNA GP-RADIO (NOT SERVICED) (SEE BREAKDOWN FOR COMPONENTS)
17	172-6857	1	CONTROL GP-PARKING BRAKE (NOT SERVICED) (SEE BREAKDOWN FOR COMPONENTS)
18	196-3968	1	WIPER GP (DELUXE) (NOT SERVICED) (SEE BREAKDOWN FOR COMPONENTS)
19	206-0588	1	MIRROR GP (NOT SERVICED) (SEE BREAKDOWN FOR COMPONENTS)
20	208-2881	1	LINES GP-HEATER (NOT SERVICED) (SEE BREAKDOWN FOR COMPONENTS)
21	209-5608	1	MIRROR GP-REAR VIEW (NOT SERVICED) (SEE BREAKDOWN FOR COMPONENTS)
22	224-3917	1	TRIM GP-CAB (NOT SERVICED) (SEE BREAKDOWN FOR COMPONENTS)
23	173-6501	1	WIRING GP-SHUTOFF (TIME DELAY LIGHTING) (NOT SERVICED) (SEE BREAKDOWN FOR COMPONENTS)
24	500761D1	1	COVER GP (NOT SERVICED) (SEE BREAKDOWN FOR COMPONENTS)

NOTIF
PR: t05i29k58b0478

1052

MT800 SERIESTRACTORS
OPERATOR STATION

CAB AR-BASIC - 500844D1
ROW & SPECIAL APPLICATIONS

NO ILLUSTRATION

NOTIF

**MT800 SERIES TRACTORS
OPERATOR STATION**

1053

**CAB AR-BASIC - 500844D1
ROW & SPECIAL APPLICATIONS**

ITEM	NUMBER	QTY	DESCRIPTION
-	500844D1	--	CAB AR (NOT SERVICED)
1	136-5477	1	WIRING GP-CONSOLE (NOT SERVICED) (SEE BREAKDOWN FOR COMPONENTS)
2	151-9986	1	AIR CONDITIONER & MTG GP (S/N: PRIOR TO BAM50633;BBP50486;BCC50765;BDS50909) (NOT SERVICED) (SEE BREAKDOWN FOR COMPONENTS)
2	502502D1	1	AIR CONDITIONER & MTG GP (S/N: EFF BAM50633;BBP50486;BCC50765;BDS50909) (NOT SERVICED) (SEE BREAKDOWN FOR COMPONENTS)
3	152-0003	1	CAB GP (SEE BREAKDOWN FOR COMPONENTS)
4	152-0417	1	ROOF GP-CAB (NOT SERVICED) (SEE BREAKDOWN FOR COMPONENTS)
5	152-0418	1	HEADLINER GP (NOT SERVICED) (SEE BREAKDOWN FOR COMPONENTS)
6	152-0420	1	WIRING GP-CAB (NOT SERVICED) (SEE BREAKDOWN FOR COMPONENTS)
7	500768D1	1	CONSOLE GP (NOT SERVICED) (SEE BREAKDOWN FOR COMPONENTS)
8	152-0433	1	SEAT GP-COMPANION (NOT SERVICED) (SEE BREAKDOWN FOR COMPONENTS)
9	500839D1	1	CONSOLE GP & MTG (NOT SERVICED) (SEE BREAKDOWN FOR COMPONENTS)
10	152-0438	1	CONTROL GP-CLUTCH & BRAKE (NOT SERVICED) (SEE BREAKDOWN FOR COMPONENTS)
11	152-0447	1	CONTROL GP-DECELERATOR (NOT SERVICED) (SEE BREAKDOWN FOR COMPONENTS)
12	168-1951	1	ANTENNA GP-RADIO (NOT SERVICED) (SEE BREAKDOWN FOR COMPONENTS)
13	208-2880	1	LINES GP-HEATER (NOT SERVICED) (SEE BREAKDOWN FOR COMPONENTS)
14	224-3917	1	TRIM GP-CAB (NOT SERVICED) (SEE BREAKDOWN FOR COMPONENTS)

NOTIF
PR: t05i29k58b0479

1054

MT800 SERIESTRACTORS
OPERATOR STATION

CAB AR-DELUXE - 500843D1
MT835 & MT845
ROW & SPECIAL APPLICATIONS

NO ILLUSTRATION

NOTIF

**MT800 SERIES TRACTORS
OPERATOR STATION**

1055

**CAB AR-DELUXE - 500843D1
MT835 & MT845
ROW & SPECIAL APPLICATIONS**

ITEM	NUMBER	QTY	DESCRIPTION
-	500843D1	--	CAB AR (NOT SERVICED)
1	136-5477	1	WIRING GP-ARMREST (NOT SERVICED) (SEE BREAKDOWN FOR COMPONENTS)
2	136-5659	1	BATTERY & WIRING GP (NOT SERVICED) (SEE BREAKDOWN FOR COMPONENTS)
3	152-0003	1	CAB GP (SEE BREAKDOWN FOR COMPONENTS)
4	152-0417	1	ROOF GP-CAB (NOT SERVICED) (SEE BREAKDOWN FOR COMPONENTS)
5	152-0418	1	HEADLINER GP (NOT SERVICED) (SEE BREAKDOWN FOR COMPONENTS)
6	152-0419	1	SPEAKER GP-RADIO (NOT SERVICED) (SEE BREAKDOWN FOR COMPONENTS)
7	152-0420	1	WIRING GP-CAB (NOT SERVICED) (SEE BREAKDOWN FOR COMPONENTS)
8	152-0424	1	VISOR GP-CAB (FRONT)(NOT SERVICED) (SEE BREAKDOWN FOR COMPONENTS)
9	500768D1	1	CONSOLE GP (NOT SERVICED) (SEE BREAKDOWN FOR COMPONENTS)
10	152-0433	1	SEAT GP-COMPANION (NOT SERVICED) (SEE BREAKDOWN FOR COMPONENTS)
11	500839D1	1	CONSOLE GP-MOUNTING (NOT SERVICED) (SEE BREAKDOWN FOR COMPONENTS)
12	152-0438	1	CONTROL GP-CLUTCH & BRAKE (NOT SERVICED) (SEE BREAKDOWN FOR COMPONENTS)
13	152-0447	1	CONTROL GP-DECELERATOR (NOT SERVICED) (SEE BREAKDOWN FOR COMPONENTS)
14	162-4096	1	WIRING GP-SHUTOFF (ENGINE) (NOT SERVICED) (SEE BREAKDOWN FOR COMPONENTS)
15	162-4097	1	WIRING GP-CONSOLE (NOT SERVICED) (SEE BREAKDOWN FOR COMPONENTS)
16	166-4592	1	CONDITIONER GP-MOUNTING & (NOT SERVICED) (S/N: PRIOR TO BAM50619;BBP50482; BCC50756;BDS50902) (SEE BREAKDOWN FOR COMPONENTS)
16	502501D1	1	CONDITIONER GP-MOUNTING & (NOT SERVICED) (S/N: EFF BAM50619;BBP50482; BCC50756;BDS50902) (SEE BREAKDOWN FOR COMPONENTS)
17	168-1951	1	ANTENNA GP-RADIO (AM/FM) (NOT SERVICED) (SEE BREAKDOWN FOR COMPONENTS)
18	173-6501	1	WIRING GP-SHUTOFF (TIME DELAY LIGHTING) (NOT SERVICED) (SEE BREAKDOWN FOR COMPONENTS)
19	196-3968	1	WIPER GP-WINDOW (NOT SERVICED) (SEE BREAKDOWN FOR COMPONENTS)
20	208-2881	1	LINES GP-HEATER (NOT SERVICED) (SEE BREAKDOWN FOR COMPONENTS)
21	209-5608	1	MIRROR GP-REAR VIEW (NOT SERVICED) (SEE BREAKDOWN FOR COMPONENTS)
22	210-1570	1	ANTENNA GP-RADIO (BUSINESS BAND) (NOT SERVICED) (SEE BREAKDOWN FOR COMPONENTS)
23	224-3917	1	TRIM GP-CAB (NOT SERVICED) (SEE BREAKDOWN FOR COMPONENTS)

NOTIF
PR: t05i29k58b0480

1056

MT800 SERIESTRACTORS
OPERATOR STATION

CAB AR-DELUXE - 500849D1
MT855 & MT865
ROW & SPECIAL APPLICATIONS

NO ILLUSTRATION

NOTIF

**MT800 SERIES TRACTORS
OPERATOR STATION**

1057

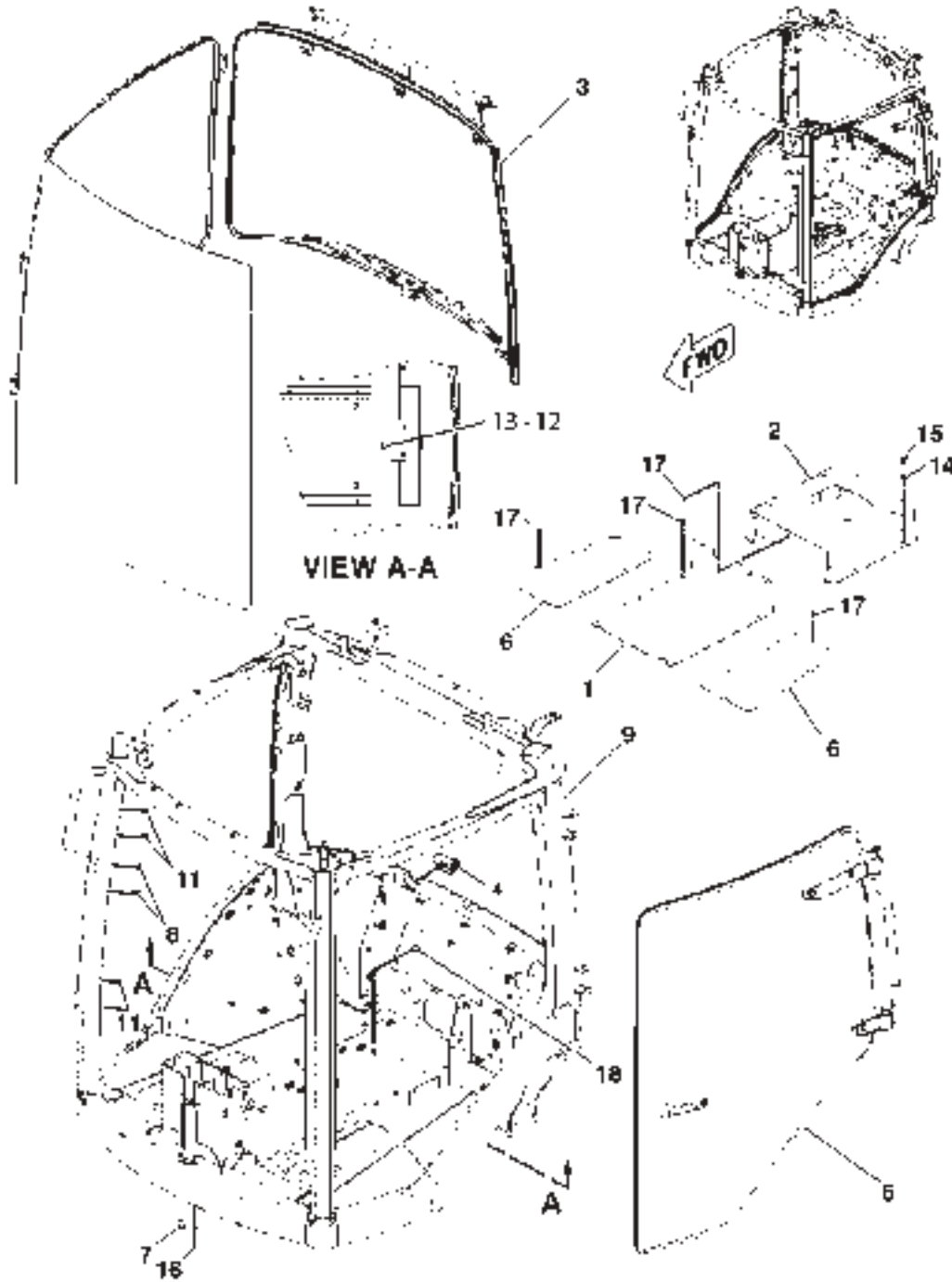
**CAB AR-DELUXE - 500849D1
MT855 & MT865
ROW & SPECIAL APPLICATIONS**

ITEM	NUMBER	QTY	DESCRIPTION
-	500849D1	--	CAB AR (NOT SERVICED)
1	136-5477	1	WIRING GP-ARMREST (NOT SERVICED) (SEE BREAKDOWN FOR COMPONENTS)
2	136-5663	1	BATTERY & WIRING GP (NOT SERVICED) (SEE BREAKDOWN FOR COMPONENTS)
3	152-0003	1	CAB GP (SEE BREAKDOWN FOR COMPONENTS)
4	152-0417	1	ROOF GP-CAB (NOT SERVICED) (SEE BREAKDOWN FOR COMPONENTS)
5	152-0418	1	HEADLINER GP (NOT SERVICED) (SEE BREAKDOWN FOR COMPONENTS)
6	152-0419	1	SPEAKER GP-RADIO (NOT SERVICED) (SEE BREAKDOWN FOR COMPONENTS)
7	152-0420	1	WIRING GP-CAB (NOT SERVICED) (SEE BREAKDOWN FOR COMPONENTS)
8	152-0424	1	VISOR GP-CAB (FRONT)(NOT SERVICED) (SEE BREAKDOWN FOR COMPONENTS)
9	500768D1	1	CONSOLE GP (NOT SERVICED) (SEE BREAKDOWN FOR COMPONENTS)
10	152-0433	1	SEAT GP-COMPANION (NOT SERVICED) (SEE BREAKDOWN FOR COMPONENTS)
11	500839D1	1	CONSOLE GP-MOUNTING (NOT SERVICED) (SEE BREAKDOWN FOR COMPONENTS)
12	152-0438	1	CONTROL GP-CLUTCH & BRAKE (NOT SERVICED) (SEE BREAKDOWN FOR COMPONENTS)
13	152-0447	1	CONTROL GP-DECELERATOR (NOT SERVICED) (SEE BREAKDOWN FOR COMPONENTS)
14	162-4096	1	WIRING GP-SHUTOFF (ENGINE) (NOT SERVICED) (SEE BREAKDOWN FOR COMPONENTS)
15	162-4097	1	WIRING GP-CONSOLE (NOT SERVICED) (SEE BREAKDOWN FOR COMPONENTS)
16	166-4592	1	CONDITIONER GP-MOUNTING & (NOT SERVICED) (S/N: PRIOR TO BAM50619;BBP50482; BCC50756;BDS50902) (SEE BREAKDOWN FOR COMPONENTS)
16	502501D1	1	CONDITIONER GP-MOUNTING & (NOT SERVICED) (S/N: EFF BAM50619;BBP50482; BCC50756;BDS50902) (SEE BREAKDOWN FOR COMPONENTS)
17	168-1951	1	ANTENNA GP-RADIO (AM/FM) (NOT SERVICED) (SEE BREAKDOWN FOR COMPONENTS)
18	173-6501	1	WIRING GP-SHUTOFF (TIME DELAY LIGHTING) (NOT SERVICED) (SEE BREAKDOWN FOR COMPONENTS)
19	196-3968	1	WIPER GP-WINDOW (NOT SERVICED) (SEE BREAKDOWN FOR COMPONENTS)
20	208-2881	1	LINES GP-HEATER (NOT SERVICED) (SEE BREAKDOWN FOR COMPONENTS)
21	209-5608	1	MIRROR GP-REAR VIEW (NOT SERVICED) (SEE BREAKDOWN FOR COMPONENTS)
22	210-1570	1	ANTENNA GP-RADIO (BUSINESS BAND) (NOT SERVICED) (SEE BREAKDOWN FOR COMPONENTS)
23	224-3917	1	TRIM GP-CAB (NOT SERVICED) (SEE BREAKDOWN FOR COMPONENTS)

NOTIF
PR: t05i29k58b0481

MT800 SERIES TRACTORS
OPERATOR STATION

CAB GP - 152-0003
ROW & SPECIAL APPLICATIONS



**MT800 SERIES TRACTORS
OPERATOR STATION**

1059

**CAB GP - 152-0003
ROW & SPECIAL APPLICATIONS**

ITEM	NUMBER	QTY	DESCRIPTION
-	152-0003	--	CAB GP [A]
1	151-8559	1	PLATE-COVER
2	151-9961	1	PLATE ASM-SEAT PEDISTAL
3	151-9994	1	WINDOW GP-CAB (NOT SERVICED) (SEE BREAKDOWN FOR COMPONENTS)
4	164-7017	1	SEAL-WIRING (REAR)
5	164-7068	1	DOOR GP-LH (NOT SERVICED) (S/N: PRIOR TO BAM40608; BBP40474; BCC40741; BDS40890) (FOR COMPLETE REPLACEMENT, ORD EFF) (SEE BREAKDOWN FOR COMPONENTS)
5	500927D1	1	DOOR GP-LH (NOT SERVICED) (S/N: EFF BAM40608; BBP40474; BCC40741; BDS40890) (SEE BREAKDOWN FOR COMPONENTS)
6	166-4558	2	COVER-FLOOR MODULE
7	180-9966	1	COVER
8	CH187-4902	8	INSERT
9	-----	1	FRAME AS (ORDER CAB GP)
10	-----		NOT USED
11	CH225-6215	4	BUTTON-PLUG
12	CH3E-4353	1	WASHER-HARD (11X25X3)
13	400190X1	1	BOLT (M12X1.75X16MM)
14	400287X1	6	WASHER-HARD (11X21X2.5)
15	400058X1	6	BOLT (M10X1.5X30MM)
16	400227X1	5	BOLT (M8X1.25X16MM)
17	CH9X-2042	21	SCREW-TRUSS HEAD (M6X1X12MM)
18	CH9X-3994	2	PLUG

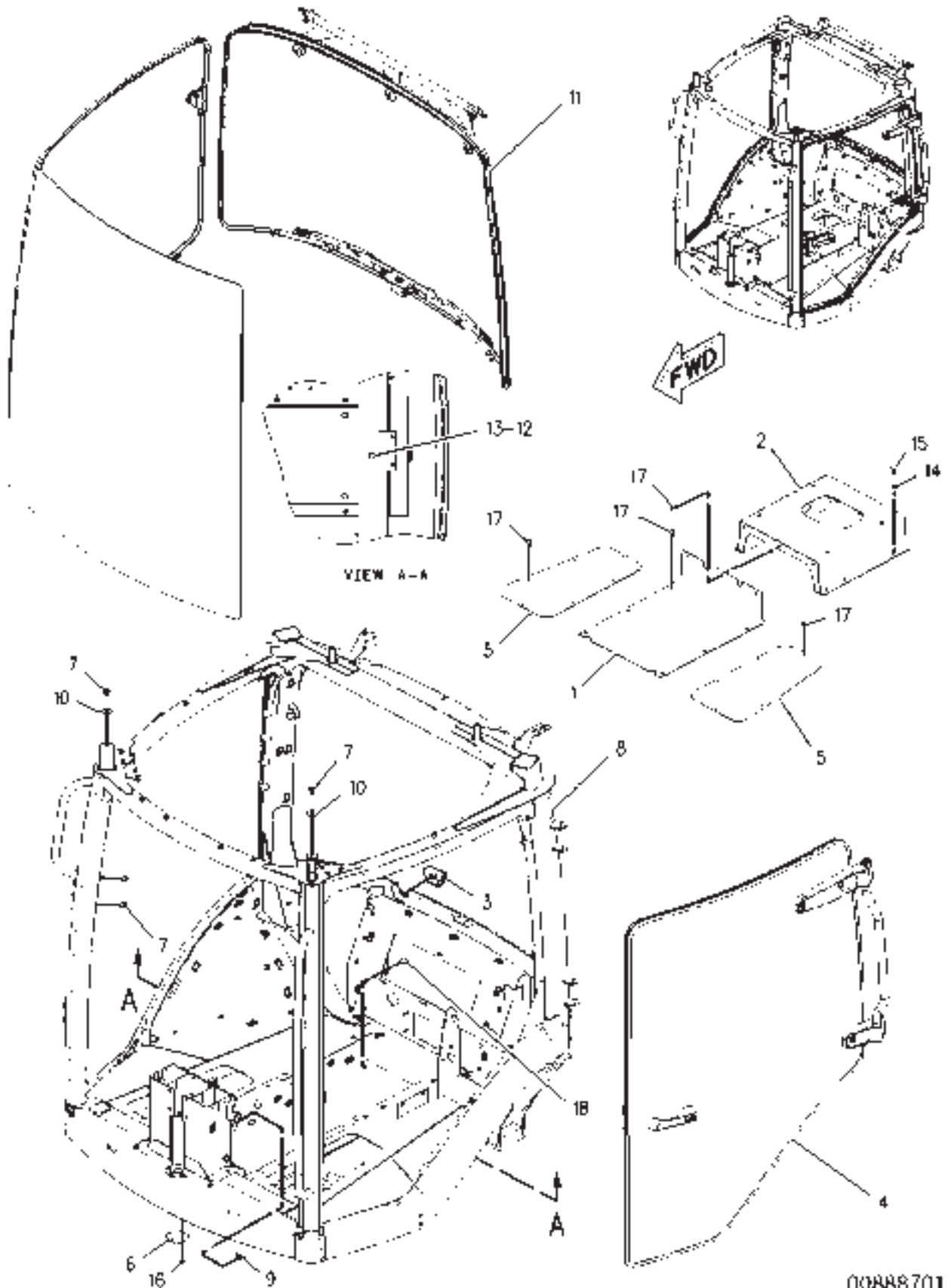
[A] PART OF 500843D1; 500844D1; 500849D1
CAB AR

0888610B
PR: t05i29k58b0482

1060

MT800 SERIES TRACTORS
OPERATOR STATION

CAB GP - 152-0004
EAME ONLY



00888701

**MT800 SERIESTRACTORS
OPERATOR STATION**

1061

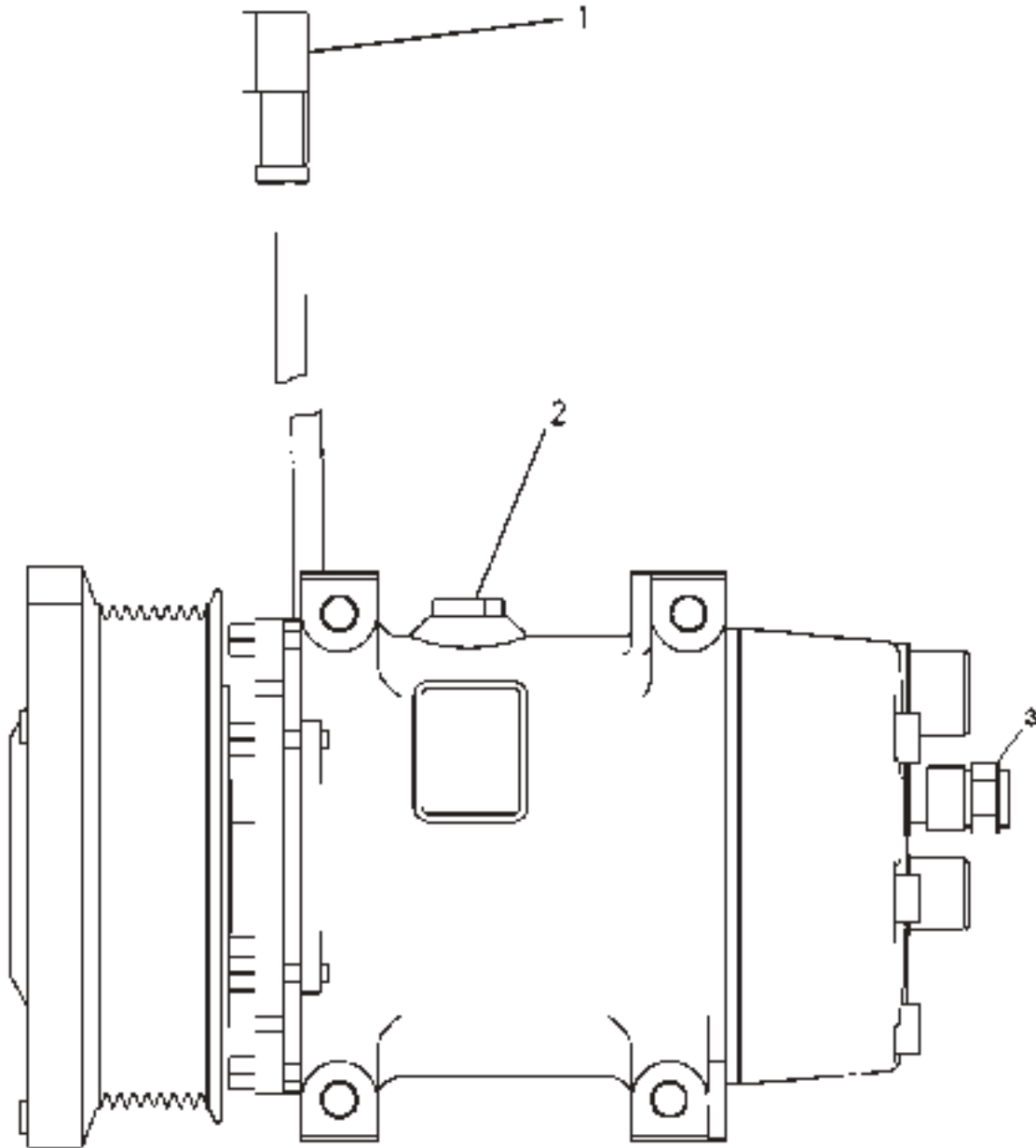
**CAB GP - 152-0004
EAME ONLY**

ITEM	NUMBER	QTY	DESCRIPTION
-	152-0004	--	CAB GP [A]
1	151-8559	1	PLATE-COVER
2	151-9961	1	PLATE AS-SEAT PEDISTAL
3	164-7017	1	SEAL
4	164-7068	1	DOOR GP-LH (NOT SERVICED) (S/N: PRIOR TO BAM40608; BBP40474; BCC60741; BDS40890) (FOR COMPLETE REPLACEMENT, ORD EFF) (SEE BREAKDOWN FOR COMPONENTS)
4	500927D1	1	DOOR GP-LH (NOT SERVICED) (S/N: EFF BAM40608; BBP40474; BCC60741; BDS40890) (SEE BREAKDOWN FOR COMPONENTS)
5	166-4558	2	COVER
6	180-9966	1	COVER
7	CH187-4902	6	INSERT
8	-----	1	FRAME AS (ORDER CAB GP)
9	202-0843	1	PAD
10	090-8865	2	SPACER (17X40X3MM THK)
11	151-9995	1	GLASS GP-WINDSHIELD (NOT SERVICED) (SEE BREAKDOWN FOR COMPONENTS)
12	CH3E-4353	1	WASHER-HARD (11X25X3MM THK)
13	400190X1	1	BOLT (M12X1.75X16MM)
14	400287X1	6	WASHER-HARD (11X21X2.5MM THK)
15	400058X1	6	BOLT (M10X1.5X30MM)
16	400227X1	5	BOLT (M8X1.25X16MM)
17	CH9X-2042	21	SCREW-TRUSS HEAD (M6X1X12MM)
18	CH9X-3994	2	PLUG

[A] PART OF 500841D1;500842D1 CAB AR

00888701
PR: t05i29k58b0483

COMPRESSOR GP-REFRIGERANT - CH178-9570



**MT800 SERIESTRACTORS
OPERATOR STATION**

1063

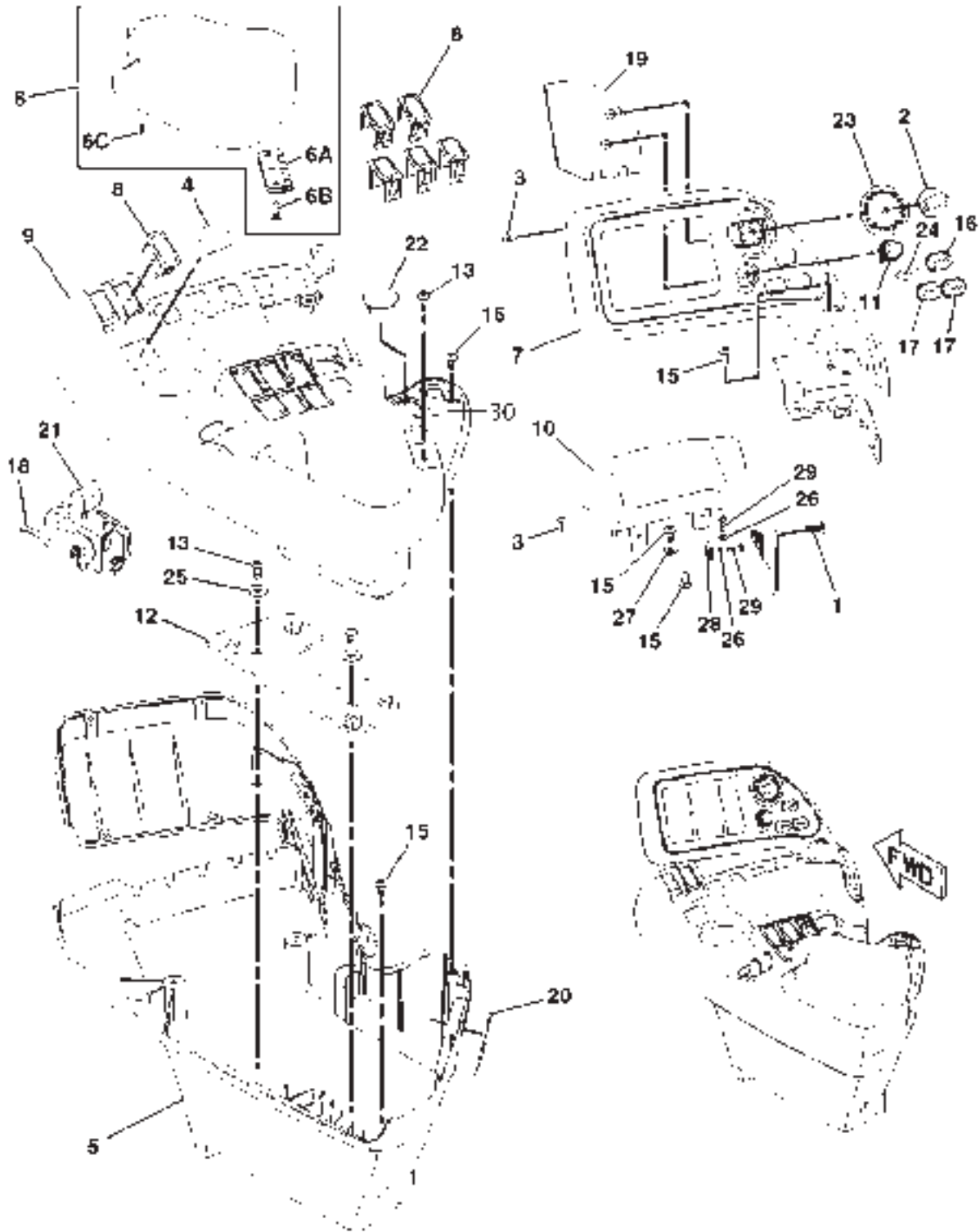
COMPRESSOR GP-REFRIGERANT - CH178-9570

ITEM	NUMBER	QTY	DESCRIPTION
-	CH178-9570	--	COMPRESSOR GP-REFRIGERANT [A]
1	CH102-8802	1	KIT-RECEPTACLE (2 PIN) (INCLUDES WEDGE AND RECEPTACLE ASM) (SERVICED AS COMPLETE KIT ONLY)
2	CH7T-4532	1	PLUG ASM (W/SEAL)
3	CH114-3469	1	VALVE ASM (INCL SEAL)
	CH9X-7378	1	SEAL

[A] PART OF 187-1792 MOUNTING GP-
REFRIGERANT COMPR

0777332A
PR: t05i29k58b0484

CONSOLE GP-OPERATOR - 152-0434
WITH PTO



**MT800 SERIES TRACTORS
OPERATOR STATION**

1065

**CONSOLE GP-OPERATOR - 152-0434
WITH PTO**

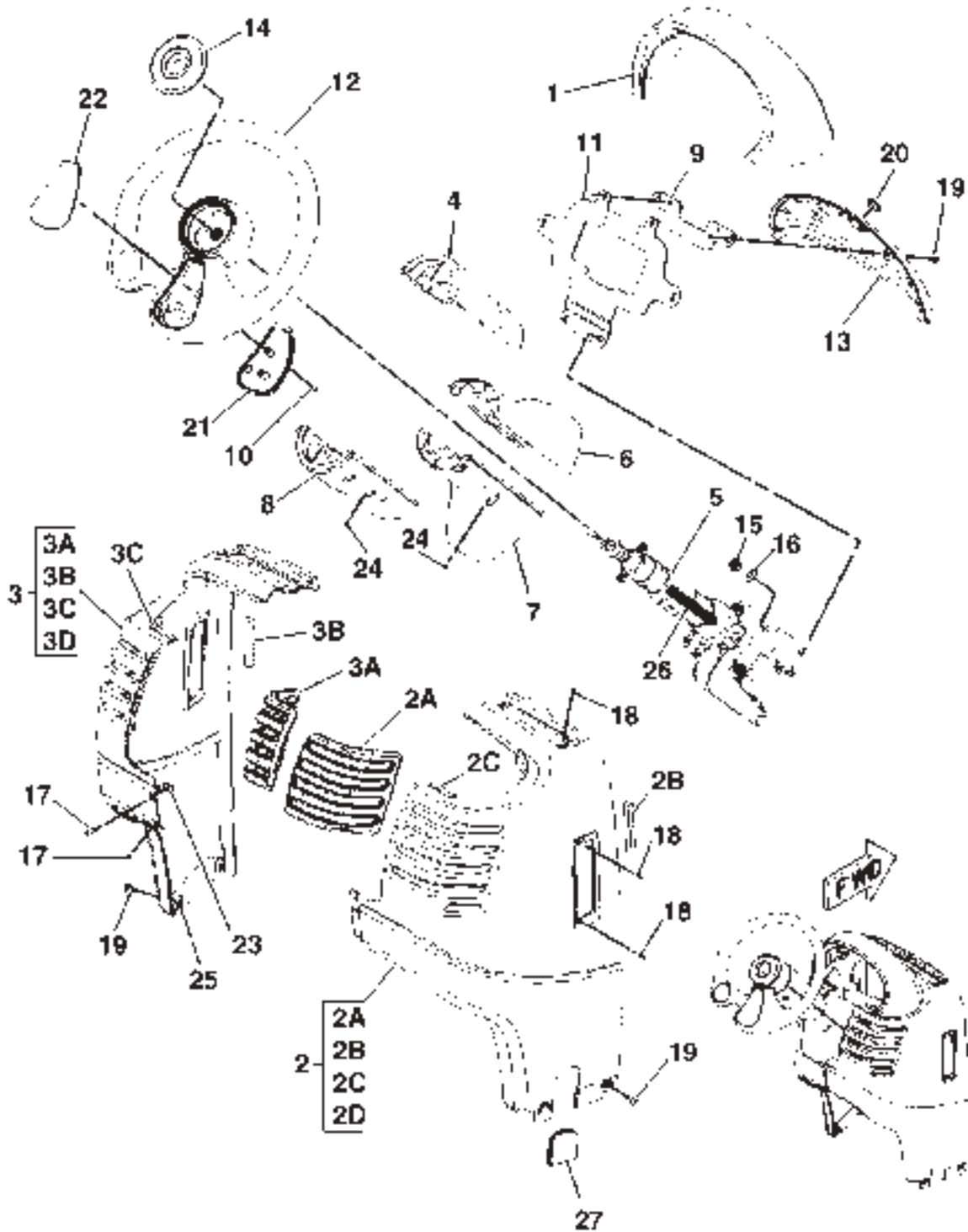
ITEM	NUMBER	QTY	DESCRIPTION
-	152-0434	--	CONSOLE GP-OPERATOR [A] (NOT SERVICED)
1	400110X1	2	CLIP-TREE
2	CH157-0449	1	KNOB-CONTROL (TRACTOR MGMT CENTER SELECTOR)
3	CH9X-1046	6	SCREW (M4X0.7X18MM)
4	501524D1	1	FILM (TRANSMISSION SHIFT)
5	162-6737	1	CONSOLE ASY. (BOTTOM)
	179-4207	3	INSERT (M6X1 THD)
6	162-6738	1	PAD ASY. (ARM)
6A	162-4105	1	HINGE ASY.
6B	207-2021	3	SCREW
6C	207-2022	5	SCREW
7	164-7042	1	HOUSING ASY.
	173-8818	4	INSERT (M4X0.7 THD)
8	CH165-5975	6	PLUG
9	502064D1	1	CONSOLE ASY. (TOP)
	173-8818	2	INSERT (M4X0.7 THD)
	179-4206	13	INSERT (M5X0.8 THD)
10	166-4608	1	PAD (PALM)
11	CH168-2333	1	KNOB (TRACTOR MGMT CENTER ADJUSTMENT)
12	169-6390	1	PLATE AS
	CH8T-3490	4	NUT-WELD (M10X1.5 THD)
13	CH207-2021	4	SCREW
15	CH9X-2044	7	SCREW-TRUSS HEAD (M6X1X16MM)
16	CH178-7962	1	BUTTON (TRACTOR MGMT CENTER ENTER KEY)
17	CH178-7963	2	BUTTON (TRACTOR MGMT CENTER TAB KEYS)
18	501531D1	1	FILM (THROTTLE INSTRUCTION)
19	180-5237	1	SEAL
20	221-5433	1	COVER
21	207-2031	1	CONTROL GP-GOVERNOR (NOT SERVICED) (SEE BREAKDOWN FOR COMPONENTS)
22	CH207-2039	1	PLUG
23	501521D1	1	FILM-IDENTIFICATION (TRACTOR MGMT CENTER SELECTOR)
24	501522D1	1	FILM-IDENTIFICATION (TRACTOR MGMT CENTER ADJUSTMENT)
25	CH9X-6165	2	WASHER (6.5X22X2.5MM THK)
26	CH2A-3211	2	WASHER (5.5X12.3X.8MM THK)
27	CH5P-0537	1	WASHER-HARD (7.2X14.5X2MM THK)
28	400356X1	1	CLIP-SPRING (M5X.8-6H)
29	CH8T-6693	2	SCREW-MACHINE (M5X0.8X16MM)
30	501532D1	1	FILM-PTO
-	501530D1	1	DECAL SHEET-CONSOLE (NOT SHOWN) (INCLS ALL DECALS)

[A] PART OF 152-0436 SEAT GP; 500484D2;
500485D2;500486D2;500487D2;500488D2;
500489D2;500491D2;500791D2;500792D2;
500793D2;500794D2 ARMREST GP

1520434A
PR: t05i29k58b0485

MT800 SERIES TRACTORS
OPERATOR STATION

CONSOLE GP - 500768D1



**MT800 SERIES TRACTORS
OPERATOR STATION**

1067

CONSOLE GP - 500768D1

ITEM	NUMBER	QTY	DESCRIPTION
-	500768D1	--	CONSOLE GP [A] (NOT SERVICED)
1	CH162-6660	1	COVER AS
2	200-1770	1	CONSOLE ASM-RH (INCLS 2A-2E)
2A		1	CONSOLE-RIGHT (ORDER IT 2)
2B	169-6386	1	SEAL
2C	201-4113	1	BUMPER
2D	201-9789	1	SEAL
3	200-1771	1	CONSOLE ASM-LH (INCLS 3A-3D)
3A		1	CONSOLE-LEFT (ORDER IT 3)
3B	169-6385	1	SEAL
3C	201-4113	1	BUMPER
3D	201-9789	1	SEAL
4	164-7044	1	COVER-TOP (UPPER COLUMN)
5	CH166-3611	1	COLUMN AS-STEERING (SEE BREAKDOWN FOR COMPONENTS)
6	166-3754	1	COVER-TOP (LOWER COLUMN)
7	166-3755	1	COVER (LOWER COLUMN)
8	166-4555	1	COVER (UPPER COLUMN)
9	192-9017	1	BRACKET ASM(INCLUDES BRACKET AND NUT)
	400313X1	2	NUT-WELD (M6X1)
10	CH186-1682	3	SCREW-PAN HEAD (6-32X0.75 IN)
11	179-8220	1	BRACKET ASM
	CH7T-1099	1	LINK
12	195-5230	1	STEERING WHEEL
13	CH178-7965	1	COVER
14	195-5229	1	BUTTON-HORN
15	CH8T-0389	4	LOCKNUT (M10X1.5)
16	400287X1	4	WASHER-HARD (11X21X2.5)
17	CH9X-1046	2	SCREW (M4X0.7X18MM)
18	CH104-2091	6	SCREW-FLAT HEAD (6-20X0.5 IN)
19	CH9X-2044	6	SCREW-TRUSS HEAD (M6X1X16MM)
20	CH7X-1434	1	PLUG
21	195-5227	1	COVER (REMOTE RADIO CONTROL)
22	195-5228	1	COVER
23	400084X1	1	NUT-RETAINER (M4X0.07X0.6-3.8 PANEL)
24	CH119-5026	8	SCREW-PAN HEAD (10-16X0.63 IN)
25	400085X1	4	NUT-RETAINER (M6X1X1.63-3.8 PANEL)
26	CH191-1780	AR	CONDUIT-FLEXIBLE (14CM) (REQUIRED ONLY ON TRACTORS NOT EQUIPPED W/REMOTE RADIO CONTROLS)
27	201-4114	1	GROMMET

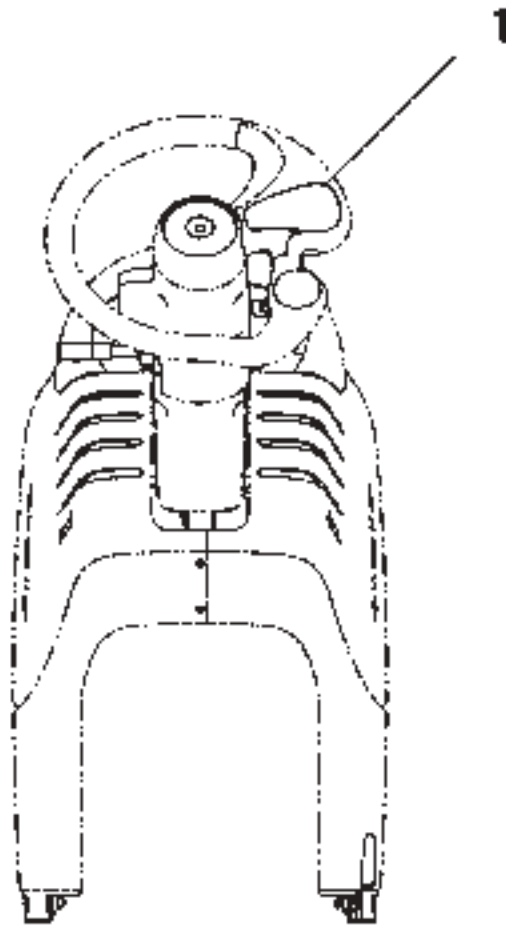
[A] PART OF 152-0012; 152-0013;
222-4146; 500841D1; 500842D1
CAB AR

0789409A
PR: t05i29k58b0486

1068

MT800 SERIES TRACTORS
OPERATOR STATION

COVER GP - 500761D1



500761DB

**MT800 SERIESTRACTORS
OPERATOR STATION**

1069

COVER GP - 500761D1

ITEM	NUMBER	QTY	DESCRIPTION
-	502796D1	--	COVER GP (NOT SERVICED)
-	500761D1	--	COVER GP [A] (NOT SERVICED)
1	195-5228	1	COVER

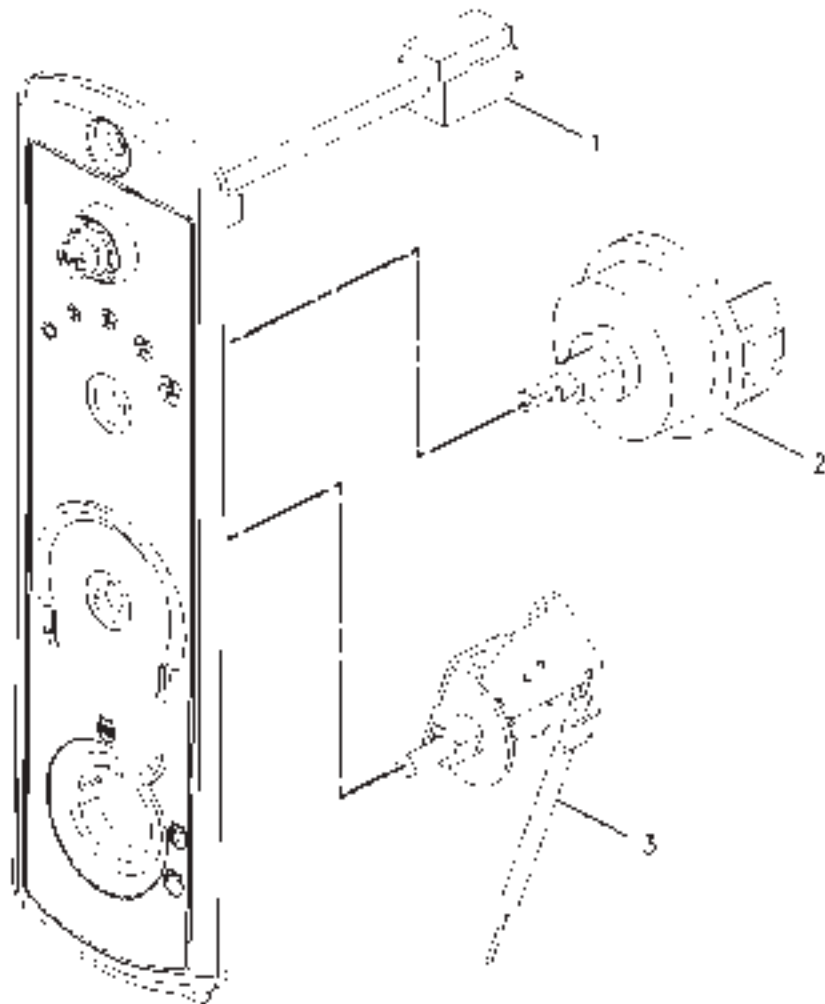
[A] PART OF 500841D1; 500842D1 CAB AR;
502796D1 COVER GP

500761DB
PR: t05i29k58b0487

1070

MT800 SERIES TRACTORS
OPERATOR STATION

CONTROL GP-AIR & TEMPERATURE
166-4586



00876899

**MT800 SERIESTRACTORS
OPERATOR STATION**

1071

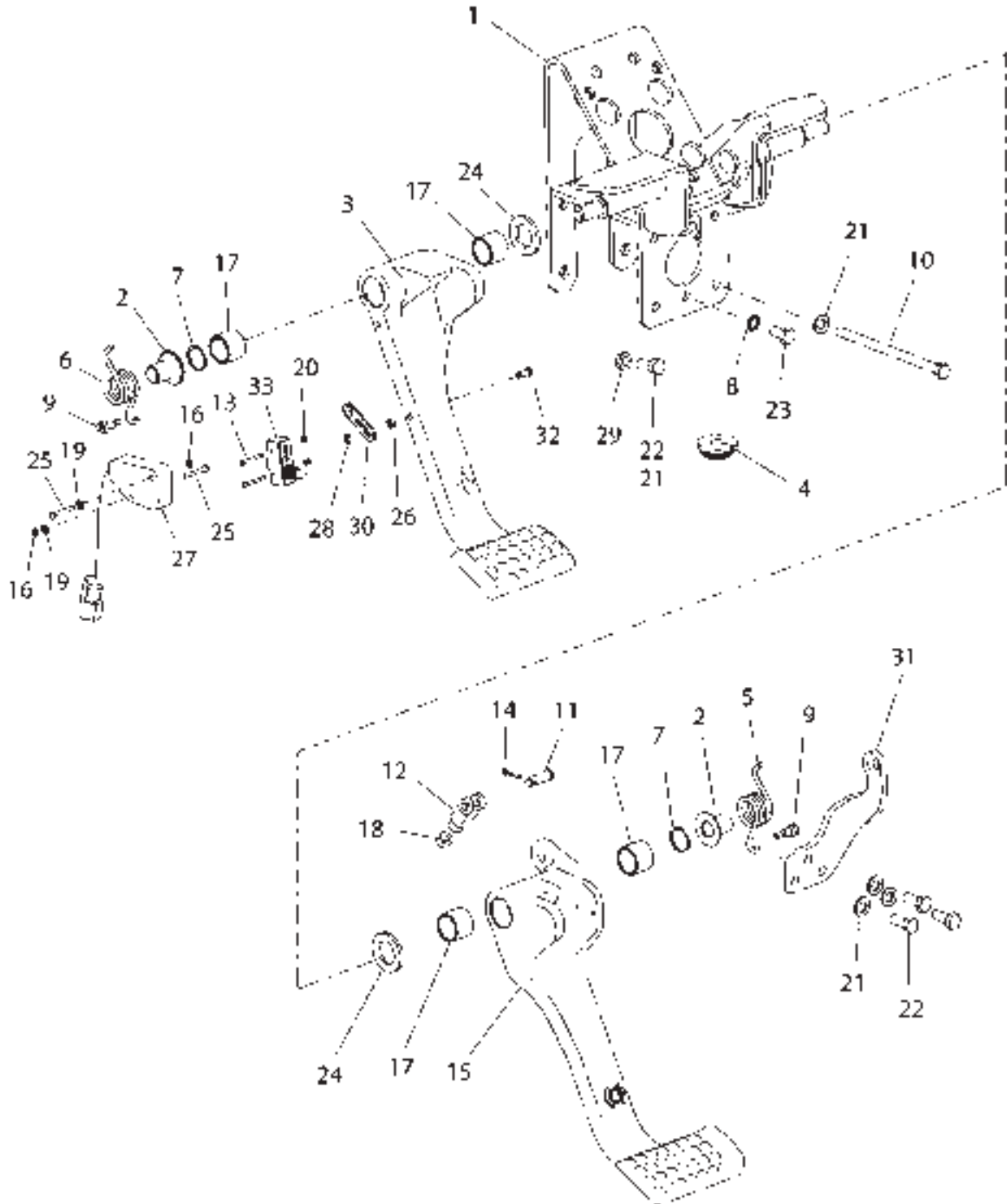
**CONTROL GP-AIR & TEMPERATURE
166-4586**

ITEM	NUMBER	QTY	DESCRIPTION
-	166-4586	--	CONTROL GP-AIR & TEMPERATURE [A]
1	CH130-5742	1	SWITCH-AIR CONDITIONER
2	CH157-0217	1	SWITCH ASM-ROTARY (BLOWER FAN SPEED)
	CH6V-8362	6	SCREW-MACHINE (8-32X0.31 IN)
	CH9B-7233	6	LOCKWASHER
3	CH208-6662	1	CABLE (CAB TEMPERATURE CONTROL)

[A] PART OF 151-9986;502502D1
AIR CONDITIONER & MOUNTING GP

00876899
PR: t05i29k58b0488

CONTROL GP-BRAKE & CLUTCH
152-0438



**MT800 SERIES TRACTORS
OPERATOR STATION**

1073

**CONTROL GP-BRAKE & CLUTCH
152-0438**

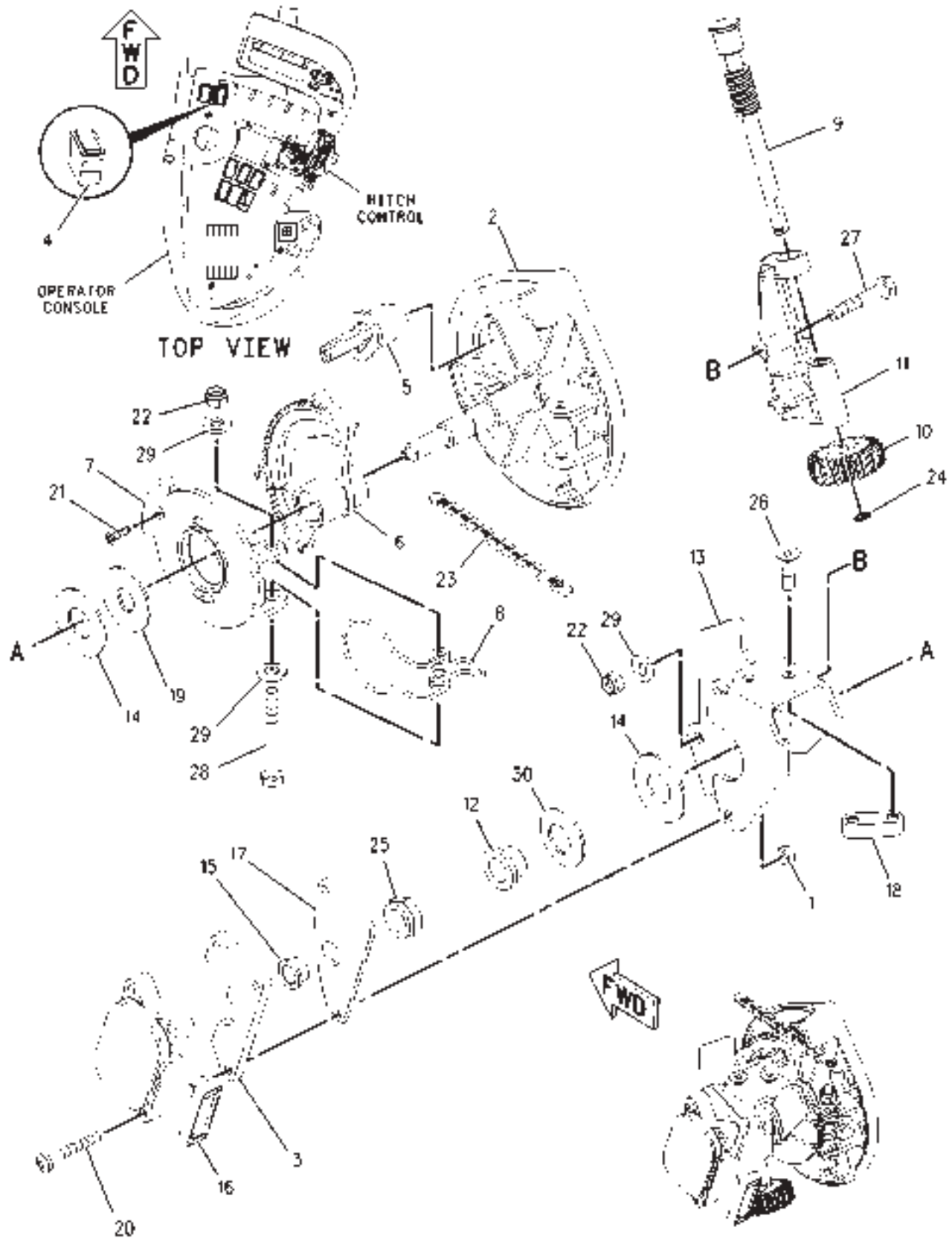
ITEM	NUMBER	QTY	DESCRIPTION
-	152-0438	--	CONTROL GP - BRAKE & CLUTCH [A] (NOT SERVICED)
1	500442D1	1	BRACKET AS.
2	CH192-4767	2	BUSHING-PLASTIC 16.3 ID W/LIP
3	501944D1	1	PEDAL-CLUTCH
4	CH212-4443	1	GROMMET-RUB 12.5 IDX32 ODX2.5
5	400120X1	1	SPRING-TORSION LH 81.3NM/TURN
6	400121X1	1	SPRING-TORSION RH 81.3NM/TURN
7	CH001-5600	2	RING-RETAINING EXT 23.5 IDX1.1
8	CH124-7346	1	WASHER-LOCK, EXT T 10.2ID
9	400004X1	2	BOLT-M6X1X23.25MM PL SHDR HSHD
10	400137X1	4	BOLT-M10X1.5X160 ZNDI HHD 10.9
11	CH1B-0676	1	PIN 9.4DIAX29 STL
12	CH1F-5403	1	ROD END-ADJUSTABLE
13	CH216-9085	2	SCREW-M3X0.5X35MM PAN, CROSS
14	CH3B-4615	1	PIN-COTTER 3.18 DIAX19MM STL
15	500378D1	1	PEDAL-BRAKE
16	CH5C-8312	2	NUT-M4X0.7 THD HEX
17	400124X1	4	BRG-SLEEVE BRZ 25.44 IDX25.4LG
18	CH6V-8183	1	NUT-3/8-24 THD FULL
19	CH8T-0328	2	WASHER-HARD 5.5IDX10ODX1MM
20	CH8T-2658	2	NUT-M3X0.5-6H HHD SLF LOCK
21	400287X1	7	WASHER-HARD 11IDX21ODX2.5 ZND1
22	400039X1	4	BOLT-M10X1.5X25 ZNDI HHD 10.9
23	400040X1	1	BOLT-M10X1.5X20 ZNDI HHD 10.9
24	400081X1	2	WASHER-HARD 26IDX44ODX4MM ZNDI
25	CH9X-2606	2	SCREW-PAN M4X0.7X30
26	CH4E-7808	1	SPACER 10 ODX6.6 IDX4
27	500619D1	1	SENSOR-POSITION
28	400553X1	1	E-CLIP 5MM SHAFT
29	400576X1	1	NUT-HEX JAM M10X1.5 THD
30	500450D1	1	BRACKET AS
31	500493D1	1	PLATE
32	500513D1	1	PIN
33	500717D1	1	SWITCH-PUSH BUTTON

[A] PART OF 500841D1;500842D1;500844D1;
500849D1 CAB AR

1520438B
PR: t05i29k58b0489

MT800 SERIES TRACTORS
OPERATOR STATION

CONTROL GP-HITCH - 152-0445
REAR 3 POINT



MT800 SERIES TRACTORS
OPERATOR STATION

1075

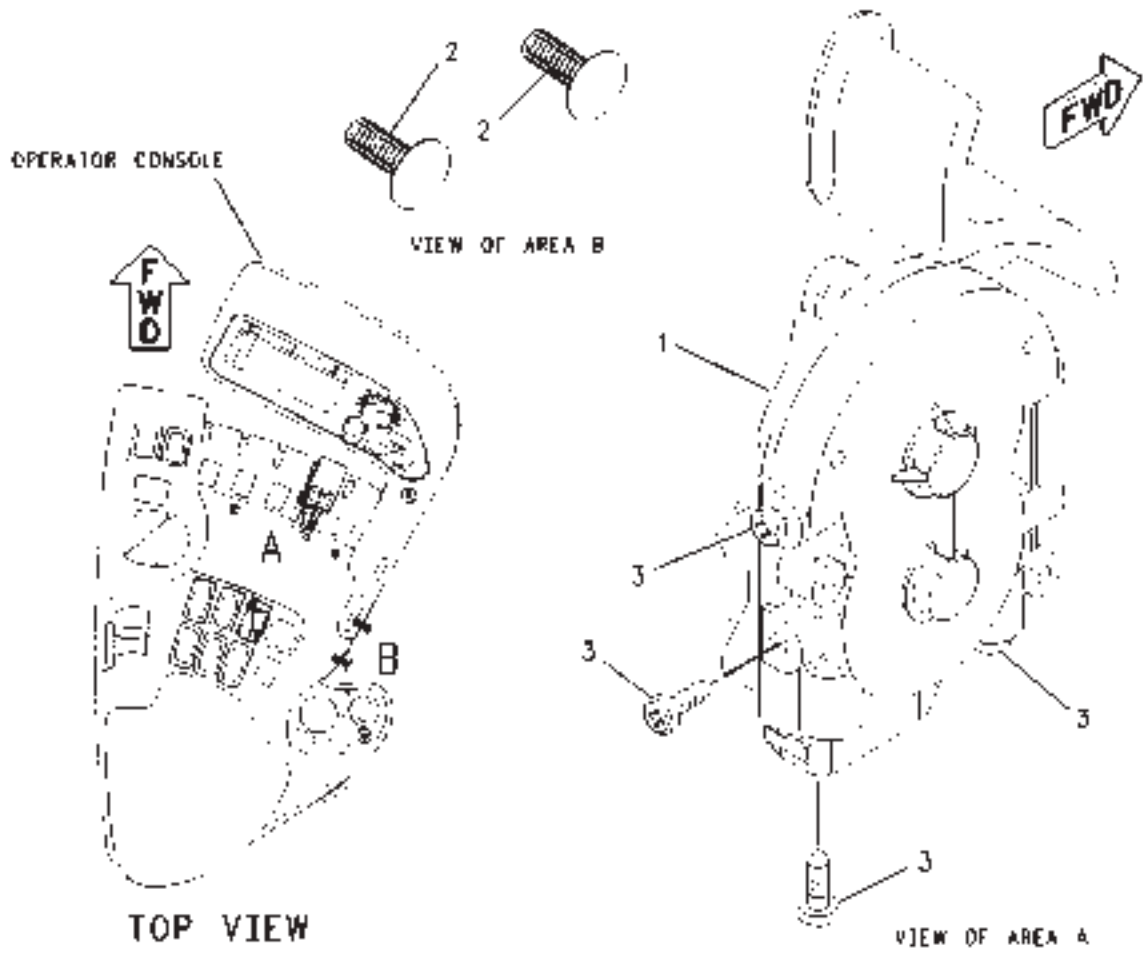
CONTROL GP-HITCH - 152-0445
REAR 3 POINT

ITEM	NUMBER	QTY	DESCRIPTION
-	152-0445	--	CONTROL GP-HITCH [A]
1	CH179-4324	2	LOCKNUT (M5X.8)
2	164-7040	1	HANDLE
3	169-6391	1	SPACER-RUBBER
4	169-8227	1	SWITCH-ROCKER (3 POINT HITCH CONTROL)
5	172-6851	1	BUTTON
6	172-6852	1	GEAR
7	172-6853	1	STOP
8	172-6858	1	SPRING
9	172-6863	1	GEAR
10	172-6864	1	KNOB (HEIGHT ADJ-3 POINT HITCH CONT)
11	172-6865	1	BRACKET
12	CH174-5747	1	BUSHING
13	179-4227	1	BRACKET
14	400334X1	2	WASHER (16.5X37X1.5)
15	CH187-4917	1	BUSHING
16	500382D1	1	SENSOR GP-POSITION
17	CH207-2023	1	PLATE
18	CH207-2024	1	PLATE
19	CH214-2184	1	WASHER
20	400071X1	2	SCREW-MACHINE (M5X0.8X35MM)
21	CH113-0899	1	SCREW-FLAT HEAD (6-20X0.5 IN)
22	CH129-3178	3	LOCKNUT (M6X1)
23	501523D1	1	FILM-INSTRUCTION (3 POINT HITCH)
24	CH3P-3547	1	RING-RETAINING
25	CH4K-8341	1	LOCKNUT (1/2-20)
26	400256X1	2	BOLT-HEX SOCKET (M6X1X20MM)
27	400070X1	2	BOLT (M6X1X35MM)
28	400186X1	1	BOLT (M6X1X50MM)
29	CH8T-4205	4	WASHER-HARD (7.2X14.5X2MM)
30	400074X1	1	WASHER-SPRING

[A] PART OF 169-0027;169-0028;186-0979;
189-3300 HITCH AR-3 POINT

00902355
PR: t05i29k58b0490

CONTROL GP-IMPLEMENT - 4TH HANDLE
136-5355



**MT800 SERIESTRACTORS
OPERATOR STATION**

1077

**CONTROL GP-IMPLEMENT - 4TH HANDLE
136-5355**

ITEM	NUMBER	QTY	DESCRIPTION
-	136-5355	--	CONTROL GP-IMPLEMENT [A] (NOT SERVICED)
1	209-8704	1	CONTROL GP-IMPLEMENT (SEE BREAKDOWN FOR COMPONENTS)
2	400110X1	2	CLIP
3	400834X1	4	SCREW-TRUSS HEAD (8-16X0.5 IN)

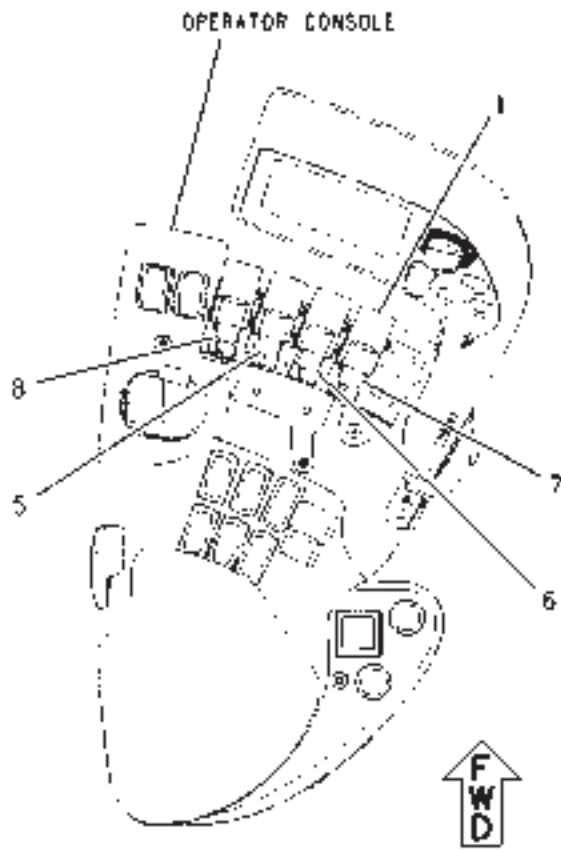
[A] PART OF 185-8699 CONVERSION GP-
CONTROL VALVE

00880990
PR: t05i29k58b0491

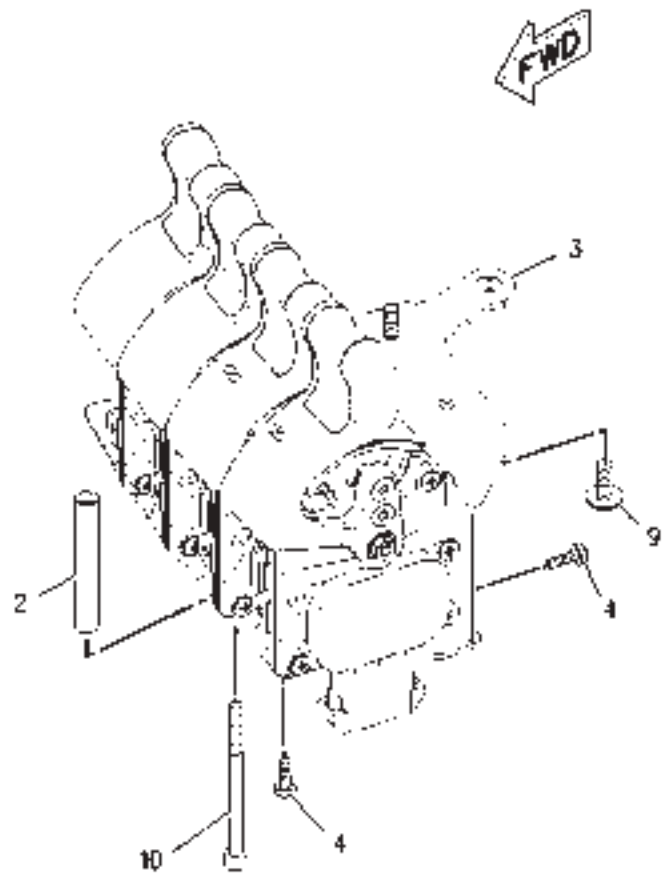
1078

MT800 SERIES TRACTORS
OPERATOR STATION

CONTROL GP-IMPLEMENT - 4 HANDLES
152-0443



TOP VIEW



00876314

**MT800 SERIESTRACTORS
OPERATOR STATION**

1079

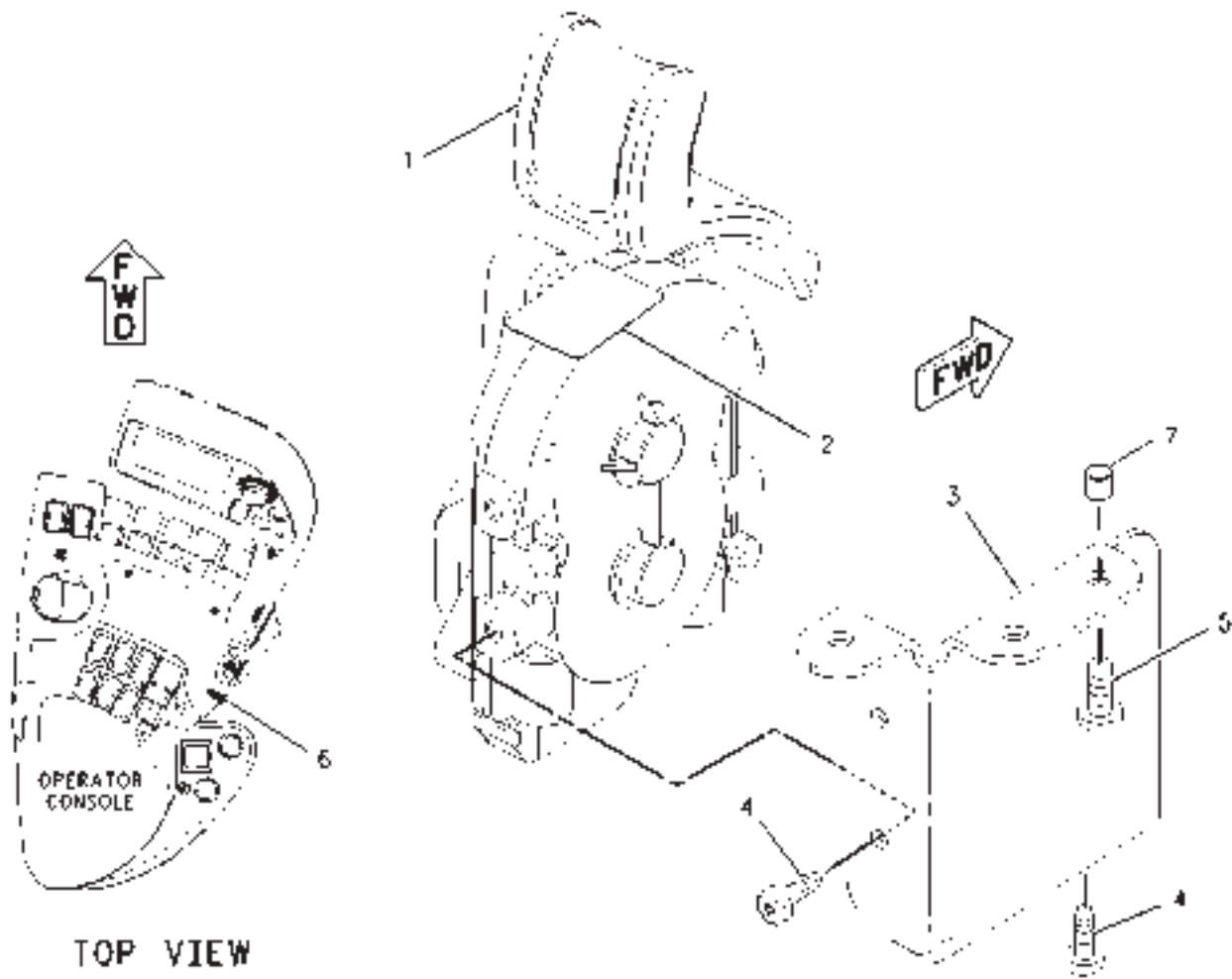
**CONTROL GP-IMPLEMENT - 4 HANDLES
152-0443**

ITEM	NUMBER	QTY	DESCRIPTION
-	152-0443	--	CONTROL GP-IMPLEMENT [A] (NOT SERVICED)
1	209-8704	4	CONTROL GP-IMPLEMENT (SEE BREAKDOWN FOR COMPONENTS)
2	CH195-2626	4	SPACER (6.4X9.6X61)
3	169-6362	1	PLATE ASM
4	CH212-3416	16	SCREW-PAN HEAD (8-16X0.5 IN)
5	501526D1	1	FILM (ELECTRO HYDRAULIC LEVER #2)
6	501527D1	1	FILM (ELECTRO HYDRAULIC LEVER #3)
7	501528D1	1	FILM (ELECTRO HYDRAULIC LEVER #4)
8	501525D1	1	FILM (ELECTRO HYDRAULIC LEVER #1)
9	CH207-2021	2	SCREW
10	400254X1	4	BOLT-SOCKET HEAD (M5X.08X70MM)

[A] PART OF:
180-1434 VALVE AR-BANK 4
502051D1 VALVE AR-4 IMPL

00876314
PR: t05i29k58b0492

CONTROL GP-IMPLEMENT - 6TH HANDLE
152-0448



**MT800 SERIESTRACTORS
OPERATOR STATION**

1081

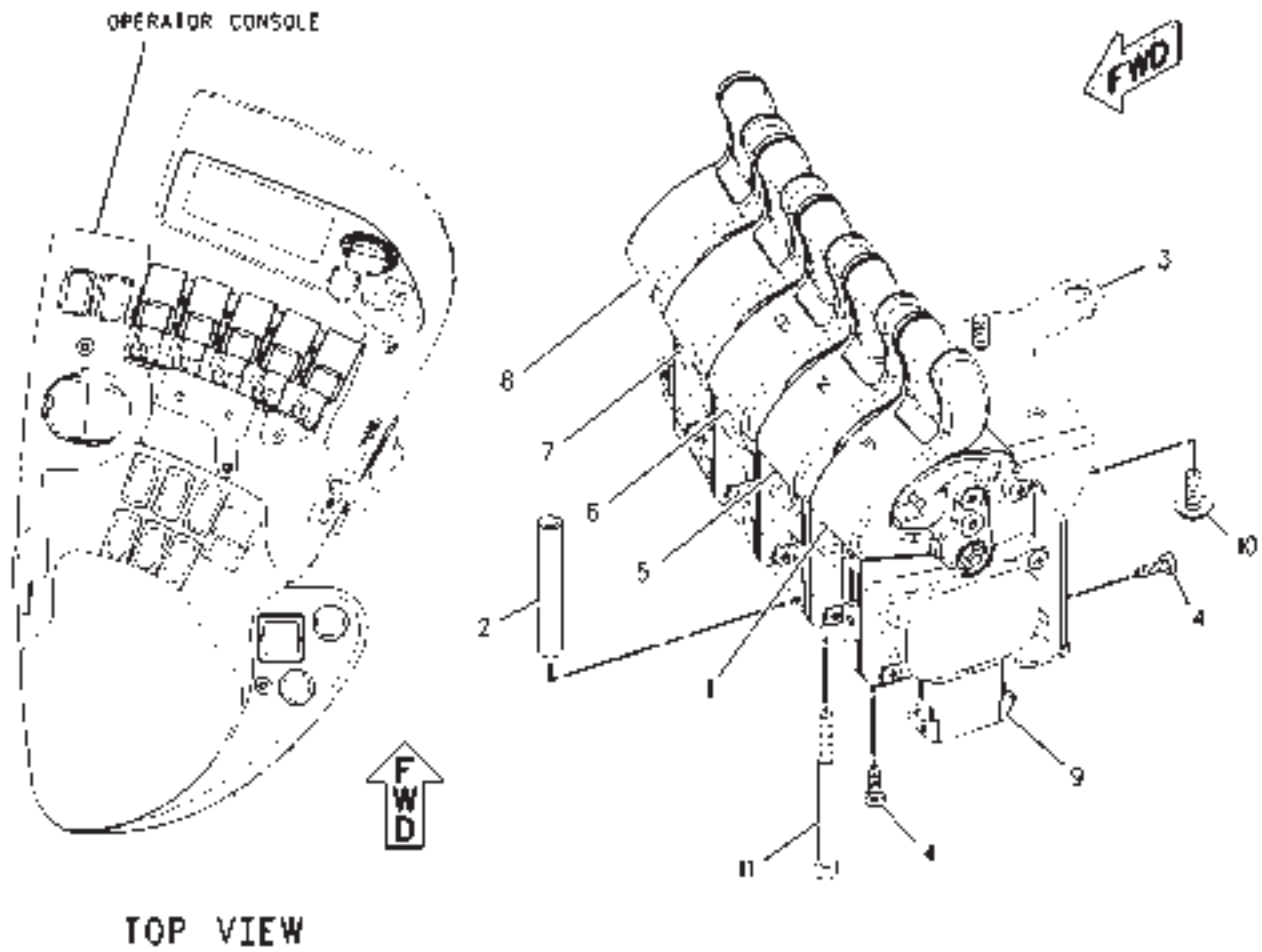
**CONTROL GP-IMPLEMENT - 6TH HANDLE
152-0448**

ITEM	NUMBER	QTY	DESCRIPTION
-	152-0448	--	CONTROL GP-IMPLEMENT [A] (NOT SERVICED)
1	209-8704	1	CONTROL GP-IMPLEMENT (SEE BREAKDOWN FOR COMPONENTS)
2	501530D1	1	FILM (ELECTRO HYDRAULIC LEVER)
3	169-6384	1	BRACKET
4	CH212-3416	4	SCREW-PAN HEAD (8-16X0.5 IN)
5	CH6V-9673	3	SCREW-MACHINE (M5X0.8X12MM)
6	400110X1	2	FASTENER
7	CH179-4206	3	INSERT (19/64-24 X M5 X 0.8 ID) (NOT ILLUSTRATED)

[A] PART OF:
185-8701 CONVERSION GP-CONTROL VALVE
500791D2;500792D2;500793D2;500794D2
ARMREST GP

00879185
PR: t05i29k58b0493

CONTROL GP-IMPLEMENT - 5 HANDLES
166-4590



**MT800 SERIES TRACTORS
OPERATOR STATION**

1083

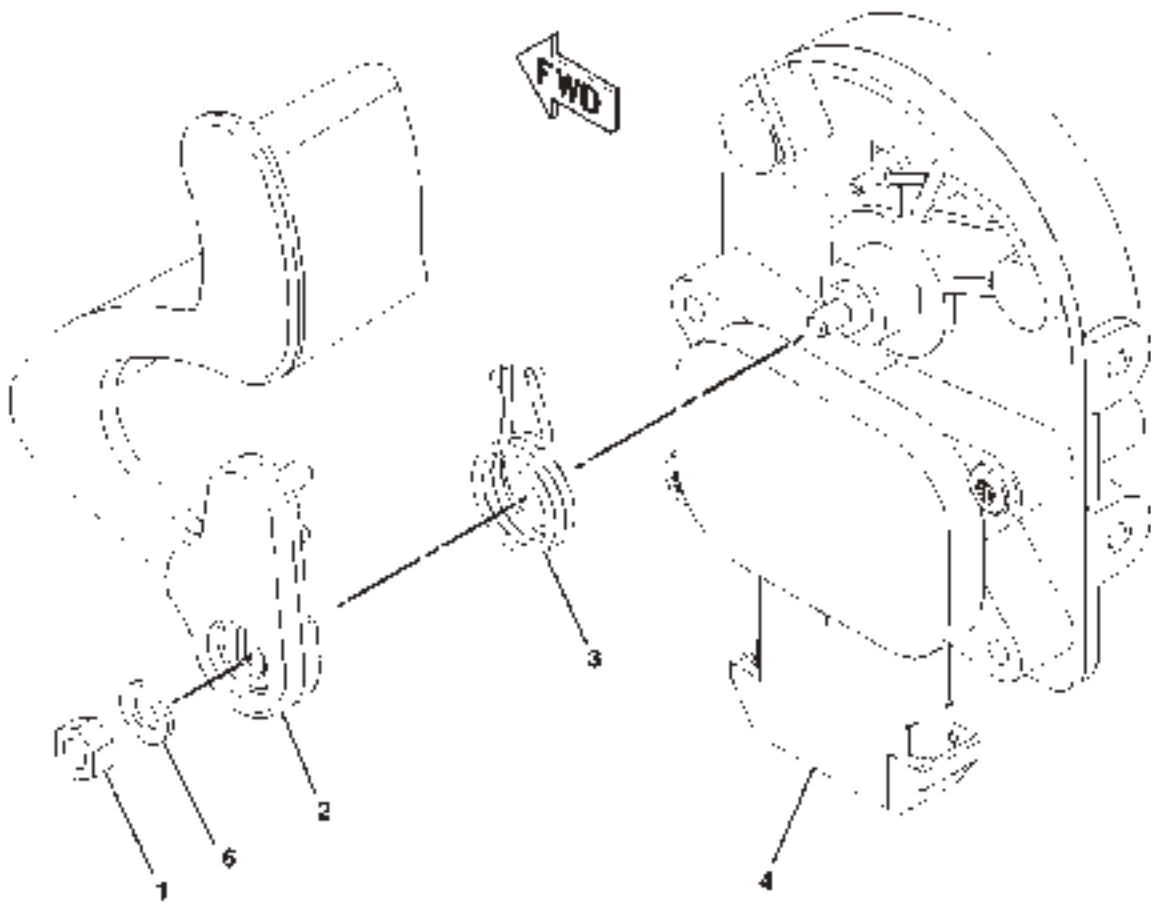
**CONTROL GP-IMPLEMENT - 5 HANDLES
166-4590**

ITEM	NUMBER	QTY	DESCRIPTION
-	166-4590	--	CONTROL GP-IMPLEMENT [A] (NOT SERVICED)
1	501529D1	1	FILM (ELECTRO HYDRAULIC LEVER)
2	CH195-2626	4	SPACER (6.4X9.6X61)
3	169-6362	1	PLATE ASM
4	CH212-3416	20	SCREW-PAN HEAD (8-16X0.5 IN)
5	501525D1	1	FILM (ELECTRO HYDRAULIC LEVER)
6	501526D1	1	FILM (ELECTRO HYDRAULIC LEVER)
7	501527D1	1	FILM (ELECTRO HYDRAULIC LEVER)
8	501528D1	1	FILM (ELECTRO HYDRAULIC LEVER)
9	209-8704	5	CONTROL GP-IMPLEMENT (SEE BREAKDOWN FOR COMPONENTS)
10	CH207-2021	2	SCREW
11	400254X1	4	BOLT-SOCKET HEAD (M5X.08X70MM)

[A] PART OF:
180-1438 VALVE AR-BANK 5
502052D1 VALVE AR-IMPL
500488D2;500489D2;500490D2;500491D2;
500791D2;500792D2;500793D2;500794D2
ARMREST GP

00884953
PR: t05i29k58b0494

CONTROL GP-IMPLEMENT
209-8704



**MT800 SERIESTRACTORS
OPERATOR STATION**

1085

**CONTROL GP-IMPLEMENT
209-8704**

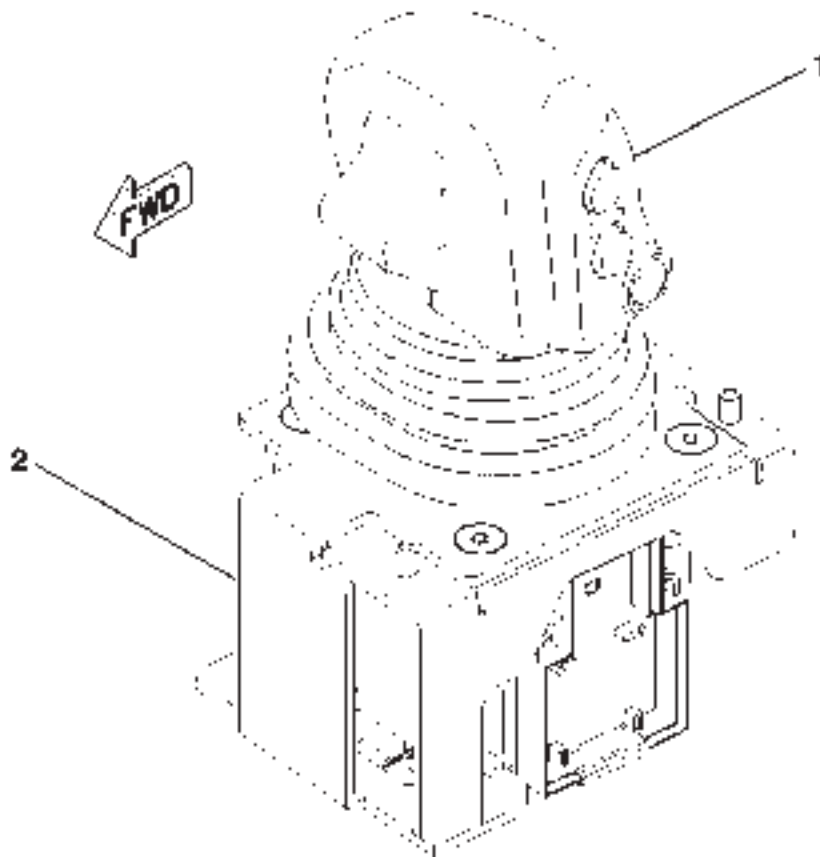
ITEM	NUMBER	QTY	DESCRIPTION
-	209-8704	--	CONTROL GP-IMPLEMENT [A]
1	CH162-6555	1	LOCKNUT (M5X.8)
2		1	HANDLE ASM (NOT SERVICED SEPARATELY)
3	CH206-2491	1	SPRING-TORSION RH
4		1	CONTROL ASM (NOT SERVICED SEPARATELY)
5		--	(NOT USED)
6	CH8T-3016	1	WASHER (5.3X10X1)

[A] PART OF 136-5355;152-0443;152-0448;
166-4590 CONTROL GP-IMPLEMENT

0894755A
PR: t05i29k58b0495

MT800 SERIES TRACTORS
OPERATOR STATION

CONTROL GP-TRANSMISSION - 169-6346



**MT800 SERIESTRACTORS
OPERATOR STATION**

1087

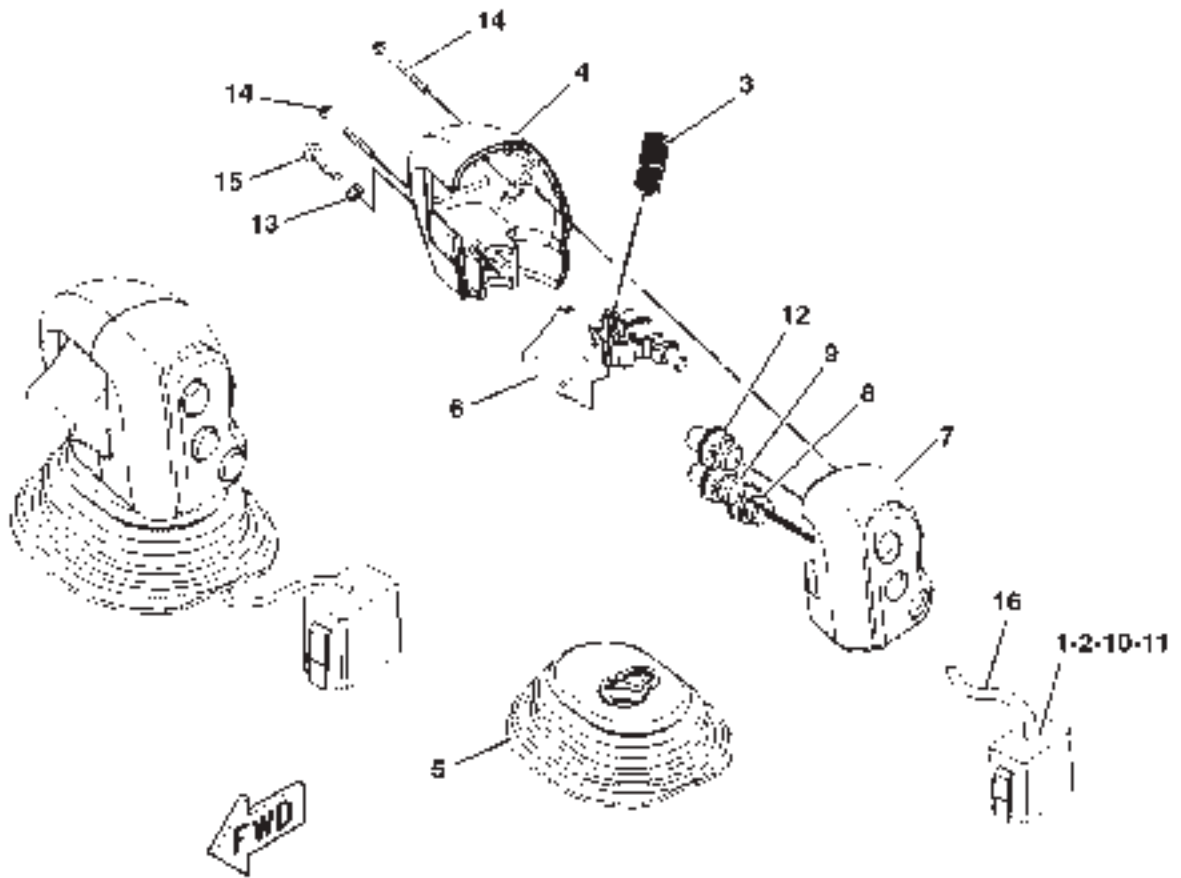
CONTROL GP-TRANSMISSION - 169-6346

ITEM	NUMBER	QTY	DESCRIPTION
-	169-6346	--	CONTROL GP-TRANSMISSION [A] (NOT SERVICED)
1	169-6347	1	CONTROL GP-TRANSMISSION (NOT SERVICED) (SEE BREAKDOWN FOR COMPONENTS)
2	216-7694	1	CONTROL GP-TRANSMISSION (NO SERVICED COMPONENTS)

[A] PART OF 136-5477; 166-1211
WIRING GP-ARMREST

01696346
PR: t05i29k58b0496

CONTROL GP-TRANSMISSION
169-6347



**MT800 SERIES TRACTORS
OPERATOR STATION**

1089

**CONTROL GP-TRANSMISSION
169-6347**

ITEM	NUMBER	QTY	DESCRIPTION
-	169-6347	--	CONTROL GP-TRANSMISSION [A] (NOT SERVICED)
1	400715X1	9	SOCKET-CONNECTOR (16-18AWG)
2	CH9G-3695	3	PLUG (GROMMET SEALING)
3	CH9S-1347	1	SPRING
4	164-7041	1	HANDLE
5	166-4553	1	BOOT
6	168-2334	1	TRIGGER
7	172-6869	1	HANDLE ASM
8	502640D1	1	SWITCH ASM (AUTO SHIFT)
	502122D1	1	CAP-PUSHBUTTON
9	502120D1	1	SWITCH ASM (DOWN SHIFT)
	502122D1	1	CAP-PUSHBUTTON
10	CH155-2258	1	WEDGE-PLUG LOCK (12 PIN)
11	CH155-2255	1	KIT-CONNECTING PLUG (12 PIN) (SERVICED ONLY AS COMPLETE KIT) (INCLUDES WEDGE AND PLUG ASM)
12	502121D1	1	SWITCH ASM (UP SHIFT)
	502122D1	1	CAP-PUSHBUTTON
13	CH3B-4501	1	LOCKWASHER (4.42X7.22X1.02M THK)
14	400073X1	2	BOLT-HEX SCKT
15	CH6V-9492	1	SCREW-MACHINE (M4X0.7X25MM)
16	-----	AR	LOOM (BLACK) (19CM) (NOT SERVICED)

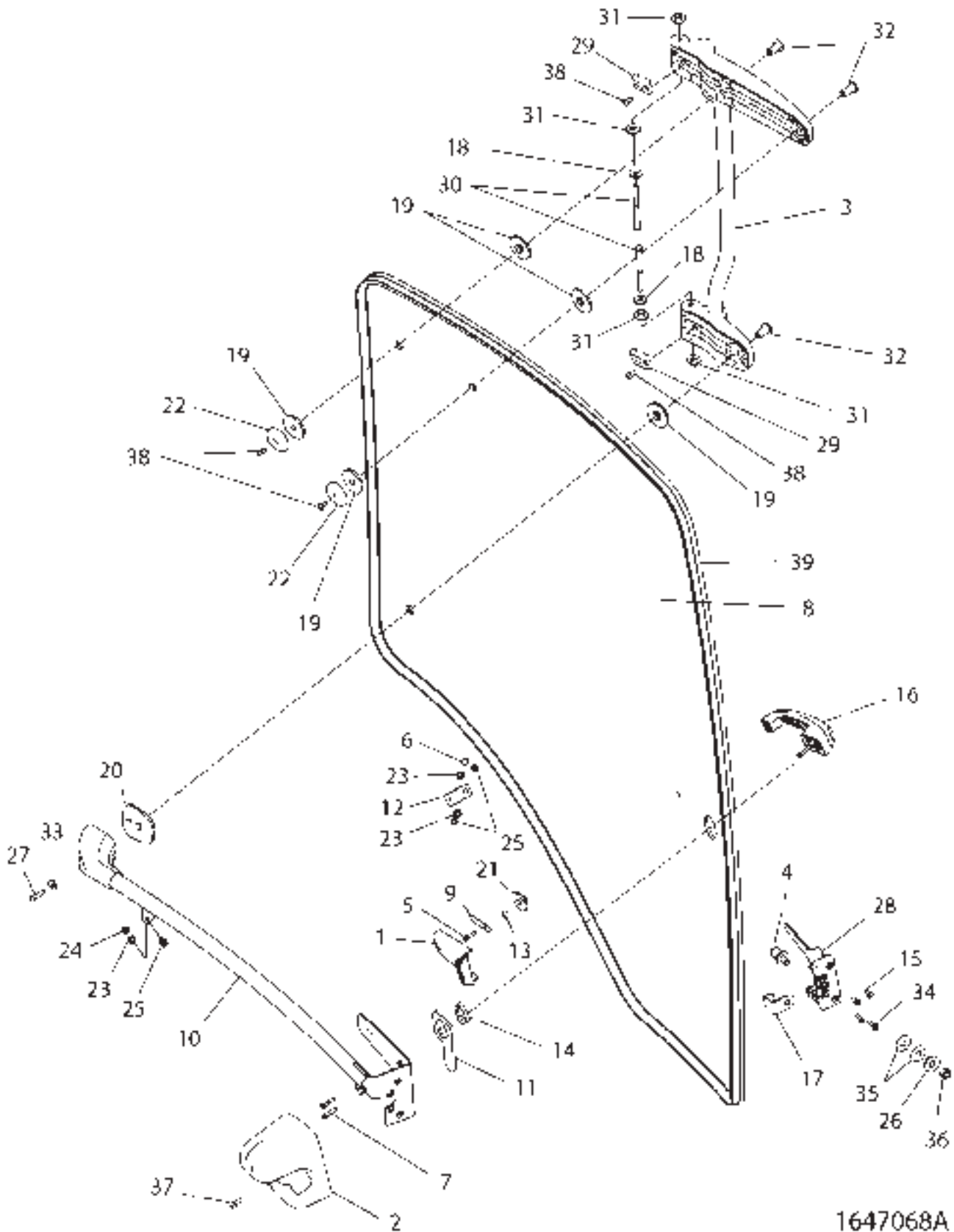
[A] PART OF 169-6346 CONTROL
GP-TRANSMISSION

1696347B
PR: t05i29k58b0497

1090

MT800 SERIES TRACTORS
OPERATOR STATION

DOOR GP-CAB (LH) - 164-7068
(S/N: PRIOR TO BAM40608; BBP40474;
BCC60741; BDS40890)



1647068A

**MT800 SERIES TRACTORS
OPERATOR STATION**

1091

DOOR GP-CAB (LH) - 164-7068
(S/N: PRIOR TO BAM40608; BBP40474;
BCC60741; BDS40890)

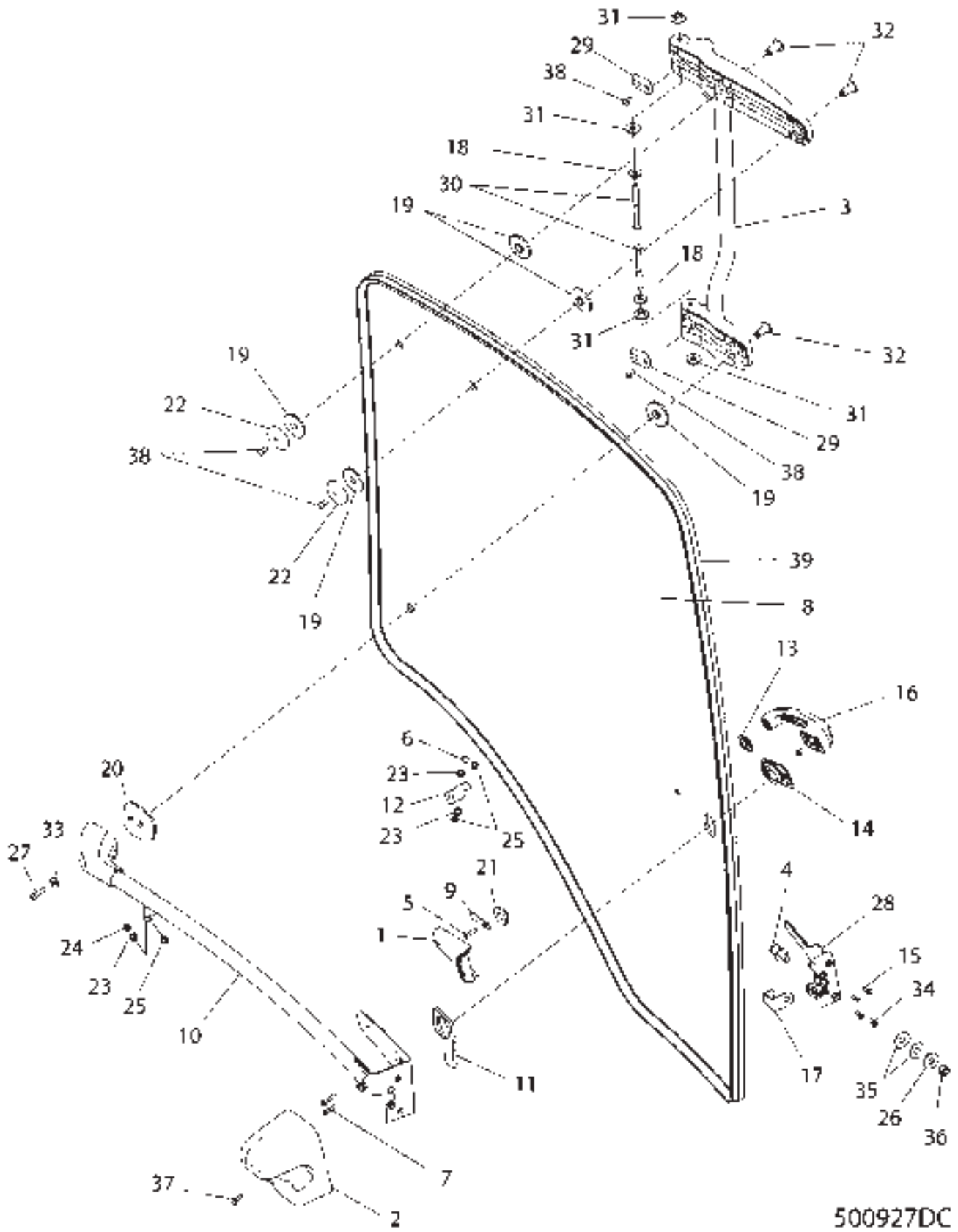
ITEM	NUMBER	QTY	DESCRIPTION
-	164-7068	--	DOOR GP-CAB [A] (FOR COMPLETE REPLACEMENT, ORDER EFF DOOR GP-CAB)
1	164-7013	1	COVER
2	164-7014	1	COVER-DOOR LATCH (LH)
3	164-7067	1	HINGE AS-DOOR
4	180-6240	1	STRIKER AS.-LONG BODY
5	400022X1	1	BOLT-M6X1X25MM ZNDI HHD 10.9
6	400053X1	1	BOLT-M8X1.25X20 ZNDI HHD 10.9
7	400065X1	2	BOLT-M6X1X30MM ZNDI HHD 10.9
8	151-9983	1	GLASS
9	179-4219	1	CLIP-COVER
10	501028D1	1	TUBE AS
11	164-7054	1	WASHER (DOOR LATCH)
12	500957D1	1	BRACKET
13	500929D1	1	GASKET
14	502011D1	1	BUSHING-DOOR
15	400256X1	3	BOLT-M6X1X20MM PL FLSHD 12.9
16	500658D1	1	HANDLE AS
	CH5P-8500	1	KEY
17	123-0380	1	GUARD - STRIKER
18	500624D1	2	WASHER-M10 NYLON
19	400330X1	5	WASHER 15 ID W/LID
20	400331X1	1	WASHER - DOOR
21	400332X1	1	WASHER (DOOR HANDLE)
22	400333X1	2	WASHER - HINGE
23	400339X1	3	WASHER - HARD
24	400340X1	2	NUT-M8X1.25X13 HEX ZND1
25	CH090-9554	2	STUD-BALL
26	CH140-5181	1	WASHER-13IDX35ODX3.2MM
27	CH142-2304	1	SCREW-BTN HD M8X1.25X35 ZNDI
28	CH164-7057	1	LATCH AS.-LH
29	CH164-7070	2	CLAMP
30	CH166-4573	2	PIN-HINGE (DOOR)
31	CH166-4574	4	BUSHING-HINGE (DOOR)
32	CH169-6392	3	BOSS
33	CH3E-4352	1	WASHER-HARD 8.8IDX20.5ODX2.5MM
34	CH8C-6802	1	SCREW-FLHD M6X1X30 HHD 12.9
35	CH8T-0318	2	SHIM-35 ODX13.5 IDX0.8 ZN
36	CH8T-4244	1	NUT-M12X1.75 HEX ZN
37	CH9X-2045	1	SCREW-M6X1X20MM ORG TORX T30
38	CH9X-2616	4	SCREW-BTNHD M8X1.25X16 ORG12.9
39	CH208-2404	AR	SEAL - BULK (520 CM)

[A] PART OF: 152-0001;152-0002 CAB GP

1647068A
PR: t05i29k58b0498

MT800 SERIES TRACTORS
OPERATOR STATION

DOOR GP-CAB (LH) - 500927D1
(S/N: EFF BAM40608; BBP40474;
BCC60741; BDS40890)



**MT800 SERIES TRACTORS
OPERATOR STATION**

1093

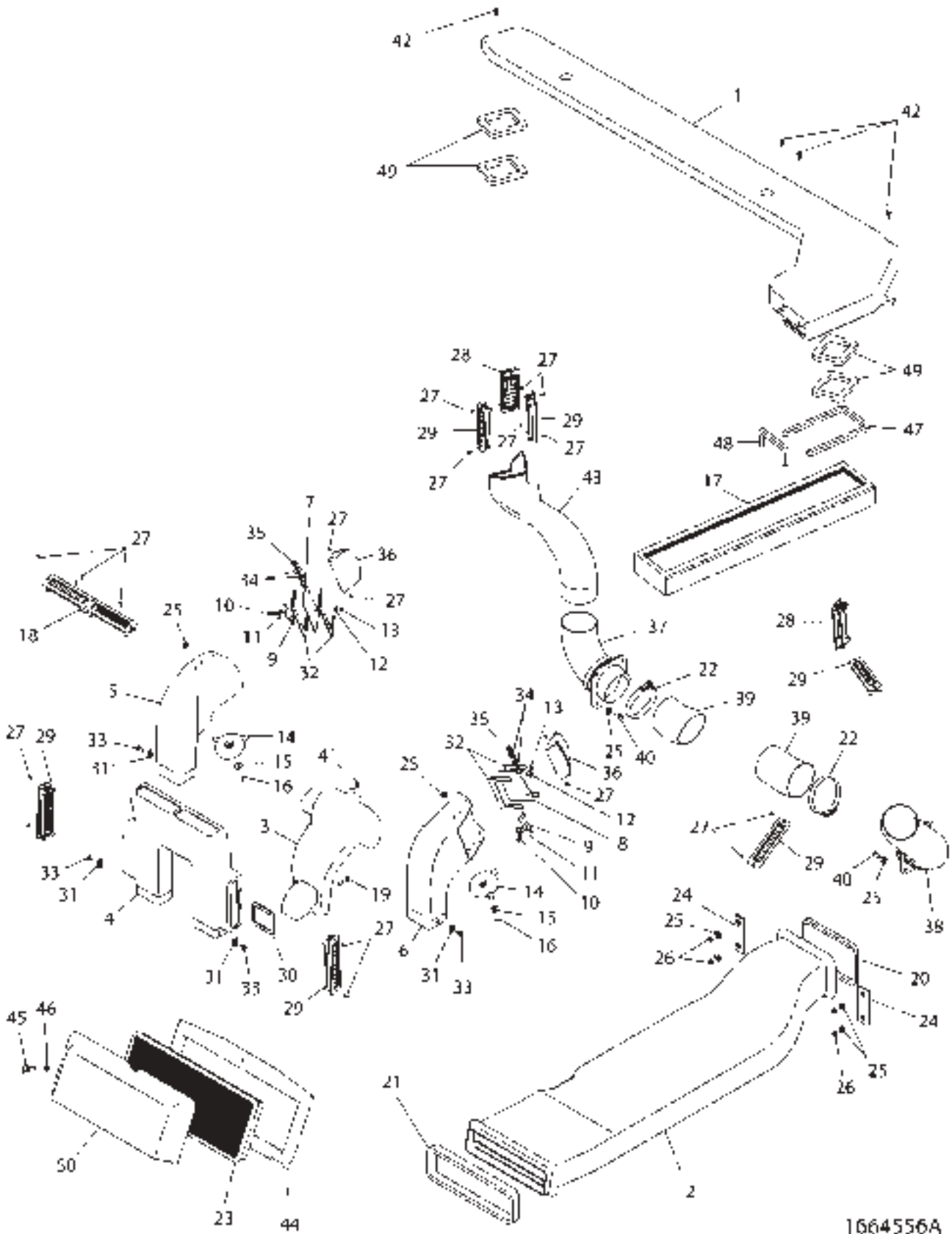
DOOR GP-CAB (LH) - 500927D1
(S/N: EFF BAM40608; BBP40474;
BCC60741; BDS40890)

ITEM	NUMBER	QTY	DESCRIPTION
-	500927D1	--	DOOR GP-CAB [A] (NOT SERVICED)
1	164-7013	1	COVER
2	164-7014	1	COVER-DOOR LATCH (LH)
3	164-7067	1	HINGE AS-DOOR
4	180-6240	1	STRIKER AS.-LONG BODY
5	400022X1	1	BOLT-M6X1X25MM ZNDI HHD 10.9
6	400053X1	1	BOLT-M8X1.25X20 ZNDI HHD 10.9
7	400065X1	2	BOLT-M6X1X30MM ZNDI HHD 10.9
8	500625D1	1	GLASS
9	500660D1	1	CLIP
10	500931D1	1	TUBE AS
11	502010D1	1	WASHER
12	500957D1	1	BRACKET
13	500929D1	1	GASKET
14	502011D1	1	GASKET
15	400256X1	3	BOLT-M6X1X20MM PL FLSHD 12.9
16	500658D1	1	HANDLE AS
	CH5P-8500	1	KEY
17	123-0380	1	GUARD-STRIKER
18	500624D1	2	WASHER-M10 NYLON
19	400330X1	5	WASHER 15 ID W/LID
20	400331X1	1	WASHER-DOOR
21	400332X1	1	WASHER (DOOR HANDLE)
22	400333X1	2	WASHER-HINGE
23	400339X1	3	WASHER-HARD
24	400340X1	2	NUT-M8X1.25X13 HEX ZND1
25	CH090-9554	2	STUD-BALL
26	CH140-5181	1	WASHER-13IDX35ODX3.2MM
27	CH142-2304	1	SCREW-BTN HD M8X1.25X35 ZNDI
28	CH164-7057	1	LATCH AS.-LH
29	CH164-7070	2	CLAMP
30	CH166-4573	2	PIN-HINGE (DOOR)
31	CH166-4574	4	BUSHING-HINGE (DOOR)
32	CH169-6392	3	BOSS
33	CH3E-4352	1	WASHER-HARD 8.8IDX20.5ODX2.5MM
34	CH8C-6802	1	SCREW-FLHD M6X1X30 HHD 12.9
35	CH8T-0318	2	SHIM-35 ODX13.5 IDX0.8 ZN
36	CH8T-4244	1	NUT-M12X1.75 HEX ZN
37	CH9X-2045	1	SCREW-M6X1X20 MM ORG TORX T30
38	CH9X-2616	4	SCREW-BTNHD M8X1.25X16 ORG12.9
39	CH208-2404	AR	SEAL-BULK (520 CM)

[A] PART OF: 152-0001;152-0002
152-0003;152-0004 CAB GP

500927DC
PR: t05i29k58b0499

DUCT GP-CAB AIR
166-4556



**MT800 SERIES TRACTORS
OPERATOR STATION**

1095

**DUCT GP-CAB AIR
166-4556**

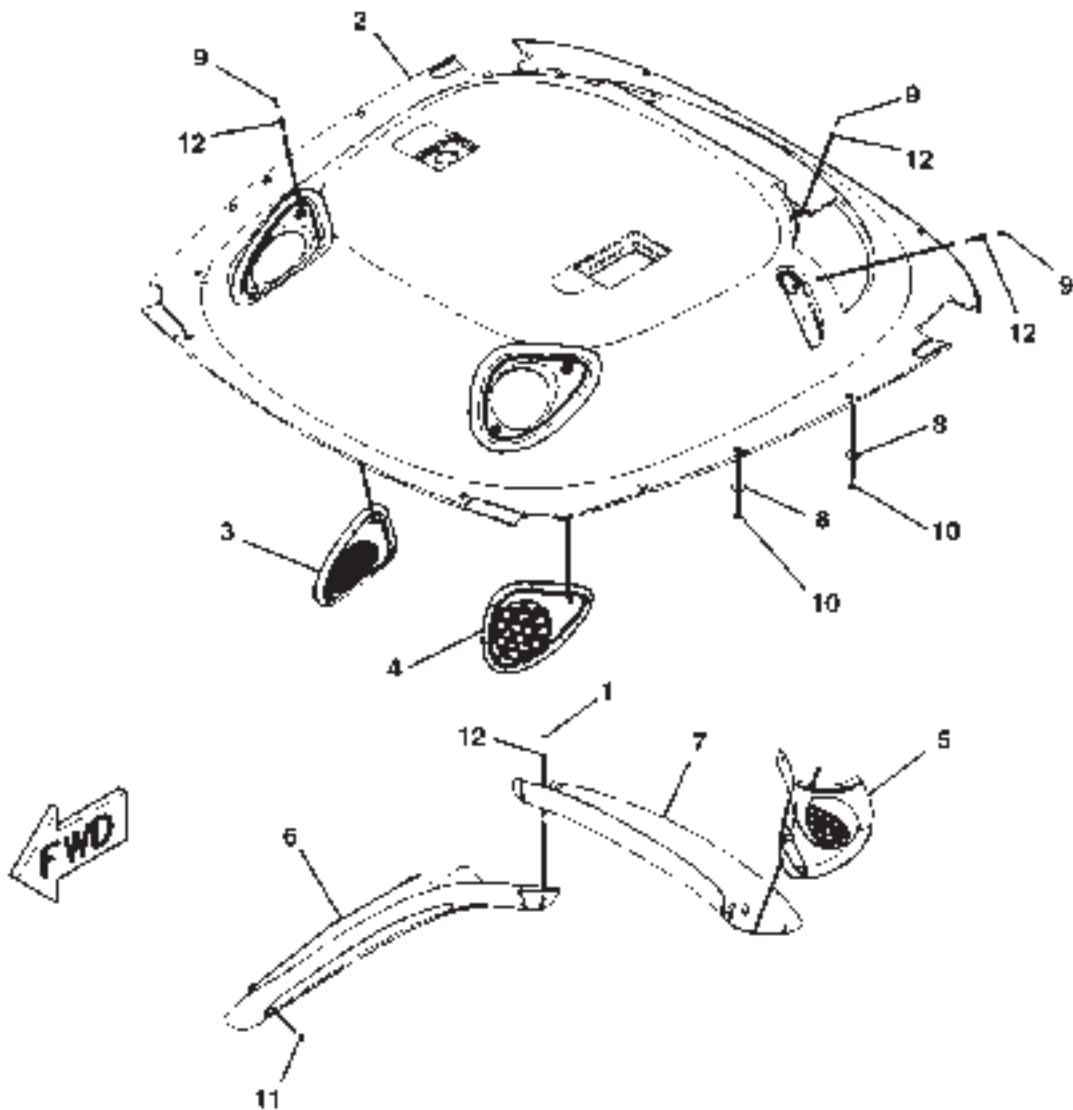
ITEM	NUMBER	QTY	DESCRIPTION
-	166-4556	--	FILTER GP-CAB AIR [A] (NOT SERVICED)
1	162-6691	1	DUCT-ROOF
2	166-4617	1	DUCT-CENTER
3	169-6337	1	DUCT-FRONT (LOWER)
4	504445D1	1	DUCT-FRONT (DEFROST)
5	164-7023	1	DUCT-RH
6	166-4595	1	DUCT-LH
7	179-4221	1	BRACKET ASM-LH
8	179-4223	1	BRACKET ASM-RH
9	179-4225	2	ROD ASM
10	400221X1	2	BOLT (M6X1X20MM)
11	214-4667	2	PLATE
12	CH117-8929	2	WASHER-HARD (6.6IDX22ODX2)
13	400300X1	2	NUT (M6X1)
14	162-6734	2	WHEEL
15	CH9T-2281	2	SPRING
16	CH3B-4605	2	PIN-COTTER
17	501881D1	1	FILTER-AIR (CAB-OUTSIDE)
18	CH164-8478	1	LOUVER ASM
19	CH9X-2046	2	SCREW-TRUSS HEAD (M6X1X35MM)
20	178-7974	1	GASKET
21	501210D1	1	GASKET
22	400127X1	6	CLAMP-HOSE
23	501153D1	1	FILTER-AIR (CAB-RECIRCULATION)
24	169-6373	2	CLAMP-CENTER DUCT
25	400599X1	14	WASHER-HARD (8.8X20.5X2)
26	400340X1	4	NUT (M8X1.25)
27	CH104-2091	26	SCREW-FLAT HEAD (6-20X0.5 IN)
28	501826D1	3	LOUVER ASM
29	CH171-4047	6	LOUVER ASM
30	187-4906	1	GASKET
31	400085X1	4	NUT (U-TYPE RETAINER)
32	187-4921	4	SEAL
33	CH9X-2044	4	SCREW-TRUSS HEAD (M6X1X16MM)
34	214-1118	4	SPACER (8.4X18X2)
35	CH131-3540	2	LOCKNUT
36	197-3083	2	PLATE
37	201-1186	1	ADAPTER ASM-RH
	210-3258	1	ADAPTER-CONDITIONER
	210-3292	1	GASKET
38	203-6965	1	ADAPTER ASM-LH
	210-3258	1	ADAPTER-CONDITIONER
	210-3292	1	GASKET
39	203-6966	2	HOSE
40	400053X1	8	BOLT (M8X1.25X20MM)
41	400084X1	1	NUT (U-TYPE RETAINER)
42	CH210-4352	4	SCREW-PAN HEAD
43	180-5239	1	DUCT-RH
44	202-0848	1	COVER
45	CH216-9165	1	THUMBSCREW
46	CH2R-2376	1	WASHER (7X16X.8)
47	217-3513	1	SEAL
48	217-3514	1	SEAL
49	222-4774	4	GASKET
50	225-1406	1	COVER-FILTER

[A] PART OF 151-9986; 166-4592; 502501D1
AIR CONDITIONER & MOUNTING GP

1664556A
PR: t05i29k58b0500

MT800 SERIES TRACTORS
OPERATOR STATION

HEADLINER GP - 152-0418
OPERATOR COMPARTMENT



**MT800 SERIES TRACTORS
OPERATOR STATION**

1097

**HEADLINER GP - 152-0418
OPERATOR COMPARTMENT**

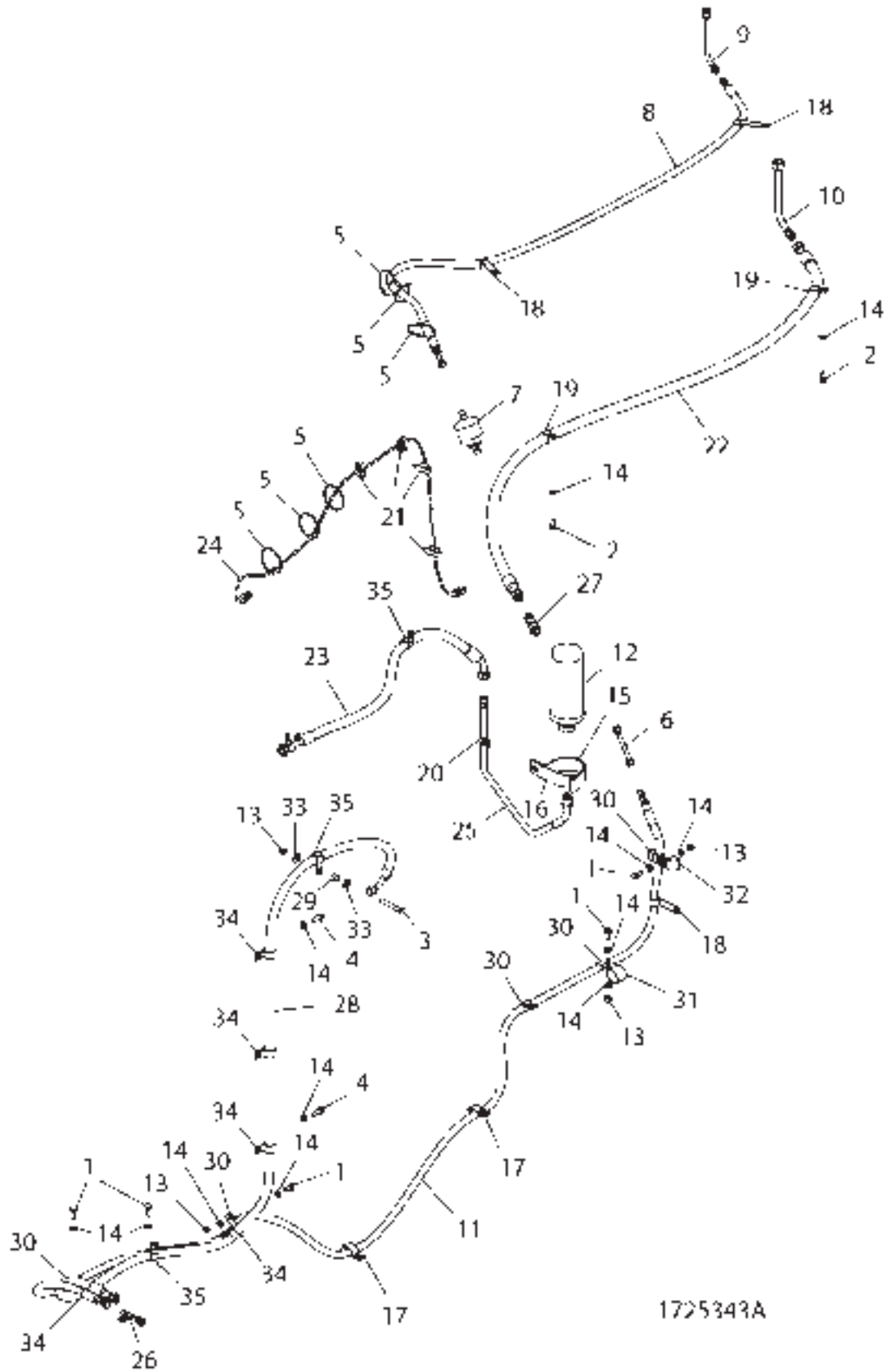
ITEM	NUMBER	QTY	DESCRIPTION
-	152-0418	--	HEADLINER GP [A] (NOT SERVICED)
1	CH4V-2264	5	NUT-PUSH
2	162-6687	1	HEADLINER
3	162-6688	1	COVER-FRONT SPEAKER (RH)
4	162-6689	1	COVER-FRONT SPEAKER (LH)
5	162-6690	1	COVER-REAR SPEAKER (LH)
6	162-6692	1	BEZEL
7	168-2305	1	COVER-REAR
8	CH101-2867	10	WASHER-HARD (8.8X25.5X2M THK)
9	CH119-5026	10	SCREW-PAN HEAD (10-16X0.63 IN)
10	CH9X-2044	10	SCREW-TRUSS HEAD (M6X1X16MM)
11	CH9X-2045	4	SCREW-TRUSS HEAD (M6X1X20MM)
12	400076X1	15	WASHER (5X16X1.2)

[A] PART OF 152-0012; 152-0013;
222-4146; 500841D1 CAB AR

0842870A
PR: t05i29k58b0501

MT800 SERIES TRACTORS
OPERATOR STATION

LINES GP-A/C - 172-5343



**MT800 SERIES TRACTORS
OPERATOR STATION**

1099

LINES GP-A/C - 172-5343

ITEM	NUMBER	QTY	DESCRIPTION
-	172-5343	--	LINES GP-A/C [A] (NOT SERVICED)
1	400039X1	5	BOLT-M10X1.5X25 ZNDI HHD 10.9
2	400040X1	2	BOLT-M10X1.5X20 ZNDI HHD 10.9
3	400044X1	1	BOLT-M10X1.5X80 ZNDI HHD 10.9
4	400058X1	2	BOLT-M10X1.5X30 ZNDI HHD 10.9
5	CH7K-1181	6	STRAP-CABLE 0.19-4.00
6	500973D1	1	ADAPTER-A/C
7	500978D1	1	FILTER-A/C
8	195-4507	1	HOSE AS
9	195-4512	1	TUBE AS
	CH9X-7381	1	SEAL-O-RING
10	195-4513	1	TUBE AS
	CH9X-7382	1	SEAL-O-RING
11	221-1775	1	HOSE AS
12	500758D1	1	ACCUMULATOR DRYER-A/C
13	WR522218	4	NUT-M10-1.5,CL10.9,ZN,H,REG
14	400287X1	12	WASHER-HARD 11IDX21ODX2.5 ZND1
15	400603X1	1	CLIP-2 PIECE BOTTOM 88.9 OD
16	400604X1	1	CLIP-2 PIECE TOP 88.9 OD
17	400665X1	2	CLIP-LOOP 19ID X 2
18	400695X1	3	CLIP-LOOP 20.64ID
19	400700X1	2	CLIP-LOOP 28.58ID
20	400702X1	1	CLIP-ONE TUBE COATED
21	400837X1	5	STRAP-CABLE (PLASTIC)
22	500990D1	1	HOSE AS. (FOR 15.9 ID SAE)
23	502041D1	1	HOSE AS. (FOR 12.7 ID SAE)
24	502042D1	1	HARNESS AS.-JUMPER
25	502043D1	1	TUBE AS.-A/C
26	502044D1	1	FITTING-A/C
27	502045D1	1	ADAPTER-A/C
28	502338D1	1	HOSE AS.
	CH9X-7381	2	SEAL-O-RING
	CH9X-7378	1	SEAL-O-RING (8.92IDX1.83DIA)
29	CH114-5785	1	SPACER 10.5IDX19ODX11.5 ZN
30	CH3S-8664	6	CLIP-LOOP 19.05 ID
31	CH4D-7388	1	CLIP-LOOP 34.9 ID
32	CH4S-1962	1	CLIP-LOOP 25.4 ID
33	CH7X-7729	2	WASHER-11IDX5ODX3MM
34	CH8S-0948	3	CLIP-LOOP-20.64 ID
35	CH9X-8250	4	CLIP-LOOP 23.8 ID

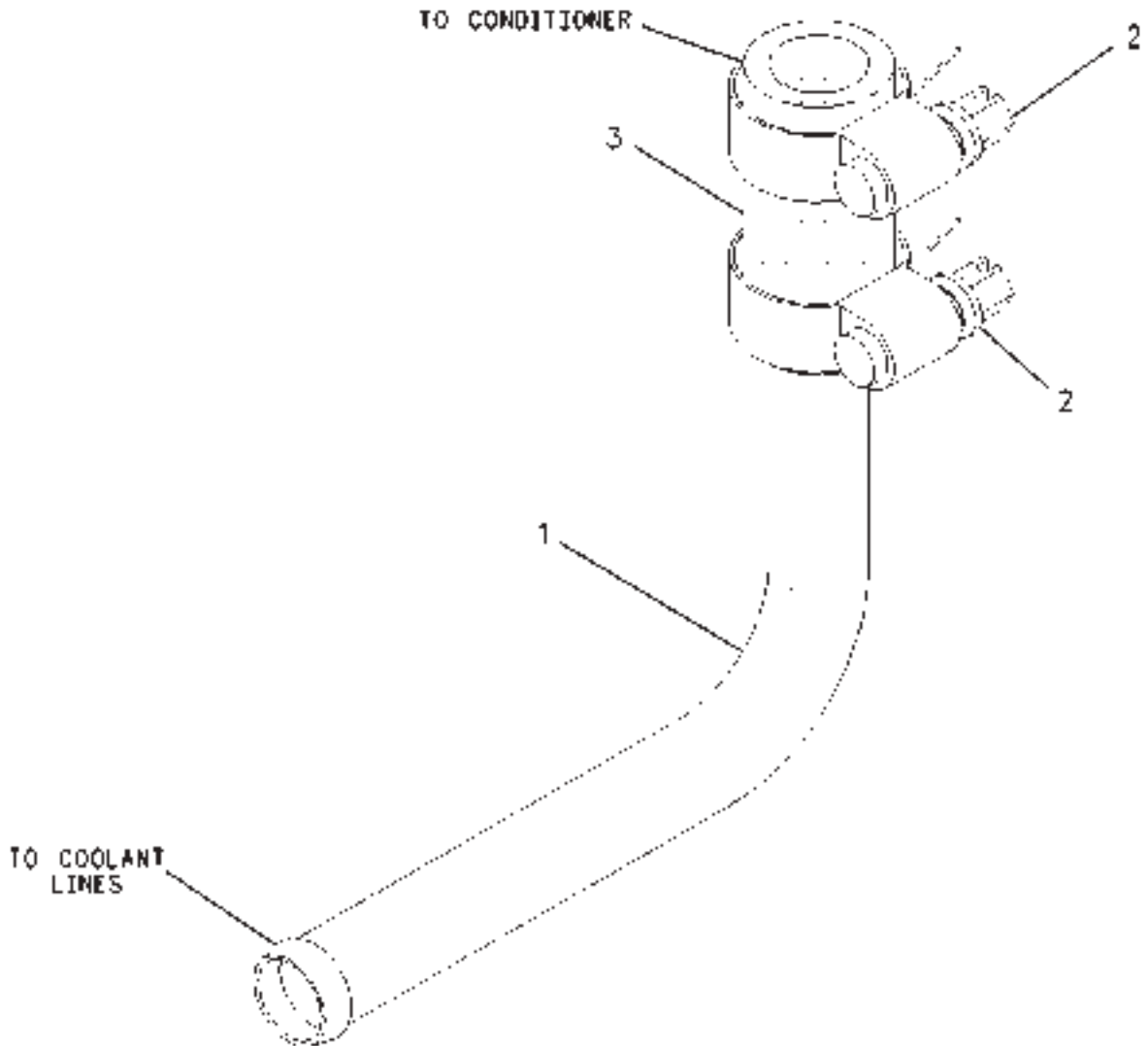
[A] PART OF 172-5361;172-5362;172-5363;
172-5364;187-1741;187-1742;187-1743;
187-1744 INSTALLATION AR-ENGINE

1725343A
PR: t05i29k58b0502

1100

MT800 SERIES TRACTORS
OPERATOR STATION

LINES GP-HEATER - 208-2880



00093577

**MT800 SERIESTRACTORS
OPERATOR STATION**

1101

LINES GP-HEATER - 208-2880

ITEM	NUMBER	QTY	DESCRIPTION
-	208-2880	--	LINES GP-HEATER [A] (NOT SERVICED)
1	CH208-2878	1	ELBOW
2	400108X1	2	CLAMP-HOSE
3	CH5P-0767	AR	HOSE (5 CM)

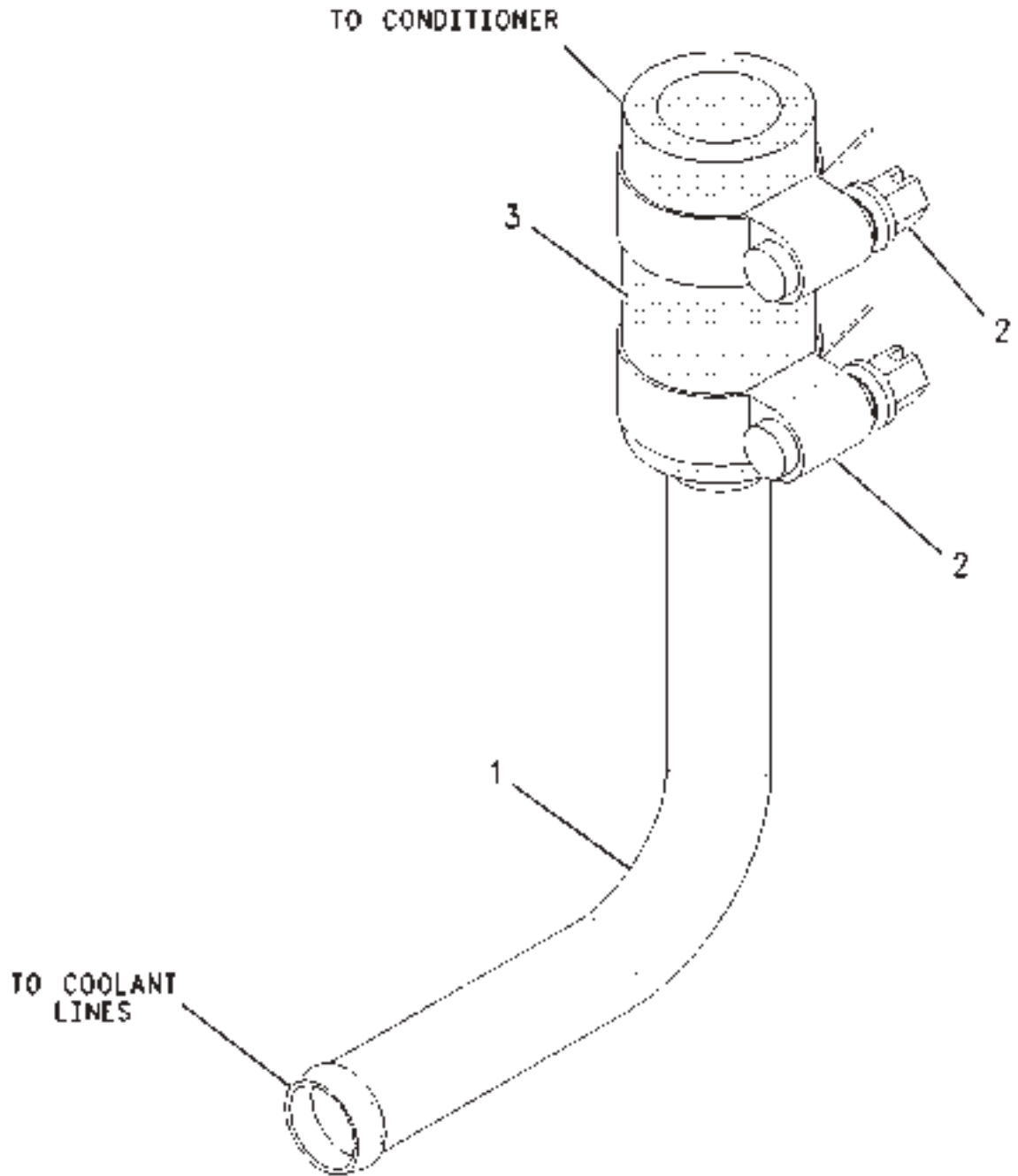
[A] PART OF 152-0009; 152-0013;
500764D1; 500842D1; 500844D1
CAB AR

00893577
PR: t05i29k58b0503

1102

MT800 SERIES TRACTORS
OPERATOR STATION

LINES GP-HEATER - DELUXE
208-2881



00893020

**MT800 SERIESTRACTORS
OPERATOR STATION**

1103

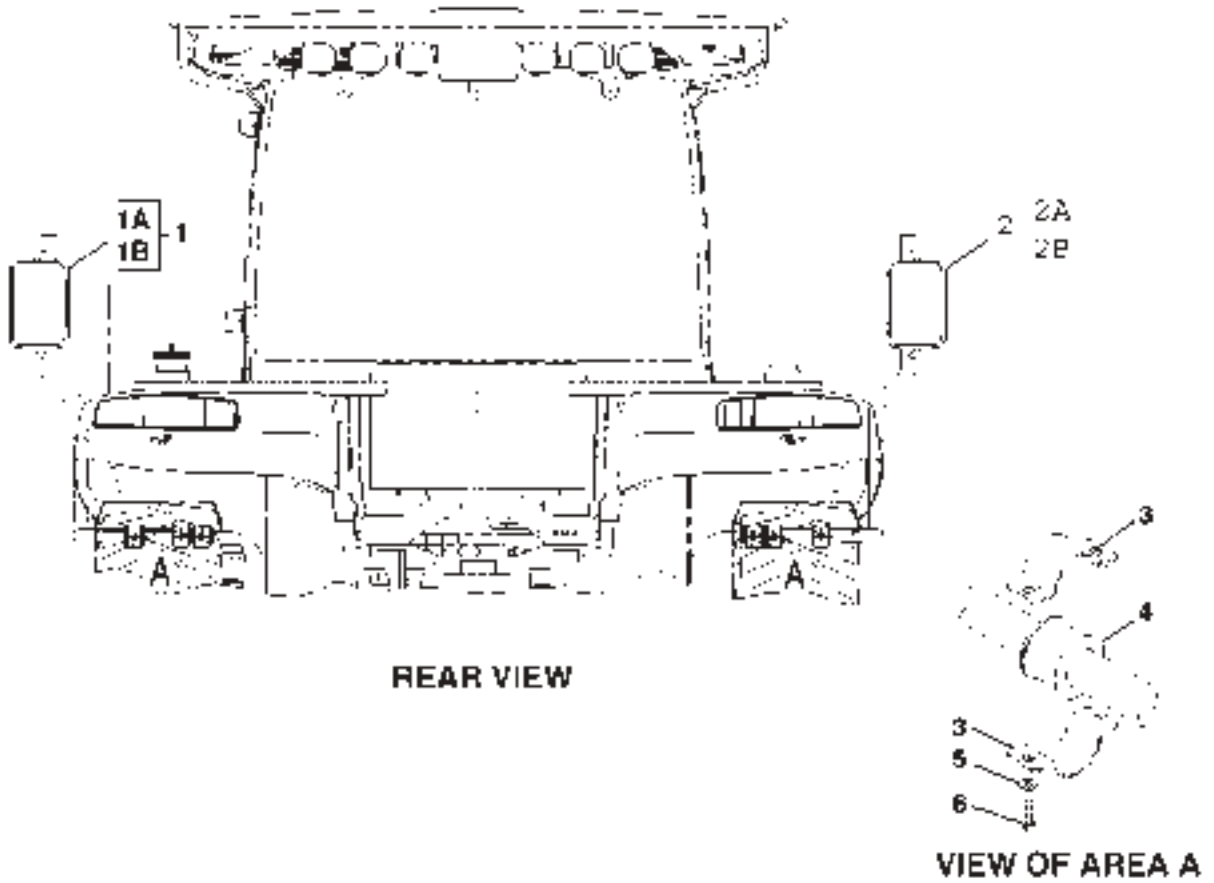
**LINES GP-HEATER - DELUXE
208-2881**

ITEM	NUMBER	QTY	DESCRIPTION
-	208-2881	--	LINE GP-HEATER [A] (NOT SERVICED)
1	195-4520	1	TUBE
2	400125X1	2	CLAMP-HOSE
3	501738D1	AR	HOSE (6CM)

[A] PART OF 500841D1;500843D1;500849D1
CAB AR

00893020
PR: t05i29k58b0504

MIRROR GP-REAR VIEW - 209-5607
MANUAL ADJUSTMENT



**MT800 SERIESTRACTORS
OPERATOR STATION**

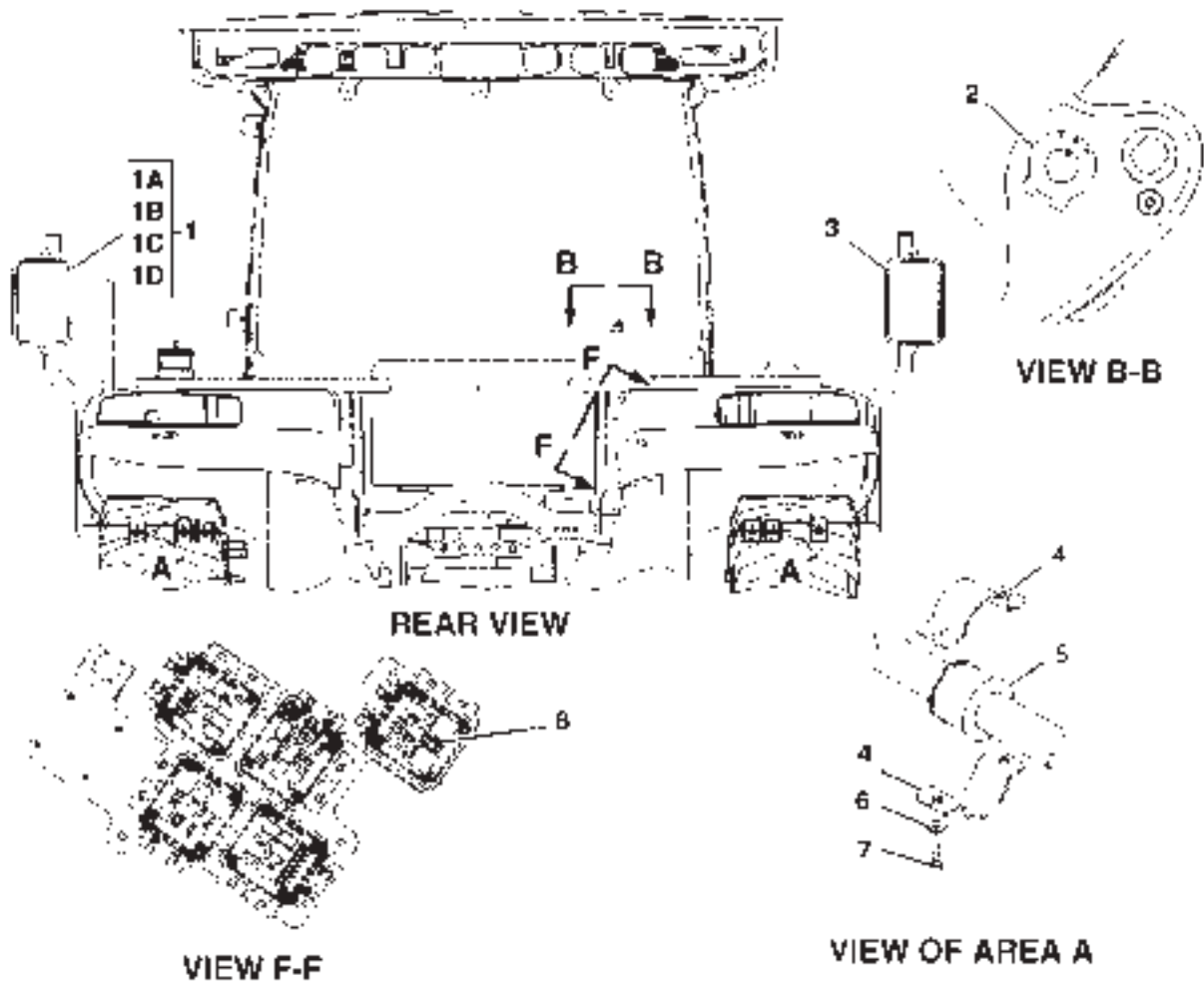
1105

**MIRROR GP-REAR VIEW - 209-5607
MANUAL ADJUSTMENT**

ITEM	NUMBER	QTY	DESCRIPTION
-	502776D1	--	MIRROR GP-REAR VIEW (FIELD INSTALLED)
-	209-5607	--	MIRROR GP-REAR VIEW (NOT SERVICED, ORDER FIELD INSTALLED)
1	206-0586	1	MIRROR ASM-REAR VIEW (LH) (INCLUDES 1A & 1B)
1A	206-0581	1	SUPPORT ASM
1B	206-0578	1	MIRROR ASM
2	209-5605	1	MIRROR GP-REAR VIEW (RH) (INCLUDES 2A & 2B)
2A	209-5604	1	SUPPORT ASM
2B	206-0578	1	MIRROR ASM
3	CH209-9233	16	CLAMP
4	400111X1	8	GROMMET
5	400599X1	16	WASHER-HARD (8.8X20.5X2)
6	400245X1	16	BOLT (M8X1.25X30MM)

0852423B
PR: t05i29k58b0505

MIRROR GP-REAR VIEW - 209-5608
POWER ADJUSTMENT & HEATED



**MT800 SERIES TRACTORS
OPERATOR STATION**

1107

**MIRROR GP-REAR VIEW - 209-5608
POWER ADJUSTMENT & HEATED**

ITEM	NUMBER	QTY	DESCRIPTION
-	209-5608	--	MIRROR GP-REAR VIEW [A] (NOT SERVICED)
1	206-0584	1	MIRROR ASM-REAR VIEW (LH) (INCLS 1A-1D)
1A	CH102-8805	1	KIT-RECEPTACLE (6 PIN)
1B	206-0580	1	HARNES ASM (REAR VIEW MIRROR)
1C	206-0581	1	SUPPORT ASM (LH)
1D	206-0579	1	MIRROR
	207-0511	1	GLASS-MIRROR
2	207-2038	1	SWITCH
3	209-5606	1	MIRROR GP-REAR VIEW (RH)
	102-8805	1	KIT-RECEPTACLE (6 PIN)
	206-0580	1	HARNES (REAR VIEW MIRROR)
	209-5604	1	SUPPORT (RH)
	206-0579	1	MIRROR HEAD
	207-0511	1	GLASS-MIRROR
4	CH209-9233	16	CLAMP
5	400111X1	8	GROMMET
6	400599X1	16	WASHER-HARD (8.8X20.5X2)
7	400245X1	16	BOLT (M8X1.25X30MM)
8	CH146-9439	1	RELAY (12 VOLT)

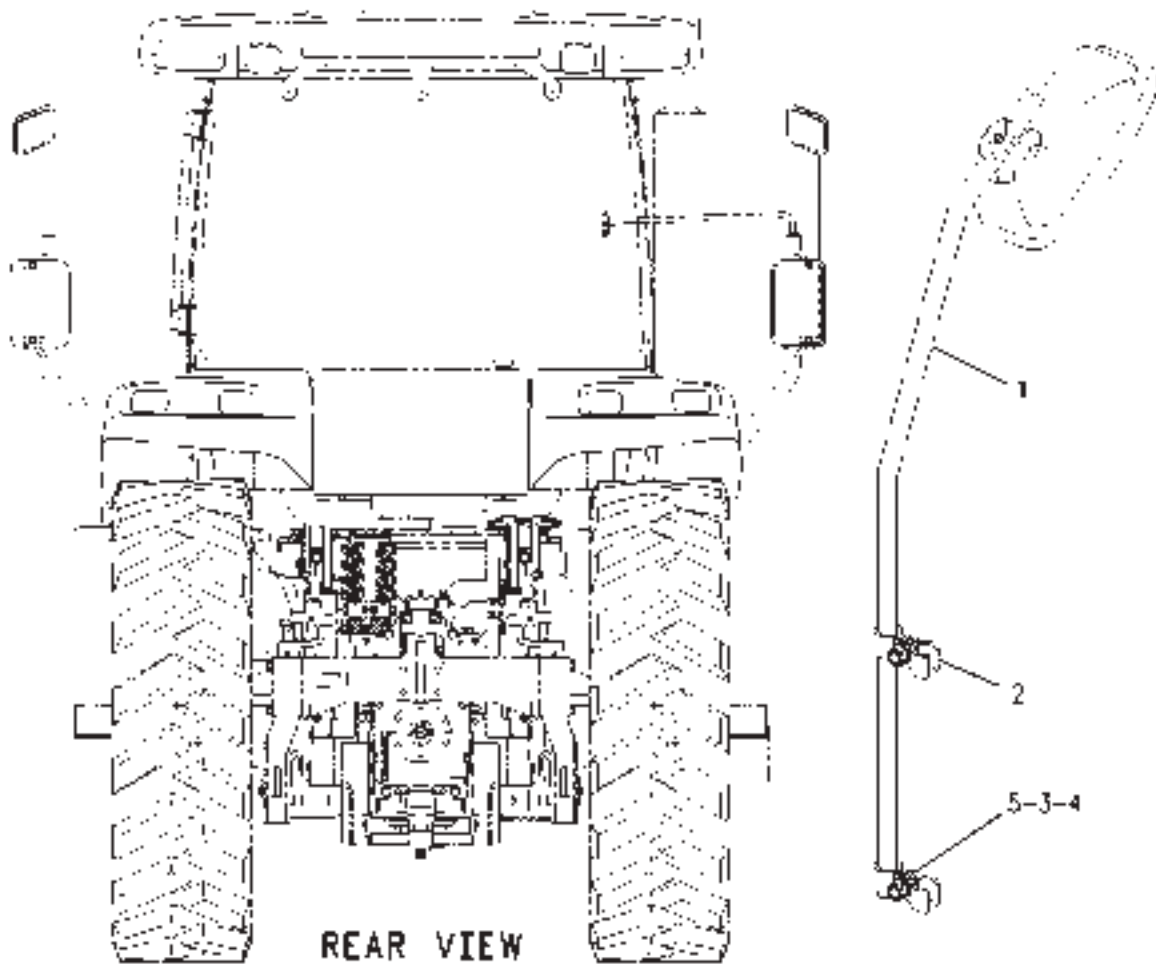
[A] PART OF 500841D1; 500842D1;
500843D1; 500849D1 CAB AR

0892108A
PR: t05i29k58b0506

1108

MT800 SERIES TRACTORS
OPERATOR STATION

MIRROR GP - 206-0588
SIDE AREA VIEW
EAME ONLY



00821303

**MT800 SERIESTRACTORS
OPERATOR STATION**

1109

**MIRROR GP - 206-0588
SIDE AREA VIEW
EAME ONLY**

ITEM	NUMBER	QTY	DESCRIPTION
-	206-0588	--	MIRROR GP-SIDE AREA VIEW [A] (NOT SERVICED)
1	206-0589	2	MIRROR AS
2	CH4H-7655	8	CLAMP-TUBE
3	CH8T-0389	4	LOCKNUT (M10X1.5 THD)
4	400287X1	8	WASHER-HARD (11X21X2.5MM THK)
5	400039X1	4	BOLT (M10X1.5X25MM)

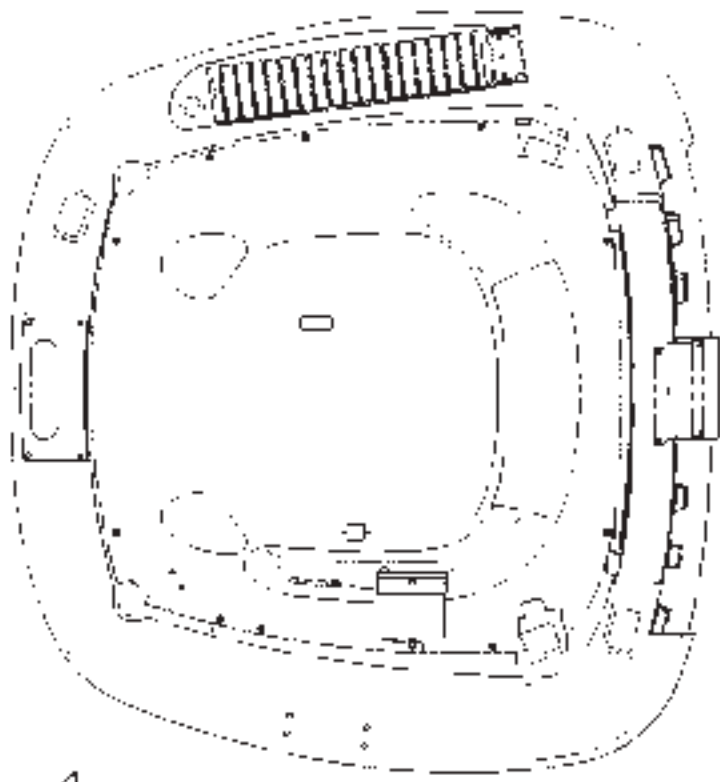
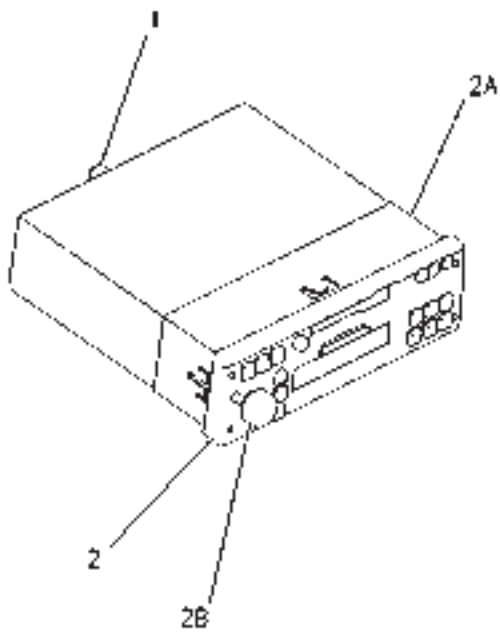
[A] PART OF 500841D1; 500842D1 CAB AR

00821303
PR: t05i29k58b0507

1110

**MT800 SERIES TRACTORS
OPERATOR STATION**

**RADIO GP-STD - 168-1952
12V HD, AM/FM/WB/CASS W/GREEN BACKLIGHT**



BOTTOM VIEW

00732187

**MT800 SERIESTRACTORS
OPERATOR STATION**

1111

**RADIO GP-STD - 168-1952
12V HD, AM/FM/WB/CASS W/GREEN BACKLIGHT**

ITEM	NUMBER	QTY	DESCRIPTION
-	168-1952	--	RADIO GP
1	CH136-5490	1	BUSHING
2	CH169-6324	1	RADIO GP
2A	CH192-7054	1	SLEEVE
2B	CH142-9681	1	KNOB (RADIO VOLUME)
-	400455X1	1	CONNECTOR [A]

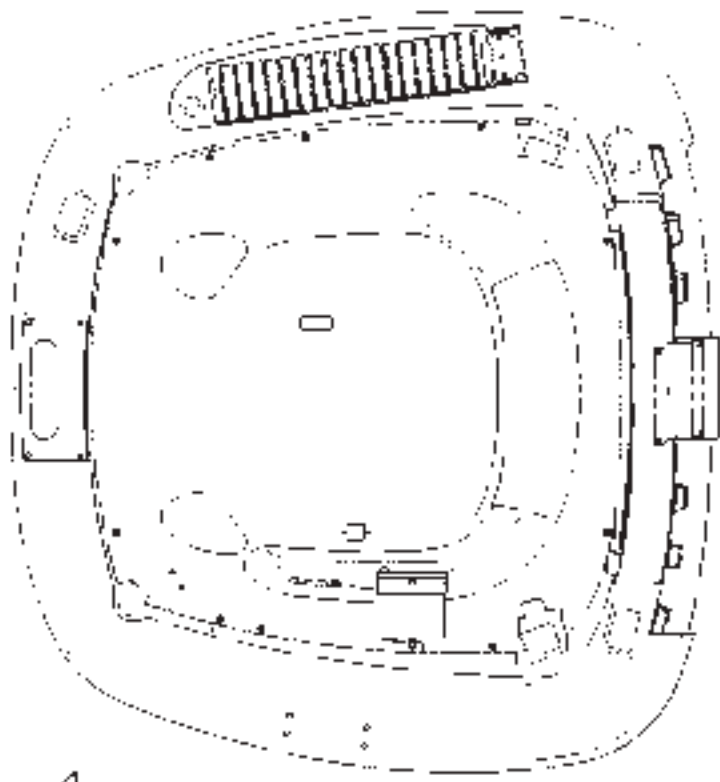
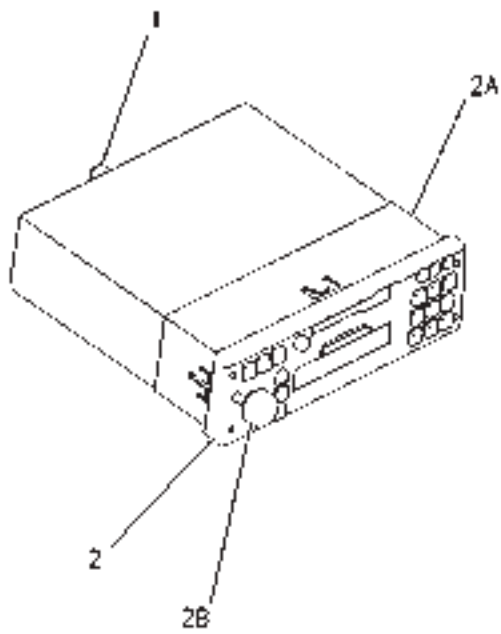
[A] MATING CONNECTOR REQUIRED TO
CONNECT RADIO

00732187
PR: t05i29k58b0508

1112

**MT800 SERIES TRACTORS
OPERATOR STATION**

RADIO GP-DELUXE - 168-1970
12V HD AM/FM/WB/CAS/REMOTE/GRN BACKLIGHT
ROW AND SPECIAL APPLICATIONS



BOTTOM VIEW

00732192

**MT800 SERIESTRACTORS
OPERATOR STATION**

1113

**RADIO GP-DELUXE - 168-1970
12V HD AM/FM/WB/CAS/REMOTE/GRN BACKLIGHT
ROW AND SPECIAL APPLICATIONS**

ITEM	NUMBER	QTY	DESCRIPTION
-	168-1970	--	RADIO GP
1	CH136-5490	1	BUSHING
2	CH169-6325	1	RADIO GP
2A	CH192-7054	1	SLEEVE [A]
2B	CH142-9681	1	KNOB (RADIO VOLUME)
-	CH170-7251	1	CHANGER-CD [B]
-	400455X1	1	CONNECTOR [C]

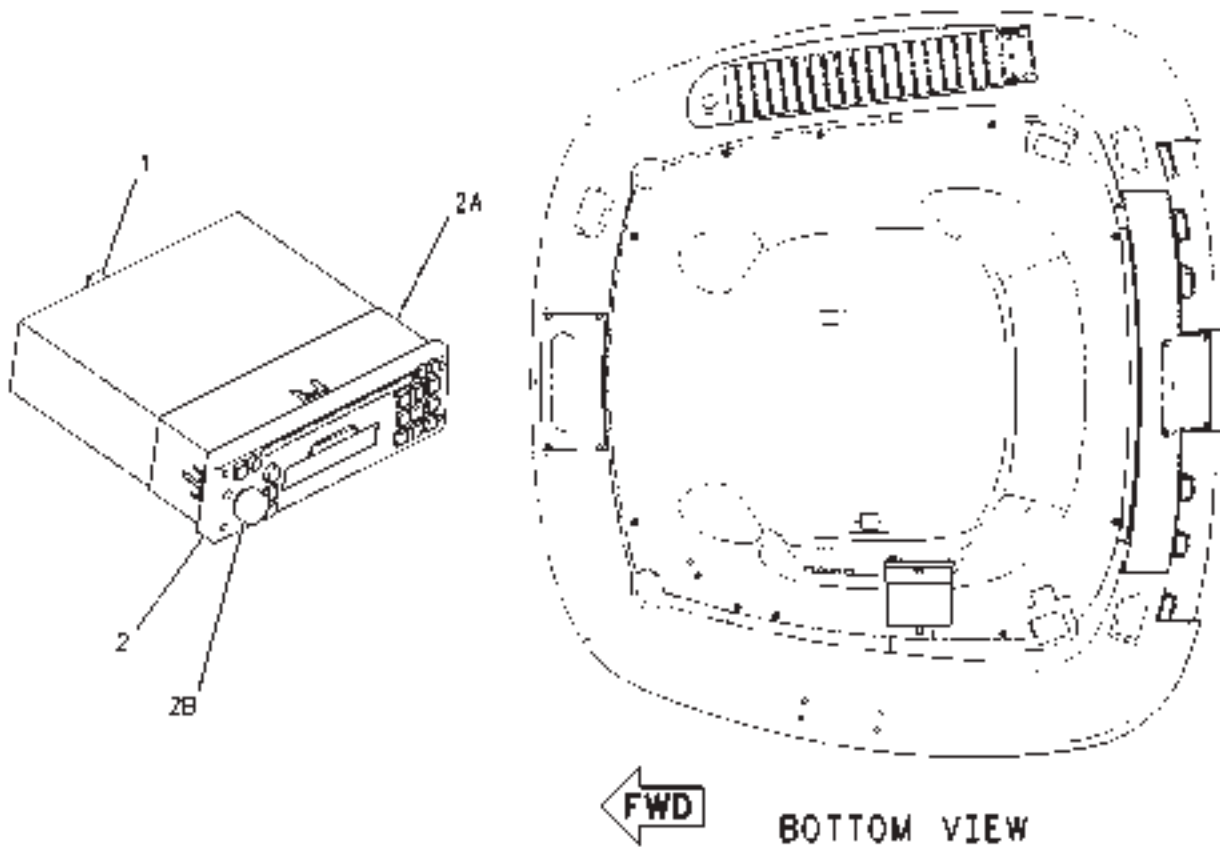
[A] FOR FRONT RADIO MOUNTING
[B] CD CHANGER WITH RADIO COMPATIBLE
[C] MATING CONNECTOR REQUIRED TO
CONNECT RADIO

00732192
PR: t05i29k58b0509

1114

**MT800 SERIES TRACTORS
OPERATOR STATION**

RADIO GP-DELUXE CD - 170-5739
12V HD AM/FM/WB/CD/REMOTE/GRN BACKLIGHT
ROW AND SPECIAL APPLICATIONS



00732194

**MT800 SERIESTRACTORS
OPERATOR STATION**

1115

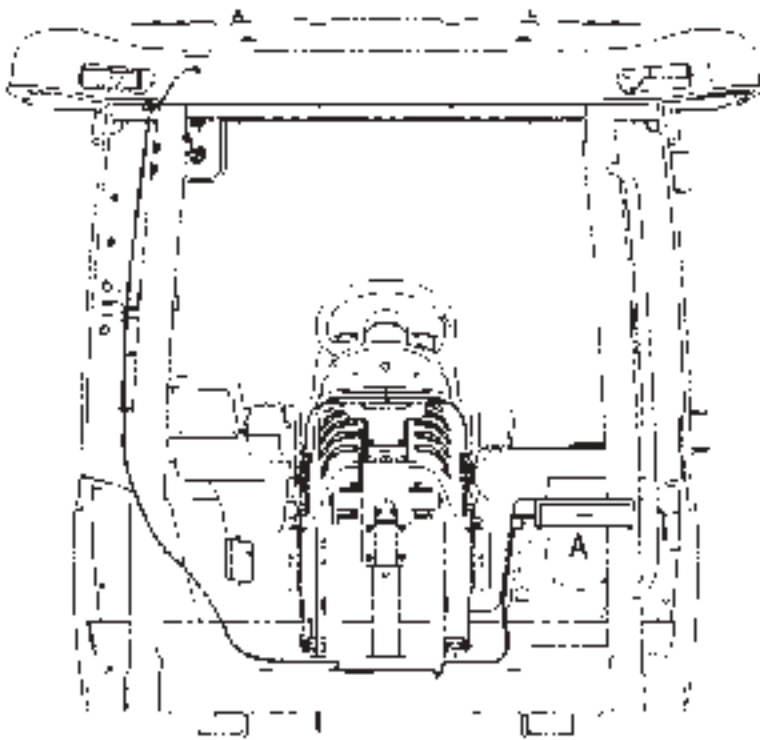
**RADIO GP-DELUXE CD - 170-5739
12V HD AM/FM/WB/CD/REMOTE/GRN BACKLIGHT
ROW AND SPECIAL APPLICATIONS**

ITEM	NUMBER	QTY	DESCRIPTION
-	170-5739	--	RADIO GP
1	CH136-5490	1	BUSHING
2	CH169-6326	1	RADIO GP
2A	CH192-7054	1	SLEEVE [A]
2B	CH142-9681	1	KNOB (RADIO VOLUME)
-	400455X1	1	CONNECTOR RADIO [B]
-	CH170-7251	1	CHANGER-CD [C]

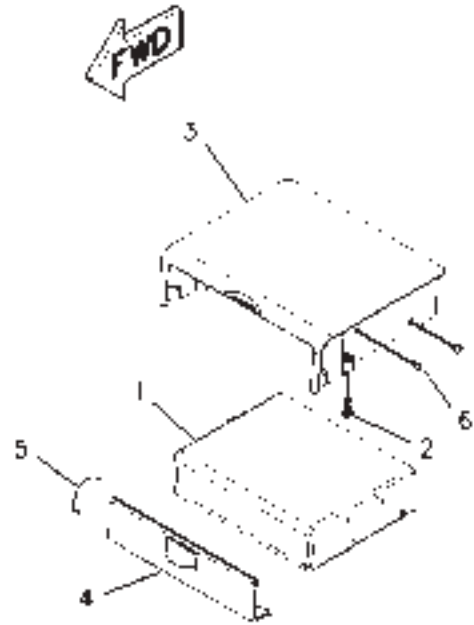
[A] FOR FRONT RADIO MOUNTING
[B] MATING CONNECTOR REQUIRED TO
CONNECT RADIO
[C] CD CHANGER COMPATIBLE WITH RADIO

00732194
PR: t05i29k58b0510

CHANGER GP-COMPACT DISC - 173-6507
ROW AND SPECIAL APPLICATIONS



FRONT VIEW



VIEW OF AREA A

**MT800 SERIES TRACTORS
OPERATOR STATION**

1117

**CHANGER GP-COMPACT DISC - 173-6507
ROW AND SPECIAL APPLICATIONS**

ITEM	NUMBER	QTY	DESCRIPTION
-	173-6507	--	CHANGER GP-COMPACT DISC
1	CH170-7251	1	CHANGER-COMPACT DISC [A]
	170-7253	1	MAGAZINE ASM-COMPACT DISC (6 DISC) [A] (NOT SHOWN, NOT PART OF THIS GROUP)
2	CH9X-2045	2	SCREW-TRUSS HEAD (M6X1X20MM)
3	172-6844	1	FRAME
4	172-6845	1	DOOR
5	CH172-6847	1	SPRING
6	CH7Y-7388	4	SCREW-BUTTON HEAD (M5X0.8X12MM)
-	400486X1	1	CONNECTOR CD CHANGER [B]

[A] CD MAGAZINE TO BE USED WITH
CD CHANGER

[B] MATING CONNECTOR REQUIRED TO
CONNECT TO CD CHANGER

00885053
PR: t05i29k58b0511

**MT800 SERIESTRACTORS
OPERATOR STATION**

1119

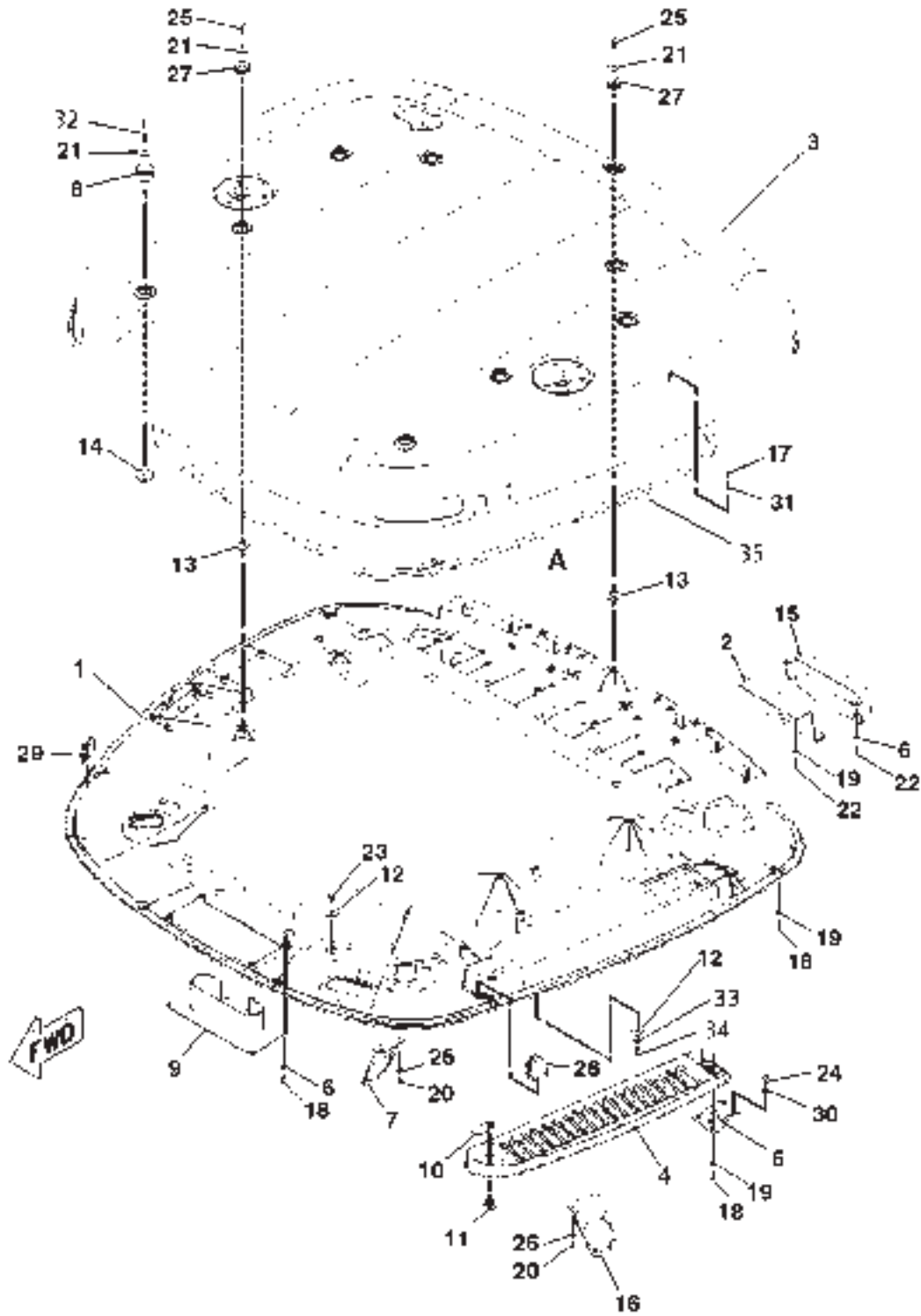
RADIO GP-AUTOGUIDE - 232-0869

ITEM	NUMBER	QTY	DESCRIPTION
-	233-6580	--	RADIO GP-AUTOGUIDE (FIELD)
-	232-0869	--	RADIO GP-AUTOGUIDE (FACT) (NOT SERVICED, ORDER FIELD INSTALLED)
1	CH7K-1181	7	STRAP-CABLE 0.19-4.00
2	219-4779	1	BRACKET
3	219-4796	2	BRACKET
4	221-2642	1	MOUNT AS.-RADIO
5	221-5389	1	HARNESS AS
6	500361D1	1	PLATE
7	500362D1	1	ANTENNA AS-FREEWAVE (INCL 7A & 7B)
7A	500364D1	1	WHIP
7B	500363D1	1	BASE
8	400300X1	4	NUT M6X1
9	400152X1	4	BOLT-M6X1X16MM ZNDI HHD 10.9
10	CH8T-4205	4	WASHER-HARD 7.2IDX14.5ODX2MM

2320869A
PR: t05i29k58b0512

MT800 SERIES TRACTORS
OPERATOR STATION

ROOF GP-CAB - 152-0417
ROW AND SPECIAL APPLICATIONS



**MT800 SERIES TRACTORS
OPERATOR STATION**

1121

**ROOF GP-CAB - 152-0417
ROW AND SPECIAL APPLICATIONS**

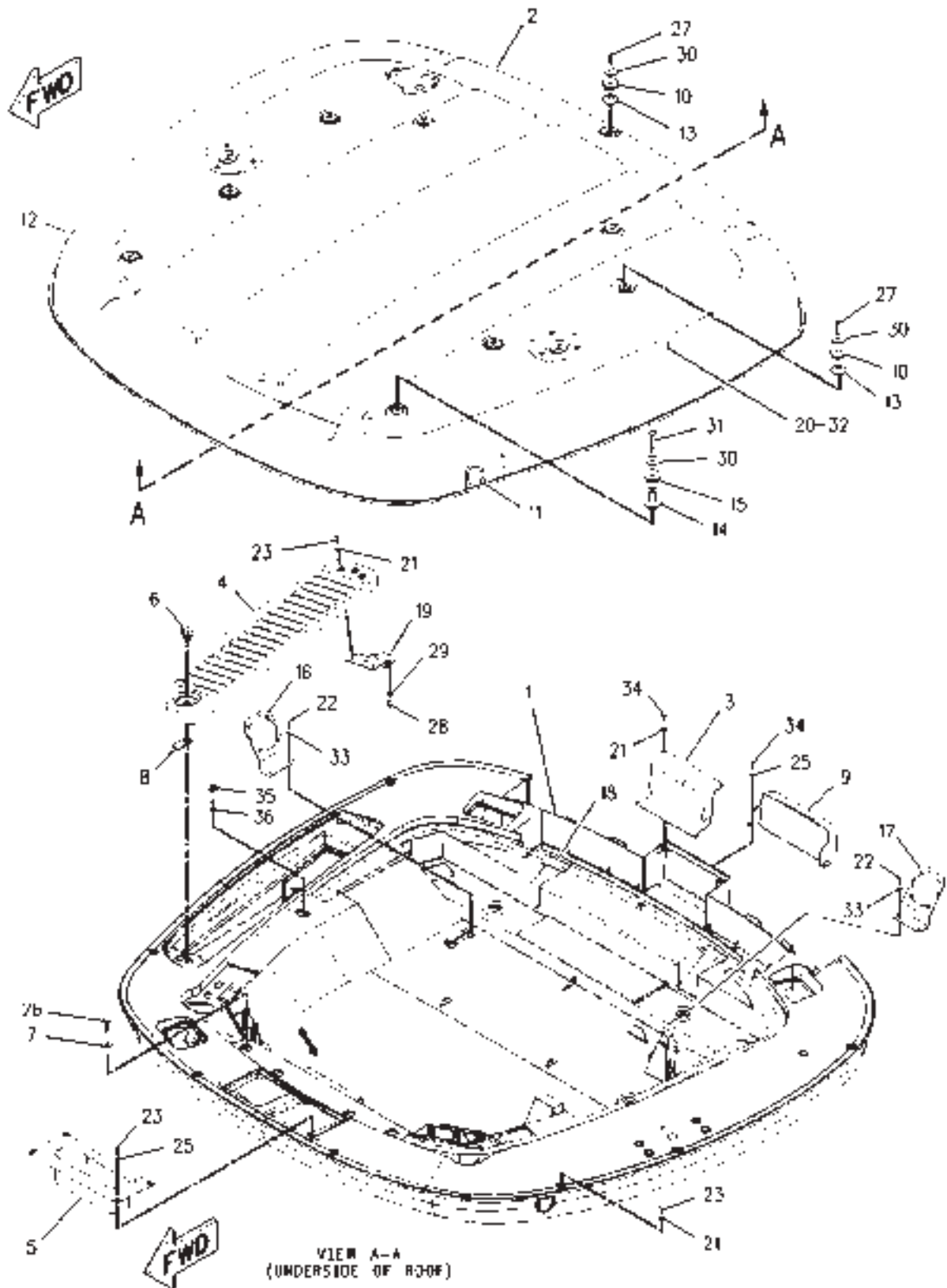
ITEM	NUMBER	QTY	DESCRIPTION
-	152-0417	--	ROOF GP-CAB [A](NOT SERVICED)
1	152-0441	1	ROOF ASM (INNER)
	CH216-7617	14	INSERT (M6)
	CH222-4435	7	INSERT (M8X1.25)
2	162-6654	1	PLATE
3	162-6655	1	ROOF ASM (OUTER)
	CH216-7616	8	INSERT (M4)
	CH216-7617	7	INSERT (M6)
4	162-6693	1	DOOR-FILTER
5	CH195-2614	1	HINGE ASM
6	CH8T-4205	6	WASHER-HARD (7.2X14.5X2MM)
7	502322D1	1	BRACKET (REAR SPEAKER-RH)
8	CH195-2609	4	GROMMET
9	168-2284	1	COVER
10	CH179-3160	1	CAM-LATCH
11	CH174-6381	1	LATCH
12	400119X1	4	SPACER (13X44X5MM THK)
13	CH195-2607	5	SPACER
14	CH195-2608	4	SPACER
15	179-4203	1	COVER
16	502321D1	1	BRACKET (REAR SPEAKER-LH)
17	CH217-5909	1	SCREW-PAN HEAD (M6X1X16MM)
18	400048X1	14	BOLT (M6X1X20MM)
19	CH5P-4115	14	WASHER-HARD (7.2X19X2)
20	CH110-2028	4	SCREW-PAN HEAD (10-14X.75 IN)
21	CH8T-4226	9	WASHER-PLATED (10.5X45X3)
22	400152X1	6	BOLT (M6X1X16MM)
23	400040X1	2	BOLT (M10X1.5X20MM)
24	400227X1	2	BOLT (M8X1.25X16MM)
25	400042X1	5	BOLT (M8X1.25X35MM)
26	400310X1	4	WASHER (6.6X12X2)
27	CH195-2600	5	GROMMET
28	CH195-2601	1	GROMMET-LH
29	CH195-2602	1	GROMMET-RH
30	400339X1	2	WASHER-HARD (8.8X16X2)
31	CH196-2881	1	CLIP
32	400066X1	4	BOLT (M10X1.50X70MM)
33	400287X1	2	WASHER-HARD (11X21X2.5)
34	400058X1	2	BOLT (M10X1.5X30MM)
35	217-2214	1	INSULATION GP-WEATHER (NOT SERVICED) (SEE BREAKDOWN FOR COMPONENTS)

[A] PART OF 500843D1; 500844D1; 500849D1
CAB AR

0892132B
PR: t05i29k58b0513

MT800 SERIES TRACTORS
OPERATOR STATION

ROOF GP-CAB - 152-0444
EAME ONLY



**MT800 SERIES TRACTORS
OPERATOR STATION**

1123

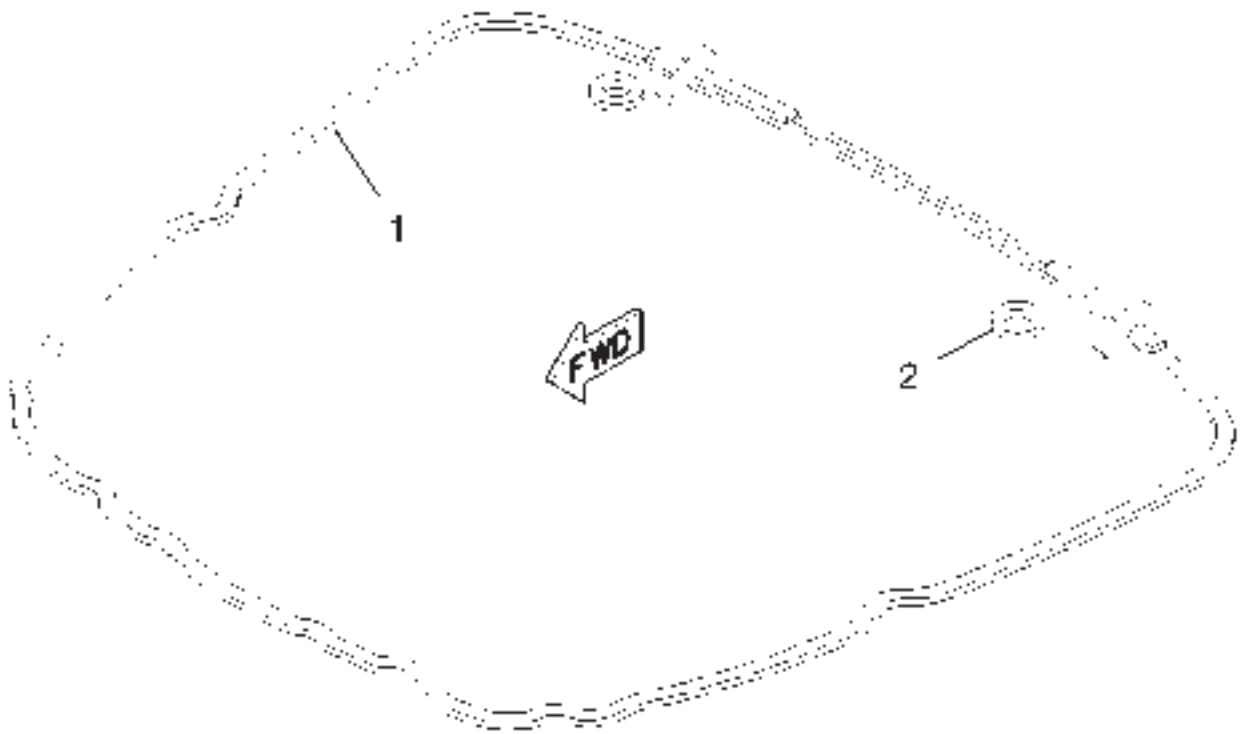
**ROOF GP-CAB - 152-0444
EAME ONLY**

ITEM	NUMBER	QTY	DESCRIPTION
-	152-0444	--	ROOF GP-CAB [A] (NOT SERVICED)
1	152-0441	1	ROOF AS (INNER)
2	162-4111	1	ROOF AS (OUTER)
3	162-6654	1	PLATE
4	162-6693	1	DOOR AS (FILTER)
5	168-2284	1	COVER
6	CH174-6381	1	LATCH AS
7	400119X1	4	SPACER (13X44X5MM THK)
8	CH179-3160	1	CAM-LATCH
9	179-4203	1	COVER-REAR WIPER
10	CH195-2600	5	GROMMET
11	CH195-2601	1	GROMMET-LH
12	CH195-2602	1	GROMMET-RH
13	CH195-2607	5	SPACER
14	CH195-2608	4	SPACER
15	CH195-2609	4	GROMMET
16	502321D1	1	BRACKET (REAR SPEAKER)(RH)
17	502322D1	1	BRACKET (REAR SPEAKER)(LH)
18	217-2214	1	INSULATION GP-COLD WEATHER (SEE BREAKDOWN FOR COMPONENTS)
19	CH195-2614	1	HINGE AS-FILTER DOOR
	400313X1	3	NUT-WELD (M6)
20	CH196-2881	1	CLIP
21	CH5P-4115	14	WASHER-HARD (7.2X19X2MM THK)
22	CH110-2028	4	SCREW-PAN HEAD (10-14X.75 IN)
23	400048X1	14	BOLT (M6X1.0X20MM)
24			NOT USED
25	CH8T-4205	6	WASHER-HARD (7.2X14.5X2MM THK)
26	400040X1	2	BOLT (M10X1.5X20MM)
27	400042X1	5	BOLT (M8X1.25X35MM)
28	400227X1	2	BOLT (M8X1.25X16MM)
29	400339X1	2	WASHER-HARD (8.8X16X2MM THK)
30	CH8T-4226	9	WASHER-PLATED (10.5X45X3MM THK)
31	400066X1	4	BOLT (M10X1.50X70MM)
32	CH217-5909	1	SCREW-PAN HEAD (1/4-15X12.7)
33	400310X1	4	WASHER (6.6X12X2MM THK)
34	400152X1	6	BOLT (M6X1X16MM)
35	400287X1	2	WASHER-HARD (11X21X2.5MM THK)
36	400058X1	2	BOLT (M10X1.5X30MM)

[A] PART OF 152-0008; 152-0009;
500841D1; 500842D1 CAB AR

1520444B
PR: t05i29k58b0514

INSULATION GP-WEATHER - 217-2214



**MT800 SERIESTRACTORS
OPERATOR STATION**

1125

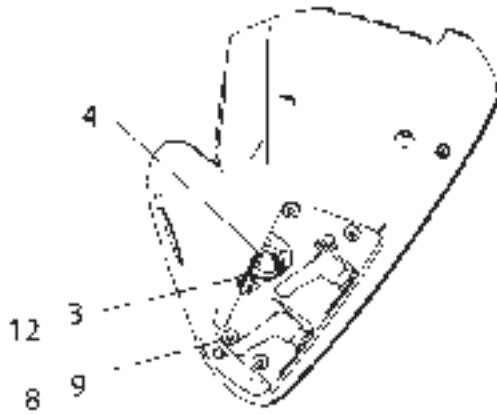
INSULATION GP-WEATHER - 217-2214

ITEM	NUMBER	QTY	DESCRIPTION
-	217-2214	--	INSULATION GP-WEATHER [A]
1	CH217-2130	1	SEAL (7620LX24WX12THK ADH BACK)
2	CH217-2131	2	SEAL (38IDX76ODX12THK ADH BACK)

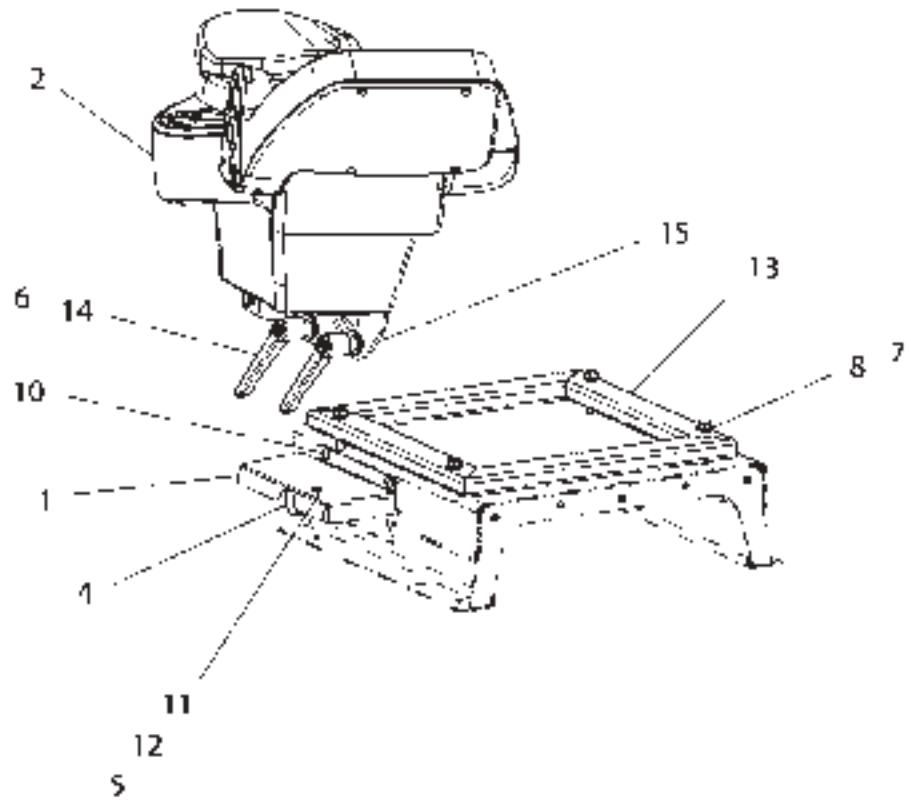
[A] PART OF 152-0417; 152-0444 CAB AR

2172214C
PR: t05i29k58b0515

CONSOLE GP-MTG - 500839D1



VIEW OF UNDERSIDE OF ARMREST



**MT800 SERIESTRACTORS
OPERATOR STATION**

1127

CONSOLE GP-MTG - 500839D1

ITEM	NUMBER	QTY	DESCRIPTION
-	500839D1	--	CONSOLE GP-MOUNTING [A] (NOT SERVICED)
1	178-7952	1	BRACKET-ARMREST
2	152-0434	1	CONSOLE GP-OPERATOR
3	CH3E-8020	1	SCREW-M6X1X25 ORG TORX
4	CH4D-7388	2	CLIP-LOOP 34.9 ID
5	400300X1	1	NUT M6X1
6	CH5P-8247	4	WASHER-HARD 17IDX32ODX3.5MM
7	400161X1	4	BOLT-M10X1.5X50 PH&O HHD 10.9
8	CH6V-5839	8	WASHER-HARD 11IDX21ODX2.5MM
9	CH9X-2039	4	SCREW-M10X1.5X35 ORG TORX
10	CH9X-2044	2	SCREW-M6X1X16MM TRUSS HEAD
11	CH9X-2045	1	SCREW-M6X1X20 MM ORG TORX T30
12	CH9X-6165	2	WASHER-6.5IDX22ODX2.5MM
13	500483D1	1	SUPPORT AS
14	500854D1	2	LEVER
15	219-9656	1	BRACKET AS.-ARMREST

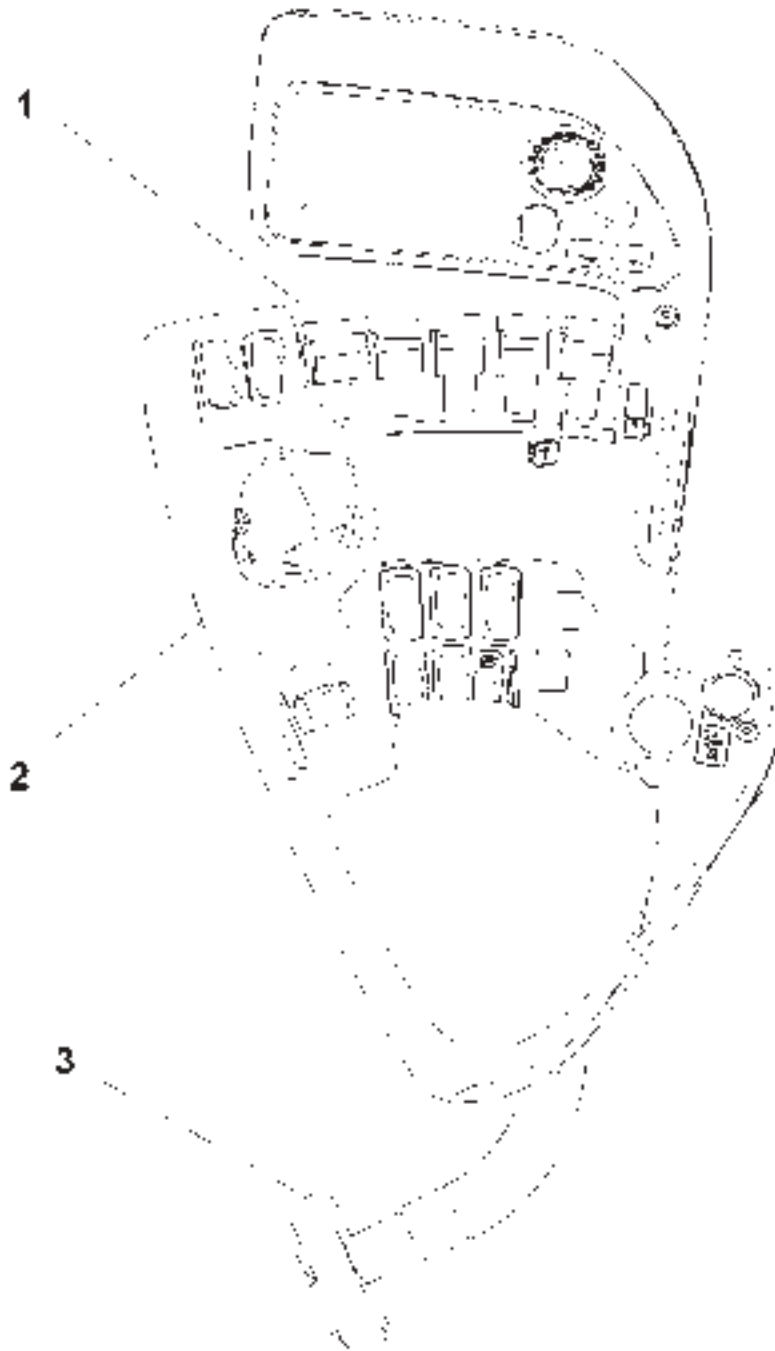
PART OF 500841D1; 500842D1; 500844D1;
500849D1 CAB AR

500839DC
PR: t05i29k58b0516

1128

**MT800 SERIESTRACTORS
OPERATOR STATION**

ARMREST GP - 500484D2
4 IMP W/PTO-W/O HTCH



500484D2

**MT800 SERIESTRACTORS
OPERATOR STATION**

1129

**ARMREST GP - 500484D2
4 IMP W/PTO-W/O HTCH**

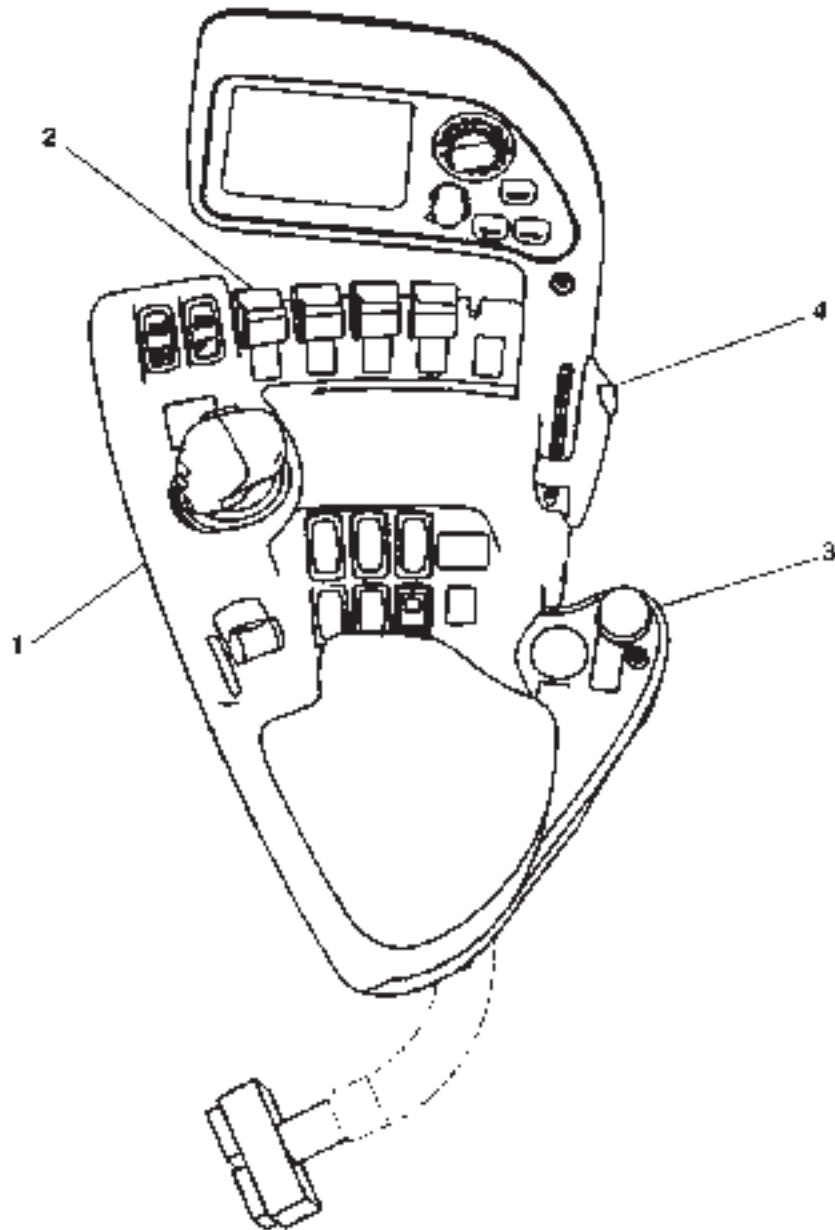
ITEM	NUMBER	QTY	DESCRIPTION
-	500484D2	--	ARMREST GP (NOT SERVICED)
1	152-0434	1	CONSOLE GP-OPERATOR (A) (NOT SERVICED) (SEE BREAKDOWN FOR COMPONENTS)
2	152-0443	1	CONTROL GP (NOT SERVICED) (SEE BREAKDOWN FOR COMPONENTS)
3	166-1211	1	WIRING GP-ARMREST (NOT SERVICED) (SEE BREAKDOWN FOR COMPONENTS)

500484D2
PR: t05i29k58b0517

1130

MT800 SERIES TRACTORS
OPERATOR STATION

ARMREST GP - 500485D2
4 IMP W/PTO-W/HITCH



500485DA

**MT800 SERIESTRACTORS
OPERATOR STATION**

1131

**ARMREST GP - 500485D2
4 IMP W/PTO-W/HITCH**

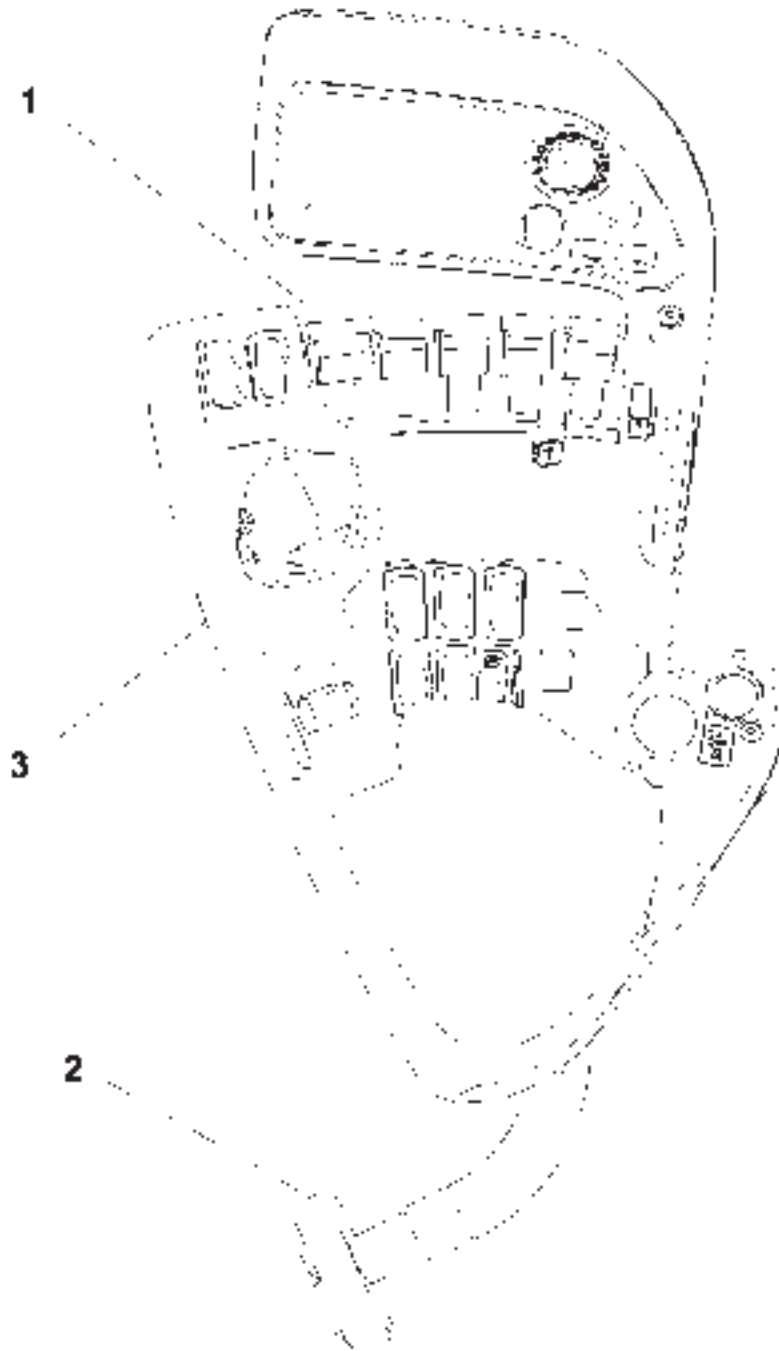
ITEM	NUMBER	QTY	DESCRIPTION
-	500485D2	--	ARMREST GP (NOT SERVICED)
1	152-0434	1	CONSOLE GP-OPERATOR (A) (NOT SERVICED) (SEE BREAKDOWN FOR COMPONENTS)
2	152-0443	1	CONTROL GP (NOT SERVICED) (SEE BREAKDOWN FOR COMPONENTS)
3	166-1211	1	WIRING GP-B (NOT SERVICED) (SEE BREAKDOWN FOR COMPONENTS)
4	152-0445	1	CONTROL GP-HITCH (NOT SERVICED) (SEE BREAKDOWN FOR COMPONENTS)

500485DA
PR: t05i29k58b0518

1132

**MT800 SERIESTRACTORS
OPERATOR STATION**

ARMREST GP - 500486D2
4 IMP W/O PTO-W/O HITCH



500486D2

**MT800 SERIESTRACTORS
OPERATOR STATION**

1133

**ARMREST GP - 500486D2
4 IMP W/O PTO-W/O HITCH**

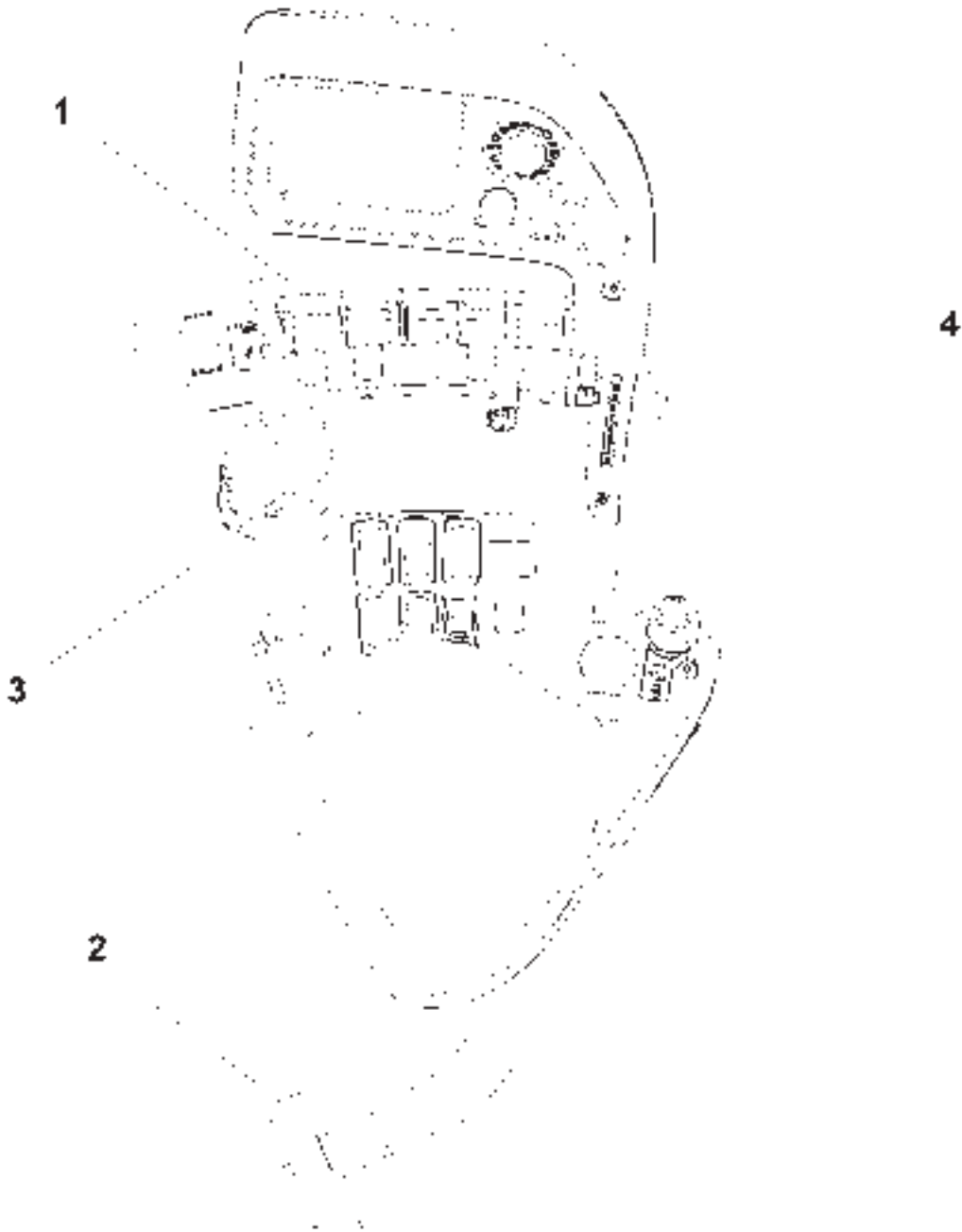
ITEM	NUMBER	QTY	DESCRIPTION
-	500486D2	--	ARMREST GP (NOT SERVICED)
1	152-0443	1	CONTROL GP (NOT SERVICED) (SEE BREAKDOWN FOR COMPONENTS)
2	136-5477	1	WIRING GP-ARMREST (NOT SERVICED) (SEE BREAKDOWN FOR COMPONENTS)
3	152-0434	1	CONSOLE GP-OPERATOR (A) (NOT SERVICED) (SEE BREAKDOWN FOR COMPONENTS)

500486D2
PR: t05i29k58b0519

1134

**MT800 SERIES TRACTORS
OPERATOR STATION**

ARMREST GP - 500487D2
4 IMP W/O PTO-W/HITCH



500487D2

**MT800 SERIESTRACTORS
OPERATOR STATION**

1135

**ARMREST GP - 500487D2
4 IMP W/O PTO-W/HITCH**

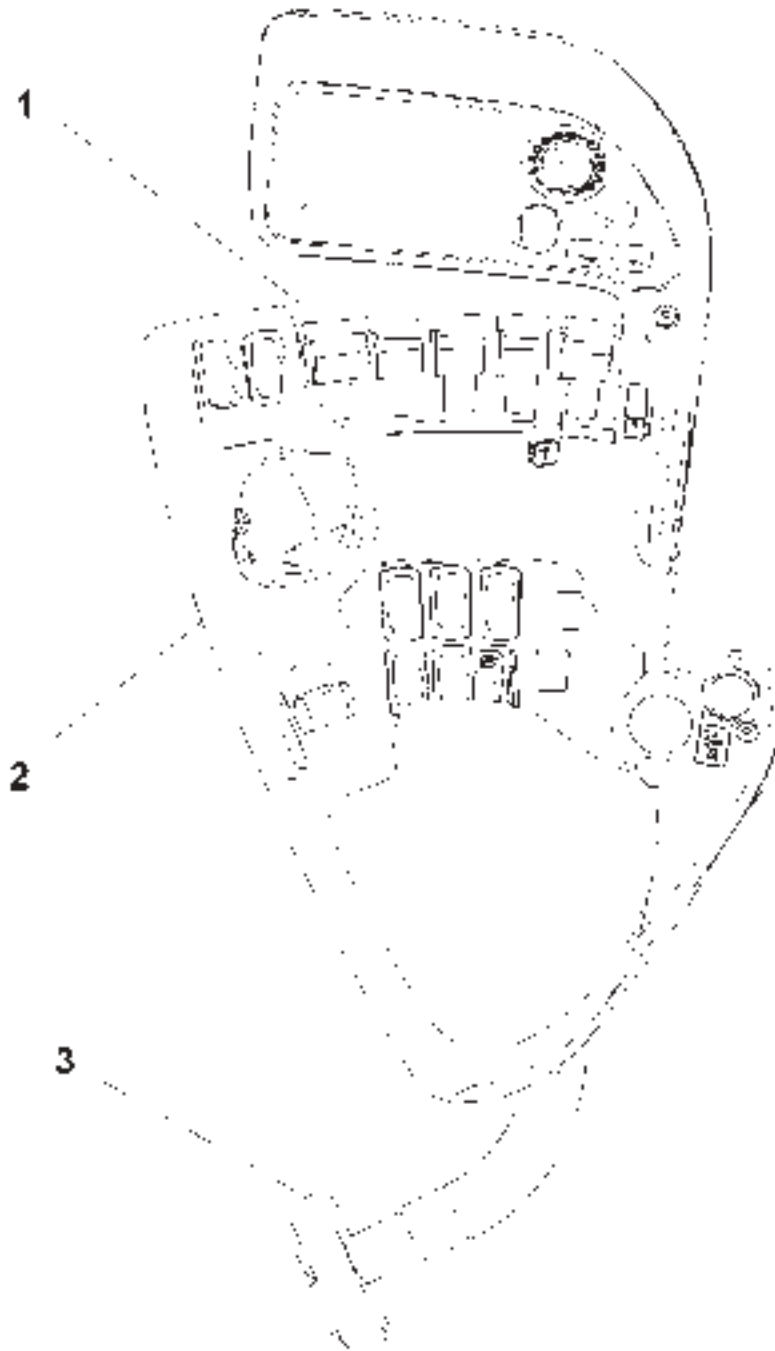
ITEM	NUMBER	QTY	DESCRIPTION
-	500487D2	--	ARMREST GP (NOT SERVICED)
1	152-0443	1	CONTROL GP (NOT SERVICED) (SEE BREAKDOWN FOR COMPONENTS)
2	136-5477	1	WIRING GP-ARMREST (NOT SERVICED) (SEE BREAKDOWN FOR COMPONENTS)
3	152-0434	1	CONSOLE GP-OPERATOR (A) (NOT SERVICED) (SEE BREAKDOWN FOR COMPONENTS)
4	152-0445	1	CONTROL GP-HITCH (NOT SERVICED) (SEE BREAKDOWN FOR COMPONENTS)

500487D2
PR: t05i29k58b0520

1136

**MT800 SERIES TRACTORS
OPERATOR STATION**

ARMREST GP - 500488D2
5 IMP W/PTO-W/O HITCH



500488D2

**MT800 SERIESTRACTORS
OPERATOR STATION**

1137

**ARMREST GP - 500488D2
5 IMP W/PTO-W/O HITCH**

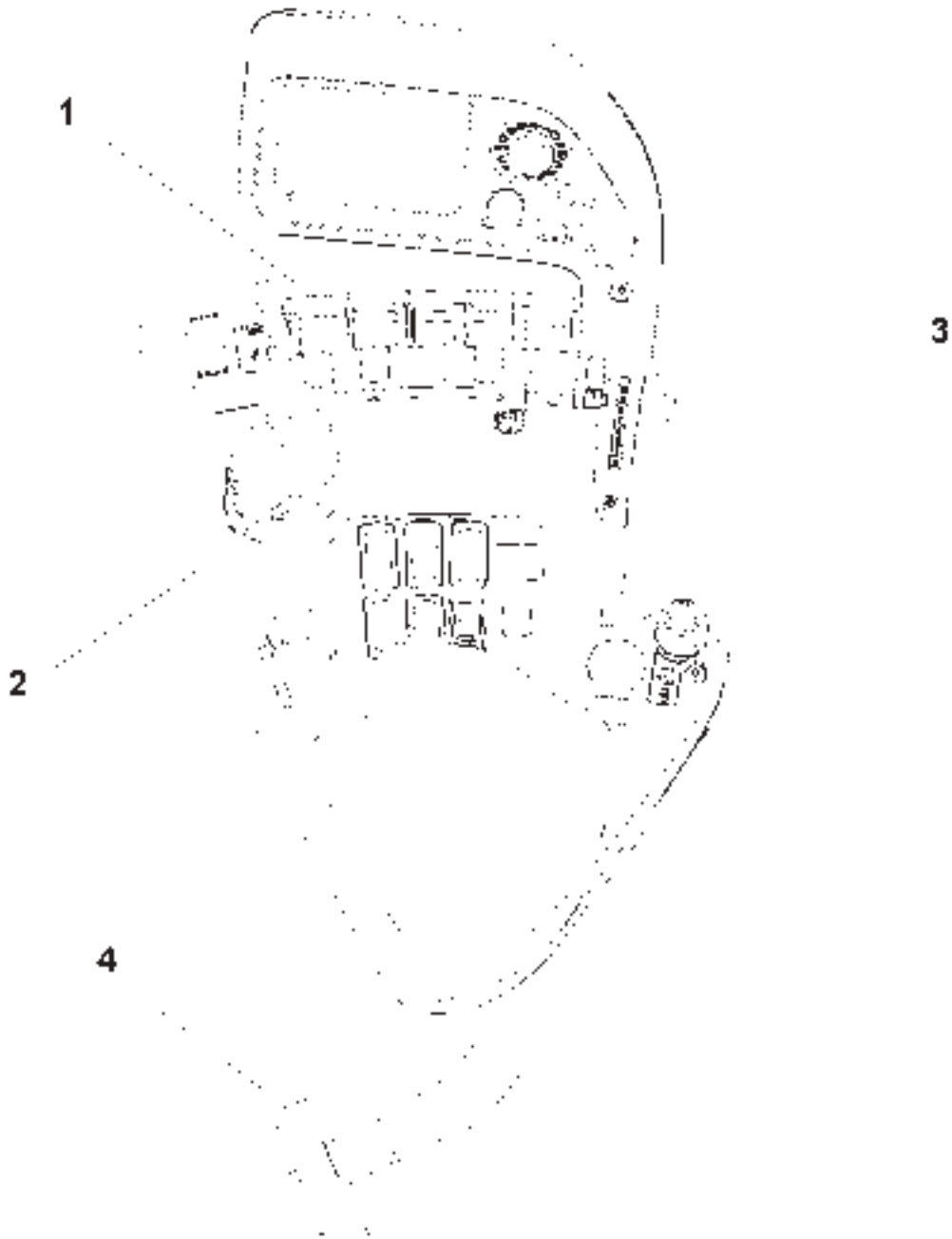
ITEM	NUMBER	QTY	DESCRIPTION
-	500488D2	--	ARMREST GP (NOT SERVICED)
1	166-4590	1	CONTROL GP (NOT SERVICED) (SEE BREAKDOWN FOR COMPONENTS)
2	152-0434	1	CONSOLE GP-OPERATOR (A) (NOT SERVICED) (SEE BREAKDOWN FOR COMPONENTS)
3	166-1211	1	WIRING GP-ARMREST (NOT SERVICED) (SEE BREAKDOWN FOR COMPONENTS)

500488D2
PR: t05i29k58b0521

1138

**MT800 SERIES TRACTORS
OPERATOR STATION**

ARMREST GP - 500489D2
5 IMP W/PTO-W/HTCH



500489D2

**MT800 SERIESTRACTORS
OPERATOR STATION**

1139

**ARMREST GP - 500489D2
5 IMP W/PTO-W/HTCH**

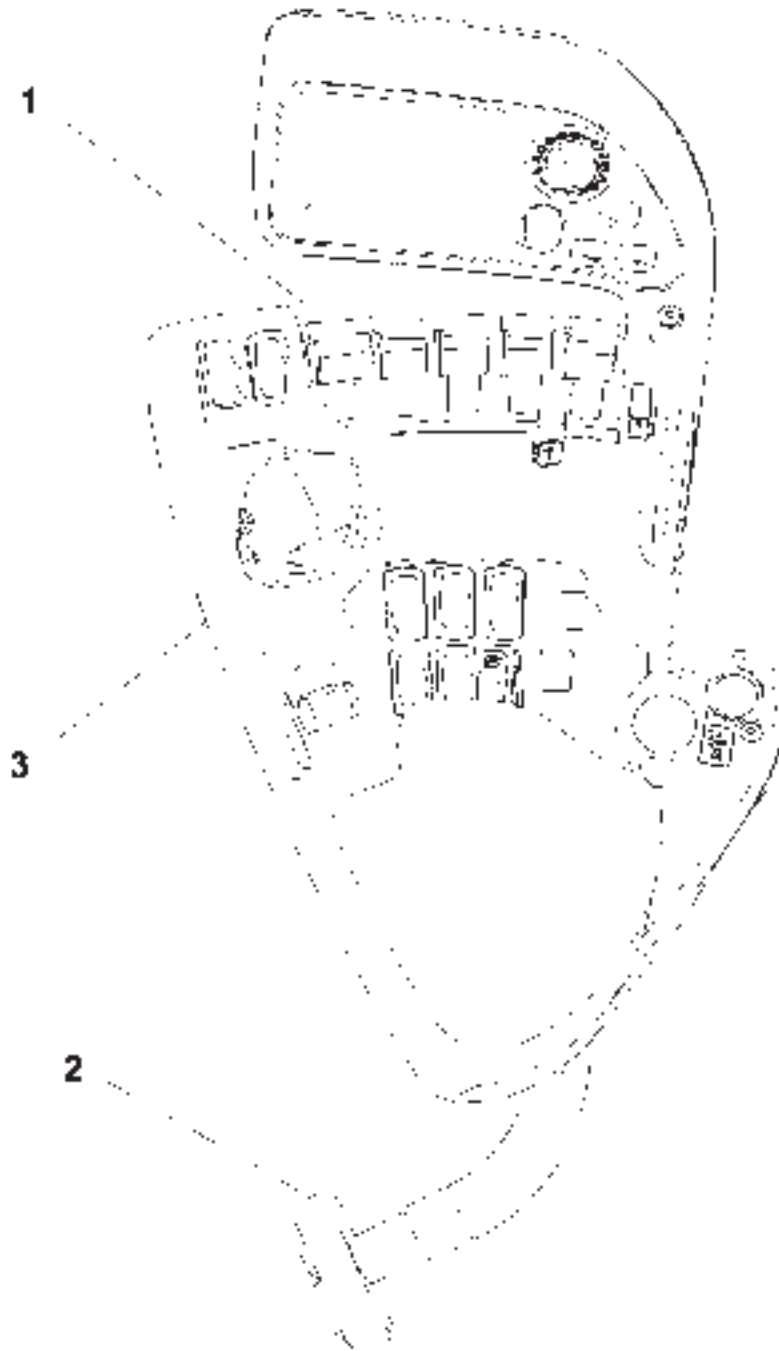
ITEM	NUMBER	QTY	DESCRIPTION
-	500489D2	--	ARMREST GP (NOT SERVICED)
1	166-4590	1	CONTROL GP (NOT SERVICED) (SEE BREAKDOWN FOR COMPONENTS)
2	152-0434	1	CONSOLE GP-OPERATOR (A) (NOT SERVICED) (SEE BREAKDOWN FOR COMPONENTS)
3	152-0445	1	CONTROL GP-HITCH (NOT SERVICED) (SEE BREAKDOWN FOR COMPONENTS)
4	166-1211	1	WIRING GP-ARMREST (NOT SERVICED) (SEE BREAKDOWN FOR COMPONENTS)

500489D2
PR: t05i29k58b0522

1140

**MT800 SERIES TRACTORS
OPERATOR STATION**

**ARMREST GP - 500490D2
5 IMP W/O PTO-W/O HITCH**



500490D2

**MT800 SERIESTRACTORS
OPERATOR STATION**

1141

**ARMREST GP - 500490D2
5 IMP W/O PTO-W/O HITCH**

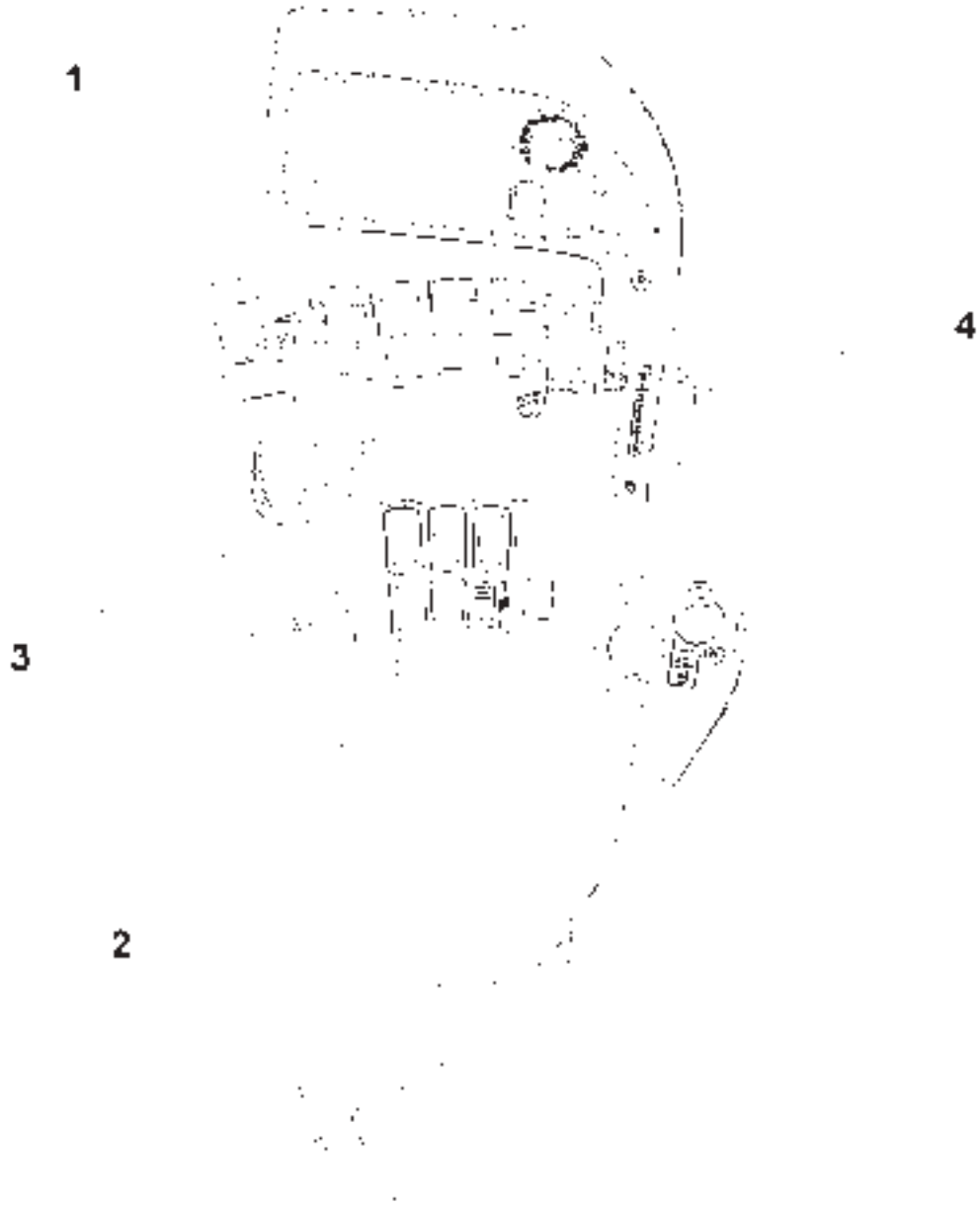
ITEM	NUMBER	QTY	DESCRIPTION
-	500490D2	--	ARMREST GP (NOT SERVICED)
1	166-4590	1	CONTROL GP (NOT SERVICED, (SEE BREAKDOWN FOR COMPONENTS)
2	136-5477	1	WIRING GP-ARMREST (NOT SERVICED) (SEE BREAKDOWN FOR COMPONENTS)
3	152-0434	1	CONSOLE GP-OPERATOR (A) (NOT SERVICED) (SEE BREAKDOWN FOR COMPONENTS)

500490D2
PR: t05i29k58b0523

1142

**MT800 SERIES TRACTORS
OPERATOR STATION**

ARMREST GP - 500491D2
5 IMP W/O PTO-W/HITCH



500491D2

**MT800 SERIESTRACTORS
OPERATOR STATION**

1143

**ARMREST GP - 500491D2
5 IMP W/O PTO-W/HITCH**

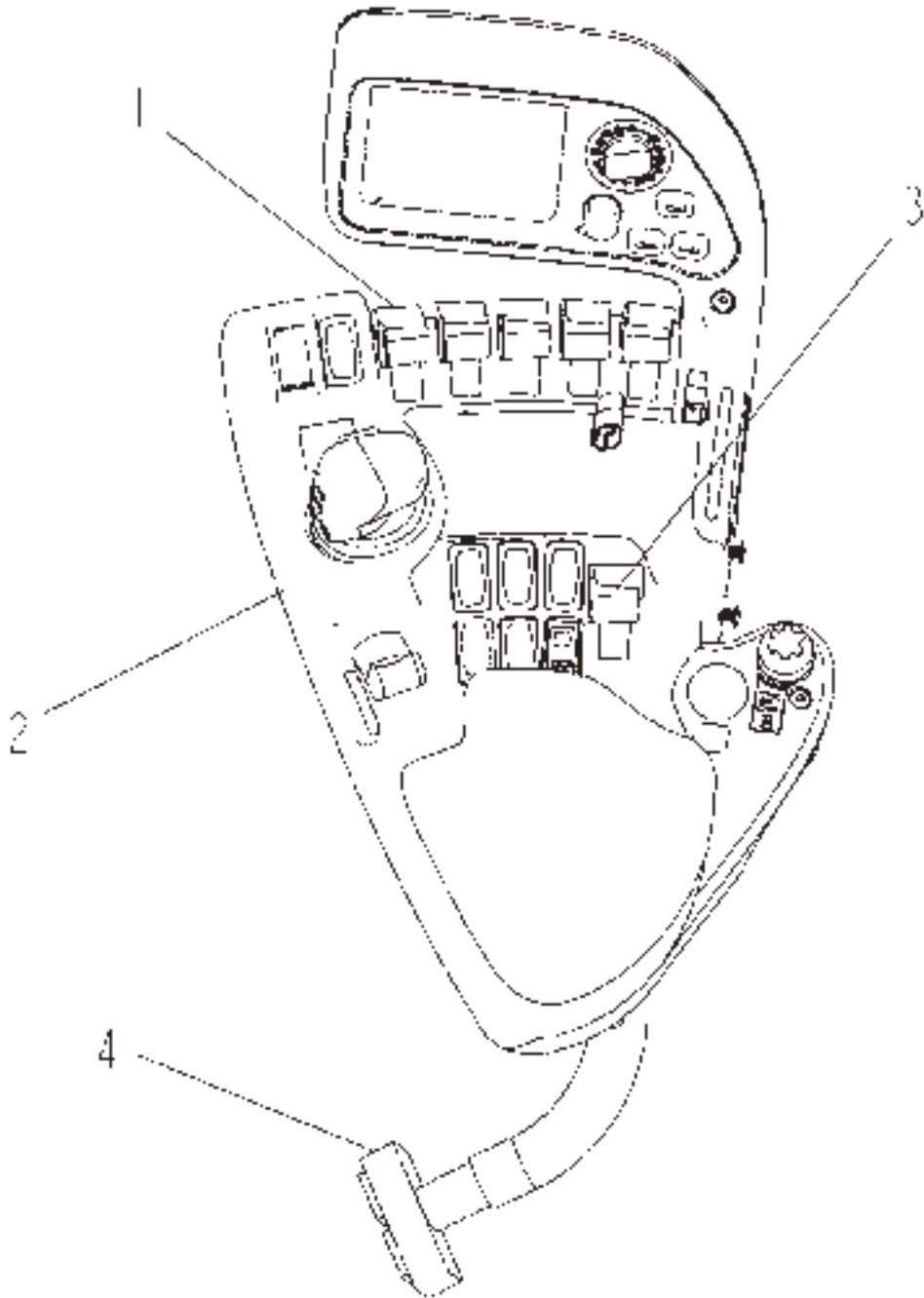
ITEM	NUMBER	QTY	DESCRIPTION
-	500491D2	--	ARMREST GP (NOT SERVICED)
1	166-4590	1	CONTROL GP (NOT SERVICED) (SEE BREAKDOWN FOR COMPONENTS)
2	136-5477	1	WIRING GP-ARMREST (NOT SERVICED) (SEE BREAKDOWN FOR COMPONENTS)
3	152-0434	1	CONSOLE GP-OPERATOR (A) (NOT SERVICED) (SEE BREAKDOWN FOR COMPONENTS)
4	152-0445	1	CONTROL GP-HITCH (NOT SERVICED) (SEE BREAKDOWN FOR COMPONENTS)

500491D2
PR: t05i29k58b0524

1144

MT800 SERIES TRACTORS
OPERATOR STATION

ARMREST GP - 500791D2
6 IMP W/PTO-W/O HITCH



500791DB

**MT800 SERIESTRACTORS
OPERATOR STATION**

1145

**ARMREST GP - 500791D2
6 IMP W/PTO-W/O HITCH**

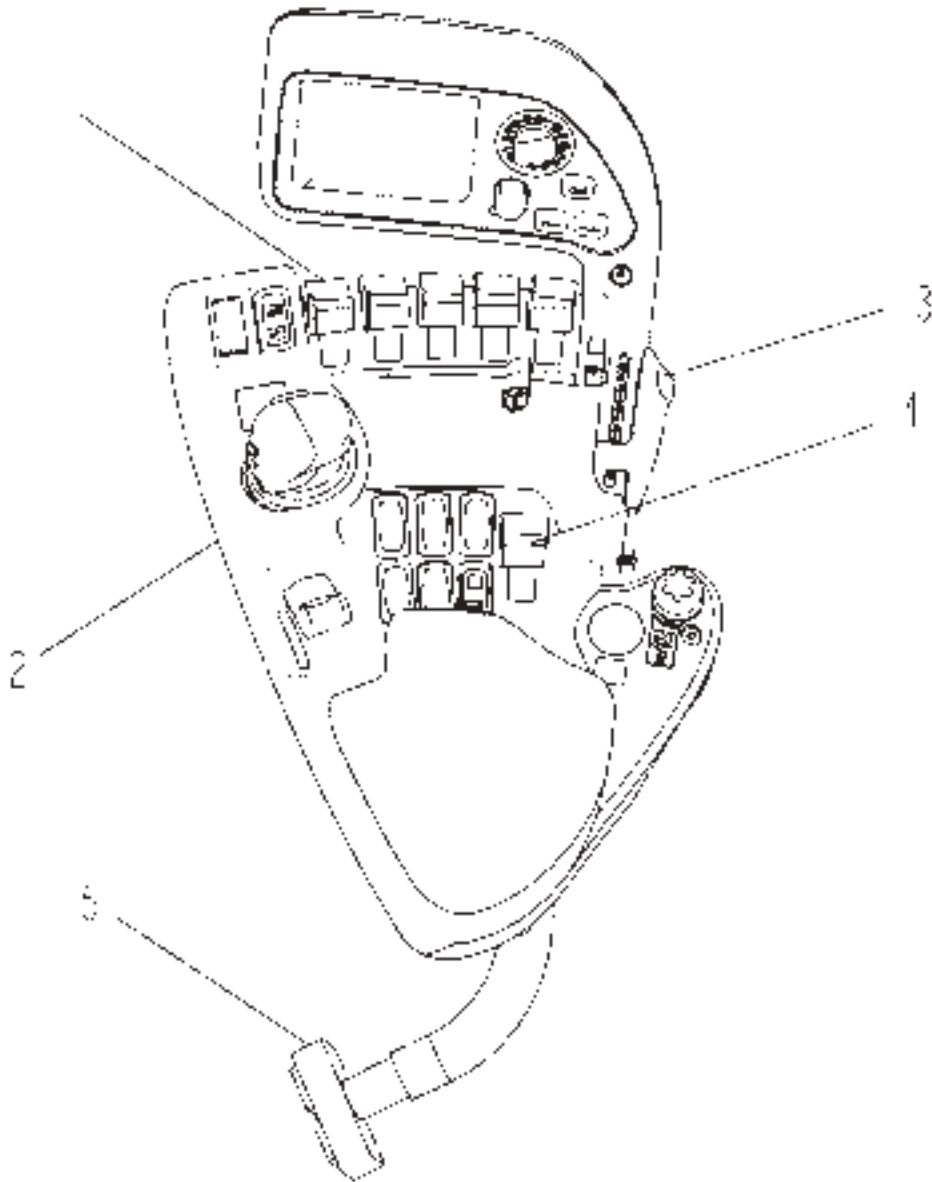
ITEM	NUMBER	QTY	DESCRIPTION
-	500791D2	--	ARMREST GP (NOT SERVICED)
1	166-4590	1	CONTROL GP (NOT SERVICED) (SEE BREAKDOWN FOR COMPONENTS)
2	152-0434	1	CONSOLE GP-OPERATOR (A) (NOT SERVICED) (SEE BREAKDOWN FOR COMPONENTS)
3	152-0448	1	CONTROL GP (NOT SERVICED) (SEE BREAKDOWN FOR COMPONENTS)
4	166-1211	1	WIRING GP-ARMREST (NOT SERVICED) (SEE BREAKDOWN FOR COMPONENTS)

500791DB
PR: t05i29k58b0525

1146

**MT800 SERIES TRACTORS
OPERATOR STATION**

ARMREST GP - 500792D2
6 IMP W/PTO-W/HITCH



500792DB

**MT800 SERIESTRACTORS
OPERATOR STATION**

1147

**ARMREST GP - 500792D2
6 IMP W/PTO-W/HITCH**

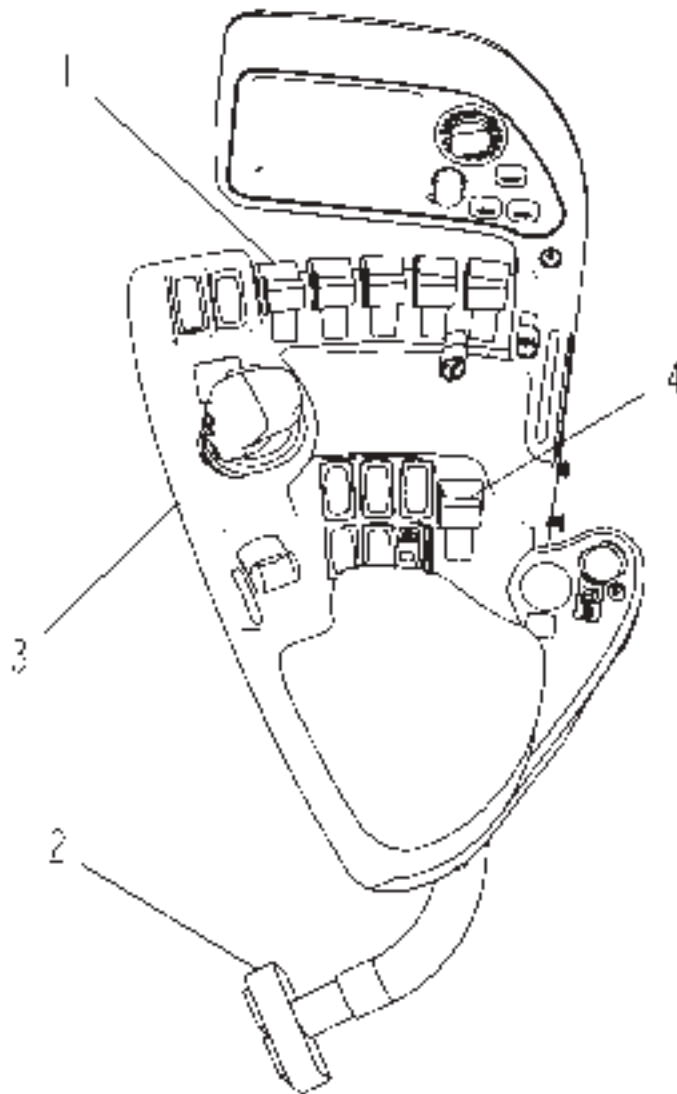
ITEM	NUMBER	QTY	DESCRIPTION
-	500792D2	--	ARMREST GP (NOT SERVICED)
1	166-4590	1	CONTROL GP (NOT SERVICED) (SEE BREAKDOWN FOR COMPONENTS)
2	152-0434	1	CONSOLE GP-OPERATOR (A) (NOT SERVICED) (SEE BREAKDOWN FOR COMPONENTS)
3	152-0445	1	CONTROL GP-HITCH (NOT SERVICED) (SEE BREAKDOWN FOR COMPONENTS)
4	152-0448	1	CONTROL GP (NOT SERVICED) (SEE BREAKDOWN FOR COMPONENTS)
5	166-1211	1	WIRING GP-ARMREST (NOT SERVICED) (SEE BREAKDOWN FOR COMPONENTS)

500792DB
PR: t05i29k58b0526

1148

MT800 SERIES TRACTORS
OPERATOR STATION

ARMREST GP - 500793D2
6 IMP W/O PTO-W/O HITCH



500793D2

**MT800 SERIESTRACTORS
OPERATOR STATION**

1149

**ARMREST GP - 500793D2
6 IMP W/O PTO-W/O HITCH**

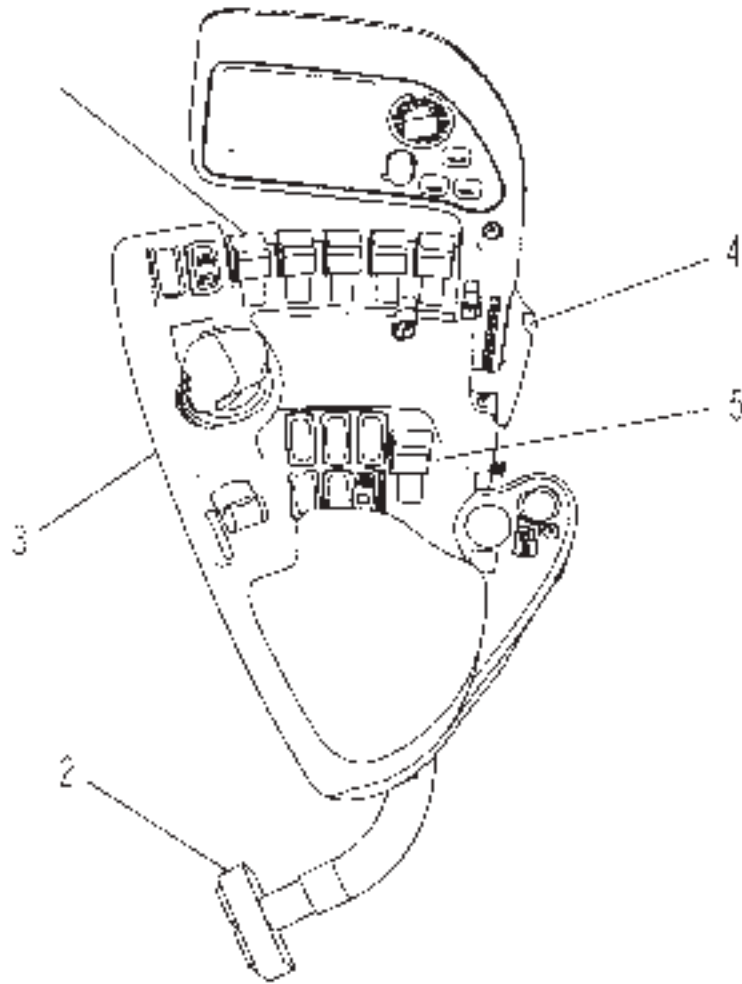
ITEM	NUMBER	QTY	DESCRIPTION
-	500793D2	--	ARMREST GP (NOT SERVICED)
1	166-4590	1	CONTROL GP (NOT SERVICED) (SEE BREAKDOWN FOR COMPONENTS)
2	136-5477	1	WIRING GP-ARMREST (NOT SERVICED) (SEE BREAKDOWN FOR COMPONENTS)
3	152-0434	1	CONSOLE GP-OPERATOR (A) (NOT SERVICED) (SEE BREAKDOWN FOR COMPONENTS)
4	152-0448	1	CONTROL GP (NOT SERVICED) (SEE BREAKDOWN FOR COMPONENTS)

500793DB
PR: t05i29k58b0527

1150

**MT800 SERIES TRACTORS
OPERATOR STATION**

ARMREST GP - 500794D2
6 IMP W/O PTO-W/HITCH



500794DB

**MT800 SERIESTRACTORS
OPERATOR STATION**

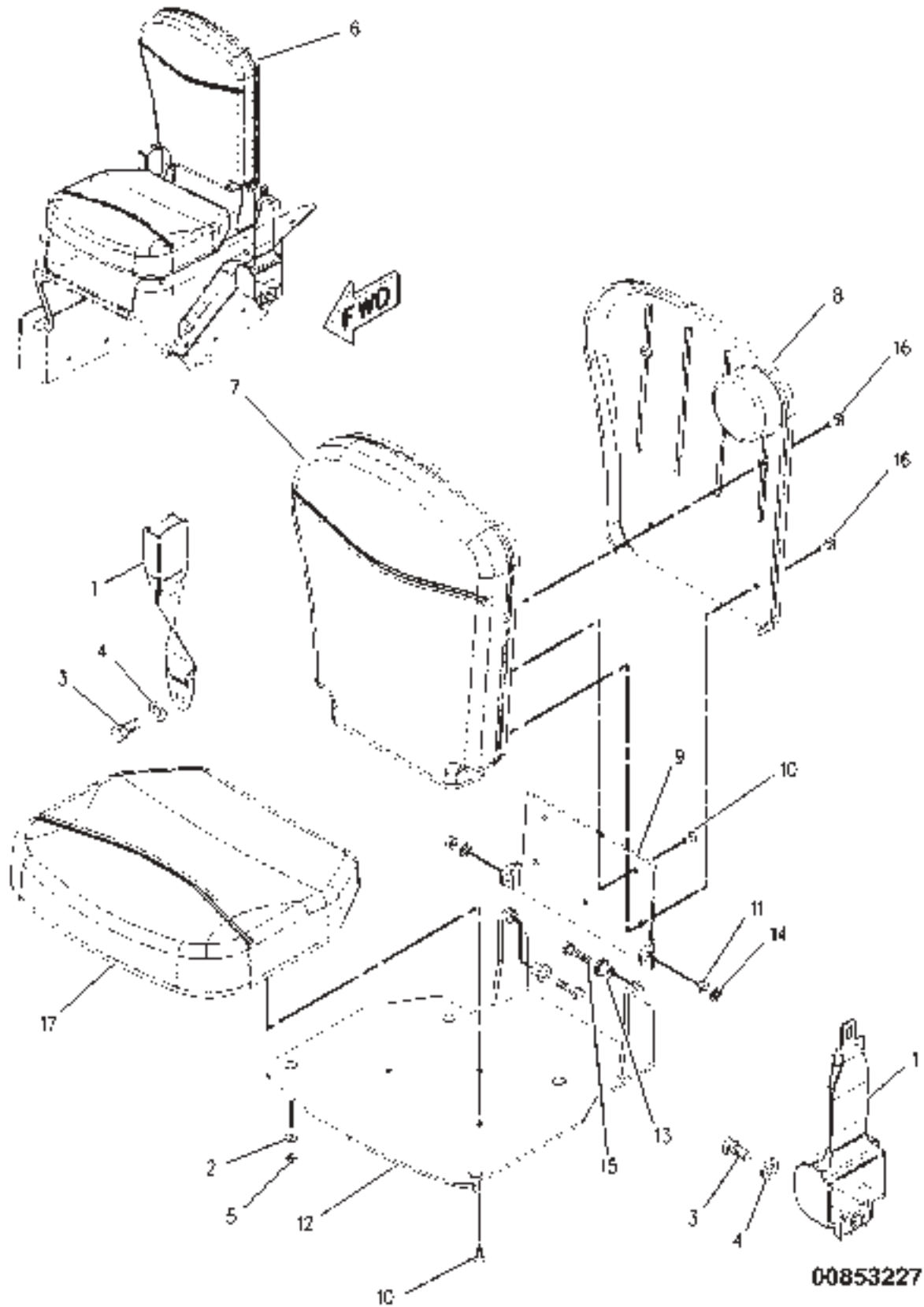
1151

**ARMREST GP - 500794D2
6 IMP W/O PTO-W/HITCH**

ITEM	NUMBER	QTY	DESCRIPTION
-	500794D2	--	ARMREST GP (NOT SERVICED)
1	166-4590	1	CONTROL GP (NOT SERVICED) (SEE BREAKDOWN FOR COMPONENTS)
2	136-5477	1	WIRING GP-ARMREST (NOT SERVICED) (SEE BREAKDOWN FOR COMPONENTS)
3	152-0434	1	CONSOLE GP-OPERATOR (A) (NOT SERVICED) (SEE BREAKDOWN FOR COMPONENTS)
4	152-0445	1	CONTROL GP-HITCH (NOT SERVICED) (SEE BREAKDOWN FOR COMPONENTS)
5	152-0448	1	CONTROL GP (NOT SERVICED) (SEE BREAKDOWN FOR COMPONENTS)

500794DB
PR: t05i29k58b0528

SEAT GP-TRAINING - 152-0433



00853227

**MT800 SERIES TRACTORS
OPERATOR STATION**

1153

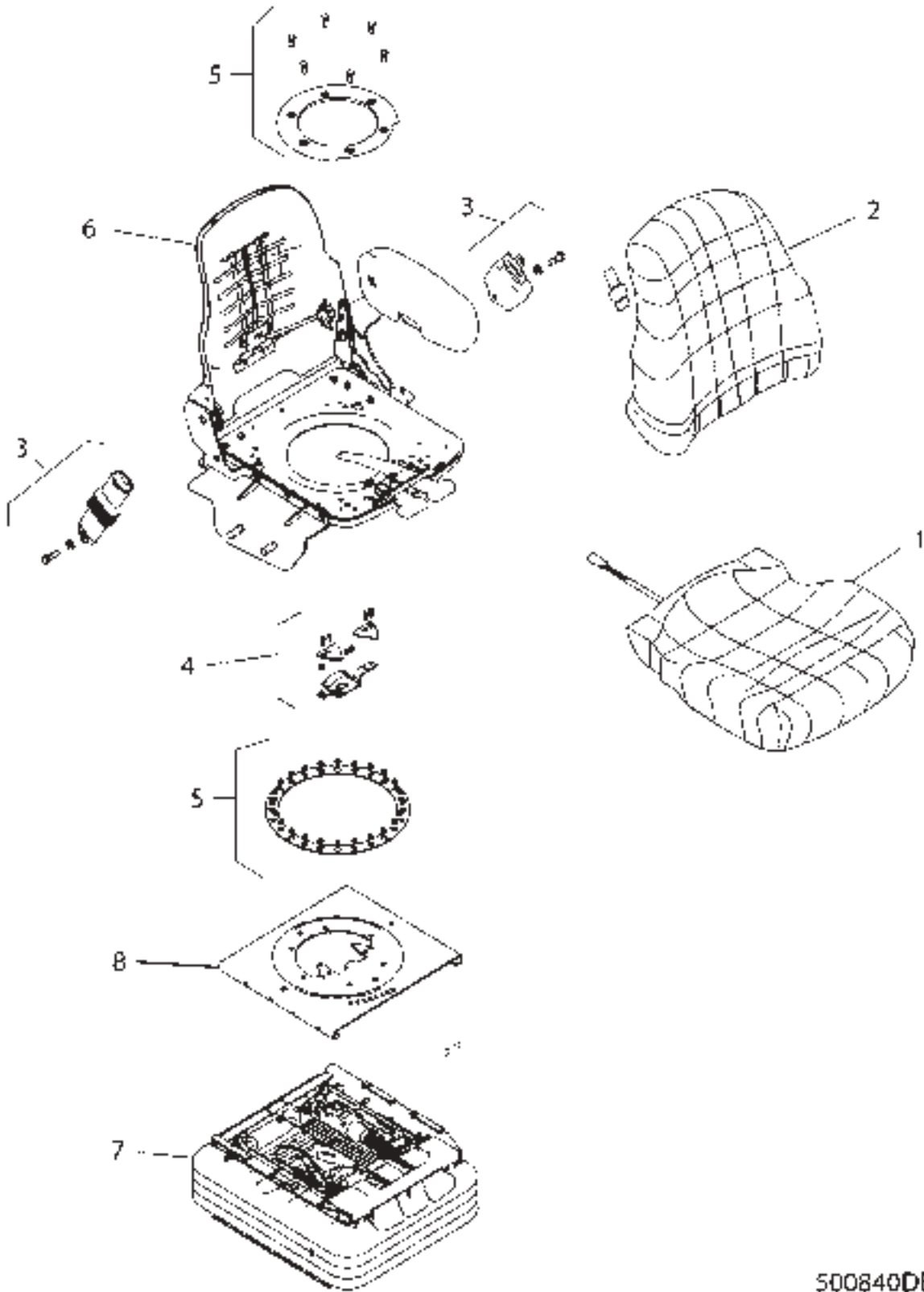
SEAT GP-TRAINING - 152-0433

ITEM	NUMBER	QTY	DESCRIPTION
-	152-0433	--	SEAT GP-TRAINING [A] (NOT SERVICED)
1	185-2151	1	BELT SET
2	CH9X-6165	4	WASHER (6.5X22X2.5)
3	400055X1	2	BOLT (M12X1.75X25MM)
4	400357X1	2	WASHER-HARD (M12X25.5X3)
5	400300X1	4	NUT (M6X1)
6	164-7062	1	SEAT ASM (INCLUDES ITEMS 7-17)
7	162-6758	1	CUSHION-BACK
8	162-6759	1	COVER-BACK
9	178-9244	1	BRACKET-HINGE
10	CH095-0759	6	SCREW-MACHINE (M6X1X16.6)
11	CH8T-7963	2	LOCKNUT (M8X1.25)
12	169-6351	1	BRACKET ASM-HINGE
13	178-9245	2	BUSHING
14	400339X1	2	WASHER-HARD (8.8X16X2)
15	WR520867	2	BOLT (M8X1.25X25MM)
16	CH9X-2044	4	SCREW-TRUSS HEAD (M6X1X16MM)
17	162-6757	1	CUSHION-BASE

[A] PART OF 152-0012; 152-0013;
222-4146; 500841D1 CAB AR

00853227
PR: t05i29k58b0529

SEAT GP-BASIC
500840D1



**MT800 SERIESTRACTORS
OPERATOR STATION**

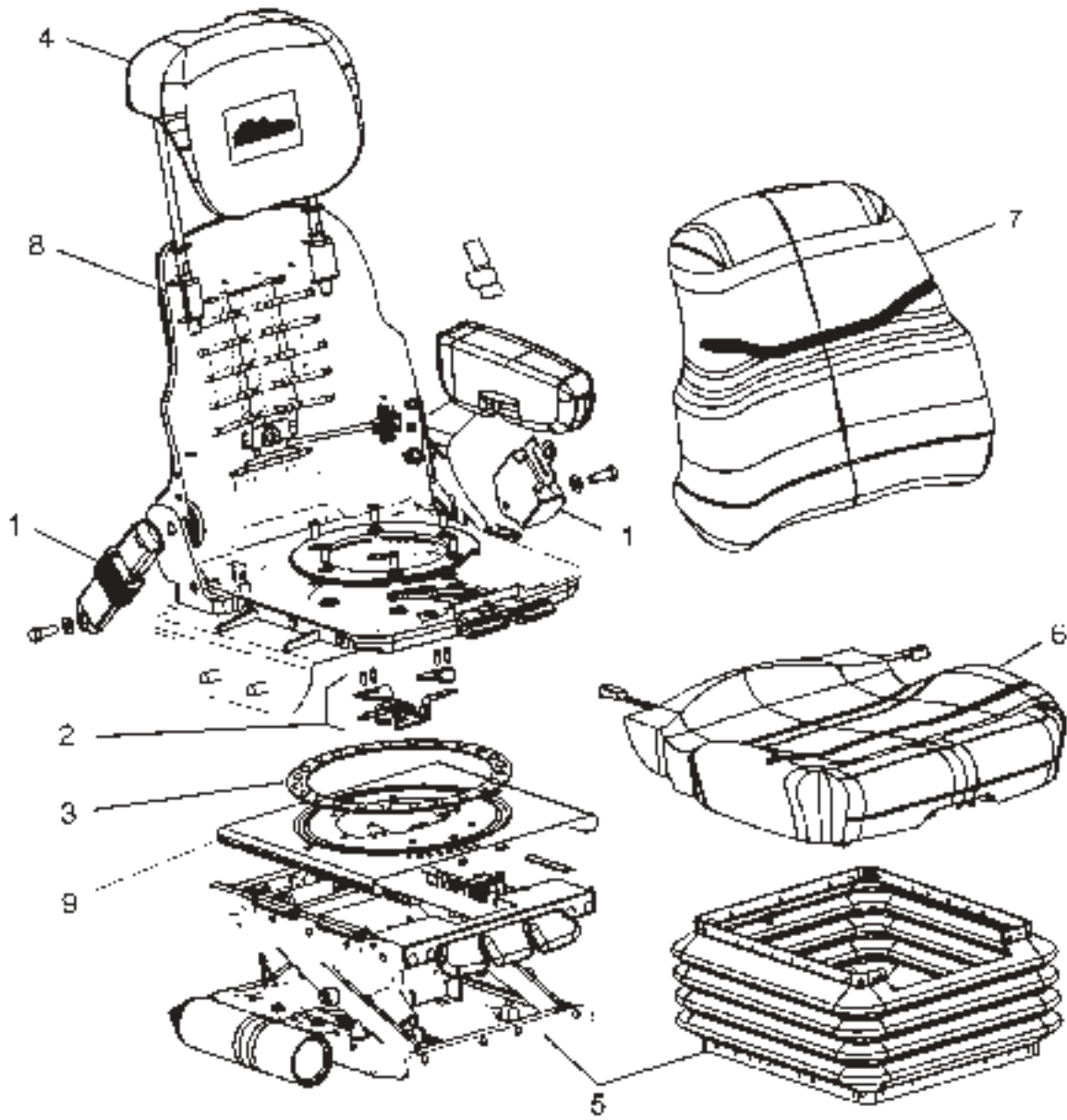
1155

**SEAT GP-BASIC
500840D1**

ITEM	NUMBER	QTY	DESCRIPTION
-	500840D1	--	SEAT GP-BASIC
1	197-4523	1	KIT-SEAT CUSHION AS. (INCLS SWITCH) (SERVICED AS COMPLETE KIT ONLY)
2	197-4524	1	KIT-BACK CUSHION AS. (INCLS 2 SCREWS) (SERVICED AS COMPLETE KIT ONLY)
3	197-4527	1	KIT-SEAT BELT (SERVICED AS COMPLETE KIT ONLY)
4	197-4529	1	KIT-SLIDE LATCH AS. (SERVICED AS COMPLETE KIT ONLY)
5	197-4550	1	KIT-SWIVEL AS. (UPPER) (SERVICED AS COMPLETE KIT ONLY)
6	220-2329	1	KIT-SEAT AS. (LUMBAR) (SEE BREAKDOWN FOR COMPONENTS)
7	501898D1	1	KIT-SEAT SUSP AS. (SEE BREAKDOWN FOR COMPONENTS)
8	500612D1	1	PLATE WLMT, SWIVEL (LWR)

500840DB
PR: t05i29k58b0530

SEAT GP - DELUXE
500853D1



**MT800 SERIES TRACTORS
OPERATOR STATION**

1157

**SEAT GP - DELUXE
500853D1**

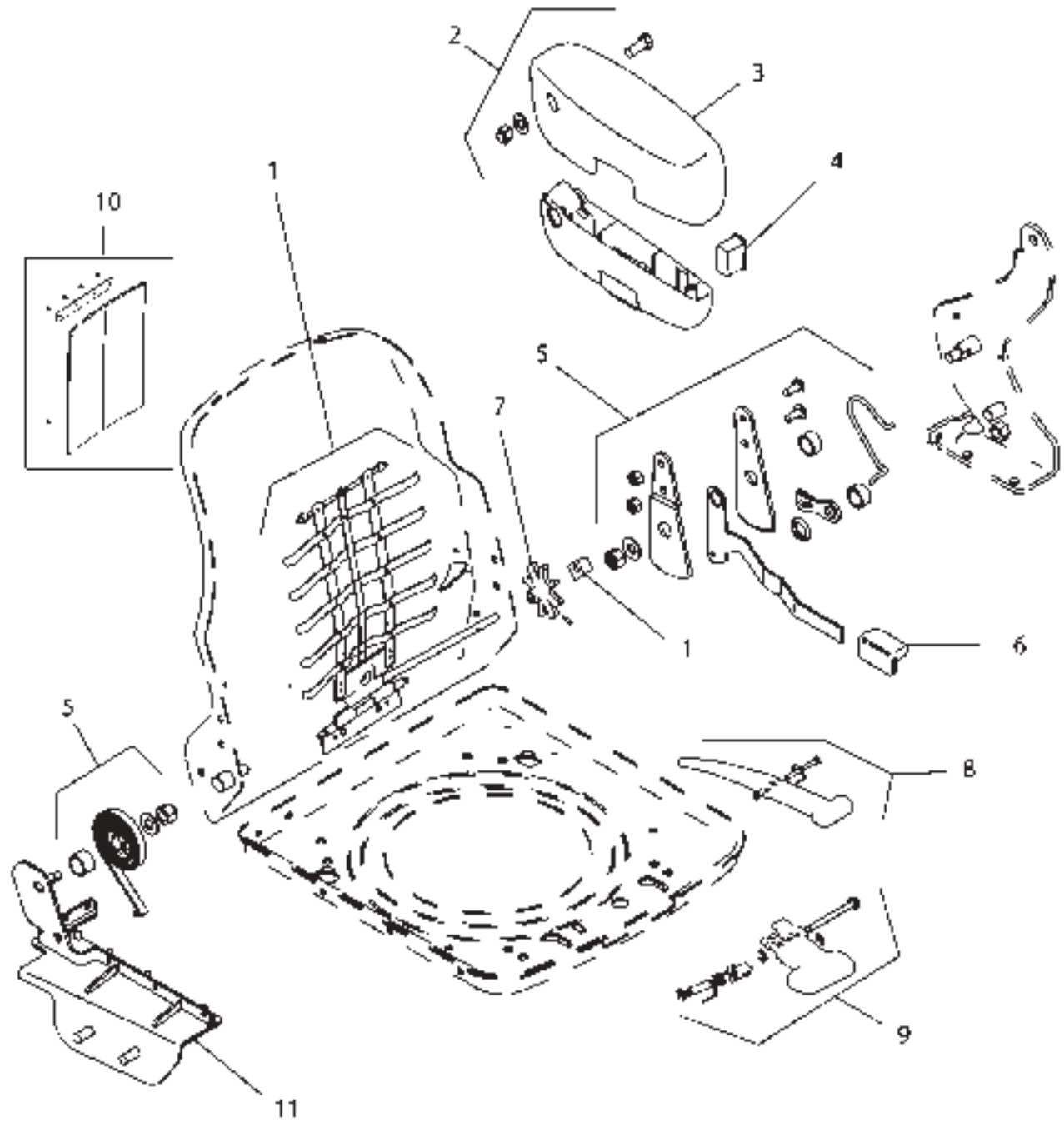
ITEM	NUMBER	QTY	DESCRIPTION
-	500853D1	--	SEAT GP-DELUXE
1	197-4527	1	KIT-SEAT BELT (SERVICED AS COMPLETE KIT ONLY)
2	197-4529	1	KIT-SLIDE LATCH AS. (SERVICED AS COMPLETE KIT ONLY)
3	197-4550	1	KIT-SWIVEL AS. (UPPER) (SERVICED AS COMPLETE KIT ONLY)
4	501908D1	1	KIT-HEAD REST AS. (SERVICED AS COMPLETE KIT ONLY)
5	501909D1	1	KIT-SEAT SUSP AS. (SEE BREAKDOWN FOR COMPONENTS)
6	501910D1	1	KIT-SEAT CUSHION AS. (SERVICED AS COMPLETE KIT ONLY)
7	501911D1	1	KIT-BACK CUSHION AS. (SERVICED AS COMPLETE KIT ONLY)
8	501912D1	1	KIT-SEAT AS. (LUMBAR) (SEE BREAKDOWN FOR COMPONENTS)
9	500612D1	1	PLATE WLMT-SWIVEL (LOWER)

500853DB
PR: t05i29k58b0531

1158

MT800 SERIES TRACTORS
OPERATOR STATION

KIT-SEAT AS (LUMBAR) - BASIC
220-2329



2202329D

**MT800 SERIES TRACTORS
OPERATOR STATION**

1159

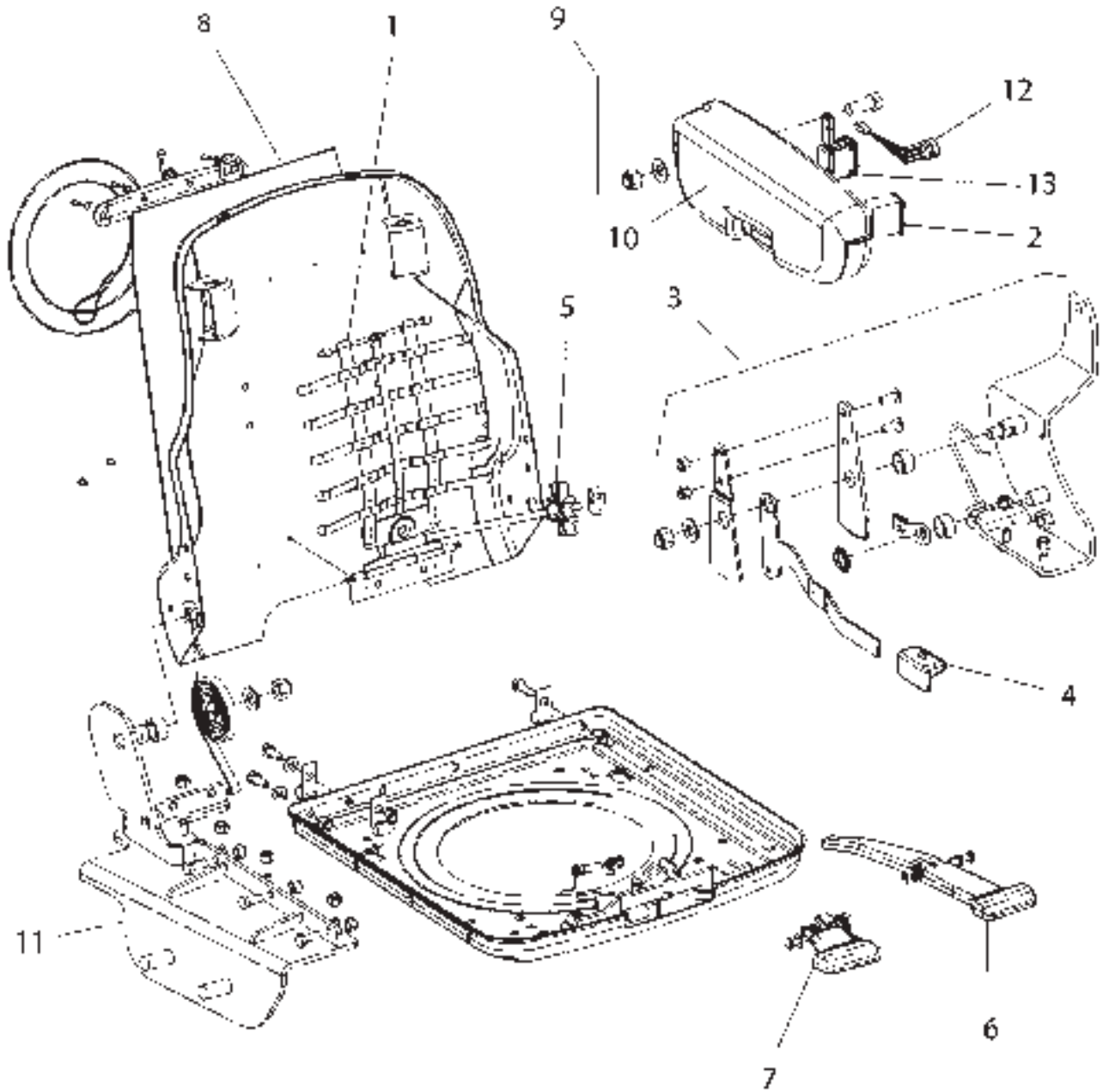
**KIT-SEAT AS (LUMBAR) - BASIC
220-2329**

ITEM	NUMBER	QTY	DESCRIPTION
-	220-2329	--	KIT-SEAT ASM [A] (INCLS 1-11)
1	197-4516	1	KIT-LUMBAR AS. (SERVICED AS COMPLETE KIT ONLY)
2	197-4517	1	KIT-ARMREST AS., LH (INCLS IT 3) (SERVICED AS COMPLETE KIT ONLY)
3	197-4518	1	KIT-ARMREST (SERVICED AS COMPLETE KIT ONLY)
4	197-4519	1	KIT-SWITCH (HEIGHT ADJUSTMENT) (SERVICED AS COMPLETE KIT ONLY)
5	197-4520	1	KIT-RECLINER AS. (INCLS IT 6) (SERVICED AS COMPLETE KIT ONLY)
6	197-4521	1	KIT-KNOB (BACKREST ANGLE ADJUSTMENT) (SERVICED AS COMPLETE KIT ONLY)
7	197-4522	1	KIT-KNOB-LUMBAR ADJ. (INCLS ROLL PIN) (SERVICED AS COMPLETE KIT ONLY)
8	197-4525	1	KIT-LEVER (FORE/AFT ADJUSTMENT) (SERVICED AS COMPLETE KIT ONLY)
9	197-4526	1	KIT-LEVER (SWIVEL) (SERVICED AS COMPLETE KIT ONLY)
10	227-9744	1	KIT-MANUAL HOLDER (SERVICED AS COMPLETE KIT ONLY)
11	220-2333	1	KIT-BRACKET AS (SEE RH CONSOLE FOR SUPT) (SERVICED AS COMPLETE KIT ONLY)

[A] PART OF 161-9200 SEAT GP-SUSPENSION
PART OF 500840D1 SEAT GP-BASIC

2202329D
PR: t05i29k58b0532

KIT-SEAT AS (LUMBAR) - DELUXE
501912D1



**MT800 SERIES TRACTORS
OPERATOR STATION**

1161

**KIT-SEAT AS (LUMBAR) - DELUXE
501912D1**

ITEM	NUMBER	QTY	DESCRIPTION
-	501912D1	--	KIT-SEAT AS.-LUMBAR (COMPLETE) [A]
1	197-4516	1	KIT-LUMBAR AS. (SERVICED AS COMPLETE KIT ONLY)
2	197-4519	1	KIT-SWITCH (HEIGHT ADJUSTMENT) (SERVICED AS COMPLETE KIT ONLY)
3	197-4520	1	KIT-RECLINER AS. (INCLS IT 4) (SERVICED AS COMPLETE KIT ONLY)
4	197-4521	1	KIT-RECLINER KNOB (SERVICED AS COMPLETE KIT ONLY)
5	197-4522	1	KIT-LUMBAR KNOB (SERVICED AS COMPLETE KIT ONLY)
6	197-4525	1	KIT-LEVER AS. (SERVICED AS COMPLETE KIT ONLY)
7	197-4526	1	KIT-LEVER AS. (SERVICED AS COMPLETE KIT ONLY)
8	501899D1	1	KIT-MANUAL HOLDER (SERVICED AS COMPLETE KIT ONLY)
9	501913D1	1	KIT-ARMREST AS. (LH) (INCLS IT 10) (SERVICED AS COMPLETE KIT ONLY)
10	501914D1	1	KIT-ARMREST (LH) (FORMED CUSHION ONLY) (SERVICED AS COMPLETE KIT ONLY)
11	501915D1	1	KIT-BRACKET WLMT.
12		1	NOT USED
13	501921D1	1	KIT-RIDE CONTROL SWITCH (INCLS HARNESS) [B] (SERVICED AS COMPLETE KIT ONLY)

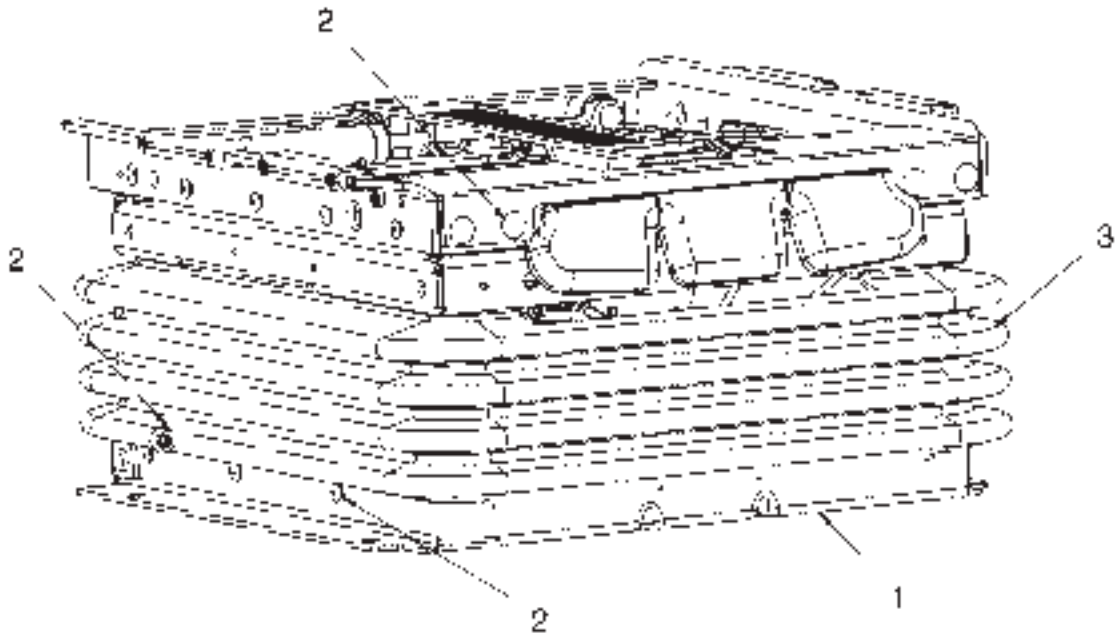
[A] PART OF 500853D1 SEAT GP.-DELUXE
[B] KIT NOT IN GP. SEE 501916D1 SUSP GP.

501912DB
PR: t05i29k58b0533

1162

MT800 SERIES TRACTORS
OPERATOR STATION

KIT-SEAT SUSPENSION - BASIC
501898D1



501898DC

**MT800 SERIESTRACTORS
OPERATOR STATION**

1163

**KIT-SEAT SUSPENSION - BASIC
501898D1**

ITEM	NUMBER	QTY	DESCRIPTION
-	501898D1	--	KIT-SEAT SUSPENSION [A]
1	501900D1	1	SUSPENSION GP-SEAT (SEE BREAKDOWN FOR COMPONENTS)
2	197-4544	1	KIT-FASTENER (SERVICED AS COMPLETE KIT ONLY)
3	197-4546	1	KIT-BOOT (SERVICED AS COMPLETE KIT ONLY)

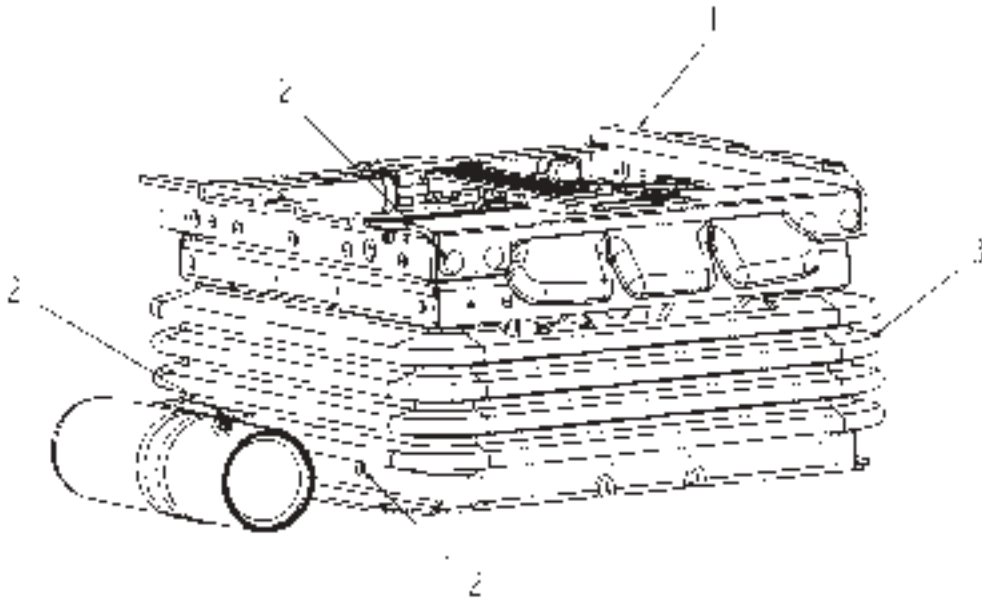
[A] PART OF 500840D1 SEAT GP-BASIC

501898DC
PR: t05i29k58b0534

1164

MT800 SERIES TRACTORS
OPERATOR STATION

KIT-SEAT SUSPENSION - DELUXE
501909D1



501909DB

**MT800 SERIESTRACTORS
OPERATOR STATION**

1165

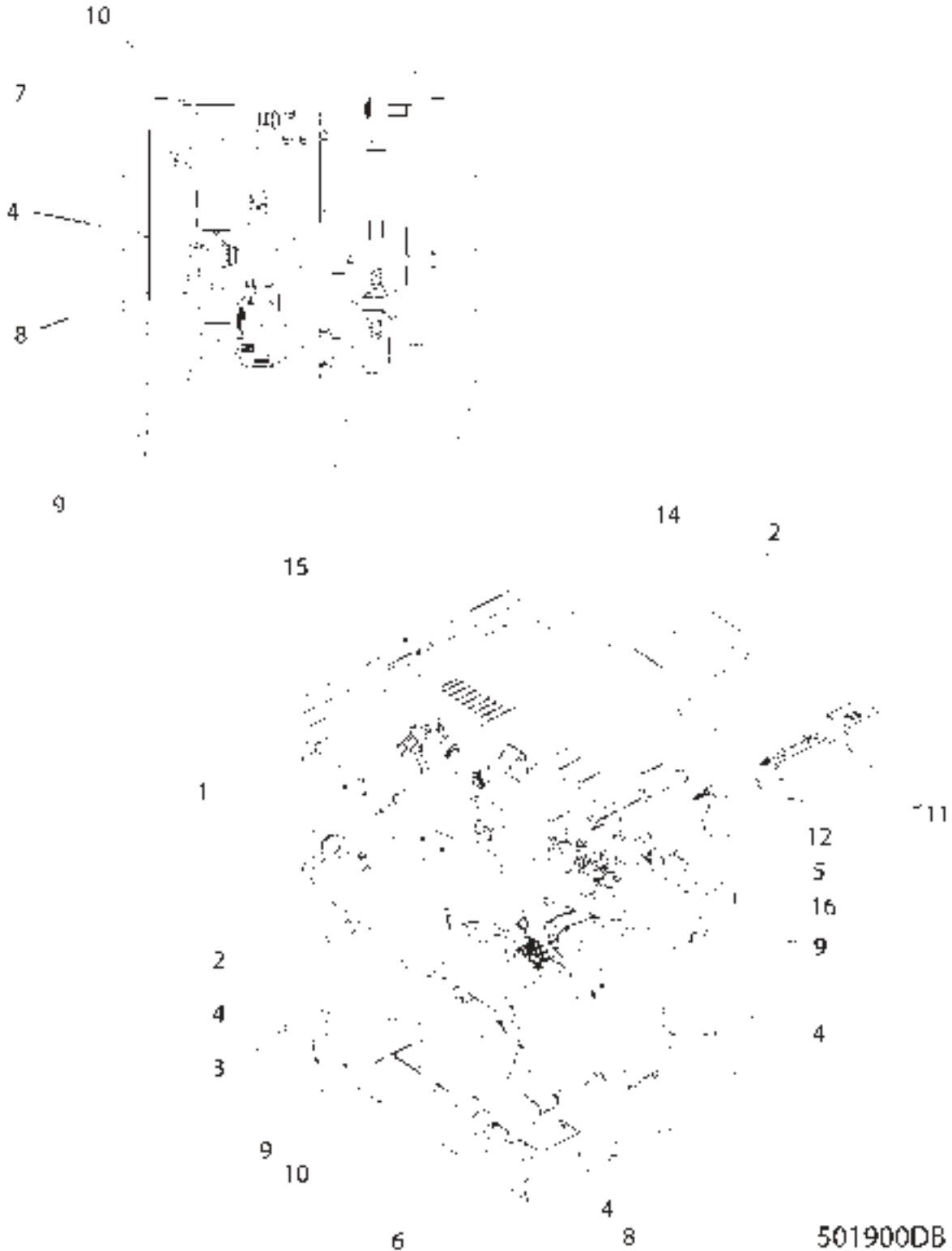
**KIT-SEAT SUSPENSION - DELUXE
501909D1**

ITEM	NUMBER	QTY	DESCRIPTION
-	501909D1	--	KIT-SEAT SUSPENSION [A]
1	501916D1	1	SUSPENSION GP-SEAT (SEE BREAKDOWN FOR COMPONENTS)
2	197-4544	1	KIT-FASTENER (SERVICED AS COMPLETE KIT ONLY)
3	197-4546	1	KIT-BOOT (SERVICED AS COMPLETE KIT ONLY)

[A] PART OF 500853D1 SEAT GP-DELUXE

501909DB
PR: t05i29k58b0535

KIT-SUSPENSION GP-BASIC SEAT
501900D1



501900DB

**MT800 SERIES TRACTORS
OPERATOR STATION**

1167

**KIT-SUSPENSION GP-BASIC SEAT
501900D1**

ITEM	NUMBER	QTY	DESCRIPTION
-	501900D1	--	KIT-SUSPENSION GP-SEAT [A]
1	197-4530	1	KIT-PUCK AS. (SLIDE) (SERVICED AS COMPLETE KIT ONLY)
2	197-4531	1	KIT-COVER PLATE AS. (SERVICED AS COMPLETE KIT ONLY)
3	197-4532	1	KIT-BEARING SHAFT (SERVICED AS COMPLETE KIT ONLY)
4	197-4533	1	KIT-ROLLER BEARINGS (SERVICED AS COMPLETE KIT ONLY)
5	197-4534	1	KIT-ISOLATOR ROLLER (SERVICED AS COMPLETE KIT ONLY)
6	197-4537	1	KIT-BUMPER AS. (SUSP) (SERVICED AS COMPLETE KIT ONLY)
7	197-4538	1	KIT-AIRLINE AS. (INCLS TUBE & FITTINGS) (SERVICED AS COMPLETE KIT ONLY)
8	197-4539	1	KIT-SHOCK AS. (SUSP) (SERVICED AS COMPLETE KIT ONLY)
9	197-4540	1	KIT-COMPRESSOR AS (SERVICED AS COMPLETE KIT ONLY)
10	197-4541	1	KIT-AIR SPRING AS. (SERVICED AS COMPLETE KIT ONLY)
11	197-4545	1	KIT-KNOBS AS. (SERVICED AS COMPLETE KIT ONLY)
12	197-4547	1	KIT-FORE/AFT (SERVICED AS COMPLETE KIT ONLY)
13	501902D1	1	KIT-HARNESS (SUSPENSION) (NOT SHOWN) (SERVICED AS COMPLETE KIT ONLY)
14	501903D1	1	FRAME WLMT, ISOLATOR-LATERAL
15	501906D1	1	KIT-SPRING & SHOCK AS. (INCLS SCREWS & RETAINING RING) (SERVICED COMPLETE)
16	501907D2	1	KIT-SPRING & SHOCK AS. (SERVICED AS COMPLETE KIT ONLY)

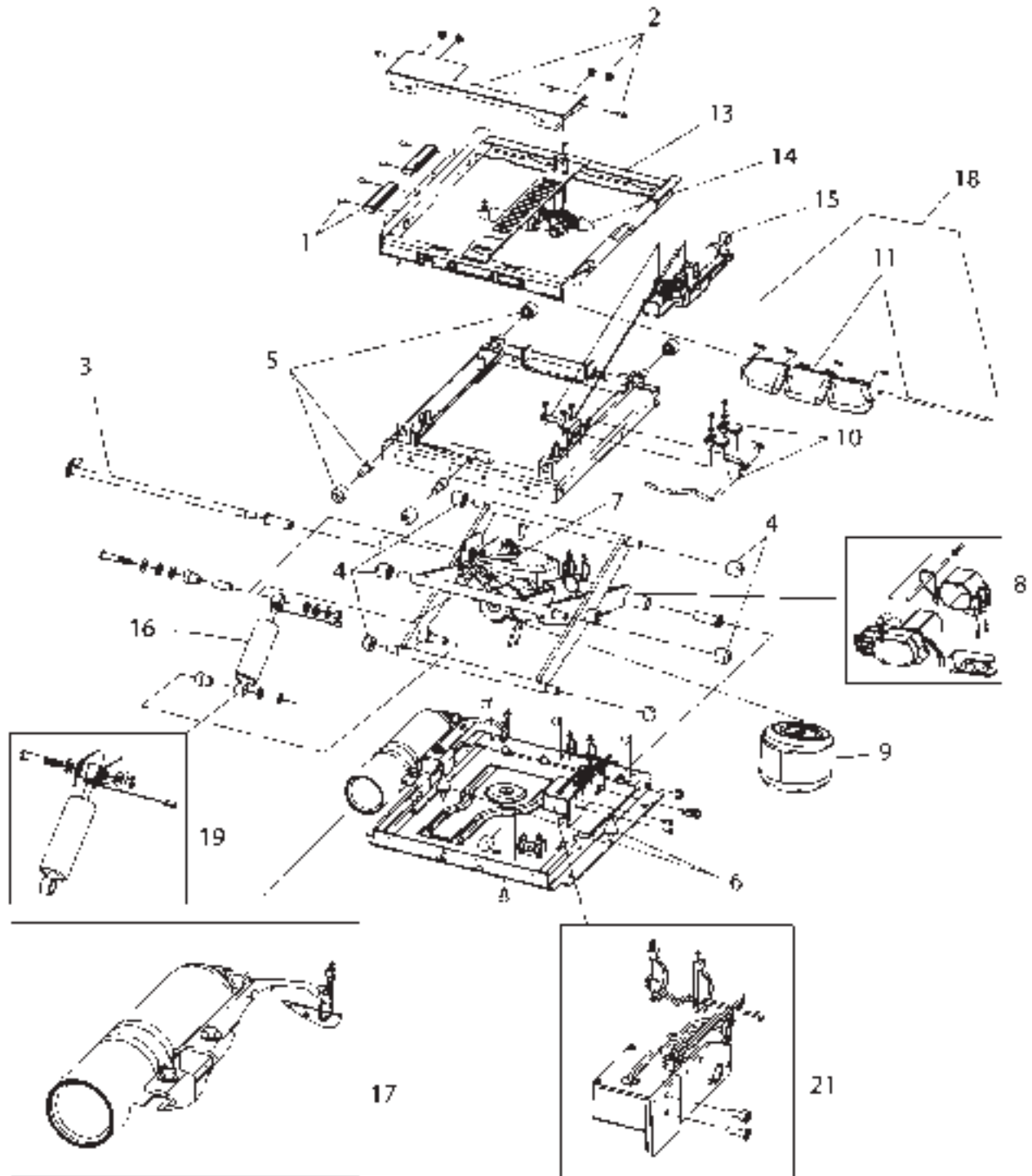
[A] PART OF 501898D1 KIT-SEAT SUSPENSION

501900DB
PR: t05i29k58b0536

1168

MT800 SERIES TRACTORS
OPERATOR STATION

KIT-SUSPENSION GP - DELUXE SEAT
501916D1



501916DB

**MT800 SERIES TRACTORS
OPERATOR STATION**

1169

**KIT-SUSPENSION GP - DELUXE SEAT
501916D1**

ITEM	NUMBER	QTY	DESCRIPTION
-	501916D1	--	KIT-SUSPENSION GP (SEAT) [A]
1	197-4530	1	KIT-PUCK AS. (SLIDE) (SERVICED AS COMPLETE KIT ONLY)
2	197-4531	1	KIT-COVER PLATE AS. (SERVICED AS COMPLETE KIT ONLY)
3	197-4532	1	KIT-BEARING SHAFT (SERVICED AS COMPLETE KIT ONLY)
4	197-4533	1	KIT-ROLLER BEARINGS (SERVICED AS COMPLETE KIT ONLY)
5	197-4534	1	KIT-ISOLATOR ROLLER (SERVICED AS COMPLETE KIT ONLY)
6	197-4537	1	KIT-BUMPER AS. (SUSP) (SERVICED AS COMPLETE KIT ONLY)
7	197-4538	1	KIT-AIRLINE AS. (INCLS TUBE & FITTINGS) (SERVICED AS COMPLETE KIT ONLY)
8	197-4540	1	KIT-COMPRESSOR AS (SERVICED AS COMPLETE KIT ONLY)
9	197-4541	1	KIT-AIR SPRING AS. (SERVICED AS COMPLETE KIT ONLY)
10	197-4547	1	KIT-FORE/AFT (SERVICED AS COMPLETE KIT ONLY)
11	197-4548	1	KIT-CONTROL(LATERAL (SERVICED AS COMPLETE KIT ONLY)
12	501902D1	1	KIT-HARNESS (SUSPENSION) (NOT SHOWN) (SERVICED AS COMPLETE KIT ONLY)
13	501903D1	1	FRAME WLMT, ISOLATOR-LATERAL
14	501906D1	1	KIT-SPRING & SHOCK AS. (INCLS SCREWS & RETAINING RING) (SERVICED COMPLETE)
15	501907D2	1	KIT-SPRING & SHOCK AS. (SERVICED AS COMPLETE KIT ONLY)
16	501917D1	1	SHOCK (SUSP) (SHOCK ONLY)
17	501918D1	1	KIT-AIR TANK (W/FITTINGS, LINES, CLAMPS AND BRACKET) (SERVICED AS COMPLETE KIT ONLY)
18	501919D1	1	KIT-KNOB AS. (SUSP) (INCLS ITEM 11) (SERVICED AS COMPLETE KIT ONLY)
19	501920D1	1	KIT-CONTROL AS. (SHOCK) (INCLS ITEM 16) (SERVICED AS COMPLETE KIT ONLY)
20	501921D1	1	KIT-RIDE CNTRL SWITCH (INCL HARNESS) [B] (NOT SHOWN) (SERVICED AS KIT ONLY)
21	501922D1	1	KIT-CONTROL DAMPER (SERVICED AS COMPLETE KIT ONLY)

[A] PART OF 501909D1 KIT-SEAT
SUSPENSION

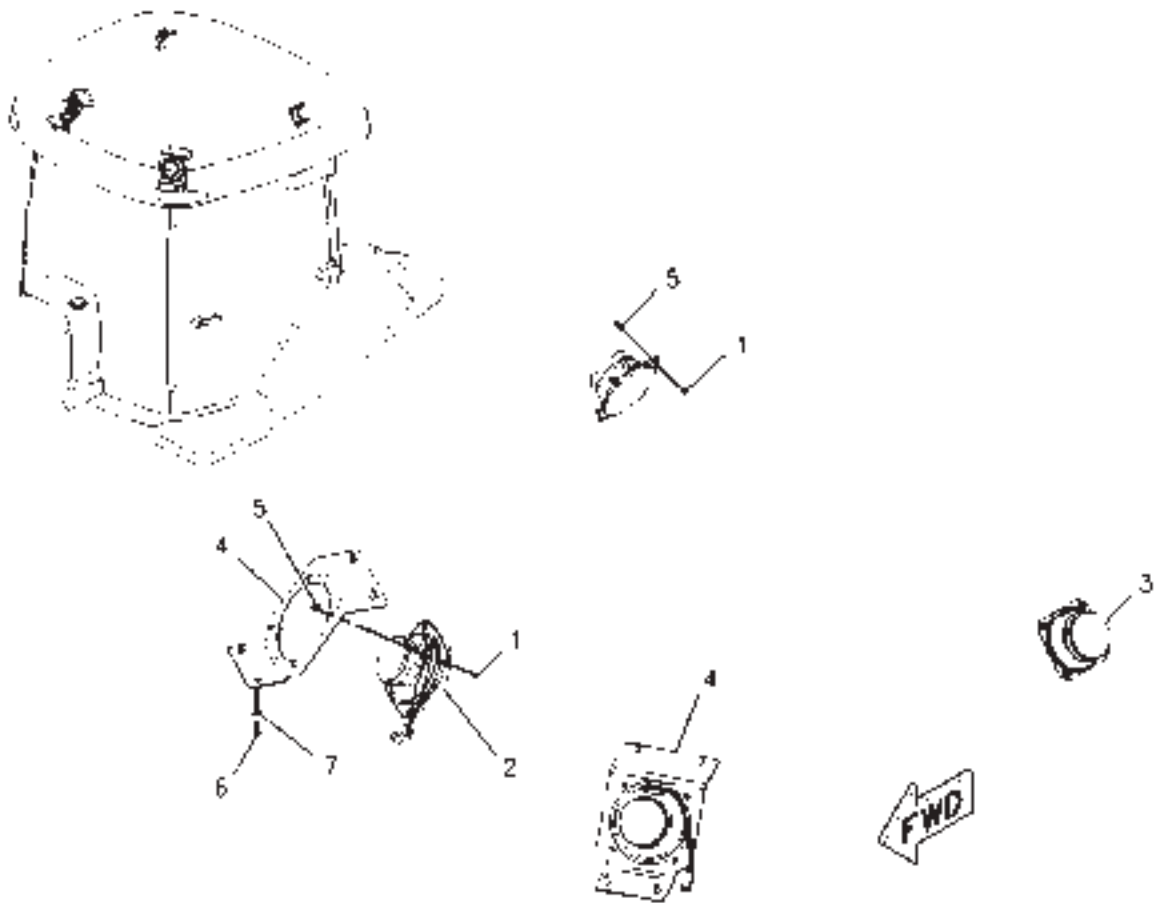
[B] SWITCH ON LH ARMREST. REFER TO
501912D1 KIT SEAT-LUMBAR-DELUXE

501916DB
PR: t05i29k58b0537

1170

MT800 SERIES TRACTORS
OPERATOR STATION

SPEAKER GP-RADIO
152-0419



00870222

**MT800 SERIESTRACTORS
OPERATOR STATION**

1171

**SPEAKER GP-RADIO
152-0419**

ITEM	NUMBER	QTY	DESCRIPTION
-	502794D1	--	SPEAKER GP-RADIO (NOT SERVICED) (ROW & SPECIAL ONLY)
-	152-0419	--	SPEAKER GP-RADIO [A] (REF ONLY) (NOT SERVICED)
1	CH119-5026	16	SCREW-PAN HEAD (10-16X0.63 IN)
2	CH136-5414	2	SPEAKER (FRONT)
3	CH136-5415	2	SPEAKER (REAR)
4	195-2612	2	BRACKET
5	400086X1	16	NUT, EXPANSION (7MM)(PLASTIC)
6	CH110-2028	8	SCREW-PAN HEAD (10-14X.75 IN)
7	400310X1	8	WASHER (6.6X12X2)

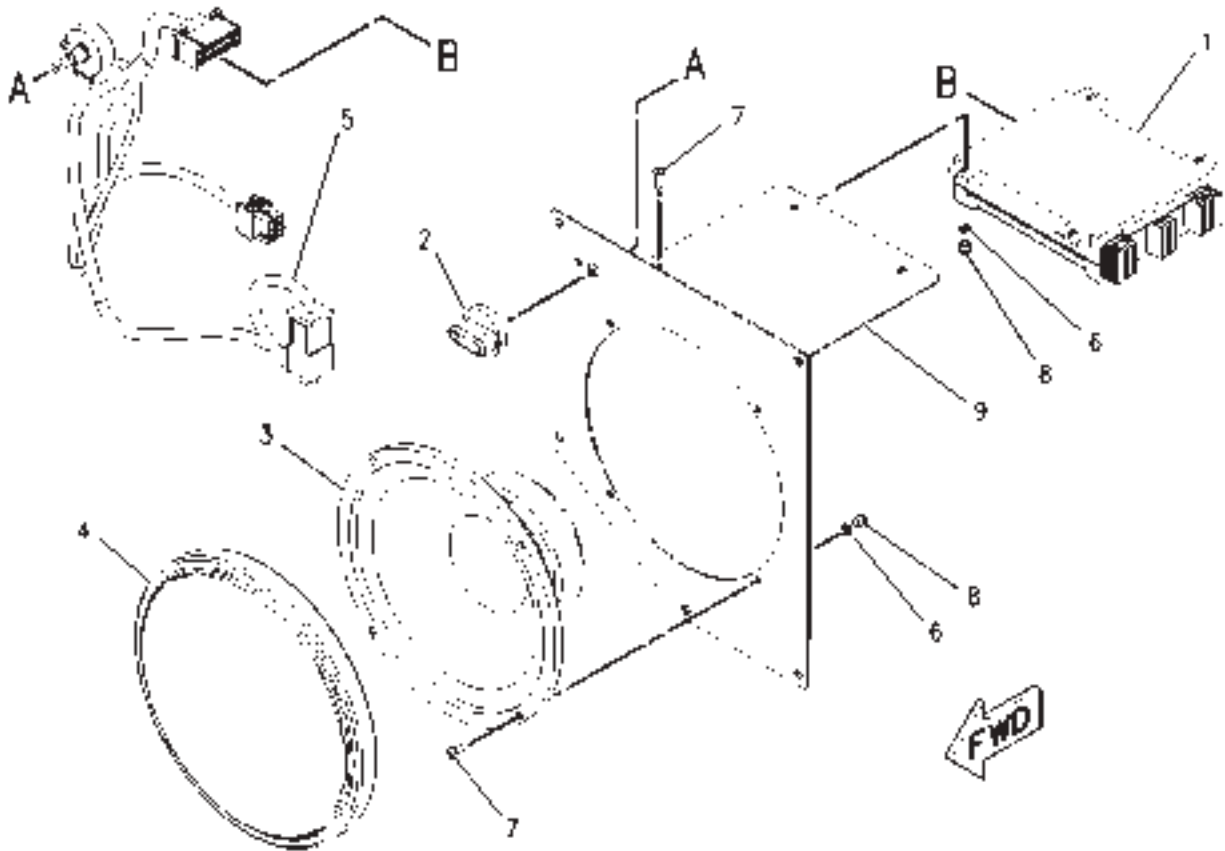
[A] PART OF 152-0012; 222-4146
500841D1 CAB AR;
502794D1 SPEAKER GP

00870222
PR: t05i29k58b0538

1172

MT800 SERIES TRACTORS
OPERATOR STATION

SPEAKER GP-RADIO - SUBWOOFER
173-6506



00786642

**MT800 SERIESTRACTORS
OPERATOR STATION**

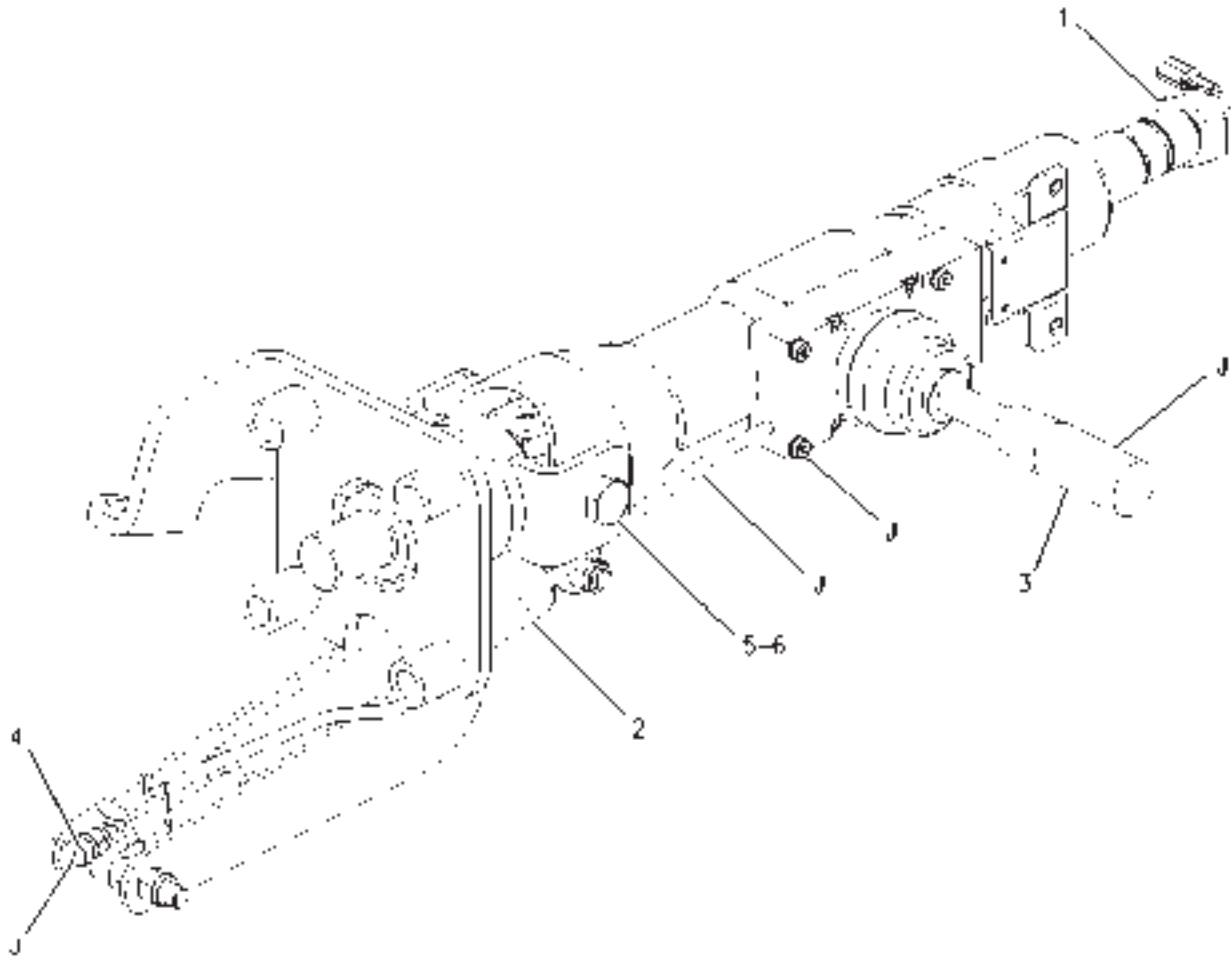
1173

**SPEAKER GP-RADIO - SUBWOOFER
173-6506**

ITEM	NUMBER	QTY	DESCRIPTION
-	173-6506	--	SPEAKER GP-RADIO (NOT SERVICED)
1	CH136-5434	1	AMPLIFIER ASM
2	500419D1	1	KNOB-CONTROL (BASS VOLUME)
3	170-7255	1	SPEAKER
4	172-6842	1	GRILL
5	502191D1	1	HARNESS (SUBWOOFER)
6	CH8C-9660	8	WASHER (4.6X7.9X0.8)
7	CH7Y-3173	8	SCREW-BUTTON HEAD (M4X0.7X12MM)
8	CH8T-2659	8	LOCKNUT (M4X0.7)
9	189-9922	1	PLATE ASM

00786642
PR: t05i29k58b0539

STEERING COLUMN GP - CH166-3611



**MT800 SERIESTRACTORS
OPERATOR STATION**

1175

STEERING COLUMN GP - CH166-3611

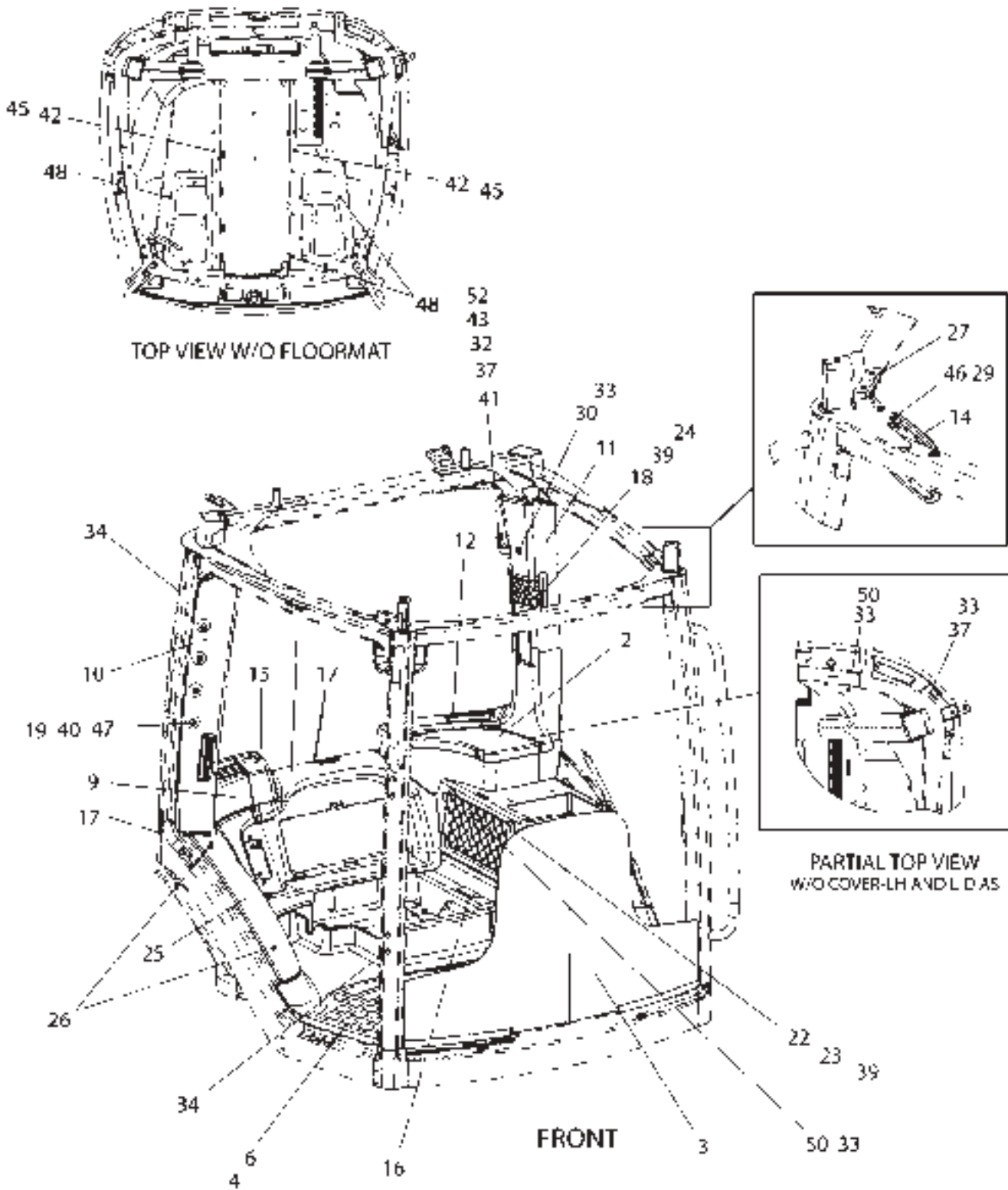
ITEM	NUMBER	QTY	DESCRIPTION
-	CH166-3611	--	STEERING COLUMN GP [A]
1	CH169-3261	1	NUT (M18X1.5)
2	CH162-8550	1	KIT-GAS STRUT (STEERING COLUMN)
3	CH191-3701	1	KIT-STEERING COLUMN TILT/TELESCOPE (INCLS. ITEMS MARKED "J")
4	CH185-3886	1	CLAMP ASM-CABLE
5	CH196-3699	2	PIN-PIVOT
6	CH196-3698	2	BUSHING-PIVOT

[A] PART OF 500768D1 CONSOLE GP

00830593
PR: t05i29k58b0540

MT800 SERIES TRACTORS
OPERATOR STATION

TRIM GP-CAB - 224-3917
1 OF 2



**MT800 SERIES TRACTORS
OPERATOR STATION**

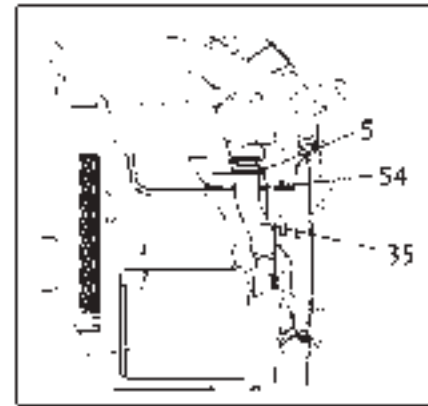
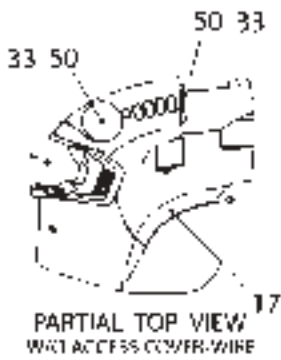
1177

TRIM GP-CAB - 224-3917
1 OF 2

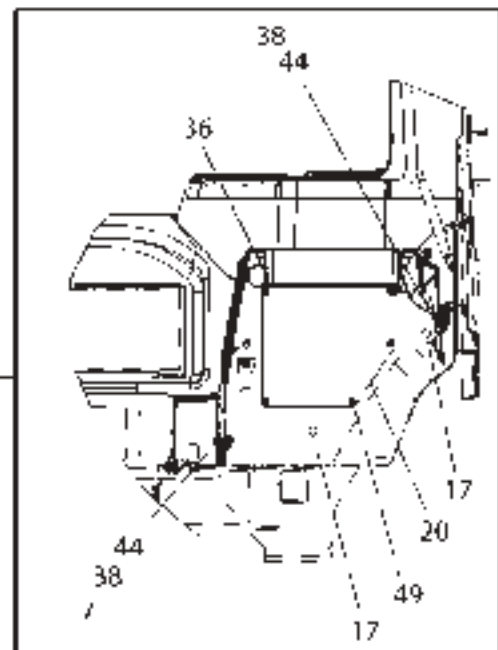
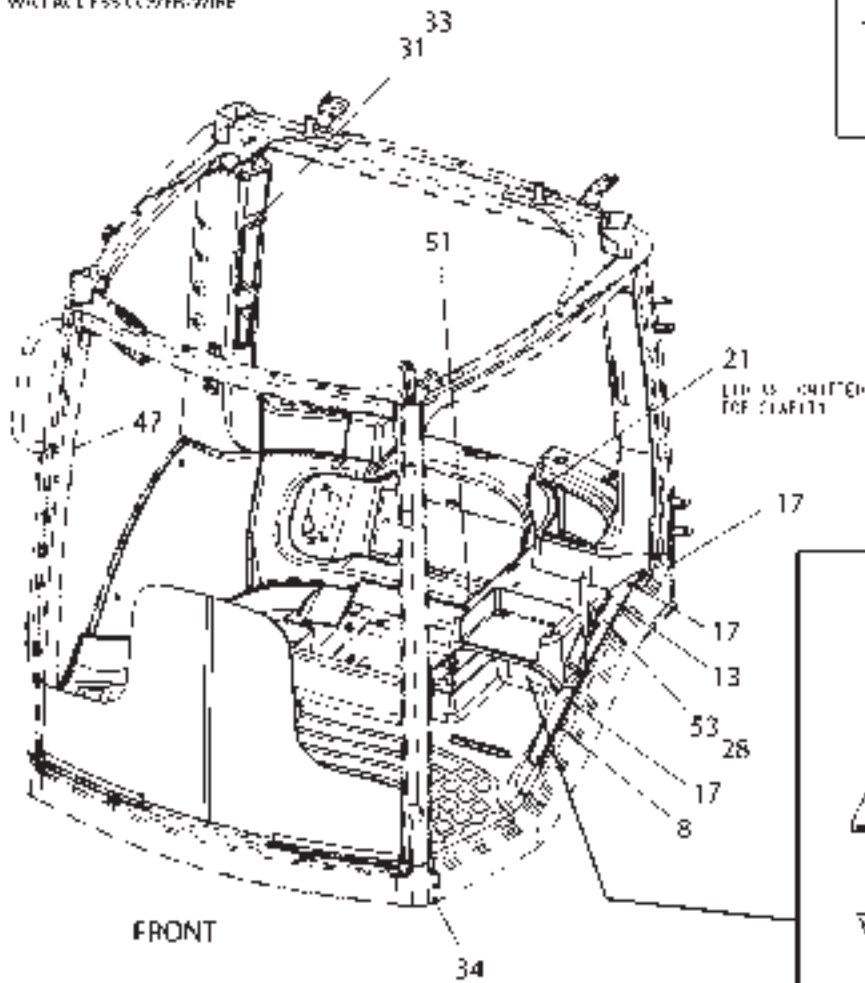
ITEM	NUMBER	QTY	DESCRIPTION
-	224-3917	--	TRIM GP [A]
1	162-6751	1	CONSOLE AS-CENTER
2	179-2957	1	LID AS
3	227-4312	1	MAT-FRONT GLASS
4	227-4313	1	MAT-FLOOR
6	152-0431	1	FLOOR MAT
9	164-7069	1	COVER
10	169-6342	1	COVER AS (RH)
11	169-6343	1	COVER AS (LH)
12	169-6344	1	COMPARTMENT AS
14	CH169-6352	1	MIRROR (INTERIOR CAB)
15	169-6383	1	COVER-WIRE
16	174-5774	1	GROMMET-BRAKE
17	400110X1	16	FASTENER
18	174-5788	2	RETAINER
19	CH174-5789	4	PLUG-MONITOR
22	180-2825	1	RETAINER
23	184-1704	1	HOLDER-STORAGE
24	190-8326	1	HOLDER-STORAGE
25	197-5852	1	COVER AS
26	CH197-5854	2	LATCH
27	CH217-2132	2	SEAL
29	CH096-6166	2	WASHER-HARD (4.5X9X1MM THK)
30	CH111-4627	1	SCREW-MACHINE (M6X1.0X30MM)
32	CH129-3178	2	LOCKNUT (M6X1 THD)
33	400085X1	8	NUT-RETAINER (M6X1X1.63-3.8 PANEL)
34	CH193-5914	6	PLUG
37	CH3E-8020	2	SCREW-TRUSS HEAD (M6X1X25MM)
39	CH5V-1496	9	RETAINER
40	CH6V-5839	4	WASHER (11X21X2.5MM THK)
41	CH6V-8928	1	HOOK-COAT
42	400039X1	6	BOLT (M10X1.5X25MM)
43	400221X1	1	BOLT (M6X1X20MM)
45	CH8T-7934	6	WASHER (11X21X5MM THK)
46	CH9X-1046	2	SCREW (M4X0.7X18MM)
47	CH9X-2040	6	SCREW-TRUSS HEAD (M10X1.5X25MM)
48	CH9X-2042	21	SCREW-TRUSS HEAD (M6X1X12MM)
50	CH9X-2045	5	SCREW-TRUSS HEAD (M6X1X20MM)
52	400310X1	2	WASHER

[A] PART OF 500841D1;500842D1;500843D1;
500844D1; 500849D1 CAB AR

2243917A
PR: t05i29k58b0541



PARTIAL TOP VIEW



**MT800 SERIES TRACTORS
OPERATOR STATION**

1179

**TRIM GP-CAB - 224-3917
2 OF 2**

ITEM	NUMBER	QTY	DESCRIPTION
-	224-3917	--	TRIM GP [A]
5	CH7K-1181	2	STRAP-CABLE
7	CH154-9989	2	SPRING CLIP
8	162-6752	1	CONSOLE-LH
13	169-6345	1	SUPPORT AS
17	400110X1	16	FASTENER
20	178-6238	1	COVER-SUBWOOFER
21	CH179-2959	1	MAGNET
28	CH090-9555	2	CLIP
31	CH121-9870	1	SCREW-MACHINE (M6X1X40MM)
33	400085X1	8	NUT-RETAINER (M6X1X1.63-3.8 PANEL)
34	CH193-5914	6	PLUG
35	CH208-5521	1	HOSE (192MM)
36	400106X1	1	PLUG-RUBBER (35MM)
38	400599X1	4	WASHER-HARD (8.8X20.5X2MM THK)
44	400053X1	4	BOLT (M8X1.25X20MM)
47	CH9X-2040	6	SCREW-TRUSS HEAD (M10X1.5X25MM)
49	CH9X-2044	5	SCREW-TRUSS HEAD (M6X1X16MM)
50	CH9X-2045	5	SCREW-TRUSS HEAD (M6X1X20MM)
51	400113X1	1	GROMMET
53	501026D1	1	SPRING AS-GAS
54	CH9X-2092	AR	STRIP-EDGE (8 CM)

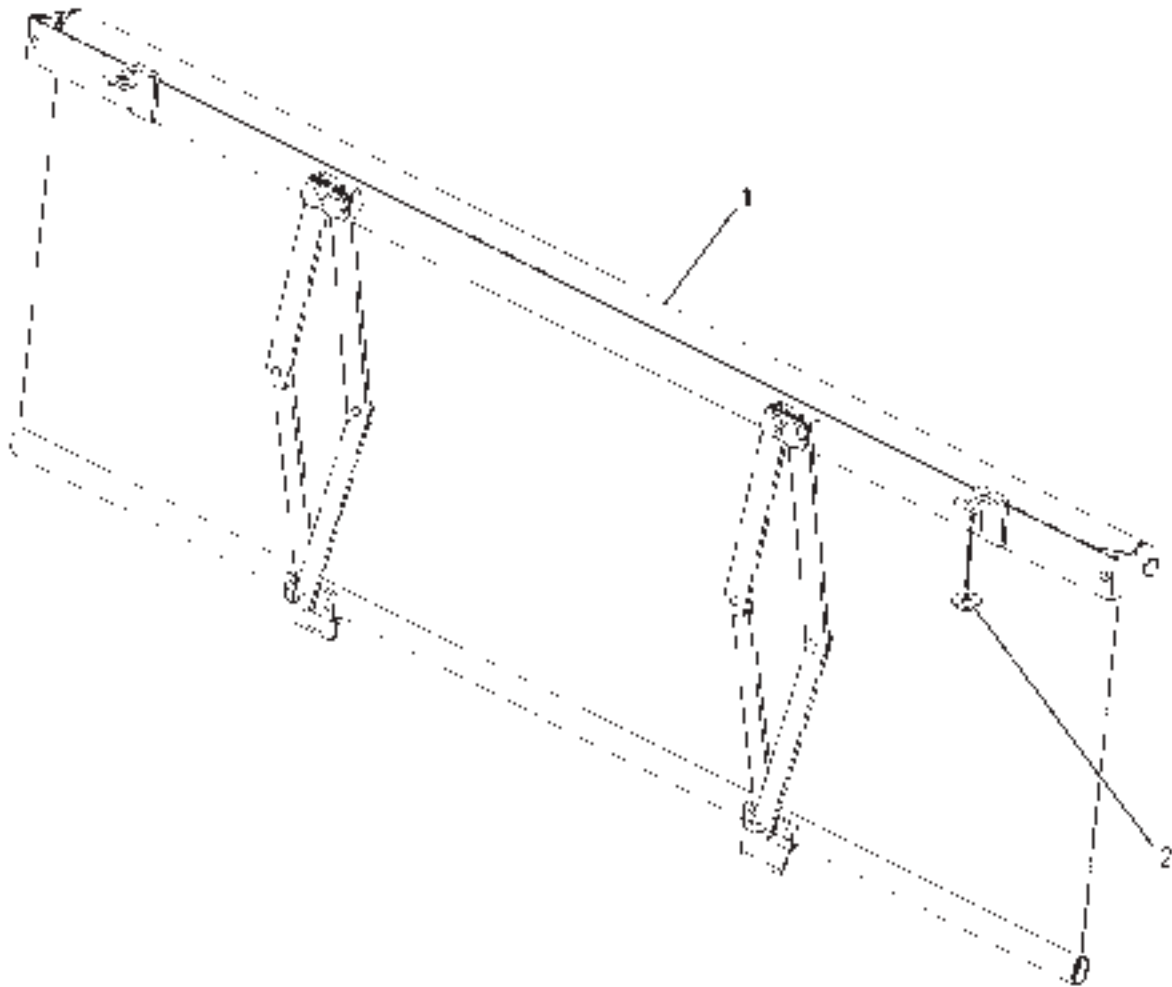
[A] PART OF 500841D1;500842D1;500843D1;
500844D1; 500849D1 CAB AR

2243917B
PR: t05i29k58b0542

1180

MT800 SERIES TRACTORS
OPERATOR STATION

VISOR GP-CAB (SUN VISOR) - FRONT
152-0424



00867093

**MT800 SERIESTRACTORS
OPERATOR STATION**

1181

**VISOR GP-CAB (SUN VISOR) - FRONT
152-0424**

ITEM	NUMBER	QTY	DESCRIPTION
-	502793D1	--	VISOR GP-CAB (SUN VISOR) (FACTORY) (NOT SERVICED)
-	152-0424	--	VISOR GP-CAB (SUN VISOR) [A] (REF ONLY) (NOT SERVICED)
1	CH169-6397	1	SCREEN-SUN
2	CH9X-2038	2	WASHER (7X19X2)

[A] PART OF 152-0012; 222-4146;
500841D1;500849D1 CAB AR;
502793D1 VISOR GP-CAB

00867693
PR: t05i29k58b0543

**MT800 SERIESTRACTORS
OPERATOR STATION**

1183

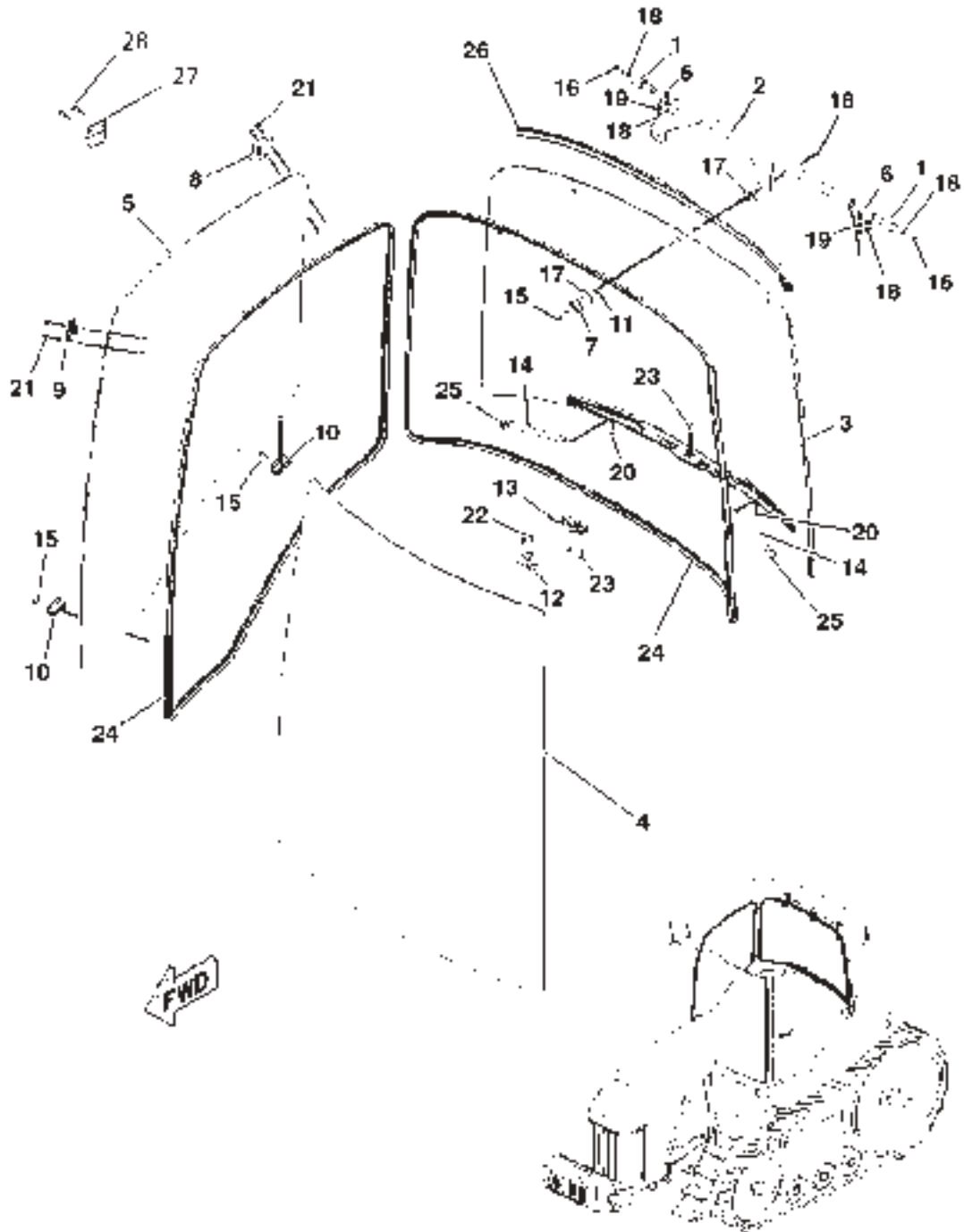
**VISOR GP-CAB (SUN VISOR) - REAR
162-4095**

ITEM	NUMBER	QTY	DESCRIPTION
-	162-4095	--	VISOR GP-CAB (SUN VISOR) (NOT SERVICED)
1	CH169-6397	1	SCREEN GP-SUN
2	CH9X-2038	2	WASHER (7X19X2)

00867436
PR: t05i29k58b0544

MT800 SERIES TRACTORS
OPERATOR STATION

GLASS GP-WINDSHIELD - 151-9994
ROW & SPECIAL



**MT800 SERIES TRACTORS
OPERATOR STATION**

1185

**GLASS GP-WINDSHIELD - 151-9994
ROW & SPECIAL**

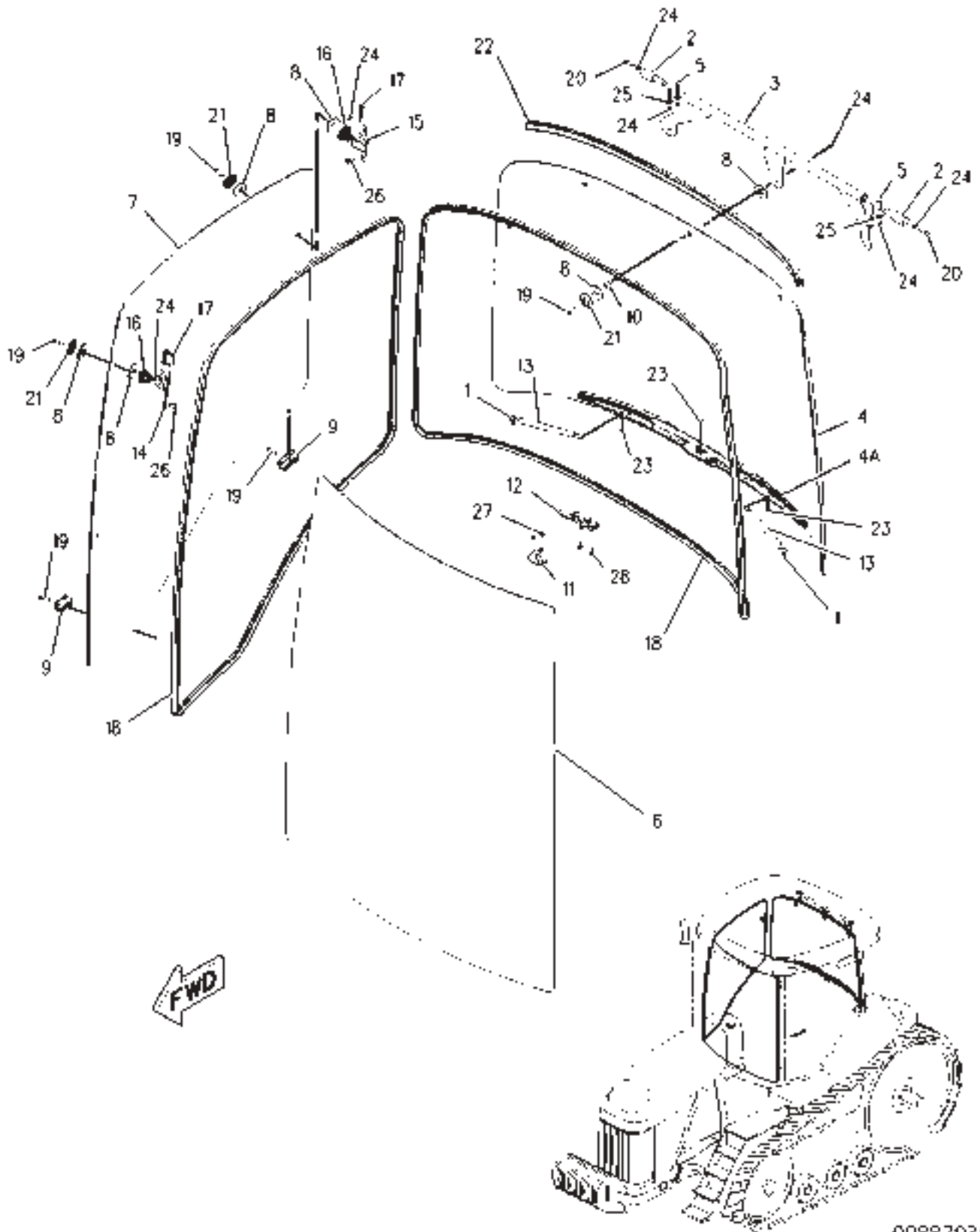
ITEM	NUMBER	QTY	DESCRIPTION
-	151-9994	--	GLASS GP [A] (NOT SERVICED)
1	151-8541	2	PIN-HINGE
2	151-8545	1	PLATE
3	151-9979	1	WINDOW ASM-REAR
	169-6328	1	SUPPORT
	151-9982	1	GLASS-REAR
4	501896D1	1	WINDOW-FRONT
5	151-9984	1	GLASS-RH
6	CH151-9989	2	CLAMP
7	400333X1	3	WASHER (HINGE)
8	166-4568	1	CLAMP
9	166-4570	2	CLAMP
10	CH168-2309	2	CLAMP
11	CH169-6377	3	BUSHING (WINDOW HINGE)
12	169-6399	1	PLATE ASM
	400313X1	2	NUT-WELD (M6X1)
13	CH170-1445	1	LATCH
14	CH172-6862	2	SPRING ASM-GAS
15	CH142-2304	5	SCREW-BUTTON HEAD (M8X1.25X35MM)
16	CH160-8756	2	BOLT-HEX HEAD (M8X1.25X30MM)
17	400330X1	6	WASHER (REAR HINGE)
18	400340X1	9	NUT (M8X1.25)
19	400599X1	4	WASHER-HARD (8.8X20.5X2)
20	400300X1	2	NUT (M6X1)
21	CH8C-8585	6	BOLT-BUTTON HEAD (M10X1.5X20MM)
22	CH9X-2043	2	SCREW-TRUSS HEAD (M6X1X14MM)
23	CH9X-2045	3	SCREW-TRUSS HEAD (M6X1X20MM)
24	CH208-2404	AR	SEAL (1010CM)
25	CH8T-2444	4	STUD-BALL
26	207-2036	1	SEAL
27	501051D1	1	BRACKET
28	CH8T-3992	2	SCREW-BTN HD (M6X1X12MM)

[A] PART OF 152-0001;152-0003 CAB GP

0863624B
PR: t05i29k58b0545

MT800 SERIES TRACTORS
OPERATOR STATION

GLASS GP-WINDSHIELD - 151-9995
EAME ONLY



**MT800 SERIES TRACTORS
OPERATOR STATION**

1187

**GLASS GP-WINDSHIELD - 151-9995
EAME ONLY**

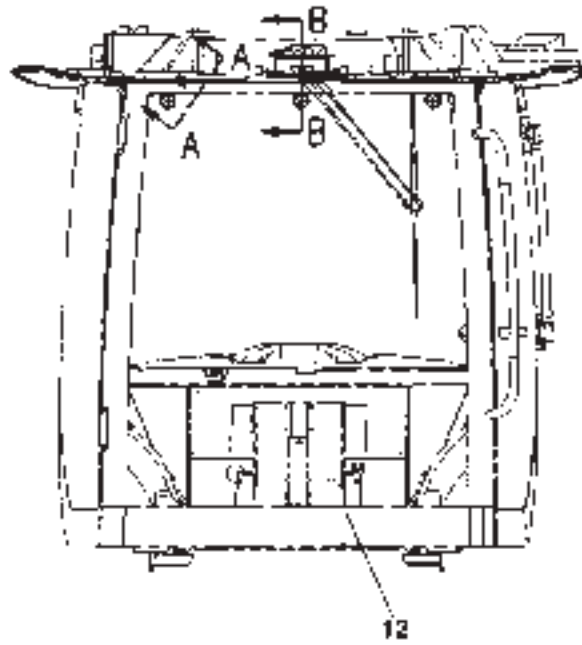
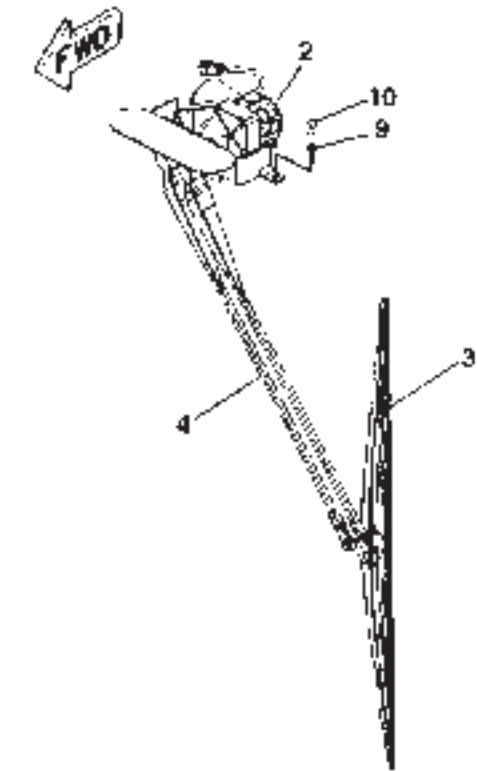
ITEM	NUMBER	QTY	DESCRIPTION
-	151-9995	--	GLASS GP-WINDSHIELD [A]
1	CH8T-2444	4	STUD-BALL
2	151-8541	2	PIN-HINGE
3	151-8545	1	PLATE AS-REAR HINGE
4	151-9979	1	GLASS AS-REAR
4A	169-6328	1	SUPPORT AS
5	CH151-9989	2	CLAMP
6	501896D1	1	GLASS-FRONT
7	151-9991	1	GLASS-RH
8	400333X1	6	WASHER (HINGE)
9	CH168-2309	2	CLAMP-WINDOW (LWR)
10	CH169-6377	3	BUSHING-WINDOW (HINGE)
11	169-6399	1	PLATE AS
	400313X1	2	NUT-WELD (M6X1 THD)
12	CH170-1445	1	LATCH-REAR WINDOW
13	CH172-6862	2	SPRING AS-GAS
14	178-7953	2	BRACKET
15	178-7954	1	BRACKET
16	CH178-7955	3	BOSS
17	CH179-4217	3	PIN
18	CH208-2404	AR	SEAL-BULK (1010 CM) [B, E]
19	CH142-2304	8	SCREW-BUTTON HEAD (M8X1.25X35MM)
20	CH160-8756	2	BOLT-HEX HEAD (M8X1.25X30MM)
21	400330X1	14	WASHER (REAR HINGE)
22	207-2036	1	SEAL
23	400300X1	2	NUT (M6X1 THD)
24	400340X1	12	NUT (M8X1.25 THD)
25	400599X1	4	WASHER-HARD (8.8X20.5X2MM THK)
26	CH8C-8585	6	BOLT-BUTTON HEAD (M10X1.5X20MM)
27	CH9X-2043	2	SCREW-TRUSS HEAD (M6X1X14MM)
28	CH9X-2045	3	SCREW-TRUSS HEAD (M6X1X20MM)

[E] ORDER BY THE CENTIMETER
[B] USE AS REQUIRED

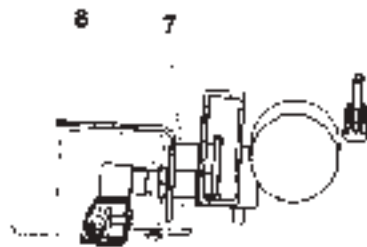
[A] PART OF 152-0002;152-0004 CAB GP

00887936
PR: t05i29k58b0546

WIPER GP-WINDOW (BASIC) - 152-0422



FRONT VIEW



11
SECTION B-B



VIEW A-A

**MT800 SERIES TRACTORS
OPERATOR STATION**

1189

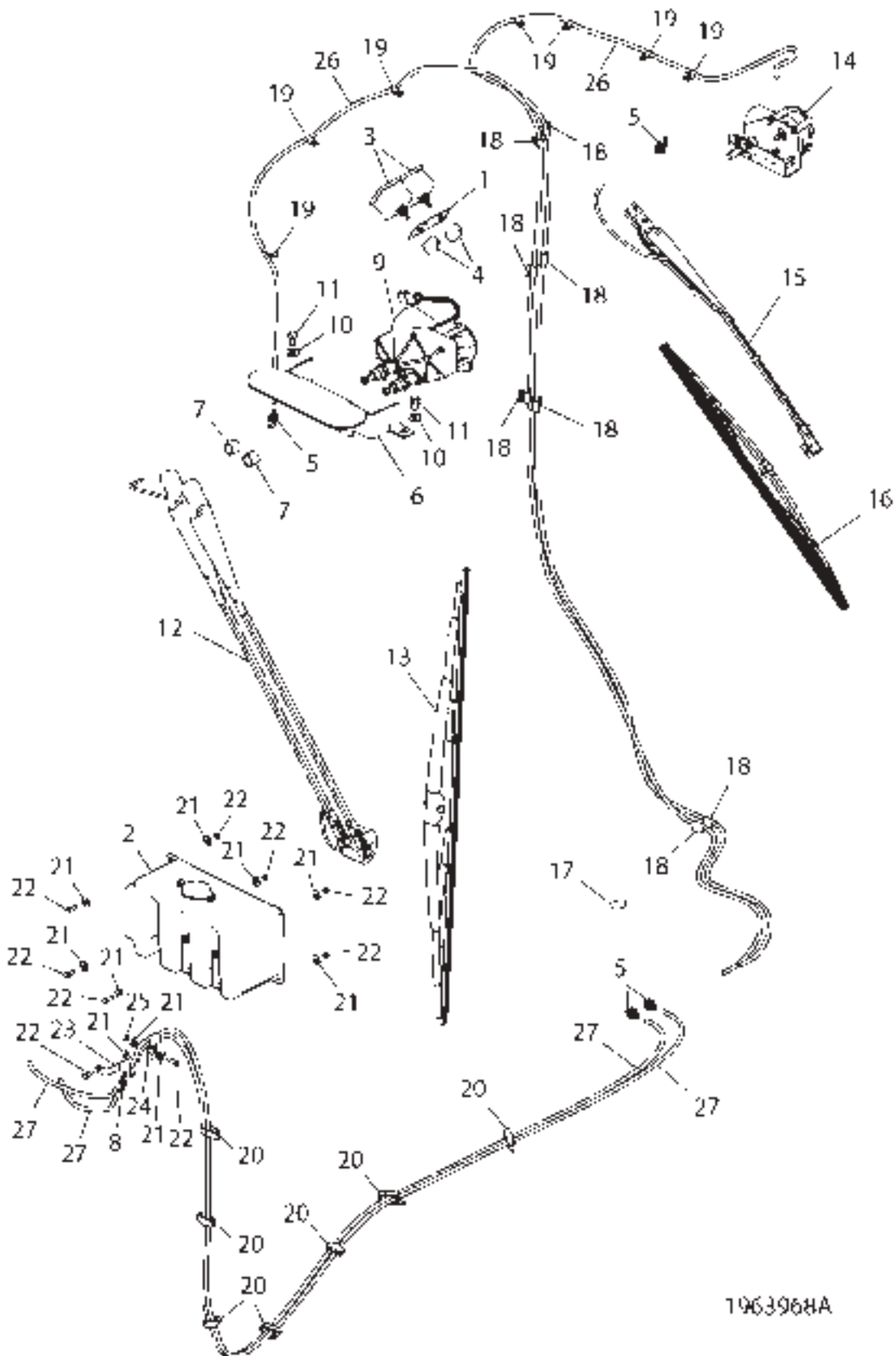
WIPER GP-WINDOW (BASIC) - 152-0422

ITEM	NUMBER	QTY	DESCRIPTION
-	152-0422		WIPER GP-WINDOW (NOT SERVICED)
1	CH216-2628	1	KNOB AS (FRONT WIPER & WASHER)
2	CH170-5696	1	MOTOR GP-WINDOW WIPER (12 VOLT)
	400340X1	2	NUT
	CH3F-9556	2	LOCKWASHER
	CH8T-8737	1	PLUG
	CH186-3735	5	PIN-CONNECTOR
	CH102-8805	1	KIT, RECEPTACLE (INCLUDES RECEPTACLE ASM AND WEDGE)
3	501688D1	1	BLADE-WIPER
4	CH178-3888	1	ARM ASM-WIPER
5	CH112-6174	1	SWITCH ASM-ROTARY(24 VOLT)(FRONT WIPER)
	CH2H-3920	1	LOCKWASHER
	CH6V-8369	1	NUT (7/16-28)
	CH8T-8729	6	PIN-CONNECTOR
	CH8T-8737	2	PLUG-SEAL
	CH3E-3389	1	WEDGE
	CH102-8806	1	KIT-RECEPTACLE (8 PIN) (INCLUDES RECEPTACLE ASM AND WEDGE)
6	501256D1	1	FILM-INSTRUCTION (WIPER)
7	CH141-1762	2	SPACER (20)
8	169-6323	1	BRACKET
9	400287X1	2	WASHER-HARD (11X21X2.5)
10	400040X1	2	BOLT (M10X1.5X20MM)
11	CH5P-7803	1	BUTTON-PLUG
12	CH193-5914	2	PLUG

0874347A
PR: t05i29k58b0547

MT800 SERIES TRACTORS
OPERATOR STATION

WIPER GP (DELUXE) - 196-3968



**MT800 SERIES TRACTORS
OPERATOR STATION**

1191

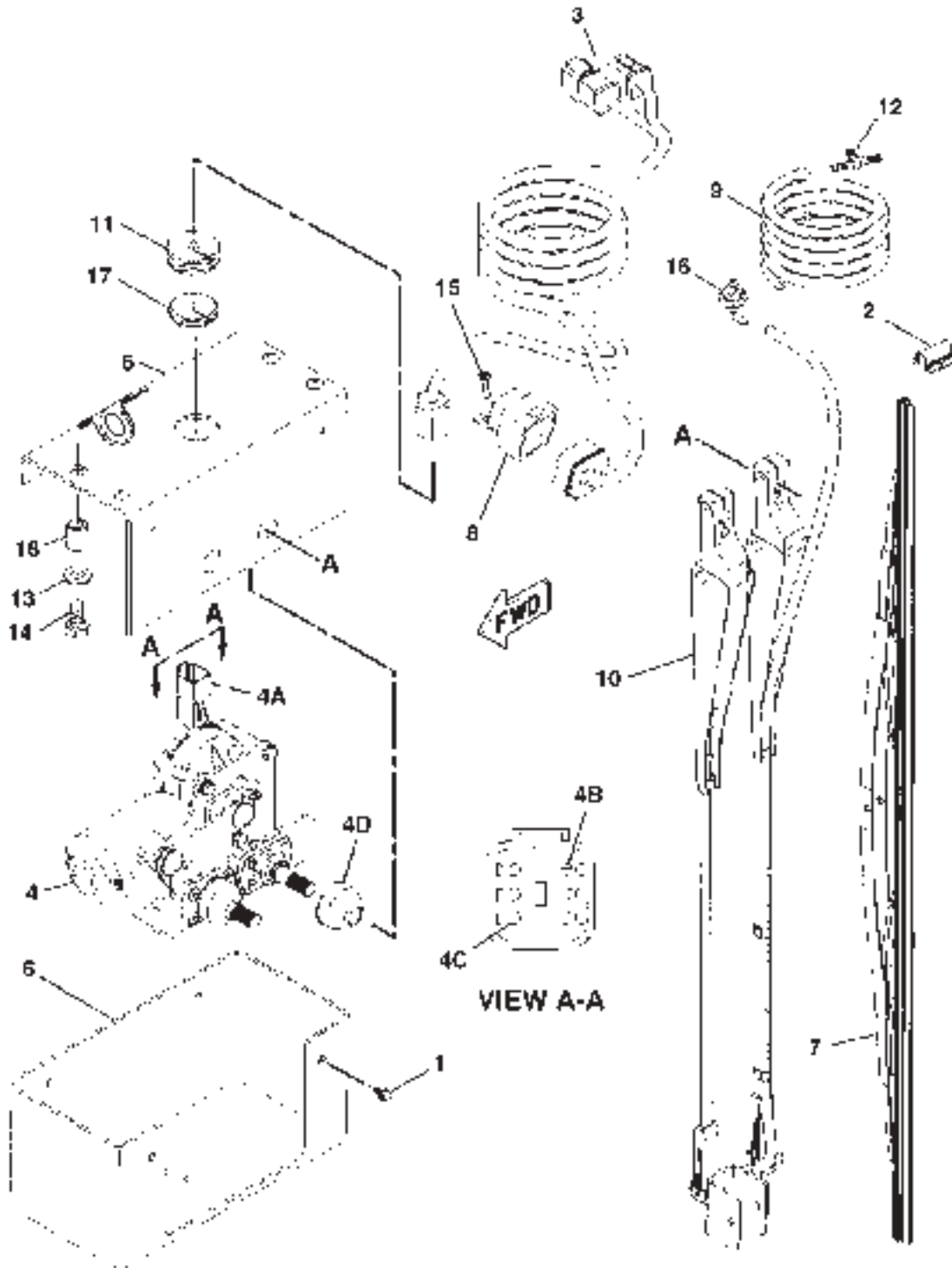
WIPER GP (DELUXE) - 196-3968

ITEM	NUMBER	QTY	DESCRIPTION
-	502905D1	--	WIPER GP (DELUXE) (NOT SERVICED)
-	196-3968	--	WIPER GP (DELUXE) [A] (NOT SERVICED)
1	501406D1	1	FILM-INST
2	CH208-9635	1	BOTTLE GP-WINDSHIELD
	CH209-4481	2	PUMP (WIPER & WASHER)
	CH209-4482	1	CAP (WINDOW WASHER TANK)
3	CH135-9967	2	SWITCH AS-WIPER INTMT 12V (SEE BREAKDOWN FOR COMPONENTS)
4	CH216-2628	2	KNOB AS.-CONTROL
5	CH8T-5400	4	CONNECTOR AS.-90 DEG
6	169-6323	1	BRACKET-WIPER MOUNT
7	CH141-1762	2	SPACER-25.4ODX21.2IDX20 STL
8	501120D1	2	VALVE AS.
9	CH170-5696	1	MOTOR GP-COMPACT DRIVE
	400340X1	2	NUT
	CH3F-9556	2	LOCKWASHER
	CH8T-8737	1	PLUG
	CH186-3735	5	PIN-CONNECTOR
	CH102-8805	1	KIT, RECEPTACLE (INCLUDES RECEPTACLE ASM AND WEDGE)
10	400287X1	2	WASHER-HARD 11IDX21ODX2.5 ZND1
11	400040X1	2	BOLT-M10X1.5X20 ZNDI HDD 10.9
12	501565D1	1	ARM AS-WIPER (WET)
	501564D1	1	NOZZLE AS-WASHER
	501566D1	1	HOSE
13	501688D1	1	BLADE AS.-WIPER
14	CH166-4596	1	MOTOR GP-COMPACT DRIVE 12V
	CH102-8805	1	KIT-RECEPTACLE (6 PIN)
	CH8T-8737	1	PLUG-SEAL
	400561X1	5	PIN-CONNECTOR
15	501604D1	1	ARM AS.-WIPER
16	CH134-1935	1	BLADE-WIPER
17	CH146-9439	1	RELAY AS.
18	400282X1	8	CLIP
19	CH9N-2061	7	CLIP-LOOP 60.3 ID
20	400837X1	7	STRAP-CABLE (PLASTIC)
21	CH5P-4115	10	WASHER-7.2IDX19ODX2MM
22	400221X1	5	BOLT-M6X1X20MM ZNDI HDD 10.9
23	228-2777	1	BRACKET
24	CH7S-4244	1	CLIP 20DEGX9.52DIA X25.4
25	400300X1	5	NUT M6X1
26	WR518622	AR	TUBING AIRLINE 0.25OD POLTHN (27FT)
27	WR514360	AR	HOSE WINDSHIELD WASHER 0.18ID (1.64FT)
27	WR514360	AR	HOSE WINDSHIELD WASHER 0.18ID (19.36FT)

[A] PART OF 502905D1 WIPER GP-DLX;
152-0012; 222-4146 CAB AR

1963968A
PR: t05i29k58b0548

KIT-WIPER (RH) - 162-4103



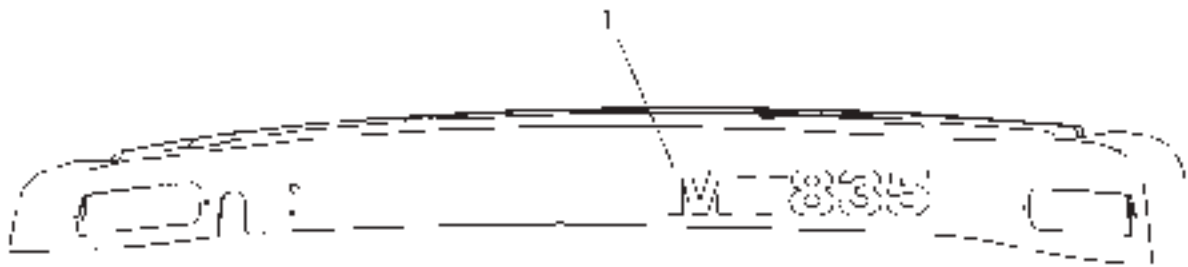
**MT800 SERIES TRACTORS
OPERATOR STATION**

1193

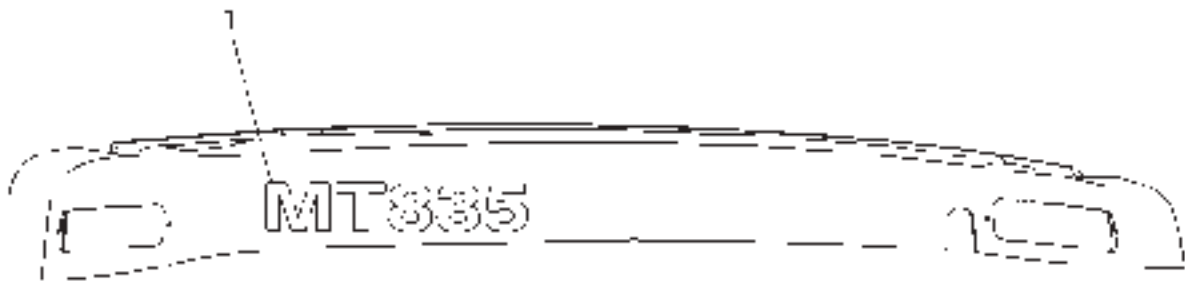
KIT-WIPER (RH) - 162-4103

ITEM	NUMBER	QTY	DESCRIPTION
-	162-4103	--	WIPER GP-WINDOW
1	CH030-9613	4	SCREW-FORMING (10-24X0.37 IN)
2	400282X1	2	CLIP
3	167-1258	1	HARNESS (SIDE WIPER)
4	CH211-4837	1	MOTOR GP-COMPACT DRIVE (RH WIPER) (INCLS 4A-4D)
4A	CH102-8805	1	KIT-RECEPTACLE (6 PIN) (INCLS RECEPTACLE AS & WEDGE)
4B	CH8T-8737	1	PLUG-SEAL
4C	400561X1	5	PIN-CONNECTOR
4D	CH206-5823	2	CAP
5	174-7872	1	BRACKET
6	175-0198	1	COVER
7	CH189-8610	1	BLADE-WIPER (RH WINDOW)
8	400292X1	1	RELAY ASM (12 VOLT) (RH WINDOW WIPER)
9	WR514360	--	HOSE (78 CM)
10	501603D1	1	ARM
11	CH6H-4006	1	GROMMET
12	CH6K-9632	1	TEE-HOSE (50OD BARB)
13	400287X1	4	WASHER-HARD (11X21X2.5)
14	400040X1	4	BOLT (M10X1.5X20MM)
15	CH8T-9501	1	SCREW (10-16X.75 IN)
16	CH8T-5400	1	CONNECTOR
17	400114X1	1	GROMMET
18	CH179-4209	4	INSERT

0878092A
PR: t05i29k58b0549



LEFT SIDE VIEW



RIGHT SIDE VIEW

**MT800 SERIESTRACTORS
DECALS & MARKINGS**

1195

FILM GP-MT835 - 500744D1

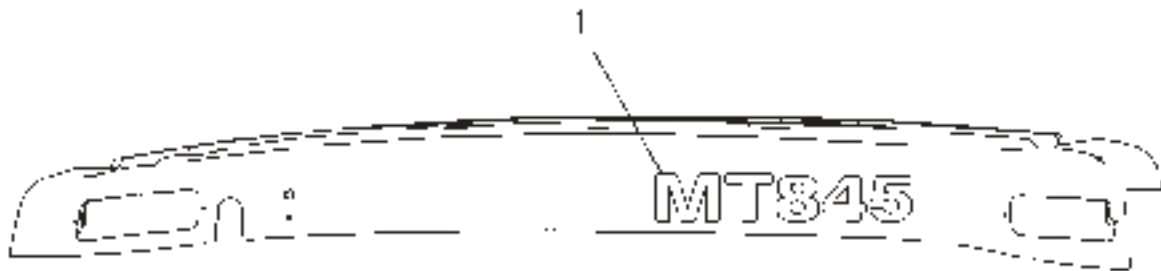
ITEM	NUMBER	QTY	DESCRIPTION
-	500744D1	--	FILM GP (MT835) [A]
1	500730D1	2	FILM (MT835)

[A] PART OF 156-5581; 179-2193
BASIC UNIT AR

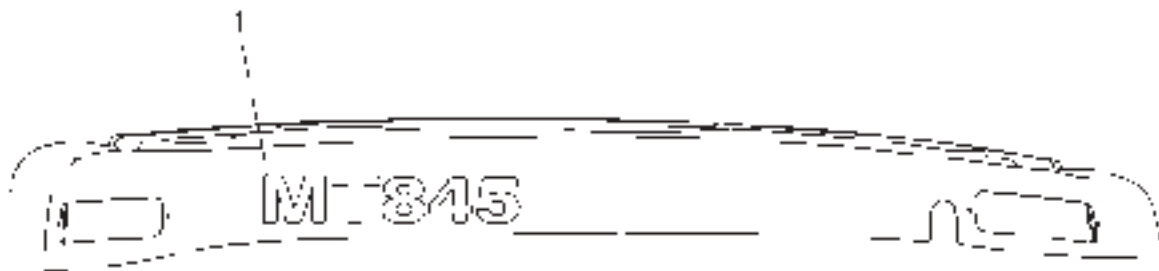
500744DA
PR: t05i29k58b0550

MT800 SERIESTRACTORS
DECALS & MARKINGS

FILM GP-MT845 - 500745D1



LEFT SIDE VIEW



RIGHT SIDE VIEW

**MT800 SERIESTRACTORS
DECALS & MARKINGS**

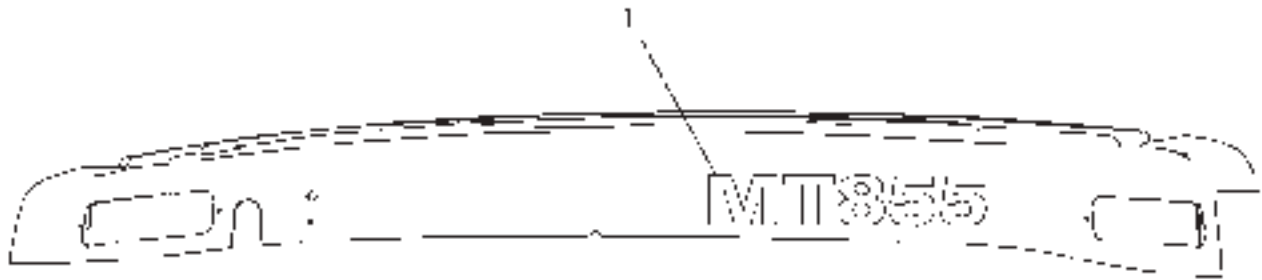
1197

FILM GP-MT845 - 500745D1

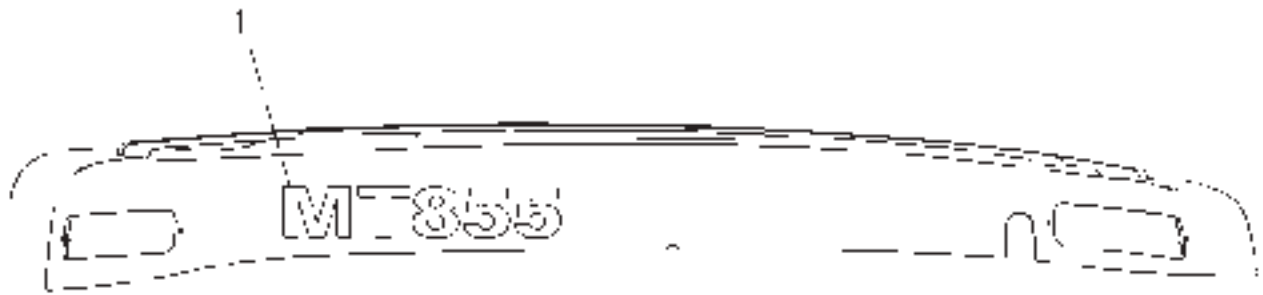
ITEM	NUMBER	QTY	DESCRIPTION
-	500745D1	--	FILM GP (MT845) [A]
1	500731D1	2	FILM (MT845)

[A] PART OF 156-5582; 179-2194
BASIC UNIT AR

500745DA
PR: t05i29k58b0551



LEFT SIDE VIEW



RIGHT SIDE VIEW

**MT800 SERIESTRACTORS
DECALS & MARKINGS**

1199

FILM GP-MT855 - 500746D1

ITEM	NUMBER	QTY	DESCRIPTION
-	500746D1	--	FILM GP (MT855) [A]
1	500732D1	2	FILM (MT855)

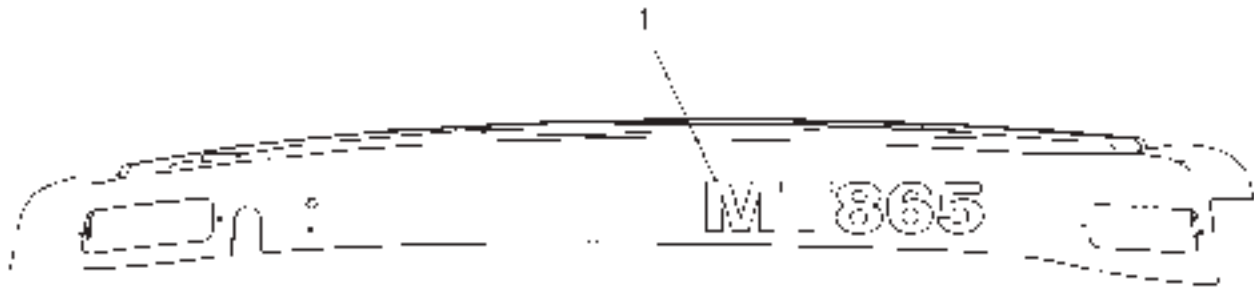
[A] PART OF 156-5583; 179-2195
BASIC UNIT AR

500746DA
PR: t05i29k58b0552

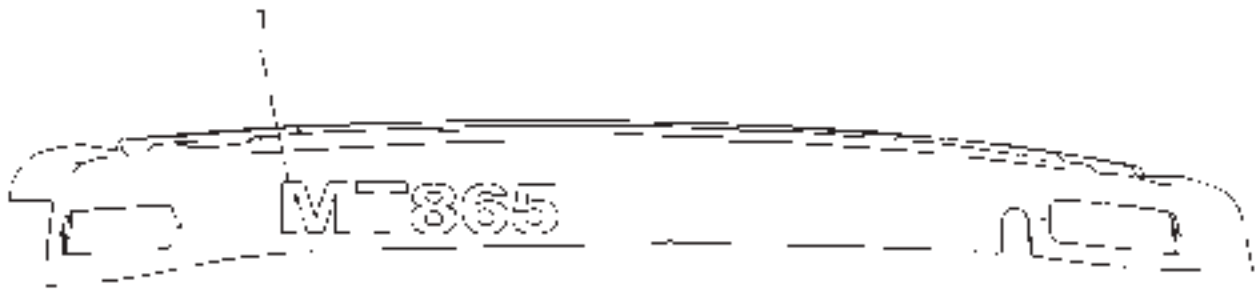
1200

MT800 SERIESTRACTORS
DECALS & MARKINGS

FILM GP-MT865 - 500747D1



LEFT SIDE VIEW



RIGHT SIDE VIEW

500747DA

**MT800 SERIESTRACTORS
DECALS & MARKINGS**

1201

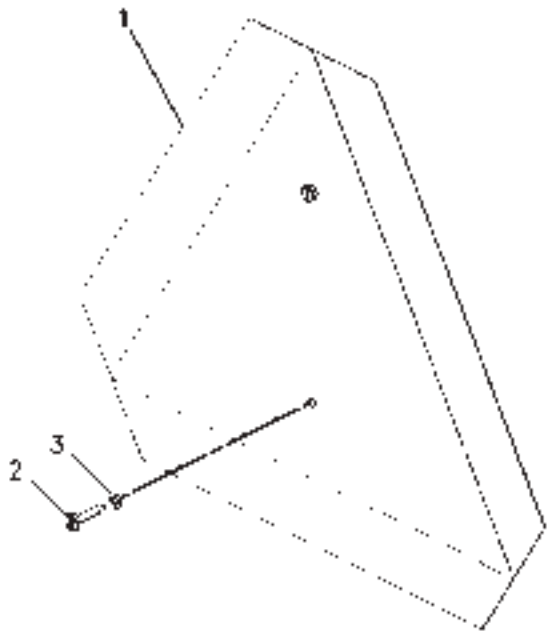
FILM GP-MT865 - 500747D1

ITEM	NUMBER	QTY	DESCRIPTION
-	500747D1	--	FILM GP (MT865) [A]
1	500733D1	2	FILM (MT865)

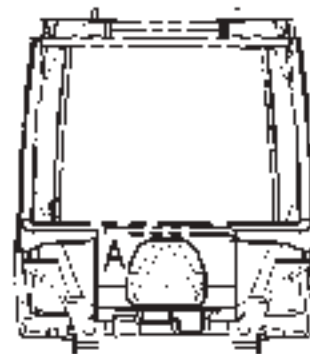
[A] PART OF 156-5584; 179-2196
BASIC UNIT AR

500747DA
PR: t05i29k58b0553

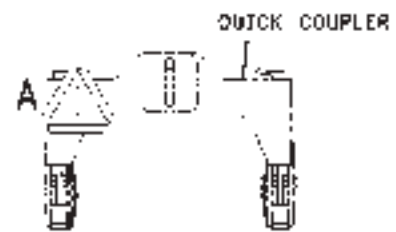
WARNING GP-SLOW MOVING VEHICLE
172-8886



DETAILS OF AREA A



REAR VIEW



REAR VIEW
(ALTERNATE PLACEMENT)

**MT800 SERIESTRACTORS
DECALS & MARKINGS**

1203

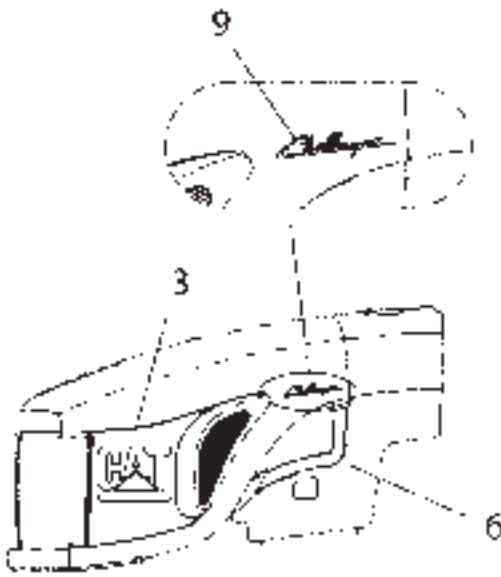
**WARNING GP-SLOW MOVING VEHICLE
172-8886**

ITEM	NUMBER	QTY	DESCRIPTION
-	188-2618	--	COMPLETING AR-ENGLISH (EAME) (NOT SERVICED)
-	172-8886	--	WARNING GP-SLOW MOVING VEHICLE [A] (NOT SERVICED)
1	400129X2	1	PLATE ASM-WARNING (SLOW MOVING VEHICLE)
2	CH095-0741	2	SCREW-MACHINE (M6X1THD) (W/Q-COUPLER)
	CH216-8275	2	SCREW-PAN HD (12-14X1 IN)(W/O Q-COUPLER)
3	400310X1	2	WASHER (6.6X12X2)

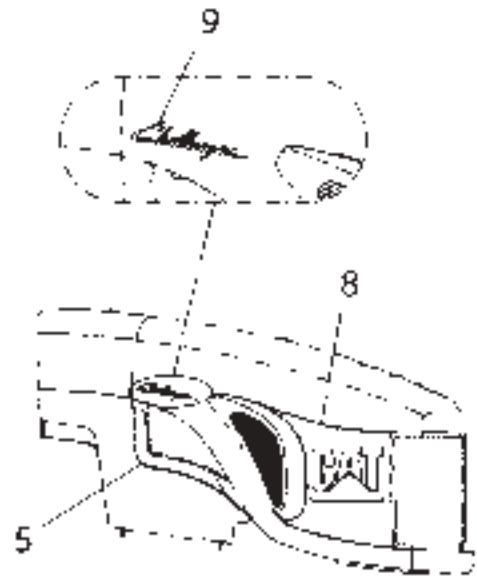
[A] PART OF 188-2618 COMPLETING AR

00877873
PR: t05i29k58b0554

FILM GP-CAT - 500735D1



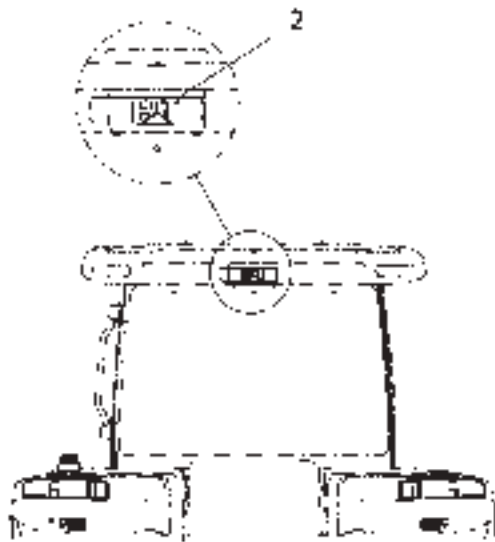
LEFT SIDE OF HOOD



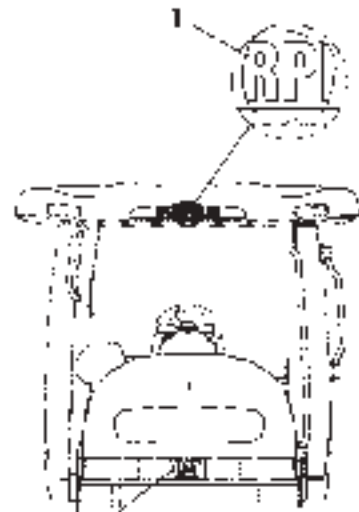
RIGHT SIDE OF HOOD



STEERING WHEEL



REAR VIEW OF CAB



FRONT VIEW

500735DB

**MT800 SERIESTRACTORS
DECALS & MARKINGS**

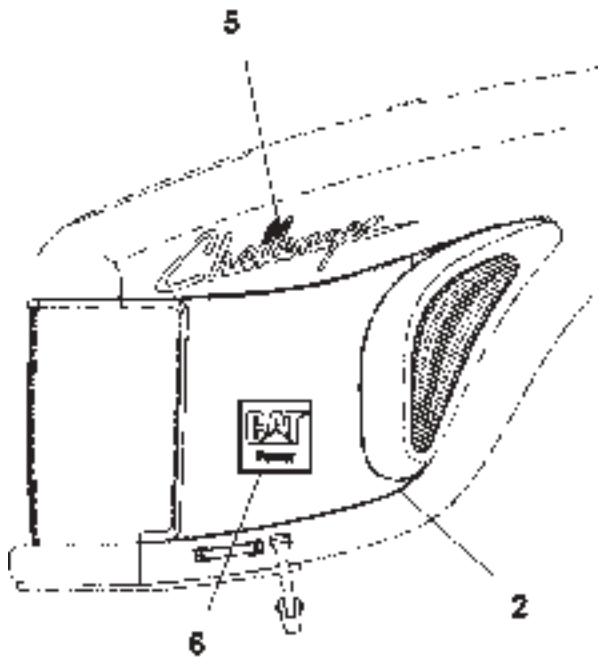
1205

FILM GP-CAT - 500735D1

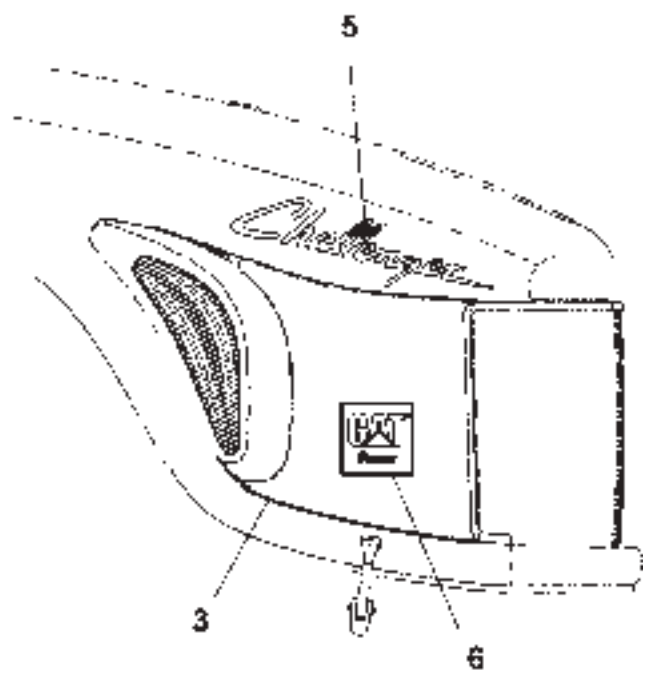
ITEM	NUMBER	QTY	DESCRIPTION
-	500735D1	--	FILM GP-CAT
1	501480D1	1	FILM-CATERPILLAR
2	183-9281	1	FILM-CAT
3	501482D1	1	FILM-HOOD (LEFT)
4	201-5096	1	EMBLEM AS-CAT
5	210-4357	1	FILM-SIDE PANEL
6	210-4358	1	FILM-SIDE PANEL
7	195-5221	1	FILM-CAT WHEEL LOGO
8	501483D1	1	FILM-HOOD (RIGHT)
9	500749D1	2	FILM-CHALLENGER

500735DB
PR: t05i29k58b0555

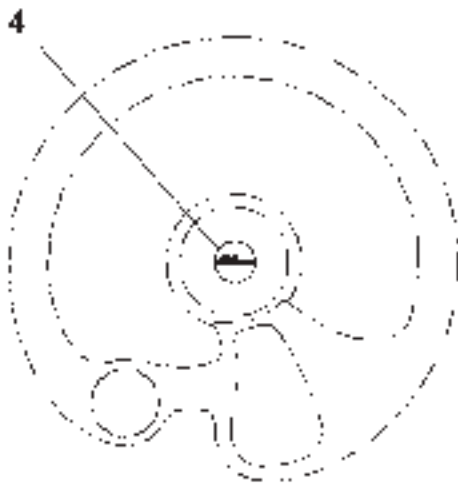
FILM GP-CHALLENGER - 500736D1



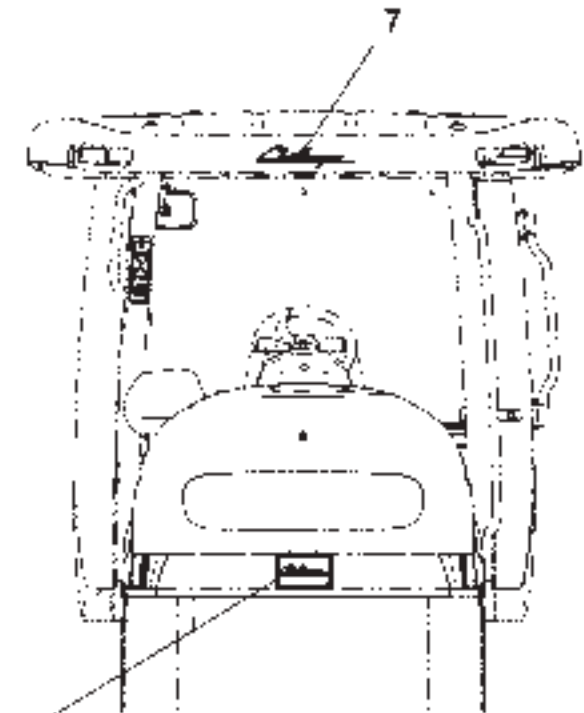
LEFT SIDE VIEW



RIGHT SIDE VIEW



STEERING WHEEL



FRONT VIEW

**MT800 SERIESTRACTORS
DECALS & MARKINGS**

1207

FILM GP-CHALLENGER - 500736D1

ITEM	NUMBER	QTY	DESCRIPTION
-	500736D1	--	FILM GP-CAT
1	500729D1	1	EMBLEM AS-CHALLENGER
2	500737D1	1	FILM-HOOD (LH)
3	500738D1	1	FILM-HOOD (RH)
4	500719D1	1	FILM-CHALLENGER
5	500734D1	2	FILM-CHALLENGER
6	500748D2	2	FILM-CAT POWER
7	500749D1	1	FILM-CHALLENGER

500736DB
PR: t05i29k58b0556

**MT800 SERIESTRACTORS
DECALS & MARKINGS**

1209

**FILM GP-PAINT & - 179-2261
EAME ONLY
(PAGE 1 OF 9)**

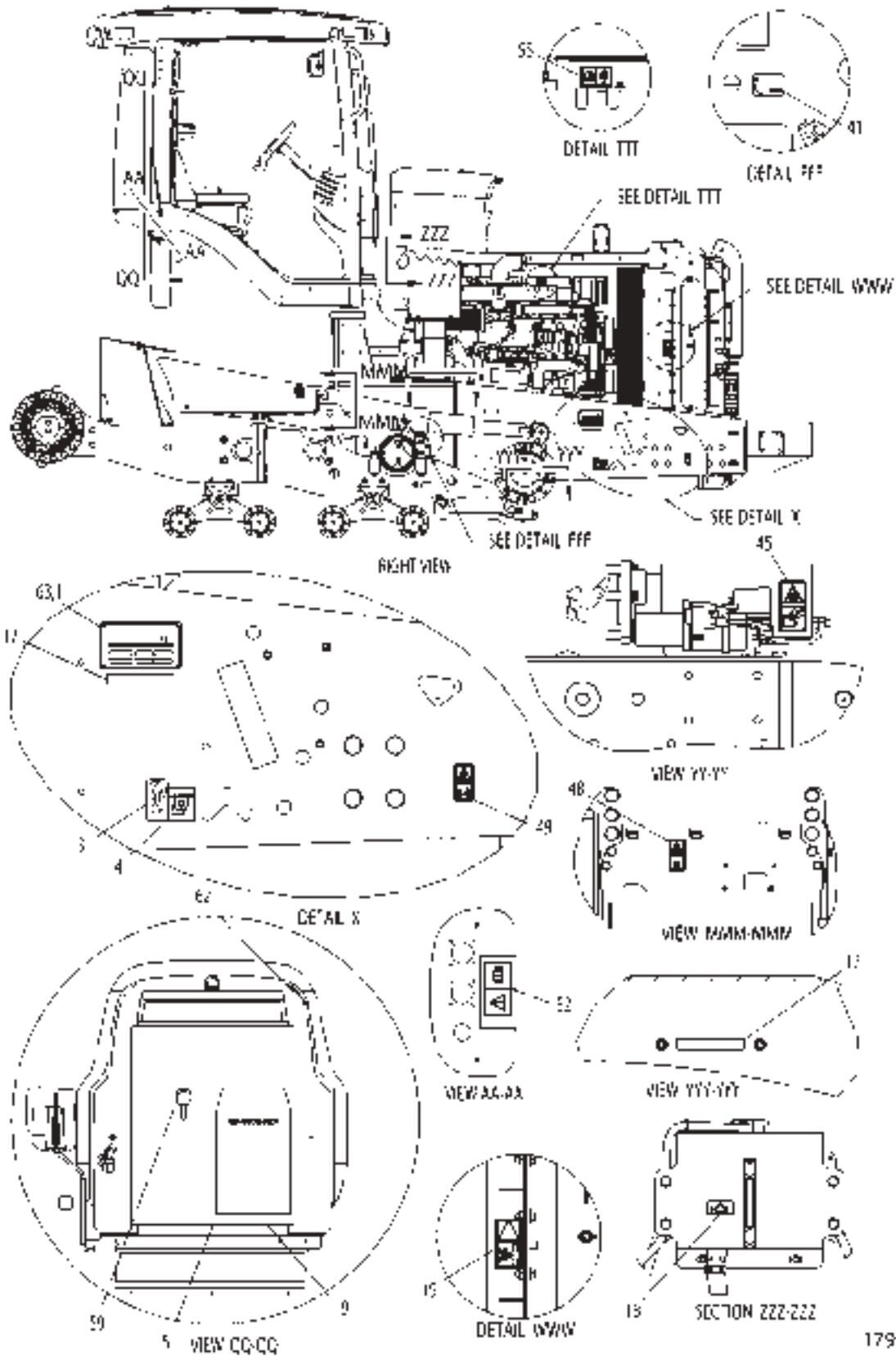
ITEM	NUMBER	QTY	DESCRIPTION
-	179-2261	--	FILM GP-PLATE & FILM
3	500371D1	4	FILM-LIFT
4	500372D1	4	FILM-TIE-DOWN
-	501501D1	1	DECAL SHEET-CAB (INCLUDES * ITEMS)
-	501259D1	1	FILM-NOTICE * **
-	501281D1	1	FILM-MIRRORS *
-	501297D1	1	FILM-WIRE ACCESS *
-	501298D1	1	FILM-WARNING *
-	501265D1	1	FILM-NOTICE *
-	501282D1	1	FILM-ROAD SPEED *
-	501302D1	1	FILM-BRAKE *
-	501274D1	2	FILM-NOTICE *
-	501273D1	1	FILM-NOTICE *
-	501406D1	1	FILM-WIPER DELUXE *
-	501272D1	2	FILM-ATERNATE EXIT *
-	501286D1	2	FILM-INSTALLATION DATE *
-	501503D1	1	DECAL SHEET-VEHICLE (SEE BREAKDOWN)
-	501505D1	1	DECAL SHEET-VEHICLE (INCLUDES ** ITEMS)
-	501257D1	2	FILM-NOTICE **
-	501260D1	2	FILM-NOTICE **
-	501263D1	2	FILM-NOTICE **
-	501254D1	2	FILM-WARNING **
-	501262D1	4	FILM-NOTICE **
-	501303D1	1	FILM-COOLANT (COLD FILL) **
-	501277D1	1	FILM-BATTERY (INST) **
-	501291D1	1	FILM-BATTERY **
-	501294D1	2	FILM-WARNING (HITCH) **
-	501264D1	2	FILM-NOTICE **
-	501290D1	2	FILM-CRUSH/SEVER **
-	501292D1	1	FILM-WARNING (OVERFLOW) **
-	501259D1	1	FILM-NOTICE * **
-	501293D1	2	FILM-WARNING **
-	501306D1	1	FILM-AIR CLEANER **
-	501287D1	1	FILM-WARNING **
-	501261D1	1	FILM-NOTICE **
-	501301D1	2	FILM-TIGHTENING (BOLT) **
-	501300D1	2	FILM-TIGHTENING (BOLT) **
-	501299D1	4	FILM-TIGHTENING (BOLT) **
23	501295D1	1	FILM-HITCH (RIGHT) **
24	501296D1	1	FILM-HITCH (LEFT) **
25	501104D1	1	FILM-HYDRAULIC OIL
26	501106D1	1	FILM-IDENT (HYD OIL FILTER)
28	501253D1	3	FILM-IDENT (12V) * **
31	501267D1	1	FILM-HYD COUPLERS (INST) **
58	501307D1	1	FILM-XMSN OIL FILL
64	207-8227	1	WARNING GP-SPEED

PART OF 501811D1 BASE COMMON AR

1792261A
PR: t05i29k58b0557

MT800 SERIES TRACTORS
DECALS & MARKINGS

FILM GP-PAINT & - 179-2261
EAME ONLY
(PAGE 2 OF 9)



**MT800 SERIESTRACTORS
DECALS & MARKINGS**

1211

**FILM GP-PAINT & - 179-2261
EAME ONLY
(PAGE 2 OF 9)**

ITEM	NUMBER	QTY	DESCRIPTION
-	179-2261	--	FILM GP-PLATE & FILM
1	222-2280	1	PLATE-PIN NO.
3	500371D1	4	FILM-LIFT
4	500372D1	4	FILM-TIE-DOWN
5	CH7F-3400	1	BAG-POLYETHYLENE 305 X 380
-	501501D1	1	DECAL SHEET-CAB (INCLUDES * ITEMS)
-	501259D1	1	FILM-NOTICE * **
-	501281D1	1	FILM-MIRRORS *
-	501297D1	1	FILM-WIRE ACCESS *
-	501298D1	1	FILM-WARNING *
-	501265D1	1	FILM-NOTICE *
-	501282D1	1	FILM-ROAD SPEED *
-	501253D1	3	FILM-IDENT (12V) * **
-	501302D1	1	FILM-BRAKE *
-	501273D1	1	FILM-NOTICE *
-	501406D1	1	FILM-WIPER DELUXE *
-	501272D1	2	FILM-ATERNATE EXIT *
-	501286D1	2	FILM-INSTALLATION DATE *
-	501503D1	1	DECAL SHEET-VEHICLE (SEE BREAKDOWN)
-	501505D1	1	DECAL SHEET-VEHICLE (INCLUDES ** ITEMS)
-	501257D1	2	FILM-NOTICE **
-	501260D1	2	FILM-NOTICE **
-	501254D1	2	FILM-WARNING **
-	501296D1	1	FILM-HITCH (LEFT) **
-	501253D1	3	FILM-IDENT (12V) * **
-	501277D1	1	FILM-BATTERY (INST) **
-	501291D1	1	FILM-BATTERY **
-	501295D1	1	FILM-HITCH (RIGHT) **
-	501294D1	2	FILM-WARNING (HITCH) **
-	501264D1	2	FILM-NOTICE **
-	501292D1	1	FILM-WARNING (OVERFLOW) **
-	501259D1	1	FILM-NOTICE * **
-	501306D1	1	FILM-AIR CLEANER **
-	501287D1	1	FILM-WARNING **
-	501261D1	1	FILM-NOTICE **
-	501267D1	1	FILM-HYD COUPLERS (INST) **
-	501301D1	2	FILM-TIGHTENING (BOLT) **
-	501299D1	4	FILM-TIGHTENING (BOLT) **
9	CH6V-2405	1	ENVELOPE-KEY
17	501288D1	2	FILM-CLEAR COVER
18	501303D1	1	FILM-COOLANT (COLD FILL) **
19	501290D1	2	FILM-CRUSH/SEVER **
41	501300D1	2	FILM-TIGHTENING (BOLT) **
45	501258D1	2	FILM-NOTICE
48	501262D1	4	FILM-NOTICE **
49	501263D1	2	FILM-NOTICE **
52	501274D1	2	FILM-NOTICE *
55	501293D1	2	FILM-WARNING **
59	CH5P-8500	2	KEY
62	CH5P-7958	1	SLEEVE-CABLE SPLICE 2.38 OD
63	CH168-8389	4	TACK-FASTENER (METAL)

PART OF 501811D1 BASE COMMON AR

1792261B
PR: t05i29k58b0558

**MT800 SERIESTRACTORS
DECALS & MARKINGS**

1213

**FILM GP-PAINT & - 179-2261
EAME ONLY
(PAGE 3 OF 9)**

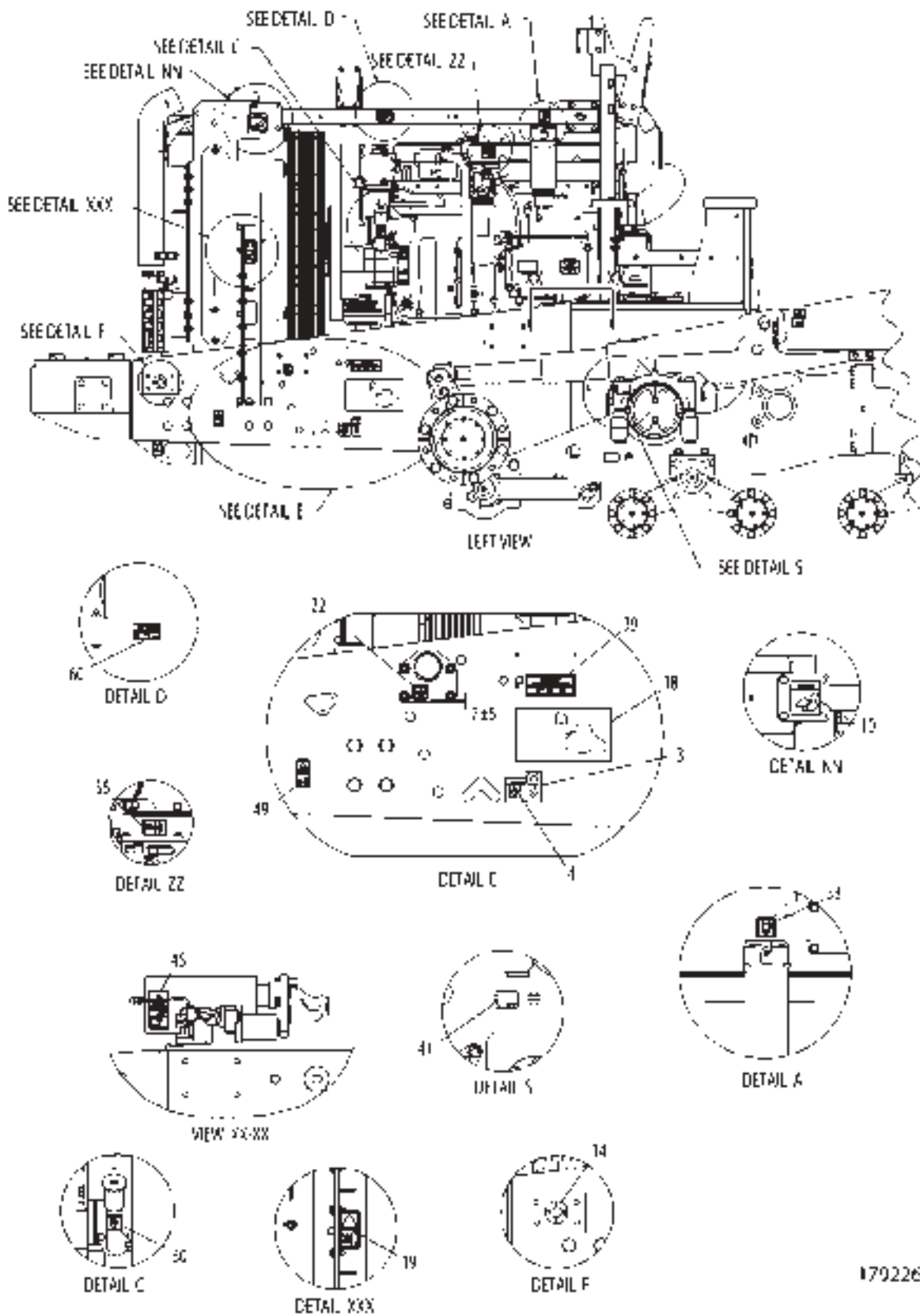
ITEM	NUMBER	QTY	DESCRIPTION
-	179-2261	--	FILM GP-PLATE & FILM
-	501501D1	1	DECAL SHEET-CAB (INCLUDES * ITEMS)
-	501259D1	1	FILM-NOTICE * **
-	501298D1	1	FILM-WARNING *
-	501265D1	1	FILM-NOTICE *
-	501282D1	1	FILM-ROAD SPEED *
-	501253D1	3	FILM-IDENT (12V) * **
-	501274D1	2	FILM-NOTICE *
-	501273D1	1	FILM-NOTICE *
-	501406D1	1	FILM-WIPER DELUXE *
-	501272D1	2	FILM-ATERNATE EXIT *
-	501503D1	1	DECAL SHEET-VEHICLE (SEE BREAKDOWN)
-	501505D1	1	DECAL SHEET-VEHICLE (INCLUDES ** ITEMS)
-	501257D1	2	FILM-NOTICE **
-	501263D1	2	FILM-NOTICE **
-	501254D1	2	FILM-WARNING **
-	501296D1	1	FILM-HITCH (LEFT) **
-	501262D1	4	FILM-NOTICE **
-	501303D1	1	FILM-COOLANT (COLD FILL) **
-	501277D1	1	FILM-BATTERY (INST) **
-	501295D1	1	FILM-HITCH (RIGHT) **
-	501294D1	2	FILM-WARNING (HITCH) **
-	501264D1	2	FILM-NOTICE **
-	501290D1	2	FILM-CRUSH/SEVER **
-	501259D1	1	FILM-NOTICE * **
-	501293D1	2	FILM-WARNING **
-	501267D1	1	FILM-HYD COUPLERS (INST) **
-	501301D1	2	FILM-TIGHTENING (BOLT) **
-	501300D1	2	FILM-TIGHTENING (BOLT) **
-	501299D1	4	FILM-TIGHTENING (BOLT) **
11	501286D1	2	FILM-INSTALLATION DATE *
12	501306D1	1	FILM-AIR CLEANER **
15	501291D1	1	FILM-BATTERY **
16	501302D1	1	FILM-BRAKE *
21	501271D1	1	FILM-FUSE PANEL
27	501252D1	1	FILM-IDENT (12V)
28	501253D1	3	FILM-IDENT (12V) * **
29	501103D1	1	FILM-INST (FUEL FILTER)
32	501276D1	1	FILM-ENGINE OIL FILTER(INST)
34	501281D1	1	FILM-MIRRORS *
35	501251D1	2	FILM-NO STEP
46	501260D1	2	FILM-NOTICE **
47	501261D1	1	FILM-NOTICE **
48	501262D1	4	FILM-NOTICE **
53	501287D1	1	FILM-WARNING **
54	501292D1	1	FILM-WARNING (OVERFLOW) **
57	501297D1	1	FILM-WIRE ACCESS *

PART OF 501811D1 BASE COMMON AR

1792261C
PR: t05i29k58b0559

MT800 SERIES TRACTORS
DECALS & MARKINGS

FILM GP-PAINT & - 179-2261
EAME ONLY
(PAGE 4 OF 9)



**MT800 SERIESTRACTORS
DECALS & MARKINGS**

1215

**FILM GP-PAINT & - 179-2261
EAME ONLY
(PAGE 4 OF 9)**

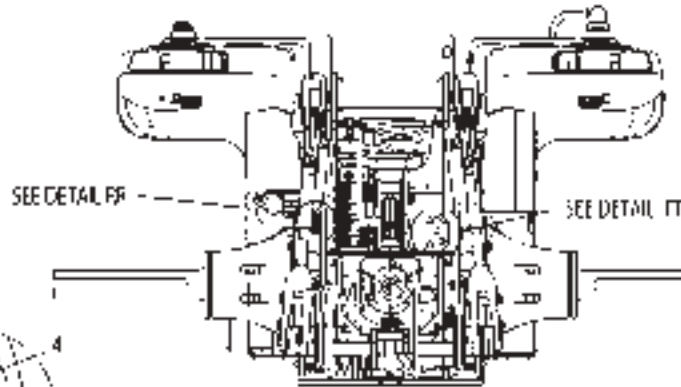
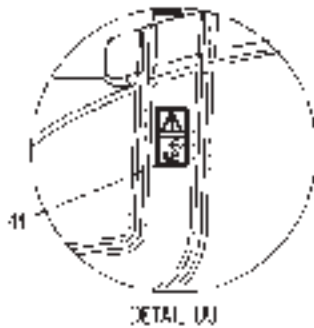
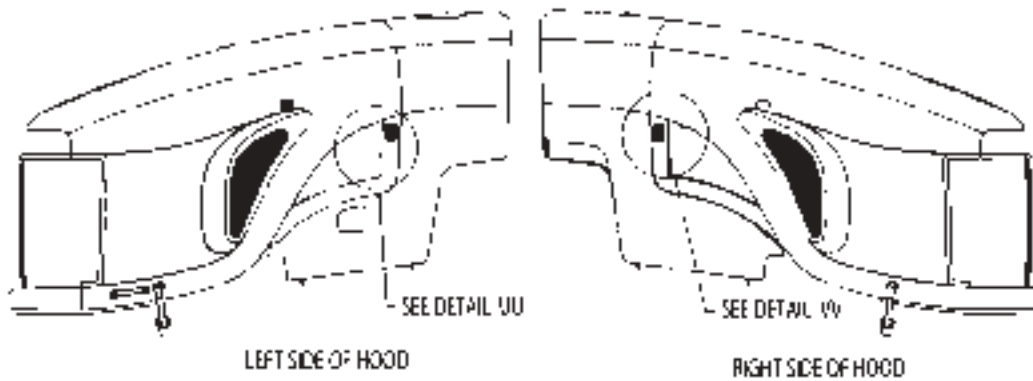
ITEM	NUMBER	QTY	DESCRIPTION
-	179-2261	--	FILM GP-PLATE & FILM
3	500371D1	4	FILM-LIFT
4	500372D1	4	FILM-TIE-DOWN
-	501501D1	1	DECAL SHEET-CAB (INCLUDES * ITEMS)
-	501259D1	1	FILM-NOTICE * **
-	501281D1	1	FILM-MIRRORS *
-	501297D1	1	FILM-WIRE ACCESS *
-	501298D1	1	FILM-WARNING *
-	501265D1	1	FILM-NOTICE *
-	501282D1	1	FILM-ROAD SPEED *
-	501253D1	3	FILM-IDENT (12V) * **
-	501302D1	1	FILM-BRAKE *
-	501274D1	2	FILM-NOTICE *
-	501273D1	1	FILM-NOTICE *
-	501406D1	1	FILM-WIPER DELUXE *
-	501272D1	2	FILM-ATERNATE EXIT *
-	501286D1	2	FILM-INSTALLATION DATE *
-	501503D1	1	DECAL SHEET-VEHICLE (SEE BREAKDOWN)
-	501505D1	1	DECAL SHEET-VEHICLE (INCLUDES ** ITEMS)
-	501257D1	2	FILM-NOTICE **
-	501260D1	2	FILM-NOTICE **
-	501263D1	2	FILM-NOTICE **
-	501254D1	2	FILM-WARNING **
-	501296D1	1	FILM-HITCH (LEFT) **
-	501262D1	4	FILM-NOTICE **
-	501303D1	1	FILM-COOLANT (COLD FILL) **
-	501253D1	3	FILM-IDENT (12V) * **
-	501291D1	1	FILM-BATTERY **
-	501295D1	1	FILM-HITCH (RIGHT) **
-	501294D1	2	FILM-WARNING (HITCH) **
-	501264D1	2	FILM-NOTICE **
-	501292D1	1	FILM-WARNING (OVERFLOW) **
-	501259D1	1	FILM-NOTICE * **
-	501293D1	2	FILM-WARNING **
-	501306D1	1	FILM-AIR CLEANER **
-	501287D1	1	FILM-WARNING **
-	501261D1	1	FILM-NOTICE **
-	501267D1	1	FILM-HYD COUPLERS (INST) **
-	501301D1	2	FILM-TIGHTENING (BOLT) **
-	501299D1	4	FILM-TIGHTENING (BOLT) **
10	501278D1	1	FILM-BELT (ROUTING)
14	501277D1	1	FILM-BATTERY (INST) **
19	501290D1	2	FILM-CRUSH/SEVER **
22	501105D1	1	FILM-GROUND GEN
30	501108D1	1	FILM-INSTRUCTION
33	501280D1	1	FILM-WATER SEPARATOR
38	501269D1	1	FILM-NOTICE (SHIPPING)
39	501305D1	1	FILM-PATENT
41	501300D1	2	FILM-TIGHTENING (BOLT) **
45	501258D1	2	FILM-NOTICE
49	501263D1	2	FILM-NOTICE **
55	501293D1	2	FILM-WARNING **
60	502279D1	1	PLATE-INST (A/C)

PART OF 501811D1 BASE COMMON AR

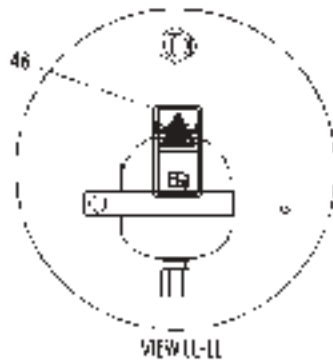
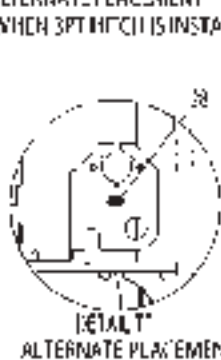
1792261D
PR: t05i29k58b0560

MT800 SERIES TRACTORS
DECALS & MARKINGS

FILM GP-PAINT & - 179-2261
EAME ONLY
(PAGE 5 OF 9)



ALTERNATE PLACEMENT REAR VIEW
(3PT HITCH INSTALLED)



**MT800 SERIESTRACTORS
DECALS & MARKINGS**

1217

**FILM GP-PAINT & - 179-2261
EAME ONLY
(PAGE 5 OF 9)**

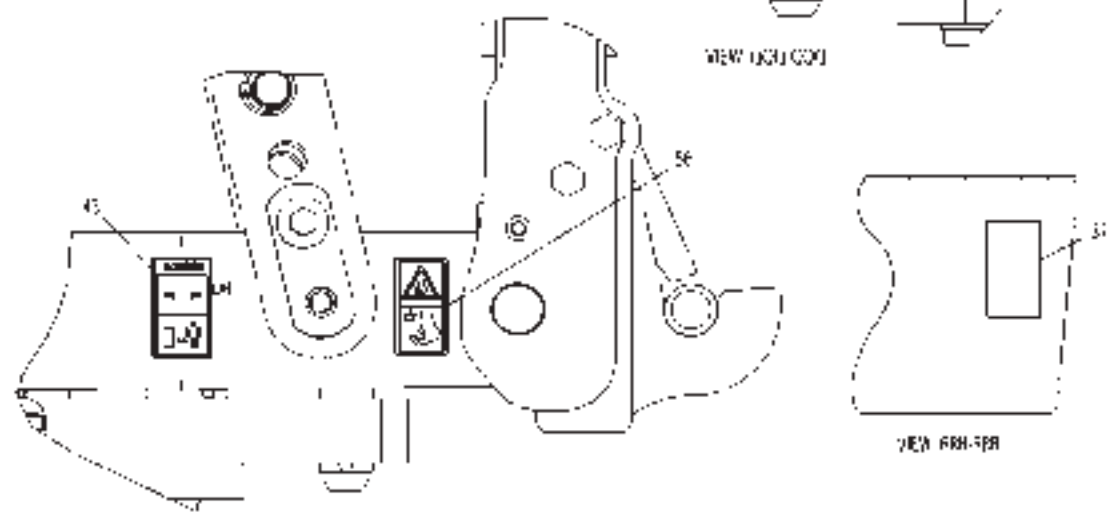
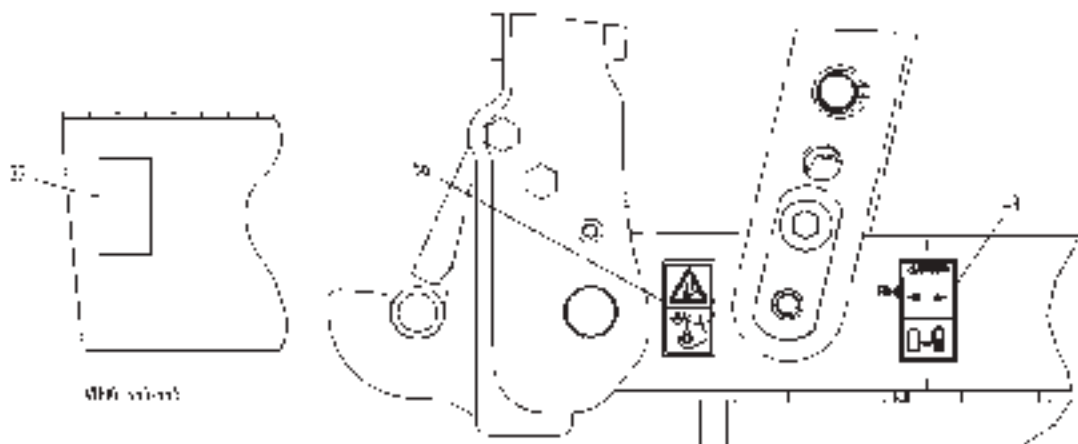
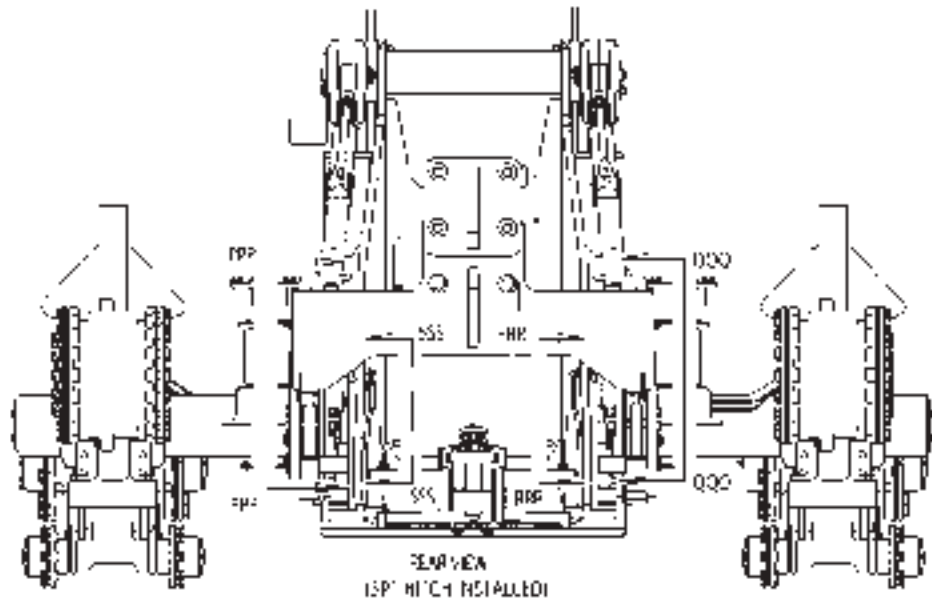
ITEM	NUMBER	QTY	DESCRIPTION
-	179-2261	--	FILM GP-PLATE & FILM
3	500371D1	4	FILM-LIFT
4	500372D1	4	FILM-TIE-DOWN
-	501501D1	1	DECAL SHEET-CAB (INCLUDES * ITEMS)
-	501259D1	1	FILM-NOTICE * **
-	501281D1	1	FILM-MIRRORS *
-	501297D1	1	FILM-WIRE ACCESS *
-	501298D1	1	FILM-WARNING *
-	501265D1	1	FILM-NOTICE *
-	501282D1	1	FILM-ROAD SPEED *
-	501253D1	3	FILM-IDENT (12V) * **
-	501302D1	1	FILM-BRAKE *
-	501274D1	2	FILM-NOTICE *
-	501273D1	1	FILM-NOTICE *
-	501406D1	1	FILM-WIPER DELUXE *
-	501272D1	2	FILM-ATERNATE EXIT *
-	501286D1	2	FILM-INSTALLATION DATE *
-	501503D1	1	DECAL SHEET-VEHICLE (SEE BREAKDOWN)
-	501505D1	1	DECAL SHEET-VEHICLE (INCLUDES ** ITEMS)
-	501260D1	2	FILM-NOTICE **
-	501263D1	2	FILM-NOTICE **
-	501254D1	2	FILM-WARNING **
-	501296D1	1	FILM-HITCH (LEFT) **
-	501303D1	1	FILM-COOLANT (COLD FILL) **
-	501277D1	1	FILM-BATTERY (INST) **
-	501291D1	1	FILM-BATTERY **
-	501295D1	1	FILM-HITCH (RIGHT) **
-	501294D1	2	FILM-WARNING (HITCH) **
-	501264D1	2	FILM-NOTICE **
-	501290D1	2	FILM-CRUSH/SEVER **
-	501292D1	1	FILM-WARNING (OVERFLOW) **
-	501259D1	1	FILM-NOTICE * **
-	501293D1	2	FILM-WARNING **
-	501306D1	1	FILM-AIR CLEANER **
-	501287D1	1	FILM-WARNING **
-	501261D1	1	FILM-NOTICE **
-	501301D1	2	FILM-TIGHTENING (BOLT) **
-	501300D1	2	FILM-TIGHTENING (BOLT) **
-	501299D1	4	FILM-TIGHTENING (BOLT) **
28	501253D1	3	FILM-IDENT (12V) * **
31	501267D1	1	FILM-HYD COUPLERS (INST) **
44	501257D1	2	FILM-NOTICE **
48	501262D1	4	FILM-NOTICE **

PART OF 501811D1 BASE COMMON AR

1792261E
PR: t05i29k58b0561

MT800 SERIES TRACTORS
DECALS & MARKINGS

FILM GP-PAINT & - 179-2261
EAME ONLY
(PAGE 6 OF 9)



**MT800 SERIESTRACTORS
DECALS & MARKINGS**

1219

**FILM GP-PAINT & - 179-2261
EAME ONLY
(PAGE 6 OF 9)**

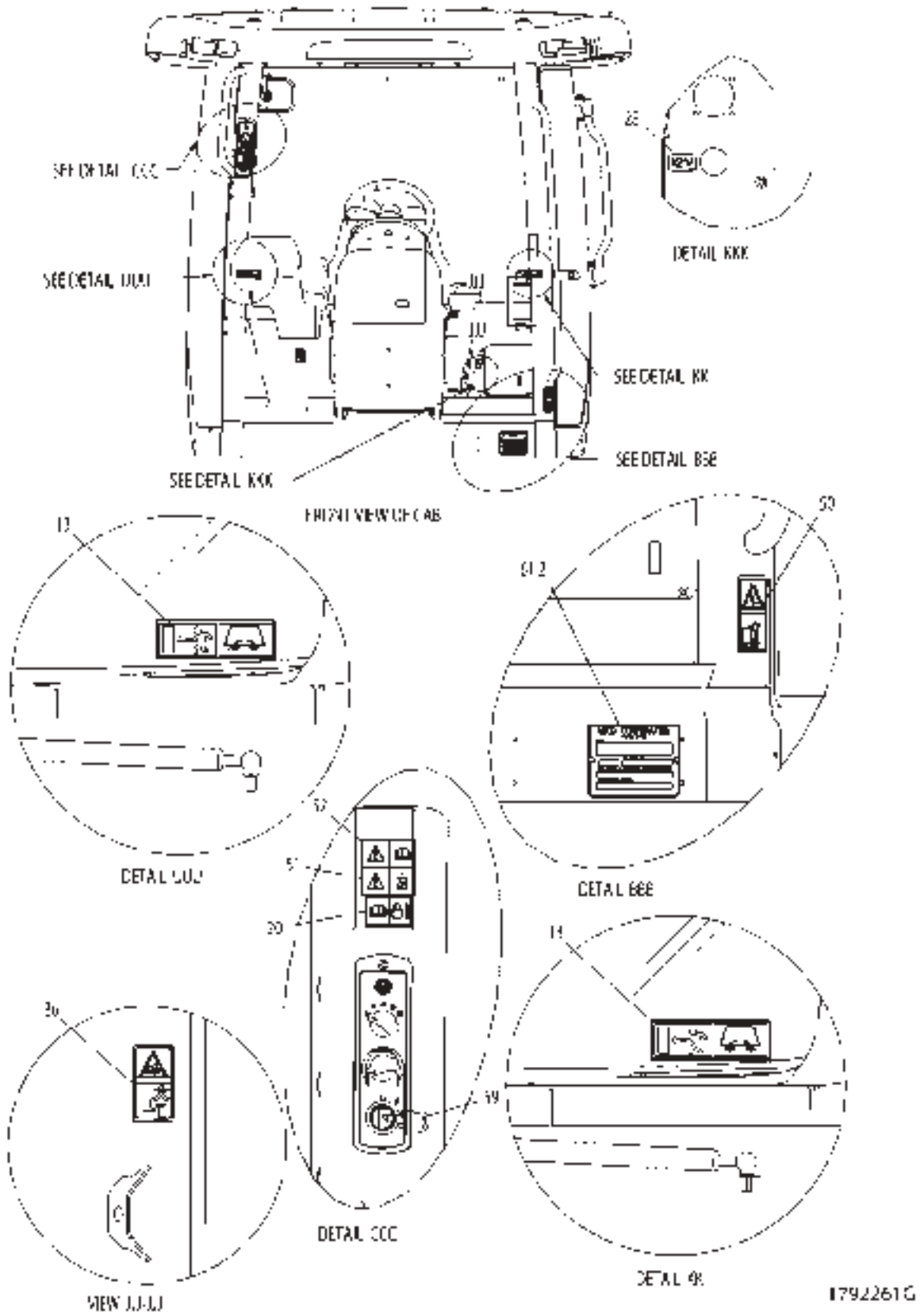
ITEM	NUMBER	QTY	DESCRIPTION
-	179-2261	--	FILM GP-PLATE & FILM
-	501501D1	1	DECAL SHEET-CAB (INCLUDES * ITEMS)
-	501259D1	1	FILM-NOTICE * **
-	501281D1	1	FILM-MIRRORS *
-	501297D1	1	FILM-WIRE ACCESS *
-	501298D1	1	FILM-WARNING *
-	501265D1	1	FILM-NOTICE *
-	501282D1	1	FILM-ROAD SPEED *
-	501253D1	3	FILM-IDENT (12V) * **
-	501302D1	1	FILM-BRAKE *
-	501274D1	2	FILM-NOTICE *
-	501273D1	1	FILM-NOTICE *
-	501406D1	1	FILM-WIPER DELUXE *
-	501272D1	2	FILM-ATERNATE EXIT *
-	501286D1	2	FILM-INSTALLATION DATE *
-	501503D1	1	DECAL SHEET-VEHICLE (SEE BREAKDOWN)
-	501505D1	1	DECAL SHEET-VEHICLE (INCLUDES ** ITEMS)
-	501257D1	2	FILM-NOTICE **
-	501260D1	2	FILM-NOTICE **
-	501263D1	2	FILM-NOTICE **
-	501296D1	1	FILM-HITCH (LEFT) **
-	501262D1	4	FILM-NOTICE **
-	501303D1	1	FILM-COOLANT (COLD FILL) **
-	501253D1	3	FILM-IDENT (12V) * **
-	501277D1	1	FILM-BATTERY (INST) **
-	501291D1	1	FILM-BATTERY **
-	501295D1	1	FILM-HITCH (RIGHT) **
-	501290D1	2	FILM-CRUSH/SEVER **
-	501292D1	1	FILM-WARNING (OVERFLOW) **
-	501259D1	1	FILM-NOTICE * **
-	501293D1	2	FILM-WARNING **
-	501306D1	1	FILM-AIR CLEANER **
-	501287D1	1	FILM-WARNING **
-	501261D1	1	FILM-NOTICE **
-	501267D1	1	FILM-HYD COUPLERS (INST) **
-	501301D1	2	FILM-TIGHTENING (BOLT) **
-	501300D1	2	FILM-TIGHTENING (BOLT) **
-	501299D1	4	FILM-TIGHTENING (BOLT) **
37	501264D1	2	FILM-NOTICE **
43	501254D1	2	FILM-WARNING **
56	501294D1	2	FILM-WARNING (HITCH) **

PART OF 501811D1 BASE COMMON AR

1792261F
PR: t05i29k58b0562

MT800 SERIES TRACTORS
DECALS & MARKINGS

FILM GP-PAINT & - 179-2261
EAME ONLY
(PAGE 7 OF 9)



**MT800 SERIESTRACTORS
DECALS & MARKINGS**

1221

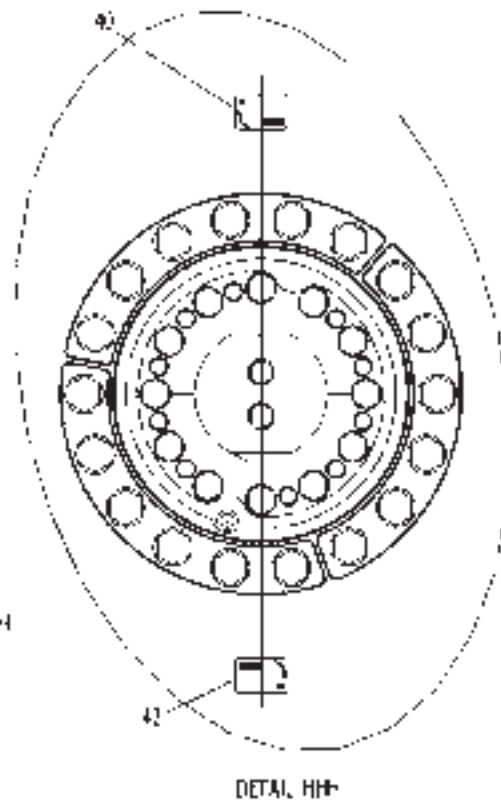
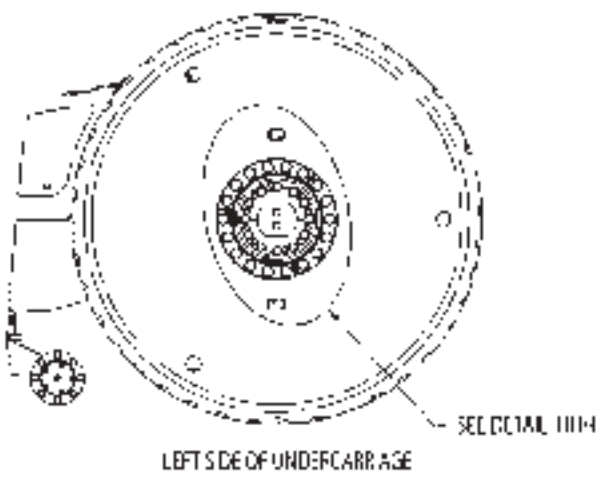
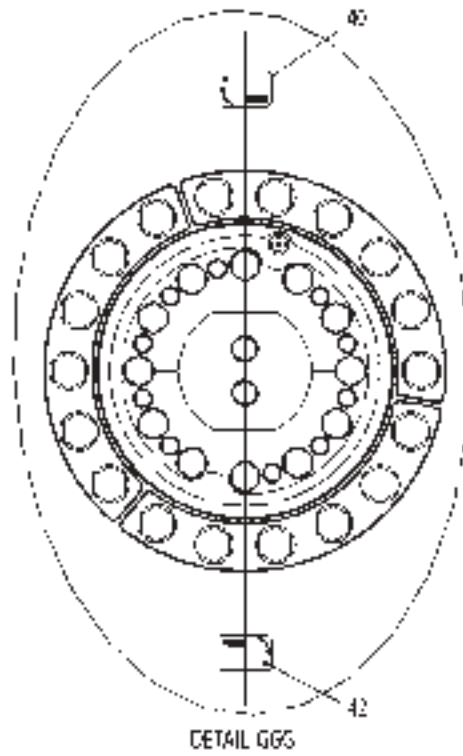
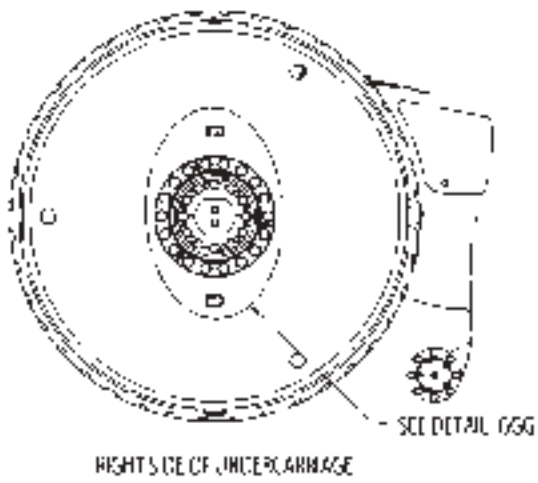
**FILM GP-PAINT & - 179-2261
EAME ONLY
(PAGE 7 OF 9)**

ITEM	NUMBER	QTY	DESCRIPTION
-	179-2261	--	FILM GP-PLATE & FILM
2	502620D1	1	PLATE-ROPS (NOT SERVICED)
-	501501D1	1	DECAL SHEET-CAB (INCLUDES * ITEMS)
-	501281D1	1	FILM-MIRRORS *
-	501297D1	1	FILM-WIRE ACCESS *
-	501282D1	1	FILM-ROAD SPEED *
-	501302D1	1	FILM-BRAKE *
-	501406D1	1	FILM-WIPER DELUXE *
-	501286D1	2	FILM-INSTALLATION DATE *
-	501503D1	1	DECAL SHEET-VEHICLE (SEE BREAKDOWN)
-	501505D1	1	DECAL SHEET-VEHICLE (INCLUDES ** ITEMS)
-	501257D1	2	FILM-NOTICE **
-	501260D1	2	FILM-NOTICE **
-	501263D1	2	FILM-NOTICE **
-	501254D1	2	FILM-WARNING **
-	501296D1	1	FILM-HITCH (LEFT) **
-	501262D1	4	FILM-NOTICE **
-	501303D1	1	FILM-COOLANT (COLD FILL) **
-	501277D1	1	FILM-BATTERY (INST) **
-	501291D1	1	FILM-BATTERY **
-	501295D1	1	FILM-HITCH (RIGHT) **
-	501294D1	2	FILM-WARNING (HITCH) **
-	501264D1	2	FILM-NOTICE **
-	501290D1	2	FILM-CRUSH/SEVER **
-	501292D1	1	FILM-WARNING (OVERFLOW) **
-	501293D1	2	FILM-WARNING **
-	501306D1	1	FILM-AIR CLEANER **
-	501287D1	1	FILM-WARNING **
-	501261D1	1	FILM-NOTICE **
-	501267D1	1	FILM-HYD COUPLERS (INST) **
-	501301D1	2	FILM-TIGHTENING (BOLT) **
-	501300D1	2	FILM-TIGHTENING (BOLT) **
-	501299D1	4	FILM-TIGHTENING (BOLT) **
13	501272D1	2	FILM-ATERNATE EXIT *
20	501298D1	1	FILM-WARNING *
28	501253D1	3	FILM-IDENT (12V) * **
36	501259D1	1	FILM-NOTICE * **
50	501265D1	1	FILM-NOTICE *
51	501273D1	1	FILM-NOTICE *
52	501274D1	2	FILM-NOTICE *
59	CH5P-8500	2	KEY
61	CH8C-3348	2	RIVET-BLIND 1.6-3.18GRIPX3.18

PART OF 501811D1 BASE COMMON AR

1792261G
PR: t05i29k58b0563

FILM GP-PAINT & - 179-2261
EAME ONLY
(PAGE 8 OF 9)



**MT800 SERIESTRACTORS
DECALS & MARKINGS**

1223

**FILM GP-PAINT & - 179-2261
EAME ONLY
(PAGE 8 OF 9)**

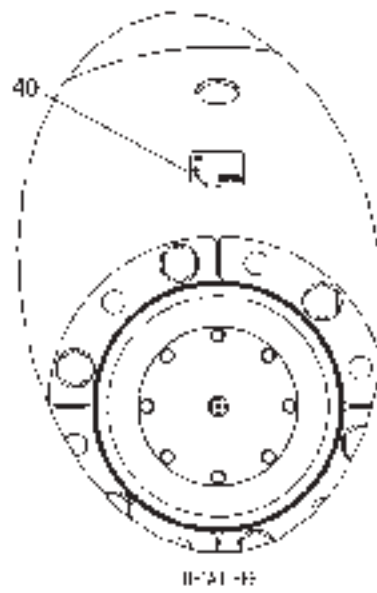
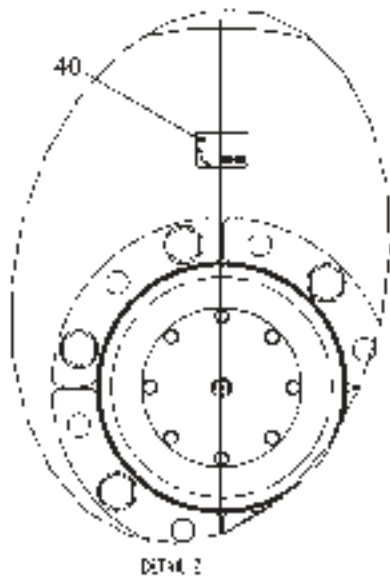
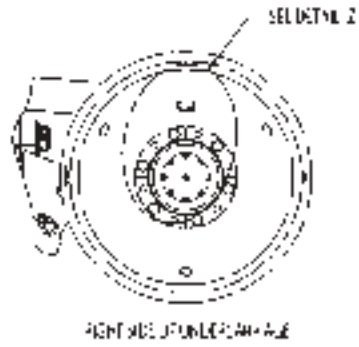
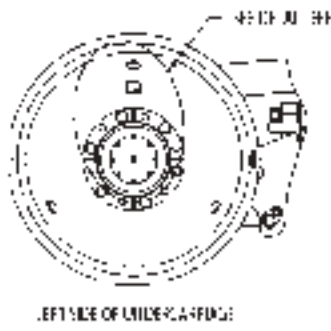
ITEM	NUMBER	QTY	DESCRIPTION
-	179-2261	--	FILM GP-PLATE & FILM
-	501501D1	1	DECAL SHEET-CAB (INCLUDES * ITEMS)
-	501259D1	1	FILM-NOTICE * **
-	501281D1	1	FILM-MIRRORS *
-	501297D1	1	FILM-WIRE ACCESS *
-	501298D1	1	FILM-WARNING *
-	501265D1	1	FILM-NOTICE *
-	501282D1	1	FILM-ROAD SPEED *
-	501253D1	3	FILM-IDENT (12V) * **
-	501302D1	1	FILM-BRAKE *
-	501274D1	2	FILM-NOTICE *
-	501273D1	1	FILM-NOTICE *
-	501406D1	1	FILM-WIPER DELUXE *
-	501272D1	2	FILM-ATERNATE EXIT *
-	501286D1	2	FILM-INSTALLATION DATE *
-	501503D1	1	DECAL SHEET-VEHICLE (SEE BREAKDOWN)
-	501505D1	1	DECAL SHEET-VEHICLE (INCLUDES ** ITEMS)
-	501257D1	2	FILM-NOTICE **
-	501260D1	2	FILM-NOTICE **
-	501263D1	2	FILM-NOTICE **
-	501254D1	2	FILM-WARNING **
-	501296D1	1	FILM-HITCH (LEFT) **
-	501262D1	4	FILM-NOTICE **
-	501303D1	1	FILM-COOLANT (COLD FILL) **
-	501253D1	3	FILM-IDENT (12V) * **
-	501277D1	1	FILM-BATTERY (INST) **
-	501291D1	1	FILM-BATTERY **
-	501295D1	1	FILM-HITCH (RIGHT) **
-	501294D1	2	FILM-WARNING (HITCH) **
-	501264D1	2	FILM-NOTICE **
-	501290D1	2	FILM-CRUSH/SEVER **
-	501292D1	1	FILM-WARNING (OVERFLOW) **
-	501259D1	1	FILM-NOTICE * **
-	501293D1	2	FILM-WARNING **
-	501306D1	1	FILM-AIR CLEANER **
-	501287D1	1	FILM-WARNING **
-	501261D1	1	FILM-NOTICE **
-	501267D1	1	FILM-HYD COUPLERS (INST) **
-	501300D1	2	FILM-TIGHTENING (BOLT) **
40	501299D1	4	FILM-TIGHTENING (BOLT) **
42	501301D1	2	FILM-TIGHTENING (BOLT) **

PART OF 501811D1 BASE COMMON AR

1792261H
PR: t05i29k58b0564

MT800 SERIES TRACTORS
DECALS & MARKINGS

FILM GP-PAINT & - 179-2261
EAME ONLY
(PAGE 9 OF 9)



**MT800 SERIESTRACTORS
DECALS & MARKINGS**

1225

**FILM GP-PAINT & - 179-2261
EAME ONLY
(PAGE 9 OF 9)**

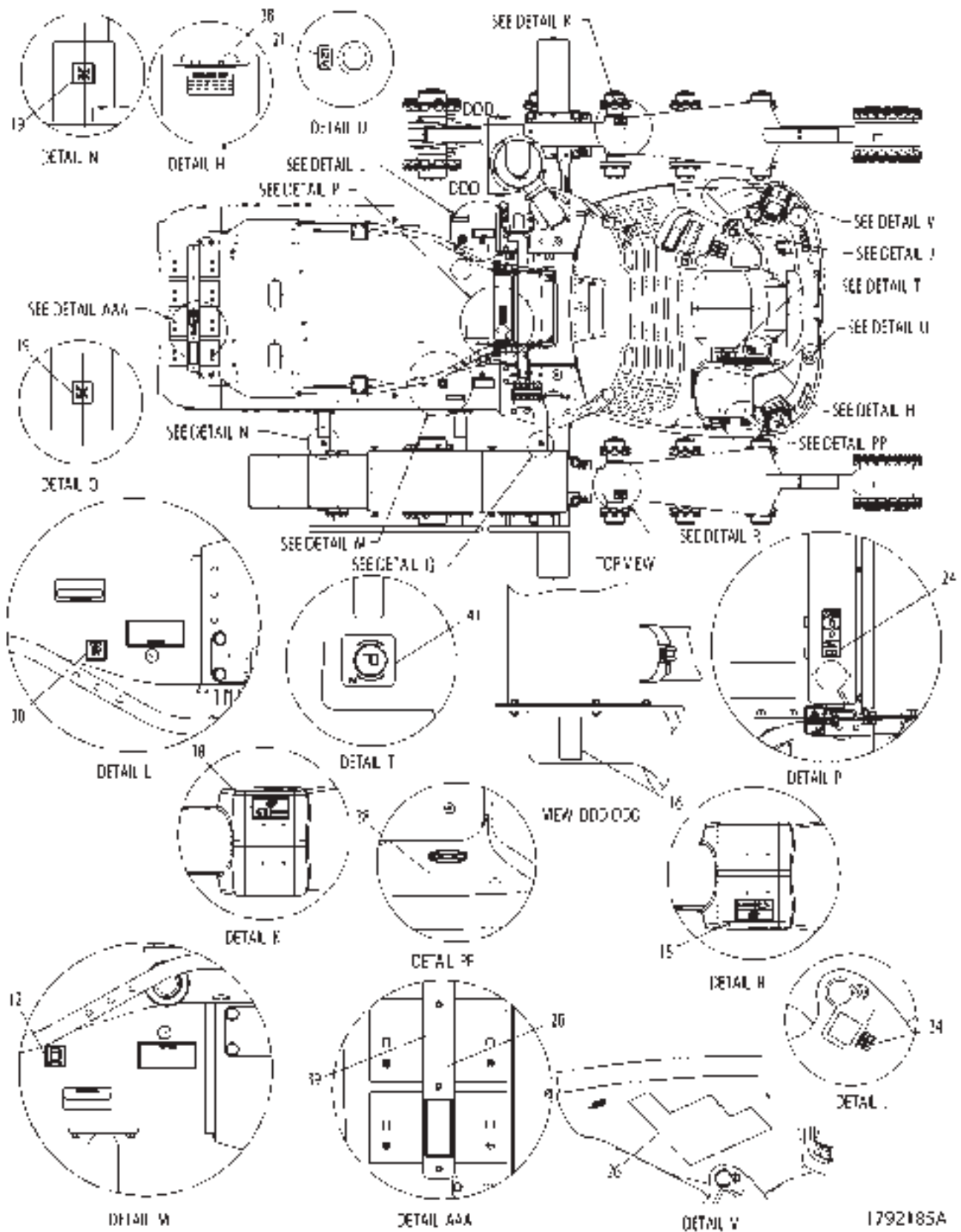
ITEM	NUMBER	QTY	DESCRIPTION
-	179-2261	--	FILM GP-PLATE & FILM
-	501501D1	1	DECAL SHEET-CAB (INCLUDES * ITEMS)
-	501259D1	1	FILM-NOTICE * **
-	501281D1	1	FILM-MIRRORS *
-	501297D1	1	FILM-WIRE ACCESS *
-	501298D1	1	FILM-WARNING *
-	501265D1	1	FILM-NOTICE *
-	501282D1	1	FILM-ROAD SPEED *
-	501253D1	3	FILM-IDENT (12V) * **
-	501302D1	1	FILM-BRAKE *
-	501274D1	2	FILM-NOTICE *
-	501273D1	1	FILM-NOTICE *
-	501406D1	1	FILM-WIPER DELUXE *
-	501272D1	2	FILM-ATERNATE EXIT *
-	501286D1	2	FILM-INSTALLATION DATE *
-	501503D1	1	DECAL SHEET-VEHICLE (SEE BREAKDOWN)
-	501505D1	1	DECAL SHEET-VEHICLE (INCLUDES ** ITEMS)
-	501257D1	2	FILM-NOTICE **
-	501260D1	2	FILM-NOTICE **
-	501263D1	2	FILM-NOTICE **
-	501254D1	2	FILM-WARNING **
-	501296D1	1	FILM-HITCH (LEFT) **
-	501262D1	4	FILM-NOTICE **
-	501303D1	1	FILM-COOLANT (COLD FILL) **
-	501253D1	3	FILM-IDENT (12V) * **
-	501277D1	1	FILM-BATTERY (INST) **
-	501291D1	1	FILM-BATTERY **
-	501295D1	1	FILM-HITCH (RIGHT) **
-	501294D1	2	FILM-WARNING (HITCH) **
-	501264D1	2	FILM-NOTICE **
-	501290D1	2	FILM-CRUSH/SEVER **
-	501292D1	1	FILM-WARNING (OVERFLOW) **
-	501259D1	1	FILM-NOTICE * **
-	501293D1	2	FILM-WARNING **
-	501306D1	1	FILM-AIR CLEANER **
-	501287D1	1	FILM-WARNING **
-	501261D1	1	FILM-NOTICE **
-	501267D1	1	FILM-HYD COUPLERS (INST) **
-	501301D1	2	FILM-TIGHTENING (BOLT) **
-	501300D1	2	FILM-TIGHTENING (BOLT) **
40	501299D1	4	FILM-TIGHTENING (BOLT) **

PART OF 501811D1 BASE COMMON AR

1792261J
PR: t05i29k58b0565

MT800 SERIES TRACTORS
DECALS & MARKINGS

FILM GP - & PLATES - 179-2185
ROW & SPECIAL
(PAGE 1 OF 5)



MT800 SERIESTRACTORS
DECALS & MARKINGS

1227

FILM GP - & PLATES - 179-2185
ROW & SPECIAL
(PAGE 1 OF 5)

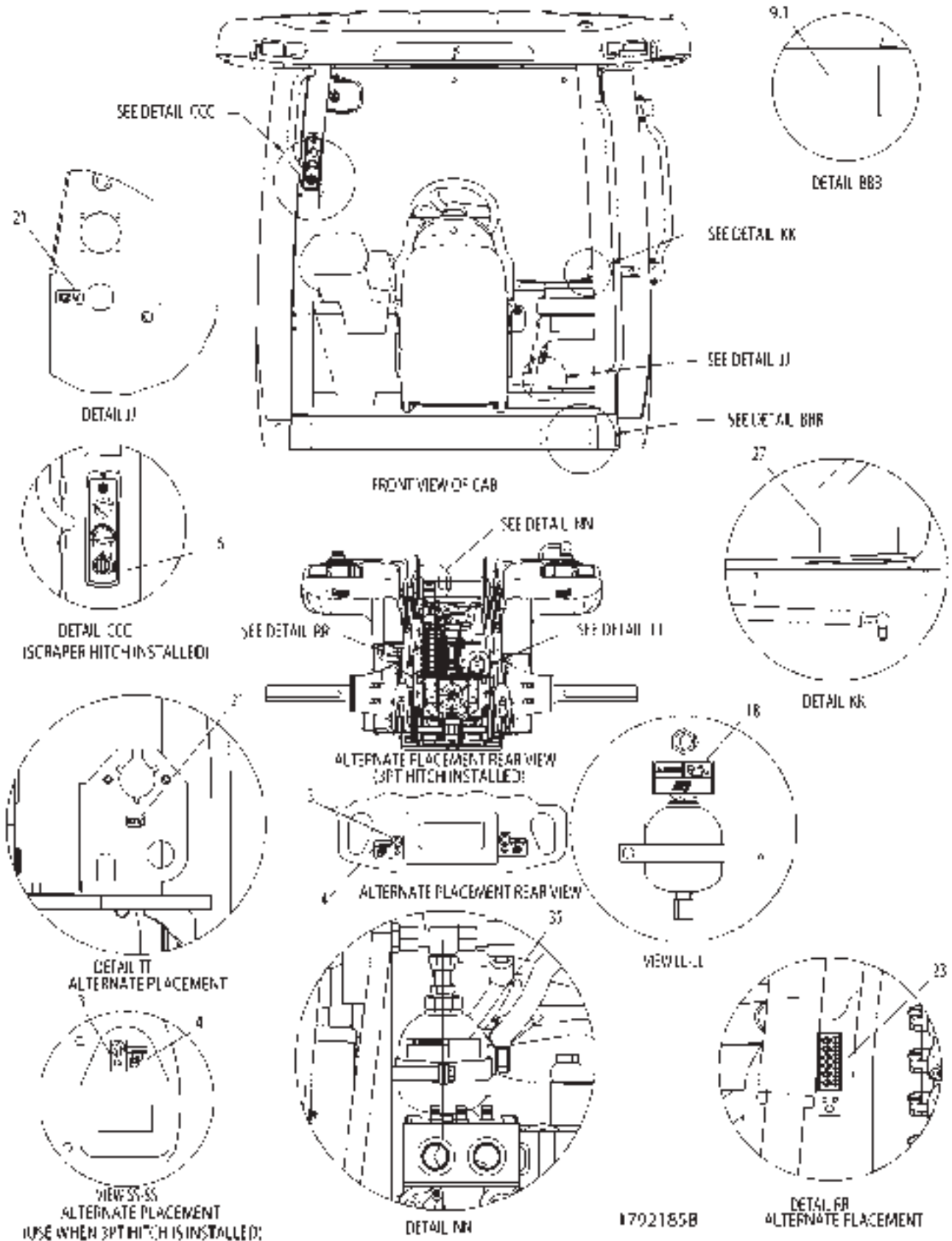
ITEM	NUMBER	QTY	DESCRIPTION
-	179-2185	--	FILM GP-PAINT &
12	501103D1	--	FILM-INST (FUEL FILTER)
16	501107D1	--	FILM-WARNING (HOT SURFACE)
18	501250D1	--	FILM-WARNING
19	501251D1	--	FILM-NO STEP
20	501252D1	--	FILM-IDENT (12V)
21	501253D1	--	FILM-IDENT (12V) * **
24	501268D1	--	FILM-WARNING
26	501270D1	1	FILM-FUSE PANEL
30	501276D1	--	FILM-ENGINE OIL FILTER(INST)
34	501281D1	--	FILM-MIRRORS *
38	501286D1	--	FILM-INSTALLATION DATE *
39	501287D1	--	FILM-WARNING **
41	501289D1	--	FILM-PARK BRAKE *
-	501500D1	1	DECAL SHEET-CAB (INCLUDES * ITEMS)
-	501272D1	--	FILM ALTERNATE EXIT *
-	501405D1	--	FILM-NOTICE (WIDE GAUGE) *
-	501256D1	--	FILM-WIPER BASIC *
-	501406D1	--	FILM-WIPER DELUXE *
-	501274D1	--	FILM-WARNING *
-	501503D1	1	DECAL SHEET-VEHICLE (SEE BREAKDOWN)
-	501504D1	1	DECAL SHEET-VEHICLE (INCLUDES ** ITEMS)
-	501277D1	--	PLATE-INST BATTERY **
-	501306D1	--	FILM-AIR CLEANER **
-	501267D1	--	FILM-HYD COUPLER **

PART OF 179-1952 BASE COMMON AR

1792185A
PR: t05i29k58b0566

MT800 SERIES TRACTORS
DECALS & MARKINGS

FILM GP - & PLATES - 179-2185
ROW & SPECIAL
(PAGE 2 OF 5)



**MT800 SERIESTRACTORS
DECALS & MARKINGS**

1229

**FILM GP - & PLATES - 179-2185
ROW & SPECIAL
(PAGE 2 OF 5)**

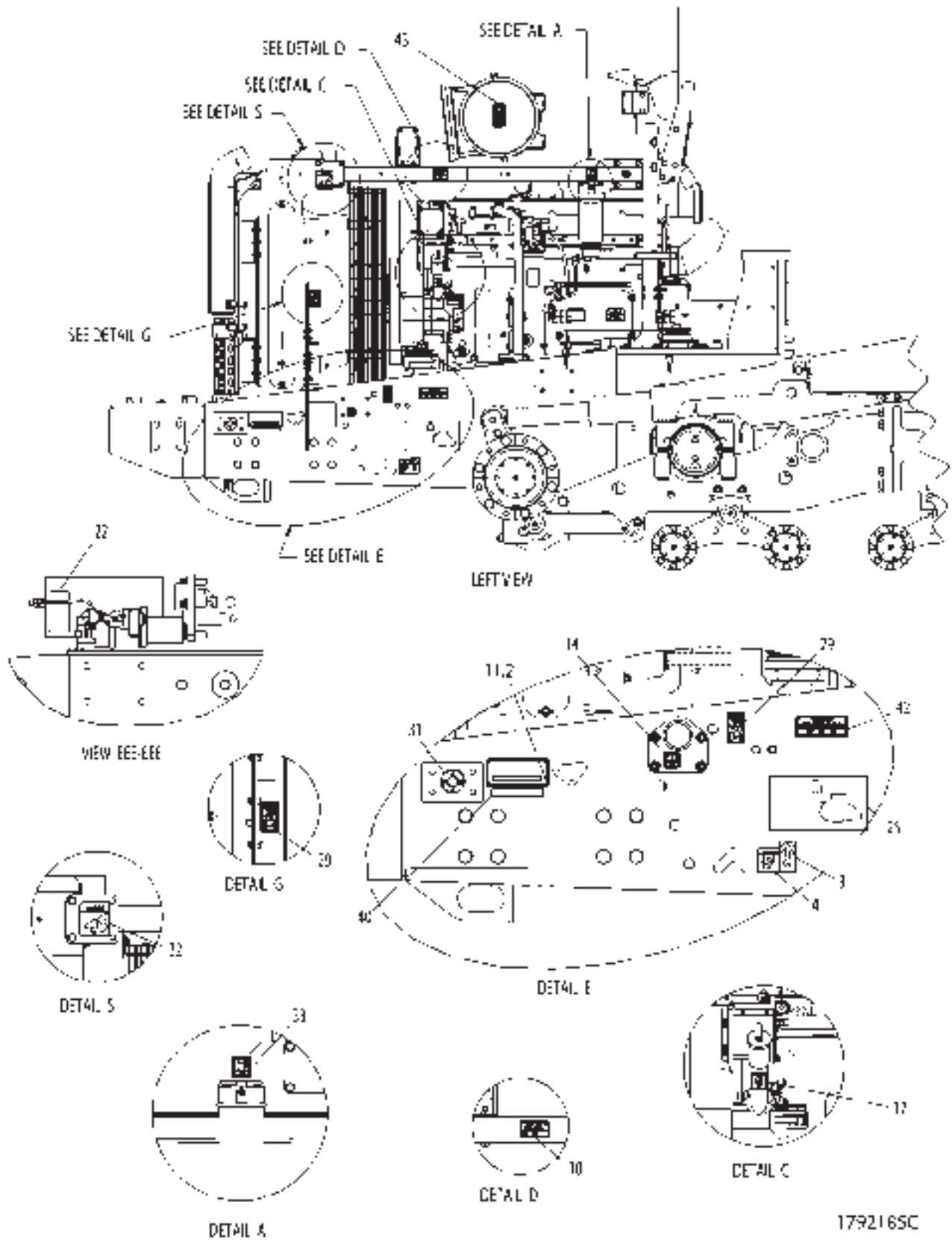
ITEM	NUMBER	QTY	DESCRIPTION
-	179-2185	--	FILM GP-PAINT &
1	502619D1	1	PLATE-ROPS (NOT SERVICED)
3	500371D1	--	FILM-LIFT
4	500372D1	--	FILM-TIE-DOWN
6	CH5P-8500	2	KEY
9	CH8C-3348	2	RIVET-BLIND 1.6-3.18GRIPX3.18
18	501250D1	--	FILM-WARNING
21	501253D1	--	FILM-IDENT (12V) * **
23	501267D1	--	FILM-HYD COUPLERS (INST) **
27	501272D1	--	FILM-ATERNATE EXIT *
35	501283D1	--	FILM-WARNING
-	501500D1	1	DECAL SHEET-CAB (INCLUDES * ITEMS)
-	501289D1	--	FILM-PARK BRAKE *
-	501405D1	--	FILM-NOTICE (WIDE GAUGE) *
-	501256D1	--	FILM-WIPER BASIC *
-	501406D1	--	FILM-WIPER DELUXE *
-	501281D1	--	FILM-MIRRORS *
-	501286D1	--	FILM-INSTALLATION DATE *
-	501274D1	--	FILM-WARNING *
-	501503D1	1	DECAL SHEET-VEHICLE (SEE BREAKDOWN)
-	501504D1	1	DECAL SHEET-VEHICLE (INCLUDES ** ITEMS)
-	501287D1	--	FILM-WARNING **
-	501277D1	--	PLATE-INST BATTERY **
-	501306D1	--	FILM-AIR CLEANER **

PART OF 179-1952 BASE COMMON AR

1792185B
PR: t05i29k58b0567

MT800 SERIES TRACTORS
DECALS & MARKINGS

FILM GP - & PLATES - 179-2185
ROW & SPECIAL
(PAGE 3 OF 5)



**MT800 SERIESTRACTORS
DECALS & MARKINGS**

1231

**FILM GP - & PLATES - 179-2185
ROW & SPECIAL
(PAGE 3 OF 5)**

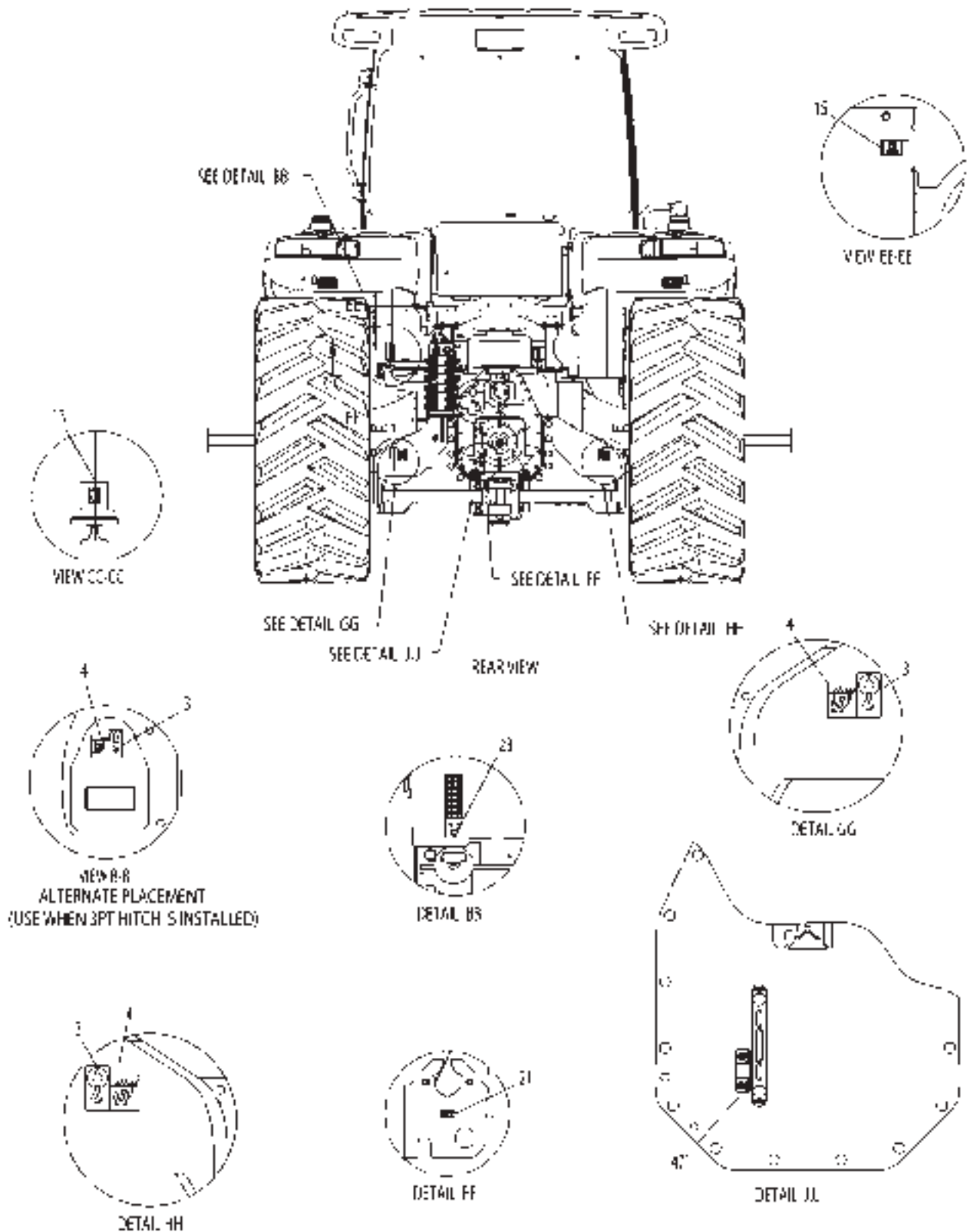
ITEM	NUMBER	QTY	DESCRIPTION
-	179-2185	--	FILM GP-PAINT &
2	222-2281	1	PLATE-SERIAL NO. (NOT SERVICED)
3	500371D1	--	FILM-LIFT
4	500372D1	--	FILM-TIE-DOWN
10	110-6393	1	PLATE-INST (A/C)
11	CH168-8389	4	TACK-FASTENER (METAL)
14	501105D1	--	FILM-GROUND GEN
17	501108D1	--	FILM-INSTRUCTION
22	501258D1	--	FILM-NOTICE
25	501269D1	--	FILM-NOTICE (SHIPPING)
29	501275D1	--	FILM-WARNING (FAN)
31	501277D1	--	FILM-BATTERY (INST) **
32	501278D1	--	FILM-BELT (ROUTING)
33	501280D1	--	FILM-WATER SEPARATOR
40	501288D1	--	FILM-CLEAR COVER
42	501305D1	--	FILM-PATENT
43	501306D1	--	FILM-AIR CLEANER **
-	501500D1	1	DECAL SHEET-CAB (INCLUDES * ITEMS)
-	501289D1	--	FILM-PARK BRAKE *
-	501272D1	--	FILM ALTERNATE EXIT *
-	501405D1	--	FILM-NOTICE (WIDE GAUGE) *
-	501256D1	--	FILM-WIPER BASIC *
-	501406D1	--	FILM-WIPER DELUXE *
-	501253D1	--	FILM-IDENT (12V) * **
-	501281D1	--	FILM-MIRRORS *
-	501286D1	--	FILM-INSTALLATION DATE *
-	501274D1	--	FILM-WARNING *
-	501503D1	1	DECAL SHEET-VEHICLE (SEE BREAKDOWN)
-	501504D1	1	DECAL SHEET-VEHICLE (INCLUDES ** ITEMS)
-	501253D1	--	FILM-IDENT (12V) * **
-	501287D1	--	FILM-WARNING **
-	501267D1	--	FILM-HYD COUPLERS (INST) **

PART OF 179-1952 BASE COMMON AR

1792185C
PR: t05i29k58b0568

MT800 SERIES TRACTORS
DECALS & MARKINGS

FILM GP - & PLATES - 179-2185
ROW & SPECIAL
(PAGE 4 OF 5)



**MT800 SERIESTRACTORS
DECALS & MARKINGS**

1233

**FILM GP - & PLATES - 179-2185
ROW & SPECIAL
(PAGE 4 OF 5)**

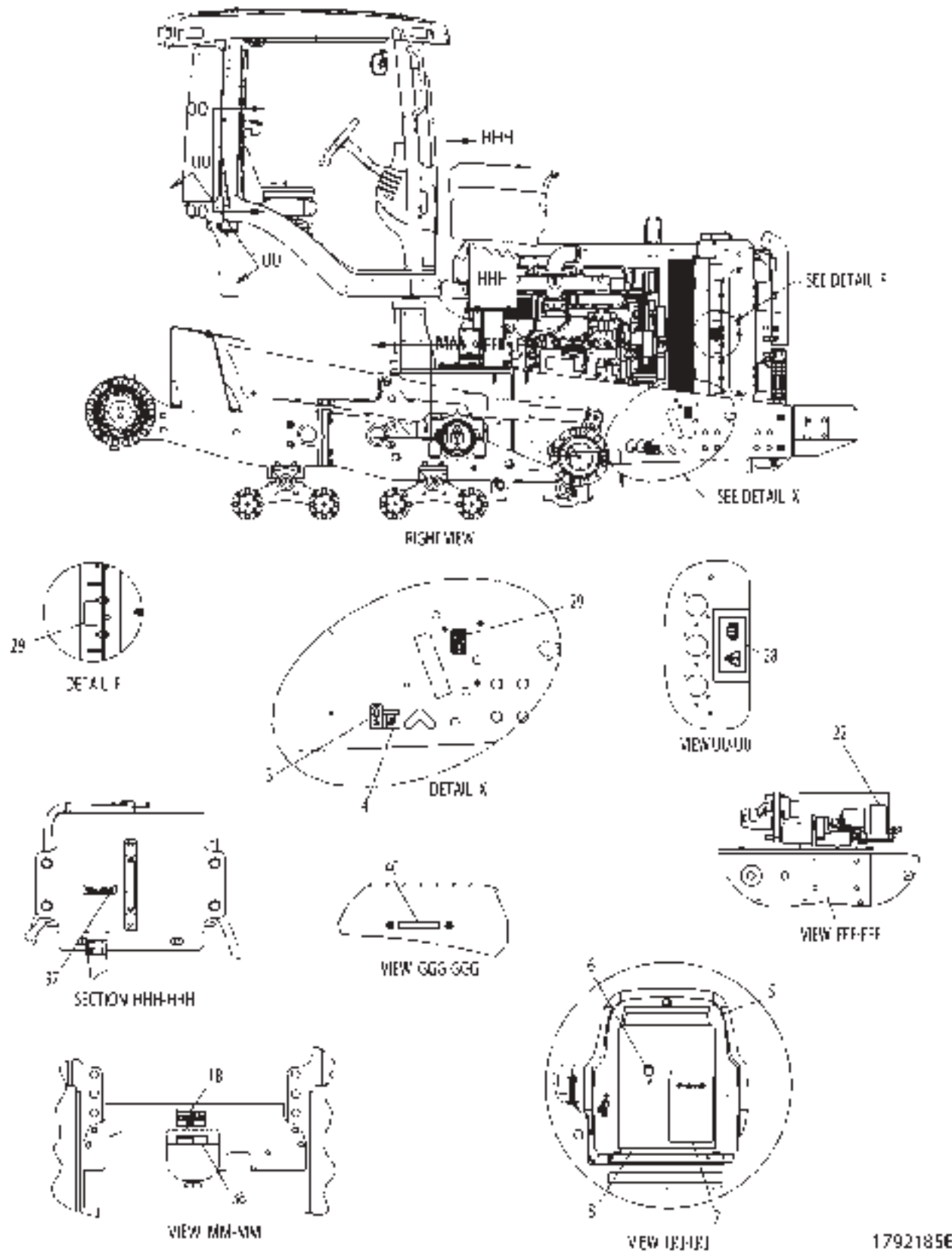
ITEM	NUMBER	QTY	DESCRIPTION
-	179-2185	--	FILM GP-PAINT &
3	500371D1	--	FILM-LIFT
4	500372D1	--	FILM-TIE-DOWN
13	501104D1	--	FILM-HYDRAULIC OIL
15	501106D1	--	FILM-IDENT (HYD OIL FILTER)
21	501253D1	--	FILM-IDENT (12V) * **
23	501267D1	--	FILM-HYD COUPLERS (INST) **
-	501500D1	1	DECAL SHEET-CAB (INCLUDES * ITEMS)
-	501289D1	--	FILM-PARK BRAKE *
-	501272D1	--	FILM ALTERNATE EXIT *
-	501405D1	--	FILM-NOTICE (WIDE GAUGE) *
-	501256D1	--	FILM-WIPER BASIC *
-	501406D1	--	FILM-WIPER DELUXE *
-	501281D1	--	FILM-MIRRORS *
-	501286D1	--	FILM-INSTALLATION DATE *
-	501274D1	--	FILM-WARNING *
-	501503D1	1	DECAL SHEET-VEHICLE (SEE BREAKDOWN)
-	501504D1	1	DECAL SHEET-VEHICLE (INCLUDES ** ITEMS)
-	501287D1	--	FILM-WARNING **
-	501277D1	--	FILM-BATTERY (INST) **
-	501306D1	--	FILM-AIR CLEANER **
47	501307D1	--	FILM-XMSN OIL FILL

PART OF 179-1952 BASE COMMON AR

1792185D
PR: t05i29k58b0569

MT800 SERIES TRACTORS
DECALS & MARKINGS

FILM GP - & PLATES - 179-2185
ROW & SPECIAL
(PAGE 5 OF 5)



**MT800 SERIESTRACTORS
DECALS & MARKINGS**

1235

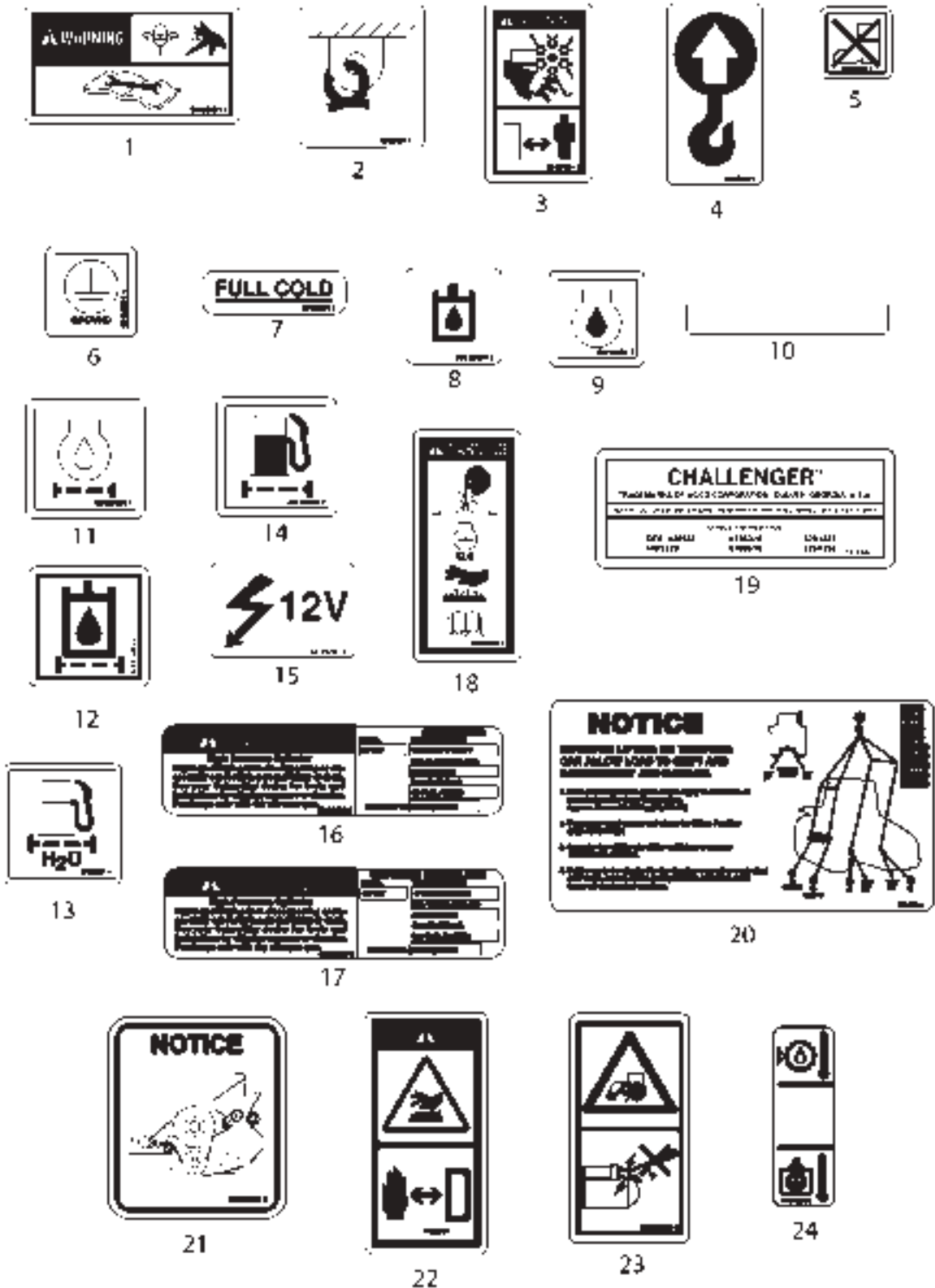
**FILM GP - & PLATES - 179-2185
ROW & SPECIAL
(PAGE 5 OF 5)**

ITEM	NUMBER	QTY	DESCRIPTION
-	179-2185	--	FILM GP-PAINT &
3	500371D1	--	FILM-LIFT
4	500372D1	--	FILM-TIE-DOWN
5	CH5P-7958	1	SLEEVE-CABLE SPLICE 2.38 OD
6	CH5P-8500	2	KEY
7	CH6V-2405	1	ENVELOPE-KEY
8	CH7F-3400	1	BAG-POLYETHYLENE 305 X 380
18	501250D1	--	FILM-WARNING
22	501258D1	--	FILM-NOTICE
28	501274D1	--	FILM-NOTICE *
29	501275D1	--	FILM-WARNING (FAN)
36	501284D1	--	FILM-WARNING
37	501285D1	--	FILM-FULL COLD
40	501288D1	--	FILM-CLEAR COVER
-	501500D1	1	DECAL SHEET-CAB (INCLUDES * ITEMS)
-	501289D1	--	FILM-PARK BRAKE *
-	501272D1	--	FILM ALTERNATE EXIT *
-	501405D1	--	FILM-NOTICE (WIDE GAUGE) *
-	501256D1	--	FILM-WIPER BASIC *
-	501406D1	--	FILM-WIPER DELUXE *
-	501253D1	--	FILM-IDENT (12V) * **
-	501281D1	--	FILM-MIRRORS *
-	501286D1	--	FILM-INSTALLATION DATE *
-	501503D1	1	DECAL SHEET-VEHICLE (SEE BREAKDOWN)
-	501504D1	1	DECAL SHEET-VEHICLE (INCLUDES ** ITEMS)
-	501253D1	--	FILM-IDENT (12V) * **
-	501287D1	--	FILM-WARNING **
-	501277D1	--	FILM-BATTERY (INST) **
-	501306D1	--	FILM-AIR CLEANER **
-	501267D1	--	FILM-HYD COUPLERS (INST) **

PART OF 179-1952 BASE COMMON AR

1792185E
PR: t05i29k58b0570

DECAL SHEET-VEHICLE - 501503D1



MT800 SERIESTRACTORS
DECALS & MARKINGS

1237

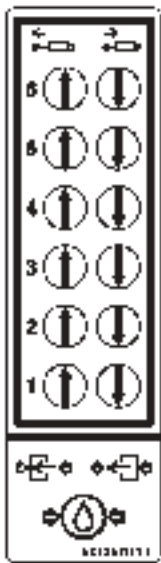
DECAL SHEET-VEHICLE - 501503D1

ITEM	NUMBER	QTY	DESCRIPTION
-	501503D1	--	DECAL SHEET-VEHICLE [A]
1	501250D1	4	FILM-WARNING
2	500372D1	4	FILM-TIE-DOWN
3	501275D1	2	FILM-WARNING (FAN)
4	500371D1	4	FILM-LIFT
5	501251D1	2	FILM-NO STEP
6	501105D1	1	FILM-GROUND GEN
7	501285D1	1	FILM-FULL COLD
8	501104D1	1	FILM-HYDRAULIC OIL
9	501108D1	1	FILM-INSTRUCTION
10	501288D1	2	FILM-CLEAR COVER
11	501276D1	1	FILM-ENGINE OIL FILTER(INST)
12	501106D1	1	FILM-IDENT (HYD OIL FILTER)
13	501280D1	1	FILM-WATER SEPARATOR
14	501103D1	1	FILM-INST (FUEL FILTER)
15	501252D1	1	FILM-IDENT (12V)
16	501284D1	1	FILM-WARNING
17	501283D1	1	FILM-WARNING
18	501268D1	1	FILM-WARNING
19	501305D1	1	FILM-PATENT
20	501269D1	1	FILM-NOTICE (SHIPPING)
21	501278D1	1	FILM-BELT (ROUTING)
22	501107D1	1	FILM-WARNING (HOT SURFACE)
23	501258D1	2	FILM-NOTICE
24	501307D1	1	FILM-XMSN OIL FILL

[A] PART OF 186-0979 HITCH AR

501503DC
PR: t05i29k58b0571

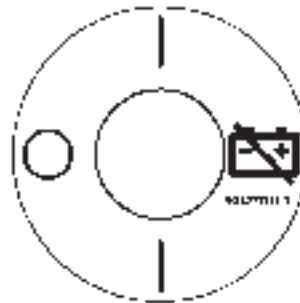
DECAL SHEET-VEHICLE - 501504D1



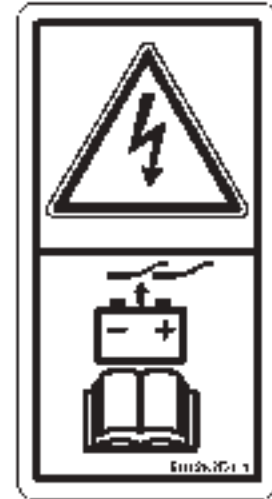
1



2



3



4



5

501504DB

**MT800 SERIESTRACTORS
DECALS & MARKINGS**

1239

DECAL SHEET-VEHICLE - 501504D1

ITEM	NUMBER	QTY	DESCRIPTION
-	501504D1	--	DECAL SHEET-VEHICLE [A]
1	501267D1	1	FILM-WARNING
2	501306D1	1	FILM-TIE-DOWN
3	501277D1	1	FILM-WARNING (FAN)
4	501287D1	1	FILM-LIFT
5	501253D1	1	FILM-NO STEP

[A] PART OF 169-0028 HITCH AR

501504DB
PR: t05i29k58b0572

DECAL SHEET-VEHICLE
501505D1
EAME ONLY



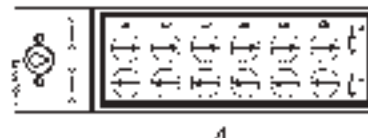
1



2



3



4



5



6



7



8



9



10



23



11



12



13



14



15



24



16



18



19



20



21



17



22

**MT800 SERIESTRACTORS
DECALS & MARKINGS**

1241

**DECAL SHEET-VEHICLE
501505D1
EAME ONLY**

ITEM	NUMBER	QTY	DESCRIPTION
-	501505D1	--	DECAL SHEET-VEHICLE [A]
1	501299D1	4	FILM-TIGHTENING
2	501300D1	2	FILM-TIGHTENING
3	501301D1	2	FILM-TIGHTENING
4	501267D1	1	FILM-HYD COUPLER
5	501261D1	1	FILM-NOTICE
6	501287D1	1	FILM-WARNING (VOLTAGE)
7	501306D1	1	FILM-AIR CLEANER
8	501293D1	1	FILM-WARNING ELE
9	501259D1	1	FILM-WARNING
10	501292D1	1	FILM-WARNING
11	501290D1	2	FILM-CRUSH/SEVER
12	501264D1	2	FILM-NOTICE PTO WARNING
13	501294D1	2	FILM-NOTICE
14	501295D1	1	FILM-HITCH
15	501291D1	2	FILM-BATTERY
16	501277D1	2	PLATE-INST (BATTERY)
17	501253D1	1	FILM-IDENT (12V)
18	501303D1	1	FILM-COOLANT
19	501262D1	4	FILM-NOTICE ACCUMULATOR WRNG
20	501296D1	1	FILM-HITCH
21	501254D1	2	FILM-WARNING
22	501263D1	2	FILM-NOTICE BYSTANDERS
23	501260D1	2	FILM-NOTICE SERVICE MANUAL
24	501257D1	2	FILM-NOTICE SERVICE MANUAL

[A] PART OF 186-0979 HITCH AR

501505DB
PR: t05i29k58b0573

MT800 SERIESTRACTORS
DECALS & MARKINGS

1243

DECAL SHEET-COMPLETING AR - 501513D1
ENGLISH

ITEM	NUMBER	QTY	DESCRIPTION
-	179-2248	--	COMPLETING AR-ENGLISH (NOT SERVICED)
-	501513D1	--	DECAL SHEET [A] (INCLS ITEMS 1-11)
1	501384D1	1	FILM-WARNING
2	501377D1	1	FILM-WARNING
3	501349D1	2	FILM-WARNING
4	501314D1	1	FILM-CAUTION (ENGLISH)
5	501356D1	1	FILM-WIRE ACCESS
6	501321D1	1	FILM-WARN UNIV (ENGLISH)
7	501397D1	1	FILM-SERVICE INFO
8	501342D1	1	FILM-WARNING
9	501335D1	2	FILM-WARNING
10	501328D1	1	FILM-WARNING (ENGLISH)
11	501370D1	2	FILM-NOTICE

[A] PART OF 169-0028 HITCH AR;
179-2248 COMPLETING AR

501513DA
PR: t05i29k58b0574

DECAL SHEET-COMPLETING AR - 501514D1
DUTCH

ONDERHOUDSOVERZICHT

CONTROLE OM DE TOEGANGELIJKHEID

1. Controleer de oliehoeveelheid
2. Controleer de lucht
3. Controleer de waterhoeveelheid
4. Controleer de banden
5. Controleer de remmen
6. Controleer de lichtgeving
7. Controleer de veiligheid

OM DE SKUR

1. Controleer de motoroliehoeveelheid
2. Controleer de waterhoeveelheid

WAARSCHUWING

Verkeerd aansluiten van hulpstanklabels kan onjuistheid veroorzaken wat lichamelijke letsel kan gevolgd heeft.

Gebruik instructie af te waterpompe plaats. In de hulpstankom is verboden bij de pompe in de achterzijde in een draakende omring.

1

WAARSCHUWING

Niet in de spakelen van de tractor met letsel van de bestuurder of bestuurster het gebied betonen.

Stiek de een met de nekking. Trekken met een ander punt kan onjuistheid veroorzaken.

Gebruik de lichteblinker met voorzigt te kiezen.

2

WAARSCHUWING

Mitsdien is het niet mogelijk om het gebied niet zichtbaar te maken voor andere gebruikers.

3

PAS OP

De tractor is een draakende omring. Het is niet mogelijk om de tractor te gebruiken in de buurt van kinderen.

4

TOEGANG TOE

5

WAARSCHUWING

De tractor is een draakende omring. Het is niet mogelijk om de tractor te gebruiken in de buurt van kinderen.

6

WAARSCHUWING

De tractor is een draakende omring. Het is niet mogelijk om de tractor te gebruiken in de buurt van kinderen.

7

WAARSCHUWING

De tractor is een draakende omring. Het is niet mogelijk om de tractor te gebruiken in de buurt van kinderen.

8

OPGELET

Gebruik instructie af te waterpompe plaats. In de hulpstankom is verboden bij de pompe in de achterzijde in een draakende omring.

9

WAARSCHUWING

De tractor is een draakende omring. Het is niet mogelijk om de tractor te gebruiken in de buurt van kinderen.

10

OPGELET

Gebruik instructie af te waterpompe plaats. In de hulpstankom is verboden bij de pompe in de achterzijde in een draakende omring.

11

Code	OMSCHRIJVING	OMDR.	BIJHOUD.
1	OLIEHOEVEELHEID	1000	1000
2	LUCHT	1000	1000
3	WATERHOEVEELHEID	1000	1000
4	BANDEN	1000	1000
5	REMREN	1000	1000
6	LICHTGEVING	1000	1000
7	VEILIGHEID	1000	1000
8	MOTOROLIEHOEVEELHEID	1000	1000
9	WATERHOEVEELHEID	1000	1000

501514DA

MT800 SERIESTRACTORS
DECALS & MARKINGS

1245

DECAL SHEET-COMPLETING AR - 501514D1
DUTCH

ITEM	NUMBER	QTY	DESCRIPTION
-	179-2252	--	COMPLETING AR-DUTCH (NOT SERVICED)
-	501514D1	--	DECAL SHEET [A] (INCLS ITEMS 1-11)
1	501388D1	1	FILM-WARNING
2	501378D1	1	FILM-WARNING
3	501350D1	2	FILM-WARNING
4	501319D1	1	FILM-CAUTION (DUTCH)
5	501357D1	1	FILM-WIRE ACCESS (DUTCH)
6	501322D1	1	FILM-WARNING UNIV (DUTCH)
7	501394D1	1	FILM-SERVICE INFO (DUTCH)
8	501343D1	1	FILM-WARNING
9	501336D1	2	FILM-WARNING (DUTCH)
10	501329D1	1	FILM-WARNING
11	501374D1	2	FILM-NOTICE

[A] PART OF 179-2252 COMPLETING AR

501514DA
PR: t05i29k58b0575

**MT800 SERIESTRACTORS
DECALS & MARKINGS**

1247

**DECAL SHEET-COMPLETING AR - 501515D1
FRENCH**

ITEM	NUMBER	QTY	DESCRIPTION
-	179-2249	--	COMPLETING AR-FRENCH (NOT SERVICED)
-	501515D1	--	DECAL SHEET [A] (INCLS ITEMS 1-11)
1	501385D1	1	FILM-WARNING
2	501379D1	1	FILM-WARNING
3	501351D1	2	FILM-WARNING
4	501315D1	1	FILM-CAUTION (FRENCH)
5	501358D1	1	FILM-WIRE ACCESS (FRENCH)
6	501323D1	1	FILM-WARN UNIV. (FRENCH)
7	501391D1	1	FILM-SERVICE INFO (FRENCH)
8	501344D1	1	FILM-WARNING
9	501337D1	2	FILM-WARNING
10	501330D1	1	FILM-WARNING
11	501371D1	2	FILM-NOTICE

[A] PART OF 179-2249 COMPLETING AR

501515DA
PR: t05i29k58b0576

**MT800 SERIESTRACTORS
DECALS & MARKINGS**

1249

**DECAL SHEET-COMPLETING AR - 501516D1
JAPANESE**

ITEM	NUMBER	QTY	DESCRIPTION
-	179-2254	--	COMPLETING AR-JAPANESE (NOT SERVICED)
-	501516D1	--	DECAL SHEET [A] (INCLS ITEMS 1-11)
1	501389D1	1	FILM-WARNING
2	501380D1	1	FILM-WARNING
3	501352D1	2	FILM-WARNING
4	501320D1	1	FILM-CAUTION (JAPANESE)
5	501359D1	1	FILM-WIRE ACCESS (JAPANESE)
6	501324D1	1	FILM-WARNING UNIV. (JAPANESE)
7	501395D1	1	FILM-SERVICE INFO (JAPANESE)
8	501348D1	1	FILM-WARNING
9	501338D1	2	FILM-WARNING
10	501331D1	1	FILM-WARNING
11	501375D1	2	FILM-NOTICE

[A] PART OF 179-2254 COMPLETING AR

501516DA
PR: t05i29k58b0577

**MT800 SERIESTRACTORS
DECALS & MARKINGS**

1251

**DECAL SHEET-COMPLETING AR - 501517D1
PORTUGUESE**

ITEM	NUMBER	QTY	DESCRIPTION
-	179-2251	--	COMPLETING AR-PORTUGUESE (NOT SERVICED)
-	501517D1	--	DECAL SHEET [A] (INCLS ITEMS 1-11)
1	501387D1	1	FILM-WARNING
2	501381D1	1	FILM-WARNING
3	501353D1	2	FILM-WARNING
4	501317D1	1	FILM-CAUTION (PORTUGUESE)
5	501360D1	1	FILM-WIRE ACCESS (PORTUGUESE)
6	501325D1	1	FILM-WARNING UNIV. (PORTUGUESE)
7	501393D1	1	FILM-SERVICE INFO (PORTUGUESE)
8	501345D1	1	FILM-WARNING
9	501339D1	2	FILM-WARNING
10	501332D1	1	FILM-WARNING
11	501373D1	2	FILM-NOTICE

[A] PART OF 179-2251 COMPLETING AR

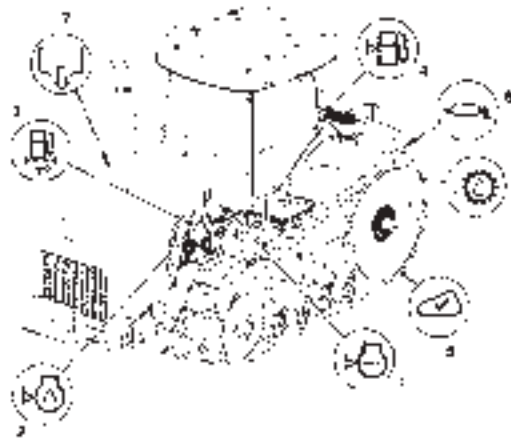
501517DA
PR: t05i29k58b0578

DECAL SHEET-COMPLETING AR - 501518D1
RUSSIAN

РУКОВОДСТВО ПО ТЕХНИЧЕСКОМУ
ОБСЛУЖИВАНИЮ

КАЖДЕЕ КОМПОНОВАННОЕ ЭЛЕМЕНТО
 • Проверьте наличие и состояние всех компонентов
 • Проверьте наличие и состояние масла
 • Проверьте наличие и состояние топлива
 • Проверьте наличие и состояние гидравлической жидкости
 • Проверьте наличие и состояние тормозной жидкости
 • Проверьте наличие и состояние охлаждающей жидкости
 • Проверьте наличие и состояние воздуха в шинах
 • Проверьте наличие и состояние электрических соединений

КАЖДЕЕ И МОМЕНТА
 • Проверьте наличие и состояние всех компонентов
 • Проверьте наличие и состояние масла
 • Проверьте наличие и состояние топлива
 • Проверьте наличие и состояние гидравлической жидкости
 • Проверьте наличие и состояние тормозной жидкости
 • Проверьте наличие и состояние охлаждающей жидкости
 • Проверьте наличие и состояние воздуха в шинах
 • Проверьте наличие и состояние электрических соединений



1

ОСТОРОЖНО

НЕВЕРНОЕ ПОДСОЕДИНЕНИЕ ПУСКОВЫХ КАБЕЛЕЙ МОЖЕТ СТАТЬ ПРИЧИНОЙ ВЗРЫВА И НЕЩАСТНОГО СЛУЧАЯ

ОУДАЧЛИВОЕ СОЕДИНЕНИЕ ПУСКОВЫХ КАБЕЛЕЙ ТОЛЬКО В РЕКОМЕНДОВАННЫХ ДЛЯ ЭТОГО ТОНКАХ СПЕДИТЕ УКАЗАНИЯ РУКОВОДСТВА ПО ЭКСПЛУАТАЦИИ И ТЕХНИЧЕСКОМУ ОБСЛУЖИВАНИЮ

2

ОСТОРОЖНО

НЕСООБЩЕНИЕ ДАННЫХ ПАЗАНИЙ МОЖЕТ ПРИВЕСТИ К ТРАВМЕ ОПЕРАТОРА ИЛИ НАХОДЯЩИХСЯ В БЛИЗКОСТИ ПОЛЕДИ

• ВРЕМЯ ПЕРЕДВИЖЕНИЯ ОБЪЕКТОВ ДОЖДАЕТСЯ ТОЛЬКО В СЛУЧАЕ НЕОБХОДИМОСТИ ПРЕДОТВЕЩЕНИЯ ВОЗМОЖНОСТИ ВОЗНИКНОВЕНИЯ ЧП В СЛУЧАЕ НЕОЖИДАННОГО ПОВЕДЕНИЯ ОПЕРАТОРА

• ПУБЛИКАЦИЯ ПРИКАЗОВ ОБЪЕКТОВ ДОЖДАЕТСЯ ПРЕДОТВЕЩЕНИЯ ЧП

3

ОСТОРОЖНО

МИКРОВОЛНОВОЕ ИЗЛУЧЕНИЕ МОЖЕТ ПОВРЕДИТЬ ОРГАНЫ ЗРЕНИЯ ВО ВРЕМЯ РАБОТЫ В ПЕРЕДНЕЙ ЧАСТИ ДАТЧИКА СКОРОСТИ.

4

ОСТОРОЖНО

СЛЕДИТЕ ЗА ТОМ, ЧТОБЫ НЕ ПОПАДАЛИ НА ПУСКОВЫЕ КАБЕЛИ И НЕ ПОДЪЕМАЛИ ИХ В ПЕРИОД РАБОТЫ ТРАКТОРА

5

ОСТОРОЖНО

ДОСТУП К ЭЛЕКТРОПРОВОДЕ

7

ОСТОРОЖНО

ОБЪЕКТЫ МОГУТ ПОПАДАТЬ ПОД КОЛЕСА ТРАКТОРА И ПРИВЕСТИ К ТРАВМЕ ОПЕРАТОРА ИЛИ НАХОДЯЩИХСЯ В БЛИЗКОСТИ ПОЛЕДИ

6

ОСТОРОЖНО

ПРИ РАБОТЕ С ЭЛЕКТРОПРОВОДОМ НЕЛЬЗЯ ПОДЪЕМАТЬ ИЛИ ПЕРЕМЕЩАТЬ ЕГО В ПЕРИОД РАБОТЫ ТРАКТОРА

ОСТОРОЖНО

ПРИ РАБОТЕ С ЭЛЕКТРОПРОВОДОМ НЕЛЬЗЯ ПОДЪЕМАТЬ ИЛИ ПЕРЕМЕЩАТЬ ЕГО В ПЕРИОД РАБОТЫ ТРАКТОРА

ВНИМАНИЕ

ПРИ РАБОТЕ С ЭЛЕКТРОПРОВОДОМ НЕЛЬЗЯ ПОДЪЕМАТЬ ИЛИ ПЕРЕМЕЩАТЬ ЕГО В ПЕРИОД РАБОТЫ ТРАКТОРА

10

ОСТОРОЖНО

СЛЕДИТЕ ЗА ТОМ, ЧТОБЫ НЕ ПОПАДАЛИ НА ПУСКОВЫЕ КАБЕЛИ И НЕ ПОДЪЕМАЛИ ИХ В ПЕРИОД РАБОТЫ ТРАКТОРА

ВНИМАНИЕ

ПОДКЛЮЧЕНИЕ ПУСКОВЫХ СОЕДИНИТЕЛЬНЫХ КАБЕЛЕЙ ОСУЩЕСТВЛЯЙТЕ ТОЛЬКО В РЕКОМЕНДОВАННЫХ ДЛЯ ЭТОГО ТОНКАХ СПЕДИТЕ УКАЗАНИЯ ПО ПРИМЕНЕНИЮ ПУСКОВЫХ СОЕДИНИТЕЛЬНЫХ КАБЕЛЕЙ (СМ. РУКОВОДСТВО ПО ЭКСПЛУАТАЦИИ И ТЕХНИЧЕСКОМУ ОБСЛУЖИВАНИЮ)

**MT800 SERIESTRACTORS
DECALS & MARKINGS**

1253

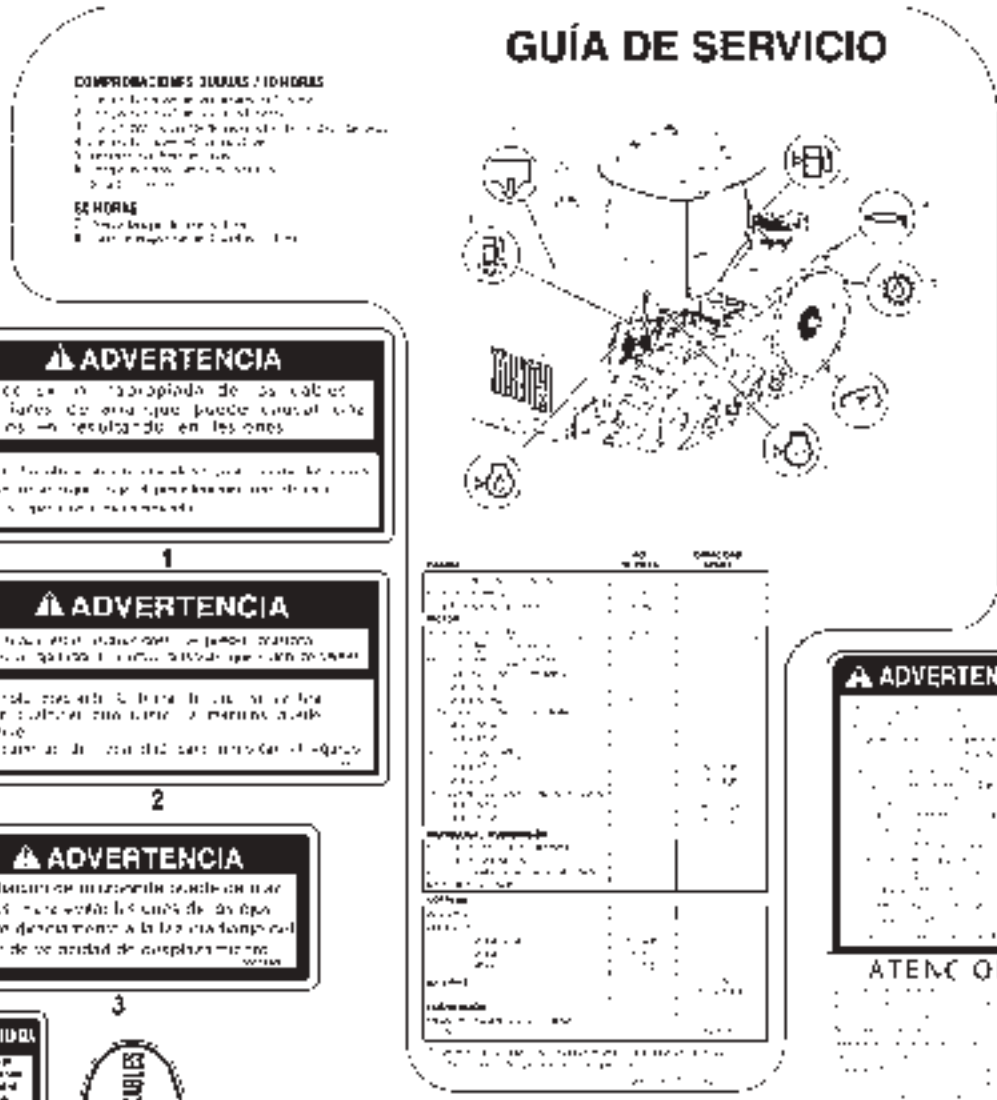
**DECAL SHEET-COMPLETING AR - 501518D1
RUSSIAN**

ITEM	NUMBER	QTY	DESCRIPTION
-	179-2255	--	COMPLETING AR-PORTUGUESE (NOT SERVICED)
-	501518D1	--	DECAL SHEET [A] (INCLS ITEMS 1-11)
1	501390D1	1	FILM-WARNING
2	501382D1	1	FILM-WARNING
3	501354D1	2	FILM-WARNING
4	501318D1	1	FILM-CAUTION (RUSSIAN)
5	501361D1	1	FILM-WIRE ACCESS (RUSSIAN)
6	501326D1	1	FILM-WARNING UNIV. (RUSSIAN)
7	501396D1	1	FILM-SERVICE INFO (RUSSIAN)
8	501346D1	1	FILM-WARNING
9	501340D1	2	FILM-WARNING
10	501333D1	1	FILM-WARNING
11	501376D1	2	FILM-NOTICE

[A] PART OF 179-2255 COMPLETING AR

501518DA
PR: t05i29k58b0579

DECAL SHEET-COMPLETING AR - 501519D1
SPANISH



COMPROBACIONES DIARIAS / DIARIAS
 1. Verificar los niveles de aceite del motor.
 2. Verificar el nivel de aceite hidráulico.
 3. Verificar el nivel de aceite de la caja de cambios.
 4. Verificar el nivel de aceite de la bomba hidráulica.
 5. Verificar el nivel de aceite de la bomba de agua.
 6. Verificar el nivel de aceite de la bomba de dirección.
 7. Verificar el nivel de aceite de la bomba de frenos.

SE HORAS
 1. Verificar el nivel de aceite.
 2. Verificar el nivel de aceite.

GUÍA DE SERVICIO

ADVERTENCIA

El uso de un valor inapropiado de las velocidades de avance de una que puede causar una explosión resultando en lesiones.

El uso de un valor inapropiado de las velocidades de avance de una que puede causar una explosión resultando en lesiones.

1

ADVERTENCIA

El uso de un valor inapropiado de las velocidades de avance de una que puede causar una explosión resultando en lesiones.

El uso de un valor inapropiado de las velocidades de avance de una que puede causar una explosión resultando en lesiones.

2

ADVERTENCIA

La utilización de un tamaño de cable de tracción incorrecto puede causar lesiones de los cables de tracción de la máquina. Asegúrese de utilizar el tamaño de cable de tracción correcto.

3

ADVERTENCIA

El uso de un valor inapropiado de las velocidades de avance de una que puede causar una explosión resultando en lesiones.

4



5

ADVERTENCIA

Un empleo no autorizado puede causar lesiones. Asegúrese que los peatones estén bien advertidos en ambos lados antes de transportar o halar el implemento.

8

ADVERTENCIA

El uso de un valor inapropiado de las velocidades de avance de una que puede causar una explosión resultando en lesiones.

9

ADVERTENCIA

El uso de un valor inapropiado de las velocidades de avance de una que puede causar una explosión resultando en lesiones.

10

ATENCIÓN

El uso de un valor inapropiado de las velocidades de avance de una que puede causar una explosión resultando en lesiones.

11

ADVERTENCIA

El uso de un valor inapropiado de las velocidades de avance de una que puede causar una explosión resultando en lesiones.

ATENCIÓN

El uso de un valor inapropiado de las velocidades de avance de una que puede causar una explosión resultando en lesiones.

6

MT800 SERIESTRACTORS
DECALS & MARKINGS

1255

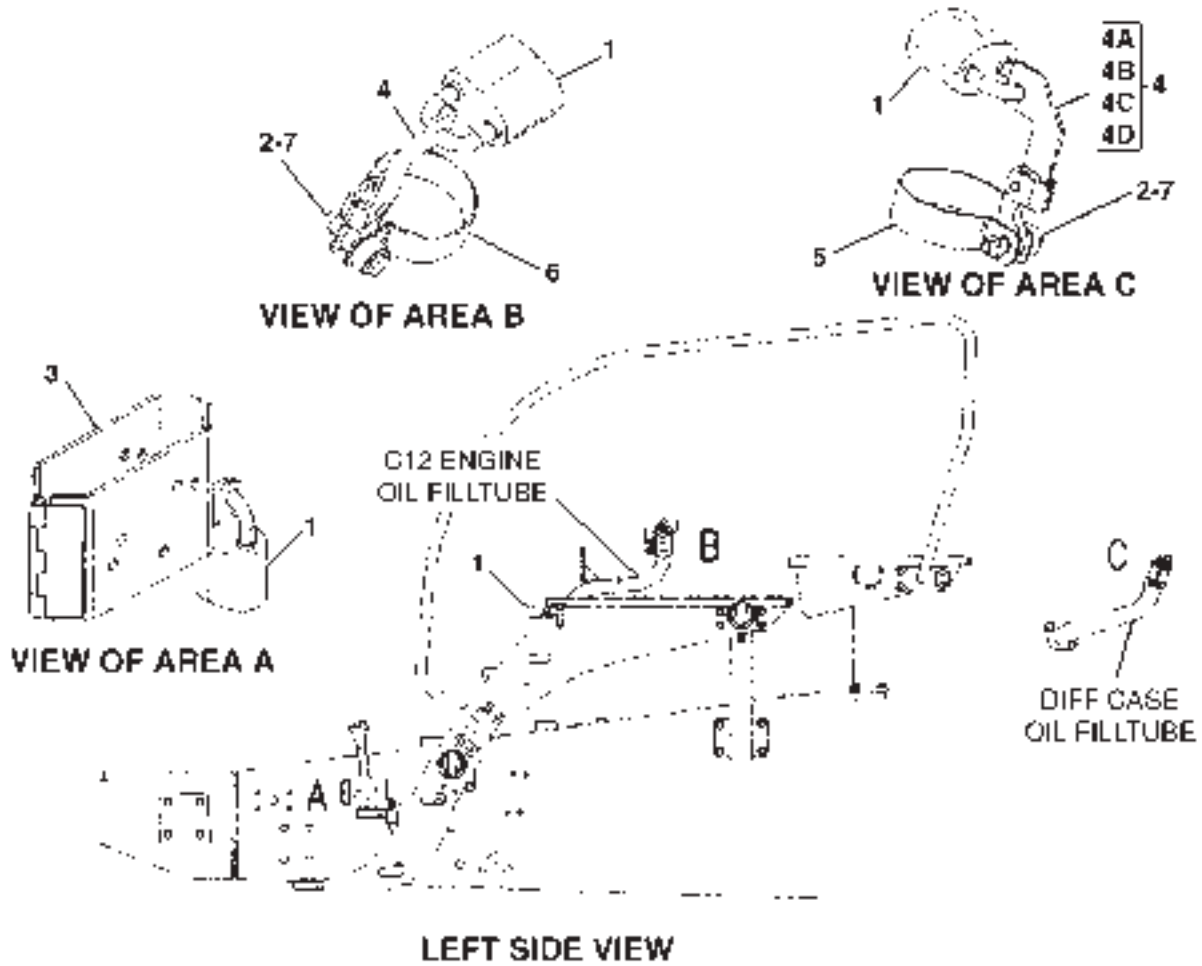
DECAL SHEET-COMPLETING AR - 501519D1
SPANISH

ITEM	NUMBER	QTY	DESCRIPTION
-	179-2250	--	COMPLETING AR-SPANISH (NOT SERVICED)
-	501519D1	--	DECAL SHEET [A] (INCLS ITEMS 1-11)
1	501386D1	1	FILM-WARNING
2	501383D1	1	FILM-WARNING
3	501355D1	2	FILM-WARNING
4	501316D1	1	FILM-CAUTION (SPANISH)
5	501362D1	1	FILM-WIRE ACCESS (SPANISH)
6	501327D1	1	FILM-WARNING UNIV (SPANISH)
7	501392D1	1	FILM-SERVICE INFO (SPANISH)
8	501347D1	1	FILM-WARNING
9	501341D1	2	FILM-WARNING
10	501334D1	1	FILM-WARNING
11	501372D1	2	FILM-NOTICE

[A] PART OF 179-2250 COMPLETING AR

501519DA
PR: t05i29k58b0580

PROTECTION GP-VANDALISM
185-8848



MT800 SERIESTRACTORS
SERVICE EQUIPMENT AND SUPPLIES

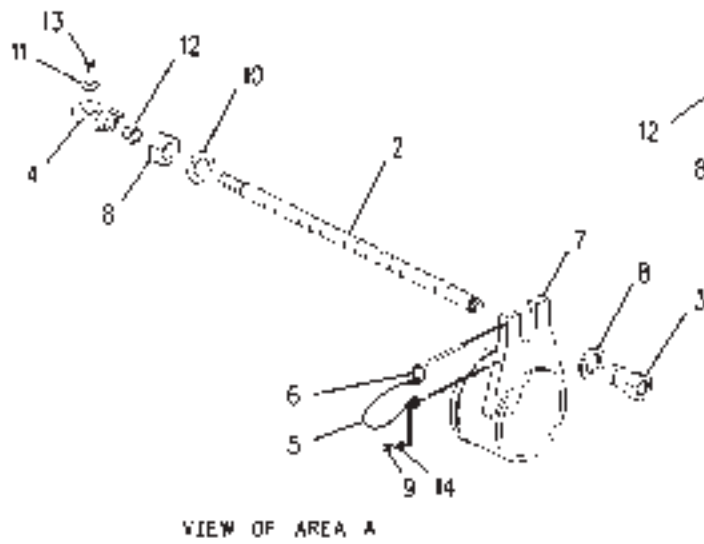
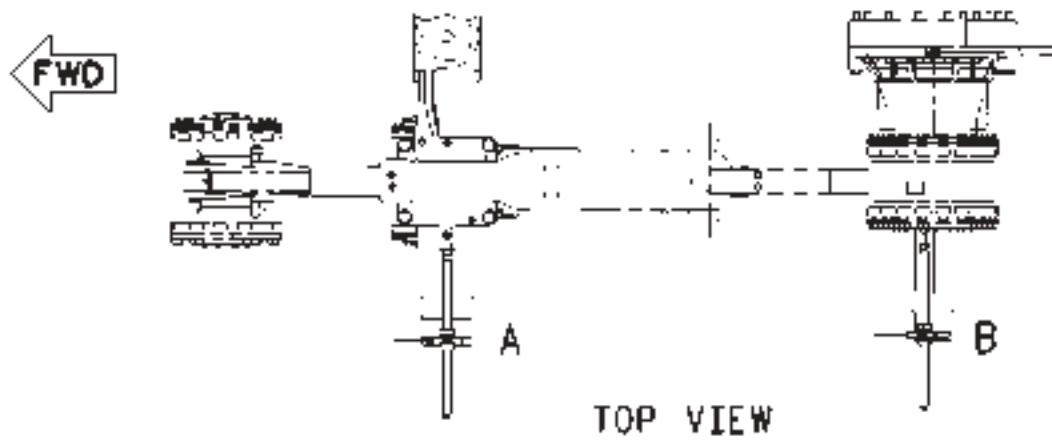
1257

PROTECTION GP-VANDALISM
185-8848

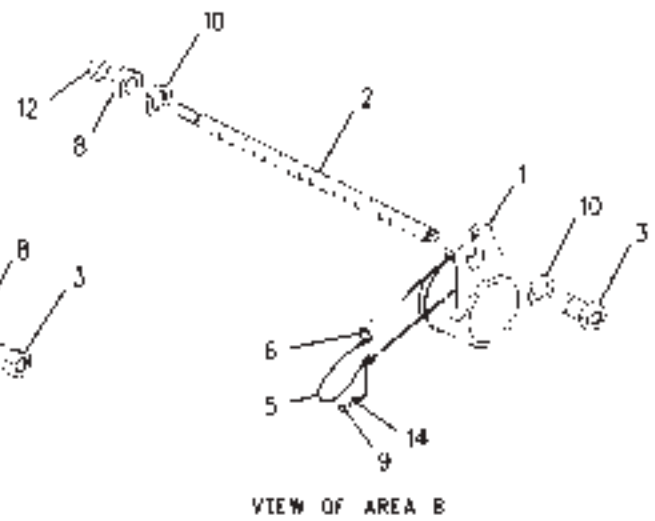
ITEM	NUMBER	QTY	DESCRIPTION
-	185-8848	--	PROTECTION GP-VANDALISM (NOT SERVICED)
1	CH5P-8502	4	PADLOCK (W/KEY)
	CH5P-8500	1	KEY
2	400135X1	2	BOLT-TAMPERPROOF (1/4-20X1 IN)
3	188-1155	1	COVER ASM (INCLUDES 2 PLATES AND HINGE)
4	191-8006	2	LOCK ASM (INCLS 4A-4D)
4A	CH2P-2717	1	HASP
4B	CH8D-9558	1	RIVET
4C	191-8007	1	LUG
4D	CH2A-3211	1	WASHER
5	CH191-8010	1	CLAMP
6	CH196-9321	1	CLAMP
7	CH3E-9865	2	LOCKNUT (1/4-20)
-	CH123-4950	3	SCREW-PAN HD (M16X1) (NOT SHOWN)

0891372A
PR: t05i29k58b0581

TOOL GP-AXLE GAUGE CHANGE - 203-9712
FACTORY OPTION



VIEW OF AREA A



VIEW OF AREA B

MT800 SERIESTRACTORS
SERVICE EQUIPMENT AND SUPPLIES

1259

TOOL GP-AXLE GAUGE CHANGE - 203-9712
FACTORY OPTION

ITEM	NUMBER	QTY	DESCRIPTION
-	502763D1	--	KIT-AXLE GAUGE CHANGE TOOL (FIELD)
-	203-9712	--	TOOL GP-AXLE GAUGE CHANGE [A] (FACT OPT) (NOT SERVICED, ORDER FIELD KIT)
1	198-4474	1	BRACKET ASM
2	198-4475	2	ROD
3	400354X1	2	NUT-SPECIAL (1-1/4"-12)
4	198-4477	1	ADAPTER ASM
5	203-6604	2	LANYARD
6	203-7787	2	PIN
7	205-8790	1	BRACKET
8	400083X1	2	NUT-JAM (1-1/4"-12-2B LH)
9	400152X1	2	BOLT (M6X1X16MM)
10	CH7X-0533	4	WASHER-HARD (34X55X6)
11	CH8C-9987	1	WASHER (8.3X28X2.5)
12	400286X1	2	NUT (M20X2.5)
13	400227X1	1	BOLT (M8X1.25X16MM)
14	CH8T-4205	2	WASHER-HARD (7.2X14.5X2MM)

[A] PART OF 502763D1 KIT-AXLE GA CHANGE

00816200
PR: t05i29k58b0582

1260

MT800 SERIESTRACTORS
PAINT

PAINT

NO ILLUSTRATION

PAINTGP1

**MT800 SERIESTRACTORS
PAINT**

1261

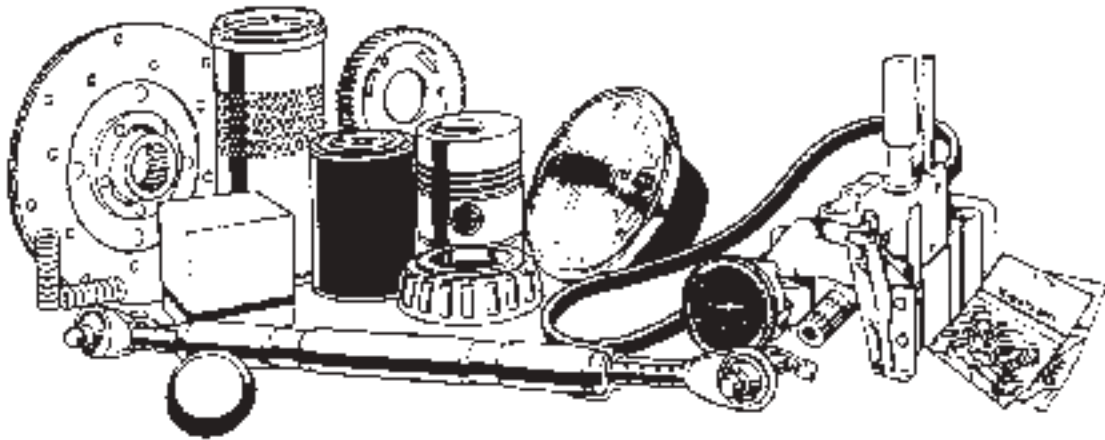
PAINT

ITEM	NUMBER QTY	DESCRIPTION
	4C-4200	YELLOW, AEROSOL
	4C-6129	YELLOW, 1 GALLON
	4C-6122	YELLOW, 5 GALLON
	4C-6127	YELLOW, 55 GALLON
	4C-4184	YELLOW, FAST DRY 1 GALLON
	4C-4192	YELLOW, FAST DRY 5 GALLON
	4C-4207	YELLOW, FAST DRY 55 GALLON
	9U-7725	YELLOW, WATER REDUCIBLE 1 GALLON
	4C-4198	BLACK, MED GLOSS AEROSOL
	4C-4183	BLACK, MED GLOSS 1 GALLON
	4C-4191	BLACK, MED GLOSS 5 GALLON
	4C-4206	BLACK, MED GLOSS 55 GALLON
	4C-4199	BLACK, MUFFLER AEROSOL
	4C-6134	URETHANE, YELLOW TOUCH-UP 1 GALLON
	4C-6126	URETHANE, YELLOW TOUCH-UP 5 GALLON
	4C-6133	URETHANE, BLACK TOUCH-UP 1 GALLON
	4C-5843	BLACK, GLOSS AEROSOL
	173-4060	GRAY, MACHINE DARK AEROSOL
	171-9773	GRAY, MACHINE DARK 1 GALLON
	171-9774	GRAY, MACHINE DARK 5 GALLON
	9U-7948	GRAY, DAWN GLOSS AEROSOL (ORDER THRU CAT DEALER)
	4C-4205	PRIMER, YELLOW AEROSOL
	4C-4190	PRIMER, YELLOW 1 GALLON
	4C-4197	PRIMER, YELLOW 5 GALLON
	4C-4211	PRIMER, YELLOW 55 GALLON

PAINTGP1
PR: t05i29k58b0583

RECOMMENDED DEALER STOCK

RECOMMENDED DEALER'S STOCK



**MT800 SERIES TRACTORS
MAINTENANCE PARTS**

1263

RECOMMENDED DEALER STOCK

ITEM	NUMBER	QTY	DESCRIPTION
	185-2151	1	BELT
	500685D1	1	BELT-ALT
	501178D1	1	BELT-FAN (MT835/MT845)
	197-6291	1	BELT-FAN (MT855)
	197-6292	1	BELT-FAN (MT865)
	501688D1	1	BLADE/ASY WIPE
	CH134-1935	1	BLADE/WIPER
	CH189-8610	1	BLADE-WIPER (RH WINDOW)
	CH9X-8118	1	BULB/12 V 55 W
	400862X1	1	BULB/885-12.8V
	500678D1	1	BULB/HALOGEN/8
	CH175-1323	1	BULB/HEADLAMP
	CH8I-4256	1	BULB/HEADLIGHT
	502183D1	1	CABLE/AS. - NE
	CH3S-5096	3	CLAMP/HOSE
	177-5249	4	DISC
	187-8947	1	DISC
	168-2313	1	FAN
	501153D1	2	FILTER/AIR
	501766D1	2	FILTER/ELEMENT
	501771D1	2	FILTER/ELEMENT
	136-5600	1	FUSE
	220-5736	1	FUSE
	CH113-8490	1	FUSE/MINI (10A)
	CH113-8491	1	FUSE/MINI (15A)
	CH113-8492	1	FUSE/MINI (20A)
	CH124-3548	1	FUSE/MINI (30A)
	CH141-2759	1	FUSE/MINI (5A)
	230-9563	1	HOSE
	201-2442	1	KEY
	CH5P-8500	1	KEY
	209-9680	1	KIT, SEAL
	189-3142	1	KIT/CASE DRAIN
	171-9687	1	LAMP
	171-9688	1	LAMP
	216-6980	1	ORIFICE
	131-3718	1	O-RING
	7M-8485	1	O-RING
	8F-3469	1	O-RING
	162-6738	1	PAD
	4N-0952	1	PLUG/SOFT
	221-1233	1	PULLEY
	154-8264	1	RETAINER
	177-6801	1	RING
	207-5993	1	SCREEN
	184-1695	1	SEAL
	186-2869	1	SHIM
	9X-1813	1	SLEEVE
	501026D1	1	SPRING/ AS. -
	169-8227	1	SWITCH
	171-1229	1	SWITCH
	500717D1	1	SWITCH/PUSH BU
	216-5343	1	VALVE

NOTE: THIS LIST REPRESENTS ITEMS
RECOMMENDED TO SERVICE 5 UNITS.

RDL
PR: t05i29k58b0584