

Challenger

Parts Manual

MT700 Series Track Tractors

MT735 (AKN40001 - Up)
MT745 (ALA40001 - 59999)
MT755 (ALM40001 - 59999)
MT765 (AMS40001 - 59999)
7PY1-Up (Transmission)
8AY1-Up (Transmission)
AZA1-Up (Axle)
AZE1-Up (Axle)
AZT1-Up (Axle)

ALPHABETICAL INDEX

The complete alphabetical index appears at the beginning of this publication. It is used to locate major groups, assemblies and components.

NUMERICAL INDEX

The numerical index of this publication follows the Alphabetical Index at the beginning of the publication and indicates at which grid location and page number a part number appears.

ILLUSTRATIONS

All illustrations are located on the left hand page with the text on the right. Except for some common hardware, all parts are identified with an item number which corresponds to the item column on the text page. This is followed by the parts number, quantity and description.

HARDWARE

Common hardware not identified such as bolts, nuts, cotter pins and lube fittings, are listed indented in the text beneath the item to which they attach or fit. Common hardware listed indented beneath an item is NOT included unless specified. Example: (Incl. BOLT, LOCKWASHER AND NUT).

ORDERING PARTS

Be sure to refer to both the text and the illustration to assure ordering the correct part.

RECOMMENDED DEALER STOCK

A recommended dealer stock listing appears at the end of this publication.



MT700 SERIES TRACK TRACTORS

BASIC ENGINE

AIR COMPRESSOR GP - 501652D1 EAME ONLY	77
AIR COMPRESSOR GP - 501892D1 EAME ONLY	79
COMPRESSOR GP-AIR - 201-4778 EAME ONLY	85
COMPRESSOR GP-AIR - 501651D1 EAME ONLY	81
COUPLING GP-FLEXIBLE - 163-0450 MT765	89
COUPLING GP-FLEXIBLE - 168-5077 MT735, MT745 & MT755	87
DRIVE GP-ACCESSORY - 202-2070	91
MOUNTING GP - ENGINE-FLEXIBLE - 169-4228	95
MOUNTING GP-ALTERNATOR - 202-2071	93
MOUNTING GP-REFRIGERANT COMPR - 202-2027	97

BRAKING SYSTEM

ACCUMULATOR & MTG GP-BRAKE - 200-4358	681
BRAKE AR - 200-4370 SERVICE	685
BRAKE AR-HYD TRAILER - 180-9999 EAME ONLY	693
BRAKE AR-HYD TRAILER - 227-5263 ITALIAN MARKET EAME ONLY	695
BRAKE AR-TRAILER - 180-4852 EAME ONLY	683
BRAKE GP-PARKING - 210-7485 ROW ONLY	699
CONTROL GP-BRAKE - 200-4360 EAME ONLY	703
CONTROL GP-PARK BRAKE 200-4350	697
CONTROL GP-PARKING BRAKE - 172-6857 EAME ONLY	701
CYLINDER GP-MASTER - 165-8558 BRAKE	711
HEAD GP-MOTOR - 192-8865 EAME	771
HEAD GP-PUMP - 196-4234 ROW	731
HEAD GP-PUMP - 204-6515 ROW	729
KIT-BRAKE-AIR TRAILER - 502356D1 EAME ONLY	691
KIT-LINES GP - 502917D1 CONTROL VALVE & BRAKE EAME ONLY	705
KIT-LINES-HYD TRAILER BRAKE - 204-6711 EAME ONLY	709
KIT-TANK AR-AIR - 180-4854 ROW	687
KIT-TANK AR-AIR - 206-7884 EAME ONLY	689
LINES GP-SERV BRAKE - 189-8685 (S/N EFF. AKN40200;ALA40257; ALM40560;AMS40974)	723
LINES GP-SERV BRAKE - 189-8685 (S/N PRIOR TO AKN40200; ALA40257; ALM40560;AMS40974)	719
LINES GP-SERV BRAKE(B) - 178-9024 EAME ONLY	715
LINES GP-SERVICE BRAKE (B)- 165-8559 ROW ONLY	713
LINES GP-STEERING - 500576D1 STANDARD GAGE (S/N: EFF AKN40200;ALA40269; ALM40712;AMS41162)	735
LINES GP-STEERING-STD - 158-2405 (S/N: PRIOR TO AKN40200; ALA40269; ALM40712;AMS41162)	733
LINES GP-STEERING-WIDE GAGE - 177-4469 (S/N: PRIOR TO AKN40200; ALA40269; ALM40712; AMS41162) ROW	737
LINES GP-STEERING-WIDE GAGE - 500575D1 (S/N: EFF AKN40200; ALA40269; ALM40712; AMS41162) ROW	739
MOTOR & MTG GP-STEERING - 158-2402 STANDARD GAGE ROW ONLY	741
MOTOR & MTG GP-STEERING - 158-2403 WIDE & ULTRA WIDE ROW	743
MOTOR & MTG GP-STEERING - 165-7899 STANDARD GAGE EAME	745
MOTOR GP-PISTON - CH162-9597 ROW	749
MOTOR GP-PISTON - CH162-9598 EAME	753
MOTOR GP-PISTON - CH177-0463 LINK ROW	751
PUMP GP-GEAR - CH189-2957	747
PUMP GP-PISTON - CH180-0459 SLIPPER	755
PUMP GP-PISTON - CH202-7850 STEERING SLIPPER	761
PUMP GP-PISTON - 500525D1 SLIPPER WIDE GUAGE ROW	757
PUMP GP-PISTON - 500526D1 SLIPPER STD GUAGE ROW	759
ROTATING GP-MOTOR - 189-9384 ROW	763
ROTATING GP-MOTOR - 192-8863	765
ROTATING GP-PUMP - CH196-4232 ROW	767
ROTATING GP-PUMP - 196-4623 ROW	769
TANK & LINES GP-AIR - 179-8300	727
VALVE GP-FLUSHING - CH133-8740 ROW	775
VALVE GP-INLET FLOW - 226-5657 IMPLEMENT	773

COOLING SYSTEM

AFTERCooler GP-AIR - 212-3555	105
AIR CLEANER GP - 201-2497	121
AIR CLEANER GP - 202-2155	119
COMPLETING AR - 178-4958 ITALIAN MARKET EAME ONLY	131
COOLER GP-MOUNTING - 201-4669	99
CORE GP&MOUNTING - 200-6927	101
DUST EJECTOR GP - 201-0725	123
FAN GP-SUCTION - 201-4665 MT735 & MT745	107
FAN GP-SUCTION - 208-5962 MT755 & MT765	109
GUARD GP-FAN - 201-4668	115
LINES GP EXHAUST - 201-0709	127
LINES GP-A/C - 203-2620	111
LINES GP-AIR - 165-6770	125
LINES GP-COOLANT - 203-2621	113
MUFFLER GP - 201-0707	129
RADIATOR GP - 203-5423	103
SHIELD GP-EXHAUST - 215-4259 ITALIAN MARKET EAME ONLY	133
TANK GP-EXPANSION & COOLANT - 216-4860	117

DRAWBAR, THREE POINT HITCH AND PTO

COUPLER GP-QUICK - 170-2316 CATEGORY III NARROW	919
CYLINDER & SEAL GP - 177-0665 HITCH LIFT	921
CYLINDER & SEAL GP - 177-0666 STEERABLE	923
CYLINDER & SEAL GP - 204-9024	925
CYLINDER GP-HITCH LIFT - CH171-1243 120MM X 250MM (4.72 X 9.84IN)	927
CYLINDER GP-STEERING - CH171-1242 76.2MM X 132.5MM (3.0IN X 5.22IN) STEERABLE HITCH	929
DRAWBAR GP-SWINGING - 157-1708 38MM (1.5IN) PIN	931
DRAWBAR GP-SWINGING - 169-0070 WIDE SWING ROW ONLY	933
DRAWBAR GP-SWINGING - 186-0984 EAME ONLY	935
DRAWBAR GP-SWINGING - 186-0985 (32 CLAAS) EAME ONLY	937
HITCH AR - 170-2287 WIDE SWING DRAWBAR ROW ONLY	949
HITCH AR-STANDARD - 157-1710 7,200KG/16,000LB LIFT - BALL ENDS ROW ONLY	939
HITCH AR-STANDARD - 177-0678 7,200KG/16,000LB LIFT - BALL ENDS EAME ONLY	941
HITCH AR-STEERABLE - 157-1715 7,200KG/16,000LB LIFT - BALL ENDS ROW ONLY	945
HITCH AR-STEERABLE - 169-0063 7,200KG/16,000LB LIFT - HOOK ENDS EAME ONLY	947
HITCH AR-STEERABLE - 177-0679 7,200KG/16,000LB LIFT - BALL ENDS EAME ONLY	943
HITCH GP-IMPLEMENT - 200-0004 EAME ONLY	963
HITCH GP-TOW (REAR) - 202-7591 43MM DIA PIN EAME ONLY (ITALIAN MARKET)	993
HITCH GP-TOW (REAR) - 202-7592 50MM DIAMETER PIN EAME ONLY (ITALIAN MARKET)	995
HITCH GP-3 POINT - 157-1714 STANDARD-BALL ENDS	953
HITCH GP-3 POINT - 157-1719 STEERABLE-BALL ENDS ROW ONLY	955
HITCH GP-3 POINT - 170-2285 STANDARD-HOOK ENDS EAME ONLY	959
HOOK AS-LOWER LINK - CH200-0002 CLAAS EAME ONLY	965
HOOK GP-TOW (REAR) - 186-0980 EAME ONLY	991
KIT-HITCH 3PT STEERABLE - 500772D1 CONVERT 4 REMOTE W/3PH TO STEERABLE 3PH ROW ONLY	951
KIT-SUPPORT BRACE-DRAWBAR - 184-5059 ROW ONLY	999
KIT-SUPPORT BRACE-DRAWBAR - 200-8769 EAME ONLY	1001
LINES GP-HITCH	979
LINES GP-HITCH (A) - 158-2362 3 POINT LIFT	967
LINES GP-HITCH - 205-5819 4 IMPLEMENTS, HITCH & STEERABLE HITCH	969
LINES GP-HITCH - 205-5824 5 VALVES & STEERABLE HITCH	975
LINK GP-LIFT - 200-0007	983
LINK GP-UPPER - 197-5030 37MM DIAMETER PIN	985
LINK GP-UPPER - 197-5032 32MM DIAMETER PIN EAME ONLY	987
PLUG GP-HITCH - 173-6500 DRAWBAR HITCH APPLICATIONS ROW ONLY	989
SHAFT GP-SPLINED - 169-0077	997
SUPPORT AR-DRAWBAR (UK) - 200-0006 EAME ONLY	1007
SUPPORT AR-WITH PITON - 186-0986 EAME ONLY	1003
SUPPORT AR-WITHOUT PITON - 186-0987 EAME ONLY	1005

ELECTRICAL AND STARTING SYSTEM

ANTENNA GP-DATA RADIO - 501124D1 GPS BASE STATION	281
BATTERY GP - 136-5661 ROW ONLY	173
BATTERY GP - 167-2182 DISCONNECT ROW ONLY	175
BLOCK AS-FUSE 501831D1	307
BLOCK AS-FUSE 501832D1	309
BLOCK AS-FUSE 501833D1	311
BLOCK AS-FUSE 501834D1	313
BLOCK AS-FUSE 501835D1	315
CH161-9932 SENSOR GP-PRESSURE	259
CONTROL & WIRING GP - 168-1944 STEERABLE REAR HITCH	189
CONTROL & WIRING GP - 168-1947 IMPLEMENTS 5 & 6	179
CONTROL & WIRING GP-HITCH - 136-5317 LIFT CIRCUIT EAME ONLY	181
CONTROL & WIRING GP-HITCH - 168-1919 LIFT CIRCUIT	187
CONTROL AR-AUTOGUIDE FACTORY & FIELD INSTALLED	195
CONTROL AR-MACHINE - 216-0874 ISO READY UPGRADE	191
CONTROL AR-MACHINE - 219-8737 ISO COMPATIBLE	193
CONTROL GP-ELECTRONIC 501033D1	247
CONTROL GP-UNPROGRAMMED 216-0658	185
CONTROL GP-UNPROGRAMMED - CH192-1590	197
ELECTRONICS GP-MACHINE - ISO 216-0614	201
FUSE GP - 169-6380	303
FUSE GP-CLAAS - 172-6841 EAME ONLY	305
HEATER GP-JACKET WATER - CH218-9739 REAR 120 VOLT ROW ONLY	203
HEATER GP-JACKET WATER - 218-9738 REAR 240 VOLT EAME ONLY	205
HEATER GP-TRANSMISSION - 163-0380 120 VOLT ROW ONLY	207
HEATER GP-TRANSMISSION - 163-0381 240 VOLT	209
KIT-GPS BASE STATION - 502609D1	279
KIT-PTO SWITCH ADAPTOR - 502423D1 S/N: PRIOR TO AKN5;ALA5;ALM5;AMS5	331
LAMP GP-HOOD - 500773D1 HALOGEN	219
LAMP GP-HOOD - 500774D1 HALOGEN	221
LIGHT AS - COURTESY - 12V 501935D1	199
LIGHTING GP (DELUXE) - 500641D1	215
LIGHTING GP (HID) - 500642D1	217
LIGHTING GP (STANDARD) - 500640D1 ROW ONLY	213
LIGHTING GP-EXTREMITY WARNING - 136-5212	
MACHINE WIDTH EXCEEDING 12 FEET ROW ONLY	227
LIGHTING GP-ROAD (LH TRAFFIC) 168-6580 FIELD INSTALLED EAME ONLY	235
LIGHTING GP-ROAD (RH TRAFFIC) 168-6581 FIELD INSTALLED EAME ONLY	237
LIGHTING GP-SIGNAL - 136-5664 ROW ONLY	225
LIGHTING GP-SIGNAL - 168-1948	223
LIGHTING GP-WARNING - 12V 162-4101	245
LIGHTING GP-WARNING - 205-4631 EXTREMITY WITH ULTRA WIDE GAGE	229
LIGHTING GP-WARNING - 502773D1 ROW ONLY	243
MOTOR GP-WINDOW WIPER - CH170-5696 12 VOLT	249
MOUNTING GP-BATTERY - 173-2745	251
MOUNTING GP-GPS - 500478D1 AUTOGUIDE SYSTEM	273
MOUNTING GP-PDA - 501168D1 AUTOGUIDE SYSTEM	275
PANEL GP-FUSE 501829D1	253
RADIO GP-AUTOGUIDE - 232-0869	267
RECEIVER GP-GPS BASE STATION - 232-0872	277
RECEIVER GP-TRANSMITTER & GPS - 500607D1 AUTOGUIDE CONTROL	283
RECEIVER KIT-TRANSMITTER - 162-4099	211
REFLECTOR GP-REAR - 169-0013 (EAME ONLY)	239
SENSOR & MTG GP-GROUND SPEED - 136-5213 EAME ONLY	241
SENSOR & MTG GP-GROUND SPEED - 173-6510	255
SENSOR GP-POSITION - CH215-6495	257
SENSOR GP-PRESSURE - CH194-6725	261
SERVICE GP-AUTOGUIDE - 500389D1	345
STARTING MOTOR - 501978D1 12 VOLT	265
STARTING MOTOR GP-ELECTRIC - 169-3646	263

ELECTRICAL AND STARTING SYSTEM (CONTINUED)

SWITCH GP-GUIDANCE - 500606D1 AUTOGUIDE SYSTEM	269
SWITCH GP-GUIDANCE - 500616D1 AUTOGUIDE SYSTEM	271
WARNING GP-BACKUP - 173-6509	285
WARNING GP-WIDE VEHICLE - 222-4835	
WITH WARNING PLATES EAME ONLY	231
WARNING GP-WIDE VEHICLE - 222-4943 WITHOUT	
WARNING PLATES EAME ONLY	233
WIRING GP - 173-6505 STEERING WHEEL MOUNTED	
RADIO CONTROLS ROW ONLY	287
WIRING GP - 214-3504 AUTOGUIDE ISO COMPATIBLE	289
WIRING GP-AUXILIARY - 162-4097 DELUXE CAB ROW ONLY	291
WIRING GP-CAB - 152-0005 EAME ONLY 1 OF 2	299
WIRING GP-CAB - 152-0005 EAME ONLY 2 OF 2	301
WIRING GP-CAB - 152-0420 1 OF 2 ROW ONLY	293
WIRING GP-CAB - 152-0420 2 OF 2 ROW ONLY	297
WIRING GP-COMPACT DISC CHANGER 195-9532	317
WIRING GP-CONSOLE - 166-1211 ARMREST	319
WIRING GP-CONSOLE - 168-1946 EAME ONLY	321
WIRING GP-SHUTOFF - 162-4096 ENGINE ROW ONLY	333
WIRING GP-SHUTOFF - 173-6501 TIME DELAY LIGHTING SHUTOFF DELUXE	335
WIRING GP-TRAILER - 162-4102 CONNECTOR SWITCHES ROW ONLY	337
WIRING GP-TRAILER - 168-1945 EAME ONLY	339
WIRING GP-TRAILER - 227-5268 EAME ONLY	341
WIRING GP-TRAILER JUMPER 501940D1	343
WIRING GP-VEHICLE - 136-5667 ROW ONLY	323
WIRING GP-VEHICLE - 167-2181 EAME ONLY	327

ENGINE ARRANGEMENT

INSTALLATION AR - 165-7006 MT745	71
INSTALLATION AR - 165-7007 MT755	73
INSTALLATION AR - 165-7008 MT765	75
INSTALLATION AR - 169-6836 MT735	69

FRAME AND BODY

CHASSIS AR - 159-9486 ROW ONLY	521
CHASSIS AR - 174-4614 EAME ONLY	523
COUNTERWEIGHT GP - 165-7159 FRONT BRACKET ROW ONLY	525
COUNTERWEIGHT GP-FRONT - 156-1358 20 WEIGHTS	
(1188KG/2614 LB) ROW ONLY	533
COUNTERWEIGHT GP-FRONT - 184-5357 32 WEIGHTS	
(2000KG/4409LB) ROW ONLY	535
COUNTERWEIGHT GP-FRONT - 191-3096 14 WEIGHTS	
(908KG/2002 LB) ROW ONLY	529
COUNTERWEIGHT GP-FRONT - 500715D1	
MOUNTING & 32 WEIGHTS ROW ONLY	537
COUNTERWEIGHT GP-FRONT - 502114D1 10 WEIGHTS	
(871KG/1920 LB) EAME ONLY	527
COUNTERWEIGHT GP-FRONT - 502115D1 16 WEIGHTS	
(1151KG/2537 LB) EAME ONLY	531
COUNTERWEIGHT GP-IDLER - 177-4586 455 KG (1000 LBS.)	539
COUNTERWEIGHT GP-IDLER - 177-4588 (909 KG/2000 LB)	541
COUNTERWEIGHT GP-IDLER - 178-8046 1350 KG (3000 LB) EAME ONLY	543
COUNTERWEIGHT GP-IDLER - 178-8047 1575 KG (3500 LB) ROW ONLY	545
ENCLOSURE GP - 204-7335 ROW ONLY	589
ENCLOSURE GP - 217-0904 ITALIAN MARKET EAME ONLY	591
EXTENSION GP-FENDER - 502799D1	555
FENDER GP - 156-1319	553
FRAME GP - 156-1323	551
GRILL GP-RADIATOR - 197-4774 ROW ONLY	585
GRILL GP-RADIATOR - 202-2359 EAME ONLY	587
GUARD GP - 201-9925 TENSIONER WIRE ROW	563
GUARD GP - 201-9926 TENSIONER WIRE	565
GUARD GP-AXLE - 208-3021 EAME ONLY	561
GUARD GP-DEBRIS - 175-1290 (S/N: PRIOR TO AKN40200;ALA40269;	569
GUARD GP-POWER TRAIN - 500898D1 (S/N: EFF AKN40200;ALA40269;	
ROW ONLY	571
GUARD GP-POWER TRAIN - 500899D1 (S/N: EFF AKN40200;ALA40269;	
ALM40712;AMS41162) EAME ONLY	573
GUARD GP-SPECTATOR - 179-3241 EAME ONLY	559
GUARD GP-SPLASH - 502744D1 (S/N: EFF AKN40200; ALA40257; ALM40561; AMS40985)	557
GUARD KIT-BOTTOM - 174-6313	567

MT700 SERIES TRACK TRACTORS

FRAME AND BODY (CONTINUED)

HANDRAIL GP-BASIC - 502772D1 INNER	577
HANDRAIL GP-OUTER - 203-9178 BASIC	575
HOOD & GUARD GP - 156-1312 ROW ONLY	579
HOOD & GUARD GP - 161-9172 EAME ONLY	583
HOUSING GP - 201-5074	549
MOUNTING GP-BODY - 158-5925 LICENSE PLATE EAME ONLY	593
MOUNTING GP-CAB - 152-0430 ROW ONLY	597
MOUNTING GP-MONITOR - 222-7965	595
PLUG GP-COUNTERWEIGHT - 180-3992	547
STEP GP - 156-1325	599
SUPPORT GP-FUEL TANK - 190-5600 ROW ONLY	601
SUPPORT GP-HOOD - 217-7762 BRACE EAME ONLY	603
WARNING GP-SLOW MOVING VEHICLE 172-8886	605

FUEL SYSTEM

CONTROL GP-DECELERATOR - 152-0447	135
FILTER GP-PRIMARY FUEL - 203-2619	137
KIT-FUEL TANK - 199-3432 113.7 LITERS (30 GALLONS)	157
KIT-FUEL TANK - 210-1382 DUAL TANK STANDARD GAGE	161
LINES GP-FUEL - 156-1317 ROW	139
LINES GP-FUEL - 203-2618	141
LINES GP-FUEL - 206-4714 SIDE	143
LINES GP-FUEL - 206-4715 SIDE	145
MOUNTING GP-FUEL TANK - 171-3737 REAR ROW	147
MOUNTING GP-FUEL TANK - 197-8133 SIDE	149
MOUNTING GP-FUEL TANK - 199-3433 DUAL TANK SIDE	151
MOUNTING GP-FUEL TANK - 203-7082 FRONT ROW	153
TANK AR-FUEL - 165-8506	155
TANK AR-FUEL - 199-3440 WIDE & ULTRA WIDE GAGE ROW	165
TANK AR-FUEL - 210-1381 SINGLE TANK STANDARD GAGE	159
TANK GP-FUEL - 171-3721 REAR ROW	167
TANK GP-FUEL - 171-3738 REAR 345 LITERS (91 GALLONS) ROW	169
TANK GP-FUEL - 197-8132 SIDE 113.7 LITERS (30 GALLONS)	171
TANK GP-FUEL - 500100D1 WITH STD/WIDE GAGE ROW	163

HYDRAULIC SYSTEM

ACTUATOR GP-SWASHPLATE - CH196-4233 ROW	777
CASE DRAIN GP-FLAT FACE - 502681D1 WITHOUT WIDE SWING DRAWBAR	789
CASE DRAIN GP-PIONEER - 502673D1 WITHOUT WIDE SWING DRAWBAR	785
COUPLING GP - 180-9998 HYDRAULIC POWER BEYOND EAME ONLY	783
FILTER GP-MOUNTING - 158-2348	793
FILTER GP-OIL - 501765D1 IMPLEMENT	795
FILTER GP-OIL - 501768D1 TRANSMISSION	797
HYDRAULIC AR - 158-2341	799
HYDRAULIC KIT-POWER BEYOND - 178-7162 0 TO 60 LPM ROW ONLY	779
HYDRAULIC KIT-POWER BEYOND - 180-7174 ABOVE 60 LPM ROW ONLY	781
KIT-HYD CASE DRAIN-FLAT FACE - 502675D1 WIDE SWING DRAWBAR ROW ONLY	791
KIT-HYD CASE DRAIN-PIONEER - 502677D1 WITH WIDE SWING DRAWBAR ROW ONLY	787
KIT-HYDRAULIC VALVE - 189-5906 CONVERT 4 REMOTE TO 5 REMOTE VALVES NON-STEERABLE HITCH	861
KIT-VALVE - 172-4504 5 VALVE TO 6 VALVE UPGRADE WITH STANDARD HITCH	883
KIT-VALVE - 180-4827 4 TO 5 VALVE UPGRADE WITH STANDARD HITCH	801
KIT-VALVE - 180-4828 4 VALVE TO 5 VALVE UPGRADE WITH STEERABLE HITCH ROW ONLY	803
KIT-VALVE - 183-1215 5 VALVE TO 6 VALVE UPGRADE WITH STEERABLE HITCH	805
LINES GP-COUPLER - 179-7090 EAME ONLY	807
LINES GP-COUPLER - 192-6380 ROW ONLY	809
LINES GP-HYD OIL (CHARGE) - 165-7897 (S/N: PRIOR TO AKN40200;ALA40269; ALM40712;AMS41162)	811
LINES GP-HYD OIL (CHARGE) - 500585D1 (S/N: EFF AKN40200;ALA40269; ALM40712;AMS41162-51384)	815
LINES GP-HYD OIL (CHARGE) - 501951D1 (S/N: EFF AMS51385)	819
LINES GP-HYD OIL - 223-4989 ITALIAN MARKET EAME ONLY	825
LINES GP-HYD OIL(CHARGE) - 501951D1 (S/N: EFF AMS51385)	821
LINES GP-HYDRAULIC - 165-8563 TRAILER BRAKE EAME ONLY	823
LINES GP-IMPLEMENT - 158-2355 (S/N: PRIOR TO AKN40200; ALA40269; ALM40712; AMS41162)	827
LINES GP-IMPLEMENT - 165-7902	837
LINES GP-IMPLEMENT - 173-1982 EAME ONLY	835

HYDRAULIC SYSTEM (CONTINUED)

LINES GP-IMPLEMENT - 500598D1 (S/N: EFF AKN40200; ALA40269; ALM40712; AMS41162)	831
MOUNTING GP-VALVE - 158-2338	839
PLUG GP-IMPLEMENT VALVE - 158-2359 WITHOUT 3 POINT HITCH ROW ONLY	841
PUMP & LINES AR-IMPLEMENT - 178-7157 63 CC	843
PUMP & MOUNTING GP - 158-2344 63CC IMPLEMENT	847
PUMP & MOUNTING GP - 500574D1 90CC	855
PUMP & MOUNTING GP-71CC 500573D1	853
PUMP & MOUNTING GP-71CC - 158-2396 (S/N: PRIOR TO AKN40200; ALA40269; ALM40712; AMS41162)	849
PUMP & MOUNTING GP-90CC - 180-9997 (S/N: PRIOR TO AKN40200; ALA40269; ALM40712; AMS41162)	851
PUMP AR-HYDRAULIC - 178-7160 63 CC WITH TRAILER BRAKES EAME ONLY	845
PUMP GP-PISTON - CH205-5980 63 CC IMPLEMENT ROW ONLY	857
ROTATING GP-PUMP - 190-6501 63CC IMPLEMENT PUMP	859
VALVE & MOUNTING GP - 189-5907	867
VALVE & MTG GP-BRAKE - 183-7177 HYDRAULIC TRAILER BRAKE EAME ONLY	863
VALVE & MTG GP-BRAKE - 227-5264 HYDRAULIC TRAILER BRAKE ITALIAN MARKET EAME ONLY	865
VALVE & MTG GP-CONTROL - 189-5910	869
VALVE & MTG GP-CONTROL - 189-5911 5 VALVE STEERABLE HITCH TUBE ASY	871
VALVE AR - 172-4499 4 IMPL W/STD HITCH OR WS DRAWBAR	873
VALVE AR - 172-4500 4 IMPLEMENTS & STEERABLE HITCH	875
VALVE AR - 172-4501 5 IMPL W/STD HITCH OR WS DRAWBAR	877
VALVE AR - 172-4502 5 IMPLEMENTS & STEERABLE HITCH	879
VALVE AR-IMPL (6) - 500789D1 6 IMPLEMENTS & STANDARD HITCH	881
VALVE AR-IMPL - 500790D1 6 IMPLEMENTS & STEERABLE HITCH	885
VALVE GP-BANK 6 - 223-5933 3 PT HITCH & W/5 REMOTES	891
VALVE GP-BANK 6 - 223-5935 4 IMPLEMENTS & STEERABLE HITCH	893
VALVE GP-BANK 6 - 500750D1 3 PT HITCH & W/4 REMOTES	889
VALVE GP-BANK 7 - 223-5936 5 IMPLEMENTS & STEERABLE HITCH	895
VALVE GP-BANK 8 - 500751D1 3 PT-STEERING HITCH W/5 REMOTES	897
VALVE GP-BANK-5 - 223-5932 3 PT HITCH W/4 REMOTES	887
VALVE GP-BRAKE CONTROL - 175-7450 EAME ONLY	899
VALVE GP-BRAKE CONTROL - 192-6368	903
VALVE GP-BRAKE CONTROL - 500543D1 EAME ONLY	901
VALVE GP-CONTROL - 162-9816 IMPLEMENT	905
VALVE GP-CONTROL-2-20 - 224-7237 3 POINT HITCH	907
VALVE GP-CONTROL-3-20 - 224-4211 STEERABLE 3 POINT HITCH	909
VALVE GP-ELECTRIC SERVO - 196-4235 ROW	911
VALVE GP-PRESS & FLOW CMPNSTR - 201-9105 ROW	915
VALVE GP-PRESS & FLOW COMPENSATOR 214-9379	913
VALVE GP-RELIEF - CH123-7557 ROW	917

MACHINE ARRANGEMENT

BASE COMMON AR - 177-1588 ROW ONLY	65
BASE COMMON AR - 177-1589 EAME ONLY	67
BASE UNIT AR-MT735 - 156-5578 ROW ONLY	49
BASE UNIT AR-MT735 - 172-4493 EAME ONLY	51
BASE UNIT AR-MT745 - 156-5579 ROW ONLY	53
BASE UNIT AR-MT745 - 172-4494 EAME ONLY	55
BASE UNIT AR-MT755 - 156-5580 ROW ONLY	57
BASE UNIT AR-MT755 - 172-4495 EAME ONLY	59
BASE UNIT AR-MT765 - 169-5919 ROW ONLY	61
BASE UNIT AR-MT765 - 172-4496 EAME ONLY	63

MAINTENANCE PARTS

RECOMMENDED DEALER STOCK	1241
--------------------------------	------

MARKINGS AND PAINT

DECAL SHEET - 501508D1 FRENCH	1229
DECAL SHEET-501506D1 ENGLISH ROW ONLY	1225
DECAL SHEET-501507D1 DUTCH	1227
DECAL SHEET-501509D1 JAPANESE	1231
DECAL SHEET-501510D1 PORTUGUESE	1233
DECAL SHEET-501511D1 RUSSIAN	1235
DECAL SHEET-501512D1 SPANISH	1237

MARKINGS AND PAINT (CONTINUED)

FILM & PLATE GP - 174-4480 1 OF 7 EAME ONLY	1211
FILM & PLATE GP - 174-4480 2 OF 7 EAME ONLY	1213
FILM & PLATE GP - 174-4480 3 OF 7 EAME ONLY	1215
FILM & PLATE GP - 174-4480 4 OF 7 EAME ONLY	1217
FILM & PLATE GP - 174-4480 5 OF 7 EAME ONLY	1219
FILM & PLATE GP - 174-4480 6 OF 7 EAME ONLY	1221
FILM & PLATE GP - 174-4480 7 OF 7 EAME ONLY	1223
FILM GP - PAINT - 173-4472 1 OF 6 ROW ONLY	1199
FILM GP - PAINT - 173-4472 2 OF 6 ROW ONLY	1201
FILM GP - PAINT - 173-4472 3 OF 6 ROW ONLY	1203
FILM GP - PAINT - 173-4472 4 OF 6 ROW ONLY	1205
FILM GP - PAINT - 173-4472 5 OF 6 ROW ONLY	1207
FILM GP - PAINT - 173-4472 6 OF 6 ROW ONLY	1209
FILM GP-CAT - 500725D1	1197
FILM GP-CHALLENGER - 500726D1	1195
FILM GP-MT735 - 500740D1	1187
FILM GP-MT745 - 500741D1	1189
FILM GP-MT755 - 500742D1	1191
FILM GP-MT765 - 500743D1	1193
PAINT PAINT	1239

OPERATOR STATION

AIR CONDITIONER & MOUNTING GP - BASIC 502502D1 S/N: EFF AKN5;ALA5;ALM5;AMS5	1029
AIR CONDITIONER & MOUNTING GP - DELUXE 166-4592 (S/N: PRIOR TO AKN5;ALA5;ALM5;AMS5)	1031
AIR CONDITIONER & MOUNTING GP - DELUXE 502501D1 (S/N: EFF AKN5;ALA5;ALM5;AMS5)	1033
AIR CONDITIONER & MOUNTING GP - 151-9986 S/N: PRIOR TO AKN5;ALA5;ALM5;AMS5	1027
AIR CONDITIONER GP - 152-0428 (S/N: PRIOR TO AKN40200;ALA40268;	1037
AIR CONDITIONER GP - 152-0428 BASIC (S/N: PRIOR TO AKN40200;ALA40268;	1035
AIR CONDITIONER GP-BASIC - 502500D1 (S/N: EFF AKN40200;ALA40268;	1041
AIR CONDITIONER GP-DELUXE - 152-0427 (S/N: PRIOR TO AKN40200; ALA40261; ALM40681;AMS41031)	1043
AIR CONDITIONER GP-DELUXE - 502499D1 (S/N: EFF AKN40200;ALA40261; ALM40681; AMS41031)	1049
ANTENNA GP-RADIO - 168-1951	1057
ANTENNA GP-RADIO - 210-1570 BUSINESS BAND	1059
ARMREST GP - 500484D2 4 IMP W/PTO-W/O HTCH ROW ONLY	1065
ARMREST GP - 500485D2 4 IMP W/PTO-W/HITCH	1067
ARMREST GP - 500488D2 5 IMP W/PTO-W/O HITCH ROW ONLY	1069
ARMREST GP - 500489D2 5 IMP W/PTO-W/HITCH	1071
ARMREST GP - 500791D2 6 IMP W/PTO-W/O HITCH ROW ONLY	1073
ARMREST GP - 500792D2 6 IMP W/PTO-W/HITCH	1075
CAB AR-BASIC - 500846D1 ROW ONLY	1009
CAB AR-BASIC - 500847D1 EAME ONLY	1011
CAB AR-DELUXE - 500845D1 ROW ONLY	1013
CAB AR-DELUXE - 500848D1 EAME ONLY	1015
CAB GP - 152-0001 ROW ONLY	1017
CAB GP - 152-0002 EAME ONLY	1019
CHANGER GP-COMPACT DISC - 173-6507 ROW	1061
CONSOLE GP - 500768D1	1023
CONSOLE GP-MTG - 500839D1	1021
CONSOLE GP-OPERATOR - 152-0434	1077
CONTROL GP - BRAKE & CLUTCH 152-0438	1063
CONTROL GP-AIR & TEMPERATURE 166-4586	1055
CONTROL GP-HITCH - 152-0445 REAR 3 POINT	1079
CONTROL GP-IMPLEMENT 163-5608	1089
CONTROL GP-IMPLEMENT 209-8704	1091
CONTROL GP-IMPLEMENT - 136-5355 4TH HANDLE	1081
CONTROL GP-IMPLEMENT - 4 HANDLES 152-0443	1083
CONTROL GP-IMPLEMENT - 5 HANDLES 166-4590	1085
CONTROL GP-IMPLEMENT-6TH HANDLE 152-0448	1087
CONTROL GP-MOUNTING - 166-4623 EAME ONLY	1155
CONTROL GP-SECONDARY - 197-3000	1157
CONTROL GP-TRANSMISSION 169-6346	1093

OPERATOR STATION (CONTINUED)

CONTROL GP-TRANSMISSION 169-6347	1095
COVER GP - 500761D1	1025
DOOR GP-CAB (LH) - 164-7068 (S/N: PRIOR TO AKN40200; ALA40272;	1097
DOOR GP-CAB (LH) - 500927D1 (S/N: EFF AKN40200; ALA40272;	1099
DUCT GP-CAB AIR 166-4556	1053
GLASS GP-WINDSHIELD - 151-9995 EAME ONLY	1169
HEADLINER GP - 152-0418	1101
INSULATION GP-WEATHER - 217-2214	1123
KIT-MOUNTING-FIRE EXTINGUISHER 167-0090 ROW ONLY	1113
KIT-SEAT AS (LUMBAR) - BASIC 220-2329	1129
KIT-SEAT AS (LUMBAR) - DELUXE 501912D1	1131
KIT-SEAT SUSPENSION - BASIC 501898D1	1133
KIT-SEAT SUSPENSION - DELUXE 501909D1	1135
KIT-SUSPENSION GP - DELUXE SEAT 501916D1	1139
KIT-SUSPENSION GP-BASIC SEAT 501900D1	1137
LINES GP-HEATER - 208-2879 BASIC	1103
LINES GP-HEATER - 208-2882 DELUXE	1105
MIRROR GP - 206-0588 SIDE AREA VIEW EAME ONLY	1111
MIRROR GP-REAR VIEW - 192-5590 POWER ADJUSTMENT & HEATED ROW-DELUXE ONLY & EAME-ALL	1109
MIRROR GP-REAR VIEW - 192-5592 MANUAL ADJUSTMENT ROW ONLY	1107
MOUNTING GP-WITH FIRE EXTINGUISHER 501785D1 EAME ONLY	1115
RACK & MOUNTING GP - 187-4896 GLOBAL POSITION SENSOR	1117
RADIO GP-DELUXE - 168-1970 12V HD AM/FM/WB/CAS/REMOTE/GRN BACKLIGHT ROW	1145
RADIO GP-DELUXE CD - 170-5739 12V HD AM/FM/WB/CD/REMOTE/GRN BACKLIGHT ROW	1147
RADIO GP-STD - 168-1952 12V HD, AM/FM/WB/CASS W/GREEN BACKLIGHT ROW	1143
ROOF GP-CAB - 152-0417 ROW	1119
ROOF GP-CAB - 152-0444 EAME ONLY	1121
SEAT GP - DELUXE 500853D1	1127
SEAT GP-BASIC 500840D1	1125
SEAT GP-COMPANION - 152-0433	1141
SPEAKER GP-RADIO 502794D1	1149
SPEAKER GP-RADIO - SUBWOOFER 173-6506	1151
STEERING COLUMN GP - CH166-3611	1153
SWITCH GP-WIPER - CH135-9967 INTERMITTENT 12 VOLT	1177
TRIM GP-CAB - 152-0450	1159
VISOR GP-CAB (SUN VISOR) - FRONT 502793D1	1163
VISOR GP-CAB (SUN VISOR) - REAR 162-4095	1165
WINDOW GP-CAB - 151-9994 ROW ONLY	1167
WIPER GP-DELUXE 152-0425	1173
WIPER GP-WINDOW - 152-0422	1171
WIPER GP-WINDOW - 162-4103 RH	1175

POWER TRAIN

152-5241 TRANSMISSION AR-STANDARD S/N: 7PY1-UP	481
155-9583 CLUTCH GP-INPUT SHAFT S/N: 7PY1-1722; 8AY1-885	371
155-9586 CLUTCH GP-INTERMEDIATE SHAFT S/N: 7PY1-1722; 8AY1-885	373
155-9589 CLUTCH GP-REVERSE SHAFT S/N: 7PY1-1722; 8AY1-885	375
155-9590 CLUTCH GP-OUTPUT SHAFT S/N: 7PY1-1722; 8AY1-885	377
155-9593 CASE & PARTS GP-PLANETARY	357
155-9593 CASE & PARTS GP-PLANETARY S/N: 7PY1-1504	355
155-9593 CASE & PARTS GP-PLANETARY S/N: 7PY1505-UP	359
155-9594 CONTROL GP-TRANSMISSION HYD S/N: 7PY1-1768; 8AY1-888	393
155-9594 CONTROL GP-TRANSMISSION HYD S/N: 7PY1769-UP; 8AY889-UP	395
161-8212 BRAKE GP-PARKING S/N: AZA1-UP; AZE1-UP; AZT1-UP	497
161-8857 DRIVE GP-PUMP S/N: 7PY1-UP; 8AY1-UP	449
164-3905 FASTENER GP-FINAL DRIVE	451
165-0414 CASE & PARTS GP-PLANETARY S/N: 8AY1-879	363
165-0414 CASE & PARTS GP-PLANETARY S/N: 8AY880-UP	367
166-0668 CLUTCH GP-OUTPUT PLANETARY S/N: 7PY1-UP; 8AY1-UP	381
166-5880 VALVE GP-MODULATING S/N: AZA1-985; AZE1-1108; AZT1-870 12 VOLT. CLUTCH PACK HYDRAULIC OIL	485
168-3454 HOUSING AS-DIFFERENTIAL S/N: AZA1-947; AZE1-1010	459

MT700 SERIES TRACK TRACTORS

POWER TRAIN (CONTINUED)

169-8568 DRIVE GP-CREEPER S/N: 8AY1-UP	445
170-5152 VALVE GP-CREEPER S/N: 8AY1-UP TYPE 1	499
170-5152 VALVE GP-CREEPER S/N: 8AY1-UP TYPE 2	501
171-4005 AXLE AR S/N: AZA1-UP STANDARD GAGE WITH TYPE 3 PTO	491
171-4010 AXLE AR S/N: AZE1-UP WIDE GAGE WITH TYPE 3 PTO	493
173-2462 TRANSMISSION AR S/N: 8AY1-UP	483
187-3065 VALVE GP-RELIEF S/N: 7PY1-UP; 8AY1-UP CHARGE PRESSURE	489
189-8658 VALVE GP-SOLENOID-CREEPER ENGAGE, DISENGAGE S/N: 8AY1-UP 12-VOLT	503
194-7086 FINAL DRIVE GP-STANDARD GAGE S/N: AZA1-UP	453
195-3950 FINAL DRIVE GP-WIDE GAGE S/N: AZE1-UP	455
195-4531 POWER TAKE-OFF GP S/N: AZA1-985; AZE1-1108; AZT1-870	505
195-4531 POWER TAKE-OFF GP S/N: AZA1308-1365	513
195-4531 POWER TAKE-OFF GP S/N: AZA1366-UP	517
195-4531 POWER TAKE-OFF GP S/N: AZA986-1307	509
199-8159 DIFFERENTIAL GP (PAGE 2 OF 2) S/N: AZA1231-UP; AZE1513-UP; AZT954-UP	441
199-8159 DIFFERENTIAL GP S/N: AZA1-947; AZE1-1010	401
199-8159 DIFFERENTIAL GP-STEERING (PAGE 1 OF 2) S/N: AZA948-1024; AZE1011-1128	407
199-8159 DIFFERENTIAL GP-STEERING (PAGE 1 OF 2) S/N: AZA1061-1214; AZE1175-1433;	423
199-8159 DIFFERENTIAL GP-STEERING (PAGE 1 OF 2) S/N: AZA1215-1230; AZE1434-1512;	431
199-8159 DIFFERENTIAL GP-STEERING (PAGE 1 OF 2) S/N: AZA1231-UP; AZE1513-UP; AZT954-UP	439
199-8159 DIFFERENTIAL GP-STEERING (PAGE 2 OF 2) S/N: AZA948-1024; AZE1011-1128	409
199-8159 DIFFERENTIAL GP-STEERING (PAGE 2 OF 2) S/N: AZA1061-1214; AZE1175-1433;	425
199-8159 DIFFERENTIAL GP-STEERING (PAGE 2 OF 2) S/N: AZA1215-1230; AZE1434-1512;	433
199-8159 DIFFERENTIAL GP-STEERING S/N: AZA1-947; AZE1-1010	397
199-8159 DIFFERENTIAL GP-STEERING S/N: AZA1025-1060; AZE1129-1174;	413
199-8159 DIFFERENTIAL GP-STEERING S/N: AZA1061-1214; AZE1175-1433;	421
199-8159 DIFFERENTIAL GP-STEERING S/N: AZA1215-1230; AZE1434-1512;	429
199-8159 DIFFERENTIAL GP-STEERING S/N: AZA1231-UP; AZE1513-UP; AZT954-UP	437
199-8159 DIFFERENTIAL GP-STEERING S/N: AZA948-1024; AZE1011-1128	405
199-8159A DIFFERENTIAL GP-STEERING (PAGE 1 OF 2) S/N: AZA1025-1060; AZE1129-1174;	415
199-8159A DIFFERENTIAL GP-STEERING (PAGE 2 OF 2) S/N: AZA1025-1060; AZE1129-1174;	417
199-8159A DIFFERENTIAL GP-STEERING S/N: AZA1025-1060; AZE1129-1174;	419
199-9217 FINAL DRIVE GP-ULTRA WIDE GAGE S/N: AZT1-UP	457
200-5011 POWER TRAIN AR-STANDARD GAGE WITH STANDARD TRANSMISSION & TYPE 3 PTO	469
200-5013 POWER TRAIN AR-WIDE GAGE WITH STANDARD TRANSMISSION & TYPE 3 PTO	471
200-5015 POWER TRAIN AR-STANDARD GAGE W/ CREEPER TRANSMISSION & TYPE 3 PTO	473
200-5017 POWER TRAIN AR-WIDE GAGE W/ CREEPER TRANSMISSION & TYPE 3 PTO	475
213-8788 POWER TRAIN AR-ULTRA WIDE GAGE W/ STANDARD TRANSMISSION & TYPE 3 PTO	477
213-8789 POWER TRAIN AR-ULTRA WIDE GAGE W/ CREEPER TRANSMISSION & TYPE 3 PTO	479
213-8802 AXLE AR S/N: AZT1-UP ULTRA WIDE GAGE WITH TYPE 3 PTO	495
216-5343 VALVE GP-MODULATING S/N: AZA986-UP; 7PY1-UP; 8AY1-UP 12V ELECTRONIC CLUTCH PRESSURE CONTROL	487
219-7219 HOUSING GP-DIFFERENTIAL S/N: AZA1025-1060; AZE1129-1174;	461
223-3486 HOUSING GP-DIFFERENTIAL S/N: AZA948-1024; AZE1011-1128	463
225-1452 HOUSING GP-DIFFERENTIAL S/N: AZA1061-1214; AZE1175-1433;	465
232-1773 CLUTCH GP-TRANSMISSION INPUT SHAFT CLUTCH GP S/N: 7PY1723-UP; 8AY886-UP	385
232-1773 CLUTCH GP-TRANSMISSION INTERMEDIATE SHAFT CLUTCH GP S/N: 7PY1723-UP; 8AY886-UP	387

POWER TRAIN (CONTINUED)

232-1773 CLUTCH GP-TRANSMISSION OUTPUT SHAFT CLUTCH GP
(PAGE 1 OF 2) S/N: 7PY1723-UP; 8AY886-UP 389

232-1773 CLUTCH GP-TRANSMISSION OUTPUT SHAFT CLUTCH GP
(PAGE 2 OF 2) S/N: 7PY1723-UP; 8AY886-UP 391

232-1773 CLUTCH GP-TRANSMISSION REVERSE SHAFT CLUTCH GP
S/N: 7PY1723-UP; 8AY886-UP 383

233-9766 HOUSING GP-DIFFERENTIAL S/N: AZA1215-UP; AZE1434-UP; AZT943-UP 467

POWER TRAIN ATTACHING

DRAIN GP-ECOLOGY - 502901D1 349

FILLER GP - 163-0395 347

PLUG GP-SHIPPING - 157-1709 351

SHAFT GP-INPUT - 151-6970 353

SERVICE EQUIPMENT AND SUPPLIES

CHOCK GP-WHEEL - 189-8931 EAME ONLY 1179

PROTECTION GP-VANDALISM - 180-3725 1181

SOFTWARE GP - 501163D1 1185

TOOL GP-AXLE GAGE CHANGE - 203-9712 1183

INDEX

Part No.	Page	Grid	Part No.	Page	Grid	Part No.	Page	Grid	Part No.	Page	Grid
CH0T-0200	983	1-F 4	CH1J-9671	631	1-D 17	CH110-2028	1119	1-F 17	CH120-4897	185	1-B 20
CH0T-0200	985	1-F 4	CH1J-9671	657	1-D 19	CH110-2028	1121	1-F 18	CH120-8514	697	1-D 23
CH0T-0200	987	1-F 4	CH1J-9671	673	1-D 21	CH110-2028	1149	1-F 20	CH120-9048	697	1-D 23
CH001-5600	1063	1-F 12	CH1J-9671	675	1-D 21	CH110-2446	927	1-E 22	CH120-9051	697	1-D 23
CH003-7764	117	1-B 13	CH1K-6985	627	1-D 16	CH110-6349	627	1-D 16	CH121-9753	235	1-C 1
CH004-1964	777	1-E 7	CH1K-6985	629	1-D 16	CH110-6349	629	1-D 16	CH121-9753	237	1-C 1
CH006-5490	117	1-B 13	CH1N-4403	121	1-B 14	CH110-6349	733	1-E 3	CH121-9754	235	1-C 1
CH006-6586	347	1-C 12	CH1N-5970	625	1-D 16	CH110-6349	735	1-E 3	CH121-9754	237	1-C 1
CH030-7937	141	1-B 16	CH1N-5970	631	1-D 17	CH110-6349	737	1-E 3	CH121-9755	235	1-C 1
CH030-7947	141	1-B 16	CH1P-3702	737	1-E 3	CH110-6349	739	1-E 3	CH121-9755	237	1-C 1
CH030-9613	1175	1-F 23	CH1P-3702	739	1-E 3	CH111-4627	1159	1-F 21	CH121-9870	1159	1-F 21
CH032-1339	169	1-B 18	CH1P-3703	733	1-E 3	CH112-4718	917	1-E 21	CH122-9250	705	1-D 24
CH032-9882	189	1-B 20	CH1P-3703	735	1-E 3	CH112-6174	1171	1-F 23	CH123-0707	295	1-C 7
CH033-1097	933	1-E 23	CH1P-3703	737	1-E 3	CH113-0899	1079	1-F 13	CH123-0707	299	1-C 7
CH033-5879	773	1-E 7	CH1P-3703	739	1-E 3	CH113-4417	765	1-E 6	CH123-2017	729	1-E 2
CH033-6032	905	1-E 20	CH1P-4278	117	1-B 13	CH113-4419	763	1-E 6	CH123-2017	731	1-E 3
CH033-6032	909	1-E 20	CH1P-4278	137	1-B 15	CH113-8490	253	1-C 3	CH123-3299	765	1-E 6
CH033-6033	139	1-B 15	CH1P-4278	139	1-B 15	CH113-8490	307	1-C 8	CH123-4748	657	1-D 19
CH033-6043	913	1-E 21	CH1P-4278	163	1-B 18	CH113-8490	309	1-C 8	CH123-4950	579	1-D 11
CH033-7291	585	1-D 12	CH1P-4278	627	1-D 16	CH113-8490	311	1-C 9	CH123-4950	583	1-D 12
CH033-7291	587	1-D 12	CH1P-4278	629	1-D 16	CH113-8490	1241	1-G 6	CH123-7544	777	1-E 7
CH033-8248	173	1-B 19	CH1P-4278	827	1-E 12	CH113-8491	253	1-C 3	CH123-7547	777	1-E 7
CH033-8248	175	1-B 19	CH1P-4278	831	1-E 13	CH113-8491	309	1-C 8	CH123-7556	729	1-E 2
CH077-3241	349	1-C 12	CH1P-5419	657	1-D 19	CH113-8491	311	1-C 9	CH123-7557	729	1-E 2
CH077-5261	747	1-E 4	CH1P-5420	657	1-D 19	CH113-8491	313	1-C 9	CH123-7557	917	1-E 21
CH084-4348	231	1-C 1	CH1R-0762	141	1-B 16	CH113-8491	315	1-C 9	CH123-7559	731	1-E 3
CH084-4348	233	1-C 1	CH1R-0762	1241	1-G 6	CH113-8491	1241	1-G 6	CH123-7560	731	1-E 3
CH084-4348	1241	1-G 6	CH1R-0770	137	1-B 15	CH113-8492	253	1-C 3	CH123-7575	755	1-E 5
CH085-7539	911	1-E 21	CH1R-0770	1241	1-G 6	CH113-8492	307	1-C 8	CH123-7575	757	1-E 5
CH090-0744	827	1-E 12	CH1S-0994	139	1-B 15	CH113-8492	313	1-C 9	CH123-7575	759	1-E 5
CH090-9554	1097	1-F 15	CH1S-0994	829	1-E 12	CH113-8492	315	1-C 9	CH123-7575	761	1-E 6
CH090-9554	1099	1-F 15	CH1S-0994	833	1-E 13	CH113-8492	1241	1-G 6	CH123-7575	917	1-E 21
CH090-9555	1159	1-F 21	CH1S-0996	139	1-B 15	CH113-8880	579	1-D 11	CH123-7582	755	1-E 5
CH092-6629	347	1-C 12	CH1S-0996	173	1-B 19	CH113-8880	583	1-D 12	CH123-7583	755	1-E 5
CH095-0687	857	1-E 15	CH1S-0996	175	1-B 19	CH114-3349	325	1-C 10	CH123-7583	757	1-E 5
CH095-0736	287	1-C 6	CH100-4036	579	1-D 11	CH114-3349	329	1-C 10	CH123-7583	759	1-E 5
CH095-0741	605	1-D 14	CH100-4036	583	1-D 12	CH114-3469	97	1-B 11	CH123-7583	761	1-E 6
CH095-0759	1141	1-F 20	CH101-2867	1101	1-F 16	CH114-4270	769	1-E 6	CH123-7589	917	1-E 21
CH095-0845	703	1-D 24	CH101-3129	563	1-D 10	CH114-5333	323	1-C 10	CH123-7590	917	1-E 21
CH095-0845	983	1-F 4	CH101-3129	565	1-D 10	CH114-5333	327	1-C 10	CH123-7591	917	1-E 21
CH095-0845	985	1-F 4	CH101-3129	655	1-D 19	CH114-5785	931	1-E 23	CH124-3548	253	1-C 3
CH095-0845	987	1-F 4	CH102-8802	97	1-B 11	CH114-5785	1007	1-F 6	CH124-3548	307	1-C 8
CH095-0888	965	1-F 2	CH102-8802	285	1-C 6	CH114-5786	701	1-D 24	CH124-3548	309	1-C 8
CH095-0912	325	1-C 10	CH102-8802	293	1-C 7	CH114-5793	579	1-D 11	CH124-3548	311	1-C 9
CH095-0912	329	1-C 10	CH102-8802	299	1-C 7	CH114-5793	583	1-D 12	CH124-3548	1241	1-G 6
CH095-0915	135	1-B 15	CH102-8802	323	1-C 10	CH115-6433	153	1-B 17	CH124-4653	291	1-C 7
CH095-0974	1157	1-F 21	CH102-8802	327	1-C 10	CH116-5728	135	1-B 15	CH124-4653	293	1-C 7
CH095-1715	899	1-E 19	CH102-8802	795	1-E 9	CH116-5763	567	1-D 10	CH124-7346	1063	1-F 12
CH095-1715	901	1-E 20	CH102-8804	187	1-B 20	CH116-7471	297	1-C 7	CH126-1400	769	1-E 6
CH095-9230	983	1-F 4	CH102-8804	227	1-B 24	CH116-7471	301	1-C 8	CH126-1401	769	1-E 6
CH095-9230	985	1-F 4	CH102-8804	293	1-C 7	CH117-0754	933	1-E 23	CH126-1403	767	1-E 6
CH095-9230	987	1-F 4	CH102-8805	249	1-C 2	CH117-2311	297	1-C 7	CH126-1403	769	1-E 6
CH096-2323	905	1-E 20	CH102-8805	343	1-C 12	CH117-2311	301	1-C 8	CH126-1405	769	1-E 6
CH096-5968	911	1-E 21	CH102-8805	1173	1-F 23	CH117-7236	761	1-E 6	CH126-1406	769	1-E 6
CH096-6166	295	1-C 7	CH102-8805	1175	1-F 23	CH117-7282	761	1-E 6	CH126-1407	769	1-E 6
CH096-6166	297	1-C 7	CH102-8806	1177	1-F 23	CH117-7316	911	1-E 21	CH126-1408	769	1-E 6
CH096-6166	299	1-C 7	CH103-2529	139	1-B 15	CH117-8801	857	1-E 15	CH126-1409	769	1-E 6
CH096-6166	301	1-C 8	CH103-8089	599	1-D 13	CH117-8929	1053	1-F 11	CH126-1410	769	1-E 6
CH096-6166	1159	1-F 21	CH104-2091	1023	1-F 8	CH118-0772	599	1-D 13	CH126-1413	769	1-E 6
CH099-3649	803	1-E 10	CH104-2091	1053	1-F 11	CH119-1329	953	1-F 1	CH126-1415	769	1-E 6
CH1A-5919	657	1-D 19	CH105-2145	913	1-E 21	CH119-1329	955	1-F 1	CH126-1416	769	1-E 6
CH1B-0676	1063	1-F 12	CH105-8034	297	1-C 7	CH119-1329	959	1-F 1	CH126-1419	769	1-E 6
CH1B-4202	711	1-E 1	CH105-8034	301	1-C 8	CH119-5026	217	1-B 23	CH126-1420	769	1-E 6
CH1F-5403	1063	1-F 12	CH106-7532	777	1-E 7	CH119-5026	291	1-C 7	CH126-1597	729	1-E 2
CH1F-7567	829	1-E 12	CH107-5591	1031	1-F 9	CH119-5026	321	1-C 10	CH126-1598	729	1-E 2
CH1F-7567	833	1-E 13	CH107-5591	1033	1-F 9	CH119-5026	1023	1-F 8	CH126-1638	755	1-E 5
CH1F-7567	835	1-E 13	CH108-5985	627	1-D 16	CH119-5026	1101	1-F 16	CH126-1638	757	1-E 5
CH1G-3174	771	1-E 7	CH108-5985	629	1-D 16	CH119-5026	1149	1-F 20	CH126-1638	759	1-E 5
CH1G-7407	729	1-E 2	CH108-6194	627	1-D 16	CH119-6110	775	1-E 7	CH126-1638	761	1-E 6
CH1G-7407	731	1-E 3	CH108-6194	629	1-D 16	CH119-9708	627	1-D 16	CH126-1645	755	1-E 5
CH1H-8289	599	1-D 13	CH109-2356	187	1-B 20	CH119-9708	629	1-D 16	CH126-1645	757	1-E 5
CH1J-6474	933	1-E 23	CH109-9685	907	1-E 20	CH120-4394	729	1-E 2	CH126-1645	759	1-E 5
CH1J-9671	625	1-D 16	CH110-2028	211	1-B 23	CH120-4394	731	1-E 3	CH126-1645	761	1-E 6
CH1J-9671	627	1-D 16	CH110-2028	295	1-C 7	CH120-4394	755	1-E 5	CH126-1773	179	1-B 19
CH1J-9671	629	1-D 16	CH110-2028	299	1-C 7	CH120-4394	761	1-E 6	CH126-1773	183	1-B 20

MT700 SERIES TRACKTRACTORS

13 INDEX

Part No.	Page	Grid	Part No.	Page	Grid	Part No.	Page	Grid	Part No.	Page	Grid
CH126-1773	187	1-B 20	CH136-7226	85	1-B 10	CH146-9439	1173	1-F 23	CH148-8378	831	1-E 13
CH127-1647	81	1-B 10	CH136-8423	857	1-E 15	CH148-7017	827	1-E 12	CH148-8378	837	1-E 13
CH127-2170	135	1-B 15	CH136-8794	101	1-B 12	CH148-7017	831	1-E 13	CH148-8383	703	1-D 24
CH128-0331	1103	1-F 16	CH137-9775	527	1-D 6	CH148-8305	627	1-D 16	CH148-8388	811	1-E 11
CH128-2162	1031	1-F 9	CH137-9775	531	1-D 7	CH148-8305	629	1-D 16	CH148-8388	815	1-E 11
CH128-2162	1033	1-F 9	CH138-1815	625	1-D 16	CH148-8307	825	1-E 12	CH148-8388	821	1-E 12
CH128-4249	193	1-B 21	CH138-1815	631	1-D 17	CH148-8326	827	1-E 12	CH148-8420	823	1-E 12
CH128-4249	289	1-C 6	CH138-1818	625	1-D 16	CH148-8326	831	1-E 13	CH148-8420	825	1-E 12
CH129-3178	329	1-C 10	CH138-1818	631	1-D 17	CH148-8327	733	1-E 3	CH148-8424	703	1-D 24
CH129-3178	555	1-D 9	CH139-6911	185	1-B 20	CH148-8327	735	1-E 3	CH148-8431	811	1-E 11
CH129-3178	579	1-D 11	CH140-5181	1097	1-F 15	CH148-8327	737	1-E 3	CH148-8431	815	1-E 11
CH129-3178	583	1-D 12	CH140-5181	1099	1-F 15	CH148-8327	739	1-E 3	CH148-8431	821	1-E 12
CH129-3178	585	1-D 12	CH141-0247	765	1-E 6	CH148-8327	811	1-E 11	CH148-8433	825	1-E 12
CH129-3178	587	1-D 12	CH141-0248	765	1-E 6	CH148-8327	815	1-E 11	CH148-8435	829	1-E 12
CH129-3178	1079	1-F 13	CH141-0249	765	1-E 6	CH148-8327	821	1-E 12	CH148-8435	831	1-E 13
CH129-3178	1159	1-F 21	CH141-0250	765	1-E 6	CH148-8333	827	1-E 12	CH148-8435	835	1-E 13
CH129-6457	293	1-C 7	CH141-0251	765	1-E 6	CH148-8333	831	1-E 13	CH148-8436	703	1-D 24
CH129-6457	295	1-C 7	CH141-0252	765	1-E 6	CH148-8334	827	1-E 12	CH148-8436	967	1-F 2
CH129-6457	299	1-C 7	CH141-1762	1171	1-F 23	CH148-8334	831	1-E 13	CH148-8443	703	1-D 24
CH129-6457	301	1-C 8	CH141-1762	1173	1-F 23	CH148-8335	811	1-E 11	CH148-8444	715	1-E 1
CH130-1916	581	1-D 12	CH141-2759	311	1-C 9	CH148-8335	815	1-E 11	CH148-8444	721	1-E 2
CH130-1916	583	1-D 12	CH141-2759	313	1-C 9	CH148-8335	821	1-E 12	CH148-8444	723	1-E 2
CH130-5742	1055	1-F 11	CH141-2759	315	1-C 9	CH148-8335	827	1-E 12	CH148-8444	733	1-E 3
CH130-7806	767	1-E 6	CH141-2759	1241	1-G 6	CH148-8335	831	1-E 13	CH148-8444	737	1-E 3
CH130-7806	769	1-E 6	CH142-2304	699	1-D 23	CH148-8335	835	1-E 13	CH148-8444	969	1-F 2
CH131-3093	1031	1-F 9	CH142-2304	701	1-D 24	CH148-8340	83	1-B 10	CH148-8444	975	1-F 3
CH131-3093	1033	1-F 9	CH142-2304	1097	1-F 15	CH148-8340	85	1-B 10	CH148-8444	979	1-F 3
CH131-3540	579	1-D 11	CH142-2304	1099	1-F 15	CH148-8340	715	1-E 1	CH149-2758	251	1-C 3
CH131-3540	583	1-D 12	CH142-2304	1167	1-F 22	CH148-8340	719	1-E 1	CH149-6371	323	1-C 10
CH131-3540	969	1-F 2	CH142-2304	1169	1-F 22	CH148-8340	733	1-E 3	CH149-6371	327	1-C 10
CH131-3540	975	1-F 3	CH142-9425	767	1-E 6	CH148-8340	735	1-E 3	CH149-7369	139	1-B 15
CH131-3540	979	1-F 3	CH142-9426	767	1-E 6	CH148-8340	737	1-E 3	CH150-3065	715	1-E 1
CH131-3540	1027	1-F 8	CH142-9427	767	1-E 6	CH148-8340	739	1-E 3	CH150-3065	721	1-E 2
CH131-3540	1029	1-F 8	CH142-9429	767	1-E 6	CH148-8340	967	1-F 2	CH150-3065	723	1-E 2
CH131-3540	1031	1-F 9	CH142-9430	767	1-E 6	CH148-8356	829	1-E 12	CH150-3065	833	1-E 13
CH131-3540	1033	1-F 9	CH142-9431	767	1-E 6	CH148-8356	831	1-E 13	CH150-4474	965	1-F 2
CH131-3540	1053	1-F 11	CH142-9432	767	1-E 6	CH148-8359	811	1-E 11	CH150-8763	931	1-E 23
CH132-5789	173	1-B 19	CH142-9433	767	1-E 6	CH148-8359	815	1-E 11	CH150-8763	933	1-E 23
CH132-5789	175	1-B 19	CH142-9434	767	1-E 6	CH148-8359	821	1-E 12	CH150-8763	935	1-E 23
CH132-5789	325	1-C 10	CH142-9435	767	1-E 6	CH148-8360	733	1-E 3	CH150-8764	937	1-E 23
CH133-8739	765	1-E 6	CH142-9436	767	1-E 6	CH148-8360	735	1-E 3	CH150-8849	931	1-E 23
CH133-8740	765	1-E 6	CH142-9437	767	1-E 6	CH148-8360	737	1-E 3	CH150-8849	933	1-E 23
CH133-8740	775	1-E 7	CH142-9438	767	1-E 6	CH148-8360	739	1-E 3	CH150-8849	935	1-E 23
CH133-8742	765	1-E 6	CH142-9439	767	1-E 6	CH148-8361	705	1-D 24	CH150-8849	937	1-E 23
CH133-8743	765	1-E 6	CH142-9439	769	1-E 6	CH148-8361	829	1-E 12	CH151-6030	1179	1-F 23
CH133-8744	775	1-E 7	CH142-9440	767	1-E 6	CH148-8361	831	1-E 13	CH151-9989	1167	1-F 22
CH133-8745	775	1-E 7	CH142-9681	1143	1-F 20	CH148-8364	713	1-E 1	CH151-9989	1169	1-F 22
CH133-8747	775	1-E 7	CH142-9681	1145	1-F 20	CH148-8364	715	1-E 1	CH152-4386	953	1-F 1
CH133-8753	989	1-F 4	CH142-9681	1147	1-F 20	CH148-8364	719	1-E 1	CH152-4386	961	1-F 2
CH134-1935	1173	1-F 23	CH144-0590	763	1-E 6	CH148-8364	723	1-E 2	CH152-4386	963	1-F 2
CH134-4126	185	1-B 20	CH144-1636	343	1-C 12	CH148-8364	737	1-E 3	CH152-8073	625	1-D 16
CH134-4126	197	1-B 21	CH145-0834	777	1-E 7	CH148-8364	739	1-E 3	CH152-8073	631	1-D 17
CH134-4640	239	1-C 1	CH145-0838	777	1-E 7	CH148-8364	785	1-E 8	CH152-9144	729	1-E 2
CH135-9819	81	1-B 10	CH145-0846	297	1-C 7	CH148-8364	787	1-E 8	CH152-9144	731	1-E 3
CH135-9819	85	1-B 10	CH145-0846	301	1-C 8	CH148-8364	789	1-E 8	CH153-2782	777	1-E 7
CH135-9967	1173	1-F 23	CH145-0847	297	1-C 7	CH148-8364	791	1-E 9	CH153-4061	779	1-E 7
CH135-9967	1177	1-F 23	CH145-0847	301	1-C 8	CH148-8364	967	1-F 2	CH153-4061	781	1-E 8
CH136-5252	213	1-B 23	CH145-0905	729	1-E 2	CH148-8367	829	1-E 12	CH153-6225	779	1-E 7
CH136-5252	215	1-B 23	CH145-5317	755	1-E 5	CH148-8370	713	1-E 1	CH153-6225	781	1-E 8
CH136-5252	217	1-B 23	CH146-4350	905	1-E 20	CH148-8372	721	1-E 2	CH153-6227	781	1-E 8
CH136-5254	245	1-C 2	CH146-4351	905	1-E 20	CH148-8372	723	1-E 2	CH153-6228	781	1-E 8
CH136-5268	291	1-C 7	CH146-7453	117	1-B 13	CH148-8372	733	1-E 3	CH154-5428	285	1-C 6
CH136-5268	321	1-C 10	CH146-9439	215	1-B 23	CH148-8372	735	1-E 3	CH154-9989	553	1-D 9
CH136-5314	173	1-B 19	CH146-9439	217	1-B 23	CH148-8372	825	1-E 12	CH154-9989	1161	1-F 22
CH136-5314	175	1-B 19	CH146-9439	245	1-C 2	CH148-8374	823	1-E 12	CH155-2255	1095	1-F 15
CH136-5414	1149	1-F 20	CH146-9439	253	1-C 3	CH148-8374	825	1-E 12	CH155-2260	261	1-C 4
CH136-5415	1149	1-F 20	CH146-9439	291	1-C 7	CH148-8375	969	1-F 2	CH155-4682	1089	1-F 14
CH136-5434	1151	1-F 21	CH146-9439	307	1-C 8	CH148-8375	975	1-F 3	CH155-5301	965	1-F 2
CH136-5490	1143	1-F 20	CH146-9439	309	1-C 8	CH148-8375	979	1-F 3	CH155-5302	965	1-F 2
CH136-5490	1145	1-F 20	CH146-9439	311	1-C 9	CH148-8377	969	1-F 2	CH156-0283	213	1-B 23
CH136-5490	1147	1-F 20	CH146-9439	313	1-C 9	CH148-8377	975	1-F 3	CH156-0283	215	1-B 23
CH136-5511	293	1-C 7	CH146-9439	315	1-C 9	CH148-8377	979	1-F 3	CH156-0283	217	1-B 23
CH136-5511	299	1-C 7	CH146-9439	321	1-C 10	CH148-8378	705	1-D 24	CH156-0283	699	1-D 23
CH136-5546	221	1-B 24	CH146-9439	335	1-C 11	CH148-8378	715	1-E 1	CH156-0283	701	1-D 24
CH136-7226	83	1-B 10	CH146-9439	1109	1-F 16	CH148-8378	829	1-E 12	CH156-4897	657	1-D 19

INDEX

Part No.	Page	Grid	Part No.	Page	Grid	Part No.	Page	Grid	Part No.	Page	Grid
CH156-4900	657	1-D 19	CH166-7411	771	1-E 7	CH171-1105	705	1-D 24	CH177-3405	919	1-E 21
CH156-6175	285	1-C 6	CH166-7413	771	1-E 7	CH171-1106	705	1-D 24	CH177-9778	137	1-B 15
CH157-0217	1055	1-F 11	CH166-7414	771	1-E 7	CH171-1107	705	1-D 24	CH178-3711	667	1-D 20
CH157-0449	1077	1-F 13	CH167-2186	929	1-E 22	CH171-1242	925	1-E 22	CH178-3711	669	1-D 20
CH159-5890	781	1-E 8	CH167-2201	627	1-D 16	CH171-1242	929	1-E 22	CH178-3711	671	1-D 21
CH159-5893	779	1-E 7	CH167-2201	629	1-D 16	CH171-1243	921	1-E 22	CH178-3888	1171	1-F 23
CH159-5893	781	1-E 8	CH167-2294	929	1-E 22	CH171-1243	927	1-E 22	CH178-7955	1169	1-F 22
CH159-5897	779	1-E 7	CH167-2312	627	1-D 16	CH171-2045	929	1-E 22	CH178-7962	1077	1-F 13
CH159-5897	781	1-E 8	CH167-2312	629	1-D 16	CH171-2054	929	1-E 22	CH178-7963	1077	1-F 13
CH159-9854	767	1-E 6	CH167-2334	927	1-E 22	CH171-2056	929	1-E 22	CH178-7965	1023	1-F 8
CH159-9854	769	1-E 6	CH167-2450	929	1-E 22	CH171-2057	929	1-E 22	CH178-9570	97	1-B 11
CH160-5223	657	1-D 19	CH167-2485	927	1-E 22	CH171-2795	927	1-E 22	CH179-2959	1159	1-F 21
CH160-8756	1167	1-F 22	CH167-6805	755	1-E 5	CH171-4047	1053	1-F 11	CH179-3160	1119	1-F 17
CH160-8756	1169	1-F 22	CH167-6805	757	1-E 5	CH171-5990	765	1-E 6	CH179-3160	1121	1-F 18
CH161-9932	259	1-C 3	CH167-6805	759	1-E 5	CH171-5991	763	1-E 6	CH179-4206	1087	1-F 14
CH161-9932	323	1-C 10	CH167-6805	761	1-E 6	CH171-6858	763	1-E 6	CH179-4209	1175	1-F 23
CH161-9932	327	1-C 10	CH167-8022	965	1-F 2	CH171-6859	763	1-E 6	CH179-4217	1169	1-F 22
CH162-0177	773	1-E 7	CH168-2197	857	1-E 15	CH171-6860	763	1-E 6	CH179-4265	255	1-C 3
CH162-0177	863	1-E 16	CH168-2198	857	1-E 15	CH171-6861	763	1-E 6	CH179-4324	297	1-C 7
CH162-0177	865	1-E 16	CH168-2200	857	1-E 15	CH171-6862	763	1-E 6	CH179-4324	299	1-C 7
CH162-6555	1089	1-F 14	CH168-2203	857	1-E 15	CH171-6863	763	1-E 6	CH179-4324	1079	1-F 13
CH162-6555	1091	1-F 15	CH168-2206	857	1-E 15	CH172-3511	329	1-C 10	CH179-5818	951	1-F 1
CH162-6660	1023	1-F 8	CH168-2309	1167	1-F 22	CH172-4620	783	1-E 8	CH179-5818	955	1-F 1
CH162-8550	1153	1-F 21	CH168-2309	1169	1-F 22	CH172-4621	779	1-E 7	CH179-5820	951	1-F 1
CH162-9597	741	1-E 4	CH168-2333	1077	1-F 13	CH172-4621	783	1-E 8	CH179-5830	951	1-F 1
CH162-9597	749	1-E 4	CH168-3378	859	1-E 15	CH172-4622	783	1-E 8	CH179-6898	701	1-D 24
CH162-9598	745	1-E 4	CH168-3379	859	1-E 15	CH172-6129	929	1-E 22	CH179-8665	827	1-E 12
CH162-9598	753	1-E 5	CH168-3380	859	1-E 15	CH172-6130	929	1-E 22	CH179-8665	831	1-E 13
CH162-9799	905	1-E 20	CH168-3381	859	1-E 15	CH172-6847	1061	1-F 12	CH180-0459	755	1-E 5
CH162-9821	905	1-E 20	CH168-3382	859	1-E 15	CH172-6862	1167	1-F 22	CH180-0459	849	1-E 14
CH163-0393	207	1-B 22	CH168-3384	859	1-E 15	CH172-6862	1169	1-F 22	CH180-0613	307	1-C 8
CH163-0397	67	1-B 8	CH168-3385	859	1-E 15	CH173-0566	349	1-C 12	CH180-0613	309	1-C 8
CH163-0397	349	1-C 12	CH168-3504	857	1-E 15	CH173-3175	315	1-C 9	CH180-1120	681	1-D 22
CH163-2657	293	1-C 7	CH168-4599	779	1-E 7	CH173-7126	137	1-B 15	CH180-2826	771	1-E 7
CH163-2657	301	1-C 8	CH168-7317	857	1-E 15	CH173-7223	325	1-C 10	CH180-6054	951	1-F 1
CH163-8002	933	1-E 23	CH168-7319	857	1-E 15	CH173-7223	329	1-C 10	CH180-6054	955	1-F 1
CH163-8002	935	1-E 23	CH168-7709	633	1-D 17	CH173-7639	783	1-E 8	CH180-6213	857	1-E 15
CH163-8002	937	1-E 23	CH168-8389	1199	1-G 1	CH173-9685	929	1-E 22	CH180-7317	241	1-C 2
CH164-0908	627	1-D 16	CH168-8389	1221	1-G 4	CH174-4874	673	1-D 21	CH180-9339	259	1-C 3
CH164-0908	629	1-D 16	CH169-0453	173	1-B 19	CH174-4874	675	1-D 21	CH180-9340	261	1-C 4
CH164-4180	125	1-B 14	CH169-0453	175	1-B 19	CH174-5200	927	1-E 22	CH183-3009	827	1-E 12
CH164-5624	721	1-E 2	CH169-3261	1153	1-F 21	CH174-5747	1079	1-F 13	CH183-3009	831	1-E 13
CH164-5624	725	1-E 2	CH169-3561	189	1-B 20	CH174-5789	1159	1-F 21	CH183-3010	827	1-E 12
CH164-5624	969	1-F 2	CH169-6324	1143	1-F 20	CH174-6381	1119	1-F 17	CH183-3010	831	1-E 13
CH164-5624	975	1-F 3	CH169-6325	1145	1-F 20	CH174-6381	1121	1-F 18	CH183-3724	781	1-E 8
CH164-5624	979	1-F 3	CH169-6326	1147	1-F 20	CH174-7599	141	1-B 16	CH183-3725	779	1-E 7
CH164-7046	1097	1-F 15	CH169-6352	1159	1-F 21	CH174-9061	321	1-C 10	CH183-4236	705	1-D 24
CH164-7057	1097	1-F 15	CH169-6367	293	1-C 7	CH174-9994	857	1-E 15	CH183-4403	189	1-B 20
CH164-7057	1099	1-F 15	CH169-6374	1097	1-F 15	CH175-1323	219	1-B 23	CH183-4567	581	1-D 12
CH164-7070	1097	1-F 15	CH169-6377	1167	1-F 22	CH175-1323	221	1-B 24	CH183-4567	583	1-D 12
CH164-7070	1099	1-F 15	CH169-6377	1169	1-F 22	CH175-1323	1241	1-G 6	CH183-4584	325	1-C 10
CH164-7071	1097	1-F 15	CH169-6392	1097	1-F 15	CH175-2851	627	1-D 16	CH183-4584	329	1-C 10
CH164-8478	1053	1-F 11	CH169-6392	1099	1-F 15	CH175-2851	629	1-D 16	CH183-5008	919	1-E 21
CH165-5694	783	1-E 8	CH169-6397	1163	1-F 22	CH175-3135	905	1-E 20	CH183-8033	101	1-B 12
CH165-5975	269	1-C 4	CH169-6397	1165	1-F 22	CH175-3244	323	1-C 10	CH183-8033	103	1-B 12
CH165-5975	271	1-C 5	CH169-7397	113	1-B 13	CH175-3244	327	1-C 10	CH183-9298	147	1-B 16
CH165-5975	293	1-C 7	CH170-0964	779	1-E 7	CH175-4966	349	1-C 12	CH184-2472	197	1-B 21
CH165-5975	297	1-C 7	CH170-0964	781	1-E 8	CH175-7057	299	1-C 7	CH184-5339	711	1-E 1
CH165-5975	301	1-C 8	CH170-0964	783	1-E 8	CH175-7057	1241	1-G 6	CH184-5394	125	1-B 14
CH165-5975	641	1-D 18	CH170-1198	293	1-C 7	CH175-7514	625	1-D 16	CH184-5394	139	1-B 15
CH165-5975	643	1-D 18	CH170-1198	1241	1-G 6	CH175-7514	631	1-D 17	CH184-5394	141	1-B 16
CH165-5975	645	1-D 18	CH170-1445	1167	1-F 22	CH175-7515	951	1-F 1	CH184-8029	83	1-B 10
CH165-5975	1077	1-F 13	CH170-1445	1169	1-F 22	CH175-7515	953	1-F 1	CH184-8029	85	1-B 10
CH165-6966	763	1-E 6	CH170-1501	1105	1-F 16	CH175-7515	955	1-F 1	CH185-1512	143	1-B 16
CH166-3611	1023	1-F 8	CH170-2237	217	1-B 23	CH175-7515	959	1-F 1	CH185-1512	155	1-B 17
CH166-3611	1153	1-F 21	CH170-2237	253	1-C 3	CH175-7896	929	1-E 22	CH185-1512	157	1-B 17
CH166-4573	1097	1-F 15	CH170-2237	307	1-C 8	CH176-4546	329	1-C 10	CH185-1512	159	1-B 17
CH166-4573	1099	1-F 15	CH170-2237	309	1-C 8	CH177-0378	135	1-B 15	CH185-1512	161	1-B 18
CH166-4574	1097	1-F 15	CH170-2320	997	1-F 5	CH177-0463	743	1-E 4	CH185-1512	163	1-B 18
CH166-4574	1099	1-F 15	CH170-5696	249	1-C 2	CH177-0463	751	1-E 5	CH185-1512	165	1-B 18
CH166-4596	1173	1-F 23	CH170-5696	1171	1-F 23	CH177-0662	921	1-E 22	CH185-2789	959	1-F 1
CH166-4615	1057	1-F 11	CH170-5696	1173	1-F 23	CH177-0663	925	1-E 22	CH185-3886	1153	1-F 21
CH166-7408	765	1-E 6	CH170-7251	1061	1-F 12	CH177-1872	667	1-D 20	CH185-3959	823	1-E 12
CH166-7409	765	1-E 6	CH170-7251	1145	1-F 20	CH177-1872	669	1-D 20	CH185-3959	825	1-E 12
CH166-7410	765	1-E 6	CH170-7251	1147	1-F 20	CH177-1872	671	1-D 21	CH185-5755	959	1-F 1

MT700 SERIES TRACK TRACTORS

15 INDEX

Part No.	Page	Grid	Part No.	Page	Grid	Part No.	Page	Grid	Part No.	Page	Grid
CH185-7141	211	1-B 23	CH188-3640	893	1-E 19	CH193-5914	351	1-C 13	CH197-7431	953	1-F 1
CH185-9481	959	1-F 1	CH188-3640	895	1-E 19	CH193-5914	563	1-D 10	CH197-7431	955	1-F 1
CH185-9753	705	1-D 24	CH188-3640	897	1-E 19	CH193-5914	565	1-D 10	CH197-7431	959	1-F 1
CH185-9753	727	1-E 2	CH188-7568	777	1-E 7	CH193-5914	599	1-D 13	CH197-8803	919	1-E 21
CH185-9753	807	1-E 10	CH188-7569	777	1-E 7	CH193-5914	655	1-D 19	CH197-8803	953	1-F 1
CH185-9753	809	1-E 10	CH188-7789	777	1-E 7	CH193-5914	873	1-E 17	CH197-8803	955	1-F 1
CH185-9759	705	1-D 24	CH188-7789	899	1-E 19	CH193-5914	877	1-E 17	CH197-8803	959	1-F 1
CH185-9761	705	1-D 24	CH188-7789	901	1-E 20	CH193-5914	881	1-E 18	CH197-8804	953	1-F 1
CH185-9762	705	1-D 24	CH188-7790	777	1-E 7	CH193-5914	953	1-F 1	CH197-8804	955	1-F 1
CH185-9763	807	1-E 10	CH188-7791	777	1-E 7	CH193-5914	961	1-F 2	CH197-8804	959	1-F 1
CH185-9768	705	1-D 24	CH188-7792	777	1-E 7	CH193-5914	1159	1-F 21	CH198-2388	953	1-F 1
CH185-9772	705	1-D 24	CH188-7793	777	1-E 7	CH193-5914	1171	1-F 23	CH198-2388	959	1-F 1
CH185-9773	705	1-D 24	CH188-7794	777	1-E 7	CH193-5915	351	1-C 13	CH199-2912	971	1-F 3
CH185-9773	727	1-E 2	CH188-7795	777	1-E 7	CH193-5915	953	1-F 1	CH199-2912	975	1-F 3
CH185-9773	807	1-E 10	CH188-7796	777	1-E 7	CH193-5915	957	1-F 1	CH199-2912	979	1-F 3
CH185-9773	809	1-E 10	CH188-7797	777	1-E 7	CH193-5915	961	1-F 2	CH199-2913	971	1-F 3
CH186-0341	905	1-E 20	CH188-7798	777	1-E 7	CH193-5916	599	1-D 13	CH199-2913	975	1-F 3
CH186-0347	905	1-E 20	CH188-7799	777	1-E 7	CH193-5917	1005	1-F 6	CH199-2913	979	1-F 3
CH186-0348	905	1-E 20	CH188-7800	777	1-E 7	CH193-7727	963	1-F 2	CH2A-3211	231	1-C 1
CH186-0364	905	1-E 20	CH188-9915	975	1-F 3	CH194-4650	913	1-E 21	CH2A-3211	233	1-C 1
CH186-0365	905	1-E 20	CH188-9915	979	1-F 3	CH194-4651	913	1-E 21	CH2A-3211	1077	1-F 13
CH186-0367	905	1-E 20	CH189-2957	747	1-E 4	CH194-6725	261	1-C 4	CH2A-3211	1181	1-F 24
CH186-0368	905	1-E 20	CH189-2957	849	1-E 14	CH194-6725	727	1-E 2	CH2B-2404	705	1-D 24
CH186-0368	909	1-E 20	CH189-2957	851	1-E 15	CH194-8478	969	1-F 2	CH2D-9454	657	1-D 19
CH186-0369	905	1-E 20	CH189-2957	853	1-E 15	CH194-8478	975	1-F 3	CH2D-9455	657	1-D 19
CH186-0369	909	1-E 20	CH189-2957	855	1-E 15	CH194-8478	979	1-F 3	CH2H-3429	183	1-B 20
CH186-0370	905	1-E 20	CH189-8610	1175	1-F 23	CH195-2600	1119	1-F 17	CH2H-3429	187	1-B 20
CH186-0370	909	1-E 20	CH189-9389	763	1-E 6	CH195-2600	1121	1-F 18	CH2H-3920	1177	1-F 23
CH186-0371	905	1-E 20	CH190-0430	705	1-D 24	CH195-2601	1119	1-F 17	CH2H-3928	765	1-E 6
CH186-0371	909	1-E 20	CH190-0430	807	1-E 10	CH195-2601	1121	1-F 18	CH2H-3934	847	1-E 14
CH186-0375	905	1-E 20	CH190-0430	809	1-E 10	CH195-2602	1119	1-F 17	CH2H-4145	771	1-E 7
CH186-0376	905	1-E 20	CH190-0431	807	1-E 10	CH195-2602	1121	1-F 18	CH2H-6184	751	1-E 5
CH186-1013	1003	1-F 6	CH190-0431	809	1-E 10	CH195-2607	1119	1-F 17	CH2J-6356	135	1-B 15
CH186-1013	1005	1-F 6	CH190-2584	919	1-E 21	CH195-2607	1121	1-F 18	CH2J-6356	701	1-D 24
CH186-1017	983	1-F 4	CH190-2585	931	1-E 23	CH195-2608	1119	1-F 17	CH2J-6356	711	1-E 1
CH186-1021	1003	1-F 6	CH190-2585	1007	1-F 6	CH195-2608	1121	1-F 18	CH2K-8199	349	1-C 12
CH186-1069	983	1-F 4	CH190-3391	673	1-D 21	CH195-2609	1119	1-F 17	CH2K-8199	781	1-E 8
CH186-1069	985	1-F 4	CH190-3391	675	1-D 21	CH195-2609	1121	1-F 18	CH2L-6726	183	1-B 20
CH186-1069	987	1-F 4	CH190-3580	661	1-D 20	CH195-2614	1119	1-F 17	CH2L-6726	187	1-B 20
CH186-1080	985	1-F 4	CH190-3582	661	1-D 20	CH195-2614	1121	1-F 18	CH2L-8075	197	1-B 21
CH186-1080	987	1-F 4	CH190-5448	157	1-B 17	CH195-2626	1083	1-F 14	CH2L-8078	197	1-B 21
CH186-1081	983	1-F 4	CH190-5448	159	1-B 17	CH195-2626	1085	1-F 14	CH2P-2717	1181	1-F 24
CH186-1081	985	1-F 4	CH190-5448	161	1-B 18	CH195-7925	1027	1-F 8	CH2R-2376	1053	1-F 11
CH186-1081	987	1-F 4	CH190-5448	163	1-B 18	CH195-7925	1029	1-F 8	CH2R-6806	141	1-B 16
CH186-1083	1003	1-F 6	CH190-5448	165	1-B 18	CH196-0420	231	1-C 1	CH2S-4078	909	1-E 20
CH186-1087	351	1-C 13	CH190-6069	927	1-E 22	CH196-0420	233	1-C 1	CH2S-8418	1157	1-F 21
CH186-1682	1023	1-F 8	CH190-6230	167	1-B 18	CH196-0420	239	1-C 1	CH200-0002	959	1-F 1
CH186-3735	293	1-C 7	CH190-6507	857	1-E 15	CH196-2881	1119	1-F 17	CH200-0002	965	1-F 2
CH186-3735	1173	1-F 23	CH190-6508	859	1-E 15	CH196-2881	1121	1-F 18	CH200-0010	919	1-E 21
CH186-5862	163	1-B 18	CH190-7634	137	1-B 15	CH196-3698	1153	1-F 21	CH200-0010	953	1-F 1
CH187-4706	969	1-F 2	CH190-7634	141	1-B 16	CH196-3699	1153	1-F 21	CH200-0010	955	1-F 1
CH187-4706	975	1-F 3	CH191-1780	1023	1-F 8	CH196-4232	755	1-E 5	CH200-2797	951	1-F 1
CH187-4706	979	1-F 3	CH191-2276	297	1-C 7	CH196-4232	757	1-E 5	CH200-2797	955	1-F 1
CH187-4902	1017	1-F 7	CH191-2276	299	1-C 7	CH196-4232	767	1-E 6	CH200-3758	733	1-E 3
CH187-4902	1019	1-F 7	CH191-3701	1153	1-F 21	CH196-4233	755	1-E 5	CH200-3758	735	1-E 3
CH187-4917	1079	1-F 13	CH191-6944	783	1-E 8	CH196-4233	757	1-E 5	CH200-3758	737	1-E 3
CH187-6297	705	1-D 24	CH191-8010	1181	1-F 24	CH196-4233	759	1-E 5	CH200-3758	739	1-E 3
CH187-6297	807	1-E 10	CH191-9311	807	1-E 10	CH196-4233	761	1-E 6	CH200-4321	707	1-D 24
CH187-6297	809	1-E 10	CH191-9311	809	1-E 10	CH196-4233	777	1-E 7	CH200-4328	81	1-B 10
CH187-8001	729	1-E 2	CH192-1329	101	1-B 12	CH196-4238	767	1-E 6	CH200-4328	85	1-B 10
CH187-8001	755	1-E 5	CH192-1590	197	1-B 21	CH196-4248	911	1-E 21	CH200-4349	705	1-D 24
CH187-8001	757	1-E 5	CH192-1590	801	1-E 10	CH196-4250	911	1-E 21	CH200-4359	705	1-D 24
CH187-8001	759	1-E 5	CH192-1590	803	1-E 10	CH196-4251	911	1-E 21	CH200-4384	711	1-E 1
CH187-8001	761	1-E 6	CH192-4765	1031	1-F 9	CH196-4252	911	1-E 21	CH200-8649	111	1-B 13
CH187-9012	705	1-D 24	CH192-4765	1033	1-F 9	CH196-4253	911	1-E 21	CH200-8649	117	1-B 13
CH187-9018	807	1-E 10	CH192-4767	1063	1-F 12	CH196-4254	911	1-E 21	CH200-8649	173	1-B 19
CH187-9018	809	1-E 10	CH192-7054	1143	1-F 20	CH196-5064	769	1-E 6	CH200-8649	175	1-B 19
CH187-9630	905	1-E 20	CH192-7054	1145	1-F 20	CH196-5076	761	1-E 6	CH200-8708	919	1-E 21
CH188-1336	203	1-B 22	CH192-7054	1147	1-F 20	CH196-7341	245	1-C 2	CH200-8743	933	1-E 23
CH188-1588	205	1-B 22	CH192-7111	773	1-E 7	CH196-9444	911	1-E 21	CH200-8747	933	1-E 23
CH188-2481	951	1-F 1	CH192-8857	763	1-E 6	CH196-9445	911	1-E 21	CH200-8749	931	1-E 23
CH188-2481	955	1-F 1	CH192-8858	763	1-E 6	CH197-5854	1159	1-F 21	CH200-8749	933	1-E 23
CH188-3640	887	1-E 18	CH192-8862	751	1-E 5	CH197-7422	953	1-F 1	CH200-8749	1003	1-F 6
CH188-3640	889	1-E 18	CH193-1036	913	1-E 21	CH197-7422	955	1-F 1	CH200-8749	1005	1-F 6
CH188-3640	891	1-E 19	CH193-4754	963	1-F 2	CH197-7422	959	1-F 1	CH200-8749	1007	1-F 6

INDEX

Part No.	Page	Grid	Part No.	Page	Grid	Part No.	Page	Grid	Part No.	Page	Grid
CH200-8767	925	1-E 22	CH206-5823	1175	1-F 23	CH212-7771	979	1-F 3	CH218-9739	203	1-B 22
CH200-8768	951	1-F 1	CH206-7813	923	1-E 22	CH212-8262	973	1-F 3	CH219-0664	289	1-C 6
CH200-8768	955	1-F 1	CH206-7946	101	1-B 12	CH212-8262	975	1-F 3	CH219-1429	147	1-B 16
CH200-8771	931	1-E 23	CH207-2021	1077	1-F 13	CH212-8262	979	1-F 3	CH219-2220	827	1-E 12
CH200-8771	1007	1-F 6	CH207-2021	1083	1-F 14	CH212-8796	719	1-E 1	CH219-3511	811	1-E 11
CH201-0780	913	1-E 21	CH207-2021	1085	1-F 14	CH212-8796	725	1-E 2	CH219-3511	817	1-E 11
CH201-5382	767	1-E 6	CH207-2023	1079	1-F 13	CH212-8811	827	1-E 12	CH219-3511	819	1-E 11
CH201-6700	931	1-E 23	CH207-2024	1079	1-F 13	CH212-8811	831	1-E 13	CH219-4673	297	1-C 7
CH201-6700	933	1-E 23	CH207-2039	1077	1-F 13	CH212-8892	811	1-E 11	CH219-4673	301	1-C 8
CH201-6700	1003	1-F 6	CH207-2834	81	1-B 10	CH212-8892	815	1-E 11	CH219-7254	811	1-E 11
CH201-6700	1005	1-F 6	CH207-2834	85	1-B 10	CH213-4790	967	1-F 2	CH219-7254	815	1-E 11
CH201-6700	1007	1-F 6	CH207-2912	827	1-E 12	CH213-4791	967	1-F 2	CH219-7254	819	1-E 11
CH201-7614	781	1-E 8	CH207-2912	831	1-E 13	CH213-6336	113	1-B 13	CH221-0145	733	1-E 3
CH201-7615	779	1-E 7	CH207-6797	211	1-B 23	CH213-6946	81	1-B 10	CH221-0145	735	1-E 3
CH201-9105	731	1-E 3	CH207-9575	827	1-E 12	CH213-6946	85	1-B 10	CH221-0145	737	1-E 3
CH201-9105	915	1-E 21	CH207-9575	831	1-E 13	CH213-9822	125	1-B 14	CH221-0145	739	1-E 3
CH201-9691	245	1-C 2	CH208-1664	627	1-D 16	CH213-9822	139	1-B 15	CH221-2003	169	1-B 18
CH201-9692	245	1-C 2	CH208-1664	629	1-D 16	CH214-1071	989	1-F 4	CH221-3265	169	1-B 18
CH202-0805	127	1-B 14	CH208-2404	1097	1-F 15	CH214-1085	163	1-B 18	CH222-0527	827	1-E 12
CH202-2592	747	1-E 4	CH208-2404	1099	1-F 15	CH214-1086	163	1-B 18	CH222-0527	831	1-E 13
CH202-2593	747	1-E 4	CH208-2404	1167	1-F 22	CH214-1088	163	1-B 18	CH222-4435	553	1-D 9
CH202-2595	747	1-E 4	CH208-2404	1169	1-F 22	CH214-1118	1053	1-F 11	CH222-4435	1119	1-F 17
CH202-6546	953	1-F 1	CH208-5521	1161	1-F 22	CH214-2184	1079	1-F 13	CH223-8435	829	1-E 12
CH202-6546	955	1-F 1	CH208-6110	143	1-B 16	CH214-4661	633	1-D 17	CH223-8435	833	1-E 13
CH202-6546	959	1-F 1	CH208-6662	1055	1-F 11	CH214-9441	135	1-B 15	CH223-9031	829	1-E 12
CH202-7850	761	1-E 6	CH208-9482	287	1-C 6	CH215-1382	231	1-C 1	CH223-9031	833	1-E 13
CH202-7850	851	1-E 15	CH208-9635	1173	1-F 23	CH215-1382	233	1-C 1	CH223-9254	823	1-E 12
CH202-8632	657	1-D 19	CH209-3394	83	1-B 10	CH215-1382	1241	1-G 6	CH223-9254	825	1-E 12
CH202-9222	527	1-D 6	CH209-3760	101	1-B 12	CH215-2130	761	1-E 6	CH223-9804	953	1-F 1
CH202-9222	529	1-D 6	CH209-4578	139	1-B 15	CH215-3035	147	1-B 16	CH223-9804	959	1-F 1
CH202-9222	531	1-D 7	CH209-5791	101	1-B 12	CH215-4780	715	1-E 1	CH224-0790	959	1-F 1
CH202-9222	533	1-D 7	CH209-6417	211	1-B 23	CH215-4781	715	1-E 1	CH224-0792	959	1-F 1
CH202-9222	535	1-D 7	CH209-7451	773	1-E 7	CH215-4782	715	1-E 1	CH225-5206	827	1-E 12
CH202-9701	657	1-D 19	CH209-7452	773	1-E 7	CH215-4783	715	1-E 1	CH225-5206	831	1-E 13
CH203-4026	951	1-F 1	CH209-7498	861	1-E 16	CH215-4784	715	1-E 1	CH225-6215	1017	1-F 7
CH203-4026	955	1-F 1	CH209-7499	897	1-E 19	CH215-4785	715	1-E 1	CH225-8027	733	1-E 3
CH203-4027	951	1-F 1	CH209-8296	905	1-E 20	CH215-4786	715	1-E 1	CH225-8027	735	1-E 3
CH203-4027	955	1-F 1	CH209-9233	1107	1-F 16	CH215-6489	139	1-B 15	CH225-8027	737	1-E 3
CH203-7080	153	1-B 17	CH209-9680	905	1-E 20	CH215-6489	1107	1-F 16	CH225-8027	739	1-E 3
CH204-2470	115	1-B 13	CH209-9921	899	1-E 19	CH215-6489	1109	1-F 16	CH226-0372	699	1-D 23
CH204-2471	115	1-B 13	CH209-9927	899	1-E 19	CH215-6495	189	1-B 20	CH226-0372	701	1-D 24
CH204-3490	101	1-B 12	CH209-9945	899	1-E 19	CH215-6495	257	1-C 3	CH226-2711	699	1-D 23
CH204-3538	163	1-B 18	CH209-9947	899	1-E 19	CH215-9463	625	1-D 16	CH226-2711	701	1-D 24
CH204-9247	143	1-B 16	CH209-9955	899	1-E 19	CH215-9463	631	1-D 17	CH227-5266	829	1-E 12
CH204-9247	157	1-B 17	CH209-9957	899	1-E 19	CH215-9464	657	1-D 19	CH227-5266	833	1-E 13
CH204-9247	161	1-B 18	CH209-9961	899	1-E 19	CH216-2628	1027	1-F 8	CH227-8809	907	1-E 20
CH204-9247	165	1-B 18	CH209-9962	899	1-E 19	CH216-2628	1029	1-F 8	CH227-8917	341	1-C 12
CH204-9260	569	1-D 10	CH210-0083	107	1-B 12	CH216-2628	1031	1-F 9	CH232-1245	733	1-E 3
CH204-9260	571	1-D 11	CH210-0202	109	1-B 12	CH216-2628	1033	1-F 9	CH232-1245	737	1-E 3
CH204-9260	573	1-D 11	CH210-1993	899	1-E 19	CH216-2628	1171	1-F 23	CH3A-3692	811	1-E 11
CH205-1398	145	1-B 16	CH210-1993	901	1-E 20	CH216-2628	1173	1-F 23	CH3A-3692	815	1-E 11
CH205-1399	145	1-B 16	CH210-4352	585	1-D 12	CH216-3339	827	1-E 12	CH3A-3692	821	1-E 12
CH205-1862	733	1-E 3	CH210-4352	587	1-D 12	CH216-3566	827	1-E 12	CH3B-0551	169	1-B 18
CH205-1862	735	1-E 3	CH210-4352	1053	1-F 11	CH216-4098	907	1-E 20	CH3B-4501	295	1-C 7
CH205-5371	129	1-B 14	CH211-3136	101	1-B 12	CH216-5335	589	1-D 12	CH3B-4501	297	1-C 7
CH205-5974	857	1-E 15	CH211-3586	81	1-B 10	CH216-6389	967	1-F 2	CH3B-4501	299	1-C 7
CH205-5980	847	1-E 14	CH211-3586	85	1-B 10	CH216-6390	967	1-F 2	CH3B-4501	301	1-C 8
CH205-5980	857	1-E 15	CH211-3590	85	1-B 10	CH216-7616	1119	1-F 17	CH3B-4501	1095	1-F 15
CH205-8451	285	1-C 6	CH211-3792	81	1-B 10	CH216-7617	243	1-C 2	CH3B-4605	1053	1-F 11
CH205-8770	209	1-B 22	CH211-3792	85	1-B 10	CH216-7617	1119	1-F 17	CH3B-4610	599	1-D 13
CH205-9948	737	1-E 3	CH211-4423	553	1-D 9	CH216-8275	605	1-D 14	CH3B-4611	919	1-E 21
CH205-9948	739	1-E 3	CH211-4837	1175	1-F 23	CH216-9085	295	1-C 7	CH3B-4611	931	1-E 23
CH206-0325	139	1-B 15	CH211-8713	129	1-B 14	CH216-9085	301	1-C 8	CH3B-4611	933	1-E 23
CH206-0598	827	1-E 12	CH212-3416	1083	1-F 14	CH216-9085	1063	1-F 12	CH3B-4611	935	1-E 23
CH206-0598	831	1-E 13	CH212-3416	1085	1-F 14	CH216-9138	551	1-D 9	CH3B-4611	937	1-E 23
CH206-0622	823	1-E 12	CH212-3416	1087	1-F 14	CH216-9165	1053	1-F 11	CH3B-4615	1063	1-F 12
CH206-0623	835	1-E 13	CH212-4443	317	1-C 9	CH217-4206	139	1-B 15	CH3B-4617	701	1-D 24
CH206-0626	837	1-E 13	CH212-4443	703	1-D 24	CH217-5909	579	1-D 11	CH3B-4617	933	1-E 23
CH206-2491	1091	1-F 15	CH212-4443	1063	1-F 12	CH217-5909	583	1-D 12	CH3B-4629	953	1-F 1
CH206-4620	113	1-B 13	CH212-4481	811	1-E 11	CH217-5909	1051	1-F 11	CH3B-4629	961	1-F 2
CH206-4708	149	1-B 16	CH212-4481	815	1-E 11	CH217-5909	1119	1-F 17	CH3B-8486	627	1-D 16
CH206-4708	151	1-B 17	CH212-6998	293	1-C 7	CH217-5909	1121	1-F 18	CH3B-8486	629	1-D 16
CH206-4709	149	1-B 16	CH212-6998	299	1-C 7	CH217-7182	163	1-B 18	CH3C-6969	245	1-C 2
CH206-4709	151	1-B 17	CH212-7771	969	1-F 2	CH217-8744	149	1-B 16	CH3C-6969	291	1-C 7
CH206-4718	155	1-B 17	CH212-7771	975	1-F 3	CH217-8744	151	1-B 17	CH3C-6969	295	1-C 7

MT700 SERIES TRACK TRACTORS

17
INDEX

Part No.	Page	Grid	Part No.	Page	Grid	Part No.	Page	Grid	Part No.	Page	Grid
CH3C-6969	297	1-C 7	CH3K-0360	751	1-E 5	CH4H-2558	233	1-C 1	CH5P-0537	1077	1-F 13
CH3C-6969	301	1-C 8	CH3K-0360	785	1-E 8	CH4H-7655	1111	1-F 17	CH5P-0763	123	1-B 14
CH3C-6969	321	1-C 10	CH3K-0360	787	1-E 8	CH4H-8380	931	1-E 23	CH5P-0767	113	1-B 13
CH3D-9132	673	1-D 21	CH3K-0360	789	1-E 8	CH4H-8380	933	1-E 23	CH5P-0767	177	1-B 19
CH3D-9132	675	1-D 21	CH3K-0360	791	1-E 9	CH4H-8380	1007	1-F 6	CH5P-0767	1105	1-F 16
CH3D-9133	673	1-D 21	CH3K-0360	811	1-E 11	CH4I-3038	245	1-C 2	CH5P-0801	601	1-D 14
CH3D-9133	675	1-D 21	CH3K-0360	815	1-E 11	CH4J-2701	711	1-E 1	CH5P-1045	827	1-E 12
CH3E-3363	247	1-C 2	CH3K-0360	821	1-E 12	CH4K-1388	83	1-B 10	CH5P-1420	117	1-B 13
CH3E-3364	97	1-B 11	CH3K-0360	823	1-E 12	CH4K-8341	1079	1-F 13	CH5P-1420	829	1-E 12
CH3E-3365	97	1-B 11	CH3K-0360	825	1-E 12	CH4K-8864	173	1-B 19	CH5P-1420	833	1-E 13
CH3E-3368	261	1-C 4	CH3K-0360	829	1-E 12	CH4K-8864	175	1-B 19	CH5P-1442	117	1-B 13
CH3E-3369	247	1-C 2	CH3K-0360	833	1-E 13	CH4K-8864	325	1-C 10	CH5P-1442	347	1-C 12
CH3E-3370	259	1-C 3	CH3K-0360	841	1-E 14	CH4K-8864	329	1-C 10	CH5P-1838	117	1-B 13
CH3E-3371	259	1-C 3	CH3K-0360	887	1-E 18	CH4K-8864	801	1-E 10	CH5P-2230	123	1-B 14
CH3E-3371	323	1-C 10	CH3K-0360	889	1-E 18	CH4K-8864	803	1-E 10	CH5P-2230	159	1-B 17
CH3E-3371	327	1-C 10	CH3K-0360	891	1-E 19	CH4P-5524	121	1-B 14	CH5P-2230	161	1-B 18
CH3E-3377	227	1-B 24	CH3K-0360	893	1-E 19	CH4P-7428	325	1-C 10	CH5P-2230	165	1-B 18
CH3E-3377	293	1-C 7	CH3K-0360	895	1-E 19	CH4P-7428	329	1-C 10	CH5P-2230	171	1-B 19
CH3E-3383	249	1-C 2	CH3K-0360	897	1-E 19	CH4P-7429	325	1-C 10	CH5P-4115	183	1-B 20
CH3E-3383	343	1-C 12	CH3K-0360	909	1-E 20	CH4P-7429	329	1-C 10	CH5P-4115	187	1-B 20
CH3E-3383	1175	1-F 23	CH3K-0360	927	1-E 22	CH4P-7429	1173	1-F 23	CH5P-4115	213	1-B 23
CH3E-3389	1177	1-F 23	CH3K-0360	967	1-F 2	CH4P-7581	223	1-B 24	CH5P-4115	215	1-B 23
CH3E-4296	905	1-E 20	CH3K-0360	1157	1-F 21	CH4P-7581	295	1-C 7	CH5P-4115	217	1-B 23
CH3E-4297	807	1-E 10	CH3K-0715	755	1-E 5	CH4P-7581	299	1-C 7	CH5P-4115	329	1-C 10
CH3E-4297	809	1-E 10	CH3K-0715	761	1-E 6	CH4P-7581	325	1-C 10	CH5P-4115	549	1-D 8
CH3E-4352	227	1-B 24	CH3K-0715	853	1-E 15	CH4P-7581	329	1-C 10	CH5P-4115	579	1-D 11
CH3E-4352	229	1-B 24	CH3K-0715	855	1-E 15	CH4P-7581	1173	1-F 23	CH5P-4115	581	1-D 12
CH3E-4352	1097	1-F 15	CH3K-9089	599	1-D 13	CH4P-8134	173	1-B 19	CH5P-4115	583	1-D 12
CH3E-4352	1099	1-F 15	CH3P-1210	857	1-E 15	CH4P-8134	175	1-B 19	CH5P-4115	585	1-D 12
CH3E-4353	1017	1-F 7	CH3P-3547	1079	1-F 13	CH4P-8134	295	1-C 7	CH5P-4115	587	1-D 12
CH3E-4353	1019	1-F 7	CH3S-5096	589	1-D 12	CH4P-8134	297	1-C 7	CH5P-4115	593	1-D 13
CH3E-4356	147	1-B 16	CH3S-5096	1027	1-F 8	CH4P-8134	299	1-C 7	CH5P-4115	1027	1-F 8
CH3E-4898	597	1-D 13	CH3S-5096	1029	1-F 8	CH4P-8134	325	1-C 10	CH5P-4115	1029	1-F 8
CH3E-6284	293	1-C 7	CH3S-5096	1031	1-F 9	CH4P-8134	329	1-C 10	CH5P-4115	1031	1-F 9
CH3E-6284	299	1-C 7	CH3S-5096	1033	1-F 9	CH4P-8134	1173	1-F 23	CH5P-4115	1033	1-F 9
CH3E-6600	1031	1-F 9	CH3S-8664	111	1-B 13	CH4S-1936	137	1-B 15	CH5P-4115	1119	1-F 17
CH3E-6600	1033	1-F 9	CH3S-8664	117	1-B 13	CH4S-1962	143	1-B 16	CH5P-4115	1121	1-F 18
CH3E-6762	705	1-D 24	CH3S-8664	139	1-B 15	CH4V-2264	1101	1-F 16	CH5P-4829	1027	1-F 8
CH3E-6762	727	1-E 2	CH3S-8664	141	1-B 16	CH5B-1133	931	1-E 23	CH5P-4829	1029	1-F 8
CH3E-6762	807	1-E 10	CH3S-9233	783	1-E 8	CH5B-1133	933	1-E 23	CH5P-4829	1031	1-F 9
CH3E-6762	809	1-E 10	CH3S-9557	223	1-B 24	CH5B-1133	935	1-E 23	CH5P-5777	627	1-D 16
CH3E-8008	729	1-E 2	CH3T-8607	293	1-C 7	CH5B-1133	937	1-E 23	CH5P-5777	629	1-D 16
CH3E-8008	731	1-E 3	CH3T-8607	299	1-C 7	CH5C-2874	217	1-B 23	CH5P-6129	1033	1-F 9
CH3E-8020	99	1-B 11	CH4B-0418	83	1-B 10	CH5C-2874	231	1-C 1	CH5P-6416	83	1-B 10
CH3E-8020	331	1-C 11	CH4B-0418	85	1-B 10	CH5C-2874	233	1-C 1	CH5P-6442	137	1-B 15
CH3E-8020	1021	1-F 8	CH4B-0418	971	1-F 3	CH5C-2874	295	1-C 7	CH5P-6442	627	1-D 16
CH3E-8020	1159	1-F 21	CH4B-0418	973	1-F 3	CH5C-2874	299	1-C 7	CH5P-6442	629	1-D 16
CH3E-9860	213	1-B 23	CH4B-0418	975	1-F 3	CH5C-8312	297	1-C 7	CH5P-7464	837	1-E 13
CH3E-9860	215	1-B 23	CH4B-0418	981	1-F 4	CH5C-8312	301	1-C 8	CH5P-7465	837	1-E 13
CH3E-9860	217	1-B 23	CH4B-2047	329	1-C 10	CH5C-8312	1063	1-F 12	CH5P-7803	1171	1-F 23
CH3E-9865	1181	1-F 24	CH4B-4274	183	1-B 20	CH5D-6539	905	1-E 20	CH5P-7958	1201	1-G 2
CH3F-2617	705	1-D 24	CH4B-4274	187	1-B 20	CH5D-8159	953	1-F 1	CH5P-7958	1211	1-G 3
CH3F-3442	919	1-E 21	CH4B-4274	217	1-B 23	CH5D-8159	957	1-F 1	CH5P-8119	697	1-D 23
CH3F-9556	249	1-C 2	CH4B-4274	219	1-B 23	CH5D-8159	961	1-F 2	CH5P-8247	1021	1-F 8
CH3F-9556	1173	1-F 23	CH4B-4274	221	1-B 24	CH5D-8159	983	1-F 4	CH5P-8440	563	1-D 10
CH3G-0785	907	1-E 20	CH4B-4274	329	1-C 10	CH5D-8159	985	1-F 4	CH5P-8440	565	1-D 10
CH3G-9194	921	1-E 22	CH4D-0298	627	1-D 16	CH5D-8159	987	1-F 4	CH5P-8440	655	1-D 19
CH3G-9194	925	1-E 22	CH4D-0298	629	1-D 16	CH5D-8159	1003	1-F 6	CH5P-8444	733	1-E 3
CH3H-8538	703	1-D 24	CH4D-2619	1155	1-F 21	CH5D-8412	101	1-B 12	CH5P-8444	735	1-E 3
CH3K-0360	77	1-B 9	CH4D-7388	139	1-B 15	CH5E-7045	911	1-E 21	CH5P-8500	293	1-C 7
CH3K-0360	83	1-B 10	CH4D-7388	813	1-E 11	CH5H-3193	965	1-F 2	CH5P-8500	301	1-C 8
CH3K-0360	85	1-B 10	CH4D-7388	815	1-E 11	CH5H-4856	925	1-E 22	CH5P-8500	1097	1-F 15
CH3K-0360	113	1-B 13	CH4D-7388	821	1-E 12	CH5H-4905	965	1-F 2	CH5P-8500	1099	1-F 15
CH3K-0360	117	1-B 13	CH4D-7388	1021	1-F 8	CH5J-3079	701	1-D 24	CH5P-8500	1181	1-F 24
CH3K-0360	627	1-D 16	CH4D-7733	117	1-B 13	CH5K-5068	325	1-C 10	CH5P-8500	1203	1-G 2
CH3K-0360	629	1-D 16	CH4E-1251	135	1-B 15	CH5K-5068	329	1-C 10	CH5P-8500	1211	1-G 3
CH3K-0360	713	1-E 1	CH4E-1251	701	1-D 24	CH5K-5288	657	1-D 19	CH5P-8500	1223	1-G 4
CH3K-0360	715	1-E 1	CH4E-1384	585	1-D 12	CH5L-4758	779	1-E 7	CH5P-8500	1241	1-G 6
CH3K-0360	719	1-E 1	CH4E-1384	587	1-D 12	CH5M-2894	701	1-D 24	CH5P-8502	1181	1-F 24
CH3K-0360	721	1-E 2	CH4E-2229	297	1-C 7	CH5M-5689	173	1-B 19	CH5P-8837	527	1-D 6
CH3K-0360	723	1-E 2	CH4E-2229	301	1-C 8	CH5M-5689	175	1-B 19	CH5P-8837	531	1-D 7
CH3K-0360	733	1-E 3	CH4E-7808	1063	1-F 12	CH5M-8034	227	1-B 24	CH5P-8874	825	1-E 12
CH3K-0360	735	1-E 3	CH4H-2558	227	1-B 24	CH5M-8034	1241	1-G 6	CH5P-9085	563	1-D 10
CH3K-0360	737	1-E 3	CH4H-2558	229	1-B 24	CH5M-8429	967	1-F 2	CH5P-9085	565	1-D 10
CH3K-0360	739	1-E 3	CH4H-2558	231	1-C 1	CH5P-0370	959	1-F 1	CH5P-9085	655	1-D 19

INDEX

Part No.	Page	Grid	Part No.	Page	Grid	Part No.	Page	Grid	Part No.	Page	Grid
CH5P-9186	773	1-E 7	CH6I-1418	329	1-C 10	CH6V-2483	761	1-E 6	CH6V-8625	909	1-E 20
CH5P-9186	861	1-E 16	CH6I-1418	801	1-E 10	CH6V-3833	813	1-E 11	CH6V-8625	967	1-F 2
CH5P-9186	869	1-E 16	CH6I-1418	803	1-E 10	CH6V-3833	817	1-E 11	CH6V-8637	735	1-E 3
CH5P-9186	871	1-E 17	CH6J-2245	325	1-C 10	CH6V-3833	821	1-E 12	CH6V-8639	83	1-B 10
CH5P-9186	905	1-E 20	CH6J-3134	911	1-E 21	CH6V-3922	899	1-E 19	CH6V-8639	85	1-B 10
CH5P-9186	907	1-E 20	CH6J-5731	929	1-E 22	CH6V-3922	901	1-E 20	CH6V-8639	715	1-E 1
CH5P-9186	909	1-E 20	CH6K-3274	599	1-D 13	CH6V-4367	1157	1-F 21	CH6V-8639	735	1-E 3
CH5P-9186	951	1-F 1	CH6K-6307	627	1-D 16	CH6V-5049	139	1-B 15	CH6V-8639	967	1-F 2
CH5P-9262	913	1-E 21	CH6K-6307	629	1-D 16	CH6V-5049	1157	1-F 21	CH6V-8723	823	1-E 12
CH5P-9517	827	1-E 12	CH6K-6361	1031	1-F 9	CH6V-5100	1157	1-F 21	CH6V-8723	825	1-E 12
CH5P-9517	831	1-E 13	CH6K-6361	1033	1-F 9	CH6V-5201	767	1-E 6	CH6V-8928	1159	1-F 21
CH5P-9617	627	1-D 16	CH6K-8178	83	1-B 10	CH6V-5201	769	1-E 6	CH6V-8931	191	1-B 21
CH5P-9617	629	1-D 16	CH6K-8178	85	1-B 10	CH6V-5210	219	1-B 23	CH6V-8931	193	1-B 21
CH5P-9651	625	1-D 16	CH6K-8179	699	1-D 23	CH6V-5210	221	1-B 24	CH6V-8978	755	1-E 5
CH5P-9651	631	1-D 17	CH6K-8987	551	1-D 9	CH6V-5586	915	1-E 21	CH6V-8978	757	1-E 5
CH5P-9652	625	1-D 16	CH6K-8987	673	1-D 21	CH6V-5839	595	1-D 13	CH6V-8978	759	1-E 5
CH5P-9652	631	1-D 17	CH6K-8987	675	1-D 21	CH6V-5839	1021	1-F 8	CH6V-8978	761	1-E 6
CH5R-5676	783	1-E 8	CH6K-8987	931	1-E 23	CH6V-5839	1159	1-F 21	CH6V-8980	975	1-F 3
CH5R-5718	783	1-E 8	CH6K-8987	933	1-E 23	CH6V-6757	627	1-D 16	CH6V-8980	979	1-F 3
CH5R-5780	783	1-E 8	CH6K-8987	935	1-E 23	CH6V-6757	629	1-D 16	CH6V-8981	969	1-F 2
CH5R-6304	783	1-E 8	CH6K-8987	937	1-E 23	CH6V-7723	859	1-E 15	CH6V-8981	975	1-F 3
CH5R-6868	783	1-E 8	CH6K-9070	997	1-F 5	CH6V-7744	627	1-D 16	CH6V-8981	979	1-F 3
CH5V-1496	1159	1-F 21	CH6K-9632	1175	1-F 23	CH6V-7744	629	1-D 16	CH6V-9002	83	1-B 10
CH6B-0924	1157	1-F 21	CH6L-1698	173	1-B 19	CH6V-8183	703	1-D 24	CH6V-9168	971	1-F 3
CH6D-3025	183	1-B 20	CH6L-1698	175	1-B 19	CH6V-8183	1063	1-F 12	CH6V-9169	971	1-F 3
CH6D-3025	187	1-B 20	CH6L-1698	931	1-E 23	CH6V-8225	269	1-C 4	CH6V-9182	735	1-E 3
CH6D-4246	173	1-B 19	CH6L-1698	933	1-E 23	CH6V-8225	271	1-C 5	CH6V-9208	829	1-E 12
CH6D-4246	175	1-B 19	CH6L-1698	1007	1-F 6	CH6V-8351	915	1-E 21	CH6V-9492	1095	1-F 15
CH6D-4246	733	1-E 3	CH6L-3966	701	1-D 24	CH6V-8352	913	1-E 21	CH6V-9671	297	1-C 7
CH6D-4246	735	1-E 3	CH6N-1604	203	1-B 22	CH6V-8362	1055	1-F 11	CH6V-9671	301	1-C 8
CH6D-4246	737	1-E 3	CH6N-1604	205	1-B 22	CH6V-8369	1177	1-F 23	CH6V-9673	1087	1-F 14
CH6D-4246	739	1-E 3	CH6N-6984	575	1-D 11	CH6V-8376	293	1-C 7	CH6V-9828	707	1-D 24
CH6D-4246	813	1-E 11	CH6N-6984	577	1-D 11	CH6V-8376	295	1-C 7	CH6V-9829	703	1-D 24
CH6D-4246	815	1-E 11	CH6R-7943	857	1-E 15	CH6V-8376	297	1-C 7	CH6V-9836	825	1-E 12
CH6D-4246	821	1-E 12	CH6S-3002	731	1-E 3	CH6V-8376	299	1-C 7	CH6V-9872	83	1-B 10
CH6D-7146	849	1-E 14	CH6S-6031	625	1-D 16	CH6V-8376	301	1-C 8	CH6V-5698	163	1-B 18
CH6D-7146	851	1-E 15	CH6S-6031	631	1-D 17	CH6V-8398	83	1-B 10	CH6Y-0473	625	1-D 16
CH6E-1607	915	1-E 21	CH6S-6032	625	1-D 16	CH6V-8398	85	1-B 10	CH6Y-0473	631	1-D 17
CH6E-1607	917	1-E 21	CH6S-6032	631	1-D 17	CH6V-8398	713	1-E 1	CH6V-2349	783	1-E 8
CH6E-3268	913	1-E 21	CH6T-3764	205	1-B 22	CH6V-8398	715	1-E 1	CH7B-0863	933	1-E 23
CH6E-3269	913	1-E 21	CH6T-7298	199	1-B 21	CH6V-8398	719	1-E 1	CH7D-4092	117	1-B 13
CH6E-3272	913	1-E 21	CH6T-7298	293	1-C 7	CH6V-8398	721	1-E 2	CH7D-7496	983	1-F 4
CH6E-3273	913	1-E 21	CH6T-7298	299	1-C 7	CH6V-8398	723	1-E 2	CH7F-3400	1201	1-G 2
CH6E-3274	913	1-E 21	CH6V-0301	779	1-E 7	CH6V-8398	725	1-E 2	CH7F-3400	1211	1-G 3
CH6E-3275	913	1-E 21	CH6V-0301	783	1-E 8	CH6V-8398	733	1-E 3	CH7G-4332	625	1-D 16
CH6E-3276	913	1-E 21	CH6V-0400	733	1-E 3	CH6V-8398	735	1-E 3	CH7G-4332	631	1-D 17
CH6E-4102	775	1-E 7	CH6V-0400	735	1-E 3	CH6V-8398	737	1-E 3	CH7G-4332	659	1-D 19
CH6E-4350	755	1-E 5	CH6V-0400	737	1-E 3	CH6V-8398	739	1-E 3	CH7G-8839	149	1-B 16
CH6E-4350	757	1-E 5	CH6V-0400	739	1-E 3	CH6V-8398	785	1-E 8	CH7G-8839	151	1-B 17
CH6E-4385	755	1-E 5	CH6V-0484	715	1-E 1	CH6V-8398	787	1-E 8	CH7H-1177	185	1-B 20
CH6E-4396	917	1-E 21	CH6V-0484	723	1-E 2	CH6V-8398	789	1-E 8	CH7H-7055	971	1-F 3
CH6E-4399	917	1-E 21	CH6V-0484	833	1-E 13	CH6V-8398	791	1-E 9	CH7H-7055	977	1-F 3
CH6E-4400	917	1-E 21	CH6V-0894	183	1-B 20	CH6V-8398	811	1-E 11	CH7H-7055	981	1-F 4
CH6E-4401	915	1-E 21	CH6V-0894	187	1-B 20	CH6V-8398	823	1-E 12	CH7K-1181	111	1-B 13
CH6E-4401	917	1-E 21	CH6V-0894	189	1-B 20	CH6V-8398	825	1-E 12	CH7K-1181	113	1-B 13
CH6E-6528	913	1-E 21	CH6V-1230	139	1-B 15	CH6V-8398	909	1-E 20	CH7K-1181	141	1-B 16
CH6E-6536	913	1-E 21	CH6V-1506	955	1-F 1	CH6V-8398	967	1-F 2	CH7K-1181	173	1-B 19
CH6E-6537	913	1-E 21	CH6V-1506	983	1-F 4	CH6V-8398	969	1-F 2	CH7K-1181	175	1-B 19
CH6E-6538	913	1-E 21	CH6V-1506	985	1-F 4	CH6V-8398	971	1-F 3	CH7K-1181	179	1-B 19
CH6E-6539	913	1-E 21	CH6V-1506	987	1-F 4	CH6V-8398	975	1-F 3	CH7K-1181	183	1-B 20
CH6E-6540	913	1-E 21	CH6V-1520	833	1-E 13	CH6V-8398	977	1-F 3	CH7K-1181	187	1-B 20
CH6F-0253	329	1-C 10	CH6V-1572	1107	1-F 16	CH6V-8398	979	1-F 3	CH7K-1181	191	1-B 21
CH6F-8146	829	1-E 12	CH6V-1572	1109	1-F 16	CH6V-8398	981	1-F 4	CH7K-1181	193	1-B 21
CH6F-8146	833	1-E 13	CH6V-1573	1107	1-F 16	CH6V-8548	101	1-B 12	CH7K-1181	241	1-C 2
CH6H-4006	1175	1-F 23	CH6V-1573	1109	1-F 16	CH6V-8548	245	1-C 2	CH7K-1181	255	1-C 3
CH6I-0273	121	1-B 14	CH6V-1657	627	1-D 16	CH6V-8554	713	1-E 1	CH7K-1181	267	1-C 4
CH6I-0273	1241	1-G 6	CH6V-1657	629	1-D 16	CH6V-8554	719	1-E 1	CH7K-1181	269	1-C 4
CH6I-0274	121	1-B 14	CH6V-1874	737	1-E 3	CH6V-8554	723	1-E 2	CH7K-1181	271	1-C 5
CH6I-0274	1241	1-G 6	CH6V-1874	739	1-E 3	CH6V-8625	83	1-B 10	CH7K-1181	285	1-C 6
CH6I-1418	179	1-B 19	CH6V-2235	829	1-E 12	CH6V-8625	713	1-E 1	CH7K-1181	295	1-C 7
CH6I-1418	183	1-B 20	CH6V-2235	833	1-E 13	CH6V-8625	715	1-E 1	CH7K-1181	299	1-C 7
CH6I-1418	187	1-B 20	CH6V-2312	99	1-B 11	CH6V-8625	785	1-E 8	CH7K-1181	325	1-C 10
CH6I-1418	191	1-B 21	CH6V-2405	1201	1-G 2	CH6V-8625	787	1-E 8	CH7K-1181	329	1-C 10
CH6I-1418	193	1-B 21	CH6V-2405	1211	1-G 3	CH6V-8625	789	1-E 8	CH7K-1181	563	1-D 10
CH6I-1418	325	1-C 10	CH6V-2483	755	1-E 5	CH6V-8625	791	1-E 9	CH7K-1181	565	1-D 10

MT700 SERIES TRACK TRACTORS

19 INDEX

Part No.	Page	Grid	Part No.	Page	Grid	Part No.	Page	Grid	Part No.	Page	Grid
CH7K-1181	655	1-D 19	CH7X-7729	591	1-D 13	CH8I-4256	1241	1-G 6	CH8T-3490	241	1-C 2
CH7K-1181	801	1-E 10	CH7X-7729	601	1-D 14	CH8J-0412	857	1-E 15	CH8T-3490	255	1-C 3
CH7K-1181	803	1-E 10	CH7X-7729	627	1-D 16	CH8J-1256	173	1-B 19	CH8T-3490	601	1-D 14
CH7K-1181	1161	1-F 22	CH7X-7729	629	1-D 16	CH8J-1256	175	1-B 19	CH8T-3490	673	1-D 21
CH7K-1181	1173	1-F 23	CH7X-7729	655	1-D 19	CH8L-2777	773	1-E 7	CH8T-3490	709	1-D 24
CH7K-4129	141	1-B 16	CH7X-7729	673	1-D 21	CH8L-2777	861	1-E 16	CH8T-3490	727	1-E 2
CH7K-9211	997	1-F 5	CH7X-7729	675	1-D 21	CH8L-2777	869	1-E 16	CH8T-3490	817	1-E 11
CH7M-8485	929	1-E 22	CH7X-7729	793	1-E 9	CH8L-2777	871	1-E 17	CH8T-3490	819	1-E 11
CH7S-1912	829	1-E 12	CH7X-7729	931	1-E 23	CH8L-2777	905	1-E 20	CH8T-3490	1017	1-F 7
CH7S-1912	833	1-E 13	CH7X-7729	971	1-F 3	CH8L-2777	907	1-E 20	CH8T-3490	1019	1-F 7
CH7T-1099	187	1-B 20	CH7X-7729	977	1-F 3	CH8L-2777	909	1-E 20	CH8T-3490	1077	1-F 13
CH7T-1099	227	1-B 24	CH7X-7729	981	1-F 4	CH8L-2777	951	1-F 1	CH8T-3597	147	1-B 16
CH7T-1099	241	1-C 2	CH7X-7729	1007	1-F 6	CH8L-2786	139	1-B 15	CH8T-3597	149	1-B 16
CH7T-1099	255	1-C 3	CH7X-7729	1027	1-F 8	CH8M-2770	139	1-B 15	CH8T-3597	151	1-B 17
CH7T-1099	551	1-D 9	CH7X-7729	1029	1-F 8	CH8M-2770	173	1-B 19	CH8T-3597	551	1-D 9
CH7T-1099	553	1-D 9	CH7X-7729	1031	1-F 9	CH8M-2770	177	1-B 19	CH8T-3597	571	1-D 11
CH7T-1099	559	1-D 9	CH7X-7729	1033	1-F 9	CH8M-2770	325	1-C 10	CH8T-3597	573	1-D 11
CH7T-1099	597	1-D 13	CH7X-7729	1117	1-F 17	CH8M-2770	329	1-C 10	CH8T-3597	709	1-D 24
CH7T-1099	599	1-D 13	CH7X-7744	139	1-B 15	CH8M-2770	721	1-E 2	CH8T-3597	933	1-E 23
CH7T-1099	601	1-D 14	CH7X-7958	117	1-B 13	CH8M-2770	725	1-E 2	CH8T-3612	147	1-B 16
CH7T-1099	667	1-D 20	CH7Y-3173	1151	1-F 21	CH8N-4617	121	1-B 14	CH8T-3612	149	1-B 16
CH7T-1099	669	1-D 20	CH7Y-4941	927	1-E 22	CH8S-0948	139	1-B 15	CH8T-3612	151	1-B 17
CH7T-1099	671	1-D 21	CH7Y-7256	295	1-C 7	CH8S-0948	173	1-B 19	CH8T-3612	227	1-B 24
CH7T-1099	739	1-E 3	CH7Y-7256	299	1-C 7	CH8S-0948	177	1-B 19	CH8T-3612	231	1-C 1
CH7T-1099	1017	1-F 7	CH7Y-7388	1061	1-F 12	CH8S-0948	829	1-E 12	CH8T-3612	295	1-C 7
CH7T-1099	1019	1-F 7	CH8B-1312	951	1-F 1	CH8S-0948	833	1-E 13	CH8T-3612	571	1-D 11
CH7T-4532	97	1-B 11	CH8B-1312	955	1-F 1	CH8S-7169	347	1-C 12	CH8T-3612	573	1-D 11
CH7T-6799	293	1-C 7	CH8B-7614	625	1-D 16	CH8S-8820	971	1-F 3	CH8T-3612	581	1-D 12
CH7T-6799	301	1-C 8	CH8B-7614	631	1-D 17	CH8S-8820	973	1-F 3	CH8T-3612	583	1-D 12
CH7T-9793	1027	1-F 8	CH8C-3206	829	1-E 12	CH8S-8820	977	1-F 3	CH8T-3612	599	1-D 13
CH7T-9793	1029	1-F 8	CH8C-3206	833	1-E 13	CH8S-8820	981	1-F 4	CH8T-3612	601	1-D 14
CH7T-9793	1031	1-F 9	CH8C-3206	835	1-E 13	CH8T-0119	927	1-E 22	CH8T-3612	969	1-F 2
CH7T-9793	1033	1-F 9	CH8C-3206	837	1-E 13	CH8T-0249	139	1-B 15	CH8T-3612	1107	1-F 16
CH7V-0445	599	1-D 13	CH8C-3348	1203	1-G 2	CH8T-0255	1155	1-F 21	CH8T-3612	1109	1-F 16
CH7W-1890	117	1-B 13	CH8C-3348	1223	1-G 4	CH8T-0269	777	1-E 7	CH8T-3851	147	1-B 16
CH7X-0515	149	1-B 16	CH8C-5200	705	1-D 24	CH8T-0276	1017	1-F 7	CH8T-4122	269	1-C 4
CH7X-0515	151	1-B 17	CH8C-5607	183	1-B 20	CH8T-0276	1019	1-F 7	CH8T-4122	271	1-C 5
CH7X-0533	1183	1-F 24	CH8C-5607	187	1-B 20	CH8T-0285	549	1-D 8	CH8T-4122	627	1-D 16
CH7X-0561	563	1-D 10	CH8C-5608	183	1-B 20	CH8T-0318	1097	1-F 15	CH8T-4122	629	1-D 16
CH7X-0561	565	1-D 10	CH8C-5608	187	1-B 20	CH8T-0318	1099	1-F 15	CH8T-4122	667	1-D 20
CH7X-0561	655	1-D 19	CH8C-6354	297	1-C 7	CH8T-0328	189	1-B 20	CH8T-4122	669	1-D 20
CH7X-0579	115	1-B 13	CH8C-6354	301	1-C 8	CH8T-0328	325	1-C 10	CH8T-4122	671	1-D 21
CH7X-0579	347	1-C 12	CH8C-6416	713	1-E 1	CH8T-0328	329	1-C 10	CH8T-4122	923	1-E 22
CH7X-0579	569	1-D 10	CH8C-6416	715	1-E 1	CH8T-0328	1063	1-F 12	CH8T-4127	173	1-B 19
CH7X-0579	571	1-D 11	CH8C-6416	719	1-E 1	CH8T-0337	225	1-B 24	CH8T-4127	177	1-B 19
CH7X-0579	573	1-D 11	CH8C-6416	723	1-E 2	CH8T-0337	295	1-C 7	CH8T-4132	627	1-D 16
CH7X-0583	527	1-D 6	CH8C-6802	1097	1-F 15	CH8T-0337	299	1-C 7	CH8T-4132	629	1-D 16
CH7X-0583	529	1-D 6	CH8C-6802	1099	1-F 15	CH8T-0389	581	1-D 12	CH8T-4205	173	1-B 19
CH7X-0583	531	1-D 7	CH8C-7323	747	1-E 4	CH8T-0389	583	1-D 12	CH8T-4205	177	1-B 19
CH7X-0583	533	1-D 7	CH8C-8422	347	1-C 12	CH8T-0389	971	1-F 3	CH8T-4205	183	1-B 20
CH7X-0583	535	1-D 7	CH8C-8422	673	1-D 21	CH8T-0389	977	1-F 3	CH8T-4205	187	1-B 20
CH7X-0590	99	1-B 11	CH8C-8422	675	1-D 21	CH8T-0389	981	1-F 4	CH8T-4205	211	1-B 23
CH7X-0618	657	1-D 19	CH8C-8514	295	1-C 7	CH8T-0389	1023	1-F 8	CH8T-4205	213	1-B 23
CH7X-0618	931	1-E 23	CH8C-8514	299	1-C 7	CH8T-0389	1111	1-F 17	CH8T-4205	215	1-B 23
CH7X-0618	933	1-E 23	CH8C-8533	347	1-C 12	CH8T-1031	779	1-E 7	CH8T-4205	217	1-B 23
CH7X-0618	951	1-F 1	CH8C-8585	1109	1-F 16	CH8T-1031	781	1-E 8	CH8T-4205	223	1-B 24
CH7X-0618	953	1-F 1	CH8C-8585	1167	1-F 22	CH8T-1031	783	1-E 8	CH8T-4205	225	1-B 24
CH7X-0618	957	1-F 1	CH8C-8585	1169	1-F 22	CH8T-1757	599	1-D 13	CH8T-4205	227	1-B 24
CH7X-0618	961	1-F 2	CH8C-9029	783	1-E 8	CH8T-2444	1167	1-F 22	CH8T-4205	229	1-B 24
CH7X-0618	1007	1-F 6	CH8C-9660	135	1-B 15	CH8T-2444	1169	1-F 22	CH8T-4205	241	1-C 2
CH7X-0873	811	1-E 11	CH8C-9660	235	1-C 1	CH8T-2658	295	1-C 7	CH8T-4205	255	1-C 3
CH7X-1434	1023	1-F 8	CH8C-9660	237	1-C 1	CH8T-2658	301	1-C 8	CH8T-4205	267	1-C 4
CH7X-2472	257	1-C 3	CH8C-9660	587	1-D 12	CH8T-2658	1063	1-F 12	CH8T-4205	269	1-C 4
CH7X-2560	999	1-F 5	CH8C-9660	1151	1-F 21	CH8T-2659	235	1-C 1	CH8T-4205	271	1-C 5
CH7X-3374	711	1-E 1	CH8C-9987	1183	1-F 24	CH8T-2659	237	1-C 1	CH8T-4205	295	1-C 7
CH7X-6315	185	1-B 20	CH8D-9558	1181	1-F 24	CH8T-2659	295	1-C 7	CH8T-4205	297	1-C 7
CH7X-6315	197	1-B 21	CH8E-9646	625	1-D 16	CH8T-2659	587	1-D 12	CH8T-4205	299	1-C 7
CH7X-7729	111	1-B 13	CH8E-9646	631	1-D 17	CH8T-2659	1151	1-F 21	CH8T-4205	301	1-C 8
CH7X-7729	119	1-B 13	CH8E-9646	659	1-D 19	CH8T-2922	911	1-E 21	CH8T-4205	585	1-D 12
CH7X-7729	137	1-B 15	CH8F-7702	711	1-E 1	CH8T-3016	1089	1-F 14	CH8T-4205	587	1-D 12
CH7X-7729	241	1-C 2	CH8F-8151	103	1-B 12	CH8T-3016	1091	1-F 15	CH8T-4205	593	1-D 13
CH7X-7729	251	1-C 3	CH8H-2262	625	1-D 16	CH8T-3282	929	1-E 22	CH8T-4205	931	1-E 23
CH7X-7729	255	1-C 3	CH8H-2262	631	1-D 17	CH8T-3490	149	1-B 16	CH8T-4205	933	1-E 23
CH7X-7729	563	1-D 10	CH8I-4256	235	1-C 1	CH8T-3490	151	1-B 17	CH8T-4205	935	1-E 23
CH7X-7729	565	1-D 10	CH8I-4256	237	1-C 1	CH8T-3490	153	1-B 17	CH8T-4205	937	1-E 23

INDEX

Part No.	Page	Grid	Part No.	Page	Grid	Part No.	Page	Grid	Part No.	Page	Grid
CH8T-4205	1079	1-F 13	CH9B-7233	299	1-C 7	CH9T-2581	765	1-E 6	CH9X-2092	1159	1-F 21
CH8T-4205	1119	1-F 17	CH9B-7233	301	1-C 8	CH9T-2582	765	1-E 6	CH9X-2606	1063	1-F 12
CH8T-4205	1121	1-F 18	CH9B-7233	1055	1-F 11	CH9T-2584	765	1-E 6	CH9X-2616	1097	1-F 15
CH8T-4205	1183	1-F 24	CH9F-2167	927	1-E 22	CH9T-2901	763	1-E 6	CH9X-2616	1099	1-F 15
CH8T-4222	931	1-E 23	CH9G-3695	343	1-C 12	CH9T-2903	763	1-E 6	CH9X-2857	767	1-E 6
CH8T-4222	1007	1-F 6	CH9G-6655	203	1-B 22	CH9T-2904	763	1-E 6	CH9X-2858	1157	1-F 21
CH8T-4226	273	1-C 5	CH9H-1958	173	1-B 19	CH9T-2906	763	1-E 6	CH9X-3994	1019	1-F 7
CH8T-4226	1119	1-F 17	CH9H-1958	177	1-B 19	CH9T-2908	763	1-E 6	CH9X-4611	763	1-E 6
CH8T-4226	1121	1-F 18	CH9H-6673	701	1-D 24	CH9T-2912	763	1-E 6	CH9X-6165	111	1-B 13
CH8T-4244	115	1-B 13	CH9J-4782	927	1-E 22	CH9T-2914	763	1-E 6	CH9X-6165	1021	1-F 8
CH8T-4244	601	1-D 14	CH9M-1974	135	1-B 15	CH9T-3928	729	1-E 2	CH9X-6165	1077	1-F 13
CH8T-4244	1097	1-F 15	CH9M-2904	169	1-B 18	CH9T-3928	755	1-E 5	CH9X-6165	1141	1-F 20
CH8T-4244	1099	1-F 15	CH9M-7175	809	1-E 10	CH9T-3928	757	1-E 5	CH9X-7337	929	1-E 22
CH8T-4896	747	1-E 4	CH9N-0869	179	1-B 19	CH9T-3928	759	1-E 5	CH9X-7378	97	1-B 11
CH8T-4986	125	1-B 14	CH9N-0869	183	1-B 20	CH9T-3928	761	1-E 6	CH9X-7680	857	1-E 15
CH8T-4987	125	1-B 14	CH9N-0869	187	1-B 20	CH9T-4057	727	1-E 2	CH9X-8118	245	1-C 2
CH8T-4994	711	1-E 1	CH9N-0869	191	1-B 21	CH9W-2109	857	1-E 15	CH9X-8118	1241	1-G 6
CH8T-4994	807	1-E 10	CH9N-0869	193	1-B 21	CH9W-2110	857	1-E 15	CH9X-8250	111	1-B 13
CH8T-4994	809	1-E 10	CH9N-0869	325	1-C 10	CH9W-3326	231	1-C 1	CH9X-8250	139	1-B 15
CH8T-5400	1173	1-F 23	CH9N-0869	329	1-C 10	CH9W-3326	233	1-C 1	CH9X-8250	829	1-E 12
CH8T-5400	1175	1-F 23	CH9N-0869	579	1-D 11	CH9W-3326	293	1-C 7	CH9X-8259	933	1-E 23
CH8T-5439	597	1-D 13	CH9N-0869	583	1-D 12	CH9W-3326	299	1-C 7	CH9X-8267	1027	1-F 8
CH8T-5668	627	1-D 16	CH9N-0869	801	1-E 10	CH9W-6582	95	1-B 11	CH9X-8267	1029	1-F 8
CH8T-5668	629	1-D 16	CH9N-0869	803	1-E 10	CH9W-6583	95	1-B 11	CH9X-8979	857	1-E 15
CH8T-6338	823	1-E 12	CH9N-1941	127	1-B 14	CH9W-6584	95	1-B 11	WR513654	599	1-D 13
CH8T-6338	825	1-E 12	CH9N-2061	1173	1-F 23	CH9W-8072	95	1-B 11	WR514360	1173	1-F 23
CH8T-6431	703	1-D 24	CH9P-0356	353	1-C 13	CH9W-9300	657	1-D 19	WR514360	1175	1-F 23
CH8T-6693	1077	1-F 13	CH9R-2613	601	1-D 14	CH9W-9915	95	1-B 11	WR518622	1173	1-F 23
CH8T-6703	113	1-B 13	CH9R-2613	817	1-E 11	CH9W-9920	95	1-B 11	WR520610	627	1-D 16
CH8T-6703	143	1-B 16	CH9R-2613	819	1-E 11	CH9W-9952	95	1-B 11	WR520610	629	1-D 16
CH8T-6703	145	1-B 16	CH9R-2821	601	1-D 14	CH9W-9953	95	1-B 11	WR520867	1141	1-F 20
CH8T-7525	857	1-E 15	CH9R-7941	321	1-C 10	CH9W-9955	95	1-B 11	WR522218	101	1-B 12
CH8T-7525	899	1-E 19	CH9R-7980	321	1-C 10	CH9W-9957	95	1-B 11	WR522218	117	1-B 13
CH8T-7525	901	1-E 20	CH9S-1315	933	1-E 23	CH9X-0261	325	1-C 10	WR522218	123	1-B 14
CH8T-7525	907	1-E 20	CH9S-1347	1095	1-F 15	CH9X-0261	329	1-C 10	WR522218	139	1-B 15
CH8T-7567	763	1-E 6	CH9S-4167	137	1-B 15	CH9X-1046	135	1-B 15	WR522218	141	1-B 16
CH8T-7963	1141	1-F 20	CH9S-4181	125	1-B 14	CH9X-1046	295	1-C 7	WR522218	173	1-B 19
CH8T-8729	183	1-B 20	CH9S-4185	841	1-E 14	CH9X-1046	587	1-D 12	WR522218	177	1-B 19
CH8T-8729	227	1-B 24	CH9S-4185	1157	1-F 21	CH9X-1046	1023	1-F 8	WR522218	223	1-B 24
CH8T-8737	249	1-C 2	CH9S-8002	729	1-E 2	CH9X-1046	1031	1-F 9	WR522218	563	1-D 10
CH8T-8737	1171	1-F 23	CH9S-8002	731	1-E 3	CH9X-1046	1033	1-F 9	WR522218	565	1-D 10
CH8T-8737	1173	1-F 23	CH9S-8002	755	1-E 5	CH9X-1046	1077	1-F 13	WR522218	591	1-D 13
CH8T-8737	1175	1-F 23	CH9S-8002	757	1-E 5	CH9X-1046	1159	1-F 21	WR522218	601	1-D 14
CH8T-8737	1177	1-F 23	CH9S-8002	759	1-E 5	CH9X-1386	259	1-C 3	WR522218	627	1-D 16
CH8T-8874	303	1-C 8	CH9S-8002	761	1-E 6	CH9X-2038	1163	1-F 22	WR522218	629	1-D 16
CH8T-8874	305	1-C 8	CH9S-8002	857	1-E 15	CH9X-2038	1165	1-F 22	WR522218	655	1-D 19
CH8T-8932	711	1-E 1	CH9S-8002	913	1-E 21	CH9X-2039	1021	1-F 8	WR522218	699	1-D 23
CH8T-9102	711	1-E 1	CH9S-8002	1157	1-F 21	CH9X-2040	595	1-D 13	WR522218	703	1-D 24
CH8T-9403	737	1-E 3	CH9S-8004	137	1-B 15	CH9X-2040	1159	1-F 21	WR522218	707	1-D 24
CH8T-9403	739	1-E 3	CH9S-8004	141	1-B 16	CH9X-2041	595	1-D 13	WR522218	713	1-E 1
CH8T-9501	211	1-B 23	CH9S-8004	757	1-E 5	CH9X-2042	593	1-D 13	WR522218	717	1-E 1
CH8T-9501	553	1-D 9	CH9S-8004	759	1-E 5	CH9X-2042	1017	1-F 7	WR522218	721	1-E 2
CH8T-9501	1175	1-F 23	CH9S-8004	913	1-E 21	CH9X-2042	1019	1-F 7	WR522218	727	1-E 2
CH8T-9655	179	1-B 19	CH9S-8004	1157	1-F 21	CH9X-2043	1167	1-F 22	WR522218	813	1-E 11
CH8T-9655	183	1-B 20	CH9S-8005	751	1-E 5	CH9X-2043	1169	1-F 22	WR522218	817	1-E 11
CH8T-9655	187	1-B 20	CH9S-8005	887	1-E 18	CH9X-2044	295	1-C 7	WR522218	819	1-E 11
CH8T-9655	193	1-B 21	CH9S-8005	889	1-E 18	CH9X-2044	297	1-C 7	WR522218	829	1-E 12
CH8T-9655	325	1-C 10	CH9S-8005	891	1-E 19	CH9X-2044	299	1-C 7	WR522218	833	1-E 13
CH8T-9655	329	1-C 10	CH9S-8005	893	1-E 19	CH9X-2044	301	1-C 8	WR522218	835	1-E 13
CH8T-9655	801	1-E 10	CH9S-8005	895	1-E 19	CH9X-2044	1021	1-F 8	WR522218	837	1-E 13
CH8T-9655	803	1-E 10	CH9S-8005	897	1-E 19	CH9X-2044	1023	1-F 8	WR522218	861	1-E 16
CH8U-6014	965	1-F 2	CH9S-8008	755	1-E 5	CH9X-2044	1053	1-F 11	WR522218	863	1-E 16
CH8U-7381	899	1-E 19	CH9S-8008	757	1-E 5	CH9X-2044	1077	1-F 13	WR522218	865	1-E 16
CH8U-7381	901	1-E 20	CH9S-8008	759	1-E 5	CH9X-2044	1101	1-F 16	WR522218	867	1-E 16
CH8X-3212	85	1-B 10	CH9S-8008	761	1-E 6	CH9X-2044	1141	1-F 20	WR522218	869	1-E 16
CH8X-3212	139	1-B 15	CH9S-8010	755	1-E 5	CH9X-2044	1159	1-F 21	WR522218	871	1-E 17
CH8X-6167	703	1-D 24	CH9S-8010	757	1-E 5	CH9X-2045	1021	1-F 8	WR522218	887	1-E 18
CH8Y-5737	1027	1-F 8	CH9S-8010	759	1-E 5	CH9X-2045	1061	1-F 12	WR522218	889	1-E 18
CH8Y-5737	1029	1-F 8	CH9S-8010	761	1-E 6	CH9X-2045	1097	1-F 15	WR522218	891	1-E 19
CH8Y-5896	549	1-D 8	CH9S-8010	909	1-E 20	CH9X-2045	1099	1-F 15	WR522218	893	1-E 19
CH8Y-8794	1181	1-F 24	CH9S-9334	929	1-E 22	CH9X-2045	1101	1-F 16	WR522218	895	1-E 19
CH9B-2596	121	1-B 14	CH9T-2281	1053	1-F 11	CH9X-2045	1159	1-F 21	WR522218	897	1-E 19
CH9B-7233	293	1-C 7	CH9T-2558	765	1-E 6	CH9X-2045	1167	1-F 22	WR522218	951	1-F 1
CH9B-7233	295	1-C 7	CH9T-2559	765	1-E 6	CH9X-2045	1169	1-F 22	WR522218	971	1-F 3
CH9B-7233	297	1-C 7	CH9T-2560	765	1-E 6	CH9X-2046	1053	1-F 11	WR522218	973	1-F 3

MT700 SERIES TRACK TRACTORS

21 INDEX

Part No.	Page	Grid	Part No.	Page	Grid	Part No.	Page	Grid	Part No.	Page	Grid
WR522218	977	1-F 3	1J-8695	513	1-D 5	102-8804	181	1-B 20	130-9811	1047	1-F 10
WR522218	981	1-F 4	1J-8695	517	1-D 5	102-8805	1109	1-F 16	131-2293	399	1-C 17
WR523361	227	1-B 24	1L-3162	507	1-D 4	102-8806	1171	1-F 23	131-2293	407	1-C 18
WR523361	229	1-B 24	1L-3162	511	1-D 5	104-3947	503	1-D 4	131-2293	415	1-C 19
WR523590	227	1-B 24	1L-3162	515	1-D 5	111-7068	403	1-C 18	131-2293	423	1-C 20
WR523590	229	1-B 24	1L-3162	519	1-D 5	111-7068	411	1-C 19	131-2293	431	1-C 21
WR523591	227	1-B 24	1N-5999	429	1-C 20	111-7068	419	1-C 19	131-2293	439	1-C 21
WR523591	229	1-B 24	1P-1669	1047	1-F 10	111-7068	427	1-C 20	131-2295	399	1-C 17
OS-0519	357	1-C 13	1P-8362	355	1-C 13	111-7068	435	1-C 21	131-2295	407	1-C 18
OS-0519	359	1-C 13	1P-8362	359	1-C 13	111-7068	443	1-C 22	131-2295	415	1-C 19
OS-0519	365	1-C 14	1P-8362	363	1-C 14	111-7077	399	1-C 17	131-2295	423	1-C 20
OS-0519	367	1-C 14	1P-8362	367	1-C 14	111-7077	407	1-C 18	131-2295	431	1-C 21
OT-0386	461	1-C 24	1R-1233	677	1-D 21	111-7077	415	1-C 19	131-2295	439	1-C 21
OT-0386	463	1-C 24	1R-1234	677	1-D 21	111-7077	423	1-C 20	131-3718	449	1-C 22
OT-0386	465	1-C 24	1R-1235	677	1-D 21	111-7077	431	1-C 21	133-9014	1043	1-F 10
OT-0386	467	1-C 24	1R-1237	679	1-D 21	111-7077	439	1-C 21	134-8360	377	1-C 15
008-3178	505	1-D 4	1R-1248	677	1-D 21	111-7078	399	1-C 17	134-8360	387	1-C 16
008-3178	509	1-D 4	1R-1249	677	1-D 21	111-7078	407	1-C 18	134-8361	377	1-C 15
008-3178	513	1-D 5	1R-1250	677	1-D 21	111-7078	415	1-C 19	134-8361	387	1-C 16
008-3178	517	1-D 5	1R-1258	611	1-D 15	111-7078	423	1-C 20	135-4483	293	1-C 7
030-0060	505	1-D 4	1R-1259	609	1-D 14	111-7078	431	1-C 21	136-1953	1035	1-F 9
030-0060	509	1-D 4	1R-1260	609	1-D 14	111-7078	439	1-C 21	136-5207	241	1-C 2
030-0060	513	1-D 5	1R-1261	611	1-D 15	111-7079	399	1-C 17	136-5207	255	1-C 3
030-0060	517	1-D 5	1R-1262	609	1-D 14	111-7079	407	1-C 18	136-5212	227	1-B 24
030-0061	505	1-D 4	1R-1263	609	1-D 14	111-7079	415	1-C 19	136-5212	639	1-D 17
030-0061	509	1-D 4	1R-1320	617	1-D 15	111-7079	423	1-C 20	136-5212	645	1-D 18
030-0061	513	1-D 5	1R-1321	617	1-D 15	111-7079	431	1-C 21	136-5213	241	1-C 2
030-0061	517	1-D 5	1R-1380	615	1-D 15	111-7079	439	1-C 21	136-5218	135	1-B 15
031-1119	117	1-B 13	1R-1381	615	1-D 15	112-5282	393	1-C 17	136-5221	135	1-B 15
036-9823	265	1-C 4	1R-1382	607	1-D 14	112-5282	395	1-C 17	136-5224	135	1-B 15
061-7540	403	1-C 18	1R-1383	607	1-D 14	113-0694	401	1-C 18	136-5288	221	1-B 24
061-7540	405	1-C 18	1R-1384	607	1-D 14	113-0694	409	1-C 18	136-5289	221	1-B 24
061-7540	413	1-C 19	1R-1385	607	1-D 14	113-0694	417	1-C 19	136-5295	323	1-C 10
061-7540	421	1-C 20	1R-1386	615	1-D 15	113-0694	425	1-C 20	136-5295	327	1-C 10
061-7540	429	1-C 20	1R-1387	615	1-D 15	113-0694	433	1-C 21	136-5317	181	1-B 20
061-7540	437	1-C 21	1S-9593	503	1-D 4	113-0694	441	1-C 22	136-5317	183	1-B 20
095-7930	265	1-C 4	1T-0043	403	1-C 18	115-1615	1037	1-F 9	136-5317	941	1-E 24
096-6166	265	1-C 4	1T-0043	411	1-C 19	115-1615	1045	1-F 10	136-5317	943	1-E 24
099-2374	77	1-B 9	1T-0043	419	1-C 19	115-2134	397	1-C 17	136-5317	947	1-E 24
1A-3284	447	1-C 22	1T-0043	427	1-C 20	115-2134	405	1-C 18	136-5330	1057	1-F 11
1B-6161	399	1-C 17	1T-0043	435	1-C 21	115-2134	413	1-C 19	136-5355	801	1-E 10
1B-6161	407	1-C 18	1T-0043	443	1-C 22	115-2134	421	1-C 20	136-5355	803	1-E 10
1B-6161	415	1-C 19	1U-8846	355	1-C 13	115-2134	429	1-C 20	136-5355	1081	1-F 14
1B-6161	423	1-C 20	1U-8846	361	1-C 14	115-2134	437	1-C 21	136-5377	323	1-C 10
1B-6161	431	1-C 21	1U-8846	363	1-C 14	115-4550	489	1-D 2	136-5458	323	1-C 10
1B-6161	439	1-C 21	1U-8846	369	1-C 14	117-1385	393	1-C 17	136-5459	339	1-C 11
1F-2771	449	1-C 22	1U-8846	403	1-C 18	117-1385	395	1-C 17	136-5460	325	1-C 10
1F-7567	459	1-C 23	1U-8846	405	1-C 18	117-8131	597	1-D 13	136-5460	329	1-C 10
1G-3174	749	1-E 4	1U-8846	413	1-C 19	121-7958	507	1-D 4	136-5462	325	1-C 10
1H-8171	401	1-C 18	1U-8846	421	1-C 20	121-7958	511	1-D 5	136-5462	329	1-C 10
1H-8171	411	1-C 19	1U-8846	429	1-C 20	121-7958	515	1-D 5	136-5463	325	1-C 10
1H-8171	419	1-C 19	1U-8846	437	1-C 21	121-7958	519	1-D 5	136-5463	327	1-C 10
1H-8171	427	1-C 20	1U-8846	449	1-C 22	123-0380	1097	1-F 15	136-5464	323	1-C 10
1H-8171	435	1-C 21	1U-8846	451	1-C 23	123-0380	1099	1-F 15	136-5464	327	1-C 10
1H-8171	443	1-C 22	1U-8846	453	1-C 23	124-0492	505	1-D 4	136-5509	217	1-B 23
1J-3628	401	1-C 18	1U-8846	455	1-C 23	124-0492	509	1-D 4	136-5514	229	1-B 24
1J-3628	409	1-C 18	1U-8846	457	1-C 23	124-0492	513	1-D 5	136-5533	319	1-C 9
1J-3628	417	1-C 19	1U-8846	507	1-D 4	124-0492	517	1-D 5	136-5534	291	1-C 7
1J-3628	425	1-C 20	1U-8846	511	1-D 5	124-9398	399	1-C 17	136-5535	337	1-C 11
1J-3628	433	1-C 21	1U-8846	515	1-D 5	124-9398	407	1-C 18	136-5537	179	1-B 19
1J-3628	441	1-C 22	1U-8846	519	1-D 5	124-9398	415	1-C 19	136-5537	801	1-E 10
1J-4757	399	1-C 17	101-9565	399	1-C 17	124-9398	423	1-C 20	136-5566	135	1-B 15
1J-4757	407	1-C 18	101-9565	407	1-C 18	124-9398	431	1-C 21	136-5597	217	1-B 23
1J-4757	415	1-C 19	101-9565	415	1-C 19	124-9398	439	1-C 21	136-5597	221	1-B 24
1J-4757	423	1-C 20	101-9565	423	1-C 20	125-3297	999	1-F 5	136-5598	221	1-B 24
1J-4757	431	1-C 21	101-9565	431	1-C 21	126-7260	401	1-C 18	136-5600	173	1-B 19
1J-4757	439	1-C 21	101-9565	439	1-C 21	126-7260	409	1-C 18	136-5600	175	1-B 19
1J-6472	403	1-C 18	102-3046	399	1-C 17	126-7260	417	1-C 19	136-5600	1241	1-G 6
1J-6472	411	1-C 19	102-3046	407	1-C 18	126-7260	425	1-C 20	136-5661	173	1-B 19
1J-6472	419	1-C 19	102-3046	415	1-C 19	126-7260	433	1-C 21	136-5664	65	1-B 8
1J-6472	427	1-C 20	102-3046	423	1-C 20	126-7260	441	1-C 22	136-5664	225	1-B 24
1J-6472	435	1-C 21	102-3046	431	1-C 21	130-5300	445	1-C 22	136-5667	65	1-B 8
1J-6472	443	1-C 22	102-3046	439	1-C 21	130-9811	393	1-C 17	136-5667	323	1-C 10
1J-8695	505	1-D 4	102-8802	503	1-D 4	130-9811	395	1-C 17	136-5667	325	1-C 10
1J-8695	509	1-D 4	102-8803	183	1-B 20	130-9811	1045	1-F 10	138-1820	657	1-D 19

INDEX

Part No.	Page	Grid	Part No.	Page	Grid	Part No.	Page	Grid	Part No.	Page	Grid
138-7099	399	1-C 17	152-0005	299	1-C 7	152-0445	1075	1-F 13	155-9593	361	1-C 14
138-7099	407	1-C 18	152-0005	301	1-C 8	152-0445	1079	1-F 13	155-9593	481	1-D 2
138-7099	415	1-C 19	152-0005	1011	1-F 7	152-0447	135	1-B 15	155-9594	393	1-C 17
138-7099	423	1-C 20	152-0005	1015	1-F 7	152-0447	1011	1-F 7	155-9594	395	1-C 17
138-7099	431	1-C 21	152-0417	1009	1-F 6	152-0447	1015	1-F 7	155-9594	481	1-D 2
138-7099	439	1-C 21	152-0417	1013	1-F 7	152-0448	805	1-E 10	155-9594	483	1-D 2
139-5802	355	1-C 13	152-0417	1119	1-F 17	152-0448	883	1-E 18	156-1312	65	1-B 8
139-5802	359	1-C 13	152-0418	1009	1-F 6	152-0448	1073	1-F 13	156-1312	579	1-D 11
139-5802	363	1-C 14	152-0418	1011	1-F 7	152-0448	1075	1-F 13	156-1312	581	1-D 12
139-5802	367	1-C 14	152-0418	1013	1-F 7	152-0448	1087	1-F 14	156-1317	139	1-B 15
142-9699	211	1-B 23	152-0418	1015	1-F 7	152-0450	1009	1-F 6	156-1317	155	1-B 17
142-9826	93	1-B 11	152-0418	1101	1-F 16	152-0450	1011	1-F 7	156-1317	165	1-B 18
142-9831	211	1-B 23	152-0419	1011	1-F 7	152-0450	1013	1-F 7	156-1319	65	1-B 8
142-9836	191	1-B 21	152-0419	1013	1-F 7	152-0450	1015	1-F 7	156-1319	67	1-B 8
146-0850	625	1-D 16	152-0419	1015	1-F 7	152-0450	1159	1-F 21	156-1319	553	1-D 9
146-0850	631	1-D 17	152-0419	1149	1-F 20	152-0450	1161	1-F 22	156-1323	521	1-D 6
146-0851	631	1-D 17	152-0420	293	1-C 7	152-5241	469	1-C 24	156-1323	523	1-D 6
146-3173	357	1-C 13	152-0420	295	1-C 7	152-5241	471	1-D 1	156-1323	551	1-D 9
146-3173	359	1-C 13	152-0420	297	1-C 7	152-5241	477	1-D 1	156-1325	521	1-D 6
146-3173	365	1-C 14	152-0420	1009	1-F 6	152-5241	481	1-D 2	156-1325	523	1-D 6
146-3173	367	1-C 14	152-0420	1013	1-F 7	153-6237	461	1-C 24	156-1325	599	1-D 13
146-3504	265	1-C 4	152-0422	1171	1-F 23	153-6237	463	1-C 24	156-1334	931	1-E 23
148-1925	393	1-C 17	152-0424	1011	1-F 7	153-6237	465	1-C 24	156-1334	933	1-E 23
148-1925	395	1-C 17	152-0424	1013	1-F 7	153-6237	467	1-C 24	156-1334	1007	1-F 6
148-8335	709	1-D 24	152-0424	1015	1-F 7	153-6257	721	1-E 2	156-1358	533	1-D 7
148-8336	709	1-D 24	152-0424	1163	1-F 22	154-8264	625	1-D 16	156-4859	621	1-D 16
148-8374	709	1-D 24	152-0425	1011	1-F 7	154-8264	631	1-D 17	156-4859	623	1-D 16
148-8395	457	1-C 23	152-0425	1013	1-F 7	154-9971	325	1-C 10	156-4859	657	1-D 19
148-8395	507	1-D 4	152-0425	1015	1-F 7	154-9971	329	1-C 10	156-4887	651	1-D 19
148-8395	511	1-D 5	152-0425	1173	1-F 23	155-0014	223	1-B 24	156-4887	667	1-D 20
148-8395	515	1-D 5	152-0427	1031	1-F 9	155-0014	1241	1-G 6	156-4888	639	1-D 17
148-8395	519	1-D 5	152-0427	1043	1-F 10	155-0020	231	1-C 1	156-4888	645	1-D 18
148-8407	397	1-C 17	152-0427	1045	1-F 10	155-0020	233	1-C 1	156-4888	669	1-D 20
148-8407	411	1-C 19	152-0427	1047	1-F 10	155-0020	1241	1-G 6	156-4889	665	1-D 20
148-8407	419	1-C 19	152-0428	1027	1-F 8	155-0027	227	1-B 24	156-4890	665	1-D 20
148-8407	427	1-C 20	152-0428	1035	1-F 9	155-0027	229	1-B 24	156-4892	665	1-D 20
148-8407	435	1-C 21	152-0428	1037	1-F 9	155-0027	1241	1-G 6	156-4901	657	1-D 19
148-8407	443	1-C 22	152-0428	1039	1-F 9	155-0029	227	1-B 24	156-4902	657	1-D 19
148-8420	709	1-D 24	152-0430	521	1-D 6	155-0031	173	1-B 19	156-5578	49	1-B 6
148-8421	467	1-C 24	152-0430	523	1-D 6	155-0031	175	1-B 19	156-5579	53	1-B 7
148-8435	709	1-D 24	152-0430	597	1-D 13	155-0032	173	1-B 19	156-5580	57	1-B 7
151-4059	1179	1-F 23	152-0431	1159	1-F 21	155-0032	175	1-B 19	156-5863	1043	1-F 10
151-6970	69	1-B 8	152-0433	1009	1-F 6	155-0035	173	1-B 19	156-5863	1045	1-F 10
151-6970	71	1-B 9	152-0433	1011	1-F 7	155-0035	175	1-B 19	156-6057	615	1-D 15
151-6970	73	1-B 9	152-0433	1013	1-F 7	155-0037	175	1-B 19	156-6059	607	1-D 14
151-6970	75	1-B 9	152-0433	1015	1-F 7	155-0038	173	1-B 19	156-6060	607	1-D 14
151-6970	353	1-C 13	152-0433	1141	1-F 20	155-0038	175	1-B 19	156-6061	609	1-D 14
151-8541	1167	1-F 22	152-0434	1021	1-F 8	155-0042	235	1-C 1	156-6062	611	1-D 15
151-8541	1169	1-F 22	152-0434	1065	1-F 12	155-0043	237	1-C 1	156-6063	609	1-D 14
151-8545	1167	1-F 22	152-0434	1067	1-F 12	155-3624	405	1-C 18	156-6065	609	1-D 14
151-8545	1169	1-F 22	152-0434	1069	1-F 12	155-4426	485	1-D 2	156-6066	611	1-D 15
151-8559	1017	1-F 7	152-0434	1071	1-F 13	155-4426	487	1-D 2	156-6072	609	1-D 14
151-8559	1019	1-F 7	152-0434	1073	1-F 13	155-5611	621	1-D 16	156-6084	625	1-D 16
151-9961	1017	1-F 7	152-0434	1075	1-F 13	155-5611	623	1-D 16	156-6084	631	1-D 17
151-9961	1019	1-F 7	152-0434	1077	1-F 13	155-5611	625	1-D 16	156-8343	673	1-D 21
151-9979	1167	1-F 22	152-0438	1009	1-F 6	155-5612	625	1-D 16	156-8343	675	1-D 21
151-9979	1169	1-F 22	152-0438	1011	1-F 7	155-5614	621	1-D 16	157-0202	953	1-F 1
151-9983	1097	1-F 15	152-0438	1013	1-F 7	155-5614	623	1-D 16	157-0202	959	1-F 1
151-9984	1167	1-F 22	152-0438	1015	1-F 7	155-5614	631	1-D 17	157-0203	239	1-C 1
151-9986	1009	1-F 6	152-0438	1063	1-F 12	155-9583	371	1-C 15	157-1351	667	1-D 20
151-9986	1011	1-F 7	152-0441	1119	1-F 17	155-9583	481	1-D 2	157-1708	931	1-E 23
151-9986	1027	1-F 8	152-0441	1121	1-F 18	155-9583	483	1-D 2	157-1708	939	1-E 23
151-9990	1167	1-F 22	152-0443	1065	1-F 12	155-9586	373	1-C 15	157-1708	945	1-E 24
151-9990	1169	1-F 22	152-0443	1067	1-F 12	155-9586	481	1-D 2	157-1709	351	1-C 13
151-9991	1169	1-F 22	152-0443	1083	1-F 14	155-9586	483	1-D 2	157-1709	949	1-E 24
151-9994	1017	1-F 7	152-0444	1011	1-F 7	155-9589	375	1-C 15	157-1710	939	1-E 23
151-9994	1167	1-F 22	152-0444	1015	1-F 7	155-9589	481	1-D 2	157-1714	939	1-E 23
151-9995	1019	1-F 7	152-0444	1121	1-F 18	155-9589	483	1-D 2	157-1714	941	1-E 24
151-9995	1169	1-F 22	152-0445	939	1-E 23	155-9590	377	1-C 15	157-1714	953	1-F 1
152-0001	1009	1-F 6	152-0445	941	1-E 24	155-9590	379	1-C 15	157-1715	945	1-E 24
152-0001	1013	1-F 7	152-0445	943	1-E 24	155-9590	481	1-D 2	157-1719	943	1-E 24
152-0001	1017	1-F 7	152-0445	945	1-E 24	155-9590	483	1-D 2	157-1719	945	1-E 24
152-0002	1011	1-F 7	152-0445	947	1-E 24	155-9593	355	1-C 13	157-1719	955	1-F 1
152-0002	1015	1-F 7	152-0445	1067	1-F 12	155-9593	357	1-C 13	157-1719	957	1-F 1
152-0002	1019	1-F 7	152-0445	1071	1-F 13	155-9593	359	1-C 13	158-1984	627	1-D 16

MT700 SERIES TRACK TRACTORS

**23
INDEX**

Part No.	Page	Grid	Part No.	Page	Grid	Part No.	Page	Grid	Part No.	Page	Grid
158-1984	629	1-D 16	161-8212	419	1-C 19	161-8848	505	1-D 4	162-6692	1101	1-F 16
158-2338	799	1-E 9	161-8212	427	1-C 20	161-8848	509	1-D 4	162-6693	1119	1-F 17
158-2338	839	1-E 13	161-8212	435	1-C 21	161-8848	513	1-D 5	162-6693	1121	1-F 18
158-2341	65	1-B 8	161-8212	443	1-C 22	161-8848	517	1-D 5	162-6696	225	1-B 24
158-2341	67	1-B 8	161-8212	497	1-D 3	161-8851	449	1-C 22	162-6697	225	1-B 24
158-2341	799	1-E 9	161-8215	497	1-D 3	161-8852	449	1-C 22	162-6698	225	1-B 24
158-2344	843	1-E 14	161-8218	377	1-C 15	161-8857	449	1-C 22	162-6699	225	1-B 24
158-2344	845	1-E 14	161-8218	379	1-C 15	161-8857	481	1-D 2	162-6734	1053	1-F 11
158-2344	847	1-E 14	161-8218	387	1-C 16	161-8857	483	1-D 2	162-6737	1077	1-F 13
158-2348	793	1-E 9	161-8218	391	1-C 17	161-9172	67	1-B 8	162-6738	1077	1-F 13
158-2348	799	1-E 9	161-8220	377	1-C 15	161-9172	583	1-D 12	162-6751	1159	1-F 21
158-2355	799	1-E 9	161-8220	387	1-C 16	162-0177	357	1-C 13	162-6752	1159	1-F 21
158-2355	827	1-E 12	161-8229	355	1-C 13	162-0177	359	1-C 13	162-6757	1141	1-F 20
158-2355	829	1-E 12	161-8229	359	1-C 13	162-0177	365	1-C 14	162-6758	1141	1-F 20
158-2359	841	1-E 14	161-8229	365	1-C 14	162-0177	367	1-C 14	162-6759	1141	1-F 20
158-2359	949	1-E 24	161-8229	367	1-C 14	162-0177	413	1-C 19	162-8291	103	1-B 12
158-2362	939	1-E 23	161-8240	447	1-C 22	162-0177	421	1-C 20	162-9122	447	1-C 22
158-2362	941	1-E 24	161-8269	371	1-C 15	162-0177	429	1-C 20	162-9816	861	1-E 16
158-2362	943	1-E 24	161-8269	373	1-C 15	162-0177	437	1-C 21	162-9816	867	1-E 16
158-2362	945	1-E 24	161-8269	375	1-C 15	162-0177	507	1-D 4	162-9816	869	1-E 16
158-2362	947	1-E 24	161-8269	383	1-C 16	162-0177	511	1-D 5	162-9816	871	1-E 17
158-2362	967	1-F 2	161-8269	385	1-C 16	162-0177	515	1-D 5	162-9816	887	1-E 18
158-2396	639	1-D 17	161-8269	389	1-C 16	162-0177	519	1-D 5	162-9816	889	1-E 18
158-2396	645	1-D 18	161-8281	355	1-C 13	162-0177	709	1-D 24	162-9816	891	1-E 19
158-2396	647	1-D 18	161-8281	359	1-C 13	162-0251	371	1-C 15	162-9816	893	1-E 19
158-2396	649	1-D 18	161-8281	363	1-C 14	162-0251	373	1-C 15	162-9816	895	1-E 19
158-2396	849	1-E 14	161-8281	367	1-C 14	162-0251	375	1-C 15	162-9816	897	1-E 19
158-2402	635	1-D 17	161-8284	505	1-D 4	162-0251	377	1-C 15	162-9816	905	1-E 20
158-2402	641	1-D 18	161-8284	509	1-D 4	162-0251	379	1-C 15	162-9822	909	1-E 20
158-2402	741	1-E 4	161-8284	513	1-D 5	162-0251	383	1-C 16	163-0267	667	1-D 20
158-2403	639	1-D 17	161-8284	517	1-D 5	162-0251	385	1-C 16	163-0267	669	1-D 20
158-2403	645	1-D 18	161-8309	371	1-C 15	162-0251	387	1-C 16	163-0267	671	1-D 21
158-2403	647	1-D 18	161-8309	373	1-C 15	162-0251	389	1-C 16	163-0268	667	1-D 20
158-2403	649	1-D 18	161-8309	375	1-C 15	162-0251	391	1-C 17	163-0268	669	1-D 20
158-2403	743	1-E 4	161-8309	377	1-C 15	162-0267	625	1-D 16	163-0268	671	1-D 21
158-2405	635	1-D 17	161-8309	379	1-C 15	162-0287	669	1-D 20	163-0272	667	1-D 20
158-2405	637	1-D 17	161-8309	383	1-C 16	162-2415	621	1-D 16	163-0272	669	1-D 20
158-2405	641	1-D 18	161-8309	385	1-C 16	162-2415	675	1-D 21	163-0272	671	1-D 21
158-2405	643	1-D 18	161-8309	387	1-C 16	162-2416	623	1-D 16	163-0380	207	1-B 22
158-2405	733	1-E 3	161-8309	389	1-C 16	162-2416	673	1-D 21	163-0381	209	1-B 22
158-5923	579	1-D 11	161-8309	391	1-C 17	162-4091	223	1-B 24	163-0395	65	1-B 8
158-5923	583	1-D 12	161-8313	371	1-C 15	162-4091	225	1-B 24	163-0395	67	1-B 8
158-5924	579	1-D 11	161-8313	373	1-C 15	162-4091	1241	1-G 6	163-0395	347	1-C 12
158-5924	583	1-D 12	161-8313	375	1-C 15	162-4092	223	1-B 24	163-0438	353	1-C 13
158-5925	67	1-B 8	161-8313	379	1-C 15	162-4092	225	1-B 24	163-0450	75	1-B 9
158-5925	593	1-D 13	161-8313	383	1-C 16	162-4092	1241	1-G 6	163-0450	89	1-B 10
158-5932	579	1-D 11	161-8313	385	1-C 16	162-4095	1165	1-F 22	163-0546	639	1-D 17
158-5932	583	1-D 12	161-8313	389	1-C 16	162-4096	333	1-C 11	163-0546	645	1-D 18
158-5933	579	1-D 11	161-8313	391	1-C 17	162-4096	1013	1-F 7	163-0547	621	1-D 16
158-5933	583	1-D 12	161-8338	355	1-C 13	162-4097	291	1-C 7	163-0547	639	1-D 17
158-5934	579	1-D 11	161-8338	359	1-C 13	162-4097	1013	1-F 7	163-0547	645	1-D 18
158-5934	583	1-D 12	161-8338	363	1-C 14	162-4099	211	1-B 23	163-0547	651	1-D 19
158-5935	579	1-D 11	161-8338	367	1-C 14	162-4101	243	1-C 2	163-0547	653	1-D 19
158-5935	583	1-D 12	161-8339	371	1-C 15	162-4101	245	1-C 2	163-0548	623	1-D 16
158-5948	553	1-D 9	161-8339	373	1-C 15	162-4101	1011	1-F 7	163-0548	639	1-D 17
158-5949	553	1-D 9	161-8339	375	1-C 15	162-4101	1015	1-F 7	163-0548	645	1-D 18
158-5958	553	1-D 9	161-8339	377	1-C 15	162-4102	337	1-C 11	163-0548	651	1-D 19
159-1043	447	1-C 22	161-8339	379	1-C 15	162-4103	1175	1-F 23	163-0548	653	1-D 19
159-1236	347	1-C 12	161-8339	383	1-C 16	162-4104	641	1-D 18	163-0554	635	1-D 17
159-7242	627	1-D 16	161-8339	385	1-C 16	162-4104	643	1-D 18	163-0554	637	1-D 17
159-7242	629	1-D 16	161-8339	387	1-C 16	162-4104	645	1-D 18	163-0554	641	1-D 18
159-9486	65	1-B 8	161-8339	389	1-C 16	162-4104	649	1-D 18	163-0554	643	1-D 18
159-9486	521	1-D 6	161-8339	391	1-C 17	162-4105	1077	1-F 13	163-0554	651	1-D 19
160-6785	507	1-D 4	161-8739	505	1-D 4	162-4110	67	1-B 8	163-0589	889	1-E 18
160-6785	511	1-D 5	161-8739	509	1-D 4	162-4110	555	1-D 9	163-0592	403	1-C 18
160-6785	515	1-D 5	161-8739	513	1-D 5	162-4111	1121	1-F 18	163-0592	405	1-C 18
160-6785	519	1-D 5	161-8739	517	1-D 5	162-6448	429	1-C 20	163-0592	413	1-C 19
160-6789	505	1-D 4	161-8757	399	1-C 17	162-6654	1119	1-F 17	163-0592	421	1-C 20
160-6789	509	1-D 4	161-8757	407	1-C 18	162-6654	1121	1-F 18	163-0592	429	1-C 20
160-6789	513	1-D 5	161-8757	415	1-C 19	162-6655	1119	1-F 17	163-0592	437	1-C 21
160-6789	517	1-D 5	161-8757	423	1-C 20	162-6687	1101	1-F 16	163-0677	621	1-D 16
160-7164	657	1-D 19	161-8757	431	1-C 21	162-6688	1101	1-F 16	163-0677	623	1-D 16
160-7164	659	1-D 19	161-8757	439	1-C 21	162-6689	1101	1-F 16	163-0677	633	1-D 17
161-8212	403	1-C 18	161-8762	459	1-C 23	162-6690	1101	1-F 16	163-5608	1087	1-F 14
161-8212	411	1-C 19	161-8765	449	1-C 22	162-6691	1053	1-F 11	163-5608	1089	1-F 14

INDEX

Part No.	Page	Grid	Part No.	Page	Grid	Part No.	Page	Grid	Part No.	Page	Grid
163-8002	931	1-E 23	164-3975	407	1-C 18	164-7054	1097	1-F 15	165-0394	359	1-C 13
164-2108	485	1-D 2	164-3975	415	1-C 19	164-7062	1141	1-F 20	165-0394	365	1-C 14
164-2108	487	1-D 2	164-3975	423	1-C 20	164-7067	1097	1-F 15	165-0394	367	1-C 14
164-3902	453	1-C 23	164-3975	431	1-C 21	164-7067	1099	1-F 15	165-0401	371	1-C 15
164-3902	455	1-C 23	164-3975	439	1-C 21	164-7068	1017	1-F 7	165-0401	373	1-C 15
164-3902	457	1-C 23	164-3977	399	1-C 17	164-7068	1019	1-F 7	165-0401	385	1-C 16
164-3903	453	1-C 23	164-3977	407	1-C 18	164-7068	1097	1-F 15	165-0401	389	1-C 16
164-3903	455	1-C 23	164-3977	415	1-C 19	164-7069	1159	1-F 21	165-0403	371	1-C 15
164-3903	457	1-C 23	164-3977	423	1-C 20	164-7926	553	1-D 9	165-0403	373	1-C 15
164-3904	399	1-C 17	164-3977	431	1-C 21	164-7927	553	1-D 9	165-0403	375	1-C 15
164-3904	407	1-C 18	164-3977	439	1-C 21	165-0268	371	1-C 15	165-0403	383	1-C 16
164-3904	415	1-C 19	164-3978	399	1-C 17	165-0268	373	1-C 15	165-0403	385	1-C 16
164-3904	423	1-C 20	164-3978	407	1-C 18	165-0268	375	1-C 15	165-0403	389	1-C 16
164-3904	431	1-C 21	164-3978	415	1-C 19	165-0268	379	1-C 15	165-0404	375	1-C 15
164-3904	439	1-C 21	164-3978	423	1-C 20	165-0268	383	1-C 16	165-0404	383	1-C 16
164-3905	451	1-C 23	164-3978	431	1-C 21	165-0268	385	1-C 16	165-0414	363	1-C 14
164-3905	469	1-C 24	164-3978	439	1-C 21	165-0268	389	1-C 16	165-0414	365	1-C 14
164-3905	471	1-D 1	164-3982	399	1-C 17	165-0268	391	1-C 17	165-0414	367	1-C 14
164-3905	473	1-D 1	164-3982	407	1-C 18	165-0269	377	1-C 15	165-0414	369	1-C 14
164-3905	475	1-D 1	164-3982	415	1-C 19	165-0269	387	1-C 16	165-0414	483	1-D 2
164-3905	477	1-D 1	164-3982	423	1-C 20	165-0270	371	1-C 15	165-0419	377	1-C 15
164-3905	479	1-D 1	164-3982	431	1-C 21	165-0270	373	1-C 15	165-0419	379	1-C 15
164-3907	453	1-C 23	164-3982	439	1-C 21	165-0270	375	1-C 15	165-0419	387	1-C 16
164-3907	455	1-C 23	164-3983	399	1-C 17	165-0270	377	1-C 15	165-0419	391	1-C 17
164-3907	457	1-C 23	164-3983	407	1-C 18	165-0270	379	1-C 15	165-0420	377	1-C 15
164-3908	453	1-C 23	164-3983	415	1-C 19	165-0270	383	1-C 16	165-0420	387	1-C 16
164-3908	455	1-C 23	164-3983	423	1-C 20	165-0270	385	1-C 16	165-0427	371	1-C 15
164-3908	457	1-C 23	164-3983	431	1-C 21	165-0270	387	1-C 16	165-0427	385	1-C 16
164-3912	453	1-C 23	164-3983	439	1-C 21	165-0270	389	1-C 16	165-0429	373	1-C 15
164-3912	455	1-C 23	164-3984	399	1-C 17	165-0270	391	1-C 17	165-0429	389	1-C 16
164-3912	457	1-C 23	164-3984	407	1-C 18	165-0271	357	1-C 13	165-0430	373	1-C 15
164-3926	453	1-C 23	164-3984	415	1-C 19	165-0271	359	1-C 13	165-0430	389	1-C 16
164-3926	455	1-C 23	164-3984	423	1-C 20	165-0271	365	1-C 14	165-0434	373	1-C 15
164-3926	457	1-C 23	164-3984	431	1-C 21	165-0271	367	1-C 14	165-0434	389	1-C 16
164-3944	505	1-D 4	164-3984	439	1-C 21	165-0272	371	1-C 15	165-0435	373	1-C 15
164-3944	509	1-D 4	164-3985	399	1-C 17	165-0272	373	1-C 15	165-0435	377	1-C 15
164-3944	513	1-D 5	164-3985	407	1-C 18	165-0272	385	1-C 16	165-0435	387	1-C 16
164-3944	517	1-D 5	164-3985	415	1-C 19	165-0272	389	1-C 16	165-0435	389	1-C 16
164-3949	505	1-D 4	164-3985	423	1-C 20	165-0273	371	1-C 15	165-0441	447	1-C 22
164-3949	509	1-D 4	164-3985	431	1-C 21	165-0273	373	1-C 15	165-0463	371	1-C 15
164-3949	513	1-D 5	164-3985	439	1-C 21	165-0273	375	1-C 15	165-0463	373	1-C 15
164-3949	517	1-D 5	164-3987	459	1-C 23	165-0273	383	1-C 16	165-0463	375	1-C 15
164-3950	505	1-D 4	164-3987	461	1-C 24	165-0273	385	1-C 16	165-0463	379	1-C 15
164-3950	509	1-D 4	164-3987	463	1-C 24	165-0273	389	1-C 16	165-0463	383	1-C 16
164-3950	513	1-D 5	164-3987	465	1-C 24	165-0274	377	1-C 15	165-0463	385	1-C 16
164-3950	517	1-D 5	164-3987	467	1-C 24	165-0274	387	1-C 16	165-0463	389	1-C 16
164-3951	505	1-D 4	164-4056	505	1-D 4	165-0275	379	1-C 15	165-0463	391	1-C 17
164-3951	509	1-D 4	164-4056	509	1-D 4	165-0275	391	1-C 17	165-0469	377	1-C 15
164-3951	513	1-D 5	164-4056	513	1-D 5	165-0363	355	1-C 13	165-0469	387	1-C 16
164-3951	517	1-D 5	164-4056	517	1-D 5	165-0363	359	1-C 13	165-0488	371	1-C 15
164-3971	399	1-C 17	164-4057	505	1-D 4	165-0363	363	1-C 14	165-0488	373	1-C 15
164-3971	407	1-C 18	164-4057	509	1-D 4	165-0363	367	1-C 14	165-0488	375	1-C 15
164-3971	415	1-C 19	164-4057	513	1-D 5	165-0365	371	1-C 15	165-0488	377	1-C 15
164-3971	423	1-C 20	164-4057	517	1-D 5	165-0365	385	1-C 16	165-0488	379	1-C 15
164-3971	431	1-C 21	164-4180	355	1-C 13	165-0366	371	1-C 15	165-0488	383	1-C 16
164-3971	439	1-C 21	164-4180	359	1-C 13	165-0366	375	1-C 15	165-0488	385	1-C 16
164-3972	399	1-C 17	164-4180	365	1-C 14	165-0366	383	1-C 16	165-0488	387	1-C 16
164-3972	407	1-C 18	164-4180	367	1-C 14	165-0366	385	1-C 16	165-0488	389	1-C 16
164-3972	415	1-C 19	164-5567	359	1-C 13	165-0367	371	1-C 15	165-0488	391	1-C 17
164-3972	423	1-C 20	164-5567	367	1-C 14	165-0367	373	1-C 15	165-0492	447	1-C 22
164-3972	431	1-C 21	164-5619	355	1-C 13	165-0367	375	1-C 15	165-0496	381	1-C 16
164-3972	439	1-C 21	164-5619	359	1-C 13	165-0367	379	1-C 15	165-0497	377	1-C 15
164-3973	399	1-C 17	164-5619	363	1-C 14	165-0367	383	1-C 16	165-0497	379	1-C 15
164-3973	407	1-C 18	164-5619	367	1-C 14	165-0367	385	1-C 16	165-0497	387	1-C 16
164-3973	415	1-C 19	164-7013	1097	1-F 15	165-0367	389	1-C 16	165-0497	391	1-C 17
164-3973	423	1-C 20	164-7013	1099	1-F 15	165-0367	391	1-C 17	165-0498	377	1-C 15
164-3973	431	1-C 21	164-7014	1097	1-F 15	165-0384	375	1-C 15	165-0498	387	1-C 16
164-3973	439	1-C 21	164-7014	1099	1-F 15	165-0384	383	1-C 16	165-0498	391	1-C 17
164-3974	399	1-C 17	164-7017	1017	1-F 7	165-0390	393	1-C 17	165-0501	377	1-C 15
164-3974	407	1-C 18	164-7017	1019	1-F 7	165-0390	395	1-C 17	165-0501	379	1-C 15
164-3974	415	1-C 19	164-7023	1053	1-F 11	165-0391	499	1-D 3	165-0501	387	1-C 16
164-3974	423	1-C 20	164-7040	1079	1-F 13	165-0391	501	1-D 4	165-0501	391	1-C 17
164-3974	431	1-C 21	164-7041	1095	1-F 15	165-0393	499	1-D 3	165-0504	381	1-C 16
164-3974	439	1-C 21	164-7042	1077	1-F 13	165-0393	501	1-D 4	165-0504	447	1-C 22
164-3975	399	1-C 17	164-7044	1023	1-F 8	165-0394	357	1-C 13	165-0507	381	1-C 16

MT700 SERIES TRACK TRACTORS

25
INDEX

Part No.	Page	Grid	Part No.	Page	Grid	Part No.	Page	Grid	Part No.	Page	Grid
165-0507	447	1-C 22	165-8699	381	1-C 16	167-2182	63	1-B 8	168-8391	517	1-D 5
165-0508	381	1-C 16	165-8699	447	1-C 22	167-2182	175	1-B 19	169-0013	239	1-C 1
165-0508	447	1-C 22	166-0668	381	1-C 16	167-2182	177	1-B 19	169-0017	807	1-E 10
165-0510	377	1-C 15	166-0668	481	1-D 2	167-2182	1013	1-F 7	169-0018	807	1-E 10
165-0510	387	1-C 16	166-0668	483	1-D 2	167-9524	485	1-D 2	169-0019	809	1-E 10
165-0511	379	1-C 15	166-0670	357	1-C 13	167-9524	487	1-D 2	169-0034	931	1-E 23
165-0511	391	1-C 17	166-0670	359	1-C 13	168-1919	187	1-B 20	169-0034	933	1-E 23
165-0512	371	1-C 15	166-0670	365	1-C 14	168-1919	939	1-E 23	169-0034	1003	1-F 6
165-0512	373	1-C 15	166-0670	367	1-C 14	168-1919	945	1-E 24	169-0034	1005	1-F 6
165-0512	375	1-C 15	166-0672	365	1-C 14	168-1944	189	1-B 20	169-0034	1007	1-F 6
165-0512	377	1-C 15	166-0672	367	1-C 14	168-1944	943	1-E 24	169-0063	947	1-E 24
165-0512	379	1-C 15	166-0673	381	1-C 16	168-1944	945	1-E 24	169-0070	933	1-E 23
165-0512	383	1-C 16	166-0673	447	1-C 22	168-1944	951	1-F 1	169-0070	949	1-E 24
165-0512	385	1-C 16	166-0674	381	1-C 16	168-1945	339	1-C 11	169-0075	931	1-E 23
165-0512	387	1-C 16	166-0675	381	1-C 16	168-1946	321	1-C 10	169-0075	933	1-E 23
165-0512	389	1-C 16	166-0675	447	1-C 22	168-1946	1011	1-F 7	169-0075	935	1-E 23
165-0512	391	1-C 17	166-1211	319	1-C 9	168-1946	1015	1-F 7	169-0076	931	1-E 23
165-0513	371	1-C 15	166-1211	1009	1-F 6	168-1947	179	1-B 19	169-0076	1007	1-F 6
165-0513	373	1-C 15	166-1211	1011	1-F 7	168-1947	877	1-E 17	169-0077	953	1-F 1
165-0513	375	1-C 15	166-1211	1013	1-F 7	168-1947	879	1-E 17	169-0077	955	1-F 1
165-0513	377	1-C 15	166-1211	1015	1-F 7	168-1947	881	1-E 18	169-0077	959	1-F 1
165-0513	379	1-C 15	166-1211	1065	1-F 12	168-1947	885	1-E 18	169-0077	997	1-F 5
165-0513	383	1-C 16	166-1211	1067	1-F 12	168-1948	67	1-B 8	169-0078	997	1-F 5
165-0513	385	1-C 16	166-1211	1069	1-F 12	168-1948	223	1-B 24	169-0079	953	1-F 1
165-0513	387	1-C 16	166-1211	1071	1-F 13	168-1951	1009	1-F 6	169-0079	955	1-F 1
165-0513	389	1-C 16	166-1211	1073	1-F 13	168-1951	1011	1-F 7	169-0079	959	1-F 1
165-0513	391	1-C 17	166-1211	1075	1-F 13	168-1951	1013	1-F 7	169-3559	189	1-B 20
165-5973	213	1-B 23	166-3754	1023	1-F 8	168-1951	1015	1-F 7	169-3560	189	1-B 20
165-5973	215	1-B 23	166-3755	1023	1-F 8	168-1951	1057	1-F 11	169-3562	183	1-B 20
165-5973	217	1-B 23	166-4553	1095	1-F 15	168-1952	1143	1-F 20	169-3562	187	1-B 20
165-6770	69	1-B 8	166-4555	1023	1-F 8	168-1970	1145	1-F 20	169-3562	787	1-E 8
165-6770	71	1-B 9	166-4556	1027	1-F 8	168-2284	1119	1-F 17	169-3562	791	1-E 9
165-6770	73	1-B 9	166-4556	1029	1-F 8	168-2284	1121	1-F 18	169-3646	69	1-B 8
165-6770	75	1-B 9	166-4556	1031	1-F 9	168-2291	1117	1-F 17	169-3646	71	1-B 9
165-6770	125	1-B 14	166-4556	1033	1-F 9	168-2305	1101	1-F 16	169-3646	73	1-B 9
165-7006	53	1-B 7	166-4556	1053	1-F 11	168-2311	1035	1-F 9	169-3646	75	1-B 9
165-7006	55	1-B 7	166-4558	1017	1-F 7	168-2311	1037	1-F 9	169-3646	263	1-C 4
165-7006	71	1-B 9	166-4558	1019	1-F 7	168-2311	1039	1-F 9	169-4228	69	1-B 8
165-7007	57	1-B 7	166-4568	1167	1-F 22	168-2311	1043	1-F 10	169-4228	71	1-B 9
165-7007	59	1-B 7	166-4570	1167	1-F 22	168-2311	1045	1-F 10	169-4228	73	1-B 9
165-7007	73	1-B 9	166-4586	1027	1-F 8	168-2311	1047	1-F 10	169-4228	75	1-B 9
165-7008	61	1-B 8	166-4586	1029	1-F 8	168-2313	1037	1-F 9	169-4228	95	1-B 11
165-7008	63	1-B 8	166-4586	1055	1-F 11	168-2313	1045	1-F 10	169-5496	183	1-B 20
165-7008	75	1-B 9	166-4587	1031	1-F 9	168-2315	1037	1-F 9	169-5496	187	1-B 20
165-7159	525	1-D 6	166-4590	1069	1-F 12	168-2315	1045	1-F 10	169-5497	183	1-B 20
165-7897	799	1-E 9	166-4590	1071	1-F 13	168-2316	1037	1-F 9	169-5497	187	1-B 20
165-7897	811	1-E 11	166-4590	1073	1-F 13	168-2316	1045	1-F 10	169-5919	61	1-B 8
165-7897	813	1-E 11	166-4590	1075	1-F 13	168-2318	1035	1-F 9	169-6323	1171	1-F 23
165-7899	637	1-D 17	166-4590	1085	1-F 14	168-2318	1043	1-F 10	169-6323	1173	1-F 23
165-7899	643	1-D 18	166-4592	1013	1-F 7	168-2322	1047	1-F 10	169-6328	1167	1-F 22
165-7899	745	1-E 4	166-4592	1031	1-F 9	168-2323	1043	1-F 10	169-6328	1169	1-F 22
165-7902	837	1-E 13	166-4595	1053	1-F 11	168-2324	1035	1-F 9	169-6337	1053	1-F 11
165-7902	843	1-E 14	166-4603	1027	1-F 8	168-2324	1043	1-F 10	169-6342	1159	1-F 21
165-8506	155	1-B 17	166-4603	1029	1-F 8	168-2326	1035	1-F 9	169-6343	1159	1-F 21
165-8506	635	1-D 17	166-4603	1031	1-F 9	168-2327	1039	1-F 9	169-6344	1159	1-F 21
165-8506	637	1-D 17	166-4603	1033	1-F 9	168-2334	1095	1-F 15	169-6345	1159	1-F 21
165-8506	641	1-D 18	166-4608	1077	1-F 13	168-3454	459	1-C 23	169-6346	319	1-C 9
165-8506	643	1-D 18	166-4616	213	1-B 23	168-4558	505	1-D 4	169-6346	1093	1-F 15
165-8537	905	1-E 20	166-4616	215	1-B 23	168-4558	509	1-D 4	169-6347	1093	1-F 15
165-8537	907	1-E 20	166-4616	217	1-B 23	168-4558	513	1-D 5	169-6347	1095	1-F 15
165-8537	909	1-E 20	166-4617	1053	1-F 11	168-4558	517	1-D 5	169-6351	1141	1-F 20
165-8558	685	1-D 22	166-4623	67	1-B 8	168-5062	449	1-C 22	169-6362	1083	1-F 14
165-8558	711	1-E 1	166-4623	1155	1-F 21	168-5077	69	1-B 8	169-6362	1085	1-F 14
165-8559	65	1-B 8	166-5880	485	1-D 2	168-5077	71	1-B 9	169-6370	293	1-C 7
165-8559	713	1-E 1	166-7415	749	1-E 4	168-5077	73	1-B 9	169-6373	1053	1-F 11
165-8563	693	1-D 23	166-8055	553	1-D 9	168-5077	87	1-B 10	169-6380	297	1-C 7
165-8563	823	1-E 12	166-8056	553	1-D 9	168-6580	235	1-C 1	169-6380	303	1-C 8
165-8622	375	1-C 15	167-0090	1113	1-F 17	168-6581	237	1-C 1	169-6383	1159	1-F 21
165-8622	383	1-C 16	167-1258	1175	1-F 23	168-8390	505	1-D 4	169-6384	1087	1-F 14
165-8626	377	1-C 15	167-2181	67	1-B 8	168-8390	509	1-D 4	169-6385	1023	1-F 8
165-8626	379	1-C 15	167-2181	327	1-C 10	168-8390	513	1-D 5	169-6386	1023	1-F 8
165-8626	387	1-C 16	167-2181	329	1-C 10	168-8390	517	1-D 5	169-6390	1077	1-F 13
165-8626	391	1-C 17	167-2182	51	1-B 7	168-8391	505	1-D 4	169-6391	1079	1-F 13
165-8631	355	1-C 13	167-2182	55	1-B 7	168-8391	509	1-D 4	169-6399	1167	1-F 22
165-8631	361	1-C 14	167-2182	59	1-B 7	168-8391	513	1-D 5	169-6399	1169	1-F 22

INDEX

Part No.	Page	Grid	Part No.	Page	Grid	Part No.	Page	Grid	Part No.	Page	Grid
169-6836	49	1-B 6	171-4005	473	1-D 1	172-8035	287	1-C 6	174-5770	1029	1-F 8
169-6836	51	1-B 7	171-4005	491	1-D 3	172-8886	65	1-B 8	174-5770	1031	1-F 9
169-6836	69	1-B 8	171-4010	471	1-D 1	172-8886	605	1-D 14	174-5770	1033	1-F 9
169-8222	269	1-C 4	171-4010	475	1-D 1	173-1982	835	1-E 13	174-5774	1159	1-F 21
169-8222	271	1-C 5	171-4010	493	1-D 3	173-1982	845	1-E 14	174-5788	1159	1-F 21
169-8223	245	1-C 2	171-6135	399	1-C 17	173-2462	473	1-D 1	174-5790	1077	1-F 13
169-8224	641	1-D 18	171-6135	407	1-C 18	173-2462	475	1-D 1	174-6121	447	1-C 22
169-8224	643	1-D 18	171-6135	415	1-C 19	173-2462	479	1-D 1	174-6313	567	1-D 10
169-8224	645	1-D 18	171-6135	423	1-C 20	173-2462	483	1-D 2	174-6318	567	1-D 10
169-8224	649	1-D 18	171-6135	431	1-C 21	173-2743	599	1-D 13	174-6582	447	1-C 22
169-8225	333	1-C 11	171-6135	441	1-C 22	173-2744	599	1-D 13	174-7449	489	1-D 2
169-8227	1079	1-F 13	171-6138	399	1-C 17	173-2745	173	1-B 19	174-7872	1175	1-F 23
169-8228	319	1-C 9	171-6138	407	1-C 18	173-2745	175	1-B 19	174-8153	183	1-B 20
169-8229	291	1-C 7	171-6138	415	1-C 19	173-2745	251	1-C 3	174-8153	187	1-B 20
169-8229	321	1-C 10	171-6138	423	1-C 20	173-4060	1239	1-G 5	174-8153	787	1-E 8
169-8230	337	1-C 11	171-6138	431	1-C 21	173-4472	65	1-B 8	174-8153	791	1-E 9
169-8230	339	1-C 11	171-6138	441	1-C 22	173-4472	1199	1-G 1	174-8822	727	1-E 2
169-8231	297	1-C 7	171-6688	599	1-D 13	173-4472	1201	1-G 2	174-9379	453	1-C 23
169-8231	301	1-C 8	171-6689	599	1-D 13	173-4472	1203	1-G 2	174-9379	455	1-C 23
169-8568	445	1-C 22	171-9687	223	1-B 24	173-4472	1205	1-G 2	174-9379	457	1-C 23
169-8568	447	1-C 22	171-9687	225	1-B 24	173-4472	1207	1-G 2	174-9383	401	1-C 18
169-8568	483	1-D 2	171-9687	1241	1-G 6	173-4472	1209	1-G 2	174-9383	407	1-C 18
170-2204	293	1-C 7	171-9688	223	1-B 24	173-5385	447	1-C 22	174-9383	415	1-C 19
170-2204	299	1-C 7	171-9688	225	1-B 24	173-5386	447	1-C 22	174-9383	423	1-C 20
170-2274	931	1-E 23	171-9688	1241	1-G 6	173-5389	447	1-C 22	174-9383	431	1-C 21
170-2274	1007	1-F 6	171-9773	1239	1-G 5	173-5391	447	1-C 22	174-9383	441	1-C 22
170-2285	947	1-E 24	171-9774	1239	1-G 5	173-6500	949	1-E 24	174-9389	401	1-C 18
170-2285	959	1-F 1	172-1619	453	1-C 23	173-6500	989	1-F 4	174-9389	407	1-C 18
170-2285	961	1-F 2	172-1619	455	1-C 23	173-6501	335	1-C 11	174-9389	417	1-C 19
170-2287	949	1-E 24	172-1619	457	1-C 23	173-6501	1013	1-F 7	174-9389	425	1-C 20
170-2316	919	1-E 21	172-1619	1241	1-G 6	173-6501	1015	1-F 7	174-9389	433	1-C 21
170-2316	939	1-E 23	172-4316	401	1-C 18	173-6505	287	1-C 6	174-9389	441	1-C 22
170-2316	941	1-E 24	172-4316	407	1-C 18	173-6506	1151	1-F 21	174-9394	445	1-C 22
170-2316	943	1-E 24	172-4316	415	1-C 19	173-6507	1061	1-F 12	174-9395	445	1-C 22
170-2316	945	1-E 24	172-4316	423	1-C 20	173-6509	285	1-C 6	174-9396	445	1-C 22
170-2330	951	1-F 1	172-4316	431	1-C 21	173-6510	255	1-C 3	174-9397	445	1-C 22
170-2330	955	1-F 1	172-4316	441	1-C 22	173-7444	447	1-C 22	174-9398	445	1-C 22
170-2331	951	1-F 1	172-4317	401	1-C 18	173-7504	447	1-C 22	174-9399	401	1-C 18
170-2331	955	1-F 1	172-4317	407	1-C 18	173-7505	447	1-C 22	174-9399	407	1-C 18
170-5152	445	1-C 22	172-4317	415	1-C 19	173-7708	343	1-C 12	174-9399	417	1-C 19
170-5152	499	1-D 3	172-4317	423	1-C 20	173-7717	627	1-D 16	174-9399	425	1-C 20
170-5152	501	1-D 4	172-4317	431	1-C 21	173-7718	629	1-D 16	174-9399	433	1-C 21
170-5739	1147	1-F 20	172-4317	441	1-C 22	173-7833	447	1-C 22	174-9399	441	1-C 22
170-5765	599	1-D 13	172-4493	51	1-B 7	173-8603	629	1-D 16	174-9404	401	1-C 18
170-7252	317	1-C 9	172-4494	55	1-B 7	173-8604	627	1-D 16	174-9404	407	1-C 18
170-7253	1061	1-F 12	172-4495	59	1-B 7	173-8816	213	1-B 23	174-9404	417	1-C 19
170-7255	1151	1-F 21	172-4496	63	1-B 8	173-8816	215	1-B 23	174-9404	425	1-C 20
170-7275	447	1-C 22	172-4499	873	1-E 17	173-8816	217	1-B 23	174-9404	433	1-C 21
170-7283	447	1-C 22	172-4500	875	1-E 17	173-8817	581	1-D 12	174-9404	441	1-C 22
170-7284	447	1-C 22	172-4501	877	1-E 17	173-8817	583	1-D 12	174-9405	447	1-C 22
170-7286	447	1-C 22	172-4502	879	1-E 17	173-8818	1077	1-F 13	175-0198	1175	1-F 23
170-7287	447	1-C 22	172-4504	883	1-E 18	173-8819	581	1-D 12	175-0334	559	1-D 9
170-7290	449	1-C 22	172-5559	951	1-F 1	173-8819	583	1-D 12	175-1290	569	1-D 10
170-7291	447	1-C 22	172-5559	955	1-F 1	174-1754	125	1-B 14	175-1290	635	1-D 17
170-8727	447	1-C 22	172-5562	951	1-F 1	174-3977	1043	1-F 10	175-1290	637	1-D 17
171-1229	181	1-B 20	172-5562	955	1-F 1	174-3978	1035	1-F 9	175-1290	639	1-D 17
171-1229	187	1-B 20	172-5563	951	1-F 1	174-3978	1043	1-F 10	175-1290	641	1-D 18
171-1576	1057	1-F 11	172-5563	955	1-F 1	174-3979	1035	1-F 9	175-1290	645	1-D 18
171-3721	155	1-B 17	172-6841	301	1-C 8	174-3979	1043	1-F 10	175-1290	647	1-D 18
171-3721	165	1-B 18	172-6841	305	1-C 8	174-3980	1037	1-F 9	175-1290	649	1-D 18
171-3721	167	1-B 18	172-6842	1151	1-F 21	174-3981	1035	1-F 9	175-3097	459	1-C 23
171-3737	147	1-B 16	172-6844	1061	1-F 12	174-3981	1043	1-F 10	175-3706	923	1-E 22
171-3737	155	1-B 17	172-6845	1061	1-F 12	174-4480	67	1-B 8	175-7450	709	1-D 24
171-3737	165	1-B 18	172-6851	1079	1-F 13	174-4480	1211	1-G 3	175-7450	863	1-E 16
171-3738	167	1-B 18	172-6852	1079	1-F 13	174-4480	1213	1-G 3	175-7450	899	1-E 19
171-3738	169	1-B 18	172-6853	1079	1-F 13	174-4480	1215	1-G 3	175-7513	625	1-D 16
171-4001	507	1-D 4	172-6857	701	1-D 24	174-4480	1217	1-G 3	175-7513	631	1-D 17
171-4001	511	1-D 5	172-6857	1011	1-F 7	174-4480	1219	1-G 3	175-7513	1241	1-G 6
171-4001	513	1-D 5	172-6857	1015	1-F 7	174-4480	1221	1-G 4	176-0379	219	1-B 23
171-4001	517	1-D 5	172-6858	1079	1-F 13	174-4480	1223	1-G 4	176-0380	219	1-B 23
171-4004	507	1-D 4	172-6863	1079	1-F 13	174-4614	67	1-B 8	176-0997	553	1-D 9
171-4004	511	1-D 5	172-6864	1079	1-F 13	174-4614	523	1-D 6	176-0998	553	1-D 9
171-4004	513	1-D 5	172-6865	1079	1-F 13	174-4875	673	1-D 21	176-0999	553	1-D 9
171-4004	517	1-D 5	172-6869	1095	1-F 15	174-4875	675	1-D 21	176-1001	553	1-D 9
171-4005	469	1-C 24	172-7968	489	1-D 2	174-5770	1027	1-F 8	176-1002	553	1-D 9

MT700 SERIES TRACKTRACTORS

27
INDEX

Part No.	Page	Grid	Part No.	Page	Grid	Part No.	Page	Grid	Part No.	Page	Grid
176-1377	403	1-C 18	177-6804	377	1-C 15	179-5851	951	1-F 1	180-9997	635	1-D 17
176-1377	411	1-C 19	177-6804	387	1-C 16	179-5851	955	1-F 1	180-9997	637	1-D 17
176-1377	419	1-C 19	177-7103	587	1-D 12	179-6897	701	1-D 24	180-9997	851	1-E 15
176-1377	427	1-C 20	177-7104	587	1-D 12	179-6899	701	1-D 24	180-9998	783	1-E 8
176-1377	435	1-C 21	177-7107	593	1-D 13	179-6901	701	1-D 24	180-9999	693	1-D 23
176-1377	443	1-C 22	177-9555	727	1-E 2	179-7089	683	1-D 22	183-1215	805	1-E 10
176-6480	503	1-D 4	177-9641	1045	1-F 10	179-7089	691	1-D 23	183-4241	707	1-D 24
176-6821	103	1-B 12	177-9642	1045	1-F 10	179-7089	705	1-D 24	183-7177	693	1-D 23
176-7118	957	1-F 1	177-9645	1045	1-F 10	179-7089	707	1-D 24	183-7177	863	1-E 16
176-7202	617	1-D 15	177-9754	453	1-C 23	179-7090	683	1-D 22	183-8032	103	1-B 12
177-0381	295	1-C 7	177-9754	455	1-C 23	179-7090	689	1-D 22	184-0790	627	1-D 16
177-0381	299	1-C 7	177-9754	457	1-C 23	179-7090	691	1-D 23	184-0790	629	1-D 16
177-0385	295	1-C 7	178-2338	635	1-D 17	179-7090	807	1-E 10	184-1704	1159	1-F 21
177-0385	299	1-C 7	178-2339	639	1-D 17	179-7383	79	1-B 9	184-4353	673	1-D 21
177-0388	227	1-B 24	178-2341	637	1-D 17	179-8220	1023	1-F 8	184-4353	675	1-D 21
177-0633	953	1-F 1	178-4950	1225	1-G 4	179-8300	683	1-D 22	184-5056	999	1-F 5
177-0633	955	1-F 1	178-4951	1229	1-G 4	179-8300	687	1-D 22	184-5056	1001	1-F 6
177-0633	959	1-F 1	178-4952	1237	1-G 5	179-8300	689	1-D 22	184-5059	999	1-F 5
177-0639	931	1-E 23	178-4953	1233	1-G 5	179-8300	691	1-D 23	184-5063	983	1-F 4
177-0639	933	1-E 23	178-4954	1227	1-G 4	179-8300	727	1-E 2	184-5063	985	1-F 4
177-0639	935	1-E 23	178-4955	1231	1-G 5	179-8664	827	1-E 12	184-5063	987	1-F 4
177-0656	919	1-E 21	178-4956	1235	1-G 5	179-8664	831	1-E 13	184-5352	711	1-E 1
177-0657	919	1-E 21	178-4958	131	1-B 15	180-0500	887	1-E 18	184-5356	535	1-D 7
177-0658	919	1-E 21	178-6238	1159	1-F 21	180-0500	889	1-E 18	184-5357	535	1-D 7
177-0661	919	1-E 21	178-7157	65	1-B 8	180-0500	891	1-E 19	184-5357	537	1-D 7
177-0665	921	1-E 22	178-7157	843	1-E 14	180-0500	893	1-E 19	184-6717	621	1-D 16
177-0665	939	1-E 23	178-7160	845	1-E 14	180-0500	895	1-E 19	184-6717	623	1-D 16
177-0665	941	1-E 24	178-7162	779	1-E 7	180-0500	897	1-E 19	184-6717	661	1-D 20
177-0665	943	1-E 24	178-7197	727	1-E 2	180-1667	705	1-D 24	184-7045	553	1-D 9
177-0665	945	1-E 24	178-7574	617	1-D 15	180-2455	1045	1-F 10	184-7171	93	1-B 11
177-0665	947	1-E 24	178-7925	95	1-B 11	180-2461	1045	1-F 10	185-2151	1141	1-F 20
177-0666	923	1-E 22	178-7945	227	1-B 24	180-2463	1037	1-F 9	185-2151	1241	1-G 6
177-0666	943	1-E 24	178-7952	1021	1-F 8	180-2463	1045	1-F 10	185-2292	709	1-D 24
177-0666	945	1-E 24	178-7953	1167	1-F 22	180-2464	1037	1-F 9	185-3959	709	1-D 24
177-0666	951	1-F 1	178-7953	1169	1-F 22	180-2464	1045	1-F 10	185-4015	1037	1-F 9
177-0671	931	1-E 23	178-7954	1167	1-F 22	180-2465	1039	1-F 9	185-4015	1045	1-F 10
177-0671	933	1-E 23	178-7954	1169	1-F 22	180-2465	1047	1-F 10	185-7408	447	1-C 22
177-0679	943	1-E 24	178-7955	1167	1-F 22	180-2466	1039	1-F 9	185-8617	561	1-D 10
177-1414	71	1-B 9	178-7957	295	1-C 7	180-2466	1047	1-F 10	185-9356	507	1-D 4
177-1416	73	1-B 9	178-7957	299	1-C 7	180-2467	1039	1-F 9	185-9356	511	1-D 5
177-1418	75	1-B 9	178-7974	1053	1-F 11	180-2467	1047	1-F 10	185-9356	513	1-D 5
177-1588	49	1-B 6	178-8046	543	1-D 8	180-2468	1039	1-F 9	185-9356	517	1-D 5
177-1588	53	1-B 7	178-8047	545	1-D 8	180-2468	1047	1-F 10	185-9754	727	1-E 2
177-1588	57	1-B 7	178-9024	67	1-B 8	180-2469	1039	1-F 9	185-9756	727	1-E 2
177-1588	61	1-B 8	178-9024	715	1-E 1	180-2469	1047	1-F 10	185-9771	727	1-E 2
177-1588	65	1-B 8	178-9024	717	1-E 1	180-2470	1035	1-F 9	185-9774	727	1-E 2
177-1589	51	1-B 7	178-9244	1141	1-F 20	180-2470	1043	1-F 10	186-0342	905	1-E 20
177-1589	55	1-B 7	178-9245	1141	1-F 20	180-2471	1039	1-F 9	186-0342	1241	1-G 6
177-1589	59	1-B 7	179-0090	1157	1-F 21	180-2471	1047	1-F 10	186-0346	905	1-E 20
177-1589	63	1-B 8	179-2957	1159	1-F 21	180-2519	705	1-D 24	186-0346	909	1-E 20
177-1589	67	1-B 8	179-3241	523	1-D 6	180-2536	827	1-E 12	186-0372	905	1-E 20
177-3663	679	1-D 21	179-3241	559	1-D 9	180-2825	1159	1-F 21	186-0372	909	1-E 20
177-3664	679	1-D 21	179-4203	1119	1-F 17	180-2826	749	1-E 4	186-0373	905	1-E 20
177-3666	677	1-D 21	179-4203	1121	1-F 18	180-3725	1181	1-F 24	186-0373	909	1-E 20
177-3667	677	1-D 21	179-4204	299	1-C 7	180-3992	547	1-D 8	186-0377	905	1-E 20
177-3668	677	1-D 21	179-4206	1077	1-F 13	180-4827	801	1-E 10	186-0465	597	1-D 13
177-3863	251	1-C 3	179-4207	579	1-D 11	180-4828	803	1-E 10	186-0980	991	1-F 5
177-4469	639	1-D 17	179-4207	1077	1-F 13	180-4852	683	1-D 22	186-0982	953	1-F 1
177-4469	645	1-D 18	179-4217	1167	1-F 22	180-4854	687	1-D 22	186-0982	957	1-F 1
177-4469	647	1-D 18	179-4219	1097	1-F 15	180-5128	103	1-B 12	186-0982	983	1-F 4
177-4469	649	1-D 18	179-4221	1053	1-F 11	180-5129	103	1-B 12	186-0982	987	1-F 4
177-4469	737	1-E 3	179-4223	1053	1-F 11	180-5237	1077	1-F 13	186-0983	985	1-F 4
177-4586	539	1-D 7	179-4225	1053	1-F 11	180-5239	1053	1-F 11	186-0983	987	1-F 4
177-4588	541	1-D 8	179-4227	1079	1-F 13	180-5244	295	1-C 7	186-0984	935	1-E 23
177-4589	663	1-D 20	179-5810	953	1-F 1	180-5244	299	1-C 7	186-0985	937	1-E 23
177-5194	347	1-C 12	179-5810	959	1-F 1	180-5485	727	1-E 2	186-0986	1003	1-F 6
177-5244	379	1-C 15	179-5811	953	1-F 1	180-5572	405	1-C 18	186-0987	1005	1-F 6
177-5244	391	1-C 17	179-5811	959	1-F 1	180-5932	597	1-D 13	186-0988	985	1-F 4
177-5251	371	1-C 15	179-5812	937	1-E 23	180-6240	1097	1-F 15	186-0991	983	1-F 4
177-5251	385	1-C 16	179-5813	937	1-E 23	180-6240	1099	1-F 15	186-0991	987	1-F 4
177-6776	373	1-C 15	179-5820	955	1-F 1	180-7174	781	1-E 8	186-0992	983	1-F 4
177-6777	375	1-C 15	179-5822	923	1-E 22	180-9214	1047	1-F 10	186-0993	983	1-F 4
177-6777	383	1-C 16	179-5822	1241	1-G 6	180-9959	1157	1-F 21	186-1003	1003	1-F 6
177-6797	377	1-C 15	179-5830	955	1-F 1	180-9966	1017	1-F 7	186-1010	1005	1-F 6
177-6797	387	1-C 16	179-5849	923	1-E 22	180-9966	1019	1-F 7	186-1012	1003	1-F 6

INDEX

Part No.	Page	Grid	Part No.	Page	Grid	Part No.	Page	Grid	Part No.	Page	Grid
186-1012	1005	1-F 6	191-1912	417	1-C 19	194-0635	455	1-C 23	195-4531	505	1-D 4
186-1019	985	1-F 4	191-1912	425	1-C 20	194-0635	457	1-C 23	195-4531	507	1-D 4
186-1019	987	1-F 4	191-1912	433	1-C 21	194-0636	453	1-C 23	195-4531	509	1-D 4
186-1020	983	1-F 4	191-1912	441	1-C 22	194-0636	455	1-C 23	195-4531	511	1-D 5
186-1020	985	1-F 4	191-3096	529	1-D 6	194-0636	457	1-C 23	195-4531	513	1-D 5
186-1020	987	1-F 4	191-5319	355	1-C 13	194-0637	453	1-C 23	195-4531	515	1-D 5
186-3604	601	1-D 14	191-5319	363	1-C 14	194-0638	453	1-C 23	195-4531	517	1-D 5
186-3735	503	1-D 4	191-8006	1181	1-F 24	194-3507	455	1-C 23	195-4531	519	1-D 5
186-3735	1171	1-F 23	191-8007	1181	1-F 24	194-3690	601	1-D 14	195-4773	453	1-C 23
187-3065	393	1-C 17	191-8303	393	1-C 17	194-4160	69	1-B 8	195-4773	455	1-C 23
187-3065	395	1-C 17	191-8303	395	1-C 17	194-4163	751	1-E 5	195-4773	457	1-C 23
187-3065	489	1-D 2	191-8304	393	1-C 17	194-4426	991	1-F 5	195-4773	461	1-C 24
187-3185	727	1-E 2	191-8304	395	1-C 17	194-4427	991	1-F 5	195-4773	463	1-C 24
187-3369	497	1-D 3	192-0976	599	1-D 13	194-4428	991	1-F 5	195-4773	465	1-C 24
187-4896	1117	1-F 17	192-4336	673	1-D 21	194-4428	993	1-F 5	195-4773	467	1-C 24
187-4906	1053	1-F 11	192-4336	675	1-D 21	194-4428	995	1-F 5	195-4773	507	1-D 4
187-4921	1053	1-F 11	192-4761	549	1-D 8	194-4429	991	1-F 5	195-4773	511	1-D 5
187-5245	727	1-E 2	192-5590	1011	1-F 7	194-4429	993	1-F 5	195-4773	515	1-D 5
187-5246	727	1-E 2	192-5590	1013	1-F 7	194-4429	995	1-F 5	195-4773	519	1-D 5
187-9009	85	1-B 10	192-5590	1015	1-F 7	194-4430	991	1-F 5	195-5221	1197	1-G 1
187-9017	727	1-E 2	192-5590	1109	1-F 16	194-4431	991	1-F 5	195-5227	1023	1-F 8
187-9020	707	1-D 24	192-5592	1107	1-F 16	194-4432	991	1-F 5	195-5228	1023	1-F 8
188-1155	1181	1-F 24	192-5602	401	1-C 18	194-4433	991	1-F 5	195-5228	1025	1-F 8
188-2616	605	1-D 14	192-5602	411	1-C 19	194-4434	991	1-F 5	195-5229	1023	1-F 8
188-3642	773	1-E 7	192-5602	419	1-C 19	194-4435	991	1-F 5	195-5230	1023	1-F 8
188-6257	147	1-B 16	192-5602	427	1-C 20	194-4436	991	1-F 5	195-9532	317	1-C 9
188-6258	147	1-B 16	192-5602	435	1-C 21	194-4437	991	1-F 5	195-9633	539	1-D 7
188-9759	497	1-D 3	192-5602	443	1-C 22	194-4438	991	1-F 5	195-9633	541	1-D 8
188-9915	969	1-F 2	192-6366	705	1-D 24	194-7086	453	1-C 23	195-9633	543	1-D 8
189-1711	627	1-D 16	192-6367	113	1-B 13	194-7086	491	1-D 3	195-9633	545	1-D 8
189-1711	629	1-D 16	192-6368	685	1-D 22	194-7768	507	1-D 4	195-9633	1241	1-G 6
189-3296	983	1-F 4	192-6368	903	1-E 20	194-7768	511	1-D 5	196-4234	731	1-E 3
189-3296	985	1-F 4	192-6371	703	1-D 24	194-7768	513	1-D 5	196-4234	755	1-E 5
189-3296	987	1-F 4	192-6372	703	1-D 24	194-7768	517	1-D 5	196-4234	757	1-E 5
189-5906	861	1-E 16	192-6374	111	1-B 13	194-9563	401	1-C 18	196-4235	755	1-E 5
189-5906	883	1-E 18	192-6380	687	1-D 22	194-9563	409	1-C 18	196-4235	757	1-E 5
189-5907	805	1-E 10	192-6380	809	1-E 10	194-9563	417	1-C 19	196-4235	759	1-E 5
189-5907	867	1-E 16	192-7900	633	1-D 17	194-9563	425	1-C 20	196-4235	761	1-E 6
189-5910	801	1-E 10	192-7901	633	1-D 17	194-9563	433	1-C 21	196-4235	911	1-E 21
189-5910	869	1-E 16	192-8859	763	1-E 6	194-9563	441	1-C 22	196-4236	755	1-E 5
189-5911	803	1-E 10	192-8863	749	1-E 4	194-9564	403	1-C 18	196-4236	757	1-E 5
189-5911	871	1-E 17	192-8863	753	1-E 5	194-9564	411	1-C 19	196-4237	755	1-E 5
189-8658	499	1-D 3	192-8863	765	1-E 6	194-9564	419	1-C 19	196-4244	731	1-E 3
189-8658	501	1-D 4	192-8864	749	1-E 4	194-9564	427	1-C 20	196-4245	755	1-E 5
189-8658	503	1-D 4	192-8864	753	1-E 5	194-9564	435	1-C 21	196-4245	761	1-E 6
189-8685	65	1-B 8	192-8865	753	1-E 5	194-9564	443	1-C 22	196-4246	755	1-E 5
189-8685	67	1-B 8	192-8865	771	1-E 7	194-9565	403	1-C 18	196-4246	761	1-E 6
189-8685	719	1-E 1	192-8870	765	1-E 6	194-9565	411	1-C 19	196-4247	755	1-E 5
189-8685	721	1-E 2	192-8871	771	1-E 7	194-9565	419	1-C 19	196-4249	911	1-E 21
189-8685	723	1-E 2	192-9017	1023	1-F 8	194-9565	427	1-C 20	196-4623	759	1-E 5
189-8685	725	1-E 2	192-9242	401	1-C 18	194-9565	435	1-C 21	196-4623	761	1-E 6
189-8931	1179	1-F 23	192-9242	409	1-C 18	194-9565	443	1-C 22	196-4623	769	1-E 6
189-9384	751	1-E 5	192-9242	417	1-C 19	195-1101	673	1-D 21	196-5063	769	1-E 6
189-9384	763	1-E 6	192-9242	425	1-C 20	195-1101	675	1-D 21	196-5065	769	1-E 6
189-9386	751	1-E 5	192-9242	433	1-C 21	195-1102	673	1-D 21	197-1341	827	1-E 12
189-9922	1151	1-F 21	192-9242	441	1-C 22	195-1102	675	1-D 21	197-1341	831	1-E 13
190-0429	707	1-D 24	193-0238	1035	1-F 9	195-1105	627	1-D 16	197-2996	1155	1-F 21
190-0434	727	1-E 2	193-1701	355	1-C 13	195-1105	629	1-D 16	197-2997	1155	1-F 21
190-0446	727	1-E 2	193-1701	359	1-C 13	195-2612	1149	1-F 20	197-2998	1155	1-F 21
190-4949	497	1-D 3	193-1701	363	1-C 14	195-3333	507	1-D 4	197-2999	1155	1-F 21
190-5600	155	1-B 17	193-1701	367	1-C 14	195-3333	511	1-D 5	197-3000	1155	1-F 21
190-5600	165	1-B 18	193-4059	357	1-C 13	195-3333	515	1-D 5	197-3000	1157	1-F 21
190-5600	601	1-D 14	193-4059	359	1-C 13	195-3333	519	1-D 5	197-3001	1157	1-F 21
190-5601	601	1-D 14	193-4445	1037	1-F 9	195-3335	507	1-D 4	197-3003	1157	1-F 21
190-6229	167	1-B 18	193-5915	551	1-D 9	195-3335	511	1-D 5	197-3006	1157	1-F 21
190-6501	857	1-E 15	193-8505	627	1-D 16	195-3335	515	1-D 5	197-3007	1157	1-F 21
190-6501	859	1-E 15	193-8505	629	1-D 16	195-3335	519	1-D 5	197-3012	1157	1-F 21
190-8196	459	1-C 23	193-8506	627	1-D 16	195-3949	447	1-C 22	197-3013	1157	1-F 21
190-8326	1159	1-F 21	193-8506	629	1-D 16	195-3950	455	1-C 23	197-3018	1157	1-F 21
190-8423	167	1-B 18	194-0546	507	1-D 4	195-3950	493	1-D 3	197-3023	1157	1-F 21
190-8424	167	1-B 18	194-0546	511	1-D 5	195-3951	455	1-C 23	197-3083	1053	1-F 11
190-8425	167	1-B 18	194-0546	513	1-D 5	195-3953	455	1-C 23	197-3738	507	1-D 4
190-8754	1159	1-F 21	194-0546	517	1-D 5	195-4531	491	1-D 3	197-3738	511	1-D 5
191-1912	401	1-C 18	194-0633	453	1-C 23	195-4531	493	1-D 3	197-3738	515	1-D 5
191-1912	407	1-C 18	194-0635	453	1-C 23	195-4531	495	1-D 3	197-3738	519	1-D 5

MT700 SERIES TRACK TRACTORS

29
INDEX

Part No.	Page	Grid	Part No.	Page	Grid	Part No.	Page	Grid	Part No.	Page	Grid
197-4516	1129	1-F 18	197-7315	417	1-C 19	199-8159	421	1-C 20	2M-9780	363	1-C 14
197-4516	1131	1-F 19	197-7315	425	1-C 20	199-8159	423	1-C 20	2M-9780	365	1-C 14
197-4517	1129	1-F 18	197-8132	157	1-B 17	199-8159	425	1-C 20	2M-9780	367	1-C 14
197-4518	1129	1-F 18	197-8132	159	1-B 17	199-8159	427	1-C 20	2M-9780	369	1-C 14
197-4519	1129	1-F 18	197-8132	161	1-B 18	199-8159	429	1-C 20	2M-9780	749	1-E 4
197-4519	1131	1-F 19	197-8132	165	1-B 18	199-8159	431	1-C 21	2M-9780	755	1-E 5
197-4520	1129	1-F 18	197-8132	171	1-B 19	199-8159	433	1-C 21	2N-2138	355	1-C 13
197-4520	1131	1-F 19	197-8133	149	1-B 16	199-8159	435	1-C 21	2N-2138	359	1-C 13
197-4521	1129	1-F 18	197-8133	157	1-B 17	199-8159	437	1-C 21	2N-2138	363	1-C 14
197-4521	1131	1-F 19	197-8133	159	1-B 17	199-8159	439	1-C 21	2N-2138	367	1-C 14
197-4522	1129	1-F 18	197-8661	507	1-D 4	199-8159	441	1-C 22	2N-2139	371	1-C 15
197-4522	1131	1-F 19	197-8661	511	1-D 5	199-8159	443	1-C 22	2N-2139	385	1-C 16
197-4523	1125	1-F 18	197-8661	515	1-D 5	199-8159	491	1-D 3	2P-1692	393	1-C 17
197-4524	1125	1-F 18	197-8661	519	1-D 5	199-8159	493	1-D 3	2P-1692	395	1-C 17
197-4525	1129	1-F 18	197-9466	455	1-C 23	199-8159	495	1-D 3	2P-1692	445	1-C 22
197-4525	1131	1-F 19	197-9466	457	1-C 23	199-9214	457	1-C 23	2P-4358	77	1-B 9
197-4526	1129	1-F 18	198-3140	551	1-D 9	199-9215	457	1-C 23	2P-4358	79	1-B 9
197-4526	1131	1-F 19	198-3141	551	1-D 9	199-9216	457	1-C 23	2P-8986	355	1-C 13
197-4527	1125	1-F 18	198-3152	551	1-D 9	199-9217	457	1-C 23	2P-8986	359	1-C 13
197-4527	1127	1-F 18	198-4070	1031	1-F 9	199-9217	495	1-D 3	2P-8986	363	1-C 14
197-4529	1125	1-F 18	198-4070	1033	1-F 9	199-9254	113	1-B 13	2P-8986	367	1-C 14
197-4529	1127	1-F 18	198-4474	1183	1-F 24	199-9256	113	1-B 13	2P-8987	371	1-C 15
197-4530	1137	1-F 19	198-4475	1183	1-F 24	199-9259	111	1-B 13	2P-8987	373	1-C 15
197-4530	1139	1-F 19	198-4477	1183	1-F 24	199-9260	111	1-B 13	2P-8987	375	1-C 15
197-4531	1137	1-F 19	198-5376	635	1-D 17	199-9261	111	1-B 13	2P-8987	377	1-C 15
197-4531	1139	1-F 19	198-5376	641	1-D 18	2A-3746	403	1-C 18	2P-8987	379	1-C 15
197-4532	1137	1-F 19	198-5377	637	1-D 17	2A-3746	411	1-C 19	2P-8987	383	1-C 16
197-4532	1139	1-F 19	198-5377	643	1-D 18	2A-3746	419	1-C 19	2P-8987	385	1-C 16
197-4533	1137	1-F 19	198-5378	639	1-D 17	2A-3746	427	1-C 20	2P-8987	387	1-C 16
197-4533	1139	1-F 19	198-5378	645	1-D 18	2A-3746	435	1-C 21	2P-8987	389	1-C 16
197-4534	1137	1-F 19	198-5378	647	1-D 18	2A-3746	443	1-C 22	2P-8987	391	1-C 17
197-4534	1139	1-F 19	198-5378	649	1-D 18	2A-3746	459	1-C 23	2S-2978	401	1-C 18
197-4537	1137	1-F 19	198-7441	969	1-F 2	2A-3746	463	1-C 24	2S-2978	409	1-C 18
197-4537	1139	1-F 19	198-7441	975	1-F 3	2A-4576	399	1-C 17	2S-2978	417	1-C 19
197-4538	1137	1-F 19	198-7441	979	1-F 3	2A-4576	407	1-C 18	2S-2978	425	1-C 20
197-4538	1139	1-F 19	198-7445	969	1-F 2	2A-4576	415	1-C 19	2S-2978	433	1-C 21
197-4539	1137	1-F 19	198-7445	975	1-F 3	2A-4576	423	1-C 20	2S-2978	441	1-C 22
197-4540	1137	1-F 19	198-7445	979	1-F 3	2A-4576	431	1-C 21	2S-4078	393	1-C 17
197-4540	1139	1-F 19	199-2794	659	1-D 19	2A-4576	439	1-C 21	2S-4078	395	1-C 17
197-4541	1137	1-F 19	199-2914	969	1-F 2	2D-6642	447	1-C 22	2S-4078	755	1-E 5
197-4541	1139	1-F 19	199-2914	975	1-F 3	2D-6642	1241	1-G 6	2S-4663	489	1-D 2
197-4544	1133	1-F 19	199-2914	979	1-F 3	2D-9190	505	1-D 4	2S-5835	489	1-D 2
197-4544	1135	1-F 19	199-2915	969	1-F 2	2D-9190	509	1-D 4	2W-9533	447	1-C 22
197-4545	1137	1-F 19	199-2915	975	1-F 3	2D-9190	513	1-D 5	200-0004	963	1-F 2
197-4546	1133	1-F 19	199-2915	979	1-F 3	2D-9190	517	1-D 5	200-0006	1007	1-F 6
197-4546	1135	1-F 19	199-3432	157	1-B 17	2H-3920	1171	1-F 23	200-0007	953	1-F 1
197-4547	1137	1-F 19	199-3433	151	1-B 17	2H-4145	749	1-E 4	200-0007	955	1-F 1
197-4547	1139	1-F 19	199-3433	161	1-B 18	2J-2152	455	1-C 23	200-0007	959	1-F 1
197-4548	1139	1-F 19	199-3433	165	1-B 18	2J-2152	457	1-C 23	200-0007	983	1-F 4
197-4550	1125	1-F 18	199-3440	165	1-B 18	2J-2476	455	1-C 23	200-0009	953	1-F 1
197-4550	1127	1-F 18	199-3440	639	1-D 17	2J-2476	457	1-C 23	200-0010	959	1-F 1
197-4762	597	1-D 13	199-3440	645	1-D 18	2J-7227	399	1-C 17	200-1770	1023	1-F 8
197-4764	597	1-D 13	199-3440	647	1-D 18	2J-7227	407	1-C 18	200-1771	1023	1-F 8
197-4766	597	1-D 13	199-3440	649	1-D 18	2J-7227	415	1-C 19	200-4193	453	1-C 23
197-4774	579	1-D 11	199-7107	403	1-C 18	2J-7227	423	1-C 20	200-4193	455	1-C 23
197-4774	585	1-D 12	199-7107	411	1-C 19	2J-7227	431	1-C 21	200-4193	457	1-C 23
197-5030	953	1-F 1	199-7107	419	1-C 19	2J-7227	439	1-C 21	200-4193	461	1-C 24
197-5030	955	1-F 1	199-7107	427	1-C 20	2K-1381	401	1-C 18	200-4193	463	1-C 24
197-5030	985	1-F 4	199-7107	435	1-C 21	2K-1381	409	1-C 18	200-4193	465	1-C 24
197-5032	959	1-F 1	199-7107	443	1-C 22	2K-1381	417	1-C 19	200-4193	467	1-C 24
197-5032	987	1-F 4	199-7178	453	1-C 23	2K-1381	425	1-C 20	200-4194	453	1-C 23
197-5033	951	1-F 1	199-7178	455	1-C 23	2K-1381	433	1-C 21	200-4194	455	1-C 23
197-5033	955	1-F 1	199-7178	457	1-C 23	2K-1381	441	1-C 22	200-4194	457	1-C 23
197-5034	951	1-F 1	199-8159	397	1-C 17	2M-4453	355	1-C 13	200-4194	461	1-C 24
197-5034	955	1-F 1	199-8159	399	1-C 17	2M-4453	365	1-C 14	200-4194	463	1-C 24
197-5495	719	1-E 1	199-8159	401	1-C 18	2M-5685	399	1-C 17	200-4194	465	1-C 24
197-5852	1159	1-F 21	199-8159	403	1-C 18	2M-5685	407	1-C 18	200-4194	467	1-C 24
197-7314	401	1-C 18	199-8159	405	1-C 18	2M-5685	415	1-C 19	200-4322	711	1-E 1
197-7314	409	1-C 18	199-8159	407	1-C 18	2M-5685	423	1-C 20	200-4325	697	1-D 23
197-7314	417	1-C 19	199-8159	409	1-C 18	2M-5685	431	1-C 21	200-4327	697	1-D 23
197-7314	425	1-C 20	199-8159	411	1-C 19	2M-5685	439	1-C 21	200-4329	697	1-D 23
197-7314	433	1-C 21	199-8159	413	1-C 19	2M-9780	355	1-C 13	200-4334	681	1-D 22
197-7314	441	1-C 22	199-8159	415	1-C 19	2M-9780	357	1-C 13	200-4337	705	1-D 24
197-7315	401	1-C 18	199-8159	417	1-C 19	2M-9780	359	1-C 13	200-4350	65	1-B 8
197-7315	409	1-C 18	199-8159	419	1-C 19	2M-9780	361	1-C 14	200-4350	67	1-B 8

INDEX

Part No.	Page	Grid	Part No.	Page	Grid	Part No.	Page	Grid	Part No.	Page	Grid
200-4350	697	1-D 23	201-0709	73	1-B 9	201-9925	639	1-D 17	202-9724	125	1-B 14
200-4351	697	1-D 23	201-0709	75	1-B 9	201-9925	645	1-D 18	202-9981	569	1-D 10
200-4353	711	1-E 1	201-0709	127	1-B 14	201-9926	565	1-D 10	202-9981	571	1-D 11
200-4357	903	1-E 20	201-0725	69	1-B 8	201-9926	651	1-D 19	202-9981	573	1-D 11
200-4358	681	1-D 22	201-0725	71	1-B 9	201-9929	563	1-D 10	202-9982	569	1-D 10
200-4358	685	1-D 22	201-0725	73	1-B 9	201-9929	565	1-D 10	202-9982	571	1-D 11
200-4360	67	1-B 8	201-0725	75	1-B 9	201-9929	655	1-D 19	202-9982	573	1-D 11
200-4360	703	1-D 24	201-0725	123	1-B 14	201-9930	563	1-D 10	202-9985	569	1-D 10
200-4362	705	1-D 24	201-0726	123	1-B 14	201-9931	565	1-D 10	202-9985	571	1-D 11
200-4365	807	1-E 10	201-0975	101	1-B 12	201-9933	371	1-C 15	202-9985	573	1-D 11
200-4366	807	1-E 10	201-1186	1053	1-F 11	201-9933	373	1-C 15	202-9986	147	1-B 16
200-4369	807	1-E 10	201-2440	175	1-B 19	201-9933	375	1-C 15	202-9987	147	1-B 16
200-4370	65	1-B 8	201-2497	119	1-B 13	201-9933	377	1-C 15	202-9991	569	1-D 10
200-4370	67	1-B 8	201-2497	121	1-B 14	201-9933	379	1-C 15	202-9991	571	1-D 11
200-4370	685	1-D 22	201-3705	171	1-B 19	201-9933	383	1-C 16	202-9991	573	1-D 11
200-4375	697	1-D 23	201-3710	169	1-B 18	201-9933	385	1-C 16	202-9993	147	1-B 16
200-4376	705	1-D 24	201-4113	1023	1-F 8	201-9933	387	1-C 16	202-9994	569	1-D 10
200-4377	703	1-D 24	201-4114	1023	1-F 8	201-9933	389	1-C 16	202-9994	571	1-D 11
200-4378	703	1-D 24	201-4653	117	1-B 13	201-9933	391	1-C 17	202-9994	573	1-D 11
200-4381	703	1-D 24	201-4665	69	1-B 8	202-0844	319	1-C 9	202-9995	569	1-D 10
200-4383	703	1-D 24	201-4665	71	1-B 9	202-0848	1053	1-F 11	203-2483	125	1-B 14
200-4391	705	1-D 24	201-4665	107	1-B 12	202-0951	91	1-B 11	203-2618	69	1-B 8
200-4394	903	1-E 20	201-4668	69	1-B 8	202-0951	1241	1-G 6	203-2618	71	1-B 9
200-4398	699	1-D 23	201-4668	71	1-B 9	202-2027	69	1-B 8	203-2618	73	1-B 9
200-4398	703	1-D 24	201-4668	73	1-B 9	202-2027	71	1-B 9	203-2618	75	1-B 9
200-5011	469	1-C 24	201-4668	75	1-B 9	202-2027	73	1-B 9	203-2618	141	1-B 16
200-5011	635	1-D 17	201-4668	115	1-B 13	202-2027	75	1-B 9	203-2619	69	1-B 8
200-5011	637	1-D 17	201-4669	69	1-B 8	202-2027	97	1-B 11	203-2619	71	1-B 9
200-5013	471	1-D 1	201-4669	71	1-B 9	202-2070	69	1-B 8	203-2619	73	1-B 9
200-5013	639	1-D 17	201-4669	73	1-B 9	202-2070	71	1-B 9	203-2619	75	1-B 9
200-5015	473	1-D 1	201-4669	99	1-B 11	202-2070	73	1-B 9	203-2619	137	1-B 15
200-5015	641	1-D 18	201-4778	85	1-B 10	202-2070	75	1-B 9	203-2620	69	1-B 8
200-5015	643	1-D 18	201-4778	683	1-D 22	202-2070	91	1-B 11	203-2620	71	1-B 9
200-5017	475	1-D 1	201-4778	687	1-D 22	202-2071	69	1-B 8	203-2620	73	1-B 9
200-5017	645	1-D 18	201-4778	689	1-D 22	202-2071	71	1-B 9	203-2620	75	1-B 9
200-6160	99	1-B 11	201-5067	581	1-D 12	202-2071	73	1-B 9	203-2620	111	1-B 13
200-6232	641	1-D 18	201-5067	583	1-D 12	202-2071	75	1-B 9	203-2621	69	1-B 8
200-6233	645	1-D 18	201-5068	597	1-D 13	202-2071	93	1-B 11	203-2621	71	1-B 9
200-6376	269	1-C 4	201-5073	219	1-B 23	202-2155	69	1-B 8	203-2621	73	1-B 9
200-6376	271	1-C 5	201-5073	221	1-B 24	202-2155	71	1-B 9	203-2621	75	1-B 9
200-6476	581	1-D 12	201-5074	549	1-D 8	202-2155	73	1-B 9	203-2621	113	1-B 13
200-6476	583	1-D 12	201-5074	579	1-D 11	202-2155	75	1-B 9	203-2783	969	1-F 2
200-6927	99	1-B 11	201-5074	583	1-D 12	202-2155	119	1-B 13	203-2783	975	1-F 3
200-6927	101	1-B 12	201-5075	549	1-D 8	202-2346	85	1-B 10	203-2783	979	1-F 3
200-8706	931	1-E 23	201-5076	549	1-D 8	202-2354	705	1-D 24	203-2792	615	1-D 15
200-8706	1007	1-F 6	201-5077	549	1-D 8	202-2355	589	1-D 12	203-2793	617	1-D 15
200-8720	933	1-E 23	201-5078	549	1-D 8	202-2359	583	1-D 12	203-2794	617	1-D 15
200-8730	933	1-E 23	201-5084	581	1-D 12	202-2359	587	1-D 12	203-5421	101	1-B 12
200-8739	933	1-E 23	201-5084	583	1-D 12	202-2374	129	1-B 14	203-5422	101	1-B 12
200-8740	933	1-E 23	201-5085	581	1-D 12	202-4400	119	1-B 13	203-5423	101	1-B 12
200-8746	933	1-E 23	201-5085	583	1-D 12	202-4870	601	1-D 14	203-5423	103	1-B 12
200-8748	933	1-E 23	201-5090	581	1-D 12	202-7319	581	1-D 12	203-5424	105	1-B 12
200-8750	933	1-E 23	201-5090	583	1-D 12	202-7319	583	1-D 12	203-5506	107	1-B 12
200-8757	931	1-E 23	201-5093	589	1-D 12	202-7320	217	1-B 23	203-5564	1113	1-F 17
200-8757	1007	1-F 6	201-5094	589	1-D 12	202-7591	993	1-F 5	203-5796	149	1-B 16
200-8758	931	1-E 23	201-5096	1197	1-G 1	202-7592	995	1-F 5	203-5796	151	1-B 17
200-8758	1007	1-F 6	201-5513	173	1-B 19	202-7601	993	1-F 5	203-5799	149	1-B 16
200-8764	953	1-F 1	201-5513	175	1-B 19	202-7602	995	1-F 5	203-5799	151	1-B 17
200-8764	957	1-F 1	201-5743	125	1-B 14	202-8043	581	1-D 12	203-6604	1183	1-F 24
200-8764	959	1-F 1	201-5744	125	1-B 14	202-8043	583	1-D 12	203-6716	951	1-F 1
200-8769	1001	1-F 6	201-6701	931	1-E 23	202-9219	525	1-D 6	203-6716	955	1-F 1
201-0030	581	1-D 12	201-6701	933	1-E 23	202-9219	529	1-D 6	203-6965	1053	1-F 11
201-0030	583	1-D 12	201-6701	1003	1-F 6	202-9219	533	1-D 7	203-6966	1053	1-F 11
201-0031	115	1-B 13	201-6701	1005	1-F 6	202-9220	527	1-D 6	203-7081	153	1-B 17
201-0486	245	1-C 2	201-6701	1007	1-F 6	202-9220	529	1-D 6	203-7082	153	1-B 17
201-0487	245	1-C 2	201-8282	173	1-B 19	202-9220	531	1-D 7	203-7082	155	1-B 17
201-0554	113	1-B 13	201-8282	175	1-B 19	202-9220	533	1-D 7	203-7082	165	1-B 18
201-0555	113	1-B 13	201-8320	1157	1-F 21	202-9220	535	1-D 7	203-7787	1183	1-F 24
201-0707	69	1-B 8	201-8321	1157	1-F 21	202-9220	1241	1-G 6	203-8646	555	1-D 9
201-0707	71	1-B 9	201-8343	931	1-E 23	202-9223	527	1-D 6	203-8647	555	1-D 9
201-0707	73	1-B 9	201-8343	1007	1-F 6	202-9223	529	1-D 6	203-9178	521	1-D 6
201-0707	75	1-B 9	201-8438	1155	1-F 21	202-9223	531	1-D 7	203-9178	575	1-D 11
201-0707	129	1-B 14	201-9041	201	1-B 22	202-9223	533	1-D 7	203-9179	523	1-D 6
201-0709	69	1-B 8	201-9789	1023	1-F 8	202-9223	535	1-D 7	203-9179	577	1-D 11
201-0709	71	1-B 9	201-9925	563	1-D 10	202-9223	1241	1-G 6	203-9183	577	1-D 11

MT700 SERIES TRACK TRACTORS

31
INDEX

Part No.	Page	Grid	Part No.	Page	Grid	Part No.	Page	Grid	Part No.	Page	Grid
203-9184	575	1-D 11	205-5819	875	1-E 17	206-0591	1107	1-F 16	207-8218	443	1-C 22
203-9200	575	1-D 11	205-5819	951	1-F 1	206-0591	1109	1-F 16	207-8227	1211	1-G 3
203-9200	577	1-D 11	205-5819	969	1-F 2	206-0594	709	1-D 24	208-0384	601	1-D 14
203-9200	1241	1-G 6	205-5819	971	1-F 3	206-0594	863	1-E 16	208-0559	671	1-D 21
203-9712	1183	1-F 24	205-5819	973	1-F 3	206-0594	865	1-E 16	208-0560	653	1-D 19
204-0221	551	1-D 9	205-5820	969	1-F 2	206-0596	713	1-E 1	208-0560	671	1-D 21
204-0428	811	1-E 11	205-5821	969	1-F 2	206-0601	709	1-D 24	208-2405	601	1-D 14
204-0428	819	1-E 11	205-5822	969	1-F 2	206-0601	835	1-E 13	208-2406	601	1-D 14
204-2660	953	1-F 1	205-5823	969	1-F 2	206-0603	837	1-E 13	208-2879	1009	1-F 6
204-2660	959	1-F 1	205-5824	879	1-E 17	206-0604	837	1-E 13	208-2879	1011	1-F 7
204-3482	101	1-B 12	205-5824	975	1-F 3	206-0614	719	1-E 1	208-2879	1103	1-F 16
204-3483	101	1-B 12	205-5824	977	1-F 3	206-0616	719	1-E 1	208-2882	1013	1-F 7
204-3484	103	1-B 12	205-5825	803	1-E 10	206-0616	723	1-E 2	208-2882	1015	1-F 7
204-3485	103	1-B 12	205-5825	871	1-E 17	206-0617	719	1-E 1	208-2882	1105	1-F 16
204-3491	101	1-B 12	205-5825	975	1-F 3	206-0617	723	1-E 2	208-2984	357	1-C 13
204-3492	101	1-B 12	205-5826	803	1-E 10	206-0622	709	1-D 24	208-2984	361	1-C 14
204-3493	101	1-B 12	205-5826	871	1-E 17	206-0623	709	1-D 24	208-2984	363	1-C 14
204-3494	101	1-B 12	205-5826	975	1-F 3	206-0631	719	1-E 1	208-2984	367	1-C 14
204-3496	105	1-B 12	205-5827	803	1-E 10	206-0631	723	1-E 2	208-3021	523	1-D 6
204-3497	105	1-B 12	205-5827	871	1-E 17	206-1475	971	1-F 3	208-3021	561	1-D 10
204-3498	101	1-B 12	205-5827	975	1-F 3	206-1475	975	1-F 3	208-3048	601	1-D 14
204-5034	601	1-D 14	205-5828	803	1-E 10	206-1475	979	1-F 3	208-3930	173	1-B 19
204-5298	325	1-C 10	205-5828	871	1-E 17	206-2941	709	1-D 24	208-3930	175	1-B 19
204-6515	729	1-E 2	205-5828	975	1-F 3	206-2941	823	1-E 12	208-5962	73	1-B 9
204-6515	759	1-E 5	205-5830	885	1-E 18	206-2941	825	1-E 12	208-5962	75	1-B 9
204-6515	761	1-E 6	205-5830	979	1-F 3	206-4639	115	1-B 13	208-5962	109	1-B 12
204-6516	759	1-E 5	205-5830	981	1-F 4	206-4642	115	1-B 13	208-6110	139	1-B 15
204-6516	761	1-E 6	205-5831	805	1-E 10	206-4643	115	1-B 13	208-6931	223	1-B 24
204-6711	709	1-D 24	205-5831	867	1-E 16	206-4650	933	1-E 23	208-6931	225	1-B 24
204-6819	923	1-E 22	205-5831	979	1-F 3	206-4650	1241	1-G 6	208-8799	85	1-B 10
204-6819	1241	1-G 6	205-5832	805	1-E 10	206-4706	149	1-B 16	208-9495	549	1-D 8
204-7335	65	1-B 8	205-5832	867	1-E 16	206-4706	151	1-B 17	208-9496	549	1-D 8
204-7335	67	1-B 8	205-5832	979	1-F 3	206-4707	149	1-B 16	209-0774	115	1-B 13
204-7335	589	1-D 12	205-5833	805	1-E 10	206-4707	151	1-B 17	209-0893	323	1-C 10
204-7472	601	1-D 14	205-5833	867	1-E 16	206-4714	143	1-B 16	209-0893	327	1-C 10
204-7872	601	1-D 14	205-5833	979	1-F 3	206-4714	157	1-B 17	209-3396	81	1-B 10
204-7873	601	1-D 14	205-5834	805	1-E 10	206-4714	159	1-B 17	209-4481	1173	1-F 23
204-9024	923	1-E 22	205-5834	867	1-E 16	206-4714	161	1-B 18	209-4482	1173	1-F 23
204-9024	925	1-E 22	205-5834	979	1-F 3	206-4714	165	1-B 18	209-4577	125	1-B 14
204-9733	625	1-D 16	205-6009	969	1-F 2	206-4715	145	1-B 16	209-6295	551	1-D 9
204-9733	631	1-D 17	205-6009	975	1-F 3	206-4715	157	1-B 17	209-7359	907	1-E 20
204-9922	599	1-D 13	205-6009	979	1-F 3	206-4715	161	1-B 18	209-7496	887	1-E 18
205-0984	969	1-F 2	205-6297	127	1-B 14	206-4715	165	1-B 18	209-7497	869	1-E 16
205-0984	975	1-F 3	205-6399	759	1-E 5	206-7166	811	1-E 11	209-7497	891	1-E 19
205-0984	979	1-F 3	205-6399	761	1-E 6	206-7166	817	1-E 11	209-7497	893	1-E 19
205-1090	969	1-F 2	205-7243	727	1-E 2	206-7166	819	1-E 11	209-7497	951	1-F 1
205-1090	975	1-F 3	205-7384	497	1-D 3	206-7172	223	1-B 24	209-7498	871	1-E 17
205-1090	979	1-F 3	205-8334	561	1-D 10	206-7461	1035	1-F 9	209-7499	867	1-E 16
205-1746	461	1-C 24	205-8771	207	1-B 22	206-7462	1037	1-F 9	209-7599	907	1-E 20
205-1746	463	1-C 24	205-8771	1241	1-G 6	206-7462	1045	1-F 10	209-8430	1059	1-F 11
205-1746	465	1-C 24	205-8772	209	1-B 22	206-7463	1037	1-F 9	209-8704	1081	1-F 14
205-1747	461	1-C 24	205-8772	1241	1-G 6	206-7463	1045	1-F 10	209-8704	1083	1-F 14
205-1747	463	1-C 24	205-8790	1183	1-F 24	206-7884	689	1-D 22	209-8704	1085	1-F 14
205-1747	465	1-C 24	205-8795	567	1-D 10	206-7965	101	1-B 12	209-8704	1087	1-F 14
205-1747	467	1-C 24	206-0484	85	1-B 10	206-8789	265	1-C 4	209-8704	1091	1-F 15
205-1748	461	1-C 24	206-0487	85	1-B 10	207-0510	1107	1-F 16	209-9680	907	1-E 20
205-1748	463	1-C 24	206-0489	111	1-B 13	207-0511	1109	1-F 16	209-9680	1241	1-G 6
205-1748	465	1-C 24	206-0490	117	1-B 13	207-0512	1111	1-F 17	209-9919	899	1-E 19
205-1751	461	1-C 24	206-0491	111	1-B 13	207-0745	827	1-E 12	209-9919	901	1-E 20
205-1751	463	1-C 24	206-0515	643	1-D 18	207-0745	831	1-E 13	209-9920	899	1-E 19
205-1751	465	1-C 24	206-0578	1107	1-F 16	207-1293	1035	1-F 9	209-9936	899	1-E 19
205-1752	461	1-C 24	206-0579	1109	1-F 16	207-1293	1043	1-F 10	209-9936	901	1-E 20
205-1752	463	1-C 24	206-0580	1109	1-F 16	207-1608	109	1-B 12	209-9949	899	1-E 19
205-1752	465	1-C 24	206-0581	1107	1-F 16	207-2021	1077	1-F 13	209-9949	901	1-E 20
205-1752	467	1-C 24	206-0581	1109	1-F 16	207-2022	1077	1-F 13	210-1381	159	1-B 17
205-1755	453	1-C 23	206-0582	1107	1-F 16	207-2031	1077	1-F 13	210-1382	161	1-B 18
205-1756	453	1-C 23	206-0582	1109	1-F 16	207-2036	1167	1-F 22	210-1570	1013	1-F 7
205-4631	229	1-B 24	206-0583	1109	1-F 16	207-2036	1169	1-F 22	210-1570	1059	1-F 11
205-4631	647	1-D 18	206-0584	1109	1-F 16	207-2038	1109	1-F 16	210-1975	509	1-D 4
205-4631	649	1-D 18	206-0585	1107	1-F 16	207-2041	1159	1-F 21	210-1975	513	1-D 5
205-4632	229	1-B 24	206-0586	1107	1-F 16	207-5346	567	1-D 10	210-1975	517	1-D 5
205-4633	229	1-B 24	206-0588	1011	1-F 7	207-7573	959	1-F 1	210-2478	449	1-C 22
205-4634	229	1-B 24	206-0588	1015	1-F 7	207-8218	361	1-C 14	210-2654	1059	1-F 11
205-5368	127	1-B 14	206-0588	1111	1-F 17	207-8218	363	1-C 14	210-3258	1053	1-F 11
205-5369	129	1-B 14	206-0589	1111	1-F 17	207-8218	367	1-C 14	210-3292	1053	1-F 11

INDEX

Part No.	Page	Grid	Part No.	Page	Grid	Part No.	Page	Grid	Part No.	Page	Grid
210-4351	585	1-D 12	212-8802	719	1-E 1	214-2361	655	1-D 19	216-4860	71	1-B 9
210-4351	587	1-D 12	212-8806	713	1-E 1	214-2438	709	1-D 24	216-4860	73	1-B 9
210-4371	589	1-D 12	212-8815	827	1-E 12	214-2438	823	1-E 12	216-4860	75	1-B 9
210-4390	579	1-D 11	212-8815	831	1-E 13	214-2438	825	1-E 12	216-4860	117	1-B 13
210-4390	583	1-D 12	212-8816	709	1-D 24	214-3504	289	1-C 6	216-5333	589	1-D 12
210-4393	579	1-D 11	212-8816	835	1-E 13	214-4304	967	1-F 2	216-5334	589	1-D 12
210-4393	583	1-D 12	212-8817	709	1-D 24	214-4667	1053	1-F 11	216-5336	115	1-B 13
210-4395	579	1-D 11	212-8817	835	1-E 13	214-7161	173	1-B 19	216-5336	589	1-D 12
210-4396	579	1-D 11	212-8882	719	1-E 1	214-7161	175	1-B 19	216-5343	393	1-C 17
210-5708	91	1-B 11	212-8882	723	1-E 2	214-8984	827	1-E 12	216-5343	395	1-C 17
210-5708	1241	1-G 6	212-8890	811	1-E 11	214-9379	857	1-E 15	216-5343	487	1-D 2
210-7483	699	1-D 23	212-8890	815	1-E 11	214-9379	913	1-E 21	216-5343	505	1-D 4
210-7485	65	1-B 8	212-8890	819	1-E 11	214-9383	569	1-D 10	216-5343	509	1-D 4
210-7485	699	1-D 23	212-8891	811	1-E 11	214-9383	571	1-D 11	216-5343	513	1-D 5
210-7511	699	1-D 23	212-8891	815	1-E 11	214-9383	573	1-D 11	216-5343	517	1-D 5
210-8405	403	1-C 18	212-8891	819	1-E 11	214-9425	507	1-D 4	216-6388	967	1-F 2
210-8405	411	1-C 19	212-9457	719	1-E 1	214-9425	511	1-D 5	216-6977	899	1-E 19
210-8405	419	1-C 19	212-9458	719	1-E 1	214-9425	515	1-D 5	216-6977	901	1-E 20
210-8405	427	1-C 20	213-2229	811	1-E 11	215-2080	507	1-D 4	216-6980	899	1-E 19
210-8405	435	1-C 21	213-2229	815	1-E 11	215-2080	511	1-D 5	216-6980	901	1-E 20
210-8405	443	1-C 22	213-2229	819	1-E 11	215-4259	131	1-B 15	216-6981	899	1-E 19
210-8406	403	1-C 18	213-3662	793	1-E 9	215-4259	133	1-B 15	216-6981	901	1-E 20
210-8406	411	1-C 19	213-3932	811	1-E 11	215-4260	133	1-B 15	216-6991	899	1-E 19
210-8406	419	1-C 19	213-3932	815	1-E 11	215-4261	133	1-B 15	216-6991	901	1-E 20
210-8406	427	1-C 20	213-3932	819	1-E 11	215-4262	133	1-B 15	216-7694	1093	1-F 15
210-8406	435	1-C 21	213-4077	811	1-E 11	215-4263	133	1-B 15	216-7835	283	1-C 6
210-8406	443	1-C 22	213-4077	815	1-E 11	215-4787	715	1-E 1	216-7836	283	1-C 6
210-8407	401	1-C 18	213-4077	819	1-E 11	215-4788	715	1-E 1	216-7837	283	1-C 6
210-8407	409	1-C 18	213-4079	647	1-D 18	215-4789	715	1-E 1	216-7839	283	1-C 6
210-8407	417	1-C 19	213-4080	649	1-D 18	215-4797	715	1-E 1	216-7841	283	1-C 6
210-8407	425	1-C 20	213-4434	93	1-B 11	215-6884	569	1-D 10	216-8278	115	1-B 13
210-8407	433	1-C 21	213-4446	117	1-B 13	215-6884	571	1-D 11	216-8436	569	1-D 10
210-8407	441	1-C 22	213-4795	967	1-F 2	215-6884	573	1-D 11	216-8436	571	1-D 11
210-8408	401	1-C 18	213-4902	553	1-D 9	215-7301	403	1-C 18	216-8436	573	1-D 11
210-8408	409	1-C 18	213-5066	811	1-E 11	215-7301	411	1-C 19	216-8851	147	1-B 16
210-8408	417	1-C 19	213-5066	815	1-E 11	215-7301	419	1-C 19	216-8860	269	1-C 4
210-8408	425	1-C 20	213-5066	819	1-E 11	215-7301	427	1-C 20	216-8860	271	1-C 5
210-8408	433	1-C 21	213-5067	811	1-E 11	215-7301	435	1-C 21	216-9823	243	1-C 2
210-8408	441	1-C 22	213-5067	815	1-E 11	215-7301	443	1-C 22	216-9829	569	1-D 10
210-8411	401	1-C 18	213-5067	819	1-E 11	215-8018	589	1-D 12	216-9829	571	1-D 11
210-8411	409	1-C 18	213-6196	401	1-C 18	215-8020	589	1-D 12	216-9829	573	1-D 11
210-8411	417	1-C 19	213-6196	409	1-C 18	215-8364	595	1-D 13	217-0110	569	1-D 10
210-8411	425	1-C 20	213-6196	417	1-C 19	215-8993	827	1-E 12	217-0110	571	1-D 11
210-8411	433	1-C 21	213-6196	425	1-C 20	215-8994	827	1-E 12	217-0110	573	1-D 11
210-8411	441	1-C 22	213-6196	433	1-C 21	215-8995	827	1-E 12	217-0902	591	1-D 13
211-1817	141	1-B 16	213-6196	441	1-C 22	216-0614	191	1-B 21	217-0903	591	1-D 13
211-3503	719	1-E 1	213-6198	401	1-C 18	216-0614	193	1-B 21	217-0904	131	1-B 15
211-3587	85	1-B 10	213-6198	409	1-C 18	216-0614	201	1-B 22	217-0904	591	1-D 13
211-3588	85	1-B 10	213-6198	417	1-C 19	216-0658	179	1-B 19	217-1584	827	1-E 12
211-9448	143	1-B 16	213-6198	425	1-C 20	216-0658	183	1-B 20	217-1584	831	1-E 13
212-3555	101	1-B 12	213-6198	433	1-C 21	216-0658	185	1-B 20	217-2130	1123	1-F 18
212-3555	105	1-B 12	213-6198	441	1-C 22	216-0658	187	1-B 20	217-2131	1123	1-F 18
212-4475	811	1-E 11	213-6337	117	1-B 13	216-0924	603	1-D 14	217-2214	1119	1-F 17
212-4475	815	1-E 11	213-6367	827	1-E 12	216-0941	569	1-D 10	217-2214	1121	1-F 18
212-4475	819	1-E 11	213-6367	831	1-E 13	216-0941	571	1-D 11	217-2214	1123	1-F 18
212-4484	811	1-E 11	213-6920	653	1-D 19	216-0941	573	1-D 11	217-3441	1035	1-F 9
212-4484	815	1-E 11	213-6920	655	1-D 19	216-2579	115	1-B 13	217-3442	1035	1-F 9
212-4484	819	1-E 11	213-6921	647	1-D 18	216-3028	297	1-C 7	217-3443	1035	1-F 9
212-4742	111	1-B 13	213-6921	649	1-D 18	216-3028	301	1-C 8	217-3444	1035	1-F 9
212-4748	111	1-B 13	213-6921	653	1-D 19	216-3458	907	1-E 20	217-3513	1053	1-F 11
212-6034	601	1-D 14	213-8075	719	1-E 1	216-3461	907	1-E 20	217-3514	1053	1-F 11
212-6035	601	1-D 14	213-8075	723	1-E 2	216-3462	907	1-E 20	217-5039	601	1-D 14
212-6184	733	1-E 3	213-8076	719	1-E 1	216-3475	907	1-E 20	217-5232	77	1-B 9
212-6184	735	1-E 3	213-8771	453	1-C 23	216-3478	907	1-E 20	217-5237	77	1-B 9
212-6184	737	1-E 3	213-8771	455	1-C 23	216-3479	907	1-E 20	217-5240	77	1-B 9
212-6184	739	1-E 3	213-8771	457	1-C 23	216-3480	907	1-E 20	217-7762	67	1-B 8
212-7772	969	1-F 2	213-8788	477	1-D 1	216-3481	907	1-E 20	217-7762	603	1-D 14
212-7772	975	1-F 3	213-8788	647	1-D 18	216-3569	907	1-E 20	217-8426	397	1-C 17
212-7772	979	1-F 3	213-8789	479	1-D 1	216-3570	907	1-E 20	217-8426	409	1-C 18
212-7773	969	1-F 2	213-8789	649	1-D 18	216-4303	149	1-B 16	217-9779	293	1-C 7
212-7773	975	1-F 3	213-8802	477	1-D 1	216-4303	151	1-B 17	217-9780	299	1-C 7
212-7773	979	1-F 3	213-8802	479	1-D 1	216-4304	149	1-B 16	218-2806	807	1-E 10
212-8797	719	1-E 1	213-8802	495	1-D 3	216-4304	151	1-B 17	218-2806	809	1-E 10
212-8797	723	1-E 2	213-9960	719	1-E 1	216-4859	115	1-B 13	218-5153	1197	1-G 1
212-8801	719	1-E 1	213-9962	719	1-E 1	216-4860	69	1-B 8	218-5154	1197	1-G 1

MT700 SERIES TRACK TRACTORS

33
INDEX

Part No.	Page	Grid	Part No.	Page	Grid	Part No.	Page	Grid	Part No.	Page	Grid
218-9738	205	1-B 22	224-7237	887	1-E 18	232-1773	389	1-C 16	3J-1907	413	1-C 19
219-4775	269	1-C 4	224-7237	889	1-E 18	232-1773	391	1-C 17	3J-1907	419	1-C 19
219-4775	271	1-C 5	224-7237	891	1-E 19	232-1773	481	1-D 2	3J-1907	421	1-C 20
219-4779	267	1-C 4	224-7237	893	1-E 19	232-1773	483	1-D 2	3J-1907	427	1-C 20
219-4796	267	1-C 4	224-7237	895	1-E 19	233-0690	139	1-B 15	3J-1907	429	1-C 20
219-6719	793	1-E 9	224-7237	897	1-E 19	233-6580	267	1-C 4	3J-1907	435	1-C 21
219-6722	601	1-D 14	224-7237	907	1-E 20	233-9623	433	1-C 21	3J-1907	437	1-C 21
219-7219	461	1-C 24	224-8865	125	1-B 14	233-9623	441	1-C 22	3J-1907	443	1-C 22
219-8737	193	1-B 21	224-8866	125	1-B 14	233-9766	397	1-C 17	3J-1907	459	1-C 23
219-9656	1021	1-F 8	225-1406	1053	1-F 11	233-9766	405	1-C 18	3J-1907	485	1-D 2
220-0138	173	1-B 19	225-1452	465	1-C 24	233-9766	413	1-C 19	3J-1907	487	1-D 2
220-0138	175	1-B 19	225-1527	549	1-D 8	233-9766	421	1-C 20	3J-1907	489	1-D 2
220-2329	1125	1-F 18	225-1528	549	1-D 8	233-9766	429	1-C 20	3J-1907	499	1-D 3
220-2329	1129	1-F 18	225-2649	117	1-B 13	233-9766	437	1-C 21	3J-1907	501	1-D 4
220-2333	1129	1-F 18	225-5207	827	1-E 12	233-9766	467	1-C 24	3J-1907	507	1-D 4
220-3349	173	1-B 19	225-5207	831	1-E 13	234-6666	503	1-D 4	3J-1907	511	1-D 5
220-3349	175	1-B 19	225-5208	715	1-E 1	235-1065	403	1-C 18	3J-1907	515	1-D 5
221-1403	173	1-B 19	226-4754	323	1-C 10	235-1065	411	1-C 19	3J-1907	519	1-D 5
221-1403	175	1-B 19	226-4754	327	1-C 10	235-1065	419	1-C 19	3J-1907	709	1-D 24
221-2642	267	1-C 4	226-5657	773	1-E 7	235-1065	427	1-C 20	3J-1907	755	1-E 5
221-5389	267	1-C 4	226-5657	887	1-E 18	235-1065	435	1-C 21	3J-7354	405	1-C 18
221-5433	1077	1-F 13	226-5657	889	1-E 18	235-1065	443	1-C 22	3J-7354	755	1-E 5
221-7640	593	1-D 13	226-5657	891	1-E 19	236-8080	453	1-C 23	3K-0360	79	1-B 9
221-9655	231	1-C 1	226-5657	893	1-E 19	236-8080	455	1-C 23	3K-0360	355	1-C 13
221-9655	233	1-C 1	226-5657	895	1-E 19	236-8080	457	1-C 23	3K-0360	359	1-C 13
221-9742	231	1-C 1	226-5657	897	1-E 19	240-5527	389	1-C 16	3K-0360	363	1-C 14
221-9749	231	1-C 1	226-6510	401	1-C 18	241-6205	489	1-D 2	3K-0360	367	1-C 14
222-0366	231	1-C 1	226-6510	407	1-C 18	243-5252	519	1-D 5	3K-0360	411	1-C 19
222-0366	233	1-C 1	226-6510	417	1-C 19	254-5743	515	1-D 5	3K-0360	419	1-C 19
222-1887	593	1-D 13	226-6510	425	1-C 20	254-5744	519	1-D 5	3K-0360	427	1-C 20
222-2457	319	1-C 9	226-6510	433	1-C 21	256-0176	183	1-B 20	3K-0360	435	1-C 21
222-4774	1053	1-F 11	226-6510	441	1-C 22	256-0176	187	1-B 20	3K-0360	443	1-C 22
222-4835	231	1-C 1	226-7257	401	1-C 18	256-0184	179	1-B 19	3K-0360	445	1-C 22
222-4943	233	1-C 1	226-7257	409	1-C 18	256-0187	201	1-B 22	3K-0360	453	1-C 23
222-7965	595	1-D 13	226-7257	417	1-C 19	261-2719	453	1-C 23	3K-0360	455	1-C 23
222-9156	223	1-B 24	226-7257	425	1-C 20	261-2719	455	1-C 23	3K-0360	457	1-C 23
223-1637	411	1-C 19	226-7257	433	1-C 21	261-2719	457	1-C 23	3K-0360	489	1-D 2
223-1637	419	1-C 19	226-7257	441	1-C 22	3D-2824	461	1-C 24	3K-0360	499	1-D 3
223-1637	427	1-C 20	226-9441	341	1-C 12	3D-2824	463	1-C 24	3K-0360	501	1-D 4
223-1637	435	1-C 21	227-4313	1159	1-F 21	3D-2824	465	1-C 24	3K-0360	709	1-D 24
223-1637	443	1-C 22	227-5262	719	1-E 1	3D-2824	467	1-C 24	3K-0360	719	1-E 1
223-2480	667	1-D 20	227-5263	695	1-D 23	3D-2824	755	1-E 5	3P-0898	447	1-C 22
223-2480	669	1-D 20	227-5264	695	1-D 23	3D-8317	489	1-D 2	3P-3441	497	1-D 3
223-2480	671	1-D 21	227-5264	865	1-E 16	3E-3365	503	1-D 4	3P-7009	497	1-D 3
223-3485	459	1-C 23	227-5268	341	1-C 12	3E-3371	183	1-B 20	3S-2093	393	1-C 17
223-3486	463	1-C 24	227-5268	695	1-D 23	3E-3389	1171	1-F 23	3S-2093	395	1-C 17
223-4940	1043	1-F 10	227-8726	773	1-E 7	3E-4353	507	1-D 4	3S-2093	445	1-C 22
223-4941	1035	1-F 9	227-8727	773	1-E 7	3E-4353	511	1-D 5	3S-2708	377	1-C 15
223-4989	695	1-D 23	227-9744	1129	1-F 18	3E-4353	515	1-D 5	3S-2708	379	1-C 15
223-4989	825	1-E 12	227-9819	1173	1-F 23	3E-4353	519	1-D 5	3S-2708	387	1-C 16
223-5929	715	1-E 1	228-4279	393	1-C 17	3E-4356	355	1-C 13	3S-2708	391	1-C 17
223-5932	873	1-E 17	228-4279	395	1-C 17	3E-4356	361	1-C 14	3S-2708	397	1-C 17
223-5932	887	1-E 18	229-0888	179	1-B 19	3E-4356	363	1-C 14	3S-2708	401	1-C 18
223-5933	877	1-E 17	229-0891	183	1-B 20	3E-4356	369	1-C 14	3S-2708	405	1-C 18
223-5933	891	1-E 19	229-0891	187	1-B 20	3E-4356	451	1-C 23	3S-2708	409	1-C 18
223-5935	875	1-E 17	229-7275	467	1-C 24	3E-5464	1035	1-F 9	3S-2708	413	1-C 19
223-5935	893	1-E 19	229-7276	461	1-C 24	3E-7775	265	1-C 4	3S-2708	417	1-C 19
223-5936	879	1-E 17	229-7276	463	1-C 24	3F-0379	265	1-C 4	3S-2708	421	1-C 20
223-5936	895	1-E 19	229-7276	465	1-C 24	3F-3442	459	1-C 23	3S-2708	425	1-C 20
223-8241	827	1-E 12	229-7276	467	1-C 24	3F-3442	461	1-C 24	3S-2708	429	1-C 20
223-8241	831	1-E 13	229-7277	467	1-C 24	3F-3442	463	1-C 24	3S-2708	433	1-C 21
223-9254	709	1-D 24	229-7278	467	1-C 24	3F-3442	465	1-C 24	3S-2708	437	1-C 21
224-0776	953	1-F 1	232-0869	267	1-C 4	3F-3442	467	1-C 24	3S-2708	441	1-C 22
224-0777	959	1-F 1	232-0872	277	1-C 5	3H-0703	377	1-C 15	3S-2708	447	1-C 22
224-0778	959	1-F 1	232-0873	277	1-C 5	3H-0703	387	1-C 16	3S-2708	449	1-C 22
224-3912	1173	1-F 23	232-0874	277	1-C 5	3J-1907	355	1-C 13	3T-3422	265	1-C 4
224-3913	1173	1-F 23	232-0879	277	1-C 5	3J-1907	357	1-C 13	4B-0418	445	1-C 22
224-4211	893	1-E 19	232-0879	279	1-C 5	3J-1907	359	1-C 13	4B-1127	399	1-C 17
224-4211	895	1-E 19	232-1246	811	1-E 11	3J-1907	361	1-C 14	4B-1127	407	1-C 18
224-4211	897	1-E 19	232-1247	811	1-E 11	3J-1907	363	1-C 14	4B-1127	415	1-C 19
224-4211	909	1-E 20	232-1247	815	1-E 11	3J-1907	365	1-C 14	4B-1127	423	1-C 20
224-4211	951	1-F 1	232-1247	819	1-E 11	3J-1907	367	1-C 14	4B-1127	431	1-C 21
224-4850	647	1-D 18	232-1773	383	1-C 16	3J-1907	369	1-C 14	4B-1127	439	1-C 21
224-4850	649	1-D 18	232-1773	385	1-C 16	3J-1907	397	1-C 17	4B-4909	505	1-D 4
224-6771	567	1-D 10	232-1773	387	1-C 16	3J-1907	411	1-C 19	4B-8108	505	1-D 4

INDEX

Part No.	Page	Grid	Part No.	Page	Grid	Part No.	Page	Grid	Part No.	Page	Grid
4B-8108	509	1-D 4	4J-7533	501	1-D 4	400030X1	95	1-B 11	400039X1	971	1-F 3
4B-8108	513	1-D 5	4J-8996	355	1-C 13	400030X1	147	1-B 16	400039X1	977	1-F 3
4B-8108	517	1-D 5	4J-8996	361	1-C 14	400030X1	667	1-D 20	400039X1	981	1-F 4
4B-9783	411	1-C 19	4J-8996	363	1-C 14	400030X1	669	1-D 20	400039X1	1003	1-F 6
4B-9783	419	1-C 19	4J-8996	369	1-C 14	400030X1	671	1-D 21	400039X1	1005	1-F 6
4B-9783	427	1-C 20	4J-8996	451	1-C 23	400031X1	539	1-D 7	400039X1	1063	1-F 12
4B-9783	435	1-C 21	4K-2039	403	1-C 18	400031X1	541	1-D 8	400039X1	1111	1-F 17
4B-9783	443	1-C 22	4K-2039	411	1-C 19	400031X1	543	1-D 8	400040X1	81	1-B 10
4B-9783	1241	1-G 6	4K-2039	419	1-C 19	400031X1	545	1-D 8	400040X1	87	1-B 10
4B-9880	489	1-D 2	4K-2039	427	1-C 20	400031X1	673	1-D 21	400040X1	111	1-B 13
4C-4184	1239	1-G 5	4K-2039	435	1-C 21	400031X1	675	1-D 21	400040X1	113	1-B 13
4C-4189	1239	1-G 5	4K-2039	443	1-C 22	400031X1	951	1-F 1	400040X1	137	1-B 15
4C-4190	1239	1-G 5	4K-3892	397	1-C 17	400031X1	957	1-F 1	400040X1	139	1-B 15
4C-4191	1239	1-G 5	4K-3892	405	1-C 18	400034X1	525	1-D 6	400040X1	147	1-B 16
4C-4192	1239	1-G 5	4K-3892	413	1-C 19	400034X1	529	1-D 6	400040X1	173	1-B 19
4C-4193	1239	1-G 5	4K-3892	421	1-C 20	400034X1	533	1-D 7	400040X1	177	1-B 19
4C-4196	1239	1-G 5	4K-3892	429	1-C 20	400034X1	931	1-E 23	400040X1	193	1-B 21
4C-4197	1239	1-G 5	4K-3892	437	1-C 21	400034X1	933	1-E 23	400040X1	323	1-C 10
4C-4198	1239	1-G 5	4K-6804	449	1-C 22	400034X1	999	1-F 5	400040X1	589	1-D 12
4C-4199	1239	1-G 5	4M-1831	265	1-C 4	400034X1	1001	1-F 6	400040X1	601	1-D 14
4C-4200	1239	1-G 5	4M-2381	489	1-D 2	400034X1	1003	1-F 6	400040X1	711	1-E 1
4C-4205	1239	1-G 5	4M-5905	489	1-D 2	400034X1	1005	1-F 6	400040X1	717	1-E 1
4C-4206	1239	1-G 5	4P-7428	393	1-C 17	400034X1	1007	1-F 6	400040X1	813	1-E 11
4C-4207	1239	1-G 5	4P-7428	395	1-C 17	400035X1	657	1-D 19	400040X1	817	1-E 11
4C-4210	1239	1-G 5	4P-7581	393	1-C 17	400035X1	663	1-D 20	400040X1	819	1-E 11
4C-4211	1239	1-G 5	4P-7581	395	1-C 17	400035X1	673	1-D 21	400040X1	829	1-E 12
4C-5843	1239	1-G 5	4P-8134	393	1-C 17	400035X1	675	1-D 21	400040X1	833	1-E 13
4C-6122	1239	1-G 5	4P-8134	395	1-C 17	400036X1	551	1-D 9	400040X1	903	1-E 20
4C-6123	1239	1-G 5	4P-8134	445	1-C 22	400038X1	825	1-E 12	400040X1	931	1-E 23
4C-6126	1239	1-G 5	4T-2201	381	1-C 16	400038X1	829	1-E 12	400040X1	971	1-F 3
4C-6127	1239	1-G 5	4T-2201	447	1-C 22	400038X1	833	1-E 13	400040X1	973	1-F 3
4C-6129	1239	1-G 5	4T-4200	505	1-D 4	400039X1	101	1-B 12	400040X1	977	1-F 3
4C-6130	1239	1-G 5	4T-4200	509	1-D 4	400039X1	105	1-B 12	400040X1	981	1-F 4
4C-6133	1239	1-G 5	4T-4200	513	1-D 5	400039X1	111	1-B 13	400040X1	1007	1-F 6
4C-6134	1239	1-G 5	4T-4200	517	1-D 5	400039X1	117	1-B 13	400040X1	1063	1-F 12
4C-6135	1239	1-G 5	400001X1	183	1-B 20	400039X1	119	1-B 13	400040X1	1107	1-F 16
4D-7889	377	1-C 15	400001X1	323	1-C 10	400039X1	139	1-B 15	400040X1	1109	1-F 16
4D-7889	387	1-C 16	400001X1	327	1-C 10	400039X1	141	1-B 16	400040X1	1119	1-F 17
4D-7889	447	1-C 22	400001X1	801	1-E 10	400039X1	153	1-B 17	400040X1	1121	1-F 18
4D-7953	399	1-C 17	400003X1	633	1-D 17	400039X1	173	1-B 19	400040X1	1171	1-F 23
4D-7953	407	1-C 18	400004X1	135	1-B 15	400039X1	177	1-B 19	400040X1	1173	1-F 23
4D-7953	415	1-C 19	400004X1	1063	1-F 12	400039X1	183	1-B 20	400040X1	1175	1-F 23
4D-7953	423	1-C 20	400005X1	251	1-C 3	400039X1	187	1-B 20	400041X1	147	1-B 16
4D-7953	431	1-C 21	400006X1	291	1-C 7	400039X1	191	1-B 21	400041X1	347	1-C 12
4D-7953	439	1-C 21	400006X1	295	1-C 7	400039X1	193	1-B 21	400041X1	527	1-D 6
4E-2250	183	1-B 20	400006X1	321	1-C 10	400039X1	223	1-B 24	400041X1	529	1-D 6
4E-2250	187	1-B 20	400007X1	923	1-E 22	400039X1	285	1-C 6	400041X1	531	1-D 7
4F-4097	355	1-C 13	400008X1	537	1-D 7	400039X1	297	1-C 7	400041X1	533	1-D 7
4F-4097	361	1-C 14	400010X1	153	1-B 17	400039X1	301	1-C 8	400041X1	535	1-D 7
4F-4097	363	1-C 14	400011X1	727	1-E 2	400039X1	323	1-C 10	400041X1	569	1-D 10
4F-4097	369	1-C 14	400012X1	657	1-D 19	400039X1	327	1-C 10	400041X1	571	1-D 11
4H-7655	459	1-C 23	400015X1	599	1-D 13	400039X1	551	1-D 9	400041X1	573	1-D 11
4J-5140	401	1-C 18	400015X1	603	1-D 14	400039X1	553	1-D 9	400041X1	601	1-D 14
4J-5140	411	1-C 19	400017X1	293	1-C 7	400039X1	579	1-D 11	400041X1	667	1-D 20
4J-5140	419	1-C 19	400017X1	299	1-C 7	400039X1	583	1-D 12	400041X1	669	1-D 20
4J-5140	427	1-C 20	400018X1	1027	1-F 8	400039X1	601	1-D 14	400041X1	671	1-D 21
4J-5140	435	1-C 21	400018X1	1029	1-F 8	400039X1	699	1-D 23	400041X1	703	1-D 24
4J-5140	443	1-C 22	400020X1	657	1-D 19	400039X1	703	1-D 24	400041X1	725	1-E 2
4J-5267	505	1-D 4	400022X1	175	1-B 19	400039X1	707	1-D 24	400041X1	793	1-E 9
4J-5267	509	1-D 4	400022X1	555	1-D 9	400039X1	711	1-E 1	400041X1	837	1-E 13
4J-5267	513	1-D 5	400022X1	1027	1-F 8	400039X1	717	1-E 1	400041X1	863	1-E 16
4J-5267	517	1-D 5	400022X1	1029	1-F 8	400039X1	721	1-E 2	400041X1	865	1-E 16
4J-5477	401	1-C 18	400022X1	1031	1-F 9	400039X1	725	1-E 2	400041X1	951	1-F 1
4J-5477	403	1-C 18	400022X1	1033	1-F 9	400039X1	733	1-E 3	400041X1	953	1-F 1
4J-5477	409	1-C 18	400022X1	1041	1-F 10	400039X1	735	1-E 3	400041X1	957	1-F 1
4J-5477	411	1-C 19	400022X1	1049	1-F 10	400039X1	737	1-E 3	400041X1	961	1-F 2
4J-5477	417	1-C 19	400022X1	1097	1-F 15	400039X1	739	1-E 3	400042X1	1119	1-F 17
4J-5477	419	1-C 19	400022X1	1099	1-F 15	400039X1	787	1-E 8	400042X1	1121	1-F 18
4J-5477	425	1-C 20	400023X1	563	1-D 10	400039X1	791	1-E 9	400043X1	919	1-E 21
4J-5477	427	1-C 20	400023X1	565	1-D 10	400039X1	793	1-E 9	400043X1	931	1-E 23
4J-5477	433	1-C 21	400023X1	655	1-D 19	400039X1	813	1-E 11	400043X1	933	1-E 23
4J-5477	435	1-C 21	400026X1	931	1-E 23	400039X1	817	1-E 11	400043X1	1007	1-F 6
4J-5477	441	1-C 22	400026X1	933	1-E 23	400039X1	819	1-E 11	400044X1	83	1-B 10
4J-5477	443	1-C 22	400027X1	961	1-F 2	400039X1	933	1-E 23	400044X1	85	1-B 10
4J-7533	499	1-D 3	400028X1	97	1-B 11	400039X1	967	1-F 2	400044X1	697	1-D 23

MT700 SERIES TRACKTRACTORS

35
INDEX

Part No.	Page	Grid	Part No.	Page	Grid	Part No.	Page	Grid	Part No.	Page	Grid
400044X1	1117	1-F 17	400053X1	585	1-D 12	400058X1	673	1-D 21	400067X1	543	1-D 8
400045X1	95	1-B 11	400053X1	587	1-D 12	400058X1	675	1-D 21	400067X1	545	1-D 8
400045X1	935	1-E 23	400053X1	681	1-D 22	400058X1	703	1-D 24	400067X1	673	1-D 21
400045X1	937	1-E 23	400053X1	721	1-E 2	400058X1	707	1-D 24	400067X1	675	1-D 21
400046X1	323	1-C 10	400053X1	725	1-E 2	400058X1	711	1-E 1	400068X1	829	1-E 12
400046X1	327	1-C 10	400053X1	785	1-E 8	400058X1	727	1-E 2	400068X1	1107	1-F 16
400046X1	785	1-E 8	400053X1	787	1-E 8	400058X1	813	1-E 11	400068X1	1109	1-F 16
400046X1	787	1-E 8	400053X1	789	1-E 8	400058X1	817	1-E 11	400068X1	1155	1-F 21
400046X1	789	1-E 8	400053X1	791	1-E 9	400058X1	819	1-E 11	400070X1	1079	1-F 13
400046X1	791	1-E 9	400053X1	971	1-F 3	400058X1	825	1-E 12	400071X1	1079	1-F 13
400047X1	89	1-B 10	400053X1	973	1-F 3	400058X1	931	1-E 23	400073X1	1095	1-F 15
400047X1	657	1-D 19	400053X1	977	1-F 3	400058X1	967	1-F 2	400074X1	1079	1-F 13
400047X1	733	1-E 3	400053X1	981	1-F 4	400058X1	1007	1-F 6	400075X1	625	1-D 16
400047X1	735	1-E 3	400053X1	1027	1-F 8	400058X1	1017	1-F 7	400075X1	631	1-D 17
400047X1	737	1-E 3	400053X1	1029	1-F 8	400058X1	1019	1-F 7	400076X1	295	1-C 7
400047X1	739	1-E 3	400053X1	1031	1-F 9	400058X1	1119	1-F 17	400076X1	297	1-C 7
400047X1	813	1-E 11	400053X1	1033	1-F 9	400058X1	1121	1-F 18	400076X1	299	1-C 7
400047X1	817	1-E 11	400053X1	1053	1-F 11	400059X1	111	1-B 13	400076X1	549	1-D 8
400047X1	819	1-E 11	400053X1	1097	1-F 15	400059X1	117	1-B 13	400076X1	587	1-D 12
400048X1	1119	1-F 17	400053X1	1099	1-F 15	400059X1	129	1-B 14	400076X1	1101	1-F 16
400048X1	1121	1-F 18	400053X1	1113	1-F 17	400059X1	591	1-D 13	400078X1	919	1-E 21
400049X1	141	1-B 16	400053X1	1155	1-F 21	400059X1	601	1-D 14	400078X1	953	1-F 1
400049X1	601	1-D 14	400053X1	1159	1-F 21	400059X1	807	1-E 10	400078X1	957	1-F 1
400049X1	737	1-E 3	400053X1	1161	1-F 22	400059X1	829	1-E 12	400078X1	961	1-F 2
400049X1	739	1-E 3	400053X1	1173	1-F 23	400059X1	833	1-E 13	400080X1	95	1-B 11
400049X1	829	1-E 12	400054X1	143	1-B 16	400059X1	835	1-E 13	400080X1	525	1-D 6
400049X1	833	1-E 13	400054X1	173	1-B 19	400059X1	837	1-E 13	400080X1	527	1-D 6
400049X1	991	1-F 5	400054X1	177	1-B 19	400059X1	967	1-F 2	400080X1	529	1-D 6
400049X1	1027	1-F 8	400054X1	323	1-C 10	400060X1	179	1-B 19	400080X1	531	1-D 7
400049X1	1029	1-F 8	400054X1	327	1-C 10	400060X1	187	1-B 20	400080X1	533	1-D 7
400049X1	1031	1-F 9	400054X1	551	1-D 9	400060X1	721	1-E 2	400080X1	535	1-D 7
400049X1	1033	1-F 9	400054X1	717	1-E 1	400060X1	725	1-E 2	400080X1	537	1-D 7
400050X1	147	1-B 16	400054X1	931	1-E 23	400060X1	1107	1-F 16	400080X1	539	1-D 7
400050X1	567	1-D 10	400054X1	1003	1-F 6	400060X1	1109	1-F 16	400080X1	541	1-D 8
400050X1	707	1-D 24	400054X1	1005	1-F 6	400061X1	111	1-B 13	400080X1	543	1-D 8
400050X1	813	1-E 11	400054X1	1007	1-F 6	400061X1	113	1-B 13	400080X1	545	1-D 8
400050X1	817	1-E 11	400055X1	149	1-B 16	400061X1	173	1-B 19	400080X1	551	1-D 9
400050X1	819	1-E 11	400055X1	151	1-B 17	400061X1	177	1-B 19	400080X1	597	1-D 13
400050X1	829	1-E 12	400055X1	173	1-B 19	400062X1	83	1-B 10	400080X1	625	1-D 16
400050X1	833	1-E 13	400055X1	177	1-B 19	400062X1	85	1-B 10	400080X1	631	1-D 17
400050X1	849	1-E 14	400055X1	323	1-C 10	400063X1	149	1-B 16	400080X1	657	1-D 19
400050X1	851	1-E 15	400055X1	327	1-C 10	400063X1	151	1-B 17	400080X1	673	1-D 21
400050X1	853	1-E 15	400055X1	567	1-D 10	400063X1	353	1-C 13	400080X1	675	1-D 21
400050X1	855	1-E 15	400055X1	601	1-D 14	400063X1	569	1-D 10	400080X1	919	1-E 21
400051X1	601	1-D 14	400055X1	625	1-D 16	400063X1	571	1-D 11	400080X1	931	1-E 23
400051X1	733	1-E 3	400055X1	717	1-E 1	400063X1	573	1-D 11	400080X1	933	1-E 23
400051X1	735	1-E 3	400055X1	793	1-E 9	400064X1	115	1-B 13	400080X1	935	1-E 23
400051X1	737	1-E 3	400055X1	971	1-F 3	400064X1	147	1-B 16	400080X1	937	1-E 23
400051X1	739	1-E 3	400055X1	977	1-F 3	400064X1	173	1-B 19	400080X1	951	1-F 1
400051X1	813	1-E 11	400055X1	981	1-F 4	400064X1	177	1-B 19	400080X1	957	1-F 1
400051X1	817	1-E 11	400055X1	1141	1-F 20	400064X1	559	1-D 9	400080X1	999	1-F 5
400051X1	819	1-E 11	400057X1	99	1-B 11	400064X1	599	1-D 13	400080X1	1001	1-F 6
400052X1	173	1-B 19	400057X1	353	1-C 13	400064X1	661	1-D 20	400080X1	1003	1-F 6
400052X1	177	1-B 19	400057X1	829	1-E 12	400064X1	667	1-D 20	400080X1	1005	1-F 6
400052X1	553	1-D 9	400057X1	833	1-E 13	400064X1	669	1-D 20	400080X1	1007	1-F 6
400052X1	575	1-D 11	400058X1	81	1-B 10	400064X1	671	1-D 21	400080X1	1113	1-F 17
400052X1	577	1-D 11	400058X1	85	1-B 10	400064X1	727	1-E 2	400081X1	539	1-D 7
400052X1	581	1-D 12	400058X1	111	1-B 13	400064X1	837	1-E 13	400081X1	541	1-D 8
400052X1	583	1-D 12	400058X1	115	1-B 13	400064X1	847	1-E 14	400081X1	543	1-D 8
400052X1	601	1-D 14	400058X1	117	1-B 13	400064X1	849	1-E 14	400081X1	545	1-D 8
400052X1	673	1-D 21	400058X1	119	1-B 13	400064X1	851	1-E 15	400081X1	551	1-D 9
400052X1	675	1-D 21	400058X1	137	1-B 15	400064X1	853	1-E 15	400081X1	597	1-D 13
400052X1	971	1-F 3	400058X1	139	1-B 15	400064X1	855	1-E 15	400081X1	633	1-D 17
400052X1	977	1-F 3	400058X1	141	1-B 16	400064X1	931	1-E 23	400081X1	657	1-D 19
400052X1	981	1-F 4	400058X1	149	1-B 16	400064X1	933	1-E 23	400081X1	663	1-D 20
400053X1	113	1-B 13	400058X1	151	1-B 17	400064X1	1007	1-F 6	400081X1	673	1-D 21
400053X1	139	1-B 15	400058X1	241	1-C 2	400065X1	111	1-B 13	400081X1	675	1-D 21
400053X1	189	1-B 20	400058X1	255	1-C 3	400065X1	1097	1-F 15	400081X1	919	1-E 21
400053X1	227	1-B 24	400058X1	297	1-C 7	400065X1	1099	1-F 15	400081X1	1063	1-F 12
400053X1	229	1-B 24	400058X1	301	1-C 8	400066X1	863	1-E 16	400082X1	95	1-B 11
400053X1	347	1-C 12	400058X1	323	1-C 10	400066X1	865	1-E 16	400082X1	353	1-C 13
400053X1	553	1-D 9	400058X1	327	1-C 10	400066X1	1119	1-F 17	400082X1	581	1-D 12
400053X1	569	1-D 10	400058X1	601	1-D 14	400066X1	1121	1-F 18	400082X1	583	1-D 12
400053X1	571	1-D 11	400058X1	627	1-D 16	400067X1	539	1-D 7	400082X1	625	1-D 16
400053X1	573	1-D 11	400058X1	629	1-D 16	400067X1	541	1-D 8	400082X1	631	1-D 17

INDEX

Part No.	Page	Grid	Part No.	Page	Grid	Part No.	Page	Grid	Part No.	Page	Grid
400082X1	657	1-D 19	400122X1	931	1-E 23	400191X1	149	1-B 16	400236X1	529	1-D 6
400082X1	673	1-D 21	400122X1	933	1-E 23	400191X1	151	1-B 17	400236X1	531	1-D 7
400082X1	675	1-E 21	400122X1	1003	1-F 6	400191X1	599	1-D 13	400236X1	533	1-D 7
400082X1	931	1-E 23	400122X1	1005	1-F 6	400191X1	625	1-D 16	400236X1	535	1-D 7
400082X1	933	1-E 23	400122X1	1007	1-F 6	400191X1	631	1-D 17	400236X1	953	1-F 1
400082X1	935	1-E 23	400123X1	811	1-E 11	400191X1	673	1-D 21	400237X1	1001	1-F 6
400082X1	937	1-E 23	400123X1	813	1-E 11	400191X1	675	1-D 21	400239X1	125	1-B 14
400082X1	951	1-F 1	400123X1	815	1-E 11	400191X1	919	1-E 21	400239X1	139	1-B 15
400082X1	957	1-F 1	400123X1	819	1-E 11	400191X1	951	1-F 1	400240X1	273	1-C 5
400082X1	999	1-F 5	400123X1	821	1-E 12	400191X1	957	1-F 1	400241X1	149	1-B 16
400082X1	1001	1-F 6	400123X1	827	1-E 12	400193X1	551	1-D 9	400241X1	151	1-B 17
400083X1	1183	1-F 24	400123X1	831	1-E 13	400193X1	951	1-F 1	400241X1	971	1-F 3
400084X1	293	1-C 7	400123X1	835	1-E 13	400193X1	957	1-F 1	400241X1	977	1-F 3
400084X1	299	1-C 7	400123X1	837	1-E 13	400194X1	527	1-D 6	400241X1	981	1-F 4
400084X1	1023	1-F 8	400124X1	1063	1-F 12	400194X1	531	1-D 7	400242X1	231	1-C 1
400084X1	1053	1-F 11	400125X1	143	1-B 16	400194X1	535	1-D 7	400242X1	707	1-D 24
400085X1	1023	1-F 8	400125X1	145	1-B 16	400195X1	1001	1-F 6	400242X1	973	1-F 3
400085X1	1053	1-F 11	400125X1	1105	1-F 16	400203X1	717	1-E 1	400242X1	977	1-F 3
400086X1	1149	1-F 20	400126X1	113	1-B 13	400204X1	93	1-B 11	400242X1	981	1-F 4
400087X1	219	1-B 23	400126X1	827	1-E 12	400205X1	183	1-B 20	400243X1	83	1-B 10
400087X1	221	1-B 24	400126X1	831	1-E 13	400205X1	187	1-B 20	400243X1	85	1-B 10
400090X1	539	1-D 7	400127X1	1053	1-F 11	400206X1	935	1-E 23	400244X1	353	1-C 13
400093X1	351	1-C 13	400128X1	1057	1-F 11	400206X1	937	1-E 23	400244X1	953	1-F 1
400094X1	227	1-B 24	400129X2	605	1-D 14	400207X1	903	1-E 20	400244X1	957	1-F 1
400096X1	953	1-F 1	400131X1	263	1-C 4	400208X1	191	1-B 21	400245X1	109	1-B 12
400097X1	997	1-F 5	400132X1	235	1-C 1	400208X1	193	1-B 21	400245X1	113	1-B 13
400098X1	673	1-D 21	400132X1	237	1-C 1	400208X1	303	1-C 8	400245X1	115	1-B 13
400100X1	829	1-E 12	400133X1	657	1-D 19	400208X1	305	1-C 8	400245X1	173	1-B 19
400100X1	833	1-E 13	400135X1	1181	1-F 24	400209X1	323	1-C 10	400245X1	177	1-B 19
400100X1	835	1-E 13	400136X1	923	1-E 22	400209X1	327	1-C 10	400245X1	183	1-B 20
400100X1	837	1-E 13	400137X1	1063	1-F 12	400211X1	217	1-B 23	400245X1	187	1-B 20
400101X1	741	1-E 4	400139X1	245	1-C 2	400212X1	627	1-D 16	400245X1	1107	1-F 16
400101X1	743	1-E 4	400141X1	741	1-E 4	400212X1	629	1-D 16	400245X1	1109	1-F 16
400101X1	745	1-E 4	400141X1	743	1-E 4	400217X1	751	1-E 5	400245X1	1179	1-F 23
400101X1	849	1-E 14	400141X1	745	1-E 4	400221X1	593	1-D 13	400246X1	857	1-E 15
400101X1	851	1-E 15	400152X1	173	1-B 19	400221X1	1041	1-F 10	400248X1	93	1-B 11
400101X1	853	1-E 15	400152X1	175	1-B 19	400221X1	1049	1-F 10	400251X1	295	1-C 7
400101X1	855	1-E 15	400152X1	223	1-B 24	400221X1	1053	1-F 11	400251X1	297	1-C 7
400102X1	829	1-E 12	400152X1	225	1-B 24	400221X1	1159	1-F 21	400251X1	299	1-C 7
400102X1	833	1-E 13	400152X1	227	1-B 24	400221X1	1173	1-F 23	400251X1	301	1-C 8
400106X1	1161	1-F 22	400152X1	229	1-B 24	400223X1	173	1-B 19	400251X1	323	1-C 10
400108X1	99	1-B 11	400152X1	267	1-C 4	400223X1	177	1-B 19	400251X1	327	1-C 10
400108X1	113	1-B 13	400152X1	269	1-C 4	400223X1	213	1-B 23	400254X1	1083	1-F 14
400108X1	139	1-B 15	400152X1	271	1-C 5	400223X1	215	1-B 23	400254X1	1085	1-F 14
400108X1	567	1-D 10	400152X1	285	1-C 6	400223X1	217	1-B 23	400255X1	761	1-E 6
400108X1	829	1-E 12	400152X1	341	1-C 12	400224X1	657	1-D 19	400256X1	1079	1-F 13
400108X1	1103	1-F 16	400152X1	549	1-D 8	400224X1	961	1-F 2	400256X1	1097	1-F 15
400108X1	1105	1-F 16	400152X1	1027	1-F 8	400225X1	139	1-B 15	400256X1	1099	1-F 15
400109X1	117	1-B 13	400152X1	1031	1-F 9	400226X1	139	1-B 15	400258X1	173	1-B 19
400109X1	139	1-B 15	400152X1	1119	1-F 17	400227X1	189	1-B 20	400258X1	175	1-B 19
400109X1	347	1-C 12	400152X1	1121	1-F 18	400227X1	227	1-B 24	400258X1	811	1-E 11
400109X1	1051	1-F 11	400152X1	1183	1-F 24	400227X1	229	1-B 24	400258X1	815	1-E 11
400110X1	1077	1-F 13	400156X1	93	1-B 11	400227X1	231	1-C 1	400258X1	819	1-E 11
400110X1	1081	1-F 14	400160X1	183	1-B 20	400227X1	297	1-C 7	400259X1	625	1-D 16
400110X1	1087	1-F 14	400160X1	187	1-B 20	400227X1	299	1-C 7	400259X1	631	1-D 17
400110X1	1159	1-F 21	400160X1	189	1-B 20	400227X1	625	1-D 16	400262X1	657	1-D 19
400111X1	1107	1-F 16	400161X1	1021	1-F 8	400227X1	631	1-D 17	400264X1	839	1-E 13
400111X1	1109	1-F 16	400162X1	579	1-D 11	400227X1	657	1-D 19	400266X1	549	1-D 8
400112X1	837	1-E 13	400162X1	583	1-D 12	400227X1	707	1-D 24	400267X1	531	1-D 7
400113X1	1159	1-F 21	400172X1	269	1-C 4	400227X1	1017	1-F 7	400267X1	533	1-D 7
400114X1	699	1-D 23	400172X1	271	1-C 5	400227X1	1019	1-F 7	400267X1	535	1-D 7
400114X1	1175	1-F 23	400179X1	269	1-C 4	400227X1	1119	1-F 17	400268X1	527	1-D 6
400115X1	579	1-D 11	400179X1	271	1-C 5	400227X1	1121	1-F 18	400268X1	529	1-D 6
400115X1	583	1-D 12	400183X1	931	1-E 23	400227X1	1183	1-F 24	400269X1	1003	1-F 6
400116X1	99	1-B 11	400183X1	933	1-E 23	400228X1	627	1-D 16	400269X1	1005	1-F 6
400117X1	711	1-E 1	400185X1	1049	1-F 10	400228X1	629	1-D 16	400272X1	673	1-D 21
400118X1	173	1-B 19	400186X1	1079	1-F 13	400229X1	919	1-E 21	400272X1	675	1-D 21
400118X1	175	1-B 19	400188X1	239	1-C 1	400230X1	241	1-C 2	400273X1	919	1-E 21
400118X1	807	1-E 10	400189X1	107	1-B 12	400230X1	255	1-C 3	400276X1	619	1-D 15
400119X1	1119	1-F 17	400190X1	323	1-C 10	400232X1	627	1-D 16	400277X1	83	1-B 10
400119X1	1121	1-F 18	400190X1	327	1-C 10	400232X1	629	1-D 16	400277X1	85	1-B 10
400120X1	1063	1-F 12	400190X1	1017	1-F 7	400233X1	85	1-B 10	400278X1	619	1-D 15
400121X1	1063	1-F 12	400190X1	1019	1-F 7	400236X1	95	1-B 11	400282X1	1173	1-F 23
400122X1	537	1-D 7	400191X1	95	1-B 11	400236X1	525	1-D 6	400282X1	1175	1-F 23
400122X1	551	1-D 9	400191X1	147	1-B 16	400236X1	527	1-D 6	400286X1	625	1-D 16

MT700 SERIES TRACK TRACTORS

37
INDEX

Part No.	Page	Grid	Part No.	Page	Grid	Part No.	Page	Grid	Part No.	Page	Grid
400286X1	631	1-D 17	400287X1	819	1-E 11	400300X1	581	1-D 12	400318X1	793	1-E 9
400286X1	657	1-D 19	400287X1	825	1-E 12	400300X1	583	1-D 12	400318X1	795	1-E 9
400286X1	931	1-E 23	400287X1	829	1-E 12	400300X1	593	1-D 13	400318X1	797	1-E 9
400286X1	933	1-E 23	400287X1	833	1-E 13	400300X1	1021	1-F 8	400318X1	811	1-E 11
400286X1	935	1-E 23	400287X1	835	1-E 13	400300X1	1041	1-F 10	400318X1	815	1-E 11
400286X1	937	1-E 23	400287X1	837	1-E 13	400300X1	1049	1-F 10	400318X1	819	1-E 11
400286X1	953	1-F 1	400287X1	863	1-E 16	400300X1	1053	1-F 11	400318X1	823	1-E 12
400286X1	957	1-F 1	400287X1	865	1-E 16	400300X1	1141	1-F 20	400318X1	825	1-E 12
400286X1	961	1-F 2	400287X1	903	1-E 20	400300X1	1167	1-F 22	400318X1	827	1-E 12
400286X1	999	1-F 5	400287X1	919	1-E 21	400300X1	1169	1-F 22	400318X1	829	1-E 12
400286X1	1001	1-F 6	400287X1	931	1-E 23	400300X1	1173	1-F 23	400318X1	831	1-E 13
400286X1	1183	1-F 24	400287X1	933	1-E 23	400301X1	1041	1-F 10	400318X1	833	1-E 13
400287X1	81	1-B 10	400287X1	967	1-F 2	400301X1	1051	1-F 11	400318X1	835	1-E 13
400287X1	85	1-B 10	400287X1	971	1-F 3	400302X1	1041	1-F 10	400318X1	837	1-E 13
400287X1	87	1-B 10	400287X1	973	1-F 3	400303X1	1049	1-F 10	400318X1	903	1-E 20
400287X1	101	1-B 12	400287X1	977	1-F 3	400305X1	1041	1-F 10	400318X1	913	1-E 21
400287X1	105	1-B 12	400287X1	979	1-F 3	400305X1	1049	1-F 10	400318X1	969	1-F 2
400287X1	111	1-B 13	400287X1	983	1-F 4	400306X1	1041	1-F 10	400318X1	975	1-F 3
400287X1	113	1-B 13	400287X1	985	1-F 4	400307X1	1041	1-F 10	400318X1	979	1-F 3
400287X1	115	1-B 13	400287X1	987	1-F 4	400307X1	1049	1-F 10	400319X1	81	1-B 10
400287X1	117	1-B 13	400287X1	991	1-F 5	400308X1	1041	1-F 10	400319X1	719	1-E 1
400287X1	123	1-B 14	400287X1	1003	1-F 6	400308X1	1051	1-F 11	400319X1	721	1-E 2
400287X1	125	1-B 14	400287X1	1005	1-F 6	400309X1	1041	1-F 10	400319X1	723	1-E 2
400287X1	129	1-B 14	400287X1	1007	1-F 6	400309X1	1049	1-F 10	400319X1	733	1-E 3
400287X1	137	1-B 15	400287X1	1017	1-F 7	400310X1	111	1-B 13	400319X1	735	1-E 3
400287X1	139	1-B 15	400287X1	1019	1-F 7	400310X1	173	1-B 19	400319X1	753	1-E 5
400287X1	141	1-B 16	400287X1	1023	1-F 8	400310X1	177	1-B 19	400319X1	757	1-E 5
400287X1	143	1-B 16	400287X1	1063	1-F 12	400310X1	285	1-C 6	400319X1	759	1-E 5
400287X1	147	1-B 16	400287X1	1107	1-F 16	400310X1	319	1-C 9	400319X1	761	1-E 6
400287X1	149	1-B 16	400287X1	1109	1-F 16	400310X1	341	1-C 12	400319X1	811	1-E 11
400287X1	151	1-B 17	400287X1	1111	1-F 17	400310X1	549	1-D 8	400319X1	815	1-E 11
400287X1	153	1-B 17	400287X1	1119	1-F 17	400310X1	555	1-D 9	400319X1	821	1-E 12
400287X1	173	1-B 19	400287X1	1121	1-F 18	400310X1	605	1-D 14	400319X1	825	1-E 12
400287X1	177	1-B 19	400287X1	1171	1-F 23	400310X1	717	1-E 1	400319X1	829	1-E 12
400287X1	183	1-B 20	400287X1	1173	1-F 23	400310X1	825	1-E 12	400319X1	857	1-E 15
400287X1	187	1-B 20	400287X1	1175	1-F 23	400310X1	829	1-E 12	400320X1	81	1-B 10
400287X1	191	1-B 21	400289X1	563	1-D 10	400310X1	833	1-E 13	400320X1	723	1-E 2
400287X1	193	1-B 21	400289X1	565	1-D 10	400310X1	1041	1-F 10	400322X1	81	1-B 10
400287X1	223	1-B 24	400289X1	655	1-D 19	400310X1	1049	1-F 10	400322X1	85	1-B 10
400287X1	227	1-B 24	400289X1	953	1-F 1	400310X1	1119	1-F 17	400322X1	321	1-C 10
400287X1	229	1-B 24	400289X1	957	1-F 1	400310X1	1121	1-F 18	400322X1	723	1-E 2
400287X1	285	1-C 6	400289X1	961	1-F 2	400310X1	1149	1-F 20	400322X1	829	1-E 12
400287X1	297	1-C 7	400290X1	951	1-F 1	400310X1	1159	1-F 21	400322X1	833	1-E 13
400287X1	301	1-C 8	400290X1	955	1-F 1	400310X1	1173	1-F 23	400322X1	909	1-E 20
400287X1	323	1-C 10	400290X1	983	1-F 4	400311X1	951	1-F 1	400323X1	627	1-D 16
400287X1	327	1-C 10	400290X1	985	1-F 4	400311X1	955	1-F 1	400323X1	629	1-D 16
400287X1	551	1-D 9	400290X1	987	1-F 4	400313X1	1017	1-F 7	400323X1	703	1-D 24
400287X1	553	1-D 9	400292X1	341	1-C 12	400313X1	1019	1-F 7	400323X1	713	1-E 1
400287X1	575	1-D 11	400292X1	1041	1-F 10	400313X1	1117	1-F 17	400323X1	715	1-E 1
400287X1	577	1-D 11	400292X1	1049	1-F 10	400313X1	1167	1-F 22	400323X1	719	1-E 1
400287X1	579	1-D 11	400292X1	1175	1-F 23	400313X1	1169	1-F 22	400323X1	723	1-E 2
400287X1	581	1-D 12	400293X1	1049	1-F 10	400318X1	323	1-C 10	400323X1	733	1-E 3
400287X1	583	1-D 12	400294X1	1041	1-F 10	400318X1	325	1-C 10	400323X1	735	1-E 3
400287X1	589	1-D 12	400295X1	193	1-B 21	400318X1	327	1-C 10	400323X1	737	1-E 3
400287X1	601	1-D 14	400295X1	289	1-C 6	400318X1	329	1-C 10	400323X1	739	1-E 3
400287X1	603	1-D 14	400295X1	1049	1-F 10	400318X1	627	1-D 16	400323X1	793	1-E 9
400287X1	697	1-D 23	400296X1	1041	1-F 10	400318X1	629	1-D 16	400323X1	811	1-E 11
400287X1	699	1-D 23	400296X1	1049	1-F 10	400318X1	703	1-D 24	400323X1	815	1-E 11
400287X1	703	1-D 24	400297X1	1049	1-F 10	400318X1	705	1-D 24	400323X1	819	1-E 11
400287X1	707	1-D 24	400298X1	1041	1-F 10	400318X1	709	1-D 24	400323X1	827	1-E 12
400287X1	711	1-E 1	400298X1	1049	1-F 10	400318X1	713	1-E 1	400323X1	831	1-E 13
400287X1	713	1-E 1	400299X1	1041	1-F 10	400318X1	715	1-E 1	400323X1	903	1-E 20
400287X1	717	1-E 1	400300X1	175	1-B 19	400318X1	717	1-E 1	400324X1	703	1-D 24
400287X1	721	1-E 2	400300X1	183	1-B 20	400318X1	719	1-E 1	400324X1	715	1-E 1
400287X1	725	1-E 2	400300X1	187	1-B 20	400318X1	721	1-E 2	400324X1	793	1-E 9
400287X1	727	1-E 2	400300X1	213	1-B 23	400318X1	723	1-E 2	400324X1	811	1-E 11
400287X1	733	1-E 3	400300X1	215	1-B 23	400318X1	725	1-E 2	400324X1	815	1-E 11
400287X1	735	1-E 3	400300X1	217	1-B 23	400318X1	733	1-E 3	400324X1	819	1-E 11
400287X1	737	1-E 3	400300X1	227	1-B 24	400318X1	737	1-E 3	400324X1	827	1-E 12
400287X1	739	1-E 3	400300X1	229	1-B 24	400318X1	757	1-E 5	400324X1	831	1-E 13
400287X1	787	1-E 8	400300X1	267	1-C 4	400318X1	759	1-E 5	400324X1	903	1-E 20
400287X1	791	1-E 9	400300X1	269	1-C 4	400318X1	773	1-E 7	400325X1	903	1-E 20
400287X1	793	1-E 9	400300X1	271	1-C 5	400318X1	779	1-E 7	400326X1	1113	1-F 17
400287X1	813	1-E 11	400300X1	285	1-C 6	400318X1	781	1-E 8	400330X1	1097	1-F 15
400287X1	817	1-E 11	400300X1	549	1-D 8	400318X1	783	1-E 8	400330X1	1099	1-F 15

INDEX

Part No.	Page	Grid	Part No.	Page	Grid	Part No.	Page	Grid	Part No.	Page	Grid
400330X1	1167	1-F 22	400340X1	183	1-B 20	400357X1	173	1-B 19	400361X1	857	1-E 15
400330X1	1169	1-F 22	400340X1	187	1-B 20	400357X1	177	1-B 19	400361X1	913	1-E 21
400331X1	1097	1-F 15	400340X1	191	1-B 21	400357X1	323	1-C 10	400361X1	1157	1-F 21
400331X1	1099	1-F 15	400340X1	193	1-B 21	400357X1	327	1-C 10	400362X1	797	1-E 9
400332X1	1097	1-F 15	400340X1	227	1-B 24	400357X1	527	1-D 6	400363X1	797	1-E 9
400332X1	1099	1-F 15	400340X1	229	1-B 24	400357X1	529	1-D 6	400364X1	797	1-E 9
400333X1	1097	1-F 15	400340X1	231	1-C 1	400357X1	531	1-D 7	400365X1	827	1-E 12
400333X1	1099	1-F 15	400340X1	249	1-C 2	400357X1	533	1-D 7	400365X1	829	1-E 12
400333X1	1167	1-F 22	400340X1	585	1-D 12	400357X1	535	1-D 7	400365X1	831	1-E 13
400333X1	1169	1-F 22	400340X1	587	1-D 12	400357X1	559	1-D 9	400366X1	85	1-B 10
400334X1	1079	1-F 13	400340X1	601	1-D 14	400357X1	567	1-D 10	400366X1	733	1-E 3
400335X1	597	1-D 13	400340X1	603	1-D 14	400357X1	569	1-D 10	400366X1	735	1-E 3
400337X1	227	1-B 24	400340X1	785	1-E 8	400357X1	571	1-D 11	400366X1	737	1-E 3
400337X1	229	1-B 24	400340X1	787	1-E 8	400357X1	573	1-D 11	400366X1	739	1-E 3
400339X1	81	1-B 10	400340X1	789	1-E 8	400357X1	599	1-D 13	400366X1	785	1-E 8
400339X1	85	1-B 10	400340X1	791	1-E 9	400357X1	601	1-D 14	400366X1	787	1-E 8
400339X1	97	1-B 11	400340X1	961	1-F 2	400357X1	625	1-D 16	400366X1	789	1-E 8
400339X1	107	1-B 12	400340X1	971	1-F 3	400357X1	667	1-D 20	400366X1	791	1-E 9
400339X1	109	1-B 12	400340X1	977	1-F 3	400357X1	669	1-D 20	400366X1	811	1-E 11
400339X1	113	1-B 13	400340X1	981	1-F 4	400357X1	671	1-D 21	400366X1	813	1-E 11
400339X1	149	1-B 16	400340X1	1027	1-F 8	400357X1	703	1-D 24	400366X1	815	1-E 11
400339X1	151	1-B 17	400340X1	1029	1-F 8	400357X1	707	1-D 24	400366X1	821	1-E 12
400339X1	157	1-B 17	400340X1	1031	1-F 9	400357X1	717	1-E 1	400367X1	719	1-E 1
400339X1	173	1-B 19	400340X1	1033	1-F 9	400357X1	725	1-E 2	400367X1	723	1-E 2
400339X1	177	1-B 19	400340X1	1053	1-F 11	400357X1	727	1-E 2	400367X1	827	1-E 12
400339X1	183	1-B 20	400340X1	1097	1-F 15	400357X1	733	1-E 3	400367X1	831	1-E 13
400339X1	187	1-B 20	400340X1	1099	1-F 15	400357X1	735	1-E 3	400367X1	835	1-E 13
400339X1	189	1-B 20	400340X1	1115	1-F 17	400357X1	737	1-E 3	400367X1	975	1-F 3
400339X1	227	1-B 24	400340X1	1167	1-F 22	400357X1	739	1-E 3	400367X1	979	1-F 3
400339X1	229	1-B 24	400340X1	1169	1-F 22	400357X1	741	1-E 4	400368X1	719	1-E 1
400339X1	231	1-C 1	400340X1	1173	1-F 23	400357X1	743	1-E 4	400368X1	723	1-E 2
400339X1	233	1-C 1	400340X1	1179	1-F 23	400357X1	745	1-E 4	400372X1	975	1-F 3
400339X1	239	1-C 1	400341X1	115	1-B 13	400357X1	785	1-E 8	400372X1	979	1-F 3
400339X1	323	1-C 10	400341X1	149	1-B 16	400357X1	787	1-E 8	400374X1	753	1-E 5
400339X1	327	1-C 10	400341X1	151	1-B 17	400357X1	789	1-E 8	400374X1	757	1-E 5
400339X1	553	1-D 9	400341X1	157	1-B 17	400357X1	791	1-E 9	400374X1	759	1-E 5
400339X1	567	1-D 10	400341X1	231	1-C 1	400357X1	793	1-E 9	400374X1	761	1-E 6
400339X1	599	1-D 13	400341X1	233	1-C 1	400357X1	813	1-E 11	400374X1	857	1-E 15
400339X1	601	1-D 14	400341X1	323	1-C 10	400357X1	817	1-E 11	400375X1	627	1-D 16
400339X1	603	1-D 14	400341X1	327	1-C 10	400357X1	819	1-E 11	400375X1	629	1-D 16
400339X1	625	1-D 16	400341X1	553	1-D 9	400357X1	829	1-E 12	400375X1	773	1-E 7
400339X1	631	1-D 17	400341X1	567	1-D 10	400357X1	833	1-E 13	400376X1	81	1-B 10
400339X1	657	1-D 19	400341X1	579	1-D 11	400357X1	837	1-E 13	400376X1	85	1-B 10
400339X1	681	1-D 22	400341X1	581	1-D 12	400357X1	849	1-E 14	400376X1	125	1-B 14
400339X1	707	1-D 24	400341X1	583	1-D 12	400357X1	851	1-E 15	400376X1	349	1-C 12
400339X1	721	1-E 2	400341X1	585	1-D 12	400357X1	853	1-E 15	400376X1	627	1-D 16
400339X1	725	1-E 2	400341X1	587	1-D 12	400357X1	855	1-E 15	400376X1	629	1-D 16
400339X1	785	1-E 8	400341X1	601	1-D 14	400357X1	863	1-E 16	400376X1	719	1-E 1
400339X1	787	1-E 8	400341X1	829	1-E 12	400357X1	865	1-E 16	400376X1	733	1-E 3
400339X1	789	1-E 8	400341X1	833	1-E 13	400357X1	971	1-F 3	400376X1	735	1-E 3
400339X1	791	1-E 9	400341X1	953	1-F 1	400357X1	977	1-F 3	400376X1	737	1-E 3
400339X1	829	1-E 12	400341X1	957	1-F 1	400357X1	981	1-F 4	400376X1	739	1-E 3
400339X1	833	1-E 13	400341X1	961	1-F 2	400357X1	1141	1-F 20	400376X1	773	1-E 7
400339X1	961	1-F 2	400341X1	1027	1-F 8	400358X1	619	1-D 15	400376X1	779	1-E 7
400339X1	971	1-F 3	400341X1	1029	1-F 8	400360X1	795	1-E 9	400376X1	783	1-E 8
400339X1	973	1-F 3	400341X1	1031	1-F 9	400360X1	797	1-E 9	400376X1	811	1-E 11
400339X1	977	1-F 3	400341X1	1033	1-F 9	400361X1	81	1-B 10	400376X1	815	1-E 11
400339X1	981	1-F 4	400341X1	1115	1-F 17	400361X1	85	1-B 10	400376X1	819	1-E 11
400339X1	1097	1-F 15	400347X1	721	1-E 2	400361X1	113	1-B 13	400376X1	821	1-E 12
400339X1	1099	1-F 15	400347X1	725	1-E 2	400361X1	325	1-C 10	400376X1	827	1-E 12
400339X1	1113	1-F 17	400347X1	977	1-F 3	400361X1	329	1-C 10	400376X1	831	1-E 13
400339X1	1115	1-F 17	400347X1	981	1-F 4	400361X1	347	1-C 12	400376X1	835	1-E 13
400339X1	1119	1-F 17	400348X1	977	1-F 3	400361X1	705	1-D 24	400377X1	85	1-B 10
400339X1	1121	1-F 18	400348X1	981	1-F 4	400361X1	717	1-E 1	400377X1	705	1-D 24
400339X1	1141	1-F 20	400352X1	705	1-D 24	400361X1	719	1-E 1	400377X1	719	1-E 1
400339X1	1155	1-F 21	400352X1	807	1-E 10	400361X1	723	1-E 2	400377X1	723	1-E 2
400339X1	1173	1-F 23	400352X1	809	1-E 10	400361X1	729	1-E 2	400378X1	81	1-B 10
400340X1	81	1-B 10	400354X1	1183	1-F 24	400361X1	731	1-E 3	400378X1	705	1-D 24
400340X1	85	1-B 10	400356X1	1077	1-F 13	400361X1	757	1-E 5	400378X1	709	1-D 24
400340X1	109	1-B 12	400357X1	89	1-B 10	400361X1	759	1-E 5	400378X1	717	1-E 1
400340X1	113	1-B 13	400357X1	93	1-B 11	400361X1	761	1-E 6	400378X1	721	1-E 2
400340X1	115	1-B 13	400357X1	115	1-B 13	400361X1	797	1-E 9	400378X1	723	1-E 2
400340X1	139	1-B 15	400357X1	147	1-B 16	400361X1	827	1-E 12	400378X1	725	1-E 2
400340X1	173	1-B 19	400357X1	149	1-B 16	400361X1	829	1-E 12	400378X1	757	1-E 5
400340X1	175	1-B 19	400357X1	151	1-B 17	400361X1	831	1-E 13	400378X1	759	1-E 5

MT700 SERIES TRACK TRACTORS

39
INDEX

Part No.	Page	Grid	Part No.	Page	Grid	Part No.	Page	Grid	Part No.	Page	Grid
400378X1	761	1-E 6	400453X1	643	1-D 18	400599X1	971	1-F 3	400653X1	113	1-B 13
400378X1	777	1-E 7	400453X1	645	1-D 18	400599X1	973	1-F 3	400655X1	113	1-B 13
400378X1	823	1-E 12	400455X1	1143	1-F 20	400599X1	977	1-F 3	400663X1	111	1-B 13
400378X1	825	1-E 12	400455X1	1145	1-F 20	400599X1	981	1-F 4	400663X1	813	1-E 11
400378X1	827	1-E 12	400455X1	1147	1-F 20	400599X1	1027	1-F 8	400663X1	815	1-E 11
400378X1	829	1-E 12	400472X1	989	1-F 4	400599X1	1029	1-F 8	400663X1	821	1-E 12
400378X1	831	1-E 13	400472X1	1095	1-F 15	400599X1	1031	1-F 9	400664X1	85	1-B 10
400378X1	833	1-E 13	400484X1	797	1-E 9	400599X1	1033	1-F 9	400665X1	141	1-B 16
400378X1	835	1-E 13	400486X1	1061	1-F 12	400599X1	1053	1-F 11	400666X1	113	1-B 13
400378X1	837	1-E 13	400500X1	257	1-C 3	400599X1	1107	1-F 16	400671X1	111	1-B 13
400378X1	969	1-F 2	400511X1	247	1-C 2	400599X1	1109	1-F 16	400672X1	113	1-B 13
400378X1	975	1-F 3	400511X1	285	1-C 6	400599X1	1159	1-F 21	400675X1	81	1-B 10
400378X1	979	1-F 3	400511X1	293	1-C 7	400599X1	1161	1-F 22	400676X1	85	1-B 10
400381X1	147	1-B 16	400511X1	299	1-C 7	400599X1	1167	1-F 22	400679X1	111	1-B 13
400381X1	569	1-D 10	400511X1	797	1-E 9	400599X1	1169	1-F 22	400680X1	111	1-B 13
400381X1	571	1-D 11	400553X1	261	1-C 4	400599X1	1179	1-F 23	400683X1	81	1-B 10
400381X1	573	1-D 11	400553X1	1063	1-F 12	400606X1	725	1-E 2	400683X1	85	1-B 10
400381X1	657	1-D 19	400555X1	797	1-E 9	400607X1	713	1-E 1	400684X1	81	1-B 10
400381X1	661	1-D 20	400561X1	249	1-C 2	400607X1	715	1-E 1	400684X1	85	1-B 10
400381X1	793	1-E 9	400561X1	323	1-C 10	400607X1	719	1-E 1	400685X1	81	1-B 10
400381X1	847	1-E 14	400561X1	327	1-C 10	400607X1	723	1-E 2	400685X1	85	1-B 10
400381X1	849	1-E 14	400561X1	329	1-C 10	400608X1	719	1-E 1	400686X1	81	1-B 10
400381X1	851	1-E 15	400561X1	1173	1-F 23	400608X1	723	1-E 2	400686X1	85	1-B 10
400381X1	853	1-E 15	400561X1	1175	1-F 23	400610X1	719	1-E 1	400686X1	713	1-E 1
400381X1	855	1-E 15	400562X1	199	1-B 21	400610X1	723	1-E 2	400688X1	113	1-B 13
400382X1	191	1-B 21	400562X1	247	1-C 2	400612X1	703	1-D 24	400688X1	117	1-B 13
400403X1	199	1-B 21	400562X1	293	1-C 7	400612X1	721	1-E 2	400688X1	323	1-C 10
400404X1	199	1-B 21	400562X1	299	1-C 7	400612X1	723	1-E 2	400688X1	327	1-C 10
400405X1	199	1-B 21	400562X1	301	1-C 8	400613X1	713	1-E 1	400688X1	707	1-D 24
400406X1	199	1-B 21	400562X1	319	1-C 9	400613X1	723	1-E 2	400688X1	813	1-E 11
400407X1	199	1-B 21	400562X1	323	1-C 10	400614X1	713	1-E 1	400688X1	817	1-E 11
400408X1	297	1-C 7	400562X1	327	1-C 10	400614X1	721	1-E 2	400688X1	821	1-E 12
400408X1	301	1-C 8	400562X1	331	1-C 11	400614X1	723	1-E 2	400689X1	81	1-B 10
400409X1	297	1-C 7	400562X1	795	1-E 9	400616X1	721	1-E 2	400689X1	85	1-B 10
400411X1	85	1-B 10	400562X1	797	1-E 9	400616X1	725	1-E 2	400689X1	123	1-B 14
400414X1	785	1-E 8	400562X1	1177	1-F 23	400617X1	721	1-E 2	400689X1	813	1-E 11
400414X1	787	1-E 8	400564X1	785	1-E 8	400617X1	725	1-E 2	400690X1	111	1-B 13
400414X1	789	1-E 8	400564X1	787	1-E 8	400618X1	721	1-E 2	400690X1	173	1-B 19
400414X1	791	1-E 9	400568X1	785	1-E 8	400618X1	725	1-E 2	400690X1	175	1-B 19
400415X1	81	1-B 10	400568X1	787	1-E 8	400619X1	715	1-E 1	400691X1	111	1-B 13
400415X1	85	1-B 10	400569X1	785	1-E 8	400619X1	725	1-E 2	400698X1	113	1-B 13
400416X1	81	1-B 10	400569X1	787	1-E 8	400620X1	111	1-B 13	400700X1	111	1-B 13
400416X1	85	1-B 10	400576X1	1063	1-F 12	400620X1	703	1-D 24	400700X1	813	1-E 11
400416X1	721	1-E 2	400580X1	811	1-E 11	400620X1	717	1-E 1	400700X1	817	1-E 11
400416X1	733	1-E 3	400580X1	815	1-E 11	400620X1	721	1-E 2	400700X1	821	1-E 12
400416X1	735	1-E 3	400580X1	819	1-E 11	400620X1	725	1-E 2	400701X1	81	1-B 10
400416X1	737	1-E 3	400580X1	835	1-E 13	400621X1	703	1-D 24	400701X1	85	1-B 10
400416X1	739	1-E 3	400581X1	835	1-E 13	400621X1	705	1-D 24	400702X1	81	1-B 10
400416X1	757	1-E 5	400590X1	813	1-E 11	400621X1	717	1-E 1	400702X1	85	1-B 10
400416X1	759	1-E 5	400590X1	815	1-E 11	400621X1	721	1-E 2	400702X1	113	1-B 13
400416X1	761	1-E 6	400590X1	819	1-E 11	400621X1	725	1-E 2	400702X1	711	1-E 1
400416X1	783	1-E 8	400593X1	207	1-B 22	400622X1	721	1-E 2	400705X1	81	1-B 10
400416X1	785	1-E 8	400593X1	209	1-B 22	400622X1	725	1-E 2	400705X1	85	1-B 10
400416X1	787	1-E 8	400593X1	757	1-E 5	400623X1	713	1-E 1	400708X1	231	1-C 1
400416X1	789	1-E 8	400593X1	759	1-E 5	400624X1	715	1-E 1	400708X1	233	1-C 1
400416X1	791	1-E 9	400593X1	761	1-E 6	400625X1	715	1-E 1	400708X1	301	1-C 8
400416X1	811	1-E 11	400593X1	827	1-E 12	400628X1	703	1-D 24	400709X1	989	1-F 4
400416X1	815	1-E 11	400593X1	829	1-E 12	400628X1	715	1-E 1	400715X1	257	1-C 3
400416X1	821	1-E 12	400593X1	831	1-E 13	400630X1	715	1-E 1	400715X1	1095	1-F 15
400416X1	829	1-E 12	400595X1	811	1-E 11	400632X1	715	1-E 1	400717X1	247	1-C 2
400417X1	713	1-E 1	400595X1	815	1-E 11	400634X1	703	1-D 24	400717X1	989	1-F 4
400417X1	715	1-E 1	400595X1	821	1-E 12	400634X1	715	1-E 1	400753X1	245	1-C 2
400417X1	719	1-E 1	400599X1	81	1-B 10	400636X1	721	1-E 2	400754X1	329	1-C 10
400417X1	723	1-E 2	400599X1	85	1-B 10	400638X1	715	1-E 1	400780X1	1051	1-F 11
400417X1	733	1-E 3	400599X1	133	1-B 15	400640X1	717	1-E 1	400781X1	301	1-C 8
400417X1	737	1-E 3	400599X1	139	1-B 15	400640X1	721	1-E 2	400782X1	319	1-C 9
400417X1	811	1-E 11	400599X1	149	1-B 16	400642X1	717	1-E 1	400782X1	331	1-C 11
400418X1	713	1-E 1	400599X1	151	1-B 17	400644X1	173	1-B 19	400825X1	715	1-E 1
400428X1	721	1-E 2	400599X1	579	1-D 11	400644X1	175	1-B 19	400825X1	721	1-E 2
400428X1	723	1-E 2	400599X1	581	1-D 12	400644X1	717	1-E 1	400825X1	725	1-E 2
400429X1	139	1-B 15	400599X1	583	1-D 12	400645X1	717	1-E 1	400831X1	347	1-C 12
400429X1	723	1-E 2	400599X1	585	1-D 12	400646X1	717	1-E 1	400832X1	173	1-B 19
400453X1	269	1-C 4	400599X1	587	1-D 12	400650X1	85	1-B 10	400832X1	175	1-B 19
400453X1	271	1-C 5	400599X1	957	1-F 1	400651X1	111	1-B 13	400832X1	1241	1-G 6
400453X1	641	1-D 18	400599X1	961	1-F 2	400652X1	111	1-B 13	400834X1	319	1-C 9

INDEX

Part No.	Page	Grid	Part No.	Page	Grid	Part No.	Page	Grid	Part No.	Page	Grid
400834X1	1081	1-F 14	5H-8038	369	1-C 14	5P-6254	419	1-C 19	500467D1	329	1-C 10
400835X1	319	1-C 9	5H-8985	373	1-C 15	5P-6254	427	1-C 20	500473D1	1027	1-F 8
400836X1	319	1-C 9	5H-8985	377	1-C 15	5P-6254	435	1-C 21	500473D1	1029	1-F 8
400837X1	117	1-B 13	5H-8985	387	1-C 16	5P-6254	443	1-C 22	500475D1	273	1-C 5
400837X1	139	1-B 15	5H-8985	389	1-C 16	5P-7684	357	1-C 13	500476D1	273	1-C 5
400837X1	173	1-B 19	5J-2974	507	1-D 4	5P-7684	361	1-C 14	500477D1	273	1-C 5
400837X1	175	1-B 19	5J-2974	511	1-D 5	5P-7684	363	1-C 14	500478D1	269	1-C 4
400837X1	179	1-B 19	5J-2974	515	1-D 5	5P-7684	367	1-C 14	500478D1	271	1-C 5
400837X1	207	1-B 22	5J-2974	519	1-D 5	5P-9171	447	1-C 22	500478D1	273	1-C 5
400837X1	209	1-B 22	5K-0461	461	1-C 24	5P-9186	867	1-E 16	500483D1	1021	1-F 8
400837X1	211	1-B 23	5K-0461	463	1-C 24	5S-7349	265	1-C 4	500484D2	1065	1-F 12
400837X1	227	1-B 24	5K-0461	465	1-C 24	500013D1	323	1-C 10	500485D2	1067	1-F 12
400837X1	229	1-B 24	5K-0461	467	1-C 24	500013D1	327	1-C 10	500488D2	1069	1-F 12
400837X1	291	1-C 7	5K-5129	657	1-D 19	500018D1	1113	1-F 17	500489D2	1071	1-F 13
400837X1	293	1-C 7	5K-9090	709	1-D 24	500019D1	163	1-B 18	500493D1	1063	1-F 12
400837X1	297	1-C 7	5K-9660	461	1-C 24	500019D1	1241	1-G 6	500494D1	695	1-D 23
400837X1	299	1-C 7	5K-9660	463	1-C 24	500032D1	277	1-C 5	500500D1	551	1-D 9
400837X1	301	1-C 8	5K-9660	465	1-C 24	500040D1	49	1-B 6	500501D1	551	1-D 9
400837X1	319	1-C 9	5K-9660	467	1-C 24	500040D1	51	1-B 7	500503D1	557	1-D 9
400837X1	321	1-C 10	5M-0578	399	1-C 17	500061D1	679	1-D 21	500505D1	1113	1-F 17
400837X1	333	1-C 11	5M-0578	407	1-C 18	500100D1	155	1-B 17	500512D1	193	1-B 21
400837X1	337	1-C 11	5M-0578	415	1-C 19	500100D1	163	1-B 18	500512D1	323	1-C 10
400837X1	339	1-C 11	5M-0578	423	1-C 20	500100D1	165	1-B 18	500512D1	327	1-C 10
400837X1	341	1-C 12	5M-0578	431	1-C 21	500101D1	163	1-B 18	500513D1	1063	1-F 12
400837X1	1027	1-F 8	5M-0578	439	1-C 21	500102D1	157	1-B 17	500519D1	93	1-B 11
400837X1	1029	1-F 8	5M-0578	447	1-C 22	500102D1	159	1-B 17	500525D1	757	1-E 5
400837X1	1031	1-F 9	5M-2051	449	1-C 22	500102D1	161	1-B 18	500525D1	853	1-E 15
400837X1	1033	1-F 9	5M-7937	357	1-C 13	500102D1	165	1-B 18	500526D1	759	1-E 5
400837X1	1173	1-F 23	5M-7937	359	1-C 13	500102D1	171	1-B 19	500526D1	855	1-E 15
400860X1	551	1-D 9	5M-7937	365	1-C 14	500317D1	135	1-B 15	500528D1	695	1-D 23
400861X1	1177	1-F 23	5M-7937	367	1-C 14	500317D1	295	1-C 7	500529D1	231	1-C 1
400862X1	213	1-B 23	5M-7937	459	1-C 23	500361D1	267	1-C 4	500530D1	231	1-C 1
400862X1	215	1-B 23	5M-7937	461	1-C 24	500362D1	267	1-C 4	500531D1	231	1-C 1
400862X1	217	1-B 23	5M-7937	463	1-C 24	500363D1	267	1-C 4	500531D1	233	1-C 1
400862X1	1241	1-G 6	5M-7937	465	1-C 24	500364D1	267	1-C 4	500531D1	239	1-C 1
400864X1	225	1-B 24	5M-7937	467	1-C 24	500367D1	275	1-C 5	500533D1	825	1-E 12
400864X1	1241	1-G 6	5M-7937	507	1-D 4	500371D1	1199	1-G 1	500535D1	825	1-E 12
400899X1	191	1-B 21	5M-7937	511	1-D 5	500371D1	1201	1-G 2	500537D1	825	1-E 12
400932X1	1041	1-F 10	5M-7937	515	1-D 5	500371D1	1207	1-G 2	500538D1	825	1-E 12
400932X1	1049	1-F 10	5M-7937	519	1-D 5	500371D1	1209	1-G 2	500539D1	825	1-E 12
400941X1	191	1-B 21	5P-0765	1045	1-F 10	500371D1	1213	1-G 3	500540D1	825	1-E 12
400948X1	1027	1-F 8	5P-0995	953	1-F 1	500371D1	1219	1-G 3	500541D1	825	1-E 12
400948X1	1029	1-F 8	5P-1404	357	1-C 13	500371D1	1221	1-G 4	500543D1	865	1-E 16
400961X1	789	1-E 8	5P-1404	361	1-C 14	500371D1	1223	1-G 4	500543D1	901	1-E 20
400961X1	791	1-E 9	5P-1404	365	1-C 14	500372D1	1199	1-G 1	500544D1	901	1-E 20
400963X1	785	1-E 8	5P-1404	369	1-C 14	500372D1	1201	1-G 2	500545D1	901	1-E 20
400963X1	787	1-E 8	5P-3114	371	1-C 15	500372D1	1207	1-G 2	500573D1	639	1-D 17
400968X1	785	1-E 8	5P-3114	373	1-C 15	500372D1	1209	1-G 2	500573D1	645	1-D 18
400968X1	787	1-E 8	5P-3114	375	1-C 15	500372D1	1213	1-G 3	500573D1	647	1-D 18
400968X1	789	1-E 8	5P-3114	377	1-C 15	500372D1	1219	1-G 3	500573D1	649	1-D 18
400968X1	791	1-E 9	5P-3114	379	1-C 15	500372D1	1221	1-G 4	500573D1	853	1-E 15
5B-5821	357	1-C 13	5P-3114	383	1-C 16	500372D1	1223	1-G 4	500574D1	635	1-D 17
5B-5821	359	1-C 13	5P-3114	385	1-C 16	500375D1	711	1-E 1	500574D1	637	1-D 17
5B-5821	365	1-C 14	5P-3114	387	1-C 16	500376D1	345	1-C 12	500574D1	641	1-D 18
5B-5821	367	1-C 14	5P-3114	389	1-C 16	500378D1	1063	1-F 12	500574D1	643	1-D 18
5B-5821	449	1-C 22	5P-3114	391	1-C 17	500382D1	1079	1-F 13	500574D1	855	1-E 15
5B-5821	459	1-C 23	5P-3723	399	1-C 17	500385D1	277	1-C 5	500575D1	639	1-D 17
5B-5821	461	1-C 24	5P-3723	407	1-C 18	500389D1	345	1-C 12	500575D1	645	1-D 18
5B-5821	463	1-C 24	5P-3723	415	1-C 19	500392D1	345	1-C 12	500575D1	647	1-D 18
5B-5821	465	1-C 24	5P-3723	423	1-C 20	500393D1	673	1-D 21	500575D1	649	1-D 18
5B-5821	467	1-C 24	5P-3723	431	1-C 21	500393D2	675	1-D 21	500575D1	739	1-E 3
5C-2890	1037	1-F 9	5P-3723	439	1-C 21	500394D1	673	1-D 21	500576D1	635	1-D 17
5C-2890	1043	1-F 10	5P-3863	355	1-C 13	500394D2	675	1-D 21	500576D1	637	1-D 17
5C-2890	1045	1-F 10	5P-3863	361	1-C 14	500398D1	173	1-B 19	500576D1	641	1-D 18
5C-7261	133	1-B 15	5P-3863	363	1-C 14	500398D1	175	1-B 19	500576D1	643	1-D 18
5D-4116	953	1-F 1	5P-3863	369	1-C 14	500419D1	1151	1-F 21	500576D1	735	1-E 3
5H-3182	499	1-D 3	5P-3930	377	1-C 15	500441D2	599	1-D 13	500585D1	799	1-E 9
5H-3182	501	1-D 4	5P-3930	379	1-C 15	500442D1	1063	1-F 12	500585D1	815	1-E 11
5H-3252	507	1-D 4	5P-3930	387	1-C 16	500445D1	1053	1-F 11	500585D1	817	1-E 11
5H-3252	511	1-D 5	5P-3930	391	1-C 17	500446D1	293	1-C 7	500586D1	817	1-E 11
5H-3252	515	1-D 5	5P-4298	455	1-C 23	500446D1	299	1-C 7	500586D1	819	1-E 11
5H-3252	519	1-D 5	5P-4298	457	1-C 23	500450D1	1063	1-F 12	500598D1	799	1-E 9
5H-8038	355	1-C 13	5P-4961	1043	1-F 10	500454D1	825	1-E 12	500598D1	831	1-E 13
5H-8038	361	1-C 14	5P-6254	403	1-C 18	500455D1	825	1-E 12	500598D1	833	1-E 13
5H-8038	365	1-C 14	5P-6254	411	1-C 19	500456D1	825	1-E 12	500606D1	195	1-B 21

MT700 SERIES TRACK TRACTORS

41
INDEX

Part No.	Page	Grid	Part No.	Page	Grid	Part No.	Page	Grid	Part No.	Page	Grid
500606D1	269	1-C 4	500741D1	55	1-B 7	500927D1	1099	1-F 15	501166D1	1185	1-F 24
500607D1	195	1-B 21	500741D1	1189	1-F 24	500929D1	1099	1-F 15	501167D1	1185	1-F 24
500607D1	283	1-C 6	500742D1	57	1-B 7	500931D1	1099	1-F 15	501168D1	275	1-C 5
500610D1	269	1-C 4	500742D1	59	1-B 7	500933D1	725	1-E 2	501169D1	275	1-C 5
500611D1	195	1-B 21	500742D1	1191	1-G 1	500934D1	713	1-E 1	501170D1	275	1-C 5
500611D1	271	1-C 5	500743D1	61	1-B 8	500949D1	719	1-E 1	501171D1	275	1-C 5
500616D1	195	1-B 21	500743D1	63	1-B 8	500949D1	725	1-E 2	501180D1	619	1-D 15
500616D1	271	1-C 5	500743D1	1193	1-G 1	500950D1	719	1-E 1	501181D1	619	1-D 15
500619D1	183	1-B 20	500748D2	1195	1-G 1	500950D1	725	1-E 2	501199D1	953	1-F 1
500619D1	187	1-B 20	500749D1	1195	1-G 1	500957D1	1097	1-F 15	501199D1	961	1-F 2
500619D1	1063	1-F 12	500749D1	1197	1-G 1	500957D1	1099	1-F 15	501209D1	657	1-D 19
500624D1	1097	1-F 15	500750D1	881	1-E 18	500972D1	111	1-B 13	501210D1	1053	1-F 11
500624D1	1099	1-F 15	500751D1	885	1-E 18	500978D1	111	1-B 13	501211D1	557	1-D 9
500625D1	1099	1-F 15	500751D1	897	1-E 19	500980D1	81	1-B 10	501213D1	619	1-D 15
500629D1	195	1-B 21	500758D1	111	1-B 13	500981D1	81	1-B 10	501214D1	691	1-D 15
500630D1	195	1-B 21	500761D1	1011	1-F 7	500984D1	81	1-B 10	501241D1	1053	1-F 11
500634D2	217	1-B 23	500761D1	1015	1-F 7	501025D1	711	1-E 1	501250D1	1199	1-G 1
500635D2	217	1-B 23	500761D1	1025	1-F 8	501026D1	1159	1-F 21	501250D1	1201	1-G 2
500636D1	213	1-B 23	500768D1	1009	1-F 6	501028D1	1097	1-F 15	501250D1	1205	1-G 2
500636D1	215	1-B 23	500768D1	1011	1-F 7	501030D1	903	1-E 20	501251D1	601	1-D 14
500636D1	217	1-B 23	500768D1	1013	1-F 7	501031D1	919	1-E 21	501251D1	1173	1-F 23
500637D1	217	1-B 23	500768D1	1015	1-F 7	501032D1	919	1-E 21	501251D1	1205	1-G 2
500638D1	217	1-B 23	500768D1	1023	1-F 8	501033D1	247	1-C 2	501251D1	1215	1-G 3
500639D1	217	1-B 23	500772D1	951	1-F 1	501033D1	319	1-C 9	501252D1	1205	1-G 2
500640D1	213	1-B 23	500773D1	213	1-B 23	501067D1	725	1-E 2	501252D1	1215	1-G 3
500641D1	215	1-B 23	500773D1	215	1-B 23	501068D1	725	1-E 2	501253D1	1201	1-G 2
500642D1	217	1-B 23	500773D1	219	1-B 23	501069D1	725	1-E 2	501253D1	1203	1-G 2
500650D1	215	1-B 23	500774D1	217	1-B 23	501073D1	279	1-C 5	501253D1	1205	1-G 2
500651D1	217	1-B 23	500774D1	221	1-B 24	501073D1	281	1-C 6	501253D1	1211	1-G 3
500652D1	217	1-B 23	500789D1	881	1-E 18	501074D1	279	1-C 5	501253D1	1215	1-G 3
500653D1	213	1-B 23	500790D1	885	1-E 18	501074D1	281	1-C 6	501253D1	1223	1-G 4
500653D2	213	1-B 23	500791D2	1073	1-F 13	501075D1	279	1-C 5	501254D1	1219	1-G 3
500653D2	215	1-B 23	500792D2	1075	1-F 13	501075D1	281	1-C 6	501254D1	1221	1-G 4
500653D2	217	1-B 23	500834D1	627	1-D 16	501081D1	725	1-E 2	501256D1	1171	1-F 23
500654D1	213	1-B 23	500834D1	629	1-D 16	501082D1	725	1-E 2	501257D1	1217	1-G 3
500654D2	213	1-B 23	500837D1	623	1-D 16	501083D1	725	1-E 2	501258D1	1207	1-G 2
500654D2	215	1-B 23	500837D1	627	1-D 16	501084D1	725	1-E 2	501258D1	1221	1-G 4
500654D2	217	1-B 23	500838D1	621	1-D 16	501085D1	725	1-E 2	501259D1	1217	1-G 3
500658B1	1099	1-F 15	500838D1	629	1-D 16	501086D1	725	1-E 2	501260D1	1219	1-G 3
500660D1	1099	1-F 15	500839D1	1009	1-F 6	501087D1	725	1-E 2	501261D1	1217	1-G 3
500671D1	795	1-E 9	500839D1	1011	1-F 7	501102D1	713	1-E 1	501262D1	1211	1-G 3
500671D1	797	1-E 9	500839D1	1013	1-F 7	501103D1	1199	1-G 1	501262D1	1219	1-G 3
500674D1	217	1-B 23	500839D1	1015	1-F 7	501103D1	1219	1-G 3	501263D1	1219	1-G 3
500676D2	213	1-B 23	500839D1	1021	1-F 8	501104D1	1201	1-G 2	501264D1	1213	1-G 3
500676D2	215	1-B 23	500840D1	1125	1-F 18	501104D1	1211	1-G 3	501265D1	1223	1-G 4
500676D2	217	1-B 23	500845D1	1013	1-F 7	501105D1	1205	1-G 2	501266D1	1199	1-G 1
500677D2	213	1-B 23	500846D1	1009	1-F 6	501105D1	1215	1-G 3	501266D1	1219	1-G 3
500677D2	215	1-B 23	500847D1	1011	1-F 7	501106D1	1199	1-G 1	501267D1	1201	1-G 2
500677D2	217	1-B 23	500848D1	1015	1-F 7	501106D1	1219	1-G 3	501267D1	1211	1-G 3
500678D1	213	1-B 23	500853D1	1127	1-F 18	501107D1	1207	1-G 2	501268D1	1205	1-G 2
500678D1	215	1-B 23	500854D1	1021	1-F 8	501108D1	1199	1-G 1	501270D1	1205	1-G 2
500678D1	217	1-B 23	500882D1	269	1-C 4	501108D1	1219	1-G 3	501271D1	1215	1-G 3
500678D1	1241	1-G 6	500882D1	271	1-C 5	501117D2	323	1-C 10	501272D1	1203	1-G 2
500679D1	211	1-B 23	500896D1	571	1-D 11	501117D2	327	1-C 10	501272D1	1223	1-G 4
500680D1	211	1-B 23	500896D1	573	1-D 11	501120D1	1173	1-F 23	501273D1	1223	1-G 4
500682D1	211	1-B 23	500897D1	571	1-D 11	501124D1	281	1-C 6	501274D1	1207	1-G 2
500686D1	627	1-D 16	500898D1	571	1-D 11	501144D1	1027	1-F 8	501274D1	1221	1-G 4
500686D1	629	1-D 16	500898D1	635	1-D 17	501144D1	1029	1-F 8	501274D1	1223	1-G 4
500714D1	537	1-D 7	500898D1	639	1-D 17	501144D1	1031	1-F 9	501275D1	1199	1-G 1
500715D1	537	1-D 7	500898D1	641	1-D 18	501144D1	1033	1-F 9	501275D1	1207	1-G 2
500716D1	833	1-E 13	500898D1	645	1-D 18	501145D1	1027	1-F 8	501276D1	1205	1-G 2
500717D1	1063	1-F 12	500898D1	647	1-D 18	501145D1	1029	1-F 8	501276D1	1215	1-G 3
500719D1	1195	1-G 1	500898D1	649	1-D 18	501145D1	1031	1-F 9	501277D1	1205	1-G 2
500720D1	1187	1-F 24	500899D1	573	1-D 11	501145D1	1033	1-F 9	501277D1	1217	1-G 3
500721D1	1189	1-F 24	500899D1	637	1-D 17	501146D1	1051	1-F 11	501279D1	1207	1-G 2
500722D1	1191	1-G 1	500899D1	643	1-D 18	501147D1	1027	1-F 8	501279D1	1221	1-G 4
500723D1	1193	1-G 1	500910D1	193	1-B 21	501147D1	1029	1-F 8	501280D1	1199	1-G 1
500724D1	1195	1-G 1	500910D1	289	1-C 6	501147D1	1031	1-F 9	501280D1	1219	1-G 3
500725D1	1197	1-G 1	500925D1	625	1-D 16	501147D1	1033	1-F 9	501281D1	1205	1-G 2
500726D1	1195	1-G 1	500925D1	631	1-D 17	501152D1	557	1-D 9	501281D1	1215	1-G 3
500727D1	1195	1-G 1	500926D1	625	1-D 16	501153D1	1053	1-F 11	501284D1	1199	1-G 1
500728D1	1195	1-G 1	500926D1	631	1-D 17	501153D1	1241	1-G 6	501285D1	1207	1-G 2
500729D1	1195	1-G 1	500926D1	659	1-D 19	501163D1	1185	1-F 24	501286D1	1205	1-G 2
500740D1	1187	1-F 24	500927D1	1017	1-F 7	501164D1	1185	1-F 24	501286D1	1215	1-G 3
500741D1	53	1-B 7	500927D1	1019	1-F 7	501165D1	1185	1-F 24	501287D1	1205	1-G 2

INDEX

Part No.	Page	Grid	Part No.	Page	Grid	Part No.	Page	Grid	Part No.	Page	Grid
501287D1	1215	1-G 3	501368D1	1231	1-G 5	501505D1	1223	1-G 4	501720D2	1049	1-F 10
501288D1	1199	1-G 1	501369D1	1235	1-G 5	501506D1	1225	1-G 4	501721D2	1041	1-F 10
501288D1	1207	1-G 2	501370D1	1225	1-G 4	501507D1	1227	1-G 4	501721D2	1049	1-F 10
501288D1	1221	1-G 4	501371D1	1229	1-G 4	501508D1	1229	1-G 4	501722D2	1041	1-F 10
501289D1	1205	1-G 2	501372D1	1237	1-G 5	501509D1	1231	1-G 5	501722D2	1049	1-F 10
501290D1	1219	1-G 3	501373D1	1233	1-G 5	501510D1	1233	1-G 5	501723D2	1041	1-F 10
501290D1	1221	1-G 4	501374D1	1227	1-G 4	501511D1	1235	1-G 5	501723D2	1049	1-F 10
501291D1	1215	1-G 3	501375D1	1231	1-G 5	501512D1	1237	1-G 5	501724D2	1041	1-F 10
501292D1	1215	1-G 3	501376D1	1235	1-G 5	501521D1	1077	1-F 13	501724D2	1051	1-F 11
501293D1	1219	1-G 3	501377D1	1225	1-G 4	501522D1	1077	1-F 13	501725D1	1041	1-F 10
501294D1	1219	1-G 3	501378D1	1227	1-G 4	501523D1	1079	1-F 13	501725D1	1051	1-F 11
501294D1	1221	1-G 4	501379D1	1229	1-G 4	501524D1	1077	1-F 13	501726D1	1041	1-F 10
501295D1	1211	1-G 3	501380D1	1231	1-G 5	501525D1	1083	1-F 14	501726D1	1051	1-F 11
501296D1	1211	1-G 3	501381D1	1233	1-G 5	501525D1	1085	1-F 14	501727D1	1041	1-F 10
501297D1	1215	1-G 3	501382D1	1235	1-G 5	501526D1	1083	1-F 14	501728D1	1041	1-F 10
501298D1	1223	1-G 4	501383D1	1237	1-G 5	501526D1	1085	1-F 14	501729D1	1041	1-F 10
501299D1	1223	1-G 4	501384D1	1225	1-G 4	501527D1	1083	1-F 14	501730D1	1041	1-F 10
501300D1	1223	1-G 4	501385D1	1229	1-G 4	501527D1	1085	1-F 14	501730D1	1049	1-F 10
501301D1	1223	1-G 4	501386D1	1237	1-G 5	501528D1	1083	1-F 14	501731D1	1041	1-F 10
501302D1	1215	1-G 3	501387D1	1233	1-G 5	501528D1	1085	1-F 14	501731D1	1049	1-F 10
501303D1	1221	1-G 4	501388D1	1227	1-G 4	501529D1	1085	1-F 14	501732D1	1041	1-F 10
501304D1	1199	1-G 1	501389D1	1231	1-G 5	501530D1	1077	1-F 13	501733D1	1041	1-F 10
501305D1	1199	1-G 1	501390D1	1235	1-G 5	501530D1	1087	1-F 14	501734D1	1041	1-F 10
501305D1	1219	1-G 3	501398D1	1229	1-G 4	501531D1	1077	1-F 13	501735D1	1041	1-F 10
501306D1	1199	1-G 1	501399D1	1237	1-G 5	501532D1	331	1-C 11	501737D1	1041	1-F 10
501306D1	1219	1-G 3	501400D1	1233	1-G 5	501532D1	1077	1-F 13	501738D1	325	1-C 10
501307D1	1201	1-G 2	501401D1	1227	1-G 4	501564D1	1173	1-F 23	501738D1	329	1-C 10
501307D1	1211	1-G 3	501402D1	1231	1-G 5	501565D1	1173	1-F 23	501738D1	1051	1-F 11
501314D1	1225	1-G 4	501403D1	1235	1-G 5	501566D1	1173	1-F 23	501738D1	1105	1-F 16
501315D1	1229	1-G 4	501404D1	1225	1-G 4	501603D1	1175	1-F 23	501739D1	607	1-D 14
501316D1	1237	1-G 5	501405D1	647	1-D 18	501604D1	1173	1-F 23	501739D1	609	1-D 14
501317D1	1233	1-G 5	501405D1	649	1-D 18	501651D1	81	1-B 10	501739D1	611	1-D 15
501318D1	1235	1-G 5	501406D1	1173	1-F 23	501651D1	83	1-B 10	501739D1	613	1-D 15
501319D1	1227	1-G 4	501480D1	1197	1-G 1	501651D1	691	1-D 23	501739D1	615	1-D 15
501320D1	1231	1-G 5	501481D1	1197	1-G 1	501652D1	77	1-B 9	501739D1	617	1-D 15
501321D1	1225	1-G 4	501486D1	1197	1-G 1	501652D1	81	1-B 10	501740D1	1031	1-F 9
501322D1	1227	1-G 4	501487D1	1197	1-G 1	501688D1	1171	1-F 23	501740D1	1033	1-F 9
501323D1	1229	1-G 4	501500D1	1199	1-G 1	501688D1	1173	1-F 23	501742D1	607	1-D 14
501324D1	1231	1-G 5	501500D1	1201	1-G 2	501697D1	1031	1-F 9	501742D1	609	1-D 14
501325D1	1233	1-G 5	501500D1	1203	1-G 2	501697D1	1033	1-F 9	501742D1	611	1-D 15
501326D1	1235	1-G 5	501500D1	1205	1-G 2	501697D1	1049	1-F 10	501742D1	613	1-D 15
501327D1	1237	1-G 5	501500D1	1207	1-G 2	501700D1	1049	1-F 10	501742D1	615	1-D 15
501335D1	1225	1-G 4	501500D1	1209	1-G 2	501701D2	1041	1-F 10	501742D1	617	1-D 15
501336D1	1227	1-G 4	501501D1	1211	1-G 3	501701D2	1049	1-F 10	501743D1	607	1-D 14
501337D1	1229	1-G 4	501501D1	1213	1-G 3	501702D1	1041	1-F 10	501743D1	609	1-D 14
501338D1	1231	1-G 5	501501D1	1215	1-G 3	501702D1	1049	1-F 10	501743D1	611	1-D 15
501339D1	1233	1-G 5	501501D1	1217	1-G 3	501703D1	1041	1-F 10	501743D1	613	1-D 15
501340D1	1235	1-G 5	501501D1	1219	1-G 3	501703D1	1049	1-F 10	501743D1	615	1-D 15
501341D1	1237	1-G 5	501501D1	1221	1-G 4	501704D1	1041	1-F 10	501743D1	617	1-D 15
501342D1	1225	1-G 4	501501D1	1223	1-G 4	501704D1	1049	1-F 10	501745D1	1031	1-F 9
501343D1	1227	1-G 4	501502D1	1199	1-G 1	501705D1	1041	1-F 10	501745D1	1033	1-F 9
501344D1	1229	1-G 4	501502D1	1201	1-G 2	501705D1	1049	1-F 10	501765D1	793	1-E 9
501345D1	1233	1-G 5	501502D1	1203	1-G 2	501706D1	1039	1-F 9	501765D1	795	1-E 9
501346D1	1235	1-G 5	501502D1	1205	1-G 2	501706D1	1041	1-F 10	501766D1	795	1-E 9
501347D1	1237	1-G 5	501502D1	1207	1-G 2	501706D1	1047	1-F 10	501766D1	1241	1-G 6
501348D1	1231	1-G 5	501502D1	1209	1-G 2	501706D1	1049	1-F 10	501768D1	793	1-E 9
501349D1	1225	1-G 4	501502D1	1211	1-G 3	501707D2	1049	1-F 10	501768D1	797	1-E 9
501350D1	1227	1-G 4	501502D1	1213	1-G 3	501708D1	1049	1-F 10	501769D1	797	1-E 9
501351D1	1229	1-G 4	501502D1	1215	1-G 3	501709D1	1041	1-F 10	501769D1	1241	1-G 6
501352D1	1231	1-G 5	501502D1	1217	1-G 3	501709D1	1049	1-F 10	501771D1	785	1-E 8
501353D1	1233	1-G 5	501502D1	1219	1-G 3	501710D1	1041	1-F 10	501771D1	787	1-E 8
501354D1	1235	1-G 5	501502D1	1221	1-G 4	501711D2	1041	1-F 10	501771D1	789	1-E 8
501355D1	1237	1-G 5	501502D1	1223	1-G 4	501712D1	1049	1-F 10	501771D1	791	1-E 9
501356D1	1225	1-G 4	501504D1	1199	1-G 1	501713D1	1041	1-F 10	501771D1	1241	1-G 6
501357D1	1227	1-G 4	501504D1	1201	1-G 2	501713D1	1049	1-F 10	501774D1	93	1-B 11
501358D1	1229	1-G 4	501504D1	1203	1-G 2	501714D1	1041	1-F 10	501775D1	1115	1-F 17
501359D1	1231	1-G 5	501504D1	1205	1-G 2	501714D1	1049	1-F 10	501781D1	1115	1-F 17
501360D1	1233	1-G 5	501504D1	1207	1-G 2	501716D1	1041	1-F 10	501785D1	1115	1-F 17
501361D1	1235	1-G 5	501504D1	1209	1-G 2	501716D1	1049	1-F 10	501826D1	1053	1-F 11
501362D1	1237	1-G 5	501505D1	1211	1-G 3	501717D1	1049	1-F 10	501829D1	191	1-B 21
501363D1	1225	1-G 4	501505D1	1213	1-G 3	501718D1	1041	1-F 10	501829D1	193	1-B 21
501364D1	1229	1-G 4	501505D1	1215	1-G 3	501718D1	1049	1-F 10	501829D1	253	1-C 3
501365D1	1237	1-G 5	501505D1	1217	1-G 3	501719D1	1041	1-F 10	501830D1	303	1-C 8
501366D1	1233	1-G 5	501505D1	1219	1-G 3	501719D1	1049	1-F 10	501831D1	305	1-C 8
501367D1	1227	1-G 4	501505D1	1221	1-G 4	501720D2	1041	1-F 10	501831D1	307	1-C 8

MT700 SERIES TRACKTRACTORS

43
INDEX

Part No.	Page	Grid	Part No.	Page	Grid	Part No.	Page	Grid	Part No.	Page	Grid
501832D1	303	1-C 8	501949D1	299	1-C 7	502179D1	245	1-C 2	502523D1	621	1-D 16
501832D1	305	1-C 8	501951D1	799	1-E 9	502180D1	291	1-C 7	502523D1	623	1-D 16
501832D1	309	1-C 8	501951D1	819	1-E 11	502181D1	341	1-C 12	502526D1	953	1-F 1
501833D1	303	1-C 8	501951D1	821	1-E 12	502182D1	1173	1-F 23	502526D1	959	1-F 1
501833D1	305	1-C 8	501953D1	725	1-E 2	502185D1	607	1-D 14	502528D1	1041	1-F 10
501833D1	311	1-C 9	501962D1	199	1-B 21	502185D1	609	1-D 14	502528D1	1051	1-F 11
501834D1	303	1-C 8	501962D1	323	1-C 10	502185D1	611	1-D 15	502555D1	601	1-D 14
501834D1	305	1-C 8	501962D1	327	1-C 10	502185D1	613	1-D 15	502597D1	613	1-D 15
501834D1	313	1-C 9	501968D1	81	1-B 10	502185D1	615	1-D 15	502600D1	919	1-E 21
501835D1	303	1-C 8	501969D1	81	1-B 10	502185D1	617	1-D 15	502609D1	279	1-C 5
501835D1	305	1-C 8	501971D1	81	1-B 10	502188D1	295	1-C 7	502610D1	279	1-C 5
501835D1	315	1-C 9	501972D1	81	1-B 10	502188D1	299	1-C 7	502611D1	279	1-C 5
501836D1	253	1-C 3	501974D1	81	1-B 10	502190D1	245	1-C 2	502612D1	279	1-C 5
501836D1	307	1-C 8	501978D1	263	1-C 4	502191D1	1151	1-F 21	502615D1	613	1-D 15
501836D1	309	1-C 8	501978D1	265	1-C 4	502194D1	323	1-C 10	502616D1	613	1-D 15
501836D1	311	1-C 9	501998D1	323	1-C 10	502194D1	327	1-C 10	502634D1	141	1-B 16
501836D1	313	1-C 9	501998D1	327	1-C 10	502195D1	325	1-C 10	502640D1	1095	1-F 15
501836D1	315	1-C 9	502005D1	319	1-C 9	502195D1	327	1-C 10	502642D1	625	1-D 16
501838D1	311	1-C 9	502006D1	319	1-C 9	502196D1	325	1-C 10	502642D1	631	1-D 17
501839D1	313	1-C 9	502009D1	319	1-C 9	502196D1	329	1-C 10	502642D1	657	1-D 19
501840D1	307	1-C 8	502009D1	331	1-C 11	502197D1	325	1-C 10	502642D1	673	1-D 21
501841D1	253	1-C 3	502010D1	1099	1-F 15	502197D1	329	1-C 10	502642D1	675	1-D 21
501842D1	315	1-C 9	502011D1	1099	1-F 15	502224D1	325	1-C 10	502673D1	785	1-E 8
501877D1	309	1-C 8	502021D1	111	1-B 13	502224D1	329	1-C 10	502674D1	789	1-E 8
501881D1	1053	1-F 11	502033D1	1051	1-F 11	502242D1	191	1-B 21	502675D1	791	1-E 9
501881D1	1241	1-G 6	502035D1	319	1-C 9	502244D1	287	1-C 6	502676D1	785	1-E 8
501883D1	93	1-B 11	502036D1	1051	1-F 11	502245D1	223	1-B 24	502676D1	787	1-E 8
501884D1	93	1-B 11	502053D1	821	1-E 12	502267D1	1041	1-F 10	502676D1	789	1-E 8
501887D1	303	1-C 8	502054D1	821	1-E 12	502267D1	1241	1-G 6	502676D1	791	1-E 9
501887D1	305	1-C 8	502057D1	617	1-D 15	502279D1	1199	1-G 1	502677D1	787	1-E 8
501892D1	79	1-B 9	502058D1	617	1-D 15	502279D1	1219	1-G 3	502678D1	785	1-E 8
501892D1	85	1-B 10	502064D1	1077	1-F 13	502317D1	81	1-B 10	502678D1	787	1-E 8
501898D1	1125	1-F 18	502094D1	213	1-B 23	502321D1	1119	1-F 17	502678D1	789	1-E 8
501898D1	1133	1-F 19	502099D1	331	1-C 11	502321D1	1121	1-F 18	502678D1	791	1-E 9
501899D1	1131	1-F 19	502112D1	527	1-D 6	502322D1	1119	1-F 17	502679D1	785	1-E 8
501900D1	1133	1-F 19	502112D1	531	1-D 7	502322D1	1121	1-F 18	502679D1	787	1-E 8
501900D1	1137	1-F 19	502113D1	527	1-D 6	502329D1	623	1-D 16	502679D1	789	1-E 8
501902D1	1137	1-F 19	502113D1	531	1-D 7	502330D1	621	1-D 16	502679D1	791	1-E 9
501902D1	1139	1-F 19	502114D1	527	1-D 6	502339D1	111	1-B 13	502680D1	785	1-E 8
501903D1	1137	1-F 19	502115D1	531	1-D 7	502356D1	691	1-D 23	502681D1	789	1-E 8
501903D1	1139	1-F 19	502120D1	1095	1-F 15	502423D1	319	1-C 9	502684D1	785	1-E 8
501906D1	1137	1-F 19	502121D1	1095	1-F 15	502423D1	331	1-C 11	502684D1	787	1-E 8
501906D1	1139	1-F 19	502122D1	1095	1-F 15	502434D1	191	1-B 21	502684D1	789	1-E 8
501907D2	1137	1-F 19	502123D1	615	1-D 15	502434D1	193	1-B 21	502684D1	791	1-E 9
501907D2	1139	1-F 19	502124D1	615	1-D 15	502435D1	191	1-B 21	502686D1	785	1-E 8
501908D1	1127	1-F 18	502125D1	607	1-D 14	502457D1	697	1-D 23	502686D1	787	1-E 8
501909D1	1127	1-F 18	502126D1	607	1-D 14	502458D1	697	1-D 23	502686D1	789	1-E 8
501909D1	1135	1-F 19	502127D1	607	1-D 14	502459D1	697	1-D 23	502686D1	791	1-E 9
501910D1	1127	1-F 18	502128D1	607	1-D 14	502471D1	785	1-E 8	502739D1	141	1-B 16
501911D1	1127	1-F 18	502129D1	615	1-D 15	502471D1	787	1-E 8	502744D1	65	1-B 8
501912D1	1127	1-F 18	502130D1	615	1-D 15	502472D1	789	1-E 8	502744D1	67	1-B 8
501912D1	1131	1-F 19	502131D1	609	1-D 14	502472D1	791	1-E 9	502744D1	557	1-D 9
501913D1	1131	1-F 19	502132D1	611	1-D 15	502473D1	789	1-E 8	502762D1	577	1-D 11
501914D1	1131	1-F 19	502133D1	617	1-D 15	502473D1	791	1-E 9	502763D1	1183	1-F 24
501915D1	1131	1-F 19	502134D1	609	1-D 14	502475D1	789	1-E 8	502765D1	243	1-C 2
501916D1	1135	1-F 19	502135D1	617	1-D 15	502475D1	791	1-E 9	502772D1	577	1-D 11
501916D1	1139	1-F 19	502136D1	609	1-D 14	502486D1	191	1-B 21	502773D1	243	1-C 2
501917D1	1139	1-F 19	502137D1	611	1-D 15	502486D1	193	1-B 21	502775D1	1107	1-F 16
501918D1	1139	1-F 19	502138D1	617	1-D 15	502487D1	191	1-B 21	502778D1	595	1-D 13
501919D1	1139	1-F 19	502139D1	609	1-D 14	502499D1	1031	1-F 9	502791D1	1173	1-F 23
501920D1	1139	1-F 19	502140D1	617	1-D 15	502499D1	1033	1-F 9	502792D1	175	1-B 19
501921D1	1131	1-F 19	502150D1	677	1-D 21	502499D1	1049	1-F 10	502792D1	177	1-B 19
501921D1	1139	1-F 19	502151D1	665	1-D 20	502499D1	1051	1-F 11	502793D1	1163	1-F 22
501922D1	1139	1-F 19	502152D1	679	1-D 21	502500D1	1029	1-F 8	502794D1	1149	1-F 20
501928D1	89	1-B 10	502153D1	677	1-D 21	502500D1	1041	1-F 10	502795D1	291	1-C 7
501930D1	87	1-B 10	502154D1	665	1-D 20	502501D1	1013	1-F 7	502796D1	1025	1-F 8
501934D1	199	1-B 21	502155D1	679	1-D 21	502501D1	1015	1-F 7	502797D1	135	1-B 15
501935D1	199	1-B 21	502156D1	677	1-D 21	502501D1	1033	1-F 9	502798D1	595	1-D 13
501936D1	199	1-B 21	502157D1	665	1-D 20	502502D1	1009	1-F 6	502799D1	555	1-D 9
501940D1	295	1-C 7	502171D1	297	1-C 7	502502D1	1011	1-F 7	502900D1	227	1-B 24
501940D1	343	1-C 12	502173D1	301	1-C 8	502502D1	1029	1-F 8	502901D1	349	1-C 12
501941D1	297	1-C 7	502175D1	321	1-C 10	502517D1	1027	1-F 8	502902D1	843	1-E 14
501941D1	301	1-C 8	502176D1	211	1-B 23	502517D1	1029	1-F 8	502903D1	575	1-D 11
501944D1	1063	1-F 12	502177D1	217	1-B 23	502517D1	1031	1-F 9	502917D1	705	1-D 24
501949D1	293	1-C 7	502178D1	803	1-E 10	502517D1	1033	1-F 9	502917D1	707	1-D 24

INDEX

Part No.	Page	Grid	Part No.	Page	Grid	Part No.	Page	Grid	Part No.	Page	Grid
502930D1	665	1-D 20	6V-1586	379	1-C 15	6V-8397	403	1-C 18	6Y-8514	517	1-D 5
502931D1	665	1-D 20	6V-1586	383	1-C 16	6V-8397	411	1-C 19	7C-6467	451	1-C 23
502932D1	665	1-D 20	6V-1586	385	1-C 16	6V-8397	419	1-C 19	7C-6467	453	1-C 23
502933D1	227	1-B 24	6V-1586	389	1-C 16	6V-8397	427	1-C 20	7C-6467	455	1-C 23
502933D1	229	1-B 24	6V-1586	391	1-C 17	6V-8397	459	1-C 23	7C-6467	457	1-C 23
502934D1	227	1-B 24	6V-1820	77	1-B 9	6V-8397	467	1-C 24	7C-6467	505	1-D 4
502934D1	229	1-B 24	6V-1820	79	1-B 9	6V-8397	709	1-D 24	7C-6467	509	1-D 4
6C-9149	451	1-C 23	6V-2483	355	1-C 13	6V-8397	755	1-E 5	7C-6467	513	1-D 5
6D-1004	77	1-B 9	6V-2483	361	1-C 14	6V-8398	445	1-C 22	7C-6467	517	1-D 5
6D-1004	79	1-B 9	6V-2483	363	1-C 14	6V-8398	709	1-D 24	7G-4822	371	1-C 15
6D-7690	399	1-C 17	6V-2483	369	1-C 14	6V-8398	719	1-E 1	7G-4822	373	1-C 15
6D-7690	407	1-C 18	6V-2832	355	1-C 13	6V-8490	377	1-C 15	7G-4822	375	1-C 15
6D-7690	415	1-C 19	6V-2832	361	1-C 14	6V-8490	387	1-C 16	7G-4822	377	1-C 15
6D-7690	423	1-C 20	6V-3508	377	1-C 15	6V-8632	445	1-C 22	7G-4822	383	1-C 16
6D-7690	431	1-C 21	6V-3508	379	1-C 15	6V-8635	709	1-D 24	7G-4822	385	1-C 16
6D-7690	439	1-C 21	6V-3508	387	1-C 16	6V-8636	709	1-D 24	7G-4822	387	1-C 16
6F-7044	293	1-C 7	6V-3508	391	1-C 17	6V-8722	445	1-C 22	7G-4822	389	1-C 16
6F-7044	299	1-C 7	6V-3532	401	1-C 18	6V-8723	709	1-D 24	7G-5670	399	1-C 17
6I-4464	121	1-B 14	6V-3532	409	1-C 18	6V-8724	459	1-C 23	7G-5670	407	1-C 18
6I-8197	399	1-C 17	6V-3532	417	1-C 19	6V-8781	709	1-D 24	7G-5670	415	1-C 19
6I-8197	407	1-C 18	6V-3532	425	1-C 20	6V-8782	445	1-C 22	7G-5670	423	1-C 20
6I-8197	415	1-C 19	6V-3532	433	1-C 21	6V-8934	403	1-C 18	7G-5670	431	1-C 21
6I-8197	423	1-C 20	6V-3532	441	1-C 22	6V-8934	411	1-C 19	7G-5670	439	1-C 21
6I-8197	431	1-C 21	6V-3940	489	1-D 2	6V-8934	419	1-C 19	7G-6945	381	1-C 16
6I-8197	439	1-C 21	6V-3965	355	1-C 13	6V-8934	427	1-C 20	7G-6945	447	1-C 22
6I-8200	399	1-C 17	6V-3965	359	1-C 13	6V-8934	435	1-C 21	7H-3937	1037	1-F 9
6I-8200	407	1-C 18	6V-3965	363	1-C 14	6V-8934	443	1-C 22	7H-3937	1045	1-F 10
6I-8200	415	1-C 19	6V-3965	367	1-C 14	6V-9002	445	1-C 22	7I-2272	1037	1-F 9
6I-8200	423	1-C 20	6V-3965	485	1-D 2	6V-9004	461	1-C 24	7J-0204	357	1-C 13
6I-8200	431	1-C 21	6V-3965	487	1-D 2	6V-9004	463	1-C 24	7J-0204	361	1-C 14
6I-8200	439	1-C 21	6V-3965	499	1-D 3	6V-9004	465	1-C 24	7J-0204	363	1-C 14
6I-8390	505	1-D 4	6V-3965	501	1-D 4	6V-9004	467	1-C 24	7J-0204	367	1-C 14
6I-8390	509	1-D 4	6V-4249	357	1-C 13	6V-9189	445	1-C 22	7J-0204	429	1-C 20
6I-8390	513	1-D 5	6V-4249	361	1-C 14	6V-9189	453	1-C 23	7J-0204	443	1-C 22
6I-8390	517	1-D 5	6V-4249	365	1-C 14	6V-9189	455	1-C 23	7J-9108	445	1-C 22
6I-8566	399	1-C 17	6V-4249	369	1-C 14	6V-9189	457	1-C 23	7K-1181	393	1-C 17
6I-8566	407	1-C 18	6V-5215	507	1-D 4	6V-9189	507	1-D 4	7K-1181	395	1-C 17
6I-8566	415	1-C 19	6V-5215	511	1-D 5	6V-9189	511	1-D 5	7L-2894	265	1-C 4
6I-8566	423	1-C 20	6V-5215	515	1-D 5	6V-9189	515	1-D 5	7M-8485	355	1-C 13
6I-8566	431	1-C 21	6V-5215	519	1-D 5	6V-9189	519	1-D 5	7M-8485	359	1-C 13
6I-8566	439	1-C 21	6V-5218	489	1-D 2	6V-9632	1023	1-F 8	7M-8485	365	1-C 14
6K-6307	357	1-C 13	6V-5221	77	1-B 9	6V-9632	1121	1-F 18	7M-8485	367	1-C 14
6K-6307	361	1-C 14	6V-5221	79	1-B 9	6V-9746	461	1-C 24	7M-8485	709	1-D 24
6K-6307	363	1-C 14	6V-5684	381	1-C 16	6V-9746	463	1-C 24	7T-0093	1037	1-F 9
6K-6307	367	1-C 14	6V-5684	447	1-C 22	6V-9746	465	1-C 24	7T-0093	1045	1-F 10
6N-3827	265	1-C 4	6V-5815	375	1-C 15	6V-9746	467	1-C 24	7T-1099	1023	1-F 8
6S-3002	355	1-C 13	6V-5815	383	1-C 16	6V-9808	721	1-E 2	7T-3267	265	1-C 4
6S-3002	361	1-C 14	6V-5839	77	1-B 9	6Y-1223	449	1-C 22	7T-3268	265	1-C 4
6S-3002	363	1-C 14	6V-5839	79	1-B 9	6Y-5631	505	1-D 4	7T-3271	265	1-C 4
6S-3002	369	1-C 14	6V-5842	507	1-D 4	6Y-5631	509	1-D 4	7T-3275	265	1-C 4
6V-0473	505	1-D 4	6V-5842	511	1-D 5	6Y-5631	513	1-D 5	7T-3279	265	1-C 4
6V-0473	509	1-D 4	6V-5842	515	1-D 5	6Y-5631	517	1-D 5	7T-3451	265	1-C 4
6V-0473	513	1-D 5	6V-5842	519	1-D 5	6Y-7922	505	1-D 4	7T-3454	265	1-C 4
6V-0473	517	1-D 5	6V-6317	397	1-C 17	6Y-7922	509	1-D 4	7T-4515	503	1-D 4
6V-0484	357	1-C 13	6V-6317	405	1-C 18	6Y-7922	513	1-D 5	7T-9356	507	1-D 4
6V-0484	359	1-C 13	6V-6317	409	1-C 18	6Y-7922	517	1-D 5	7T-9356	511	1-D 5
6V-0484	365	1-C 14	6V-6317	413	1-C 19	6Y-7932	371	1-C 15	7T-9356	513	1-D 5
6V-0484	367	1-C 14	6V-6317	421	1-C 20	6Y-7932	373	1-C 15	7T-9356	517	1-D 5
6V-0852	357	1-C 13	6V-6317	429	1-C 20	6Y-7932	375	1-C 15	7X-0562	265	1-C 4
6V-0852	359	1-C 13	6V-6317	437	1-C 21	6Y-7932	379	1-C 15	7X-2049	1035	1-F 9
6V-0852	363	1-C 14	6V-6609	507	1-D 4	6Y-7932	383	1-C 16	7X-2049	1043	1-F 10
6V-0852	367	1-C 14	6V-6609	511	1-D 5	6Y-7932	385	1-C 16	7X-2465	597	1-D 13
6V-0852	393	1-C 17	6V-6609	515	1-D 5	6Y-7932	389	1-C 16	7X-2488	507	1-D 4
6V-0852	395	1-C 17	6V-6609	519	1-D 5	6Y-7932	391	1-C 17	7X-2488	511	1-D 5
6V-0852	499	1-D 3	6V-7357	1037	1-F 9	6Y-7968	505	1-D 4	7X-2488	515	1-D 5
6V-0852	501	1-D 4	6V-7357	1045	1-F 10	6Y-7968	509	1-D 4	7X-2488	519	1-D 5
6V-0852	505	1-D 4	6V-8154	401	1-C 18	6Y-7968	513	1-D 5	7X-2533	1043	1-F 10
6V-0852	509	1-D 4	6V-8154	409	1-C 18	6Y-7968	517	1-D 5	7X-2537	357	1-C 13
6V-0852	513	1-D 5	6V-8154	417	1-C 19	6Y-8512	505	1-D 4	7X-2537	361	1-C 14
6V-0852	517	1-D 5	6V-8154	425	1-C 20	6Y-8512	509	1-D 4	7X-2537	363	1-C 14
6V-0852	1241	1-G 6	6V-8154	433	1-C 21	6Y-8512	513	1-D 5	7X-2537	369	1-C 14
6V-1197	449	1-C 22	6V-8154	441	1-C 22	6Y-8512	517	1-D 5	7X-2554	451	1-C 23
6V-1586	371	1-C 15	6V-8188	265	1-C 4	6Y-8514	505	1-D 4	7X-2556	451	1-C 23
6V-1586	373	1-C 15	6V-8369	1171	1-F 23	6Y-8514	509	1-D 4	7X-2557	451	1-C 23
6V-1586	375	1-C 15	6V-8378	265	1-C 4	6Y-8514	513	1-D 5	7X-2559	451	1-C 23

MT700 SERIES TRACKTRACTORS

45
INDEX

Part No.	Page	Grid	Part No.	Page	Grid	Part No.	Page	Grid	Part No.	Page	Grid
7X-2565	507	1-D 4	8E-8311	407	1-C 18	8T-3597	571	1-D 11	8T-4195	461	1-C 24
7X-2565	511	1-D 5	8E-8311	415	1-C 19	8T-3597	573	1-D 11	8T-4195	463	1-C 24
7X-2565	515	1-D 5	8E-8311	423	1-C 20	8T-3612	569	1-D 10	8T-4195	465	1-C 24
7X-2565	519	1-D 5	8E-8311	431	1-C 21	8T-3994	1141	1-F 20	8T-4195	467	1-C 24
7X-2569	453	1-C 23	8E-8311	439	1-C 21	8T-4121	133	1-B 15	8T-4200	393	1-C 17
7X-2569	455	1-C 23	8E-8313	505	1-D 4	8T-4121	397	1-C 17	8T-4200	395	1-C 17
7X-2569	457	1-C 23	8E-8313	509	1-D 4	8T-4121	405	1-C 18	8T-4200	445	1-C 22
7X-3373	265	1-C 4	8E-8313	513	1-D 5	8T-4121	409	1-C 18	8T-4205	265	1-C 4
7X-7816	403	1-C 18	8E-8313	517	1-D 5	8T-4121	421	1-C 20	8T-4223	393	1-C 17
7X-7816	411	1-C 19	8E-8653	505	1-D 4	8T-4121	429	1-C 20	8T-4223	395	1-C 17
7X-7816	419	1-C 19	8E-8653	509	1-D 4	8T-4121	437	1-C 21	8T-4223	403	1-C 18
7X-7816	427	1-C 20	8E-8653	513	1-D 5	8T-4121	459	1-C 23	8T-4223	405	1-C 18
7X-7816	435	1-C 21	8E-8653	517	1-D 5	8T-4121	461	1-C 24	8T-4223	411	1-C 19
7X-7816	443	1-C 22	8F-1434	265	1-C 4	8T-4121	463	1-C 24	8T-4223	413	1-C 19
72571001	283	1-C 6	8F-3469	381	1-C 16	8T-4121	465	1-C 24	8T-4223	419	1-C 19
72571005	345	1-C 12	8F-3469	447	1-C 22	8T-4121	467	1-C 24	8T-4223	421	1-C 20
72571006	277	1-C 5	8F-3469	453	1-C 23	8T-4121	709	1-D 24	8T-4223	427	1-C 20
72571006	279	1-C 5	8F-3469	455	1-C 23	8T-4123	453	1-C 23	8T-4223	429	1-C 20
72571008	283	1-C 6	8F-3469	457	1-C 23	8T-4123	455	1-C 23	8T-4223	435	1-C 21
72571023	345	1-C 12	8H-1141	265	1-C 4	8T-4123	457	1-C 23	8T-4223	437	1-C 21
79019518B	195	1-B 21	8L-2777	401	1-C 18	8T-4123	507	1-D 4	8T-4223	443	1-C 22
8B-6375	459	1-C 23	8L-2777	411	1-C 19	8T-4123	511	1-D 5	8T-4223	507	1-D 4
8B-6375	461	1-C 24	8L-2777	419	1-C 19	8T-4123	515	1-D 5	8T-4223	511	1-D 5
8B-6375	463	1-C 24	8L-2777	427	1-C 20	8T-4123	519	1-D 5	8T-4223	515	1-D 5
8B-6375	465	1-C 24	8L-2777	435	1-C 21	8T-4133	709	1-D 24	8T-4223	519	1-D 5
8B-6375	467	1-C 24	8L-2777	443	1-C 22	8T-4136	133	1-B 15	8T-4223	709	1-D 24
8C-0572	553	1-D 9	8L-2777	867	1-E 16	8T-4137	459	1-C 23	8T-4224	393	1-C 17
8C-3290	597	1-D 13	8L-9381	1035	1-F 9	8T-4138	1035	1-F 9	8T-4224	395	1-C 17
8C-3428	393	1-C 17	8L-9381	1037	1-F 9	8T-4138	1043	1-F 10	8T-4224	445	1-C 22
8C-3428	395	1-C 17	8L-9381	1039	1-F 9	8T-4139	507	1-D 4	8T-4224	507	1-D 4
8C-5224	453	1-C 23	8L-9381	1043	1-F 10	8T-4139	511	1-D 5	8T-4224	511	1-D 5
8C-5224	455	1-C 23	8L-9381	1045	1-F 10	8T-4139	515	1-D 5	8T-4224	515	1-D 5
8C-5224	457	1-C 23	8L-9381	1047	1-F 10	8T-4139	519	1-D 5	8T-4224	519	1-D 5
8C-6865	399	1-C 17	8M-5253	489	1-D 2	8T-4139	709	1-D 24	8T-4956	449	1-C 22
8C-6865	407	1-C 18	8M-7160	403	1-C 18	8T-4140	357	1-C 13	8T-5001	445	1-C 22
8C-6865	415	1-C 19	8M-7160	411	1-C 19	8T-4140	361	1-C 14	8T-5001	447	1-C 22
8C-6865	423	1-C 20	8M-7160	419	1-C 19	8T-4140	363	1-C 14	8T-5005	709	1-D 24
8C-6865	431	1-C 21	8M-7160	427	1-C 20	8T-4140	369	1-C 14	8T-5030	373	1-C 15
8C-6865	439	1-C 21	8M-7160	435	1-C 21	8T-4170	451	1-C 23	8T-5030	377	1-C 15
8C-8478	507	1-D 4	8M-7160	443	1-C 22	8T-4176	507	1-D 4	8T-5030	387	1-C 16
8C-8478	511	1-D 5	8N-1536	1039	1-F 9	8T-4176	511	1-D 5	8T-5030	389	1-C 16
8C-8478	515	1-D 5	8P-7898	449	1-C 22	8T-4176	515	1-D 5	8T-5878	597	1-D 13
8C-8478	519	1-D 5	8S-0768	393	1-C 17	8T-4176	519	1-D 5	8T-6338	709	1-D 24
8C-8778	507	1-D 4	8S-0768	395	1-C 17	8T-4179	393	1-C 17	8T-6869	393	1-C 17
8C-8778	511	1-D 5	8S-0768	505	1-D 4	8T-4179	395	1-C 17	8T-6869	395	1-C 17
8C-8778	513	1-D 5	8S-0768	509	1-D 4	8T-4179	403	1-C 18	8T-6869	445	1-C 22
8C-8778	517	1-D 5	8S-0768	513	1-D 5	8T-4179	405	1-C 18	8T-6870	393	1-C 17
8D-3266	447	1-C 22	8S-0768	517	1-D 5	8T-4179	413	1-C 19	8T-6870	395	1-C 17
8E-0401	371	1-C 15	8T-0100	453	1-C 23	8T-4179	421	1-C 20	8T-7547	355	1-C 13
8E-0401	373	1-C 15	8T-0100	455	1-C 23	8T-4179	429	1-C 20	8T-7547	365	1-C 14
8E-0401	375	1-C 15	8T-0100	457	1-C 23	8T-4179	437	1-C 21	8T-8566	265	1-C 4
8E-0401	379	1-C 15	8T-0251	505	1-D 4	8T-4183	403	1-C 18	8T-8568	265	1-C 4
8E-0401	383	1-C 16	8T-0251	509	1-D 4	8T-4183	411	1-C 19	8T-8569	265	1-C 4
8E-0401	385	1-C 16	8T-0251	513	1-D 5	8T-4183	419	1-C 19	8T-8570	265	1-C 4
8E-0401	389	1-C 16	8T-0251	517	1-D 5	8T-4183	427	1-C 20	8T-9082	627	1-D 16
8E-0401	391	1-C 17	8T-0267	77	1-B 9	8T-4183	435	1-C 21	8T-9082	629	1-D 16
8E-1143	489	1-D 2	8T-0282	401	1-C 18	8T-4183	443	1-C 22	8T-9515	397	1-C 17
8E-8298	377	1-C 15	8T-0282	409	1-C 18	8T-4187	597	1-D 13	8T-9515	405	1-C 18
8E-8298	379	1-C 15	8T-0282	417	1-C 19	8T-4189	133	1-B 15	8T-9515	413	1-C 19
8E-8298	387	1-C 16	8T-0282	425	1-C 20	8T-4189	357	1-C 13	8T-9515	421	1-C 20
8E-8298	391	1-C 17	8T-0282	433	1-C 21	8T-4189	361	1-C 14	8T-9515	429	1-C 20
8E-8308	399	1-C 17	8T-0282	441	1-C 22	8T-4189	363	1-C 14	8T-9515	437	1-C 21
8E-8308	407	1-C 18	8T-0328	265	1-C 4	8T-4189	369	1-C 14	8T-9884	265	1-C 4
8E-8308	415	1-C 19	8T-0646	381	1-C 16	8T-4195	357	1-C 13	8T-9885	265	1-C 4
8E-8308	423	1-C 20	8T-2396	79	1-B 9	8T-4195	361	1-C 14	9B-0453	293	1-C 7
8E-8308	431	1-C 21	8T-2883	461	1-C 24	8T-4195	363	1-C 14	9B-0453	299	1-C 7
8E-8308	439	1-C 21	8T-2883	463	1-C 24	8T-4195	369	1-C 14	9B-7233	265	1-C 4
8E-8308	447	1-C 22	8T-2883	465	1-C 24	8T-4195	397	1-C 17	9F-2247	265	1-C 4
8E-8310	403	1-C 18	8T-2883	467	1-C 24	8T-4195	405	1-C 18	9F-2547	265	1-C 4
8E-8310	411	1-C 19	8T-3490	459	1-C 23	8T-4195	413	1-C 19	9H-5545	381	1-C 16
8E-8310	419	1-C 19	8T-3490	461	1-C 24	8T-4195	421	1-C 20	9H-5545	447	1-C 22
8E-8310	427	1-C 20	8T-3490	463	1-C 24	8T-4195	429	1-C 20	9M-1974	77	1-B 9
8E-8310	435	1-C 21	8T-3490	465	1-C 24	8T-4195	437	1-C 21	9M-1974	79	1-B 9
8E-8310	443	1-C 22	8T-3490	467	1-C 24	8T-4195	449	1-C 22	9M-1974	489	1-D 2
8E-8311	399	1-C 17	8T-3597	569	1-D 10	8T-4195	459	1-C 23	9M-2110	489	1-D 2

MT700 SERIES TRACK TRACTORS

**47
INDEX**

Part No.	Page	Grid	Part No.	Page	Grid	Part No.	Page	Grid	Part No.	Page	Grid
----------	------	------	----------	------	------	----------	------	------	----------	------	------

**MT700 SERIES TRACK TRACTORS
MACHINE ARRANGEMENT**

**BASE UNIT AR-MT735 - 156-5578
ROW ONLY**

NO ILLUSTRATION

NOTIF

**MT700 SERIES TRACK TRACTORS
MACHINE ARRANGEMENT**

49

**BASE UNIT AR-MT735 - 156-5578
ROW ONLY**

ITEM	NUMBER	QTY	DESCRIPTION
-	156-5578	--	BASE UNIT AR [A] (NOT SERVICED)
1	177-1588	1	BASE COMMON AR (NOT SERVICED) (SEE BREAKDOWN FOR COMPONENTS)
2	169-6836	1	INSTALLATION AR-ENGINE (NOT SERVICED) (SEE BREAKDOWN FOR COMPONENTS)
3	500040D1	1	FILM GP (MT735) (NOT SERVICED) (SEE BREAKDOWN FOR COMPONENTS)

NOTIF
PR: t05f07j07b0001

50

MT700 SERIES TRACK TRACTORS
MACHINE ARRANGEMENT

BASE UNIT AR-MT735 - 172-4493
EAME ONLY

NO ILLUSTRATION

NOTIF

**MT700 SERIES TRACK TRACTORS
MACHINE ARRANGEMENT**

51

**BASE UNIT AR-MT735 - 172-4493
EAME ONLY**

ITEM	NUMBER	QTY	DESCRIPTION
-	172-4493	--	BASE UNIT AR-MT735 (NOT SERVICED)
1	177-1589	1	BASE COMMON AR (NOT SERVICED) (SEE BREAKDOWN FOR COMPONENTS)
2	169-6836	1	INSTALLATION AR-ENGINE (NOT SERVICED) (SEE BREAKDOWN FOR COMPONENTS)
3	500040D1	1	FILM GP (MT735) (NOT SERVICED) (SEE BREAKDOWN FOR COMPONENTS)
4	167-2182	1	BATTERY GP (NOT SERVICED) (SEE BREAKDOWN FOR COMPONENTS)

NOTIF
PR: t05f07j07b0002

**MT700 SERIES TRACK TRACTORS
MACHINE ARRANGEMENT**

**BASE UNIT AR-MT745 - 156-5579
ROW ONLY**

NO ILLUSTRATION

NOTIF

**MT700 SERIES TRACK TRACTORS
MACHINE ARRANGEMENT**

53

**BASE UNIT AR-MT745 - 156-5579
ROW ONLY**

ITEM	NUMBER	QTY	DESCRIPTION
-	156-5579	--	BASE UNIT AR-MT745 (NOT SERVICED)
1	177-1588	1	BASE COMMON AR (NOT SERVICED) (SEE BREAKDOWN FOR COMPONENTS)
2	165-7006	1	INSTALLATION AR-ENGINE (NOT SERVICED) (SEE BREAKDOWN FOR COMPONENTS)
3	500741D1	1	FILM GP (MT745) (NOT SERVICED) (SEE BREAKDOWN FOR COMPONENTS)

NOTIF
PR: t05f07j07b0003

MT700 SERIES TRACK TRACTORS
MACHINE ARRANGEMENT

BASE UNIT AR-MT745 - 172-4494
EAME ONLY

NO ILLUSTRATION

NOTIF

**MT700 SERIES TRACK TRACTORS
MACHINE ARRANGEMENT**

55

**BASE UNIT AR-MT745 - 172-4494
EAME ONLY**

ITEM	NUMBER	QTY	DESCRIPTION
-	172-4494	--	BASE UNIT AR-MT745 (NOT SERVICED)
1	177-1589	1	BASE COMMON AR (NOT SERVICED) (SEE BREAKDOWN FOR COMPONENTS)
2	165-7006	1	INSTALLATION AR-ENGINE (NOT SERVICED) (SEE BREAKDOWN FOR COMPONENTS)
3	500741D1	1	FILM GP (MT745) (NOT SERVICED) (SEE BREAKDOWN FOR COMPONENTS)
4	167-2182	1	BATTERY GP (NOT SERVICED) (SEE BREAKDOWN FOR COMPONENTS)

NOTIF
PR: t05f07j07b0004

**MT700 SERIES TRACK TRACTORS
MACHINE ARRANGEMENT**

**BASE UNIT AR-MT755 - 156-5580
ROW ONLY**

NO ILLUSTRATION

NOTIF

**MT700 SERIES TRACK TRACTORS
MACHINE ARRANGEMENT**

57

**BASE UNIT AR-MT755 - 156-5580
ROW ONLY**

ITEM	NUMBER	QTY	DESCRIPTION
-	156-5580	--	BASE UNIT AR-MT755 (NOT SERVICED)
1	177-1588	1	BASE COMMON AR (NOT SERVICED) (SEE BREAKDOWN FOR COMPONENTS)
2	165-7007	1	INSTALLATION AR-ENGINE (NOT SERVICED) (SEE BREAKDOWN FOR COMPONENTS)
3	500742D1	1	FILM GP (MT755) (NOT SERVICED) (SEE BREAKDOWN FOR COMPONENTS)

NOTIF
PR: t05f07j07b0005

**MT700 SERIES TRACK TRACTORS
MACHINE ARRANGEMENT**

**BASE UNIT AR-MT755 - 172-4495
EAME ONLY**

NO ILLUSTRATION

NOTIF

**MT700 SERIES TRACK TRACTORS
MACHINE ARRANGEMENT**

59

**BASE UNIT AR-MT755 - 172-4495
EAME ONLY**

ITEM	NUMBER	QTY	DESCRIPTION
-	172-4495	--	BASE UNIT AR-MT755 (NOT SERVICED)
1	177-1589	1	BASE COMMON AR (NOT SERVICED) (SEE BREAKDOWN FOR COMPONENTS)
2	165-7007	1	INSTALLATION AR-ENGINE (NOT SERVICED) (SEE BREAKDOWN FOR COMPONENTS)
3	500742D1	1	FILM GP (MT755) (NOT SERVICED) (SEE BREAKDOWN FOR COMPONENTS)
4	167-2182	1	BATTERY GP (NOT SERVICED) (SEE BREAKDOWN FOR COMPONENTS)

NOTIF
PR: t05f07j07b0006

60

**MT700 SERIES TRACK TRACTORS
MACHINE ARRANGEMENT**

**BASE UNIT AR-MT765 - 169-5919
ROW ONLY**

NO ILLUSTRATION

NOTIF

**MT700 SERIES TRACK TRACTORS
MACHINE ARRANGEMENT**

61

**BASE UNIT AR-MT765 - 169-5919
ROW ONLY**

ITEM	NUMBER	QTY	DESCRIPTION
-	169-5919	--	BASE UNIT AR-MT765 (NOT SERVICED)
1	177-1588	1	BASE COMMON AR (NOT SERVICED) (SEE BREAKDOWN FOR COMPONENTS)
2	165-7008	1	INSTALLATION AR-ENGINE (NOT SERVICED) (SEE BREAKDOWN FOR COMPONENTS)
3	500743D1	1	FILM GP (MT765) (NOT SERVICED) (SEE BREAKDOWN FOR COMPONENTS)

NOTIF
PR: t05f07j07b0007

62

**MT700 SERIES TRACK TRACTORS
MACHINE ARRANGEMENT**

**BASE UNIT AR-MT765 - 172-4496
EAME ONLY**

NO ILLUSTRATION

NOTIF

**MT700 SERIES TRACK TRACTORS
MACHINE ARRANGEMENT**

63

**BASE UNIT AR-MT765 - 172-4496
EAME ONLY**

ITEM	NUMBER	QTY	DESCRIPTION
-	172-4496	--	BASE UNIT AR-MT765 (NOT SERVICED)
1	177-1589	1	BASE COMMON AR (NOT SERVICED) (SEE BREAKDOWN FOR COMPONENTS)
2	165-7008	1	INSTALLATION AR-ENGINE (NOT SERVICED) (SEE BREAKDOWN FOR COMPONENTS)
3	500743D1	1	FILM GP (MT765) (NOT SERVICED) (SEE BREAKDOWN FOR COMPONENTS)
4	167-2182	1	BATTERY GP (NOT SERVICED) (SEE BREAKDOWN FOR COMPONENTS)

NOTIF
PR: t05f07j07b0008

MT700 SERIES TRACK TRACTORS
MACHINE ARRANGEMENT

BASE COMMON AR - 177-1588
ROW ONLY

NO ILLUSTRATION

NOTIF

**MT700 SERIES TRACK TRACTORS
MACHINE ARRANGEMENT**

65

**BASE COMMON AR - 177-1588
ROW ONLY**

ITEM	NUMBER	QTY	DESCRIPTION
-	177-1588	--	BASE COMMON AR [A] (NOT SERVICED)
1	136-5664	1	LIGHTING GP-SIGNAL (NOT SERVICED) (SEE BREAKDOWN FOR COMPONENTS)
2	136-5667	1	WIRING GP-VEHICLE (NOT SERVICED) (SEE BREAKDOWN FOR COMPONENTS)
3	156-1312	1	HOOD GP-GUARD (NOT SERVICED) (SEE BREAKDOWN FOR COMPONENTS)
4	156-1319	1	FENDER GP (NOT SERVICED) (SEE BREAKDOWN FOR COMPONENTS)
5	158-2341	1	HYDRAULIC AR-COM (NOT SERVICED) (SEE BREAKDOWN FOR COMPONENTS)
6	159-9486	1	CHASSIS AR (NOT SERVICED) (SEE BREAKDOWN FOR COMPONENTS)
7	163-0395	1	FILLER GP (NOT SERVICED) (SEE BREAKDOWN FOR COMPONENTS)
8	165-8559	1	LINES GP-SERVICE BRAKE (NOT SERVICED) (SEE BREAKDOWN FOR COMPONENTS)
9	172-8886	1	WARNING GP-SMV (NOT SERVICED) (SEE BREAKDOWN FOR COMPONENTS)
10	173-4472	1	FILM GP-PAINT (NOT SERVICED) (SEE BREAKDOWN FOR COMPONENTS)
11	178-7157	1	PUMP AR-(63CC) (NOT SERVICED) (SEE BREAKDOWN FOR COMPONENTS)
12	189-8685	1	LINES GP-SERV BRAKE (NOT SERVICED) (SEE BREAKDOWN FOR COMPONENTS)
13	200-4350	1	CONTROL GP-BRAKE (NOT SERVICED) (SEE BREAKDOWN FOR COMPONENTS)
14	200-4370	1	BRAKE CONTROL AR (NOT SERVICED) (SEE BREAKDOWN FOR COMPONENTS)
15	204-7335	1	ENCLOSURE GP (NOT SERVICED) (SEE BREAKDOWN FOR COMPONENTS)
16	210-7485	1	BRAKE GP-PARKING (NOT SERVICED) (SEE BREAKDOWN FOR COMPONENTS)
17	502744D1	1	GUARD GP-SPLASH (S/N: EFF AKN40200; ALA40257;ALM40561;AMS40985) (NOT SERVICED) (SEE BREAKDOWN FOR COMPONENTS)

[A] PART OF 156-5578;156-5579;156-5580;
169-5919 BASE UNIT AR

NOTIF
PR: t05f07j07b0009

**MT700 SERIES TRACK TRACTORS
MACHINE ARRANGEMENT**

**BASE COMMON AR - 177-1589
EAME ONLY**

NO ILLUSTRATION

NOTIF

**MT700 SERIES TRACK TRACTORS
MACHINE ARRANGEMENT**

67

**BASE COMMON AR - 177-1589
EAME ONLY**

ITEM	NUMBER	QTY	DESCRIPTION
-	177-1589	--	BASE COMMON AR [A] (NOT SERVICED)
1	156-1319	1	FENDER GP (NOT SERVICED) (SEE BREAKDOWN FOR COMPONENTS)
2	158-2341	1	HYDRAULIC AR-COM (NOT SERVICED) (SEE BREAKDOWN FOR COMPONENTS)
3	158-5925	1	MOUNTING GP-BODY (NOT SERVICED) (SEE BREAKDOWN FOR COMPONENTS)
4	161-9172	1	HOOD GP-GUARD (NOT SERVICED) (SEE BREAKDOWN FOR COMPONENTS)
5	162-4110	1	EXTENSION GP (FENDER) (NOT SERVICED) (SEE BREAKDOWN FOR COMPONENTS)
6	163-0395	1	FILLER GP (NOT SERVICED) (SEE BREAKDOWN FOR COMPONENTS)
7	CH163-0397	1	DRAIN GP (ECOLOGY) (NOT SERVICED) (SEE BREAKDOWN FOR COMPONENTS)
8	166-4623	1	CONTROL GP MOUNTING (NOT SERVICED) (SEE BREAKDOWN FOR COMPONENTS)
9	167-2181	1	WIRING GP-VEHICLE (EAME) (NOT SERVICED) (SEE BREAKDOWN FOR COMPONENTS)
10	168-1948	1	LIGHTING GP-SIGNAL (NOT SERVICED) (SEE BREAKDOWN FOR COMPONENTS)
11	174-4480	1	FILM GP-PAINT (NOT SERVICED) (SEE BREAKDOWN FOR COMPONENTS)
12	174-4614	1	CHASSIS AR (NOT SERVICED) (SEE BREAKDOWN FOR COMPONENTS)
13	178-9024	1	LINES GP-SERV BRAKE (NOT SERVICED) (SEE BREAKDOWN FOR COMPONENTS)
14	189-8685	1	LINES GP-SERV BRAKE (NOT SERVICED) (SEE BREAKDOWN FOR COMPONENTS)
15	200-4350	1	CONTROL GP-BRAKE (NOT SERVICED) (SEE BREAKDOWN FOR COMPONENTS)
16	200-4360	1	CONTROL GP-BRAKE (NOT SERVICED) (SEE BREAKDOWN FOR COMPONENTS)
17	200-4370	1	BRAKE CONTROL AR (NOT SERVICED) (SEE BREAKDOWN FOR COMPONENTS)
18	204-7335	1	ENCLOSURE GP (NOT SERVICED) (SEE BREAKDOWN FOR COMPONENTS)
19	217-7762	1	BRACE GP-SAFETY (NOT SERVICED) (SEE BREAKDOWN FOR COMPONENTS)
20	502744D1	1	GUARD GP-SPLASH (S/N: EFF AKN40200; ALA40257;ALM40561;AMS40985) (NOT SERVICED) (SEE BREAKDOWN FOR COMPONENTS)

[A] PART OF 172-4493;172-4494;172-4495;
172-4496 BASE UNIT AR

NOTIF
PR: t05f07j07b0010

MT700 SERIES TRACK TRACTORS
ENGINE ARRANGEMENT

INSTALLATION AR - 169-6836
MT735

NO ILLUSTRATION

NOTIF

**MT700 SERIES TRACK TRACTORS
ENGINE ARRANGEMENT**

69

**INSTALLATION AR - 169-6836
MT735**

ITEM	NUMBER	QTY	DESCRIPTION
-	169-6836	--	INSTALLATION AR [A] (NOT SERVICED)
1	151-6970	1	SHAFT GP-INPUT (NOT SERVICED) (SEE BREAKDOWN FOR COMPONENTS)
2	165-6770	1	LINES GP-AIR (NOT SERVICED) (SEE BREAKDOWN FOR COMPONENTS)
3	168-5077	1	COUPLING GP-FLEXIBLE (NOT SERVICED) (SEE BREAKDOWN FOR COMPONENTS)
4	169-3646	1	MOTOR GP-ELECTRIC (NOT SERVICED) (SEE BREAKDOWN FOR COMPONENTS)
5	169-4228	1	MOUNTING GP-ENGINE (NOT SERVICED) (SEE BREAKDOWN FOR COMPONENTS)
6	194-4160	1	ENGINE AR-BASIC (243HP) (NOT SERVICED) (ORDER COMPONENTS THRU CAT ENG DIV.)
7	201-0707	1	MUFFLER GP (NOT SERVICED) (SEE BREAKDOWN FOR COMPONENTS)
8	201-0709	1	LINES GP-EXHAUST (NOT SERVICED) (SEE BREAKDOWN FOR COMPONENTS)
9	201-0725	1	EJECTOR GP-DUST (NOT SERVICED) (SEE BREAKDOWN FOR COMPONENTS)
10	201-4665	1	FAN GP-SUCTION (NOT SERVICED) (SEE BREAKDOWN FOR COMPONENTS)
11	201-4668	1	GUARD GP-FAN (NOT SERVICED) (SEE BREAKDOWN FOR COMPONENTS)
12	201-4669	1	COOLER GP-MTG & (NOT SERVICED) (SEE BREAKDOWN FOR COMPONENTS)
13	202-2027	1	MOUNTING GP-REFRIGERANT (NOT SERVICED) (SEE BREAKDOWN FOR COMPONENTS)
14	202-2070	1	DRIVE GP-ACCESSORY (NOT SERVICED) (SEE BREAKDOWN FOR COMPONENTS)
15	202-2071	1	MOUNTING GP-ALTERNATOR (NOT SERVICED) (SEE BREAKDOWN FOR COMPONENTS)
16	202-2155	1	CLEANER GP-AIR (NOT SERVICED) (SEE BREAKDOWN FOR COMPONENTS)
17	203-2618	1	LINES GP-FUEL (NOT SERVICED) (SEE BREAKDOWN FOR COMPONENTS)
18	203-2619	1	FILTER GP-PRIMARY FUEL (NOT SERVICED) (SEE BREAKDOWN FOR COMPONENTS)
19	203-2620	1	LINES GP-AIR (NOT SERVICED) (SEE BREAKDOWN FOR COMPONENTS)
20	203-2621	1	LINES GP-COOLANT (NOT SERVICED) (SEE BREAKDOWN FOR COMPONENTS)
21	216-4860	1	TANK GP-EXPANSION & (NOT SERVICED) (SEE BREAKDOWN FOR COMPONENTS)

[A] PART OF 156-5578; 172-4493
BASE UNIT AR

NOTIF
PR: t05f07j07b0011

70

MT700 SERIES TRACK TRACTORS
ENGINE ARRANGEMENT

INSTALLATION AR - 165-7006
MT745

NO ILLUSTRATION

NOTIF

**MT700 SERIES TRACK TRACTORS
ENGINE ARRANGEMENT**

71

**INSTALLATION AR - 165-7006
MT745**

ITEM	NUMBER	QTY	DESCRIPTION
-	165-7006	--	INSTALLATION AR [A] (NOT SERVICED)
1	151-6970	1	SHAFT GP-INPUT (NOT SERVICED) (SEE BREAKDOWN FOR COMPONENTS)
2	165-6770	1	LINES GP-AIR (NOT SERVICED) (SEE BREAKDOWN FOR COMPONENTS)
3	168-5077	1	COUPLING GP-FLEXIBLE (NOT SERVICED) (SEE BREAKDOWN FOR COMPONENTS)
4	169-3646	1	MOTOR GP-ELECTRIC (NOT SERVICED) (SEE BREAKDOWN FOR COMPONENTS)
5	169-4228	1	MOUNTING GP-ENGINE (NOT SERVICED) (SEE BREAKDOWN FOR COMPONENTS)
6	177-1414	1	ENGINE AR-COMPL (263HP) (NOT SERVICED) (ORDER COMPONENTS THRU CAT ENG DIV.)
7	201-0707	1	MUFFLER GP (NOT SERVICED) (SEE BREAKDOWN FOR COMPONENTS)
8	201-0709	1	LINES GP-EXHAUST (NOT SERVICED) (SEE BREAKDOWN FOR COMPONENTS)
9	201-0725	1	LINES GP-EJECTOR (NOT SERVICED) (SEE BREAKDOWN FOR COMPONENTS)
10	201-4665	1	FAN GP-SUCTION (NOT SERVICED) (SEE BREAKDOWN FOR COMPONENTS)
11	201-4668	1	GUARD GP-FAN (NOT SERVICED) (SEE BREAKDOWN FOR COMPONENTS)
12	201-4669	1	COOLER GP-MTG & (NOT SERVICED) (SEE BREAKDOWN FOR COMPONENTS)
13	202-2027	1	MOUNTING GP-REFRIGERANT (NOT SERVICED) (SEE BREAKDOWN FOR COMPONENTS)
14	202-2070	1	DRIVE GP-ACCESSORY (NOT SERVICED) (SEE BREAKDOWN FOR COMPONENTS)
15	202-2071	1	MOUNTING GP-ALTERNATOR (NOT SERVICED) (SEE BREAKDOWN FOR COMPONENTS)
16	202-2155	1	CLEANER GP-AIR (NOT SERVICED) (SEE BREAKDOWN FOR COMPONENTS)
17	203-2618	1	LINES GP-FUEL (NOT SERVICED) (SEE BREAKDOWN FOR COMPONENTS)
18	203-2619	1	FILTER GP-PRIMARY FUEL (NOT SERVICED) (SEE BREAKDOWN FOR COMPONENTS)
19	203-2620	1	LINES GP-A/C (NOT SERVICED) (SEE BREAKDOWN FOR COMPONENTS)
20	203-2621	1	LINES GP-COOLANT (NOT SERVICED) (SEE BREAKDOWN FOR COMPONENTS)
21	216-4860	1	TANK GP-EXPANSION & (NOT SERVICED) (SEE BREAKDOWN FOR COMPONENTS)

[A] PART OF 156-5579 BASE UNIT AR

NOTIF
PR: t05f07j07b0012

MT700 SERIES TRACK TRACTORS
ENGINE ARRANGEMENT

INSTALLATION AR - 165-7007
MT755

NO ILLUSTRATION

NOTIF

**MT700 SERIES TRACK TRACTORS
ENGINE ARRANGEMENT**

73

**INSTALLATION AR - 165-7007
MT755**

ITEM	NUMBER	QTY	DESCRIPTION
-	165-7007	--	INSTALLATION AR [A] (NOT SERVICED)
1	151-6970	1	SHAFT GP-INPUT (NOT SERVICED) (SEE BREAKDOWN FOR COMPONENTS)
2	165-6770	1	LINES GP-AIR (NOT SERVICED) (SEE BREAKDOWN FOR COMPONENTS)
3	168-5077	1	COUPLING GP-FLEXIBLE (NOT SERVICED) (SEE BREAKDOWN FOR COMPONENTS)
4	169-3646	1	MOTOR GP-ELECTRIC (NOT SERVICED) (SEE BREAKDOWN FOR COMPONENTS)
5	169-4228	1	MOUNTING GP-ENGINE (NOT SERVICED) (SEE BREAKDOWN FOR COMPONENTS)
6	177-1416	1	ENGINE AR-COMPL (299HP) (NOT SERVICED) (ORDER COMPONENTS THRU CAT ENG DIV.)
7	201-0707	1	MUFFLER GP (NOT SERVICED) (SEE BREAKDOWN FOR COMPONENTS)
8	201-0709	1	LINES GP-EXHAUST (NOT SERVICED) (SEE BREAKDOWN FOR COMPONENTS)
9	201-0725	1	LINES GP-EJECTOR (NOT SERVICED) (SEE BREAKDOWN FOR COMPONENTS)
10	201-4668	1	GUARD GP-FAN (NOT SERVICED) (SEE BREAKDOWN FOR COMPONENTS)
11	201-4669	1	COOLER GP-MTG & (NOT SERVICED) (SEE BREAKDOWN FOR COMPONENTS)
12	202-2027	1	MOUNTING GP-REFRIGERANT (NOT SERVICED) (SEE BREAKDOWN FOR COMPONENTS)
13	202-2070	1	DRIVE GP-ACCESSORY (NOT SERVICED) (SEE BREAKDOWN FOR COMPONENTS)
14	202-2071	1	MOUNTING GP-ALTERNATOR (NOT SERVICED) (SEE BREAKDOWN FOR COMPONENTS)
15	202-2155	1	CLEANER GP-AIR (NOT SERVICED) (SEE BREAKDOWN FOR COMPONENTS)
16	203-2618	1	LINES GP-FUEL (NOT SERVICED) (SEE BREAKDOWN FOR COMPONENTS)
17	203-2619	1	FILTER GP-PRIMARY FUEL (NOT SERVICED) (SEE BREAKDOWN FOR COMPONENTS)
18	203-2620	1	LINES GP-A/C (NOT SERVICED) (SEE BREAKDOWN FOR COMPONENTS)
19	203-2621	1	LINES GP-COOLANT (NOT SERVICED) (SEE BREAKDOWN FOR COMPONENTS)
20	208-5962	1	FAN GP-SUCTION (NOT SERVICED) (SEE BREAKDOWN FOR COMPONENTS)
21	216-4860	1	TANK GP-EXPANSION & (NOT SERVICED) (SEE BREAKDOWN FOR COMPONENTS)

[A] PART OF 156-5580; 172-4495
BASE UNIT AR

NOTIF
PR: t05f07j07b0013

74

MT700 SERIES TRACK TRACTORS
ENGINE ARRANGEMENT

INSTALLATION AR - 165-7008
MT765

NO ILLUSTRATION

NOTIF

**MT700 SERIES TRACK TRACTORS
ENGINE ARRANGEMENT**

75

**INSTALLATION AR - 165-7008
MT765**

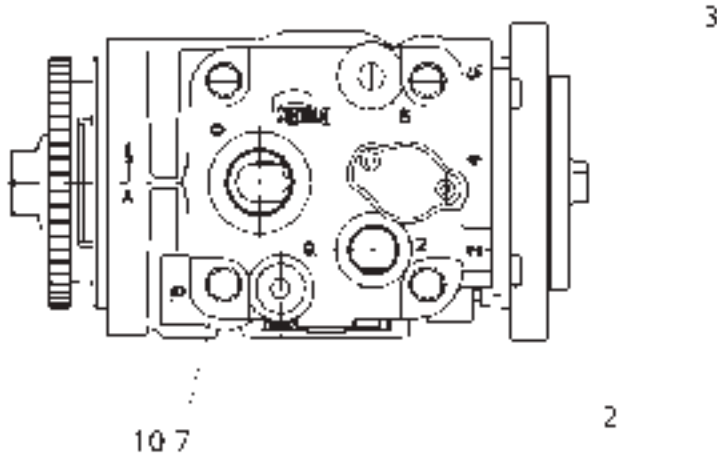
ITEM	NUMBER	QTY	DESCRIPTION
-	165-7008	--	INSTALLATION AR [A] (NOT SERVICED)
1	151-6970	1	SHAFT GP-INPUT (NOT SERVICED) (SEE BREAKDOWN FOR COMPONENTS)
2	165-6770	1	LINES GP-AIR (NOT SERVICED) (SEE BREAKDOWN FOR COMPONENTS)
3	163-0450	1	COUPLING GP-FLEXIBLE (NOT SERVICED) (SEE BREAKDOWN FOR COMPONENTS)
4	169-3646	1	MOTOR GP-ELECTRIC (NOT SERVICED) (SEE BREAKDOWN FOR COMPONENTS)
5	169-4228	1	MOUNTING GP-ENGINE (NOT SERVICED) (SEE BREAKDOWN FOR COMPONENTS)
6	177-1418	1	ENGINE AR-COMPL (316HP) (NOT SERVICED) (ORDER COMPONENTS THRU CAT ENG DIV.)
7	201-0707	1	MUFFLER GP (NOT SERVICED) (SEE BREAKDOWN FOR COMPONENTS)
8	201-0709	1	LINES GP-EXHAUST (NOT SERVICED) (SEE BREAKDOWN FOR COMPONENTS)
9	201-0725	1	LINES GP-EJECTOR (NOT SERVICED) (SEE BREAKDOWN FOR COMPONENTS)
10	208-5962	1	FAN GP-SUCTION (NOT SERVICED) (SEE BREAKDOWN FOR COMPONENTS)
11	201-4668	1	GUARD GP-FAN (NOT SERVICED) (SEE BREAKDOWN FOR COMPONENTS)
12	202-2027	1	COOLER GP-MTG & (NOT SERVICED) (SEE BREAKDOWN FOR COMPONENTS)
13	202-2027	1	MOUNTING GP-REFRIGERANT (NOT SERVICED) (SEE BREAKDOWN FOR COMPONENTS)
14	202-2070	1	DRIVE GP-ACCESSORY (NOT SERVICED) (SEE BREAKDOWN FOR COMPONENTS)
15	202-2071	1	MOUNTING GP-ALTERNATOR (NOT SERVICED) (SEE BREAKDOWN FOR COMPONENTS)
16	202-2155	1	CLEANER GP-AIR (NOT SERVICED) (SEE BREAKDOWN FOR COMPONENTS)
17	203-2618	1	LINES GP-FUEL (NOT SERVICED) (SEE BREAKDOWN FOR COMPONENTS)
18	203-2619	1	FILTER GP-PRIMARY FUEL (NOT SERVICED) (SEE BREAKDOWN FOR COMPONENTS)
19	203-2620	1	LINES GP-A/C (NOT SERVICED) (SEE BREAKDOWN FOR COMPONENTS)
20	203-2621	1	LINES GP-COOLANT (NOT SERVICED) (SEE BREAKDOWN FOR COMPONENTS)
21	216-4860	1	TANK GP-EXPANSION & (NOT SERVICED) (SEE BREAKDOWN FOR COMPONENTS)

[A] PART OF 169-5919; 172-4496
BASE UNIT AR

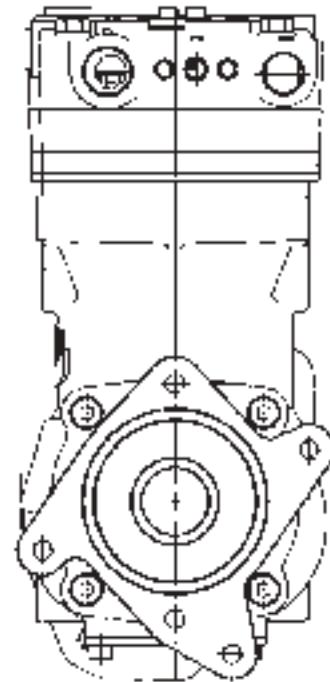
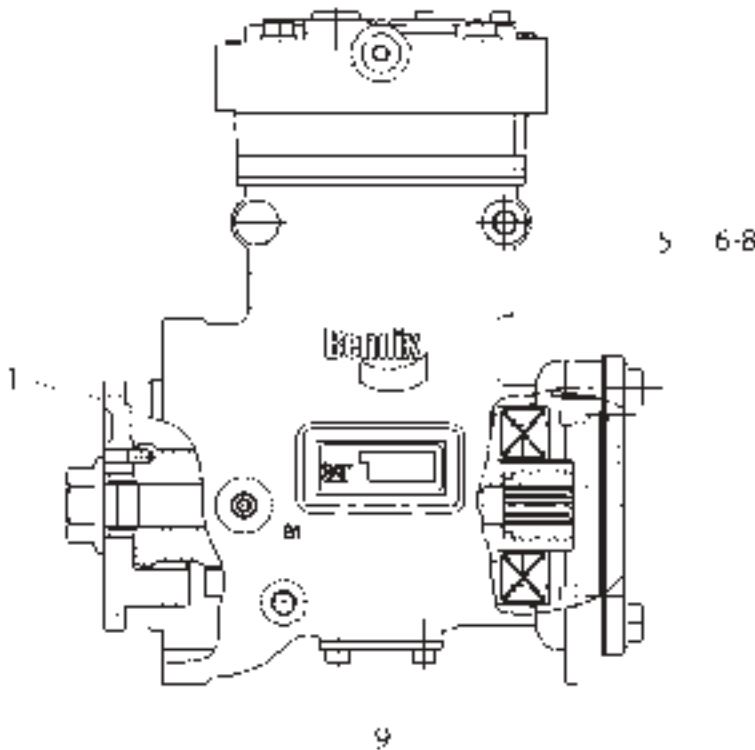
NOTIF
PR: t05f07j07b0014

MT700 SERIES TRACK TRACTORS
BASIC ENGINE

AIR COMPRESSOR GP - 501652D1
EAME ONLY



4-11



VIEW SHOWING REAR FLANGE
WITH END COVER REMOVED

501652DA

MT700 SERIESTRACKTRACTORS
BASIC ENGINE

77

AIR COMPRESSOR GP - 501652D1
EAME ONLY

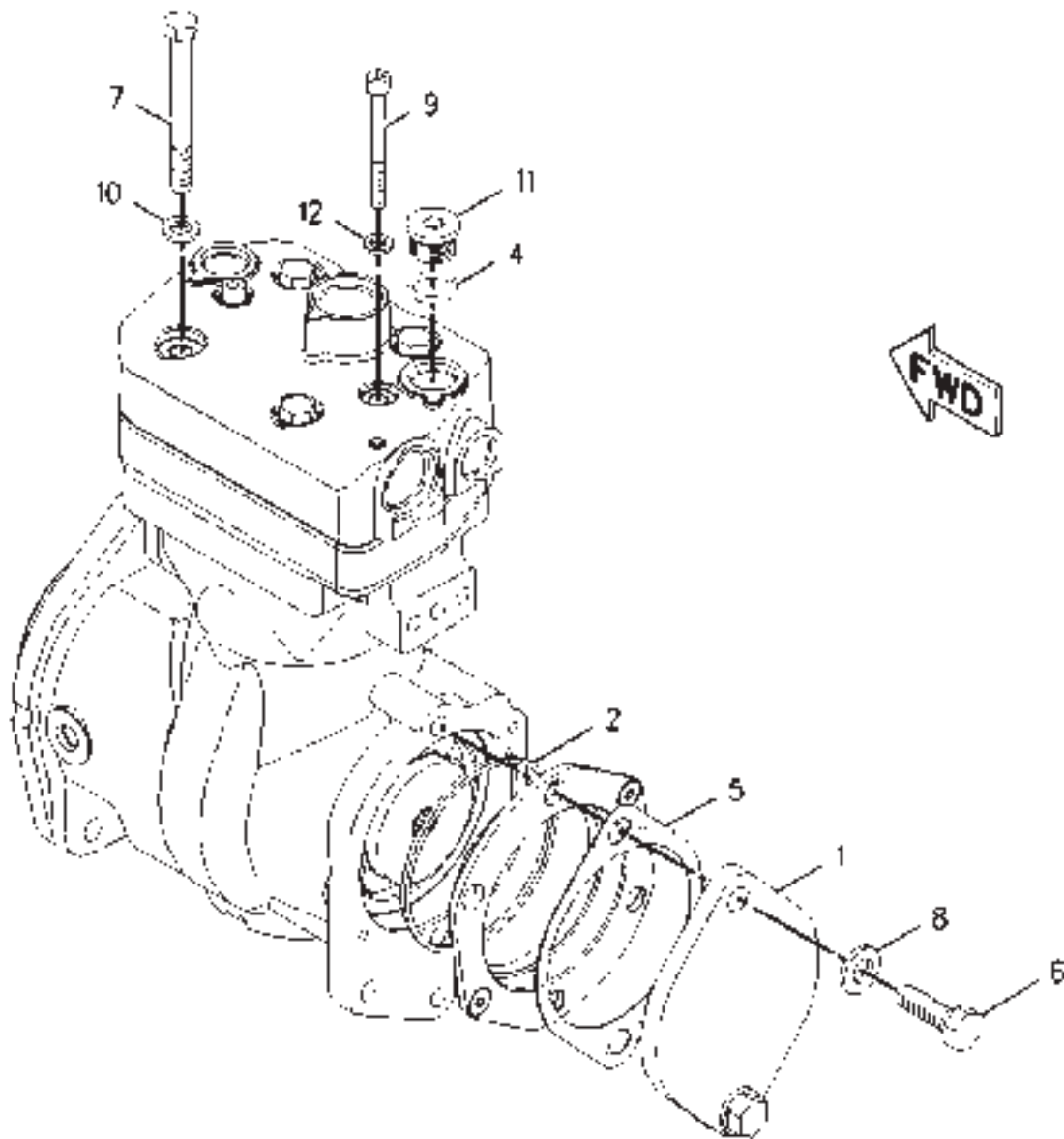
ITEM	NUMBER	QTY	DESCRIPTION
-	501652D1	--	AIR COMPRESSOR GP
1	-----	1	GEAR-AIR COMP (NOT SERVICED SEPARATELY)
2	099-2374	2	BOLT-HEX SOCKET M5X0.8
3	2P-4358	1	FLANGE
4	CH3K-0360	1	O-RING
5	6D-1004	1	GASKET
6	6V-1820	2	BOLT (M10X1.50X30MM)
7	6V-5221	4	BOLT (M8X1.25X80MM)
8	6V-5839	2	WASHER (11X21X2.5MM THK)
9	8T-0267	4	BOLT-SOCKET HEAD M6.1
10	9M-1974	4	WASHER-HARD (8.8X16X2MM THK)
11	9S-8005	1	PLUG
-	217-5232	1	GASKET KIT-HEAD
-	217-5237	1	UNLOADED KIT
-	217-5240	1	SEAL KIT

PART OF 501651D1 COMPRESSOR GP

501652DA
PR: t05f07j07b0015

MT700 SERIES TRACK TRACTORS
BASIC ENGINE

AIR COMPRESSOR GP - 501892D1
EAME ONLY



C0901322

MT700 SERIESTRACKTRACTORS
BASIC ENGINE

79

AIR COMPRESSOR GP - 501892D1
EAME ONLY

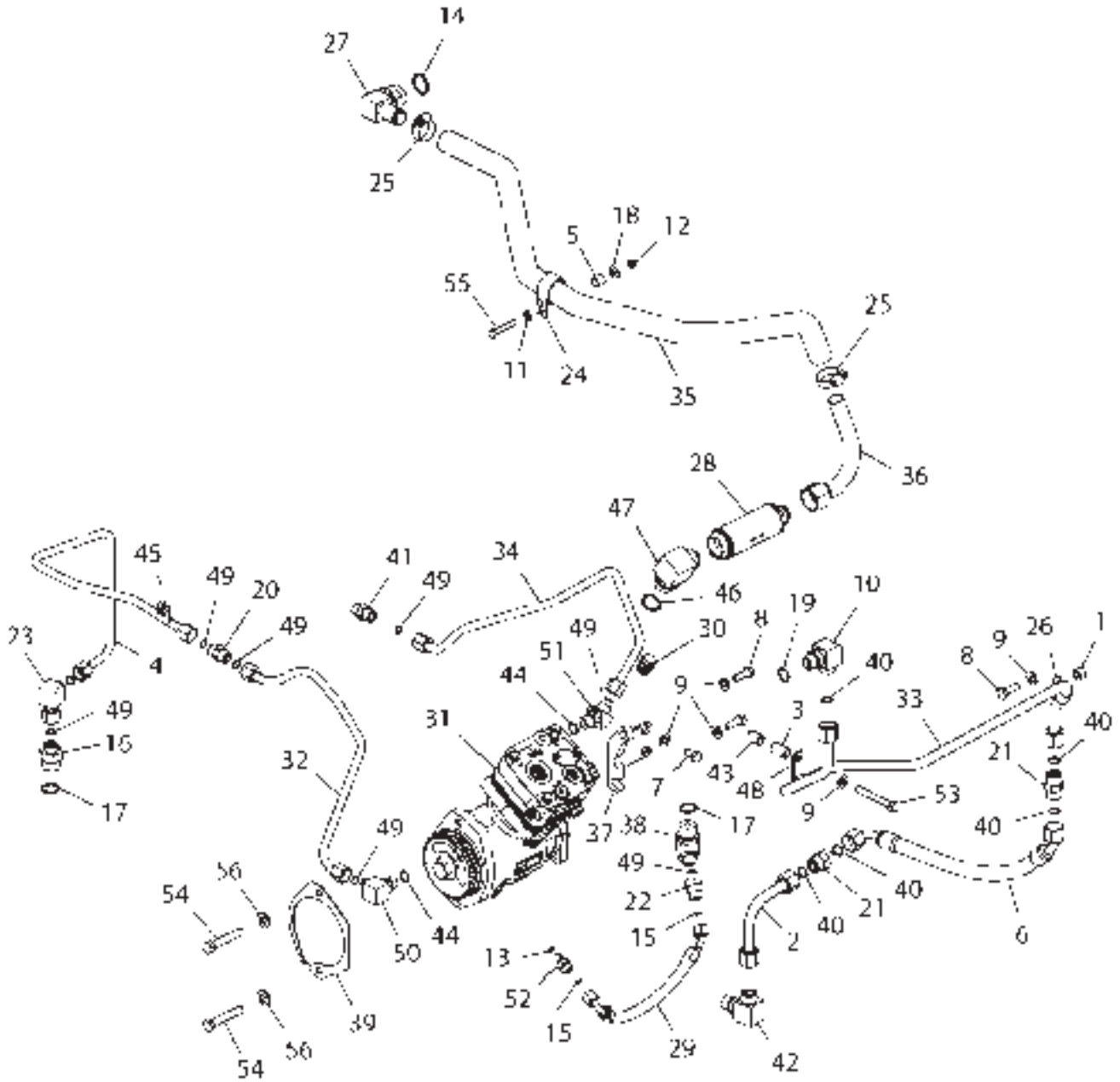
ITEM	NUMBER	QTY	DESCRIPTION
-	501892D1	--	AIR COMPRESSOR GP [A]
1	2P-4358	1	FLANGE
2	179-7383	1	SEAL-O-RING
4	3K-0360	1	SEAL-O-RING
5	6D-1004	1	GASKET
6	6V-1820	2	BOLT (M10X1.50X30MM)
7	6V-5221	4	BOLT (M8X1.25X80MM)
8	6V-5839	2	WASHER (11X21X2.5MM THK)
9	8T-2396	2	BOLT (M6X1.0X60MM)
10	9M-1974	4	WASHER-HARD (8.8X16X2MM THK)
11	9S-8005	1	PLUG
12	9X-8267	2	WASHER (6.6X12X2MM THK)

[A] PART OF 201-4778 AIR COMPRESSOR GP

00901322
PR: t05f07j07b0016

MT700 SERIES TRACK TRACTORS
BASIC ENGINE

COMPRESSOR GP-AIR - 501651D1
EAME ONLY



MT700 SERIES TRACK TRACTORS
BASIC ENGINE

81

COMPRESSOR GP-AIR - 501651D1
EAME ONLY

ITEM	NUMBER	QTY	DESCRIPTION
-	501651D1	--	COMPRESSOR GP-AIR [A] (NOT SERVICED)
1	CH200-4328	1	SPACER 11 ID
2	CH207-2834	1	TUBE AS.
3	209-3396	1	SPACER
4	CH211-3586	1	TUBE AS.
5	CH211-3792	1	SPACER
6	CH213-6946	1	HOSE AS.-12.7 ID (CMS 5758A
7	400040X1	1	BOLT-M10X1.5X20 ZNDI HDD 10.9
8	400058X1	3	BOLT-M10X1.5X30 ZNDI HDD 10.9
9	400287X1	5	WASHER-HARD 11IDX21ODX2.5 ZND1
10	400320X1	1	ELBOW AS-10PORT-ORFS 90DEG
	400319X1	1	SEAL-O-RING (11.89X1.98)
	400322X1	1	SEAL-O-RING (19.28ODX1.78DIA)
11	400339X1	1	WASHER-HARD
12	400340X1	1	NUT-M8X1.25X13 HEX ZND1
13	400361X1	1	SEAL-O-RING 8.92 IDX1.83 DIA
14	400376X1	1	SEAL-O-RING 29.74 IDX2.95 DIA
15	400378X1	2	SEAL-O-RING 12.83 ODX1.78 DIA
16	400415X1	1	CONNECTOR-STR-12STOR-8ORFS
17	400416X1	2	SEAL-O-RING 23.47IDX2.95DIA
18	400599X1	1	WASHER-HARD,M8X20.5ODX2THK
19	400675X1	1	SEAL-O-RING 19.18IDX2.46DIA
20	400683X1	1	UNION-8 ORFS
21	400684X1	2	UNION- 10 ORFS
22	400685X1	1	REDUCER-8 ORFS X 6 ORFS
23	400686X1	1	ELBOW-90DEG 8 ORFS SWVL
24	400689X1	1	CLIP LOOP 38.1ID
25	400701X1	2	CLAMP-HOSE SST22.2-44.5IDX13.5
26	400702X1	1	CLIP-ONE TUBE COATED
27	400705X1	1	CONN-90DEG 16 STORX25.4 OD BARB
28	500980D1	1	VALVE AS.
29	500981D1	1	HOSE AS. (FOR 6.35 ID SAE)
30	500984D1	1	VALVE AS.-PRESSURE RLF
	400319X1	1	SEAL-O-RING (19.18IDX2.46DIA)
31	501652D1	1	COMPRESSOR GP-AIR (SEE BREAKDOWN FOR COMPONENTS)
32	501968D1	1	TUBE AS.
33	501969D1	1	TUBE AS.
34	501971D1	1	TUBE AS.
35	501972D1	1	HOSE-AIR INLET
36	501974D1	1	TUBE AS.
37	502317D1	1	BRACKET AS.
38	CH127-1647	1	ELBOW 45 DEG STOR TO ORFS
39	CH135-9819	1	SEAL-INTEGRAL

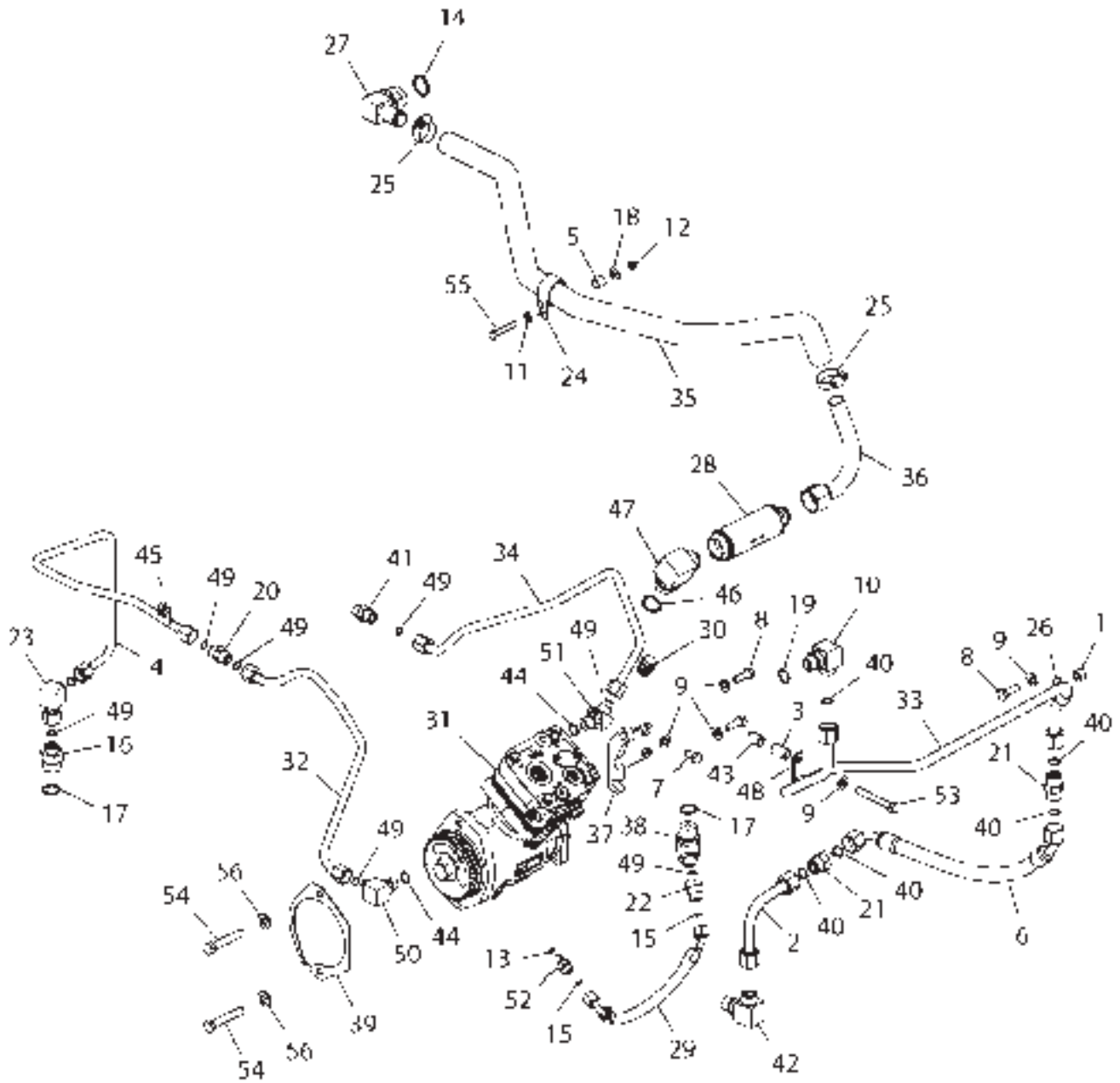
CONTINUED

[A] PART OF 502356D1

501651DA
PR: t05f07j07b0017

MT700 SERIES TRACK TRACTORS
BASIC ENGINE

COMPRESSOR GP-AIR - 501651D1
EAME ONLY



**MT700 SERIES TRACK TRACTORS
BASIC ENGINE**

83

**COMPRESSOR GP-AIR - 501651D1
EAME ONLY**

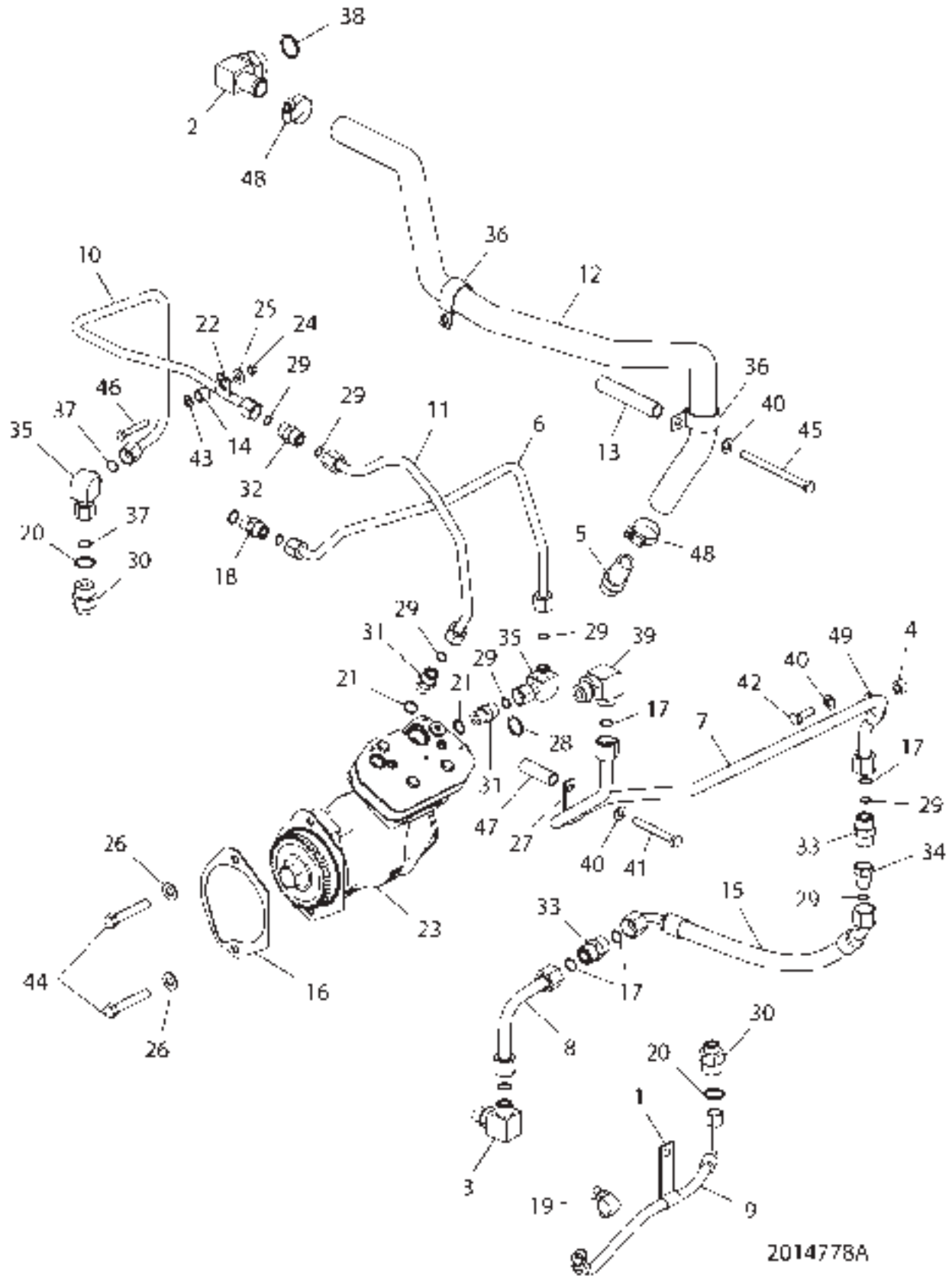
ITEM	NUMBER	QTY	DESCRIPTION
-	501651D1	--	COMPRESSOR GP-AIR [A] (NOT SERVICED)
40	CH136-7226	5	SEAL-O-RING 19.28 ID
41	CH148-8340	1	CONNECTOR AS -8ORFS-8STOR
	CH3K-0360	1	SEAL-O-RING 16.36IDX2.21DIA
	CH6V-8398	1	O-RING
	CH6V-8639	1	CONNECTOR-STR-12.7 STR -8 ORFS
42	CH184-8029	1	ELBOW AS.-90DEG 10 ORFS X M22
43	CH209-3394	1	SPACER-17.14ODX12.52IDX22.4 ZN
44	CH3K-0360	2	SEAL-O-RING 16.36IDX2.21DIA
45	CH4B-0418	1	CLIP-LOOP 12.7 ID
46	CH4K-1388	1	SEAL-O-RING 26.59 ID
47	CH5P-6416	1	ELBOW 90 DEG O-RING PORT 37
48	CH6K-8178	1	CLIP-LOOP 15ID
49	CH6V-8398	7	SEAL-O-RING-16.03ODX1.78DIA
50	CH6V-8625	1	ELBOW-90DEG -8 STOR -10 BARB
51	CH6V-9002	1	ELBOW 45 DEG O-RING PORT
52	CH6V-9872	1	CONNECTOR-6 ORFS X 4 STOR
53	400044X1	1	BOLT-M10X1.5X80 ZNDI HDD 10.9
54	400062X1	2	BOLT-M12X1.75X70 ZNDI HDD 10.9
55	400243X1	1	BOLT-M8X1.25X50 ZNDI HDD 10.9
56	400277X1	2	WASHER-HARD 13.51DX250DX3 PH&O

[A] PART OF 502356D1

501651DA
PR: t05f07j07b0017

MT700 SERIES TRACK TRACTORS
BASIC ENGINE

COMPRESSOR GP-AIR - 201-4778
EAME ONLY



MT700 SERIES TRACK TRACTORS
BASIC ENGINE

85

COMPRESSOR GP-AIR - 201-4778
EAME ONLY

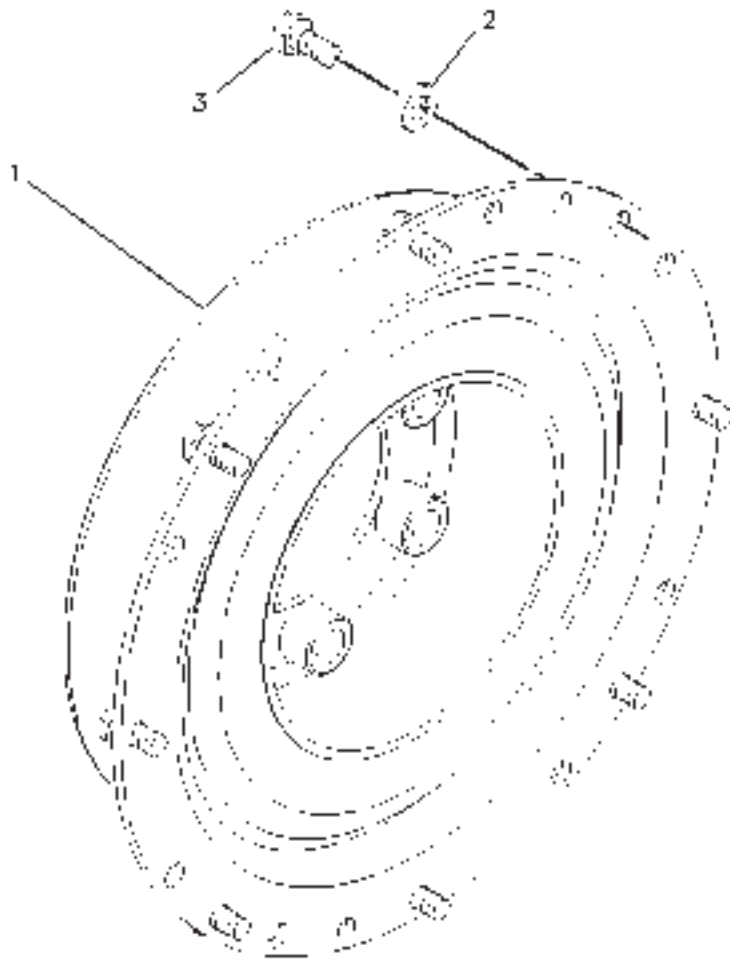
ITEM	NUMBER	QTY	DESCRIPTION
-	201-4778	--	COMPRESSOR GP-AIR [A] (NOT SERVICED)
1	400664X1	1	CLIP-LOOP 14.29 ID
2	400705X1	1	CONN-90DEG 16 STORX25.4 OD BARB
3	CH184-8029	1	ELBOW AS.-90DEG 10 ORFS X M22
	400322X1	1	SEAL-O-RING (19.28ODX1.78DIA)
	400366X1	1	SEAL-O-RING (22.5ODX1.78DIA)
	187-9009	1	RING-RETAINING
4	CH200-4328	1	SPACER 11 ID
5	202-2346	1	ADAPTER
6	206-0484	1	TUBE AS.
7	206-0487	1	TUBE AS.
8	CH207-2834	1	TUBE AS.
9	208-8799	1	HOSE AS 6.3 ID SAE 100R1 AT
10	CH211-3586	1	TUBE AS.
11	211-3587	1	TUBE AS.
12	211-3588	1	HOSE-FORMED
13	CH211-3590	1	SPACER-21.34ODX15.8IDX113 STL
14	CH211-3792	1	SPACER
15	CH213-6946	1	HOSE AS.-12.7 ID (CMS 5758A
16	CH135-9819	1	SEAL-INTEGRAL
17	CH136-7226	5	SEAL-O-RING 19.28 ID
18	CH148-8340	1	CONNECTOR AS
	CH3K-0360	1	SEAL-O-RING 16.36IDX2.21DIA
	CH6V-8398	1	SEAL-O-RING
19	400650X1	1	ELBOW AS.-90DEG 4STOR X 4ORFS
	400361X1	1	SEAL-O-RING (8.92IDX1.83DIA)
	400377X1	1	SEAL-O-RING (11.23ODX1.78DIA)
20	400416X1	2	SEAL-O-RING 23.47IDX2.95DIA
21	CH3K-0360	2	SEAL-O-RING 16.36IDX2.21DIA
22	CH4B-0418	1	CLIP-LOOP 12.7 ID
23	501892D1	1	COMPRESSED GP-AIR
24	400340X1	1	NUT-M8X1.25X13 HEX ZND1
25	400599X1	1	WASHER-HARD,M8X20.5ODX2THK
26	400277X1	2	WASHER-HARD 13.51DX250DX3 PH&O
27	CH6K-8178	1	CLIP-LOOP 15ID
28	400676X1	1	SEAL-O-RING 23.47IDX2.95DIA
29	CH6V-8398	7	SEAL-O-RING-16.03ODX1.78DIA
30	400415X1	2	CONNECTOR-STR-12STOR-8ORFS
31	CH6V-8639	2	CONNECTOR-STR-12.7 STR -8 ORFS
32	400683X1	1	UNION-8 ORFS
33	400684X1	2	UNION- 10 ORFS
34	400685X1	1	REDUCER - 8 ORFS X 6 ORFS
35	400686X1	2	ELBOW-90DEG 8 ORFS SWVL
36	400689X1	2	CLIP LOOP 38.1ID
37	400322X1	2	SEAL-O-RING 19.28 ODX1.78 DIA
38	400376X1	1	SEAL-O-RING 29.74 IDX2.95 DIA
39	400411X1	1	ELBOW-90DEG-12STOR-10ORFS
40	400287X1	3	WASHER-HARD 11IDX21ODX2.5 ZND1
41	400044X1	1	BOLT-M10X1.5X80 ZNDI HHD 10.9
42	400058X1	1	BOLT-M10X1.5X30 ZNDI HHD 10.9
43	400339X1	1	WASHER - HARD
44	400062X1	2	BOLT-M12X1.75X70 ZNDI HHD 10.9
45	400233X1	1	BOLT-M10X1.5X130 ZNDI HHD 10.9
46	400243X1	1	BOLT-M8X1.25X50 ZNDI HHD 10.9
47	CH8X-3212	1	SPACER-13IDX19ODX58MM
48	400701X1	2	CLAMP-HOSE SST22.2-44.5IDX13.5
49	400702X1	1	CLIP-ONE TUBE COATED

[A] PART OF 180-4852 BRAKE AR

2014778A
PR: t05f07j07b0018

MT700 SERIES TRACK TRACTORS
BASIC ENGINE

COUPLING GP-FLEXIBLE - 168-5077
MT735, MT745 & MT755



MT700 SERIESTRACKTRACTORS
BASIC ENGINE

87

COUPLING GP-FLEXIBLE - 168-5077
MT735, MT745 & MT755

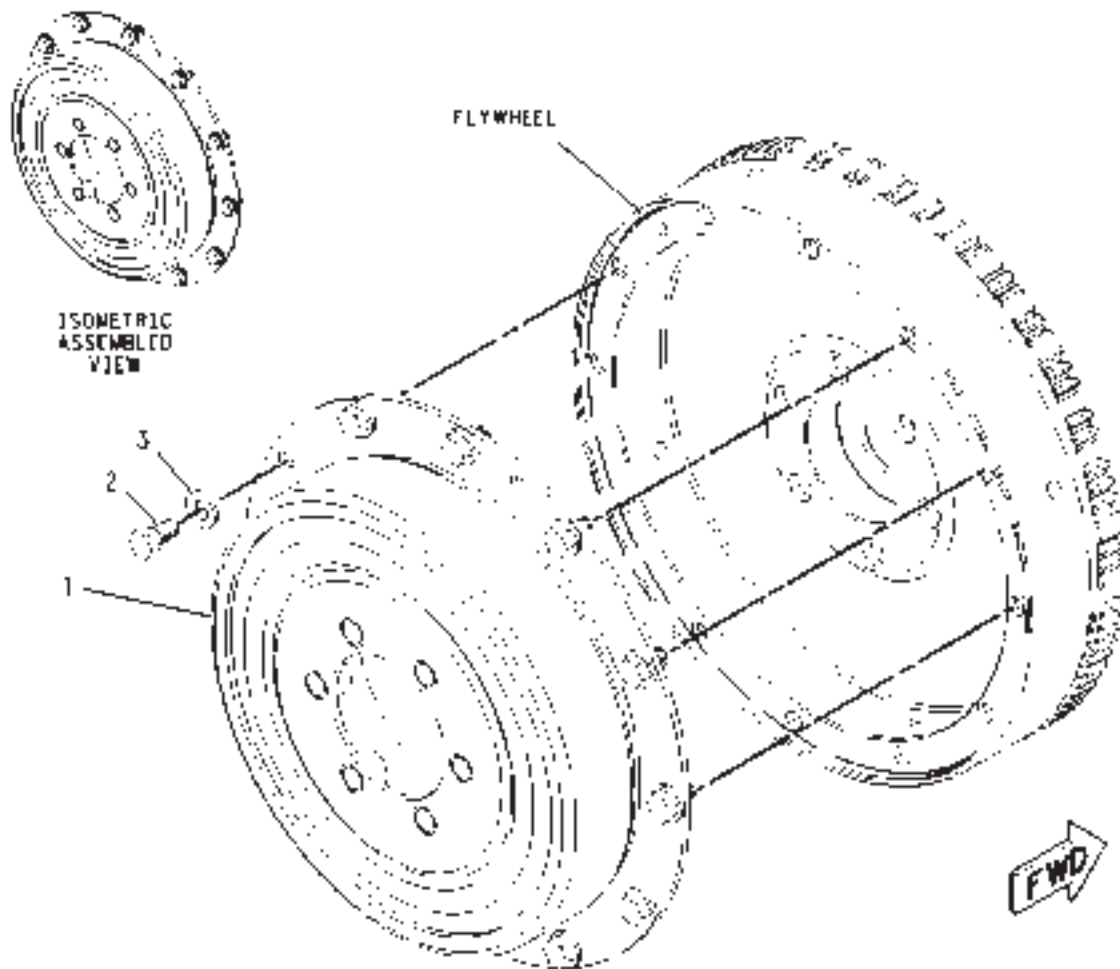
ITEM	NUMBER	QTY	DESCRIPTION
-	168-5077	--	COUPLING GP-FLEXIBLE [A] (NOT SERVICED)
1	501930D1	1	COUPLING AS.
2	400287X1	8	WASHER-HARD (2.5MM THK)
3	400040X1	8	BOLT (M10X1.50X20MM)

[A] PART OF 165-7006;165-7007;169-6836
INSTALLATION AR-ENGINE

00674492
PR: t05f07j07b0019

MT700 SERIES TRACK TRACTORS
BASIC ENGINE

COUPLING GP-FLEXIBLE - 163-0450
MT765



MT700 SERIESTRACKTRACTORS
BASIC ENGINE

89

COUPLING GP-FLEXIBLE - 163-0450
MT765

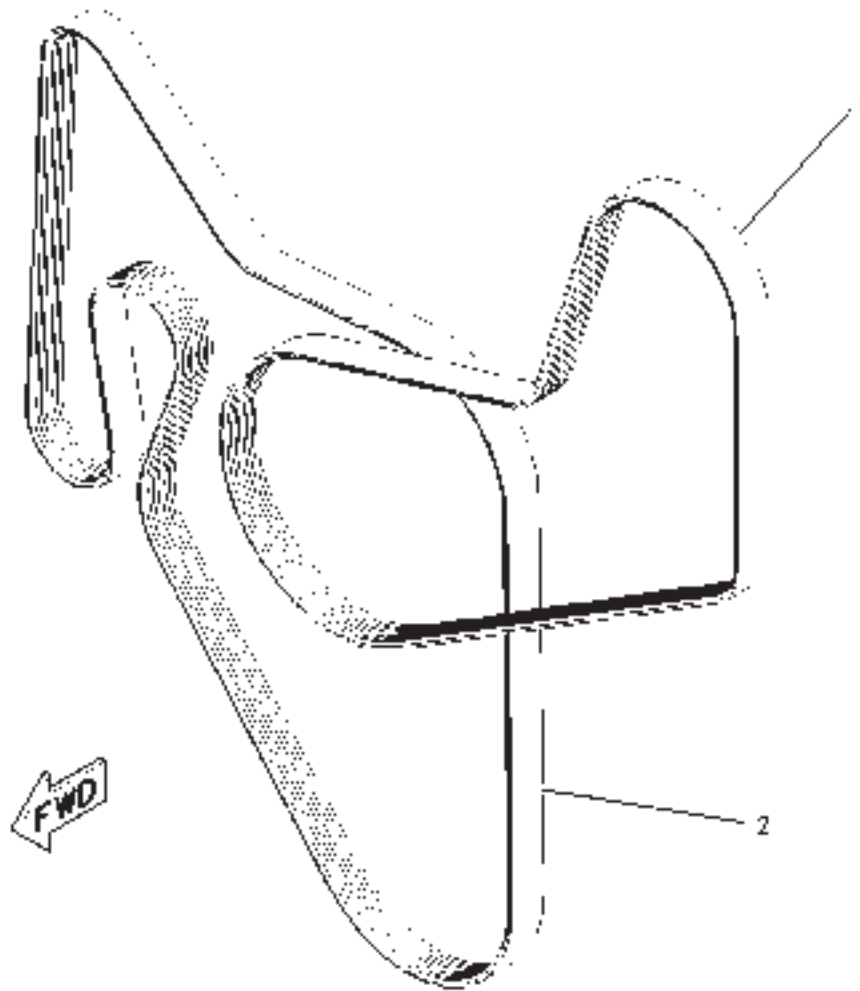
ITEM	NUMBER	QTY	DESCRIPTION
-	163-0450	--	COUPLING GP-FLEXIBLE [A] (NOT SERVICED)
1	501928D1	1	COUPLING AS.
2	400047X1	12	BOLT (M12X1.75X20MM)
3	400357X1	12	WASHER-HARD (M12X25.5X3MM THK)

[A] PART OF 165-7008
INSTALLATION AR-ENGINE

00799474
PR: t05f07j07b0020

MT700 SERIES TRACK TRACTORS
BASIC ENGINE

DRIVE GP-ACCESSORY - 202-2070



00794300

MT700 SERIESTRACKTRACTORS
BASIC ENGINE

91

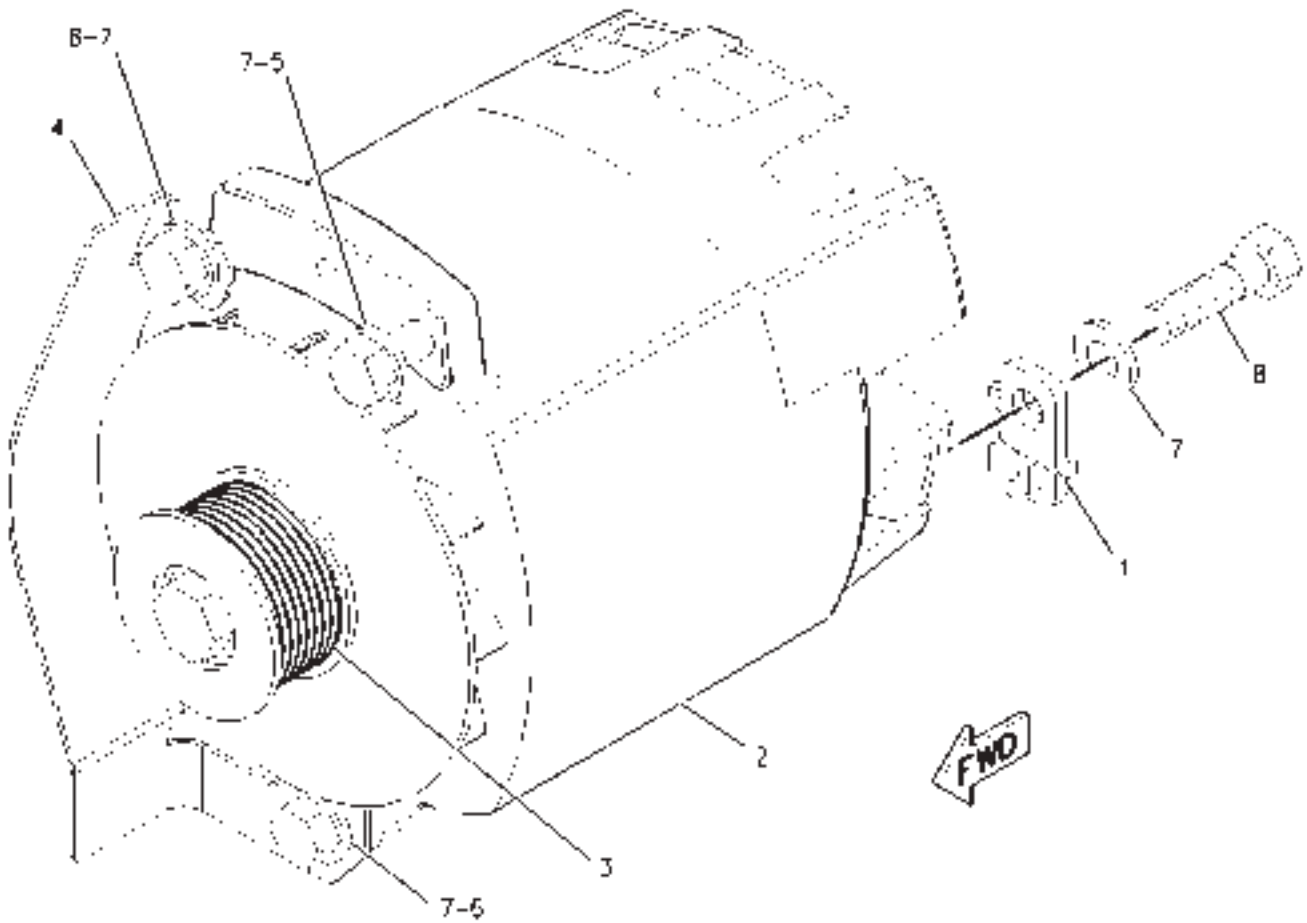
DRIVE GP-ACCESSORY - 202-2070

ITEM	NUMBER	QTY	DESCRIPTION
-	202-2070	--	DRIVE GP-ACCESSORY [A] (NOT SERVICED)
1	202-0951	1	BELT
2	210-5708	1	BELT

[A] PART OF 165-7006;165-7007;165-7008;
169-6836 INSTALLATION AR-ENGINE

00794300
PR: t05f07j07b0021

MOUNTING GP-ALTERNATOR - 202-2071



MT700 SERIES TRACK TRACTORS
BASIC ENGINE

93

MOUNTING GP-ALTERNATOR - 202-2071

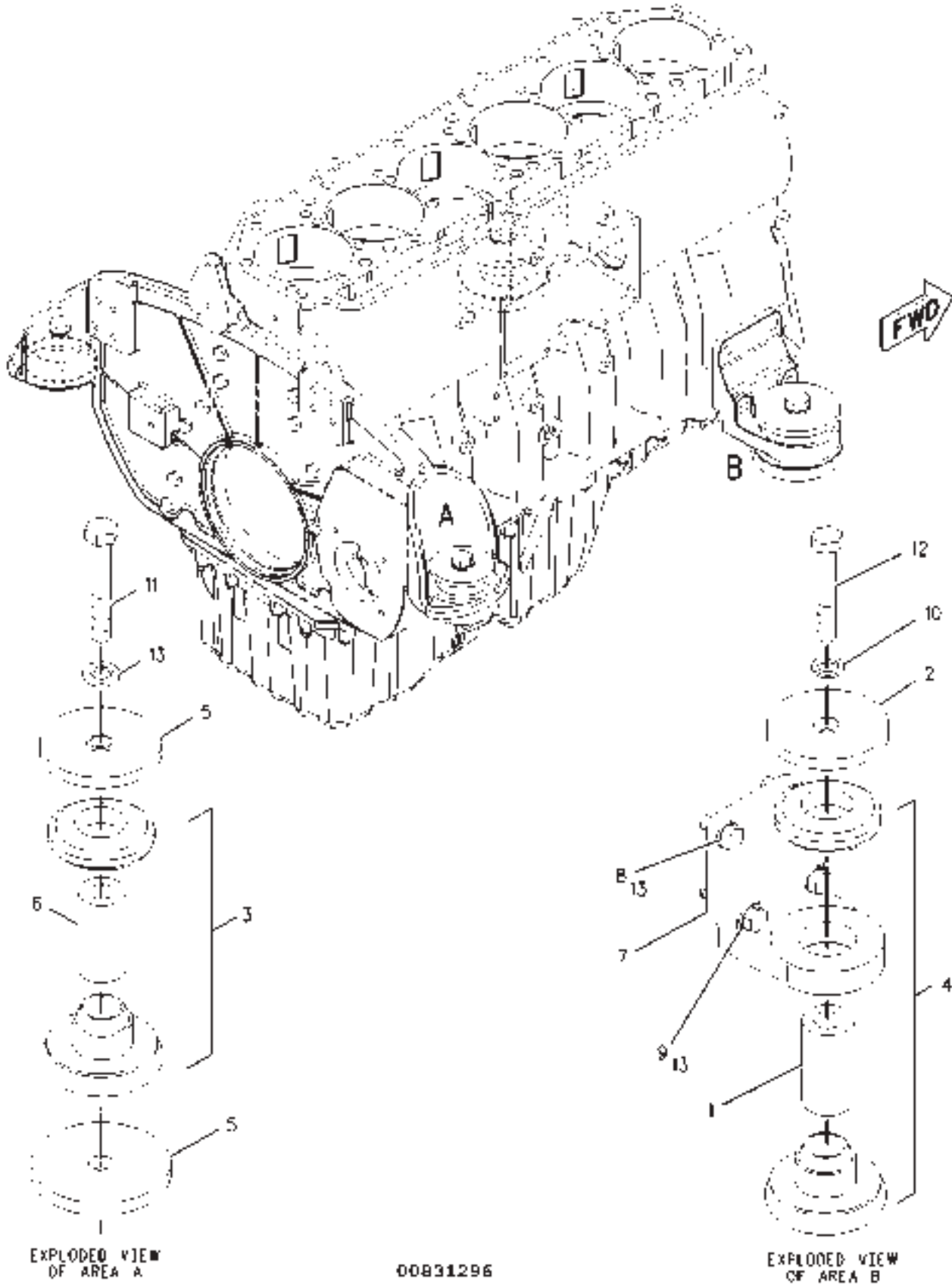
ITEM	NUMBER	QTY	DESCRIPTION
-	202-2071	--	MOUNTING GP-ALT. [A] (NOT SERVICED)
1	142-9826	1	BRACKET ASY.
2	184-7171	1	ALTERNATOR-12V-160A (S/N: PRIOR TO AKN40200;ALA40259;ALM40574;AMS41013)
2	501774D1	1	ALTERNATOR-12V-160A (S/N: EFF AKN40200;ALA40259;ALM40574;AMS41013)
	501883D1	1	GUARD-ALTERNATOR
	501884D1	1	REGULATOR
3	500519D1	1	PULLEY-ALTERNATOR
4	213-4434	1	SHIELD
5	400156X1	1	BOLT-.50-13X38MM G8,ZN,HHD
6	400204X1	1	BOLT-.50-13X34.9MM G8,ZN,HHD
7	400357X1	4	WASHER-HARD-M12X25.50DX3THK
8	400248X1	2	BOLT-.50-13X44.4MM G8,ZN,HHD

[A] PART OF 165-7006;165-7007;165-7008;
169-6836 INSTALLATION AR-ENGINE

00837592
PR: t05f07j07b0022

MT700 SERIES TRACK TRACTORS
BASIC ENGINE

MOUNTING GP - ENGINE-FLEXIBLE - 169-4228



MT700 SERIESTRACKTRACTORS
BASIC ENGINE

95

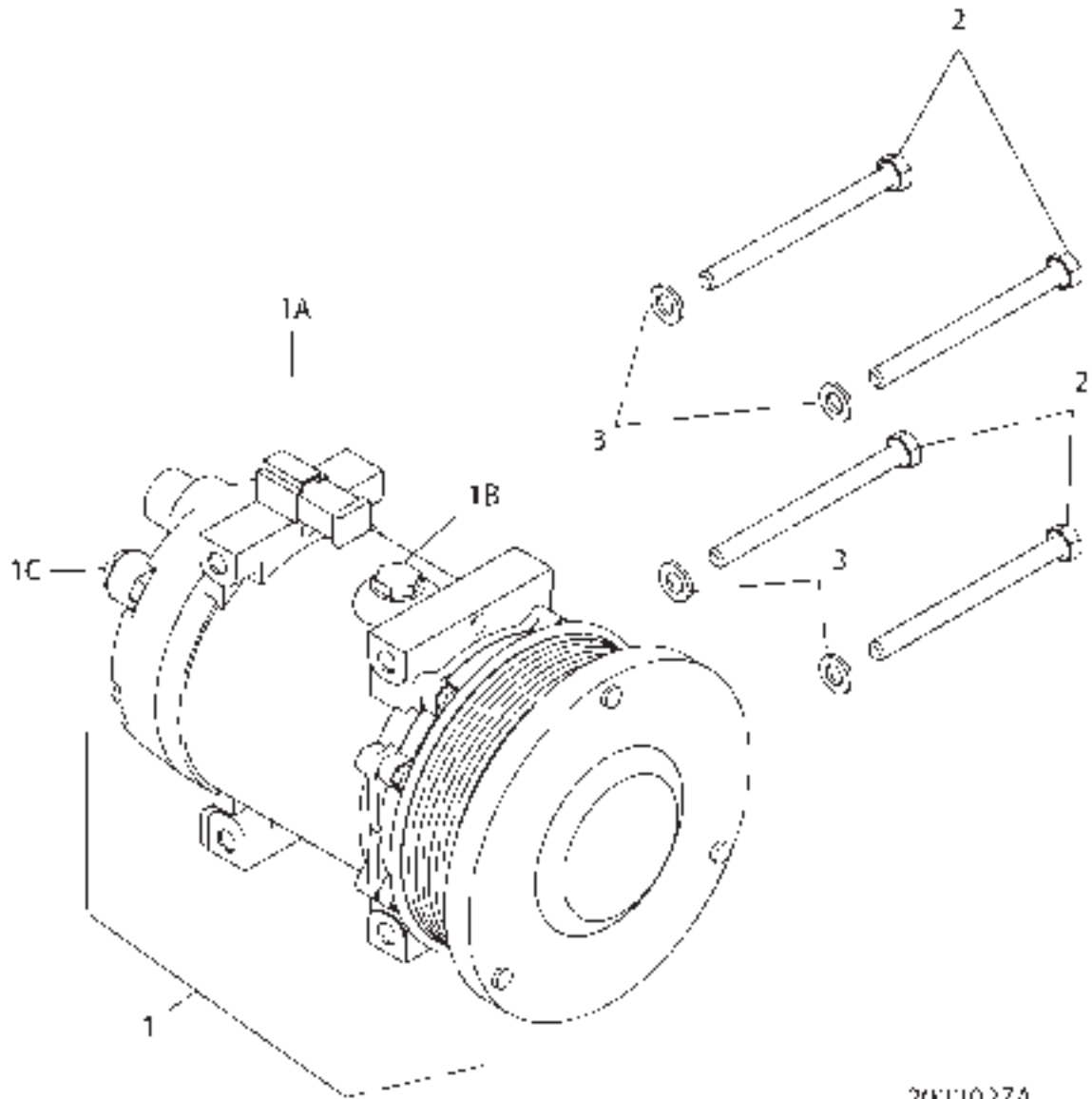
MOUNTING GP - ENGINE-FLEXIBLE - 169-4228

ITEM	NUMBER	QTY	DESCRIPTION
-	169-4228	--	MOUNTING GP ENGINE [A] (NOT SERVICED)
1	CH9W-6582	2	SLEEVE
2	CH9W-6584	2	WASHER (20.5X114X10MM THK)
3	CH9W-9915	2	MOUNT AS. (INCLUDES THE FOLLOWING)
	CH9W-9955	1	PAD
	CH9W-9957	1	MOUNT
4	CH9W-9920	2	MOUNT AS. (INCLUDES THE FOLLOWING)
	CH9W-8072	1	MOUNT AS
	CH9W-6583	1	PAD-REBOUND
5	CH9W-9952	4	WASHER (16.75X86X8MM THK)
6	CH9W-9953	2	SLEEVE
7	178-7925	2	SUPPORT-ENGINE
8	400191X1	4	BOLT (M16X2X40MM)
9	400030X1	4	BOLT (M16X2X70MM)
10	400080X1	2	WASHER-PLATED (22X35X3.5MM THK)
11	400045X1	2	BOLT (M16X2.0X110MM)
12	400236X1	2	BOLT (M20X2.5X120MM)
13	400082X1	10	WASHER (17.5X30X3.5MM THK)

[A] PART OF 165-7006;165-7007;165-7008;
169-6836 INSTALLATION AR-ENGINE

00831296
PR: t05f07j07b0023

MOUNTING GP-REFRIGERANT COMPR - 202-2027



2022027A

MT700 SERIESTRACKTRACTORS

97

BASIC ENGINE**MOUNTING GP-REFRIGERANT COMPR - 202-2027**

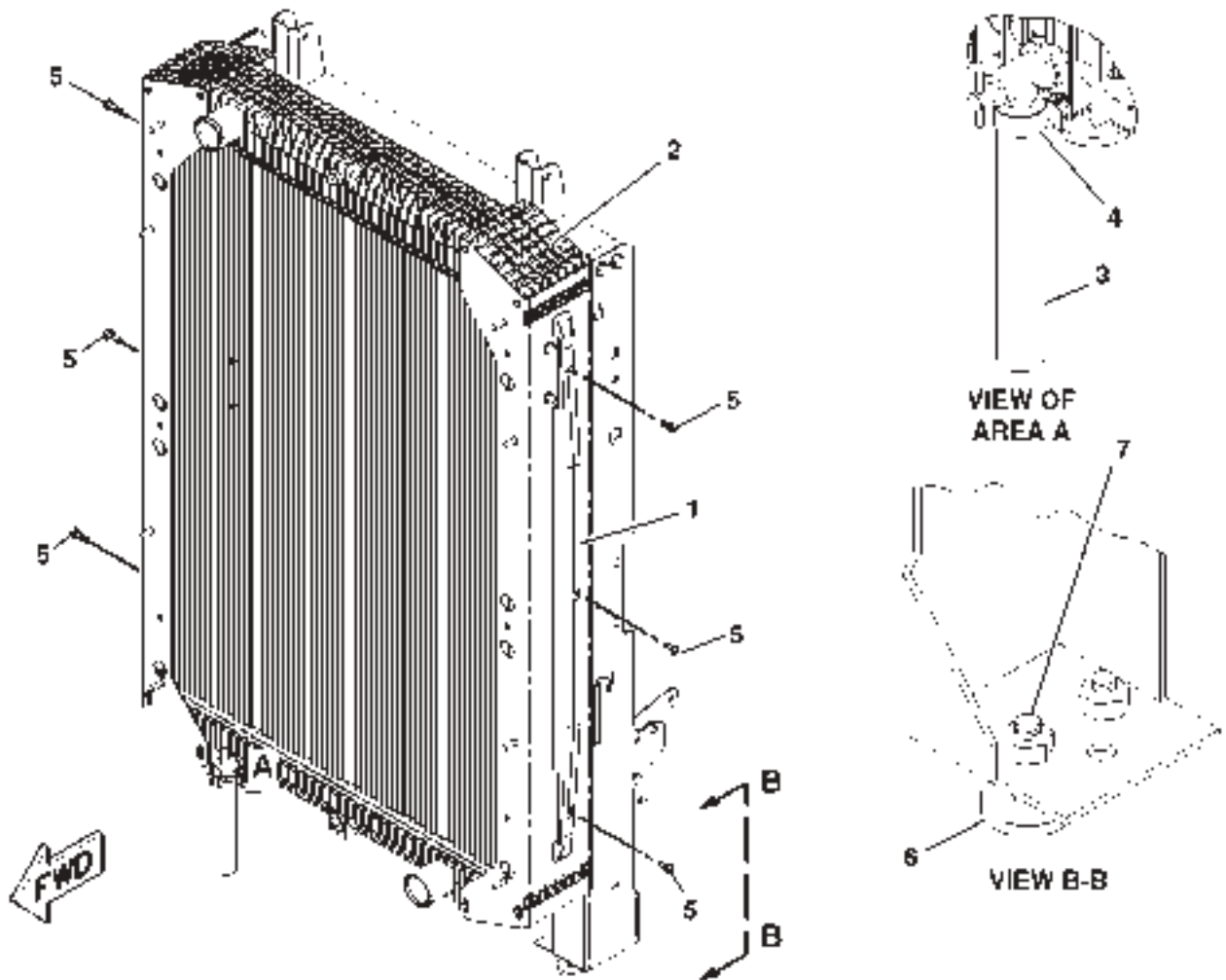
ITEM	NUMBER	QTY	DESCRIPTION
-	202-2027	--	MOUNTING GP-REFRIGERANT COMPR [A] (NOT SERVICED)
1	CH178-9570	1	COMPRESSOR GP-REFRIG. (INCL ITEMS 1A-1C)
1A	CH102-8802	1	RECEPTACLE KIT-CONNECTOR
	CH3E-3364	1	RECEPTACLE AS
	CH3E-3365	1	WEDGE
1B	CH7T-4532	1	PLUG AS-3STOR
1C	CH114-3469	1	VALVE AS-RELIEF 3STOR THD
	CH9X-7378	1	SEAL-O-RING (8.921 DX1.83DIA)
2	400028X1	4	BOLT (M8X1.25X100MM)
3	400339X1	4	WASHER-HARD (8.8X16X2MM THK)

[A] PART OF 165-7006;165-7007;165-7008;
169-6839 INSTALLATION AR-ENGINE

2022027A
PR: t05f07j07b0024

MT700 SERIES TRACK TRACTORS
COOLING SYSTEM

COOLER GP-MOUNTING - 201-4669



MT700 SERIES TRACK TRACTORS
COOLING SYSTEM

99

COOLER GP-MOUNTING - 201-4669

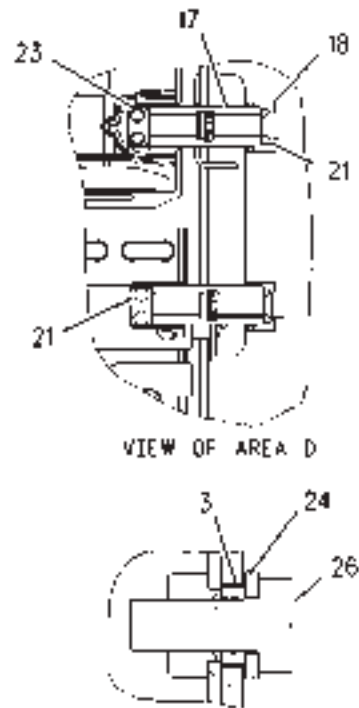
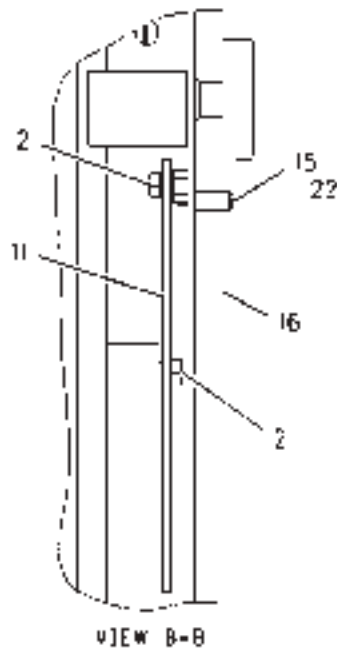
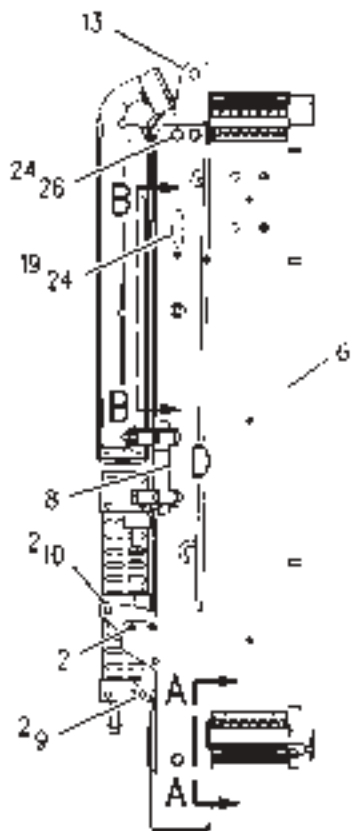
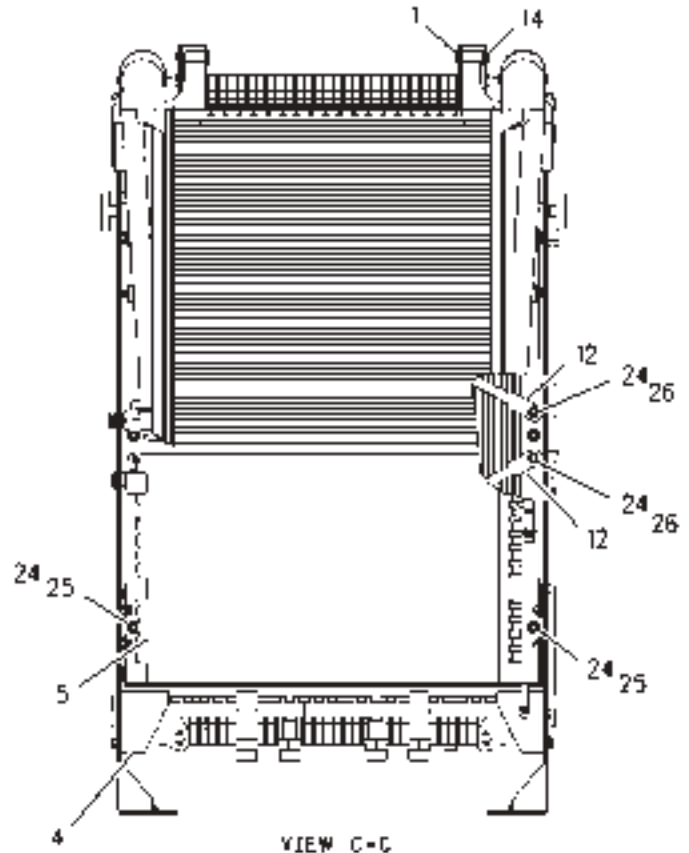
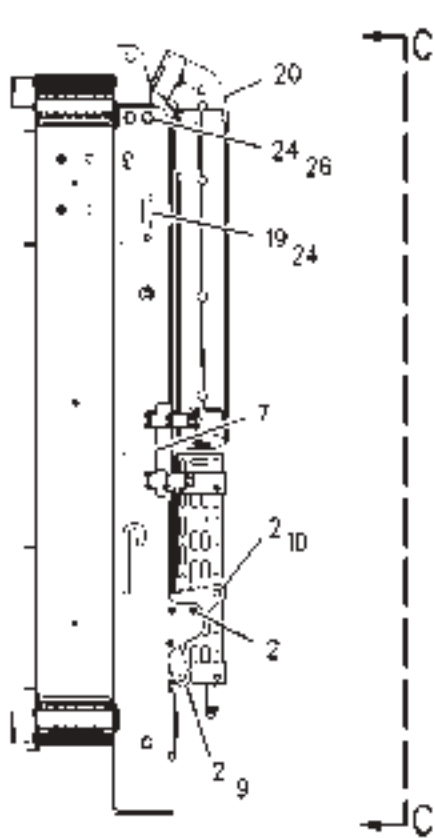
ITEM	NUMBER	QTY	DESCRIPTION
-	201-4669	--	COOLER GP-ENGINE OIL [A] (NOT SERVICED)
1	200-6160	2	GUIDE
2	200-6927	1	CORE GP-OIL COOLER (NOT SERVICED) (SEE BREAKDOWN FOR COMPONENTS)
3	400116X1	--	HOSE (17 CM)
4	400108X1	1	CLAMP-HOSE
5	CH6V-2312	6	SCREW-PAN HD (M6X1X25)
	CH3E-8020	6	SCREW-TORX (M6X1X25)
6	CH7X-0590	4	WASHER-HARD (13.5X44.5X6MM THK)
7	400057X1	4	BOLT (M12X1.75X50MM)

[A] PART OF 165-7006;165-7007;165-7008;
169-6836 INSTALLATION AR-ENGINE

2014669B
PR: t05f07j07b0025

MT700 SERIES TRACK TRACTORS
COOLING SYSTEM

CORE GP&MOUNTING - 200-6927



**MT700 SERIES TRACK TRACTORS
COOLING SYSTEM**

101

CORE GP&MOUNTING - 200-6927

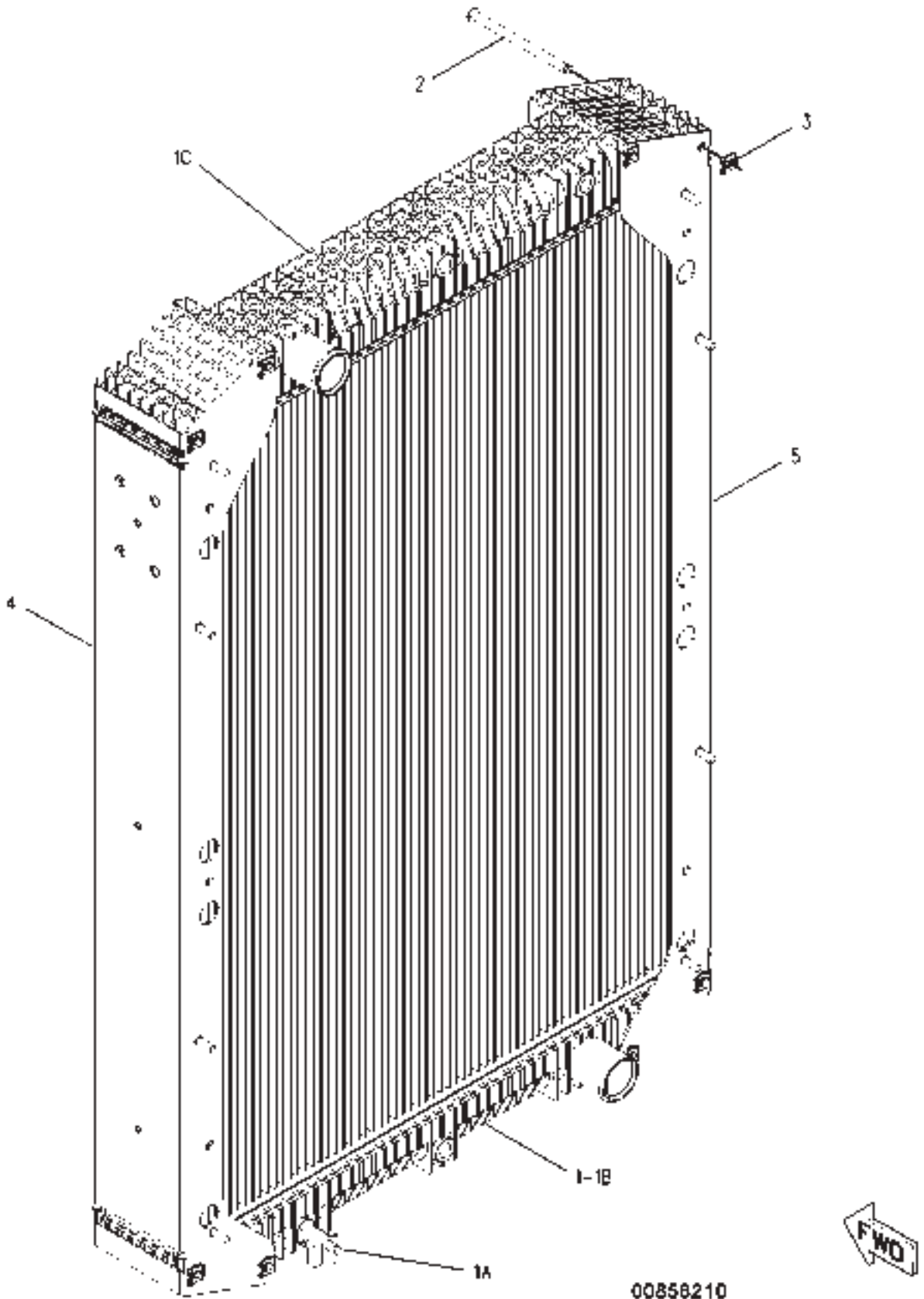
ITEM	NUMBER	QTY	DESCRIPTION
-	200-6927	--	CORE GP-OIL COOLER [A] (NOT SERVICED)
1	CH183-8033	2	CLIP
2	CH192-1329	14	BOLT-SHOULDER
3	201-0975	2	SPACER
4	203-5421	1	CORE ASY-OIL COOLER
5	203-5422	1	CORE ASY-CONDENSER
6	203-5423	1	RADIATOR GP (NOT SERVICED) (SEE BREAKDOWN FOR COMPONENTS)
7	204-3482	1	SUPPORT ASY.
8	204-3483	1	SUPPORT ASY.
9	CH204-3490	2	LINK
10	204-3491	2	LINK
11	204-3492	2	LINK
12	204-3493	2	BRACE
13	204-3494	1	BRACE ASY.
14	204-3498	2	PIN
15	CH206-7946	2	CLIP
16	206-7965	1	ROD ASY.
17	CH209-3760	4	LATCH ASY.
18	CH209-5791	4	KEEPER
19	CH211-3136	2	KNOB
20	212-3555	1	AFTERCOOLER GP-AIR (NOT SERVICED) (SEE BREAKDOWN FOR COMPONENTS)
21	CH136-8794	12	RIVET
22	CH5D-8412	2	SCREW-ROUND HEAD (8-32 THD)
23	CH6V-8548	4	SCREW-WASHER HEAD (8-32X.85 IN)
24	400287X1	18	WASHER-HARD (11X21X2.5MM THK)
25	WR522218	6	NUT (M10X1.5 THD)
26	400039X1	10	BOLT (M10X1.5X25MM)

[A] PART OF 201-4669 COOLER GP-
ENGINE OIL

00838755
PR: t05f07j07b0026

MT700 SERIES TRACK TRACTORS
COOLING SYSTEM

RADIATOR GP - 203-5423



MT700 SERIES TRACK TRACTORS
COOLING SYSTEM

103

RADIATOR GP - 203-5423

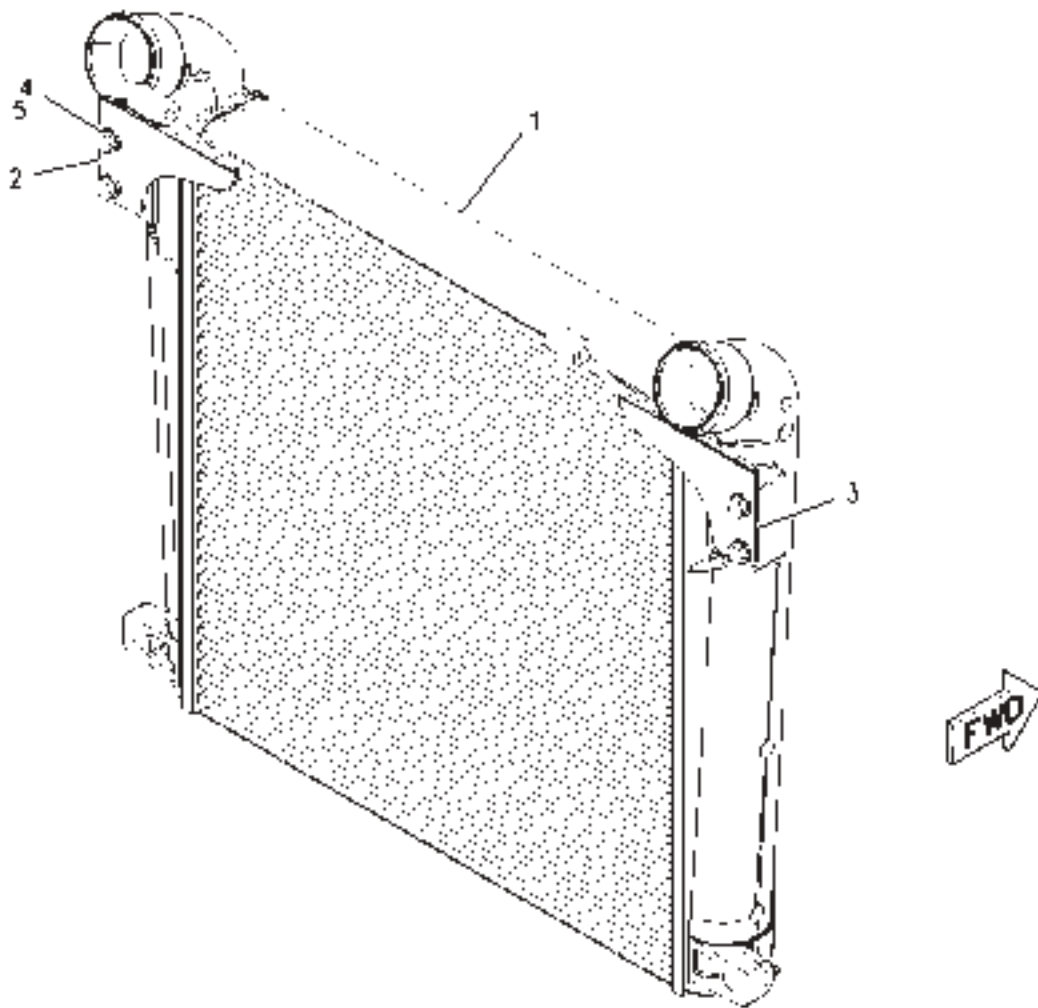
ITEM	NUMBER	QTY	DESCRIPTION
-	203-5423	--	RADIATOR GP [A] (NOT SERVICED)
1	162-8291	1	CORE ASY-RADIATOR (INCL. SEAL-O-RING)
	180-5129	2	SEAL-O-RING
1A	CH8F-8151	1	VALVE-SHUTOFF
1B	176-6821	1	TANK ASY-RADIATOR (BOTTOM)
1C	180-5128	1	TANK ASY-COOLANT (TOP)
2	183-8032	8	PIN
3	CH183-8033	8	CLIP
4	204-3484	1	CHANNEL ASY.
5	204-3485	1	CHANNEL ASY.

[A] PART OF 200-6927 CORE GP-OIL COOLER

00858210
PR: t05f07j07b0027

MT700 SERIES TRACK TRACTORS
COOLING SYSTEM

AFTERCOOLER GP-AIR - 212-3555



00856735

**MT700 SERIESTRACKTRACTORS
COOLING SYSTEM**

105

AFTERCOOLER GP-AIR - 212-3555

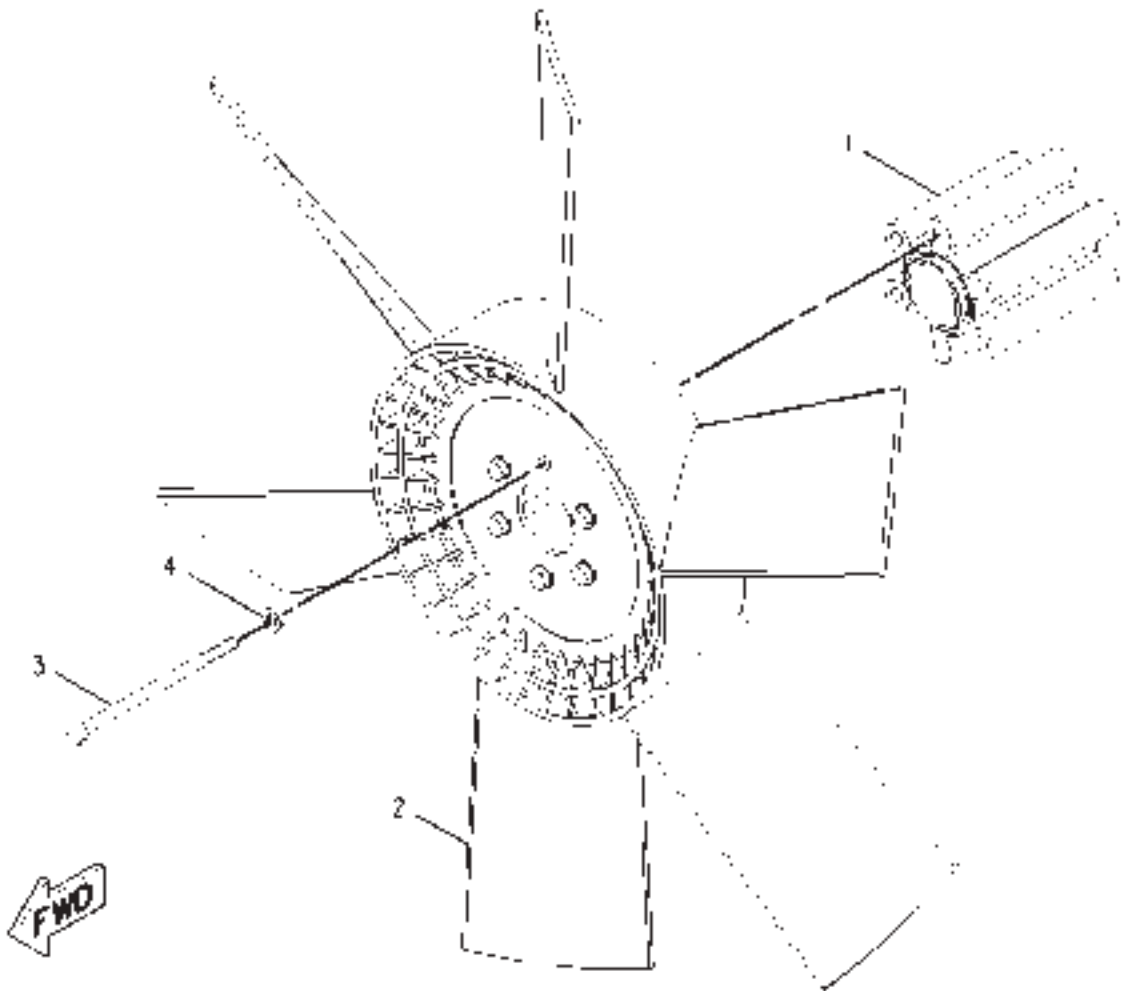
ITEM	NUMBER	QTY	DESCRIPTION
-	212-3555	--	AFTERCOOLER GP-AIR [A] (NOT SERVICED)
1	203-5424	1	CORE ASY.
2	204-3496	1	BRACKET ASY.
3	204-3497	1	BRACKET ASY.
4	400287X1	4	WASHER-HARD (11X21X2.5MM THK)
5	400039X1	4	BOLT (M10X1.5X25MM)

[A] PART OF 200-6927 CORE GP-OIL COOLER

00856735
PR: t05f07j07b0028

MT700 SERIES TRACK TRACTORS
COOLING SYSTEM

FAN GP-SUCTION - 201-4665
MT735 & MT745



**MT700 SERIES TRACK TRACTORS
COOLING SYSTEM**

107

**FAN GP-SUCTION - 201-4665
MT735 & MT745**

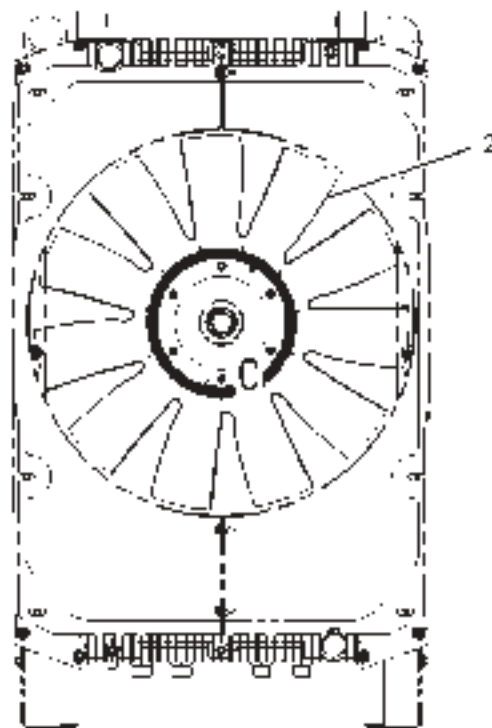
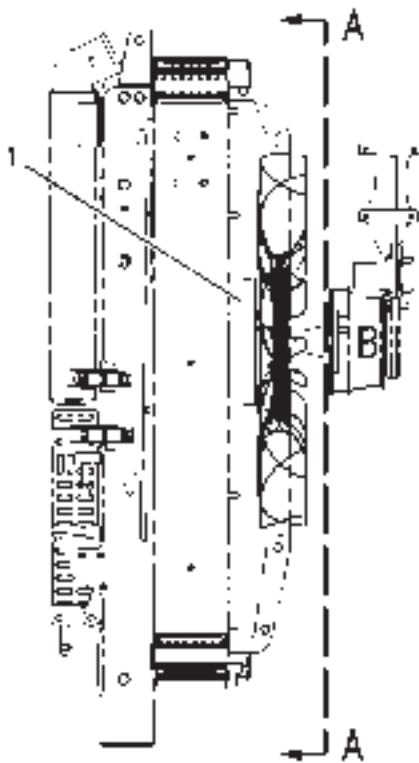
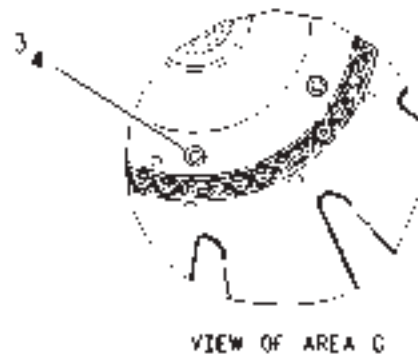
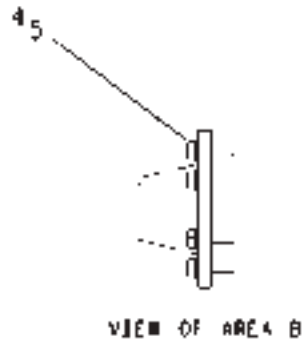
ITEM	NUMBER	QTY	DESCRIPTION
-	201-4665	--	FAN GP-SUCTION [A] (NOT SERVICED)
1	203-5506	1	SPACER-FAN
2	CH210-0083	1	SPIDER FAN-FAN
3	400189X1	6	BOLT (M8X1.25X140MM)
4	400339X1	6	WASHER-HARD (8.8X16X2MM THK)

[A] PART OF 165-7006; 169-6836
INSTALLATION AR ENGINE

00856227
PR: t05f07j07b0029

MT700 SERIES TRACK TRACTORS
COOLING SYSTEM

FAN GP-SUCTION - 208-5962
MT755 & MT765



LEFT SIDE VIEW

**MT700 SERIES TRACK TRACTORS
COOLING SYSTEM**

109

**FAN GP-SUCTION - 208-5962
MT755 & MT765**

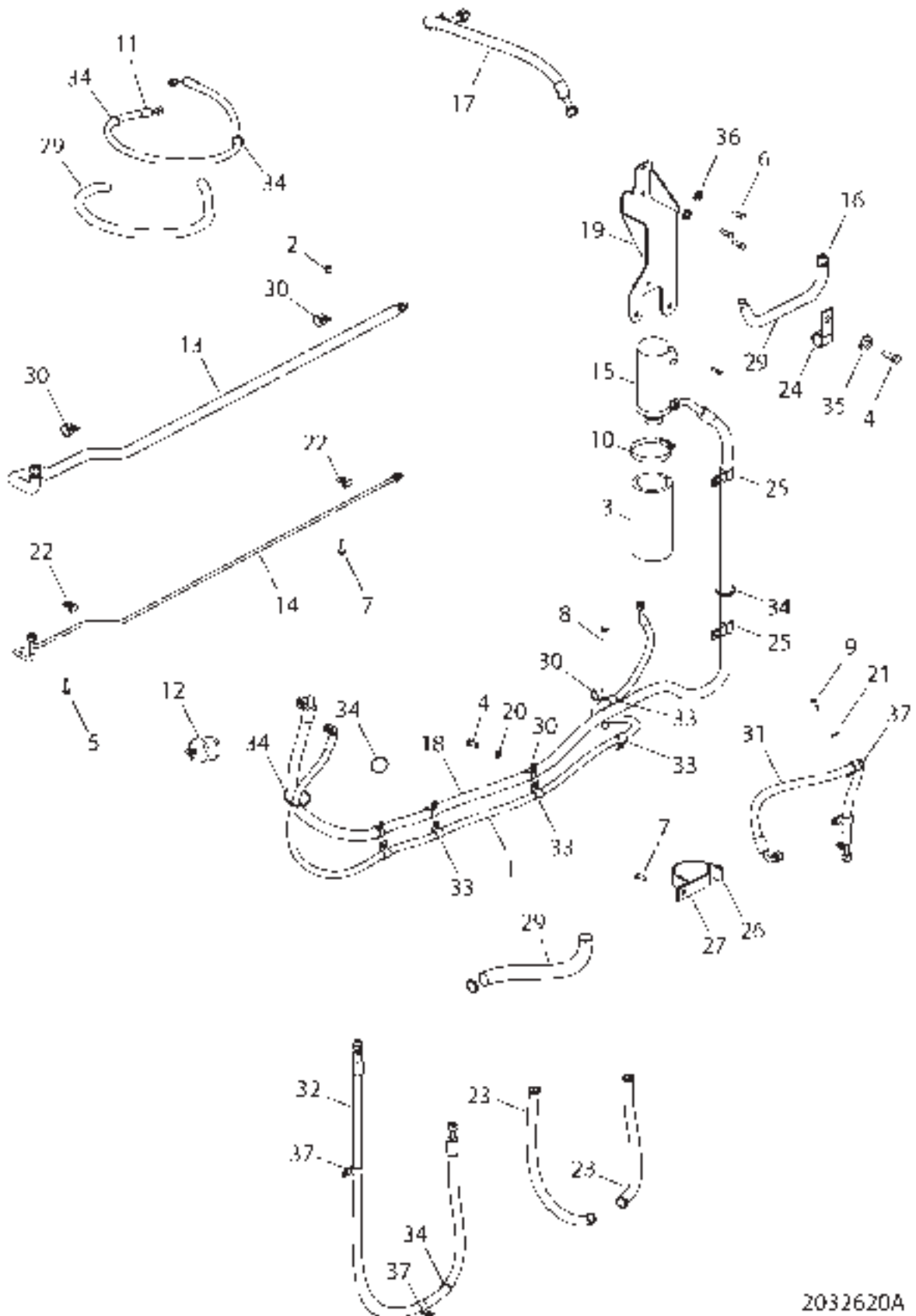
ITEM	NUMBER	QTY	DESCRIPTION
-	208-5962	--	FAN GP-SUCTION [A] (NOT SERVICED)
1	207-1608	1	DRIVE FAN-FAN
2	CH210-0202	1	SPIDER FAN-FAN
3	400340X1	6	NUT (M8X1.25 THD)
4	400339X1	12	WASHER-HARD (8.8X16X2MM THK)
5	400245X1	6	BOLT (M8X1.25X30MM)

[A] PART OF 165-7007; 165-7008
INSTALLATION AR ENGINE

00832885
PR: t05f07j07b0030

MT700 SERIES TRACK TRACTORS
COOLING SYSTEM

LINES GP-A/C - 203-2620



**MT700 SERIES TRACK TRACTORS
COOLING SYSTEM**

111

LINES GP-A/C - 203-2620

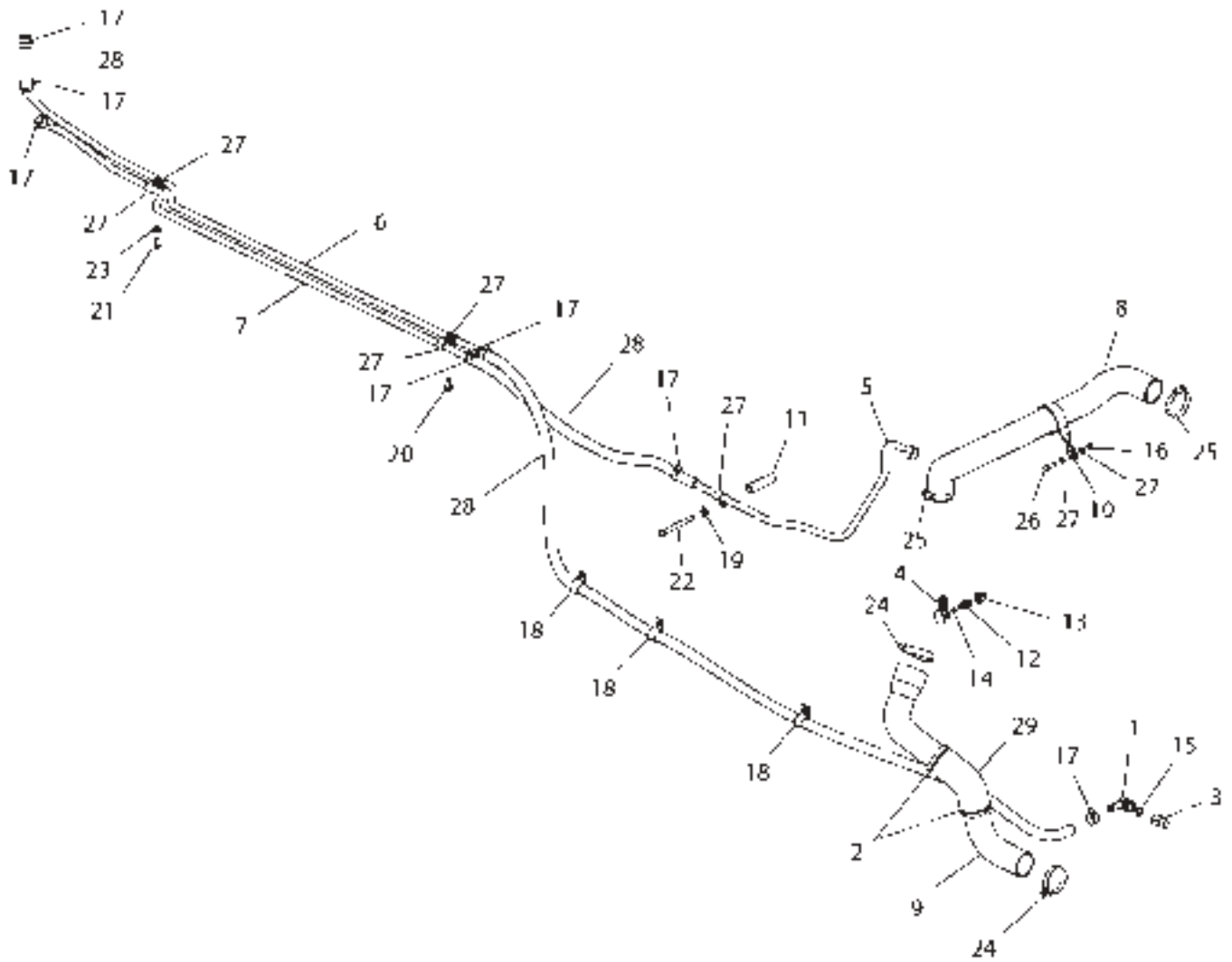
ITEM	NUMBER	QTY	DESCRIPTION
-	203-2620	--	LINES GP-A/C [A] (NOT SERVICED)
1	199-9259	1	HOSE AS
2	CH200-8649	1	SPACER-19ODX12.7IDX14.3MM
3	212-4748	1	INSULATION
4	400039X1	7	BOLT-M10X1.5X25 ZNDI HHD 10.9
5	400040X1	1	BOLT-M10X1.5X20 ZNDI HHD 10.9
6	400058X1	3	BOLT-M10X1.5X30 ZNDI HHD 10.9
7	400059X1	2	BOLT-M10X1.5X35 ZNDI HHD 10.9
8	400061X1	1	BOLT-M10X1.5X100 ZNDI HHD 10.9
9	400065X1	5	BOLT-M6X1X30MM ZNDI HHD 10.9
10	400671X1	1	CLAMP-HOSE SST 76.8-120.6X15
11	500972D1	1	HOSE AS.
12	500978D1	1	FILTER-A/C
13	199-9260	1	TUBE AS
14	199-9261	1	TUBE AS
15	500758D1	1	ACCUMULATOR DRYER-A/C
16	192-6374	1	TUBE AS
17	206-0489	1	HOSE AS (FOR 15.9 ID SAE J2064)
18	206-0491	1	HOSE AS
19	212-4742	1	BRACKET AS.
20	400287X1	13	WASHER-HARD 11IDX21ODX2.5 ZND1
21	400310X1	1	WASHER
22	400620X1	2	CLIP-9.52 ID, M10 OR 3/8
23	400651X1	AR	SLEEVE-ABRASION BULK 25.4ID (166CM)
24	400652X1	1	CLIP-LOOP 28.58 ID
25	400663X1	2	CLIP-LOOP 28.58 ID
26	400679X1	1	CLIP-2 PIECE TOP 101.6 ID
27	400680X1	1	CLIP-2 PIECE BOTTOM 101.6 ID
28	400690X1	1	SPACER-9.51ID X 80.3
29	400691X1	AR	SLEEVE-ABRASION BULK 31.75ID (90CM)
30	400700X1	6	CLIP LOOP 28.58ID
31	502021D1	1	HOSE AS
32	502339D1	1	HOSE AS
33	CH3S-8664	5	CLIP-LOOP 19.05 ID
34	CH7K-1181	14	STRAP-CABLE 0.19-4.00
35	CH7X-7729	1	WASHER-11IDX5ODX3MM
36	CH9X-6165	4	WASHER-6.5IDX22ODX2.5MM
37	CH9X-8250	4	CLIP-LOOP 23.8 ID

[A] PART OF 165-7006;165-7007;165-7008;
169-6836 INSTALLATION AR

2032620A
PR: t05f07j07b0031

MT700 SERIES TRACK TRACTORS
COOLING SYSTEM

LINES GP-COOLANT - 203-2621



2032621A

**MT700 SERIES TRACK TRACTORS
COOLING SYSTEM**

113

LINES GP-COOLANT - 203-2621

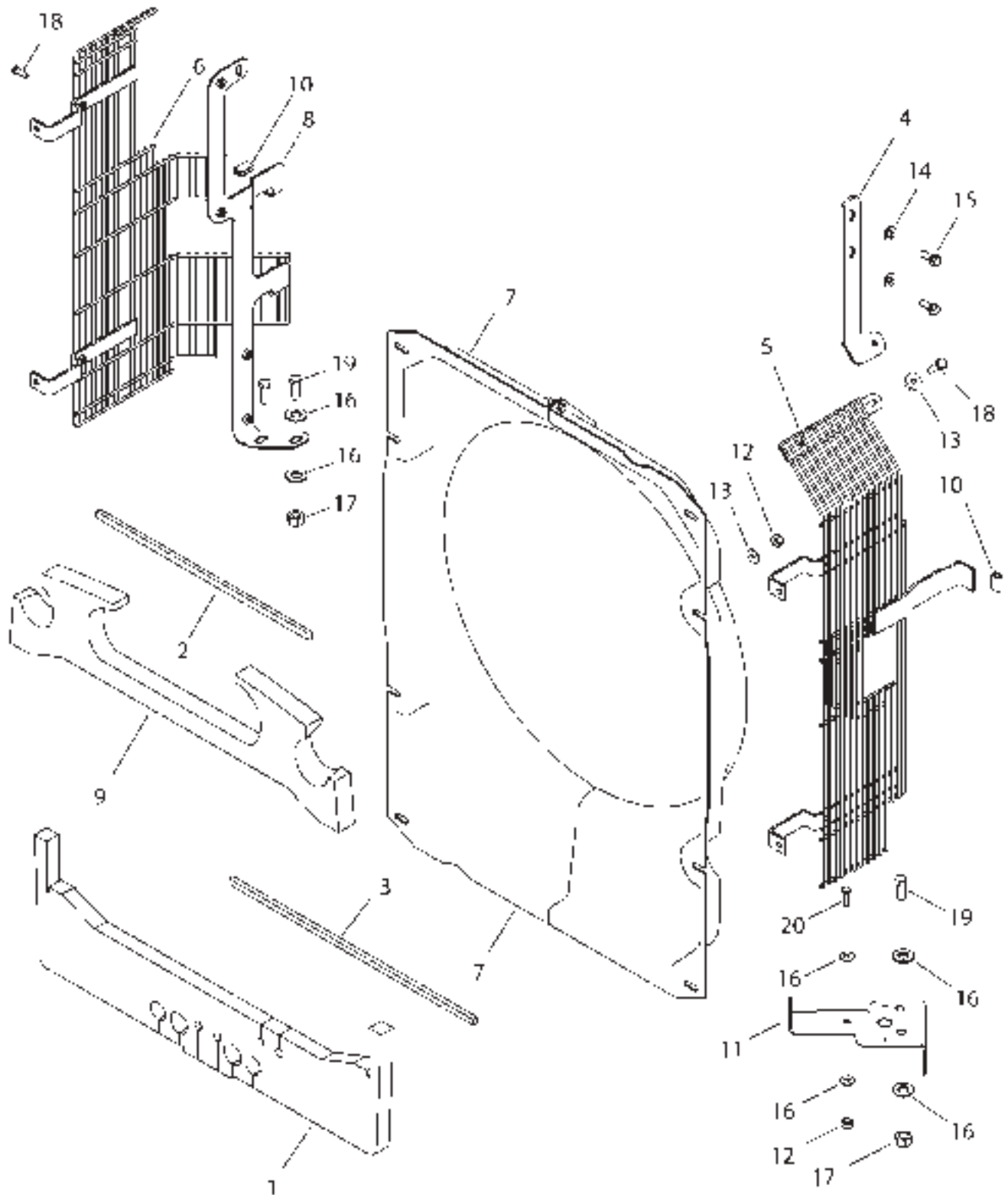
ITEM	NUMBER	QTY	DESCRIPTION
-	203-2621	--	LINES GP-COOLANT [A] (NOT SERVICED)
1	400666X1	1	ELBOW-90DEG 8STORX15.9OD BARB
2	CH7K-1181	2	STRAP - CABLE 0.19-4.00
3	400698X1	1	ADAPTER-18NPTF X 8STOR
4	400655X1	1	CAP-DUST (ENGINE COOLANT)
5	192-6367	1	TUBE AS.
6	199-9254	1	TUBE
7	199-9256	1	TUBE
8	201-0554	1	HOSE-RADIATOR (INLET)
9	201-0555	1	HOSE-RADIATOR (OUTLET)
10	CH206-4620	1	CLIP-LOOP 65ID 90DEG LEG
11	CH213-6336	1	SPACER - 21.34OCX13.86IDX80 ZN
12	400653X1	1	VALVE-FLUID SAMPLING 4 STOR
13	CH169-7397	1	ADAPTER-2STOR X 8STOR
14	400361X1	1	SEAL-O-RING 8.92 IDX1.83 DIA
15	CH3K-0360	1	SEAL-O-RING 16.36IDX2.21DIA
16	400340X1	1	NUT-M8X1.25X13 HEX ZND1
17	400108X1	7	CLAMP-HOSE SST 15.9-26.9X13.5
18	400688X1	4	CLIP LOOP 25.4ID
19	400287X1	2	WASHER-HARD 11IDX21ODX2.5 ZND1
20	400040X1	1	BOLT-M10X1.5X20 ZNDI HDD 10.9
21	400053X1	1	BOLT-M8X1.25X20 ZNDI HDD 10.9
22	400061X1	1	BOLT-M10X1.5X100 ZNDI HDD 10.9
23	400339X1	3	WASHER - HARD
24	400126X1	1	CLAMP-HOSE CT SST 57-79X16
25	CH8T-6703	3	CLAMP-HOSE 45-67X16 CONST LD
26	400245X1	1	BOLT-M8X1.25X30 ZNDI HDD 10.9
27	400702X1	5	CLIP-ONE TUBE COATED
28	CH5P-0767	AR	HOSE-BULK 15.88 ID (327CM)
29	400672X1	AR	SLEEVE-ABRASION BULK 72.6ID (15CM)

[A] PART OF 165-7006;165-7007;165-7008;
169-6836 INSTALLATION AR

2032621A
PR: t05f07j07b0032

MT700 SERIES TRACK TRACTORS
COOLING SYSTEM

GUARD GP-FAN - 201-4668



**MT700 SERIES TRACK TRACTORS
COOLING SYSTEM**

115

GUARD GP-FAN - 201-4668

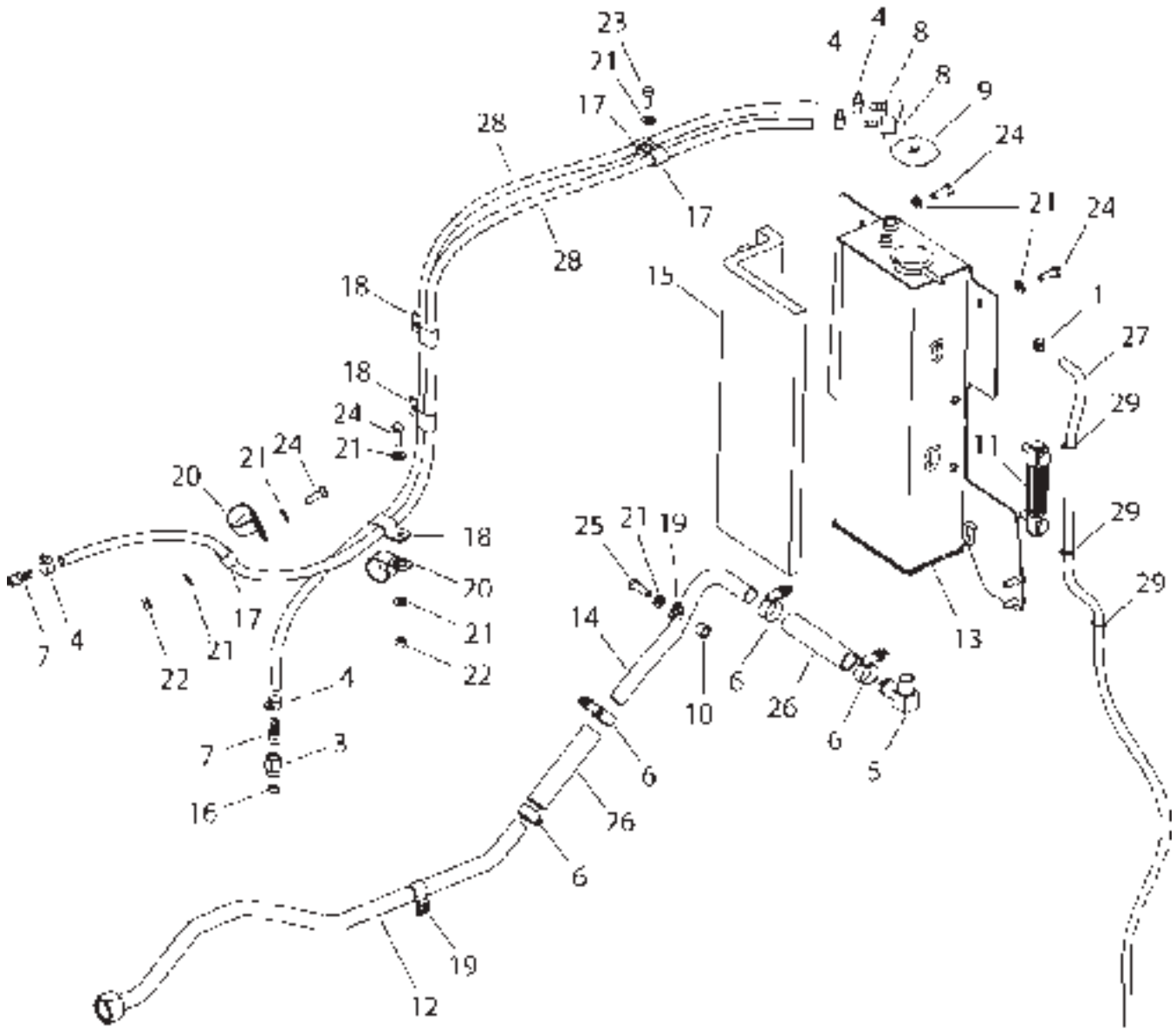
ITEM	NUMBER	QTY	DESCRIPTION
-	201-4668	--	GUARD GP-FAN [A] (NOT SERVICED)
1	201-0031	1	BAFFLE
2	CH204-2470	1	SEAL
3	CH204-2471	1	SEAL
4	206-4639	1	BRACKET AS
5	206-4642	1	GUARD AS.-LH
6	206-4643	1	GUARD AS.-RH
7	209-0774	1	SHROUD GP-AIR
8	216-2579	1	BRACKET AS.
9	216-4859	1	BAFFLE
10	216-5336	2	SEAL
11	216-8278	1	PLATE
12	400340X1	9	NUT-M8X1.25X13 HEX ZND1
13	CH7X-0579	15	WASHER-HARD 8.8IDX25.5ODX2
14	400287X1	2	WASHER-HARD 11IDX21ODX2.5 ZND1
15	400058X1	2	BOLT-M10X1.5X30 ZNDI HHD 10.9
16	400357X1	8	WASHER-HARD-M12X25.5ODX3THK
17	CH8T-4244	4	NUT-M12X1.75 HEX ZN
18	400341X1	4	BOLT - HEX HEAD
19	400064X1	2	BOLT-M12X1.75X35 ZNDI HHD 10.9
20	400245X1	2	BOLT-M8X1.25X30 ZNDI HHD 10.9

[A] PART OF 165-7006;165-7007;
165-7008; 169-6836
INSTALLATION AR

2014668A
PR: t05f07j07b0033

MT700 SERIES TRACK TRACTORS
COOLING SYSTEM

TANK GP-EXPANSION & COOLANT - 216-4860



**MT700 SERIES TRACK TRACTORS
COOLING SYSTEM**

117

TANK GP-EXPANSION & COOLANT - 216-4860

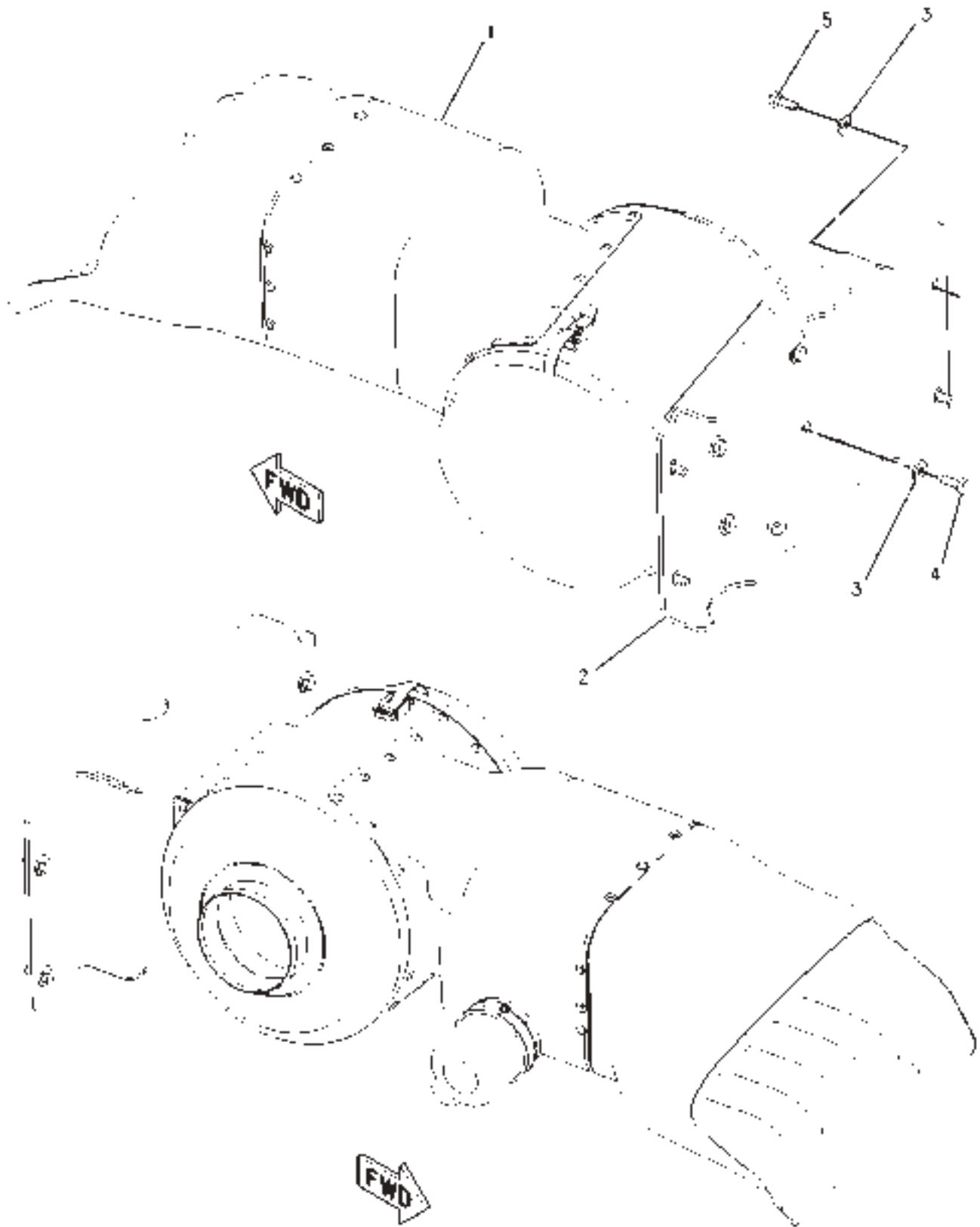
ITEM	NUMBER	QTY	DESCRIPTION
-	216-4860	--	TANK GP-EXPANSION [A] (NOT SERVICED)
1	CH1P-4278	1	CLAMP-HOSE 5.5-15.88 ID X 8
2			NOT USED
3	CH5P-1838	1	ADAPTER-8 STOR X 6 NPTF
4	400109X1	4	CLAMP-HOSE SST 11.1-19.8X13.5
5	CH7W-1890	1	ELBOW-90DEG.12NPTFX25.4OD BARB
6	CH7X-7958	4	CLAMP-25-44IDX16 CONST TENSION
7	CH003-7764	2	CONNECTOR-6 NPTFX9.52 OD BARB
8	CH006-5490	2	ELBOW-90DEG 6MPTF X 9.52 BARB
9	031-1119	1	CAP AS - RADIATOR
10	CH200-8649	1	SPACER-19ODX12.7IDX14.3MM
11	201-4653	1	GAGE - SIGHT
12	206-0490	1	TUBE AS
13	213-4446	1	TANK AS.
14	213-6337	1	TUBE
15	225-2649	1	INSULATION
16	CH3K-0360	1	SEAL-O-RING 16.36IDX2.21DIA
17	CH3S-8664	3	CLIP-LOOP 19.05 ID
18	CH4D-7733	3	CLIP-LOOP 17.46ID
19	400688X1	2	CLIP LOOP 25.4ID
20	CH7D-4092	2	CLIP-LOOP 39.69 ID W/COAT
21	400287X1	12	WASHER-HARD 11IDX21ODX2.5 ZND1
22	WR522218	2	NUT-M10-1.5,CL10.9,ZN,H,REG
23	400039X1	1	BOLT-M10X1.5X25 ZNDI HDD 10.9
24	400058X1	8	BOLT-M10X1.5X30 ZNDI HDD 10.9
25	400059X1	1	BOLT-M10X1.5X35 ZNDI HDD 10.9
26	CH146-7453	AR	HOSE-BULK 25.4 ID HTEMP L PRES (30CM)
27	CH5P-1420	AR	HOSE-BULK 7.92 DIA (133CM)
28	CH5P-1442	AR	HOSE-BULK 9.52ID HI TEMP (357CM)
29	400837X1	3	STRAP-CABLE (PLASTIC)

[A] PART OF 165-7006;165-7007;165-7008;
169-6836 INSTALLATION AR

2164860A
PR: t05f07j07b0034

MT700 SERIES TRACK TRACTORS
COOLING SYSTEM

AIR CLEANER GP - 202-2155



**MT700 SERIES TRACK TRACTORS
COOLING SYSTEM**

119

AIR CLEANER GP - 202-2155

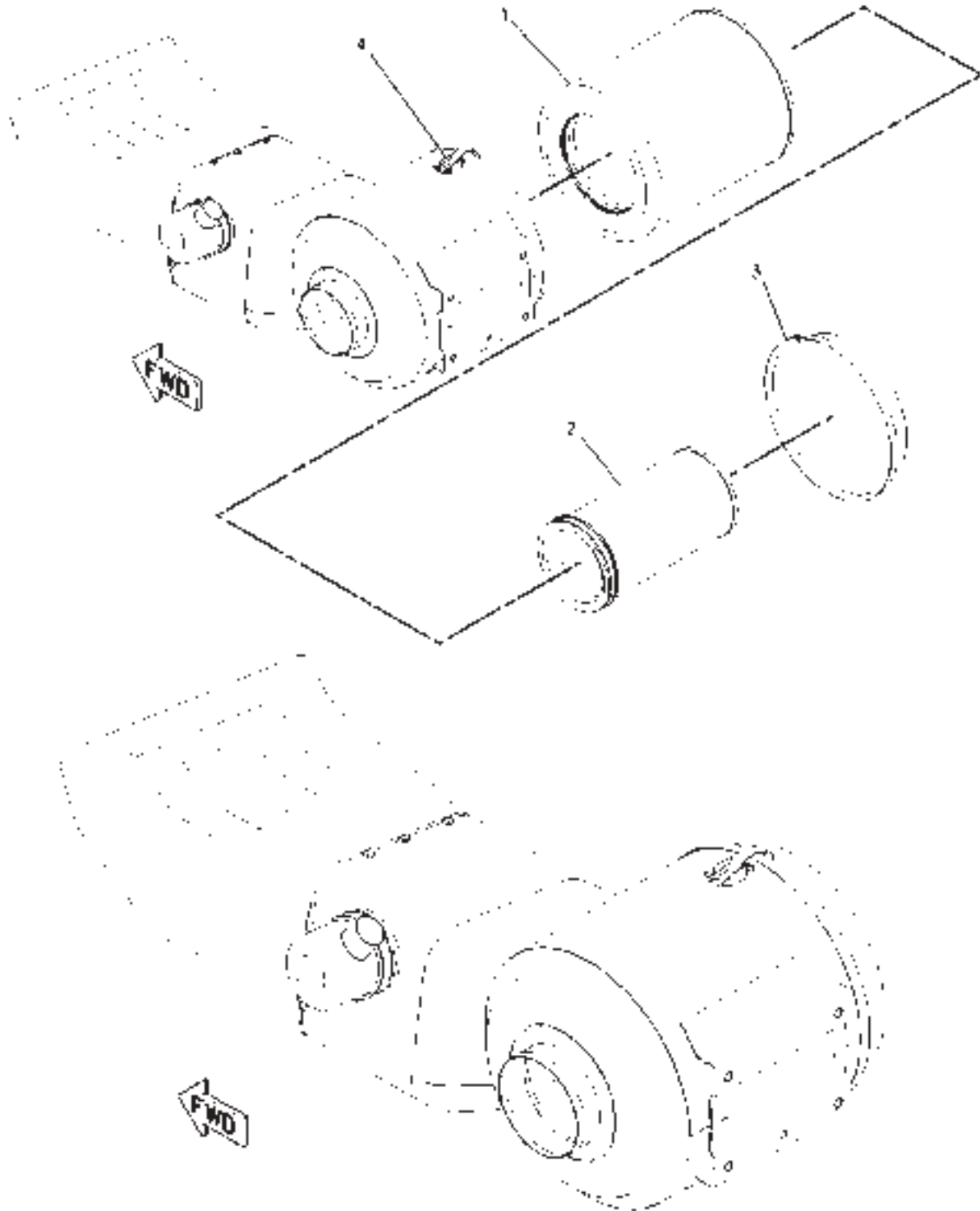
ITEM	NUMBER	QTY	DESCRIPTION
-	202-2155	--	AIR CLEANER GP [A] (NOT SERVICED)
1	201-2497	1	AIR CLEANER GP (SEE BREAKDOWN FOR COMPONENTS)
2	202-4400	1	SUPPORT
3	CH7X-7729	8	WASHER (11X25X3MM THK)
4	400039X1	4	BOLT (M10X1.5X25MM)
5	400058X1	4	BOLT (M10X1.5X30MM)

[A] PART OF 165-7006;165-7007;165-7008;
169-6836 INSTALLATION AR-ENGINE

00832237
PR: t05f07j07b0035

MT700 SERIES TRACK TRACTORS
COOLING SYSTEM

AIR CLEANER GP - 201-2497



**MT700 SERIES TRACK TRACTORS
COOLING SYSTEM**

121

AIR CLEANER GP - 201-2497

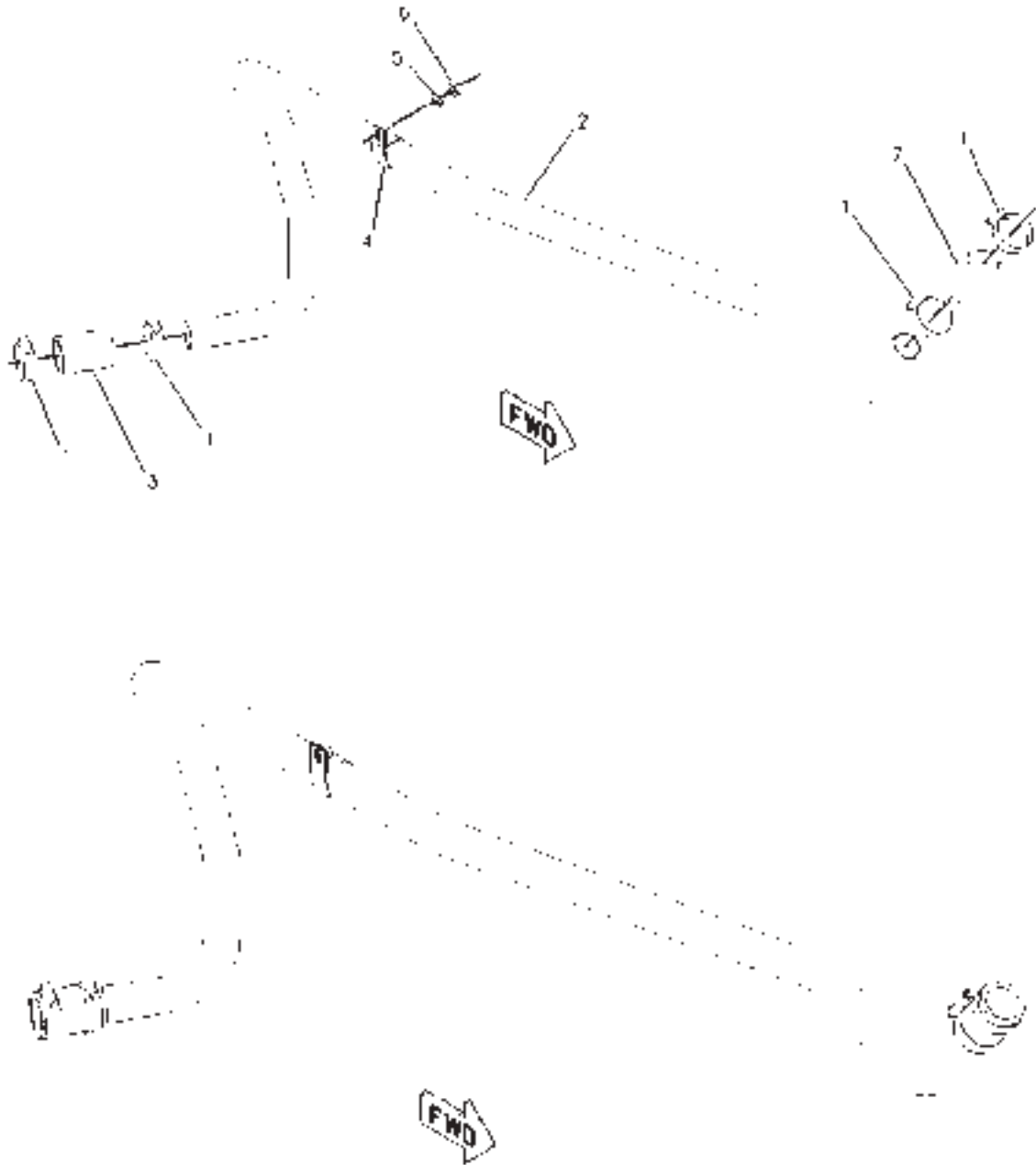
ITEM	NUMBER	QTY	DESCRIPTION
-	201-2497	--	AIR CLEANER GP [A]
1	CH6I-0273	1	ELEMENT PRIMARY-PRIMARY
2	CH6I-0274	1	ELEMENT SECONDARY-SECONDARY
3	6I-4464	1	COVER AIR-AIR CLEANER
	CH4P-5524	1	O-RING
4	CH8N-4617	2	KIT-AIR CLEANER CLAMP
	CH1N-4403	1	CLIP AS.
	CH9B-2596	1	RIVET

[A] PART OF 202-2155 AIR CLEANER GP

00794263
PR: t05f07j07b0036

MT700 SERIES TRACK TRACTORS
COOLING SYSTEM

DUST EJECTOR GP - 201-0725



**MT700 SERIESTRACKTRACTORS
COOLING SYSTEM**

123

DUST EJECTOR GP - 201-0725

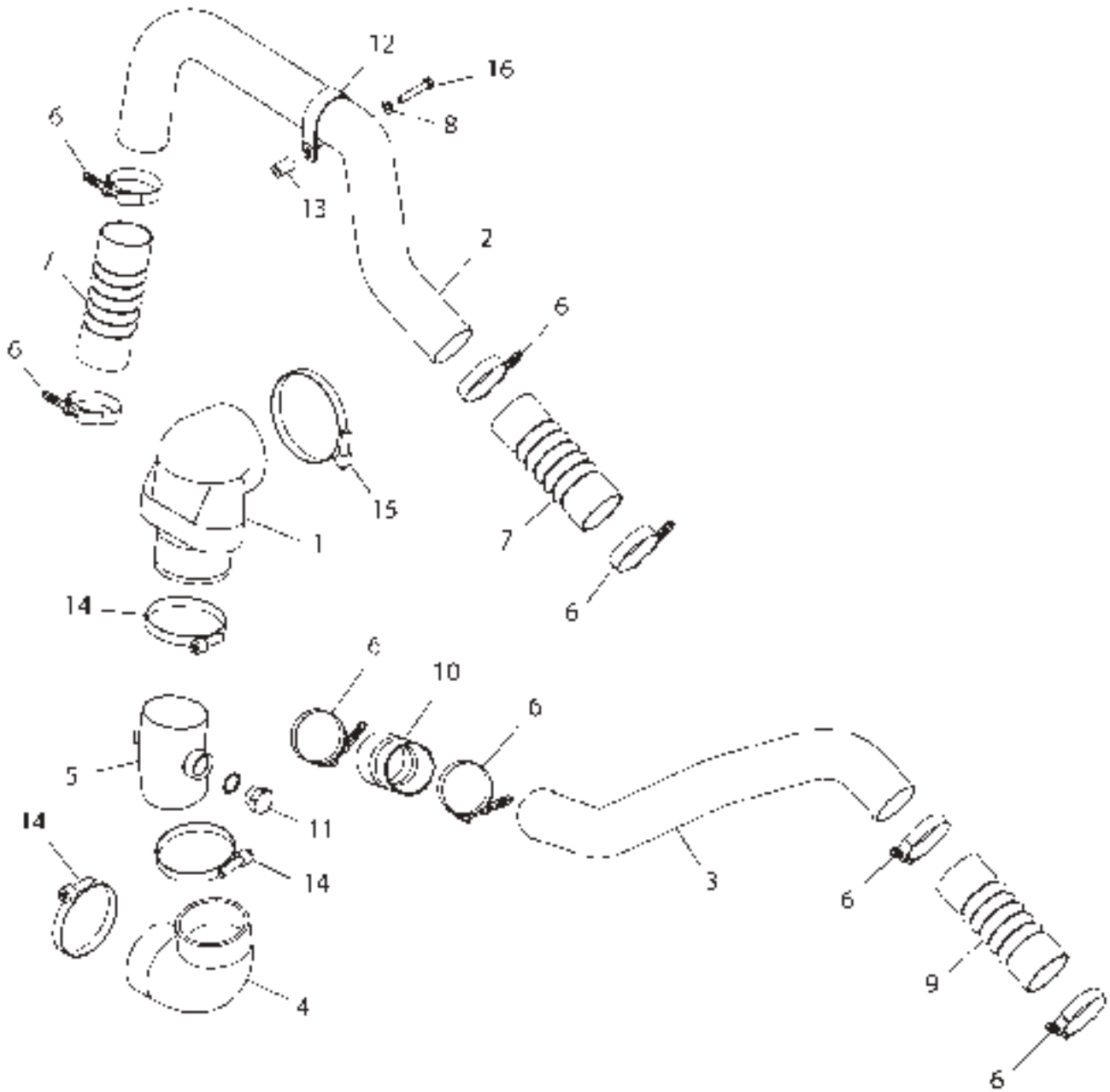
ITEM	NUMBER	QTY	DESCRIPTION
-	201-0725	--	DUST EJECTOR-GP [A] (NOT SERVICED)
1	CH5P-2230	4	CLAMP-HOSE (32.54ID)
2	201-0726	1	TUBE-EJECTOR
3	CH5P-0763	AR	HOSE (38.1MM ID)(9CM)
4	400689X1	1	CLIP-LOOP (38.1ID)
5	400287X1	1	WASHER-HARD (11X21X2.5MM THK)
6	WR522218	1	NUT (M10X1.5 THD)
7	CH5P-0763	AR	HOSE (38.1MM ID)(9CM)

[A] PART OF 165-7006;165-7007;165-7008;
169-6836 INSTALLATION AR-ENGINE

00896291
PR: t05f07j07b0037

MT700 SERIES TRACK TRACTORS
COOLING SYSTEM

LINES GP-AIR - 165-6770



**MT700 SERIES TRACK TRACTORS
COOLING SYSTEM**

125

LINES GP-AIR - 165-6770

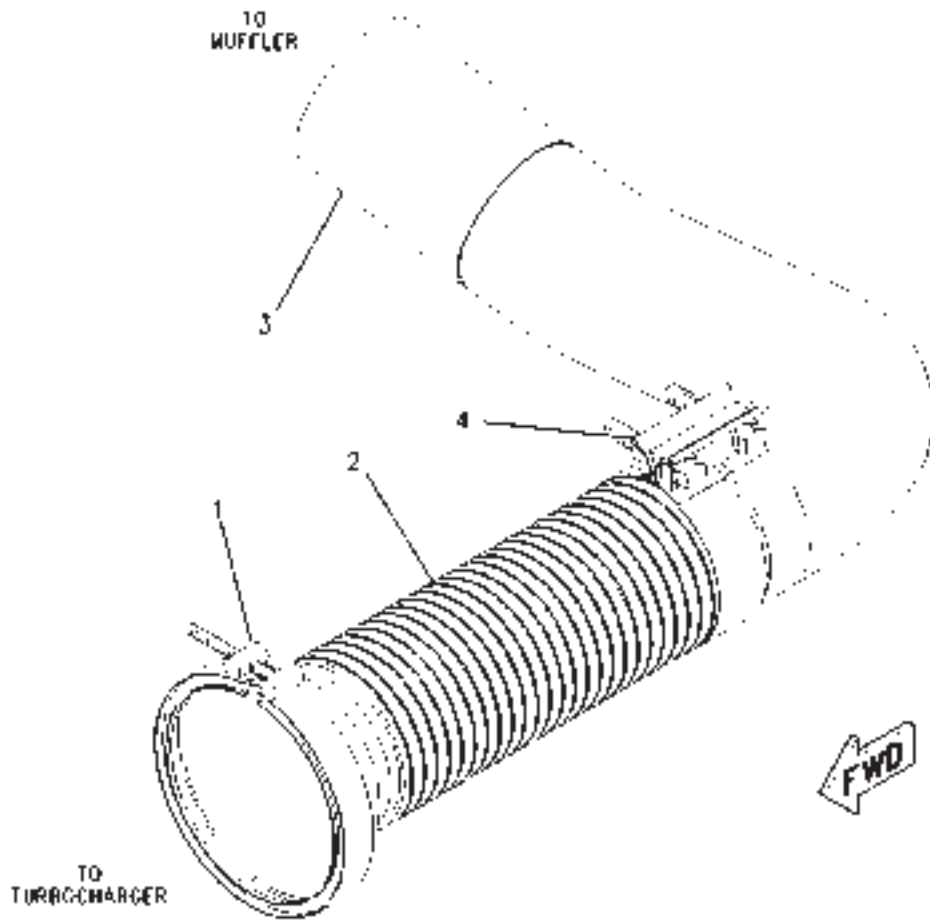
ITEM	NUMBER	QTY	DESCRIPTION
-	165-6770	--	LINES GP-AIR [A] (NOT SERVICED)
1	174-1754	1	HOSE-AIR INLET
2	201-5743	1	TUBE
3	201-5744	1	TUBE
4	202-9724	1	HOSE
5	203-2483	1	TUBE AS.
6	209-4577	8	CLAMP-T-BOLT
7	224-8865	2	HOSE-HUMP
8	400287X1	1	WASHER-HARD (11X21X2.5MM THK)
9	224-8865	1	HOSE-HUMP
10	224-8866	1	HOSE-HUMP
11	CH164-4180	1	PLUG AS-16 STOR HHD ZN
	400376X1	1	SEAL-O-RING (29.74IDX2.95DIA)
	CH9S-4181	1	PLUG
12	CH184-5394	1	CLIP
13	CH213-9822	1	SPACER
14	CH8T-4986	3	CLAMP-HOSE
15	CH8T-4987	1	CLAMP-HOSE
16	400239X1	1	BOLT (M10X1.50X60MM)

[A] PART OF 165-7006;165-7007;165-7008;
169-6836 INSTALLATION AR-ENGINE

502271DA
PR: t05f07j07b0038

MT700 SERIES TRACK TRACTORS
COOLING SYSTEM

LINES GP EXHAUST - 201-0709



00792547

**MT700 SERIES TRACK TRACTORS
COOLING SYSTEM**

127

LINES GP EXHAUST - 201-0709

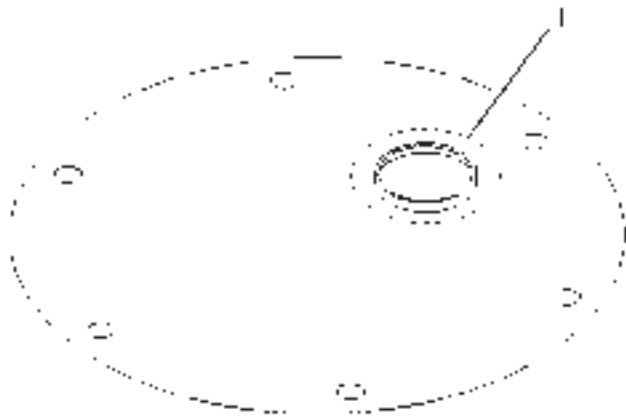
ITEM	NUMBER	QTY	DESCRIPTION
-	201-0709	--	LINES GP-EXHAUST [A] (NOT SERVICED)
1	CH9N-1941	1	CLAMP-V-BAND
2	205-6297	1	TUBE-FLEXIBLE
3	205-5368	1	TUBE EXHAUST-EXHAUST
4	CH202-0805	1	CLAMP

[A] PART OF 165-7006;165-7007;165-7008;
169-6836 INSTALLATION AR-ENGINE

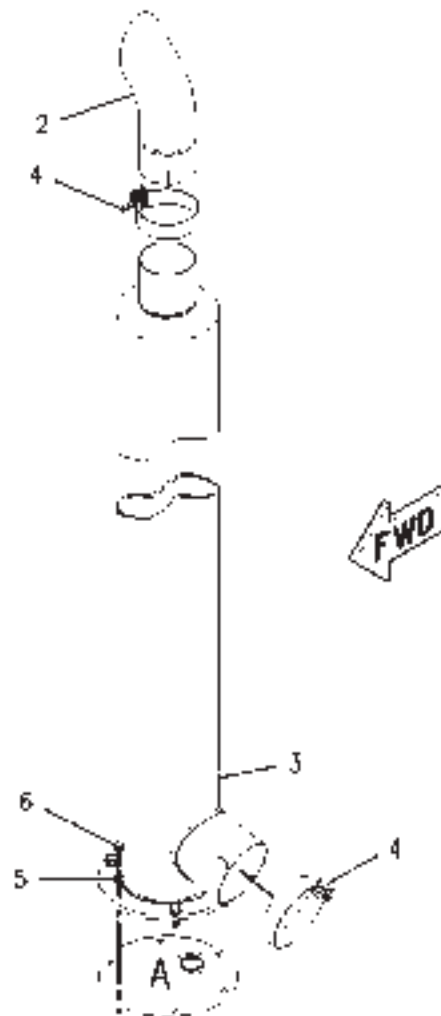
00792547
PR: t05f07j07b0039

MT700 SERIES TRACK TRACTORS
COOLING SYSTEM

MUFFLER GP - 201-0707



VIEW OF
AREA A



00854613

**MT700 SERIESTRACKTRACTORS
COOLING SYSTEM**

129

MUFFLER GP - 201-0707

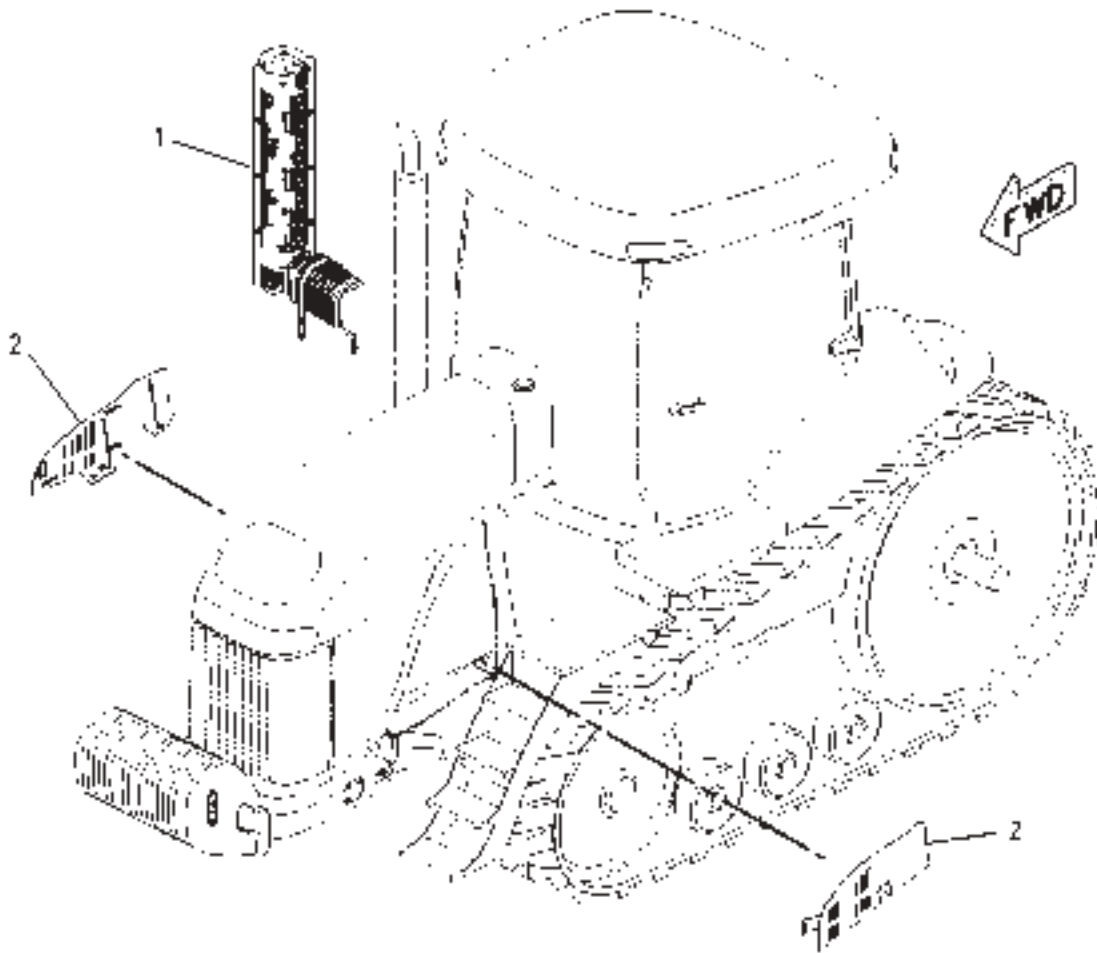
ITEM	NUMBER	QTY	DESCRIPTION
-	201-0707	--	MUFFLER GP (NOT SERVICED, SEE NOTE)
1	CH211-8713	20	SEALANT (BULK)
2	202-2374	1	EXTENSION ASY.
3	205-5369	1	MUFFLER ASY.
4	CH205-5371	2	CLAMP
5	400287X1	6	WASHER-HARD (11X21X2.5MM THK)
6	400059X1	6	BOLT (M10X1.5X35MM)

[A] PART OF 165-7006;165-7007;165-7008;
169-6836 INSTALLATION AR-ENGINE

00854613
PR: t05f07j07b0040

MT700 SERIES TRACK TRACTORS
COOLING SYSTEM

COMPLETING AR - 178-4958
ITALIAN MARKET
EAME ONLY



MT700 SERIESTRACKTRACTORS
COOLING SYSTEM

131

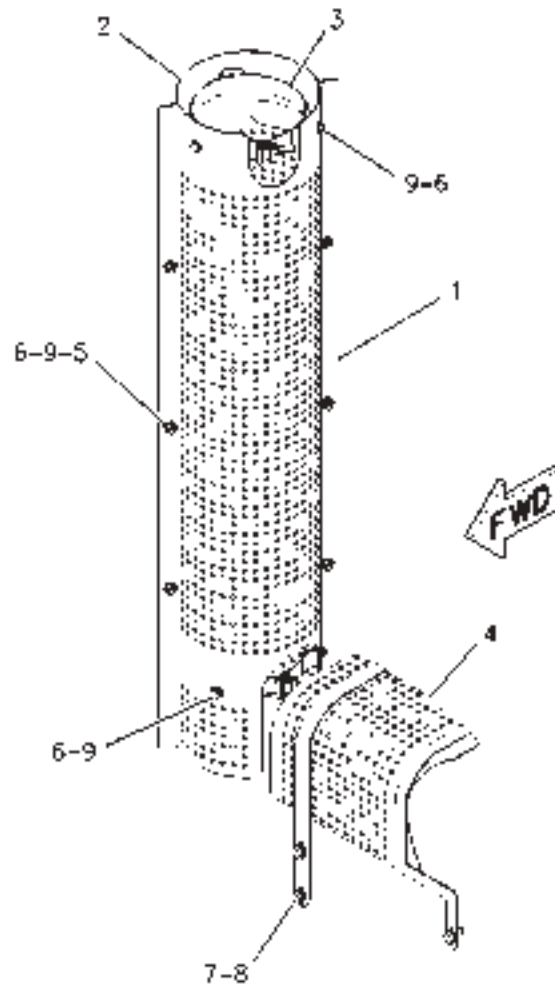
COMPLETING AR - 178-4958
ITALIAN MARKET
EAME ONLY

ITEM	NUMBER	QTY	DESCRIPTION
-	178-4958	--	COMPLETING AR (NOT SERVICED)
1	215-4259	1	SHIELD GP-EXHAUST (NOT SERVICED) (SEE BREAKDOWN FOR COMPONENTS)
2	217-0904	1	ENCLOSURE GP (NOT SERVICED) (SEE BREAKDOWN FOR COMPONENTS)

00873489
PR: t05f07j07b0041

MT700 SERIES TRACK TRACTORS
COOLING SYSTEM

SHIELD GP-EXHAUST - 215-4259
ITALIAN MARKET
EAME ONLY



**MT700 SERIES TRACK TRACTORS
COOLING SYSTEM**

133

**SHIELD GP-EXHAUST - 215-4259
ITALIAN MARKET
EAME ONLY**

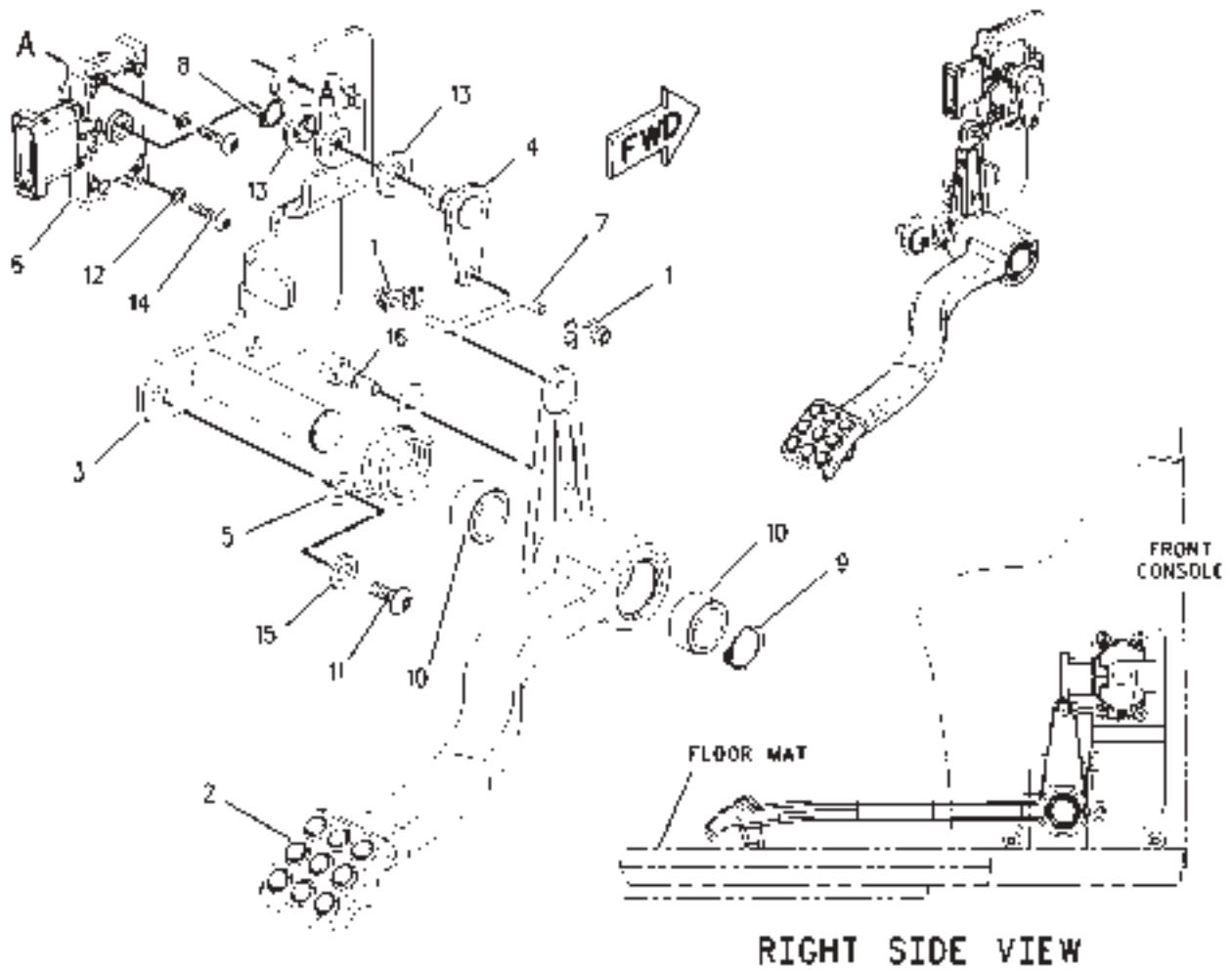
ITEM	NUMBER	QTY	DESCRIPTION
-	215-4259	--	SHIELD GP-EXHAUST (NOT SERVICED)
1	215-4260	1	SHIELD
2	215-4261	1	SHIELD
3	215-4262	2	CLAMP
4	215-4263	1	SHIELD AS
5	5C-7261	6	NUT (M8X1.25 THD)
6	400599X1	18	WASHER-HARD (8.8X20.5X2MM THK)
7	8T-4121	3	WASHER-HARD (11X21X2.5MM THK)
8	8T-4136	3	BOLT (M10X1.5X25MM)
9	8T-4189	12	BOLT (M8X1.25X20MM)

[A] PART OF 178-4958 COMPLETING AR

00879821
PR: t05f07j07b0042

MT700 SERIES TRACK TRACTORS
FUEL SYSTEM

CONTROL GP-DECELERATOR - 152-0447



MT700 SERIES TRACK TRACTORS
FUEL SYSTEM

135

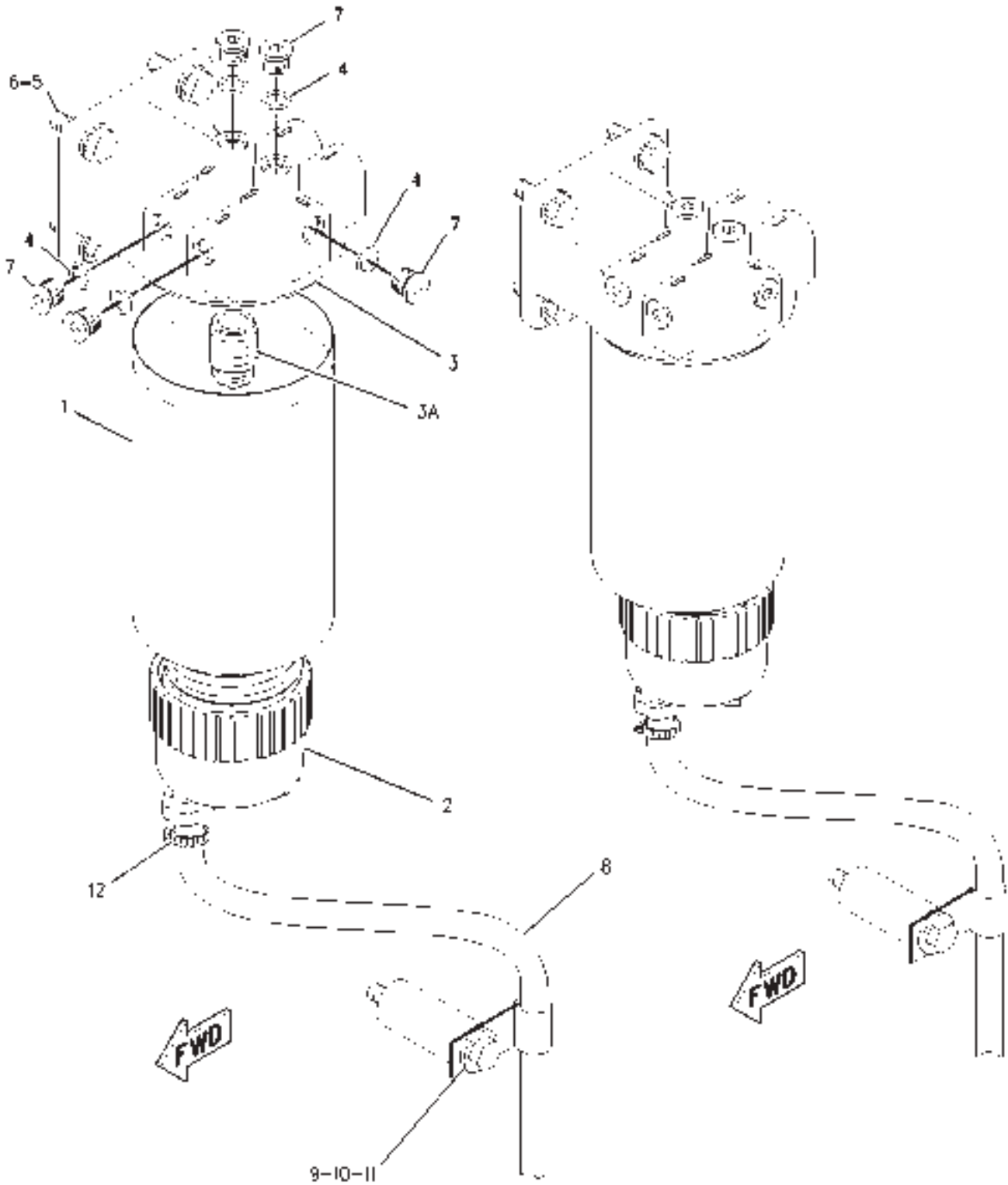
CONTROL GP-DECELERATOR - 152-0447

ITEM	NUMBER	QTY	DESCRIPTION
-	152-0447	--	CONTROL GP-DECELERATOR [A] (NOT SERVICED)
-	502797D1	--	CONTROL GP-DECELERATOR (REF ONLY) (NOT SERVICED)
1	CH116-5728	2	CLIP-ROD END
2	136-5218	1	PEDAL-DECELERATOR
3	136-5221	1	BRACKET AS (INCLUDES BRACKET & SHAFT)
4	136-5224	1	ARM AS (INCLUDES SHAFT & PLATE)
5	CH214-9441	1	SPRING
6	500317D1	1	SENSOR POSITION
7	136-5566	1	LINK
8	CH095-0915	1	RING-RETAINING
9	CH2J-6356	1	RING-RETAINING
10	CH4E-1251	2	BEARING-SLEEVE
11	CH127-2170	2	SCREW-TRUSS HEAD (M8X1.25X20MM)
12	CH8C-9660	2	WASHER (4.6X7.9X0.8)
13	CH177-0378	2	BUSHING
14	CH9X-1046	2	SCREW (M4X0.7X18MM)
15	CH9M-1974	2	WASHER-HARD (8.8X16X2)
16	400004X1	1	BOLT-SHOULDER (M6X1X23.25MM)

[A] PART OF 500847D1; 500848D1 CAB AR

00850574
PR: t05f07j07b0043

FILTER GP-PRIMARY FUEL - 203-2619



MT700 SERIES TRACK TRACTORS
FUEL SYSTEM

137

FILTER GP-PRIMARY FUEL - 203-2619

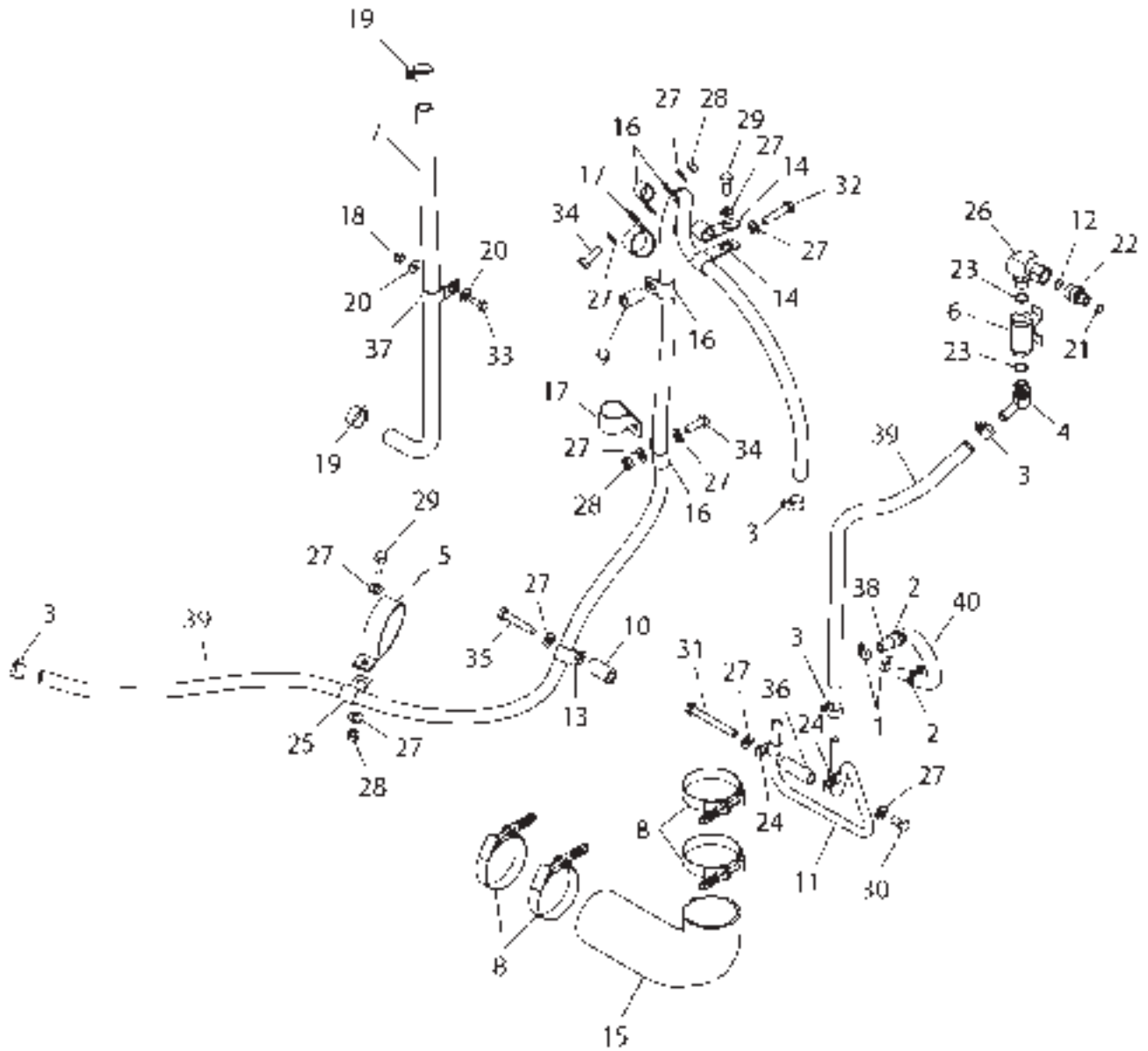
ITEM	NUMBER	QTY	DESCRIPTION
-	203-2619	--	FILTER GP-PRIMARY FUEL [A] (NOT SERVICED)
1	CH1R-0770	1	FILTER AS-WATER SEP & FUEL
2	CH173-7126	1	BOWL AS-FUEL/WATER SEP
3	CH177-9778	1	BASE AS-FUEL FILTER
3A	CH9S-4167	1	STUD-HOLLOW
4	CH190-7634	5	O-RING
5	400287X1	4	WASHER-HARD (11X21X2.5MM THK)
6	400058X1	4	BOLT (M10X1.5X30MM)
7	CH9S-8004	5	PLUG
8	CH5P-6442	AR	HOSE (100CM)
9	CH4S-1936	1	CLIP
10	CH7X-7729	1	WASHER (11X25X3MM THK)
11	400040X1	1	BOLT (M10X1.5X20MM)
12	CH1P-4278	1	CLAMP-HOSE

[A] PART OF 165-7006;165-7007;165-7008;
169-6836 INSTALLATION AR-ENGINE

00872302
PR: t05f07j07b0044

MT700 SERIES TRACK TRACTORS
FUEL SYSTEM

LINES GP-FUEL - 156-1317
ROW



MT700 SERIES TRACK TRACTORS
FUEL SYSTEM

139

LINES GP-FUEL - 156-1317
ROW

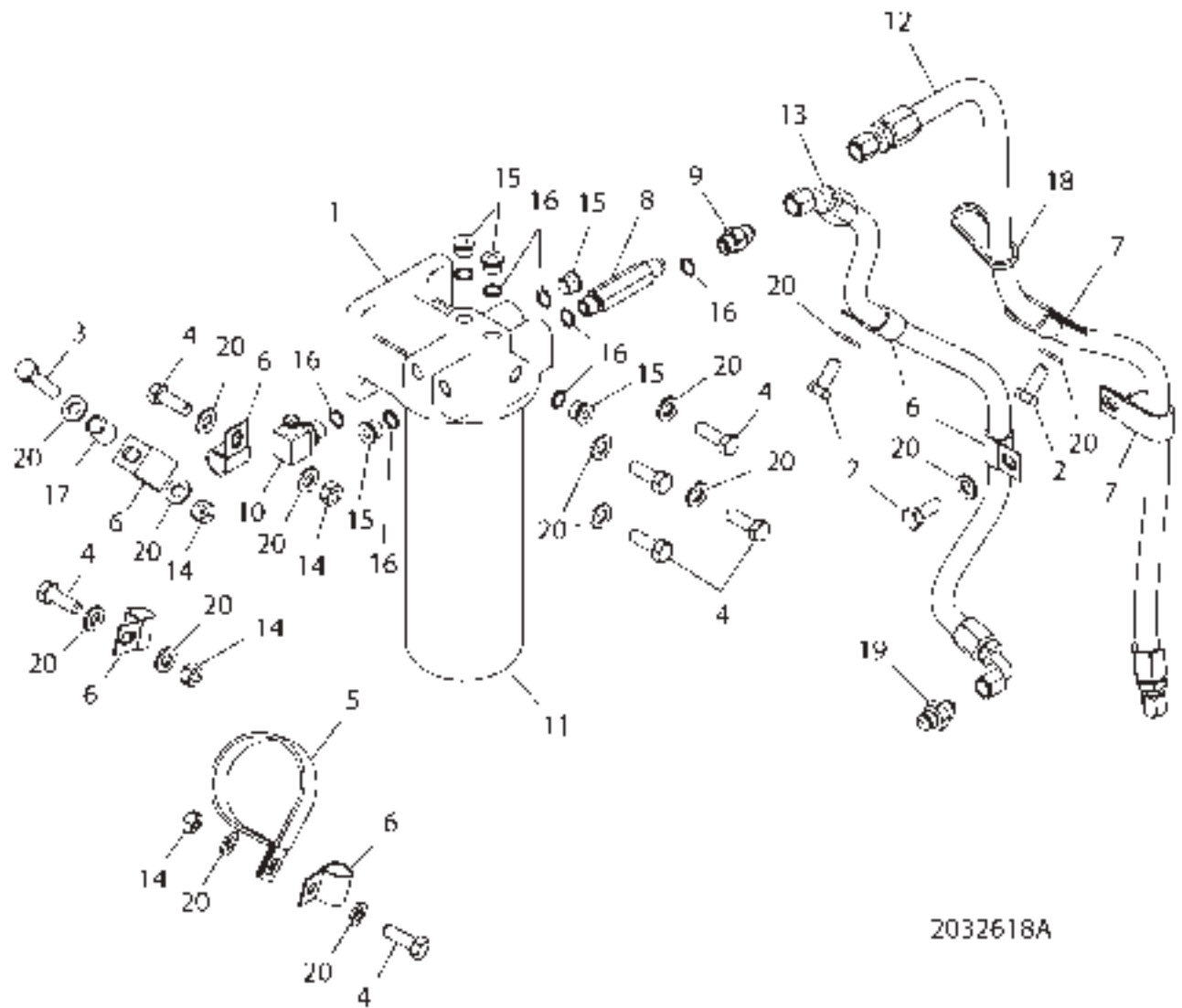
ITEM	NUMBER	QTY	DESCRIPTION
-	156-1317	--	LINES GP-FUEL [A] (NOT SERVICED)
1	CH1P-4278	2	CLAMP-HOSE
2	400837X1	2	STRAP-CABLE (PLASTIC)
3	400109X1	4	CLAMP-HOSE
4	CH6V-1230	1	ELBOW
5	CH184-5394	1	CLIP (LOOP)
6	CH206-0325	1	VALVE
7	208-6110	1	HOSE
8	CH209-4578	4	CLAMP-T-BOLT 81-87 ID CONST TRQ
9	CH213-9822	1	SPACER 11IDX20ODX31MM
10	CH215-6489	1	SPACER (12X22X40MM THK)
11	CH217-4206	1	TUBE-12.7 ODX1.24 THK
12	CH033-6033	1	O-RING
13	CH1S-0994	1	CLIP (SLOT)
14	CH1S-0996	2	CLIP-LOOP 20.64 ID
15	233-0690	1	HOSE-FUEL TRANSFER
16	CH3S-8664	4	CLIP-LOOP 19.05 ID
17	CH4D-7388	2	CLIP-LOOP 34.9 ID
18	400340X1	1	NUT-M8X1.25X13 HEX ZND1
19	400108X1	2	CLAMP-HOSE SST 15.9-26.9X13.5
20	400599X1	2	WASHER-HARD,M8X20.5ODX2THK
21	CH6V-5049	1	O-RING
22	400429X1	1	CONNECTOR-SEAL
23	CH8L-2786	2	O-RING
24	CH8M-2770	2	CLIP (SLOT)
25	CH8S-0948	1	CLIP (SLOT)
26	CH8T-0249	1	ELBOW-SWIVEL
27	400287X1	11	WASHER-HARD (11X21X2.5MM THK)
28	WR522218	3	NUT (M10X1.5 THD)
29	400039X1	2	BOLT (M10X1.5X25MM)
30	400040X1	1	BOLT (M10X1.5X20MM)
31	400225X1	1	BOLT-M10X1.5X90 ZNDI HHD 10.9
32	400226X1	1	BOLT-M10X1.5X50 ZNDI HHD 10.9
33	400053X1	1	BOLT-M8X1.25X20 ZNDI HHD 10.9
34	400058X1	2	BOLT-M10X1.5X30 ZNDI HHD 10.9
35	400239X1	1	BOLT (M10X1.50X60MM)
36	CH8X-3212	1	SPACER-13IDX19ODX58MM
37	CH9X-8250	1	CLIP (SLOT)
38	CH103-2529	AR	HOSE (31CM)
39	CH7X-7744	AR	HOSE (305CM)
40	CH149-7369	AR	SLEEVE-ABRASION BULK 18.03 ID (26CM)

[A] PART OF 165-8506; 199-3440
TANK AR-FUEL

1561317A
PR: t05f07j07b0045

MT700 SERIES TRACK TRACTORS
FUEL SYSTEM

LINES GP-FUEL - 203-2618



2032618A

**MT700 SERIES TRACK TRACTORS
FUEL SYSTEM**

141

LINES GP-FUEL - 203-2618

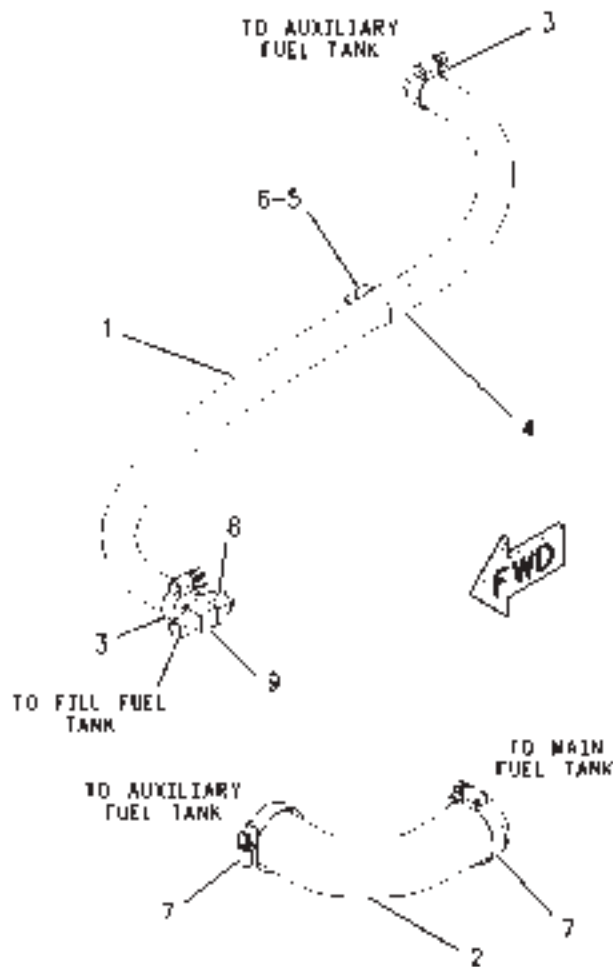
ITEM	NUMBER	QTY	DESCRIPTION
-	203-2618	--	LINES GP-FUEL [A] (NOT SERVICED)
1	CH174-7599	1	BASE AS-FUEL FILTER
2	400039X1	3	BOLT-M10X1.5X25 ZNDI HHD 10.9
3	400049X1	1	BOLT-M10X1.5X45 ZNDI HHD 10.9
4	400058X1	7	BOLT-M10X1.5X30 ZNDI HHD 10.9
5	CH184-5394	1	CLIP LOOP 77.8 ID
6	CH3S-8664	6	CLIP-LOOP 19.05 ID
7	400665X1	2	CLIP-LOOP 19ID X 2
8	CH030-7937	1	CONNECTOR-6FLAR37 X 6STOR
9	CH2R-6806	1	CONNECTOR-6FLAR37X6STOR
10	CH030-7947	1	ELBOW-90DEG 6FLAR37 X 6STOR
11	CH1R-0762	1	FILTER AS.-FUEL
12	502739D1	1	HOSE AS-9.52 ID 100R1 AT 905MM
13	502634D1	1	HOSE AS-9.52 ID,100R1 AT 750MM
14	WR522218	4	NUT-M10-1.5,CL10.9,ZN,H,REG
15	CH9S-8004	5	PLUG-9/16-18-2A THD HSHD
16	CH190-7634	8	SEAL-O RING 11.89IDX1.98DIA
17	211-1817	1	SPACER-17.14ODX12.52IDX20 ZN
18	CH7K-1181	1	STRAP-CABLE 0.19-4.00
19	CH7K-4129	1	UNION-6 FLARED 37DEG
20	400287X1	15	WASHER-HARD 11IDX21ODX2.5 ZND1

[A] PART OF 165-7006;165-7007;165-7008;
169-6836 INSTALLATION AR

2032618A
PR: t05f07j07b0046

MT700 SERIES TRACK TRACTORS
FUEL SYSTEM

LINES GP-FUEL - 206-4714
SIDE



MT700 SERIES TRACK TRACTORS
FUEL SYSTEM

143

LINES GP-FUEL - 206-4714
SIDE

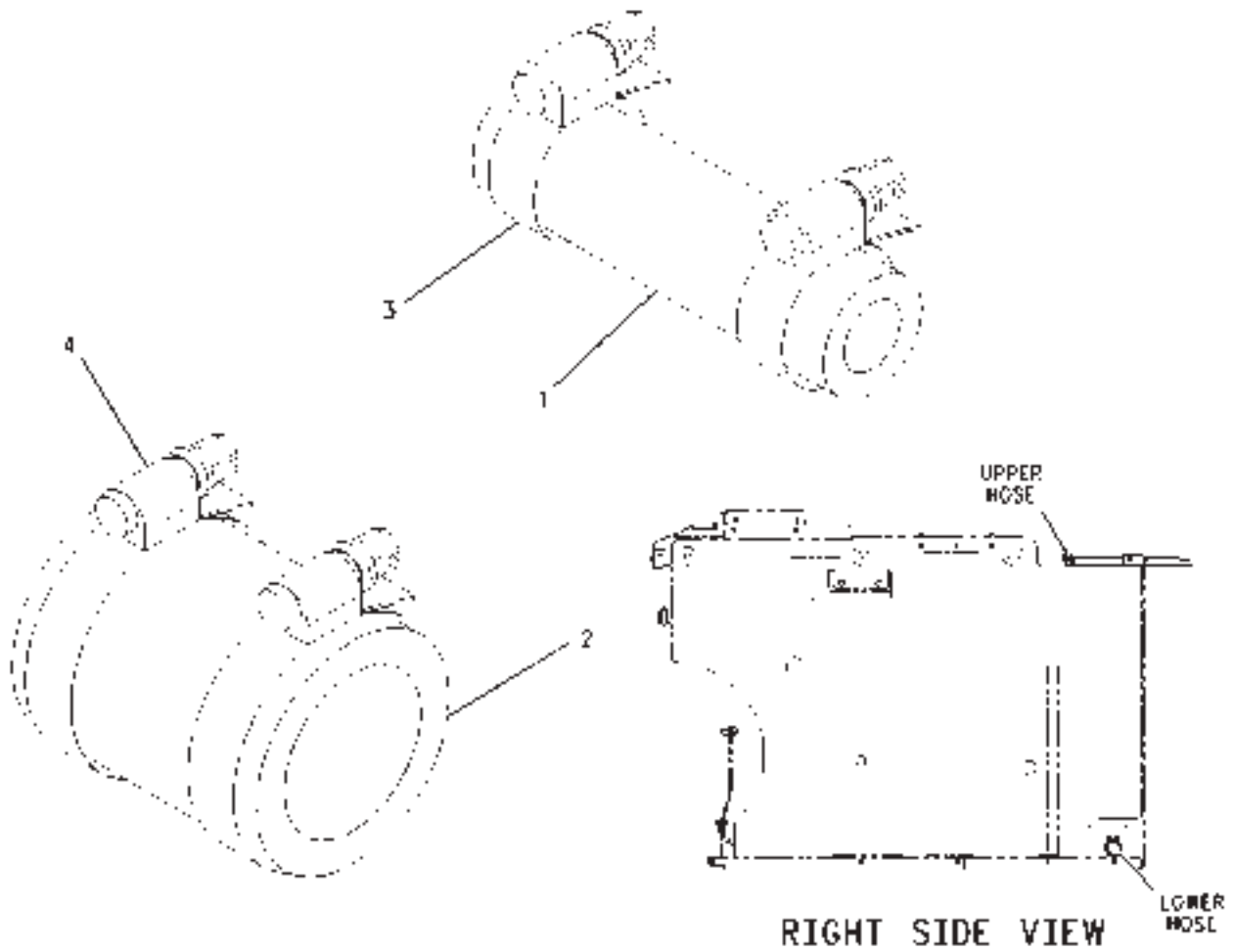
ITEM	NUMBER	QTY	DESCRIPTION
-	206-4714	--	LINES GP-FUEL [A] (NOT SERVICED)
1	CH208-6110	1	HOSE (15.88X87CM)
2	211-9448	1	HOSE (TRANSFER)
3	400125X1	2	CLAMP-HOSE
4	CH4S-1962	1	CLIP
5	400054X1	1	BOLT (M10X1.5X16MM)
6	400287X1	1	WASHER-HARD (11IDX21ODX2.5MM)
7	CH8T-6703	2	CLAMP-HOSE
8	CH185-1512	1	GROMMET
9	CH204-9247	1	TEE

[A] PART OF 199-3432;199-3440;210-1381;
210-1382 TANK AR-FUEL

00849157
PR: t05f07j07b0047

MT700 SERIES TRACK TRACTORS
FUEL SYSTEM

LINES GP-FUEL - 206-4715
SIDE



MT700 SERIES TRACK TRACTORS
FUEL SYSTEM

145

LINES GP-FUEL - 206-4715
SIDE

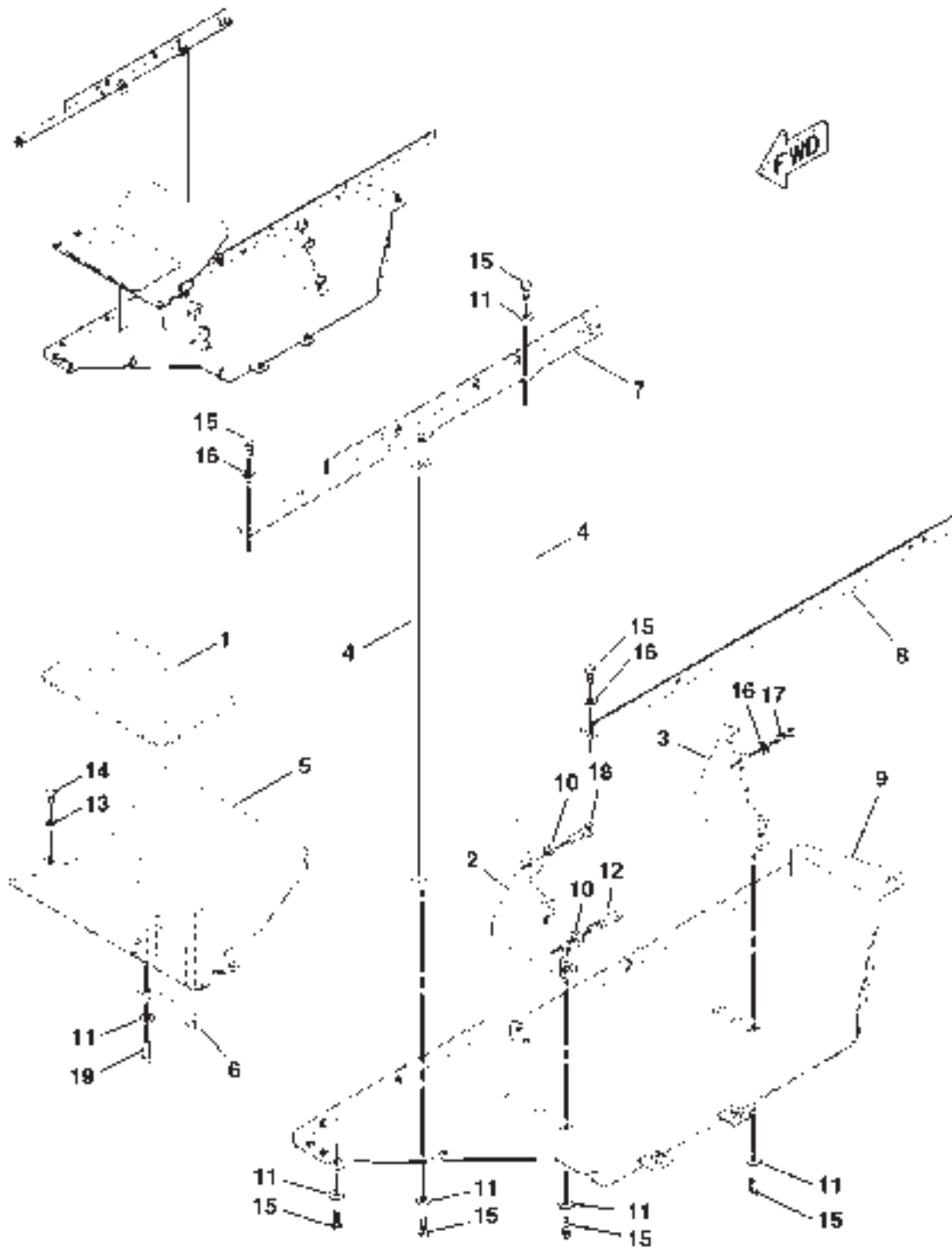
ITEM	NUMBER	QTY	DESCRIPTION
-	206-4715	--	LINES GP-FUEL [A] (NOT SERVICED)
1	CH205-1398	1	HOSE (15.88IDX10CM)
2	CH205-1399	1	HOSE (38.1IDX7CM)
3	400125X1	2	CLAMP-HOSE
4	CH8T-6703	2	CLAMP-HOSE

[A] PART OF 199-3432;199-3440;210-1382
TANK AR-FUEL

00818535
PR: t05f07j07b0048

MT700 SERIES TRACK TRACTORS
FUEL SYSTEM

MOUNTING GP-FUEL TANK - 171-3737
REAR
ROW



**MT700 SERIES TRACK TRACTORS
FUEL SYSTEM**

147

**MOUNTING GP-FUEL TANK - 171-3737
REAR
ROW**

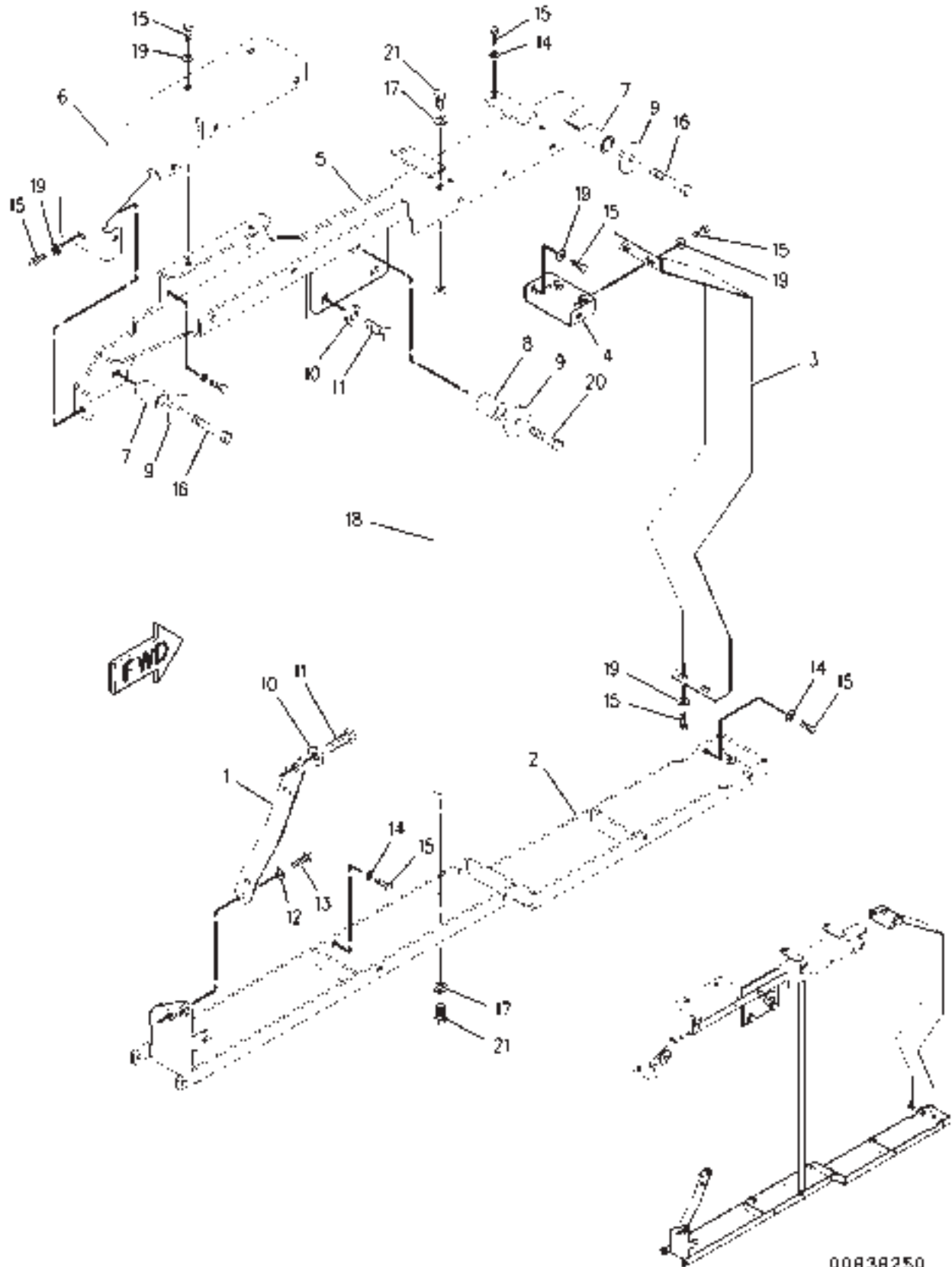
ITEM	NUMBER	QTY	DESCRIPTION
-	171-3737	--	MOUNTING GP-FUEL TANK [A] (NOT SERVICED)
1	CH183-9298	1	INSULATION
2	188-6257	1	BRACKET AS.
	CH8T-3597	3	NUT-WELD (M12X1.75 THD)
3	188-6258	1	BRACKET AS.
	CH8T-3597	3	NUT-WELD (M12X1.75 THD)
4	CH219-1429	2	BAR
5	216-8851	1	SUPPORT AS.
	CH8T-3851	2	BOSS-WELD (M10X1.5MM)
6	CH215-3035	1	BAR
7	202-9986	1	SUPPORT AS. (RH)
	CH8T-3612	4	NUT-WELD (M8X1.25 THD)
8	202-9987	1	SUPPORT AS. (LH)
	CH8T-3612	4	NUT-WELD (M8X1.25 THD)
9	202-9993	1	SUPPORT AS. (TANK)
	CH8T-3597	2	NUT-WELD (M12X1.75 THD)
	CH8T-3612	7	NUT-WELD (M8X1.25 THD)
10	CH3E-4356	3	WASHER-HARD (30X17.5X6MM THK)
11	400381X1	16	WASHER-HARD (13.5X30X4MM THK)
12	400030X1	1	BOLT (M16X2X70MM)
13	400287X1	4	WASHER-HARD (11X21X2.5MM THK)
14	400040X1	4	BOLT (M10X1.5X20MM)
15	400041X1	18	BOLT (M12X1.75X30MM)
16	400357X1	7	WASHER-HARD (M12X25.5X3MM THK)
17	400064X1	3	BOLT (M12X1.75X35MM)
18	400191X1	2	BOLT (M16X2X40MM)
19	400050X1	2	BOLT (M12X1.75X40MM)

[A] PART OF 165-8506; 199-3440
TANK AR-FUEL

1713737F
PR: t05f07j07b0049

MT700 SERIES TRACK TRACTORS
FUEL SYSTEM

MOUNTING GP-FUEL TANK - 197-8133
SIDE



MT700 SERIES TRACK TRACTORS
FUEL SYSTEM

149

MOUNTING GP-FUEL TANK - 197-8133
SIDE

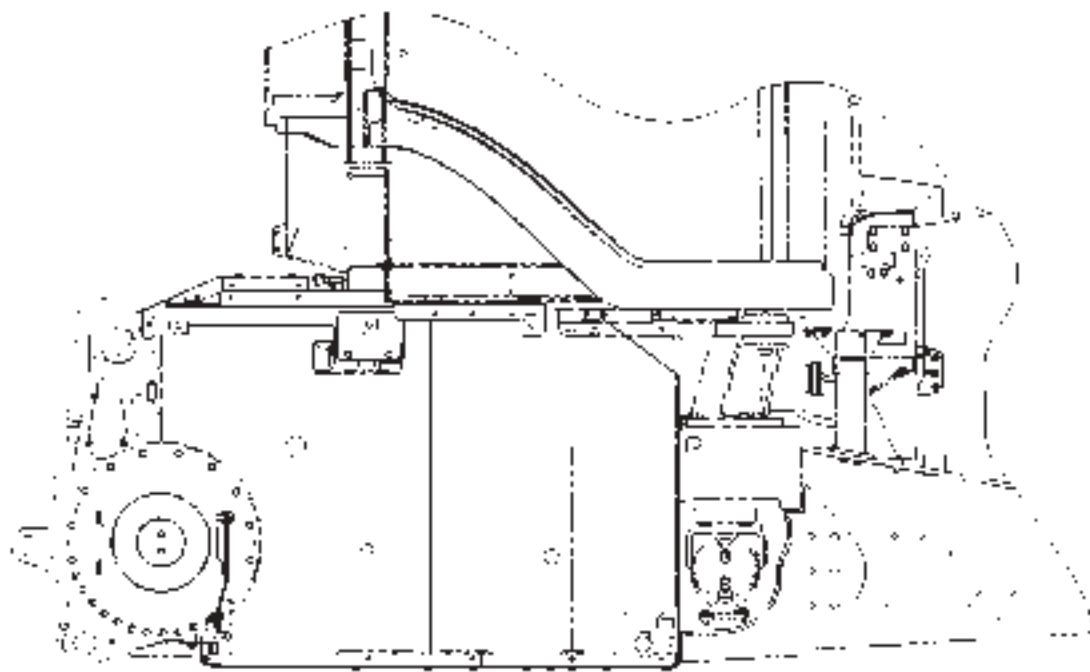
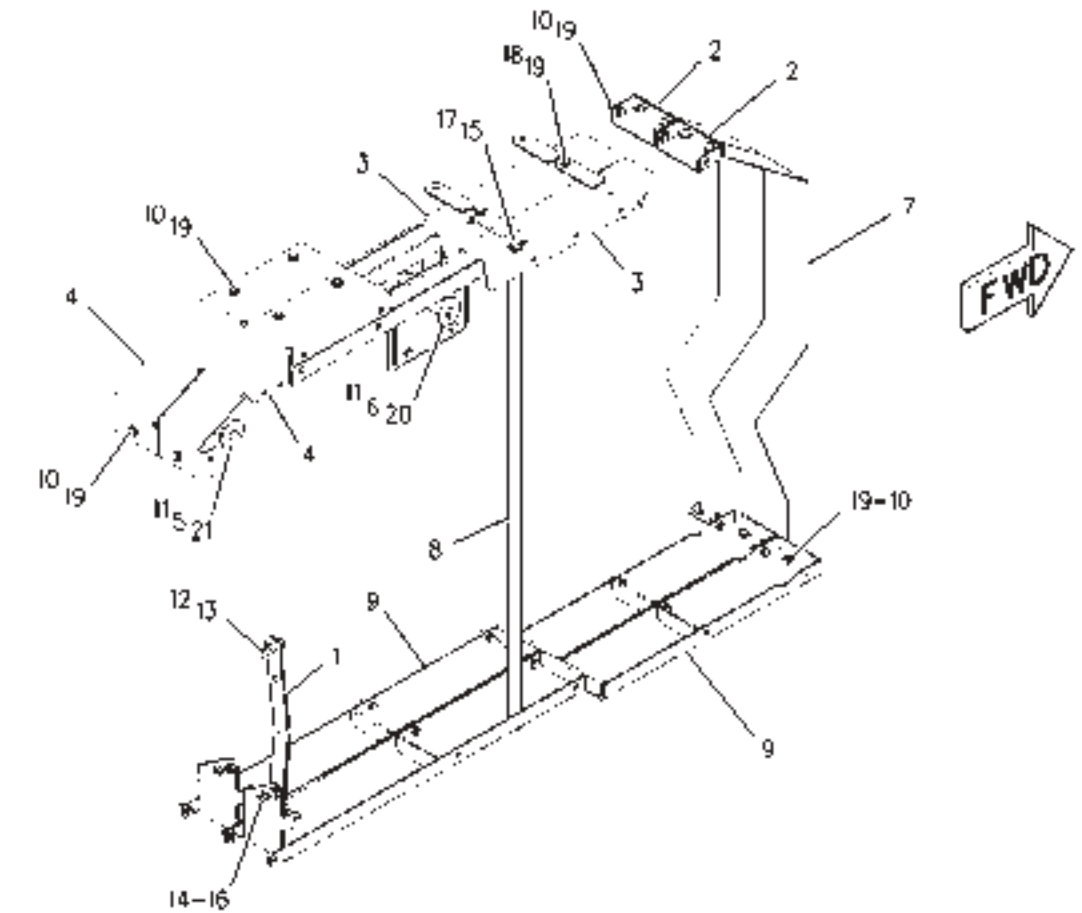
ITEM	NUMBER	QTY	DESCRIPTION
-	197-8133	--	MOUNTING GP-FUEL TANK [A] (NOT SERVICED)
1	203-5796	1	STRAP
2	216-4304	1	SUPPORT AS.
	CH8T-3490	2	NUT-WELD (M10X1.5 THD)
	CH8T-3612	8	NUT-WELD (M8X1.25 THD)
3	216-4303	1	SHIELD
4	203-5799	1	BRACKET AS.
	CH8T-3612	3	NUT-WELD (M8X1.25 THD)
5	206-4706	1	BRACKET AS.
	CH8T-3597	2	NUT-WELD (M12X1.75 THD)
	CH8T-3612	10	NUT-WELD (M8X1.25 THD)
6	206-4707	1	COVER AS.
	CH8T-3612	4	NUT-WELD (M8X1.25 THD)
7	CH206-4708	2	SPACER (22.2X31.8X50MM THK)
8	CH206-4709	1	SPACER (22.2X31.8X44MM THK)
9	CH7G-8839	3	SPACER (13.5X57X6MM THK)
10	CH7X-0515	3	WASHER-HARD (17X35X5MM THK)
11	400191X1	3	BOLT (M16X2X40MM)
12	400287X1	1	WASHER-HARD (11X21X2.5MM THK)
13	400058X1	1	BOLT (M10X1.5X30MM)
14	400339X1	10	WASHER-HARD (8.8X16X2MM THK)
15	400341X1	18	BOLT (M8X1.25X25MM)
16	400241X1	2	BOLT (M12X1.75X80MM)
17	400357X1	2	WASHER-HARD (M12X25.5X3MM THK)
18	CH217-8744	1	BAR
19	400599X1	8	WASHER-HARD (M8X20.5X2MM THK)
20	400063X1	1	BOLT (M12X1.75X60MM)
21	400055X1	2	BOLT (M12X1.75X25MM)

[A] PART OF 199-3432; 210-1381
TANK AR-FUEL

00838250
PR: t05f07j07b0050

MT700 SERIES TRACK TRACTORS
FUEL SYSTEM

MOUNTING GP-FUEL TANK - 199-3433
DUAL TANK
SIDE



RIGHT SIDE VIEW

MT700 SERIES TRACK TRACTORS
FUEL SYSTEM

151

MOUNTING GP-FUEL TANK - 199-3433
DUAL TANK
SIDE

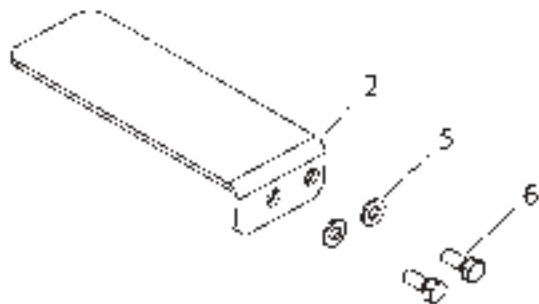
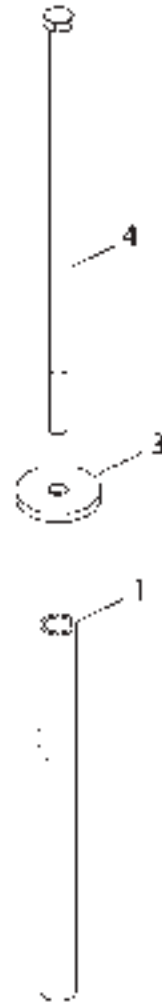
ITEM	NUMBER	QTY	DESCRIPTION
-	199-3433	--	MOUNTING GP-FUEL TANK [A] (NOT SERVICED)
1	203-5796	1	STRAP
2	203-5799	2	BRACKET ASY. (INCL. 2A)
	CH8T-3612	3	NUT-WELD (M8X1.25 THD)
3	206-4706	2	BRACKET ASY. (INCL. 3A & 3B)
	CH8T-3597	3	NUT-WELD (M12X1.75 THD)
	CH8T-3612	10	NUT-WELD (M8X1.25 THD)
4	206-4707	2	COVER ASY. (INCL. 4A)
	CH8T-3612	4	NUT-WELD (M8X1.25 THD)
5	CH206-4708	4	SPACER (22.2X31.8X50MM THK)
6	CH206-4709	2	SPACER (22.2X31.8X44MM THK)
7	216-4303	2	SHIELD
8	CH217-8744	1	BAR
9	216-4304	2	SUPPORT ASY. (INCL. 9A & 9B)
	CH8T-3490	2	NUT-WELD (M10X1.5 THD)
	CH8T-3612	8	NUT-WELD (M8X1.25 THD)
10	400599X1	16	WASHER-HARD (M8X20.5X2MM THK)
11	CH7G-8839	6	SPACER (13.5X57X6MM THK)
12	CH7X-0515	3	WASHER-HARD (17X35X5MM THK)
13	400191X1	3	BOLT (M16X2X40MM)
14	400287X1	1	WASHER-HARD (11X21X2.5MM THK)
15	400055X1	2	BOLT (M12X1.75X25MM)
16	400058X1	1	BOLT (M10X1.5X30MM)
17	400357X1	2	WASHER-HARD (M12X25.5X3MM THK)
18	400339X1	20	WASHER-HARD (8.8X16X2MM THK)
19	400341X1	36	BOLT (M8X1.25X25MM)
20	400063X1	2	BOLT (M12X1.75X60MM)
21	400241X1	4	BOLT (M12X1.75X80MM)

[A] PART OF 199-3440; 210-1382
TANK AR-FUEL

00839394
PR: t05f07j07b0051

MT700 SERIES TRACK TRACTORS
FUEL SYSTEM

MOUNTING GP-FUEL TANK - 203-7082
FRONT
ROW



MT700 SERIESTRACKTRACTORS
FUEL SYSTEM

153

MOUNTING GP-FUEL TANK - 203-7082
FRONT
ROW

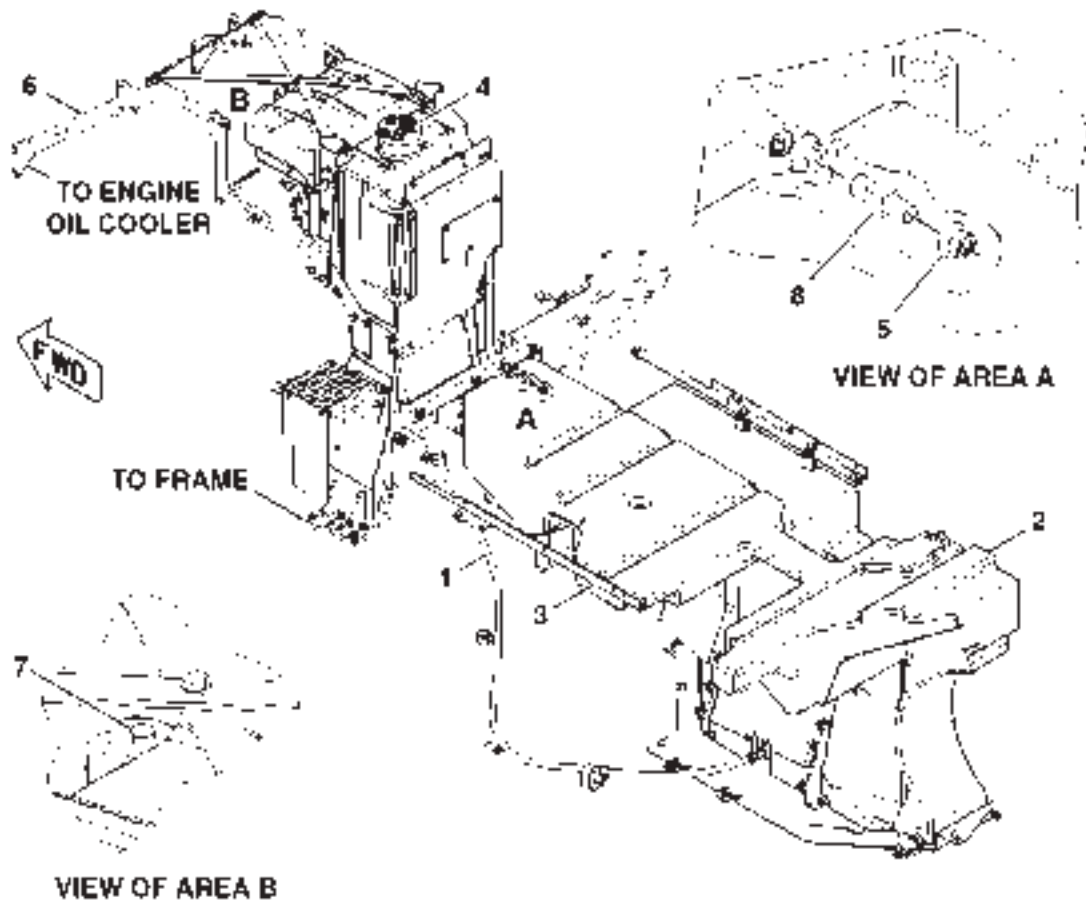
ITEM	NUMBER	QTY	DESCRIPTION
-	203-7082	--	MOUNTING GP-FUEL TANK [A] (NOT SERVICED)
1	CH203-7080	1	SPACER (15.9X21.4X265MM THK)
2	203-7081	1	PLATE AS.
	CH8T-3490	2	NUT-WELD (M10X1.5 THD)
3	CH115-6433	1	WASHER (11X50X6MM THK)
4	400010X1	1	BOLT (M10X1.5X295MM)
5	400287X1	2	WASHER-HARD (11X21X2.5MM THK)
6	400039X1	2	BOLT (M10X1.5X25MM)

[A] PART OF 165-8506; 199-3440
TANK AR-FUEL

2037082A
PR: t05f07j07b0052

MT700 SERIES TRACK TRACTORS
FUEL SYSTEM

TANK AR-FUEL - 165-8506



MT700 SERIES TRACK TRACTORS
FUEL SYSTEM

155

TANK AR-FUEL - 165-8506

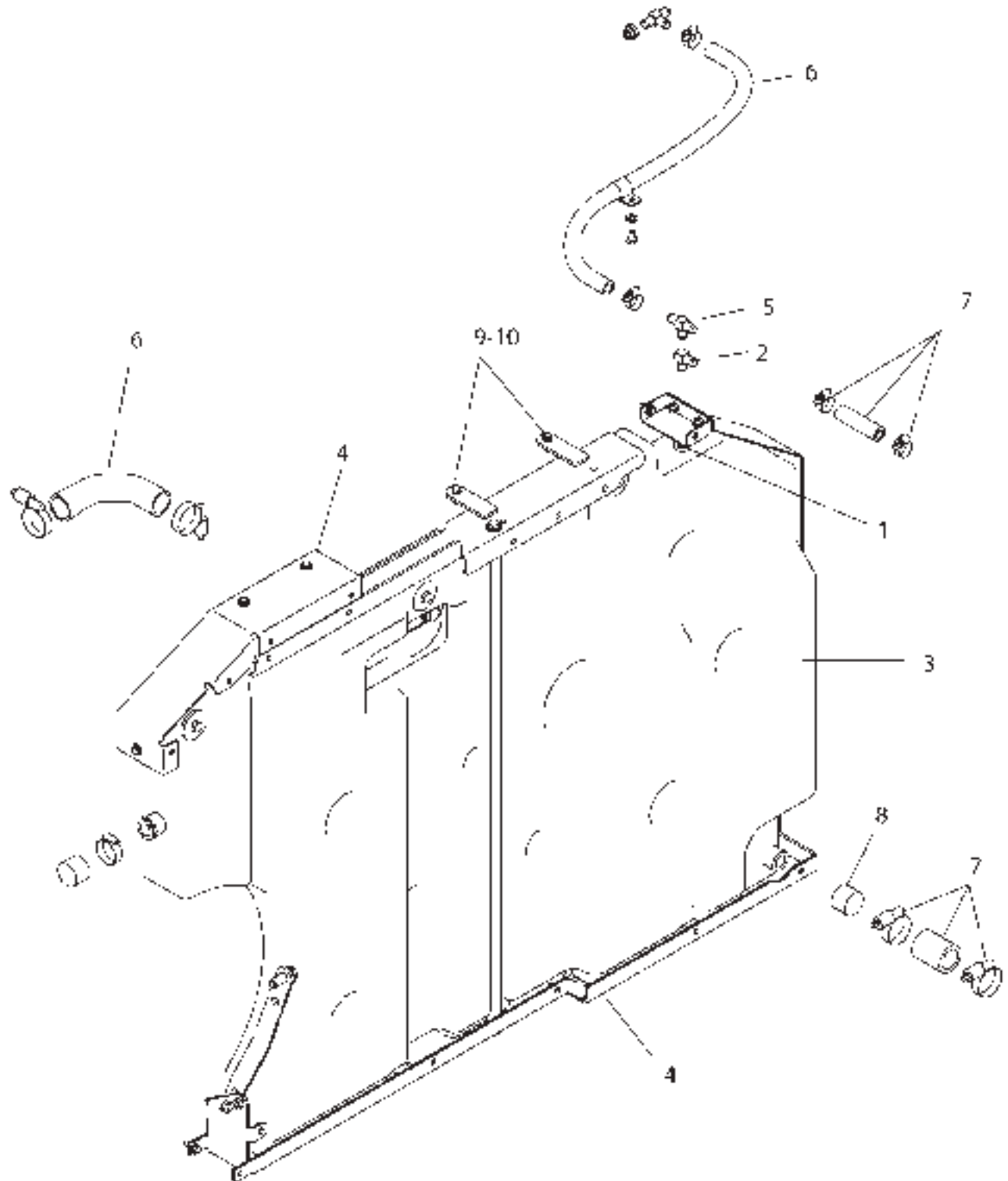
ITEM	NUMBER	QTY	DESCRIPTION
-	165-8506	--	TANK AR-FUEL [A] (NOT SERVICED)
1	156-1317	1	LINES GP-FUEL (NOT SERVICED) (SEE BREAKDOWN FOR COMPONENTS)
2	171-3721	1	TANK GP-FUEL (REAR) (NOT SERVICED) (SEE BREAKDOWN FOR COMPONENTS)
3	171-3737	1	MOUNTING GP-FUEL TANK (REAR) (SEE BREAKDOWN FOR COMPONENTS)
4	500100D1	1	TANK GP-FUEL (FRONT) (NOT SERVICED) (SEE BREAKDOWN FOR COMPONENTS)
5	CH185-1512	1	GROMMET
6	203-7082	1	MOUNTING GP-FUEL TANK (FRT) (NOT SRVD) (SEE BREAKDOWN FOR COMPONENTS)
7	190-5600	1	SUPPORT GP-FUEL TANK (FRT) (NOT SRVD) (SEE BREAKDOWN FOR COMPONENTS)
8	CH206-4718	1	FITTING

[A] PART OF 178-2338; 178-2341; 200-6232
206-0515 GAGE AR-STANDARD

1658506G
PR: t05f07j07b0053

MT700 SERIES TRACK TRACTORS
FUEL SYSTEM

KIT-FUEL TANK - 199-3432
113.7 LITERS (30 GALLONS)



MT700 SERIES TRACK TRACTORS
FUEL SYSTEM

157

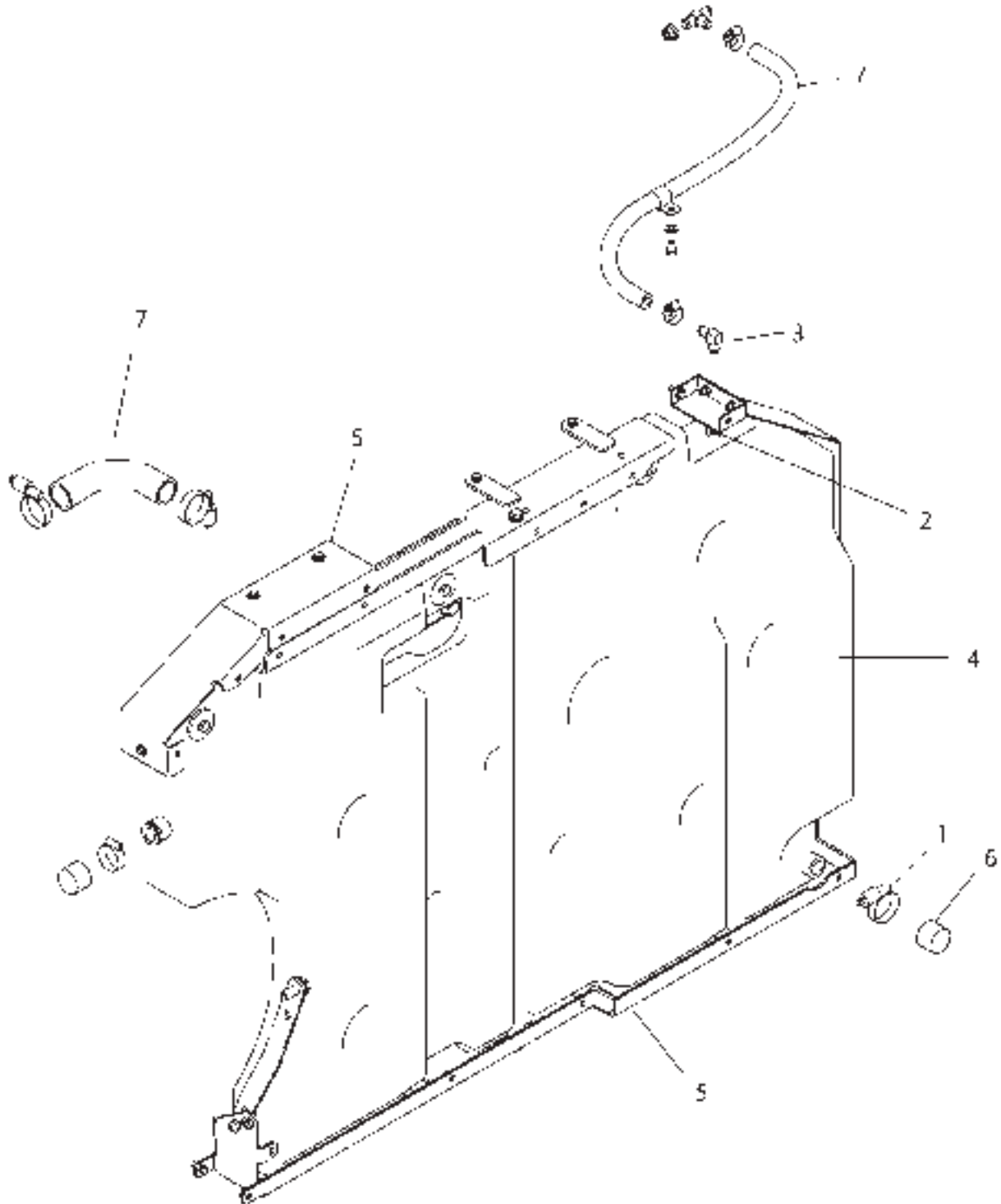
KIT-FUEL TANK - 199-3432
113.7 LITERS (30 GALLONS)

ITEM	NUMBER	QTY	DESCRIPTION
-	199-3432	--	KIT-FUEL TANK
1	CH185-1512	2	GROMMET
2	CH190-5448	1	ELBOW
3	197-8132	1	TANK GP-FUEL (SEE BREAKDOWN FOR COMPONENTS)
4	197-8133	1	MOUNTING GP-FUEL TANK (NOT SERVICED) (SEE BREAKDOWN FOR COMPONENTS)
5	CH204-9247	1	TEE (15.7OD BARB)
6	206-4714	1	LINES GP-FUEL (NOT SERVICED) (SEE BREAKDOWN FOR COMPONENTS)
7	206-4715	1	LINES GP-FUEL (NOT SERVICED) (SEE BREAKDOWN FOR COMPONENTS)
8	500102D1	1	CAP
9	400339X1	2	WASHER-HARD
10	400341X1	2	BOLT-HEX HD

1993432A
PR: t05f07j07b0054

MT700 SERIES TRACK TRACTORS
FUEL SYSTEM

TANK AR-FUEL - 210-1381
SINGLE TANK
STANDARD GAGE



MT700 SERIES TRACK TRACTORS
FUEL SYSTEM

159

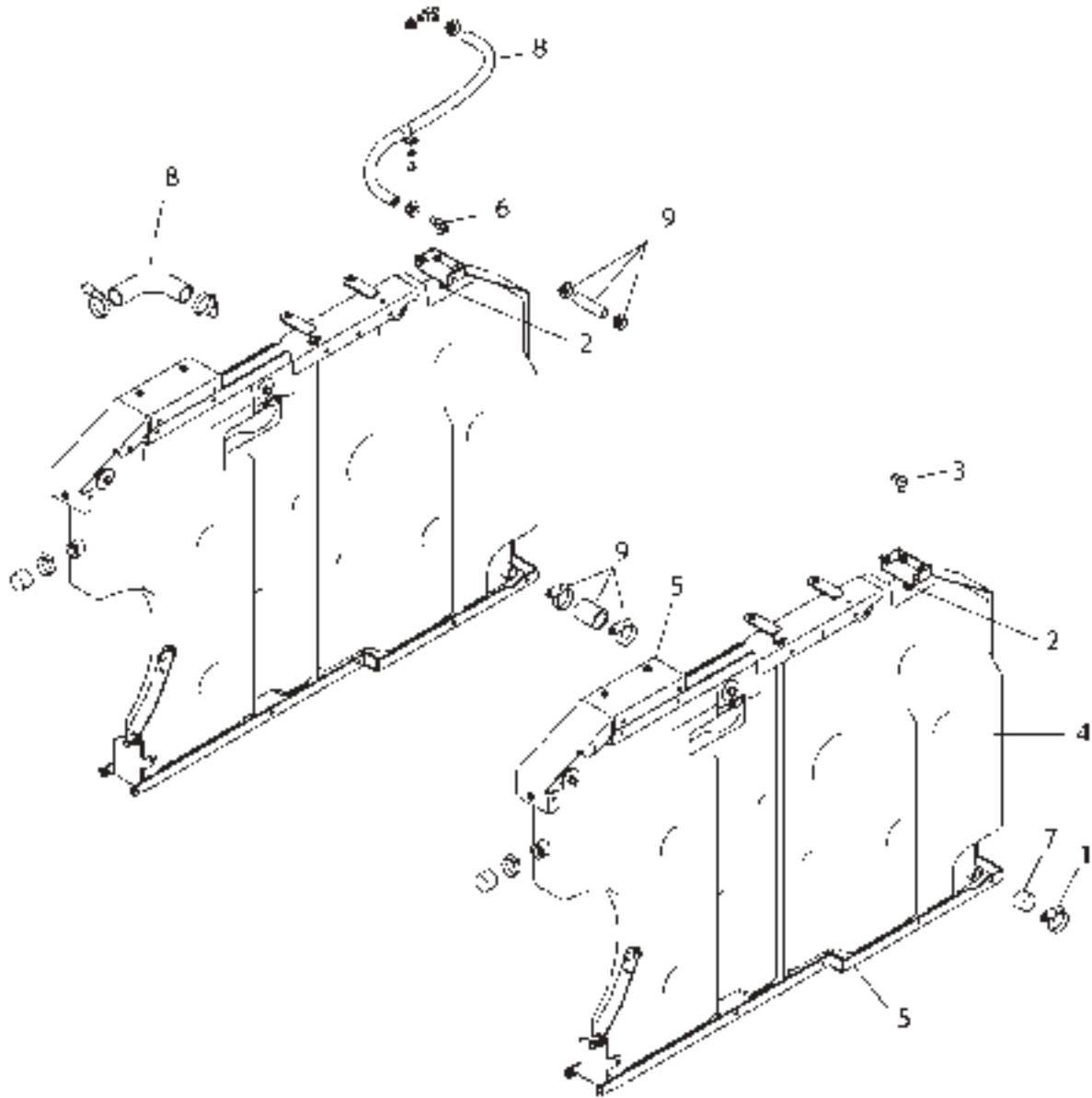
TANK AR-FUEL - 210-1381
SINGLE TANK
STANDARD GAGE

ITEM	NUMBER	QTY	DESCRIPTION
-	210-1381	--	TANK AR-FUEL [A] (NOT SERVICED)
1	CH5P-2230	1	CLAMP-HOSE
2	CH185-1512	1	GROMMET
3	CH190-5448	1	ELBOW
4	197-8132	1	TANK GP-FUEL (SEE BREAKDOWN FOR COMPONENTS)
5	197-8133	1	MOUNTING GP-FUEL TANK (NOT SERVICED) (SEE BREAKDOWN FOR COMPONENTS)
6	500102D1	1	CAP
7	206-4714	1	LINES GP-FUEL (NOT SERVICED) (SEE BREAKDOWN FOR COMPONENTS)

2101381A
PR: t05f07j07b0055

MT700 SERIES TRACK TRACTORS
FUEL SYSTEM

KIT-FUEL TANK - 210-1382
DUAL TANK
STANDARD GAGE



2101382A

**MT700 SERIES TRACK TRACTORS
FUEL SYSTEM**

161

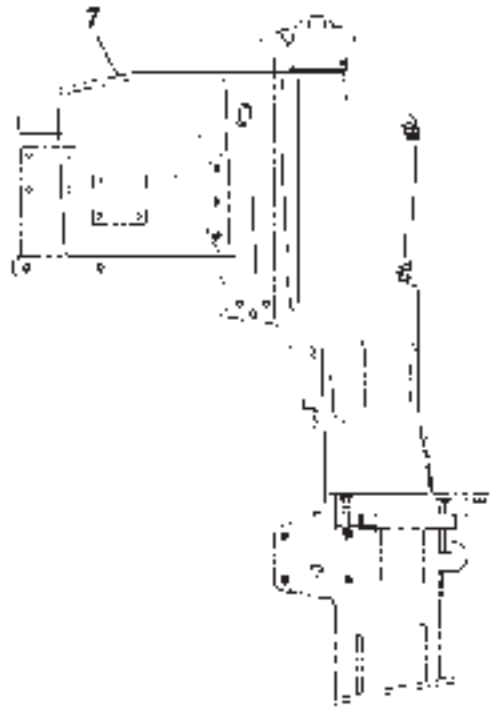
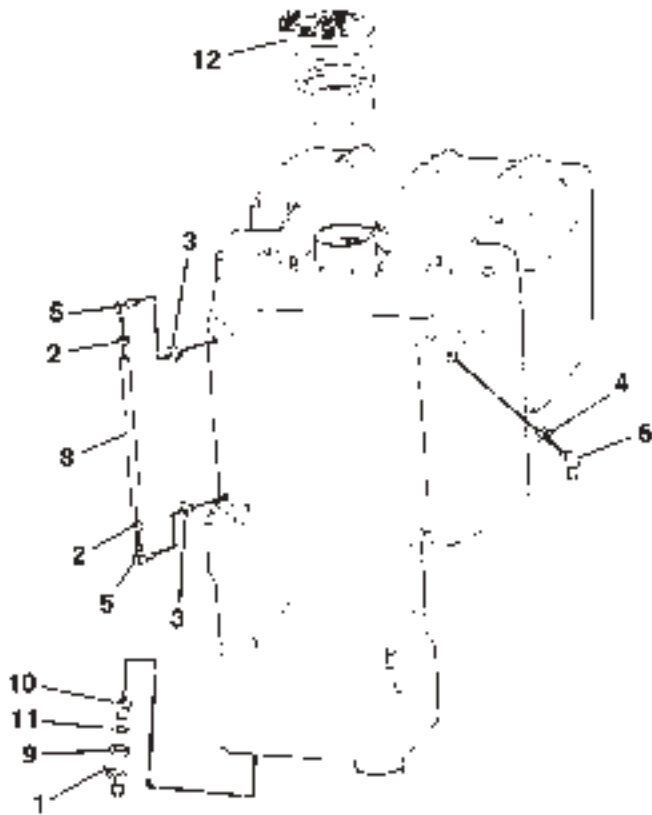
**KIT-FUEL TANK - 210-1382
DUAL TANK
STANDARD GAGE**

ITEM	NUMBER	QTY	DESCRIPTION
-	210-1382	--	KIT-FUEL TANK
1	CH5P-2230	1	CLAMP-HOSE
2	CH185-1512	2	GROMMET
3	CH190-5448	1	ELBOW
4	197-8132	2	TANK GP-FUEL (SEE BREAKDOWN FOR COMPONENTS)
5	199-3433	1	MOUNTING GP-FUEL TANK (NOT SERVICED) (SEE BREAKDOWN FOR COMPONENTS)
6	CH204-9247	1	TEE (15.7OD BARB)
7	500102D1	1	CAP
8	206-4714	1	LINES GP-FUEL (NOT SERVICED) (SEE BREAKDOWN FOR COMPONENTS)
9	206-4715	1	LINES GP-FUEL (NOT SERVICED) (SEE BREAKDOWN FOR COMPONENTS)

2101382A
PR: t05f07j07b0056

MT700 SERIES TRACK TRACTORS
FUEL SYSTEM

TANK GP-FUEL - 500100D1
WITH STD/WIDE GAGE
ROW



LEFT SIDE VIEW

MT700 SERIES TRACK TRACTORS
FUEL SYSTEM

163

TANK GP-FUEL - 500100D1
WITH STD/WIDE GAGE
ROW

ITEM	NUMBER	QTY	DESCRIPTION
-	500100D1	--	TANK GP-FUEL [A] (NOT SERVICED)
1	CH217-7182	1	ELBOW
2	CH1P-4278	2	CLAMP-HOSE
3	CH6W-5698	2	GROMMET
4	CH185-1512	1	GROMMET
5	CH186-5862	2	ELBOW
6	CH190-5448	1	ELBOW
7	500101D1	1	TANK-FUEL
8	CH204-3538	1	HOSE
9	CH214-1088	1	NUT-3/4-16 NPTF BRASS
10	CH214-1085	1	BOLT-3/4-16 NPTF
11	CH214-1086	1	O-RING
12	500019D1	1	CAP-FUEL

[A] PART OF 165-8506; 199-3440
TANK AR-FUEL

500100DA
PR: t05f07j07b0057

164

**MT700 SERIES TRACK TRACTORS
FUEL SYSTEM**

**TANK AR-FUEL - 199-3440
WIDE & ULTRA WIDE GAGE
ROW**

NO ILLUSTRATION

NOTIF

**MT700 SERIES TRACK TRACTORS
FUEL SYSTEM**

165

**TANK AR-FUEL - 199-3440
WIDE & ULTRA WIDE GAGE
ROW**

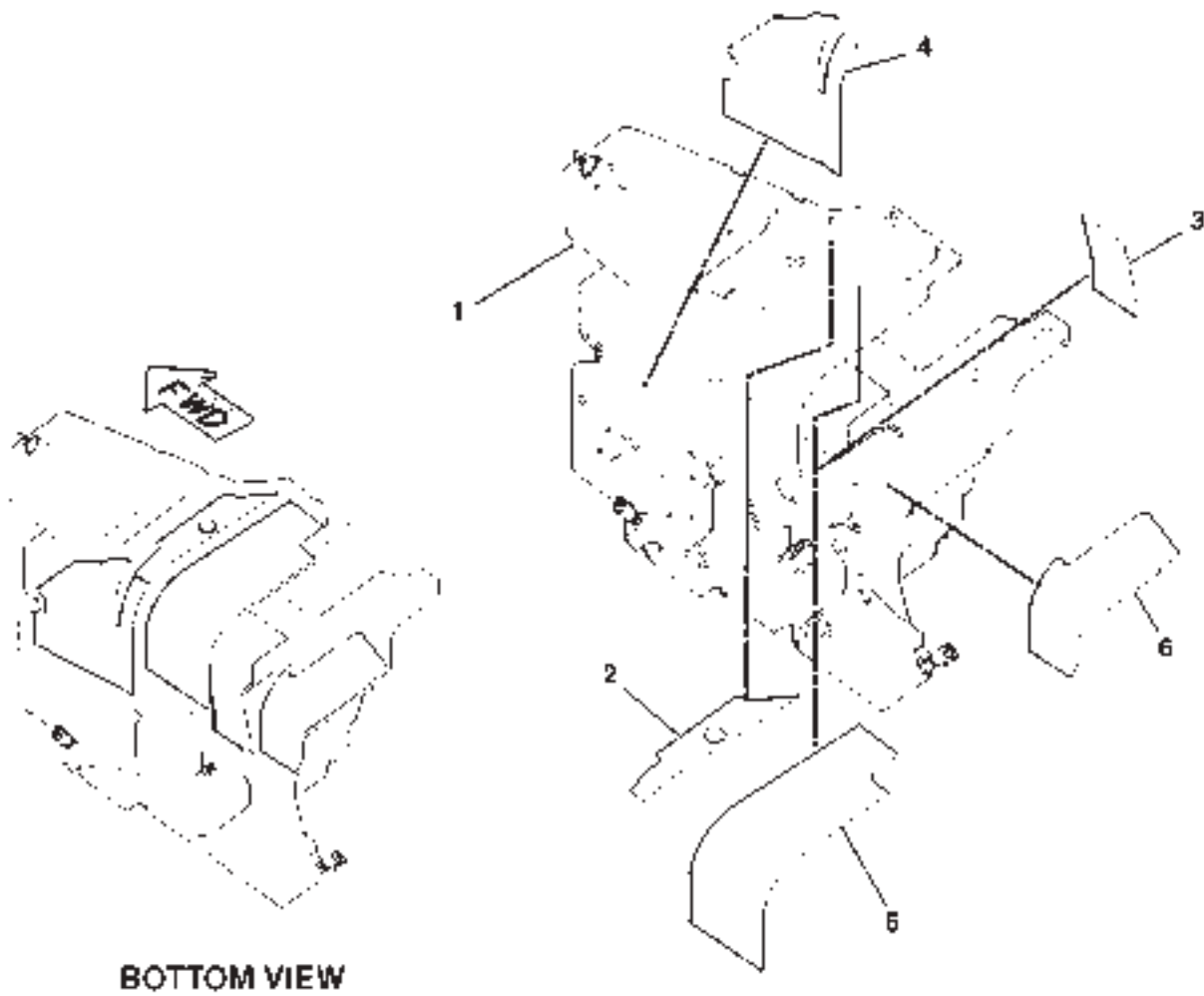
ITEM	NUMBER	QTY	DESCRIPTION
-	199-3440	--	TANK AR-FUEL [A] (NOT SERVICED)
1	171-3737	1	MOUNTING GP-FUEL TANK (REAR) (NOT SERVICED) (SEE BREAKDOWN FOR COMPONENTS)
2	190-5600	1	SUPPORT GP-FUEL TANK (NOT SERVICED) (SEE BREAKDOWN FOR COMPONENTS)
3	500100D1	1	TANK GP-FUEL (FRONT) (NOT SERVICED) (SEE BREAKDOWN FOR COMPONENTS)
4	203-7082	1	MOUNTING GP-FUEL TANK (FRONT) (NOT SERVICED) (SEE BREAKDOWN FOR COMPONENTS)
5	197-8132	2	TANK GP-FUEL (SIDE) (SEE BREAKDOWN FOR COMPONENTS)
6	156-1317	1	LINES GP-FUEL (NOT SERVICED) (SEE BREAKDOWN FOR COMPONENTS)
7	199-3433	1	MOUNTING GP-FUEL TANK (SIDE) (NOT SERVICED) (SEE BREAKDOWN FOR COMPONENTS)
8	206-4714	1	LINES GP-FUEL (SIDE) (NOT SERVICED) (SEE BREAKDOWN FOR COMPONENTS)
9	206-4715	1	LINES GP-FUEL (SIDE) (NOT SERVICED) (SEE BREAKDOWN FOR COMPONENTS)
10	171-3721	1	TANK GP-FUEL (REAR) (NOT SERVICED) (SEE BREAKDOWN FOR COMPONENTS)
11	CH185-1512	2	GROMMET-20ODX14IDX15.7 (NOT ILL.)
12	CH190-5448	1	ELBOW-90 DEG 15.7 BARB (NOT ILL.)
13	CH204-9247	1	TEE-15.7 OD BARB STL (NOT ILL.)
14	CH5P-2230	1	CLAMP-HOSE 32.54ID15.9 HI TRQ (NOT ILL.)
15	500102D1	1	CAP-PIPE (FUEL) (NOT ILL.)

[A] PART OF 178-2339;200-6233;213-4079;
213-4080 GAGE AR

NOTIF
PR: t05f07j07b0058

MT700 SERIES TRACK TRACTORS
FUEL SYSTEM

TANK GP-FUEL - 171-3721
REAR
ROW



MT700 SERIES TRACK TRACTORS
FUEL SYSTEM

167

TANK GP-FUEL - 171-3721
REAR
ROW

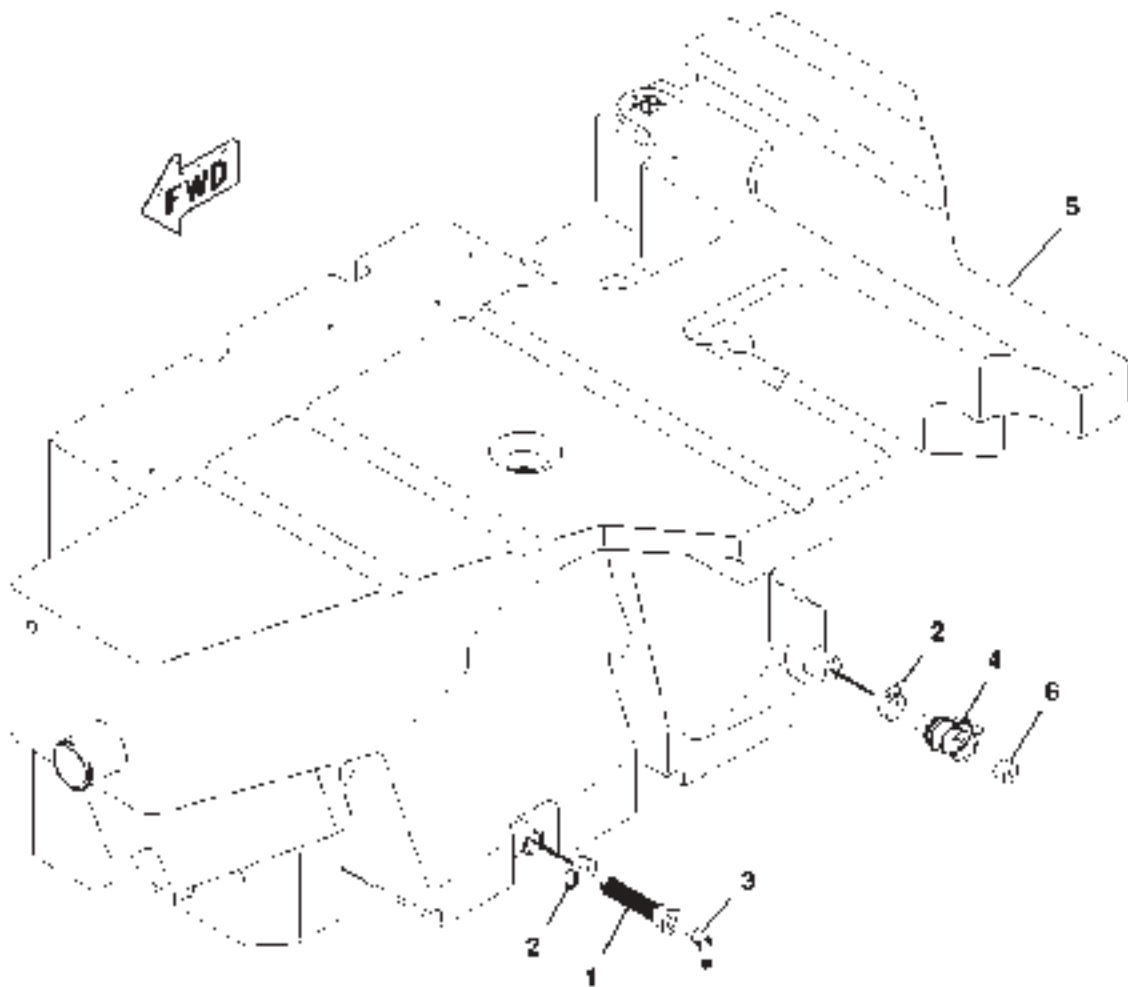
ITEM	NUMBER	QTY	DESCRIPTION
-	171-3721	--	TANK GP-FUEL [A] (NOT SERVICED)
1	171-3738	1	TANK GP-FUEL (REAR) (NOT SERVICED) (SEE BREAKDOWN FOR COMPONENTS)
2	190-6229	1	INSULATION
3	CH190-6230	1	INSULATION
4	190-8423	1	INSULATION
5	190-8424	1	INSULATION
6	190-8425	1	INSULATION

[A] PART OF 165-8506; 199-3440
TANK AR-FUEL

1713721C
PR: t05f07j07b0059

MT700 SERIES TRACK TRACTORS
FUEL SYSTEM

TANK GP-FUEL - 171-3738
REAR 345 LITERS (91 GALLONS)
ROW



MT700 SERIESTRACKTRACTORS
FUEL SYSTEM

169

TANK GP-FUEL - 171-3738
REAR 345 LITERS (91 GALLONS)
ROW

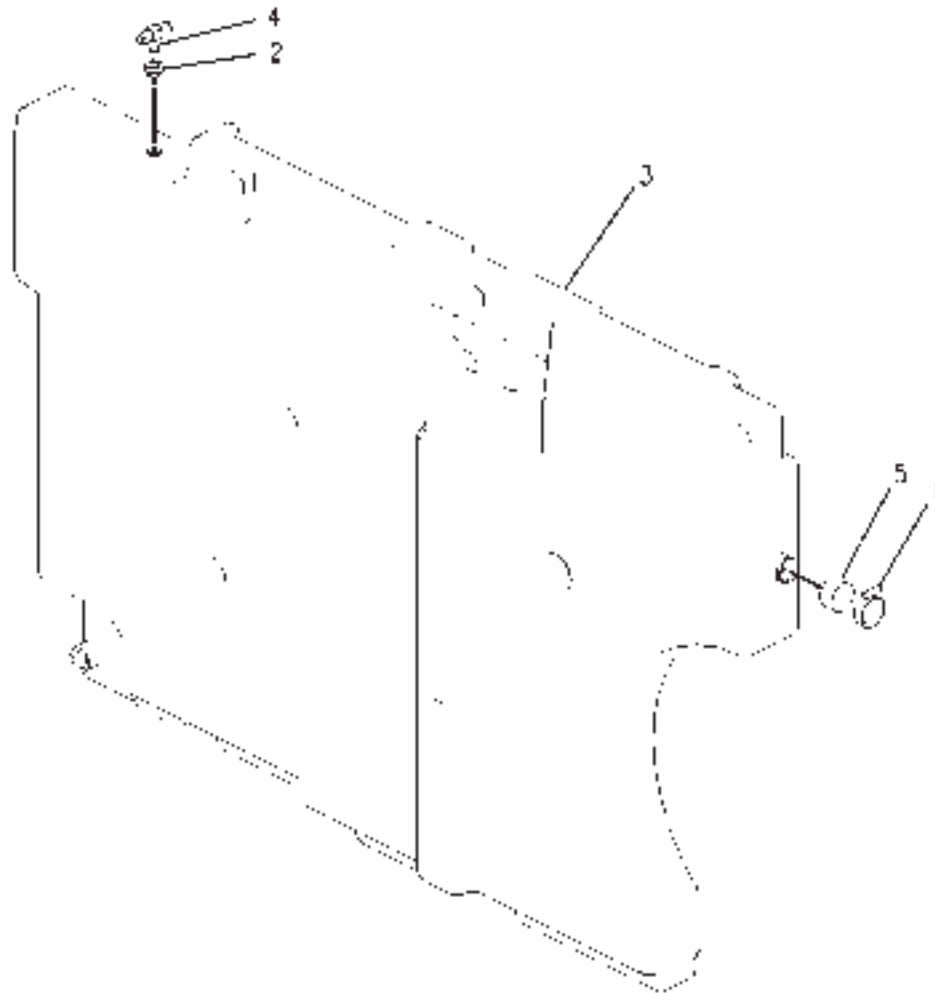
ITEM	NUMBER	QTY	DESCRIPTION
-	171-3738	--	TANK GP-FUEL [A] (NOT SERVICED)
1	CH221-3265	1	STRAINER
2	CH9M-2904	2	CLAMP-HOSE
3	CH032-1339	1	ELBOW
4	CH221-2003	1	VALVE-BALL
5	201-3710	1	TANK-FUEL
6	CH3B-0551	1	PLUG-PIPE

[A] PART OF 171-3721 TANK GP-FUEL

1713738F
PR: t05f07j07b0060

MT700 SERIES TRACK TRACTORS
FUEL SYSTEM

TANK GP-FUEL - 197-8132
SIDE 113.7 LITERS (30 GALLONS)



MT700 SERIESTRACKTRACTORS
FUEL SYSTEM

171

TANK GP-FUEL - 197-8132
SIDE 113.7 LITERS (30 GALLONS)

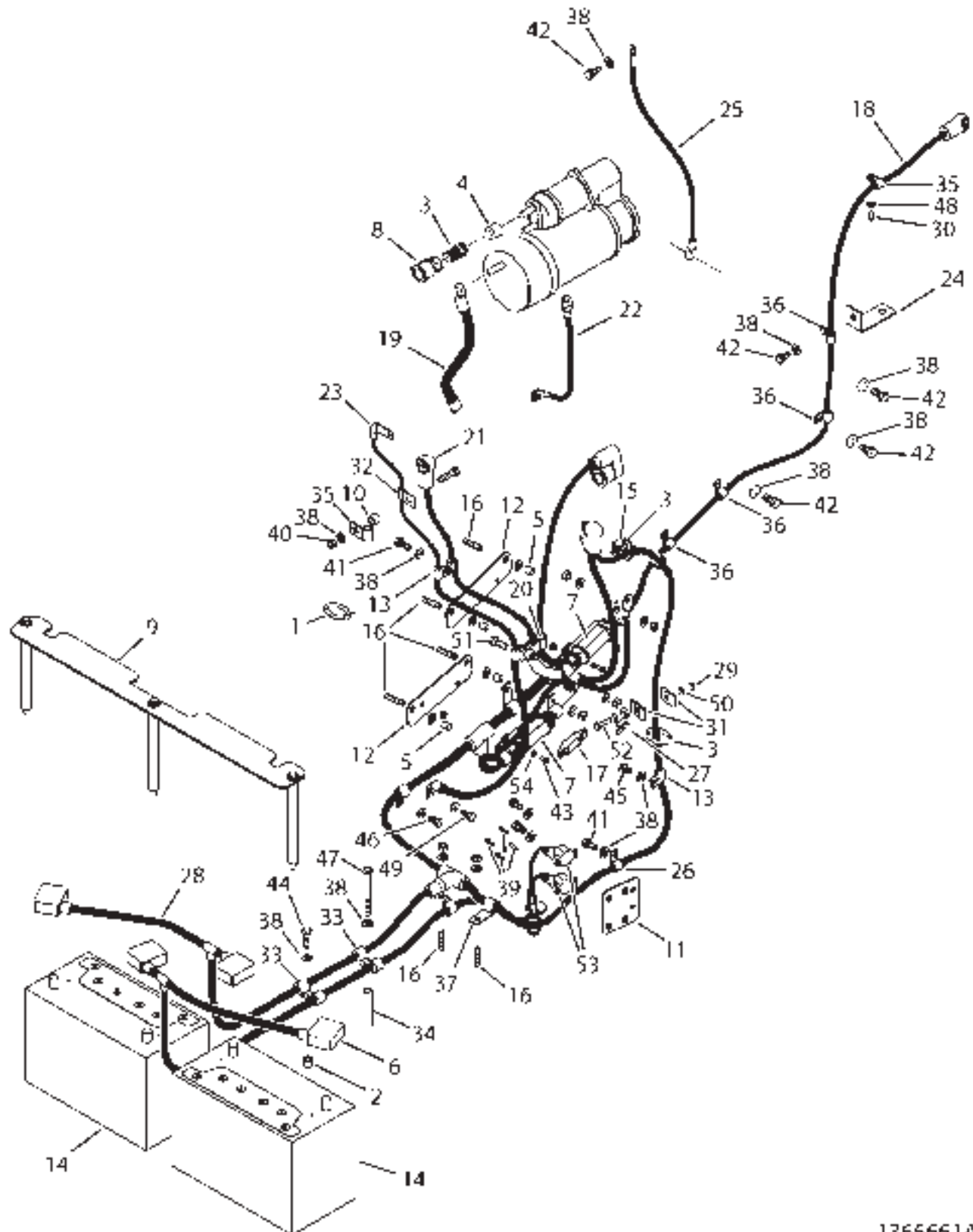
ITEM	NUMBER	QTY	DESCRIPTION
-	197-8132	--	TANK GP-FUEL [A]
1	CH5P-2230	1	CLAMP-HOSE
2			NOT IN THIS GROUP
3	201-3705	1	TANK-FUEL
4		1	NOT IN THIS GROUP
5	500102D1	1	CAP

[A] PART OF 199-3432;199-3440;210-1381;
210-1381 TANK AR-FUEL

00814973
PR: t05f07j07b0061

MT700 SERIES TRACK TRACTORS
ELECTRICAL AND STARTING SYSTEM

BATTERY GP - 136-5661
ROW ONLY



**MT700 SERIES TRACK TRACTORS
ELECTRICAL AND STARTING SYSTEM**

173

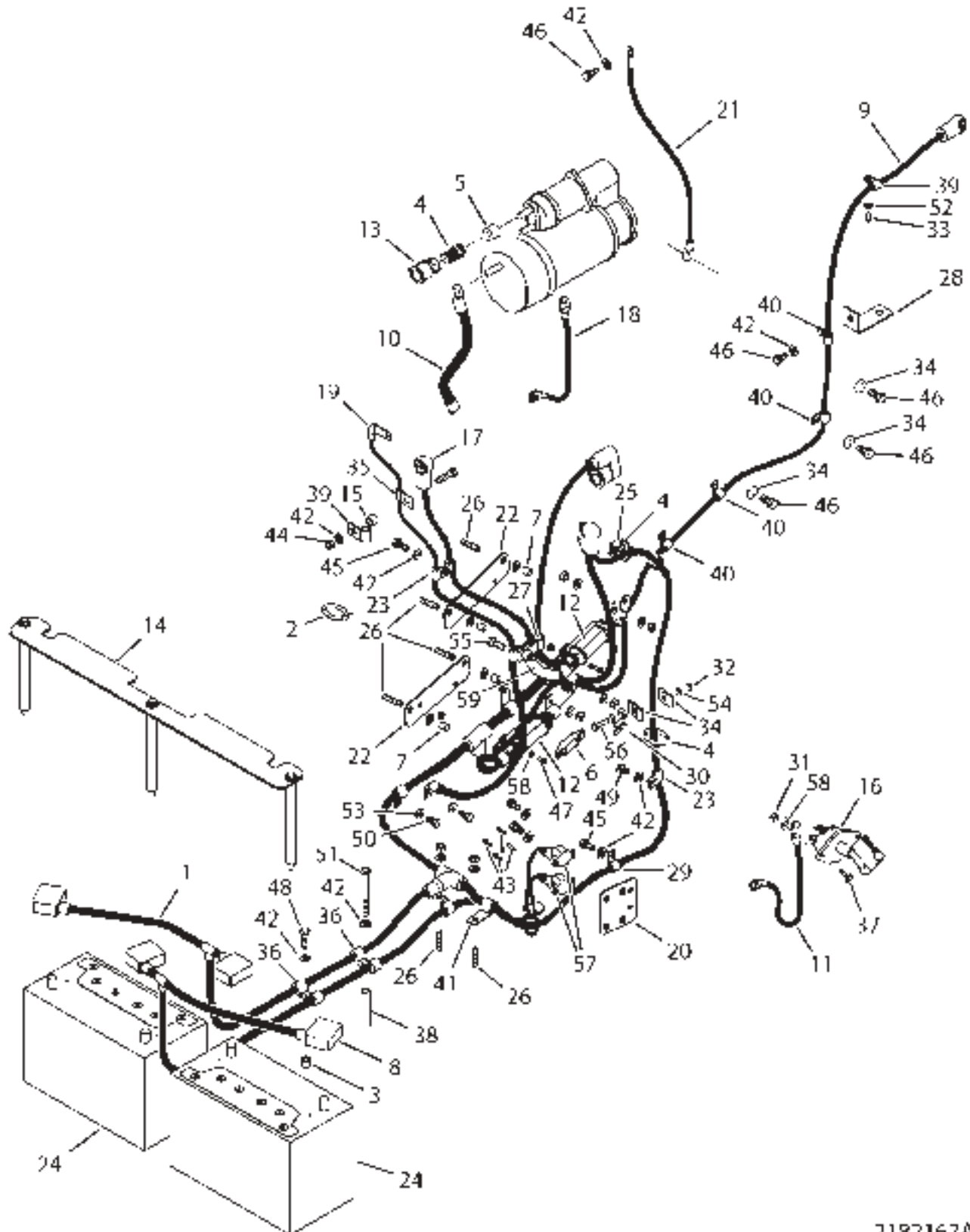
**BATTERY GP - 136-5661
ROW ONLY**

ITEM	NUMBER	QTY	DESCRIPTION
-	136-5661	--	BATTERY GP (NOT SERVICED)
1	400837X1	7	STRAP-CABLE (PLASTIC)
2	CH6L-1698	1	SPACER 13.8 IDX41.3 ODX12.7 ZN
3	CH7K-1181	4	STRAP-CABLE 0.19-4.00
4	CH136-5314	1	POST-JUMP START
5	400118X1	4	SPACER-13.7ODX11.5IDX14 ZN
6	155-0031	1	CABLE AS-NEG
7	155-0038	2	FUSE-HOLDER
8	CH169-0453	1	COVER-TERMINAL 25.4 ID RED
9	173-2745	1	MOUNTING GP-BATTERY (NOT SERVICED) (SEE BREAKDOWN FOR COMPONENTS)
10	CH200-8649	2	SPACER-19ODX12.7IDX14.3MM
11	214-7161	1	PLATE AS
12	221-1403	2	BRACKET AS
13	CH033-8248	5	CLIP-LOOP 11.11ID W/COATING
14	400832X1	2	BATTERY MAINT FREE-12V WET
15	CH132-5789	1	CLIP-LADDER 90DEGX47.5MM V COAT
16	400258X1	6	STUD-TAPERLOCK M10X1.5X45
17	136-5600	2	FUSE-MAIN
18	155-0032	1	CABLE AS-POS
19	155-0035	1	CABLE AS-NEG
20	CH1S-0996	1	CLIP-LOOP 20.64 ID
21	201-5513	1	CABLE AS-POS
22	201-8282	1	CABLE AS-NEG
23	208-3930	1	CABLE AS-NEG
24	220-0138	1	BRACKET AS
25	220-3349	1	CABLE AS.-GRD
26	CH4K-8864	1	CLIP-LOOP 14.29ID
27	CH4P-8134	1	CLIP-LADDER 75DEGX48MM V COAT
28	500398D1	1	CABLE AS-POS
29	400340X1	1	NUT-M8X1.25X13 HEX ZND1
30	400152X1	1	BOLT-M6X1X16MM ZNDI HHD 10.9
31	CH5M-5689	2	CLIP-M8 X R5.0 DBL
32	400644X1	2	CLIP-14.29 ID, M10 OR 3/8
33	CH6D-4246	11	CLIP-LOOP 19.05ID
34	400690X1	1	SPACER-9.51ID X 80.3
35	CH8J-1256	1	CLIP-LOOP 12.7ID W/COATING
36	CH8M-2770	4	CLIP-LOOP 12.7 ID
37	CH8S-0948	6	CLIP-LOOP-20.64 ID
38	400287X1	28	WASHER-HARD 11IDX21ODX2.5 ZND1
39	CH8T-4127	4	SCREW-PAN M5X0.8X20 CROSS
40	WR522218	8	NUT-M10-1.5,CL10.9,ZN,H,REG
41	400039X1	4	BOLT-M10X1.5X25 ZNDI HHD 10.9
42	400040X1	7	BOLT-M10X1.5X20 ZNDI HHD 10.9
43	400223X1	4	BOLT-M6X1X12MM ZNDI HHD 10.9
44	400052X1	2	BOLT-M10X1.5X40 ZNDI HHD 10.9
45	400054X1	1	BOLT-M10X1.5X16 ZNDI HHD 10.9
46	400055X1	3	BOLT-M12X1.75X25 ZNDI HHD 10.9
47	400061X1	1	BOLT-M10X1.5X100 ZNDI HHD 10.9
48	CH8T-4205	1	WASHER-HARD 7.2IDX14.5ODX2MM
49	400357X1	4	WASHER-HARD-M12X25.5ODX3THK
50	400339X1	2	WASHER-HARD
51	400064X1	1	BOLT-M12X1.75X35 ZNDI HHD 10.9
52	400245X1	1	BOLT-M8X1.25X30 ZNDI HHD 10.9
53	CH9H-1958	2	BREAKER AS-CIRCUIT 20 A
54	400310X1	4	WASHER

1365661A
PR: t05f07j07b0062

MT700 SERIES TRACK TRACTORS
ELECTRICAL AND STARTING SYSTEM

BATTERY GP - 167-2182
DISCONNECT
ROW ONLY



**MT700 SERIES TRACK TRACTORS
ELECTRICAL AND STARTING SYSTEM**

175

**BATTERY GP - 167-2182
DISCONNECT
ROW ONLY**

ITEM	NUMBER	QTY	DESCRIPTION
-	167-2182	--	BATTERY GP [A] (NOT SERVICED)
-	502792D1	--	BATTERY GP (REF ONLY) (NOT SERVICED)
1	500398D1	1	CABLE AS-POS
2	400837X1	7	STRAP-CABLE (PLASTIC)
3	CH6L-1698	1	SPACER 13.8 IDX41.3 ODX12.7 ZN
4	CH7K-1181	4	STRAP-CABLE 0.19-4.00
5	CH136-5314	1	POST-JUMP START
6	136-5600	2	FUSE-MAIN
7	400118X1	4	SPACER-13.7ODX11.5IDX14 ZN
8	155-0031	1	CABLE AS-NEG
9	155-0032	1	CABLE AS-POS
10	155-0035	1	CABLE AS-NEG
11	155-0037	1	CABLE AS-NEG
12	155-0038	2	FUSE-HOLDER
13	CH169-0453	1	COVER-TERMINAL 25.4 ID RED
14	173-2745	1	MOUNTING GP-BATTERY
15	CH200-8649	2	SPACER-19ODX12.7IDX14.3MM
16	201-2440	1	SWITCH AS.-MASTER
17	201-5513	1	CABLE AS-POS
18	201-8282	1	CABLE AS-NEG
19	208-3930	1	CABLE AS-NEG
20	214-7161	1	PLATE AS
21	220-3349	1	CABLE AS.-GRD
22	221-1403	2	BRACKET AS
23	CH033-8248	5	CLIP-LOOP 11.11ID W/COATING
24	400832X1	2	BATTERY MAINT FREE-12V WET
25	CH132-5789	1	CLIP-LADDER 90DEGX47.5MM V COAT
26	400258X1	6	STUD-TAPERLOCK M10X1.5X45
27	CH1S-0996	1	CLIP-LOOP 20.64 ID
28	220-0138	1	BRACKET AS
29	CH4K-8864	1	CLIP-LOOP 14.29ID
30	CH4P-8134	1	CLIP-LADDER 75DEGX48MM V COAT
31	400300X1	2	NUT M6X1
32	400340X1	1	NUT-M8X1.25X13 HEX ZND1
33	400152X1	1	BOLT-M6X1X16MM ZNDI HHD 10.9
34	CH5M-5689	2	CLIP-M8 X R5.0 DBL
35	400644X1	2	CLIP-14.29 ID, M10 OR 3/8
36	CH6D-4246	14	CLIP-LOOP 19.05ID
37	400022X1	2	BOLT-M6X1X25MM ZNDI HHD 10.9
38	400690X1	1	SPACER-9.51ID X 80.3
39	CH8J-1256	1	CLIP-LOOP 12.7ID W/COATING

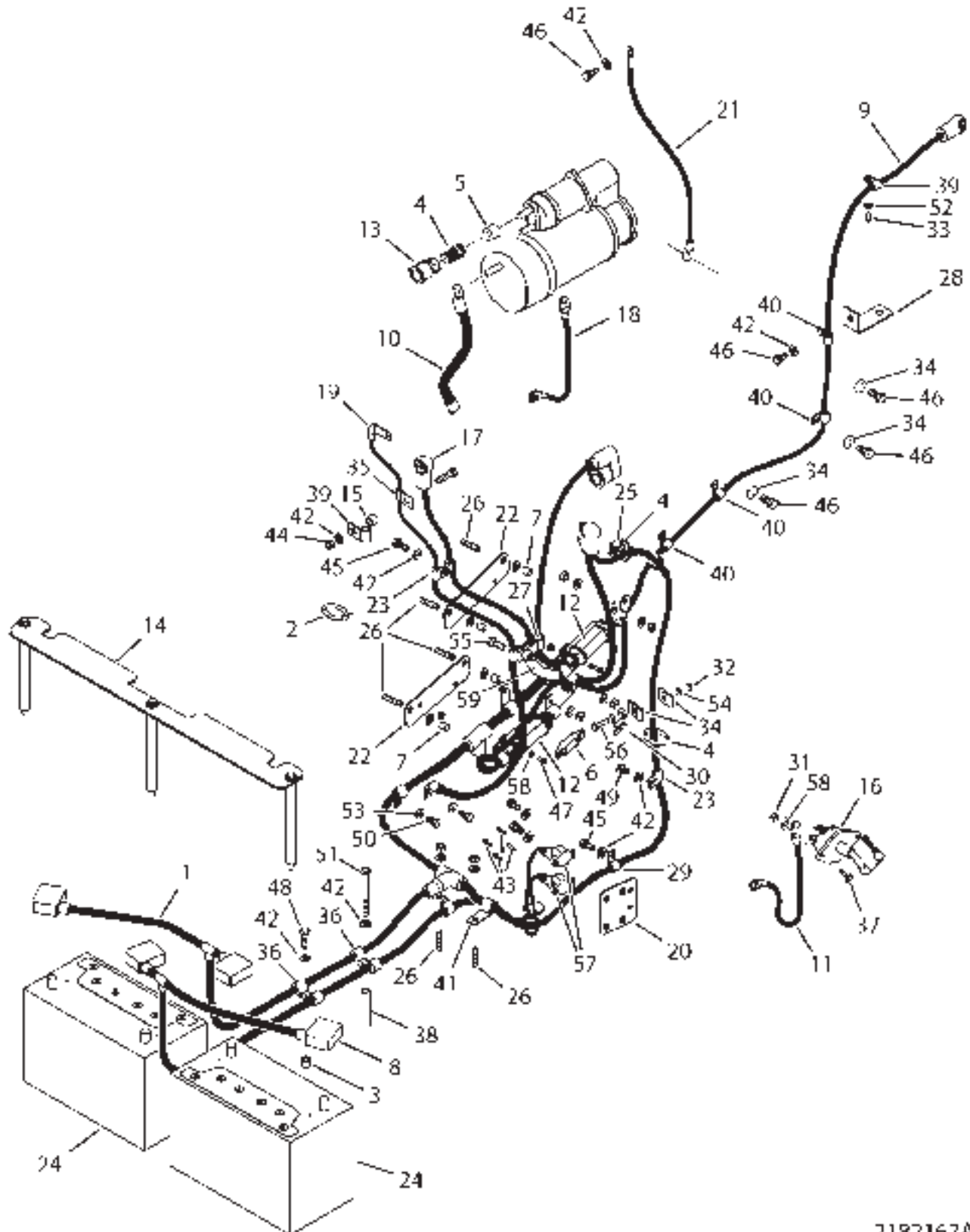
CONTINUED

[A] PART OF 500845D1 CAB AR-DELUXE

2182167A
PR: t05f07j07b0063

MT700 SERIES TRACK TRACTORS
ELECTRICAL AND STARTING SYSTEM

BATTERY GP - 167-2182
DISCONNECT
ROW ONLY



**MT700 SERIES TRACK TRACTORS
ELECTRICAL AND STARTING SYSTEM**

177

**BATTERY GP - 167-2182
DISCONNECT
ROW ONLY**

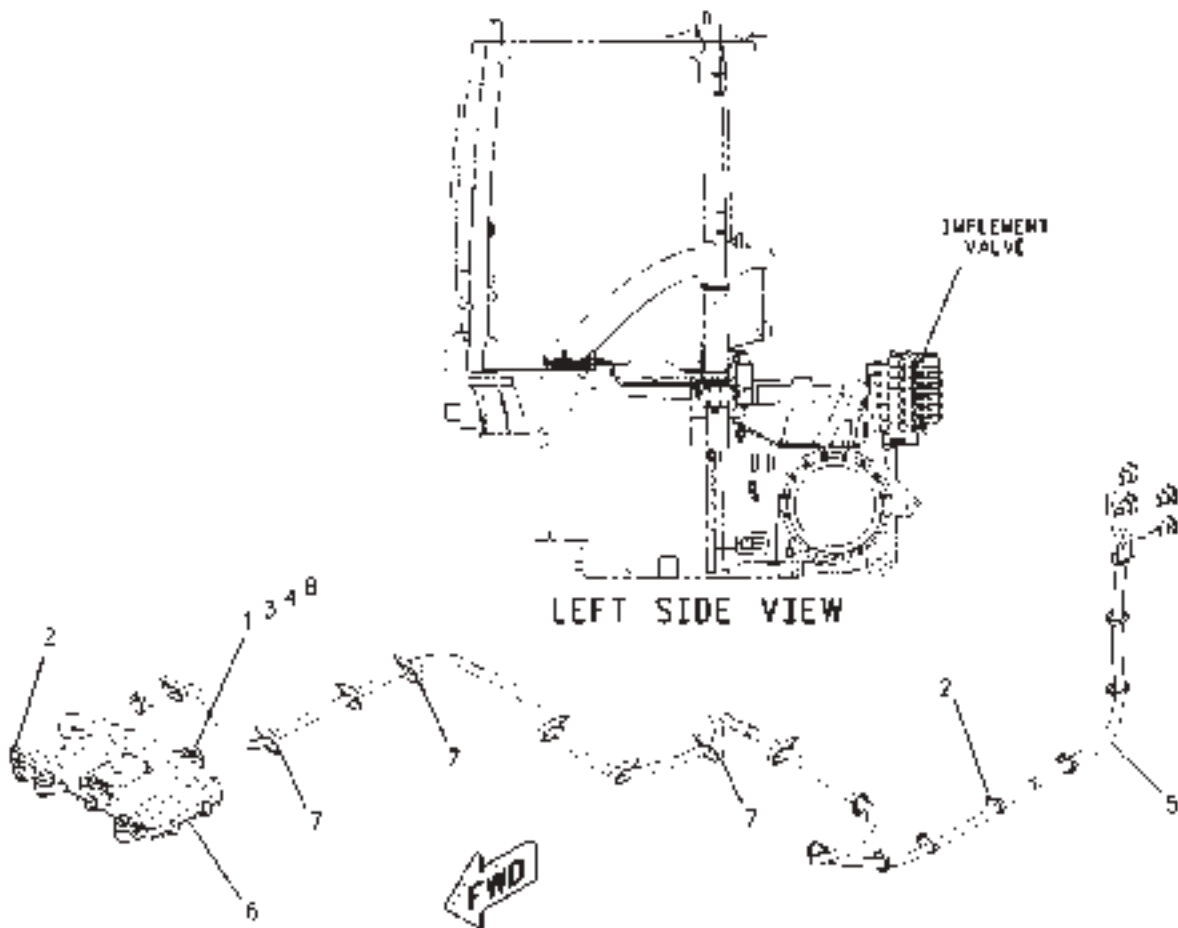
ITEM	NUMBER	QTY	DESCRIPTION
-	167-2182	--	BATTERY GP [A] (NOT SERVICED)
-	502792D1	--	BATTERY GP (REF ONLY)
40	CH8M-2770	4	CLIP-LOOP 12.7 ID
41	CH8S-0948	3	CLIP-LOOP-20.64 ID
42	400287X1	29	WASHER-HARD 11IDX21ODX2.5 ZND1
43	CH8T-4127	4	SCREW-PAN M5X0.8X20 CROSS
44	WR522218	8	NUT-M10-1.5,CL10.9,ZN,H,REG
45	400039X1	5	BOLT-M10X1.5X25 ZNDI HHD 10.9
46	400040X1	7	BOLT-M10X1.5X20 ZNDI HHD 10.9
47	400223X1	4	BOLT-M6X1X12MM ZNDI HHD 10.9
48	400052X1	2	BOLT-M10X1.5X40 ZNDI HHD 10.9
49	400054X1	1	BOLT-M10X1.5X16 ZNDI HHD 10.9
50	400055X1	3	BOLT-M12X1.75X25 ZNDI HHD 10.9
51	400061X1	1	BOLT-M10X1.5X100 ZNDI HHD 10.9
52	CH8T-4205	1	WASHER-HARD 7.2IDX14.5ODX2MM
53	400357X1	4	WASHER-HARD-M12X25.5ODX3THK
54	400339X1	2	WASHER-HARD
55	400064X1	1	BOLT-M12X1.75X35 ZNDI HHD 10.9
56	400245X1	1	BOLT-M8X1.25X30 ZNDI HHD 10.9
57	CH9H-1958	2	BREAKER AS-CIRCUIT 20 A
58	400310X1	8	WASHER
59	CH5P-0767	AR	HOSE-BULK (15.88ID) (15CM)

[A] PART OF 500845D1 CAB AR-DELUXE

2182167A
PR: t05f07j07b0063

MT700 SERIES TRACK TRACTORS
ELECTRICAL AND STARTING SYSTEM

CONTROL & WIRING GP - 168-1947
IMPLEMENTS 5 & 6



**MT700 SERIESTRACKTRACTORS
ELECTRICAL AND STARTING SYSTEM**

179

**CONTROL & WIRING GP - 168-1947
IMPLEMENTS 5 & 6**

ITEM	NUMBER	QTY	DESCRIPTION
-	168-1947	--	CONTROL & WIRING GP [A] (NOT SERVICED)
1	CH6I-1418	3	SPACER (8.2X12.7X28.7MM THK)
2	CH7K-1181	11	STRAP-CABLE
3	CH8T-9655	6	MOUNT (ISOLATION)
4	400060X1	3	BOLT (M8X1.25X40MM)
5	136-5537	1	HARNESS AS. (IMPLEMENT 5 & 6)
6	229-0888	1	ELECTRONICS GP-IMPLEMENT (5/6) (NOT SERVICED) (INCLS ITEMS 6A & 6B)
6A	216-0658	1	CONTROL GP-ELEK (NOT SHOWN) (SEE BREAKDOWN FOR COMPONENTS)
	CH126-1773	1	CAP-CONNECTOR (SEALED)
6B	256-0184	1	SOFTWARE GP-IMPL (NOT SHOWN) (CALL SERVICE/WARRANTY 507-847-7222)
7	400837X1	8	STRAP-CABLE
8	CH9N-0869	3	WASHER-HARD (8.8X25.5X2MM THK)

[A] PART OF 172-4501;172-4502;500789D1
500790D1 VALVE AR

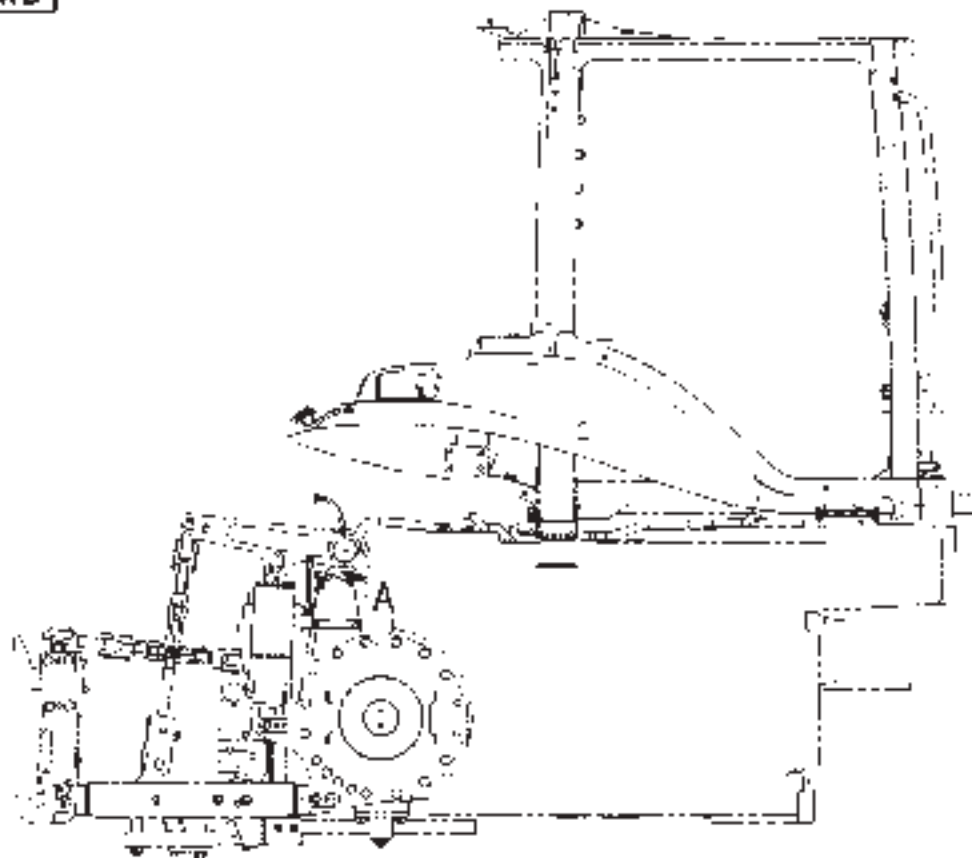
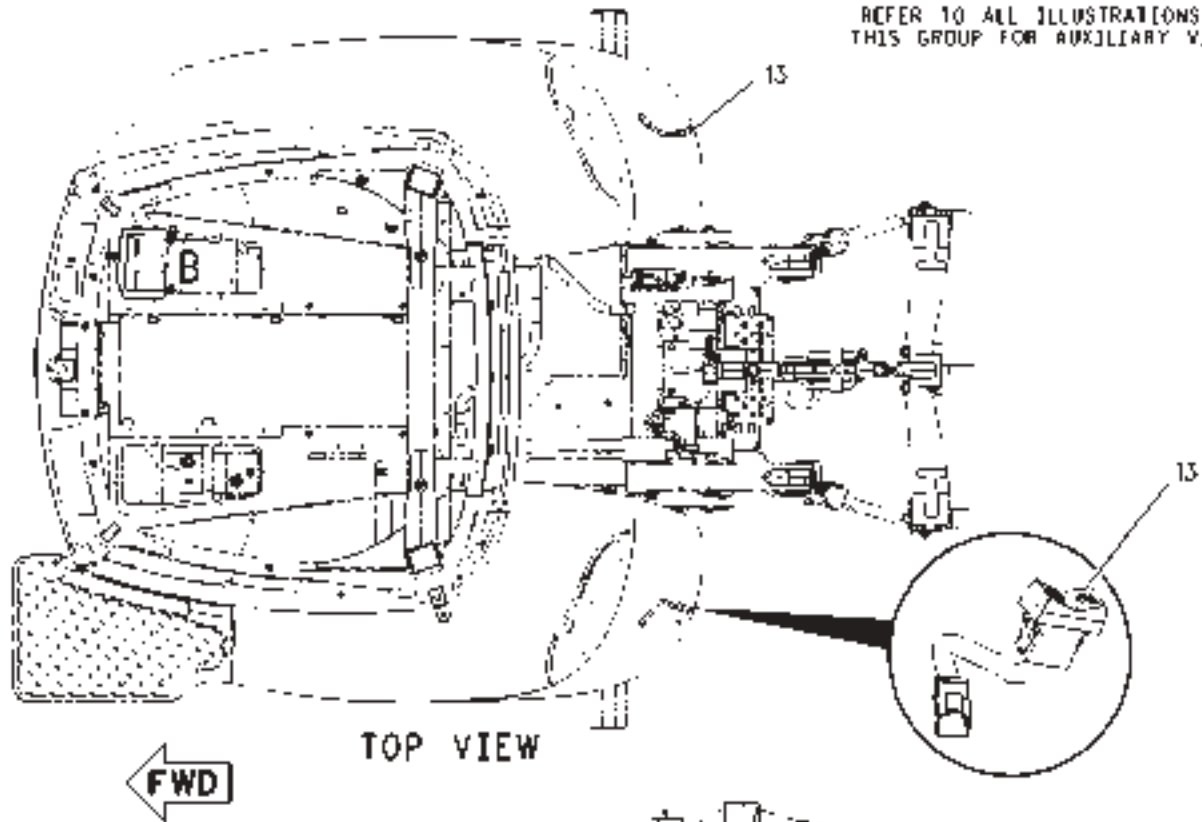
00903610
PR: t05f07j07b0064

MT700 SERIES TRACK TRACTORS
ELECTRICAL AND STARTING SYSTEM

CONTROL & WIRING GP-HITCH - 136-5317

LIFT CIRCUIT
EAME ONLY

REFER TO ALL ILLUSTRATIONS OF
THIS GROUP FOR AUXILIARY VIEWS



MT700 SERIES TRACK TRACTORS
ELECTRICAL AND STARTING SYSTEM

181

CONTROL & WIRING GP-HITCH - 136-5317
LIFT CIRCUIT
EAME ONLY

ITEM	NUMBER	QTY	DESCRIPTION
-	136-5317	--	CONTROL & WIRING GP-HITCH [A] (NOT SERVICED)
13	171-1229	2	SWITCH AS (REAR HITCH RAISE/LOWER)
	102-8804	1	KIT-RECEPTACLE (4 PIN) (INCLUDES RECEPTACLE AS & WEDGE)

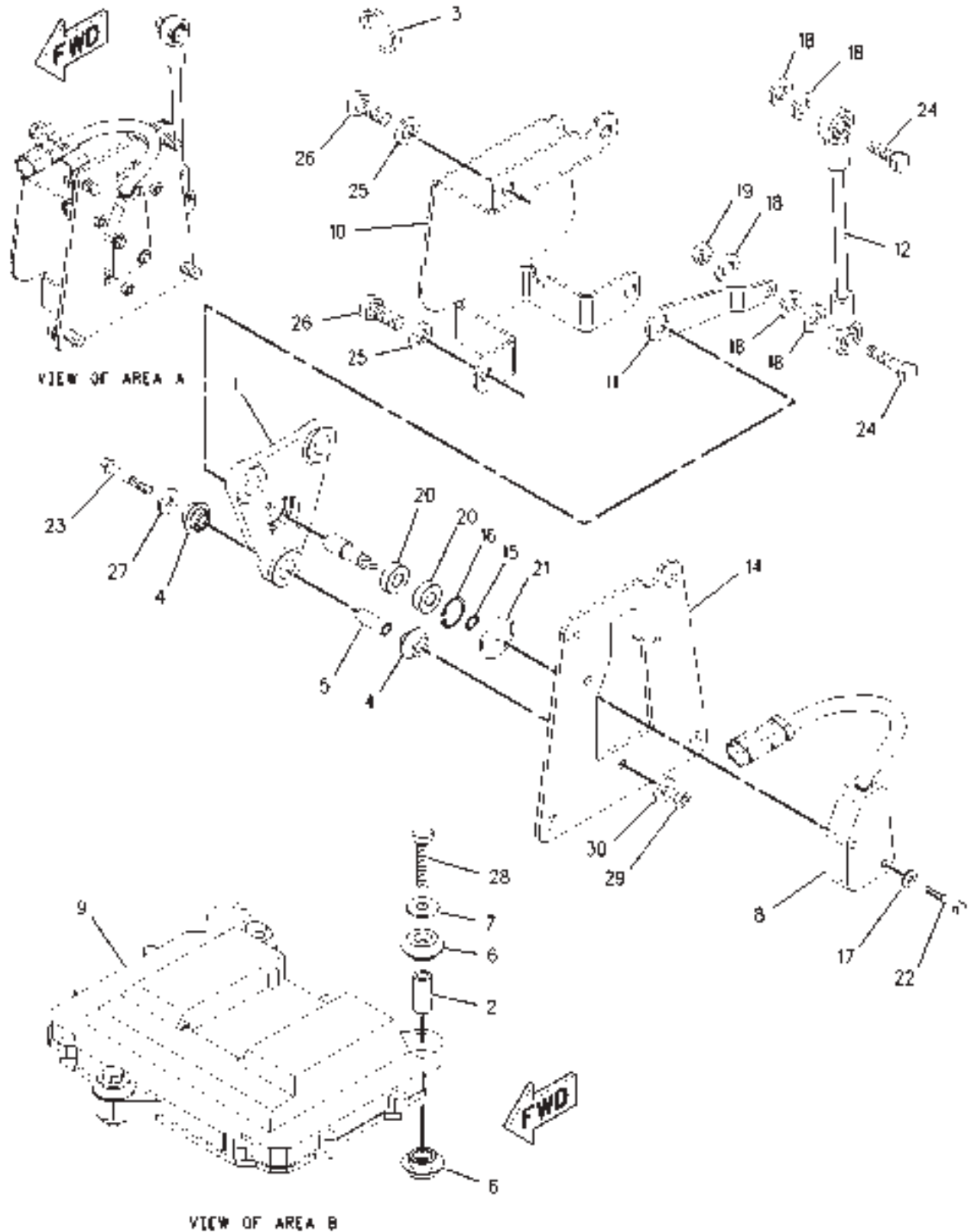
PART OF 169-0063; 177-0678; 177-0679
HITCH AR

00902997
PR: t05f07j07b0065

MT700 SERIES TRACK TRACTORS
ELECTRICAL AND STARTING SYSTEM

CONTROL & WIRING GP-HITCH - 136-5317

LIFT CIRCUIT
 EAME ONLY



**MT700 SERIES TRACK TRACTORS
ELECTRICAL AND STARTING SYSTEM**

183

**CONTROL & WIRING GP-HITCH - 136-5317
LIFT CIRCUIT
EAME ONLY**

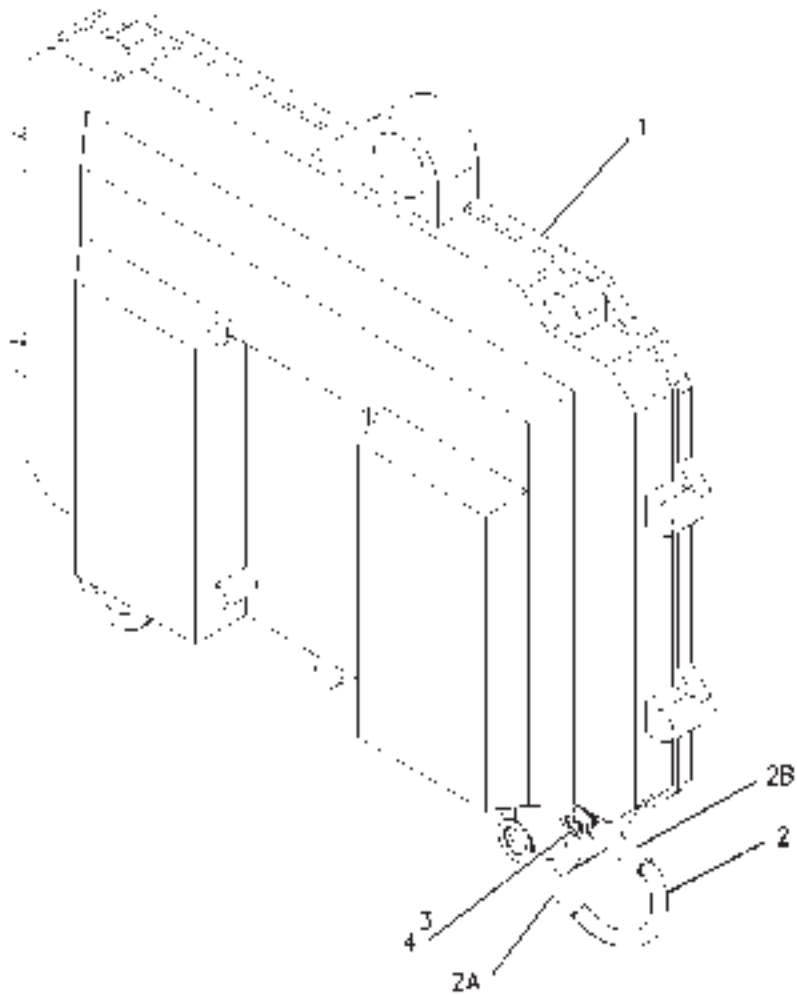
ITEM	NUMBER	QTY	DESCRIPTION
-	136-5317	--	CONTROL & WIRING GP-HITCH [A] (NOT SERVICED)
1	4E-2250	1	HOUSING
2	CH6I-1418	3	SPACER (8.2X12.7X28.7MM THK)
3	CH7K-1181	1	STRAP-CABLE
4	CH8C-5607	6	MOUNT (ISOLATION)
5	CH8C-5608	3	SPACER (6.5X9.5X25.4MM THK)
6	CH8T-9655	6	MOUNT (ISOLATION)
7	CH9N-0869	3	WASHER-HARD (8.8X25.5X2MM THK)
8	500619D1	1	SENSOR AS-POSITION (REAR HITCH)
	102-8803	1	KIT-RECEPTACLE (3 PIN) INCLUDES RECEPTACLE AS & WEDGE)
	3E-3371	1	WEDGE-RECEPTACLE LOCK (3 PIN)
	CH8T-8729	3	PIN-CONNECTOR
	9X-1813	AR	SLEEVE (13CM LG)
9	229-0891	1	ELECTRONICS GP-IMPL (NOT SERVICED) (NOT SERVICED) (SEE 10A & 10B)
9A	216-0658	1	CONTROL GP-ELEK (NOT SHOWN) (SEE BREAKDOWN FOR COMPONENTS)
	CH126-1773	1	CAP-CONNECTOR (SEALED)
9B	256-0176	1	SOFTWARE GP-IMPL (NOT SHOWN) (CALL SERVICE/WARRANTY 507-847-7222)
10	169-3562	1	SHIELD-SENSOR
11	169-5496	1	ARM AS-SENSOR
12	169-5497	1	ROD AS
14	174-8153	1	PLATE-MOUNTING
15	CH2H-3429	1	RING-RETAINING
16	CH2L-6726	1	RING-RETAINING
17	CH4B-4274	2	WASHER (5.5X13X1.2MM THK)
18	400339X1	5	WASHER-HARD (8.8X16X2MM THK)
19	400340X1	1	NUT (M8X1.25 THD)
20	CH6D-3025	2	BALL BEARING
21	CH6V-0894	1	SEAL-O-RING
22	400160X1	2	BOLT (M5X0.8X30MM)
23	400205X1	3	BOLT (M6X1X40MM)
24	400245X1	2	BOLT (M8X1.25X30MM)
25	400287X1	3	WASHER-HARD (11X21X2.5MM THK)
26	400039X1	3	BOLT (M10X1.5X25MM)
27	CH5P-4115	3	WASHER-HARD (7.2X19X2MM THK)
28	400001X1	3	BOLT (M8X1.25X40MM)
29	400300X1	3	NUT (M6X1 THD)
30	CH8T-4205	3	WASHER-HARD (7.2X14.5X2MM THK)

PART OF 169-0063; 177-0678; 177-0679
HITCH AR

00863049
PR: t05f07j07b0066

MT700 SERIES TRACK TRACTORS
ELECTRICAL AND STARTING SYSTEM

CONTROL GP-UNPROGRAMMED
216-0658



**MT700 SERIES TRACK TRACTORS
ELECTRICAL AND STARTING SYSTEM**

185

**CONTROL GP-UNPROGRAMMED
216-0658**

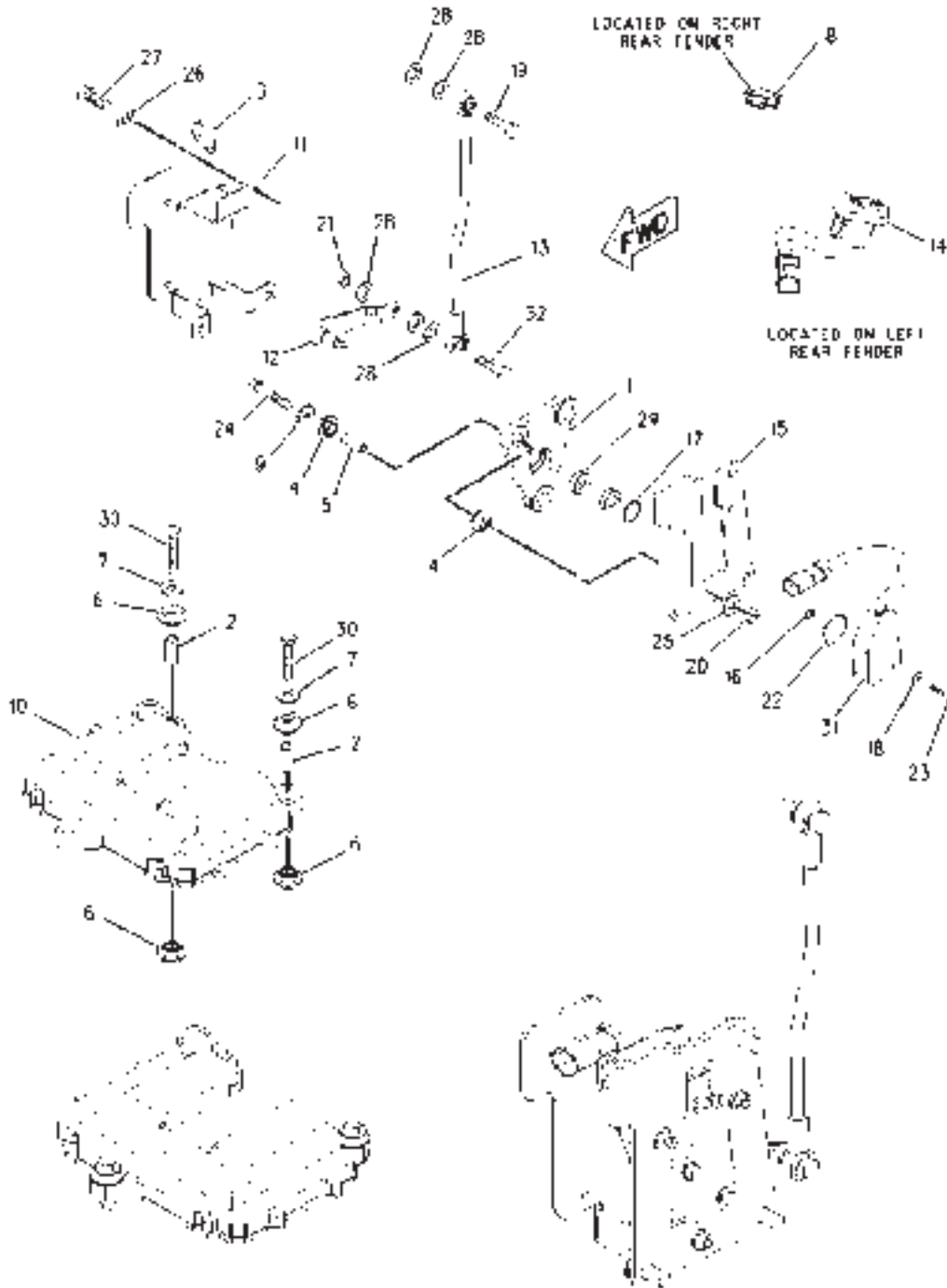
ITEM	NUMBER	QTY	DESCRIPTION
-	216-0658	--	CONTROL GP-UNPROGRAMMED [A] (NOT SERVICED)
1	-----	1	CONTROL AS (NOT SERVICED SEPARATELY)
2	CH7X-6315	1	STRAP AS
2A	CH139-6911	1	TERMINAL-RING
2B	CH7H-1177	1	TERMINAL-RING
3	CH120-4897	1	SCREW-PAN HEAD (M4X0.7X9.5)
4	CH134-4126	1	WASHER (4.52X8.28X.76)

[A] PART OF 229-0888; 229-0891
ELECTRONICS GP-IMPLEMENT

00818553
PR: t05f07j07b0067

MT700 SERIES TRACK TRACTORS
ELECTRICAL AND STARTING SYSTEM

CONTROL & WIRING GP-HITCH - 168-1919
LIFT CIRCUIT



**MT700 SERIES TRACK TRACTORS
ELECTRICAL AND STARTING SYSTEM**

187

**CONTROL & WIRING GP-HITCH - 168-1919
LIFT CIRCUIT**

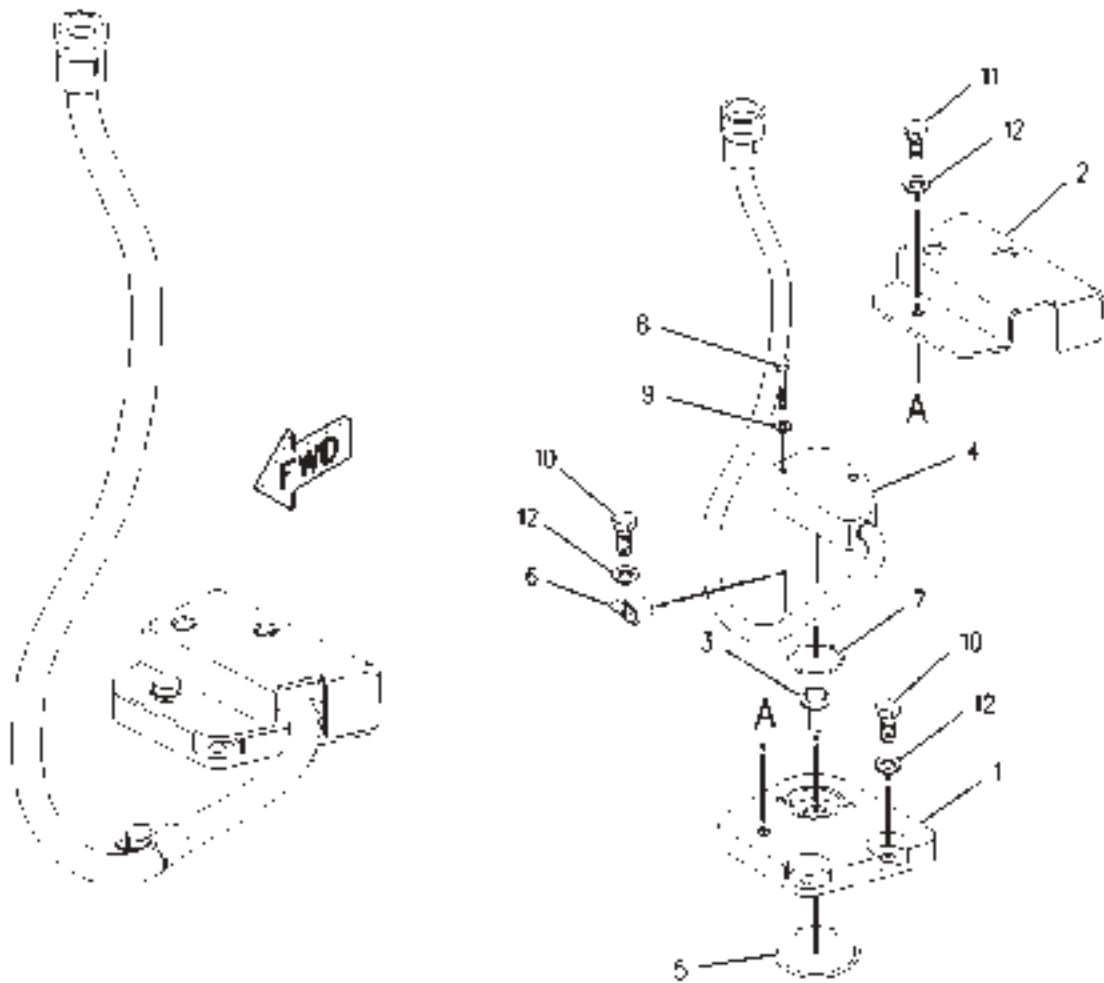
ITEM	NUMBER	QTY	DESCRIPTION
-	168-1919	--	CONTROL & WIRING GP-HITCH [A] (NOT SERVICED)
1	4E-2250	1	HOUSING
2	CH6I-1418	3	SPACER (8.2X12.7X28.7MM THK)
3	CH7K-1181	1	STRAP-CABLE
4	CH8C-5607	6	MOUNT (ISOLATION)
5	CH8C-5608	3	SPACER (6.5X9.5X25.4MM THK)
6	CH8T-9655	6	MOUNT (ISOLATION)
7	CH9N-0869	3	WASHER-HARD (8.8X25.5X2MM THK)
8	CH109-2356	1	PLUG
9	CH5P-4115	3	WASHER-HARD (7.2X19X2MM THK)
10	229-0891	1	ELECTRONICS GP-IMPL (NOT SERVICED) (NOT SERVICED) (SEE 10A & 10B)
10A	216-0658	1	CONTROL GP-ELEK (NOT SHOWN) (SEE BREAKDOWN FOR COMPONENTS)
	CH126-1773	1	CAP-CONNECTOR (SEALED)
10B	256-0176	1	SOFTWARE GP-IMPL (NOT SHOWN) (CALL SERVICE/WARRANTY 507-847-7222)
11	169-3562	1	SHIELD-SENSOR
12	169-5496	1	ARM AS-SENSOR
13	169-5497	1	ROD AS
14	171-1229	1	SWITCH AS (REAR HITCH RAISE/LOWER)
	CH102-8804	1	KIT-RECEPTACLE (4 PIN)
15	174-8153	1	PLATE-MOUNTING
	CH7T-1099	1	LINK
16	CH2H-3429	1	RING-RETAINING
17	CH2L-6726	1	RING-RETAINING
18	CH4B-4274	2	WASHER (5.5X13X1.2MM THK)
19	400245X1	2	BOLT (M8X1.25X30MM)
20	400300X1	3	NUT (M6X1 THD)
21	400340X1	1	NUT (M8X1.25 THD)
22	CH6V-0894	1	O-RING
23	400160X1	2	BOLT (M5X0.8X30MM)
24	400205X1	3	BOLT (M6X1X40MM)
25	CH8T-4205	3	WASHER-HARD (7.2X14.5X2MM THK)
26	400287X1	3	WASHER-HARD (11X21X2.5MM THK)
27	400039X1	3	BOLT (M10X1.5X25MM)
28	400339X1	5	WASHER-HARD (8.8X16X2MM THK)
29	CH6D-3025	2	BALL BEARING
30	400060X1	3	BOLT (M8X1.25X40MM)
31	500619D1	1	SENSOR-POSITION (REAR HITCH)

[A] PART OF 157-1710;157-1715 HITCH AR

00903105
PR: t05f07j07b0068

MT700 SERIES TRACK TRACTORS
ELECTRICAL AND STARTING SYSTEM

CONTROL & WIRING GP - 168-1944
STEERABLE REAR HITCH



00854395

**MT700 SERIES TRACK TRACTORS
ELECTRICAL AND STARTING SYSTEM**

189

**CONTROL & WIRING GP - 168-1944
STEERABLE REAR HITCH**

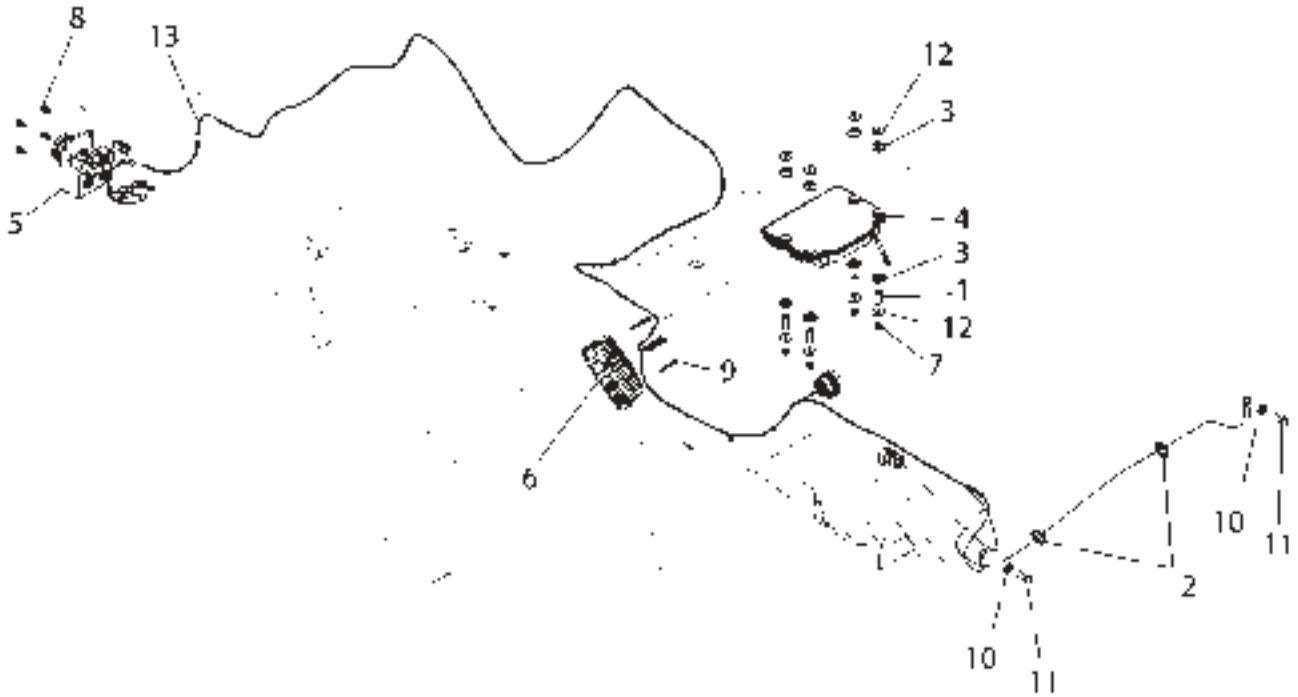
ITEM	NUMBER	QTY	DESCRIPTION
-	168-1944	--	CONTROL & WIRING GP-HITCH [A] (NOT SERVICED)
1	169-3559	1	MOUNTING
2	169-3560	1	COVER
3	CH169-3561	1	COUPLING
4	CH215-6495	1	SENSOR (STEERABLE REAR HITCH) (SEE BREAKDOWN FOR COMPONENTS)
5	CH032-9882	1	O-RING
6	CH183-4403	1	CLIP
7	CH6V-0894	1	O-RING
8	400160X1	2	BOLT (M5X0.8X30MM)
9	CH8T-0328	2	WASHER-HARD (5.5X10X1MM THK)
10	400053X1	2	BOLT (M8X1.25X20MM)
11	400227X1	1	BOLT (M8X1.25X16MM)
12	400339X1	3	WASHER-HARD (8.8X16X2MM THK)

[A] PART OF 157-1715; 177-0679 HITCH AR;
500772D1 KIT-HITCH 3PT

00854395
PR: t05f07j07b0069

MT700 SERIES TRACK TRACTORS
ELECTRICAL AND STARTING SYSTEM

CONTROL AR-MACHINE - 216-0874
ISO READY UPGRADE



2160874F

**MT700 SERIES TRACK TRACTORS
ELECTRICAL AND STARTING SYSTEM**

191

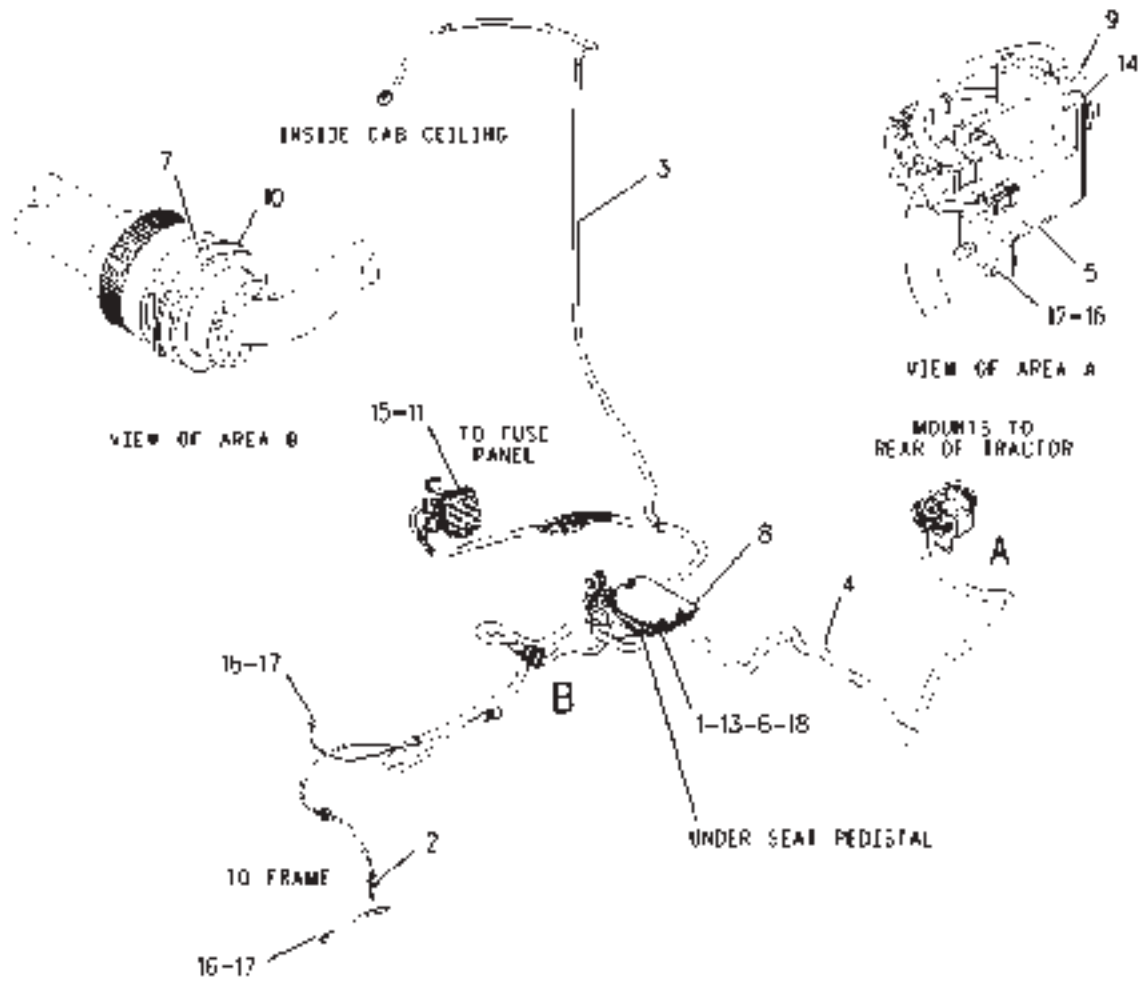
**CONTROL AR-MACHINE - 216-0874
ISO READY UPGRADE**

ITEM	NUMBER	QTY	DESCRIPTION
-	142-9836	--	CONTROL AR-MACHINE
1	CH6I-1418	4	SPACER
2	CH7K-1181	22	STRAP-CABLE
3	400941X1	8	MOUNT-ISO
4	216-0614	1	ELECTRONICS GP-MACHINE (COMMUNICATION) (NOT SERVICED) (SEE BREAKDOWN FOR COMPONENTS)
5	502486D1	1	HARNESS ISO-ISO
	502242D1	1	HARNESS AS
	502487D1	1	CONNECTOR AS (REPLACEMENT PINS LISTED BELOW)
	400382X1	2	PIN-CONNECTOR (12-14AWG)
	400899X1	2	PIN-CONNECTOR (8-10AWG)
6	501829D1	1	PANEL GP-FUSE (SEE BREAKDOWN FOR COMPONENTS)
7	400340X1	4	NUT (M8X1.25)
8	CH6V-8931	4	SCREW-WASHER HEAD (M6X1X16)
9	400208X1	4	BOLT-SOCKET HEAD (M5X0.8X40MM)
10	400287X1	2	WASHER-HARD
11	400039X1	2	BOLT (M10X1.5X25)
12	CH9N-0869	8	WASHER-HARD (8.8X25.5X2)
13	502434D1	1	HARNESS AS (W/TERMINATOR)
	502435D1	1	TERMINATOR-ACTIVE

2160874F
PR: t05f07j07b0070

MT700 SERIES TRACK TRACTORS
ELECTRICAL AND STARTING SYSTEM

CONTROL AR-MACHINE - 219-8737
ISO COMPATIBLE



**MT700 SERIES TRACK TRACTORS
ELECTRICAL AND STARTING SYSTEM**

193

**CONTROL AR-MACHINE - 219-8737
ISO COMPATIBLE**

ITEM	NUMBER	QTY	DESCRIPTION
-	219-8737	--	CONTROL AR-MACHINE (NOT SERVICED)
1	CH6I-1418	4	SPACER (8.2X12.7X28.7MM THK)
2	CH7K-1181	22	STRAP-CABLE
3	500910D1	1	HARNESS AS (ISO INTERNAL)
4	502434D1	1	HARNESS AS (ISO EXTERNAL)
5	500512D1	1	BRACKET
6	CH8T-9655	8	MOUNT-ISOLATION
7	400295X1	1	NUT (1 11/16-18 THD)
8	216-0614	1	ELECTRONICS GP-MACHINE (COMMUNICATION) (NOT SERVICED) (SEE BREAKDOWN FOR COMPONENTS)
9	502486D1	1	HARNESS AS (ISO)
10	CH128-4249	1	LOCKWASHER
11	501829D1	1	PANEL GP-FUSE (NOT SERVICED) (SEE BREAKDOWN FOR COMPONENTS)
12	400040X1	2	BOLT (M10X1.5X20MM)
13	400340X1	4	NUT (M8X1.25 THD)
14	CH6V-8931	4	SCREW-WASHER HEAD
15	400208X1	4	BOLT-SOCKET HEAD (M5X0.8X40MM)
16	400287X1	4	WASHER-HARD (11X21X2.5MM THK)
17	400039X1	2	BOLT (M10X1.5X25MM)
18	CH9N-0869	8	WASHER-HARD (8.8X25.5X2MM THK)

00897488
PR: t05f07j07b0071

MT700 SERIES TRACK TRACTORS
ELECTRICAL AND STARTING SYSTEM

CONTROL AR-AUTOGUIDE
FACTORY & FIELD INSTALLED

NO ILLUSTRATION

NOTIF

**MT700 SERIES TRACK TRACTORS
ELECTRICAL AND STARTING SYSTEM**

195

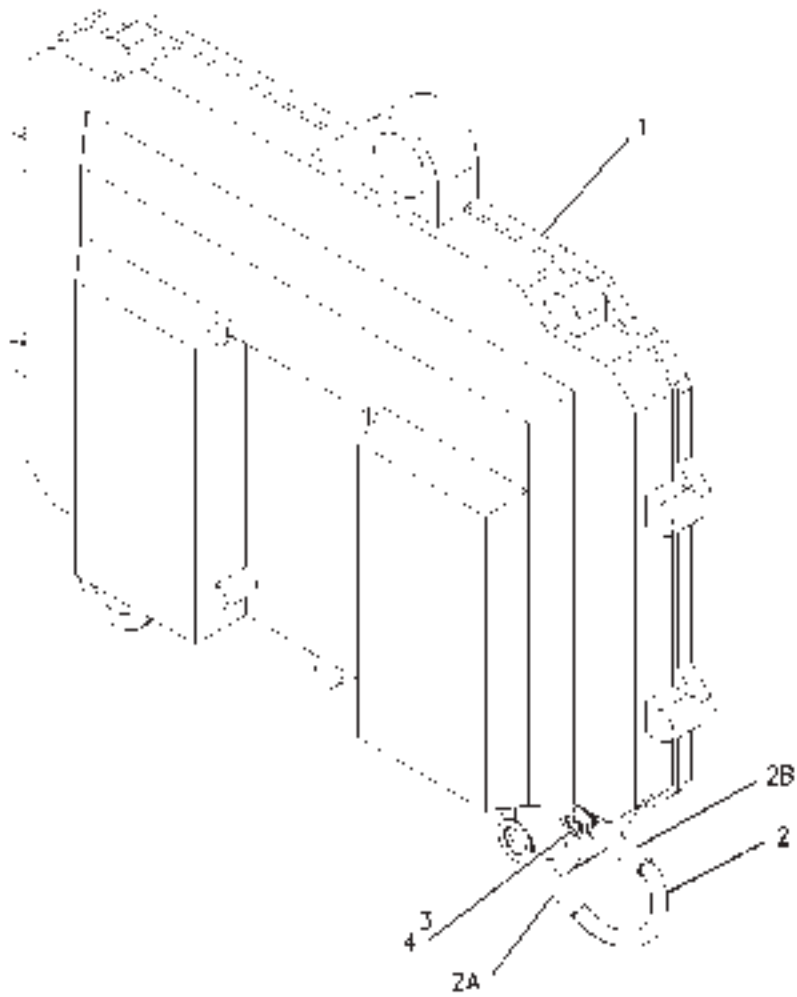
**CONTROL AR-AUTOGUIDE
FACTORY & FIELD INSTALLED**

ITEM	NUMBER	QTY	DESCRIPTION
-	500629D1	--	CONTROL AR-AUTOGUIDE (NOT SERVICED)
1	79019518B	1	MANUAL-AUTOGUIDE
2	500607D1	1	RECEIVER GP (SEE BREAKDOWN FOR COMPONENTS)
3	500616D1	1	SWITCH GP-RECEIVER (GPS) (SEE BREAKDOWN FOR COMPONENTS)
-	500630D1	--	KIT CONTROL AR-AUTOGUIDE (FIELD)
1	79019518B	1	MANUAL, OPERATOR'S-AUTOGUIDE
2	500606D1	1	SWITCH GP-GUIDANCE (GPS) (SEE BREAKDOWN FOR COMPONENTS)
3	500607D1	1	RECEIVER GP-TRANSMITTER (GPS) (SEE BREAKDOWN FOR COMPONENTS)
4	500611D1	1	GROMMET-RH (HANDRAIL) (MT700 ONLY)

NOTIF
PR: t05f07j07b0072

MT700 SERIES TRACK TRACTORS
ELECTRICAL AND STARTING SYSTEM

CONTROL GP-UNPROGRAMMED - CH192-1590



**MT700 SERIES TRACK TRACTORS
ELECTRICAL AND STARTING SYSTEM**

197

CONTROL GP-UNPROGRAMMED - CH192-1590

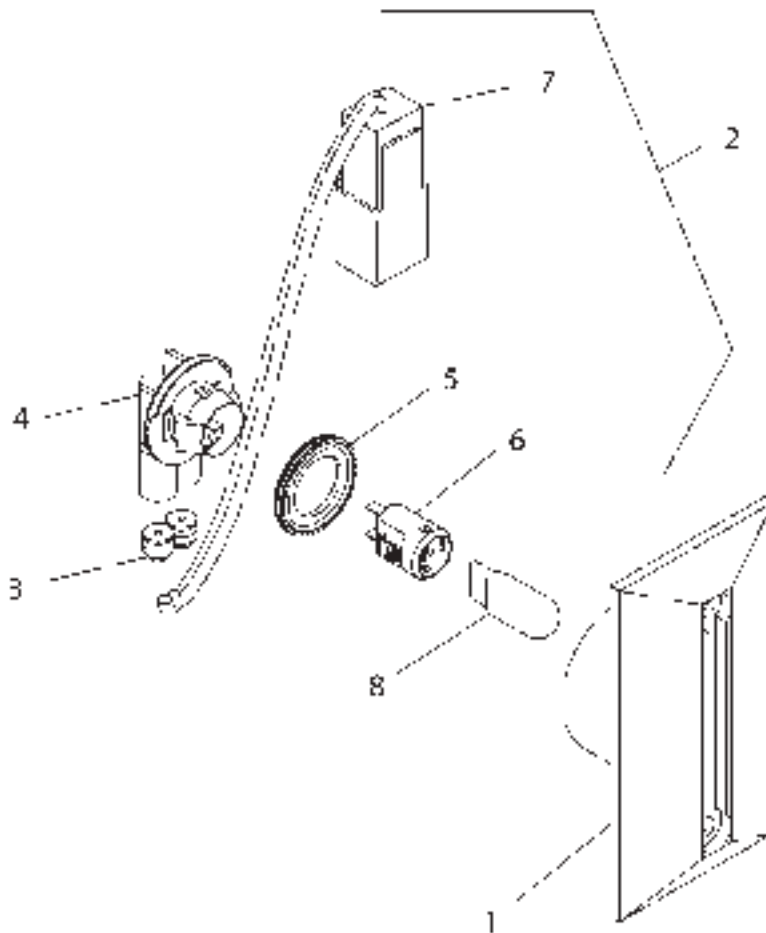
ITEM	NUMBER	QTY	DESCRIPTION
-	CH192-1590	--	CONTROL GP-UNPROGRAMMED [A]
1	-----	1	CONTROL ASY. (NOT SERVICED SEPARATELY)
2	CH7X-6315	1	STRAP AS.
2A	CH2L-8078	1	CONNECTOR
2B	CH2L-8075	1	TERMINAL (14-16 GA) (4.17MM)
3	CH184-2472	1	SCREW-PAN HEAD (LUBRICATED)
4	CH134-4126	1	WASHER (4.52X8.28X.76MM THK)

[A] PART OF 209-0896;209-0899
ELECTRONICS GP-IMPLEMENT;
180-4828 KIT-VALVE

00818553
PR: t05f07j07b0073

MT700 SERIES TRACK TRACTORS
ELECTRICAL AND STARTING SYSTEM

LIGHT AS - COURTESY - 12V
501935D1



**MT700 SERIES TRACK TRACTORS
ELECTRICAL AND STARTING SYSTEM**

199

**LIGHT AS - COURTESY - 12V
501935D1**

ITEM	NUMBER	QTY	DESCRIPTION
-	501935D1	--	LIGHT AS - COURTESY [A]
1	501936D1	1	HOUSING
2	501934D1	1	LAMP AS (INCLS 3-10)
3	400403X1	2	SEAL
4	400405X1	1	CONNECTOR
5	400406X1	1	SEAL
6	400407X1	1	LAMP SOCKET INSERT
7	501962D1	1	RECEPTACLE-CONN DEUTSCH 2 PIN
8	CH6T-7298	1	LAMP-12V BASE W-2 CLEAR
9	400404X1	2	SOCKET (NOT SHOWN)
10	400562X1	2	PIN-CONNECTOR 16-18 AWG (NOT SHOWN)

[A] PART OF 152-0420 WIRING GP

501935DB
PR: t05f07j07b0074

200

MT700 SERIES TRACK TRACTORS
ELECTRICAL AND STARTING SYSTEM

ELECTRONICS GP-MACHINE - ISO
216-0614

NO ILLUSTRATION

NOTIF

**MT700 SERIESTRACKTRACTORS
ELECTRICAL AND STARTING SYSTEM**

201

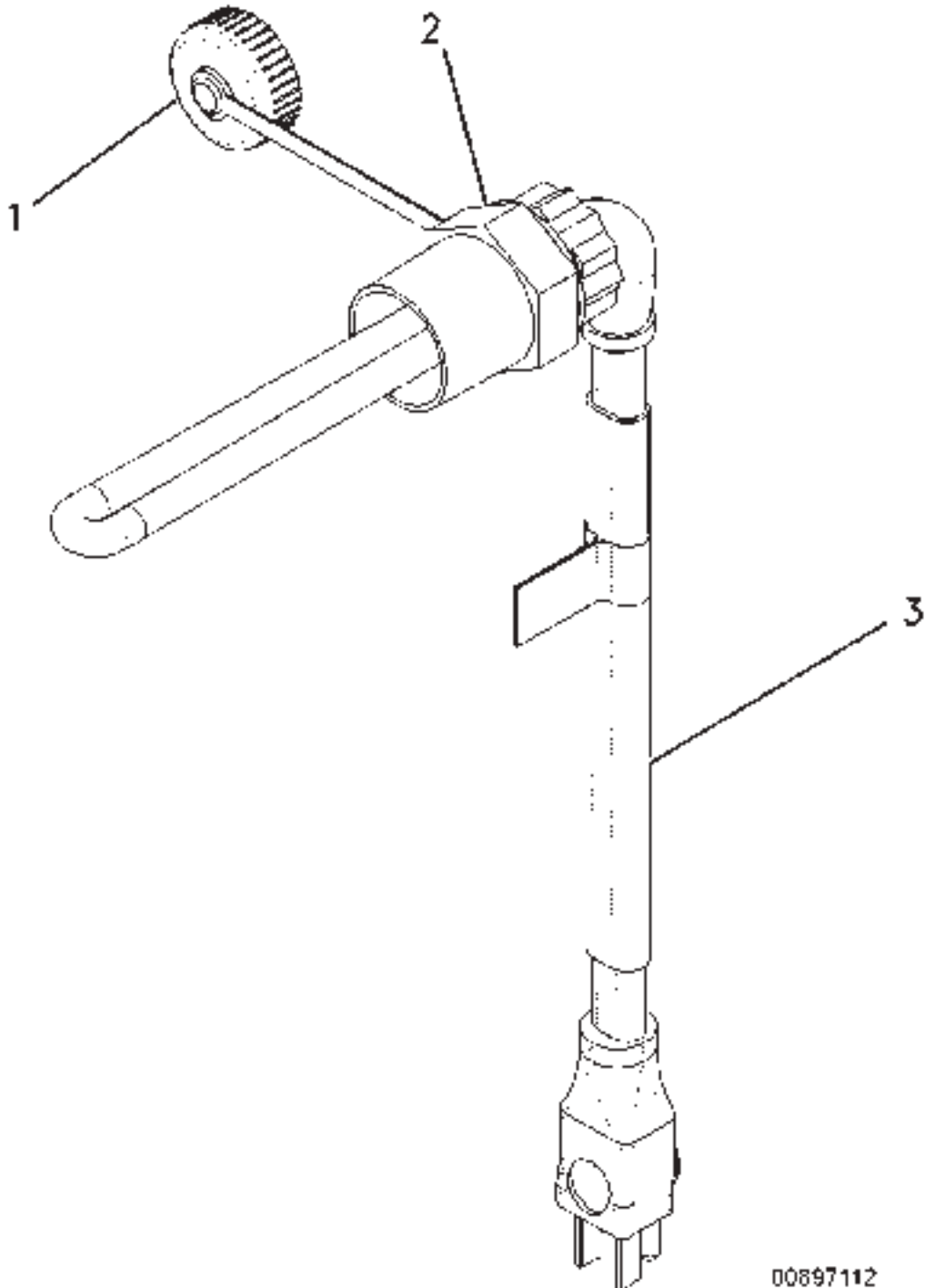
**ELECTRONICS GP-MACHINE - ISO
216-0614**

ITEM	NUMBER	QTY	DESCRIPTION
-	216-0614	--	ELECTRONICS GP-MACHINE [A] (NOT SERVICED)
	201-9041	1	CONTROL GP-ENGINE ELECTRONIC (CONTACT SERVICE FOR SOFTWARE AT 507-847-7222)
	256-0187	1	SOFTWARE GP-COMMUNICATION (CONTACT CHALLENGER PRODUCT SUPPORT AT 507-847-7222)

[A] PART OF 142-9836 CONTROL GP-ISO;
219-8737 CONTROL AR-ISO

NOTIF
PR: t05f07j07b0075

HEATER GP-JACKET WATER - CH218-9739
REAR 120 VOLT
ROW ONLY



MT700 SERIES TRACK TRACTORS
ELECTRICAL AND STARTING SYSTEM

203

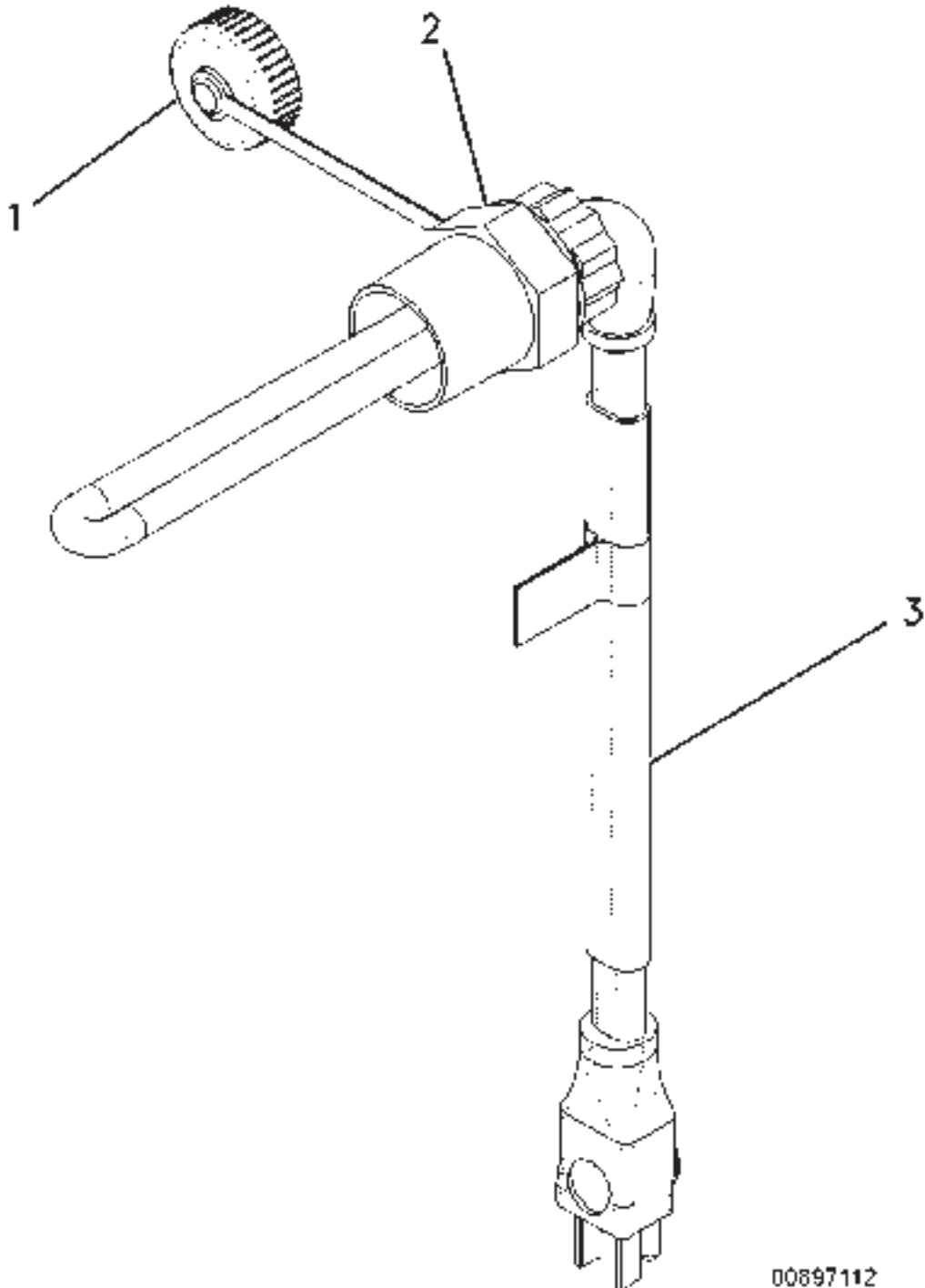
HEATER GP-JACKET WATER - CH218-9739
REAR 120 VOLT
ROW ONLY

ITEM	NUMBER	QTY	DESCRIPTION
-	CH218-9739	--	HEATER GP-JACKET WATER (NOT SERVICED)
1	CH6N-1604	1	CAP DUST-DUST
2	CH9G-6655	1	ELEMENT JACKET-JACKET WATER HEATER (120 VOLTS/1500 WATTS)
3	CH188-1336	1	CORD AS.

00897112
PR: t05f07j07b0076

MT700 SERIES TRACK TRACTORS
ELECTRICAL AND STARTING SYSTEM

HEATER GP-JACKET WATER - 218-9738
REAR 240 VOLT
EAME ONLY



MT700 SERIES TRACK TRACTORS
ELECTRICAL AND STARTING SYSTEM

205

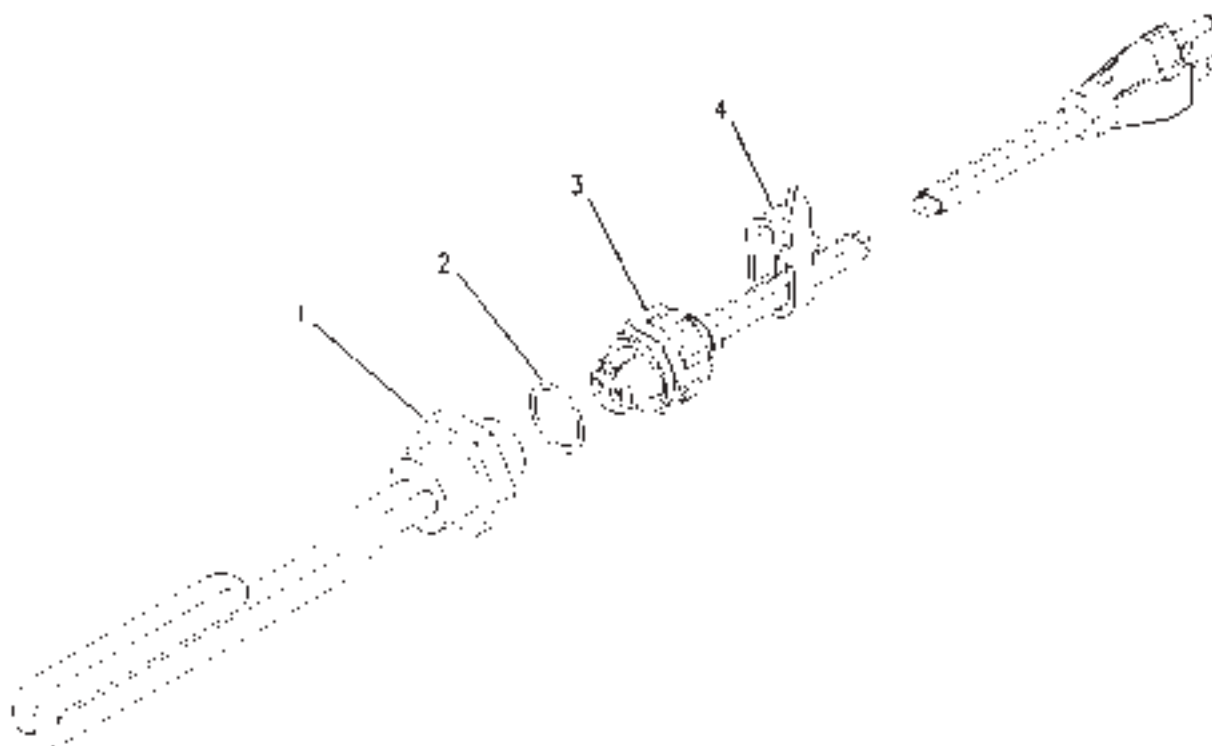
HEATER GP-JACKET WATER - 218-9738
REAR 240 VOLT
EAME ONLY

ITEM	NUMBER	QTY	DESCRIPTION
-	218-9738	--	HEATER GP-JACKET WATER
1	CH6N-1604	1	CAP DUST-DUST
2	CH6T-3764	1	ELEMENT JACKET-JACKET WATER HEATER (240 VOLTS/1500 WATTS)
3	CH188-1588	1	CORD AS.

00897112
PR: t05f07j07b0077

MT700 SERIES TRACK TRACTORS
ELECTRICAL AND STARTING SYSTEM

HEATER GP-TRANSMISSION - 163-0380
120 VOLT
ROW ONLY



MT700 SERIES TRACK TRACTORS
ELECTRICAL AND STARTING SYSTEM

207

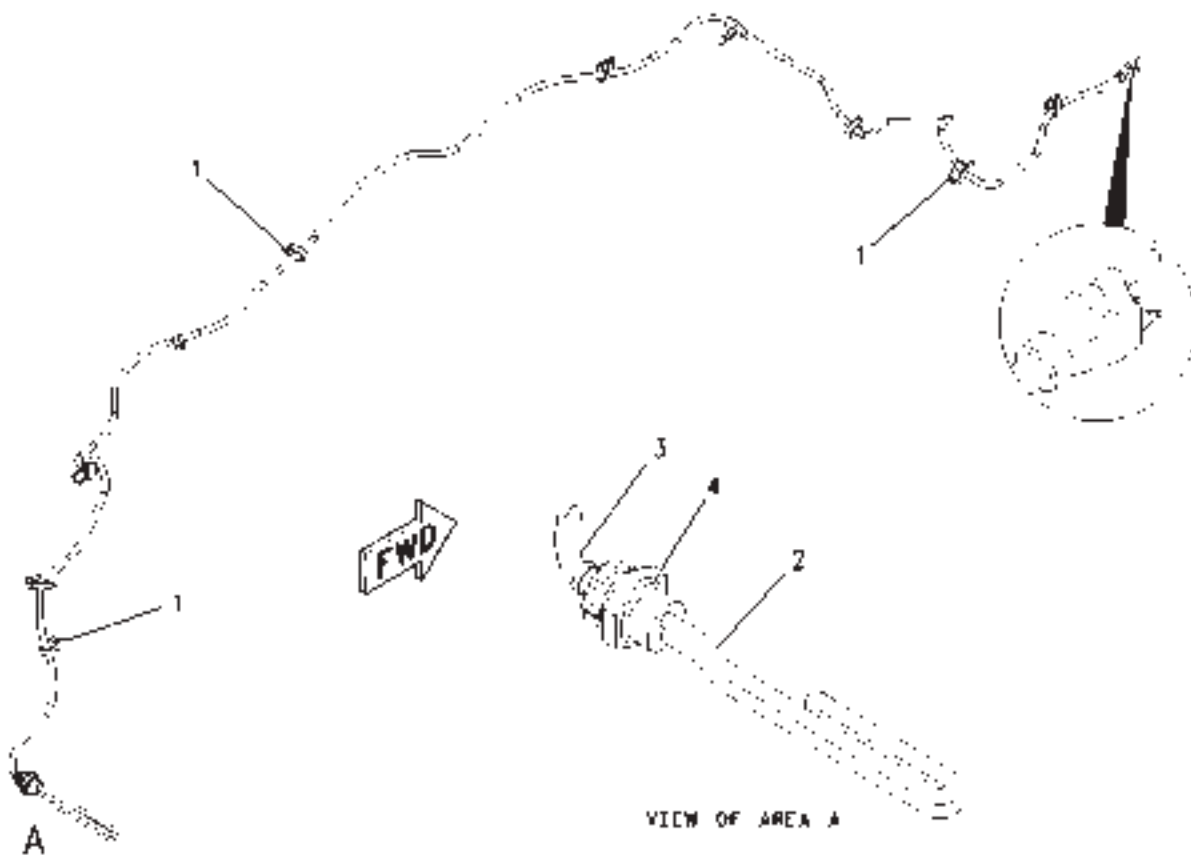
HEATER GP-TRANSMISSION - 163-0380
120 VOLT
ROW ONLY

ITEM	NUMBER	QTY	DESCRIPTION
-	163-0380	--	HEATER GP-TRANSMISSION
1	205-8771	1	ELEMENT AS. (120 VOLT) (TRANSMISSION HEATER)
2	400593X1	1	O-RING
3	CH163-0393	1	CORD
4	400837X1	10	STRAP-CABLE

00810041
PR: t05f07j07b0078

MT700 SERIES TRACK TRACTORS
ELECTRICAL AND STARTING SYSTEM

HEATER GP-TRANSMISSION - 163-0381
240 VOLT



MT700 SERIES TRACK TRACTORS
ELECTRICAL AND STARTING SYSTEM

209

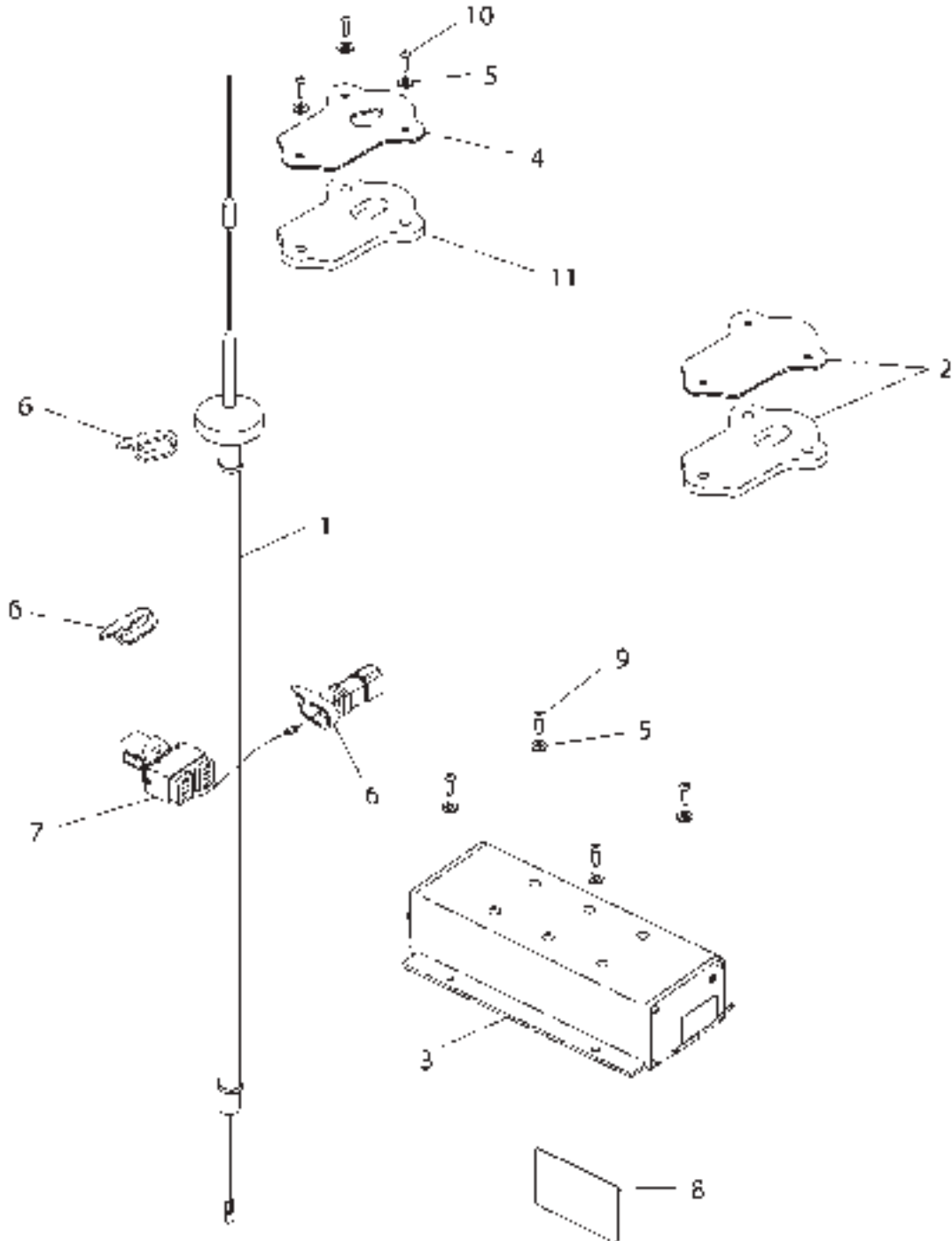
HEATER GP-TRANSMISSION - 163-0381
240 VOLT

ITEM	NUMBER	QTY	DESCRIPTION
-	163-0381	--	HEATER GP-TRANSMISSION
1	400837X1	10	STRAP-CABLE
2	205-8772	1	ELEMENT AS. (240 VOLT) (TRANSMISSION HEATER)
3	CH205-8770	1	CORD HEATER-HEATER
4	400593X1	1	O-RING

00856912
PR: t05f07j07b0079

MT700 SERIES TRACK TRACTORS
ELECTRICAL AND STARTING SYSTEM

RECEIVER KIT-TRANSMITTER - 162-4099



**MT700 SERIES TRACK TRACTORS
ELECTRICAL AND STARTING SYSTEM**

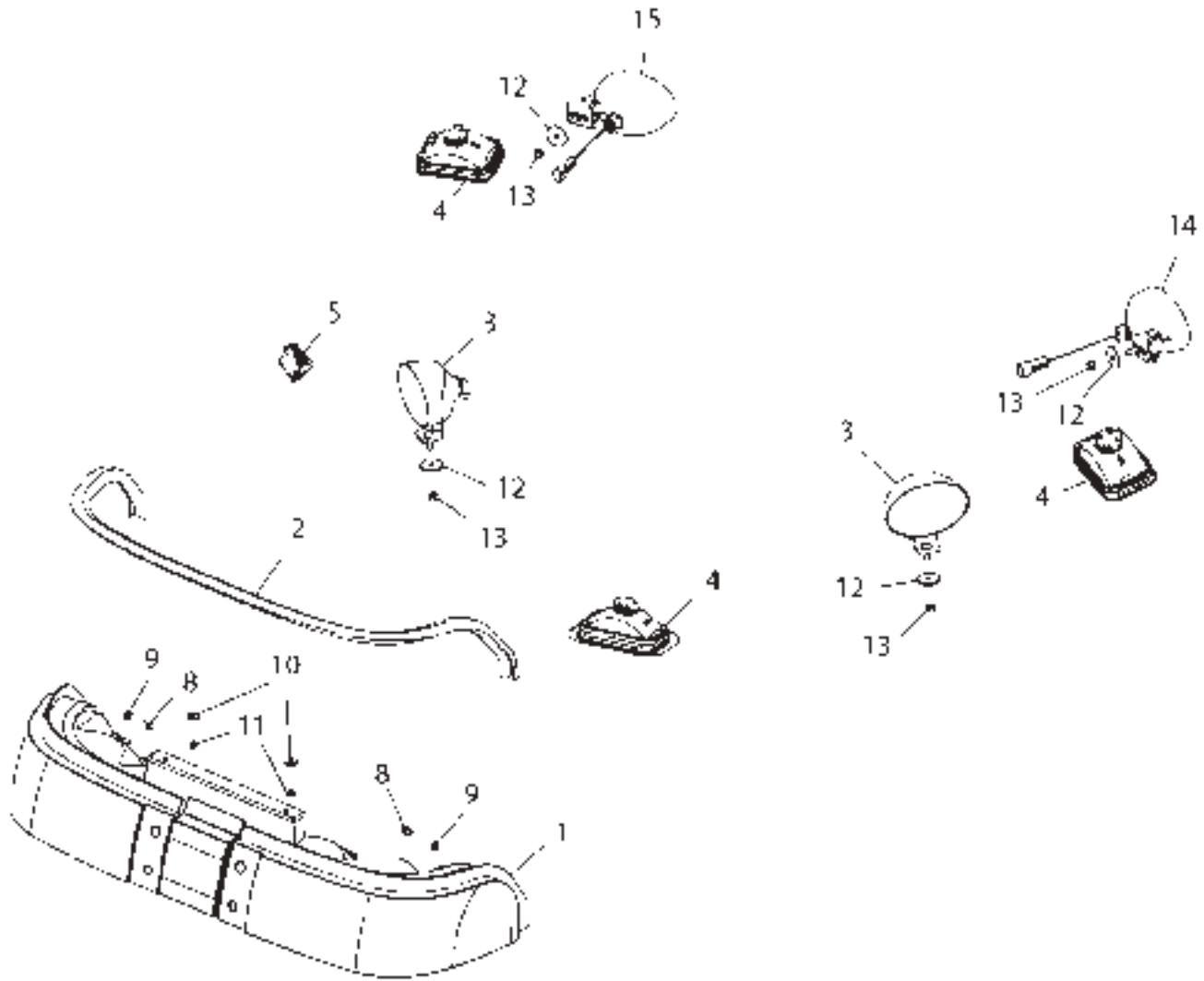
211

RECEIVER KIT-TRANSMITTER - 162-4099

ITEM	NUMBER	QTY	DESCRIPTION
-	162-4099	--	RECEIVER KIT-TRANSMITTER
1	CH207-6797	1	ANTENNA AS.-ROOF (GPS/VHF)
2	142-9831	1	COVER KIT-CAB
	500679D1	1	PLATE
	500682D1	1	GASKET-COVER (PL201 ANTENNA)
3	CH209-6417	1	CONTROL GP-ELECTRONIC
4	500680D1	1	BRACKET
5	CH8T-4205	7	WASHER-HARD 7.2IDX14.5ODX2MM
6	400837X1	4	STRAP-CABLE (PLASTIC)
7	142-9699	1	HARNESS AS. (S/N: PRIOR TO AKN5;ALA5; ALM5;AMS5)
7	502176D1	1	HARNESS AS. (S/N: EFF AKN5;ALA5; ALM5;AMS5)
8	CH185-7141	1	FILM-WARN (LINK RADIO)
9	CH110-2028	4	SCREW-NO10-14X19MM PAN,THD CTG
10	CH8T-9501	3	SCREW-10-16X19.05 PAN,THD FMG
11	500682D1	1	GASKET-COVER (PL201 ANTENNA)

1624099J
PR: t05f07j07b0080

LIGHTING GP (STANDARD) - 500640D1
ROW ONLY



**MT700 SERIES TRACK TRACTORS
ELECTRICAL AND STARTING SYSTEM**

213

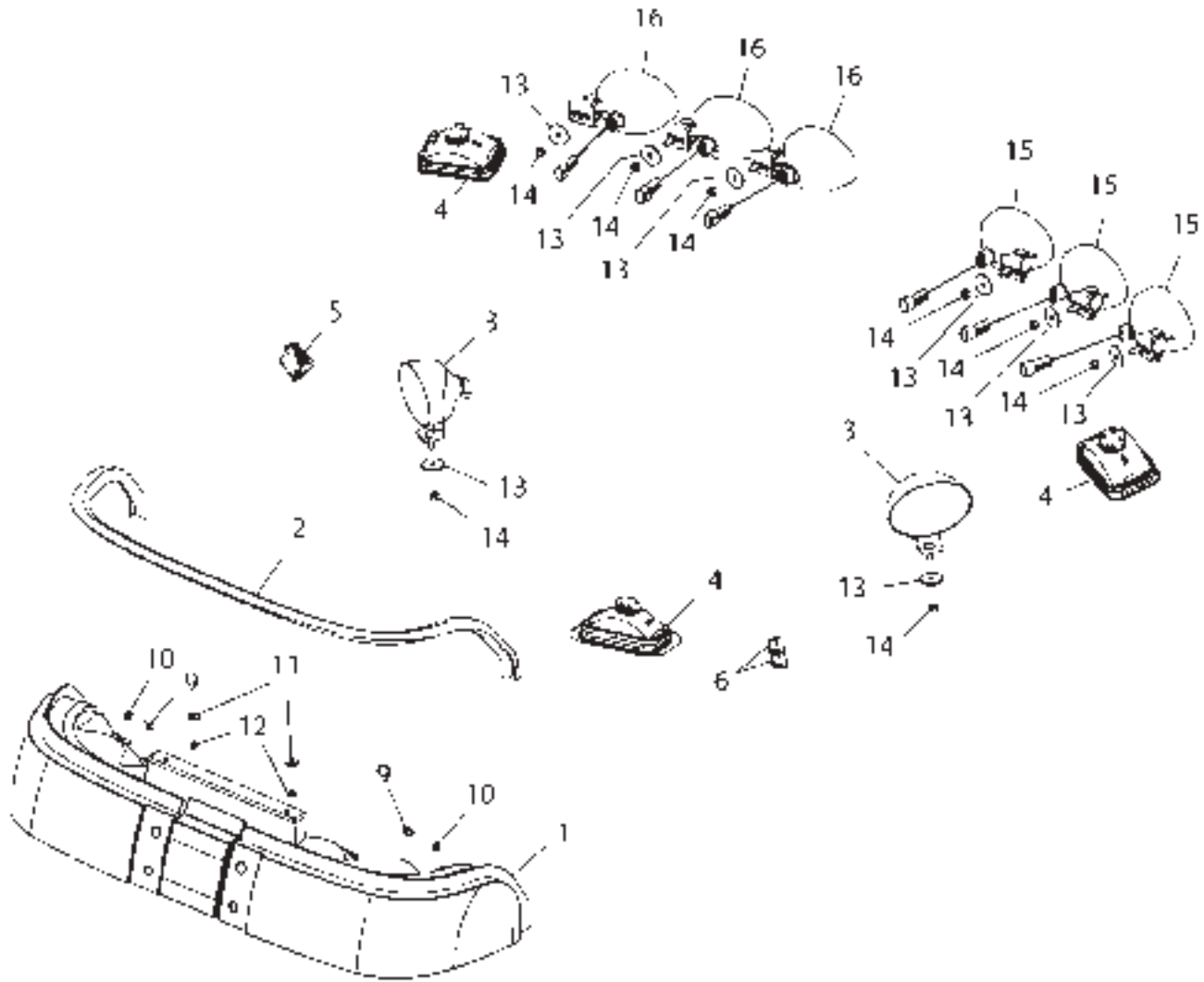
**LIGHTING GP (STANDARD) - 500640D1
ROW ONLY**

ITEM	NUMBER	QTY	DESCRIPTION
-	500640D1	--	LIGHTING GP (STANDARD) [A] (NOT SERVICED)
1	500773D1	1	LAMP GP (HOOD) (SEE BREAKDOWN FOR COMPONENTS)
2	173-8816	1	SEAL-HOOD
3	500636D1	2	WORK LIGHT
	500678D1	1	BULB 886-12.8V 50W HALOGEN
4	166-4616	3	LAMP GP-PORCH
	CH136-5252	1	LAMP-12V BASE
5	165-5973	1	SWITCH AS.-ROCKER
8	400223X1	2	BOLT-M6X1X12MM ZNDI HHD 10.9
9	CH8T-4205	2	WASHER-HARD 7.2IDX14.5ODX2MM
10	CH5P-4115	2	WASHER-7.2IDX19ODX2MM
11	400300X1	2	NUT M6X1
12	CH156-0283	4	WASHER-HARD 8.4IDX35ODX2.5 MM
13	CH3E-9860	4	LOCKNUT-5/16-18 ZNDI
14	500654D1	1	WORK LIGHT (LH) (MT735,MT745,MT755 & & MT765 PRIOR AMS51385)
14	500654D2	1	WORK LIGHT (LH) (MT765 EFF AMS51385)
	400862X1	1	BULB 885-12.8V 50W HALOGEN
	500677D2	1	WORK LIGHT (LH)
	502094D1	1	HARNES AS. - JUMPER
15	500653D1	1	WORK LIGHT (RH) (MT735,MT745,MT755 & & MT765 PRIOR AMS51385)
15	500653D2	1	WORK LIGHT (RH) (MT765 EFF AMS51385)
	400862X1	1	BULB 885-12.8V 50W HALOGEN
	500676D2	1	WORK LIGHT (RH)
	502094D1	1	HARNES AS. - JUMPER

500640DA
PR: t05f07j07b0081

MT700 SERIES TRACK TRACTORS
ELECTRICAL AND STARTING SYSTEM

LIGHTING GP (DELUXE) - 500641D1



**MT700 SERIES TRACK TRACTORS
ELECTRICAL AND STARTING SYSTEM**

215

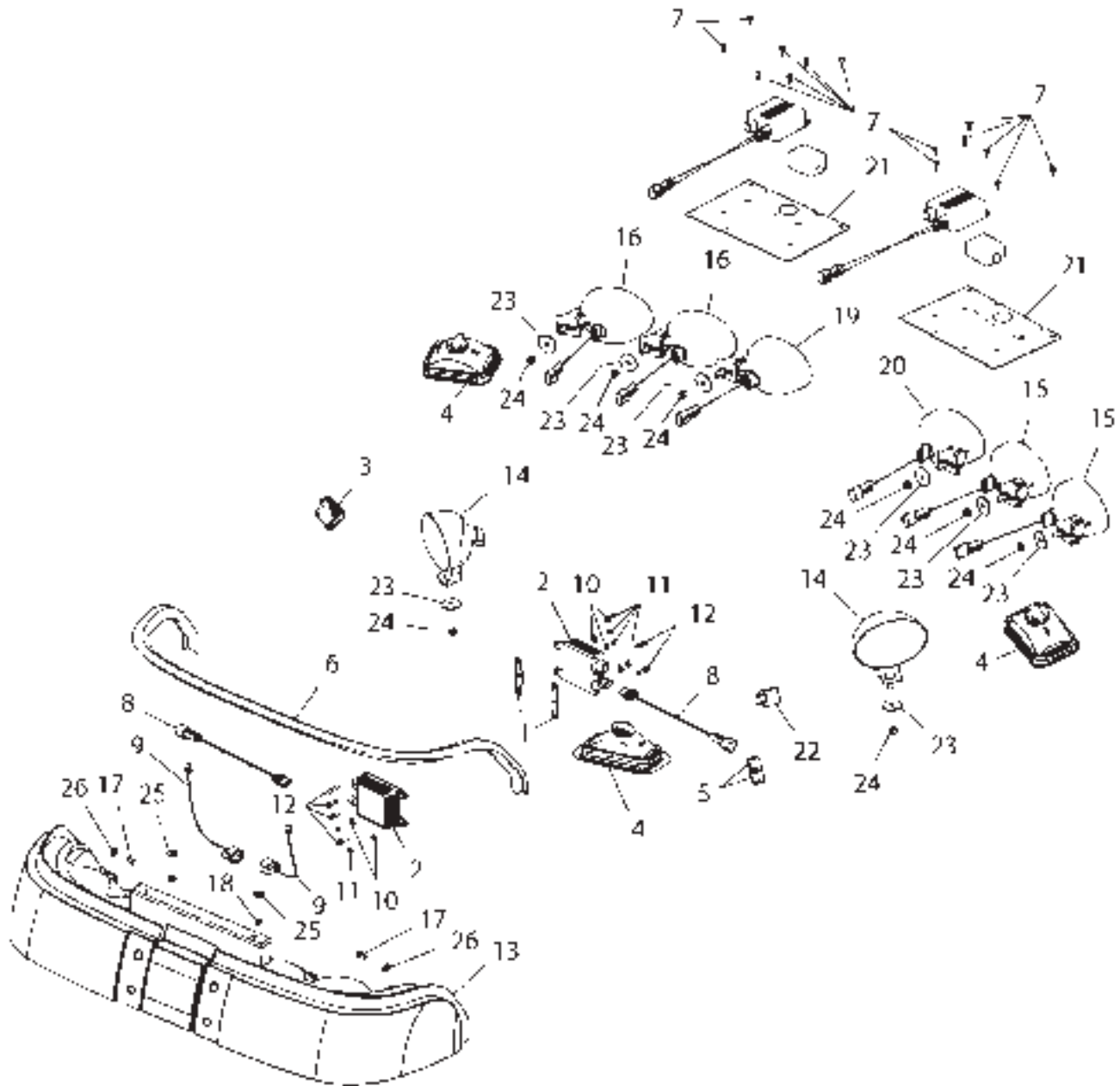
LIGHTING GP (DELUXE) - 500641D1

ITEM	NUMBER	QTY	DESCRIPTION
-	500641D1	--	LIGHTING GP (DELUXE) (NOT SERVICED)
-	500650D1	--	KIT-LIGHTING (CONVERT STD TO DELUXE)
1	500773D1	1	LAMP GP (HOOD)
2	173-8816	1	SEAL-HOOD
3	500636D1	2	WORK LIGHT
	500678D1	1	BULB 886-12.8V 50W HALOGEN
4	166-4616	3	LAMP GP-PORCH
	CH136-5252	1	LAMP-MINIATURE
5	165-5973	1	SWITCH AS.-ROCKER
6	CH146-9439	2	RELAY AS.
9	400223X1	2	BOLT-M6X1X12MM ZNDI HHD 10.9
10	CH8T-4205	2	WASHER-HARD 7.2IDX14.5ODX2MM
11	CH5P-4115	2	WASHER-7.2IDX19ODX2MM
12	400300X1	2	NUT M6X1
13	CH156-0283	8	WASHER-HARD 8.4IDX35ODX2.5 MM
14	CH3E-9860	8	LOCKNUT-5/16-18 ZNDI
15	500654D2	3	WORK LIGHT (LH)
	400862X1	1	BULB 886-12.8V 50W HALOGEN
	500677D2	1	WORK LIGHT (LH)
	502094D1	1	HARNES AS.-JUMPER
16	500653D2	3	WORK LIGHT (RH)
	400862X1	1	BULB 886-12.8V 50W HALOGEN
	500676D2	1	WORK LIGHT (RH)
	502094D1	1	HARNES AS.-JUMPER

500641DA
PR: t05f07j07b0082

MT700 SERIES TRACK TRACTORS
ELECTRICAL AND STARTING SYSTEM

LIGHTING GP (HID) - 500642D1



**MT700 SERIES TRACK TRACTORS
ELECTRICAL AND STARTING SYSTEM**

217

LIGHTING GP (HID) - 500642D1

ITEM	NUMBER	QTY	DESCRIPTION
	500642D1	--	LIGHTING GP (HID) (NOT SERVICED)
-	500651D1	--	KIT-LIGHTING (CONVERT STD TO HID)
-	500652D1	--	KIT-LIGHTING (CONVERT DELUXE TO HID)
1	136-5509	2	BRACKET-BALLAST
2	136-5597	2	BALLAST AS.-HID
3	165-5973	1	SWITCH AS.-ROCKER
4	166-4616	3	LAMP GP-PORCH
	CH136-5252	1	LAMP-MINIATURE
5	CH170-2237	1	RELAY AS.-12 VDC
6	173-8816	1	SEAL-HOOD
7	CH119-5026	14	SCREW-# 10-16X16MM PAN THD CTG
8	502177D1	2	HARNESS AS.-BALLAST
9	202-7320	2	HARNESS AS.-HID
10	CH4B-4274	6	WASHER-5.5IDX13ODX1.2MM
11	CH5C-2874	6	NUT-M5X0.8THD HEX ZNDI
12	400211X1	6	BOLT-M5X0.8-6GX20 ZN HHD 8.8
13	500774D1	1	LAMP GP (HOOD)
			(SEE BREAKDOWN FOR COMPONENTS)
14	500636D1	2	WORK LIGHT
	500678D1	1	BULB 886-12.8V 50W HALOGEN
15	500654D2	2	WORK LIGHT (LH)
	400862X1	1	BULB 886-12.8V 50W HALOGEN
	500676D2	1	WORK LIGHT (RH)
	502094D1	1	HARNESS AS. JUMPER
16	500653D2	2	WORK LIGHT (RH)
	400862X1	1	BULB 886-12.8V 50W HALOGEN
	500677D2	1	WORK LIGHT (LH)
	502094D1	1	HARNESS AS. JUMPER
17	400223X1	2	BOLT-M6X1X12MM ZNDI HHD 10.9
18	400300X1	2	NUT M6X1
19	500634D2	1	WORK LIGHT (RH)
	500676D2	1	WORK LIGHT (RH)
	500638D1	1	HARNESS AS.
	500637D1	1	BALLAST, HID LIGHT
	500674D1	1	HARNESS AS.
20	500635D2	1	WORK LIGHT (LH)
	500677D2	1	WORK LIGHT (LH)
	500638D1	1	HARNESS AS.
	500637D1	1	BALLAST, HID LIGHT
	500674D1	1	HARNESS AS.
21	500639D1	2	BRACKET, HID BALLAST
22	CH146-9439	1	RELAY AS.
23	CH156-0283	8	WASHER-HARD 8.4IDX35ODX2.5 MM
24	CH3E-9860	8	LOCKNUT-5/16-18 ZNDI
25	CH5P-4115	2	WASHER-7.2IDX19ODX2MM
26	CH8T-4205	2	WASHER-HARD 7.2IDX14.5ODX2MM

500642DA
PR: t05f07j07b0083

MT700 SERIESTRACKTRACTORS
ELECTRICAL AND STARTING SYSTEM

219

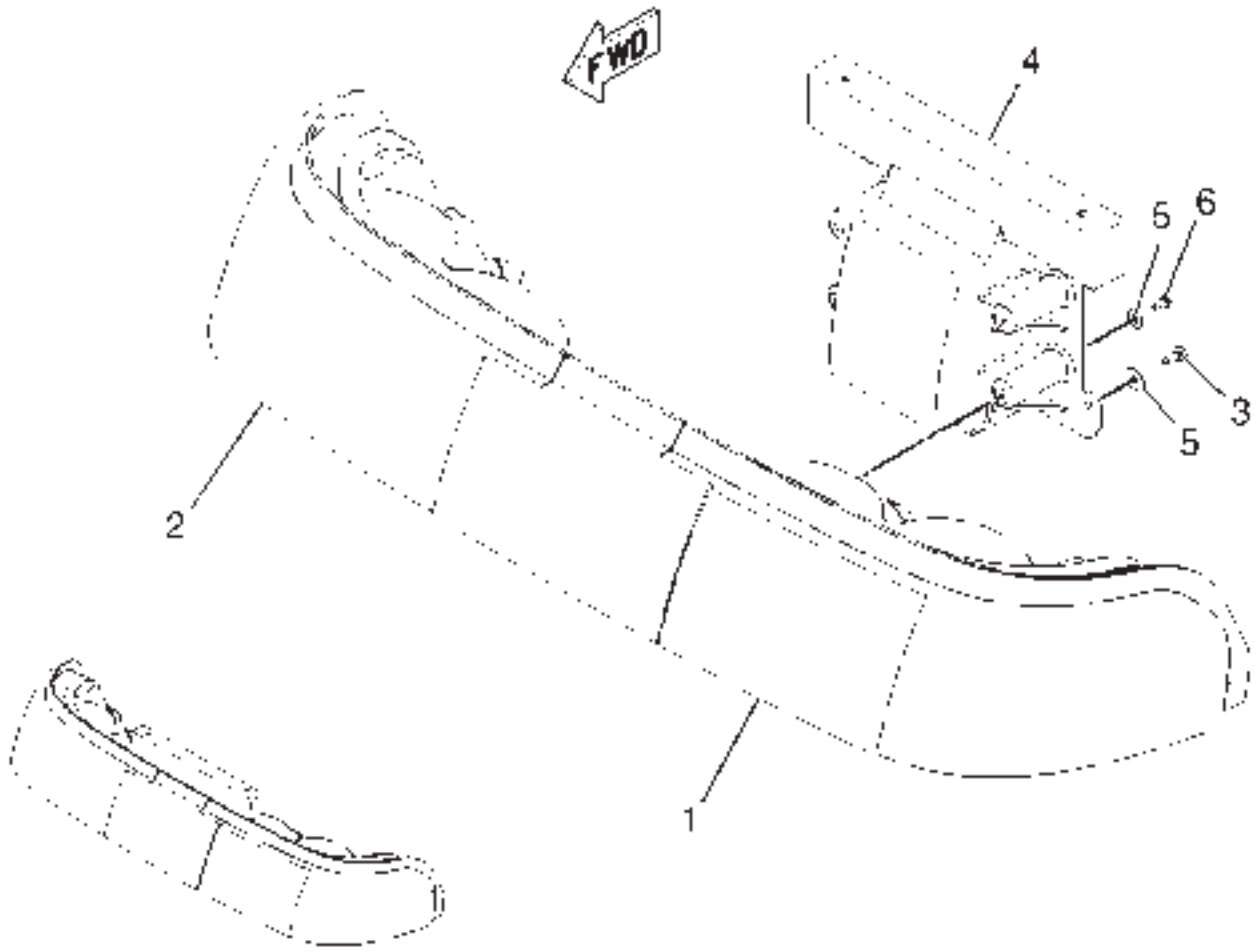
LAMP GP-HOOD - 500773D1
HALOGEN

ITEM	NUMBER	QTY	DESCRIPTION
-	500773D1	--	LAMP GP-HOOD [A] (NOT SERVICED)
1	201-5073	1	BRACKET-HEADLIGHT
2	176-0379	1	HEADLAMP AS (LH)
	CH175-1323	3	BULB-HEADLAMP
3	176-0380	1	HEADLAMP AS (RH)
	CH175-1323	3	BULB-HEADLAMP
4	CH4B-4274	8	WASHER-5 (5X13X1.2MM)
5	CH6V-5210	4	SCREW-M4X1.7X10MM
6	400087X1	4	SCREW-#10-16X12.7

[A] PART OF 500640D1 LIGHTING GP

500773DA
PR: t05f07j07b0084

LAMP GP-HOOD - 500774D1
HALOGEN



500774DA

**MT700 SERIES TRACK TRACTORS
ELECTRICAL AND STARTING SYSTEM**

221

**LAMP GP-HOOD - 500774D1
HALOGEN**

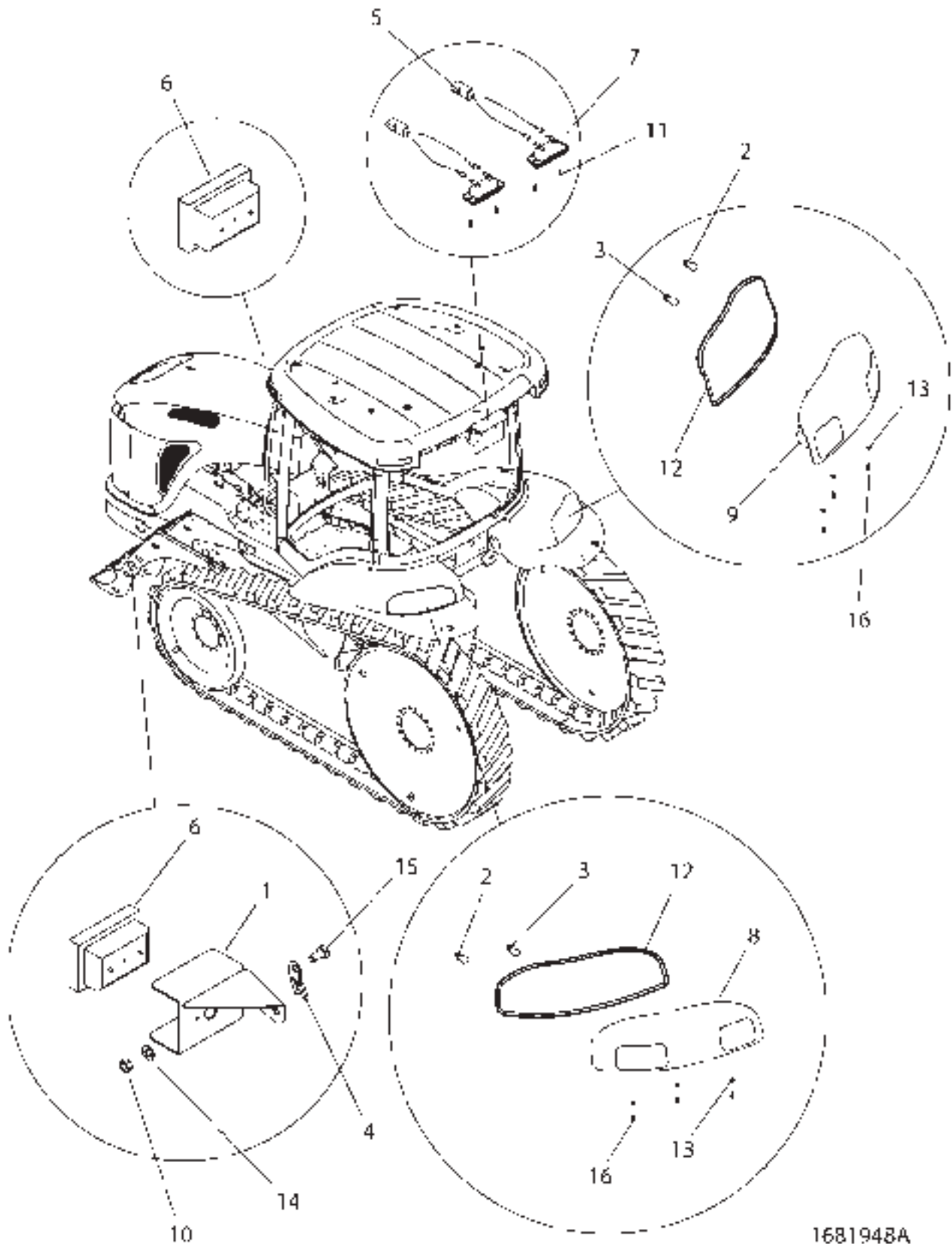
ITEM	NUMBER	QTY	DESCRIPTION
-	500774D1	--	LAMP GP-HOOD (NOT SERVICED)
1	136-5288	1	HEADLAMP AS. (HID)
	CH175-1323	2	BULB-HEADLAMP
	136-5598	1	BULB-HID
	CH136-5546	1	MEMBRANE
	136-5597	1	BALLAST AS-HID
2	136-5289	1	HEADLAMP AS. (HID)
	CH175-1323	2	BULB-HEADLAMP
	136-5598	1	BULB-HID
	CH136-5546	1	MEMBRANE
	136-5597	1	BALLAST AS-HID
3	400087X1	4	SCREW #10-16X12.7
4	201-5073	1	BRACKET-HEADLIGHT
5	CH4B-4274	8	WASHER 5.5X13X1.2MM
6	CH6V-5210	4	SCREW-PAN M4X0.7X10 CROSS

[A] PART OF 500642D1 LIGHTING GP

500774DA
PR: t05f07j07b0085

MT700 SERIES TRACK TRACTORS
ELECTRICAL AND STARTING SYSTEM

LIGHTING GP-SIGNAL - 168-1948



**MT700 SERIES TRACK TRACTORS
ELECTRICAL AND STARTING SYSTEM**

223

LIGHTING GP-SIGNAL - 168-1948

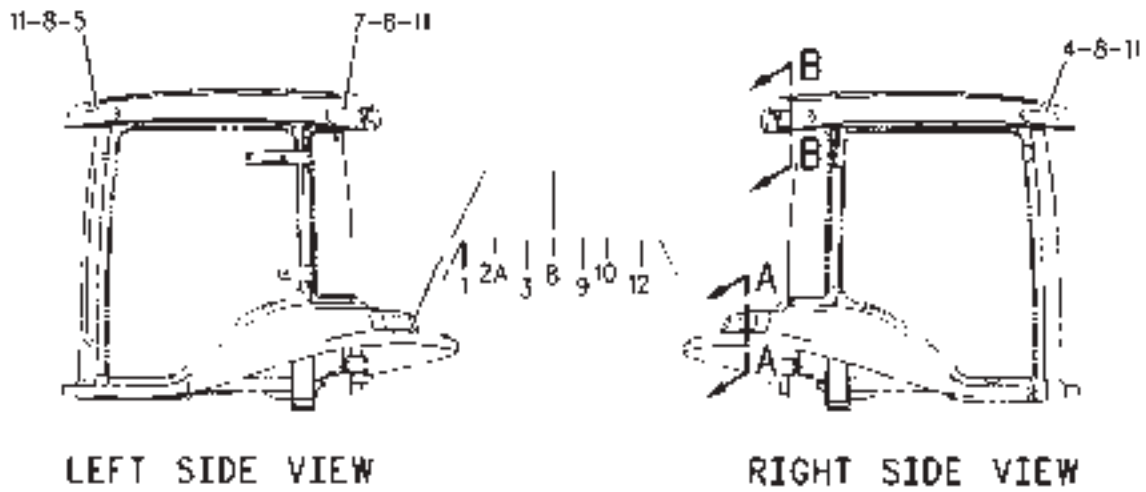
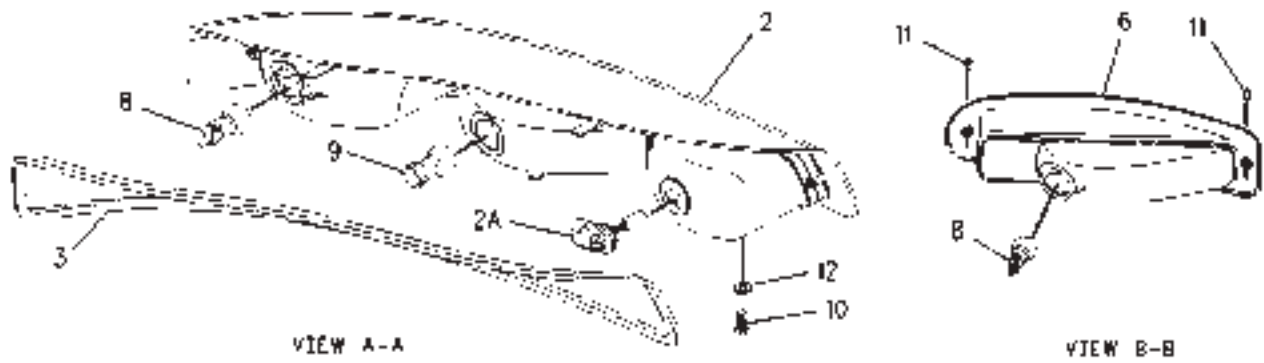
ITEM	NUMBER	QTY	DESCRIPTION
-	168-1948	--	LIGHTING GP-SIGNAL [A] (NOT SERVICED)
1	206-7172	1	BRACKET
2	171-9687	2	BULB-12V (S8)
3	171-9688	2	BULB-12V (S8)
4	CH4P-7581	2	CLIP-LADDER 15DEGX12.5MM V COAT
5	502245D1	2	HARNESS AS.
6	155-0014	2	LIGHT AS. -EXTREMITY
7	222-9156	2	LAMP AS
8	162-4091	1	LAMP AS.-FENDER (LH)
9	162-4092	1	LAMP AS.-FENDER (RH)
10	WR522218	2	NUT-M10-1.5,CL10.9,ZN,H,REG
11	CH3S-9557	4	SCREW-PAN 4-40 THD X12.7 CROSS
12	208-6931	2	SEAL
13	CH8T-4205	6	WASHER-HARD 7.2IDX14.5ODX2MM
14	400287X1	2	WASHER-HARD 11IDX21ODX2.5 ZND1
15	400039X1	2	BOLT-M10X1.5X25 ZNDI HHD 10.9
16	400152X1	6	BOLT-M6X1X16MM ZNDI HHD 10.9

[A] PART OF 177-1589 BASE COMMON

1681948A
PR: t05f07j07b0086

MT700 SERIES TRACK TRACTORS
ELECTRICAL AND STARTING SYSTEM

LIGHTING GP-SIGNAL - 136-5664
ROW ONLY



**MT700 SERIES TRACK TRACTORS
ELECTRICAL AND STARTING SYSTEM**

225

**LIGHTING GP-SIGNAL - 136-5664
ROW ONLY**

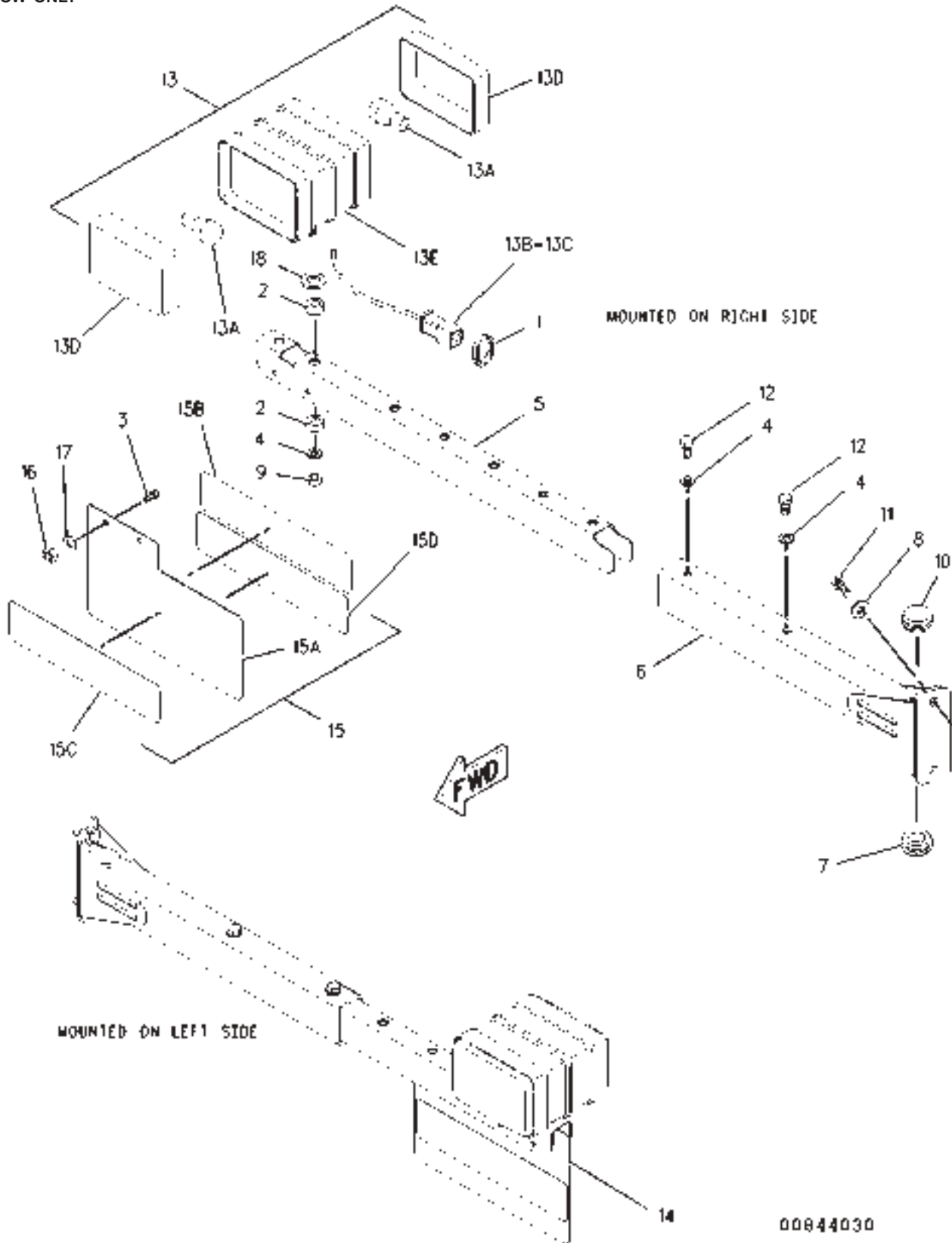
ITEM	NUMBER	QTY	DESCRIPTION
-	136-5664	--	LIGHTING GP-SIGNAL [A] (NOT SERVICED)
1	162-4091	1	LAMP AS. (LH FENDER) (INCL. 2A)
2	162-4092	1	LAMP AS. (RH FENDER) (INCL. 2A)
2A	400864X1	1	LAMP (12 VOLT)(50 WATT)
3	208-6931	2	SEAL
4	162-6696	1	LAMP (ROOF-FRONT RH)
5	162-6697	1	LAMP (ROOF-FRONT LH)
6	162-6698	1	LAMP (ROOF-REAR RH)
7	162-6699	1	LAMP (ROOF-REAR LH)
8	171-9687	6	LAMP (12 VOLT)(SINGLE FILAMENT)
9	171-9688	2	LAMP (12 VOLT)(DOUBLE FILAMENT)
10	400152X1	6	BOLT (M6X1X16MM)
11	CH8T-0337	8	SCREW-MACHINE (M4X0.7X12MM)
12	CH8T-4205	6	WASHER-HARD (7.2X14.5X2MM THK)

[A] PART OF 177-1588 BASE COMMON AR

00805635
PR: t05f07j07b0087

MT700 SERIES TRACK TRACTORS
ELECTRICAL AND STARTING SYSTEM

LIGHTING GP-EXTREMITY WARNING - 136-5212
MACHINE WIDTH EXCEEDING 12 FEET
ROW ONLY



**MT700 SERIES TRACK TRACTORS
ELECTRICAL AND STARTING SYSTEM**

227

**LIGHTING GP-EXTREMITY WARNING - 136-5212
MACHINE WIDTH EXCEEDING 12 FEET
ROW ONLY**

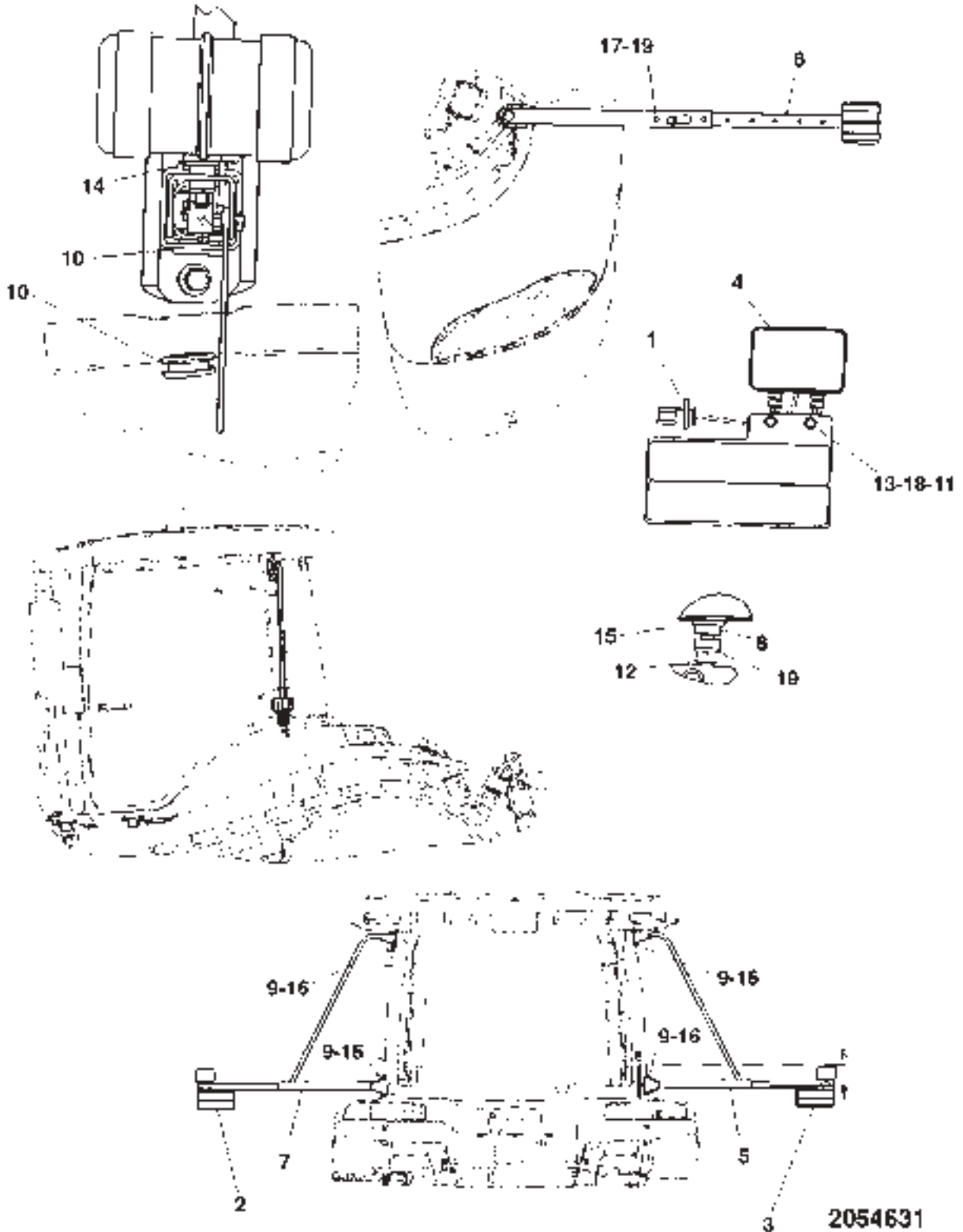
ITEM	NUMBER	QTY	DESCRIPTION
-	136-5212	--	LIGHTING GP-WARNING [A] (NOT SERVICED)
-	502900D1	--	LIGHTING GP-EXTRMY (FACT OPT) (NOT SVCD)
1	400837X1	4	STRAP-CABLE
2	400337X1	8	WASHER-RUBBER (8.2X16X6MM THK)
3	400152X1	4	BOLT (M6X1X16MM)
4	400339X1	8	WASHER-HARD (8.8X16X2MM THK)
5	177-0388	2	EXTENSION AS.
	CH7T-1099	2	LINK
	CH8T-3612	7	NUT-WELD (M8X1.25 THD)
6	178-7945	2	BRACKET AS.
7	CH4H-2558	4	GROMMET
8	CH3E-4352	4	WASHER-HARD (8.8X20.5X2.5MM THK)
9	400340X1	4	NUT (M8X1.25 THD)
10	400094X1	2	PLUG
11	400053X1	4	BOLT (M8X1.25X20MM)
12	400227X1	4	BOLT (M8X1.25X16MM)
13	155-0027	2	LAMP AS. (TURN SIGNAL) (EACH INCL. 13A,13B,13C,13D & 13E)
13A	CH5M-8034	2	LAMP (12 VOLT) (TURN SIGNAL)
13B	CH8T-8729	2	PIN-CONNECTOR
13C	CH102-8804	1	KIT-RECEPTACLE (4 PIN)(INCL. WEDGE) WEDGE
13D	155-0029	2	LENS (AMBER) (TURN SIGNAL)
13E	-----	1	BODY-LAMP (NOT SERVICED SEPARATELY)
14	502934D1	1	PLATE LH-LH (INCL. 15A,15B,15C & 15D)
15	502933D1	1	PLATE AS-RH (INCL. 15A,15B,15C & 15D)
15A	-----	1	PLATE (NOT SERVICED SEPARATELY)
15B	WR523361	1	FILM (RED)
15C	WR523590	1	FILM (YELLOW)
15D	WR523591	1	FILM (FLUOR RED/ORN)
16	400300X1	4	NUT (M6X1 THD)
17	CH8T-4205	8	WASHER-HARD (7.2X14.5X2MM THK)
18	400287X1	4	WASHER-HARD (11X21X2.5MM THK)

[A] PART OF 502900D1 LIGHTING GP-EXTREM

00844030
PR: t05f07j07b0088

MT700 SERIES TRACK TRACTORS
ELECTRICAL AND STARTING SYSTEM

LIGHTING GP-WARNING - 205-4631
EXTREMITY
WITH ULTRA WIDE GAGE



**MT700 SERIES TRACK TRACTORS
ELECTRICAL AND STARTING SYSTEM**

229

**LIGHTING GP-WARNING - 205-4631
EXTREMITY
WITH ULTRA WIDE GAGE**

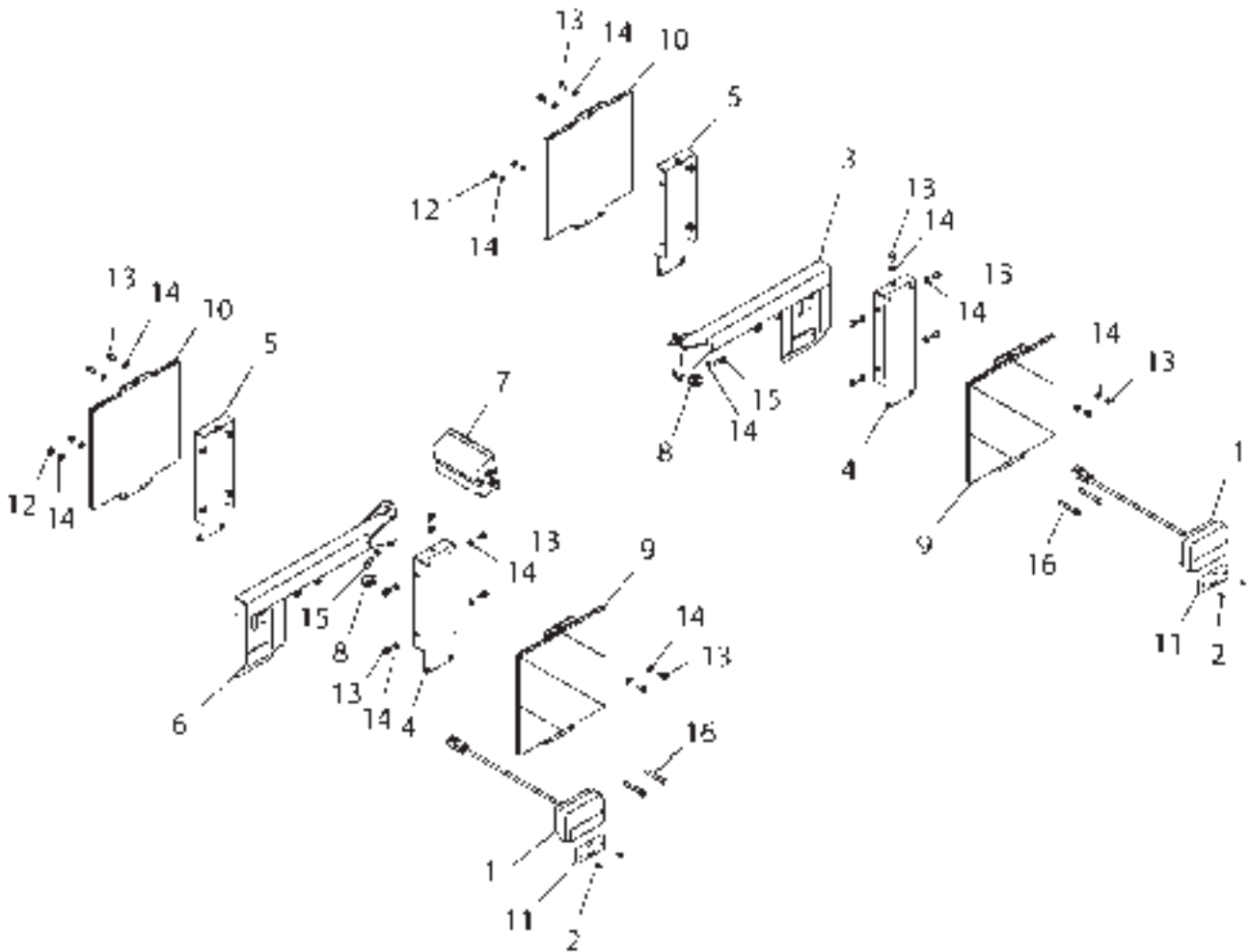
ITEM	NUMBER	QTY	DESCRIPTION
-	205-4631	--	LIGHTING GP-WARNING [A] (NOT SERVICED)
1	400837X1	6	STRAP, CABLE
2	502934D1	1	PLATE AS-LH (REFLECTOR)
	136-5514	1	PLATE - REFLECTOR
	WR523590	1	REFLECTOR-YELLOW,2.0X9.0
	WR523361	1	TAPE-REFLECTIVE,RED,DOT-C2
	WR523591	1	REFLECTOR-FLUOR RED/ORN2.0X9.0
3	502933D1	1	PLATE AS-RH (REFLECTOR)
	136-5514	1	PLATE - REFLECTOR
	WR523590	1	REFLECTOR-YELLOW,2.0X9.0
	WR523361	1	TAPE-REFLECTIVE,RED,DOT-C2
	WR523591	1	REFLECTOR-FLUOR RED/ORN2.0X9.0
4	155-0027	2	LAMP TURN.-TURN
5	205-4632	1	BRACKET ASY.-R.H.
6	205-4633	2	EXTENSION AS.
7	205-4634	1	BRACKET ASY.-L.H.
8	400337X1	8	WASHER-RUBBER
9	CH3E-4352	8	WASHER-HARD
10	CH4H-2558	4	GROMMET
11	400300X1	4	NUT, M6 X 1
12	400340X1	4	NUT, M8 X 1.25
13	400152X1	4	BOLT M6 X 1
14	400094X1	2	PLUG
15	400287X1	4	WASHER-HARD
16	400053X1	8	BOLT M8 X 1.25
17	400227X1	4	BOLT M8 X 1.25
18	CH8T-4205	8	WASHER-HARD
19	400339X1	8	WASHER-HARD

[A] PART OF 213-4079; 213-4080
GAGE AR-WIDE

2054631
PR: t05f07j07b0089

MT700 SERIES TRACK TRACTORS
ELECTRICAL AND STARTING SYSTEM

WARNING GP-WIDE VEHICLE - 222-4835
WITH WARNING PLATES
EAME ONLY



2224835A

**MT700 SERIES TRACK TRACTORS
ELECTRICAL AND STARTING SYSTEM**

231

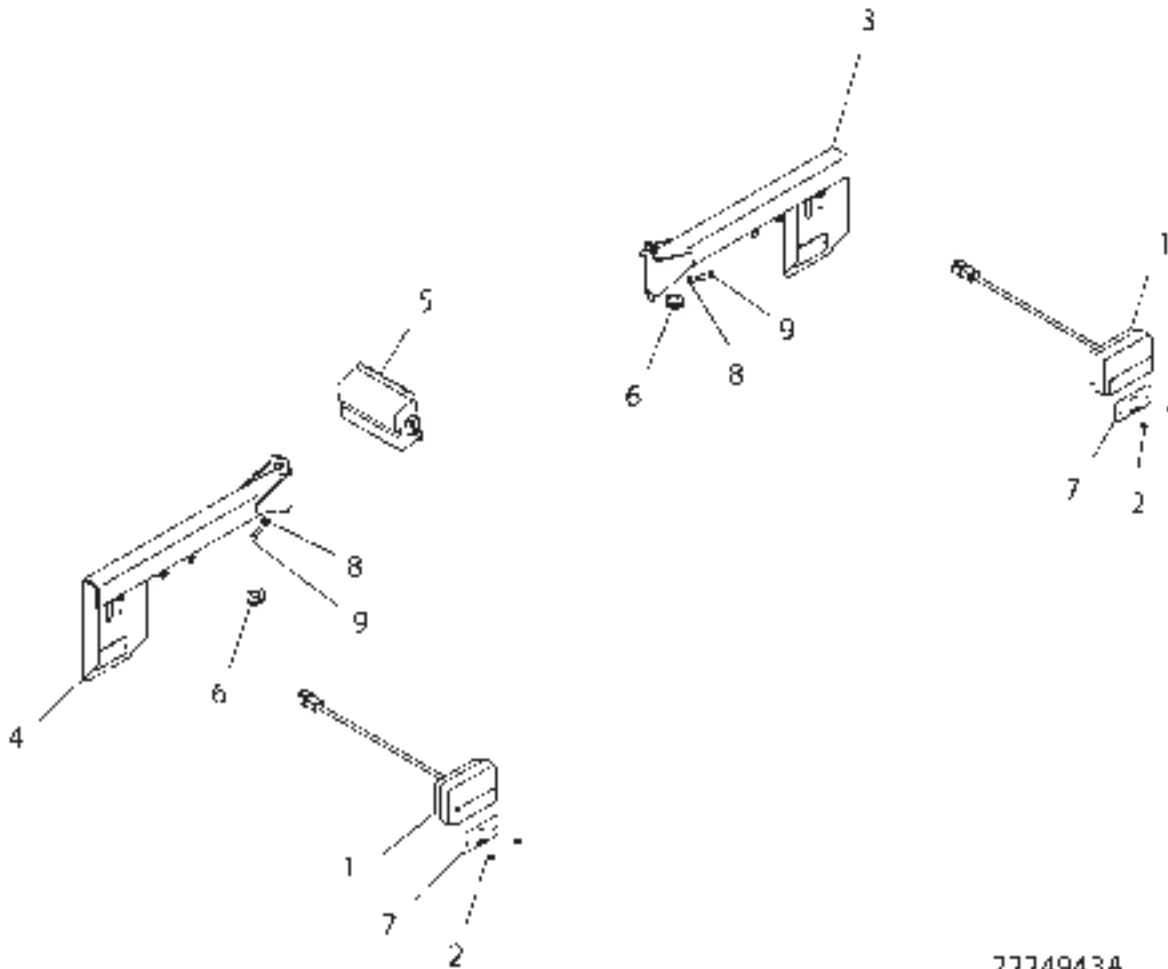
**WARNING GP-WIDE VEHICLE - 222-4835
WITH WARNING PLATES
EAME ONLY**

ITEM	NUMBER	QTY	DESCRIPTION
-	222-4835	--	WARNING GP-WIDE VEHICLE (NOT SERVICED)
1	155-0020	2	LAMP GP-WARNING (EXTREMITY)
	CH084-4348	1	LAMP-MINI (12V-P21/5W) (TAIL/STOP)
	CH9W-3326	1	LAMP (12V-21W CLEAR)
	400708X1	1	KIT-RECEPTACLE
	CH2A-3211	2	WASHER-5.5IDX12.3X0.8)
	CH5C-2874	2	NUT (M5X0.8)
2	CH196-0420	4	RIVET
3	221-9655	1	EXTREMITY AS (RH)
4	221-9742	2	BRACKET AS
	CH8T-3612	2	NUT-WELD (M8X1.25 THD)
5	221-9749	2	BRACKET AS
	CH8T-3612	7	NUT-WELD (M8X1.25 THD)
6	222-0366	1	EXTREMITY AS (LH)
7	CH215-1382	1	MODULE-FLASHER
8	CH4H-2558	6	GROMMET-RUBBER (15.8IDX25.4ODX12.7)
9	500529D1	2	PLATE-WARNING
10	500530D1	2	PLATE-WARNING
11	500531D1	2	REFLECTOR (RED)
12	400340X1	4	NUT (M8X1.25 THD)
13	400227X1	18	BOLT (M8X1.25X16MM)
14	400339X1	26	WASHER-HARD (8.8X16X2MM THK)
15	400341X1	4	BOLT (M8X1.25X25MM)
16	400242X1	4	BOLT (M8X1.25X60MM)

2224835A
PR: t05f07j07b0090

MT700 SERIES TRACK TRACTORS
ELECTRICAL AND STARTING SYSTEM

WARNING GP-WIDE VEHICLE - 222-4943
WITHOUT WARNING PLATES
EAME ONLY



2224943A

**MT700 SERIES TRACK TRACTORS
ELECTRICAL AND STARTING SYSTEM**

233

**WARNING GP-WIDE VEHICLE - 222-4943
WITHOUT WARNING PLATES
EAME ONLY**

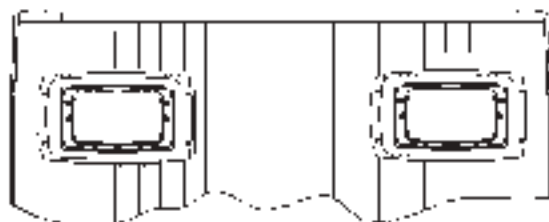
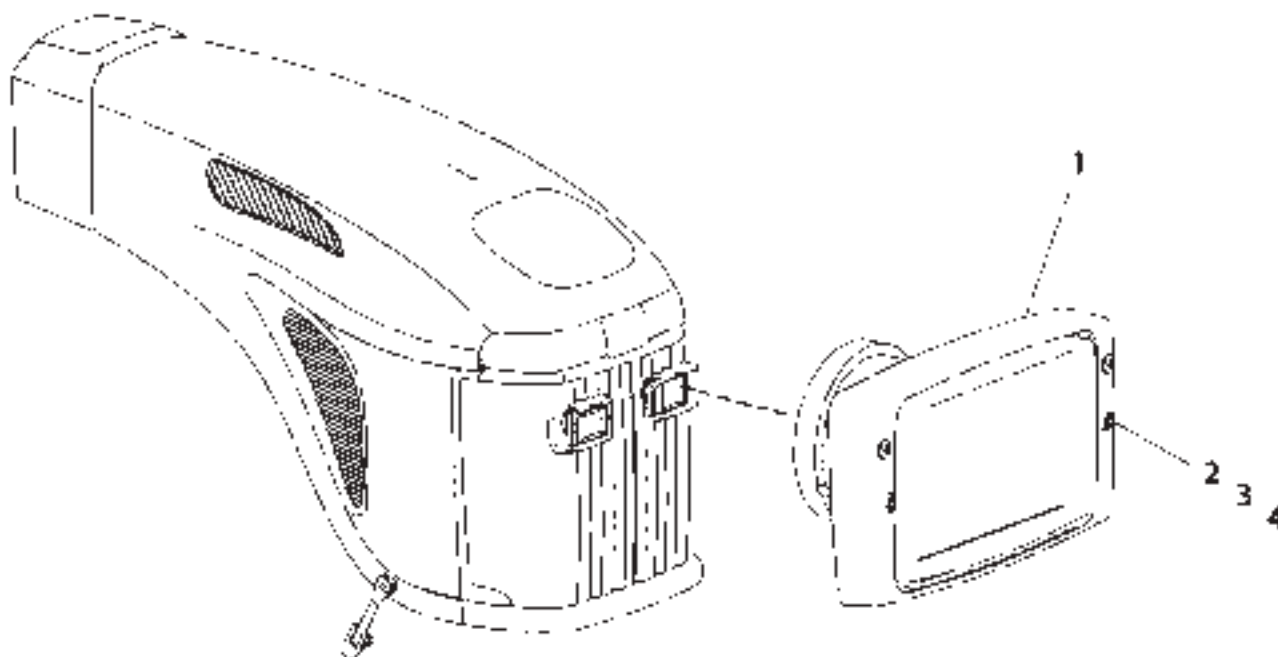
ITEM	NUMBER	QTY	DESCRIPTION
-	222-4943	--	WARNING GP-WIDE VEHICLE (NOT SERVICED)
1	155-0020	2	LAMP GP-WARNING (EXTREMITY)
	CH084-4348	1	LAMP-MINI (12V-P21/5W) (TAIL/STOP)
	CH9W-3326	1	LAMP (12V-21W CLEAR)
	400708X1	1	KIT-RECEPTACLE
	CH2A-3211	2	WASHER-5.5IDX12.3X0.8)
	CH5C-2874	2	NUT (M5X0.8)
2	CH196-0420	4	RIVET
3	221-9655	1	EXTREMITY AS (RH)
4	222-0366	1	EXTREMITY AS (LH)
5	CH215-1382	1	MODULE-FLASHER
6	CH4H-2558	6	GROMMET-RUBBER (15.8IDX25.4ODX12.7)
7	500531D1	2	REFLECTOR (RED)
8	400339X1	4	WASHER-HARD (8.8X16X2MM THK)
9	400341X1	4	BOLT (M8X1.25X25MM)

2224943A
PR: t05f07j07b0091

MT700 SERIES TRACK TRACTORS
ELECTRICAL AND STARTING SYSTEM

LIGHTING GP-ROAD (LH TRAFFIC)

168-6580
FIELD INSTALLED
EAME ONLY



ALTERNATE CONFIGURATION
(T955, T956, T957, T958)

**MT700 SERIES TRACK TRACTORS
ELECTRICAL AND STARTING SYSTEM**

235

**LIGHTING GP-ROAD (LH TRAFFIC)
168-6580
FIELD INSTALLED
EAME ONLY**

ITEM	NUMBER	QTY	DESCRIPTION
-	168-6580	--	LIGHTING GP-ROADING (LH TRAFFIC) [A]
1	155-0042	2	LAMP GP-HEAD
	CH8I-4256	1	BULB-HEADLAMP (12V-60W)
	CH121-9755	2	WASHER-SOFT (4.3IDX8ODX0.5)
	CH121-9754	1	CAP
	CH121-9753	2	WASHER-SOFT (4.3IDX9ODX0.5)
2	400132X1	4	BOLT (M4X0.7X30MM)
3	CH8C-9660	4	WASHER (4.6IDX7.9ODX0.8)
4	CH8T-2659	4	NUT (M4X0.7-6H THD SELF LOCK)

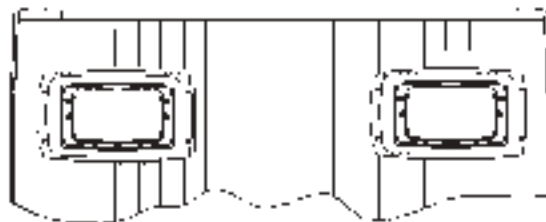
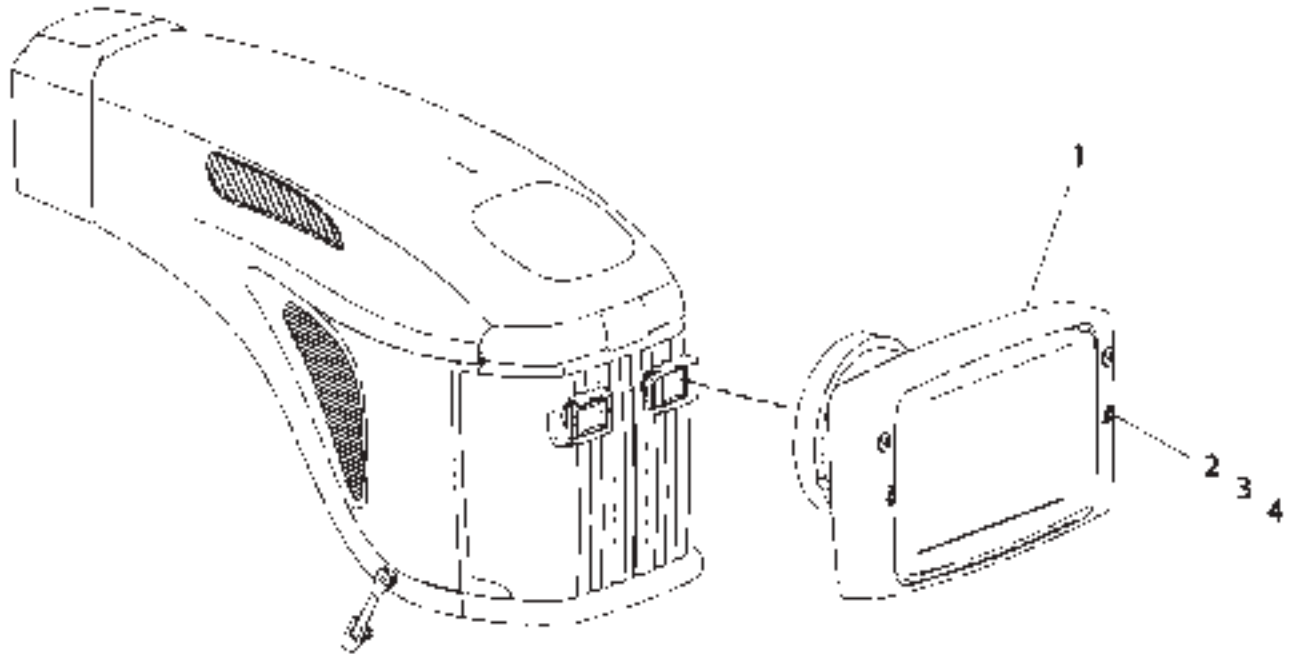
[A] KIT INSTALLED IN EUROPE ONLY

1686580F
PR: t05f07j07b0092

MT700 SERIES TRACK TRACTORS
ELECTRICAL AND STARTING SYSTEM

LIGHTING GP-ROAD (RH TRAFFIC)

168-6581
FIELD INSTALLED
EAME ONLY



ALTERNATE CONFIGURATION
(T955, T956, T957, T958)

**MT700 SERIES TRACK TRACTORS
ELECTRICAL AND STARTING SYSTEM**

237

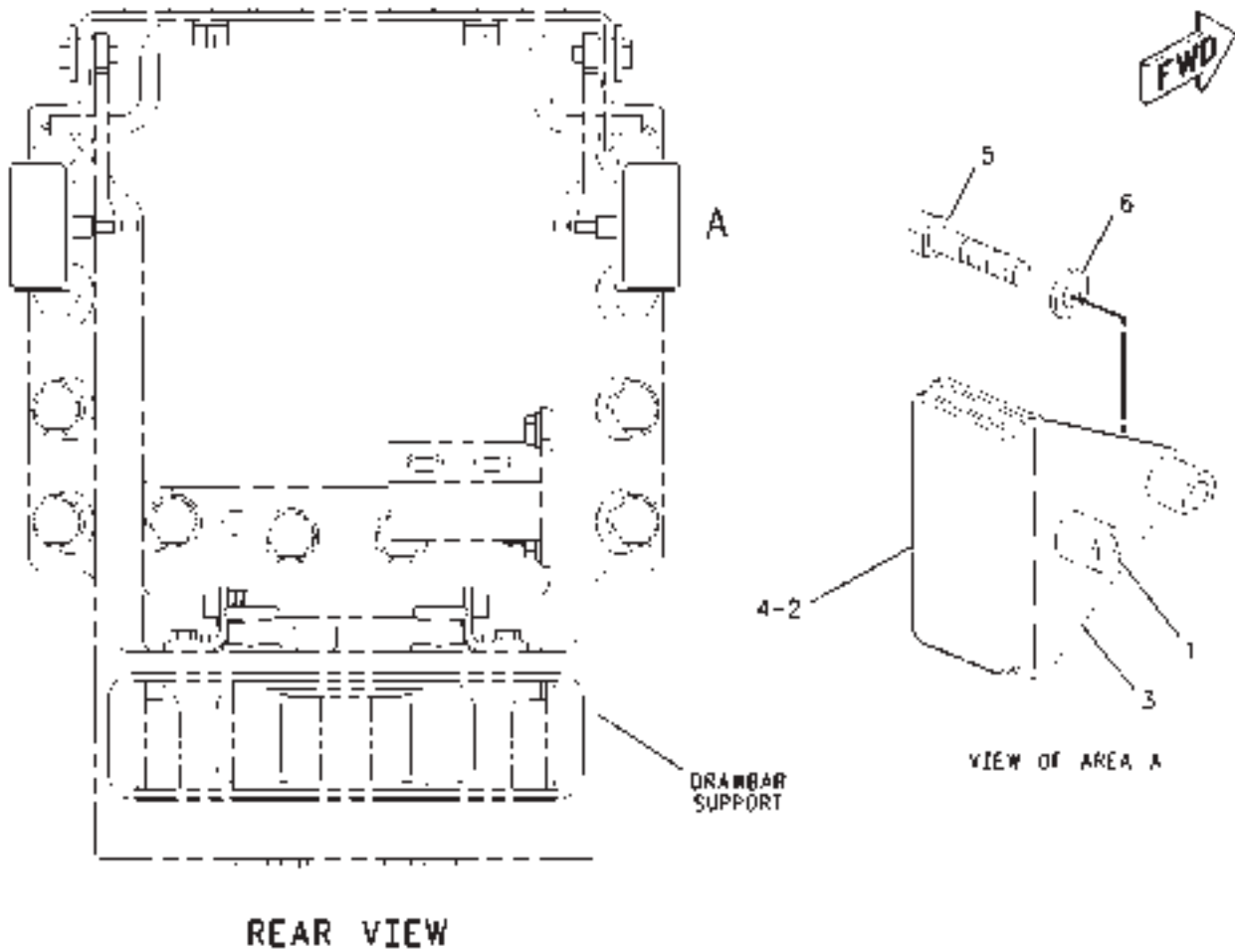
**LIGHTING GP-ROAD (RH TRAFFIC)
168-6581
FIELD INSTALLED
EAME ONLY**

ITEM	NUMBER	QTY	DESCRIPTION
-	168-6581	--	LIGHTING GP-ROADING (LH TRAFFIC) [A]
1	155-0043	2	LAMP GP-HEAD
	CH8I-4256	1	BULB-HEADLAMP (12V-60W)
	CH121-9755	2	WASHER-SOFT (4.3IDX8ODX0.5)
	CH121-9754	1	CAP
	CH121-9753	2	WASHER-SOFT (4.3IDX9ODX0.5)
2	400132X1	4	BOLT (M4X0.7X30MM)
3	CH8C-9660	4	WASHER (4.6IDX7.9ODX0.8)
4	CH8T-2659	4	NUT (M4X0.7-6H THD SELF LOCK)

[A] KIT INSTALLED IN EUROPE ONLY

1686580F
PR: t05f07j07b0093

REFLECTOR GP-REAR - 169-0013
(EAME ONLY)



MT700 SERIES TRACK TRACTORS
ELECTRICAL AND STARTING SYSTEM

239

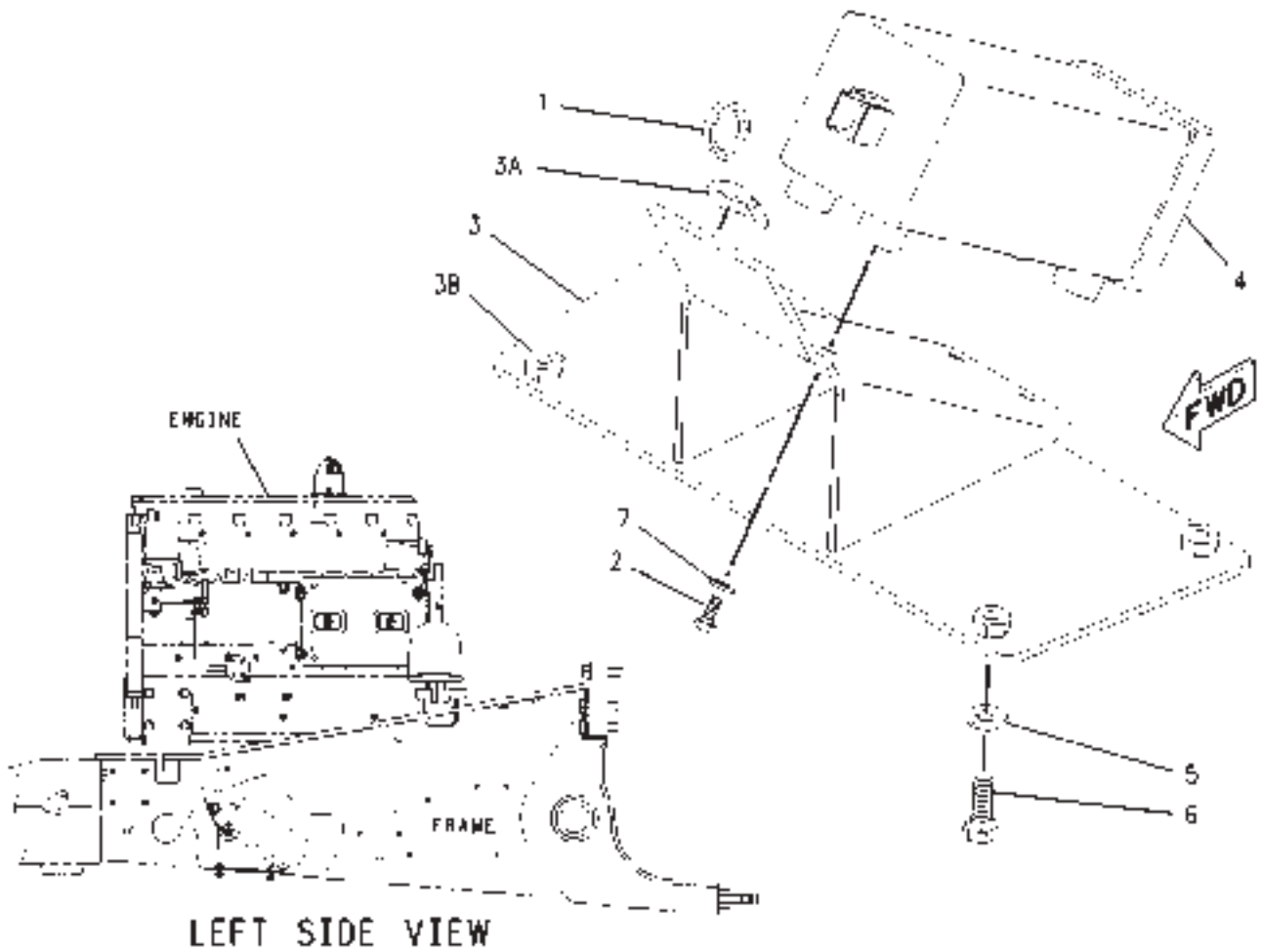
REFLECTOR GP-REAR - 169-0013
(EAME ONLY)

ITEM	NUMBER	QTY	DESCRIPTION
-	169-0013	--	REFLECTOR GP-REAR
1	CH134-4640	4	SPACER (9X15X15MM THK)
2	500531D1	2	REFLECTOR (RED)
3	157-0203	2	PLATE
4	CH196-0420	4	RIVET
5	400188X1	4	BOLT (M8X1.25X35MM)
6	400339X1	4	WASHER-HARD (8.8X16X2MM THK)

00884977
PR: t05f07j07b0094

MT700 SERIES TRACK TRACTORS
ELECTRICAL AND STARTING SYSTEM

SENSOR & MTG GP-GROUND SPEED - 136-5213
EAME ONLY



MT700 SERIES TRACK TRACTORS
ELECTRICAL AND STARTING SYSTEM

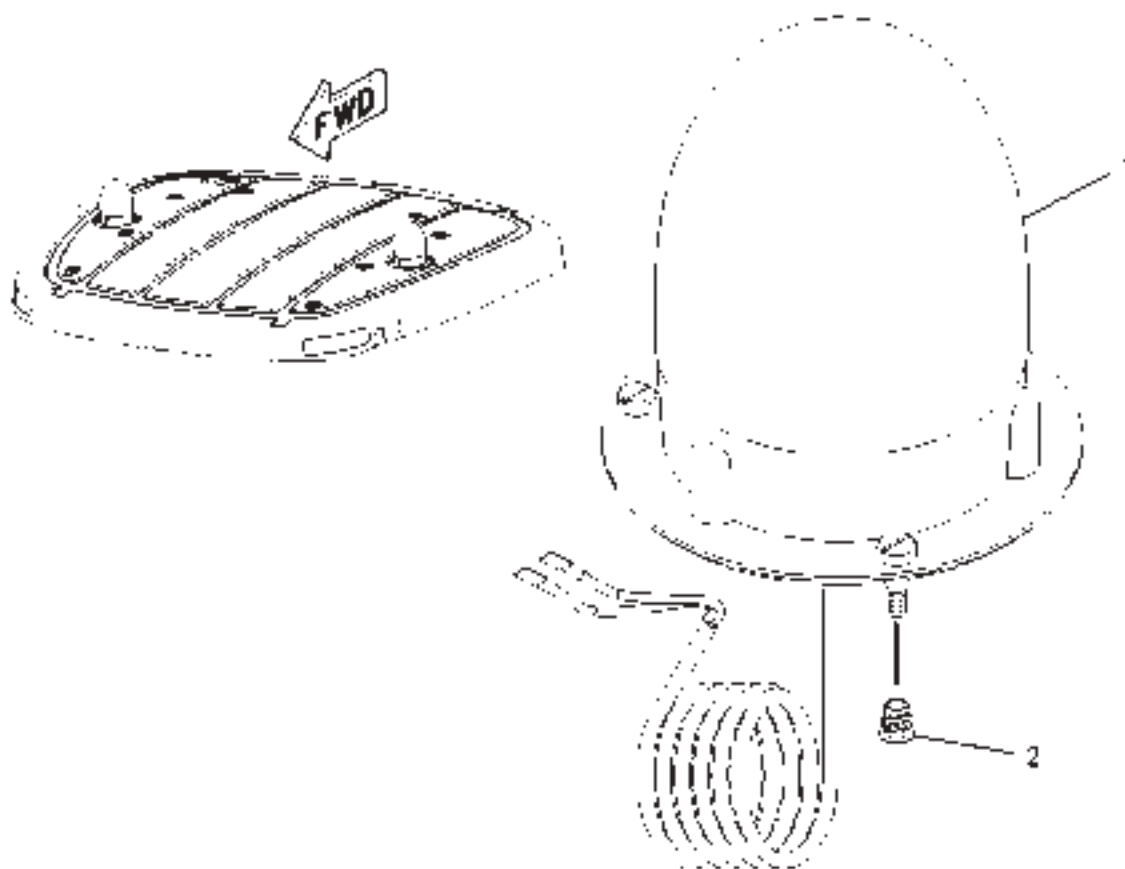
241

SENSOR & MTG GP-GROUND SPEED - 136-5213
EAME ONLY

ITEM	NUMBER	QTY	DESCRIPTION
-	136-5213	--	SENSOR & MTG GP (NOT SERVICED)
1	CH7K-1181	1	STRAP-CABLE
2	400230X1	4	BOLT (M6X1X14MM)
3	136-5207	1	BRACKET AS
3A	CH7T-1099	1	LINK
3B	CH8T-3490	4	NUT-WELD (M10X1.5 THD)
4	CH180-7317	1	SENSOR GP-GROUND SPEED (RADAR)
5	CH7X-7729	4	WASHER-HARD (11X25X3MM)
6	400058X1	4	BOLT (M10X1.5X30MM)
7	CH8T-4205	4	WASHER-HARD (7.2X14.5X2MM THK)

00805103
PR: t05f07j07b0095

LIGHTING GP-WARNING - 502773D1
ROW ONLY



MT700 SERIES TRACK TRACTORS
ELECTRICAL AND STARTING SYSTEM

243

LIGHTING GP-WARNING - 502773D1
ROW ONLY

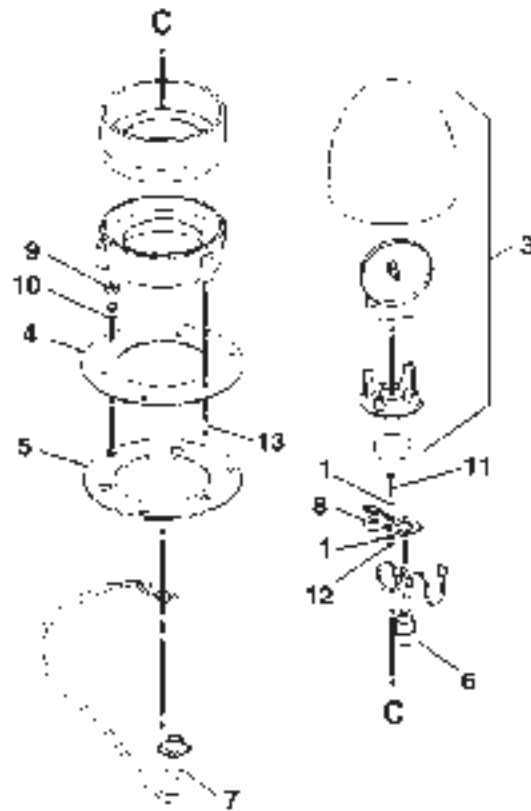
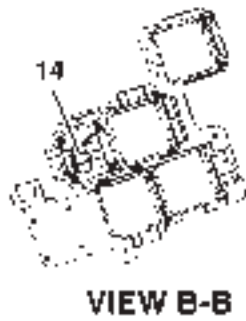
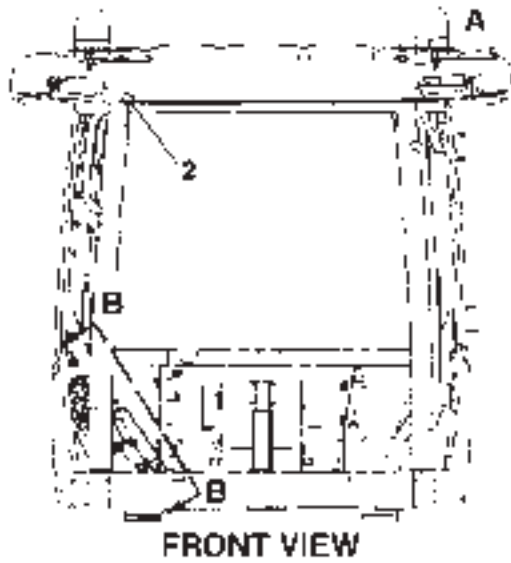
ITEM	NUMBER	QTY	DESCRIPTION
-	502773D1	--	LIGHTING GP-WARNING (NOT SERVICED)
-	502765D1	--	LIGHTING GP-WARNING (FIELD INSTALLED)
-	216-9823	--	KIT-WARNING LIGHTS [A] (INCLS 1 & 2)
1	162-4101	1	LIGHTING GP-WARNING (NOT SERVICED) (SEE BREAKDOWN FOR COMPONENTS)
2	CH216-7617	6	INSERT

[A] PART OF 502773D1; 502765D1
LIGHTING GP

00891621
PR: t05f07j07b0096

MT700 SERIES TRACK TRACTORS
ELECTRICAL AND STARTING SYSTEM

LIGHTING GP-WARNING - 12V
162-4101



VIEW OF AREA A

**MT700 SERIES TRACK TRACTORS
ELECTRICAL AND STARTING SYSTEM**

245

**LIGHTING GP-WARNING - 12V
162-4101**

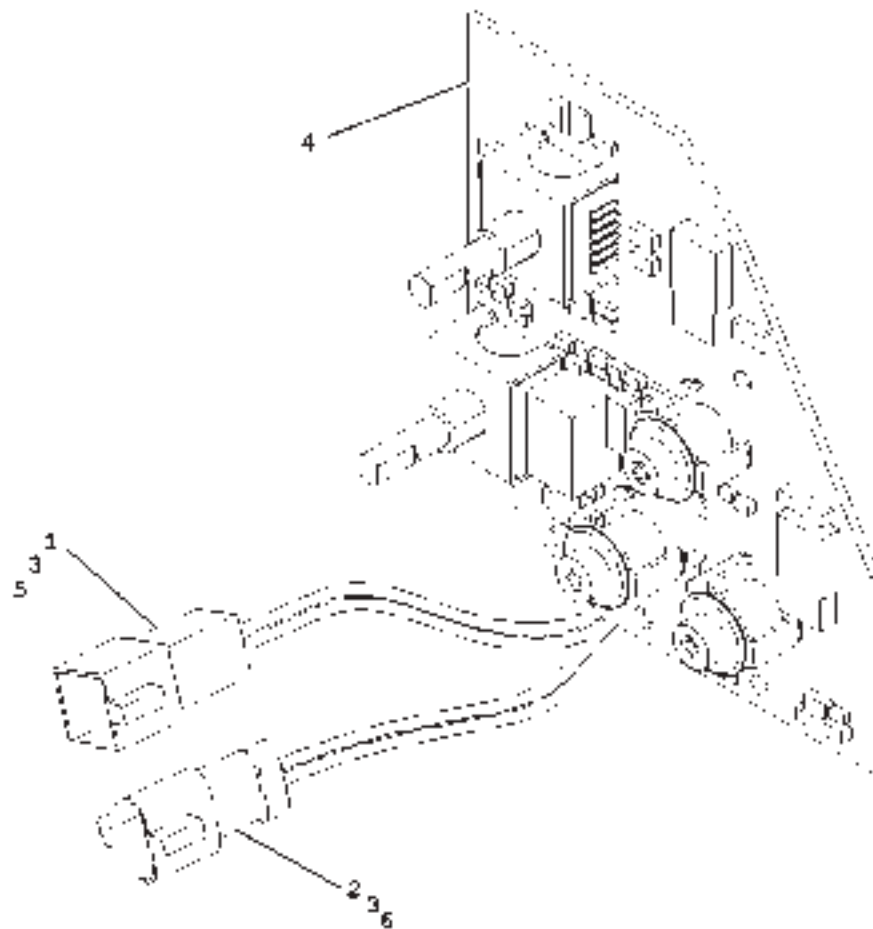
ITEM	NUMBER	QTY	DESCRIPTION
-	162-4101	--	LIGHTING GP-WARNING [A] (NOT SERVICED)
1	CH4I-3038	16	WASHER (3.3X8X0.5)
2	169-8223	1	SWITCH-ROCKER (BEACON)
3	CH196-7341	2	LAMP GP-WARNING BEACON
	CH136-5254	1	LENS (ROTATING BEACON) (AMBER)
	CH9X-8118	1	BULB (12V 55W)
4	201-0486	2	PLATE
5	201-0487	2	GASKET
6	502190D1	2	HARNESS AS (BEACON)
7	502179D1	2	HARNESS AS
8	400753X1	2	CAP-SEALING
9	CH201-9691	6	SCREW (M6X1X26MM)
10	CH201-9692	6	RETAINER
11	400139X1	8	BOLT-SOCKET HEAD (M3X0.5X25MM)
12	CH3C-6969	8	NUT (M3X0.5)
13	CH6V-8548	6	SCREW-WASHER HEAD (8-32X.85IN)
14	CH146-9439	1	RELAY (12 VOLT)

[A] PART OF 500847D1; 500848D1 CAB AR
216-9823 LIGHTING GP-WARNING

0842107A
PR: t05f07j07b0097

MT700 SERIES TRACK TRACTORS
ELECTRICAL AND STARTING SYSTEM

CONTROL GP-ELECTRONIC
501033D1



MT700 SERIES TRACK TRACTORS
ELECTRICAL AND STARTING SYSTEM

247

CONTROL GP-ELECTRONIC
501033D1

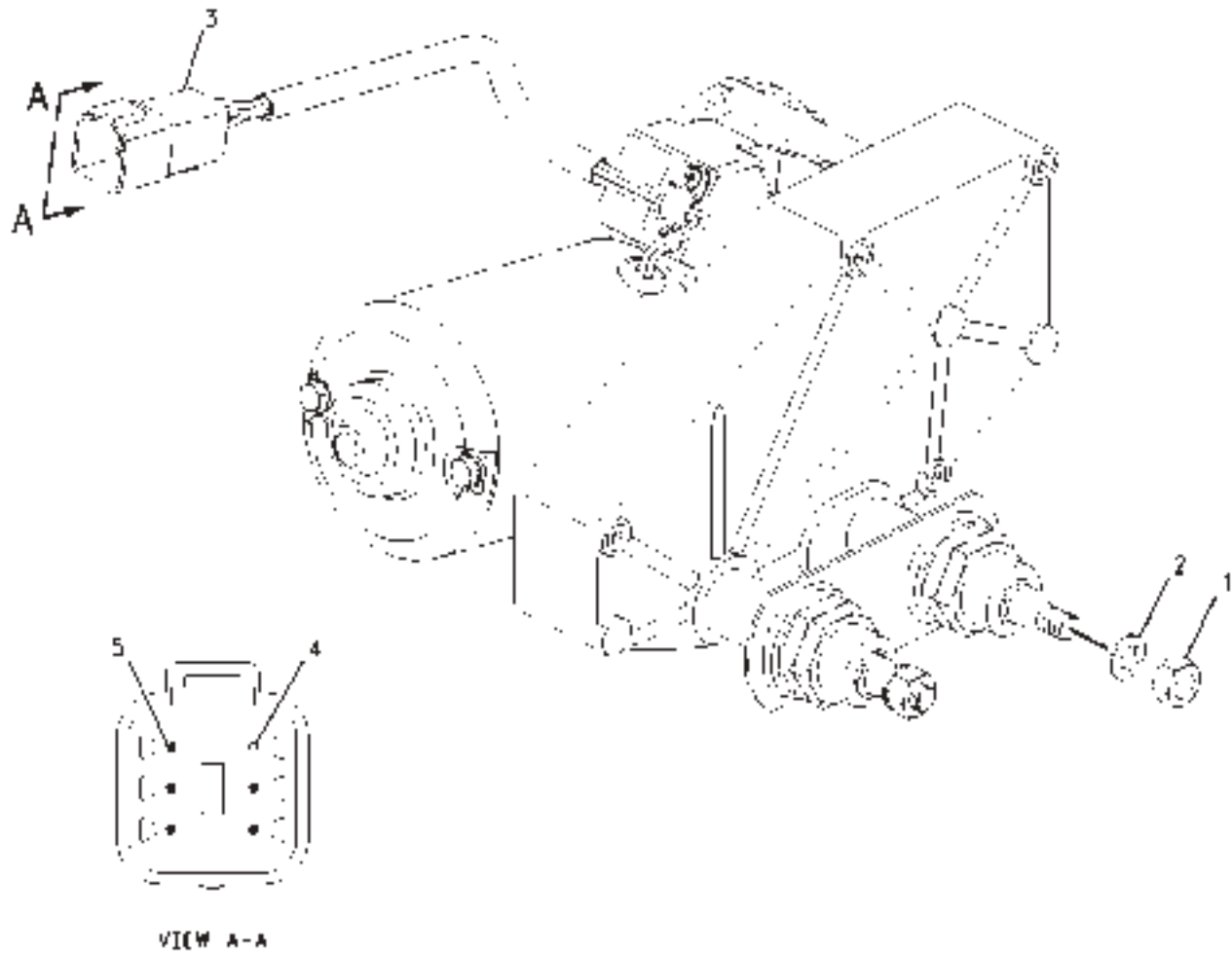
ITEM	NUMBER	QTY	DESCRIPTION
-	501033D1	--	CONTROL GP-ELECTRONIC [A]
1	400511X1	1	WEDGE-RECEPTACLE LOCK (2 PIN)
2	400717X1	1	WEDGE-RECEPTACLE LOCK (3 PIN)
3	400562X1	5	PIN-CONNECTOR
4	-----	1	CONTROL ELECTRONIC-ELECTRONIC [B]
5	CH3E-3363	1	RECEPTACLE (2 PIN)
6	CH3E-3369	1	RECEPTACLE (3 PIN)

[A] PART OF 166-1211 WIRING GP-ARMREST
[B] NOT SERVICED SEPARATELY

00759685
PR: t05f07j07b0098

MT700 SERIES TRACK TRACTORS
ELECTRICAL AND STARTING SYSTEM

MOTOR GP-WINDOW WIPER - CH170-5696
12 VOLT



MT700 SERIES TRACK TRACTORS
ELECTRICAL AND STARTING SYSTEM

249

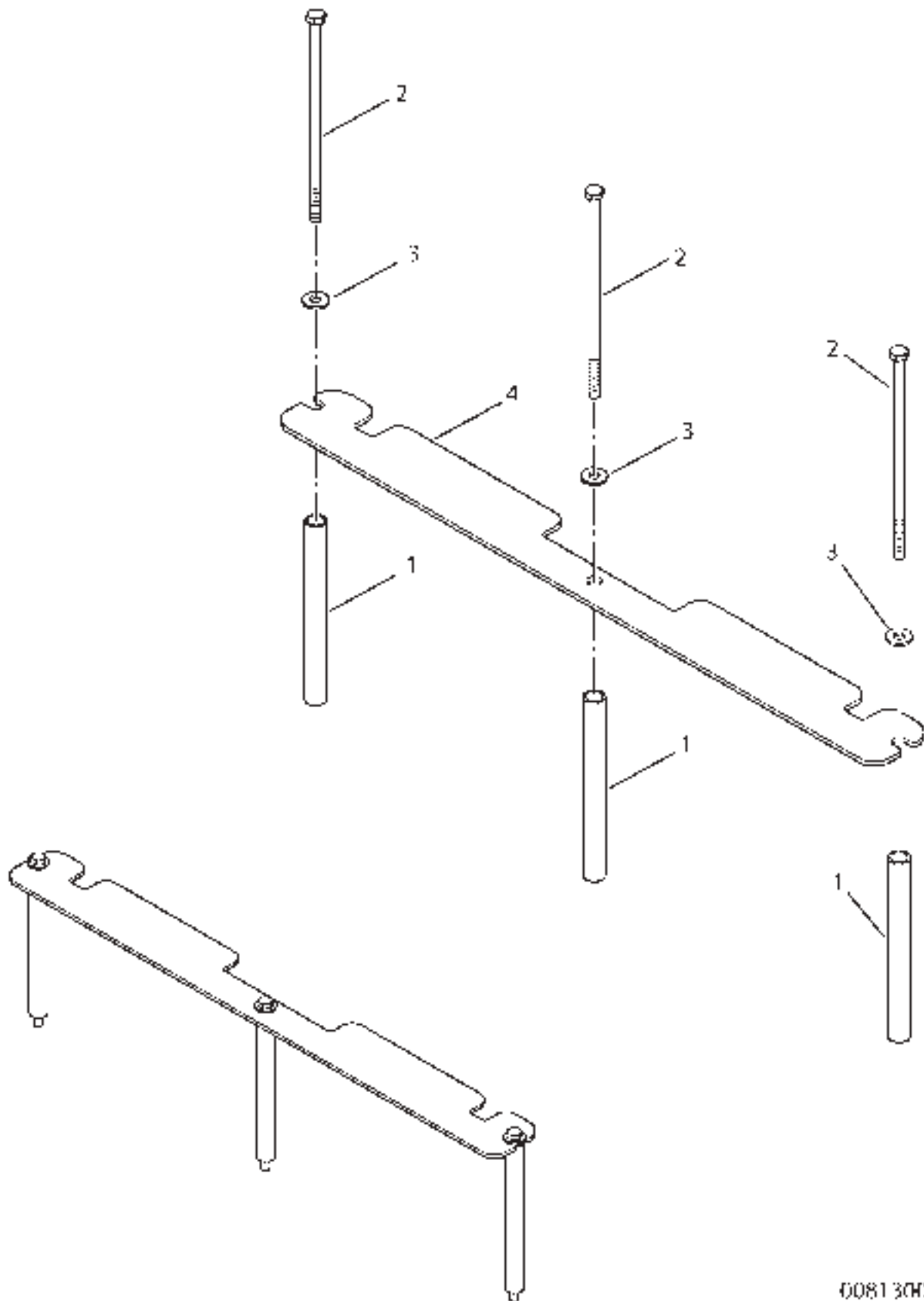
MOTOR GP-WINDOW WIPER - CH170-5696
12 VOLT

ITEM	NUMBER	QTY	DESCRIPTION
-	CH170-5696	--	MOTOR GP-WINDOW WIPER (SEE NOTE)
1	400340X1	2	NUT (M8X1.25 THD)
2	CH3F-9556	2	LOCKWASHER
3	CH102-8805	1	KIT-RECEPTACLE (6 PIN)(INCL. WEDGE)
	CH3E-3383		WEDGE
4	CH8T-8737	1	PLUG-SEAL
5	400561X1	5	PIN-CONNECTOR

[A] PART OF 152-0422;152-0425
WIPER GP-WINDOW

00810032
PR: t05f07j07b0099

MOUNTING GP-BATTERY - 173-2745



MT700 SERIESTRACKTRACTORS
ELECTRICAL AND STARTING SYSTEM

251

MOUNTING GP-BATTERY - 173-2745

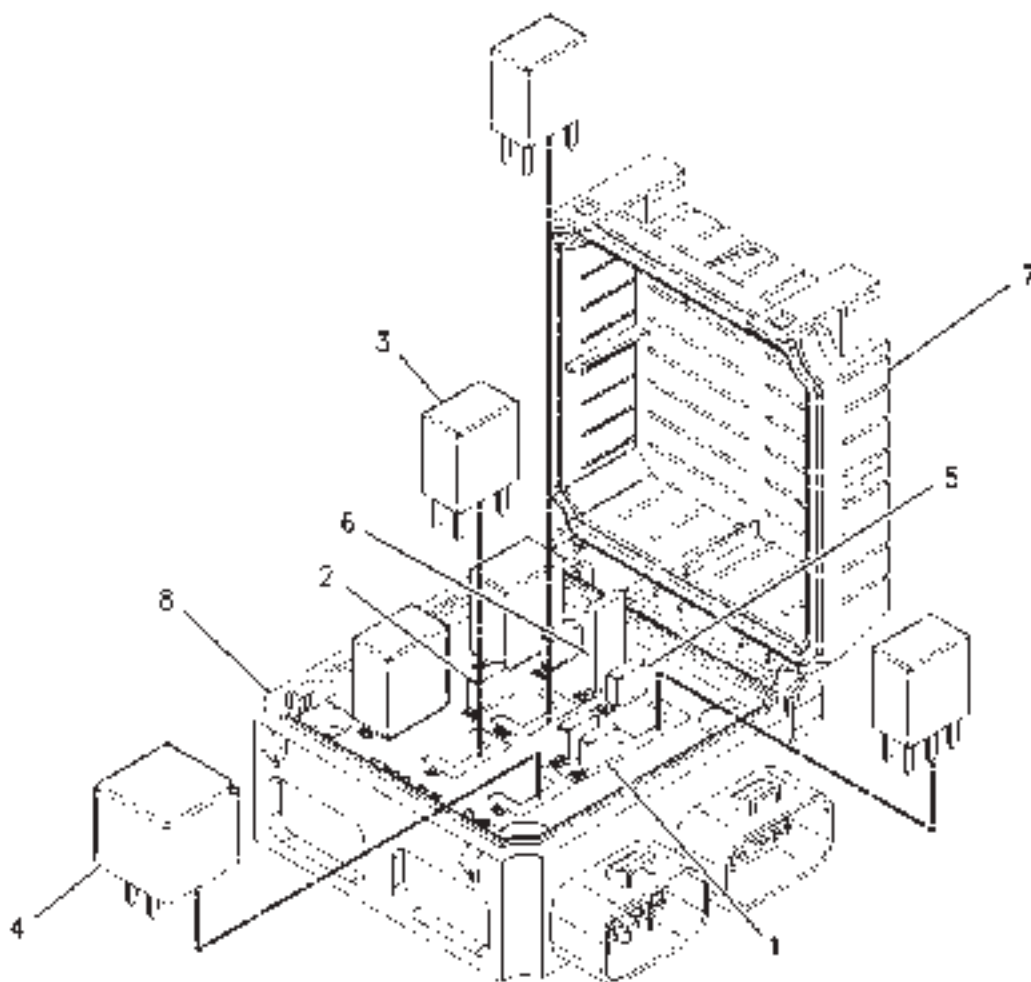
ITEM	NUMBER	QTY	DESCRIPTION
-	173-2745	--	MOUNTING GP-BATTERY [A] (NOT SERVICED)
1	CH149-2758	3	SPACER (15.9X21.4X204.22MM THK)
2	400005X1	3	BOLT-HEX HEAD (M10X1.5X230MM)
3	CH7X-7729	3	WASHER (11X25X3MM THK)
4	177-3863	1	PLATE

[A] PART OF 136-5661;167-2182 BATTERY &
WIRING GP

00813006
PR: t05f07j07b0100

MT700 SERIES TRACK TRACTORS
ELECTRICAL AND STARTING SYSTEM

PANEL GP-FUSE
501829D1



MT700 SERIES TRACK TRACTORS
ELECTRICAL AND STARTING SYSTEM

253

PANEL GP-FUSE
501829D1

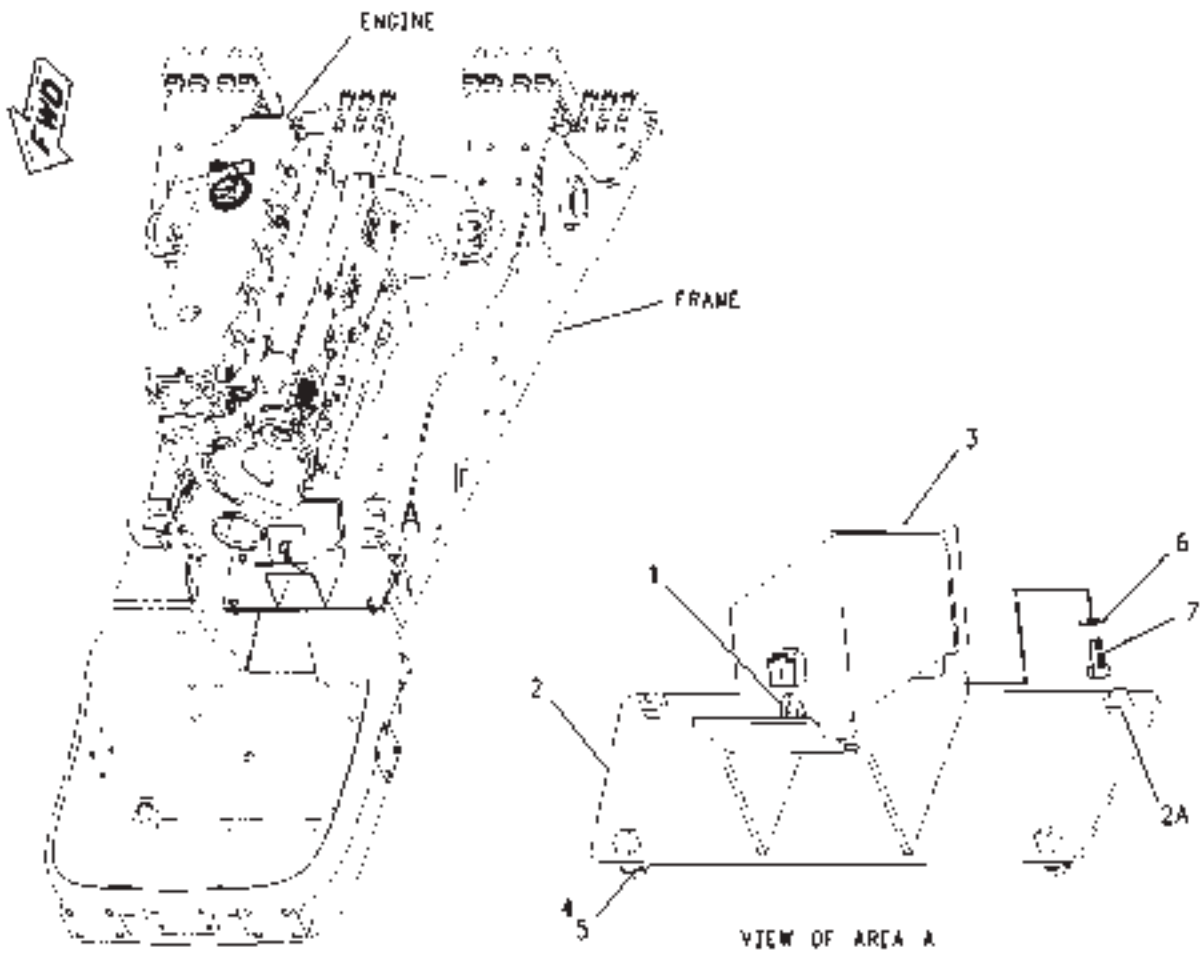
ITEM	NUMBER	QTY	DESCRIPTION
-	501829D1	--	BLOCK FUSE-FUSE (COMPLETE) [A]
1	CH113-8490	2	FUSE (10 AMP)
2	CH113-8491	2	FUSE (15 AMP)
3	CH146-9439	5	RELAY (12 VOLT)
4	CH170-2237	1	RELAY (12 VOLT)
5	CH113-8492	1	FUSE (20 AMP)
6	CH124-3548	1	FUSE (30 AMP)
7	501836D1	1	COVER
8	501841D1	1	BLOCK-FUSE

[A] PART OF 142-9836; 219-8737
CONTROL AR

00878049
PR: t05f07j07b0101

MT700 SERIES TRACK TRACTORS
ELECTRICAL AND STARTING SYSTEM

SENSOR & MTG GP-GROUND SPEED - 173-6510



**MT700 SERIES TRACK TRACTORS
ELECTRICAL AND STARTING SYSTEM**

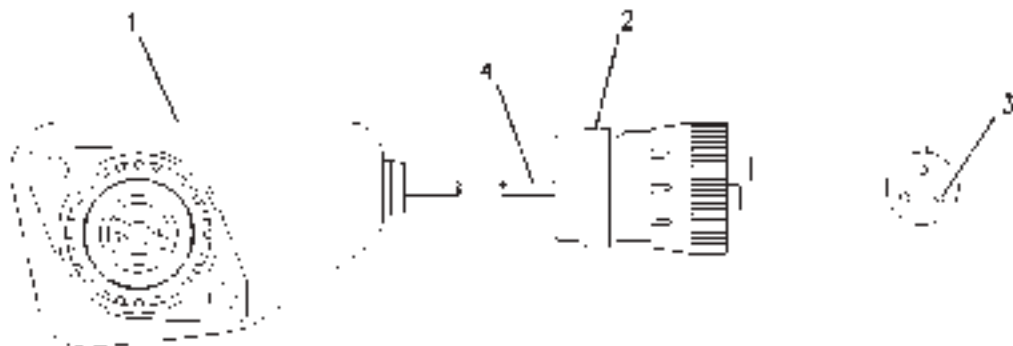
255

SENSOR & MTG GP-GROUND SPEED - 173-6510

ITEM	NUMBER	QTY	DESCRIPTION
-	173-6510	--	SENSOR & MTG GP-GROUND SPEED (NOT SERVICED)
1	CH7K-1181	1	STRAP-CABLE
2	136-5207	1	BRACKET AS.
	CH7T-1099	2	LINK
2A	CH8T-3490	4	NUT-WELD (M10X1.5 THD)
3	CH179-4265	1	SENSOR GP-GROUND SPEED
4	CH7X-7729	4	WASHER (11X25X3MM THK)
5	400058X1	4	BOLT (M10X1.5X30MM)
6	CH8T-4205	4	WASHER-HARD (7.2X14.5X2MM THK)
7	400230X1	4	BOLT (M6X1X14MM)

00831104
PR: t05f07j07b0102

SENSOR GP-POSITION - CH215-6495



MT700 SERIESTRACKTRACTORS
ELECTRICAL AND STARTING SYSTEM

257

SENSOR GP-POSITION - CH215-6495

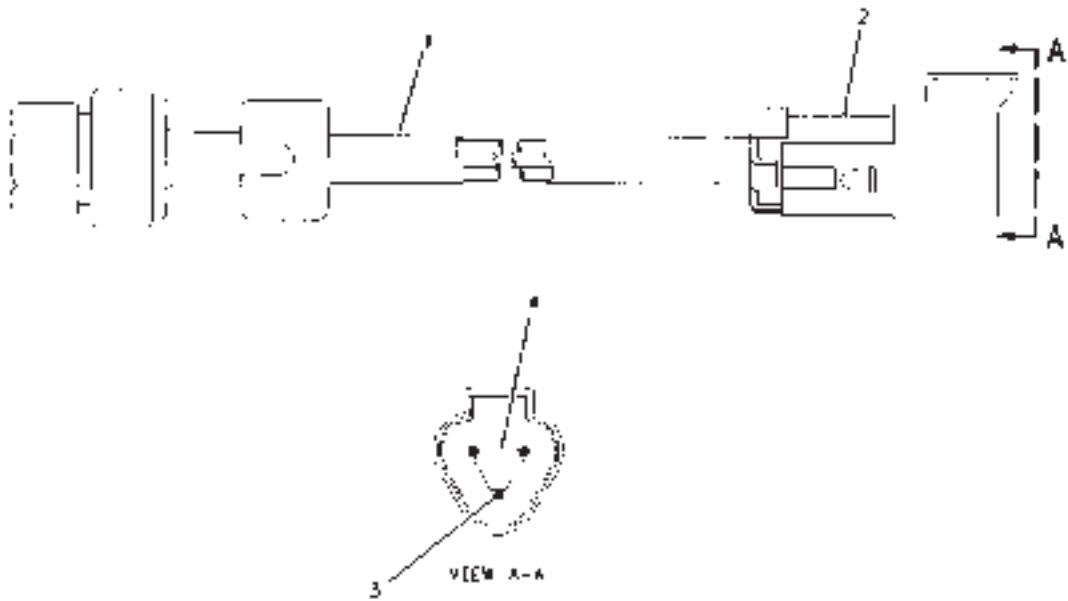
ITEM	NUMBER	QTY	DESCRIPTION
-	CH215-6495	--	SENSOR GP-POSITION [A]
1	----	1	SENSOR POSITION-POSITION (NOT SERVICED SEPARATELY)
2	400500X1	1	PLUG-CONNECTOR
3	400715X1	3	SOCKET-CONNECTOR
4	CH7X-2472	AR	HOSE (72CM)

[A] PART OF 168-1944 CONTROL & WIRING
GP-HITCH

00867805
PR: t05f07j07b0103

MT700 SERIES TRACK TRACTORS
ELECTRICAL AND STARTING SYSTEM

CH161-9932 SENSOR GP-PRESSURE



MT700 SERIESTRACKTRACTORS
ELECTRICAL AND STARTING SYSTEM

259

CH161-9932 SENSOR GP-PRESSURE

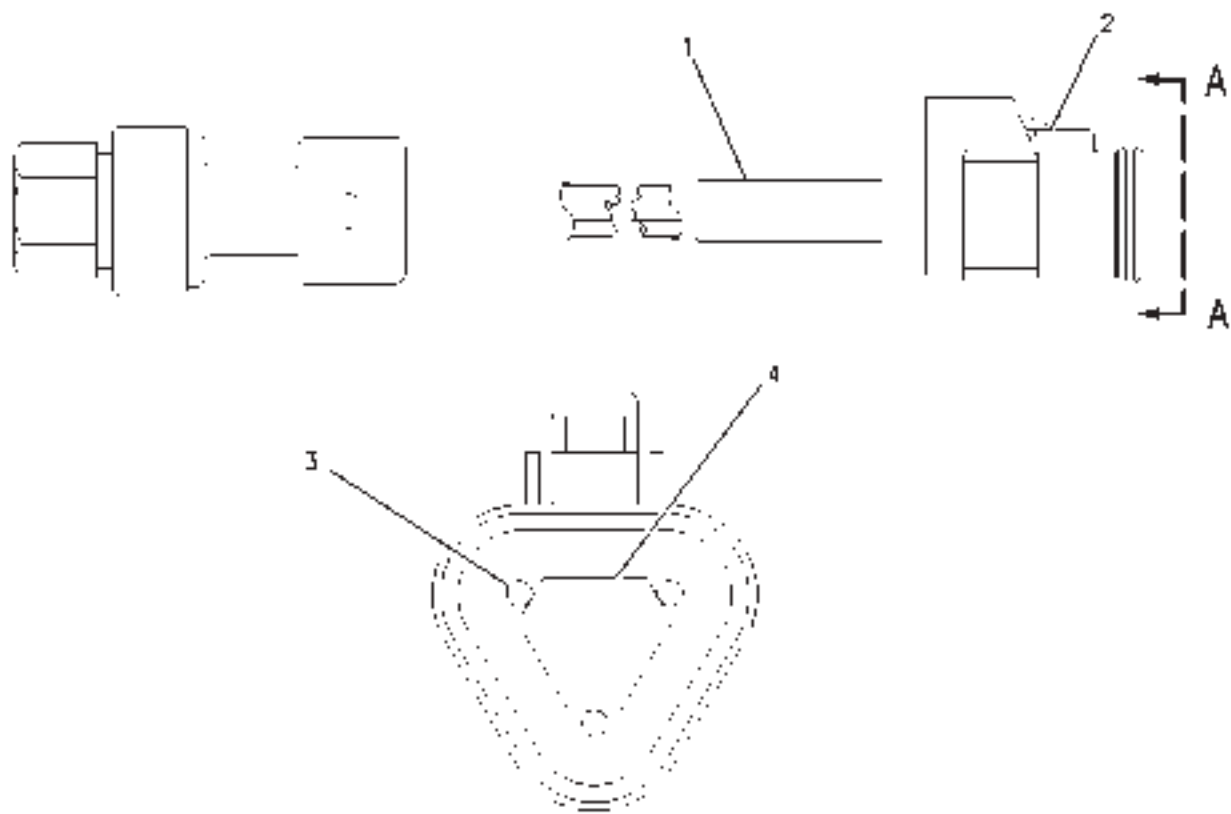
ITEM	NUMBER	QTY	DESCRIPTION
-	CH161-9932	--	SENSOR GP-PRESSURE [A]
1	CH9X-1386		GROMMET
2	CH3E-3370	1	RECEPTACLE AS (3 PIN)
3	CH180-9339	3	PIN-CONNECTOR (FOR 16-18 GA WIRE)
4	CH3E-3371	1	WEDGE-RECEPTACLE LOCK (3 PIN)

[A] PART OF 136-5667;167-2181
WIRING GP-MACHINE

00612982
PR: t05f07j07b0104

MT700 SERIES TRACK TRACTORS
ELECTRICAL AND STARTING SYSTEM

SENSOR GP-PRESSURE - CH194-6725



VIEW 4-A

MT700 SERIESTRACKTRACTORS
ELECTRICAL AND STARTING SYSTEM

261

SENSOR GP-PRESSURE - CH194-6725

ITEM	NUMBER	QTY	DESCRIPTION
-	CH194-6725	--	SENSOR GP-PRESSURE [A]
1	400553X1		SLEEVE
2	CH155-2260	1	KIT-CONNECTING PLUG (3 PIN) (INCL. RECEPTACLE AS. & WEDGE)
3	CH180-9340	3	SOCKET-CONNECTOR
4	CH3E-3368	1	WEDGE-PLUG LOCK

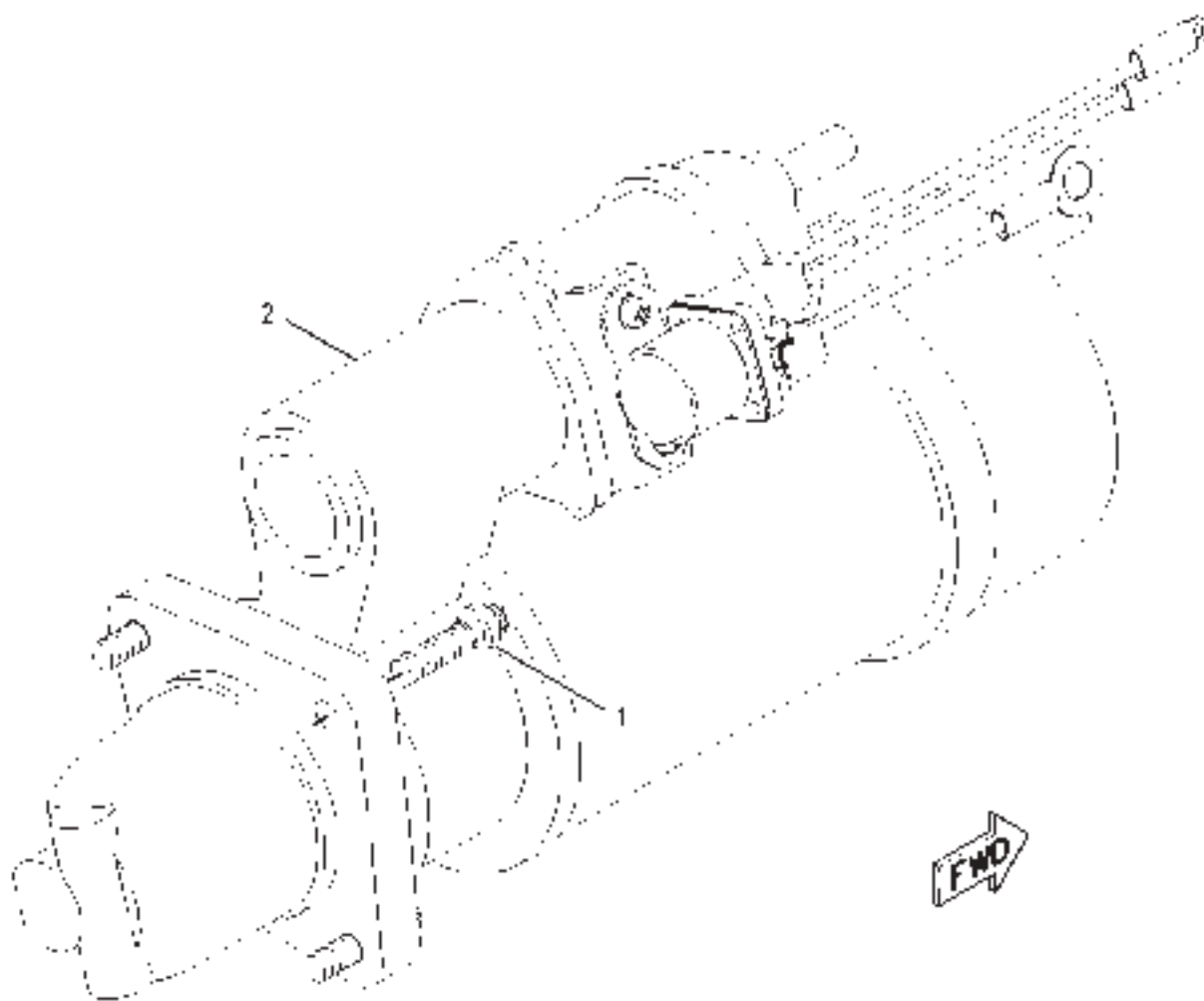
[A] PART OF 179-8300
TANK & LINES GP-AIR

NOTE:
THIS SENSOR IS USED IN MULTIPLE
APPLICATIONS DO NOT USE SPN MODIFIER
YOU MUST USE APPLICATION SPECIFIC
MODIFIERS

00851220
PR: t05f07j07b0105

MT700 SERIES TRACK TRACTORS
ELECTRICAL AND STARTING SYSTEM

STARTING MOTOR GP-ELECTRIC - 169-3646



**MT700 SERIES TRACK TRACTORS
ELECTRICAL AND STARTING SYSTEM**

263

STARTING MOTOR GP-ELECTRIC - 169-3646

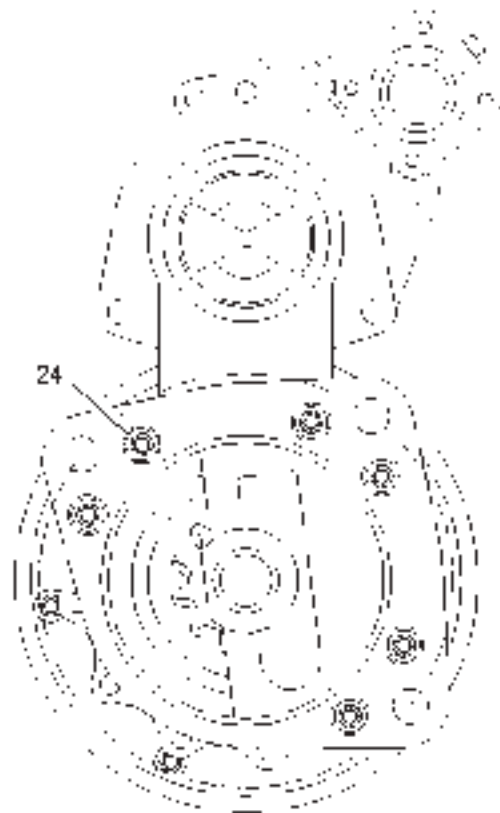
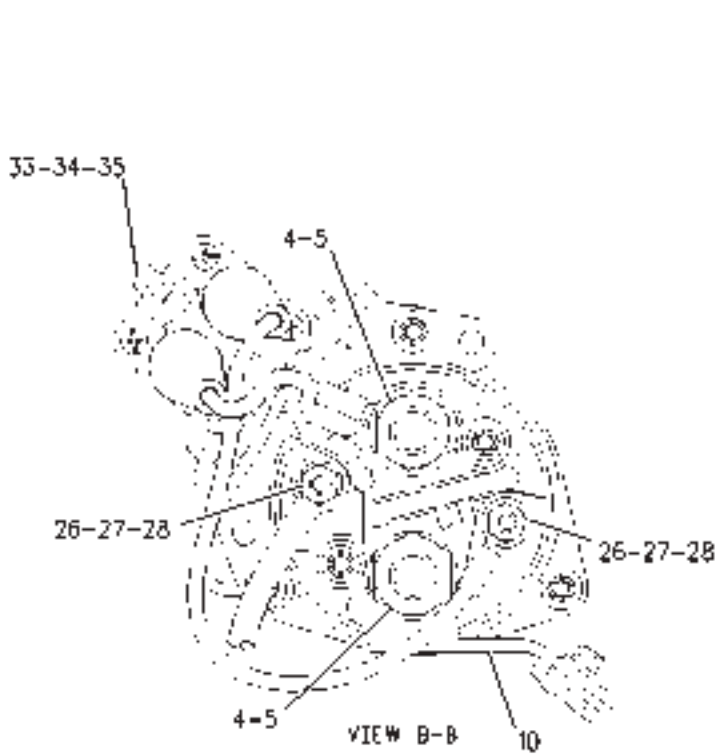
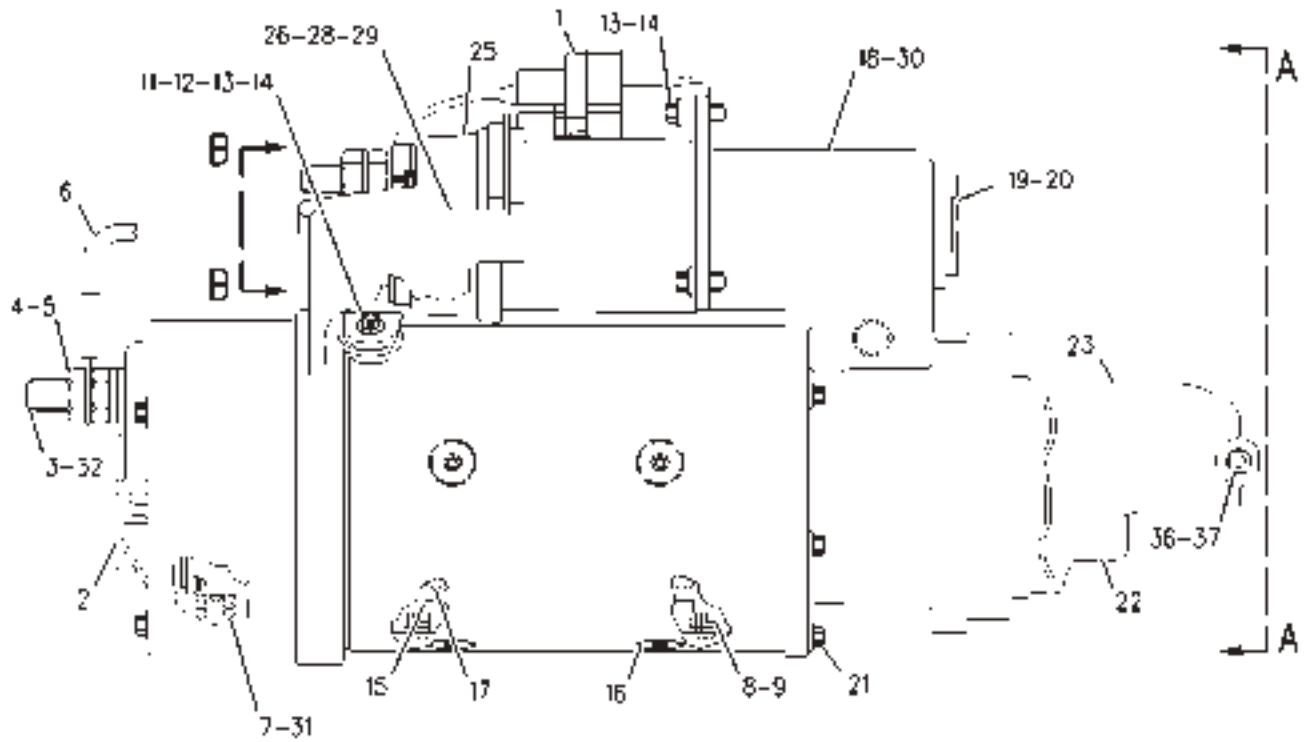
ITEM	NUMBER	QTY	DESCRIPTION
-	169-3646	--	STARTING MOTOR GP-ELECTRIC [A] (NOT SERVICED) (SEE BREAKDOWN FOR COMPONENTS)
1	400131X1	3	BOLT (M10X1.5X35MM)
2	501978D1	1	STARTING MOTOR (SEE BREAKDOWN FOR COMPONENTS)

[A] PART OF 165-7006;165-7007;165-7008;
169-6836 INSTALLATION AR-ENGINE

00832111
PR: t05f07j07b0106

MT700 SERIES TRACK TRACTORS
ELECTRICAL AND STARTING SYSTEM

STARTING MOTOR - 501978D1
12 VOLT



**MT700 SERIES TRACK TRACTORS
ELECTRICAL AND STARTING SYSTEM**

265

**STARTING MOTOR - 501978D1
12 VOLT**

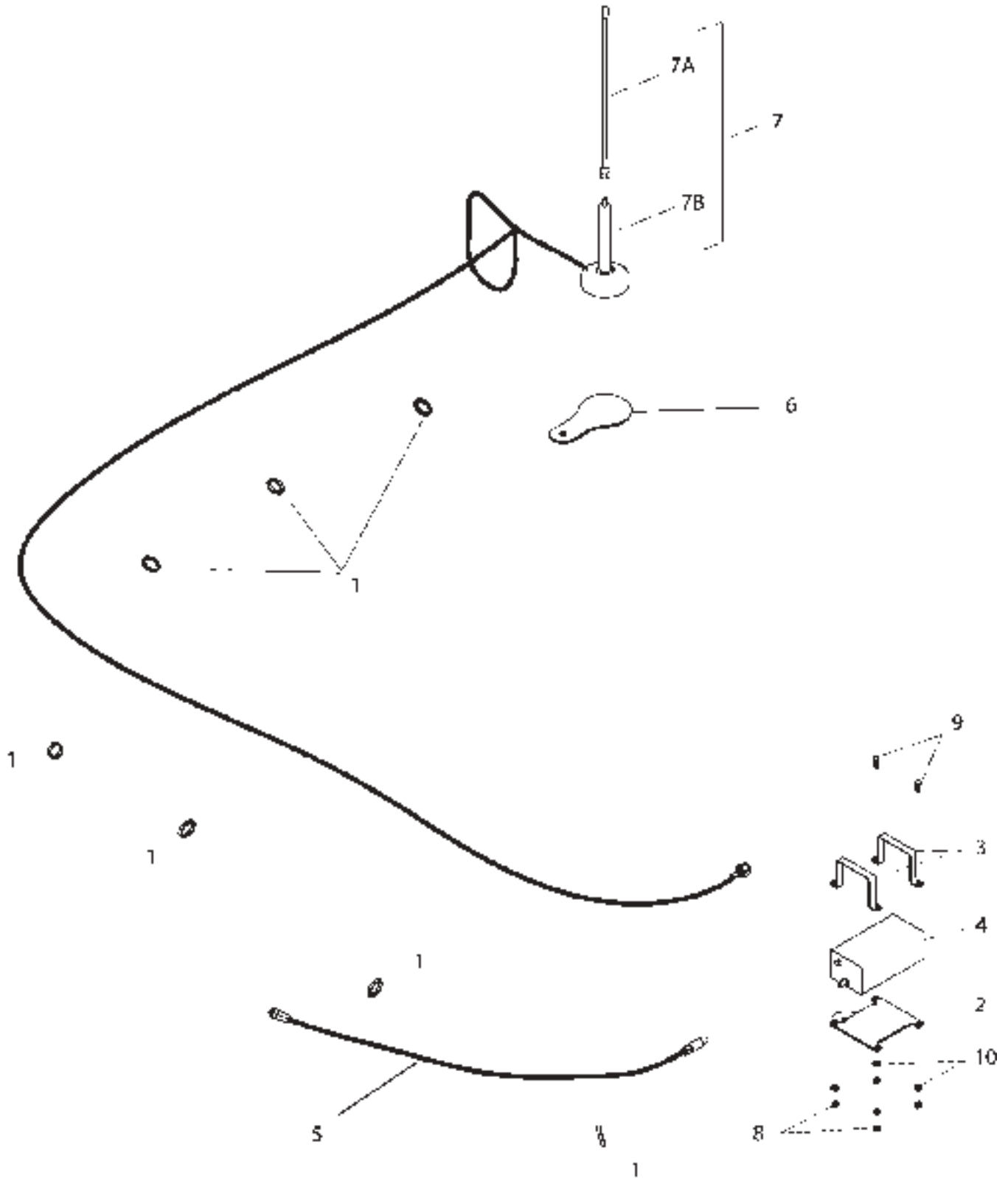
ITEM	NUMBER	QTY	DESCRIPTION
-	501978D1	--	STARTING MOTOR [A]-ELECTRIC
1	146-3504	1	SWITCH RELAY-RELAY
2	7T-3279	1	HOUSING AS.
3	8T-8566	1	TERMINAL AS.
4	6V-8188	4	NUT (1/2-13 THD)
5	7X-0562	4	WASHER-HARD (13.5X19X0.8MM THK)
6	3T-3422	1	WIRE AS.
7	8T-8570	1	HOLDER BRUSH-BRUSH
8	8T-8568	1	COIL FIELD-FIELD
9	7T-3454	1	INSULATOR
10	7T-3271	1	CONNECTOR
11	7T-3451	1	INSULATOR-TERMINAL
12	8T-8569	1	INSULATOR-TERMINAL
13	5S-7349	4	BOLT (1/4-20X0.5IN)
14	8T-4205	4	WASHER-HARD (7.2X14.5X2MM THK)
15	8H-1141	4	SHOE-POLE
16	3F-0379	8	SCREW-POLE SHOE
17	7T-3275	1	ARMATURE AS.
18	3E-7775	1	HOUSING AS.
19	4M-1831	1	PLUG-LEVER HOUSING
20	7L-2894	1	GASKET
21	036-9823	5	BOLT
22	6N-3827	1	DRIVE MOTOR-MOTOR
23	9X-9510	1	HOUSING AS.
24	7X-3373	6	BOLT (5/16-18X0.88IN)
25	206-8789	1	KIT-SOLENOID
26	6V-8378	3	NUT (10-32 THD)
27	8F-1434	2	LOCKWASHER
28	8T-0328	3	WASHER-HARD (5.5X10X1MM THK)
29	9X-4824	1	COVER-STARTING MOTOR
30	7T-3268	1	KIT-LEVER (STARTING MOTOR)
31	8T-9885	1	KIT-BRUSH
32	8T-9884	1	KIT-INSULATOR (STARTING MOTOR)
33	095-7930	1	SCREW-MACHINE
34	096-6166	1	WASHER-HARD (4.5X9X1MM THK)
35	9B-7233	1	LOCKWASHER
36	9F-2247	1	PLUG-PIPE
37	9F-2547	1	WICK
	7T-3267	1	KIT-BUSHING (STARTING MOTOR)

[A] PART OF 169-3646 STARTING MOTOR GP

00832158
PR: t05f07j07b0107

MT700 SERIES TRACK TRACTORS
ELECTRICAL AND STARTING SYSTEM

RADIO GP-AUTOGUIDE - 232-0869



MT700 SERIES TRACK TRACTORS
ELECTRICAL AND STARTING SYSTEM

267

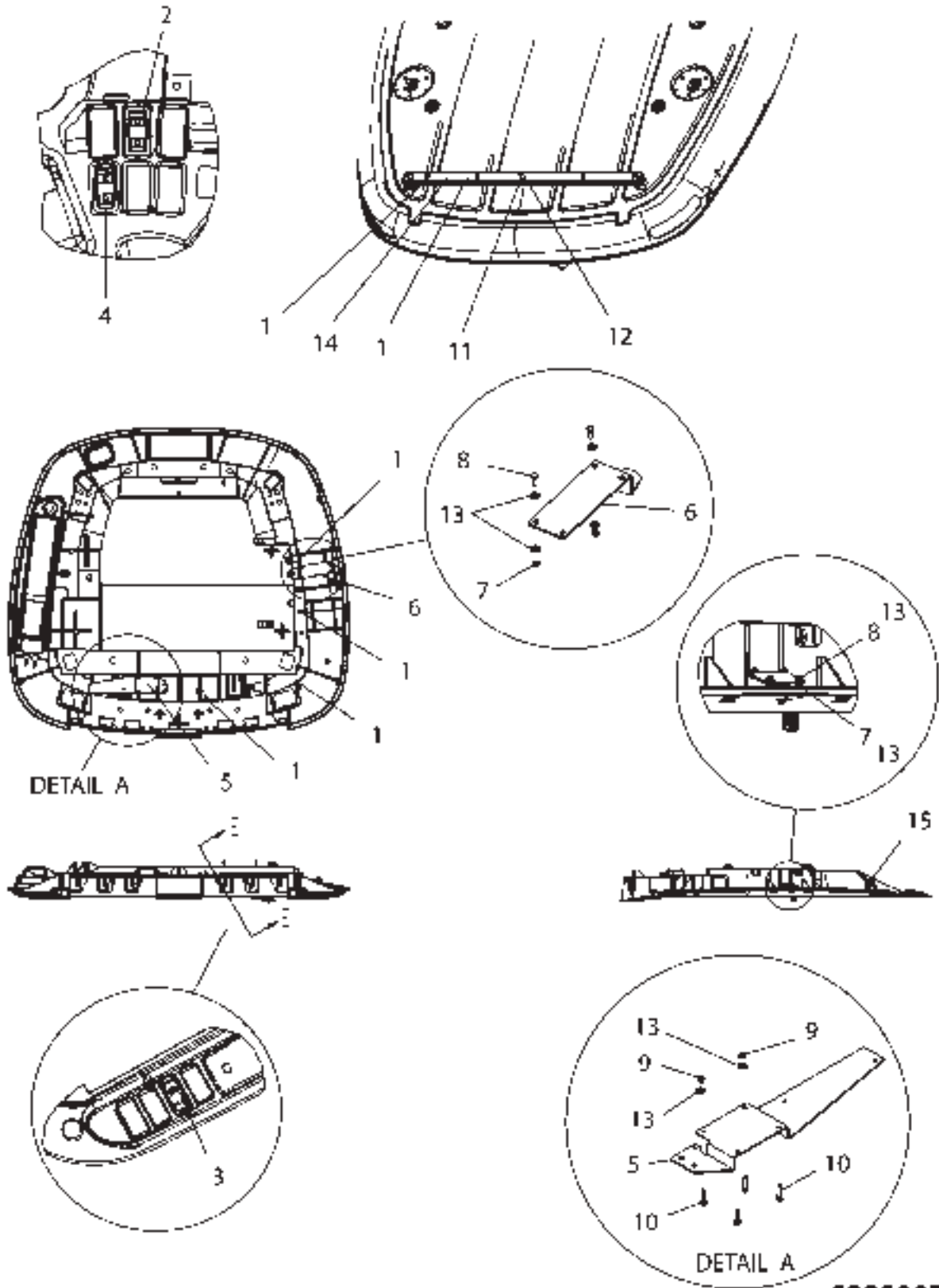
RADIO GP-AUTOGUIDE - 232-0869

ITEM	NUMBER	QTY	DESCRIPTION
-	232-0869	--	RADIO GP-AUTOGUIDE (NOT SERVICED)
-	233-6580	--	RADIO GP-AUTOGUIDE (FIELD INSTALLED)
1	CH7K-1181	7	STRAP-CABLE 0.19-4.00
2	219-4779	1	BRACKET
3	219-4796	2	BRACKET
4	221-2642	1	MOUNT AS.-RADIO
5	221-5389	1	HARNESS AS
6	500361D1	1	PLATE
7	500362D1	1	ANTENNA AS. -FREEWAVE
7A	500364D1	1	WHIP
7B	500363D1	1	BASE
8	400300X1	4	NUT M6X1
9	400152X1	4	BOLT-M6X1X16MM ZNDI HHD 10.9
10	CH8T-4205	4	WASHER-HARD 7.2IDX14.5ODX2MM

2320869A
PR: t05f07j07b0108

MT700 SERIES TRACK TRACTORS
ELECTRICAL AND STARTING SYSTEM

SWITCH GP-GUIDANCE - 500606D1
AUTOGUIDE SYSTEM



**MT700 SERIES TRACK TRACTORS
ELECTRICAL AND STARTING SYSTEM**

269

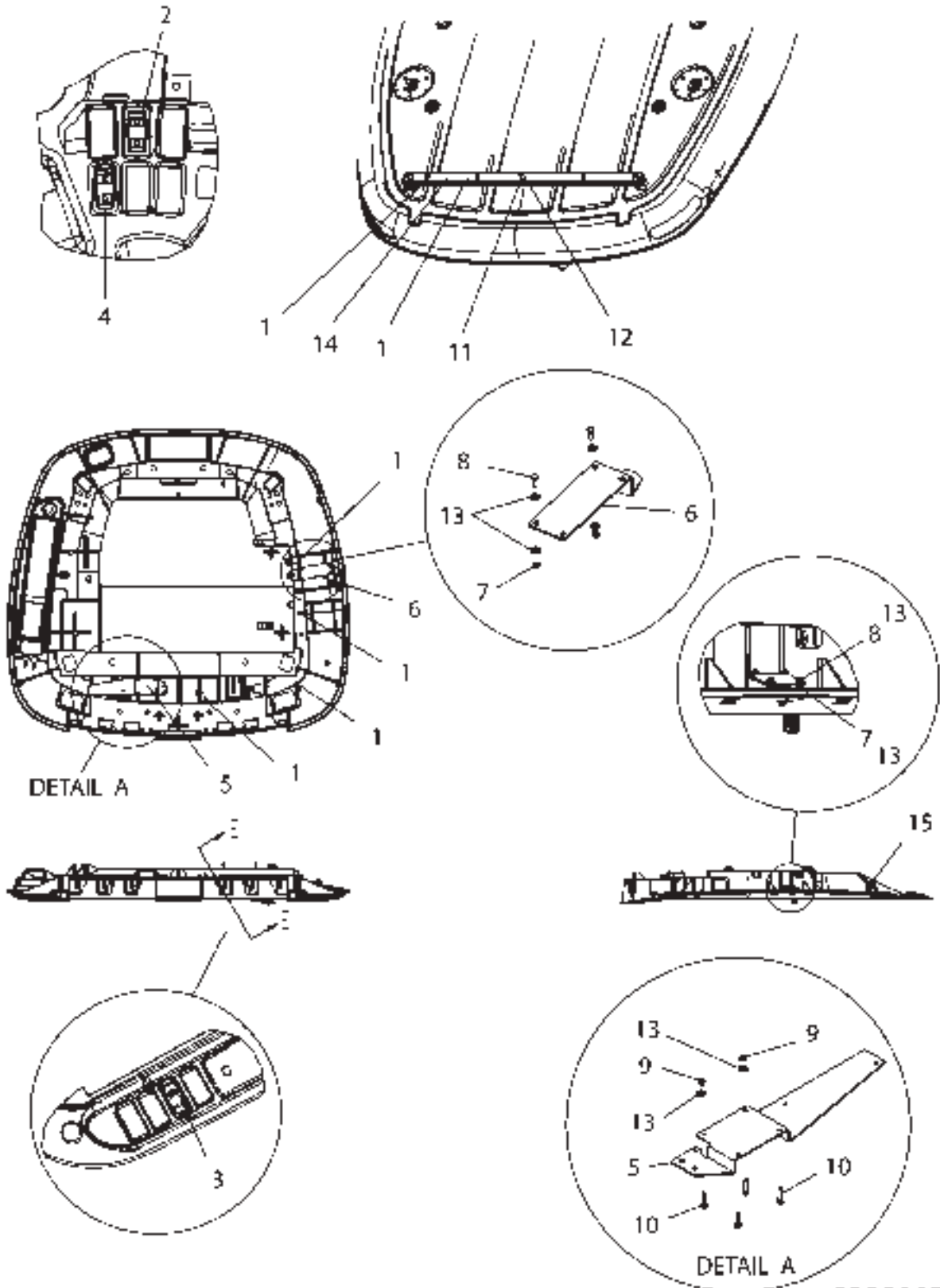
**SWITCH GP-GUIDANCE - 500606D1
AUTOGUIDE SYSTEM**

ITEM	NUMBER	QTY	DESCRIPTION
-	500606D1	--	SWITCH GP-RECEIVER [A] (NOT SERVICED)
1	CH7K-1181	6	STRAP-CABLE
2	169-8222	1	SWITCH-ROCKER (AUTO GUIDE CONTROL)
	400453X1		PLUG-CONNECTOR
	CH165-5975		PLUG-PANEL (FOR COVERING MTG HOLE)
3	500882D1	1	SWITCH-ROCKER (AUTO GUIDE POWER)
	400453X1		PLUG-CONNECTOR
	CH165-5975		PLUG-PANEL (FOR COVERING MTG HOLE)
4	200-6376	1	SWITCH-ROCKER (AUTO GUIDE MARKING)
	400453X1		PLUG-CONNECTOR
	CH165-5975		PLUG-PANEL (FOR COVERING MTG HOLE)
5	216-8860	1	BRACKET AS
6	219-4775	1	BRACKET AS
7	400300X1	4	NUT (M6X1)
8	400152X1	4	BOLT (M6X1X16MM)
9	CH6V-8225	4	NUT (M6X1)
10	400172X1	4	BOLT (M6X1X25MM)
11	400179X1	1	BOLT (5/8-11)
12	CH8T-4122	1	WASHER-HARD
13	CH8T-4205	12	WASHER-HARD (7.2X14.5X2MM)
14	500478D1	1	MOUNTING GP-GPS (SEE BREAKDOWN FOR COMPONENTS)
15	500610D1	1	GROMMET-RH (HANDRAIL) (REPLACES PART PROVIDED IN ROOF GP-CAB)

[A] PART OF 500630D1
KIT-CONTROL AR-AUTOGUIDE

500606DC
PR: t05f07j07b0109

SWITCH GP-GUIDANCE - 500616D1
AUTOGUIDE SYSTEM



**MT700 SERIES TRACK TRACTORS
ELECTRICAL AND STARTING SYSTEM**

271

**SWITCH GP-GUIDANCE - 500616D1
AUTOGUIDE SYSTEM**

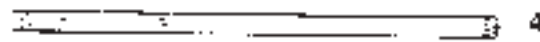
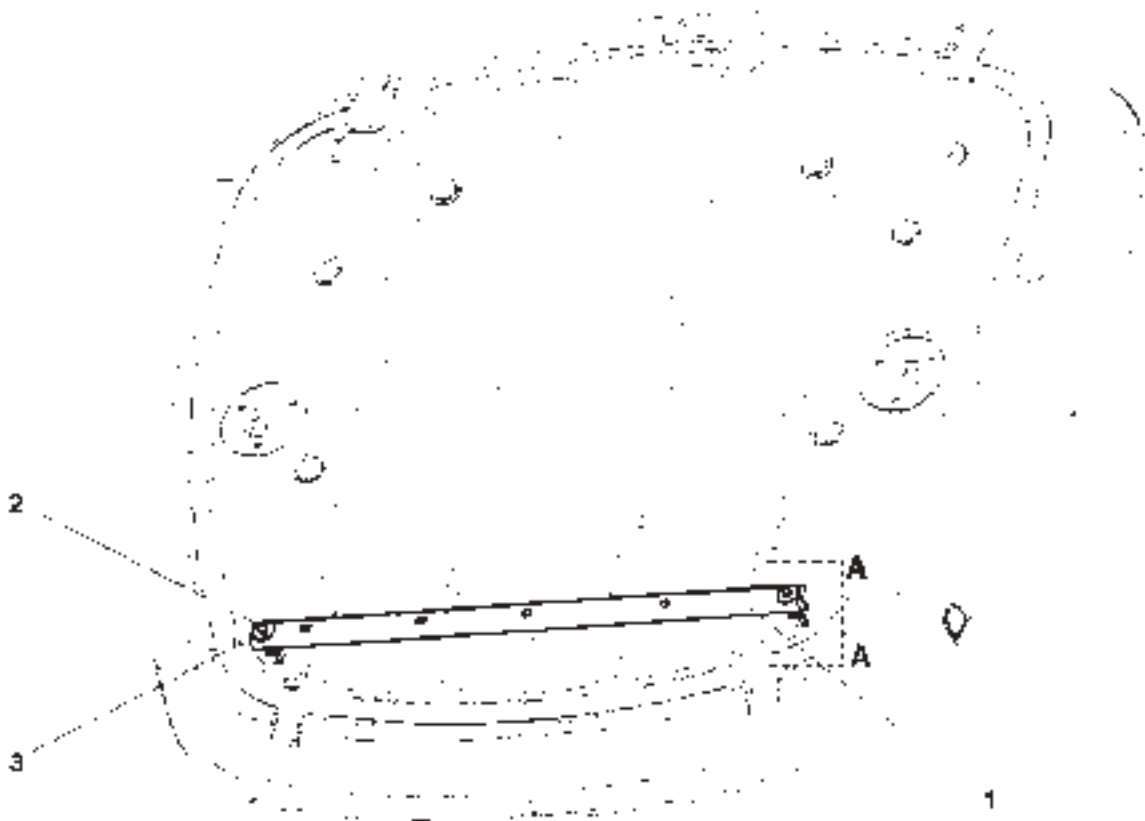
ITEM	NUMBER	QTY	DESCRIPTION
-	500616D1	--	SWITCH GP-RECEIVER [A] (NOT SERVICED)
1	CH7K-1181	6	STRAP-CABLE
2	169-8222	1	SWITCH-ROCKER (AUTO GUIDE CONTROL)
	400453X1		PLUG-CONNECTOR
	CH165-5975		PLUG-PANEL (FOR COVERING MTG HOLE)
3	500882D1	1	SWITCH-ROCKER (AUTO GUIDE POWER)
	400453X1		PLUG-CONNECTOR
	CH165-5975		PLUG-PANEL (FOR COVERING MTG HOLE)
4	200-6376	1	SWITCH-ROCKER (AUTO GUIDE MARKING)
	400453X1		PLUG-CONNECTOR
	CH165-5975		PLUG-PANEL (FOR COVERING MTG HOLE)
5	216-8860	1	BRACKET AS
6	219-4775	1	BRACKET AS
7	400300X1	4	NUT (M6X1)
8	400152X1	4	BOLT (M6X1X16MM)
9	CH6V-8225	4	NUT (M6X1)
10	400172X1	4	BOLT (M6X1X25MM)
11	400179X1	1	BOLT (5/8-11)
12	CH8T-4122	1	WASHER-HARD
13	CH8T-4205	12	WASHER-HARD (7.2X14.5X2MM)
14	500478D1	1	MOUNTING GP-GPS (SEE BREAKDOWN FOR COMPONENTS)
15	500611D1	1	GROMMET-RH (HANDRAIL) (REPLACES PART PROVIDED IN ROOF GP-CAB)

[A] PART OF 500629D1 CONTROL AR-
AUTOGUIDE

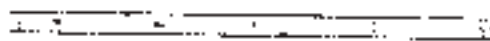
500606DC
PR: t05f07j07b0110

MT700 SERIES TRACK TRACTORS
ELECTRICAL AND STARTING SYSTEM

MOUNTING GP-GPS - 500478D1
AUTOGUIDE SYSTEM



5



SEE A-A

MT700 SERIES TRACK TRACTORS
ELECTRICAL AND STARTING SYSTEM

273

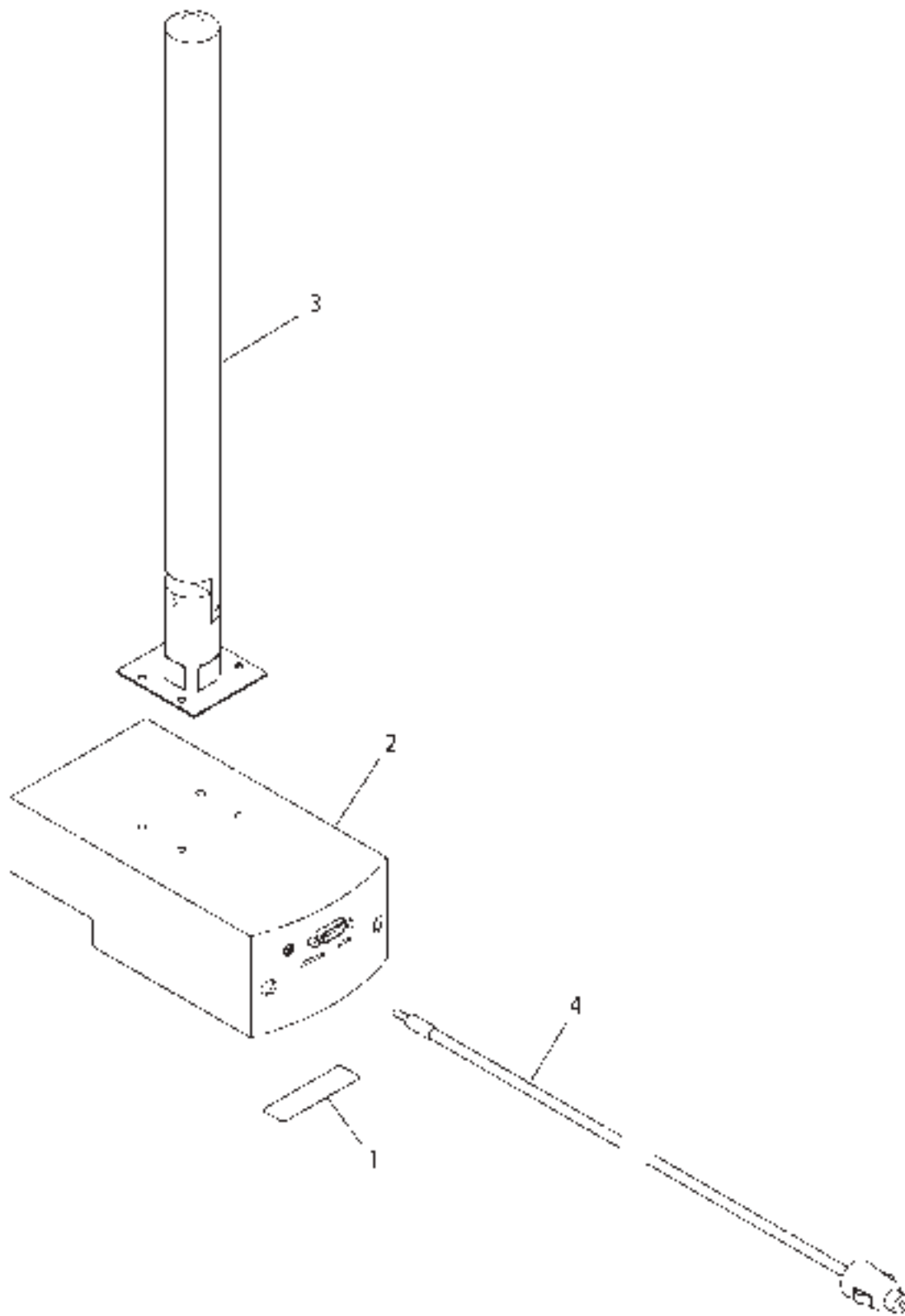
MOUNTING GP-GPS - 500478D1
AUTOGUIDE SYSTEM

ITEM	NUMBER	QTY	DESCRIPTION
-	500478D1	--	MOUNTING GP [A] (NOT SERVICED)
1	500477D1		BRACKET AS (INCLUDES ITEMS 4 AND 5)
2	400240X1	2	BOLT (M10X1.5X110)
3	CH8T-4226	2	WASHER-PLATED
4	500475D1	2	SPACER
5	500476D1	1	BRACKET

[A] PART OF 500616D1 SWITCH GP

0890702M
PR: t05f07j07b0111

MOUNTING GP-PDA - 501168D1
AUTOGUIDE SYSTEM



MT700 SERIES TRACK TRACTORS
ELECTRICAL AND STARTING SYSTEM

275

MOUNTING GP-PDA - 501168D1
AUTOGUIDE SYSTEM

ITEM	NUMBER	QTY	DESCRIPTION
-	501168D1	--	MOUNTING GP-PDA [A] (NOT SERVICED)
1	500367D1	1	FILM-AUTOGUIDE
2	501169D1	1	CRADLE GP
3	501170D1	1	ARM
4	501171D1	1	CABLE-ADAPTOR PLUG

501168DA
PR: t05f07j07b0112

276

MT700 SERIES TRACK TRACTORS
ELECTRICAL AND STARTING SYSTEM

RECEIVER GP-GPS BASE STATION - 232-0872

NO ILLUSTRATION

NOTIF

**MT700 SERIES TRACK TRACTORS
ELECTRICAL AND STARTING SYSTEM**

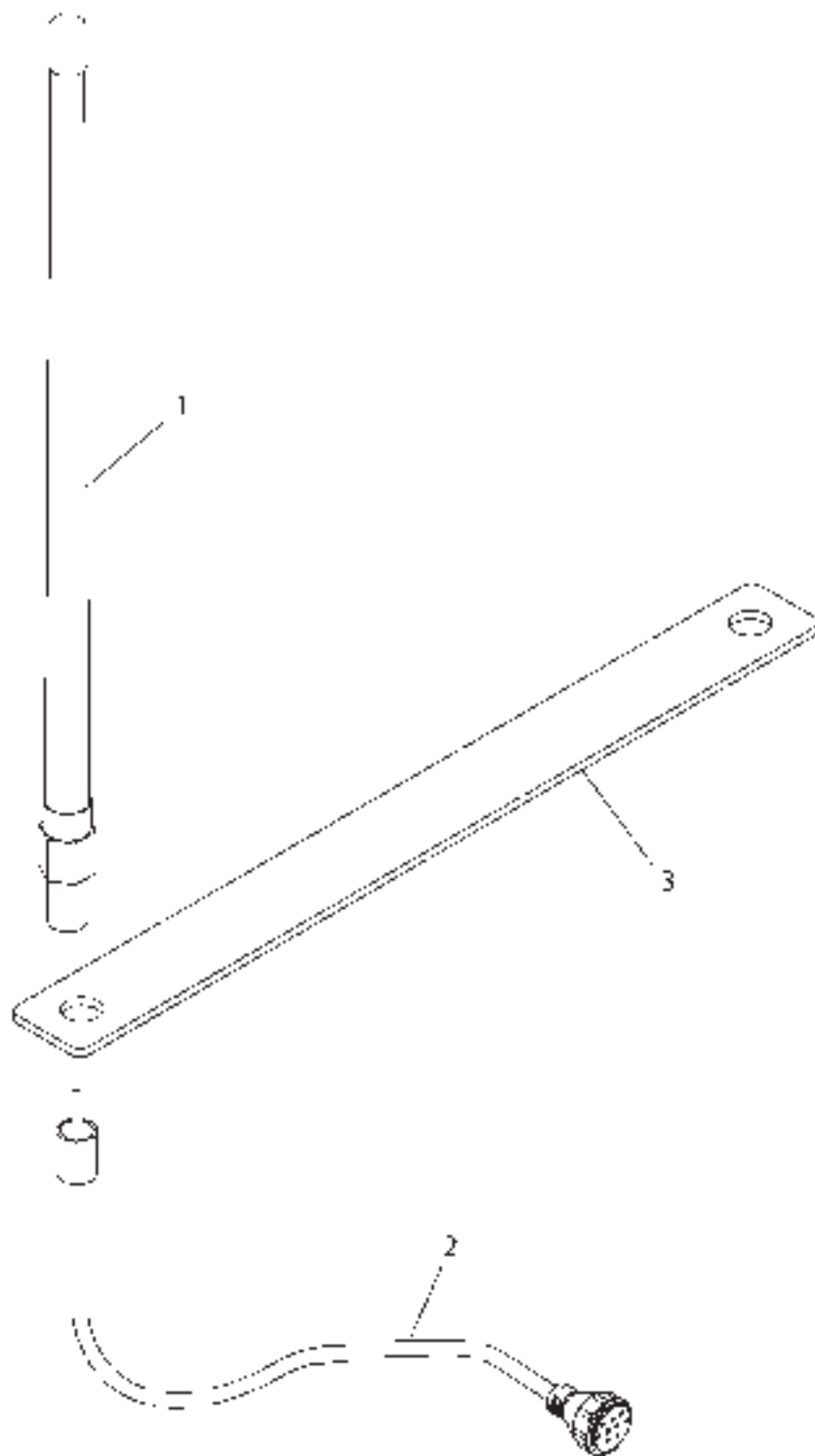
277

RECEIVER GP-GPS BASE STATION - 232-0872

ITEM	NUMBER	QTY	DESCRIPTION
-	232-0872	--	RECEIVER GP-GPS BASE STATION (NO LONGER AVAIL-ORDER 502609D1)
1	500385D1	1	MOUNT
2	72571006	1	SOFTWARE (NOT SHOWN) (ORDER FROM AGCO DEALER INFO NET)
3	232-0873	1	RECEIVER AS (NOT SHOWN)
4	232-0874	1	HARNESS AS-GPS BASE PWR (NOT SHOWN)
5	500032D1	1	CASE AS-GPS BASE (NOT SHOWN)
-	232-0879	1	TRIPOD AS (NOT PART OF KIT) (SERVICED AS COMPLETE AS)

NOTIF
PR: t05f07j07b0113

KIT-GPS BASE STATION - 502609D1



**MT700 SERIESTRACKTRACTORS
ELECTRICAL AND STARTING SYSTEM**

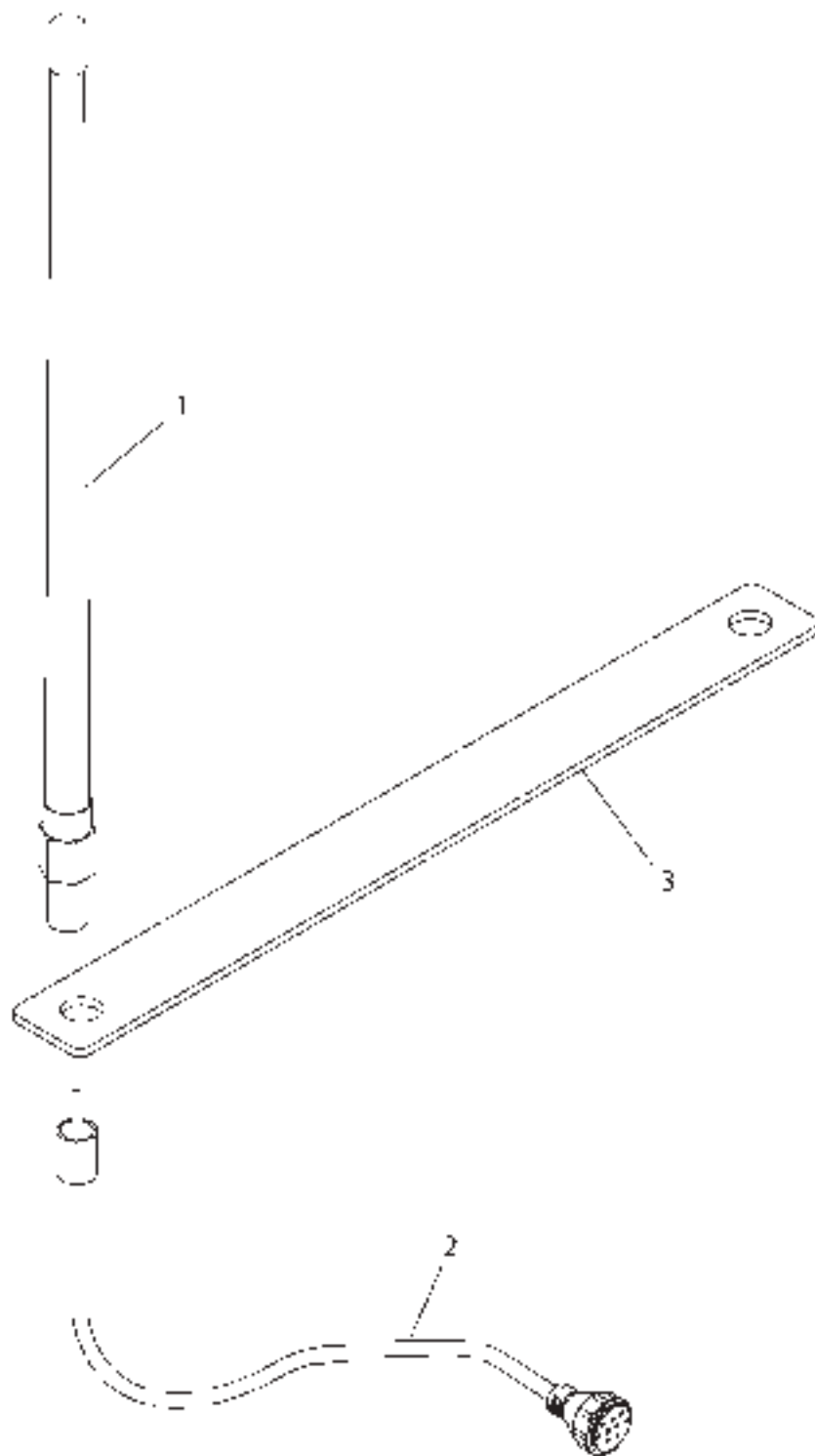
279

KIT-GPS BASE STATION - 502609D1

ITEM	NUMBER	QTY	DESCRIPTION
-	502609D1	--	KIT-GPS BASE STATION
1	501073D1	1	ANTENNA AS-DATA RADIO
2	501074D1	1	CABLE AS
3	501075D1	1	BRACKET
4	72571006	1	SOFTWARE (NOT SHOWN) (ORDER FROM AGCO DEALER INFO NET)
5	502610D1	1	RECEIVER GP-GPS BASE STATION (NOT SHOWN)
6	502611D1	1	HARNESS AS-GPS BASE PWR (NOT SHOWN)
7	502612D1	1	CASE AS-GPS BASE (NOT SHOWN)
-	232-0879	1	TRIPOD AS (NOT PART OF KIT) (SERVICED AS COMPLETE AS)

501124DA
PR: t05f07j07b0114

ANTENNA GP-DATA RADIO - 501124D1
GPS BASE STATION



MT700 SERIESTRACKTRACTORS
ELECTRICAL AND STARTING SYSTEM

281

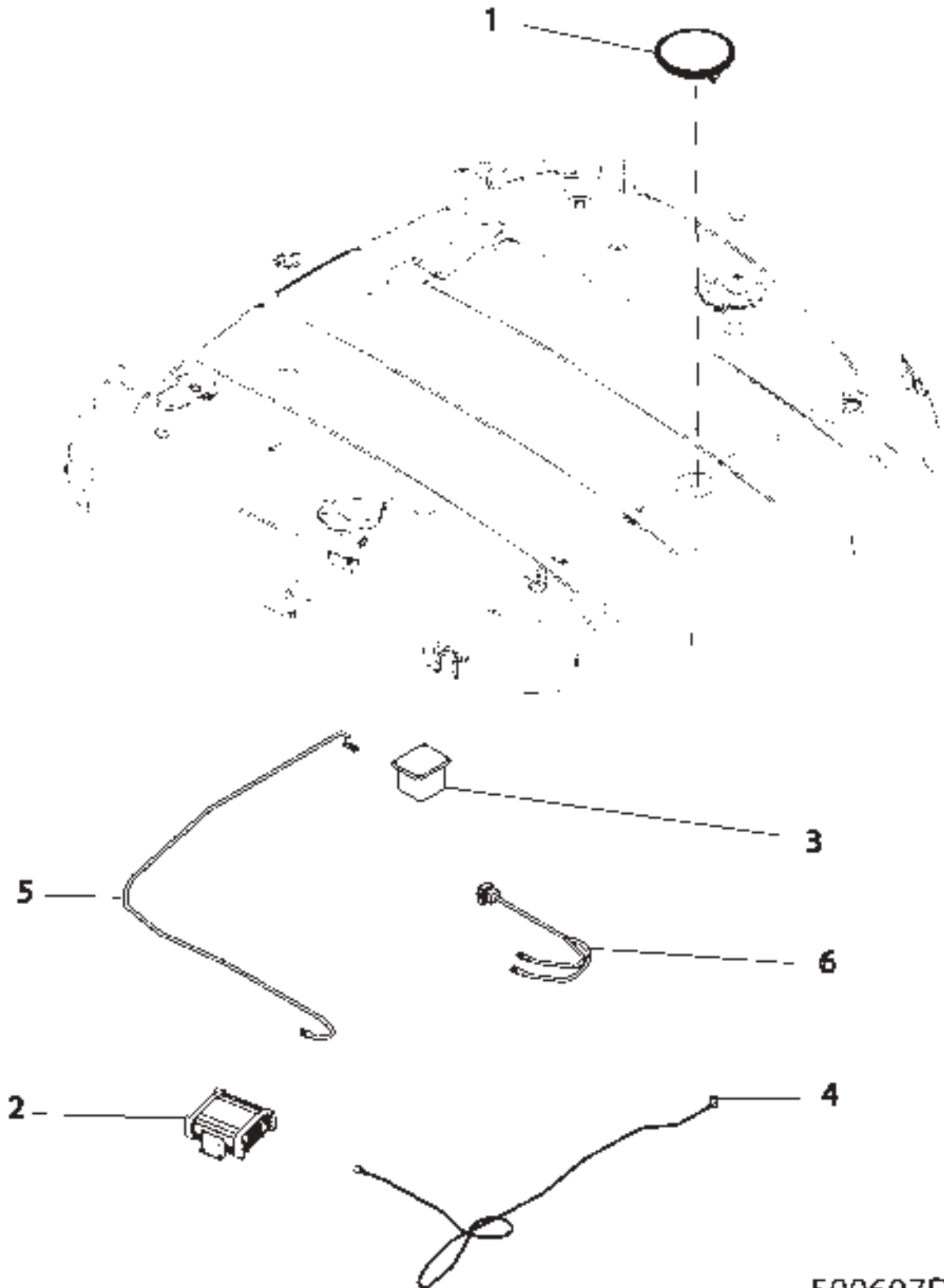
ANTENNA GP-DATA RADIO - 501124D1
GPS BASE STATION

ITEM	NUMBER	QTY	DESCRIPTION
-	501124D1	--	ANTENNA GP-DATA RADIO
1	501073D1	1	ANTENNA AS-DATA RADIO
2	501074D1	1	CABLE AS
3	501075D1	1	BRACKET

501124DA
PR: t05f07j07b0115

MT700 SERIES TRACK TRACTORS
ELECTRICAL AND STARTING SYSTEM

RECEIVER GP-TRANSMITTER & GPS - 500607D1
AUTOGUIDE CONTROL



**MT700 SERIESTRACKTRACTORS
ELECTRICAL AND STARTING SYSTEM**

283

**RECEIVER GP-TRANSMITTER & GPS - 500607D1
AUTOGUIDE CONTROL**

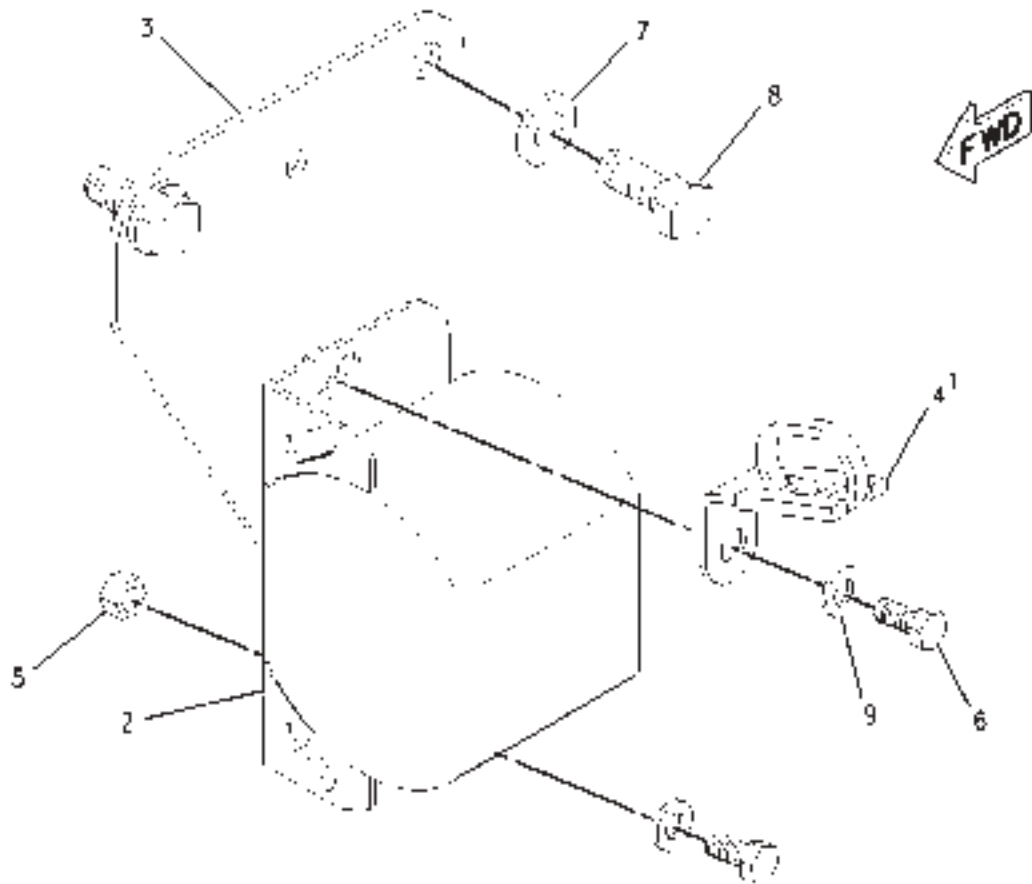
ITEM	NUMBER	QTY	DESCRIPTION
-	500607D1	--	RECEIVER GP-TRANSMITTER GPS [A]
1	216-7835	1	MOUNT (ANTENNA)
2	216-7837	1	RECEIVER MODULE
3	72571008	1	SENSOR GP-DMU (3AXIS)
4	216-7836	1	CABLE (ANTENNA)
5	216-7839	1	HARNESS (SENSOR GP-POSITION)
6	216-7841	1	HARNESS (RECEIVER-GPS)
7	72571001	1	SOFTWARE (NOT SHOWN) (ORDER FROM AGCO DEALER INFO NET)

[A] PART OF 500628D1 & 500630D1
CONTROL AR-AUTOGUIDE

500607DD
PR: t05f07j07b0116

MT700 SERIES TRACK TRACTORS
ELECTRICAL AND STARTING SYSTEM

WARNING GP-BACKUP - 173-6509



00867483

MT700 SERIESTRACKTRACTORS
ELECTRICAL AND STARTING SYSTEM

285

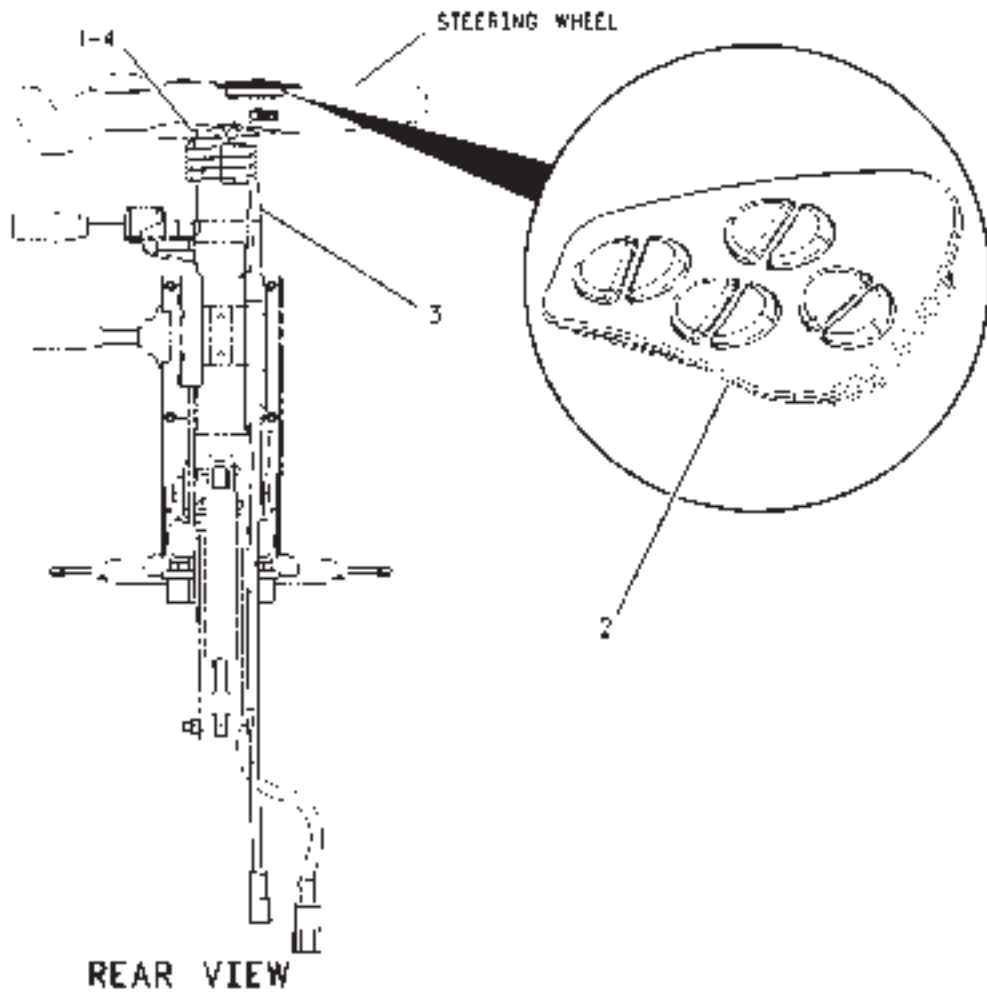
WARNING GP-BACKUP - 173-6509

ITEM	NUMBER	QTY	DESCRIPTION
-	173-6509	--	WARNING GP-BACKUP (NOT SERVICED)
1	CH7K-1181	1	STRAP-CABLE
2	CH154-5428	1	ALARM-BACK UP
	CH102-8802	1	KIT-RECEPTACLE (2 PIN) (INCL. RECEPTACLE AS. & WEDGE)
	400511X1	1	WEDGE-RECEPTACLE LOCK (2 PIN)
3	CH205-8451	1	PLATE
4	CH156-6175	1	CLIP
5	400300X1	2	NUT (M6X1 THD)
6	400152X1	2	BOLT (M6X1X16MM)
7	400287X1	3	WASHER-HARD (11X21X2.5MM THK)
8	400039X1	3	BOLT (M10X1.5X25MM)
9	400310X1	2	WASHER (6.6X12X2MM THK)

00867483
PR: t05f07j07b0117

MT700 SERIES TRACK TRACTORS
ELECTRICAL AND STARTING SYSTEM

WIRING GP - 173-6505
STEERING WHEEL MOUNTED RADIO CONTROLS
ROW ONLY



MT700 SERIESTRACKTRACTORS
ELECTRICAL AND STARTING SYSTEM

287

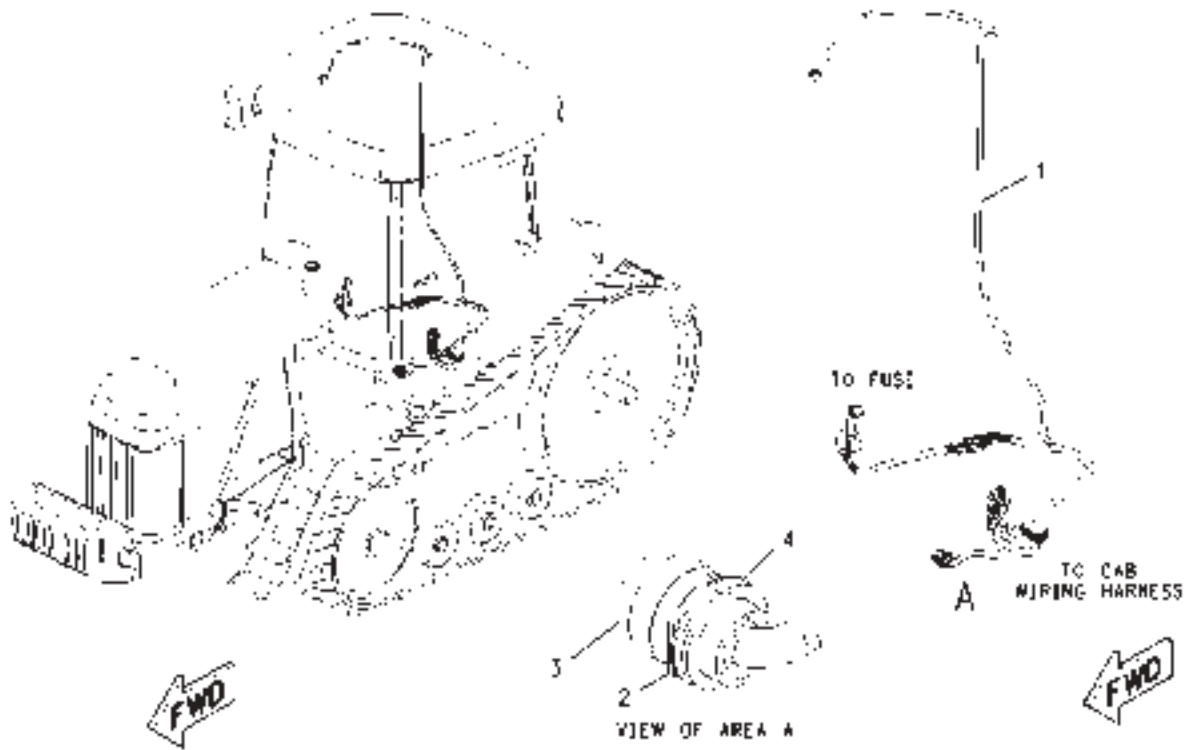
WIRING GP - 173-6505
STEERING WHEEL MOUNTED RADIO CONTROLS
ROW ONLY

ITEM	NUMBER	QTY	DESCRIPTION
-	173-6505	--	WIRING GP (NOT SERVICED)
1	CH095-0736	2	SCREW-MACHINE (M5X0.8X10MM)
2	172-8035	1	SWITCH AS. (STEERING WHEEL RADIO CONTROLS)
3	502244D1	1	HARNESS RADIO-RADIO (REMOTE CONTROL)
4	CH208-9482	2	CLIP

00842256
PR: t05f07j07b0118

MT700 SERIES TRACK TRACTORS
ELECTRICAL AND STARTING SYSTEM

WIRING GP - 214-3504
AUTOGUIDE ISO COMPATIBLE



MT700 SERIESTRACKTRACTORS
ELECTRICAL AND STARTING SYSTEM

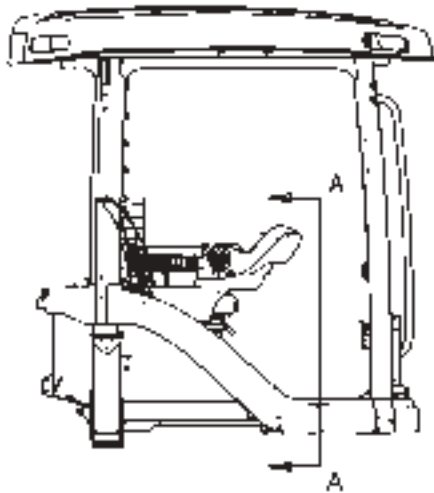
289

WIRING GP - 214-3504
AUTOGUIDE ISO COMPATIBLE

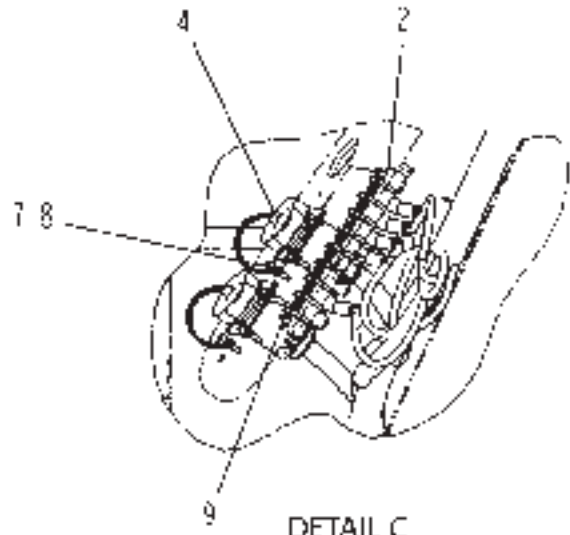
ITEM	NUMBER	QTY	DESCRIPTION
-	214-3504	--	WIRING GP (NOT SERVICED)
1	500910D1	1	HARNESS AS.
2	400295X1	1	NUT (11/16-18 THD)
3	CH219-0664	1	CAP
4	CH128-4249	1	LOCKWASHER

00895779
PR: t05f07j07b0119

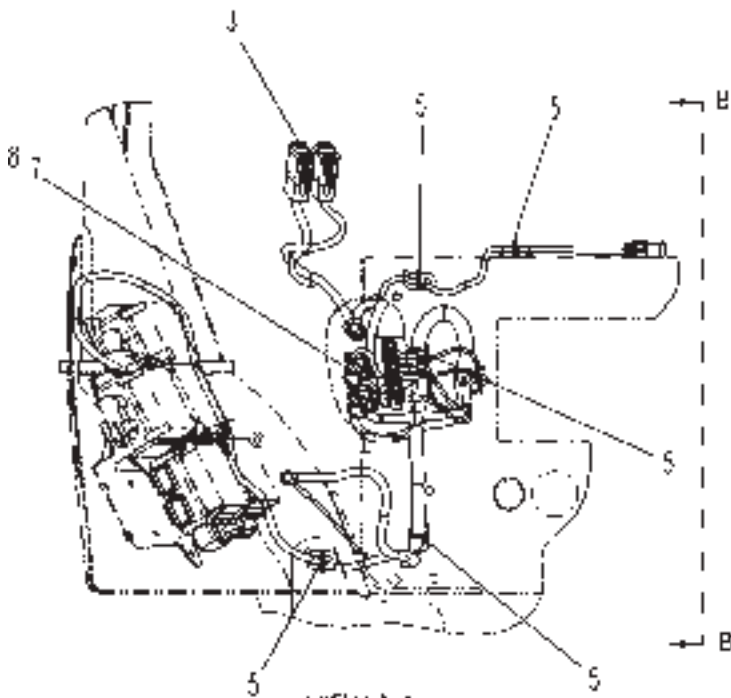
WIRING GP-AUXILIARY - 162-4097
DELUXE CAB
ROW ONLY



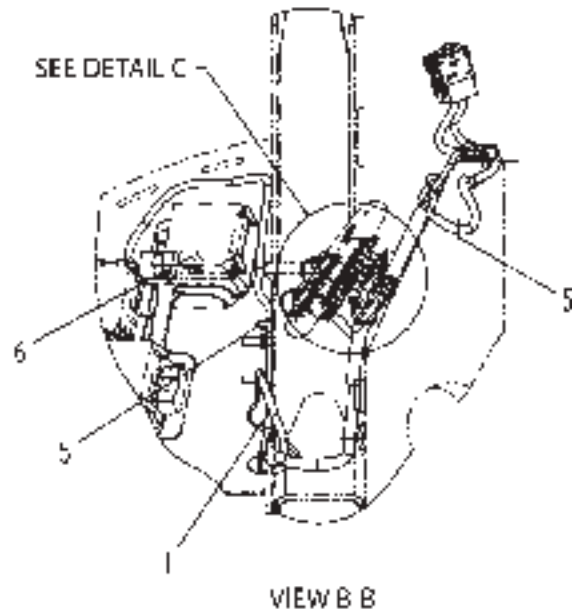
RIGHT SIDE VIEW OF CAB



DETAIL C



VIEW A-A
(SEAT NOT SHOWN)



VIEW B B

**MT700 SERIES TRACK TRACTORS
ELECTRICAL AND STARTING SYSTEM**

291

**WIRING GP-AUXILIARY - 162-4097
DELUXE CAB
ROW ONLY**

ITEM	NUMBER	QTY	DESCRIPTION
-	162-4097	--	WIRING GP-AUXILIARY [A] (NOT SERVICED)
-	502795D1	--	WIRING GP-AUX (NOT SERVICED) (REF ONLY)
1	136-5534	1	HARNESS AS (AUX POWER) (S/N: PRIOR TO AKN5;ALA5;ALM5;AMS5)
1	502180D1	1	HARNESS AS (AUX POWER) (S/N: EFF. AKN5;ALA5;ALM5;AMS5)
2	CH136-5268	1	STRIP
3	169-8229	2	SWITCH-ROCKER (AUXILIARY POWER)
4	CH124-4653	2	CAP
5	400837X1	7	STRAP-CABLE
6	CH146-9439	1	RELAY (12V) (AUXILIARY POWER SWITCHES)
7	400006X1	6	BOLT-SOCKET HEAD (M3X0.5X12MM)
8	CH3C-6969	6	NUT (M3X0.5)
9	CH119-5026	2	SCREW-PAN HEAD (10-16X0.63IN)

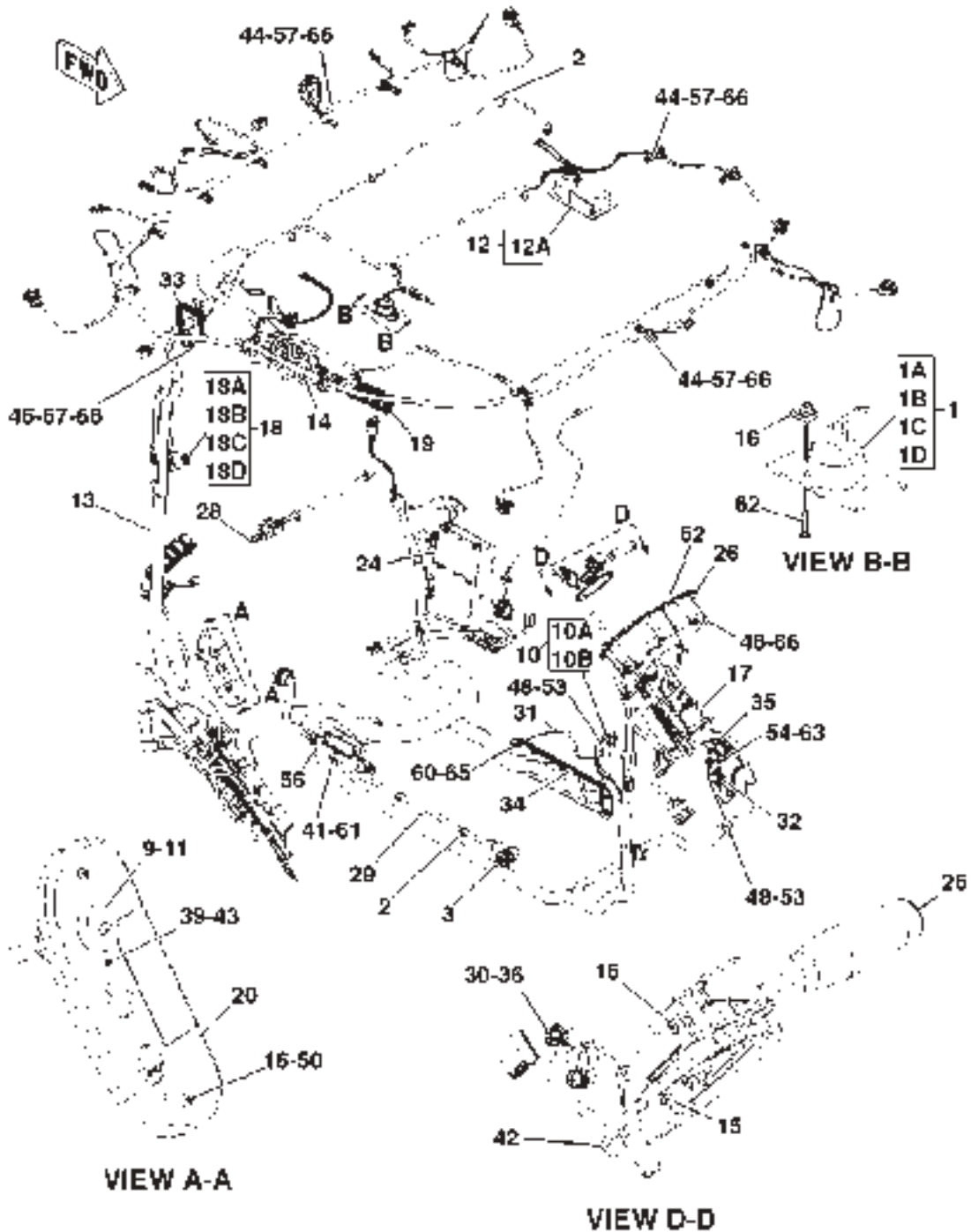
[A] PART OF 500845D1 CAB AR;
502795D1 WIRING GP-CONSOLE

1624097F
PR: t05f07j07b0120

MT700 SERIES TRACK TRACTORS
ELECTRICAL AND STARTING SYSTEM

WIRING GP-CAB - 152-0420

1 OF 2
ROW ONLY



**MT700 SERIES TRACK TRACTORS
ELECTRICAL AND STARTING SYSTEM**

293

**WIRING GP-CAB - 152-0420
1 OF 2
ROW ONLY**

ITEM	NUMBER	QTY	DESCRIPTION
-	152-0420	--	WIRING GP-CAB [A] (NOT SERVICED)
1	CH3E-6284	1	COURTESY LIGHT AS (12 VOLT)
	CH102-8802	1	KIT-RECEPTACLE (2 PIN) (INCLUDES WEDGE)
	CH6T-7298	1	LAMP (12 VOLT)
	400562X1	2	PIN-CONNECTOR
	400511X1	1	WEDGE
2	400837X1	62	STRAP-CABLE
3	CH3T-8607	1	STUD AS-POWER TERMINAL
	6F-7044	2	NUT-FULL (1/2-20)
	9B-0453	2	LOCKWASHER
9	CH124-4653	1	CAP
10	CH129-6457	1	SWITCH-LIMIT (BRAKE LIGHT) (INCLS ITEMS 10A & 10B)
10A	CH6V-8376	3	SCREW-MACHINE (8-32X0.25IN)
10B	CH9B-7233	3	LOCKWASHER
11	135-4483	4	RETAINER
12	CH136-5511	1	LAMP DOME-DOME (FOR SERVICE REPAIR ORDER 12A)
12A	CH9W-3326	1	LAMP (12 VOLT) (DOME LIGHT)
13	500446D1	1	HARNESS AS (CAB MAIN)
14	501949D1	1	HARNESS AS (ROOF)
15	400017X1	4	BOLT-SOCKET HEAD
16	400084X1	4	NUT (U-TYPE RETAINER)
17	217-9779	1	CONTROL GP-STEERING (NOT SERVICED)
18	CH163-2657	1	SWITCH GP-START [B] (INCLS ITEMS 18A THRU 18D)
18A	CH3E-3377	1	WEDGE-RECEPTACLE LOCK
18B	CH7T-6799	1	NUT-MOUNTING (1-32)
18C	CH186-3735	2	PIN-CONNECTOR
18D	CH102-8804	1	KIT-RECEPTACLE (4 PIN) (INCLUDES RECEPTACLE AS AND WEDGE) (SERVICED AS COMPLETE KIT ONLY)
-	CH5P-8500	1	KEY IGNITION
19	CH165-5975	10	PLUG-PANEL
20	CH169-6367	1	PANEL AS (SERVICE)
	-----	1	DOOR (ORDER AS)
	169-6370	1	PANEL
	-----	1	SPRING-TORSION (ORDER ITEM 20)
24	CH170-1198	1	MODULE-FLASHER
25	170-2204	1	SWITCH AS (HIGH/LOW BEAM, ROADING, TURN)
26	CH212-6998	1	MODULE GP-DISPLAY (DASH)

CONTINUED

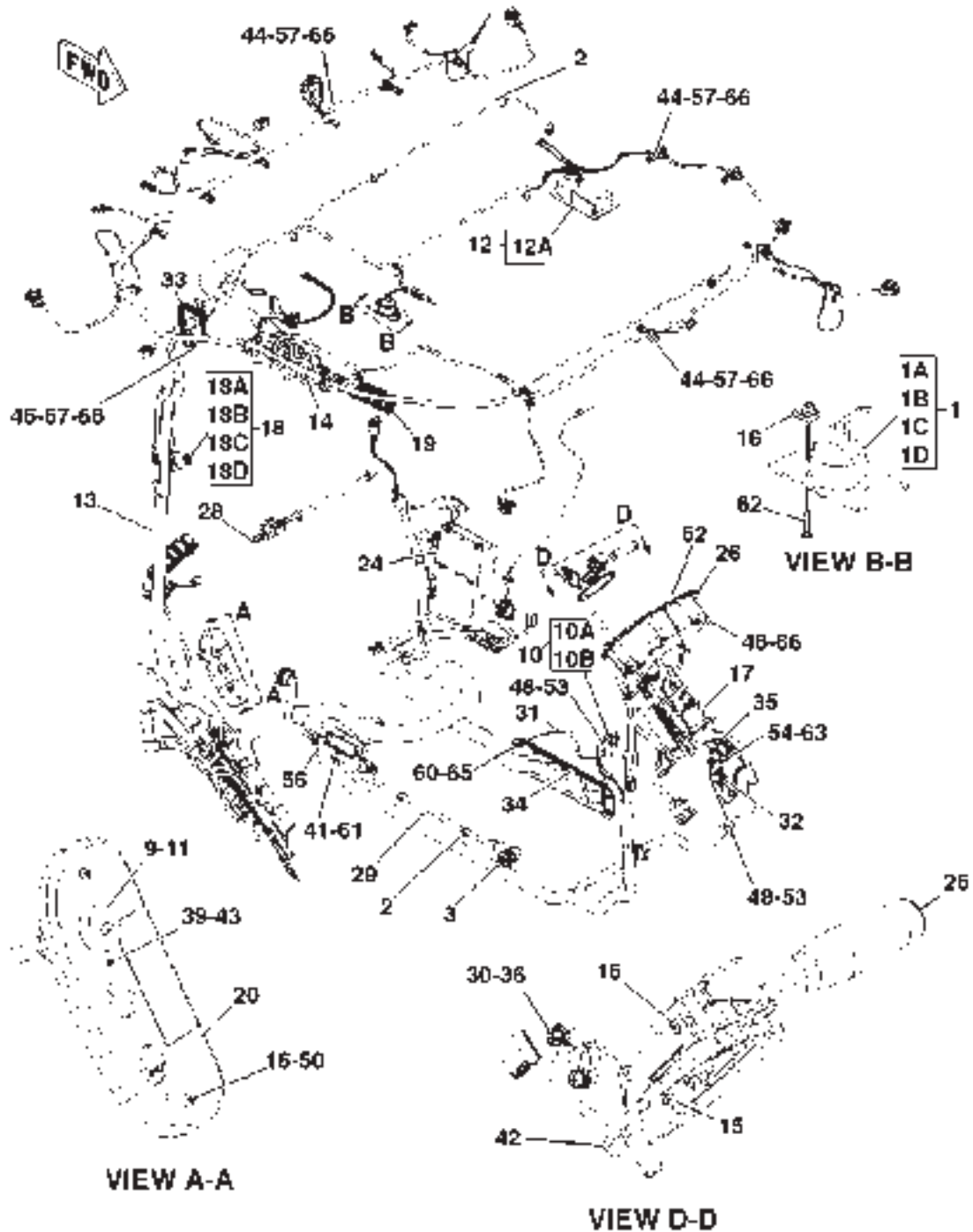
[A] PART OF 500845D1;500846D1 CAB AR
[B] REQUIRES CH5P-8500 KEY

0898288A
PR: t05f07j07b0121

MT700 SERIES TRACK TRACTORS
ELECTRICAL AND STARTING SYSTEM

WIRING GP-CAB - 152-0420

1 OF 2
ROW ONLY



**MT700 SERIES TRACK TRACTORS
ELECTRICAL AND STARTING SYSTEM**

295

**WIRING GP-CAB - 152-0420
1 OF 2
ROW ONLY**

ITEM	NUMBER	QTY	DESCRIPTION
-	152-0420	--	WIRING GP-CAB [A] (NOT SERVICED)
28	501940D1	1	WIRING GP-TRAILER JUMPER (NOT SERVICED) (SEE BREAKDOWN FOR COMPONENTS)
29	502188D1	1	CABLE (CAB POWER)
30	CH8C-8514	2	SCREW-MACHINE (8-32X.375IN)
31	177-0381	1	HOUSING-CAB INTERFACE
32	CH129-6457	1	SWITCH-LIMIT (INCHING PEDAL) (FOR SERVICE REPAIR ORDER 32A & 32B)
32A	CH6V-8376	3	SCREW-MACHINE (8-32X0.25IN) (NOT SHOWN)
32B	CH9B-7233	3	LOCKWASHER (NOT SHOWN)
33	178-7957	1	GROMMET
34	180-5244	1	SEAL-CONNECTOR
35	500317D1	1	SENSOR GP-POSITION (INCHING PEDAL)
36	CH096-6166	10	WASHER-HARD (4.5X9X1)
39	400006X1	1	BOLT-SOCKET HEAD (M3X0.5X12MM)
41	CH3B-4501	12	LOCKWASHER
42	CH7K-1181	1	STRAP-CABLE
43	CH3C-6969	5	NUT (M3X0.5)
44	CH4P-7581	15	CLIP
45	CH4P-8134	2	CLIP
46	CH5C-2874	4	NUT (M5X.8)
48	CH216-9085	4	SCREW-PAN HEAD
50	CH7Y-7256	2	SCREW-TRUSS HEAD (M4X0.7X35MM)
52	CH8T-0337	6	SCREW-MACHINE (M4X0.7X12MM)
53	CH8T-2658	4	LOCKNUT (M3X0.5)
54	CH8T-2659	2	LOCKNUT (M4X0.7)
56	177-0385	1	PLATE AS
	CH8T-3612	2	NUT-WELD (M8X1.25)
57	CH110-2028	17	SCREW-PAN HEAD (10-14X.75IN) (10-14X.75IN)
60	CH8T-4205	7	WASHER-HARD (7.2X14.5X2MM)
61	400251X1	12	BOLT-SOCKET HEAD (M4X0.7X16MM)
62	CH123-0707	2	SCREW-HEX SOCKET (M4X0.7X20MM)
63	CH9X-1046	2	SCREW (M4X0.7X18MM)
65	CH9X-2044	7	SCREW-TRUSS HEAD (M6X1X16MM)
66	400076X1	25	WASHER (5X16X1.2)

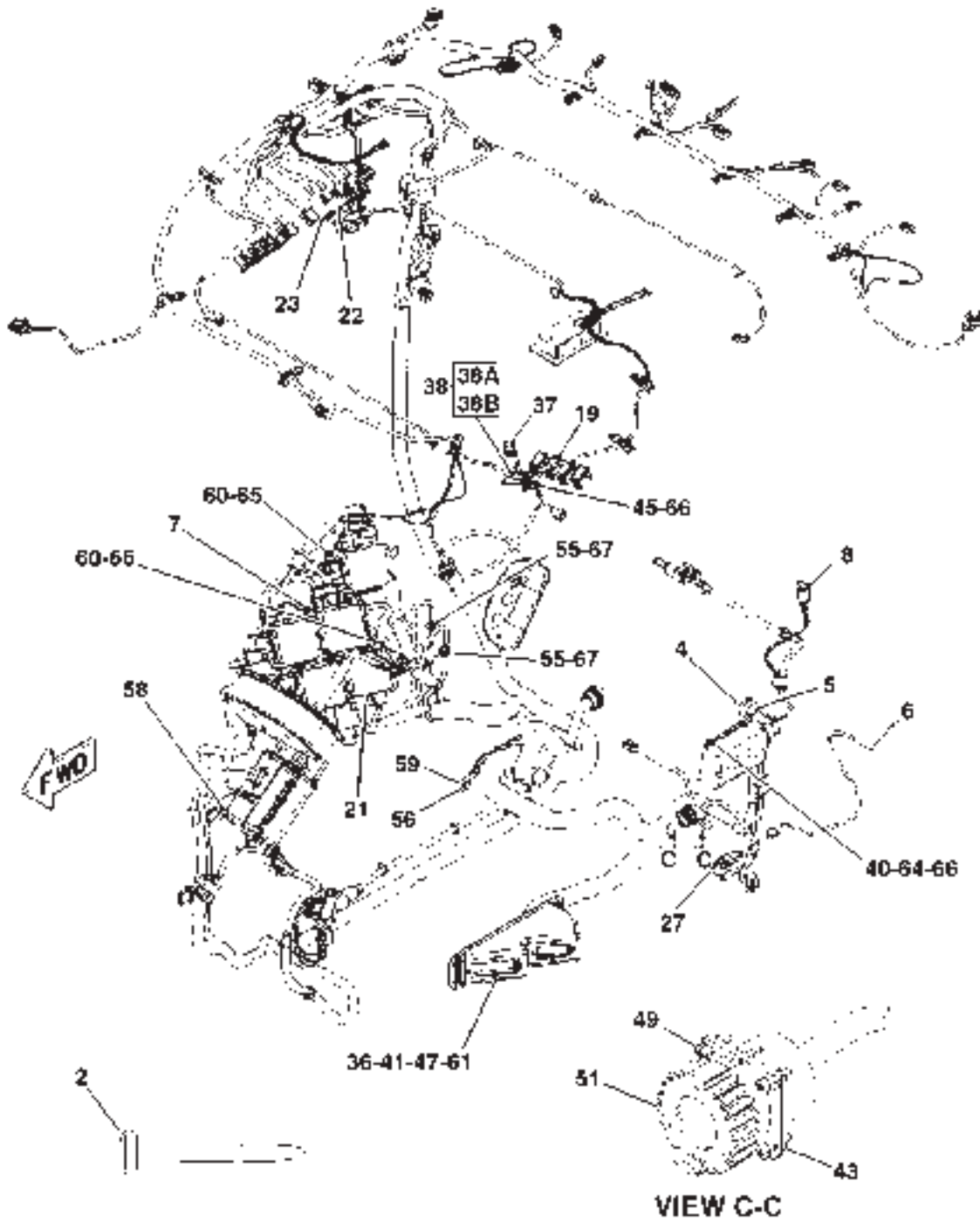
[A] PART OF 500845D1;500846D1 CAB AR

0898288A
PR: t05f07j07b0121

MT700 SERIES TRACK TRACTORS
ELECTRICAL AND STARTING SYSTEM

WIRING GP-CAB - 152-0420

2 OF 2
ROW ONLY



**MT700 SERIES TRACK TRACTORS
ELECTRICAL AND STARTING SYSTEM**

297

**WIRING GP-CAB - 152-0420
2 OF 2
ROW ONLY**

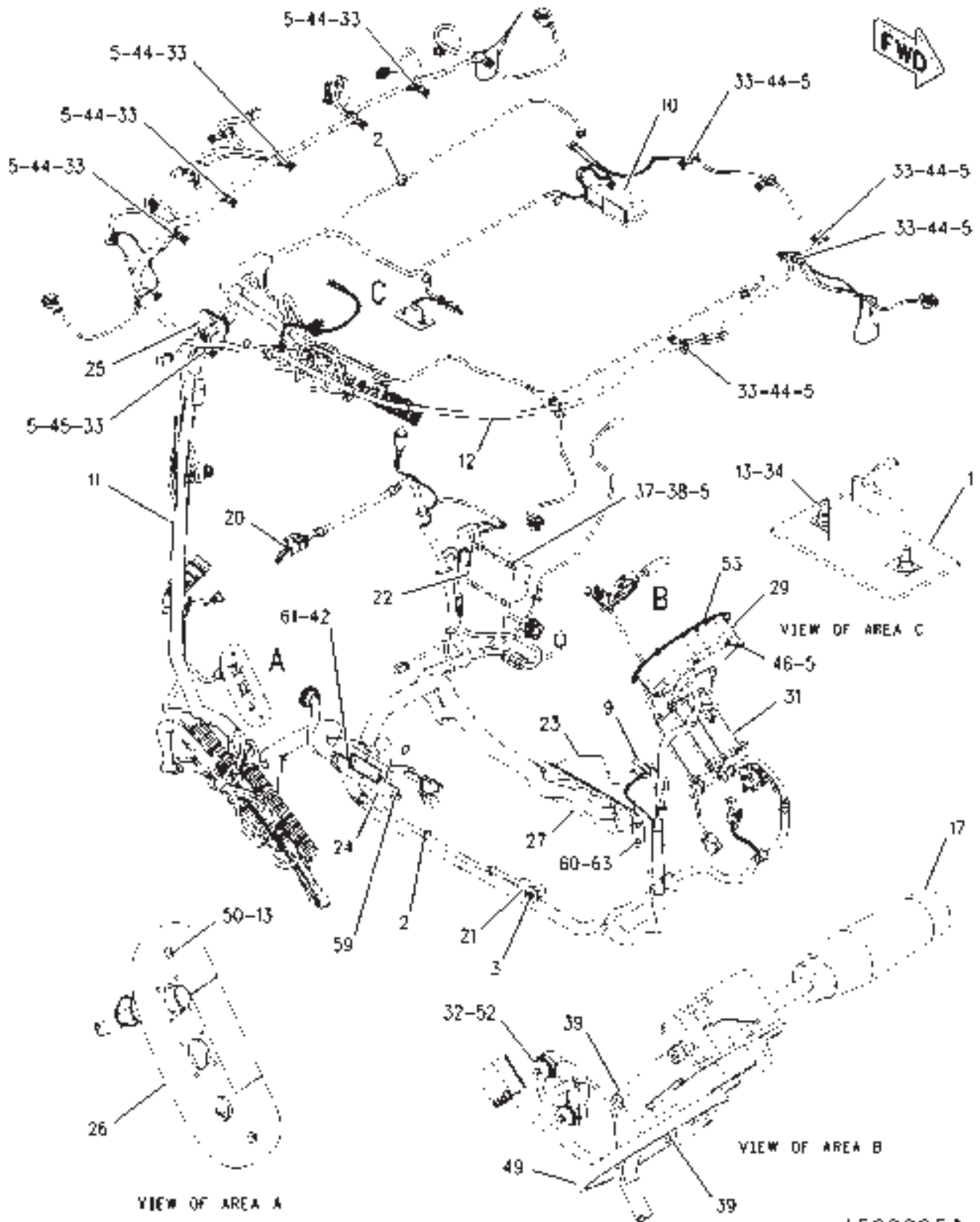
ITEM	NUMBER	QTY	DESCRIPTION
-	152-0420	--	WIRING GP-CAB [A] (NOT SERVICED)
2	400837X1	62	STRAP-CABLE
4	CH4E-2229	1	DAMPER-ALARM (VOLUME CONTROL)
5	CH219-4673	1	HORN (OPERATOR AUDIBLE ALARM)
6	CH105-8034	1	SWITCH-LIMIT (CAB DOOR)
7	CH116-7471	1	PULLER-MINIFUSE
8	CH117-2311	2	RECEPTACLE-POWER (12 VOLT)
19	CH165-5975	10	PLUG
21	169-6380	1	PANEL GP-FUSE (NOT SERVICED) (SEE BREAKDOWN FOR COMPONENTS)
22	216-3028	1	SWITCH-ROCKER (HAZARD)
23	169-8231	1	SWITCH-ROCKER (FLOOD LIGHTS)
27	502171D1	1	HARNESS (FLASHER)
36	CH096-6166	10	WASHER-HARD (4.5X9X1MM THK)
37	CH145-0846	1	KNOB-LIGHTER
38	CH145-0847	1	HOUSING AS (LIGHTER) (FOR SERVICE REPAIR ORDER 38A & 38B)
38A	CH6V-8376	1	SCREW-MACHINE (8-32X0.25IN)
38B	CH9B-7233	1	LOCKWASHER
40	CH191-2276	4	SCREW-TRUSS HEAD (M5X0.8)
41	CH3B-4501	12	LOCKWASHER
43	CH3C-6969	7	NUT (M3X0.5 THD)
45	CH4P-8134	2	CLIP
47	CH5C-8312	8	NUT (M4X0.7 THD)
49	CH6V-9671	4	SCREW-MACHINE (M3X0.5X12MM)
51	501941D1	1	CAP W/ LANYARD AS.
	CH8C-6354	1	CAP-RECEPTACLE
	400408X1	1	LANYARD
	400409X1	1	KEY RING
55	400287X1	2	WASHER-HARD (11X21X2.5MM THK)
58	400058X1	4	BOLT (M10X1.5X30MM)
59	400227X1	2	BOLT (M8X1.25X16MM)
60	CH8T-4205	7	WASHER-HARD (7.2X14.5X2MM THK)
61	400251X1	12	BOLT-SOCKET HEAD (M4X0.7X16MM)
64	CH179-4324	4	LOCKNUT (M5X0.8 THD)
65	CH9X-2044	7	SCREW-TRUSS HEAD (M6X1X16MM)
66	400076X1	25	WASHER (5X16X1.2MM THK)
67	400039X1	2	BOLT (M10X1.5X25MM)

[A] PART OF 500845D1;500846D1 CAB AR

0898293A
PR: t05f07j07b0122

MT700 SERIES TRACK TRACTORS
ELECTRICAL AND STARTING SYSTEM

WIRING GP-CAB - 152-0005
EAME ONLY
1 OF 2



**MT700 SERIES TRACK TRACTORS
ELECTRICAL AND STARTING SYSTEM**

299

**WIRING GP-CAB - 152-0005
EAME ONLY
1 OF 2**

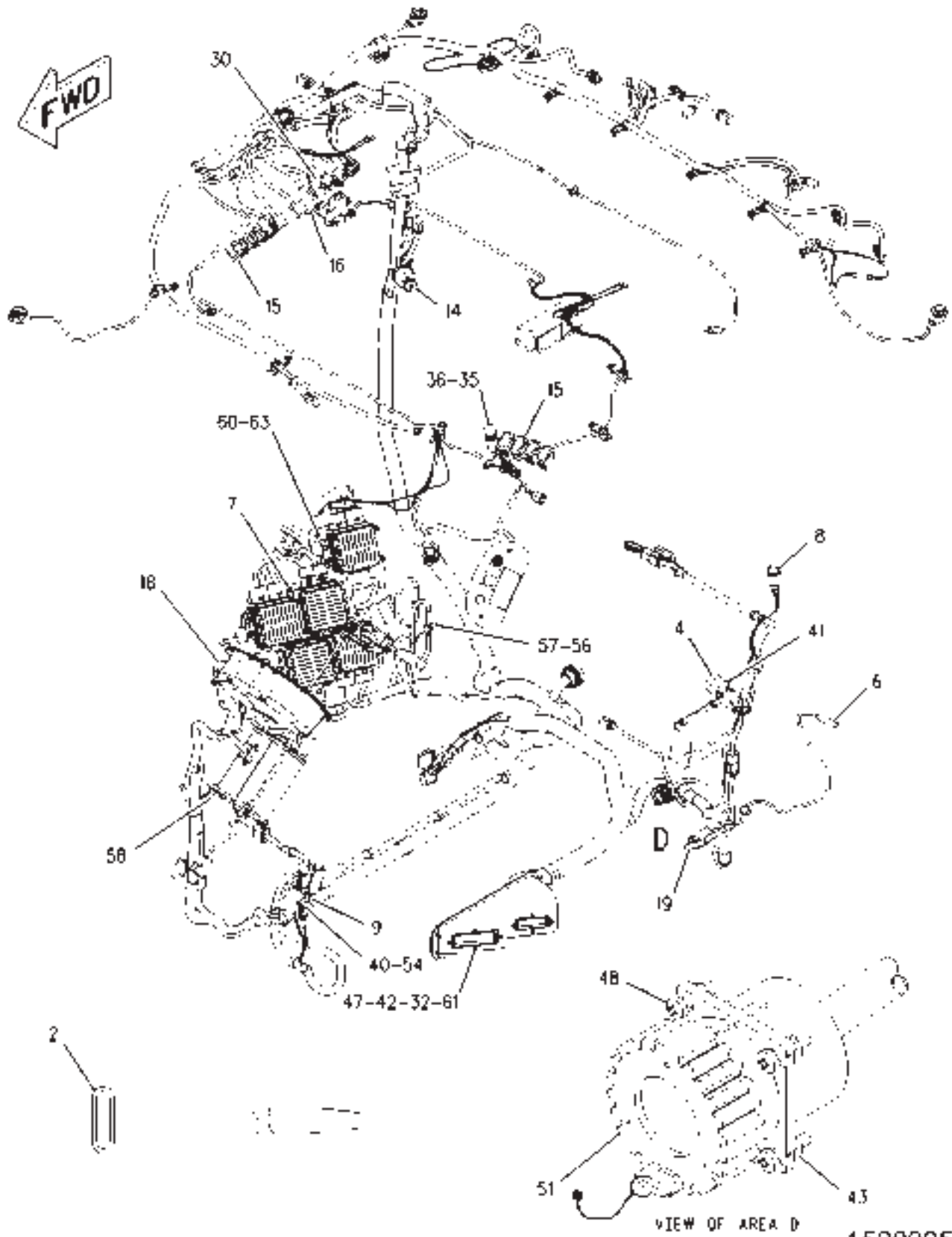
ITEM	NUMBER	QTY	DESCRIPTION
-	152-0005	--	WIRING GP-CAB [A] (NOT SERVICED)
1	CH3E-6284	1	COURTESY LIGHT AS (12 VOLT)
	CH102-8802	1	KIT-RECEPTACLE (2 PIN) (INCLUDES WEDGE)
	CH6T-7298	1	LAMP (12 VOLT)
	400562X1	2	PIN-CONNECTOR
	400511X1	1	WEDGE
2	400837X1	65	STRAP-CABLE
3	CH3T-8607	1	STUD AS-POWER TERMINAL
	6F-7044	2	NUT-FULL (1/2-20)
	9B-0453	2	LOCKWASHER
5	400076X1	25	WASHER (5X16X1.2)
9	CH129-6457	1	SWITCH AS-LIMIT (BRAKE LIGHT)
	CH6V-8376	3	SCREW-MACHINE (8-32X0.25IN)
	CH9B-7233	3	LOCKWASHER
10	CH136-5511	1	LAMP AS-DOME
	CH9W-3326	1	LAMP (12 VOLT)
11	500446D1	1	HARNESS AS (CAB MAIN)
12	501949D1	1	HARNESS AS (ROOF)
13	400084X1	4	NUT-RETAINER (M4X0.07X0.6-3.8PANEL)
17	170-2204	1	SWITCH AS (HIGH/LOW BEAM, ROADING, TURN)
20	-----	1	HARNESS AS (NOT USED IN THIS GROUP)
21	502188D1	1	CABLE AS (CAB POWER)
22	CH175-7057	1	MODULE-FLASHER
23	177-0381	1	HOUSING-CAB INTERFACE
24	177-0385	1	PLATE AS
25	178-7957	1	GROMMET-INNER ROOF
26	179-4204	1	PANEL AS (SERVICE)
27	180-5244	1	SEAL-CONNECTOR
29	CH212-6998	1	MODULE GP-DISPLAY
31	217-9780	1	CONTROL GP-STEERING
32	CH096-6166	10	WASHER-HARD (4.5X9X1)
33	CH110-2028	17	SCREW-PAN HEAD (10-14X.75IN)
34	CH123-0707	2	SCREW-HEX SOCKET (M4X0.7X20MM)
37	CH179-4324	4	LOCKNUT
38	CH191-2276	4	SCREW-TRUSS HEAD (M5X0.8X20MM)
39	400017X1	4	BOLT-SCKT HD (M4X0.7X8)
42	CH3B-4501	12	LOCKWASHER
44	CH4P-7581	15	CLIP
45	CH4P-8134	2	CLIP
46	CH5C-2874	4	NUT (M5X.8)
49	CH7K-1181	1	STRAP-CABLE
50	CH7Y-7256	2	SCREW-TRUSS HEAD (M4X0.7X35MM)
52	CH8C-8514	2	SCREW-MACHINE (8-32X.375IN)
53	CH8T-0337	6	SCREW-MACHINE (M4X0.7X12MM)
59	400227X1	2	BOLT (M8X1.25X16MM)
60	CH8T-4205	7	WASHER-HARD (7.2X14.5X2)
61	400251X1	12	BOLT-SOCKET HEAD (M4X0.7X16MM)
63	CH9X-2044	7	SCREW-TRUSS HEAD (M6X1X16MM)

[A] PART OF 500847D1; 500848D1 CAB AR

1520005A
PR: t05f07j07b0123

MT700 SERIES TRACK TRACTORS
ELECTRICAL AND STARTING SYSTEM

WIRING GP-CAB - 152-0005
EAME ONLY
2 OF 2



**MT700 SERIES TRACK TRACTORS
ELECTRICAL AND STARTING SYSTEM**

301

**WIRING GP-CAB - 152-0005
EAME ONLY
2 OF 2**

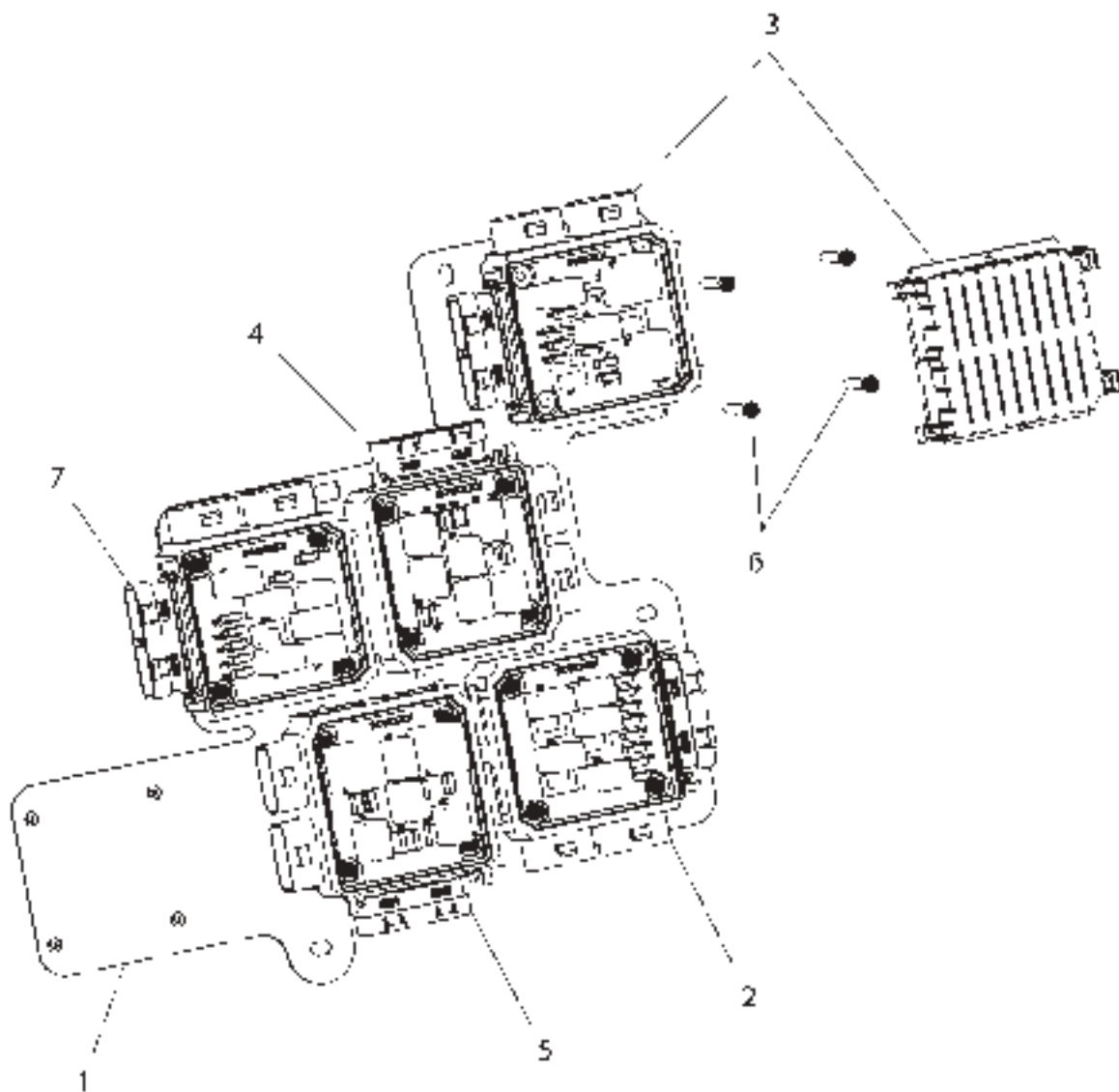
ITEM	NUMBER	QTY	DESCRIPTION
-	152-0005	--	WIRING GP-CAB [A] (NOT SERVICED)
2	400837X1	63	STRAP-CABLE
4	CH4E-2229	1	DAMPER AS-ALARM
6	CH105-8034	1	SWITCH AS-LIMIT (CAB DOOR)
7	CH116-7471	1	PULLER-MINIFUSE
8	CH117-2311	2	RECEPTACLE AS-POWER (12 VOLT)
9	CH129-6457	1	SWITCH AS-LIMIT
	CH6V-8376	3	SCREW-MACHINE (8-32X0.25IN)
	CH9B-7233	3	LOCKWASHER
14	CH163-2657	1	SWITCH GP-START
	400781X1	1	WEDGE-RECEPTACLE LOCK
	CH7T-6799	1	NUT-MOUNTING (1-32)
	400562X1	2	PIN-CONNECTOR
	400708X1	1	KIT-RECEPTACLE (4 PIN) (INCLUDES RECEPTACLE AS WEDGE)
	CH5P-8500	1	KEY-IGNITION
15	CH165-5975	8	PLUG
16	169-8231	1	SWITCH AS-ROCKER (FLOOD)
18	172-6841	1	PANEL GP-FUSE (NOT SERVICED) (SEE BREAKDOWN FOR COMPONENTS)
19	502173D1	1	HARNESS AS (FLASHER)
30	216-3028	1	SWITCH AS-ROCKER (HAZARD)
32	CH096-6166	10	WASHER-HARD (4.5X9X1)
35	CH145-0846	1	KNOB AS-LIGHTER
36	CH145-0847	1	HOUSING AS
	CH6V-8376	1	SCREW-MACHINE (8-32X0.25IN)
	CH9B-7233	1	LOCKWASHER
40	CH216-9085	2	SCREW-PAN HEAD
41	CH219-4673	1	HORN (12 VOLT)
42	CH3B-4501	12	LOCKWASHER
43	CH3C-6969	4	NUT (M3X0.5)
47	CH5C-8312	8	NUT (M4X0.7)
48	CH6V-9671	4	SCREW-MACHINE (M3X0.5X12MM)
51	501941D1	1	CAP AS-W/LANYARD
	CH8C-6354	1	CAP-RECEPTACLE
	400408X1	1	LANYARD
54	CH8T-2658	2	LOCKNUT (M3X0.5)
56	400287X1	2	WASHER-HARD (11X21X2.5)
57	400039X1	2	BOLT (M10X1.5X25MM)
58	400058X1	4	BOLT (M10X1.5X30MM)
60	CH8T-4205	7	WASHER-HARD (7.2X14.5X2)
61	400251X1	12	BOLT-SOCKET HEAD (M4X0.7X16MM)
63	CH9X-2044	7	SCREW-TRUSS HEAD (M6X1X16MM)

[A] PART OF 500847D1; 500848D1 CAB AR

1520005B
PR: t05f07j07b0124

MT700 SERIES TRACK TRACTORS
ELECTRICAL AND STARTING SYSTEM

FUSE GP - 169-6380



MT700 SERIES TRACK TRACTORS
ELECTRICAL AND STARTING SYSTEM

303

FUSE GP - 169-6380

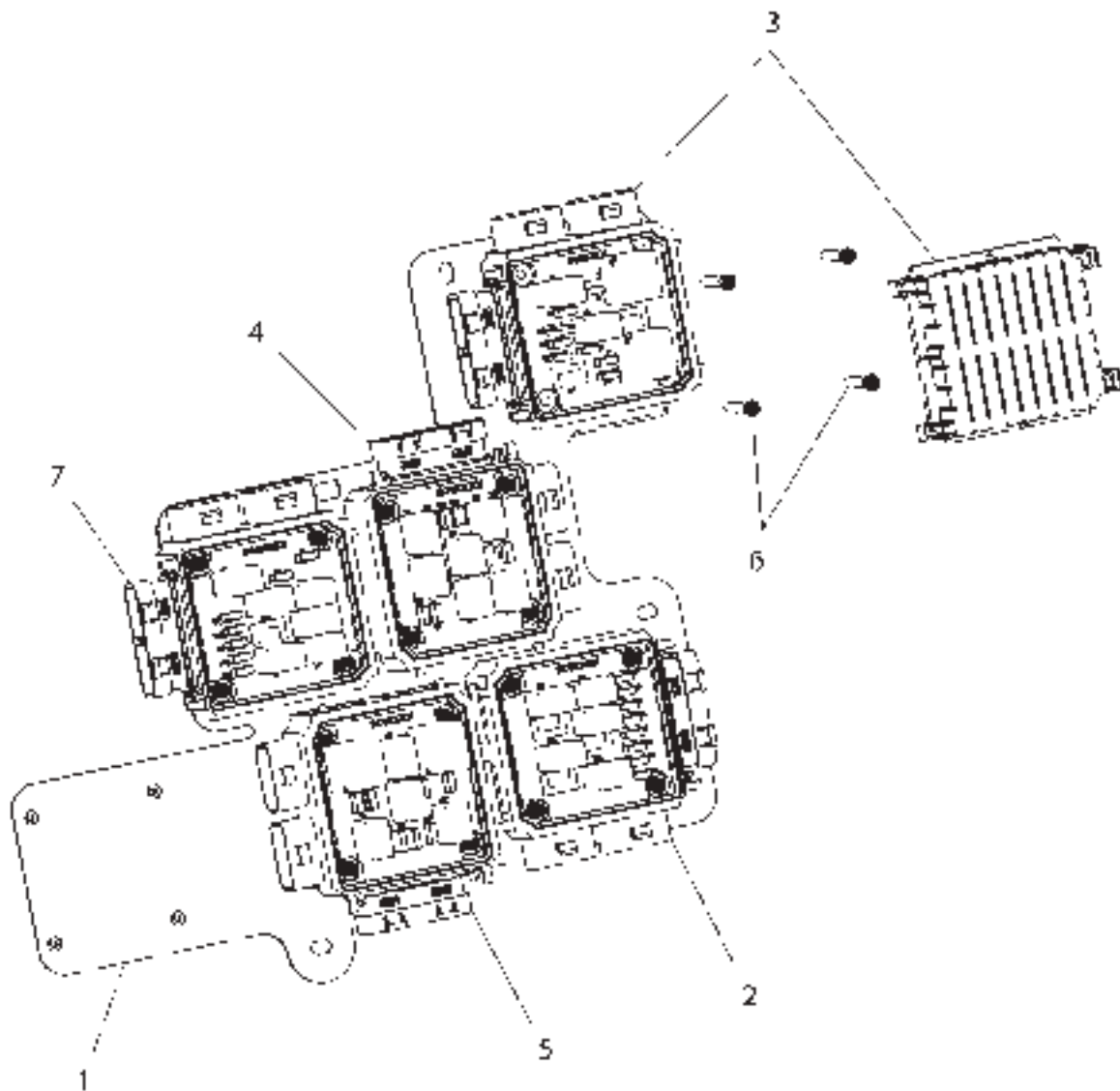
ITEM	NUMBER	QTY	DESCRIPTION
-	169-6380	--	PANEL GP-FUSE (NOT SERVICED) [A]
1	501887D1	1	PLATE AS
	CH8T-8874	20	NUT-WELD (M5X0.8 THD)
2	501834D1	1	BLOCK AS-FUSE (SEE BREAKDOWN FOR COMPONENTS)
3	501830D1	1	BLOCK AS-FUSE (SEE BREAKDOWN (SEE BREAKDOWN FOR COMPONENTS)
4	501833D1	1	BLOCK AS-FUSE (SEE BREAKDOWN FOR COMPONENTS)
5	501832D1	1	BLOCK AS-FUSE (SEE BREAKDOWN FOR COMPONENTS)
6	400208X1	20	BOLT-SOCKET HEAD (M5X0.8X40MM)
7	501835D1	1	BLOCK AS-FUSE (SEE BREAKDOWN FOR COMPONENTS)

[A] PART OF 152-0420 WIRING GP-CAB

1726841J
PR: t05f07j07b0125

MT700 SERIES TRACK TRACTORS
ELECTRICAL AND STARTING SYSTEM

FUSE GP-CLAAS - 172-6841
EAME ONLY



**MT700 SERIES TRACK TRACTORS
ELECTRICAL AND STARTING SYSTEM**

305

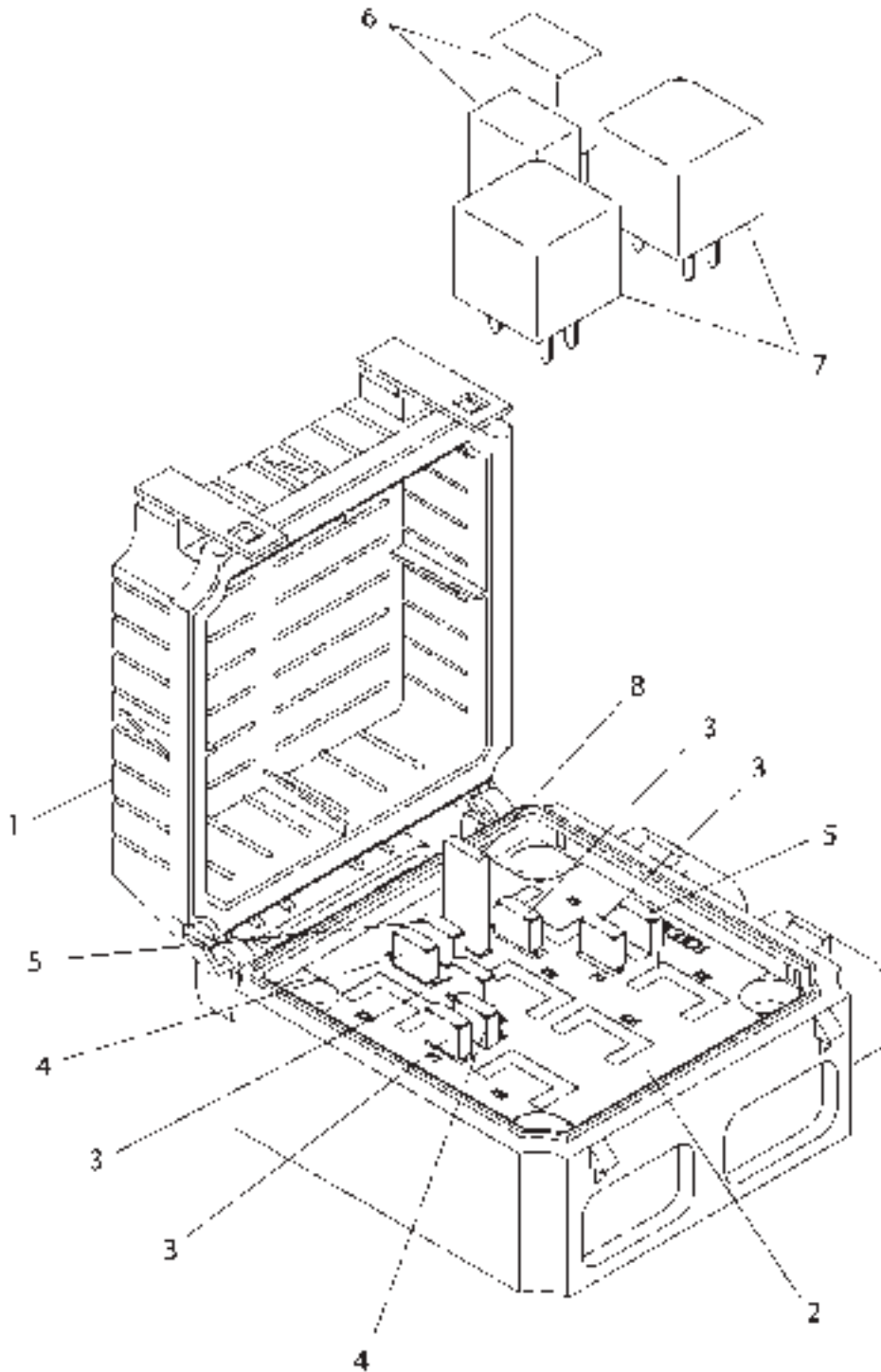
**FUSE GP-CLAAS - 172-6841
EAME ONLY**

ITEM	NUMBER	QTY	DESCRIPTION
-	172-6841	--	PANEL GP-FUSE (NOT SERVICED) [A]
1	501887D1	1	PLATE AS
	CH8T-8874	20	NUT-WELD (M5X0.8 THD)
2	501834D1	1	BLOCK AS-FUSE (SEE BREAKDOWN FOR COMPONENTS)
3	501831D1	1	BLOCK AS-FUSE (SEE BREAKDOWN (SEE BREAKDOWN FOR COMPONENTS)
4	501833D1	1	BLOCK AS-FUSE (SEE BREAKDOWN FOR COMPONENTS)
5	501832D1	1	BLOCK AS-FUSE (SEE BREAKDOWN FOR COMPONENTS)
6	400208X1	20	BOLT-SOCKET HEAD (M5X0.8X40MM)
7	501835D1	1	BLOCK AS-FUSE (SEE BREAKDOWN FOR COMPONENTS)

[A] PART OF 152-0005 WIRING GP-CAB

1726841J
PR: t05f07j07b0126

BLOCK AS-FUSE
501831D1



MT700 SERIESTRACKTRACTORS
ELECTRICAL AND STARTING SYSTEM

307

BLOCK AS-FUSE
501831D1

ITEM	NUMBER	QTY	DESCRIPTION
-	501831D1	--	BLOCK AS-FUSE [A]
1	501836D1	1	COVER
2	501840D1	1	BLOCK-FUSE
3	CH113-8490	4	FUSE (10A)
4	CH113-8492	2	FUSE (20A)
5	CH124-3548	2	FUSE (30A)
6	CH146-9439	2	RELAY AS (12V)
7	CH170-2237	2	RELAY AS (12V)
8	CH180-0613	1	BREAKER AS-CIRCUIT (30A)

[A] PART OF 169-6830;172-6841 FUSE GP

501831DC
PR: t05f07j07b0127

MT700 SERIESTRACKTRACTORS
ELECTRICAL AND STARTING SYSTEM

309

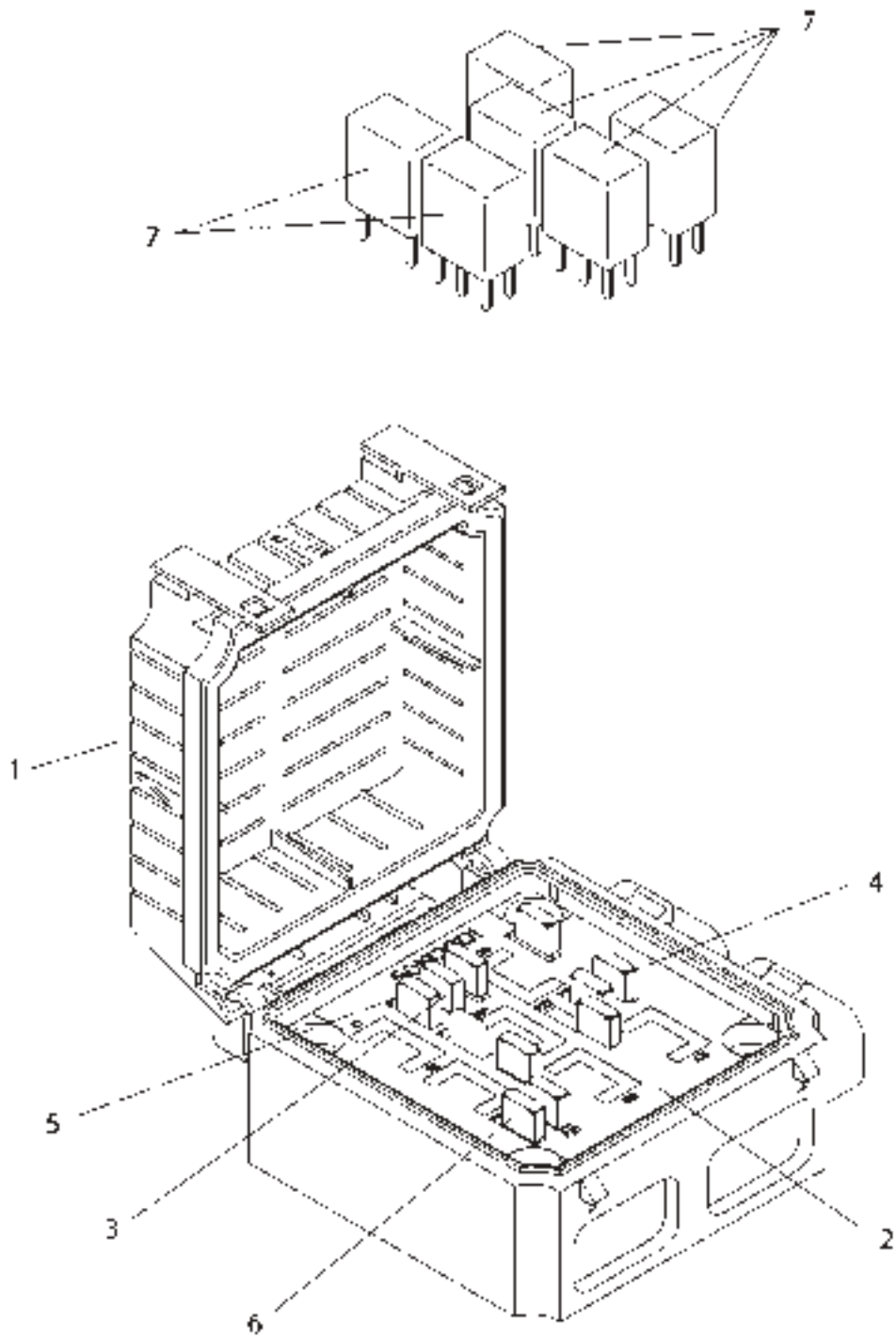
BLOCK AS-FUSE
501832D1

ITEM	NUMBER	QTY	DESCRIPTION
-	501832D1	--	BLOCK AS-FUSE [A]
1	501836D1	1	COVER
2	501877D1	1	BLOCK-FUSE
3	CH113-8490	2	FUSE (10A)
4	CH113-8491	3	FUSE (15A)
5	CH124-3548	1	FUSE (30A)
6	CH146-9439	4	RELAY AS (12V)
7	CH170-2237	2	RELAY AS (12V)
8	CH180-0613	2	BREAKER AS-CIRCUIT (30A)

[A] PART OF 169-6380;172-6841 FUSE GP

501832DC
PR: t05f07j07b0128

BLOCK AS-FUSE
501833D1



MT700 SERIESTRACKTRACTORS
ELECTRICAL AND STARTING SYSTEM

311

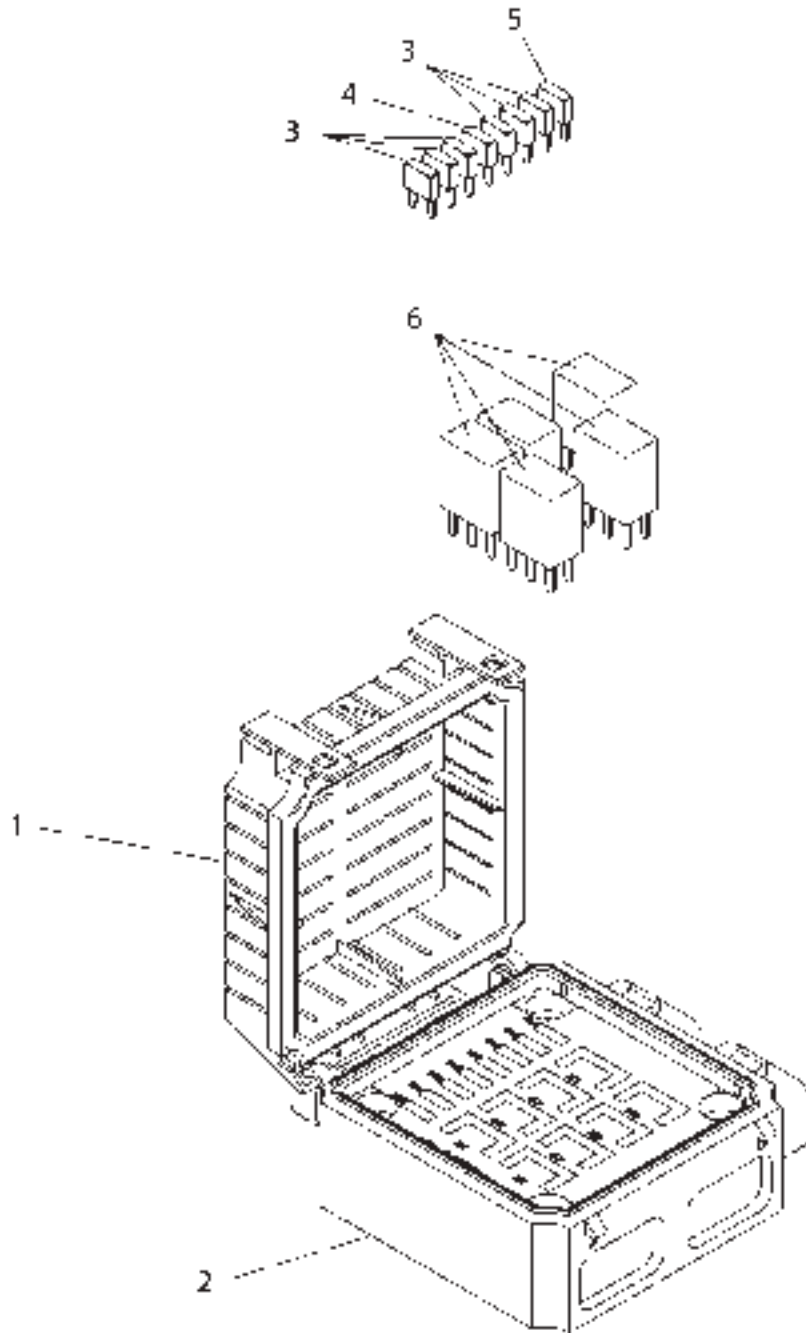
BLOCK AS-FUSE
501833D1

ITEM	NUMBER	QTY	DESCRIPTION
-	501833D1	--	BLOCK AS-FUSE [A]
1	501836D1	1	COVER
2	501838D1	1	BLOCK-FUSE
3	CH113-8490	3	FUSE (10V)
4	CH113-8491	4	FUSE (15A)
5	CH124-3548	2	FUSE (30A)
6	CH141-2759	2	FUSE (5A)
7	CH146-9439	6	RELAY AS (12V)

[A] PART OF 169-6380;172-6841 FUSE GP

501833DC
PR: t05f07j07b0129

BLOCK AS-FUSE
501834D1



MT700 SERIES TRACK TRACTORS
ELECTRICAL AND STARTING SYSTEM

313

BLOCK AS-FUSE
501834D1

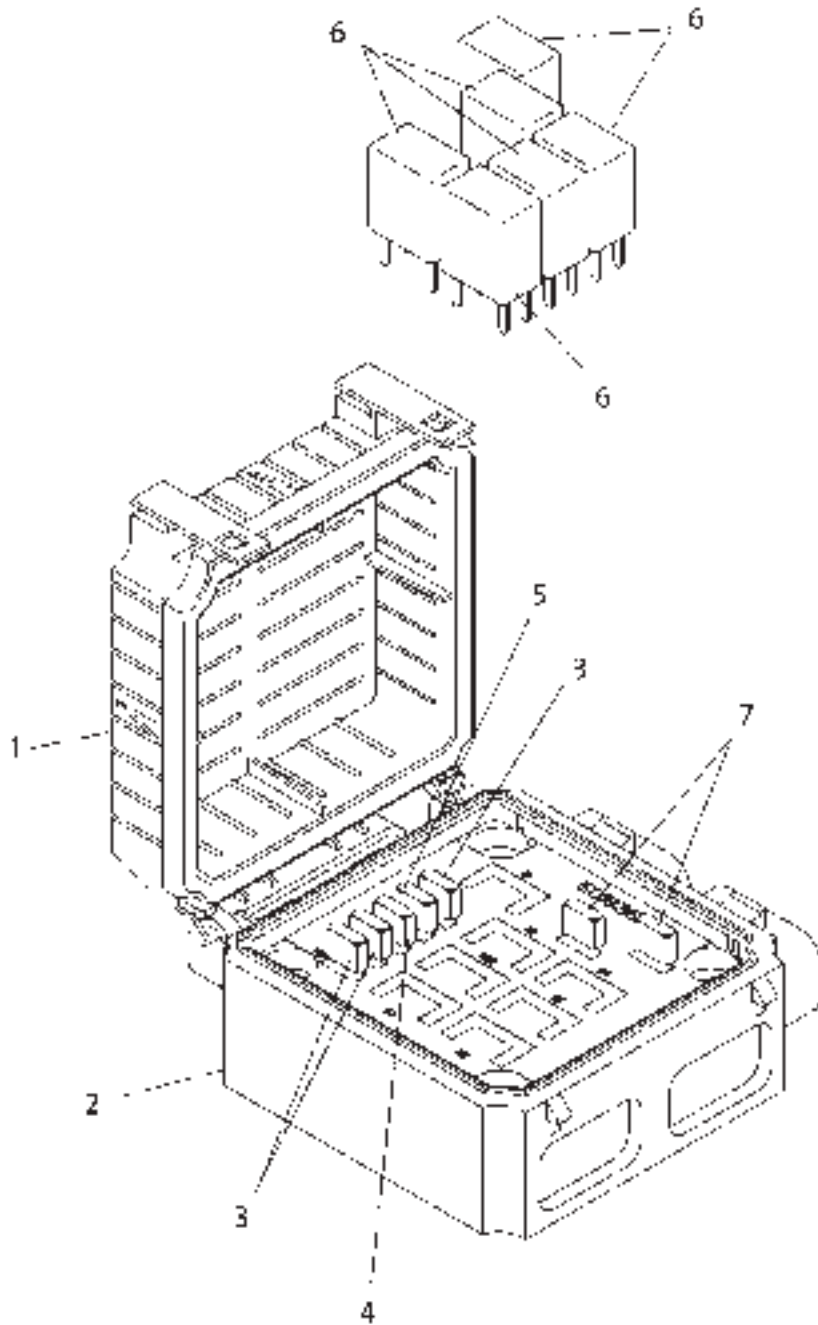
ITEM	NUMBER	QTY	DESCRIPTION
-	501834D1	--	BLOCK AS-FUSE [A]
1	501836D1	1	COVER
2	501839D1	1	BLOCK-FUSE
3	CH113-8491	6	FUSE (15A)
4	CH113-8492	1	FUSE (20V)
5	CH141-2759	1	FUSE (5A)
6	CH146-9439	5	RELAY AS (12V)

[A] PART OF 169-6380;172-6841 FUSE GP

501834DC
PR: t05f07j07b0130

MT700 SERIES TRACK TRACTORS
ELECTRICAL AND STARTING SYSTEM

BLOCK AS-FUSE
501835D1



501835D1

MT700 SERIESTRACKTRACTORS
ELECTRICAL AND STARTING SYSTEM

315

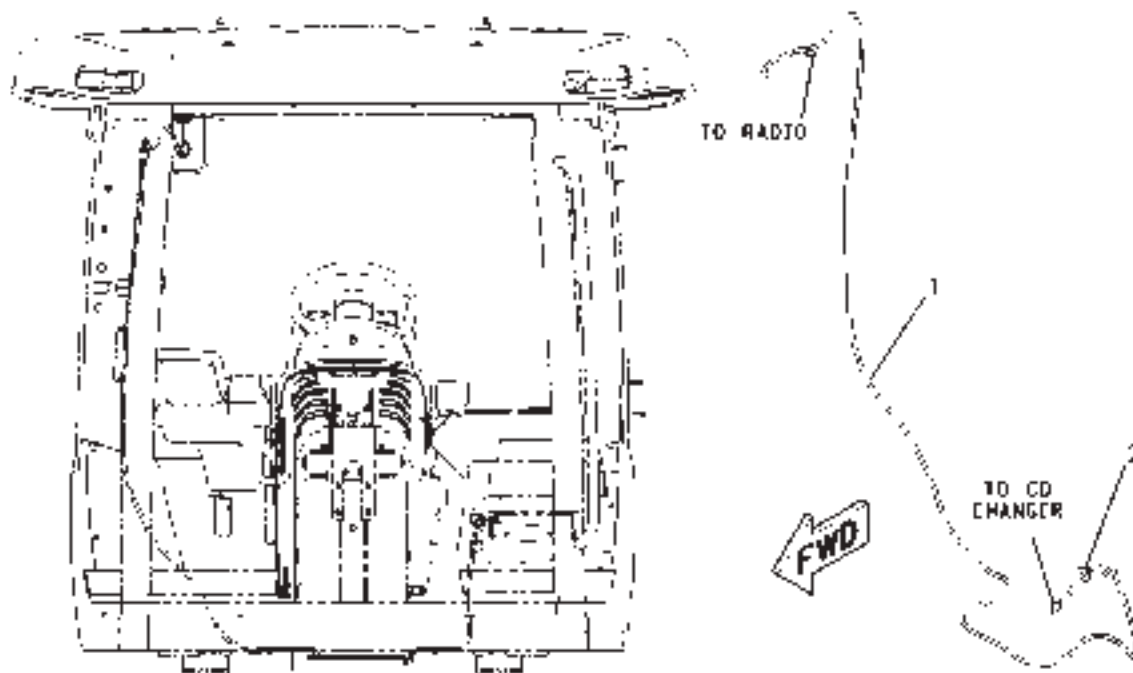
BLOCK AS-FUSE
501835D1

ITEM	NUMBER	QTY	DESCRIPTION
-	501835D1	--	BLOCK AS-FUSE [A]
1	501836D1	1	COVER
2	501842D1	1	BLOCK-FUSE
3	CH113-8491	3	FUSE (15A)
4	CH113-8492	1	FUSE (20V)
5	CH141-2759	1	FUSE (5A)
6	CH146-9439	6	RELAY AS (12V)
7	CH173-3175	2	BREAKER AS-CIRCUIT (20A)

[A] PART OF 169-6380;172-6841 FUSE GP

501835DC
PR: t05f07j07b0131

WIRING GP-COMPACT DISC CHANGER
195-9532



FRONT VIEW

MT700 SERIESTRACKTRACTORS
ELECTRICAL AND STARTING SYSTEM

317

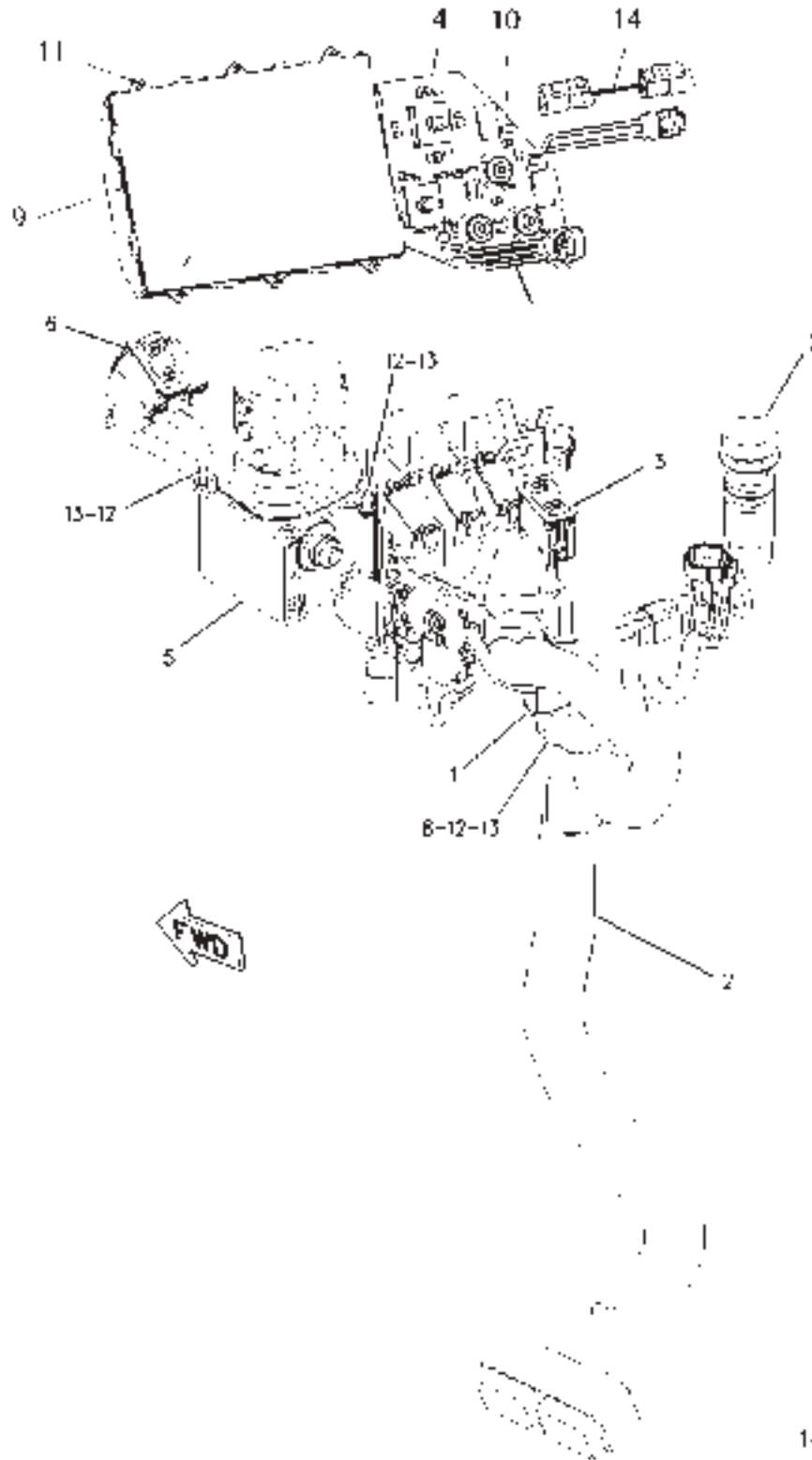
WIRING GP-COMPACT DISC CHANGER
195-9532

ITEM	NUMBER	QTY	DESCRIPTION
-	195-9532	--	WIRING GP-COMPACT DISC CHANGER
1	170-7252	1	HARNESS AS (COMPACT DISC CHANGER)
2	CH212-4443	1	GROMMET-RUBBER (12.5IDX32X2.5)

00825421
PR: t05f07j07b0132

MT700 SERIES TRACK TRACTORS
ELECTRICAL AND STARTING SYSTEM

WIRING GP-CONSOLE - 166-1211
ARMREST



**MT700 SERIES TRACK TRACTORS
ELECTRICAL AND STARTING SYSTEM**

319

**WIRING GP-CONSOLE - 166-1211
ARMREST**

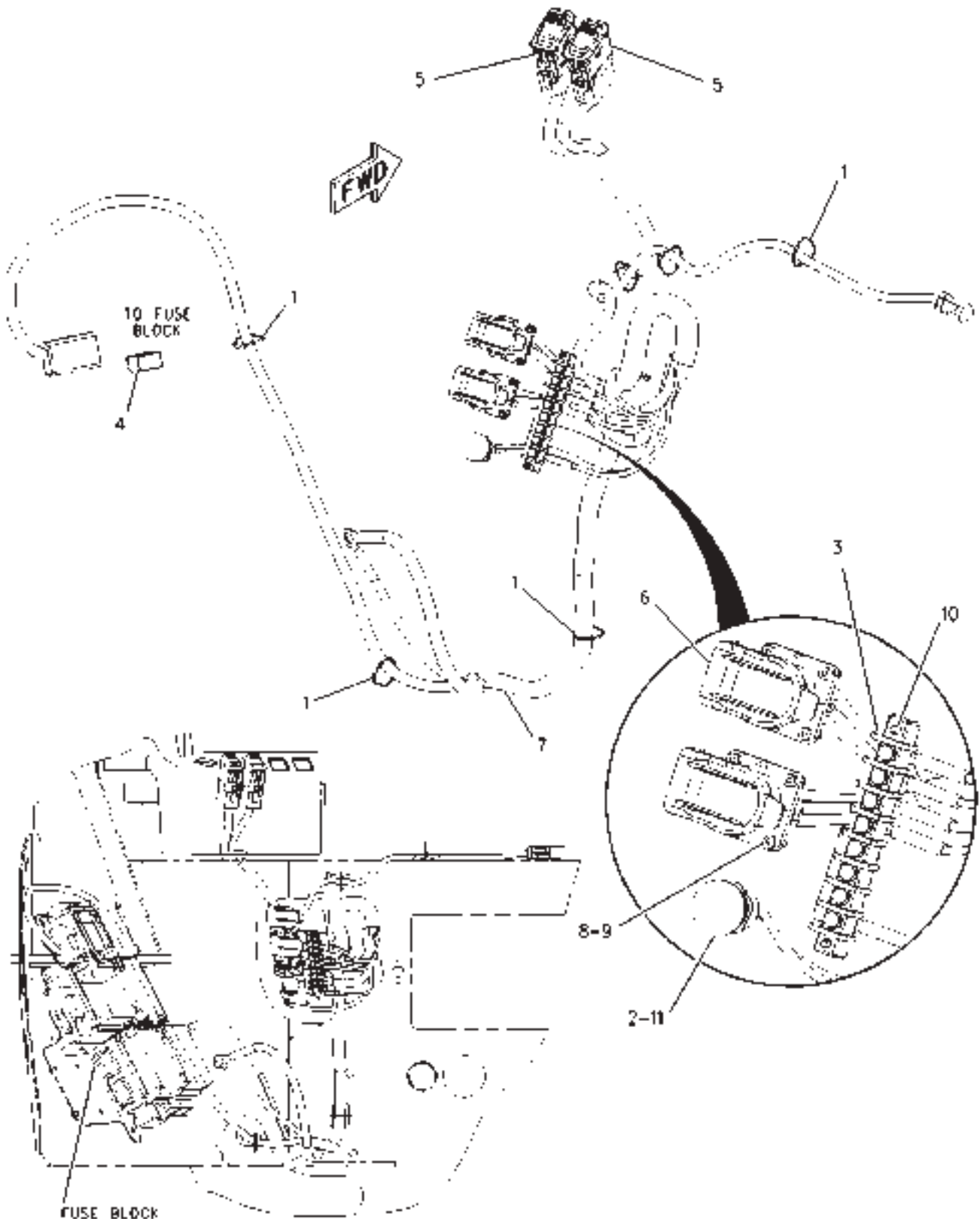
ITEM	NUMBER	QTY	DESCRIPTION
-	166-1211	--	WIRING GP-CONSOLE [A] (NOT SERVICED)
1	400837X1	4	STRAP-CABLE
2	136-5533	1	HARNESS AS. (ARMREST) (S/N: PRIOR TO AKN5;ALA5;ALM5;AMS5)
	502035D1	1	HARNESS AS. (ARMREST) (S/N: EFF AKN5;ALA5;ALM5;AMS5)
3	222-2457	1	SWITCH-ROCKER (ROADING LOCKOUT)
4	501033D1	1	MODULE GP-MONITOR KEYPAD (TR MGMT CNTR) (SEE BREAKDOWN FOR COMPONENTS)
5	169-6346	1	CONTROL GP-TRANSMISSION (NOT SERVICED) (SEE BREAKDOWN FOR COMPONENTS)
6	169-8228	1	SWITCH-ROCKER (ONE TOUCH MULTI-FUNCTION)
7	502423D1	1	KIT/PTO SWITCH & ADAPTOR (S/N: PRIOR TO AKN5;ALA5;ALM5;AMS5) (SEE BREAKDOWN FOR COMPONENTS)
7	502009D1	1	SWITCH AS. (POWER TAKE-OFF) (S/N: EFF AKN5;ALA5;ALM5;AMS5)
	400782X1	1	CONNECTOR-RECP.
	400562X1	4	PIN-CONNECTOR
8	202-0844	1	BRACKET
9	502006D1	1	DISPLAY (TRACTOR MGMT CENTER)
10	400834X1	4	SCREW-TRUSS HD (8-16X0.5IN)
11	400835X1	6	SCREW-PAN HEAD (6-19X0.5IN)
12	400836X1	3	SCREW-MACHINE (M5X0.8 THD)
13	400310X1	3	WASHER (6.6X12X2MM THK)
14	502005D1	1	JUMPER HARNESS-SWITCH MODULE

[A] PART OF 500484D2;500485D2;500488D2;
500489D2;500791D2 ARMREST GP;
500845D1;500846D1;500847D1;
500848D1 CAB AR

1661211A
PR: t05f07j07b0133

MT700 SERIES TRACK TRACTORS
ELECTRICAL AND STARTING SYSTEM

WIRING GP-CONSOLE - 168-1946
EAME ONLY



FRONT VIEW

**MT700 SERIES TRACK TRACTORS
ELECTRICAL AND STARTING SYSTEM**

321

**WIRING GP-CONSOLE - 168-1946
EAME ONLY**

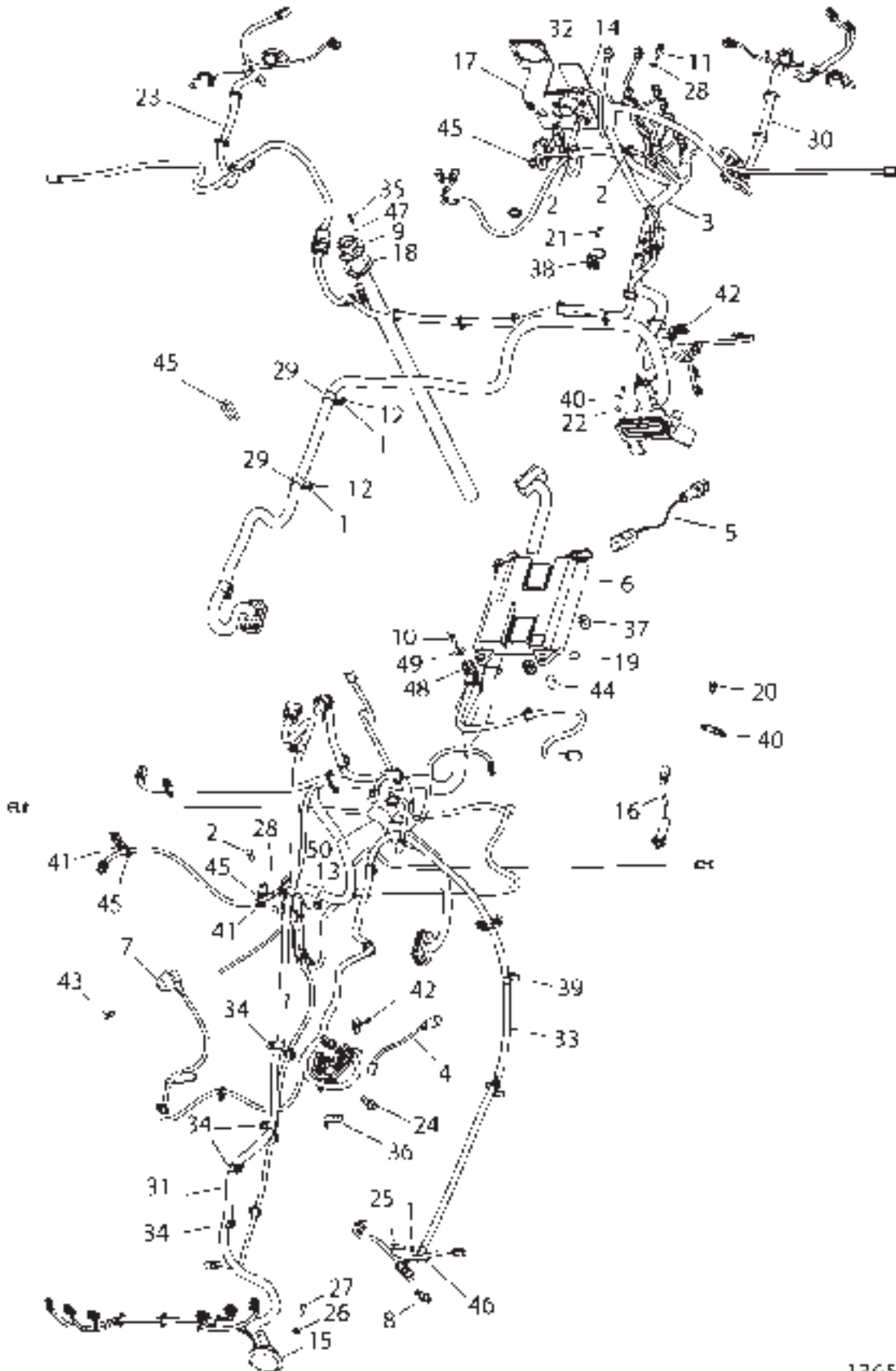
ITEM	NUMBER	QTY	DESCRIPTION
-	168-1946	--	WIRING GP-CONSOLE [A] (NOT SERVICED)
1	400837X1	7	STRAP-CABLE
2	CH9R-7941	1	RECEPTACLE AS-POWER (24 VOLTS)
	CH9R-7980	1	COVER-PLASTIC
3	CH136-5268	1	STRIP AS-POWER
4	CH146-9439	1	RELAY AS (12 VOLT) (AUXILIARY POWER SWITCHES)
5	169-8229	2	SWITCH AS-ROCKER (AUXILIARY POWER)
6	CH174-9061	2	CONNECTOR-RECPT (5 PIN)
7	502175D1	1	HARNESS AS (AUXILIARY POWER)
8	400006X1	8	BOLT-SOCKET HEAD (M3X0.5X12MM)
9	CH3C-6969	8	NUT (M3X0.5 THD)
10	CH119-5026	2	SCREW-PAN HEAD (10-16X0.63IN)
11	400322X1	1	SEAL-O-RING (19.28ODX1.78DIA)

[A] PART OF 500847D1; 500848D1 CAB AR

00883528
PR: t05f07j07b0134

MT700 SERIES TRACK TRACTORS
ELECTRICAL AND STARTING SYSTEM

WIRING GP-VEHICLE - 136-5667
ROW ONLY



**MT700 SERIES TRACK TRACTORS
ELECTRICAL AND STARTING SYSTEM**

323

**WIRING GP-VEHICLE - 136-5667
ROW ONLY**

ITEM	NUMBER	QTY	DESCRIPTION
-	136-5667	--	WIRING GP-VEHICLE [A] (NOT SERVICED)
1	400287X1	11	WASHER-HARD 11IDX21ODX2.5 ZND1
2	400039X1	6	BOLT-M10X1.5X25 ZNDI HHD 10.9
3	136-5458	1	HARNESS AS-REAR (S/N: PRIOR TO AKN40200; ALA40265;ALM40700;AMS41162)
3	501117D2	1	HARNESS AS-REAR [B] (S/N: EFF AKN40200; ALA40265;ALM40700;AMS41162)
4	CH149-6371	1	SWITCH AS.-PRESSURE 103.4KPA
	400562X1	2	PIN-CONNECTOR
	CH102-8802	1	KIT-RECEPTACLE (INCLS WEDGE)
5	CH161-9932	1	SENSOR GP-PRESSURE (NOT SHOWN) (SEE BREAKDOWN FOR COMPONENTS)
6	209-0893	1	ELEK GP-A5009
7	226-4754	1	SWITCH AS.
8	CH114-5333	1	SWITCH AS.-PRESSURE HI-LOW
	400562X1	2	PIN-CONNECTOR
	CH102-8802	1	KIT-RECEPTACLE (INCLS WEDGE)
9	136-5295	1	SENDER-FUEL LEVEL
	400561X1	1	PIN-CONNECTOR
	CH102-8802	1	KIT-RECEPTACLE (INCLS WEDGE)
10	400001X1	4	BOLT-M8X1.25X40MM ZN HHD 10.9
11	400046X1	2	BOLT-M12X1.75X90 ZNDI HHD 10.9
12	400054X1	2	BOLT-M10X1.5X16 ZNDI HHD 10.9
13	400055X1	2	BOLT-M12X1.75X25 ZNDI HHD 10.9
14	501962D1	1	RECEPTACLE AS
15	501998D1	1	HORN
16	CH175-3244	1	SWITCH AS-PRESSURE 10700 KPA
	400562X1	3	PIN-CONNECTOR
	CH3E-3371	1	WEDGE
17	136-5377	1	BRACKET AS. (S/N: PRIOR TO AKN40200; ALA40269;ALM40714;AMS41174)
17	500512D1	1	BRACKET AS. (S/N: EFF AKN40200; ALA40269;ALM40714;AMS41174)
18	500013D1	1	GASKET
19	400318X1	1	SEAL-O-RING (11.89IDX1.98)
20	400190X1	1	BOLT-M12X1.75X16 ZNDI HHD 10.9
21	400209X1	2	BOLT-M6X1X12MM PL HSHD 12.9
22	400251X1	4	BOLT-M4X0.7X16MM PL HSHD 12.9
23	136-5464	1	HARNESS AS.-LH FENDER (S/N: PRIOR TO AKN40200;ALA50283;ALM50769;AMS51319)
23	502194D1	1	HARNESS AS.-LH FENDER (S/N: EFF AKN40200;ALA50283;ALM50769;AMS51319)
24	400040X1	1	BOLT
25	400058X1	2	BOLT-M10X1.5X30 ZNDI HHD 10.9
26	400339X1	3	WASHER-HARD
27	400341X1	3	BOLT-HEX HEAD
28	400357X1	5	WASHER-HARD-M12X25.50DX3THK
29	400688X1	2	CLIP LOOP 25.4ID

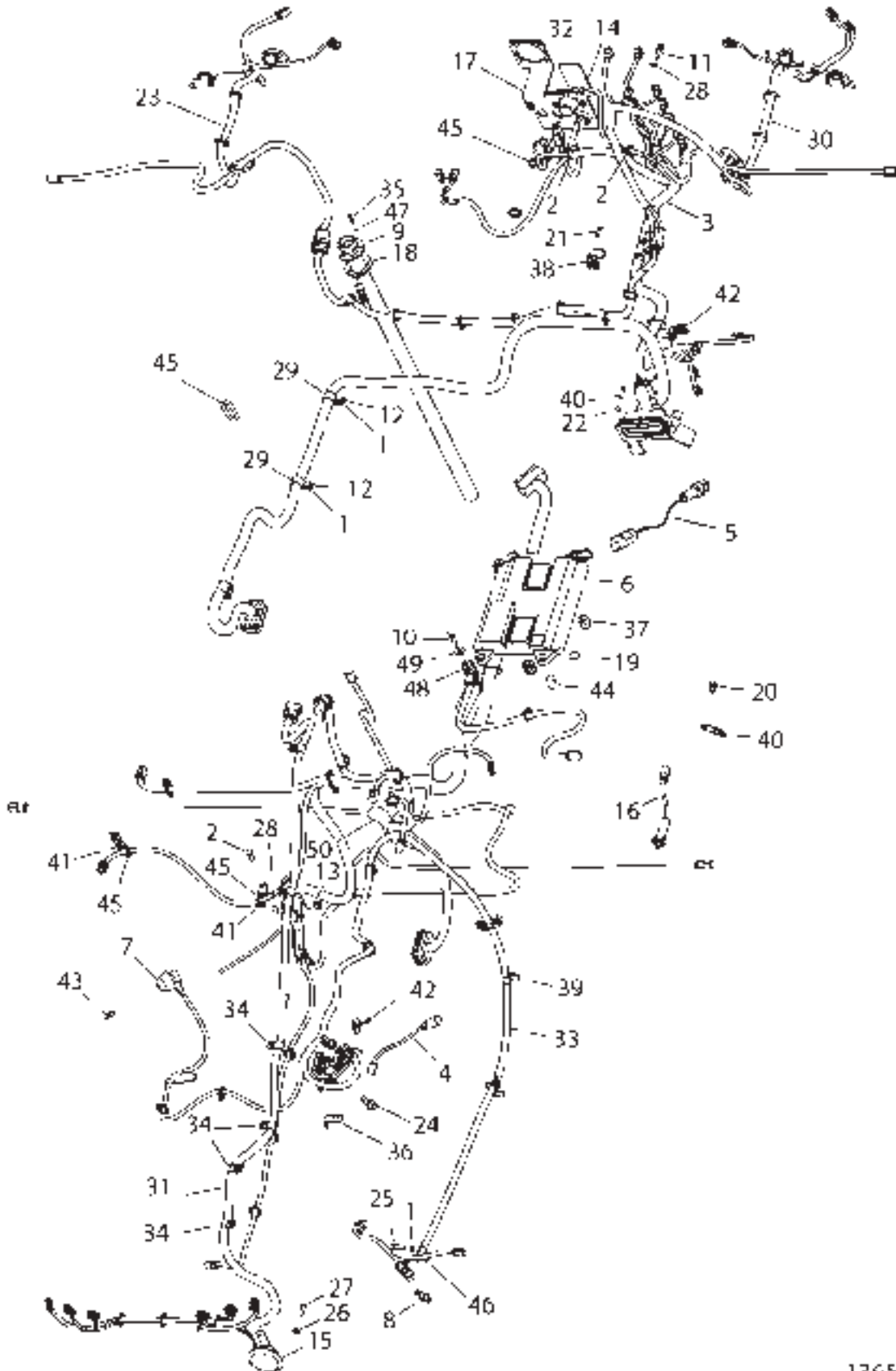
CONTINUED

[A] PART OF 177-1588; 502668D1
BASE COMMON AR
[B] 204-5298 BECAME PART OF ITEM 3

1365667A
PR: t05f07j07b0135

MT700 SERIES TRACK TRACTORS
ELECTRICAL AND STARTING SYSTEM

WIRING GP-VEHICLE - 136-5667
ROW ONLY



**MT700 SERIES TRACK TRACTORS
ELECTRICAL AND STARTING SYSTEM**

325

**WIRING GP-VEHICLE - 136-5667
ROW ONLY**

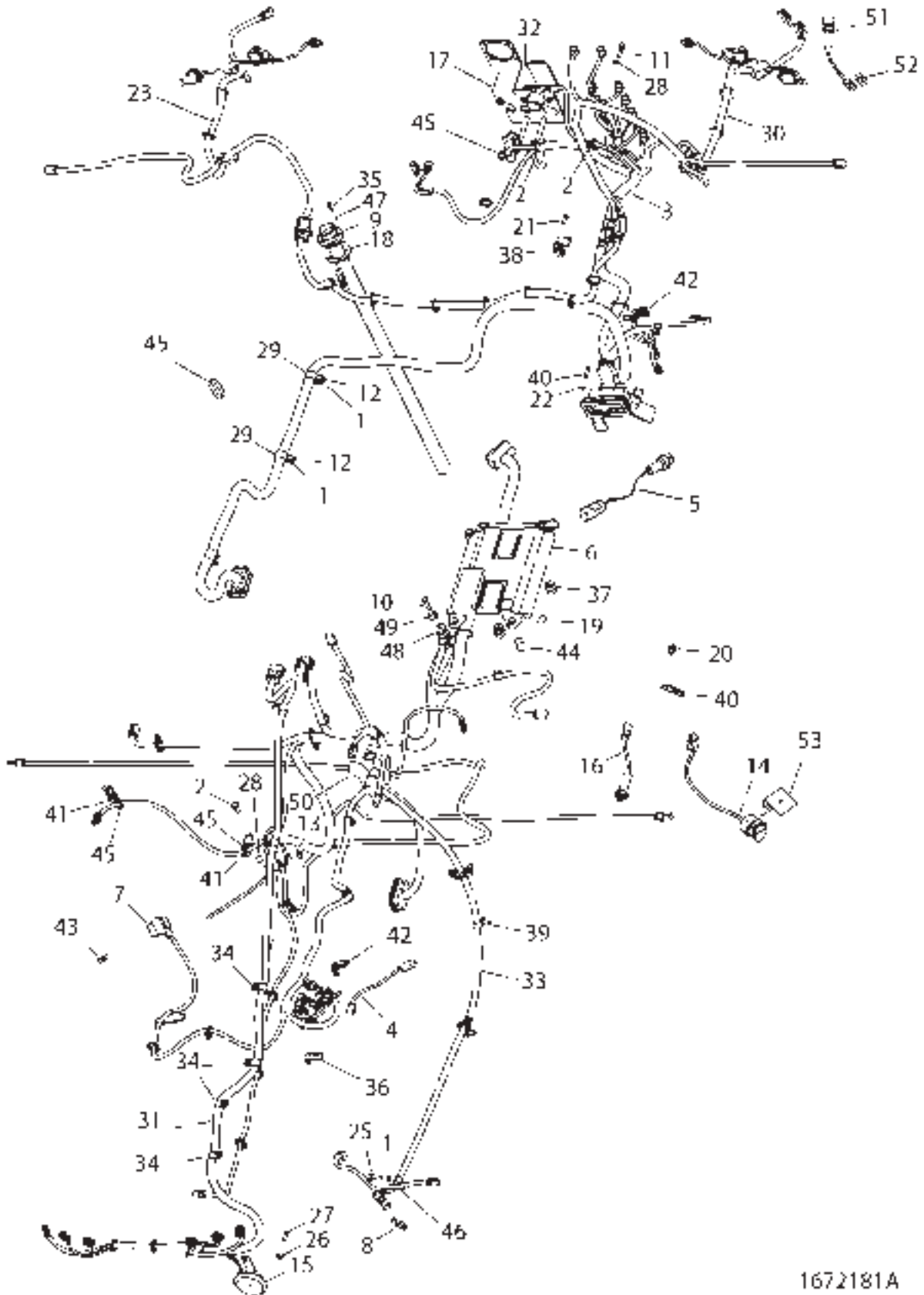
ITEM	NUMBER	QTY	DESCRIPTION
-	136-5667	--	WIRING GP-VEHICLE [A] (NOT SERVICED)
30	136-5463	1	HARNESS AS.-RH FENDER (S/N: PRIOR TO AKN40200;ALA50284;ALM50769;AMS51328)
30	502195D1	1	HARNESS AS.-RH FENDER (S/N: EFF AKN40200;ALA50284;ALM50769;AMS51328)
31	136-5462	1	HARNESS AS.-HOOD (S/N: PRIOR TO AKN40200;ALA50285;ALM50769;AMS51345)
31	502196D1	1	HARNESS AS.-HOOD (S/N: EFF AKN40200;ALA50285;ALM50769;AMS51345)
32	154-9971	1	HARNESS AS.-TRAILER (S/N: PRIOR TO AKN40200;ALA50285;ALM50769;AMS51352)
32	502197D1	1	HARNESS AS.-TRAILER (S/N: EFF AKN40200;ALA50285;ALM50769;AMS51352)
33	136-5460	1	HARNESS AS.-CHASSIS (S/N: PRIOR TO AKN40200;ALA50284;ALM50769;AMS51332)
33	502224D1	1	HARNESS AS.-CHASSIS (S/N: EFF AKN40200;ALA50284;ALM50769;AMS51332)
34	CH095-0912	6	CLIP-LOOP 18 ID W/COATING
35	CH114-3349	5	SCREW-PAN M5X0.8 THD TORX
36	CH132-5789	1	CLIP-LADDER
37	CH173-7223	1	ADAPTER AS (NOT SERVICED)
	400318X1	1	SEAL-O-RING (11.89IDX1.98DIA)
	400361X1	1	SEAL-O-RING (8.92IDX1.83DIA)
	CH9X-0261	1	ADAPTER-4STOR X 6STOR
38	CH183-4584	1	SENSOR GP-SPEED
	CH6J-2245	1	SEAL-O-RING
39	CH4K-8864	1	CLIP-LOOP
40	CH4P-7428	3	CLIP-LADDER 15DEG X 35.5
41	CH4P-7581	5	CLIP-LADDER 15DEGX12.5MM V COAT
42	CH4P-8134	5	CLIP-LADDER 75DEGX48MM V COAT
43	CH5K-5068	1	NIPPLE-2 NPTF
44	CH6I-1418	4	SPACER-12.7ODX8.5IDX28.7MM
45	CH7K-1181	78	STRAP-CABLE 0.19-4.00
46	CH8M-2770	1	CLIP-LOOP
47	CH8T-0328	5	WASHER-HARD 5.5IDX10ODX1MM
48	CH8T-9655	8	MOUNT (ISOLATION)
49	CH9N-0869	4	WASHER HARD-8.8IDX25.5ODX2MM
50	501738D1	AR	HOSE-HEATER, 3/4 I.D.,BULK (10CM)
-	CH4P-7429	1	CLIP-LADDER 75DEGX45MM V COAT
-	204-5298	1	CABLE AS [B] (NOT SHOWN) (S/N: PRIOR TO AKN40200;ALA40265;ALM40700;AMS41162)

[A] PART OF 177-1588; 502668D1
BASE COMMON AR
[B] 204-5298 BECAME PART OF 501117D2

1365667A
PR: t05f07j07b0135

MT700 SERIES TRACK TRACTORS
ELECTRICAL AND STARTING SYSTEM

WIRING GP-VEHICLE - 167-2181
EAME ONLY



**MT700 SERIES TRACK TRACTORS
ELECTRICAL AND STARTING SYSTEM**

327

**WIRING GP-VEHICLE - 167-2181
EAME ONLY**

ITEM	NUMBER	QTY	DESCRIPTION
-	167-2181	--	WIRING GP-VEHICLE [A]
1	400287X1	10	WASHER-HARD 111DX21ODX2.5 ZND1
2	400039X1	6	BOLT-M10X1.5X25 ZNDI HHD 10.9
3	501117D2	1	HARNESS AS-REAR
4	CH149-6371	1	SWITCH AS.-PRESSURE 103.4KPA
5	CH161-9932	1	SENSOR GP - PRESSURE (SEE BREAKDOWN FOR COMPONENTS)
6	209-0893	1	ELEK GP-A5009
7	226-4754	1	SWITCH AS.
8	CH114-5333	1	SWITCH AS.-PRESSURE HI-LOW
	400562X1	2	PIN-CONNECTOR
	CH102-8802	1	KIT-RECEPTACLE (INCLS WEDGE)
9	136-5295	1	SENDER-FUEL LEVEL
	400561X1	1	PIN-CONNECTOR
	CH102-8802	1	KIT-RECEPTACLE (INCLS WEDGE)
10	400001X1	4	BOLT-M8X1.25X40MM ZN HHD 10.9
11	400046X1	2	BOLT-M12X1.75X90 ZNDI HHD 10.9
12	400054X1	2	BOLT-M10X1.5X16 ZNDI HHD 10.9
13	400055X1	2	BOLT-M12X1.75X25 ZNDI HHD 10.9
14	501962D1	1	RECEPTACLE AS
15	501998D1	1	HORN
16	CH175-3244	1	SWITCH AS-PRESSURE 10700 KPA
	400562X1	3	PIN-CONNECTOR
	CH3E-3371	1	WEDGE
17	500512D1	1	BRACKET AS.
18	500013D1	1	GASKET
19	400318X1	1	SEAL-O-RING 11.89IDXDIA1.98
20	400190X1	1	BOLT-M12X1.75X16 ZNDI HHD 10.9
21	400209X1	2	BOLT-M6X1X12MM PL HSHD 12.9
22	400251X1	4	BOLT-M4X0.7X16MM PL HSHD 12.9
23	136-5464	1	HARNESS AS.-LH FENDER (S/N: PRIOR TO AKN40200;ALA50283;ALM50769;AMS51319)
23	502194D1	1	HARNESS AS.-LH FENDER (S/N: EFF AKN40200;ALA50283;ALM50769;AMS51319)
25	400058X1	1	BOLT-M10X1.5X30 ZNDI HHD 10.9
26	400339X1	1	WASHER - HARD
27	400341X1	1	BOLT - HEX HEAD
28	400357X1	5	WASHER-HARD-M12X25.50DX3THK
29	400688X1	2	CLIP LOOP 25.4ID
30	136-5463	1	HARNESS AS.-RH FENDER (S/N: PRIOR TO AKN40200;ALA50284;ALM50769;AMS51328)
30	502195D1	1	HARNESS AS.-RH FENDER (S/N: EFF AKN40200;ALA50284;ALM50769;AMS51328)

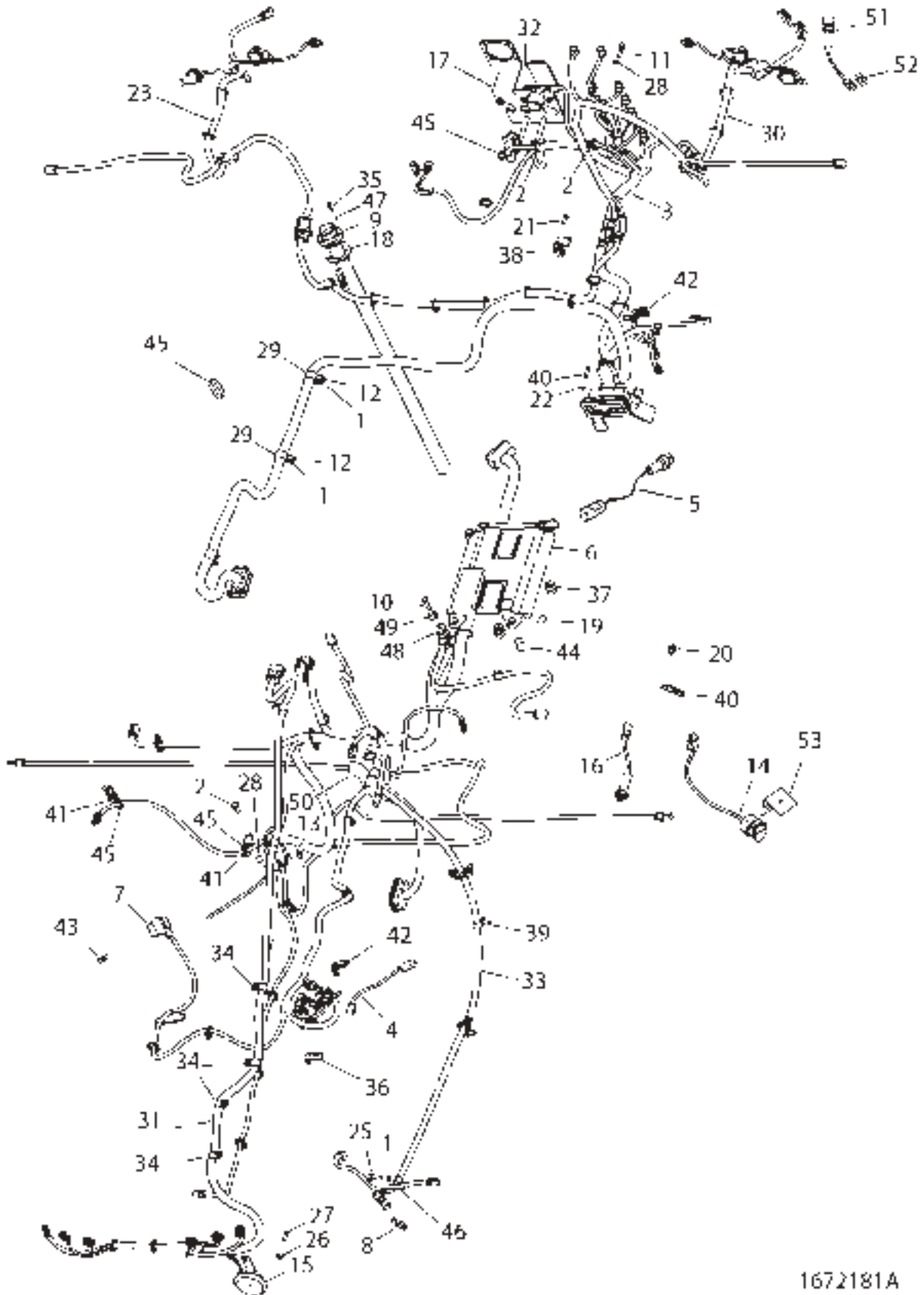
CONTINUED

[A] PART OF 177-1589 BASE COMMON AR

1672181A
PR: t05f07j07b0136

MT700 SERIES TRACK TRACTORS
ELECTRICAL AND STARTING SYSTEM

WIRING GP-VEHICLE - 167-2181
EAME ONLY



**MT700 SERIES TRACK TRACTORS
ELECTRICAL AND STARTING SYSTEM**

329

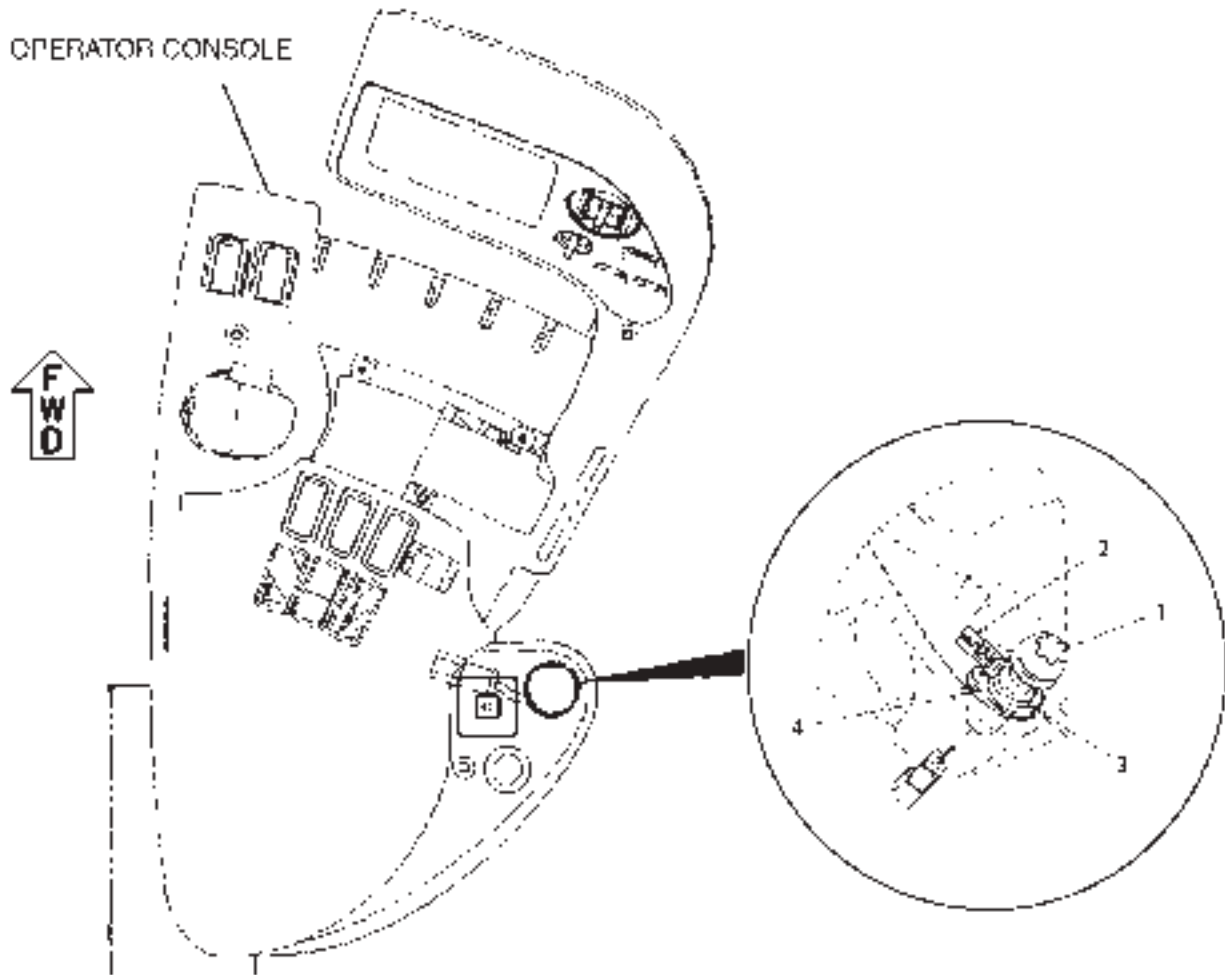
**WIRING GP-VEHICLE - 167-2181
EAME ONLY**

ITEM	NUMBER	QTY	DESCRIPTION
-	167-2181	--	WIRING GP-VEHICLE [A]
31	136-5462	1	HARNESS AS.-HOOD (S/N: PRIOR TO AKN40200;ALA50285;ALM50769;AMS51345)
31	502196D1	1	HARNESS AS.-HOOD (S/N: EFF AKN40200;ALA50285;ALM50769;AMS51345)
32	154-9971	1	HARNESS AS.-TRAILER (S/N: PRIOR TO AKN40200;ALA50285;ALM50769;AMS51352)
32	502197D1	1	HARNESS AS.-TRAILER (S/N: EFF AKN40200;ALA50285;ALM50769;AMS51352)
33	136-5460	1	HARNESS AS.-CHASSIS (S/N: PRIOR TO AKN40200;ALA50284;ALM50769;AMS51332)
33	502224D1	1	HARNESS AS.-CHASSIS (S/N: EFF AKN40200;ALA50284;ALM50769;AMS51332)
34	CH095-0912	6	CLIP-LOOP 18 ID W/COATING
35	CH114-3349	5	SCREW-PAN M5X0.8 THD TORX
36	CH4P-7429	2	CLIP-LADDER 75DEGX45MM V COAT
37	CH173-7223	1	ADAPTER AS (NOT SERVICED)
	400318X1	1	SEAL-O-RING (11.89IDX1.98DIA)
	400361X1	1	SEAL-O-RING (8.92IDX1.83DIA)
	CH9X-0261	1	ADAPTER-4STOR X 6STOR
38	CH183-4584	1	SENSOR GP - SPEED
40	CH4P-7428	3	CLIP-LADDER 15DEG X 35.5
41	CH4P-7581	5	CLIP-LADDER 15DEGX12.5MM V COAT
42	CH4P-8134	5	CLIP-LADDER 75DEGX48 MM V COAT
43	CH5K-5068	1	NIPPLE-2 NPTF
44	CH6I-1418	4	SPACER-12.7ODX8.5IDX28.7MM
45	CH7K-1181	78	STRAP - CABLE 0.19-4.00
47	CH8T-0328	5	WASHER-HARD 5.5IDX10ODX1MM
48	CH8T-9655	8	MOUNT (ISOLATION)
49	CH9N-0869	4	WASHER HARD-8.8IDX25.5ODX2MM
50	501738D1	10	HOSE - HEATER, 3/4 I.D.,BULK
51	CH176-4546	1	SWITCH AS-PUSH BUTTON
	400561X1	5	PIN-CONNECTOR
	CH6F-0253	1	WASHER LOCK
	CH172-3511	1	NUT-5/8-24
52	400754X1	1	KIT-RECEPTACLE
53	500467D1	1	BRACKET (RECEPTACLE)
54	CH5P-4115	2	WASHER (NOT SHOWN)
55	CH4B-4274	3	WASHER (NOT SHOWN)
56	CH4B-2047	3	NUT (NOT SHOWN)
57	CH129-3178	2	LOCKNUT (NON METALLIC) (NOT SHOWN)
58	CH4K-8864	1	CLIP-LOOP (NOT SHOWN)
59	CH8M-2770	1	CLIP-LOOP (NOT SHOWN)

[A] PART OF 177-1589 BASE COMMON AR

1672181A
PR: t05f07j07b0136

KIT-PTO SWITCH ADAPTOR - 502423D1
S/N: PRIOR TO AKN5;ALA5;ALM5;AMS5



TOP VIEW

MT700 SERIESTRACKTRACTORS
ELECTRICAL AND STARTING SYSTEM

331

KIT-PTO SWITCH ADAPTOR - 502423D1
S/N: PRIOR TO AKN5;ALA5;ALM5;AMS5

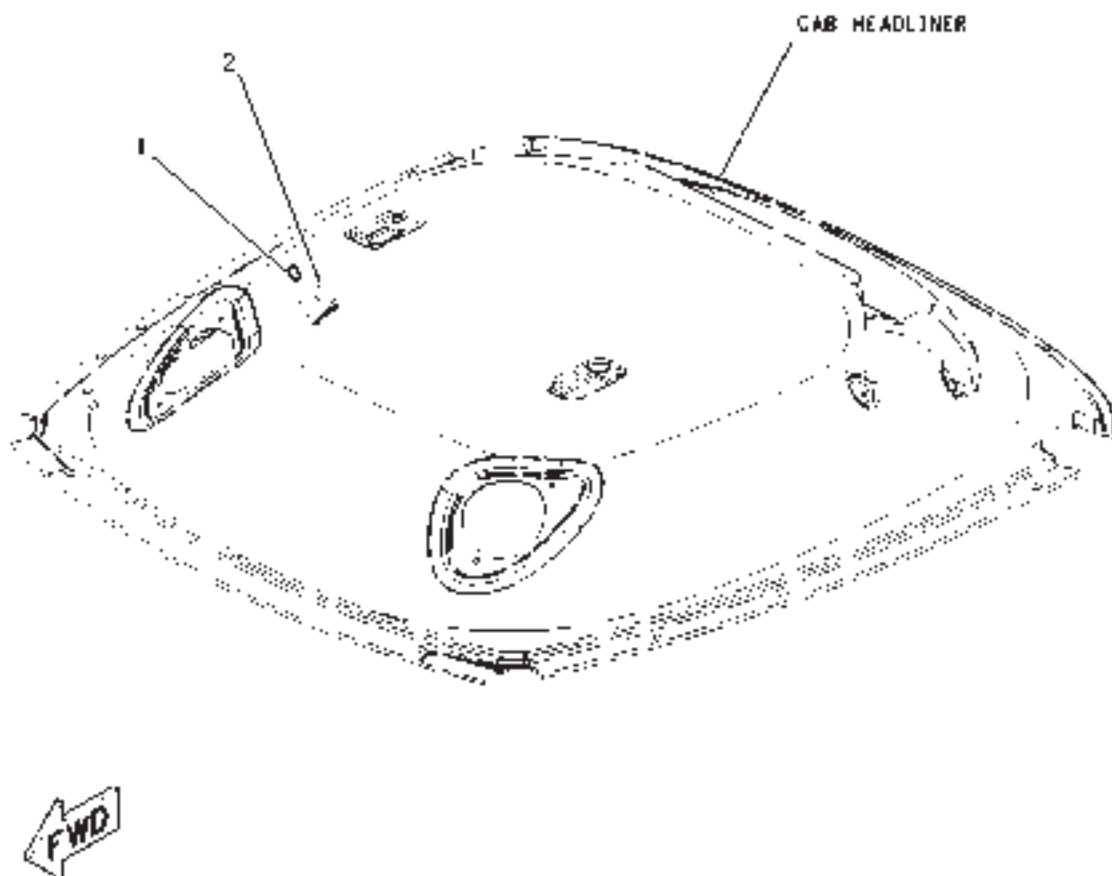
ITEM	NUMBER	QTY	DESCRIPTION
-	502423D1	--	KIT-PTO SWITCH ADAPTOR [A]
1	502009D1	1	SWITCH ASM-PTO
	400562X1	4	PIN
	400782X1	1	CONNECTOR-RECEPT
2	501532D1	1	FILM - PTO
3	502099D1	1	ADAPTOR
4	CH3E-8020	1	SCREW-TRUSS HD (M6X1X25MM)

[A] PART OF 152-0446;224-5884
CONTROL GP-PTO;
166-1211 WIRING GP-CONSOLE

502423DA
PR: t05f07j07b0137

MT700 SERIES TRACK TRACTORS
ELECTRICAL AND STARTING SYSTEM

WIRING GP-SHUTOFF - 162-4096
ENGINE
ROW ONLY



MT700 SERIESTRACKTRACTORS
ELECTRICAL AND STARTING SYSTEM

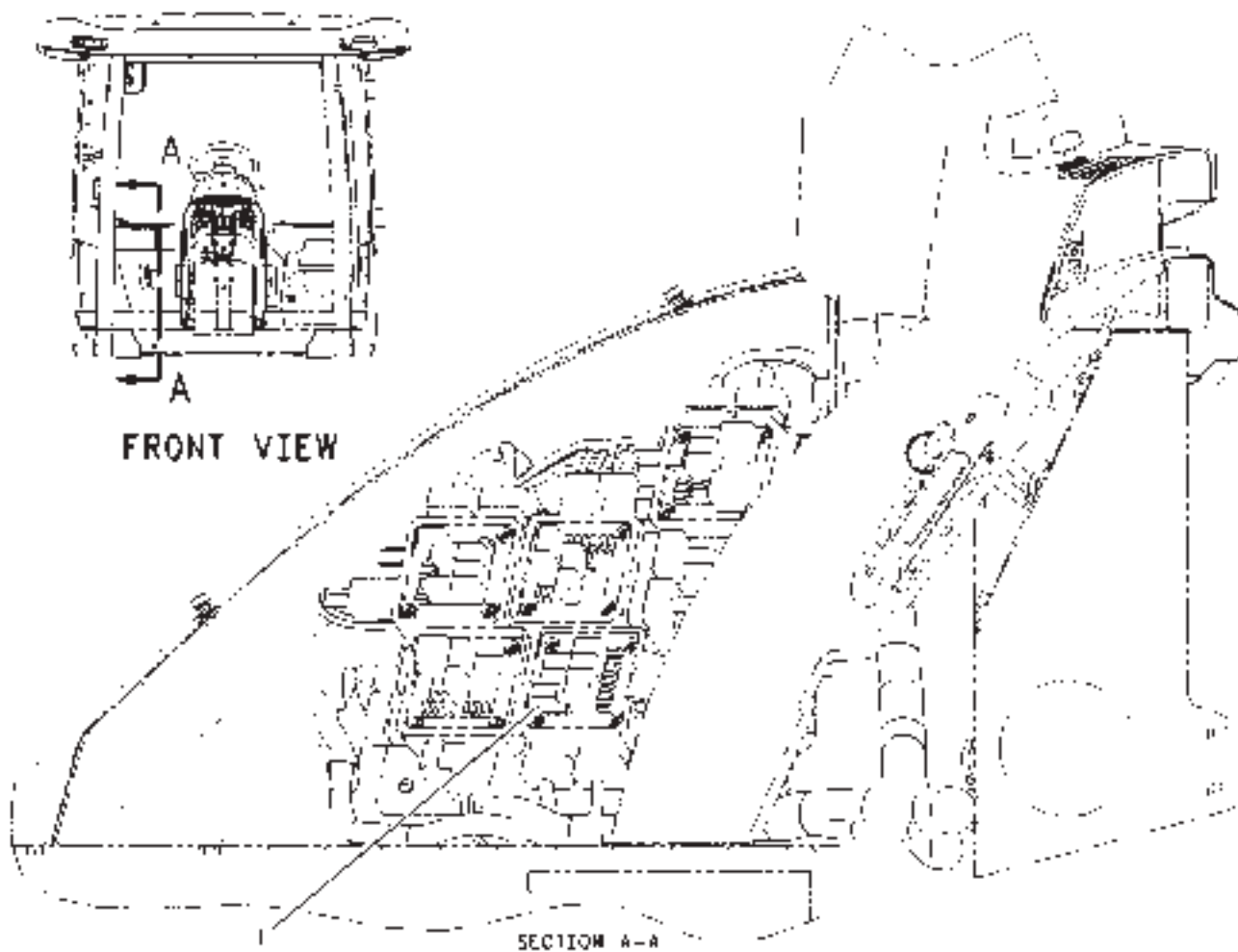
333

WIRING GP-SHUTOFF - 162-4096
ENGINE
ROW ONLY

ITEM	NUMBER	QTY	DESCRIPTION
-	162-4096	--	WIRING GP-SHUTOFF [A]
1	400837X1	1	STRAP-CABLE
2	169-8225	1	SWITCH AS-ROCKER (ENGINE IDLE TIMER)

[A] PART OF 500845D1 CAB AR

00664360
PR: t05f07j07b0138

MT700 SERIES TRACK TRACTORS
ELECTRICAL AND STARTING SYSTEM**WIRING GP-SHUTOFF - 173-6501**
TIME DELAY LIGHTING SHUTOFF
DELUXE

MT700 SERIES TRACK TRACTORS
ELECTRICAL AND STARTING SYSTEM

335

WIRING GP-SHUTOFF - 173-6501
TIME DELAY LIGHTING SHUTOFF
DELUXE

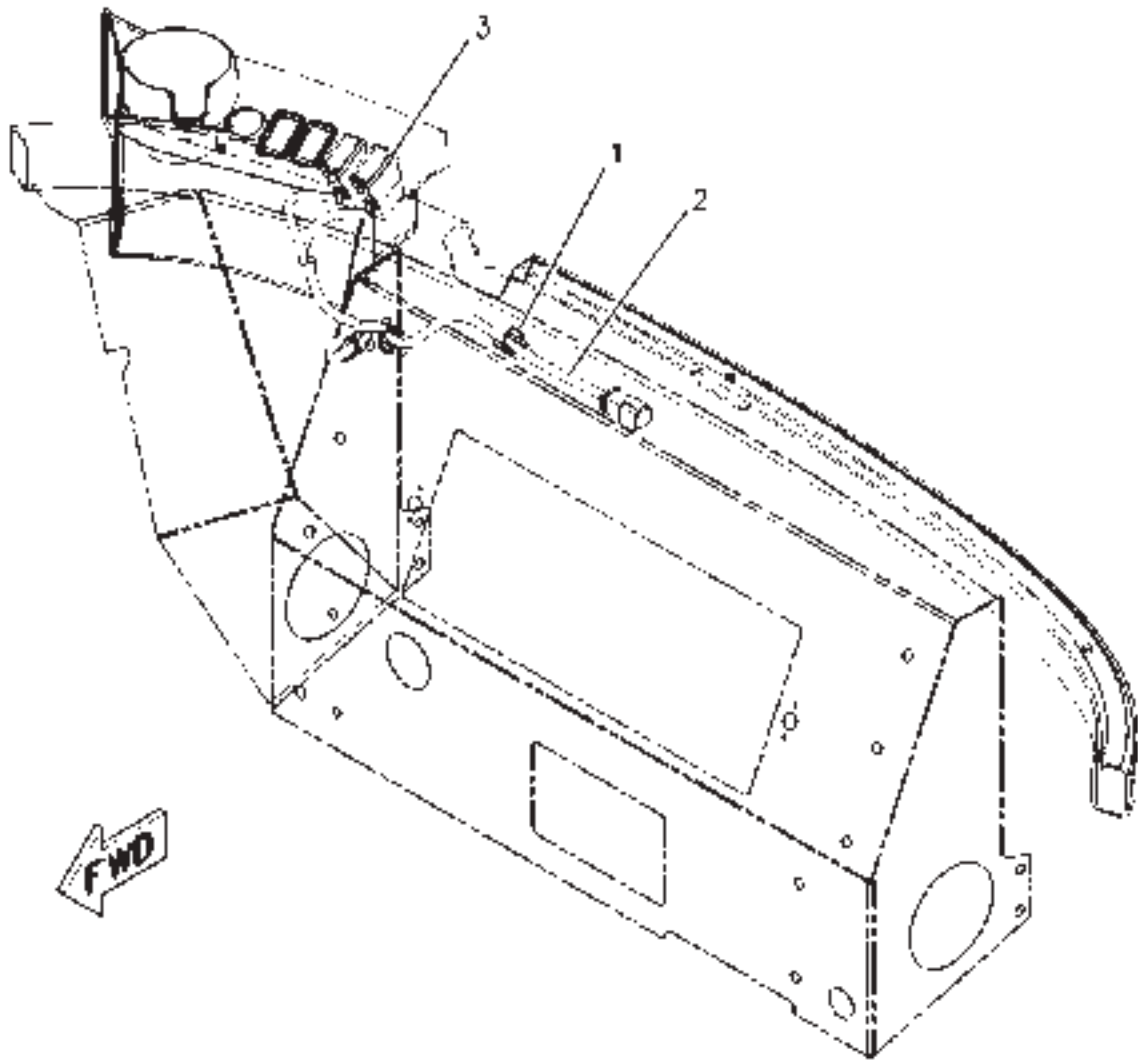
ITEM	NUMBER	QTY	DESCRIPTION
-	173-6501	--	WIRING GP-SHUTOFF [A] (NOT SERVICED)
1	CH146-9439	1	RELAY (12 VOLT) (WORK LIGHTS TIMER)

[A] PART OF 500845D1;500848D1 CAB AR

00676197
PR: t05f07j07b0139

MT700 SERIES TRACK TRACTORS
ELECTRICAL AND STARTING SYSTEM

WIRING GP-TRAILER - 162-4102
CONNECTOR SWITCHES
ROW ONLY



MT700 SERIESTRACKTRACTORS
ELECTRICAL AND STARTING SYSTEM

337

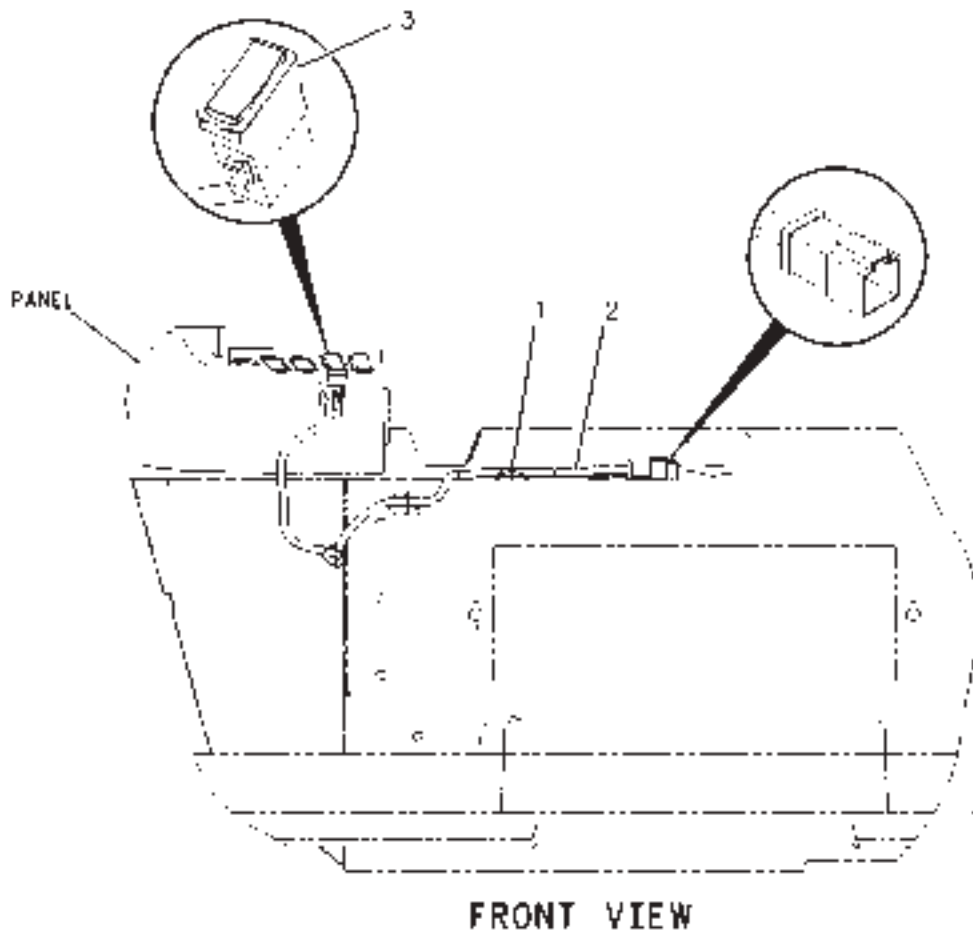
WIRING GP-TRAILER - 162-4102
CONNECTOR SWITCHES
ROW ONLY

ITEM	NUMBER	QTY	DESCRIPTION
-	162-4102	--	WIRING GP-TRAILER (NOT SERVICED)
1	400837X1	3	STRAP-CABLE
2	136-5535	1	HARNESS AS. (TRAILER SWITCHES)
3	169-8230	2	SWITCH-ROCKER (TRAILER)

00664369
PR: t05f07j07b0140

MT700 SERIES TRACK TRACTORS
ELECTRICAL AND STARTING SYSTEM

WIRING GP-TRAILER - 168-1945
EAME ONLY



MT700 SERIES TRACK TRACTORS
ELECTRICAL AND STARTING SYSTEM

339

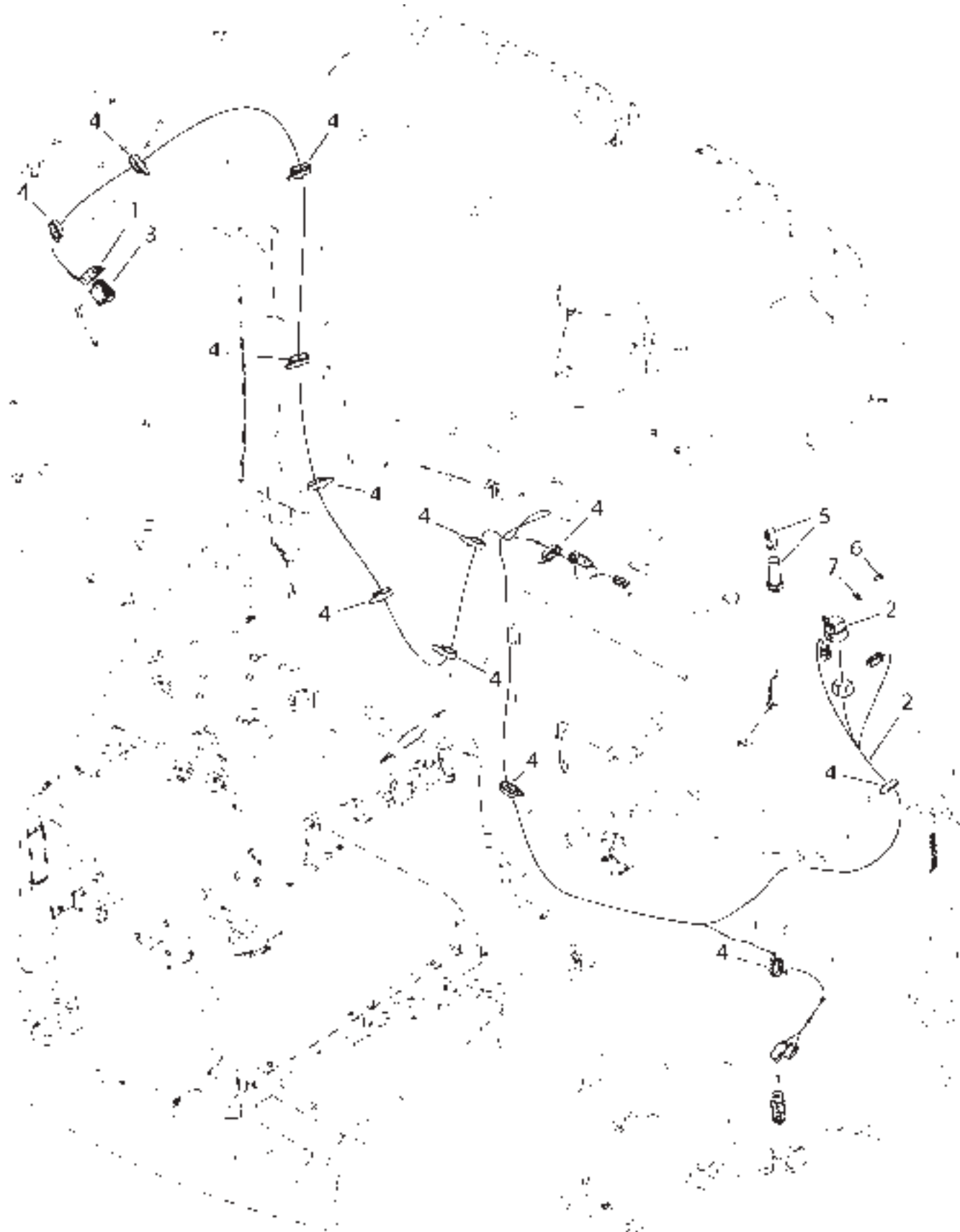
WIRING GP-TRAILER - 168-1945
EAME ONLY

ITEM	NUMBER	QTY	DESCRIPTION
-	168-1945	--	WIRING GP-TRAILER
1	400837X1	3	STRAP-CABLE
2	136-5459	1	HARNESS AS (TRAILER CONNECTOR SWITCH)
3	169-8230	1	SWITCH AS-ROCKER (TRAILER)

00723129
PR: t05f07j07b0141

MT700 SERIES TRACK TRACTORS
ELECTRICAL AND STARTING SYSTEM

WIRING GP-TRAILER - 227-5268
EAME ONLY



MT700 SERIESTRACKTRACTORS
ELECTRICAL AND STARTING SYSTEM

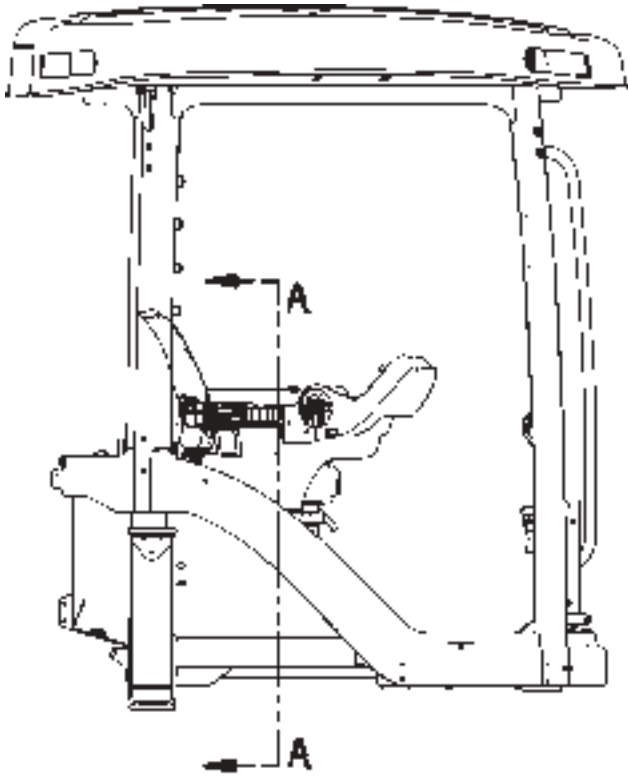
341

WIRING GP-TRAILER - 227-5268
EAME ONLY

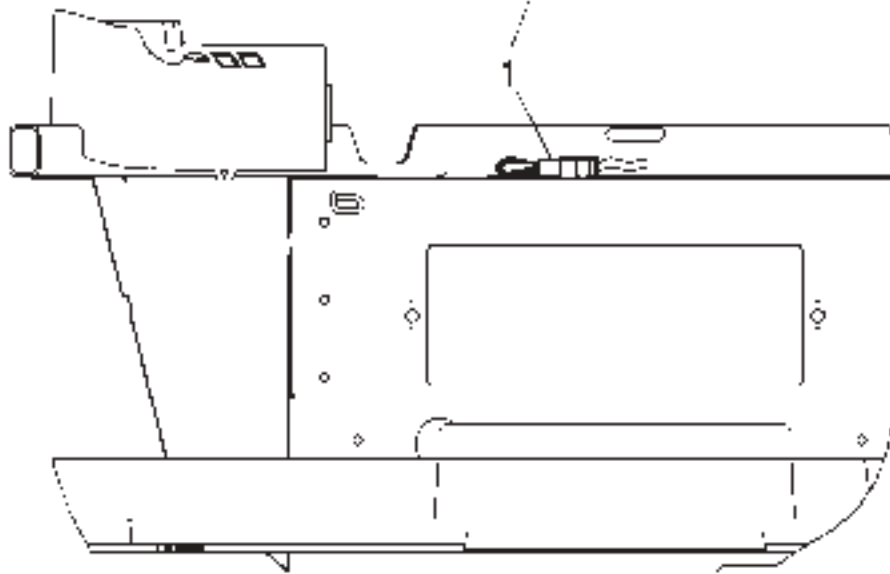
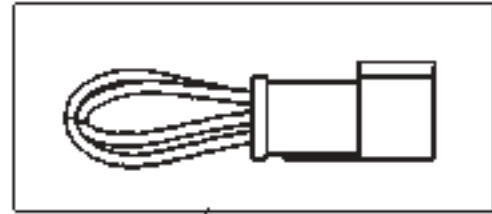
ITEM	NUMBER	QTY	DESCRIPTION
-	227-5268	--	WIRING GP-TRAILER
1	502181D1	1	HARNESS AS (TRAILER BRAKE)
2	400292X1	1	RELAY SWITCH
3	226-9441	1	SWITCH AS-ROCKER (TRAILER)
4	400837X1	13	STRAP-CABLE
5	CH227-8917	1	SWITCH AS-PRES 8STORX3PIN
6	400152X1	1	BOLT (M6X1X16)
7	400310X1	1	WASHER

2275268A
PR: t05f07j07b0142

WIRING GP-TRAILER JUMPER
501940D1



RIGHT SIDE VIEW OF CAB



SECTION A-A
(SEAT AND REAR WRAP REMOVED)

MT700 SERIESTRACKTRACTORS
ELECTRICAL AND STARTING SYSTEM

343

WIRING GP-TRAILER JUMPER
501940D1

ITEM	NUMBER	QTY	DESCRIPTION
-	501940D1	--	WIRING GP-TRAILER JUMPER
1	173-7708	1	HARNESS AS-TRAILER
	CH102-8805	1	KIT-RECEPTACLE (INCLS WEDGE)
	CH9G-3695	2	PLUG
	CH144-1636	4	PIN
	CH3E-3383	1	WEDGE

501940DC
PR: t05f07j07b0143

NO ILLUSTRATION

NOTIF

MT700 SERIESTRACKTRACTORS
ELECTRICAL AND STARTING SYSTEM

345

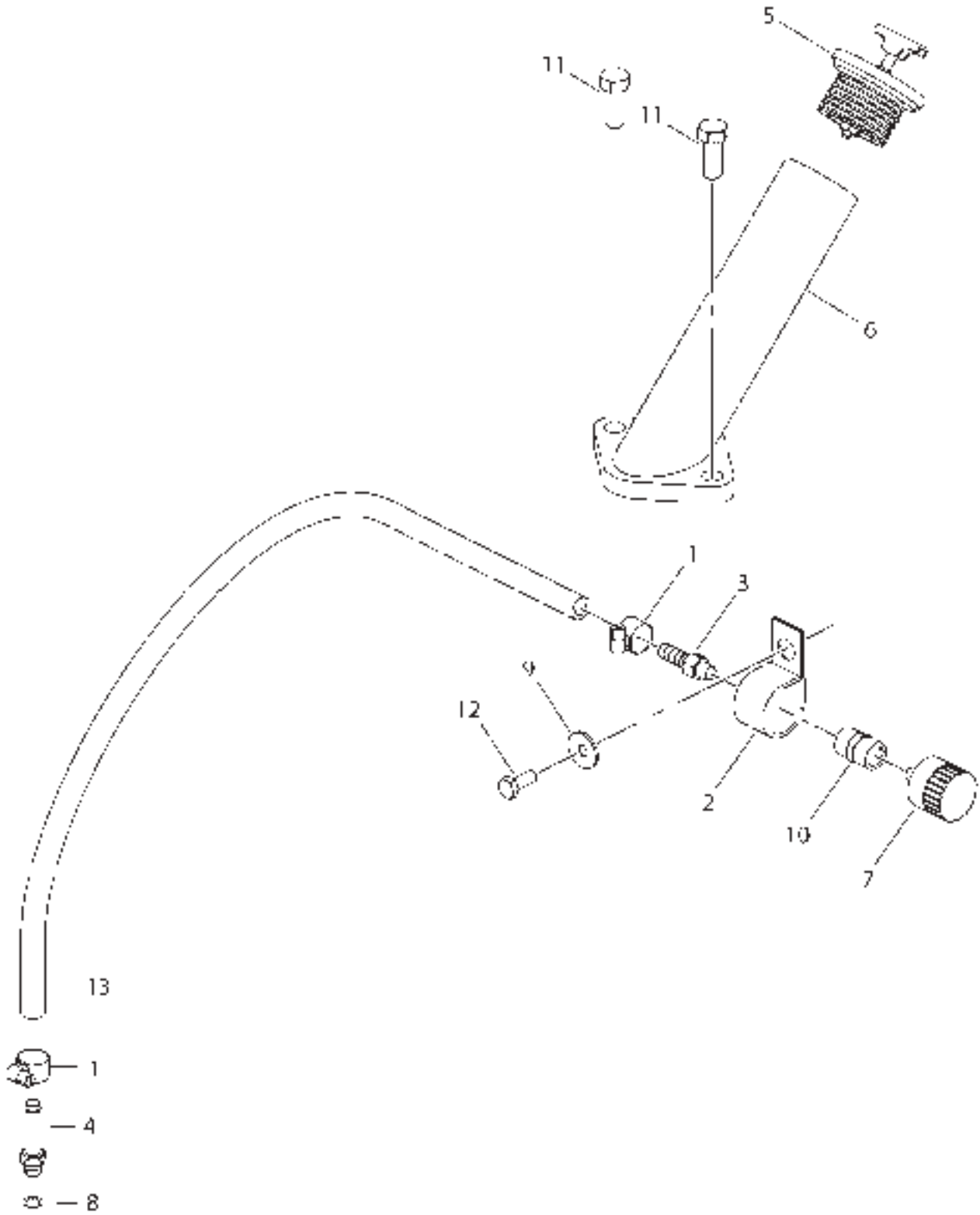
SERVICE GP-AUTOGUIDE - 500389D1

ITEM	NUMBER	QTY	DESCRIPTION
-	500389D1	--	SERVICE GP-AUTOGUIDE
1	500376D1	1	HARNESS AS-GPS-COM3
2	500392D1	1	HARNESS AS-SERIAL
3	72571005	1	MANUAL-SERVICE TOOL AUTO GUIDE (ORDER ON DEALER INFONET)
4	72571023	1	SERVICE TOOL-AUTOGUIDE (ORDER ON DEALER INFONET)

NOTIF
PR: t05f07j07b0144

MT700 SERIES TRACK TRACTORS
POWER TRAIN ATTACHING

FILLER GP - 163-0395



MT700 SERIES TRACK TRACTORS
POWER TRAIN ATTACHING

347

FILLER GP - 163-0395

ITEM	NUMBER	QTY	DESCRIPTION
-	163-0395	--	FILLER GP [A]
1	400109X1	2	CLAMP-HOSE SST 11.1-19.8X13.5
2	CH8C-8533	1	CLIP-LOOP 34.93ID W/COATING
3	CH006-6586	1	CONNECTOR-4NPTFX9.52 OD BARB
4	CH092-6629	1	CONNECTOR-4STORX9.52 OD BARB
5	159-1236	1	CAP-BREATHER
6	177-5194	1	TUBE AS.
7	400831X1	1	BREATHER-1/4-18 NPTF
8	400361X1	1	SEAL-O-RING 8.92 IDX1.83 DIA
9	CH7X-0579	1	WASHER-HARD 8.8IDX25.5ODX2
10	CH8S-7169	1	COUPLING-4NPTF HEX
11	400041X1	2	BOLT-M12X1.75X30 ZNDI HHD 10.9
12	400053X1	1	BOLT-M8X1.25X20 ZNDI HHD 10.9
13	CH5P-1442	64	HOSE-BULK 9.52ID HI TEMP
14	CH8C-8422	2	SEALANT-BULK ANAEROBIC BLUE

[A] PART OF 177-1588; 177-1589
BASE COMMON AR

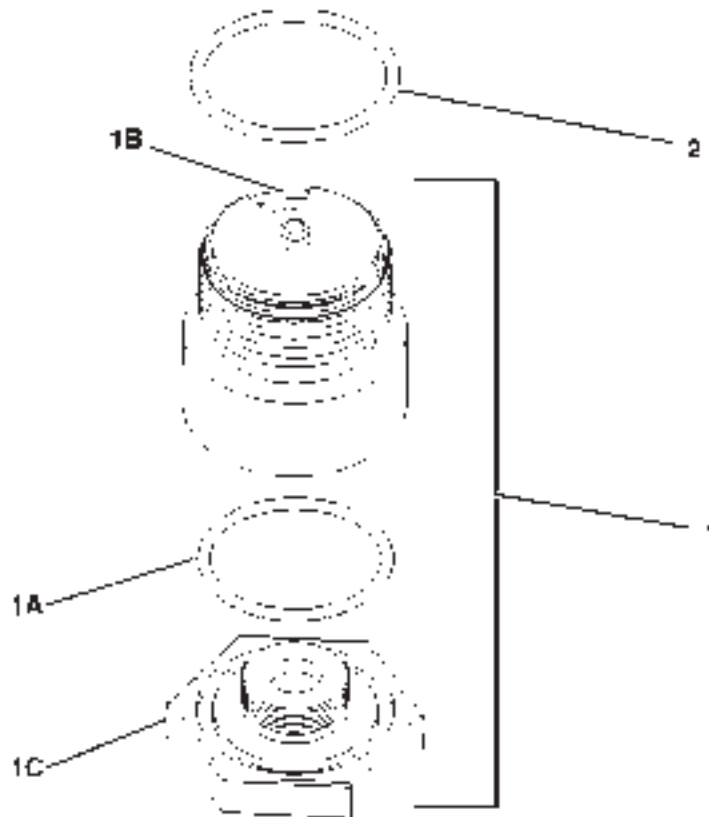
1630395A
PR: t05f07j07b0145

**MT700 SERIES TRACK TRACTORS
POWER TRAIN ATTACHING**

DRAIN GP-ECOLOGY - 502901D1

**TO REAR TRANSMISSION
CASE ON MT800 TRACTORS**

**TO FRONT
TRANSMISSION CASE
ON MT700 TRACTORS**



MT700 SERIESTRACKTRACTORS
POWER TRAIN ATTACHING

349

DRAIN GP-ECOLOGY - 502901D1

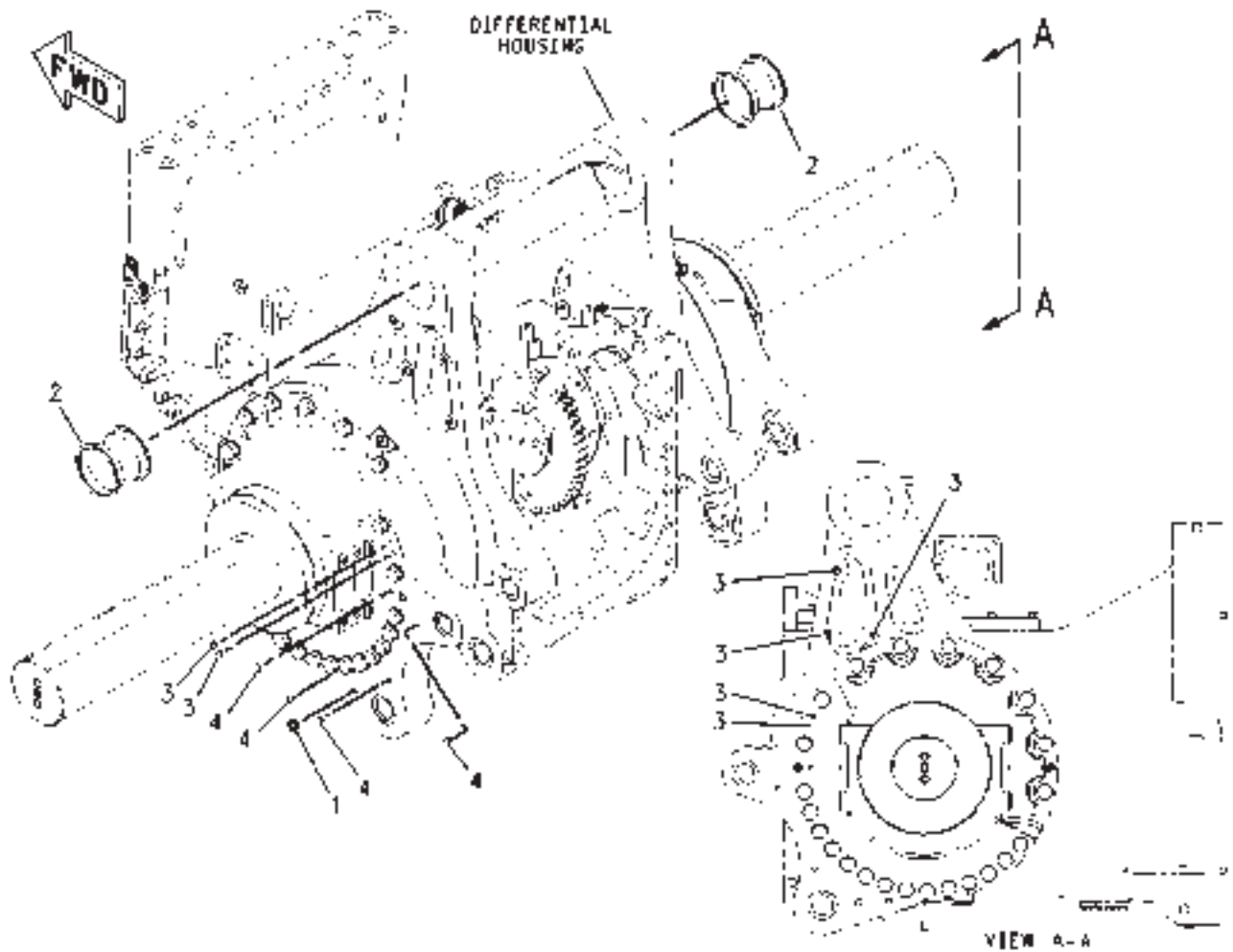
ITEM	NUMBER	QTY	DESCRIPTION
-	502901D1	--	DRAIN GP-ECOLOGY (NOT SERVICED)
-	CH163-0397	--	DRAIN GP-ECOLOGY [A] (NOT SERVICED)
1	CH173-0566	1	DRAIN GP-ECOLOGY (INCLS 1A-1C)
1A	CH2K-8199	1	SEAL-O-RING
1B	CH077-3241	1	SEAL-O-RING
1C	CH175-4966	1	PLUG (TRANSMISSION DRAIN)
2	400376X1	1	SEAL-O-RING

[A] PART OF 502901D1 DRAIN GP

0883187A
PR: t05f07j07b0146

MT700 SERIES TRACK TRACTORS
POWER TRAIN ATTACHING

PLUG GP-SHIPING - 157-1709



MT700 SERIESTRACKTRACTORS
POWER TRAIN ATTACHING

351

PLUG GP-SHIPPING - 157-1709

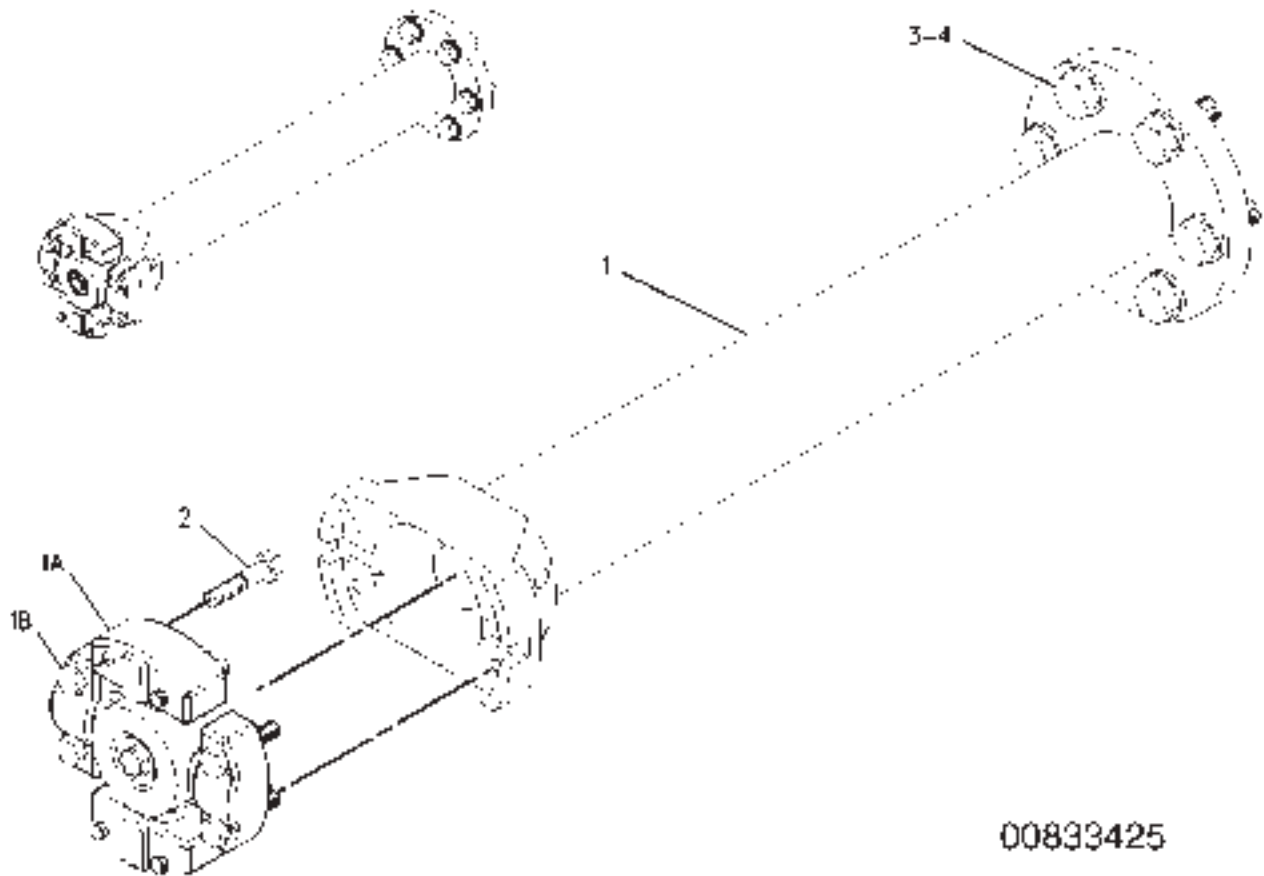
ITEM	NUMBER	QTY	DESCRIPTION
-	157-1709	--	PLUG GP-SHIPPING [A] (NOT SERVICED)
1	400093X1	2	PLUG-PROTECTIVE (M14)
2	CH186-1087	4	PLUG-PROTECTIVE (100DIA)
3	CH193-5914	7	PLUG-PROTECTIVE (M10)
4	CH193-5915	8	PLUG-PROTECTIVE (M12)

[A] PART OF 170-2287 HITCH AR

00875271
PR: t05f07j07b0147

MT700 SERIES TRACK TRACTORS
POWER TRAIN ATTACHING

SHAFT GP-INPUT - 151-6970



00833425

**MT700 SERIES TRACK TRACTORS
POWER TRAIN ATTACHING**

353

SHAFT GP-INPUT - 151-6970

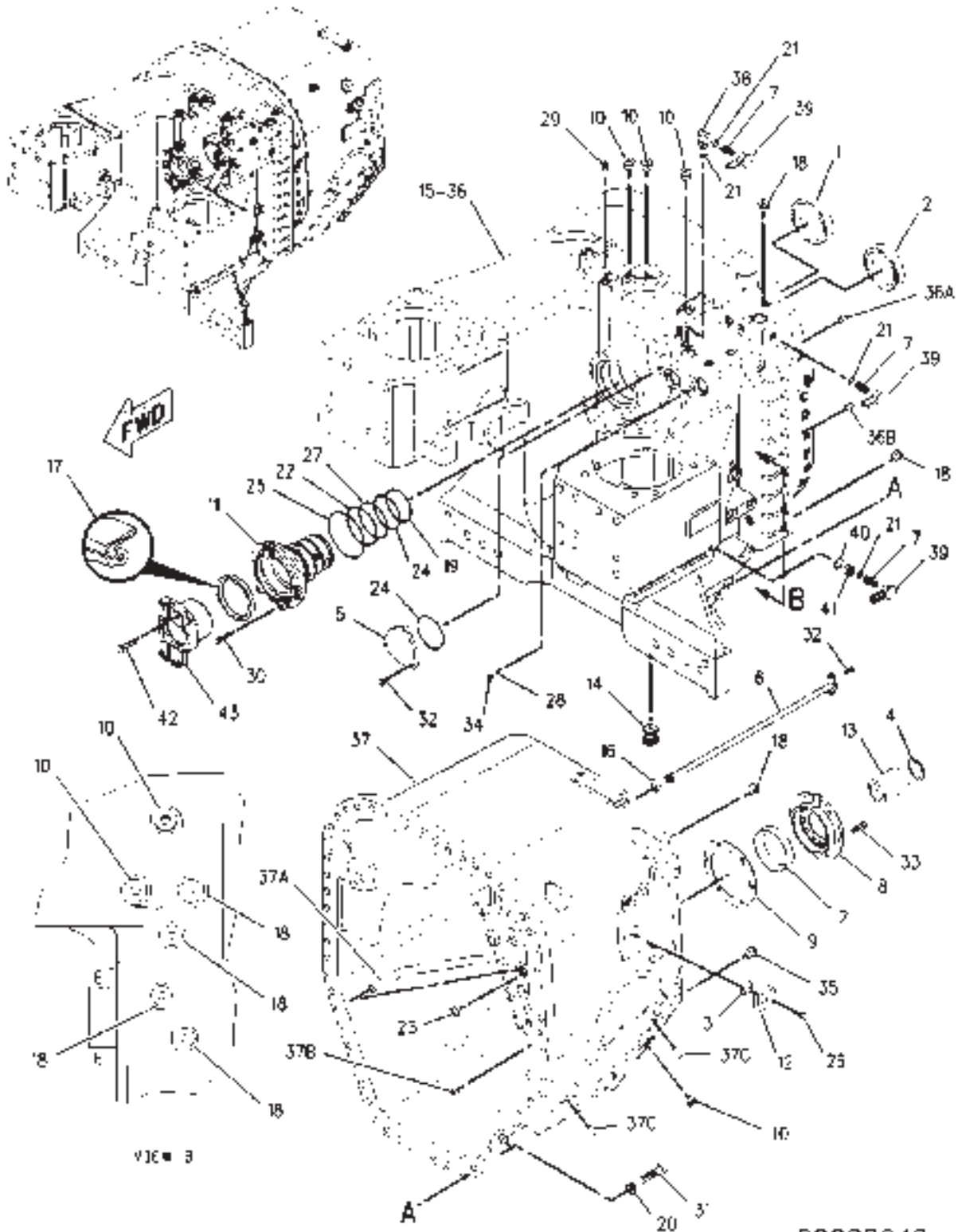
ITEM	NUMBER	QTY	DESCRIPTION
-	151-6970	--	SHAFT GP-INPUT [A] (NOT SERVICED)
1	163-0438	1	UNIVERSAL JOINT
1A	CH9P-0356	1	SPIDER & BEARING AS.
1B	400057X1	4	BOLT (M12X1.75X50MM)
2	400063X1	4	BOLT (M12X1.75X60MM)
3	400244X1	6	BOLT (M16X2.0X45MM)
4	400082X1	6	WASHER (17.5X30X3.5MM THK)

[A] PART OF 165-7006;165-7007;165-7008;
169-6836 INSTALLATION AR-ENGINE

00833425
PR: t05f07j07b0148

MT700 SERIES TRACK TRACTORS
POWER TRAIN

155-9593 CASE & PARTS GP-PLANETARY
S/N: 7PY1-1504



MT700 SERIES TRACK TRACTORS
POWER TRAIN

355

155-9593 CASE & PARTS GP-PLANETARY
S/N: 7PY1-1504

ITEM	NUMBER	QTY	DESCRIPTION
-	155-9593	--	CASE & PARTS GP-PLANETARY (NOT SERVICED)
1	2N-2138	1	CUP-BEARING
2	2P-8986	7	CUP-BEARING
3	2M-4453	1	SEAL-O-RING
4	6V-2832	1	RING-RETAINING
5	9W-1454	4	COVER
6	193-1701	1	TUBE AS
7	6V-3965	3	FITTING AS
8	161-8281	4	CAGE-BEARING
9	161-8338	4	SHIM PACK (INCLUDES 13-SHIMS)
10	164-5619	8	PLUG AS (NOT SERVICED)
	9S-8006	1	PLUG
	2M-9780	1	SEAL-O-RING
11	165-0363	1	HOUSING-SEAL
12	191-5319	1	COVER
13	165-8631	1	COUPLING
14	164-4180	1	PLUG AS (NOT SERVICED)
	7M-8485	1	SEAL-O-RING
	9S-4181	1	PLUG
15	1U-8846	AR	SEALANT-GASKET
16	5H-8038	2	SEAL-O-RING
17	139-5802	1	SEAL-LIP TYPE
18	9S-8005	13	PLUG
	3K-0360	13	SEAL-O-RING
19	1P-8362	1	SEAL-O-RING
20	3E-4356	50	WASHER-HARD (30X17.5X6-MM THK)
21	3J-1907	4	SEAL-O-RING
22	4F-4097	1	SEAL-O-RING
23	4J-8996	1	SEAL-O-RING
24	5P-3863	5	SEAL-O-RING
25	6S-3002	1	SEAL-O-RING
26	8T-7547	3	BOLT (M8X1.25X30-MM)
27	6V-2483	1	SEAL-O-RING
28	161-8229	1	TUBE AS

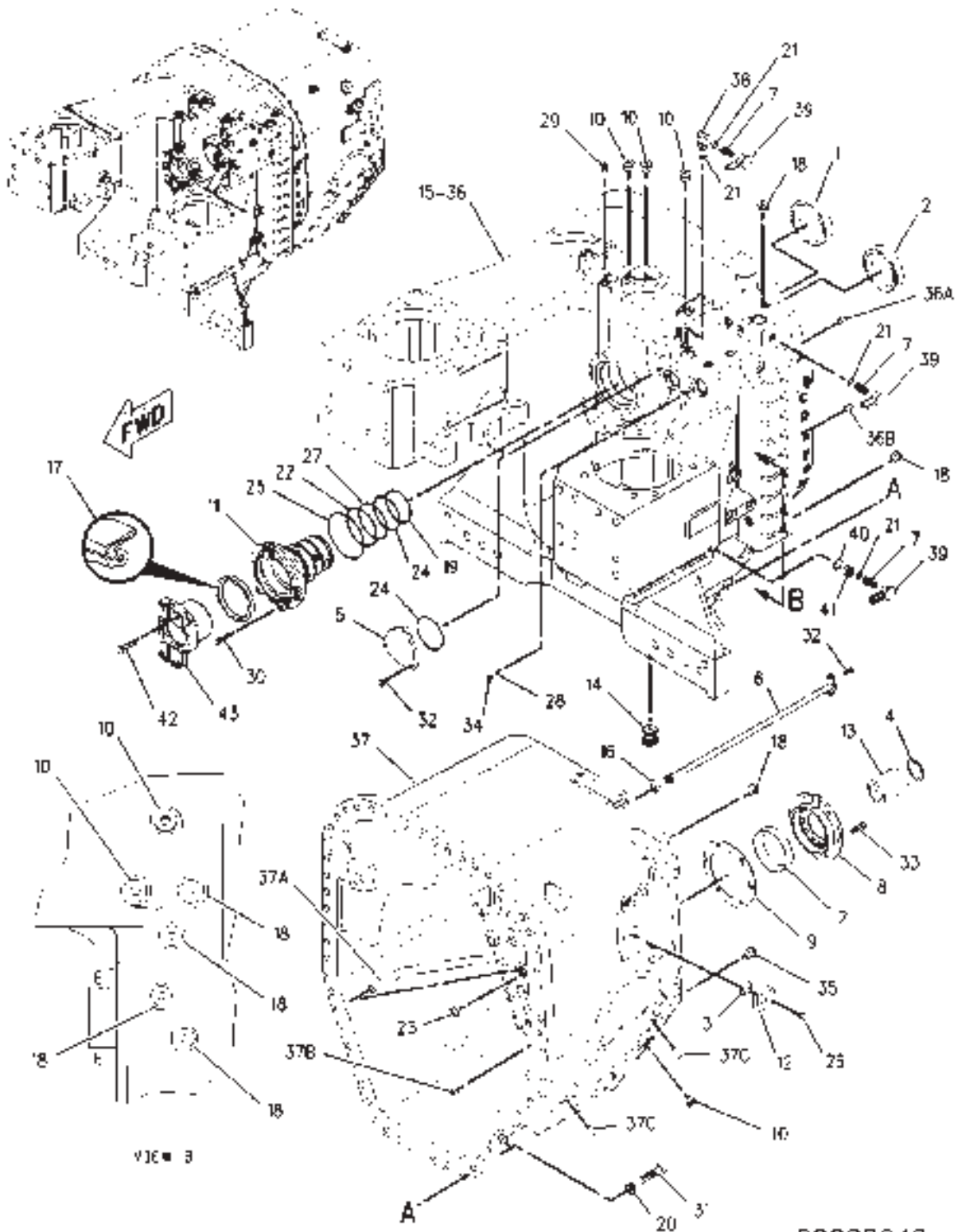
CONTINUED

[A] PART OF 152-5241 TRANSMISSION AR

00883640
PR: t05f07j07b0149

MT700 SERIES TRACK TRACTORS
POWER TRAIN

155-9593 CASE & PARTS GP-PLANETARY



00883640

MT700 SERIES TRACK TRACTORS
POWER TRAIN

357

155-9593 CASE & PARTS GP-PLANETARY

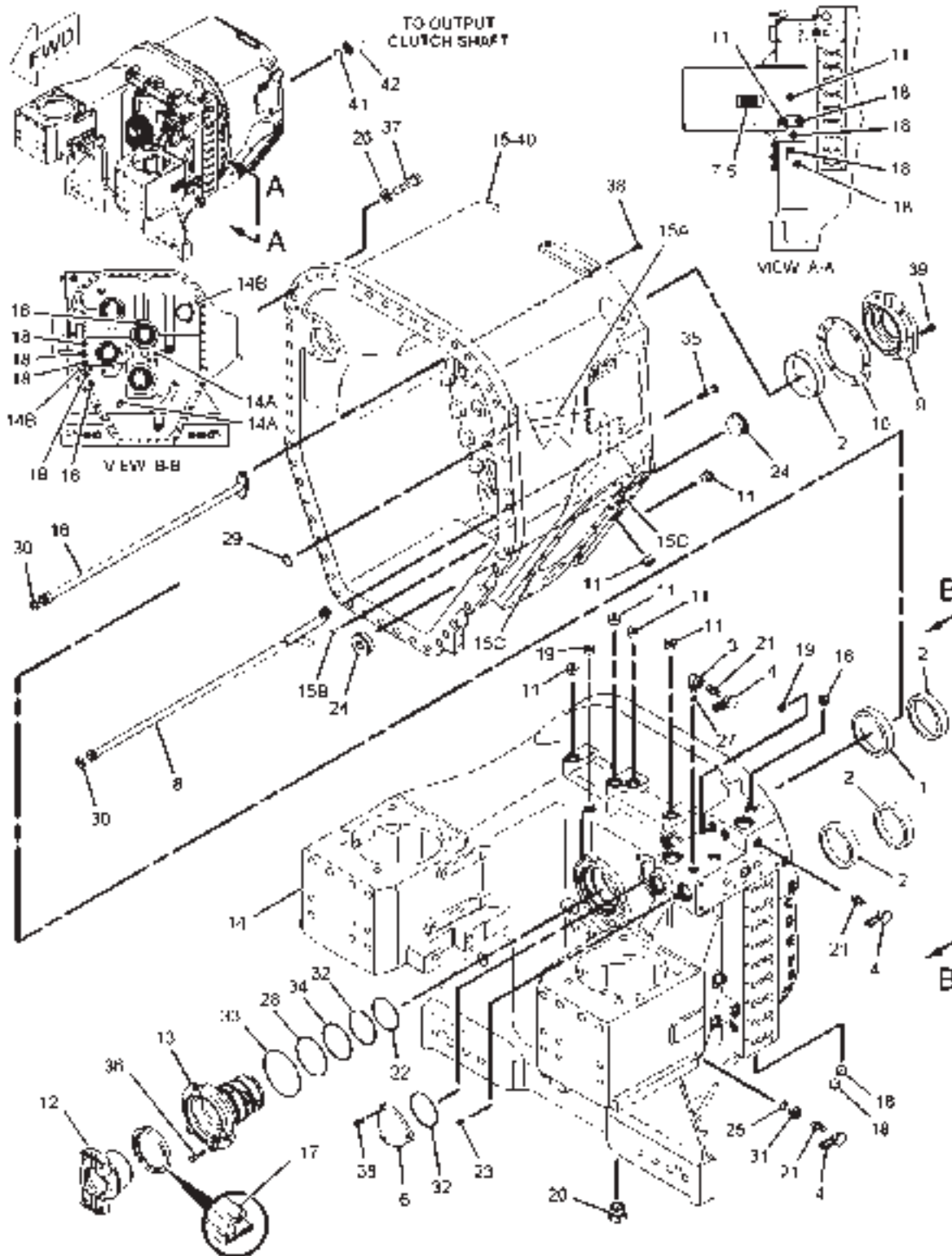
ITEM	NUMBER	QTY	DESCRIPTION
-	155-9593		CASE & PARTS GP-PLANETARY (NOT SERVICED)
29	162-0177	1	PLUG AS (NOT SERVICED)
	3J-1907	1	SEAL-O-RING
	9S-8004	1	PLUG
30	7X-2537	4	BOLT (M8X1.25X35-MM)
31	8T-4140	50	BOLT (M16X2X60-MM)
32	8T-4189	14	BOLT (M8X1.25X20-MM)
33	8T-4195	24	BOLT (M10X1.5X30-MM)
34	7J-0204	1	SEAL-O-RING
	9S-8007	1	PLUG
35	208-2984	2	PLUG AS
	5P-7684	1	PLUG (1 7/8-12-THD)
	6K-6307	1	SEAL-O-RING
36	166-0670	1	CASE AS (FRONT)
36A	146-3173	2	DOWEL
36B	5M-7937	2	DOWEL
37	193-4059	1	CASE AS (REAR)
37A	165-0394	1	TUBE
37B	146-3173	2	DOWEL
37C	5B-5821	2	DOWEL
38	6V-0484	1	ADAPTER-O-RING
39	6V-0852	3	CAP-DUST
40	2M-9780	1	SEAL-O-RING
41	5P-1404	1	ADAPTER-O-RING
42	6V-4249	1	BOLT (M10X1.5X50-MM)
43	165-0271	1	YOKE AS
	0S-0519	1	PLUG-CUP

[A] PART OF 152-5241 TRANSMISSION AR

00883640
PR: t05f07j07b0149

MT700 SERIES TRACK TRACTORS
POWER TRAIN

155-9593 CASE & PARTS GP-PLANETARY
S/N: 7PY1505-UP



MT700 SERIES TRACK TRACTORS
POWER TRAIN

359

155-9593 CASE & PARTS GP-PLANETARY
S/N: 7PY1505-UP

ITEM	NUMBER	QTY	DESCRIPTION
-	155-9593	--	CASE & PARTS GP-PLANETARY [A] (NOT SERVICED)
1	2N-2138	1	CUP-BEARING
2	2P-8986	7	CUP-BEARING
3	6V-0484	1	ADAPTER-O-RING
4	6V-0852	3	CAP-DUST
5	-----	1	PLATE-SERIAL NUMBER (TRANSMISSION)
6	9W-1454	4	COVER
7	-----	2	TACK
8	161-8229	1	TUBE AS
9	161-8281	4	CAGE-BEARING
10	161-8338	4	SHIM PACK (INCLUDES 13-SHIMS)
11	164-5619	8	PLUG AS (NOT SERVICED)
	2M-9780	1	SEAL-O-RING
	9S-8006	1	PLUG
12	165-0271	1	YOKE AS
	0S-0519	1	PLUG-CUP
13	165-0363	1	HOUSING-SEAL
14	166-0670	1	CASE AS (FRONT)
14A	146-3173	2	DOWEL
14B	5M-7937	2	DOWEL
15	193-4059	1	CASE AS (REAR)
15A	165-0394	1	TUBE
15B	146-3173	2	DOWEL
15C	5B-5821	2	DOWEL
16	193-1701	1	TUBE AS
17	139-5802	1	SEAL-LIP TYPE
18	9S-8005	13	PLUG
	3K-0360	13	SEAL-O-RING
19	162-0177	2	PLUG AS (NOT SERVICED) [C]
	3J-1907	1	SEAL-O-RING
	9S-8004	1	PLUG
20	164-4180	1	PLUG AS (NOT SERVICED)
	7M-8485	1	SEAL-O-RING
	9S-4181	1	PLUG
21	164-5567	3	FITTING GP-COUPLING (NOT SERVICED) [C]
	3J-1907	1	SEAL-O-RING
	6V-3965	1	FITTING AS
22	1P-8362	1	SEAL-O-RING

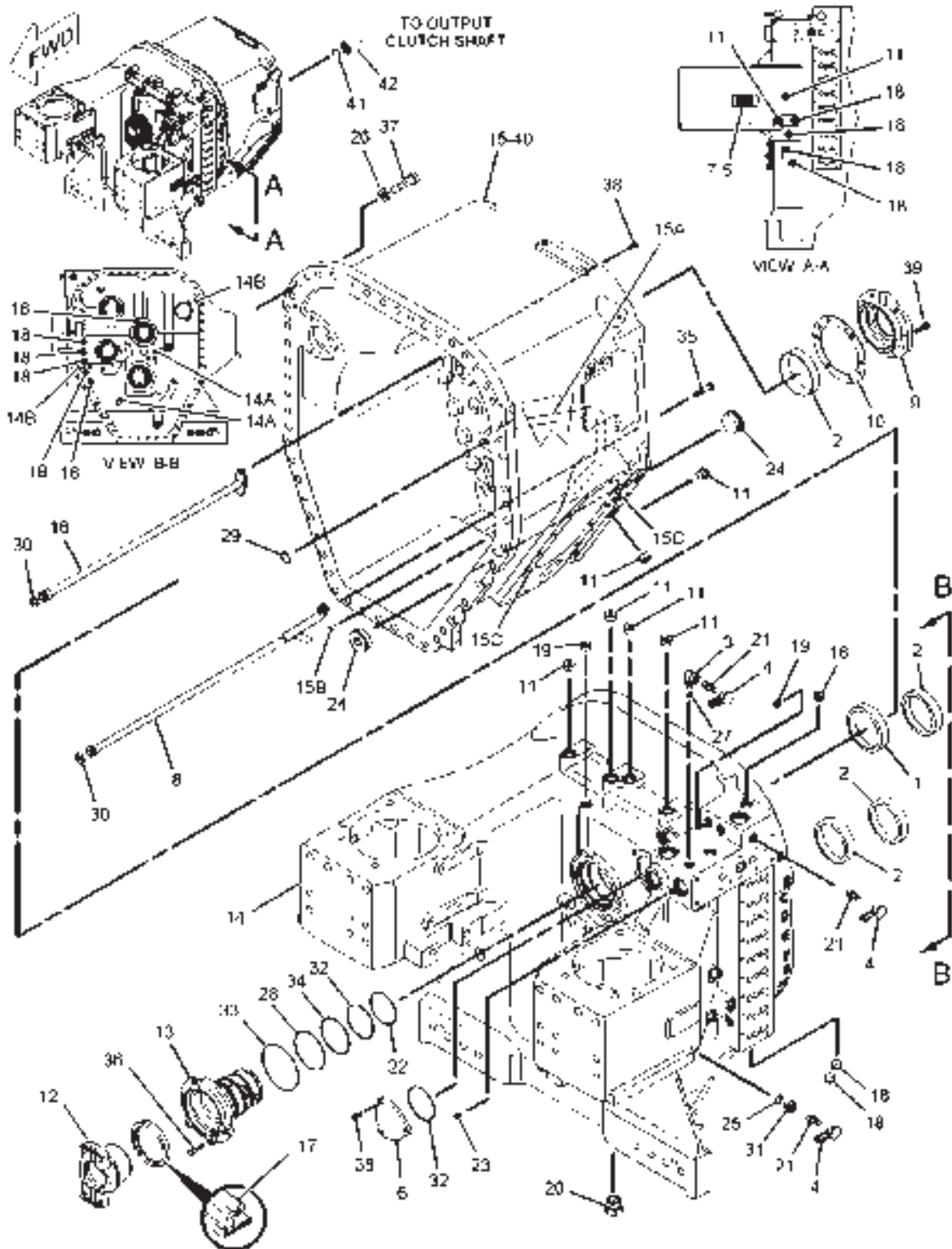
CONTINUED

[A] PART OF 152-5241 TRANSMISSION AR
[C] CHANGE FROM PREVIOUS TYPE

01124488
PR: t05f07j07b0150

MT700 SERIES TRACK TRACTORS
POWER TRAIN

155-9593 CASE & PARTS GP-PLANETARY
S/N: 7PY1505-UP



01124488

MT700 SERIES TRACK TRACTORS
POWER TRAIN

361

155-9593 CASE & PARTS GP-PLANETARY
S/N: 7PY1505-UP

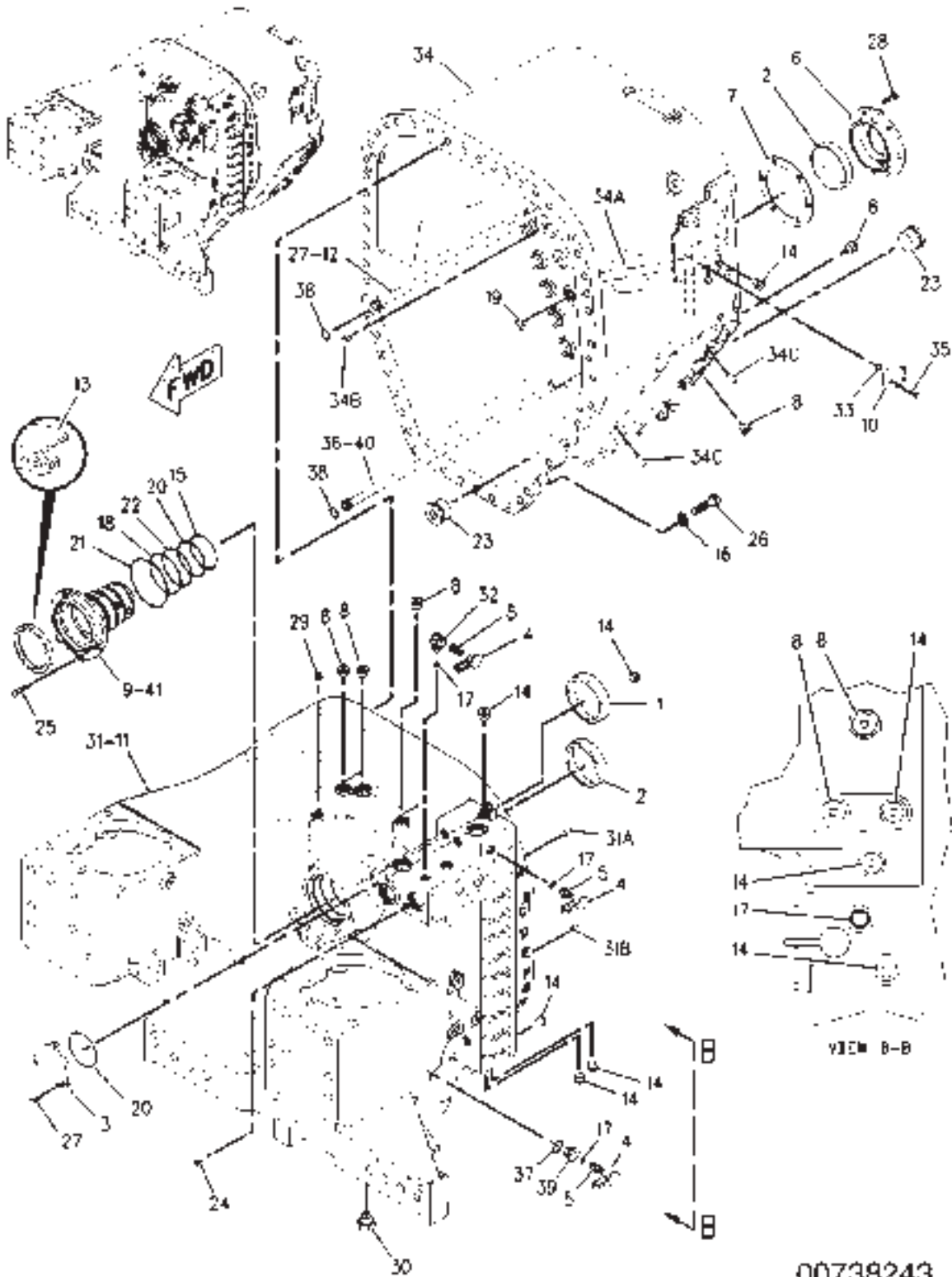
ITEM	NUMBER	QTY	DESCRIPTION
-	155-9593	--	CASE & PARTS GP-PLANETARY [A] (NOT SERVICED)
23	207-8218	1	PLUG AS (NOT SERVICED)
	7J-0204	1	SEAL-O-RING
	9S-8007	1	PLUG
24	208-2984	2	PLUG AS (NOT SERVICED)
	5P-7684	1	PLUG (1 7/8-12-THD)
	6K-6307	1	SEAL-O-RING
25	2M-9780	1	SEAL-O-RING
26	3E-4356	50	WASHER-HARD (30X17.5X6-MM THK)
27	3J-1907	1	SEAL-O-RING [C]
28	4F-4097	1	SEAL-O-RING
29	4J-8996	1	SEAL-O-RING
30	5H-8038	2	SEAL-O-RING
31	5P-1404	1	ADAPTER-O-RING
32	5P-3863	5	SEAL-O-RING
33	6S-3002	1	SEAL-O-RING
34	6V-2483	1	SEAL-O-RING
35	6V-4249	1	BOLT (M10X1.5X50-MM)
36	7X-2537	4	BOLT (M8X1.25X35-MM)
37	8T-4140	50	BOLT (M16X2X60-MM)
38	8T-4189	13	BOLT (M8X1.25X20-MM) [C]
39	8T-4195	24	BOLT (M10X1.5X30-MM)
40	1U-8846	AR	SEALANT-GASKET
41	6V-2832	1	RING-RETAINING
42	165-8631	1	COUPLING

[A] PART OF 152-5241 TRANSMISSION AR
[C] CHANGE FROM PREVIOUS TYPE

01124488
PR: t05f07j07b0150

MT700 SERIES TRACK TRACTORS
POWER TRAIN

165-0414 CASE & PARTS GP-PLANETARY
S/N: 8AY1-879



MT700 SERIES TRACK TRACTORS
POWER TRAIN

363

165-0414 CASE & PARTS GP-PLANETARY
S/N: 8AY1-879

ITEM	NUMBER	QTY	DESCRIPTION
-	165-0414	--	CASE & PARTS GP-PLANETARY [A] (NOT SERVICED)
1	2N-2138	1	CUP-BEARING
2	2P-8986	7	CUP-BEARING
3	9W-1454	4	COVER
4	6V-0852	3	CAP-DUST
5	6V-3965	3	FITTING AS
6	161-8281	4	CAGE-BEARING
7	161-8338	4	SHIM PACK (INCLUDES 13-SHIMS)
8	164-5619	8	PLUG AS (NOT SERVICED)
	2M-9780	1	SEAL-O-RING
	9S-8006	1	PLUG
9	165-0363	1	HOUSING-SEAL
10	191-5319	1	COVER
11	1U-8846	AR	SEALANT-GASKET
12	193-1701	1	TUBE AS
13	139-5802	1	SEAL-LIP TYPE
14	9S-8005	14	PLUG
	3K-0360	14	SEAL-O-RING
15	1P-8362	1	SEAL-O-RING
16	3E-4356	50	WASHER-HARD (30X17.5X6-MM THK)
17	3J-1907	4	SEAL-O-RING
18	4F-4097	1	SEAL-O-RING
19	4J-8996	1	SEAL-O-RING
20	5P-3863	5	SEAL-O-RING
21	6S-3002	1	SEAL-O-RING
22	6V-2483	1	SEAL-O-RING
23	208-2984	2	PLUG AS
	5P-7684	1	PLUG (1 7/8-12-THD)
	6K-6307	1	SEAL-O-RING
24	207-8218	1	PLUG AS (NOT SERVICED)
	7J-0204	1	SEAL-O-RING
	9S-8007	1	PLUG
25	7X-2537	4	BOLT (M8X1.25X35-MM)
26	8T-4140	50	BOLT (M16X2X60-MM)
27	8T-4189	14	BOLT (M8X1.25X20-MM)
28	8T-4195	24	BOLT (M10X1.5X30-MM)

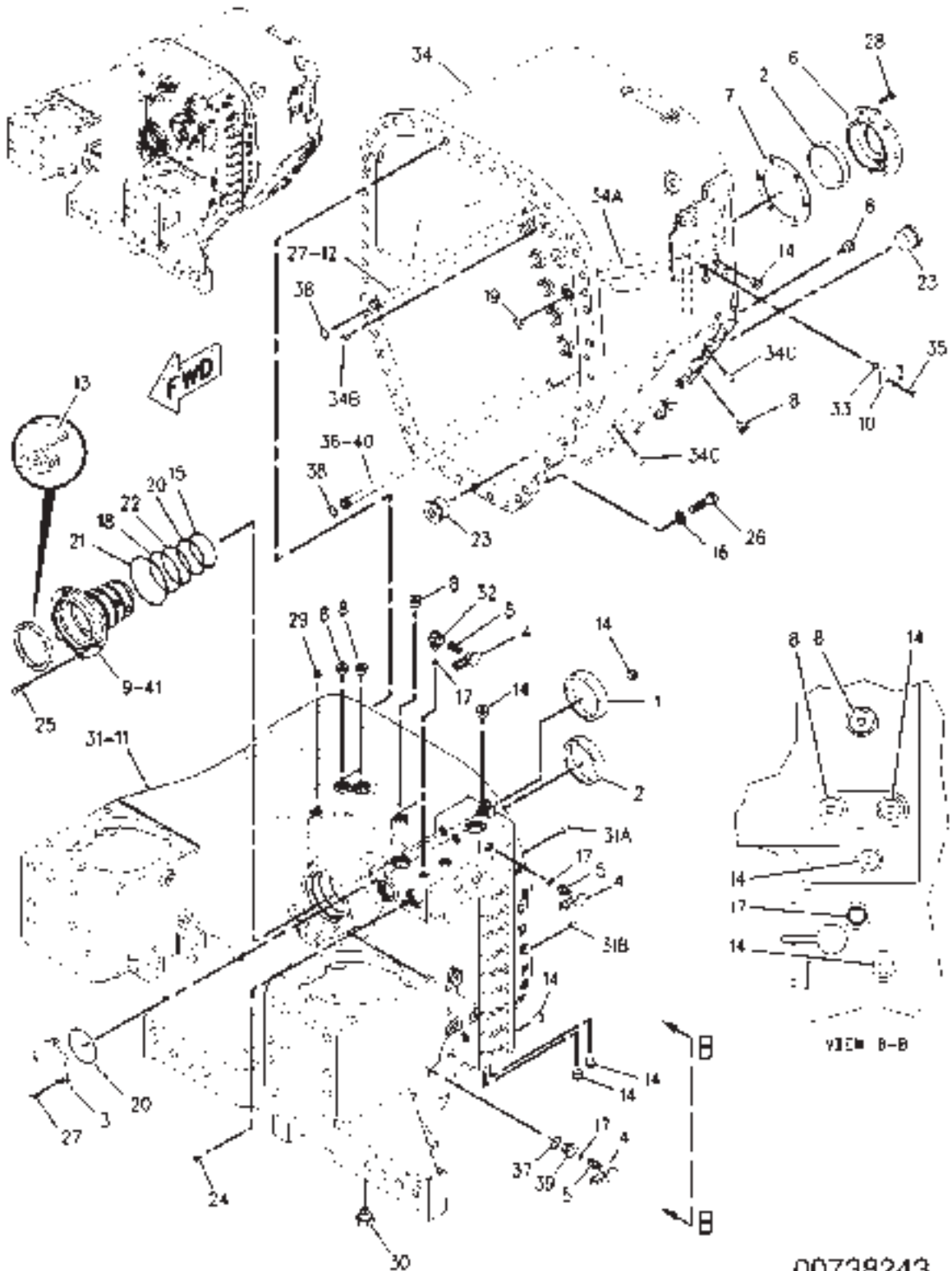
CONTINUED

[A] PART OF 173-2462 TRANSMISSION AR

00738243
PR: t05f07j07b0151

MT700 SERIES TRACK TRACTORS
POWER TRAIN

165-0414 CASE & PARTS GP-PLANETARY
S/N: 8AY1-879



00738243

MT700 SERIES TRACK TRACTORS
POWER TRAIN

365

165-0414 CASE & PARTS GP-PLANETARY
S/N: 8AY1-879

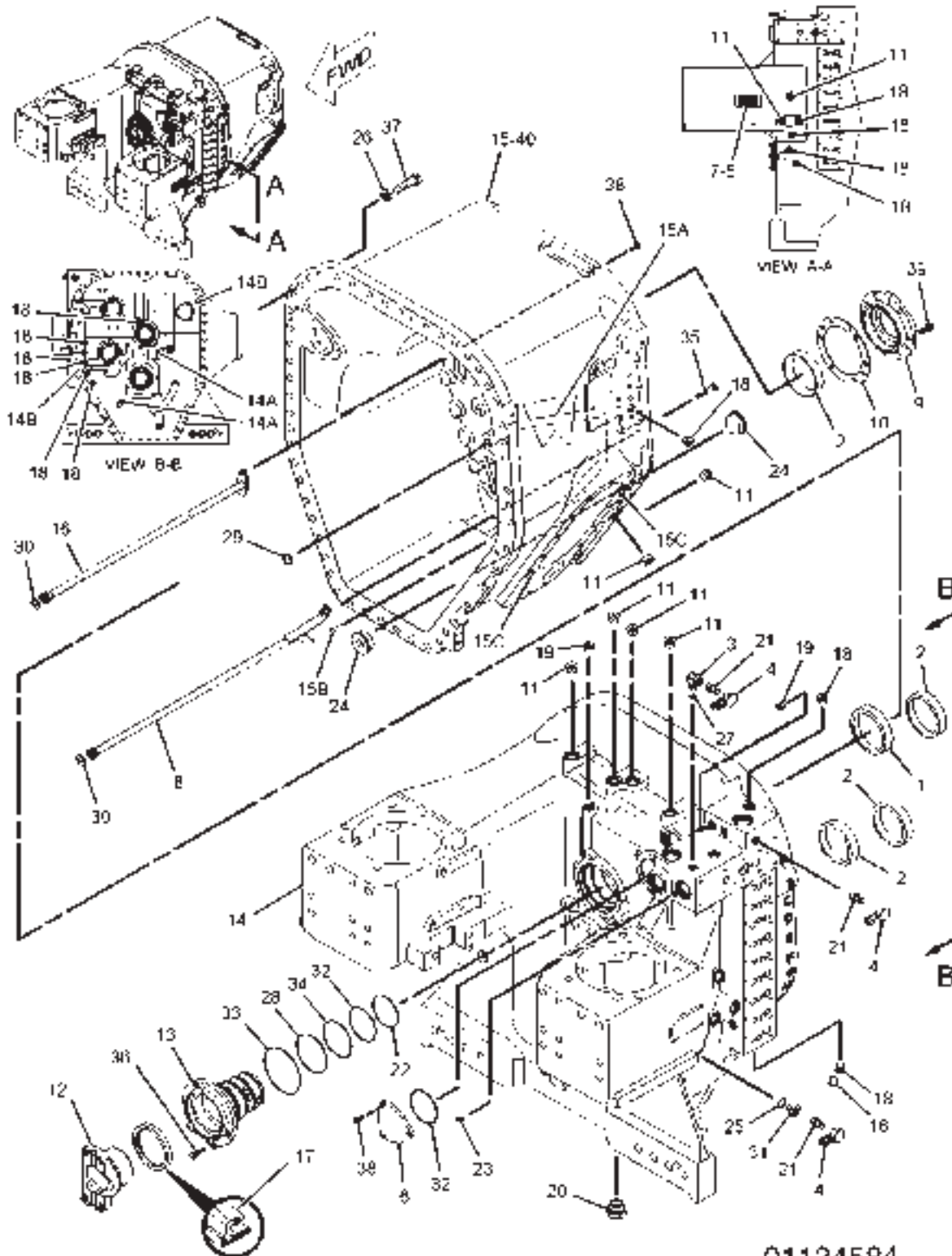
ITEM	NUMBER	QTY	DESCRIPTION
-	165-0414	--	CASE & PARTS GP-PLANETARY [A] (NOT SERVICED)
29	162-0177	1	PLUG AS (NOT SERVICED)
	3J-1907	1	SEAL-O-RING
	9S-8004	1	PLUG
30	164-4180	1	PLUG AS
	7M-8485	1	SEAL-O-RING
	9S-4181	1	PLUG
31	166-0670	1	CASE AS
31A	146-3173	2	DOWEL
31B	5M-7937	2	DOWEL
32	6V-0484	1	ADAPTER-O-RING
33	2M-4453	1	SEAL-O-RING
34	166-0672	1	CASE AS-REAR
34A	165-0394	1	TUBE
34B	146-3173	2	DOWEL
34C	5B-5821	2	DOWEL
35	8T-7547	3	BOLT (M8X1.25X30-MM)
36	6V-4249	1	BOLT (M10X1.5X50-MM)
37	2M-9780	1	SEAL-O-RING
38	5H-8038	2	SEAL-O-RING
39	5P-1404	1	ADAPTER-O-RING
40	161-8229	1	TUBE AS
41	165-0271	1	YOKE AS
	0S-0519	1	PLUG-CUP

[A] PART OF 173-2462 TRANSMISSION AR

00738243
PR: t05f07j07b0151

MT700 SERIES TRACK TRACTORS
POWER TRAIN

165-0414 CASE & PARTS GP-PLANETARY
S/N: 8AY880-UP



01124584

MT700 SERIES TRACK TRACTORS
POWER TRAIN

367

165-0414 CASE & PARTS GP-PLANETARY
S/N: 8AY880-UP

ITEM	NUMBER	QTY	DESCRIPTION
-	165-0414	--	CASE & PARTS GP-PLANETARY [A] (NOT SERVICED)
1	2N-2138	1	CUP-BEARING
2	2P-8986	7	CUP-BEARING
3	6V-0484	1	ADAPTER-O-RING
4	6V-0852	3	CAP-DUST
5	-----	1	PLATE-SERIAL NUMBER (TRANSMISSION)
6	9W-1454	4	COVER
7	-----	2	TACK
8	161-8229	1	TUBE AS
9	161-8281	4	CAGE-BEARING
10	161-8338	4	SHIM PACK (INCLUDES 13-SHIMS)
11	164-5619	8	PLUG AS (NOT SERVICED)
	2M-9780	1	SEAL-O-RING
	9S-8006	1	PLUG
12	165-0271	1	YOKE AS
	0S-0519	1	PLUG-CUP
13	165-0363	1	HOUSING-SEAL
14	166-0670	1	CASE AS (FRONT)
14A	146-3173	2	DOWEL
14B	5M-7937	2	DOWEL
15	166-0672	1	CASE AS-REAR
15A	165-0394	1	TUBE
15B	146-3173	2	DOWEL
15C	5B-5821	2	DOWEL
16	193-1701	1	TUBE AS
17	139-5802	1	SEAL-LIP TYPE
18	9S-8005	14	PLUG
	3K-0360	14	SEAL-O-RING
19	162-0177	2	PLUG AS (NOT SERVICED) [C]
	3J-1907	1	SEAL-O-RING
	9S-8004	1	PLUG
20	164-4180	1	PLUG AS (NOT SERVICED)
	7M-8485	1	SEAL-O-RING
	9S-4181	1	PLUG
21	164-5567	3	FITTING GP-COUPLING (NOT SERVICED) [C]
	3J-1907	1	SEAL-O-RING
	6V-3965	1	FITTING AS
22	1P-8362	1	SEAL-O-RING
23	207-8218	1	PLUG AS (NOT SERVICED)
	7J-0204	1	SEAL-O-RING
	9S-8007	1	PLUG
24	208-2984	2	PLUG AS (NOT SERVICED)
	5P-7684	1	PLUG (1 7/8-12-THD)
	6K-6307	1	SEAL-O-RING

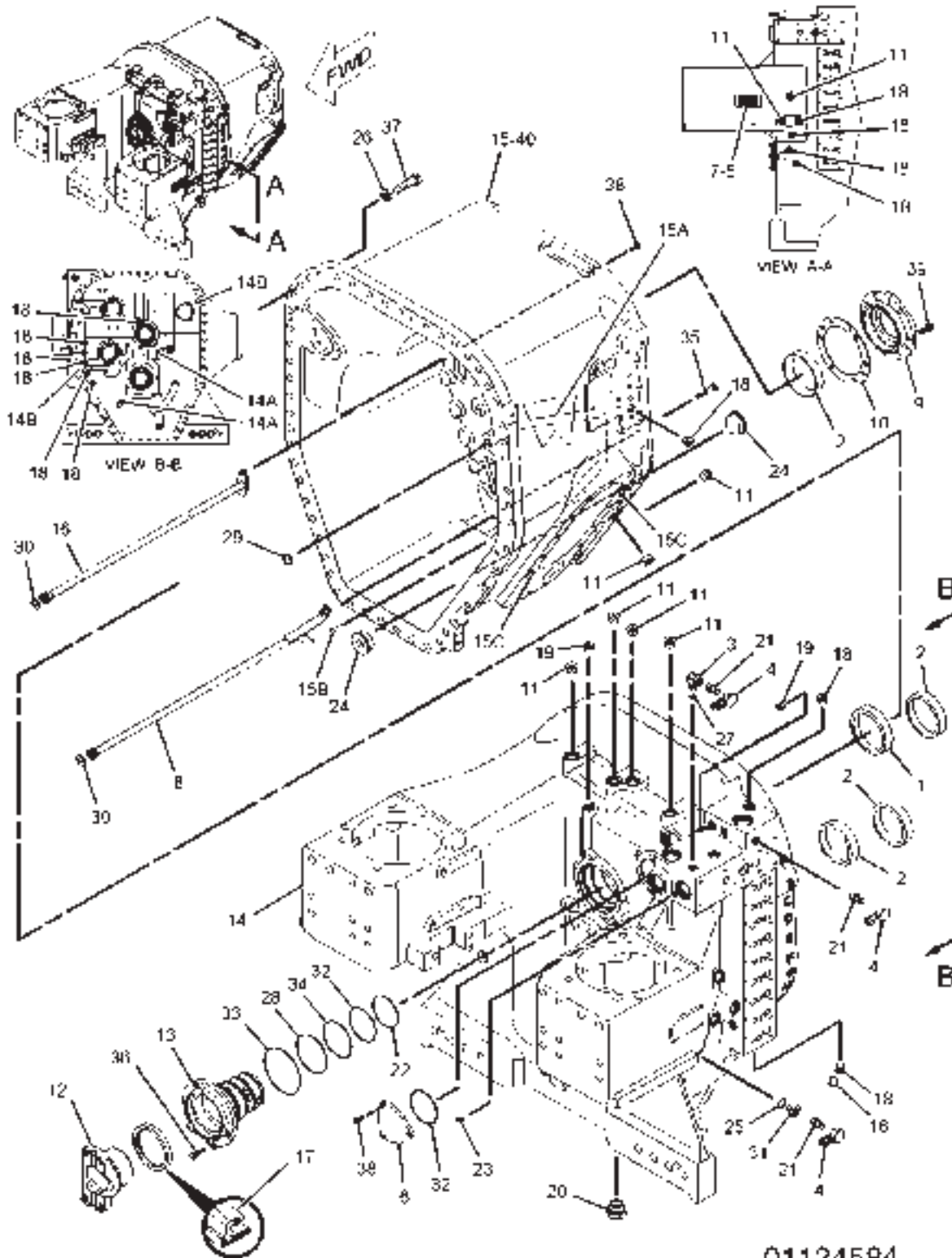
CONTINUED

[A] PART OF 173-2462 TRANSMISSION AR
[C] CHANGE FROM PREVIOUS TYPE

01124584
PR: t05f07j07b0152

MT700 SERIES TRACK TRACTORS
POWER TRAIN

165-0414 CASE & PARTS GP-PLANETARY
S/N: 8AY880-UP



01124584

MT700 SERIES TRACK TRACTORS
POWER TRAIN

369

165-0414 CASE & PARTS GP-PLANETARY
S/N: 8AY880-UP

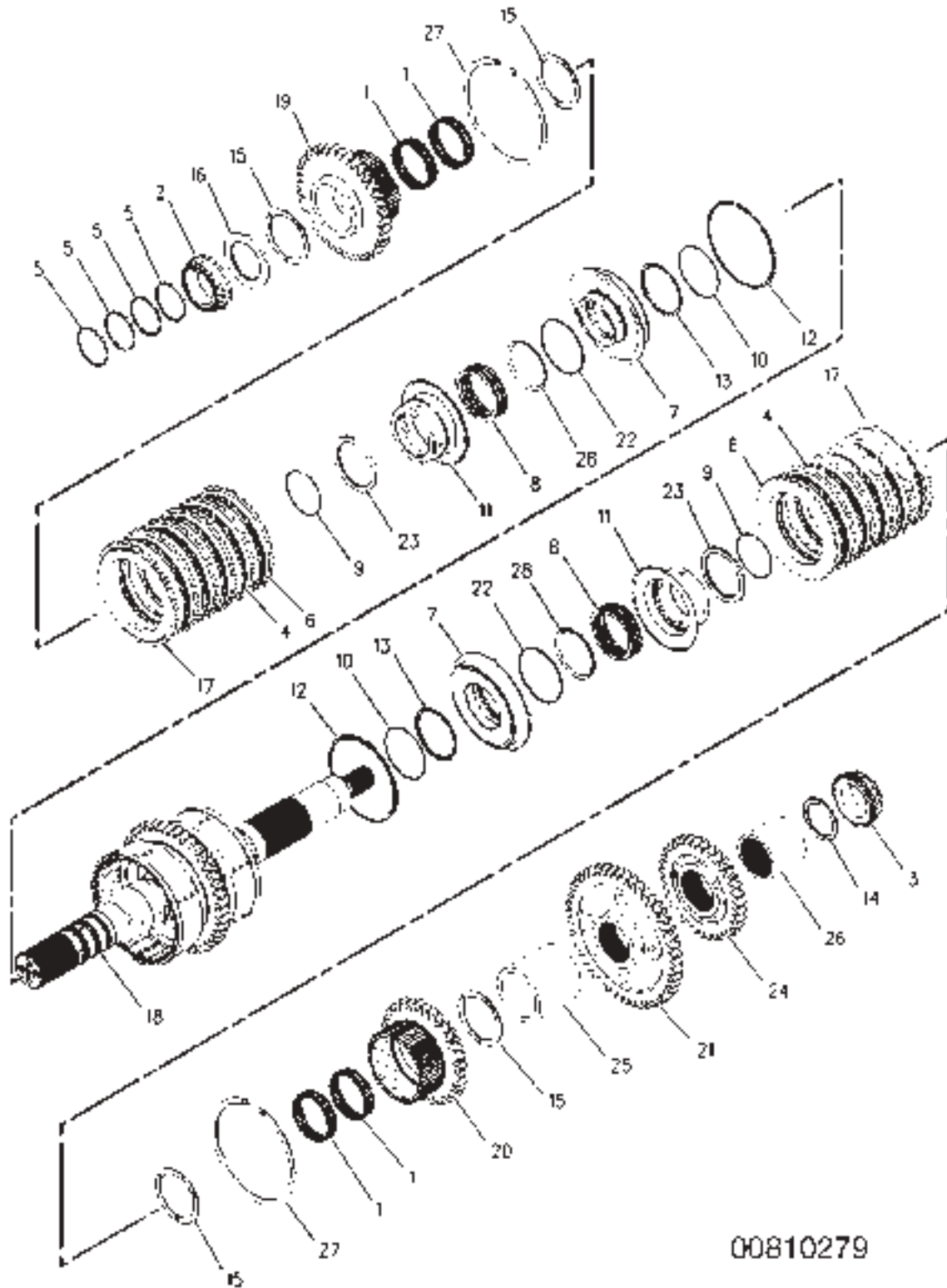
ITEM	NUMBER	QTY	DESCRIPTION
-	165-0414	--	CASE & PARTS GP-PLANETARY [A] (NOT SERVICED)
25	2M-9780	1	SEAL-O-RING
26	3E-4356	50	WASHER-HARD (30X17.5X6-MM THK)
27	3J-1907	1	SEAL-O-RING [C]
28	4F-4097	1	SEAL-O-RING
29	4J-8996	1	SEAL-O-RING
30	5H-8038	2	SEAL-O-RING
31	5P-1404	1	ADAPTER-O-RING
32	5P-3863	5	SEAL-O-RING
33	6S-3002	1	SEAL-O-RING
34	6V-2483	1	SEAL-O-RING
35	6V-4249	1	BOLT (M10X1.5X50-MM)
36	7X-2537	4	BOLT (M8X1.25X35-MM)
37	8T-4140	50	BOLT (M16X2X60-MM)
38	8T-4189	13	BOLT (M8X1.25X20-MM) [C]
39	8T-4195	24	BOLT (M10X1.5X30-MM)
40	1U-8846	AR	SEALANT-GASKET

[A] PART OF 173-2462 TRANSMISSION AR
[C] CHANGE FROM PREVIOUS TYPE

01124584
PR: t05f07j07b0152

MT700 SERIES TRACK TRACTORS
POWER TRAIN

155-9583 CLUTCH GP-INPUT SHAFT
S/N: 7PY1-1722; 8AY1-885



00810279

MT700 SERIES TRACK TRACTORS
POWER TRAIN

371

155-9583 CLUTCH GP-INPUT SHAFT
S/N: 7PY1-1722; 8AY1-885

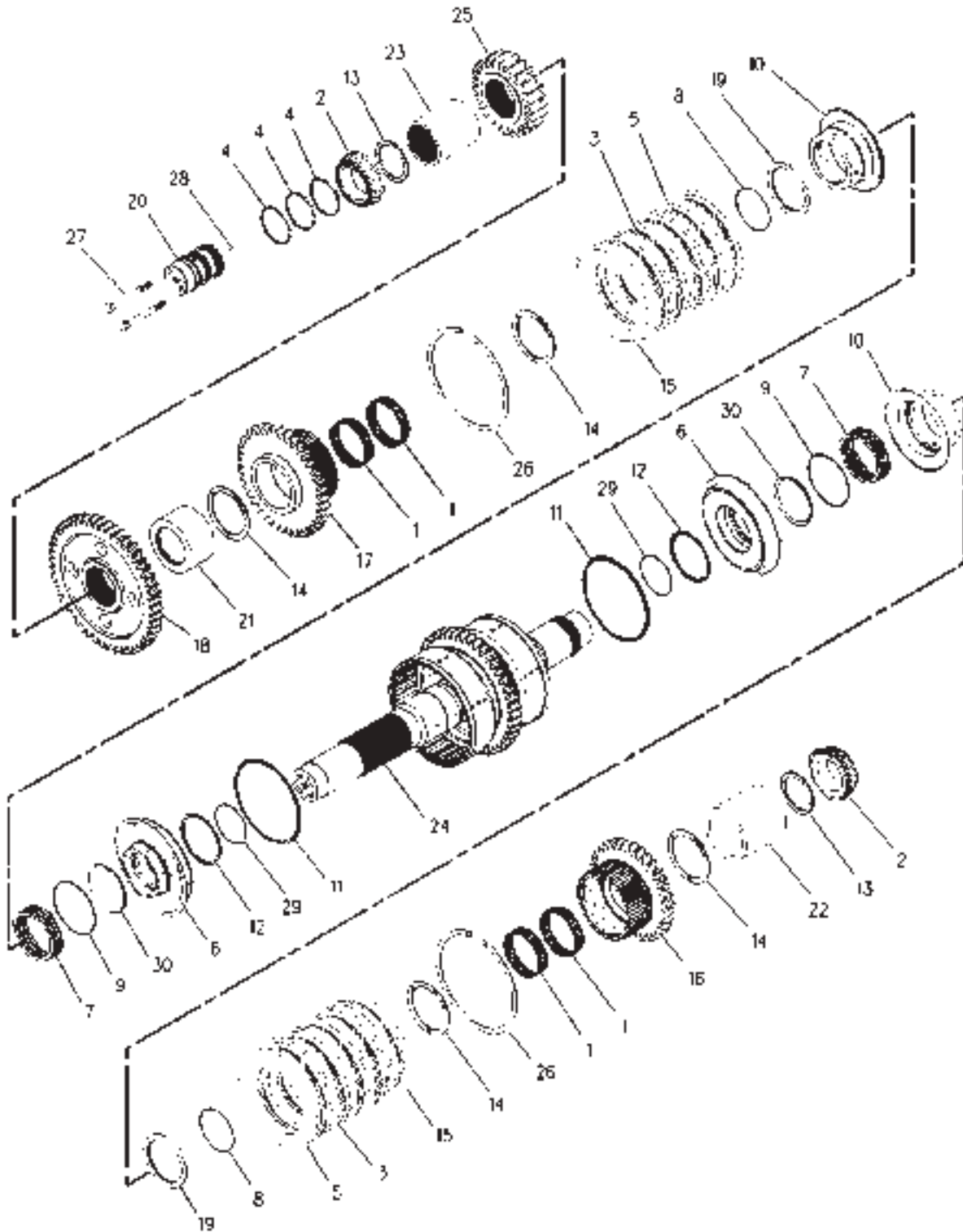
ITEM	NUMBER	QTY	DESCRIPTION
-	155-9583	--	CLUTCH GP-INPUT SHAFT [A] (NOT SERVICED)
1	161-8269	4	BEARING
2	2N-2139	1	CONE-BEARING
3	2P-8987	1	CONE-BEARING
4	6Y-7932	10	DISC-FRICTION
5	7G-4822	4	RING-SEAL
6	8E-0401	10	PLATE-CLUTCH
7	165-0268	2	PISTON
8	161-8309	2	SPRING (WAVE)
9	165-0512	2	RING-RETAINING
10	5P-3114	2	SEAL-O-RING
11	165-0463	2	SEAL AS
12	161-8313	2	RING-SEAL
13	165-0488	2	RING-SEAL
14	161-8339	1	SPACER (65.5X86.5X5MM THK)
15	162-0251	4	DISC-THRUST
16	165-0365	1	SPACER (70.5X106X5MM THK)
17	165-0367	2	PLATE-END
18	177-5251	1	SHAFT AS
19	165-0272	1	GEAR (35 TEETH)
20	165-0273	1	GEAR (40 TEETH)
21	165-0403	1	GEAR (50 TEETH)
22	165-0270	2	RING-SEAL
23	165-0513	2	RING-SPACER
24	165-0427	1	GEAR (35 TEETH)
25	165-0401	1	SPACER
26	165-0366	1	SPACER
27	6V-1586	2	RING-RETAINING
28	201-9933	2	SEAL-O-RING

[A] PART OF 152-5241,
173-2462 TRANSMISSION AR

00810279
PR: t05f07j07b0153

MT700 SERIES TRACK TRACTORS
POWER TRAIN

155-9586 CLUTCH GP-INTERMEDIATE SHAFT
S/N: 7PY1-1722; 8AY1-885



MT700 SERIES TRACK TRACTORS**373****POWER TRAIN****155-9586 CLUTCH GP-INTERMEDIATE SHAFT**

S/N: 7PY1-1722; 8AY1-885

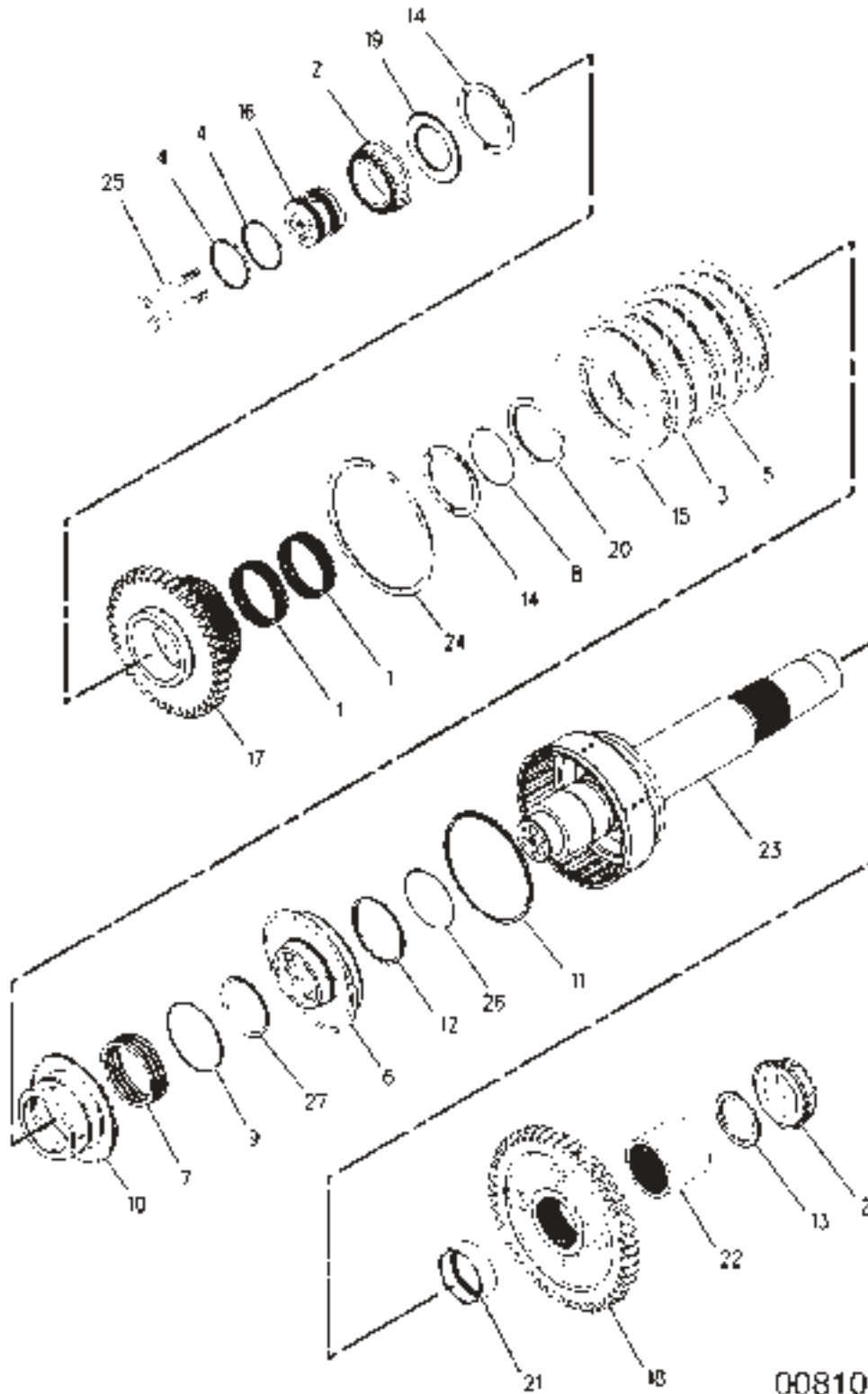
ITEM	NUMBER	QTY	DESCRIPTION
-	155-9586	--	CLUTCH GP-INTERMEDIATE SHAFT [A] (NOT SERVICED)
1	161-8269	4	BEARING
2	2P-8987	2	CONE-BEARING
3	6Y-7932	10	DISC-FRICTION
4	7G-4822	3	RING-SEAL
5	8E-0401	10	PLATE-CLUTCH
6	165-0268	2	PISTON
7	161-8309	2	SPRING (WAVE)
8	165-0512	2	RING-RETAINING
9	165-0270	2	RING-SEAL
10	165-0463	2	SEAL AS
11	161-8313	2	RING-SEAL
12	165-0488	2	RING-SEAL
13	161-8339	2	SPACER (65.5X86.5X5MM THK)
14	162-0251	4	DISC-THRUST
15	165-0367	2	PLATE-END
16	165-0272	1	GEAR (35 TEETH)
17	165-0273	1	GEAR (40 TEETH)
18	165-0403	1	GEAR (50 TEETH)
19	165-0513	2	RING-SPACER
20	165-0435	1	CARRIER-SEAL
21	165-0401	1	SPACER
22	165-0434	1	SPACER
23	165-0429	1	SPACER
24	177-6776	1	SHAFT AS
25	165-0430	1	GEAR (25 TEETH)
26	6V-1586	2	RING-RETAINING
27	8T-5030	2	BOLT (M10X1.5X120MM)
28	5H-8985	1	PIN-SPRING
29	5P-3114	2	SEAL-O-RING
30	201-9933	2	SEAL-O-RING

[A] PART OF 152-5241,
173-2462 TRANSMISSION AR

00810223
PR: t05f07j07b0154

MT700 SERIES TRACK TRACTORS
POWER TRAIN

155-9589 CLUTCH GP-REVERSE SHAFT
S/N: 7PY1-1722; 8AY1-885



MT700 SERIES TRACK TRACTORS
POWER TRAIN

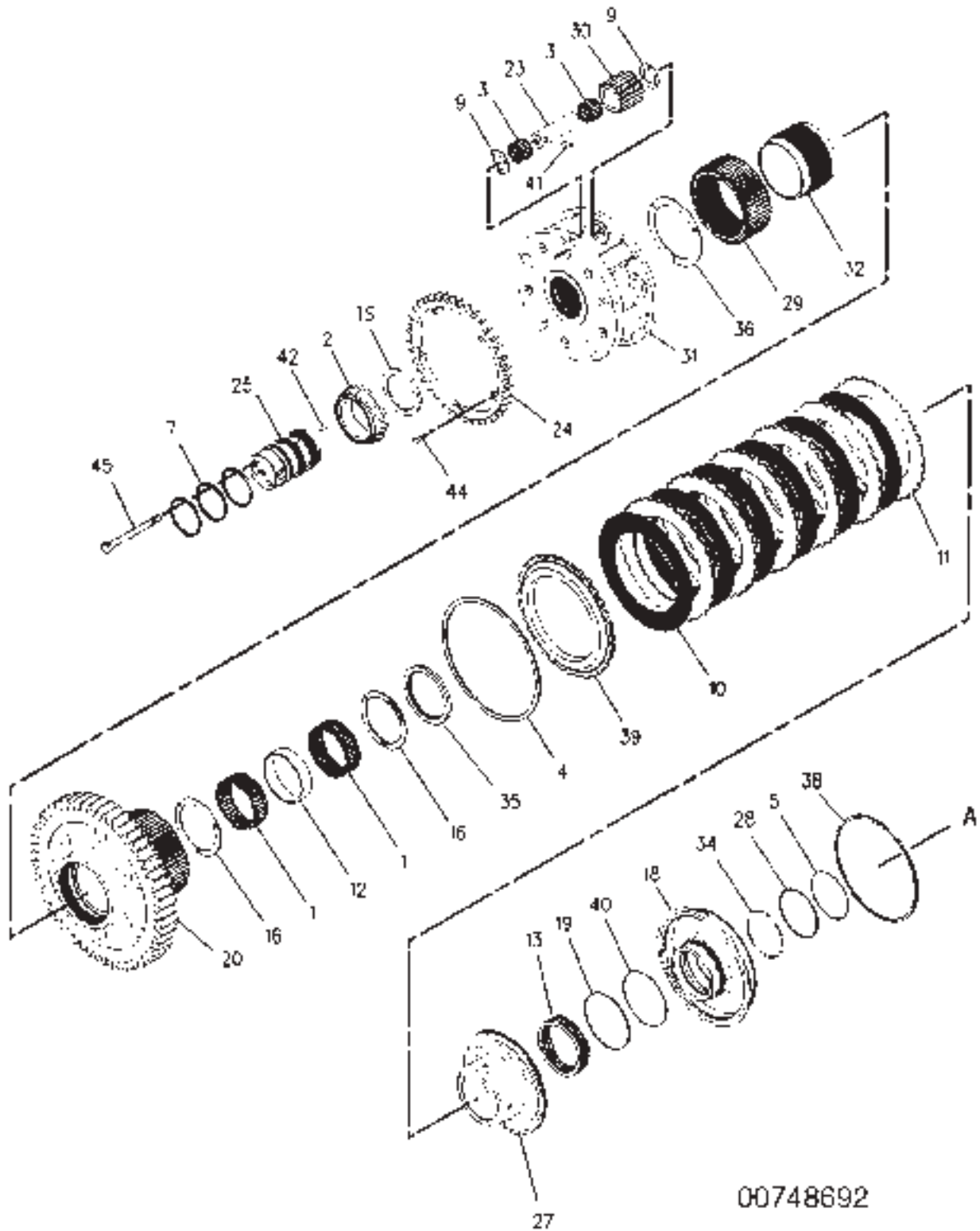
375

155-9589 CLUTCH GP-REVERSE SHAFT
S/N: 7PY1-1722; 8AY1-885

ITEM	NUMBER	QTY	DESCRIPTION
-	155-9589	--	CLUTCH GP-REVERSE SHAFT [A] (NOT SERVICED)
1	161-8269	2	BEARING
2	2P-8987	2	CONE-BEARING
3	6Y-7932	5	DISC-FRICTION
4	7G-4822	2	RING-SEAL
5	8E-0401	5	PLATE-CLUTCH
6	165-0268	1	PISTON
7	161-8309	1	SPRING (WAVE)
8	165-0512	1	RING-RETAINING
9	165-0270	1	RING-SEAL
10	165-0463	1	SEAL AS
11	161-8313	1	RING-SEAL (EXTERNAL)
12	165-0488	1	RING-SEAL
13	161-8339	1	SPACER (65.5X86.5X5MM THK)
14	162-0251	2	DISC-THRUST
15	165-0367	1	PLATE-END
16	165-0384	1	CARRIER-SEAL
17	165-0273	1	GEAR (40 TEETH)
18	165-0403	1	GEAR (50 TEETH)
19	165-0404	1	SPACER (65.5X106X5MM THK)
20	165-0513	1	RING-SPACER
21	165-8622	1	SPACER
22	165-0366	1	SPACER
23	177-6777	1	SHAFT AS
24	6V-1586	1	RING-RETAINING
25	6V-5815	2	BOLT (M10X1.5X75MM)
26	5P-3114	1	SEAL-O-RING
27	201-9933	1	SEAL-O-RING

[A] PART OF 152-5241,
173-2462 TRANSMISSION AR

00810246
PR: t05f07j07b0155

MT700 SERIES TRACK TRACTORS
POWER TRAIN155-9590 CLUTCH GP-OUTPUT SHAFT
S/N: 7PY1-1722; 8AY1-885

00748692

MT700 SERIES TRACK TRACTORS
POWER TRAIN

377

155-9590 CLUTCH GP-OUTPUT SHAFT
S/N: 7PY1-1722; 8AY1-885

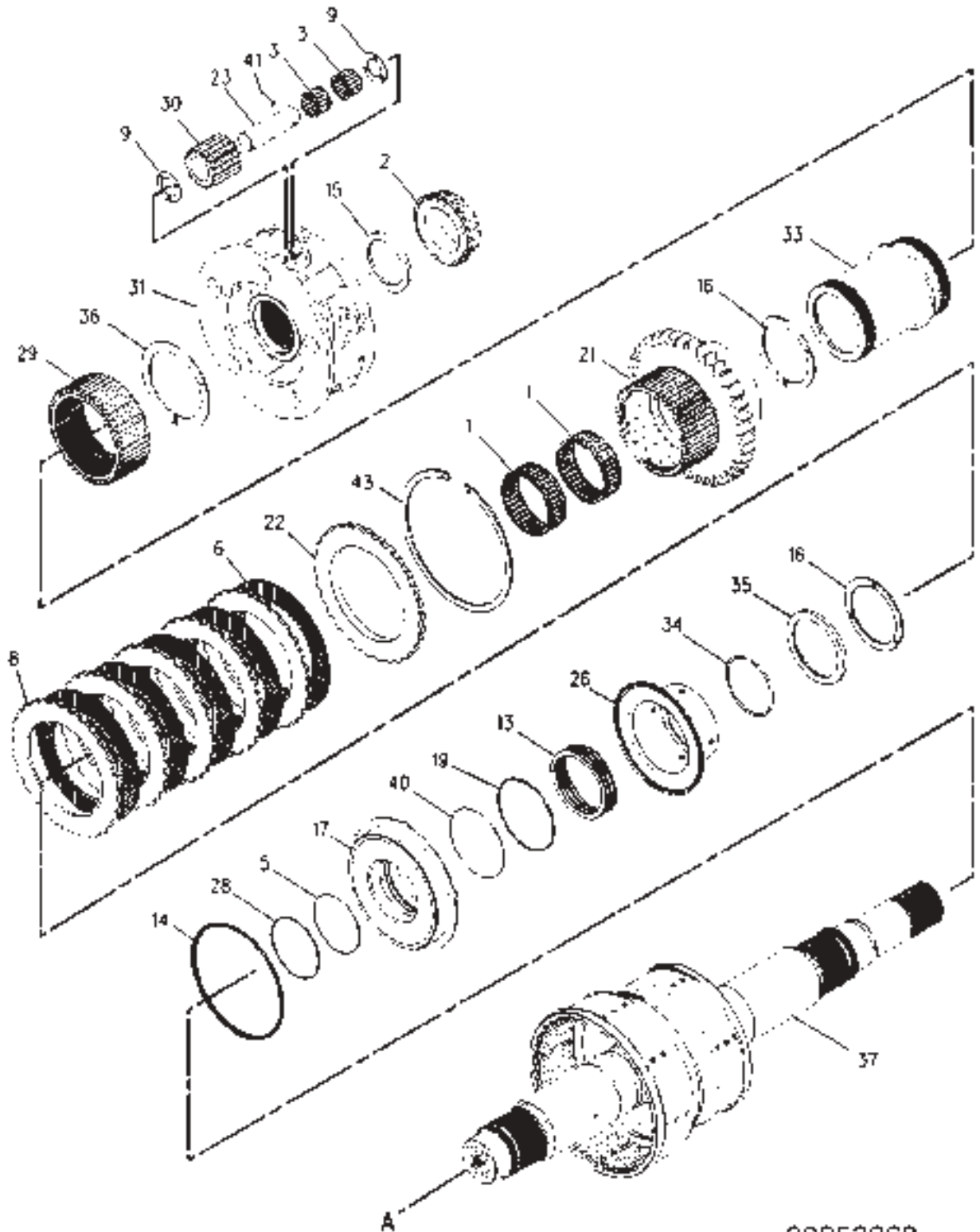
ITEM	NUMBER	QTY	DESCRIPTION
-	155-9590	--	CLUTCH GP-OUTPUT SHAFT [A] (NOT SERVICED)
1	161-8218	4	BEARING
2	2P-8987	2	CONE-BEARING
3	5P-3930	20	BEARING AS-ROLLER
4	4D-7889	1	RING
5	5P-3114	2	SEAL-O-RING
7	7G-4822	3	RING-SEAL
9	8E-8298	20	DISC-THRUST
10	134-8360	6	DISC-FRICTION
11	134-8361	6	PLATE-CLUTCH
12	161-8220	1	SPACER (86.5X92.8X21.9-MM THK)
13	161-8309	2	SPRING (WAVE)
15	161-8339	2	SPACER (65.5X86.5X5-MM THK)
16	162-0251	4	DISC-THRUST
18	165-0269	1	PISTON
19	165-0270	2	RING-SEAL
20	165-0274	1	GEAR (54-TEETH)
23	165-0419	10	SHAFT AS-PLANET
	6V-3508	1	PLUG-CUP
24	165-0420	1	ROTOR AS
	3H-0703	2	DOWEL
25	165-0435	1	CARRIER-SEAL
27	165-0469	1	SEAL AS
28	165-0488	2	RING-SEAL (INTERNAL)
29	165-0497	2	GEAR-SUN (53-TEETH)
30	165-0498	10	GEAR-PLANETARY (20-TEETH)
31	165-0501	2	CARRIER-PLANETARY
32	165-0510	1	DRIVE TUBE-LH
34	165-0512	2	RING-RETAINING
35	165-0513	2	RING-SPACER
36	165-8626	2	DISC-THRUST
38	177-6797	1	RING-SEAL (EXTERNAL)
39	177-6804	1	PLATE-END
40	201-9933	2	SEAL-O-RING
41	3S-2708	10	PIN-SPRING
42	5H-8985	1	PIN-SPRING
44	8T-5030	2	BOLT (M10X1.5X120-MM)
45	6V-8490	3	BOLT (M6X1X25-MM)

[A] PART OF 152-5241,
173-2462 TRANSMISSION AR

00748692
PR: t05f07j07b0156

MT700 SERIES TRACK TRACTORS
POWER TRAIN

155-9590 CLUTCH GP-OUTPUT SHAFT
S/N: 7PY1-1722; 8AY1-885



MT700 SERIES TRACK TRACTORS
POWER TRAIN

379

155-9590 CLUTCH GP-OUTPUT SHAFT
S/N: 7PY1-1722; 8AY1-885

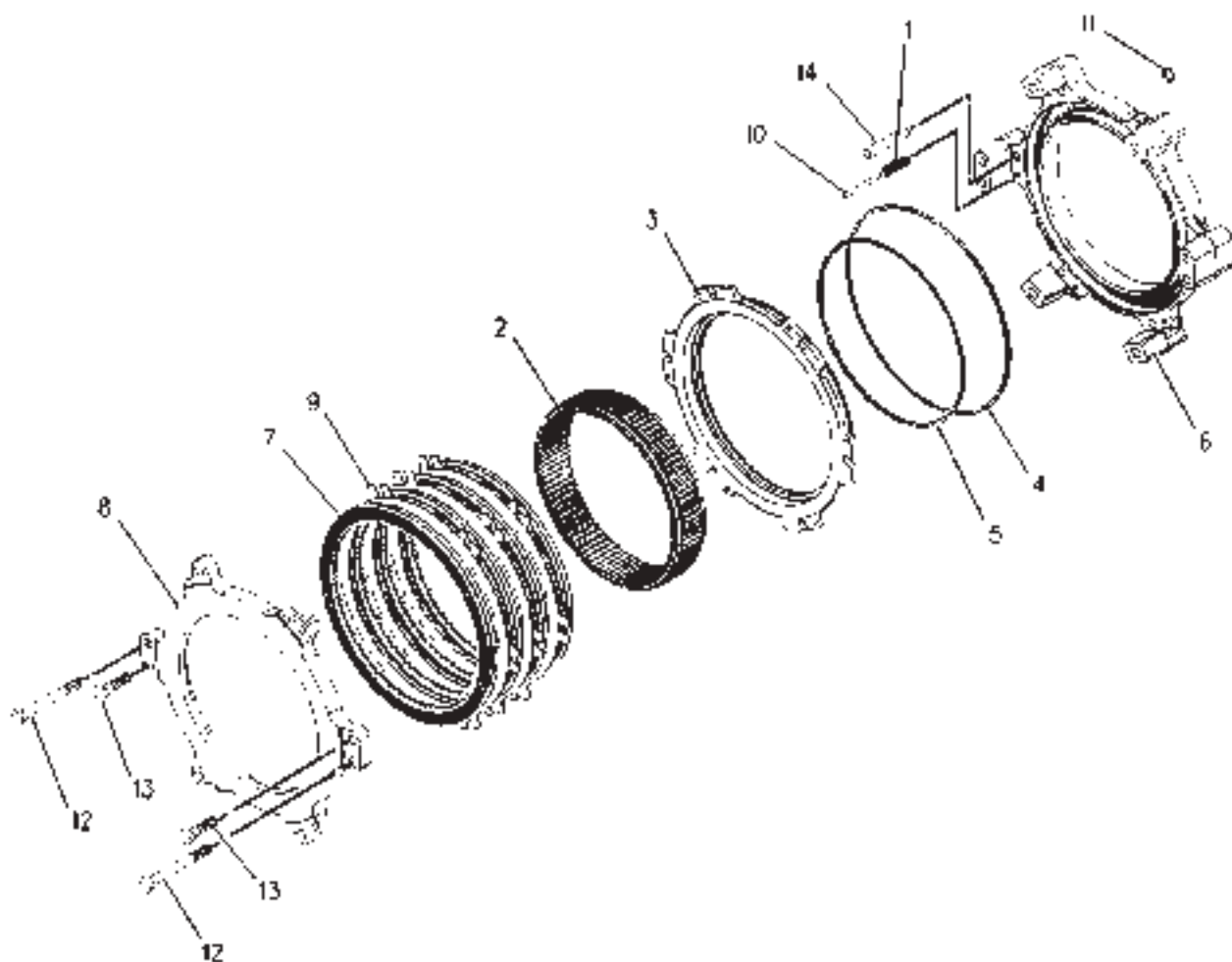
ITEM	NUMBER	QTY	DESCRIPTION
-	155-9590	--	CLUTCH GP-OUTPUT SHAFT [A] (NOT SERVICED)
1	161-8218	4	BEARING
2	2P-8987	2	CONE-BEARING
3	5P-3930	20	BEARING AS-ROLLER
5	5P-3114	2	SEAL-O-RING
6	6Y-7932	5	DISC-FRICTION
8	8E-0401	5	PLATE-CLUTCH
9	8E-8298	20	DISC-THRUST
13	161-8309	2	SPRING (WAVE)
14	161-8313	1	RING-SEAL (EXTERNAL)
15	161-8339	2	SPACER (65.5X86.5X5-MM THK)
16	162-0251	4	DISC-THRUST
17	165-0268	1	PISTON
19	165-0270	2	RING-SEAL
21	165-0275	1	GEAR (40-TEETH)
22	165-0367	1	PLATE-END
23	165-0419	10	SHAFT AS-PLANET
	6V-3508	1	PLUG-CUP
26	165-0463	1	SEAL AS
28	165-0488	2	RING-SEAL (INTERNAL)
29	165-0497	2	GEAR-SUN (53-TEETH)
31	165-0501	2	CARRIER-PLANETARY
33	165-0511	1	DRIVE TUBE-RH
34	165-0512	2	RING-RETAINING
35	165-0513	2	RING-SPACER
36	165-8626	2	DISC-THRUST
37	177-5244	1	SHAFT AS
	9P-2343	1	PLUG-ORIFICE
40	201-9933	2	SEAL-O-RING
41	3S-2708	10	PIN-SPRING
43	6V-1586	1	RING-RETAINING

[A] PART OF 152-5241,
173-2462 TRANSMISSION AR

00853868
PR: t05f07j07b0157

MT700 SERIES TRACK TRACTORS
POWER TRAIN

166-0668 CLUTCH GP-OUTPUT PLANETARY
S/N: 7PY1-UP; 8AY1-UP



MT700 SERIETRACKTRACTORS
POWER TRAIN

381

166-0668 CLUTCH GP-OUTPUT PLANETARY
S/N: 7PY1-UP; 8AY1-UP

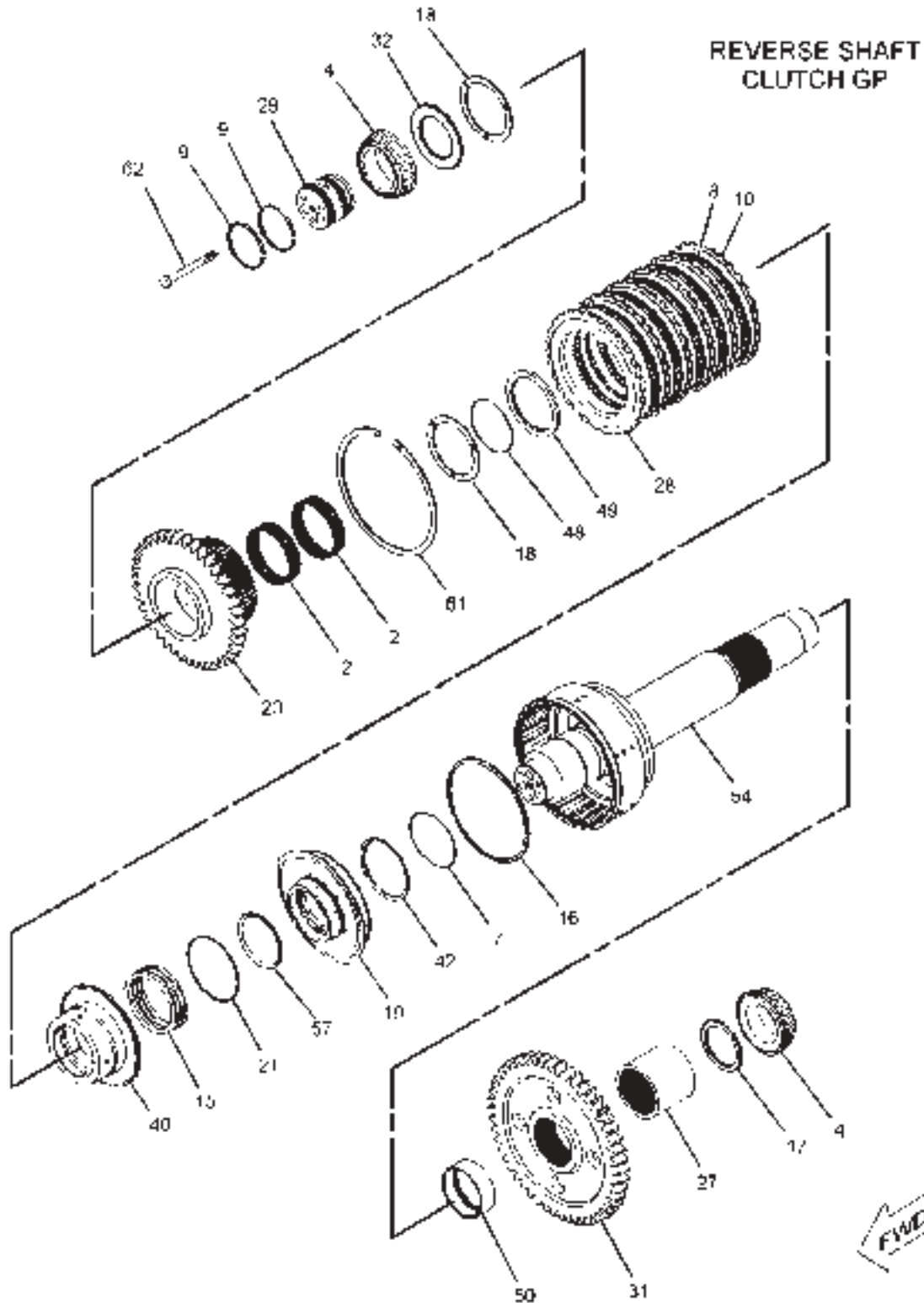
ITEM	NUMBER	QTY	DESCRIPTION
-	166-0668	--	CLUTCH GP-OUTPUT PLANETARY [A] (NOT SERVICED)
1	7G-6945	6	SPRING
2	165-0496	1	GEAR-RING (92 TEETH)
3	165-0504	1	PISTON
4	165-0507	1	RING-SEAL (EXTERNAL)
5	165-0508	1	RING-SEAL (INTERNAL)
6	165-8699	1	HOUSING-CLUTCH
7	166-0673	4	DISC-FRICTION
8	166-0674	1	PLATE-END
9	166-0675	3	PLATE-CLUTCH
10	4T-2201	6	ROD
11	8F-3469	2	SEAL-O-RING
12	8T-0646	6	BOLT (M12X1.75X110MM)
13	6V-5684	2	BOLT (M12X1.75X45MM)
14	9H-5545	6	DOWEL-REACTION

[A] PART OF 152-5241,
173-2462 TRANSMISSION AR

00735132
PR: t05f07j07b0158

MT700 SERIES TRACK TRACTORS
POWER TRAIN

232-1773 CLUTCH GP-TRANSMISSION
REVERSE SHAFT CLUTCH GP
S/N: 7PY1723-UP; 8AY886-UP



MT700 SERIES TRACK TRACTORS
POWER TRAIN

383

232-1773 CLUTCH GP-TRANSMISSION
REVERSE SHAFT CLUTCH GP
S/N: 7PY1723-UP; 8AY886-UP

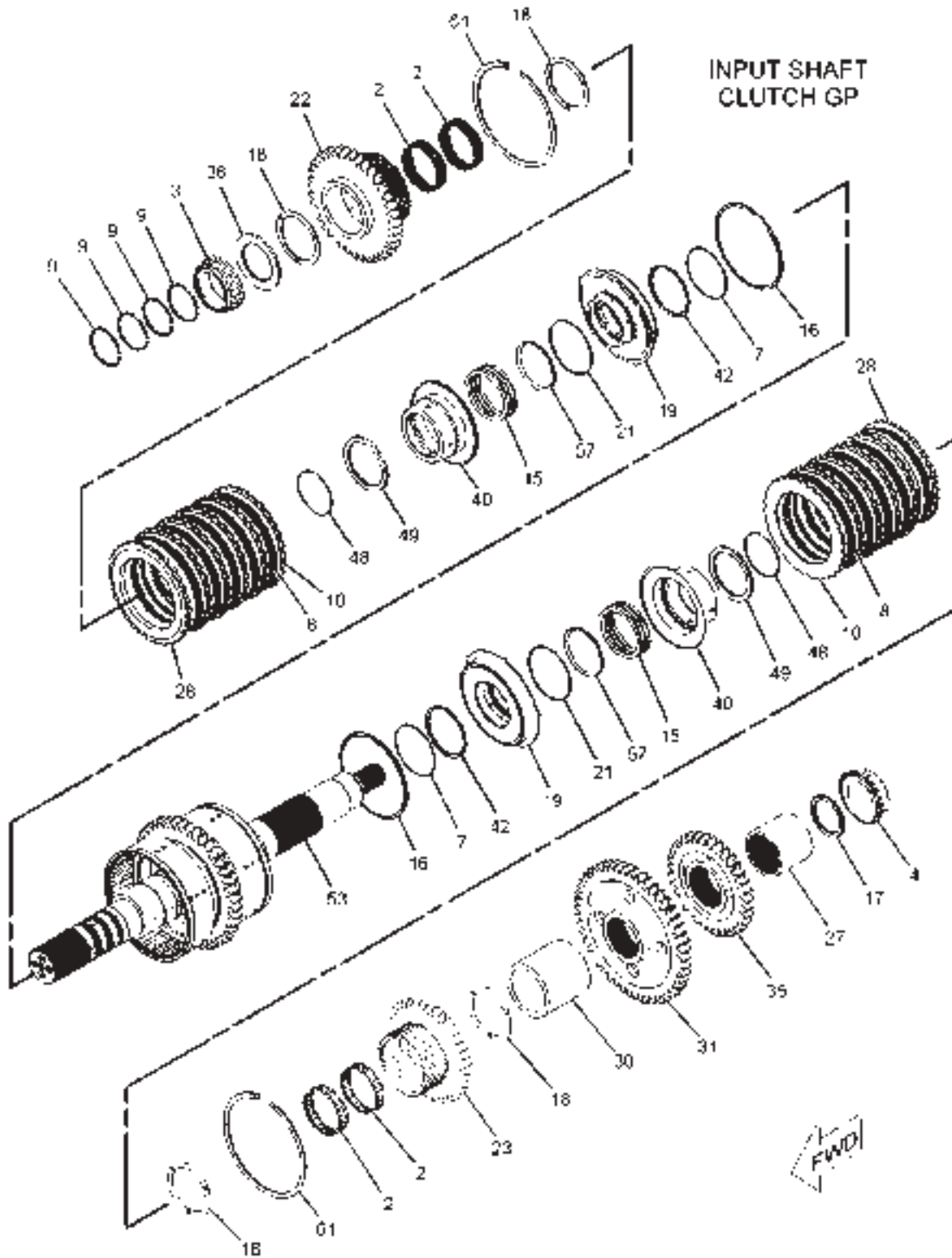
ITEM	NUMBER	QTY	DESCRIPTION
-	232-1773	--	CLUTCH GP-TRANSMISSION [A]
2	161-8269	10	BEARING
4	2P-8987	7	CONE-BEARING
7	5P-3114	7	SEAL-O-RING
8	6Y-7932	30	DISC-FRICTION
9	7G-4822	12	RING-SEAL
10	8E-0401	30	PLATE-CLUTCH
15	161-8309	7	SPRING (WAVE)
16	161-8313	6	RING-SEAL
17	161-8339	6	SPACER (65.5X86.5X5-MM THK)
18	162-0251	14	DISC-THRUST
19	165-0268	6	PISTON
21	165-0270	7	RING-SEAL
23	165-0273	3	GEAR (40-TEETH)
27	165-0366	2	SPACER
28	165-0367	6	PLATE-END
29	165-0384	1	CARRIER-SEAL
31	165-0403	3	GEAR (50-TEETH)
32	165-0404	1	SPACER (65.5X106X5-MM THK)
40	165-0463	6	SEAL AS
42	165-0488	7	RING-SEAL
48	165-0512	7	RING-RETAINING
49	165-0513	7	RING-SPACER
50	165-8622	1	SPACER
54	177-6777	1	SHAFT AS
57	201-9933	7	SEAL-O-RING
61	6V-1586	6	RING-RETAINING
62	6V-5815	2	BOLT (M10X1.5X75-MM)

[A] PART OF 152-5241,
173-2462 TRANSMISSION AR

01122921
PR: t05f07j07b0159

MT700 SERIES TRACK TRACTORS
POWER TRAIN

232-1773 CLUTCH GP-TRANSMISSION
INPUT SHAFT CLUTCH GP
S/N: 7PY1723-UP; 8AY886-UP



01122928

MT700 SERIES TRACK TRACTORS
POWER TRAIN

385

232-1773 CLUTCH GP-TRANSMISSION
INPUT SHAFT CLUTCH GP
S/N: 7PY1723-UP; 8AY886-UP

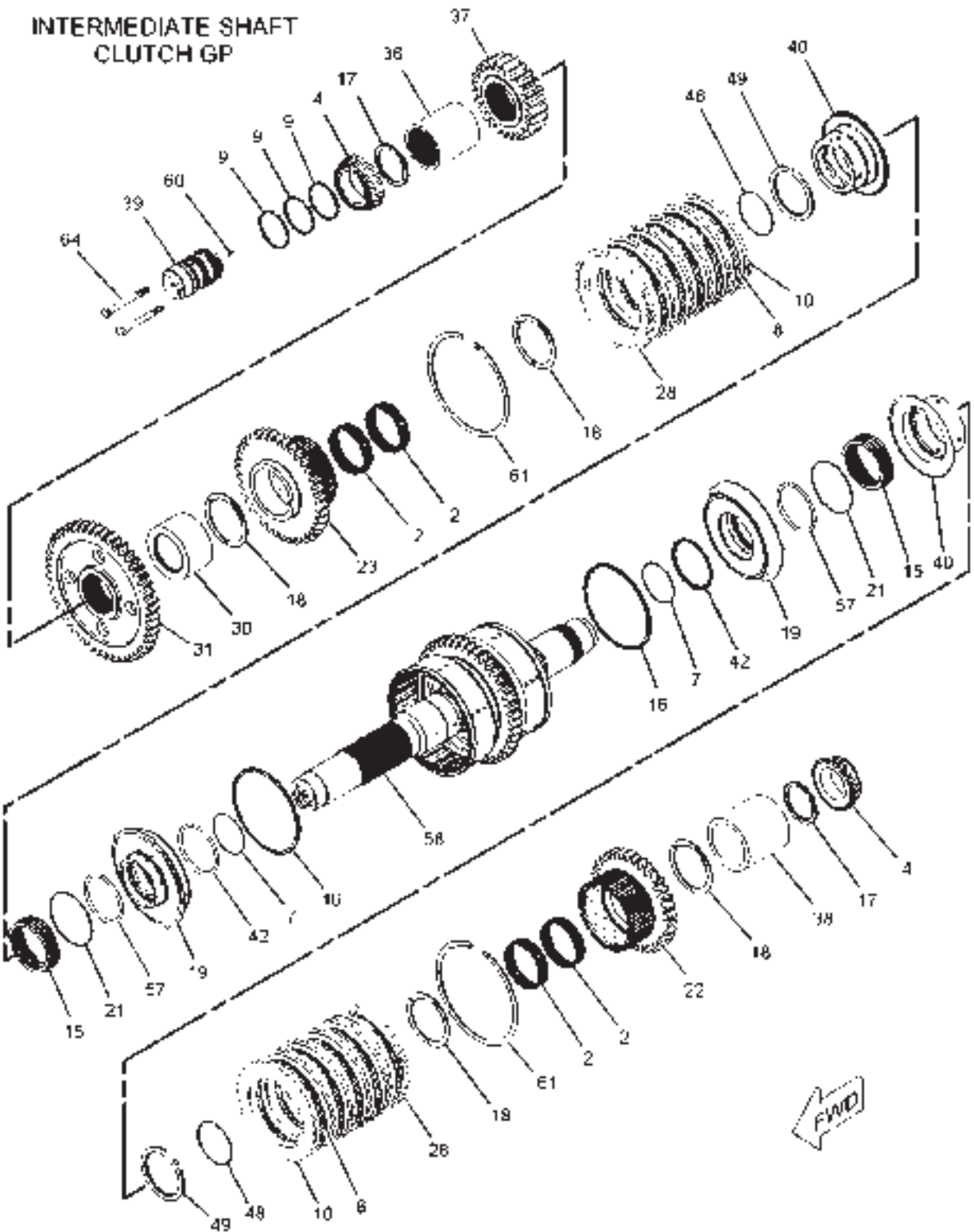
ITEM	NUMBER	QTY	DESCRIPTION
-	232-1773	--	CLUTCH GP-TRANSMISSION [A]
2	161-8269	10	BEARING
3	2N-2139	1	CONE-BEARING
4	2P-8987	7	CONE-BEARING
7	5P-3114	7	SEAL-O-RING
8	6Y-7932	30	DISC-FRICTION
9	7G-4822	12	RING-SEAL
10	8E-0401	30	PLATE-CLUTCH
15	161-8309	7	SPRING (WAVE)
16	161-8313	6	RING-SEAL
17	161-8339	6	SPACER (65.5X86.5X5-MM THK)
18	162-0251	14	DISC-THRUST
19	165-0268	6	PISTON
21	165-0270	7	RING-SEAL
22	165-0272	2	GEAR (35-TEETH)
23	165-0273	3	GEAR (40-TEETH)
26	165-0365	1	SPACER (70.5X106X5-MM THK)
27	165-0366	2	SPACER
28	165-0367	6	PLATE-END
30	165-0401	2	SPACER
31	165-0403	3	GEAR (50-TEETH)
35	165-0427	1	GEAR (35-TEETH)
40	165-0463	6	SEAL AS
42	165-0488	7	RING-SEAL
48	165-0512	7	RING-RETAINING
49	165-0513	7	RING-SPACER
53	177-5251	1	SHAFT AS
	-----	4	PLUG (NOT SERVICED)
57	201-9933	7	SEAL-O-RING
61	6V-1586	6	RING-RETAINING

[A] PART OF 152-5241,
173-2462 TRANSMISSION AR

01122928
PR: t05f07j07b0160

MT700 SERIES TRACK TRACTORS
POWER TRAIN

232-1773 CLUTCH GP-TRANSMISSION
INTERMEDIATE SHAFT CLUTCH GP
S/N: 7PY1723-UP; 8AY886-UP



MT700 SERIES TRACK TRACTORS
POWER TRAIN

387

232-1773 CLUTCH GP-TRANSMISSION
INTERMEDIATE SHAFT CLUTCH GP
S/N: 7PY1723-UP; 8AY886-UP

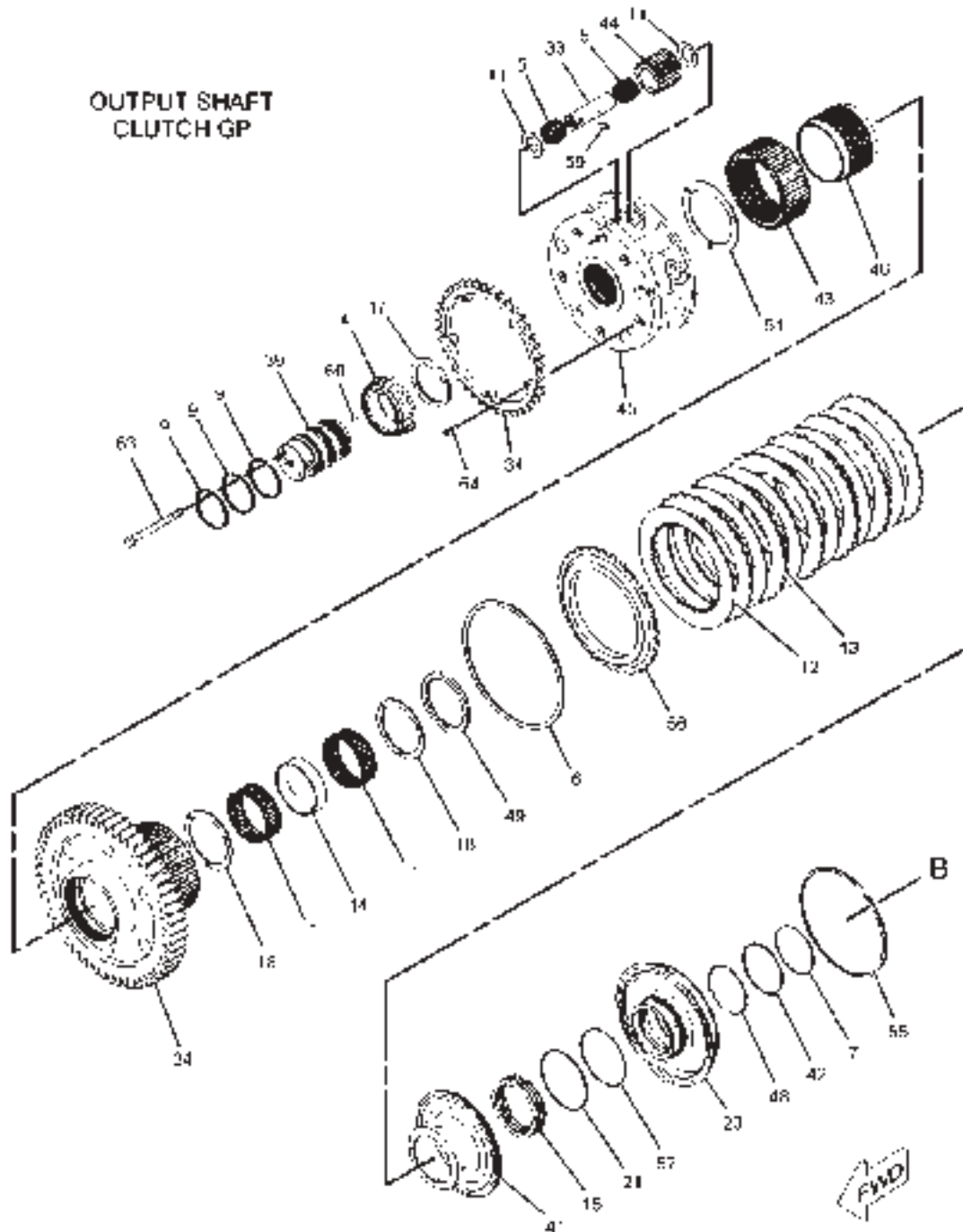
ITEM	NUMBER	QTY	DESCRIPTION
-	232-1773	--	CLUTCH GP-TRANSMISSION [A]
1	161-8218	4	BEARING
4	2P-8987	7	CONE-BEARING
5	5P-3930	20	BEARING AS-ROLLER
6	4D-7889	1	RING
7	5P-3114	7	SEAL-O-RING
9	7G-4822	12	RING-SEAL
11	8E-8298	20	DISC-THRUST
12	134-8360	6	DISC-FRICTION
13	134-8361	6	PLATE-CLUTCH
14	161-8220	1	SPACER (86.5X92.8X21.9-MM THK)
15	161-8309	7	SPRING (WAVE)
17	161-8339	6	SPACER (65.5X86.5X5-MM THK)
18	162-0251	14	DISC-THRUST
20	165-0269	1	PISTON
21	165-0270	7	RING-SEAL
24	165-0274	1	GEAR (54-TEETH)
33	165-0419	10	SHAFT AS-PLANET
	6V-3508	1	PLUG-CUP
34	165-0420	1	ROTOR AS
	3H-0703	2	DOWEL
39	165-0435	2	CARRIER-SEAL
41	165-0469	1	SEAL AS
42	165-0488	7	RING-SEAL
43	165-0497	2	GEAR-SUN (53-TEETH)
44	165-0498	10	GEAR-PLANETARY (20-TEETH)
45	165-0501	2	CARRIER-PLANETARY
46	165-0510	1	DRIVE TUBE-LH
48	165-0512	7	RING-RETAINING
49	165-0513	7	RING-SPACER
51	165-8626	2	DISC-THRUST
55	177-6797	1	RING-SEAL
56	177-6804	1	PLATE-END
57	201-9933	7	SEAL-O-RING
59	3S-2708	10	PIN-SPRING
60	5H-8985	2	PIN-SPRING
63	6V-8490	3	BOLT (M6X1X25-MM)
64	8T-5030	4	BOLT (M10X1.5X120-MM)

[A] PART OF 152-5241,
173-2462 TRANSMISSION AR

01122935
PR: t05f07j07b0161

MT700 SERIES TRACK TRACTORS
POWER TRAIN

232-1773 CLUTCH GP-TRANSMISSION
OUTPUT SHAFT CLUTCH GP (PAGE 1 OF 2)
S/N: 7PY1723-UP; 8AY886-UP



MT700 SERIES TRACK TRACTORS
POWER TRAIN

389

232-1773 CLUTCH GP-TRANSMISSION
OUTPUT SHAFT CLUTCH GP (PAGE 1 OF 2)
S/N: 7PY1723-UP; 8AY886-UP

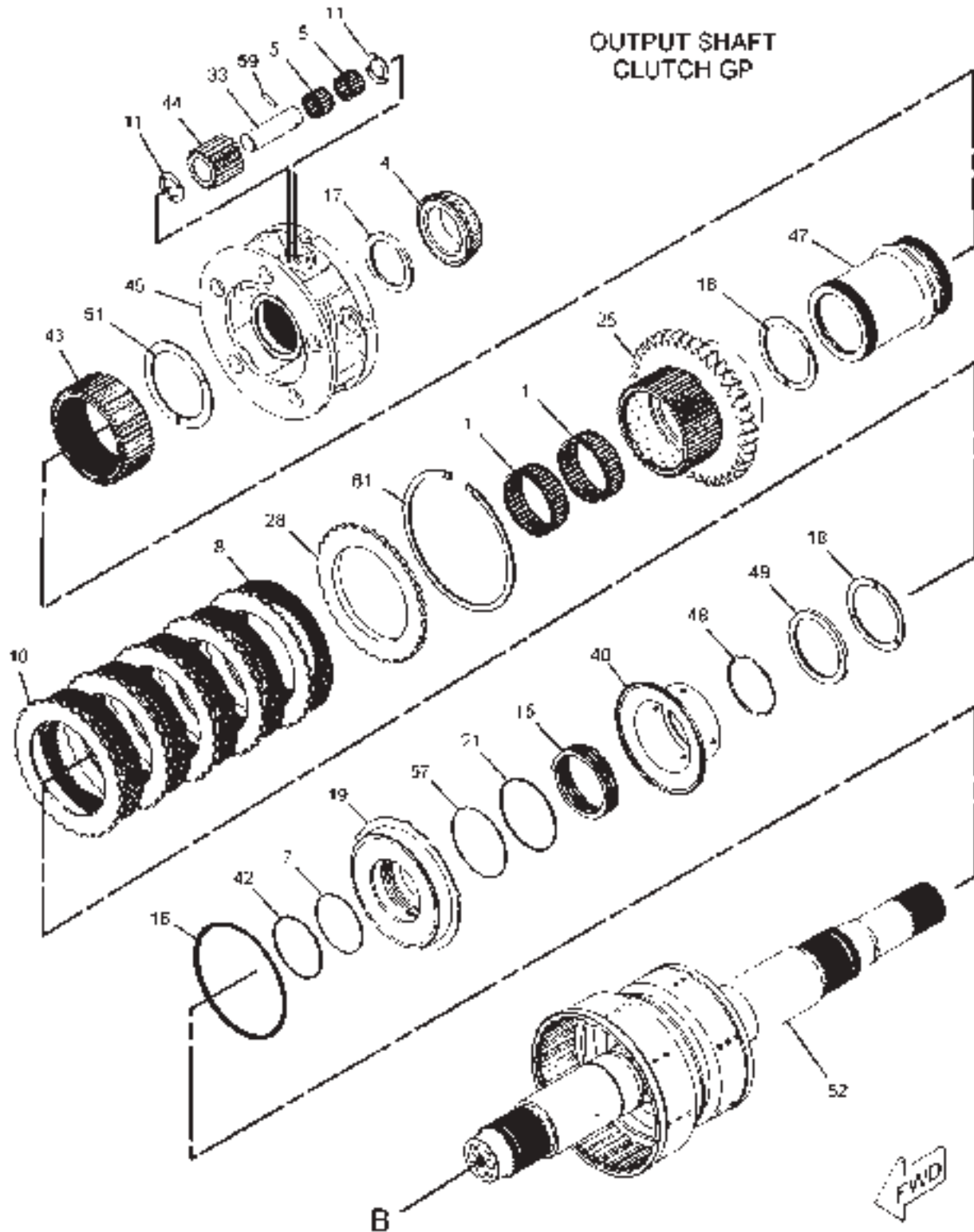
ITEM	NUMBER	QTY	DESCRIPTION
-	232-1773	--	CLUTCH GP-TRANSMISSION [A]
2	161-8269	10	BEARING
4	2P-8987	7	CONE-BEARING
7	5P-3114	7	SEAL-O-RING
8	6Y-7932	30	DISC-FRICTION
9	7G-4822	12	RING-SEAL
10	8E-0401	30	PLATE-CLUTCH
15	161-8309	7	SPRING (WAVE)
16	161-8313	6	RING-SEAL
17	161-8339	6	SPACER (65.5X86.5X5-MM THK)
18	162-0251	14	DISC-THRUST
19	165-0268	6	PISTON
21	165-0270	7	RING-SEAL
22	165-0272	2	GEAR (35-TEETH)
23	165-0273	3	GEAR (40-TEETH)
28	165-0367	6	PLATE-END
30	165-0401	2	SPACER
31	165-0403	3	GEAR (50-TEETH)
36	165-0429	1	SPACER
37	165-0430	1	GEAR (25-TEETH)
38	165-0434	1	SPACER
39	165-0435	2	CARRIER-SEAL
40	165-0463	6	SEAL AS
42	165-0488	7	RING-SEAL
48	165-0512	7	RING-RETAINING
49	165-0513	7	RING-SPACER
57	201-9933	7	SEAL-O-RING
58	240-5527	1	SHAFT AS
60	5H-8985	2	PIN-SPRING
61	6V-1586	6	RING-RETAINING
64	8T-5030	4	BOLT (M10X1.5X120-MM)

[A] PART OF 152-5241,
173-2462 TRANSMISSION AR

01122939
PR: t05f07j07b0162

MT700 SERIES TRACK TRACTORS
POWER TRAIN

232-1773 CLUTCH GP-TRANSMISSION
OUTPUT SHAFT CLUTCH GP (PAGE 2 OF 2)
S/N: 7PY1723-UP; 8AY886-UP



MT700 SERIES TRACK TRACTORS
POWER TRAIN

391

232-1773 CLUTCH GP-TRANSMISSION
OUTPUT SHAFT CLUTCH GP (PAGE 2 OF 2)
S/N: 7PY1723-UP; 8AY886-UP

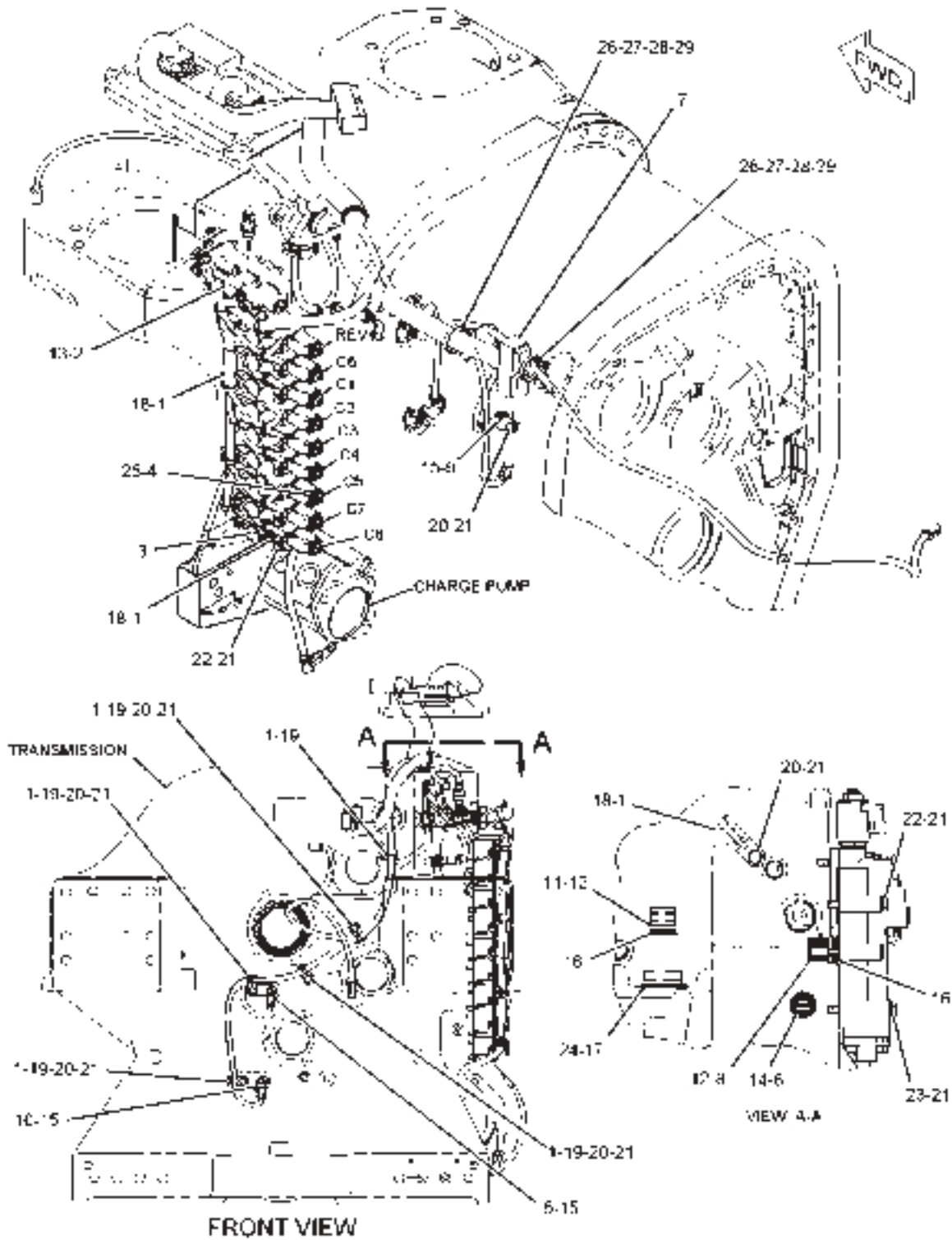
ITEM	NUMBER	QTY	DESCRIPTION
-	232-1773	--	CLUTCH GP-TRANSMISSION [A]
1	161-8218	4	BEARING
4	2P-8987	7	CONE-BEARING
5	5P-3930	20	BEARING AS-ROLLER
7	5P-3114	7	SEAL-O-RING
8	6Y-7932	30	DISC-FRICTION
10	8E-0401	30	PLATE-CLUTCH
11	8E-8298	20	DISC-THRUST
15	161-8309	7	SPRING (WAVE)
16	161-8313	6	RING-SEAL
17	161-8339	6	SPACER (65.5X86.5X5-MM THK)
18	162-0251	14	DISC-THRUST
19	165-0268	6	PISTON
21	165-0270	7	RING-SEAL
25	165-0275	1	GEAR (40-TEETH)
28	165-0367	6	PLATE-END
33	165-0419	10	SHAFT AS-PLANET
	6V-3508	1	PLUG-CUP
40	165-0463	6	SEAL AS
42	165-0488	7	RING-SEAL
43	165-0497	2	GEAR-SUN (53-TEETH)
44	165-0498	10	GEAR-PLANETARY (20-TEETH)
45	165-0501	2	CARRIER-PLANETARY
47	165-0511	1	DRIVE TUBE-RH
48	165-0512	7	RING-RETAINING
49	165-0513	7	RING-SPACER
51	165-8626	2	DISC-THRUST
52	177-5244	1	SHAFT AS
	9P-2343	1	PLUG-ORIFICE
57	201-9933	7	SEAL-O-RING
59	3S-2708	10	PIN-SPRING
61	6V-1586	6	RING-RETAINING

[A] PART OF 152-5241,
173-2462 TRANSMISSION AR

01122940
PR: t05f07j07b0163

MT700 SERIES TRACK TRACTORS
POWER TRAIN

155-9594 CONTROL GP-TRANSMISSION HYD
S/N: 7PY1-1768; 8AY1-888



01122778

MT700 SERIES TRACK TRACTORS

393

POWER TRAIN

155-9594 CONTROL GP-TRANSMISSION HYD

S/N: 7PY1-1768; 8AY1-888

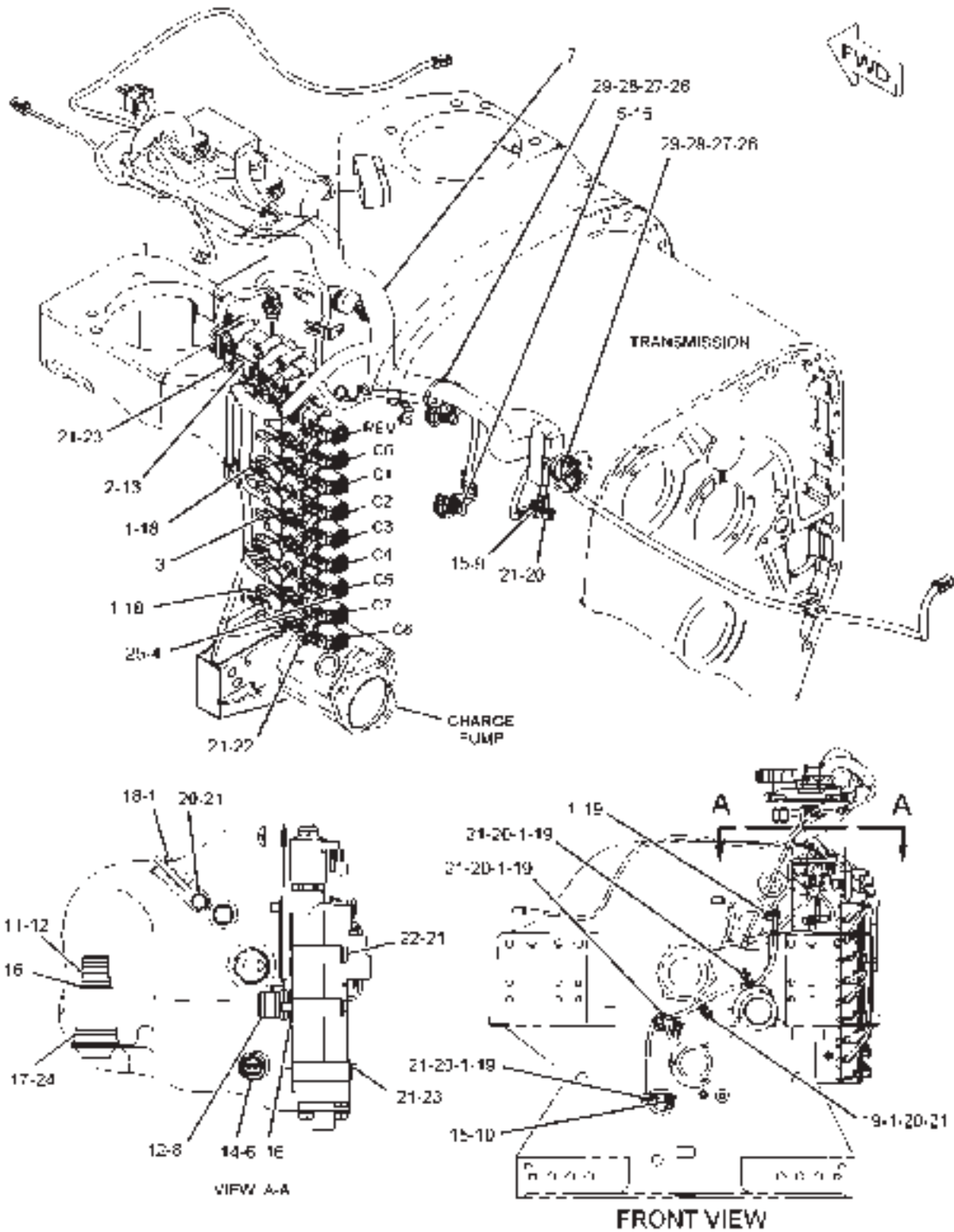
ITEM	NUMBER	QTY	DESCRIPTION
-	155-9594	--	CONTROL GP-TRANSMISSION HYD [A] (NOT SERVICED)
1	3S-2093	17	STRAP-CABLE
2	2P-1692	1	SEAL-O-RING
3	6V-0852	9	CAP-DUST
4	8S-0768	9	SEAL-O-RING
5	191-8304	1	SENSOR GP-SPEED (TRANSMISSION-OUTPUT #1)
6	130-9811	1	SENSOR GP-TEMPERATURE (HYDRAULIC OIL)
7	228-4279	1	HARNES AS-TRANSMISSION
8	148-1925	1	VALVE-RELIEF (COOLER BYPASS)
9	191-8303	1	SENSOR GP-SPEED (TRANSMISSION-INPUT)
10	191-8304	1	SENSOR GP-SPEED (TRANSMISSION-OUTPUT #2)
11	165-0390	1	VALVE-RELIEF (TRANSMISSION LUBE)
12	9X-4609	2	SEAL-O-RING
13	187-3065	1	VALVE GP-RELIEF (HYDRAULIC CONTROL SYSTEM) (SEE BREAKDOWN FOR COMPONENTS)
14	112-5282	1	SEAL-O-RING
15	117-1385	3	SEAL-O-RING
16	8C-3428	2	RING-RETAINING
17	2S-4078	1	SEAL-O-RING
18	4P-7581	12	CLIP
19	4P-8134	5	CLIP
20	8T-4200	6	BOLT (M8X1.25X16-MM)
21	8T-4224	30	WASHER-HARD (8.8X16X2-MM THK)
22	8T-6869	22	BOLT (M8X1.25X60-MM)
23	8T-6870	2	BOLT (M8X1.25X70-MM)
24	9S-8010	1	PLUG
25	216-5343	9	VALVE GP-MODULATING (ELEK CLUTCH PRESS CONT) (SEE BREAKDOWN FOR COMPONENTS)
26	8T-4223	2	WASHER-HARD (13.5X25.5X3-MM THK)
27	8T-4179	2	BOLT (M12X1.75X20-MM)
28	7K-1181	2	STRAP-CABLE
29	4P-7428	2	CLIP

[A] PART OF 152-5241,
173-2462 TRANSMISSION AR

01122778
PR: t05f07j07b0164

MT700 SERIES TRACK TRACTORS
POWER TRAIN

155-9594 CONTROL GP-TRANSMISSION HYD
S/N: 7PY1769-UP; 8AY889-UP



MT700 SERIES TRACK TRACTORS

395

POWER TRAIN

155-9594 CONTROL GP-TRANSMISSION HYD

S/N: 7PY1769-UP; 8AY889-UP

ITEM	NUMBER	QTY	DESCRIPTION
-	155-9594	--	CONTROL GP-TRANSMISSION HYD [A] (NOT SERVICED)
1	3S-2093	17	STRAP-CABLE
2	2P-1692	1	SEAL-O-RING
3	6V-0852	9	CAP-DUST
4	8S-0768	9	SEAL-O-RING
5	191-8304	1	SENSOR GP-SPEED (TRANSMISSION-OUTPUT #1)
6	130-9811	1	SENSOR GP-TEMPERATURE (HYDRAULIC OIL)
7	228-4279	1	HARNES AS-TRANSMISSION [C]
8	148-1925	1	VALVE-RELIEF (COOLER BYPASS)
9	191-8303	1	SENSOR GP-SPEED (TRANSMISSION-INPUT)
10	191-8304	1	SENSOR GP-SPEED (TRANSMISSION-OUTPUT #2)
11	165-0390	1	VALVE-RELIEF (TRANSMISSION LUBE)
12	9X-4609	2	SEAL-O-RING
13	187-3065	1	VALVE GP-RELIEF (HYDRAULIC CONTROL SYSTEM) (SEE BREAKDOWN FOR COMPONENTS)
14	112-5282	1	SEAL-O-RING
15	117-1385	3	SEAL-O-RING
16	8C-3428	2	RING-RETAINING
17	2S-4078	1	SEAL-O-RING
18	4P-7581	12	CLIP
19	4P-8134	5	CLIP
20	8T-4200	6	BOLT (M8X1.25X16-MM)
21	8T-4224	30	WASHER-HARD (8.8X16X2-MM THK)
22	8T-6869	22	BOLT (M8X1.25X60-MM)
23	8T-6870	2	BOLT (M8X1.25X70-MM)
24	9S-8010	1	PLUG
25	216-5343	9	VALVE GP-MODULATING (ELEK CLUTCH PRESS CONT) (SEE BREAKDOWN FOR COMPONENTS)
26	8T-4223	2	WASHER-HARD (13.5X25.5X3-MM THK)
27	8T-4179	2	BOLT (M12X1.75X20-MM)
28	7K-1181	2	STRAP-CABLE
29	4P-7428	2	CLIP

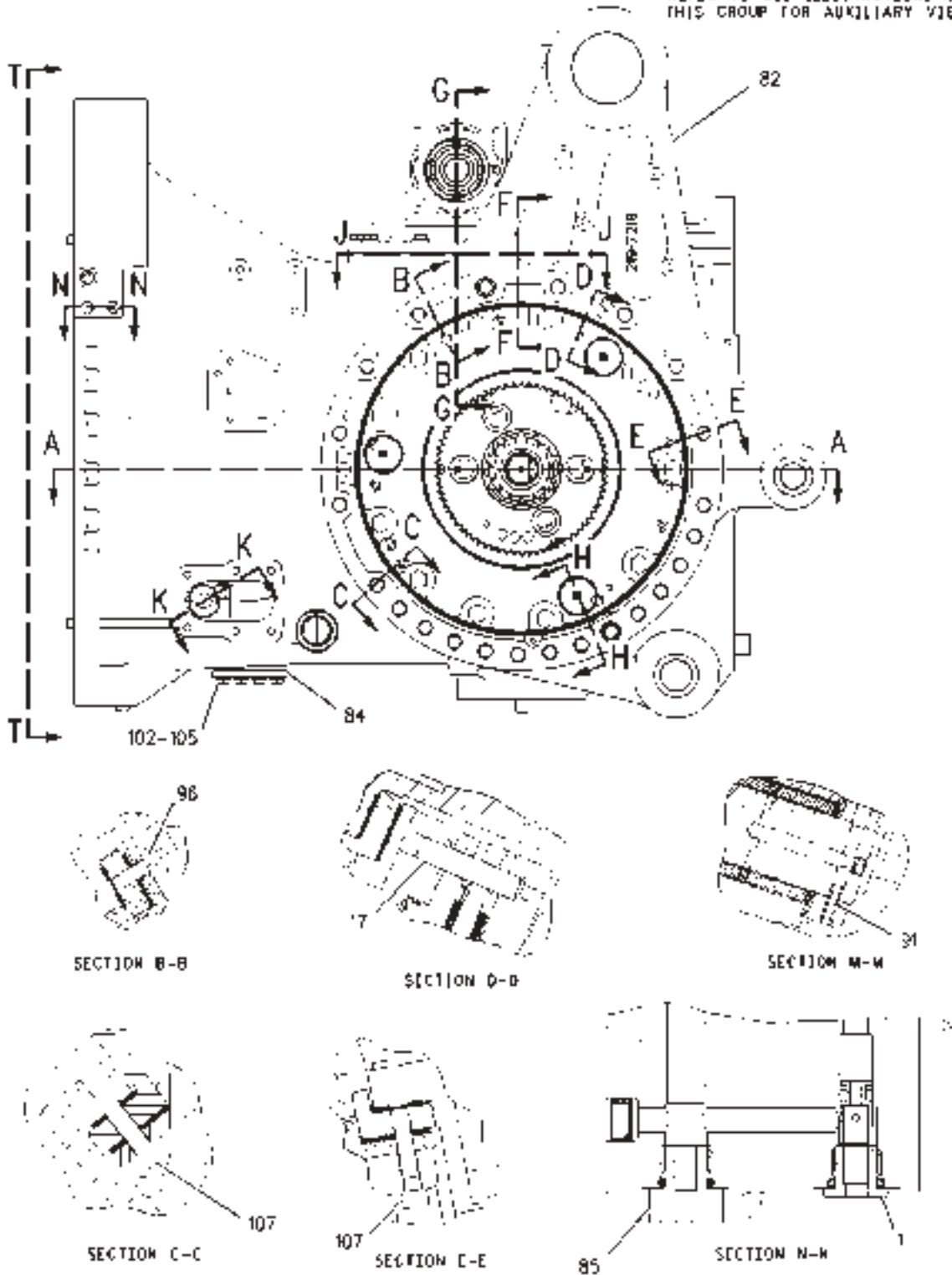
[A] PART OF 152-5241,
173-2462 TRANSMISSION AR
[C] CHANGE FROM PREVIOUS TYPE

01124661
PR: t05f07j07b0165

MT700 SERIES TRACK TRACTORS
POWER TRAIN

199-8159 DIFFERENTIAL GP-STEERING
S/N: AZA1-947; AZE1-1010

REFER TO ALL ILLUSTRATIONS OF
THIS GROUP FOR AUXILIARY VIEW



MT700 SERIES TRACK TRACTORS
POWER TRAIN

397

199-8159 DIFFERENTIAL GP-STEERING
S/N: AZA1-947; AZE1-1010

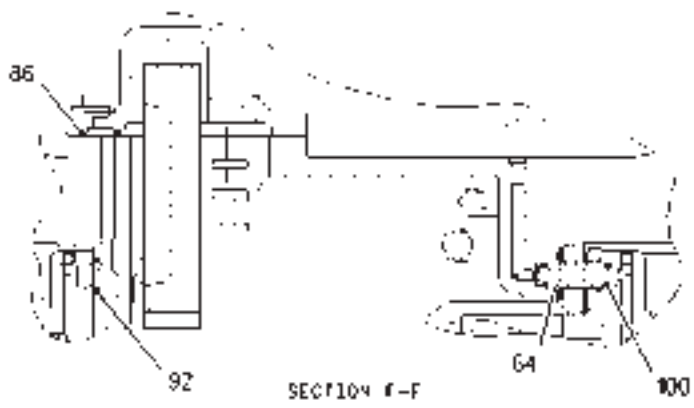
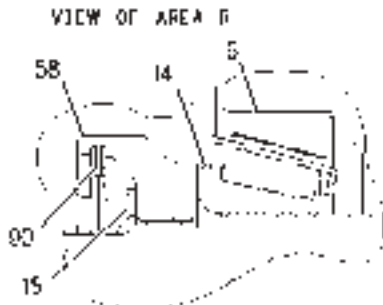
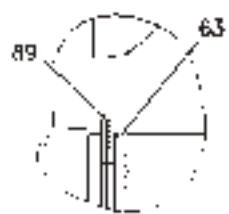
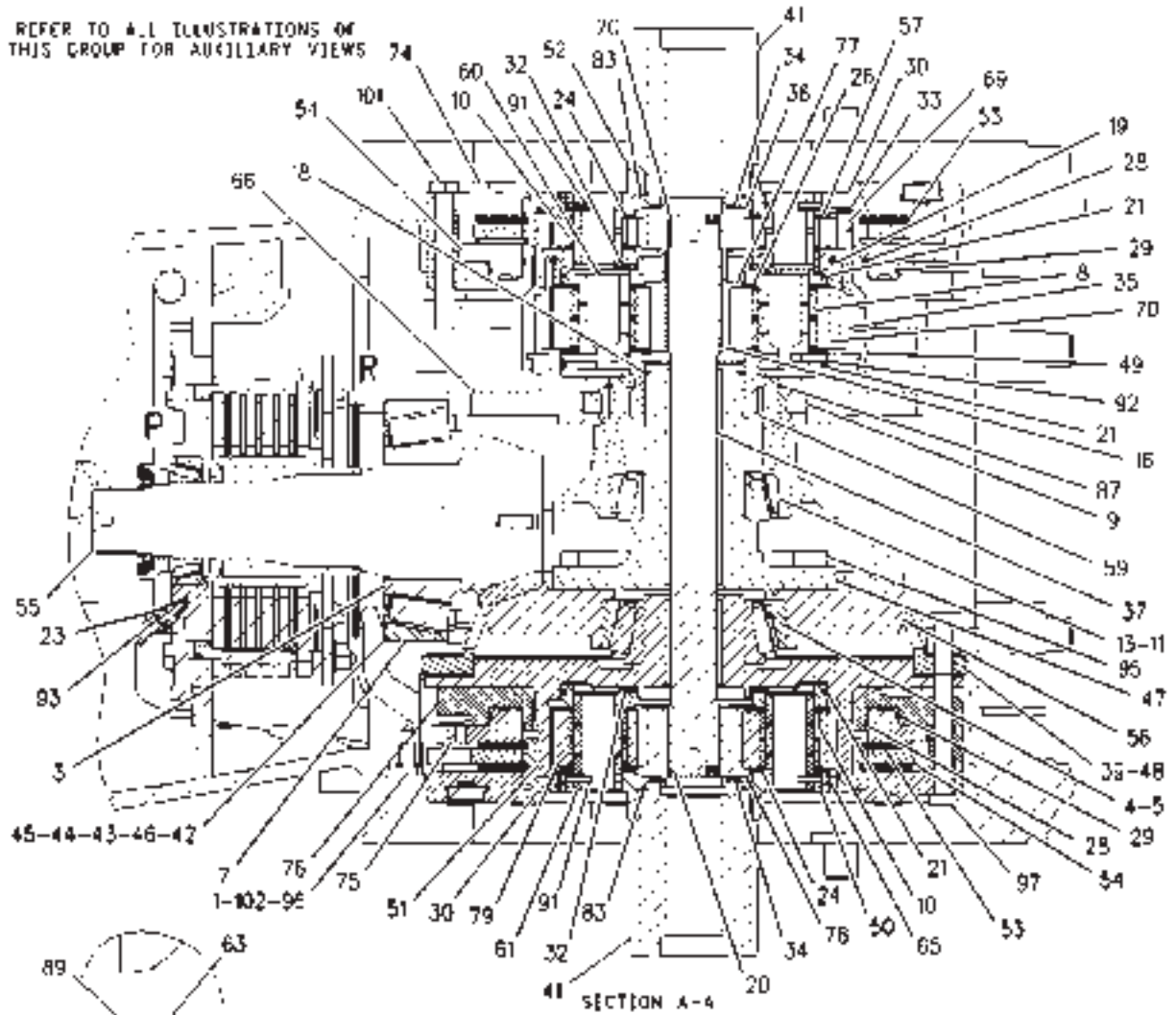
ITEM	NUMBER	QTY	DESCRIPTION
-	199-8159	--	DIFFERENTIAL GP-STEERING [A] (NOT SERVICED)
1	217-8426	1	PLATE
17	4K-3892	6	DOWEL
82	233-9766	1	HOUSING AS-DIFFERENTIAL (SEE BREAKDOWN FOR COMPONENTS)
84	115-2134	1	FLANGE
85	148-8407	1	PLUG AS (NOT SERVICED)
	3J-1907	1	SEAL-O-RING
	9S-4191	1	PLUG
91	3S-2708	13	PIN-SPRING
96	6V-6317	5	BOLT (M10X1.5X20-MM)
102	8T-4121	5	WASHER-HARD (11X21X2.5-MM THK)
105	8T-4195	4	BOLT (M10X1.5X30-MM)
107	8T-9515	5	BOLT-SOCKET HEAD (M10X1.5X40-MM)

[A] PART OF 171-4005, 171-4010 AXLE AR

00883442
PR: t05f07j07b0166

MT700 SERIES TRACK TRACTORS
POWER TRAIN

199-8159 DIFFERENTIAL GP-STEERING
S/N: AZA1-947; AZE1-1010



MT700 SERIES TRACK TRACTORS
POWER TRAIN

399

199-8159 DIFFERENTIAL GP-STEERING
S/N: AZA1-947; AZE1-1010

ITEM	NUMBER	QTY	DESCRIPTION
-	199-8159	--	DIFFERENTIAL GP-STEERING [A] (NOT SERVICED)
3	101-9565	1	CONE-BEARING
4	138-7099	1	CUP-BEARING
5	1J-4757	1	CONE-BEARING
6	2A-4576	1	CUP-BEARING
7	2J-7227	1	CUP-BEARING
8	2M-5685	8	BEARING
9	4D-7953	1	BEARING
10	5M-0578	12	BEARING AS-ROLLER
11	5P-3723	1	CONE-BEARING
13	6D-7690	1	CUP-BEARING
14	9M-2457	1	CONE-BEARING
15	1B-6161	1	LOCK-NUT
16	4B-1127	1	RING-SNAP
18	6I-8197	1	RING-RETAINING
19	6I-8200	1	RING-LOCK
20	6I-8566	2	RING-RETAINING
21	7G-5670	3	SEAL-RING
23	8C-6865	1	CONNECTOR
24	8E-8308	16	DISC-THRUST
26	8E-8311	8	DISC-THRUST
28	9X-7424	2	SEAL-RING
29	9X-7426	2	SEAL-RING
30	102-3046	2	HUB-BRAKE
32	111-7077	2	DISC-THRUST
33	111-7078	1	DISC-THRUST
34	111-7079	2	DISC-THRUST
35	124-9398	1	GEAR-RING (75-TEETH)
36	131-2293	1	GEAR-SUN (28-TEETH)
37	131-2295	1	SHAFT-SUN GEAR
39	161-8757	1	SUPPORT
41	164-3904	2	GEAR-SUN (15-TEETH)
42	164-3971	1	SHIM (0.9-MM THK)
43	164-3972	1	SHIM (0.8-MM THK)
44	164-3973	1	SHIM (0.7-MM THK)
45	164-3974	1	SHIM (0.6-MM THK)
46	164-3975	1	SHIM (0.5-MM THK)
47	164-3977	1	SHAFT-BEVEL GEAR
48	164-3978	2	SHIM PACK (INCLUDES 14-SHIMS)
49	164-3982	1	GEAR-RING (72-TEETH)
50	164-3983	1	CARRIER-PLANETARY
51	164-3984	1	GEAR-RING (72-TEETH)
52	164-3985	1	CARRIER-PLANETARY
53	171-6135	4	DISC-FRICTION
54	171-6138	2	PLATE

CONTINUED

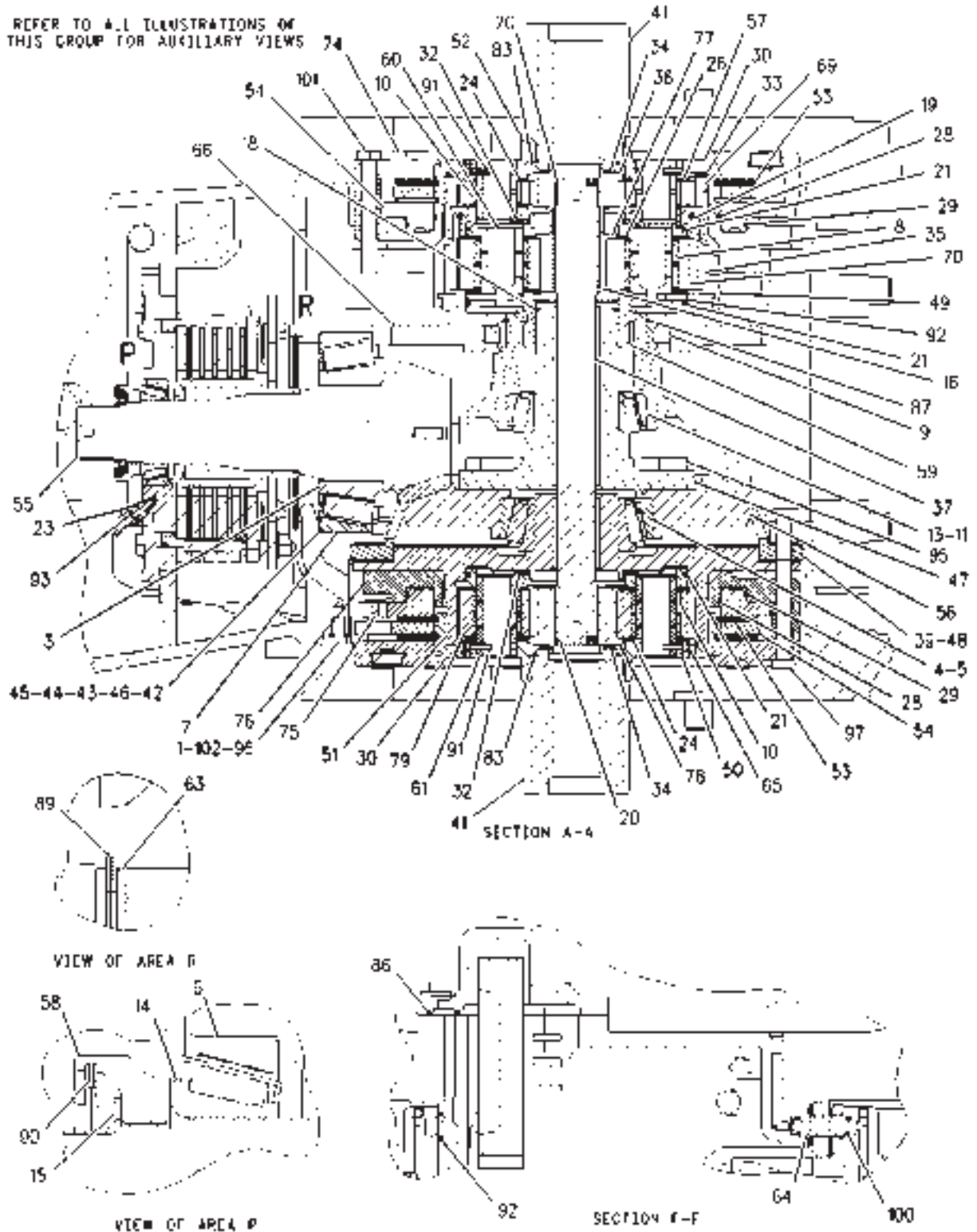
[A] PART OF 171-4005, 171-4010 AXLE AR

00904131
PR: t05f07j07b0167

MT700 SERIES TRACK TRACTORS POWER TRAIN

199-8159 DIFFERENTIAL GP
S/N: AZA1-947; AZE1-1010

REFER TO ALL ILLUSTRATIONS OF
THIS GROUP FOR AUXILIARY VIEWS



MT700 SERIES TRACK TRACTORS
POWER TRAIN

401

199-8159 DIFFERENTIAL GP
S/N: AZA1-947; AZE1-1010

ITEM	NUMBER	QTY	DESCRIPTION
-	199-8159	--	DIFFERENTIAL GP [A] (NOT SERVICED)
55	172-4316	1	PINION-BEVEL (13 TEETH)
56	172-4317	1	GEAR-BEVEL (37 TEETH)
57	174-9383	4	SHAFT-PLANETARY
58	174-9389	1	NUT-BEARING LOCK
59	174-9399	1	CARRIER-PLANETARY
60	226-6510	4	SHAFT-PLANETARY
61	174-9404	4	SHAFT-PLANETARY
63	191-1912	1	PLATE-RETAINER
64	192-5602	2	SLEEVE
65	192-9242	2	RING-LOCK
66	194-9563	1	GEAR (61-TEETH)
69	197-7314	4	GEAR-PLANETARY (23-TEETH)
70	197-7315	4	GEAR-PLANETARY (27-TEETH)
74	210-8407	2	PLATE-REACTION
75	210-8408	2	PISTON-BRAKE
76	210-8411	2	HOUSING AS
	126-7260	2	PLUG
77	226-7257	1	GEAR-SUN (21-TEETH) (21 TEETH)
78	213-6196	1	GEAR-SUN (28-TEETH) (28 TEETH)
79	213-6198	4	GEAR-PLANETARY (23 TEETH)
83	113-0694	2	RING-RETAINING
86	1H-8171	1	SEAL-O-RING
87	1J-3628	1	RING-RETAINING
89	2K-1381	1	RING-RETAINING
90	2S-2978	1	RING-RETAINING
91	3S-2708	13	PIN-SPRING
92	4J-5140	2	SEAL-O-RING
93	4J-5477	2	SEAL-O-RING
95	6V-3532	12	BOLT (M20X2.5X60-MM)
97	6V-8154	11	BOLT (M16X2X150-MM)
100	8L-2777	4	SEAL-O-RING
101	8T-0282	11	BOLT (M16X2X120-MM)

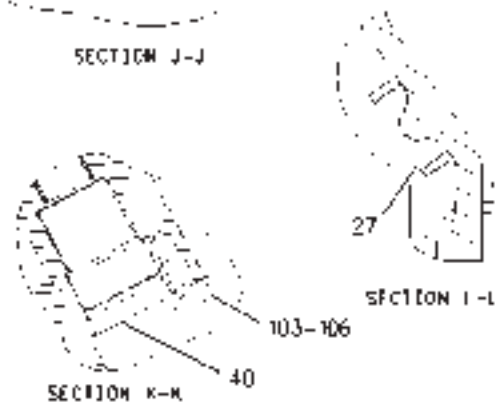
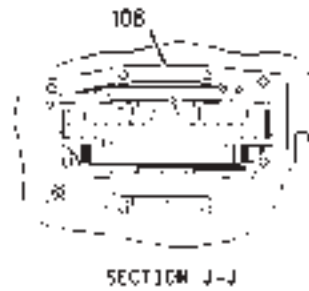
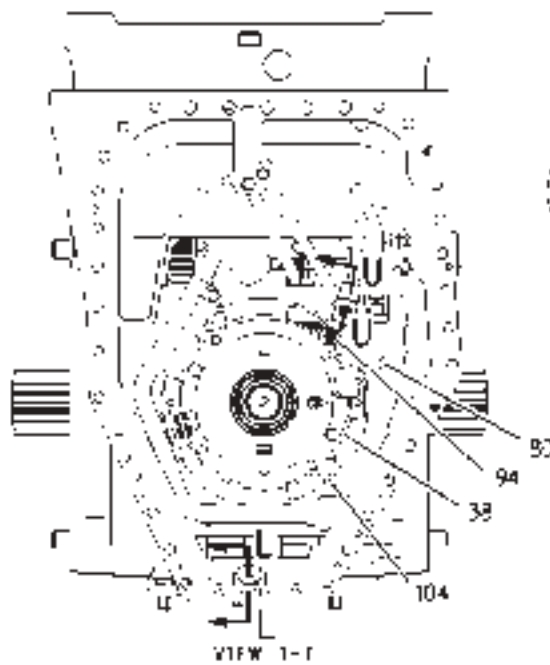
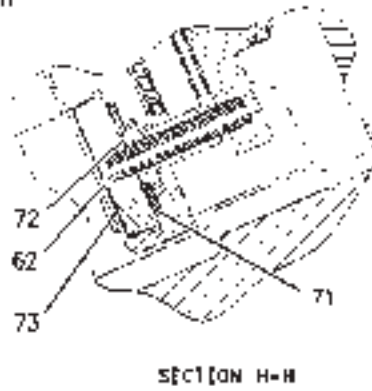
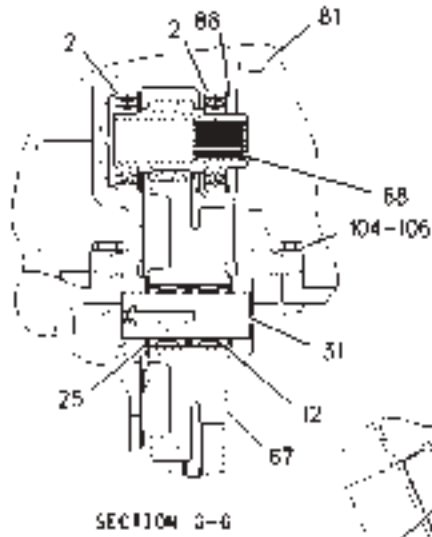
[A] PART OF 171-4005, 171-4010 AXLE AR

00904131
PR: t05f07j07b0167

MT700 SERIES TRACK TRACTORS
POWER TRAIN

199-8159 DIFFERENTIAL GP-STEERING
S/N: AZA1-947; AZE1-1010

REFER TO ALL ILLUSTRATIONS OF
THIS GROUP FOR AUXILIARY VIEWS



SECTION K-K

MT700 SERIES TRACK TRACTORS
POWER TRAIN

403

199-8159 DIFFERENTIAL GP-STEERING
S/N: AZA1-947; AZE1-1010

ITEM	NUMBER	QTY	DESCRIPTION
-	199-8159	--	DIFFERENTIAL GP-STEERING [A] (NOT SERVICED)
2	1T-0043	2	BALL BEARING
12	5P-6254	2	BEARING
22	7X-7816	1	PLATE-SERIAL NUMBER (TRANSMISSION)
25	8E-8310	2	DISC-THRUST
27	8M-7160	1	MAGNET
31	111-7068	1	SHAFT AS
	2A-3746	1	PLUG-CUP
38	161-8212	1	BRAKE GP-PARKING (SEE BREAKDOWN FOR COMPONENTS)
40	163-0592	1	VALVE GP-CHECK
	061-7540	1	SEAL-O-RING
62	176-1377	6	PIN-SPRING
67	194-9564	1	GEAR-CLUSTER (60/28-TEETH)
68	194-9565	1	GEAR (14-TEETH)
71	199-7107	6	SPRING
72	210-8405	6	BUSHING
73	210-8406	6	PLATE-SPRING
80	215-7301	1	TUBE AS
81	235-1065	1	SUPPORT AS
	2A-3746	2	PLUG-CUP
88	1J-6472	1	RING-RETAINING
93	4J-5477	2	SEAL-O-RING
94	4K-2039	1	SEAL-O-RING
98	6V-8397	1	SEAL-O-RING
99	6V-8934	1	REDUCER
103	8T-4179	1	BOLT (M12X1.75X20-MM)
104	8T-4183	12	BOLT (M12X1.75X40-MM)
106	8T-4223	9	WASHER-HARD (13.5X25.5X3-MM THK)
108	1U-8846	AR	SEALANT-GASKET

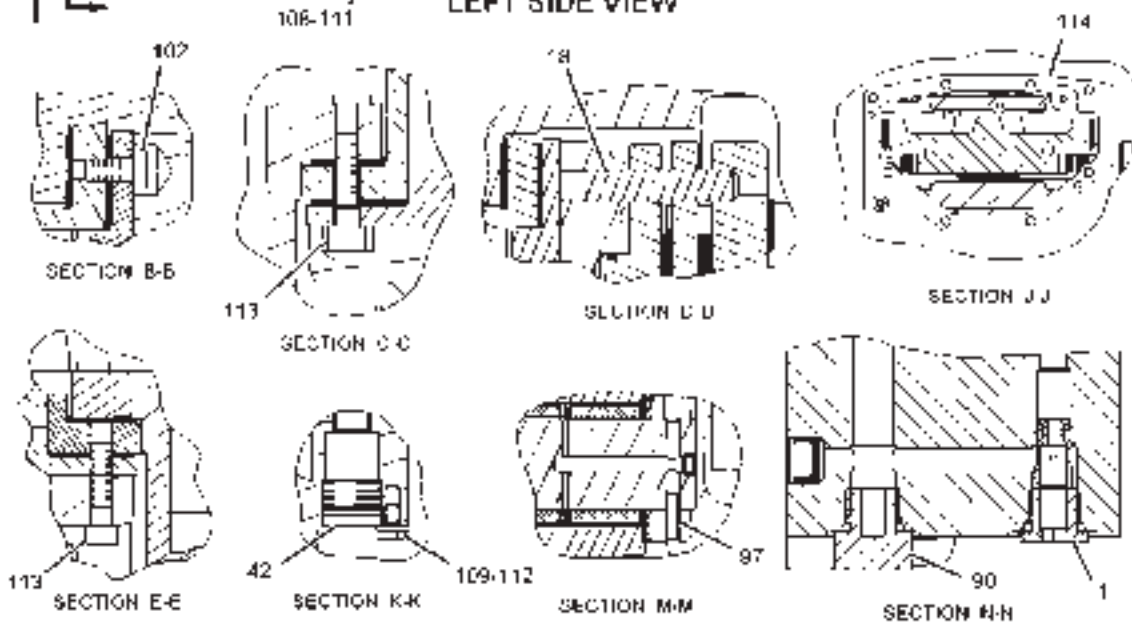
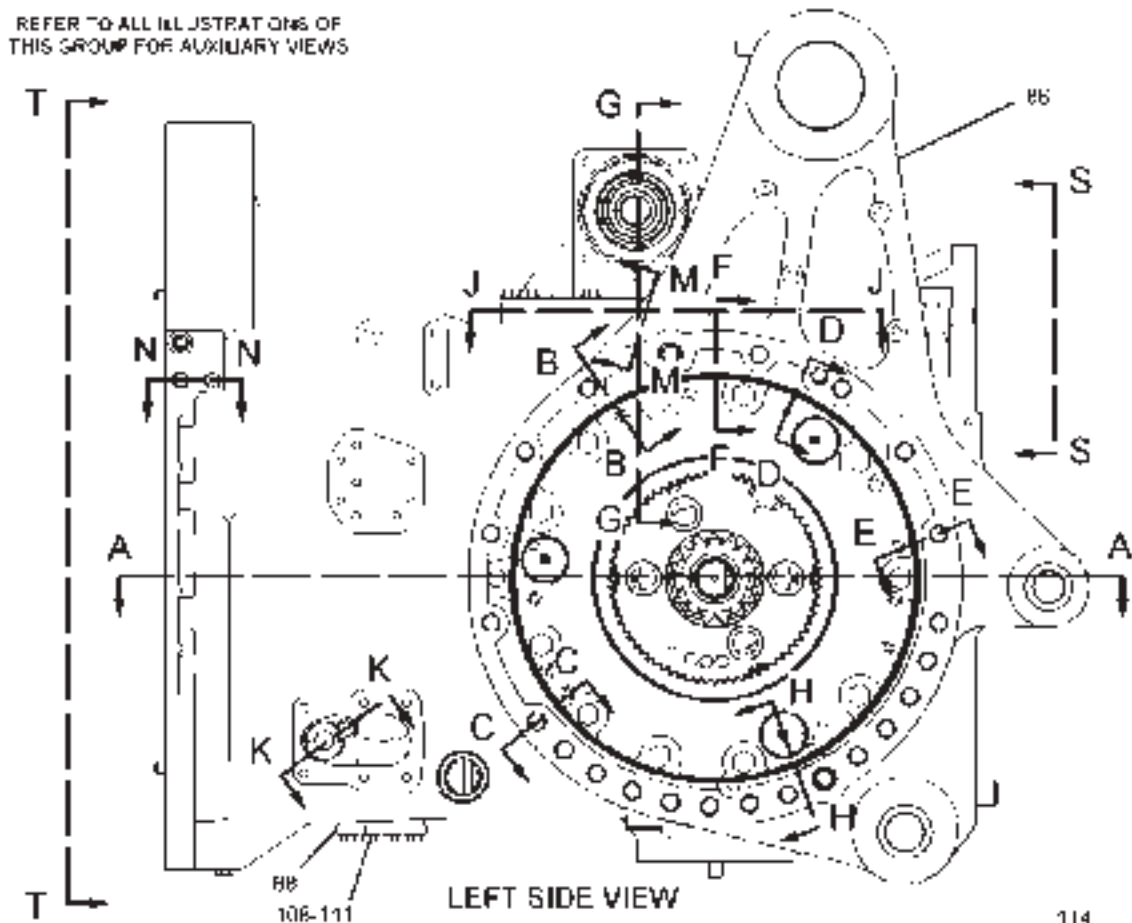
[A] PART OF 171-4005, 171-4010 AXLE AR

00883476
PR: t05f07j07b0168

MT700 SERIES TRACK TRACTORS
POWER TRAIN

199-8159 DIFFERENTIAL GP-STEERING
S/N: AZA948-1024; AZE1011-1128

REFER TO ALL ILLUSTRATIONS OF
THIS GROUP FOR AUXILIARY VIEWS



MT700 SERIES TRACK TRACTORS
POWER TRAIN

405

199-8159 DIFFERENTIAL GP-STEERING
S/N: AZA948-1024; AZE1011-1128

ITEM	NUMBER	QTY	DESCRIPTION
-	199-8159	--	DIFFERENTIAL GP-STEERING [A] (NOT SERVICED)
1	180-5572	1	VALVE GP-CHECK [C]
	3J-7354	1	SEAL-O-RING
18	4K-3892	6	DOWEL
42	163-0592	1	VALVE GP-CHECK
	061-7540	1	SEAL-O-RING
86	233-9766	1	HOUSING GP-DIFFERENTIAL [C] (SEE BREAKDOWN FOR COMPONENTS)
88	115-2134	1	FLANGE
90	155-3624	1	PLUG AS (NOT SERVICED) [C]
	3J-7354	1	SEAL-O-RING
	9S-4182	1	PLUG
97	3S-2708	13	PIN-SPRING
102	6V-6317	5	BOLT (M10X1.5X20-MM)
108	8T-4121	5	WASHER-HARD (11X21X2.5-MM THK)
109	8T-4179	1	BOLT (M12X1.75X20-MM)
111	8T-4195	4	BOLT (M10X1.5X30-MM)
112	8T-4223	9	WASHER-HARD (13.5X25.5X3-MM THK)
113	8T-9515	5	BOLT-SOCKET HEAD (M10X1.5X40-MM)
114	1U-8846	AR	SEALANT-GASKET

[A] PART OF 171-4005, 171-4010 AXLE AR
[C] CHANGE FROM PREVIOUS TYPE

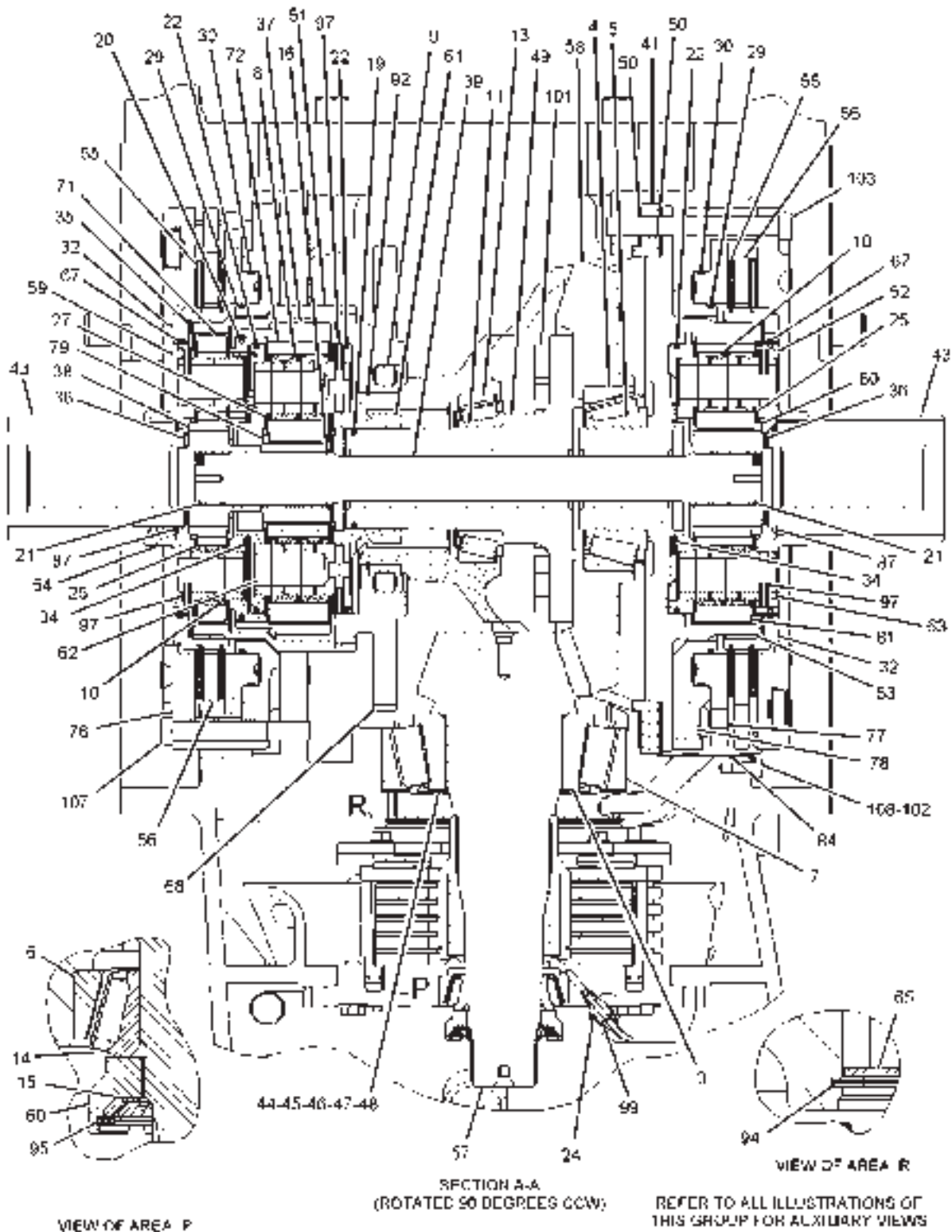
01123703
PR: t05f07j07b0169

MT700 SERIES TRACK TRACTORS POWER TRAIN

199-8159 DIFFERENTIAL GP-STEERING

(PAGE 1 OF 2)

S/N: AZA948-1024; AZE1011-1128



MT700 SERIES TRACK TRACTORS
POWER TRAIN

407

199-8159 DIFFERENTIAL GP-STEERING

(PAGE 1 OF 2)

S/N: AZA948-1024; AZE1011-1128

ITEM	NUMBER	QTY	DESCRIPTION
-	199-8159	--	DIFFERENTIAL GP-STEERING [A] (NOT SERVICED)
3	101-9565	1	CONE-BEARING
4	138-7099	1	CUP-BEARING
5	1J-4757	1	CONE-BEARING
6	2A-4576	1	CUP-BEARING
7	2J-7227	1	CUP-BEARING
8	2M-5685	8	BEARING
9	4D-7953	1	BEARING
10	5M-0578	12	BEARING AS-ROLLER
11	5P-3723	1	CONE-BEARING
13	6D-7690	1	CUP-BEARING
14	9M-2457	1	CONE-BEARING
15	1B-6161	1	LOCK-NUT
16	4B-1127	1	RING-SNAP
19	6I-8197	1	RING-RETAINING
20	6I-8200	1	RING-LOCK
21	6I-8566	2	RING-RETAINING
22	7G-5670	3	SEAL-RING
24	8C-6865	1	CONNECTOR
25	8E-8308	16	DISC-THRUST
27	8E-8311	8	DISC-THRUST
29	9X-7424	2	SEAL-RING
30	9X-7426	2	SEAL-RING
32	102-3046	2	HUB-BRAKE
34	111-7077	2	DISC-THRUST
35	111-7078	1	DISC-THRUST
36	111-7079	2	DISC-THRUST
37	124-9398	1	GEAR-RING (75-TEETH)
38	131-2293	1	GEAR-SUN (28-TEETH)
39	131-2295	1	SHAFT-SUN GEAR
41	161-8757	1	SUPPORT
43	164-3904	2	GEAR-SUN (15-TEETH)
44	164-3971	AR	SHIM (0.9-MM THK)
45	164-3972	AR	SHIM (0.8-MM THK)
46	164-3973	AR	SHIM (0.7-MM THK)
47	164-3974	AR	SHIM (0.6-MM THK)
48	164-3975	AR	SHIM (0.5-MM THK)
49	164-3977	1	SHAFT-BEVEL GEAR
50	164-3978	2	SHIM PACK (INCLUDES 14-SHIMS)
51	164-3982	1	GEAR-RING (72-TEETH)
52	164-3983	1	CARRIER-PLANETARY
53	164-3984	1	GEAR-RING (72-TEETH)
54	164-3985	1	CARRIER-PLANETARY
55	171-6135	4	DISC-FRICTION
56	171-6138	2	PLATE
57	172-4316	1	PINION-BEVEL (13 TEETH)
58	172-4317	1	GEAR-BEVEL (37 TEETH)
59	174-9383	4	SHAFT-PLANETARY
60	174-9389	1	NUT-BEARING LOCK
61	174-9399	1	CARRIER-PLANETARY
62	226-6510	4	SHAFT-PLANETARY
63	174-9404	4	SHAFT-PLANETARY
65	191-1912	1	PLATE-RETAINER

[A] PART OF 171-4005, 171-4010 AXLE AR

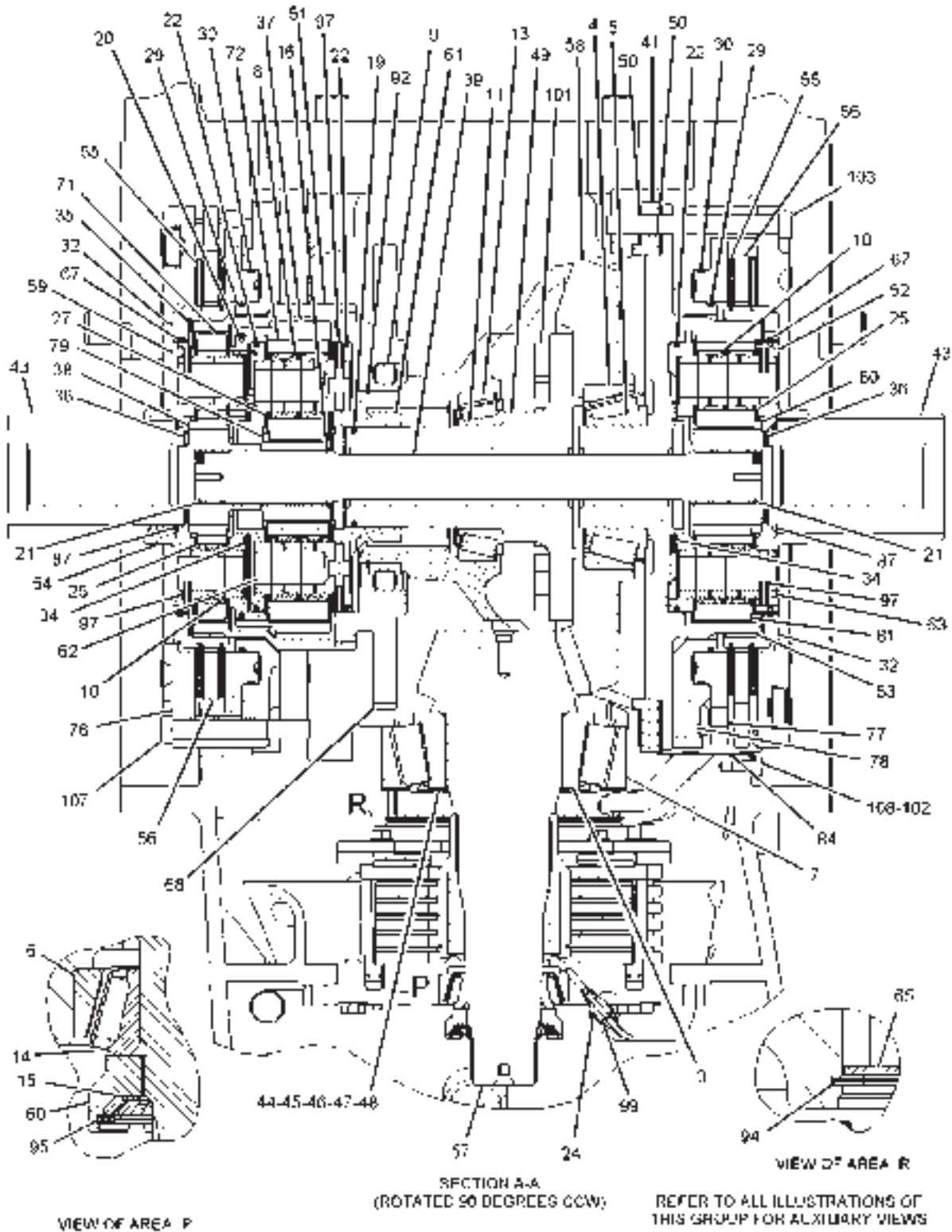
01123704
PR: t05f07j07b0170

MT700 SERIES TRACK TRACTORS
POWER TRAIN

199-8159 DIFFERENTIAL GP-STEERING

(PAGE 2 OF 2)

S/N: AZA948-1024; AZE1011-1128



MT700 SERIES TRACK TRACTORS
POWER TRAIN

409

199-8159 DIFFERENTIAL GP-STEERING

(PAGE 2 OF 2)

S/N: AZA948-1024; AZE1011-1128

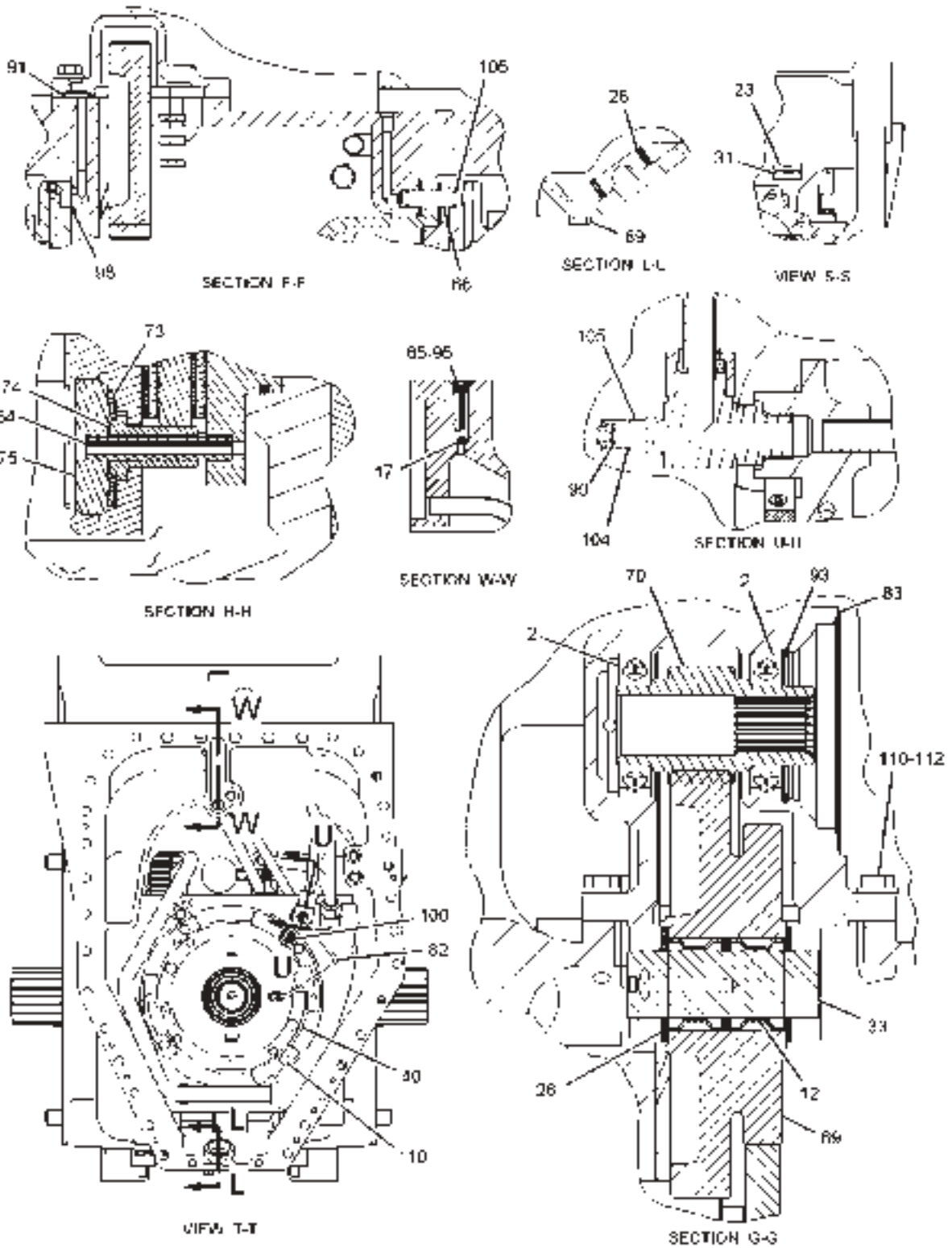
ITEM	NUMBER	QTY	DESCRIPTION
-	199-8159	--	DIFFERENTIAL GP-STEERING [A] (NOT SERVICED)
67	192-9242	2	RING-LOCK
68	194-9563	1	GEAR (61-TEETH)
71	197-7314	4	GEAR-PLANETARY (23-TEETH)
72	197-7315	4	GEAR-PLANETARY (27-TEETH)
76	210-8407	2	PLATE-REACTION
77	210-8408	2	PISTON-BRAKE
78	210-8411	2	HOUSING AS PLUG
79	226-7257	1	GEAR-SUN (21-TEETH)
80	213-6196	1	GEAR-SUN (28-TEETH)
81	213-6198	4	GEAR-PLANETARY (23 TEETH)
84	217-8426	1	PLATE
87	113-0694	2	RING-RETAINING
92	1J-3628	1	RING-RETAINING
94	2K-1381	1	RING-RETAINING
95	2S-2978	1	RING-RETAINING
97	3S-2708	13	PIN-SPRING
99	4J-5477	2	SEAL-O-RING
101	6V-3532	12	BOLT (M20X2.5X60-MM)
102	6V-6317	5	BOLT (M10X1.5X20-MM)
103	6V-8154	11	BOLT (M16X2X150-MM)
107	8T-0282	11	BOLT (M16X2X120-MM)
108	8T-4121	5	WASHER-HARD (11X21X2.5-MM THK)

[A] PART OF 171-4005, 171-4010 AXLE AR

01123704
PR: t05f07j07b0171

MT700 SERIES TRACK TRACTORS
POWER TRAIN

199-8159 DIFFERENTIAL GP-STEERING
S/N: AZA948-1024; AZE1011-1128



MT700 SERIES TRACK TRACTORS
POWER TRAIN

411

199-8159 DIFFERENTIAL GP-STEERING
S/N: AZA948-1024; AZE1011-1128

ITEM	NUMBER	QTY	DESCRIPTION
-	199-8159	--	DIFFERENTIAL GP-STEERING [A] (NOT SERVICED)
2	1T-0043	2	BALL BEARING
12	5P-6254	2	BEARING
17	4B-9783	1	BALL [C]
23	7X-7816	1	PLATE-SERIAL NUMBER (TRANSMISSION)
26	8E-8310	2	DISC-THRUST
28	8M-7160	1	MAGNET
31	-----	2	TACK [C]
33	111-7068	1	SHAFT AS
	2A-3746	1	PLUG-CUP
40	161-8212	1	BRAKE GP-PARKING (SEE BREAKDOWN FOR COMPONENTS)
64	176-1377	6	PIN-SPRING
66	192-5602	2	SLEEVE
69	194-9564	1	GEAR-CLUSTER (60/28-TEETH)
70	194-9565	1	GEAR (14-TEETH)
73	199-7107	6	SPRING
74	210-8405	6	BUSHING
75	210-8406	6	PLATE-SPRING
82	215-7301	1	TUBE AS
83	235-1065	1	SUPPORT AS
	2A-3746	2	PLUG-CUP
85	223-1637	1	PLUG AS [C]
89	148-8407	1	PLUG AS (NOT SERVICED)
	3J-1907	1	SEAL-O-RING
	9S-4191	1	PLUG
91	1H-8171	1	SEAL-O-RING
93	1J-6472	1	RING-RETAINING
96	3K-0360	1	SEAL-O-RING [C]
98	4J-5140	2	SEAL-O-RING
99	4J-5477	2	SEAL-O-RING
100	4K-2039	1	SEAL-O-RING
104	6V-8397	1	SEAL-O-RING
105	6V-8934	1	REDUCER
106	8L-2777	4	SEAL-O-RING
110	8T-4183	12	BOLT (M12X1.75X40-MM)
112	8T-4223	9	WASHER-HARD (13.5X25.5X3-MM THK)

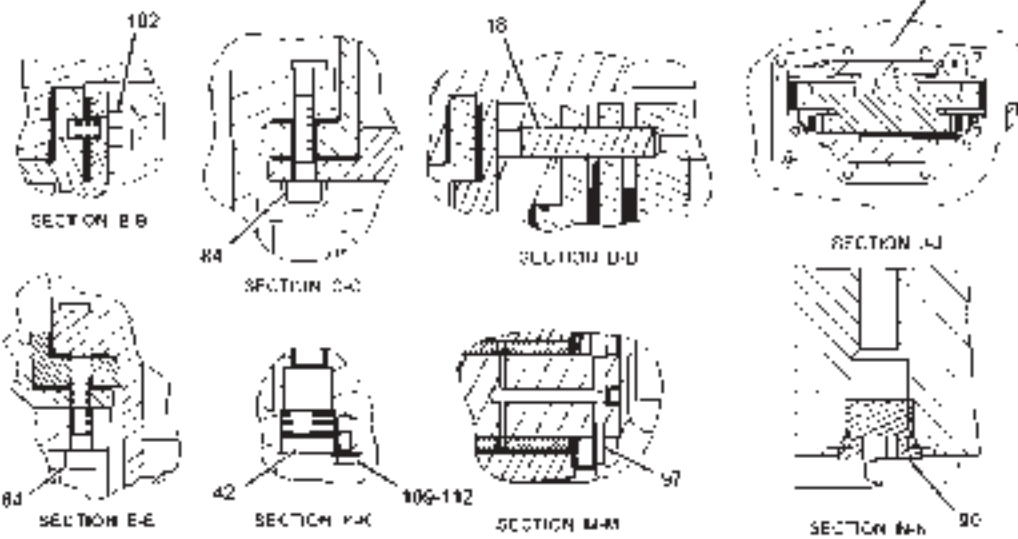
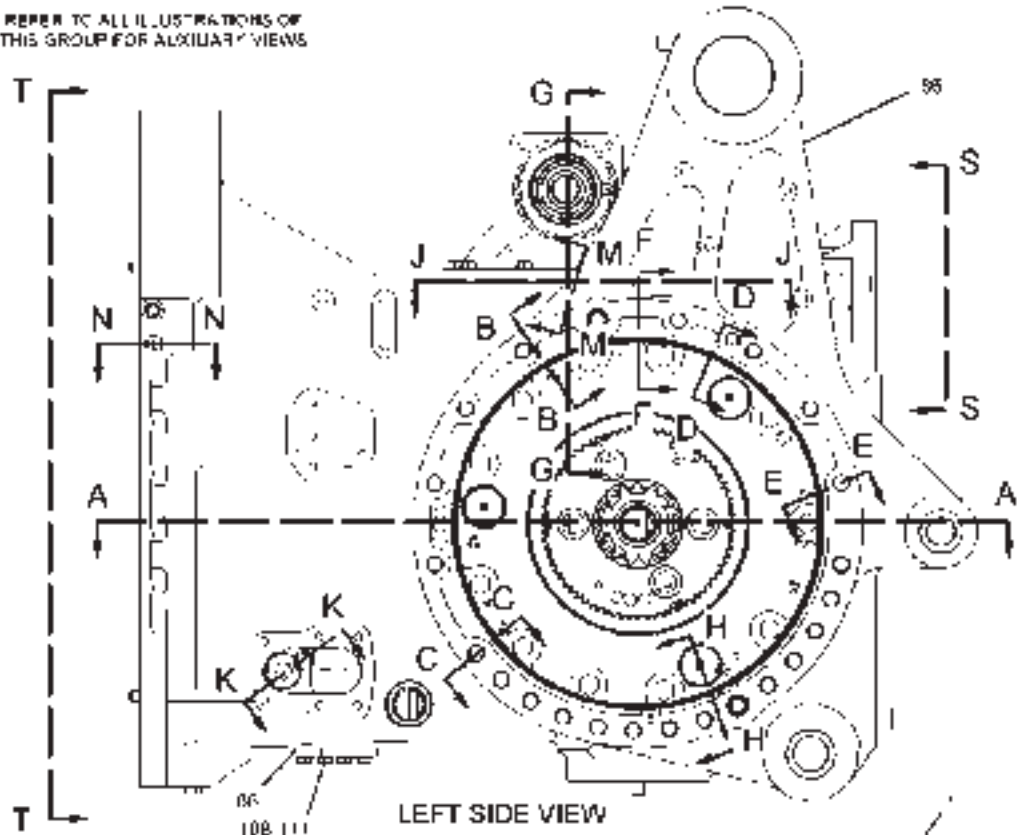
[A] PART OF 171-4005, 171-4010 AXLE AR
[C] CHANGE FROM PREVIOUS TYPE

01123705
PR: t05f07j07b0172

MT700 SERIES TRACK TRACTORS
POWER TRAIN

199-8159 DIFFERENTIAL GP-STEERING
S/N: AZA1025-1060; AZE1129-1174;
AZT1-886

REFER TO ALL ILLUSTRATIONS OF
THIS GROUP FOR AUXILIARY VIEWS



**MT700 SERIES TRACK TRACTORS
POWER TRAIN**

413

199-8159 DIFFERENTIAL GP-STEERING
S/N: AZA1025-1060; AZE1129-1174;
AZT1-886

ITEM	NUMBER	QTY	DESCRIPTION
-	199-8159	--	DIFFERENTIAL GP-STEERING [A] (NOT SERVICED)
1	1U-8846	AR	SEALANT-GASKET
18	4K-3892	6	DOWEL
42	163-0592	1	VALVE GP-CHECK
	061-7540	1	SEAL-O-RING
84	8T-9515	5	BOLT-SOCKET HEAD (M10X1.5X40-MM)
86	233-9766	1	HOUSING GP-DIFFERENTIAL [C] (SEE BREAKDOWN FOR COMPONENTS)
88	115-2134	1	FLANGE
90	162-0177	1	PLUG AS (NOT SERVICED)
	3J-1907	1	SEAL-O-RING
	9S-8004	1	PLUG
97	3S-2708	13	PIN-SPRING
102	6V-6317	4	BOLT (M10X1.5X20-MM) [C] WASHER-HARD (11X21X2.5-MM THK)
109	8T-4179	1	BOLT (M12X1.75X20-MM)
111	8T-4195	4	BOLT (M10X1.5X30-MM)
112	8T-4223	9	WASHER-HARD (13.5X25.5X3-MM THK)

[A] PART OF 171-4005, 171-4010,
213-8802 AXLE AR

[C] CHANGE FROM PREVIOUS TYPE

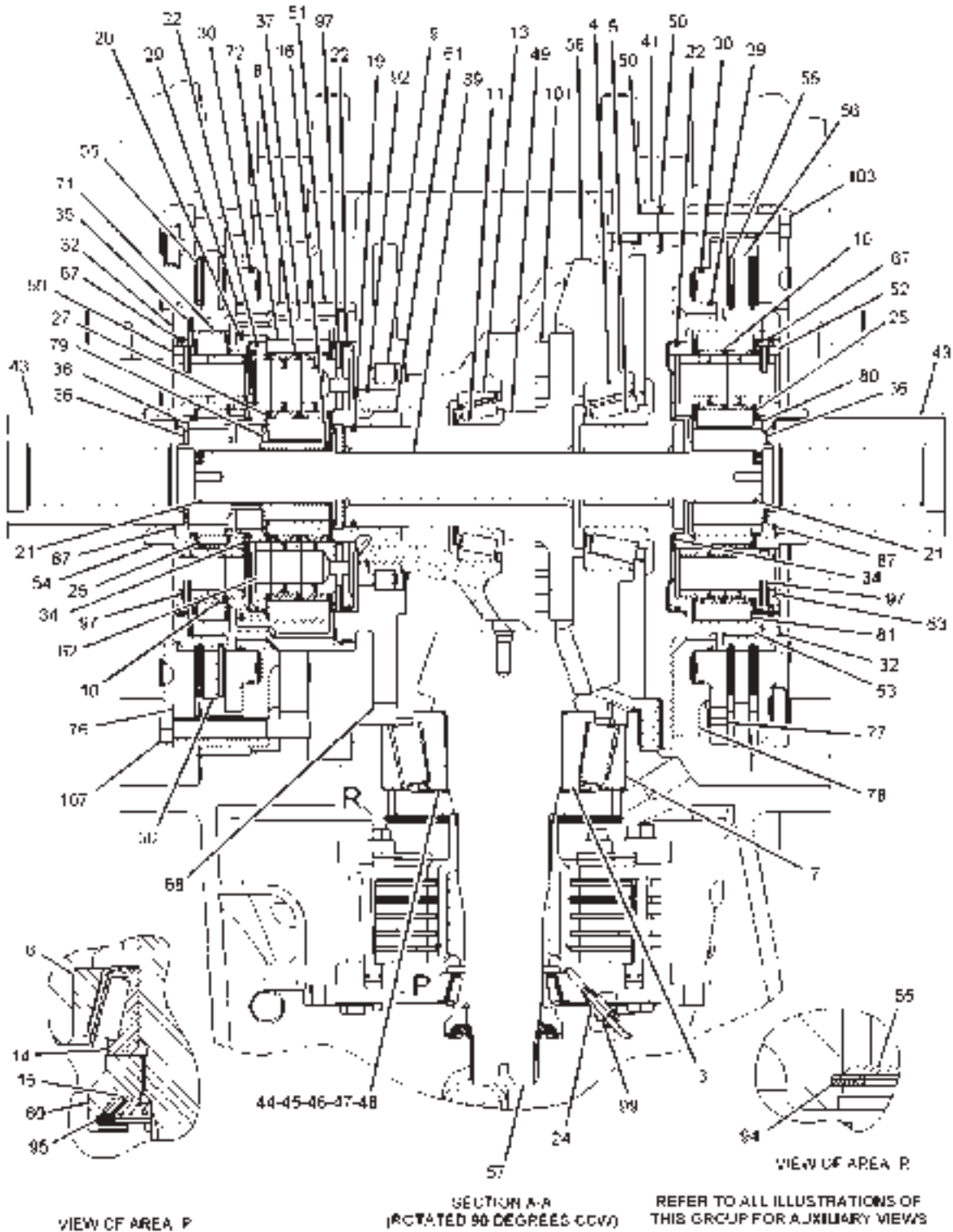
01124536
PR: t05f07j07b0173

MT700 SERIES TRACK TRACTORS
POWER TRAIN

199-8159A DIFFERENTIAL GP-STEERING

(PAGE 1 OF 2)

S/N: AZA1025-1060; AZE1129-1174;
AZT1-886



VIEW OF AREA P

SECTION A-A
(ROTATED 90 DEGREES CCW)

REFER TO ALL ILLUSTRATIONS OF
THIS GROUP FOR AUXILIARY VIEWS

MT700 SERIES TRACK TRACTORS
POWER TRAIN

415

199-8159A DIFFERENTIAL GP-STEERING

(PAGE 1 OF 2)

S/N: AZA1025-1060; AZE1129-1174;
 AZT1-886

ITEM	NUMBER	QTY	DESCRIPTION
-	199-8159	--	DIFFERENTIAL GP-STEERING [A] (NOT SERVICED)
3	101-9565	1	CONE-BEARING
4	138-7099	1	CUP-BEARING
5	1J-4757	1	CONE-BEARING
6	2A-4576	1	CUP-BEARING
7	2J-7227	1	CUP-BEARING
8	2M-5685	8	BEARING
9	4D-7953	1	BEARING
10	5M-0578	12	BEARING AS-ROLLER
11	5P-3723	1	CONE-BEARING
13	6D-7690	1	CUP-BEARING
14	9M-2457	1	CONE-BEARING
15	1B-6161	1	LOCK-NUT
16	4B-1127	1	RING-SNAP
19	6I-8197	1	RING-RETAINING
20	6I-8200	1	RING-LOCK
21	6I-8566	2	RING-RETAINING
22	7G-5670	3	SEAL-RING
24	8C-6865	1	CONNECTOR
25	8E-8308	16	DISC-THRUST
27	8E-8311	8	DISC-THRUST
29	9X-7424	2	SEAL-RING
30	9X-7426	2	SEAL-RING
32	102-3046	2	HUB-BRAKE
34	111-7077	2	DISC-THRUST
35	111-7078	1	DISC-THRUST
36	111-7079	2	DISC-THRUST
37	124-9398	1	GEAR-RING (75-TEETH)
38	131-2293	1	GEAR-SUN (28-TEETH)
39	131-2295	1	SHAFT-SUN GEAR
41	161-8757	1	SUPPORT
43	164-3904	2	GEAR-SUN (15-TEETH)
44	164-3971	AR	SHIM (0.9-MM THK)
45	164-3972	AR	SHIM (0.8-MM THK)
46	164-3973	AR	SHIM (0.7-MM THK)
47	164-3974	AR	SHIM (0.6-MM THK)
48	164-3975	AR	SHIM (0.5-MM THK)
49	164-3977	1	SHAFT-BEVEL GEAR
50	164-3978	2	SHIM PACK (INCLUDES 14-SHIMS)
51	164-3982	1	GEAR-RING (72-TEETH)
52	164-3983	1	CARRIER-PLANETARY
53	164-3984	1	GEAR-RING (72-TEETH)
54	164-3985	1	CARRIER-PLANETARY
55	171-6135	4	DISC-FRICTION
56	171-6138	2	PLATE
57	172-4316	1	PINION-BEVEL (13-TEETH)
58	172-4317	1	GEAR-BEVEL (37-TEETH)
59	174-9383	4	SHAFT-PLANETARY

[A] PART OF 171-4005, 171-4010,
 213-8802 AXLE AR

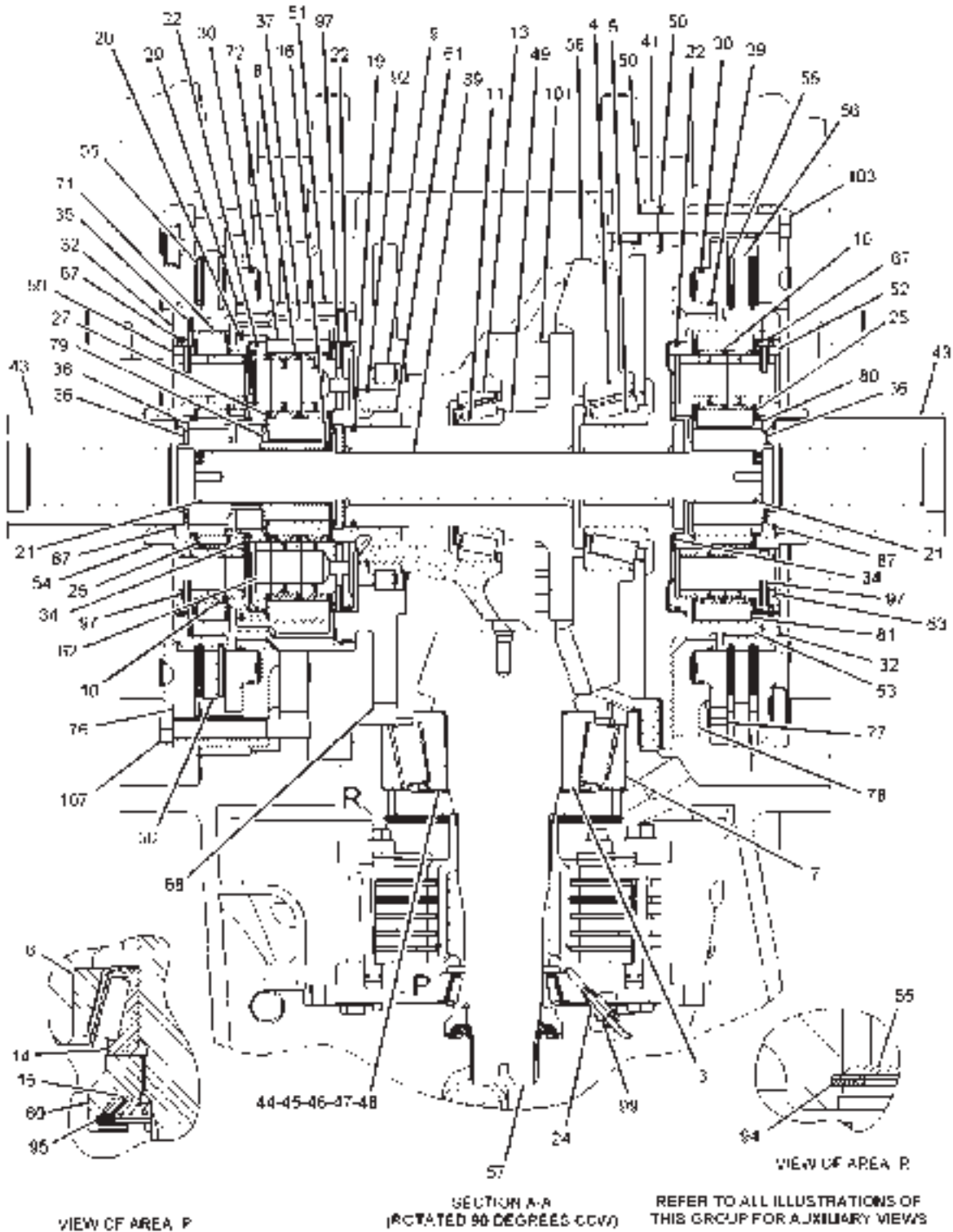
01124540
 PR: t05f07j07b0174

MT700 SERIES TRACK TRACTORS
POWER TRAIN

199-8159A DIFFERENTIAL GP-STEERING

(PAGE 2 OF 2)

S/N: AZA1025-1060; AZE1129-1174;
AZT1-886



MT700 SERIES TRACK TRACTORS
POWER TRAIN

417

199-8159A DIFFERENTIAL GP-STEERING

(PAGE 2 OF 2)

S/N: AZA1025-1060; AZE1129-1174;
AZT1-886

ITEM	NUMBER	QTY	DESCRIPTION
-	199-8159	--	DIFFERENTIAL GP-STEERING [A] (NOT SERVICED)
60	174-9389	1	NUT-BEARING LOCK
61	174-9399	1	CARRIER-PLANETARY
62	226-6510	4	SHAFT-PLANETARY
63	174-9404	4	SHAFT-PLANETARY
65	191-1912	1	PLATE-RETAINER
67	192-9242	2	RING-LOCK
68	194-9563	1	GEAR (61-TEETH)
71	197-7314	4	GEAR-PLANETARY (23-TEETH)
72	197-7315	4	GEAR-PLANETARY (27-TEETH)
76	210-8407	2	PLATE-REACTION
77	210-8408	2	PISTON-BRAKE
78	210-8411	2	HOUSING AS
	126-7260	2	PLUG
79	226-7257	1	GEAR-SUN (21-TEETH)
80	213-6196	1	GEAR-SUN (28-TEETH)
81	213-6198	4	GEAR-PLANETARY (23 TEETH)
87	113-0694	2	RING-RETAINING
92	1J-3628	1	RING-RETAINING
94	2K-1381	1	RING-RETAINING
95	2S-2978	1	RING-RETAINING
97	3S-2708	13	PIN-SPRING
99	4J-5477	2	SEAL-O-RING
101	6V-3532	12	BOLT (M20X2.5X60-MM)
103	6V-8154	11	BOLT (M16X2X150-MM)
107	8T-0282	11	BOLT (M16X2X120-MM)

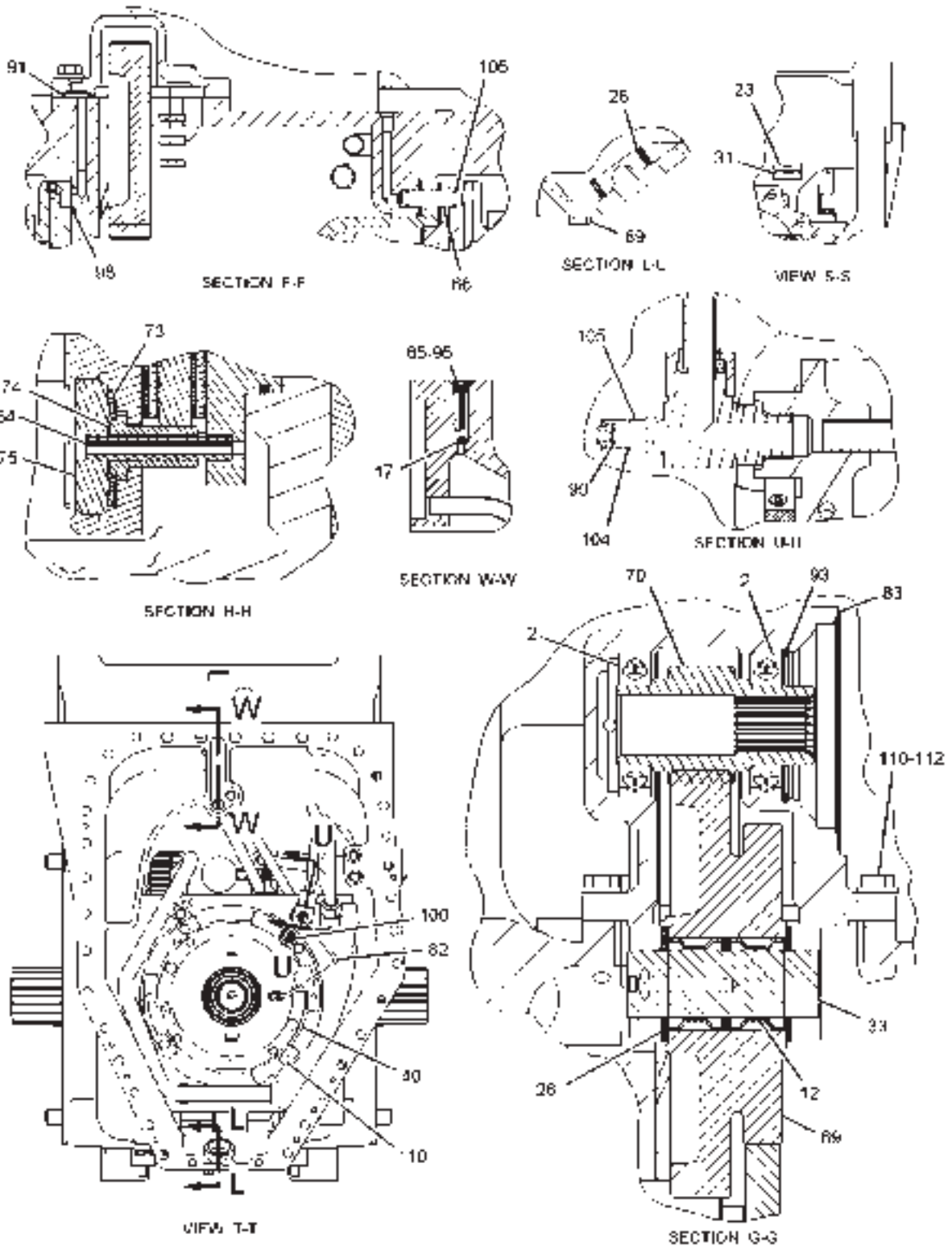
[A] PART OF 171-4005, 171-4010,
213-8802 AXLE AR

01124540
PR: t05f07j07b0175

MT700 SERIES TRACK TRACTORS
POWER TRAIN

199-8159A DIFFERENTIAL GP-STEERING

S/N: AZA1025-1060; AZE1129-1174;
AZT1-886



MT700 SERIES TRACK TRACTORS
POWER TRAIN

419

199-8159A DIFFERENTIAL GP-STEERING
S/N: AZA1025-1060; AZE1129-1174;
AZT1-886

ITEM	NUMBER	QTY	DESCRIPTION
-	199-8159	--	DIFFERENTIAL GP-STEERING [A] (NOT SERVICED)
2	1T-0043	2	BALL BEARING
12	5P-6254	2	BEARING
17	4B-9783	1	BALL
23	7X-7816	1	PLATE-SERIAL NUMBER (TRANSMISSION)
26	8E-8310	2	DISC-THRUST
28	8M-7160	1	MAGNET
31	-----	2	TACK
33	111-7068	1	SHAFT AS
	2A-3746	1	PLUG-CUP
40	161-8212	1	BRAKE GP-PARKING (SEE BREAKDOWN FOR COMPONENTS)
64	176-1377	6	PIN-SPRING
66	192-5602	2	SLEEVE
69	194-9564	1	GEAR-CLUSTER (60/28-TEETH)
70	194-9565	1	GEAR (14-TEETH)
73	199-7107	6	SPRING
74	210-8405	6	BUSHING
75	210-8406	6	PLATE-SPRING
82	215-7301	1	TUBE AS
83	235-1065	1	SUPPORT AS
	2A-3746	2	PLUG-CUP
85	223-1637	1	PLUG AS [C]
89	148-8407	1	PLUG AS (NOT SERVICED)
	3J-1907	1	SEAL-O-RING
	9S-4191	1	PLUG
91	1H-8171	1	SEAL-O-RING
93	1J-6472	1	RING-RETAINING
96	3K-0360	1	SEAL-O-RING
98	4J-5140	2	SEAL-O-RING
99	4J-5477	2	SEAL-O-RING
100	4K-2039	1	SEAL-O-RING
104	6V-8397	1	SEAL-O-RING
105	6V-8934	1	REDUCER
106	8L-2777	4	SEAL-O-RING
110	8T-4183	12	BOLT (M12X1.75X40-MM)
112	8T-4223	9	WASHER-HARD (13.5X25.5X3-MM THK)

[A] PART OF 171-4005, 171-4010,
213-8802 AXLE AR

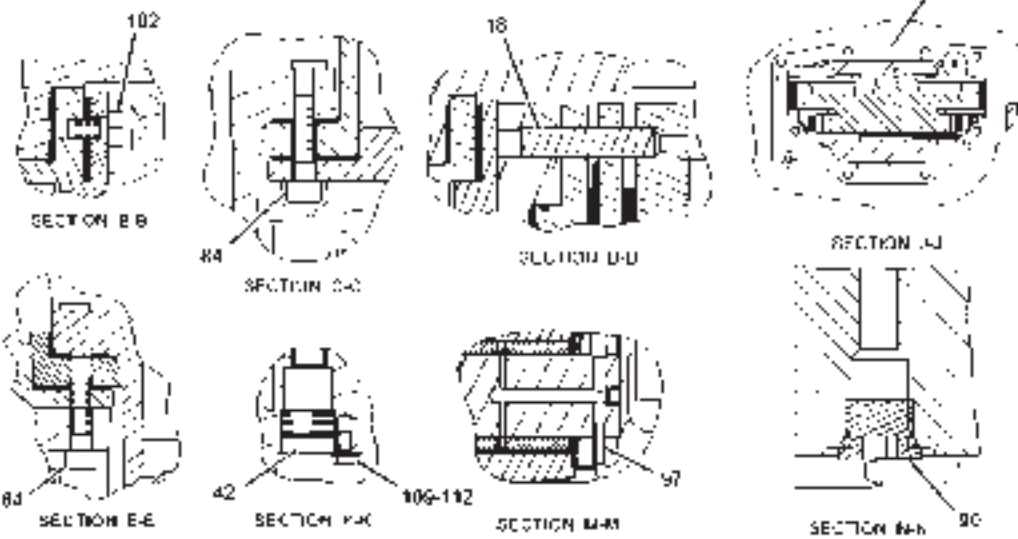
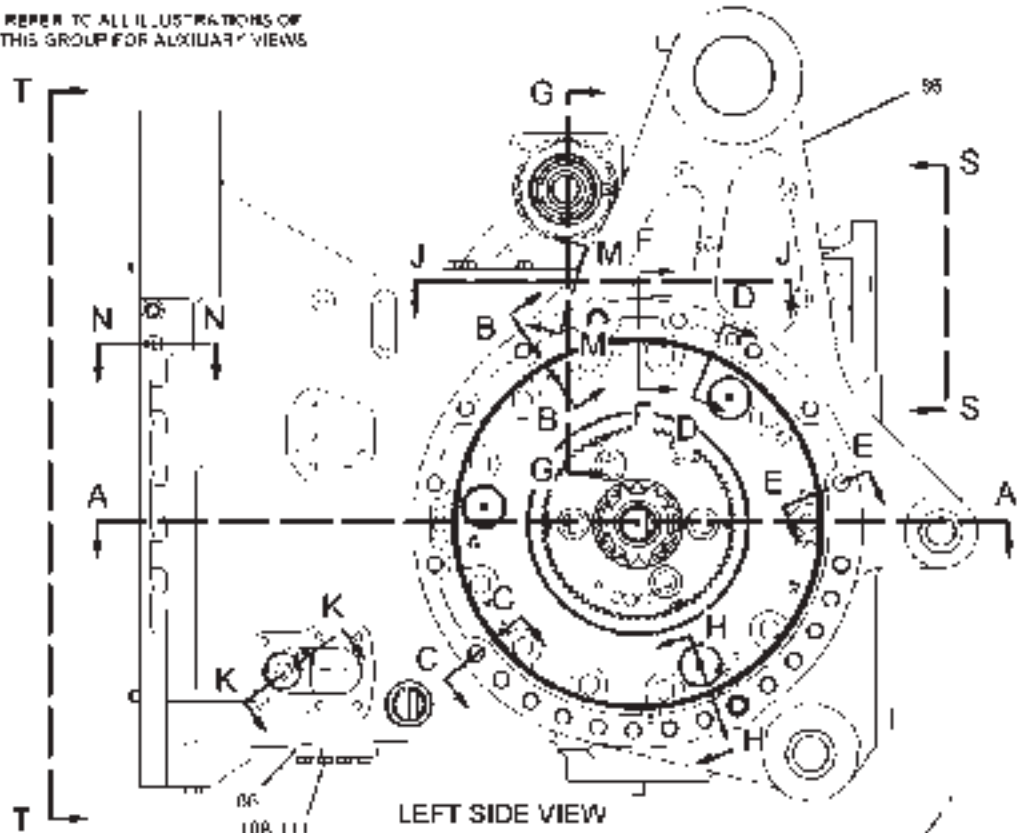
01123705
PR: t05f07j07b0176

MT700 SERIES TRACK TRACTORS
POWER TRAIN

199-8159 DIFFERENTIAL GP-STEERING

S/N: AZA1061-1214; AZE1175-1433;
AZT887-942

REFER TO ALL ILLUSTRATIONS OF
THIS GROUP FOR AUXILIARY VIEWS



MT700 SERIES TRACK TRACTORS
POWER TRAIN

421

199-8159 DIFFERENTIAL GP-STEERING
S/N: AZA1061-1214; AZE1175-1433;
AZT887-942

ITEM	NUMBER	QTY	DESCRIPTION
-	199-8159	--	DIFFERENTIAL GP-STEERING [A] (NOT SERVICED)
1	1U-8846	AR	SEALANT-GASKET
18	4K-3892	6	DOWEL
42	163-0592	1	VALVE GP-CHECK
	061-7540	1	SEAL-O-RING
84	8T-9515	5	BOLT-SOCKET HEAD (M10X1.5X40-MM)
86	233-9766	1	HOUSING GP-DIFFERENTIAL [C] (SEE BREAKDOWN FOR COMPONENTS)
88	115-2134	1	FLANGE
90	162-0177	1	PLUG AS (NOT SERVICED)
	3J-1907	1	SEAL-O-RING
	9S-8004	1	PLUG
97	3S-2708	13	PIN-SPRING
102	6V-6317	4	BOLT (M10X1.5X20-MM)
108	8T-4121	4	WASHER-HARD (11X21X2.5-MM THK)
109	8T-4179	1	BOLT (M12X1.75X20-MM)
111	8T-4195	4	BOLT (M10X1.5X30-MM)
112	8T-4223	9	WASHER-HARD (13.5X25.5X3-MM THK)

[A] PART OF 171-4005, 171-4010,
213-8802 AXLE AR

[C] CHANGE FROM PREVIOUS TYPE

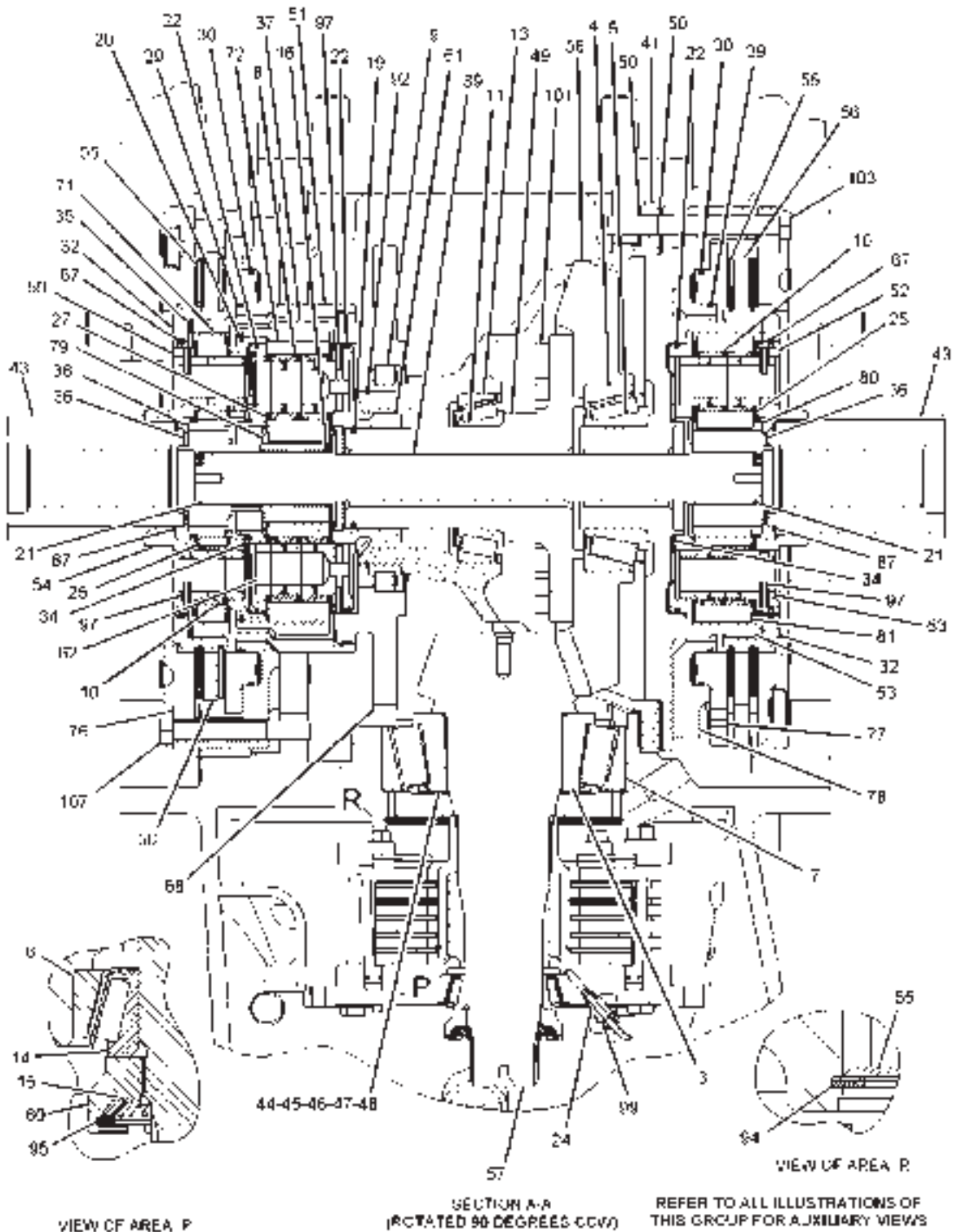
01124536
PR: t05f07j07b0177

MT700 SERIES TRACK TRACTORS
POWER TRAIN

199-8159 DIFFERENTIAL GP-STEERING

(PAGE 1 OF 2)

S/N: AZA1061-1214; AZE1175-1433;
AZT887-942



MT700 SERIES TRACK TRACTORS
POWER TRAIN

423

199-8159 DIFFERENTIAL GP-STEERING

(PAGE 1 OF 2)

S/N: AZA1061-1214; AZE1175-1433;
AZT887-942

ITEM	NUMBER	QTY	DESCRIPTION
-	199-8159	--	DIFFERENTIAL GP-STEERING [A] (NOT SERVICED)
3	101-9565	1	CONE-BEARING
4	138-7099	1	CUP-BEARING
5	1J-4757	1	CONE-BEARING
6	2A-4576	1	CUP-BEARING
7	2J-7227	1	CUP-BEARING
8	2M-5685	8	BEARING
9	4D-7953	1	BEARING
10	5M-0578	12	BEARING AS-ROLLER
11	5P-3723	1	CONE-BEARING
13	6D-7690	1	CUP-BEARING
14	9M-2457	1	CONE-BEARING
15	1B-6161	1	LOCK-NUT
16	4B-1127	1	RING-SNAP
19	6I-8197	1	RING-RETAINING
20	6I-8200	1	RING-LOCK
21	6I-8566	2	RING-RETAINING
22	7G-5670	3	SEAL-RING
24	8C-6865	1	CONNECTOR
25	8E-8308	16	DISC-THRUST
27	8E-8311	8	DISC-THRUST
29	9X-7424	2	SEAL-RING
30	9X-7426	2	SEAL-RING
32	102-3046	2	HUB-BRAKE
34	111-7077	2	DISC-THRUST
35	111-7078	1	DISC-THRUST
36	111-7079	2	DISC-THRUST
37	124-9398	1	GEAR-RING (75-TEETH)
38	131-2293	1	GEAR-SUN (28-TEETH)
39	131-2295	1	SHAFT-SUN GEAR
41	161-8757	1	SUPPORT
43	164-3904	2	GEAR-SUN (15-TEETH)
44	164-3971	AR	SHIM (0.9-MM THK)
45	164-3972	AR	SHIM (0.8-MM THK)
46	164-3973	AR	SHIM (0.7-MM THK)
47	164-3974	AR	SHIM (0.6-MM THK)
48	164-3975	AR	SHIM (0.5-MM THK)
49	164-3977	1	SHAFT-BEVEL GEAR
50	164-3978	2	SHIM PACK (INCLUDES 14-SHIMS)
51	164-3982	1	GEAR-RING (72-TEETH)
52	164-3983	1	CARRIER-PLANETARY
53	164-3984	1	GEAR-RING (72-TEETH)
54	164-3985	1	CARRIER-PLANETARY
55	171-6135	4	DISC-FRICTION
56	171-6138	2	PLATE
57	172-4316	1	PINION-BEVEL (13-TEETH)
58	172-4317	1	GEAR-BEVEL (37-TEETH)
59	174-9383	4	SHAFT-PLANETARY

[A] PART OF 171-4005, 171-4010,
213-8802 AXLE AR

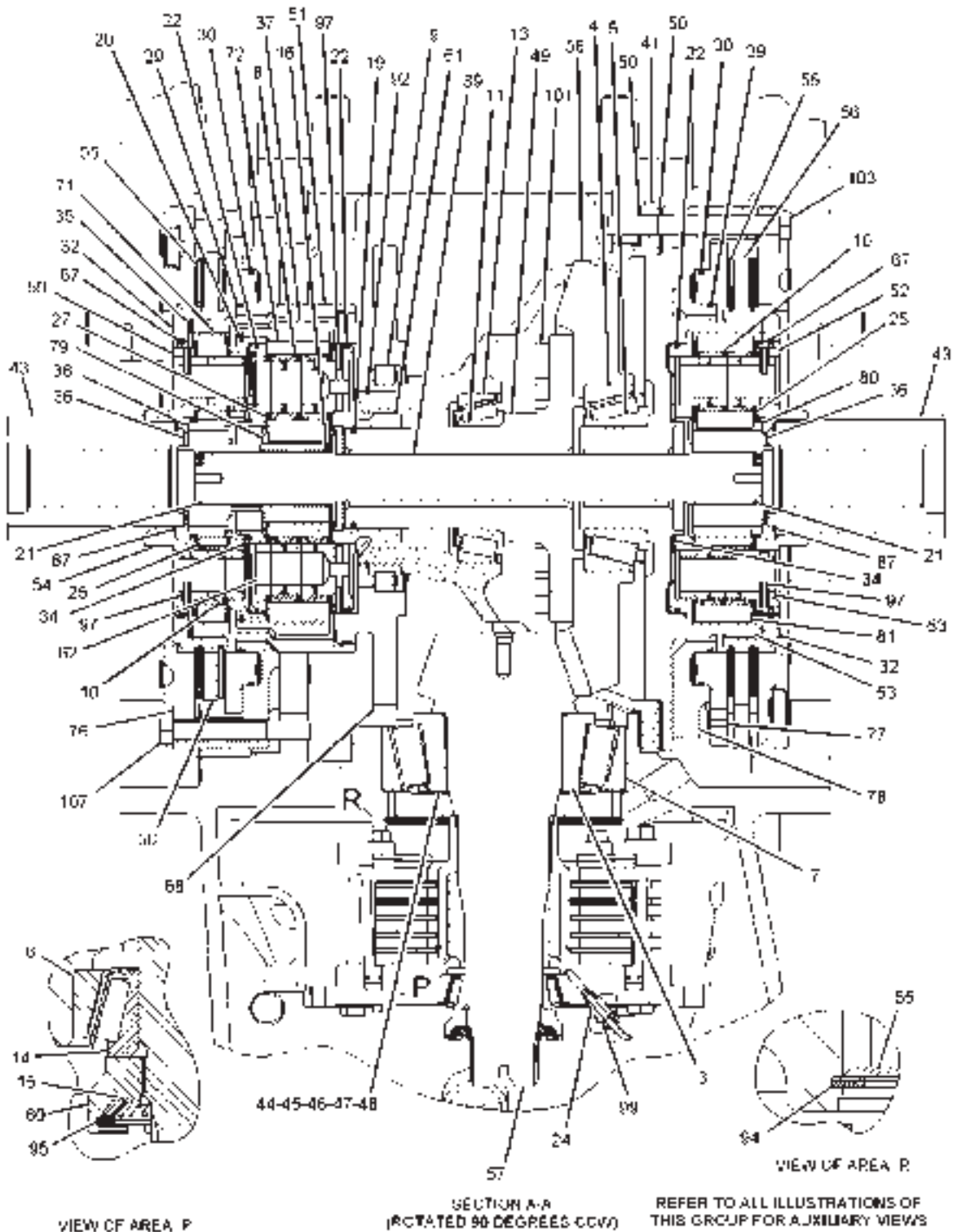
01124540
PR: t05f07j07b0178

MT700 SERIES TRACK TRACTORS
POWER TRAIN

199-8159 DIFFERENTIAL GP-STEERING

(PAGE 2 OF 2)

S/N: AZA1061-1214; AZE1175-1433;
AZT887-942



MT700 SERIES TRACK TRACTORS
POWER TRAIN

425

199-8159 DIFFERENTIAL GP-STEERING

(PAGE 2 OF 2)

S/N: AZA1061-1214; AZE1175-1433;
AZT887-942

ITEM	NUMBER	QTY	DESCRIPTION
-	199-8159	--	DIFFERENTIAL GP-STEERING [A] (NOT SERVICED)
60	174-9389	1	NUT-BEARING LOCK
61	174-9399	1	CARRIER-PLANETARY
62	226-6510	4	SHAFT
63	174-9404	4	SHAFT-PLANETARY
65	191-1912	1	PLATE-RETAINER
67	192-9242	2	RING-LOCK
68	194-9563	1	GEAR (61-TEETH)
71	197-7314	4	GEAR-PLANETARY (23-TEETH)
72	197-7315	4	GEAR-PLANETARY (27-TEETH)
76	210-8407	2	PLATE-REACTION
77	210-8408	2	PISTON-BRAKE
78	210-8411	2	HOUSING AS
	126-7260	2	PLUG
79	226-7257	1	GEAR-SUN (28/21-TEETH)
80	213-6196	1	GEAR-SUN (28-TEETH)
81	213-6198	4	GEAR-PLANETARY (23 TEETH)
87	113-0694	2	RING-RETAINING
92	1J-3628	1	RING-RETAINING
94	2K-1381	1	RING-RETAINING
95	2S-2978	1	RING-RETAINING
97	3S-2708	13	PIN-SPRING
99	4J-5477	2	SEAL-O-RING
101	6V-3532	12	BOLT (M20X2.5X60-MM)
103	6V-8154	11	BOLT (M16X2X150-MM)
107	8T-0282	11	BOLT (M16X2X120-MM)

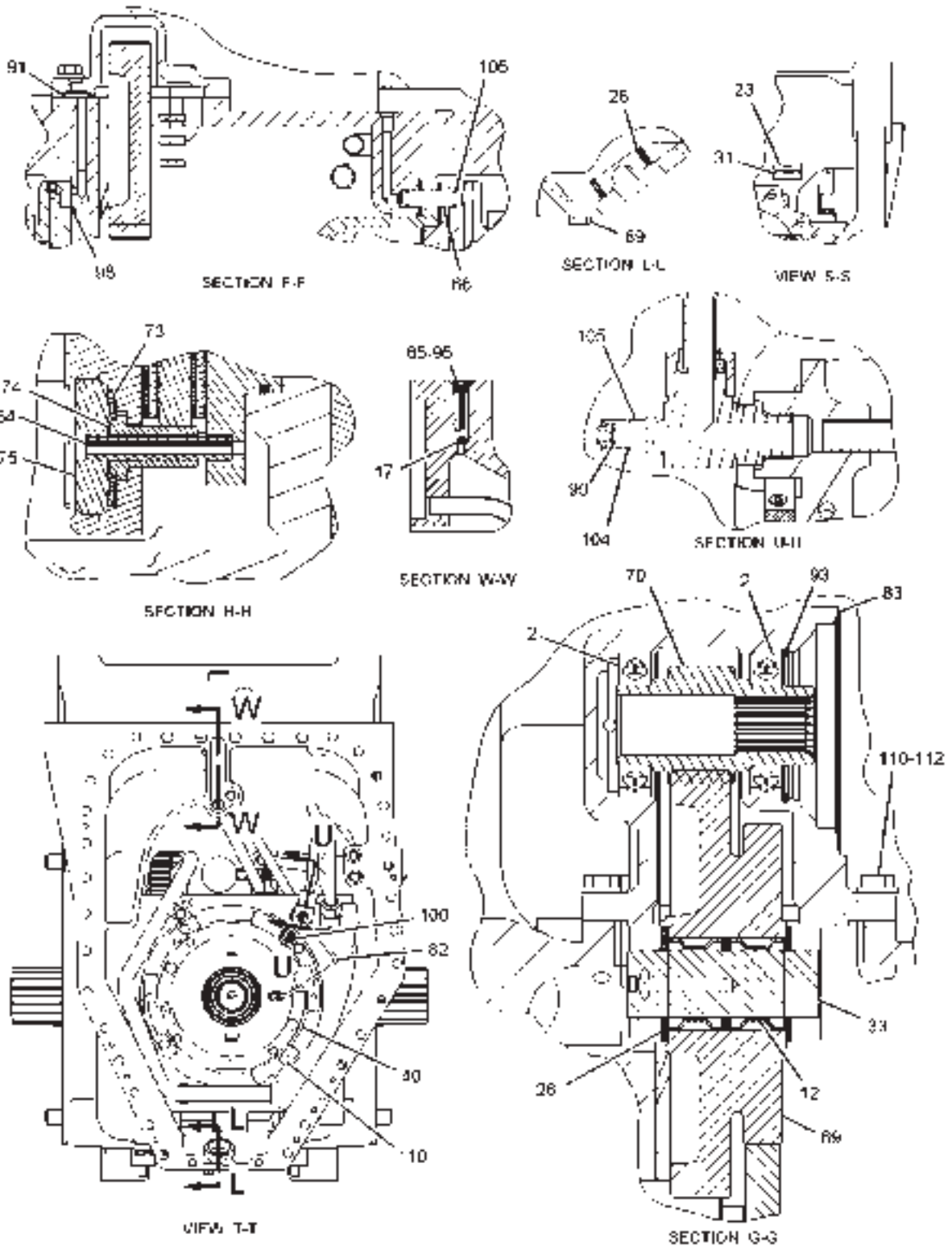
[A] PART OF 171-4005, 171-4010,
213-8802 AXLE AR

01124540
PR: t05f07j07b0179

MT700 SERIES TRACK TRACTORS
POWER TRAIN

199-8159 DIFFERENTIAL GP-STEERING

S/N: AZA1061-1214; AZE1175-1433;
AZT887-942



MT700 SERIES TRACK TRACTORS
POWER TRAIN

427

199-8159 DIFFERENTIAL GP-STEERING
S/N: AZA1061-1214; AZE1175-1433;
AZT887-942

ITEM	NUMBER	QTY	DESCRIPTION
-	199-8159	--	DIFFERENTIAL GP-STEERING [A] (NOT SERVICED)
2	1T-0043	2	BALL BEARING
12	5P-6254	2	BEARING
17	4B-9783	1	BALL
23	7X-7816	1	PLATE-SERIAL NUMBER (TRANSMISSION)
26	8E-8310	2	DISC-THRUST
28	8M-7160	1	MAGNET
31	-----	2	TACK
33	111-7068	1	SHAFT AS
	2A-3746	1	PLUG-CUP
40	161-8212	1	BRAKE GP-PARKING (SEE BREAKDOWN FOR COMPONENTS)
64	176-1377	6	PIN-SPRING
66	192-5602	2	SLEEVE
69	194-9564	1	GEAR-CLUSTER (60/28-TEETH)
70	194-9565	1	GEAR (14-TEETH)
73	199-7107	6	SPRING
74	210-8405	6	BUSHING
75	210-8406	6	PLATE-SPRING
82	215-7301	1	TUBE AS
83	235-1065	1	SUPPORT AS
	2A-3746	2	PLUG-CUP
85	223-1637	1	PLUG AS [C]
89	148-8407	1	PLUG AS (NOT SERVICED)
	3J-1907	1	SEAL-O-RING
	9S-4191	1	PLUG
91	1H-8171	1	SEAL-O-RING
93	1J-6472	1	RING-RETAINING
96	3K-0360	1	SEAL-O-RING
98	4J-5140	2	SEAL-O-RING
99	4J-5477	2	SEAL-O-RING
100	4K-2039	1	SEAL-O-RING
104	6V-8397	1	SEAL-O-RING
105	6V-8934	1	REDUCER
106	8L-2777	4	SEAL-O-RING
110	8T-4183	12	BOLT (M12X1.75X40-MM)
112	8T-4223	9	WASHER-HARD (13.5X25.5X3-MM THK)

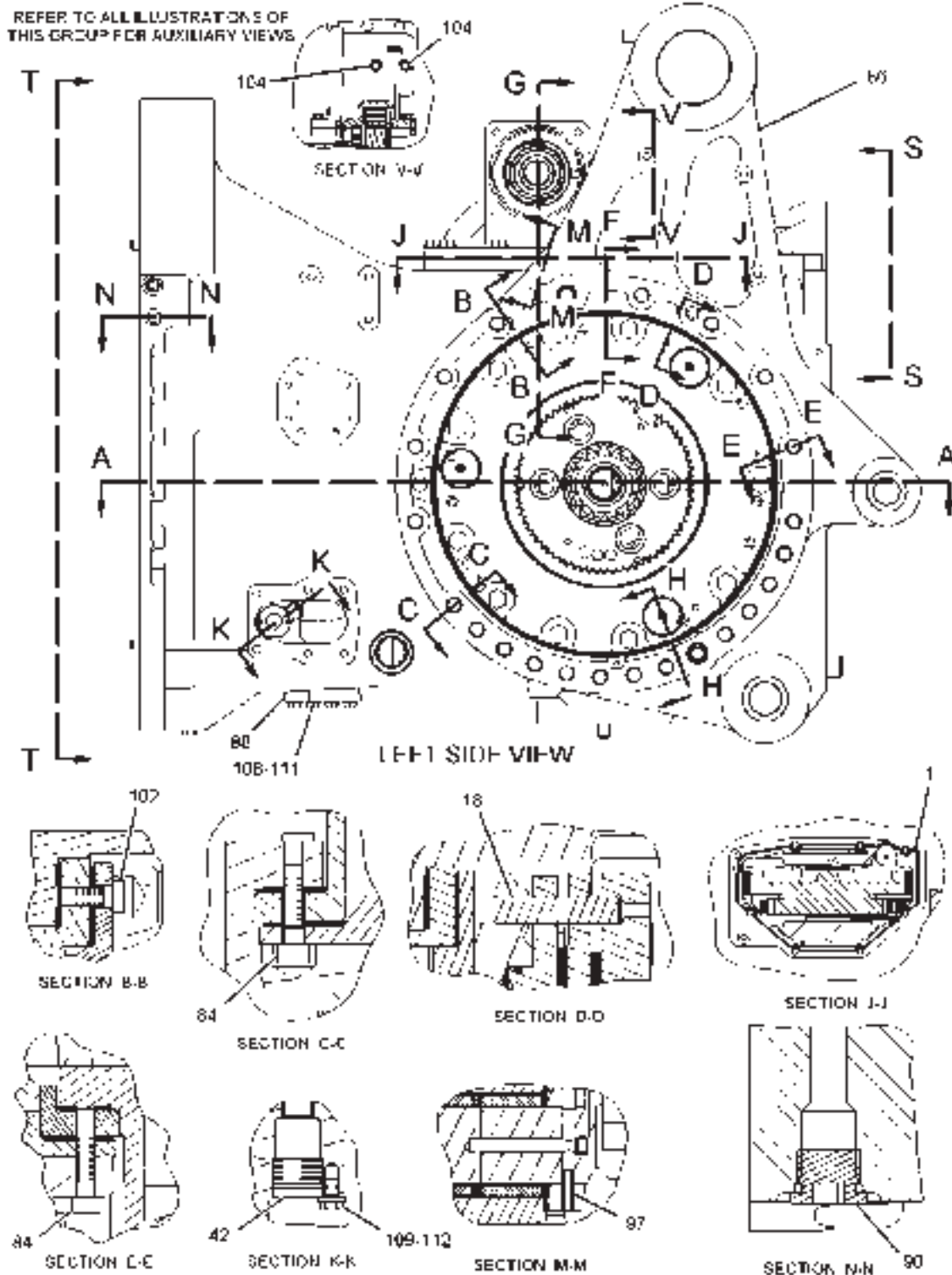
[A] PART OF 171-4005, 171-4010,
213-8802 AXLE AR

01123705
PR: t05f07j07b0180

MT700 SERIES TRACK TRACTORS POWER TRAIN

199-8159 DIFFERENTIAL GP-STEERING

S/N: AZA1215-1230; AZE1434-1512;
AZT943-953



MT700 SERIES TRACK TRACTORS
POWER TRAIN

429

199-8159 DIFFERENTIAL GP-STEERING
S/N: AZA1215-1230; AZE1434-1512;
AZT943-953

ITEM	NUMBER	QTY	DESCRIPTION
-	199-8159	--	DIFFERENTIAL GP-STEERING [A] (NOT SERVICED)
1	1U-8846	AR	SEALANT-GASKET
18	4K-3892	6	DOWEL
42	163-0592	1	VALVE GP-CHECK
	061-7540	1	SEAL-O-RING
84	8T-9515	5	BOLT-SOCKET HEAD (M10X1.5X40-MM)
86	233-9766	1	HOUSING GP-DIFFERENTIAL [C] (SEE BREAKDOWN FOR COMPONENTS)
88	115-2134	1	FLANGE
90	162-0177	1	PLUG AS (NOT SERVICED)
	3J-1907	1	SEAL-O-RING
	9S-8004	1	PLUG
97	3S-2708	13	PIN-SPRING
102	6V-6317	4	BOLT (M10X1.5X20-MM)
104	162-6448	2	PLUG AS (NOT SERVICED) [C]
	1N-5999	1	PLUG
	7J-0204	1	SEAL-O-RING
108	8T-4121	4	WASHER-HARD (11X21X2.5-MM THK)
109	8T-4179	1	BOLT (M12X1.75X20-MM)
111	8T-4195	4	BOLT (M10X1.5X30-MM)
112	8T-4223	9	WASHER-HARD (13.5X25.5X3-MM THK)

[A] PART OF 171-4005, 171-4010,
213-8802 AXLE AR
[C] CHANGE FROM PREVIOUS TYPE

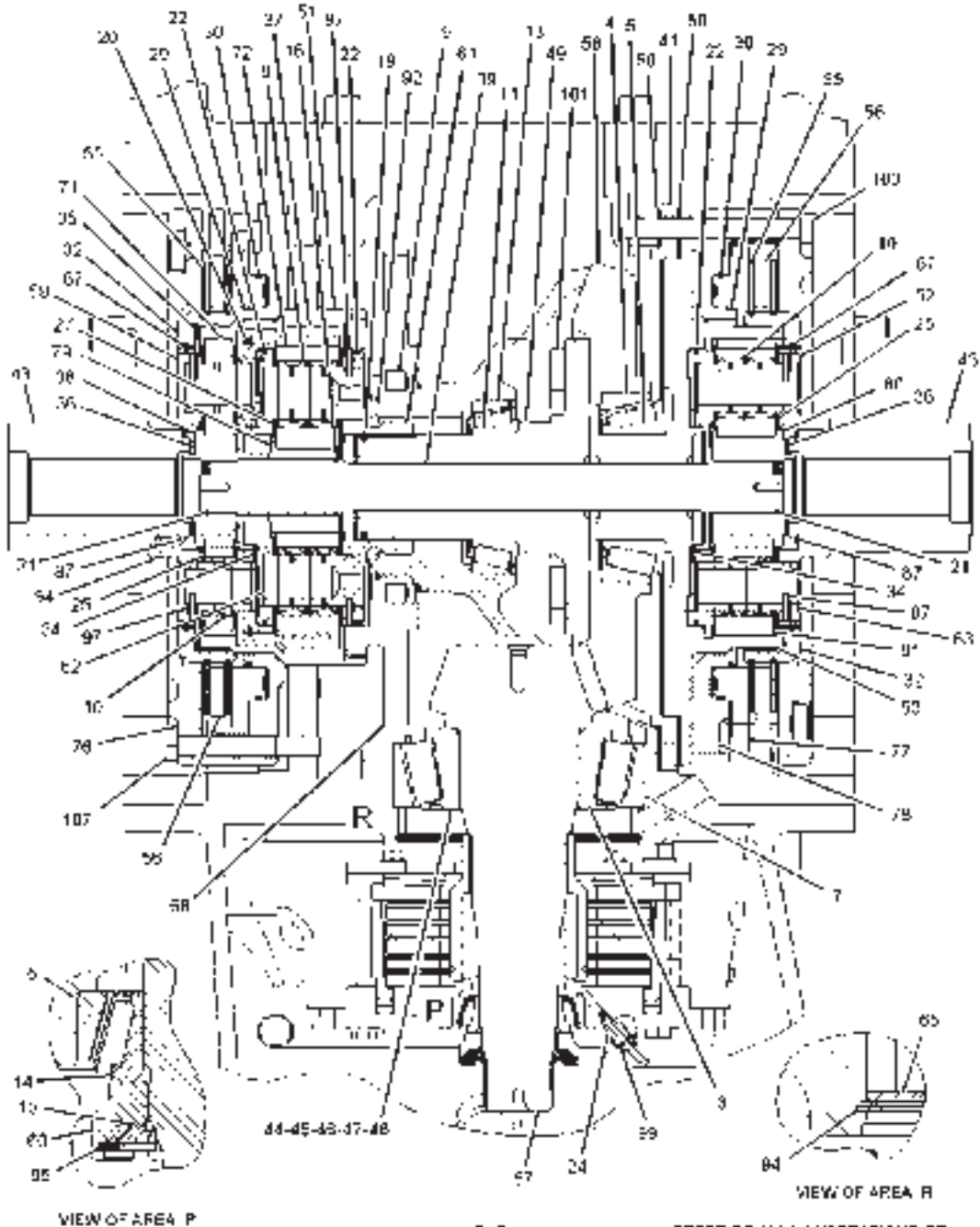
01124947
PR: t05f07j07b0181

MT700 SERIES TRACK TRACTORS
POWER TRAIN

199-8159 DIFFERENTIAL GP-STEERING

(PAGE 1 OF 2)

S/N: AZA1215-1230; AZE1434-1512;
AZT943-953



5/1, TK NA-P
(ROTATED 90 DEGREES CCW) REFER TO ALL ILLUSTRATIONS OF
THIS GROUP FOR AUXILIARY VIEWS

MT700 SERIES TRACK TRACTORS
POWER TRAIN

431

199-8159 DIFFERENTIAL GP-STEERING

(PAGE 1 OF 2)

S/N: AZA1215-1230; AZE1434-1512;
AZT943-953

ITEM	NUMBER	QTY	DESCRIPTION
-	199-8159	--	DIFFERENTIAL GP-STEERING [A] (NOT SERVICED)
3	101-9565	1	CONE-BEARING
4	138-7099	1	CUP-BEARING
5	1J-4757	1	CONE-BEARING
6	2A-4576	1	CUP-BEARING
7	2J-7227	1	CUP-BEARING
8	2M-5685	8	BEARING
9	4D-7953	1	BEARING
10	5M-0578	12	BEARING AS-ROLLER
11	5P-3723	1	CONE-BEARING
13	6D-7690	1	CUP-BEARING
14	9M-2457	1	CONE-BEARING
15	1B-6161	1	LOCK-NUT
16	4B-1127	1	RING-SNAP
19	6I-8197	1	RING-RETAINING
20	6I-8200	1	RING-LOCK
21	6I-8566	2	RING-RETAINING
22	7G-5670	3	SEAL-RING
24	8C-6865	1	CONNECTOR
25	8E-8308	16	DISC-THRUST
27	8E-8311	8	DISC-THRUST
29	9X-7424	2	SEAL-RING
30	9X-7426	2	SEAL-RING
32	102-3046	2	HUB-BRAKE
34	111-7077	2	DISC-THRUST
35	111-7078	1	DISC-THRUST
36	111-7079	2	DISC-THRUST
37	124-9398	1	GEAR-RING (75-TEETH)
38	131-2293	1	GEAR-SUN (28-TEETH)
39	131-2295	1	SHAFT-SUN GEAR
41	161-8757	1	SUPPORT
43	164-3904	2	GEAR-SUN (15-TEETH)
44	164-3971	1	SHIM (0.9-MM THK) [AR]
45	164-3972	1	SHIM (0.8-MM THK) [AR]
46	164-3973	1	SHIM (0.7-MM THK) [AR]
47	164-3974	1	SHIM (0.6-MM THK) [AR]
48	164-3975	1	SHIM (0.5-MM THK) [AR]
49	164-3977	1	SHAFT-BEVEL GEAR
50	164-3978	2	SHIM PACK (INCLUDES 14-SHIMS)
51	164-3982	1	GEAR-RING (72-TEETH)
52	164-3983	1	CARRIER-PLANETARY
53	164-3984	1	GEAR-RING (72-TEETH)
54	164-3985	1	CARRIER-PLANETARY
55	171-6135	4	DISC-FRICTION
56	171-6138	2	PLATE
57	172-4316	1	PINION-BEVEL (13-TEETH)
58	172-4317	1	GEAR-BEVEL (37-TEETH)
59	174-9383	4	SHAFT-PLANETARY

[A] PART OF 171-4005, 171-4010,
213-8802 AXLE AR

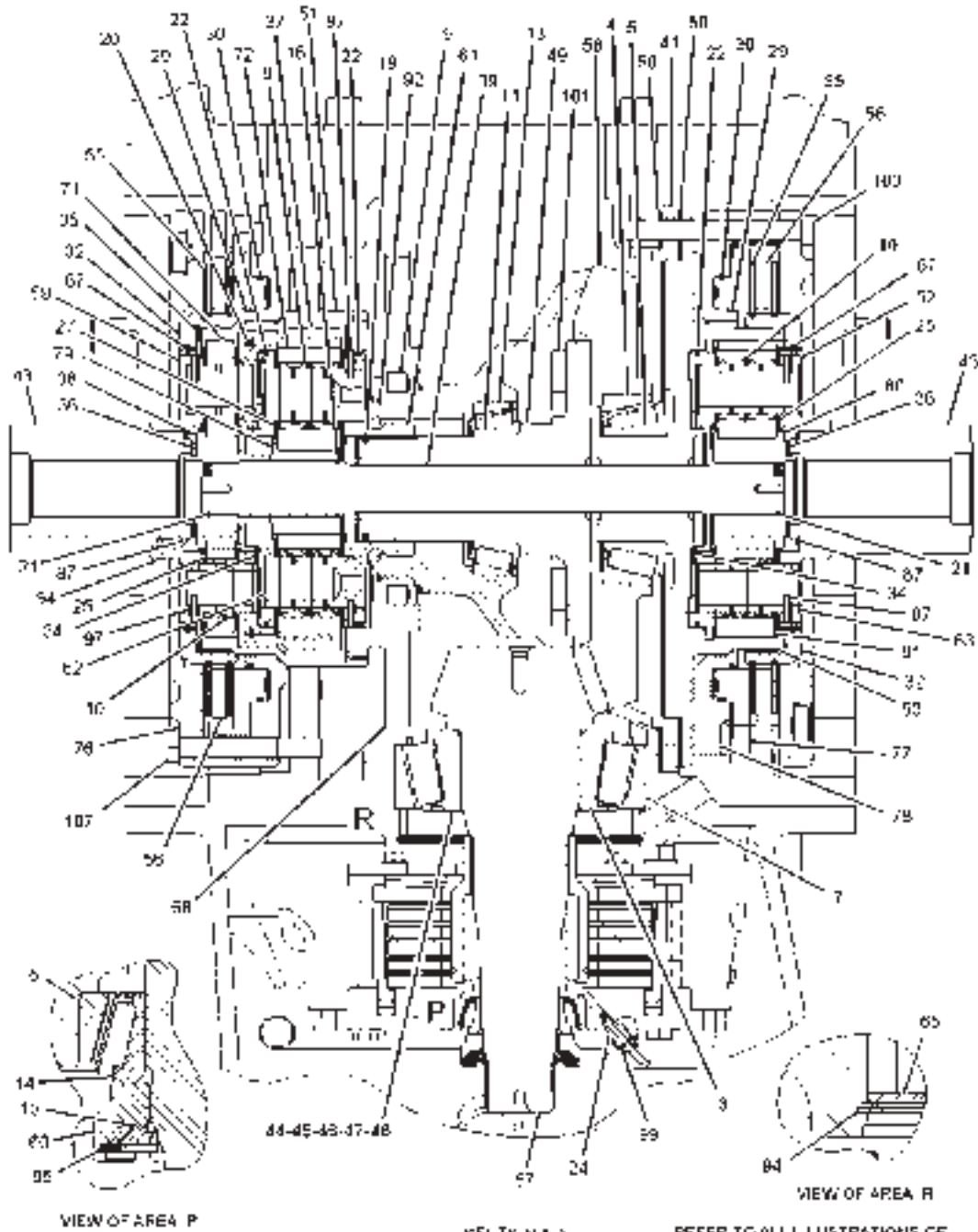
01124948
PR: t05f07j07b0182

MT700 SERIES TRACK TRACTORS POWER TRAIN

199-8159 DIFFERENTIAL GP-STEERING

(PAGE 2 OF 2)

S/N: AZA1215-1230; AZE1434-1512;
AZT943-953



51, 76, 81, 82
ROTATED 90 DEGREES CCW

REFER TO ALL ILLUSTRATIONS OF
THIS GROUP FOR AUXILIARY VIEWS

MT700 SERIES TRACK TRACTORS
POWER TRAIN

433

199-8159 DIFFERENTIAL GP-STEERING

(PAGE 2 OF 2)

S/N: AZA1215-1230; AZE1434-1512;
AZT943-953

ITEM	NUMBER	QTY	DESCRIPTION
-	199-8159	--	DIFFERENTIAL GP-STEERING [A] (NOT SERVICED)
60	174-9389	1	NUT-BEARING LOCK
61	174-9399	1	CARRIER-PLANETARY
62	226-6510	4	SHAFT
63	174-9404	4	SHAFT-PLANETARY
65	191-1912	1	PLATE-RETAINER
67	192-9242	2	RING-LOCK
68	194-9563	1	GEAR (61-TEETH)
71	197-7314	4	GEAR-PLANETARY (23-TEETH)
72	233-9623	4	GEAR-PLANET (27-TEETH)[C]
76	210-8407	2	PLATE-REACTION
77	210-8408	2	PISTON-BRAKE
78	210-8411	2	HOUSING AS
	126-7260	2	PLUG
79	226-7257	1	GEAR-SUN (28/21-TEETH)
80	213-6196	1	GEAR-SUN (28-TEETH)
81	213-6198	4	GEAR-PLANETARY (23 TEETH)
87	113-0694	2	RING-RETAINING
92	1J-3628	1	RING-RETAINING
94	2K-1381	1	RING-RETAINING
95	2S-2978	1	RING-RETAINING
97	3S-2708	13	PIN-SPRING
99	4J-5477	2	SEAL-O-RING
101	6V-3532	12	BOLT (M20X2.5X60-MM)
103	6V-8154	11	BOLT (M16X2X150-MM)
107	8T-0282	11	BOLT (M16X2X120-MM)

[A] PART OF 171-4005, 171-4010,
213-8802 AXLE AR

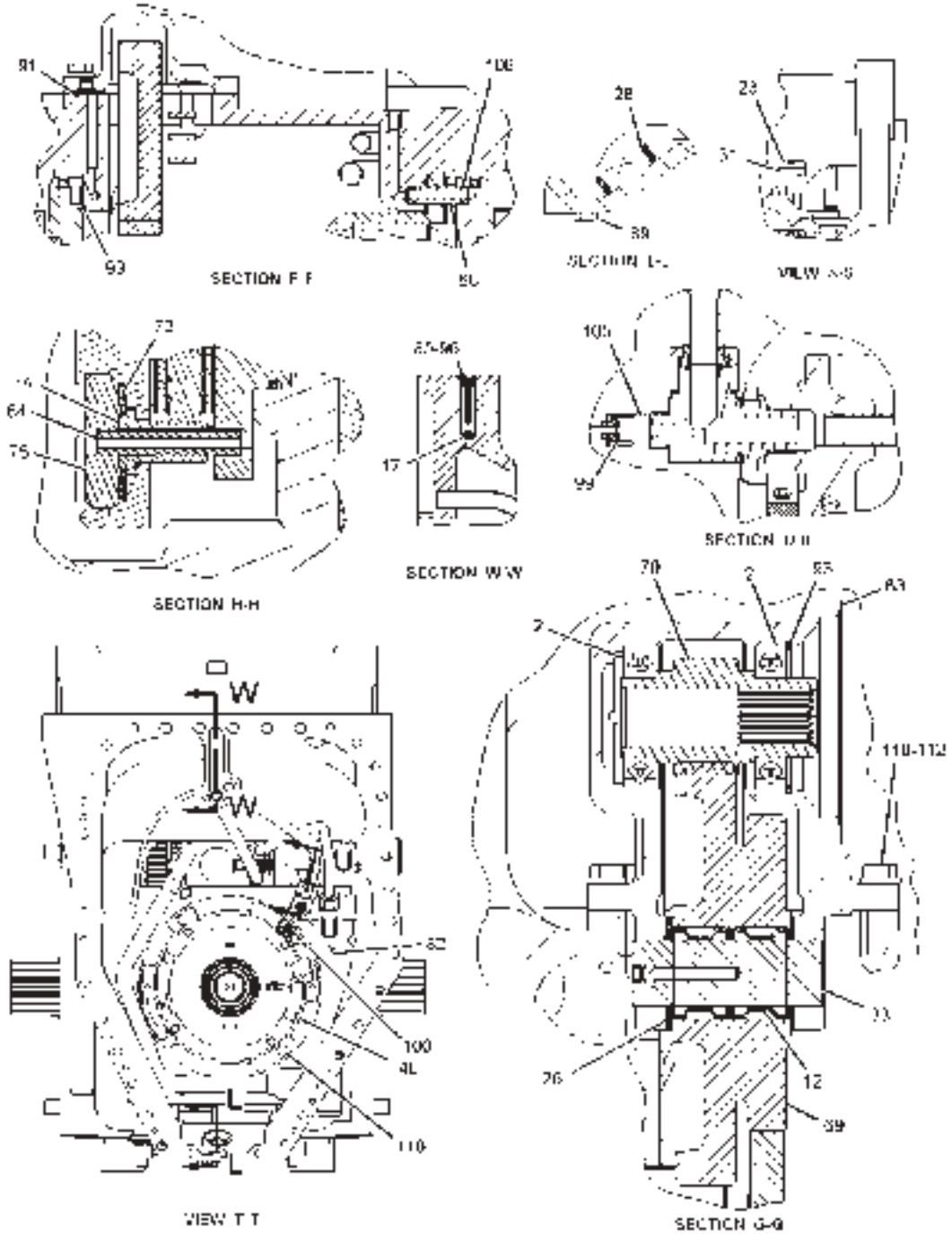
[C] CHANGE FROM PREVIOUS TYPE

01124948
PR: t05f07j07b0183

MT700 SERIES TRACK TRACTORS
POWER TRAIN

199-8159 DIFFERENTIAL GP-STEERING

S/N: AZA1215-1230; AZE1434-1512;
AZT943-953



**MT700 SERIES TRACK TRACTORS
POWER TRAIN**

435

199-8159 DIFFERENTIAL GP-STEERING
S/N: AZA1215-1230; AZE1434-1512;
AZT943-953

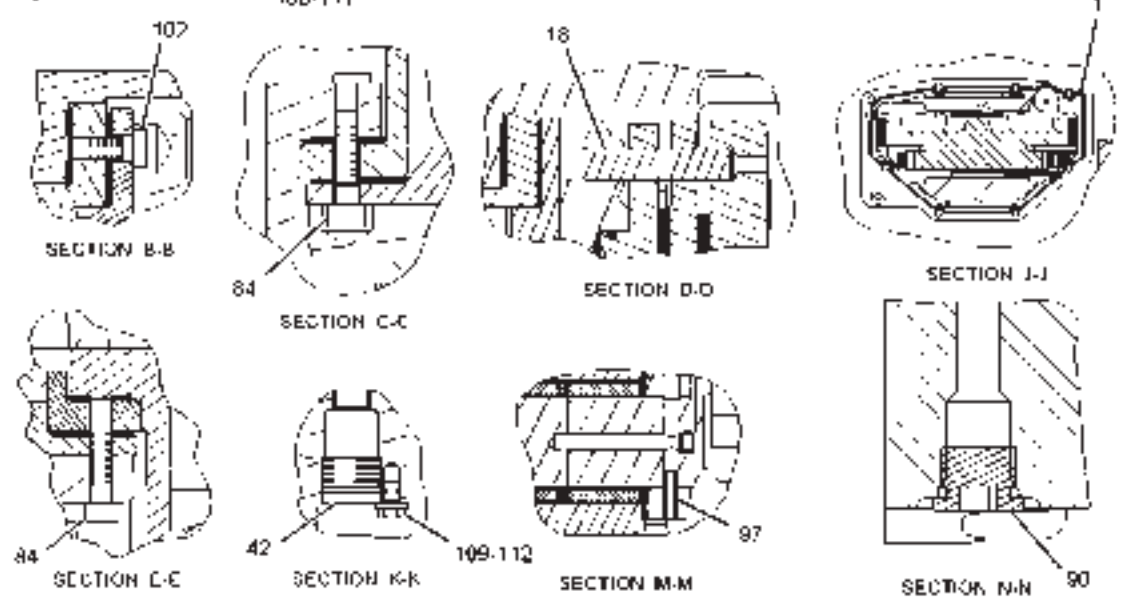
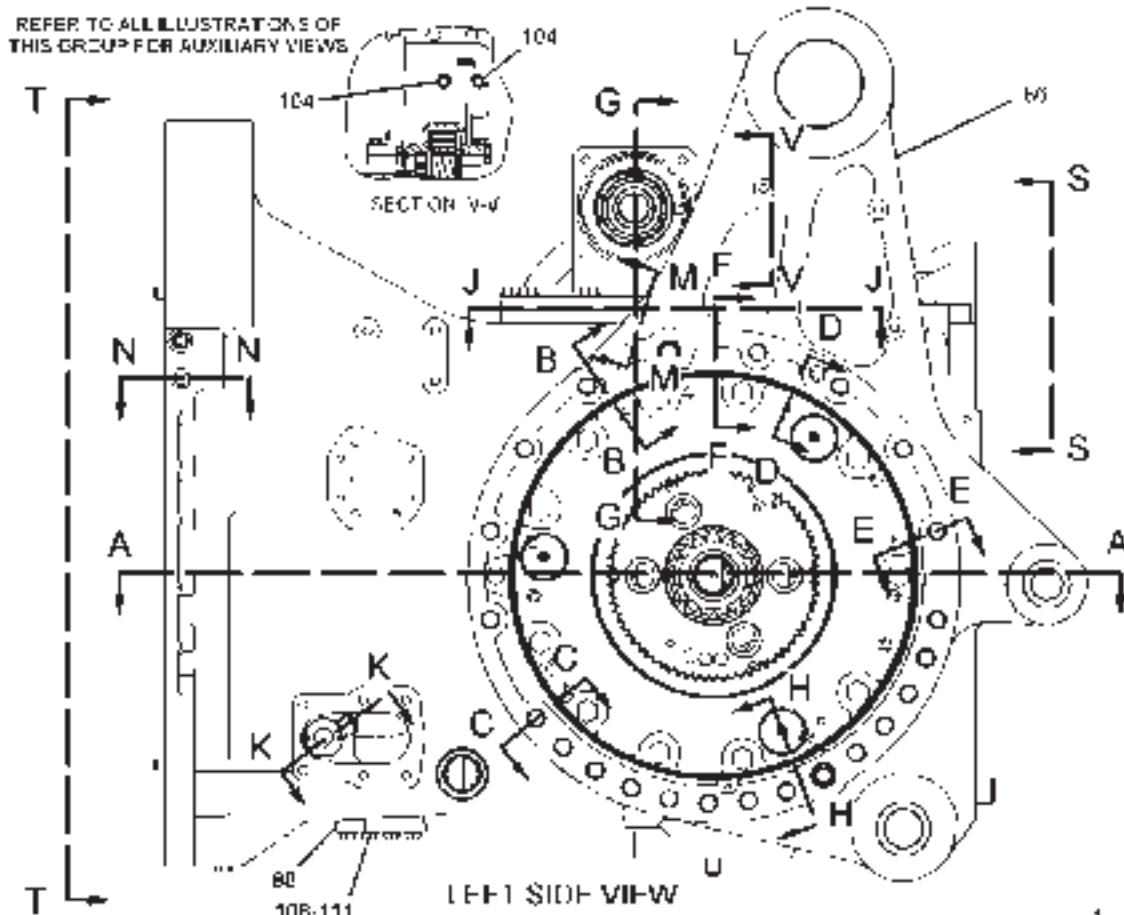
ITEM	NUMBER	QTY	DESCRIPTION
-	199-8159	--	DIFFERENTIAL GP-STEERING [A] (NOT SERVICED)
2	1T-0043	2	BALL BEARING
12	5P-6254	2	BEARING
17	4B-9783	1	BALL
23	7X-7816	1	PLATE-SERIAL NUMBER (TRANSMISSION)
26	8E-8310	2	DISC-THRUST
28	8M-7160	1	MAGNET
31	-----	2	TACK
33	111-7068	1	SHAFT AS
	2A-3746	1	PLUG-CUP
40	161-8212	1	BRAKE GP-PARKING (SEE BREAKDOWN FOR COMPONENTS)
64	176-1377	6	PIN-SPRING
66	192-5602	2	SLEEVE
69	194-9564	1	GEAR-CLUSTER (60/28-TEETH)
70	194-9565	1	GEAR (14-TEETH)
73	199-7107	6	SPRING
74	210-8405	6	BUSHING
75	210-8406	6	PLATE-SPRING
82	215-7301	1	TUBE AS
83	235-1065	1	SUPPORT [C]
85	223-1637	1	PLUG AS [C]
89	148-8407	1	PLUG AS (NOT SERVICED)
	3J-1907	1	SEAL-O-RING
	9S-4191	1	PLUG
91	1H-8171	1	SEAL-O-RING
93	1J-6472	1	RING-RETAINING
96	3K-0360	1	SEAL-O-RING
98	4J-5140	2	SEAL-O-RING
99	4J-5477	2	SEAL-O-RING
100	4K-2039	1	SEAL-O-RING
105	6V-8934	1	REDUCER
106	8L-2777	4	SEAL-O-RING
110	8T-4183	12	BOLT (M12X1.75X40-MM)
112	8T-4223	9	WASHER-HARD (13.5X25.5X3-MM THK)

[A] PART OF 171-4005, 171-4010,
213-8802 AXLE AR
[C] CHANGE FROM PREVIOUS TYPE

01124949
PR: t05f07j07b0184

MT700 SERIES TRACK TRACTORS
POWER TRAIN

199-8159 DIFFERENTIAL GP-STEERING
S/N: AZA1231-UP; AZE1513-UP; AZT954-UP



MT700 SERIES TRACK TRACTORS
POWER TRAIN

437

199-8159 DIFFERENTIAL GP-STEERING
S/N: AZA1231-UP; AZE1513-UP; AZT954-UP

ITEM	NUMBER	QTY	DESCRIPTION
-	199-8159	--	DIFFERENTIAL GP-STEERING [A] (NOT SERVICED)
1	1U-8846	AR	SEALANT-GASKET
18	4K-3892	6	DOWEL
42	163-0592	1	VALVE GP-CHECK
	061-7540	1	SEAL-O-RING
84	8T-9515	5	BOLT-SOCKET HEAD (M10X1.5X40-MM)
86	233-9766	1	HOUSING GP-DIFFERENTIAL (SEE BREAKDOWN FOR COMPONENTS)
88	115-2134	1	FLANGE
90	162-0177	1	PLUG AS (NOT SERVICED)
	3J-1907	1	SEAL-O-RING
	9S-8004	1	PLUG
97	3S-2708	13	PIN-SPRING
102	6V-6317	4	BOLT (M10X1.5X20-MM)
108	8T-4121	4	WASHER-HARD (11X21X2.5-MM THK)
109	8T-4179	1	BOLT (M12X1.75X20-MM)
111	8T-4195	4	BOLT (M10X1.5X30-MM)
112	8T-4223	9	WASHER-HARD (13.5X25.5X3-MM THK)

[A] PART OF 171-4005, 171-4010,
213-8802 AXLE AR

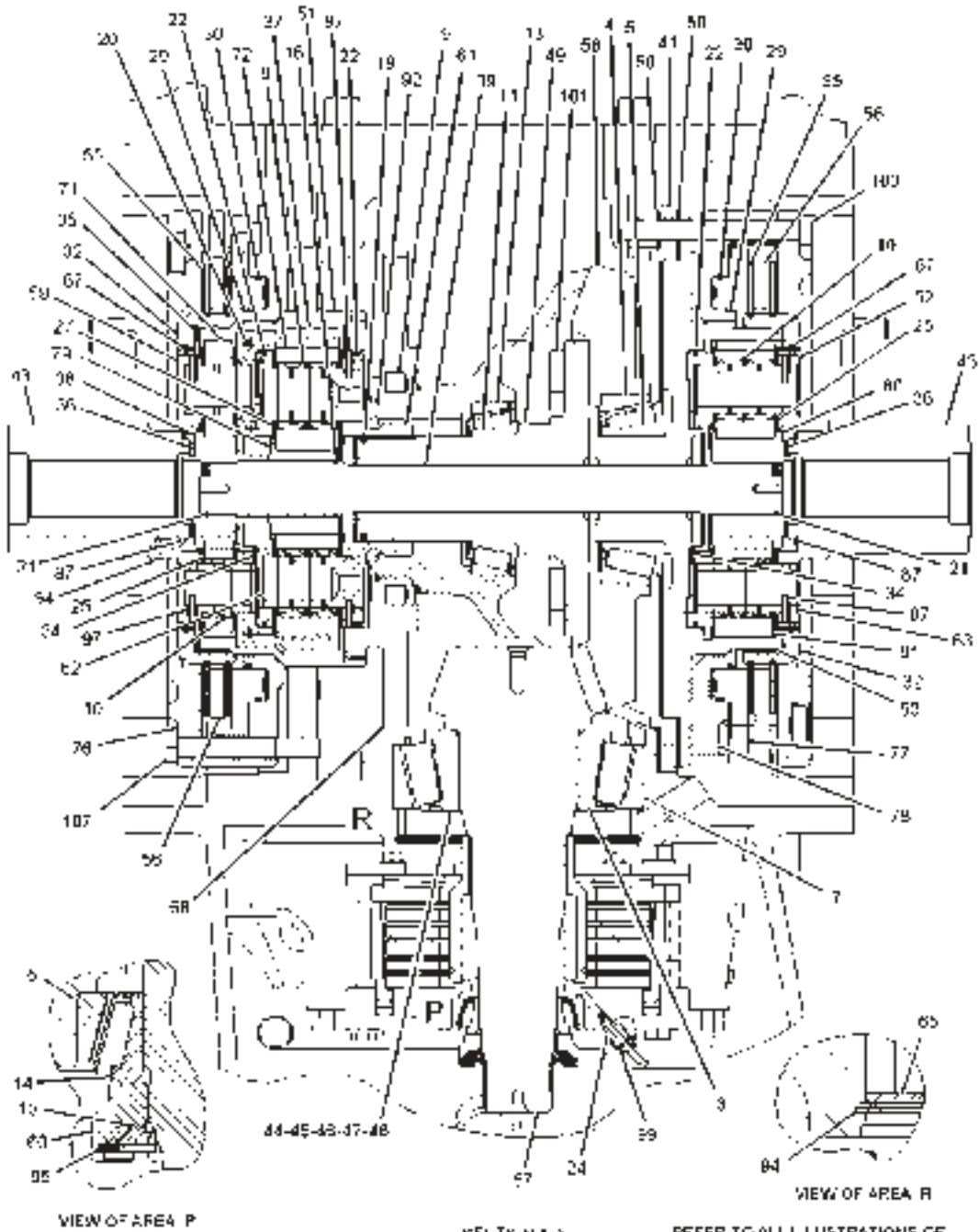
01124947
PR: t05f07j07b0185

MT700 SERIES TRACK TRACTORS
POWER TRAIN

199-8159 DIFFERENTIAL GP-STEERING

(PAGE 1 OF 2)

S/N: AZA1231-UP; AZE1513-UP; AZT954-UP



REF. TO ALL ILLUSTRATIONS OF THIS GROUP FOR AUXILIARY VIEWS
 (ROTATED 90 DEGREES CCW)

MT700 SERIES TRACK TRACTORS
POWER TRAIN

439

199-8159 DIFFERENTIAL GP-STEERING

(PAGE 1 OF 2)

S/N: AZA1231-UP; AZE1513-UP; AZT954-UP

ITEM	NUMBER	QTY	DESCRIPTION
-	199-8159	--	DIFFERENTIAL GP-STEERING [A] (NOT SERVICED)
3	101-9565	1	CONE-BEARING
4	138-7099	1	CUP-BEARING
5	1J-4757	1	CONE-BEARING
6	2A-4576	1	CUP-BEARING
7	2J-7227	1	CUP-BEARING
8	2M-5685	8	BEARING
9	4D-7953	1	BEARING
10	5M-0578	12	BEARING AS-ROLLER
11	5P-3723	1	CONE-BEARING
13	6D-7690	1	CUP-BEARING
14	9M-2457	1	CONE-BEARING
15	1B-6161	1	LOCK-NUT
16	4B-1127	1	RING-SNAP
19	6I-8197	1	RING-RETAINING
20	6I-8200	1	RING-LOCK
21	6I-8566	2	RING-RETAINING
22	7G-5670	3	SEAL-RING
24	8C-6865	1	CONNECTOR
25	8E-8308	16	DISC-THRUST
27	8E-8311	8	DISC-THRUST
29	9X-7424	2	SEAL-RING
30	9X-7426	2	SEAL-RING
32	102-3046	2	HUB-BRAKE
34	111-7077	2	DISC-THRUST
35	111-7078	1	DISC-THRUST
36	111-7079	2	DISC-THRUST
37	124-9398	1	GEAR-RING (75-TEETH)
38	131-2293	1	GEAR-SUN (28-TEETH)
39	131-2295	1	SHAFT-SUN GEAR
41	161-8757	1	SUPPORT
43	164-3904	2	GEAR-SUN (15-TEETH)
44	164-3971	AR	SHIM (0.9-MM THK)
45	164-3972	AR	SHIM (0.8-MM THK)
46	164-3973	AR	SHIM (0.7-MM THK)
47	164-3974	AR	SHIM (0.6-MM THK)
48	164-3975	AR	SHIM (0.5-MM THK)
49	164-3977	1	SHAFT-BEVEL GEAR
50	164-3978	2	SHIM PACK (INCLUDES 14-SHIMS)
51	164-3982	1	GEAR-RING (72-TEETH)
52	164-3983	1	CARRIER-PLANETARY
53	164-3984	1	GEAR-RING (72-TEETH)
54	164-3985	1	CARRIER-PLANETARY

[A] PART OF 171-4005, 171-4010,
213-8802 AXLE AR

01124948
PR: t05f07j07b0186

MT700 SERIES TRACK TRACTORS
POWER TRAIN

441

199-8159 DIFFERENTIAL GP
(PAGE 2 OF 2)
S/N: AZA1231-UP; AZE1513-UP; AZT954-UP

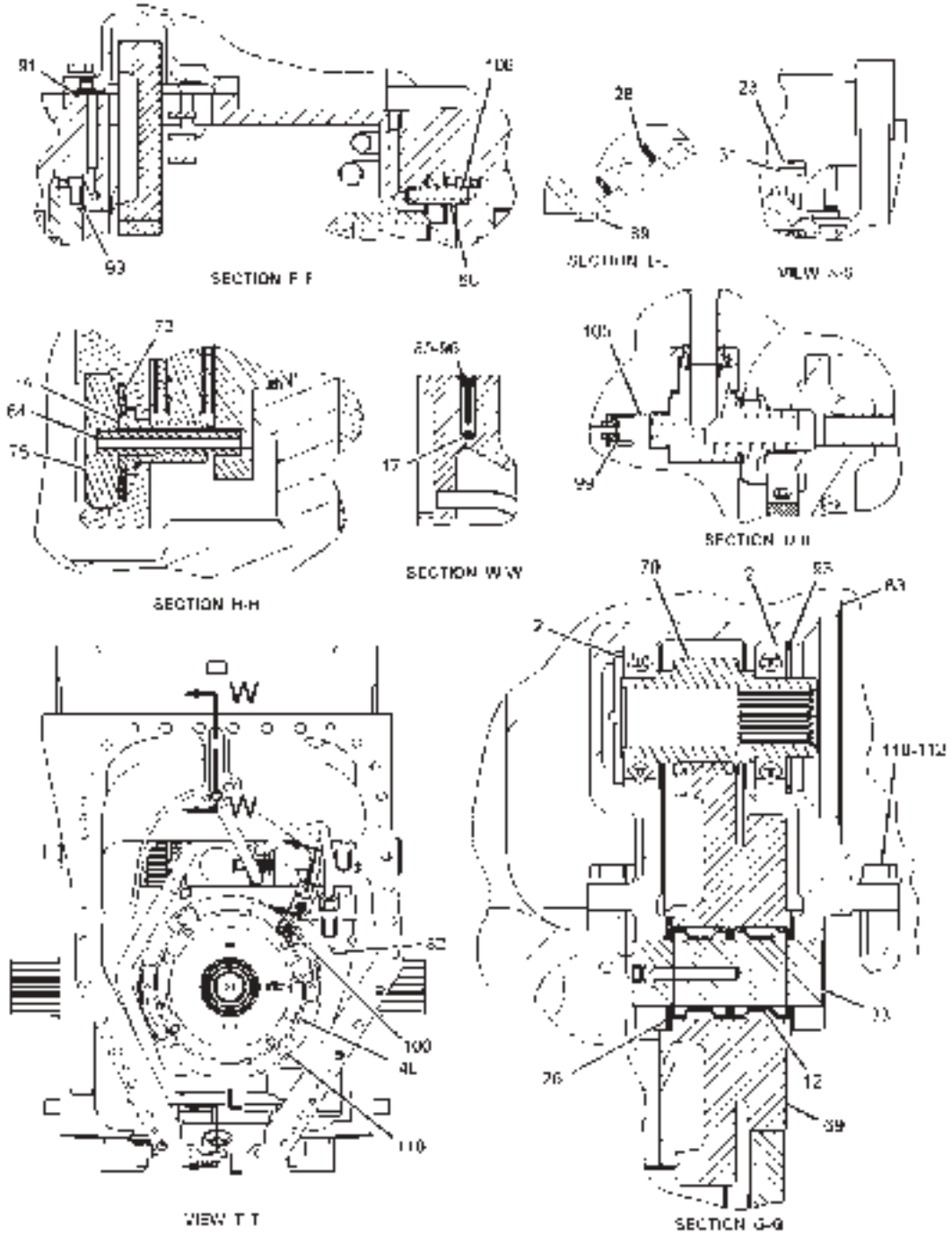
ITEM	NUMBER	QTY	DESCRIPTION
-	199-8159	--	DIFFERENTIAL GP [A] (NOT SERVICED)
55	171-6135	4	DISC-FRICTION
56	171-6138	2	PLATE
57	172-4316	1	PINION-BEVEL (13-TEETH)
58	172-4317	1	GEAR-BEVEL (37-TEETH)
59	174-9383	4	SHAFT-PLANETARY
60	174-9389	1	NUT-BEARING LOCK
61	174-9399	1	CARRIER-PLANETARY
62	226-6510	4	SHAFT
63	174-9404	4	SHAFT-PLANETARY
65	191-1912	1	PLATE-RETAINER
67	192-9242	2	RING-LOCK
68	194-9563	1	GEAR (61-TEETH)
71	197-7314	4	GEAR-PLANETARY (23-TEETH)
72	233-9623	4	GEAR-PLANET (27-TEETH)
76	210-8407	2	PLATE-REACTION
77	210-8408	2	PISTON-BRAKE
78	210-8411	2	HOUSING AS
	126-7260	2	PLUG
79	226-7257	1	GEAR-SUN (28/21-TEETH)
80	213-6196	1	GEAR-SUN (28-TEETH)
81	213-6198	4	GEAR-PLANETARY (23 TEETH)
87	113-0694	2	RING-RETAINING
92	1J-3628	1	RING-RETAINING
94	2K-1381	1	RING-RETAINING
95	2S-2978	1	RING-RETAINING
97	3S-2708	13	PIN-SPRING
99	4J-5477	2	SEAL-O-RING
101	6V-3532	12	BOLT (M20X2.5X60-MM)
103	6V-8154	11	BOLT (M16X2X150-MM)
107	8T-0282	11	BOLT (M16X2X120-MM)

[A] PART OF 171-4005, 171-4010,
213-8802 AXLE AR

01124948
PR: t05f07j07b0187

MT700 SERIES TRACK TRACTORS
POWER TRAIN

199-8159 DIFFERENTIAL GP-STEERING
S/N: AZA1231-UP; AZE1513-UP; AZT954-UP



MT700 SERIES TRACK TRACTORS
POWER TRAIN

443

199-8159 DIFFERENTIAL GP-STEERING
S/N: AZA1231-UP; AZE1513-UP; AZT954-UP

ITEM	NUMBER	QTY	DESCRIPTION
-	199-8159	--	DIFFERENTIAL GP-STEERING [A] (NOT SERVICED)
2	1T-0043	2	BALL BEARING
12	5P-6254	2	BEARING
17	4B-9783	1	BALL
23	7X-7816	1	PLATE-SERIAL NUMBER (TRANSMISSION)
26	8E-8310	2	DISC-THRUST
28	8M-7160	1	MAGNET
31	-----	2	TACK
33	111-7068	1	SHAFT AS
	2A-3746	1	PLUG-CUP
40	161-8212	1	BRAKE GP-PARKING (SEE BREAKDOWN FOR COMPONENTS)
64	176-1377	6	PIN-SPRING
66	192-5602	2	SLEEVE
69	194-9564	1	GEAR-CLUSTER (60/28-TEETH)
70	194-9565	1	GEAR (14-TEETH)
73	199-7107	6	SPRING
74	210-8405	6	BUSHING
75	210-8406	6	PLATE-SPRING
82	215-7301	1	TUBE AS
83	235-1065	1	SUPPORT
85	223-1637	1	PLUG AS
89	148-8407	1	PLUG AS (NOT SERVICED)
	3J-1907	1	SEAL-O-RING
	9S-4191	1	PLUG
91	1H-8171	1	SEAL-O-RING
93	1J-6472	1	RING-RETAINING
96	3K-0360	1	SEAL-O-RING
98	4J-5140	2	SEAL-O-RING
99	4J-5477	2	SEAL-O-RING
100	4K-2039	1	SEAL-O-RING
104	207-8218	2	PLUG AS (NOT SERVICED) [C]
	9S-8007	1	PLUG
	7J-0204	1	SEAL-O-RING
105	6V-8934	1	REDUCER
106	8L-2777	4	SEAL-O-RING
110	8T-4183	12	BOLT (M12X1.75X40-MM)
112	8T-4223	9	WASHER-HARD (13.5X25.5X3-MM THK)

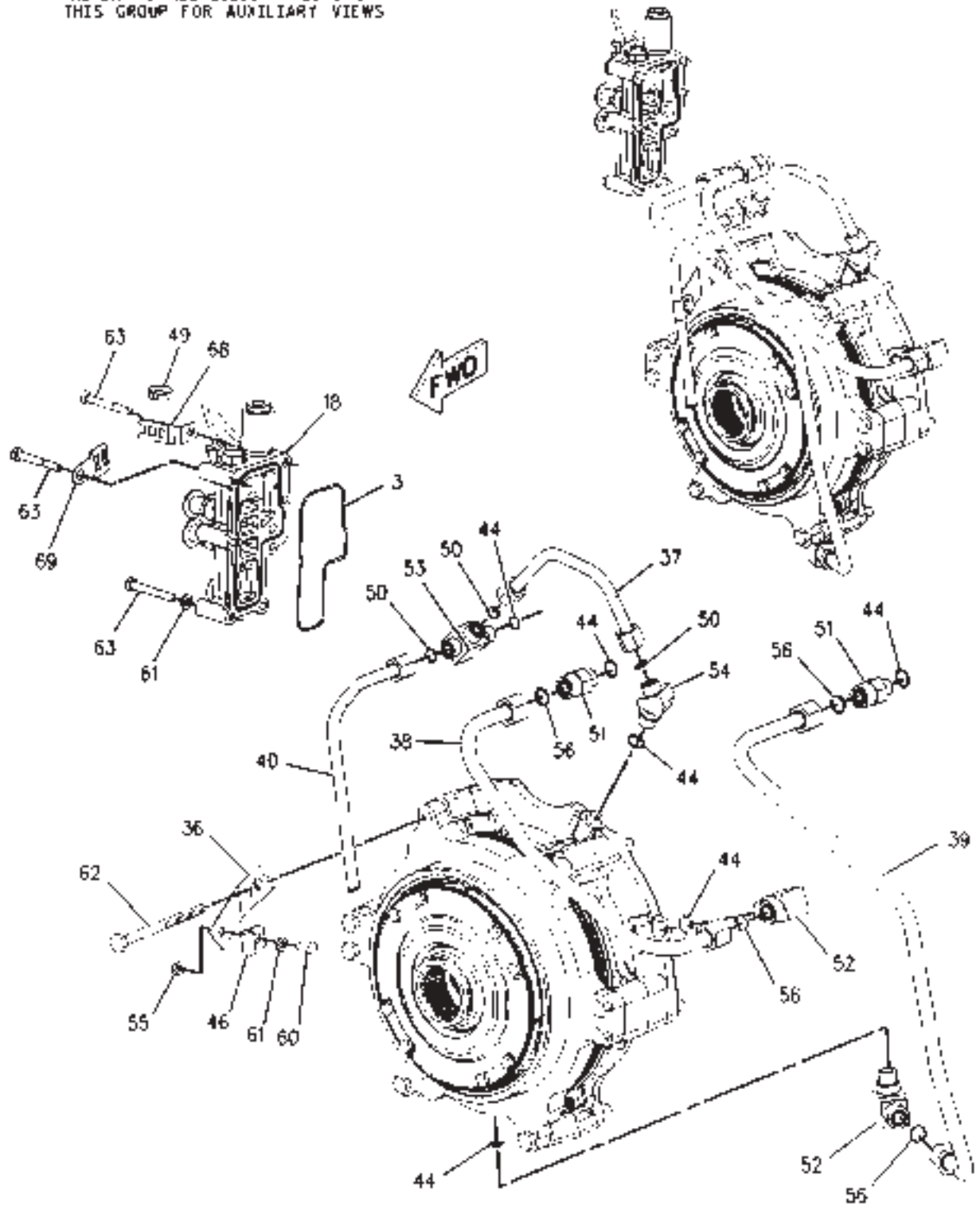
[A] PART OF 171-4005, 171-4010,
213-8802 AXLE AR
[C] CHANGE FROM PREVIOUS TYPE

01124949
PR: t05f07j07b0188

MT700 SERIES TRACK TRACTORS
POWER TRAIN

169-8568 DRIVE GP-CREEPER
S/N: 8AY1-UP

REFER TO ALL ILLUSTRATIONS OF
THIS GROUP FOR AUXILIARY VIEWS



MT700 SERIES TRACK TRACTORS
POWER TRAIN

445

169-8568 DRIVE GP-CREEPER
S/N: 8AY1-UP

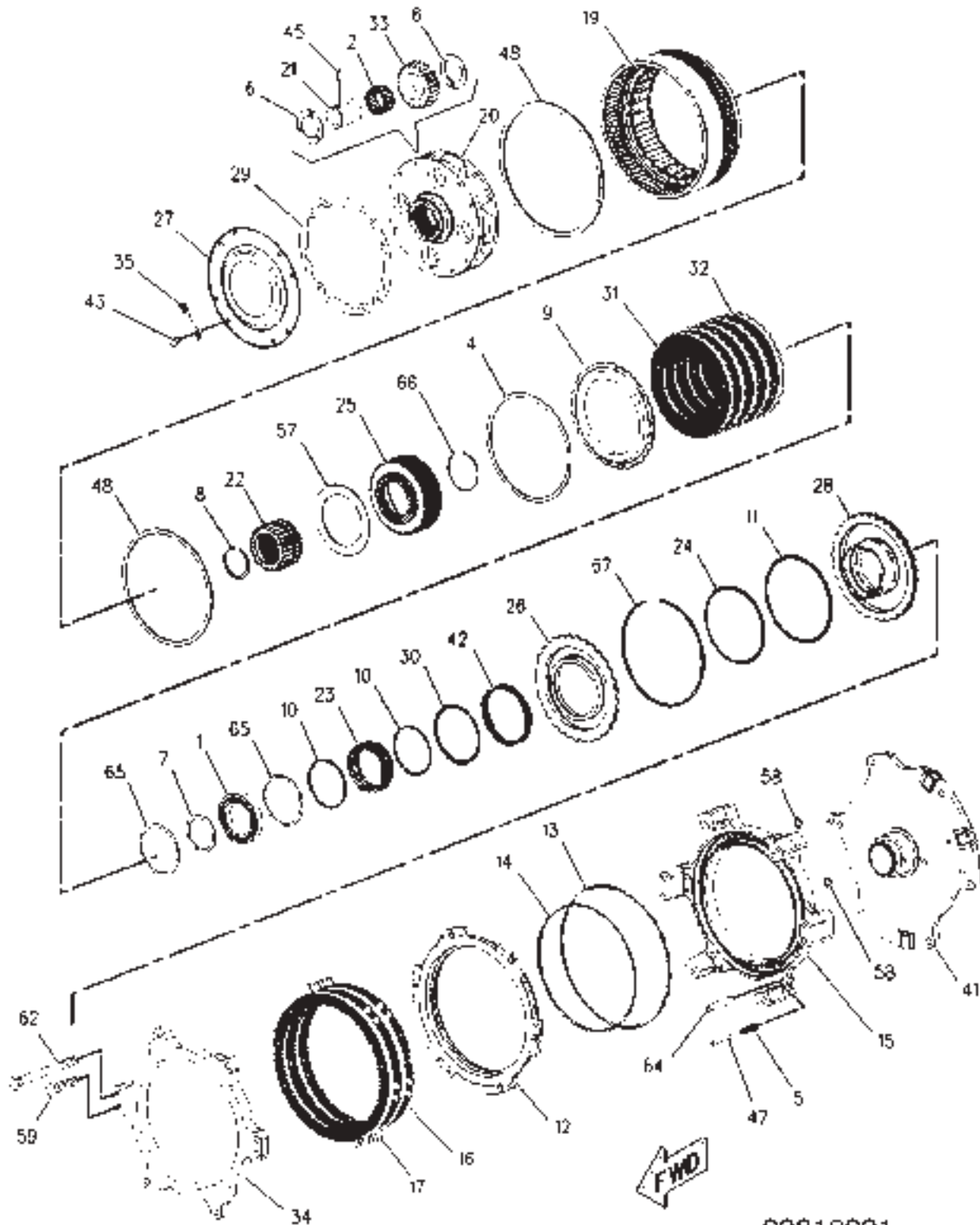
ITEM	NUMBER	QTY	DESCRIPTION
-	169-8568	--	DRIVE GP-CREEPER [A] (NOT SERVICED)
3	2P-1692	1	SEAL-O-RING
18	170-5152	1	VALVE GP (CREEPER ENGAGE/DISENGAGE) (SEE BREAKDOWN FOR COMPONENTS)
36	174-9394	1	PLATE
37	174-9395	1	TUBE AS
38	174-9396	1	TUBE AS
39	174-9397	1	TUBE AS
40	174-9398	1	TUBE AS
44	3K-0360	6	SEAL-O-RING
46	4B-0418	1	CLIP
49	3S-2093	1	STRAP-CABLE
50	6V-8398	3	SEAL-O-RING
51	6V-8632	2	CONNECTOR
52	6V-8722	2	ELBOW
53	6V-8782	1	TEE
54	6V-9002	1	ELBOW
55	6V-9189	1	LOCKNUT (M8X1.25-THD)
56	7J-9108	4	SEAL-O-RING
60	8T-4200	1	BOLT (M8X1.25X16-MM)
61	8T-4224	6	WASHER-HARD (8.8X16X2-MM THK)
62	8T-5001	6	BOLT (M12X1.75X130-MM)
63	8T-6869	7	BOLT (M8X1.25X60-MM)
68	130-5300	1	CLIP
69	4P-8134	1	CLIP

[A] PART OF 173-2462 TRANSMISSION AR

00817818
PR: t05f07j07b0189

MT700 SERIES TRACK TRACTORS
POWER TRAIN

169-8568 DRIVE GP-CREEPER
S/N: 8AY1-UP



**MT700 SERIES TRACK TRACTORS
POWER TRAIN**

447

**169-8568 DRIVE GP-CREEPER
S/N: 8AY1-UP**

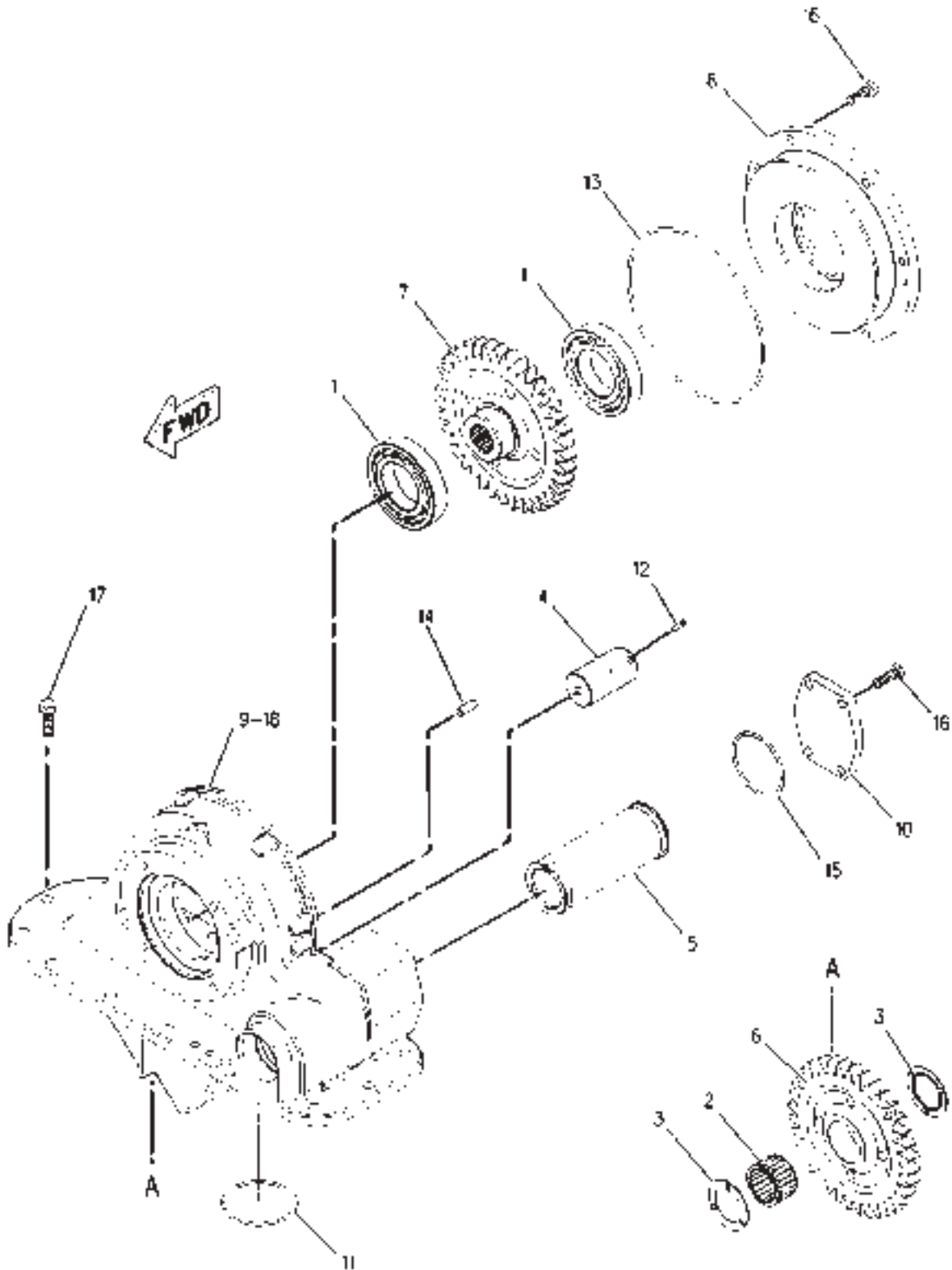
ITEM	NUMBER	QTY	DESCRIPTION
-	169-8568	--	DRIVE GP-CREEPER [A] (NOT SERVICED)
1	3P-0898	1	BALL BEARING
2	5M-0578	4	BEARING AS-ROLLER
4	4D-7889	1	RING
5	7G-6945	6	SPRING
6	8E-8308	8	DISC-THRUST
7	9X-6163	1	RING-RETAINING
8	159-1043	1	RING-RETAINING
9	161-8240	1	PLATE-END
10	165-0441	2	RING-SEAL
11	165-0492	1	RING-SEAL
12	165-0504	1	PISTON
13	165-0507	1	RING-SEAL
14	165-0508	1	RING-SEAL
15	165-8699	1	HOUSING-CLUTCH
16	166-0673	3	DISC-FRICTION
17	166-0675	2	PLATE-CLUTCH
19	170-7275	1	GEAR-RING (75-TEETH)
20	170-7283	1	CARRIER-PLANETARY
21	170-7284	4	SHAFT-PLANETARY
22	170-7286	1	GEAR-SUN (25-TEETH)
23	170-7287	1	CARRIER-RING
24	170-7291	1	RING-SEAL
25	170-8727	1	HUB-CLUTCH
26	173-5385	1	PISTON
27	173-5386	1	SLINGER
28	173-5389	1	HOUSING
29	173-5391	1	GASKET
30	173-7444	1	RETAINER-SPRING
31	173-7504	5	DISC-FRICTION
32	173-7505	5	PLATE-CLUTCH
33	173-7833	4	GEAR-PLANETARY (25-TEETH)
34	174-6121	1	PLATE-END
35	174-6582	4	LOCK
41	174-9405	1	HOUSING AS
	1A-3284	2	DOWEL
	2D-6642	2	BALL
42	185-7408	1	SPRING-WAVE
43	2W-9533	8	BOLT (M8X1.25X10-MM)
45	3S-2708	4	PIN-SPRING
47	4T-2201	6	ROD
48	5P-9171	1	RING-RETAINING
57	8D-3266	1	WASHER (109X149X2.39-MM THK)
58	8F-3469	2	SEAL-O-RING
59	6V-5684	4	BOLT (M12X1.75X45-MM)
62	8T-5001	6	BOLT (M12X1.75X130-MM)
64	9H-5545	6	DOWEL-REACTION
65	9M-6166	2	RING-RETAINING
66	162-9122	1	RING-RETAINING
67	195-3949	1	RING-RETAINING

[A] PART OF 173-2462 TRANSMISSION AR

00818001
PR: t05f07j07b0190

MT700 SERIES TRACK TRACTORS
POWER TRAIN

161-8857 DRIVE GP-PUMP
S/N: 7PY1-UP; 8AY1-UP



00838245

MT700 SERIES TRACK TRACTORS
POWER TRAIN

449

161-8857 DRIVE GP-PUMP
S/N: 7PY1-UP; 8AY1-UP

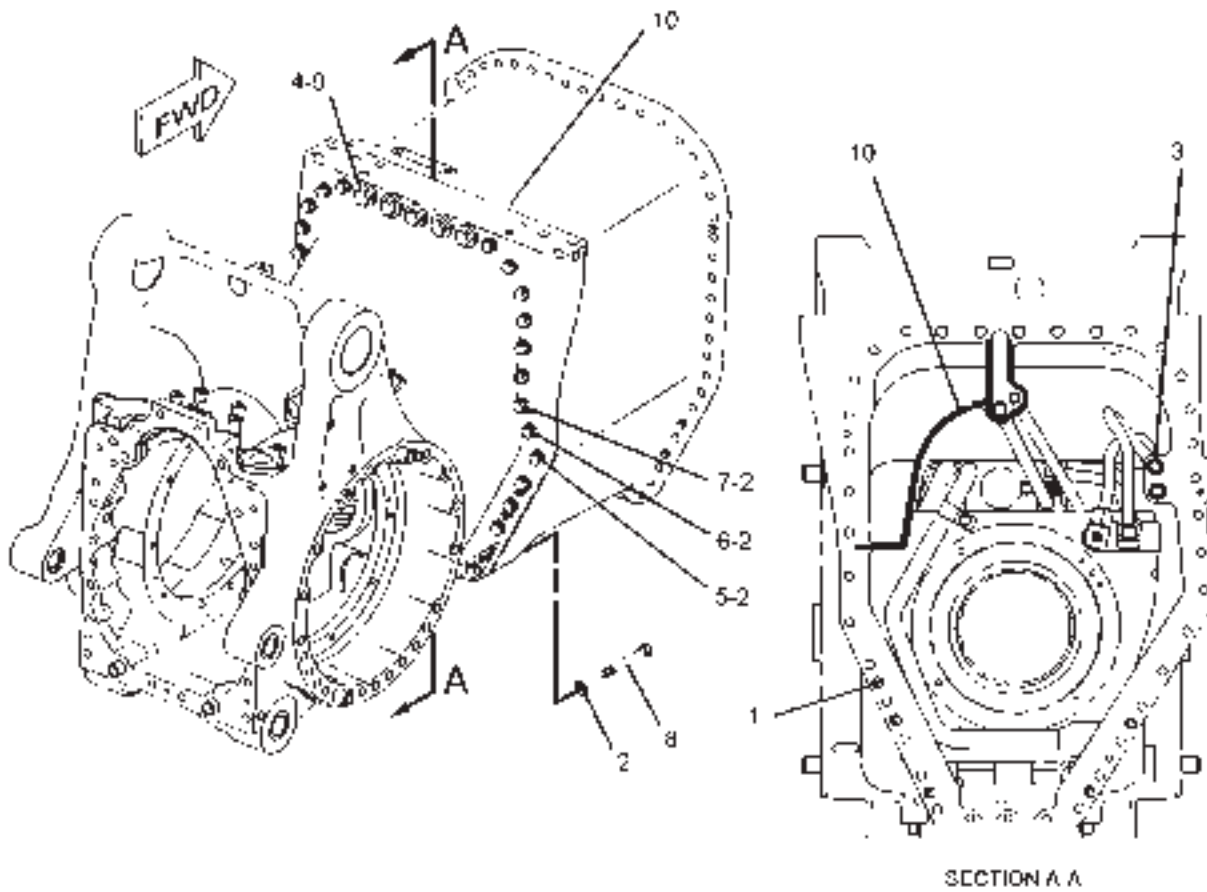
ITEM	NUMBER	QTY	DESCRIPTION
-	161-8857	--	DRIVE GP-PUMP [A] (NOT SERVICED)
1	1F-2771	2	BALL BEARING
2	5M-2051	1	BEARING-CAGED
3	6Y-1223	2	DISC-THRUST
4	8P-7898	1	SHAFT-PLANETARY
5	210-2478	1	SCREEN (PUMP DRIVE INLET)
6	161-8765	1	GEAR (36-TEETH)
7	161-8851	1	GEAR (39-TEETH)
8	161-8852	1	COVER
9	168-5062	1	HOUSING-PUMP DRIVE
10	170-7290	1	COVER
11	6V-1197	1	SEAL-O-RING
12	3S-2708	1	PIN-SPRING
13	4K-6804	1	SEAL-O-RING
14	5B-5821	2	DOWEL
15	131-3718	1	SEAL-O-RING
16	8T-4195	10	BOLT (M10X1.5X30-MM)
17	8T-4956	14	BOLT (M12X1.75X35-MM)
18	1U-8846	AR	SEALANT-GASKET

[A] PART OF 152-5241,
173-2462 TRANSMISSION AR

00838245
PR: t05f07j07b0191

MT700 SERIES TRACK TRACTORS
POWER TRAIN

164-3905 FASTENER GP-FINAL DRIVE



MT700 SERIES TRACK TRACTORS
POWER TRAIN

451

164-3905 FASTENER GP-FINAL DRIVE

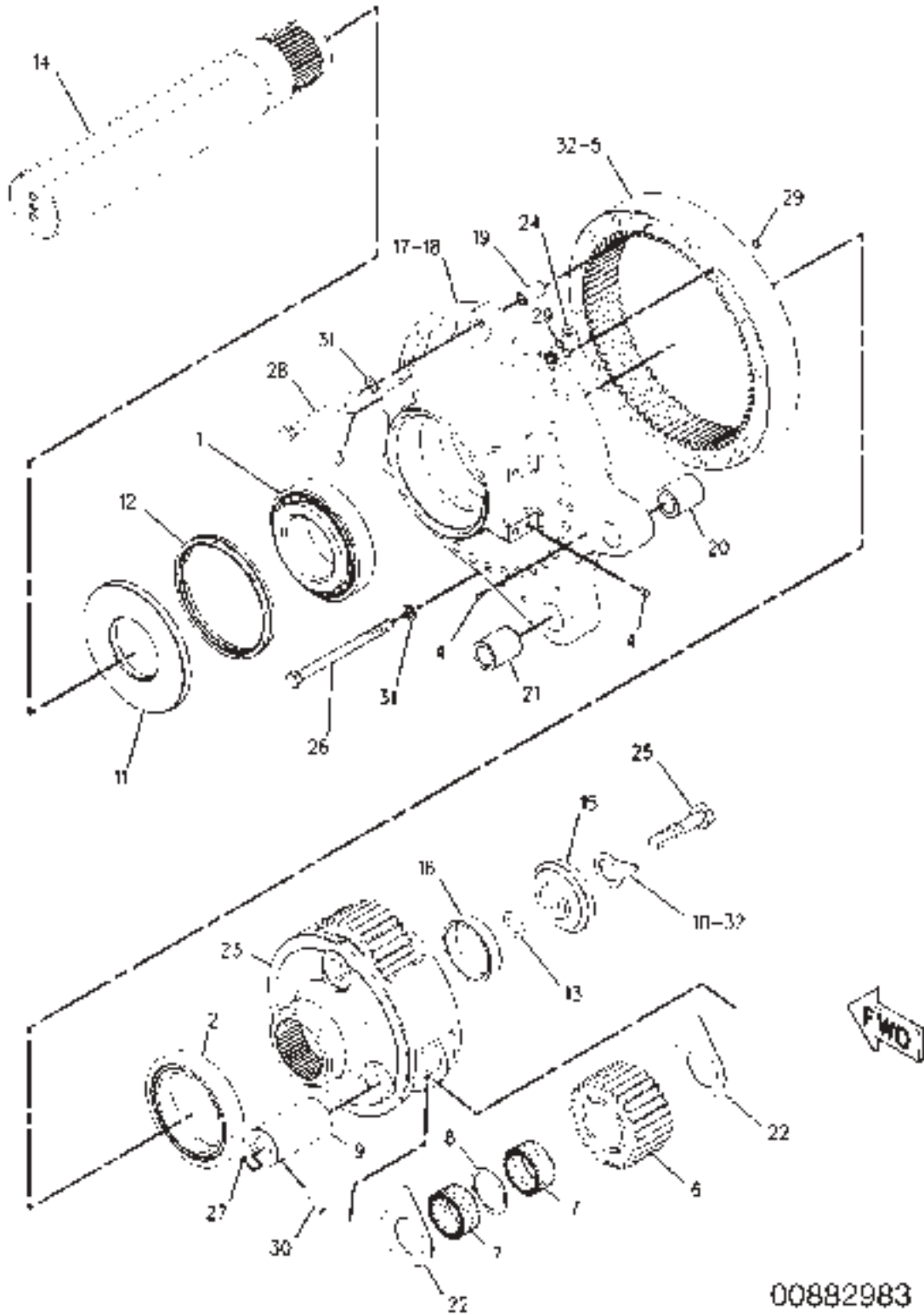
ITEM	NUMBER	QTY	DESCRIPTION
-	164-3905	--	FINAL DRIVE GP [A] (NOT SERVICED)
1	7C-6467	5	PLUG
2	3E-4356	32	WASHER-HARD (30X17.5X6-MM THK)
3	4J-8996	2	SEAL-O-RING
4	6C-9149	5	WASHER (22X50X10-MM THK)
5	7X-2554	15	BOLT (M16X2X70-MM)
6	7X-2556	2	BOLT (M16X2X100-MM)
7	7X-2557	12	BOLT (M16X2X140-MM)
8	7X-2559	3	BOLT (M16X2X160-MM)
9	8T-4170	5	BOLT (M20X2.5X150-MM)
10	1U-8846	AR	SEALANT-GASKET

[A] PART OF 200-5011, 200-5013,
200-5015, 200-5017, 213-8788,
213-8789 POWERTRAIN AR

01122879
PR: t05f07j07b0192

MT700 SERIES TRACK TRACTORS
POWER TRAIN

194-7086 FINAL DRIVE GP-STANDARD GAGE
S/N: AZA1-UP



00882983

MT700 SERIES TRACK TRACTORS
POWER TRAIN

453

194-7086 FINAL DRIVE GP-STANDARD GAGE
S/N: AZA1-UP

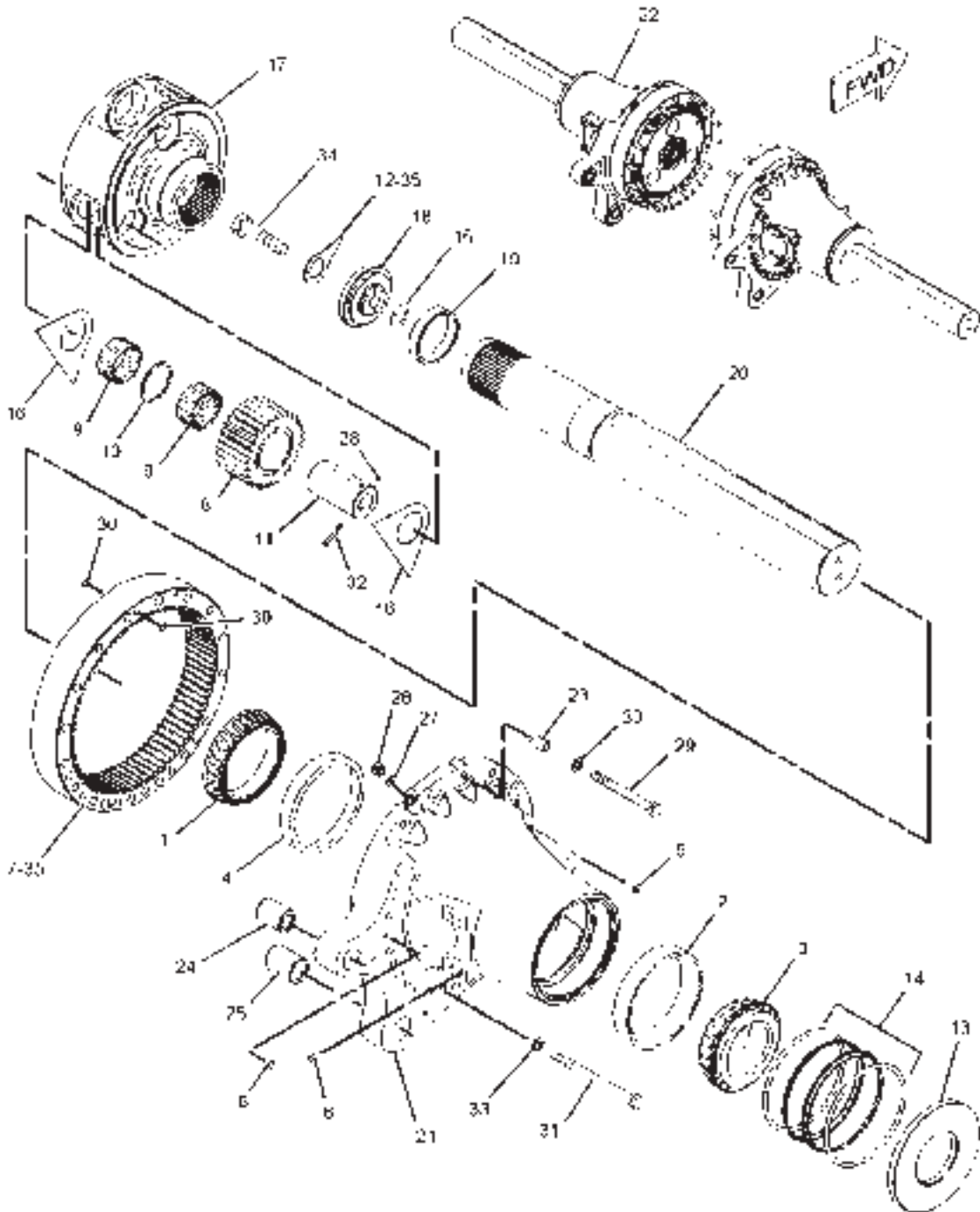
ITEM	NUMBER	QTY	DESCRIPTION
-	194-7086	--	FINAL DRIVE GP-STANDARD GAGE [A] (NOT SERVICED)
1	205-1755	2	BEARING AS-SPECIAL
2	205-1756	2	BEARING AS-SPECIAL
3	7C-6467	2	PLUG
4	8C-5224	18	PLUG-SEAL
5	164-3902	2	GEAR-RING (78-TEETH)
6	164-3903	6	GEAR-PLANETARY (30-TEETH)
7	261-2719	372	BEARING-NEEDLE
8	164-3907	6	RACE-THRUST BEARING
9	164-3908	6	SHAFT-PLANETARY
10	164-3912	2	LOCK-BOLT
11	164-3926	2	SPACER
12	172-1619	2	SEAL GP
13	174-9379	2	SHIM PACK (INCLUDES 12-SHIMS)
14	194-0633	2	SHAFT-AXLE
15	194-0635	2	RETAINER-SHAFT
16	194-0636	2	BUSHING
17	194-0637	1	HOUSING-AXLE (LH)
18	194-0638	1	HOUSING-AXLE (RH)
19	195-4773	4	DOWEL-HOLLOW
20	200-4193	2	BEARING-SLEEVE
21	200-4194	2	BEARING-SLEEVE
22	213-8771	12	WASHER-THRUST
23	236-8080	2	CARRIER-PLANETARY
24	3K-0360	2	SEAL-O-RING
	9S-8005	2	PLUG
25	177-9754	2	BOLT (M30X3.5X130-MM)
26	199-7178	32	BOLT (M20X2.5X270-MM)
27	6V-9189	6	LOCKNUT (M8X1.25-THD)
28	7X-2569	14	BOLT (M20X2.5X200-MM)
29	8F-3469	4	SEAL-O-RING
30	8T-0100	6	BOLT (M8X1.25X60-MM)
31	8T-4123	46	WASHER-PLATED (22X35X3.5-MM THK)
32	1U-8846	AR	SEALANT-GASKET

[A] PART OF 171-4005 AXLE AR
 QUANTITIES SHOWN ARE THOSE REQUIRED
 FOR BOTH LH AND RH SIDES

00882983
 PR: t05f07j07b0193

MT700 SERIES TRACK TRACTORS
POWER TRAIN

195-3950 FINAL DRIVE GP-WIDE GAGE
S/N: AZE1-UP



MT700 SERIES TRACK TRACTORS
POWER TRAIN

455

195-3950 FINAL DRIVE GP-WIDE GAGE
S/N: AZE1-UP

ITEM	NUMBER	QTY	DESCRIPTION
-	195-3950	--	FINAL DRIVE GP-WIDE GAGE [A] (NOT SERVICED)
1	197-9466	2	CONE
2	2J-2152	2	CUP-BEARING
3	2J-2476	2	CONE-BEARING
4	5P-4298	2	CUP-BEARING
5	7C-6467	2	PLUG
6	8C-5224	18	PLUG-SEAL
7	164-3902	2	GEAR-RING (78-TEETH)
8	164-3903	6	GEAR-PLANETARY (30-TEETH)
9	261-2719	372	BEARING-NEEDLE
10	164-3907	6	RACE-THRUST BEARING
11	164-3908	6	SHAFT-PLANETARY
12	164-3912	2	LOCK-BOLT
13	164-3926	2	SPACER
14	172-1619	2	SEAL GP
15	174-9379	2	SHIM PACK (INCLUDES 12-SHIMS)
16	213-8771	12	WASHER-THRUST
17	236-8080	2	CARRIER-PLANETARY
18	194-0635	2	RETAINER-SHAFT
19	194-0636	2	BUSHING
20	194-3507	2	SHAFT-AXLE
21	195-3951	1	HOUSING-AXLE (RH)
22	195-3953	1	HOUSING-AXLE (LH)
23	195-4773	4	DOWEL-HOLLOW
24	200-4193	2	BEARING-SLEEVE
25	200-4194	2	BEARING-SLEEVE
26	9S-8005	1	PLUG
27	3K-0360	1	SEAL-O-RING
28	6V-9189	6	LOCKNUT (M8X1.25-THD)
29	7X-2569	14	BOLT (M20X2.5X200-MM)
30	8F-3469	4	SEAL-O-RING
31	199-7178	32	BOLT (M20X2.5X270-MM)
32	8T-0100	6	BOLT (M8X1.25X60-MM)
33	8T-4123	46	WASHER-PLATED (22X35X3.5-MM THK)
34	177-9754	2	BOLT (M30X3.5X130-MM)
35	1U-8846	AR	SEALANT-GASKET

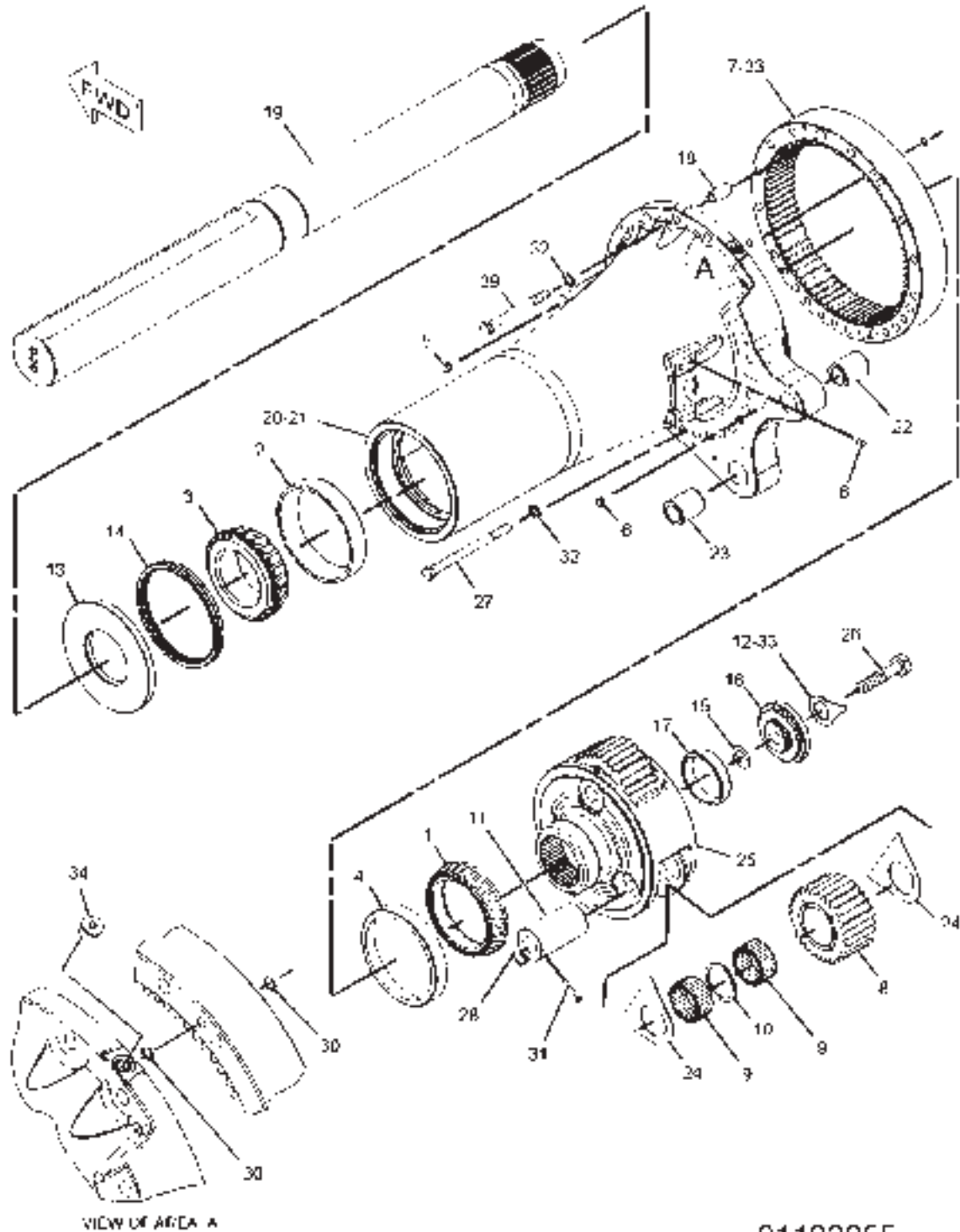
[A] PART OF 171-4010 AXLE AR

QUANTITIES SHOWN ARE THOSE REQUIRED
FOR BOTH LH AND RH SIDES

01122526
PR: t05f07j07b0194

MT700 SERIES TRACK TRACTORS
POWER TRAIN

199-9217 FINAL DRIVE GP-ULTRA WIDE GAGE
S/N: AZT1-UP



01123855

MT700 SERIES TRACK TRACTORS
POWER TRAIN

457

199-9217 FINAL DRIVE GP-ULTRA WIDE GAGE
S/N: AZT1-UP

ITEM	NUMBER	QTY	DESCRIPTION
-	199-9217	--	FINAL DRIVE GP-ULTRA WIDE GAGE [A] (NOT SERVICED)
1	197-9466	2	CONE
2	2J-2152	2	CUP-BEARING
3	2J-2476	2	CONE-BEARING
4	5P-4298	2	CUP-BEARING
5	7C-6467	2	PLUG
6	8C-5224	18	PLUG-SEAL
7	164-3902	2	GEAR-RING (78-TEETH)
8	164-3903	6	GEAR-PLANETARY (30-TEETH)
9	261-2719	372	BEARING-NEEDLE
10	164-3907	6	RACE-THRUST BEARING
11	164-3908	6	SHAFT-PLANETARY
12	164-3912	2	LOCK-BOLT
13	164-3926	2	SPACER
14	172-1619	2	SEAL GP
15	174-9379	2	SHIM PACK (INCLUDES 12-SHIMS)
16	194-0635	2	RETAINER-SHAFT
17	194-0636	2	BUSHING
18	195-4773	4	DOWEL-HOLLOW
19	199-9214	2	SHAFT-AXLE
20	199-9215	1	HOUSING-AXLE (RH)
21	199-9216	1	HOUSING-AXLE (LH)
22	200-4193	2	BEARING-SLEEVE
23	200-4194	2	BEARING-SLEEVE
24	213-8771	12	WASHER-THRUST
25	236-8080	2	CARRIER-PLANETARY
26	177-9754	2	BOLT (M30X3.5X130-MM)
27	199-7178	32	BOLT (M20X2.5X270-MM)
28	6V-9189	6	LOCKNUT (M8X1.25-THD)
29	7X-2569	14	BOLT (M20X2.5X200-MM)
30	8F-3469	4	SEAL-O-RING
31	8T-0100	6	BOLT (M8X1.25X60-MM)
32	8T-4123	46	WASHER-PLATED (22X35X3.5-MM THK)
33	1U-8846	AR	SEALANT-GASKET
34	148-8395	2	PLUG AS (NOT SERVICED)
	3K-0360	1	SEAL-O-RING
	9S-8005	1	PLUG

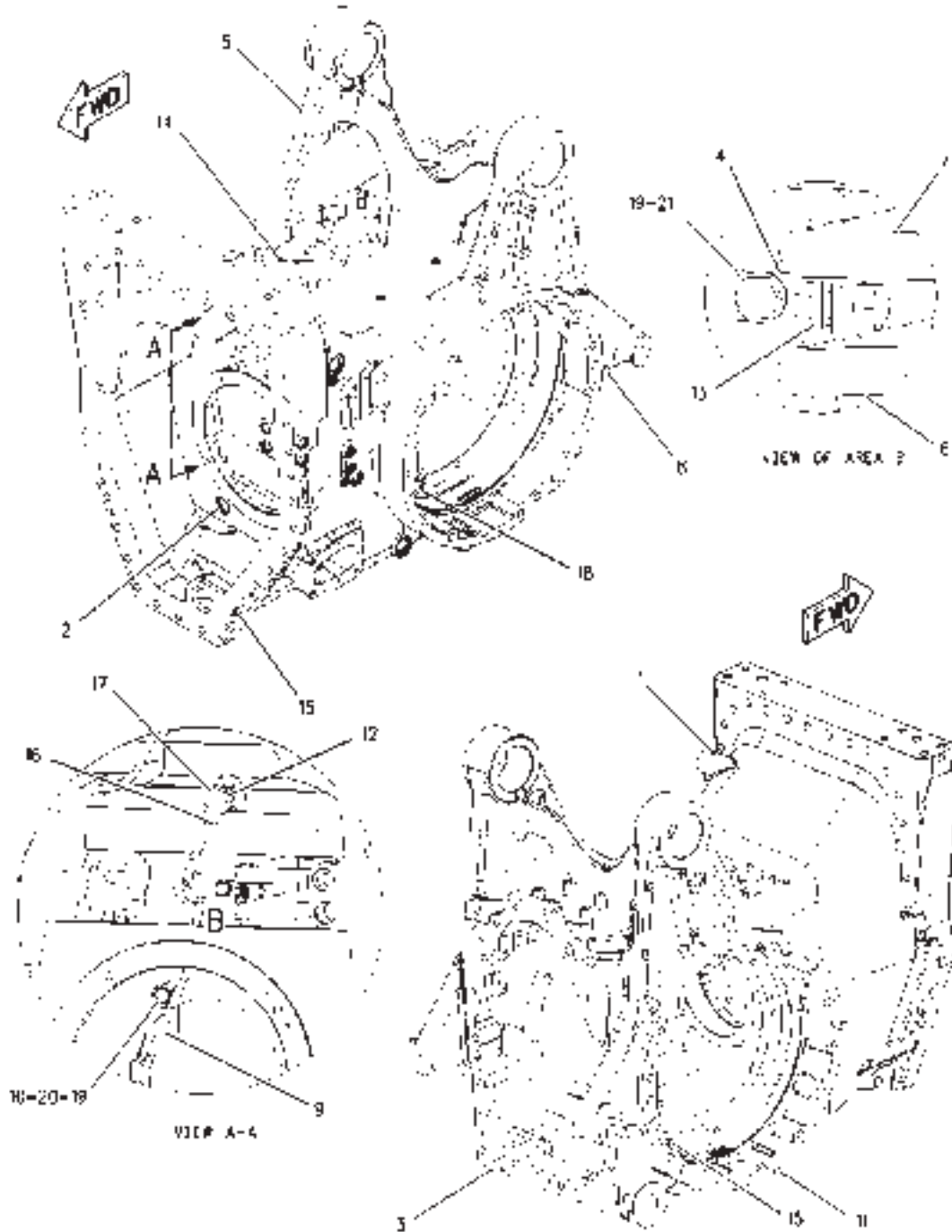
[A] PART OF 213-8802 AXLE AR

QUANTITIES SHOWN ARE THOSE REQUIRED
FOR BOTH LH AND RH SIDES

01123855
PR: t05f07j07b0195

MT700 SERIES TRACK TRACTORS
POWER TRAIN

168-3454 HOUSING AS-DIFFERENTIAL
S/N: AZA1-947; AZE1-1010



MT700 SERIES TRACK TRACTORS
POWER TRAIN

459

168-3454 HOUSING AS-DIFFERENTIAL
S/N: AZA1-947; AZE1-1010

ITEM	NUMBER	QTY	DESCRIPTION
-	168-3454	--	HOUSING AS-DIFFERENTIAL [A]
1	2A-3746	1	PLUG-CUP
2	9S-1343	1	PLUG-CUP
3	161-8762	2	DOWEL-HOLLOW (80-MM LGX27 DIA)
4	164-3987	1	BRACKET AS
	8T-3490	1	NUT-WELD (M10X1.5-THD)
5	223-3485	1	HOUSING
6	-----	1	TUBE
7	-----	1	TUBE
8	175-3097	4	DOWEL
9	190-8196	1	TUBE AS (NO LONGER NEEDED)
10	1F-7567	1	CLIP
11	3F-3442	2	DOWEL
12	3J-1907	1	SEAL-O-RING
13	4H-7655	2	CLAMP-TUBE
14	5B-5821	2	DOWEL
15	5M-7937	4	DOWEL
16	6V-8397	1	SEAL-O-RING
17	6V-8724	1	ELBOW
18	8B-6375	2	DOWEL
19	8T-4121	3	WASHER-HARD (11X21X2.5-MM THK)
20	8T-4137	1	BOLT (M10X1.5X20-MM)
21	8T-4195	2	BOLT (M10X1.5X30-MM)

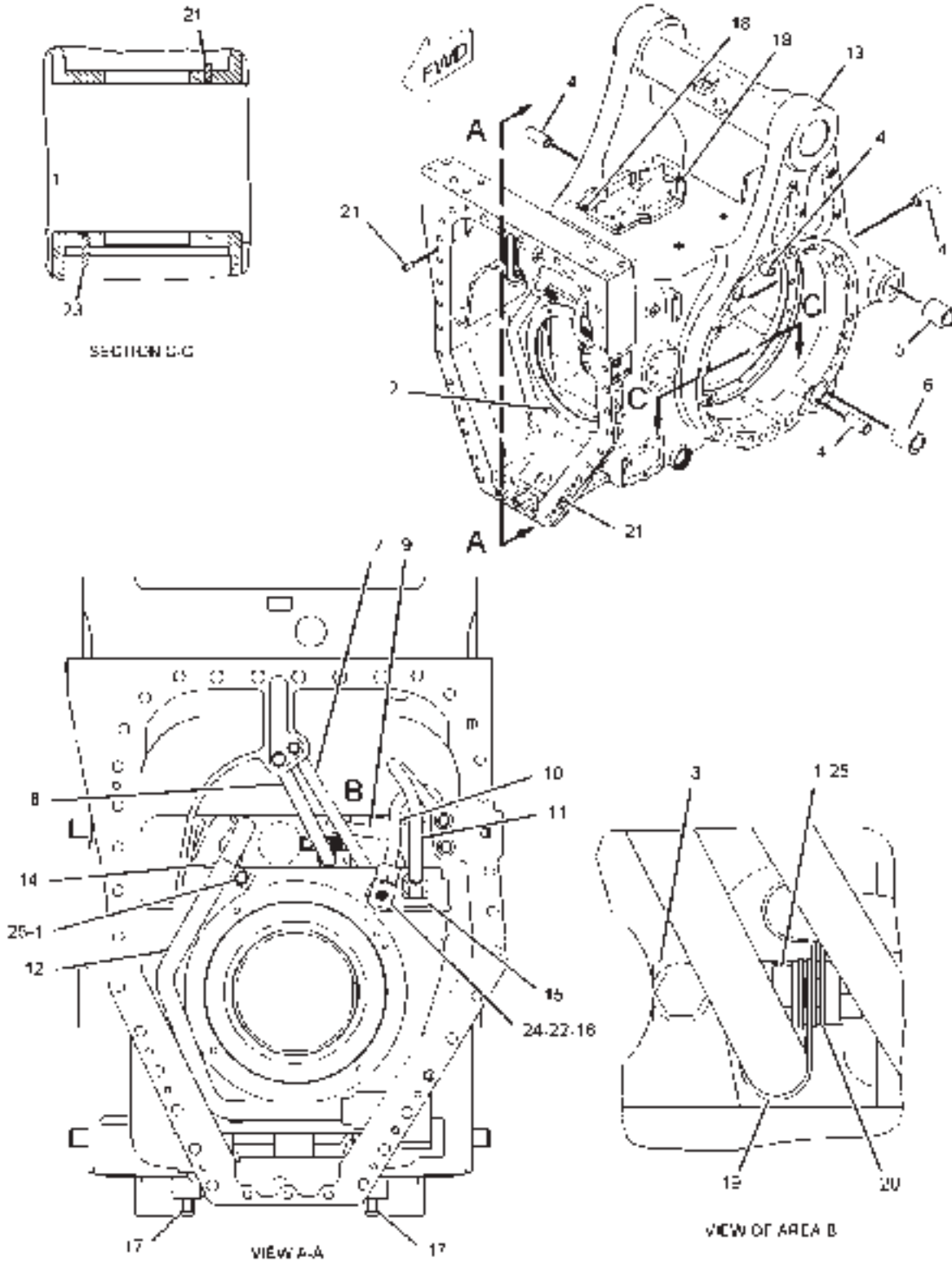
[A] PART OF 199-8159 DIFFERENTIAL GP

00708500
PR: t05f07j07b0196

MT700 SERIES TRACK TRACTORS
POWER TRAIN

219-7219 HOUSING GP-DIFFERENTIAL

S/N: AZA1025-1060; AZE1129-1174;
AZT1-886



01122917

MT700 SERIES TRACK TRACTORS
POWER TRAIN

461

219-7219 HOUSING GP-DIFFERENTIAL
S/N: AZA1025-1060; AZE1129-1174;
AZT1-886

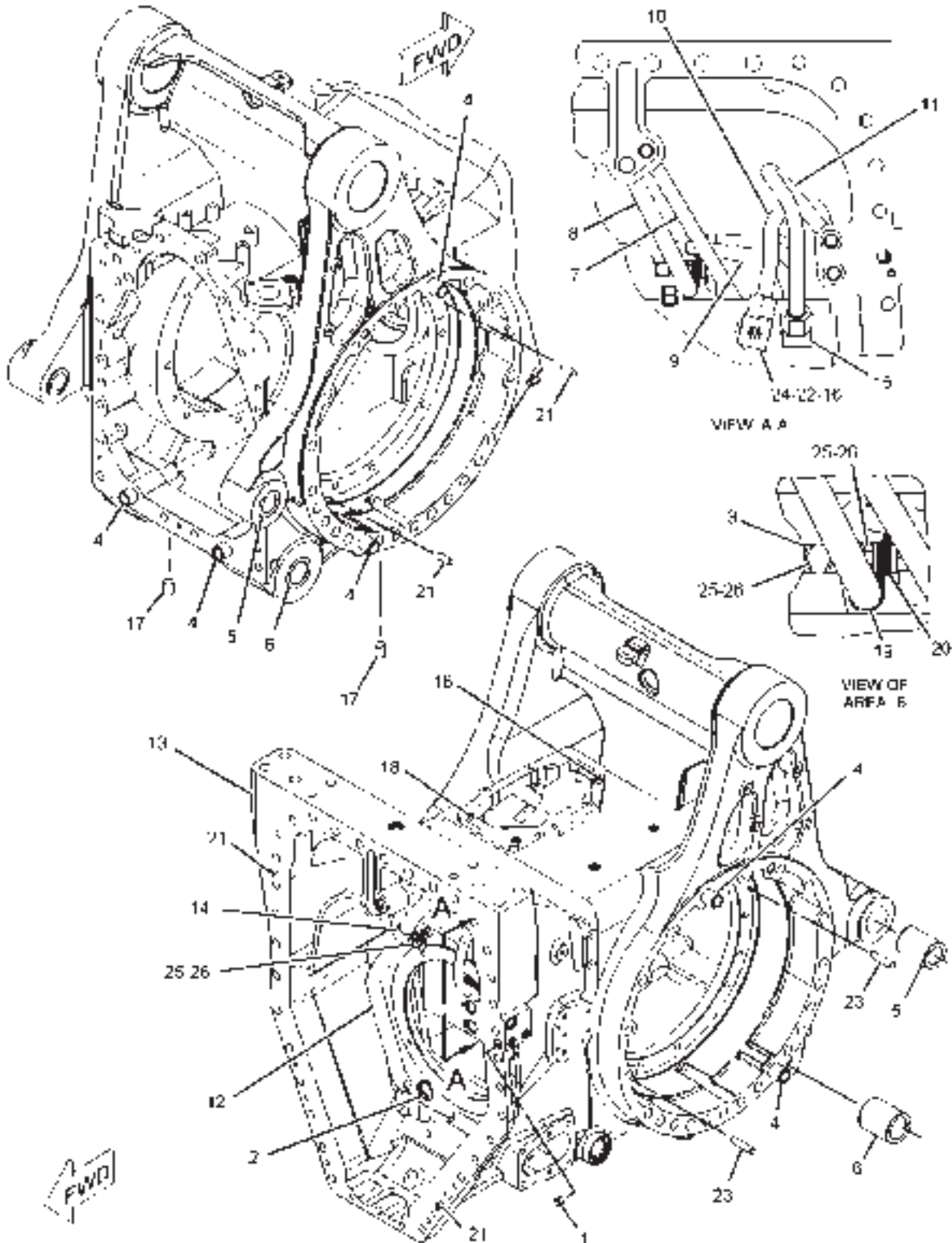
ITEM	NUMBER	QTY	DESCRIPTION
-	219-7219	--	HOUSING GP-DIFFERENTIAL [A]
1	8T-4195	3	BOLT (M10X1.5X30-MM)
2	9S-1343	1	PLUG-CUP
3	164-3987	1	BRACKET AS
	8T-3490	1	NUT-WELD (M10X1.5-THD)
4	195-4773	6	DOWEL-HOLLOW
5	200-4193	2	BEARING-SLEEVE
6	200-4194	2	BEARING-SLEEVE
7	205-1746	1	TUBE
8	205-1747	1	TUBE
9	205-1748	1	TUBE
10	229-7276	1	TUBE AS
11	205-1751	1	TUBE AS
12	205-1752	1	TUBE
13	-----	1	HOUSING-DIFFERENTIAL [Z]
14	0T-0386	1	CLIP
15	153-6237	1	ELBOW AS (NOT SERVICED)
	3D-2824	1	SEAL-O-RING
	6V-9004	1	ELBOW
	6V-9746	1	SEAL-O-RING
16	3D-2824	1	SEAL-O-RING
17	3F-3442	2	DOWEL
18	5B-5821	2	DOWEL
19	5K-0461	1	CLIP
20	5K-9660	1	CLIP
21	5M-7937	4	DOWEL
22	6V-9746	1	SEAL-O-RING
23	8B-6375	2	DOWEL
24	8T-2883	1	TEE
25	8T-4121	3	WASHER-HARD (11X21X2.5-MM THK)

[A] PART OF 199-8159 DIFFERENTIAL GP
[Z] NOT SERVICED SEPARATELY

01122917
PR: t05f07j07b0197

MT700 SERIES TRACK TRACTORS
POWER TRAIN

223-3486 HOUSING GP-DIFFERENTIAL
S/N: AZA948-1024; AZE1011-1128



MT700 SERIES TRACK TRACTORS
POWER TRAIN

463

223-3486 HOUSING GP-DIFFERENTIAL
S/N: AZA948-1024; AZE1011-1128

ITEM	NUMBER	QTY	DESCRIPTION
-	223-3486	--	HOUSING GP-DIFFERENTIAL [A]
1	2A-3746	1	PLUG-CUP
2	9S-1343	1	PLUG-CUP
3	164-3987	1	BRACKET AS
	8T-3490	1	NUT-WELD (M10X1.5-THD)
4	195-4773	6	DOWEL-HOLLOW
5	200-4193	2	BEARING-SLEEVE
6	200-4194	2	BEARING-SLEEVE
7	205-1746	1	TUBE
8	205-1747	1	TUBE
9	205-1748	1	TUBE
10	229-7276	1	TUBE AS
11	205-1751	1	TUBE AS
12	205-1752	1	TUBE
13	-----	1	HOUSING [Z]
14	0T-0386	1	CLIP
15	153-6237	1	ELBOW AS (NOT SERVICED)
	3D-2824	1	SEAL-O-RING
	6V-9004	1	ELBOW
	6V-9746	1	SEAL-O-RING
16	3D-2824	1	SEAL-O-RING
17	3F-3442	2	DOWEL
18	5B-5821	2	DOWEL
19	5K-0461	1	CLIP
20	5K-9660	1	CLIP
21	5M-7937	4	DOWEL
22	6V-9746	1	SEAL-O-RING
23	8B-6375	2	DOWEL
24	8T-2883	1	TEE
25	8T-4121	3	WASHER-HARD (11X21X2.5-MM THK)
26	8T-4195	3	BOLT (M10X1.5X30-MM)

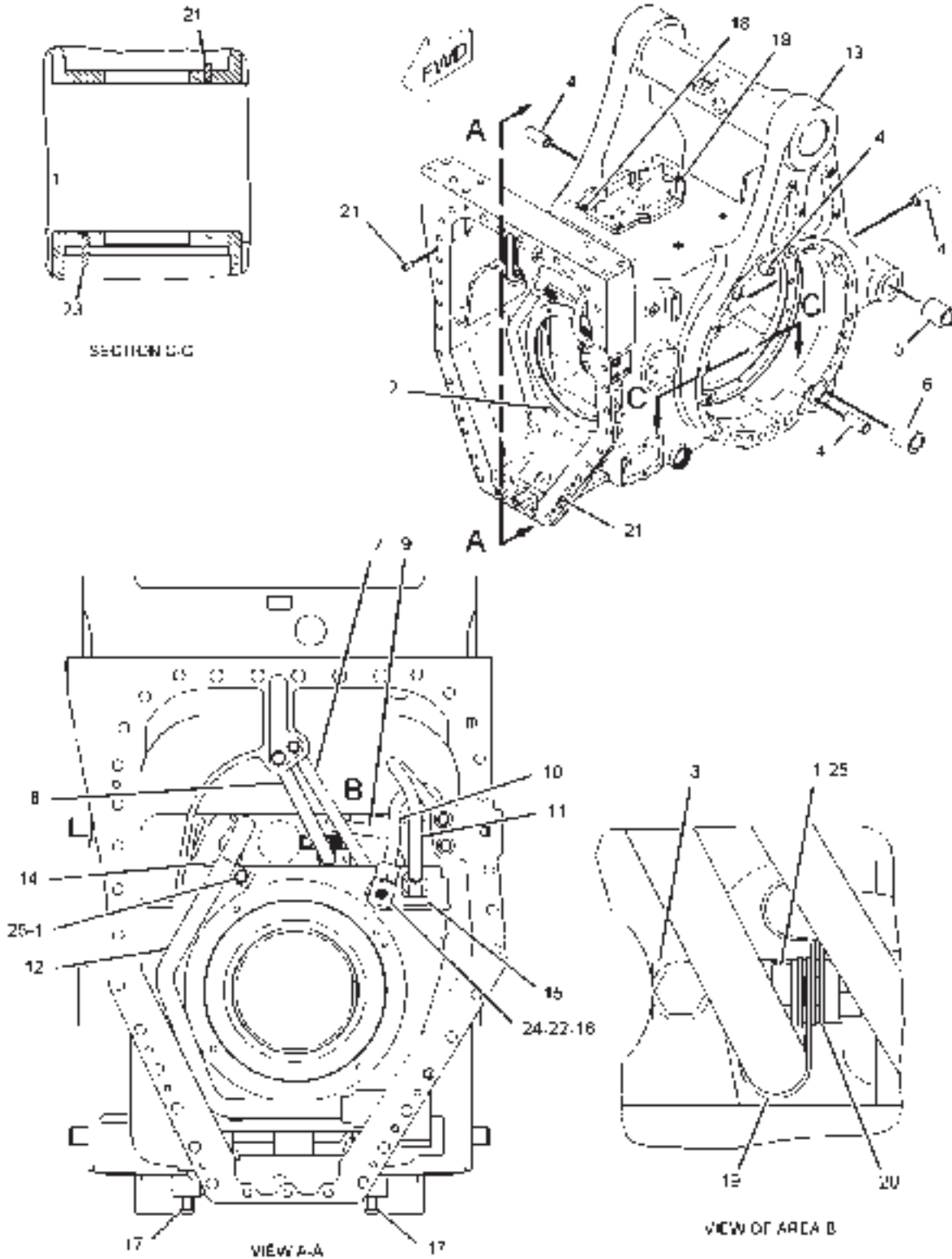
[A] PART OF 199-8159 DIFFERENTIAL GP
[Z] NOT SERVICED SEPARATELY

01122650
PR: t05f07j07b0198

MT700 SERIES TRACK TRACTORS
POWER TRAIN

225-1452 HOUSING GP-DIFFERENTIAL

S/N: AZA1061-1214; AZE1175-1433;
AZT887-942



01122917

**MT700 SERIES TRACK TRACTORS
POWER TRAIN**

465

225-1452 HOUSING GP-DIFFERENTIAL
S/N: AZA1061-1214; AZE1175-1433;
AZT887-942

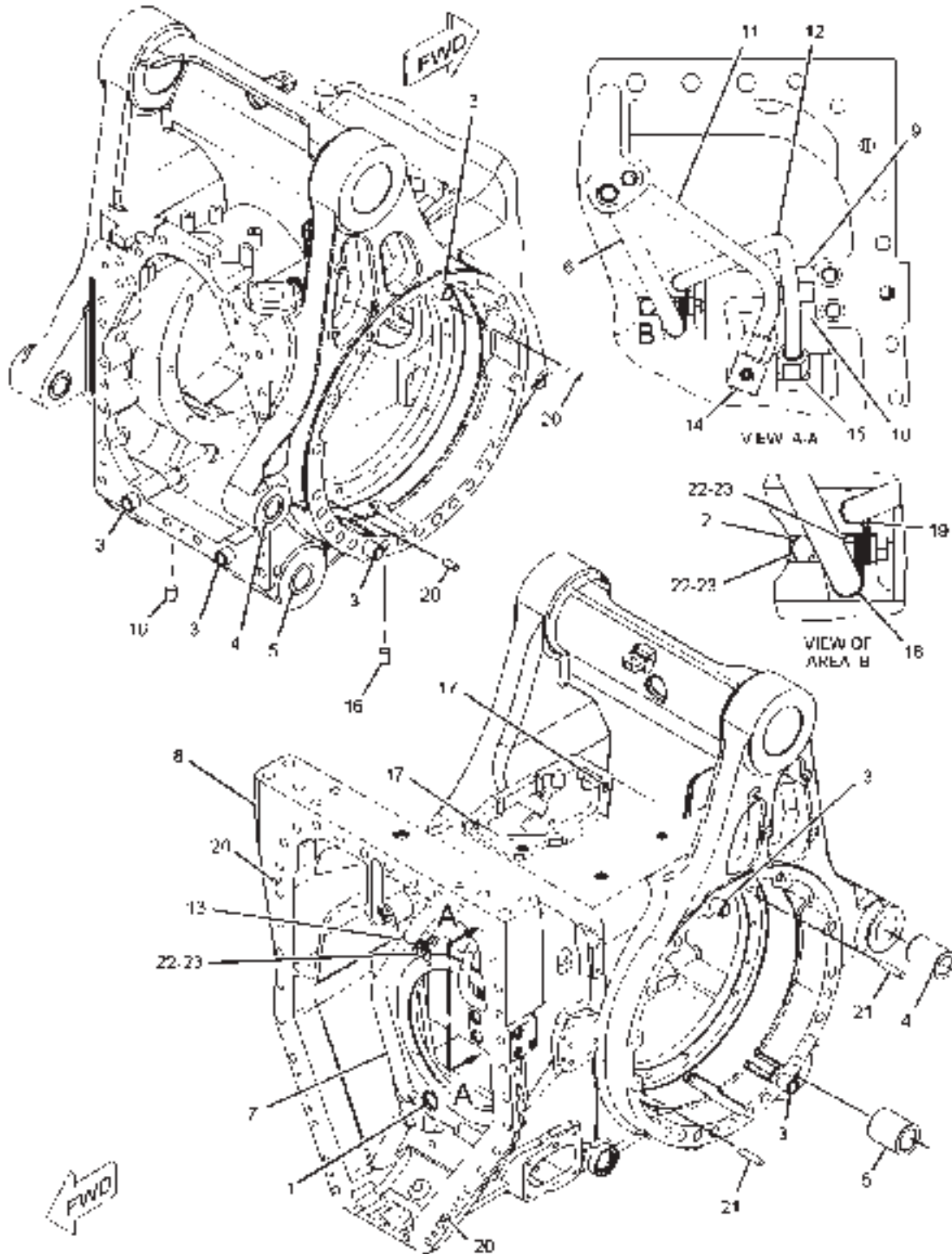
ITEM	NUMBER	QTY	DESCRIPTION
-	225-1452	--	HOUSING GP-DIFFERENTIAL [A]
1	8T-4195	3	BOLT (M10X1.5X30-MM)
2	9S-1343	1	PLUG-CUP
3	164-3987	1	BRACKET AS
	8T-3490	1	NUT-WELD (M10X1.5-THD)
4	195-4773	6	DOWEL-HOLLOW
5	200-4193	2	BEARING-SLEEVE
6	200-4194	2	BEARING-SLEEVE
7	205-1746	1	TUBE
8	205-1747	1	TUBE
9	205-1748	1	TUBE
10	229-7276	1	TUBE AS
11	205-1751	1	TUBE AS
12	205-1752	1	TUBE
13	-----	1	HOUSING [Z]
14	0T-0386	1	CLIP
15	153-6237	1	ELBOW AS (NOT SERVICED)
	3D-2824	1	SEAL-O-RING
	6V-9004	1	ELBOW
	6V-9746	1	SEAL-O-RING
16	3D-2824	1	SEAL-O-RING
17	3F-3442	2	DOWEL
18	5B-5821	2	DOWEL
19	5K-0461	1	CLIP
20	5K-9660	1	CLIP
21	5M-7937	4	DOWEL
22	6V-9746	1	SEAL-O-RING
23	8B-6375	2	DOWEL
24	8T-2883	1	TEE
25	8T-4121	3	WASHER-HARD (11X21X2.5-MM THK)

[A] PART OF 199-8159 DIFFERENTIAL GP
[Z] NOT SERVICED SEPARATELY

01122917
PR: t05f07j07b0199

MT700 SERIES TRACK TRACTORS
POWER TRAIN

233-9766 HOUSING GP-DIFFERENTIAL
S/N: AZA1215-UP; AZE1434-UP; AZT943-UP



01122705

MT700 SERIES TRACK TRACTORS
POWER TRAIN

467

233-9766 HOUSING GP-DIFFERENTIAL
S/N: AZA1215-UP; AZE1434-UP; AZT943-UP

ITEM	NUMBER	QTY	DESCRIPTION
-	233-9766	--	HOUSING GP-DIFFERENTIAL [A]
1	9S-1343	1	PLUG-CUP
2	164-3987	1	BRACKET AS
	8T-3490	1	NUT-WELD (M10X1.5-THD)
3	195-4773	6	DOWEL-HOLLOW
4	200-4193	2	BEARING-SLEEVE
5	200-4194	2	BEARING-SLEEVE
6	205-1747	1	TUBE
7	205-1752	1	TUBE
8	-----	1	HOUSING [Z]
9	229-7275	1	TUBE
10	229-7276	1	TUBE
11	229-7277	1	TUBE AS
12	229-7278	1	TUBE AS
13	0T-0386	1	CLIP
14	148-8421	1	TEE AS (NOT SERVICED)
	3D-2824	1	SEAL-O-RING
	6V-8397	1	SEAL-O-RING
	6V-9746	1	SEAL-O-RING
	8T-2883	1	TEE
15	153-6237	1	ELBOW AS (NOT SERVICED)
	3D-2824	1	SEAL-O-RING
	6V-9004	1	ELBOW
	6V-9746	1	SEAL-O-RING
16	3F-3442	2	DOWEL
17	5B-5821	2	DOWEL
18	5K-0461	1	CLIP
19	5K-9660	1	CLIP
20	5M-7937	4	DOWEL
21	8B-6375	2	DOWEL
22	8T-4121	3	WASHER-HARD (11X21X2.5-MM THK)
23	8T-4195	3	BOLT (M10X1.5X30-MM)

[A] PART OF 199-8159 DIFFERENTIAL GP
[Z] NOT SERVICED SEPARATELY

01122705
PR: t05f07j07b0200

468

**MT700 SERIES TRACK TRACTORS
POWER TRAIN**

**200-5011 POWER TRAIN AR-STANDARD GAGE
WITH STANDARD TRANSMISSION & TYPE 3 PTO**

NO ILLUSTRATION

NOTIF

MT700 SERIES TRACK TRACTORS
POWER TRAIN

469

200-5011 POWER TRAIN AR-STANDARD GAGE
WITH STANDARD TRANSMISSION & TYPE 3 PTO

ITEM	NUMBER	QTY	DESCRIPTION
-	200-5011	--	POWER TRAIN AR-STANDARD GAGE [A] (NOT SERVICED)
	171-4005	1	AXLE AR (NOT SERVICED) (SEE BREAKDOWN FOR COMPONENTS)
	164-3905	1	FASTENER GP-FINAL DRIVE (NOT SERVICED) (SEE BREAKDOWN FOR COMPONENTS)
	152-5241	1	TRANSMISSION AR (NOT SERVICED) (SEE BREAKDOWN FOR COMPONENTS)

[A] PART OF 178-2338; 178-2341
GAGE AR-STD

NOTIF
PR: t05f07j07b0201

470

MT700 SERIES TRACK TRACTORS
POWER TRAIN

200-5013 POWER TRAIN AR-WIDE GAGE
WITH STANDARD TRANSMISSION & TYPE 3 PTO

NO ILLUSTRATION

NOTIF

MT700 SERIES TRACK TRACTORS
POWER TRAIN

471

200-5013 POWER TRAIN AR-WIDE GAGE
WITH STANDARD TRANSMISSION & TYPE 3 PTO

ITEM	NUMBER	QTY	DESCRIPTION
-	200-5013	--	POWER TRAIN AR-WIDE GAGE [A] (NOT SERVICED)
	171-4010	1	AXLE AR (NOT SERVICED) (SEE BREAKDOWN FOR COMPONENTS)
	164-3905	1	FASTENER GP-FINAL DRIVE (NOT SERVICED) (SEE BREAKDOWN FOR COMPONENTS)
	152-5241	1	TRANSMISSION AR (NOT SERVICED) (SEE BREAKDOWN FOR COMPONENTS)

NOTIF
PR: t05f07j07b0202

472

**MT700 SERIES TRACK TRACTORS
POWER TRAIN**

**200-5015 POWER TRAIN AR-STANDARD GAGE
W/ CREEPER TRANSMISSION & TYPE 3 PTO**

NO ILLUSTRATION

NOTIF

MT700 SERIES TRACK TRACTORS
POWER TRAIN

473

200-5015 POWER TRAIN AR-STANDARD GAGE
W/ CREEPER TRANSMISSION & TYPE 3 PTO

ITEM	NUMBER	QTY	DESCRIPTION
-	200-5015	--	POWER TRAIN AR-STANDARD GAGE [A] (NOT SERVICED)
	171-4005	1	AXLE AR (NOT SERVICED) (SEE BREAKDOWN FOR COMPONENTS)
	164-3905	1	FASTENER GP-FINAL DRIVE (NOT SERVICED) (SEE BREAKDOWN FOR COMPONENTS)
	173-2462	1	TRANSMISSION AR (NOT SERVICED) (SEE BREAKDOWN FOR COMPONENTS)

NOTIF
PR: t05f07j07b0203

474

**MT700 SERIES TRACK TRACTORS
POWER TRAIN**

**200-5017 POWER TRAIN AR-WIDE GAGE
W/ CREEPER TRANSMISSION & TYPE 3 PTO**

NO ILLUSTRATION

NOTIF

MT700 SERIES TRACK TRACTORS
POWER TRAIN

475

200-5017 POWER TRAIN AR-WIDE GAGE
W/ CREEPER TRANSMISSION & TYPE 3 PTO

ITEM	NUMBER	QTY	DESCRIPTION
-	200-5017	--	POWER TRAIN AR-WIDE GAGE [A] (NOT SERVICED)
	171-4010	1	AXLE AR (NOT SERVICED) (SEE BREAKDOWN FOR COMPONENTS)
	164-3905	1	FASTERN GP-FINAL DRIVE (NOT SERVICED) (SEE BREAKDOWN FOR COMPONENTS)
	173-2462	1	TRANSMISSION AR (NOT SERVICED) (SEE BREAKDOWN FOR COMPONENTS)

NOTIF
PR: t05f07j07b0204

476

**MT700 SERIES TRACK TRACTORS
POWER TRAIN**

**213-8788 POWER TRAIN AR-ULTRA WIDE GAGE
W/ STANDARD TRANSMISSION & TYPE 3 PTO**

NO ILLUSTRATION

NOTIF

MT700 SERIES TRACK TRACTORS
POWER TRAIN

477

213-8788 POWER TRAIN AR-ULTRA WIDE GAGE
W/ STANDARD TRANSMISSION & TYPE 3 PTO

ITEM	NUMBER	QTY	DESCRIPTION
-	213-8788	--	POWER TRAIN AR-ULTRA WIDE GAGE [A] (NOT SERVICED)
1	152-5241	1	TRANSMISSION AR (NOT SERVICED) (SEE BREAKDOWN FOR COMPONENTS)
2	164-3905	1	FASTENER GP-FINAL DRIVE (NOT SERVICED) (SEE BREAKDOWN FOR COMPONENTS)
3	213-8802	1	AXLE AR (NOT SERVICED) (SEE BREAKDOWN FOR COMPONENTS)

[A] PART OF 213-4079 GAGE AR

NOTIF
PR: t05f07j07b0205

478

**MT700 SERIES TRACK TRACTORS
POWER TRAIN**

**213-8789 POWER TRAIN AR-ULTRA WIDE GAGE
W/ CREEPER TRANSMISSION & TYPE 3 PTO**

NO ILLUSTRATION

NOTIF

MT700 SERIES TRACK TRACTORS

479

POWER TRAIN**213-8789 POWER TRAIN AR-ULTRA WIDE GAGE
W/ CREEPER TRANSMISSION & TYPE 3 PTO**

ITEM	NUMBER	QTY	DESCRIPTION
-	213-8789	--	POWER TRAIN AR-ULTRA WIDE GAGE [A] (NOT SERVICED)
1	164-3905	1	FASTENER GP-FINAL DRIVE (NOT SERVICED) (SEE BREAKDOWN FOR COMPONENTS)
2	173-2462	1	TRANSMISSION AR-CREEPER (NOT SERVICED) (SEE BREAKDOWN FOR COMPONENTS)
3	213-8802	1	AXLE AR (NOT SERVICED) (SEE BREAKDOWN FOR COMPONENTS)

[A] PART OF 213-4080 GAGE AR

NOTIF
PR: t05f07j07b0206

480

MT700 SERIES TRACK TRACTORS
POWER TRAIN

152-5241 TRANSMISSION AR-STANDARD
S/N: 7PY1-UP

NO ILLUSTRATION

NOTIF

MT700 SERIES TRACK TRACTORS

481

POWER TRAIN**152-5241 TRANSMISSION AR-STANDARD**

S/N: 7PY1-UP

ITEM	NUMBER	QTY	DESCRIPTION
-	152-5241	--	TRANSMISSION AR-STANDARD [A]
	155-9593	1	CASE & PARTS GP-PLANETARY (NOT SERVICED) (SEE BREAKDOWN FOR COMPONENTS)
	155-9583	1	CLUTCH GP (INPUT SHAFT) S/N: 7PY1-1722 (NOT SERVICED) (SEE BREAKDOWN FOR COMPONENTS)
	155-9586	1	CLUTCH GP (INTERMEDIATE SHAFT) (NOT SERVICED) S/N: 7PY1-1722 (SEE BREAKDOWN FOR COMPONENTS)
	155-9589	1	CLUTCH GP (REVERSE SHAFT) S/N: 7PY1-1722 (NOT SERVICED) (SEE BREAKDOWN FOR COMPONENTS)
	155-9590	1	CLUTCH GP (OUTPUT SHAFT) S/N: 7PY1-1722 (NOT SERVICED) (SEE BREAKDOWN FOR COMPONENTS)
	166-0668	2	CLUTCH GP (OUTPUT PLANETARY) (NOT SERVICED) (SEE BREAKDOWN FOR COMPONENTS)
	155-9594	1	CONTROL GP-TRANSMISSION HYD (NOT SERVICED) (SEE BREAKDOWN FOR COMPONENTS)
	161-8857	1	DRIVE GP-PUMP (NOT SERVICED) (SEE BREAKDOWN FOR COMPONENTS)
	232-1773	1	CLUTCH GP-TRANSMISSION S/N: 7PY1723-UP (NOT SERVICED) (SEE BREAKDOWN FOR COMPONENTS)

[A] PART OF 200-5011, 200-5013,
213-8788 POWER TRAIN AR

NOTIF
PR: t05f07j07b0207

482

**MT700 SERIES TRACK TRACTORS
POWER TRAIN**

173-2462 TRANSMISSION AR
S/N: 8AY1-UP

NO ILLUSTRATION

NOTIF

MT700 SERIES TRACK TRACTORS
POWER TRAIN

483

173-2462 TRANSMISSION AR
S/N: 8AY1-UP

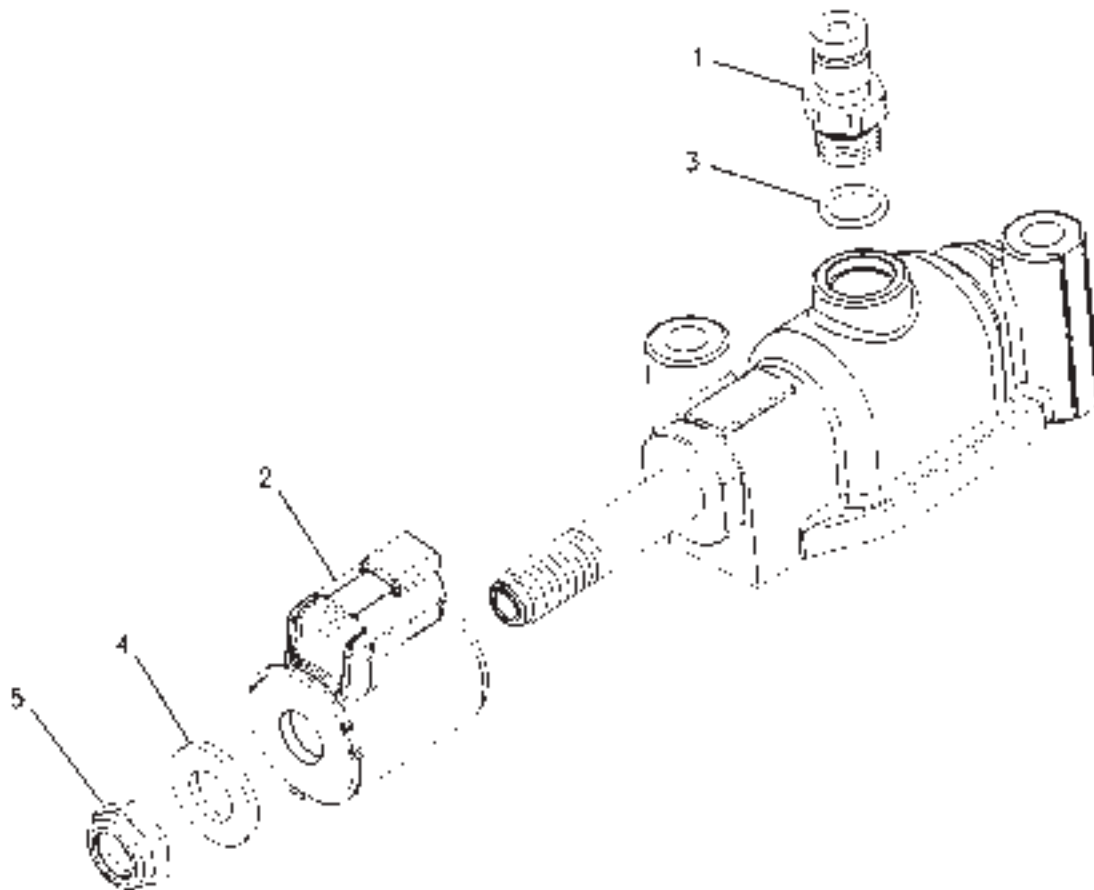
ITEM	NUMBER	QTY	DESCRIPTION
-	173-2462	--	TRANSMISSION AR [A]
	165-0414	1	CASE & PARTS GP-PLANETARY (NOT SERVICED) (SEE BREAKDOWN FOR COMPONENTS)
	155-9583	1	CLUTCH GP (INPUT SHAFT) S/N: 8AY1-885 (NOT SERVICED) (SEE BREAKDOWN FOR COMPONENTS)
	155-9590	1	CLUTCH GP (OUTPUT SHAFT) S/N: 8AY1-885 (NOT SERVICED) (SEE BREAKDOWN FOR COMPONENTS)
	166-0668	2	CLUTCH GP (OUTPUT PLANETARY) (NOT SERVICED) (SEE BREAKDOWN FOR COMPONENTS)
	155-9586	1	CLUTCH GP (INTERMEDIATE SHAFT) (NOT SERVICED) S/N: 8AY1-885 (SEE BREAKDOWN FOR COMPONENTS)
	155-9589	1	CLUTCH GP (REVERSE SHAFT) S/N: 8AY1-885 (NOT SERVICED) (SEE BREAKDOWN FOR COMPONENTS)
	155-9594	1	CONTROL GP-TRANSMISSION HYD (NOT SERVICED) (SEE BREAKDOWN FOR COMPONENTS)
	169-8568	1	DRIVE GP-CREEPER (NOT SERVICED) (SEE BREAKDOWN FOR COMPONENTS)
	161-8857	1	DRIVE GP-PUMP (NOT SERVICED) (SEE BREAKDOWN FOR COMPONENTS)
	232-1773	1	CLUTCH GP-TRANSMISSION S/N: 8AY886-UP (NOT SERVICED) (SEE BREAKDOWN FOR COMPONENTS)

[A] PART OF 200-5015, 200-5017,

NOTIF
PR: t05f07j07b0208

MT700 SERIES TRACK TRACTORS
POWER TRAIN

166-5880 VALVE GP-MODULATING
S/N: AZA1-985; AZE1-1108; AZT1-870
12 VOLT. CLUTCH PACK HYDRAULIC OIL



MT700 SERIESTRACKTRACTORS
POWER TRAIN

485

166-5880 VALVE GP-MODULATING
S/N: AZA1-985; AZE1-1108; AZT1-870
12 VOLT. CLUTCH PACK HYDRAULIC OIL

ITEM	NUMBER	QTY	DESCRIPTION
-	166-5880	--	VALVE GP-MODULATING [A]
1	6V-3965	1	FITTING AS
2	155-4426	1	COIL AS
3	3J-1907	1	SEAL-O-RING
4	164-2108	1	WASHER (13.03X25.4X2.38-MM THK)
5	167-9524	1	NUT-SELF-LOCKING (1/2-28-THD)

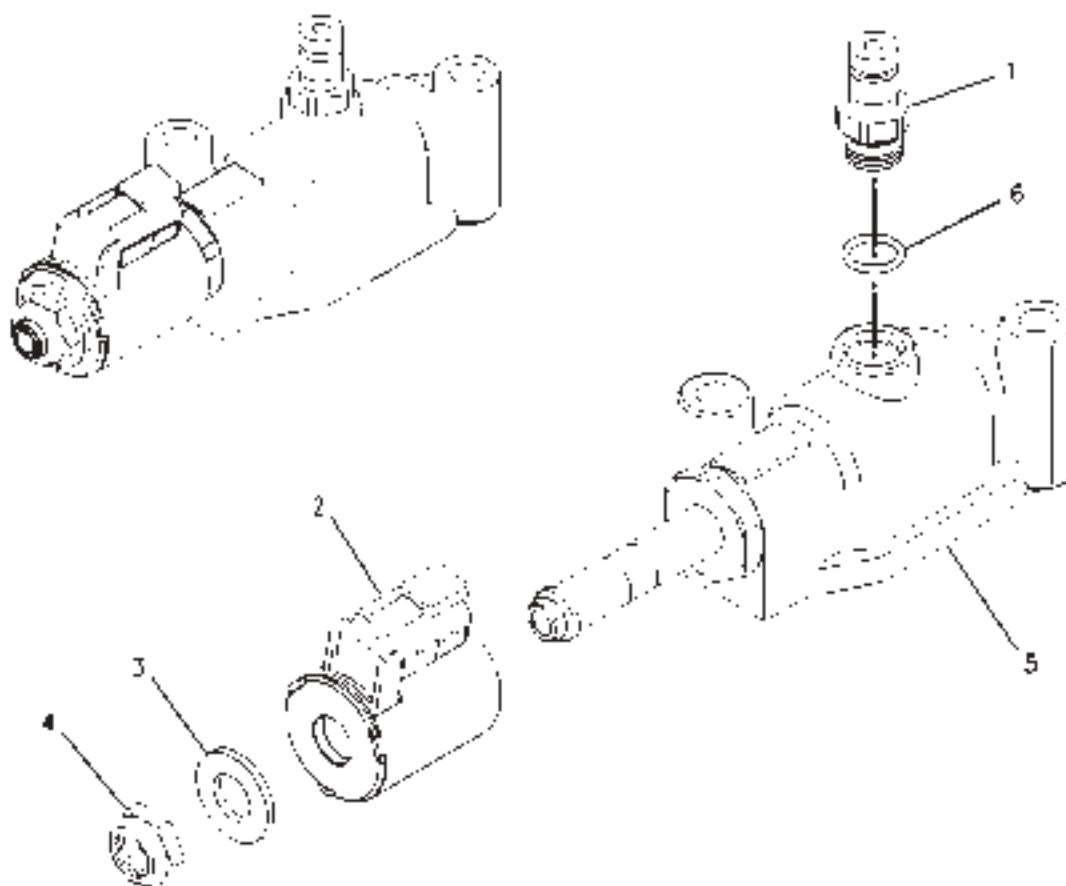
[A] PART OF 195-4531 POWER TAKE-OFF GP

00672893
PR: t05f07j07b0209

MT700 SERIES TRACK TRACTORS
POWER TRAIN**216-5343 VALVE GP-MODULATING**

S/N: AZA986-UP; 7PY1-UP; 8AY1-UP

12V ELECTRONIC CLUTCH PRESSURE CONTROL



00890963

MT700 SERIESTRACKTRACTORS
POWER TRAIN

487

216-5343 VALVE GP-MODULATING
S/N: AZA986-UP; 7PY1-UP; 8AY1-UP
12V ELECTRONIC CLUTCH PRESSURE CONTROL

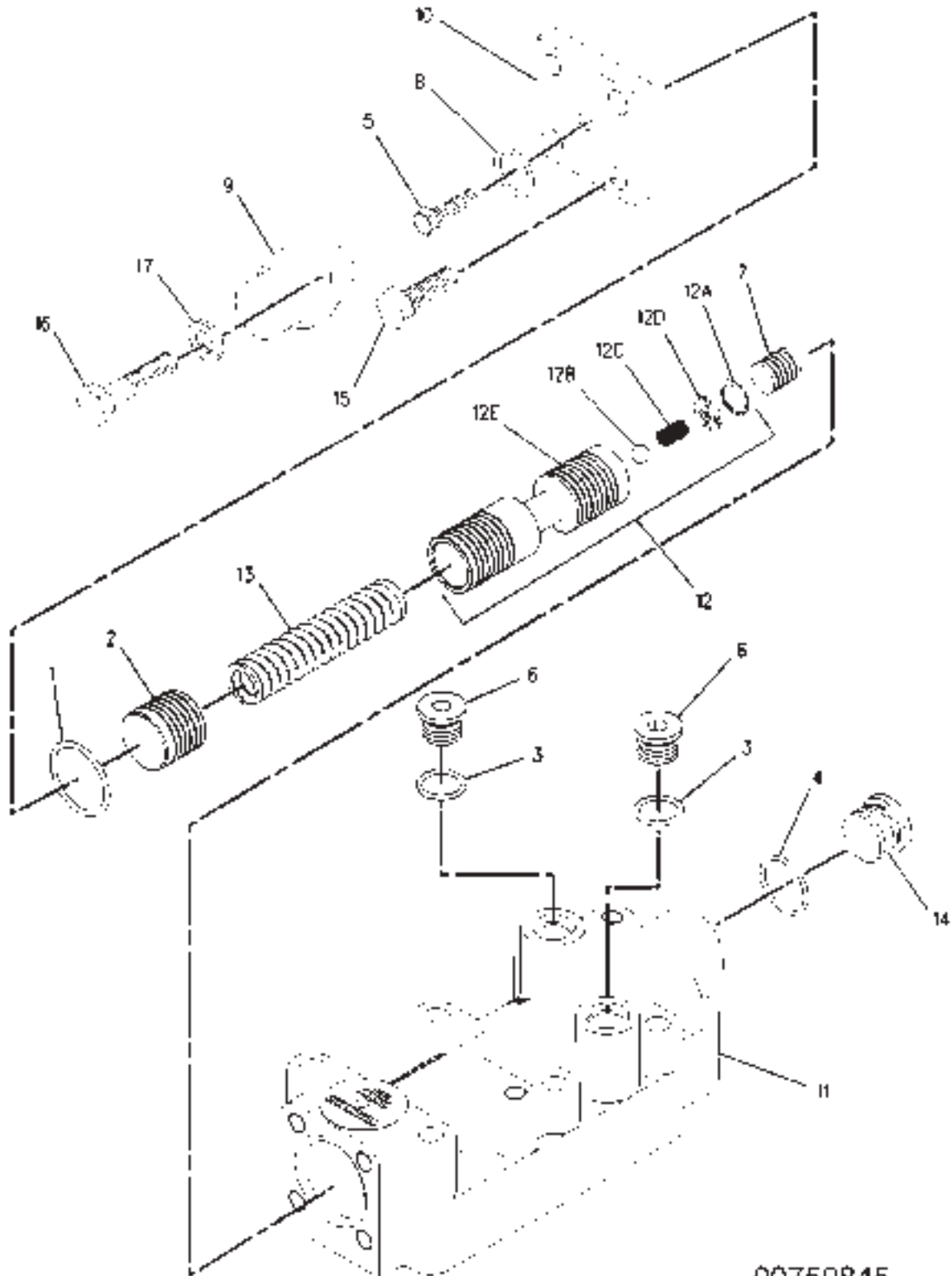
ITEM	NUMBER	QTY	DESCRIPTION
-	216-5343	--	VALVE GP-MODULATING [A]
1	6V-3965	1	FITTING AS
2	155-4426	1	COILAS
3	164-2108	1	WASHER (13.03X25.4X2.38-MM THK)
4	167-9524	1	NUT-SELF-LOCKING (1/2-28-THD)
5	-----	1	VALVE AS [Z]
6	3J-1907	1	SEAL-O-RING

[A] PART OF 155-9594 CONTROL GP
-TRANSMISSION HYD, 195-4531 PTO GP
[Z] NOT SERVICED SEPARATELY

00890963
PR: t05f07j07b0210

MT700 SERIES TRACK TRACTORS
POWER TRAIN

187-3065 VALVE GP-RELIEF
S/N: 7PY1-UP; 8AY1-UP
CHARGE PRESSURE



MT700 SERIES TRACK TRACTORS
POWER TRAIN

489

187-3065 VALVE GP-RELIEF
S/N: 7PY1-UP; 8AY1-UP
CHARGE PRESSURE

ITEM	NUMBER	QTY	DESCRIPTION
-	187-3065	--	VALVE GP-RELIEF [A]
1	2S-4663	1	SEAL-O-RING
2	2S-5835	1	PISTON-LOAD
3	3J-1907	2	SEAL-O-RING
4	3K-0360	1	SEAL-O-RING
5	4M-5905	1	SCREW-ADJUSTMENT (5/16-18X1-IN)
6	9S-8004	2	PLUG
7	8E-1143	1	SLUG
8	8M-5253	1	SEAL-O-RING
9	9M-2110	1	COVER-ADJUSTMENT
10	115-4550	1	COVER
11	-----	1	BODY [Z]
12	172-7968	1	SPOOL AS
12A	3D-8317	1	RING-RETAINING
12B	4B-9880	1	BALL
12C	4M-2381	1	SPRING
12D	9U-8669	1	RETAINER
12E	-----	1	SPOOL [Z]
13	174-7449	1	SPRING
14	241-6205	1	PLUG
15	6V-3940	2	BOLT (M8X1.25X25-MM)
16	6V-5218	2	BOLT (M8X1.25X35-MM)
17	9M-1974	2	WASHER-HARD (8.8X16X2-MM THK)

[A] PART OF 155-9594 CONTROL GP
-TRANSMISSION HYD
[Z] NOT SERVICED SEPARATELY

00750845
PR: t05f07j07b0211

490

MT700 SERIESTRACKTRACTORS
POWER TRAIN

171-4005 AXLE AR

S/N: AZA1-UP

STANDARD GAGE WITH TYPE 3 PTO
1524-2235 MM (60-88 IN).

NO ILLUSTRATION

NOTIF

MT700 SERIES TRACK TRACTORS
POWER TRAIN

491

171-4005 AXLE AR
S/N: AZA1-UP
STANDARD GAGE WITH TYPE 3 PTO
1524-2235 MM (60-88 IN).

ITEM	NUMBER	QTY	DESCRIPTION
-	171-4005	--	AXLE AR [A] (NOT SERVICED)
	199-8159	1	DIFFERENTIAL GP (NOT SERVICED) (SEE BREAKDOWN FOR COMPONENTS)
	194-7086	1	FINAL DRIVE GP (NOT SERVICED) (SEE BREAKDOWN FOR COMPONENTS)
	195-4531	1	POWER TAKE-OFF GP (NOT SERVICED) (SEE BREAKDOWN FOR COMPONENTS)

[A] PART OF 200-5011,
200-5015 POWER TRAIN AR

NOTIF
PR: t05f07j07b0212

492

MT700 SERIESTRACKTRACTORS
POWER TRAIN

171-4010 AXLE AR
S/N: AZE1-UP
WIDE GAGE WITH TYPE 3 PTO
2032-3048 MM (80-120 IN).

NO ILLUSTRATION

NOTIF

MT700 SERIES TRACK TRACTORS
POWER TRAIN

493

171-4010 AXLE AR
S/N: AZE1-UP
WIDE GAGE WITH TYPE 3 PTO
2032-3048 MM (80-120 IN).

ITEM	NUMBER	QTY	DESCRIPTION
-	171-4010	--	AXLE AR [A] (NOT SERVICED)
	199-8159	1	DIFFERENTIAL GP (NOT SERVICED) (SEE BREAKDOWN FOR COMPONENTS)
	195-3950	1	FINAL DRIVE GP (NOT SERVICED) (SEE BREAKDOWN FOR COMPONENTS)
	195-4531	1	POWER TAKE-OFF GP (NOT SERVICED) (SEE BREAKDOWN FOR COMPONENTS)

[A] PART OF 200-5013,
200-5017 POWER TRAIN AR

NOTIF
PR: t05f07j07b0213

494

MT700 SERIESTRACKTRACTORS
POWER TRAIN

213-8802 AXLE AR

S/N: AZT1-UP

ULTRA WIDE GAGE WITH TYPE 3 PTO
3048-4064 MM (120-160 IN).

NO ILLUSTRATION

NOTIF

MT700 SERIES TRACK TRACTORS
POWER TRAIN

495

213-8802 AXLE AR
S/N: AZT1-UP
ULTRA WIDE GAGE WITH TYPE 3 PTO
3048-4064 MM (120-160 IN).

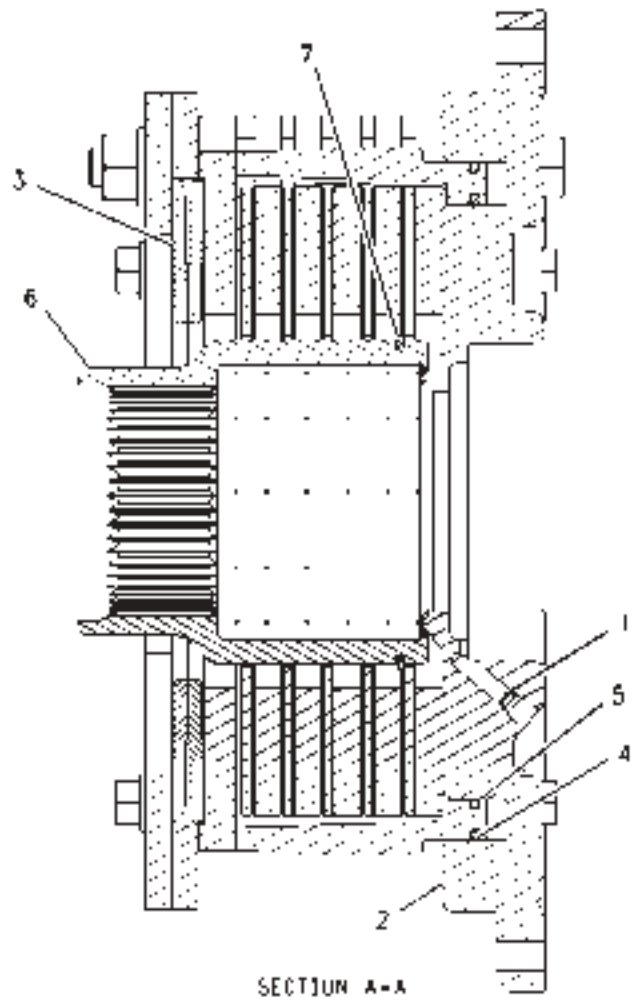
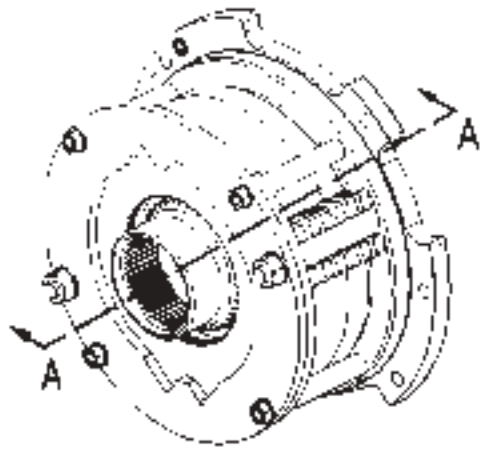
ITEM	NUMBER	QTY	DESCRIPTION
-	213-8802	--	AXLE AR [A] (NOT SERVICED)
	199-8159	1	DIFFERENTIAL GP (NOT SERVICED) (SEE BREAKDOWN FOR COMPONENTS)
	199-9217	1	FINAL DRIVE GP (NOT SERVICED) (SEE BREAKDOWN FOR COMPONENTS)
	195-4531	1	POWER TAKE-OFF GP (NOT SERVICED) (SEE BREAKDOWN FOR COMPONENTS)

[A] PART OF 213-8788,
213-8789 POWER TRAIN AR

NOTIF
PR: t05f07j07b0214

MT700 SERIES TRACK TRACTORS
POWER TRAIN

161-8212 BRAKE GP-PARKING
S/N: AZA1-UP; AZE1-UP; AZT1-UP



MT700 SERIES TRACK TRACTORS
POWER TRAIN

497

161-8212 BRAKE GP-PARKING
S/N: AZA1-UP; AZE1-UP; AZT1-UP

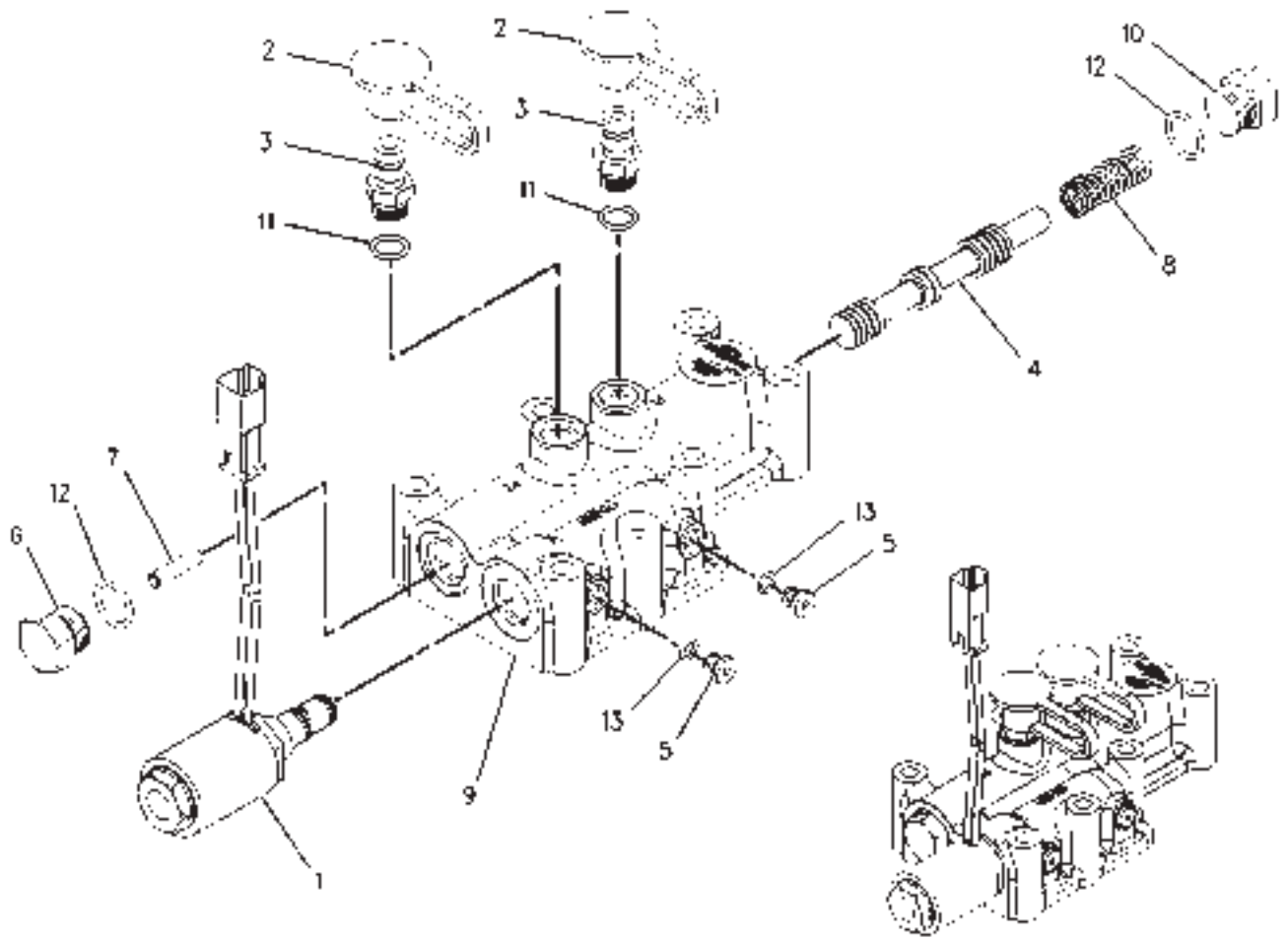
ITEM	NUMBER	QTY	DESCRIPTION
-	161-8212	--	BRAKE GP-PARKING [A]
1	3P-7009	1	PLUG-CUP
2	-----	1	BRAKE GP-PARKING [J] (ORDER COMPLETE GP)
3	187-3369	2	SPRING
4	188-9759	1	SEAL
5	190-4949	1	SEAL
6	205-7384	1	HUB
7	3P-3441	1	RING-RETAINING
			AVAILABLE REPAIR KIT(S):
	161-8215	1	KIT-BRAKE REPAIR (PARKING) [J] (INCLUDES FRICTION DISCS,SEPARATOR PLATES,BOLTS,NUTS,WASHERS,SLEEVES, END PLATE)

[A] PART OF 199-8159 DIFFERENTIAL GP
[J] REPAIR KIT(S) MARKED J AVAILABLE
FOR PART MARKED

00882730
PR: t05f07j07b0215

MT700 SERIES TRACK TRACTORS
POWER TRAIN

170-5152 VALVE GP-CREEPER
S/N: 8AY1-UP
TYPE 1



MT700 SERIES TRACK TRACTORS
POWER TRAIN

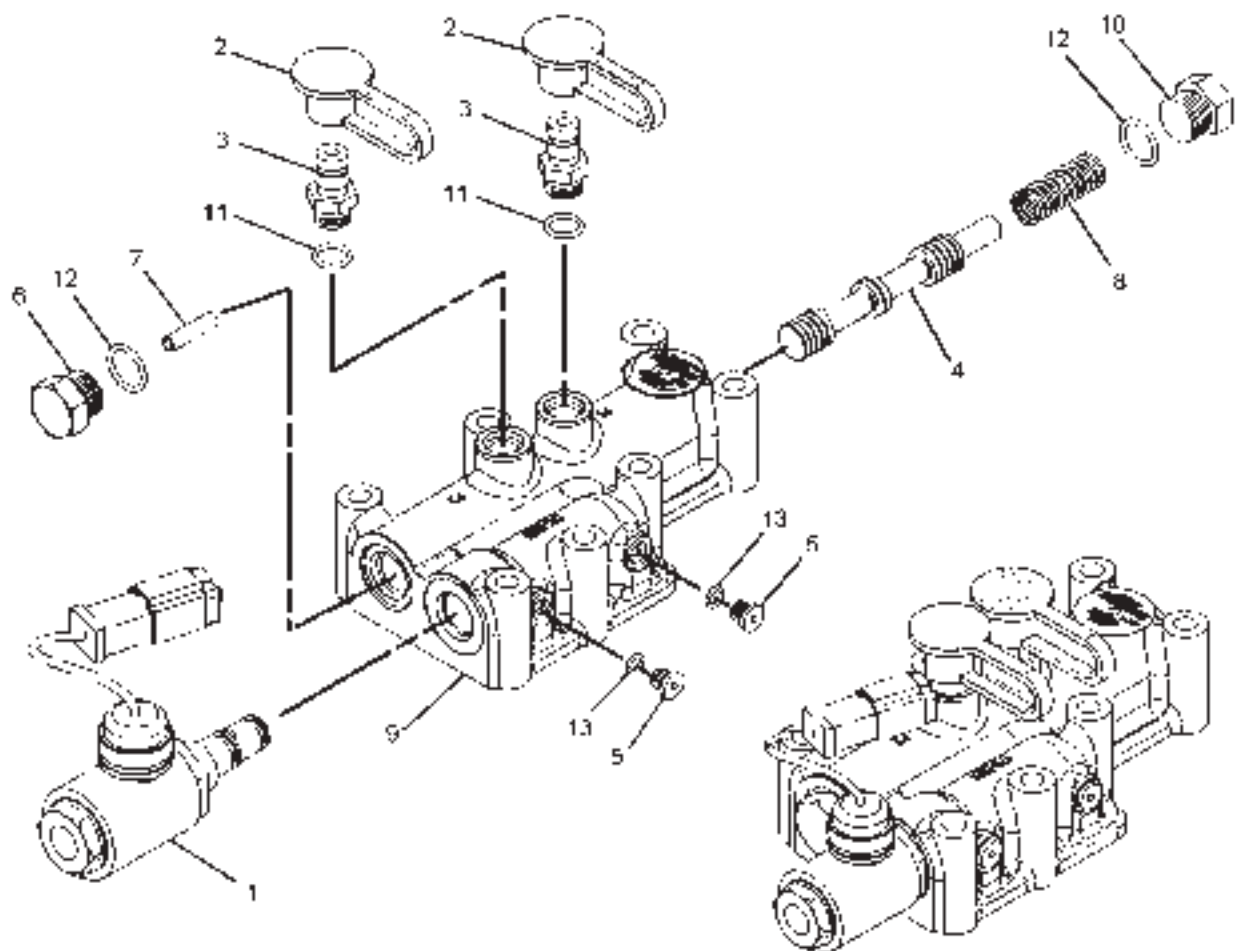
499

170-5152 VALVE GP-CREEPER
S/N: 8AY1-UP
TYPE 1

ITEM	NUMBER	QTY	DESCRIPTION
-	170-5152	--	VALVE GP-CREEPER [A]
1	189-8658	1	VALVE GP-SOLENOID (CREEPER ENGAGE/DISENGAGE) (SEE BREAKDOWN FOR COMPONENTS)
2	6V-0852	2	CAP-DUST
3	6V-3965	2	FITTING AS
4	-----	1	SPOOL [Z]
5	9S-8001	2	PLUG
6	165-0391	1	PLUG AS
7	5H-3182	1	PIN-SPRING
8	165-0393	1	SPRING
9	-----	1	BODY [Z]
10	9S-4185	1	PLUG
11	3J-1907	2	SEAL-O-RING
12	3K-0360	2	SEAL-O-RING
13	4J-7533	2	SEAL-O-RING

[A] PART OF 169-8568 DRIVE GP-CREEPER
[Z] NOT SERVICED SEPARATELY

00692910
PR: t05f07j07b0216

170-5152 VALVE GP-CREEPER
S/N: 8AY1-UP
TYPE 2

MT700 SERIES TRACK TRACTORS
POWER TRAIN

501

170-5152 VALVE GP-CREEPER
S/N: 8AY1-UP
TYPE 2

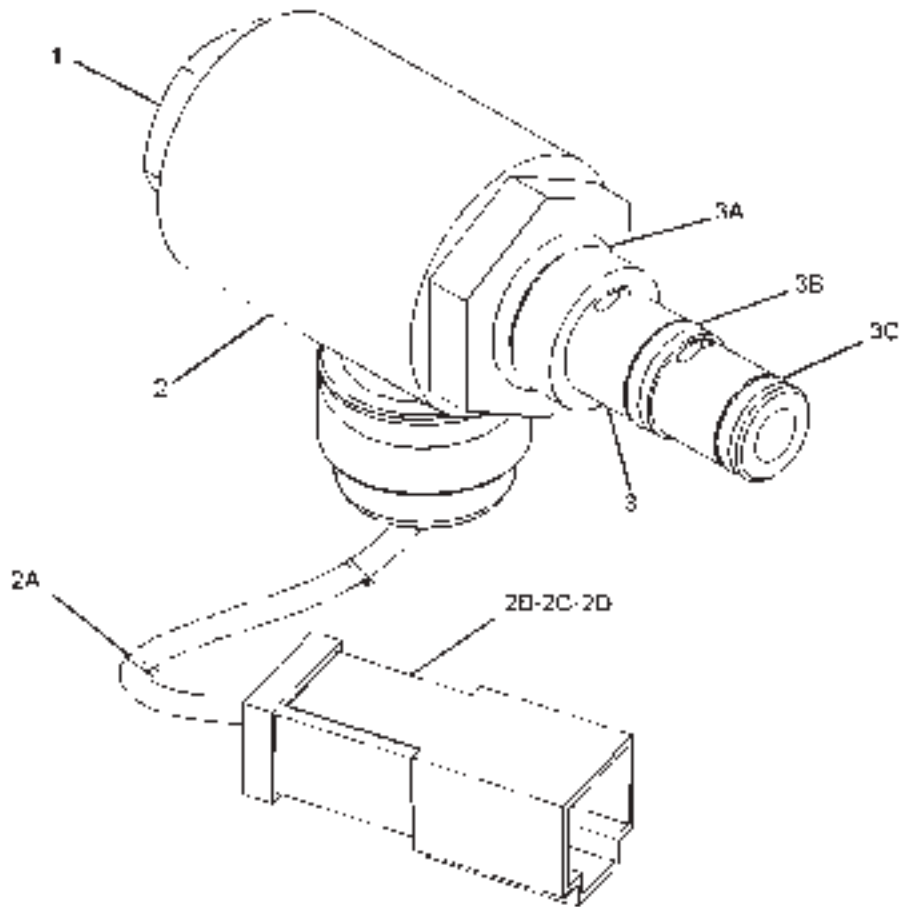
ITEM	NUMBER	QTY	DESCRIPTION
-	170-5152	--	VALVE GP-CREEPER [A]
1	189-8658	1	VALVE GP-SOLENOID (CREEPER ENGAGE/DISENGAGE) [C] (SEE BREAKDOWN FOR COMPONENTS)
2	6V-0852	2	CAP-DUST
3	6V-3965	2	FITTING AS
4	-----	1	SPOOL [Z]
5	9S-8001	2	PLUG
6	165-0391	1	PLUG AS
7	5H-3182	1	PIN-SPRING
8	165-0393	1	SPRING
9	-----	1	BODY [Z]
10	9S-4185	1	PLUG
11	3J-1907	2	SEAL-O-RING
12	3K-0360	2	SEAL-O-RING
13	4J-7533	2	SEAL-O-RING

[A] PART OF 169-8568 DRIVE GP-CREEPER
[C] CHANGE FROM PREVIOUS TYPE
[Z] NOT SERVICED SEPARATELY

01122927
PR: t05f07j07b0217

MT700 SERIES TRACK TRACTORS
POWER TRAIN

189-8658 VALVE GP-SOLENOID-CREEPER
ENGAGE, DISENGAGE
S/N: 8AY1-UP
12-VOLT



MT700 SERIES TRACK TRACTORS
POWER TRAIN

503

189-8658 VALVE GP-SOLENOID-CREEPER
ENGAGE, DISENGAGE
S/N: 8AY1-UP
12-VOLT

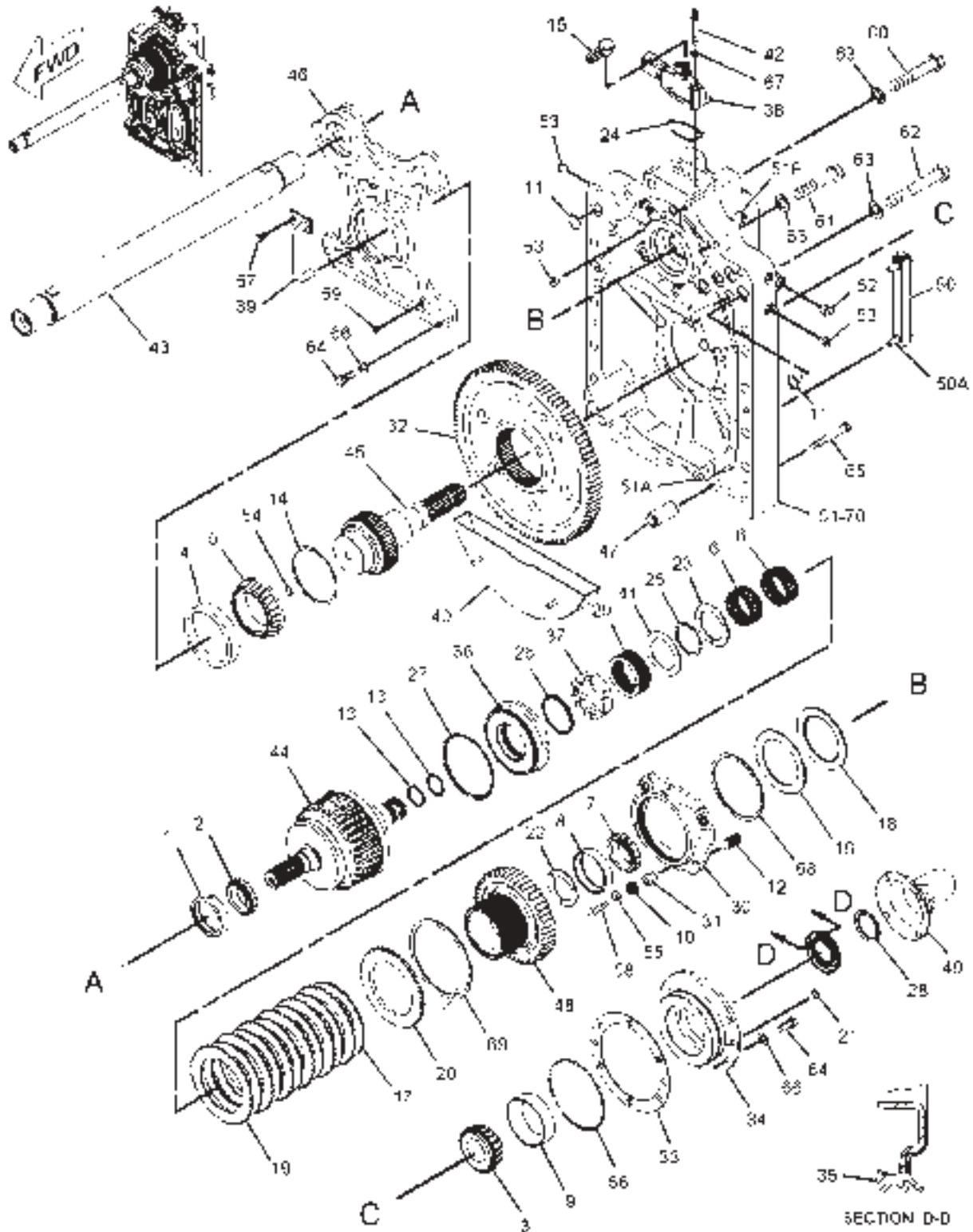
ITEM	NUMBER	QTY	DESCRIPTION
-	189-8658	--	VALVE GP-SOLENOID-CREEPER ENGAGE, DISENGAGE [A]
1	104-3947	1	LOCKNUT (5/8-11-THD)
2	176-6480	1	COILAS
2A	1S-9593	2	STRAP-CABLE
2B	102-8802	1	KIT-RECEPTACLE (2-PIN) (INCLUDES RECEPTACLE AS & WEDGE)
2C	3E-3365	1	WEDGE-RECEPTACLE LOCK (2-PIN)
2D	186-3735	1	PIN-CONNECTOR
3	234-6666	1	CARTRIDGE AS-VALVE
3A	-----	1	SEAL-O-RING [J] [Z]
3B	-----	1	SEAL-O-RING [J] [Z]
3C	-----	1	SEAL-O-RING [J] [Z]
	7T-4515	1	AVAILABLE REPAIR KIT(S): KIT-SEAL (CREEPER SOLENOID VALVE) [J]

[A] PART OF 170-5152 VALVE GP
[J] KIT MARKED J INCLUDES PARTS MARKED
[Z] NOT SERVICED SEPARATELY

01123015
PR: t05f07j07b0218

MT700 SERIES TRACK TRACTORS
POWER TRAIN

195-4531 POWER TAKE-OFF GP
S/N: AZA1-985; AZE1-1108; AZT1-870



MT700 SERIES TRACK TRACTORS
POWER TRAIN

505

195-4531 POWER TAKE-OFF GP
S/N: AZA1-985; AZE1-1108; AZT1-870

ITEM	NUMBER	QTY	DESCRIPTION
-	195-4531	--	POWER TAKE-OFF GP [A] (NOT SERVICED)
1	1J-8695	1	RACE-ROLLER BEARING (OUTER)
2	4B-8108	1	BEARING-INNER
3	008-3178	1	CONE-BEARING
4	030-0060	1	CUP-BEARING
5	030-0061	1	CONE-BEARING
6	124-0492	2	BEARING-CAGED
7	168-8390	1	BEARING AS
8	168-8391	1	RACE-ROLLER
9	2D-9190	1	CUP-BEARING
10	4B-4909	3	SPRING
11	4J-5267	4	SEAL-O-RING
12	4T-4200	3	SLUG (NOT SERVICED)
13	6I-8390	2	RING-SEAL
14	6V-0473	1	RING-RETAINING
15	6V-0852	1	CAP-DUST
16	6Y-5631	1	PLATE-CLUTCH
17	6Y-7922	6	DISC-FRICTION
18	6Y-7968	1	DISC-FRICTION
19	6Y-8512	6	PLATE-CLUTCH
20	6Y-8514	1	PLATE-END
21	7C-6467	2	PLUG
22	8E-8313	1	DISC-THRUST
23	8E-8653	1	DISC-THRUST
24	8S-0768	1	SEAL-O-RING
25	8T-0251	1	RING-RETAINING
26	9W-9399	1	RING-SEAL
27	9W-9436	1	RING-SEAL
28	160-6789	1	GUARD
29	161-8284	1	SPRING-WAVE
30	161-8739	1	PLATE-BRAKE
31	161-8848	3	BUSHING
32	164-3944	1	GEAR (99-TEETH)
33	164-3949	1	SHIM PACK (INCLUDES 13-SHIMS)
34	164-3950	1	CAGE-BEARING
35	164-3951	1	SEAL-LIP TYPE
36	164-4056	1	PISTON
37	164-4057	1	SLEEVE
38	216-5343	1	VALVE GP-MODULATING (SEE BREAKDOWN FOR COMPONENTS)
39	168-4558	1	TUBE AS

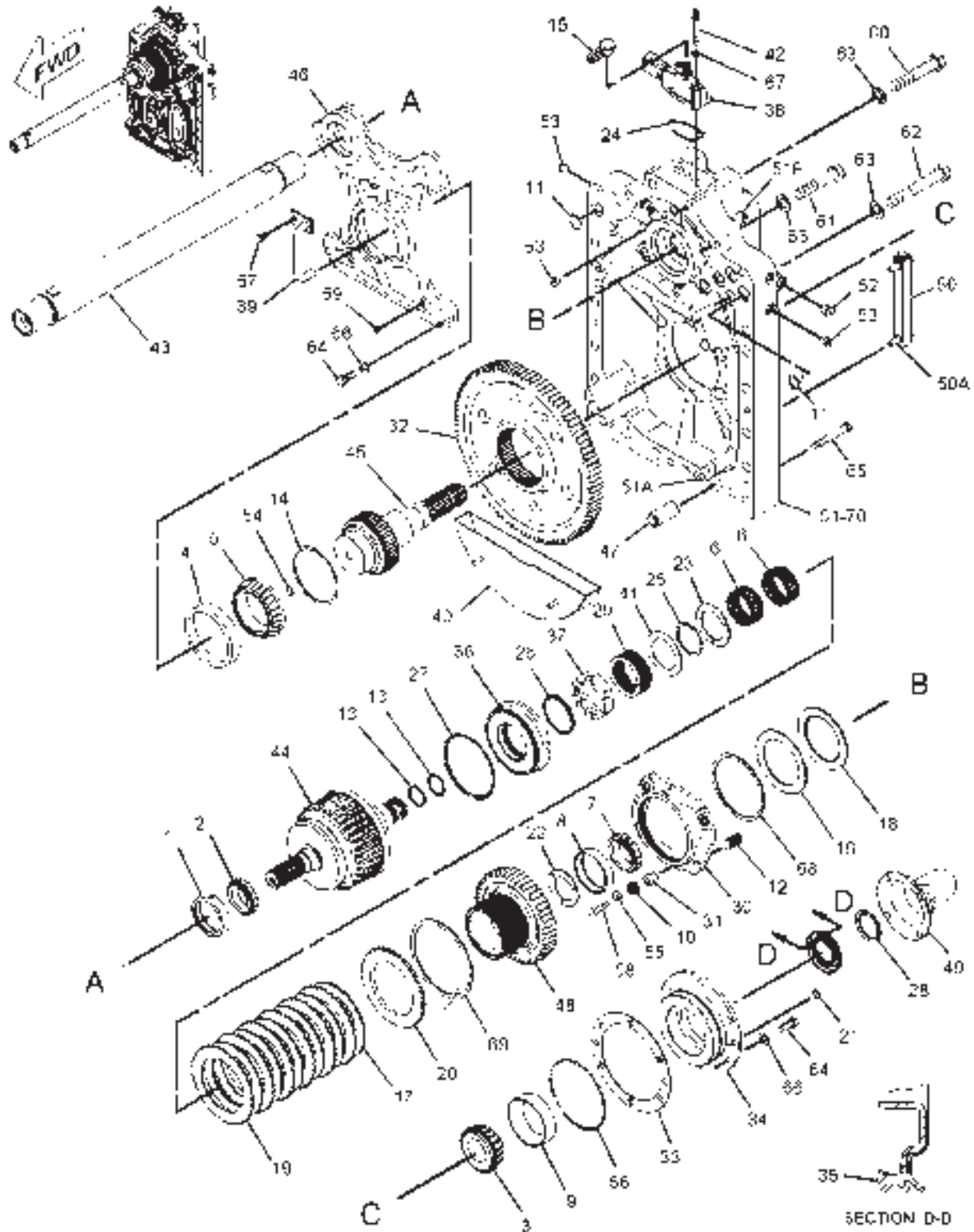
CONTINUED

[A] PART OF 171-4005, 171-4010,
213-8802 AXLE AR

01123499
PR: t05f07j07b0219

MT700 SERIES TRACK TRACTORS POWER TRAIN

195-4531 POWER TAKE-OFF GP
S/N: AZA1-985; AZE1-1108; AZT1-870



MT700 SERIES TRACK TRACTORS
POWER TRAIN

507

195-4531 POWER TAKE-OFF GP
S/N: AZA1-985; AZE1-1108; AZT1-870

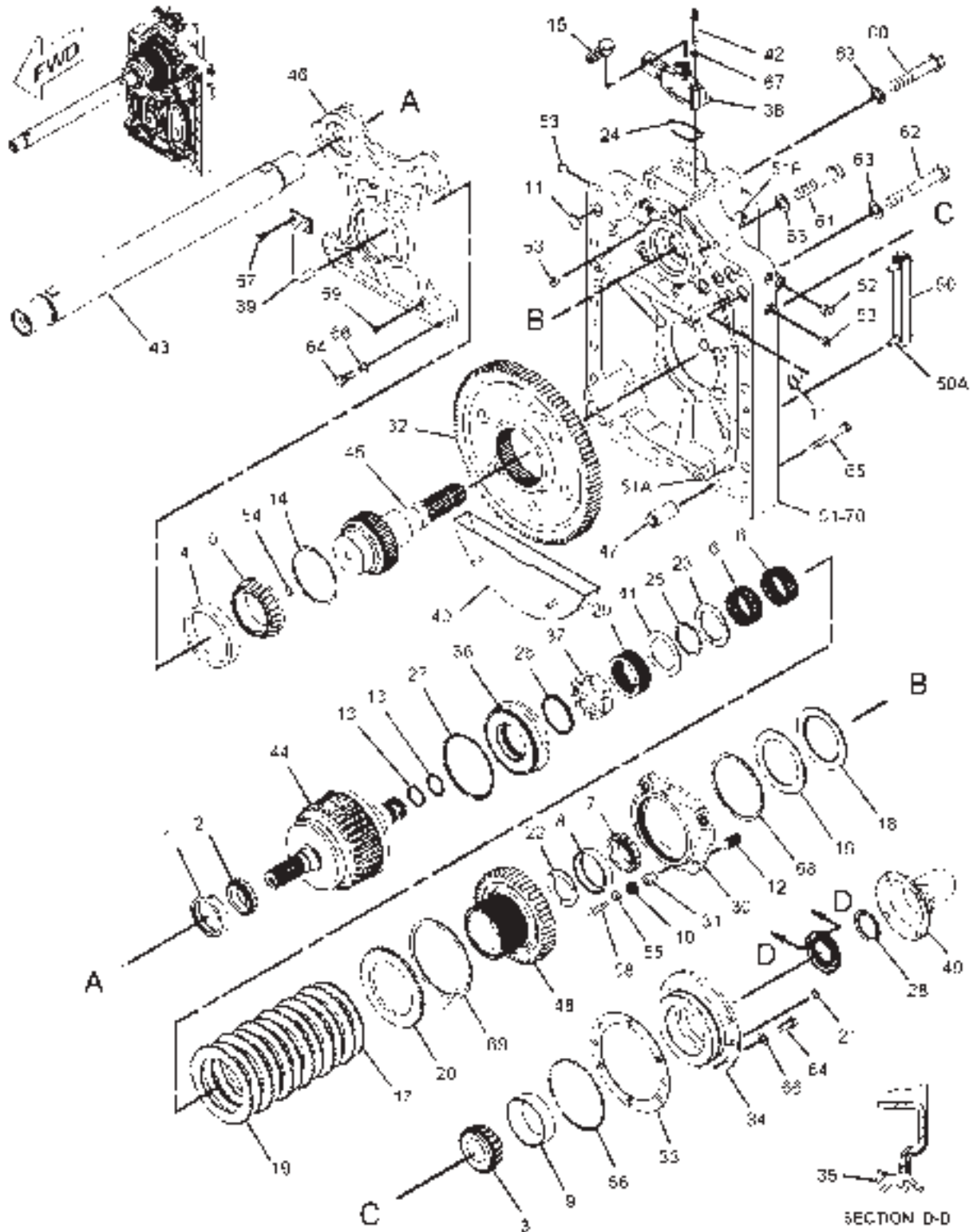
ITEM	NUMBER	QTY	DESCRIPTION
-	195-4531	--	POWER TAKE-OFF GP [A] (NOT SERVICED)
40	171-4001	1	SHIELD AS
	8C-8778	2	STUD-WELD (M8X1.25X25-MM OAL)
41	171-4004	1	RETAINER
42	185-9356	2	STUD (M8X1.25-THD)
43	194-0546	1	SHAFT AS
44	194-7768	1	SHAFT AS
	7T-9356	1	PLUG-CUP
	9W-0719	1	PLUG
	9W-0717	1	PLUG
45	195-3333	1	SHAFT
46	195-3335	1	CARRIER-BEARING
47	195-4773	2	DOWEL-HOLLOW
48	197-3738	1	GEAR (50-TEETH)
49	197-8661	1	COVER AS
50	214-9425	1	GAGE-SIGHT (POWER TAKE-OFF)
50A	121-7958	2	BOLT-MOUNTING (1/2-20X1.75-IN)
	5J-2974	4	SEAL-O-RING
51	215-2080	1	COVER AS
51A	5M-7937	2	DOWEL
51B	160-6785	4	BEARING-SLEEVE
52	148-8395	1	PLUG AS (NOT SERVICED)
	6V-6609	1	SEAL-O-RING
	9S-8005	1	PLUG
53	162-0177	4	PLUG AS (NOT SERVICED)
	3J-1907	1	SEAL-O-RING
	9S-8004	1	PLUG
54	1L-3162	1	RING-RETAINING
55	3E-4353	3	WASHER-HARD (11X25X3-MM THK)
56	5H-3252	1	SEAL-O-RING
57	6V-5215	1	BOLT (M8X1.25X16-MM)
58	6V-5842	3	BOLT (M10X1.5X40-MM)
59	6V-9189	2	LOCKNUT (M8X1.25-THD)
60	7X-2488	2	BOLT (M20X2.5X160-MM)
61	7X-2565	7	BOLT (M20X2.5X100-MM)
62	8C-8478	1	BOLT (M20X2.5X140-MM)
63	8T-4123	10	WASHER-PLATED (22X35X3.5-MM THK)
64	8T-4139	12	BOLT (M12X1.75X30-MM)
65	8T-4176	5	BOLT (M12X1.75X90-MM)
66	8T-4223	12	WASHER-HARD (13.5X25.5X3-MM THK)
67	8T-4224	2	WASHER-HARD (8.8X16X2-MM THK)
68	9U-8875	1	RING-RETAINING
69	9U-9797	1	RING-RETAINING
70	1U-8846	AR	SEALANT-GASKET

[A] PART OF 171-4005, 171-4010,
213-8802 AXLE AR

01123499
PR: t05f07j07b0219

MT700 SERIES TRACK TRACTORS POWER TRAIN

195-4531 POWER TAKE-OFF GP
S/N: AZA986-1307



MT700 SERIES TRACK TRACTORS
POWER TRAIN

509

195-4531 POWER TAKE-OFF GP
S/N: AZA986-1307

ITEM	NUMBER	QTY	DESCRIPTION
-	195-4531	--	POWER TAKE-OFF GP [A] (NOT SERVICED)
1	1J-8695	1	RACE-ROLLER BEARING (OUTER)
2	4B-8108	1	BEARING-INNER
3	008-3178	1	CONE-BEARING
4	030-0060	1	CUP-BEARING
5	030-0061	1	CONE-BEARING
6	124-0492	2	BEARING-CAGED
7	168-8390	1	BEARING AS
8	168-8391	1	RACE-ROLLER
9	2D-9190	1	CUP-BEARING
10	210-1975	3	SPRING
11	4J-5267	4	SEAL-O-RING
12	4T-4200	3	SLUG (NOT SERVICED)
13	6I-8390	2	RING-SEAL
14	6V-0473	1	RING-RETAINING
15	6V-0852	1	CAP-DUST
16	6Y-5631	1	PLATE-CLUTCH
17	6Y-7922	6	DISC-FRICTION
18	6Y-7968	1	DISC-FRICTION
19	6Y-8512	6	PLATE-CLUTCH
20	6Y-8514	1	PLATE-END
21	7C-6467	2	PLUG
22	8E-8313	1	DISC-THRUST
23	8E-8653	1	DISC-THRUST
24	8S-0768	1	SEAL-O-RING
25	8T-0251	1	RING-RETAINING
26	9W-9399	1	RING-SEAL
27	9W-9436	1	RING-SEAL
28	160-6789	1	GUARD
29	161-8284	1	SPRING-WAVE
30	161-8739	1	PLATE-BRAKE
31	161-8848	3	BUSHING
32	164-3944	1	GEAR (99-TEETH)
33	164-3949	1	SHIM PACK (INCLUDES 13-SHIMS)
34	164-3950	1	CAGE-BEARING
35	164-3951	1	SEAL-LIP TYPE
36	164-4056	1	PISTON
37	164-4057	1	SLEEVE
38	216-5343	1	VALVE GP-MODULATING [C] (SEE BREAKDOWN FOR COMPONENTS)
39	168-4558	1	TUBE AS

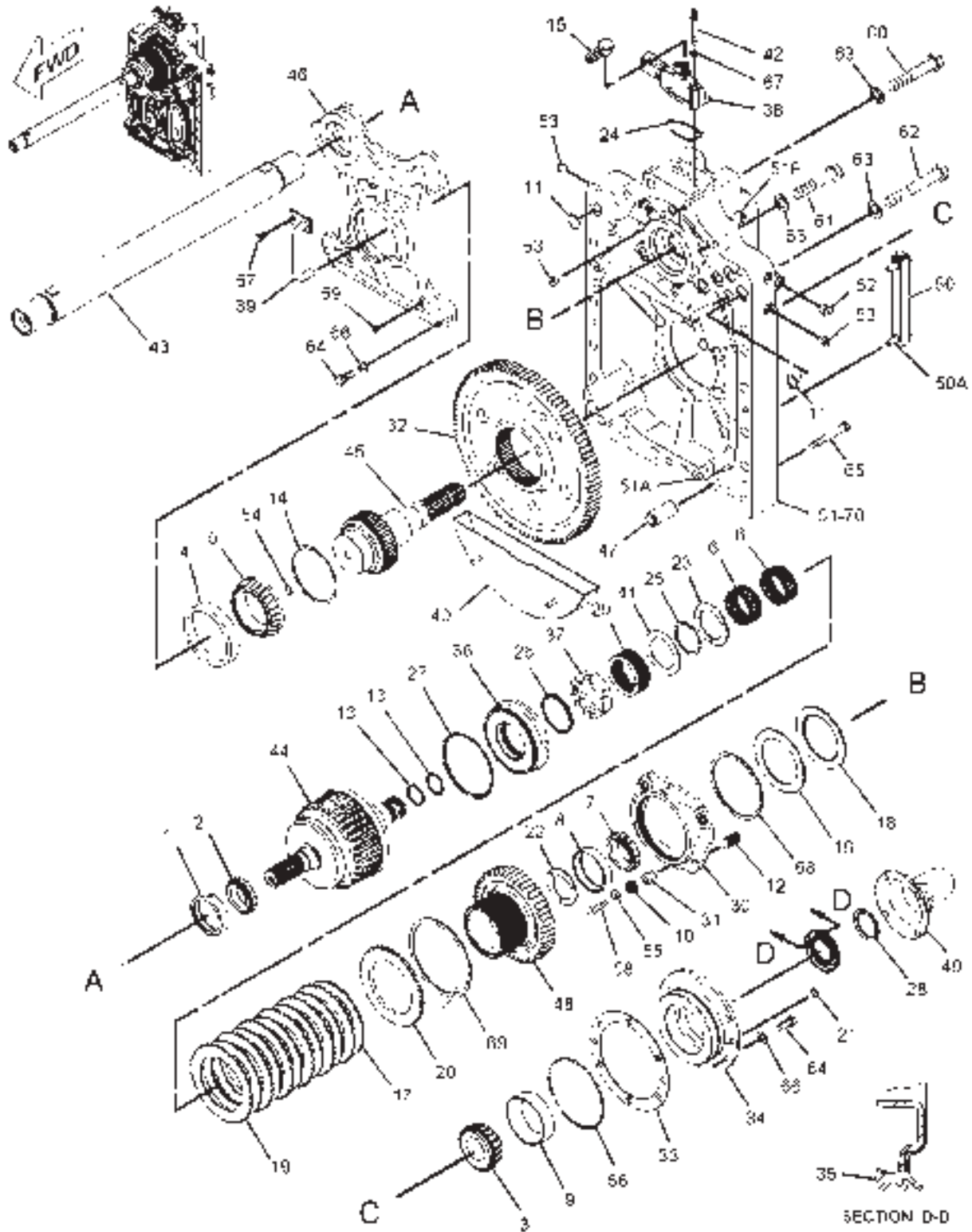
CONTINUED

[A] PART OF 171-4005 AXLE AR
[C] CHANGE FROM PREVIOUS TYPE

01123499
PR: t05f07j07b0220

MT700 SERIES TRACK TRACTORS
POWER TRAIN

195-4531 POWER TAKE-OFF GP
S/N: AZA986-1307



MT700 SERIES TRACK TRACTORS
POWER TRAIN

511

195-4531 POWER TAKE-OFF GP
S/N: AZA986-1307

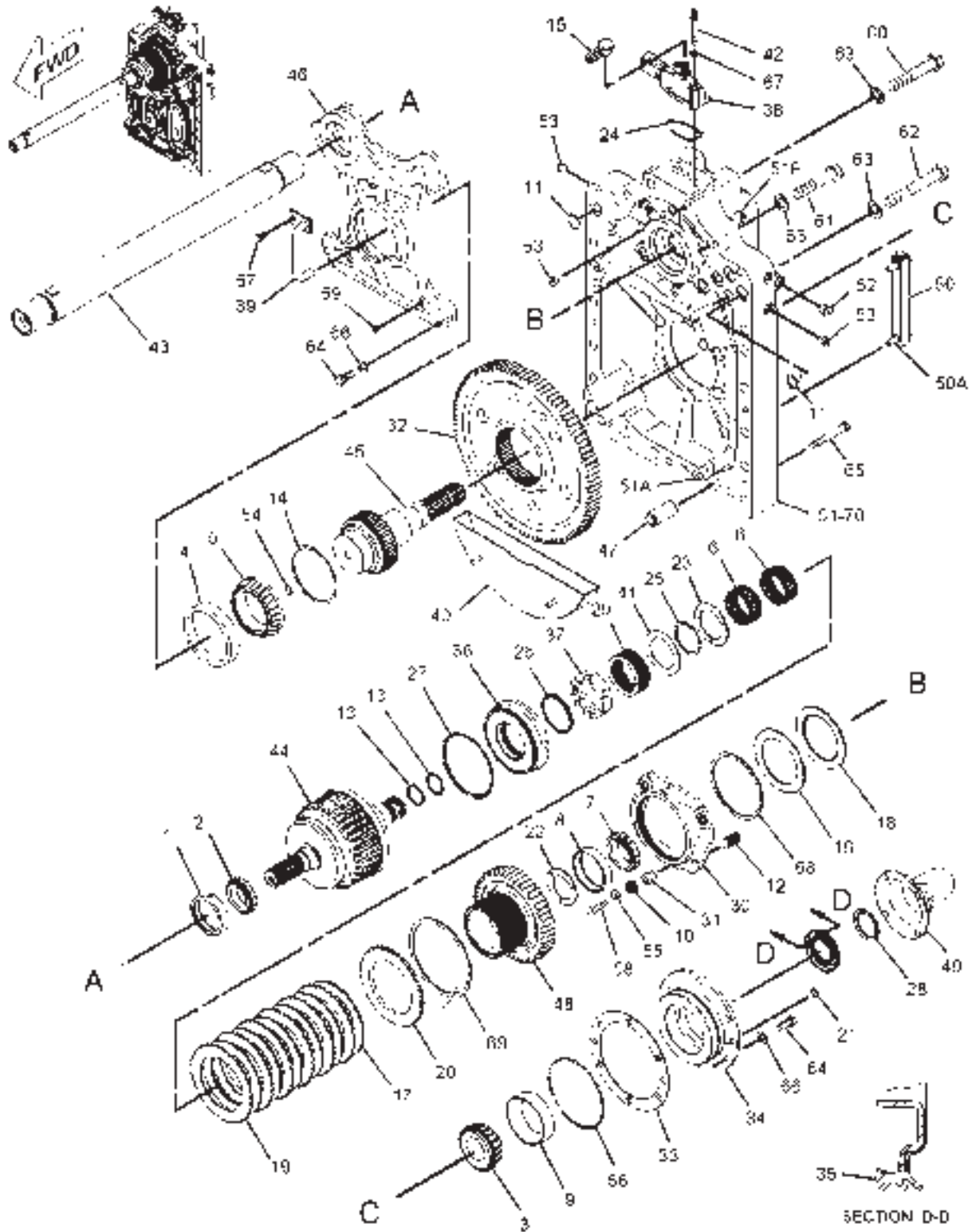
ITEM	NUMBER	QTY	DESCRIPTION
-	195-4531	--	POWER TAKE-OFF GP [A] (NOT SERVICED)
40	171-4001	1	SHIELD AS
	8C-8778	2	STUD-WELD (M8X1.25X25-MM OAL)
41	171-4004	1	RETAINER
42	185-9356	2	STUD (M8X1.25-THD)
43	194-0546	1	SHAFT AS
44	194-7768	1	SHAFT AS
	7T-9356	1	PLUG-CUP
	9W-0719	1	PLUG
	9W-0717	1	PLUG
45	195-3333	1	SHAFT
46	195-3335	1	CARRIER-BEARING
47	195-4773	2	DOWEL-HOLLOW
48	197-3738	1	GEAR (50-TEETH)
49	197-8661	1	COVER AS
50	214-9425	1	GAGE-SIGHT (POWER TAKE-OFF)
50A	121-7958	2	BOLT-MOUNTING (1/2-20X1.75-IN)
	5J-2974	4	SEAL-O-RING
51	215-2080	1	COVER AS
51A	5M-7937	2	DOWEL
51B	160-6785	4	BEARING-SLEEVE
52	148-8395	1	PLUG AS (NOT SERVICED)
	6V-6609	1	SEAL-O-RING
	9S-8005	1	PLUG
53	162-0177	4	PLUG AS (NOT SERVICED)
	3J-1907	1	SEAL-O-RING
	9S-8004	1	PLUG
54	1L-3162	1	RING-RETAINING
55	3E-4353	3	WASHER-HARD (11X25X3-MM THK)
56	5H-3252	1	SEAL-O-RING
57	6V-5215	1	BOLT (M8X1.25X16-MM)
58	6V-5842	3	BOLT (M10X1.5X40-MM)
59	6V-9189	2	LOCKNUT (M8X1.25-THD)
60	7X-2488	2	BOLT (M20X2.5X160-MM)
61	7X-2565	7	BOLT (M20X2.5X100-MM)
62	8C-8478	1	BOLT (M20X2.5X140-MM)
63	8T-4123	10	WASHER-PLATED (22X35X3.5-MM THK)
64	8T-4139	12	BOLT (M12X1.75X30-MM)
65	8T-4176	5	BOLT (M12X1.75X90-MM)
66	8T-4223	12	WASHER-HARD (13.5X25.5X3-MM THK)
67	8T-4224	2	WASHER-HARD (8.8X16X2-MM THK)
68	9U-8875	1	RING-RETAINING
69	9U-9797	1	RING-RETAINING
70	1U-8846	AR	SEALANT-GASKET

[A] PART OF 171-4005 AXLE AR

01123499
PR: t05f07j07b0220

MT700 SERIES TRACK TRACTORS
POWER TRAIN

195-4531 POWER TAKE-OFF GP
S/N: AZA1308-1365



MT700 SERIES TRACK TRACTORS
POWER TRAIN

513

195-4531 POWER TAKE-OFF GP
S/N: AZA1308-1365

ITEM	NUMBER	QTY	DESCRIPTION
-	195-4531	--	POWER TAKE-OFF GP [A] (NOT SERVICED)
1	1J-8695	1	RACE-ROLLER BEARING (OUTER)
2	4B-8108	1	BEARING-INNER
3	008-3178	1	CONE-BEARING
4	030-0060	1	CUP-BEARING
5	030-0061	1	CONE-BEARING
6	124-0492	2	BEARING-CAGED
7	168-8390	1	BEARING AS
8	168-8391	1	RACE-ROLLER
9	2D-9190	1	CUP-BEARING
10	210-1975	3	SPRING
11	4J-5267	4	SEAL-O-RING
12	4T-4200	3	SLUG (NOT SERVICED)
13	6I-8390	2	RING-SEAL
14	6V-0473	1	RING-RETAINING
15	6V-0852	1	CAP-DUST
16	6Y-5631	1	PLATE-CLUTCH
17	6Y-7922	6	DISC-FRICTION
18	6Y-7968	1	DISC-FRICTION
19	6Y-8512	6	PLATE-CLUTCH
20	6Y-8514	1	PLATE-END
21	7C-6467	2	PLUG
22	8E-8313	1	DISC-THRUST
23	8E-8653	1	DISC-THRUST
24	8S-0768	1	SEAL-O-RING
25	8T-0251	1	RING-RETAINING
26	9W-9399	1	RING-SEAL
27	9W-9436	1	RING-SEAL
28	160-6789	1	GUARD
29	161-8284	1	SPRING-WAVE
30	161-8739	1	PLATE-BRAKE
31	161-8848	3	BUSHING
32	164-3944	1	GEAR (99-TEETH)
33	164-3949	1	SHIM PACK (INCLUDES 13-SHIMS)
34	164-3950	1	CAGE-BEARING
35	164-3951	1	SEAL-LIP TYPE
36	164-4056	1	PISTON
37	164-4057	1	SLEEVE
38	216-5343	1	VALVE GP-MODULATING (SEE BREAKDOWN FOR COMPONENTS)
39	168-4558	1	TUBE AS
40	171-4001	1	SHIELD AS
	8C-8778	2	STUD-WELD (M8X1.25X25-MM OAL)
41	171-4004	1	RETAINER
42	185-9356	2	STUD (M8X1.25-THD)
43	194-0546	1	SHAFT AS
44	194-7768	1	SHAFT AS
	7T-9356	1	PLUG-CUP
	9W-0719	1	PLUG
	9W-0717	1	PLUG

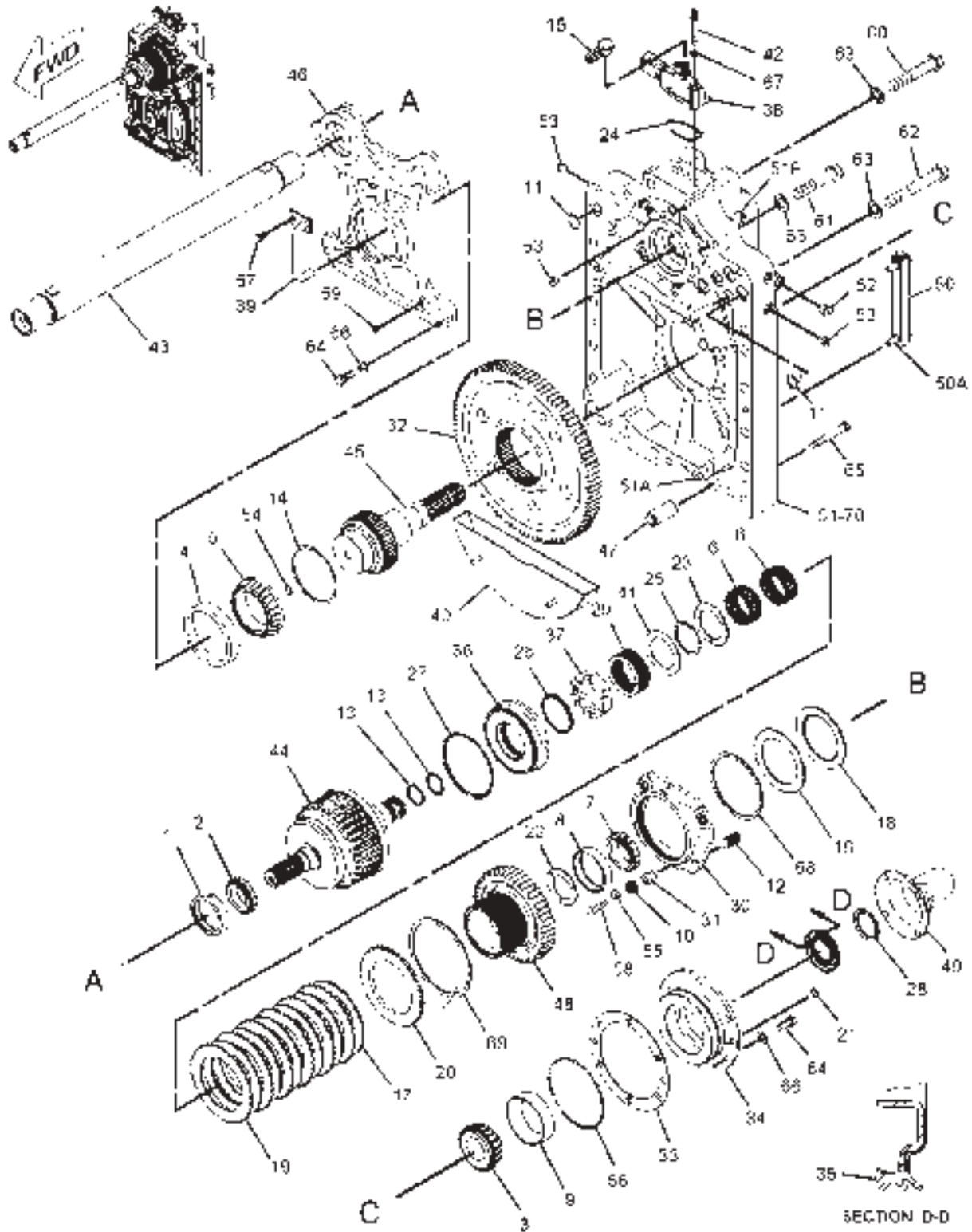
CONTINUED

[A] PART OF 171-4005 AXLE AR

01123499
PR: t05f07j07b0221

MT700 SERIES TRACK TRACTORS POWER TRAIN

195-4531 POWER TAKE-OFF GP
S/N: AZA1308-1365



MT700 SERIES TRACK TRACTORS
POWER TRAIN

515

195-4531 POWER TAKE-OFF GP
S/N: AZA1308-1365

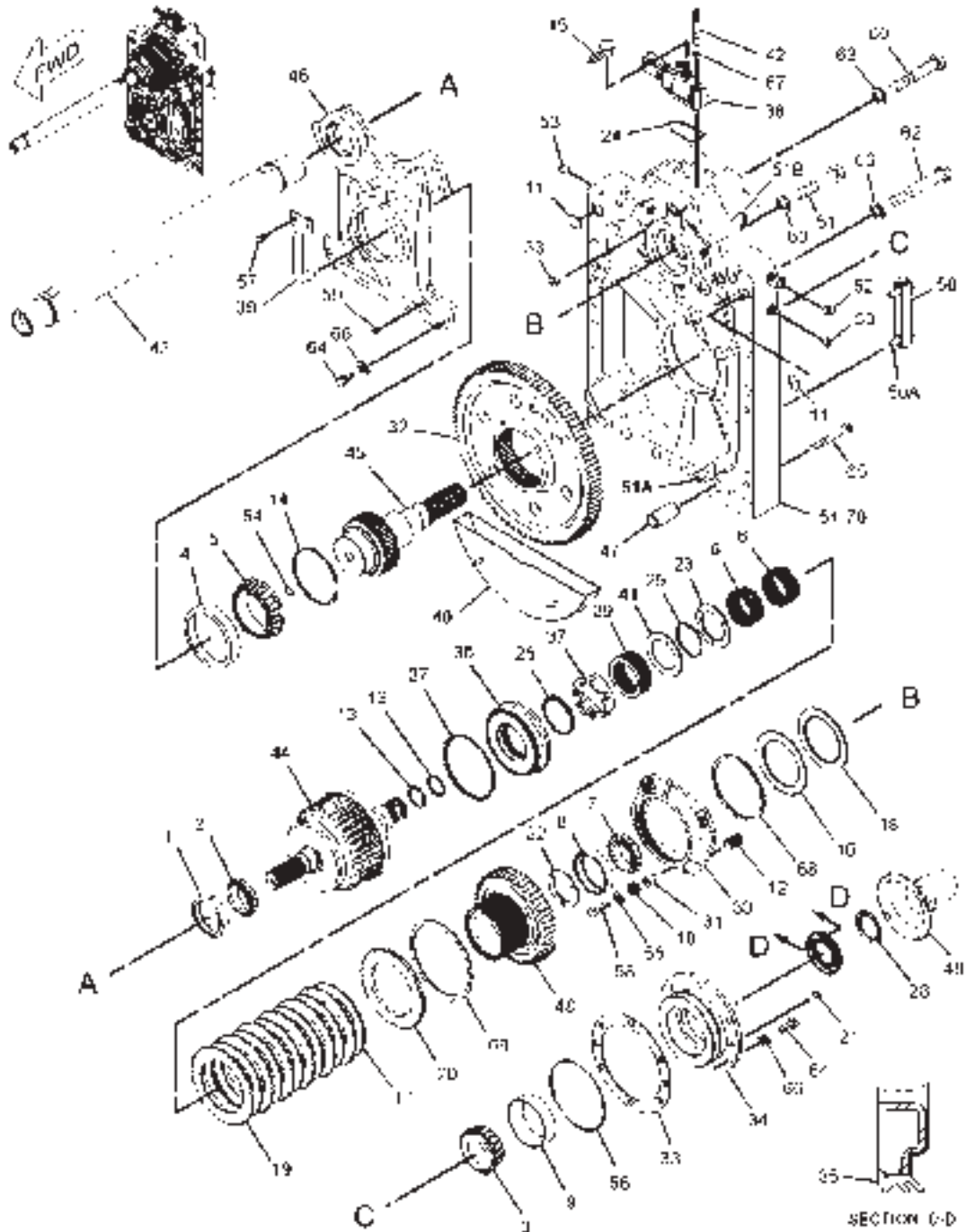
ITEM	NUMBER	QTY	DESCRIPTION
-	195-4531	--	POWER TAKE-OFF GP [A] (NOT SERVICED)
45	195-3333	1	SHAFT
46	195-3335	1	CARRIER-BEARING
47	195-4773	2	DOWEL-HOLLOW
48	197-3738	1	GEAR (50-TEETH)
49	197-8661	1	COVER AS
50	214-9425	1	GAGE-SIGHT (POWER TAKE-OFF)
50A	121-7958	2	BOLT-MOUNTING (1/2-20X1.75-IN)
	5J-2974	4	SEAL-O-RING
51	254-5743	1	COVER AS [C]
51A	5M-7937	2	DOWEL
51B	160-6785	4	BEARING-SLEEVE
52	148-8395	1	PLUG AS (NOT SERVICED)
	6V-6609	1	SEAL-O-RING
	9S-8005	1	PLUG
53	162-0177	4	PLUG AS (NOT SERVICED)
	3J-1907	1	SEAL-O-RING
	9S-8004	1	PLUG
54	1L-3162	1	RING-RETAINING
55	3E-4353	3	WASHER-HARD (11X25X3-MM THK)
56	5H-3252	1	SEAL-O-RING
57	6V-5215	1	BOLT (M8X1.25X16-MM)
58	6V-5842	3	BOLT (M10X1.5X40-MM)
59	6V-9189	2	LOCKNUT (M8X1.25-THD)
60	7X-2488	2	BOLT (M20X2.5X160-MM)
61	7X-2565	7	BOLT (M20X2.5X100-MM)
62	8C-8478	1	BOLT (M20X2.5X140-MM)
63	8T-4123	10	WASHER-PLATED (22X35X3.5-MM THK)
64	8T-4139	12	BOLT (M12X1.75X30-MM)
65	8T-4176	5	BOLT (M12X1.75X90-MM)
66	8T-4223	12	WASHER-HARD (13.5X25.5X3-MM THK)
67	8T-4224	2	WASHER-HARD (8.8X16X2-MM THK)
68	9U-8875	1	RING-RETAINING
69	9U-9797	1	RING-RETAINING
70	1U-8846	AR	SEALANT-GASKET

[A] PART OF 171-4005 AXLE AR
[C] CHANGE FROM PREVIOUS TYPE

01123499
PR: t05f07j07b0221

MT700 SERIES TRACK TRACTORS
POWER TRAIN

195-4531 POWER TAKE-OFF GP
S/N: AZA1366-UP



MT700 SERIES TRACK TRACTORS
POWER TRAIN

517

195-4531 POWER TAKE-OFF GP
S/N: AZA1366-UP

ITEM	NUMBER	QTY	DESCRIPTION
-	195-4531	--	POWER TAKE-OFF GP [A] (NOT SERVICED)
1	1J-8695	1	RACE-ROLLER BEARING (OUTER)
2	4B-8108	1	BEARING-INNER
3	008-3178	1	CONE-BEARING
4	030-0060	1	CUP-BEARING
5	030-0061	1	CONE-BEARING
6	124-0492	2	BEARING-CAGED
7	168-8390	1	BEARING AS
8	168-8391	1	RACE-ROLLER
9	2D-9190	1	CUP-BEARING
10	210-1975	3	SPRING
11	4J-5267	4	SEAL-O-RING
12	4T-4200	3	SLUG (NOT SERVICED)
13	6I-8390	2	RING-SEAL
14	6V-0473	1	RING-RETAINING
15	6V-0852	1	CAP-DUST
16	6Y-5631	1	PLATE-CLUTCH
17	6Y-7922	6	DISC-FRICTION
18	6Y-7968	1	DISC-FRICTION
19	6Y-8512	6	PLATE-CLUTCH
20	6Y-8514	1	PLATE-END
21	7C-6467	2	PLUG
22	8E-8313	1	DISC-THRUST
23	8E-8653	1	DISC-THRUST
24	8S-0768	1	SEAL-O-RING
25	8T-0251	1	RING-RETAINING
26	9W-9399	1	RING-SEAL
27	9W-9436	1	RING-SEAL
28	160-6789	1	GUARD
29	161-8284	1	SPRING-WAVE
30	161-8739	1	PLATE-BRAKE
31	161-8848	3	BUSHING
32	164-3944	1	GEAR (99-TEETH)
33	164-3949	1	SHIM PACK (INCLUDES 13-SHIMS)
34	164-3950	1	CAGE-BEARING
35	164-3951	1	SEAL-LIP TYPE
36	164-4056	1	PISTON
37	164-4057	1	SLEEVE
38	216-5343	1	VALVE GP-MODULATING (SEE BREAKDOWN FOR COMPONENTS)
39	168-4558	1	TUBE AS
40	171-4001	1	SHIELD AS
	8C-8778	2	STUD-WELD (M8X1.25X25-MM OAL)
41	171-4004	1	RETAINER
42	185-9356	2	STUD (M8X1.25-THD)
43	194-0546	1	SHAFT AS
44	194-7768	1	SHAFT AS
	7T-9356	1	PLUG-CUP
	9W-0719	1	PLUG
	9W-0717	1	PLUG

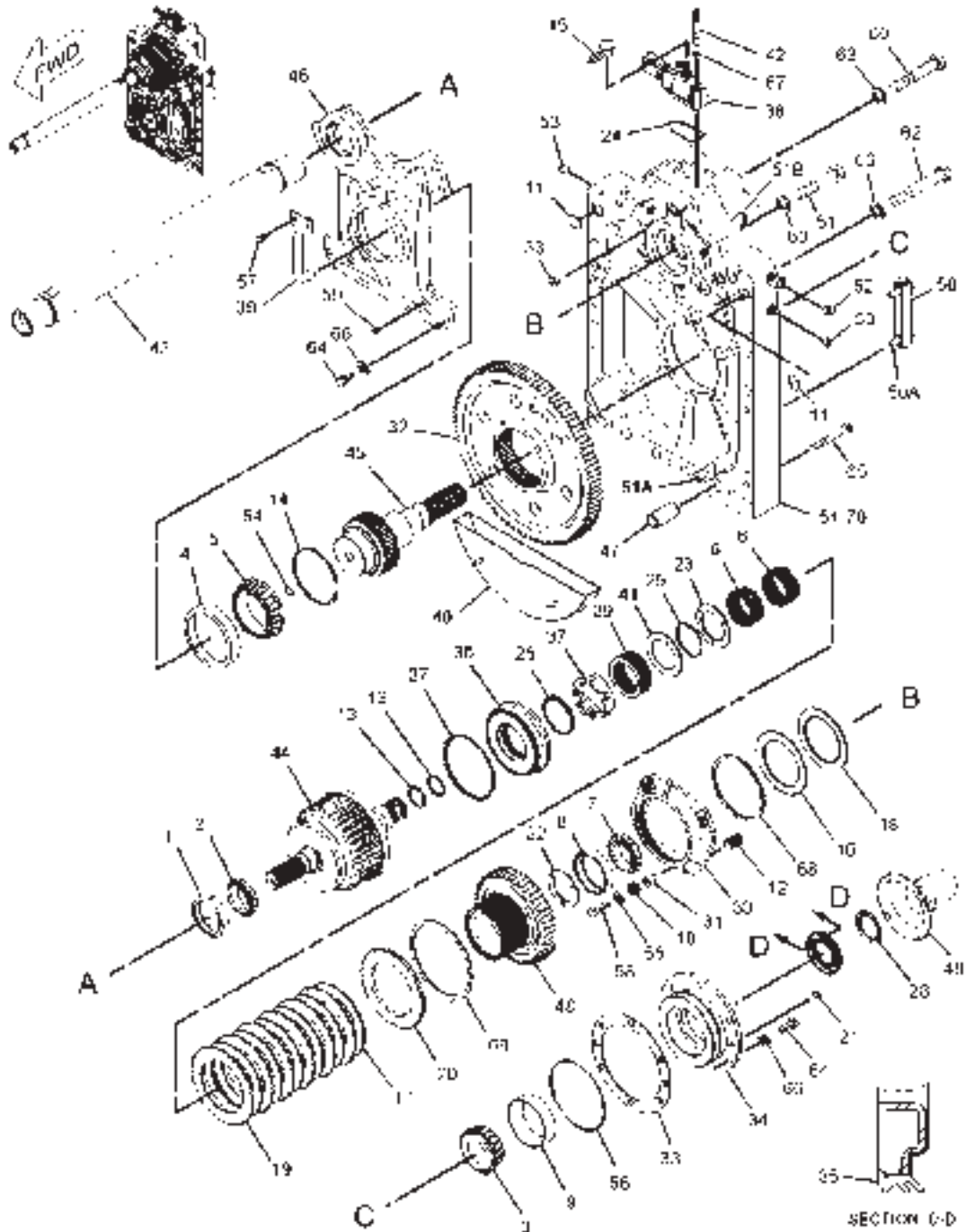
CONTINUED

[A] PART OF 171-4005 AXLE AR

01123354
PR: t05f07j07b0222

MT700 SERIES TRACK TRACTORS
POWER TRAIN

195-4531 POWER TAKE-OFF GP
S/N: AZA1366-UP



**MT700 SERIES TRACK TRACTORS
POWER TRAIN**

519

**195-4531 POWER TAKE-OFF GP
S/N: AZA1366-UP**

ITEM	NUMBER	QTY	DESCRIPTION
-	195-4531	--	POWER TAKE-OFF GP [A] (NOT SERVICED)
45	195-3333	1	SHAFT
46	195-3335	1	CARRIER-BEARING
47	195-4773	2	DOWEL-HOLLOW
48	197-3738	1	GEAR (50-TEETH)
49	197-8661	1	COVER AS
50	243-5252	1	GAGE-SIGHT (POWER TAKE-OFF) [C]
50A	121-7958	2	BOLT-MOUNTING (1/2-20X1.75-IN)
	5J-2974	4	SEAL-O-RING
51	254-5744	1	COVER AS [C]
51A	5M-7937	2	DOWEL
51B	160-6785	4	BEARING-SLEEVE
52	148-8395	1	PLUG AS (NOT SERVICED)
	6V-6609	1	SEAL-O-RING
	9S-8005	1	PLUG
53	162-0177	4	PLUG AS (NOT SERVICED)
	3J-1907	1	SEAL-O-RING
	9S-8004	1	PLUG
54	1L-3162	1	RING-RETAINING
55	3E-4353	3	WASHER-HARD (11X25X3-MM THK)
56	5H-3252	1	SEAL-O-RING
57	6V-5215	1	BOLT (M8X1.25X16-MM)
58	6V-5842	3	BOLT (M10X1.5X40-MM)
59	6V-9189	2	LOCKNUT (M8X1.25-THD)
60	7X-2488	2	BOLT (M20X2.5X160-MM)
61	7X-2565	7	BOLT (M20X2.5X100-MM)
62	8C-8478	1	BOLT (M20X2.5X140-MM)
63	8T-4123	10	WASHER-PLATED (22X35X3.5-MM THK)
64	8T-4139	12	BOLT (M12X1.75X30-MM)
65	8T-4176	5	BOLT (M12X1.75X90-MM)
66	8T-4223	12	WASHER-HARD (13.5X25.5X3-MM THK)
67	8T-4224	2	WASHER-HARD (8.8X16X2-MM THK)
68	9U-8875	1	RING-RETAINING
69	9U-9797	1	RING-RETAINING
70	1U-8846	AR	SEALANT-GASKET

[A] PART OF 171-4005 AXLE AR
[C] CHANGE FROM PREVIOUS TYPE

01123354
PR: t05f07j07b0222

520

MT700 SERIESTRACKTRACTORS
FRAME AND BODY

CHASSIS AR - 159-9486
ROW ONLY

NO ILLUSTRATION

NOTIF

MT700 SERIESTRACKTRACTORS
FRAME AND BODY

521

CHASSIS AR - 159-9486
ROW ONLY

ITEM	NUMBER	QTY	DESCRIPTION
-	159-9486	--	CHASSIS AR [A] (NOT SERVICED)
1	152-0430	1	MOUNTING GP-ROPS (NOT SERVICED) (SEE BREAKDOWN FOR COMPONENTS)
2	156-1323	1	FRAME GP (NOT SERVICED) (SEE BREAKDOWN FOR COMPONENTS)
3	156-1325	1	STEP GP (NOT SERVICED) (SEE BREAKDOWN FOR COMPONENTS)
4	203-9178	1	HANDRAIL GP (BASIC) (NOT SERVICED) (SEE BREAKDOWN FOR COMPONENTS)

[A] PART OF 177-1588 BASE COMMON AR

NOTIF
PR: t05f07j07b0223

522

MT700 SERIESTRACKTRACTORS
FRAME AND BODY

CHASSIS AR - 174-4614
EAME ONLY

NO ILLUSTRATION

NOTIF

MT700 SERIESTRACKTRACTORS
FRAME AND BODY

523

CHASSIS AR - 174-4614
EAME ONLY

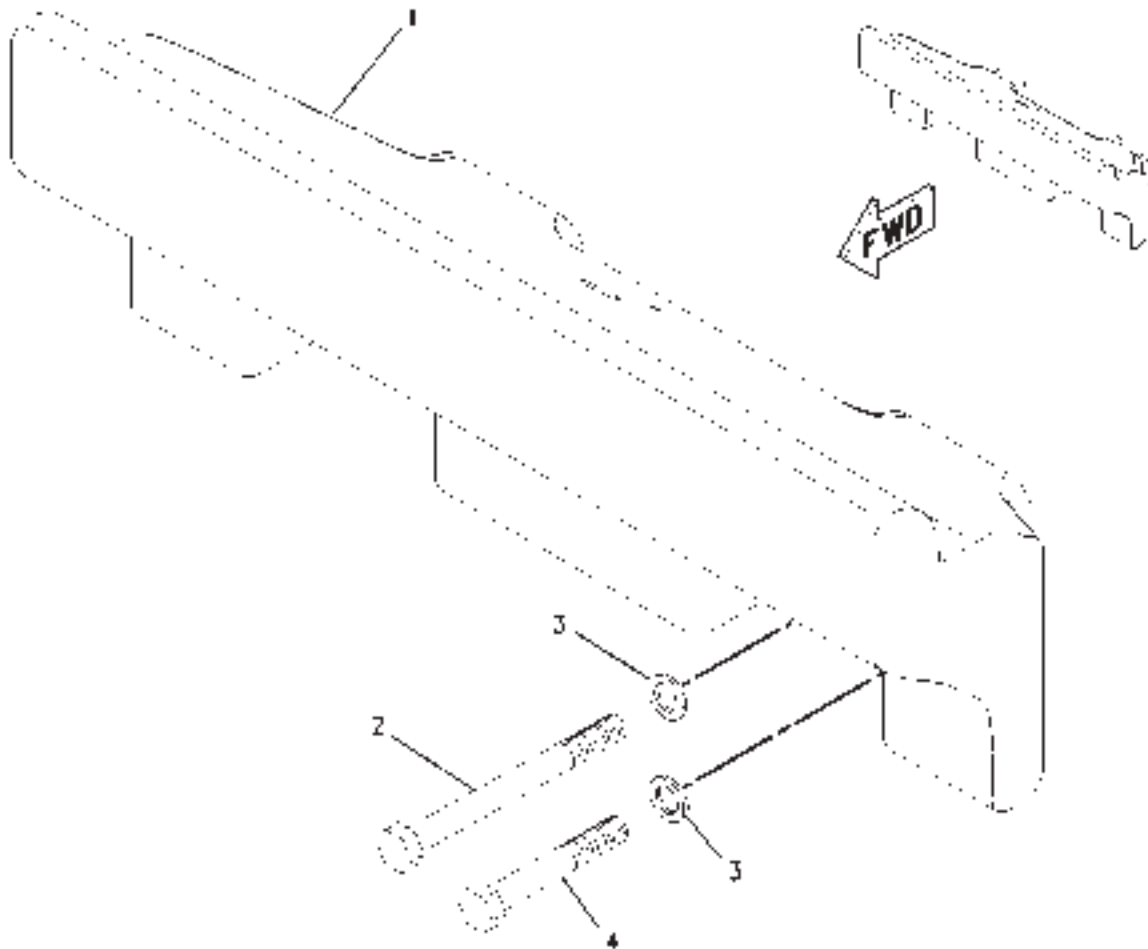
ITEM	NUMBER	QTY	DESCRIPTION
-	174-4614	--	CHASSIS AR [A] (NOT SERVICED)
1	152-0430	1	MOUNTING GP-ROPS (NOT SERVICED) (SEE BREAKDOWN FOR COMPONENTS)
2	156-1323	1	FRAME GP (NOT SERVICED) (SEE BREAKDOWN FOR COMPONENTS)
3	156-1325	1	STEP GP (NOT SERVICED) (SEE BREAKDOWN FOR COMPONENTS)
4	179-3241	1	GUARD GP-SPECTATOR (NOT SERVICED) (SEE BREAKDOWN FOR COMPONENTS)
5	203-9179	1	HANDRAIL GP (NOT SERVICED) (SEE BREAKDOWN FOR COMPONENTS)
6	208-3021	1	GUARD GP-AXLE (NOT SERVICED) (SEE BREAKDOWN FOR COMPONENTS)

[A] PART OF 177-1589 BASE COMMON AR

NOTIF
PR: t05f07j07b0224

MT700 SERIES TRACK TRACTORS
FRAME AND BODY

COUNTERWEIGHT GP - 165-7159
FRONT BRACKET
ROW ONLY



MT700 SERIESTRACKTRACTORS
FRAME AND BODY

525

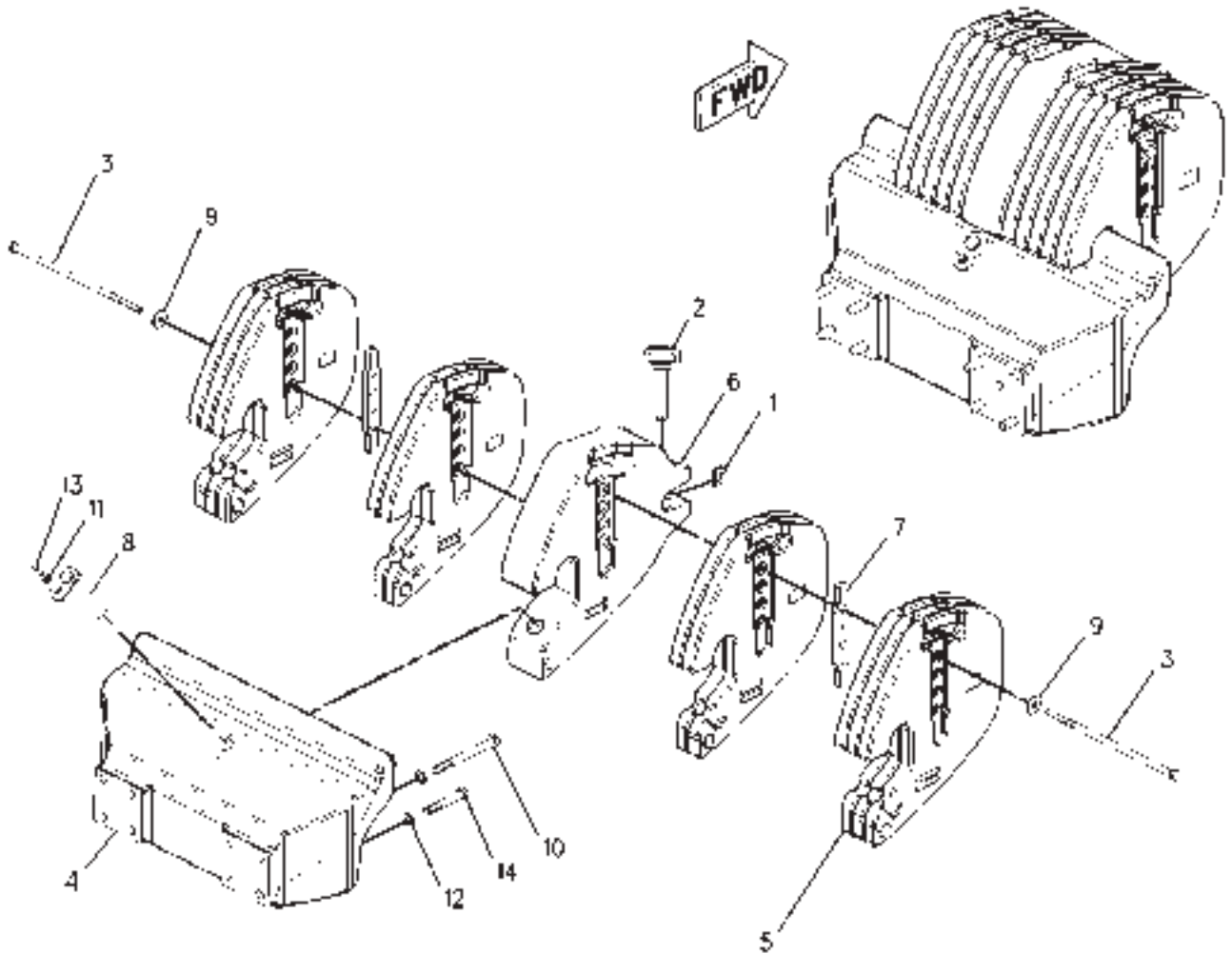
COUNTERWEIGHT GP - 165-7159
FRONT BRACKET
ROW ONLY

ITEM	NUMBER	QTY	DESCRIPTION
-	165-7159	--	BRACKET GP-FRONT COUNTERWEIGHT (NOT SERVICED)
1	202-9219	1	BRACKET
2	400034X1	4	BOLT (M20X2.5X200MM)
3	400080X1	8	WASHER-PLATED (22X35X3.5MM THK)
4	400236X1	4	BOLT (M20X2.5X120MM)

00809703
PR: t05f07j07b0225

MT700 SERIES TRACK TRACTORS
FRAME AND BODY

COUNTERWEIGHT GP-FRONT - 502114D1
10 WEIGHTS (871KG/1920 LB)
EAME ONLY



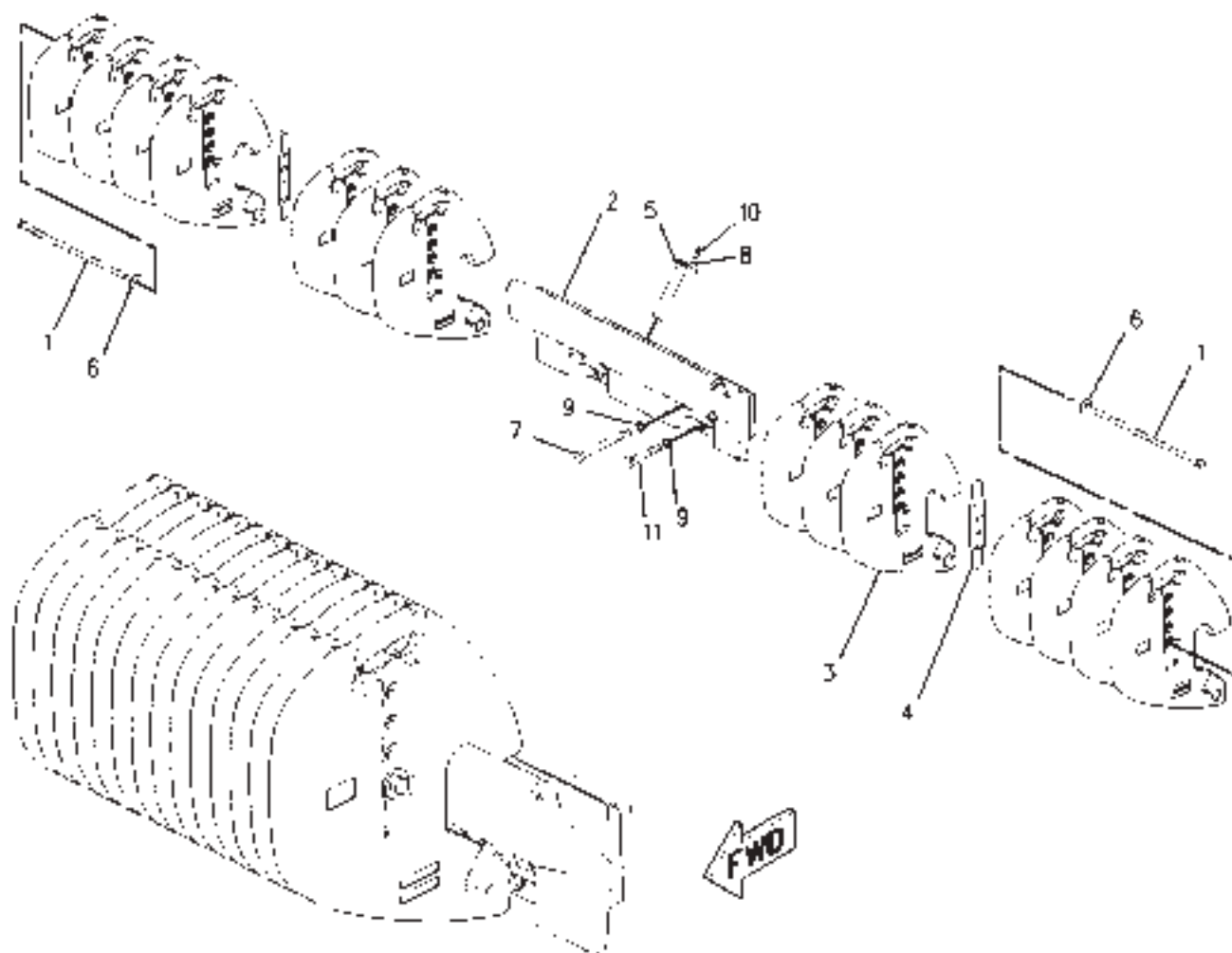
MT700 SERIES TRACK TRACTORS
FRAME AND BODY

527

COUNTERWEIGHT GP-FRONT - 502114D1
10 WEIGHTS (871KG/1920 LB)
EAME ONLY

ITEM	NUMBER	QTY	DESCRIPTION
-	502114D1	--	COUNTERWEIGHT GP-FRONT (NOT SERVICED)
1	CH5P-8837	1	LOCK PIN
2	CH137-9775	1	PIN AS (HITCH)
3	400268X1	2	BOLT (M16X2X440MM)
4	502112D1	1	BRACKET-CTWT, FRONT
5	202-9220	10	WEIGHT
6	502113D1	1	WEIGHT (CENTER)
7	202-9223	2	PLATE
8	CH202-9222	1	PIN AS
9	CH7X-0583	2	WASHER-HARD (17X45X6MM THK)
10	400194X1	4	BOLT (M20X2.5X180MM)
11	400357X1	1	WASHER-HARD (M12X25.5X3MM THK)
12	400080X1	8	WASHER-PLATED (22X35X3.5MM THK)
13	400041X1	1	BOLT (M12X1.75X30MM)
14	400236X1	4	BOLT (M20X2.5X120MM)

00874543
PR: t05f07j07b0226

COUNTERWEIGHT GP-FRONT - 191-3096
14 WEIGHTS (908KG/2002 LB)
ROW ONLY

MT700 SERIESTRACKTRACTORS
FRAME AND BODY

529

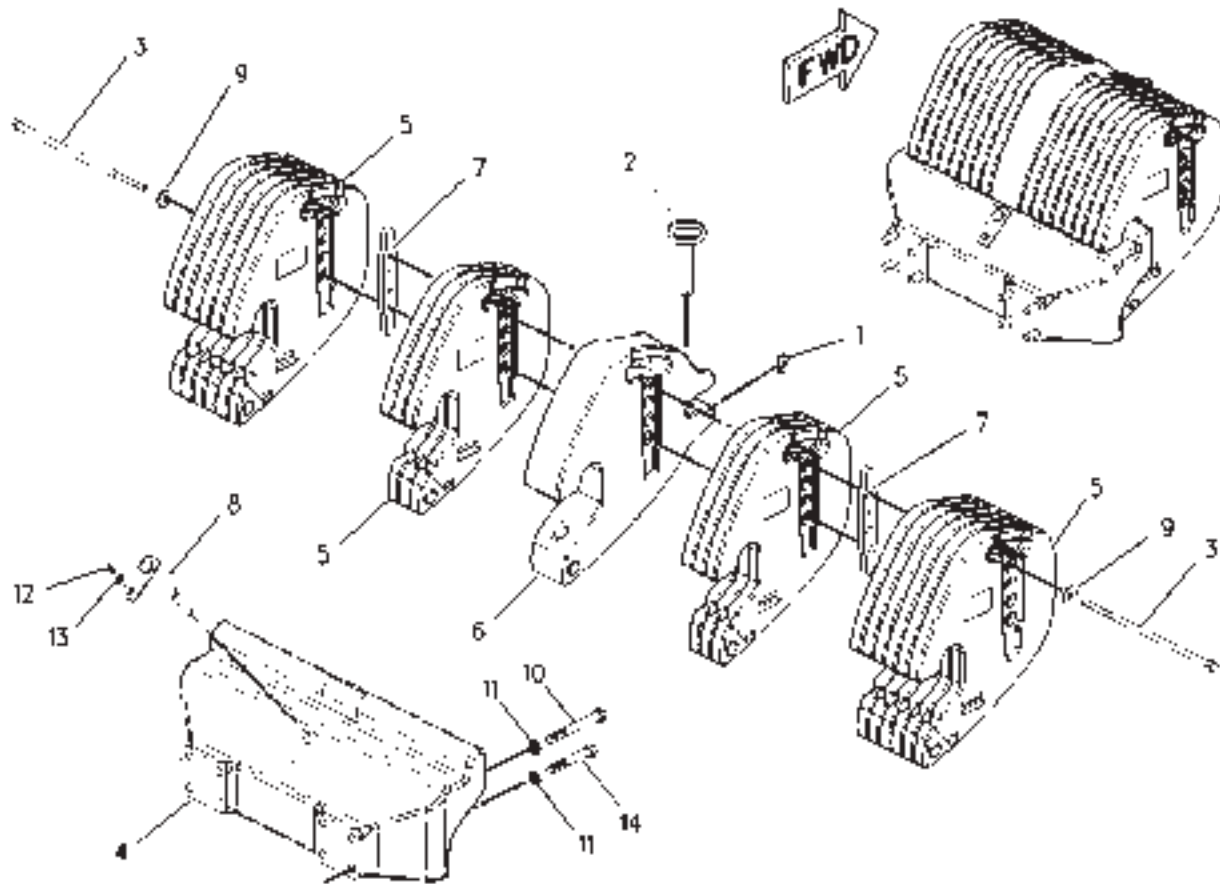
COUNTERWEIGHT GP-FRONT - 191-3096
14 WEIGHTS (908KG/2002 LB)
ROW ONLY

ITEM	NUMBER	QTY	DESCRIPTION
-	191-3096	--	COUNTERWEIGHT GP-FRONT (NOT SERVICED)
1	400268X1	2	BOLT (M16X2X440MM)
2	202-9219	1	BRACKET
3	202-9220	14	WEIGHT
4	202-9223	2	PLATE
5	CH202-9222	1	PIN AS.
6	CH7X-0583	2	WASHER-HARD (17X45X6MM THK)
7	400034X1	4	BOLT (M20X2.5X200MM)
8	400357X1	1	WASHER-HARD (M12X25.5X3MM THK)
9	400080X1	8	WASHER-PLATED (22X35X3.5MM THK)
10	400041X1	1	BOLT (M12X1.75X30MM)
11	400236X1	4	BOLT (M20X2.5X120MM)

00874495
PR: t05f07j07b0227

MT700 SERIES TRACK TRACTORS
FRAME AND BODY

COUNTERWEIGHT GP-FRONT - 502115D1
16 WEIGHTS (1151KG/2537 LB)
EAME ONLY



MT700 SERIES TRACK TRACTORS
FRAME AND BODY

531

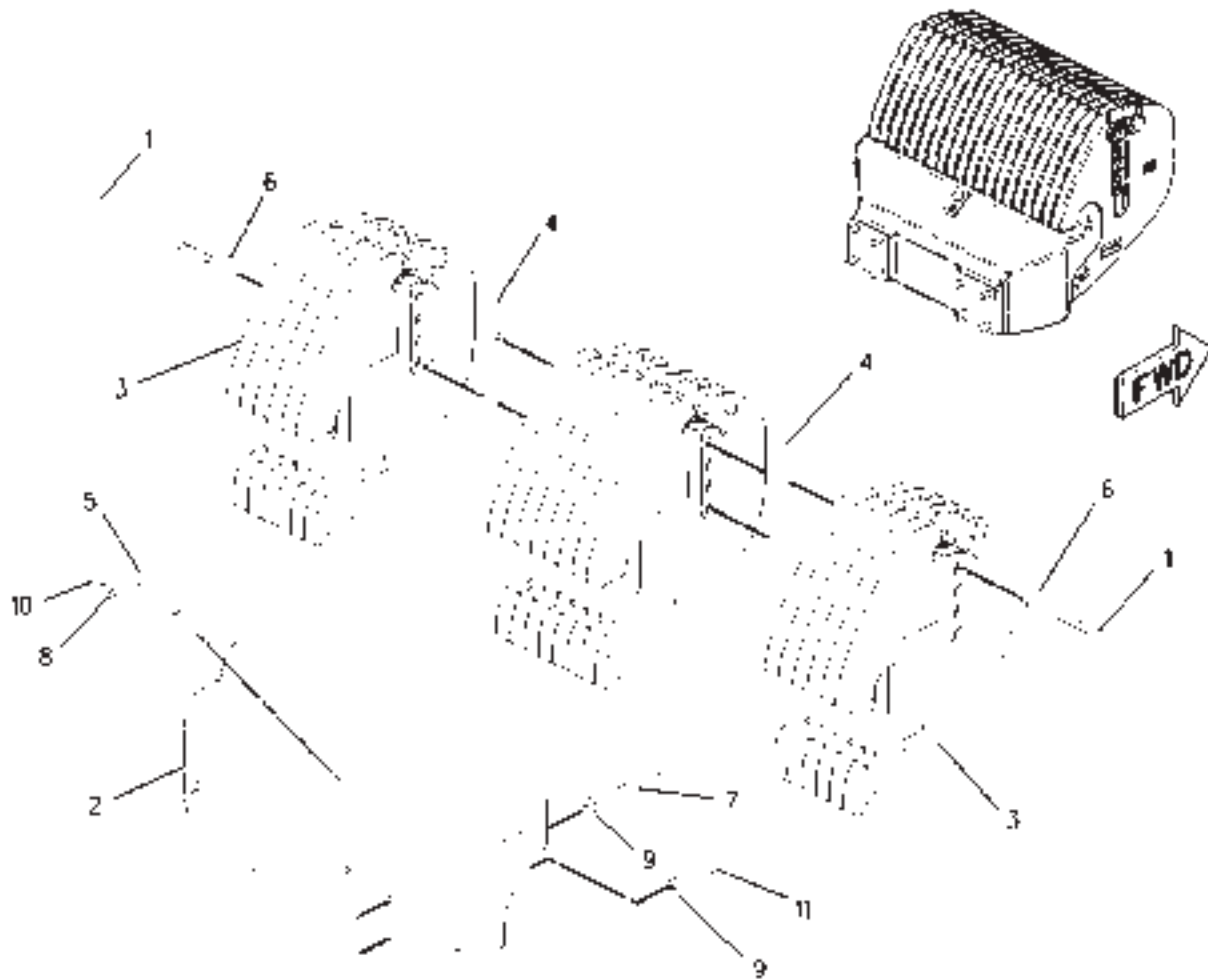
COUNTERWEIGHT GP-FRONT - 502115D1
16 WEIGHTS (1151KG/2537 LB)
EAME ONLY

ITEM	NUMBER	QTY	DESCRIPTION
-	502115D1	--	COUNTERWEIGHT GP-FRONT (NOT SERVICED)
1	CH5P-8837	1	LOCK PIN
2	CH137-9775	1	PIN AS (HITCH)
3	400267X1	2	BOLT (M16X2X550MM)
4	502112D1	1	BRACKET-CTWT, FRONT
5	202-9220	16	WEIGHT
6	502113D1	1	WEIGHT (CENTER)
7	202-9223	2	PLATE
8	CH202-9222	1	PIN AS
9	CH7X-0583	2	WASHER-HARD (17X45X6MM THK)
10	400194X1	4	BOLT (M20X2.5X180MM)
11	400080X1	8	WASHER-PLATED (22X35X3.5MM THK)
12	400041X1	1	BOLT (M12X1.75X30MM)
13	400357X1	1	WASHER-HARD (M12X25.5X3MM THK)
14	400236X1	4	BOLT (M20X2.5X120MM)

00831566
PR: t05f07j07b0228

MT700 SERIES TRACK TRACTORS
FRAME AND BODY

COUNTERWEIGHT GP-FRONT - 156-1358
20 WEIGHTS (1188KG/2614 LB)
ROW ONLY



00869687

MT700 SERIESTRACKTRACTORS
FRAME AND BODY

533

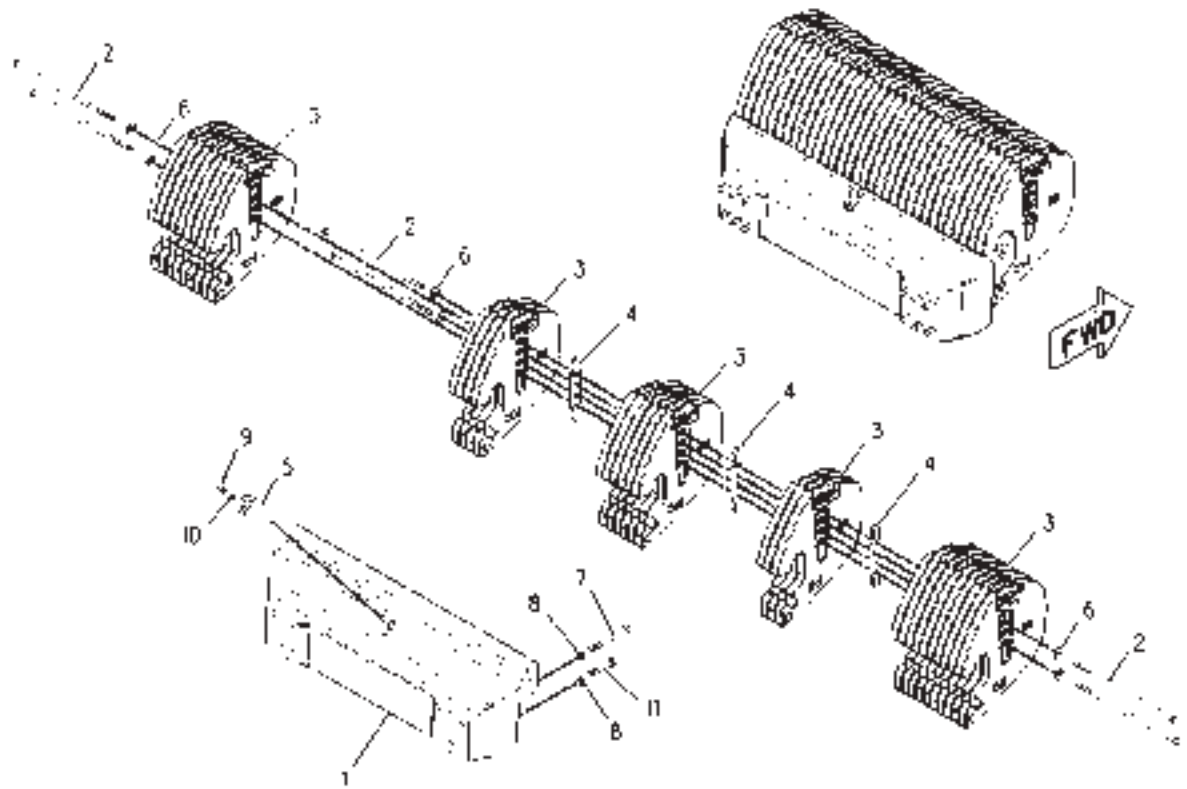
COUNTERWEIGHT GP-FRONT - 156-1358
20 WEIGHTS (1188KG/2614 LB)
ROW ONLY

ITEM	NUMBER	QTY	DESCRIPTION
-	156-1358	--	COUNTERWEIGHT GP-FRONT (NOT SERVICED)
1	400267X1	2	BOLT (M16X2X550MM)
2	202-9219	1	BRACKET
3	202-9220	20	WEIGHT
4	202-9223	2	PLATE
5	CH202-9222	1	PIN AS.
6	CH7X-0583	2	WASHER-HARD (17X45X6MM THK)
7	400034X1	4	BOLT (M20X2.5X200MM)
8	400357X1	1	WASHER-HARD (M12X25.5X3MM THK)
9	400080X1	8	WASHER-PLATED (22X35X3.5MM THK)
10	400041X1	1	BOLT (M12X1.75X30MM)
11	400236X1	4	BOLT (M20X2.5X120MM)

00869687
PR: t05f07j07b0229

MT700 SERIES TRACK TRACTORS
FRAME AND BODY

COUNTERWEIGHT GP-FRONT - 184-5357
32 WEIGHTS (2000KG/4409LB)
ROW ONLY



MT700 SERIESTRACKTRACTORS
FRAME AND BODY

535

COUNTERWEIGHT GP-FRONT - 184-5357
32 WEIGHTS (2000KG/4409LB)
ROW ONLY

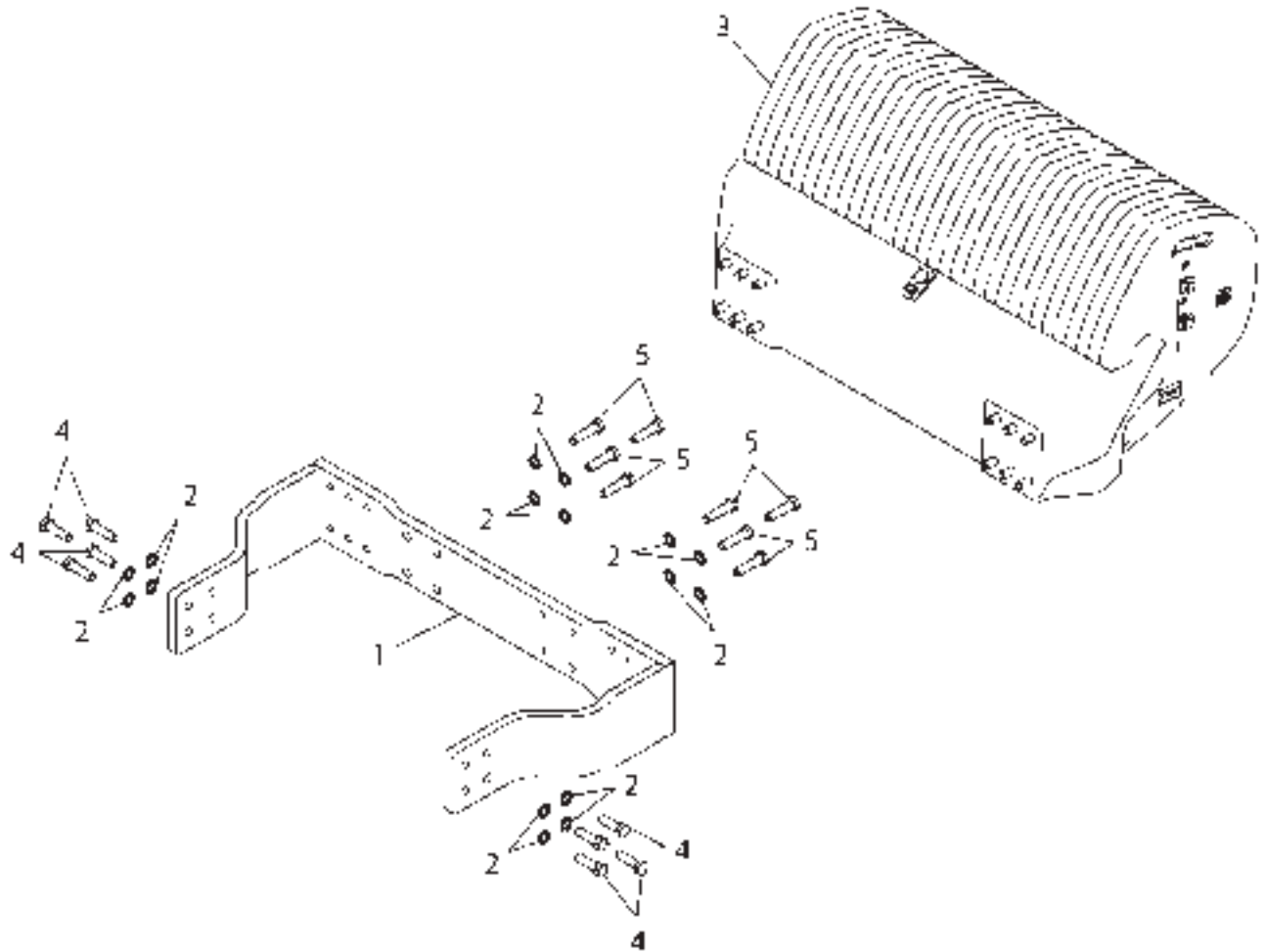
ITEM	NUMBER	QTY	DESCRIPTION
-	184-5357	--	COUNTERWEIGHT GP-FRONT [A](NOT SERVICED)
1	184-5356	1	BRACKET
2	400267X1	6	BOLT (M16X2X550MM)
3	202-9220	32	WEIGHT
4	202-9223	3	PLATE
5	CH202-9222	1	PIN AS
6	CH7X-0583	6	WASHER-HARD (17X45X6)
7	400194X1	6	BOLT (M20X2.5X180MM)
8	400080X1	12	WASHER-PLATED (22X35X3.5)
9	400041X1	1	BOLT (M12X1.75X30MM)
10	400357X1	1	WASHER-HARD (M12X25.5X3)
11	400236X1	6	BOLT (M20X2.5X120MM)

[A] PART OF 500715D1 CNTRWEIGHT GP-FRONT

00835430
PR: t05f07j07b0230

MT700 SERIES TRACK TRACTORS
FRAME AND BODY

COUNTERWEIGHT GP-FRONT - 500715D1
MOUNTING & 32 WEIGHTS
ROW ONLY



MT700 SERIESTRACKTRACTORS
FRAME AND BODY

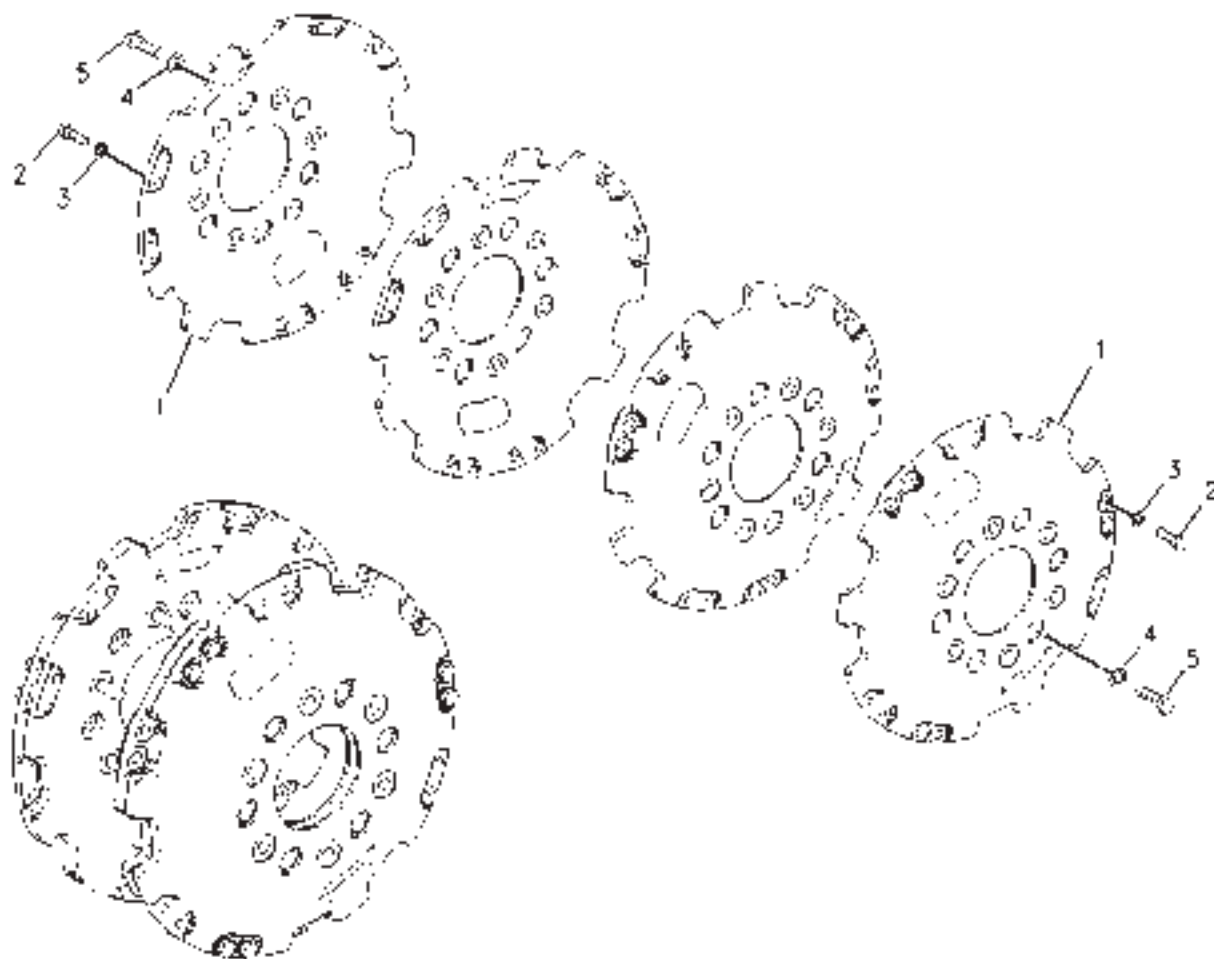
537

COUNTERWEIGHT GP-FRONT - 500715D1
MOUNTING & 32 WEIGHTS
ROW ONLY

ITEM	NUMBER	QTY	DESCRIPTION
-	500715D1	--	COUNTERWEIGHT GP-FRONT (NOT SERVICED)
1	500714D1	1	SUPPORT AS-COUNTERWEIGHT GP
2	400080X1	16	WASHER-PLATED (22X35X3.5)
3	184-5357	1	COUNTERWEIGHT GP-FRONT (NOT SERVICED) (SEE BREAKDOWN FOR COMPONENTS)
4	400122X1	8	BOLT (M20X2.5X70MM)
5	400008X1	8	BOLT (M20X2.5X80MM)

500715DA
PR: t05f07j07b0231

COUNTERWEIGHT GP-IDLER - 177-4586
455 KG (1000 LBS.)



MT700 SERIES TRACK TRACTORS
FRAME AND BODY

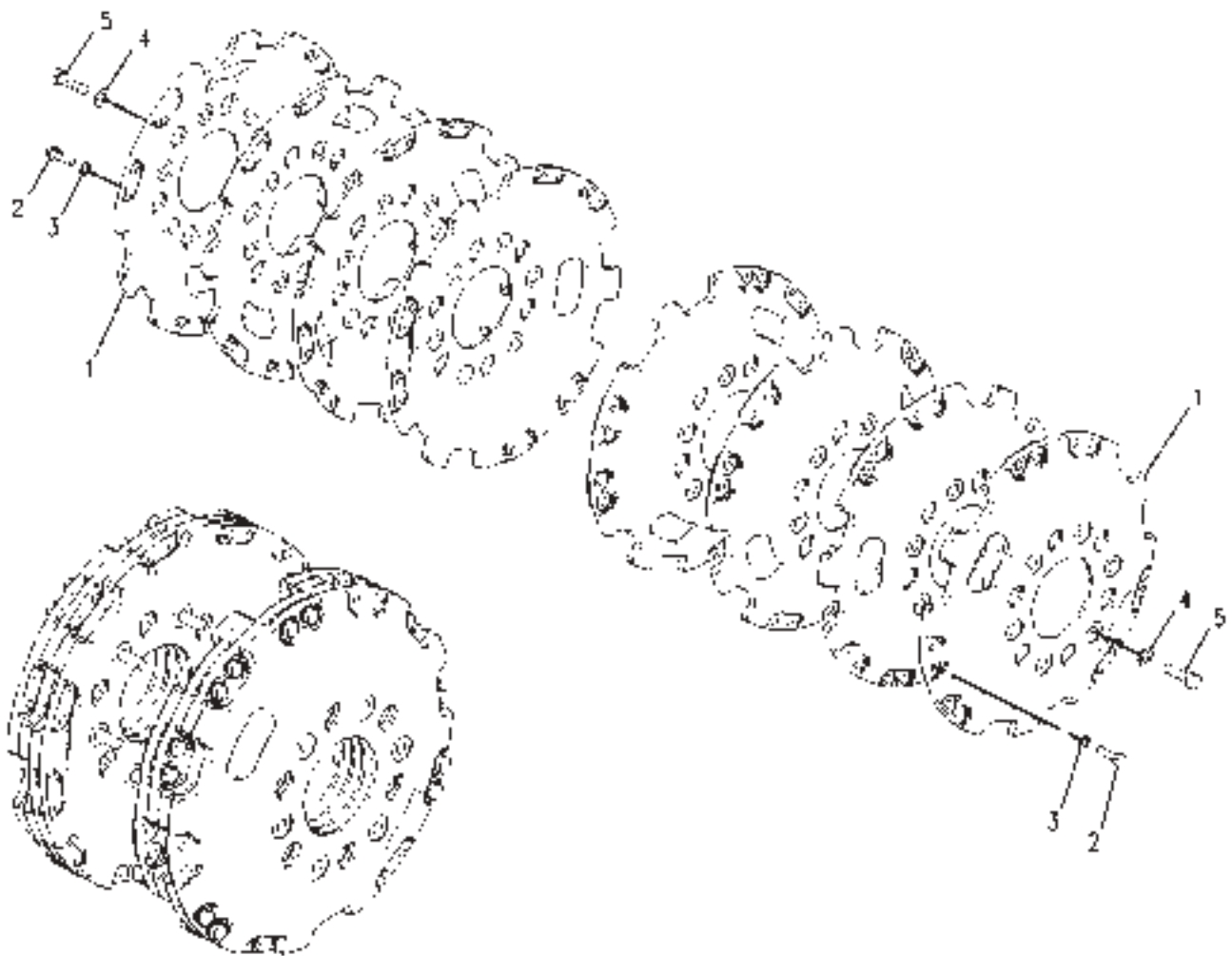
539

COUNTERWEIGHT GP-IDLER - 177-4586
455 KG (1000 LBS.)

ITEM	NUMBER	QTY	DESCRIPTION
-	177-4586	--	COUNTERWEIGHT GP-IDLER (NOT SERVICED)
1	195-9633	8	COUNTERWEIGHT
2	400031X1	24	BOLT (M20X2.5X60MM)
3	400067X1	24	BOLT (M24X3X80MM)
4	400080X1	24	WASHER-PLATED (22X35X3.5MM THK)
5	400081X1	24	WASHER-HARD (26X44X4MM THK)
6	400090X1	24	PLUG-PROTECTIVE (NOT SHOWN)

00814021
PR: t05f07j07b0232

COUNTERWEIGHT GP-IDLER - 177-4588
(909 KG/2000 LB)



MT700 SERIESTRACKTRACTORS
FRAME AND BODY

541

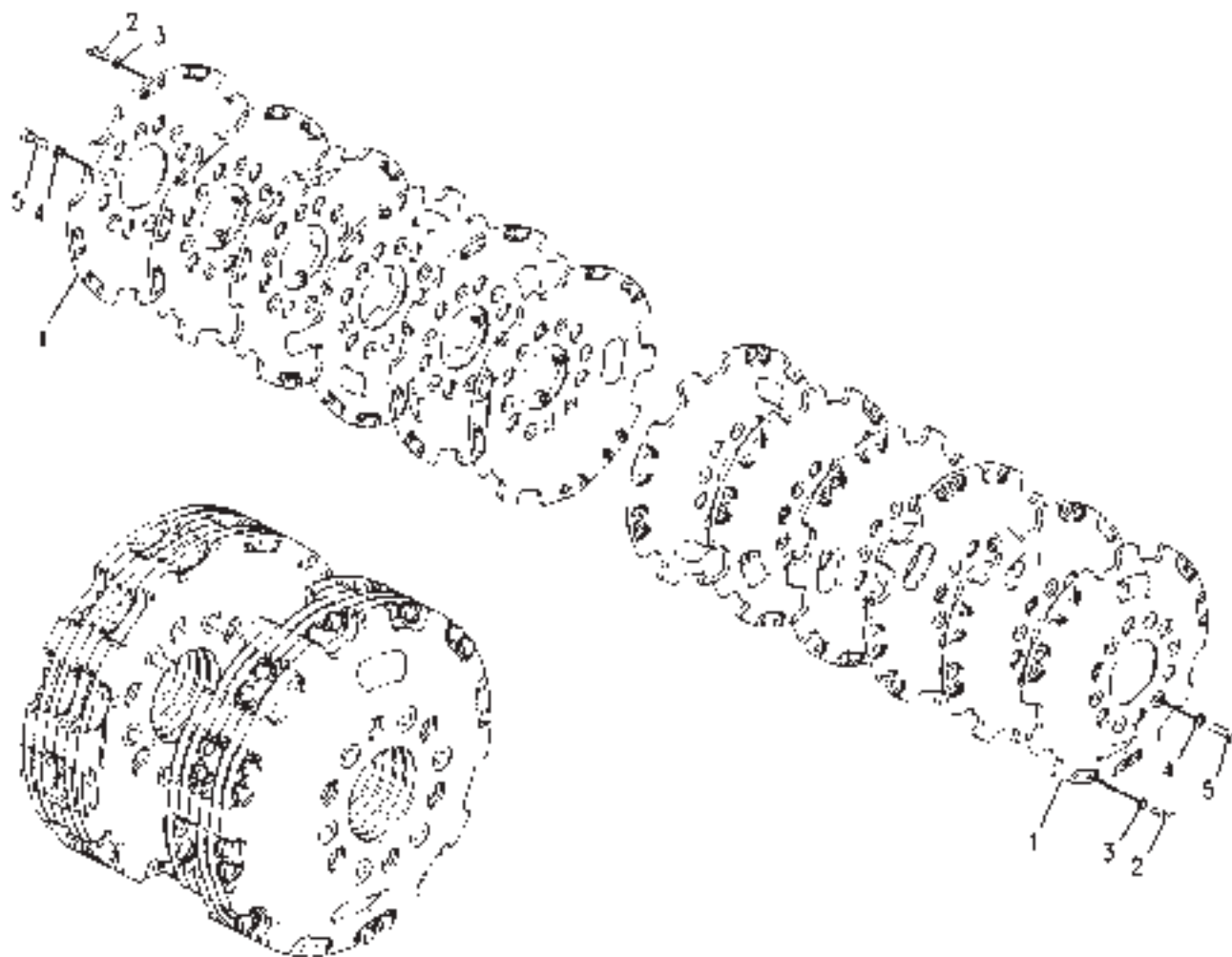
COUNTERWEIGHT GP-IDLER - 177-4588
(909 KG/2000 LB)

ITEM	NUMBER	QTY	DESCRIPTION
-	177-4588	--	COUNTERWEIGHT GP-IDLER (NOT SERVICED)
1	195-9633	16	COUNTERWEIGHT
2	400031X1	72	BOLT (M20X2.5X60MM)
3	400080X1	72	WASHER-PLATED (22X35X3.5MM THK)
4	400081X1	24	WASHER-HARD (26X44X4MM THK)
5	400067X1	24	BOLT (M24X3X80MM)
6	400090X1	24	PLUG-PROTECTIVE (NOT SHOWN)

00814137
PR: t05f07j07b0233

MT700 SERIES TRACK TRACTORS
FRAME AND BODY

COUNTERWEIGHT GP-IDLER - 178-8046
1350 KG (3000 LB)
EAME ONLY



MT700 SERIESTRACKTRACTORS
FRAME AND BODY

543

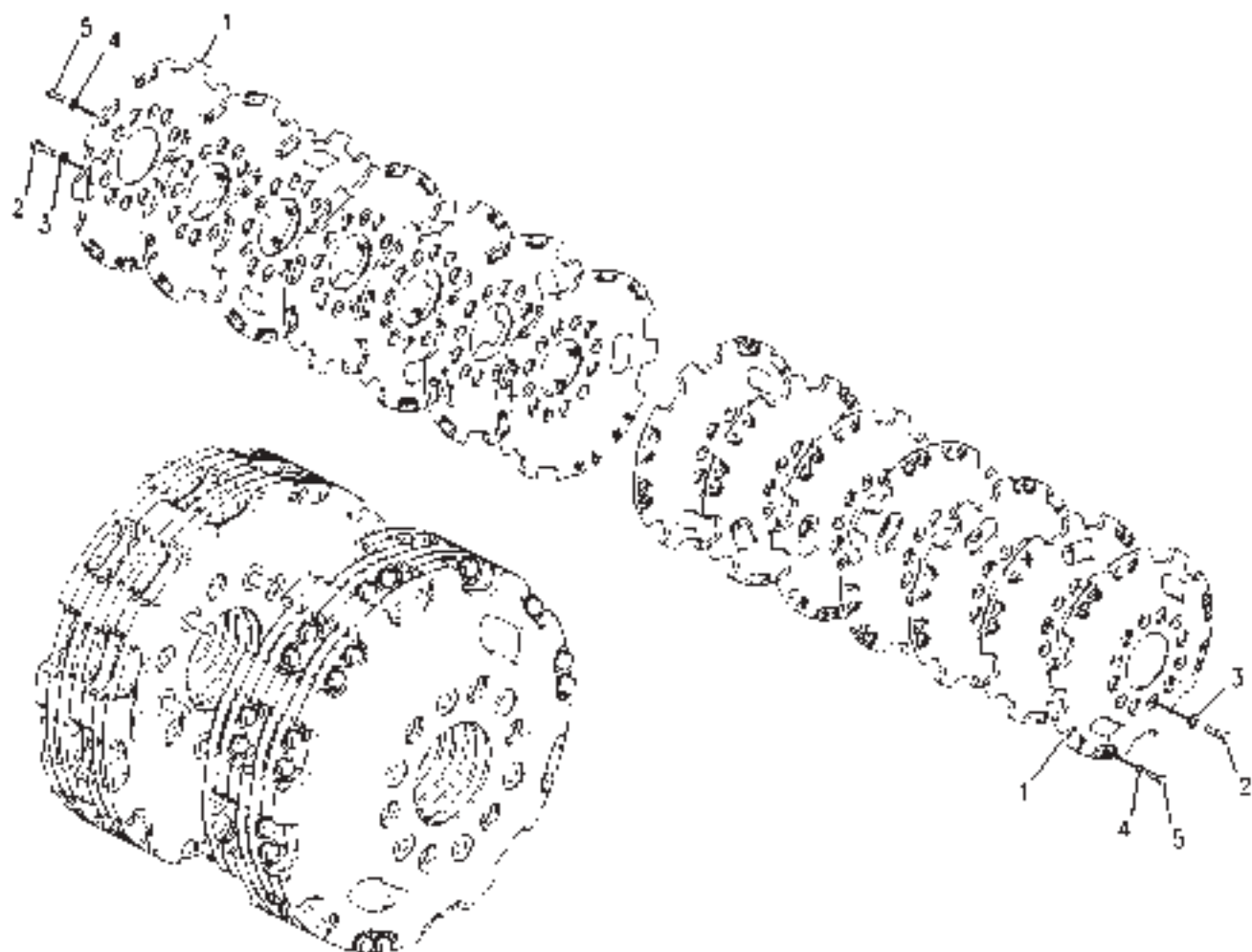
COUNTERWEIGHT GP-IDLER - 178-8046
1350 KG (3000 LB)
EAME ONLY

ITEM	NUMBER	QTY	DESCRIPTION
-	178-8046	--	COUNTERWEIGHT GP-IDLER
1	195-9633	24	COUNTERWEIGHT
2	400031X1	120	BOLT (M20X2.5X60MM)
3	400080X1	120	WASHER-PLATED (22X35X3.5MM THK)
4	400081X1	24	WASHER-HARD (26X44X4MM THK)
5	400067X1	24	BOLT (M24X3X80MM)
6	400090X1	24	PLUG (M20) (NOT SHOWN)

00814291
PR: t05f07j07b0234

COUNTERWEIGHT GP-IDLER - 178-8047

1575 KG (3500 LB)
ROW ONLY



MT700 SERIESTRACKTRACTORS
FRAME AND BODY

545

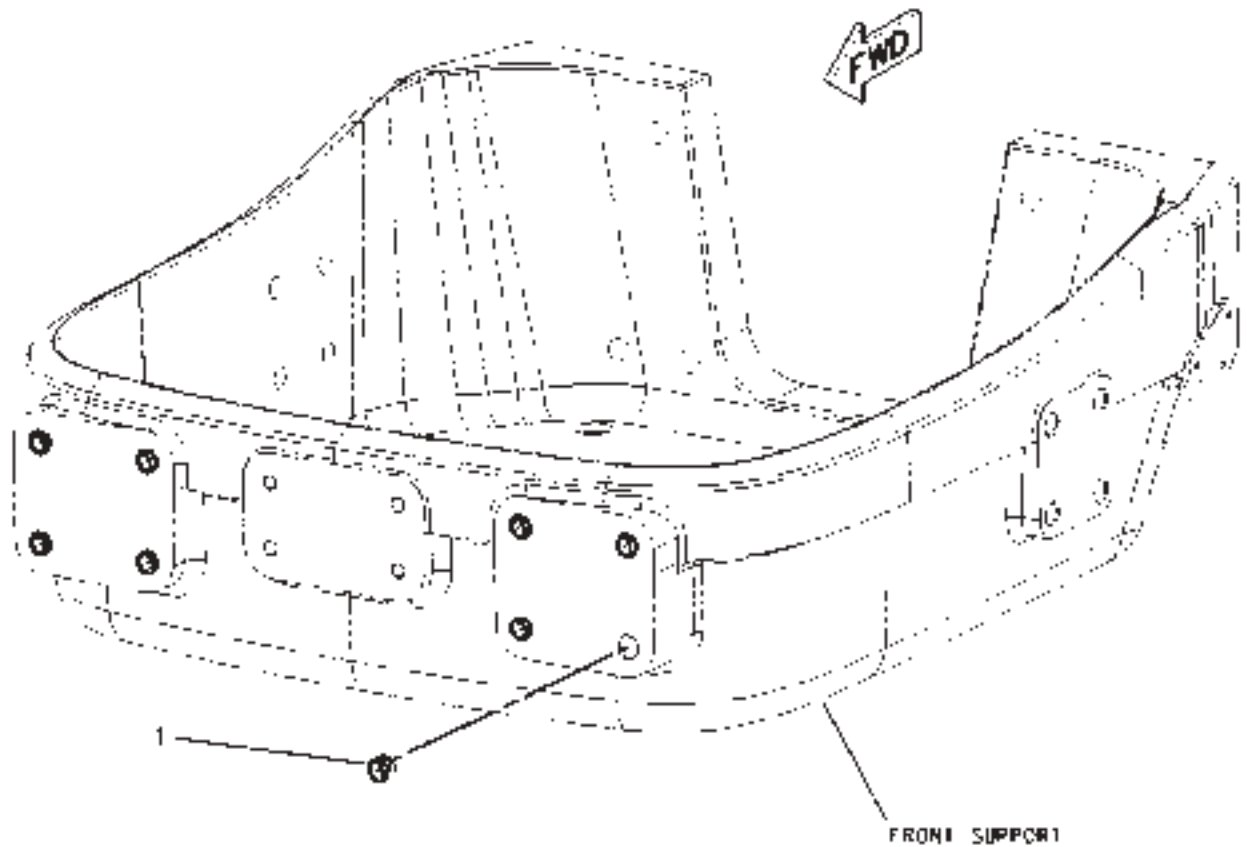
COUNTERWEIGHT GP-IDLER - 178-8047
1575 KG (3500 LB)
ROW ONLY

ITEM	NUMBER	QTY	DESCRIPTION
-	178-8047	--	COUNTERWEIGHT GP-IDLER (NOT SERVICED)
1	195-9633	28	COUNTERWEIGHT
2	400031X1	144	BOLT (M20X2.5X60MM)
3	400080X1	144	WASHER-PLATED (22X35X3.5MM THK)
4	400081X1	24	WASHER-HARD (26X44X4MM THK)
5	400067X1	24	BOLT (M24X3X80MM)
6	400090X1	24	PLUG (M20) (NOT SHOWN)

00814444
PR: t05f07j07b0235

MT700 SERIES TRACK TRACTORS
FRAME AND BODY

PLUG GP-COUNTERWEIGHT - 180-3992



00884901

MT700 SERIESTRACKTRACTORS
FRAME AND BODY

547

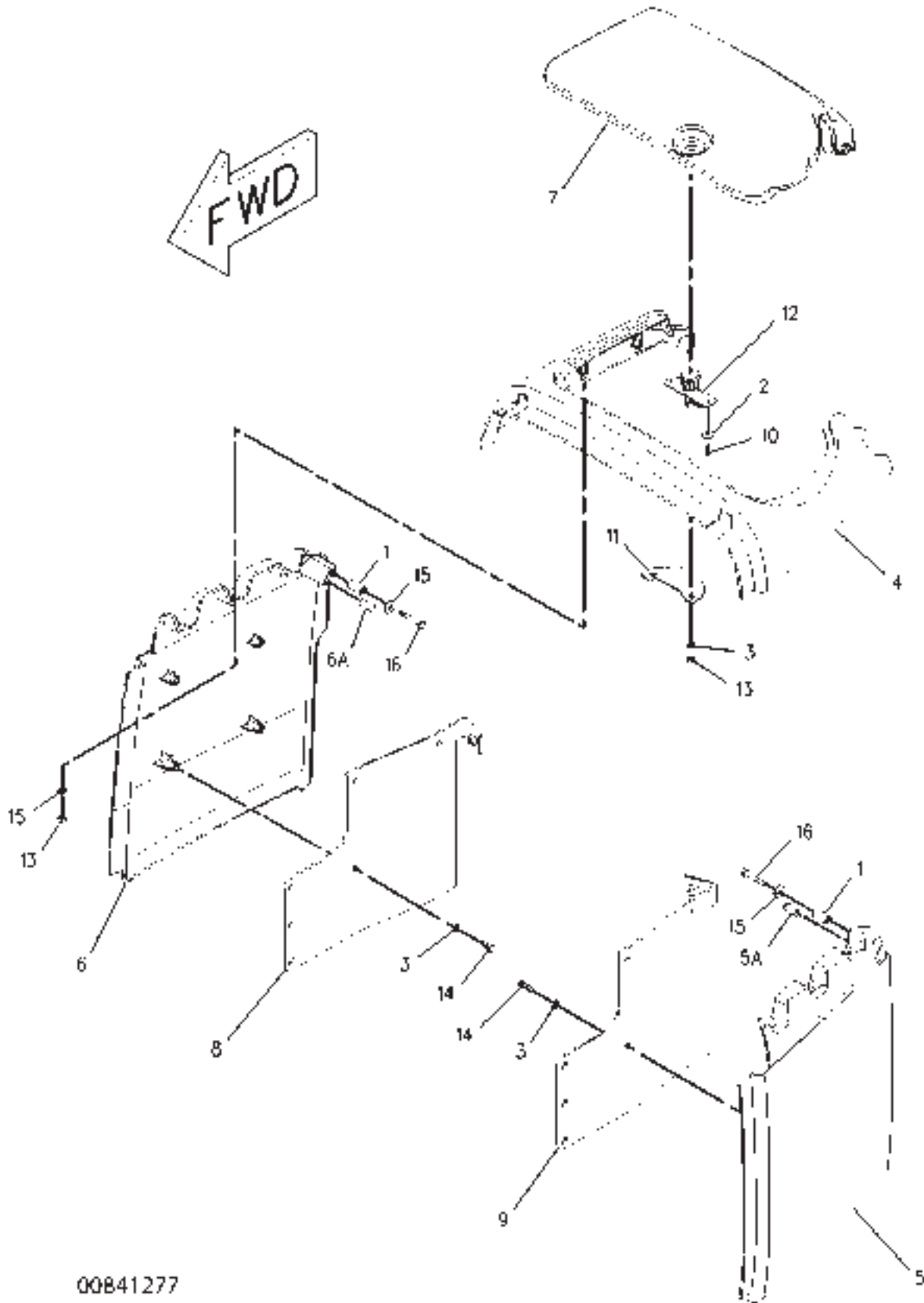
PLUG GP-COUNTERWEIGHT - 180-3992

ITEM	NUMBER	QTY	DESCRIPTION
-	180-3992	--	PLUG GP-COUNTERWEIGHT (NOT SERVICED)
1	400090X1	8	PLUG

00884901
PR: t05f07j07b0236

MT700 SERIES TRACK TRACTORS
FRAME AND BODY

HOUSING GP - 201-5074



MT700 SERIESTRACKTRACTORS
FRAME AND BODY

549

HOUSING GP - 201-5074

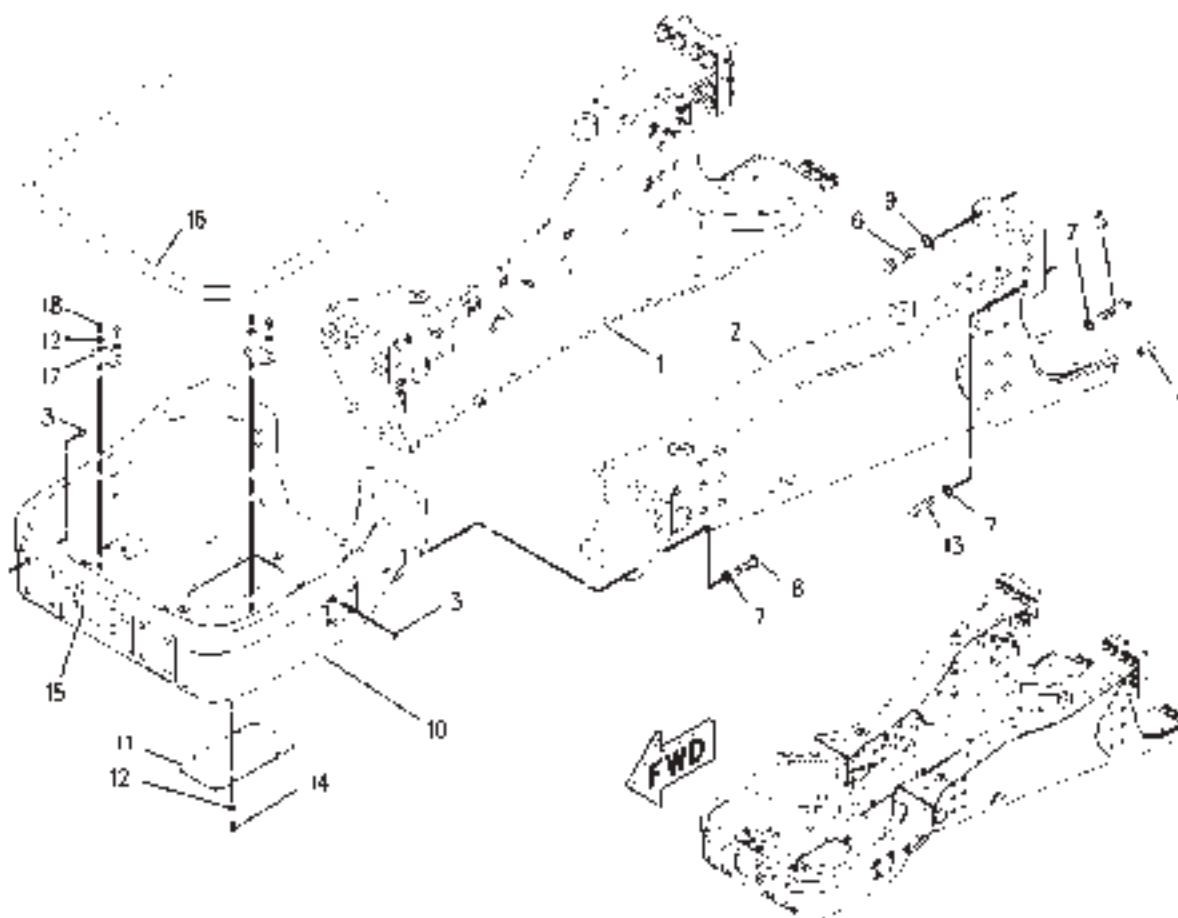
ITEM	NUMBER	QTY	DESCRIPTION
-	201-5074	--	HOUSING GP [A] (NOT SERVICED)
1	CH8Y-5896	2	BUSHING-TERMINAL
2	400076X1	2	WASHER (5X16X1.2MM THK)
3	400310X1	8	WASHER (6.6X12X2MM THK)
4	201-5075	1	PANEL ASY. (TOP)
5	201-5076	1	PANEL ASY. (LH)
5A	192-4761	1	PLUNGER-BALL
6	201-5077	1	PANEL ASY. (RH)
6A	192-4761	1	PLUNGER-BALL
7	201-5078	1	COVER ASY.
8	225-1527	1	PLATE ASY-RH
9	225-1528	1	PLATE ASY-LH
10	CH8T-0285	2	SCREW-MACHINE (M4X0.7X12MM)
11	208-9495	1	BRACKET
12	208-9496	1	LATCH ASY.
13	400300X1	8	NUT (M6X1 THD)
14	400152X1	6	BOLT (M6X1X16MM)
15	CH5P-4115	8	WASHER-HARD (7.2X19X2MM THK)
16	400266X1	2	BOLT (M6X1X35MM)

[A] PART OF 156-1312 HOOD & GUARD GP

00841277
PR: t05f07j07b0237

MT700 SERIES TRACK TRACTORS
FRAME AND BODY

FRAME GP - 156-1323



**MT700 SERIES TRACK TRACTORS
FRAME AND BODY**

551

FRAME GP - 156-1323

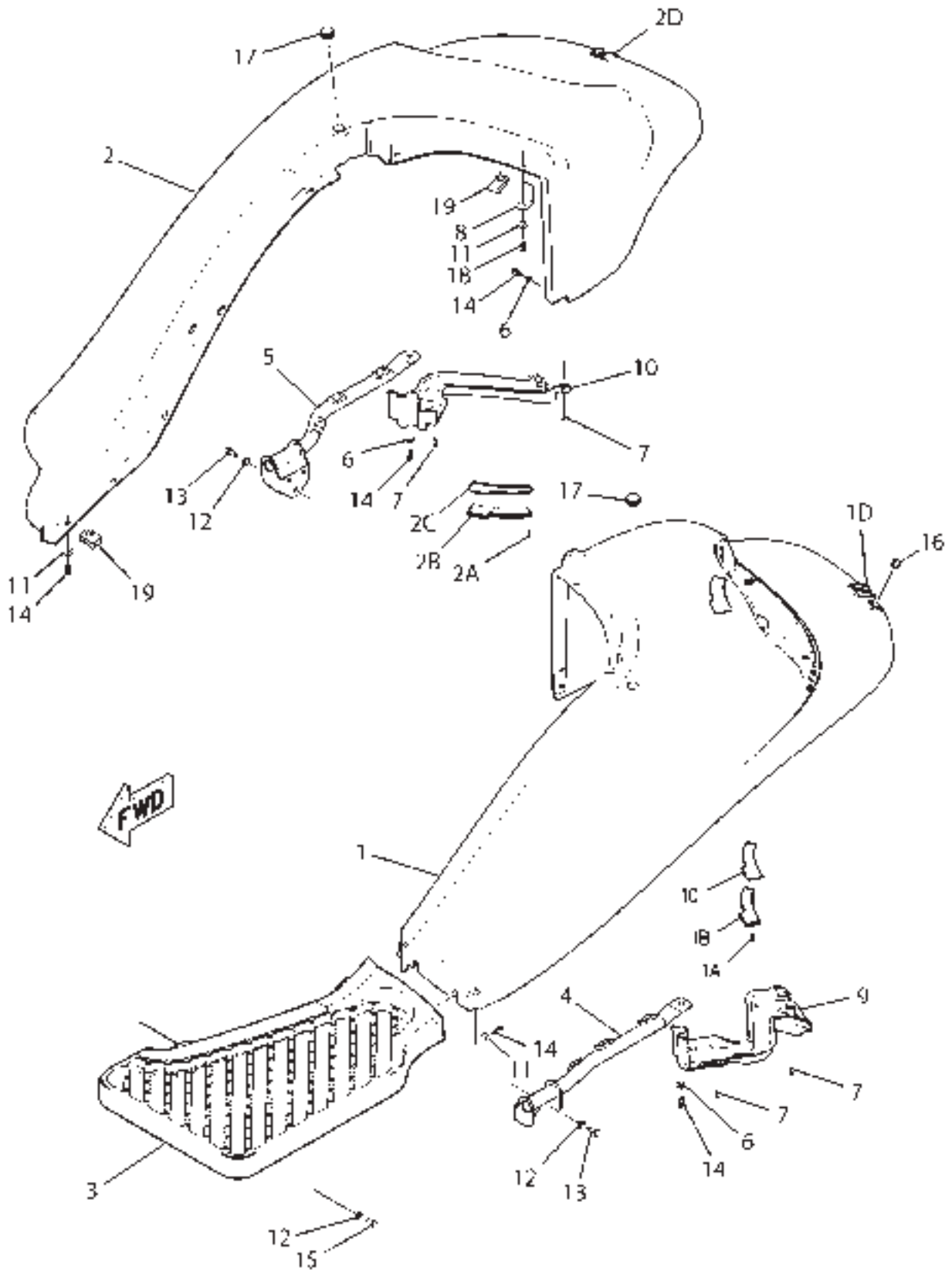
ITEM	NUMBER	QTY	DESCRIPTION
-	156-1323	--	FRAME GP [A] (NOT SERVICED)
1	198-3141	1	RAIL AS-RH (S/N: PRIOR TO AKN40200; ALA40257;ALM40561;AMS40978)
	CH7T-1099	6	LINK
	CH8T-3597	11	NUT-WELD (M12X1.75 THD)
1	500500D1	1	RAIL AS-RH (S/N: EFF AKN40200; ALA40257;ALM40561;AMS40978)
	CH7T-1099	6	LINK
	CH8T-3597	11	NUT-WELD (M12X1.75 THD)
2	198-3140	1	RAIL AS-LH (S/N: PRIOR TO AKN40200; ALA40257;ALM40561;AMS40978)
	CH7T-1099	1	LINK
	CH8T-3597	8	NUT-WELD (M12X1.75 THD)
2	500501D1	1	RAIL AS-LH (S/N: EFF AKN40200; ALA40257;ALM40561;AMS40978)
	CH7T-1099	1	LINK
	CH8T-3597	8	NUT-WELD (M12X1.75 THD)
3	400090X1	16	PLUG
4	CH6K-8987	2	DOWEL
5	400193X1	6	BOLT (M20X2.5X90MM)
6	400036X1	8	BOLT (M24X3X90MM)
7	400080X1	34	WASHER-PLATED (22X35X3.5MM THK)
8	400122X1	16	BOLT (M20X2.5X70MM)
9	400081X1	8	WASHER-HARD (26X44X4MM THK)
10	198-3152	1	SUPPORT-FRONT
11	204-0221	1	PLATE
12	400287X1	8	WASHER-HARD (11X21X2.5MM THK)
13	400860X1	12	BOLT (M20X2.5X80MM)
14	400054X1	4	BOLT (M10X1.5X16MM)
15	193-5915	8	PLUG
16	CH216-9138	AR	SEAL (248CM)
17	209-6295	2	SCREEN
18	400039X1	4	BOLT (M10X1.5X25MM)

[A] PART OF 159-9486;174-4614 CHASSIS AR

00903131
PR: t05f07j07b0238

MT700 SERIES TRACK TRACTORS
FRAME AND BODY

FENDER GP - 156-1319



**MT700 SERIESTRACKTRACTORS
FRAME AND BODY**

553

FENDER GP - 156-1319

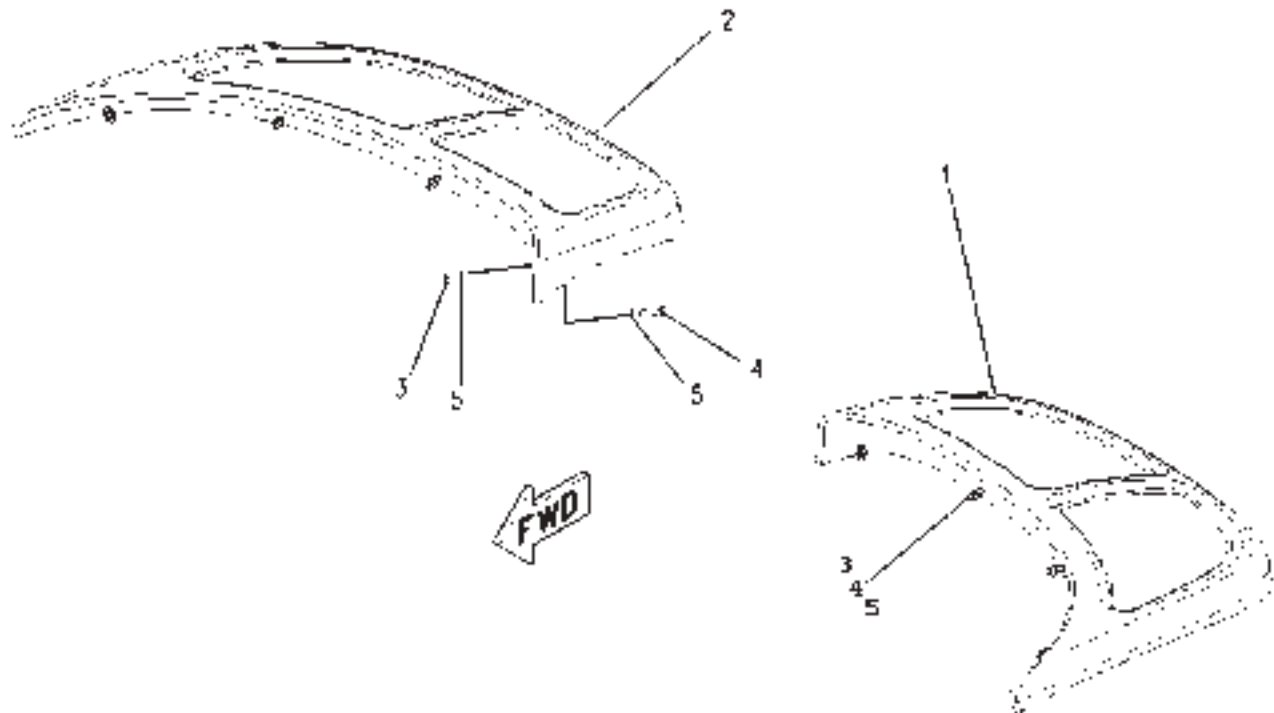
ITEM	NUMBER	QTY	DESCRIPTION
-	156-1319	--	FENDER GP [A] (NOT SERVICED)
1	158-5948	1	FENDER LH-LH
1A	176-0999	3	RIVET
1B	176-0997	1	COVER-LH
1C	176-0998	1	GASKET-LH
1D	213-4902	1	GUARD
1E	CH222-4435	3	INSERT-THREADED (M8X1.25-6H) (NOT ILLUSTRATED)
2	158-5949	1	FENDER RH-RH
2A	176-0999	3	RIVET
2B	176-1001	1	COVER-RH
2C	176-1002	1	GASKET-RH
2D	213-4902	1	GUARD
2E	CH222-4435	3	INSERT-THREADED (M8X1.25-6H) (NOT ILLUSTRATED)
3	158-5958	1	STEP
4	164-7926	1	SUPPORT AS. (LH)
	CH7T-1099	3	LINK
5	164-7927	1	SUPPORT AS. (RH)
	CH7T-1099	3	LINK
6	400339X1	6	WASHER-HARD (8.8X16X2MM THK)
7	CH8T-9501	13	SCREW (10-16X.75 IN)
8	184-7045	4	CLIP AS.
9	166-8055	1	SHIELD-LH
10	166-8056	1	SHIELD-RH
11	8C-0572	14	WASHER (8.8X25.5X2MM THK)
12	400287X1	10	WASHER-HARD (11X21X2.5MM THK)
13	400039X1	6	BOLT (M10X1.5X25MM)
14	400053X1	16	BOLT (M8X1.25X20MM)
15	400052X1	4	BOLT (M10X1.5X40MM)
16	CH211-4423	1	PLUG
17	400094X1	2	PLUG
18	400341X1	4	BOLT - (M8X1.25X25)
19	CH154-9989	12	CLIP-SPRING (M8)

[A] PART OF 177-1588; 177-1589
BASE COMMON AR

00904482
PR: t05f07j07b0239

MT700 SERIES TRACK TRACTORS
FRAME AND BODY

EXTENSION GP-FENDER - 502799D1



MT700 SERIESTRACKTRACTORS
FRAME AND BODY

555

EXTENSION GP-FENDER - 502799D1

ITEM	NUMBER	QTY	DESCRIPTION
-	502799D1	--	EXTENSION GP-FENDER (NOT SERVICED) (INCLS 162-4110)
-	162-4110	--	EXTENSION GP-FENDER [A] (NOT SERVICED) (INCLS ITEMS 1-5)
1	203-8646	1	EXTENSION-LH
2	203-8647	1	EXTENSION-RH
3	CH129-3178	8	LOCKNUT (M6X1 THD)
4	400022X1	8	BOLT (M6X1.0X25MM)
5	400310X1	16	WASHER (6.6X12X2MM THK)

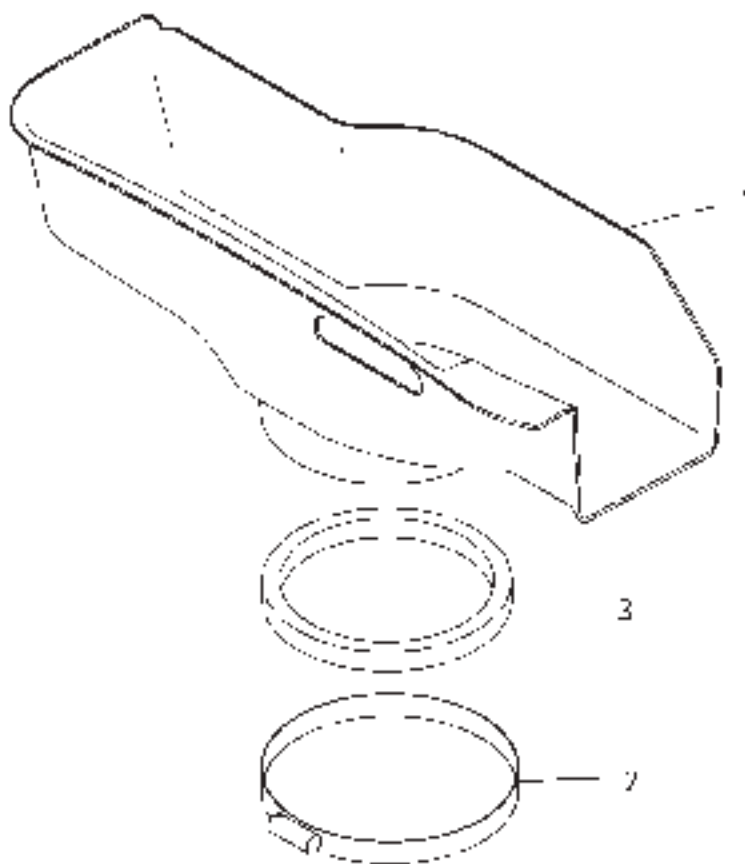
[A] PART OF 177-1589 BASE COMMON AR;
502799D1 EXTENSION GP

00628956
PR: t05f07j07b0240

MT700 SERIES TRACK TRACTORS
FRAME AND BODY

GUARD GP-SPLASH - 502744D1

(S/N: EFF AKN40200; ALA40257;
ALM40561; AMS40985)



502744DA

MT700 SERIESTRACKTRACTORS
FRAME AND BODY

557

GUARD GP-SPLASH - 502744D1
(S/N: EFF AKN40200; ALA40257;
ALM40561; AMS40985)

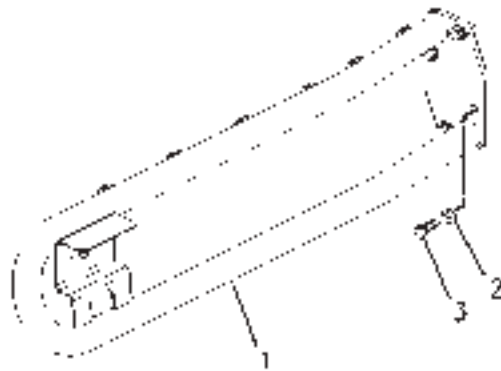
ITEM	NUMBER	QTY	DESCRIPTION
-	502744D1	--	GUARD GP-SPLASH [A] (NOT SERVICED)
1	500503D1	1	GUARD-SPLASH
2	501152D1	1	CLAMP-HOSE
3	501211D1	AR	SEAL-BULK (39CM)

[A] PART OF 177-1588; 177-1589
BASE COMMON AR

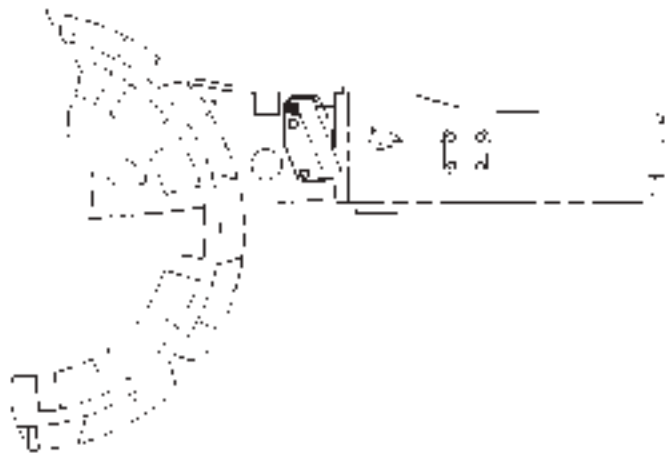
502744DA
PR: t05f07j07b0241

MT700 SERIES TRACK TRACTORS
FRAME AND BODY

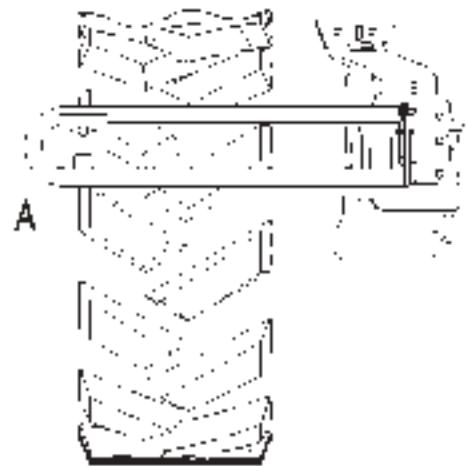
GUARD GP-SPECTATOR - 179-3241
EAME ONLY



DETAIL OF AREA A



RIGHT SIDE VIEW



FRONT VIEW

MT700 SERIESTRACKTRACTORS
FRAME AND BODY

559

GUARD GP-SPECTATOR - 179-3241
EAME ONLY

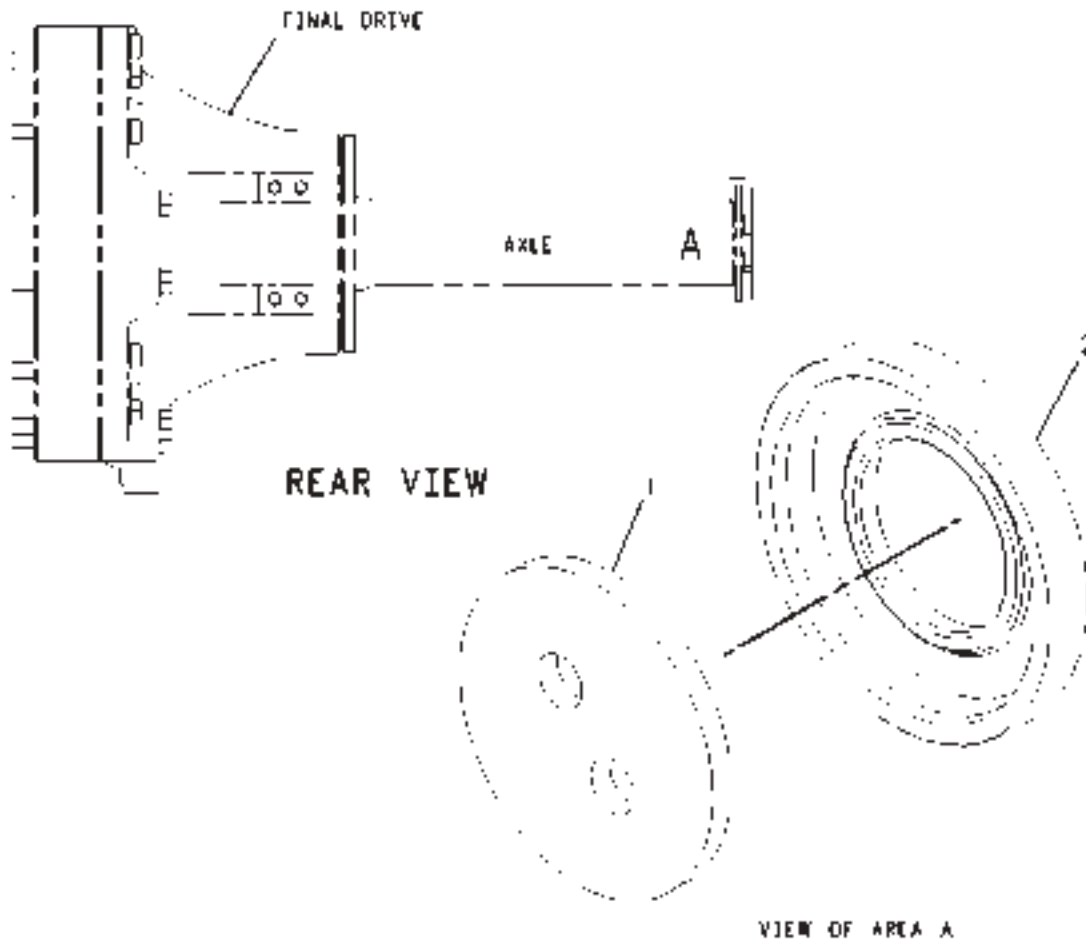
ITEM	NUMBER	QTY	DESCRIPTION
-	179-3241	--	GUARD GP-SPECTATOR [A]
1	175-0334	--	GUARD AS
	CH7T-1099	6	LINK
2	400357X1	4	WASHER-HARD (M12X1.75X35)
3	400064X1	4	BOLT (M12X1.75X35MM)

[A] PART OF 174-4614 CHASSIS AR

00813713
PR: t05f07j07b0242

MT700 SERIES TRACK TRACTORS
FRAME AND BODY

GUARD GP-AXLE - 208-3021
EAME ONLY



MT700 SERIESTRACKTRACTORS
FRAME AND BODY

561

GUARD GP-AXLE - 208-3021
EAME ONLY

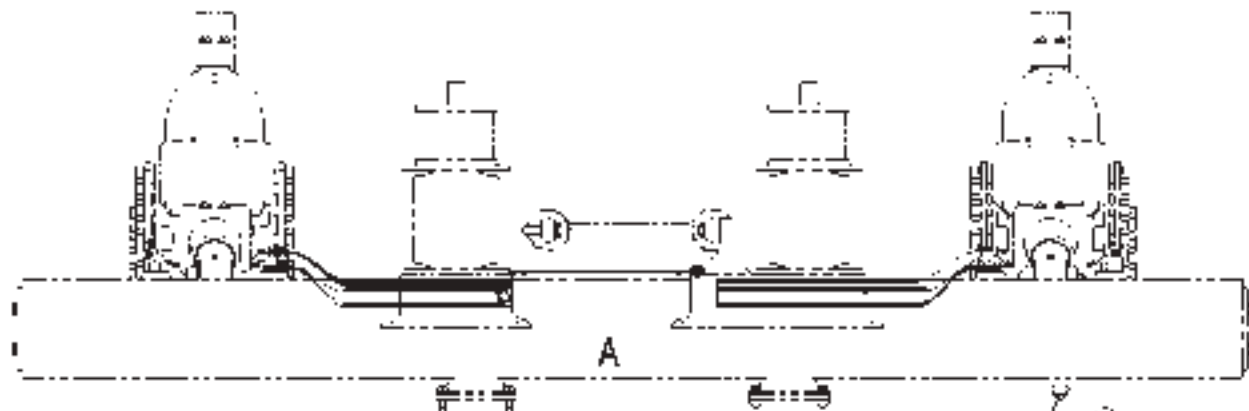
ITEM	NUMBER	QTY	DESCRIPTION
-	208-3021	--	GUARD GP-AXLE [A]
1	185-8617	2	PLATE-END
2	205-8334	2	CAP

[A] PART OF 174-4614 CHASSIS AR

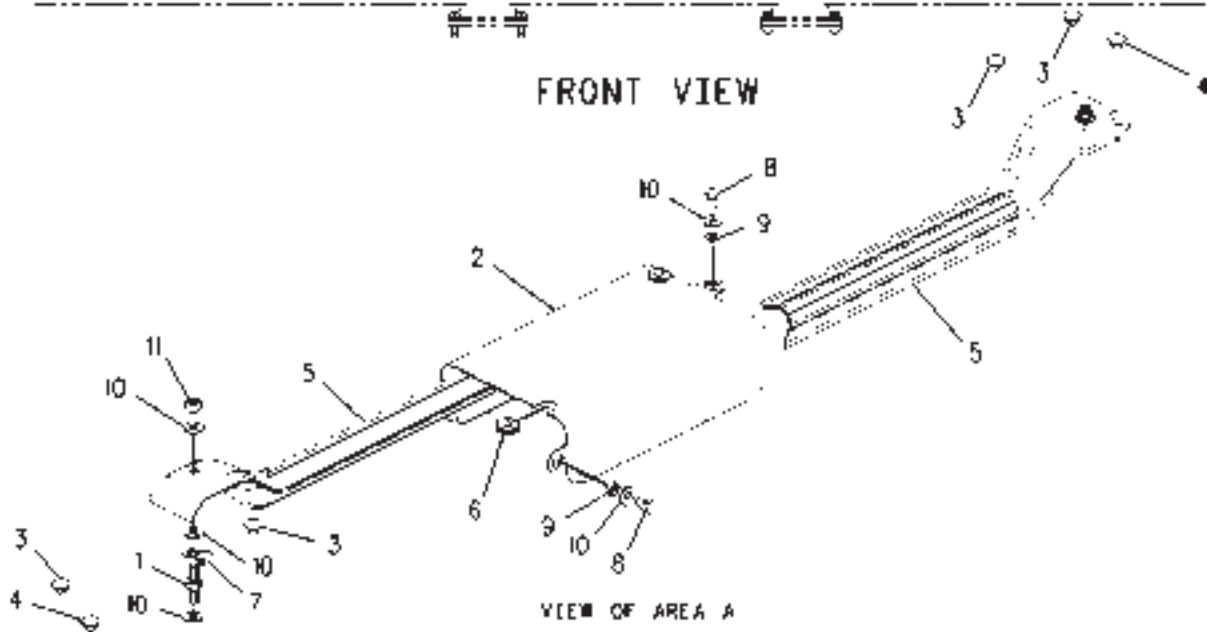
00863542
PR: t05f07j07b0243

MT700 SERIES TRACK TRACTORS
FRAME AND BODY

GUARD GP - 201-9925
TENSIONER WIRE
ROW



FRONT VIEW



VIEW OF AREA A

MT700 SERIESTRACKTRACTORS
FRAME AND BODY

563

GUARD GP - 201-9925
TENSIONER WIRE
ROW

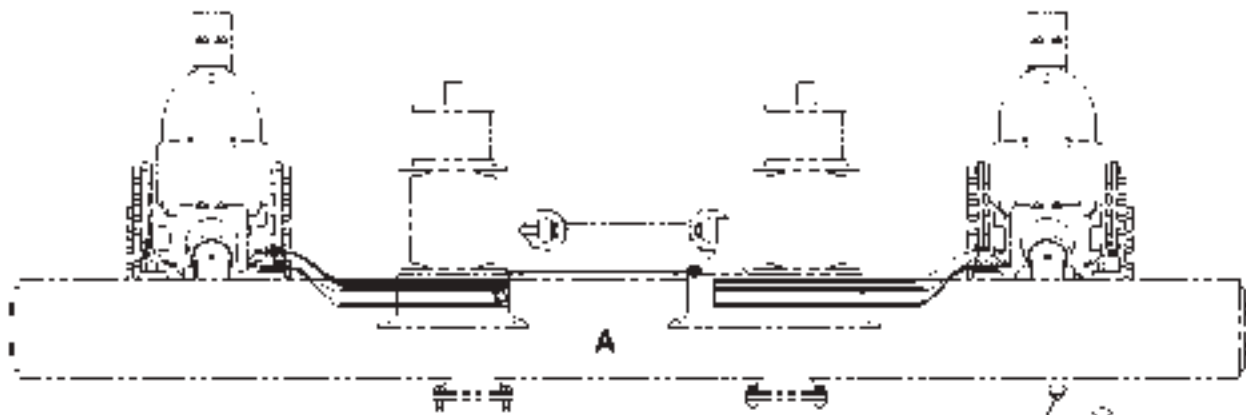
ITEM	NUMBER	QTY	DESCRIPTION
-	201-9925	--	GUARD GP [A] (NOT SERVICED)
1	CH101-3129	2	BOLT-M10X1.5X16MM
2	201-9929	1	COVER-WIRE
3	400289X1	4	PLUG
4	CH193-5914	2	PLUG
5	201-9930	2	GUARD-WIRE
6	CH5P-8440	2	GROMMET
7	CH5P-9085	2	CLIP
8	400023X1	2	BOLT (M10X1.5X16MM)
9	CH7X-0561	2	WASHER-HARD
10	CH7X-7729	8	WASHER (11X25X3MM THK)
11	WR522218	2	NUT (M10X1.5 THD)
12	CH7K-1181	4	STRAP-CABLE 0.19-4.00 (NOT ILL.)

[A] PART OF 163-0546 UNDERCARRIAGE AR

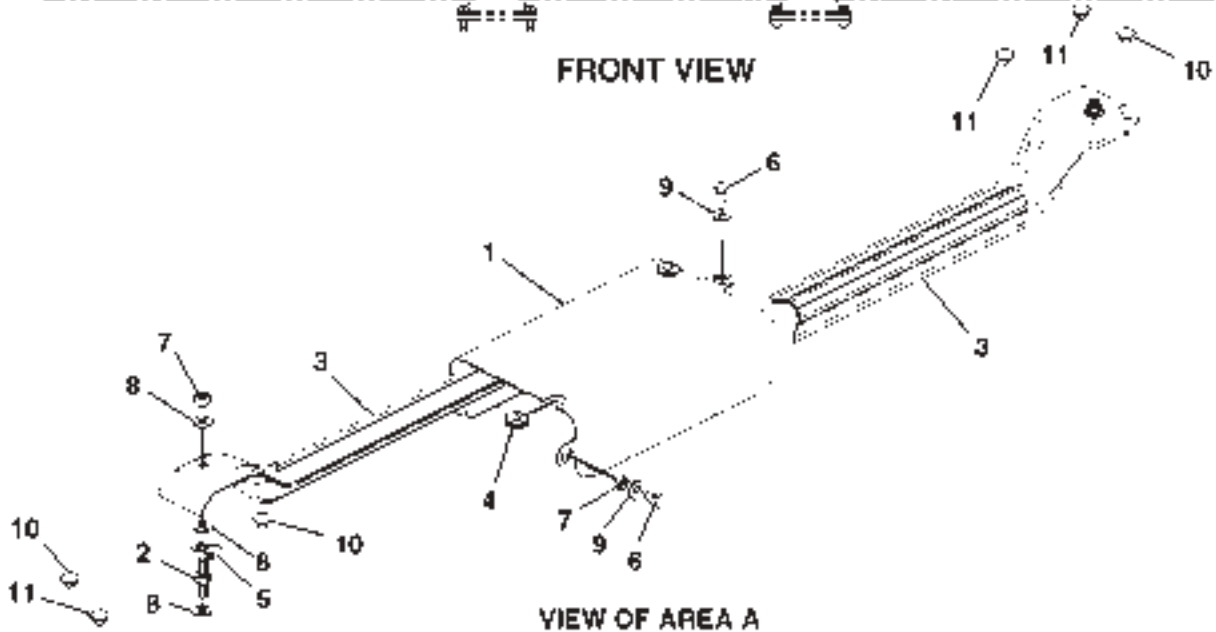
00842411
PR: t05f07j07b0244

MT700 SERIES TRACK TRACTORS
FRAME AND BODY

GUARD GP - 201-9926
TENSIONER WIRE



FRONT VIEW



VIEW OF AREA A

MT700 SERIES TRACK TRACTORS
FRAME AND BODY

565

GUARD GP - 201-9926
TENSIONER WIRE

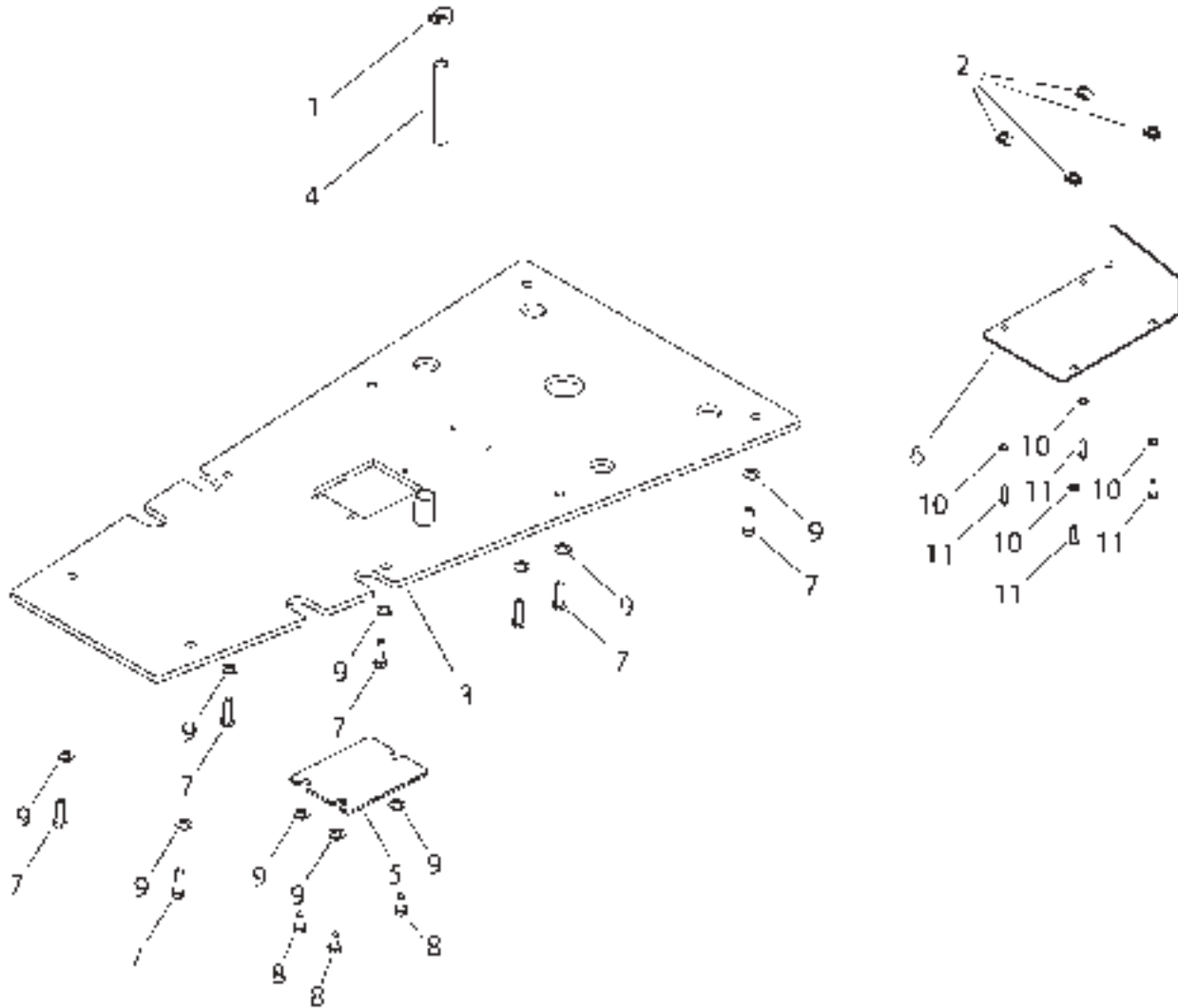
ITEM	NUMBER	QTY	DESCRIPTION
-	201-9926	--	GUARD GP [A] (NOT SERVICED)
1	201-9929	1	COVER-WIRE
2	CH101-3129	2	STUD (M10X1.5 THD)
3	201-9931	2	GUARD-WIRE
4	CH5P-8440	2	GROMMET
5	CH5P-9085	2	CLIP
6	400023X1	2	BOLT (M10X1.5X16MM)
7	WR522218	2	NUT (M10X1.5 THD)
8	CH7X-7729	8	WASHER (11X25X3MM THK)
9	CH7X-0561	2	WASHER-HARD
10	400289X1	4	PLUG
11	CH193-5914	2	PLUG
12	CH7K-1181	4	STRAP-CABLE 0.19-4.00 (NOT ILL.)

[A] PART OF 163-0554 UNDERCARRIAGE AR

2019926D
PR: t05f07j07b0245

MT700 SERIES TRACK TRACTORS
FRAME AND BODY

GUARD KIT-BOTTOM - 174-6313



MT700 SERIESTRACKTRACTORS
FRAME AND BODY

567

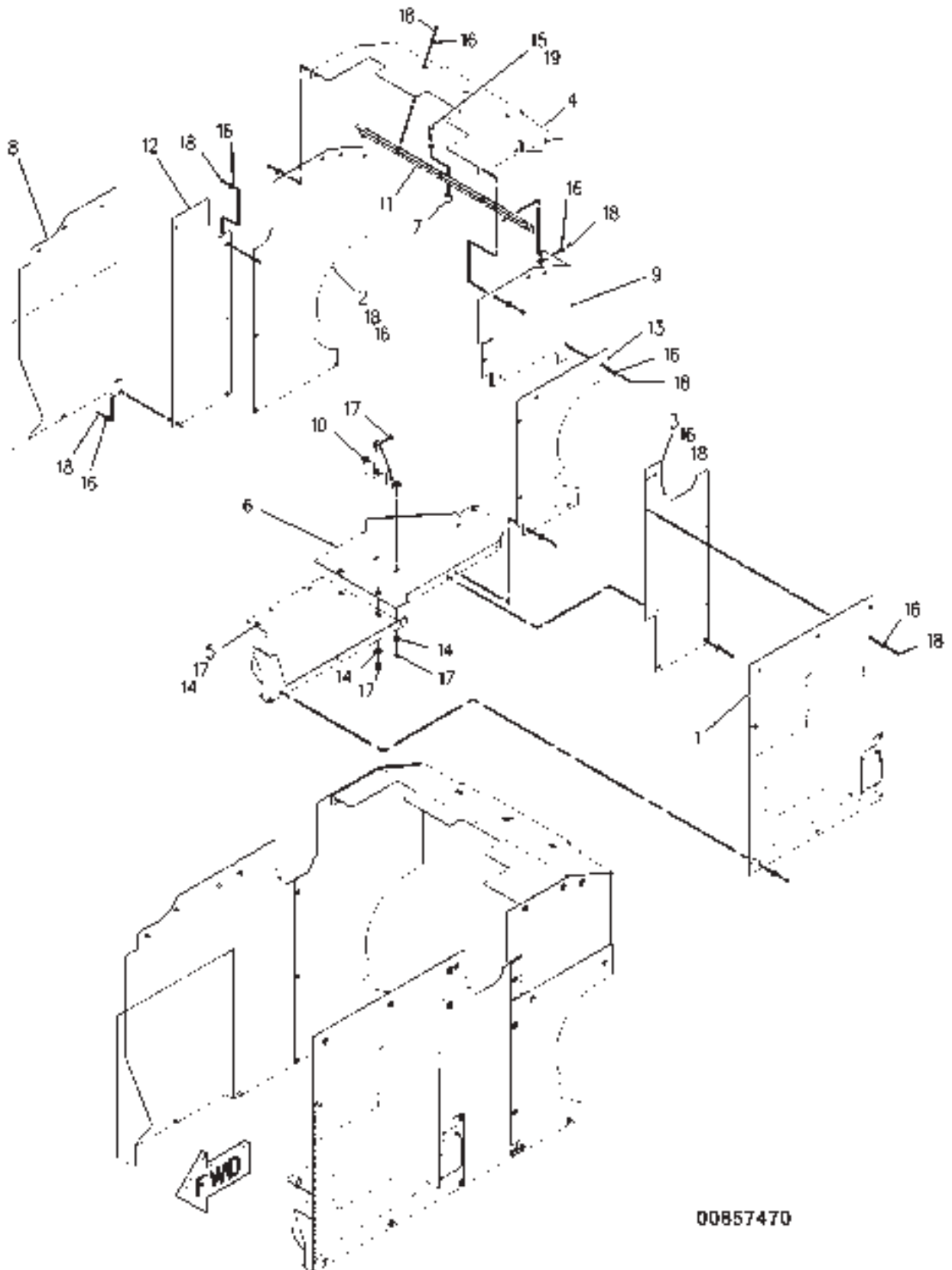
GUARD KIT-BOTTOM - 174-6313

ITEM	NUMBER	QTY	DESCRIPTION
-	174-6313	--	GUARD KIT-BOTTOM
1	400108X1	1	CLAMP-HOSE SST 15.9-26.9X13.5
2	CH116-5763	4	CLIP-SPRING 1.5-5.5 M8X1.25
3	174-6318	1	GUARD AS.
4	205-8795	1	HOSE
5	207-5346	1	COVER
6	224-6771	1	GUARD
7	400050X1	8	BOLT-M12X1.75X40 ZNDI HHD 10.9
8	400055X1	3	BOLT-M12X1.75X25 ZNDI HHD 10.9
9	400357X1	11	WASHER-HARD-M12X25.50DX3THK
10	400339X1	4	WASHER-HARD
11	400341X1	4	BOLT-HEX HEAD

1746313A
PR: t05f07j07b0246

MT700 SERIES TRACK TRACTORS
FRAME AND BODY

GUARD GP-DEBRIS - 175-1290
(S/N: PRIOR TO AKN40200; ALA40269;
ALM40712; AMS41162)



**MT700 SERIESTRACKTRACTORS
FRAME AND BODY**

569

GUARD GP-DEBRIS - 175-1290
(S/N: PRIOR TO AKN40200;ALA40269;
ALM40712;AMS41162)

ITEM	NUMBER	QTY	DESCRIPTION
-	175-1290	--	GUARD GP-DEBRIS [A] (NOT SERVICED)
1	202-9981	1	GUARD-LH
2	202-9982	1	GUARD ASY. (RH)
	8T-3612	2	NUT-WELD (M8X1.25 THD)
3	202-9985	1	GUARD ASY. (LH)
	8T-3612	6	NUT-WELD (M8X1.25 THD)
4	202-9991	1	COVER ASY.
	8T-3612	7	NUT-WELD (M8X1.25 THD)
5	202-9994	1	GUARD AS-FRONT
	8T-3612	3	NUT-WELD (M8X1.25 THD)
6	202-9995	1	GUARD ASY-REAR
	8T-3597	2	NUT-WELD (M12X1.75 THD)
	8T-3612	3	NUT-WELD (M8X1.25 THD)
7	CH204-9260	1	SPACER
8	214-9383	1	GUARD (RH)
9	216-0941	1	GUARD ASY. (LH)
	8T-3612	2	NUT-WELD (M8X1.25 THD)
10	216-8436	1	BRACKET ASY.
	8T-3597	2	NUT-WELD (M12X1.75 THD)
11	216-9829	1	BRACKET ASY.
	8T-3612	6	NUT-WELD (M8X1.25 THD)
12	217-0110	1	GUARD (RH)
13	215-6884	1	GUARD (LH)
14	400381X1	12	WASHER-HARD (13.5X30X4MM THK)
15	400063X1	1	BOLT (M12X1.75X60MM)
16	CH7X-0579	41	WASHER-HARD (8.8X25.5X2MM THK)
17	400041X1	12	BOLT (M12X1.75X30MM)
18	400053X1	41	BOLT (M8X1.25X20MM)
19	400357X1	1	WASHER-HARD (M12X25.5X3MM THK)

[A] PART OF 172-4506;178-2338;200-6231;
200-6232;213-4079 GAGE AR

00857470
PR: t05f07j07b0247

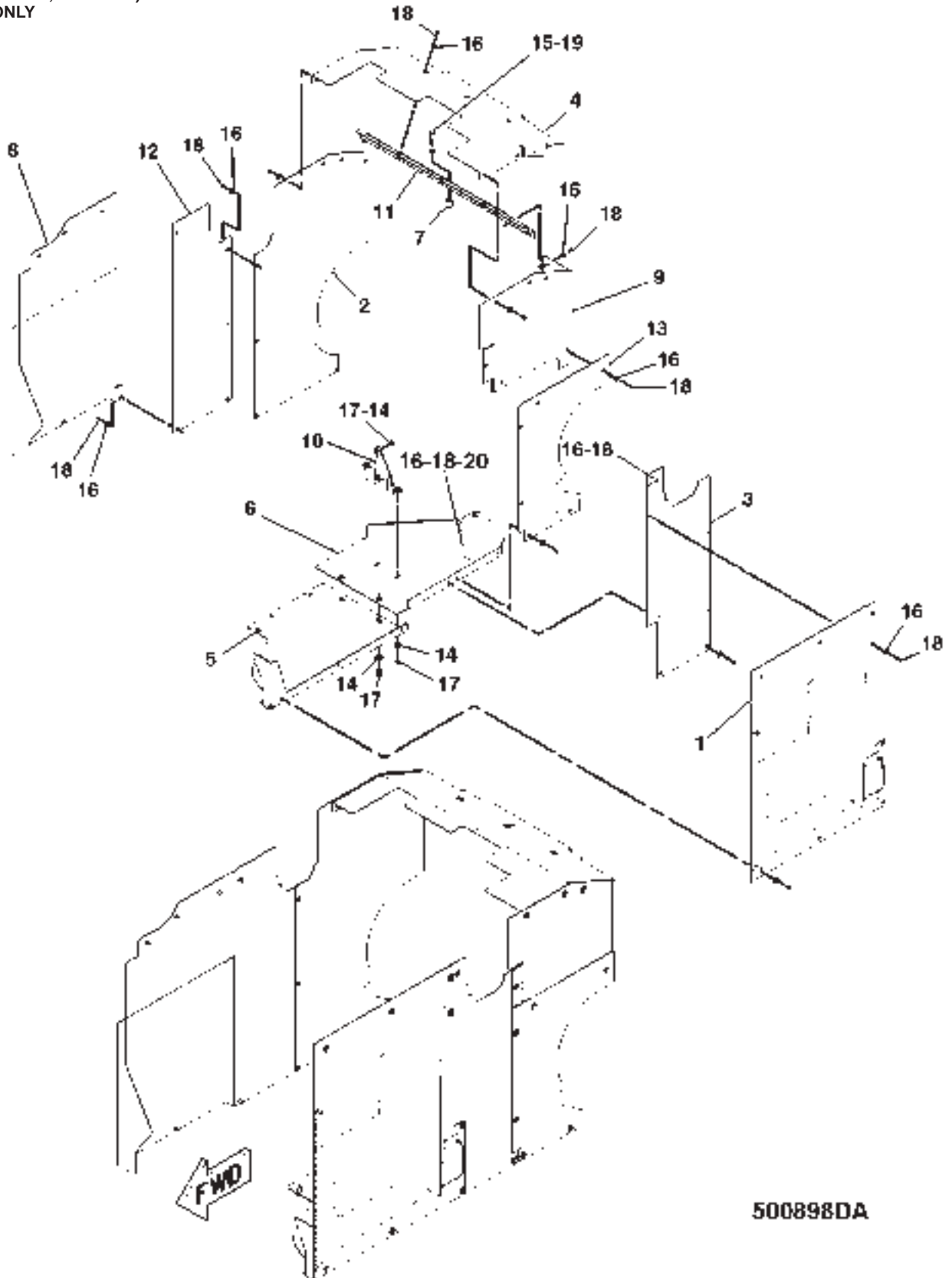
MT700 SERIES TRACK TRACTORS
FRAME AND BODY

GUARD GP-POWER TRAIN - 500898D1

(S/N: EFF AKN40200; ALA40269;

ALM40712; AMS41162)

ROW ONLY



**MT700 SERIES TRACK TRACTORS
FRAME AND BODY**

571

GUARD GP-POWER TRAIN - 500898D1
(S/N: EFF AKN40200;ALA40269;
ALM40712;AMS41162)
ROW ONLY

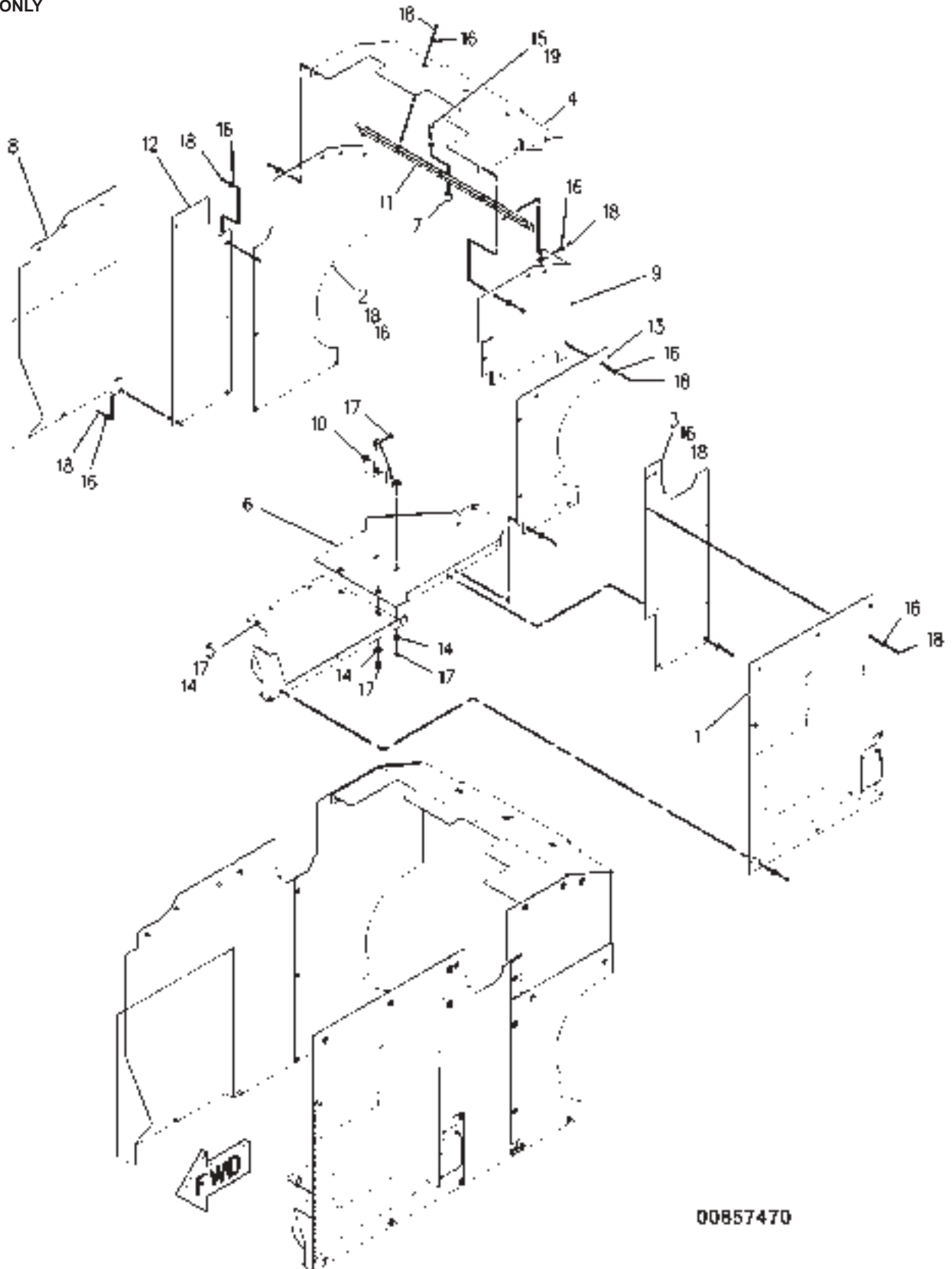
ITEM	NUMBER	QTY	DESCRIPTION
-	500898D1	--	GUARD GP-POWER TRAIN [A] (NOT SERVICED)
1	202-9981	1	GUARD-LH
2	202-9982	1	GUARD AS. (RH)
	CH8T-3612	2	NUT-WELD (M8X1.25 THD)
3	202-9985	1	GUARD AS. (LH)
	CH8T-3612	6	NUT-WELD (M8X1.25 THD)
4	202-9991	1	COVER AS.
	CH8T-3612	7	NUT-WELD (M8X1.25 THD)
5	202-9994	1	GUARD AS-FRONT
	CH8T-3612	3	NUT-WELD (M8X1.25 THD)
6	500896D1	1	GUARD REAR-REAR
	CH8T-3597	2	NUT-WELD (M12X1.75 THD)
	CH8T-3612	7	NUT-WELD (M8X1.25 THD)
7	CH204-9260	1	SPACER
8	214-9383	1	GUARD (RH)
9	216-0941	1	GUARD AS. (LH)
	CH8T-3612	2	NUT-WELD (M8X1.25 THD)
10	216-8436	1	BRACKET AS.
	8T-3597	2	NUT-WELD (M12X1.75 THD)
11	216-9829	1	BRACKET AS.
	CH8T-3612	6	NUT-WELD (M8X1.25 THD)
12	217-0110	1	GUARD (RH)
13	215-6884	1	GUARD (LH)
14	400381X1	12	WASHER-HARD (13.5X30X4MM THK)
15	400063X1	1	BOLT (M12X1.75X60MM)
16	CH7X-0579	45	WASHER-HARD (8.8X25.5X2MM THK)
17	400041X1	12	BOLT (M12X1.75X30MM)
18	400053X1	45	BOLT (M8X1.25X20MM)
19	400357X1	1	WASHER-HARD (M12X25.5X3MM THK)
20	500897D1	1	PLATE

[A] PART OF 178-2338;178-2339;200-6232;
200-6233;213-4079;213-4080 GAGE AR

500898DA
PR: t05f07j07b0248

MT700 SERIES TRACK TRACTORS
FRAME AND BODY

GUARD GP-POWER TRAIN - 500899D1
(S/N: EFF AKN40200; ALA40269;
ALM40712; AMS41162)
EAME ONLY



MT700 SERIES TRACK TRACTORS
FRAME AND BODY

573

GUARD GP-POWER TRAIN - 500899D1
(S/N: EFF AKN40200;ALA40269;
ALM40712;AMS41162)
EAME ONLY

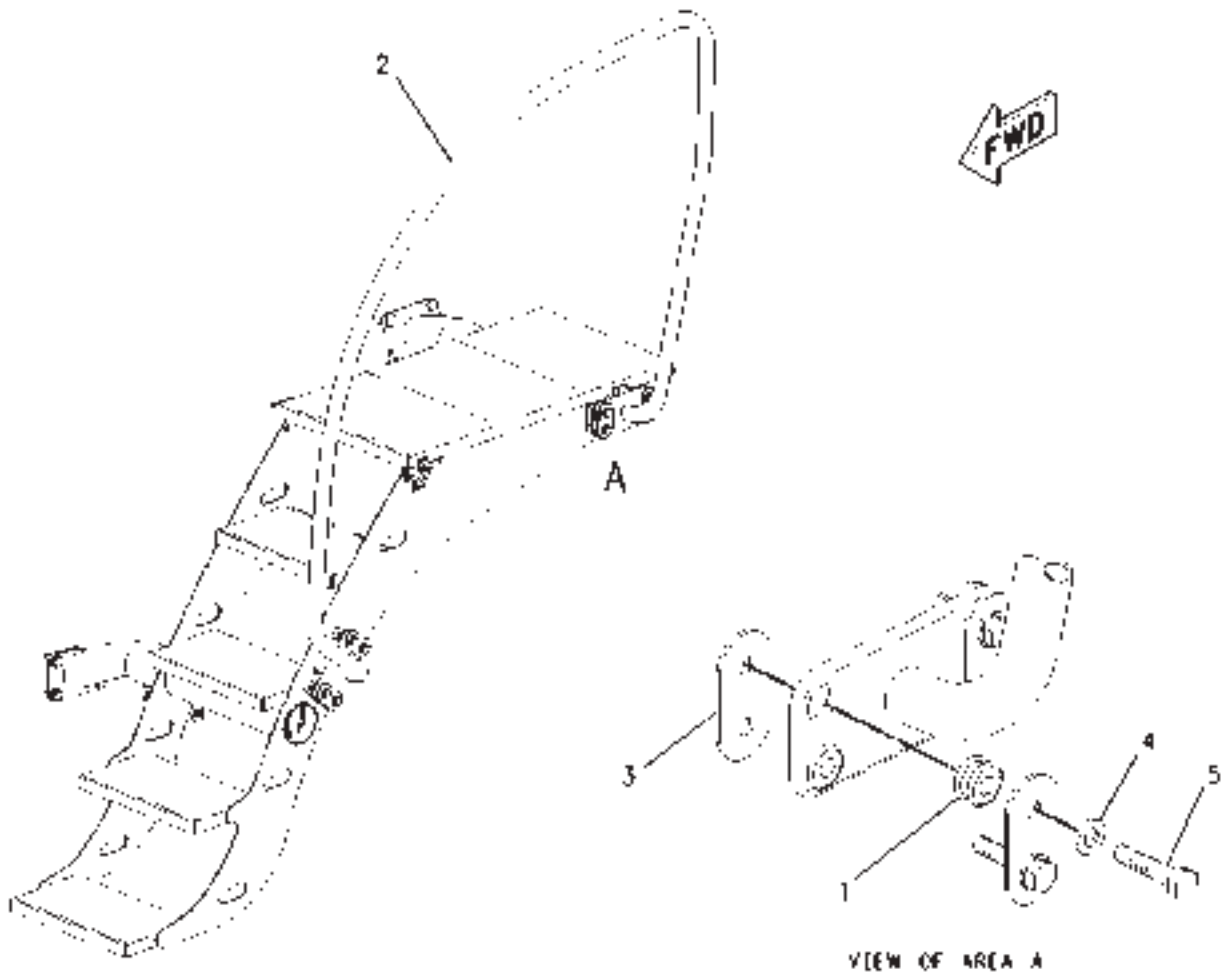
ITEM	NUMBER	QTY	DESCRIPTION
-	500899D1	--	GUARD GP-POWER TRAIN [A] (NOT SERVICED)
1	202-9981	1	GUARD-LH
2	202-9982	1	GUARD AS (RH)
	CH8T-3612	2	NUT-WELD (M8X1.25 THD)
3	202-9985	1	GUARD AS (LH)
	CH8T-3612	6	NUT-WELD (M8X1.25 THD)
4	202-9991	1	COVER AS
	CH8T-3612	7	NUT-WELD (M8X1.25 THD)
5	202-9994	1	GUARD AS-FRONT
	CH8T-3612	3	NUT-WELD (M8X1.25 THD)
6	500896D1	1	GUARD AS-REAR
	CH8T-3597	2	NUT-WELD (M12X1.75 THD)
	CH8T-3612	3	NUT-WELD (M8X1.25 THD)
7	CH204-9260	1	SPACER
8	214-9383	1	GUARD (RH)
9	216-0941	1	GUARD AS (LH)
	CH8T-3612	2	NUT-WELD (M8X1.25 THD)
10	216-8436	1	BRACKET AS
	8T-3597	2	NUT-WELD (M12X1.75 THD)
11	216-9829	1	BRACKET AS
	CH8T-3612	6	NUT-WELD (M8X1.25 THD)
12	217-0110	1	GUARD (RH)
13	215-6884	1	GUARD (LH)
14	400381X1	12	WASHER-HARD (13.5X30X4MM THK)
15	400063X1	1	BOLT (M12X1.75X60MM)
16	CH7X-0579	41	WASHER-HARD (8.8X25.5X2MM THK)
17	400041X1	12	BOLT (M12X1.75X30MM)
18	400053X1	41	BOLT (M8X1.25X20MM)
19	400357X1	1	WASHER-HARD (M12X25.5X3MM THK)

[A] PART OF 178-2341; 206-0515
GAGE AR-STD

00857470
PR: t05f07j07b0249

MT700 SERIES TRACK TRACTORS
FRAME AND BODY

HANDRAIL GP-OUTER - 203-9178
BASIC



00880845

MT700 SERIESTRACKTRACTORS
FRAME AND BODY

575

HANDRAIL GP-OUTER - 203-9178
BASIC

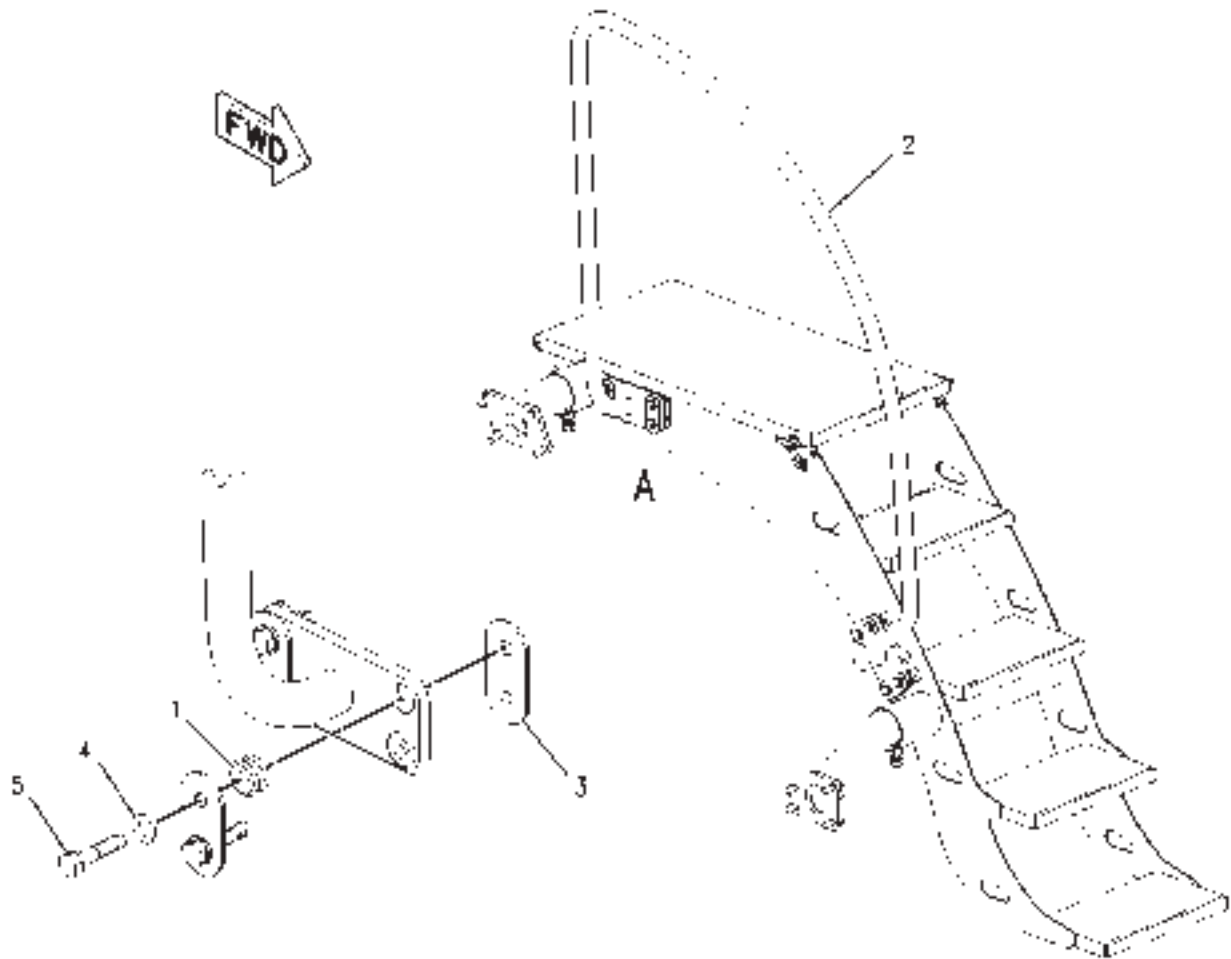
ITEM	NUMBER	QTY	DESCRIPTION
-	502903D1	--	HANDRAIL GP-OUTER (NOT SERVICED) (EAME)
-	203-9178	--	HANDRAIL GP-OUTER [A] (NOT SERVICED) (INCLS ITEMS 1-5)
1	CH6N-6984	8	MOUNT
2	203-9184	1	HANDHOLD AS.
3	203-9200	8	PLATE
4	400287X1	8	WASHER-HARD (11X21X2.5MM THK)
5	400052X1	8	BOLT (M10X1.5X40MM)

[A] PART OF 159-9486 CHASSIS AR
502903D1 HANDRAIL GP

00880845
PR: t05f07j07b0250

MT700 SERIES TRACK TRACTORS
FRAME AND BODY

HANDRAIL GP-BASIC - 502772D1
INNER



MT700 SERIESTRACKTRACTORS
FRAME AND BODY

577

HANDRAIL GP-BASIC - 502772D1
INNER

ITEM	NUMBER	QTY	DESCRIPTION
-	502772D1	--	HANDRAIL GP-BASIC (NOT SERVICED)
-	502762D1	--	HANDRAIL GP-BASIC (FIELD)
-	203-9179	1	HANDRAIL GP [A] (NOT SERVICED) (INCLUDES ITEMS 1-5)
1	CH6N-6984	8	MOUNT
2	203-9183	1	TUBE AS-HANDRAIL
3	203-9200	8	PLATE
4	400287X1	8	WASHER-HARD (11X21X2.5)
5	400052X1	8	BOLT (M10X1.5X45MM)

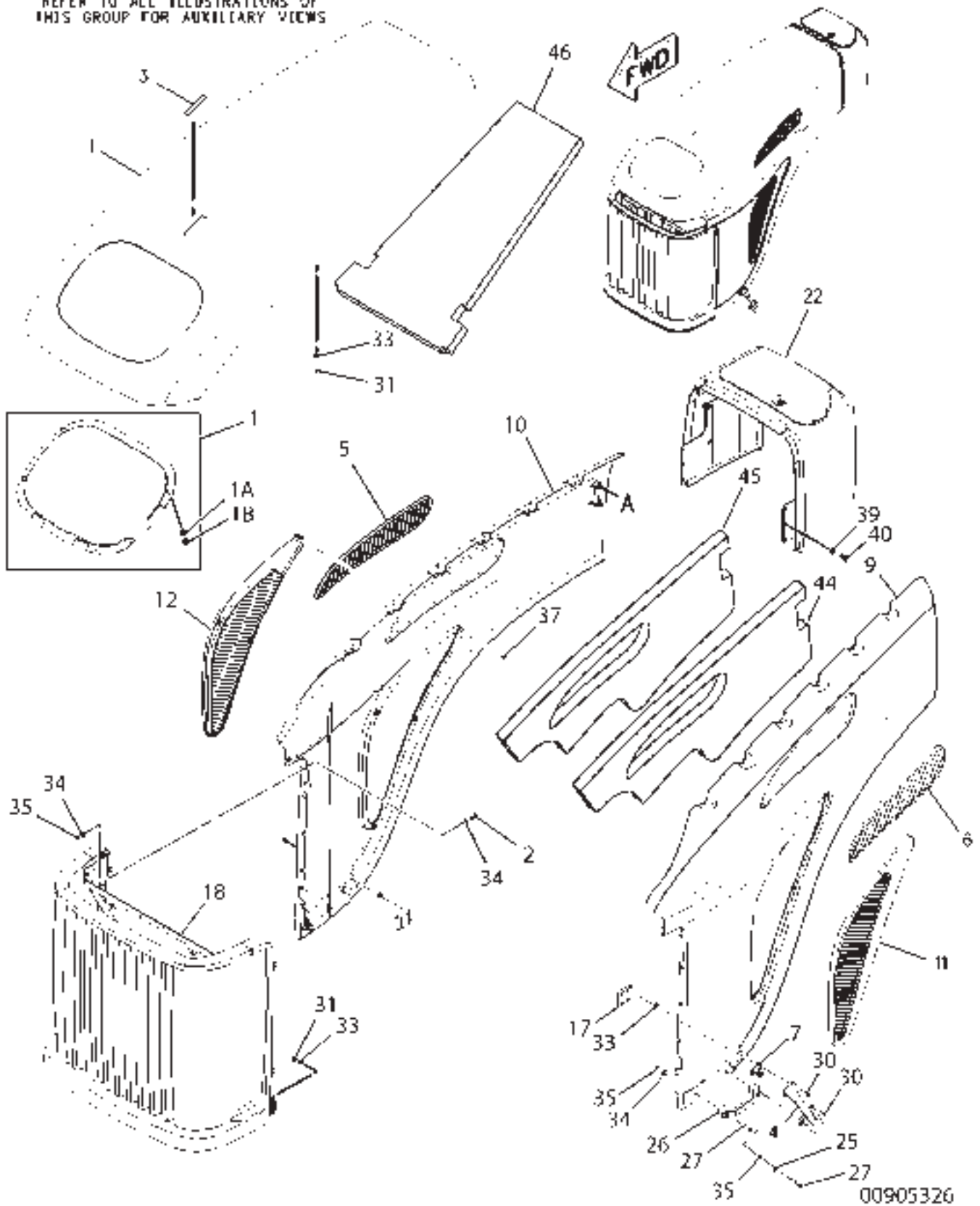
[A] PART OF 502772D1; 502762D1
HANDRAIL GP; 174-4614 CHASSIS AR

00810595
PR: t05f07j07b0251

MT700 SERIES TRACK TRACTORS
FRAME AND BODY

HOOD & GUARD GP - 156-1312
ROW ONLY

REFER TO ALL ILLUSTRATIONS OF
THIS GROUP FOR AUXILIARY VIEWS



MT700 SERIES TRACK TRACTORS
FRAME AND BODY

579

HOOD & GUARD GP - 156-1312
ROW ONLY

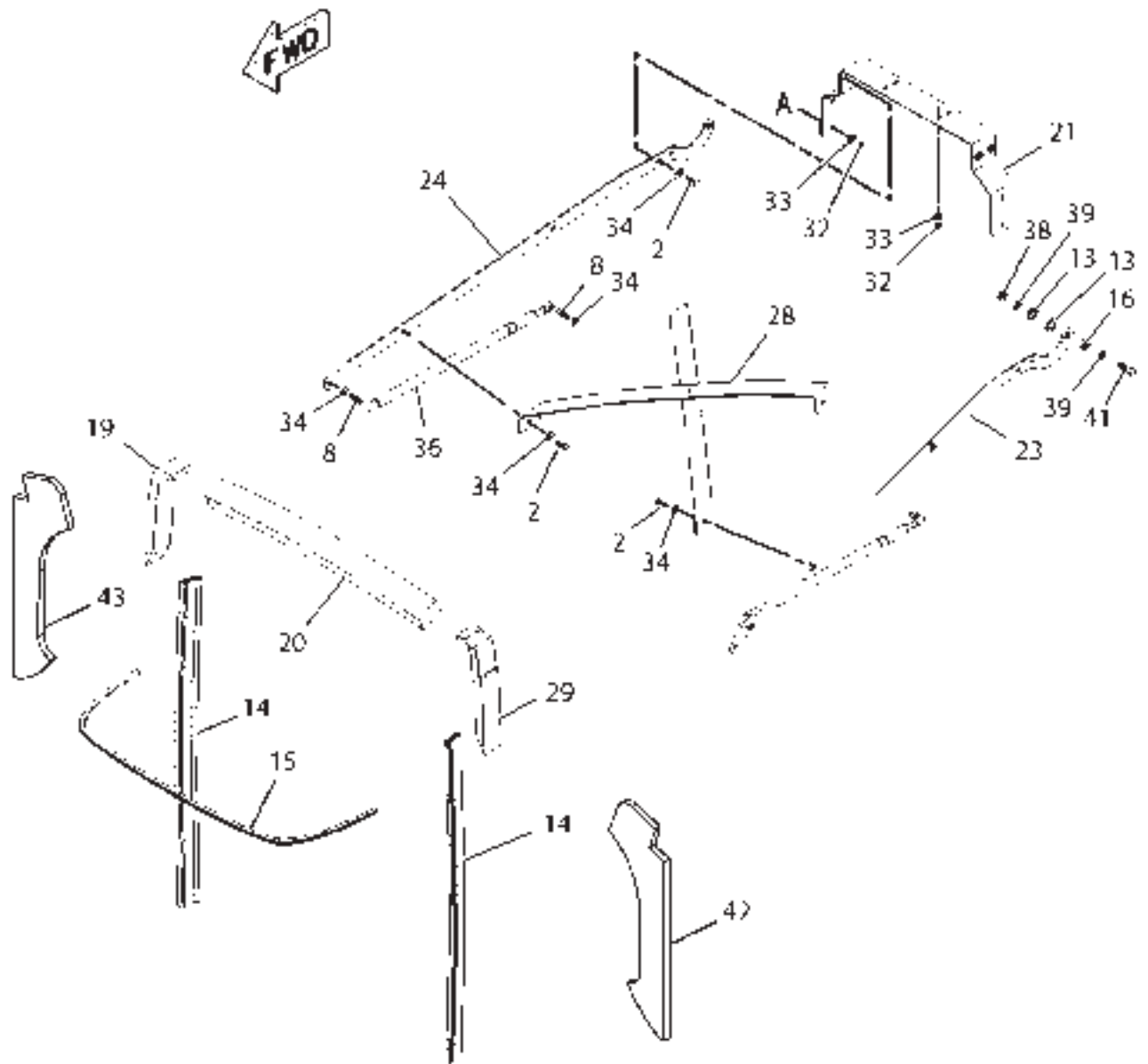
ITEM	NUMBER	QTY	DESCRIPTION
-	156-1312	--	HOOD & GUARD GP [A] (NOT SERVICED)
1	210-4390	1	HOOD AS.
1A	210-4395	4	WASHER-CONICAL
1B	210-4396	4	LOCKNUT
2	400341X1	16	BOLT (M8X1.25X25MM)
3	CH100-4036	1	MARKER-HOOD
4	CH113-8880	2	LATCH AS.
5	158-5924	1	GRILL (UPPER)(RH)
6	158-5923	1	GRILL (UPPER)(LH)
7	CH114-5793	2	KEEPER
9	158-5932	1	PANEL AS (LH)
	179-4207	1	INSERT (M6X1 THD)
10	158-5933	1	PANEL AS (RH)
	179-4207	1	INSERT (M6X1 THD)
11	158-5934	1	GRILL AS. (LOWER)(LH)
12	158-5935	1	GRILL AS. (LOWER)(RH)
17	210-4393	2	BLOCK
18	197-4774	1	GRILL GP-RADIATOR (SEE BREAKDOWN FOR COMPONENTS)
22	201-5074	1	HOUSING GP (NOT SERVICED) (SEE BREAKDOWN FOR COMPONENTS)
25	CH9N-0869	1	WASHER (8.8X25.5X2MM THK)
26	400115X1	1	HANDLE
27	400162X1	2	BOLT-SOCKET HEAD (M8X1.25X50MM)
30	CH123-4950	12	SCREW-PAN HEAD (M6X1X16MM)
31	CH129-3178	16	LOCKNUT (M6X1 THD)
33	CH5P-4115	30	WASHER-HARD (7.2X19X2MM THK)
34	400599X1	29	WASHER-HARD (M8X20.5X2MM THK)
35	CH131-3540	10	LOCKNUT
37	CH217-5909	8	SCREW-PAN HEAD (1/4-15X0.50 IN)
39	400287X1	22	WASHER-HARD (11X21X2.5MM THK)
40	400039X1	6	BOLT (M10X1.5X25MM)
44	-----	--	NOT USED
45	-----	--	NOT USED
46	-----	--	NOT USED

[A] PART OF 177-1588 BASE COMMON AR

00905326
PR: t05f07j07b0252

MT700 SERIES TRACK TRACTORS
FRAME AND BODY

HOOD & GUARD GP - 156-1312
ROW ONLY



**MT700 SERIES TRACK TRACTORS
FRAME AND BODY**

581

**HOOD & GUARD GP - 156-1312
ROW ONLY**

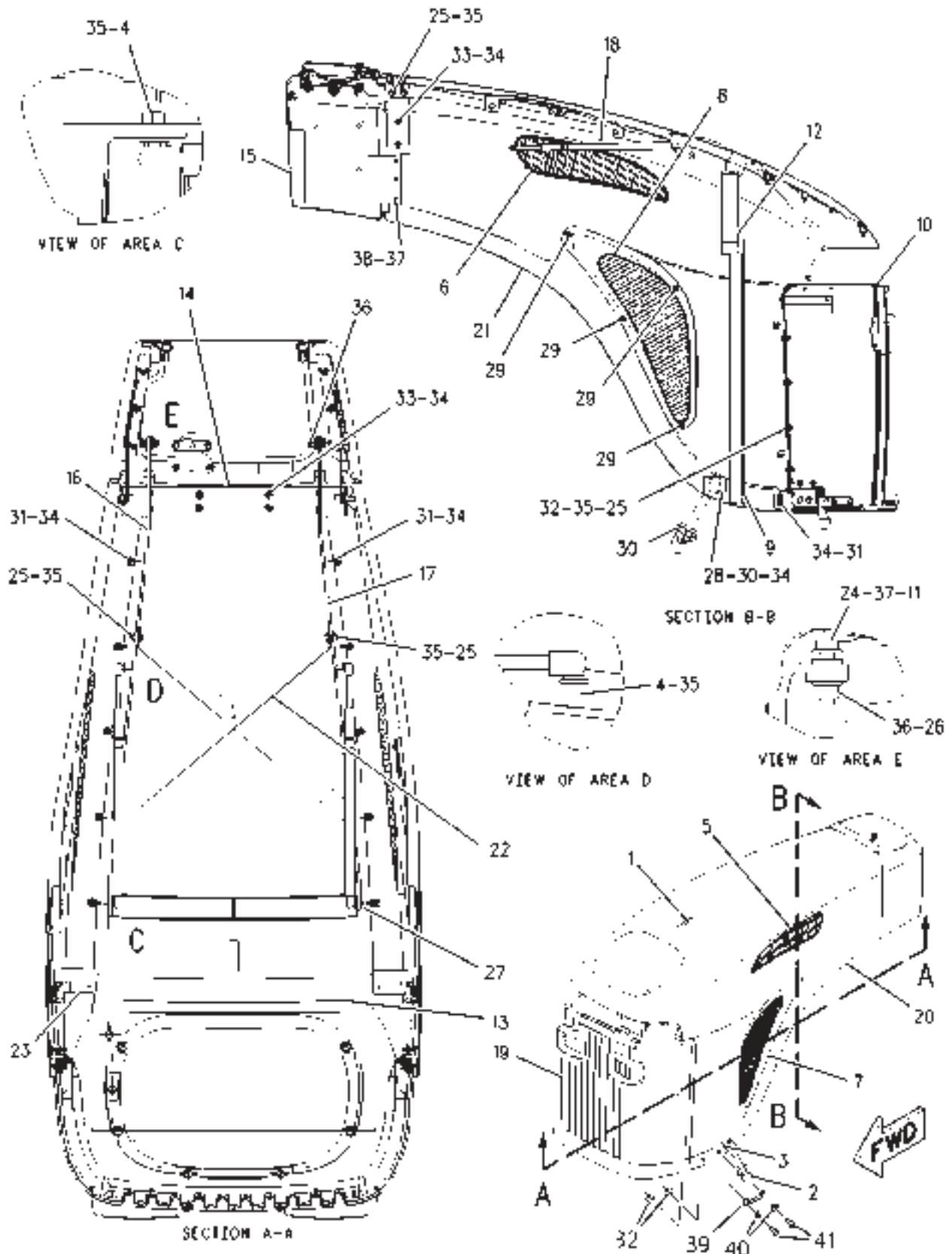
ITEM	NUMBER	QTY	DESCRIPTION
-	156-1312	--	HOOD & GUARD GP [A] (NOT SERVICED)
2	400341X1	16	BOLT (M8X1.25X25MM)
8	CH130-1916	4	STUD-BALL
13	400082X1	4	WASHER (17.5X30X3.5MM THK)
14	173-8817	2	SEAL-HOOD
15	173-8819	1	SEAL-HOOD (UPPER)
16	CH183-4567	2	BEARING
19	200-6476	1	BAFFLE
20	201-0030	1	BAFFLE
21	201-5067	1	BRACKET AS.
	CH8T-3612	4	NUT-WELD (M8X1.25 THD)
23	201-5084	1	ARM AS. (LH)
	CH8T-3612	3	NUT-WELD (M8X1.25 THD)
24	201-5085	1	ARM AS. (RH)
	CH8T-3612	3	NUT-WELD (M8X1.25 THD)
28	202-7319	1	BRACE AS.
29	202-8043	1	BAFFLE
32	400300X1	8	NUT (M6X1 THD)
33	CH5P-4115	30	WASHER-HARD (7.2X19X2MM THK)
34	400599X1	29	WASHER-HARD (M8X20.5X2MM THK)
36	201-5090	2	SPRING GAS-GAS
38	CH8T-0389	2	LOCKNUT (M10X1.5 THD)
39	400287X1	22	WASHER-HARD (11X21X2.5MM THK)
41	400052X1	2	BOLT (M10X1.5X40MM)
42	-----	--	NOT USED
43	-----	--	NOT USED

[A] PART OF 177-1588 BASE COMMON AR

00905327
PR: t05f07j07b0253

MT700 SERIES TRACK TRACTORS
FRAME AND BODY

HOOD & GUARD GP - 161-9172
EAME ONLY



**MT700 SERIES TRACK TRACTORS
FRAME AND BODY**

583

**HOOD & GUARD GP - 161-9172
EAME ONLY**

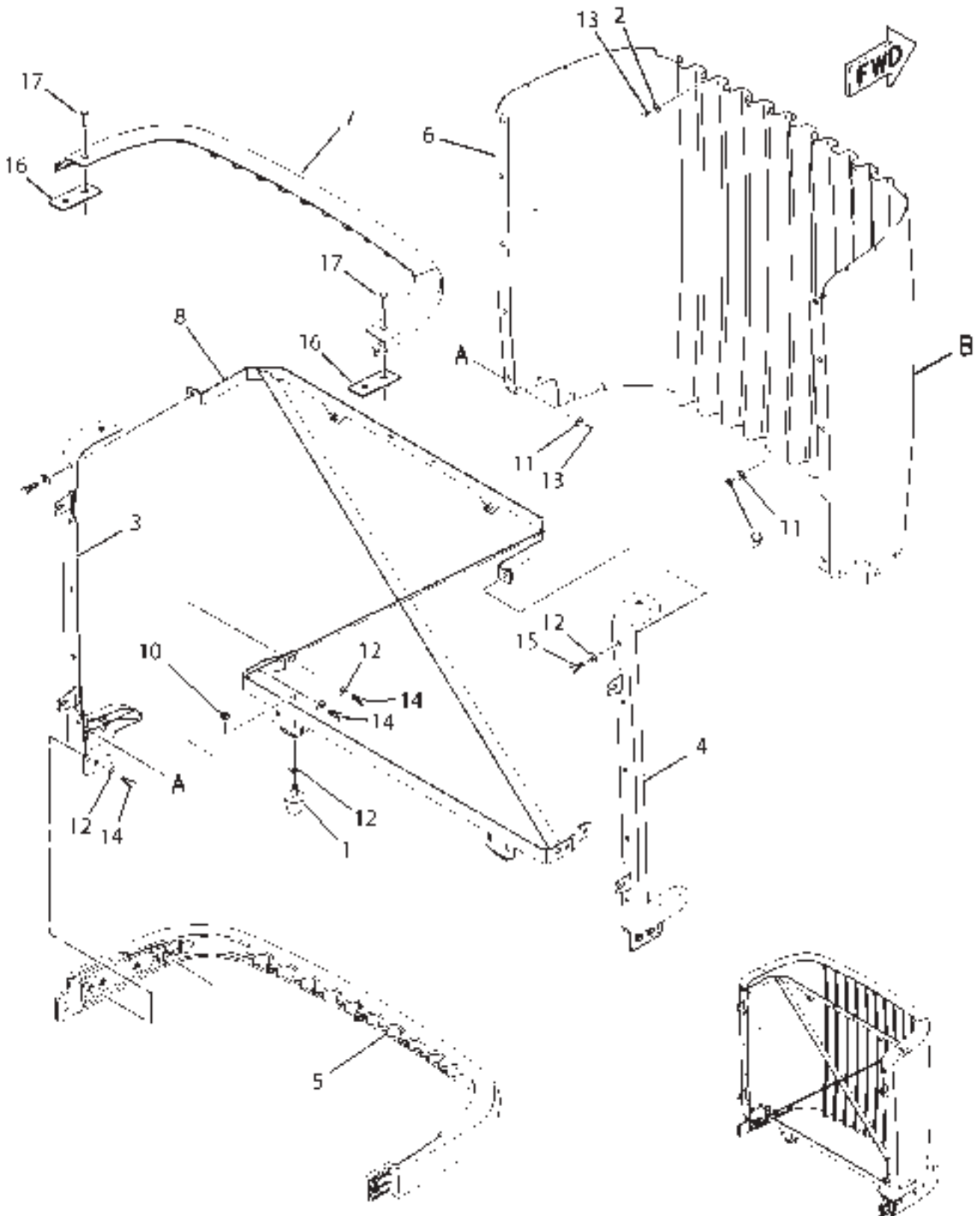
ITEM	NUMBER	QTY	DESCRIPTION
-	161-9172	--	HOOD & GUARD GP [A] (NOT SERVICED)
1	CH100-4036	1	MARKER-HOOD
2	CH113-8880	2	LATCH AS
3	CH114-5793	2	KEEPER
4	CH130-1916	4	STUD-BALL
5	158-5923	1	GRILL (UPPER-LH)
6	158-5924	1	GRILL (UPPER-RH)
7	158-5934	1	GRILL AS (LOWER-LH)
8	158-5935	1	GRILL AS (LOWER-RH)
9	173-8817	2	SEAL-HOOD
10	173-8819	1	SEAL-HOOD (UPPER)
11	CH183-4567	2	BEARING
12	200-6476	1	BAFFLE
13	201-0030	1	BAFFLE
14	201-5067	1	BRACKET AS
	CH8T-3612	4	NUT-WELD (M8X1.25 THD)
15	201-5074	1	HOUSING GP (NOT SERVICED) (SEE BREAKDOWN FOR COMPONENTS)
16	201-5084	1	ARM AS
	CH8T-3612	3	NUT-WELD (M8X1.25 THD)
17	201-5085	1	ARM AS
	CH8T-3612	3	NUT-WELD (M8X1.25 THD)
18	201-5090	2	SPRING AS-GAS
19	202-2359	1	GRILL GP-RADIATOR (SEE BREAKDOWN FOR COMPONENTS)
20	158-5932	1	PANEL AS (LH)
21	158-5933	1	PANEL AS (RH)
22	202-7319	1	BRACE AS
23	202-8043	1	BAFFLE
24	400052X1	2	BOLT (M10X1.5X40MM)
25	400341X1	16	BOLT (M8X1.25X25MM)
26	400082X1	4	WASHER (17.5X30X3.5MM THK)
27	210-4390	1	HOOD AS
28	210-4393	2	BLOCK
29	CH217-5909	8	SCREW-PAN HEAD (1/4-15X0.50 IN)
30	CH123-4950	12	SCREW-PAN HEAD (M6X1X16MM)
31	CH129-3178	16	LOCKNUT (M6X1 THD)
32	CH131-3540	10	LOCKNUT
33	400300X1	8	NUT (M6X1 THD)
34	CH5P-4115	30	WASHER-HARD (7.2X19X2MM THK)
35	400599X1	29	WASHER-HARD (M8X20.5X2MM THK)
36	CH8T-0389	2	LOCKNUT (M10X1.5 THD)
37	400287X1	22	WASHER-HARD (11X21X2.5MM THK)
38	400039X1	6	BOLT (M10X1.5X25MM)
39	400115X1	1	HANDLE-PLASTIC
40	CH9N-0869	1	WASHER-HARD 8.8X25.5
41	400162X1	2	BOLT M8X1.25X50

[A] PART OF 177-1589 BASE COMMON AR

1619172A
PR: t05f07j07b0254

MT700 SERIES TRACK TRACTORS
FRAME AND BODY

GRILL GP-RADIATOR - 197-4774
ROW ONLY



MT700 SERIES TRACK TRACTORS
FRAME AND BODY

585

GRILL GP-RADIATOR - 197-4774
ROW ONLY

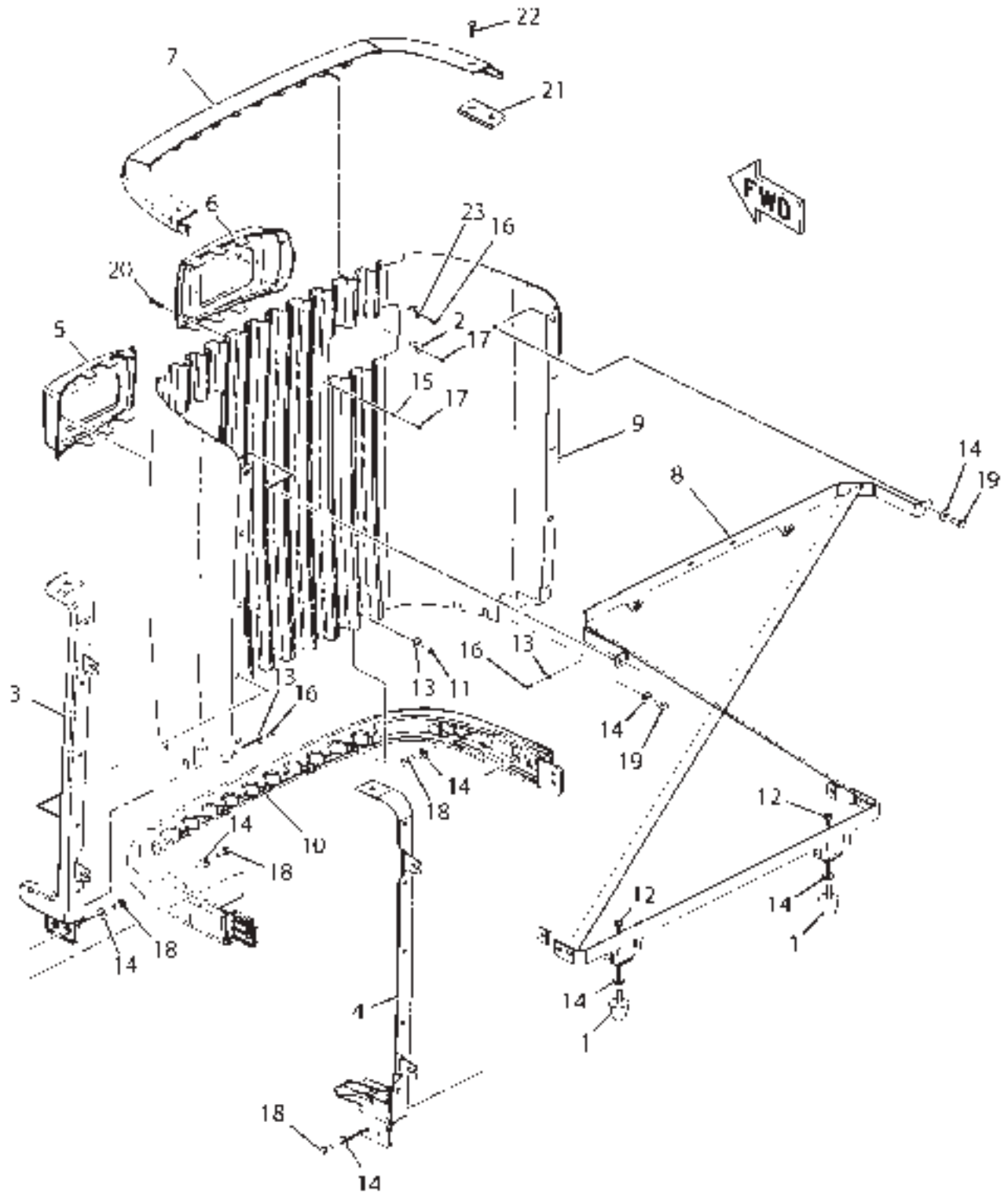
ITEM	NUMBER	QTY	DESCRIPTION
-	197-4774	--	GRILL GP-RADIATOR [A]
1	CH4E-1384	2	BUMPER-CONICAL
2	CH8T-4205	4	WASHER-HARD (7.2X14.5X2MM THK)
3	-----	1	RETAINER-LH (ORDER COMPLETE ASY)
4	-----	1	RETAINER-RH (ORDER COMPLETE ASY)
5	-----	1	RETAINER ASY. (LOWER) (ORDER COMPLETE ASY)
6	-----	1	GRILL (ORDER COMPLETE ASY)
7	-----	1	RETAINER ASY. (UPPER) (ORDER COMPLETE ASY)
8	-----	1	X-BAR ASY. (ORDER COMPLETE ASY)
9	CH129-3178	5	LOCKNUT (M6X1 THD)
10	400340X1	2	NUT (M8X1.25 THD)
11	CH5P-4115	9	WASHER-HARD (7.2X19X2MM THK)
12	400599X1	14	WASHER-HARD (M8X20.5X2MM THK)
13	CH210-4352	8	SCREW-PAN HEAD
14	400053X1	8	BOLT (M8X1.25X20MM)
15	400341X1	2	BOLT (M8X1.25X25MM)
16	210-4351	2	PLATE
17	CH033-7291	4	RIVET-BLIND

[A] PART OF 502670D1 HOOD & GUARD GP

0890071A
PR: t05f07j07b0255

MT700 SERIES TRACK TRACTORS
FRAME AND BODY

GRILL GP-RADIATOR - 202-2359
EAME ONLY



**MT700 SERIES TRACK TRACTORS
FRAME AND BODY**

587

**GRILL GP-RADIATOR - 202-2359
EAME ONLY**

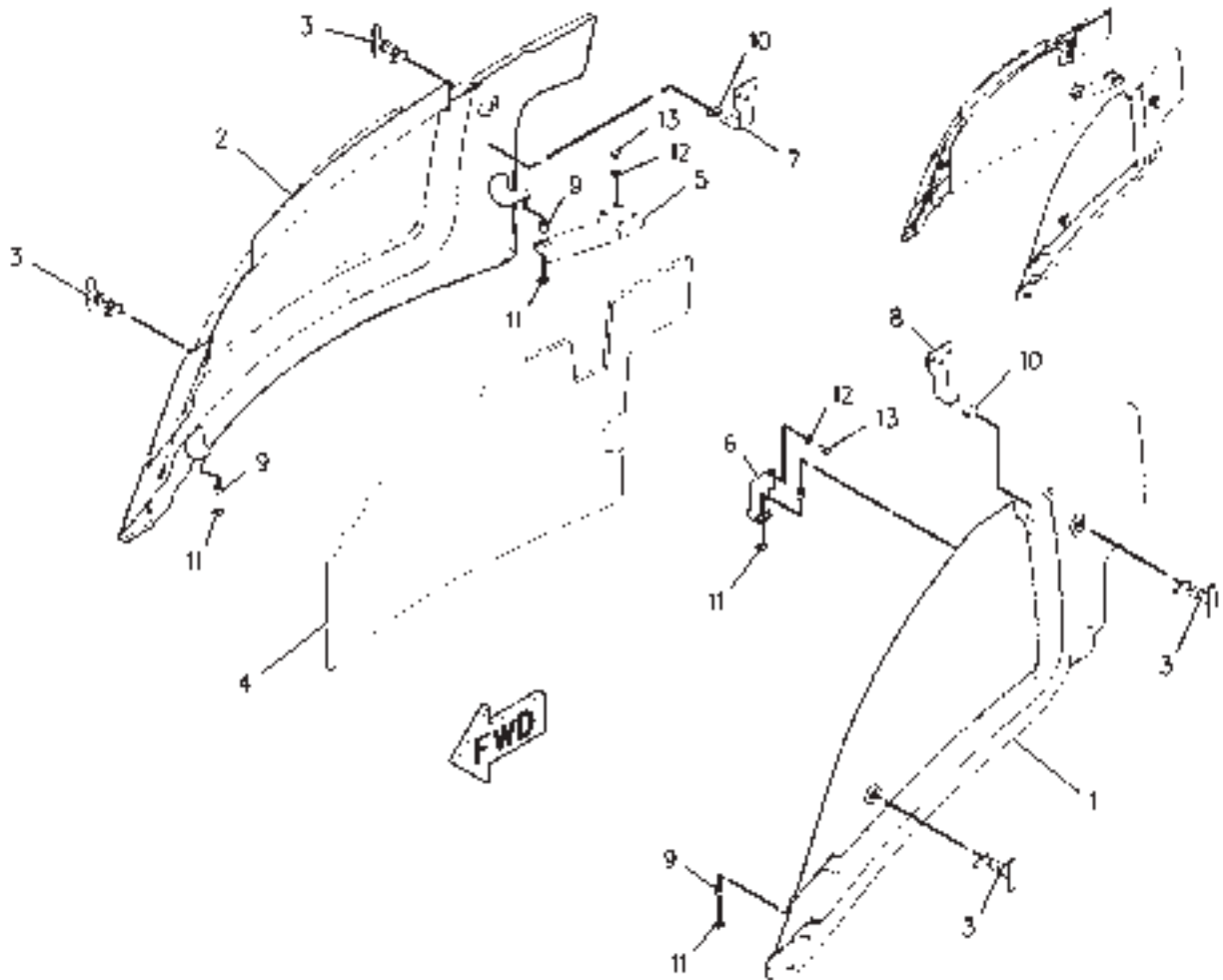
ITEM	NUMBER	QTY	DESCRIPTION
-	202-2359		GRILL GP-RADIATOR [A]
1	CH4E-1384	2	BUMPER-CONICAL
2	400076X1	4	WASHER (5X16X1.2MM THK)
3	-----	1	RETAINER-LH (ORDER COMPLETE ASY)
4	-----	1	RETAINER-RH (ORDER COMPLETE ASY)
5	177-7103	1	LAMP HOUSING-LH
6	177-7104	1	LAMP HOUSING-RH
7	-----	1	RETAINER AS (UPPER) (ORDER COMPLETE ASY)
8	-----	1	X-BAR AS (ORDER COMPLETE ASY)
9	-----	1	GRILL (ORDER COMPLETE ASY)
10	-----	1	RETAINER AS (LOWER) (ORDER COMPLETE ASY)
11	CH129-3178	5	LOCKNUT-NON METALLIC
12	400340X1	2	NUT (M8X1.25 THD)
13	CH5P-4115	9	WASHER-HARD (7.2X19X2MM THK)
14	400599X1	14	WASHER-HARD (8.8X20.5X2MM THK)
15	CH8C-9660	4	WASHER (4.6X7.9X0.8MM THK)
16	CH210-4352	8	SCREW (#14-15X18MM)
17	CH8T-2659	8	LOCKNUT (M4X0.7 THD)
18	400053X1	8	BOLT (M8X1.25X20MM)
19	400341X1	2	BOLT (M8X1.25X25MM)
20	CH9X-1046	8	SCREW-MACHINE (M4X0.7X18)
21	210-4351	2	PLATE
22	CH033-7291	4	RIVET-BLIND
23	CH8T-4205	4	WASHER-HARD (7.2X14.5X2MM THK)

[A] PART OF 161-9172 HOOD & GUARD GP

0853865A
PR: t05f07j07b0256

MT700 SERIES TRACK TRACTORS
FRAME AND BODY

ENCLOSURE GP - 204-7335
ROW ONLY



MT700 SERIESTRACKTRACTORS
FRAME AND BODY

589

ENCLOSURE GP - 204-7335
ROW ONLY

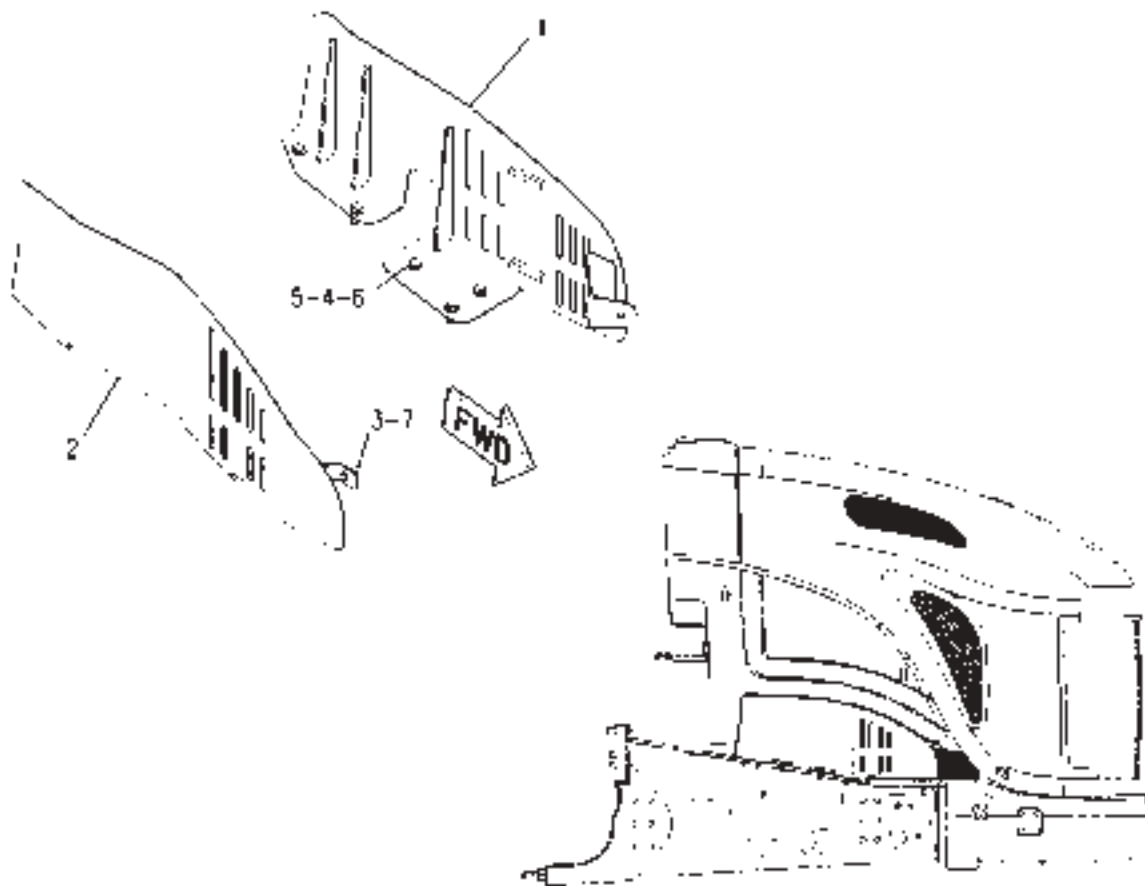
ITEM	NUMBER	QTY	DESCRIPTION
-	204-7335	--	ENCLOSURE GP [A] (NOT SERVICED)
1	201-5093	1	PANEL ASY. (LH)
2	201-5094	1	PANEL ASY. (RH)
3	202-2355	4	LATCH ASY.
4	210-4371	1	INSULATION (RH)
5	215-8018	1	BRACKET
6	215-8020	1	BRACKET
7	216-5333	1	PLATE
8	216-5334	1	PLATE
9	CH216-5335	4	BEARING
10	216-5336	2	SEAL
11	CH3S-5096	4	CLAMP
12	400287X1	6	WASHER-HARD (11X21X2.5MM THK)
13	400040X1	6	BOLT (M10X1.5X20MM)

[A] PART OF 177-1588 BASE COMMON AR

00841511
PR: t05f07j07b0257

MT700 SERIES TRACK TRACTORS
FRAME AND BODY

ENCLOSURE GP - 217-0904
ITALIAN MARKET
EAME ONLY



RIGHT SIDE VIEW

MT700 SERIE TRACK TRACTORS
FRAME AND BODY

591

ENCLOSURE GP - 217-0904
ITALIAN MARKET
EAME ONLY

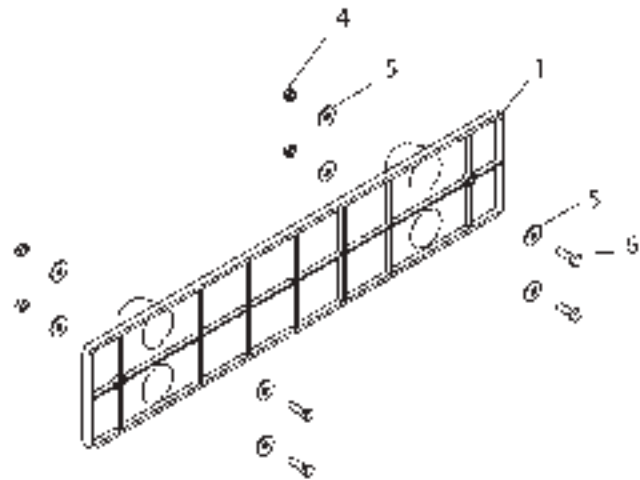
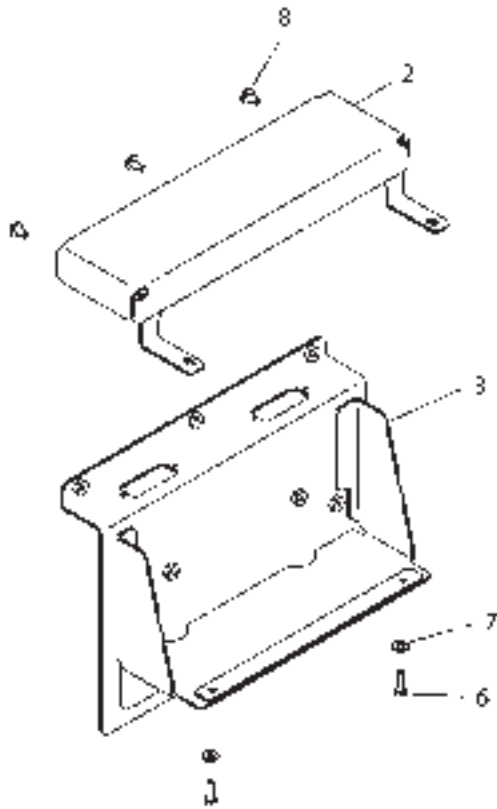
ITEM	NUMBER	QTY	DESCRIPTION
-	217-0904	--	ENCLOSURE GP [A] (NOT SERVICED)
1	217-0902	1	PANEL AS
2	217-0903	1	PANEL AS
4	CH7X-7729	16	WASHER (11X25X3MM THK)
5	WR522218	8	NUT (M10X1.5 THD)
6	400059X1	8	BOLT (M10X1.5X35MM)

[A] PART OF 178-4958 COMPLETING AR

00878061
PR: t05f07j07b0258

MT700 SERIES TRACK TRACTORS
FRAME AND BODY

MOUNTING GP-BODY - 158-5925
LICENSE PLATE
EAME ONLY



MT700 SERIES TRACK TRACTORS
FRAME AND BODY

593

MOUNTING GP-BODY - 158-5925
LICENSE PLATE
EAME ONLY

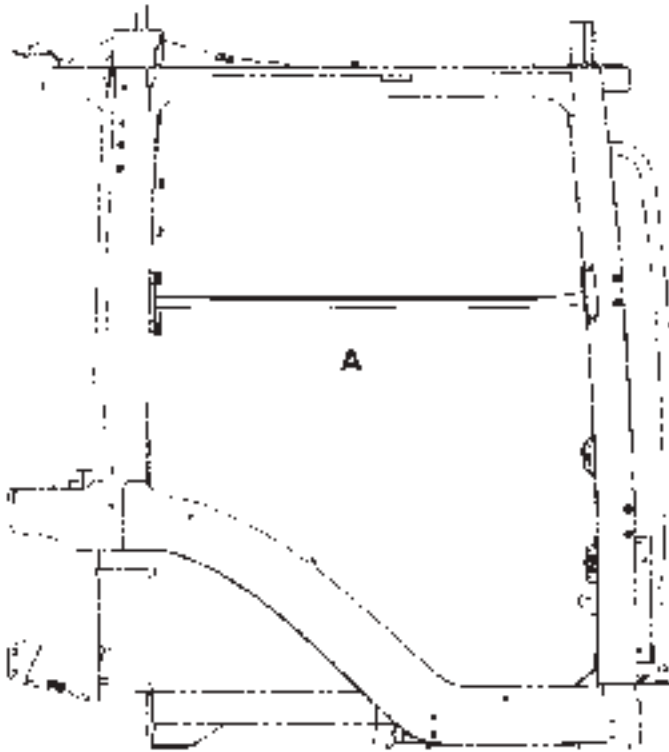
ITEM	NUMBER	QTY	DESCRIPTION
-	158-5925	--	MOUNTING GP-LICENSE PLATE [A] (NOT SERVICED)
1	177-7107	1	PLATE AS.-LICENSE
2	221-7640	1	BRACKET AS.
3	222-1887	1	BRACKET AS
4	400300X1	4	NUT M6X1
5	CH5P-4115	8	WASHER-7.2IDX19ODX2MM
6	400221X1	6	BOLT-M6X1X20MM ZNDI HHD 10.9
7	CH8T-4205	2	WASHER-HARD 7.2IDX14.5ODX2MM
8	CH9X-2042	3	SCREW-M6X1X12 ORG TORX

[A] 177-1589 BASE COMMON AR

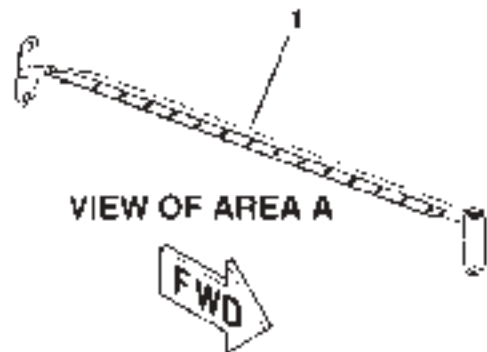
1585925A
PR: t05f07j07b0259

MT700 SERIES TRACK TRACTORS
FRAME AND BODY

MOUNTING GP-MONITOR - 222-7965



RIGHT SIDE VIEW



VIEW OF AREA A

MT700 SERIESTRACKTRACTORS
FRAME AND BODY

595

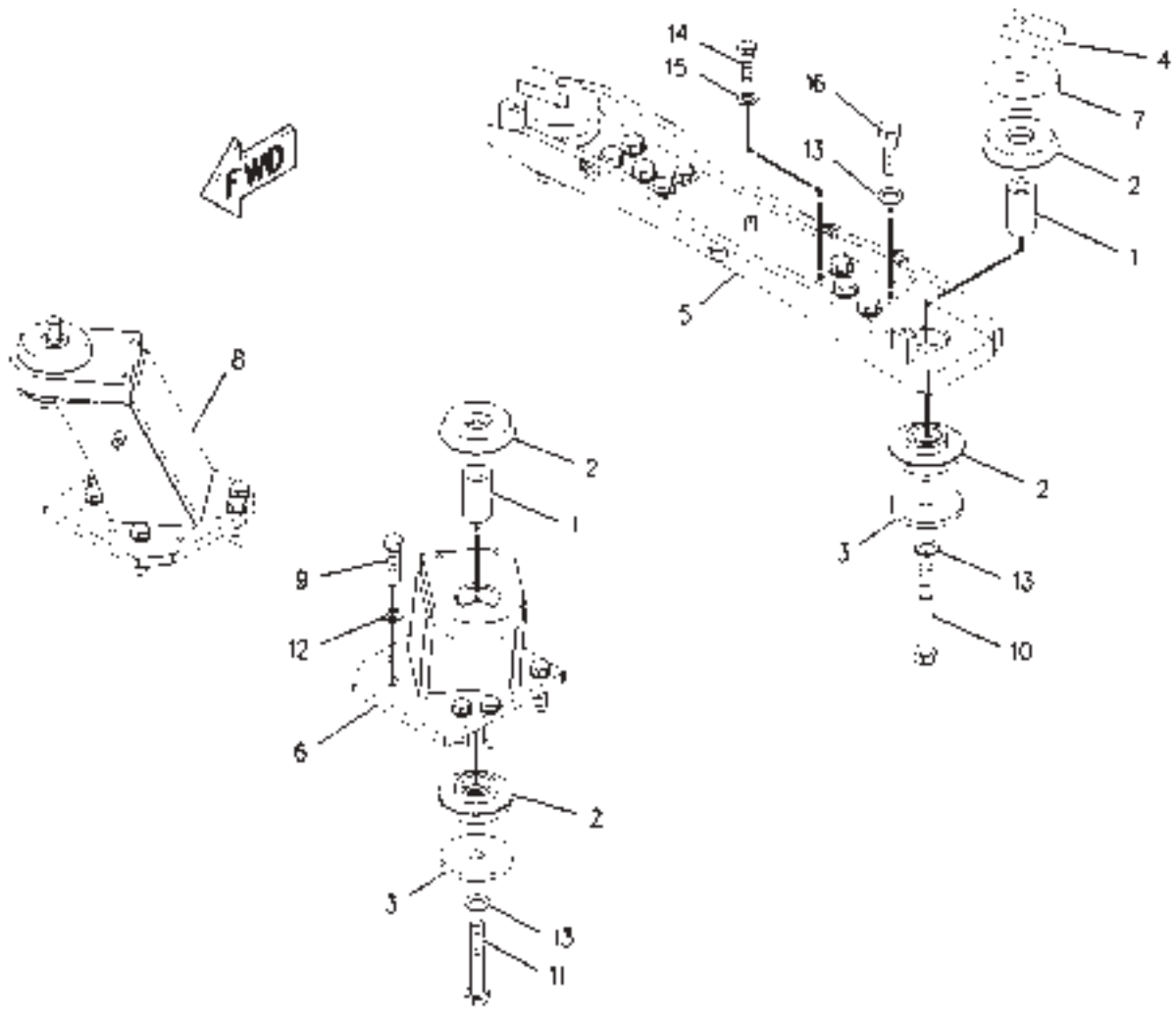
MOUNTING GP-MONITOR - 222-7965

ITEM	NUMBER	QTY	DESCRIPTION
-	222-7965	--	MOUNTING GP-MONITOR (NOT SERVICED)
-	502798D1	--	MOUNTING GP-MONITOR (REF ONLY) (NOT SERVICED)
-	502778D1	--	MOUNTING GP-MONITOR (FIELD INSTALLED)
1	215-8364	1	TUBE AS
	CH6V-5839	2	WASHER (11IDX21X2.5MM)(NOT SHOWN)
	CH9X-2040	2	SCREW-TRS HD (M10X1.5X20)(NOT SHOWN)
	CH9X-2041	2	SCREW-TRS HD (M10X1.5X25)(NOT SHOWN)

0894860A
PR: t05f07j07b0260

MT700 SERIES TRACK TRACTORS
FRAME AND BODY

MOUNTING GP-CAB - 152-0430
ROW ONLY



**MT700 SERIES TRACK TRACTORS
FRAME AND BODY**

597

**MOUNTING GP-CAB - 152-0430
ROW ONLY**

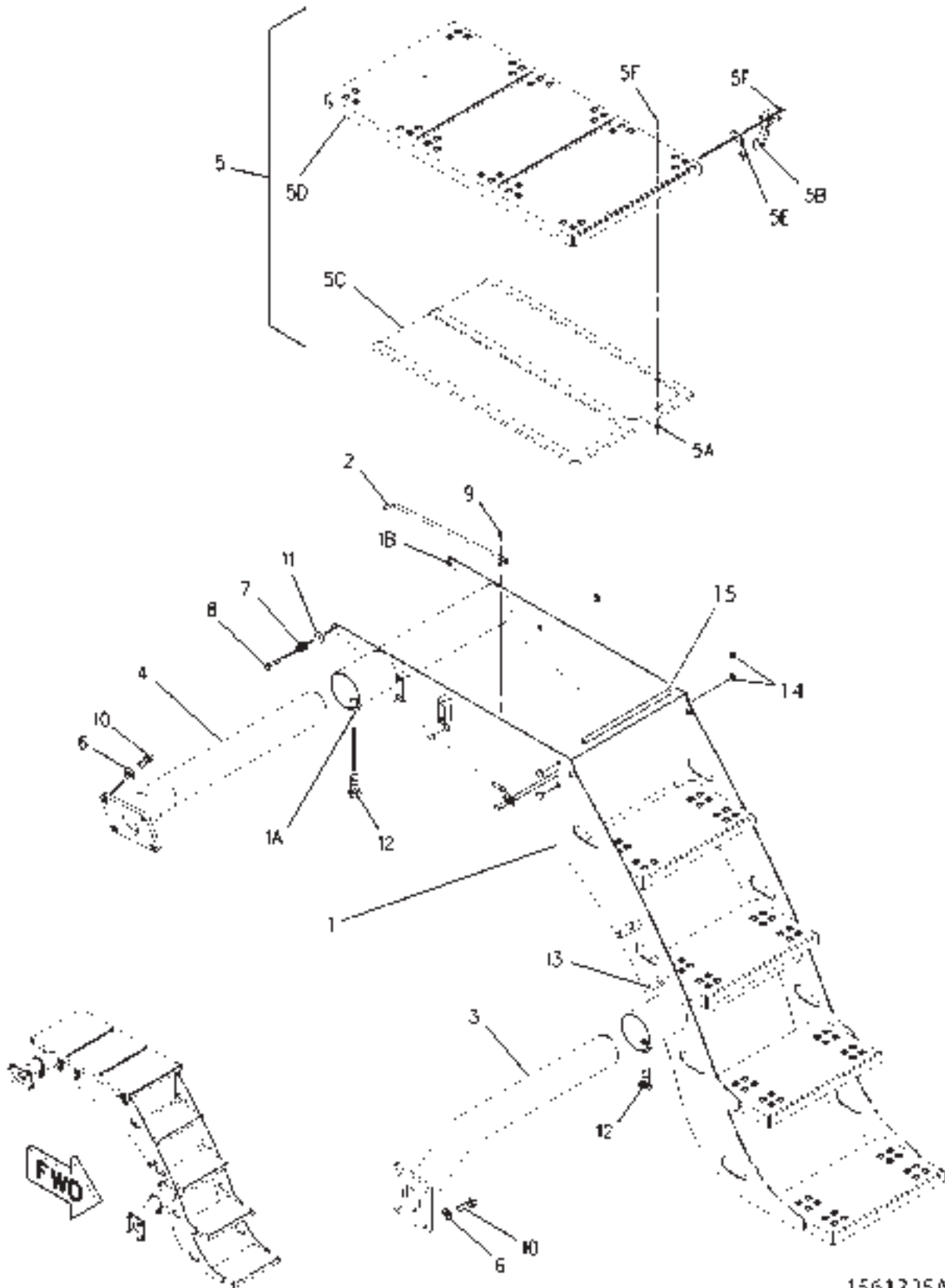
ITEM	NUMBER	QTY	DESCRIPTION
-	152-0430	--	MOUNTING GP-CAB [A] (NOT SERVICED)
1	CH3E-4898	4	SLEEVE
2	117-8131	8	MOUNT
3	400335X1	4	WASHER (26X125X12MM THK)
4	186-0465	2	BLOCK
5	197-4762	1	MOUNT AS.
	CH7T-1099	8	LINK
6	197-4764	1	BRACKET AS. (LH)
7	197-4766	2	PLATE
8	201-5068	1	BRACKET AS. (RH)
	9R-2613	1	BOSS (M10X1.5X25MM)
	CH7T-1099	1	LINK
9	180-5932	12	BOLT-HEX HEAD (M20X2.5X80MM)
10	7X-2465	2	BOLT (M24X3.0X180MM)
11	8C-3290	2	BOLT (M24X3X150MM)
12	400080X1	12	WASHER-PLATED (22X35X3.5MM THK)
13	400081X1	10	WASHER-HARD (26X44X4MM THK)
14	8T-4187	4	BOLT (M20X2.5X80MM)
15	CH8T-5439	4	WASHER (21.5X45X6MM THK)
16	8T-5878	6	BOLT (M24X3X80MM)

[A] PART OF 159-9486 CHASSIS AR

00840949
PR: t05f07j07b0261

MT700 SERIES TRACK TRACTORS
FRAME AND BODY

STEP GP - 156-1325



**MT700 SERIESTRACKTRACTORS
FRAME AND BODY**

599

STEP GP - 156-1325

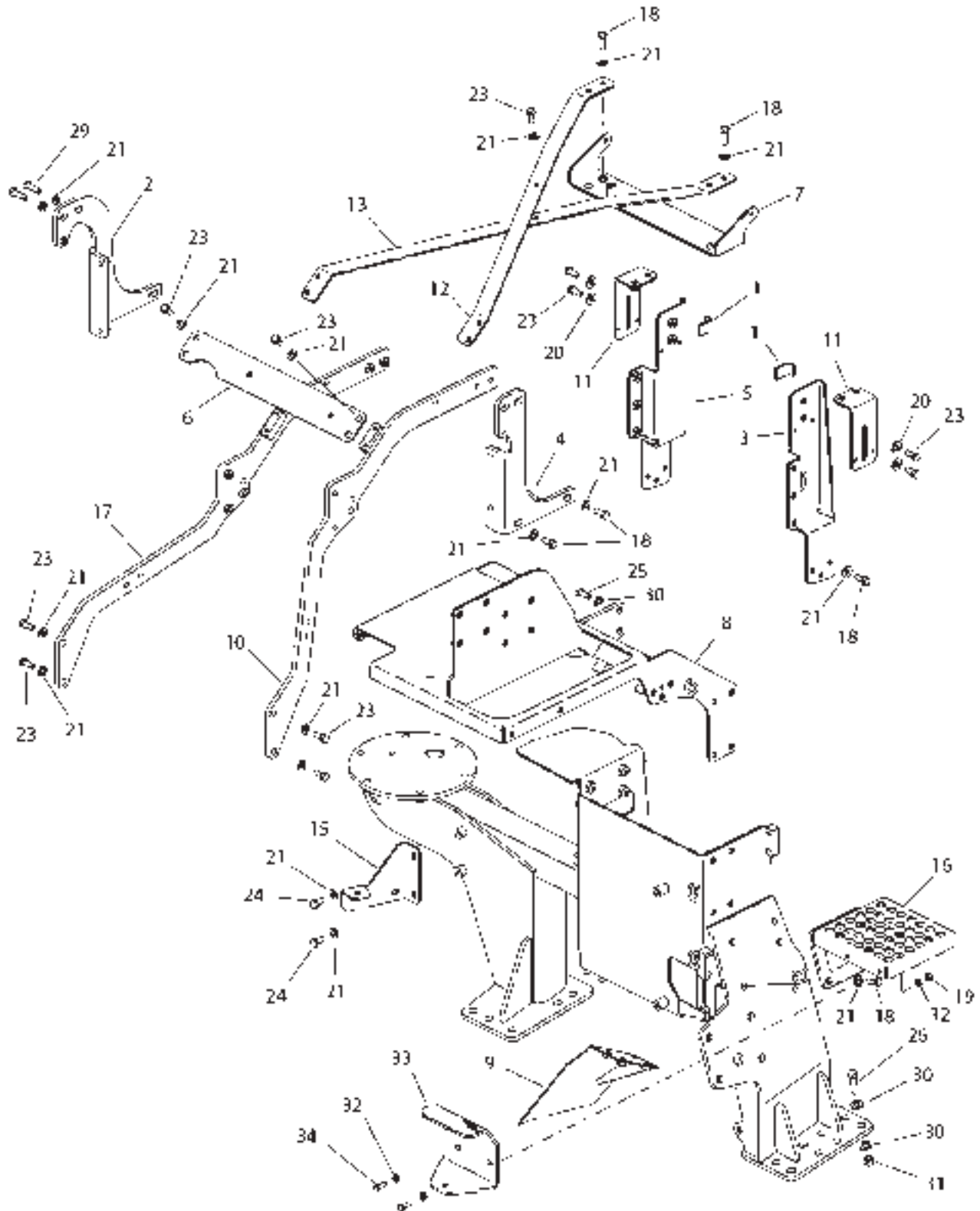
ITEM	NUMBER	QTY	DESCRIPTION
-	156-1325	--	STEP GP [A] (NOT SERVICED)
1	500441D2	1	STEP AS. (WITH INTEGRATED TOOL BOX)
	CH7T-1099	1	LINK
1A	CH8T-1757	4	NUT (M16X2 THD)
1B	CH8T-3612	2	NUT-WELD (M8X1.25 THD)
2	204-9922	1	ROD
3	171-6688	1	TUBE AS.
4	171-6689	1	TUBE AS.
5	173-2743	1	STEP GP (NOT SERVICED, ORDER 5A THRU 5H)
5A	CH6K-3274	3	PLATE-RIVET
5B	CH118-0772	2	LATCH AS.
5C	170-5765	1	SHIELD
5D	173-2744	1	STEP
5E	192-0976	1	PLATE-LOCK
5F	CH103-8089	3	RIVET-POP
5G	CH1H-8289	8	SCREW, MACHINE 5-40
5H	CH3K-9089	8	NUT, SELF LOCKING 50-40
6	400357X1	8	WASHER-HARD (M12X25.5X3MM THK)
7	CH7V-0445	2	SPRING
8	400015X1	2	BOLT-SHOULDER (M8X1.25 THD)
9	CH3B-4610	1	PIN-COTTER
10	400064X1	8	BOLT (M12X1.75X35MM)
11	400339X1	2	WASHER-HARD (8.8X16X2MM THK)
12	400191X1	4	BOLT (M16X2X40MM)
13	CH193-5914	8	PLUG
14	CH193-5916	6	PLUG
15	WR513654	AR	EDGE LINER (33CM)

[A] PART OF 159-9486;174-4614 CHASSIS AR

1561325A
PR: t05f07j07b0262

MT700 SERIES TRACK TRACTORS
FRAME AND BODY

SUPPORT GP-FUEL TANK - 190-5600
ROW ONLY



**MT700 SERIES TRACK TRACTORS
FRAME AND BODY**

601

**SUPPORT GP-FUEL TANK - 190-5600
ROW ONLY**

ITEM	NUMBER	QTY	DESCRIPTION
-	190-5600	--	SUPPORT GP-FUEL TANK [A] (NOT SERVICED)
1	CH5P-0801	AR	SEAL-BULK 25.4X4.78 ADH BACK (1DM)
2	186-3604	1	BRACKET AS.
	CH8T-3490	2	NUT-WELD (M10X1.5 THD)
	CH8T-3612	1	NUT-WELD (M8X1.25 THD)
3	190-5601	1	SUPPORT AS.
	CH7T-1099	1	LINK
	CH8T-3490	5	NUT-WELD (M10X1.5 THD)
4	194-3690	1	BRACKET AS.
	CH8T-3490	2	NUT-WELD (M10X1.5 THD)
	CH8T-3612	1	NUT-WELD (M8X1.25 THD)
5	202-4870	1	SUPPORT AS.
	CH8T-3490	5	NUT-WELD (M10X1.5 THD)
6	204-5034	1	PLATE
7	204-7472	1	BRACKET AS.
	CH9R-2613	1	BOSS (M10X1.5X25MM)
8	204-7872	1	SUPPORT AS.-UPPER
	CH7T-1099	1	LINK
	CH9R-2613	3	BOSS (M10X1.5X25MM)
9	208-0384	1	SHIELD AS.
	CH7T-1099	1	LINK
	CH8T-3490	4	NUT-WELD (M10X1.5 THD)
10	208-2405	1	SUPPORT AS
	CH8T-3490	4	NUT-WELD (M10X1.5 THD)
11	208-3048	2	BRACKET AS.
	CH8T-3490	2	NUT-WELD (M10X1.5 THD)
12	212-6034	1	BRACE
13	212-6035	1	BRACE
14	204-7873	1	SUPPORT AS.-LOWER
	CH7T-1099	8	LINK
	CH9R-2613	3	BOSS (M10X1.5X25MM)
	CH9R-2821	2	BOSS (M10X1.5X15MM)
15	217-5039	1	BRACKET AS.-RH
	CH8T-3490	1	NUT-WELD (M10X1.5 THD)
16	219-6722	1	STEP AS.
17	208-2406	1	SUPPORT AS.
	CH8T-3490	6	NUT-WELD (M10X1.5 THD)
18	400058X1	17	BOLT-M10X1.5X30 ZNDI HHD 10.9
19	400340X1	2	NUT-M8X1.25X13 HEX ZND1
20	CH7X-7729	4	WASHER-11IDX5ODX3MM
21	400287X1	38	WASHER-HARD 11IDX21ODX2.5 ZND1
22	WR522218	1	NUT-M10-1.5,CL10.9,ZN,H,REG
23	400039X1	17	BOLT-M10X1.5X25 ZNDI HHD 10.9
24	400040X1	2	BOLT-M10X1.5X20 ZNDI HHD 10.9
25	400041X1	4	BOLT-M12X1.75X30 ZNDI HHD 10.9
26	400051X1	15	BOLT-M12X1.75X45 ZNDI HHD 10.9
27	400049X1	1	BOLT-M10X1.5X45 ZNDI HHD 10.9
	400052X1	1	BOLT-M10X1.5X40 ZNDI HHD 10.9
28	400055X1	4	BOLT-M12X1.75X25 ZNDI HHD 10.9
29	400059X1	4	BOLT-M10X1.5X35 ZNDI HHD 10.9
30	400357X1	36	WASHER-HARD-M12X25.50DX3THK
31	CH8T-4244	13	NUT-M12X1.75 HEX ZN
32	400339X1	4	WASHER-HARD
33	502555D1	1	BRACKET-LH LIGHT
	501251D1	1	FILM-NO STEP
34	400341X1	2	BOLT-HEX HEAD

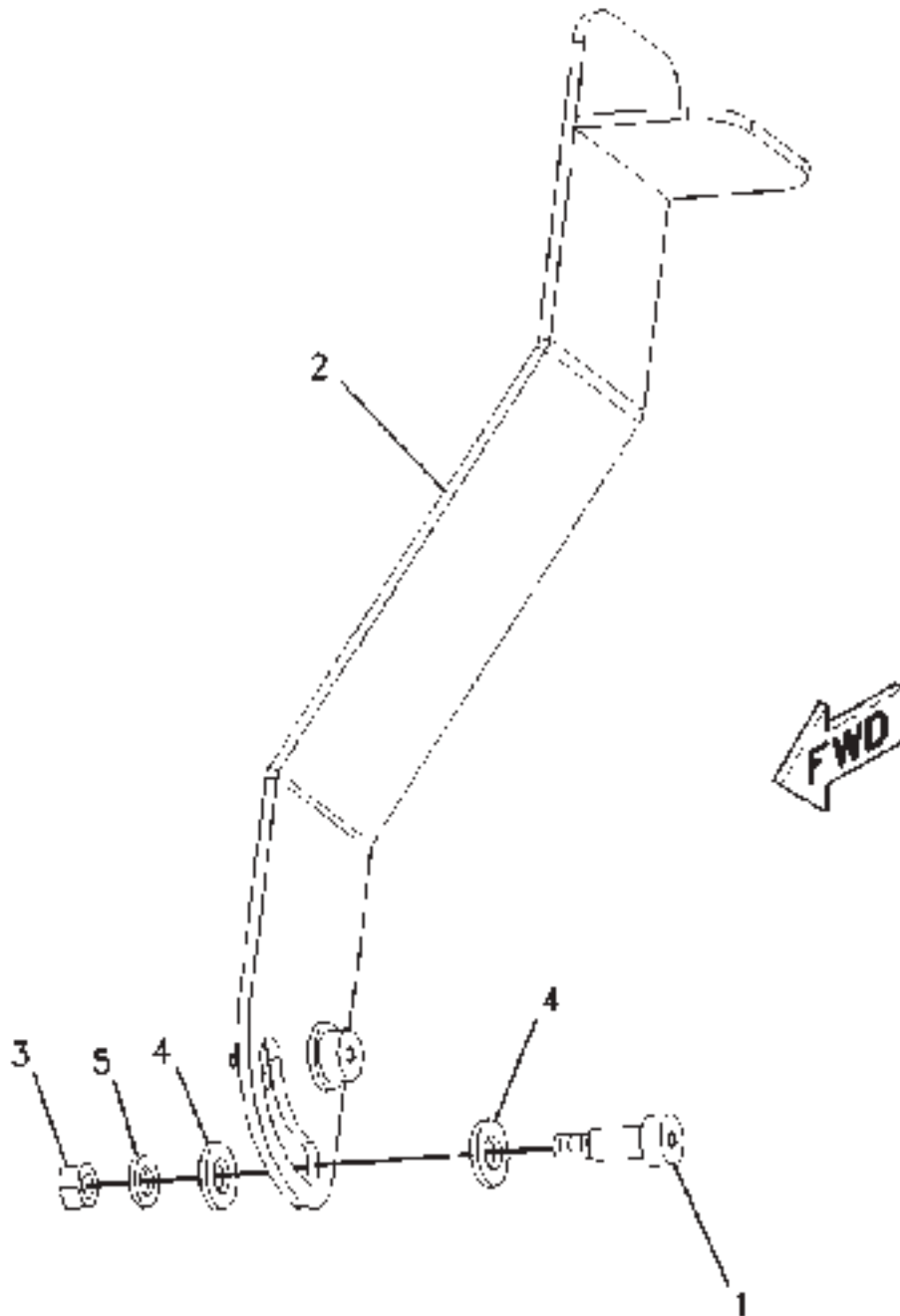
[A] PART OF 165-8506; 199-3440
TANK AR-FUEL

1905600A
PR: t05f07j07b0263

602

MT700 SERIES TRACK TRACTORS
FRAME AND BODY

SUPPORT GP-HOOD - 217-7762
BRACE
EAME ONLY



00867840

MT700 SERIESTRACKTRACTORS
FRAME AND BODY

603

SUPPORT GP-HOOD - 217-7762
BRACE
EAME ONLY

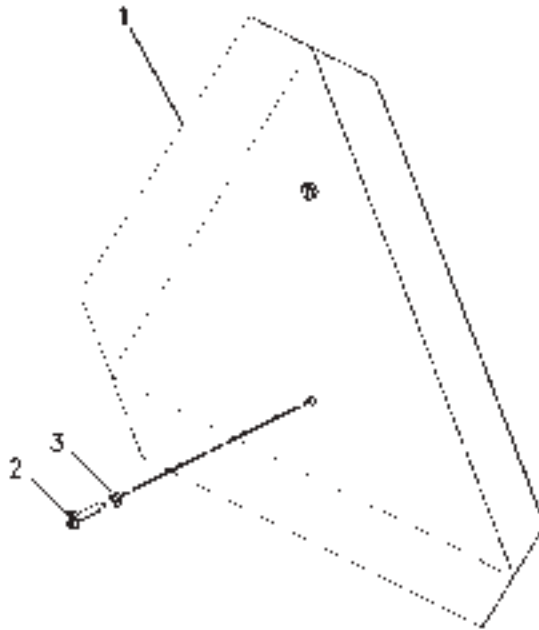
ITEM	NUMBER	QTY	DESCRIPTION
-	217-7762	--	SUPPORT GP-HOOD [A]
1	400015X1	2	BOLT-SHOULDER (M8X1.25x33)
2	216-0924	1	BRACE AS.
3	400340X1	2	NUT (M8X1.25 THD)
4	400287X1	4	WASHER-HARD (11X21X2.5MM THK)
5	400339X1	2	WASHER-HARD (8.8X16X2MM THK)

[A] PART OF 177-1589 BASE COMMON AR

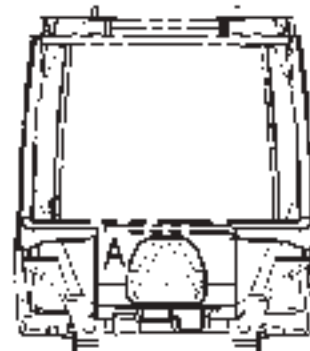
00867840
PR: t05f07j07b0264

MT700 SERIES TRACK TRACTORS
FRAME AND BODY

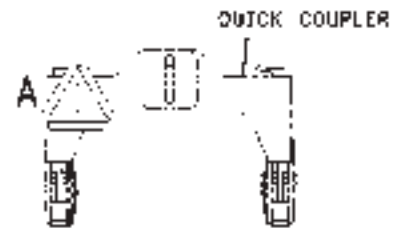
WARNING GP-SLOW MOVING VEHICLE
172-8886



DETAILS OF AREA A



REAR VIEW



REAR VIEW
(ALTERNATE PLACEMENT)

MT700 SERIES TRACK TRACTORS
FRAME AND BODY

605

WARNING GP-SLOW MOVING VEHICLE
172-8886

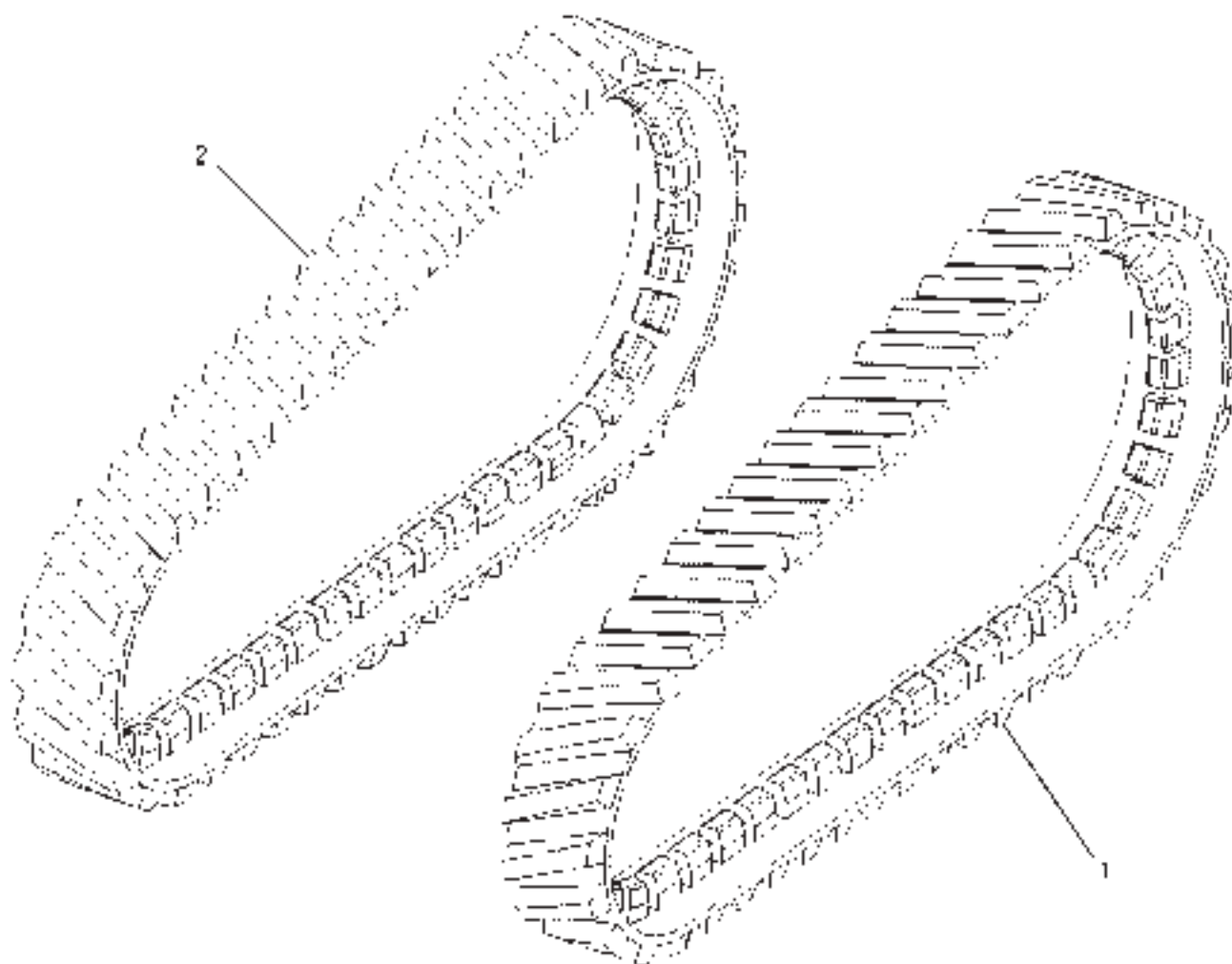
ITEM	NUMBER	QTY	DESCRIPTION
-	172-8886	--	WARNING GP-SLOW MOVING [A]
1	400129X2	1	PLATE-WARNING (SLOW MOVING VEHICLE)
2	CH095-0741	2	SCREW-MACHINE (M6X1THD) (MT800 ONLY)
2	CH216-8275	2	SCREW-PAN HEAD (12-14X1 IN) (MT700 ONLY)
3	400310X1	2	WASHER (6.6X12X2MM THK)
-	188-2616	--	COMPLETING AR-ENGLISH (EAME ONLY) (INCLUDES 172-8886 & OP MAN)

[A] PART OF 159-9486 BASE COMMON AR;
188-2616 COMPLETING AR-ENGLISH

00877873
PR: t05f07j07b0265

MT700 SERIES TRACK TRACTORS
TRACK BELTS

BELT AR - GENERAL AG & LOW PROFILE



**MT700 SERIESTRACKTRACTORS
TRACK BELTS**

607

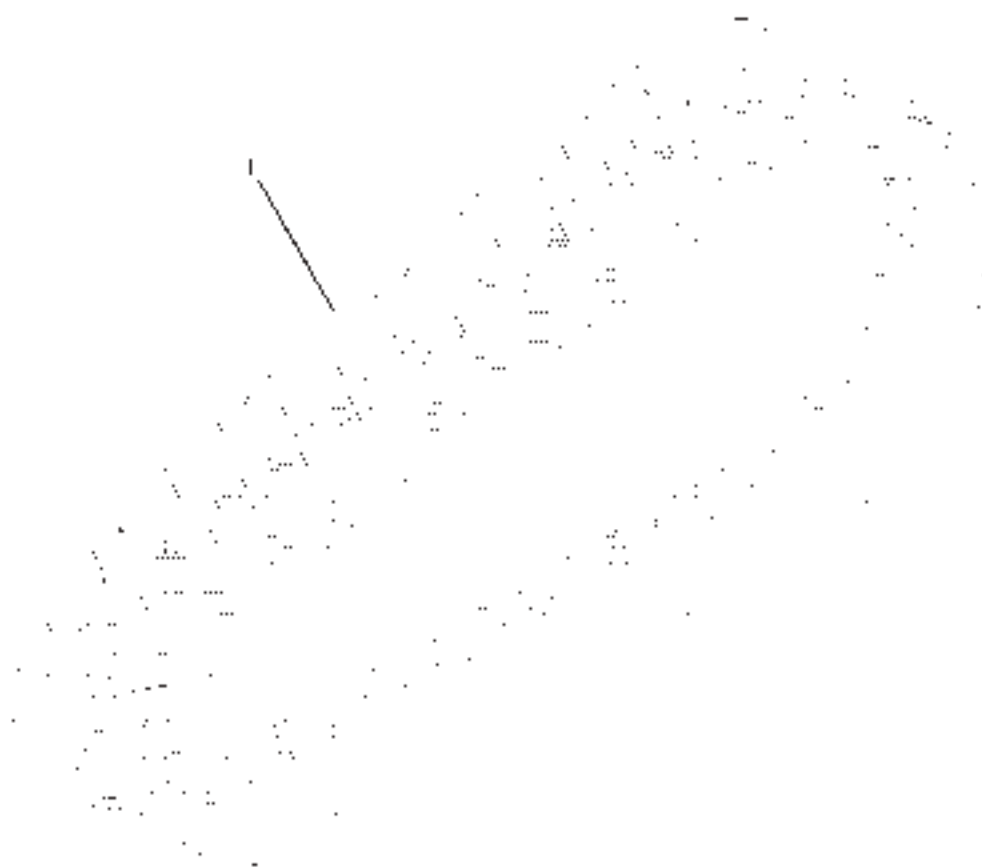
BELT AR - GENERAL AG & LOW PROFILE

ITEM	NUMBER	QTY	DESCRIPTION
-	156-6059	--	BELT AR-GENERAL AG (406MM / 16IN) (DIAGONAL) (NOT SERVICED)
1	1R-1383	1	BELT (LH)
2	1R-1382	1	BELT (RH)
-	502125D1	--	BELT AR (RH) (406MM / 16IN) (FIELD OPT) (INCLS 1 OF ITEM 2)
-	502126D1	--	BELT AR (LH) (406MM / 16IN) (FIELD OPT) (INCLS 1 OF ITEM 1)
-	156-6060	--	BELT AR-LOW PROFILE (406MM / 16IN) (ORDER ON DEALER CENTRAL)
1	1R-1385	1	BELT (LH)
2	1R-1384	1	BELT (RH)
-	502127D1	--	BELT AR-LOW (RH) (16IN DIAG) (FIELD) (INCLS 1 OF ITEM 2)
-	502128D1	--	BELT AR-LOW (LH) (16IN DIAG) (FIELD) (INCLS 1 OF ITEM 1)
-	501743D1	--	BELT CONDITIONER
-	502185D1	--	KIT, BELT REPAIR
	501739D1		ELASTOMER
	501742D1		SOLIDIFIER

00810672
PR: t05f07j07b0266

MT700 SERIESTRACKTRACTORS
TRACK BELTS

BELT AR - GENERAL AG



**MT700 SERIES TRACK TRACTORS
TRACK BELTS**

609

BELT AR - GENERAL AG

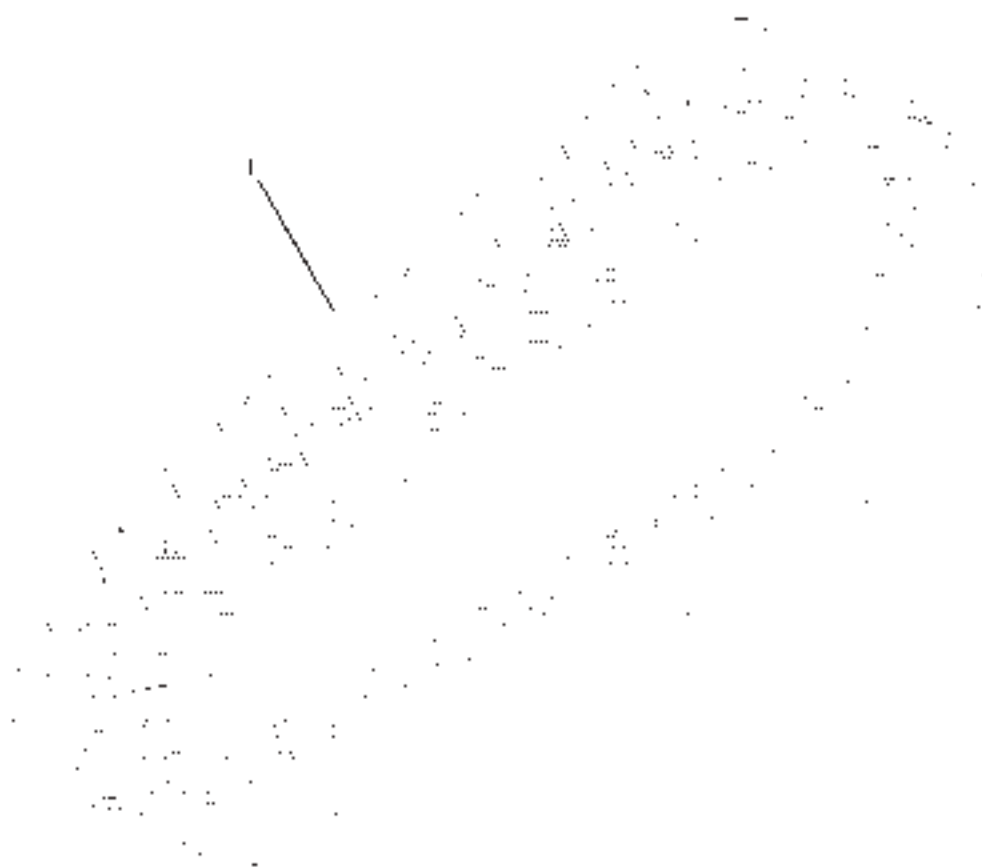
ITEM	NUMBER	QTY	DESCRIPTION
-	156-6061	--	BELT AR (457MM / 18IN) (NOT SERVICED)
1	1R-1259	2	BELT
-	502131D1	--	BELT AR-GENERAL AG (18") (FIELD OPT) (INCLS 1 OF ITEM 1)
-	156-6063	--	BELT AR (508MM / 20IN) (NOT SERVICED)
1	1R-1260	2	BELT
-	502134D1	--	BELT AR-GENERAL AG (20") (FIELD OPT) (INCLS 1 OF ITEM 1)
-	156-6065	--	BELT AR (635MM / 25IN) (ORDER ON DEALER CENTRAL)
1	1R-1262	2	BELT
-	502136D1	--	BELT AR-GENERAL AG (25") (FIELD OPT) (INCLS 1 OF ITEM 1)
-	156-6072	--	BELT AR (762MM / 30IN) (ORDER ON DEALER CENTRAL)
1	1R-1263	2	BELT
-	502139D1	--	BELT AR-GENERAL AG (30") (FIELD OPT) (INCLS 1 OF ITEM 1)
-	501743D1	--	BELT CONDITIONER
-	502185D1	--	KIT, BELT REPAIR
	501739D1		ELASTOMER
	501742D1		SOLIDIFIER

00640598
PR: t05f07j07b0267

610

MT700 SERIES TRACK TRACTORS
TRACK BELTS

BELT AR - LOW PROFILE



DD640598

MT700 SERIESTRACKTRACTORS
TRACK BELTS

611

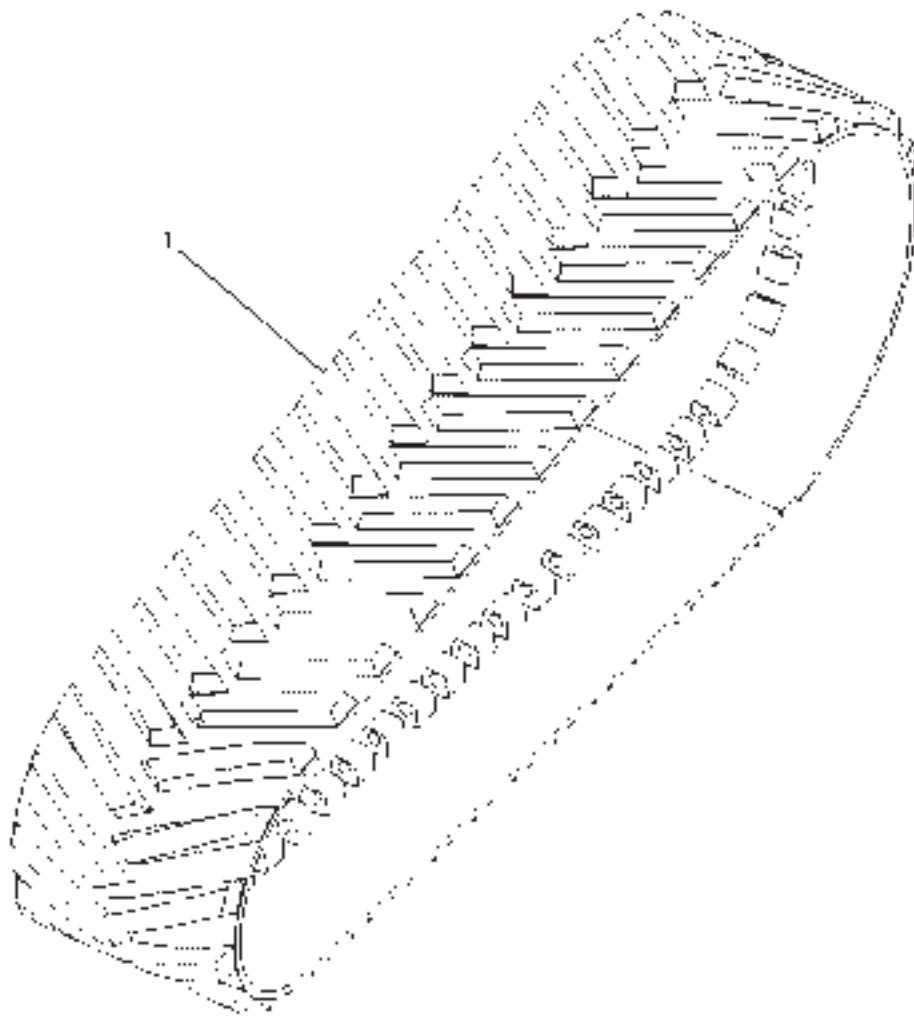
BELT AR - LOW PROFILE

ITEM	NUMBER	QTY	DESCRIPTION
	156-6062	--	BELT AR (457MM / 18IN) (ORDER ON DEALER CENTRAL)
1	1R-1258	2	BELT
-	502132D1	--	BELT AR-LOW PROFILE (18") (FIELD OPT) (INCLS 1 OF ITEM 1)
-	156-6066	--	BELT AR (635MM / 25IN) (ORDER ON DEALER CENTRAL)
1	1R-1261	2	BELT
-	502137D1	--	BELT AR-LOW PROFILE (25") (FIELD OPT) (INCLS 1 OF ITEM 1)
-	501743D1	--	BELT CONDITIONER
-	502185D1	--	KIT, BELT REPAIR
	501739D1		ELASTOMER
	501742D1		SOLIDIFIER

00640598
PR: t05f07j07b0268

MT700 SERIES TRACK TRACTORS
TRACK BELTS

BELT AR - EXTREME AG



MT700 SERIES TRACK TRACTORS
TRACK BELTS

613

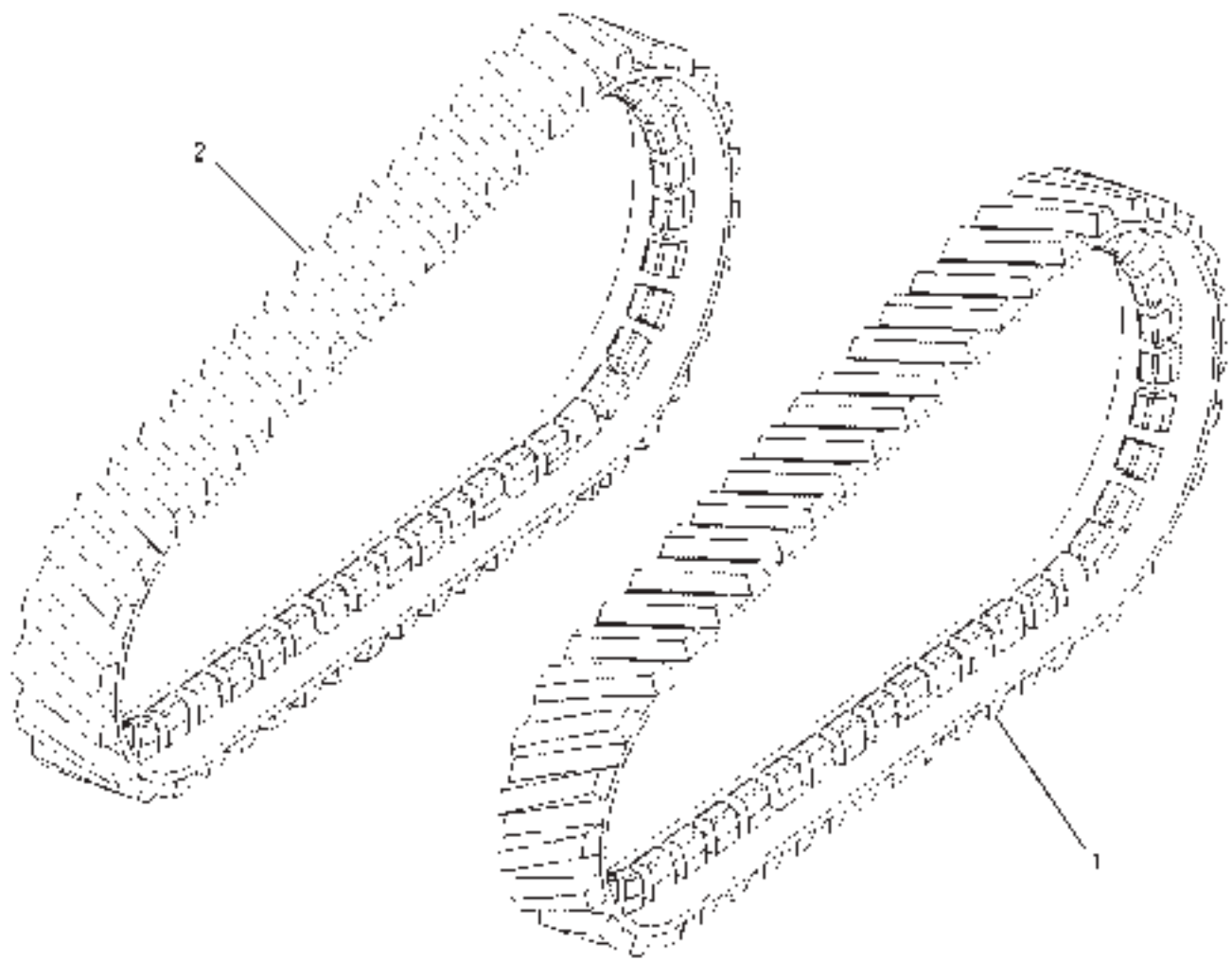
BELT AR - EXTREME AG

ITEM	NUMBER	QTY	DESCRIPTION
-	502615D1	--	BELT AR (635MM / 25IN) (NOT SERVICED)
1	502597D1	2	BELT
-	502616D1	--	BELT AR-EXTR APPL (25") (FIELD OPT) (INCLS 1 OF ITEM 1)
-	501743D1	--	BELT CONDITIONER
-	502185D1	--	KIT, BELT REPAIR
	501739D1		ELASTOMER
	501742D1		SOLIDIFIER

00750562
PR: t05f07j07b0269

MT700 SERIES TRACK TRACTORS
TRACK BELTS

BELT AR - EXTREME APPLICATIONS



MT700 SERIES TRACK TRACTORS
TRACK BELTS

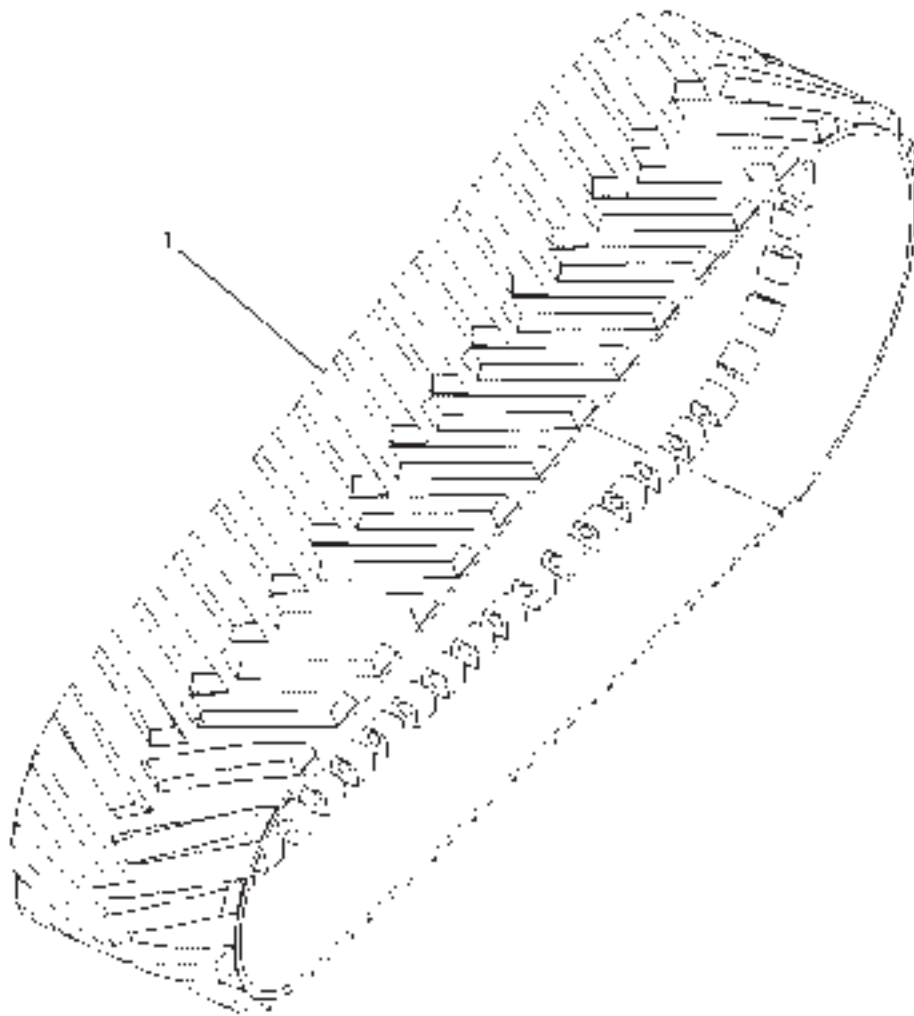
615

BELT AR - EXTREME APPLICATIONS

ITEM	NUMBER	QTY	DESCRIPTION
-	156-6057	--	BELT AR (356MM / 14IN) (DIAGONAL) (ORDER ON DEALER CENTRAL)
1	1R-1381	1	BELT (LH)
2	1R-1380	1	BELT (RH)
-	502123D1	--	BELT AR (RH) (356MM / 14IN) (FIELD OPT) (INCLS 1 OF ITEM 2)
-	502124D1	--	BELT AR (LH) (356MM / 14IN) (FIELD OPT) (INCLS 1 OF ITEM 1)
-	203-2792	--	BELT AR (406MM / 16IN) (ORDER ON DEALER CENTRAL)
1	1R-1387	1	BELT (LH)
2	1R-1386	1	BELT (RH)
-	502129D1	--	BELT AR (LH) (16IN) (FIELD OPT) (INCLS 1 OF ITEM 1)
-	502130D1	--	BELT AR (RH) (16IN) (FIELD OPT) (INCLS 1 OF ITEM 2)
-	501743D1	--	BELT CONDITIONER
-	502185D1	--	KIT, BELT REPAIR
	501739D1		ELASTOMER
	501742D1		SOLIDIFIER

00810672
PR: t05f07j07b0270

BELT AR - EXTREME APPLICATIONS



MT700 SERIESTRACKTRACTORS
TRACK BELTS

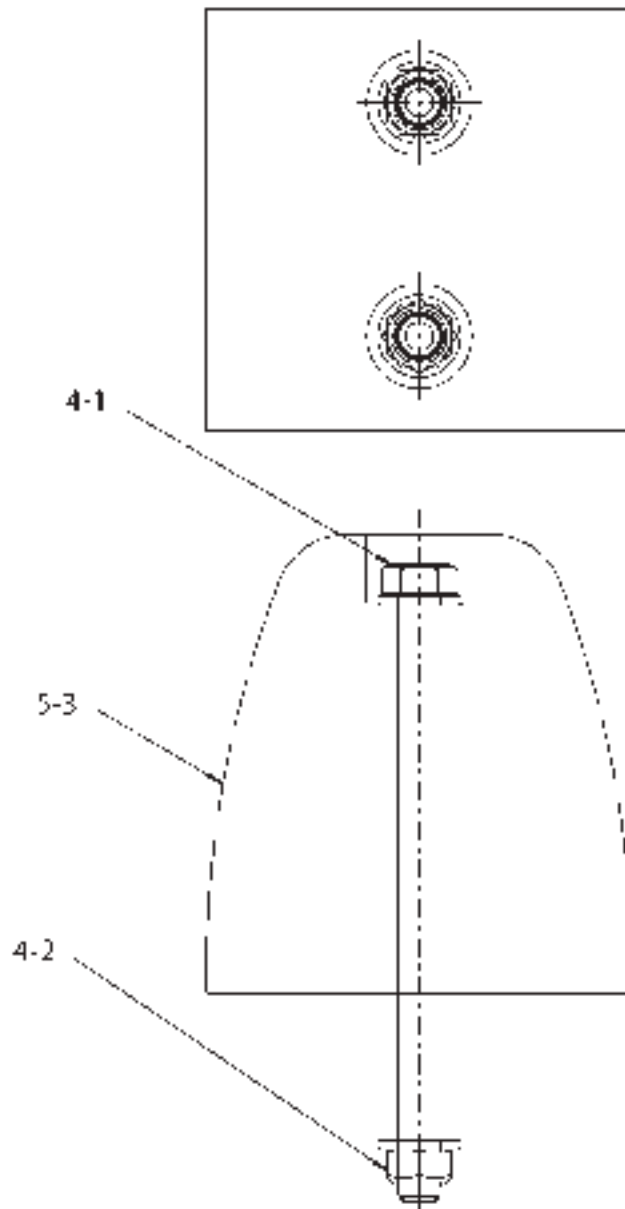
617

BELT AR - EXTREME APPLICATIONS

ITEM	NUMBER	QTY	DESCRIPTION
-	203-2793	--	BELT AR (457MM / 18IN) (ORDER ON DEALER CENTRAL)
1	502057D1	2	BELT
-	502133D1	--	BELT AR-EXTR APPL (18") (FIELD OPT) (INCLS 1 OF ITEM 1)
-	203-2794	--	BELT AR (508MM / 20IN) (ORDER ON DEALER CENTRAL)
1	502058D1	2	BELT
-	502135D1	--	BELT AR-EXTR APPL (20") (FIELD OPT) (INCLS 1 OF ITEM 1)
-	176-7202	--	BELT AR (635MM / 25IN) (ORDER ON DEALER CENTRAL)
1	1R-1320	2	BELT
-	502138D1	--	BELT AR-EXTR APPL (25") (FIELD OPT) (INCLS 1 OF ITEM 1)
-	178-7574	--	BELT AR (762MM / 30IN) (ORDER ON DEALER CENTRAL)
1	1R-1321	2	BELT
-	502140D1	--	BELT AR-EXTR APPL (30") (FIELD OPT) (INCLS 1 OF ITEM 1)
-	501743D1	--	BELT CONDITIONER
-	502185D1	--	KIT, BELT REPAIR
-	501739D1	--	ELASTOMER
-	501742D1	--	SOLIDIFIER

00750562
PR: t05f07j07b0271

KIT-GUIDE BLOCK
GENERAL AG & EXTREME APPLICATIONS



MT700 SERIESTRACKTRACTORS
TRACK BELTS

619

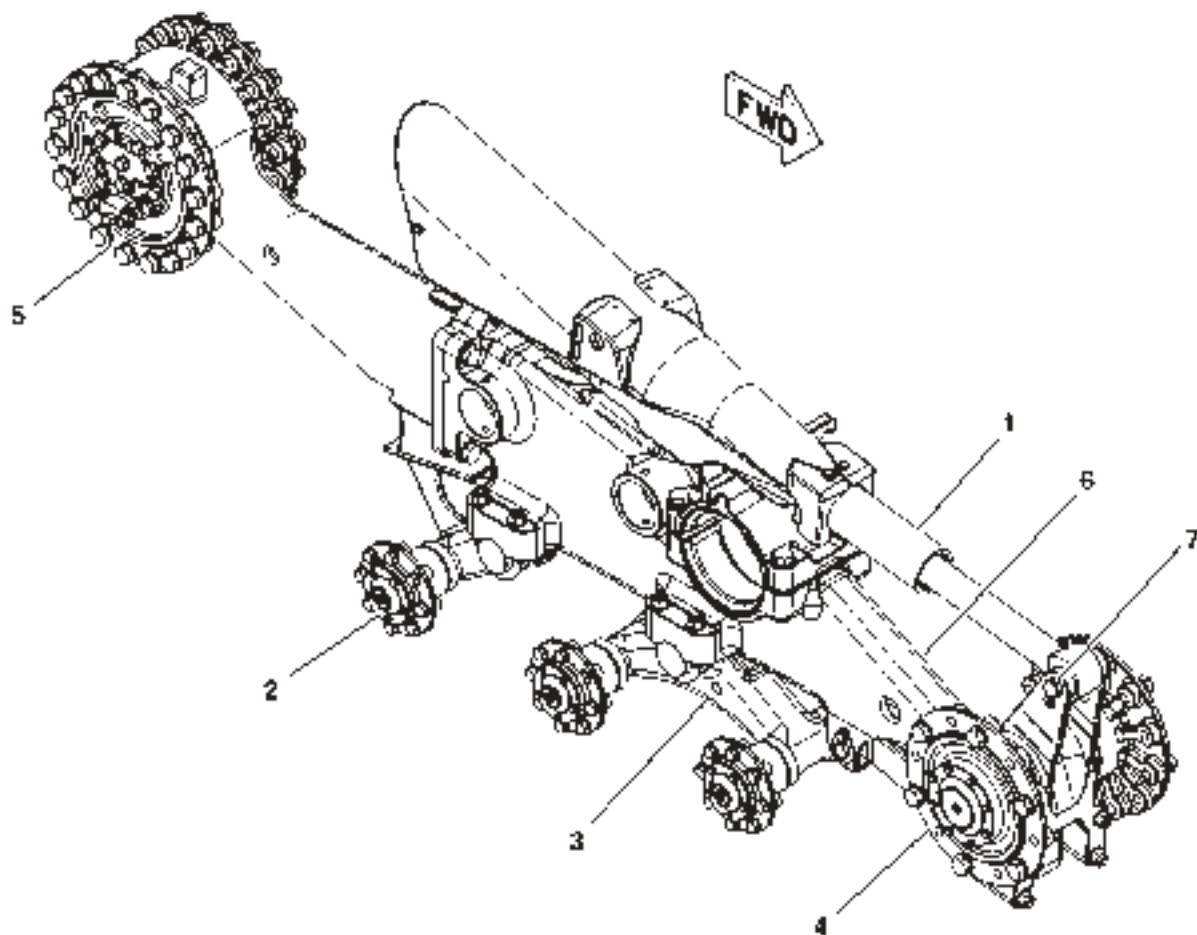
KIT-GUIDE BLOCK
GENERAL AG & EXTREME APPLICATIONS

ITEM	NUMBER	QTY	DESCRIPTION
-	501213D1	--	KIT-GUIDE BLOCK (GEN AG)
-	501214D1	--	KIT-GUIDE BLOCK (EXTREME AP)
1	400276X1	2	BOLT-7/16-14X165 ZNDI HHD 10.9
2	400278X1	2	NUT-LOCK 7/16-14 ZNDI&WAX HEX
3	501180D1	1	BLOCK-GUIDE (GEN AG)
	501181D1	1	BLOCK-GUIDE (EXTREME AP)
4	400358X1	4	WASHER-HARD-7/16X22.50DX2.5THK

501213DA
PR: t05f07j07b0272

MT700 SERIES TRACK TRACTORS
UNDERCARRIAGE

FRAME AR RH - 163-0547



1630547C

**MT700 SERIES TRACK TRACTORS
UNDERCARRIAGE**

621

FRAME AR RH - 163-0547

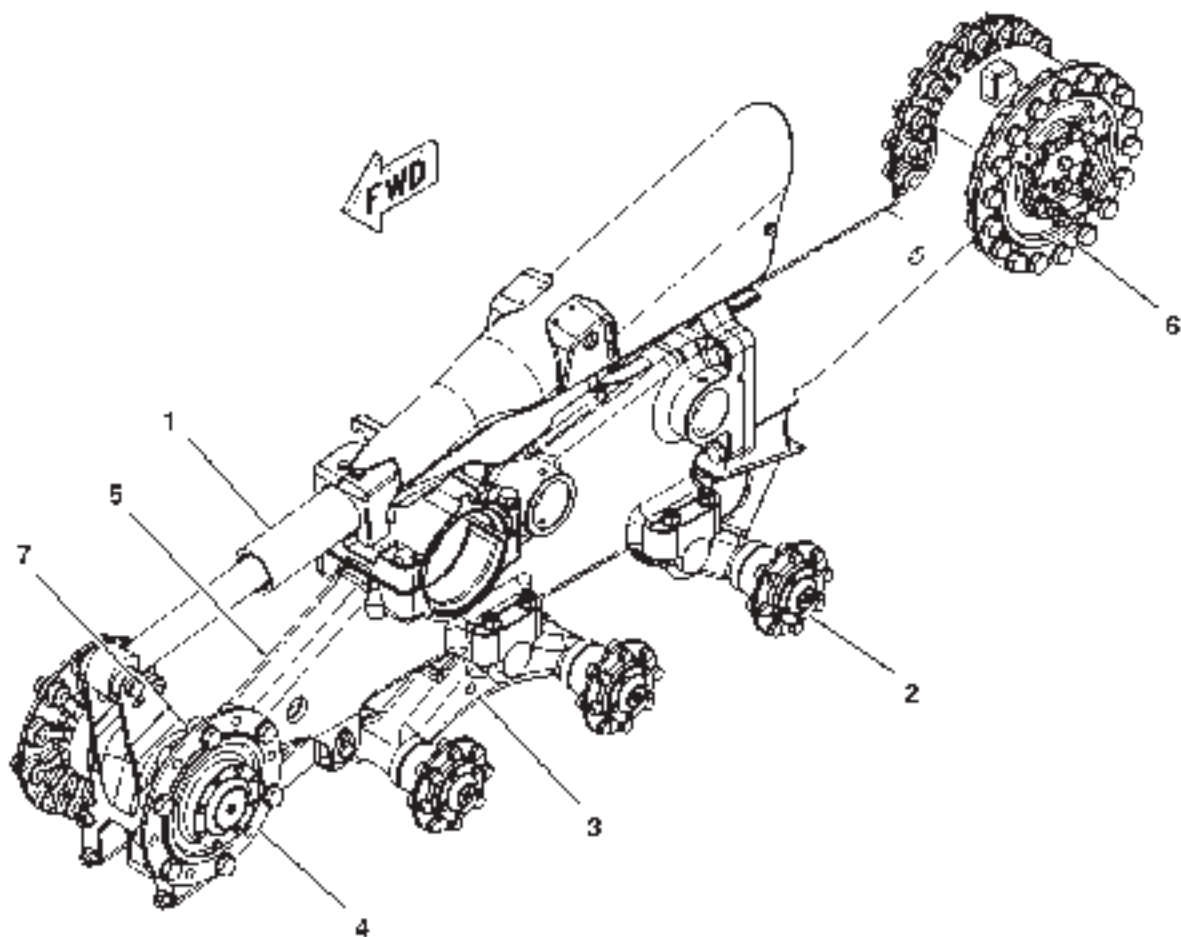
ITEM	NUMBER	QTY	DESCRIPTION
-	163-0547	--	FRAME AR [A] (NOT SERVICED)
-	502330D1	--	KIT, FRAME RH (FIELD INSTALLED)
1	500838D1	1	BELT TENSIONER GP (NOT SERVICED) (SEE BREAKDOWN FOR COMPONENTS)
2	155-5611	1	ARM GP (NOT SERVICED) (SEE BREAKDOWN FOR COMPONENTS)
3	155-5614	1	BOGIE GP (NOT SERVICED) (SEE BREAKDOWN FOR COMPONENTS)
4	156-4859	1	IDLER GP (NOT SERVICED) (SEE BREAKDOWN FOR COMPONENTS)
5	162-2415	1	SUPPORT GP-DRIVE WHEEL (RH) (NOT SERVICED) (SEE BREAKDOWN FOR COMPONENTS)
6	163-0677	1	FRAME GP-TRACK ROLLER (NOT SERVICED) (SEE BREAKDOWN FOR COMPONENTS)
7	184-6717	1	MOUNTING GP-BELT TENSIONER (NOT SERVICED) (SEE BREAKDOWN FOR COMPONENTS)
8	502523D1	4	CAP-PLUG-LDPE, 4.33OD (NOT ILL)

[A] PART OF 163-0554; 163-0546; 213-6921
UNDERCARRIAGE AR

1630547C
PR: t05f07j07b0273

MT700 SERIES TRACK TRACTORS
UNDERCARRIAGE

FRAME AR LH - 163-0548



1630548C

**MT700 SERIES TRACK TRACTORS
UNDERCARRIAGE**

623

FRAME AR LH - 163-0548

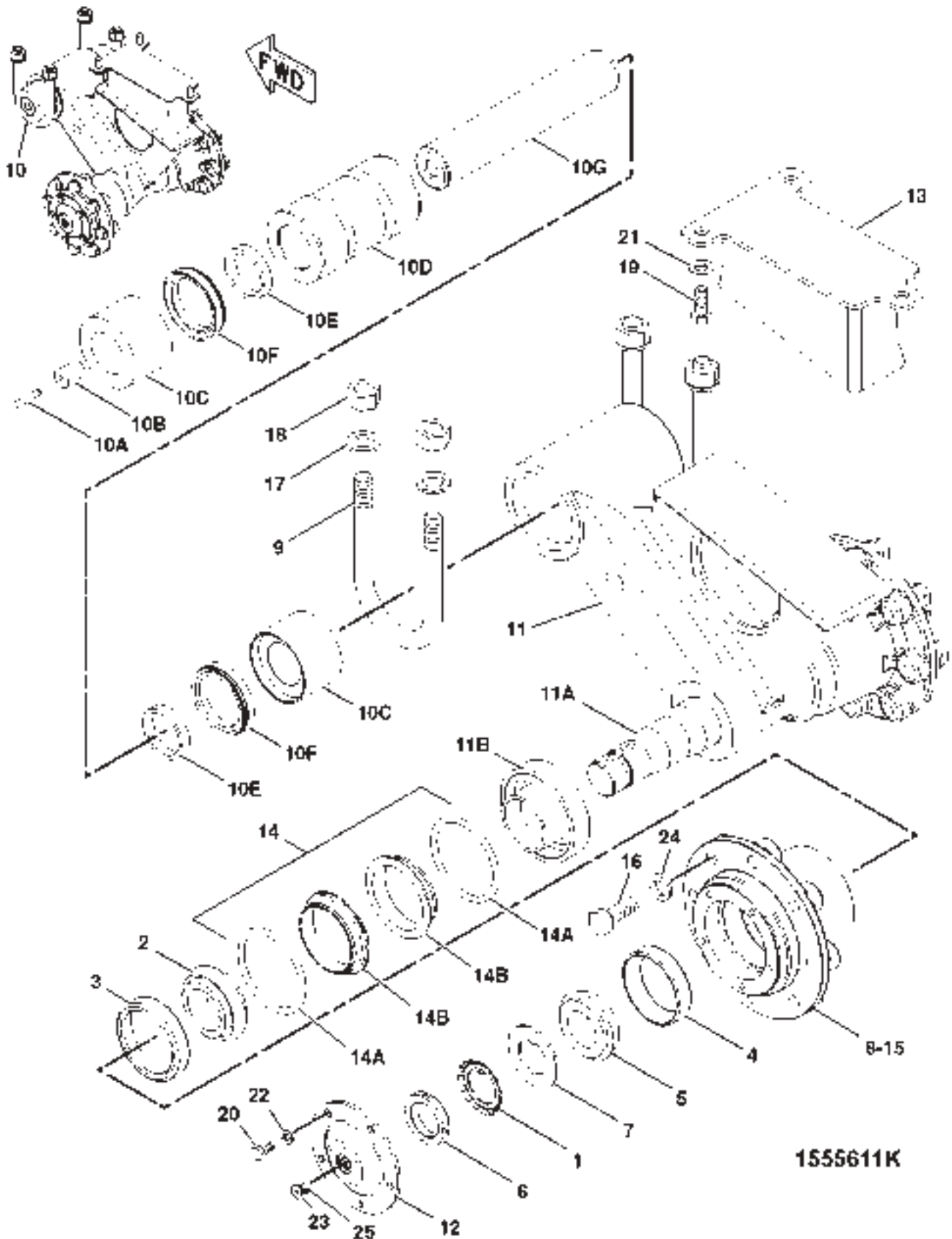
ITEM	NUMBER	QTY	DESCRIPTION
-	163-0548	--	FRAME AR [A] (NOT SERVICED)
-	502329D1	--	KIT, FRAME LH (FIELD INSTALLED)
1	500837D1	1	BELT TENSIONER GP (NOT SERVICED) (SEE BREAKDOWN FOR COMPONENTS)
2	155-5611	1	ARM GP (NOT SERVICED) (SEE BREAKDOWN FOR COMPONENTS)
3	155-5614	1	BOGIE GP (NOT SERVICED) (SEE BREAKDOWN FOR COMPONENTS)
4	156-4859	1	IDLER GP (NOT SERVICED) (SEE BREAKDOWN FOR COMPONENTS)
5	163-0677	1	FRAME GP-TRACK ROLLER (NOT SERVICED) (SEE BREAKDOWN FOR COMPONENTS)
6	162-2416	1	SUPPORT GP-DRIVE WHEEL (LH) (SEE BREAKDOWN FOR COMPONENTS)
7	184-6717	1	MOUNTING GP-BELT TENSIONER (NOT SRVCD) (SEE BREAKDOWN FOR COMPONENTS)
8	502523D1	4	CAP-PLUG-LDPE, 4.33OD (NOT ILL)

[A] PART OF 163-0554; 163-0546; 213-6921
UNDERCARRIAGE AR

1630548C
PR: t05f07j07b0274

MT700 SERIES TRACK TRACTORS
UNDERCARRIAGE

ARM GP - 155-5611
ROW



1555611K

**MT700 SERIES TRACK TRACTORS
UNDERCARRIAGE**

625

**ARM GP - 155-5611
ROW**

ITEM	NUMBER	QTY	DESCRIPTION
-	155-5611	--	ARM GP [A] (NOT SERVICED)
1	CH1N-5970	2	LOCKWASHER
2	CH5P-9651	2	CONE-BEARING
3	CH5P-9652	2	CUP-BEARING
4	CH6S-6031	2	CUP-BEARING
5	CH6S-6032	2	CONE-BEARING
6	CH8B-7614	2	NUT-BEARING
7	400075X1	2	WASHER
8	204-9733	2	HUB
9	400259X1	2	U-BOLT
10	500926D1	1	PIN AS. (INCLS 10A-10G)
10A	CH6Y-0473	1	PLUG-CLEAR
10B	CH7G-4332	1	STOPPER
10C	CH138-1815	2	COLLAR
10D	CH138-1818	1	BRG-SLEEVE
10E	CH152-8073	2	RING-THRUST
10F	CH8E-9646	2	SEAL AS.
10G	500925D1	1	PIN-TRACK
11	155-5612	1	ARM AS.
11A	146-0850	1	AXLE
11B	154-8264	2	RETAINER
12	156-6084	2	COVER
13	162-0267	1	PAD AS.
14	175-7513	2	SEAL GP-DUO-CONE
14A	CH8H-2262	2	RING-TORIC
14B	CH175-7514	2	SEAL-RING
15	CH215-9463	2	GASKET (MIDWHEEL)
16	400191X1	16	BOLT (M16X2X40MM)
17	400080X1	4	WASHER-PLATED (22X35X3.5MM THK)
18	400286X1	4	NUT (M20X2.5 THD)
19	400055X1	3	BOLT (M12X1.75X25MM)
20	400227X1	10	BOLT (M8X1.25X16MM)
21	400357X1	3	WASHER-HARD (M12X25.5X3MM THK)
22	400339X1	10	WASHER-HARD (8.8X16X2MM THK)
23	502642D1	2	PLUG (1/2-20 THD)
	CH1J-9671	2	O-RING
24	400082X1	16	WASHER (17.5X30X3.5MM THK)

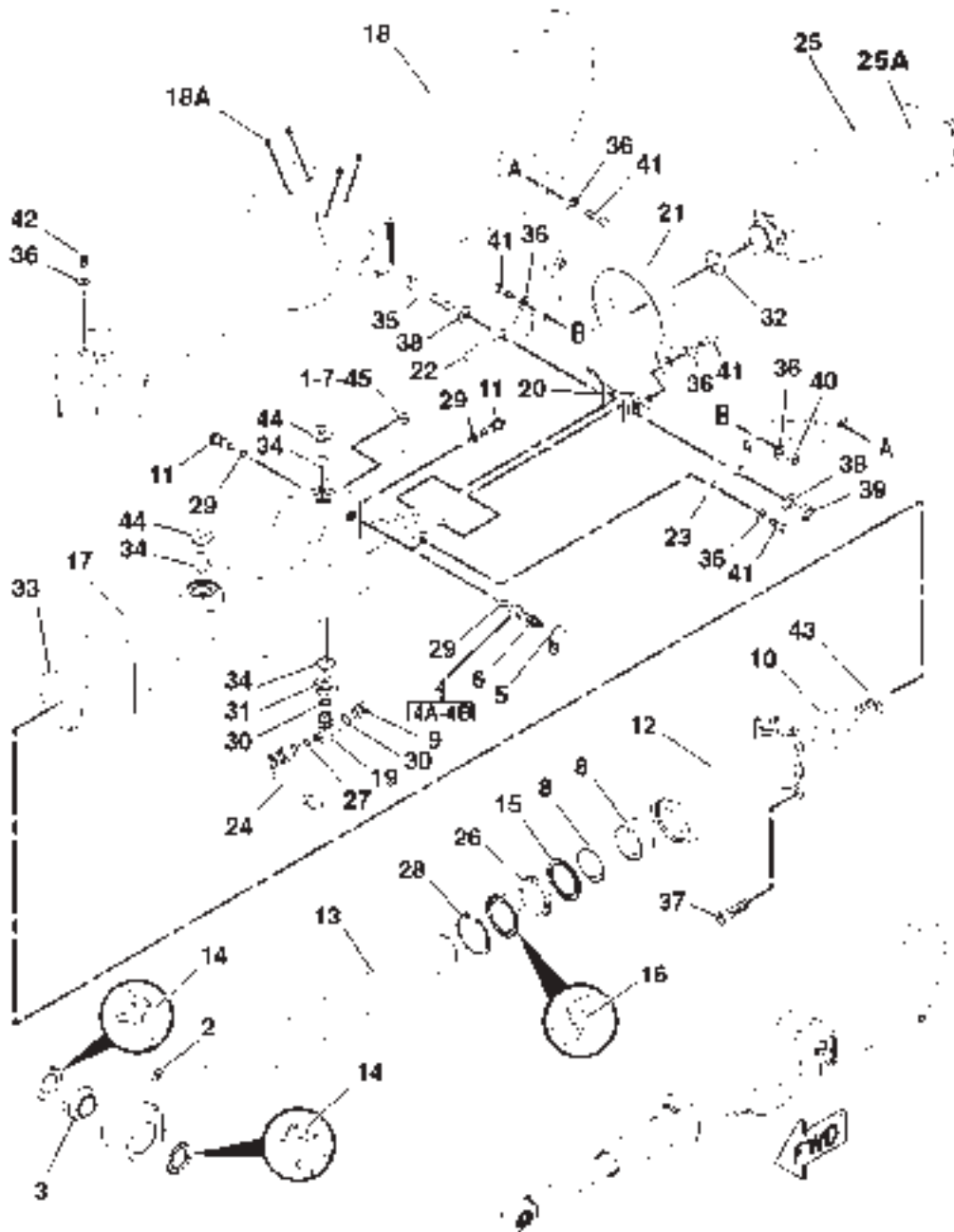
[A] PART OF 163-0547;163-0548 FRAME AR

1555611K
PR: t05f07j07b0275

MT700 SERIES TRACK TRACTORS
UNDERCARRIAGE

BELT TENSIONER GP - 500837D1

LH
ROW



500837DA

**MT700 SERIES TRACK TRACTORS
UNDERCARRIAGE**

627

**BELT TENSIONER GP - 500837D1
LH
ROW**

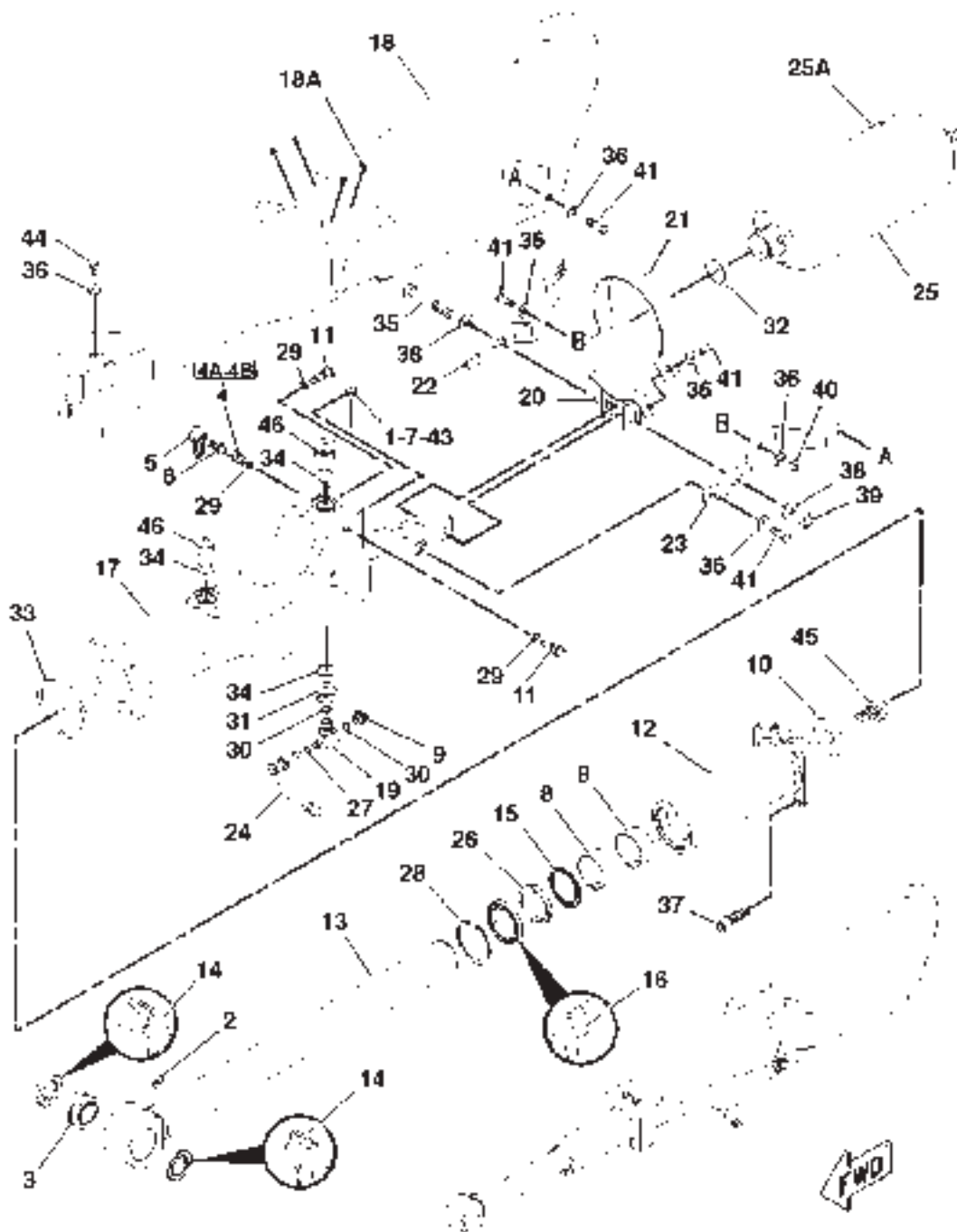
ITEM	NUMBER	QTY	DESCRIPTION
-	500837D1	--	BELT TENSIONER GP [A] (NOT SERVICED)
1	CH1P-4278	1	CLAMP-HOSE
2	CH3B-8486	1	FITTING-GREASE
3	CH4D-0298	1	BEARING
4	CH148-8305	1	ADAPTER
4A	400318X1	1	SEAL-O-RING (11.89IDX1.98DIA)
4B	CH5P-9617	1	ADAPTOR
5	400323X1	1	CAP-DUST
6	CH110-6349	1	NIPPLE AS.
7	CH6V-6757	1	ELBOW-PIPE
8	CH8T-5668	2	RING-WEAR
9	CH108-5985	1	VALVE
10	CH108-6194	1	SPACER (24.5X73X16MM THK)
11	CH119-9708	2	VALVE-NEEDLE (TENSION CHARGE/DISCHARGE)
12	158-1984	1	GUIDE
13	159-7242	1	ROD AS.
14	CH164-0908	2	SEAL-LIP TYPE
15	CH167-2201	1	SEAL AS-BUFFER
16	500686D1	1	SEAL-WIPER
17	173-7717	1	CYLINDER-TENSIONER (LH)
18	173-8604	1	GUARD AS.
18A	8T-9082	6	RIVET-POP
19	CH175-2851	1	ADAPTER-TEE
20	184-0790	1	SUPPORT AS.
	CH6V-7744	2	LOCKNUT (M10X1.5 THD)
21	189-1711	1	CLAMP-SUPPORT
22	193-8505	1	BRACKET RH-RH
	CH6V-7744	1	LOCKNUT (M10X1.5 THD)
23	193-8506	1	BRACKET LH-LH
	CH6V-7744	1	LOCKNUT (M10X1.5 THD)
24	500834D1	1	SENSOR-PRESSURE (BELT TENSIONER)
25	195-1105	1	ACCUMULATOR AS. (BELT TENSIONER)
25A	CH208-1664	1	FILM-WARNING (BELT TENSIONER ACCUMULATOR)
26	CH167-2312	1	SEAL-U-CUP
27	CH1J-9671	1	SEAL-O-RING
28	CH1K-6985	1	RING-RETAINING
29	400318X1	3	SEAL-O-RING (11.89IDX1.98DIA)
30	CH3K-0360	2	SEAL-O-RING (16.36IDX2.21DIA)
31	CH5P-5777	1	ADAPTER-O-RING
32	CH6K-6307	1	O-RING
33	CH6V-1657	1	SEAL-RECTANGULAR
34	400376X1	3	O-RING
35	WR520610	1	BOLT (M16X2X100MM)
36	CH7X-7729	10	WASHER (11X25X3MM THK)
37	400212X1	4	BOLT-SOCKET HEAD (M16X2X50MM)
38	CH8T-4122	2	WASHER-HARD (17X32X3.5MM THK)
39	CH8T-4132	1	NUT (M16X2 THD)
40	WR522218	1	NUT (M10X1.5 THD)
41	400058X1	7	BOLT (M10X1.5X30MM)
42	400228X1	2	BOLT-LOCKING (M10X1.5X20MM)
43	400232X1	1	BOLT (M24X3.0X50MM)
44	400375X1	2	PLUG
45	CH5P-6442	AR	HOSE (18CM)

[A] PART OF 163-0548 FRAME AR

500837DA
PR: t05f07j07b0276

MT700 SERIES TRACK TRACTORS
UNDERCARRIAGE

BELT TENSIONER GP - 500838D1
RH
ROW



500838DA

**MT700 SERIES TRACK TRACTORS
UNDERCARRIAGE**

629

**BELT TENSIONER GP - 500838D1
RH
ROW**

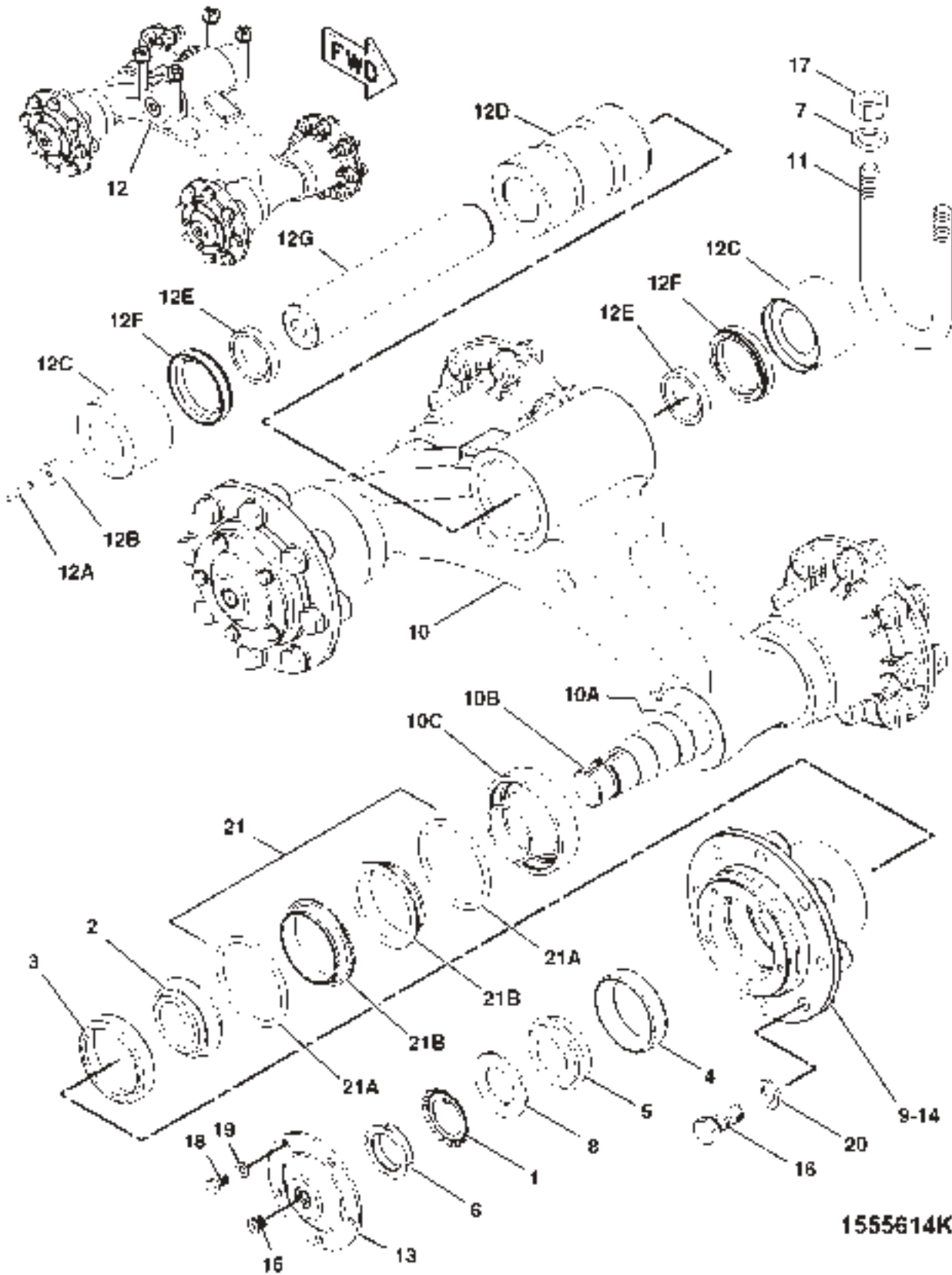
ITEM	NUMBER	QTY	DESCRIPTION
-	500838D1	--	BELT TENSIONER GP [A] (NOT SERVICED)
1	CH1P-4278	1	CLAMP-HOSE
2	CH3B-8486	1	FITTING-GREASE
3	CH4D-0298	1	BEARING
4	CH148-8305	1	ADAPTER AS
4A	400318X1	1	SEAL-O-RING (11.89IDX1.98DIA)
4B	CH5P-9617	1	ADAPTOR
5	400323X1	1	CAP-DUST
6	CH110-6349	1	NIPPLE AS.
7	CH6V-6757	1	ELBOW-PIPE
8	CH8T-5668	2	RING-WEAR
9	CH108-5985	1	VALVE
10	CH108-6194	1	SPACER (24.5X73X16MM THK)
11	CH119-9708	2	VALVE-NEEDLE (TENSIONER CHARGE/DISCHARGE)
12	158-1984	1	GUIDE
13	159-7242	1	ROD AS.
14	CH164-0908	2	SEAL-LIP TYPE
15	CH167-2201	1	SEAL BUFFER-BUFFER
16	500686D1	1	SEAL-WIPER
17	173-7718	1	CYLINDER-TENSIONER (RH)
18	173-8603	1	GUARD AS.
18A	8T-9082	6	RIVET-POP
19	CH175-2851	1	ADAPTER-TEE
20	184-0790	1	SUPPORT AS
	CH6V-7744	2	LOCKNUT (M10X1.5 THD)
21	189-1711	1	CLAMP-SUPPORT
22	193-8505	1	BRACKET RH-RH
	CH6V-7744	1	LOCKNUT (M10X1.5 THD)
23	193-8506	1	BRACKET AS-LH
	CH6V-7744	1	LOCKNUT (M10X1.5 THD)
24	500834D1	1	SENSOR-PRESSURE (RAIL) (BELT TENSIONER)
25	195-1105	1	ACCUMULATOR AS. (BELT TENSIONER)
25A	CH208-1664	1	FILM-WARNING (BELT TENSIONER ACCUMULATOR)
26	CH167-2312	1	SEAL-U-CUP
27	CH1J-9671	1	O-RING
28	CH1K-6985	1	RING-RETAINING
29	400318X1	3	O-RING
30	CH3K-0360	2	O-RING (16.36MM ID)
31	CH5P-5777	1	ADAPTER-O-RING
32	CH6K-6307	1	O-RING
33	CH6V-1657	1	SEAL-RECTANGULAR
34	400376X1	3	O-RING
35	WR520610	1	BOLT (M16X2X100MM)
36	CH7X-7729	10	WASHER (11X25X3MM THK)
37	400212X1	4	BOLT-SOCKET HEAD (M16X2X50MM)
38	CH8T-4122	2	WASHER-HARD (17X32X3.5MM THK)
39	CH8T-4132	1	NUT (M16X2 THD)
40	WR522218	1	NUT (M10X1.5 THD)
41	400058X1	7	BOLT (M10X1.5X30MM)
43	CH5P-6442	AR	HOSE (18CM)
44	400228X1	2	BOLT-LOCKING (M10X1.5X20MM)
45	400232X1	1	BOLT (M24X3.0X50MM)
46	400375X1	2	PLUG

[A] PART OF 163-0547 FRAME AR

500838DA
PR: t05f07j07b0277

MT700 SERIES TRACK TRACTORS
UNDERCARRIAGE

BOGIE GP - 155-5614



1555614K

**MT700 SERIES TRACK TRACTORS
UNDERCARRIAGE**

631

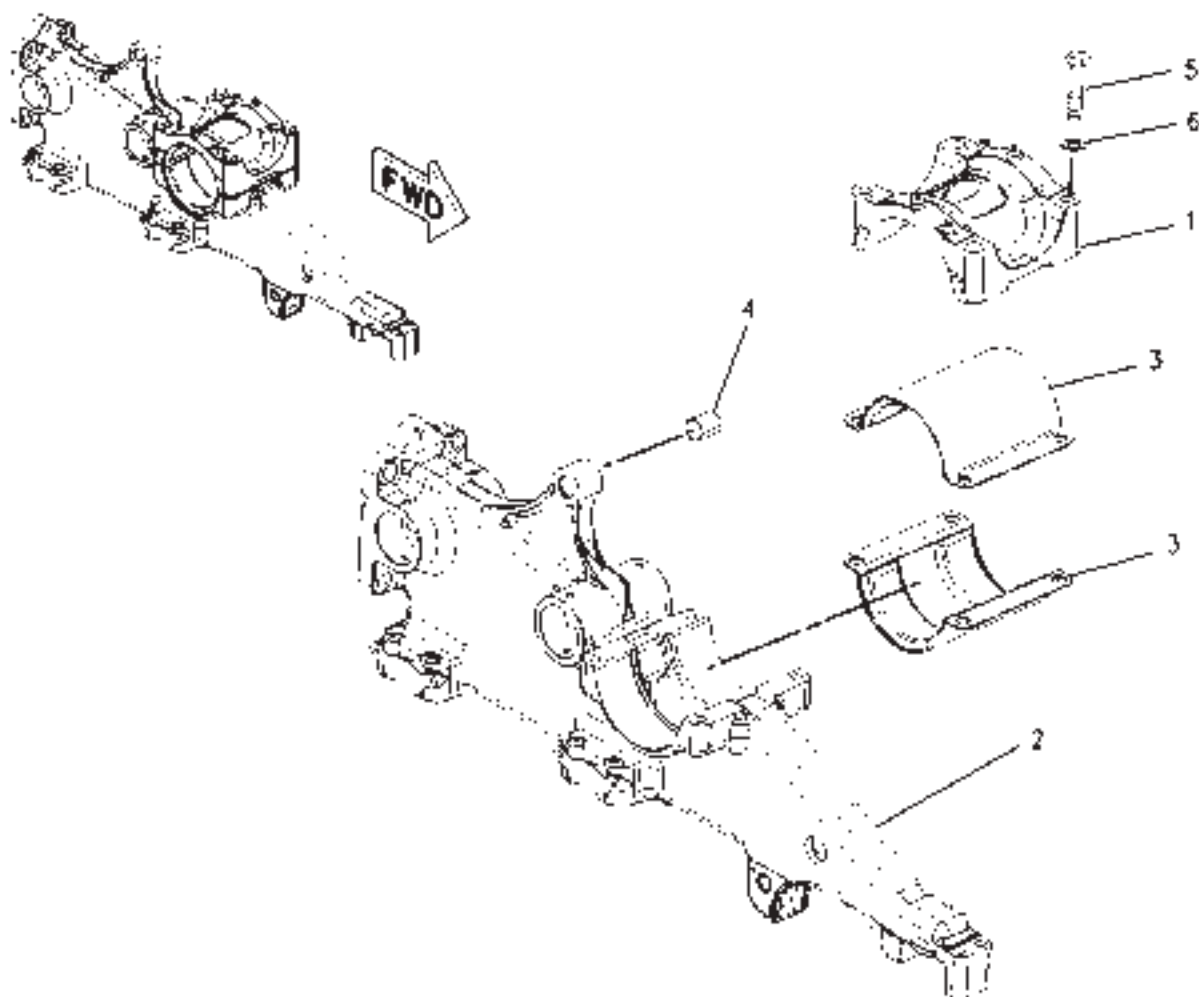
BOGIE GP - 155-5614

ITEM	NUMBER	QTY	DESCRIPTION
-	155-5614	--	BOGIE GP [A] (NOT SERVICED)
1	CH1N-5970	4	LOCKWASHER
2	CH5P-9651	4	CONE-BEARING
3	CH5P-9652	4	CUP-BEARING
4	CH6S-6031	4	CUP-BEARING
5	CH6S-6032	4	CONE-BEARING
6	CH8B-7614	4	NUT-BEARING
7	400080X1	4	WASHER-PLATED (22X35X3.5MM THK)
8	400075X1	4	WASHER
9	204-9733	4	HUB
10	146-0851	1	BOGIE AS.
10A	146-0850	2	AXLE
10B	154-8264	4	RETAINER
11	400259X1	2	U-BOLT
12	500926D1	1	PIN AS. (INCLS 12A-12G)
12A	CH6Y-0473	1	PLUG-CLEAR
12B	CH7G-4332	1	STOPPER
12C	CH138-1815	2	COLLAR
12D	CH138-1818	1	BEARING-SLEEVE
12E	CH152-8073	2	RING-THRUST
12F	CH8E-9646	2	SEAL AS.
12G	500925D1	1	PIN-TRACK
13	156-6084	4	COVER
14	CH215-9463	4	GASKET (MIDWHEEL)
15	502642D1	4	PLUG (1/2-20 THD)
	CH1J-9671	4	O-RING
16	400191X1	32	BOLT (M16X2X40MM)
17	400286X1	4	NUT (M20X2.5 THD)
18	400227X1	20	BOLT (M8X1.25X16MM)
19	400339X1	20	WASHER-HARD (8.8X16X2MM THK)
20	400082X1	32	WASHER (17.5X30X3.5MM THK)
21	175-7513	4	SEAL GP-DUO-CONE
21A	CH8H-2262	2	RING-TORIC
21B	CH175-7514	2	SEAL-RING

[A] PART OF 163-0547;163-0548 FRAME AR

1555614K
PR: t05f07j07b0278

FRAME GP-TRACK ROLLER - 163-0677



**MT700 SERIESTRACKTRACTORS
UNDERCARRIAGE**

633

FRAME GP-TRACK ROLLER - 163-0677

ITEM	NUMBER	QTY	DESCRIPTION
-	163-0677	--	FRAME GP-TRACK ROLLER [A] (NOT SERVICED)
1	192-7901	1	CAP
2	192-7900	1	FRAME-TRACK ROLLER
3	CH214-4661	2	BEARING AS.
4	CH168-7709	1	BEARING
5	400003X1	4	BOLT-HEX HEAD (M24X3X170MM)
6	400081X1	4	WASHER-HARD (26X44X4MM THK)

[A] PART OF 163-0547;163-0548 FRAME AR

00809990
PR: t05f07j07b0279

634

**MT700 SERIES TRACK TRACTORS
UNDERCARRIAGE**

**GAGE AR-STANDARD - 178-2338
WITHOUT CREEPER TRANSMISSION
(1524-2235MM/60-88IN)
ROW ONLY**

NO ILLUSTRATION

NOTIF

**MT700 SERIES TRACK TRACTORS
UNDERCARRIAGE**

635

**GAGE AR-STANDARD - 178-2338
WITHOUT CREEPER TRANSMISSION
(1524-2235MM/60-88IN)
ROW ONLY**

ITEM	NUMBER	QTY	DESCRIPTION
-	178-2338	--	GAGE AR-STANDARD (NOT SERVICED)
1	175-1290	1	GUARD GP-DEBRIS (NOT SERVICED) (S/N: PRIOR TO AKN40200;ALA40269; ALM40712;AMS41162) (SEE BREAKDOWN FOR COMPONENTS)
1	500898D1	1	GUARD GP-POWER TRAIN (NOT SERVICED) (S/N: EFF AKN40200;ALA40269; ALM40712;AMS41162) (SEE BREAKDOWN FOR COMPONENTS)
2	200-5011	1	POWER TRAIN AR (NOT SERVICED) (SEE BREAKDOWN FOR COMPONENTS)
3	198-5376	1	STEERING AR (NOT SERVICED)
	158-2402	1	MOTOR GP-MTG (NOT SERVICED) (SEE BREAKDOWN FOR COMPONENTS)
	158-2405	1	LINES GP-STEERING (NOT SERVICED) (S/N: PRIOR TO AKN40200;ALA40269; ALM40712;AMS41162) (SEE BREAKDOWN FOR COMPONENTS)
	500576D1	1	LINES GP-STEERING (NOT SERVICED) (S/N: EFF AKN40200;ALA40269; ALM40712;AMS41162) (SEE BREAKDOWN FOR COMPONENTS)
	180-9997	1	PUMP GP-MTG (NOT SERVICED) (S/N: PRIOR TO AKN40200;ALA40269; ALM40712;AMS41162) (SEE BREAKDOWN FOR COMPONENTS)
	500574D1	1	PUMP GP-MTG (NOT SERVICED) (S/N: EFF AKN40200;ALA40269; ALM40712;AMS41162) (SEE BREAKDOWN FOR COMPONENTS)
4	165-8506	1	TANK AR-FUEL (NOT SERVICED) (SEE BREAKDOWN FOR COMPONENTS)
5	163-0554	1	UNDERCARRIAGE AR (NOT SERVICED) (SEE BREAKDOWN FOR COMPONENTS)

NOTIF
PR: t05f07j07b0280

636

**MT700 SERIES TRACK TRACTORS
UNDERCARRIAGE**

**GAGE AR-STANDARD - 178-2341
WITHOUT CREEPER TRANSMISSION
(1524-2235MM/60-88IN)
EAME**

NO ILLUSTRATION

NOTIF

**MT700 SERIES TRACK TRACTORS
UNDERCARRIAGE**

637

**GAGE AR-STANDARD - 178-2341
WITHOUT CREEPER TRANSMISSION
(1524-2235MM/60-88IN)
EAME**

ITEM	NUMBER	QTY	DESCRIPTION
-	178-2341	--	GAGE AR-STANDARD (NOT SERVICED)
1	175-1290	1	GUARD GP-DEBRIS (NOT SERVICED) (S/N: PRIOR TO AKN40200;ALA40269; ALM40712;AMS41162) (SEE BREAKDOWN FOR COMPONENTS)
1	500899D1	1	GUARD GP-POWER TRAIN (NOT SERVICED) (S/N: EFF AKN40200;ALA40269; ALM40712;AMS41162) (SEE BREAKDOWN FOR COMPONENTS)
2	200-5011	1	POWER TRAIN AR (NOT SERVICED) (SEE BREAKDOWN FOR COMPONENTS)
3	198-5377	1	STEERING AR (NOT SERVICED)
	180-9997	1	PUMP GP-MTG (NOT SERVICED) (S/N: PRIOR TO AKN40200;ALA40269; ALM40712;AMS41162) (SEE BREAKDOWN FOR COMPONENTS)
	500574D1	1	PUMP GP-MTG (NOT SERVICED) (S/N: EFF AKN40200;ALA40269; ALM40712;AMS41162) (SEE BREAKDOWN FOR COMPONENTS)
	158-2405	1	LINES GP-STEERING (NOT SERVICED) (S/N: PRIOR TO AKN40200;ALA40269; ALM40712;AMS41162) (SEE BREAKDOWN FOR COMPONENTS)
	500576D1	1	LINES GP-STEERING (NOT SERVICED) (S/N: EFF AKN40200;ALA40269; ALM40712;AMS41162) (SEE BREAKDOWN FOR COMPONENTS)
	165-7899	1	MOTOR GP-MOUNTING (NOT SERVICED) (SEE BREAKDOWN FOR COMPONENTS)
4	165-8506	1	TANK AR-FUEL (NOT SERVICED) (SEE BREAKDOWN FOR COMPONENTS)
5	163-0554	1	UNDERCARRIAGE AR (NOT SERVICED) (SEE BREAKDOWN FOR COMPONENTS)

NOTIF
PR: t05f07j07b0281

638

**MT700 SERIES TRACK TRACTORS
UNDERCARRIAGE**

**GAGE AR-WIDE - 178-2339
WITHOUT CREEPER TRANSMISSION
(2032-3048MM/80-120IN)
ROW ONLY**

NO ILLUSTRATION

NOTIF

**MT700 SERIES TRACK TRACTORS
UNDERCARRIAGE**

639

**GAGE AR-WIDE - 178-2339
WITHOUT CREEPER TRANSMISSION
(2032-3048MM/80-120IN)
ROW ONLY**

ITEM	NUMBER	QTY	DESCRIPTION
-	178-2339	--	GAGE AR-WIDE (NOT SERVICED)
1	136-5212	1	LIGHTING GP-WARNING (EXTREMITY) (SEE BREAKDOWN FOR COMPONENTS)
2	163-0546	1	UNDERCARRIAGE AR (NOT SERVICED)
	156-4888	1	SUPPORT GP (NOT SERVICED) (SEE BREAKDOWN FOR COMPONENTS)
	163-0547	1	FRAME AR-RH (NOT SERVICED) (SEE BREAKDOWN FOR COMPONENTS)
	163-0548	1	FRAME AR-LH (NOT SERVICED) (SEE BREAKDOWN FOR COMPONENTS)
	201-9925	1	GUARD GP-LINES (NOT SERVICED) (SEE BREAKDOWN FOR COMPONENTS)
3	175-1290	1	GUARD GP-DEBRIS (NOT SERVICED) (S/N: PRIOR TO AKN40200; ALA40269; ALM40712; AMS41162) (SEE BREAKDOWN FOR COMPONENTS)
3	500898D1	1	GUARD GP-POWER TRAIN (NOT SERVICED) (S/N: EFF AKN40200; ALA40269; ALM40712; AMS41162) (SEE BREAKDOWN FOR COMPONENTS)
4	198-5378	1	STEERING AR (NOT SERVICED)
	158-2396	1	PUMP GP-MTG (NOT SERVICED) (S/N: PRIOR TO AKN40200; ALA40269; ALM40712; AMS41162) (SEE BREAKDOWN FOR COMPONENTS)
	500573D1	1	PUMP GP-MTG (NOT SERVICED) (S/N: EFF AKN40200; ALA40269; ALM40712; AMS41162) (SEE BREAKDOWN FOR COMPONENTS)
	158-2403	1	MOTOR GP-MTG (NOT SERVICED) (SEE BREAKDOWN FOR COMPONENTS)
	177-4469	1	LINES GP-STEERING (NOT SERVICED) (S/N: PRIOR TO AKN40200; ALA40269; ALM40712; AMS41162)
	500575D1	1	LINES GP-STEERING (NOT SERVICED) (S/N: EFF AKN40200; ALA40269; ALM40712; AMS41162) (SEE BREAKDOWN FOR COMPONENTS)
5	199-3440	1	TANK AR-FUEL (NOT SERVICED) (SEE BREAKDOWN FOR COMPONENTS)
6	200-5013	1	POWER TRAIN AR (NOT SERVICED) (SEE BREAKDOWN FOR COMPONENTS)

NOTIF
PR: t05f07j07b0282

640

**MT700 SERIES TRACK TRACTORS
UNDERCARRIAGE**

**GAGE AR-STANDARD - 200-6232
WITH CREEPER TRANSMISSION
(1524-2235MM/60-88IN)
ROW ONLY**

NO ILLUSTRATION

NOTIF

**MT700 SERIES TRACK TRACTORS
UNDERCARRIAGE**

641

**GAGE AR-STANDARD - 200-6232
WITH CREEPER TRANSMISSION
(1524-2235MM/60-88IN)
ROW ONLY**

ITEM	NUMBER	QTY	DESCRIPTION
-	200-6232	--	GAGE AR-STANDARD (NOT SERVICED)
1	162-4104	1	CONTROL GP-CREEPER (NOT SERVICED)
	169-8224	1	SWITCH AS-CREEPER
	CH165-5975	1	PLUG-PANEL COVERING
	400453X1	1	PLUG-CONNECTOR
2	175-1290	1	GUARD GP-DEBRIS (NOT SERVICED) (S/N: PRIOR TO AKN40200;ALA40269; ALM40712;AMS41162) (SEE BREAKDOWN FOR COMPONENTS)
2	500898D1	1	GUARD GP-POWER TRAIN (NOT SERVICED) (S/N: EFF AKN40200;ALA40269; ALM40712;AMS41162) (SEE BREAKDOWN FOR COMPONENTS)
3	200-5015	1	POWER TRAIN AR (NOT SERVICED) (SEE BREAKDOWN FOR COMPONENTS)
4	198-5376	1	STEERING AR (NOT SERVICED)
	158-2402	1	MOTOR GP-MTG (NOT SERVICED) (SEE BREAKDOWN FOR COMPONENTS)
	158-2405	1	LINES GP-STEERING (NOT SERVICED) (S/N: PRIOR TO AKN40200;ALA40269; ALM40712;AMS41162) (SEE BREAKDOWN FOR COMPONENTS)
	500576D1	1	LINES GP-STEERING (NOT SERVICED) (S/N: EFF AKN40200;ALA40269; ALM40712;AMS41162) (SEE BREAKDOWN FOR COMPONENTS)
	500574D1	1	PUMP GP-MTG (NOT SERVICED) (SEE BREAKDOWN FOR COMPONENTS)
5	165-8506	1	TANK AR-FUEL (NOT SERVICED) (SEE BREAKDOWN FOR COMPONENTS)
6	163-0554	1	UNDERCARRIAGE AR (NOT SERVICED) (SEE BREAKDOWN FOR COMPONENTS)

NOTIF
PR: t05f07j07b0283

642

**MT700 SERIES TRACK TRACTORS
UNDERCARRIAGE**

**GAGE AR-STANDARD - 206-0515
WITH CREEPER TRANSMISSION
(1524-2235MM/60-88 IN)**

NO ILLUSTRATION

NOTIF

**MT700 SERIES TRACK TRACTORS
UNDERCARRIAGE**

643

**GAGE AR-STANDARD - 206-0515
WITH CREEPER TRANSMISSION
(1524-2235MM/60-88 IN)**

ITEM	NUMBER	QTY	DESCRIPTION
-	206-0515	--	EAME ONLY
1	162-4104	1	GAGE AR-STD (NOT SERVICED)
	169-8224	1	CONTROL GP-CREEPER (NOT SERVICED)
	169-8224	1	SWITCH AS-CREEPER
	CH165-5975	1	PLUG-PANEL COVERING
	400453X1	1	PLUG-CONNECTOR
2	500899D1	1	GUARD GP-POWER TRAIN (NOT SERVICED) (S/N: EFF AKN40200;ALA40269; ALM40712;AMS41162) (SEE BREAKDOWN FOR COMPONENTS)
3	200-5015	1	POWER TRAIN AR-CREEPER (NOT SERVICED) (SEE BREAKDOWN FOR COMPONENTS)
4	198-5377	1	STEERING AR (NOT SERVICED)
	500574D1	1	PUMP GP-MTG (NOT SERVICED) (SEE BREAKDOWN FOR COMPONENTS)
	158-2405	1	LINES GP-STEERING (NOT SERVICED) (S/N: PRIOR TO AKN40200;ALA40269; ALM40712;AMS41162) (SEE BREAKDOWN FOR COMPONENTS)
	500576D1	1	LINES GP-STEERING (NOT SERVICED) (S/N: EFF AKN40200;ALA40269; ALM40712;AMS41162) (SEE BREAKDOWN FOR COMPONENTS)
	165-7899	1	MOTOR GP-MOUNTING (NOT SERVICED) (SEE BREAKDOWN FOR COMPONENTS)
5	165-8506	1	TANK AR-FUEL (NOT SERVICED) (SEE BREAKDOWN FOR COMPONENTS)
6	163-0554	1	UNDERCARRIAGE AR (NOT SERVICED) (SEE BREAKDOWN FOR COMPONENTS)

NOTIF
PR: t05f07j07b0284

644

MT700 SERIES TRACK TRACTORS
UNDERCARRIAGE

GAGE AR-WIDE - 200-6233
WITH CREEPER TRANSMISSION
(2032-3048MM/80-120IN)
ROW

NO ILLUSTRATION

NOTIF

**MT700 SERIES TRACK TRACTORS
UNDERCARRIAGE**

645

**GAGE AR-WIDE - 200-6233
WITH CREEPER TRANSMISSION
(2032-3048MM/80-120IN)
ROW**

ITEM	NUMBER	QTY	DESCRIPTION
-	200-6233	--	GAGE AR-WIDE (NOT SERVICED)
1	162-4104	1	CONTROL GP-CREEPER (NOT SERVICED)
	169-8224	1	SWITCH AS-CREEPER
	CH165-5975	1	PLUG-PANEL COVERING
	400453X1	1	PLUG-CONNECTOR
2	175-1290	1	GUARD GP-DEBRIS (NOT SERVICED) (S/N: PRIOR TO AKN40200;ALA40269; ALM40712;AMS41162) (SEE BREAKDOWN FOR COMPONENTS)
2	500898D1	1	GUARD GP-POWER TRAIN (NOT SERVICED) (S/N: EFF AKN40200;ALA40269; ALM40712;AMS41162) (SEE BREAKDOWN FOR COMPONENTS)
3	136-5212	1	LIGHTING GP-WARNING (EXTREMITY) (SEE BREAKDOWN FOR COMPONENTS)
4	200-5017	1	POWER TRAIN AR (NOT SERVICED) (SEE BREAKDOWN FOR COMPONENTS)
5	198-5378	1	STEERING AR (NOT SERVICED)
	158-2396	1	PUMP GP-MTG (NOT SERVICED) (S/N: PRIOR TO AKN40200; ALA40269; ALM40712; AMS41162) (SEE BREAKDOWN FOR COMPONENTS)
	500573D1	1	PUMP GP-MTG (NOT SERVICED) (S/N: EFF AKN40200; ALA40269; ALM40712; AMS41162) (SEE BREAKDOWN FOR COMPONENTS)
	158-2403	1	MOTOR GP-MTG (NOT SERVICED) (SEE BREAKDOWN FOR COMPONENTS)
	177-4469	1	LINES GP-STEERING (NOT SERVICED) (S/N: PRIOR TO AKN40200; ALA40269; ALM40712; AMS41162)
	500575D1	1	LINES GP-STEERING (NOT SERVICED) (S/N: EFF AKN40200; ALA40269; ALM40712; AMS41162) (SEE BREAKDOWN FOR COMPONENTS)
6	199-3440	1	TANK AR-FUEL (NOT SERVICED) (SEE BREAKDOWN FOR COMPONENTS)
7	163-0546	1	UNDERCARRIAGE AR (NOT SERVICED)
	156-4888	1	SUPPORT GP (NOT SERVICED) (SEE BREAKDOWN FOR COMPONENTS)
	163-0547	1	FRAME AR-RH (NOT SERVICED) (SEE BREAKDOWN FOR COMPONENTS)
	163-0548	1	FRAME AR-LH (NOT SERVICED) (SEE BREAKDOWN FOR COMPONENTS)
	201-9925	1	GUARD GP-LINES (NOT SERVICED) (SEE BREAKDOWN FOR COMPONENTS)

NOTIF
PR: t05f07j07b0285

646

**MT700 SERIES TRACK TRACTORS
UNDERCARRIAGE**

**GAGE AR-ULTRA WIDE - 213-4079
WITHOUT CREEPER TRANSMISSION
(3048-4064MM/120-160IN)
ROW ONLY**

NO ILLUSTRATION

NOTIF

**MT700 SERIES TRACK TRACTORS
UNDERCARRIAGE**

647

**GAGE AR-ULTRA WIDE - 213-4079
WITHOUT CREEPER TRANSMISSION
(3048-4064MM/120-160IN)
ROW ONLY**

ITEM	NUMBER	QTY	DESCRIPTION
-	213-4079	--	GAGE AR-ULTRA WIDE (NOT SERVICED)
1	175-1290	1	GUARD GP-DEBRIS (NOT SERVICED) (S/N: PRIOR TO AKN40200;ALA40269; ALM40712;AMS41162) (SEE BREAKDOWN FOR COMPONENTS)
1	500898D1	1	GUARD GP-POWER TRAIN (NOT SERVICED) (S/N: EFF AKN40200;ALA40269; ALM40712;AMS41162) (SEE BREAKDOWN FOR COMPONENTS)
2	205-4631	1	LIGHTING GP-WARNING (NOT SERVICED) (SEE BREAKDOWN FOR COMPONENTS)
3	213-8788	1	POWER TRAIN AR (NOT SERVICED) (SEE BREAKDOWN FOR COMPONENTS)
4	198-5378	1	STEERING AR (NOT SERVICED)
	158-2396	1	PUMP GP-MTG (NOT SERVICED) (S/N: PRIOR TO AKN40200; ALA40269; ALM40712; AMS41162) (SEE BREAKDOWN FOR COMPONENTS)
	500573D1	1	PUMP GP-MTG (NOT SERVICED) (S/N: EFF AKN40200; ALA40269; ALM40712; AMS41162) (SEE BREAKDOWN FOR COMPONENTS)
	158-2403	1	MOTOR GP-MTG (NOT SERVICED) (SEE BREAKDOWN FOR COMPONENTS)
	177-4469	1	LINES GP-STEERING (NOT SERVICED) (S/N: PRIOR TO AKN40200; ALA40269; ALM40712; AMS41162)
	500575D1	1	LINES GP-STEERING (NOT SERVICED) (S/N: EFF AKN40200; ALA40269; ALM40712; AMS41162) (SEE BREAKDOWN FOR COMPONENTS)
5	199-3440	1	TANK AR-FUEL (NOT SERVICED) (SEE BREAKDOWN FOR COMPONENTS)
6	213-6921	1	UNDERCARRIAGE AR (NOT SERVICED) (SEE BREAKDOWN FOR COMPONENTS)
7	224-4850	1	FILM GP (NOT SERVICED)
	501405D1	1	FILM-NOTICE

NOTIF
PR: t05f07j07b0286

648

**MT700 SERIES TRACK TRACTORS
UNDERCARRIAGE**

**GAGE AR-ULTRA WIDE - 213-4080
WITH CREEPER TRANSMISSION
(3048-4064MM/120-160IN)
ROW**

NO ILLUSTRATION

NOTIF

**MT700 SERIES TRACK TRACTORS
UNDERCARRIAGE**

649

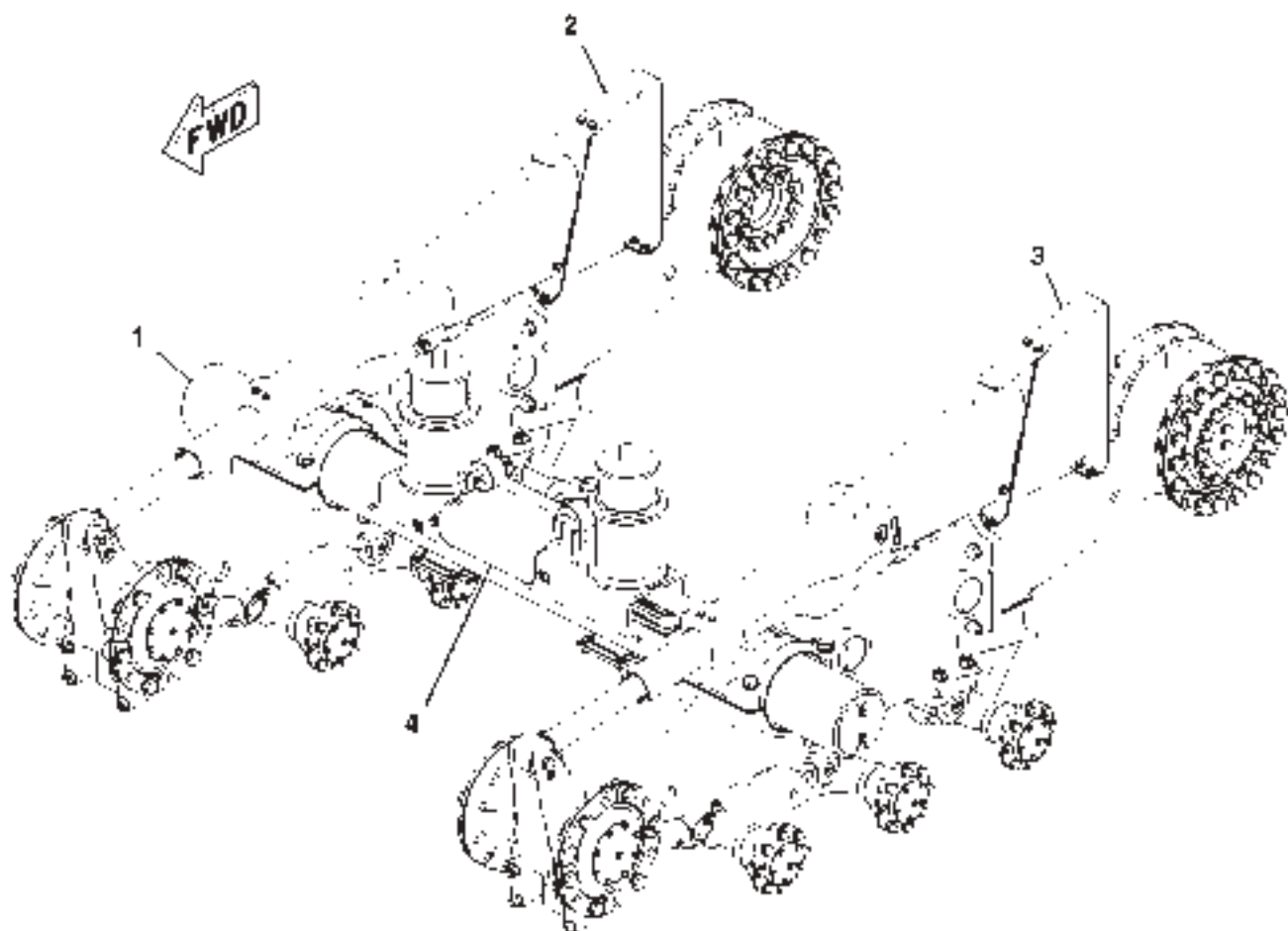
**GAGE AR-ULTRA WIDE - 213-4080
WITH CREEPER TRANSMISSION
(3048-4064MM/120-160IN)
ROW**

ITEM	NUMBER	QTY	DESCRIPTION
-	213-4080	--	GAGE AR-WIDE (NOT SERVICED)
1	162-4104	1	CONTROL GP-CREEPER (NOT SERVICED)
	169-8224	1	SWITCH AS-ROCKER (CREEPER) PLUG-PANEL COVERING PLUG-CONNECTOR
2	175-1290	1	GUARD GP-DEBRIS (NOT SERVICED) (S/N: PRIOR TO AKN40200;ALA40269; ALM40712;AMS41162) (SEE BREAKDOWN FOR COMPONENTS)
2	500898D1	1	GUARD GP-POWER TRAIN (NOT SERVICED) (S/N: EFF AKN40200;ALA40269; ALM40712;AMS41162) (SEE BREAKDOWN FOR COMPONENTS)
3	205-4631	1	LIGHTING GP-WARNING (NOT SERVICED) (SEE BREAKDOWN FOR COMPONENTS)
4	213-8789	1	POWER TRAIN AR (NOT SERVICED) (SEE BREAKDOWN FOR COMPONENTS)
5	198-5378	1	STEERING AR (NOT SERVICED)
	158-2396	1	PUMP GP-MTG (NOT SERVICED) (S/N: PRIOR TO AKN40200; ALA40269; ALM40712; AMS41162) (SEE BREAKDOWN FOR COMPONENTS)
	500573D1	1	PUMP GP-MTG (NOT SERVICED) (S/N: EFF AKN40200; ALA40269; ALM40712; AMS41162) (SEE BREAKDOWN FOR COMPONENTS)
	158-2403	1	MOTOR GP-MTG (NOT SERVICED) (SEE BREAKDOWN FOR COMPONENTS)
	177-4469	1	LINES GP-STEERING (NOT SERVICED) (S/N: PRIOR TO AKN40200; ALA40269; ALM40712; AMS41162)
	500575D1	1	LINES GP-STEERING (NOT SERVICED) (S/N: EFF AKN40200; ALA40269; ALM40712; AMS41162) (SEE BREAKDOWN FOR COMPONENTS)
6	199-3440	1	TANK AR-FUEL (NOT SERVICED) (SEE BREAKDOWN FOR COMPONENTS)
7	213-6921	1	UNDERCARRIAGE AR (NOT SERVICED) (SEE BREAKDOWN FOR COMPONENTS)
8	224-4850	1	FILM GP (NOT SERVICED)
	501405D1	1	FILM-NOTICE

NOTIF
PR: t05f07j07b0287

MT700 SERIES TRACK TRACTORS
UNDERCARRIAGE

UNDERCARRIAGE AR - 163-0554
STANDARD



**MT700 SERIES TRACK TRACTORS
UNDERCARRIAGE**

651

**UNDERCARRIAGE AR - 163-0554
STANDARD**

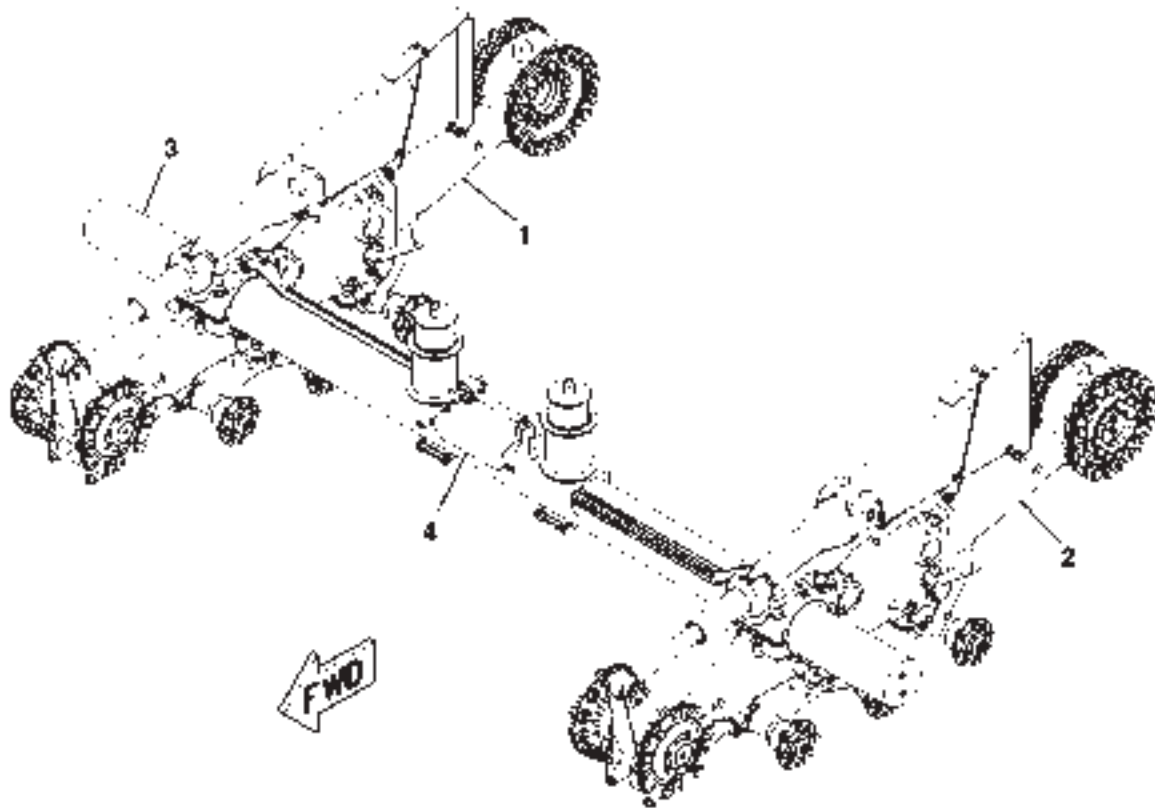
ITEM	NUMBER	QTY	DESCRIPTION
-	163-0554	--	UNDERCARRIAGE AR [A] (NOT SERVICED)
1	163-0547	1	FRAME AR-RH (NOT SERVICED) (SEE BREAKDOWN FOR COMPONENTS)
2	163-0548	1	FRAME AR-LH (NOT SERVICED) (SEE BREAKDOWN FOR COMPONENTS)
3	156-4887	1	SUPPORT GP (NOT SERVICED) (SEE BREAKDOWN FOR COMPONENTS)
4	201-9926	1	GUARD GP (NOT SERVICED) (SEE BREAKDOWN FOR COMPONENTS)

[A] PART OF 178-2338;178-2341;200-6232;
206-0515 GAGE AR-STD

1630554F
PR: t05f07j07b0288

MT700 SERIES TRACK TRACTORS
UNDERCARRIAGE

UNDERCARRIAGE AR - 213-6921
ULTRA WIDE GAGE



**MT700 SERIES TRACK TRACTORS
UNDERCARRIAGE**

653

**UNDERCARRIAGE AR - 213-6921
ULTRA WIDE GAGE**

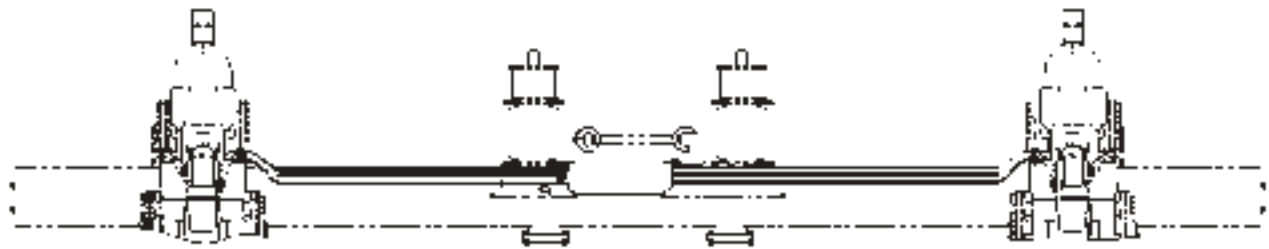
ITEM	NUMBER	QTY	DESCRIPTION
-	213-6921	--	UNDERCARRIAGE AR [A] (NOT SERVICED)
1	163-0547	1	FRAME AR-RH (NOT SERVICED) (SEE BREAKDOWN FOR COMPONENTS)
2	163-0548	1	FRAME AR-LH (NOT SERVICED) (SEE BREAKDOWN FOR COMPONENTS)
3	208-0560	1	SUPPORT GP (NOT SERVICED) (SEE BREAKDOWN FOR COMPONENTS)
4	213-6920	1	GUARD GP-LINES (NOT SERVICED) (SEE BREAKDOWN FOR COMPONENTS)

[A] PART OF 213-4079; 213-4080
GAGE AR-ULTRA WIDE

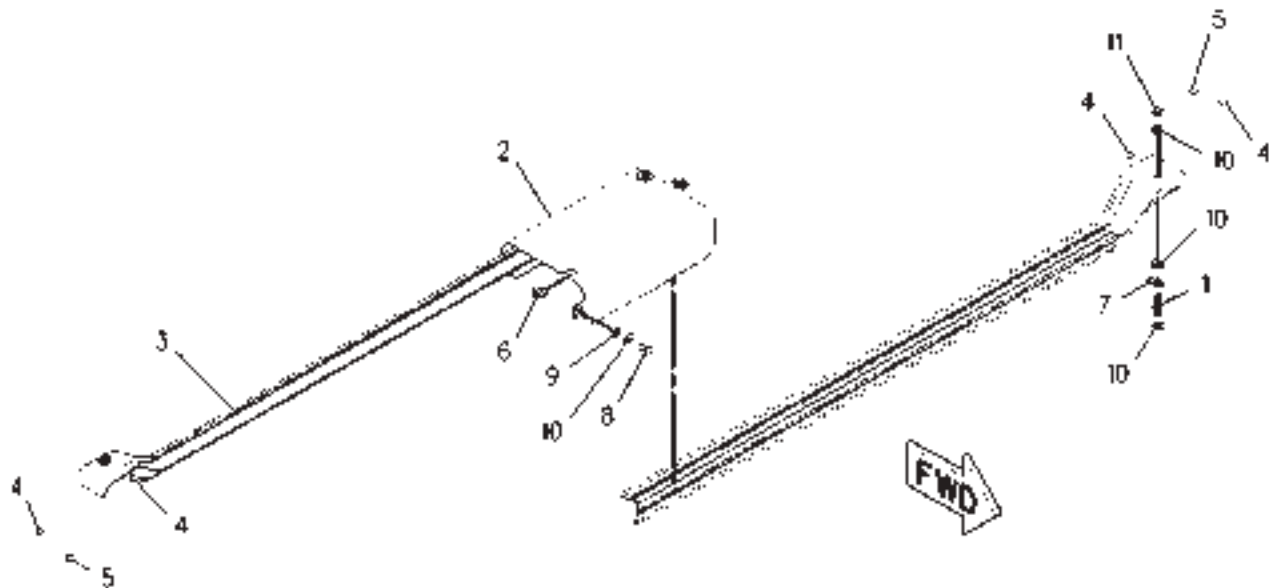
2136921B
PR: t05f07j07b0289

MT700 SERIES TRACK TRACTORS
UNDERCARRIAGE

GUARD GP-LINES - 213-6920
TENSIONER WIRE
ULTRA WIDE GAGE



FRONT VIEW



**MT700 SERIES TRACK TRACTORS
UNDERCARRIAGE**

655

**GUARD GP-LINES - 213-6920
TENSIONER WIRE
ULTRA WIDE GAGE**

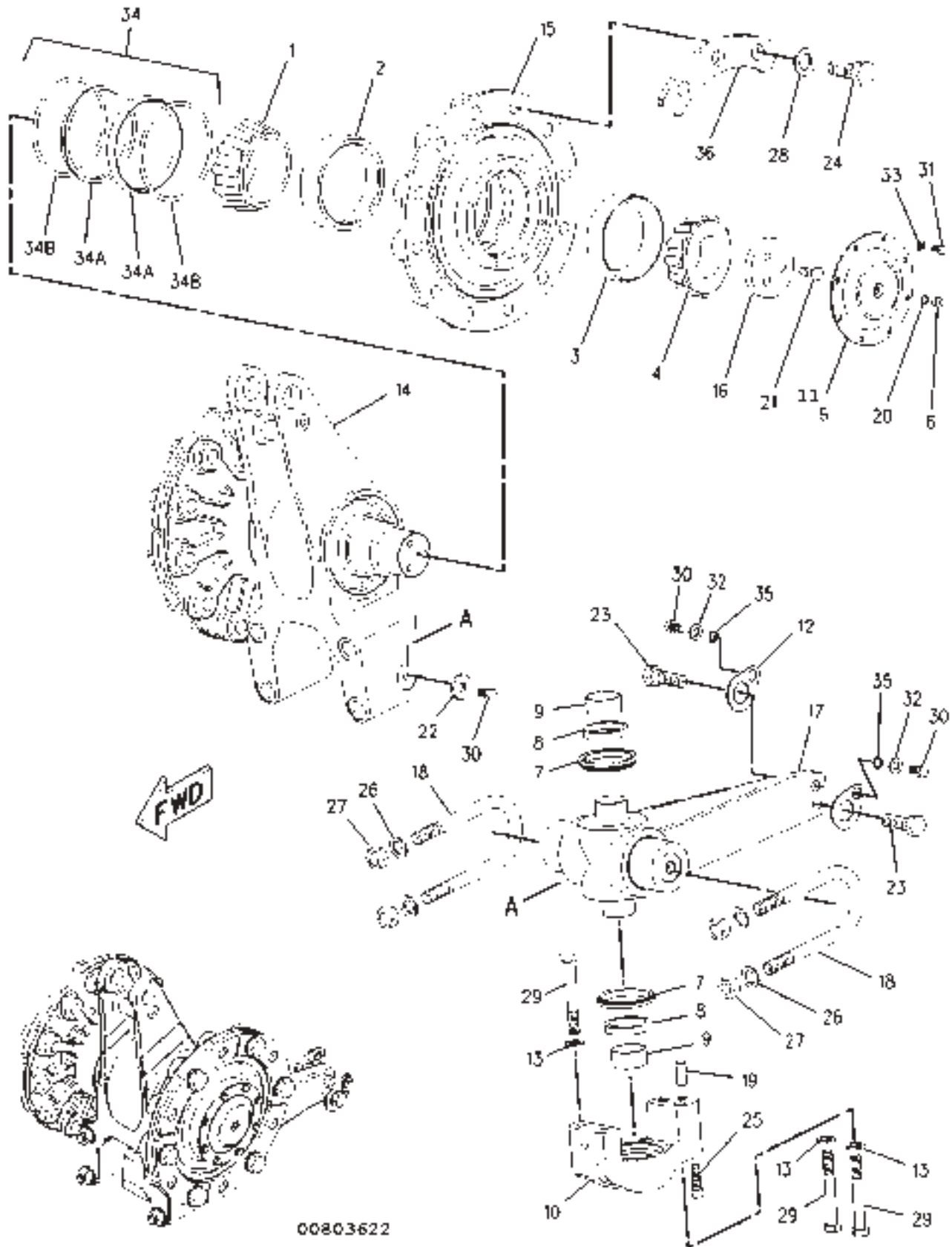
ITEM	NUMBER	QTY	DESCRIPTION
-	213-6920	--	GUARD GP-WIRING [A] (NOT SERVICED)
1	CH101-3129	2	STUD (M10X1.5 THD)
2	201-9929	1	COVER-WIRE
3	214-2361	2	GUARD
4	400289X1	4	PLUG
5	CH193-5914	2	PLUG
6	CH5P-8440	2	GROMMET
7	CH5P-9085	2	CLIP
8	400023X1	2	BOLT (M10X1.5X16MM)
9	CH7X-0561	2	WASHER-HARD
10	CH7X-7729	8	WASHER (11X25X3MM THK)
11	WR522218	2	NUT (M10X1.5 THD)
12	CH7K-1181	8	STRAP-CABLE 0.19-4.00 (NOT ILL.)

[A] PART OF 213-6921 UNDERCARRIAGE AR

00878145
PR: t05f07j07b0290

MT700 SERIES TRACK TRACTORS
UNDERCARRIAGE

IDLER GP - 156-4859



**MT700 SERIES TRACK TRACTORS
UNDERCARRIAGE**

657

IDLER GP - 156-4859

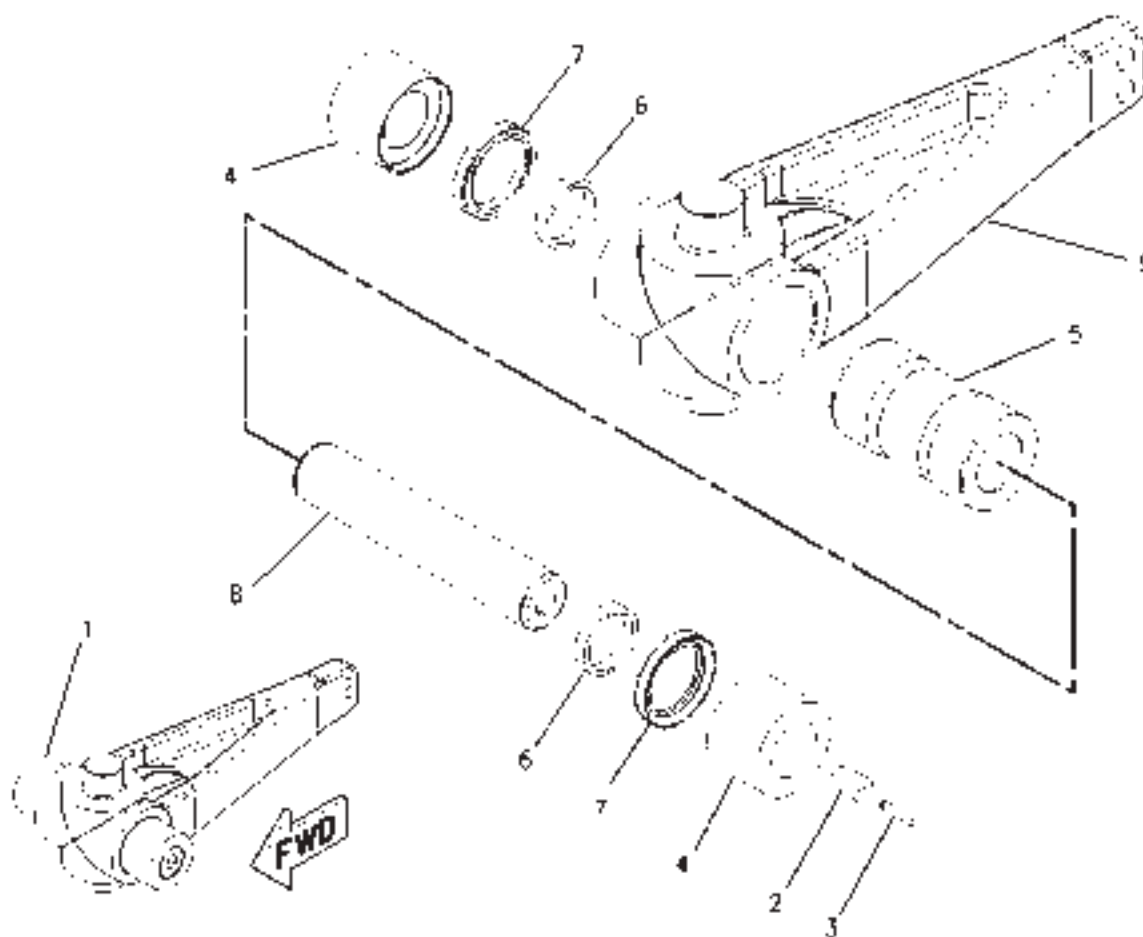
ITEM	NUMBER	QTY	DESCRIPTION
-	156-4859	--	IDLER GP [A] (NOT SERVICED)
1	CH1P-5419	2	CONE-BEARING
2	CH1P-5420	2	CUP-BEARING
3	CH2D-9454	2	CUP-BEARING
4	CH2D-9455	2	CONE-BEARING
5	CH215-9464	2	GASKET
6	502642D1	2	PLUG (1/2-20 THD)
7	501209D1	2	SEAL AS.
8	CH9W-9300	2	RING-THRUST
9	CH123-4748	3	BEARING
10	138-1820	1	CAP
11	CH156-4897	2	COVER
12	CH202-8632	2	PLATE
13	400082X1	2	WASHER (17.5X30X3.5MM THK)
14	156-4901	1	LINK-SWING
15	156-4902	2	HUB
16	CH160-5223	2	PLATE
17	160-7164	1	LEVER AS-IDLER (SEE BREAKDOWN FOR COMPONENTS)
18	400262X1	2	U-BOLT
19	CH1A-5919	1	DOWEL
20	CH1J-9671	2	O-RING
21	400020X1	6	BOLT (M12X1.75X30MM)
22	CH7X-0618	2	WASHER-HARD (13.5X40X5MM THK)
23	400012X1	2	BOLT (M20X2.5X74MM)
24	400035X1	12	BOLT (M24X3X60MM)
25	400133X1	1	BOLT-SOCKET HEAD (M12X1.75X45MM)
26	400080X1	4	WASHER-PLATED (22X35X3.5MM THK)
27	400286X1	4	NUT (M20X2.5 THD)
28	400081X1	12	WASHER-HARD (26X44X4MM THK)
29	400224X1	4	BOLT (M16X2.0X120MM)
30	400047X1	4	BOLT (M12X1.75X20MM)
31	400227X1	16	BOLT (M8X1.25X16MM)
32	400381X1	2	WASHER-HARD (13.5X30X4MM THK)
33	400339X1	16	WASHER-HARD (8.8X16X2MM THK)
34	CH5K-5288	2	SEAL GP-DUO-CONE
34A	-----	2	SEAL-RING (NOT SERVICED SEPARATELY)
34B	5K-5129	2	RING-SEALING
35	CH202-9701	2	SPACER (12.95X19.05X5MM THK)
36	CH156-4900	8	PLATE

[A] PART OF 163-0547;163-0548 FRAME AR

00803622
PR: t05f07j07b0291

MT700 SERIES TRACK TRACTORS
UNDERCARRIAGE

LEVER AS-IDLER - 160-7164



**MT700 SERIES TRACK TRACTORS
UNDERCARRIAGE**

659

LEVER AS-IDLER - 160-7164

ITEM	NUMBER	QTY	DESCRIPTION
-	160-7164	--	LEVER GP-IDLER [A]
1	500926D1	1	PIN AS.
2	CH7G-4332	1	STOPPER
3	-----	1	PLUG-CLEAR (NOT SERVICED SEPARATELY)
4	-----	2	COLLAR (NOT SERVICED SEPARATELY)
5	-----	1	BEARING-SLEEVE (NOT SERVICED SEPARATELY)
6	-----	2	RING-THRUST (NOT SERVICED SEPARATELY)
7	CH8E-9646	2	SEAL AS.
8	199-2794	1	PIN-TRACK
9	-----	1	LEVER (NOT SERVICED SEPARATELY)

[A] PART OF 156-4859 IDLER GP

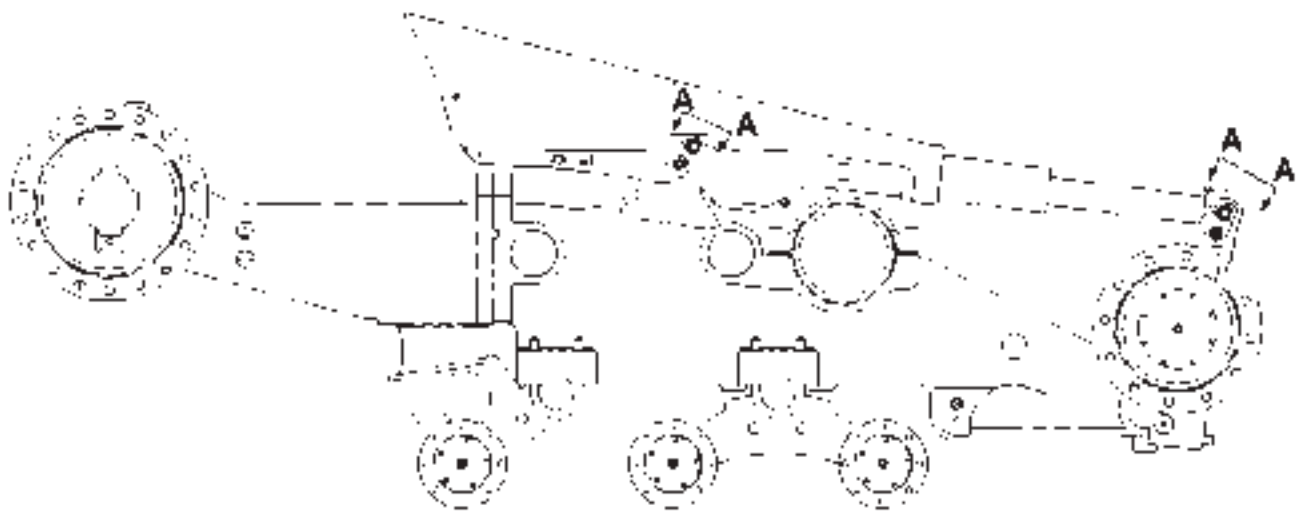
00630589
PR: t05f07j07b0292

MT700 SERIES TRACK TRACTORS
UNDERCARRIAGE

MOUNTING GP-BELT TENSIONER - 184-6717



VIEW A-A



RIGHT SIDE VIEW

MT700 SERIES TRACK TRACTORS
UNDERCARRIAGE

661

MOUNTING GP-BELT TENSIONER - 184-6717

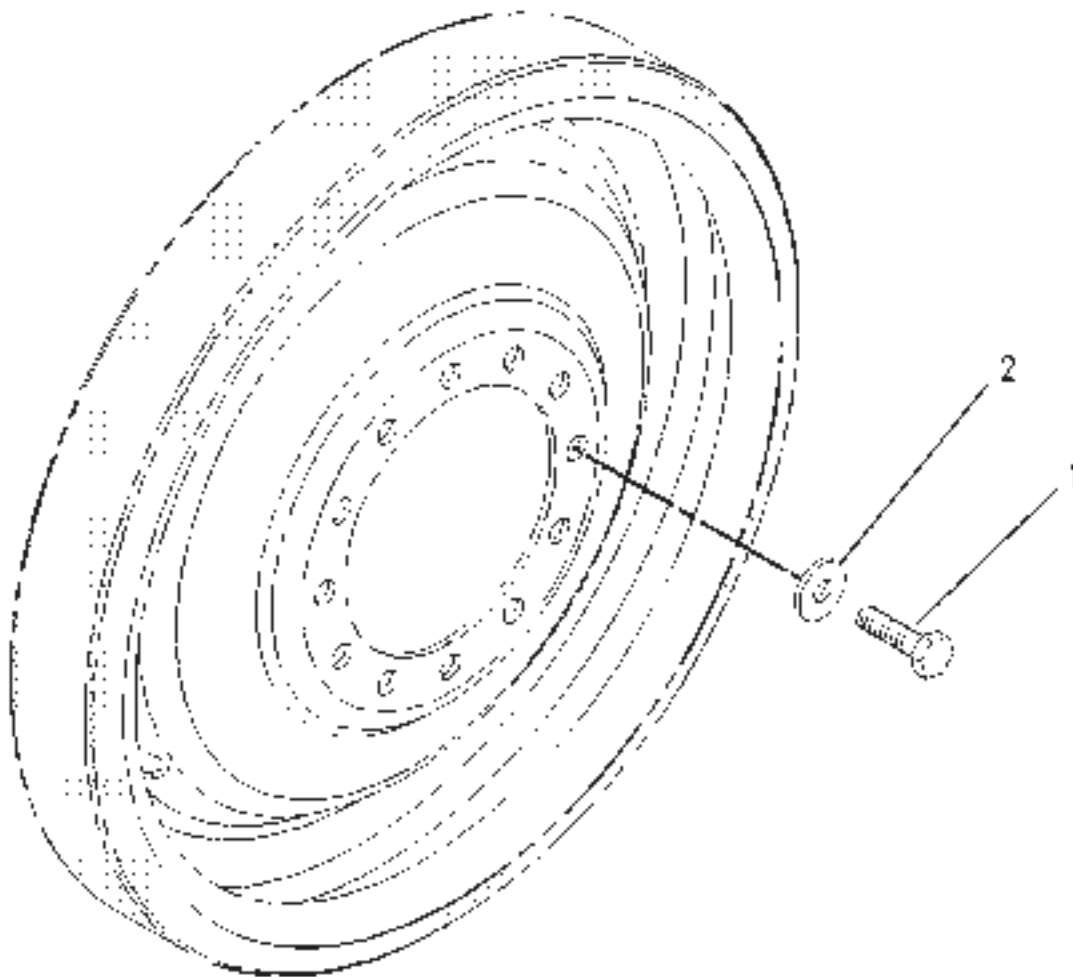
ITEM	NUMBER	QTY	DESCRIPTION
-	184-6717	--	MOUNTING GP-BELT TENSIONER[A](NOT SRVCD)
1	CH190-3580	2	PIN AS.
2	CH190-3582	2	SPACER (20X28.6X12.7MM THK)
3	400381X1	2	WASHER-HARD (13.5X30X4MM THK)
4	400064X1	2	BOLT (M12X1.75X35MM)

[A] PART OF 163-0547;163-0548 FRAME AR

1846717C
PR: t05f07j07b0293

MT700 SERIES TRACK TRACTORS
UNDERCARRIAGE

MOUNTING GP-IDLER - 177-4589



**MT700 SERIESTRACKTRACTORS
UNDERCARRIAGE**

663

MOUNTING GP-IDLER - 177-4589

ITEM	NUMBER	QTY	DESCRIPTION
-	177-4589	--	MOUNTING GP-IDLER (NOT SERVICED)
1	400035X1	24	BOLT (M24X3X60MM)
2	400081X1	24	WASHER-HARD (26X44X4MM THK)

00640046
PR: t05f07j07b0294

MT700 SERIES TRACK TRACTORS
UNDERCARRIAGE

MIDROLLER WHL AR



NARROW



MEDIUM



WIDE

MIDWHEEL

**MT700 SERIES TRACK TRACTORS
UNDERCARRIAGE**

665

MIDROLLER WHL AR

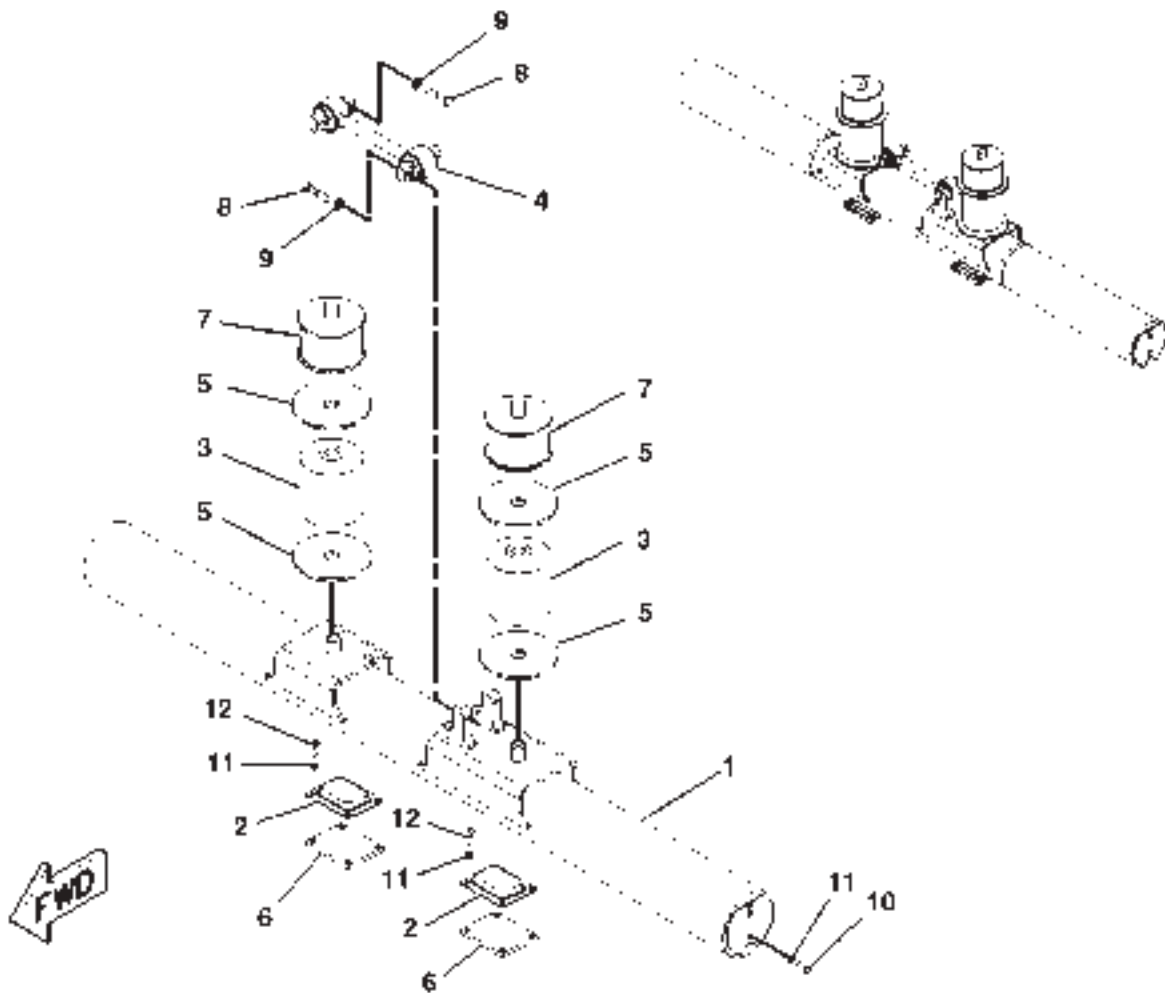
ITEM	NUMBER	QTY	DESCRIPTION
-	156-4889	--	MIDROLLER WHL AR-NARROW (89MM / 3.5IN) (NOT SERVICED)
1	502930D1	12	WHEEL NARROW.-NARROW WIDTH [S]
-	502151D1	--	MIDROLLER WHL AR-NARROW (89MM / 3.5IN) (FIELD OPTION INCLUDES 6 OF ITEM 1)
-	156-4890	--	MIDROLLER WHL AR-MEDIUM (112MM / 4.4IN) (NOT SERVICED)
2	502931D1	12	WHEEL MEDIUM.-MEDIUM WIDTH [S]
-	502154D1	--	MIDROLLER WHL AR-MEDIUM (112MM / 4.4IN) (FIELD OPTION INCLUDES 6 OF ITEM 2)
-	156-4892	--	MIDROLLER WHL AR-WIDE (204MM / 8IN) (NOT SERVICED)
3	502932D1	12	WHEEL WIDE.-WIDE WIDTH [S]
-	502157D1	--	MIDROLLER WHL AR-WIDE (204MM / 8IN) (FIELD OPTION INCLUDES 6 OF ITEM 3)

[S] QTY SHOWN ARE FOR LH & RH SIDES

MIDWHEEL
PR: t05f07j07b0295

MT700 SERIES TRACK TRACTORS
UNDERCARRIAGE

SUPPORT GP - 156-4887
STANDARD GAGE



**MT700 SERIES TRACK TRACTORS
UNDERCARRIAGE**

667

**SUPPORT GP - 156-4887
STANDARD GAGE**

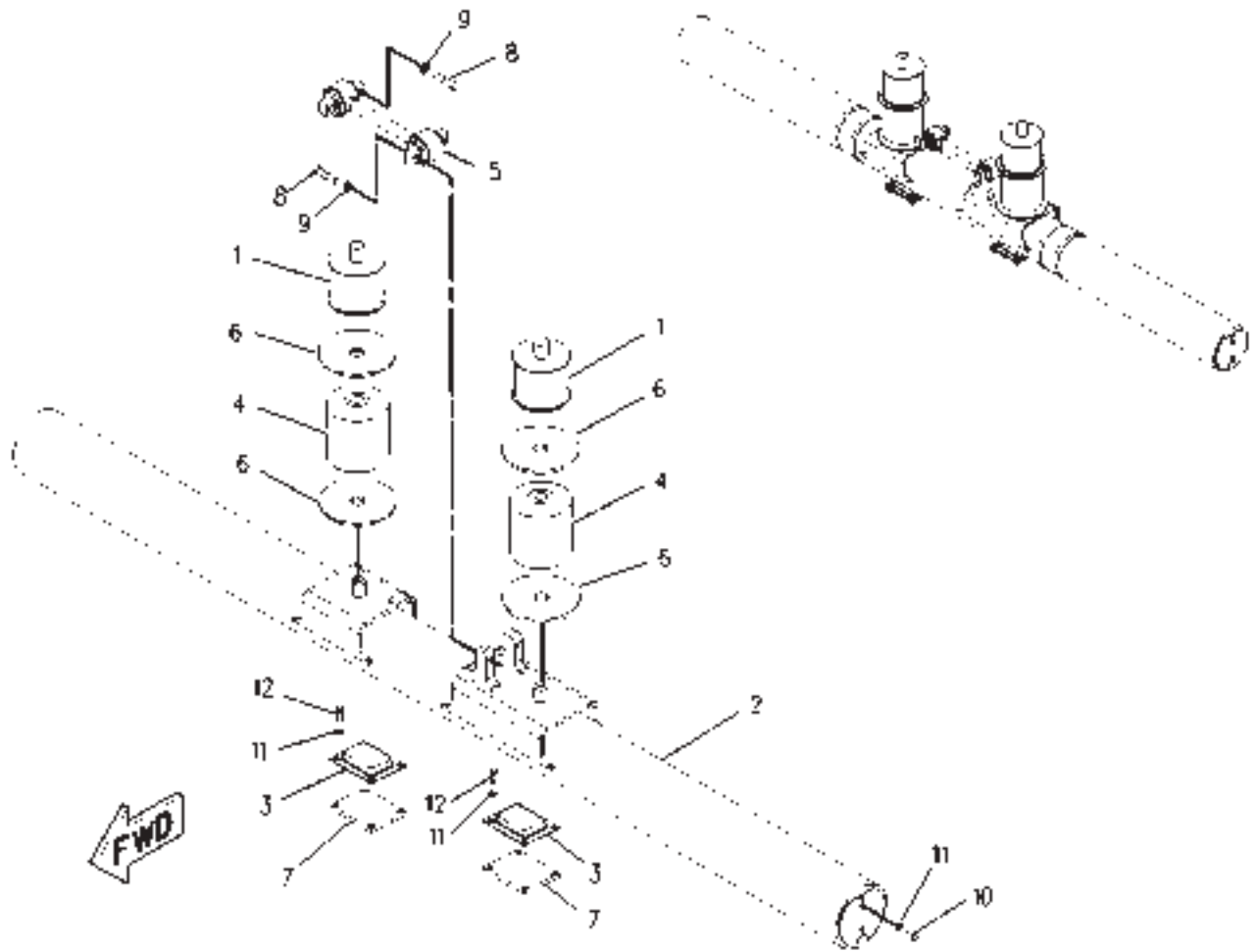
ITEM	NUMBER	QTY	DESCRIPTION
-	156-4887	--	SUPPORT GP [A] (NOT SERVICED)
1	157-1351	1	SUPPORT AS.
	CH7T-1099	2	LINK
2	163-0267	2	PAD AS.
3	163-0268	2	SPRING (RUBBER)
4	163-0272	1	ROD
5	CH177-1872	4	PLATE
6	CH178-3711	2	PLATE
7	223-2480	2	BRACKET AS.
8	400030X1	4	BOLT (M16X2X70MM)
9	CH8T-4122	4	WASHER-HARD (17X32X3.5MM THK)
10	400041X1	4	BOLT (M12X1.75X30MM)
11	400357X1	12	WASHER-HARD (M12X25.5X3MM THK)
12	400064X1	8	BOLT (M12X1.75X35MM)

[A] PART OF 163-0554 UNDERCARRIAGE AR

1564887C
PR: t05f07j07b0296

MT700 SERIES TRACK TRACTORS
UNDERCARRIAGE

SUPPORT GP - 156-4888
WITH WIDE GAGE
ROW



**MT700 SERIES TRACK TRACTORS
UNDERCARRIAGE**

669

**SUPPORT GP - 156-4888
WITH WIDE GAGE
ROW**

ITEM	NUMBER	QTY	DESCRIPTION
-	156-4888	--	SUPPORT GP [A] (NOT SERVICED)
1	223-2480	2	BRACKET AS.
2	162-0287	1	SUPPORT AS.
	CH7T-1099	2	LINK
3	163-0267	2	PAD AS.
4	163-0268	2	SPRING (RUBBER)
5	163-0272	1	ROD
6	CH177-1872	4	PLATE
7	CH178-3711	2	PLATE
8	400030X1	4	BOLT (M16X2X70MM)
9	CH8T-4122	4	WASHER-HARD (17X32X3.5MM THK)
10	400041X1	4	BOLT (M12X1.75X30MM)
11	400357X1	12	WASHER-HARD (M12X25.5X3MM THK)
12	400064X1	8	BOLT (M12X1.75X35MM)

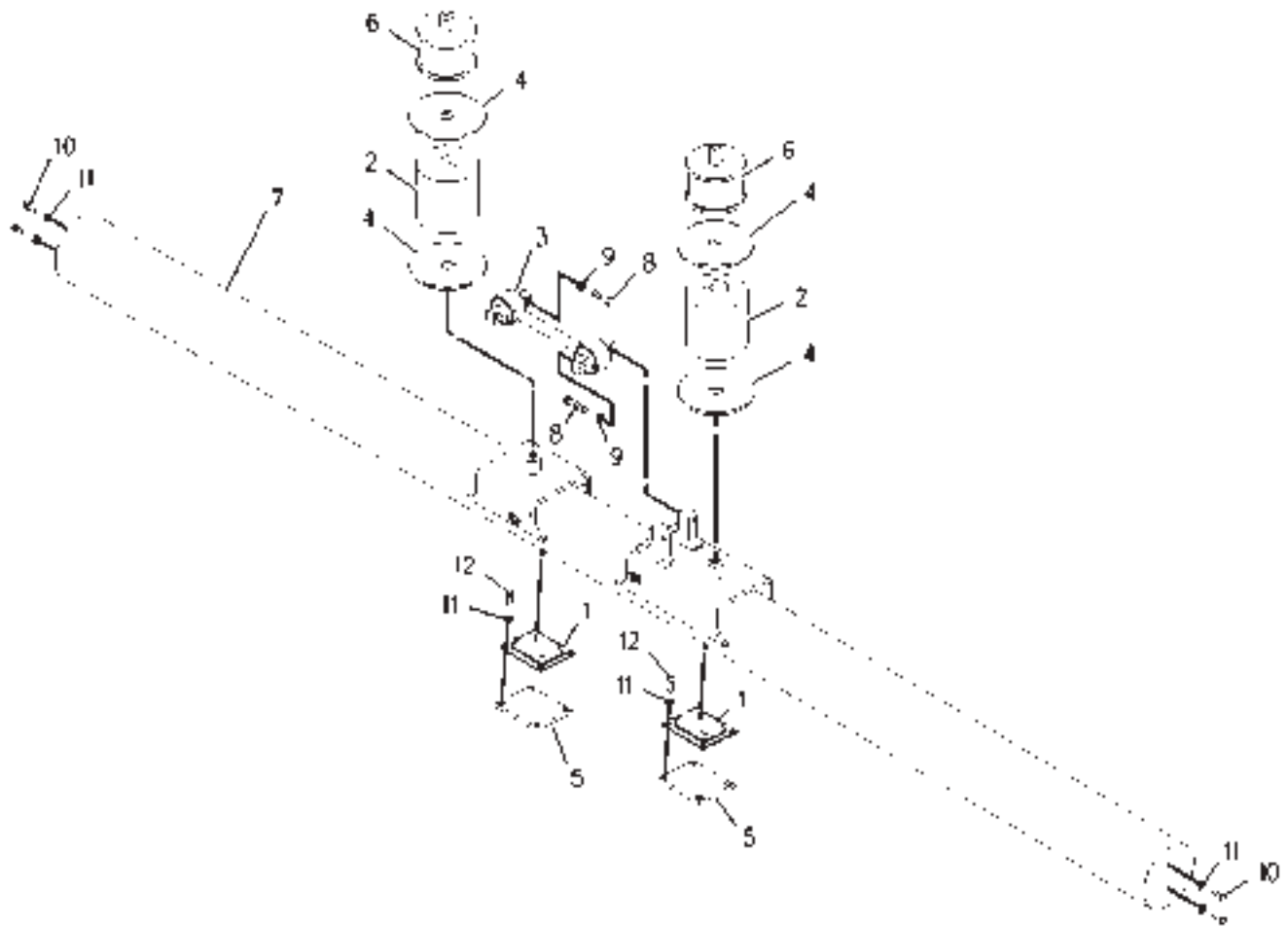
[A] PART OF 163-0546 UNDERCARRIAGE AR

00791639
PR: t05f07j07b0297

670

MT700 SERIES TRACK TRACTORS
UNDERCARRIAGE

SUPPORT GP - 208-0560
ULTRA WIDE GAGE



00880931

**MT700 SERIES TRACK TRACTORS
UNDERCARRIAGE**

671

**SUPPORT GP - 208-0560
ULTRA WIDE GAGE**

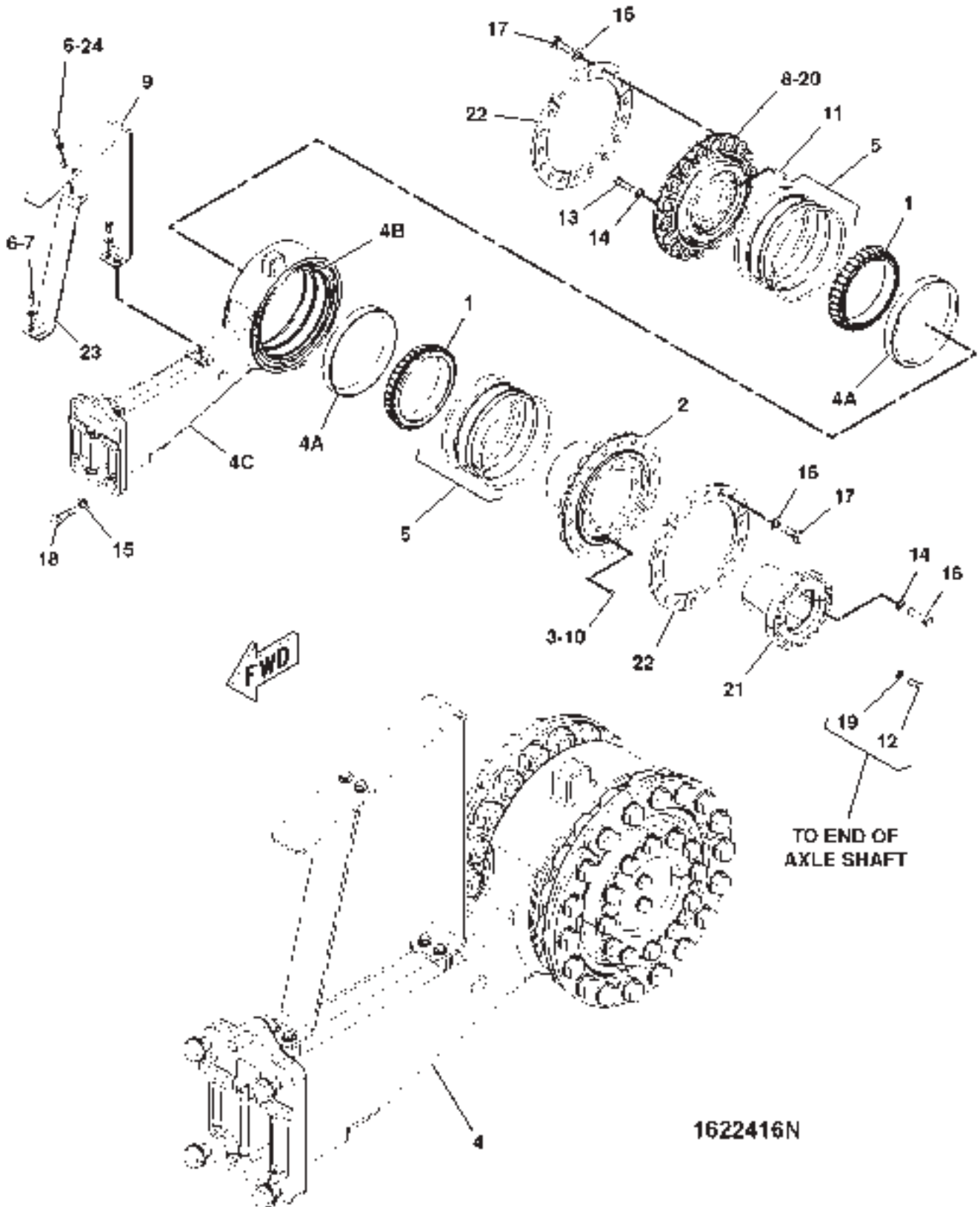
ITEM	NUMBER	QTY	DESCRIPTION
-	208-0560	--	SUPPORT GP [A] (NOT SERVICED)
1	163-0267	2	PAD AS.
2	163-0268	2	SPRING
3	163-0272	1	ROD
4	CH177-1872	4	PLATE
5	CH178-3711	2	PLATE
6	223-2480	2	BRACKET AS.
7	208-0559	1	SUPPORT AS.
	CH7T-1099	2	LINK
8	400030X1	4	BOLT (M16X2X70MM)
9	CH8T-4122	4	WASHER-HARD (17X32X3.5MM THK)
10	400041X1	4	BOLT (M12X1.75X30MM)
11	400357X1	12	WASHER-HARD (M12X25.5X3MM THK)
12	400064X1	8	BOLT (M12X1.75X35MM)

[A] PART OF 213-6921 UNDERCARRIAGE AR

00880931
PR: t05f07j07b0298

MT700 SERIES TRACK TRACTORS
UNDERCARRIAGE

SUPPORT GP-DRIVEWHEEL - 162-2416
LH



**MT700 SERIES TRACK TRACTORS
UNDERCARRIAGE**

673

**SUPPORT GP-DRIVE WHEEL - 162-2416
LH**

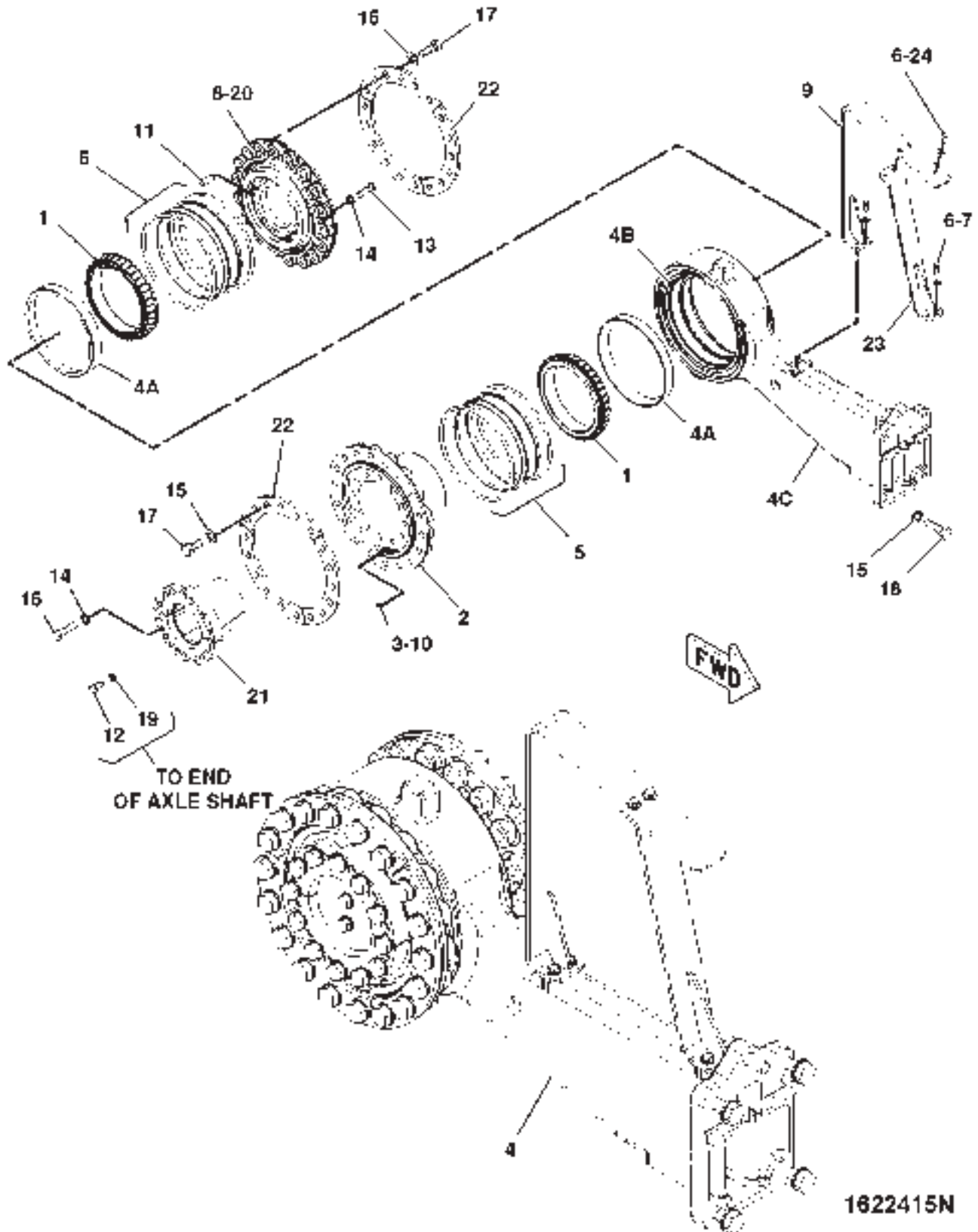
ITEM	NUMBER	QTY	DESCRIPTION
-	162-2416	--	SUPPORT GP-DRIVE WHEEL [A](NOT SERVICED)
1	CH3D-9132	2	CONE-BEARING
2	500393D1	1	HUB-OUTER
3	502642D1	1	PLUG (1/2-20 THD)
4	192-4336	1	ARM AS.
4A	CH3D-9133	2	CUP-BEARING
4B	CH190-3391	1	HOUSING AS.
4C	----	--	ARM-REACTION (NOT SERVICED SEPARATELY)
	400098X1	1	RING-RETAINING
5	CH174-4874	2	SEAL GP-DUO-CONE
	174-4875	2	RING-TORIC
6	CH7X-7729	6	WASHER (11X25X3MM THK)
7	400058X1	4	BOLT (M10X1.5X30MM)
8	500394D1	1	HUB-INNER
9	195-1102	1	BRACKET-REAR
10	CH1J-9671	1	O-RING
11	CH6K-8987	2	DOWEL
12	400191X1	2	BOLT (M16X2X40MM)
13	400031X1	10	BOLT (M20X2.5X60MM)
14	400080X1	22	WASHER-PLATED (22X35X3.5MM THK)
15	400081X1	41	WASHER-HARD (26X44X4MM THK)
16	400272X1	12	BOLT (M20X2.5X80MM)
17	400035X1	36	BOLT (M24X3X60MM)
18	400067X1	5	BOLT (M24X3X80MM)
19	400082X1	2	WASHER (17.5X30X3.5MM THK)
20	CH8C-8422	AR	SEALANT-GASKET
21	184-4353	1	COLLET
22	156-8343	6	PLATE-BACKUP
23	195-1101	1	BRACKET AS.
	CH8T-3490	2	NUT-WELD (M10X1.5 THD)
24	400052X1	2	BOLT (M10X1.5X40MM)

[A] PART OF 163-0548 FRAME AR

1622416N
PR: t05f07j07b0299

MT700 SERIES TRACK TRACTORS
UNDERCARRIAGE

SUPPORT GP-DRIVEWHEEL - 162-2415
RH



**MT700 SERIES TRACK TRACTORS
UNDERCARRIAGE**

675

**SUPPORT GP-DRIVE WHEEL - 162-2415
RH**

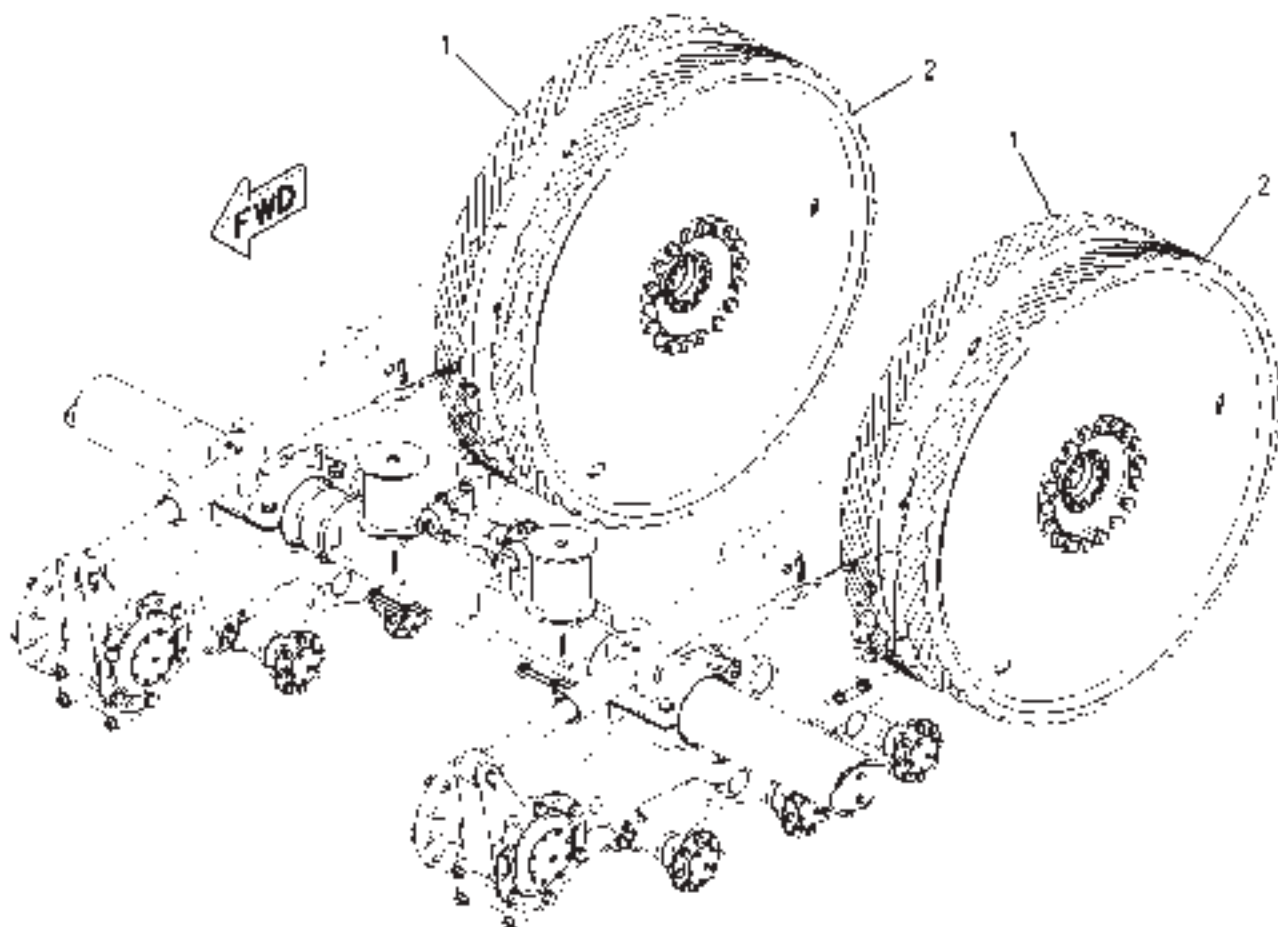
ITEM	NUMBER	QTY	DESCRIPTION
-	162-2415	--	SUPPORT GP-DRIVE WHEEL [A] (NOT SRVCD)
1	CH3D-9132	2	CONE-BEARING
2	500393D2	1	HUB-OUTER
3	502642D1	1	PLUG (1/2-20 THD)
4	192-4336	1	ARM AS.
4A	CH3D-9133	2	CUP-BEARING
4B	CH190-3391	1	HOUSING AS.
4C	----	1	ARM-REACTION (NOT SERVICED SEPARATELY)
	400098X1	1	RING-RETAINING
5	CH174-4874	2	SEAL GP-DUO-CONE
	174-4875	2	RING-TORIC
	----	2	SEAL-RING (NOT SERVICED SEPARATELY)
6	CH7X-7729	6	WASHER (11X25X3MM THK)
7	400058X1	4	BOLT (M10X1.5X30MM)
8	500394D2	1	HUB-INNER
9	195-1102	1	BRACKET-REAR
10	CH1J-9671	1	O-RING
11	CH6K-8987	2	DOWEL
12	400191X1	2	BOLT (M16X2X40MM)
13	400031X1	10	BOLT (M20X2.5X60MM)
14	400080X1	22	WASHER-PLATED (22X35X3.5MM THK)
15	400081X1	41	WASHER-HARD (26X44X4MM THK)
16	400272X1	12	BOLT (M20X2.5X80MM)
17	400035X1	36	BOLT (M24X3X60MM)
18	400067X1	5	BOLT (M24X3X80MM)
19	400082X1	2	WASHER (17.5X30X3.5MM THK)
20	CH8C-8422	AR	SEALANT-BULK ANAEROBIC BLUE
21	184-4353	1	COLLET
22	156-8343	6	PLATE-BACKUP
23	195-1101	1	BRACKET AS.
24	400052X1	2	BOLT (M10X1.5X40MM)

[A] PART OF 163-0547 FRAME AR

1622415N
PR: t05f07j07b0300

MT700 SERIES TRACK TRACTORS
UNDERCARRIAGE

WHEEL A/R-DRIVE
NARROW, MEDIUM & WIDE



**MT700 SERIES TRACK TRACTORS
UNDERCARRIAGE**

677

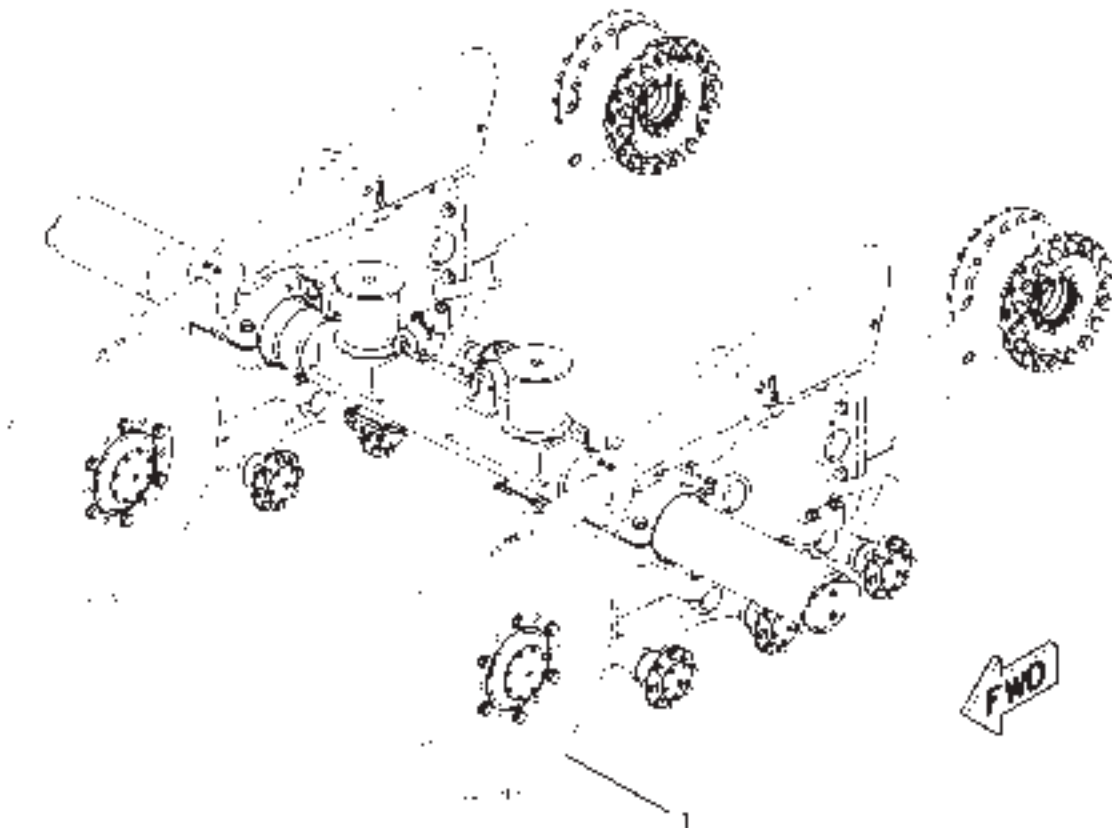
**WHEEL AR-DRIVE
NARROW, MEDIUM & WIDE**

ITEM	NUMBER	QTY	DESCRIPTION
-	177-3666	--	WHEEL AR-DRIVE (NARROW) (87MM / 3.4IN) (NOT SERVICED)
1	1R-1233	2	WHEEL AS. (RH OUTER/LH INNER)
2	1R-1248	2	WHEEL AS. (RH INNER/LH OUTER)
-	502150D1	--	WHEEL AR-DRIVE (NARROW) (89MM / 3.5IN) (FIELD INSTALLED OPTION) (INCLS 1 EA ITEMS 1 & 2)
-	177-3667	--	WHEEL AR-DRIVE (MEDIUM) (112MM / 4.4IN) (NOT SERVICED)
1	1R-1234	2	WHEEL AS. (RH OUTER/LH INNER)
2	1R-1249	2	WHEEL AS. (RH INNER/LH OUTER)
-	502153D1	--	WHEEL AR-DRIVE (MEDIUM) (112MM / 4.4IN) (FIELD INSTALLED OPTION) (INCLS 1 EA ITEMS 1 & 2)
-	177-3668	--	WHEEL AR-DRIVE (WIDE) (196MM / 7.7IN) (NOT SERVICED)
1	1R-1235	2	WHEEL AS. (RH OUTER/LH INNER)
2	1R-1250	2	WHEEL AS. (RH INNER/LH OUTER)
-	502156D1	--	WHEEL AR-DRIVE (WIDE) (196MM / 7.7IN) (FIELD INSTALLED OPTION) (INCLS 1 EA ITEMS 1 & 2)

00639343
PR: t05f07j07b0301

MT700 SERIES TRACK TRACTORS
UNDERCARRIAGE

WHEEL AR-IDLER



**MT700 SERIES TRACK TRACTORS
UNDERCARRIAGE**

679

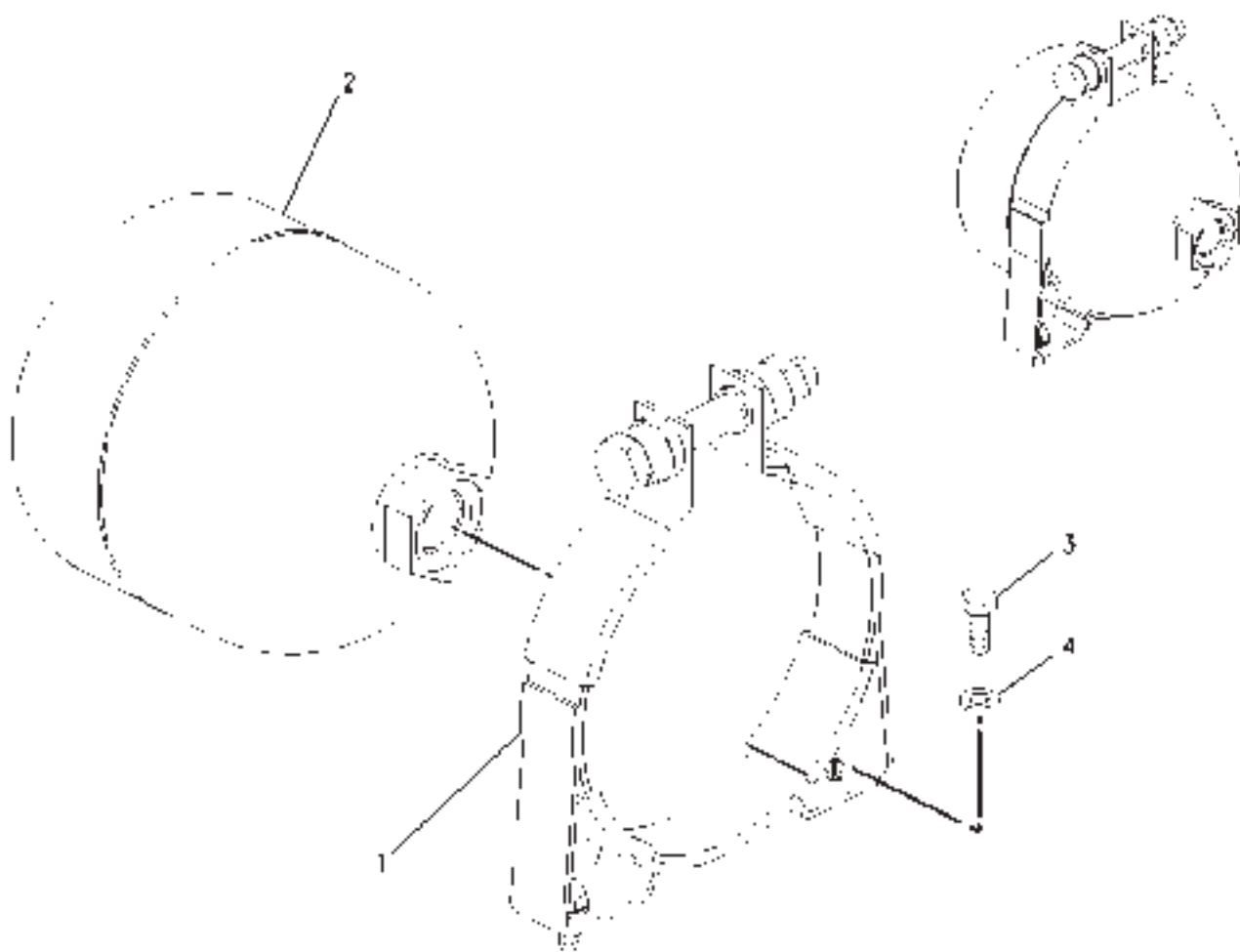
WHEEL AR-IDLER

ITEM	NUMBER	QTY	DESCRIPTION
-	177-3663	--	WHEEL AR-IDLER (NARROW) (NOT SERVICED)
1	500061D1	4	WHEEL AS-IDLER
-	502152D1	--	WHEEL AR-IDLER (NARROW) (FIELD OPT) (INCLS 2 OF ITEM 1)
-	177-3664	--	WHEEL AR-IDLER (MEDIUM) (NOT SERVICED)
1	1R-1237	4	WHEEL IDLER-IDLER
-	502155D1	--	WHEEL AR-IDLER (MEDIUM) (FIELD OPT) (INCLS 2 OF ITEM 1)

00639338
PR: t05f07j07b0302

MT700 SERIES TRACK TRACTORS
BRAKING SYSTEM

ACCUMULATOR & MTG GP-BRAKE - 200-4358



MT700 SERIESTRACKTRACTORS
BRAKING SYSTEM

681

ACCUMULATOR & MTG GP-BRAKE - 200-4358

ITEM	NUMBER	QTY	DESCRIPTION
-	200-4358	--	ACCUMULATOR & MTG GP-BRAKE [A]
1	CH180-1120	1	CLAMP
2	200-4334	1	ACCUMULATOR AS-BRAKE
3	400053X1	2	BOLT (M8X1.25X20MM)
4	400339X1	2	WASHER-HARD (8.8X16X2MM THK)

[A] PART OF 200-4370 BRAKE AR

00810372
PR: t05f07j07b0303

682

**MT700 SERIESTRACKTRACTORS
BRAKING SYSTEM**

**BRAKE AR-TRAILER - 180-4852
EAME ONLY**

NO ILLUSTRATION

NOTIF

**MT700 SERIES TRACK TRACTORS
BRAKING SYSTEM**

683

**BRAKE AR-TRAILER - 180-4852
EAME ONLY**

ITEM	NUMBER	QTY	DESCRIPTION
-	180-4852	--	BRAKE AR
1	179-7089	1	VALVE & LINES GP-BRAKE (TRAILER) (NOT SERVICED) (SEE BREAKDOWN FOR COMPONENTS)
2	179-7090	1	LINES GP-COUPLER (NOT SERVICED) (SEE BREAKDOWN FOR COMPONENTS)
3	179-8300	1	TANK & LINES GP-AIR (NOT SERVICED) (SEE BREAKDOWN FOR COMPONENTS)
4	201-4778	1	AIR COMPRESSOR GP (NOT SERVICED) (SEE BREAKDOWN FOR COMPONENTS)

NOTIF
PR: t05f07j07b0304

684

**MT700 SERIESTRACKTRACTORS
BRAKING SYSTEM**

**BRAKE AR - 200-4370
SERVICE**

NO ILLUSTRATION

NOTIF

**MT700 SERIESTRACKTRACTORS
BRAKING SYSTEM**

685

**BRAKE AR - 200-4370
SERVICE**

ITEM	NUMBER	QTY	DESCRIPTION
-	200-4370	--	BRAKE AR [A] (NOT SERVICED)
1	200-4358	1	ACCUMULATOR & MTG GP-BRAKE (SEE BREAKDOWN FOR COMPONENTS)
2	165-8558	1	CONTROL GP-BRAKE (SEE BREAKDOWN FOR COMPONENTS)
3	192-6368	1	VALVE GP-BRAKE CONTROL (SEE BREAKDOWN FOR COMPONENTS)

[A] PART OF 177-1588; 177-1589
BASE COMMON AR

NOTIF
PR: t05f07j07b0305

686

**MT700 SERIESTRACKTRACTORS
BRAKING SYSTEM**

**KIT-TANK AR-AIR - 180-4854
ROW**

NO ILLUSTRATION

NOTIF

**MT700 SERIESTRACKTRACTORS
BRAKING SYSTEM**

687

**KIT-TANK AR-AIR - 180-4854
ROW**

ITEM	NUMBER	QTY	DESCRIPTION
-	180-4854	--	TANK AR-AIR
1	179-8300	1	TANK & LINES GP-AIR (NOT SERVICED) (SEE BREAKDOWN FOR COMPONENTS)
2	192-6380	1	LINES GP-COUPLER (NOT SERVICED) (SEE BREAKDOWN FOR COMPONENTS)
3	201-4778	1	AIR COMPRESSOR GP (NOT SERVICED) (SEE BREAKDOWN FOR COMPONENTS)

NOTIF
PR: t05f07j07b0306

688

**MT700 SERIESTRACKTRACTORS
BRAKING SYSTEM**

**KIT-TANK AR-AIR - 206-7884
EAME ONLY**

NO ILLUSTRATION

NOTIF

**MT700 SERIES TRACK TRACTORS
BRAKING SYSTEM**

689

**KIT-TANK AR-AIR - 206-7884
EAME ONLY**

ITEM	NUMBER	QTY	DESCRIPTION
-	206-7884	--	KIT-TANK AR-AIR (NOT SERVICED)
1	179-7090	1	LINES GP-COUPLER (NOT SERVICED) (SEE BREAKDOWN FOR COMPONENTS)
2	179-8300	1	TANK & LINES GP-AIR (NOT SERVICED) (SEE BREAKDOWN FOR COMPONENTS)
3	201-4778	1	AIR COMPRESSOR GP (NOT SERVICED) (SEE BREAKDOWN FOR COMPONENTS)

NOTIF
PR: t05f07j07b0307

690

**MT700 SERIESTRACKTRACTORS
BRAKING SYSTEM**

**KIT-BRAKE-AIR TRAILER - 502356D1
EAME ONLY**

NO ILLUSTRATION

NOTIF

**MT700 SERIES TRACK TRACTORS
BRAKING SYSTEM**

691

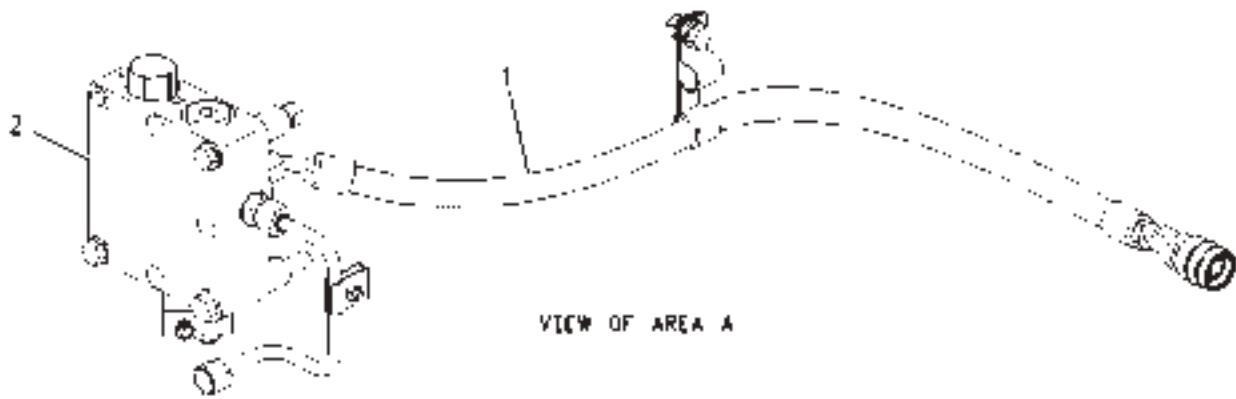
**KIT-BRAKE-AIR TRAILER - 502356D1
EAME ONLY**

ITEM	NUMBER	QTY	DESCRIPTION
-	502356D1	--	KIT-AIR TRAILER BRAKE (NOT SERVICED)
1	179-7089	1	LINES GP-CONTROL VALVE & BRAKE (A) (NOT SERVICED) (SEE BREAKDOWN FOR COMPONENTS)
2	179-7090	1	LINES GP-COUPLER (NOT SERVICED) (SEE BREAKDOWN FOR COMPONENTS)
3	179-8300	1	LINES GP-AIR TANK (NOT SERVICED) (SEE BREAKDOWN FOR COMPONENTS)
4	501651D1	1	COMPRESSOR GP-AIR (NOT SERVICED) (SEE BREAKDOWN FOR COMPONENTS)

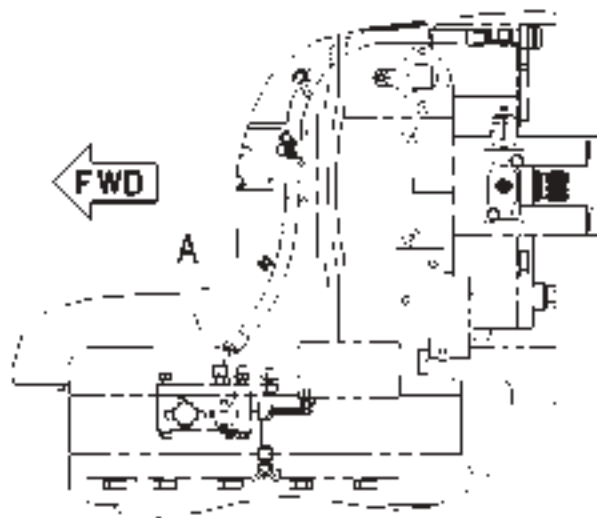
NOTIF
PR: t05f07j07b0308

MT700 SERIES TRACK TRACTORS
BRAKING SYSTEM

BRAKE AIR-HYD TRAILER - 180-9999
EAME ONLY



VIEW OF AREA A



TOP VIEW

MT700 SERIES TRACK TRACTORS
BRAKING SYSTEM

693

BRAKE AR-HYD TRAILER - 180-9999
EAME ONLY

ITEM	NUMBER	QTY	DESCRIPTION
-	180-9999	--	BRAKE AR-HYD TRAILER (NOT SERVICED)
1	165-8563	1	LINES GP-HYDRAULIC (NOT SERVICED) (SEE BREAKDOWN FOR COMPONENTS)
2	183-7177	1	VALVE & MTG GP-BRAKE (TRAILER) (NOT SERVICED) (SEE BREAKDOWN FOR COMPONENTS)

00814788
PR: t05f07j07b0309

694

**MT700 SERIE TRACK TRACTORS
BRAKING SYSTEM**

**BRAKE AR-HYD TRAILER - 227-5263
ITALIAN MARKET
EAME ONLY**

NO ILLUSTRATION

NOTIF

**MT700 SERIES TRACK TRACTORS
BRAKING SYSTEM**

695

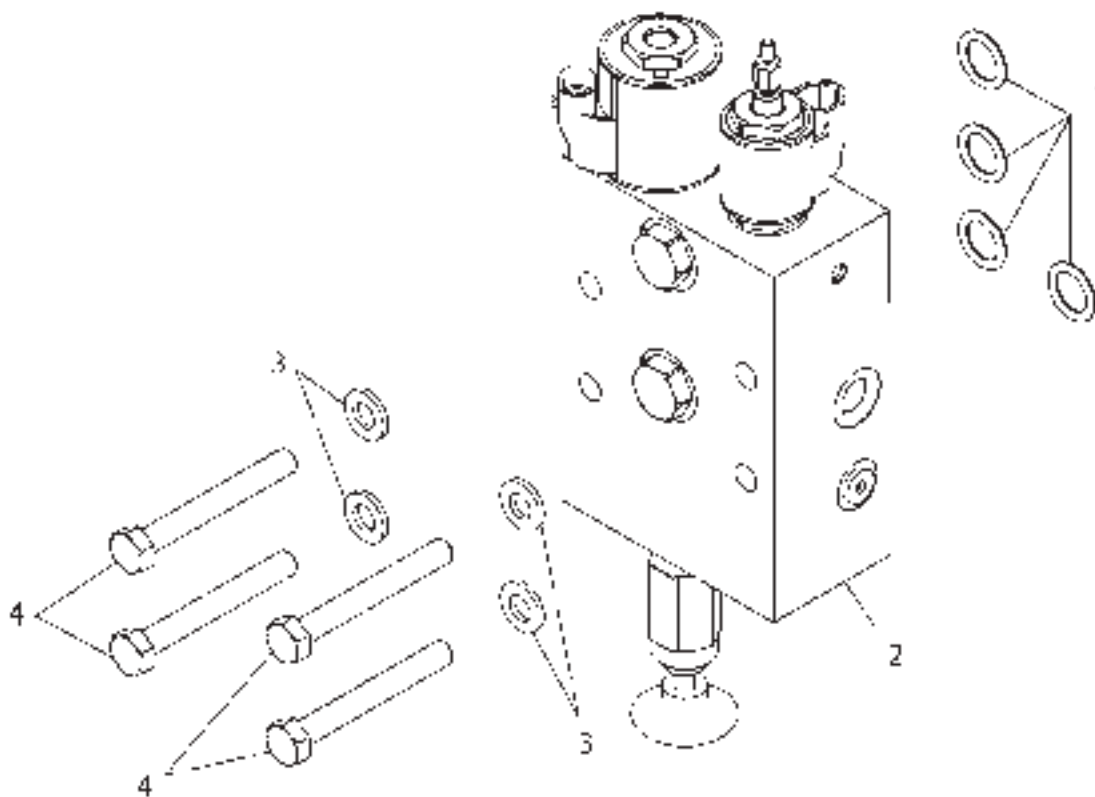
**BRAKE AR-HYD TRAILER - 227-5263
ITALIAN MARKET
EAME ONLY**

ITEM	NUMBER	QTY	DESCRIPTION
-	227-5263	--	BRAKE AR-HYD TRAILER (NOT SERVICED)
1	223-4989	1	LINES GP-HYDRAULIC (NOT SERVICED) (SEE BREAKDOWN FOR COMPONENTS)
2	227-5264	1	VALVE & MTG GP-BRAKE (TRAILER) (NOT SERVICED) (SEE BREAKDOWN FOR COMPONENTS)
3	227-5268	1	WIRING GP (NOT SERVICED) (SEE BREAKDOWN FOR COMPONENTS)
-	500494D1	--	KIT-ITALIAN HTB (TO RETROFIT MACHINES W/STD HYDRAULIC TRAILER BRAKES TO ITALIAN HYD TRAILER BRAKES)
-	500528D1	--	KIT-ITALIAN HTB RETROFIT (FOR MACHINES WITHOUT HYDRAULIC TRAILER BRAKES)

NOTIF
PR: t05f07j07b0310

MT700 SERIES TRACK TRACTORS
BRAKING SYSTEM

CONTROL GP-PARK BRAKE 200-4350



MT700 SERIES TRACK TRACTORS
BRAKING SYSTEM

697

CONTROL GP-PARK BRAKE 200-4350

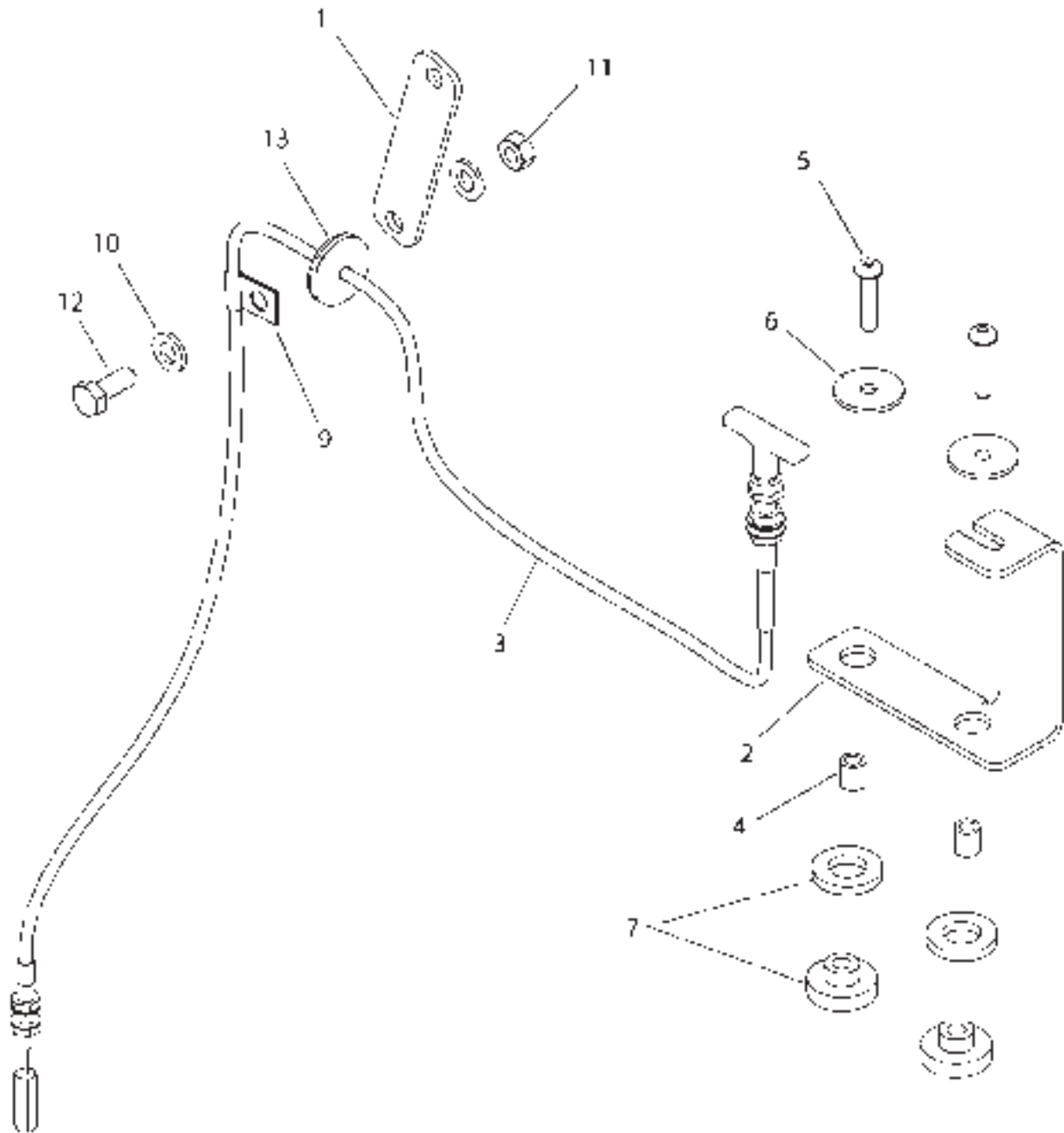
ITEM	NUMBER	QTY	DESCRIPTION
-	200-4350	--	CONTROL GP-BRAKE [A]
1	CH5P-8119	4	SEAL-O-RING
2	200-4351	1	VALVE AS. PARK BRAKE
	CH120-9048	2	VALVE-CHECK
	200-4375	1	ORIFICE DISK
	200-4329	1	VALVE-MANUAL
	200-4325	1	VALVE-SOLENOID (INCLS ** ITEMS)
	CH120-8514	1	* KIT-SEAL
	502457D1	1	* COIL AS-BASIC
	502459D1	1	* NUT-1/2-SIZE10,25.4 HEX
	200-4327	1	VALVE-SOLENOID (INCLS ** ITEMS)
	CH120-9051	1	** KIT-SEAL
	502458D1	1	** COIL AS-BASIC
	502459D1	1	** NUT-1/2-SIZE10,25.4 HEX
3	400287X1	4	WASHER-HARD (11X21X2.5MM THK)
4	400044X1	4	BOLT-M10X1.5

[A] PART OF 177-1588; 177-1589
BASE COMMON AR

2004350A
PR: t05f07j07b0311

MT700 SERIES TRACK TRACTORS
BRAKING SYSTEM

BRAKE GP-PARKING - 210-7485
ROW ONLY



**MT700 SERIES TRACK TRACTORS
BRAKING SYSTEM**

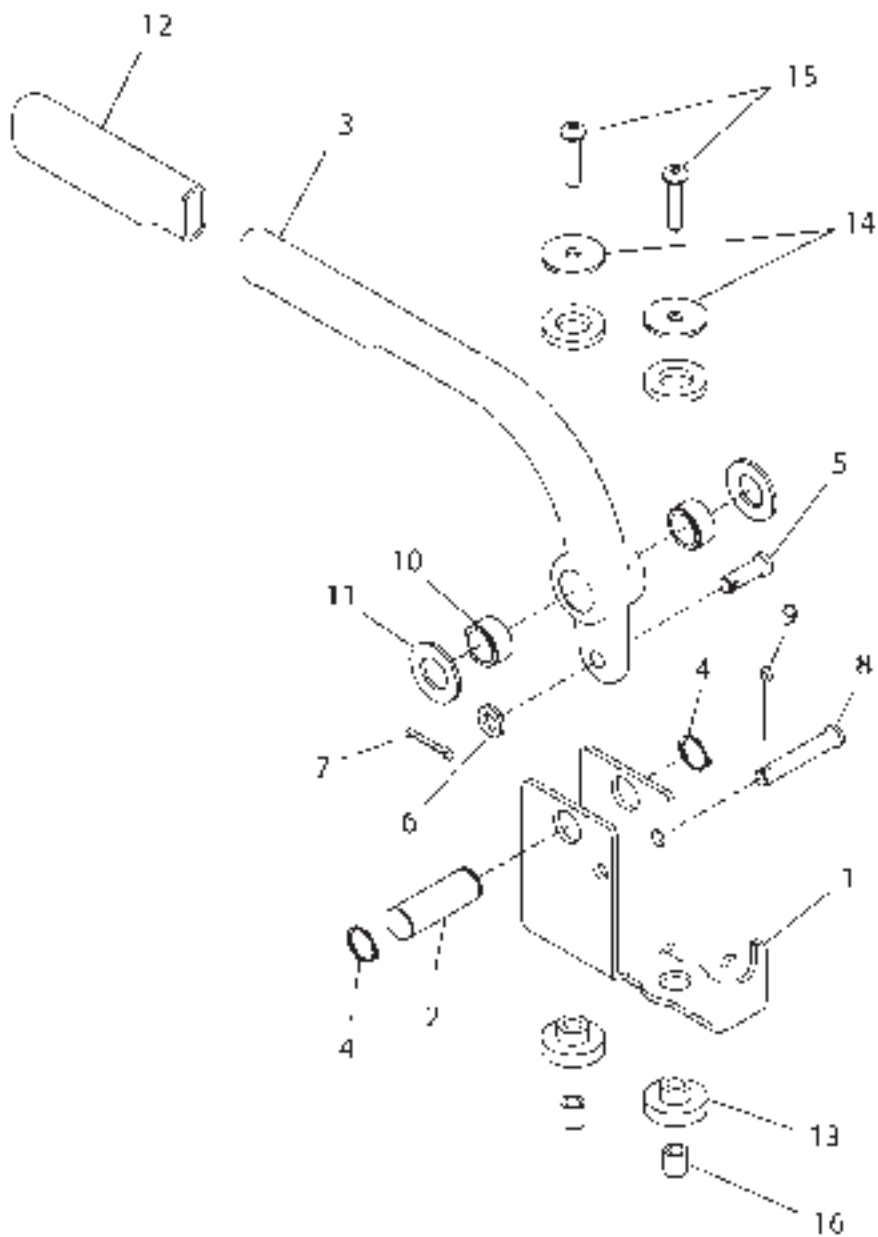
699

**BRAKE GP-PARKING - 210-7485
ROW ONLY**

ITEM	NUMBER	QTY	DESCRIPTION
-	210-7485	--	BRAKE GP-PARKING [A] (NOT SERVICED)
1	200-4398	1	BRACKET
2	210-7483	1	BRACKET
3	210-7511	1	CABLE AS.
4	CH226-2711	2	SPACER-12.7IDX8.2ODX14 ZN
5	CH142-2304	2	SCREW-BTN HD M8X1.25X35 ZNDI
6	CH156-0283	2	WASHER-HARD 8.4IDX35ODX2.5 MM
7	CH226-0372	2	BUSHING MOUNT-34.9ODX9.5ID
9	CH6K-8179	1	CLIP-LOOP 4.76 ID W/COATING
10	400287X1	2	WASHER-HARD 11IDX21ODX2.5 ZND1
11	WR522218	1	NUT-M10-1.5,CL10.9,ZN,H,REG
12	400039X1	1	BOLT-M10X1.5X25 ZNDI HHD 10.9
13	400114X1	1	GROMMET-RUBBER 30ODX7IDX3LG

[A] PART OF 177-1588 BASE COMMON AR

2107485A
PR: t05f07j07b0312

MT700 SERIES TRACK TRACTORS
BRAKING SYSTEMCONTROL GP-PARKING BRAKE - 172-6857
EAME ONLY

**MT700 SERIES TRACK TRACTORS
BRAKING SYSTEM**

701

**CONTROL GP-PARKING BRAKE - 172-6857
EAME ONLY**

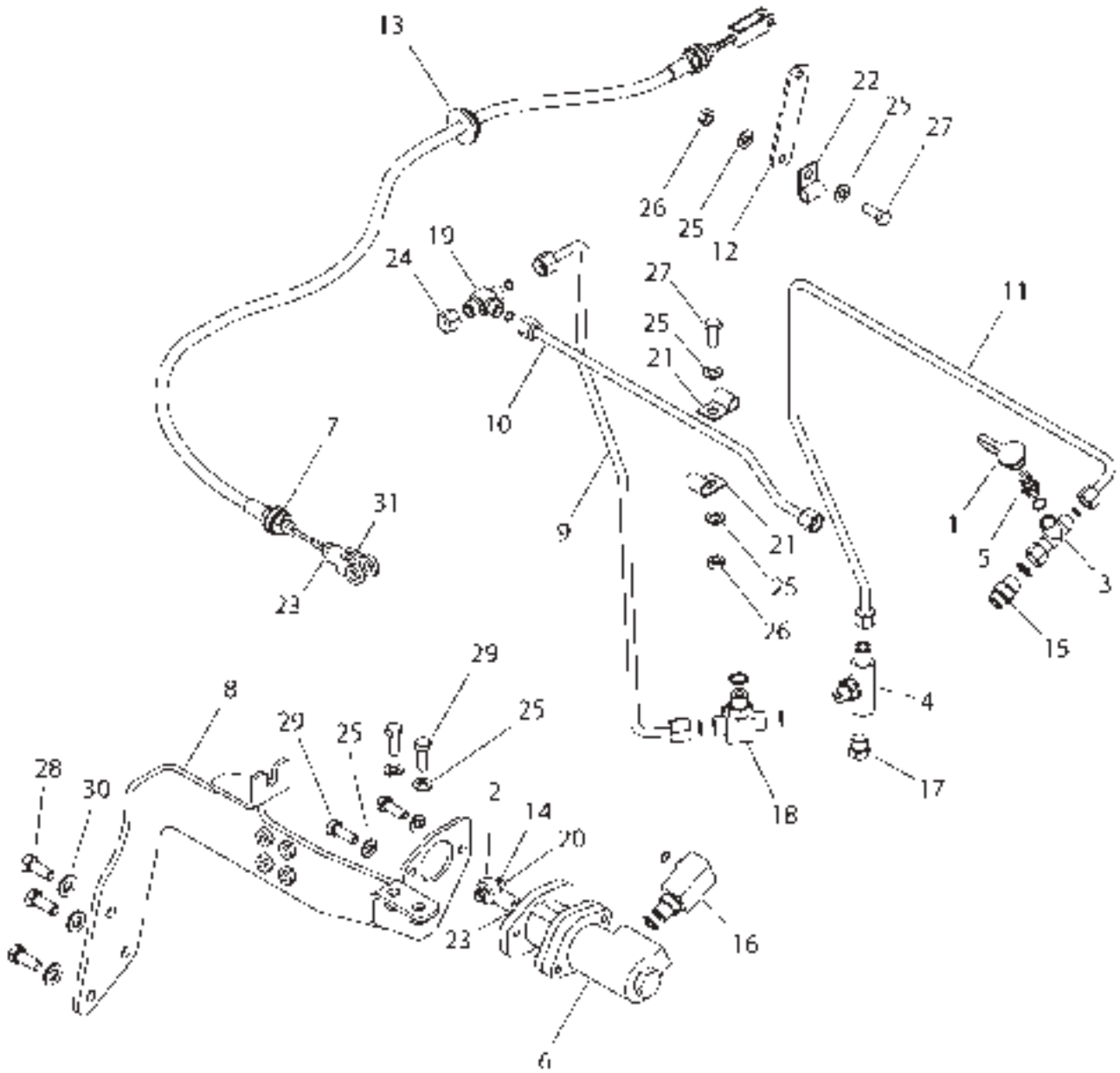
ITEM	NUMBER	QTY	DESCRIPTION
-	172-6857	--	CONTROL GP-PARK BRAKE [A] (NOT SERVICED)
1	179-6897	1	BRACKET
2	CH179-6898	1	PIN
3	179-6901	1	HANDLE
4	CH2J-6356	2	RING-RETAINING
5	CH9H-6673	1	PIN
6	CH5M-2894	1	WASHER-HARD (10.2X18.5X2.5MM THK)
7	CH3B-4617	1	PIN-COTTER
8	CH6L-3966	1	PIN
9	CH5J-3079	1	PIN-COTTER
10	CH4E-1251	2	BEARING-SLEEVE
11	CH114-5786	2	WASHER-NYLON (19.5X36.2X2.5MM THK)
12	179-6899	1	COVER
13	CH226-0372	2	BUSHING MOUNT (34.9ODX9.5ID)
14	CH156-0283	2	WASHER-HARD (8.4X35X2.5MM THK)
15	CH142-2304	2	BOLT-BTN HD (M8X1.25X35MM)
16	CH226-2711	2	SPACER (12.7IDX8.2ODX14)

[A] PART OF:
500847D1; 500848D1 CAB AR

1726857F
PR: t05f07j07b0313

MT700 SERIES TRACK TRACTORS
BRAKING SYSTEM

CONTROL GP-BRAKE - 200-4360
EAME ONLY



**MT700 SERIES TRACK TRACTORS
BRAKING SYSTEM**

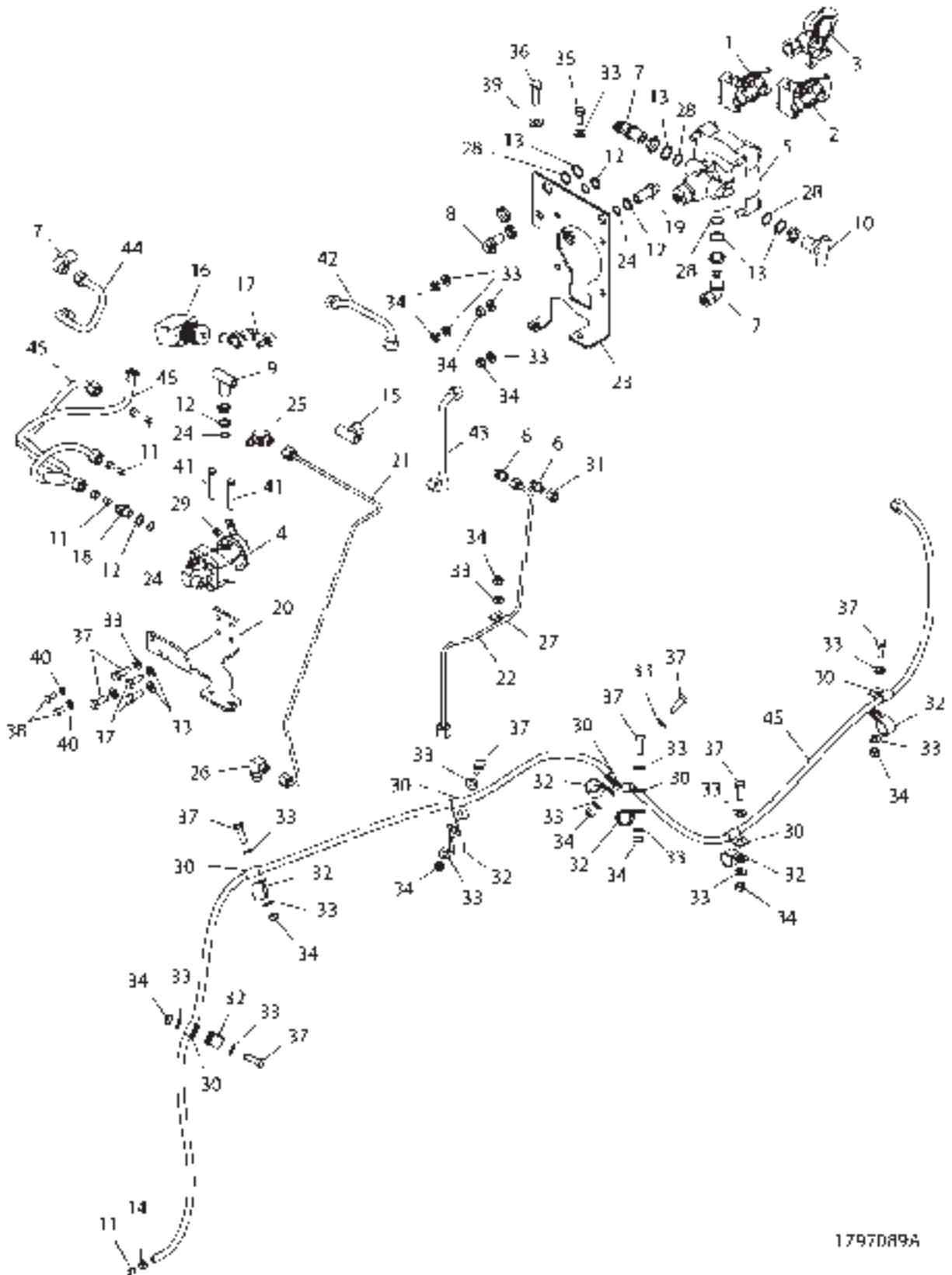
703

**CONTROL GP-BRAKE - 200-4360
EAME ONLY**

ITEM	NUMBER	QTY	DESCRIPTION
-	200-4360	--	CONTROL GP-BRAKE [A] (NOT SERVICED)
1	400323X1	1	CAP-DUST 12.6 DIA -RUBBER
2	CH8T-6431	1	ROD-END SPHERE 101D M10X1.5-6H
3	CH148-8424	1	TEE AS-6ORFSX6STORX6ORFS SWVL
4	CH148-8443	1	TEE AS-6ORFS X 6STOR X 6STOR
5	400324X1	1	NIPPLE AS-QUICK DISC-4&ORING
	400318X1	1	SEAL-O-RING (11.89IDX1.98DIA)
6	192-6371	1	VALVE AS. -BRAKE
7	192-6372	1	CABLE AS.
8	200-4377	1	BRACKET AS.
9	200-4378	1	TUBE AS.
10	200-4381	1	TUBE AS.
11	200-4383	1	TUBE AS.
12	200-4398	1	BRACKET
13	CH212-4443	1	GROMMET-RUB 12.5 IDX32 ODX2.5
14	CH095-0845	1	PIN-COTTER 2.5DIA 20 MM STL
15	400628X1	1	CONNECTOR AS-STR-8STOR-6ORFS
16	CH148-8383	1	ELBOW AS-90DEG 8STOR X 6ORFS
17	400612X1	1	PLUG AS-6 STOR
18	CH148-8436	1	TEE AS-UNION -6 ORFS & O RINGS
19	400634X1	1	TEE AS-UNION-6 ORFS
20	CH3H-8538	1	PIN-9.40DIA X 36.5
21	400620X1	2	CLIP-9.52 ID, M10 OR 3/8
22	400621X1	1	CLIP-12.7 ID, M10 OR 3/8
23	CH6V-8183	1	NUT-3/8-24 THD FULL
24	CH6V-9829	1	CAP AS-9.52 OD
25	400287X1	8	WASHER-HARD 11IDX21ODX2.5 ZND1
26	WR522218	3	NUT-M10-1.5,CL10.9,ZN,H,REG
27	400039X1	2	BOLT-M10X1.5X25 ZNDI HDD 10.9
28	400041X1	3	BOLT-M12X1.75X30 ZNDI HDD 10.9
29	400058X1	4	BOLT-M10X1.5X30 ZNDI HDD 10.9
30	400357X1	3	WASHER-HARD-M12X25.50DX3THK
31	CH8X-6167	1	ROD END-YOKE

[A] PART OF 177-1589 BASE COMMON AR

2004360A
PR: t05f07j07b0314

MT700 SERIES TRACK TRACTORS
BRAKING SYSTEMKIT-LINES GP - 502917D1
CONTROL VALVE & BRAKE
EAME ONLY

**MT700 SERIES TRACK TRACTORS
BRAKING SYSTEM**

705

**KIT-LINES GP - 502917D1
CONTROL VALVE & BRAKE
EAME ONLY**

ITEM	NUMBER	QTY	DESCRIPTION
-	502917D1	--	LINES GP-CONTROL & (FIELD INSTALLED)
-	179-7089	--	LINES GP-CONTROL & [A] (NOT SERVICED)
1	CH171-1105	1	CONNECTOR AS.-QUICK
2	CH171-1106	1	CONNECTOR AS.-QUICK
3	CH171-1107	1	CONNECTOR AS.-QUICK
4	180-1667	1	VALVE-CONTROL
5	180-2519	1	VALVE-CONTROL
6	CH183-4236	2	ADAPTER AS-4ORFS X M12
	CH8C-5200	1	SEAL (14.4ODX9.8IDX1.5)
	400377X1	1	SEAL-O-RING (11.23ODX1.78DIA)
7	CH185-9753	3	ELBOW AS-90DEG M16 X M18
8	CH185-9759	1	ELBOW AS-90DEG M16 X M18
	400352X1	1	NUT-TUBE (M16X1.5)
	CH187-6297	1	FERRULE (12IDX15X10)
	CH187-9012	1	NUT-LOCK (M16X1.5)
9	CH185-9761	1	TEE-M18 X M16 X M18
10	CH185-9762	1	TEE-M18 X M22 X M18
11	CH185-9768	6	INSERT-12 OD TUBE
12	CH185-9772	4	RING-BKUP 16IDX22ODX2.5STL
13	CH185-9773	4	RING-BKUP 22IDX27ODX2.5STL
14	CH187-6297	1	FERRULE-12 OD TUBE
15	CH190-0430	1	TEE - M18 X 3
16	192-6366	1	ACTUATOR AS.
17	200-4337	1	LINKAGE AS.
18	CH200-4349	1	ADAPTER - M18 X M16
	CH187-6297	1	FERRULE (12OD TUBE)
	400352X1	1	NUT-TUBE (M18)
19	CH200-4359	1	COUPLING-BLKHD M18 X M16
20	200-4362	1	BRACKET AS.
21	200-4376	1	TUBE AS.
22	200-4391	1	TUBE AS.
23	202-2354	1	BRACKET
24	CH122-9250	4	SEAL-O-RING 15IDX2DIA
25	CH148-8361	1	ELBOW AS-90 DEG 4 STOR X6 ORFS
	400378X1	1	SEAL-O-RING
	400361X1	1	SEAL-O-RING
26	CH148-8378	1	ELBOW AS (NOT SERVICED)
	400318X1	1	SEAL-O-RING (11.89IDX1.98DIA)
	400378X1	1	SEAL-O-RING
27	CH2B-2404	1	CLIP-LOOP 6.35ID
28	CH3E-6762	4	SEAL-O-RING 20.3IDX2.4DIA
29	CH3F-2617	1	NUT-LOCK - 4/16-24 X8.73
30	400621X1	7	CLIP-12.7 ID, M10 OR 3/8

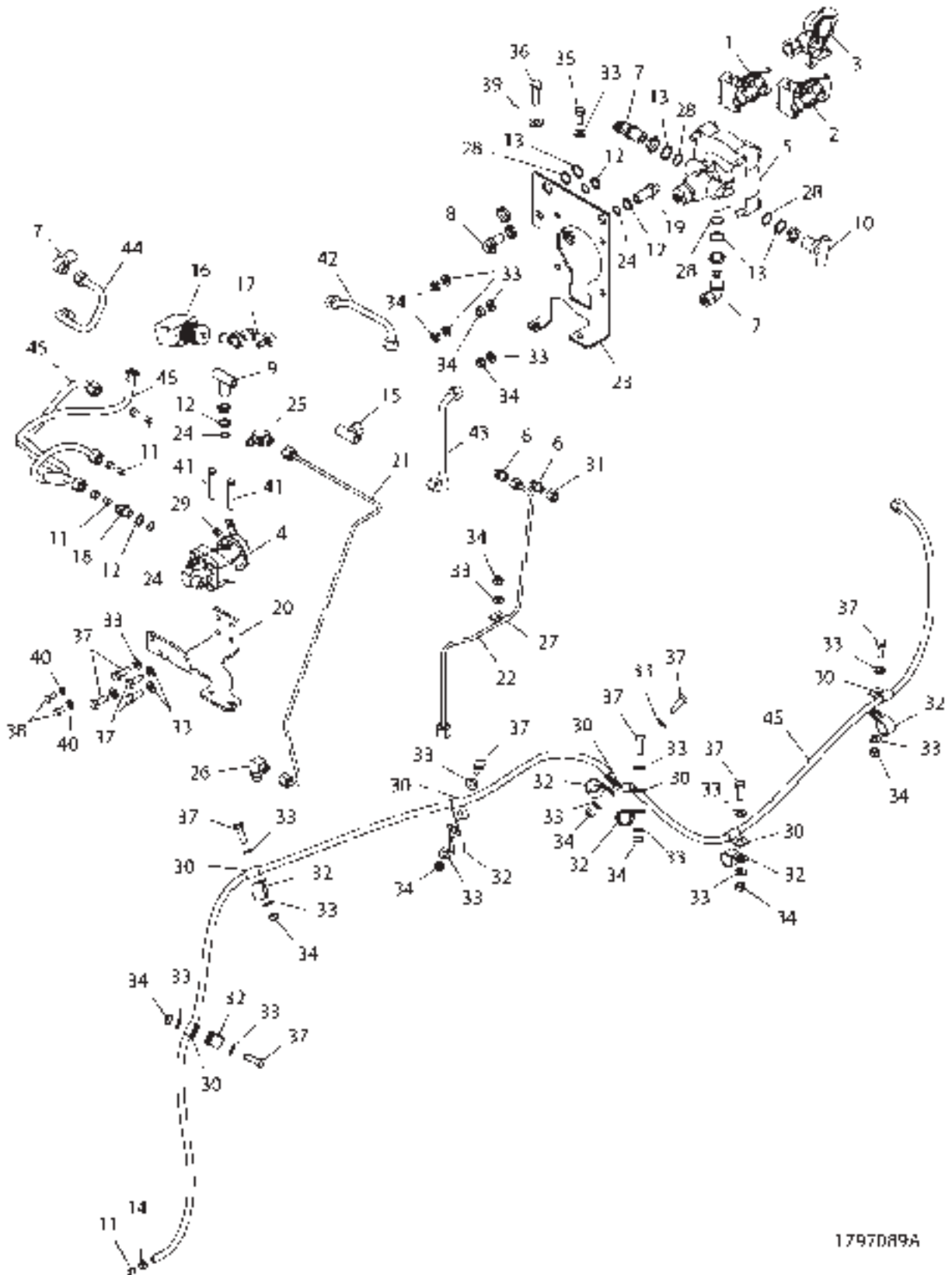
CONTINUED

[A] PART OF 180-4852;502356D1 BRAKE AR;
502917D1 LINE GP

1797089A
PR: t05f07j07b0315

MT700 SERIES TRACK TRACTORS
BRAKING SYSTEM

KIT-LINES GP - 502917D1
CONTROL VALVE & BRAKE
EAME ONLY



**MT700 SERIES TRACK TRACTORS
BRAKING SYSTEM**

707

**KIT-LINES GP - 502917D1
CONTROL VALVE & BRAKE
EAME ONLY**

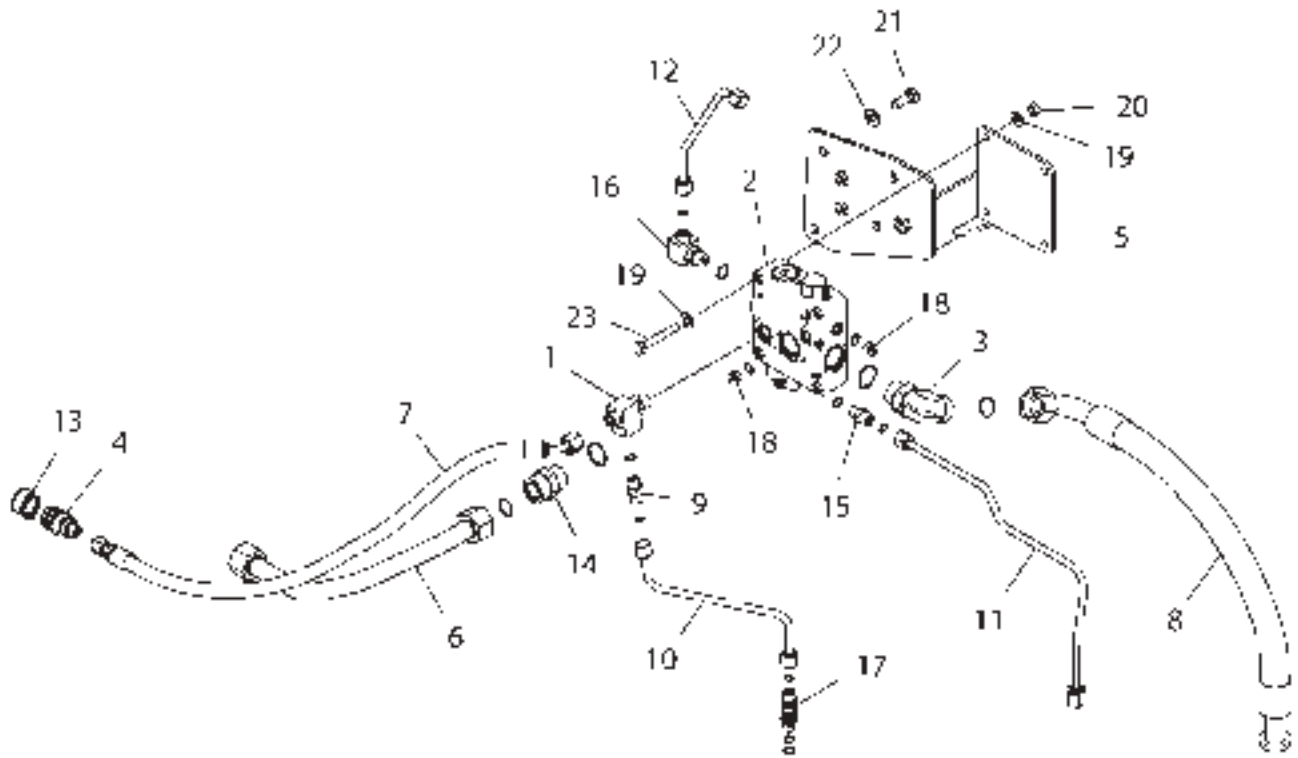
ITEM	NUMBER	QTY	DESCRIPTION
-	502917D1	--	LINES GP-CONTROL & (FIELD INSTALLED)
-	179-7089	--	LINES GP-CONTROL & [A] (NOT SERVICED)
31	CH6V-9828	1	CAP-ASSEMBLY
32	400688X1	7	CLIP LOOP 25.4ID
33	400287X1	24	WASHER-HARD 11IDX21ODX2.5 ZND1
34	WR522218	12	NUT-M10-1.5,CL10.9,ZN,H,REG
35	400039X1	1	BOLT-M10X1.5X25 ZNDI HHD 10.9
36	400050X1	1	BOLT-M12X1.75X40 ZNDI HHD 10.9
37	400058X1	11	BOLT-M10X1.5X30 ZNDI HHD 10.9
38	400227X1	2	BOLT-M8X1.25X16 ZNDI HHD 10.9
39	400357X1	1	WASHER-HARD-M12X25.50DX3THK
40	400339X1	2	WASHER - HARD
41	400242X1	2	BOLT-M8X1.25X60 ZNDI HHD 10.9
42	183-4241	1	TUBE AS
43	187-9020	1	TUBE AS.
44	190-0429	1	TUBE AS.
45	CH200-4321	AR	TUBE -PLASTIC 9IDX12OD (496CM)

[A] PART OF 180-4852;502356D1 BRAKE AR;
502917D1 LINE GP

1797089A
PR: t05f07j07b0315

MT700 SERIES TRACK TRACTORS
BRAKING SYSTEM

KIT-LINES-HYDTRAILER BRAKE - 204-6711
EAME ONLY



**MT700 SERIES TRACK TRACTORS
BRAKING SYSTEM**

709

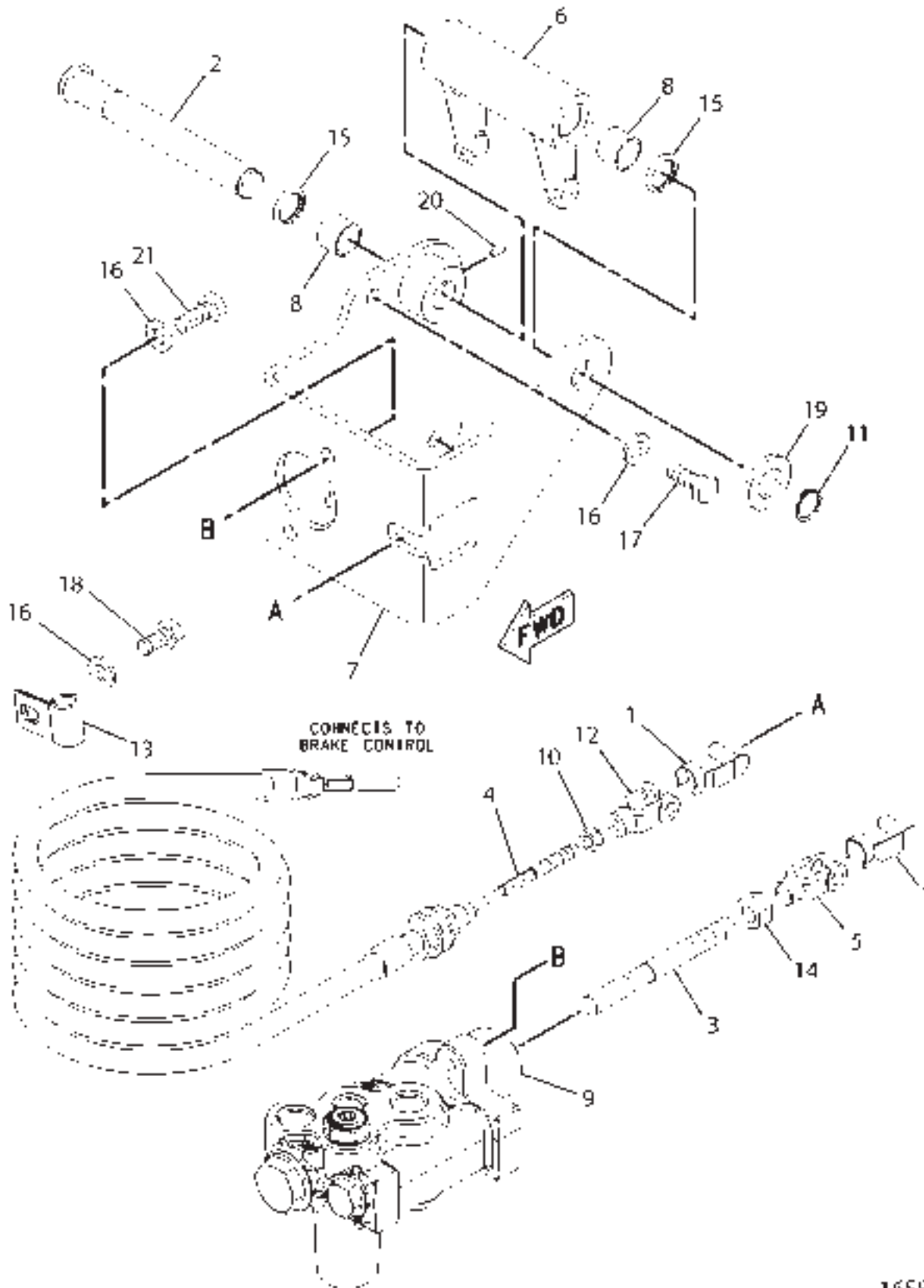
**KIT-LINES-HYD TRAILER BRAKE - 204-6711
EAME ONLY**

ITEM	NUMBER	QTY	DESCRIPTION
-	204-6711	--	KIT-LINES-HYD TRAILER BRAKE
1	148-8420	1	TEE AS-ORFS (NOT SERVICED)
	3K-0360	1	SEAL-O-RING
	6V-8398	1	SEAL-O-RING
	8T-6338	1	TEE-O-RING PORT
2	175-7450	1	VALVE GP-BRAKE CONTROL
3	185-2292	1	ELBOW AS-90 25.4" ORFS / STOR
4	185-3959	1	COUPLER GP-QUICK
	6V-8397	1	SEAL-O-RING
5	206-0594	1	BRACKET AS
	CH8T-3490	2	NUT-WELD (M10X1.5 THD)
	CH8T-3597	1	NUT-WELD (M12X1.75 THD)
6	206-0601	1	TUBE AS
7	206-0622	1	HOSE AS
8	206-0623	1	HOSE AS
9	206-2941	1	VALVE AS-CHECK 4ORFS X 6ORFS
	400318X1	1	SEAL-O-RING (11.89IDX1.98DIA)
	400378X1	1	SEAL-O-RING (12.83ODX1.78DIA)
10	212-8816	1	TUBE AS
11	212-8817	1	TUBE AS
12	214-2438	1	TUBE AS.
13	223-9254	1	CAP-DUST
14	148-8335	1	CONNECTOR AS (ORFS) (NOT SERVICED)
	5K-9090	1	SEAL-O-RING (23.66IDX1.78CS)
	6V-8635	1	CONNECTOR AS (ORST X ORFS)
	7M-8485	1	SEAL-O-RING (29.75IDX2.95CS)
15	148-8336	1	CONNECTOR AS (ORFS) (NOT SERVICED)
	3J-1907	1	SEAL-O-RING
	6V-8397	1	SEAL-O-RING
	6V-8636	1	CONNECTOR
16	148-8374	1	ELBOW AS-90 DEG (NOT SERVICED)
	3K-0360	1	SEAL-O-RING
	6V-8397	1	SEAL-O-RING
	6V-8723	1	ELBOW
17	148-8435	1	TEE AS (ORFS) (NOT SERVICED)
	3J-1907	1	SEAL-O-RING
	6V-8397	1	SEAL-O-RING
	6V-8781	1	TEE-FACE SEAL
18	162-0177	2	PLUG AS
	3J-1907	1	SEAL-O-RING
19	8T-4121	8	WASHER-HARD M10
20	8T-4133	4	NUT
21	8T-4139	4	BOLT- M12X1.75X30 ZNDI HDD10.9
22	8T-4223	4	WASHER-HARD M12(1/2) 26OD
23	8T-5005	4	BOLT

2046711A
PR: t05f07j07b0316

MT700 SERIES TRACK TRACTORS
BRAKING SYSTEM

CYLINDER GP-MASTER - 165-8558
BRAKE



**MT700 SERIES TRACK TRACTORS
BRAKING SYSTEM**

711

**CYLINDER GP-MASTER - 165-8558
BRAKE**

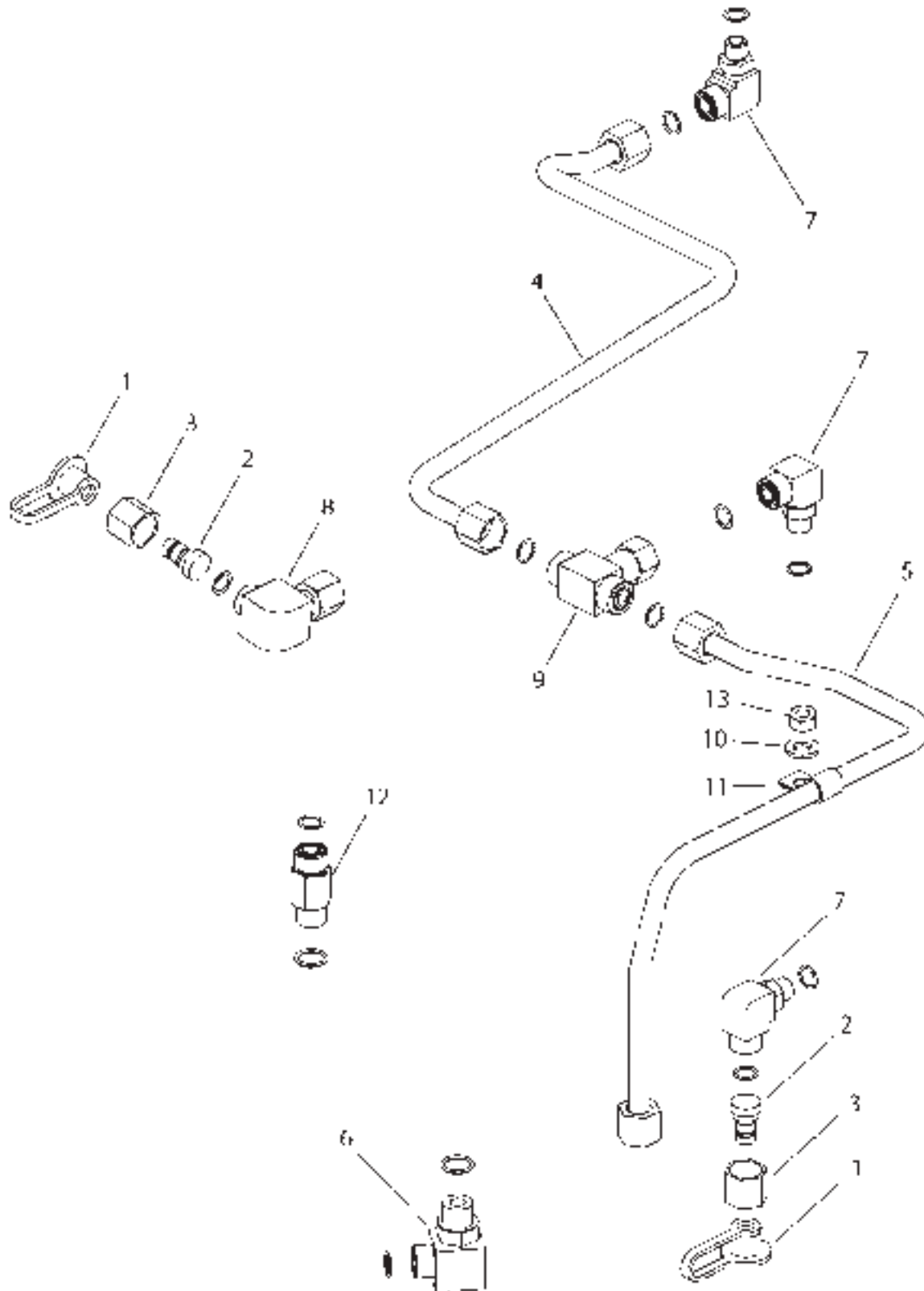
ITEM	NUMBER	QTY	DESCRIPTION
-	165-8558	--	CYLINDER GP-MASTER (NOT SERVICED)
1	CH8T-8932	2	PIN SPRING-SPRING
2	CH184-5339	1	PIN
3	184-5352	1	STEM
4	500375D1	1	CABLE AS. (SERVICE BRAKE)
5	400117X1	1	ROD END
6	200-4322	1	LEVER
7	200-4353	1	SUPPORT AS-BRAKE
8	CH200-4384	2	BEARING
9	501025D1	1	VALVE AS-BRAKE
10	CH1B-4202	1	NUT (5/16-24 THD)
11	CH2J-6356	1	RING-RETAINING
12	CH4J-2701	1	ROD END-YOKE
13	400702X1	1	CLIP (SLOT)
14	CH7X-3374	1	NUT-FULL (1/2-20 THD)
15	CH8F-7702	2	SEAL-LIP
16	400287X1	6	WASHER-HARD (11X21X2.5MM THK)
17	400039X1	3	BOLT (M10X1.5X25MM)
18	400040X1	1	BOLT (M10X1.5X20MM)
19	CH8T-4994	1	WASHER-HARD (20X36.5X3.5MM THK)
20	CH8T-9102	1	SETSCREW-SOCKET (M5X0.8X10MM)
21	400058X1	2	BOLT (M10X1.5X30)

[A] PART OF 200-4370 BRAKE AR

1658558A
PR: t05f07j07b0317

MT700 SERIES TRACK TRACTORS
BRAKING SYSTEM

LINES GP-SERVICE BRAKE (B)- 165-8559
ROW ONLY



**MT700 SERIES TRACK TRACTORS
BRAKING SYSTEM**

713

**LINES GP-SERVICE BRAKE (B)- 165-8559
ROW ONLY**

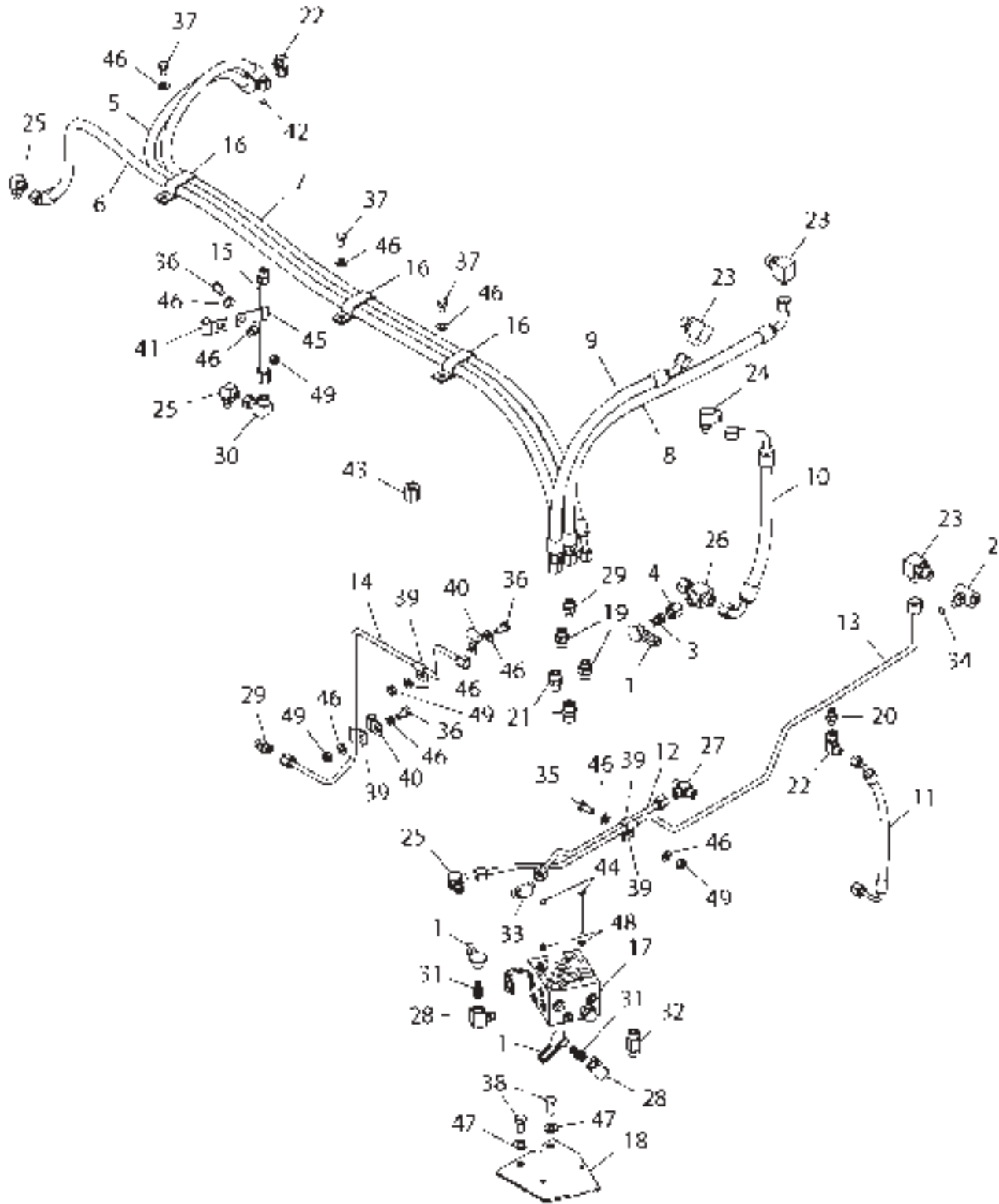
ITEM	NUMBER	QTY	DESCRIPTION
-	165-8559	--	LINES GP-SVC BR [A] (NOT SERVICED)
1	400323X1	2	CAP-DUST 12.6 DIA -RUBBER
2	CH8C-6416	2	NIPPLE AS-QUICK DISC -4 & ORNG
	CH6V-8554	1	NUT
3	400607X1	2	NUT-ORFS 13/16-16 PLATED
4	206-0596	1	TUBE AS.
5	212-8806	1	TUBE AS.
6	CH148-8370	1	ELBOW AS-90DEG 8ORFS (S/N: PRIOR TO AKN40200;ALA40257;ALM40560;AMS40974)
	CH6V-8398	1	SEAL-O-RING
	400686X1	1	ELBOW
6	CH148-8364	1	ELBOW AS-90DEG 10PORTORFS (S/N: PRIOR TO AKN40200;ALA40257;ALM40560;AMS40974)
	CH3K-0360	1	SEAL-O-RING 16.36IDX2.21DIA
	CH6V-8398	1	SEAL-O-RING-16.03ODX1.78DIA
	CH6V-8625	1	ELBOW-90DEG -8 STOR -10 BARB
7	400417X1	3	ELBOW AS-90DEG-6STOR-8ORFS
	400318X1	1	SEAL-O-RING 11.89IDX1.98
	CH6V-8398	1	SEAL-O-RING-16.03ODX1.78DIA
	400418X1	1	ELBOW-90DEG-6STOR-8ORFS
8	CH148-8370	1	ELBOW AS-90DEG 8ORFS (S/N: EFF AKN40200; ALA40261;ALM40677;AMS41020)
	CH6V-8398	1	SEAL-O-RING
	400686X1	1	ELBOW
9	400614X1	1	TEE AS-8 ORFS
	400613X1	1	TEE-SWIVEL-8 ORFS
	CH6V-8398	2	SEAL-O-RING-16.03ODX1.78DIA
10	400287X1	1	WASHER-HARD 11IDX21ODX2.5 ZND1
11	400623X1	1	CLIP-12.7 ID, M10 OR 3/8
12	501102D1	1	CONNECTOR AS (SPL)
	CH3K-0360	1	SEAL-O-RING
	500934D1	1	CONNECTOR-O-RING
	CH6V-8398	1	SEAL-O-RING
13	WR522218	1	NUT-M10-1.5,CL10.9,ZN,H,REG

[A] PART OF 502668D1 BASE COMMON AR

1658559A
PR: t05f07j07b0318

MT700 SERIES TRACK TRACTORS
BRAKING SYSTEM

LINES GP-SERV BRAKE(B) - 178-9024
EAME ONLY



**MT700 SERIES TRACK TRACTORS
BRAKING SYSTEM**

715

**LINES GP-SERV BRAKE(B) - 178-9024
EAME ONLY**

ITEM	NUMBER	QTY	DESCRIPTION
-	178-9024	--	LINES GP-SERV BRAKE [A] (NOT SERVICED)
1	400323X1	3	CAP-DUST 12.6 DIA -RUBBER
2	400624X1	1	TEE-90DEG-6 STOR-PORT-SPL
3	CH8C-6416	1	NIPPLE AS-QUICK DISC -4 & ORNG
4	400607X1	1	NUT-ORFS 13/16-16 PLATED
5	CH215-4780	1	HOSE AS-9.52 SAE 100R1
6	CH215-4781	1	HOSE AS-9.52 SAE 100R1
7	CH215-4782	1	HOSE AS-9.52 SAE 100R1
8	CH215-4783	1	HOSE AS-12.70 SAE 100R1
9	CH215-4784	1	HOSE AS-12.70 SAE 100R1
10	CH215-4785	1	HOSE AS-12.70 SAE 100R1
11	CH215-4786	1	HOSE AS-6.35 ID SAE 100R1
12	215-4787	1	TUBE AS
13	215-4788	1	TUBE AS
14	215-4789	1	TUBE AS
15	215-4797	1	TUBE AS
16	400625X1	3	CLIP-19.05 ID DBL,M10 OR 3/8
17	223-5929	1	VALVE AS
18	225-5208	1	BRACKET AS
19	400628X1	2	CONNECTOR AS-STR-8STOR-6ORFS
20	400630X1	1	CONNECTOR AS-STR-6STOR-4ORFS
21	CH148-8340	2	CONNECTOR AS -8ORFS-8STOR
	CH3K-0360	1	O-RING
	CH6V-8398	1	O-RING
	CH6V-8639	1	CONNECTOR-STR-12.7 STR -8 ORFS
22	400632X1	2	ELBOW AS-4ORFS 90DEG & ORING
23	CH148-8364	3	ELBOW AS-90DEG -8 STOR -10 BARB
	CH3K-0360	1	SEAL-O-RING 16.36IDX2.21DIA
	CH6V-8398	1	SEAL-O-RING-16.03ODX1.78DIA
	CH6V-8625	1	ELBOW-90DEG -8 STOR -10 BARB
24	400417X1	1	ELBOW AS-90DEG-6STOR-8ORFS
	400318X1	1	SEAL-O-RING 11.89IDX1.98
	CH6V-8398	1	SEAL-O-RING-16.03ODX1.78DIA
25	CH148-8378	3	ELBOW AS-90 DEG 4 STOR X6 ORFS
26	CH148-8444	1	TEE AS-SWIVEL 3X -8 ORFS
	CH6V-8398	2	SEAL-O-RING-16.03ODX1.78DIA
27	400634X1	1	TEE AS-UNION-6 ORFS
28	CH150-3065	2	ADAPTER AS-90DEG 6 STOR X 6 STOR
	400318X1	1	SEAL-O-RING (11.89IDX1.98DIA)
	CH6V-0484	1	ADAPTER-90DEG.
29	400638X1	2	CONNECTOR AS-STR-6STOR-6ORFS
30	400825X1	1	ELBOW AS-8 ORFS 90DEG & O RING
	CH6V-8398	1	SEAL-O-RING-16.03ODX1.78DIA
	400619X1	1	ELBOW-8 ORFSX90DEG
31	400324X1	2	NIPPLE AS-QUICK DISC-4&ORING
	400318X1	1	SEAL-O-RING (11.89IDX1.98DIA)

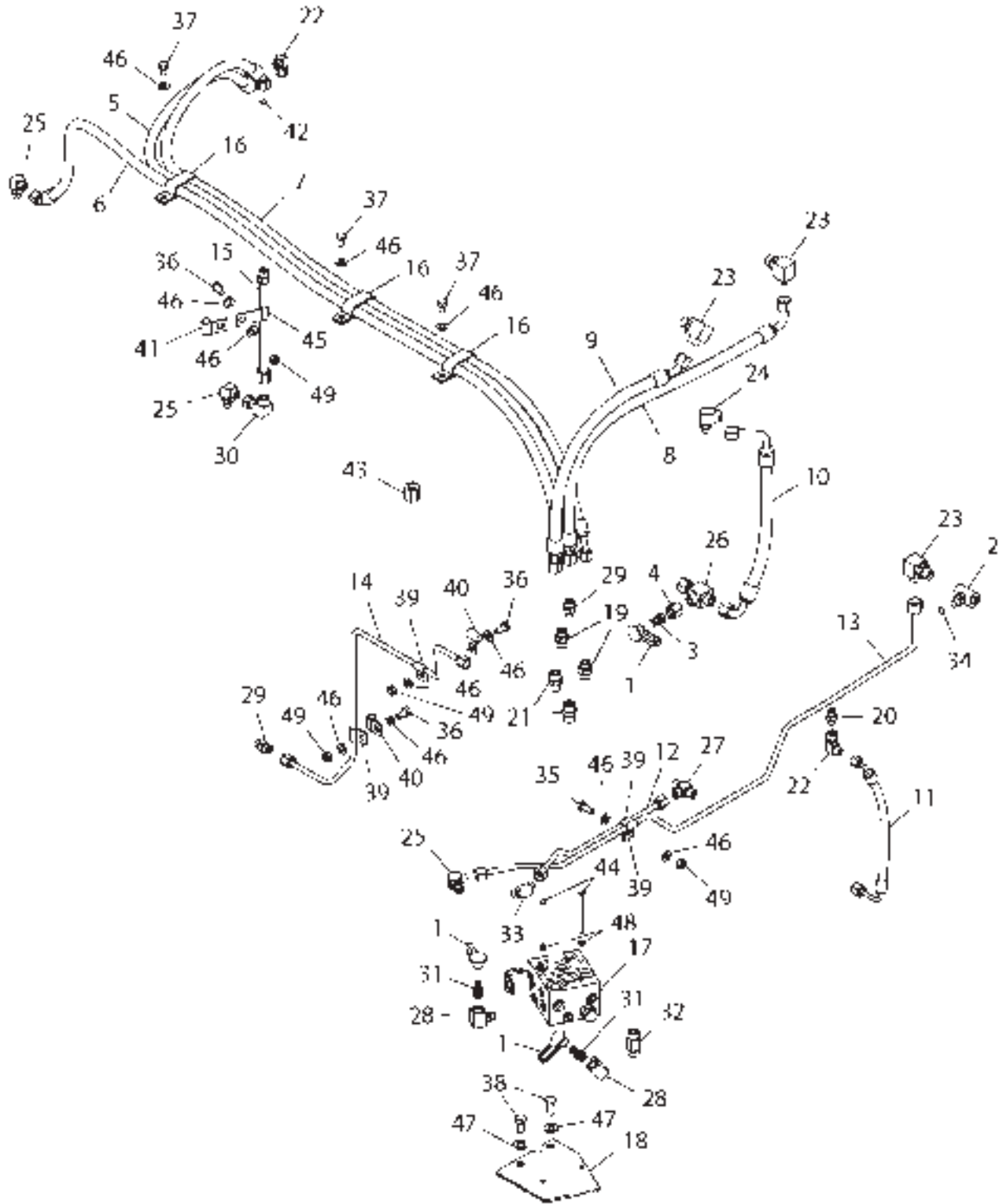
CONTINUED

[A] PART OF 177-1589 BASE COMMON AR

1789024A
PR: t05f07j07b0319

MT700 SERIES TRACK TRACTORS
BRAKING SYSTEM

LINES GP-SERV BRAKE(B) - 178-9024
EAME ONLY



**MT700 SERIES TRACK TRACTORS
BRAKING SYSTEM**

717

**LINES GP-SERV BRAKE(B) - 178-9024
EAME ONLY**

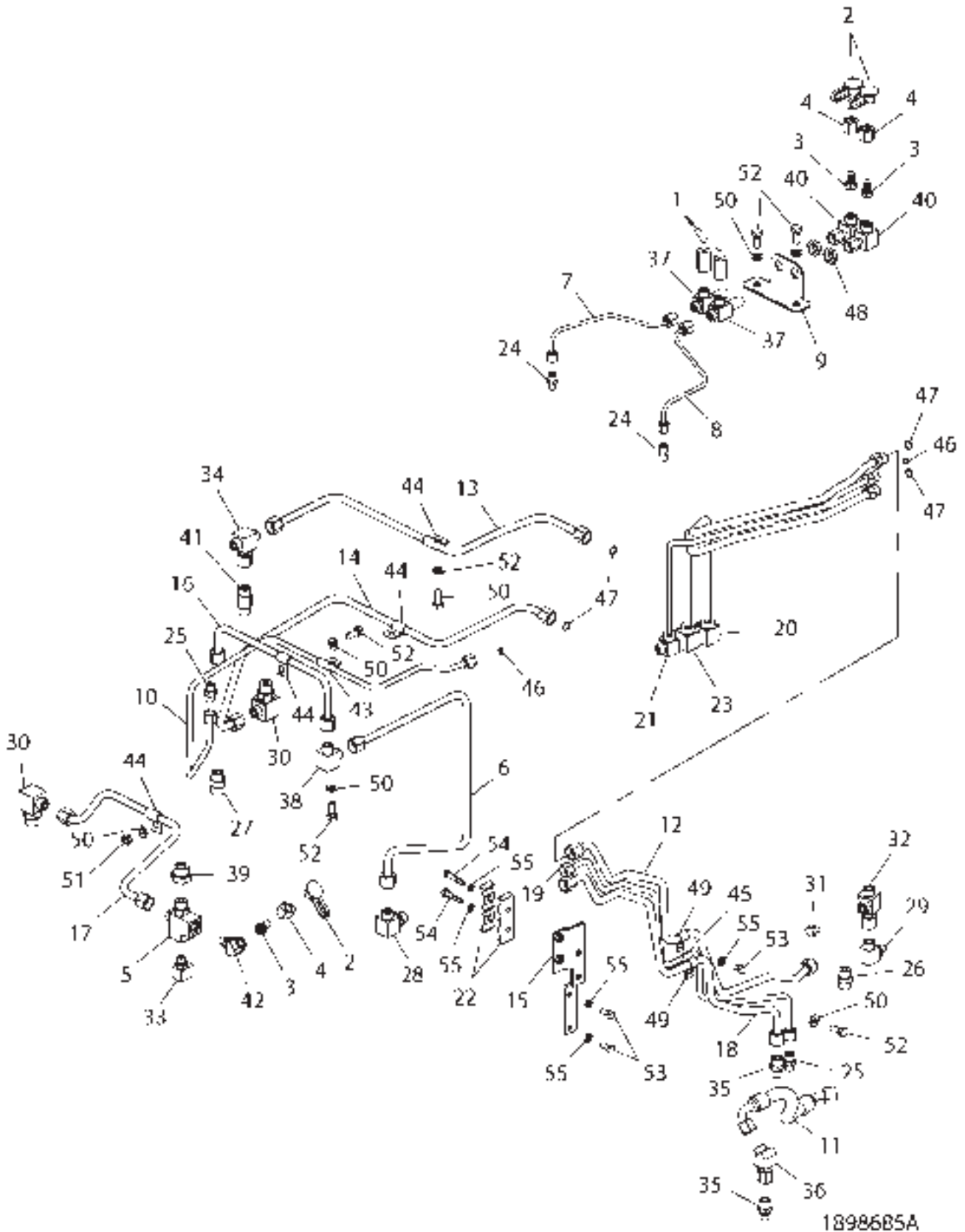
ITEM	NUMBER	QTY	DESCRIPTION
-	178-9024	--	LINES GP-SERV BRAKE [A] (NOT SERVICED)
32	400640X1	1	CONNECTOR AS-STR-8STOR-8ORFS
33	400642X1	1	ELBOW AS-6 ORFS 45DEG & ORING
	400378X1	1	SEAL-O-RING
	400361X1	1	SEAL-O-RING (8.92IDX1.83DIA)
34	400318X1	1	SEAL-O-RING 11.89IDX1.98
35	400039X1	1	BOLT-M10X1.5X25 ZNDI HHD 10.9
36	400040X1	3	BOLT-M10X1.5X20 ZNDI HHD 10.9
37	400054X1	3	BOLT-M10X1.5X16 ZNDI HHD 10.9
38	400055X1	2	BOLT-M12X1.75X25 ZNDI HHD 10.9
39	400620X1	4	CLIP-9.52 ID, M10 OR 3/8
40	400621X1	2	CLIP-12.7 ID, M10 OR 3/8
41	400644X1	1	CLIP-14.29 ID, M10 OR 3/8
42	400378X1	2	SEAL-O-RING 12.83 ODX1.78 DIA
43	400645X1	1	CAP AS-12.7 OD-8 ORFS
44	400203X1	2	BOLT-M6X1X90MM ZNDI HHD 10.9
45	400646X1	2	CLIP-12.7 ID, M10 OR 3/8
46	400287X1	11	WASHER-HARD 11IDX21ODX2.5 ZND1
47	400357X1	2	WASHER-HARD-M12X25.50DX3THK
48	400310X1	2	WASHER
49	WR522218	4	NUT-M10-1.5,CL10.9,ZN,H,REG

[A] PART OF 177-1589 BASE COMMON AR

1789024A
PR: t05f07j07b0319

MT700 SERIES TRACK TRACTORS
BRAKING SYSTEM

LINES GP-SERV BRAKE - 189-8685
(S/N PRIOR TO AKN40200;ALA40257;
ALM40560;AMS40974)



**MT700 SERIES TRACK TRACTORS
BRAKING SYSTEM**

719

LINES GP-SERV BRAKE - 189-8685
(S/N PRIOR TO AKN40200;ALA40257;
ALM40560;AMS40974)

ITEM	NUMBER	QTY	DESCRIPTION
-	189-8685	--	LINES GP-SERV BRAKE [A] (NOT SERVICED)
1	500949D1	2	SCREW-BLEEDER (W/O NUT)
	500950D1	2	NUT-TUBE
2	400323X1	3	CAP-DUST 12.6 DIA -RUBBER
3	CH8C-6416	3	NIPPLE AS-QUICK DISC -4 & ORNG (DOES NOT INCLUDE NUT)
	CH6V-8554	1	NUT-12.7ORFS [B]
4	400607X1	3	NUT-ORFS 13/16-16 PLATED
5	197-5495	1	CROSS AS-O-RING PORT TO O-RING FACE SEAL
	3K-0360	1	SEAL-O-RING
	6V-8398	1	SEAL-O-RING
6	206-0614	1	TUBE AS
7	206-0616	1	TUBE AS.
8	206-0617	1	TUBE AS.
9	206-0631	1	BRACKET
10	211-3503	1	TUBE AS
11	CH212-8796	1	HOSE AS-12.7 ID SAE 100R1
12	212-8797	1	TUBE AS.
13	212-8801	1	TUBE AS.
14	212-8802	1	TUBE AS.
15	212-8882	1	BRACKET AS.
16	212-9457	1	TUBE AS.
17	212-9458	1	TUBE AS.
18	213-8075	1	TUBE AS.
19	213-8076	1	TUBE AS.
20	213-9960	1	TUBE AS.
21	213-9962	1	TUBE AS.
22	400608X1	2	CLAMP
23	227-5262	1	TUBE AS.
24	400368X1	2	CONNECTOR AS-STR -4STOR -4ORFS
	400361X1	1	SEAL-O-RING (8.92IDX1.83DIA)
	400377X1	1	SEAL-O-RING (11.23ODX1.78DIA)
25	400367X1	2	CONNECTOR AS-6 STOR -6 ORFS
	400376X1	1	SEAL-O-RING (29.74IDX2.95DIA)
	400318X1	1	SEAL-O-RING (11.89IDX1.98DIA)
26	CH148-8340	1	CONNECTOR AS-8ORFS-8STOR
	CH3K-0360	1	SEAL-O-RING 16.36IDX2.21DIA
	CH6V-8398	1	SEAL-O-RING-16.03ODX1.78DIA
27	400610X1	1	CONNECTOR AS.-8 ORFS -10 STOR
	CH6V-8398	1	SEAL-O-RING-16.03ODX1.78DIA
	400319X1	1	SEAL-O-RING (11.89X1.98)
28	CH148-8364	1	ELBOW AS-90DEG -8 STOR -10 BARB
	CH3K-0360	1	SEAL-O-RING 16.36IDX2.21DIA
	CH6V-8398	1	SEAL-O-RING-16.03ODX1.78DIA
29	400417X1	1	ELBOW AS-90DEG -6STOR-8ORFS
	400318X1	1	SEAL-O-RING 11.89IDX1.98
	CH6V-8398	1	SEAL-O-RING-16.03ODX1.78DIA

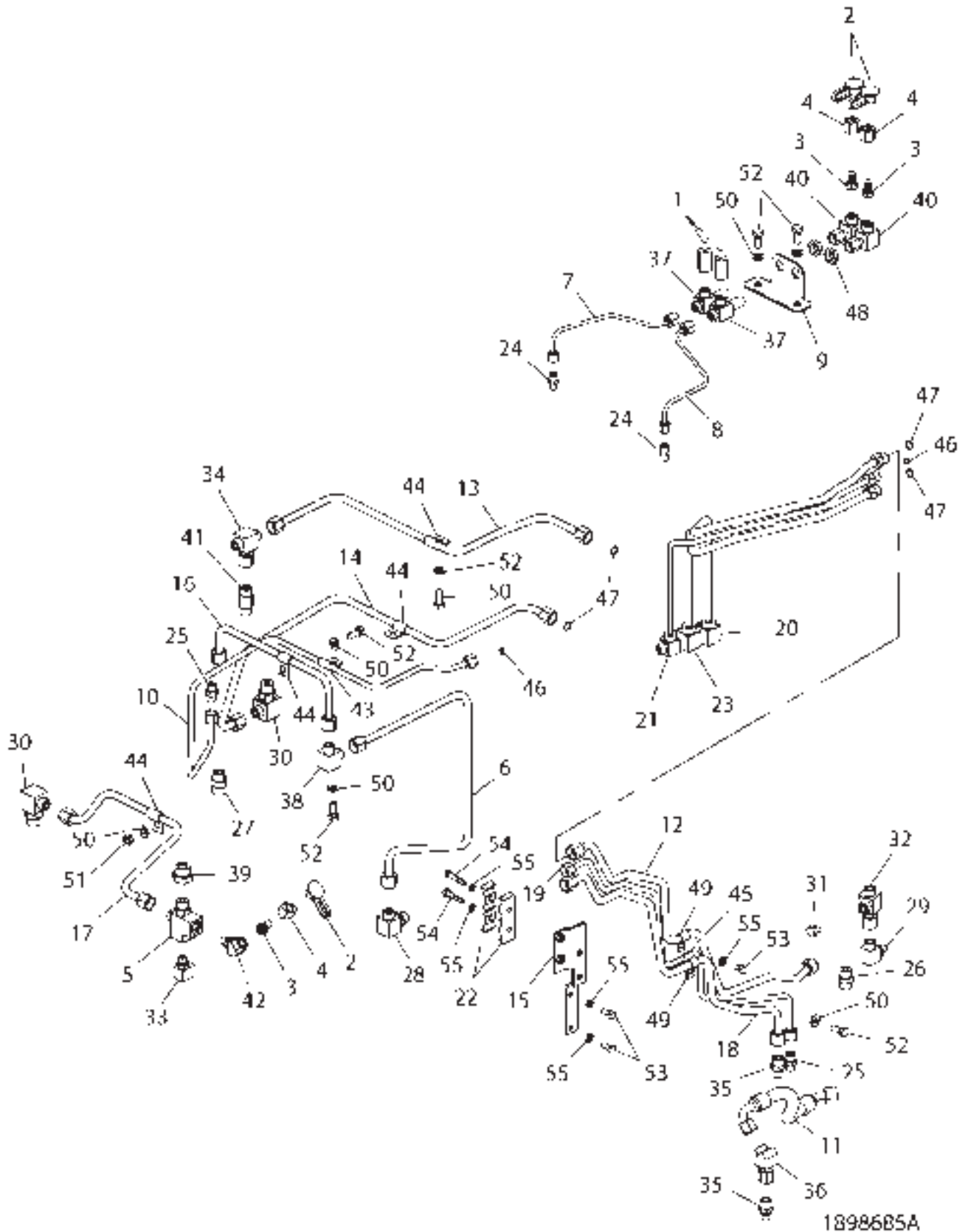
CONTINUED

[A] PART OF 177-1588; 177-1589
BASE COMMON AR
[B] MATING PART

1898685A
PR: t05f07j07b0320

MT700 SERIES TRACK TRACTORS
BRAKING SYSTEM

LINES GP-SERV BRAKE - 189-8685
(S/N PRIOR TO AKN40200;ALA40257;
ALM40560;AMS40974)



**MT700 SERIES TRACK TRACTORS
BRAKING SYSTEM**

721

LINES GP-SERV BRAKE - 189-8685
(S/N PRIOR TO AKN40200;ALA40257;
ALM40560;AMS40974)

ITEM	NUMBER	QTY	DESCRIPTION
-	189-8685	--	LINES GP-SERV BRAKE [A] (NOT SERVICED)
30	CH148-8372	2	ELBOW AS-90DEG 10 STOR-8 ORFS
	CH6V-8398	1	SEAL-O-RING (16.03X1.78)
	400319X1	1	SEAL-O-RING (11.89X1.98)
31	400612X1	1	PLUG AS-6 STOR
32	CH148-8444	1	TEE AS-SWIVEL 3X -8 ORFS
	CH6V-8398	2	SEAL-O-RING-16.03ODX1.78DIA
33	CH150-3065	1	ADAPTER AS-90DEG 6 STOR X 6 STOR
	400318X1	1	SEAL-O-RING (11.89IDX1.98DIA)
34	400614X1	1	TEE AS-8 ORFS
	CH6V-8398	2	SEAL-O-RING-16.03ODX1.78DIA
35	400428X1	2	CONNECTOR AS-STR-6STOR-8ORFS
	400318X1	1	SEAL-O-RING (11.89IDX1.98DIA)
	CH6V-8398	1	SEAL-O-RING (16.03ODX1.78DIA)
36	400616X1	1	ELBOW AS-8 ORFS 45DEG
	CH6V-8398	1	SEAL-O-RING (16.03ODX1.78DIA)
37	400618X1	2	TEE AS-BLKHD-6 ORFS
	400617X1	1	TEE-BLKHD-6 ORFS
	400378X1	3	SEAL-O-RING (12.83ODX1.78DIA)
38	153-6257	1	ELBOW AS-90DEG (NOT SERVICED)
	6V-9808	1	ELBOW-90DEG
	CH6V-8398	2	SEAL-O-RING-16.03ODX1.78DIA
39	400636X1	1	ADAPTER AS-STR-12STOR X 8 PORT
	400416X1	1	SEAL-O-RING 23.47IDX2.95DIA
40	400825X1	2	ELBOW AS-8 ORFS 90DEG & ORING
	CH6V-8398	1	SEAL-O-RING-16.03ODX1.78DIA
41	400640X1	1	CONNECTOR AS-STR -8STOR -8ORFS
	CH6V-8398	1	SEAL-O-RING-16.03ODX1.78DIA
	CH3K-0360	1	SEAL-O-RING 16.36IDX2.21DIA
42	CH164-5624	1	ELBOW AS-45DEG 6STOR X 8ORFS
	400318X1	1	SEAL-O-RING (11.89IDX1.98DIA)
	CH6V-8398	1	SEAL-O-RING-16.03ODX1.78DIA
43	400620X1	1	CLIP-9.52 ID, M10 OR 3/8
44	400621X1	4	CLIP-12.7 ID, M10 OR 3/8
45	400622X1	1	CLIP-9.52 ID, M10 OR 3/8
46	400378X1	2	SEAL-O-RING 12.83 ODX1.78 DIA
47	CH6V-8398	4	SEAL-O-RING-16.03ODX1.78DIA
48	400347X1	2	NUT-BULKHEAD 11/16-16
49	CH8M-2770	2	CLIP-LOOP 12.7 ID
50	400287X1	7	WASHER-HARD 11IDX21ODX2.5 ZND1
51	WR522218	1	NUT-M10X1.5
52	400039X1	5	BOLT-M10X1.5X25 ZNDI HHD 10.9
53	400053X1	3	BOLT-M8X1.25X20 ZNDI HHD 10.9
54	400060X1	2	BOLT-M8X1.25X40 ZNDI HHD 10.9
55	400339X1	5	WASHER - HARD

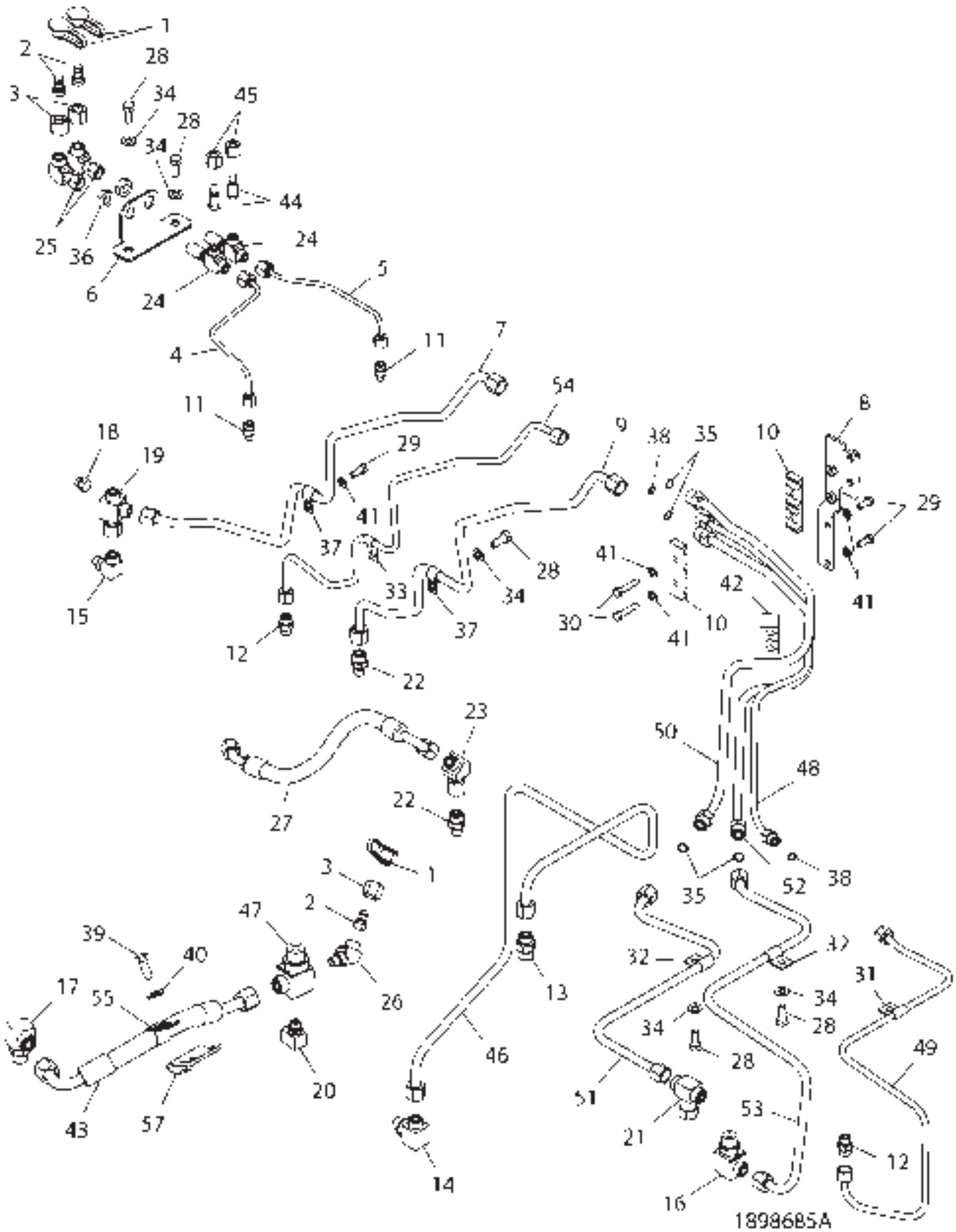
[A] PART OF 177-1588; 177-1589
BASE COMMON AR
[B] MATING PART

1898685A
PR: t05f07j07b0320

MT700 SERIES TRACK TRACTORS
BRAKING SYSTEM

LINES GP-SERV BRAKE - 189-8685

(S/N EFF. AKN40200;ALA40257;
ALM40560;AMS40974)



**MT700 SERIES TRACK TRACTORS
BRAKING SYSTEM**

723

LINES GP-SERV BRAKE - 189-8685
(S/N EFF. AKN40200;ALA40257;
ALM40560;AMS40974)

ITEM	NUMBER	QTY	DESCRIPTION
-	189-8685	--	LINES GP-SERV BRAKE [A]
1	400323X1	3	CAP-DUST 12.6 DIA -RUBBER
2	CH8C-6416	3	NIPPLE AS-QUICK DISC -4 & ORNG
	CH6V-8554	1	NUT-ORFS
3	400607X1	3	NUT-ORFS 13/16-16 PLATED
4	206-0616	1	TUBE AS.
5	206-0617	1	TUBE AS.
6	206-0631	1	BRACKET
7	212-8797	1	TUBE AS.
8	212-8882	1	BRACKET AS.
9	213-8075	1	TUBE AS.
10	400608X1	2	CLAMP
11	400368X1	2	CONNECTOR AS-STR -4STOR -4ORFS
	400361X1	1	SEAL-O-RING
	400377X1	1	SEAL-O-RING
12	400367X1	2	CONNECTOR AS-6 STOR -6 ORFS
	400318X1	1	SEAL-O-RING (11.89IDX1.98DIA)
	400378X1	1	SEAL-O-RING
13	400610X1	1	CONNECTOR AS.
14	CH148-8364	1	ELBOW AS-90DEG -8 STOR -10 BARB
	CH3K-0360	1	SEAL-O-RING 16.36IDX2.21DIA
	CH6V-8398	1	SEAL-O-RING-16.03ODX1.78DIA
15	400417X1	1	ELBOW AS-90DEG-6STOR-8ORFS
	400318X1	1	SEAL-O-RING 11.89IDX1.98
	CH6V-8398	1	SEAL-O-RING-16.03ODX1.78DIA
16	CH148-8372	1	ELBOW AS-90DEG. 10 STOR-8 ORFS
	CH6V-8398	1	SEAL-O-RING
	400319X1	1	SEAL-O-RING (11.89X1.98)
17	400320X1	1	ELBOW AS-10PORT-ORFS 90DEG.&ORING
	400319X1	1	SEAL-O-RING (11.89X1.98)
	400322X1	1	SEAL-O-RING (19.28ODX1.78DIA)
18	400612X1	1	PLUG AS-6 STOR
19	CH148-8444	1	TEE AS-SWIVEL 3X -8 ORFS
	CH6V-8398	2	SEAL-O-RING-16.03ODX1.78DIA
20	CH150-3065	1	ADAPTER AS-90DEG. 6 STOR X 6 STOR
	400318X1	1	SEAL-O-RING (11.89IDX1.98DIA)
	CH6V-0484	1	ADAPTER-90DEG.
21	400614X1	1	TEE AS-8 ORFS
	400613X1	1	TEE-SWIVEL-8 ORFS
	CH6V-8398	2	SEAL-O-RING-16.03ODX1.78DIA
22	400428X1	2	CONNECTOR AS-STR-6STOR-8ORFS
	400318X1	1	SEAL-O-RING (11.89IDX1.98DIA)
	CH6V-8398	1	SEAL-O-RING (16.03ODX1.78DIA)
	400429X1	1	CONNECTOR-STR-6STOR-8ORFS

CONTINUED

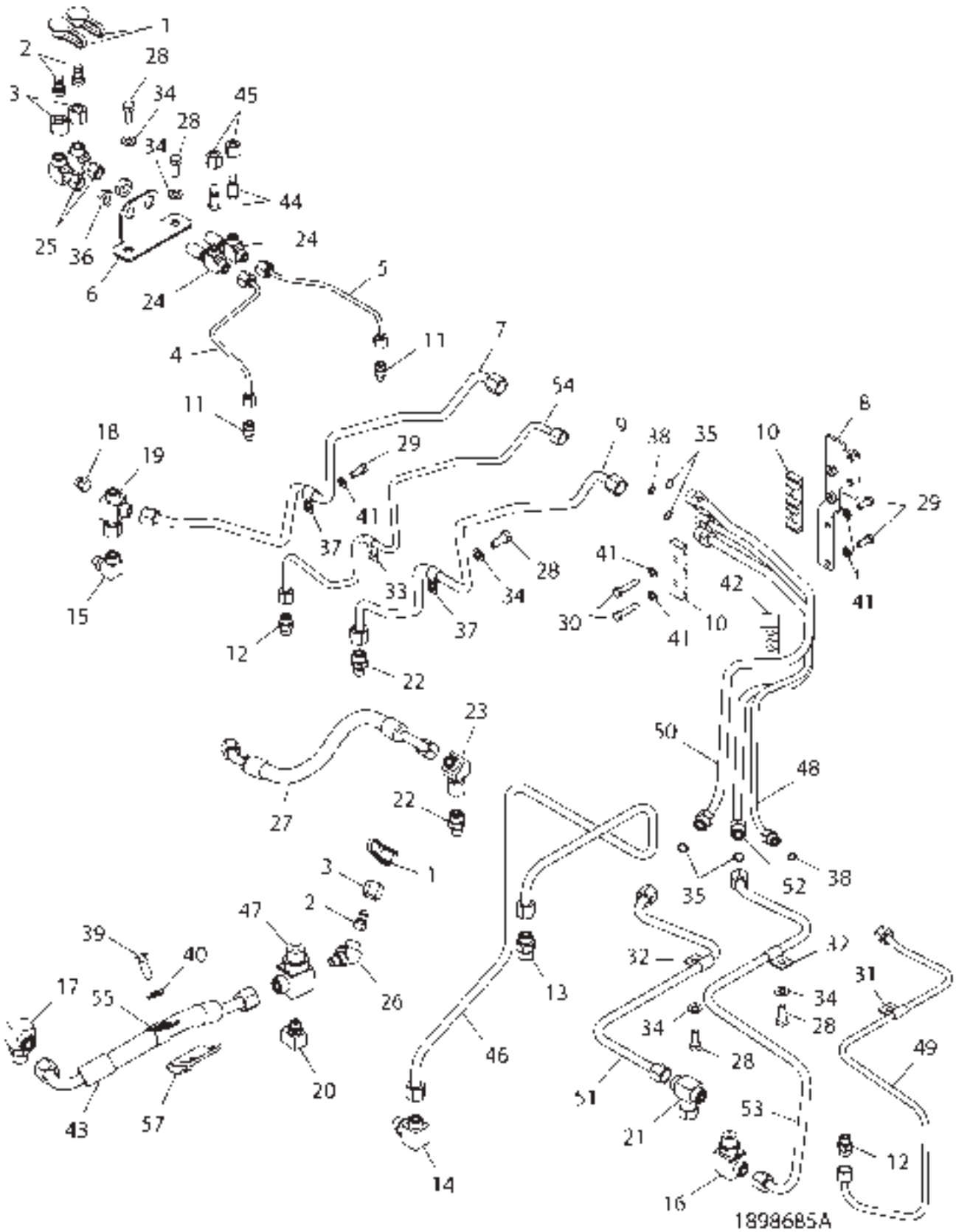
[A] PART OF 177-1588; 177-1589
BASE COMMON AR

1898685B
PR: t05f07j07b0321

MT700 SERIES TRACK TRACTORS
BRAKING SYSTEM

LINES GP-SERV BRAKE - 189-8685

(S/N EFF. AKN40200;ALA40257;
ALM40560;AMS40974)



**MT700 SERIES TRACK TRACTORS
BRAKING SYSTEM**

725

LINES GP-SERV BRAKE - 189-8685
(S/N EFF. AKN40200;ALA40257;
ALM40560;AMS40974)

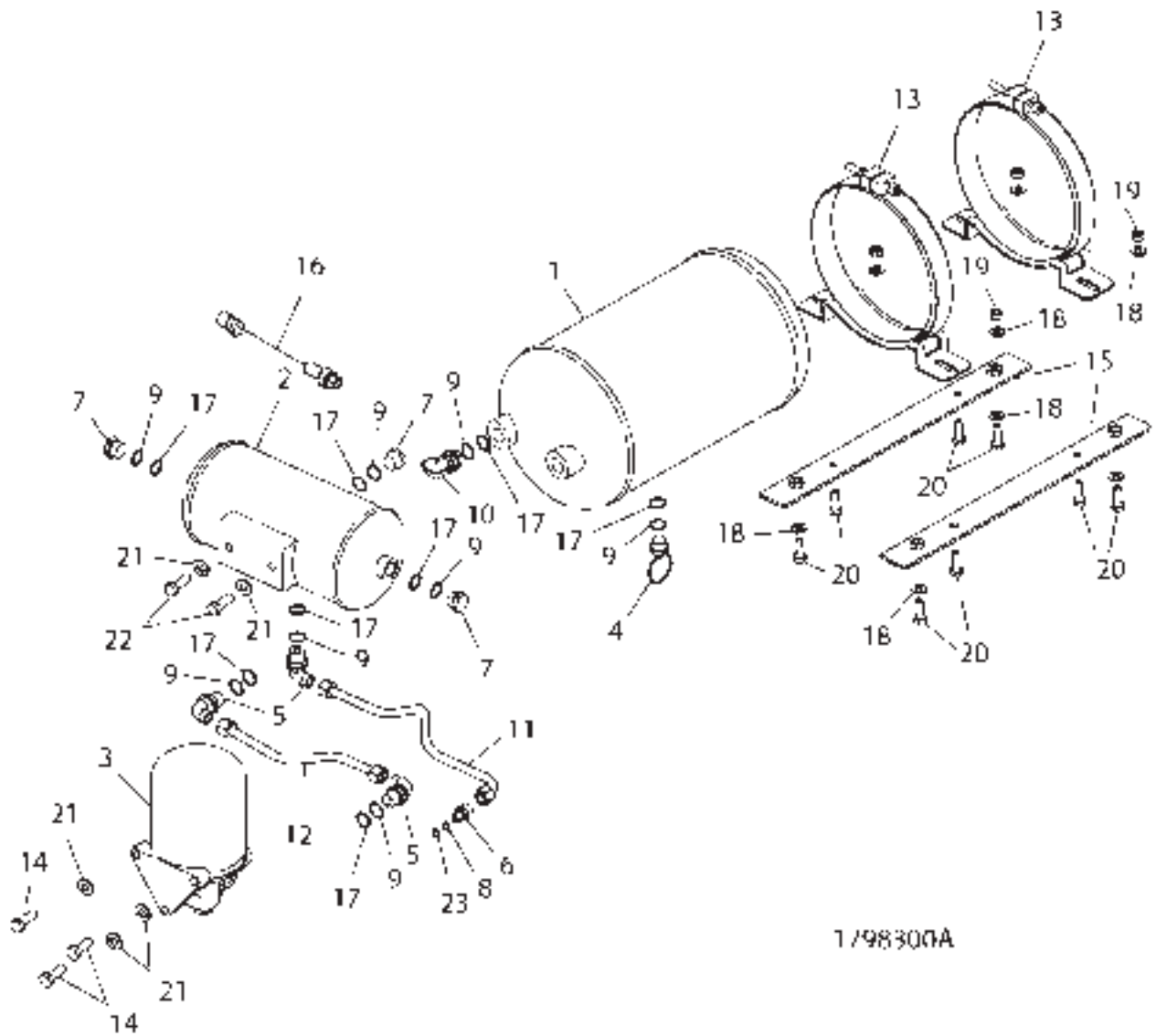
ITEM	NUMBER	QTY	DESCRIPTION
-	189-8685	--	LINES GP-SERV BRAKE [A]
23	400616X1	1	ELBOW AS-8 ORFS 45DEG
	CH6V-8398	1	SEAL-O-RING (16.03ODX1.78DIA)
24	400618X1	2	TEE AS-BLKHD-6 ORFS
	400617X1	1	TEE-BLKHD-6 ORFS
	400378X1	3	SEAL-O-RING (12.83ODX1.78DIA)
25	400825X1	2	ELBOW AS-8 ORFS 90DEG & ORING
	CH6V-8398	1	SEAL-O-RING-16.03ODX1.78DIA
	400619X1	1	ELBOW-8 ORFSX90DEG
26	CH164-5624	1	ELBOW AS-45DEG. 6STOR X 8ORFS
	400318X1	1	SEAL-O-RING (11.89IDX1.98DIA)
	CH6V-8398	1	SEAL-O-RING-16.03ODX1.78DIA
27	CH212-8796	1	HOSE AS-12.7 ID SAE 100R1
28	400039X1	5	BOLT-M10X1.5X25 ZNDI HHD 10.9
29	400053X1	3	BOLT-M8X1.25X20 ZNDI HHD 10.9
30	400060X1	2	BOLT-M8X1.25X40 ZNDI HHD 10.9
31	400620X1	1	CLIP-9.52 ID, M10 OR 3/8
32	400621X1	2	CLIP-12.7 ID, M10 OR 3/8
33	400622X1	1	CLIP-9.52 ID, M10 OR 3/8
34	400287X1	5	WASHER-HARD 11IDX21ODX2.5 ZND1
35	CH6V-8398	4	SEAL-O-RING-16.03ODX1.78DIA
36	400347X1	2	NUT-BULKHEAD 11/16-16
37	CH8M-2770	2	CLIP-LOOP 12.7 ID
38	400378X1	2	SEAL-O-RING 12.83 ODX1.78 DIA
39	400041X1	1	BOLT-M12X1.75X30 ZNDI HHD 10.9
40	400357X1	1	WASHER-HARD-M12X25.50DX3THK
41	400339X1	5	WASHER - HARD
42	501068D1	1	SPACER-RUBBER
43	500933D1	1	HOSE AS (FOR 15.88 ID SAE
44	500949D1	2	SCREW-BLEEDER
45	500950D1	2	NUT-TUBE
46	501067D1	1	TUBE AS
47	501069D1	1	CROSS AS-O-RING PORT TO
48	501081D1	1	TUBE AS.
49	501082D1	1	TUBE AS
50	501083D1	1	TUBE AS.
51	501084D1	1	TUBE AS.
52	501085D1	1	TUBE AS
53	501086D1	1	TUBE AS.
54	501087D1	1	TUBE AS.
55	400606X1	1	CLIP-26.98 ID-M14 OF 1/2
57	501953D1	1	BRACKET AS

[A] PART OF 177-1588; 177-1589
BASE COMMON AR

1898685B
PR: t05f07j07b0321

MT700 SERIES TRACK TRACTORS
BRAKING SYSTEM

TANK & LINES GP-AIR - 179-8300



**MT700 SERIES TRACK TRACTORS
BRAKING SYSTEM**

727

TANK & LINES GP-AIR - 179-8300

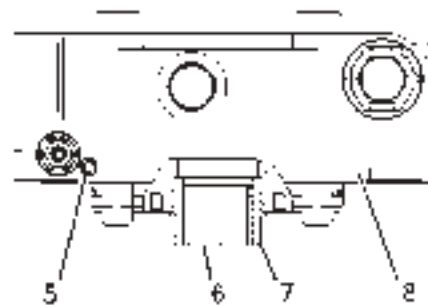
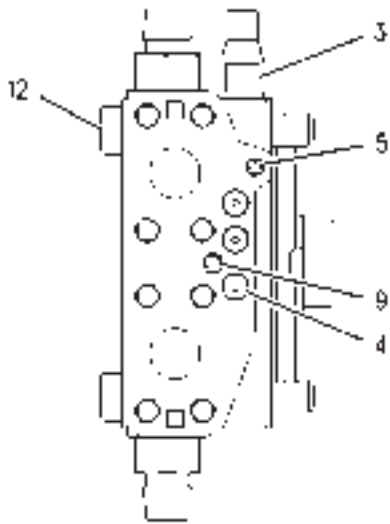
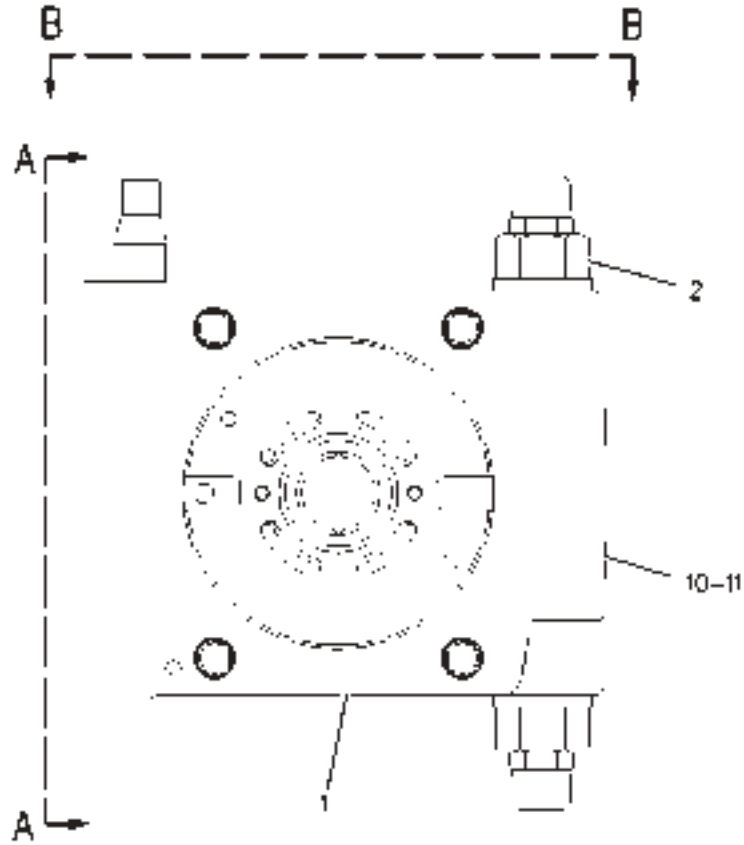
ITEM	NUMBER	QTY	DESCRIPTION
-	179-8300	--	TANK & LINES GP-AIR [A] (NOT SERVICED)
1	174-8822	1	TANK-AIR
2	177-9555	1	TANK-AIR
3	178-7197	1	AIR DRYER KIT (SERVICED AS KIT)
	187-3185	1	KIT-CARTRIDGE (DESICCANT)
	187-5245	1	KIT-VALVE
	187-5246	1	KIT-GOVERNOR
4	180-5485	1	VALVE-DRAIN
5	CH185-9753	3	ELBOW GP
6	185-9754	1	ADAPTER
7	185-9756	3	PLUG
8	185-9771	1	RING-BACKUP
9	CH185-9773	8	RING-BACKUP
10	185-9774	1	ELBOW
11	187-9017	1	TUBE AS.
12	190-0434	1	TUBE AS.
13	190-0446	2	BRACKET
14	400011X1	3	BOLT (M12X1.5X35MM)
15	205-7243	2	BRACKET AS.
	CH8T-3490	2	NUT-WELD (M10X1.5 THD)
16	CH194-6725	1	SENSOR GP-PRESSURE (AIR) (SEE BREAKDOWN FOR COMPONENTS)
17	CH3E-6762	8	O-RING
18	400287X1	12	WASHER-HARD (11X21X2.5MM THK)
19	WR522218	4	NUT (M10X1.5 THD)
20	400058X1	8	BOLT (M10X1.5X30MM)
21	400357X1	5	WASHER-HARD (M12X25.5X3MM THK)
22	400064X1	2	BOLT (M12X1.75X35MM)
23	CH9T-4057	1	O-RING

[A] PART OF 180-4852; 502356D1
BRAKE AR-AIR

1798300A
PR: t05f07j07b0322

MT700 SERIES TRACK TRACTORS
BRAKING SYSTEM

HEAD GP-PUMP - 204-6515
ROW



**MT700 SERIES TRACK TRACTORS
BRAKING SYSTEM**

729

**HEAD GP-PUMP - 204-6515
ROW**

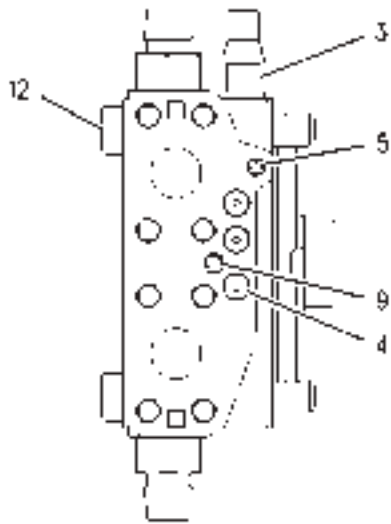
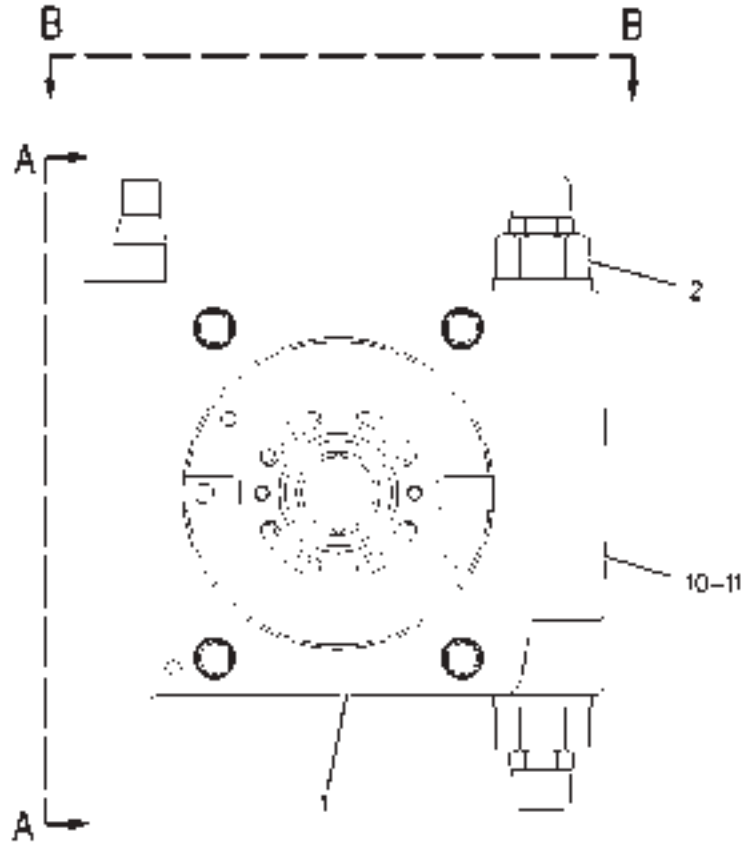
ITEM	NUMBER	QTY	DESCRIPTION
-	204-6515	--	HEAD GP-PUMP [A]
1	-----	1	HEAD (NOT SERVICED SEPARATELY)
2	CH1G-7407	2	VALVE GP-RELIEF (INCL. CAP)
	CH123-7556	1	CAP
	CH145-0905	1	KIT-SEAL (REPAIR KIT, STEERING PUMP RELIEF VALVE)
3	CH123-7557	1	VALVE GP-RELIEF (SEE BREAKDOWN FOR COMPONENTS)
4	CH152-9144	3	PLUG
5	CH120-4394	3	PLUG-BREAK OFF
6	CH126-1597	1	BEARING
7	CH126-1598	1	BUSHING
8	CH9T-3928	1	PLUG AS.
	CH187-8001	1	SEAL
9	CH123-2017	1	PLUG
10	CH9S-8002	2	PLUG
11	400361X1	2	O-RING
12	CH3E-8008	4	BOLT-SOCKET HEAD (M16X2X90MM)

[A] PART OF 500526D1 PUMP GP-PISTON

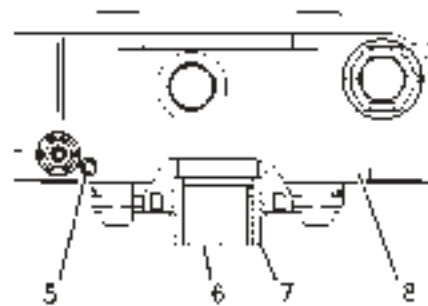
00815043
PR: t05f07j07b0323

MT700 SERIES TRACK TRACTORS
BRAKING SYSTEM

HEAD GP-PUMP - 196-4234
ROW



VIEW A-A



VIEW B-B

**MT700 SERIES TRACK TRACTORS
BRAKING SYSTEM**

731

**HEAD GP-PUMP - 196-4234
ROW**

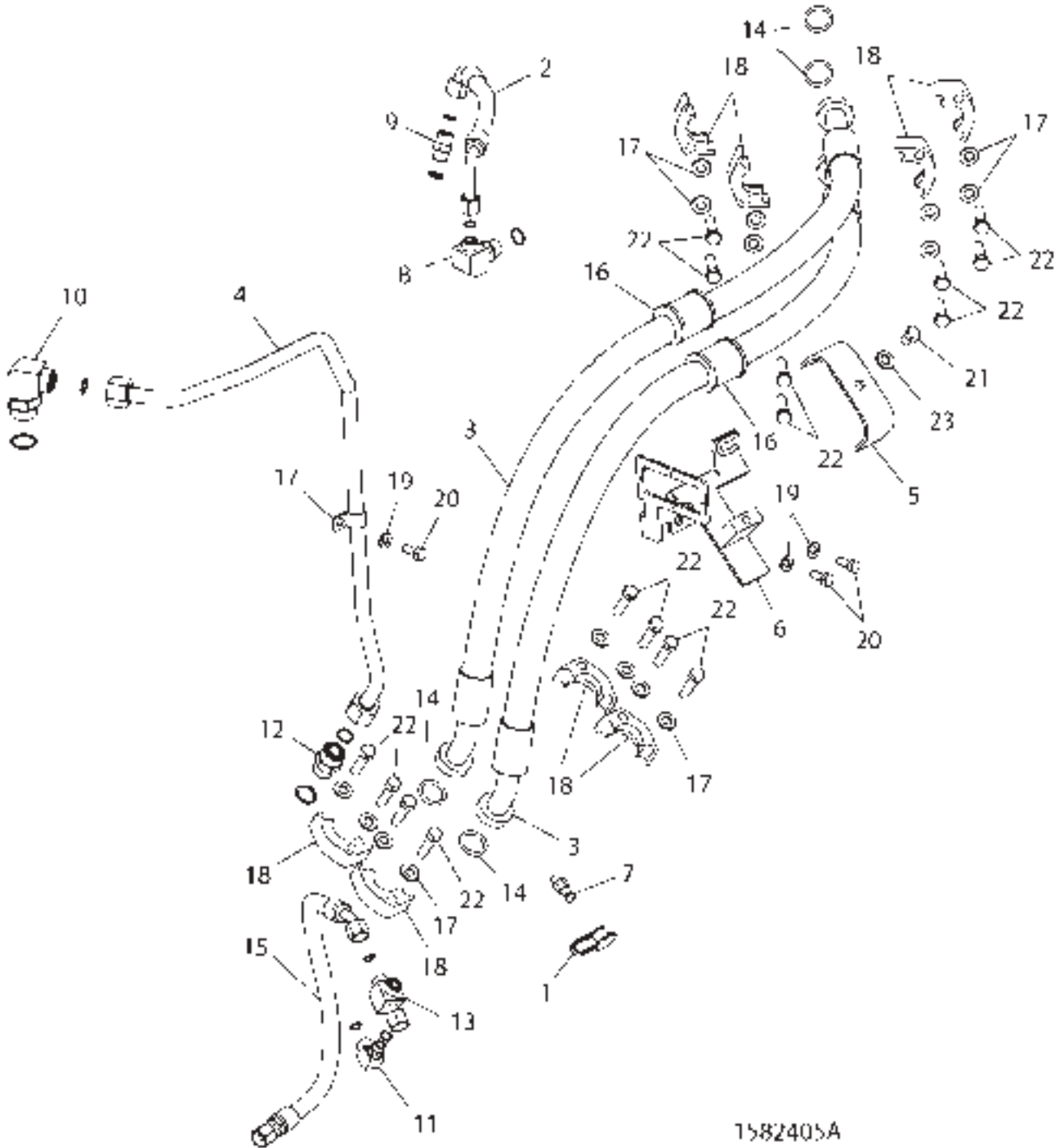
ITEM	NUMBER	QTY	DESCRIPTION
-	196-4234	--	HEAD GP-PUMP [A]
1	196-4244	1	HEAD
2	CH1G-7407	2	VALVE GP-RELIEF
3	CH201-9105	1	VALVE GP-PRESS & FLOW CMPNSTR (SEE BREAKDOWN FOR COMPONENTS)
4	CH152-9144	3	PLUG (SOCKET HEAD)
5	CH120-4394	2	PLUG-BREAK OFF
6	CH123-7560	1	BEARING-BUSHING
7	CH123-7559	1	BUSHING
8	CH6S-3002	1	O-RING
9	CH123-2017	1	PLUG
10	CH9S-8002	2	PLUG
11	400361X1	2	O-RING
12	CH3E-8008	4	BOLT-SOCKET HEAD (M16X2X90MM)

[A] PART OF 500525D1 PUMP GP-PISTON

00815043
PR: t05f07j07b0324

MT700 SERIES TRACK TRACTORS
BRAKING SYSTEM

LINES GP-STEERING-STD - 158-2405
(S/N: PRIOR TO AKN40200; ALA40269;
ALM40712; AMS41162)



1582405A

**MT700 SERIES TRACK TRACTORS
BRAKING SYSTEM**

733

LINES GP-STEERING-STD - 158-2405
(S/N: PRIOR TO AKN40200;ALA40269;
ALM40712;AMS41162)

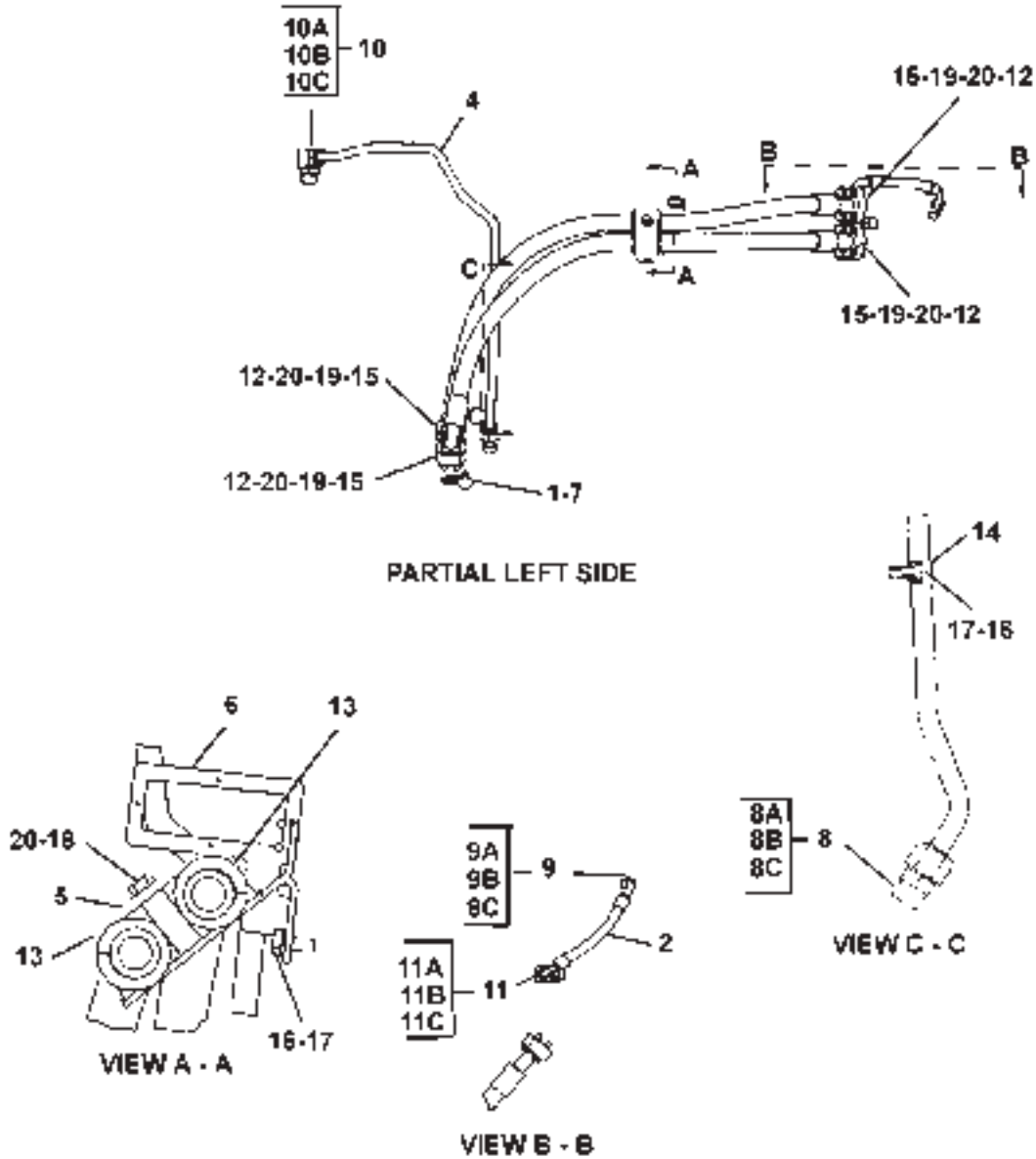
ITEM	NUMBER	QTY	DESCRIPTION
-	158-2405	--	LINES GP-STEERING [A] (NOT SERVICED)
1	400323X1	1	CAP-DUST 12.6 DIA -RUBBER
2	CH200-3758	1	HOSE AS-12.7 ID SAE 100R1 TEMP
3	CH205-1862	2	HOSE AS-25.4 ID SAE 100R15
4	212-6184	1	TUBE AS.
5	CH221-0145	1	CLAMP
6	CH225-8027	1	BRACKET AS.
7	CH110-6349	1	NIPPLE-QUICK CONNECT 4STOR
8	CH148-8327	1	CONNECTOR AS (NOT SERVICED)
	400416X1	1	SEAL-O-RING 23.47IDX2.95DIA
	400366X1	1	SEAL-O-RING 22.5 ODX1.78 DIA
9	CH148-8340	1	CONNECTOR AS -8ORFS-8STOR
	CH3K-0360	1	SEAL-O-RING 16.36IDX2.21DIA
	CH6V-8398	1	SEAL-O-RING-16.03ODX1.78DIA
10	CH148-8360	1	ELBOW AS-90DEG-16 STOR X 12 ORFS
	400366X1	1	SEAL-O-RING 22.5 ODX1.78 DIA
	400376X1	1	SEAL-O-RING 29.74 IDX2.95 DIA
11	400417X1	1	ELBOW AS-90DEG-6STOR-8ORFS
	400318X1	1	SEAL-O-RING 11.89IDX1.98
	CH6V-8398	1	SEAL-O-RING-16.03ODX1.78DIA
12	CH148-8372	1	ELBOW AS-90DEG 10 STOR-8 ORFS
	CH6V-8398	1	SEAL-O-RING (16.03X1.78)
	400319X1	1	SEAL-O-RING (11.89X1.98)
13	CH148-8444	1	TEE AS-SWIVEL 3X -8 ORFS
	CH6V-8398	2	SEAL-O-RING-16.03ODX1.78DIA
14	CH1P-3703	4	SEAL-RECT 38.66ODX3.4WX4.95TH.
15	CH232-1245	1	HOSE AS -12.7 ID SAE 100R1
16	CH5P-8444	2	GROMMET-RUBBER52ODX37IDX52LG
17	CH6D-4246	1	CLIP-LOOP 19.05ID
18	CH6V-0400	8	FLANGE-HALF
19	400287X1	3	WASHER-HARD 11IDX21ODX2.5 ZND1
20	400039X1	3	BOLT-M10X1.5X25 ZNDI HHD 10.9
21	400047X1	1	BOLT-M12X1.75X20 ZNDI HHD 10.9
22	400051X1	16	BOLT-M12X1.75X45 ZNDI HHD 10.9
23	400357X1	17	WASHER-HARD-M12X25.50DX3THK

[A] PART OF 198-5376;198-5377
STEERING AR

1582405A
PR: t05f07j07b0325

MT700 SERIES TRACK TRACTORS
BRAKING SYSTEM

LINES GP-STEERING - 500576D1
STANDARD GAGE
(S/N: EFF AKN40200;ALA40269;
ALM40712;AMS41162)



**MT700 SERIES TRACK TRACTORS
BRAKING SYSTEM**

735

**LINES GP-STEERING - 500576D1
STANDARD GAGE
(S/N: EFF AKN40200;ALA40269;
ALM40712;AMS41162)**

ITEM	NUMBER	QTY	DESCRIPTION
-	500576D1	--	LINES GP-STEERING [A] (NOT SERVICED)
1	400323X1	1	CAP-DUST 12.6 DIA -RUBBER
2	CH200-3758	1	HOSE AS-12.7 ID SAE 100R1 TEMP
3	CH205-1862	2	HOSE AS-25.4 ID SAE 100R15
4	212-6184	1	TUBE AS.
5	CH221-0145	1	CLAMP
6	CH225-8027	1	BRACKET AS.
7	CH110-6349	1	NIPPLE-QUICK CONNECT 4STOR
8	CH148-8327	1	CONNECTOR AS-12 ORFSX 12STOR
8A	400416X1	1	SEAL-O-RING 23.47IDX2.95DIA
8B	CH6V-8637	1	CONNECTOR-SEAL
8C	400366X1	1	SEAL-O-RING
9	CH148-8340	1	CONNECTOR AS. ELEC
9A	CH3K-0360	1	SEAL-O-RING
9B	CH6V-8398	1	SEAL-O-RING
9C	CH6V-8639	1	CONNECTOR-STR-12.7 STR -8 ORFS
10	CH148-8360	1	ELBOW AS-90DEG-16 STOR X 12 ORFS
10A	CH6V-9182	1	ELBOW-90DEG (16STORX12ORFS)
10B	400366X1	1	SEAL-O-RING (22.5IDX1.78DIA)
10C	400376X1	1	SEAL-O-RING (29.74IDX2.95DIA)
11	CH148-8372	1	ELBOW AS-90DEG 10 STOR-8 ORFS
11A	400319X1	1	SEAL-O-RING (11.89X1.98)
11B	CH6V-8398	1	SEAL-O-RING (16.03X1.78)
11C	-----	1	ELBOW -90DEG 10 STOR-8 ORFS (ORDER ITEM 11)
12	CH1P-3703	4	SEAL-RECT 38.66ODX3.4WX4.95TH.
13	CH5P-8444	2	GROMMET-RUBBER 52ODX37IDX52LG
14	CH6D-4246	1	CLIP-LOOP 19.05ID
15	CH6V-0400	8	FLANGE-HALF
16	400287X1	3	WASHER-HARD 11IDX21ODX2.5 ZND1
17	400039X1	3	BOLT-M10X1.5X25 ZNDI HHD 10.9
18	400047X1	1	BOLT-M12X1.75X20 ZNDI HHD 10.9
19	400051X1	16	BOLT-M12X1.75X45 ZNDI HHD 10.9
20	400357X1	17	WASHER-HARD-M12X25.50DX3THK

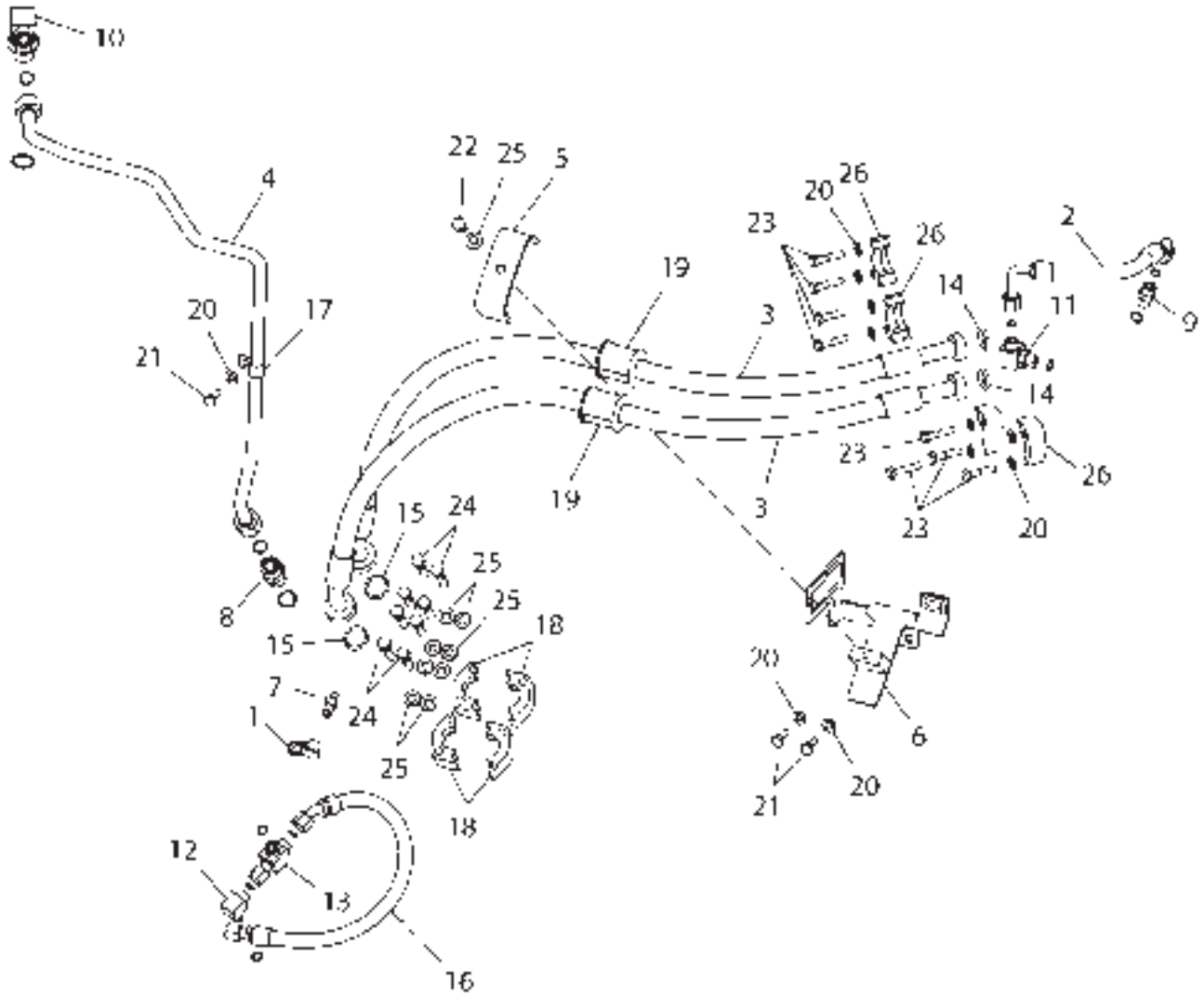
[A] PART OF 198-5376;198-5377
STEERING AR

500576DA
PR: t05f07j07b0326

MT700 SERIES TRACK TRACTORS
BRAKING SYSTEM

LINES GP-STEERING-WIDE GAGE - 177-4469

(S/N: PRIOR TO AKN40200; ALA40269;
ALM40712; AMS41162)
ROW



**MT700 SERIES TRACK TRACTORS
BRAKING SYSTEM**

737

LINES GP-STEERING-WIDE GAGE - 177-4469
(S/N: PRIOR TO AKN40200; ALA40269;
ALM40712; AMS41162)
ROW

ITEM	NUMBER	QTY	DESCRIPTION
-	177-4469	--	LINES GP - STRG [A] (NOT SERVICED)
1	400323X1	1	CAP-DUST 12.6 DIA -RUBBER
2	CH200-3758	1	HOSE AS-12.7 ID SAE 100R1 TEMP
3	CH205-9948	2	HOSE AS-19.1 ID SAE 100R15
4	212-6184	1	TUBE AS.
5	CH221-0145	1	CLAMP
6	CH225-8027	1	BRACKET AS.
7	CH110-6349	1	NIPPLE-QUICK CONNECT 4STOR
8	CH148-8327	1	CONNECTOR AS-12 ORFSX 12STOR
	400416X1	1	SEAL-O-RING 23.47IDX2.95DIA
	400366X1	1	SEAL-O-RING 22.5 ODX1.78 DIA
9	CH148-8340	1	CONNECTOR AS-STR-12.7 STR -8 ORFS
	CH3K-0360	1	SEAL-O-RING 16.36IDX2.21DIA
	CH6V-8398	1	SEAL-O-RING-16.03ODX1.78DIA
10	CH148-8360	1	ELBOW AS-90DEG-16 STOR X 12 ORFS
	400366X1	1	SEAL-O-RING 22.5 ODX1.78 DIA
	400376X1	1	SEAL-O-RING 29.74 IDX2.95 DIA
11	CH148-8364	1	ELBOW AS-90DEG -8 STOR -10 BARB
	CH3K-0360	1	SEAL-O-RING 16.36IDX2.21DIA
	CH6V-8398	1	SEAL-O-RING-16.03ODX1.78DIA
12	400417X1	1	ELBOW AS-90DEG-6STOR-8ORFS
	400318X1	1	SEAL-O-RING 11.89IDX1.98
	CH6V-8398	1	SEAL-O-RING-16.03ODX1.78DIA
13	CH148-8444	1	TEE AS-SWIVEL 3X -8 ORFS
	CH6V-8398	2	SEAL-O-RING-16.03ODX1.78DIA
14	CH1P-3702	2	SEAL-RECT 32.23ODX3.4X4.95RBR
15	CH1P-3703	2	SEAL-RECT 38.66ODX3.4WX4.95TH.
16	CH232-1245	1	HOSE AS -12.7 ID SAE 100R1
17	CH6D-4246	1	CLIP-LOOP 19.05ID
18	CH6V-0400	4	FLANGE-HALF
19	CH6V-1874	2	GROMMET-52OD X 31ID X 52
20	400287X1	11	WASHER-HARD 11IDX21ODX2.5 ZND1
21	400039X1	3	BOLT-M10X1.5X25 ZNDI HDD 10.9
22	400047X1	1	BOLT-M12X1.75X20 ZNDI HDD 10.9
23	400049X1	8	BOLT-M10X1.5X45 ZNDI HDD 10.9
24	400051X1	8	BOLT-M12X1.75X45 ZNDI HDD 10.9
25	400357X1	9	WASHER-HARD-M12X25.50DX3THK
26	CH8T-9403	4	FLANGE-HALF 45.45 OD FITTING

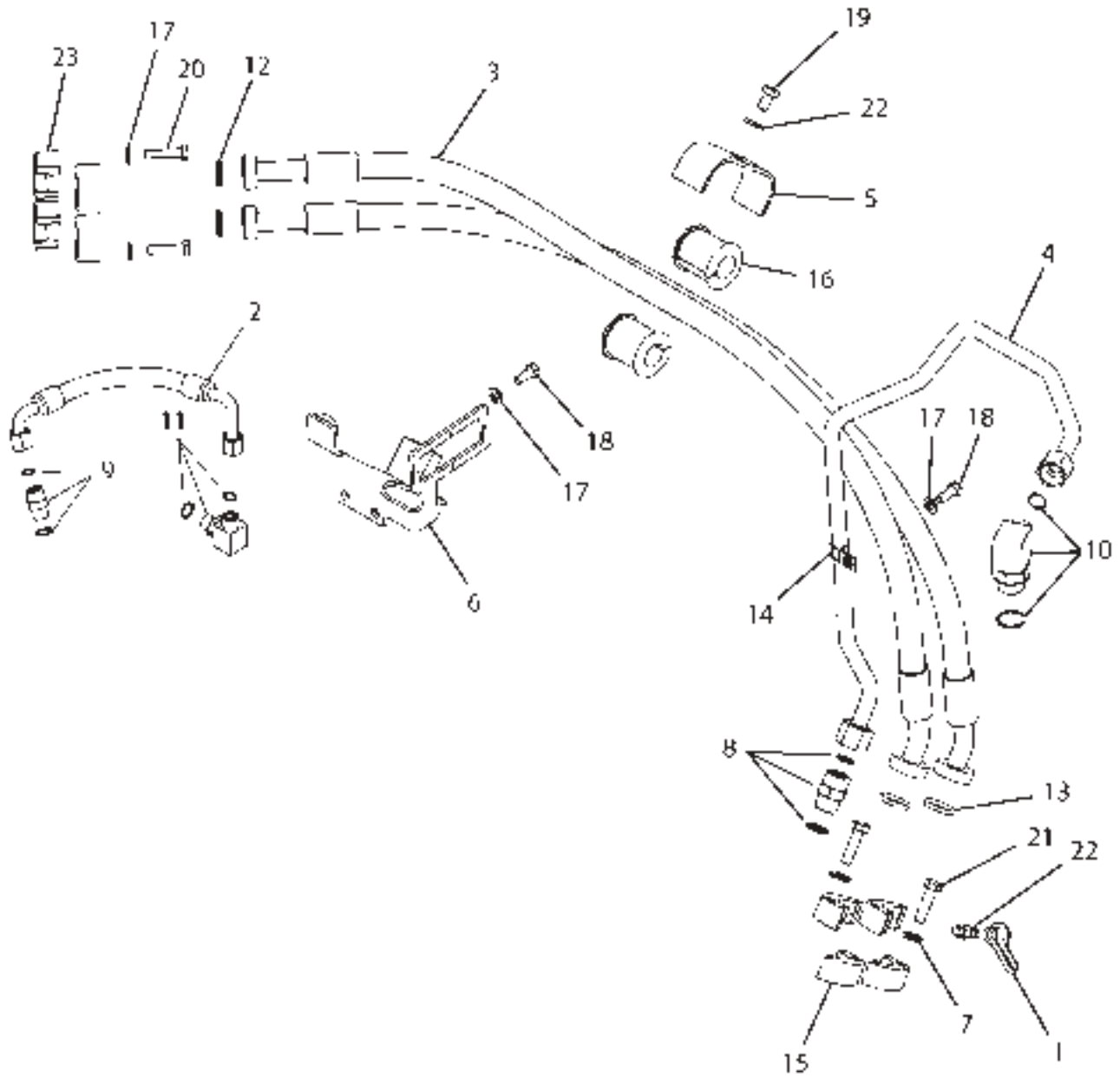
[A] PART OF 198-5378 STEERING AR

1774469A
PR: t05f07j07b0327

MT700 SERIES TRACK TRACTORS
BRAKING SYSTEM

LINES GP-STEERING-WIDE GAGE - 500575D1

(S/N: EFF AKN40200; ALA40269;
ALM40712; AMS41162)
ROW



**MT700 SERIES TRACK TRACTORS
BRAKING SYSTEM**

739

LINES GP-STEERING-WIDE GAGE - 500575D1
(S/N: EFF AKN40200; ALA40269;
ALM40712; AMS41162)
ROW

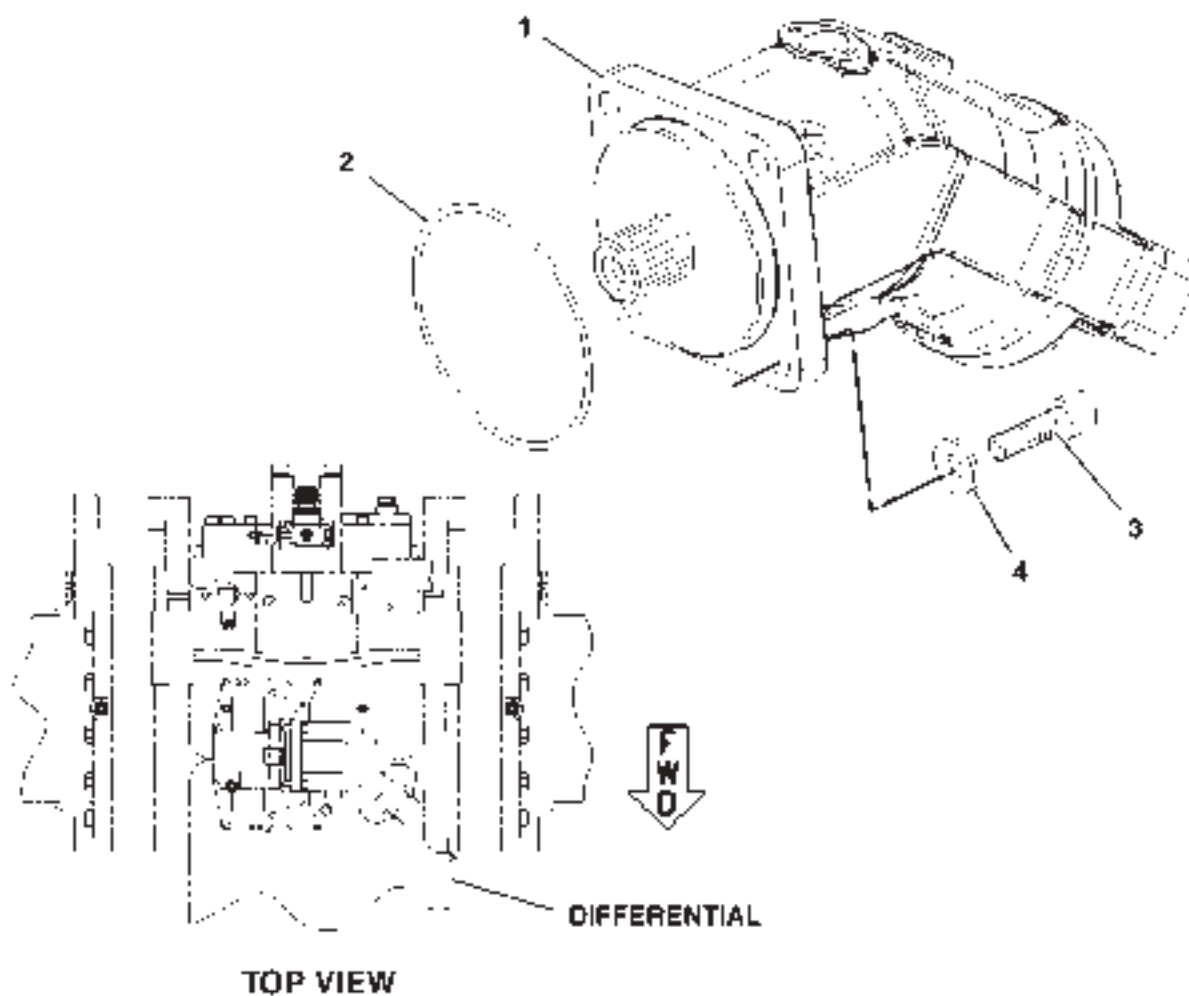
ITEM	NUMBER	QTY	DESCRIPTION
-	500575D1	--	LINES GP-STEERING [A] (NOT SERVICED)
1	400323X1	1	CAP-DUST
2	CH200-3758	1	HOSE ASY.
3	CH205-9948	2	HOSE ASY.
4	212-6184	1	TUBE ASY.
5	CH221-0145	1	CLAMP
6	CH225-8027	1	BRACKET ASY.
	CH7T-1099	1	LINK
7	CH110-6349	1	FITTING ASY.
8	CH148-8327	1	CONNECTOR AS-12 ORFSX 12STOR
	400416X1	1	SEAL-O-RING 23.47IDX2.95DIA
	400366X1	1	SEAL-O-RING 22.5 ODX1.78 DIA
9	CH148-8340	1	CONNECTOR AS
	CH3K-0360	1	SEAL-O-RING 16.36IDX2.21DIA
	CH6V-8398	1	O-RING
10	CH148-8360	1	ELBOW AS-90DEG-16 STOR X 12 ORFS
	400366X1	1	SEAL-O-RING 22.5 ODX1.78 DIA
	400376X1	1	SEAL-O-RING 29.74 IDX2.95 DIA
11	CH148-8364	1	ELBOW AS-90DEG -8 STOR -10 BARB
	CH3K-0360	1	SEAL-O-RING 16.36IDX2.21DIA
	CH6V-8398	1	SEAL-O-RING-16.03ODX1.78DIA
12	CH1P-3702	2	SEAL-RECTANGULAR
13	CH1P-3703	2	SEAL-RECTANGULAR
14	CH6D-4246	1	CLIP
15	CH6V-0400	4	FLANGE-HALF
16	CH6V-1874	2	GROMMET
17	400287X1	11	WASHER-HARD (11X21X2.5MM THK)
18	400039X1	3	BOLT (M10X1.5X25MM)
19	400047X1	1	BOLT (M12X1.75X20MM)
20	400049X1	8	BOLT (M10X1.5X45MM)
21	400051X1	8	BOLT (M12X1.75X45MM)
22	400357X1	9	WASHER-HARD (M12X25.5X3MM THK)
23	CH8T-9403	4	FLANGE-HALF

[A] PART OF 198-5378 STEERING AR

500575DA
PR: t05f07j07b0328

**MT700 SERIES TRACK TRACTORS
BRAKING SYSTEM**

**MOTOR & MTG GP-STEERING - 158-2402
STANDARD GAGE
ROW ONLY**



MT700 SERIES TRACK TRACTORS
BRAKING SYSTEM

741

MOTOR & MTG GP-STEERING - 158-2402
STANDARD GAGE
ROW ONLY

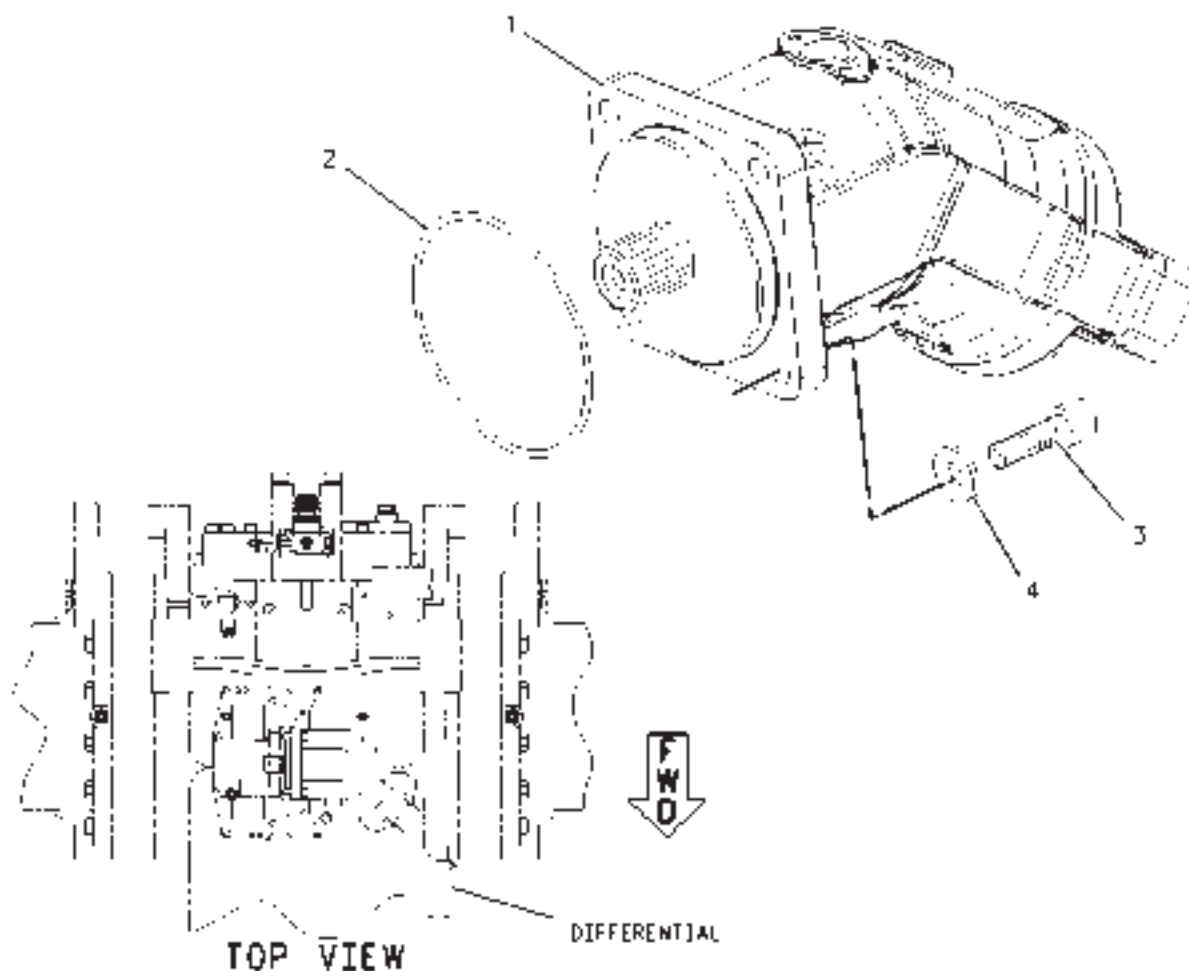
ITEM	NUMBER	QTY	DESCRIPTION
-	158-2402	--	MOTOR & MTG GP-PISTON [A] (STEERING)
1	CH162-9597	1	MOTOR GP-PISTON (STEERING) (SEE BREAKDOWN FOR COMPONENTS)
2	400101X1	1	O-RING
3	400141X1	4	BOLT-SOCKET HEAD (M12X1.75X40MM)
4	400357X1	4	WASHER-HARD (M12X25.5X3MM THK)

[A] PART OF 198-5376 STEERING AR

1582402D
PR: t05f07j07b0329

MT700 SERIES TRACK TRACTORS
BRAKING SYSTEM

MOTOR & MTG GP-STEERING - 158-2403
WIDE & ULTRA WIDE
ROW



MT700 SERIES TRACK TRACTORS
BRAKING SYSTEM

743

MOTOR & MTG GP-STEERING - 158-2403
WIDE & ULTRA WIDE
ROW

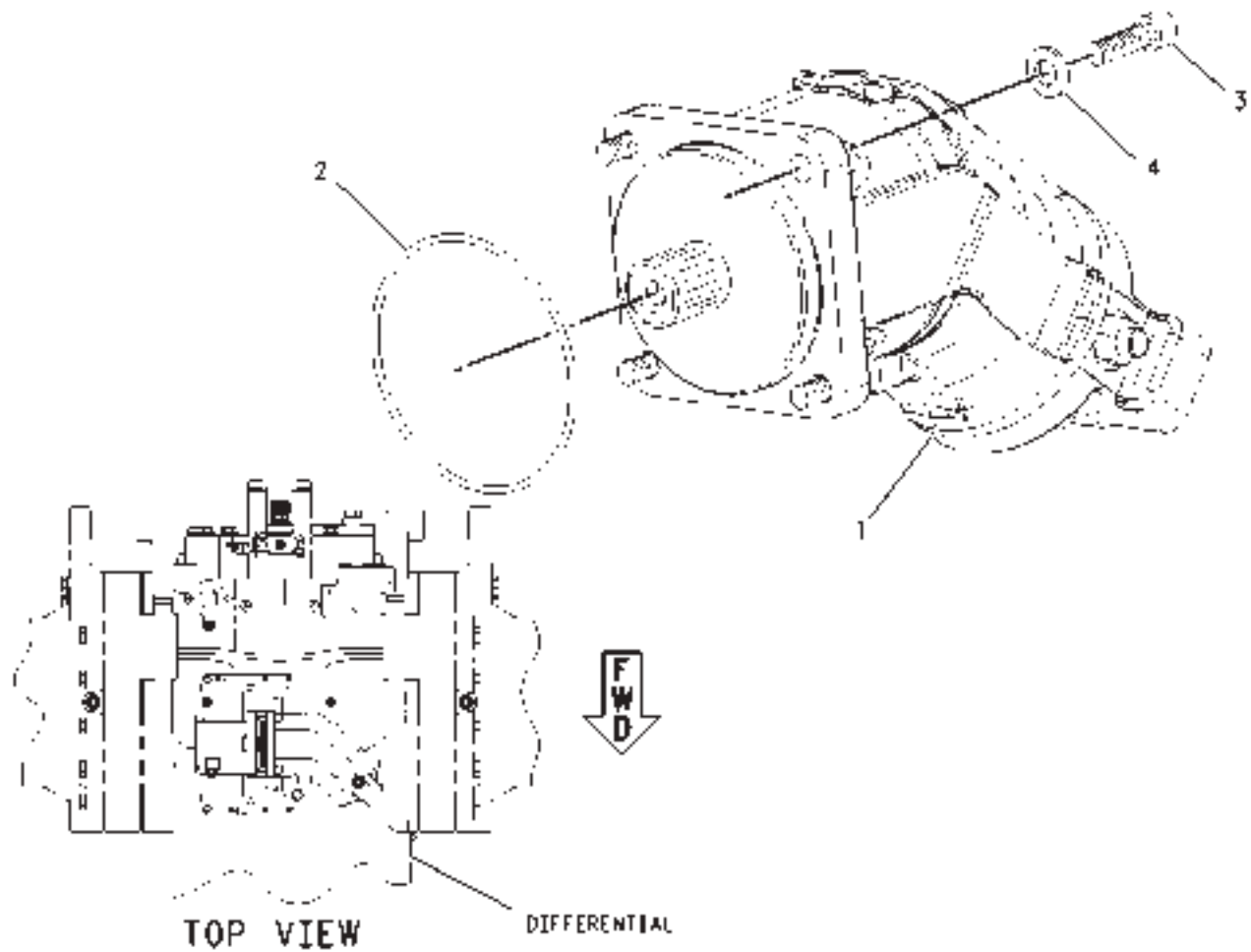
ITEM	NUMBER	QTY	DESCRIPTION
-	158-2403	--	MOTOR & MTG GP-STRG [A](NOT SERVICED)
1	CH177-0463	1	MOTOR GP-PISTON (STEERING) (SEE BREAKDOWN FOR COMPONENTS)
2	400101X1	1	O-RING
3	400141X1	4	BOLT-SOCKET HEAD (M12X1.75X40MM)
4	400357X1	4	WASHER-HARD (M12X25.5X3MM THK)

[A] PART OF 198-5378 STEERING AR

00711444
PR: t05f07j07b0330

MT700 SERIES TRACK TRACTORS
BRAKING SYSTEM

MOTOR & MTG GP-STEERING - 165-7899
STANDARD GAGE
EAME



MT700 SERIESTRACKTRACTORS
BRAKING SYSTEM

745

MOTOR & MTG GP-STEERING - 165-7899
STANDARD GAGE
EAME

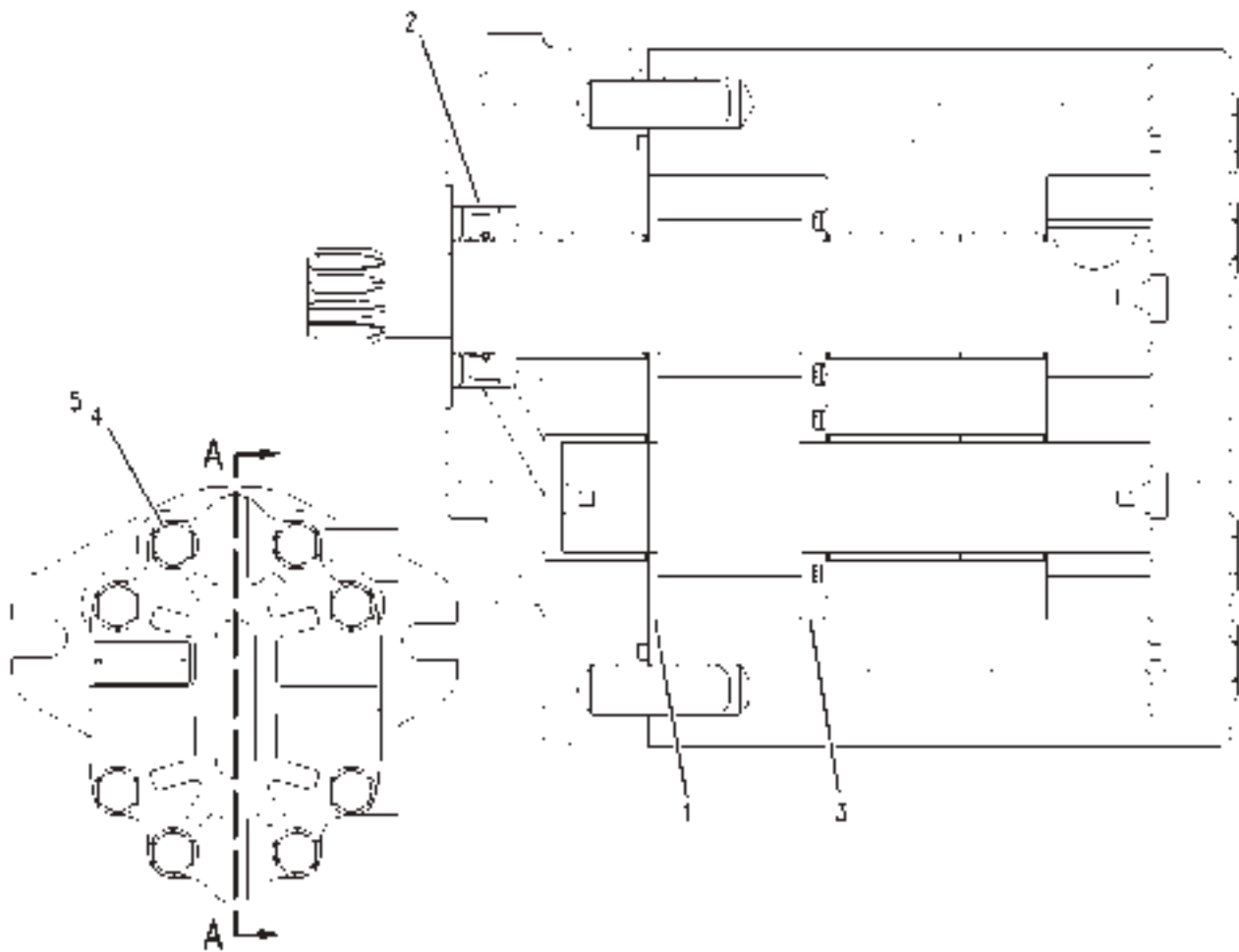
ITEM	NUMBER	QTY	DESCRIPTION
-	165-7899	--	MOTOR & MTG GP-STRG [A] (NOT SERVICED)
1	CH162-9598	1	MOTOR GP-PISTON (STEERING) (SEE BREAKDOWN FOR COMPONENTS)
2	400101X1	1	SEAL-O-RING
3	400141X1	4	BOLT-SOCKET HEAD (M12X1.75X40MM)
4	400357X1	4	WASHER-HARD (M12X25.5X3MM THK)

[A] PART OF 198-5377 STEERING AR

00688842
PR: t05f07j07b0331

MT700 SERIES TRACK TRACTORS
BRAKING SYSTEM

PUMP GP-GEAR - CH189-2957



**MT700 SERIES TRACK TRACTORS
BRAKING SYSTEM**

747

PUMP GP-GEAR - CH189-2957

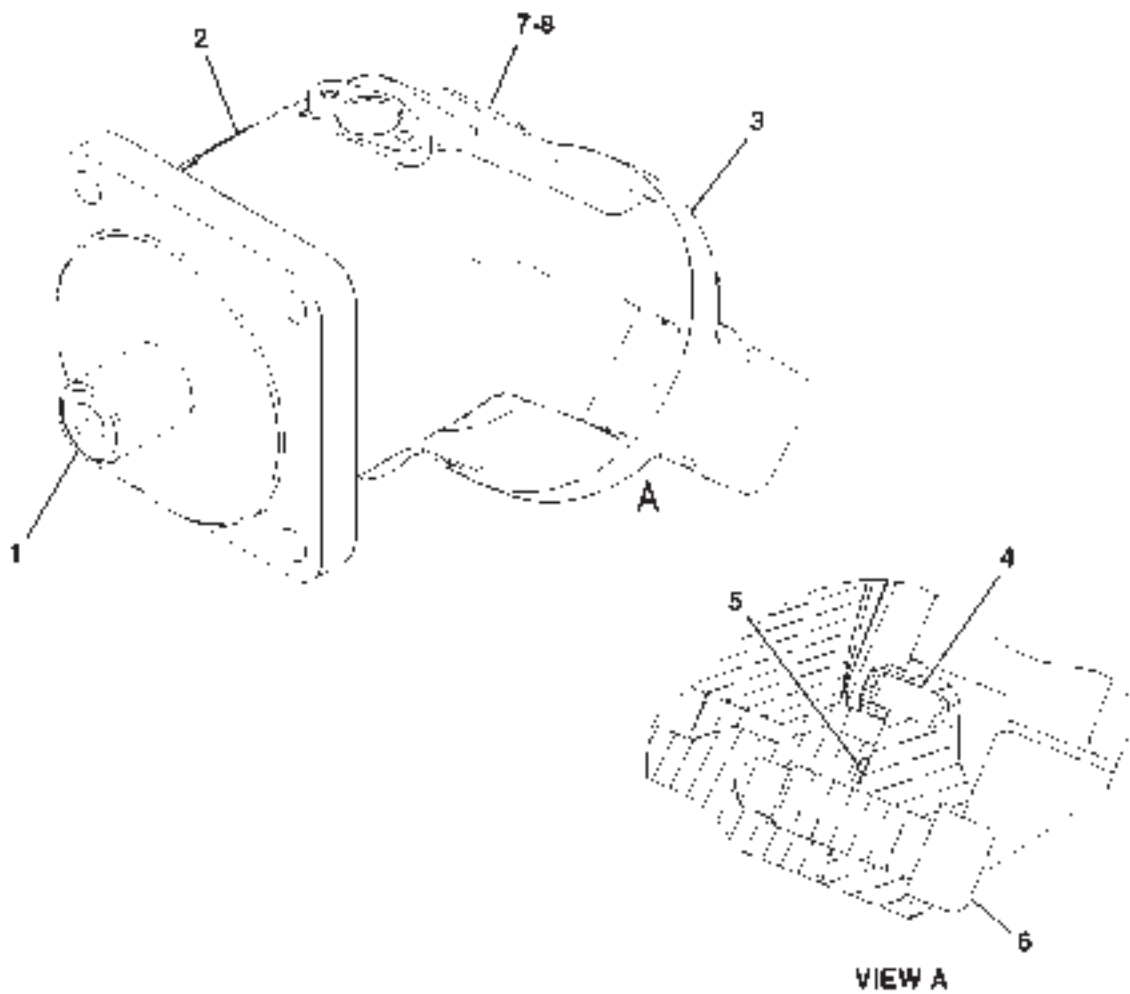
ITEM	NUMBER	QTY	DESCRIPTION
-	CH189-2957	--	PUMP GP-GEAR [A]
1	CH077-5261	1	PLATE-THRUST
2	CH202-2593	1	SEAL-SHAFT
	CH202-2595	1	KIT-SEAL (FOR REPAIR, CHARGE PUMP)
3	CH202-2592	1	PLATE-WEAR
4	CH8C-7323	8	BOLT (3/8-16X6 IN)
5	CH8T-4896	8	WASHER-HARD (10.2X18.5X2.5MM THK)

[A] PART OF 158-2396;180-9997;500573D1
PUMP AND MOUNTING GP

00880727
PR: t05f07j07b0332

MT700 SERIES TRACK TRACTORS
BRAKING SYSTEM

MOTOR GP-PISTON - CH162-9597
ROW



**MT700 SERIES TRACK TRACTORS
BRAKING SYSTEM**

749

**MOTOR GP-PISTON - CH162-9597
ROW**

ITEM	NUMBER	QTY	DESCRIPTION
-	CH162-9597	--	MOTOR GP-PISTON [A]
1	192-8863	1	ROTATING GP-MOTOR (SEE BREAKDOWN FOR COMPONENTS)
2	192-8864	1	HOUSING
3	166-7415	1	HEAD
4	1G-3174	1	PIN
5	2H-4145	1	O-RING
6	180-2826	6	BOLT-SOCKET HEAD (M12X1.75X30MM)
7	9S-8006	1	PLUG
8	2M-9780	1	O-RING

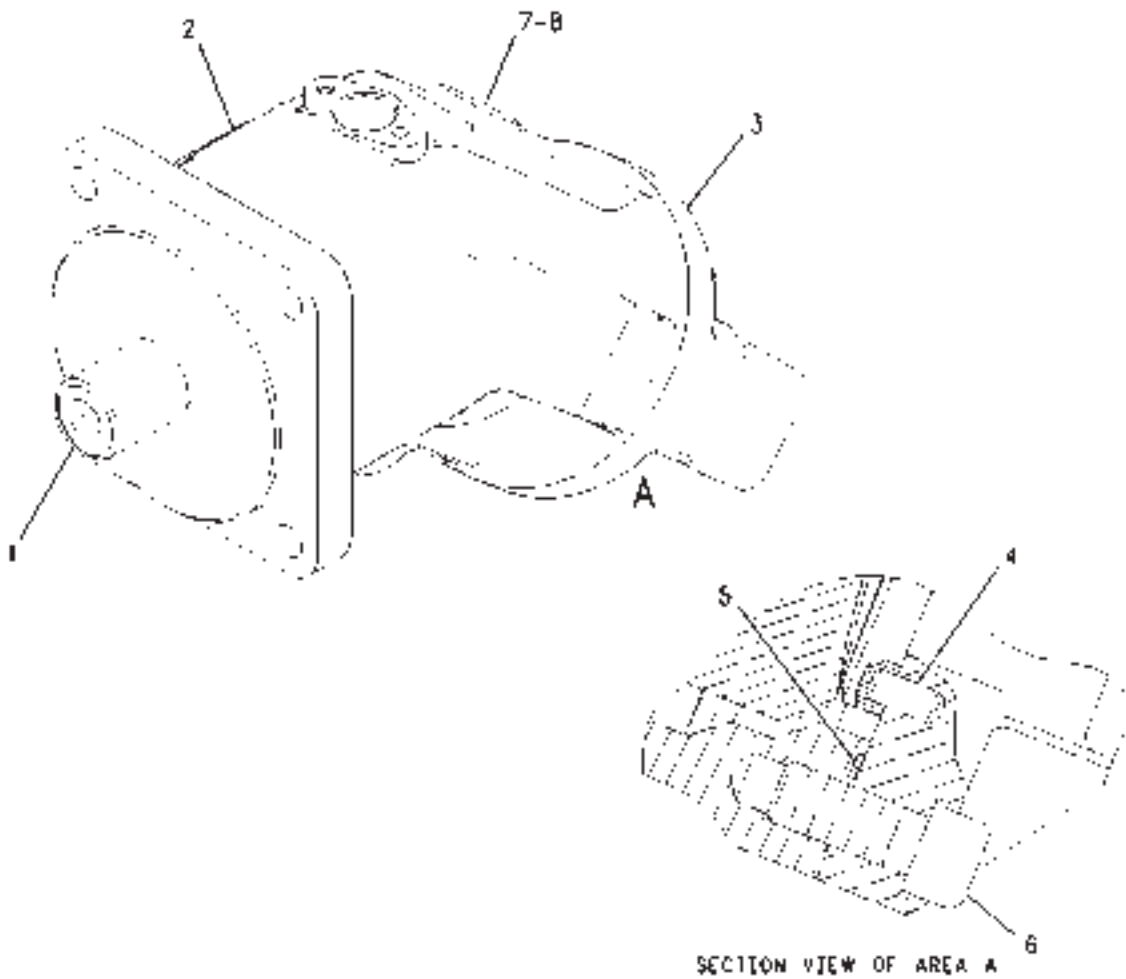
[A] PART OF 158-2402 MOTOR & MTG GP-
STEERING

1629597D
PR: t05f07j07b0333

750

MT700 SERIES TRACK TRACTORS
BRAKING SYSTEM

MOTOR GP-PISTON - CH177-0463
LINK
ROW



**MT700 SERIES TRACK TRACTORS
BRAKING SYSTEM**

751

**MOTOR GP-PISTON - CH177-0463
LINK
ROW**

ITEM	NUMBER	QTY	DESCRIPTION
-	CH177-0463	--	MOTOR GP-PISTON [A]
1	189-9384	1	ROTATING GP-MOTOR (SEE BREAKDOWN FOR COMPONENTS)
2	189-9386	1	HOUSING
3	194-4163	1	HEAD
4	CH192-8862	1	PIN
5	CH2H-6184	1	O-RING
6	400217X1	6	BOLT-SOCKET HEAD (M10X1.5X25MM)
7	CH9S-8005	1	PLUG-O-RING
8	CH3K-0360	1	SEAL-O-RING 16.36IDX2.21DIA

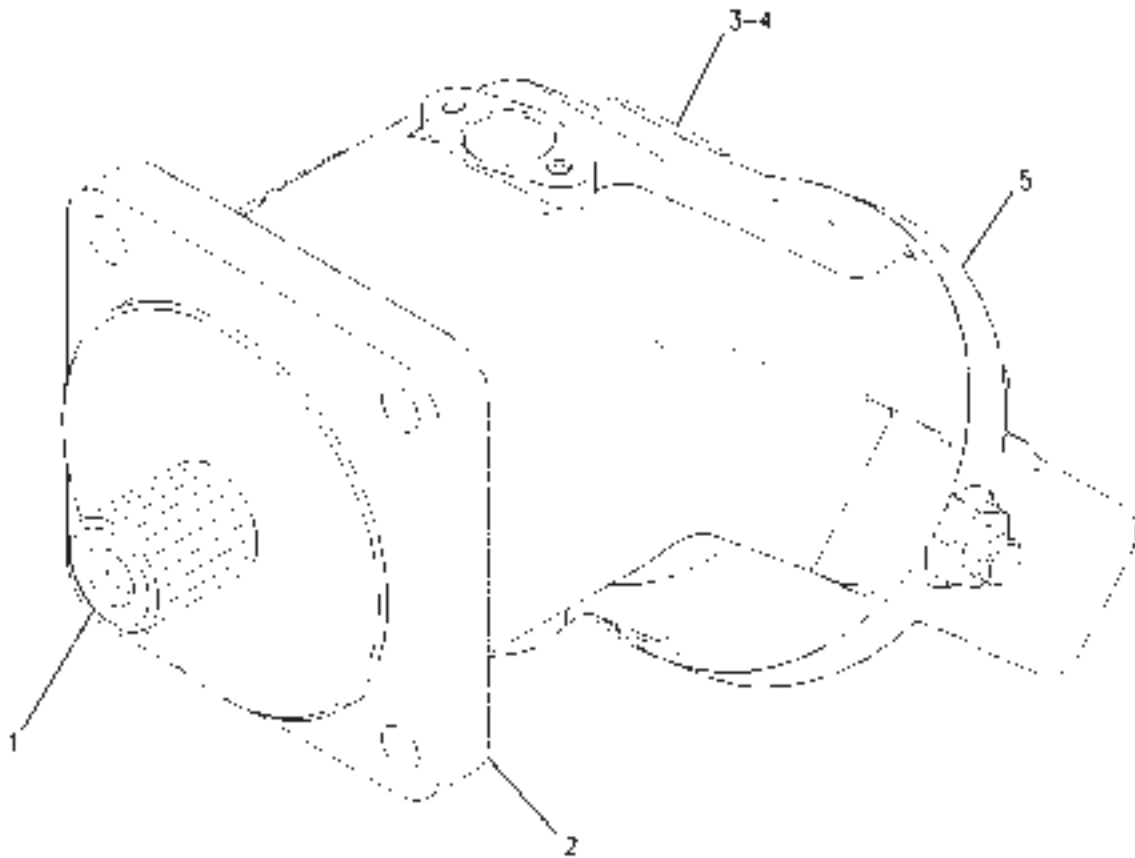
[A] PART OF 158-2403 MOTOR & MTG GP-STRG

00819099
PR: t05f07j07b0334

752

MT700 SERIES TRACK TRACTORS
BRAKING SYSTEM

MOTOR GP-PISTON - CH162-9598
EAME



00819066

**MT700 SERIES TRACK TRACTORS
BRAKING SYSTEM**

753

**MOTOR GP-PISTON - CH162-9598
EAME**

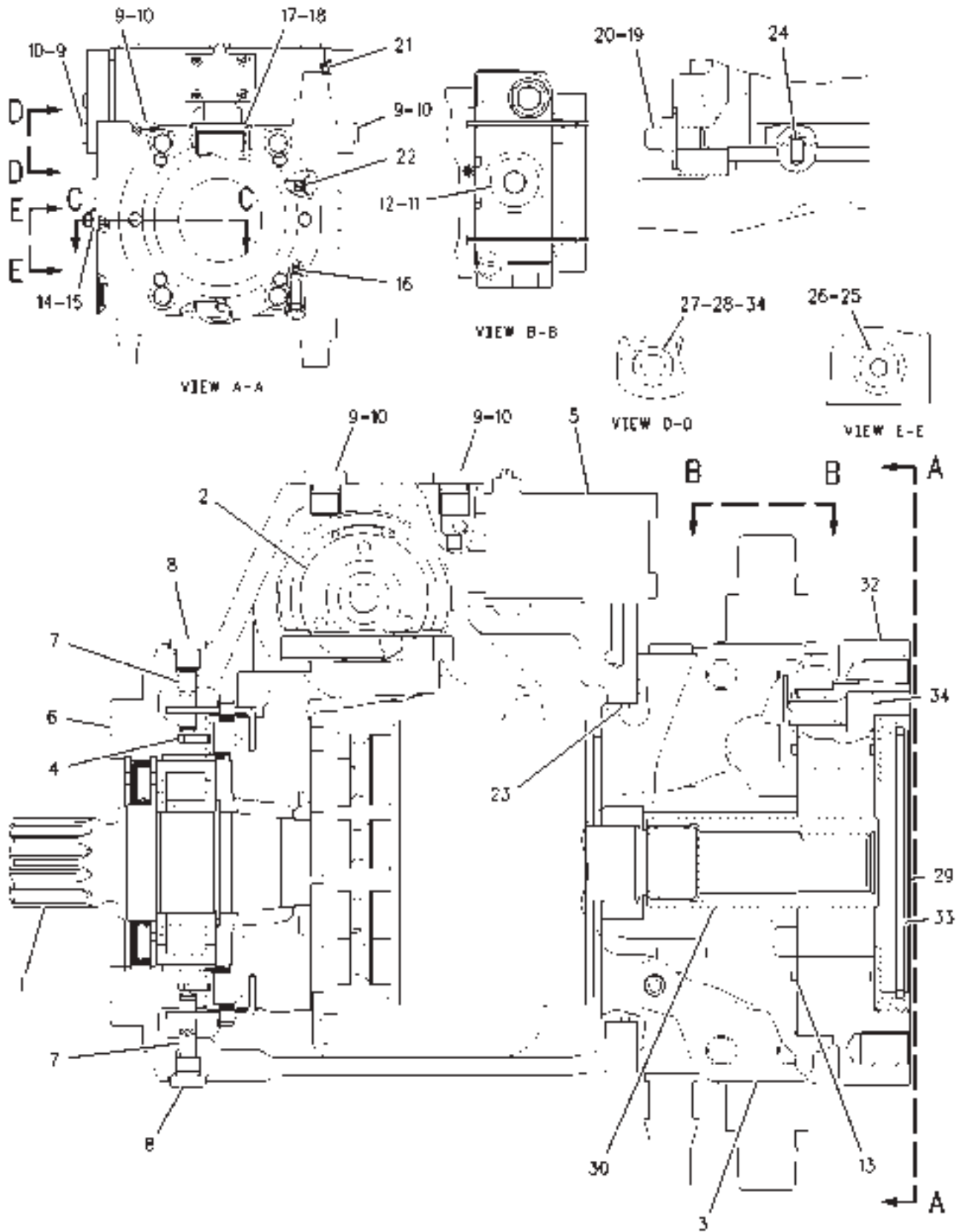
ITEM	NUMBER	QTY	DESCRIPTION
-	CH162-9598	--	MOTOR GP-PISTON [A]
1	192-8863	1	ROTATING GP-MOTOR (SEE BREAKDOWN FOR COMPONENTS)
2	192-8864	1	HOUSING
3	400374X1	1	PLUG
4	400319X1	1	SEAL-O-RING
5	192-8865	1	HEAD GP-MOTOR (SEE BREAKDOWN FOR COMPONENTS)

[A]PART OF 165-7899 MOTOR & MTG GP-STRG

00819066
PR: t05f07j07b0335

MT700 SERIES TRACK TRACTORS
BRAKING SYSTEM

PUMP GP-PISTON - CH180-0459
SLIPPER



**MT700 SERIES TRACK TRACTORS
BRAKING SYSTEM**

755

**PUMP GP-PISTON - CH180-0459
SLIPPER**

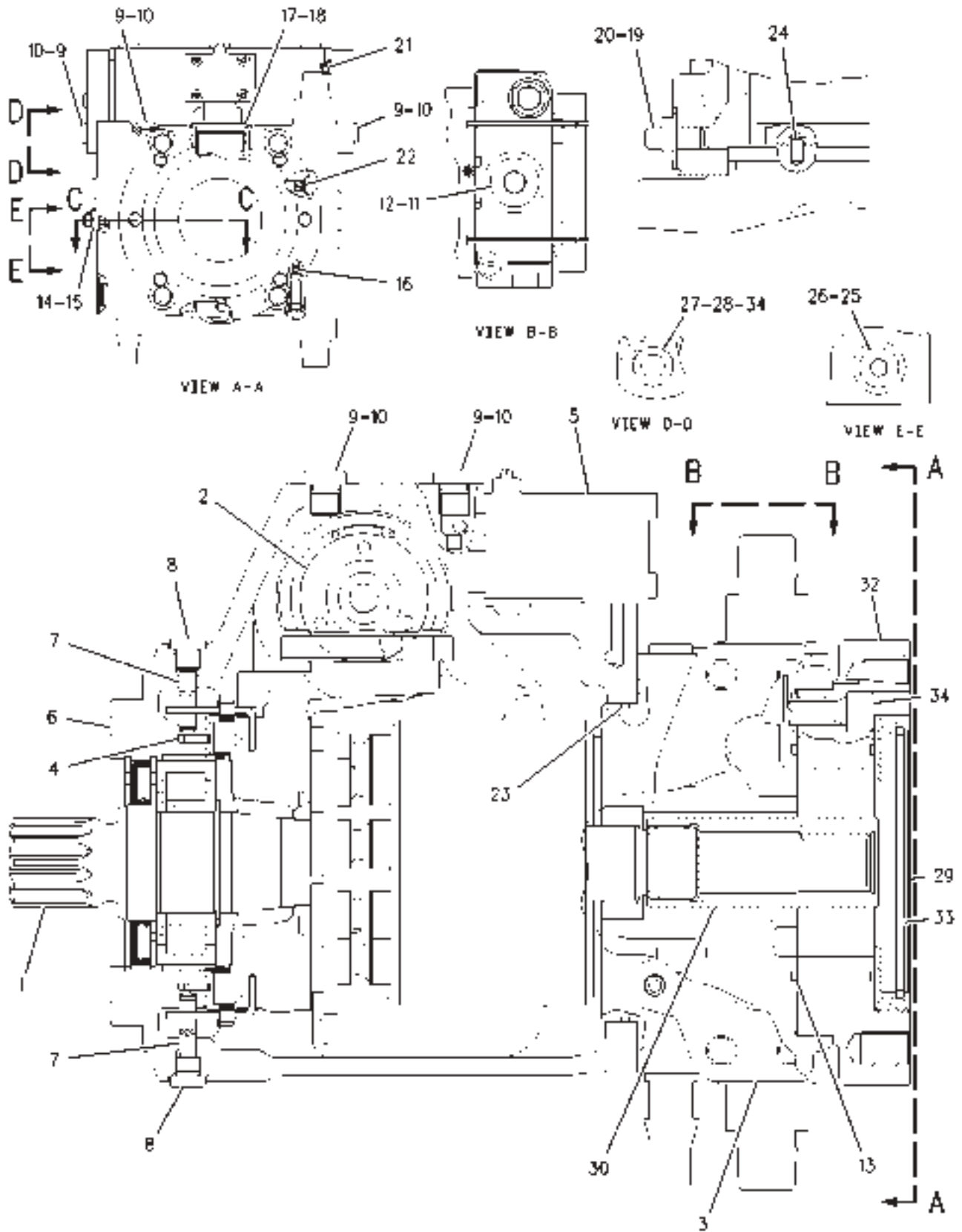
ITEM	NUMBER	QTY	DESCRIPTION
-	CH180-0459	--	PUMP GP-PISTON [A] (S/N: PRIOR TO AKN40200; ALA40269; ALM40712; AMS41162)
1	CH196-4232	1	ROTATING GP-PUMP (SEE BREAKDOWN FOR COMPONENTS)
2	CH196-4233	1	ACTUATOR GP-SWASHPLATE (SEE BREAKDOWN FOR COMPONENTS)
3	196-4234	1	HEAD GP-PUMP (SEE BREAKDOWN FOR COMPONENTS)
4	CH167-6805	2	PIN
5	196-4235	1	VALVE GP-ELECTRIC SERVO (SEE BREAKDOWN FOR COMPONENTS)
6	196-4236	1	HOUSING
7	CH126-1638	2	PIN-JOINT
8	CH9T-3928	2	PLUG ASY.
	CH187-8001	1	SEAL
9	CH9S-8002	5	PLUG-O-RING
10	3J-7354	5	SEAL-O-RING
11	CH9S-8010	1	PLUG-O-RING
12	2S-4078	1	SEAL-O-RING
13	CH6V-2483	2	SEAL-O-RING
14	CH6V-8978	1	SEAL-O-RING
15	CH123-7575	1	LOCKSCREW
16	CH145-5317	1	PLUG
17	9S-8006	1	PLUG
18	2M-9780	1	SEAL-O-RING
19	CH123-7582	1	PIN-THREADED
20	CH6E-4385	1	LOCKNUT (M12 X 1.5 THD)
21	CH120-4394	1	PLUG-BREAK OFF
22	CH126-1645	1	ORIFICE
23	6V-8397	1	SEAL-O-RING
24	CH6E-4350	1	PIN
25	CH9S-8008	1	PLUG-O-RING
26	3D-2824	1	SEAL-O-RING
27	196-4237	1	CONNECTOR
28	3J-1907	1	SEAL-O-RING
29	196-4246	1	SPACER (65X116X13.5MM THK)
30	196-4247	1	COUPLING
31	9X-6032	1	BOLT-SOCKET HEAD (M10X1.5X30MM)
32	196-4245	1	FLANGE
33	CH3K-0715	1	SEAL-O-RING
34	CH123-7583	1	ORIFICE

[A] PART OF 158-2396 PUMP & MOUNTING GP

00821359
PR: t05f07j07b0336

MT700 SERIES TRACK TRACTORS
BRAKING SYSTEM

PUMP GP-PISTON - 500525D1
SLIPPER WIDE GAUGE
ROW



**MT700 SERIES TRACK TRACTORS
BRAKING SYSTEM**

757

**PUMP GP-PISTON - 500525D1
SLIPPER WIDE GAUGE
ROW**

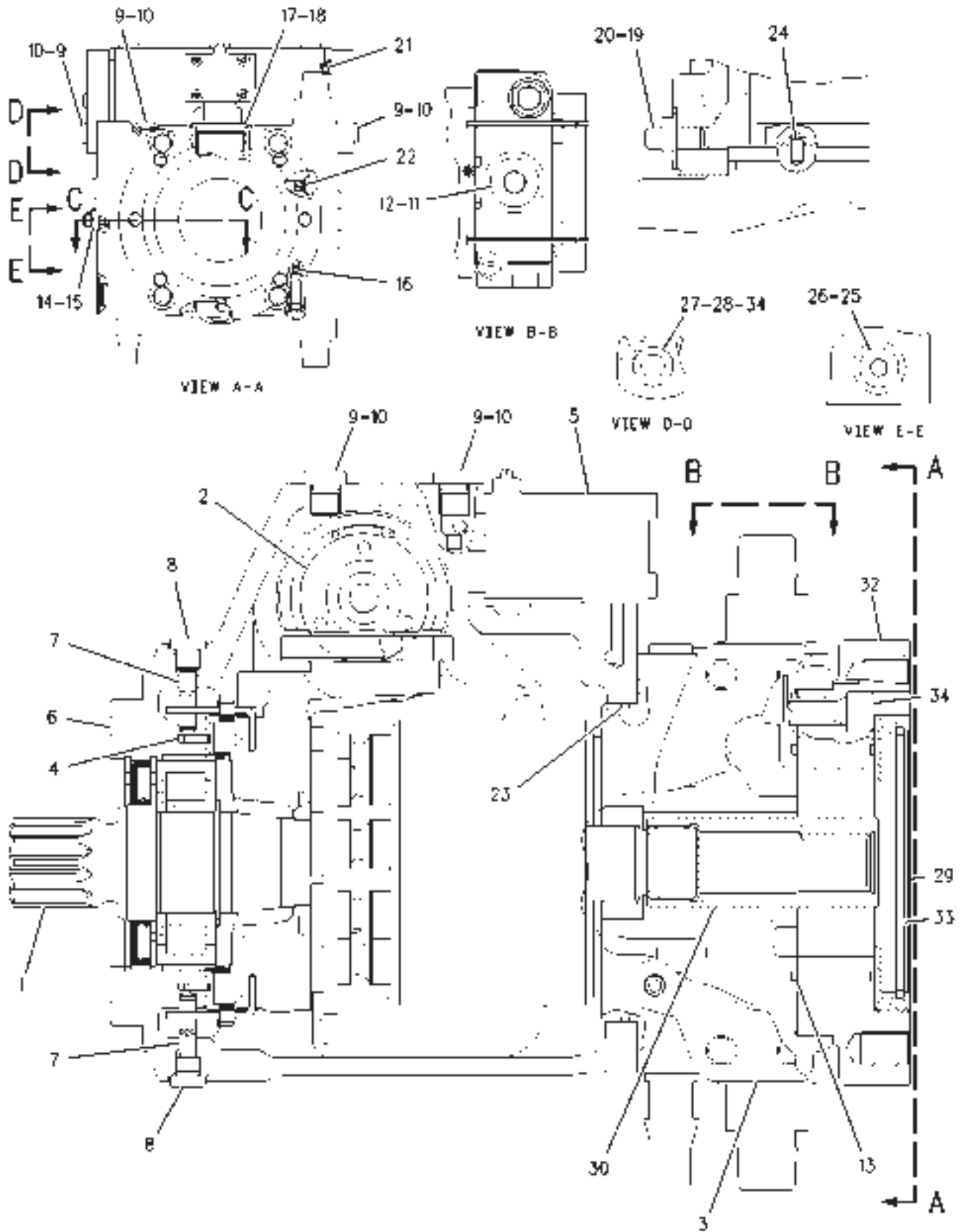
ITEM	NUMBER	QTY	DESCRIPTION
-	500525D1	--	PUMP GP-PISTON [A] (S/N: EFF AKN40200; ALA40269; ALM40712; AMS41162)
1	CH196-4232	1	ROTATING GP-PUMP (SEE BREAKDOWN FOR COMPONENTS)
2	CH196-4233	1	ACTUATOR GP-SWASHPLATE (SEE BREAKDOWN FOR COMPONENTS)
3	196-4234	1	HEAD GP-PUMP (SEE BREAKDOWN FOR COMPONENTS)
4	CH167-6805	2	PIN
5	196-4235	1	VALVE GP-ELECTRIC SERVO (SEE BREAKDOWN FOR COMPONENTS)
6	196-4236	1	HOUSING
7	CH126-1638	2	PIN-JOINT
8	CH9T-3928	2	PLUG ASY.
	CH187-8001	1	SEAL
9	CH9S-8002	4	PLUG-O-RING
10	400361X1	4	O-RING
11	CH9S-8010	1	PLUG-O-RING
12	400593X1	1	O-RING
13	-----	--	NOT USED
14	CH6V-8978	1	O-RING
15	CH123-7575	1	LOCKSCREW
16	-----	--	NOT USED
17	400374X1	1	PLUG
18	400319X1	1	O-RING
19	-----	1	NOT USED
20	-----	1	NOT USED
21	-----	1	NOT USED
22	CH126-1645	1	ORIFICE
23	400378X1	1	O-RING
24	CH6E-4350	1	PIN
25	CH9S-8008	1	PLUG-O-RING
26	400416X1	1	SEAL-O-RING 23.47IDX2.95DIA
27	-----	1	NOT USED
28	400318X1	1	O-RING
29	-----	--	NOT USED
30	-----	--	NOT USED
31	-----	--	NOT USED
32	-----	--	NOT USED
33	-----	--	NOT USED
34	CH123-7583	1	ORIFICE
-	CH9S-8004	1	PLUG - 9/16-18-2A THD HSHD (NOT ILL.)

[A] PART OF 500573D1 PUMP & MOUNTING GP

00821359
PR: t05f07j07b0337

MT700 SERIES TRACK TRACTORS
BRAKING SYSTEM

PUMP GP-PISTON - 500526D1
SLIPPER STD GAUGE
ROW



**MT700 SERIES TRACK TRACTORS
BRAKING SYSTEM**

759

**PUMP GP-PISTON - 500526D1
SLIPPER STD GAUGE
ROW**

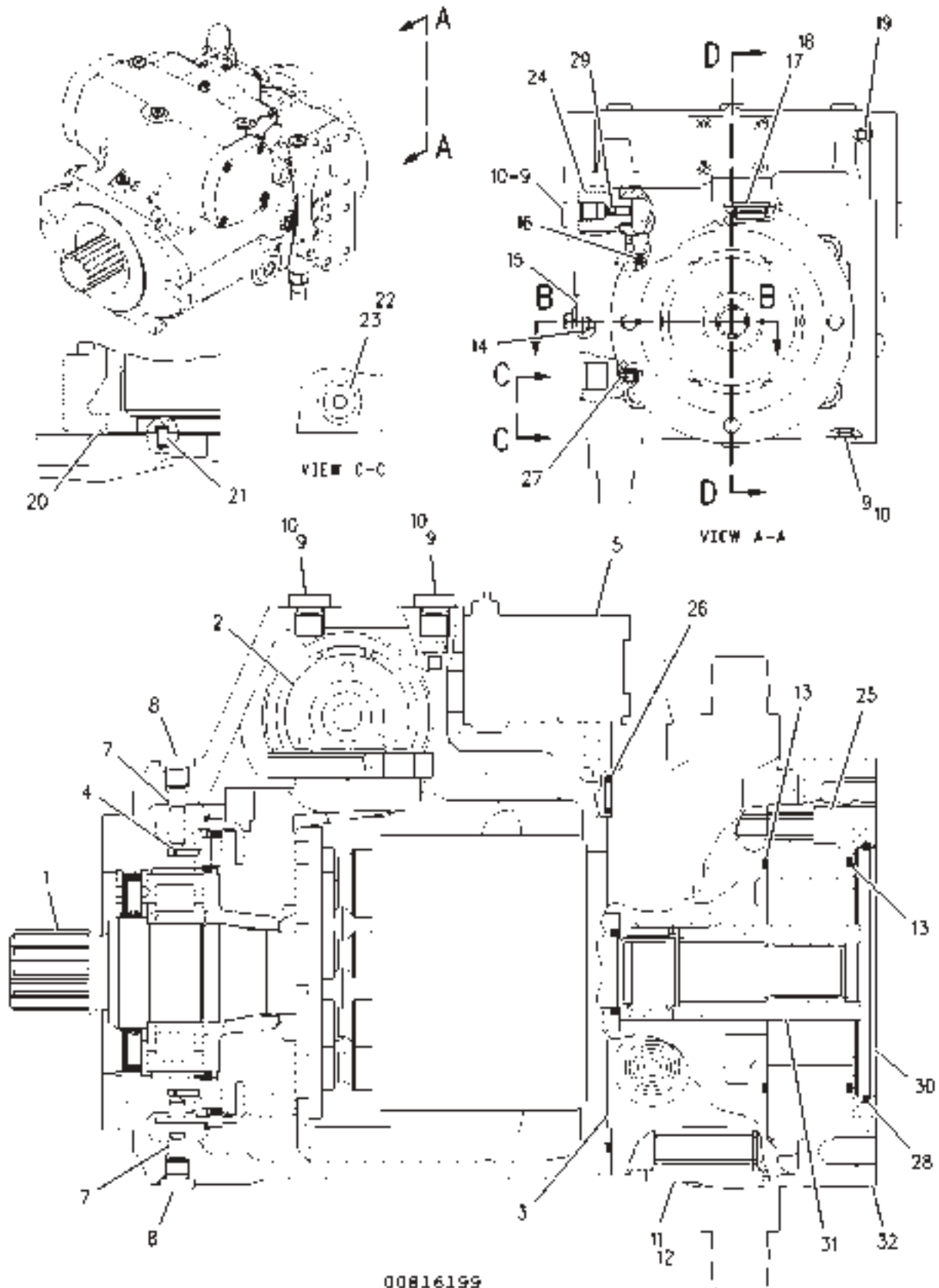
ITEM	NUMBER	QTY	DESCRIPTION
-	500526D1	--	PUMP GP-PISTON [A]
1	196-4623	1	ROTATING GP-PUMP (SEE BREAKDOWN FOR COMPONENTS)
2	CH196-4233	1	ACTUATOR GP-SWASHPLATE (SEE BREAKDOWN FOR COMPONENTS)
3	204-6515	1	HEAD GP-PUMP (SEE BREAKDOWN FOR COMPONENTS)
4	CH167-6805	2	PIN
5	196-4235	1	VALVE GP-ELECTRIC SERVO (SEE BREAKDOWN FOR COMPONENTS)
6	204-6516	1	HOUSING
7	CH126-1638	2	PIN-JOINT
8	CH9T-3928	2	PLUG ASY.
	CH187-8001	1	SEAL
9	CH9S-8002	4	PLUG-O-RING
10	400361X1	4	O-RING
11	CH9S-8010	1	PLUG-O-RING
12	400593X1	1	O-RING
13	-----	--	NOT USED
14	CH6V-8978	1	O-RING
15	CH123-7575	1	LOCKSCREW
16	-----	--	NOT USED
17	400374X1	1	PLUG
18	400319X1	1	O-RING
19	-----	1	NOT USED
20	-----	1	NOT USED
21	-----	1	NOT USED
22	CH126-1645	1	ORIFICE
23	400378X1	1	O-RING
24	205-6399	1	PIN
25	CH9S-8008	1	PLUG-O-RING
26	400416X1	1	SEAL-O-RING 23.47IDX2.95DIA
27	-----	1	NOT USED
28	400318X1	1	O-RING
29	-----	--	NOT USED
30	-----	--	NOT USED
31	-----	--	NOT USED
32	-----	--	NOT USED
33	-----	--	NOT USED
34	CH123-7583	1	ORIFICE
-	CH9S-8004	1	PLUG - 9/16-18-2A THD HSHD (NOT ILL.) SEAL-O-RING 139.37IDX2.62DIA

[A] PART OF 500574D1 PUMP & MOUNTING GP

00821359
PR: t05f07j07b0338

MT700 SERIES TRACK TRACTORS
BRAKING SYSTEM

PUMP GP-PISTON - CH202-7850
STEERING SLIPPER



**MT700 SERIES TRACK TRACTORS
BRAKING SYSTEM**

761

**PUMP GP-PISTON - CH202-7850
STEERING SLIPPER**

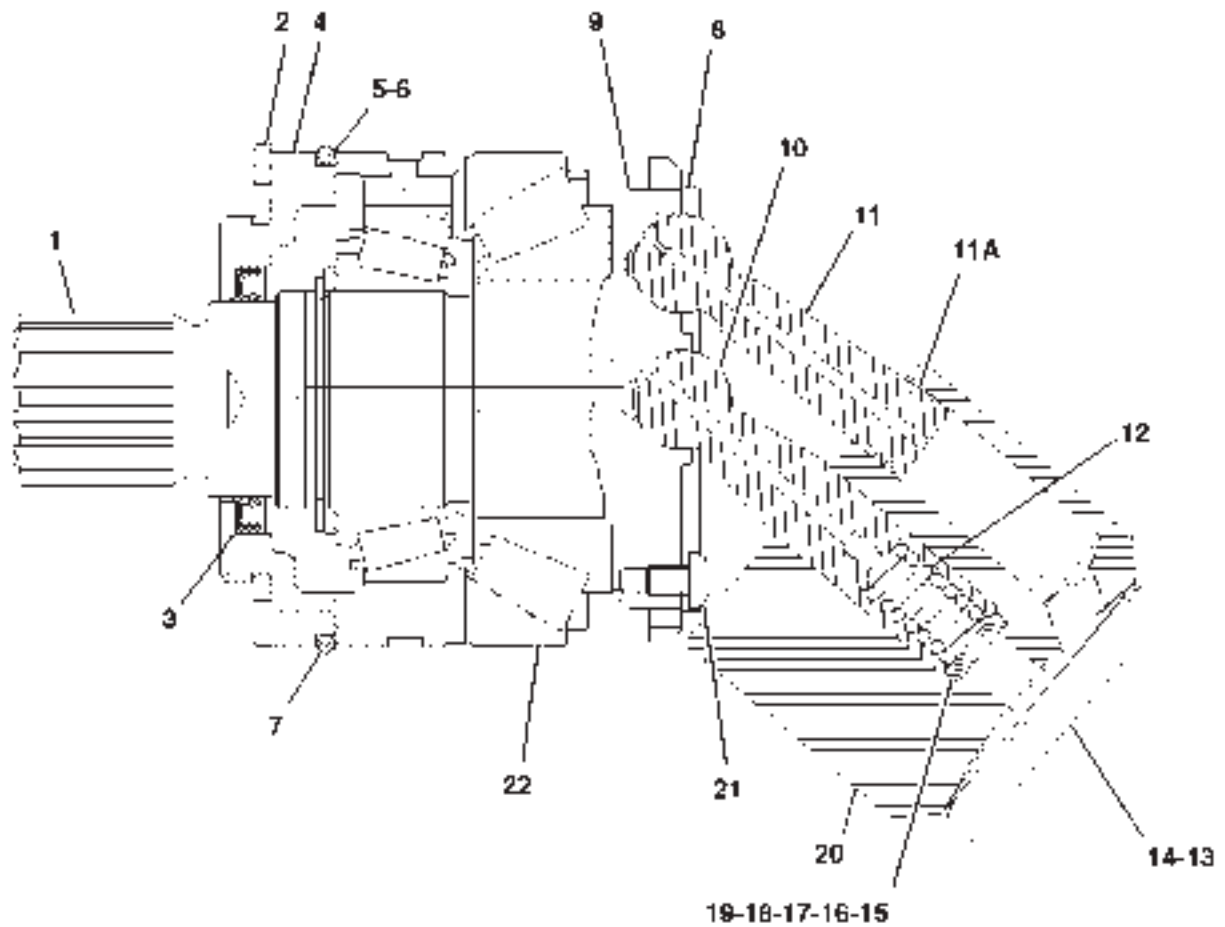
ITEM	NUMBER	QTY	DESCRIPTION
-	CH202-7850	--	PUMP GP-PISTON [A]
1	196-4623	1	ROTATING GP-PUMP (SEE BREAKDOWN FOR COMPONENTS)
2	CH196-4233	1	ACTUATOR GP-SWASHPLATE (SEE BREAKDOWN FOR COMPONENTS)
3	204-6515	1	HEAD GP-PUMP
4	CH167-6805	2	PIN
5	196-4235	1	VALVE GP-ELECTRIC SERVO
6	204-6516	1	HOUSING
7	CH126-1638	2	PIN-JOINT
8	CH9T-3928	2	PLUG ASY.
	CH187-8001	1	SEAL
9	CH9S-8002	4	PLUG
10	400361X1	4	SEAL-O-RING
11	CH9S-8010	1	PLUG
12	400593X1	1	SEAL-O-RING
13	CH6V-2483	2	SEAL-O-RING
14	CH6V-8978	1	SEAL-O-RING
15	CH123-7575	1	LOCKSCREW
16	CH117-7236	1	PLUG
17	400374X1	1	PLUG
18	400319X1	1	SEAL-O-RING
19	CH120-4394	1	PLUG-BREAK OFF
20	CH117-7282	1	SEAL-O-RING
21	205-6399	1	PIN-ECCENTRIC
22	CH9S-8008	1	PLUG
23	400416X1	1	SEAL-O-RING 23.47IDX2.95DIA
24	CH215-2130	1	CONNECTOR ASY.
25	400255X1	4	BOLT-SOCKET HEAD (M10X1.5X30MM)
26	400378X1	1	SEAL-O-RING
27	CH126-1645	1	ORIFICE
28	CH3K-0715	1	SEAL-O-RING
29	CH123-7583	1	ORIFICE
30	196-4246	1	SPACER (65X116X13.5MM THK)
31	CH196-5076	1	COUPLING
32	196-4245	1	FLANGE

[A] PART OF 180-9997 PUMP & MOUNTING GP

00816199
PR: t05f07j07b0339

MT700 SERIES TRACK TRACTORS
BRAKING SYSTEM

ROTATING GP-MOTOR - 189-9384
ROW



**MT700 SERIES TRACK TRACTORS
BRAKING SYSTEM**

763

**ROTATING GP-MOTOR - 189-9384
ROW**

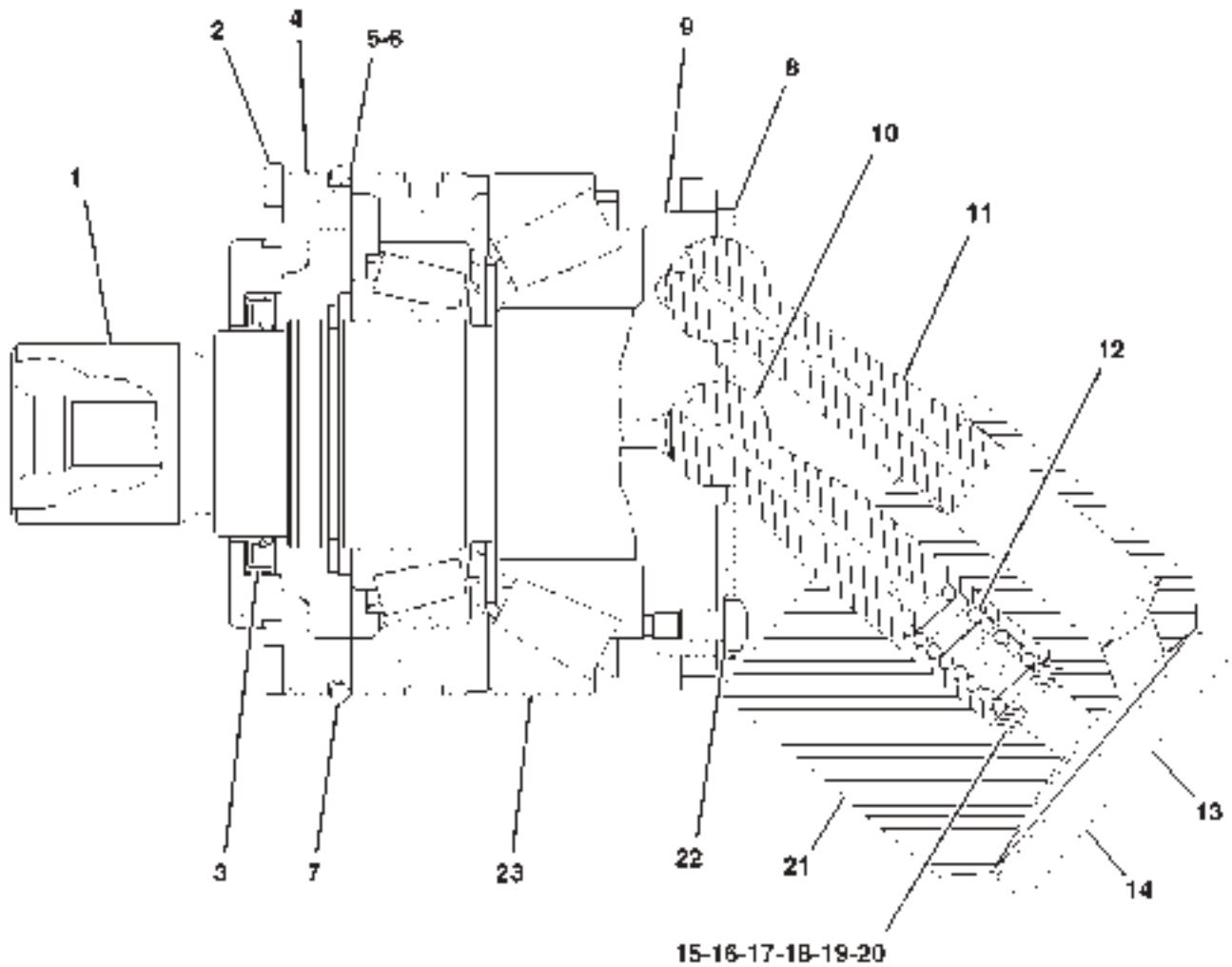
ITEM	NUMBER	QTY	DESCRIPTION
-	189-9384	--	ROTATING GP-MOTOR [A]
1	192-8859	1	SHAFT ASY-MOTOR
2	CH8T-7567	1	RING
3	CH9T-2901	1	SEAL-LIP TYPE
4	CH9T-2912	1	COVER
5	CH9T-2903	1	SHIM (0.3MM THK)
6	CH9T-2904	2	SHIM (0.1MM THK)
7	CH9X-4611	1	O-RING
8	CH144-0590	1	PLATE
9	CH9T-2908	1	DISC
10	CH171-6862	1	PIN
11	CH165-6966	7	PISTON ASY.(INCL. 11A)
11A	CH9T-2906	2	RING
12	CH171-6863	1	SPRING
13	CH192-8858	1	WASHER
14	CH189-9389	1	VALVE GP-FLUSHING
15	CH192-8857	1	SHIM (4.0MM THK)
16	CH171-6858	1	SHIM (3.9MM THK)
17	CH171-6859	1	SHIM (3.8MM THK)
18	CH171-6860	1	SHIM (3.7MM THK)
19	CH171-6861	1	SHIM (3.6MM THK)
20	CH9T-2914	1	BARREL
21	CH113-4419	7	SCREW (TORX)
22	CH171-5991	1	KIT-BEARING

[A] PART OF 177-0463 MOTOR GP-PISTON

1899384A
PR: t05f07j07b0340

MT700 SERIES TRACK TRACTORS
BRAKING SYSTEM

ROTATING GP-MOTOR - 192-8863



SECTION VIEW

**MT700 SERIES TRACK TRACTORS
BRAKING SYSTEM**

765

ROTATING GP-MOTOR - 192-8863

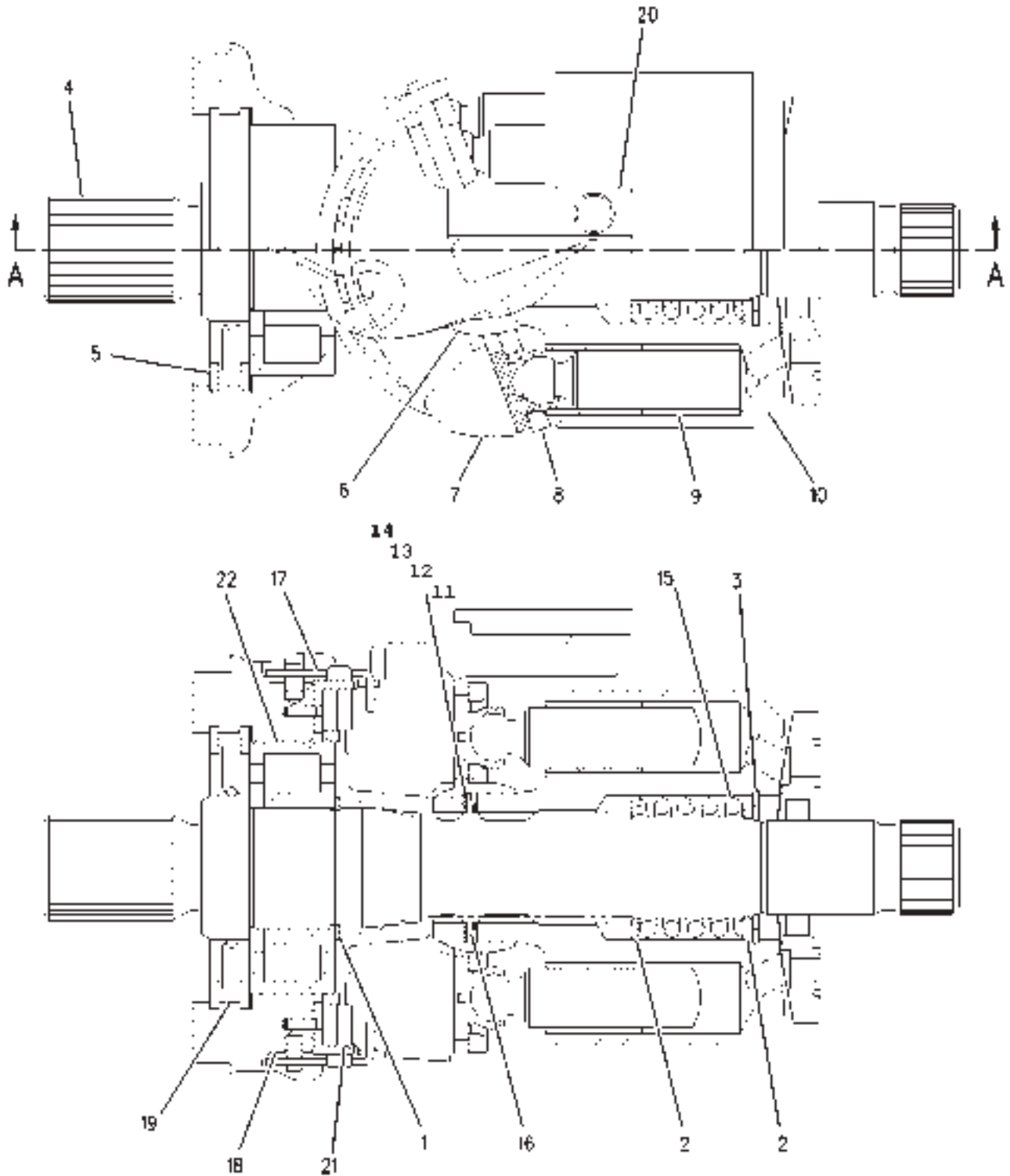
ITEM	NUMBER	QTY	DESCRIPTION
-	192-8863	--	ROTATING GP-MOTOR [A] (NOT SERVICED)
1	192-8870	1	SHAFT ASY-MOTOR
2	CH9T-2584	1	RING-RETAINING
3	CH133-8739	1	SEAL
4	CH9T-2560	1	COVER
5	CH9T-2582	1	SHIM (0.3MM THK)
6	CH9T-2581	2	SHIM (0.1MM THK)
7	CH2H-3928	1	O-RING
8	CH123-3299	1	PLATE-RETAINING
9	CH9T-2559	1	DISC-RETAINING
10	CH166-7409	1	PIN-CENTER
11	CH166-7408	7	PISTON ASY.
	CH133-8743	2	RING
12	CH166-7410	1	SPRING
13	CH133-8742	1	WASHER
14	CH133-8740	1	VALVE GP-FLUSHING (SEE BREAKDOWN FOR COMPONENTS)
15	CH141-0247	1	SHIM (3.50MM THK)
16	CH141-0248	1	SHIM (3.60MM THK)
17	CH141-0249	1	SHIM (3.70MM THK)
18	CH141-0250	1	SHIM (3.80MM THK)
19	CH141-0251	1	SHIM (3.90MM THK)
20	CH141-0252	1	SHIM (4.00MM THK)
21	CH9T-2558	1	BARREL
22	CH113-4417	7	SCREW
23	CH171-5990	1	KIT-BEARING

[A] PART OF CH162-9597; CH162-9598
MOTOR GP-PISTON

1928863A
PR: t05f07j07b0341

MT700 SERIES TRACK TRACTORS
BRAKING SYSTEM

ROTATING GP-PUMP - CH196-4232
ROW



MT700 SERIES TRACK TRACTORS
BRAKING SYSTEM

767

ROTATING GP-PUMP - CH196-4232
ROW

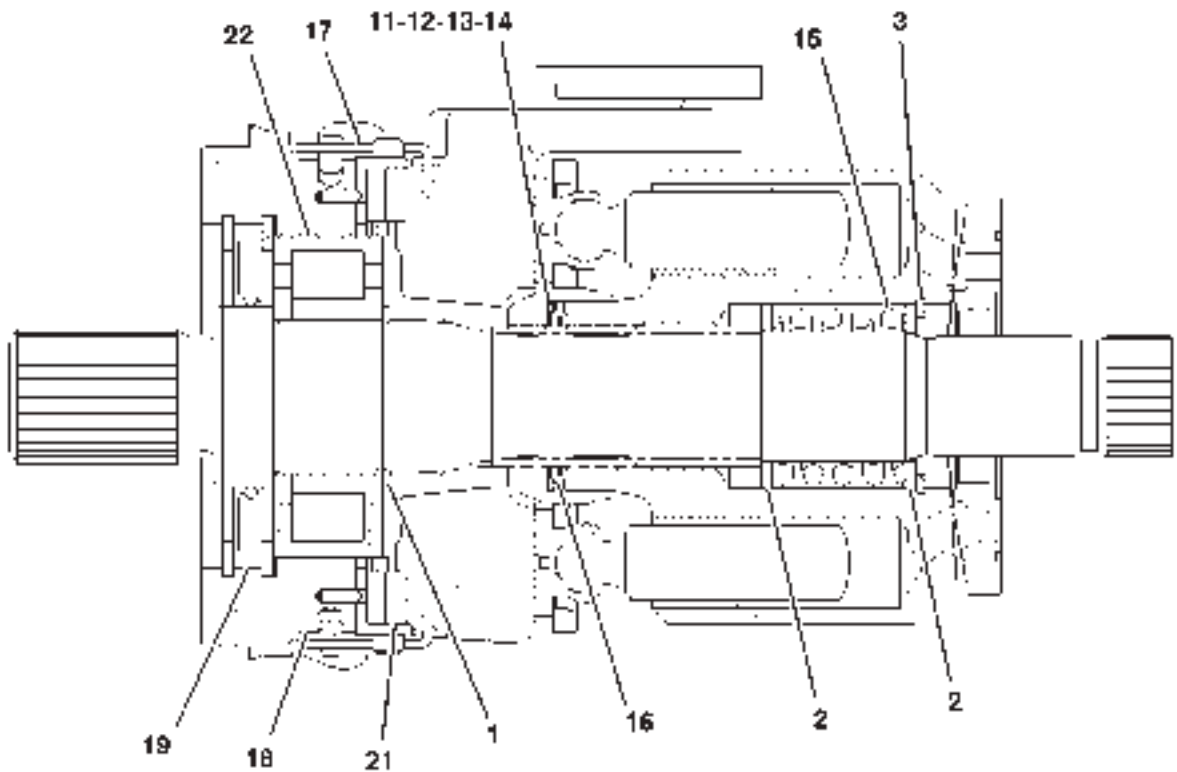
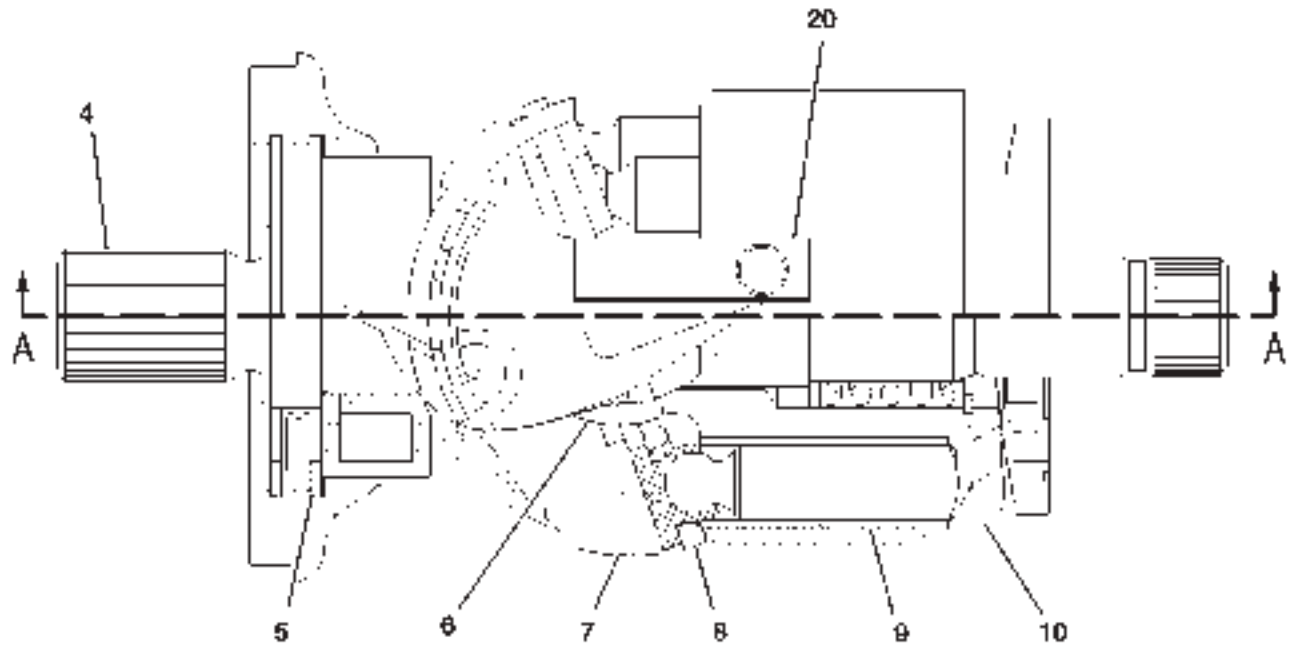
ITEM	NUMBER	QTY	DESCRIPTION
-	CH196-4232	--	ROTATING GP-PUMP [A]
1	CH6V-5201	1	RING-RETAINING (36.5X1.75MM) (EXTERNAL)
2	CH142-9437	2	WASHER
3	CH9X-2857	1	RING-RETAINING (INTERNAL)
4	CH142-9429	1	SHAFT
5	CH159-9854	2	RING-RETAINING
6	CH142-9435	1	BALL-RETAINER
7	CH142-9427	1	SWASHPLATE
8	CH142-9434	1	PLATE-RETAINER
9	CH142-9425	9	PISTON ASY.
10	CH196-4238	1	BARREL ASY.
11	CH142-9430	1	SHIM (1.2MM THK)
12	CH142-9431	1	SHIM (1.0MM THK)
13	CH142-9432	1	SHIM (0.8MM THK)
14	CH142-9433	1	SHIM (0.6MM THK)
15	CH142-9438	1	SPRING-COIL
16	CH142-9426	1	SPRING ASY.
17	CH130-7806	2	ROD
18	CH142-9436	1	BEARING ASY.
19	CH201-5382	1	SEAL-SHAFT
20	CH126-1403	1	PLATE-ADJUSTMENT
21	CH142-9440	1	BEARING ASY-SWASH
22	CH142-9439	1	BEARING ASY.

[A] PART OF 500525D1 PUMP GP-PISTON

00771245
PR: t05f07j07b0342

MT700 SERIES TRACK TRACTORS
BRAKING SYSTEM

ROTATING GP-PUMP - 196-4623
ROW



**MT700 SERIES TRACK TRACTORS
BRAKING SYSTEM**

769

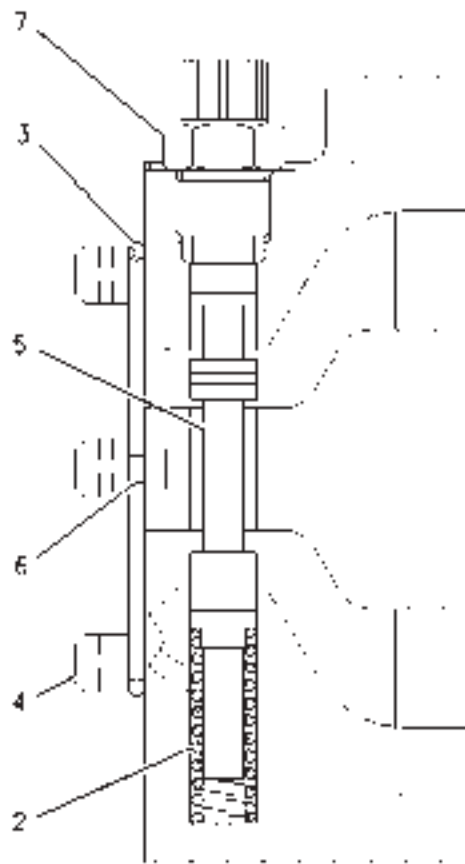
**ROTATING GP-PUMP - 196-4623
ROW**

ITEM	NUMBER	QTY	DESCRIPTION
-	196-4623	--	ROTATING GP-PUMP [A]
1	CH6V-5201	1	RING-RETAINING (36.5X1.75MM)
2	CH126-1415	2	WASHER
3	CH114-4270	1	RING-RETAINING
4	196-5065	1	SHAFT
5	CH159-9854	2	RING-RETAINING
6	CH126-1410	1	RETAINER-BALL
7	CH196-5064	1	SWASHPLATE
8	CH126-1409	1	PLATE-RETAINING
9	CH126-1400	9	PISTON ASY.
10	196-5063	1	BARREL ASY.
11	CH126-1405	1	SHIM (1.2MM THK)
12	CH126-1406	1	SHIM (1.0MM THK)
13	CH126-1407	1	SHIM (0.8MM THK)
14	CH126-1408	1	SHIM (0.6MM THK)
15	CH126-1416	1	SPRING
16	CH126-1401	1	SPRING
17	CH130-7806	2	ROD
18	CH126-1413	1	LINER-BEARING
19	CH126-1420	1	SEAL-SHAFT
20	CH126-1403	1	PLATE-ADJUSTMENT
21	CH126-1419	1	BEARING-CRADLE
22	CH142-9439	1	BEARING ASY.

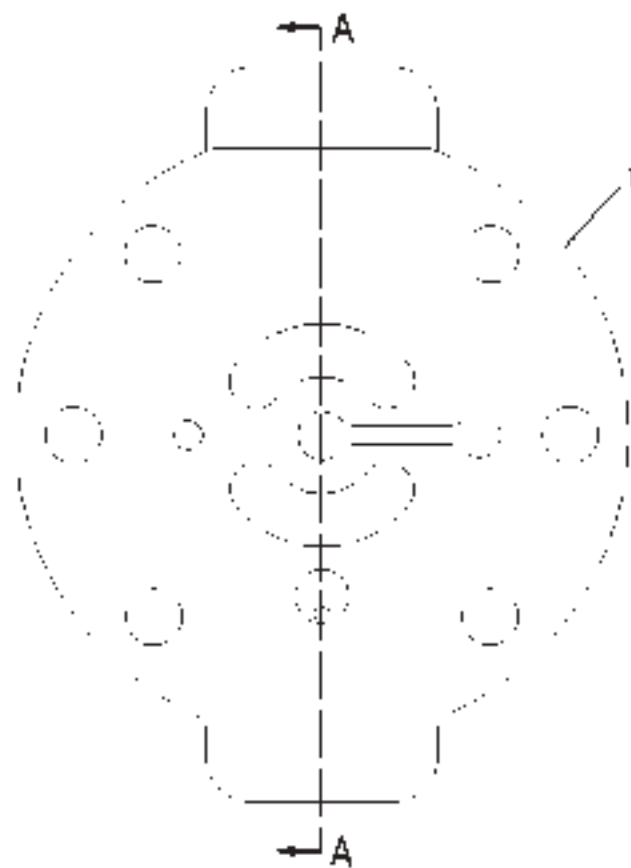
[A] PART OF 202-7850; 500526D1
PUMP GP-PISTON

1964623A
PR: t05f07j07b0343

HEAD GP-MOTOR - 192-8865
EAME



SECTION A-A



**MT700 SERIES TRACK TRACTORS
BRAKING SYSTEM**

771

**HEAD GP-MOTOR - 192-8865
EAME**

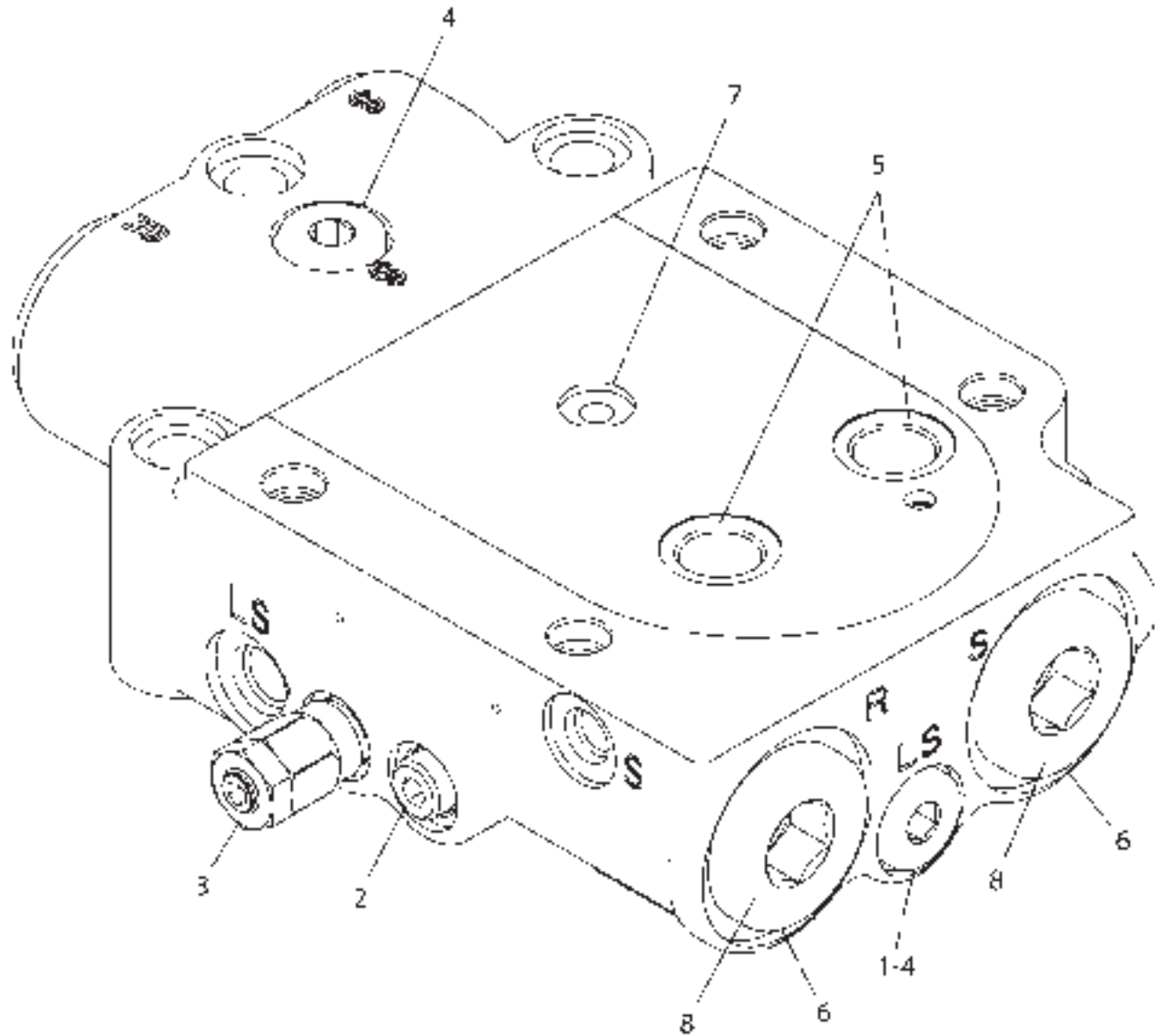
ITEM	NUMBER	QTY	DESCRIPTION
-	192-8865	--	HEAD GP-MOTOR [A]
1	CH166-7411	1	HEAD
2	CH166-7413	1	SPRING
3	CH2H-4145	1	SEAL-O-RING
4	CH180-2826	6	BOLT-SOCKET HEAD (M12X1.75X30MM)
5	192-8871	1	SLIDER
6	CH1G-3174	1	PIN
7	CH166-7414	1	FITTING

[A] PART OF CH162-9598 MOTOR GP-PISTON

00819137
PR: t05f07j07b0344

MT700 SERIES TRACK TRACTORS
BRAKING SYSTEM

VALVE GP-INLET FLOW - 226-5657
IMPLEMENT



2265657A

**MT700 SERIES TRACK TRACTORS
BRAKING SYSTEM**

773

**VALVE GP-INLET FLOW - 226-5657
IMPLEMENT**

ITEM	NUMBER	QTY	DESCRIPTION
-	226-5657	--	VALVE-GP-INLET FLOW [A]
1	188-3642	1	VALVE GP-CHECK (HYD POWER BEYOND LOAD SENSOR)
2	227-8726	1	VALVE GP-FLOW CONTROL
	CH033-5879	1	O-RING
	CH192-7111	1	O-RING
	CH209-7451	2	RING-BACKUP
	CH209-7452	1	RING-BACKUP
3	227-8727	1	VALVE GP-RELIEF (LOAD SENSING RELIEF)
	CH033-5879	1	O-RING
	CH192-7111	1	O-RING
	CH209-7451	2	RING-BACKUP
	CH209-7452	1	RING-BACKUP
4	CH162-0177	2	PLUG ASY.
	400318X1	1	SEAL-O-RING (11.89IDX1.98DIA)
5	CH5P-9186	2	O-RING
6	400376X1	2	SEAL-O-RING (29.74IDX2.95DIA)
7	CH8L-2777	1	O-RING
8	400375X1	2	PLUG

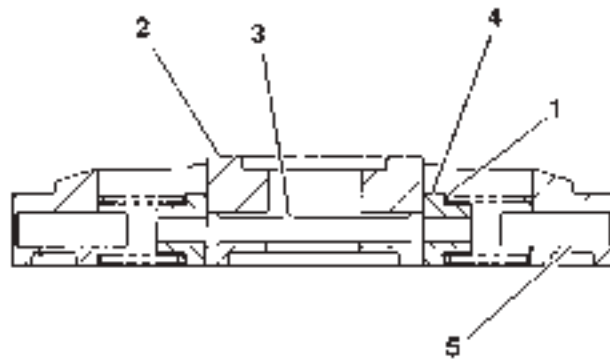
[A] PART OF 223-5935; 223-5396
VALVE GP-BANK 7

2265657A
PR: t05f07j07b0345

774

**MT700 SERIES TRACK TRACTORS
BRAKING SYSTEM**

**VALVE GP-FLUSHING - CH133-8740
ROW**



1338740A

**MT700 SERIES TRACK TRACTORS
BRAKING SYSTEM**

775

**VALVE GP-FLUSHING - CH133-8740
ROW**

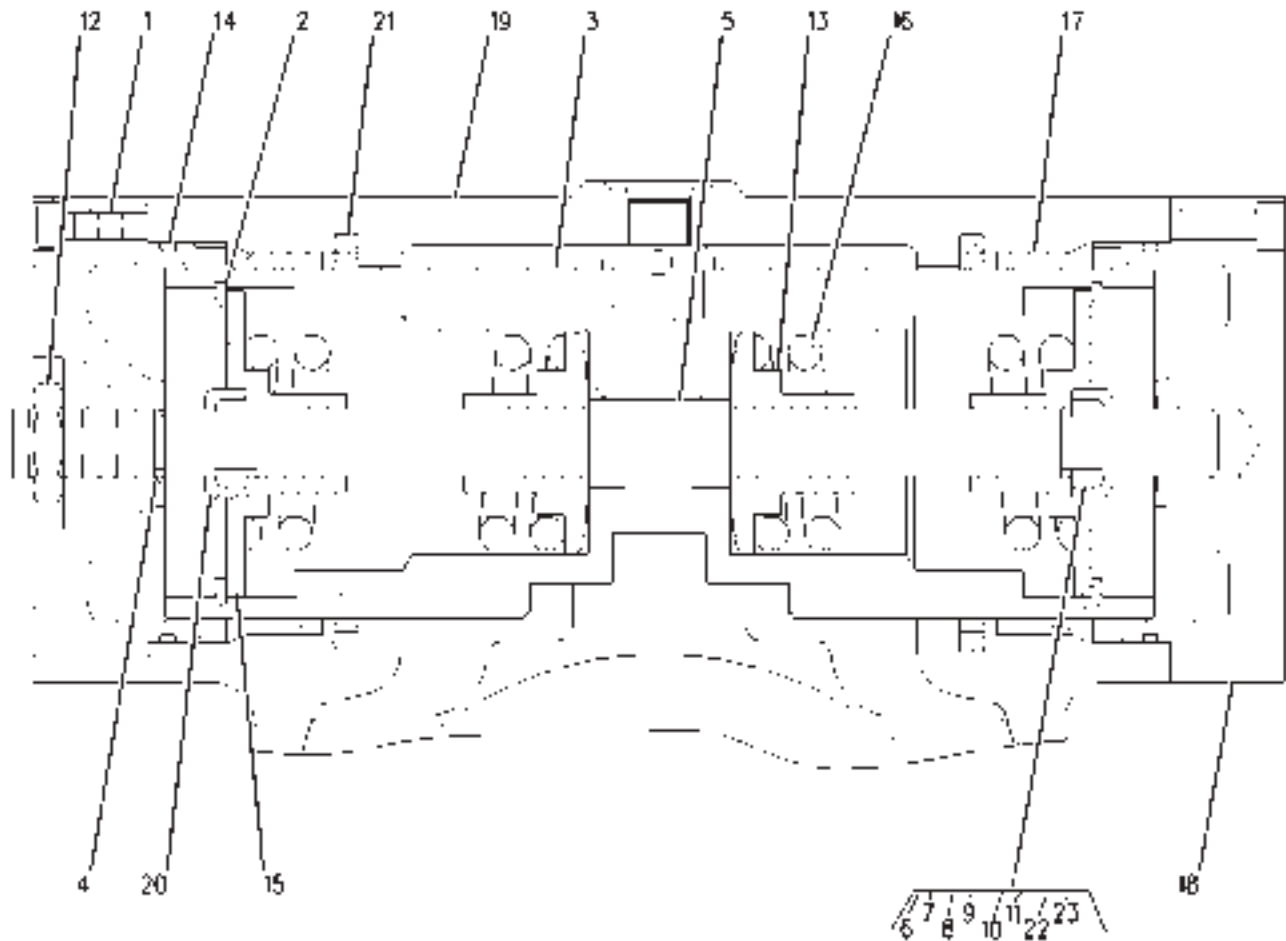
ITEM	NUMBER	QTY	DESCRIPTION
-	CH133-8740	--	VALVE GP-FLUSHING [A]
1	CH6E-4102	2	SPRING
2	CH133-8744	1	PLATE
3	CH133-8745	1	ROD
4	CH119-6110	2	RETAINER
5	CH133-8747	2	BOLT

[A] PART OF 192-8863 ROTATING GP-MOTOR

1338740A
PR: t05f07j07b0346

MT700 SERIES TRACK TRACTORS
HYDRAULIC SYSTEM

ACTUATOR GP-SWASHPLATE - CH196-4233
ROW



MT700 SERIES TRACK TRACTORS
HYDRAULIC SYSTEM

777

ACTUATOR GP-SWASHPLATE - CH196-4233
ROW

ITEM	NUMBER	QTY	DESCRIPTION
-	CH196-4233	--	ACTUATOR GP-SWASHPLATE [A]
1	CH8T-0269	8	BOLT-SOCKET HEAD (M6X1X20MM)
2	CH123-7547	2	SEAL-VALVE RING
3	CH188-7792	1	PISTON (ACTUATOR)
4	400378X1	1	O-RING
5	CH145-0834	1	ROD
6	CH188-7793	2	SPACER (9.2X15.95X5.82MM THK)
7	CH188-7794	2	SPACER (9.2X15.95X5.87MM THK)
8	CH188-7795	2	SPACER (9.2X15.95X5.92MM THK)
9	CH188-7796	2	SPACER (9.2X15.95X5.97MM THK)
10	CH188-7797	2	SPACER (9.2X15.95X6.02MM THK)
11	CH188-7798	2	SPACER (9.2X15.95X5.67MM THK)
12	CH188-7789	1	NUT (M12X1.50 THD)
13	CH145-0838	2	RETAINER-SPRING
14	CH004-1964	2	O-RING
15	CH153-2782	2	RETAINER-SPRING
16	CH123-7544	2	SPRING-PRESSURE
17	CH188-7790	2	RING-GUIDE
18	CH188-7569	1	COVER
19	CH188-7568	1	COVER
20	CH188-7800	2	RING
21	CH188-7791	2	RING
22	CH188-7799	2	SPACER (9.2X15.95X5.72MM THK)
23	CH106-7532	2	SPACER (9.2X15.95X5.77MM THK)

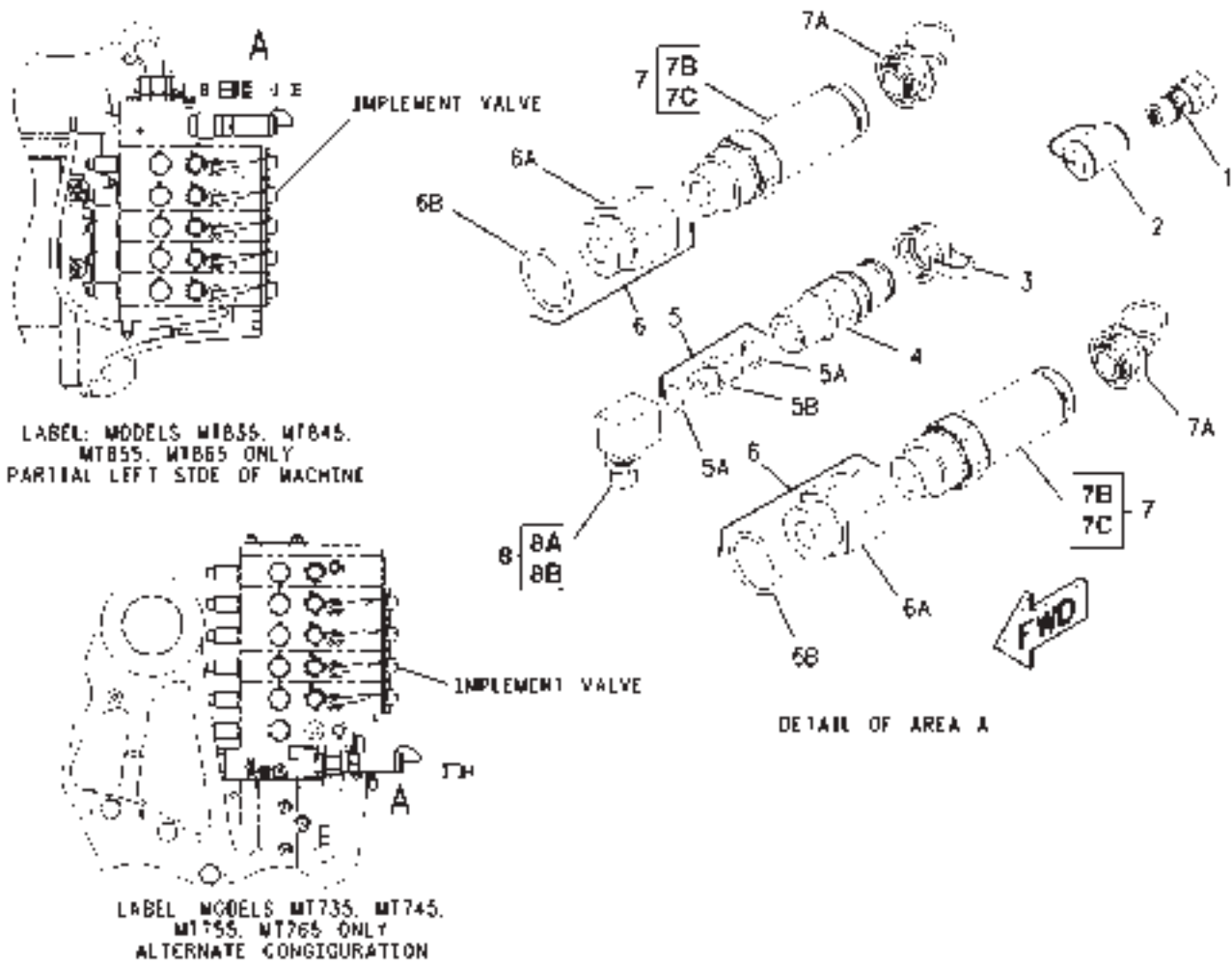
[A] PART OF CH180-0459;500525D1;500526D1
PUMP GP-PISTON

00816399
PR: t05f07j07b0347

MT700 SERIES TRACK TRACTORS
HYDRAULIC SYSTEM

HYDRAULIC KIT-POWER BEYOND - 178-7162

0 TO 60 LPM
ROW ONLY



MT700 SERIES TRACK TRACTORS
HYDRAULIC SYSTEM

779

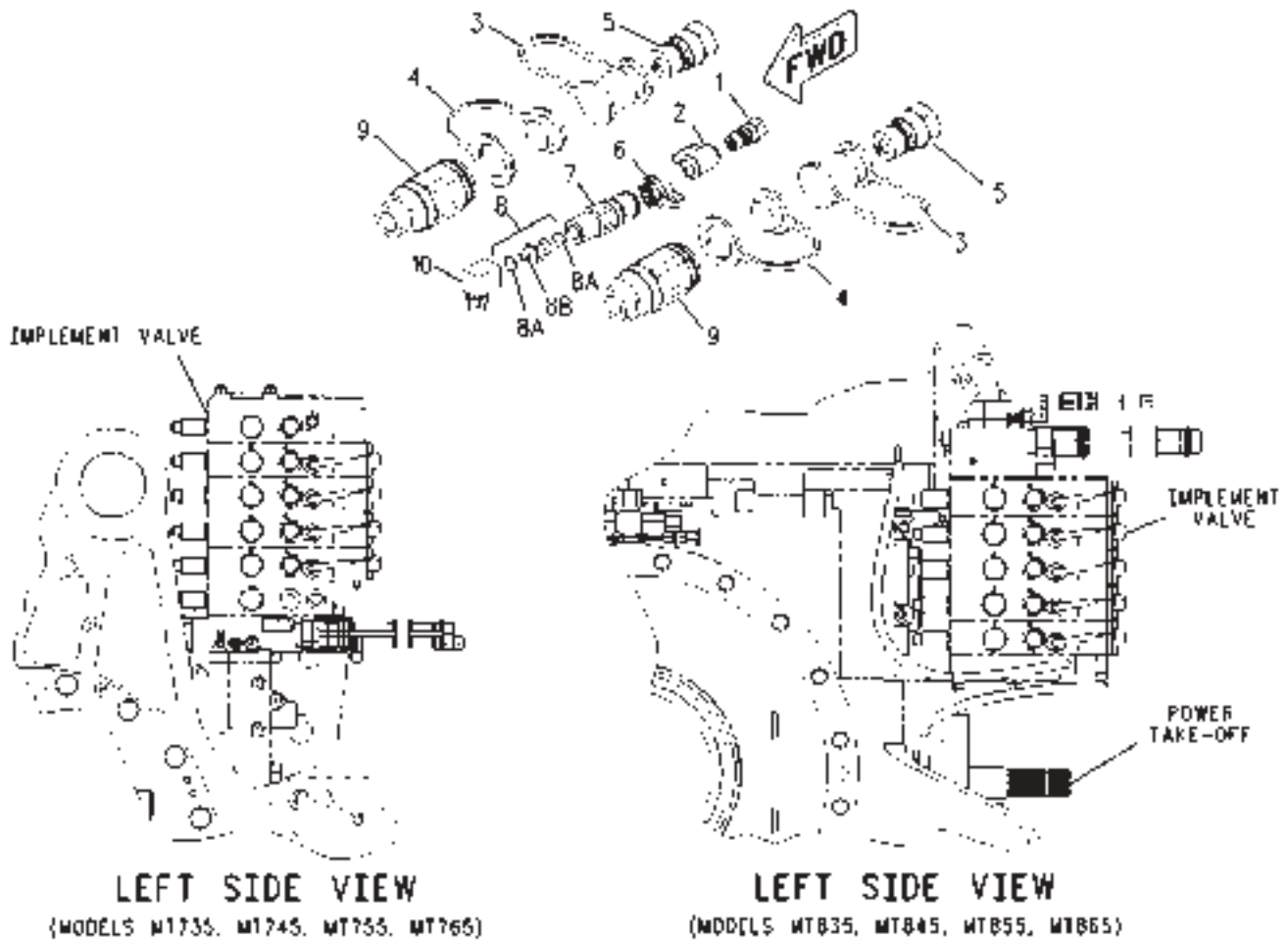
HYDRAULIC KIT-POWER BEYOND - 178-7162
0 TO 60 LPM
ROW ONLY

ITEM	NUMBER	QTY	DESCRIPTION
-	178-7162	--	CONNECTOR GP-VALVE
1	CH153-4061	1	FITTING
2	CH153-6225	1	CAP-DUST
3	CH159-5893	1	CAP-DUST
4	CH159-5897	1	COUPLER ASY.
5	CH170-0964	1	CONNECTOR GP (SERVICE WITH COMPONENTS)
5A	400318X1	2	SEAL-O-RING (11.89IDX1.98DIA)
5B	CH8T-1031	1	CONNECTOR
6	CH172-4621	2	ADAPTER AS-STR-16STORX12STOR
6A	CH6V-0301	1	ADAPTER-STR-16STORX12STOR
6B	400376X1	1	SEAL-O-RING (29.74IDX2.95DIA)
7	CH183-3725	2	COUPLER ASY.
7A	CH168-4599	1	CAP-DUST
7B	CH5L-4758	1	O-RING
7C	CH201-7615	1	RING-BACKUP
8			NOT USED ON MT700 SERIES

00885028
PR: t05f07j07b0348

MT700 SERIES TRACK TRACTORS
HYDRAULIC SYSTEM

HYDRAULIC KIT-POWER BEYOND - 180-7174
ABOVE 60 LPM
ROW ONLY



MT700 SERIES TRACK TRACTORS
HYDRAULIC SYSTEM

781

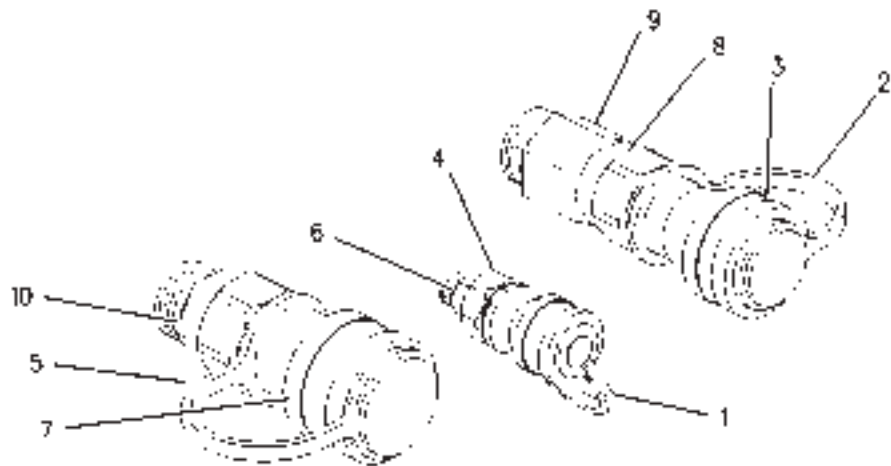
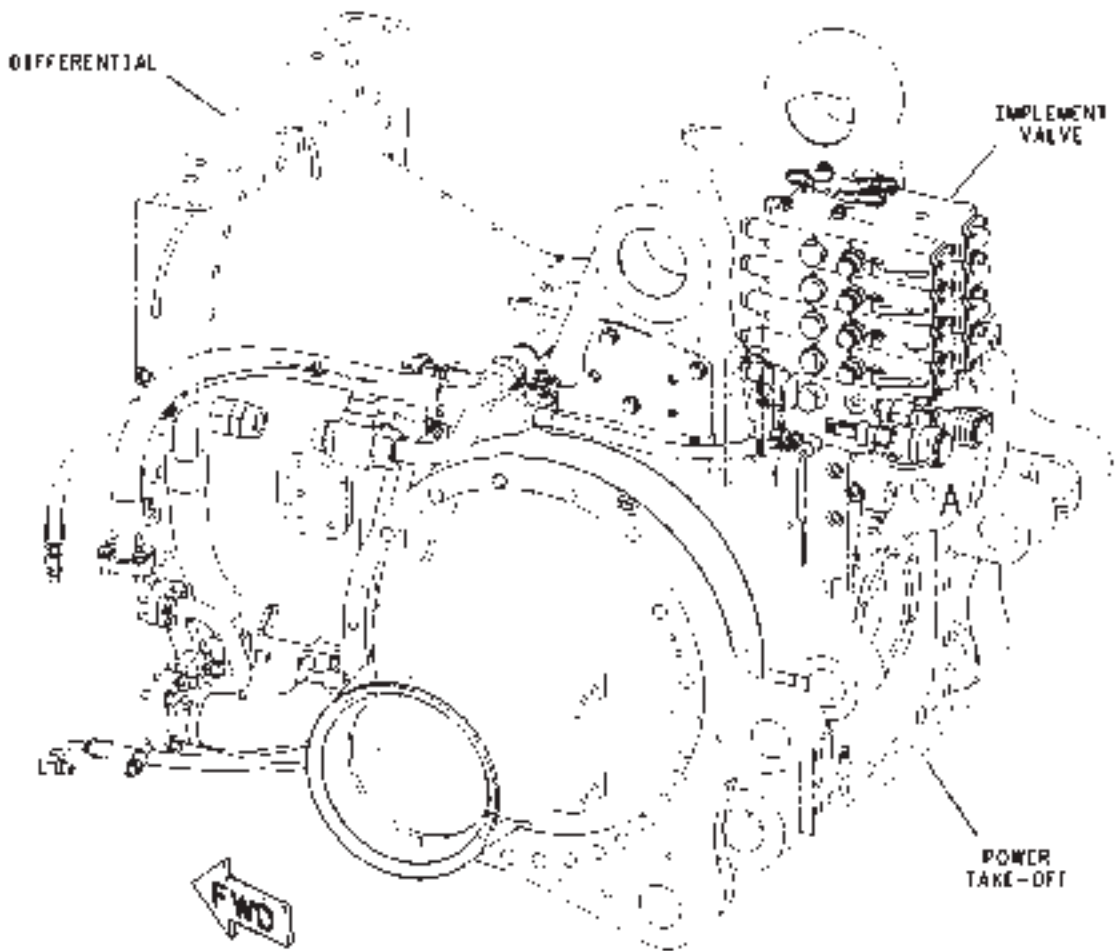
HYDRAULIC KIT-POWER BEYOND - 180-7174
ABOVE 60 LPM
ROW ONLY

ITEM	NUMBER	QTY	DESCRIPTION
-	180-7174	--	CONNECTOR GP-VALVE
1	CH153-4061	1	FITTING
2	CH153-6225	1	CAP-DUST
3	CH153-6227	2	CAP-DUST
4	CH153-6228	2	PLUG-DUST
5	CH159-5890	2	FITTING ASY.
6	CH159-5893	1	CAP-DUST
7	CH159-5897	1	COUPLER ASY.
8	CH170-0964	1	CONNECTOR GP
8A	400318X1	2	O-RING
8B	CH8T-1031	1	CONNECTOR
9	CH183-3724	2	COUPLER GP
	CH2K-8199	1	O-RING
	CH201-7614	1	RING-BACKUP
10		1	NOT USED ON MT700 SERIES

00824172
PR: t05f07j07b0349

MT700 SERIES TRACK TRACTORS
HYDRAULIC SYSTEM

COUPLING GP - 180-9998
HYDRAULIC POWER BEYOND
EAME ONLY



VIEW OF AREA A

**MT700 SERIES TRACK TRACTORS
HYDRAULIC SYSTEM**

783

**COUPLING GP - 180-9998
HYDRAULIC POWER BEYOND
EAME ONLY**

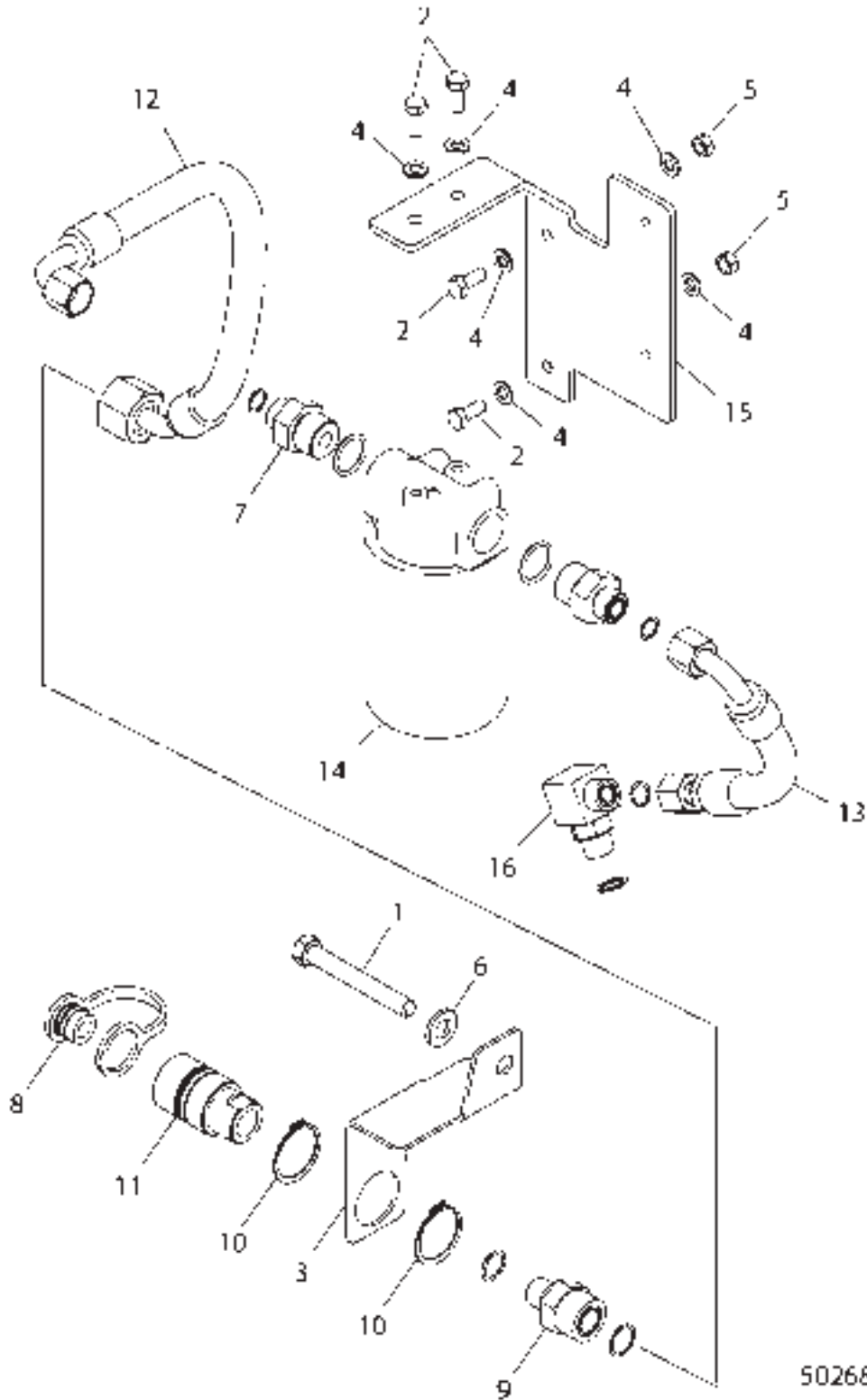
ITEM	NUMBER	QTY	DESCRIPTION
-	180-9998	--	COUPLING GP
1	CH5R-5676	1	PLUG-DUST
2	CH5R-5718	1	PLUG-DUST
3	CH5R-6304	1	COUPLING GP
	CH3S-9233	1	O-RING
	CH5R-5780	1	RETAINER
4	CH5R-6868	1	COUPLING AS
5	CH165-5694	1	PLUG-DUST
6	CH170-0964	1	CONNECTOR GP (SERVICE WITH COMPONENTS)
	400318X1	2	SEAL-O-RING (11.89IDX1.98DIA)
	CH8T-1031	1	CONNECTOR
7	CH173-7639	1	COUPLING AS [J]
8	CH172-4620	1	CONNECTOR AS-12 STOR HEX
	400416X1	2	SEAL-O-RING 23.47IDX2.95DIA
	CH6Y-2349	1	CONNECTOR
9	CH172-4621	1	ADAPTER AS-STR-16STORX12STOR
	CH6V-0301	1	ADAPTER-STR-16STORX12STOR
	400376X1	1	SEAL-O-RING (29.74IDX2.95DIA)
10	CH172-4622	1	UNION AS-16 STOR-HEX
	400376X1	2	SEAL-O-RING (29.74IDX2.95DIA)
	CH8C-9029	1	UNION-16 STOR-HEX
-	CH191-6944	1	KIT-SEAL (HYD POWER BEYOND COUPLING) [J]

[J] REPAIR KIT(S) MARKED J AVAILABLE
FOR PART(S) MARKED J

00827821
PR: t05f07j07b0350

MT700 SERIES TRACK TRACTORS
HYDRAULIC SYSTEM

CASE DRAIN GP-PIONEER - 502673D1
WITHOUT WIDE SWING DRAWBAR



502680DA

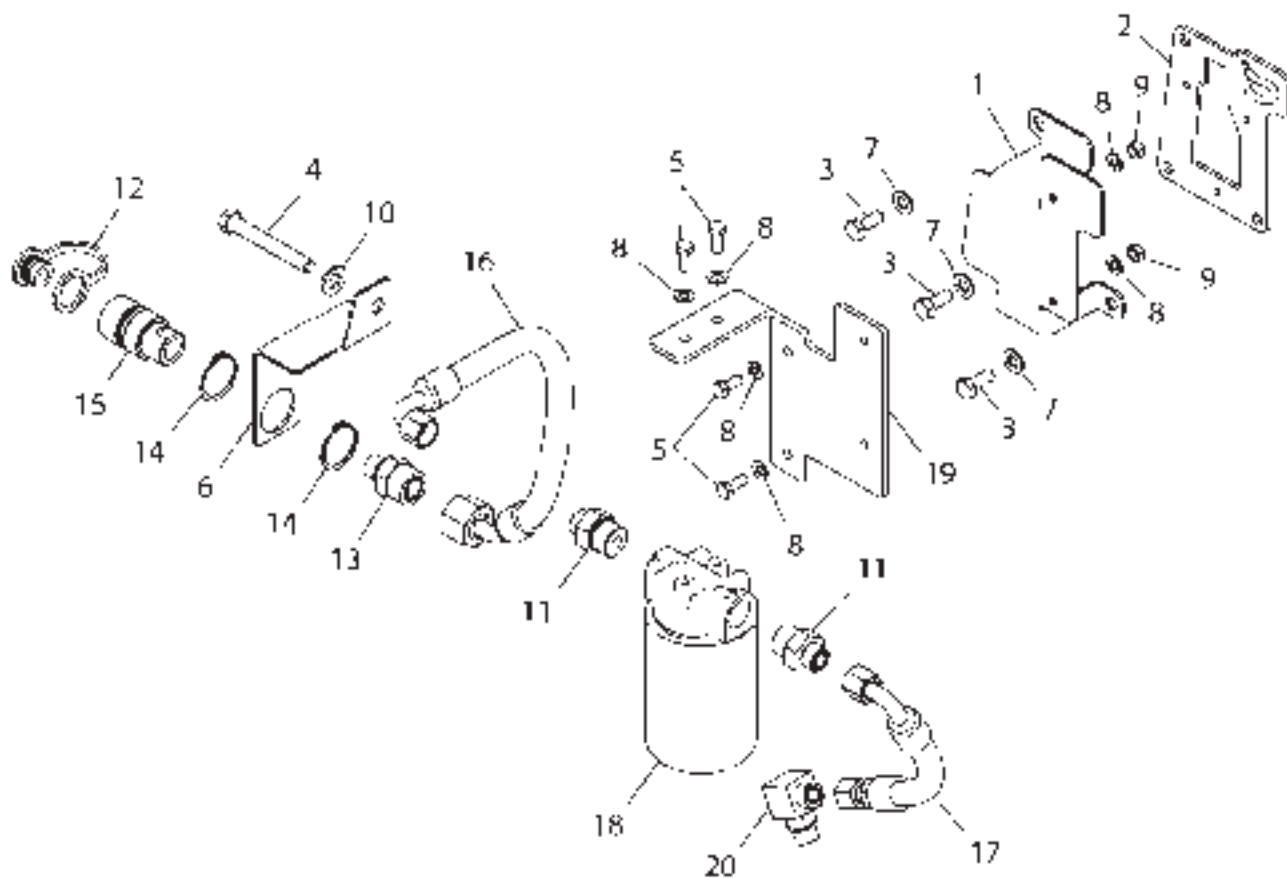
**MT700 SERIES TRACK TRACTORS
HYDRAULIC SYSTEM**

785

**CASE DRAIN GP-PIONEER - 502673D1
WITHOUT WIDE SWING DRAWBAR**

ITEM	NUMBER	QTY	DESCRIPTION
-	502673D1	--	CASE DRAIN GP-PIONEER (FACTORY) (NOT SERVICED)
-	502680D1	--	KIT-CASE DRAIN GP-PIONEER (FIELD INST)
1	400046X1	1	BOLT-M12X1.75X90 ZNDI HHD 10.9
2	400053X1	4	BOLT-M8X1.25X20 ZNDI HHD 10.9
3	502684D1	1	BRACKET
4	400339X1	6	WASHER - HARD
5	400340X1	2	NUT-M8X1.25X13 HEX ZND1
6	400357X1	1	WASHER-HARD-M12X25.50DX3THK
7	400414X1	2	CONNECTOR AS-STR-12STOR-8ORFS
	CH6V-8398	1	SEAL-O-RING (16.03ODX1.78DIA)
	400416X1	1	SEAL-O-RING (23.47ODX2.95DIA)
8	400564X1	1	PLUG-DUST-23.4 DIA
9	400963X1	1	CONNECTOR AS-STR -8STOR-12ORFS
	CH3K-0360	1	SEAL-O-RING (16.36IDX2.21DIA)
	400366X1	1	SEAL-O-RING (23.47ODX2.95DIA)
10	400968X1	2	SNAP RING EXT
11	502471D1	1	COUPLER AS-PIONEER-SIZE 8
	400569X1	1	SEAL-O-RING (20.22X3.53)
	400568X1	1	RETAINER (20.81IDX26.6ODX0.81THK)
12	502676D1	1	HOSE AS
13	502678D1	1	HOSE AS
14	502679D1	1	FILTER GP-CASE DRAIN
	501771D1	1	FILTER AS-HYD
15	502686D1	1	BRACKET
16	CH148-8364	1	ELBOW AS-90DEG -8 STOR -10 BARB
	CH3K-0360	1	SEAL-O-RING 16.36IDX2.21DIA
	CH6V-8398	1	SEAL-O-RING-16.03ODX1.78DIA
	CH6V-8625	1	ELBOW-90DEG -8 STOR -10 BARB

502680DA
PR: t05f07j07b0351

MT700 SERIES TRACK TRACTORS
HYDRAULIC SYSTEM**KIT-HYD CASE DRAIN-PIONEER - 502677D1**
WITH WIDE SWING DRAWBAR
ROW ONLY

MT700 SERIES TRACK TRACTORS
HYDRAULIC SYSTEM

787

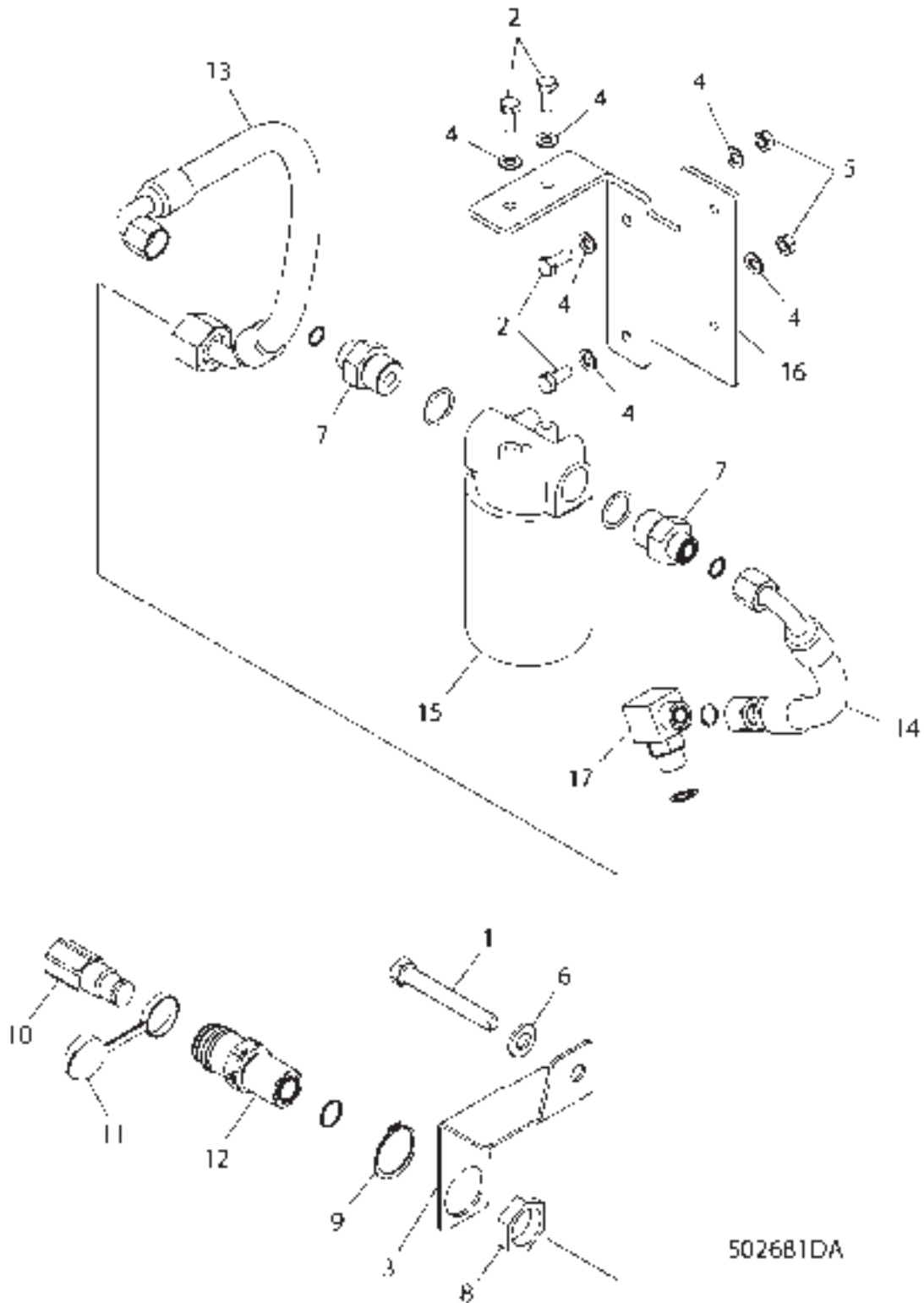
KIT-HYD CASE DRAIN-PIONEER - 502677D1
WITH WIDE SWING DRAWBAR
ROW ONLY

ITEM	NUMBER	QTY	DESCRIPTION
-	502677D1	--	KIT-CASE DRAIN GP-PIONEER
1	169-3562	1	SHIELD-POSITION SENSOR
2	174-8153	1	PLATE AS.-MOUNTING
3	400039X1	3	BOLT-M10X1.5X25 ZNDI HDD 10.9
4	400046X1	1	BOLT-M12X1.75X90 ZNDI HDD 10.9
5	400053X1	4	BOLT-M8X1.25X20 ZNDI HDD 10.9
6	502684D1	1	BRACKET
7	400287X1	3	WASHER-HARD 11IDX21ODX2.5 ZND1
8	400339X1	6	WASHER - HARD
9	400340X1	2	NUT-M8X1.25X13 HEX ZND1
10	400357X1	1	WASHER-HARD-M12X25.50DX3THK
11	400414X1	2	CONNECTOR AS-STR-12STOR-8ORFS
	CH6V-8398	1	SEAL-O-RING (16.03ODX1.78DIA)
	400416X1	1	SEAL-O-RING (23.47ODX2.95DIA)
12	400564X1	1	PLUG-DUST-23.4 DIA
13	400963X1	1	CONNECTOR AS-STR -8STOR-12ORFS
	CH3K-0360	1	SEAL-O-RING
	400366X1	1	SEAL-O-RING (23.47ODX2.95DIA)
14	400968X1	2	SNAP RING EXT
15	502471D1	1	COUPLER AS-PIONEER-SIZE 8
	400569X1	1	SEAL-O-RING (20.22X3.53)
	400568X1	1	RETAINER (20.81IDX26.6ODX0.81THK)
16	502676D1	1	HOSE AS
17	502678D1	1	HOSE AS
18	502679D1	1	FILTER GP-CASE DRAIN
	501771D1	1	FILTER AS-HYD
19	502686D1	1	BRACKET
20	CH148-8364	1	ELBOW AS-90DEG -8 STOR -10 BARB
	CH3K-0360	1	SEAL-O-RING 16.36IDX2.21DIA
	CH6V-8398	1	SEAL-O-RING-16.03ODX1.78DIA
	CH6V-8625	1	ELBOW-90DEG -8 STOR -10 BARB

502677DA
PR: t05f07j07b0352

MT700 SERIES TRACK TRACTORS
HYDRAULIC SYSTEM

CASE DRAIN GP-FLAT FACE - 502681D1
WITHOUT WIDE SWING DRAWBAR



502681DA

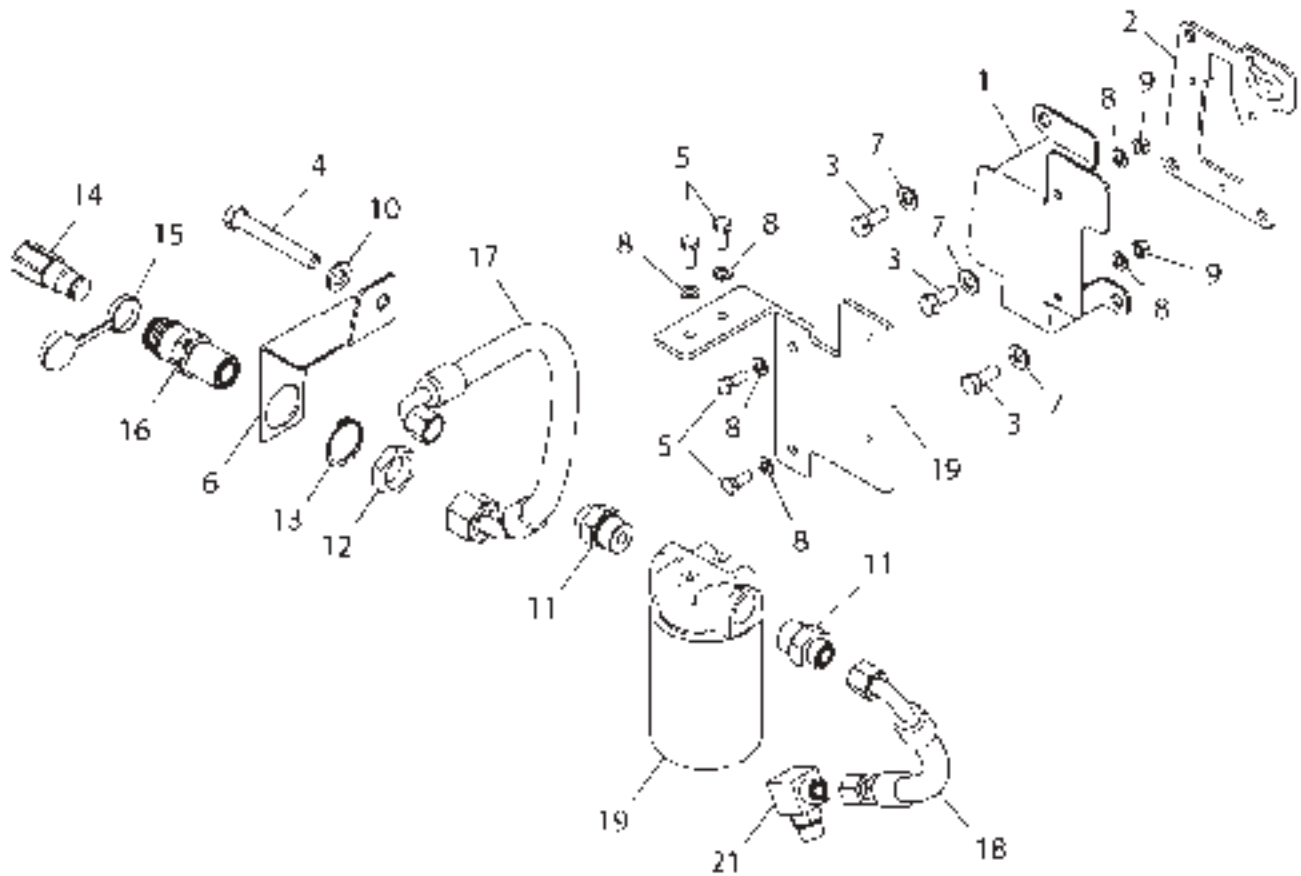
MT700 SERIES TRACK TRACTORS
HYDRAULIC SYSTEM

789

CASE DRAIN GP-FLAT FACE - 502681D1
WITHOUT WIDE SWING DRAWBAR

ITEM	NUMBER	QTY	DESCRIPTION
-	502674D1	--	CASE DRAIN GP-FLAT FACE (FACTORY) (NOT SERVICED)
-	502681D1	--	KIT-CASE DRAIN GP-FLAT FACE (FIELD INST)
1	400046X1	1	BOLT-M12X1.75X90 ZNDI HHD 10.9
2	400053X1	4	BOLT-M8X1.25X20 ZNDI HHD 10.9
3	502684D1	1	BRACKET
4	400339X1	6	WASHER - HARD
5	400340X1	2	NUT-M8X1.25X13 HEX ZND1
6	400357X1	1	WASHER-HARD-M12X25.50DX3THK
7	400414X1	2	CONNECTOR AS-STR-12STOR-8ORFS
	CH6V-8398	1	SEAL-O-RING (16.03ODX1.78DIA)
	400416X1	1	SEAL-O-RING (23.47ODX2.95DIA)
8	400961X1	1	BULKHEAD NUT (12ORFS)
9	400968X1	2	SNAP RING EXT
10	502472D1	1	NIPPLE AS-FLAT FACE
11	502473D1	1	PLUG-DUST
12	502475D1	1	COUPLER AS
	400366X1	1	SEAL-O-RING (22.50DX1.78)
13	502676D1	1	HOSE AS
14	502678D1	1	HOSE AS
15	502679D1	1	FILTER GP-CASE DRAIN
	501771D1	1	FILTER AS-HYD
16	502686D1	1	BRACKET
17	CH148-8364	1	ELBOW AS-90DEG -8 STOR -10 BARB
	CH3K-0360	1	SEAL-O-RING 16.36IDX2.21DIA
	CH6V-8398	1	SEAL-O-RING-16.03ODX1.78DIA
	CH6V-8625	1	ELBOW-90DEG -8 STOR -10 BARB

502681DA
PR: t05f07j07b0353

MT700 SERIES TRACK TRACTORS
HYDRAULIC SYSTEM**KIT-HYD CASE DRAIN-FLAT FACE - 502675D1**
WIDE SWING DRAWBAR
ROW ONLY

MT700 SERIES TRACK TRACTORS
HYDRAULIC SYSTEM

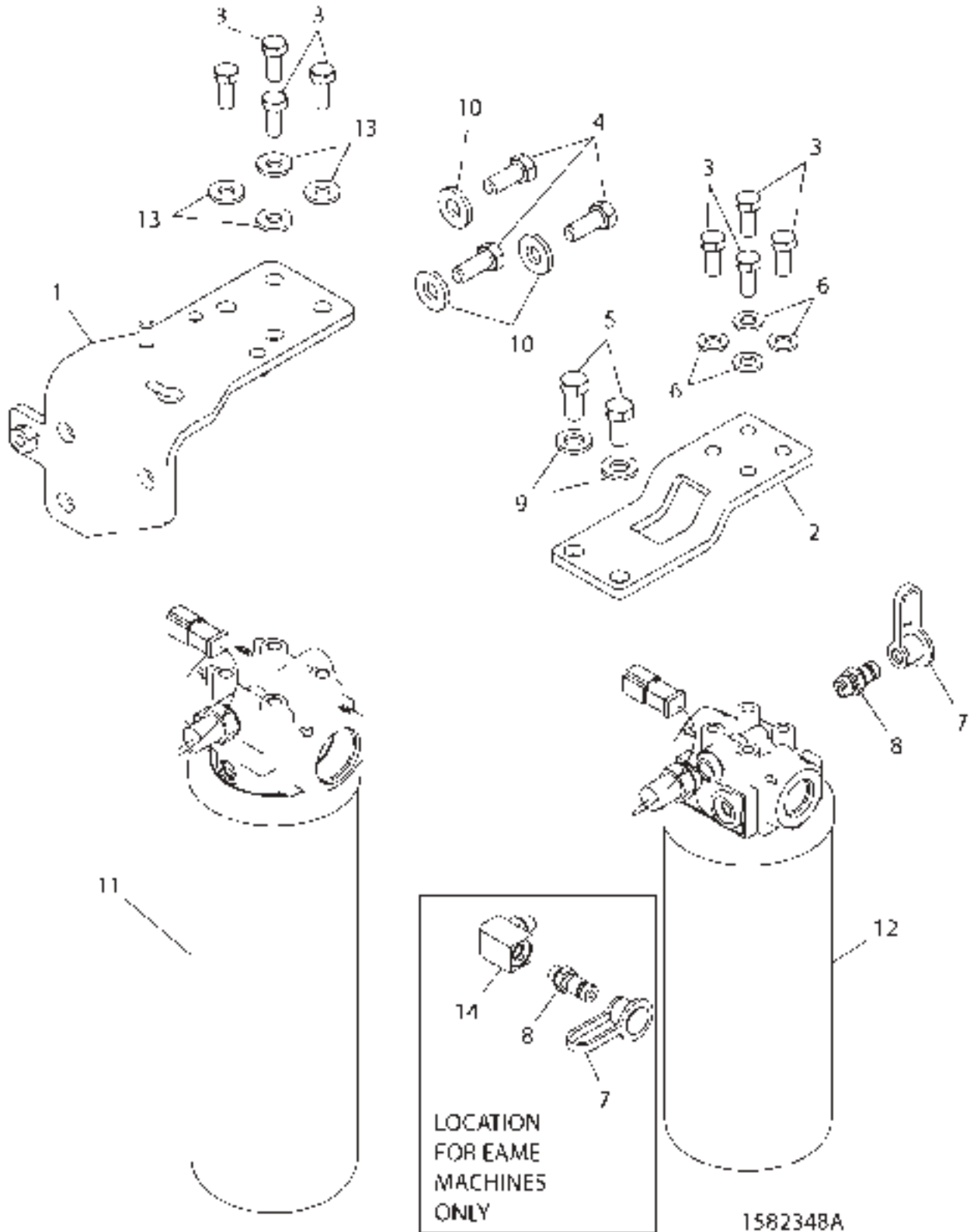
791

KIT-HYD CASE DRAIN-FLAT FACE - 502675D1
WIDE SWING DRAWBAR
ROW ONLY

ITEM	NUMBER	QTY	DESCRIPTION
-	502675D1	--	CASE DRAIN GP-FLAT FACE
1	169-3562	1	SHIELD-POSITION SENSOR
2	174-8153	1	PLATE AS.-MOUNTING
3	400039X1	3	BOLT-M10X1.5X25 ZNDI HHD 10.9
4	400046X1	1	BOLT-M12X1.75X90 ZNDI HHD 10.9
5	400053X1	4	BOLT-M8X1.25X20 ZNDI HHD 10.9
6	502684D1	1	BRACKET
7	400287X1	3	WASHER-HARD 11IDX21ODX2.5 ZND1
8	400339X1	6	WASHER - HARD
9	400340X1	2	NUT-M8X1.25X13 HEX ZND1
10	400357X1	1	WASHER-HARD-M12X25.50DX3THK
11	400414X1	2	CONNECTOR AS-STR-12STOR-8ORFS
	CH6V-8398	1	SEAL-O-RING (16.03ODX1.78DIA)
	400416X1	1	SEAL-O-RING (23.47ODX2.95DIA)
12	400961X1	1	BULKHEAD NUT-12ORFS
13	400968X1	1	SNAP RING EXT
14	502472D1	1	NIPPLE AS-FLAT FACE-SIZE 6
15	502473D1	1	CAP-DUST
16	502475D1	1	COUPLER AS-FLAT FACE-SIZE 6
	400366X1	1	SEAL-O-RING (22.50DX1.78)
17	502676D1	1	HOSE AS
18	502678D1	1	HOSE AS
19	502679D1	1	FILTER GP-CASE DRAIN
	501771D1	1	FILTER AS-HYD
20	502686D1	1	BRACKET
21	CH148-8364	1	ELBOW AS-90DEG -8 STOR -10 BARB
	CH3K-0360	1	SEAL-O-RING 16.36IDX2.21DIA
	CH6V-8398	1	SEAL-O-RING-16.03ODX1.78DIA
	CH6V-8625	1	ELBOW-90DEG -8 STOR -10 BARB

502675DA
PR: t05f07j07b0354

FILTER GP-MOUNTING - 158-2348



**MT700 SERIES TRACK TRACTORS
HYDRAULIC SYSTEM**

793

FILTER GP-MOUNTING - 158-2348

ITEM	NUMBER	QTY	DESCRIPTION
-	158-2348	--	FILTER GP-MOUNTING [A] (NOT SERVICED)
1	213-3662	1	BRACKET AS
2	219-6719	1	BRACKET
3	400039X1	8	BOLT-M10X1.5X25 ZNDI HHD 10.9
4	400041X1	3	BOLT-M12X1.75X30 ZNDI HHD 10.9
5	400055X1	2	BOLT-M12X1.75X25 ZNDI HHD 10.9
6	400287X1	4	WASHER-HARD 11IDX21ODX2.5 ZND1
7	400323X1	1	CAP-DUST 12.6 DIA -RUBBER
8	400324X1	1	NIPPLE AS-QUICK DISC-4&ORING
	400318X1	1	SEAL-O-RING (11.89IDX1.98DIA)
9	400357X1	2	WASHER-HARD-M12X25.5ODX3THK
10	400381X1	3	WASHER-HARD-13.5IDX30 ODX4THK
11	501765D1	1	FILTER GP-OIL(BASIC) (SEE BREAKDOWN FOR COMPONENTS)
12	501768D1	1	FILTER GP-OIL (SEE BREAKDOWN FOR COMPONENTS)
13	CH7X-7729	4	WASHER-11IDX5ODX3MM
14		--	ELBOW 90DEG. (REF. ONLY)

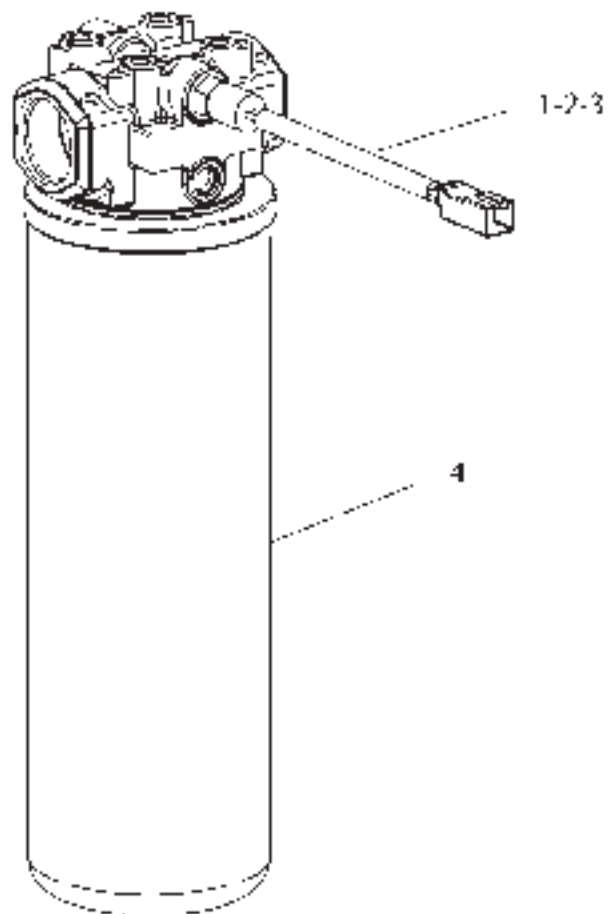
[A] PART OF 158-2341 HYDRAULIC AR

1582348A
PR: t05f07j07b0355

794

MT700 SERIES TRACK TRACTORS
HYDRAULIC SYSTEM

FILTER GP-OIL - 501765D1
IMPLEMENT



501765DA

**MT700 SERIESTRACKTRACTORS
HYDRAULIC SYSTEM**

795

**FILTER GP-OIL - 501765D1
IMPLEMENT**

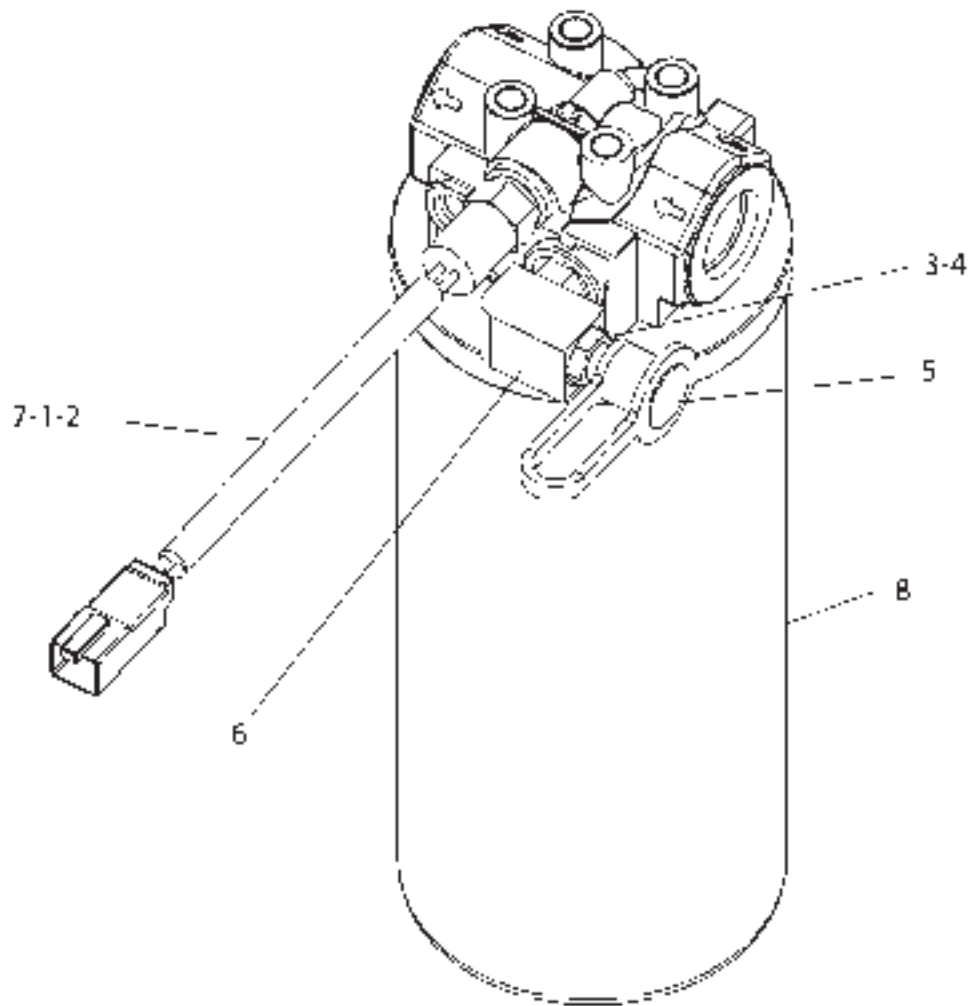
ITEM	NUMBER	QTY	DESCRIPTION
-	501765D1	--	FILTER GP-OIL [A] (NOT SERVICED)
1	500671D1	1	SWITCH AS-PRESSURE (IMPLEMENT/STER-FILTER BYPASS)
	CH102-8802	1	RECEPTACLE KIT-CONNECTOR
	400562X1	1	PIN-CONNECTOR 16-18 AWG
2	400360X1	1	SEAL-O-RING 7.65 IDX1.78 DIA
3	400318X1	1	SEAL-O-RING 11.89 IDX1.98 DIA
4	501766D1	1	FILTER AS-HYD

[A] PART OF 158-2348; 502668D1; 502669D1
FILTER & MTG GP HYDRAULIC

501765DA
PR: t05f07j07b0356

MT700 SERIES TRACK TRACTORS
HYDRAULIC SYSTEM

FILTER GP-OIL - 501768D1
TRANSMISSION



501768DA

**MT700 SERIES TRACK TRACTORS
HYDRAULIC SYSTEM**

797

**FILTER GP-OIL - 501768D1
TRANSMISSION**

ITEM	NUMBER	QTY	DESCRIPTION
-	501768D1	--	FILTER GP-OIL [A] (NOT SERVICED)
1	400318X1	1	SEAL-O-RING
2	400360X1	1	SEAL-O-RING
3	400361X1	1	SEAL-O-RING
4	400362X1	1	VALVE-SAMPLING
5	400363X1	1	CAP-DUST
6	400364X1	1	ELBOW 90DEG. & O-RING
7	500671D1	1	SWITCH AS-PRESSURE
	400555X1	AR	SLEEVE 140MM (BULK)
	400562X1	2	PIN-CONNECTOR
	400511X1	1	WEDGE-RECP. LOCK
	400484X1	1	RECEPTACLE AS
8	501769D1		FILTER AS-HYD

[A] PART OF 158-2348 FILTER & MTG GP-HYD

501768DA
PR: t05f07j07b0357

798

MT700 SERIESTRACKTRACTORS
HYDRAULIC SYSTEM

HYDRAULIC AR - 158-2341

NO ILLUSTRATION

NOTIF

MT700 SERIES TRACK TRACTORS
HYDRAULIC SYSTEM

799

HYDRAULIC AR - 158-2341

ITEM	NUMBER	QTY	DESCRIPTION
-	158-2341	--	HYDRAULIC AR [A] (NOT SERVICED)
1	158-2355	1	LINES GP-IMPLEMENT (S/N: PRIOR TO AKN40200;ALA40269;ALM40712;AMS41162) (NOT SERVICED) (SEE BREAKDOWN FOR COMPONENTS)
1	500598D1	1	LINES GP-IMPLEMENT (S/N: EFF AKN40200;ALA40269;ALM40712;AMS41162) (NOT SERVICED) (SEE BREAKDOWN FOR COMPONENTS)
2	158-2338	1	MOUNTING GP-VALVE (NOT SERVICED) (SEE BREAKDOWN FOR COMPONENTS)
3	158-2348	1	FILTER & MTG GP-HYDRAULIC (NOT SERVICED) (SEE BREAKDOWN FOR COMPONENTS)
4	165-7897	1	LINES GP-HYDRAULIC (CHARGE) (S/N: PRIOR TO AKN40200;ALA40269; ALM40712;AMS41162) (NOT SERVICED) (SEE BREAKDOWN FOR COMPONENTS)
4	500585D1	1	LINES GP-HYDRAULIC (CHARGE) (S/N: EFF AKN40200;ALA40269;ALM40712; AMS41162-51385) (NOT SERVICED) (SEE BREAKDOWN FOR COMPONENTS)
4	501951D1	1	LINES GP-HYDRAULIC (CHARGE) (S/N: EFF AMS51385-51413) (NOT SERVICED) (SEE BREAKDOWN FOR COMPONENTS)

[A] PART OF 177-1588 BASE COMMON AR

NOTIF
PR: t05f07j07b0358

800

MT700 SERIESTRACKTRACTORS
HYDRAULIC SYSTEM

KIT-VALVE - 180-4827

4 TO 5 VALVE UPGRADE WITH STANDARD HITCH

NO ILLUSTRATION

NOTIF

MT700 SERIES TRACK TRACTORS
HYDRAULIC SYSTEM

801

KIT-VALVE - 180-4827
4 TO 5 VALVE UPGRADE WITH STANDARD HITCH

ITEM	NUMBER	QTY	DESCRIPTION
-	180-4827	--	KIT-VALVE
1	CH4K-8864	3	CLIP
2	CH6I-1418	3	SPACER (8.2X12.7X28.7MM THK)
3	CH7K-1181	14	STRAP-CABLE
4	CH8T-9655	6	MOUNT (ISOLATION)
5	CH9N-0869	3	WASHER-HARD (8.8X25.5X2MM THK)
6	400001X1	3	BOLT (M8X1.25X40MM)
7	136-5355	1	CONTROL GP-IMPLEMENT (NOT SERVICED) (SEE BREAKDOWN FOR COMPONENTS)
8	136-5537	1	HARNESS AS (IMPLEMENT VALVE 5 & 6)
9	CH192-1590	1	CONTROL GP-UNPROGRAMMED (SEE BREAKDOWN FOR COMPONENTS)
10	189-5910	1	VALVE & MTG GP-CONTROL (SEE BREAKDOWN FOR COMPONENTS)

NOTIF
PR: t05f07j07b0359

802

MT700 SERIES TRACK TRACTORS
HYDRAULIC SYSTEM

KIT-VALVE - 180-4828
4 VALVE TO 5 VALVE UPGRADE WITH
STEERABLE HITCH
ROW ONLY

NO ILLUSTRATION

NOTIF

**MT700 SERIES TRACK TRACTORS
HYDRAULIC SYSTEM**

803

**KIT-VALVE - 180-4828
4 VALVE TO 5 VALVE UPGRADE WITH
STEERABLE HITCH
ROW ONLY**

ITEM	NUMBER	QTY	DESCRIPTION
-	180-4828	--	KIT VALVE
1	CH4K-8864	3	CLIP
2	CH6I-1418	3	SPACER (8.2X12.7X28.7MM THK)
3	CH7K-1181	14	STRAP-CABLE
4	CH8T-9655	6	MOUNT (ISOLATION)
5	CH9N-0869	3	WASHER-HARD (8.8X25.5X2MM THK)
6	CH099-3649	3	BOLT (M8X1.25X40MM)
7	CH192-1590	1	CONTROL GP-UNPROGRAMMED (SEE BREAKDOWN FOR COMPONENTS)
8	136-5355	1	CONTROL GP-IMPLEMENT (NOT SERVICED) (SEE BREAKDOWN FOR COMPONENTS)
9	502178D1	1	HARNESS ASY. (IMPLEMENT VALVE 5 & 6)
10	189-5911	1	KIT, HYDRAULIC (NOT SERVICED) (SEE BREAKDOWN FOR COMPONENTS)
11	205-5825	1	TUBE ASY.
12	205-5826	1	TUBE ASY.
13	205-5827	1	TUBE ASY.
14	205-5828	1	TUBE ASY.

NOTIF
PR: t05f07j07b0360

804

MT700 SERIESTRACKTRACTORS
HYDRAULIC SYSTEM

KIT-VALVE - 183-1215
5 VALVE TO 6 VALVE UPGRADE
WITH STEERABLE HITCH

NO ILLUSTRATION

NOTIF

**MT700 SERIESTRACKTRACTORS
HYDRAULIC SYSTEM**

805

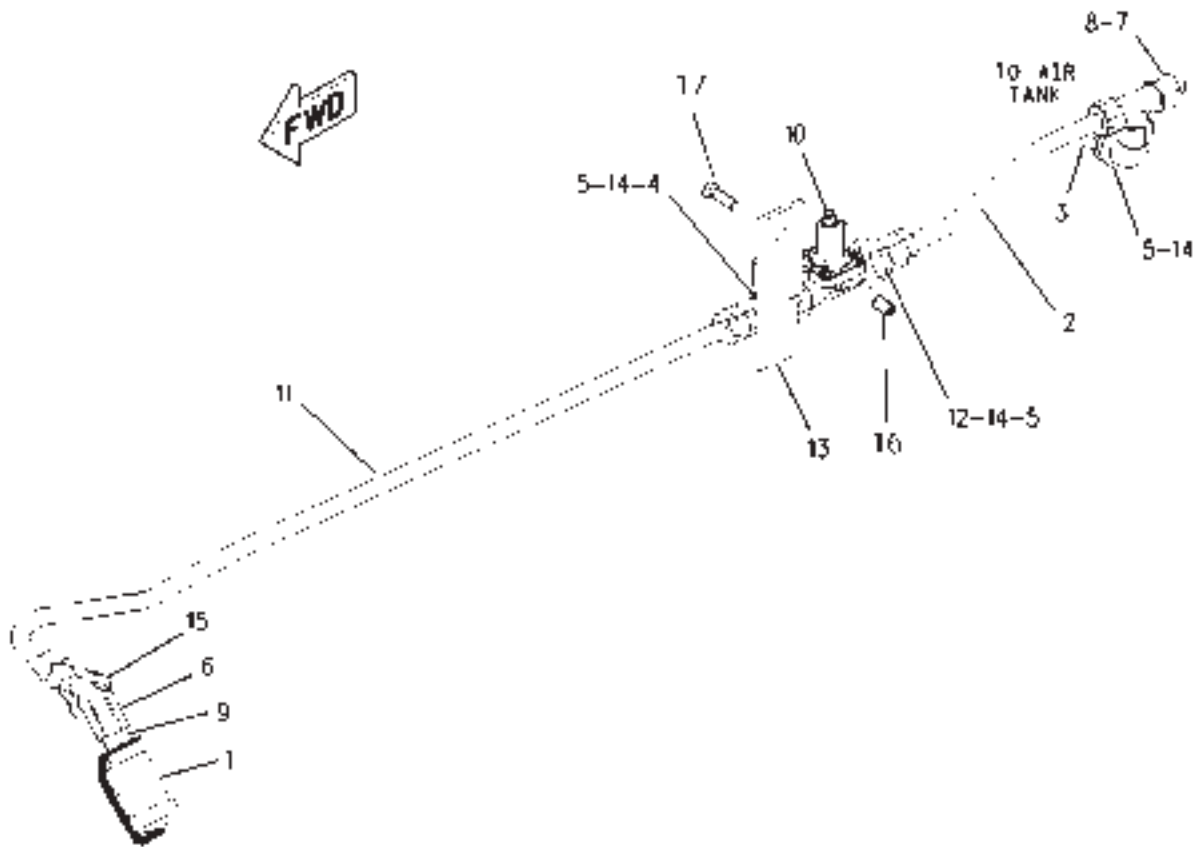
**KIT-VALVE - 183-1215
5 VALVE TO 6 VALVE UPGRADE
WITH STEERABLE HITCH**

ITEM	NUMBER	QTY	DESCRIPTION
-	183-1215	--	KIT-VALVE
1	152-0448	1	CONTROL GP-IMPLEMENT (NOT SERVICED) (SEE BREAKDOWN FOR COMPONENTS)
2	189-5907	1	KIT, HYDRAULIC (NOT SERVICED) (SEE BREAKDOWN FOR COMPONENTS)
3	205-5831	1	TUBE ASY.
4	205-5832	1	TUBE ASY.
5	205-5833	1	TUBE ASY.
6	205-5834	1	TUBE ASY.

NOTIF
PR: t05f07j07b0361

MT700 SERIES TRACK TRACTORS
HYDRAULIC SYSTEM

LINES GP-COUPLER - 179-7090
EAME ONLY



MT700 SERIES TRACK TRACTORS
HYDRAULIC SYSTEM

807

LINES GP-COUPLER - 179-7090
EAME ONLY

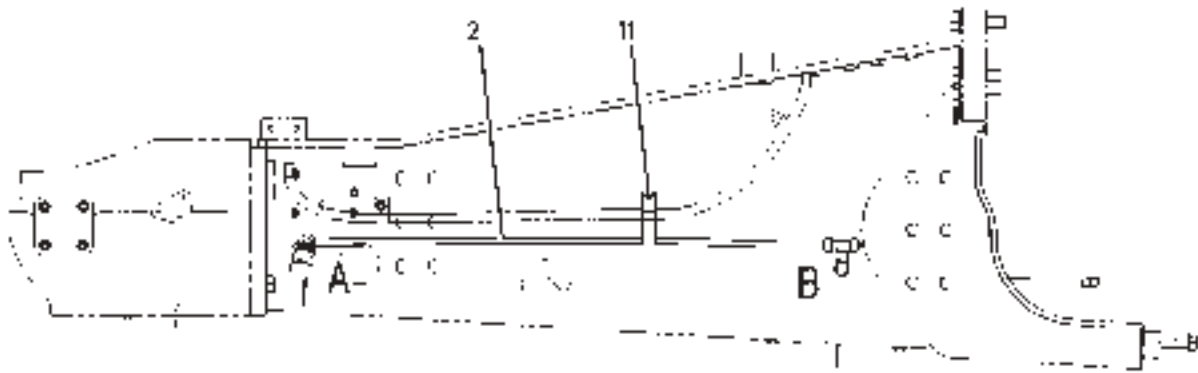
ITEM	NUMBER	QTY	DESCRIPTION
-	179-7090	--	LINES GP-COUPLER [A] (NOT SERVICED)
1	218-2806	1	CAP-DUST
2	169-0017	1	TUBE AS
3	CH185-9753	1	ELBOW GP
4	CH185-9763	1	CONNECTOR
5	CH185-9773	3	RING-BACKUP
6	CH187-9018	1	ADAPTER
7	CH190-0430	1	TEE GP (M18X3)
	CH3E-4297	1	EAL-O-RING
	CH187-6297	2	ERRULE
	400352X1	2	UT-TUBE (M18X1.5 THD)
8	CH190-0431	1	CAP
	CH3E-4297	1	EAL-O-RING
9	CH191-9311	1	COUPLING
10	200-4369	1	VALVE-CHARGING
11	169-0018	1	TUBE AS
12	200-4365	1	CONNECTOR
13	200-4366	1	BRACKET
14	CH3E-6762	3	SEAL-O-RING
15	CH8T-4994	1	WASHER-HARD (20X36.5X3.5MM THK)
16	400118X1	1	SPACER (11.5IDX13.7ODX14MM LG)
17	400059X1	1	BOLT-HEX (M10X1.5X35)

[A] PART OF 180-4852; 502356D1
BRAKE AR-AIR TRAILER;
206-7884 KIT-TANK AR

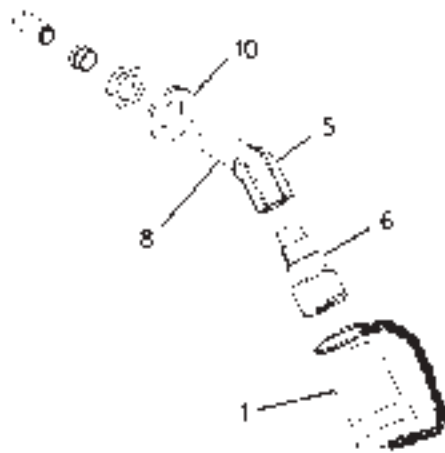
0851253A
PR: t05f07j07b0362

MT700 SERIES TRACK TRACTORS
HYDRAULIC SYSTEM

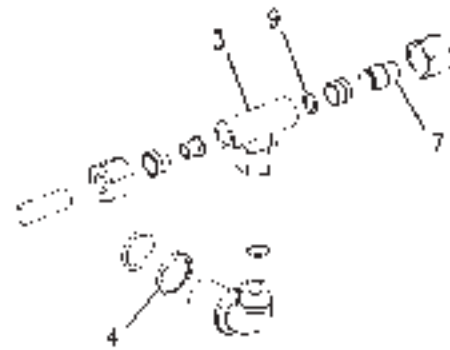
LINES GP-COUPLER - 192-6380
ROW ONLY



LEFT SIDE VIEW



DETAIL OF AREA A



DETAIL OF AREA B

MT700 SERIESTRACKTRACTORS
HYDRAULIC SYSTEM

809

LINES GP-COUPLER - 192-6380
ROW ONLY

ITEM	NUMBER	QTY	DESCRIPTION
-	192-6380	--	LINE GP-COUPLER [A] (NOT SERVICED)
1	218-2806	1	CAP-DUST
2	169-0019	1	TUBE ASY.
3	CH185-9753	1	ELBOW GP
4	CH185-9773	1	RING-BACKUP
5	CH187-9018	1	ADAPTER
6	CH190-0430	1	TEE GP
	CH3E-4297	1	EAL-O-RING
	CH187-6297	2	ERRULE
	400352X1	2	UT-TUBE (M18X1.5 THD)
7	CH190-0431	1	CAP
	CH3E-4297	1	EAL-O-RING
8	CH191-9311	1	COUPLING
9	CH3E-6762	1	O-RING
10	CH8T-4994	1	WASHER-HARD (20X36.5X3.5MM THK)
11	CH9M-7175	1	CLIP

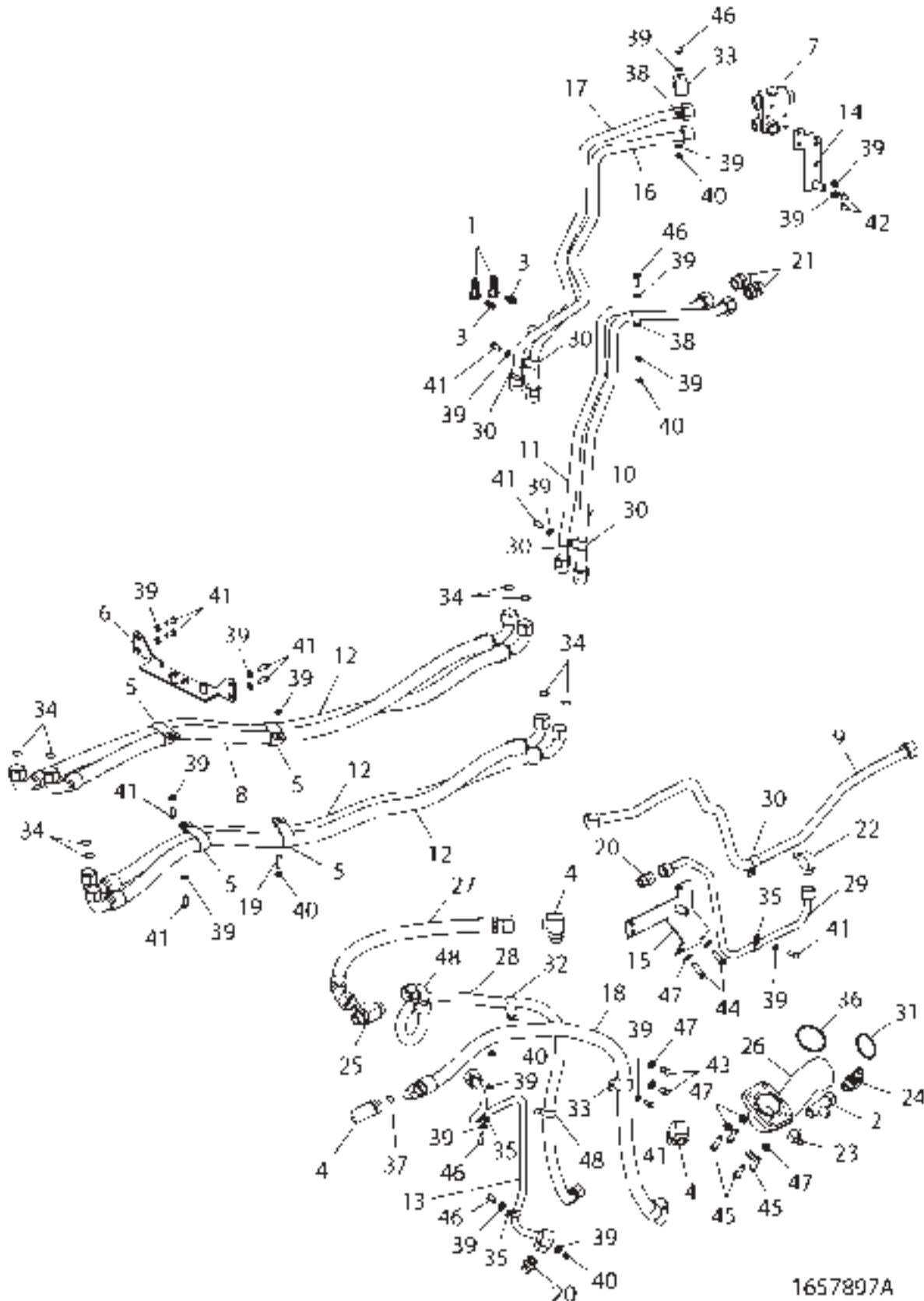
[A] PART OF 180-4854 TANK AR-AIR

00891800
PR: t05f07j07b0363

MT700 SERIES TRACK TRACTORS
HYDRAULIC SYSTEM

LINES GP-HYD OIL (CHARGE) - 165-7897

(S/N: PRIOR TO AKN40200;ALA40269;
ALM40712;AMS41162)



**MT700 SERIES TRACK TRACTORS
HYDRAULIC SYSTEM**

811

LINES GP-HYD OIL (CHARGE) - 165-7897
(S/N: PRIOR TO AKN40200;ALA40269;
ALM40712;AMS41162)

ITEM	NUMBER	QTY	DESCRIPTION
-	165-7897	--	LINES GP-HYD OIL [A] (NOT SERVICED)
1	400323X1	2	CAP-DUST 12.6 DIA -RUBBER
2	CH7X-0873	1	TEE-12ORFS X 6STOR X 12ORFS
3	400324X1	2	NIPPLE AS-QUICK DISC-4&ORING
	400318X1	1	SEAL-O-RING (11.89IDX1.98DIA)
4	400580X1	3	ELBOW AS-90DEG 16STOR 16ORFS
	400376X1	1	SEAL-O-RING (29.74IDX2.95DIA)
	400123X1	1	SEAL-O RING (27.22ODX1.78DIA)
5	400595X1	4	CLIP-38.1 ID DBL M12 OR 7/16
6	206-7166	1	BRACKET AS.
7	212-4475	1	MANIFOLD AS.
8	CH212-4481	1	HOSE AS 25.4 ID SAE 100R1
9	212-4484	1	TUBE AS.
10	212-8890	1	TUBE AS.
11	212-8891	1	TUBE AS.
12	CH212-8892	3	HOSE AS 25.4 ID SAE 100R1
13	213-2229	1	TUBE AS.
14	213-3932	1	BRACKET AS.
15	213-4077	1	BRACKET AS.
16	213-5066	1	TUBE AS.
17	213-5067	1	TUBE AS.
18	CH219-3511	1	HOSE AS 25.4 ID SAE 100R1 HTEM
19	400258X1	1	STUD-TAPERLOCK M10X1.5X45
20	CH148-8327	2	CONNECTOR AS-12 ORFSX 12STOR
	400416X1	1	SEAL-O-RING 23.47IDX2.95DIA
	400366X1	1	SEAL-O-RING 22.5 ODX1.78 DIA
21	CH148-8335	2	CONNECTOR AS.-16 STORX16 ORFS
	400123X1	1	SEAL-O RING (27.22ODX1.78DIA)
	400376X1	1	SEAL-O-RING (29.74IDX2.95DIA)
22	CH148-8359	1	ELBOW AS.-90DEG 8STORX12 ORFS
	400366X1	1	SEAL-O-RING (22.5 ODX1.78DIA)
	CH3K-0360	1	SEAL-O-RING (16.36IDX2.21DIA)
23	400417X1	1	ELBOW AS-90DEG-6STOR-8ORFS
	400318X1	1	SEAL-O-RING 11.89IDX1.98
	CH6V-8398	1	SEAL-O-RING-16.03ODX1.78DIA
24	CH148-8388	1	ELBOW-90 DEG 10 STORX12 ORFS
	400319X1	1	SEAL-O-RING (11.89X1.98)
	400366X1	1	SEAL-O-RING
25	CH148-8431	1	TEE AS-16 ORFS X 16 STOR
	400376X1	1	SEAL-O-RING (29.74IDX2.95DIA)
26	204-0428	1	TUBE
27	CH219-7254	1	HOSE AS 25.4 ID SAE 100R1
28	232-1246	1	HOSE AS (FOR 19.0 ID SAE
29	232-1247	1	TUBE AS.
30	CH3A-3692	5	CLIP-LOOP 25.4 ID

CONTINUED

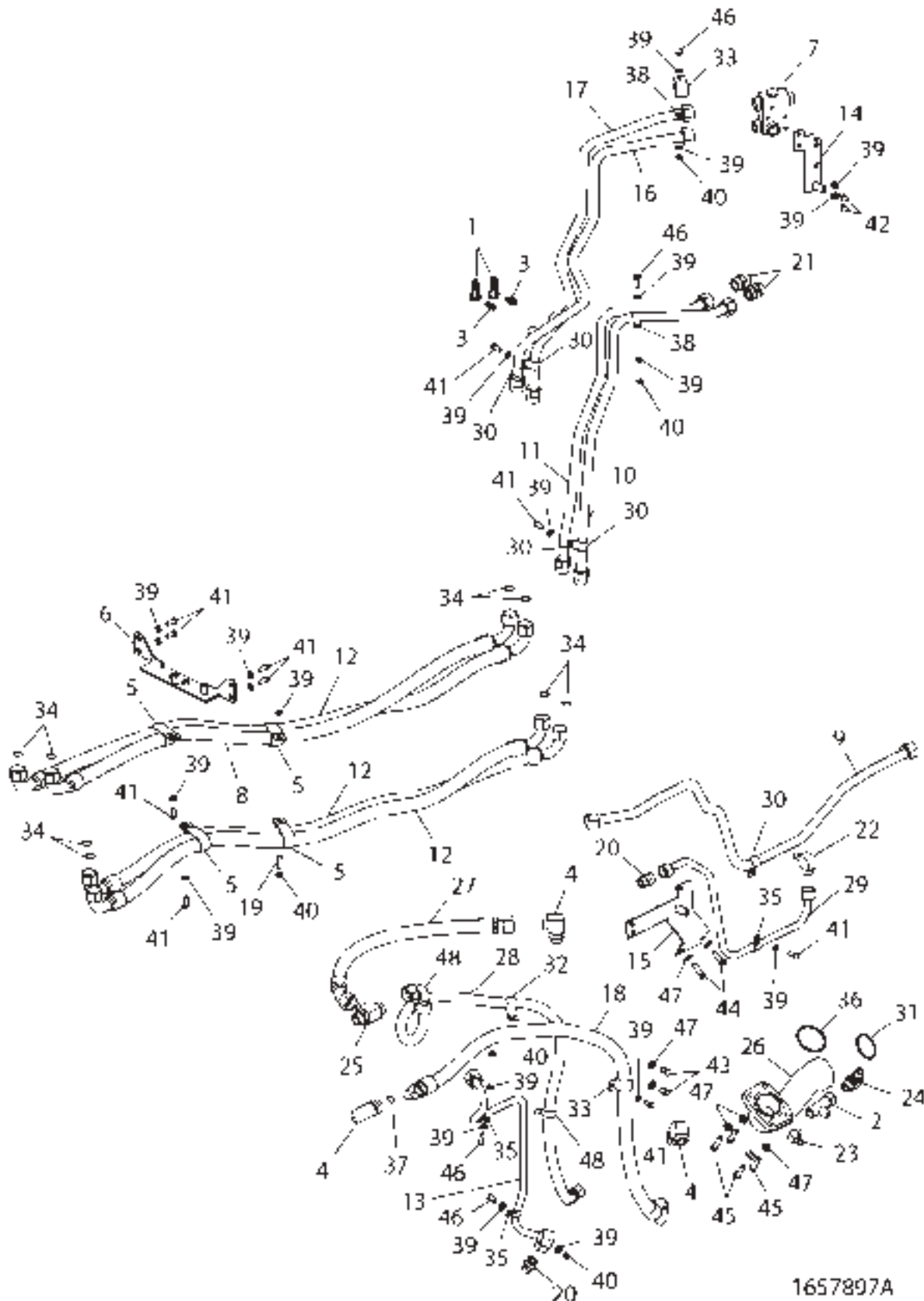
[A] PART OF 158-2341 HYDRAULIC AR-COM

1657897A
PR: t05f07j07b0364

MT700 SERIES TRACK TRACTORS
HYDRAULIC SYSTEM

LINES GP-HYD OIL (CHARGE) - 165-7897

(S/N: PRIOR TO AKN40200;ALA40269;
ALM40712;AMS41162)



MT700 SERIES TRACK TRACTORS
HYDRAULIC SYSTEM

813

LINES GP-HYD OIL (CHARGE) - 165-7897
(S/N: PRIOR TO AKN40200;ALA40269;
ALM40712;AMS41162)

ITEM	NUMBER	QTY	DESCRIPTION
-	165-7897	--	LINES GP-HYD OIL [A] (NOT SERVICED)
31	400590X1	1	SEAL-O-RING 66.04 IDX5.33 DIA
32	400663X1	1	CLIP-LOOP 28.58 ID
33	CH4D-7388	2	CLIP-LOOP 34.9 ID
34	400123X1	8	SEAL-O RING-27.22ODX1.78 DIA
35	CH6D-4246	3	CLIP-LOOP 19.05ID
36	CH6V-3833	1	SEAL-O-RING 78.74IDX5.33DIA
37	400366X1	1	SEAL-O-RING 22.5 ODX1.78 DIA
38	400688X1	2	CLIP LOOP 25.4ID
39	400287X1	21	WASHER-HARD 11IDX21ODX2.5 ZND1
40	WR522218	5	NUT-M10-1.5,CL10.9,ZN,H,REG
41	400039X1	10	BOLT-M10X1.5X25 ZNDI HHD 10.9
42	400040X1	2	BOLT-M10X1.5X20 ZNDI HHD 10.9
43	400047X1	2	BOLT-M12X1.75X20 ZNDI HHD 10.9
44	400050X1	2	BOLT-M12X1.75X40 ZNDI HHD 10.9
45	400051X1	4	BOLT-M12X1.75X45 ZNDI HHD 10.9
46	400058X1	4	BOLT-M10X1.5X30 ZNDI HHD 10.9
47	400357X1	8	WASHER-HARD-M12X25.50DX3THK
48	400700X1	2	CLIP LOOP 28.58ID
49	400689X1	1	CLIP LOOP 38.1ID (NOT SHOWN)

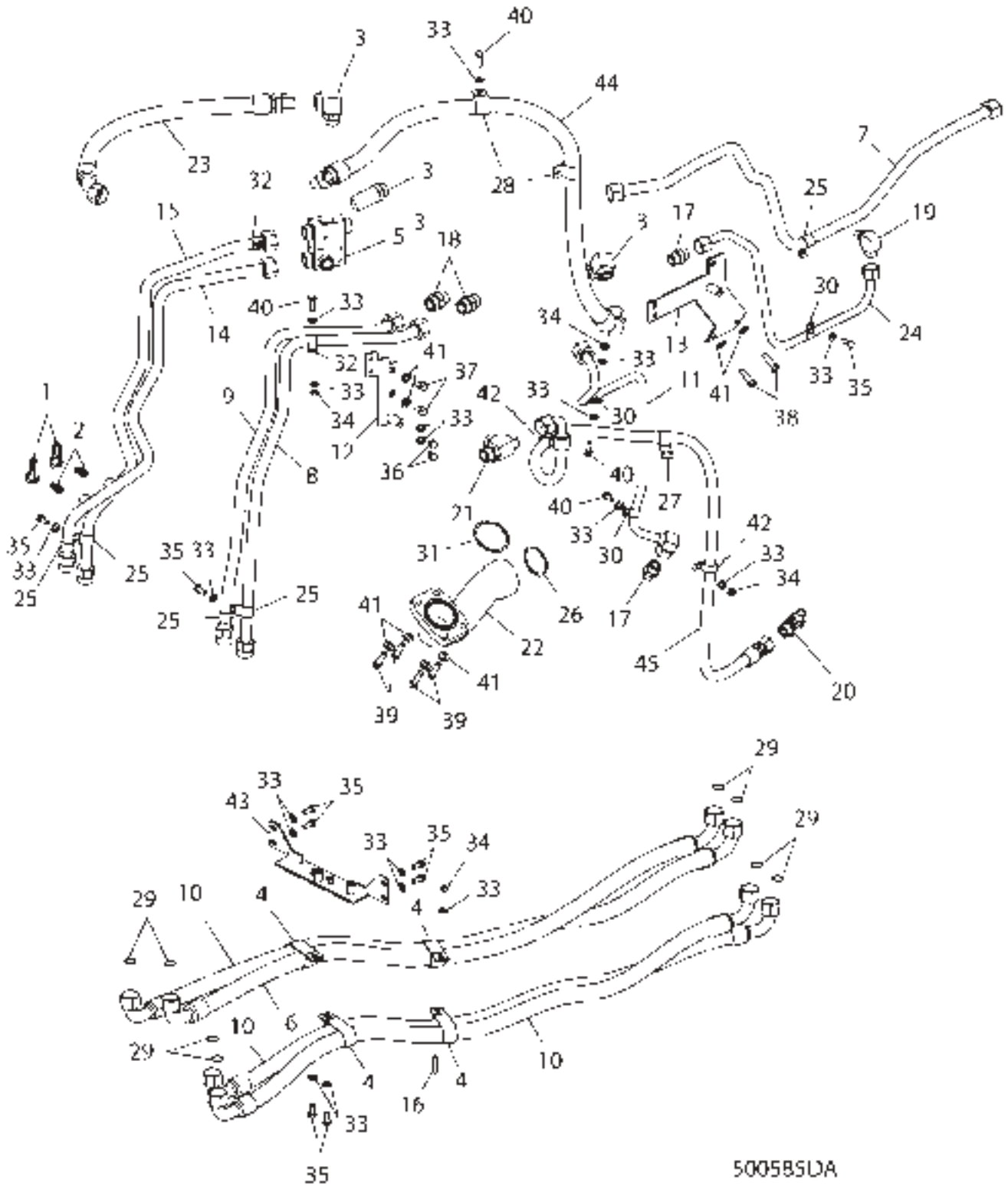
[A] PART OF 158-2341 HYDRAULIC AR-COM

1657897A
PR: t05f07j07b0364

MT700 SERIES TRACK TRACTORS
HYDRAULIC SYSTEM

LINES GP-HYD OIL (CHARGE) - 500585D1

(S/N: EFF AKN40200; ALA40269;
ALM40712; AMS41162-51384)



**MT700 SERIES TRACK TRACTORS
HYDRAULIC SYSTEM**

815

LINES GP-HYD OIL (CHARGE) - 500585D1
(S/N: EFF AKN40200;ALA40269;
ALM40712;AMS41162-51384)

ITEM	NUMBER	QTY	DESCRIPTION
-	500585D1	--	LINES GP-HYD OIL [A]
1	400323X1	2	CAP-DUST 12.6 DIA -RUBBER
2	400324X1	2	NIPPLE AS-QUICK DISC-4&ORING
	400318X1	1	SEAL-O-RING (11.89IDX1.98DIA)
3	400580X1	3	ELBOW AS-90DEG 16STOR 16ORFS
	400376X1	1	SEAL-O-RING (29.74IDX2.95DIA)
	400123X1	1	SEAL-O RING (27.22ODX1.78DIA)
4	400595X1	4	CLIP-38.1 ID DBL M12 OR 7/16
5	212-4475	1	MANIFOLD AS.
6	CH212-4481	1	HOSE AS 25.4 ID SAE 100R1
7	212-4484	1	TUBE AS.
8	212-8890	1	TUBE AS.
9	212-8891	1	TUBE AS.
10	CH212-8892	3	HOSE AS 25.4 ID SAE 100R1
11	213-2229	1	TUBE AS.
12	213-3932	1	BRACKET AS.
13	213-4077	1	BRACKET AS.
14	213-5066	1	TUBE AS.
15	213-5067	1	TUBE AS.
16	400258X1	1	STUD-TAPERLOCK M10X1.5X45
17	CH148-8327	2	CONNECTOR AS-12 ORFSX 12STOR
	400416X1	1	SEAL-O-RING 23.47IDX2.95DIA
	400366X1	1	SEAL-O-RING 22.5 ODX1.78 DIA
18	CH148-8335	2	CONNECTOR AS-16 STORX16 ORFS
	400123X1	1	SEAL-O RING (27.22ODX1.78DIA)
	400376X1	1	SEAL-O-RING (29.74IDX2.95DIA)
19	CH148-8359	1	ELBOW AS-.90DEG 8STORX12 ORFS
	400366X1	1	SEAL-O-RING (22.5 ODX1.78DIA)
	CH3K-0360	1	SEAL-O-RING (16.36IDX2.21DIA)
20	CH148-8388	1	ELBOW-90 DEG 10 STORX12 ORFS
	400319X1	1	SEAL-O-RING (11.89X1.98)
	400366X1	1	SEAL-O-RING
21	CH148-8431	1	TEE AS-16 ORFS X 16 STOR
	400376X1	1	SEAL-O-RING (29.74IDX2.95DIA)
23	CH219-7254	1	HOSE AS 25.4 ID SAE 100R1
24	232-1247	1	TUBE AS.
25	CH3A-3692	5	CLIP-LOOP 25.4 ID
26	400590X1	1	SEAL-O-RING 66.04 IDX5.33 DIA
27	400663X1	1	CLIP-LOOP 28.58 ID
28	CH4D-7388	2	CLIP-LOOP 34.9 ID
29	400123X1	8	SEAL-O RING-27.22ODX1.78 DIA
30	CH6D-4246	3	CLIP-LOOP 19.05ID

CONTINUED

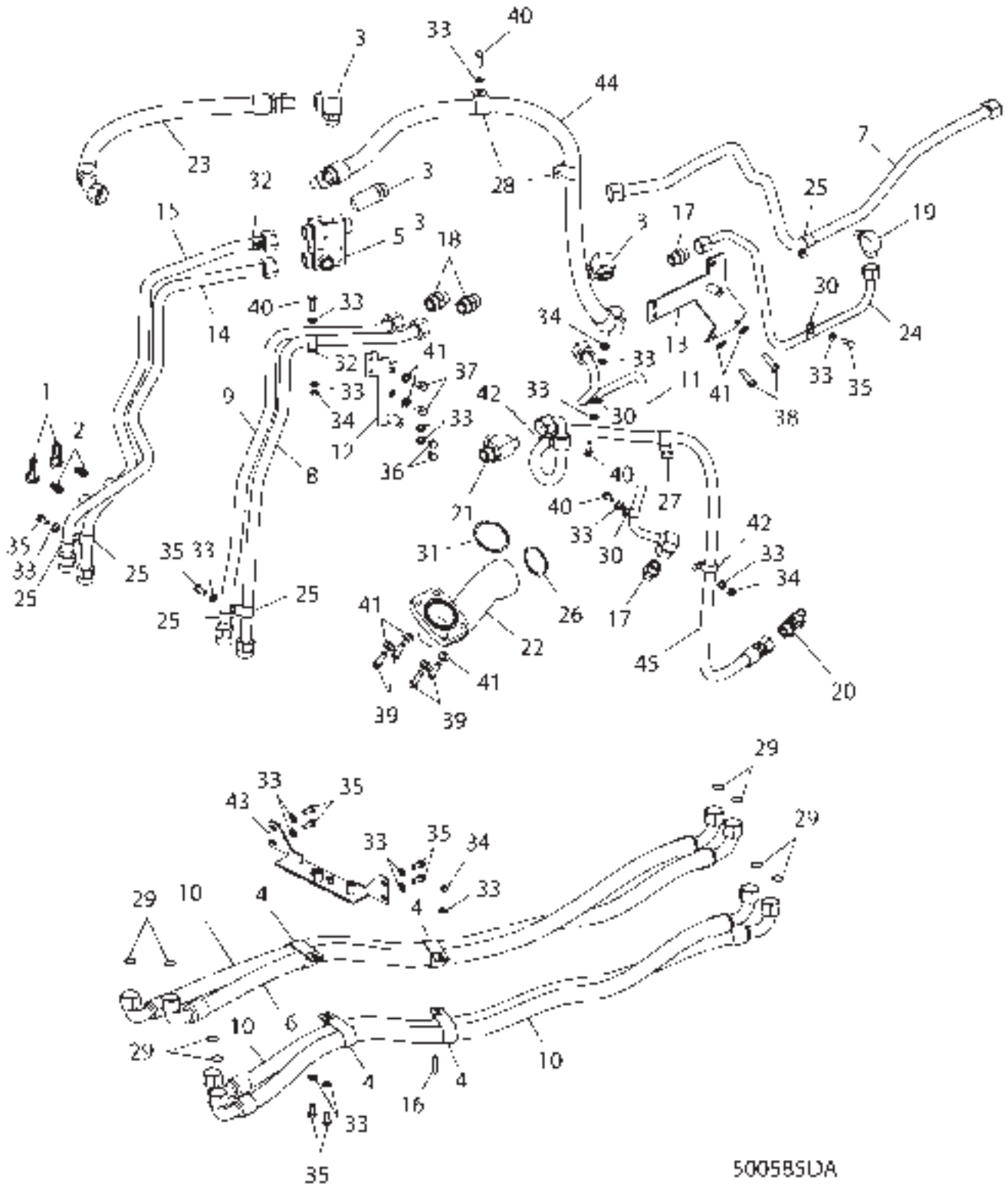
[A] PART OF 158-2341 HYDRAULIC AR

500585DA
PR: t05f07j07b0365

MT700 SERIES TRACK TRACTORS
HYDRAULIC SYSTEM

LINES GP-HYD OIL (CHARGE) - 500585D1

(S/N: EFF AKN40200;ALA40269;
ALM40712;AMS41162-51384)



MT700 SERIES TRACK TRACTORS
HYDRAULIC SYSTEM

817

LINES GP-HYD OIL (CHARGE) - 500585D1
(S/N: EFF AKN40200;ALA40269;
ALM40712;AMS41162-51384)

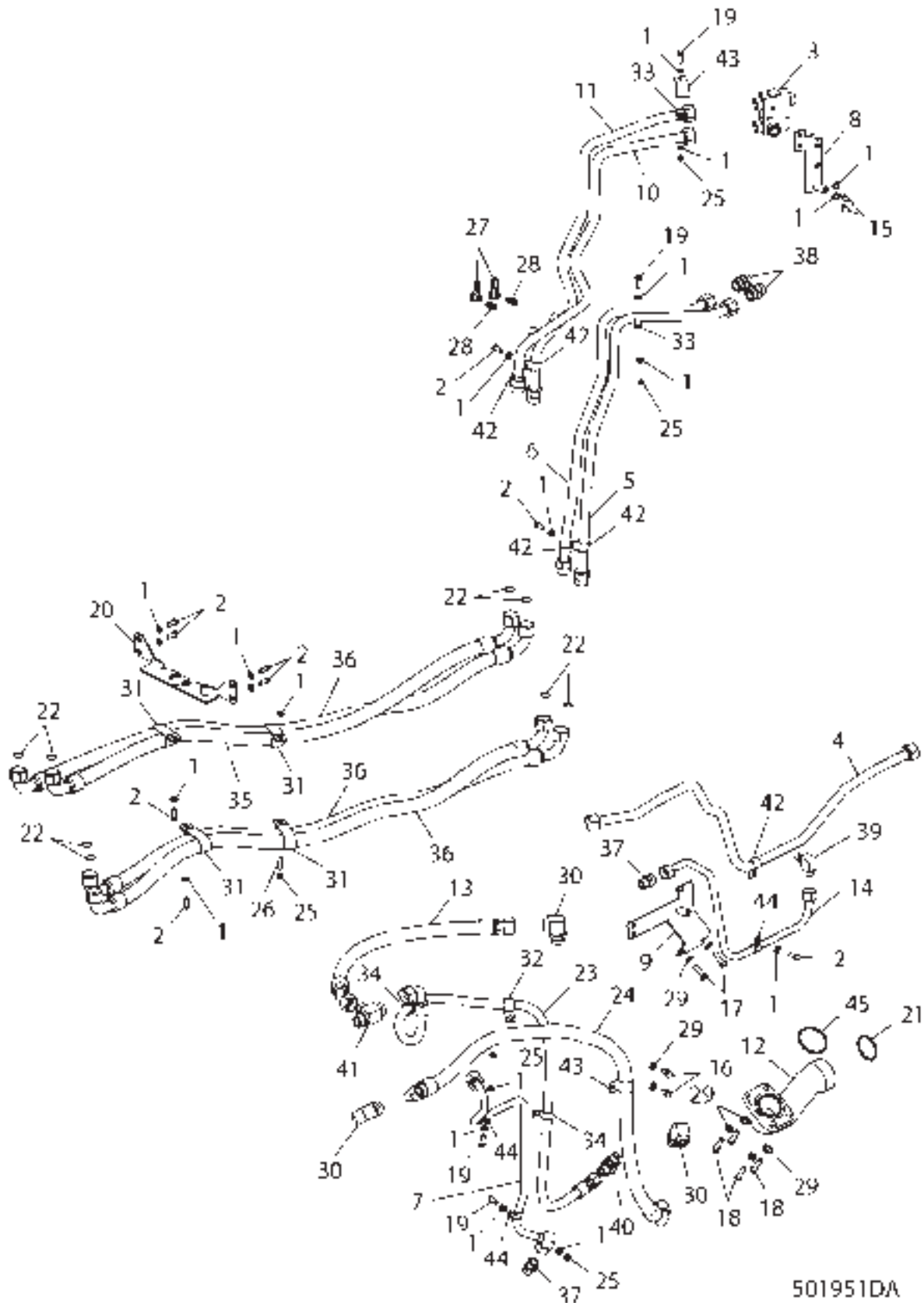
ITEM	NUMBER	QTY	DESCRIPTION
-	500585D1	--	LINES GP-HYD OIL [A]
31	CH6V-3833	1	SEAL-O-RING 78.74IDX5.33DIA
32	400688X1	2	CLIP LOOP 25.4ID
33	400287X1	20	WASHER-HARD 111DX21ODX2.5 ZND1
34	WR522218	5	NUT-M10-1.5,CL10.9,ZN,H,REG
35	400039X1	9	BOLT-M10X1.5X25 ZNDI HHD 10.9
36	400040X1	2	BOLT-M10X1.5X20 ZNDI HHD 10.9
37	400047X1	2	BOLT-M12X1.75X20 ZNDI HHD 10.9
38	400050X1	2	BOLT-M12X1.75X40 ZNDI HHD 10.9
39	400051X1	4	BOLT-M12X1.75X45 ZNDI HHD 10.9
40	400058X1	4	BOLT-M10X1.5X30 ZNDI HHD 10.9
41	400357X1	8	WASHER-HARD-M12X25.50DX3THK
42	400700X1	1	CLIP LOOP 28.58ID
43	206-7166	1	BRACKET AS.
	CH9R-2613	2	BOSS-M10X1.5-6HX25MM
	CH8T-3490	2	NUT-WELD M10X1.5-6H
44	CH219-3511	1	HOSE AS 25.4 ID SAE 100R1 HTEM
45	500586D1	1	HOSE AS (FOR 19.0 IDSAE

[A] PART OF 158-2341 HYDRAULIC AR

500585DA
PR: t05f07j07b0365

MT700 SERIES TRACK TRACTORS
HYDRAULIC SYSTEM

LINES GP-HYD OIL (CHARGE) - 501951D1
(S/N: EFF AMS51385)



**MT700 SERIES TRACK TRACTORS
HYDRAULIC SYSTEM**

819

**LINES GP-HYD OIL (CHARGE) - 501951D1
(S/N: EFF AMS51385)**

ITEM	NUMBER	QTY	DESCRIPTION
-	501951D1	--	LINES GP-HYD OIL [A] (NOT SERVICED)
1	400287X1	20	WASHER-HARD 11IDX21ODX2.5 ZND1
2	400039X1	9	BOLT-M10X1.5X25 ZNDI HHD 10.9
3	212-4475	1	MANIFOLD AS.
4	212-4484	1	TUBE AS.
5	212-8890	1	TUBE AS.
6	212-8891	1	TUBE AS.
7	213-2229	1	TUBE AS.
8	213-3932	1	BRACKET AS.
9	213-4077	1	BRACKET AS.
10	213-5066	1	TUBE AS.
11	213-5067	1	TUBE AS.
12	204-0428	1	TUBE
13	CH219-7254	1	HOSE AS 25.4 ID SAE 100R1
14	232-1247	1	TUBE AS.
15	400040X1	2	BOLT-M10X1.5X20 ZNDI HHD 10.9
16	400047X1	2	BOLT-M12X1.75X20 ZNDI HHD 10.9
17	400050X1	2	BOLT-M12X1.75X40 ZNDI HHD 10.9
18	400051X1	4	BOLT-M12X1.75X45 ZNDI HHD 10.9
19	400058X1	4	BOLT-M10X1.5X30 ZNDI HHD 10.9
20	206-7166	1	BRACKET AS.
	CH9R-2613	2	BOSS-M10X1.5-6HX25MM
	CH8T-3490	2	NUT-WELD M10X1.5-6H
21	400590X1	1	SEAL-O-RING 66.04 IDX5.33 DIA
22	400123X1	8	SEAL-O RING-27.22ODX1.78 DIA
23	500586D1	1	HOSE AS (FOR 19.0 IDSAE
24	CH219-3511	1	HOSE AS 25.4 ID SAE 100R1 HTEM
25	WR522218	5	NUT-M10-1.5,CL10.9,ZN,H,REG
26	400258X1	1	STUD-TAPERLOCK M10X1.5X45
27	400323X1	2	CAP-DUST 12.6 DIA -RUBBER
28	400324X1	2	NIPPLE AS-QUICK DISC-4&ORING
	400318X1	1	SEAL-O-RING (11.89IDX1.98DIA)
29	400357X1	8	WASHER-HARD-M12X25.50DX3THK
30	400580X1	3	ELBOW AS-90DEG 16STOR 16ORFS
	400376X1	1	SEAL-O-RING (29.74IDX2.95DIA)
	400123X1	1	SEAL-O RING (27.22ODX1.78DIA)

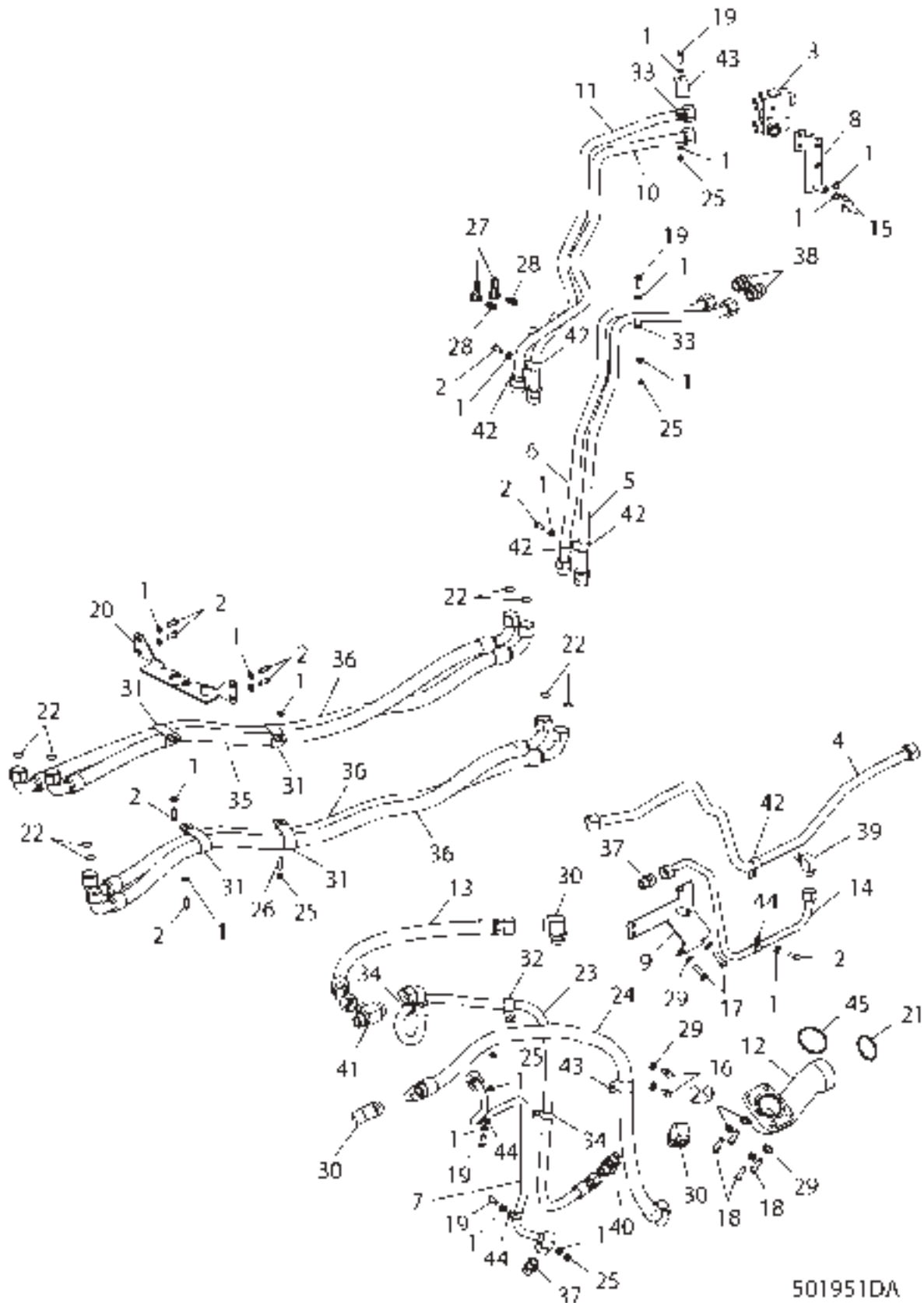
CONTINUED

[A] PART OF 158-2341 HYDRAULIC AR

501951DA
PR: t05f07j07b0366

MT700 SERIES TRACK TRACTORS
HYDRAULIC SYSTEM

LINES GP-HYD OIL(CHARGE) - 501951D1
(S/N: EFF AMS51385)



**MT700 SERIES TRACK TRACTORS
HYDRAULIC SYSTEM**

821

**LINES GP-HYD OIL(CHARGE) - 501951D1
(S/N: EFF AMS51385)**

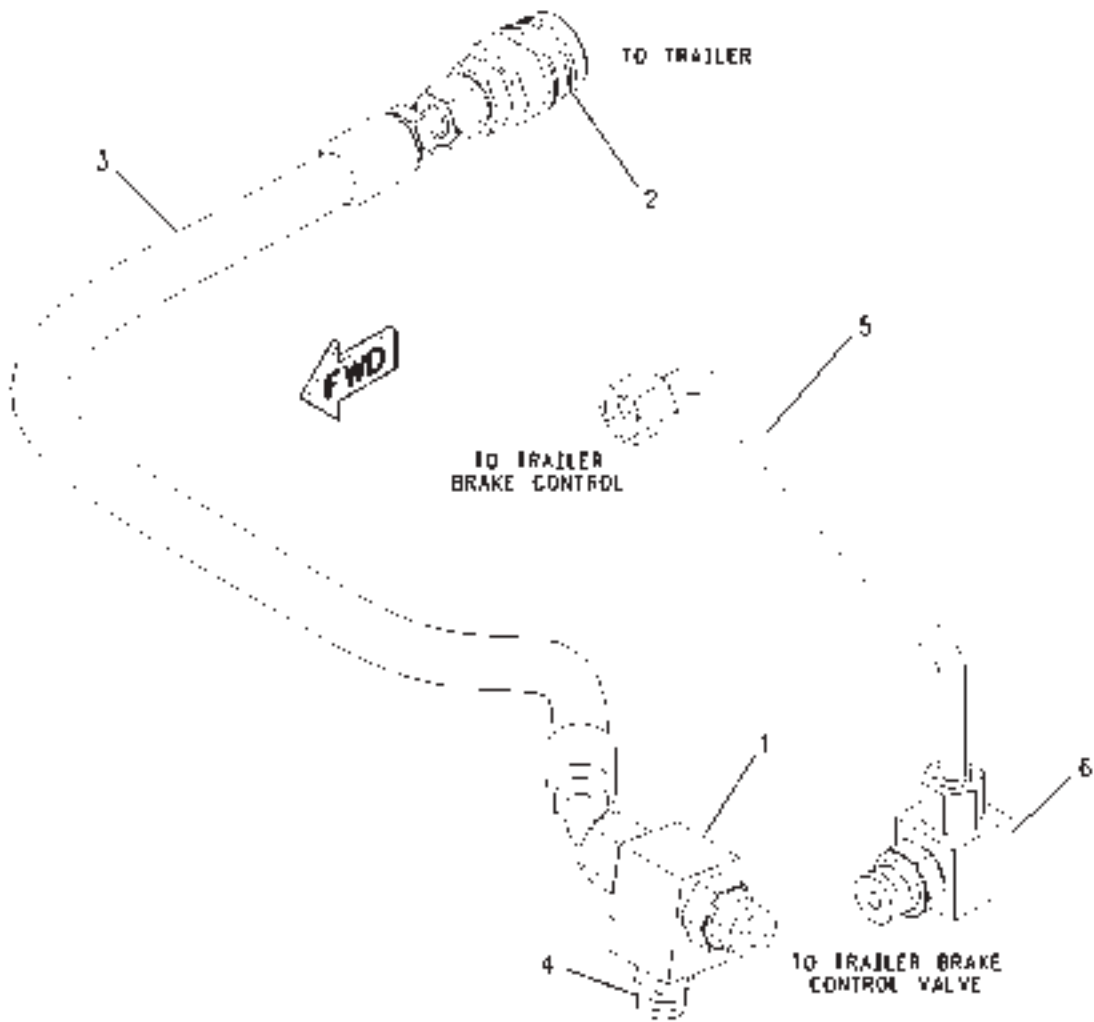
ITEM	NUMBER	QTY	DESCRIPTION
-	501951D1	--	LINES GP-HYD OIL [A] (NOT SERVICED)
31	400595X1	4	CLIP-38.1 ID DBL M12 OR 7/16
32	400663X1	1	CLIP-LOOP 28.58 ID
33	400688X1	2	CLIP LOOP 25.4ID
34	400700X1	2	CLIP LOOP 28.58ID
35	502053D1	1	HOSE AS (FOR 25.4 ID SAE
36	502054D1	3	HOSE AS (FOR 25.4 ID SAE
37	CH148-8327	2	CONNECTOR AS-12 ORFSX 12STOR
	400416X1	1	SEAL-O-RING 23.47IDX2.95DIA
	400366X1	1	SEAL-O-RING 22.5 ODX1.78 DIA
38	CH148-8335	2	CONNECTOR AS.-16 STORX16 ORFS
	400123X1	1	SEAL-O RING (27.22ODX1.78DIA)
	400376X1	1	SEAL-O-RING (29.74IDX2.95DIA)
39	CH148-8359	1	ELBOW AS.-90DEG 8STORX12 ORFS
	400366X1	1	SEAL-O-RING (22.5 ODX1.78DIA)
	CH3K-0360	1	SEAL-O-RING (16.36IDX2.21DIA)
40	CH148-8388	1	ELBOW-90 DEG 10 STORX12 ORFS
	400319X1	1	SEAL-O-RING (11.89X1.98)
	400366X1	1	SEAL-O-RING
41	CH148-8431	1	TEE AS-16 ORFS X 16 STOR
	400376X1	1	SEAL-O-RING (29.74IDX2.95DIA)
42	CH3A-3692	5	CLIP-LOOP 25.4 ID
43	CH4D-7388	2	CLIP-LOOP 34.9 ID
44	CH6D-4246	3	CLIP-LOOP 19.05ID
45	CH6V-3833	1	SEAL-O-RING 78.74IDX5.33DIA

[A] PART OF 158-2341 HYDRAULIC AR

501951DA
PR: t05f07j07b0366

MT700 SERIES TRACK TRACTORS
HYDRAULIC SYSTEM

LINES GP-HYDRAULIC - 165-8563
TRAILER BRAKE
EAME ONLY



**MT700 SERIES TRACK TRACTORS
HYDRAULIC SYSTEM**

823

**LINES GP-HYDRAULIC - 165-8563
TRAILER BRAKE
EAME ONLY**

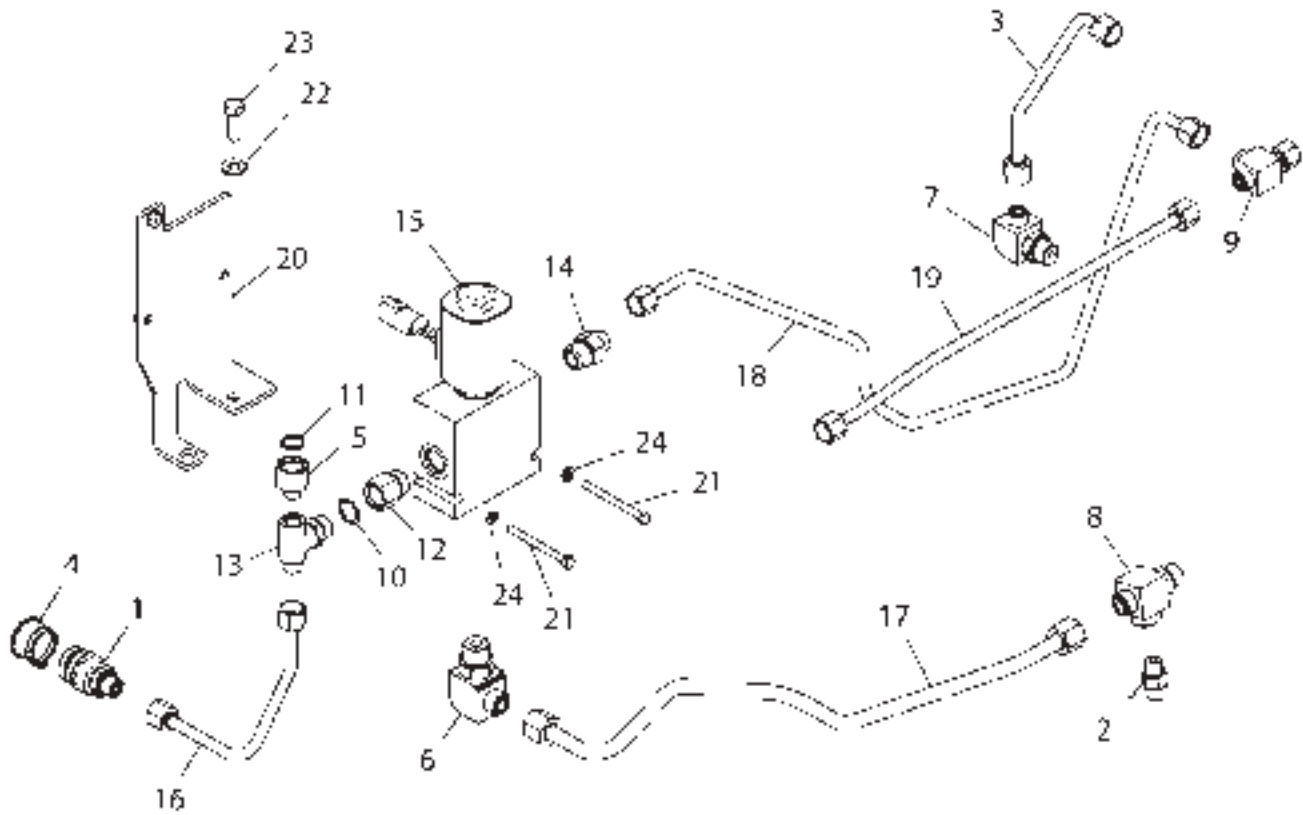
ITEM	NUMBER	QTY	DESCRIPTION
-	165-8563	--	LINES GP-HYDRAULIC
1	CH148-8420	1	TEE GP (NOT SERVICED)
	CH3K-0360	1	SEAL-O-RING (16.36IDX2.21DIA)
	CH6V-8398	1	SEAL-O-RING
	CH8T-6338	1	TEE-O-RING PORT
2	CH185-3959	1	COUPLER GP-QUICK
	400378X1	1	SEAL-O-RING
3	CH206-0622	1	HOSE AS
4	206-2941	1	VALVE GP-CHECK
	400378X1	1	SEAL-O-RING (12.83ODX1.78DIA)
	400318X1	1	SEAL-O-RING (11.89IDDX1.98DIA)
5	214-2438	1	TUBE AS
6	CH148-8374	1	ELBOW GP (NOT SERVICED)
	CH3K-0360	1	SEAL-O-RING (16.36IDX2.21DIA)
	400378X1	1	SEAL-O-RING
	CH6V-8723	1	ELBOW
7	CH223-9254	1	CAP-DUST (USE W/ITEM 2)(NOT SHOWN)

[A] PART OF 180-9999 BRAKE AR

00853902
PR: t05f07j07b0367

MT700 SERIES TRACK TRACTORS
HYDRAULIC SYSTEM

LINES GP-HYD OIL - 223-4989
ITALIAN MARKET
EAME ONLY



**MT700 SERIES TRACK TRACTORS
HYDRAULIC SYSTEM**

825

**LINES GP-HYD OIL - 223-4989
ITALIAN MARKET
EAME ONLY**

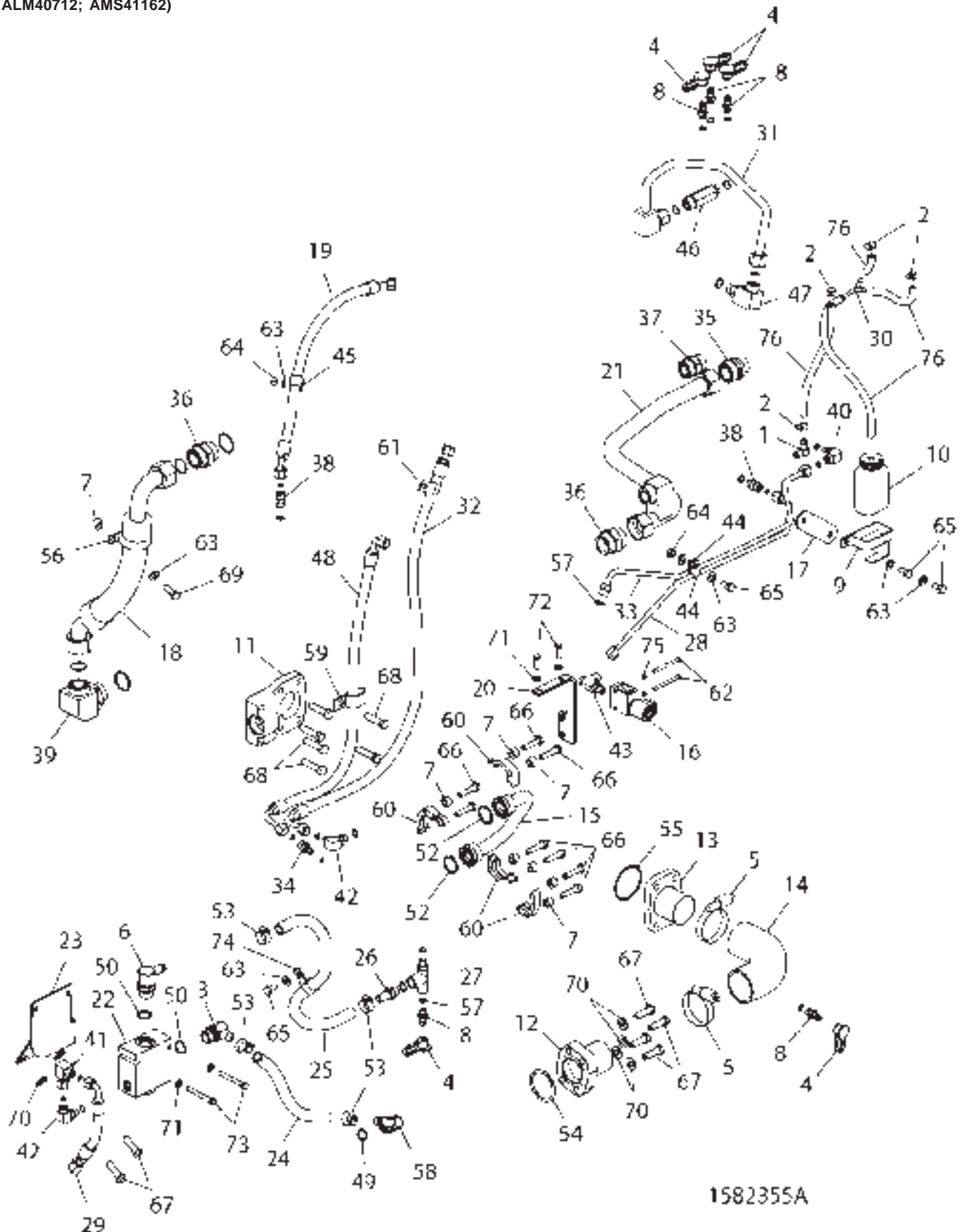
ITEM	NUMBER	QTY	DESCRIPTION
-	223-4989	--	LINES GP-HYD OIL [A] (NOT SERVICED)
1	CH185-3959	1	COUPLER-QK CONNECT 12STOR ML
2	206-2941	1	VALVE AS-CHECK 4ORFS X 6ORFS
3	214-2438	1	TUBE AS.
4	CH223-9254	1	CAP-DUST
5	CH148-8307	1	ADAPTER AS -6STOR X 8STOR
	CH5P-8874	1	ADAPTER-6STOR X 8STOR
	400318X1	1	SEAL-O-RING (11.89X1.98)
6	CH148-8372	1	ELBOW AS-90DEG 10 STOR-8 ORFS
	CH6V-8398	1	SEAL-O-RING (16.03X1.78)
	400319X1	1	SEAL-O-RING (11.89X1.98)
7	CH148-8374	1	ELBOW AS-90DEG 6ORFS X 8STOR
	CH6V-8723	1	ELBOW -90DEG 6ORFS X 8STOR
	CH3K-0360	1	SEAL-O-RING (16.36IDX2.21DIA)
	400378X1	1	SEAL-O-RING 12.03IDX1.78DIA
8	CH148-8420	1	TEE GP (NOT SERVICED)
	CH3K-0360	1	SEAL-O-RING (16.36IDX2.21DIA)
	CH6V-8398	1	SEAL-O-RING
	CH8T-6338	1	TEE-8ORFS X 8STOR X 6STOR
9	CH148-8433	1	TEE AS-6 ORFS X 3
	CH6V-9836	1	TEE-6ORFS X 3
	400378X1	2	SEAL-O-RING 12.03IDX1.78DIA
10	400319X1	1	SEAL-O-RING 19.18 IDX2.46 DIA
11	CH3K-0360	1	SEAL-O-RING 16.36IDX2.21DIA
12	500454D1	1	ADAPTER-STRAIGHT THREAD-O-RING
13	500456D1	1	TEE AS - 6STOR X 8STOR X 6ORFS
	400378X1	1	SEAL-O-RING 12.03IDX1.78DIA
	CH3K-0360	1	SEAL-O-RING (16.36IDX2.21DIA)
	500455D1	1	TEE O-RING PORT TO O-RING
14	500533D1	1	CONNECTOR AS - 6ORFS X 10STOR
	400378X1	1	SEAL-O-RING 12.03IDX1.78DIA
	400319X1	1	SEAL-O-RING (11.89X1.98)
15	500535D1	1	VALVE AS
16	500537D1	1	TUBE AS
17	500538D1	1	TUBE AS
18	500539D1	1	TUBE AS
19	500540D1	1	TUBE AS
20	500541D1	1	BRACKET AS.
21	400038X1	2	BOLT-M6X1X70MM ZNDI HHD 10.9
22	400287X1	1	WASHER-HARD 11IDX21ODX2.5 ZND1
23	400058X1	1	BOLT-M10X1.5X30 ZNDI HHD 10.9
24	400310X1	2	WASHER

[A] PART OF 227-5263 BRAKE AR-HYD

2234989A
PR: t05f07j07b0368

MT700 SERIES TRACK TRACTORS
HYDRAULIC SYSTEM

LINES GP-IMPLEMENT - 158-2355
(S/N: PRIOR TO AKN40200; ALA40269;
ALM40712; AMS41162)



**MT700 SERIES TRACK TRACTORS
HYDRAULIC SYSTEM**

827

LINES GP-IMPLEMENT - 158-2355
(S/N: PRIOR TO AKN40200; ALA40269;
ALM40712; AMS41162)

ITEM	NUMBER	QTY	DESCRIPTION
-	158-2355	--	LINES GP-IMPLEMENT
1	CH5P-9517	1	ELBOW-90DEG4NPTF X 7.92 OD BARB
2	CH1P-4278	4	CLAMP-HOSE 5.5-15.88 ID X 8
3	CH5P-1045	1	CONNECTOR-45DEG12STOR X 15.7BARB
4	400323X1	5	CAP-DUST 12.6 DIA -RUBBER
5	400126X1	2	CLAMP-HOSE CT SST 57-79X16
6	CH090-0744	1	ELBOW-90DEG 12STOR X 15.88 BARB
7	CH148-7017	9	SPACER-19.05ODX10.2IDX13 ZN
8	400324X1	5	NIPPLE AS-QUICK DISC-4&ORING
	400318X1	1	SEAL-O-RING (11.89IDX1.98DIA)
9	179-8664	1	BRACKET
10	CH179-8665	1	BOTTLE AS
11	180-2536	1	MANIFOLD
12	CH183-3009	1	TUBE AS.
13	CH183-3010	1	TUBE AS
14	197-1341	1	HOSE
15	CH206-0598	1	TUBE AS.
16	207-0745	1	VALVE GP- SOL
17	CH207-2912	1	PLATE AS.
18	CH207-9575	1	HOSE AS-31.75 ID CMS 5803A
19	CH212-8811	1	HOSE AS-9.5 ID SAE 100R2
20	212-8815	1	BRACKET AS
21	213-6367	1	TUBE AS.
22	214-8984	1	VALVE AS.-CHECK
23	215-8993	1	BRACKET AS.
24	215-8994	1	HOSE
25	215-8995	1	HOSE
26	CH216-3339	1	CONNECTOR-8STOR X 15.88 BARB
27	CH216-3566	1	TEE AS-6STOR X 8STOR X 6STOR
	400318X1	1	SEAL-O-RING (11.89IDX1.98DIA)
28	217-1584	1	TUBE AS.
29	CH219-2220	1	HOSE AS - 9.5ID SAE 100R1
30	CH222-0527	1	COUPLING-Y 3 X 7.9 OD BARB
31	223-8241	1	TUBE AS.
32	CH225-5206	1	HOSE AS-9.52 ID SAE 100 R2
33	225-5207	1	TUBE AS.
34	CH148-8326	1	CONNECTOR AS-6 ORFS X 4 STOR
	400361X1	1	SEAL-O-RING (8.92IDX1.83DIA)
	400378X1	1	SEAL-O-RING (12.83ODX1.78DIA)
35	CH148-8333	1	CONNECTOR AS-20 ORFS X 16 STOR
	400365X1	1	SEAL-O-RING (33.57ODX1.78DIA)
	400376X1	1	SEAL-O-RING (29.74IDX2.95DIA)
36	CH148-8334	2	CONNECTOR AS-20 ORFS X 20 STOR
	400365X1	1	SEAL-O-RING (29.74IDX2.95DIA)
	400593X1	1	SEAL-O-RING (33.57ODX1.78DIA)
37	CH148-8335	1	CONNECTOR AS.-16 STORX16 ORFS
	400123X1	1	SEAL-O RING (27.22ODX1.78DIA)
	400376X1	1	SEAL-O-RING (29.74IDX2.95DIA)
38	400367X1	2	CONNECTOR AS-6 STOR -6 ORFS
	400376X1	1	SEAL-O-RING (29.74IDX2.95DIA)
	400318X1	1	SEAL-O-RING (11.89IDX1.98DIA)

CONTINUED

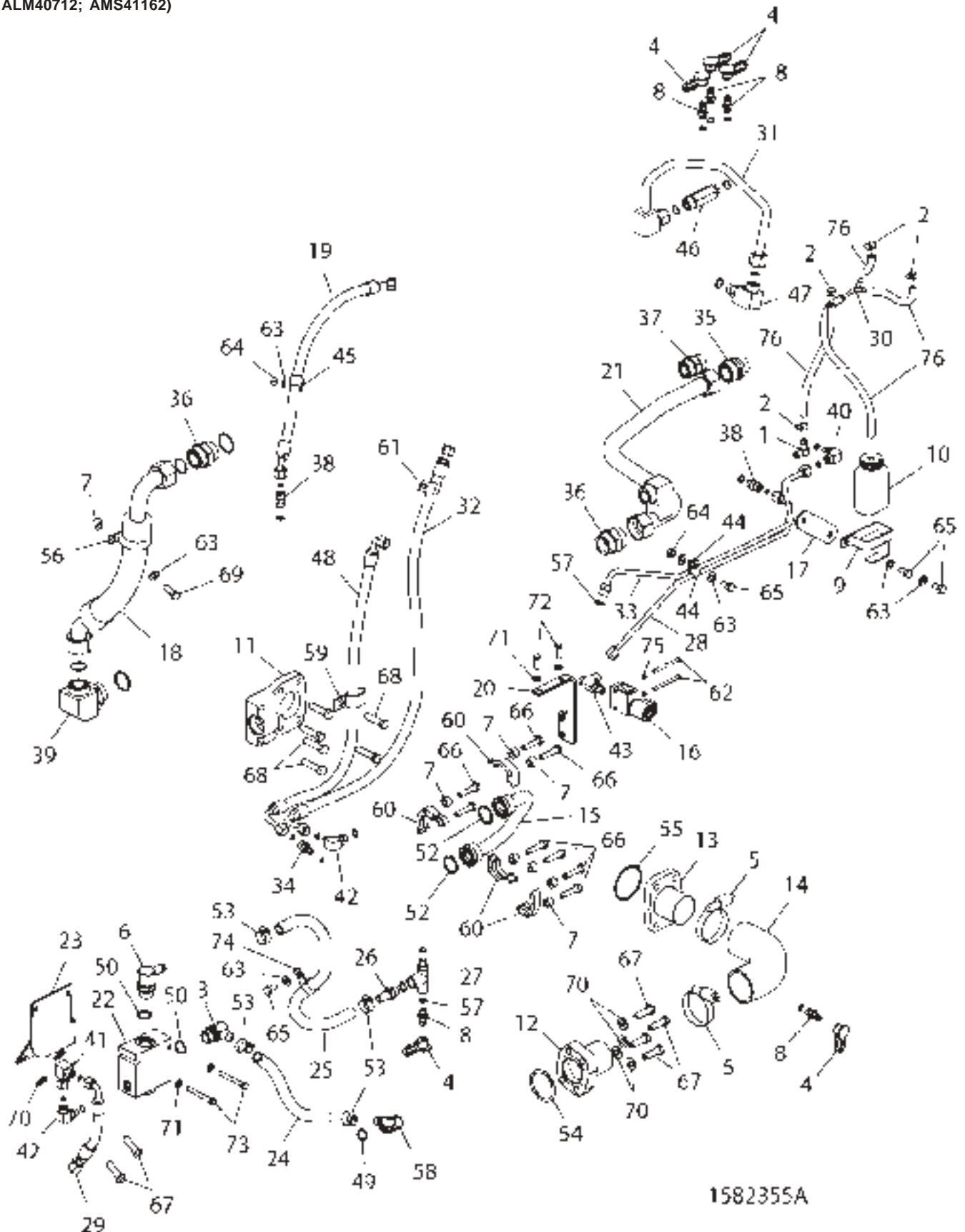
[A] PART OF 158-2341 HYDRAULIC AR

1582355A
PR: t05f07j07b0369

MT700 SERIES TRACK TRACTORS
HYDRAULIC SYSTEM

LINES GP-IMPLEMENT - 158-2355

(S/N: PRIOR TO AKN40200; ALA40269;
ALM40712; AMS41162)



**MT700 SERIES TRACK TRACTORS
HYDRAULIC SYSTEM**

829

**LINES GP-IMPLEMENT - 158-2355
(S/N: PRIOR TO AKN40200; ALA40269;
ALM40712; AMS41162)**

ITEM	NUMBER	QTY	DESCRIPTION
-	158-2355	--	LINES GP-IMPLEMENT [A] (NOT SERVICED)
39	CH148-8356	1	ELBOW AS-90-20ORFS X 20STOR
	400593X1	1	SEAL-O-RING (33.57ODX1.78DIA)
	400365X1	1	SEAL-O-RING (29.74IDX2.95DIA)
40	CH148-8361	1	ELBOW AS-90-4STOR X 6ORFS
	400361X1	1	SEAL-O-RING (8.92IDX1.83DIA)
	400378X1	1	SEAL-O-RING (12.83ODX1.78DIA)
41	CH148-8367	1	ELBOW AS-90DEG 6ORFSX6ORFS SWVL
	400378X1	1	SEAL-O-RING (12.83ODX1.78DIA)
42	CH148-8378	2	ELBOW AS-90 DEG 4 STOR X6 ORFS
	400318X1	1	SEAL-O-RING (11.89IDX1.98DIA)
	400378X1	1	SEAL-O-RING (12.83ODX1.78DIA)
43	CH148-8435	1	TEE AS-6ORFS X 6ORFSX 6STOR
	400378X1	2	SEAL-O-RING (12.83ODX1.78DIA)
	400318X1	1	SEAL-O-RING (11.89IDX1.98DIA)
44	CH1F-7567	2	CLIP-LOOP 9.52 ID
45	CH1S-0994	1	CLIP-LOOP 20.64 ID
46	CH223-8435	1	CONNECTOR AS-10 ORFS X 8 STOR
	CH3K-0360		SEAL-O-RING (16.36IDX2.21DIA)
	400322X1	1	SEAL-O-RING (19.28ODX1.78DIA)
47	CH223-9031	1	ELBOW AS-90 DEG -8STOR-10 ORFS
	CH3K-0360		SEAL-O-RING (16.36IDX2.21DIA)
	400322X1	1	SEAL-O-RING (19.28ODX1.78DIA)
48	CH227-5266	1	HOSE AS-9.5 ID SAE 100R2
49	400319X1	1	SEAL-O-RING 19.18 IDX2.46 DIA
50	400416X1	2	SEAL-O-RING 23.47IDX2.95DIA
51	CH3K-0360	1	SEAL-O-RING 16.36IDX2.21DIA
52	400100X1	2	SEAL-O RING-32.92IDX3.53DIA
53	400108X1	4	CLAMP-HOSE SST 15.9-26.9X13.5
54	CH6F-8146	1	SEAL-O-RING 59.69IDX5.33DIA
55	400102X1	1	SEAL-O RING 69.44ID X 3.53DIA
56	CH6V-2235	1	CLIP-LOOP 50.8 ID
57	400378X1	1	SEAL-O-RING 12.83 ODX1.78 DIA
58	CH6V-9208	1	ELBOW-90DEG 10STOR X 15.88 BARB
59	CH7S-1912	1	CLIP-LOOP 2X20.62 ID
60	CH8C-3206	4	FLANGE-HALF (-16)
61	CH8S-0948	1	CLIP-LOOP-20.64 ID
62	400038X1	2	BOLT-M6X1X70MM ZNDI HHD 10.9
63	400287X1	7	WASHER-HARD 11IDX21ODX2.5 ZND1
64	WR522218	2	NUT-M10-1.5,CL10.9,ZN,H,REG
65	400040X1	4	BOLT-M10X1.5X20 ZNDI HHD 10.9
66	400049X1	8	BOLT-M10X1.5X45 ZNDI HHD 10.9
67	400050X1	6	BOLT-M12X1.75X40 ZNDI HHD 10.9
68	400057X1	6	BOLT-M12X1.75X50 ZNDI HHD 10.9
69	400059X1	1	BOLT-M10X1.5X35 ZNDI HHD 10.9
70	400357X1	6	WASHER-HARD-M12X25.50DX3THK
71	400339X1	4	WASHER - HARD
72	400341X1	2	BOLT - HEX HEAD
73	400068X1	2	BOLT-M8X1.25X70 ZNDI HHD 10.9
74	CH9X-8250	1	CLIP-LOOP 23.8 ID
75	400310X1	2	WASHER
76	CH5P-1420	AR	HOSE (BULK) 7.92 DIA (77CM)

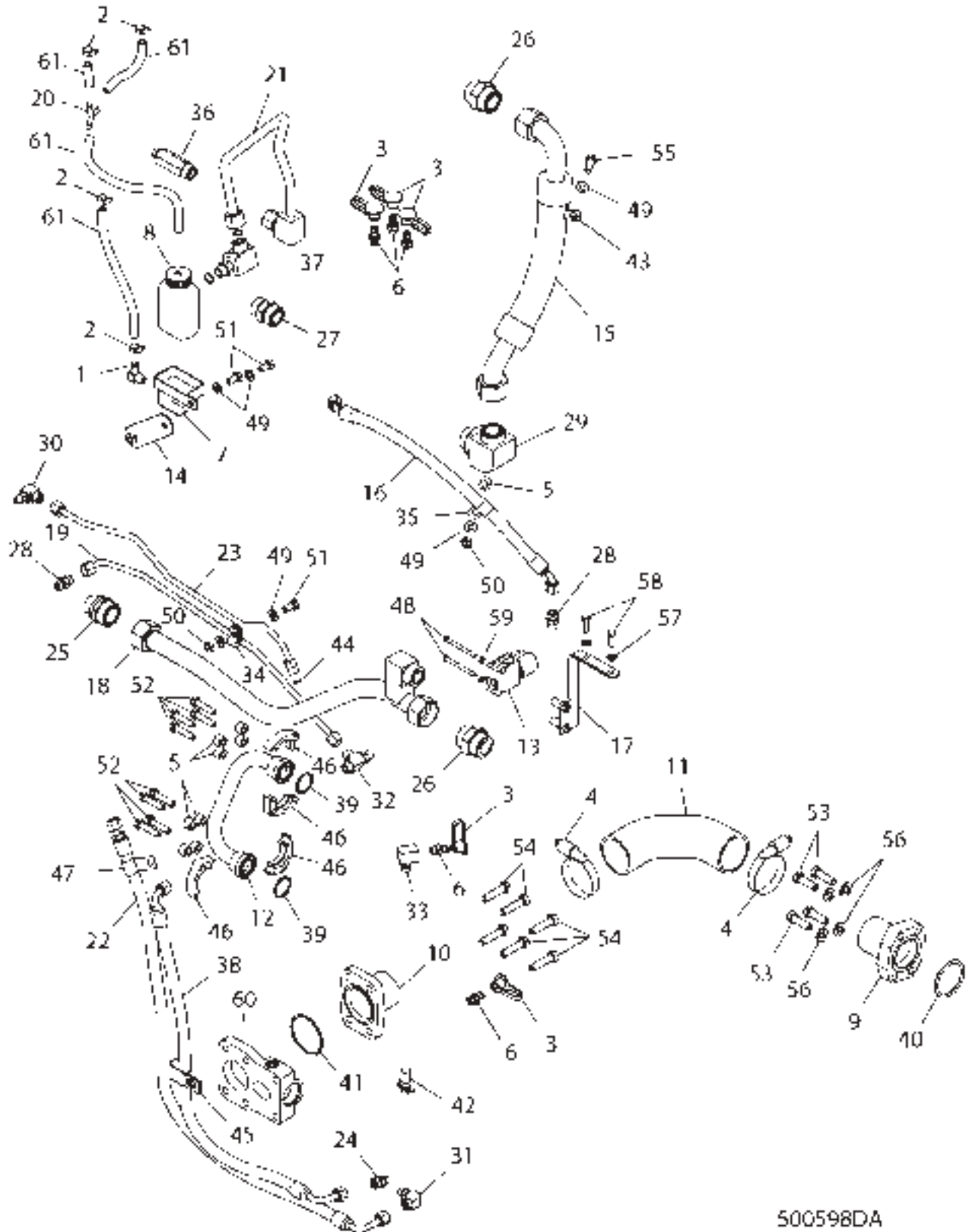
[A] PART OF 158-2341 HYDRAULIC AR

1582355A
PR: t05f07j07b0369

MT700 SERIES TRACK TRACTORS
HYDRAULIC SYSTEM

LINES GP-IMPLEMENT - 500598D1

(S/N: EFF AKN40200; ALA40269;
ALM40712; AMS41162)



**MT700 SERIES TRACK TRACTORS
HYDRAULIC SYSTEM**

831

LINES GP-IMPLEMENT - 500598D1
(S/N: EFF AKN40200; ALA40269;
ALM40712; AMS41162)

ITEM	NUMBER	QTY	DESCRIPTION
-	500598D1	--	LINES GP-IMPLEMENT [A] (NOT SERVICED)
1	CH5P-9517	1	ELBOW-90DEG4NPTF X 7.92 OD BARB
2	CH1P-4278	4	CLAMP-HOSE 5.5-15.88 ID X 8
3	400323X1	5	CAP-DUST 12.6 DIA -RUBBER
4	400126X1	2	CLAMP-HOSE CT SST 57-79X16
5	CH148-7017	9	SPACER-19.05ODX10.2IDX13 ZN
6	400324X1	5	NIPPLE AS-QUICK DISC-4&ORING
	400318X1	1	SEAL-O-RING (11.89IDX1.98DIA)
7	179-8664	1	BRACKET
8	CH179-8665	1	BOTTLE AS
9	CH183-3009	1	TUBE AS.
10	CH183-3010	1	TUBE AS
11	197-1341	1	HOSE
12	CH206-0598	1	TUBE AS.
13	207-0745	1	VALVE GP- SOL
14	CH207-2912	1	PLATE AS.
15	CH207-9575	1	HOSE AS-31.75 ID CMS 5803A
16	CH212-8811	1	HOSE AS-9.5 ID SAE 100R2
17	212-8815	1	BRACKET AS
18	213-6367	1	TUBE AS.
19	217-1584	1	TUBE AS.
20	CH222-0527	1	COUPLING-Y 3 X 7.9 OD BARB
21	223-8241	1	TUBE AS.
22	CH225-5206	1	HOSE AS-9.52 ID SAE 100 R2
23	225-5207	1	TUBE AS.
24	CH148-8326	1	CONNECTOR AS-6 ORFS X 4 STOR
	400361X1	1	SEAL-O-RING (8.92IDX1.83DIA)
	400378X1	1	SEAL-O-RING (12.83ODX1.78DIA)
25	CH148-8333	1	CONNECTOR AS-20 ORFS X 16 STOR
	400365X1	1	SEAL-O-RING (33.57ODX1.78DIA)
	400376X1	1	SEAL-O-RING (29.74IDX2.95DIA)
26	CH148-8334	2	CONNECTOR AS-20 ORFS X 20 STOR
	400365X1	1	SEAL-O-RING (29.74IDX2.95DIA)
	400593X1	1	SEAL-O-RING (33.57ODX1.78DIA)
27	CH148-8335	1	CONNECTOR AS.-16 STORX16 ORFS
	400123X1	1	SEAL-O RING (27.22ODX1.78DIA)
	400376X1	1	SEAL-O-RING (29.74IDX2.95DIA)
28	400367X1	2	CONNECTOR AS-6 STOR -6 ORFS
	400376X1	1	SEAL-O-RING (29.74IDX2.95DIA)
	400318X1	1	SEAL-O-RING (11.89IDX1.98DIA)
29	CH148-8356	1	ELBOW AS-90-20ORFS X 20STOR
	400593X1	1	SEAL-O-RING (33.57ODX1.78DIA)
	400365X1	1	SEAL-O-RING (29.74IDX2.95DIA)
30	CH148-8361	1	ELBOW AS-90 DEG 4 STOR X6 ORFS
	400361X1	1	SEAL-O-RING (8.92IDX1.83DIA)
	400378X1	1	SEAL-O-RING (12.83ODX1.78DIA)
31	CH148-8378	1	ELBOW AS-90 DEG 4 STOR X6 ORFS
	400318X1	1	SEAL-O-RING (11.89IDX1.98DIA)
	400378X1	1	SEAL-O-RING (12.83ODX1.78DIA)
32	CH148-8435	1	TEE AS-6ORFS X 6ORFSX 6STOR
	400378X1	2	SEAL-O-RING (12.83ODX1.78DIA)
	400318X1	1	SEAL-O-RING (11.89IDX1.98DIA)

CONTINUED

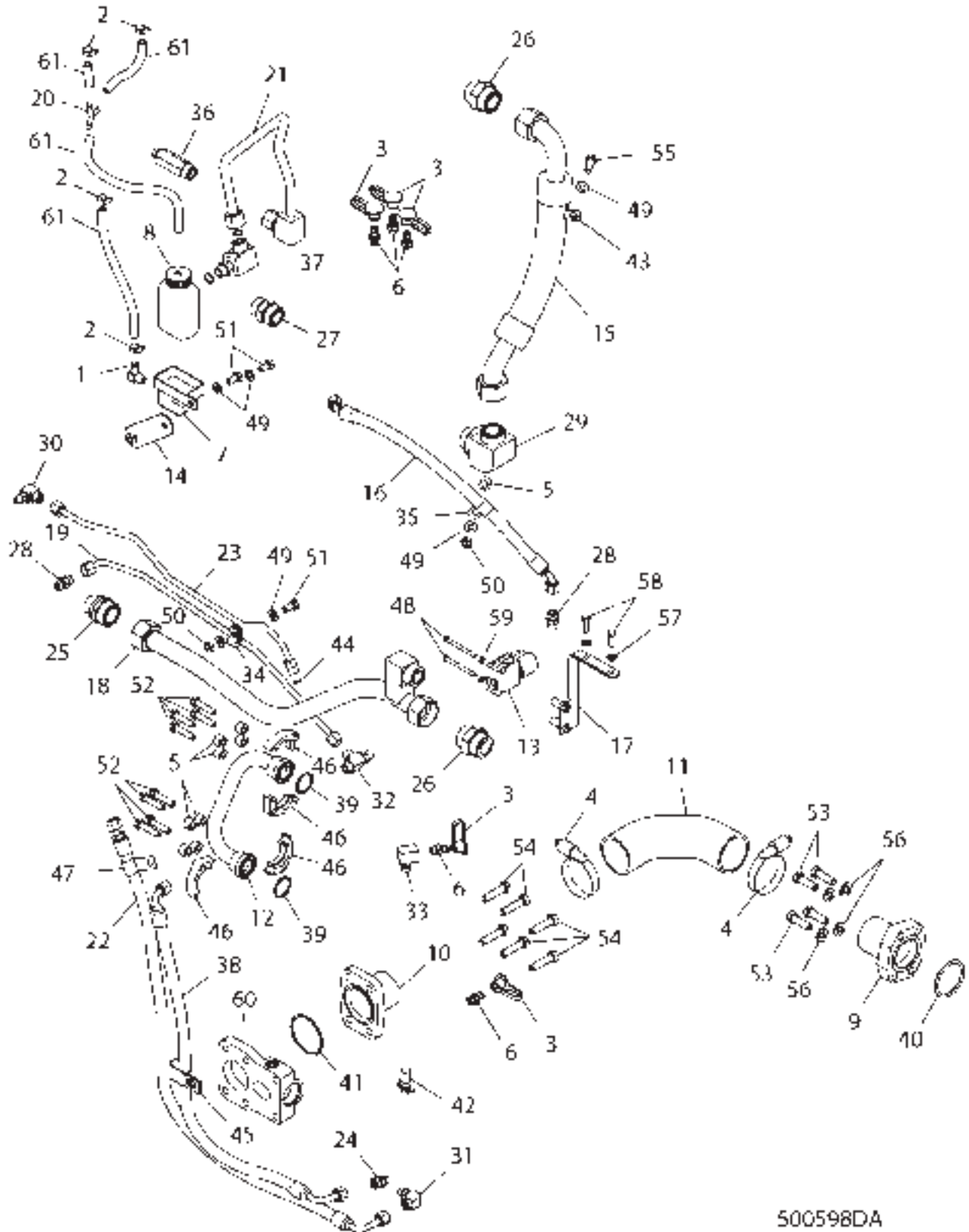
[A] PART OF 158-2341 HYDRAULIC AR

500598DA
PR: t05f07j07b0370

MT700 SERIES TRACK TRACTORS
HYDRAULIC SYSTEM

LINES GP-IMPLEMENT - 500598D1

(S/N: EFF AKN40200; ALA40269;
ALM40712; AMS41162)



**MT700 SERIES TRACK TRACTORS
HYDRAULIC SYSTEM**

833

LINES GP-IMPLEMENT - 500598D1
(S/N: EFF AKN40200; ALA40269;
ALM40712; AMS41162)

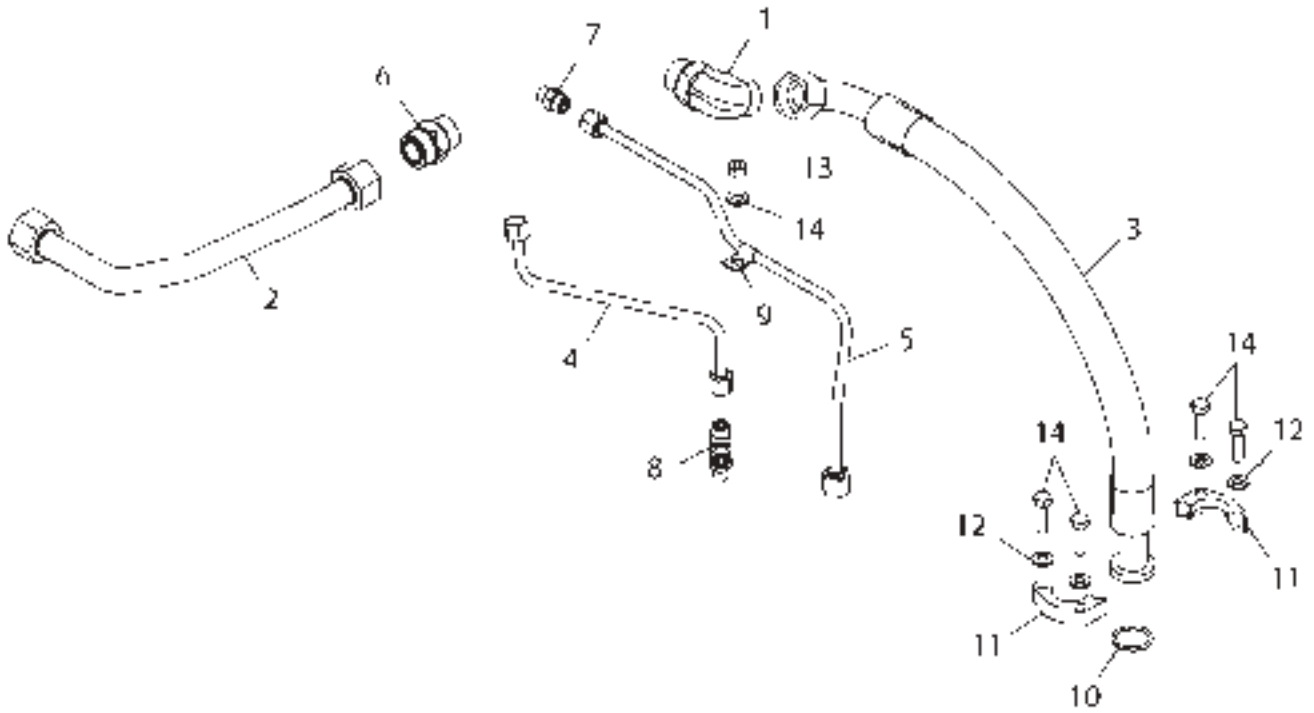
ITEM	NUMBER	QTY	DESCRIPTION
-	500598D1	--	LINES GP-IMPLEMENT [A] (NOT SERVICED)
33	CH150-3065	1	ADAPTER AS-90DEG 6 STOR X 6 STOR
	400318X1	1	SEAL-O-RING (11.89IDX1.98DIA)
	CH6V-0484	1	ADAPTER-90DEG.
34	CH1F-7567	2	CLIP-LOOP 9.52 ID
35	CH1S-0994	1	CLIP-LOOP 20.64 ID
36	CH223-8435	1	CONNECTOR AS-10 ORFS X 8 STOR
	CH3K-0360		SEAL-O-RING (16.36IDX2.21DIA)
	400322X1	1	SEAL-O-RING (19.28ODX1.78DIA)
37	CH223-9031	1	ELBOW AS-90 DEG -8STOR-10 ORFS
	CH3K-0360		SEAL-O-RING (16.36IDX2.21DIA)
	400322X1	1	SEAL-O-RING (19.28ODX1.78DIA)
38	CH227-5266	1	HOSE AS-9.5 ID SAE 100R2
39	400100X1	2	SEAL-O RING-32.92IDX3.53DIA
40	CH6F-8146	1	SEAL-O-RING 59.69IDX5.33DIA
41	400102X1	1	SEAL-O RING 69.44ID X 3.53DIA
42	CH6V-1520	1	VALVE-SHUT OFF -6 NPTF -10HOSE
43	CH6V-2235	1	CLIP-LOOP 50.8 ID
44	400378X1	1	SEAL-O-RING 12.83 ODX1.78 DIA
45	CH7S-1912	1	CLIP-LOOP 2X20.62 ID
46	CH8C-3206	4	FLANGE-HALF (-16)
47	CH8S-0948	1	CLIP-LOOP-20.64 ID
48	400038X1	2	BOLT-M6X1X70MM ZNDI HHD 10.9
49	400287X1	6	WASHER-HARD 11IDX21ODX2.5 ZND1
50	WR522218	2	NUT-M10-1.5,CL10.9,ZN,H,REG
51	400040X1	3	BOLT-M10X1.5X20 ZNDI HHD 10.9
52	400049X1	8	BOLT-M10X1.5X45 ZNDI HHD 10.9
53	400050X1	4	BOLT-M12X1.75X40 ZNDI HHD 10.9
54	400057X1	6	BOLT-M12X1.75X50 ZNDI HHD 10.9
55	400059X1	1	BOLT-M10X1.5X35 ZNDI HHD 10.9
56	400357X1	4	WASHER-HARD-M12X25.50DX3THK
57	400339X1	2	WASHER - HARD
58	400341X1	2	BOLT - HEX HEAD
59	400310X1	2	WASHER
60	500716D1	1	MANIFOLD
61	CH5P-1420	AR	HOSE (BULK) 7.92 DIA (77CM)

[A] PART OF 158-2341 HYDRAULIC AR

500598DA
PR: t05f07j07b0370

MT700 SERIES TRACK TRACTORS
HYDRAULIC SYSTEM

LINES GP-IMPLEMENT - 173-1982
EAME ONLY



**MT700 SERIES TRACK TRACTORS
HYDRAULIC SYSTEM**

835

**LINES GP-IMPLEMENT - 173-1982
EAME ONLY**

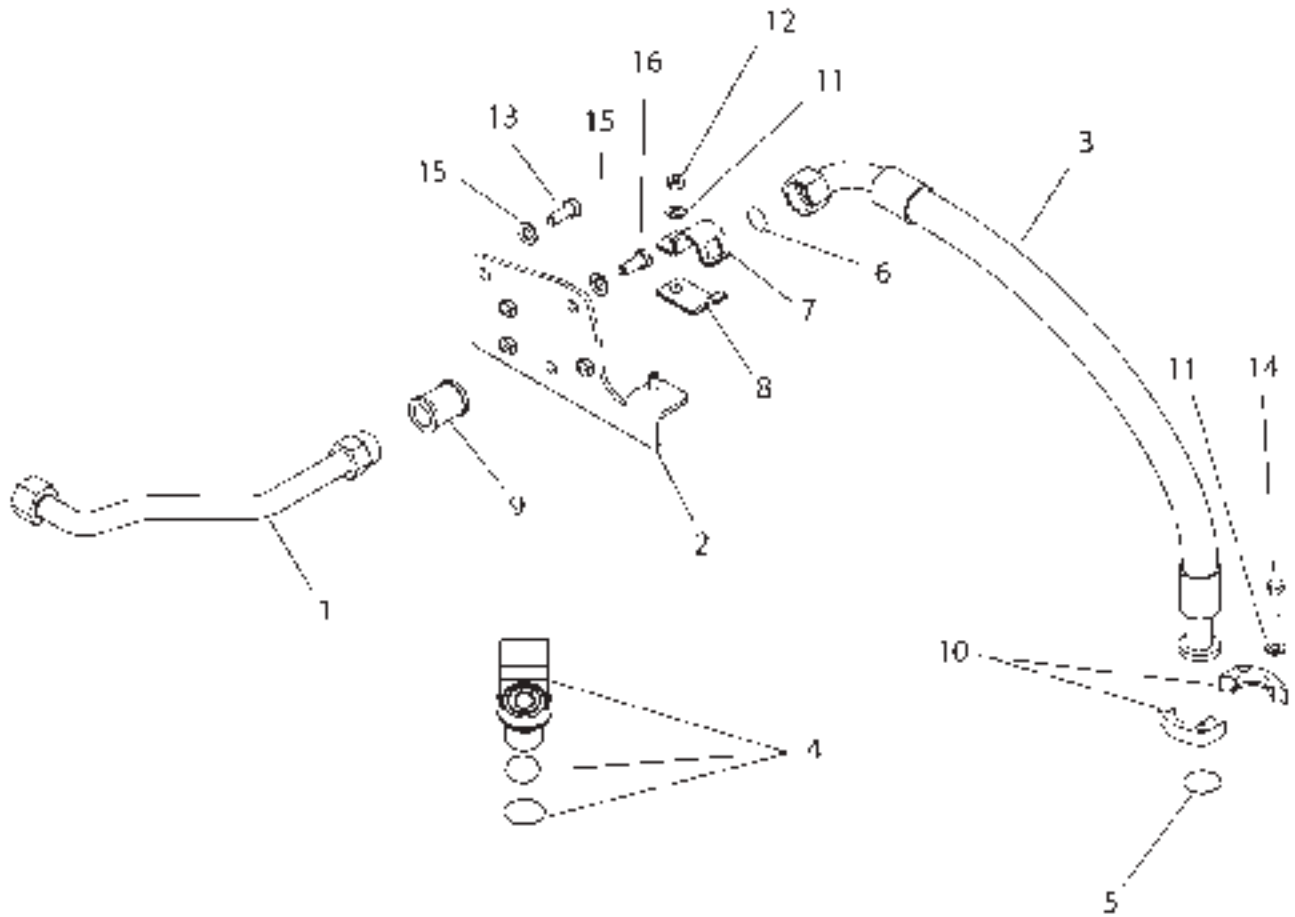
ITEM	NUMBER	QTY	DESCRIPTION
-	173-1982	--	LINES GP-IMPLEMENT [A]
1	400580X1	1	ELBOW AS-90DEG 16STOR 16ORFS
	400376X1	1	SEAL-O-RING (29.74IDX2.95DIA)
	400581X1	1	ELBOW
	400123X1	1	SEAL-O RING (27.22ODX1.78DIA)
2	206-0601	1	TUBE AS
3	CH206-0623	1	HOSE AS-25.4 ID SAE 100R12
4	212-8816	1	TUBE AS
5	212-8817	1	TUBE AS
6	CH148-8335	1	CONNECTOR AS.-16 STORX16 ORFS
	400123X1	1	SEAL-O RING (27.22ODX1.78DIA)
	400376X1	1	SEAL-O-RING (29.74IDX2.95DIA)
7	400367X1	1	CONNECTOR AS-6 STOR -6 ORFS
8	CH148-8435	1	TEE AS-6ORFS X 6ORFSX 6STOR
	400378X1	2	SEAL-O-RING (12.83ODX1.78DIA)
	400318X1	1	SEAL-O-RING (11.89IDX1.98DIA)
9	CH1F-7567	1	CLIP-LOOP 9.52 ID
10	400100X1	1	SEAL-O RING-32.92IDX3.53DIA
11	CH8C-3206	2	FLANGE-HALF (-16)
12	400287X1	5	WASHER-HARD 11IDX21ODX2.5 ZND1
13	WR522218	1	NUT-M10-1.5,CL10.9,ZN,H,REG
14	400059X1	4	BOLT-M10X1.5X35 ZNDI HHD 10.9

[A] PART OF 178-7160 PUMP AR

1731982A
PR: t05f07j07b0371

MT700 SERIES TRACK TRACTORS
HYDRAULIC SYSTEM

LINES GP-IMPLEMENT - 165-7902



MT700 SERIES TRACK TRACTORS
HYDRAULIC SYSTEM

837

LINES GP-IMPLEMENT - 165-7902

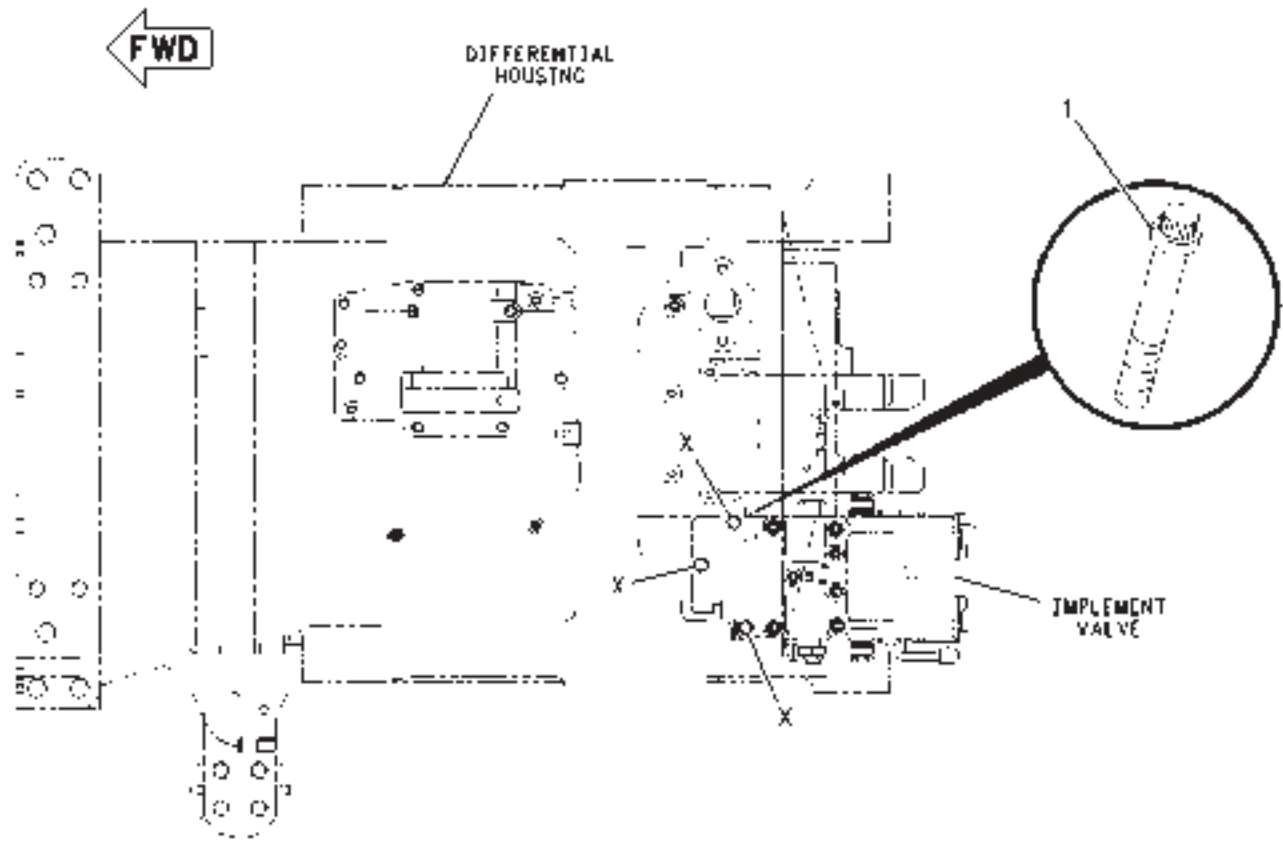
ITEM	NUMBER	QTY	DESCRIPTION
-	165-7902	--	LINES GP-IMPLEMENT [A]
1	206-0603	1	TUBE AS
2	206-0604	1	BRACKET AS
3	CH206-0626	1	HOSE AS-25.4 ID SAE 100R12
4	CH148-8378	1	ELBOW AS-90 DEG 4 STOR X6 ORFS
	400318X1	1	SEAL-O-RING
	400378X1	1	SEAL-O-RING
5	400100X1	1	SEAL-O RING-32.92IDX3.53DIA
6	400123X1	1	SEAL-O RING-27.22ODX1.78 DIA
7	CH5P-7464	1	CLIP-2 PC TOP 38OD
8	CH5P-7465	1	CLIP-2 PC BOTTOM 38 OD
9	400112X1	1	GROMMET-RUBBER 37ODX25IDX40LG
10	CH8C-3206	2	FLANGE-HALF (-16)
11	400287X1	5	WASHER-HARD 11IDX21ODX2.5 ZND1
12	WR522218	1	NUT-M10-1.5,CL10.9,ZN,H,REG
13	400041X1	2	BOLT-M12X1.75X30 ZNDI HHD 10.9
14	400059X1	4	BOLT-M10X1.5X35 ZNDI HHD 10.9
15	400357X1	3	WASHER-HARD-M12X25.50DX3THK
16	400064X1	1	BOLT-M12X1.75X35 ZNDI HHD 10.9

[A] PART OF 178-7157 PUMP AR

1657902A
PR: t05f07j07b0372

MT700 SERIES TRACK TRACTORS
HYDRAULIC SYSTEM

MOUNTING GP-VALVE - 158-2338



TOP VIEW

00820540

**MT700 SERIESTRACKTRACTORS
HYDRAULIC SYSTEM**

839

MOUNTING GP-VALVE - 158-2338

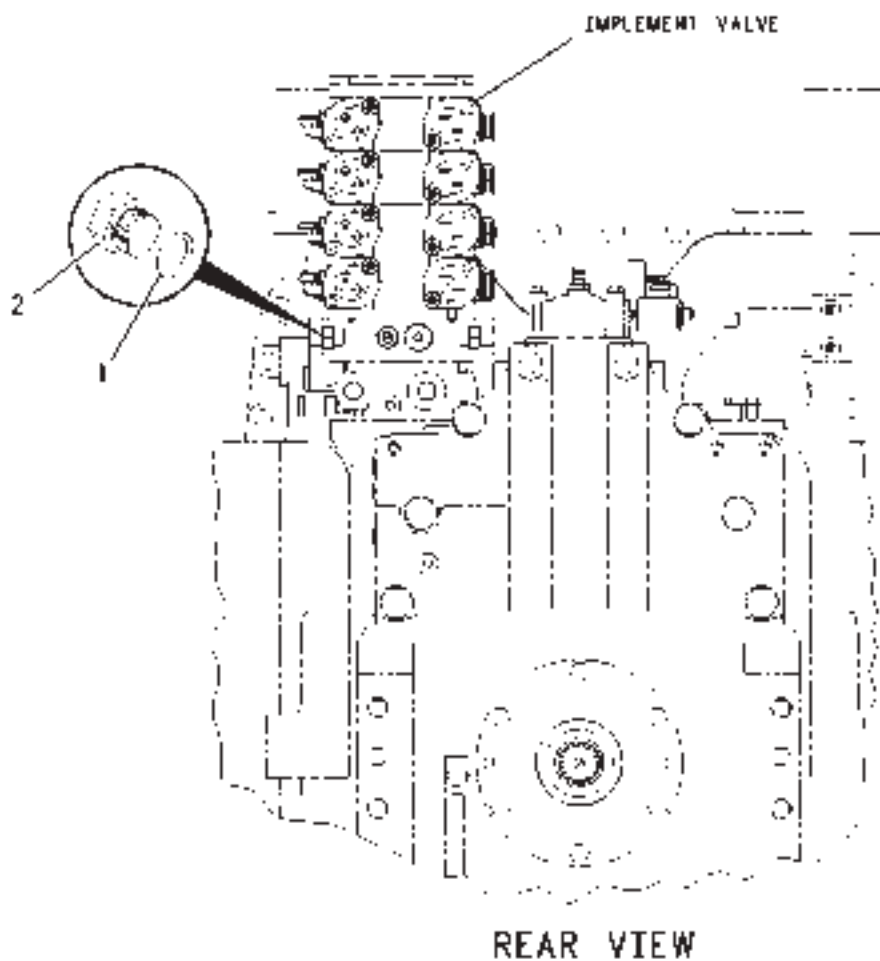
ITEM	NUMBER	QTY	DESCRIPTION
-	158-2338	--	MOUNTING GP-VALVE [A] (NOT SERVICED)
1	400264X1	3	BOLT-12 POINT HEAD (M12X1.75X70MM) [B]

[A] PART OF 158-2341; 502668D1;
502667D1 HYDRAULIC AR
[B] USE IN LOCATIONS MARKED WITH X

00820540
PR: t05f07j07b0373

MT700 SERIES TRACK TRACTORS
HYDRAULIC SYSTEM

PLUG GP-IMPLEMENT VALVE - 158-2359
WITHOUT 3 POINT HITCH
ROW ONLY



MT700 SERIESTRACKTRACTORS
HYDRAULIC SYSTEM

841

PLUG GP-IMPLEMENT VALVE - 158-2359
WITHOUT 3 POINT HITCH
ROW ONLY

ITEM	NUMBER	QTY	DESCRIPTION
-	158-2359	--	PLUG GP-IMPLEMENT VALVE [A] (NOT SERVICED)
1	CH3K-0360	2	O-RING (16.36IDX2.21DIA)
2	CH9S-4185	2	PLUG-O-RING (3/4-16 THD)

[A] PART OF 170-2287 HITCH AR

00678638
PR: t05f07j07b0374

842

MT700 SERIESTRACKTRACTORS
HYDRAULIC SYSTEM

PUMP & LINES AR-IMPLEMENT - 178-7157
63 CC

NO ILLUSTRATION

NOTIF

MT700 SERIESTRACKTRACTORS
HYDRAULIC SYSTEM

843

PUMP & LINES AR-IMPLEMENT - 178-7157
63 CC

ITEM	NUMBER	QTY	DESCRIPTION
-	502902D1	--	PUMP AR (63CC) (NOT SERVICED) (EAME)
-	178-7157	--	PUMP & LINES AR-IMPLEMENT [A] (NOT SERVICED)
1	158-2344	1	PUMP & MOUNTING GP (NOT SERVICED) (SEE BREAKDOWN FOR COMPONENTS)
2	165-7902	1	LINES GP-IMPLEMENT (NOT SERVICED) (SEE BREAKDOWN FOR COMPONENTS)

[A] PART OF 177-1588 BASE COMMON AR;
502902D1 PUMP AR

NOTIF
PR: t05f07j07b0375

844

MT700 SERIESTRACKTRACTORS
HYDRAULIC SYSTEM

PUMP AR-HYDRAULIC - 178-7160
63 CC WITH TRAILER BRAKES
EAME ONLY

NO ILLUSTRATION

NOTIF

MT700 SERIESTRACKTRACTORS
HYDRAULIC SYSTEM

845

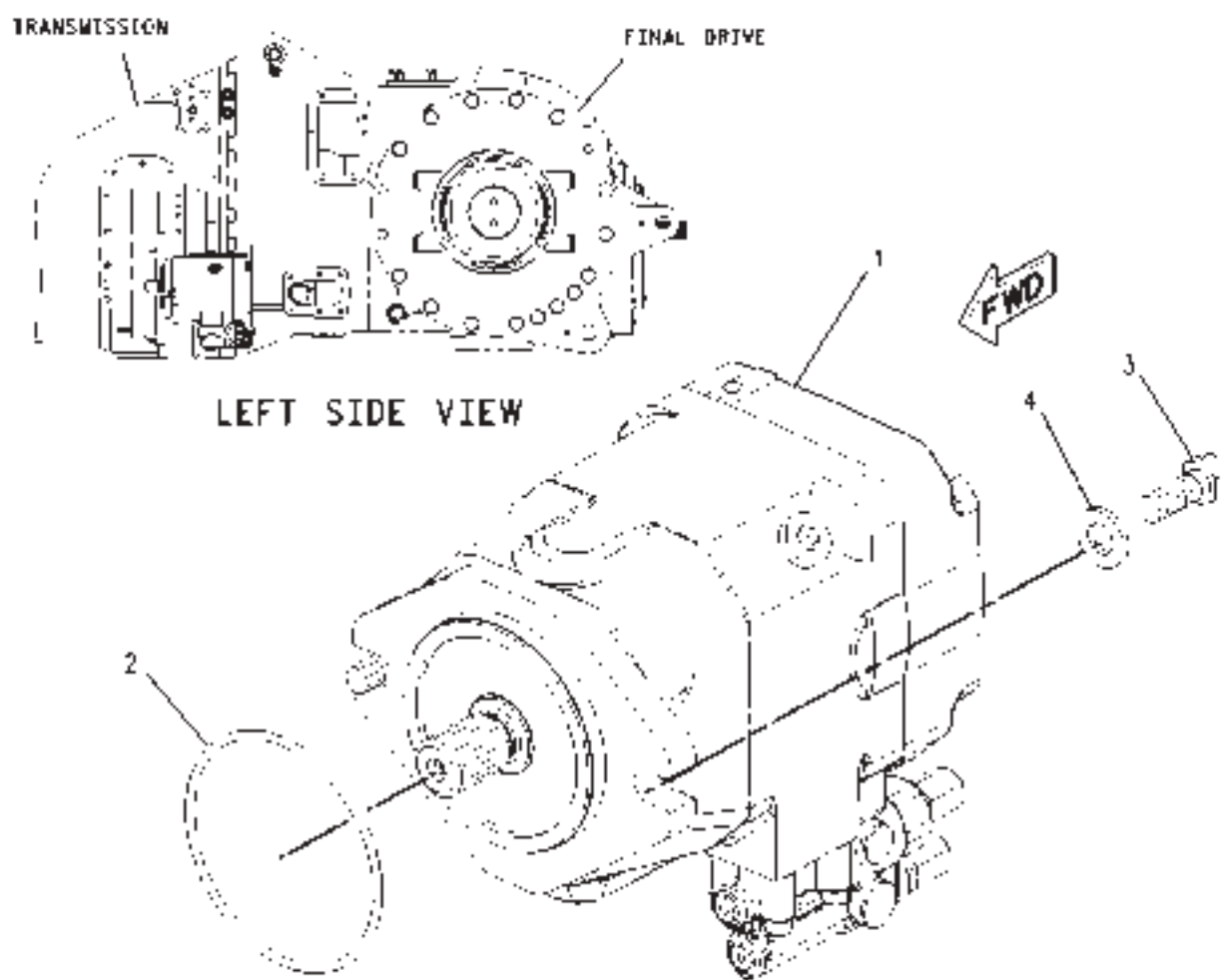
PUMP AR-HYDRAULIC - 178-7160
63 CC WITH TRAILER BRAKES
EAME ONLY

ITEM	NUMBER	QTY	DESCRIPTION
-	178-7160	--	PUMP AR-HYDRAULIC [A]
	173-1982	1	LINES GP-IMPLEMENT (SEE BREAKDOWN FOR COMPONENTS)
	158-2344	1	PUMP & MOUNTING GP (SEE BREAKDOWN FOR COMPONENTS)

NOTIF
PR: t05f07j07b0376

MT700 SERIES TRACK TRACTORS
HYDRAULIC SYSTEM

PUMP & MOUNTING GP - 158-2344
63CC IMPLEMENT



MT700 SERIES TRACK TRACTORS
HYDRAULIC SYSTEM

847

PUMP & MOUNTING GP - 158-2344
63CC IMPLEMENT

ITEM	NUMBER	QTY	DESCRIPTION
-	158-2344	--	PUMP & MOUNTING GP [A] (NOT SERVICED)
1	CH205-5980	1	PUMP GP-PISTON (63CC) (IMPLEMENT) (SEE BREAKDOWN FOR COMPONENTS)
2	CH2H-3934	1	SEAL-O-RING
3	400064X1	2	BOLT (M12X1.75X35MM)
4	400381X1	2	WASHER-HARD (13.5X30X4MM THK)

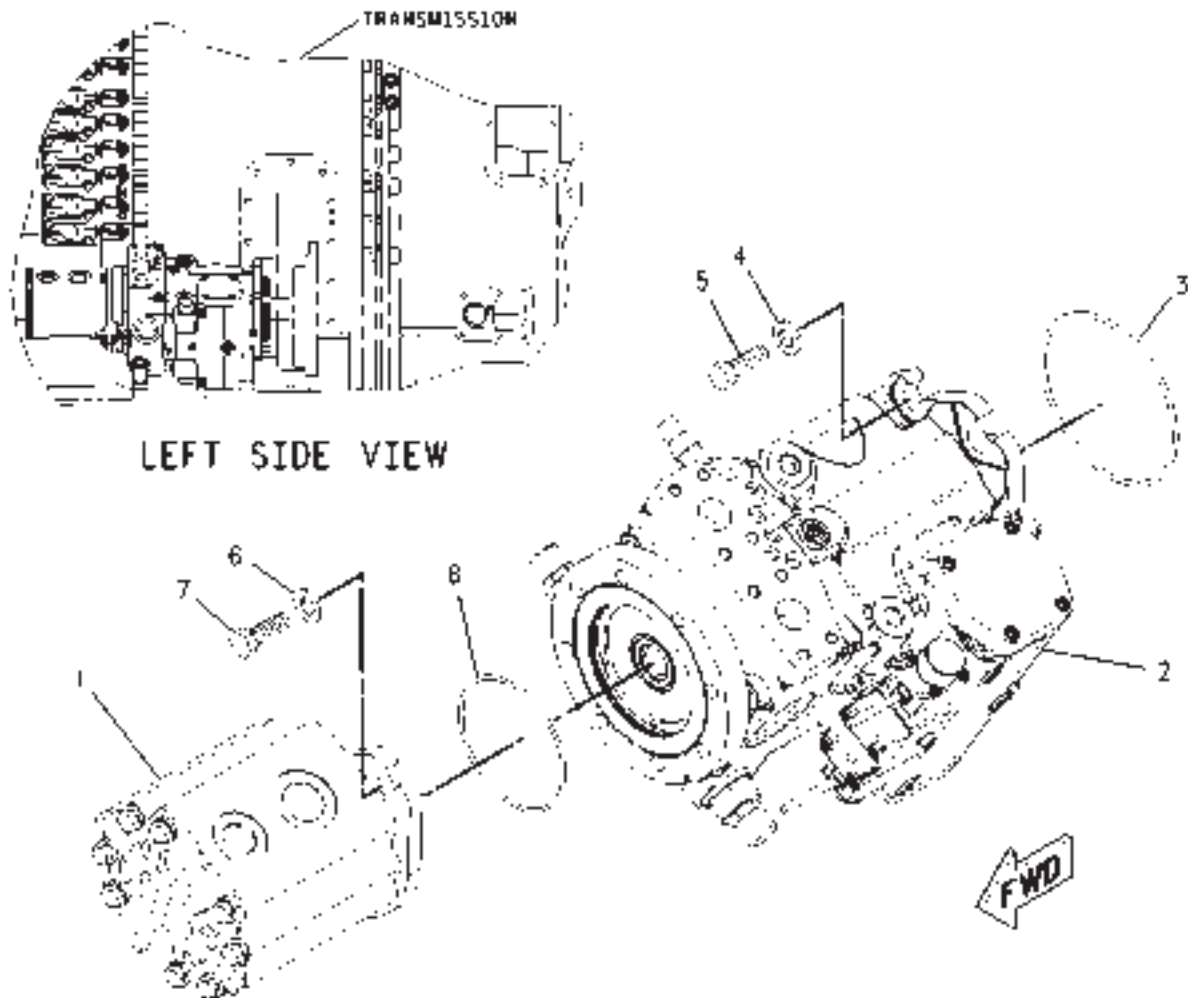
[A] PART OF 178-7157; 178-7160 PUMP AR

00808421
PR: t05f07j07b0377

MT700 SERIES TRACK TRACTORS
HYDRAULIC SYSTEM

PUMP & MOUNTING GP-71CC - 158-2396

(S/N: PRIOR TO AKN40200; ALA40269;
ALM40712; AMS41162)



MT700 SERIESTRACKTRACTORS
HYDRAULIC SYSTEM

849

PUMP & MOUNTING GP-71CC - 158-2396
(S/N: PRIOR TO AKN40200; ALA40269;
ALM40712; AMS41162)

ITEM	NUMBER	QTY	DESCRIPTION
-	158-2396	--	PUMP & MOUNTING GP [A] (NOT SERVICED) (S/N: PRIOR TO AKN40200; ALA40269; ALM40712; AMS41162)
1	CH189-2957	1	PUMP GP-GEAR (CHARGE) (SEE BREAKDOWN FOR COMPONENTS)
2	CH180-0459	1	PUMP GP-PISTON (STEERING) (SEE BREAKDOWN FOR COMPONENTS)
3	400101X1	1	SEAL-O-RING
4	400381X1	4	WASHER-HARD (13.5X30X4MM THK)
5	400050X1	4	BOLT (M12X1.75X40MM)
6	400357X1	6	WASHER-HARD (M12X25.5X3MM THK)
7	400064X1	6	BOLT (M12X1.75X35MM)
8	CH6D-7146	1	SEAL-O-RING [B]

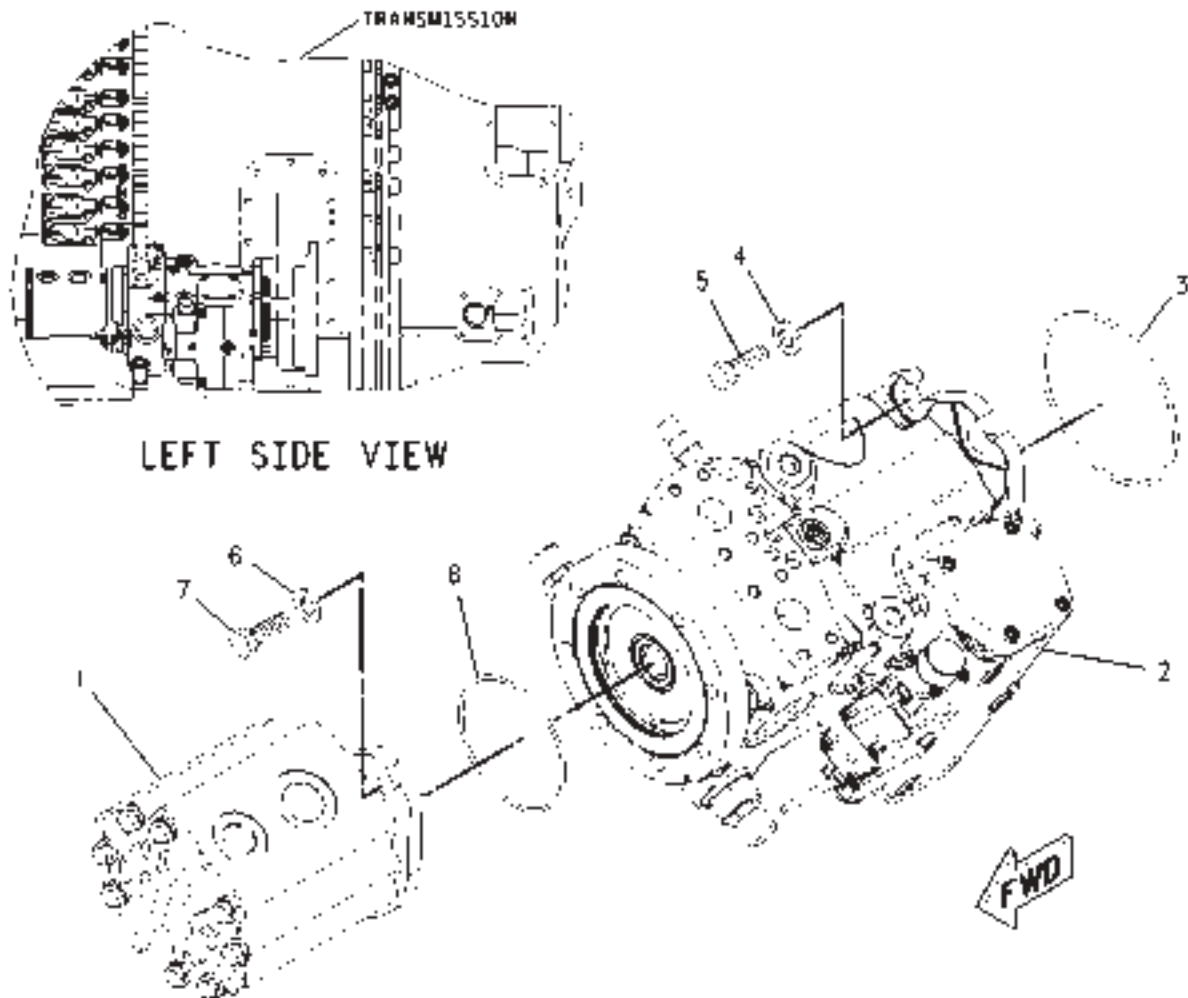
[A] PART OF 198-5378 STEERING AR
[B] PART OF THE PUMP GP-PISTON AND IS
EXTRA IN CASE OF DAMAGE TO THE
SEAL DURING INSTALLATION/REPAIR.

00808435
PR: t05f07j07b0378

MT700 SERIES TRACK TRACTORS
HYDRAULIC SYSTEM

PUMP & MOUNTING GP-90CC - 180-9997

(S/N: PRIOR TO AKN40200; ALA40269;
ALM40712; AMS41162)



MT700 SERIESTRACKTRACTORS
HYDRAULIC SYSTEM

851

PUMP & MOUNTING GP-90CC - 180-9997
(S/N: PRIOR TO AKN40200; ALA40269;
ALM40712; AMS41162)

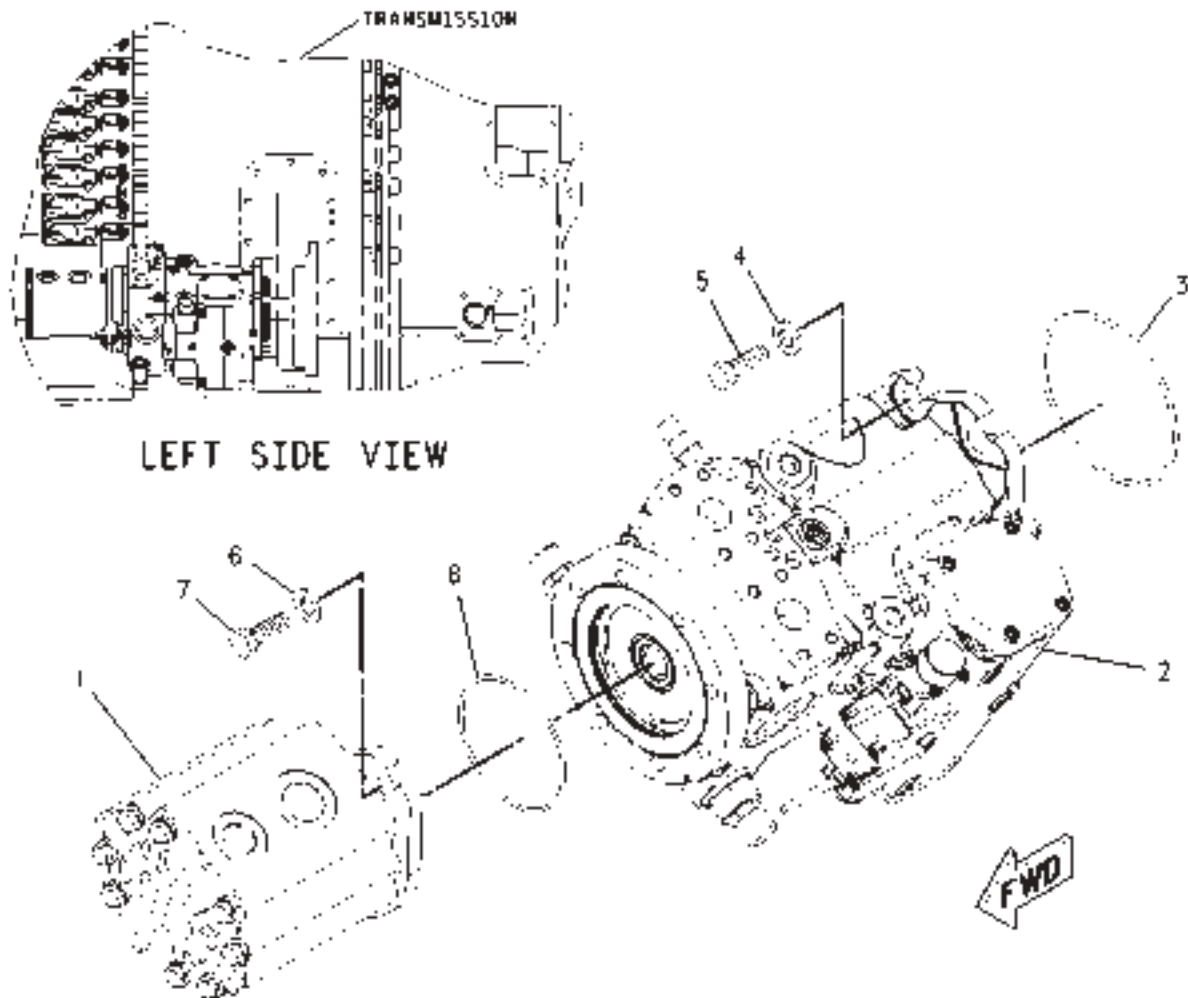
ITEM	NUMBER	QTY	DESCRIPTION
-	180-9997	--	PUMP & MOUNTING GP [A] (NOT SERVICED)
1	CH189-2957	1	PUMP GP-GEAR (CHARGE) (SEE BREAKDOWN FOR COMPONENTS)
2	CH202-7850	1	PUMP GP-PISTON (SLIPPER) (SEE BREAKDOWN FOR COMPONENTS)
3	400101X1	1	SEAL-O-RING (126.6IDX3.5DIA)
4	400381X1	4	WASHER-HARD (13.5X30X4MM THK)
5	400050X1	4	BOLT (M12X1.75X40MM)
6	400357X1	2	WASHER-HARD (M12X25.5X3MM THK)
7	400064X1	2	BOLT (M12X1.75X35MM)
8	CH6D-7146	1	SEAL-O-RING [B]

[A] PART OF 198-5376 STEERING AR
[B] PART OF THE PUMP GP-PISTON AND IS
EXTRA IN CASE OF DAMAGE TO THE
SEAL DURING INSTALLATION/REPAIR.

00808435
PR: t05f07j07b0379

MT700 SERIES TRACK TRACTORS
HYDRAULIC SYSTEM

PUMP & MOUNTING GP-71CC
500573D1



MT700 SERIESTRACKTRACTORS
HYDRAULIC SYSTEM

853

PUMP & MOUNTING GP-71CC
500573D1

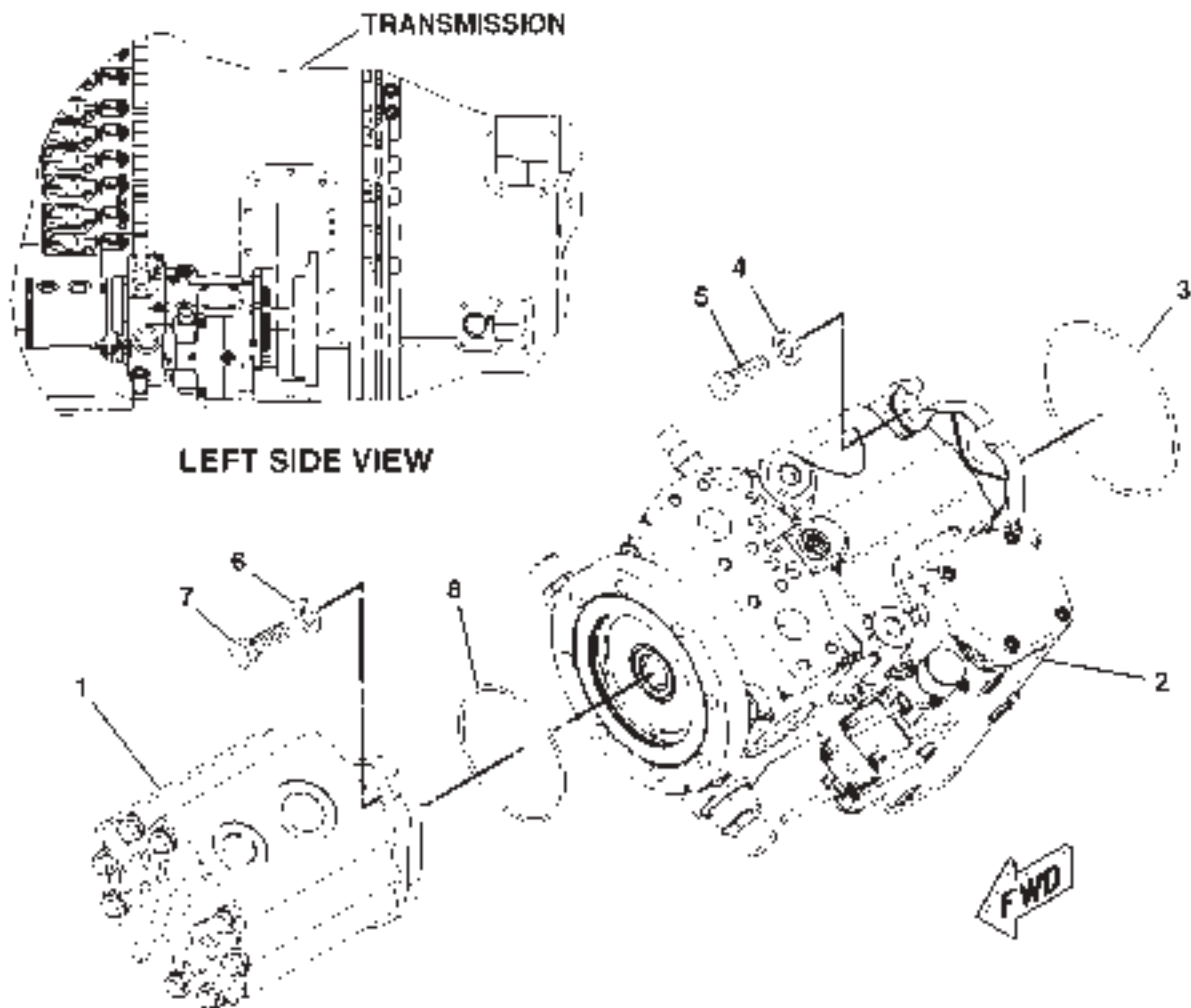
ITEM	NUMBER	QTY	DESCRIPTION
-	500573D1	--	PUMP & MOUNTING GP [A] (NOT SERVICED) (S/N: EFF AKN40200; ALA40269; ALM40712; AMS41162)
1	CH189-2957	1	PUMP GP-GEAR (CHARGE) (SEE BREAKDOWN FOR COMPONENTS)
2	500525D1	1	PUMP GP-PISTON (STEERING) (SEE BREAKDOWN FOR COMPONENTS)
3	400101X1	1	O-RING
4	400381X1	4	WASHER-HARD (13.5X30X4MM THK)
5	400050X1	4	BOLT (M12X1.75X40MM)
6	400357X1	2	WASHER-HARD (M12X25.5X3MM THK)
7	400064X1	2	BOLT (M12X1.75X35MM)
8	CH3K-0715	1	O-RING

[A] PART OF 198-5378 STEERING AR

00808435
PR: t05f07j07b0380

MT700 SERIES TRACK TRACTORS
HYDRAULIC SYSTEM

PUMP & MOUNTING GP - 500574D1
90CC



500574DA

MT700 SERIES TRACK TRACTORS
HYDRAULIC SYSTEM

855

PUMP & MOUNTING GP - 500574D1
90CC

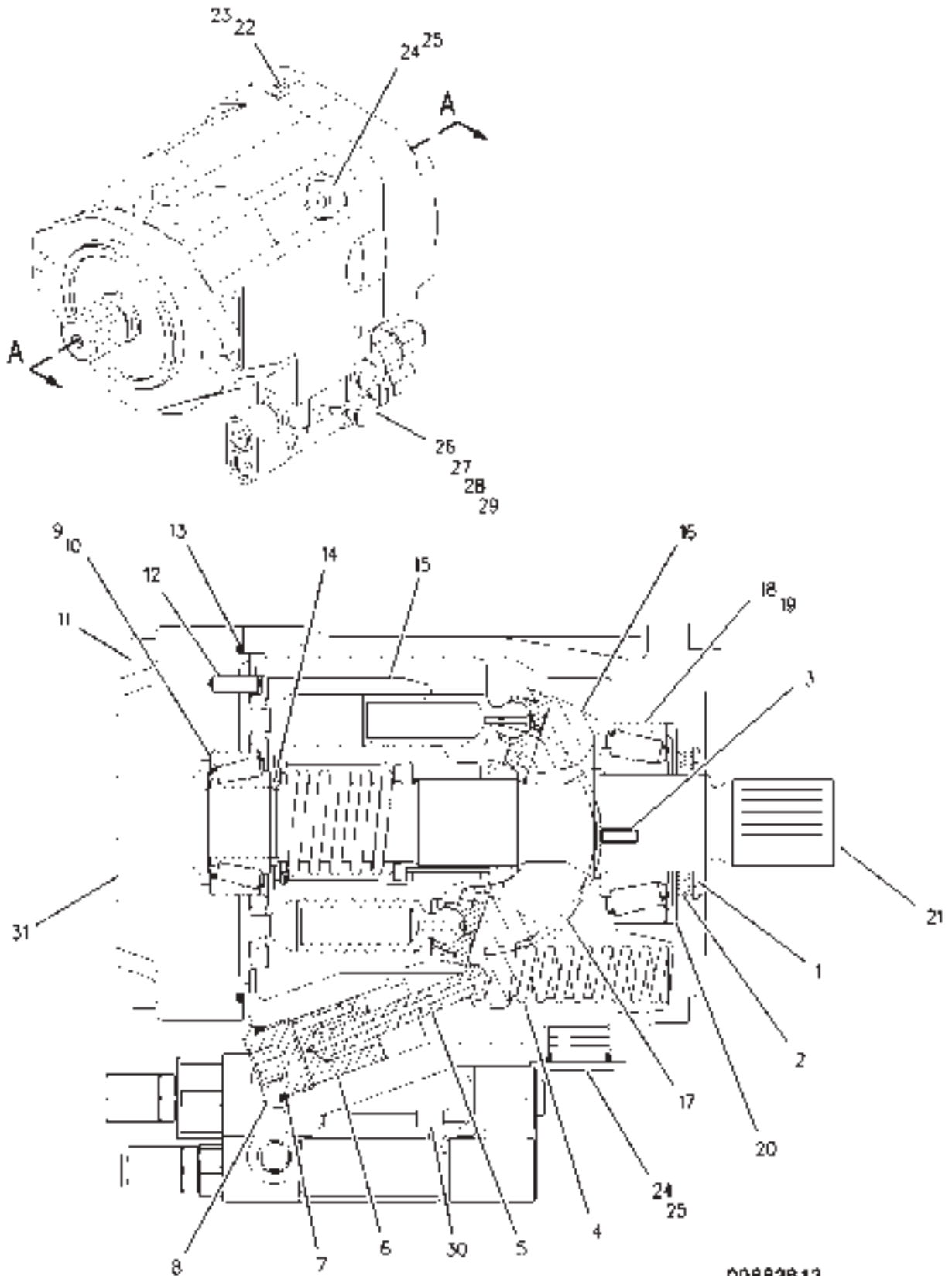
ITEM	NUMBER	QTY	DESCRIPTION
-	500574D1	--	PUMP & MOUNTING GP [A] (NOT SERVICED)
1	CH189-2957	1	PUMP GP-GEAR (CHARGE)
		1	(SEE BREAKDOWN FOR COMPONENTS)
2	500526D1	1	PUMP GP-PISTON (STEERING)
		1	(SEE BREAKDOWN FOR COMPONENTS)
3	400101X1	1	SEAL-O-RING
4	400381X1	4	WASHER-HARD (13.5X30X4MM THK)
5	400050X1	4	BOLT (M12X1.75X40MM)
6	400357X1	2	WASHER-HARD (M12X25.5X3MM THK)
7	400064X1	2	BOLT (M12X1.75X35MM)
8	CH3K-0715	1	SEAL-O-RING

[A]PART OF 198-5376;198-5377 STEERING AR

500574DA
PR: t05f07j07b0381

MT700 SERIES TRACK TRACTORS
HYDRAULIC SYSTEM

PUMP GP-PISTON - CH205-5980
63 CC IMPLEMENT
ROW ONLY



**MT700 SERIES TRACK TRACTORS
HYDRAULIC SYSTEM**

857

**PUMP GP-PISTON - CH205-5980
63 CC IMPLEMENT
ROW ONLY**

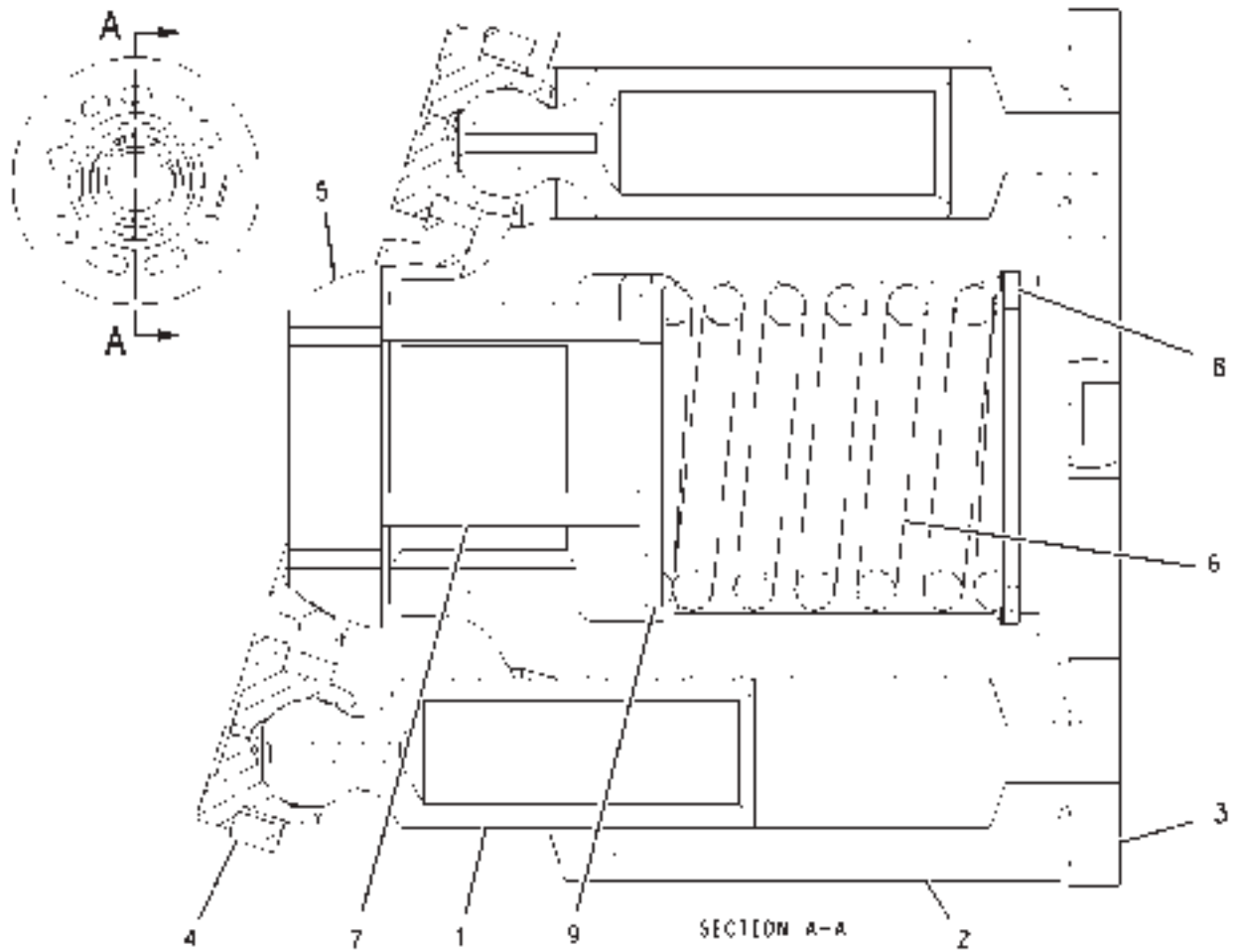
ITEM	NUMBER	QTY	DESCRIPTION
-	CH205-5980	--	PUMP G-PISTON [A]
1	CH180-6213	1	RING-RETAINING
2	CH168-7319	1	SEAL-SHAFT
3	CH6R-7943	2	SCREW (M5X15.5MM)
4	CH168-2197	1	SPRING
5	CH168-2198	1	LINK-CONTROL
6	CH174-9994	1	PISTON-CONTROL
7	CH8T-7525	1	SEAL-O-RING
8	CH168-2200	1	PLUG-CONTROL
9	CH8J-0412	1	CUP-BEARING
10	CH3P-1210	1	CONE-BEARING
11	CH095-0687	4	BOLT-SOCKET HEAD
12	CH9X-8979	1	DOWEL
13	CH117-8801	1	O-RING
14	CH168-2203	1	SHIM-SHAFT
15	190-6501	1	ROTATING GP-PUMP (SEE BREAKDOWN FOR COMPONENTS)
16	CH168-7317	1	SWASHPLATE-PUMP
17	CH168-2206	2	BEARING-CRADLE
18	CH9W-2110	1	CUP
19	CH9W-2109	1	CONE
20	CH190-6507	1	STOP
21	CH205-5974	1	SHAFT
22	CH136-8423	1	PLUG-BREAK OFF
23	CH168-3504	1	SEAL
24	400374X1	2	PLUG
25	400319X1	2	SEAL-O-RING
26	214-9379	1	VALVE GP-PRESS & FLOW CMPNSTR (SEE BREAKDOWN FOR COMPONENTS)
27	CH9X-7680	3	SEAL-O-RING
28	CH9S-8002	1	PLUG
29	400361X1	1	SEAL-O-RING
30	400246X1	4	BOLT-SOCKET HEAD (M6X1X30MM)
31	-----	1	HEAD-PUMP (NOT SERVICED SEPARATELY)

[A] PART OF 158-2344 PUMP & MOUNTING GP

00883613
PR: t05f07j07b0382

MT700 SERIES TRACK TRACTORS
HYDRAULIC SYSTEM

ROTATING GP-PUMP - 190-6501
63CC IMPLEMENT PUMP



MT700 SERIES TRACK TRACTORS
HYDRAULIC SYSTEM

859

ROTATING GP-PUMP - 190-6501
63CC IMPLEMENT PUMP

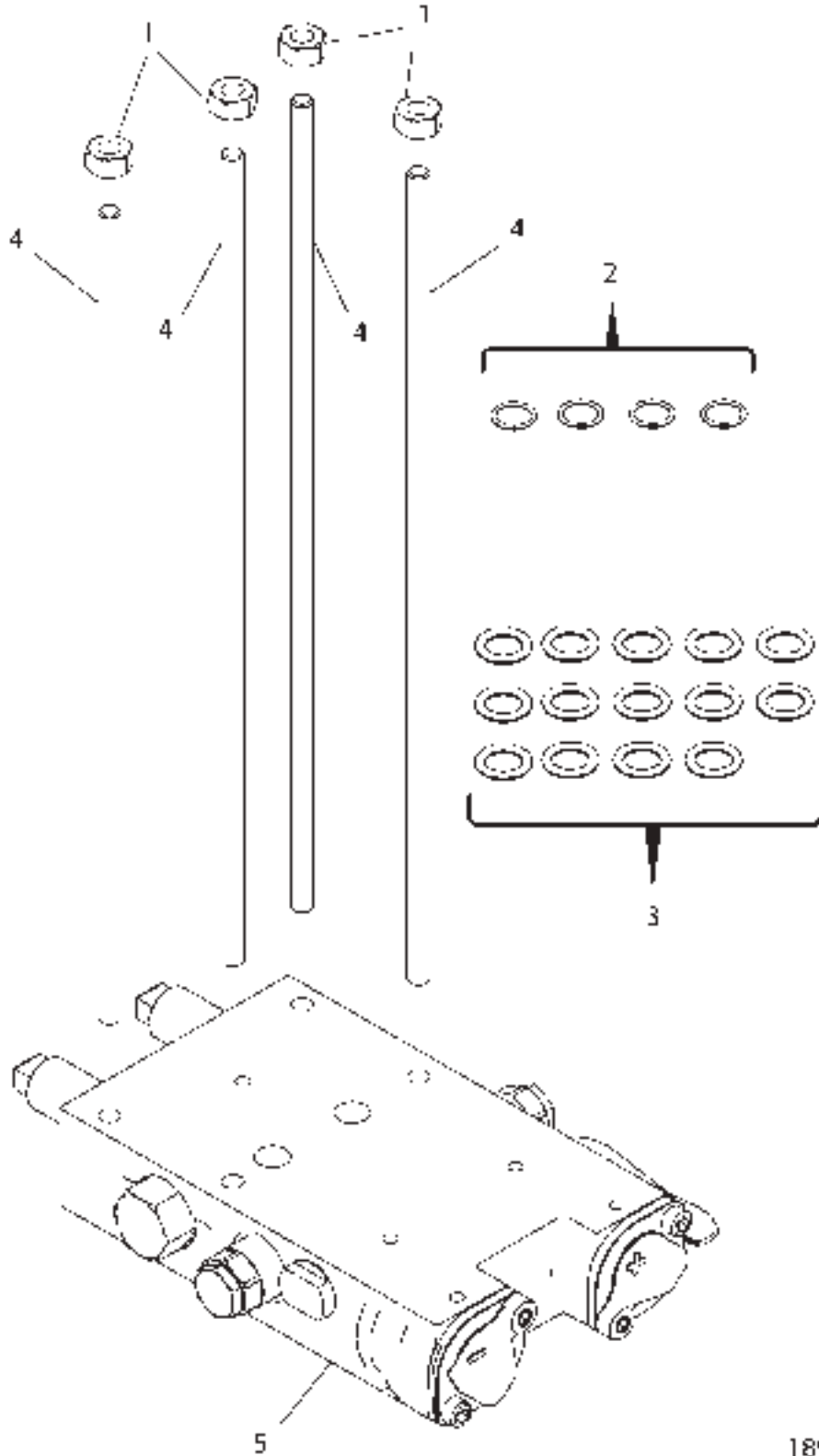
ITEM	NUMBER	QTY	DESCRIPTION
-	190-6501	--	ROTATING GP-PUMP [A]
1	CH168-3384	9	PISTON ASY-PUMP
2	CH168-3380	1	BARREL-CYLINDER
3	CH190-6508	1	PLATE
4	CH168-3385	1	PLATE-RETRACTION [B]
5	CH168-3378	1	BEARING-SPHERICAL [B]
6	CH168-3381	1	SPRING
7	CH168-3379	3	PIN
8	CH6V-7723	1	RING-RETAINING
9	CH168-3382	1	WASHER

[A] PART OF CH205-5980 PUMP GP-PISTON
[B] TO BE SERVICED TOGETHER

00750145
PR: t05f07j07b0383

MT700 SERIES TRACK TRACTORS
HYDRAULIC SYSTEM

KIT-HYDRAULIC VALVE - 189-5906
CONVERT 4 REMOTE TO 5 REMOTE VALVES
NON-STEERABLE HITCH



MT700 SERIES TRACK TRACTORS
HYDRAULIC SYSTEM

861

KIT-HYDRAULIC VALVE - 189-5906
CONVERT 4 REMOTE TO 5 REMOTE VALVES
NON-STEERABLE HITCH

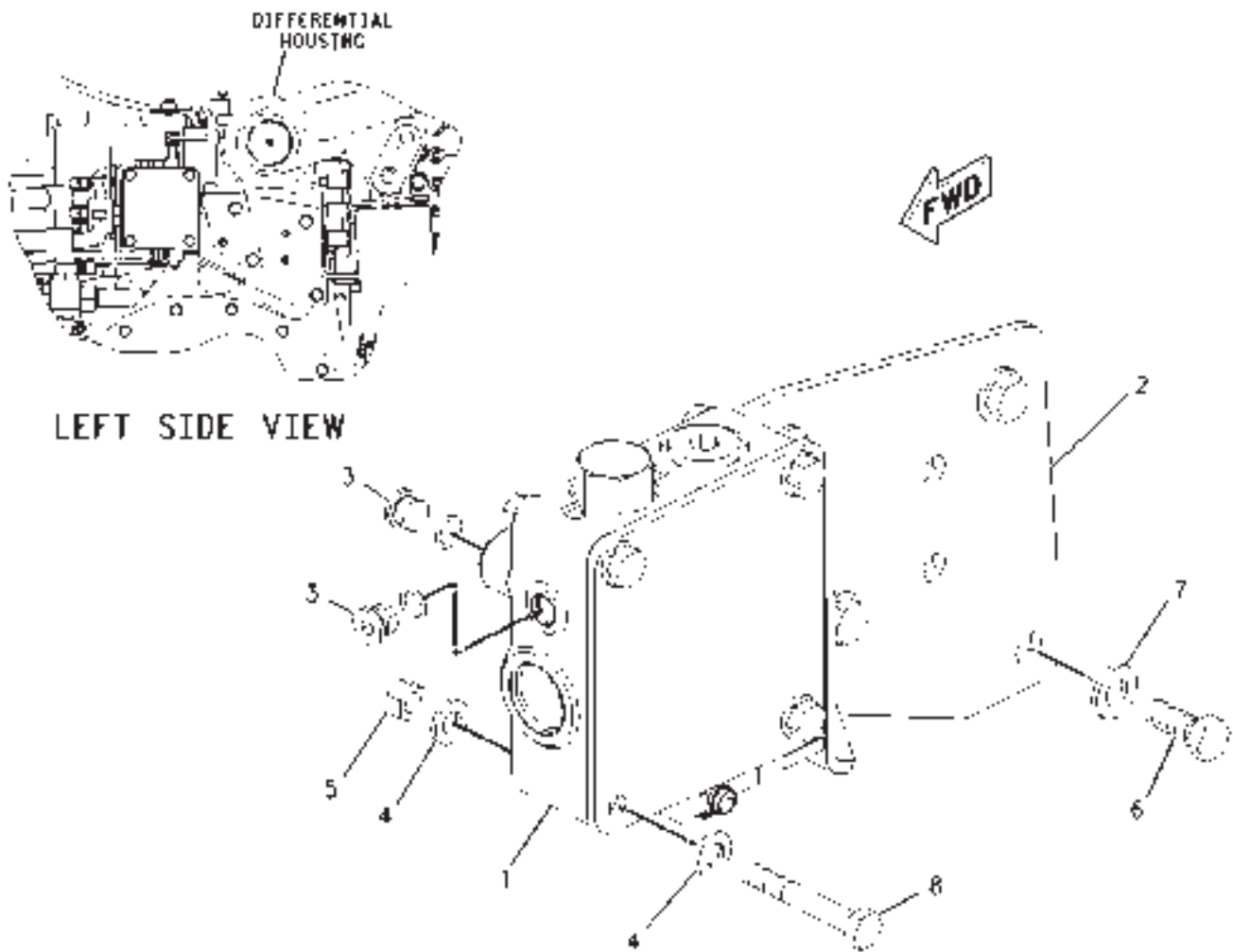
ITEM	NUMBER	QTY	DESCRIPTION
-	189-5906	--	KIT, HYDRAULIC [A]
1	WR522218	4	NUT (M10X1.5 THD)
2	CH5P-9186	4	O-RING (SEE NOTE B)
3	CH8L-2777	14	O-RING (SEE NOTE B)
4	CH209-7498	4	STUD
5	162-9816	1	VALVE GP-CONTROL (IMPLEMENT) (SEE BREAKDOWN FOR COMPONENTS)

[A] PART OF 172-4504 KIT-VALVE
[B] QUANTITIES SHOWN REFLECT
REPLACEMENT SEALS FOR THE VALVE
SECTION IMMEDIATELY BELOW THE TOP
PLATE AND DUPLICATE SEALS FOR THOSE
PRESENT IN THE ADDITIONAL VALVE GP)

1895906A
PR: t05f07j07b0384

MT700 SERIES TRACK TRACTORS
HYDRAULIC SYSTEM

VALVE & MTG GP-BRAKE - 183-7177
HYDRAULIC TRAILER BRAKE
EAME ONLY



MT700 SERIES TRACK TRACTORS
HYDRAULIC SYSTEM

863

VALVE & MTG GP-BRAKE - 183-7177
HYDRAULIC TRAILER BRAKE
EAME ONLY

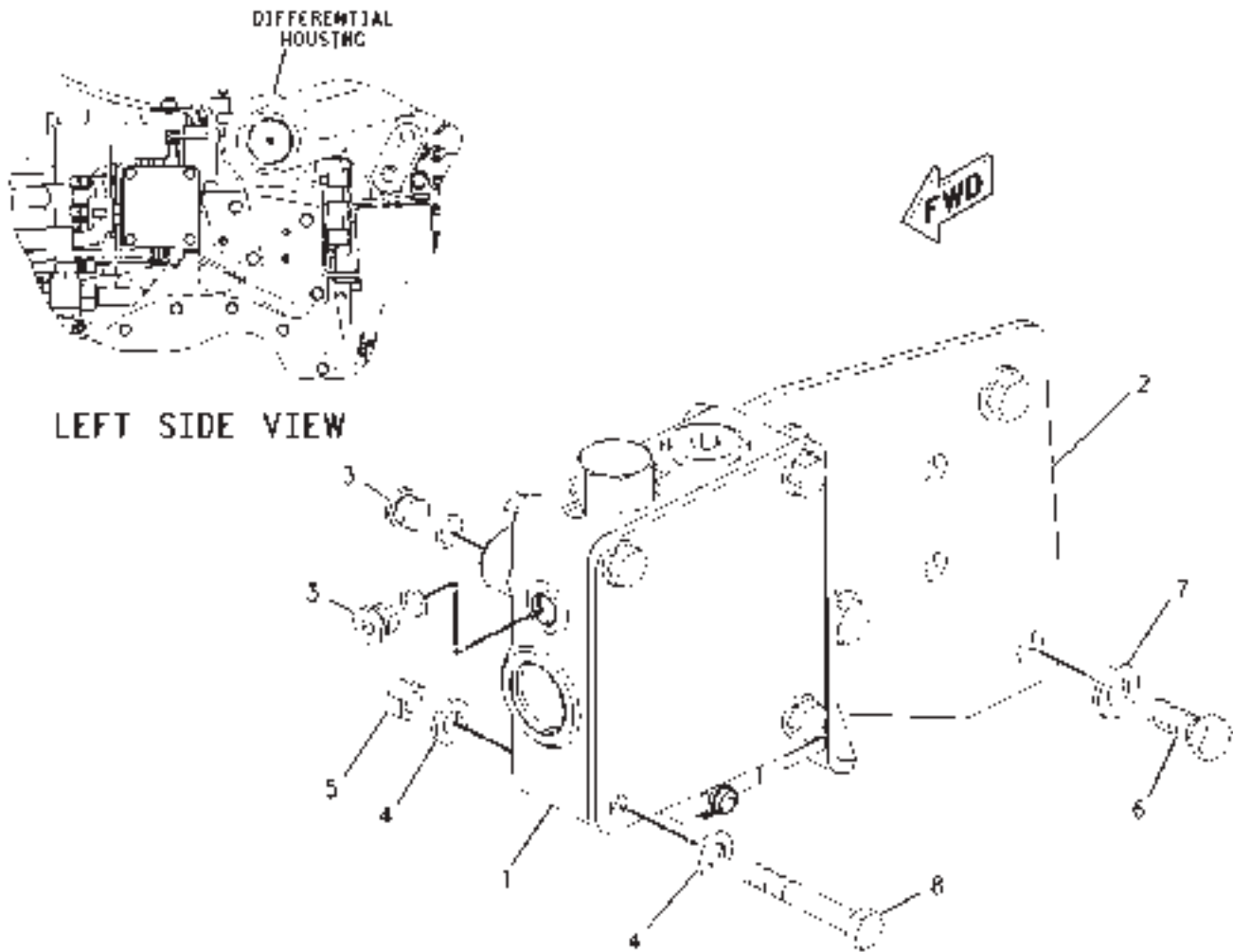
ITEM	NUMBER	QTY	DESCRIPTION
	183-7177		VALVE & MTG GP-BRAKE [A] (NOT SERVICED)
1	175-7450	1	VALVE GP-BRAKE CONTROL (SEE BREAKDOWN FOR COMPONENTS)
2	206-0594	1	BRACKET AS
3	CH162-0177	2	PLUG AS
4	400287X1	8	WASHER-HARD (11X21X2.5MM THK)
5	WR522218	4	NUT (M10X1.5 THD)
6	400041X1	2	BOLT (M12X1.75X30MM)
7	400357X1	2	WASHER-HARD (M12X25.5X3MM THK)
8	400066X1	4	BOLT (M10X1.50X70MM)

[A] PART OF 180-9999 BRAKE AR

00838177
PR: t05f07j07b0385

MT700 SERIES TRACK TRACTORS
HYDRAULIC SYSTEM

VALVE & MTG GP-BRAKE - 227-5264
HYDRAULIC TRAILER BRAKE
ITALIAN MARKET
EAME ONLY



MT700 SERIES TRACK TRACTORS
HYDRAULIC SYSTEM

865

VALVE & MTG GP-BRAKE - 227-5264
HYDRAULIC TRAILER BRAKE
ITALIAN MARKET
EAME ONLY

ITEM	NUMBER	QTY	DESCRIPTION
-	227-5264	--	VALVE & MTG GP-BRAKE [A] (NOT SERVICED)
1	500543D1	1	VALVE GP-BRAKE CONTROL (SEE BREAKDOWN FOR COMPONENTS)
2	206-0594	1	BRACKET AS
3	CH162-0177	2	PLUG AS
4	400287X1	8	WASHER-HARD (11X21X2.5MM THK)
5	WR522218	4	NUT (M10X1.5 THD)
6	400041X1	2	BOLT (M12X1.75X30MM)
7	400357X1	2	WASHER-HARD (M12X25.5X3MM THK)
8	400066X1	4	BOLT (M10X1.50X70MM)

[A] PART OF 227-5263 BRAKE AR-HYD

00838177
PR: t05f07j07b0386

866

MT700 SERIESTRACKTRACTORS
HYDRAULIC SYSTEM

VALVE & MOUNTING GP - 189-5907

NO ILLUSTRATION

NOTIF

MT700 SERIES TRACK TRACTORS
HYDRAULIC SYSTEM

867

VALVE & MOUNTING GP - 189-5907

ITEM	NUMBER	QTY	DESCRIPTION
-	189-5907	--	KIT, HYDRAULIC [A]
1	WR522218	4	NUT (M10X1.5 THD)
2	162-9816	1	VALVE GP-CONTROL (IMPLEMENT) (SEE BREAKDOWN FOR COMPONENTS)
3	209-7499	4	STUD
4	205-5831	1	TUBE ASY.
5	205-5832	1	TUBE ASY.
6	205-5833	1	TUBE ASY.
7	205-5834	1	TUBE ASY.
8	5P-9186	6	O-RING (SEE NOTE B)
9	8L-2777	17	O-RING (SEE NOTE B)

- A. PART OF 183-1215 KIT-VALVE
- B. QUANTITIES SHOWN REFLECT
REPLACEMENT SEALS FOR THE VALVE
SECTION IMMEDIATELY BELOW THE
STEERABLE HITCH VALVE SECTION,
DUPLICATE SEALS FOR THE ADDITIONAL
VALVE GP AND REPLACEMENT SEALS FOR
THE STEERABLE HITCH SECTION

NOTIF
PR: t05f07j07b0387

868

MT700 SERIESTRACKTRACTORS
HYDRAULIC SYSTEM

VALVE & MTG GP-CONTROL - 189-5910

NO ILLUSTRATION

NOTIF

MT700 SERIES TRACK TRACTORS
HYDRAULIC SYSTEM

869

VALVE & MTG GP-CONTROL - 189-5910

ITEM	NUMBER	QTY	DESCRIPTION
-	189-5910	--	KIT, HYDRAULIC [A] (NOT SERVICED)
1	WR522218	4	NUT (M10X1.5 THD)
2	162-9816	1	VALVE GP-CONTROL (IMPLEMENT) (SEE BREAKDOWN FOR COMPONENTS)
3	209-7497	4	STUD
4	CH5P-9186	4	O-RING (SEE NOTE B)
5	CH8L-2777	14	O-RING (SEE NOTE B)

[A] PART OF 180-4827 KIT-VALVE

[B] QUANTITIES OF SEALS IN THIS KIT
INCLUDE REPLACEMENT SEALS FOR THE
VALVE SECTION IMMEDIATELY BELOW THE
TOP PLATE AND DUPLICATE SEALS FOR
THOSE PRESENT IN THE ADDITIONAL
VALVE GP.

NOTIF
PR: t05f07j07b0388

870

MT700 SERIESTRACKTRACTORS
HYDRAULIC SYSTEM

VALVE & MTG GP-CONTROL - 189-5911
5 VALVE STEERABLE HITCH TUBE ASY.

NO ILLUSTRATION

NOTIF

MT700 SERIES TRACK TRACTORS
HYDRAULIC SYSTEM

871

VALVE & MTG GP-CONTROL - 189-5911
5 VALVE STEERABLE HITCH TUBE ASY.

ITEM	NUMBER	QTY	DESCRIPTION
-	189-5911	--	KIT, HYDRAULIC [A] (NOT SERVICED)
	162-9816	1	VALVE GP-CONTROL (IMPLEMENT) (SEE BREAKDOWN FOR COMPONENTS)
1	WR522218	4	NUT (M10X1.5 THD)
	CH5P-9186	6	O-RING [B]
	CH8L-2777	17	O-RING [B]
	209-7498	4	STUD (M10X1.5X446)
	205-5825	1	TUBE ASY.
	205-5826	1	TUBE ASY.
	205-5827	1	TUBE ASY.
	205-5828	1	TUBE ASY.

[A] PART OF 180-4828 KIT-VALVE
[B] QUANTITIES SHOWN REFLECT
REPLACEMENT SEALS FOR THE VALVE
SECTION IMMEDIATELY BELOW THE
STEERABLE HITCH-VALVE SECTION,
DUPLICATE SEALS FOR THE ADDITIONAL
VALVE GP AND REPLACEMENT SEALS FOR
THE STEERABLE HITCH VALVE SECTION

NOTIF
PR: t05f07j07b0389

872

MT700 SERIESTRACKTRACTORS
HYDRAULIC SYSTEM

VALVE AR - 172-4499
4 IMPL W/STD HITCH OR WS DRAWBAR

NO ILLUSTRATION

NOTIF

MT700 SERIESTRACKTRACTORS
HYDRAULIC SYSTEM

873

VALVE AR - 172-4499
4 IMPL W/STD HITCH OR WS DRAWBAR

ITEM	NUMBER	QTY	DESCRIPTION
-	172-4499	--	VALVE AR (NOT SERVICED)
1	223-5932	1	VALVE GP-BANK 5 (NOT SERVICED) (SEE BREAKDOWN FOR COMPONENTS)
2	CH193-5914	1	PLUG

NOTIF
PR: t05f07j07b0390

874

MT700 SERIESTRACKTRACTORS
HYDRAULIC SYSTEM

VALVE AR - 172-4500
4 IMPLEMENTS & STEERABLE HITCH

NO ILLUSTRATION

NOTIF

MT700 SERIESTRACKTRACTORS
HYDRAULIC SYSTEM

875

VALVE AR - 172-4500
4 IMPLEMENTS & STEERABLE HITCH

ITEM	NUMBER	QTY	DESCRIPTION
-	172-4500	--	VALVE AR (NOT SERVICED)
1	205-5819	1	LINES GP-HITCH (NOT SERVICED) (SEE BREAKDOWN FOR COMPONENTS)
2	223-5935	1	VALVE GP-BANK 6 (NOT SERVICED) (SEE BREAKDOWN FOR COMPONENTS)

NOTIF
PR: t05f07j07b0391

876

MT700 SERIESTRACKTRACTORS
HYDRAULIC SYSTEM

VALVE AR - 172-4501
5 IMPL W/STD HITCH OR WS DRAWBAR

NO ILLUSTRATION

NOTIF

MT700 SERIESTRACKTRACTORS
HYDRAULIC SYSTEM

877

VALVE AR - 172-4501
5 IMPL W/STD HITCH OR WS DRAWBAR

ITEM	NUMBER	QTY	DESCRIPTION
-	172-4501	--	VALVE AR (NOT SERVICED)
1	168-1947	1	CONTROL & WIRING GP (NOT SERVICED) (SEE BREAKDOWN FOR COMPONENTS)
2	223-5933	1	VALVE GP-BANK 6 (NOT SERVICED) (SEE BREAKDOWN FOR COMPONENTS)
3	CH193-5914		PLUG-PROTECTIVE

NOTIF
PR: t05f07j07b0392

878

**MT700 SERIESTRACKTRACTORS
HYDRAULIC SYSTEM**

**VALVE AR - 172-4502
5 IMPLEMENTS & STEERABLE HITCH**

NO ILLUSTRATION

NOTIF

**MT700 SERIESTRACKTRACTORS
HYDRAULIC SYSTEM**

879

**VALVE AR - 172-4502
5 IMPLEMENTS & STEERABLE HITCH**

ITEM	NUMBER	QTY	DESCRIPTION
-	172-4502	--	VALVE AR (NOT SERVICED)
1	168-1947	1	CONTROL & WIRING GP (NOT SERVICED) (SEE BREAKDOWN FOR COMPONENTS)
2	205-5824	1	LINES GP-HITCH (NOT SERVICED) (SEE BREAKDOWN FOR COMPONENTS)
3	223-5936	1	VALVE GP-BANK 7 (NOT SERVICED) (SEE BREAKDOWN FOR COMPONENTS)

NOTIF
PR: t05f07j07b0393

880

MT700 SERIESTRACKTRACTORS
HYDRAULIC SYSTEM

VALVE AR-IMPL (6) - 500789D1
6 IMPLEMENTS & STANDARD HITCH

NO ILLUSTRATION

NOTIF

MT700 SERIESTRACKTRACTORS
HYDRAULIC SYSTEM

881

VALVE AR-IMPL (6) - 500789D1
6 IMPLEMENTS & STANDARD HITCH

ITEM	NUMBER	QTY	DESCRIPTION
-	500789D1	--	VALVE AR-IMP (6) (NOT SERVICED)
1	168-1947	1	CONTROL & WIRING GP (NOT SERVICED) (SEE BREAKDOWN FOR COMPONENTS)
2	500750D1	1	VALVE GP-BANK 6 (NOT SERVICED) (SEE BREAKDOWN FOR COMPONENTS)
2	CH193-5914	1	PLUG-PROTECTIVE

NOTIF
PR: t05f07j07b0394

882

MT700 SERIESTRACKTRACTORS
HYDRAULIC SYSTEM

KIT-VALVE - 172-4504
5 VALVE TO 6 VALVE UPGRADE WITH
STANDARD HITCH

NO ILLUSTRATION

NOTIF

MT700 SERIESTRACKTRACTORS
HYDRAULIC SYSTEM

883

KIT-VALVE - 172-4504
5 VALVE TO 6 VALVE UPGRADE WITH
STANDARD HITCH

ITEM	NUMBER	QTY	DESCRIPTION
-	172-4504	--	KIT-VALVE (SEE BREAKDOWN FOR COMPONENTS)
1	152-0448	1	CONTROL GP-IMPLEMENT (NOT SERVICED) (SEE BREAKDOWN FOR COMPONENTS)
2	189-5906	1	KIT, HYDRAULIC VALVE (SEE BREAKDOWN FOR COMPONENTS)

NOTIF
PR: t05f07j07b0395

884

MT700 SERIESTRACKTRACTORS
HYDRAULIC SYSTEM

VALVE AR-IMPL - 500790D1
6 IMPLEMENTS & STEERABLE HITCH

NO ILLUSTRATION

NOTIF

MT700 SERIESTRACKTRACTORS
HYDRAULIC SYSTEM

885

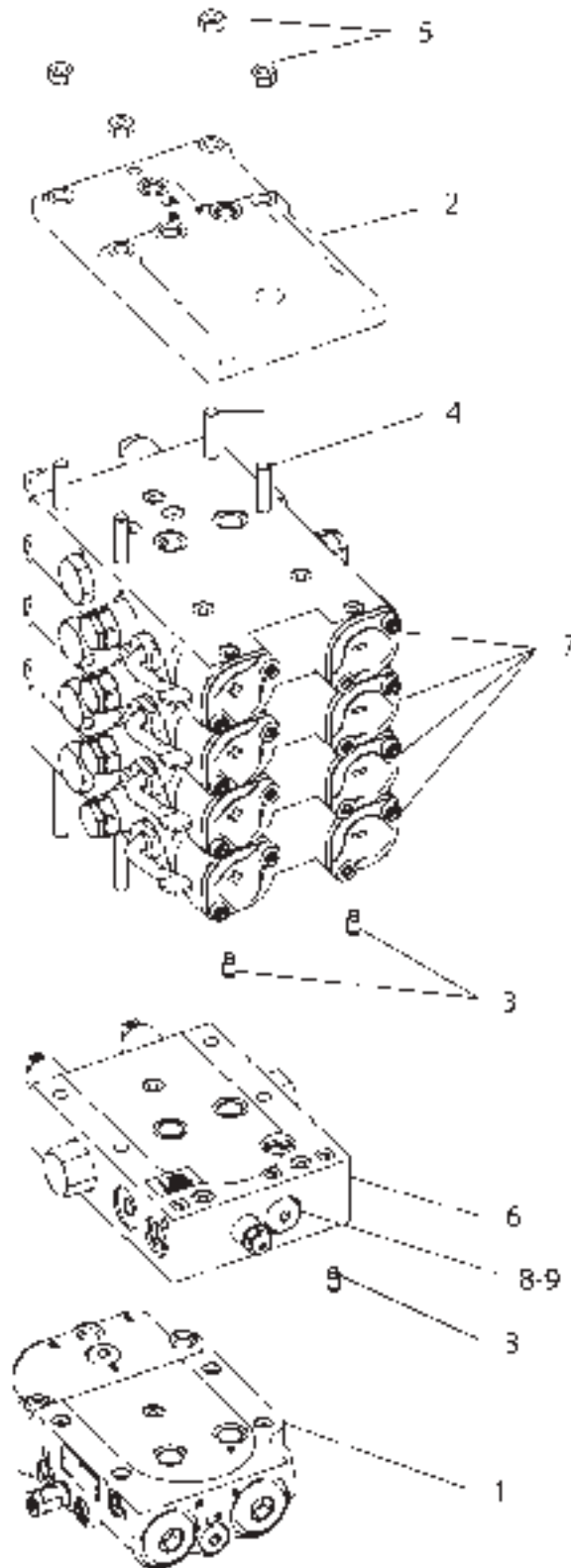
VALVE AR-IMPL - 500790D1
6 IMPLEMENTS & STEERABLE HITCH

ITEM	NUMBER	QTY	DESCRIPTION
-	500790D1	--	VALVE AR (NOT SERVICED)
1	168-1947	1	CONTROL & WIRING GP (NOT SERVICED) (SEE BREAKDOWN FOR COMPONENTS)
2	205-5830	1	LINES GP-HITCH (NOT SERVICED) (SEE BREAKDOWN FOR COMPONENTS)
3	500751D1	1	VALVE GP-BANK 8 (NOT SERVICED) (SEE BREAKDOWN FOR COMPONENTS)

NOTIF
PR: t05f07j07b0396

MT700 SERIES TRACK TRACTORS
HYDRAULIC SYSTEM

VALVE GP-BANK-5 - 223-5932
3 PT HITCH W/4 REMOTES



**MT700 SERIESTRACKTRACTORS
HYDRAULIC SYSTEM**

887

**VALVE GP-BANK-5 - 223-5932
3 PT HITCH W/4 REMOTES**

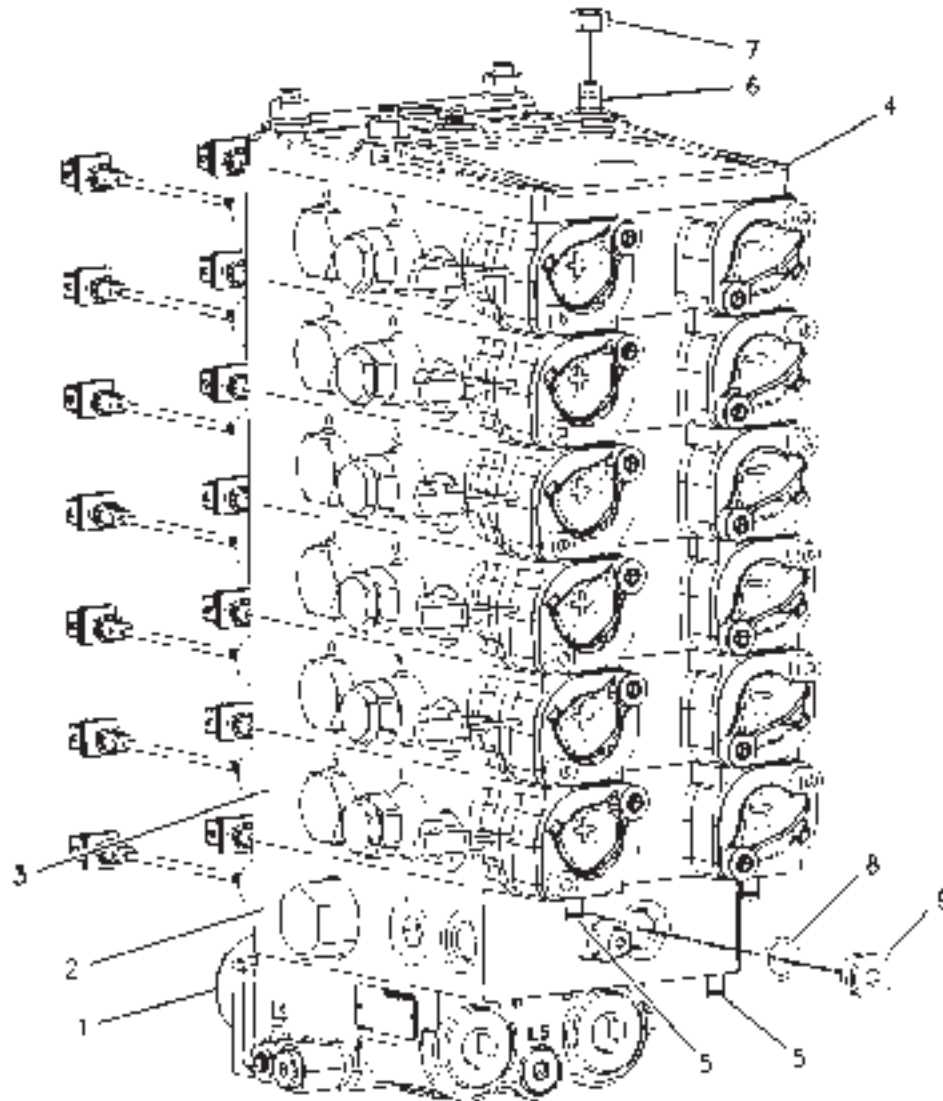
ITEM	NUMBER	QTY	DESCRIPTION
-	223-5932	--	VALVE GP-BANK-5 [A] (NOT SERVICED)
1	226-5657	1	VALVE GP-INLET FLOW (SEE BREAKDOWN FOR COMPONENTS)
2	180-0500	1	COVER-END
3	CH188-3640	3	NIPPLE
4	209-7496	4	STUD-M10X1,5-6GX327MM
5	WR522218	4	NUT-M10-1.5,CL10.9,ZN,H,REG
6	224-7237	1	VALVE GP-CONTROL-2-20 (SEE BREAKDOWN FOR COMPONENTS)
7	162-9816	4	VALVE GP-CONT-T (SEE BREAKDOWN FOR COMPONENTS)
8	CH3K-0360	1	SEAL-O-RING (16.36IDX2.21DIA)
9	CH9S-8005	1	PLUG - 3/4-16-2A THD HSHD

[A] PART OF 172-4499 VALVE AR

2235932A
PR: t05f07j07b0397

MT700 SERIES TRACK TRACTORS
HYDRAULIC SYSTEM

VALVE GP-BANK 6 - 500750D1
3 PT HITCH & W/4 REMOTES



**MT700 SERIESTRACKTRACTORS
HYDRAULIC SYSTEM**

889

**VALVE GP-BANK 6 - 500750D1
3 PT HITCH & W/4 REMOTES**

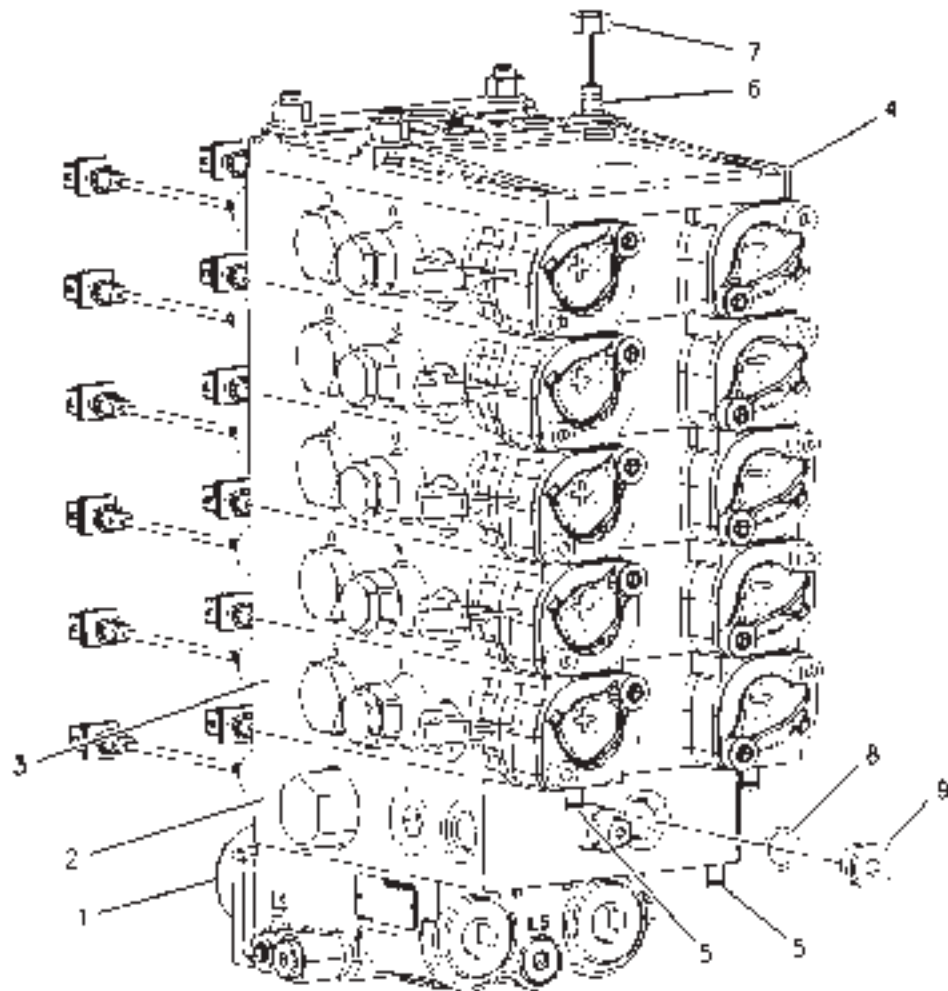
ITEM	NUMBER	QTY	DESCRIPTION
-	163-0589	--	VALVE GP-BANK 6 [A] (NOT SERVICED)
1	226-5657	1	VALVE GP-FLOW CONTROL & RELIEF (SEE BREAKDOWN FOR COMPONENTS)
2	224-7237	1	VALVE GP-CONTROL (3 POINT HITCH) (SEE BREAKDOWN FOR COMPONENTS)
3	162-9816	6	VALVE GP-CONTROL (IMPLEMENTS) (SEE BREAKDOWN FOR COMPONENTS)
4	180-0500	1	COVER-END
5	CH188-3640	3	FITTING
6	CH209-7498	4	STUD
7	WR522218	4	NUT (M10X1.5 THD)
8	CH3K-0360	1	SEAL-O-RING (16.36IDX2.21DIA)
9	CH9S-8005	1	PLUG

PART OF 500789D1 VALVE AR

500750DA
PR: t05f07j07b0398

MT700 SERIES TRACK TRACTORS
HYDRAULIC SYSTEM

VALVE GP-BANK 6 - 223-5933
3 PT HITCH & W/5 REMOTES



**MT700 SERIES TRACK TRACTORS
HYDRAULIC SYSTEM**

891

**VALVE GP-BANK 6 - 223-5933
3 PT HITCH & W/5 REMOTES**

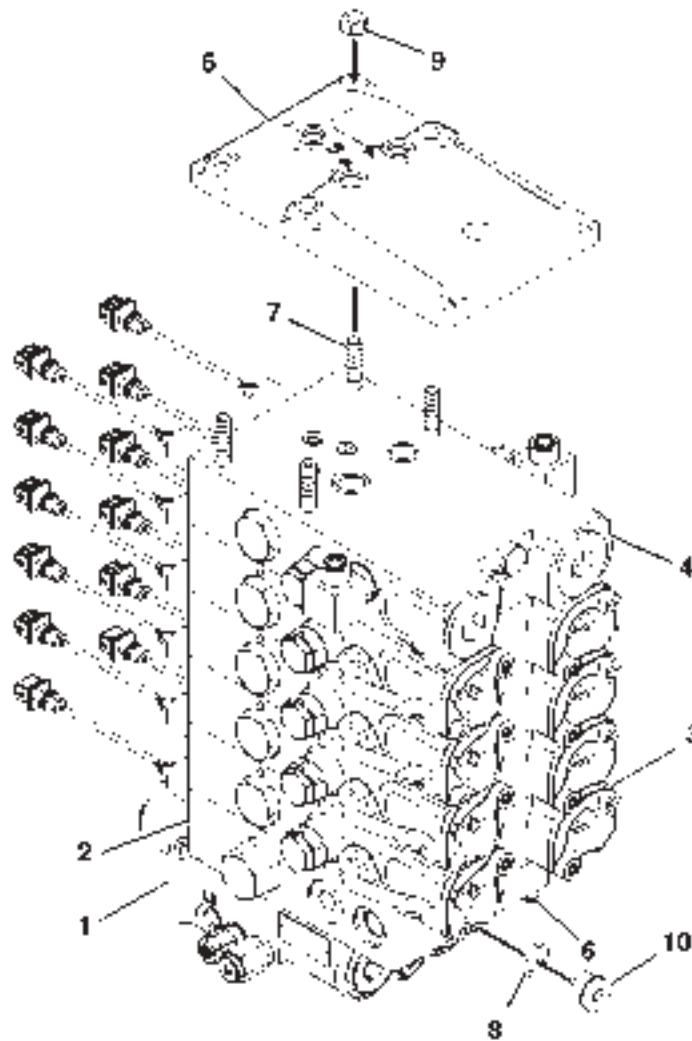
ITEM	NUMBER	QTY	DESCRIPTION
-	223-5933	--	VALVE GP-BANK 6 [A] (NOT SERVICED) (ORDER THE FOLLOWING PARTS)
1	226-5657	1	VALVE GP-FLOW CONTROL & RELIEF (SEE BREAKDOWN FOR COMPONENTS)
2	224-7237	1	VALVE GP-CONTROL (3 POINT HITCH) (SEE BREAKDOWN FOR COMPONENTS)
3	162-9816	5	VALVE GP-CONTROL (IMPLEMENTS) (SEE BREAKDOWN FOR COMPONENTS)
4	180-0500	1	COVER-END
5	CH188-3640	3	FITTING
6	209-7497	4	STUD
7	WR522218	4	NUT (M10X1.5 THD)
8	CH3K-0360	1	SEAL-O-RING (16.36IDX2.21DIA)
9	CH9S-8005	1	PLUG

[A] PART OF 172-4501 VALVE AR

2235933A
PR: t05f07j07b0399

MT700 SERIES TRACK TRACTORS
HYDRAULIC SYSTEM

VALVE GP-BANK 6 - 223-5935
4 IMPLEMENTS & STEERABLE HITCH



**MT700 SERIES TRACK TRACTORS
HYDRAULIC SYSTEM**

893

**VALVE GP-BANK 6 - 223-5935
4 IMPLEMENTS & STEERABLE HITCH**

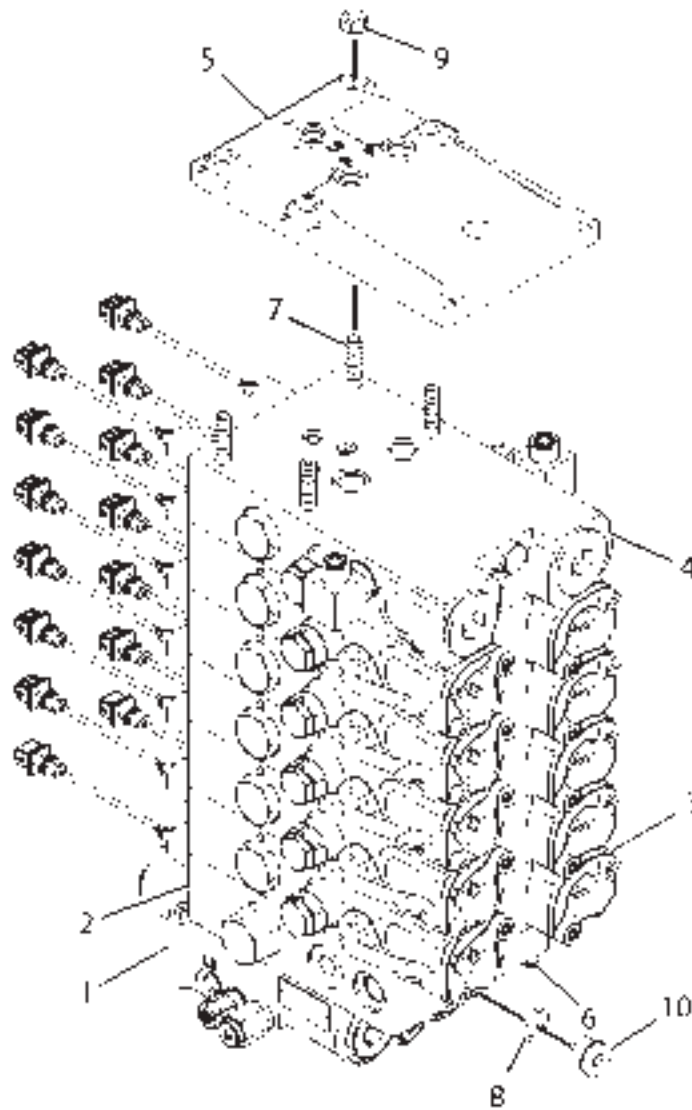
ITEM	NUMBER	QTY	DESCRIPTION
-	223-5935	--	VALVE GP-BANK 6 [A] (NOT SERVICED)
1	226-5657	1	VALVE GP-FLOW CONTROL & RELIEF (SEE BREAKDOWN FOR COMPONENTS)
2	224-7237	1	VALVE GP-CONTROL (3 POINT HITCH) (SEE BREAKDOWN FOR COMPONENTS)
3	162-9816	4	VALVE GP-CONTROL-T (SEE BREAKDOWN FOR COMPONENTS)
4	224-4211	1	VALVE GP-CONTROL (STEERABLE 3 PT HITCH) (SEE BREAKDOWN FOR COMPONENTS)
5	180-0500	1	COVER-END
6	CH188-3640	3	FITTING
7	209-7497	4	STUD
8	CH3K-0360	1	O-RING
9	WR522218	4	NUT (M10X1.5 THD)
10	CH9S-8005	1	PLUG

[A] PART OF 172-4500 VALVE AR

00859025
PR: t05f07j07b0400

MT700 SERIES TRACK TRACTORS HYDRAULIC SYSTEM

VALVE GP-BANK 7 - 223-5936 5 IMPLEMENTS & STEERABLE HITCH



**MT700 SERIES TRACK TRACTORS
HYDRAULIC SYSTEM**

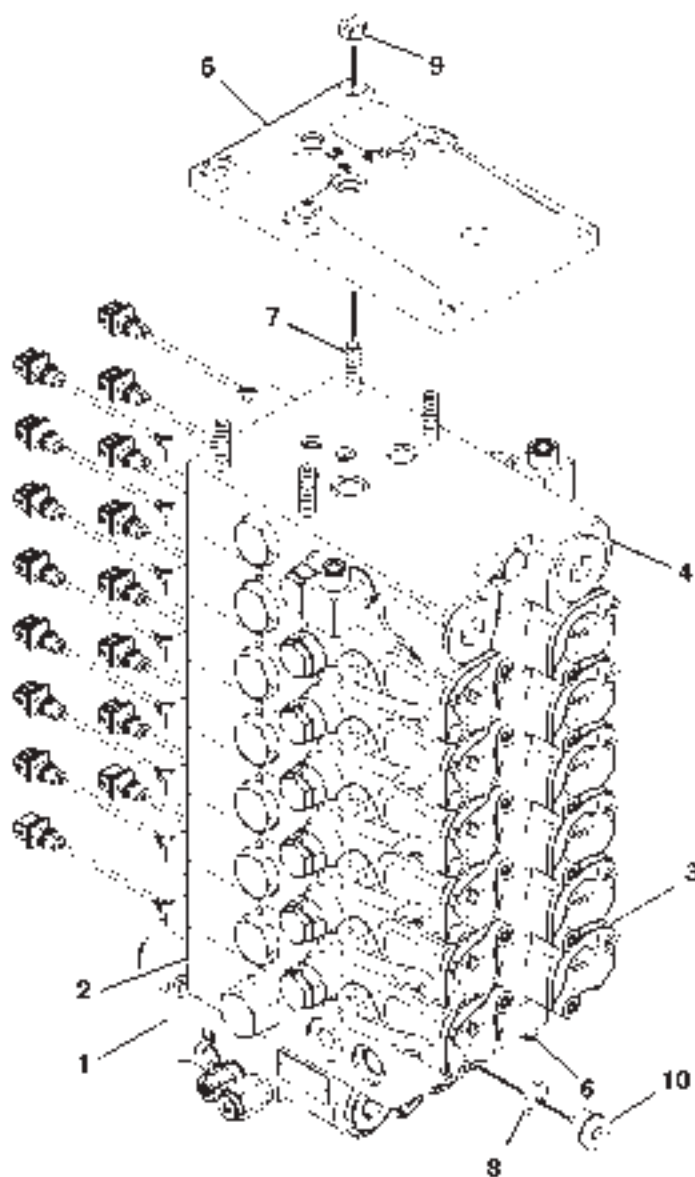
895

**VALVE GP-BANK 7 - 223-5936
5 IMPLEMENTS & STEERABLE HITCH**

ITEM	NUMBER	QTY	DESCRIPTION
-	223-5936	--	VALVE GP-BANK 6 [A] (NOT SERVICED)
1	226-5657	1	VALVE GP-FLOW CONTROL & RELIEF (SEE BREAKDOWN FOR COMPONENTS)
2	224-7237	1	VALVE GP-CONTROL (3 POINT HITCH) (SEE BREAKDOWN FOR COMPONENTS)
3	162-9816	5	VALVE GP-CONTROL-T (SEE BREAKDOWN FOR COMPONENTS)
4	224-4211	1	VALVE GP-CONTROL (STEERABLE 3 PT HITCH) (SEE BREAKDOWN FOR COMPONENTS)
5	180-0500	1	COVER-END
6	CH188-3640	3	FITTING
7	CH209-7498	4	STUD
8	CH3K-0360	1	O-RING
9	WR522218	4	NUT (M10X1.5 THD)
10	CH9S-8005	1	PLUG

[A] PART OF 172-4502 VALVE AR

2235936A
PR: t05f07j07b0401

MT700 SERIES TRACK TRACTORS
HYDRAULIC SYSTEM**VALVE GP-BANK 8 - 500751D1**
3 PT-STEERING HITCH W/5 REMOTES

**MT700 SERIES TRACK TRACTORS
HYDRAULIC SYSTEM**

897

**VALVE GP-BANK 8 - 500751D1
3 PT-STEERING HITCH W/5 REMOTES**

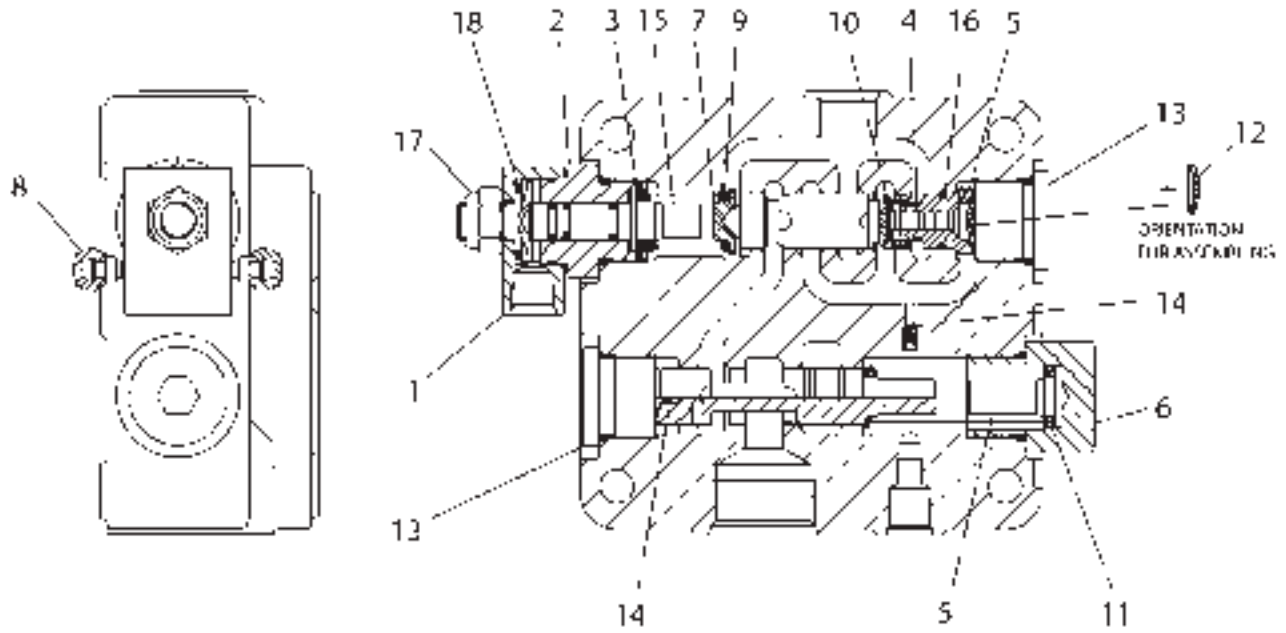
ITEM	NUMBER	QTY	DESCRIPTION
-	500751D1	--	VALVE GP-BANK 8 [A] (NOT SERVICED)
1	226-5657	1	VALVE GP-FLOW CONTROL & RELIEF (SEE BREAKDOWN FOR COMPONENTS)
2	224-7237	1	VALVE GP-CONTROL (3 POINT HITCH) (SEE BREAKDOWN FOR COMPONENTS)
3	162-9816	6	VALVE GP-CONTROL-T (SEE BREAKDOWN FOR COMPONENTS)
4	224-4211	1	VALVE GP-CONTROL (STEERABLE 3 PT HITCH) (SEE BREAKDOWN FOR COMPONENTS)
5	180-0500	1	COVER-END
6	CH188-3640	3	FITTING
7	CH209-7499	4	STUD
8	CH3K-0360	1	O-RING
9	WR522218	4	NUT (M10X1.5 THD)
10	CH9S-8005	1	PLUG

[A] PART OF 500790D1 VALVE AR

500751DA
PR: t05f07j07b0402

MT700 SERIES TRACK TRACTORS
HYDRAULIC SYSTEM

VALVE GP-BRAKE CONTROL - 175-7450
EAME ONLY



1757450A

MT700 SERIES TRACK TRACTORS
HYDRAULIC SYSTEM

899

VALVE GP-BRAKE CONTROL - 175-7450
EAME ONLY

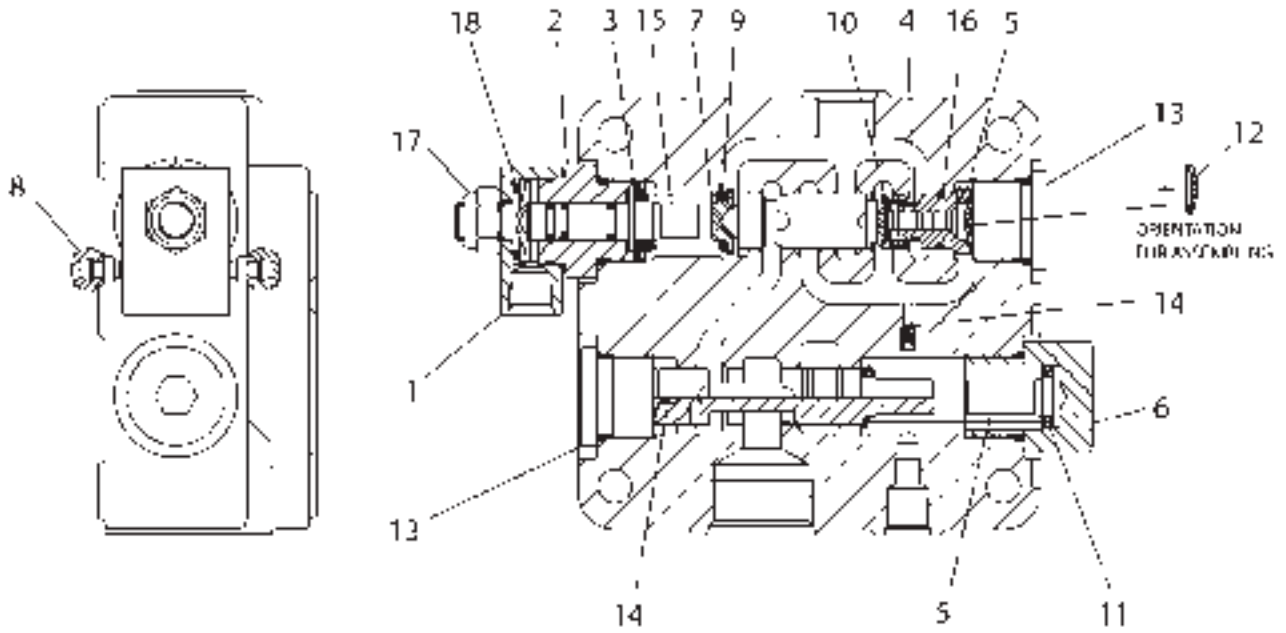
ITEM	NUMBER	QTY	DESCRIPTION
-	175-7450	--	VALVE GP-BRAKE CONTROL [A]
1	209-9919	1	MANIFOLD
2	209-9920	1	PLUG AS
	CH8U-7381	1	SEAL-O-RING
	CH209-9961	2	RING-GUIDE
	CH209-9962	1	RING-GUIDE
	CH8T-7525	1	SEAL-O-RING
3	CH209-9921	1	WASHER
4	CH209-9927	1	SLUG
5	209-9936	1	SLEEVE
6	CH209-9945	1	PLUG AS
	CH8T-7525	1	SEAL-O-RING
7	CH209-9947	1	SEAT-SPRING
8	209-9949	2	SCREW-PURGE
9	CH209-9955	1	SPRING
10	CH209-9957	1	SPRING
11	216-6991	1	SPRING
12	CH210-1993	1	WASHER
13	216-6977	2	PLUG AS
	CH8T-7525	1	SEAL-O-RING
14	216-6980	2	ORIFICE
15	216-6981	1	RETAINER
16	CH095-1715	1	SEAL-O-RING
17	CH188-7789	1	NUT (M12X1.50 THD)
18	CH6V-3922	1	SEAL-O-RING

[A] 183-7177 VALVE GP-MTG;
204-6711 KIT-HYD TR BRAKE

1757450A
PR: t05f07j07b0403

MT700 SERIES TRACK TRACTORS
HYDRAULIC SYSTEM

VALVE GP-BRAKE CONTROL - 500543D1
EAME ONLY



MT700 SERIES TRACK TRACTORS
HYDRAULIC SYSTEM

901

VALVE GP-BRAKE CONTROL - 500543D1
EAME ONLY

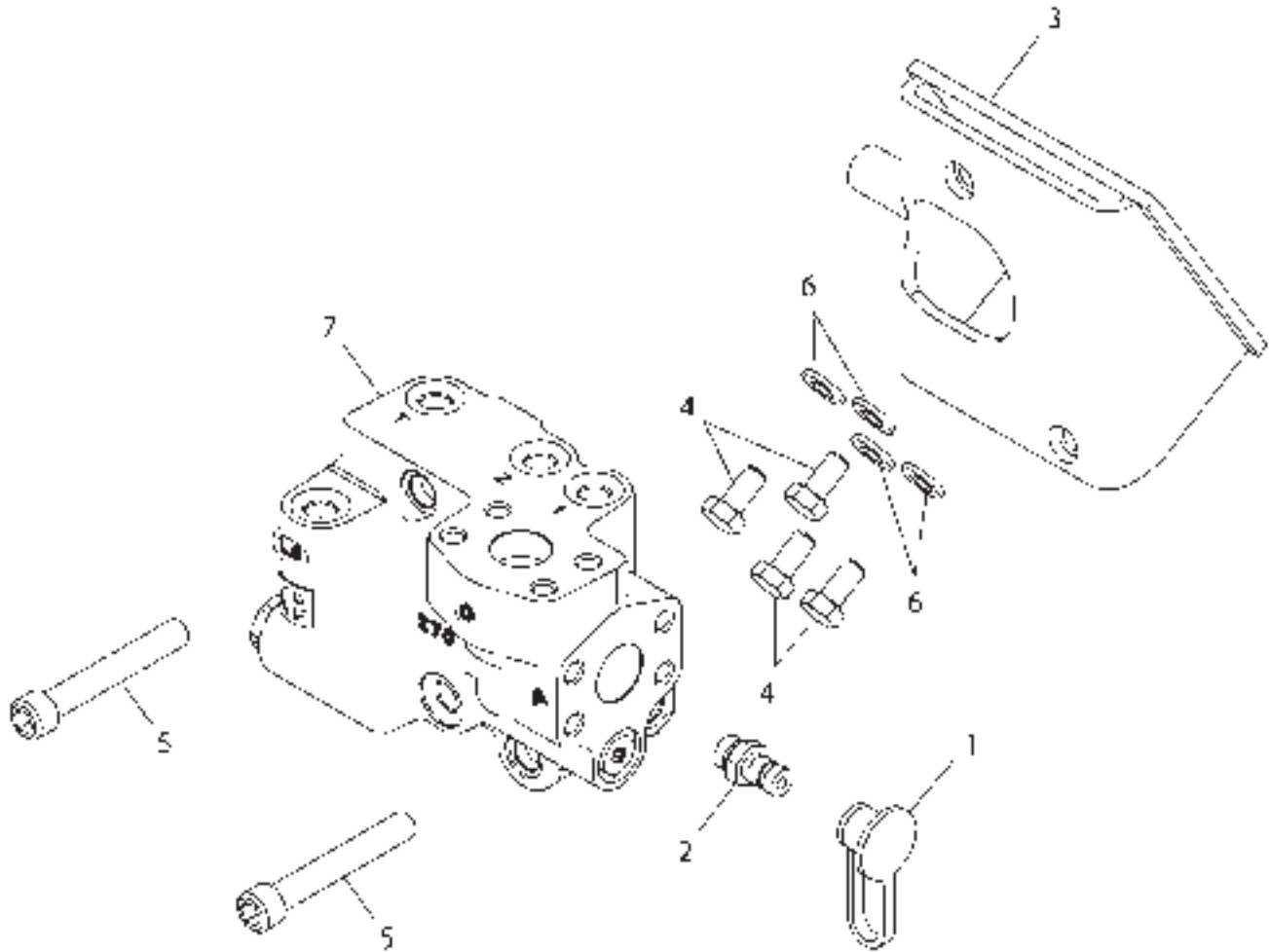
ITEM	NUMBER	QTY	DESCRIPTION
-	500543D1	--	VALVE GP-BRAKE CONTROL [A]
1	209-9919	1	MANIFOLD
2	500544D1	1	PLUG AS
	CH8U-7381	1	SEAL-O-RING
	CH209-9961	1	RING-GUIDE
	CH209-9962	1	RING-GUIDE
	CH8T-7525	2	SEAL-O-RING
	500545D1	1	SPRING
3	CH209-9921	1	WASHER
4	CH209-9927	1	SLUG
5	209-9936	1	SLEEVE
6	CH209-9945	1	PLUG AS
	CH8T-7525	1	SEAL-O-RING
7	CH209-9947	1	SEAT-SPRING
8	209-9949	2	SCREW-PURGE
9	CH209-9955	1	SPRING
10	CH209-9957	1	SPRING
11	216-6991	1	SPRING
12	CH210-1993	1	WASHER
13	216-6977	2	PLUG AS
	CH8T-7525	1	SEAL-O-RING
14	216-6980	2	ORIFICE
15	216-6981	1	RETAINER
16	CH095-1715	1	SEAL-O-RING
17	CH188-7789	1	NUT (M12X1.50 THD)
18	CH6V-3922	1	SEAL-O-RING

[A] PART OF 227-5264 VALVE GP-MOUNTING
500528D1 KIT-ITALIAN HTB

1757450A
PR: t05f07j07b0404

MT700 SERIES TRACK TRACTORS
HYDRAULIC SYSTEM

VALVE GP-BRAKE CONTROL - 192-6368



MT700 SERIESTRACKTRACTORS
HYDRAULIC SYSTEM

903

VALVE GP-BRAKE CONTROL - 192-6368

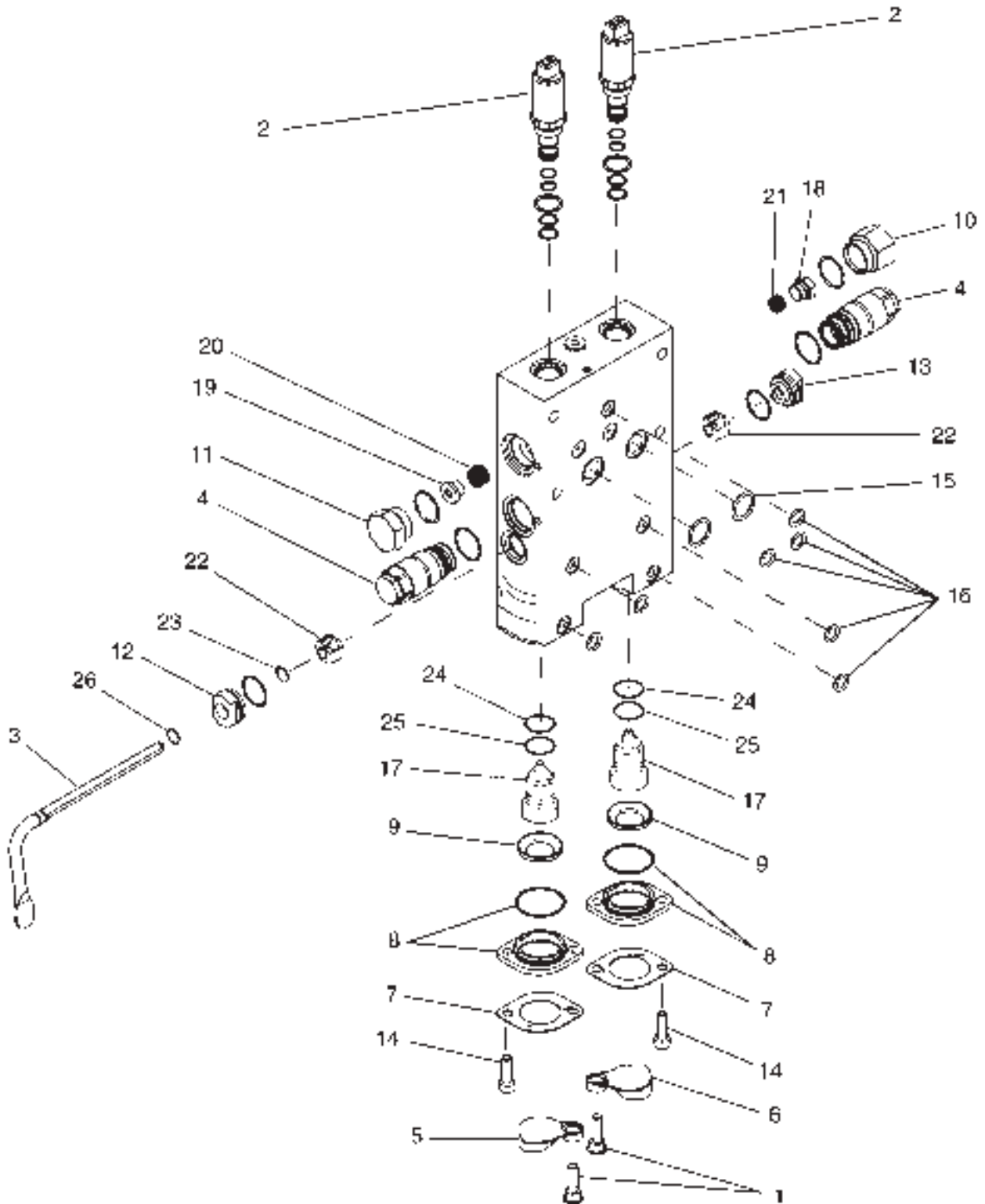
ITEM	NUMBER	QTY	DESCRIPTION
-	192-6368	--	VALVE GP-BRAKE CONTROL [A]
1	400323X1	1	CAP-DUST
2	400324X1	1	NIPPLE AS (W/SEAL)
	400318X1	1	SEAL-O-RING (11.89IDX1.98DIA)
	400325X1	1	NIPPLE AS-QUICK DISC
3	200-4357	1	BRACKET AS
4	400040X1	4	BOLT (M10X1.5X20MM)
5	400207X1	2	BOLT (M12X1.75X80MM)
6	400287X1	4	WASHER-HARD (11X21X2.5MM THK)
7	501030D1	1	VALVE AS
	200-4394	--	KIT-REPAIR

[A] PART OF 200-4370 BRAKE AR

1926368A
PR: t05f07j07b0405

MT700 SERIES TRACK TRACTORS
HYDRAULIC SYSTEM

VALVE GP-CONTROL - 162-9816
IMPLEMENT



**MT700 SERIES TRACK TRACTORS
HYDRAULIC SYSTEM**

905

**VALVE GP-CONTROL - 162-9816
IMPLEMENT**

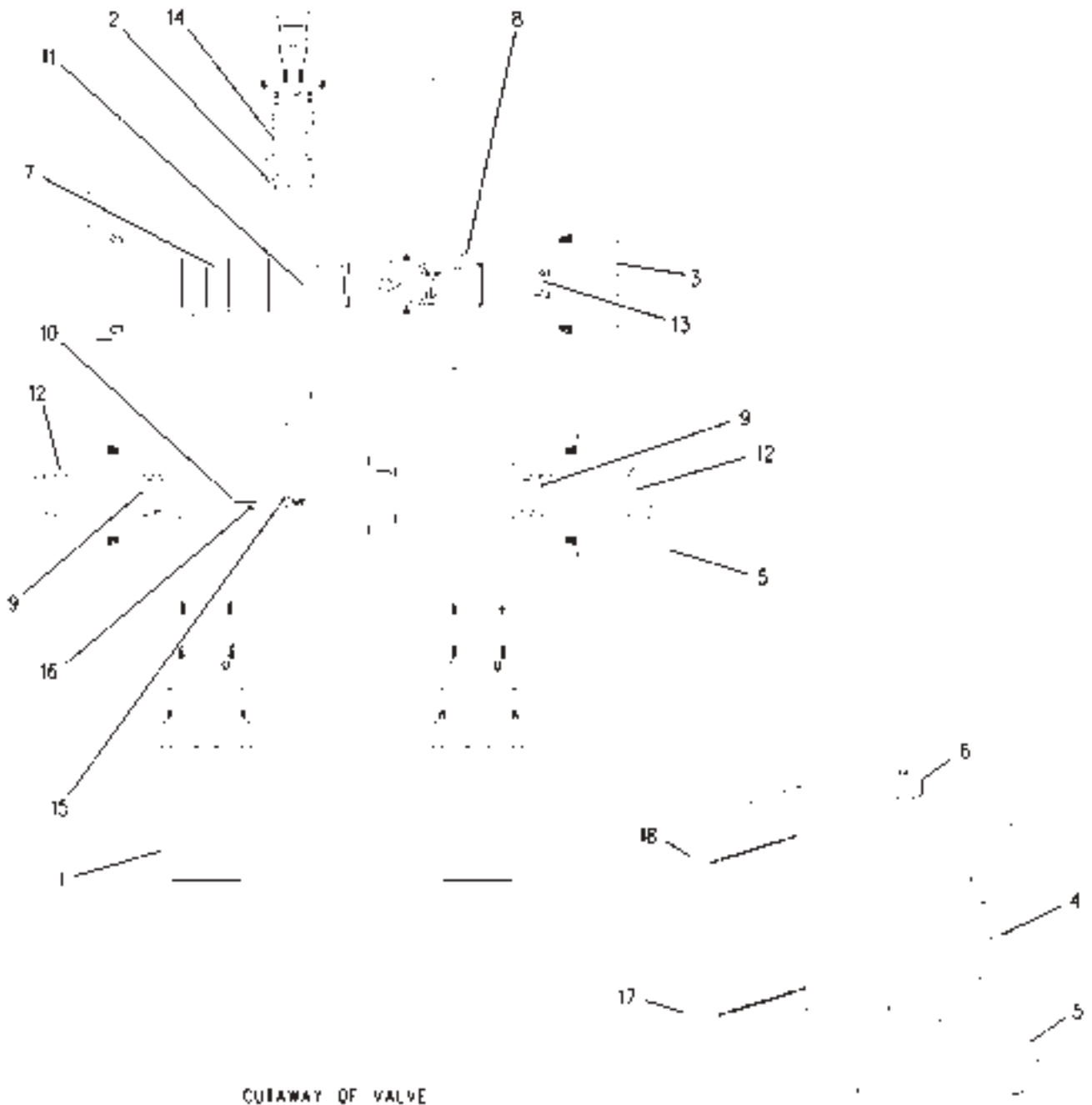
ITEM	NUMBER	QTY	DESCRIPTION
-	162-9816	--	VALVE GP-CONTROL (REMOTE) [A]
1	CH162-9821	2	BOLT (M8X1X25MM)
2	165-8537	2	VALVE GP-SOLENOID & PRESS REDC
	CH209-9680	1	KIT-SEAL (VALVE GP-CHECK)
3	CH186-0341	1	LEVER
4	186-0346	2	VALVE GP-CHECK (INCLUDES SEAL-O-RING)
	CH033-6032	1	SEAL-O-RING
5	CH186-0347	1	COVER-DUST
6	CH186-0348	1	COVER-DUST
7	CH186-0364	2	PLATE
8	CH186-0365	2	PLATE ASM
	CH187-9630	1	SEAL-O-RING
9	CH186-0367	2	SEAL
10	CH186-0368	1	PLUG ASM (INCLUDES SEAL-O-RING)
	CH175-3135	1	SEAL-O-RING
11	CH186-0369	1	PLUG ASM (INCLUDES SEAL-O-RING)
	CH175-3135	1	SEAL-O-RING
12	CH186-0375	1	CAP ASM (INCLUDES SEAL-O-RING)
	CH162-9799	1	SEAL-O-RING
13	CH186-0376	1	CAP ASM
	CH162-9799	1	SEAL-O-RING
14	CH209-8296	2	BOLT-SOCKET HEAD (M8X1.25X25MM)
15	CH5P-9186	2	SEAL-O-RING
16	CH8L-2777	7	SEAL-O-RING
17	186-0342	2	COUPLING GP (INCL SEAL)
	CH146-4350	1	SEAL
18	CH186-0370	1	PLUG
19	CH186-0371	1	PLUG
20	186-0372	1	SPRING
21	186-0373	1	SPRING
22	186-0377	2	CAM
23	CH096-2323	1	RING-RETAINING
24	CH146-4351	2	SEAL
25	CH5D-6539	2	SEAL-O-RING
26	CH3E-4296	1	SEAL-O-RING

[A] PART OF 189-5907; 189-5910;
189-5911; 223-5932; 223-5933;
223-5936; 500751D1 VALVE GP

1629816D
PR: t05f07j07b0406

MT700 SERIES TRACK TRACTORS
HYDRAULIC SYSTEM

VALVE GP-CONTROL-2-20 - 224-7237
3 POINT HITCH



CUTAWAY OF VALVE



MT700 SERIES TRACK TRACTORS
HYDRAULIC SYSTEM

907

VALVE GP-CONTROL-2-20 - 224-7237
3 POINT HITCH

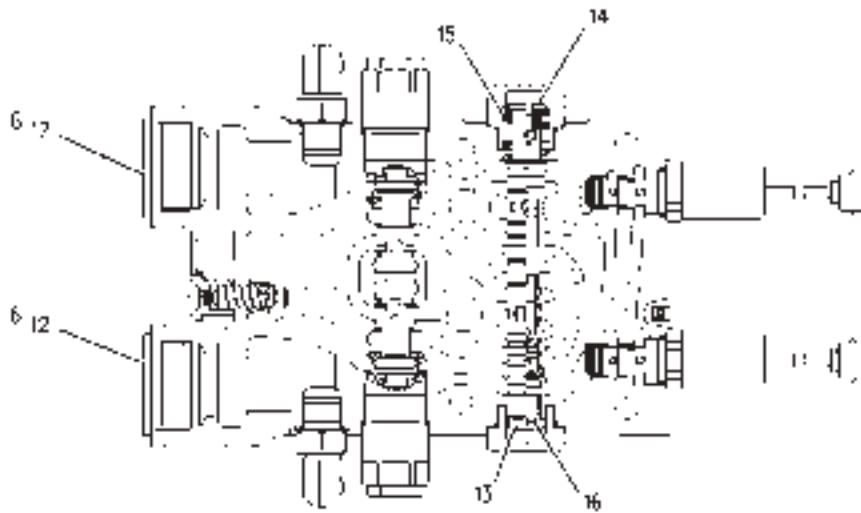
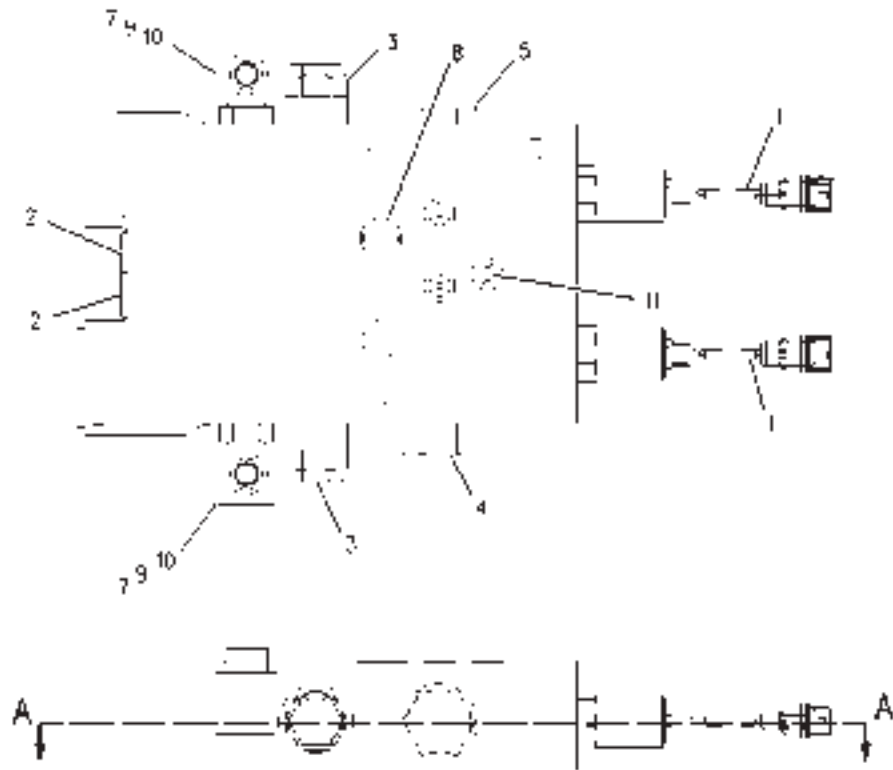
ITEM	NUMBER	QTY	DESCRIPTION
-	224-7237	--	VALVE GP-CONTROL [A]
1	165-8537	2	VALVE GP-SOLENOID
	209-9680	1	KIT-SEAL
2	209-7359	1	VALVE GP-RELIEF
3	216-3569	1	PLUG ASY.
	CH8T-7525	1	O-RING
4	216-3458	1	PLUG ASY.
	CH8T-7525	1	O-RING
5	216-3570	2	PLUG ASY.
	CH8T-7525	1	O-RING
6	209-7599	1	VALVE ASY.
7	216-3461	1	SPOOL-VALVE
8	216-3462	1	VALVE ASY-CHECK
9	216-3475	2	RETAINER
10	CH216-4098	1	PLUG
11	216-3478	1	PIN
12	216-3479	2	SPRING
13	216-3480	1	SPRING
14	216-3481	1	SPRING
15	CH3G-0785	1	BALL
16	CH109-9685	1	O-RING
17	CH5P-9186	2	O-RING
18	CH8L-2777	3	O-RING
19	CH227-8809	1	SLEEVE (NOT SHOWN)

[A] PART OF 223-5932; 223-5933;
223-5935; 223-5936; 500750D1;
500751D1 VALVE GP

00881334
PR: t05f07j07b0407

MT700 SERIES TRACK TRACTORS
HYDRAULIC SYSTEM

VALVE GP-CONTROL-3-20 - 224-4211
STEERABLE 3 POINT HITCH



MT700 SERIES TRACK TRACTORS
HYDRAULIC SYSTEM

909

VALVE GP-CONTROL-3-20 - 224-4211
STEERABLE 3 POINT HITCH

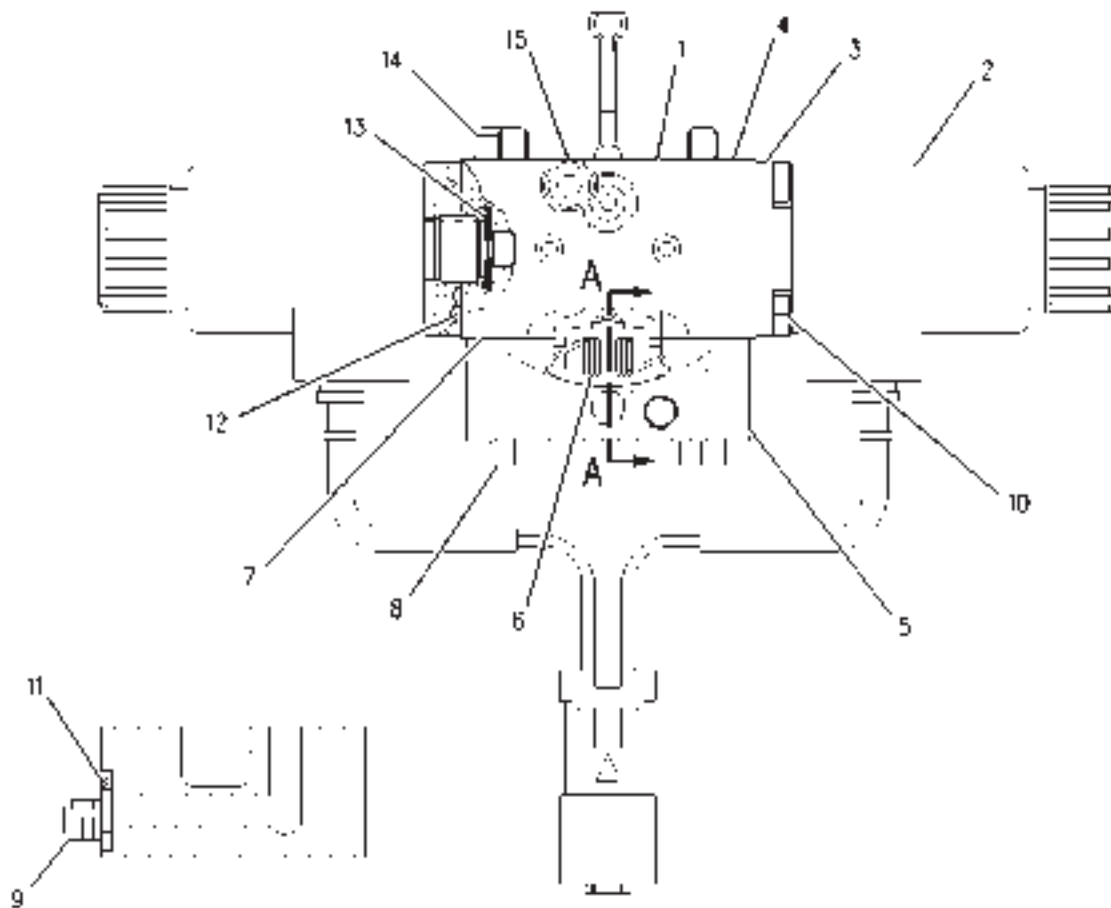
ITEM	NUMBER	QTY	DESCRIPTION
-	224-4211	--	VALVE GP-CONTROL [A]
1	165-8537	2	VALVE GP-SOLENOID (SOLENOID & PRESSURE REDUCING)
	CH209-9680	1	KIT-SEAL (REPAIR)
2	162-9822	2	VALVE GP-RELIEF (HYDRAULIC PRESSURE)
	400322X1	1	SEAL-O-RING (19.28ODX1.78DIA)
3	186-0346	2	VALVE GP-CHECK (PILOT OPERATED)
	CH033-6032	1	O-RING
4	CH186-0368	1	PLUG ASY.
5	CH186-0369	1	PLUG ASY.
6	CH2S-4078	2	O-RING
7	CH3K-0360	2	SEAL-O-RING (16.36IDX2.21DIA)
8	CH5P-9186	2	O-RING
9	CH6V-8398	2	O-RING
10	CH6V-8625	2	ELBOW
11	CH8L-2777	3	O-RING
12	CH9S-8010	2	PLUG
13	CH186-0370	1	PLUG
14	CH186-0371	1	PLUG
15	186-0372	1	SPRING
16	186-0373	1	SPRING

[A] PART OF 223-5935 VALVE GP-BANK 6

00892510
PR: t05f07j07b0408

MT700 SERIES TRACK TRACTORS
HYDRAULIC SYSTEM

VALVE GP-ELECTRIC SERVO - 196-4235
ROW



MT700 SERIES TRACK TRACTORS
HYDRAULIC SYSTEM

911

VALVE GP-ELECTRIC SERVO - 196-4235
ROW

ITEM	NUMBER	QTY	DESCRIPTION
-	196-4235	--	VALVE GP-ELECTRIC SERVO [A]
1	CH196-4248	1	HOUSING ASY.
2	196-4249	1	SOLENOID ASY.
3	CH196-4250	2	SPACER (37X37X13MM THK)
4	CH117-7316	1	SEAL
5	CH196-4251	1	COVER
6	CH196-4252	1	SPRING
7	CH196-4253	1	GASKET
8	CH8T-2922	4	BOLT-SOCKET HEAD (M6X1X65MM)
9	CH196-9445	1	BOLT-SOCKET HEAD (M6X1X45MM)
10	CH196-9444	8	BOLT-SOCKET HEAD (M5X0.8X10MM)
11	CH6J-3134	1	O-RING
12	CH085-7539	2	O-RING
13	CH196-4254	2	SPRING
14	CH5E-7045	1	PIN-CYLINDER
15	CH096-5968	1	BOLT-SOCKET HEAD (M5X0.8X8MM)

[A] PART OF 500525D1; 500526D1
PUMP GP-PISTON

00842277
PR: t05f07j07b0409

MT700 SERIES TRACK TRACTORS
HYDRAULIC SYSTEM

913

VALVE GP-PRESS & FLOW COMPENSATOR
214-9379

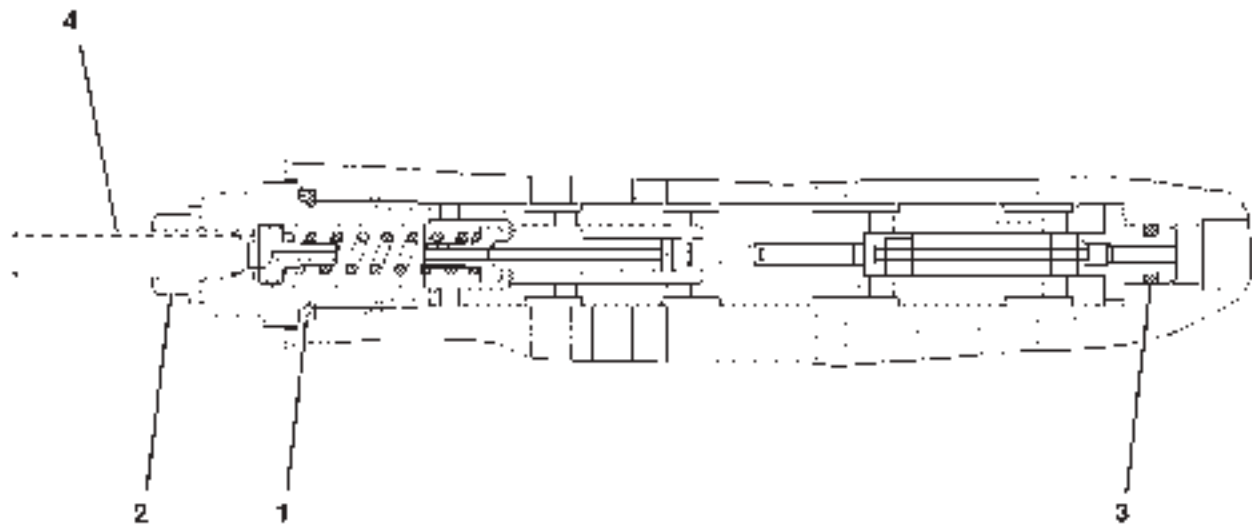
ITEM	NUMBER	QTY	DESCRIPTION
-	214-9379	--	VALVE GP-PRESS & FLOW CMPNSTR [A]
1	CH6E-6528	6	SEAL
2	CH194-4650	2	ADAPTER
3	CH6E-3268	1	RETAINER-SPRING
4	CH6E-3275	1	SPRING
5	CH6E-3274	1	SPRING
6	CH033-6043	1	SEAL-O-RING
7	CH6E-3272	1	SEAT
8	CH6E-6540	1	PLUG
9	CH6E-6538	2	NUT-ADJUSTMENT (M8X1)
10	CH6E-6537	2	SCREW-ADJUSTMENT (M8X1X28MM)
11	CH6E-6539	2	NUT-CAP (M8X1)
12	CH6E-3273	1	SEAT
13	CH6E-6536	1	PLUG
14	CH6V-8352	1	SEAL-O-RING
15	CH9S-8002	1	PLUG
16	400361X1	1	SEAL-O-RING
17	CH193-1036	1	SPRING
18	CH6E-3276	1	SPRING
19	CH6E-3269	1	RETAINER-SPRING
20	CH201-0780	1	ORIFICE
21	CH105-2145	1	VALVE-ORIFICE
22	CH5P-9262	1	SEAL-O-RING
23	CH194-4651	1	ADAPTER (HOUSING)
24	CH9S-8004	1	PLUG
25	400318X1	1	SEAL-O-RING

[A] PART OF CH205-5980 PUMP GP-PISTON

00893866
PR: t05f07j07b0410

MT700 SERIES TRACK TRACTORS
HYDRAULIC SYSTEM

VALVE GP-PRESS & FLOW CMPNSTR - 201-9105
ROW



MT700 SERIESTRACKTRACTORS
HYDRAULIC SYSTEM

915

VALVE GP-PRESS & FLOW CMPNSTR - 201-9105
ROW

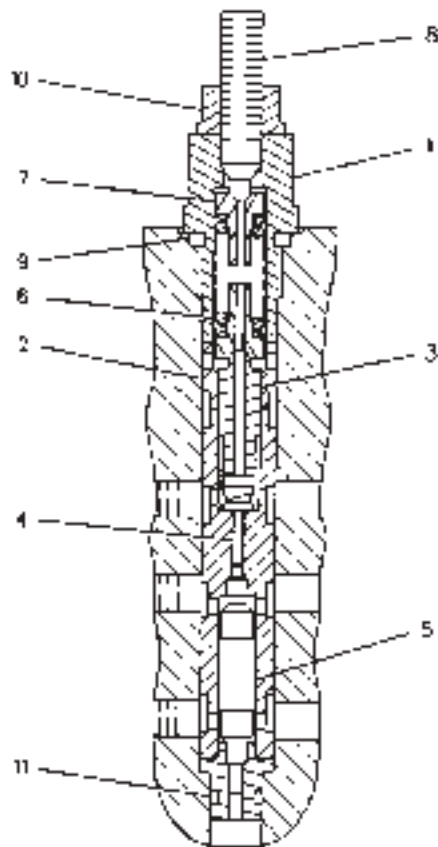
ITEM	NUMBER	QTY	DESCRIPTION
-	CH201-9105	--	VALVE GP-PRESS & FLOW CMPNSTER [A]
1	CH6V-8351	1	O-RING
2	CH6E-1607	1	LOCKNUT-SEALING
3	CH6V-5586	1	O-RING
4	CH6E-4401	1	SETSCREW-ADJUSTMENT

[A] PART OF 196-4234 HEAD GP-PUMP

2019105B
PR: t05f07j07b0411

MT700 SERIES TRACK TRACTORS
HYDRAULIC SYSTEM

VALVE GP-RELIEF - CH123-7557
ROW



MT700 SERIES TRACK TRACTORS
HYDRAULIC SYSTEM

917

VALVE GP-RELIEF - CH123-7557
ROW

ITEM	NUMBER	QTY	DESCRIPTION
-	CH123-7557	--	VALVE GP-RELIEF [A]
1	CH123-7575	1	SCREW-LOCKING
2	CH123-7589	1	VALVE-BUSHING
3	CH123-7590	1	CONTROL-PISTON
4	CH6E-4396	1	PISTON
5	----	1	PISTON (ORDER COMPLETE AS)
6	CH6E-4399	1	SPRING
7	CH6E-4400	2	RETAINER-SPRING
8	CH6E-4401	1	SETSCREW-ADJUSTMENT
9	CH123-7591	1	O-RING
10	CH6E-1607	1	LOCKNUT-SEALING
11	CH112-4718	1	O-RING

[A] PART OF 204-6515 HEAD GP-PUMP

00250017
PR: t05f07j07b0412

MT700 SERIES TRACK TRACTORS
DRAWBAR, THREE POINT HITCH AND PTO

919

COUPLER GP-QUICK - 170-2316
CATEGORY III NARROW

ITEM	NUMBER	QTY	DESCRIPTION
-	170-2316	--	COUPLER GP-QUICK [A] (NOT SERVICED)
1	177-0661	2	HANDLE
2	502600D1	1	HOOK AS-TOP
3	501031D1	1	ARM-LH
4	501032D1	1	ARM-RH
5	CH197-8803	2	PIN AS
6	CH200-8708	1	PIN AS
7	400081X1	4	WASHER-HARD (26X44X4MM THK)
8	CH200-0010	3	SPACER (17.5X25.4X12.5MM THK)
9	177-0656	1	COUPLER AS
	CH3F-3442	4	DOWEL
11	400078X1	3	WASHER (16.5X50X5MM THK)
12	400043X1	8	BOLT (M20X2.5X150MM)
13	400229X1	4	BOLT (M24X3X140MM)
14	400287X1	2	WASHER-HARD (11X21X2.5MM THK)
15	400080X1	8	WASHER-PLATED (22X35X3.5MM THK)
16	400191X1	3	BOLT (M16X2X40MM)
19	CH177-3405	2	PIN
20	CH183-5008	4	PIN-SPRING
21	400273X1	2	PIN-SPRING
22	CH3B-4611	2	PIN-COTTER
23	CH190-2584	2	SPRING-RH
24	177-0657	2	ROD (LIFT)
25	177-0658	2	BLOCK-LOCK

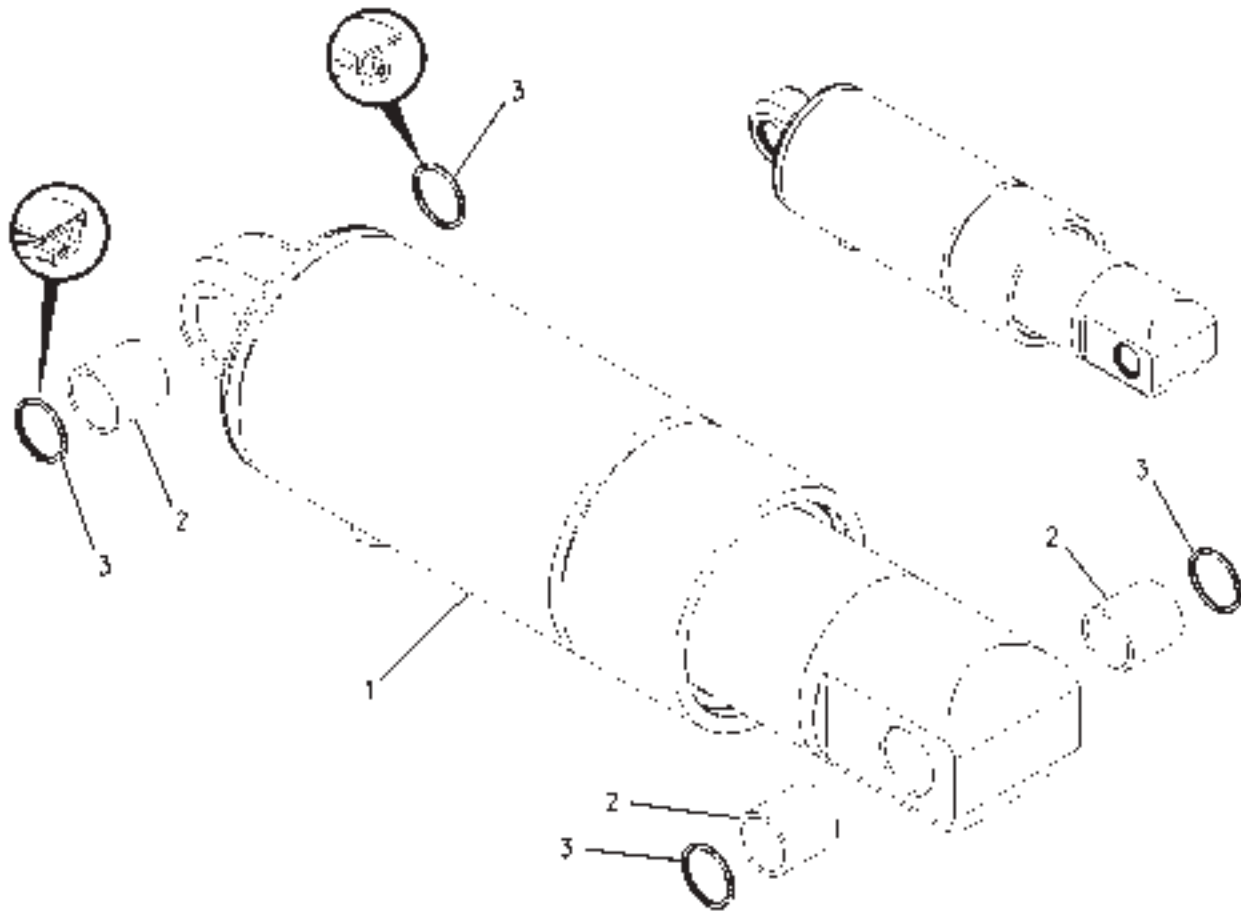
[A] PART OF 157-1710;157-1715;177-0678;
177-0679 HITCH AR

1702316A
PR: t05f07j07b0413

920

MT700 SERIES TRACK TRACTORS
DRAWBAR, THREE POINT HITCH AND PTO

CYLINDER & SEAL GP - 177-0665
HITCH LIFT



00783617

MT700 SERIESTRACKTRACTORS
DRAWBAR, THREE POINT HITCH AND PTO

921

CYLINDER & SEAL GP - 177-0665
HITCH LIFT

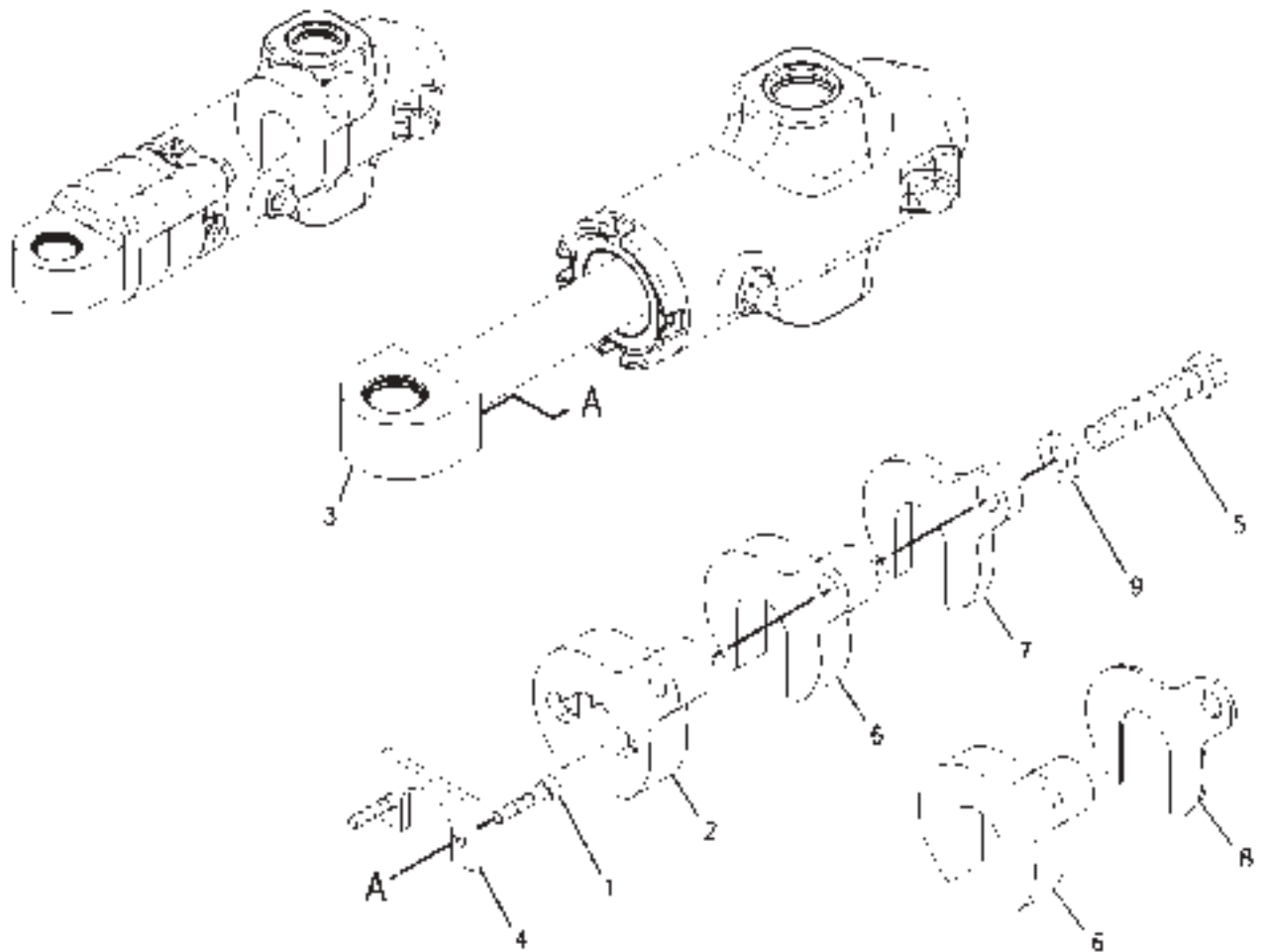
ITEM	NUMBER	QTY	DESCRIPTION
-	177-0665	--	CYLINDER & SEAL GP (COMPLETE) [A]
1	CH171-1243	1	CYLINDER GP-HITCH LIFT (NOT SERVICED) (SEE BREAKDOWN FOR COMPONENTS) (ORDER COMPLETE GP)
2	CH177-0662	3	BEARING
3	CH3G-9194	4	SEAL-LIP

[A] PART OF 157-1710;157-1715;169-0063;
177-0678;177-0679 HITCH AR

00783617
PR: t05f07j07b0414

MT700 SERIES TRACK TRACTORS
DRAWBAR, THREE POINT HITCH AND PTO

CYLINDER & SEAL GP - 177-0666
STEERABLE



MT700 SERIES TRACK TRACTORS
DRAWBAR, THREE POINT HITCH AND PTO

923

CYLINDER & SEAL GP - 177-0666
STEERABLE

ITEM	NUMBER	QTY	DESCRIPTION
-	177-0666	--	CYLINDER & SEAL GP [A] (NOT SERVICED)
1	400136X1	4	BOLT-SOCKET HEAD (M8X1.25X40MM)
2	175-3706	2	LIMITER (38.1MM THK)
3	204-9024	2	CYLINDER & SEAL GP (NOT SERVICED) (SEE BREAKDOWN FOR COMPONENTS)
4	CH206-7813	2	PLATE-SPACER
5	400007X1	2	BOLT-HEX HEAD (M16X2X90MM)
6	179-5822	4	LIMITER (25.4MM THK)
7	179-5849	2	LIMITER (12.7MM THK)
8	204-6819	2	LIMITER (3.2MM THK) [B]
9	CH8T-4122	2	WASHER (17.5X32X3.5MM THK)

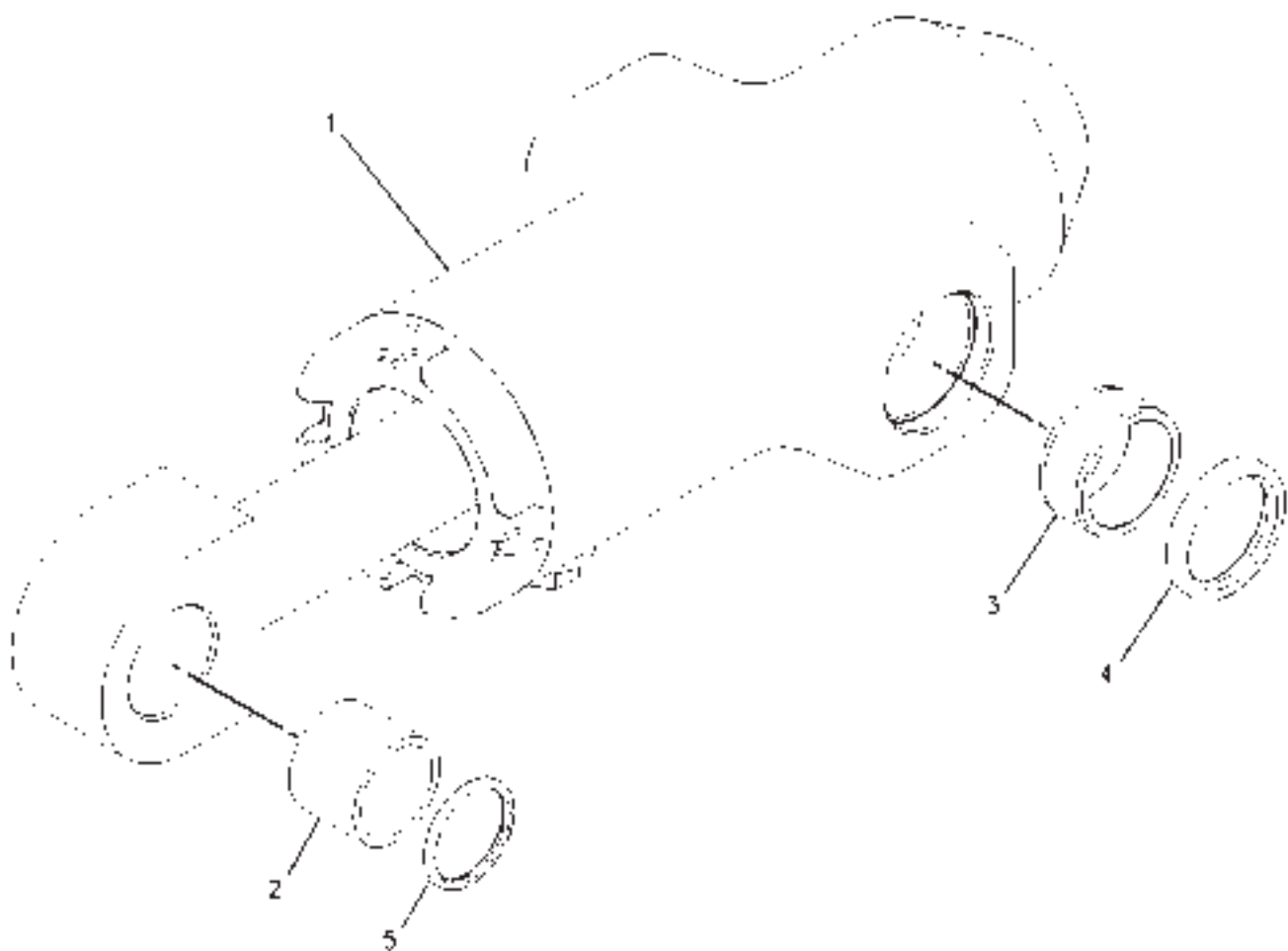
[A] PART OF 157-1715; 177-0679 HITCH AR;
500772D1 KIT-HITCH 3PT STEERABLE

[B] USE ADDITIONAL 3.2 LIMITERS AS
REQUIRED TO MINIMIZE SWAY WHEN
LOCKING OUT SWAY IS DESIRED.

00819282
PR: t05f07j07b0415

MT700 SERIES TRACK TRACTORS
DRAWBAR, THREE POINT HITCH AND PTO

CYLINDER & SEAL GP - 204-9024



MT700 SERIESTRACKTRACTORS
DRAWBAR, THREE POINT HITCH AND PTO

925

CYLINDER & SEAL GP - 204-9024

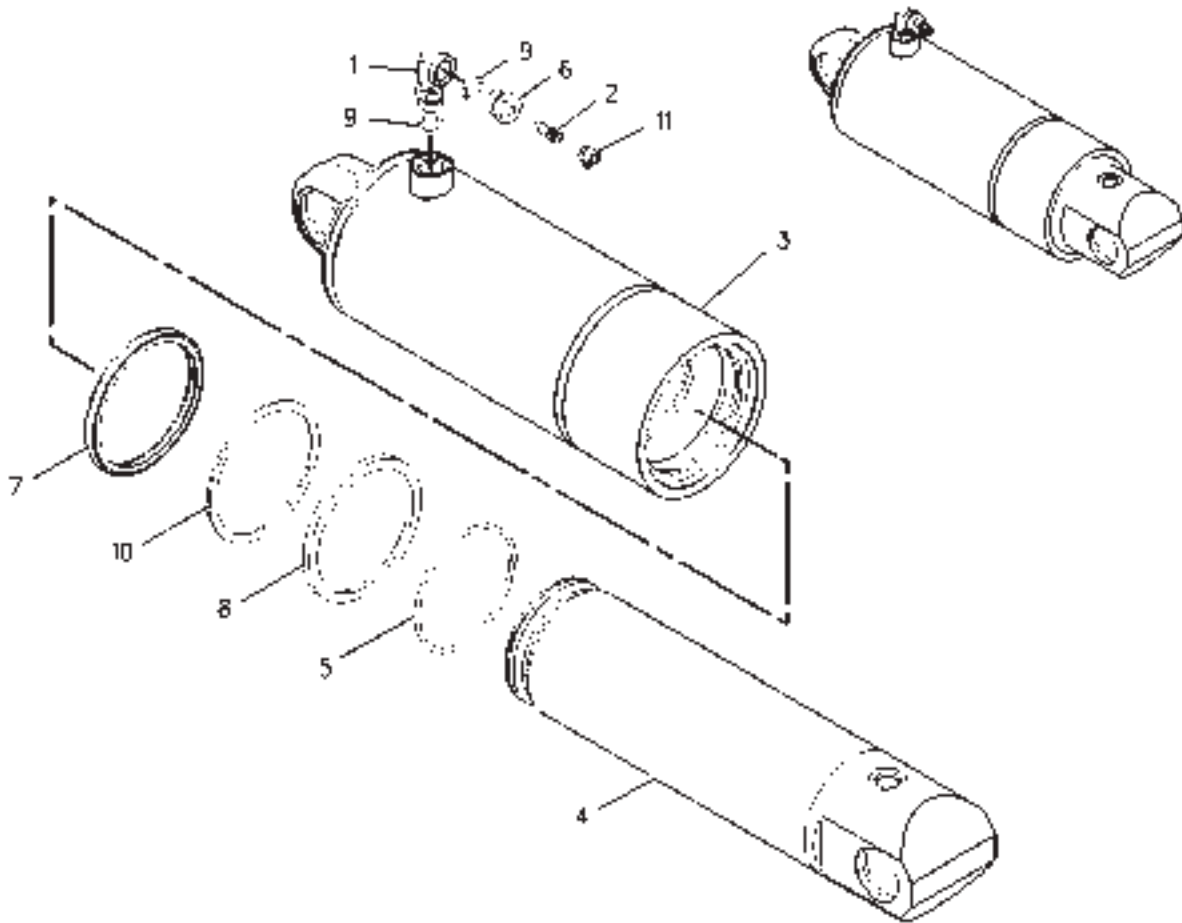
ITEM	NUMBER	QTY	DESCRIPTION
-	204-9024	--	CYLINDER & SEAL GP [A]
1	CH171-1242	1	CYLINDER GP-STEERING (SEE BREAKDOWN FOR COMPONENTS)
2	CH177-0663	1	BEARING
3	CH200-8767	2	BEARING
4	CH3G-9194	2	SEAL-LIP
5	CH5H-4856	2	SEAL-LIP

[A] PART OF 177-0666 CYLINDER & SEAL GP

00835398
PR: t05f07j07b0416

MT700 SERIES TRACK TRACTORS
DRAWBAR, THREE POINT HITCH AND PTO

CYLINDER GP-HITCH LIFT - CH171-1243
120MM X 250MM (4.72 X 9.84IN)



MT700 SERIES TRACK TRACTORS
DRAWBAR, THREE POINT HITCH AND PTO

927

CYLINDER GP-HITCH LIFT - CH171-1243
120MM X 250MM (4.72 X 9.84IN)

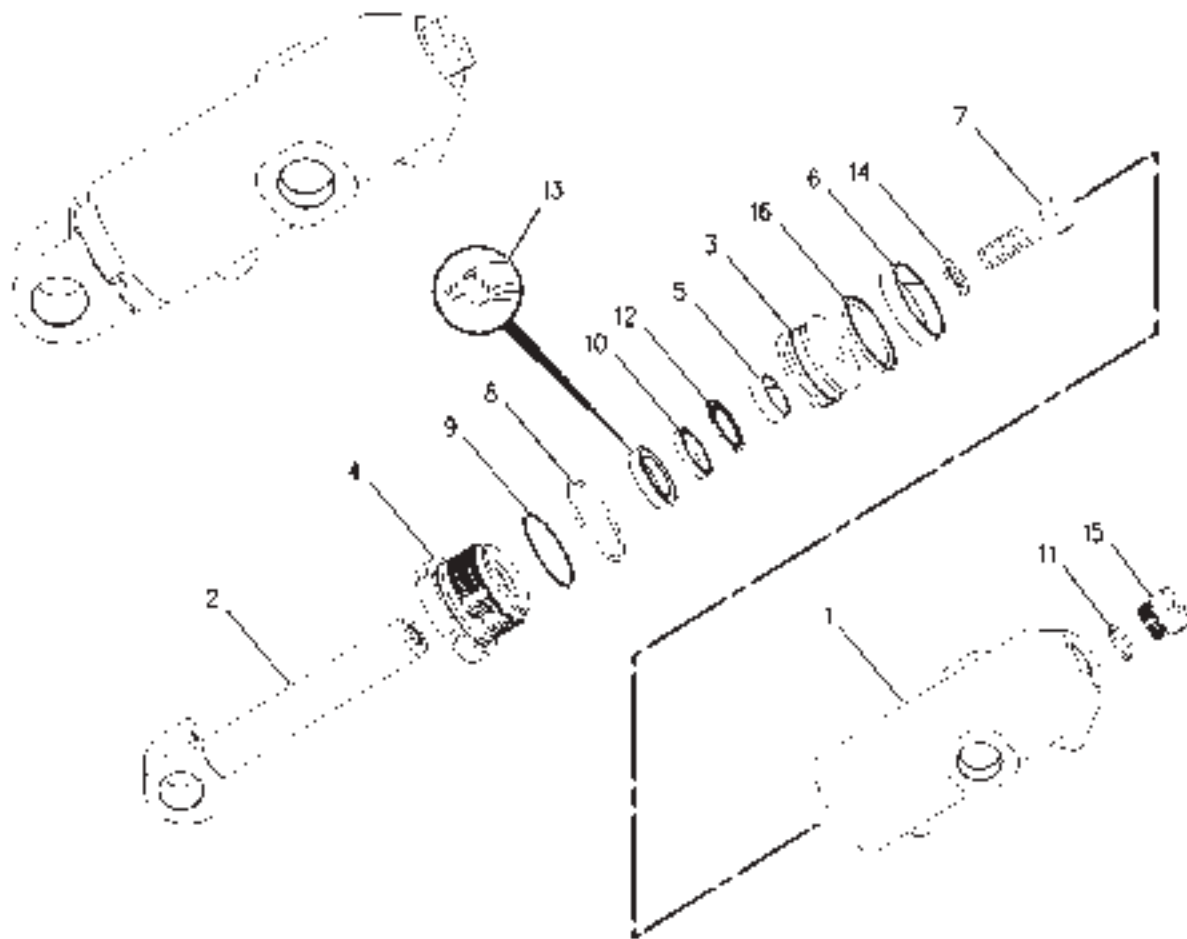
ITEM	NUMBER	QTY	DESCRIPTION
-	CH171-1243	--	CYLINDER GP-HITCH LIFT [A] (NOT SERVICED) (ORDER CYLINDER & SEAL GP)
1	CH8T-0119	1	ELBOW
2	CH9F-2167	1	SCREW-PURGE (3/8-24 THD)
3	CH171-2795	1	CYLINDER ASY.
4	CH174-5200	1	ROD ASY.
5	CH190-6069	1	RING
6	CH110-2446	1	ADAPTER
7	CH167-2334	1	SEAL-U-CUP
8	CH167-2485	1	SEAL-WIPER
9	CH3K-0360	2	SEAL-O-RING (16.36IDX2.21DIA)
10	CH7Y-4941	1	RING-BACKUP
11	CH9J-4782	1	PROTECTOR (GREASE NIPPLE)

[A] PART OF 177-0665 CYLINDER & SEAL GP

00857004
PR: t05f07j07b0417

MT700 SERIES TRACK TRACTORS
DRAWBAR, THREE POINT HITCH AND PTO

CYLINDER GP-STEERING - CH171-1242
76.2MM X 132.5MM (3.0IN X 5.22IN)
STEERABLE HITCH



MT700 SERIES TRACK TRACTORS
DRAWBAR, THREE POINT HITCH AND PTO

929

CYLINDER GP-STEERING - CH171-1242
76.2MM X 132.5MM (3.0IN X 5.22IN)
STEERABLE HITCH

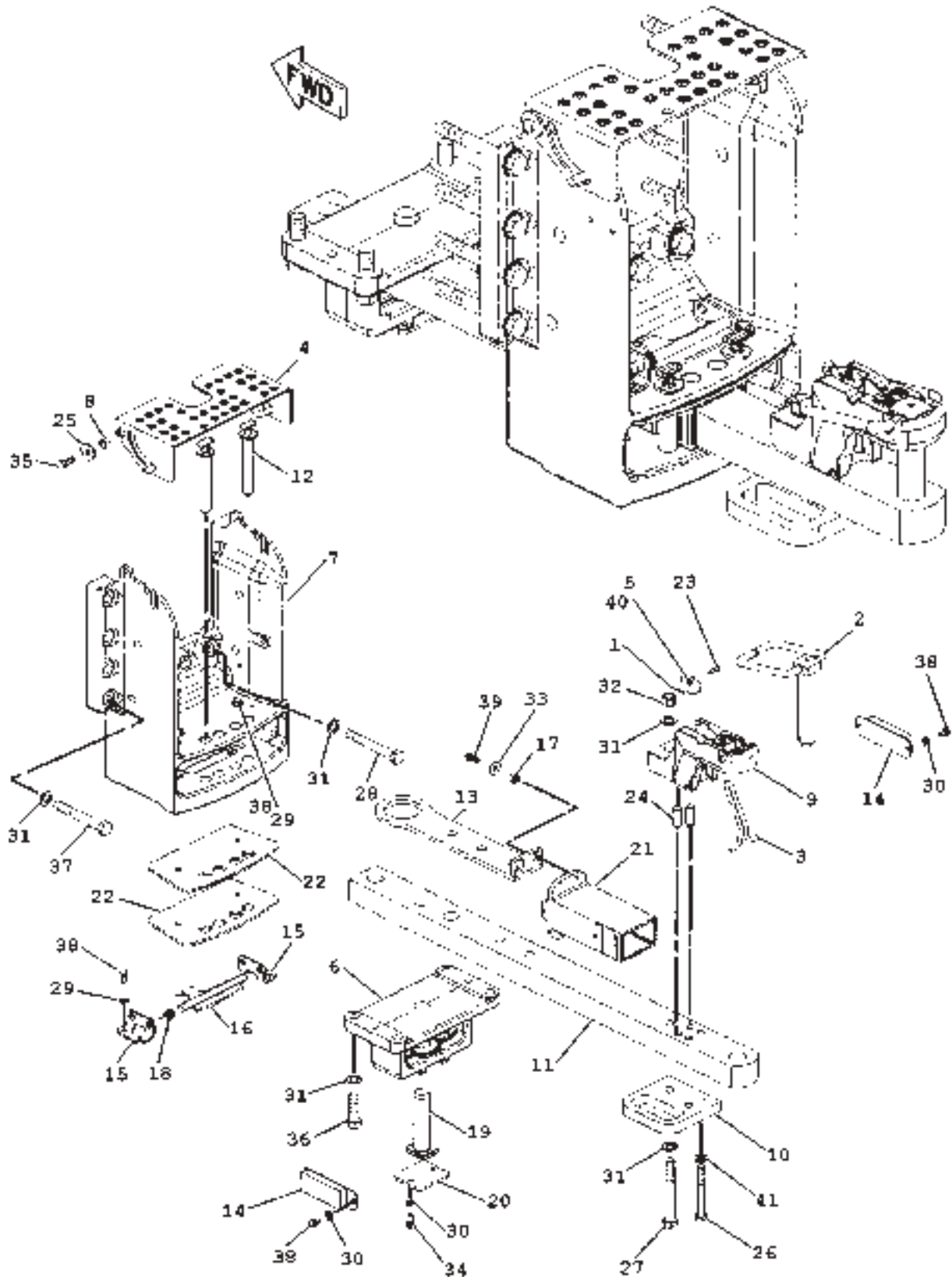
ITEM	NUMBER	QTY	DESCRIPTION
-	CH171-1242	--	CYLINDER GP-STEERING [A]
1	CH171-2045	1	CYLINDER
2	CH171-2054	1	ROD ASY.
3	CH171-2056	1	PISTON
4	CH171-2057	1	HEAD
5	CH172-6129	1	RING-WEAR
6	CH172-6130	1	RING-WEAR
7	CH173-9685	1	BOLT-HEX HEAD (M20X2.5X70MM)
8	CH175-7896	1	O-RING
9	CH6J-5731	1	RING-BACKUP
10	CH167-2294	1	SEAL-U-CUP
11	CH7M-8485	1	O-RING
12	CH167-2186	1	SEAL ASY-BUFFER
13	CH167-2450	1	SEAL-WIPER
14	CH8T-3282	1	WASHER-HARD (22X35X3.5MM THK)
15	CH9S-9334	1	PLUG
16	CH9X-7337	1	SEAL ASY.

[A] PART OF 204-9024 CYLINDER & SEAL GP

00847920
PR: t05f07j07b0418

MT700 SERIES TRACK TRACTORS
DRAWBAR, THREE POINT HITCH AND PTO

DRAWBAR GP-SWINGING - 157-1708
38MM (1.5IN) PIN



MT700 SERIES TRACK TRACTORS
DRAWBAR, THREE POINT HITCH AND PTO

931

DRAWBAR GP-SWINGING - 157-1708
38MM (1.5IN) PIN

ITEM	NUMBER	QTY	DESCRIPTION
-	157-1708	--	DRAWBAR GP-SWINGING [A] (NOT SERVICED)
1	CH3B-4611	1	PIN-COTTER
2	CH150-8763	1	PIN AS
3	CH150-8849	1	PIN-TRIGGER
4	156-1334	1	GUARD AS-PTO (INCL PIN)
	CH4H-8380		PIN-SPRING (4.76DIA X 19.05 SST)
5	163-8002	1	LOCK-CLEVIS
6	169-0034	1	SUPPORT ASY.
7	169-0076	1	SUPPORT (DRAWBAR)
8	CH6L-1698	2	SPACER (13.87X21.34X12.7MM THK)
9	177-0639	1	CLEVIS
10	177-0671	1	PLATE
11	169-0075	1	DRAWBAR
12	CH190-2585	2	PIN
13	200-8706	1	BRACKET ASY.
14	CH200-8749	2	STOP ASY.
15	200-8757	2	BRACKET
16	200-8758	1	LATCH ASY.
17	CH114-5785	2	SPACER (10.5X19X11.5MM THK)
18	CH200-8771	1	SPRING
19	CH201-6700	1	PIN-DRAWBAR
20	201-6701	1	PLATE
21	201-8343	1	SUPPORT ASY.
22	170-2274	2	PLATE AS-WEAR
23	CH5B-1133	1	PIN-CLEVIS
24	CH6K-8987	2	DOWEL
25	CH7X-0618	2	WASHER-HARD (13.5X40X5MM THK)
26	400183X1	2	BOLT (M16X2X130MM)
27	400026X1	1	BOLT (M20X2.5X160MM)
28	400034X1	2	BOLT (M20X2.5X200MM)
29	CH7X-7729	6	WASHER (11X25X3MM THK)
30	400287X1	6	WASHER-HARD (11X21X2.5MM THK)
31	400080X1	18	WASHER-PLATED (22X35X3.5MM THK)
32	400286X1	1	NUT (M20X2.5 THD)
33	CH8T-4222	2	WASHER-PLATED (11X32X2.5MM THK)
34	400040X1	2	BOLT (M10X1.5X20MM)
35	400064X1	2	BOLT (M12X1.75X35MM)
36	400122X1	4	BOLT (M20X2.5X70MM)
37	400043X1	10	BOLT (M20X2.5X150MM)
38	400054X1	10	BOLT (M10X1.5X16MM)
39	400058X1	2	BOLT (M10X1.5X30MM)
40	CH8T-4205	1	WASHER-HARD (7.2X14.5X2MM THK)
41	400082X1	2	WASHER (17.5X30X3.5MM THK)
42	400090X1	2	PLUG-PROTECTIVE (M20)

[A] PART OF 157-1710; 157-1715 HITCH AR

0870204A
PR: t05f07j07b0419

MT700 SERIES TRACK TRACTORS
DRAWBAR, THREE POINT HITCH AND PTO

933

DRAWBAR GP-SWINGING - 169-0070
WIDE SWING
ROW ONLY

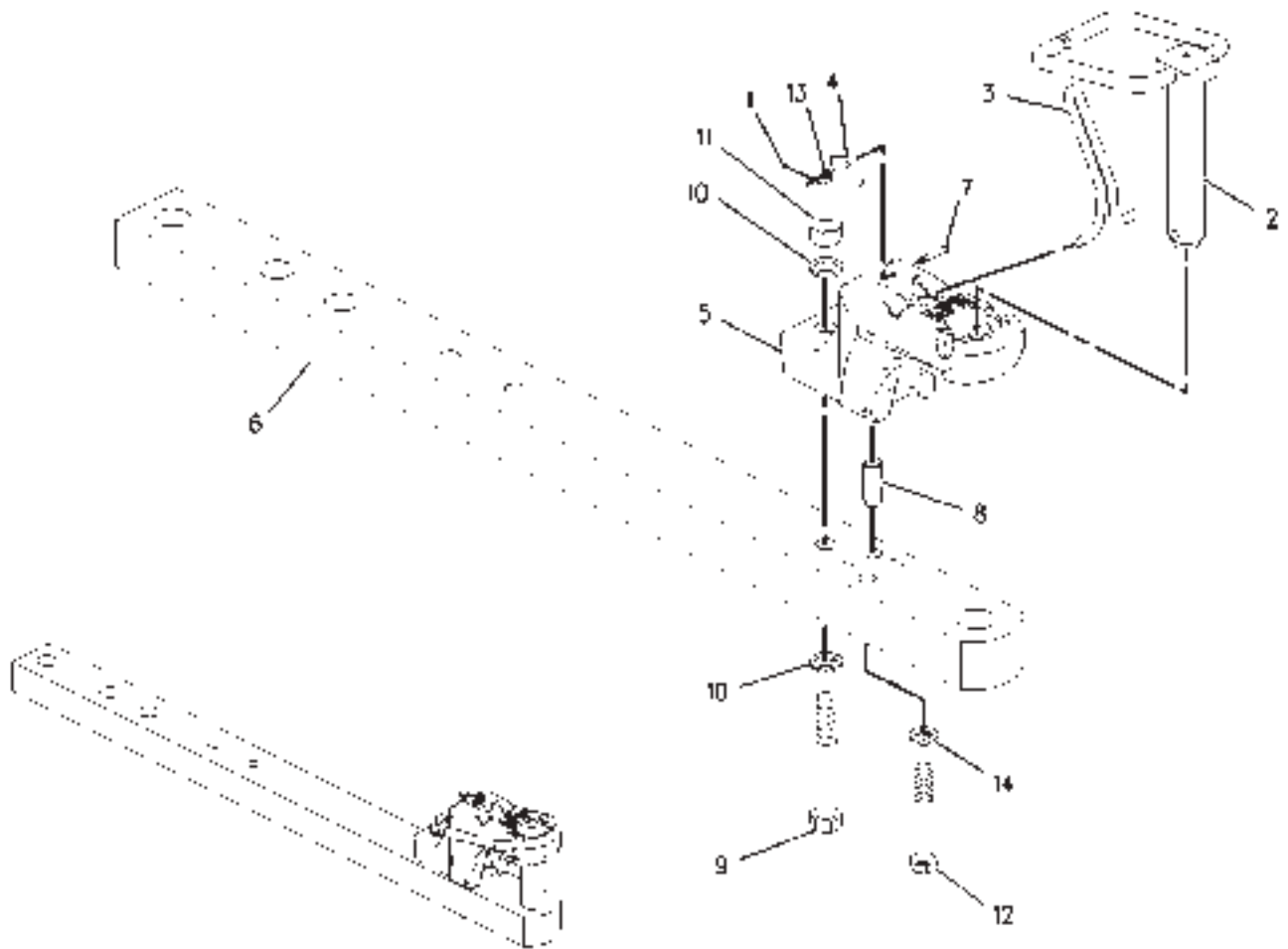
ITEM	NUMBER	QTY	DESCRIPTION
-	169-0070	--	DRAWBAR GP-SWINGING [A] (NOT SERVICED)
1	CH3B-4611	1	PIN-COTTER
2	CH6L-1698	2	SPACER (13.87X21.34X12.7MM THK)
3	CH7B-0863	2	LATCH-PIN
4	CH117-0754	2	SHIM (1MM THK)
5	CH150-8763	1	PIN ASY.
6	CH150-8849	1	PIN-TRIGGER
7	156-1334	1	GUARD AS-PTO (INCL PIN)
	CH4H-8380		PIN-SPRING (4.76DIAX19.05 SST)
8	CH163-8002	1	LOCK-CLEVIS
9	169-0034	1	SUPPORT ASY.
10	177-0639	1	CLEVIS
11	177-0671	1	PLATE
12	169-0075	1	DRAWBAR
13	200-8720	1	PLATE ASY.
	CH8T-3597	2	NUT-WELD (M12X1.75 THD)
14	200-8730	1	BRACKET ASY.
15	200-8739	1	PLATE
16	200-8740	2	ROLLER ASY.
	CH033-1097	2	BALL BEARING
17	CH200-8743	2	PIN ASY.
18	200-8746	1	PLATE
19	CH200-8747	2	PIN
20	200-8748	2	PLATE ASY.
21	CH200-8749	4	STOP ASY.
22	200-8750	2	PLATE
23	CH201-6700	1	PIN-DRAWBAR
24	201-6701	1	PLATE
25	206-4650	4	PLATE
26	CH1J-6474	2	RING-RETAINING
27	CH3B-4617	2	PIN-COTTER
28	CH5B-1133	1	PIN-CLEVIS
29	CH6K-8987	2	DOWEL
30	CH7X-0618	2	WASHER-HARD (13.5X40X5MM THK)
31	400183X1	2	BOLT (M16X2X130MM)
32	400026X1	1	BOLT (M20X2.5X160MM)
33	400034X1	2	BOLT (M20X2.5X200MM)
34	400287X1	10	WASHER-HARD (11X21X2.5MM THK)
35	400080X1	18	WASHER-PLATED (22X35X3.5MM THK)
36	400286X1	1	NUT (M20X2.5 THD)
37	400039X1	10	BOLT (M10X1.5X25MM)
38	400122X1	4	BOLT (M20X2.5X70MM)
39	400043X1	10	BOLT (M20X2.5X150MM)
40	CH8T-4205	1	WASHER-HARD (7.2X14.5X2MM THK)
41	400064X1	2	BOLT (M12X1.75X35MM)
42	CH9S-1315	2	PIN-CLEVIS
43	400082X1	2	WASHER (17.5X30X3.5MM THK)
44	CH9X-8259	4	WASHER (39X66X6MM THK)

[A] PART OF 170-2287 HITCH AR

00835191
PR: t05f07j07b0420

MT700 SERIES TRACK TRACTORS
DRAWBAR, THREE POINT HITCH AND PTO

DRAWBAR GP-SWINGING - 186-0984
EAME ONLY



MT700 SERIES TRACK TRACTORS
DRAWBAR, THREE POINT HITCH AND PTO

935

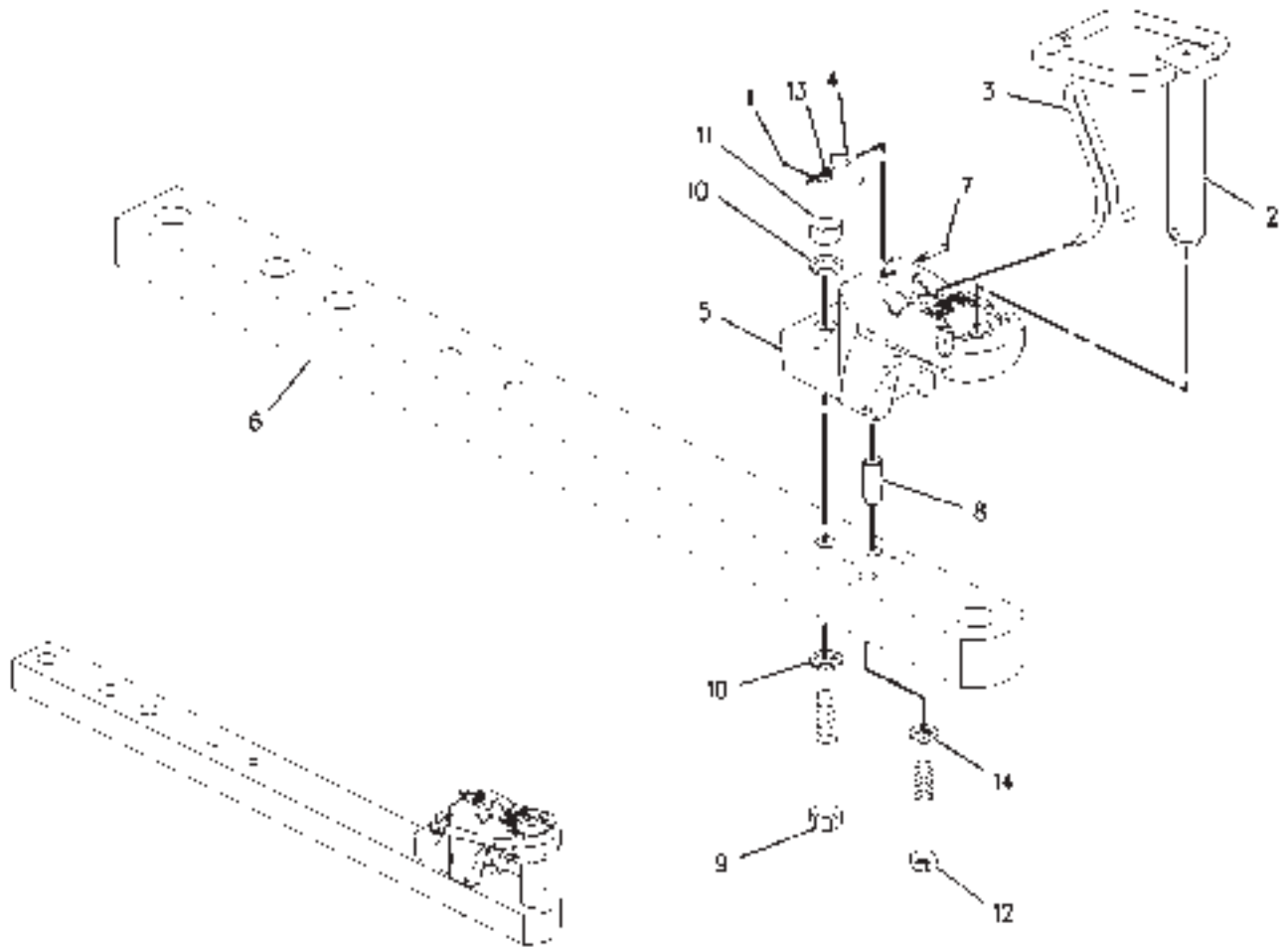
DRAWBAR GP-SWINGING - 186-0984
EAME ONLY

ITEM	NUMBER	QTY	DESCRIPTION
-	186-0984	--	DRAWBAR GP-SWINGING (NOT SERVICED)
1	CH3B-4611	1	PIN-COTTER
2	CH150-8763	1	PIN AS (38MM)
3	CH150-8849	1	PIN-TRIGGER
4	CH163-8002	1	LOCK-CLEVIS
5	177-0639	1	CLEVIS
6	169-0075	1	DRAWBAR (38MM)
7	CH5B-1133	1	PIN-CLEVIS
8	CH6K-8987	2	DOWEL
9	400206X1	1	BOLT (M20X2.5X140MM)
10	400080X1	2	WASHER-PLATED (22X35X3.5MM THK)
11	400286X1	1	NUT (M20X2.5 THD)
12	400045X1	2	BOLT (M16X2.0X110MM)
13	CH8T-4205	1	WASHER-HARD (7.2X14.5X2MM THK)
14	400082X1	2	WASHER (17.5X30X3.5MM THK)

00813700
PR: t05f07j07b0421

MT700 SERIES TRACK TRACTORS
DRAWBAR, THREE POINT HITCH AND PTO

DRAWBAR GP-SWINGING - 186-0985
(32 CLAAS)
EAME ONLY



MT700 SERIES TRACK TRACTORS
DRAWBAR, THREE POINT HITCH AND PTO

937

DRAWBAR GP-SWINGING - 186-0985
(32 CLAAS)
EAME ONLY

ITEM	NUMBER	QTY	DESCRIPTION
-	186-0985	--	DRAWBAR GP-SWINGING (NOT SERVICED)
1	CH3B-4611	1	PIN-COTTER
2	CH150-8764	1	PIN-HITCH (31.75MM)
3	CH150-8849	1	PIN-TRIGGER
4	CH163-8002	1	LOCK-CLEVIS
5	179-5813	1	CLEVIS
6	179-5812	1	DRAWBAR (32MM)
7	CH5B-1133	1	PIN-CLEVIS
8	CH6K-8987	2	DOWEL
9	400206X1	1	BOLT (M20X2.5X140MM)
10	400080X1	2	WASHER-PLATED (22X35X3.5MM THK)
11	400286X1	1	NUT (M20X2.5 THD)
12	400045X1	2	BOLT (M16X2.0X110MM)
13	CH8T-4205	1	WASHER-HARD (7.2X14.5X2MM THK)
14	400082X1	2	WASHER (17.5X30X3.5MM THK)

00813700
PR: t05f07j07b0422

938

MT700 SERIES TRACK TRACTORS
DRAWBAR, THREE POINT HITCH AND PTO

HITCH AR-STANDARD - 157-1710
7,200KG/16,000LB LIFT - BALL ENDS
ROW ONLY

NO ILLUSTRATION

NOTIF

MT700 SERIES TRACK TRACTORS
DRAWBAR, THREE POINT HITCH AND PTO

939

HITCH AR-STANDARD - 157-1710
7,200KG/16,000LB LIFT - BALL ENDS
ROW ONLY

ITEM	NUMBER	QTY	DESCRIPTION
-	157-1710	--	HITCH AR (SEE BREAKDOWN FOR COMPONENTS)
1	152-0445	1	CONTROL GP-HITCH (SEE BREAKDOWN FOR COMPONENTS)
2	157-1708	1	DRAWBAR GP-SWINGING (NOT SERVICED) (SEE BREAKDOWN FOR COMPONENTS)
3	157-1714	1	HITCH GP-3 POINT (NOT SERVICED) (SEE BREAKDOWN FOR COMPONENTS)
4	158-2362	1	LINES GP-HITCH (NOT SERVICED) (SEE BREAKDOWN FOR COMPONENTS)
5	168-1919	1	CONTROL & WIRING GP-HITCH (LIFT CIRCUIT) (NOT SERVICED) (SEE BREAKDOWN FOR COMPONENTS)
6	170-2316	1	COUPLER GP-QUICK (NOT SERVICED) (SEE BREAKDOWN FOR COMPONENTS)
7	177-0665	2	CYLINDER & SEAL GP (NOT SERVICED) (SEE BREAKDOWN FOR COMPONENTS)

NOTIF
PR: t05f07j07b0423

940

MT700 SERIESTRACKTRACTORS
DRAWBAR, THREE POINT HITCH AND PTO

HITCH AR-STANDARD - 177-0678
7,200KG/16,000LB LIFT - BALL ENDS
EAME ONLY

NO ILLUSTRATION

NOTIF

MT700 SERIESTRACKTRACTORS
DRAWBAR, THREE POINT HITCH AND PTO

941

HITCH AR-STANDARD - 177-0678
7,200KG/16,000LB LIFT - BALL ENDS
EAME ONLY

ITEM	NUMBER	QTY	DESCRIPTION
1	157-1714	1	HITCH GP-3 POINT (NOT SERVICED) (SEE BREAKDOWN FOR COMPONENTS)
2	177-0665	2	CYLINDER & SEAL GP (NOT SERVICED) (SEE BREAKDOWN FOR COMPONENTS)
3	170-2316	1	COUPLER GP-QUICK (NOT SERVICED) (SEE BREAKDOWN FOR COMPONENTS)
4	136-5317	1	CONTROL & WIRING GP-HITCH (NOT SERVICED) (SEE BREAKDOWN FOR COMPONENTS)
5	158-2362	1	LINES GP-HITCH (NOT SERVICED) (SEE BREAKDOWN FOR COMPONENTS)
6	152-0445	1	CONTROL GP-HITCH (NOT SERVICED) (SEE BREAKDOWN FOR COMPONENTS)

NOTIF
PR: t05f07j07b0424

942

MT700 SERIES TRACK TRACTORS
DRAWBAR, THREE POINT HITCH AND PTO

HITCH AR-STEERABLE - 177-0679
7,200KG/16,000LB LIFT - BALL ENDS
EAME ONLY

NO ILLUSTRATION

NOTIF

MT700 SERIESTRACKTRACTORS
DRAWBAR, THREE POINT HITCH AND PTO

943

HITCH AR-STEERABLE - 177-0679
7,200KG/16,000LB LIFT - BALL ENDS
EAME ONLY

ITEM	NUMBER	QTY	DESCRIPTION
-	177-0679	--	HITCH AR-STEERABLE
1	157-1719	1	HITCH GP-3 POINT (NOT SERVICED) (SEE BREAKDOWN FOR COMPONENTS)
2	177-0665	2	CYLINDER & SEAL GP (LIFT) (NOT SERVICED) (SEE BREAKDOWN FOR COMPONENTS)
3	177-0666	1	CYLINDER & SEAL GP (STEERING) (NOT SERVICED) (SEE BREAKDOWN FOR COMPONENTS)
4	168-1944	1	CONTROL & WIRING GP-HITCH (STEERING) (NOT SERVICED) (SEE BREAKDOWN FOR COMPONENTS)
5	136-5317	1	CONTROL & WIRING GP-HITCH (LIFT CIRCUIT) (NOT SERVICED) (SEE BREAKDOWN FOR COMPONENTS)
6	170-2316	1	COUPLER GP-QUICK (NOT SERVICED) (SEE BREAKDOWN FOR COMPONENTS)
7	152-0445	1	CONTROL GP-HITCH (NOT SERVICED) (SEE BREAKDOWN FOR COMPONENTS)
8	158-2362	1	LINES GP-HITCH (NOT SERVICED) (SEE BREAKDOWN FOR COMPONENTS)

NOTIF
PR: t05f07j07b0425

944

MT700 SERIESTRACKTRACTORS
DRAWBAR, THREE POINT HITCH AND PTO

HITCH AR-STEERABLE - 157-1715
7,200KG/16,000LB LIFT - BALL ENDS
ROW ONLY

NO ILLUSTRATION

NOTIF

MT700 SERIESTRACKTRACTORS
DRAWBAR, THREE POINT HITCH AND PTO

945

HITCH AR-STEERABLE - 157-1715
7,200KG/16,000LB LIFT - BALL ENDS
ROW ONLY

ITEM	NUMBER	QTY	DESCRIPTION
-	157-1715	--	HITCH AR (NOT SERVICED)
1	157-1719	1	HITCH GP-3 POINT(NOT SERVICED) (SEE BREAKDOWN FOR COMPONENTS)
2	168-1919	1	CONTROL & WIRING GP-HITCH (LIFT CIRCUIT) (SEE BREAKDOWN FOR COMPONENTS)
3	157-1708	1	DRAWBAR GP-SWINGING(NOT SERVICED) (SEE BREAKDOWN FOR COMPONENTS)
4	177-0665	2	CYLINDER & SEAL GP (LIFT) (NOT SERVICED) (SEE BREAKDOWN FOR COMPONENTS)
5	177-0666	1	CYLINDER & SEAL GP (STEERING) (NOT SERVICED) (SEE BREAKDOWN FOR COMPONENTS)
6	168-1944	1	CONTROL & WIRING GP-HITCH (STEERING) (SEE BREAKDOWN FOR COMPONENTS)
7	170-2316	1	COUPLER GP-QUICK(NOT SERVICED) (SEE BREAKDOWN FOR COMPONENTS)
8	152-0445	1	CONTROL GP-HITCH (SEE BREAKDOWN FOR COMPONENTS)
9	158-2362	1	LINES GP-HITCH(NOT SERVICED) (SEE BREAKDOWN FOR COMPONENTS)

NOTIF
PR: t05f07j07b0426

946

MT700 SERIESTRACKTRACTORS
DRAWBAR, THREE POINT HITCH AND PTO

HITCH AR-STEERABLE - 169-0063
7,200KG/16,000LB LIFT - HOOK ENDS
EAME ONLY

NO ILLUSTRATION

NOTIF

MT700 SERIESTRACKTRACTORS
DRAWBAR, THREE POINT HITCH AND PTO

947

HITCH AR-STEERABLE - 169-0063
7,200KG/16,000LB LIFT - HOOK ENDS
EAME ONLY

ITEM	NUMBER	QTY	DESCRIPTION
-	169-0063	--	HITCH AR (NOT SERVICED)
1	170-2285	1	HITCH GP-3 POINT (NOT SERVICED) (SEE BREAKDOWN FOR COMPONENTS)
2	177-0665	2	CYLINDER & SEAL GP (NOT SERVICED) (SEE BREAKDOWN FOR COMPONENTS)
3	136-5317	1	CONTROL & WIRING GP-HITCH (NOT SERVICED) (SEE BREAKDOWN FOR COMPONENTS)
4	152-0445	1	CONTROL GP-HITCH (NOT SERVICED) (SEE BREAKDOWN FOR COMPONENTS)
5	158-2362	1	LINES GP-HITCH (NOT SERVICED) (SEE BREAKDOWN FOR COMPONENTS)

NOTIF
PR: t05f07j07b0427

948

MT700 SERIES TRACK TRACTORS
DRAWBAR, THREE POINT HITCH AND PTO

HITCH AR - 170-2287
WIDE SWING DRAWBAR
ROW ONLY

NO ILLUSTRATION

NOTIF

MT700 SERIESTRACKTRACTORS
DRAWBAR, THREE POINT HITCH AND PTO

949

HITCH AR - 170-2287
WIDE SWING DRAWBAR
ROW ONLY

ITEM	NUMBER	QTY	DESCRIPTION
-	170-2287	--	HITCH AR (NOT SERVICED)
1	157-1709	1	PLUG GP-SHIPPING (NOT SERVICED) (SEE BREAKDOWN FOR COMPONENTS)
2	158-2359	1	PLUG GP-IMPLEMENT VALVE (NOT SERVICED) (SEE BREAKDOWN FOR COMPONENTS)
3	169-0070	1	DRAWBAR GP-SWINGING (NOT SERVICED) (SEE BREAKDOWN FOR COMPONENTS)
4	173-6500	1	PLUG GP-HITCH (NOT SERVICED) (SEE BREAKDOWN FOR COMPONENTS)

NOTIF
PR: t05f07j07b0428

950

MT700 SERIES TRACK TRACTORS
DRAWBAR, THREE POINT HITCH AND PTO

KIT-HITCH 3PT STEERABLE - 500772D1
CONVERT 4 REMOTE W/3PH TO STEERABLE 3PH
ROW ONLY

NO ILLUSTRATION

NOTIF

MT700 SERIES TRACK TRACTORS
DRAWBAR, THREE POINT HITCH AND PTO

951

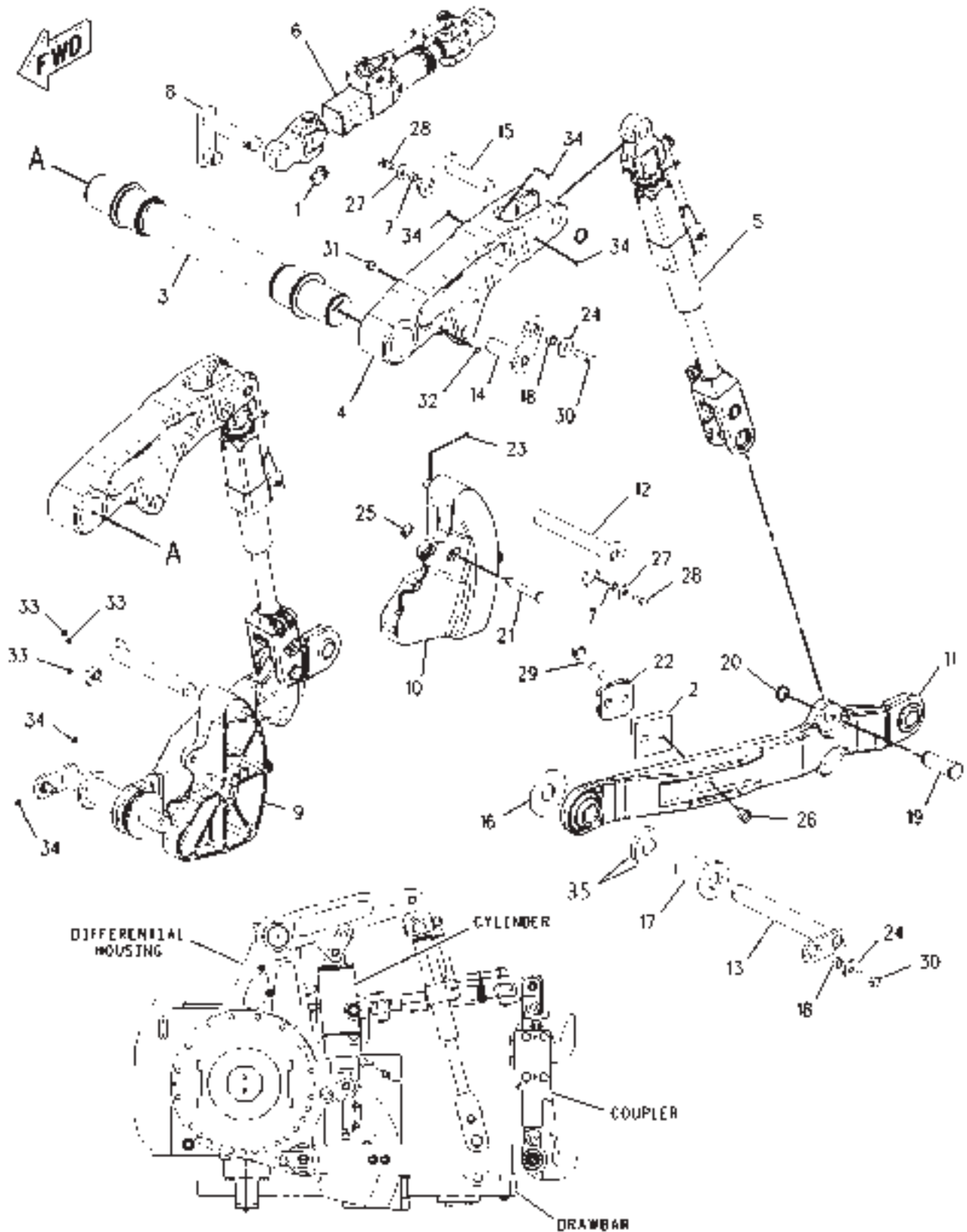
KIT-HITCH 3PT STEERABLE - 500772D1
CONVERT 4 REMOTE W/3PH TO STEERABLE 3PH
ROW ONLY

ITEM	NUMBER	QTY	DESCRIPTION
-	500772D1	--	KIT-HITCH 3PT STEERABLE
1	400290X1	4	RING-RETAINING,EXT 29IDX2.36
2	168-1944	1	CONTROL & WIRING GP-HITCH (STEERING) (NOT SERVICED) (SEE BREAKDOWN FOR COMPONENTS)
3	170-2330	1	LINK AS.-LH (BALL END)
	CH8B-1312	1	DOWEL
	CH180-6054	1	BALL JOINT ASY.
	CH200-8768	1	BALL JOINT ASY.
4	170-2331	1	LINK AS.-RH (BALL END)
	CH8B-1312	1	DOWEL
	CH180-6054	1	BALL JOINT ASY.
	CH200-8768	1	BALL JOINT ASY.
5	172-5559	1	LIMITER-SWAY LH
6	172-5562	1	LIMITER-SWAY RH
7	172-5563	1	BLOCK-LH (SWAY)
8	CH175-7515	4	SPACER 22.2 ODX13.3 ID10.5
9	177-0666	1	CYLINDER & SEAL GP (STEERING) (NOT SERVICED) (SEE BREAKDOWN FOR COMPONENTS)
10	CH179-5820	2	PIN-STEERING CYL 31.67 DIA
11	CH179-5830	2	SPACER-32IDX52ODX30MM
12	179-5851	2	SPACER-SWAY BLOCK
13	197-5033	1	YOKE AS.-LH
	400311X1	2	SEAL-LIP
	CH188-2481	2	BEARING-SLEEVE
	CH179-5818	2	BEARING
14	197-5034	1	YOKE AS.-RH
	400311X1	2	SEAL-LIP
	CH188-2481	2	BEARING-SLEEVE
	CH179-5818	2	BEARING
15	CH200-2797	4	PIN AS. 36.5 DIA
16	CH203-4026	1	PIN AS.-LH STER 36.5 DIA
17	CH203-4027	1	PIN AS.-RH STER 36.5 DIA
18	203-6716	1	BLOCK-RH (SWAY)
19	205-5819	1	LINES GP-HITCH (A) (NOT SERVICED) (SEE BREAKDOWN FOR COMPONENTS)
20	209-7497	4	STUD
21	224-4211	1	VALVE GP-CONT-T (SEE BREAKDOWN FOR COMPONENTS)
22	CH5P-9186	4	SEAL-O-RING (20.3IDX2.62DIA)
23	CH7X-0618	4	WASHER HARD 13.5IDX40ODX5 ZNDI
24	400191X1	2	BOLT-M16X2X40MM ZNDI HHD 10.9
25	400031X1	4	BOLT-M20X2.5X60 ZNDI HHD 10.9
26	400193X1	4	BOLT-M20X2.5X90 ZNDI HHD 10.9
27	CH8L-2777	14	SEAL-O-RING (10.77IDX2.62DIA)
28	400080X1	8	WASHER-HARD 22IDX35ODX3.5 ZNDI
29	WR522218	4	NUT-M10-1.5,CL10.9,ZN,H,REG
30	400041X1	4	BOLT-M12X1.75X30 ZNDI HHD 10.9
31	400082X1	2	WASHER-HARD 17.5IDX30ODX3.5 ZN

NOTIF
PR: t05f07j07b0429

MT700 SERIES TRACK TRACTORS
DRAWBAR, THREE POINT HITCH AND PTO

HITCH GP-3 POINT - 157-1714
STANDARD-BALL ENDS



LEFT SIDE VIEW

**MT700 SERIES TRACK TRACTORS
DRAWBAR, THREE POINT HITCH AND PTO**

953

**HITCH GP-3 POINT - 157-1714
STANDARD-BALL ENDS**

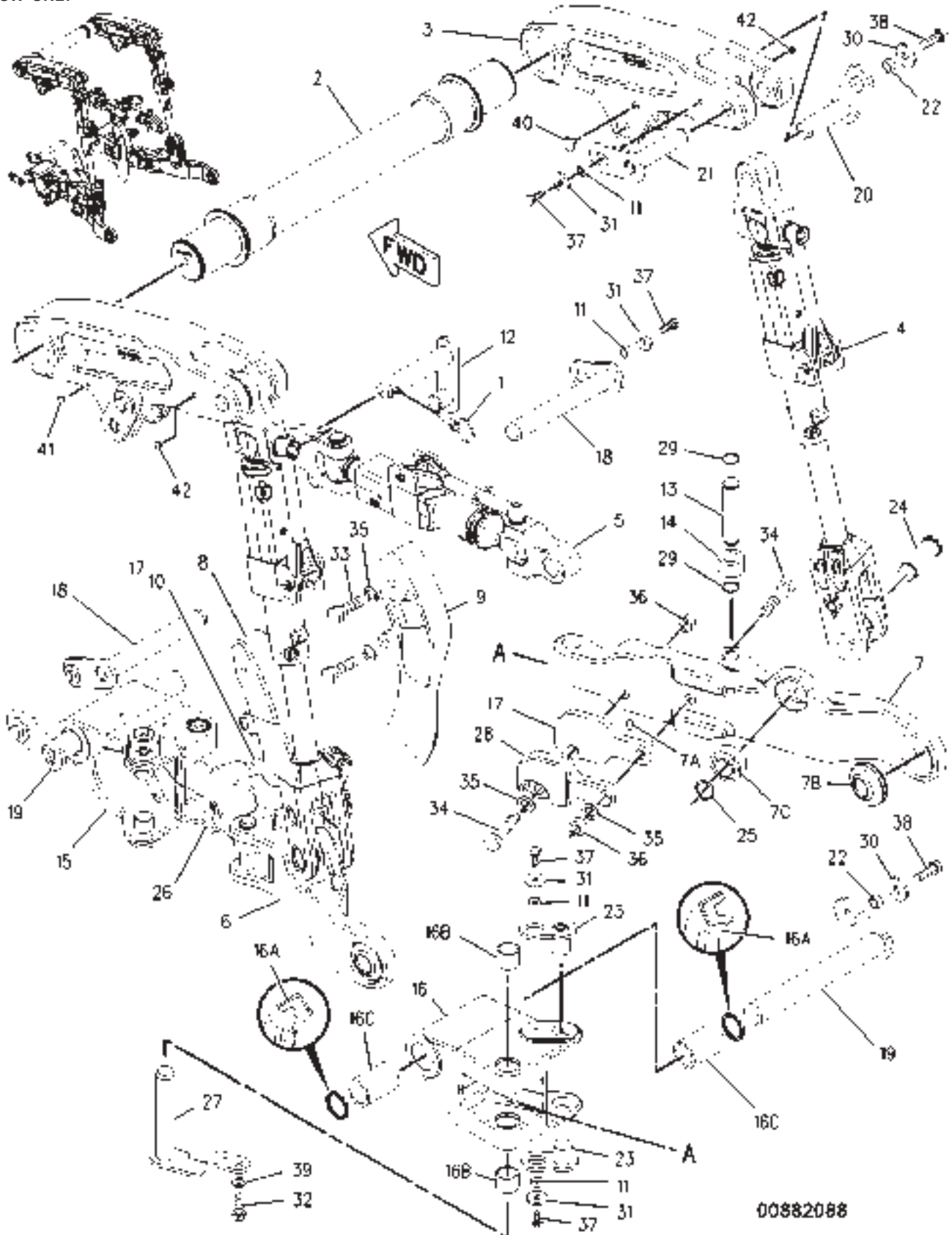
ITEM	NUMBER	QTY	DESCRIPTION
-	157-1714	--	HITCH GP-3 POINT [A] (NOT SERVICED)
1	CH119-1329	1	PIN-LINCH
2	200-0009	2	SPACER (SWAY BLOCK) [B]
3	169-0077	1	SHAFT GP-SPLINED (NOT SERVICED) (SEE BREAKDOWN FOR COMPONENTS)
4	169-0079	2	ARM-LIFT
5	200-0007	2	LINK GP-LIFT (SEE BREAKDOWN FOR COMPONENTS)
6	197-5030	1	LINK GP-UPPER (SEE BREAKDOWN FOR COMPONENTS)
7	CH175-7515	4	SPACER (13.30X22.23X10.5MM THK)
8	177-0633	1	PIN ASY.
9	179-5810	1	LIMITER ASY. (SWAY)
	157-0202	1	PIN
10	179-5811	1	LIMITER AS (SWAY)
	157-0202	1	PIN
11	224-0776	2	LINK ASY.
12	CH197-7422	2	PIN ASY.
13	CH197-7431	2	PIN ASY.
14	CH197-8803	2	PIN ASY.
15	CH197-8804	2	PIN ASY.
16	CH198-2388	2	SPACER-INNER (45X100X6.4MM THK)
17	502526D1	2	SPACER ASY.
18	CH200-0010	4	SPACER (17.5X25.4X12.5MM THK)
19	CH202-6546	2	PIN
20	400096X1	2	RING-RETAINING
21	CH223-9804	2	PIN
22	204-2660	2	BLOCK [B]
23	CH3B-4629	2	PIN-COTTER
24	400078X1	4	WASHER (16.5X50X5MM THK)
25	CH5D-8159	2	PIN ASY. [C]
26	400286X1	4	NUT (M20X2.5 THD)
27	CH7X-0618	4	WASHER-HARD (13.5X40X5MM THK)
28	400041X1	4	BOLT (M12X1.75X30MM)
29	400236X1	4	BOLT (M20X2.5X120MM)
30	400244X1	4	BOLT (M16X2.0X45MM)
31	5P-0995	1	PLUG-SEAL
32	400289X1	1	PLUG (M7)
33	CH193-5914	4	PLUG
34	CH193-5915	12	PLUG
35	501199D1	4	SPACER
36	200-8764	1	BRACKET ASY. (NOT SHOWN) [C]
37	400341X1	1	BOLT M8 X1.25 (NOT SHOWN) [C]
38	5D-4116	1	WASHER HARD (NOT SHOWN) [C]
39	186-0982	1	PIVOT (NOT SHOWN) [D]
40	CH152-4386	2	SHIM (NOT SHOWN) (USE AS REQUIRED FOR ITEM 2 OR 22)

[A] PART OF 157-1710;177-0678 HITCH AR
[B] USE ITEM 40 AS REQ'D
[C] THESE PARTS MAY BE INSTALLED TO
STORE UPPER LINK GP IF COUPLER IS
REMOVED FROM TRACTOR
[D] TO ATTACH THE UPPER LINK GP DIRECTLY
TO AN IMPLEMENT, REMOVE THE
IMPLEMENT END-PIVOT FROM THE UPPER
LINK GP AND REPLACE IT WITH ITEM 39.

1571714A
PR: t05f07j07b0430

MT700 SERIES TRACK TRACTORS
DRAWBAR, THREE POINT HITCH AND PTO

HITCH GP-3 POINT - 157-1719
STEERABLE-BALL ENDS
ROW ONLY



00882088

MT700 SERIES TRACK TRACTORS
DRAWBAR, THREE POINT HITCH AND PTO

955

HITCH GP-3 POINT - 157-1719
STEERABLE-BALL ENDS
ROW ONLY

ITEM	NUMBER	QTY	DESCRIPTION
-	157-1719	--	HITCH GP-3 POINT [A] (NOT SERVICED)
1	CH119-1329	1	PIN-LINCH
2	169-0077	1	ROCKSHAFT GP-SPLINED (NOT SERVICED) (SEE BREAKDOWN FOR COMPONENTS)
3	169-0079	2	ARM-LIFT
4	200-0007	2	LINK GP-LIFT (SEE BREAKDOWN FOR COMPONENTS)
5	197-5030	1	LINK GP-UPPER (SEE BREAKDOWN FOR COMPONENTS)
6	170-2330	1	LINK ASY. (LH) (INCL. 7A,7B, & 7C)
7	170-2331	1	LINK ASY. (RH) (INCL. 7A,7B & 7C)
7A	CH8B-1312	1	DOWEL
7B	CH180-6054	1	BALL JOINT ASY.
7C	CH200-8768	1	BALL JOINT ASY.
8	172-5559	1	STOP (LH)
9	172-5562	1	STOP (RH)
10	172-5563	1	BLOCK (LH)(SWAY)
11	CH175-7515	8	SPACER (13.30X22.23X10.5MM THK)
12	177-0633	1	PIN ASY.
13	179-5820	2	PIN
14	179-5830	2	SPACER (32X52X30MM THK)
15	197-5033	1	YOKE ASY. (LH STEERABLE HITCH) (INCLUDES 16A, 16B & 16C)
16	197-5034	1	YOKE ASY. (RH STEERABLE HITCH) (INCLUDES 16A, 16B & 16C)
16A	400311X1	2	SEAL-LIP
16B	CH188-2481	2	BEARING-SLEEVE
16C	CH179-5818	2	BEARING
17	179-5851	2	SPACER (SWAY BLOCK)
18	CH197-7422	2	PIN ASY.
19	CH197-7431	2	PIN ASY.
20	CH197-8803	2	PIN ASY.
21	CH197-8804	2	PIN ASY.
22	CH200-0010	4	SPACER (17.5X25.4X12.5MM THK)
23	CH200-2797	4	PIN ASY.
	CH6V-1506	1	FITTING-GREASE
24	CH202-6546	2	PIN
25	400096X1	2	RING-RETAINING
26	CH203-4026	1	PIN ASY.
27	CH203-4027	1	PIN ASY.
28	203-6716	1	BLOCK (RH)(SWAY)
29	400290X1	4	RING-RETAINING

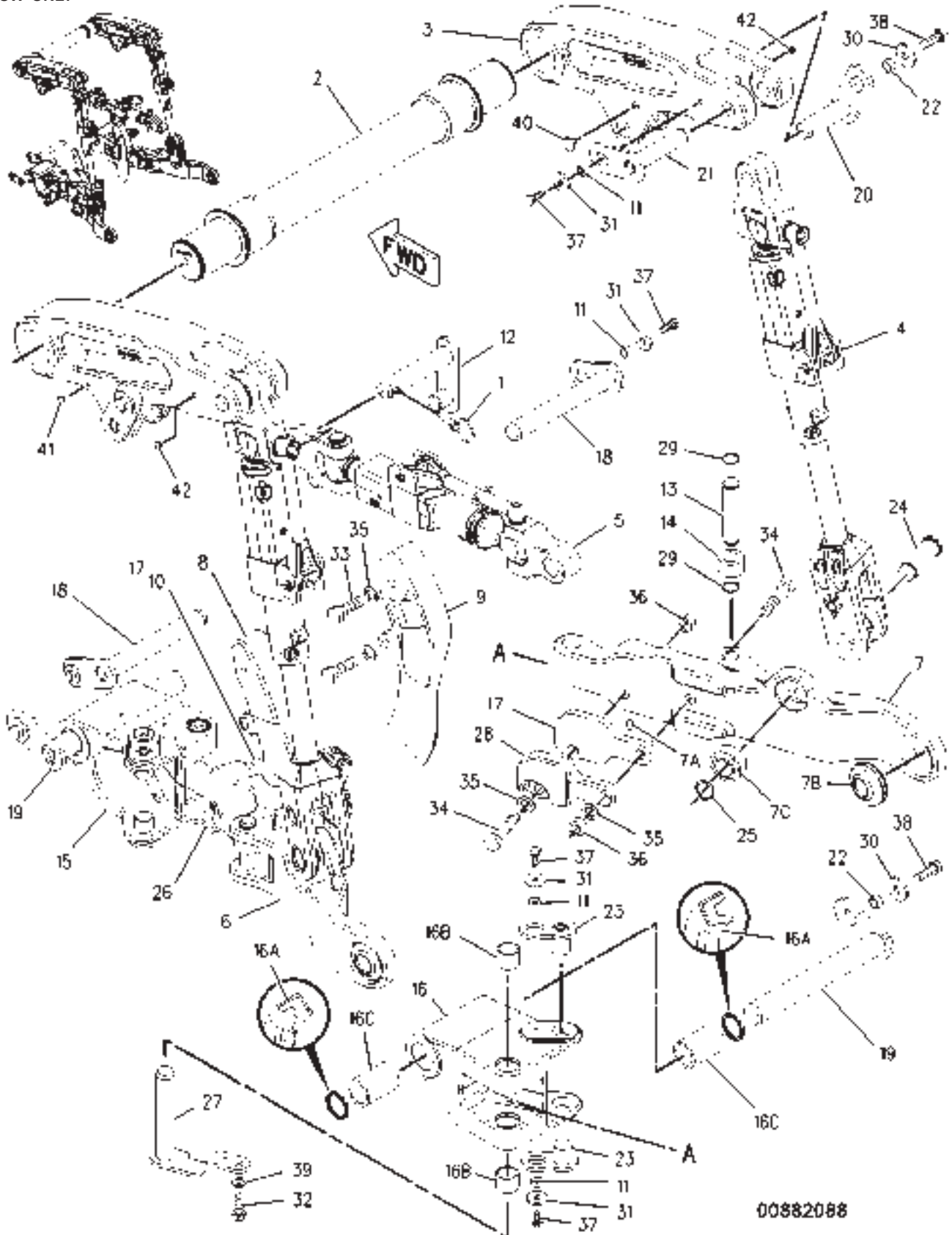
CONTINUED

[A] PART OF 157-1715;177-0679 HITCH AR

00882088
PR: t05f07j07b0431

MT700 SERIES TRACK TRACTORS
DRAWBAR, THREE POINT HITCH AND PTO

HITCH GP-3 POINT - 157-1719
STEERABLE-BALL ENDS
ROW ONLY



00882088

**MT700 SERIES TRACK TRACTORS
DRAWBAR, THREE POINT HITCH AND PTO**

957

**HITCH GP-3 POINT - 157-1719
STEERABLE-BALL ENDS
ROW ONLY**

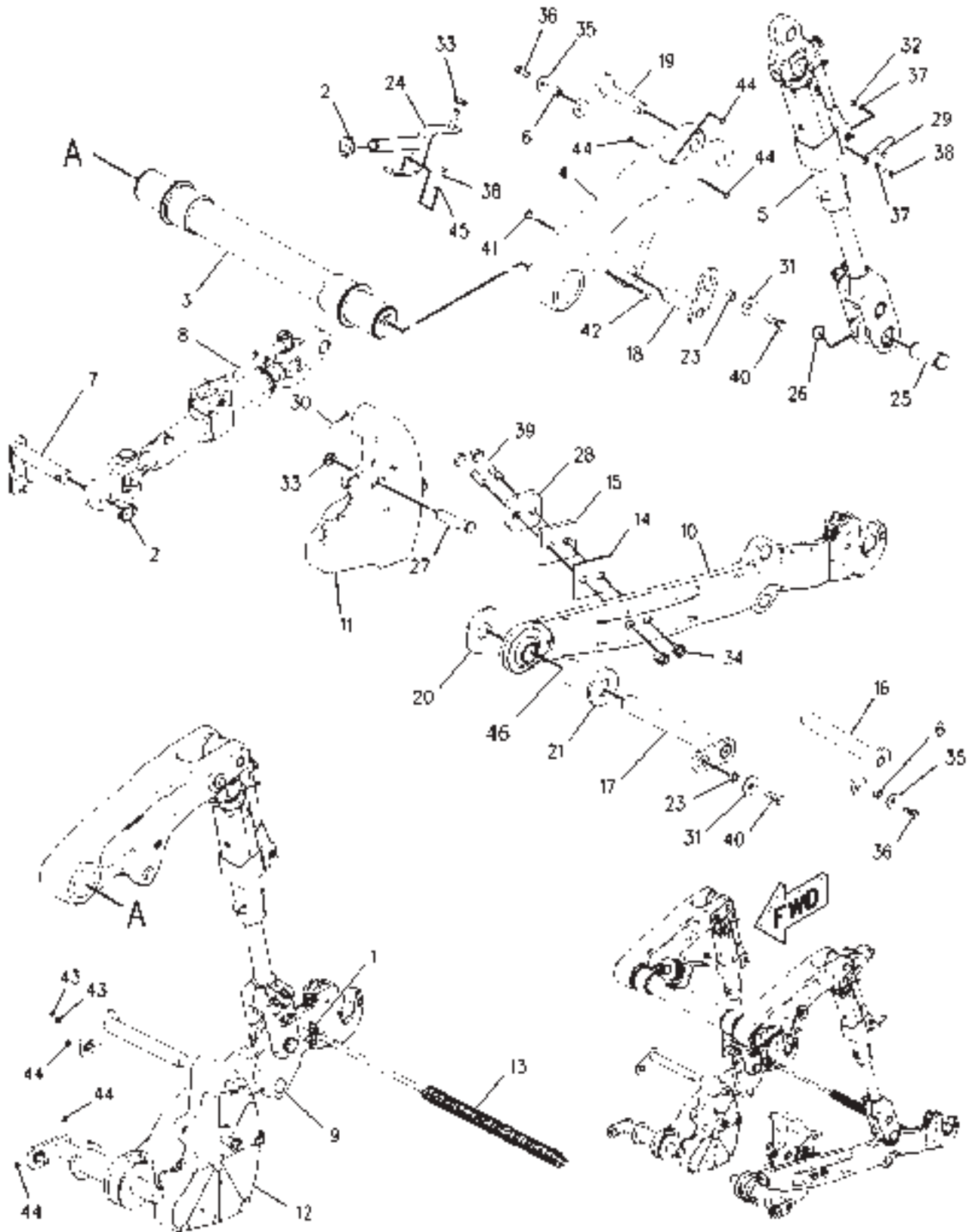
ITEM	NUMBER	QTY	DESCRIPTION
-	157-1719	--	HITCH GP-3 POINT [A] (NOT SERVICED)
30	400078X1	4	WASHER (16.5X50X5MM THK)
31	CH7X-0618	8	WASHER-HARD (13.5X40X5MM THK)
32	400191X1	2	BOLT (M16X2X40MM)
33	400031X1	4	BOLT (M20X2.5X60MM)
34	400193X1	4	BOLT (M20X2.5X90MM)
35	400080X1	8	WASHER-PLATED (22X35X3.5MM THK)
36	400286X1	4	NUT (M20X2.5 THD)
37	400041X1	8	BOLT (M12X1.75X30MM)
38	400244X1	4	BOLT (M16X2.0X45MM)
39	400082X1	2	WASHER (17.5X30X3.5MM THK)
40	400093X1	2	PLUG-SEAL
41	400289X1	2	PLUG
42	CH193-5915	6	PLUG
-	200-8764	1	BRACKET AS (NOT SHOWN) [C]
-	400341X1	1	BOLT-M8X1.25 (NOT SHOWN) [C]
-	400599X1	1	WASHER (NOT SHOWN) [C]
-	CH5D-8159	1	PIN GP-HITCH (NOT SHOWN) [C]
-	186-0982	1	PIVOT (NOT SHOWN) [C]
-	176-7118	2	SHIM [B] (3MM THK)(NOT SHOWN)

[A] PART OF 157-1715; 177-0679 HITCH AR
[B] USED FOR SWAY BLOCK (AS REQ'D)
[C] TO STORE UPPER LINK GP IF COUPLER
IS REMOVED.

00882088
PR: t05f07j07b0431

MT700 SERIES TRACK TRACTORS
DRAWBAR, THREE POINT HITCH AND PTO

HITCH GP-3 POINT - 170-2285
STANDARD-HOOK ENDS
EAME ONLY



MT700 SERIES TRACK TRACTORS
DRAWBAR, THREE POINT HITCH AND PTO

959

HITCH GP-3 POINT - 170-2285
STANDARD-HOOK ENDS
EAME ONLY

ITEM	NUMBER	QTY	DESCRIPTION
-	170-2285	--	HITCH GP-3 POINT [A] (NOT SERVICED)
1	CH5P-0370	1	LOCK PIN
2	CH119-1329	2	PIN-LINCH
3	169-0077	1	ROCKSHAFT GP (NOT SERVICED) (SEE BREAKDOWN FOR COMPONENTS)
4	169-0079	2	ARM-LIFT
5	200-0007	2	LINK GP-LIFT (SEE BREAKDOWN FOR COMPONENTS)
6	CH175-7515	4	SPACER (13.30X22.23X10.5MM THK)
7	177-0633	1	PIN AS
8	197-5032	1	LINK GP-UPPER (SEE BREAKDOWN FOR COMPONENTS)
9	224-0777	1	LINK GP-HITCH-RH (HOOK)
	CH224-0790	1	BALL
	CH224-0792	1	RACE
	CH200-0002	1	HOOK AS (SEE BREAKDOWN FOR COMPONENTS)
10	224-0778	1	LINK GP-HITCH-LH (HOOK)
	CH224-0790	1	BALL
	CH224-0792	1	RACE
	CH200-0002	1	HOOK AS (SEE BREAKDOWN FOR COMPONENTS)
11	179-5810	1	LIMITER AS (SWAY)
	157-0202	1	PIN
12	179-5811	1	LIMITER AS (SWAY)
	157-0202	1	PIN
13	CH185-2789	1	STABILIZER AS
14	CH185-5755	2	SPACER (SWAY BLOCK)
15	CH185-9481	4	SPACER (SWAY BLOCK)
16	CH197-7422	2	PIN AS
17	CH197-7431	2	PIN AS
18	CH197-8803	2	PIN AS
19	CH197-8804	2	PIN AS
20	CH198-2388	2	SPACER-INNER (45X100X6.4MM THK)
21	502526D1	2	SPACER-OUTER
22			NOT USED
23	200-0010	4	SPACER (17.5X25.4X12.5MM THK)
24	200-8764	1	BRACKET AS
25	CH202-6546	2	PIN
26	400096X1	2	RING-RETAINING
27	CH223-9804	2	PIN (20X119)
28	204-2660	2	BLOCK (SWAY)
29	207-7573	1	BRACKET

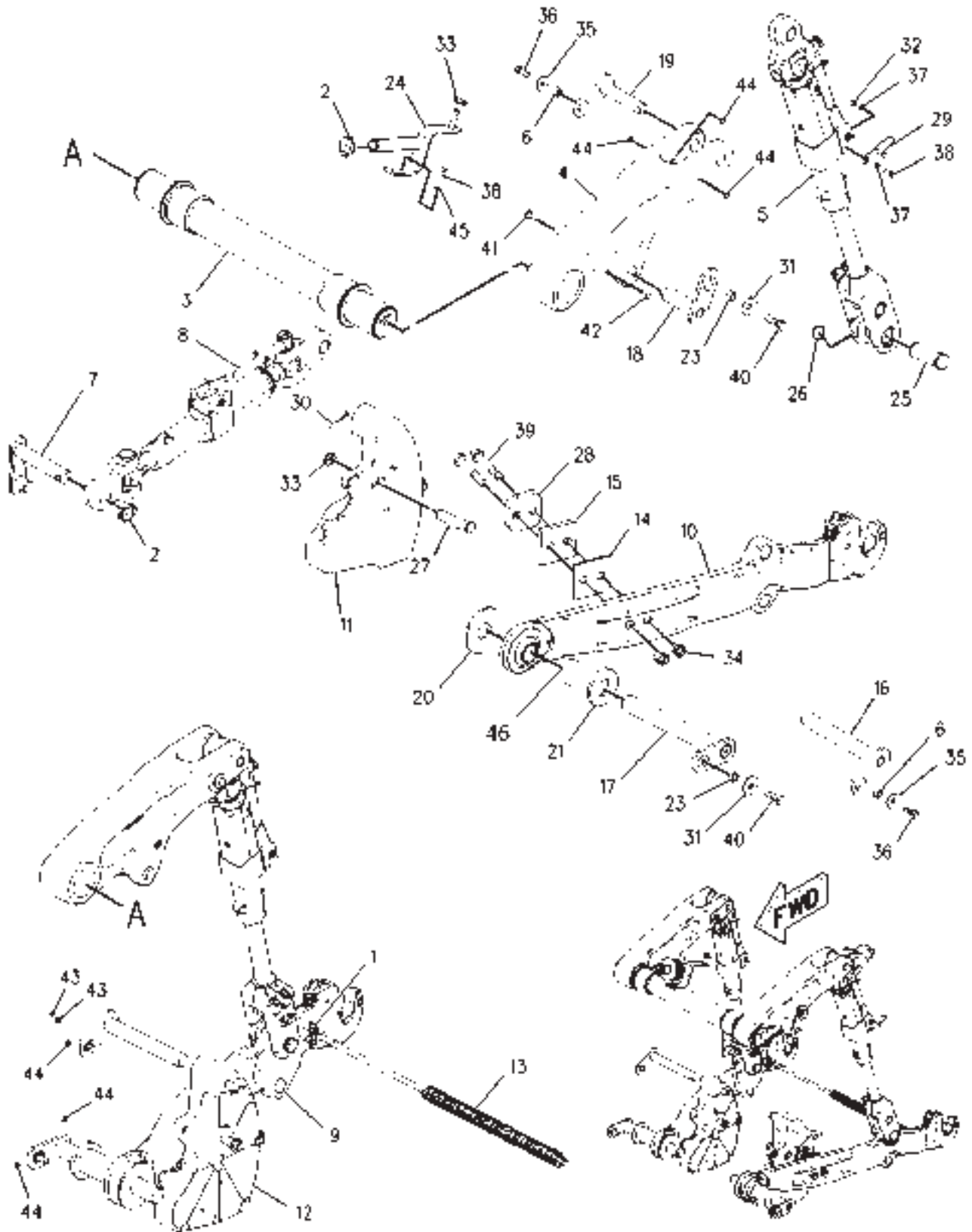
CONTINUED

[A] PART OF 169-0063 HITCH AR

1702285A
PR: t05f07j07b0432

MT700 SERIES TRACK TRACTORS
DRAWBAR, THREE POINT HITCH AND PTO

HITCH GP-3 POINT - 170-2285
STANDARD-HOOK ENDS
EAME ONLY



MT700 SERIES TRACK TRACTORS
DRAWBAR, THREE POINT HITCH AND PTO

961

HITCH GP-3 POINT - 170-2285
STANDARD-HOOK ENDS
EAME ONLY

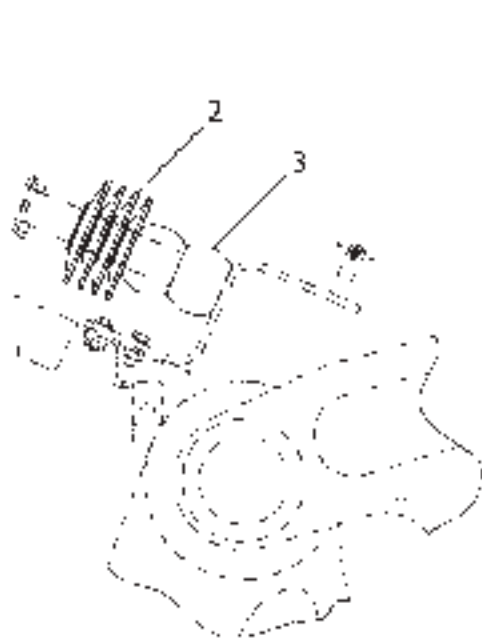
ITEM	NUMBER	QTY	DESCRIPTION
-	170-2285	--	HITCH GP-3 POINT [A] (NOT SERVICED)
30	CH3B-4629	2	PIN-COTTER
31	400078X1	4	WASHER (16.5X50X5MM THK)
32	400340X1	1	NUT (M8X1.25 THD)
33	CH5D-8159	3	PIN AS
34	400286X1	4	NUT (M20X2.5 THD)
35	CH7X-0618	4	WASHER-HARD (13.5X40X5MM THK)
36	400041X1	4	BOLT (M12X1.75X30MM)
37	400339X1	2	WASHER-HARD (8.8X16X2MM THK)
38	400341X1	2	BOLT (M8X1.25X25MM)
39	400027X1	4	BOLT (M20X2.5X130MM)
40	400224X1	4	BOLT (M16X2.0X45MM)
41	400093X1	2	PLUG-SEAL
42	400289X1	1	PLUG
43	CH193-5914	4	PLUG
44	CH193-5915	12	PLUG
45	400599X1	1	WASHER-HARD (8.8X20.5X2MM THK)
46	501199D1	4	SPACER
47	CH152-4386	2	SHIM (USE A/R FOR ITEM 28) (NOT SHOWN)

[A] PART OF 169-0063 HITCH AR

1702285A
PR: t05f07j07b0432

MT700 SERIES TRACK TRACTORS
DRAWBAR, THREE POINT HITCH AND PTO

HITCH GP-IMPLEMENT - 200-0004
EAME ONLY



LEFT SIDE VIEW IN
STORAGE POSITION



TOP VIEW

2000004A

MT700 SERIES TRACK TRACTORS
DRAWBAR, THREE POINT HITCH AND PTO

963

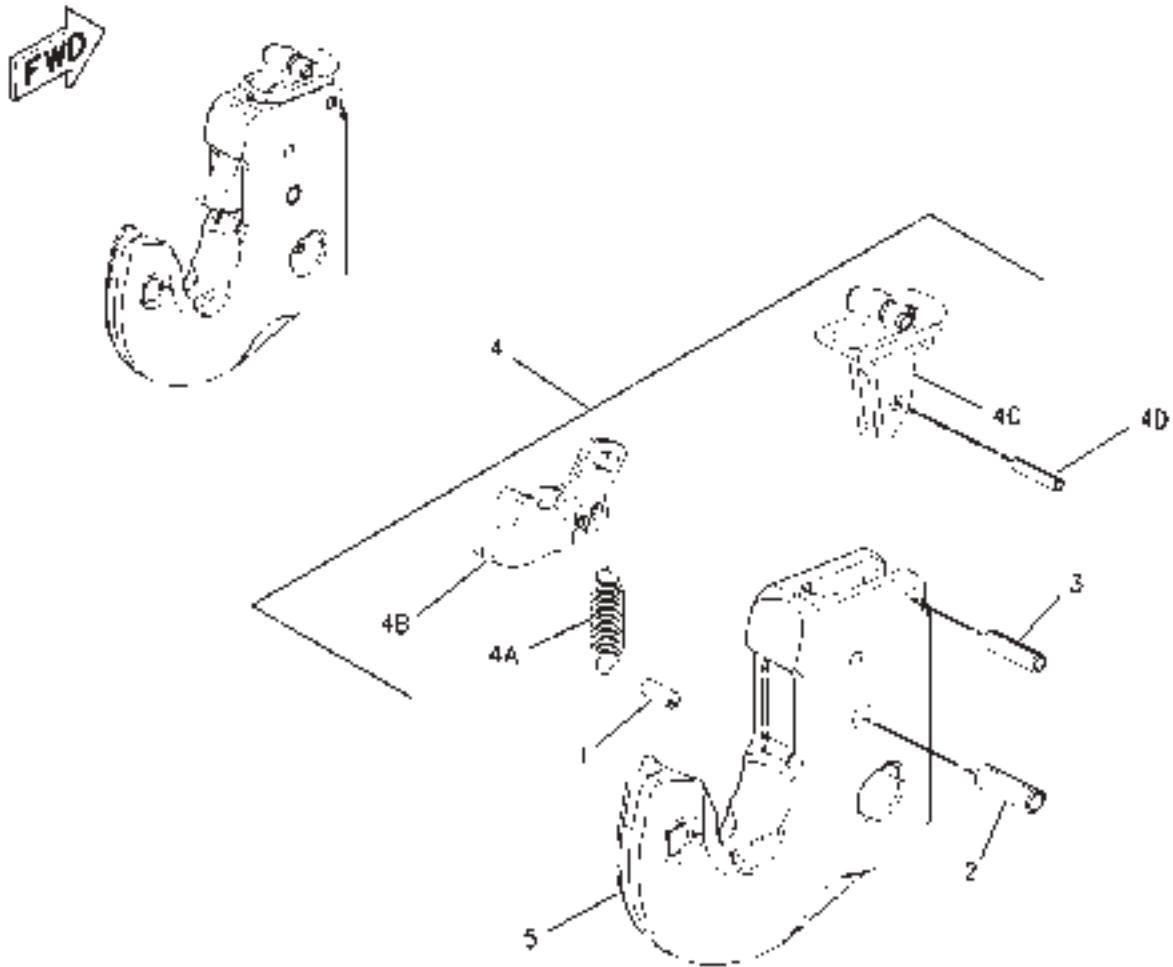
HITCH GP-IMPLEMENT - 200-0004
EAME ONLY

ITEM	NUMBER	QTY	DESCRIPTION
-	200-0004	--	HITCH GP-IMPLEMENT [A] (NOT SERVICED)
1	CH152-4386	2	SHIM
2	CH193-4754	4	SPACER (LOWER HOOK END)
3	CH193-7727	2	BALL-IMPLEMENT HOOK END

2000004A
PR: t05f07j07b0433

MT700 SERIES TRACK TRACTORS
DRAWBAR, THREE POINT HITCH AND PTO

HOOK AS-LOWER LINK - CH200-0002
CLAAS
EAME ONLY



MT700 SERIESTRACKTRACTORS
DRAWBAR, THREE POINT HITCH AND PTO

965

HOOK AS-LOWER LINK - CH200-0002
CLAAS
EAME ONLY

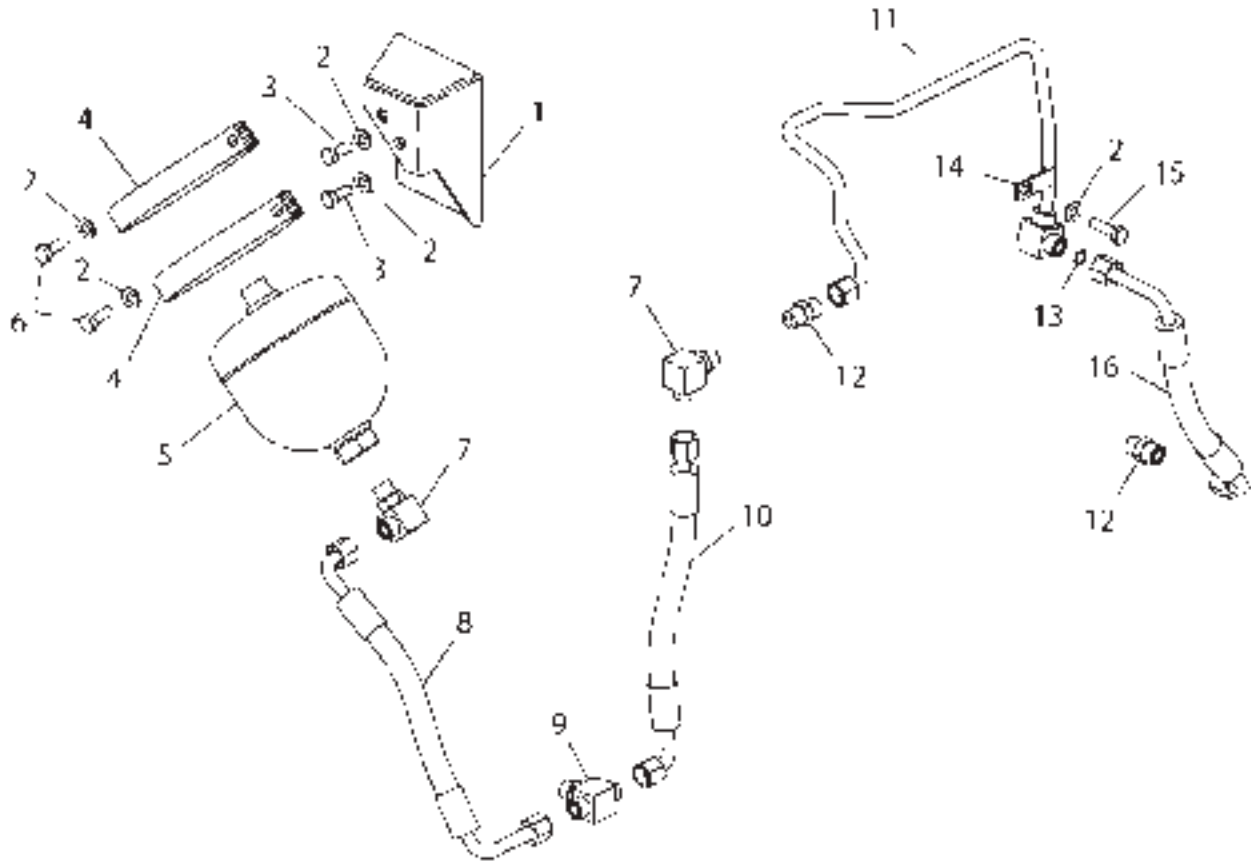
ITEM	NUMBER	QTY	DESCRIPTION
-	CH200-0002	--	HOOK AS-LWR LINK [A]
1	CH5H-3193	1	PIN-SPRING
2	CH5H-4905	1	PIN-SPRING
3	CH8U-6014	1	PIN
4	CH167-8022	1	LATCH KIT (INCLS 4A-4D)
4A	CH150-4474	1	SPRING-TENSION
4B	CH155-5301	1	LATCH
4C	CH155-5302	1	ACTUATOR AS
4D	CH095-0888	1	PIN-SPRING
5		1	HOOK (ORDER COMPLETE ASY)

[A] PART OF 224-0777; 224-0778 LINK AS

00842291
PR: t05f07j07b0434

MT700 SERIES TRACK TRACTORS
DRAWBAR, THREE POINT HITCH AND PTO

LINES GP-HITCH (A) - 158-2362
3 POINT LIFT



MT700 SERIES TRACK TRACTORS
DRAWBAR, THREE POINT HITCH AND PTO

967

LINES GP-HITCH (A) - 158-2362
3 POINT LIFT

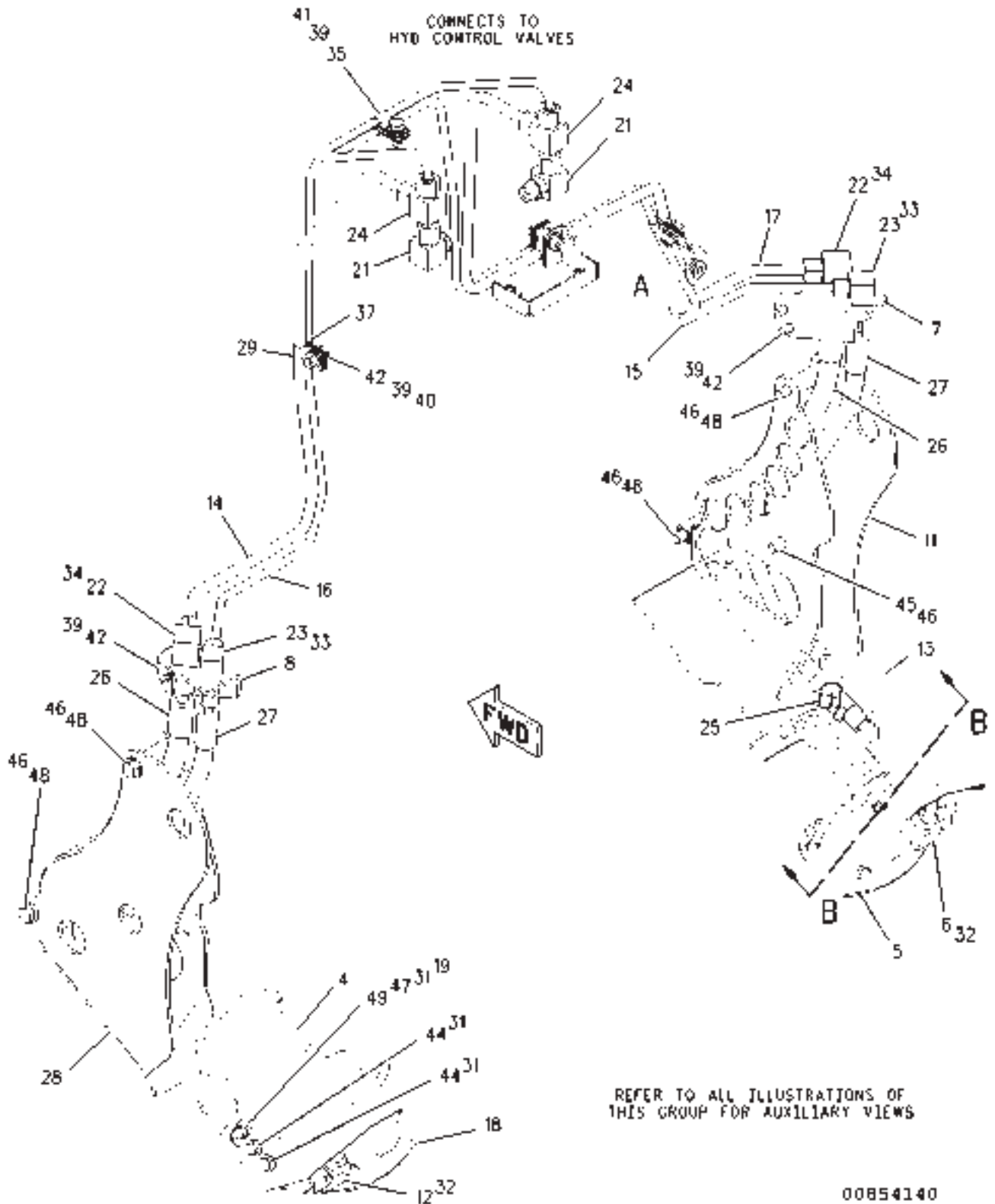
ITEM	NUMBER	QTY	DESCRIPTION
-	158-2362	--	LINES GP-HITCH [A] (NOT SERVICED)
1	216-6388	1	BRACKET AS.
2	400287X1	5	WASHER-HARD 11IDX21ODX2.5 ZND1
3	400039X1	2	BOLT-M10X1.5X25 ZNDI HHD 10.9
4	CH216-6389	2	CLAMP 157 DIAX4 THK
5	214-4304	1	ACCUMULATOR AS-HITCH
6	400058X1	2	BOLT-M10X1.5X30 ZNDI HHD 10.9
7	CH148-8364	2	ELBOW AS-90DEG -8 STOR -10 BARB
	CH3K-0360	1	SEAL-O-RING 16.36IDX2.21DIA
	CH6V-8398	1	SEAL-O-RING-16.03ODX1.78DIA
	CH6V-8625	1	ELBOW-90DEG -8 STOR -10 BARB
8	CH216-6390	1	HOSE AS.
9	CH148-8436	1	TEE AS-UNION -6 ORFS & O RINGS
10	CH213-4790	1	HOSE AS.
11	213-4795	1	TUBE AS.
12	CH148-8340	2	CONNECTOR AS. (NOT SERVICED)
	CH3K-0360	1	O-RING
	CH6V-8398	1	O-RING
	CH6V-8639	1	CONNECTOR-STR-12.7 STR -8 ORFS
13	CH6V-8398	1	SEAL-O-RING-16.03ODX1.78DIA
14	CH5M-8429	1	CLIP 30DEG X 19 X 0.8 THK
15	400059X1	1	BOLT-M10X1.5X35 ZNDI HHD 10.9
16	CH213-4791	1	HOSE AS.

[A] PART OF 157-1710;157-1715;169-0063;
177-0678; 177-0679 HITCH AR

1582362A
PR: t05f07j07b0435

MT700 SERIES TRACK TRACTORS
DRAWBAR, THREE POINT HITCH AND PTO

LINES GP-HITCH - 205-5819
4 IMPLEMENTS, HITCH & STEERABLE HITCH



MT700 SERIES TRACK TRACTORS
DRAWBAR, THREE POINT HITCH AND PTO

969

LINES GP-HITCH - 205-5819
4 IMPLEMENTS, HITCH & STEERABLE HITCH

ITEM	NUMBER	QTY	DESCRIPTION
-	205-5819	--	LINES GP-HITCH [A] (NOT SERVICED)
1	CH187-4706	1	BRACKET
2	188-9915	2	U-BOLT
3	CH194-8478	2	BRACKET ASY.
	CH8T-3612	1	NUT-WELD (M8X1.25 THD)
4	212-7773	1	PLATE (LH)
5	198-7441	1	PLATE ASY. (RH)
6	198-7445	1	TUBE ASY.
7	199-2914	1	BRACKET (RH)
8	199-2915	1	BRACKET (LH)
9	CH212-7771	2	BRACKET ASY.
	CH8T-3612	2	NUT-WELD (M8X1.25 THD)
10	203-2783	1	BRACKET ASY.
11	205-0984	1	GUARD ASY. (RH)
12	205-1090	1	TUBE ASY.
13	212-7772	1	PLATE (RH)
14	205-5820	1	TUBE ASY.
15	205-5821	1	TUBE ASY.
16	205-5822	1	TUBE ASY.
17	205-5823	1	TUBE ASY.
18	205-6009	1	PLATE ASY. (LH)
19	CH131-3540	2	LOCKNUT (M8X1.25 THD)
20	-----	2	CONNECTOR ASY. (ILLUSTRATION REF ONLY)
21	-----	2	ELBOW (ILLUSTRATION REF ONLY)
22	CH148-8375	2	ELBOW GP (NOT SERVICED)
	CH6V-8398	2	O-RING
	CH6V-8981	1	ELBOW
23	CH148-8377	2	ELBOW GP (NOT SERVICED)
	400378X1	2	O-RING
24	CH148-8444	2	TEE AS-SWIVEL 3X -8 ORFS
	CH6V-8398	2	SEAL-O-RING-16.03ODX1.78DIA
25	CH164-5624	2	ELBOW AS-45DEG 6STOR X 8ORFS
	400318X1	1	SEAL-O-RING (11.89IDX1.98DIA)
	CH6V-8398	1	SEAL-O-RING-16.03ODX1.78DIA

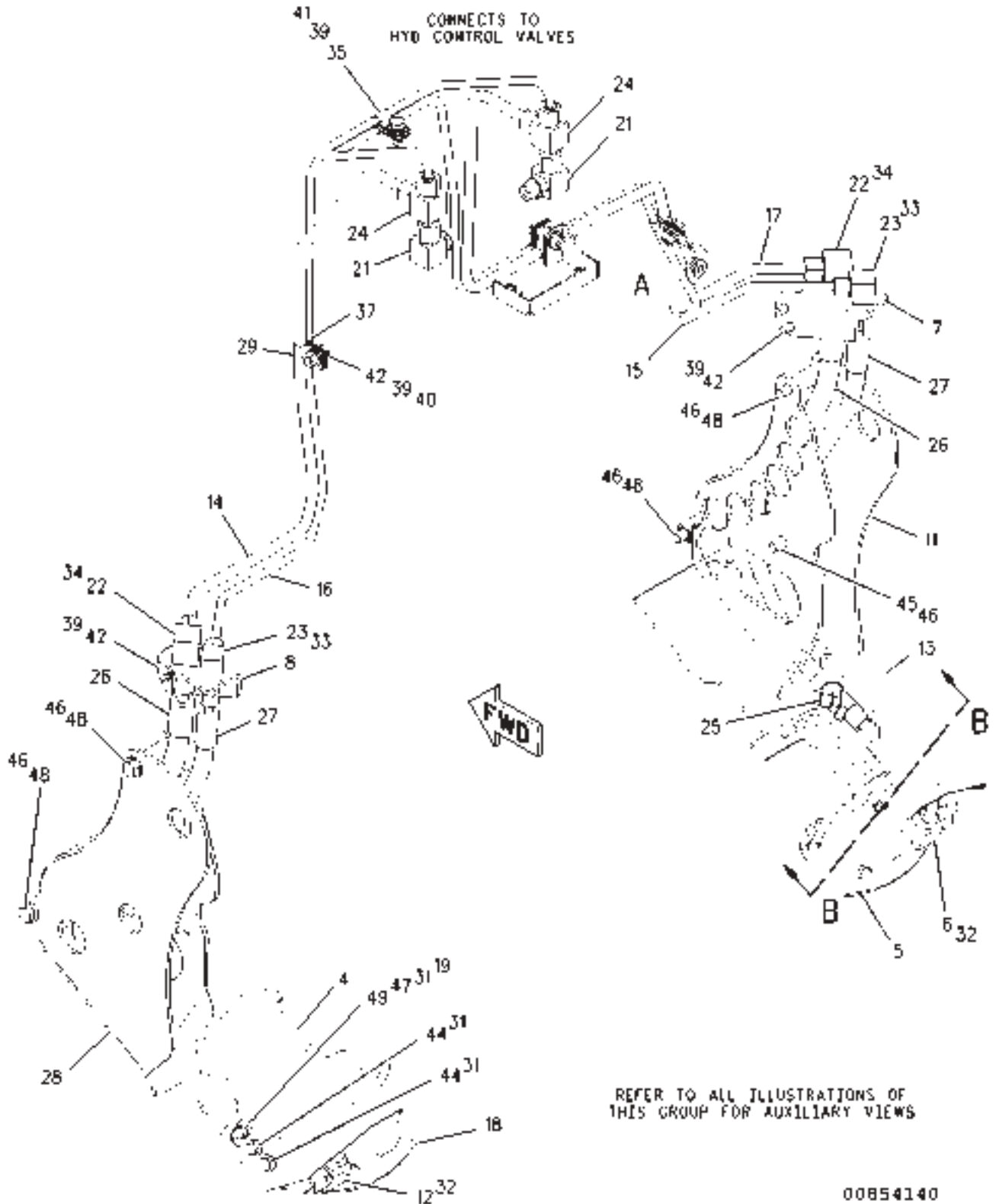
CONTINUED

[A] PART OF 172-4500 VALVE AR;
500772D1 KIT-HITCH 3PT STEERABLE

00854140
PR: t05f07j07b0436

MT700 SERIES TRACK TRACTORS
DRAWBAR, THREE POINT HITCH AND PTO

LINES GP-HITCH - 205-5819
4 IMPLEMENTS, HITCH & STEERABLE HITCH



MT700 SERIES TRACK TRACTORS
DRAWBAR, THREE POINT HITCH AND PTO

971

LINES GP-HITCH - 205-5819
4 IMPLEMENTS, HITCH & STEERABLE HITCH

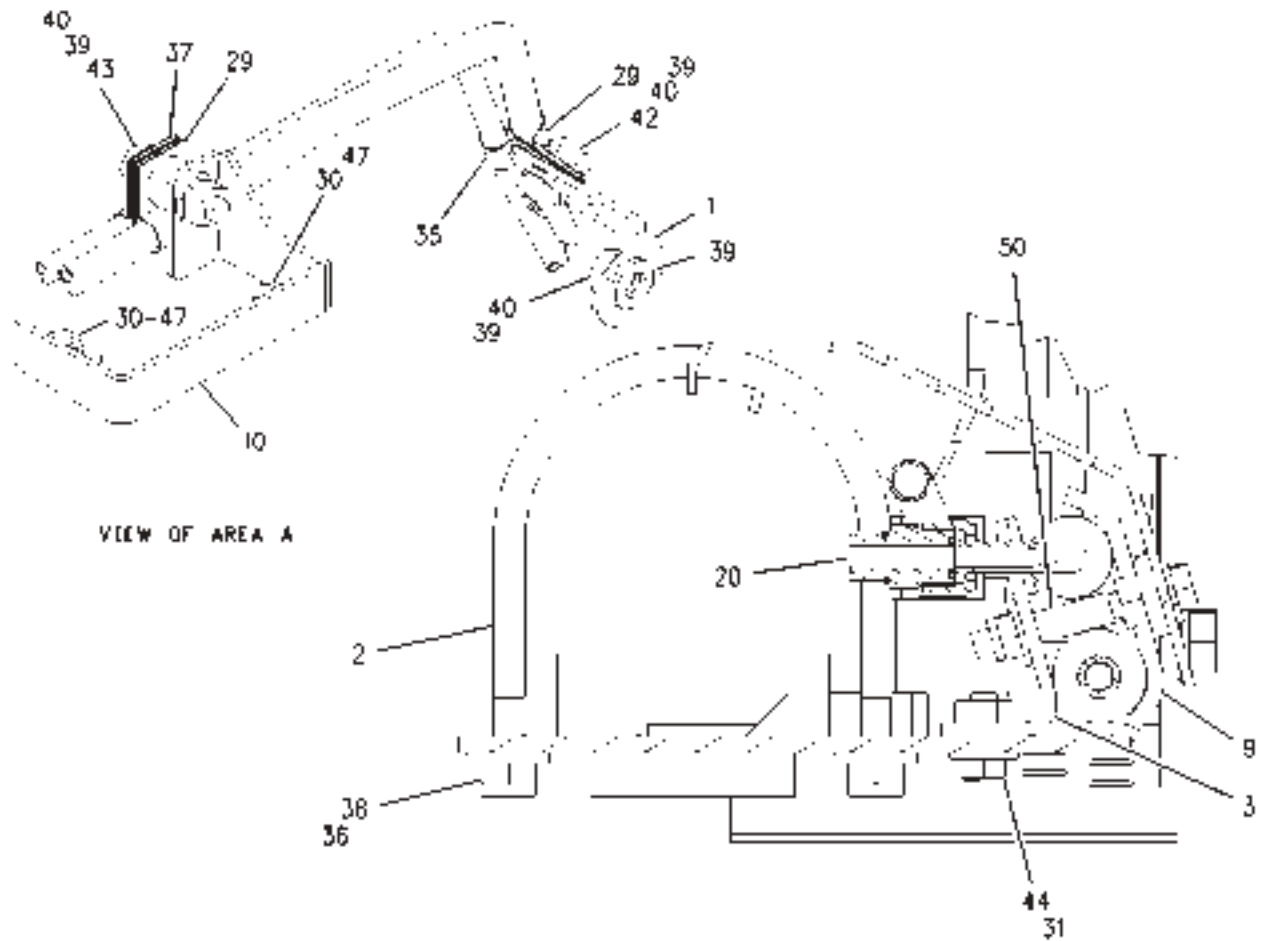
ITEM	NUMBER	QTY	DESCRIPTION
-	205-5819	--	LINES GP-HITCH [A] (NOT SERVICED)
26	CH199-2912	2	HOSE ASY.
27	CH199-2913	2	HOSE ASY.
28	206-1475	1	GUARD ASY. (LH)
29	CH4B-0418	3	CLIP
30	400340X1	2	NUT (M8X1.25 THD)
31	400599X1	8	WASHER-HARD (M8X20.5X2MM THK)
32	CH6V-8398	2	O-RING
33	CH6V-9168	2	NUT (11/16-16 THD)
34	CH6V-9169	2	NUT-BULKHEAD (13/16-16 THD)
35	CH7H-7055	3	CLIP
36	CH7X-7729	4	WASHER (11X25X3MM THK)
37	CH8S-8820	2	CLIP
38	CH8T-0389	4	LOCKNUT (M10X1.5 THD)
39	400287X1	15	WASHER-HARD (11X21X2.5MM THK)
40	WR522218	4	NUT (M10X1.5 THD)
41	400039X1	1	BOLT (M10X1.5X25MM)
42	400040X1	6	BOLT (M10X1.5X20MM)
43	400052X1	1	BOLT (M10X1.5X40MM)
44	400053X1	6	BOLT (M8X1.25X20MM)
45	400055X1	2	BOLT (M12X1.75X25MM)
46	400357X1	6	WASHER-HARD (M12X25.5X3MM THK)
47	400339X1	4	WASHER-HARD (8.8X16X2MM THK)
48	400241X1	4	BOLT (M12X1.75X80MM)

[A] PART OF 172-4500 VALVE AR;
500772D1 KIT-HITCH 3PT STEERABLE

00854140
PR: t05f07j07b0436

MT700 SERIES TRACK TRACTORS
DRAWBAR, THREE POINT HITCH AND PTO

LINES GP-HITCH - 205-5819
4 IMPLEMENTS, HITCH & STEERABLE HITCH



MT700 SERIES TRACK TRACTORS
DRAWBAR, THREE POINT HITCH AND PTO

973

LINES GP-HITCH - 205-5819
4 IMPLEMENTS, HITCH & STEERABLE HITCH

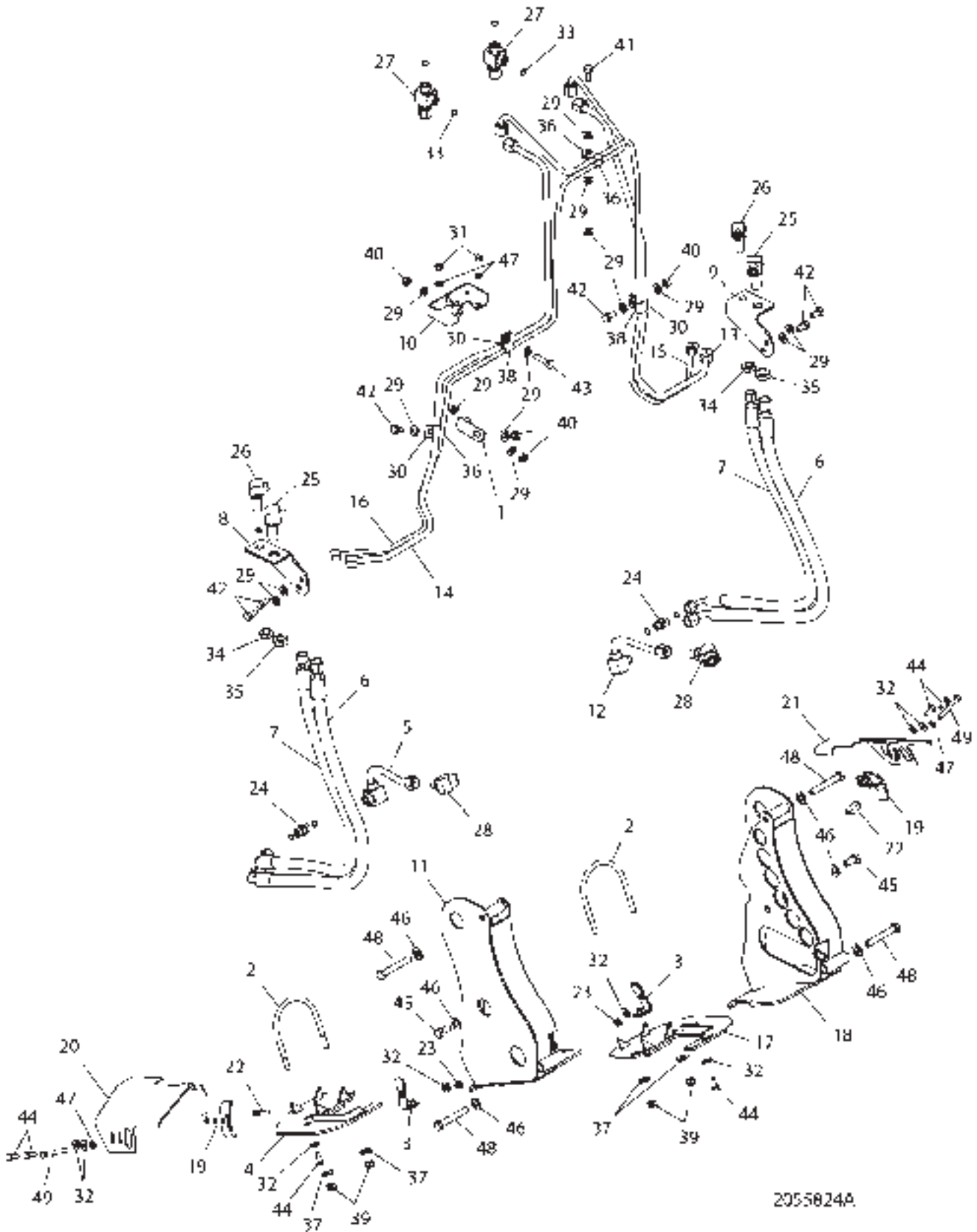
ITEM	NUMBER	QTY	DESCRIPTION
-	205-5819	--	LINES GP-HITCH [A] (NOT SERVICED)
29	CH4B-0418	3	CLIP
31	400599X1	8	WASHER-HARD (M8X20.5X2MM THK)
37	CH8S-8820	2	CLIP
39	400287X1	15	WASHER-HARD (11X21X2.5MM THK)
40	WR522218	4	NUT (M10X1.5 THD)
42	400040X1	6	BOLT (M10X1.5X20MM)
44	400053X1	6	BOLT (M8X1.25X20MM)
47	400339X1	4	WASHER-HARD (8.8X16X2MM THK)
49	400242X1	2	BOLT (M8X1.25X60MM)
50	CH212-8262	2	SPACER

[A] PART OF 172-4500 VALVE AR;
500772D1 KIT-HITCH 3PT STEERABLE

00860128
PR: t05f07j07b0437

MT700 SERIES TRACK TRACTORS
DRAWBAR, THREE POINT HITCH AND PTO

LINES GP-HITCH - 205-5824
5 VALVES & STEERABLE HITCH



MT700 SERIES TRACK TRACTORS
DRAWBAR, THREE POINT HITCH AND PTO

975

LINES GP-HITCH - 205-5824
5 VALVES & STEERABLE HITCH

ITEM	NUMBER	QTY	DESCRIPTION
-	205-5824	--	LINES GP-HITCH [A] (NOT SERVICED)
1	CH187-4706	1	BRACKET
2	CH188-9915	2	BOLT-U 101.5X127 M10X1.5-6H
3	CH194-8478	2	BRACKET AS.-HOSE SUPPORT
4	198-7441	1	PLATE AS.-RH (STEER
5	198-7445	1	TUBE AS.
6	CH199-2912	2	HOSE AS-12.7 ID SAE 100R12
7	CH199-2913	2	HOSE AS-9.5 ID SAE 100R12
8	199-2914	1	BRACKET-RH
9	199-2915	1	BRACKET-LH
10	203-2783	1	BRACKET AS. -PTO VALVE
11	205-0984	1	GUARD AS.-RH
12	205-1090	1	TUBE AS.
13	205-5825	1	TUBE AS.
14	205-5826	1	TUBE AS.
15	205-5827	1	TUBE AS.
16	205-5828	1	TUBE AS.
17	205-6009	1	PLATE AS.-LH
18	206-1475	1	GUARD AS.-LH
19	CH212-7771	2	BRACKET AS.-HOSE CLAMP
20	212-7772	1	PLATE-RH
21	212-7773	1	PLATE-LH
22	CH212-8262	2	SPACER
23	CH131-3540	2	NUT LOCK M8X1.25 ZNDI
24	400367X1	2	CONNECTOR AS (NOT SERVICED)
	400372X1	1	CONNECTOR-6 STOR -6 ORFS
	400318X1	1	O-RING (11.89IDX1.98DIA)
	400378X1	1	O-RING (12.83IDX1.78DIA)
25	CH148-8375	2	ELBOW AS (NOT SERVICED)
	CH6V-8398	2	O-RING
	CH6V-8981	1	ELBOW-90DEG BLKHD -8ORFS
26	CH148-8377	2	ELBOW AS (NOT SERVICED)
	400378X1	2	O-RING
	CH6V-8980	1	ELBOW-90DEG BKHD -6ORFS
27	CH148-8444	2	TEE AS-SWIVEL 3X -8 ORFS
	CH6V-8398	2	SEAL-O-RING-16.03ODX1.78DIA
28	CH164-5624	2	ELBOW AS-45DEG 6STOR X 8ORFS
	400318X1	1	SEAL-O-RING (11.89IDX1.98DIA)
	CH6V-8398	1	SEAL-O-RING-16.03ODX1.78DIA
29	CH4B-0418	3	CLIP-LOOP 12.7 ID

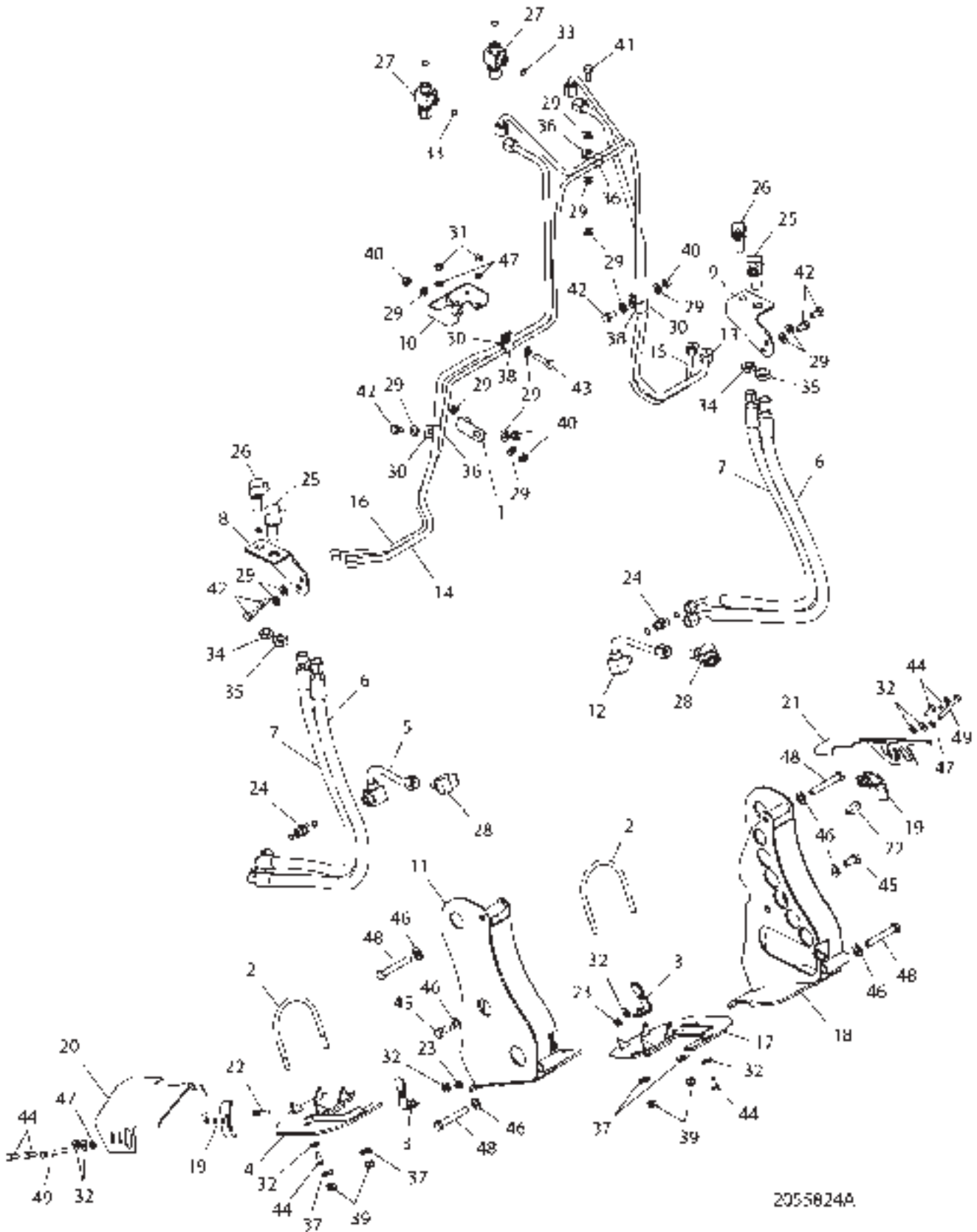
CONTINUED

[A] PART OF 172-4502 VALVE AR

2055824A
PR: t05f07j07b0438

MT700 SERIES TRACK TRACTORS
DRAWBAR, THREE POINT HITCH AND PTO

LINES GP-HITCH - 205-5824
5 VALVES & STEERABLE HITCH



MT700 SERIES TRACK TRACTORS
DRAWBAR, THREE POINT HITCH AND PTO

977

LINES GP-HITCH - 205-5824
5 VALVES & STEERABLE HITCH

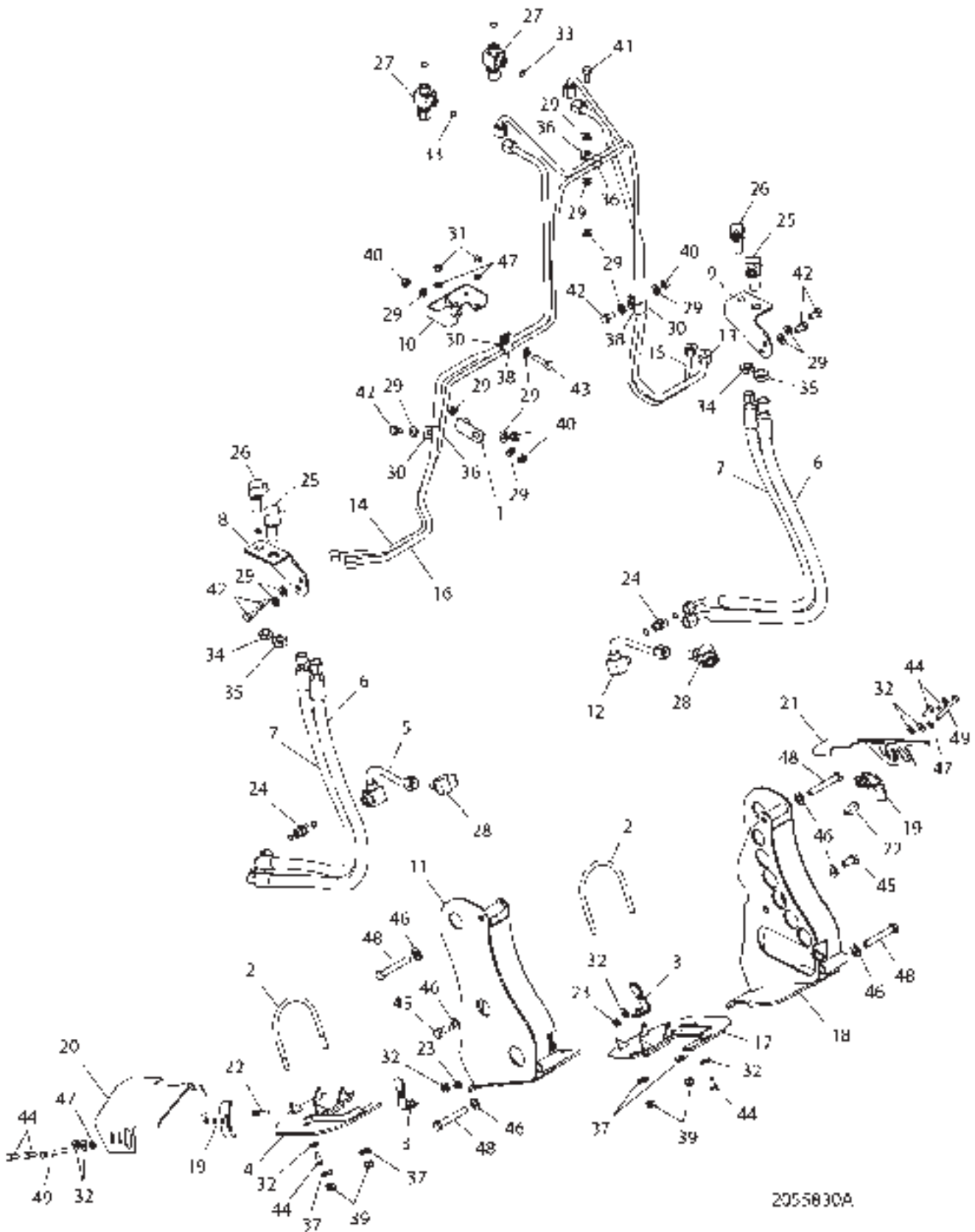
ITEM	NUMBER	QTY	DESCRIPTION
-	205-5824	--	LINES GP-HITCH [A] (NOT SERVICED)
30	400340X1	2	NUT-M8X1.25X13 HEX ZND1
31	400599X1	8	WASHER-HARD,M8X20.5ODX2THK
32	CH6V-8398	2	SEAL-O-RING-16.03ODX1.78DIA
33	400347X1	2	NUT-BULKHEAD 11/16-16
34	400348X1	2	NUT-BULKHEAD 13/16-16
35	CH7H-7055	3	CLIP-LOOP 9.52 ID
36	CH7X-7729	4	WASHER-11IDX5ODX3MM
37	CH8S-8820	2	CLIP-LOOP 9.52 ID
38	CH8T-0389	4	LOCKNUT-M10X1.5 THD
39	400287X1	15	WASHER-HARD 11IDX21ODX2.5 ZND1
40	WR522218	4	NUT-M10-1.5,CL10.9,ZN,H,REG
41	400039X1	1	BOLT-M10X1.5X25 ZNDI HDD 10.9
42	400040X1	6	BOLT-M10X1.5X20 ZNDI HDD 10.9
43	400052X1	1	BOLT-M10X1.5X40 ZNDI HDD 10.9
44	400053X1	6	BOLT-M8X1.25X20 ZNDI HDD 10.9
45	400055X1	2	BOLT-M12X1.75X25 ZNDI HDD 10.9
46	400357X1	6	WASHER-HARD-M12X25.5ODX3THK
47	400339X1	4	WASHER - HARD
48	400241X1	4	BOLT-M12X1.75X80 ZNDI HDD 10.9
49	400242X1	2	BOLT-M8X1.25X60 ZNDI HDD 10.9

[A] PART OF 172-4502 VALVE AR

2055824A
PR: t05f07j07b0438

MT700 SERIES TRACK TRACTORS
DRAWBAR, THREE POINT HITCH AND PTO

LINES GP-HITCH - 205-5830



MT700 SERIES TRACK TRACTORS
DRAWBAR, THREE POINT HITCH AND PTO

979

LINES GP-HITCH - 205-5830

ITEM	NUMBER	QTY	DESCRIPTION
-	205-5830	--	LINES GP-HITCH [A] (NOT SERVICED)
1	CH187-4706	1	BRACKET
2	CH188-9915	2	BOLT-U 101.5X127 M10X1.5-6H
3	CH194-8478	2	BRACKET AS.-HOSE SUPPORT
4	198-7441	1	PLATE AS.-RH (STEER)
5	198-7445	1	TUBE AS.
6	CH199-2912	2	HOSE AS-12.7 ID SAE 100R12
7	CH199-2913	2	HOSE AS-9.5 ID SAE 100R12
8	199-2914	1	BRACKET-RH
9	199-2915	1	BRACKET-LH
10	203-2783	1	BRACKET AS. -PTO VALVE
11	205-0984	1	GUARD AS.-RH
12	205-1090	1	TUBE AS.
13	205-5831	1	TUBE AS.
14	205-5832	1	TUBE AS.
15	205-5833	1	TUBE AS.
16	205-5834	1	TUBE AS.
17	205-6009	1	PLATE AS.-LH
18	206-1475	1	GUARD AS.-LH
19	CH212-7771	2	BRACKET AS.-HOSE CLAMP
20	212-7772	1	PLATE-RH
21	212-7773	1	PLATE-LH
22	CH212-8262	2	SPACER
23	CH131-3540	2	NUT LOCK M8X1.25 ZNDI
24	400367X1	2	CONNECTOR AS-6 STOR -6 ORFS
	400372X1	1	CONNECTOR-6 STOR -6 ORFS
	400318X1	1	O-RING (11.89IDX1.98DIA)
	400378X1	1	O-RING (12.83IDX1.78DIA)
25	CH148-8375	2	ELBOW AS (NOT SERVICED)
	CH6V-8398	2	O-RING
	CH6V-8981	1	ELBOW-90DEG BLKHD -8ORFS
26	CH148-8377	2	ELBOW AS (NOT SERVICED)
	400378X1	2	O-RING
	CH6V-8980	1	ELBOW-90DEG BKHD -6ORFS
27	CH148-8444	2	TEE AS-SWIVEL 3X -8 ORFS
	CH6V-8398	2	SEAL-O-RING-16.03ODX1.78DIA
28	CH164-5624	2	ELBOW AS-45DEG 6STOR X 8ORFS
	400318X1	1	SEAL-O-RING (11.89IDX1.98DIA)
	CH6V-8398	1	SEAL-O-RING-16.03ODX1.78DIA
29	400287X1	15	WASHER-HARD 11IDX21ODX2.5 ZND1

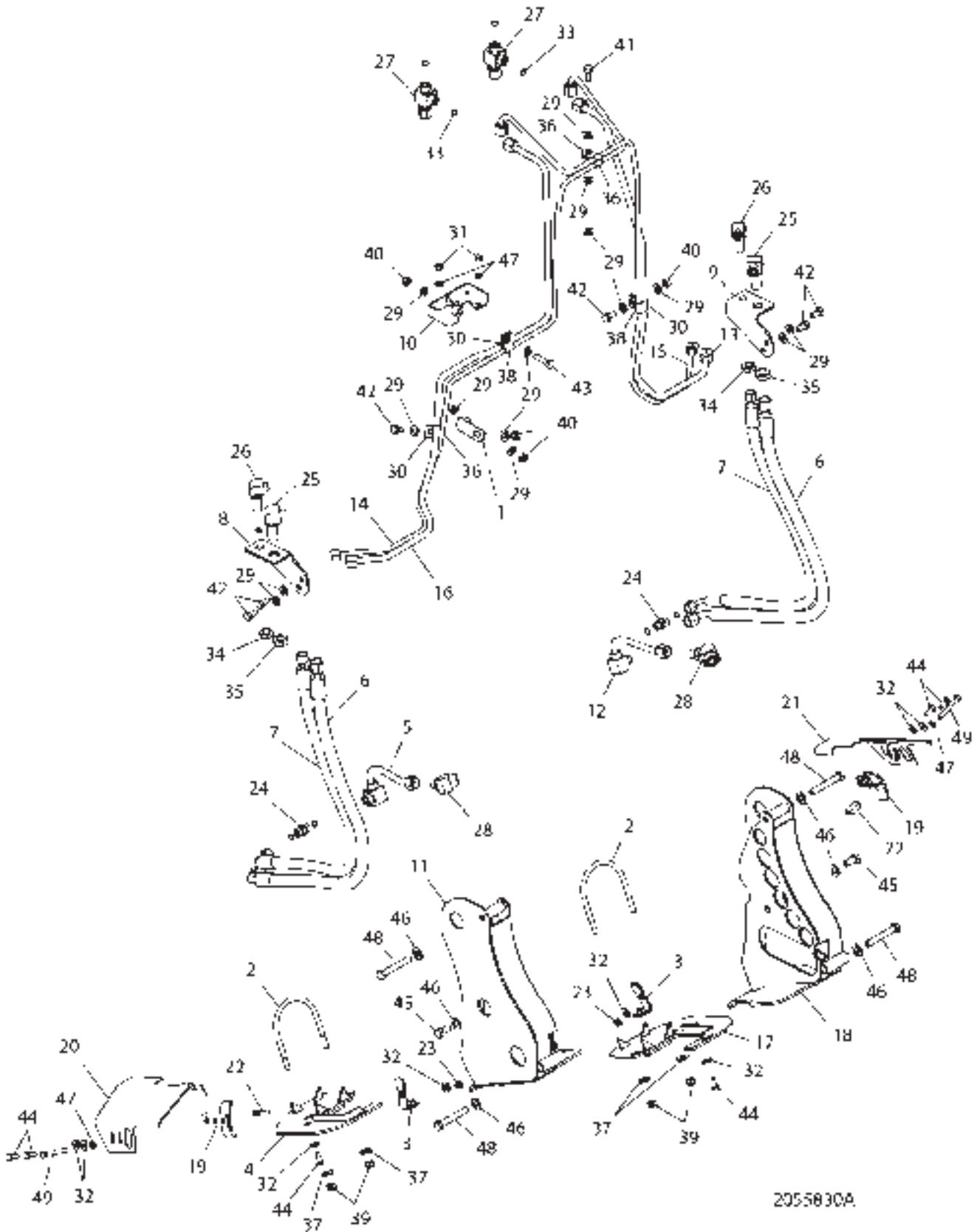
CONTINUED

[A] PART OF 500790D1 VALVE AR

2055830A
 PR: t05f07j07b0439

MT700 SERIES TRACK TRACTORS
DRAWBAR, THREE POINT HITCH AND PTO

LINES GP-HITCH - 205-5830



MT700 SERIES TRACK TRACTORS
DRAWBAR, THREE POINT HITCH AND PTO

981

LINES GP-HITCH - 205-5830

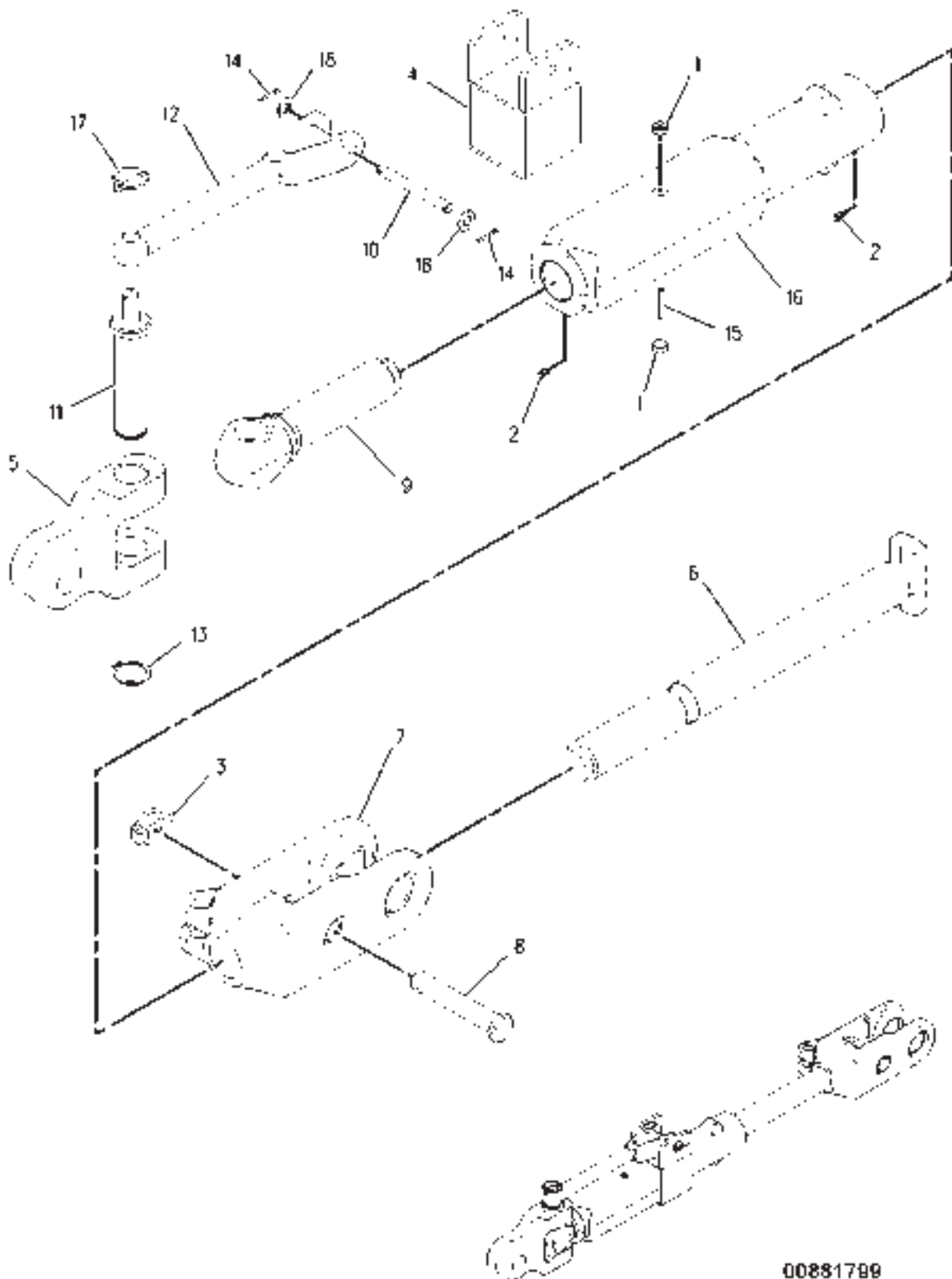
ITEM	NUMBER	QTY	DESCRIPTION
-	205-5830	--	LINES GP-HITCH [A] (NOT SERVICED)
30	CH4B-0418	3	CLIP-LOOP 12.7 ID
31	400340X1	2	NUT-M8X1.25X13 HEX ZND1
32	400599X1	8	WASHER-HARD,M8X20.5ODX2THK
33	CH6V-8398	2	SEAL-O-RING-16.03ODX1.78DIA
34	400347X1	2	NUT-BULKHEAD 11/16-16
35	400348X1	2	NUT-BULKHEAD 13/16-16
36	CH7H-7055	3	CLIP-LOOP 9.52 ID
37	CH7X-7729	4	WASHER-11IDX5ODX3MM
38	CH8S-8820	2	CLIP-LOOP 9.52 ID
39	CH8T-0389	4	LOCKNUT-M10X1.5 THD
40	WR522218	4	NUT-M10-1.5,CL10.9,ZN,H,REG
41	400039X1	1	BOLT-M10X1.5X25 ZNDI HDD 10.9
42	400040X1	6	BOLT-M10X1.5X20 ZNDI HDD 10.9
43	400052X1	1	BOLT-M10X1.5X40 ZNDI HDD 10.9
44	400053X1	6	BOLT-M8X1.25X20 ZNDI HDD 10.9
45	400055X1	2	BOLT-M12X1.75X25 ZNDI HDD 10.9
46	400357X1	6	WASHER-HARD-M12X25.5ODX3THK
47	400339X1	4	WASHER - HARD
48	400241X1	4	BOLT-M12X1.75X80 ZNDI HDD 10.9
49	400242X1	2	BOLT-M8X1.25X60 ZNDI HDD 10.9

[A] PART OF 500790D1 VALVE AR

2055830A
PR: t05f07j07b0439

MT700 SERIES TRACK TRACTORS
DRAWBAR, THREE POINT HITCH AND PTO

LINK GP-LIFT - 200-0007



MT700 SERIESTRACKTRACTORS
DRAWBAR, THREE POINT HITCH AND PTO

983

LINK GP-LIFT - 200-0007

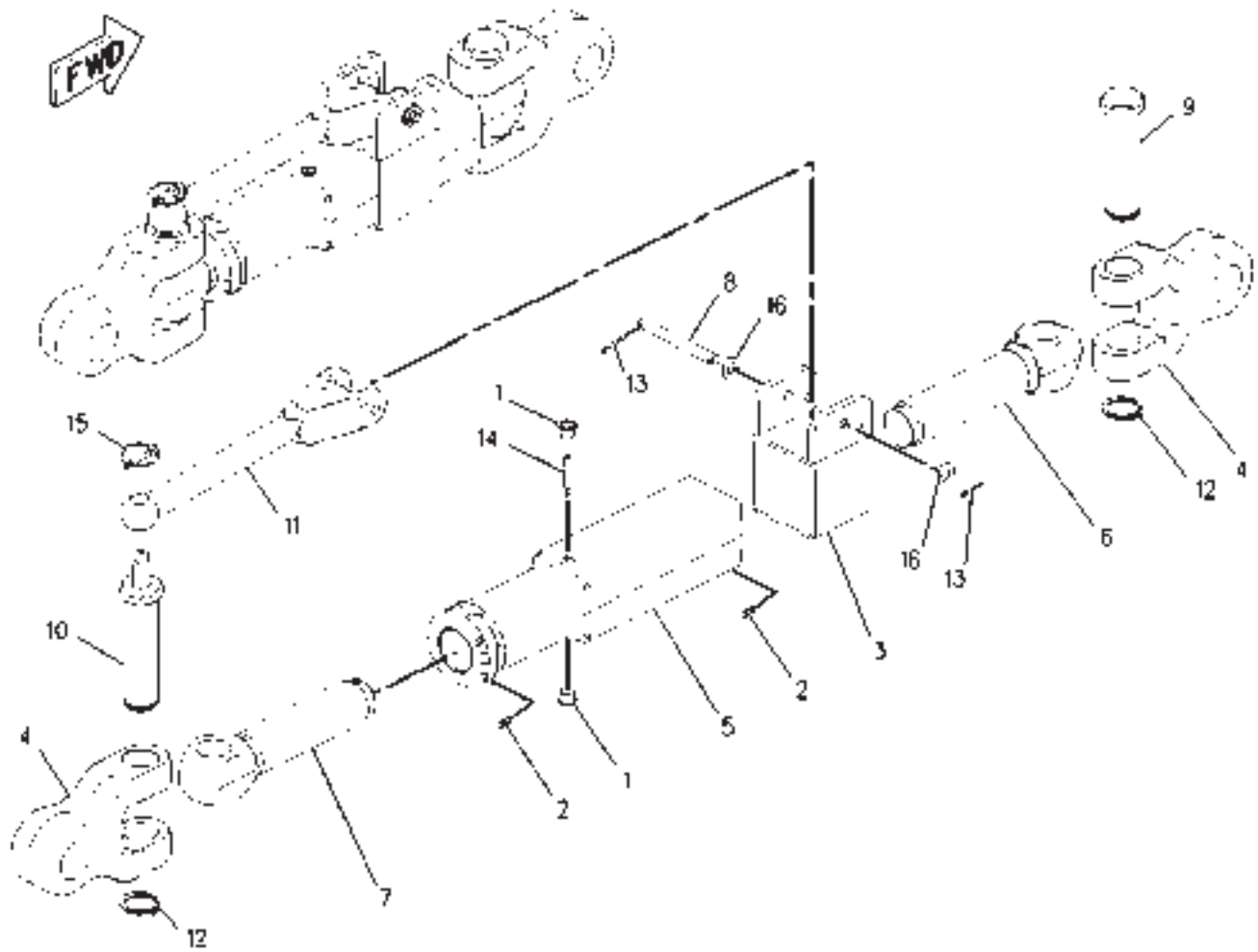
ITEM	NUMBER	QTY	DESCRIPTION
-	200-0007	--	LINK GP-LIFT [A]
1	CH0T-0200	2	PLUG-CUP
2	CH6V-1506	2	FITTING-GREASE
3	CH7D-7496	1	PIN ASY.
4	184-5063	1	FRAME ASY.
5	186-0982	1	PIVOT
6	186-0992	1	ROD
7	186-0993	1	CLEVIS
8	CH186-1017	1	PIN
9	186-1020	1	ROD END
10	CH186-1069	1	PIN
11	CH186-1081	1	PIN
12	189-3296	1	HANDLE
13	400290X1	1	RING-RETAINING
14	CH095-0845	2	PIN-COTTER
15	CH095-9230	1	PIN-SPRING
16	186-0991	1	TUBE
17	CH5D-8159	1	PIN ASY.
18	400287X1	2	WASHER-HARD (11X21X2.5MM THK)

[A] PART OF 157-1714; 157-1719;
170-2285 HITCH GP 3-POINT

00881799
PR: t05f07j07b0440

MT700 SERIES TRACK TRACTORS
DRAWBAR, THREE POINT HITCH AND PTO

LINK GP-UPPER - 197-5030
37MM DIAMETER PIN



MT700 SERIESTRACKTRACTORS
DRAWBAR, THREE POINT HITCH AND PTO

985

LINK GP-UPPER - 197-5030
37MM DIAMETER PIN

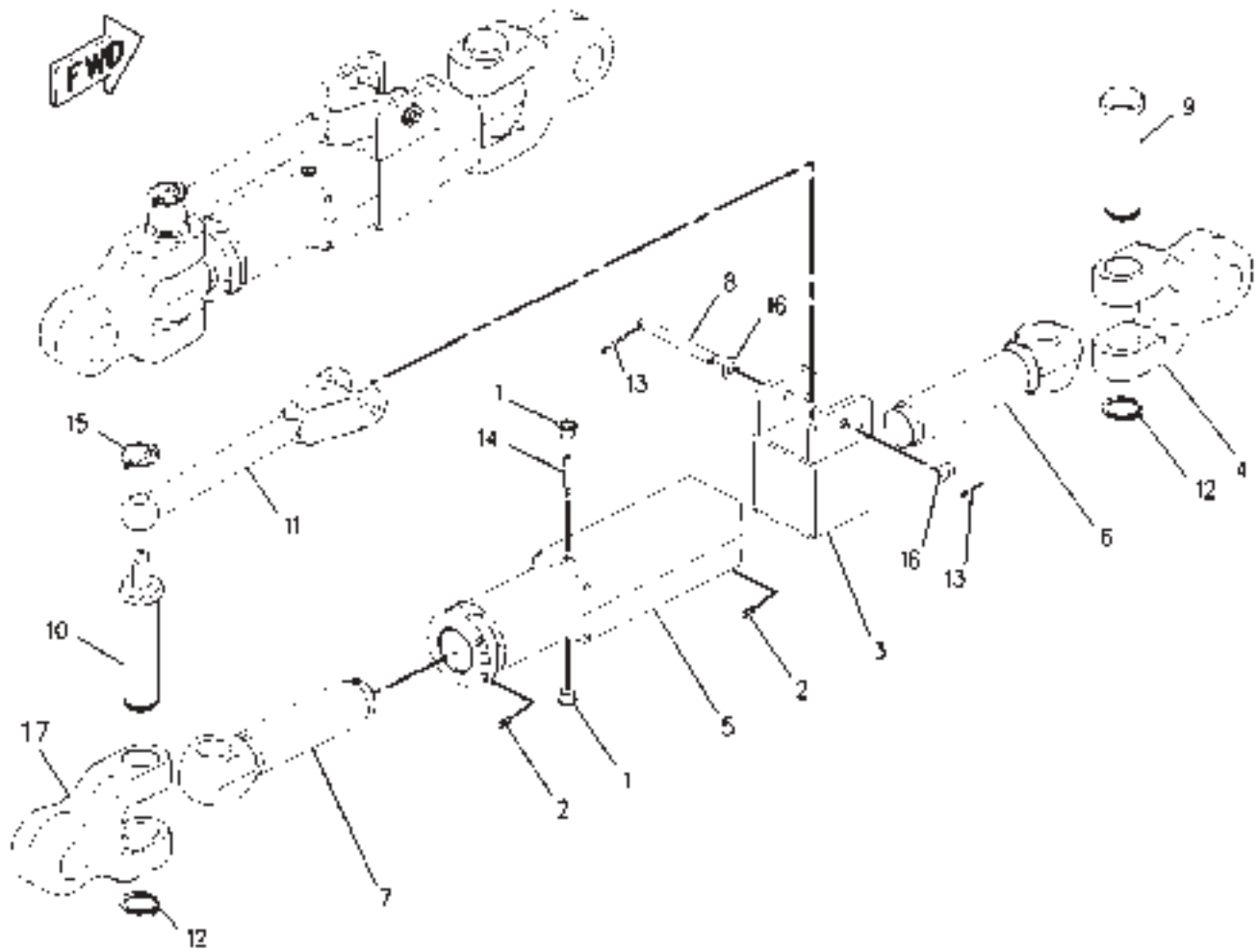
ITEM	NUMBER	QTY	DESCRIPTION
-	197-5030	--	LINK GP-UPPER [A]
1	CH0T-0200	2	PLUG-CUP
2	CH6V-1506	2	FITTING-GREASE
3	184-5063	1	FRAME ASY.
4	186-0983	2	PIVOT
5	186-0988	1	TUBE
6	186-1019	1	ROD END
7	186-1020	1	ROD END
8	CH186-1069	1	PIN
9	CH186-1080	1	PIN
10	CH186-1081	1	PIN
11	189-3296	1	HANDLE
12	400290X1	2	RING-RETAINING
13	CH095-0845	2	PIN-COTTER
14	CH095-9230	1	PIN-SPRING
15	CH5D-8159	1	PIN AS
16	400287X1	2	WASHER-HARD (11X21X2.5MM THK)

[A] PART OF 157-1714; 157-1719
HITCH GP-3 POINT

00878617
PR: t05f07j07b0441

MT700 SERIES TRACK TRACTORS
DRAWBAR, THREE POINT HITCH AND PTO

LINK GP-UPPER - 197-5032
32MM DIAMETER PIN
EAME ONLY



1975032A

MT700 SERIESTRACKTRACTORS
DRAWBAR, THREE POINT HITCH AND PTO

987

LINK GP-UPPER - 197-5032
32MM DIAMETER PIN
EAME ONLY

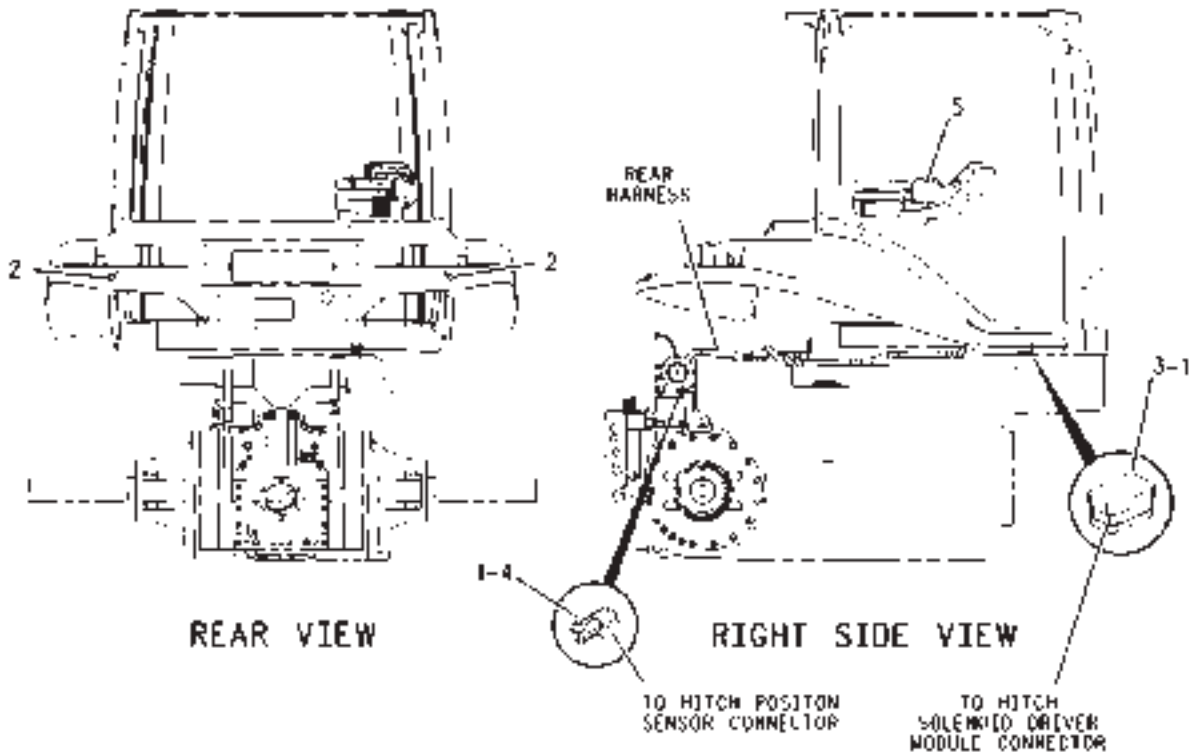
ITEM	NUMBER	QTY	DESCRIPTION
-	197-5032	--	LINK GP-UPPER [A]
1	CH0T-0200	2	PLUG-CUP
2	CH6V-1506	2	FITTING-GREASE
3	184-5063	1	FRAME AS
4	186-0983	1	PIVOT
5	186-0991	1	TUBE
6	186-1019	1	ROD END
7	186-1020	1	ROD END
8	CH186-1069	1	PIN
9	CH186-1080	1	PIN
10	CH186-1081	1	PIN
11	189-3296	1	HANDLE
12	400290X1	2	RING-RETAINING
13	CH095-0845	2	PIN-COTTER
14	CH095-9230	1	PIN-SPRING
15	CH5D-8159	1	PIN AS
16	400287X1	2	WASHER-HARD (11X21X2.5MM THK)
17	186-0982	1	PIVOT

[A] PART OF 170-2285 HITCH GP-3 POINT

1975032A
PR: t05f07j07b0442

MT700 SERIES TRACK TRACTORS
DRAWBAR, THREE POINT HITCH AND PTO

PLUG GP-HITCH - 173-6500
DRAWBAR HITCH APPLICATIONS
ROW ONLY



MT700 SERIESTRACKTRACTORS
DRAWBAR, THREE POINT HITCH AND PTO

989

PLUG GP-HITCH - 173-6500
DRAWBAR HITCH APPLICATIONS
ROW ONLY

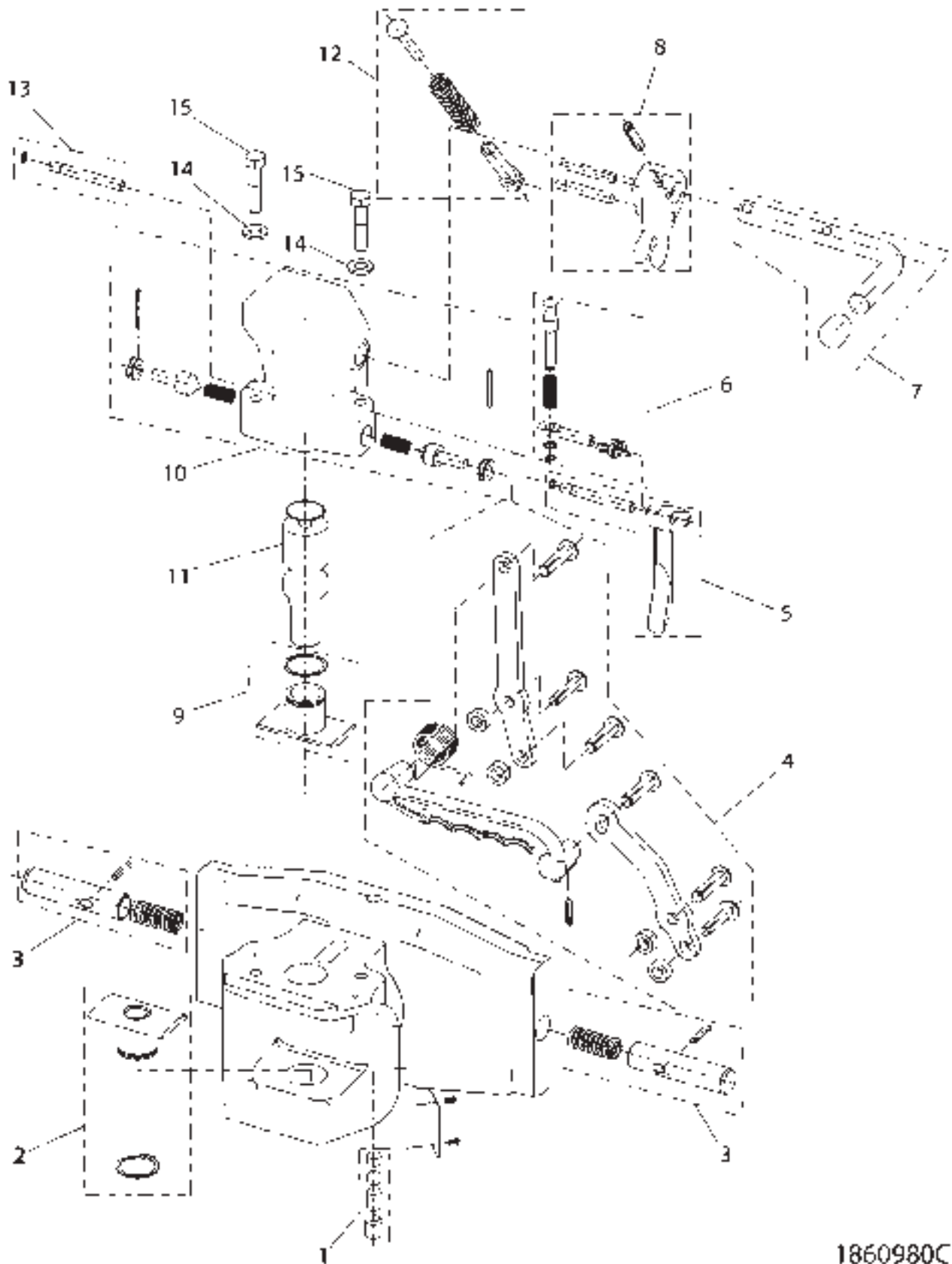
ITEM	NUMBER	QTY	DESCRIPTION
-	173-6500	--	PLUG GP-HITCH [A] (NOT SERVICED)
1	400472X1	73	PLUG (GROMMET SEALING)
2	CH109-2356	2	PLUG
3	CH133-8753	1	RECEPTACLE ASY. (70 PIN)
4	400709X1	1	KIT-RECEPTACLE (3 PIN)
	400717X1		WEDGE
5	CH214-1071	1	PLUG

[A] PART OF 170-2287 HITCH AR

00897044
PR: t05f07j07b0443

MT700 SERIES TRACK TRACTORS
DRAWBAR, THREE POINT HITCH AND PTO

HOOK GP-TOW (REAR) - 186-0980
EAME ONLY



MT700 SERIESTRACKTRACTORS
DRAWBAR, THREE POINT HITCH AND PTO

991

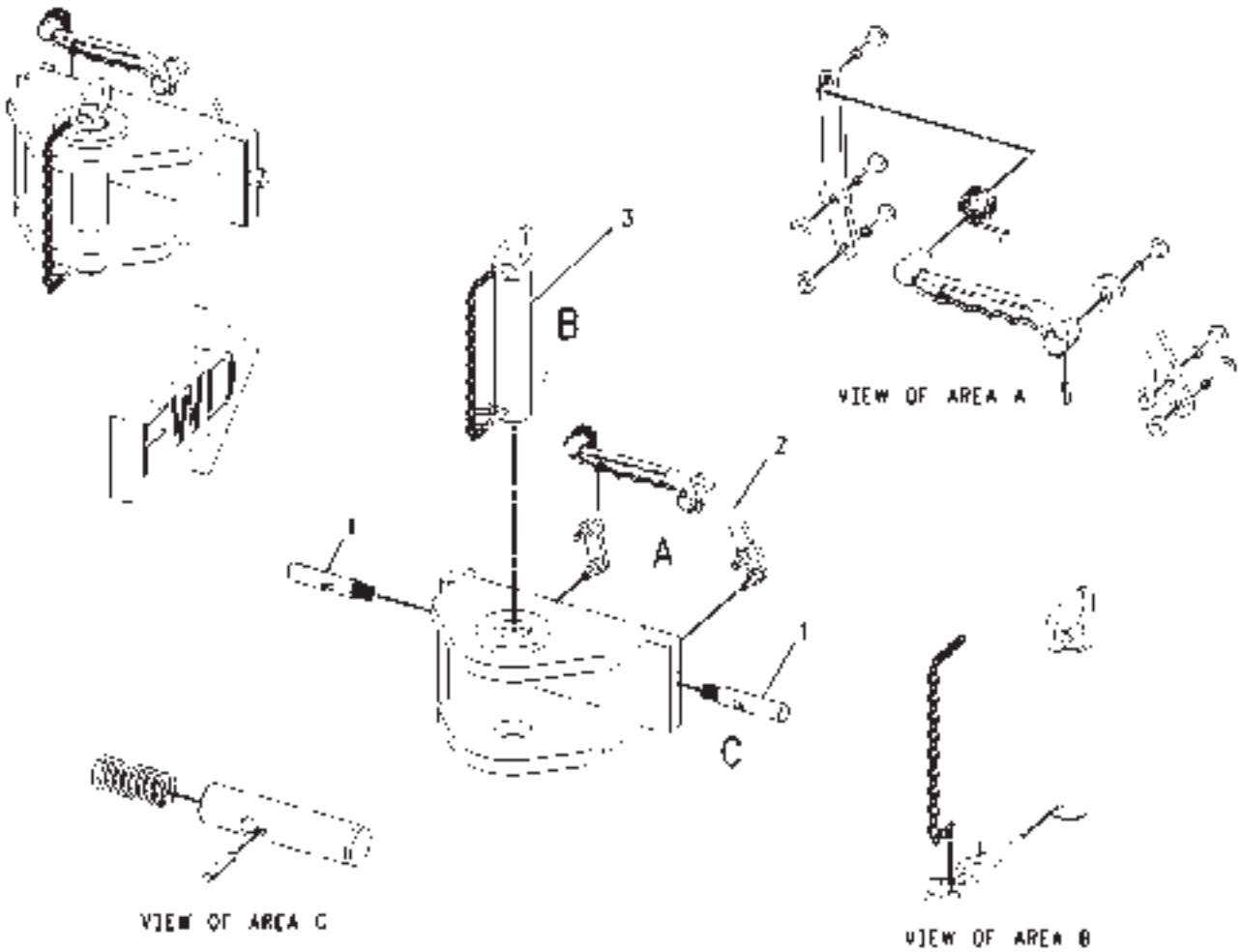
HOOK GP-TOW (REAR) - 186-0980
EAME ONLY

ITEM	NUMBER	QTY	DESCRIPTION
-	186-0980	--	HOOK GP-TOW (REAR)
1	194-4426	1	STOP KIT
2	194-4427	1	PLATE KIT-WEAR
3	194-4428	2	PIN KIT - LOCKING
4	194-4429	1	HANDLE KIT - LATCH
5	194-4430	1	TRIGGER KIT - PIN
6	194-4431	1	TRIGGER KIT - LINKAGE
7	194-4432	1	LEVER KIT-HANDLE
8	194-4433	1	ARM KIT-ROCKER
9	194-4434	1	SLEEVE KIT
10	194-4435	1	HEAD KIT
11	194-4436	1	PIN-DOME
12	194-4437	1	BOLT KIT-BEARING
13	194-4438	1	PIN KIT
14	400287X1	2	WASHER-HARD 11IDX21ODX2.5 ZND1
15	400049X1	2	BOLT-M10X1.5X45 ZNDI HHD 10.9

1860980C
PR: t05f07j07b0444

MT700 SERIES TRACK TRACTORS
DRAWBAR, THREE POINT HITCH AND PTO

HITCH GP-TOW (REAR) - 202-7591
43MM DIA PIN
EAME ONLY (ITALIAN MARKET)



MT700 SERIE TRACKTRACTORS
DRAWBAR, THREE POINT HITCH AND PTO

993

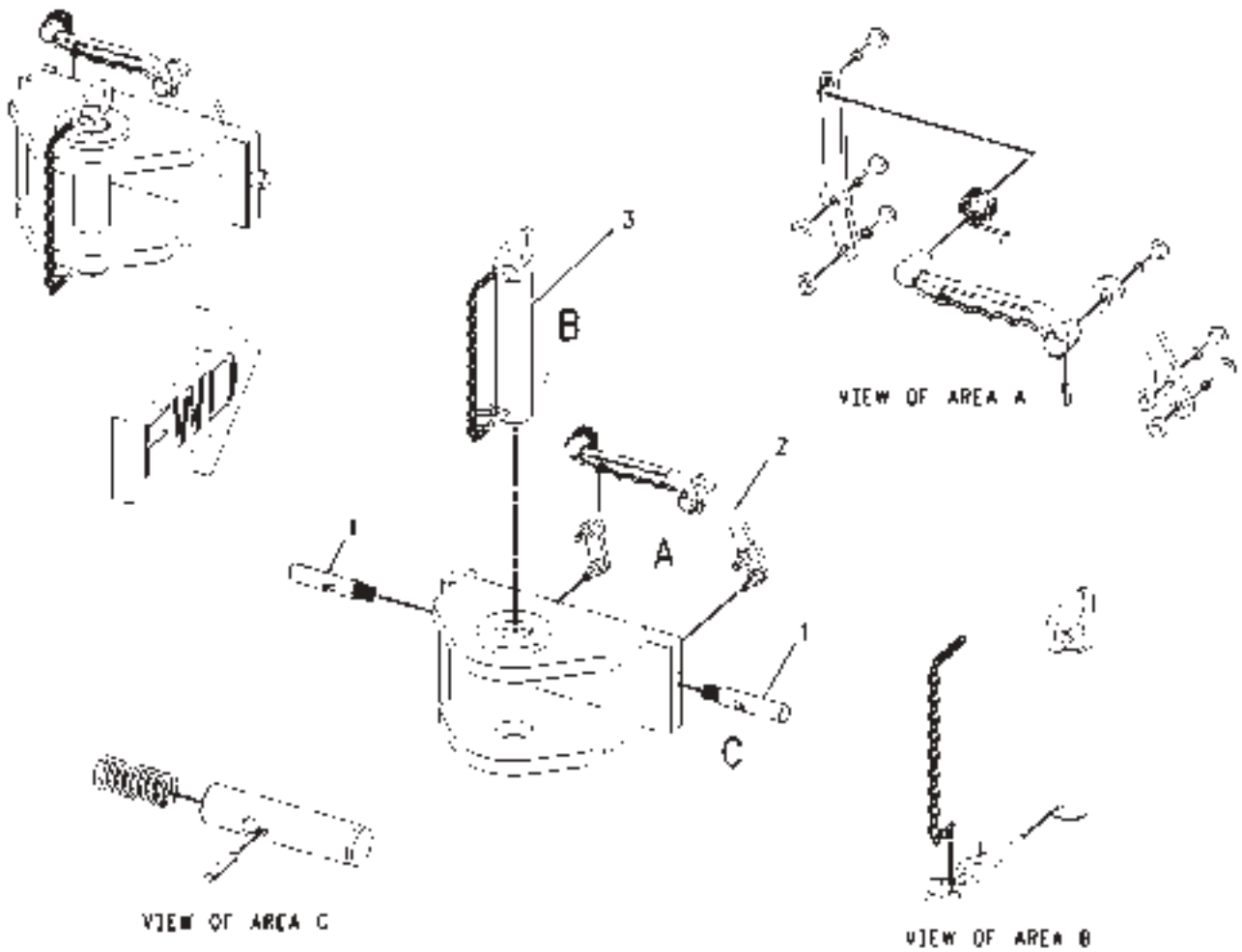
HITCH GP-TOW (REAR) - 202-7591
43MM DIA PIN
EAME ONLY (ITALIAN MARKET)

ITEM	NUMBER	QTY	DESCRIPTION
-	202-7591	--	HITCH GP-TOWING (NOT SERVICED)
1	194-4428	2	KIT-LOCK PIN (INCLUDES 2 PINS, 2 SPRINGS AND 2 PIN-SPRINGS)
2	194-4429	1	KIT-LINKAGE (INCLUDES HANDLE, LEVER, LINKAGE, 6 PINS, SLEEVE, SPACER AND SPRING)
3	202-7601	1	PIN AS (INCLUDES PIN AS, LOCK PIN AND CHAIN)

00895198
PR: t05f07j07b0445

MT700 SERIES TRACK TRACTORS
DRAWBAR, THREE POINT HITCH AND PTO

HITCH GP-TOW (REAR) - 202-7592
50MM DIAMETER PIN
EAME ONLY (ITALIAN MARKET)



MT700 SERIE TRACKTRACTORS
DRAWBAR, THREE POINT HITCH AND PTO

995

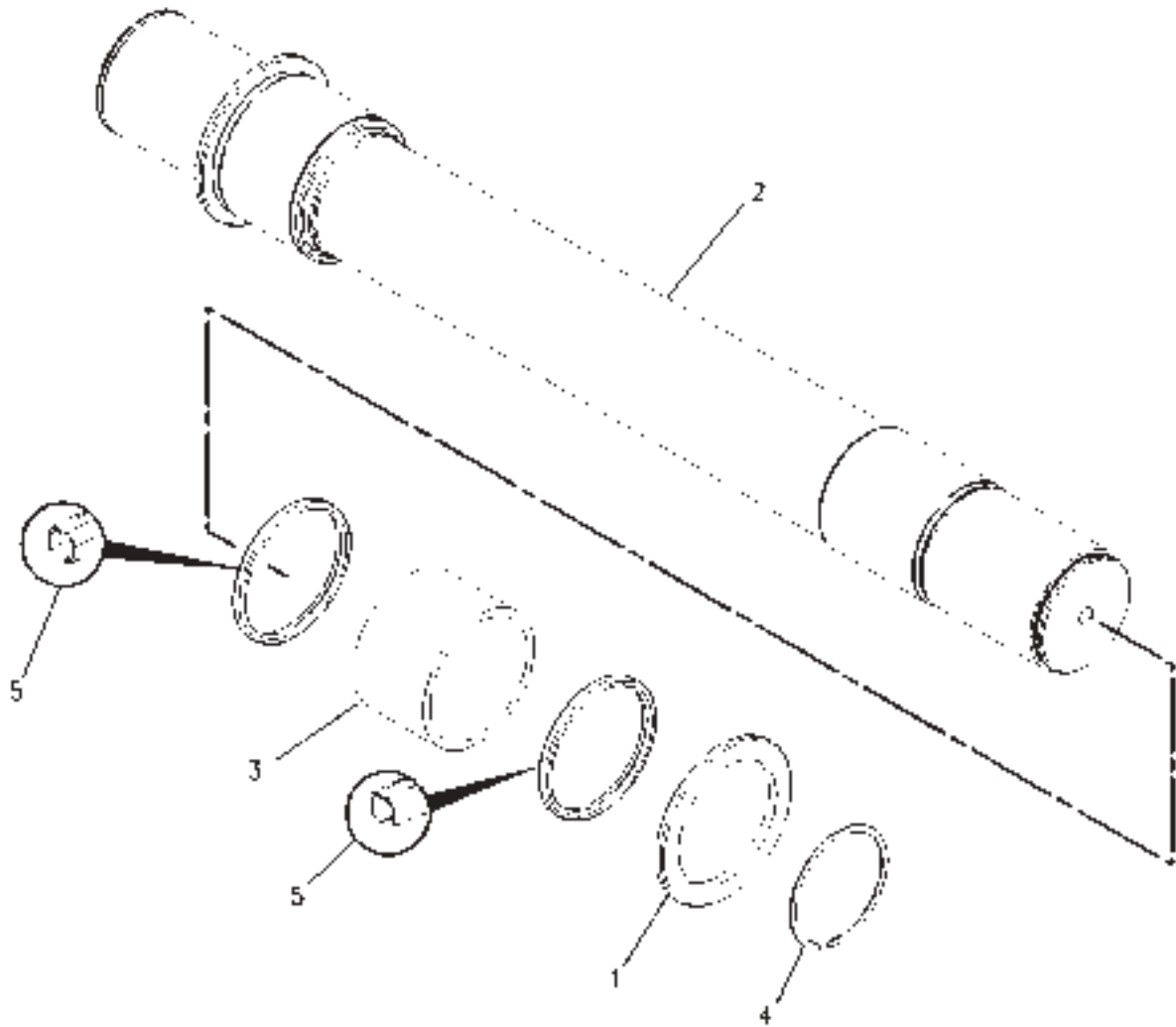
HITCH GP-TOW (REAR) - 202-7592
50MM DIAMETER PIN
EAME ONLY (ITALIAN MARKET)

ITEM	NUMBER	QTY	DESCRIPTION
-	202-7592	--	HITCH GP-TOWING (NOT SERVICED)
1	194-4428	2	KIT-LOCK PIN (INCLUDES 2 PINS, 2 SPRINGS AND 2 PIN-SPRINGS)
2	194-4429	1	KIT-LINKAGE (INCLUDES HANDLE, LEVER, LINKAGE, 6 PINS, SLEEVE, SPACER AND SPRING)
3	202-7602	1	PIN AS (INCLUDES PIN AS, LOCK PIN AND CHAIN)

00895198
PR: t05f07j07b0446

MT700 SERIES TRACK TRACTORS
DRAWBAR, THREE POINT HITCH AND PTO

SHAFT GP-SPLINED - 169-0077



MT700 SERIES TRACK TRACTORS
DRAWBAR, THREE POINT HITCH AND PTO

997

SHAFT GP-SPLINED - 169-0077

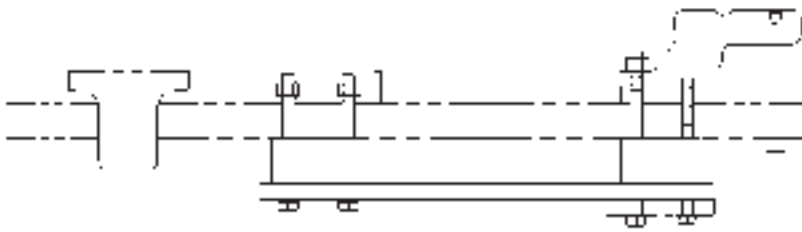
ITEM	NUMBER	QTY	DESCRIPTION
-	169-0077	--	SHAFT GP-SPLINED [A] (NOT SERVICED)
1	CH6K-9070	2	WASHER-THRUST
2	169-0078	1	SHAFT-SPLINED (3 POINT HITCH)
3	CH170-2320	2	BEARING
4	400097X1	2	RING-RETAINING
5	CH7K-9211	4	SEAL-LIP

[A] PART OF 157-1714; 157-1719;
170-2285 HITCH GP 3 POINT

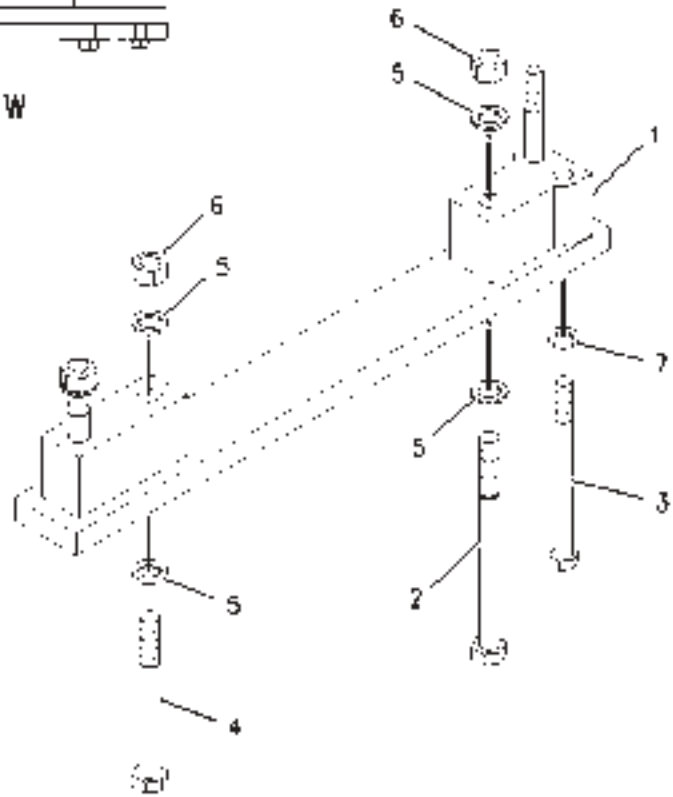
00866926
PR: t05f07j07b0447

MT700 SERIES TRACK TRACTORS
DRAWBAR, THREE POINT HITCH AND PTO

KIT-SUPPORT BRACE-DRAWBAR - 184-5059
ROW ONLY



LEFT SIDE VIEW



MT700 SERIESTRACKTRACTORS
DRAWBAR, THREE POINT HITCH AND PTO

999

KIT-SUPPORT BRACE-DRAWBAR - 184-5059
ROW ONLY

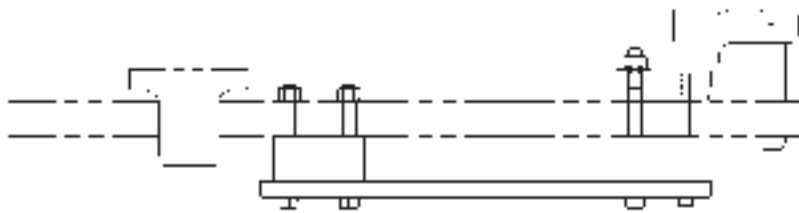
ITEM	NUMBER	QTY	DESCRIPTION
-	184-5059	--	SUPPORT GP-DRAWBAR
1	184-5056	1	SUPPORT ASY.
2	125-3297	1	BOLT-HEX HEAD (M20X2.5X260MM)
3	CH7X-2560	2	BOLT (M16X2X220MM)
4	400034X1	2	BOLT (M20X2.5X200MM)
5	400080X1	6	WASHER-PLATED (22X35X3.5MM THK)
6	400286X1	3	NUT (M20X2.5 THD)
7	400082X1	2	WASHER (17.5X30X3.5MM THK)

00819667
PR: t05f07j07b0448

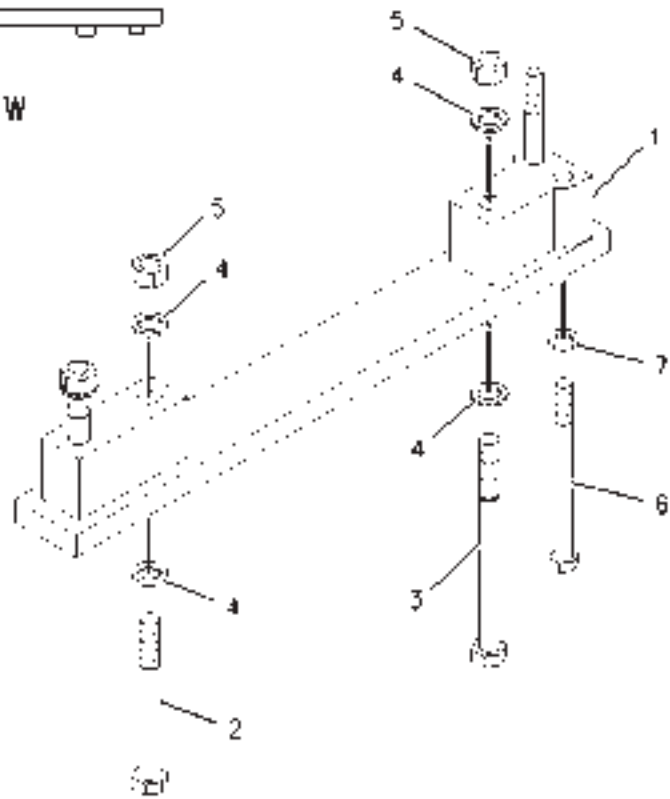
1000

MT700 SERIES TRACK TRACTORS
DRAWBAR, THREE POINT HITCH AND PTO

KIT-SUPPORT BRACE-DRAWBAR - 200-8769
EAME ONLY



LEFT SIDE VIEW



00819613

MT700 SERIESTRACKTRACTORS
DRAWBAR, THREE POINT HITCH AND PTO

1001

KIT-SUPPORT BRACE-DRAWBAR - 200-8769
EAME ONLY

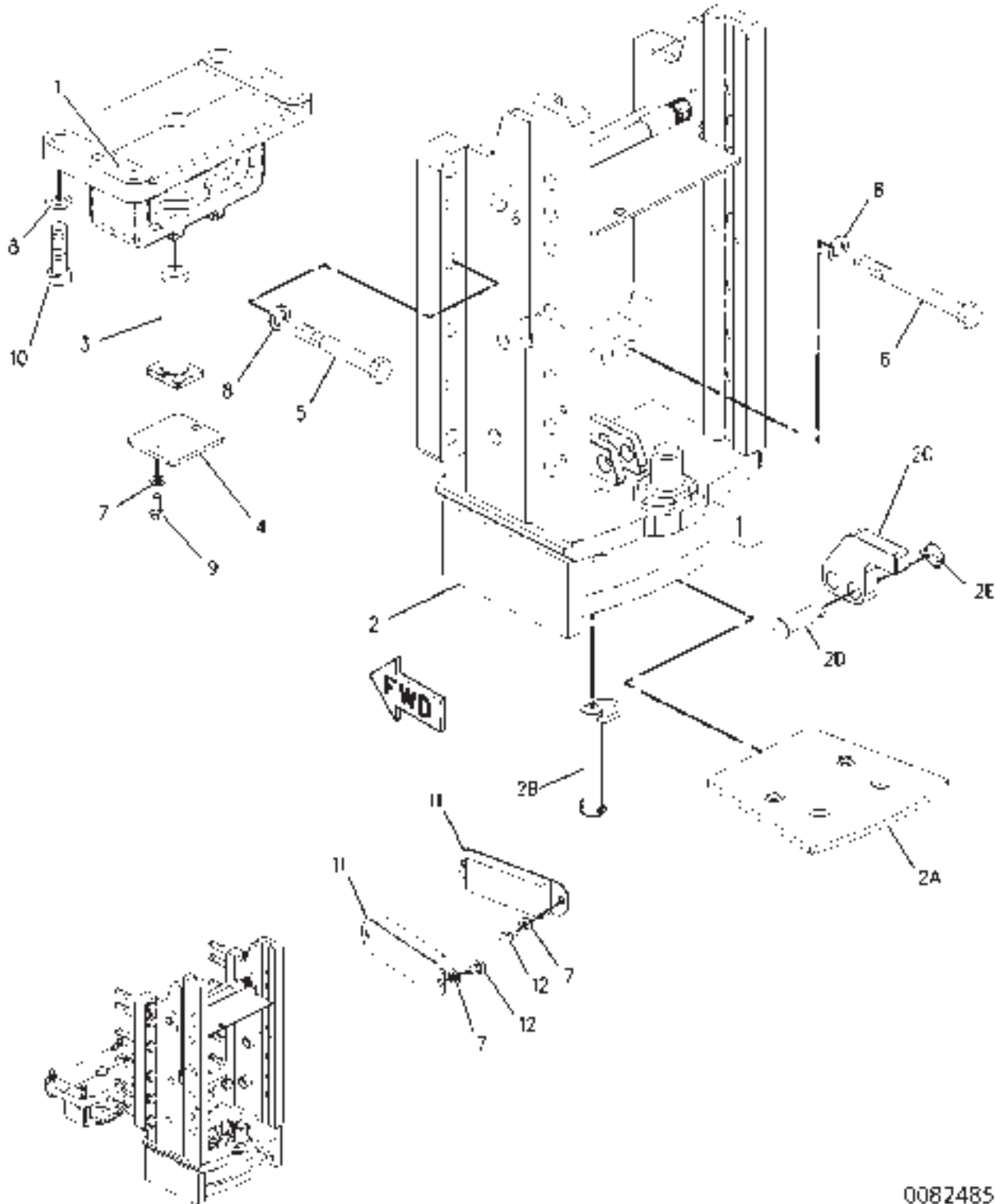
ITEM	NUMBER	QTY	DESCRIPTION
-	200-8769	--	SUPPORT GP-DRAWBAR [A]
1	184-5056	1	SUPPORT AS
2	400034X1	2	BOLT (M20X2.5X200MM)
3	400195X1	1	BOLT (M20X2.5X240MM)
4	400080X1	6	WASHER-PLATED (22X35X3.5MM THK)
5	400286X1	3	NUT (M20X2.5 THD)
6	400237X1	2	BOLT (M16X2X200MM)
7	400082X1	2	WASHER (17.5X30X3.5MM THK)

00819613
PR: t05f07j07b0449

1002

MT700 SERIES TRACK TRACTORS
DRAWBAR, THREE POINT HITCH AND PTO

SUPPORT AR-WITH PITON - 186-0986
EAME ONLY



00824851

MT700 SERIES TRACK TRACTORS
DRAWBAR, THREE POINT HITCH AND PTO

1003

SUPPORT AR-WITH PITON - 186-0986
EAME ONLY

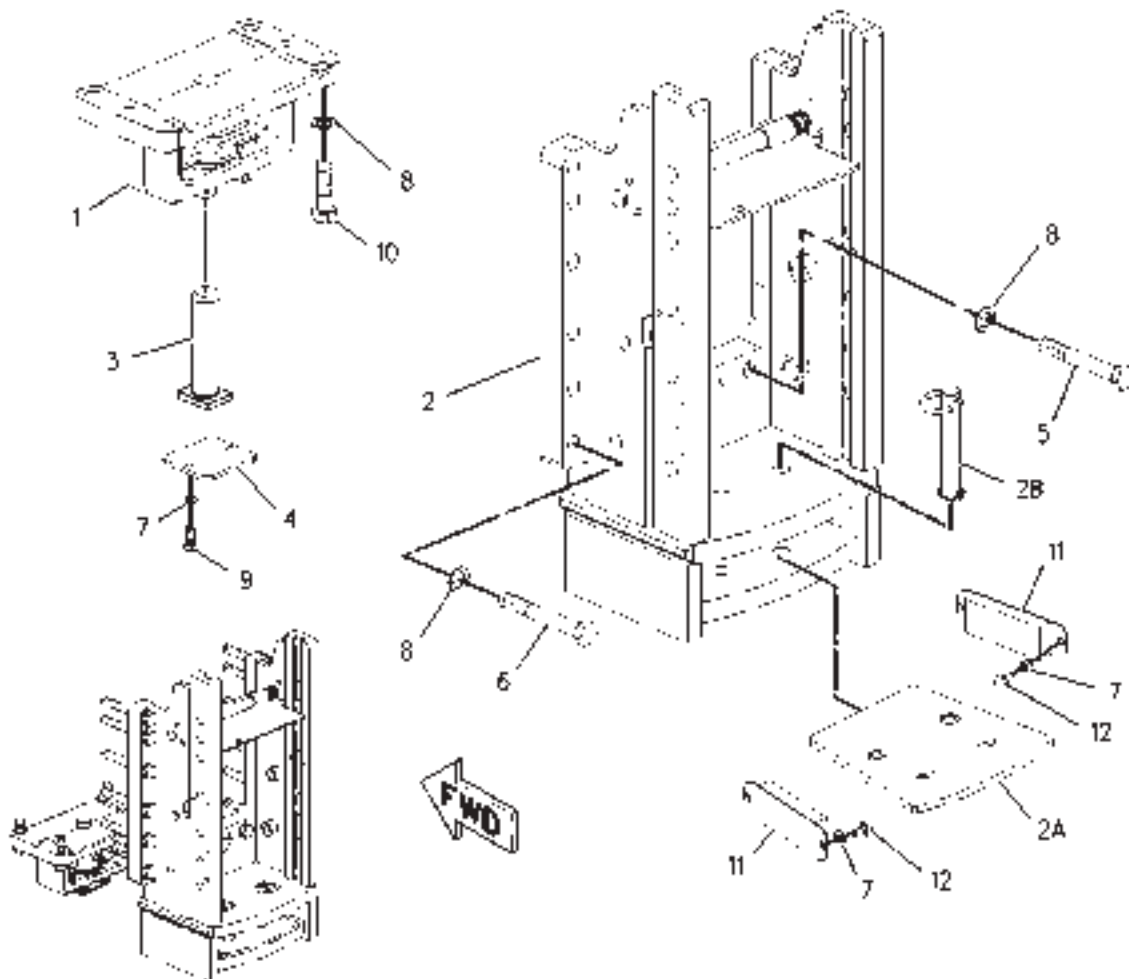
ITEM	NUMBER	QTY	DESCRIPTION
-	186-0986	--	SUPPORT AR-WITH PITON
1	169-0034	1	PIVOT-DRAWBAR
2	186-1003	1	SUPPORT GP (INCL ITEMS 2A-2E)
2A	186-1012	1	PLATE AS-WEAR
2B	CH186-1013	2	PIN AS-TOWHOOK CAGE
2C	CH186-1021	1	LATCH-PITON
2D	CH186-1083	2	PIN (21X70)
2E	CH5D-8159	2	PIN AS-LINCH (.188DIA)
3	CH201-6700	1	PIN-DRAWBAR
4	201-6701	1	PLATE
5	400269X1	14	BOLT (M20X2.5X150MM)
6	400034X1	2	BOLT (M20X2.5X200MM)
7	400287X1	6	WASHER-HARD (11X21X2.5MM THK)
8	400080X1	20	WASHER-PLATED (22X35X3.5MM THK)
9	400039X1	2	BOLT (M10X1.5X25MM)
10	400122X1	4	BOLT (M20X2.5X70MM)
11	CH200-8749	2	STOP AS
12	400054X1	4	BOLT (M10X1.5X16MM)
13	400090X1	2	PLUG

00824851
PR: t05f07j07b0450

1004

MT700 SERIES TRACK TRACTORS
DRAWBAR, THREE POINT HITCH AND PTO

SUPPORT AR-WITHOUT PITON - 186-0987
EAME ONLY



00847737

MT700 SERIES TRACK TRACTORS
DRAWBAR, THREE POINT HITCH AND PTO

1005

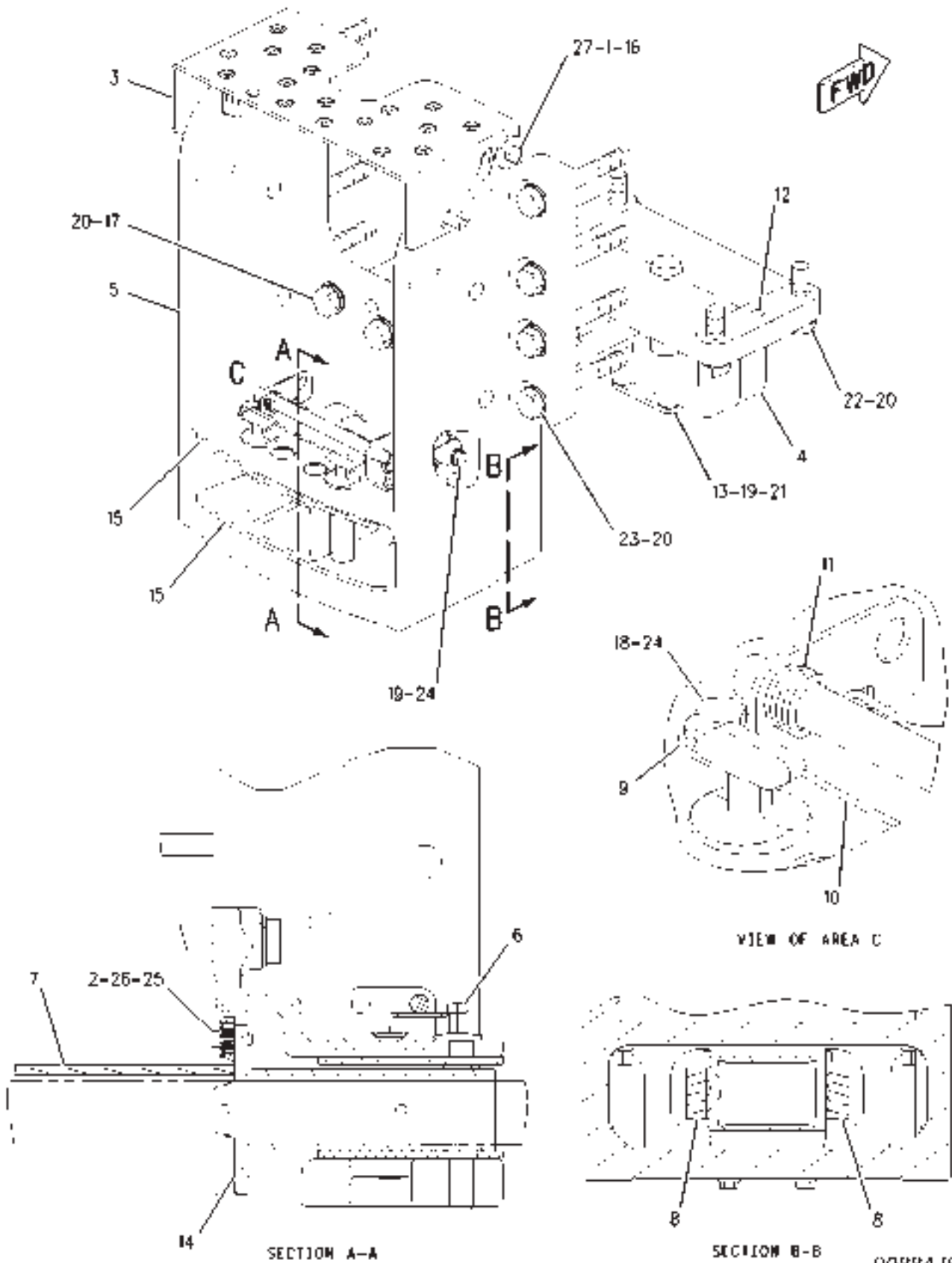
SUPPORT AR-WITHOUT PITON - 186-0987
EAME ONLY

ITEM	NUMBER	QTY	DESCRIPTION
-	186-0987	--	SUPPORT AR-WITHOUT PITON
1	169-0034	1	PIVOT-DRAWBAR
2	186-1010	1	SUPPORT GP (INCL ITEMS 2A-2B)
2A	186-1012	1	PLATE AS-WEAR
2B	CH186-1013	2	PIN AS
3	CH201-6700	1	PIN-DRAWBAR
4	201-6701	1	PLATE
5	400269X1	14	BOLT (M20X2.5X150MM)
6	400034X1	2	BOLT (M20X2.5X200MM)
7	400287X1	6	WASHER-HARD (11X21X2.5MM THK)
8	400080X1	20	WASHER-PLATED (22X35X3.5MM THK)
9	400039X1	2	BOLT (M10X1.5X25MM)
10	400122X1	4	BOLT (M20X2.5X70MM)
11	CH200-8749	2	STOP AS
12	400054X1	4	BOLT (M10X1.5X16MM)
13	CH193-5917	2	PLUG

00847737
PR: t05f07j07b0451

MT700 SERIES TRACK TRACTORS
DRAWBAR, THREE POINT HITCH AND PTO

SUPPORT AR-DRAWBAR (UK) - 200-0006
EAME ONLY



MT700 SERIES TRACK TRACTORS
DRAWBAR, THREE POINT HITCH AND PTO

1007

SUPPORT AR-DRAWBAR (UK) - 200-0006
EAME ONLY

ITEM	NUMBER	QTY	DESCRIPTION
-	200-0006	--	SUPPORT AR-DRAWBAR
1	CH6L-1698	2	SPACER (13.87X21.34X12.7MM THK)
2	CH114-5785	2	SPACER (10.5X19X11.5MM THK)
3	156-1334	1	GUARD AS-PTO (INCL PIN)
	CH4H-8380		PIN-SPRING (4.76DIA X 19.05 SST)
4	169-0034	1	PIVOT-DRAWBAR
5	169-0076	1	SUPPORT
6	CH190-2585	2	PIN
7	200-8706	1	BRACKET AS
8	CH200-8749	2	STOP AS
9	200-8757	2	BRACKET
10	200-8758	1	LATCH AS
11	CH200-8771	1	SPRING
12	CH201-6700	1	PIN-DRAWBAR
13	201-6701	1	PLATE
14	201-8343	1	SUPPORT AS
15	170-2274	2	PLATE AS-WEAR
16	CH7X-0618	2	WASHER-HARD (13.5X40X5MM THK)
17	400034X1	2	BOLT (M20X2.5X200MM)
18	CH7X-7729	6	WASHER (11X25X3MM THK)
19	400287X1	6	WASHER-HARD (11X21X2.5MM THK)
20	400080X1	16	WASHER-PLATED (22X35X3.5MM THK)
21	400040X1	2	BOLT (M10X1.5X20MM)
22	400122X1	4	BOLT (M20X2.5X70MM)
23	400043X1	10	BOLT (M20X2.5X150MM)
24	400054X1	10	BOLT (M10X1.5X16MM)
25	400058X1	2	BOLT (M10X1.5X30MM)
26	CH8T-4222	2	WASHER-PLATED (11X32X2.5MM THK)
27	400064X1	2	BOLT (M12X1.75X35MM)
28	400090X1	2	PLUG-PROTECTIVE (M20)

00884795
PR: t05f07j07b0452

1008

MT700 SERIESTRACKTRACTORS
OPERATOR STATION

CAB AR-BASIC - 500846D1
ROW ONLY

NO ILLUSTRATION

NOTIF

**MT700 SERIES TRACK TRACTORS
OPERATOR STATION**

1009

**CAB AR-BASIC - 500846D1
ROW ONLY**

ITEM	NUMBER	QTY	DESCRIPTION
-	500846D1	--	CAB AR-BASIC (NOT SERVICED)
1	151-9986	1	CONDITIONER GP-MOUNTING (NOT SERVICED) (S/N: PRIOR TO AKN5;ALA5;ALM5;AMS5) (SEE BREAKDOWN FOR COMPONENTS)
1	502502D1	1	CONDITIONER GP-MOUNTING (NOT SERVICED) (S/N: EFF AKN5;ALA5;ALM5;AMS5) (SEE BREAKDOWN FOR COMPONENTS)
2	152-0001	1	CAB GP-BASIC (NOT SERVICED) (SEE BREAKDOWN FOR COMPONENTS)
3	152-0417	1	ROOF GP - CAB (NOT SERVICED) (SEE BREAKDOWN FOR COMPONENTS)
4	152-0418	1	LINER GP-OPERATOR (NOT SERVICED) (SEE BREAKDOWN FOR COMPONENTS)
5	152-0420	1	WIRING GP (NOT SERVICED) (SEE BREAKDOWN FOR COMPONENTS)
6	500768D1	1	CONSOLE GP (NOT SERVICED) (SEE BREAKDOWN FOR COMPONENTS)
7	152-0433	1	SEAT GP-TRAINING (NOT SERVICED) (SEE BREAKDOWN FOR COMPONENTS)
8	500839D1	1	CONSOLE GP-MTG & (NOT SERVICED) (SEE BREAKDOWN FOR COMPONENTS)
9	152-0438	1	CONT GP - BRAKE & CLUTCH (SEE BREAKDOWN FOR COMPONENTS)
10	152-0450	1	TRIM GP (NOT SERVICED) (SEE BREAKDOWN FOR COMPONENTS)
11	166-1211	1	WIRING GP-ARMREST (NOT SERVICED) (SEE BREAKDOWN FOR COMPONENTS)
12	168-1951	1	ANTENNA GP-RADIO (NOT SERVICED) (SEE BREAKDOWN FOR COMPONENTS)
13	208-2879	1	LINES GP-HEATER (NOT SERVICED) (SEE BREAKDOWN FOR COMPONENTS)

NOTIF
PR: t05f07j07b0453

1010

MT700 SERIESTRACKTRACTORS
OPERATOR STATION

CAB AR-BASIC - 500847D1
EAME ONLY

NO ILLUSTRATION

NOTIF

**MT700 SERIES TRACK TRACTORS
OPERATOR STATION**

1011

**CAB AR-BASIC - 500847D1
EAME ONLY**

ITEM	NUMBER	QTY	DESCRIPTION
-	500847D1	--	CAB AR-BASIC
1	151-9986	1	CONDITIONER GP-MOUNTING (NOT SERVICED) (S/N: PRIOR TO AKN5;ALA5;ALM5;AMS5) (SEE BREAKDOWN FOR COMPONENTS)
1	502502D1	1	CONDITIONER GP-MOUNTING (NOT SERVICED) (S/N: EFF AKN5;ALA5;ALM5;AMS5) (SEE BREAKDOWN FOR COMPONENTS)
2	152-0002	1	CAB GP (NOT SERVICED) (SEE BREAKDOWN FOR COMPONENTS)
3	152-0005	1	WIRING GP-CAB (NOT SERVICED) (SEE BREAKDOWN FOR COMPONENTS)
4	152-0418	1	LINER GP-OPERATOR (NOT SERVICED) (SEE BREAKDOWN FOR COMPONENTS)
5	152-0419	1	SPEAKER GP-RADIO (NOT SERVICED) (SEE BREAKDOWN FOR COMPONENTS)
6	152-0424	1	VISOR GP -CAB (NOT SERVICED) (SEE BREAKDOWN FOR COMPONENTS)
7	152-0425	1	WIPER GP (NOT SERVICED) (SEE BREAKDOWN FOR COMPONENTS)
8	500768D1	1	CONSOLE GP (NOT SERVICED) (SEE BREAKDOWN FOR COMPONENTS)
9	152-0433	1	SEAT GP-TRAINING (NOT SERVICED) (SEE BREAKDOWN FOR COMPONENTS)
10	500839D1	1	CONSOLE GP-MTG & (NOT SERVICED) (SEE BREAKDOWN FOR COMPONENTS)
11	152-0438	1	CONT GP - BRAKE & CLUTCH (NOT SERVICED) (SEE BREAKDOWN FOR COMPONENTS)
12	152-0444	1	ROOF GP - CAB (NOT SERVICED) (SEE BREAKDOWN FOR COMPONENTS)
13	152-0447	1	CONTROL GP-DECELERATOR (NOT SERVICED) (SEE BREAKDOWN FOR COMPONENTS)
14	152-0450	1	TRIM GP (NOT SERVICED) (SEE BREAKDOWN FOR COMPONENTS)
15	162-4101	1	LIGHTING GP-WARNING (NOT SERVICED) (SEE BREAKDOWN FOR COMPONENTS)
16	166-1211	0	WIRING GP-ARMREST (NOT SERVICED) (SEE BREAKDOWN FOR COMPONENTS)
17	168-1946	1	WIRING GP-CONSOLE (NOT SERVICED) (SEE BREAKDOWN FOR COMPONENTS)
18	168-1951	1	ANTENNA GP-RADIO (NOT SERVICED) (SEE BREAKDOWN FOR COMPONENTS)
19	172-6857	1	CONTROL GP (NOT SERVICED) (SEE BREAKDOWN FOR COMPONENTS)
20	192-5590	1	MIRROR GP-ELECTRIC (NOT SERVICED) (SEE BREAKDOWN FOR COMPONENTS)
21	206-0588	1	MIRROR GP - STARTING (NOT SERVICED) (SEE BREAKDOWN FOR COMPONENTS)
22	208-2879	1	LINES GP-HEATER (NOT SERVICED) (SEE BREAKDOWN FOR COMPONENTS)
23	500761D1	1	COVER GP (NOT SERVICED) (SEE BREAKDOWN FOR COMPONENTS)

NOTIF
PR: t05f07j07b0454

1012

MT700 SERIESTRACKTRACTORS
OPERATOR STATION

CAB AR-DELUXE - 500845D1
ROW ONLY

NO ILLUSTRATION

NOTIF

**MT700 SERIES TRACK TRACTORS
OPERATOR STATION**

1013

**CAB AR-DELUXE - 500845D1
ROW ONLY**

ITEM	NUMBER	QTY	DESCRIPTION
-	500845D1	--	CAB AR-BASIC (NOT SERVICED)
1	152-0001	1	CAB GP-BASIC (NOT SERVICED) (SEE BREAKDOWN FOR COMPONENTS)
2	152-0417	1	ROOF GP - CAB (NOT SERVICED) (SEE BREAKDOWN FOR COMPONENTS)
3	152-0418	1	LINER GP-OPERATOR (NOT SERVICED) (SEE BREAKDOWN FOR COMPONENTS)
4	152-0419	1	SPEAKER GP-RADIO (NOT SERVICED) (SEE BREAKDOWN FOR COMPONENTS)
5	152-0420	1	WIRING GP (NOT SERVICED) (SEE BREAKDOWN FOR COMPONENTS)
6	152-0424	1	VISOR GP-CAB (NOT SERVICED) (SEE BREAKDOWN FOR COMPONENTS)
7	152-0425	1	WIPER GP (NOT SERVICED) (SEE BREAKDOWN FOR COMPONENTS)
8	500768D1	1	CONSOLE GP (NOT SERVICED) (SEE BREAKDOWN FOR COMPONENTS)
9	152-0433	1	SEAT GP-TRAINING (NOT SERVICED) (SEE BREAKDOWN FOR COMPONENTS)
10	500839D1	1	CONSOLE GP-MTG & (NOT SERVICED) (SEE BREAKDOWN FOR COMPONENTS)
11	152-0438	1	CONT GP - BRAKE & CLUTCH (NOT SERVICED) (SEE BREAKDOWN FOR COMPONENTS)
12	152-0450	1	TRIM GP (NOT SERVICED) (SEE BREAKDOWN FOR COMPONENTS)
13	162-4096	1	WIRING GP-SHUTOFF (NOT SERVICED) (SEE BREAKDOWN FOR COMPONENTS)
14	162-4097	1	WIRING GP-CONSOLE (NOT SERVICED) (SEE BREAKDOWN FOR COMPONENTS)
15	166-1211	1	WIRING GP-ARMREST (NOT SERVICED) (SEE BREAKDOWN FOR COMPONENTS)
16	166-4592	1	CONDITIONER GP-MOUNTING & (NOT SERVICED) (S/N: PRIOR TO AKN5;ALA5;ALM5;AMS5) (SEE BREAKDOWN FOR COMPONENTS)
16	502501D1	1	CONDITIONER GP-MOUNTING & (NOT SERVICED) (S/N: EFF AKN5;ALA5;ALM5;AMS5) (SEE BREAKDOWN FOR COMPONENTS)
17	167-2182	1	BATTERY GP (NOT SERVICED) (SEE BREAKDOWN FOR COMPONENTS)
18	168-1951	1	ANTENNA GP-RADIO (NOT SERVICED) (SEE BREAKDOWN FOR COMPONENTS)
19	173-6501	1	WIRING GP-SHUTOFF (NOT SERVICED) (SEE BREAKDOWN FOR COMPONENTS)
20	192-5590	1	MIRROR GP-ELECTRIC (NOT SERVICED) (SEE BREAKDOWN FOR COMPONENTS)
21	208-2882	1	LINES GP - HEATER (NOT SERVICED) (SEE BREAKDOWN FOR COMPONENTS)
22	210-1570	1	ANTENNA GP-RADIO (NOT SERVICED) (SEE BREAKDOWN FOR COMPONENTS)

NOTIF
PR: t05f07j07b0455

1014

MT700 SERIESTRACKTRACTORS
OPERATOR STATION

CAB AR-DELUXE - 500848D1
EAME ONLY

NO ILLUSTRATION

NOTIF

**MT700 SERIES TRACK TRACTORS
OPERATOR STATION**

1015

**CAB AR-DELUXE - 500848D1
EAME ONLY**

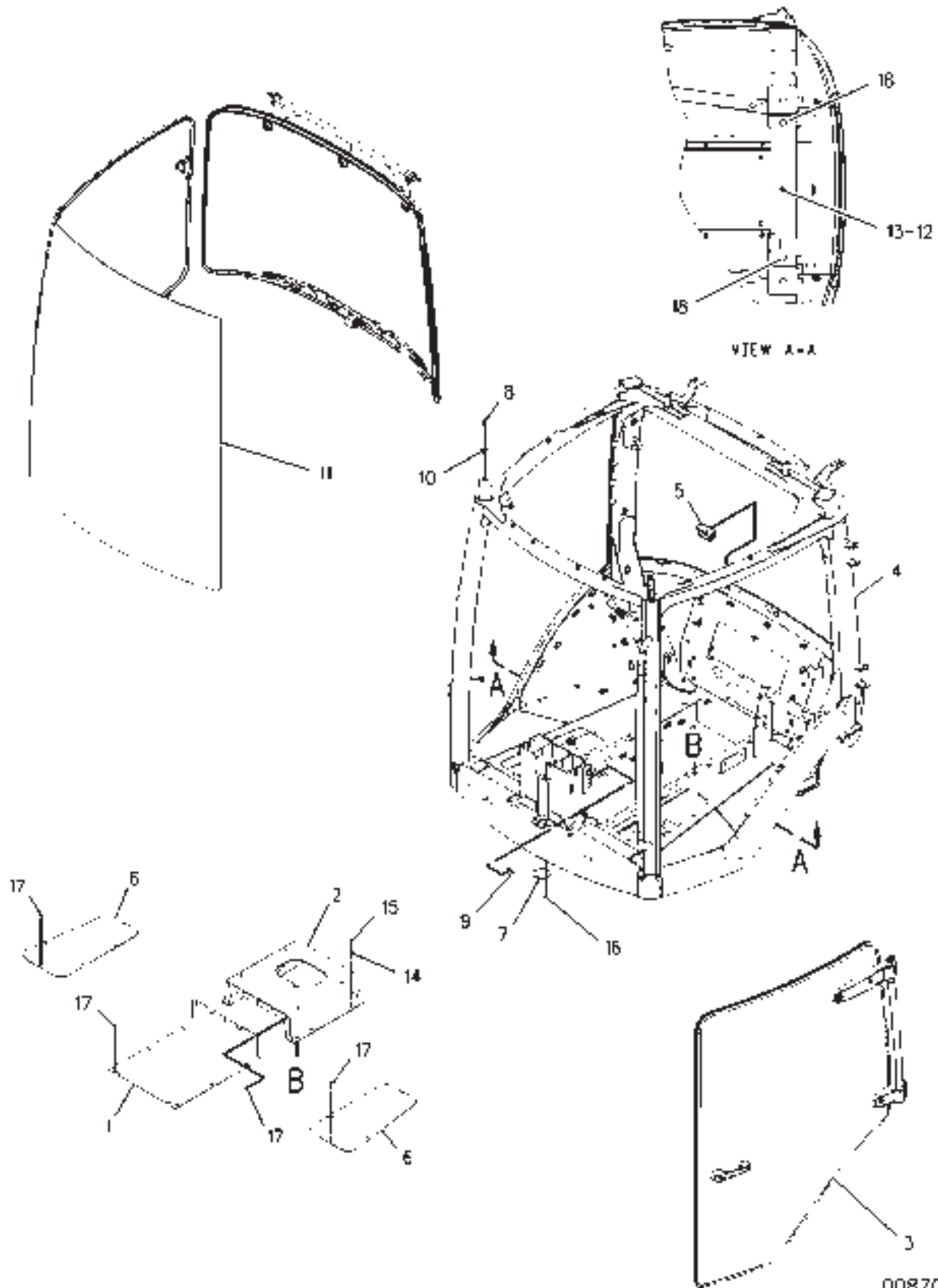
ITEM	NUMBER	QTY	DESCRIPTION
-	500848D1	--	CAB AR-DELUXE
1	152-0002	1	CAB GP (NOT SERVICED) (SEE BREAKDOWN FOR COMPONENTS)
2	152-0005	1	WIRING GP-CAB (NOT SERVICED) (SEE BREAKDOWN FOR COMPONENTS)
3	152-0418	1	LINER GP-OPERATOR (NOT SERVICED) (SEE BREAKDOWN FOR COMPONENTS)
4	152-0419	1	SPEAKER GP-RADIO (NOT SERVICED) (SEE BREAKDOWN FOR COMPONENTS)
5	152-0424	1	VISOR GP -CAB (NOT SERVICED) (SEE BREAKDOWN FOR COMPONENTS)
6	152-0425	1	WIPER GP (NOT SERVICED) (SEE BREAKDOWN FOR COMPONENTS)
7	500768D1	1	CONSOLE GP (NOT SERVICED) (SEE BREAKDOWN FOR COMPONENTS)
8	152-0433	1	SEAT GP-TRAINING (NOT SERVICED) (SEE BREAKDOWN FOR COMPONENTS)
9	500839D1	1	CONSOLE GP-MTG (NOT SERVICED) (SEE BREAKDOWN FOR COMPONENTS)
10	152-0438	1	CONT GP - BRAKE & CLUTCH (NOT SERVICED) (SEE BREAKDOWN FOR COMPONENTS)
11	152-0444	1	ROOF GP - CAB (NOT SERVICED) (SEE BREAKDOWN FOR COMPONENTS)
12	152-0447	1	CONTROL GP-DECELERATOR (NOT SERVICED) (SEE BREAKDOWN FOR COMPONENTS)
13	152-0450	1	TRIM GP (NOT SERVICED) (SEE BREAKDOWN FOR COMPONENTS)
14	162-4101	1	LIGHTING GP-WARNING (NOT SERVICED) (SEE BREAKDOWN FOR COMPONENTS)
15	166-1211	1	WIRING GP-ARMREST (NOT SERVICED) (SEE BREAKDOWN FOR COMPONENTS)
16	502501D1	1	CONDITIONER GP-MOUNTING (NOT SERVICED) (SEE BREAKDOWN FOR COMPONENTS)
17	168-1946	1	WIRING GP-CONSOLE (NOT SERVICED) (SEE BREAKDOWN FOR COMPONENTS)
18	168-1951	1	ANTENNA GP-RADIO (NOT SERVICED) (SEE BREAKDOWN FOR COMPONENTS)
19	172-6857	1	CONTROL GP (NOT SERVICED) (SEE BREAKDOWN FOR COMPONENTS)
20	173-6501	1	WIRING GP-SHUTOFF (NOT SERVICED) (SEE BREAKDOWN FOR COMPONENTS)
21	192-5590	1	MIRROR GP-ELECTRIC (NOT SERVICED) (SEE BREAKDOWN FOR COMPONENTS)
22	206-0588	1	MIRROR GP - STARTING (NOT SERVICED) (SEE BREAKDOWN FOR COMPONENTS)
23	208-2882	1	LINES GP - HEATER (NOT SERVICED) (SEE BREAKDOWN FOR COMPONENTS)
24	500761D1	1	COVER GP (NOT SERVICED) (SEE BREAKDOWN FOR COMPONENTS)

NOTIF
PR: t05f07j07b0456

1016

MT700 SERIES TRACK TRACTORS
OPERATOR STATION

CAB GP - 152-0001
ROW ONLY



**MT700 SERIES TRACK TRACTORS
OPERATOR STATION**

1017

**CAB GP - 152-0001
ROW ONLY**

ITEM	NUMBER	QTY	DESCRIPTION
-	152-0001	--	CAB GP
1	151-8559	1	PLATE
2	151-9961	1	PLATE AS
	400313X1	5	NUT-WELD (M6X1 THD)
	CH7T-1099	4	LINK
	CH8T-0276	4	BOLT (M8X1.25X45MM)
	CH8T-3490	4	NUT-WELD (M10X1.5 THD)
3	164-7068	1	DOOR GP-LH (NOT SERVICED) (S/N: PRIOR TO AKN40200; ALA40272; ALM50734; AMS41192) (FOR COMPLETE REPLACEMENT, ORD EFF) (SEE BREAKDOWN FOR COMPONENTS)
3	500927D1	1	DOOR GP-LH (NOT SERVICED) (S/N: EFF AKN40200; ALA40272; ALM50734; AMS41192) (SEE BREAKDOWN FOR COMPONENTS)
4	-----	1	FRAME AS (ORDER CAB GP)
5	164-7017	1	SEAL (REAR WIRING)
6	166-4558	2	COVER (FLOOR)
7	180-9966	1	COVER
8	CH187-4902	AR	INSERT
9			NOT USED IN THIS GP
10			NOT USED IN THIS GP
11	151-9994	1	WINDOW GP-CAB (NOT SERVICED) (SEE BREAKDOWN FOR COMPONENTS)
12	CH3E-4353	4	WASHER-HARD (11X25X3MM THK)
13	400190X1	1	BOLT (M12X1.75X16MM)
14	400287X1	6	WASHER-HARD (11X21X2.5MM THK)
15	400058X1	6	BOLT (M10X1.5X30MM)
16	400227X1	5	BOLT (M8X1.25X16MM)
17	CH9X-2042	21	SCREW-TRUSS HEAD (M6X1X12MM)
18	CH225-6215	4	PLUG

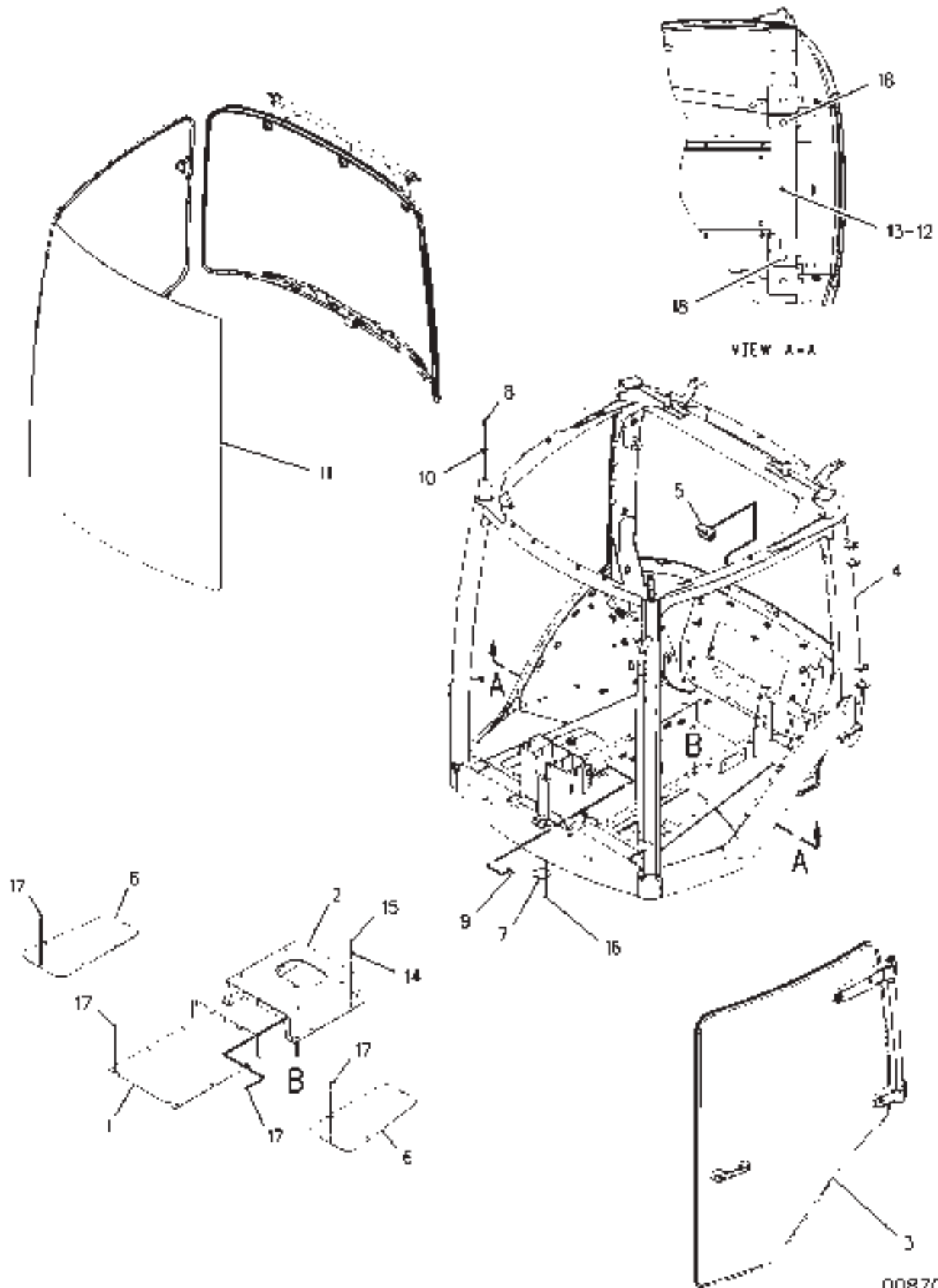
[A] PART OF 500845D1;500846D1 CAB AR

00870010
PR: t05f07j07b0457

1018

MT700 SERIES TRACK TRACTORS
OPERATOR STATION

CAB GP - 152-0002
EAME ONLY



**MT700 SERIES TRACK TRACTORS
OPERATOR STATION**

1019

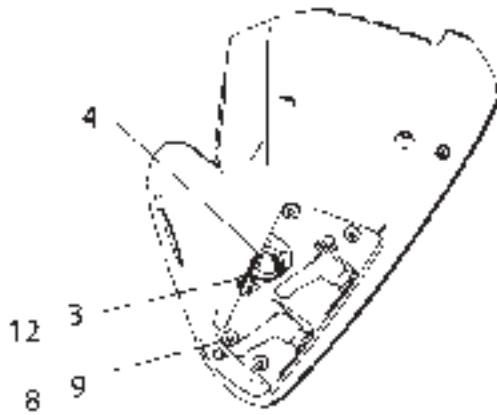
**CAB GP - 152-0002
EAME ONLY**

ITEM	NUMBER	QTY	DESCRIPTION
-	152-0002	--	CAB GP
1	151-8559	1	PLATE
2	151-9961	1	PLATE AS
	400313X1	5	NUT-WELD (M6X1 THD)
	CH7T-1099	4	LINK
	CH8T-0276	4	BOLT (M8X1.25X45MM)
	CH8T-3490	4	NUT-WELD (M10X1.5 THD)
3	164-7068	1	DOOR GP-LH (NOT SERVICED) (S/N: PRIOR TO AKN40200; ALA40272; ALM50734; AMS41192) (FOR COMPLETE REPLACEMENT, ORD EFF) (SEE BREAKDOWN FOR COMPONENTS)
3	500927D1	1	DOOR GP-LH (NOT SERVICED) (S/N: EFF AKN40200; ALA40272; ALM50734; AMS41192) (SEE BREAKDOWN FOR COMPONENTS)
4	-----	1	FRAME AS (ORDER CAB GP)
5	164-7017	1	SEAL (REAR WIRING)
6	166-4558	2	COVER (FLOOR)
7	180-9966	1	COVER
8	CH187-4902	6	INSERT
9	-----		NOT USED IN THIS GP
10	-----		NOT USED IN THIS GP
11	151-9995	1	WINDOW GP-CAB (NOT SERVICED) (SEE BREAKDOWN FOR COMPONENTS)
12	CH3E-4353	1	WASHER-HARD (11X25X3MM THK)
13	400190X1	1	BOLT (M12X1.75X16MM)
14	400287X1	6	WASHER-HARD (11X21X2.5MM THK)
15	400058X1	6	BOLT (M10X1.5X30MM)
16	400227X1	5	BOLT (M8X1.25X16MM)
17	CH9X-2042	21	SCREW-TRUSS HEAD (M6X1X12MM)
18	CH9X-3994	4	PLUG PROTECTIVE 25.5 DIA

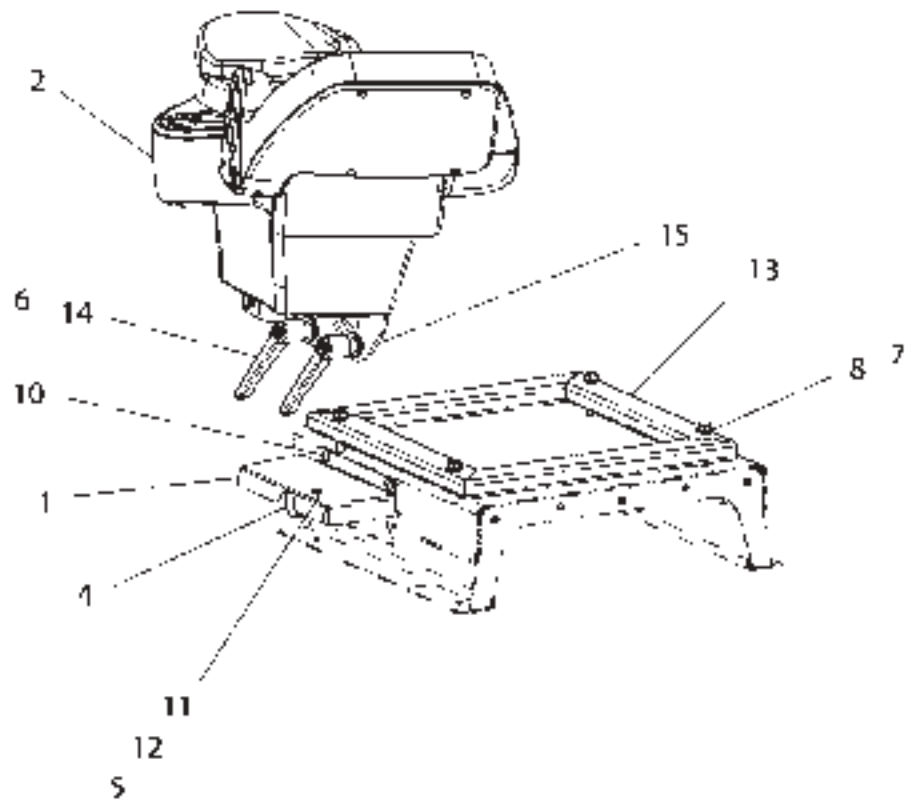
[A] PART OF 502847D1; 502848D1 CAB AR

00870010
PR: t05f07j07b0458

CONSOLE GP-MTG - 500839D1



VIEW OF UNDERSIDE OF ARMREST



**MT700 SERIES TRACK TRACTORS
OPERATOR STATION**

1021

CONSOLE GP-MTG - 500839D1

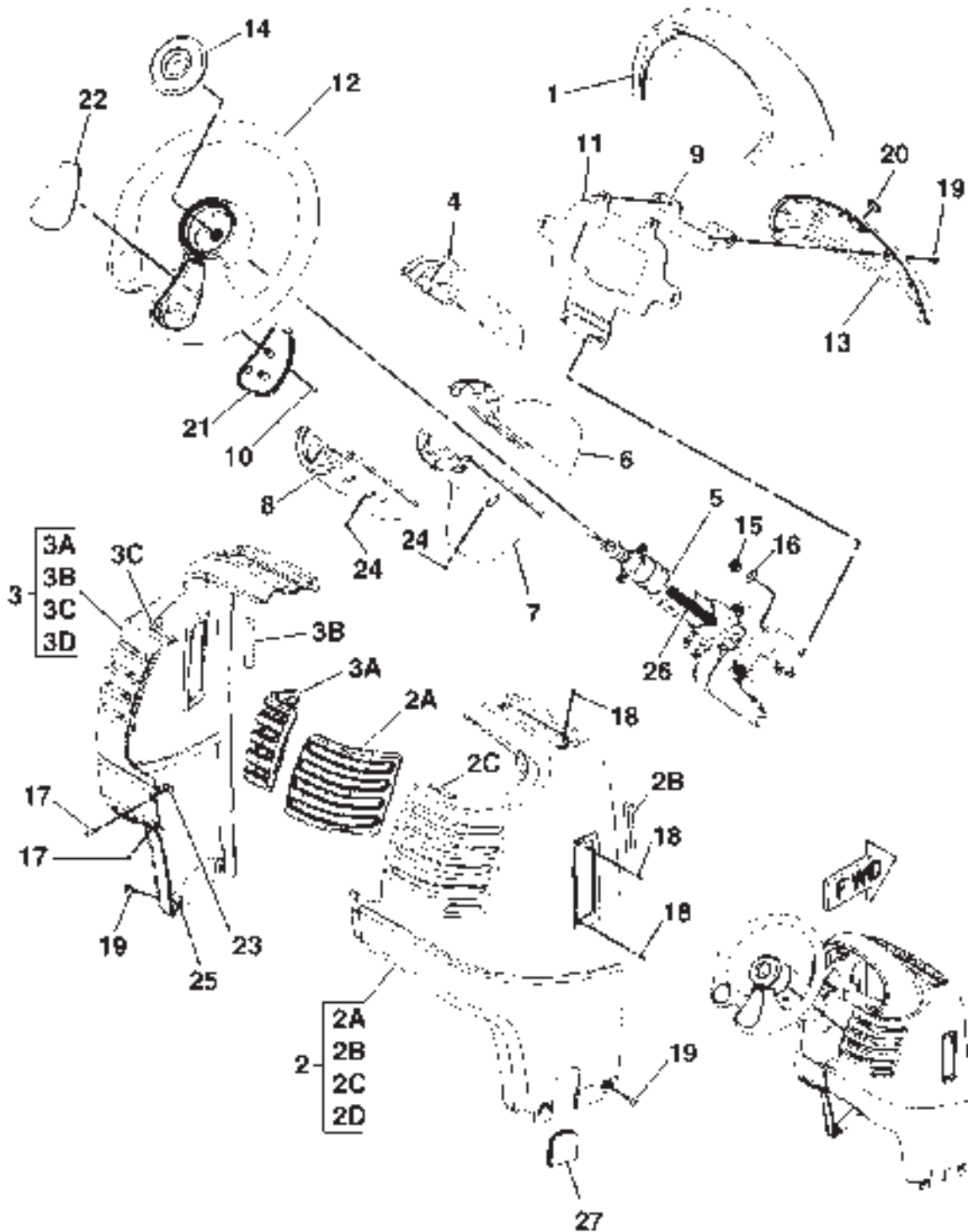
ITEM	NUMBER	QTY	DESCRIPTION
-	500839D1	--	CONSOLE GP-MOUNTING [A] (NOT SERVICED)
1	178-7952	1	BRACKET - ARMREST
2	152-0434	1	CONSOLE GP-OPERATOR (NOT SERVICED) (SEE BREAKDOWN FOR COMPONENTS)
3	CH3E-8020	1	SCREW-M6X1X25 ORG TORX
4	CH4D-7388	2	CLIP-LOOP 34.9 ID
5	400300X1	1	NUT M6X1
6	CH5P-8247	4	WASHER-HARD 17IDX32ODX3.5MM
7	400161X1	4	BOLT-M10X1.5X50 PH&O HHD 10.9
8	CH6V-5839	8	WASHER-HARD 11IDX21ODX2.5MM
9	CH9X-2039	4	SCREW-M10X1.5X35 ORG TORX
10	CH9X-2044	2	SCREW-M6X1X16MM TRUSS HEAD
11	CH9X-2045	1	SCREW-M6X1X20MM ORG TORX T30
12	CH9X-6165	2	WASHER-6.5IDX22ODX2.5MM
13	500483D1	1	SUPPORT AS
14	500854D1	2	LEVER
15	219-9656	1	BRACKET AS.-ARMREST

[A] PART OF 500845D1; 500846D1;
500847D1; 500848D1 CAB AR

500839DC
PR: t05f07j07b0459

MT700 SERIES TRACK TRACTORS
OPERATOR STATION

CONSOLE GP - 500768D1



**MT700 SERIES TRACK TRACTORS
OPERATOR STATION**

1023

CONSOLE GP - 500768D1

ITEM	NUMBER	QTY	DESCRIPTION
-	500768D1	--	CONSOLE GP [A] (NOT SERVICED)
1	CH162-6660	1	COVER
2	200-1770	1	CONSOLE ASM-RH (INCLS 2A-2E)
2A		1	CONSOLE-RIGHT
2B	169-6386	1	SEAL
2C	201-4113	1	BUMPER
2E	201-9789		SEAL
3	200-1771	1	CONSOLE ASM-LH (INCLS 3A-3D)
3A		1	CONSOLE-LEFT
3B	169-6385	1	SEAL
3C	201-4113	1	BUMPER
3D	201-9789		SEAL
4	164-7044	1	COVER-TOP (UPPER COLUMN)
5	CH166-3611	1	STEERING COLUMN GP (SEE BREAKDOWN FOR COMPONENTS)
6	166-3754	1	COVER-TOP (LOWER COLUMN)
7	166-3755	1	COVER (LOWER COLUMN)
8	166-4555	1	COVER (UPPER COLUMN)
9	192-9017	1	BRACKET ASM (INCLUDES BRACKET AND NUT)
	6V-9632	2	NUT-WELD (M6X1)
10	CH186-1682	3	SCREW-PAN HEAD (6-32X0.75IN)
11	179-8220	1	BRACKET ASM
	7T-1099	1	LINK
12	195-5230	1	STEERING WHEEL
13	CH178-7965	1	COVER
14	195-5229	1	BUTTON-HORN
15	CH8T-0389	4	LOCKNUT (M10X1.5)
16	400287X1	4	WASHER-HARD (11X21X2.5)
17	CH9X-1046	2	SCREW (M4X0.7X18MM)
18	CH104-2091	6	SCREW-FLAT HEAD (6-20X0.5IN)
19	CH9X-2044	6	SCREW-TRUSS HEAD (M6X1X16MM)
20	CH7X-1434	1	PLUG
21	195-5227	1	COVER (REMOTE RADIO CONTROL)
22	195-5228	1	COVER
23	400084X1	1	NUT-RETAINER (M4X0.07X0.6-3.8 PANEL)
24	CH119-5026	8	SCREW-PAN HEAD (10-16X0.63IN)
25	400085X1	4	NUT-RETAINER (M6X1X1.63-3.8 PANEL)
26	CH191-1780	AR	CONDUIT-FLEXIBLE (14CM) (REQUIRED ONLY ON TRACTORS NOT EQUIPPED W/REMOTE RADIO CONTROLS)
27	201-4114	1	GROMMET

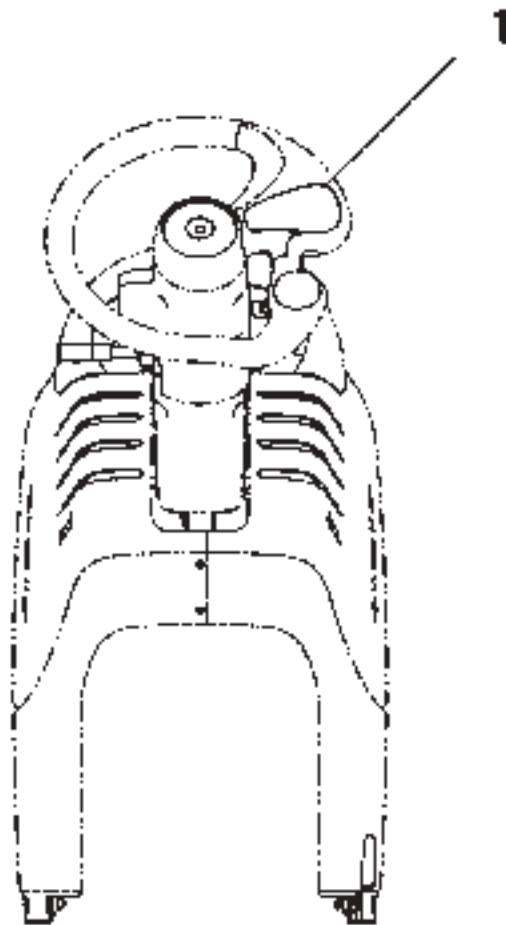
[A] PART OF 500845D1; 500846D1;
500847D1; 500848D1 CAB AR

0789409A
PR: t05f07j07b0460

1024

**MT700 SERIES TRACK TRACTORS
OPERATOR STATION**

COVER GP - 500761D1



500761DB

**MT700 SERIESTRACKTRACTORS
OPERATOR STATION**

1025

COVER GP - 500761D1

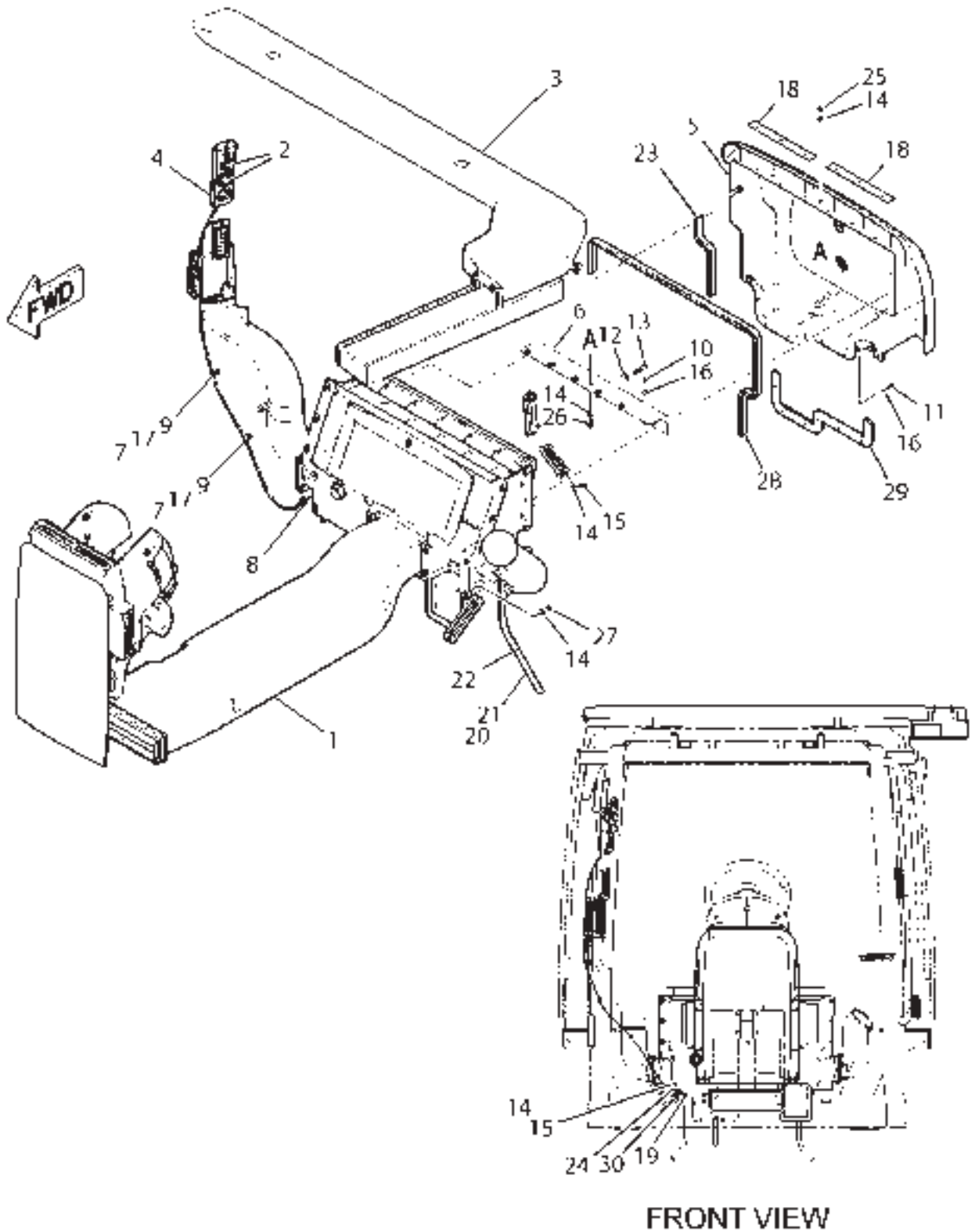
ITEM	NUMBER	QTY	DESCRIPTION
-	500761D1	--	COVER GP [A] (NOT SERVICED)
-	502796D1	--	COVER GP (REF ONLY) (NOT SERVICED)
1	195-5228	1	COVER

[A] PART OF: 500847D1; 500848D1
CAB AR;
502796D1 COVER GP

500761DB
PR: t05f07j07b0461

MT700 SERIES TRACK TRACTORS
OPERATOR STATION

AIR CONDITIONER & MOUNTING GP - 151-9986
S/N: PRIOR TO AKN5;ALA5;ALM5;AMS5



**MT700 SERIES TRACK TRACTORS
OPERATOR STATION**

1027

**AIR CONDITIONER & MOUNTING GP - 151-9986
S/N: PRIOR TO AKN5;ALA5;ALM5;AMS5**

ITEM	NUMBER	QTY	DESCRIPTION
-	151-9986	--	AIR CONDITIONER & MOUNTING GP [A] (NOT SERVICED)
1	152-0428	1	AIR CONDITIONER GP (NOT SERVICED) (SEE BREAKDOWN FOR COMPONENTS)
2	CH216-2628	2	KNOB AS
3	166-4556	1	FILTER GP-CAB AIR (NOT SERVICED) (SEE BREAKDOWN FOR COMPONENTS)
4	166-4586	1	CONTROL GP-AIR & TEMP (NOT SERVICED) (SEE BREAKDOWN FOR COMPONENTS)
5	166-4603	1	COVER
6	174-5770	1	BRACKET ASY.
7	CH195-7925	3	CLIP
8	400948X1	1	GROMMET
9	400018X1	3	BOLT (M6X1.0X10MM)
10	400152X1	6	BOLT (M6X1X16MM)
11	400022X1	9	BOLT (M6X1.0X25MM)
12	CH7X-7729	1	WASHER (11X25X3MM THK)
13	400049X1	1	BOLT (M10X1.5X45MM)
14	400599X1	12	WASHER-HARD (M8X20.5X2MM THK)
15	400053X1	6	BOLT (M8X1.25X20MM)
16	CH5P-4115	9	WASHER-HARD (7.2X19X2MM THK)
17	CH9X-8267	3	WASHER (6.6X12X2MM THK)
18	501147D1	2	STRIP
19	CH3S-5096	3	CLAMP
20	CH7T-9793	3	VALVE (CHECK)
21	CH5P-4829	AR	TUBE (42DM)
22	400837X1	3	STRAP-CABLE
23	501144D1	1	SEAL
24	500473D1	1	CLIP
25	CH131-3540	1	LOCKNUT
26	400341X1	1	BOLT (M8X1.25X25MM)
27	400340X1	4	NUT (M8X1.25 THD)
28	501145D1	1	SEAL
29	502517D1	1	PLATE
30	CH8Y-5737	1	CLIP-COMP (4.3IDX5.1ODX4.8)

[A] PART OF 500846D1 CAB AR

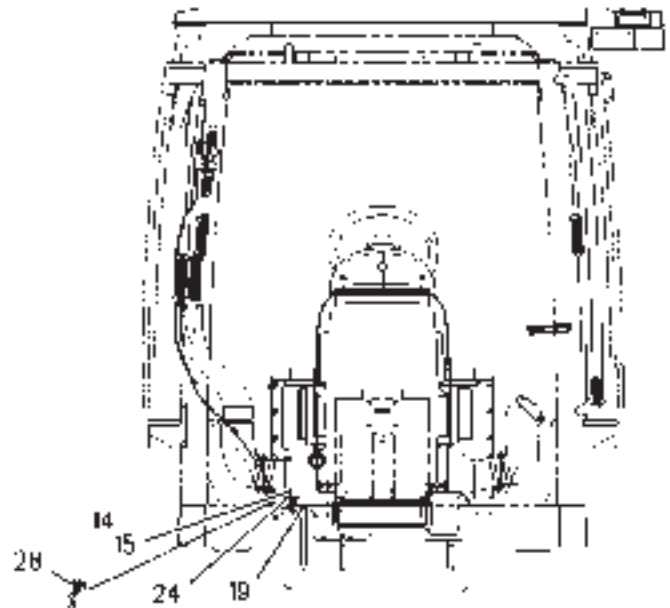
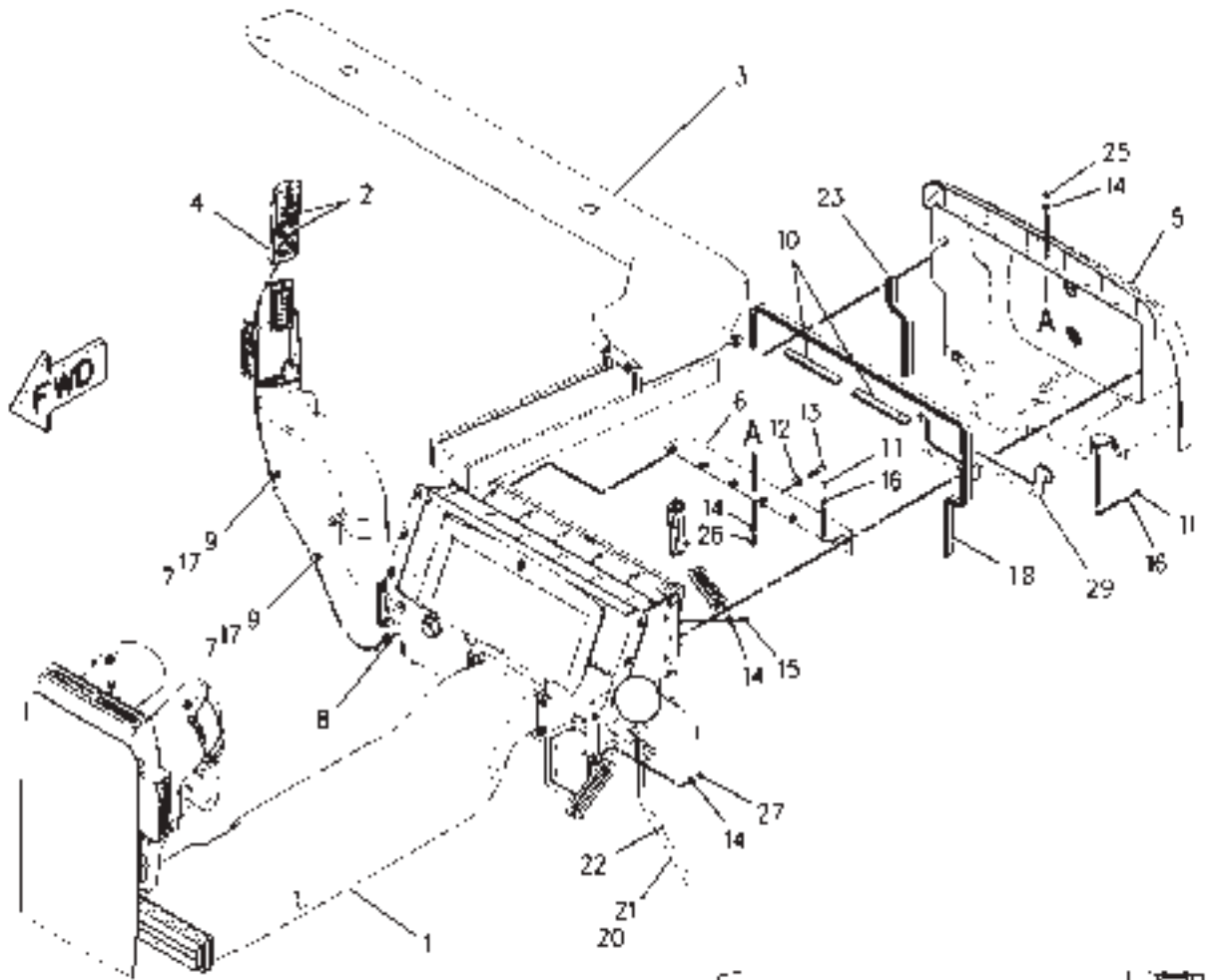
1519986A
PR: t05f07j07b0462

MT700 SERIES TRACK TRACTORS
OPERATOR STATION

AIR CONDITIONER & MOUNTING GP - BASIC

502502D1

S/N: EFF AKN5;ALA5;ALM5;AMS5



FRONT VIEW

**MT700 SERIES TRACK TRACTORS
OPERATOR STATION**

1029

AIR CONDITIONER & MOUNTING GP - BASIC

502502D1

S/N: EFF AKN5;ALA5;ALM5;AMS5

ITEM	NUMBER	QTY	DESCRIPTION
-	502502D1	--	AIR CONDITIONER & MTG GP (NOT SERVICED)
1	502500D1	1	AIR CONDITIONER GP (NOT SERVICED) (SEE BREAKDOWN FOR COMPONENTS)
2	CH216-2628	2	KNOB AS (CONTROL)
3	166-4556	1	DUCT GP-CAB AIR (NOT SERVICED, SEE BREAKDOWN)
4	166-4586	1	CONTROL GP-AIR & TEMPERATURE (SEE BREAKDOWN FOR COMPONENTS)
5	166-4603	1	COVER
6	174-5770	1	BRACKET AS
7	CH195-7925	3	CLIP
8	400948X1	1	GROMMET
9	400018X1	3	BOLT (M6X1.0X10MM)
10	501147D1	2	STRIP
11	400022X1	15	BOLT (M6X1.0X25MM)
12	CH7X-7729	1	WASHER (11X25X3MM THK)
13	400049X1	1	BOLT (M10X1.5X45MM)
14	400599X1	12	WASHER-HARD (8.8X20.5X2MM THK)
15	400053X1	6	BOLT (M8X1.25X20MM)
16	CH5P-4115	8	WASHER-HARD (7.2X19X2MM THK)
17	CH9X-8267	3	WASHER (6.6X12X2MM THK)
18	501145D1	1	SEAL-FOAM
19	CH3S-5096	3	CLAMP
20	CH7T-9793	3	VALVE (CHECK)
21	CH5P-4829	AR	TUBE (44.1 DM)
22	400837X1	2	STRAP-CABLE
23	501144D1	1	SEAL-FOAM
24	CH8Y-5737	1	CLIP
25	CH131-3540	1	LOCKNUT
26	400341X1	1	BOLT (M8X1.25X25MM)
27	400340X1	4	NUT (M8X1.25 THD)
28	500473D1	1	CLIP
29	502517D1	1	PLATE

PART OF 500845D1; 500846D1;
500847D1 CAB AR

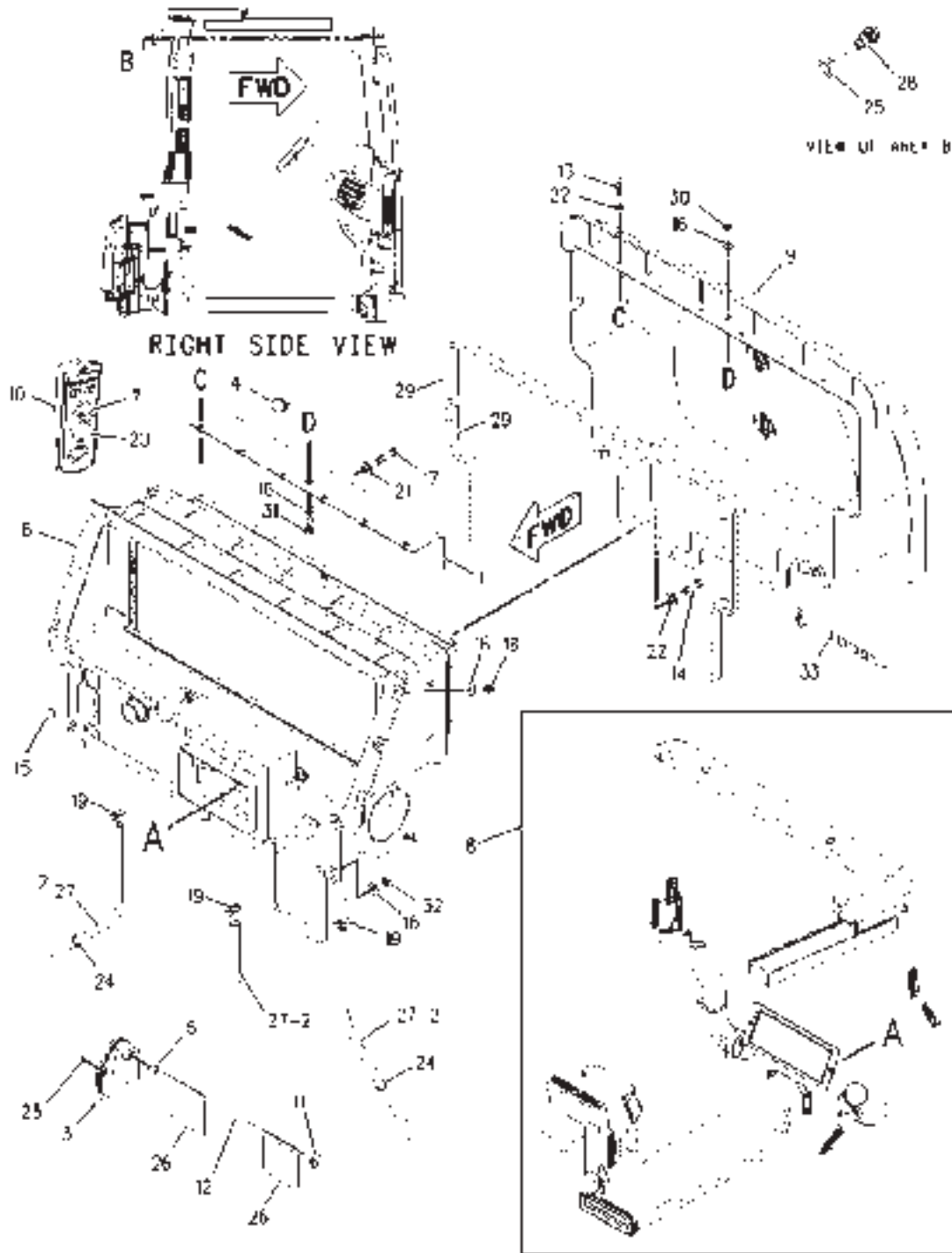
502502DE
PR: t05f07j07b0463

MT700 SERIES TRACK TRACTORS
OPERATOR STATION

AIR CONDITIONER & MOUNTING GP - DELUXE

166-4592

(S/N: PRIOR TO AKN5;ALA5;ALM5;AMS5)



**MT700 SERIES TRACK TRACTORS
OPERATOR STATION**

1031

AIR CONDITIONER & MOUNTING GP - DELUXE

166-4592

(S/N: PRIOR TO AKN5;ALA5;ALM5;AMS5)

ITEM	NUMBER	QTY	DESCRIPTION
-	166-4592	--	AIR CONDITIONER & MOUNTING GP [A] (NOT SERVICED)
1	174-5770	1	BRACKET AS
2	CH7T-9793	3	VALVE (CHECK) (A/C DRAIN)
3	501745D1	1	ACTUATOR
4	CH128-2162	1	SENSOR GP-LIGHT (SUN LOAD)
5	CH131-3093	1	BUSHING
6	152-0427	1	AIR CONDITIONER GP (S/N: UP TO AKN40200; ALA40261;ALM40680;AMS41031) (NOT SERVICED) (SEE BREAKDOWN FOR COMPONENTS)
6	502499D1	1	AIR CONDITIONER GP (S/N: EFF. AKN40200; ALA40261;ALM40680;AMS41031) (NOT SERVICED) (SEE BREAKDOWN FOR COMPONENTS)
7	CH216-2628	2	KNOB AS
8	166-4556	1	FILTER GP-CAB AIR (NOT SERVICED) (SEE BREAKDOWN FOR COMPONENTS)
9	166-4603	1	COVER
10	166-4587	1	CONTROL GP-AIR & TEMP (S/N: PRIOR TO AKN40200;ALA40271;ALM40722;AMS41180)
10	501740D1	1	CONTROL GP-AIR & TEMP (S/N: EFF AKN40200;ALA40271;ALM40722;AMS41180)
11	CH192-4765	1	BUSHING
12	198-4070	1	DOOR ASY.
13	400152X1	6	BOLT (M6X1X16MM)
14	400022X1	9	BOLT (M6X1.0X25MM)
15	CH6K-6361	1	BUTTON-PLUG
16	400599X1	12	WASHER-HARD (8.8X20.5X2MM THK)
17	400049X1	1	BOLT (M10X1.5X45MM)
18	400053X1	6	BOLT (M8X1.25X20MM)
19	CH3S-5096	3	CLAMP
20	501144D1	1	SEAL-FOAM
21	CH7X-7729	1	WASHER (11X25X3MM THK)
22	CH5P-4115	8	WASHER-HARD (7.2X19X2MM THK)
23	CH9X-1046	3	SCREW (M4X0.7X18MM)
24	400837X1	3	STRAP-CABLE
25	CH107-5591	1	NUT-JAM (3/4-16 THD)
26	CH3E-6600	AR	SEAL (BULK) (16CM)
27	CH5P-4829	AR	TUBE (42DM)
28	501697D1	1	SENDER GP-TEMPERATURE (OUTSIDE AIR)
29	501145D1	1	SEAL-FOAM
30	CH131-3540	1	LOCKNUT
31	400341X1	1	BOLT (M8X1.25X25MM)
32	400340X1	4	NUT (M8X1.25 THD)
33	501147D1	2	STRIP
34	502517D1	1	PLATE

[A] PART OF 500845D1;500848D1 CAB AR

00891734
PR: t05f07j07b0464

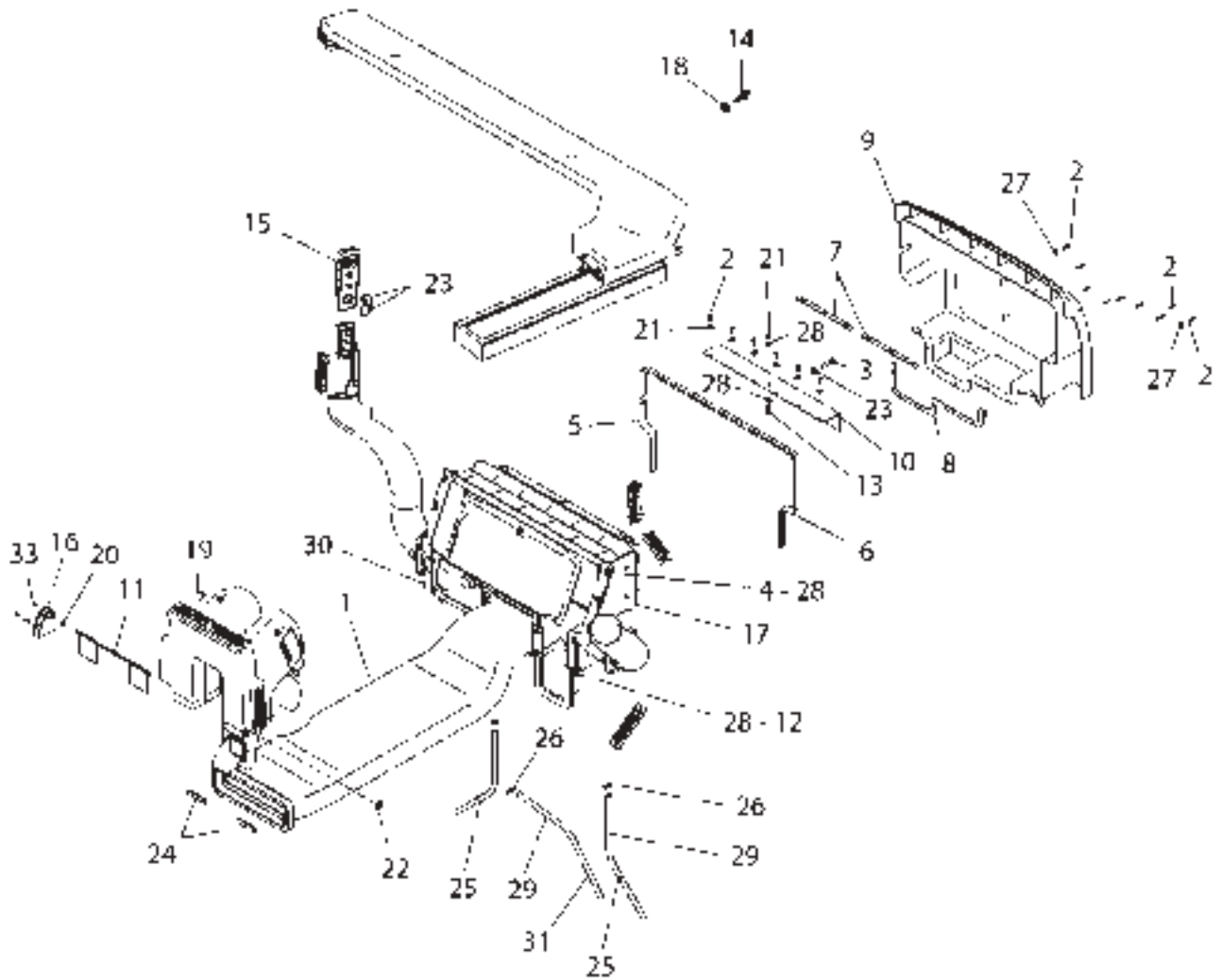
1032

MT700 SERIES TRACK TRACTORS
OPERATOR STATION

AIR CONDITIONER & MOUNTING GP - DELUXE

502501D1

(S/N: EFF. AKN5;ALA5;ALM5;AMS5)



502501DD

**MT700 SERIES TRACK TRACTORS
OPERATOR STATION**

1033

AIR CONDITIONER & MOUNTING GP - DELUXE

502501D1

(S/N: EFF. AKN5;ALA5;ALM5;AMS5)

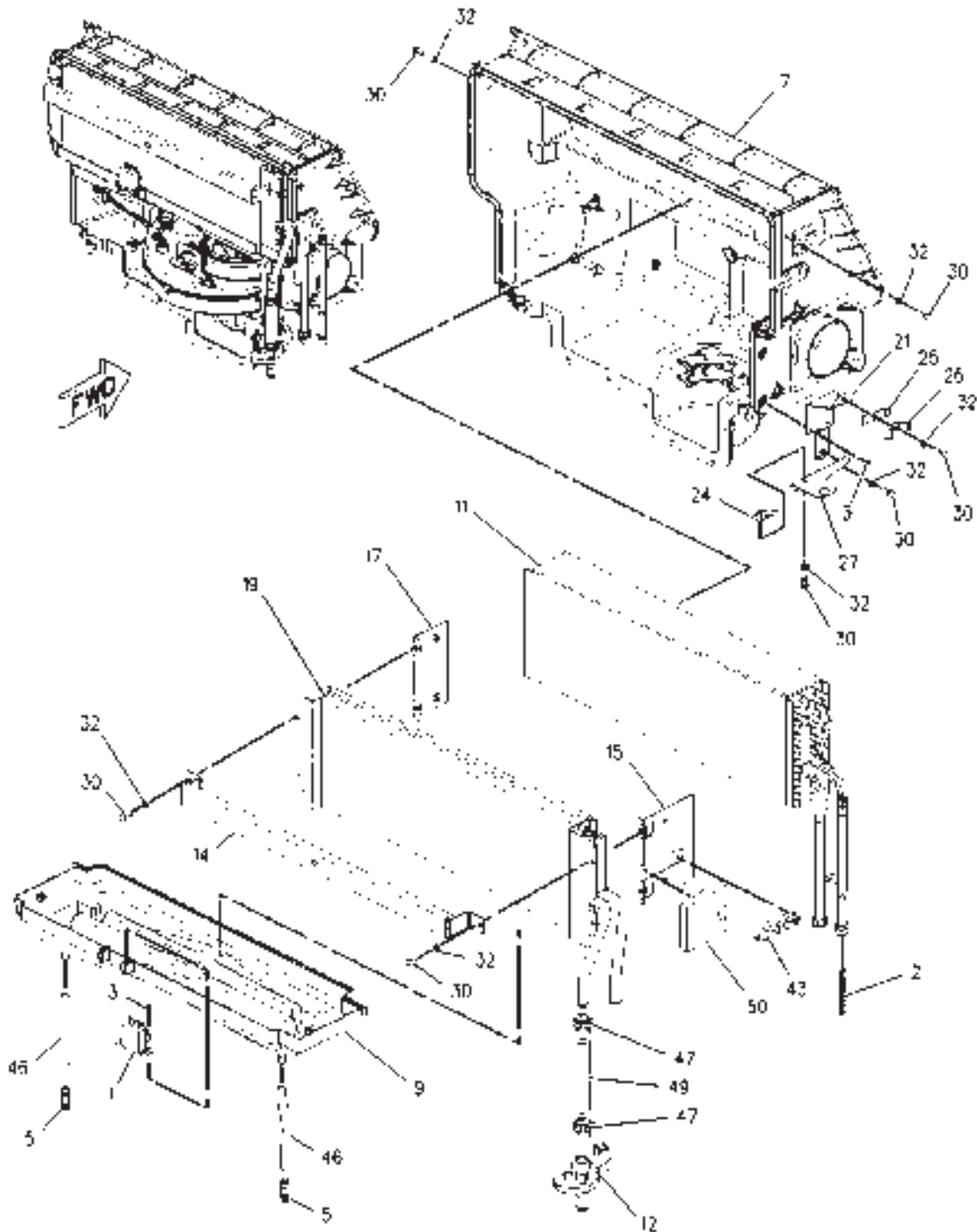
ITEM	NUMBER	QTY	DESCRIPTION
-	502501D1	--	AIR CONDITIONER & MOUNTING GP [A] (NOT SERVICED)
1	166-4556	1	DUCT GP-CAB AIR (NOT SERVICED) (SEE BREAKDOWN FOR COMPONENTS)
2	400022X1	15	BOLT (M6X1.0X25MM)
3	400049X1	1	BOLT (M10X1.5X45MM)
4	400053X1	6	BOLT (M8X1.25X20MM)
5	501144D1	1	SEAL-FOAM
6	501145D1	1	SEAL-FOAM
7	501147D1	2	STRIP
8	502517D1	1	PLATE
9	166-4603	1	COVER
10	174-5770	1	BRACKET AS
11	198-4070	1	DOOR AS
12	400340X1	4	NUT (M8X1.25)
13	400341X1	1	BOLT (M8X1.25X25MM)
14	501697D1	1	SENSOR
15	501740D1	1	CONTROL GP-AIR & TEMPERATURE
16	501745D1	1	ACTUATOR
17	502499D1	1	AIR CONDITIONER GP (NOT SERVICED) (SEE BREAKDOWN FOR COMPONENTS)
18	CH107-5591	1	LOCKNUT (3/4-16)
19	CH128-2162	1	SENSOR GP-LIGHT (SUN LOAD)
20	CH131-3093	1	BUSHING
21	CH131-3540	1	LOCKNUT (M8X1.25)
22	CH192-4765	1	BUSHING
23	CH216-2628	2	KNOB AS-CONTROL
24	CH3E-6600	AR	SEAL (BULK) (16CM)
25	400837X1	2	STRAP-CABLE
26	CH3S-5096	3	CLAMP
27	CH5P-4115	8	WASHER-HARD (7.2X19X2)
28	400599X1	12	WASHER-HARD (8.8X20.5X2)
29	CH5P-6129	AR	TUBE (BULK) (44.1DM)
30	CH6K-6361	1	BUTTON-PLUG
31	CH7T-9793	3	VALVE (CHECK)
32	CH7X-7729	1	WASHER (11X25X3)
33	CH9X-1046	3	SCREW (M4X0.7X18MM)

[A] PART OF: 500845D1; 500848D1 CAB AR

502501DD
PR: t05f07j07b0465

MT700 SERIES TRACK TRACTORS
OPERATOR STATION

AIR CONDITIONER GP - 152-0428
BASIC
(S/N: PRIOR TO AKN40200; ALA40268;
ALM40712; AMS41162)



**MT700 SERIES TRACK TRACTORS
OPERATOR STATION**

1035

**AIR CONDITIONER GP - 152-0428
BASIC
(S/N: PRIOR TO AKN40200;ALA40268;
ALM40712;AMS41162)**

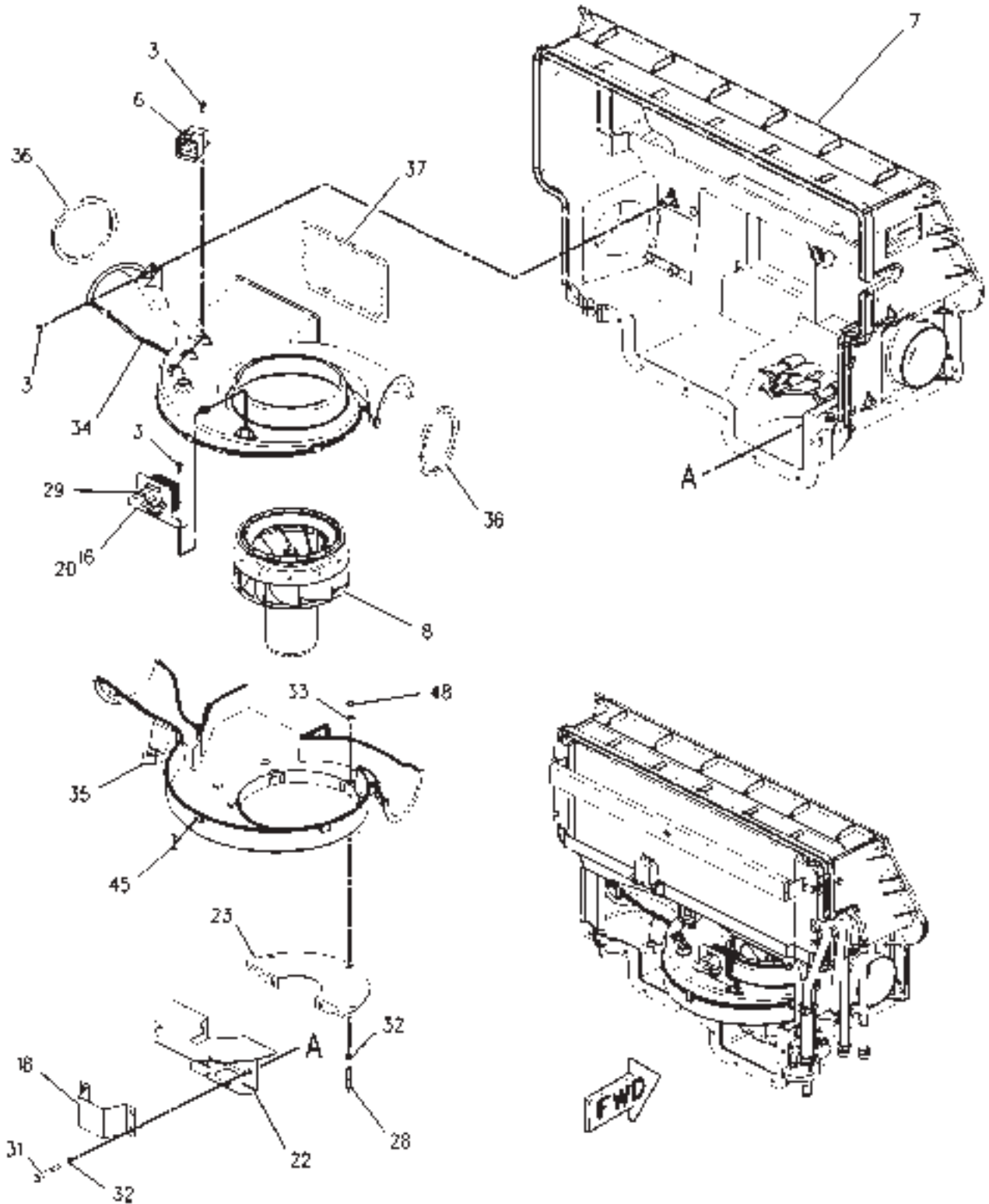
ITEM	NUMBER	QTY	DESCRIPTION
-	152-0428	--	AIR CONDITIONER GP [A] (NOT SERVICED)
1	3E-5464	1	SWITCH ASY-THERMOSTAT (AIR CONDITIONER)
2	7X-2049	1	TUBE ASY-REFRIGERANT ORIFICE
3	8L-9381	12	SCREW-TAPPING (8-32X0.50 IN)
5	9X-4994	2	CONNECTOR
7	168-2311	1	CASE ASY.
9	168-2318	1	PAN-DRAIN
11	168-2324	1	COIL ASY-EVAPORATOR
12	168-2326	1	VALVE ASY-WATER (CAB HEATER)
14	174-3978	1	BRACKET
15	174-3979	1	RETAINER
17	174-3981	1	RETAINER
19	193-0238	1	COIL ASY-HEATER
21	206-7461	1	BRACKET ASY.
24	217-3441	1	BRACKET ASY.
25	217-3442	1	BRACKET
26	217-3443	1	BRACKET
27	217-3444	1	ANGLE
30	8T-4138	14	BOLT (M6X1X20MM)
32	9X-8256	23	WASHER (6.6X12X2MM THK)
43	180-2470	1	GASKET
46	207-1293	AR	TUBE (4DM)
47	9X-2488	2	CLAMP-HOSE
49	136-1953	AR	HOSE (13 CM)
50	223-4941	1	GASKET

[A] PART OF 151-9986 AIR CONDITIONER
AND MOUNTING GP

00898876
PR: t05f07j07b0466

MT700 SERIES TRACK TRACTORS
OPERATOR STATION

AIR CONDITIONER GP - 152-0428
(S/N: PRIOR TO AKN40200; ALA40268;
ALM40712; AMS41162)



**MT700 SERIES TRACK TRACTORS
OPERATOR STATION**

1037

**AIR CONDITIONER GP - 152-0428
(S/N: PRIOR TO AKN40200;ALA40268;
ALM40712;AMS41162)**

ITEM	NUMBER	QTY	DESCRIPTION
-	152-0428	--	AIR CONDITIONER GP [A] (NOT SERVICED)
3	8L-9381	12	SCREW-TAPPING (8-32X0.50 IN)
6	115-1615	1	RELAY ASY. (12 VOLT) (CAB BLOWER FAN)
7	168-2311	1	CASE ASY.
8	168-2313	1	FAN ASY. (CAB BLOWER)
	7T-0093	2	PIN-CONNECTOR
16	174-3980	1	BRACKET ASY.
18			NOT USED
20	193-4445	1	RESISTOR
22	206-7462	1	BRACKET
23	206-7463	1	BRACKET ASY.
28	6V-7357	5	BOLT (M6X1.0X25MM)
29	7I-2272	2	BOLT (M5X0.8X12MM)
31	9X-2480	4	BOLT (M6X1.0X45MM)
32	9X-8256	23	WASHER (6.6X12X2MM THK)
33	5C-2890	9	NUT (M6X1 THD)
34	168-2315	1	HOUSING-BLOWER
35	168-2316	1	HOUSING-BLOWER
36	180-2463	2	GASKET
37	180-2464	1	GASKET
45	185-4015	10	CLIP
48	7H-3937	9	LOCKWASHER

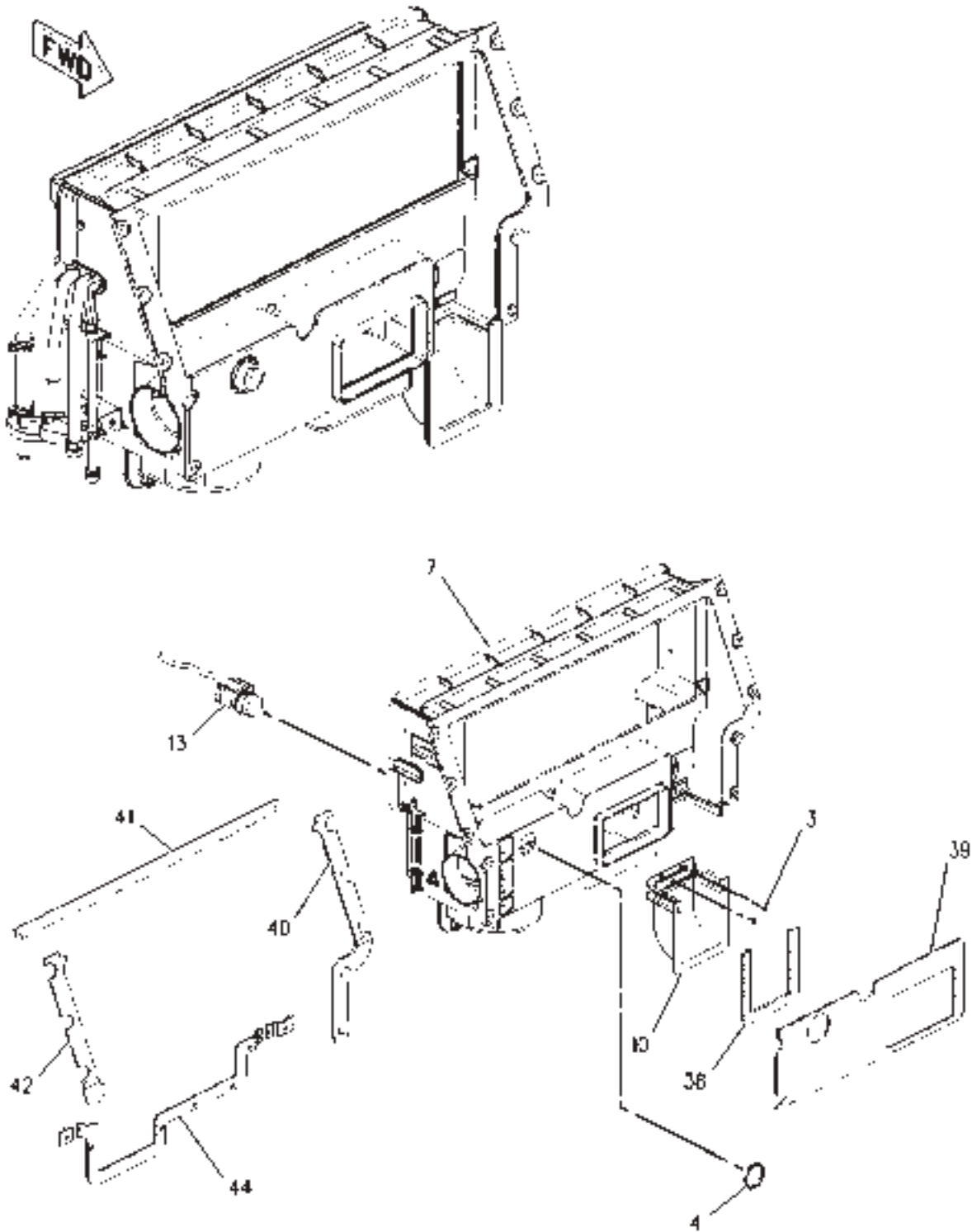
[A] PART OF 151-9986 AIR CONDITIONER
AND MOUNTING GP

00874740
PR: t05f07j07b0467

1038

MT700 SERIES TRACK TRACTORS
OPERATOR STATION

AIR CONDITIONER GP - 152-0428
(S/N: PRIOR TO AKN40200; ALA40268;
ALM40712; AMS41162)



00874741

**MT700 SERIESTRACKTRACTORS
OPERATOR STATION**

1039

**AIR CONDITIONER GP - 152-0428
(S/N: PRIOR TO AKN40200;ALA40268;
ALM40712;AMS41162)**

ITEM	NUMBER	QTY	DESCRIPTION
-	152-0428	--	AIR CONDITIONER GP [A] (NOT SERVICED)
3	8L-9381	12	SCREW-TAPPING (8-32X0.50 IN)
4	8N-1536	1	NUT (1 5/8-18 THD)
7	168-2311	1	CASE ASY.
10	501706D1	1	DUCT - FRESH AIR
13	168-2327	1	HARNESS ASY. (HEATER/AC)
38	180-2465	1	GASKET
39	180-2466	1	GASKET
40	180-2467	1	GASKET
41	180-2468	1	GASKET
42	180-2469	1	GASKET
44	180-2471	1	GASKET

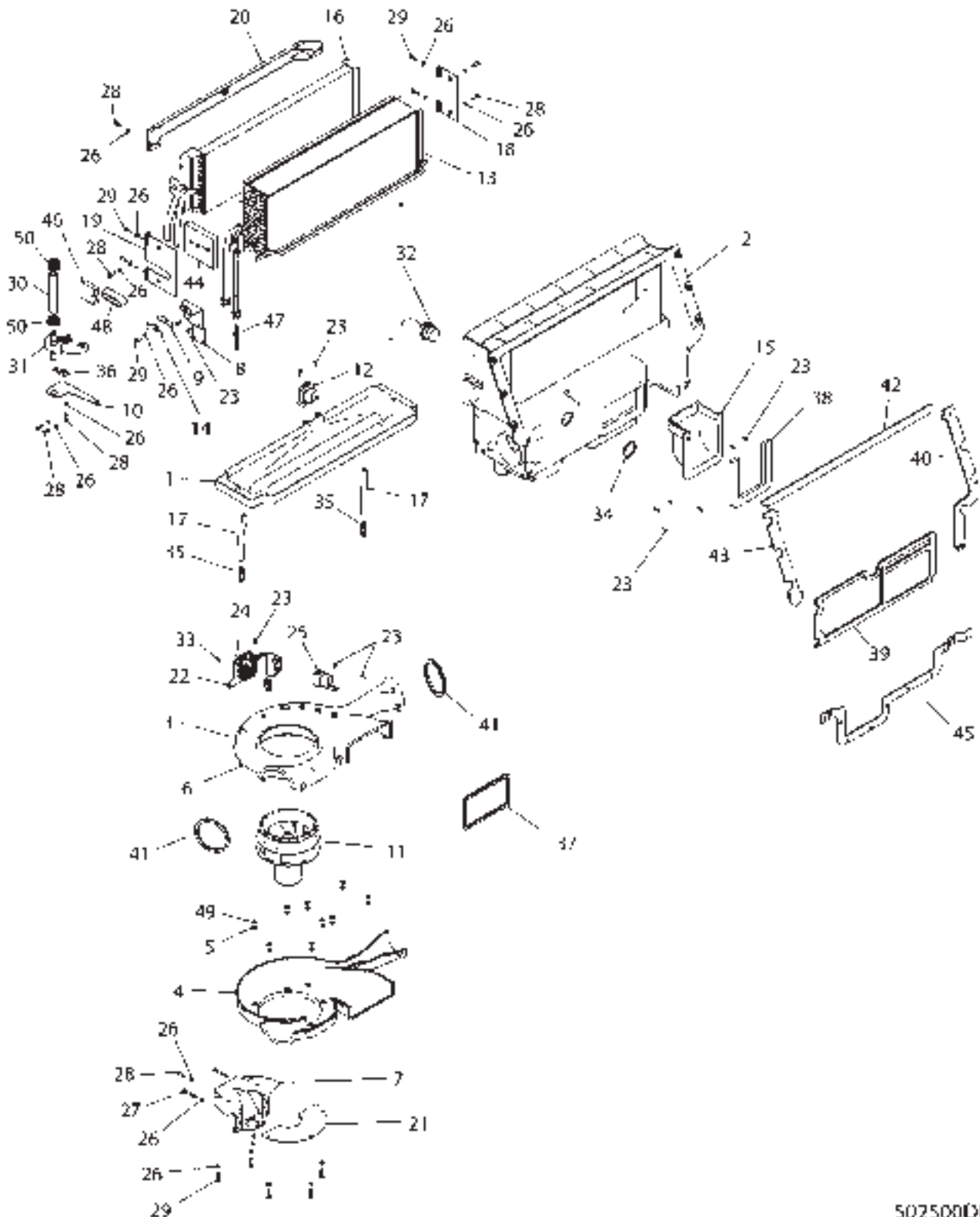
[A] PART OF 151-9986 AIR CONDITIONER
AND MOUNTING GP

00874741
PR: t05f07j07b0468

MT700 SERIES TRACK TRACTORS
OPERATOR STATION

AIR CONDITIONER GP-BASIC - 502500D1

(S/N: EFF AKN40200;ALA40268;
ALM40712;AMS41162)



**MT700 SERIES TRACK TRACTORS
OPERATOR STATION**

1041

AIR CONDITIONER GP-BASIC - 502500D1
(S/N: EFF AKN40200;ALA40268;
ALM40712;AMS41162)

ITEM	NUMBER	QTY	DESCRIPTION
-	502500D1	--	AIR CONDITIONER GP [A]
1	501705D1	1	PAN - DRAIN
2	501701D2	1	CASE AS
3	501703D1	1	HOUSING - BLOWER
4	501704D1	1	HOUSING - BLOWER
5	400300X1	9	NUT M6X1
6	400296X1	10	CLIP
7	501730D1	1	BRACKET AS.
8	501729D1	1	BRACKET AS.
9	501733D1	1	BRACKET
10	501735D1	1	ANGLE
11	501702D1	1	FAN AS.
12	400299X1	1	SWITCH AS. - THERMOSTAT
13	501709D1	1	COIL AS. - EVAP
14	501734D1	1	BRACKET
15	501706D1	1	DUCT - FRESH AIR
16	501727D1	1	COIL AS. - HEATER
17	400298X1	AR	TUBE - BULK (4 DM)
18	501716D1	1	RETAINER
19	501714D1	1	RETAINER
20	501713D1	1	BRACKET AS.
21	501731D1	1	BRACKET AS.
22	502267D1	1	THERMISTOR KIT
23	400305X1	22	SCREW - SELF TAPPING
24	501728D1	1	RESISTOR
25	400292X1	1	RELAY AS.
26	400310X1	23	WASHER
27	400307X1	4	BOLT M6X1X45
28	400221X1	14	BOLT-M6X1X20MM ZNDI HHD 10.9
29	400022X1	5	BOLT-M6X1X25MM ZNDI HHD 10.9
30	400294X1	AR	HOSE - BULK (13 CM)
31	501710D1	1	VALVE AS. - WATER
32	501711D2	1	HARNESS AS
33	400302X1	2	BOLT - HEX HEAD
34	400306X1	1	NUT - PANEL
35	400309X1	2	CONNECTOR
36	501732D1	1	BRACKET AS.
37	501719D1	1	GASKET
38	501720D2	1	GASKET
39	501721D2	1	GASKET
40	501722D2	1	GASKET
41	501718D1	2	GASKET
42	501723D2	1	GASKET
43	501724D2	1	GASKET
44	501725D1	1	GASKET
45	501726D1	1	GASKET
46	501737D1	1	GASKET
47	400932X1	1	ORIFICE AS. - A/C
48	502528D1	1	TAPE-REFRIGERANT
49	400301X1	9	WASHER-TOOTH
50	400308X1	2	CLAMP-HOSE

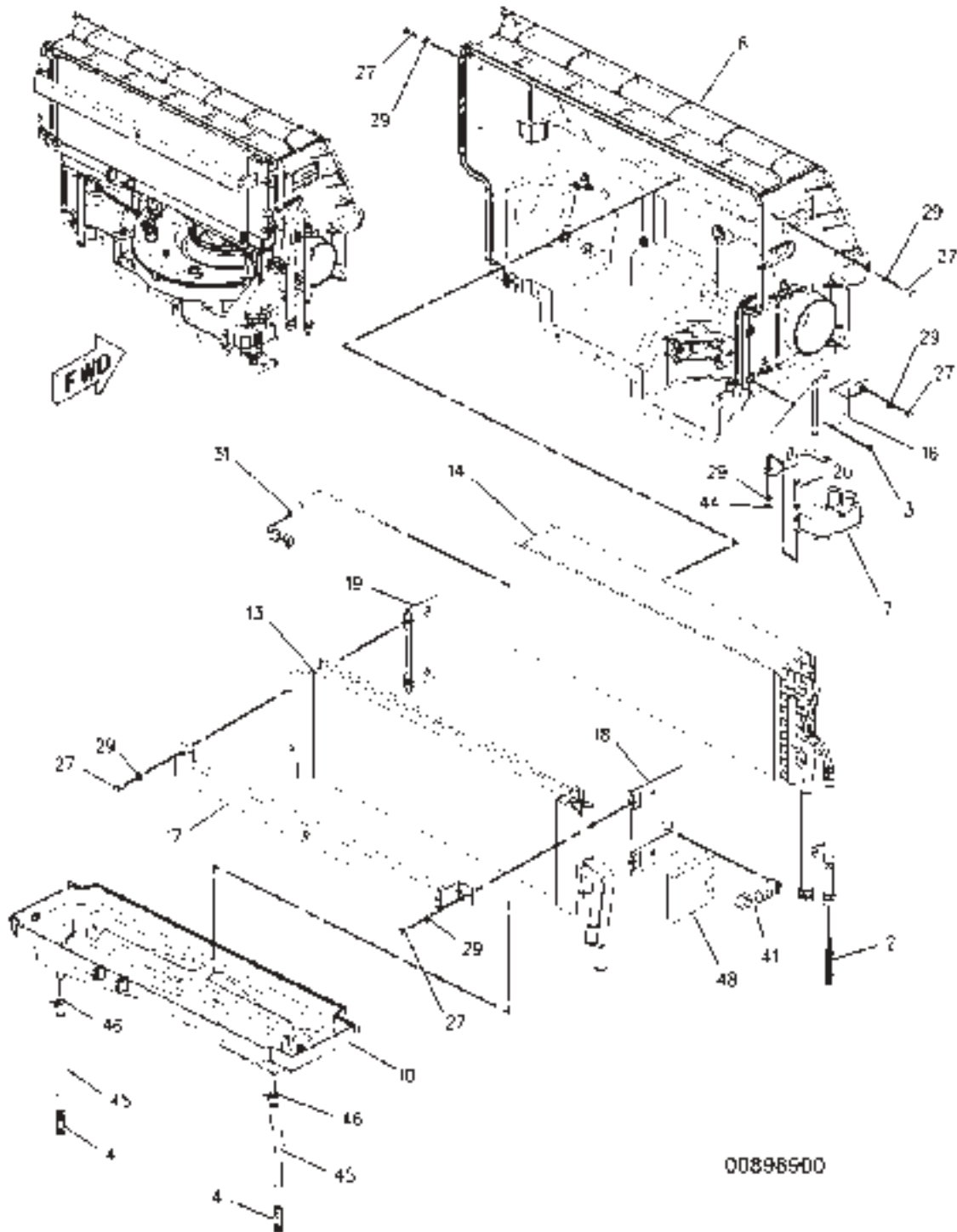
[A] PART OF: 151-9986; 502502D1
A/C & MTG GP

502500DD
PR: t05f07j07b0469

MT700 SERIES TRACK TRACTORS
OPERATOR STATION

AIR CONDITIONER GP-DELUXE - 152-0427

(S/N: PRIOR TO AKN40200; ALA40261;
ALM40681; AMS41031)



00896500

**MT700 SERIES TRACK TRACTORS
OPERATOR STATION**

1043

AIR CONDITIONER GP-DELUXE - 152-0427
(S/N: PRIOR TO AKN40200;ALA40261;
ALM40681;AMS41031)

ITEM	NUMBER	QTY	DESCRIPTION
-	152-0427	--	AIR CONDITIONER GP [A] (NOT SERVICED)
2	7X-2049	1	TUBE AS-REFRIGERANT ORIFICE
3	8L-9381	7	SCREW-TAPPING (8-32X0.50 IN)
4	9X-4994	2	CONNECTOR
7	156-5863	1	VALVE ASY-WATER
8	168-2311	1	CASE ASY.
10	168-2318	1	PAN-DRAIN
13	168-2323	1	COIL ASY-HEATER
14	168-2324	1	COIL ASY-EVAPORATOR
16	174-3977	1	BRACKET
17	174-3978	1	BRACKET
18	174-3979	1	RETAINER
19	174-3981	1	RETAINER
26	7X-2533	6	BOLT (M6X1X35MM)
27	8T-4138	11	BOLT (M6X1X20MM)
29	9X-8256	28	WASHER (6.6X12X2MM THK)
31	133-9014	1	SENSOR-TEMPERATURE
41	180-2470	1	GASKET
44	5C-2890	11	NUT (M6X1 THD)
45	207-1293	AR	TUBE (4DM)
46	5P-4961	2	CLAMP-HOSE
48	223-4940	1	GASKET

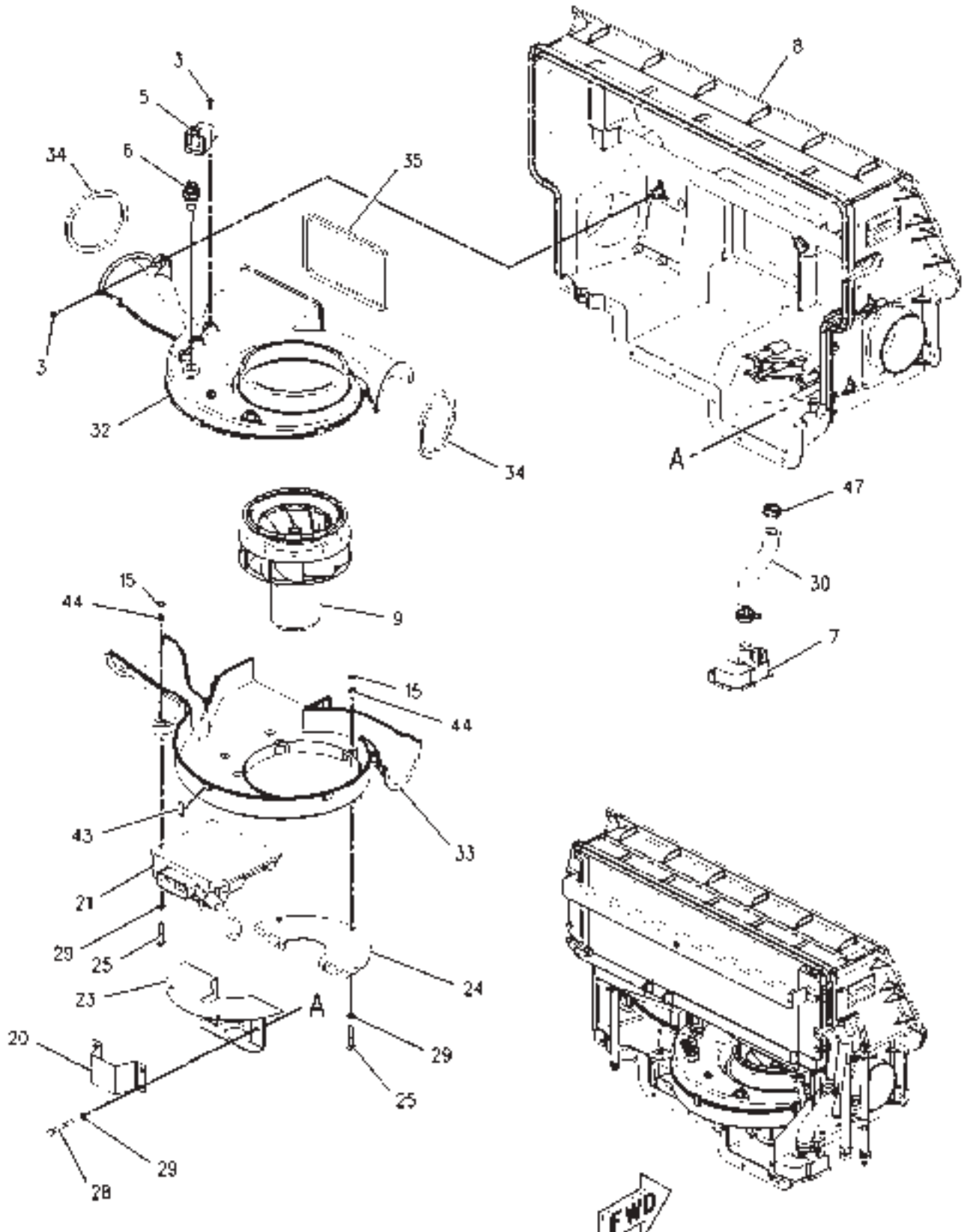
[A] PART OF 166-4592 AIR CONDITIONER
AND MOUNTING GP

00898900
PR: t05f07j07b0470

MT700 SERIES TRACK TRACTORS
OPERATOR STATION

AIR CONDITIONER GP-DELUXE - 152-0427

(S/N: PRIOR TO AKN40200; ALA40261;
ALM40681; AMS41031)



**MT700 SERIESTRACKTRACTORS
OPERATOR STATION**

1045

AIR CONDITIONER GP-DELUXE - 152-0427
(S/N: PRIOR TO AKN40200;ALA40261;
ALM40681;AMS41031)

ITEM	NUMBER	QTY	DESCRIPTION
-	152-0427	--	AIR CONDITIONER GP [A] (NOT SERVICED)
3	8L-9381	7	SCREW-TAPPING (8-32X0.50 IN)
5	115-1615	1	RELAY ASY. (12 VOLT)
6	130-9811	2	SENSOR GP-TEMPERATURE
7	156-5863	1	VALVE AS-WATER
8	168-2311	1	CASE ASY.
9	168-2313	1	FAN ASY.
	7T-0093	2	PIN-CONNECTOR (ONE MALE PIN)
	177-9645	1	KIT-RECEPTACLE (2 PIN)(INCL. FOLLOWING)
	177-9641	1	RECEPTACLE ASY.
	177-9642	1	WEDGE
15	7H-3937	9	LOCKWASHER
20	180-2455	1	BRACKET
21	180-2461	1	CONTROL ASY.
23	206-7462		BRACKET
24	206-7463	1	BRACKET ASY.
25	6V-7357	5	BOLT (M6X1.0X25MM)
28	9X-2480	4	BOLT (M6X1.0X45MM)
29	9X-8256	28	WASHER (6.6X12X2MM THK)
30	5P-0765	AR	HOSE (20CM)
32	168-2315	1	HOUSING-BLOWER
33	168-2316	1	HOUSING-BLOWER
34	180-2463	2	GASKET
35	180-2464	1	GASKET
43	185-4015	10	CLIP
44	5C-2890	11	NUT (M6X1 THD)
47	9X-2488	4	CLAMP-HOSE

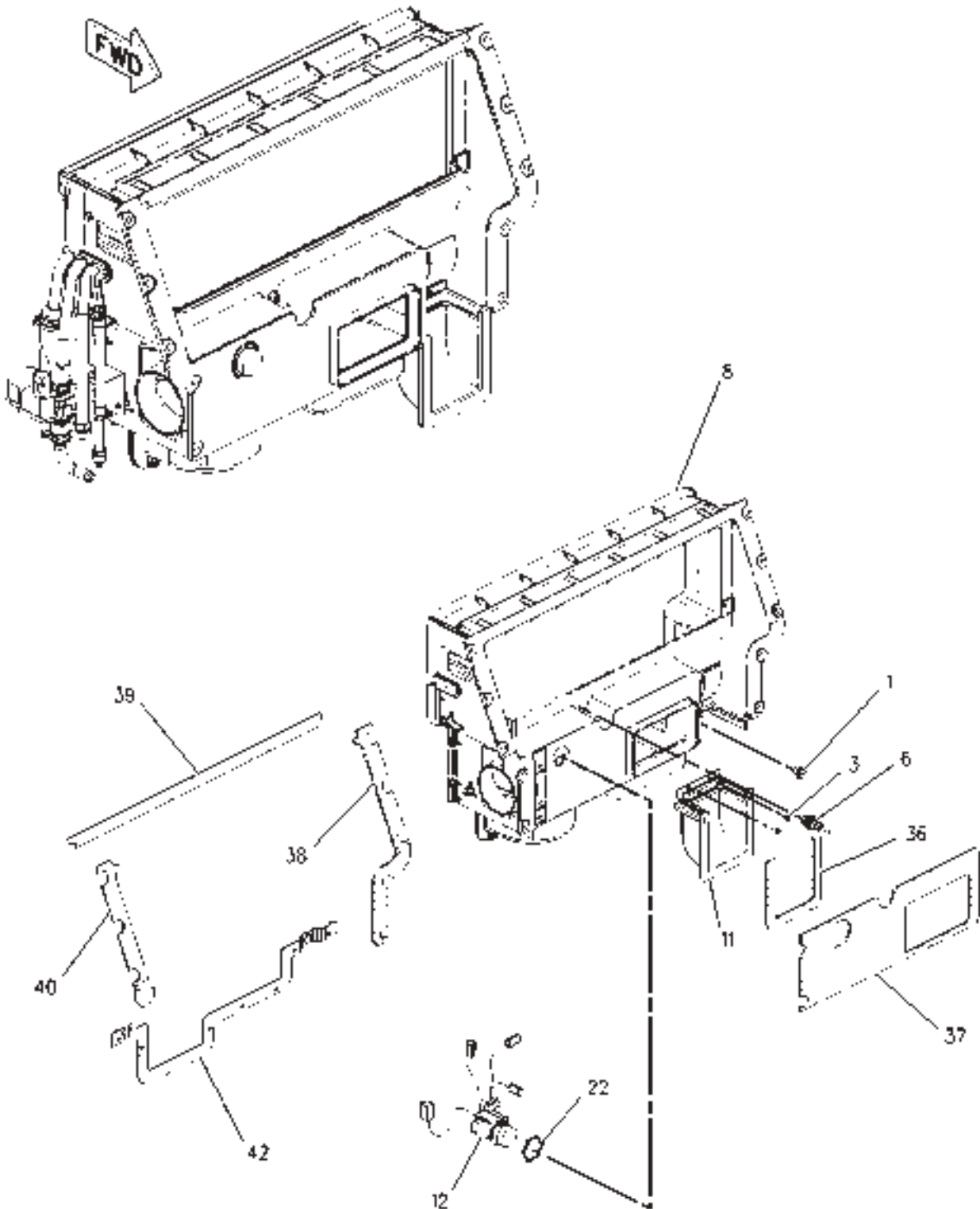
[A] PART OF 166-4592 AIR CONDITIONER
AND MOUNTING GP

00826613
PR: t05f07j07b0471

MT700 SERIES TRACK TRACTORS
OPERATOR STATION

AIR CONDITIONER GP-DELUXE - 152-0427

(S/N: PRIOR TO AKN40200; ALA40261;
ALM40681; AMS41031)



**MT700 SERIESTRACKTRACTORS
OPERATOR STATION**

1047

AIR CONDITIONER GP-DELUXE - 152-0427
(S/N: PRIOR TO AKN40200;ALA40261;
ALM40681;AMS41031)

ITEM	NUMBER	QTY	DESCRIPTION
-	152-0427	--	AIR CONDITIONER GP [A] (NOT SERVICED)
1	1P-1669	1	PLUG-SEAL
3	8L-9381	7	SCREW-TAPPING (8-32X0.50 IN)
6	130-9811	2	SENSOR GP-TEMPERATURE
8	168-2311	1	CASE ASY.
11	501706D1	1	DUCT - FRESH AIR
12	168-2322	1	HARNES ASY. (AIR CONDITIONER)
22	180-9214	1	NUT (11/16-18 THD)
36	180-2465	1	GASKET
37	180-2466	1	GASKET
38	180-2467	1	GASKET
39	180-2468	1	GASKET
40	180-2469	1	GASKET
42	180-2471	1	GASKET

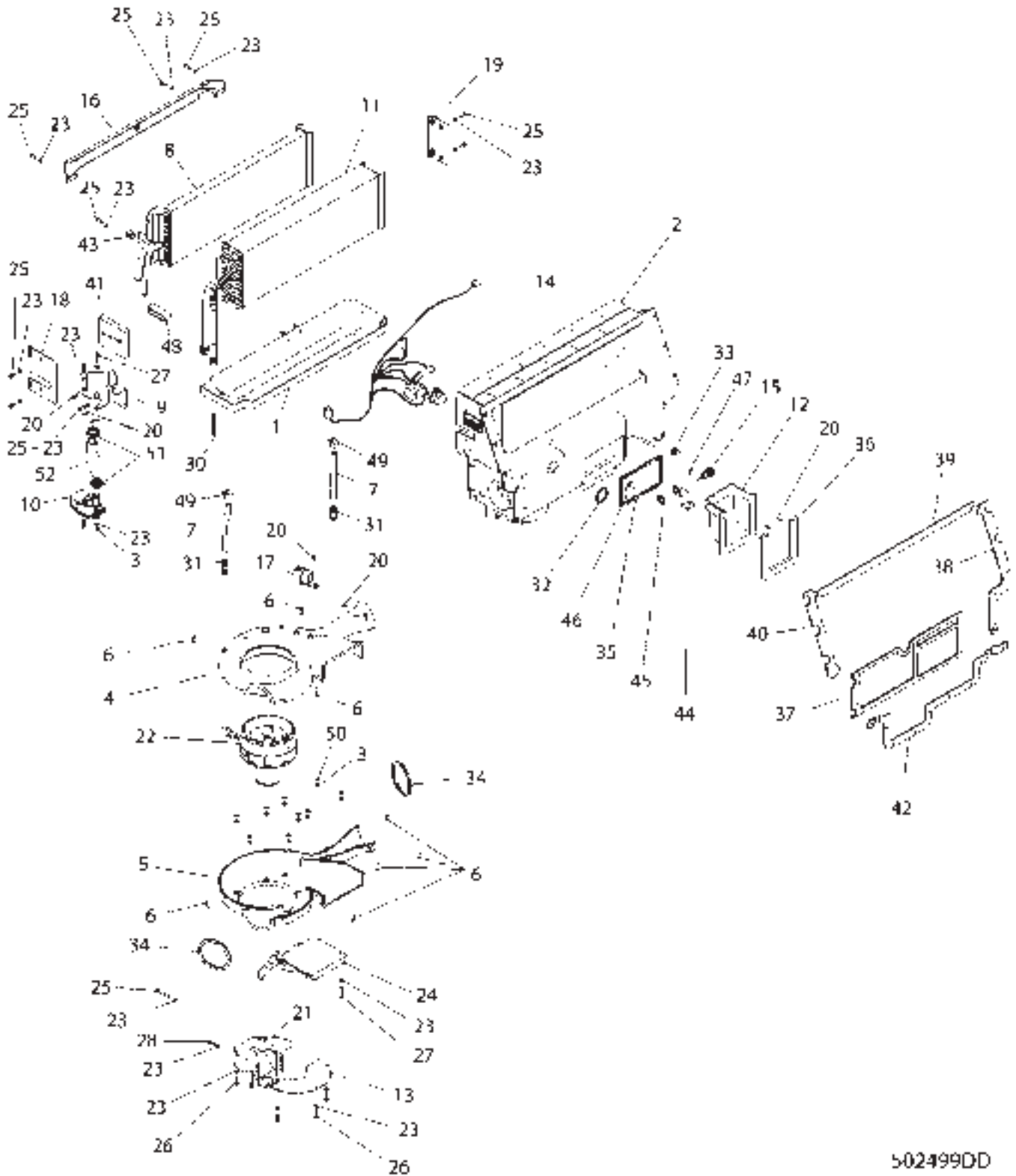
[A] PART OF 166-4592 AIR CONDITIONER
AND MOUNTING GP

00826614
PR: t05f07j07b0472

MT700 SERIES TRACK TRACTORS
OPERATOR STATION

AIR CONDITIONER GP-DELUXE - 502499D1

(S/N: EFF AKN40200; ALA40261; ALM40681;
AMS41031)



**MT700 SERIES TRACK TRACTORS
OPERATOR STATION**

1049

**AIR CONDITIONER GP-DELUXE - 502499D1
(S/N: EFF AKN40200;ALA40261;ALM40681;
AMS41031)**

ITEM	NUMBER	QTY	DESCRIPTION
-	502499D1	--	CONDITIONER GP-AIR [A] (NOT SERVICED)
1	501705D1	1	PAN - DRAIN
2	501701D2	1	CASE AS
3	400300X1	11	NUT M6X1
4	501703D1	1	HOUSING - BLOWER
5	501704D1	1	HOUSING - BLOWER
6	400296X1	10	CLIP
7	400298X1	AR	TUBE-BULK (4DM)
8	501708D1	1	COIL AS. - HEATER
9	501712D1	1	BRACKET AS.
10	501700D1	1	VALVE AS. - WATER
11	501709D1	1	COIL AS. - EVAP
12	501706D1	1	DUCT - FRESH AIR
13	501731D1	1	BRACKET AS.
14	501707D2	1	HARNES AS
15	501697D1	2	SENSOR GP.
16	501713D1	1	BRACKET AS.
17	400292X1	1	RELAY AS.
18	501714D1	1	RETAINER
19	501716D1	1	RETAINER
20	400305X1	7	SCREW - SELF TAPPING
21	501730D1	1	BRACKET AS.
22	501702D1	1	FAN AS.
23	400310X1	28	WASHER
24	501717D1	1	CONTROL AS.
25	400221X1	11	BOLT-M6X1X20MM ZNDI HHD 10.9
26	400022X1	5	BOLT-M6X1X25MM ZNDI HHD 10.9
27	400185X1	6	BOLT-M6X1X35MM ZNDI HHD 10.9
28	400307X1	4	BOLT M6X1
29	400293X1	1	SENSOR AS.
30	400303X1	1	ORIFICE AS.-A/C (S/N: PRIOR TO AKN5; ALA5;ALM5;AMS5)
30	400932X1	1	ORIFICE AS.-A/C (S/N: EFF AKN5; ALA5;ALM5;AMS5)
31	400309X1	2	CONNECTOR
32	400295X1	1	NUT - HEX
33	400297X1	1	PLUG
34	501718D1	2	GASKET
35	501719D1	1	GASKET
36	501720D2	1	GASKET
37	501721D2	1	GASKET
38	501722D2	1	GASKET
39	501723D2	1	GASKET

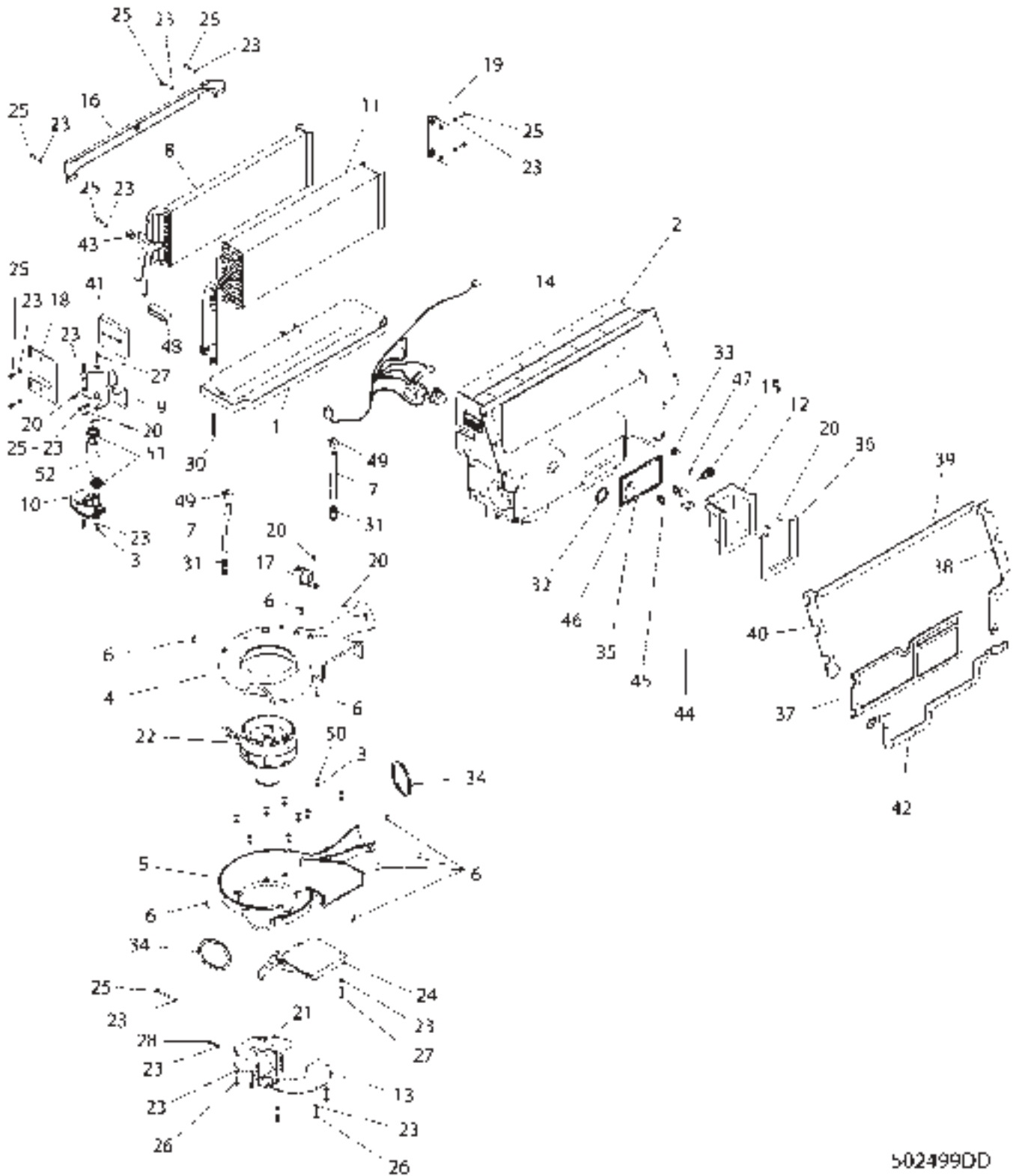
CONTINUED

[A] PART OF 502501D1;502502D1
A/C & MTG GP

502499DD
PR: t05f07j07b0473

AIR CONDITIONER GP-DELUXE - 502499D1

(S/N: EFF AKN40200; ALA40261; ALM40681;
AMS41031)



**MT700 SERIES TRACK TRACTORS
OPERATOR STATION**

1051

AIR CONDITIONER GP-DELUXE - 502499D1
(S/N: EFF AKN40200;ALA40261;ALM40681;
AMS41031)

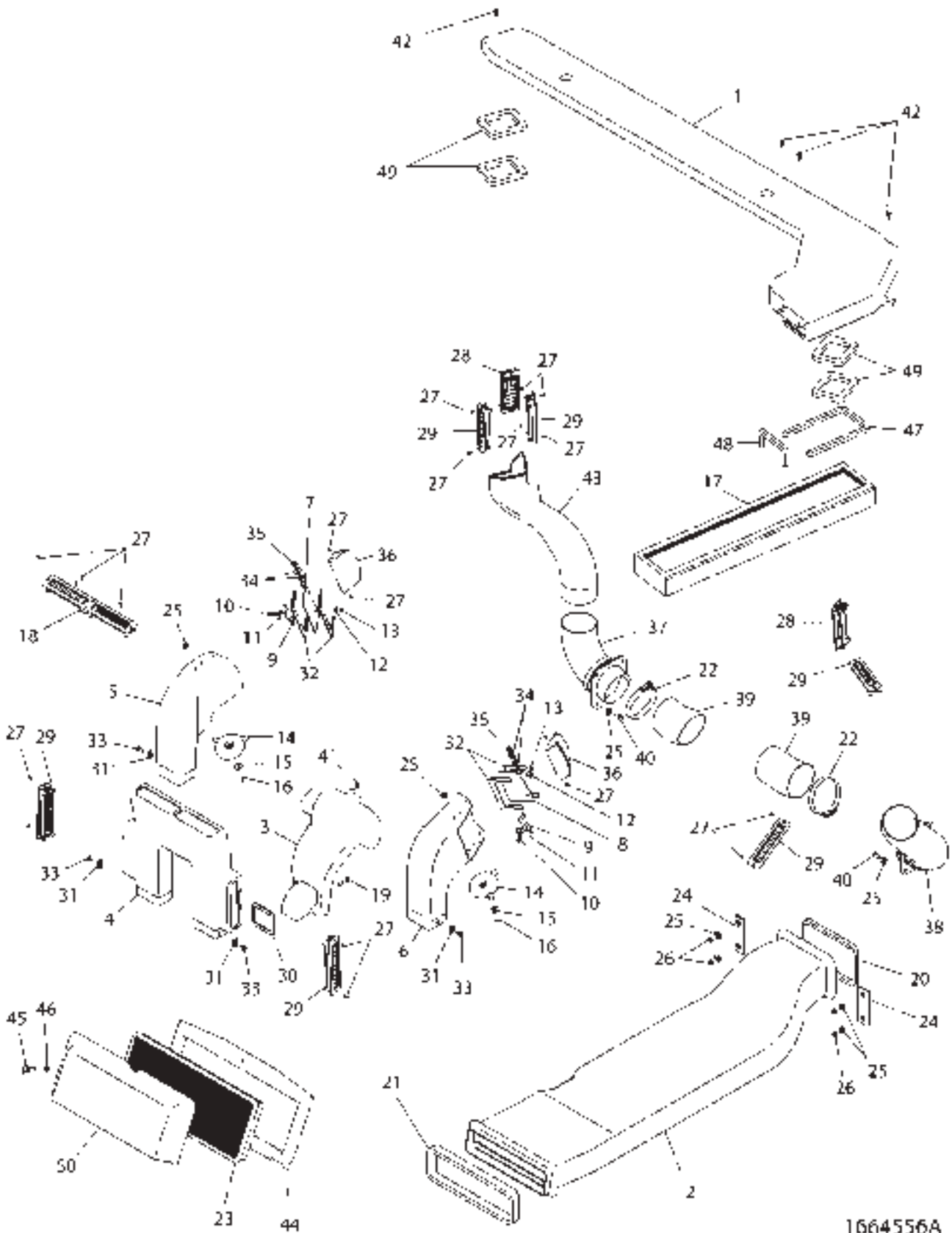
ITEM	NUMBER	QTY	DESCRIPTION
-	502499D1	--	CONDITIONER GP-AIR [A] (NOT SERVICED)
40	501724D2	1	GASKET
41	501725D1	1	GASKET
42	501726D1	1	GASKET
43	501146D1	1	GROMMET-WIRE
44	502033D1	1	BRACKET
45	400780X1	1	NUT-JAM #8 3/4-16 UNF 2B
46	502036D1	1	GASKET HVAC SENSOR PROBE
47	CH217-5909	2	SCREW-1/4-15X12.7 PAN THD CTG
48	502528D1	1	TAPE-REFRIGERANT
49	400109X1	2	CLAMP-HOSE
50	400301X1	9	LOCKWASHER-TOOTH
51	400308X1	2	CLAMP-HOSE
52	501738D1	AR	HOSE-HEATER (3/4ID) (20CM)

[A] PART OF 502501D1;502502D1
A/C & MTG GP

502499DD
PR: t05f07j07b0473

MT700 SERIES TRACK TRACTORS
OPERATOR STATION

DUCT GP-CAB AIR
166-4556



**MT700 SERIES TRACK TRACTORS
OPERATOR STATION**

1053

**DUCT GP-CAB AIR
166-4556**

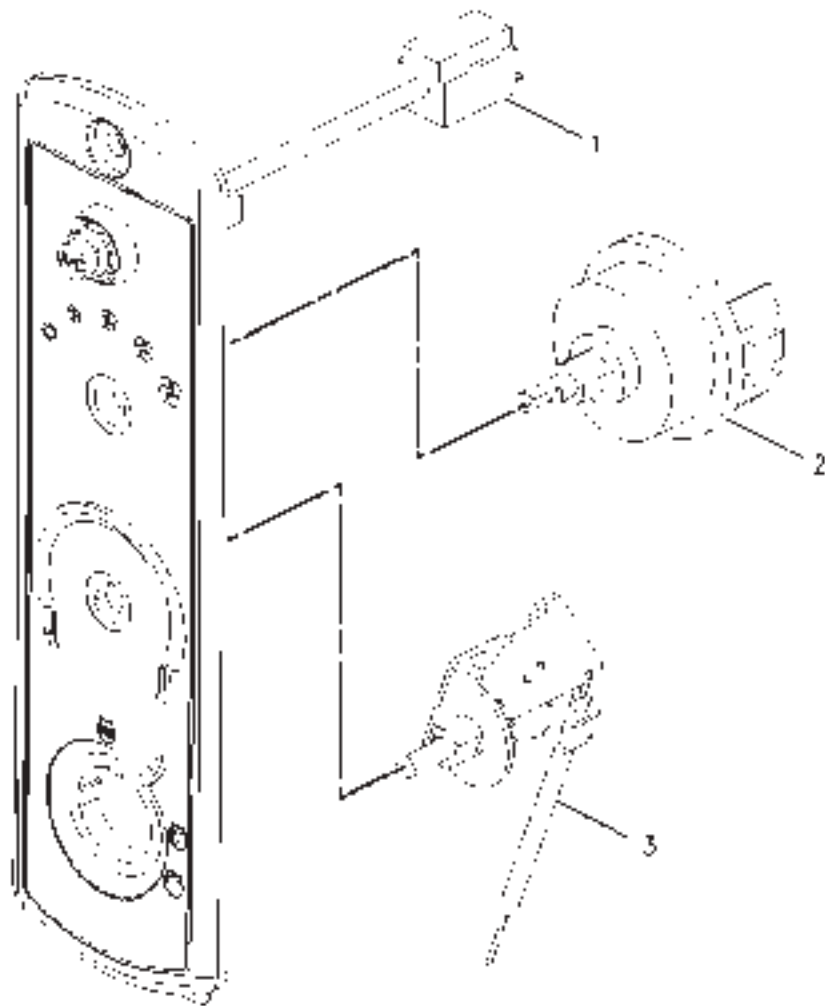
ITEM	NUMBER	QTY	DESCRIPTION
-	166-4556	--	FILTER GP-CAB AIR [A] (NOT SERVICED)
1	162-6691	1	DUCT-ROOF
2	166-4617	1	DUCT-CENTER
3	169-6337	1	DUCT-FRONT (LOWER)
4	500445D1	1	DUCT-FRONT (DEFROST)
5	164-7023	1	DUCT-RH
6	166-4595	1	DUCT-LH
7	179-4221	1	BRACKET ASM-LH
8	179-4223	1	BRACKET ASM-RH
9	179-4225	2	ROD ASM
10	400221X1	2	BOLT (M6X1X20MM)
11	214-4667	2	PLATE
12	CH117-8929	2	WASHER-HARD (6.6IDX22ODX2)
13	400300X1	2	NUT (M6X1)
14	162-6734	2	WHEEL
15	CH9T-2281	2	SPRING
16	CH3B-4605	2	PIN-COTTER
17	501881D1	1	FILTER-AIR (CAB-OUTSIDE)
	501241D1	1	FILTER-AIR (CHARCOAL ACTV) (FIELD OPT)
18	CH164-8478	1	LOUVER ASM
19	CH9X-2046	2	SCREW-TRUSS HEAD (M6X1X35MM)
20	178-7974	1	GASKET
21	501210D1	1	GASKET
22	400127X1	6	CLAMP-HOSE
23	501153D1	1	FILTER-AIR (CAB-RECIRCULATION)
24	169-6373	2	CLAMP-CENTER DUCT
25	400599X1	14	WASHER-HARD (8.8X20.5X2)
26	400340X1	4	NUT (M8X1.25)
27	CH104-2091	26	SCREW-FLAT HEAD (6-20X0.5IN)
28	501826D1	3	LOUVER ASM
29	CH171-4047	6	LOUVER ASM
30	187-4906	1	GASKET
31	400085X1	4	NUT (U-TYPE RETAINER)
32	187-4921	4	SEAL
33	CH9X-2044	4	SCREW-TRUSS HEAD (M6X1X16MM)
34	CH214-1118	4	SPACER (8.4X18X2)
35	CH131-3540	2	LOCKNUT
36	197-3083	2	PLATE
37	201-1186	1	ADAPTER ASM-RH
	210-3258	1	ADAPTER-CONDITIONER
	210-3292	1	GASKET
38	203-6965	1	ADAPTER ASM-LH
	210-3258	1	ADAPTER-CONDITIONER
	210-3292	1	GASKET
39	203-6966	2	HOSE
40	400053X1	8	BOLT (M8X1.25X20MM)
41	400084X1	1	NUT (U-TYPE RETAINER)
42	CH210-4352	4	SCREW-PAN HEAD
43	180-5239	1	DUCT-RH
44	202-0848	1	COVER
45	CH216-9165	1	THUMBSCREW
46	CH2R-2376	1	WASHER (7X16X.8)
47	217-3513	1	SEAL
48	217-3514	1	SEAL
49	222-4774	4	GASKET
50	225-1406	1	COVER-FILTER

[A] PART OF 151-9986;502501D1;502502D1
A/C & MTG GP

1664556A
PR: t05f07j07b0474

MT700 SERIES TRACK TRACTORS
OPERATOR STATION

CONTROL GP-AIR & TEMPERATURE
166-4586



**MT700 SERIES TRACK TRACTORS
OPERATOR STATION**

1055

**CONTROL GP-AIR & TEMPERATURE
166-4586**

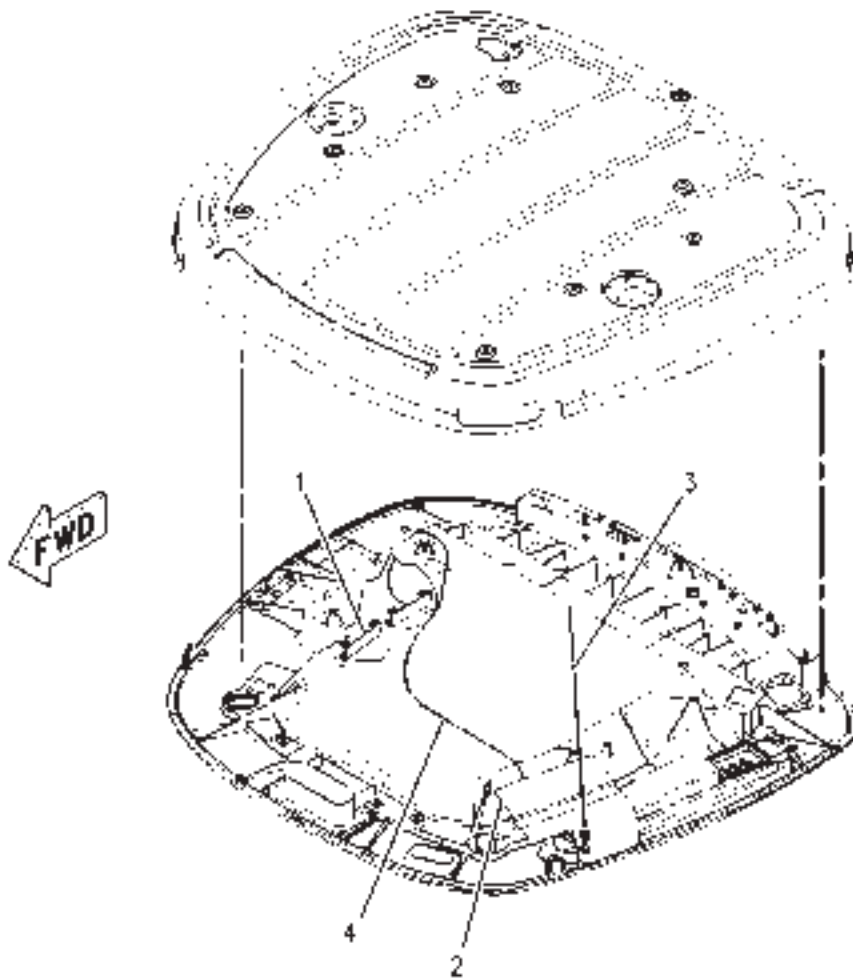
ITEM	NUMBER	QTY	DESCRIPTION
-	166-4586	--	CONTROL GP-AIR & TEMPERATURE [A]
1	CH130-5742	1	SWITCH-AIR CONDITIONER
2	CH157-0217	1	SWITCH ASM-ROTARY (BLOWER FAN SPEED)
	CH6V-8362	6	SCREW-MACHINE (8-32X0.31IN)
	CH9B-7233	6	LOCKWASHER
3	CH208-6662	1	CABLE (CAB TEMPERATURE CONTROL)

[A] PART OF 502502D1 AIR CONDITIONER &
MOUNTING GP

00876899
PR: t05f07j07b0475

MT700 SERIES TRACK TRACTORS
OPERATOR STATION

ANTENNA GP-RADIO - 168-1951



**MT700 SERIES TRACK TRACTORS
OPERATOR STATION**

1057

ANTENNA GP-RADIO - 168-1951

ITEM	NUMBER	QTY	DESCRIPTION
-	168-1951	--	ANTENNA GP-RADIO [A] (NOT SERVICED)
1	400128X1	2	COVER
2	136-5330	1	PLATE-GROUNDING
3	CH166-4615	1	ANTENNA
4	171-1576	1	CABLE-ANTENNA

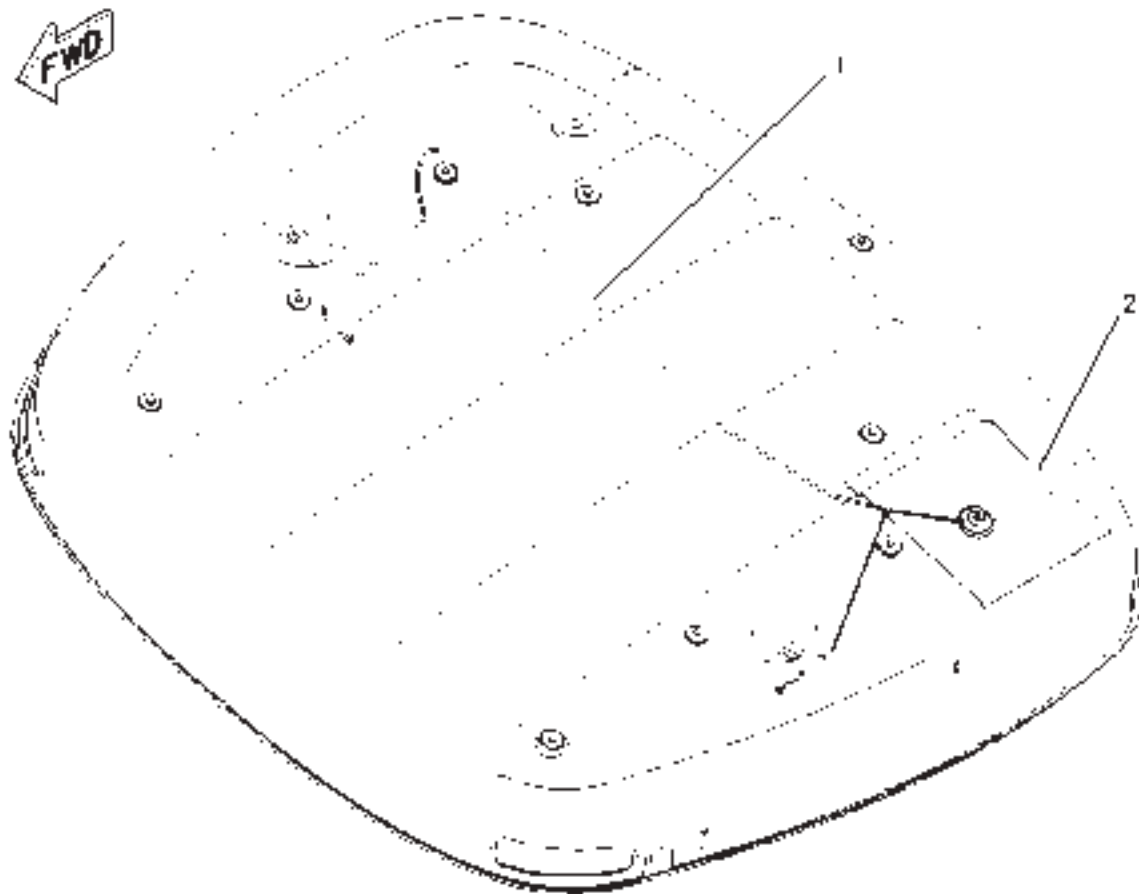
[A] PART OF 500845D1; 500846D1;
500847D1; 500848D1 CAB AR

00786383
PR: t05f07j07b0476

1058

**MT700 SERIES TRACK TRACTORS
OPERATOR STATION**

**ANTENNA GP-RADIO - 210-1570
BUSINESS BAND**



00835371

**MT700 SERIES TRACK TRACTORS
OPERATOR STATION**

1059

**ANTENNA GP-RADIO - 210-1570
BUSINESS BAND**

ITEM	NUMBER	QTY	DESCRIPTION
-	210-1570	--	ANTENNA GP-RADIO [A] (NOT SERVICED)
1	209-8430	1	CABLE
2	210-2654	1	PLATE-GROUND

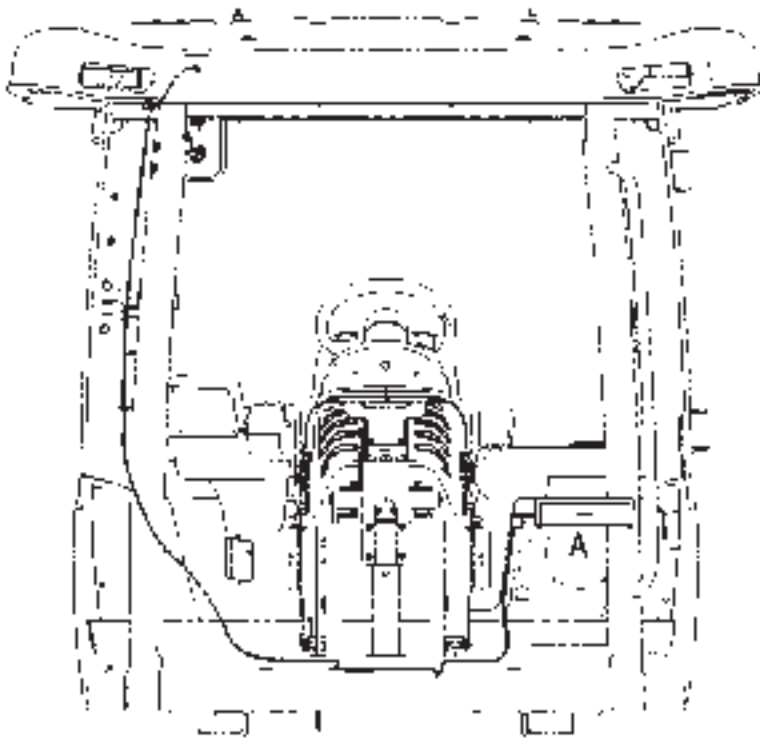
[A] PART OF 500845D1

00835371
PR: t05f07j07b0477

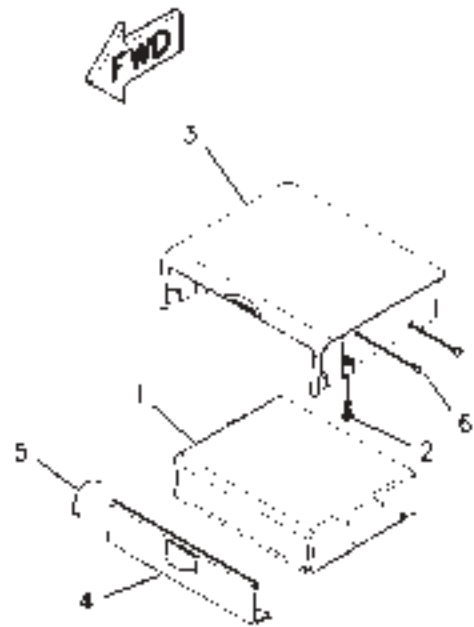
1060

MT700 SERIES TRACK TRACTORS
OPERATOR STATION

CHANGER GP-COMPACT DISC - 173-6507
ROW



FRONT VIEW



VIEW OF AREA A

00885053

**MT700 SERIES TRACK TRACTORS
OPERATOR STATION**

1061

**CHANGER GP-COMPACT DISC - 173-6507
ROW**

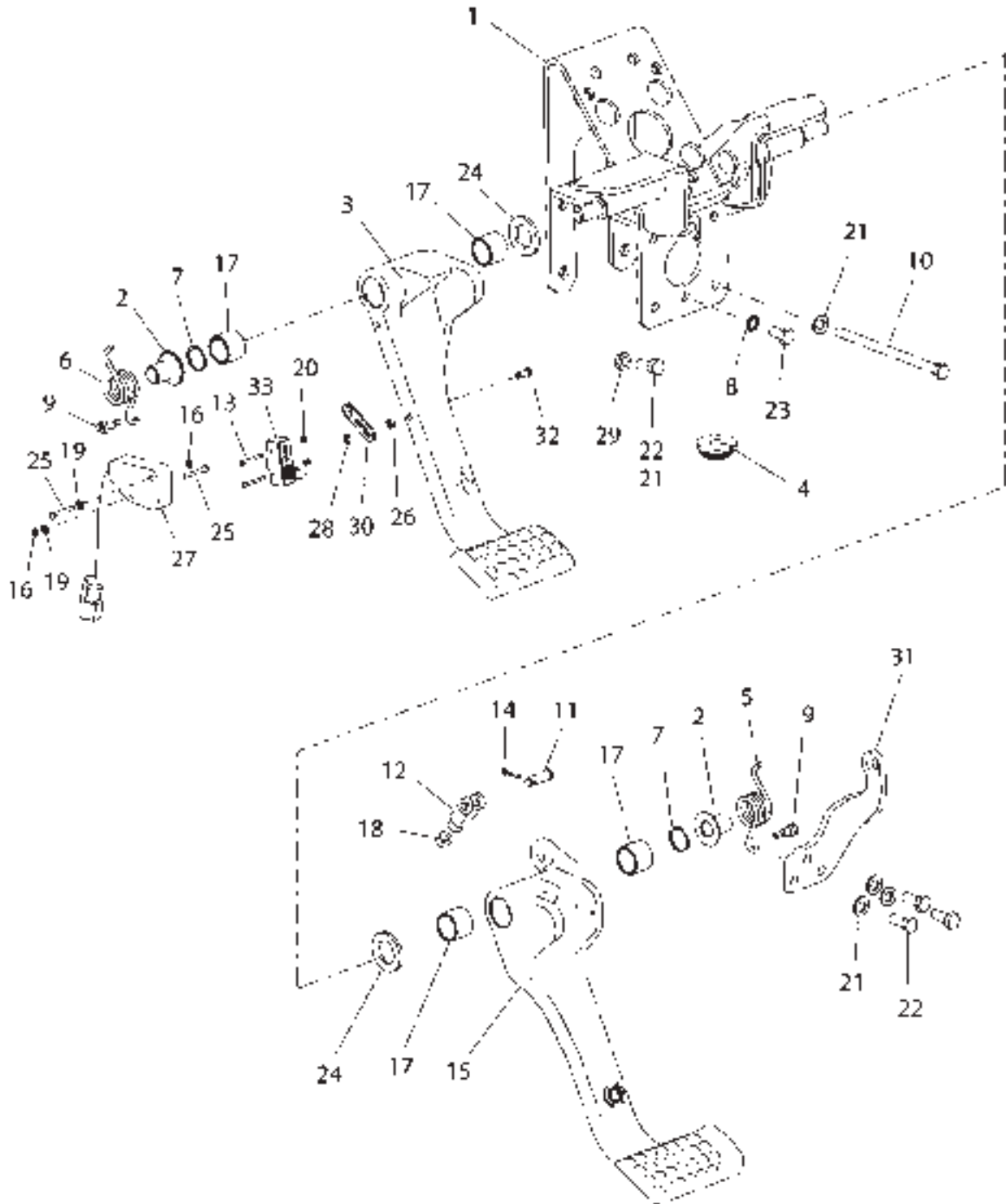
ITEM	NUMBER	QTY	DESCRIPTION
-	173-6507	--	CHANGER GP-COMPACT DISC
1	CH170-7251	1	CHANGER-COMPACT DISC [A]
	170-7253	1	MAGAZINE ASM-COMPACT DISC (6 DISC) [A] (NOT SHOWN, NOT PART OF THIS GROUP)
2	CH9X-2045	2	SCREW-TRUSS HEAD (M6X1X20MM)
3	172-6844	1	FRAME
4	172-6845	1	DOOR
5	CH172-6847	1	SPRING
6	CH7Y-7388	4	SCREW-BUTTON HEAD (M5X0.8X12MM)
-	400486X1	1	CONNECTOR CD CHANGER [B]

[A] CD MAGAZINE TO BE USED WITH
CD CHANGER

[B] MATING CONNECTOR REQUIRED TO
CONNECT TO CD CHANGER

00885053
PR: t05f07j07b0478

CONTROL GP - BRAKE & CLUTCH
152-0438



**MT700 SERIES TRACK TRACTORS
OPERATOR STATION**

1063

**CONTROL GP - BRAKE & CLUTCH
152-0438**

ITEM	NUMBER	QTY	DESCRIPTION
-	152-0438	--	CONTROL GP - BRAKE & CLUTCH [A] (NOT SERVICED)
1	500442D1	1	BRACKET AS.
2	CH192-4767	2	BUSHING-PLASTIC 16.3 ID W/LIP
3	501944D1	1	PEDAL-CLUTCH
4	CH212-4443	1	GROMMET-RUB 12.5 IDX32 ODX2.5
5	400120X1	1	SPRING-TORSION LH 81.3NM/TURN
6	400121X1	1	SPRING-TORSION RH 81.3NM/TURN
7	CH001-5600	2	RING-RETAINING EXT 23.5 IDX1.1
8	CH124-7346	1	WASHER-LOCK, EXT T 10.2ID
9	400004X1	2	BOLT-M6X1X23.25MM PL SHDR HSHD
10	400137X1	4	BOLT-M10X1.5X160 ZNDI HHD 10.9
11	CH1B-0676	1	PIN 9.4DIAX29 STL
12	CH1F-5403	1	ROD END - ADJUSTABLE
13	CH216-9085	2	SCREW-M3X0.5X35MM PAN, CROSS
14	CH3B-4615	1	PIN - COTTER 3.18 DIAX19MM STL
15	500378D1	1	PEDAL-BRAKE
16	CH5C-8312	2	NUT-M4X0.7 THD HEX
17	400124X1	4	BRG-SLEEVE BRZ 25.44 IDX25.4LG
18	CH6V-8183	1	NUT-3/8-24 THD FULL
19	CH8T-0328	2	WASHER-HARD 5.5IDX10ODX1MM
20	CH8T-2658	2	NUT-M3X0.5-6H HHD SLF LOCK
21	400287X1	7	WASHER-HARD 11IDX21ODX2.5 ZND1
22	400039X1	4	BOLT-M10X1.5X25 ZNDI HHD 10.9
23	400040X1	1	BOLT-M10X1.5X20 ZNDI HHD 10.9
24	400081X1	2	WASHER-HARD 26IDX44ODX4MM ZNDI
25	CH9X-2606	2	SCREW-PAN M4X0.7X30
26	CH4E-7808	1	SPACER 10 ODX6.6 IDX4
27	500619D1	1	SENSOR-POSITION
28	400553X1	1	E-CLIP 5MM SHAFT
29	400576X1	1	NUT-HEX JAM M10X1.5 THD
30	500450D1	1	BRACKET AS
31	500493D1	1	PLATE
32	500513D1	1	PIN
33	500717D1	1	SWITCH-PUSH BUTTON

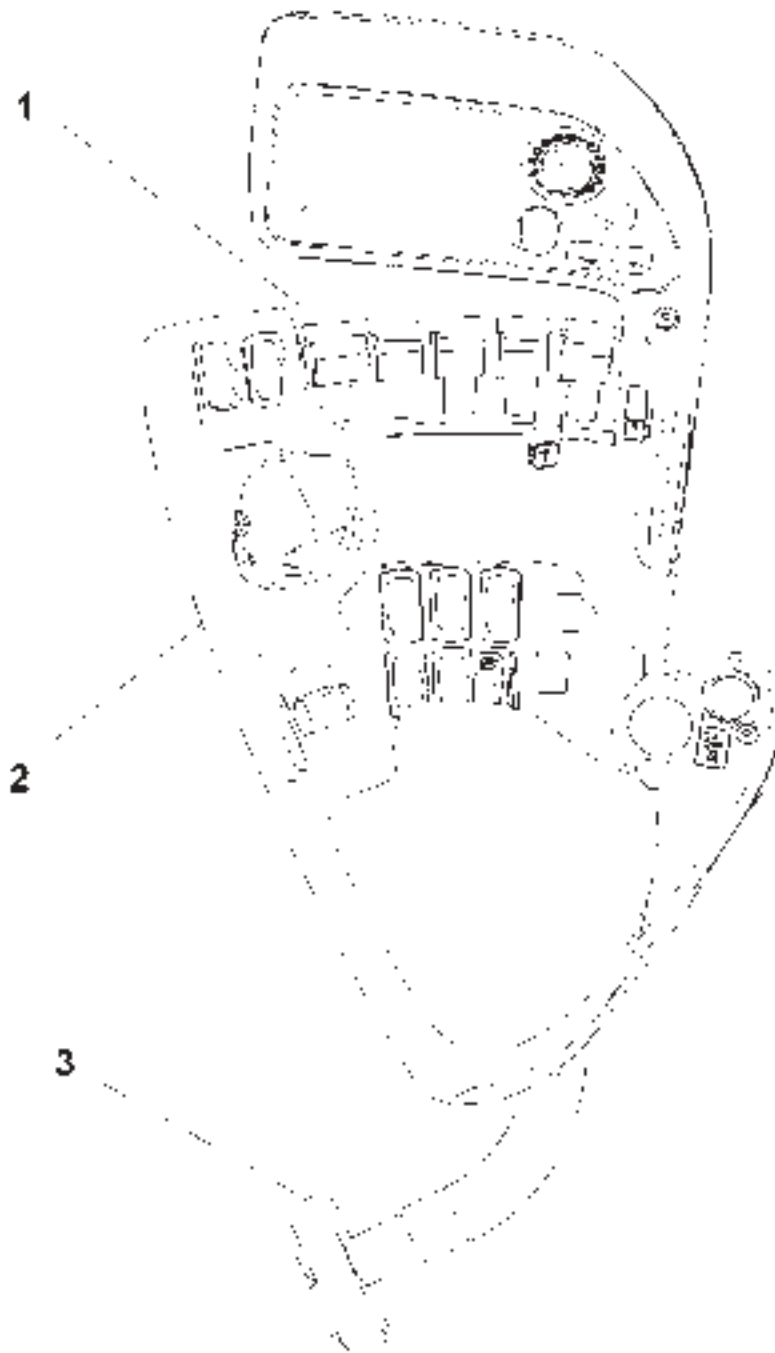
[A] PART OF 500845D1; 500846D1;
500847D1; 500848D1 CAB AR

1520438B
PR: t05f07j07b0479

1064

**MT700 SERIES TRACK TRACTORS
OPERATOR STATION**

ARMREST GP - 500484D2
4 IMP W/PTO-W/O HTCH
ROW ONLY



500484D2

**MT700 SERIESTRACKTRACTORS
OPERATOR STATION**

1065

**ARMREST GP - 500484D2
4 IMP W/PTO-W/O HTCH
ROW ONLY**

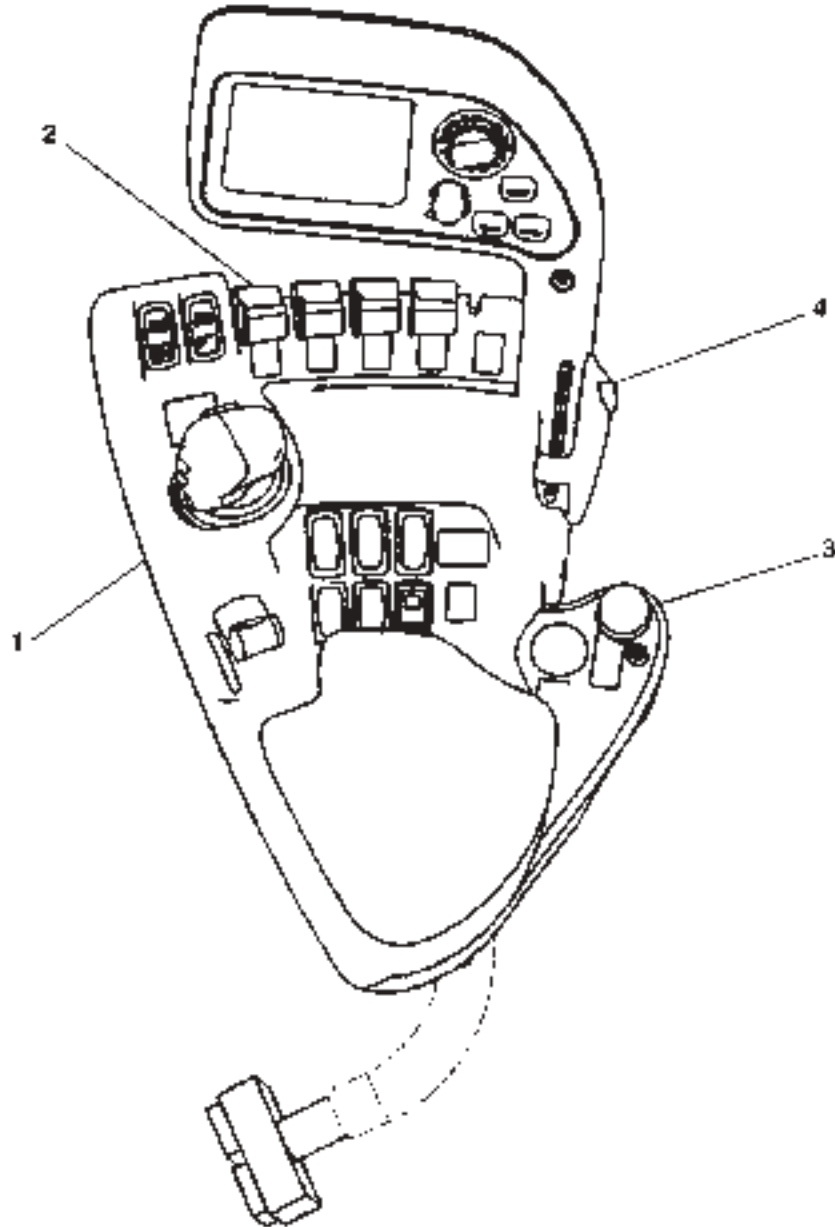
ITEM	NUMBER	QTY	DESCRIPTION
-	500484D2	--	ARMREST GP (NOT SERVICED)
1	152-0434	1	CONSOLE GP-OPERATOR (A) (NOT SERVICED) (SEE BREAKDOWN FOR COMPONENTS)
2	152-0443	1	CONTROL GP (NOT SERVICED) (SEE BREAKDOWN FOR COMPONENTS)
3	166-1211	1	WIRING GP-ARMREST (NOT SERVICED) (SEE BREAKDOWN FOR COMPONENTS)

500484D2
PR: t05f07j07b0480

1066

MT700 SERIES TRACK TRACTORS
OPERATOR STATION

ARMREST GP - 500485D2
4 IMP W/PTO-W/HITCH



500485DA

**MT700 SERIESTRACKTRACTORS
OPERATOR STATION**

1067

**ARMREST GP - 500485D2
4 IMP W/PTO-W/HITCH**

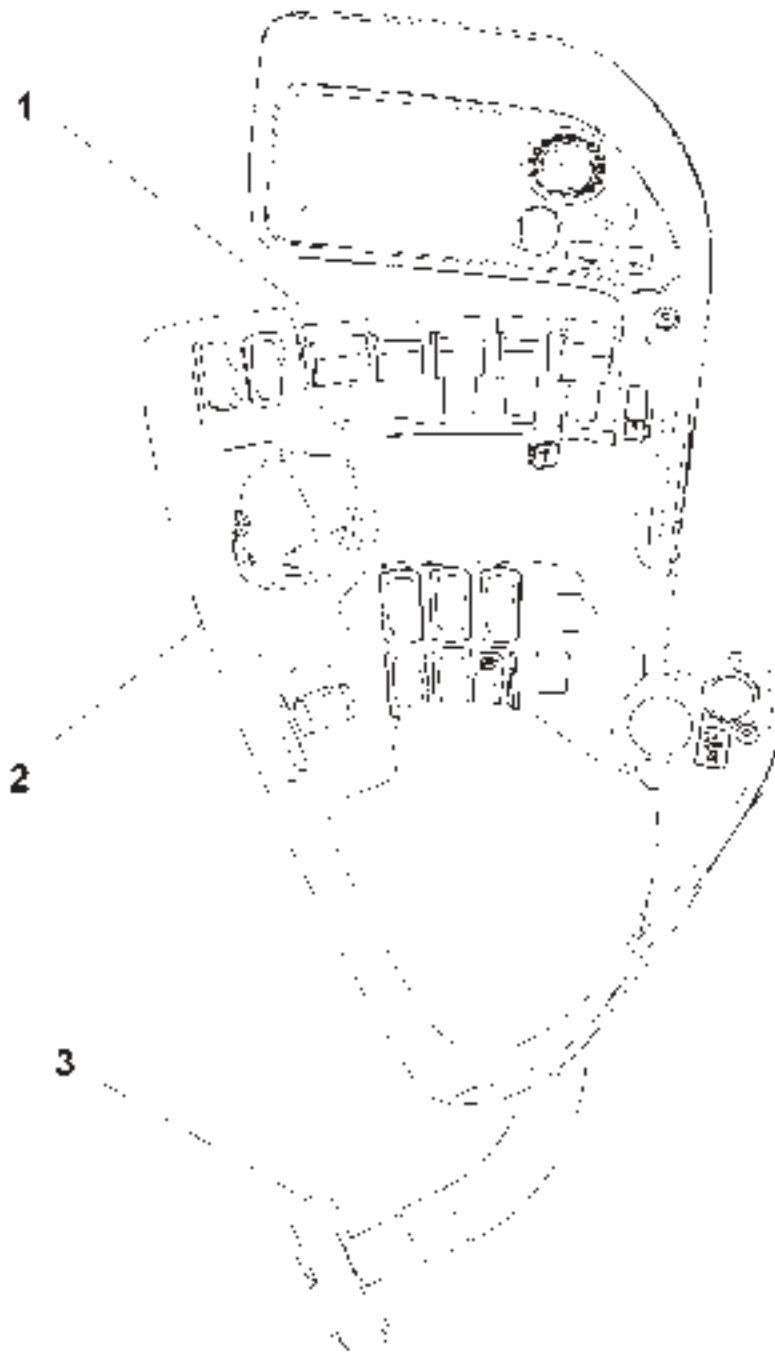
ITEM	NUMBER	QTY	DESCRIPTION
-	500485D2	--	ARMREST GP (NOT SERVICED)
1	152-0434	1	CONSOLE GP-OPERATOR (A) (NOT SERVICED) (SEE BREAKDOWN FOR COMPONENTS)
2	152-0443	1	CONTROL GP (NOT SERVICED) (SEE BREAKDOWN FOR COMPONENTS)
3	166-1211	1	WIRING GP-B (NOT SERVICED) (SEE BREAKDOWN FOR COMPONENTS)
4	152-0445	1	CONTROL GP-HITCH (NOT SERVICED) (SEE BREAKDOWN FOR COMPONENTS)

500485DA
PR: t05f07j07b0481

1068

**MT700 SERIES TRACK TRACTORS
OPERATOR STATION**

ARMREST GP - 500488D2
5 IMP W/PTO-W/O HITCH
ROW ONLY



500488D2

**MT700 SERIESTRACKTRACTORS
OPERATOR STATION**

1069

**ARMREST GP - 500488D2
5 IMP W/PTO-W/O HITCH
ROW ONLY**

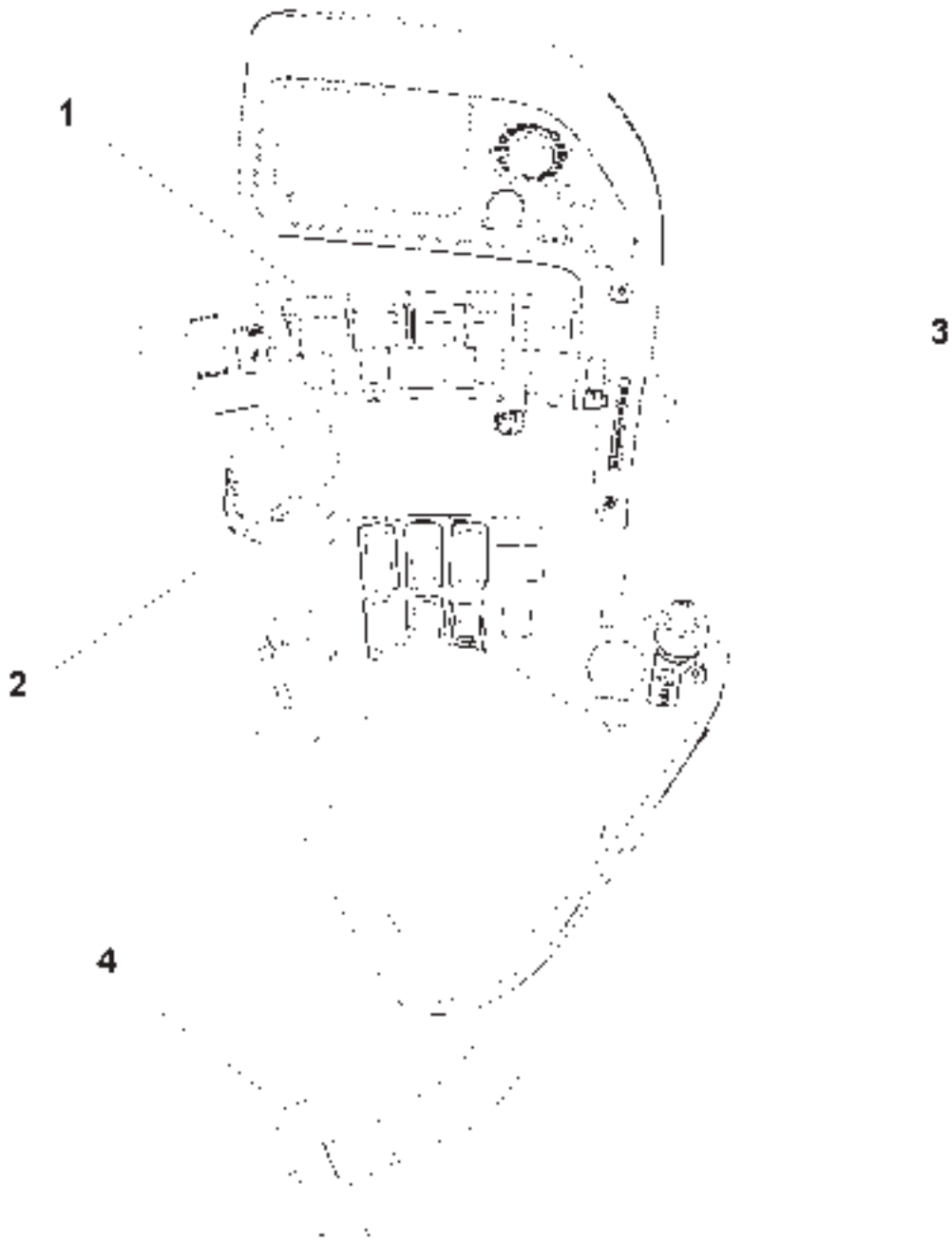
ITEM	NUMBER	QTY	DESCRIPTION
-	500488D2	--	ARMREST GP (NOT SERVICED)
1	166-4590	1	CONTROL GP (NOT SERVICED) (SEE BREAKDOWN FOR COMPONENTS)
2	152-0434	1	CONSOLE GP-OPERATOR (A) (NOT SERVICED) (SEE BREAKDOWN FOR COMPONENTS)
3	166-1211	1	WIRING GP-ARMREST (NOT SERVICED) (SEE BREAKDOWN FOR COMPONENTS)

500488D2
PR: t05f07j07b0482

1070

**MT700 SERIES TRACK TRACTORS
OPERATOR STATION**

ARMREST GP - 500489D2
5 IMP W/PTO-W/HTCH



500489D2

**MT700 SERIESTRACKTRACTORS
OPERATOR STATION**

1071

**ARMREST GP - 500489D2
5 IMP W/PTO-W/HTCH**

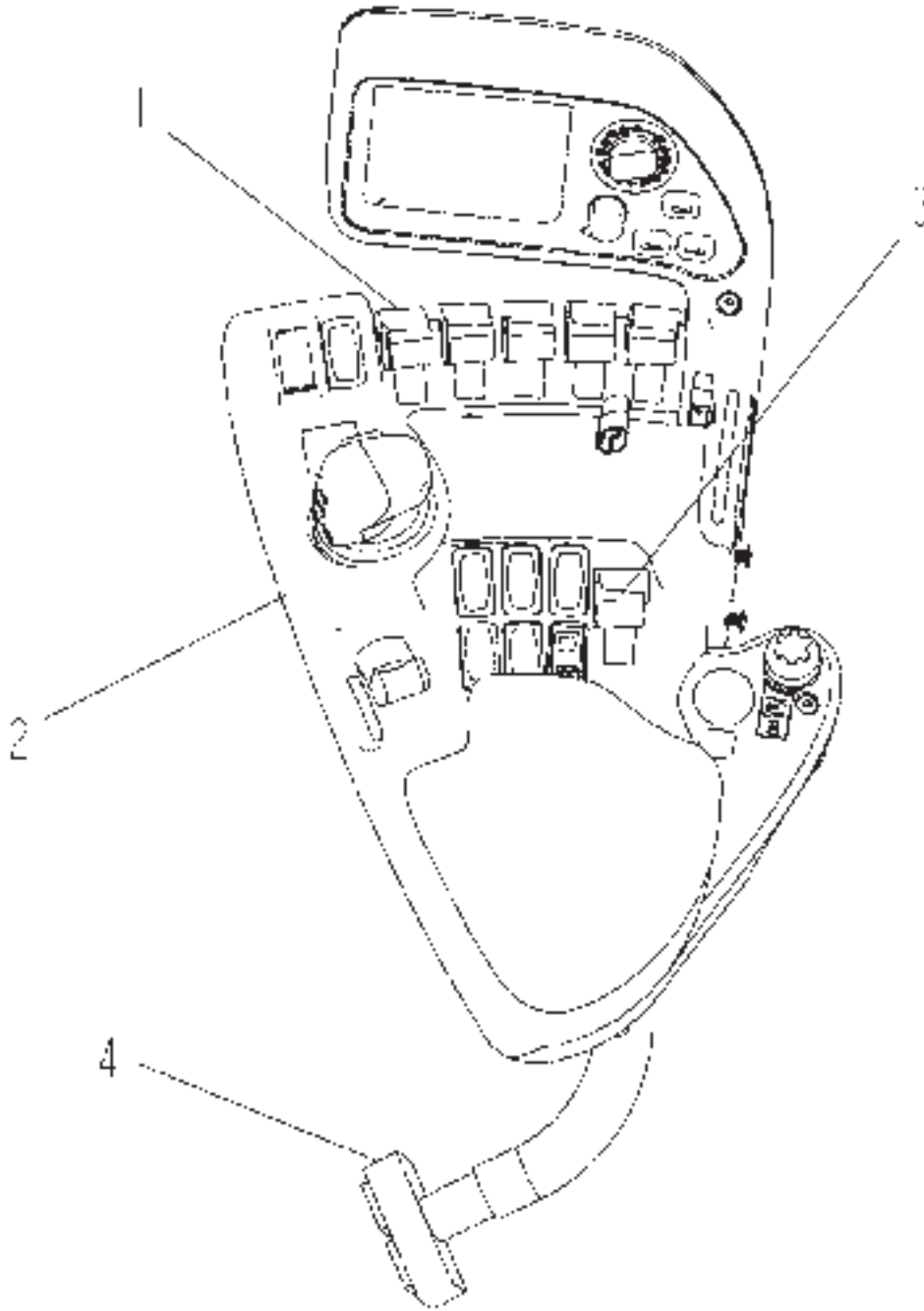
ITEM	NUMBER	QTY	DESCRIPTION
-	500489D2	--	ARMREST GP (NOT SERVICED)
1	166-4590	1	CONTROL GP (NOT SERVICED) (SEE BREAKDOWN FOR COMPONENTS)
2	152-0434	1	CONSOLE GP-OPERATOR (A) (NOT SERVICED) (SEE BREAKDOWN FOR COMPONENTS)
3	152-0445	1	CONTROL GP-HITCH (NOT SERVICED) (SEE BREAKDOWN FOR COMPONENTS)
4	166-1211	1	WIRING GP-ARMREST (NOT SERVICED) (SEE BREAKDOWN FOR COMPONENTS)

500489D2
PR: t05f07j07b0483

1072

**MT700 SERIES TRACK TRACTORS
OPERATOR STATION**

ARMREST GP - 500791D2
6 IMP W/PTO-W/O HITCH
ROW ONLY



500791DB

**MT700 SERIES TRACK TRACTORS
OPERATOR STATION**

1073

**ARMREST GP - 500791D2
6 IMP W/PTO-W/O HITCH
ROW ONLY**

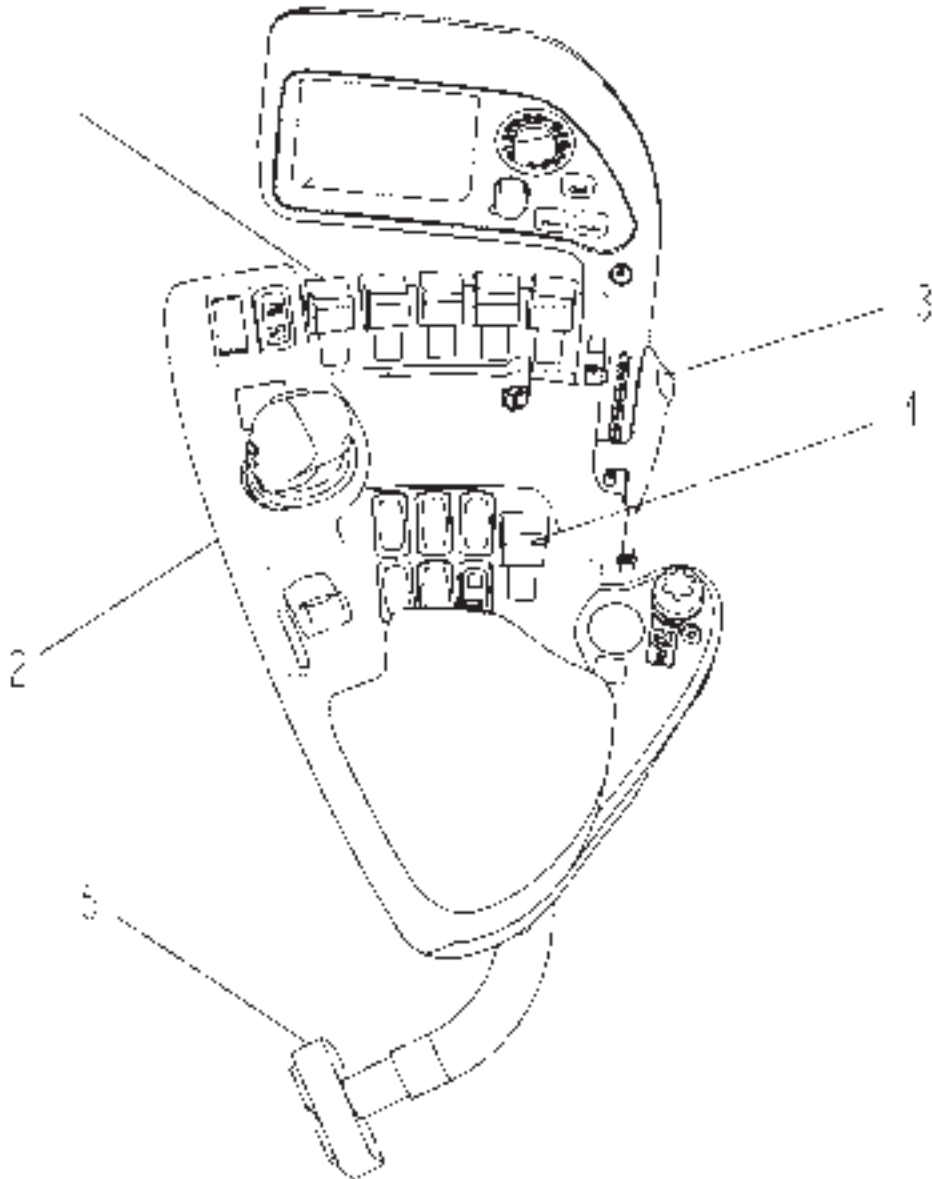
ITEM	NUMBER	QTY	DESCRIPTION
-	500791D2	--	ARMREST GP (SEE COMPONENT BREAKDOWN)
1	166-4590	1	CONTROL GP (NOT SERVICED) (SEE BREAKDOWN FOR COMPONENTS)
2	152-0434	1	CONSOLE GP-OPERATOR (A) (NOT SERVICED) (SEE BREAKDOWN FOR COMPONENTS)
3	152-0448	1	CONTROL GP (NOT SERVICED) (SEE BREAKDOWN FOR COMPONENTS)
4	166-1211	1	WIRING GP-ARMREST (NOT SERVICED) (SEE BREAKDOWN FOR COMPONENTS)

500791DB
PR: t05f07j07b0484

1074

**MT700 SERIES TRACK TRACTORS
OPERATOR STATION**

ARMREST GP - 500792D2
6 IMP W/PTO-W/HITCH



500792DB

**MT700 SERIESTRACKTRACTORS
OPERATOR STATION**

1075

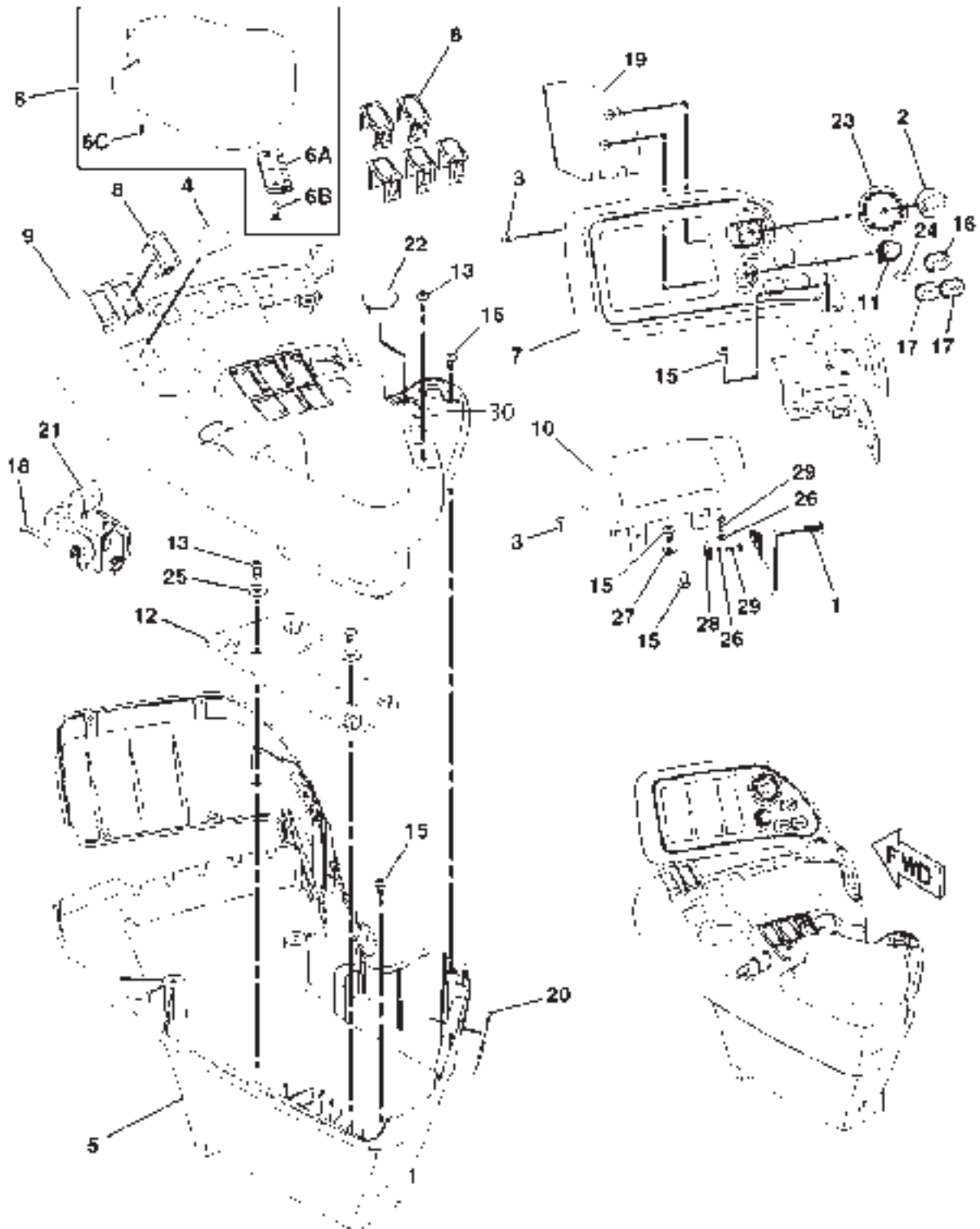
**ARMREST GP - 500792D2
6 IMP W/PTO-W/HITCH**

ITEM	NUMBER	QTY	DESCRIPTION
-	500792D2	--	ARMREST GP (SEE COMPONENT BREAKDOWN)
1	166-4590	1	CONTROL GP (NOT SERVICED) (SEE BREAKDOWN FOR COMPONENTS)
2	152-0434	1	CONSOLE GP-OPERATOR (A) (NOT SERVICED) (SEE BREAKDOWN FOR COMPONENTS)
3	152-0445	1	CONTROL GP-HITCH (NOT SERVICED) (SEE BREAKDOWN FOR COMPONENTS)
4	152-0448	1	CONTROL GP (NOT SERVICED) (SEE BREAKDOWN FOR COMPONENTS)
5	166-1211	1	WIRING GP-ARMREST (NOT SERVICED) (SEE BREAKDOWN FOR COMPONENTS)

500792DB
PR: t05f07j07b0485

MT700 SERIES TRACK TRACTORS
OPERATOR STATION

CONSOLE GP-OPERATOR - 152-0434



**MT700 SERIES TRACK TRACTORS
OPERATOR STATION**

1077

CONSOLE GP-OPERATOR - 152-0434

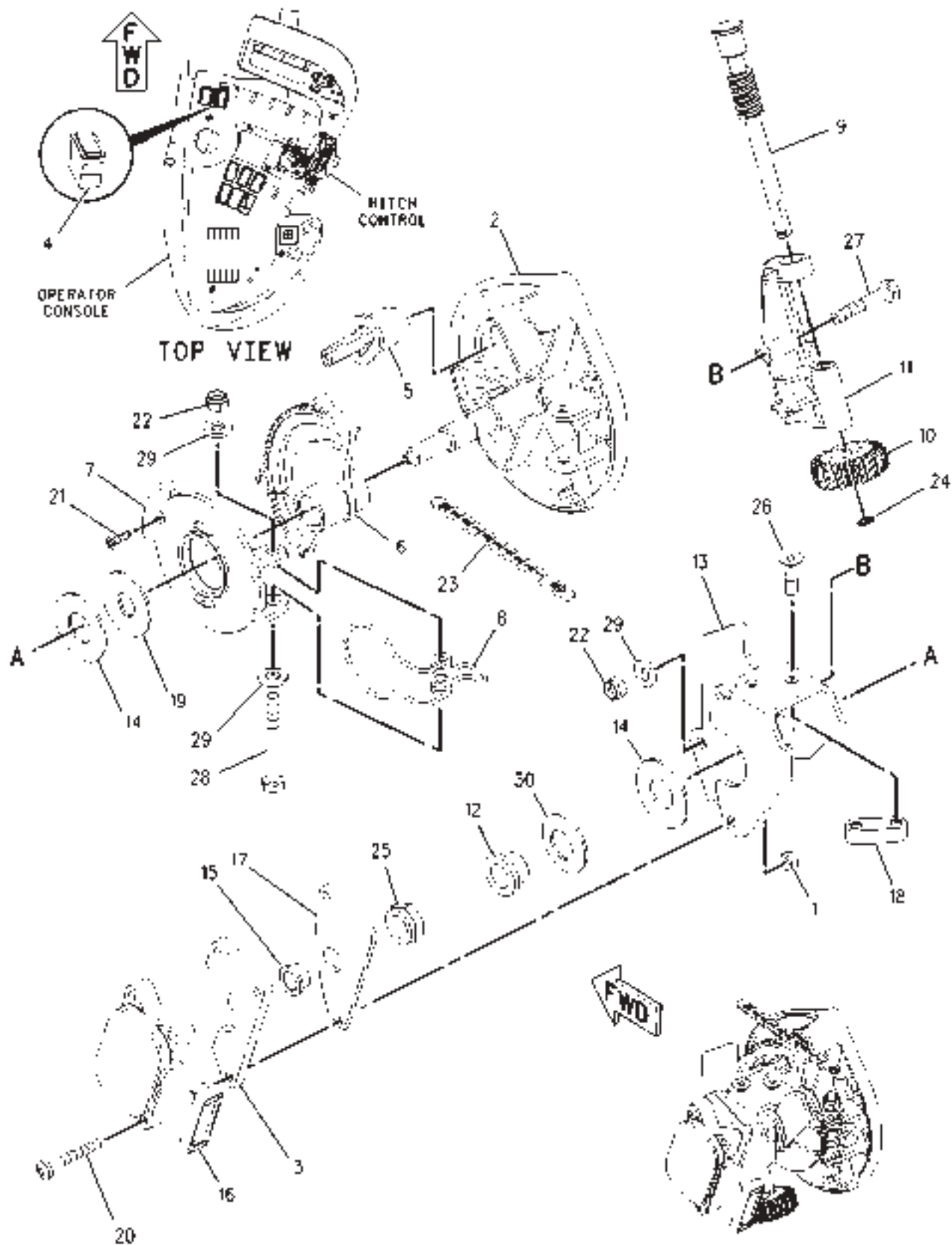
ITEM	NUMBER	QTY	DESCRIPTION
-	152-0434	--	CONSOLE GP-OPERATOR [A] (NOT SERVICED)
1	400110X1	2	CLIP-TREE
2	CH157-0449	1	KNOB-CONTROL (TRACTOR MGMT CENTER SELECTOR)
3	CH9X-1046	6	SCREW (M4X0.7X18MM)
4	501524D1	1	FILM (TRANSMISSION SHIFT)
5	162-6737	1	CONSOLE ASY. (BOTTOM)
	179-4207	3	INSERT (M6X1 THD)
6	162-6738	1	PAD ASY. (ARM)
6A	162-4105	1	HINGE ASY.
6B	207-2021	3	SCREW
6C	207-2022	5	SCREW
7	164-7042	1	HOUSING ASY.
	173-8818	4	INSERT (M4X0.7 THD)
8	CH165-5975	6	PLUG
9	502064D1	1	CONSOLE ASY. (TOP)
	173-8818	2	INSERT (M4X0.7 THD)
	179-4206	13	INSERT (M5X0.8 THD)
10	166-4608	1	PAD (PALM)
11	CH168-2333	1	KNOB (TRACTOR MGMT CENTER ADJUSTMENT)
12	169-6390	1	PLATE AS
	CH8T-3490	4	NUT-WELD (M10X1.5 THD)
13	CH207-2021	4	SCREW
14	174-5790	1	PLUG
15	CH9X-2044	7	SCREW-TRUSS HEAD (M6X1X16MM)
16	CH178-7962	1	BUTTON (TRACTOR MGMT CENTER ENTER KEY)
17	CH178-7963	2	BUTTON (TRACTOR MGMT CENTER TAB KEYS)
18	501531D1	1	FILM (THROTTLE INSTRUCTION)
19	180-5237	1	SEAL
20	221-5433	1	COVER
21	207-2031	1	CONTROL GP-GOVERNOR (NOT SERVICED) (SEE BREAKDOWN FOR COMPONENTS)
22	CH207-2039	1	PLUG
23	501521D1	1	FILM-IDENTIFICATION (TRACTOR MGMT CENTER SELECTOR)
24	501522D1	1	FILM-IDENTIFICATION (TRACTOR MGMT CENTER ADJUSTMENT)
25	CH9X-6165	2	WASHER (6.5X22X2.5MM THK)
26	CH2A-3211	2	WASHER (5.5X12.3X.8MM THK)
27	CH5P-0537	1	WASHER-HARD (7.2X14.5X2MM THK)
28	400356X1	1	CLIP-SPRING (M5X.8-6H)
29	CH8T-6693	2	SCREW-MACHINE (M5X0.8X16MM)
30	501532D1	1	FILM-PTO
-	501530D1	1	DECAL SHEET-CONSOLE (NOT SHOWN) (INCLS ALL DECALS)

[A] PART OF 152-0436 SEAT GP
500484D2; 500485D2; 500488D2;
500489D2 ARMREST GP

1520434A
PR: t05f07j07b0486

MT700 SERIES TRACK TRACTORS
OPERATOR STATION

CONTROL GP-HITCH - 152-0445
REAR 3 POINT



**MT700 SERIES TRACK TRACTORS
OPERATOR STATION**

1079

**CONTROL GP-HITCH - 152-0445
REAR 3 POINT**

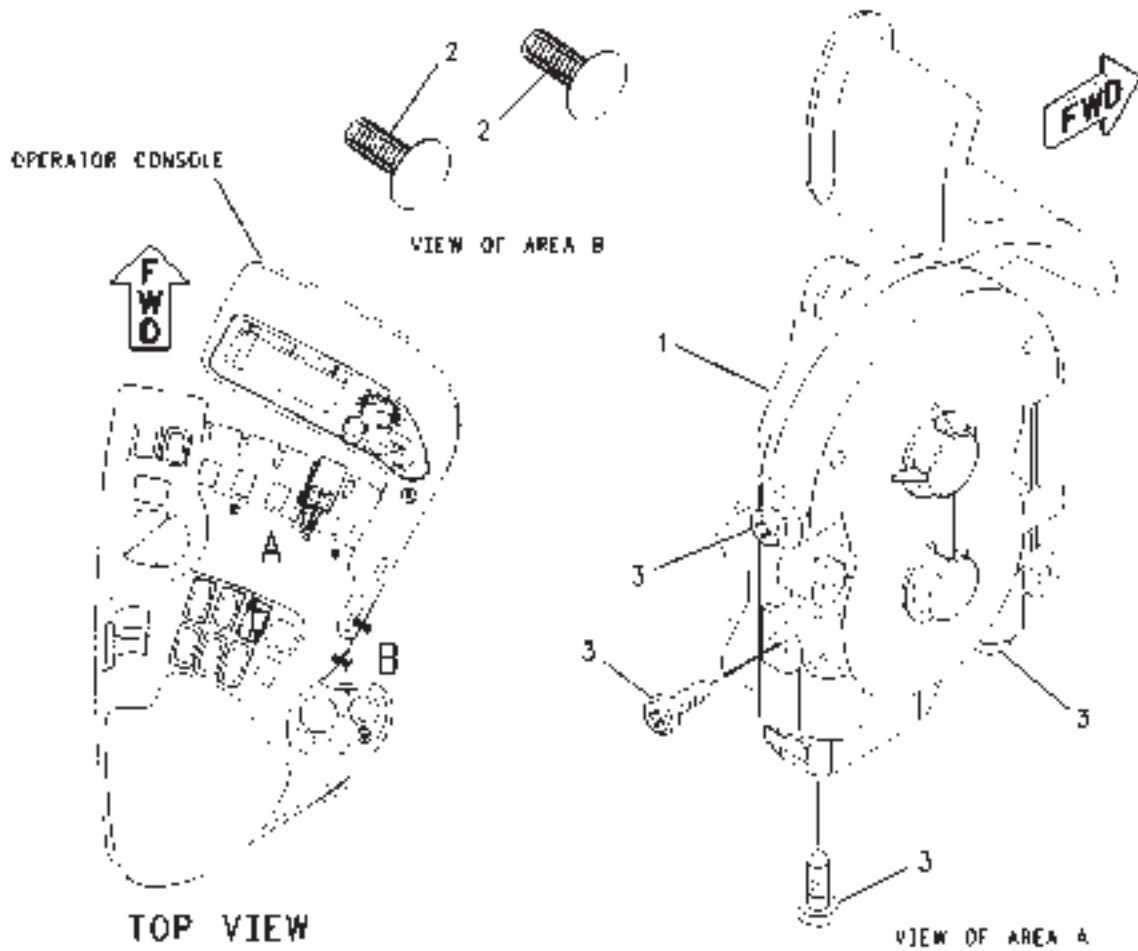
ITEM	NUMBER	QTY	DESCRIPTION
-	152-0445	--	CONTROL GP-HITCH [A] (NOT SERVICED)
1	CH179-4324	2	LOCKNUT (M5X.8)
2	164-7040	1	HANDLE
3	169-6391	1	SPACER-RUBBER
4	169-8227	1	SWITCH-ROCKER (3 POINT HITCH CONTROL)
5	172-6851	1	BUTTON
6	172-6852	1	GEAR
7	172-6853	1	STOP
8	172-6858	1	SPRING
9	172-6863	1	GEAR
10	172-6864	1	KNOB (HEIGHT ADJ-3 POINT HITCH CONT)
11	172-6865	1	BRACKET
12	CH174-5747	1	BUSHING
13	179-4227	1	BRACKET
14	400334X1	2	WASHER (16.5X37X1.5)
15	CH187-4917	1	BUSHING
16	500382D1	1	SENSOR GP-POSITION
17	CH207-2023	1	PLATE
18	CH207-2024	1	PLATE
19	CH214-2184	1	WASHER
20	400071X1	2	SCREW-HEX SOCKET (M5X0.8X30MM)
21	CH113-0899	1	SCREW-FLAT HEAD (6-20X0.5IN)
22	CH129-3178	3	LOCKNUT (M6X1)
23	501523D1	1	FILM-INSTRUCTION (3 POINT HITCH)
24	CH3P-3547	1	RING-RETAINING
25	CH4K-8341	1	LOCKNUT (1/2-20)
26	400256X1	2	BOLT-HEX SOCKET (M6X1X20MM)
27	400070X1	2	BOLT-HEX SOCKET (M6X1X35MM)
28	400186X1	1	BOLT (M6X1X50MM)
29	CH8T-4205	4	WASHER-HARD (7.2X14.5X2MM)
30	400074X1	1	WASHER-SPRING

[A] PART OF 157-1710;157-1715;169-0063;
177-0678;177-0679 HITCH AR;
500485D2; 500489D2 ARMREST GP

00902355
PR: t05f07j07b0487

MT700 SERIES TRACK TRACTORS
OPERATOR STATION

CONTROL GP-IMPLEMENT - 136-5355
4TH HANDLE



**MT700 SERIESTRACKTRACTORS
OPERATOR STATION**

1081

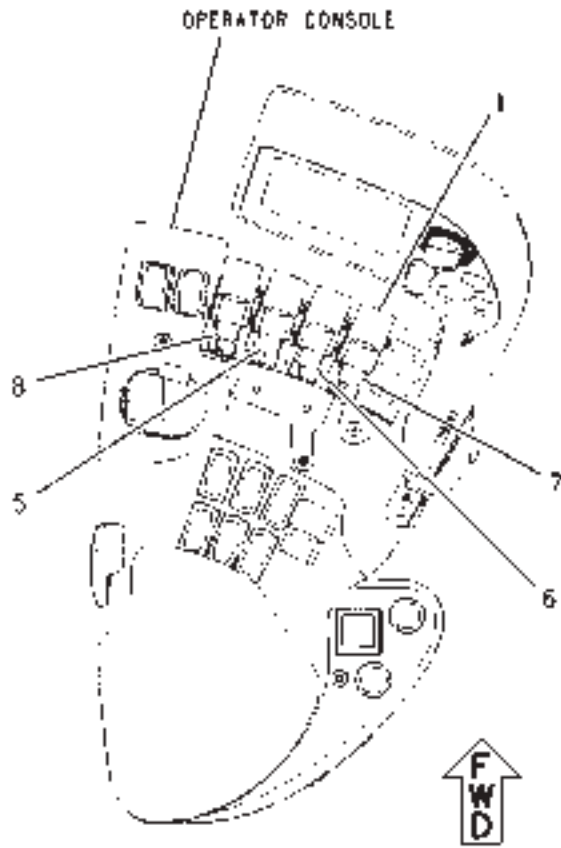
**CONTROL GP-IMPLEMENT - 136-5355
4TH HANDLE**

ITEM	NUMBER	QTY	DESCRIPTION
-	136-5355	--	CONTROL GP-IMPLEMENT [A] (NOT SERVICED)
1	209-8704	1	CONTROL GP-IMPLEMENT (SEE BREAKDOWN FOR COMPONENTS)
2	400110X1	2	CLIP-TREE (8MM)
3	400834X1	4	SCREW-PAN HEAD (8-16X0.5IN)

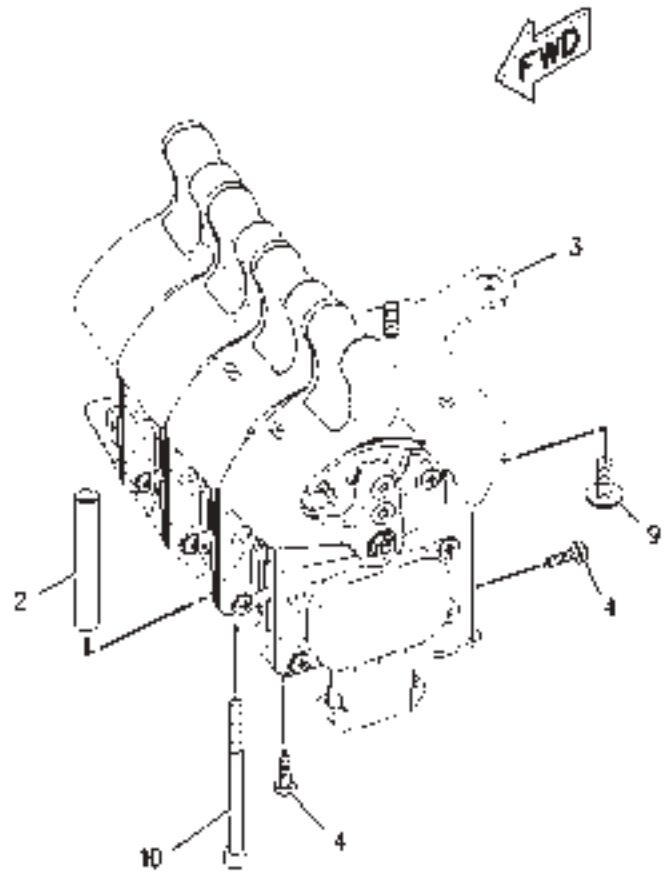
[A] PART OF 180-4824;180-4827;180-4828;
183-1214 KIT-VALVE

00880990
PR: t05f07j07b0488

CONTROL GP-IMPLEMENT - 4 HANDLES
152-0443



TOP VIEW



**MT700 SERIES TRACK TRACTORS
OPERATOR STATION**

1083

**CONTROL GP-IMPLEMENT - 4 HANDLES
152-0443**

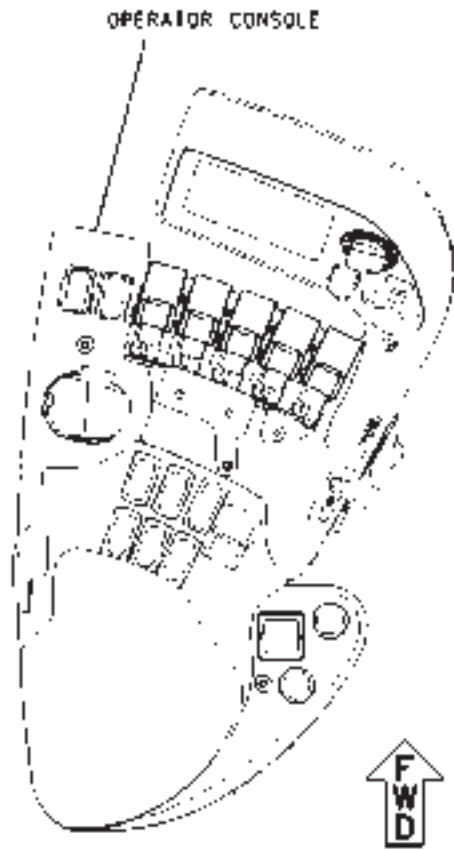
ITEM	NUMBER	QTY	DESCRIPTION
-	152-0443	--	CONTROL GP-IMPLEMENT [A] (NOT SERVICED)
1	209-8704	4	CONTROL GP-IMPLEMENT (SEE BREAKDOWN FOR COMPONENTS)
2	CH195-2626	4	SPACER (6.4X9.6X61)
3	169-6362	1	PLATE ASM
4	CH212-3416	16	SCREW-PAN HEAD (8-16X0.5IN)
5	501526D1	1	FILM (ELECTRO HYDRAULIC LEVER #2)
6	501527D1	1	FILM (ELECTRO HYDRAULIC LEVER #3)
7	501528D1	1	FILM (ELECTRO HYDRAULIC LEVER #4)
8	501525D1	1	FILM (ELECTRO HYDRAULIC LEVER #1)
9	CH207-2021	2	SCREW
10	400254X1	4	BOLT-SOCKET HEAD (M5X.08X70MM)

[A] PART OF 500484D2;500485D2 ARMREST GP

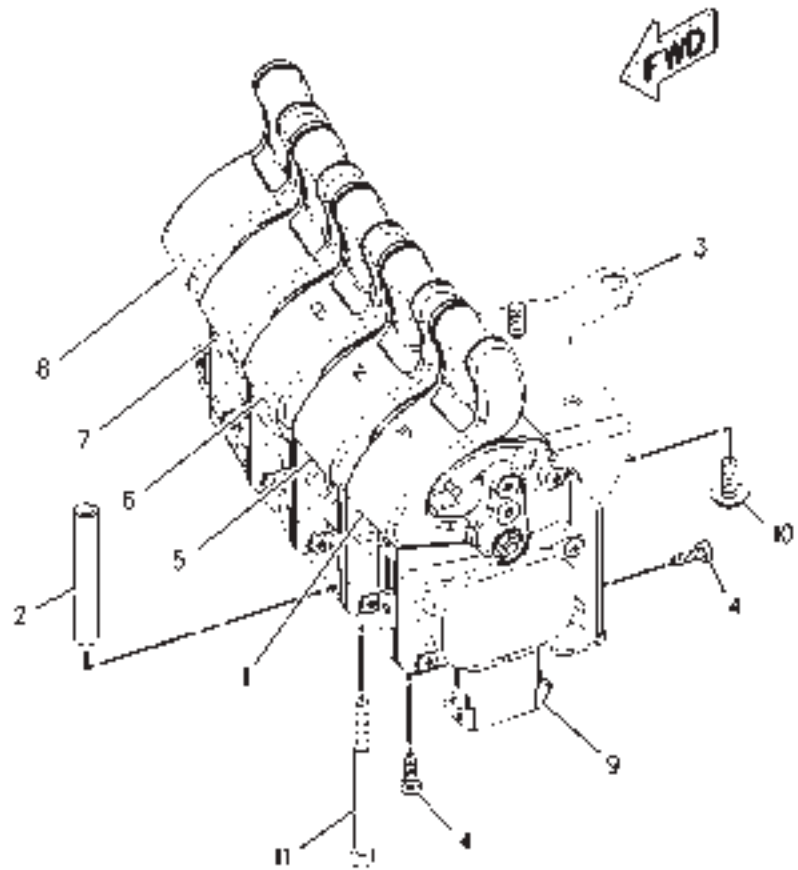
00876314
PR: t05f07j07b0489

MT700 SERIES TRACK TRACTORS
OPERATOR STATION

CONTROL GP-IMPLEMENT - 5 HANDLES
166-4590



TOP VIEW



**MT700 SERIES TRACK TRACTORS
OPERATOR STATION**

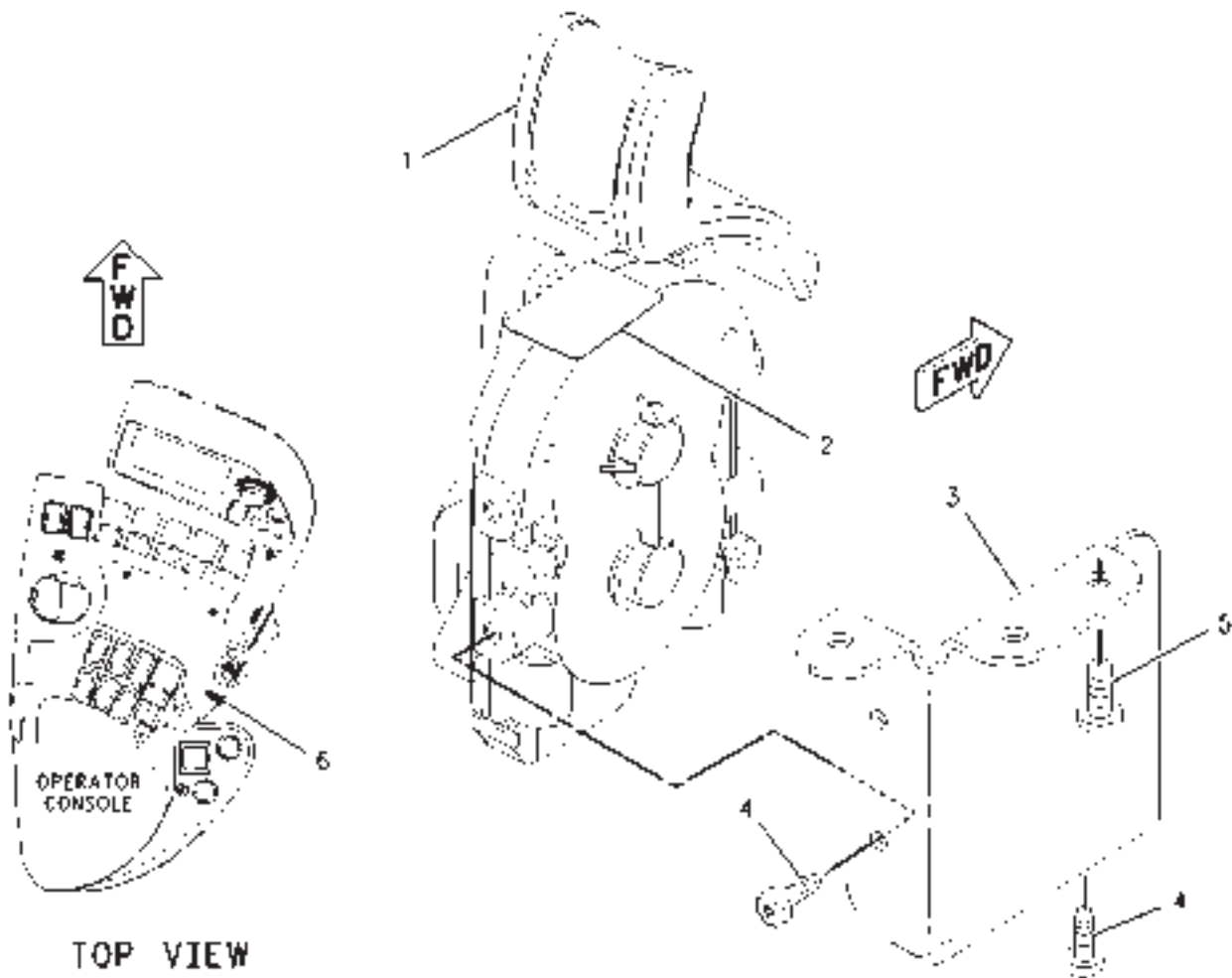
1085

**CONTROL GP-IMPLEMENT - 5 HANDLES
166-4590**

ITEM	NUMBER	QTY	DESCRIPTION
-	166-4590	--	CONTROL GP-IMPLEMENT [A] (NOT SERVICED)
1	501529D1	1	FILM (ELECTRO HYDRAULIC LEVER)
2	CH195-2626	4	SPACER (6.4X9.6X61)
3	169-6362	1	PLATE ASM
4	CH212-3416	20	SCREW-PAN HEAD (8-16X0.5IN)
5	501525D1	1	FILM (ELECTRO HYDRAULIC LEVER)
6	501526D1	1	FILM (ELECTRO HYDRAULIC LEVER)
7	501527D1	1	FILM (ELECTRO HYDRAULIC LEVER)
8	501528D1	1	FILM (ELECTRO HYDRAULIC LEVER)
9	209-8704	5	CONTROL GP-IMPLEMENT (SEE BREAKDOWN FOR COMPONENTS)
10	CH207-2021	2	SCREW
11	400254X1	4	BOLT-SOCKET HEAD (M5X.08X70MM)

00884953
PR: t05f07j07b0490

CONTROL GP-IMPLEMENT-6TH HANDLE
152-0448



TOP VIEW

**MT700 SERIES TRACK TRACTORS
OPERATOR STATION**

1087

**CONTROL GP-IMPLEMENT-6TH HANDLE
152-0448**

ITEM	NUMBER	QTY	DESCRIPTION
-	152-0448	--	CONTROL GP-IMPLEMENT [A] (NOT SERVICED)
1	163-5608	1	CONTROL GP-IMPLEMENT (S/N: PRIOR TO AKN40200;ALA50274;ALM50746;AMS51253) (SEE BREAKDOWN FOR COMPONENTS)
1	209-8704	1	CONTROL GP-IMPLEMENT (S/N: EFF AKN40200;ALA50274;ALM50746;AMS51253) (SEE BREAKDOWN FOR COMPONENTS)
2	501530D1	1	FILM (ELECTRO HYDRAULIC LEVER)
3	169-6384	1	BRACKET
4	CH212-3416	4	SCREW-PAN HEAD (8-16X0.5 IN)
5	CH6V-9673	3	SCREW-MACHINE (M5X0.8X12MM)
6	400110X1	2	FASTENER
7	CH179-4206	3	INSERT (19/64-24 X M5 X 0.8 ID) (NOT ILLUSTRATED)

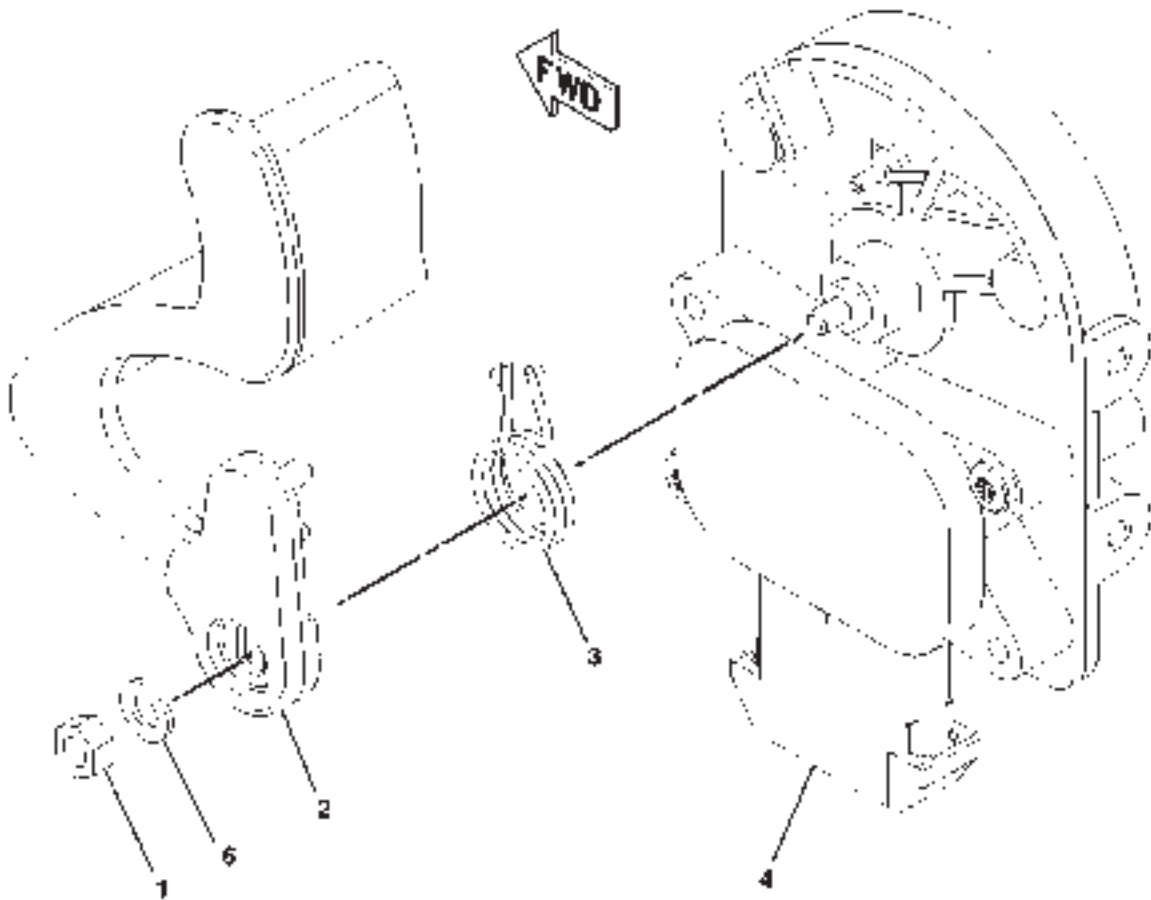
[A] PART OF 172-4504;183-1215 KIT-VALVE

00879185
PR: t05f07j07b0491

1088

**MT700 SERIES TRACK TRACTORS
OPERATOR STATION**

CONTROL GP-IMPLEMENT
163-5608



0894755A

**MT700 SERIESTRACKTRACTORS
OPERATOR STATION**

1089

**CONTROL GP-IMPLEMENT
163-5608**

ITEM	NUMBER	QTY	DESCRIPTION
-	163-5608	--	CONTROL GP-IMPLEMENT [A]
1	CH162-6555	1	LOCKNUT (M5X.8)
2		1	HANDLE ASM (NOT SERVICED SEPARATELY)
3	CH155-4682	1	SPRING-TORSION RH
4		1	CONTROL ASM (NOT SERVICED SEPARATELY)
5		--	(NOT USED)
6	CH8T-3016	1	WASHER (5.3X10X1)

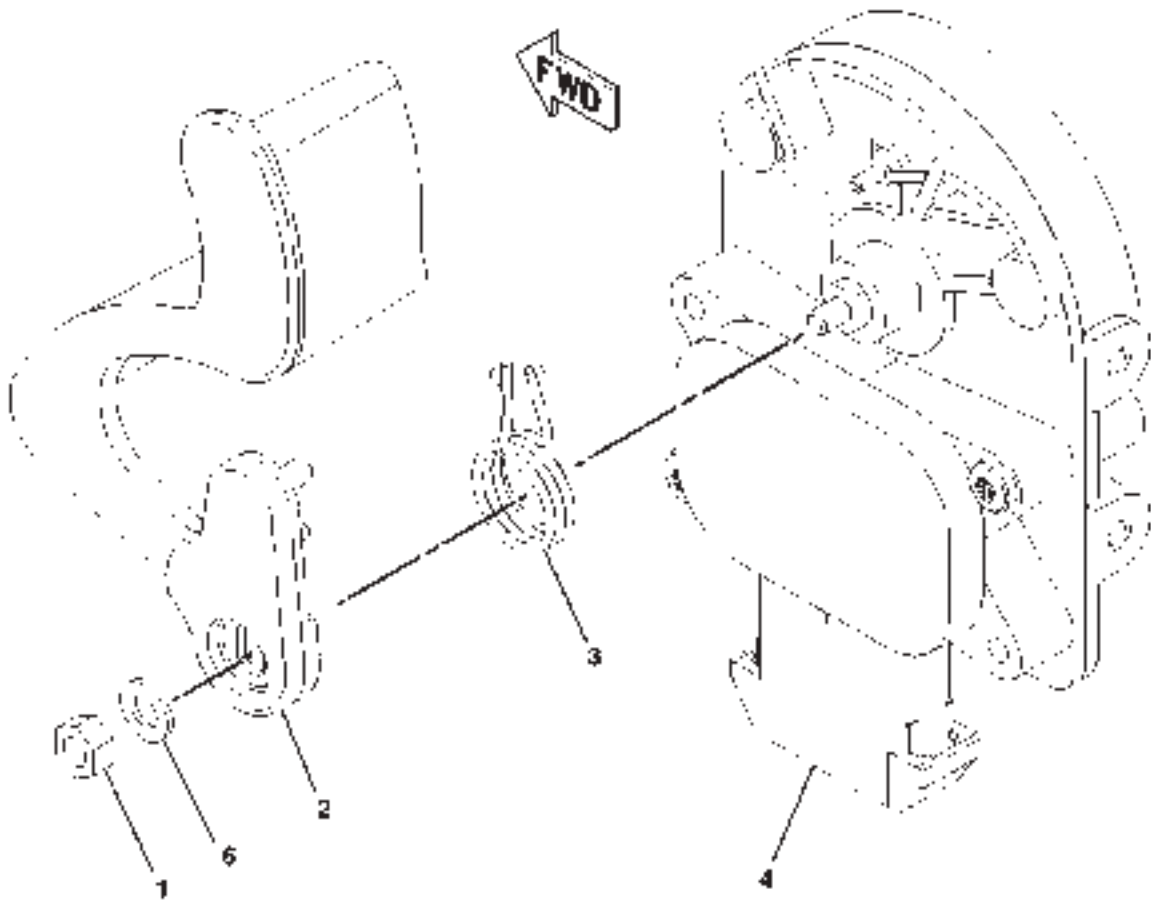
[A] PART OF 136-5355;152-0443;152-0448;
166-4590; 178-5026 CONTROL
GP-IMPLEMENT

0894755A
PR: t05f07j07b0492

1090

MT700 SERIES TRACK TRACTORS
OPERATOR STATION

CONTROL GP-IMPLEMENT
209-8704



0894755A

**MT700 SERIESTRACKTRACTORS
OPERATOR STATION**

1091

**CONTROL GP-IMPLEMENT
209-8704**

ITEM	NUMBER	QTY	DESCRIPTION
-	209-8704	--	CONTROL GP-IMPLEMENT [A]
1	CH162-6555	1	LOCKNUT (M5X.8)
2		1	HANDLE ASM (NOT SERVICED SEPARATELY)
3	CH206-2491	1	SPRING-TORSION RH
4		1	CONTROL ASM (NOT SERVICED SEPARATELY)
5		--	(NOT USED)
6	CH8T-3016	1	WASHER (5.3X10X1)

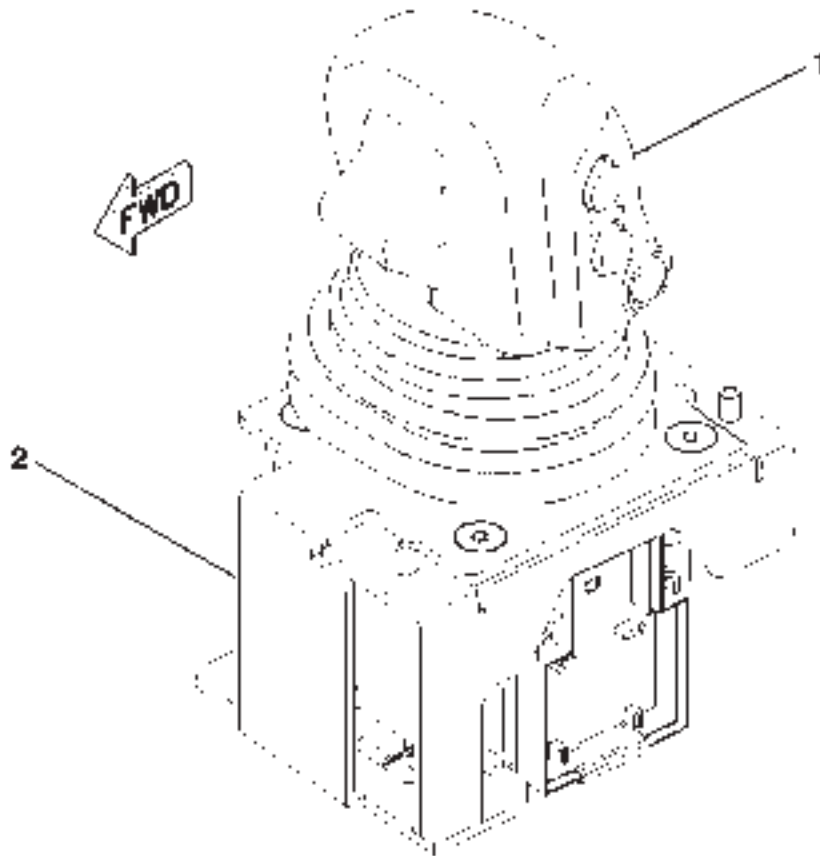
[A] PART OF 136-5355;152-0443;152-0448;
166-4590; 178-5026 CONTROL
GP-IMPLEMENT

0894755A
PR: t05f07j07b0493

1092

**MT700 SERIES TRACK TRACTORS
OPERATOR STATION**

CONTROL GP-TRANSMISSION
169-6346



01696346

**MT700 SERIESTRACKTRACTORS
OPERATOR STATION**

1093

**CONTROL GP-TRANSMISSION
169-6346**

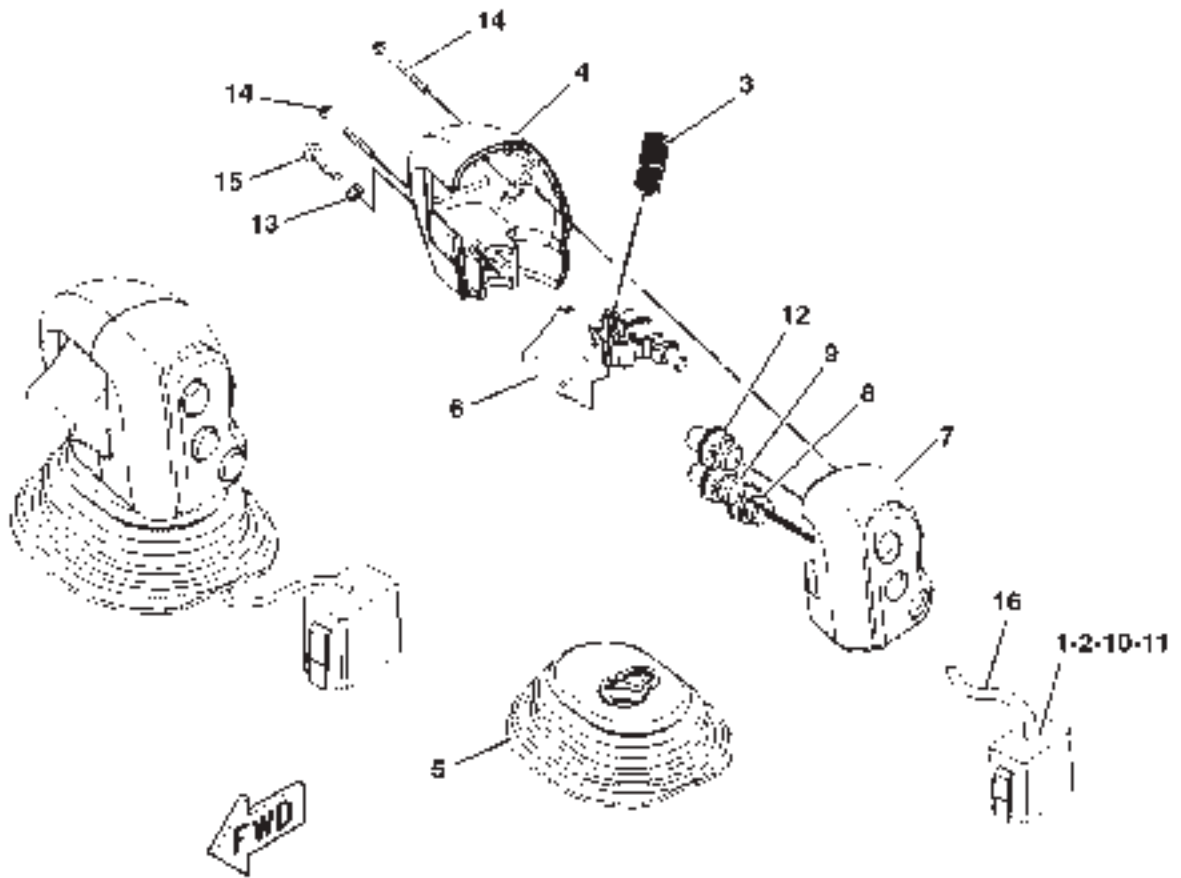
ITEM	NUMBER	QTY	DESCRIPTION
-	169-6346	--	CONTROL GP-TRANSMISSION [A] (NOT SERVICED)
1	169-6347	1	CONTROL GP-TRANSMISSION (NOT SERVICED) (SEE BREAKDOWN FOR COMPONENTS)
2	216-7694	1	CONTROL GP-TRANSMISSION (NO SERVICED COMPONENTS)

[A] PART OF 166-1211 WIRING GP-CONSOLE

01696346
PR: t05f07j07b0494

MT700 SERIES TRACK TRACTORS
OPERATOR STATION

CONTROL GP-TRANSMISSION
169-6347



**MT700 SERIES TRACK TRACTORS
OPERATOR STATION**

1095

**CONTROL GP-TRANSMISSION
169-6347**

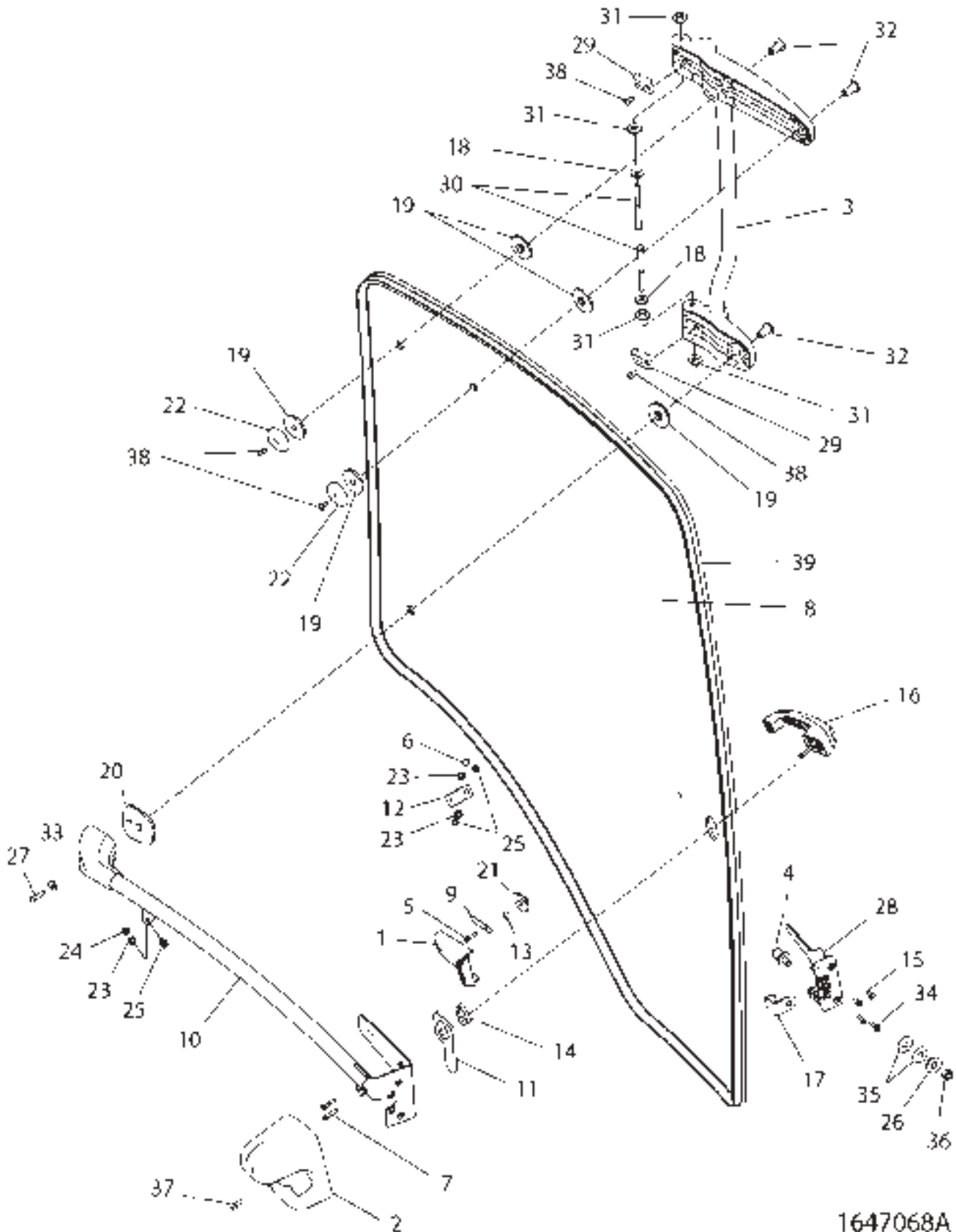
ITEM	NUMBER	QTY	DESCRIPTION
-	169-6347	--	CONTROL GP-TRANSMISSION [A] (NOT SERVICED)
1	400715X1	9	SOCKET-CONNECTOR (16-18AWG)
2	400472X1	3	PLUG (GROMMET SEALING)
3	CH9S-1347	1	SPRING
4	164-7041	1	HANDLE
5	166-4553	1	BOOT
6	168-2334	1	TRIGGER
7	172-6869	1	HANDLE ASM
8	502640D1	1	SWITCH ASM (AUTO SHIFT)
	502122D1	1	CAP-PUSHBUTTON
9	502120D1	1	SWITCH ASM (DOWN SHIFT)
	502122D1	1	CAP-PUSHBUTTON
10	----	1	WEDGE-PLUG LOCK (12 PIN) (ORDER ITEM 11)
11	CH155-2255	1	KIT-CONNECTING PLUG (12 PIN) (INCLUDES WEDGE)
12	502121D1	1	SWITCH ASM (UP SHIFT)
	502122D1	1	CAP-PUSHBUTTON
13	CH3B-4501	1	LOCKWASHER (4.42X7.22X1.02M THK)
14	400073X1	2	BOLT-HEX SCKT
15	CH6V-9492	1	SCREW-MACHINE (M4X0.7X25MM)
16	-----	AR	LOOM (BLACK) (19CM) (NOT SERVICED)

[A] PART OF 169-6346 CONTROL
GP-TRANSMISSION

1696347B
PR: t05f07j07b0495

MT700 SERIES TRACK TRACTORS
OPERATOR STATION

DOOR GP-CAB (LH) - 164-7068
(S/N: PRIOR TO AKN40200; ALA40272;
ALM50734; AMS41192)



**MT700 SERIES TRACK TRACTORS
OPERATOR STATION**

1097

DOOR GP-CAB (LH) - 164-7068
(S/N: PRIOR TO AKN40200; ALA40272;
ALM50734; AMS41192)

ITEM	NUMBER	QTY	DESCRIPTION
-	164-7068	--	DOOR GP-CAB [A] (NOT SERVICED) (FOR COMPLETE REPLACEMENT, ORD. EFF)
1	164-7013	1	COVER
2	164-7014	1	COVER-DOOR LATCH (LH)
3	164-7067	1	HINGE AS-DOOR
4	180-6240	1	STRIKER AS.-LONG BODY
5	400022X1	1	BOLT-M6X1X25MM ZNDI HHD 10.9
6	400053X1	1	BOLT-M8X1.25X20 ZNDI HHD 10.9
7	400065X1	2	BOLT-M6X1X30MM ZNDI HHD 10.9
8	151-9983	1	GLASS
9	179-4219	1	CLIP-COVER
10	501028D1	1	TUBE AS
11	164-7054	1	WASHER (DOOR LATCH)
12	500957D1	1	BRACKET
13	CH164-7071	1	GASKET
14	CH169-6374	1	BUSHING-DOOR
15	400256X1	3	BOLT-M6X1X20MM PL FLSHD 12.9
16	CH164-7046	1	HANDLE AS
	CH5P-8500	1	KEY
17	123-0380	1	GUARD - STRIKER
18	500624D1	2	WASHER-M10 NYLON
19	400330X1	5	WASHER 15 ID W/LID
20	400331X1	1	WASHER - DOOR
21	400332X1	1	WASHER (DOOR HANDLE)
22	400333X1	2	WASHER - HINGE
23	400339X1	3	WASHER - HARD
24	400340X1	2	NUT-M8X1.25X13 HEX ZND1
25	CH090-9554	2	STUD-BALL
26	CH140-5181	1	WASHER-13IDX35ODX3.2MM
27	CH142-2304	1	SCREW-BTN HD M8X1.25X35 ZNDI
28	CH164-7057	1	LATCH AS.-LH
29	CH164-7070	2	CLAMP
30	CH166-4573	2	PIN-HINGE (DOOR)
31	CH166-4574	4	BUSHING-HINGE (DOOR)
32	CH169-6392	3	BOSS
33	CH3E-4352	1	WASHER-HARD 8.8IDX20.5ODX2.5MM
34	CH8C-6802	1	SCREW-FLHD M6X1X30 HHD 12.9
35	CH8T-0318	2	SHIM-35 ODX13.5 IDX0.8 ZN
36	CH8T-4244	1	NUT-M12X1.75 HEX ZN
37	CH9X-2045	1	SCREW-M6X1X20MM ORG TORX T30
38	CH9X-2616	4	SCREW-BTNHD M8X1.25X16 ORG12.9
39	CH208-2404	AR	SEAL - BULK (520 CM)

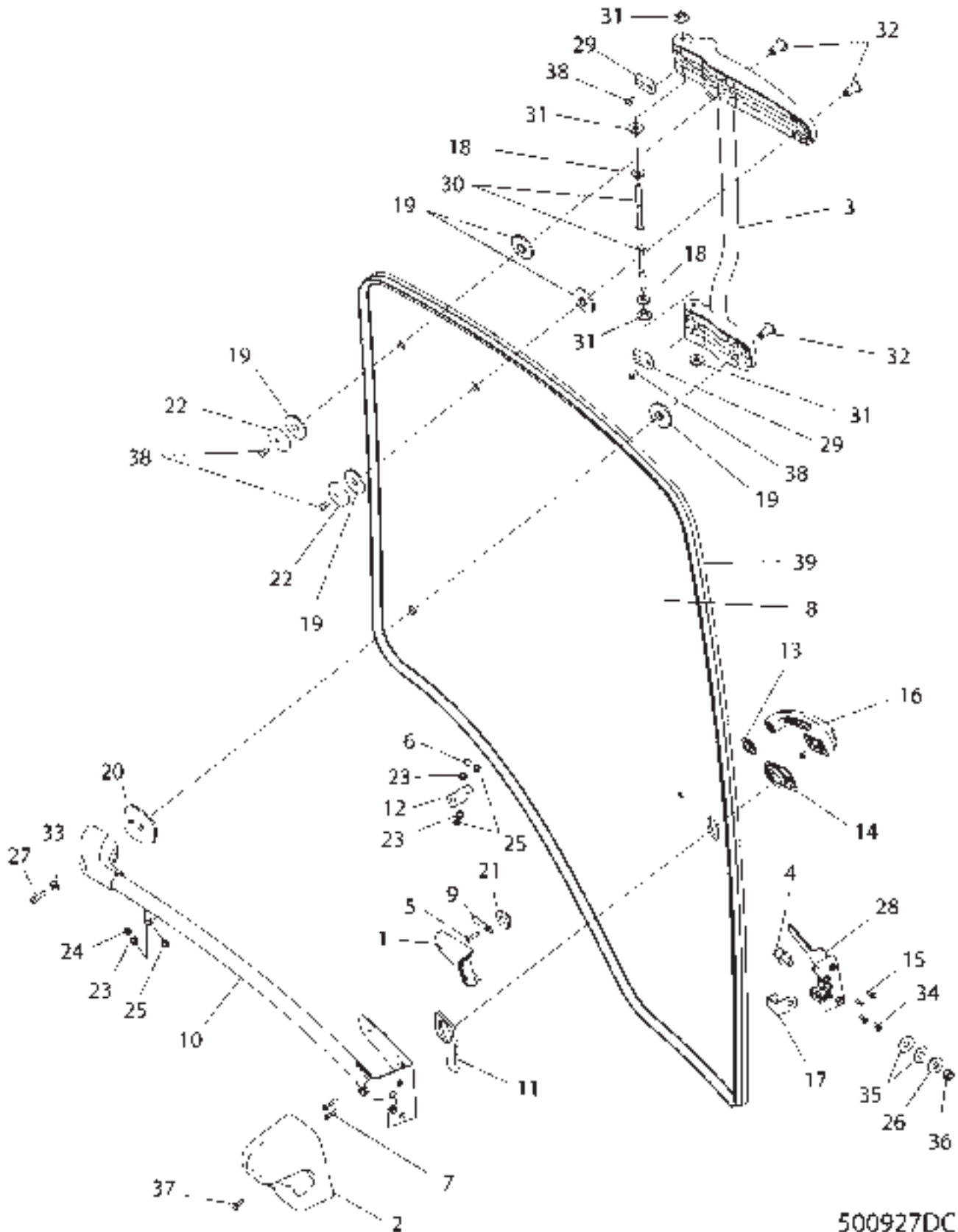
[A] PART OF: 152-0001;152-0002 CAB GP

1647068A
PR: t05f07j07b0496

MT700 SERIES TRACK TRACTORS
OPERATOR STATION

DOOR GP-CAB (LH) - 500927D1

(S/N: EFF AKN40200; ALA40272;
ALM50734; AMS41192)



**MT700 SERIES TRACK TRACTORS
OPERATOR STATION**

1099

DOOR GP-CAB (LH) - 500927D1
(S/N: EFF AKN40200; ALA40272;
ALM50734; AMS41192)

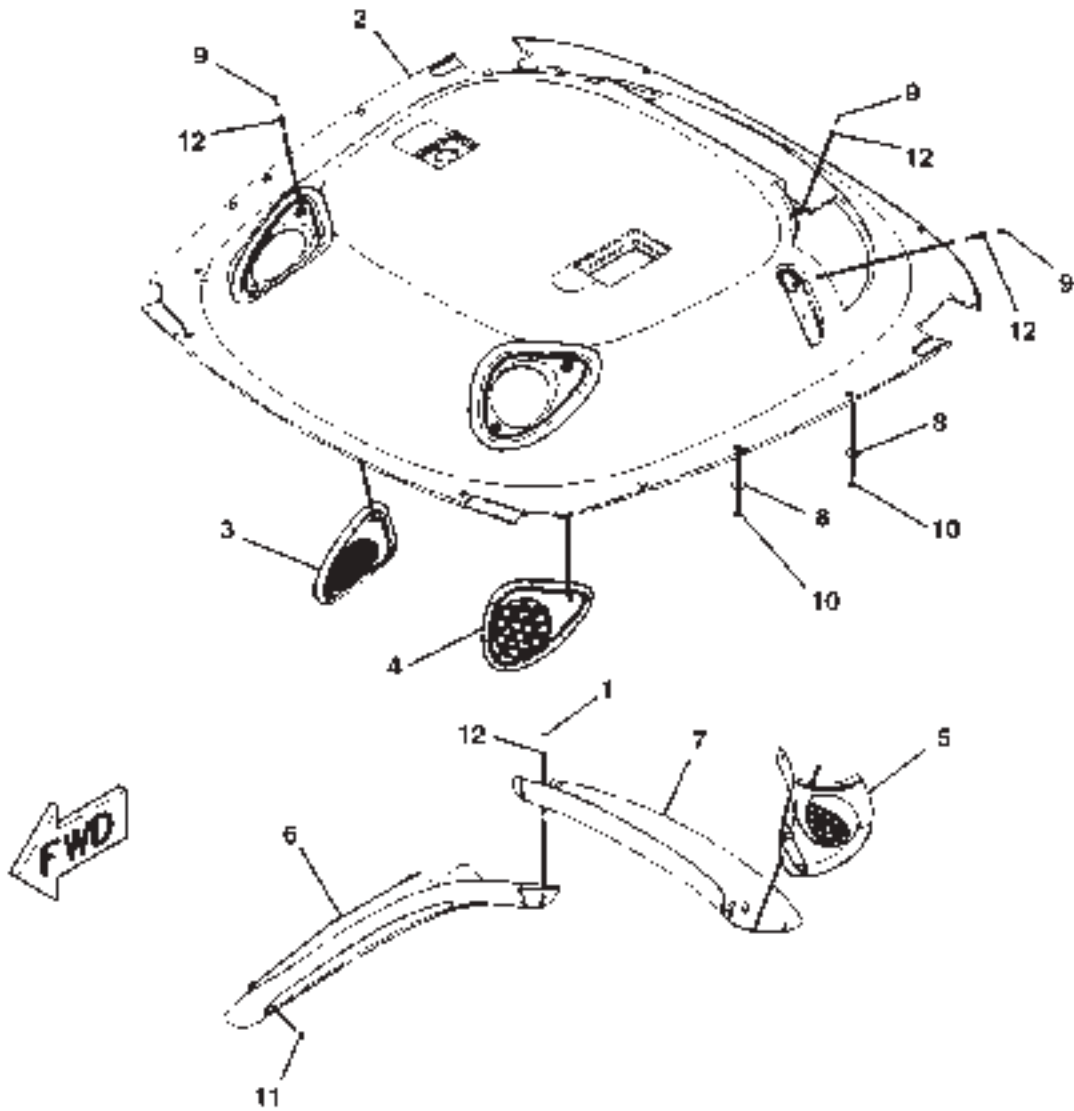
ITEM	NUMBER	QTY	DESCRIPTION
-	500927D1	--	DOOR GP-CAB [A] (NOT SERVICED)
1	164-7013	1	COVER
2	164-7014	1	COVER-DOOR LATCH (LH)
3	164-7067	1	HINGE AS-DOOR
4	180-6240	1	STRIKER AS.-LONG BODY
5	400022X1	1	BOLT-M6X1X25MM ZNDI HHD 10.9
6	400053X1	1	BOLT-M8X1.25X20 ZNDI HHD 10.9
7	400065X1	2	BOLT-M6X1X30MM ZNDI HHD 10.9
8	500625D1	1	GLASS
9	500660D1	1	CLIP
10	500931D1	1	TUBE AS
11	502010D1	1	WASHER
12	500957D1	1	BRACKET
13	500929D1	1	GASKET
14	502011D1	1	GASKET
15	400256X1	3	BOLT-M6X1X20MM PL FLSHD 12.9
16	500658D1	1	HANDLE AS
	CH5P-8500	1	KEY
17	123-0380	1	GUARD - STRIKER
18	500624D1	2	WASHER-M10 NYLON
19	400330X1	5	WASHER 15 ID W/LID
20	400331X1	1	WASHER - DOOR
21	400332X1	1	WASHER (DOOR HANDLE)
22	400333X1	2	WASHER - HINGE
23	400339X1	3	WASHER - HARD
24	400340X1	2	NUT-M8X1.25X13 HEX ZND1
25	CH090-9554	2	STUD-BALL
26	CH140-5181	1	WASHER-13IDX35ODX3.2MM
27	CH142-2304	1	SCREW-BTN HD M8X1.25X35 ZNDI
28	CH164-7057	1	LATCH AS.-LH
29	CH164-7070	2	CLAMP
30	CH166-4573	2	PIN - HINGE (DOOR)
31	CH166-4574	4	BUSHING - HINGE (DOOR)
32	CH169-6392	3	BOSS
33	CH3E-4352	1	WASHER-HARD 8.8IDX20.5ODX2.5MM
34	CH8C-6802	1	SCREW-FLHD M6X1X30 HHD 12.9
35	CH8T-0318	2	SHIM-35 ODX13.5 IDX0.8 ZN
36	CH8T-4244	1	NUT-M12X1.75 HEX ZN
37	CH9X-2045	1	SCREW-M6X1X20MM ORG TORX T30
38	CH9X-2616	4	SCREW-BTNHD M8X1.25X16 ORG12.9
39	CH208-2404	AR	SEAL - BULK (520 CM)

[A] PART OF: 152-0001;152-0002 CAB GP

500927DC
PR: t05f07j07b0497

MT700 SERIES TRACK TRACTORS
OPERATOR STATION

HEADLINER GP - 152-0418



**MT700 SERIESTRACKTRACTORS
OPERATOR STATION**

1101

HEADLINER GP - 152-0418

ITEM	NUMBER	QTY	DESCRIPTION
-	152-0418	--	HEADLINER GP [A] (NOT SERVICED)
1	CH4V-2264	5	NUT-PUSH
2	162-6687	1	HEADLINER
3	162-6688	1	COVER-FRONT SPEAKER (RH)
4	162-6689	1	COVER-FRONT SPEAKER (LH)
5	162-6690	1	COVER-REAR SPEAKER (LH)
6	162-6692	1	BEZEL
7	168-2305	1	COVER-REAR
8	CH101-2867	10	WASHER-HARD (8.8X25.5X2M THK)
9	CH119-5026	10	SCREW-PAN HEAD (10-16X0.63IN)
10	CH9X-2044	10	SCREW-TRUSS HEAD (M6X1X16MM)
11	CH9X-2045	4	SCREW-TRUSS HEAD (M6X1X20MM)
12	400076X1	15	WASHER (5X16X1.2)

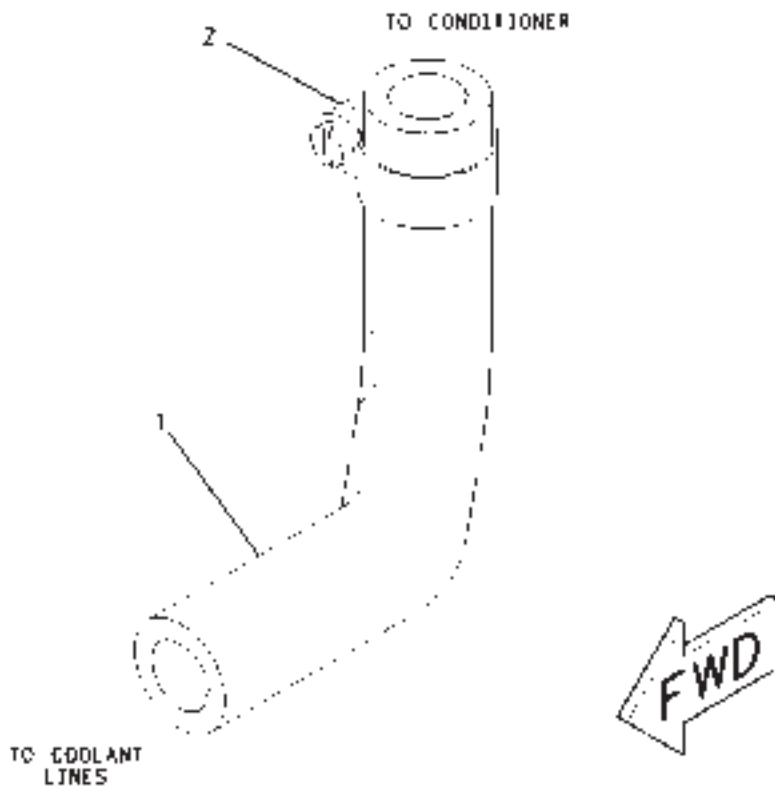
[A] PART OF 500845D1; 500846D1;
500847D1; 500848D1 CAB AR

0842870A
PR: t05f07j07b0498

1102

MT700 SERIES TRACK TRACTORS
OPERATOR STATION

LINES GP-HEATER - 208-2879
BASIC



00870195

**MT700 SERIESTRACKTRACTORS
OPERATOR STATION**

1103

**LINES GP-HEATER - 208-2879
BASIC**

ITEM	NUMBER	QTY	DESCRIPTION
-	208-2879	--	LINES GP-HEATER [A] (NOT SERVICED)
1	CH128-0331	1	HOSE
2	400108X1	1	CLAMP-HOSE

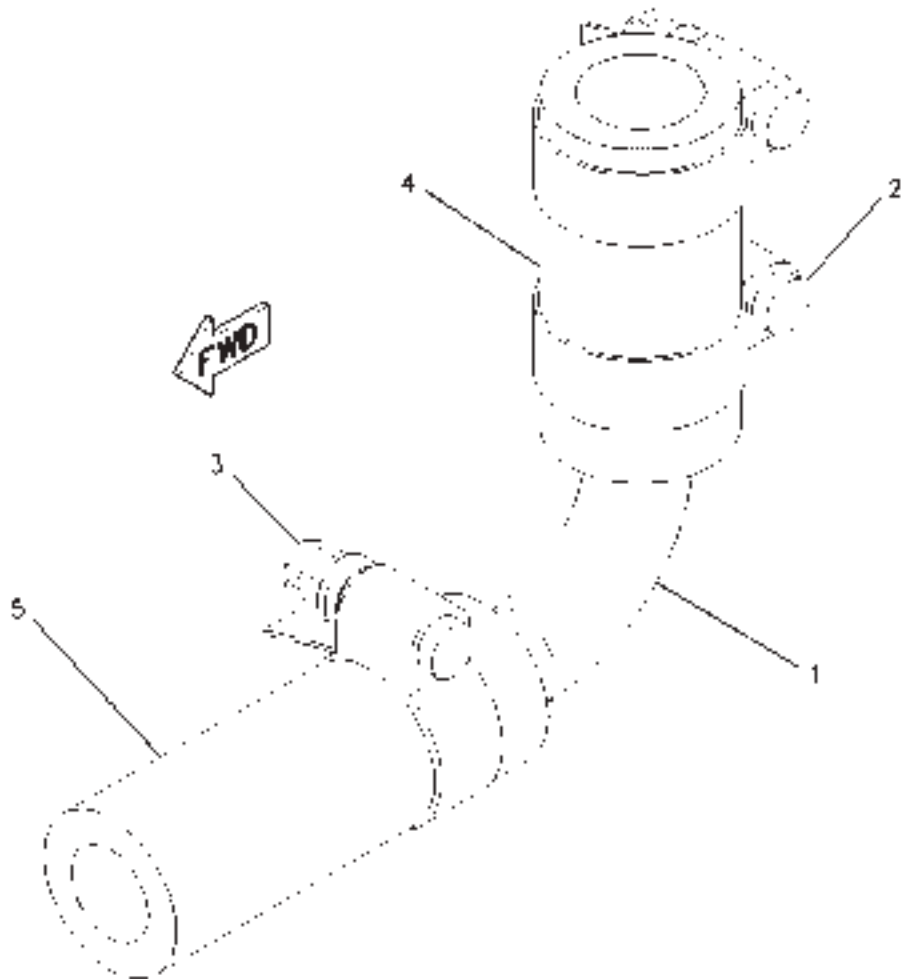
[A] PART OF 500846D1; 500847D1 CAB AR

00870195
PR: t05f07j07b0499

1104

MT700 SERIES TRACK TRACTORS
OPERATOR STATION

LINES GP-HEATER - 208-2882
DELUXE



00874721

**MT700 SERIESTRACKTRACTORS
OPERATOR STATION**

1105

**LINES GP-HEATER - 208-2882
DELUXE**

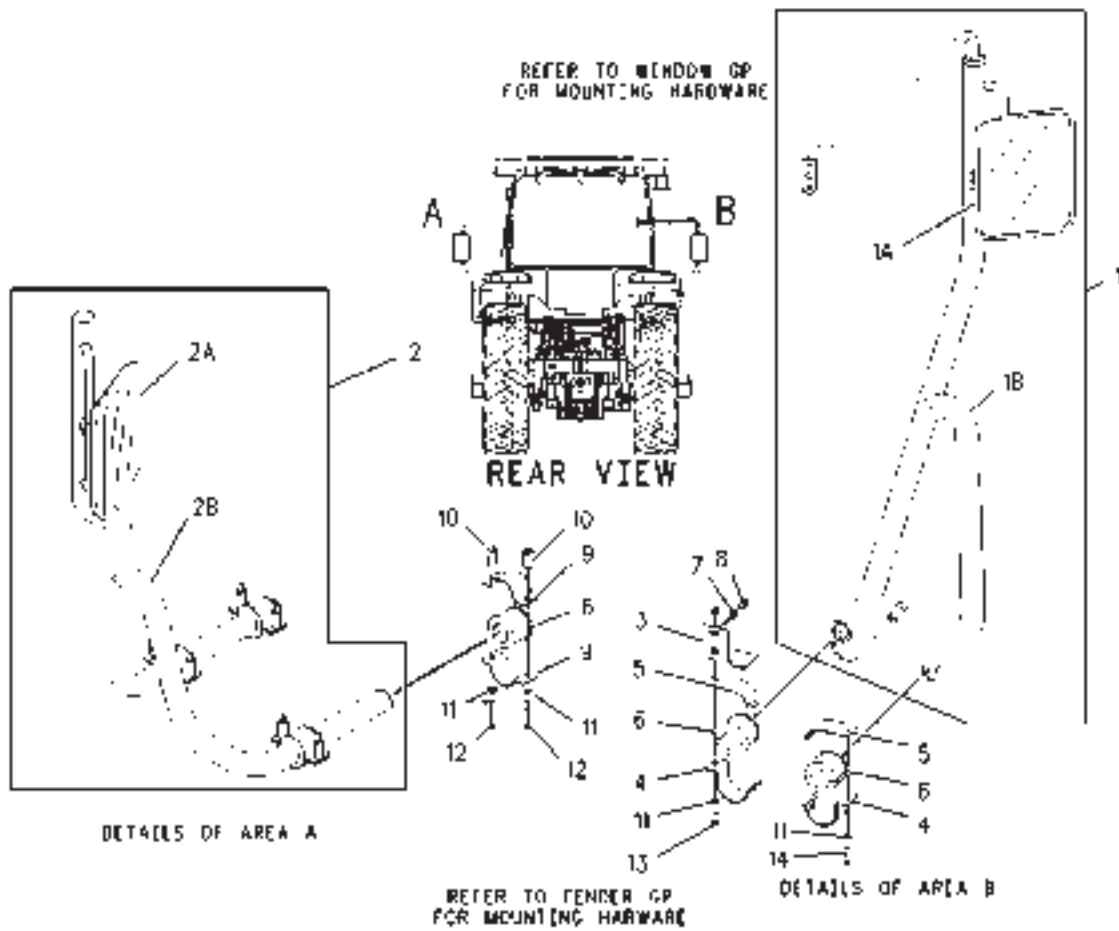
ITEM	NUMBER	QTY	DESCRIPTION
-	208-2882	--	LINES GP-HEATER [A] (NOT SERVICED)
1	CH170-1501	1	TUBE-REDUCER
2	400125X1	2	CLAMP-HOSE
3	400108X1	1	CLAMP-HOSE
4	501738D1	AR	HOSE
5	CH5P-0767	AR	HOSE

[A] PART OF 500845D1;500848D1 CAB AR

00874721
PR: t05f07j07b0500

MT700 SERIES TRACK TRACTORS
OPERATOR STATION

MIRROR GP-REAR VIEW - 192-5592
MANUAL ADJUSTMENT
ROW ONLY



**MT700 SERIES TRACK TRACTORS
OPERATOR STATION**

1107

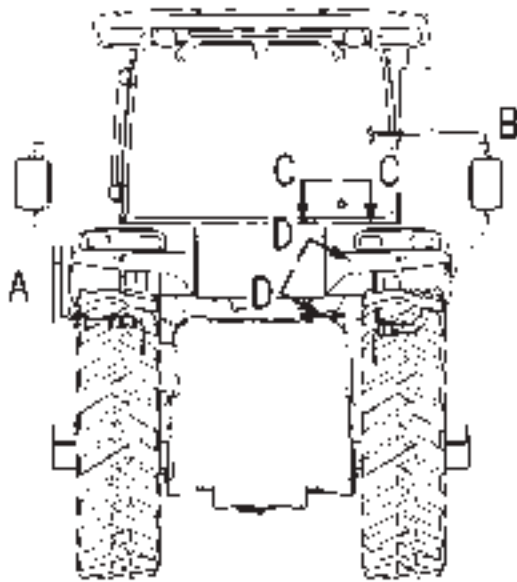
**MIRROR GP-REAR VIEW - 192-5592
MANUAL ADJUSTMENT
ROW ONLY**

ITEM	NUMBER	QTY	DESCRIPTION
-	192-5592	--	MIRROR GP-REAR VIEW (NOT SERVICED)
-	502775D1	--	MIRROR GP-REAR VIEW (FIELD INSTALLED)
1	206-0585	1	MIRROR GP-REAR VIEW (RH) INCLUDES ITEMS 1A AND 1B)
1A	206-0578	1	MIRROR ASY.
	207-0510	1	GLASS-MIRROR
1B	206-0582	1	SUPPORT ASY. (RH)
2	206-0586	1	MIRROR GP-REAR VIEW (LH) (INCL. ITEMS 2A AND 2B)
2A	206-0578	1	MIRROR ASY.
	207-0510	1	GLASS-MIRROR
2B	206-0581	1	SUPPORT ASY. (LH)
3	206-0591	1	BRACKET ASY.(INCL. BRACKET AND PLATE)
	CH8T-3612	1	NUT-WELD (M8X1.25 THD)
4	CH6V-1572	2	CLIP (SLOT)
5	CH6V-1573	2	CLIP (TAB)
6	400111X1	6	GROMMET
7	400287X1	2	WASHER-HARD (11X21X2.5MM THK)
8	400040X1	2	BOLT (M10X1.5X20MM)
9	CH209-9233	8	CLAMP
10	CH215-6489	8	SPACER (12X22X40MM THK)
11	400599X1	10	WASHER-HARD (M8X20.5X2MM THK)
12	400068X1	8	BOLT (M8X1.25X70MM)
13	400245X1	1	BOLT (M8X1.25X30MM)
14	400060X1	1	BOLT (M8X1.25X40MM)

00904378
PR: t05f07j07b0501

MT700 SERIES TRACK TRACTORS
OPERATOR STATION

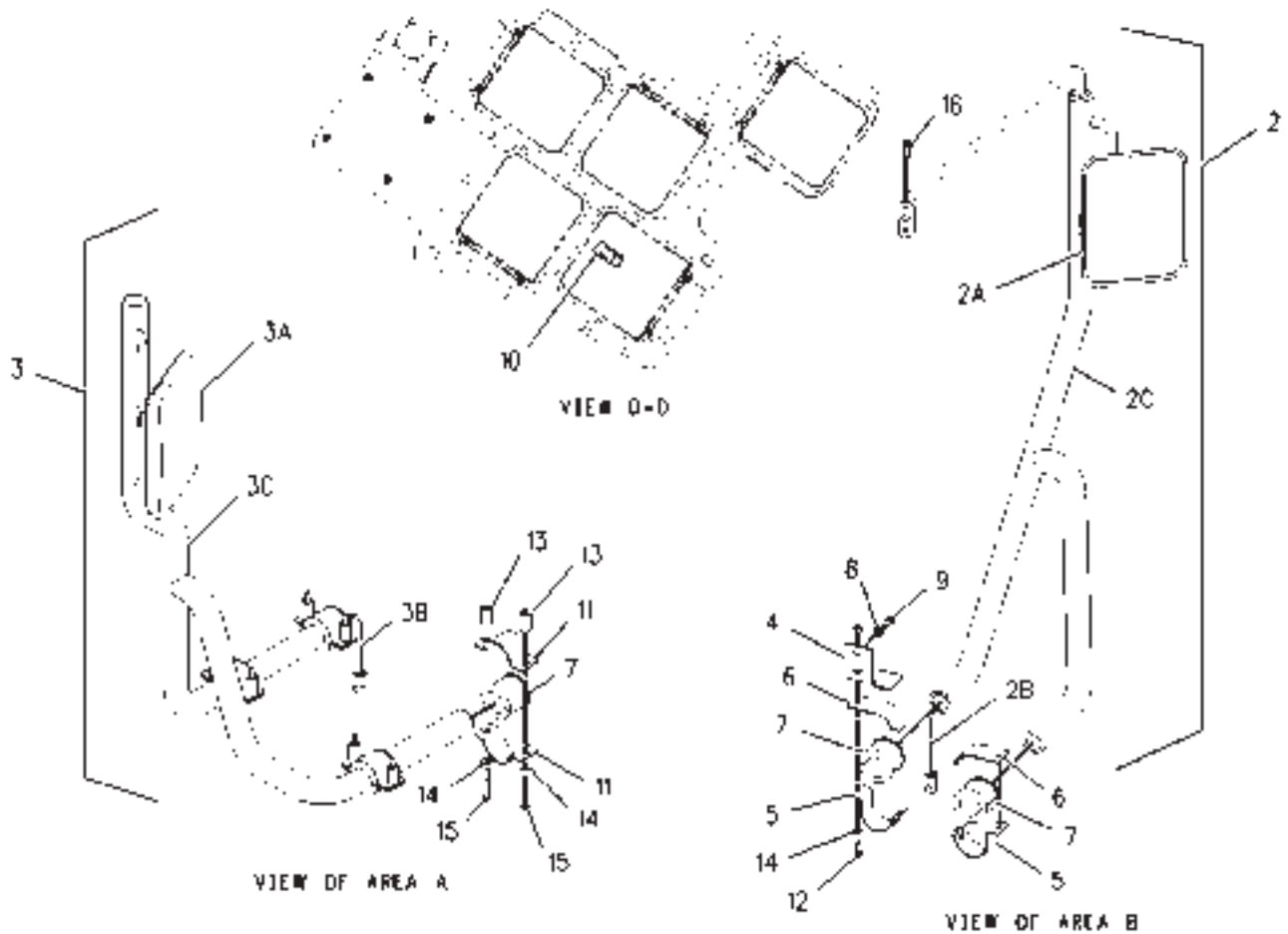
MIRROR GP-REAR VIEW - 192-5590
POWER ADJUSTMENT & HEATED
ROW-DELUXE ONLY & EAME-ALL



REAR VIEW



VIEW C-C



VIEW D-D

VIEW OF AREA A

VIEW OF AREA B

**MT700 SERIES TRACK TRACTORS
OPERATOR STATION**

1109

**MIRROR GP-REAR VIEW - 192-5590
POWER ADJUSTMENT & HEATED
ROW-DELUXE ONLY & EAME-ALL**

ITEM	NUMBER	QTY	DESCRIPTION
-	192-5590	--	MIRROR GP-REAR VIEW [A] (NOT SERVICED)
1	207-2038	1	SWITCH AS (POWER MIRRORS)
2	206-0583	1	MIRROR GP-REAR VIEW (RH)
2A	206-0579	1	MIRROR AS
	207-0511	1	GLASS-MIRROR
2B	206-0580	1	HARNESS AS (POWER MIRRORS)
2C	206-0582	1	SUPPORT AS (RH)
3	206-0584	1	MIRROR GP-REAR VIEW (LH)
	102-8805	1	KIT-RECEPTACLE (6 PIN) (INCLS WEDGE)
3A	206-0579	1	MIRROR AS
	207-0511	1	GLASS-MIRROR
3B	206-0580	1	HARNESS AS (POWER MIRRORS)
3C	206-0581	1	SUPPORT AS (LH)
4	206-0591	1	BRACKET AS
	CH8T-3612	1	NUT-WELD (M8X1.25 THD)
5	CH6V-1572	2	CLIP (SLOT)
6	CH6V-1573	2	CLIP (TAB)
7	400111X1	6	GROMMET
8	400287X1	2	WASHER-HARD (11X21X2.5MM THK)
9	400040X1	2	BOLT (M10X1.5X20MM)
10	CH146-9439	1	RELAY AS (12 VOLT)
11	CH209-9233	8	CLAMP
12	400245X1	1	BOLT (M8X1.25X30MM)
	400060X1	1	BOLT (M8X1.25X40MM)
13	CH215-6489	8	SPACER (12X22X40MM THK)
14	400599X1	10	WASHER-HARD (8.8X20.5X2MM THK)
15	400068X1	8	BOLT (M8X1.25X70MM)
16	CH8C-8585	2	BOLT-BUTTON HEAD (M10X1.5X20MM) [J]

[A] PART OF 500845D1;500847D1;
500848D1 CAB AR

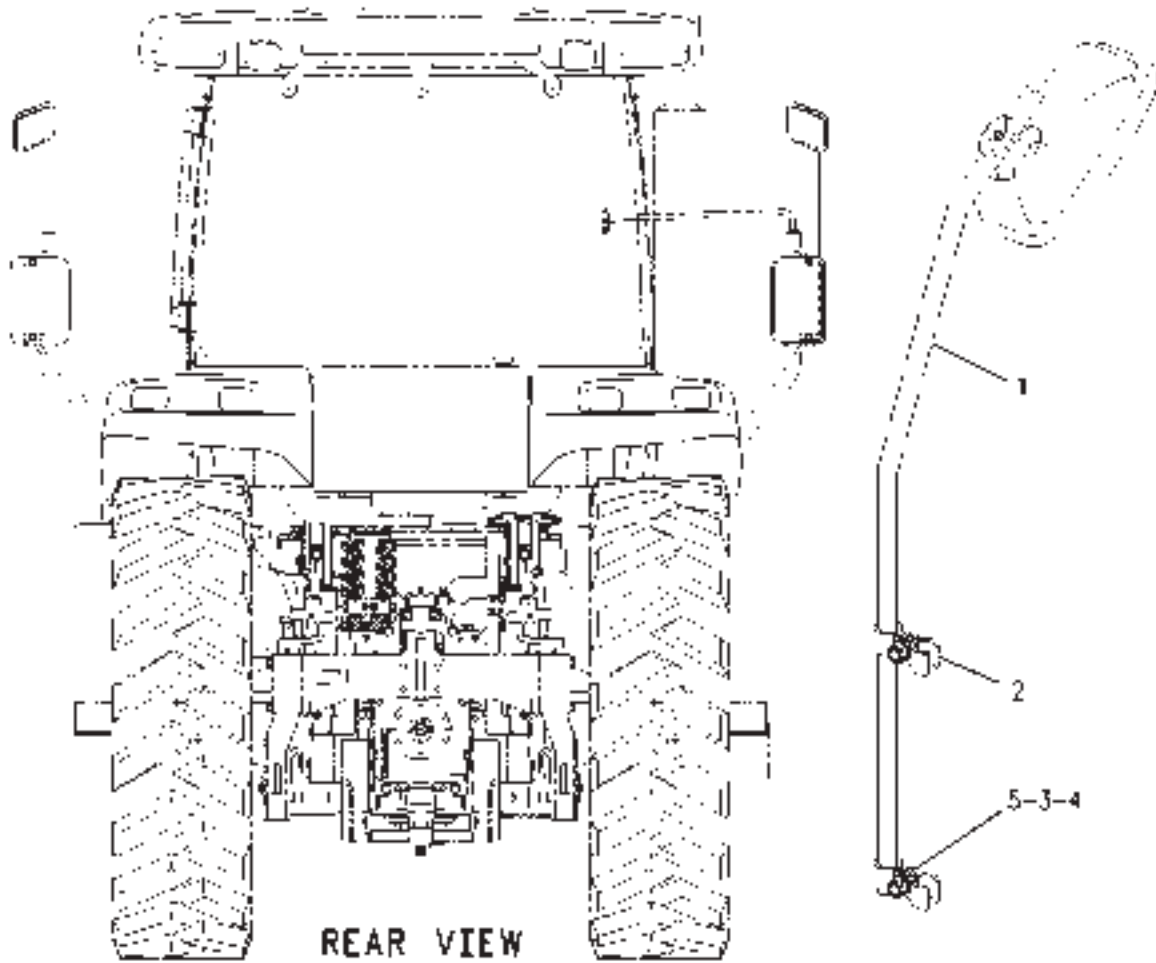
[J] BOLTS REQUIRED FOR EAME MODELS
ROW MODELS UTILIZE EXISTING BOLTS
FROM WINDOW GROUP.

00825419
PR: t05f07j07b0502

1110

MT700 SERIES TRACK TRACTORS
OPERATOR STATION

MIRROR GP - 206-0588
SIDE AREA VIEW
EAME ONLY



**MT700 SERIESTRACKTRACTORS
OPERATOR STATION**

1111

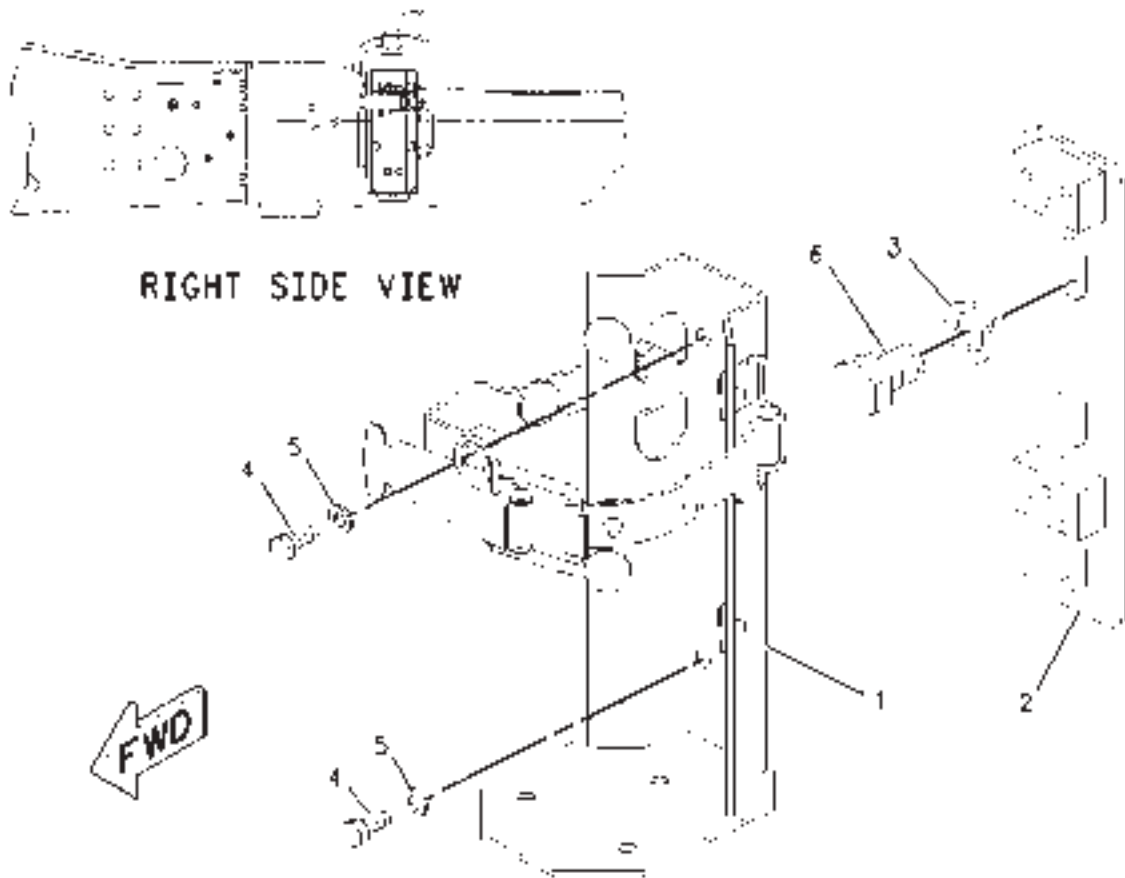
**MIRROR GP - 206-0588
SIDE AREA VIEW
EAME ONLY**

ITEM	NUMBER	QTY	DESCRIPTION
-	206-0588	--	MIRROR GP-SIDE AREA VIEW [A] (NOT SERVICED)
1	206-0589	2	MIRROR AS
	207-0512	1	GLASS-MIRROR
2	CH4H-7655	8	CLAMP-TUBE
3	CH8T-0389	4	LOCKNUT (M10X1.5 THD)
4	400287X1	8	WASHER-HARD (11X21X2.5MM THK)
5	400039X1	4	BOLT (M10X1.5X25MM)

PART OF 500847D1;500848D1 CAB AR

00821303
PR: t05f07j07b0503

KIT-MOUNTING-FIRE EXTINGUISHER
167-0090
ROW ONLY



**MT700 SERIES TRACK TRACTORS
OPERATOR STATION**

1113

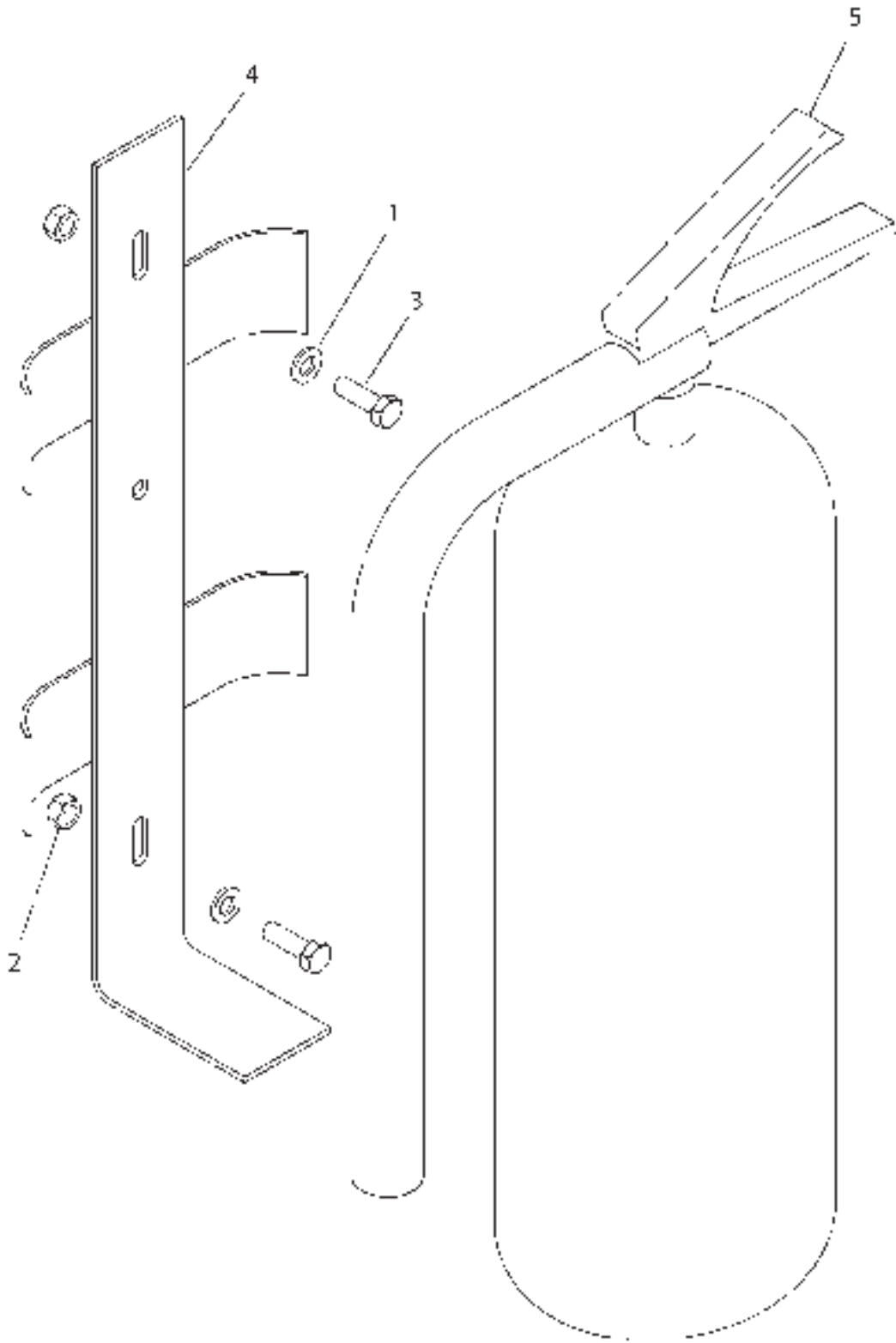
**KIT-MOUNTING-FIRE EXTINGUISHER
167-0090
ROW ONLY**

ITEM	NUMBER	QTY	DESCRIPTION
-	167-0090	--	KIT-MOUNTING-FIRE EXTINGUISHER
1	500505D1	1	BRACKET
2	203-5564	1	BRACKET ASY.
3	400080X1	2	WASHER-PLATED (22X35X3.5MM THK)
4	400053X1	4	BOLT (M8X1.25X20MM)
5	400339X1	4	WASHER-HARD (8.8X16X2MM THK)
6	400326X1	2	BOLT (M20X2.5X30MM)
-	500018D1	--	ADAPTOR KIT-FIRE EX (INCLS ITS 2, 3 & 6)

00897554
PR: t05f07j07b0504

MOUNTING GP-WITH FIRE EXTINGUISHER

501785D1
EAME ONLY



MT700 SERIESTRACKTRACTORS
OPERATOR STATION

1115

MOUNTING GP-WITH FIRE EXTINGUISHER
501785D1
EAME ONLY

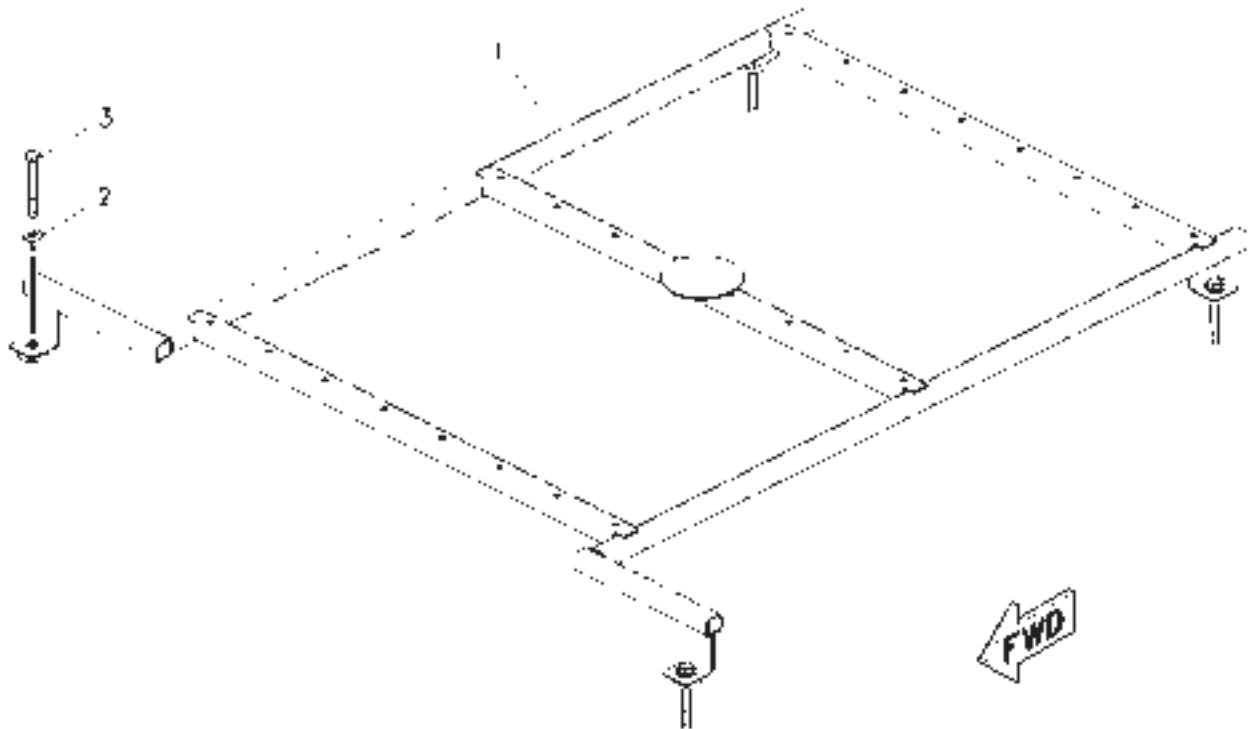
ITEM	NUMBER	QTY	DESCRIPTION
-	501785D1	--	MOUNTING GP-FIRE EXTINGUISHER
1	400339X1	2	WASHER-HARD
2	400340X1	2	NUT
3	400341X1	2	BOLT-HEX HD
4	501775D1	1	BRACKET-FIRE EXTG
5	501781D1	1	EXTENGUISHER-FIRE

501785DA
PR: t05f07j07b0505

1116

MT700 SERIES TRACK TRACTORS
OPERATOR STATION

RACK & MOUNTING GP - 187-4896
GLOBAL POSITION SENSOR



00815845

**MT700 SERIESTRACKTRACTORS
OPERATOR STATION**

1117

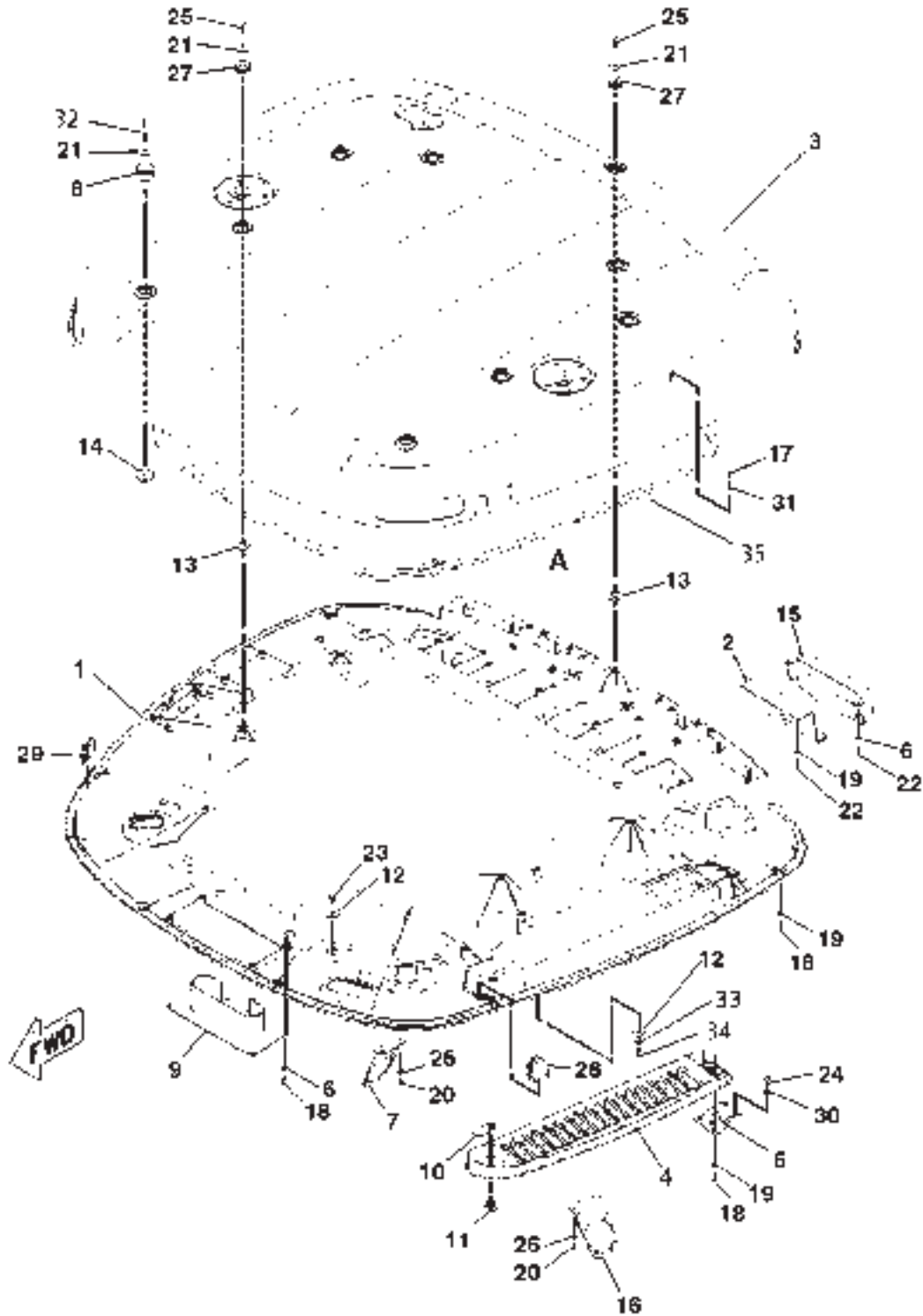
**RACK & MOUNTING GP - 187-4896
GLOBAL POSITION SENSOR**

ITEM	NUMBER	QTY	DESCRIPTION
-	187-4896	--	RACK & MOUNTING GP
1	168-2291	1	RACK AS-STORAGE
	400313X1	22	NUT-WELD (M6X1 THD)
2	CH7X-7729	4	WASHER (11X25X3MM THK)
3	400044X1	4	BOLT (M10X1.50X80MM)

00815845
PR: t05f07j07b0506

MT700 SERIES TRACK TRACTORS
OPERATOR STATION

ROOF GP-CAB - 152-0417
ROW



**MT700 SERIES TRACK TRACTORS
OPERATOR STATION**

1119

**ROOF GP-CAB - 152-0417
ROW**

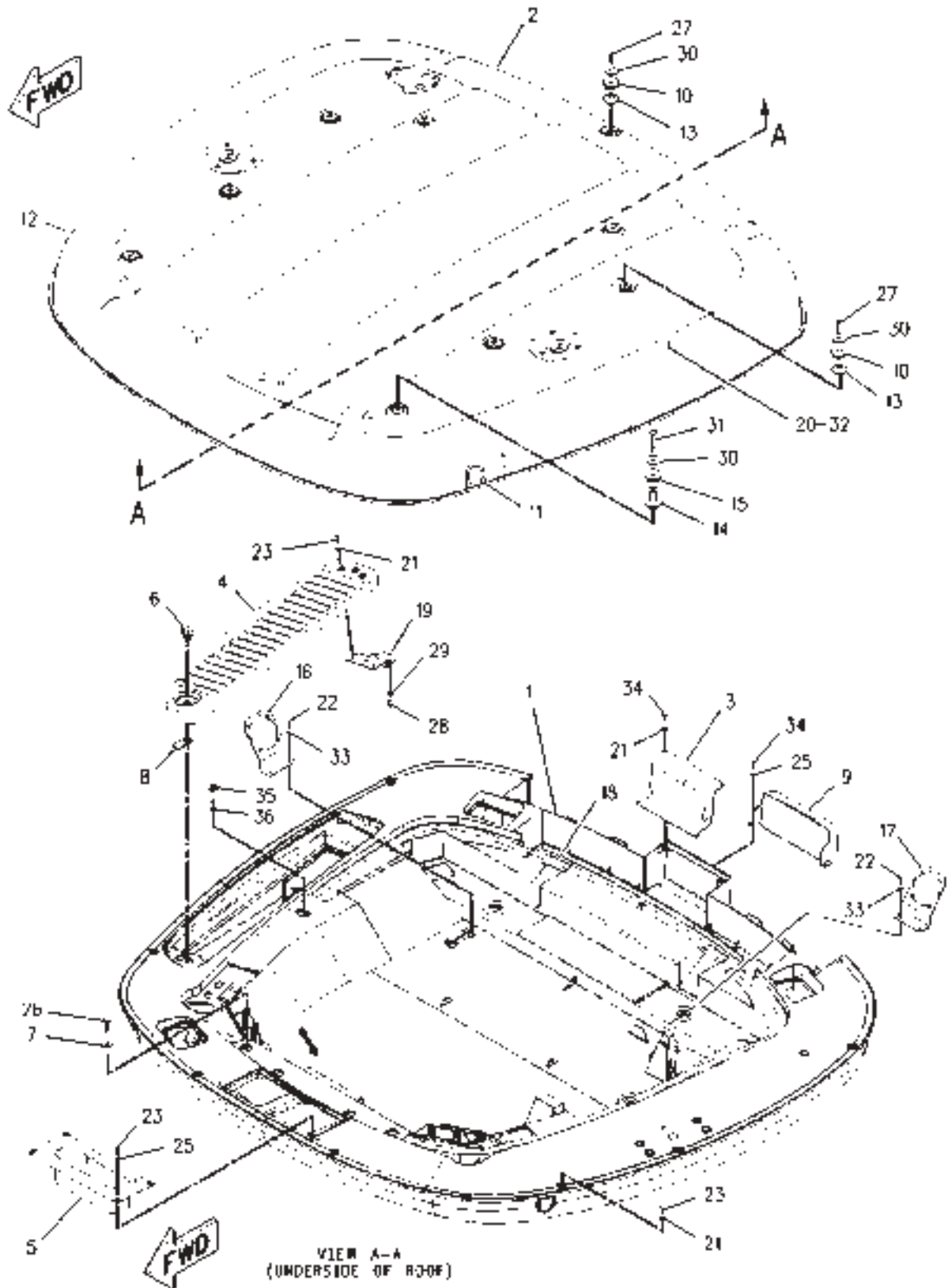
ITEM	NUMBER	QTY	DESCRIPTION
-	152-0417	--	ROOF GP-CAB [A] (NOT SERVICED)
1	152-0441	1	ROOF ASM (INNER)
	CH216-7617	14	INSERT (M6)
	CH222-4435	7	INSERT (M8X1.25)
2	162-6654	1	PLATE
3	162-6655	1	ROOF ASM (OUTER)
	CH216-7616	8	INSERT (M4)
	CH216-7617	7	INSERT (M6)
4	162-6693	1	DOOR-FILTER
5	CH195-2614	1	HINGE ASM
6	CH8T-4205	6	WASHER-HARD (7.2X14.5X2MM)
7	502322D1	1	BRACKET (REAR SPEAKER-RH)
8	CH195-2609	4	GROMMET
9	168-2284	1	COVER
10	CH179-3160	1	CAM-LATCH
11	CH174-6381	1	LATCH
12	400119X1	4	SPACER (13X44X5MM THK)
13	CH195-2607	5	SPACER
14	CH195-2608	4	SPACER
15	179-4203	1	COVER
16	502321D1	1	BRACKET (REAR SPEAKER-LH)
17	CH217-5909	1	SCREW-PAN HEAD (M6X1X16MM)
18	400048X1	14	BOLT (M6X1X20MM)
19	CH5P-4115	14	WASHER-HARD (7.2X19X2)
20	CH110-2028	4	SCREW-PAN HEAD (10-14X.75IN)
21	CH8T-4226	9	WASHER-PLATED (10.5X45X3)
22	400152X1	6	BOLT (M6X1X16MM)
23	400040X1	2	BOLT (M10X1.5X20MM)
24	400227X1	2	BOLT (M8X1.25X16MM)
25	400042X1	5	BOLT (M8X1.25X35MM)
26	400310X1	4	WASHER (6.6X12X2)
27	CH195-2600	5	GROMMET
28	CH195-2601	1	GROMMET-LH
29	CH195-2602	1	GROMMET-RH
30	400339X1	2	WASHER-HARD (8.8X16X2)
31	CH196-2881	1	CLIP
32	400066X1	4	BOLT (M10X1.50X70MM)
33	400287X1	2	WASHER-HARD (11X21X2.5)
34	400058X1	2	BOLT (M10X1.5X30MM)
35	217-2214	1	INSULATION GP-WEATHER (SEE BREAKDOWN FOR COMPONENTS)

[A] PART OF 500845D1;500846D1 CAB AR

0892132B
PR: t05f07j07b0507

MT700 SERIES TRACK TRACTORS
OPERATOR STATION

ROOF GP-CAB - 152-0444
EAME ONLY



**MT700 SERIES TRACK TRACTORS
OPERATOR STATION**

1121

**ROOF GP-CAB - 152-0444
EAME ONLY**

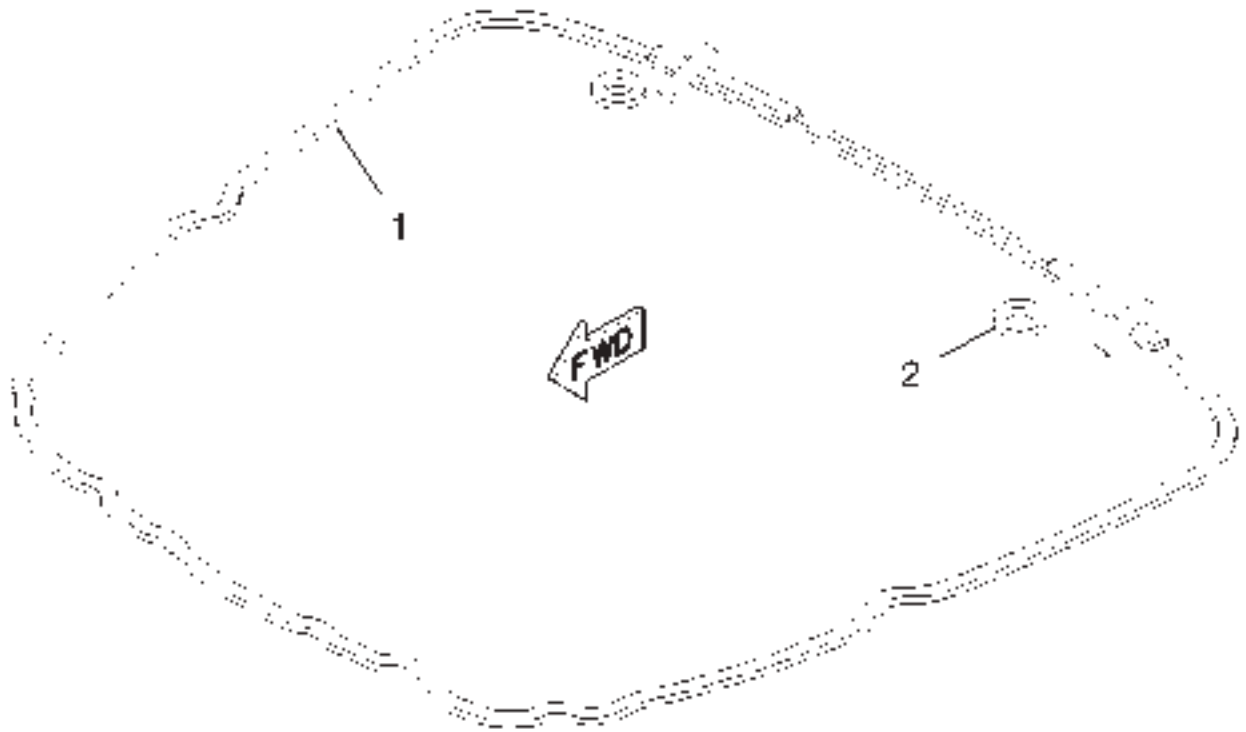
ITEM	NUMBER	QTY	DESCRIPTION
-	152-0444	--	ROOF GP-CAB [A] (NOT SERVICED)
1	152-0441	1	ROOF AS (INNER)
2	162-4111	1	ROOF AS (OUTER)
3	162-6654	1	PLATE
4	162-6693	1	DOOR AS (FILTER)
5	168-2284	1	COVER
6	CH174-6381	1	LATCH AS
7	400119X1	4	SPACER (13X44X5MM THK)
8	CH179-3160	1	CAM-LATCH
9	179-4203	1	COVER
10	CH195-2600	5	GROMMET
11	CH195-2601	1	GROMMET-LH
12	CH195-2602	1	GROMMET-RH
13	CH195-2607	5	SPACER
14	CH195-2608	4	SPACER
15	CH195-2609	4	GROMMET
16	502322D1	1	BRACKET (REAR SPEAKER)(RH)
17	502321D1	1	BRACKET (REAR SPEAKER)(LH)
18	217-2214	1	INSULATION GP-COLD WEATHER (SEE BREAKDOWN FOR COMPONENTS)
19	CH195-2614	1	HINGE AS
	6V-9632	3	NUT-WELD (M6X1 THD)
20	CH196-2881	1	CLIP
21	CH5P-4115	14	WASHER-HARD (7.2X19X2MM THK)
22	CH110-2028	4	SCREW-PAN HEAD (10-14X.75IN)
23	400048X1	14	BOLT (M6X1.0X20MM)
24	-----		NOT USED
25	CH8T-4205	6	WASHER-HARD (7.2X14.5X2MM THK)
26	400040X1	4	BOLT (M10X1.5X20MM)
27	400042X1	5	BOLT (M8X1.25X35MM)
28	400227X1	2	BOLT (M8X1.25X16MM)
29	400339X1	2	WASHER-HARD (8.8X16X2MM THK)
30	CH8T-4226	9	WASHER-PLATED (10.5X45X3MM THK)
31	400066X1	4	BOLT (M10X1.50X70MM)
32	CH217-5909	1	SCREW-PAN HEAD (1/4-15X12.7)
33	400310X1	4	WASHER (6.6X12X2MM THK)
34	400152X1	6	BOLT (M6X1X16MM)
35	400287X1	2	WASHER-HARD (11X21X2.5MM THK)
36	400058X1	2	BOLT (M10X1.5X30MM)

[A] PART OF 500847D1; 500848D1 CAB AR

1520444B
PR: t05f07j07b0508

MT700 SERIES TRACK TRACTORS
OPERATOR STATION

INSULATION GP-WEATHER - 217-2214



**MT700 SERIESTRACKTRACTORS
OPERATOR STATION**

1123

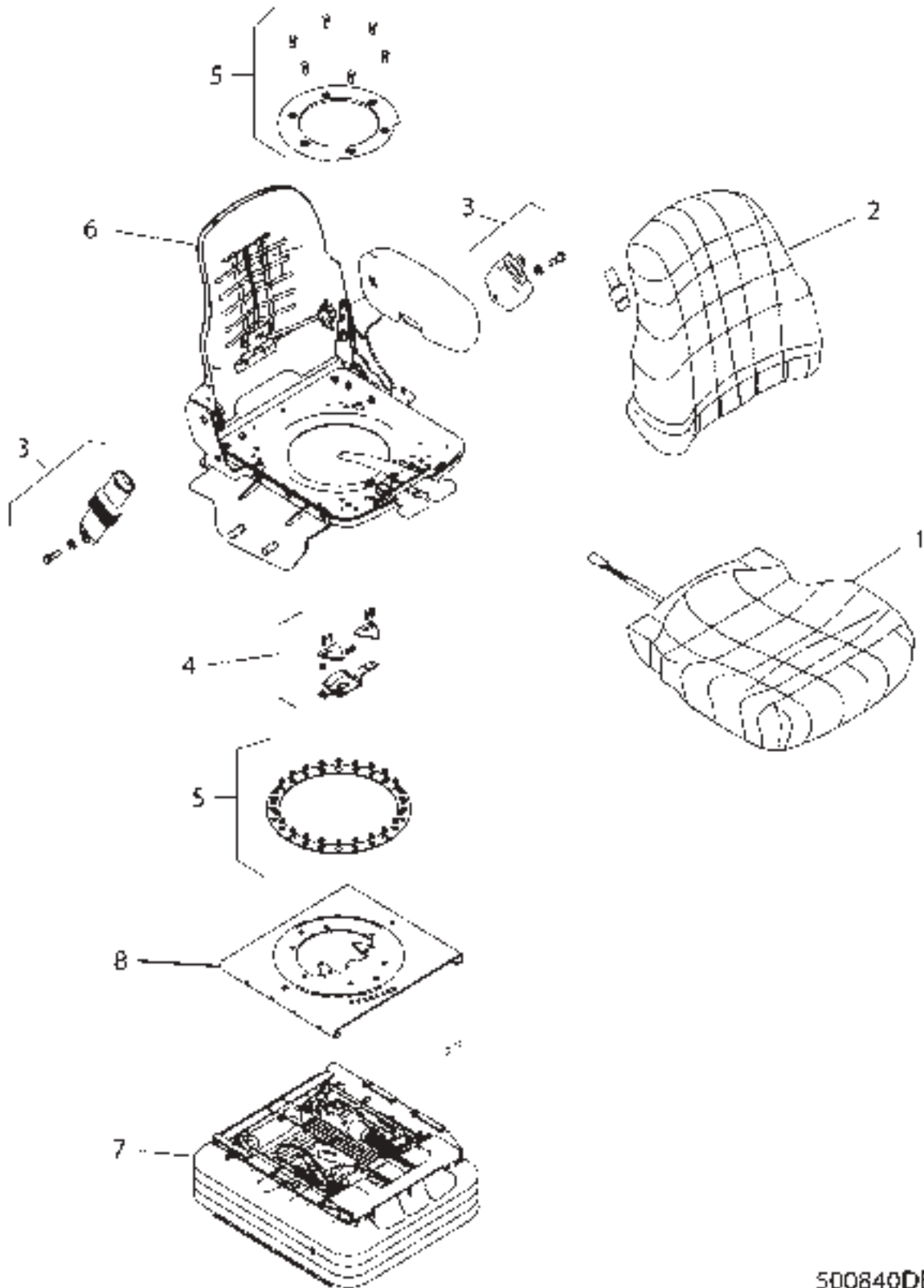
INSULATION GP-WEATHER - 217-2214

ITEM	NUMBER	QTY	DESCRIPTION
-	217-2214	--	INSULATION GP-WEATHER [A] (NOT SERVICED)
1	217-2130	1	SEAL (7620LX24WX12THK ADH BACK)
2	217-2131	2	SEAL (38IDX36ODX12THK ADH BACK)

[A] PART OF 152-0417;152-0444 ROOF GP

2172214C
PR: t05f07j07b0509

SEAT GP-BASIC
500840D1



**MT700 SERIES TRACK TRACTORS
OPERATOR STATION**

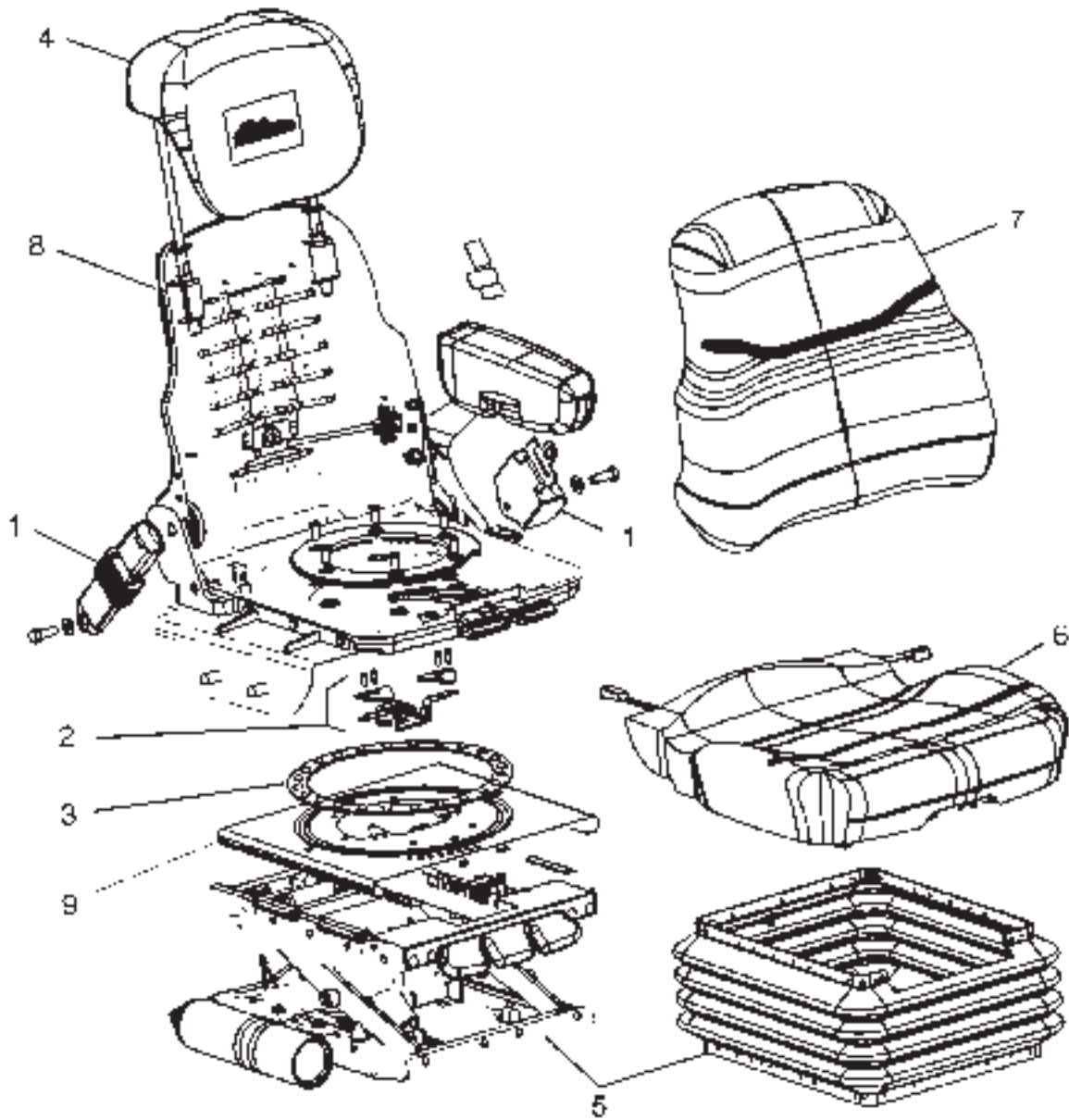
1125

**SEAT GP-BASIC
500840D1**

ITEM	NUMBER	QTY	DESCRIPTION
-	500840D1	--	SEAT GP - BASIC (NOT SERVICED)
1	197-4523	1	KIT-SEAT CUSHION AS. (INCLS SWITCH) (SERVICED AS COMPLETE KIT ONLY)
2	197-4524	1	KIT-BACK CUSHION AS. (INCLS 2 SCREWS) (SERVICED AS COMPLETE KIT ONLY)
3	197-4527	1	KIT - SEAT BELT (SERVICED AS COMPLETE KIT ONLY)
4	197-4529	1	KIT-SLIDE LATCH AS. (SERVICED AS COMPLETE KIT ONLY)
5	197-4550	1	KIT - SWIVEL AS. (UPPER) (SERVICED AS COMPLETE KIT ONLY)
6	220-2329	1	KIT-SEAT AS. (LUMBAR) (SEE BREAKDOWN FOR COMPONENTS)
7	501898D1	1	KIT-SEAT SUSP AS. (SEE BREAKDOWN FOR COMPONENTS)
8	-----	1	PLATE WLMT, SWIVEL (LWR) (NOT SERVICED)

500840DB
PR: t05f07j07b0510

SEAT GP - DELUXE
500853D1



**MT700 SERIES TRACK TRACTORS
OPERATOR STATION**

1127

**SEAT GP - DELUXE
500853D1**

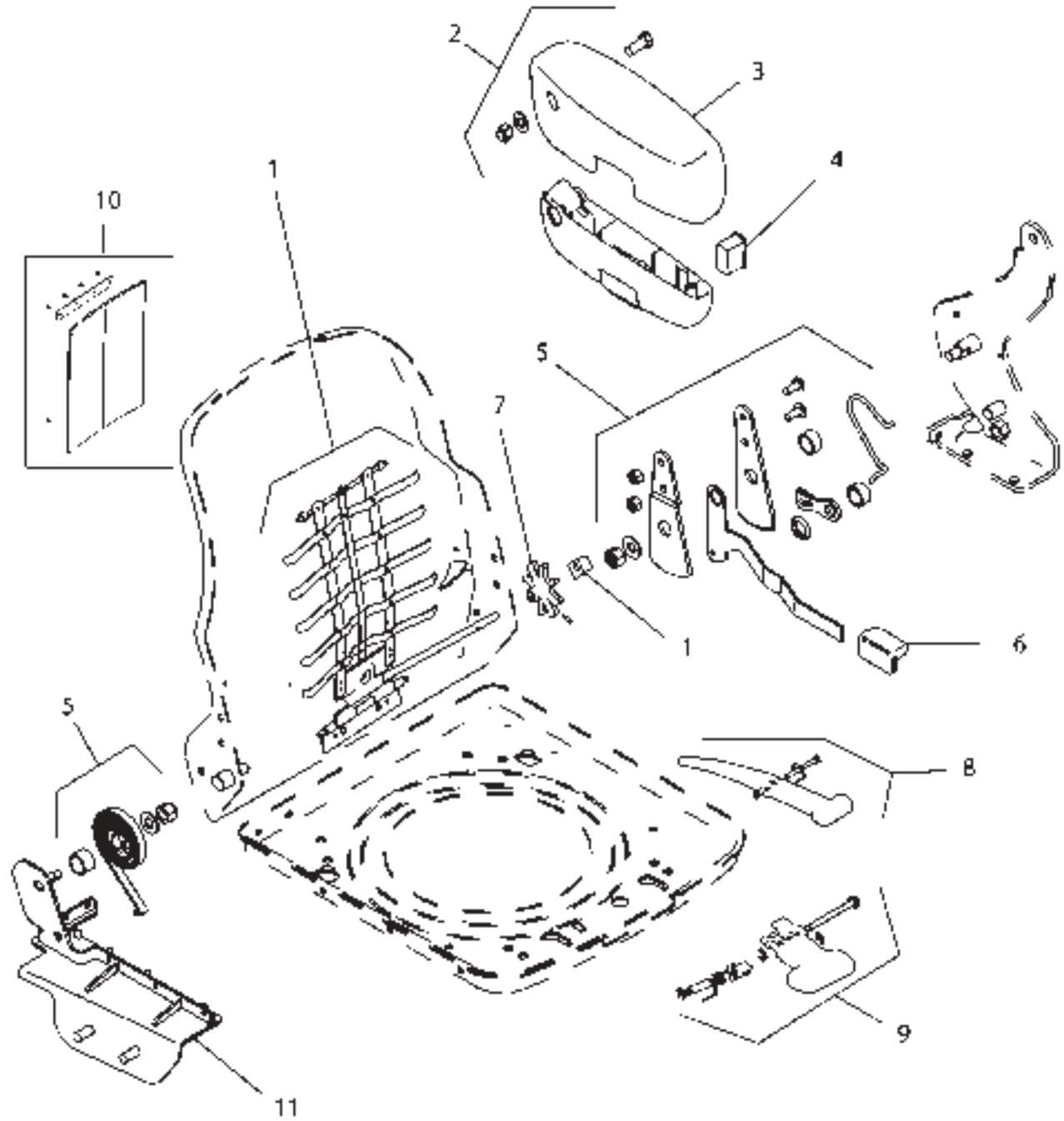
ITEM	NUMBER	QTY	DESCRIPTION
-	500853D1	--	SEAT GP-DELUXE (SERVICED BY KITS BELOW)
1	197-4527	1	KIT - SEAT BELT (SERVICED AS COMPLETE KIT ONLY)
2	197-4529	1	KIT-SLIDE LATCH AS. (SERVICED AS COMPLETE KIT ONLY)
3	197-4550	1	KIT - SWIVEL AS. (UPPER) (SERVICED AS COMPLETE KIT ONLY)
4	501908D1	1	KIT-HEAD REST AS. (SERVICED AS COMPLETE KIT ONLY)
5	501909D1	1	KIT-SEAT SUSP AS. (SEE BREAKDOWN) (SEE BREAKDOWN FOR COMPONENTS)
6	501910D1	1	KIT-SEAT CUSHION AS. (SERVICED AS COMPLETE KIT ONLY)
7	501911D1	1	KIT-BACK CUSHION AS. (SERVICED AS COMPLETE KIT ONLY)
8	501912D1	1	KIT-SEAT AS. (LUMBAR) (SEE BREAKDOWN FOR COMPONENTS)
9	-----	1	PLATE WLMT-SWIVEL (LOWER) (NOT SERVICED)

500853DB
PR: t05f07j07b0511

1128

MT700 SERIES TRACK TRACTORS
OPERATOR STATION

KIT-SEAT AS (LUMBAR) - BASIC
220-2329



2202329D

**MT700 SERIES TRACK TRACTORS
OPERATOR STATION**

1129

**KIT-SEAT AS (LUMBAR) - BASIC
220-2329**

ITEM	NUMBER	QTY	DESCRIPTION
-	220-2329	--	KIT-SEAT ASM [A] (INCLS 1-11)
1	197-4516	1	KIT-LUMBAR AS. (SERVICED AS COMPLETE KIT ONLY)
2	197-4517	1	KIT-ARMREST AS., LH (INCLS IT 3) (SERVICED AS COMPLETE KIT ONLY)
3	197-4518	1	KIT-ARMREST (SERVICED AS COMPLETE KIT ONLY)
4	197-4519	1	KIT-SWITCH (HEIGHT ADJUSTMENT) (SERVICED AS COMPLETE KIT ONLY)
5	197-4520	1	KIT-RECLINER AS. (INCLS IT 6) (SERVICED AS COMPLETE KIT ONLY)
6	197-4521	1	KIT-KNOB (BACKREST ANGLE ADJUSTMENT) (SERVICED AS COMPLETE KIT ONLY)
7	197-4522	1	KIT-KNOB-LUMBAR ADJ. (INCLS ROLL PIN) (SERVICED AS COMPLETE KIT ONLY)
8	197-4525	1	KIT-LEVER (FORE/AFT ADJUSTMENT) (SERVICED AS COMPLETE KIT ONLY)
9	197-4526	1	KIT-LEVER (SWIVEL) (SERVICED AS COMPLETE KIT ONLY)
10	227-9744	1	KIT-MANUAL HOLDER (SERVICED AS COMPLETE KIT ONLY)
11	220-2333	1	KIT-BRACKET AS (SEE RH CONSOLE FOR SUPT) (SERVICED AS COMPLETE KIT ONLY)

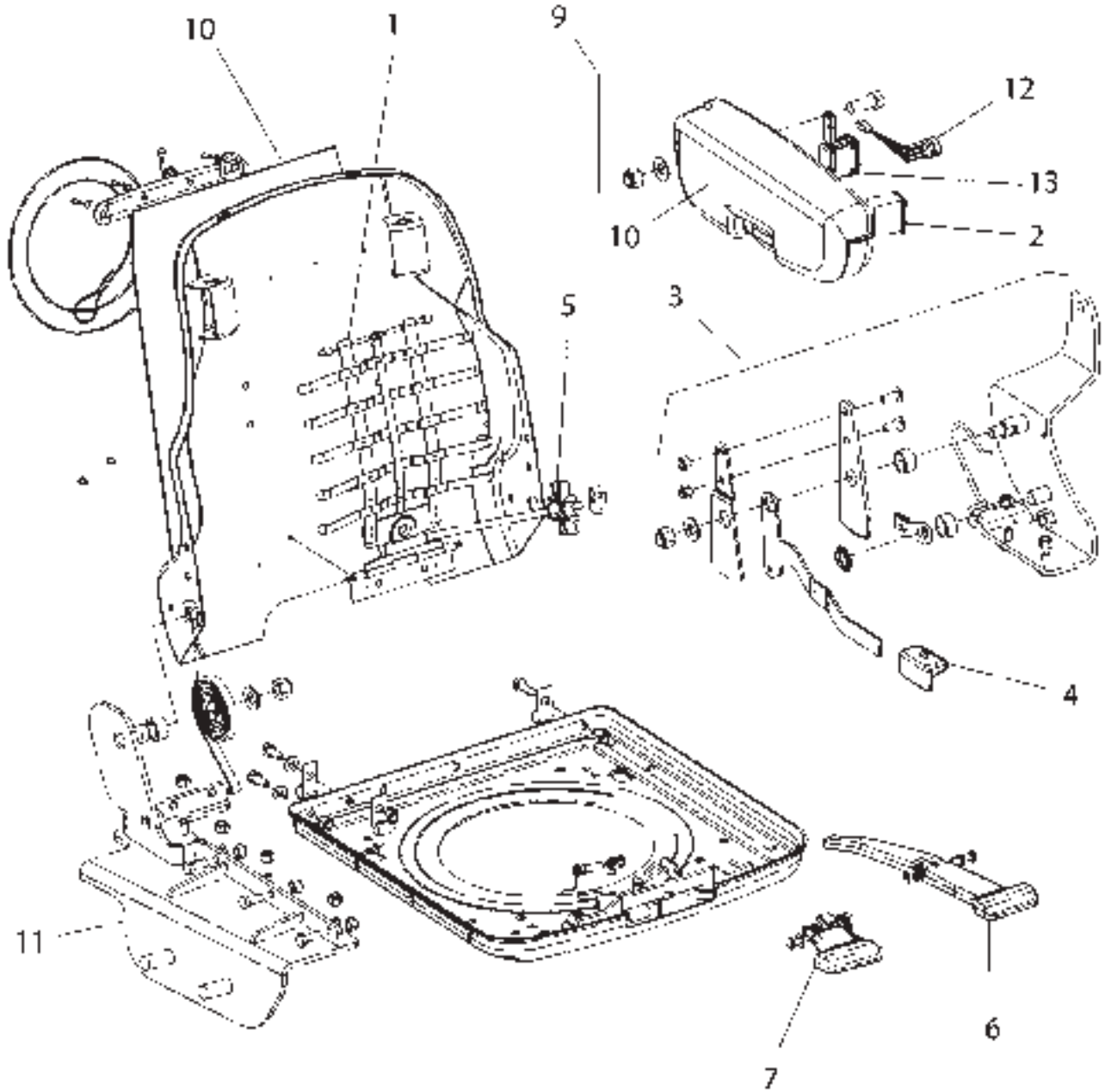
[A] PART OF 161-9200 SEAT GP-SUSPENSION
PART OF 500840D1 SEAT GP-BASIC

2202329D
PR: t05f07j07b0512

1130

MT700 SERIES TRACK TRACTORS
OPERATOR STATION

KIT-SEAT AS (LUMBAR) - DELUXE
501912D1



501912D6

**MT700 SERIES TRACK TRACTORS
OPERATOR STATION**

1131

**KIT-SEAT AS (LUMBAR) - DELUXE
501912D1**

ITEM	NUMBER	QTY	DESCRIPTION
-	501912D1	--	KIT-SEAT AS.-LUMBAR (COMPLETE) [A]
1	197-4516	1	KIT-LUMBAR AS. (SERVICED AS COMPLETE KIT ONLY)
2	197-4519	1	KIT-SWITCH (HEIGHT ADJUSTMENT) (SERVICED AS COMPLETE KIT ONLY)
3	197-4520	1	KIT-RECLINER AS. (INCLS IT 4) (SERVICED AS COMPLETE KIT ONLY)
4	197-4521	1	KIT-RECLINER KNOB (SERVICED AS COMPLETE KIT ONLY)
5	197-4522	1	KIT-LUMBAR KNOB (SERVICED AS COMPLETE KIT ONLY)
6	197-4525	1	KIT-LEVER AS. (SERVICED AS COMPLETE KIT ONLY)
7	197-4526	1	KIT-LEVER AS. (SERVICED AS COMPLETE KIT ONLY)
8	501899D1	1	KIT-MANUAL HOLDER (SERVICED AS COMPLETE KIT ONLY)
9	501913D1	1	KIT-ARMREST AS. (LH) (INCLS IT 10) (SERVICED AS COMPLETE KIT ONLY)
10	501914D1	1	KIT-ARMREST (LH) (FORMED CUSHION ONLY) (SERVICED AS COMPLETE KIT ONLY)
11	501915D1	1	KIT-BRACKET WLMT.
12	-----	1	SWITCH (HEATER)
13	501921D1	1	KIT-RIDE CONTROL SWITCH (INCLS HARNESS) [B] (SERVICED AS COMPLETE KIT ONLY)

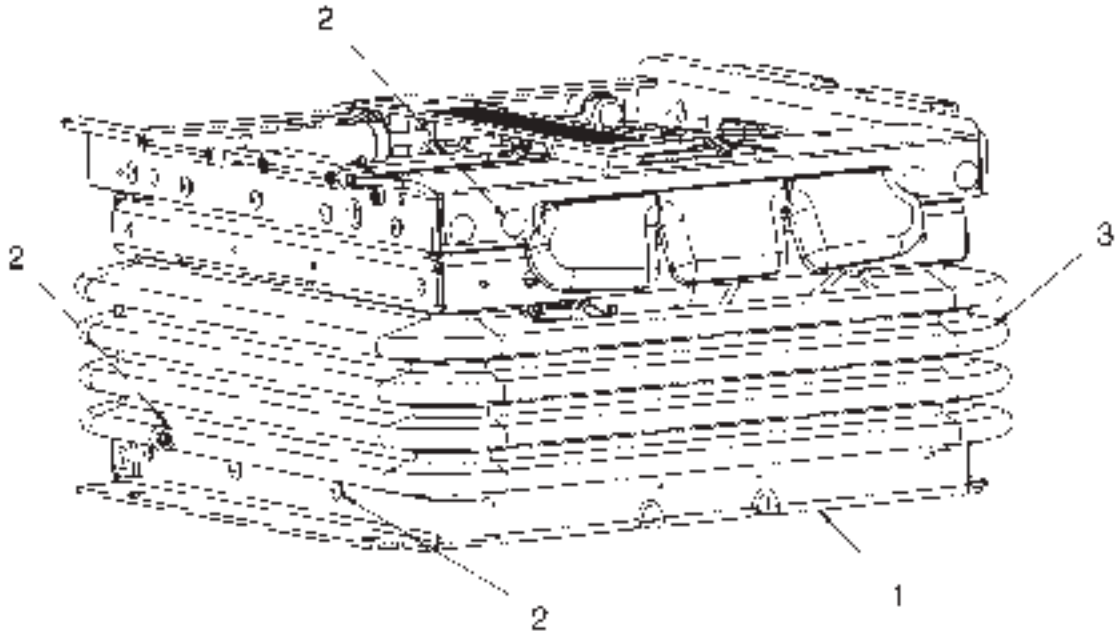
[A] PART OF 500853D1 SEAT GP.-DELUXE
[B] KIT NOT IN GP. SEE 501916D1 SUSP GP.

501912DB
PR: t05f07j07b0513

1132

MT700 SERIES TRACK TRACTORS
OPERATOR STATION

KIT-SEAT SUSPENSION - BASIC
501898D1



501898DC

**MT700 SERIES TRACK TRACTORS
OPERATOR STATION**

1133

**KIT-SEAT SUSPENSION - BASIC
501898D1**

ITEM	NUMBER	QTY	DESCRIPTION
-	501898D1	--	KIT-SEAT SUSPENSION [A]
1	501900D1	1	SUSPENSION GP-SEAT (SEE BREAKDOWN FOR COMPONENTS)
2	197-4544	1	KIT-FASTENER (SERVICED AS COMPLETE KIT ONLY)
3	197-4546	1	KIT-BOOT (SERVICED AS COMPLETE KIT ONLY)

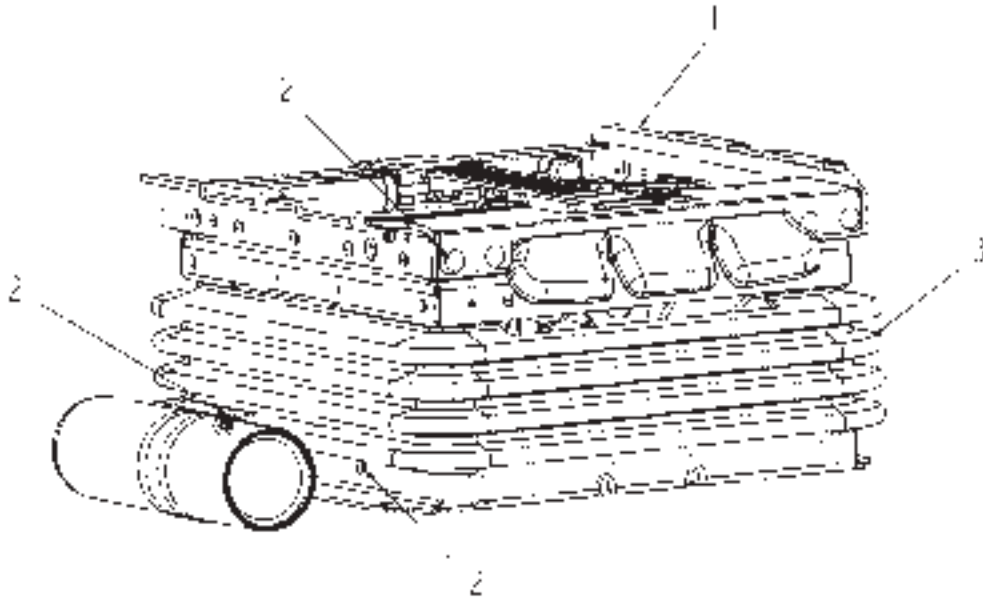
[A] PART OF 500840D1 SEAT GP-BASIC

501898DC
PR: t05f07j07b0514

1134

**MT700 SERIES TRACK TRACTORS
OPERATOR STATION**

KIT-SEAT SUSPENSION - DELUXE
501909D1



501909DB

**MT700 SERIES TRACK TRACTORS
OPERATOR STATION**

1135

**KIT-SEAT SUSPENSION - DELUXE
501909D1**

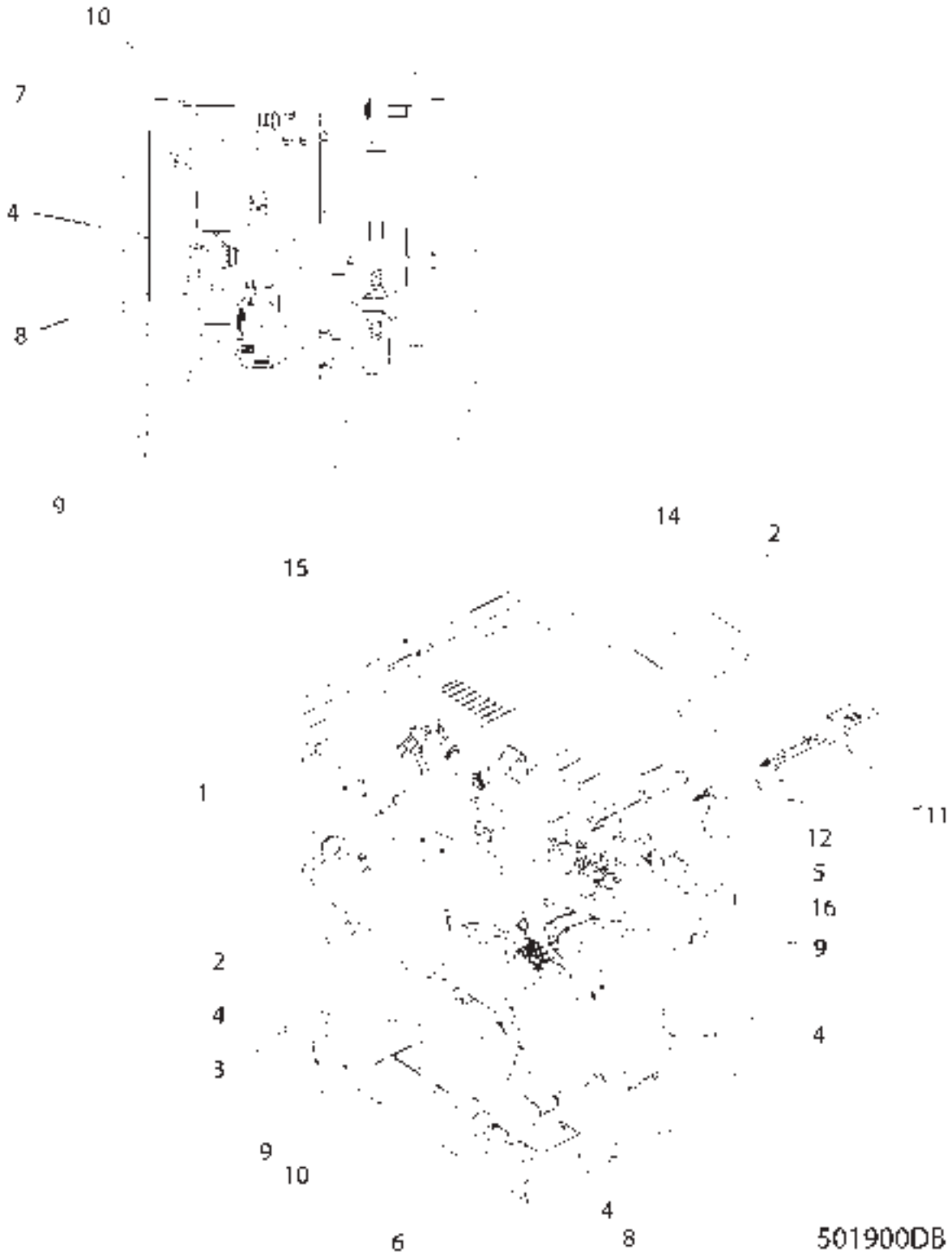
ITEM	NUMBER	QTY	DESCRIPTION
-	501909D1	--	KIT-SEAT SUSPENSION [A]
1	501916D1	1	SUSPENSION GP-SEAT (SEE BREAKDOWN FOR COMPONENTS)
2	197-4544	1	KIT-FASTENER (SERVICED AS COMPLETE KIT ONLY)
3	197-4546	1	KIT-BOOT (SERVICED AS COMPLETE KIT ONLY)

[A] PART OF 500853D1 SEAT GP-DELUXE

501909DB
PR: t05f07j07b0515

MT700 SERIES TRACK TRACTORS
OPERATOR STATION

KIT-SUSPENSION GP-BASIC SEAT
501900D1



501900DB

**MT700 SERIES TRACK TRACTORS
OPERATOR STATION**

1137

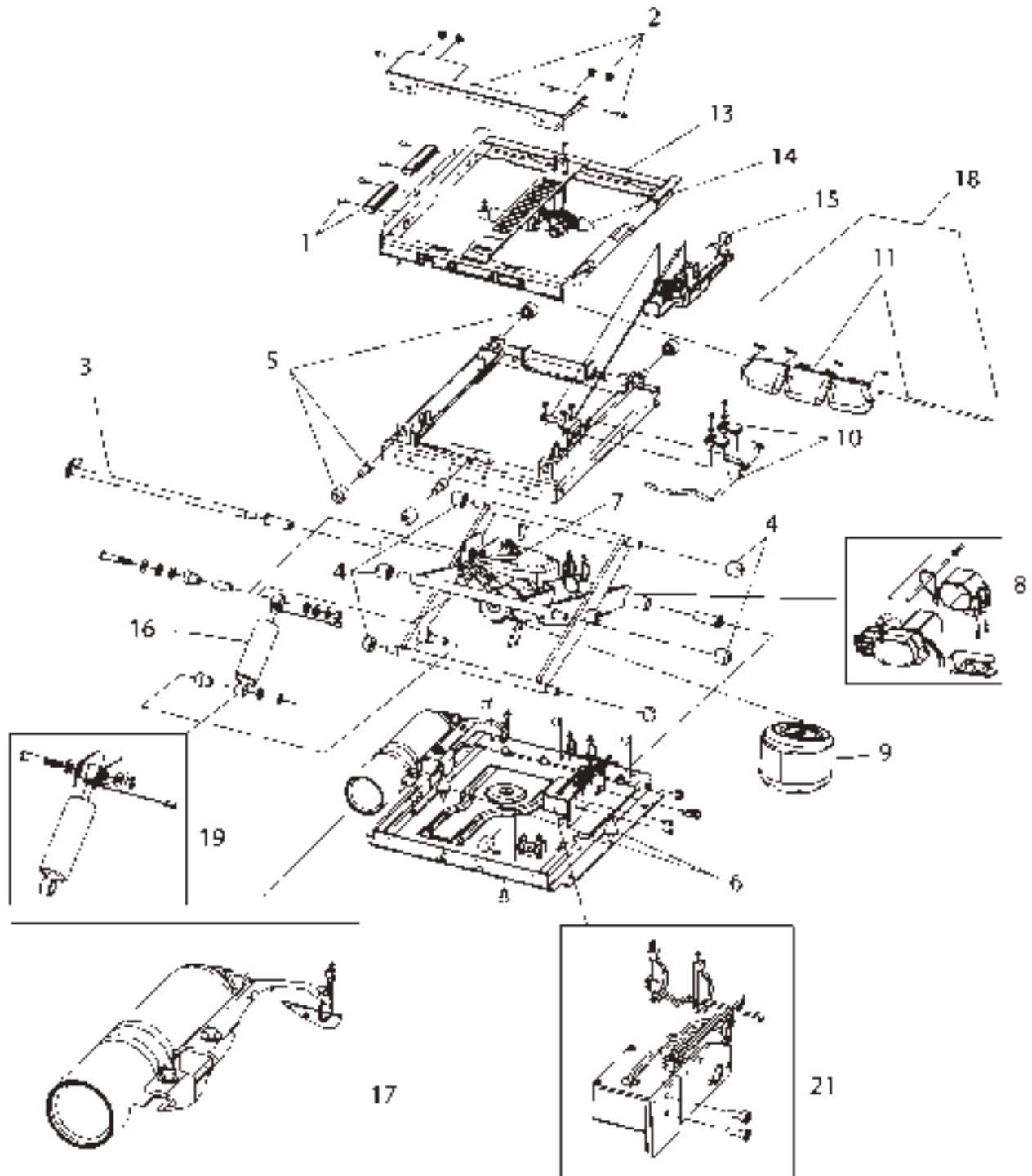
**KIT-SUSPENSION GP-BASIC SEAT
501900D1**

ITEM	NUMBER	QTY	DESCRIPTION
-	501900D1	--	KIT-SUSPENSION GP-SEAT
1	197-4530	1	KIT-PUCK AS. (SLIDE) (SERVICED AS COMPLETE KIT ONLY)
2	197-4531	1	KIT-COVER PLATE AS. (SERVICED AS COMPLETE KIT ONLY)
3	197-4532	1	KIT - BEARING SHAFT (SERVICED AS COMPLETE KIT ONLY)
4	197-4533	1	KIT-ROLLER BEARINGS (SERVICED AS COMPLETE KIT ONLY)
5	197-4534	1	KIT-ISOLATOR ROLLER (SERVICED AS COMPLETE KIT ONLY)
6	197-4537	1	KIT-BUMPER AS. (SUSP) (SERVICED AS COMPLETE KIT ONLY)
7	197-4538	1	KIT-AIRLINE AS. (INCLS TUBE & FITTINGS) (SERVICED AS COMPLETE KIT ONLY)
8	197-4539	1	KIT-SHOCK AS. (SUSP) (SERVICED AS COMPLETE KIT ONLY)
9	197-4540	1	KIT-COMPRESSOR AS (SERVICED AS COMPLETE KIT ONLY)
10	197-4541	1	KIT-AIR SPRING AS. (SERVICED AS COMPLETE KIT ONLY)
11	197-4545	1	KIT-KNOBS AS. (SERVICED AS COMPLETE KIT ONLY)
12	197-4547	1	KIT-FORE/AFT (SERVICED AS COMPLETE KIT ONLY)
13	501902D1	1	KIT-HARNESS (SUSPENSION) (NOT SHOWN) (SERVICED AS COMPLETE KIT ONLY)
14	501903D1	1	FRAME WLMT, ISOLATOR-LATERAL
15	501906D1	1	KIT-SPRING & SHOCK AS. (INCLS SCREWS & RETAINING RING) (SERVICED COMPLETE)
16	501907D2	1	KIT-SPRING & SHOCK AS. (SERVICED AS COMPLETE KIT ONLY)

[A] PART OF 501898D1 KIT-SEAT SUSPENSION

501900DB
PR: t05f07j07b0516

KIT-SUSPENSION GP - DELUXE SEAT
501916D1



**MT700 SERIES TRACK TRACTORS
OPERATOR STATION**

1139

**KIT-SUSPENSION GP - DELUXE SEAT
501916D1**

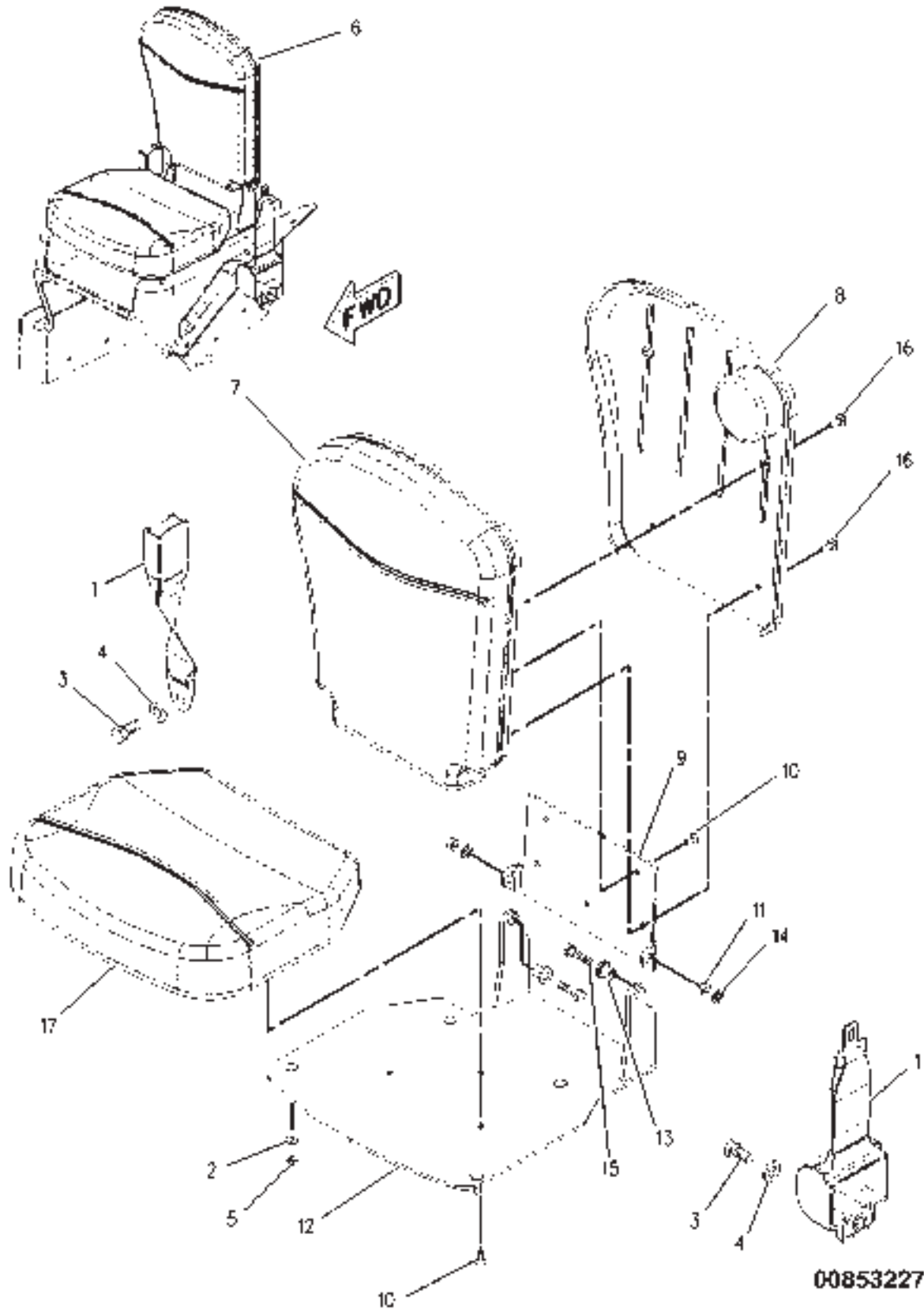
ITEM	NUMBER	QTY	DESCRIPTION
-	501916D1	--	KIT-SUSPENSION GP (SEAT) [A]
1	197-4530	1	KIT-PUCK AS. (SLIDE) (SERVICED AS COMPLETE KIT ONLY)
2	197-4531	1	KIT-COVER PLATE AS. (SERVICED AS COMPLETE KIT ONLY)
3	197-4532	1	KIT-BEARING SHAFT (SERVICED AS COMPLETE KIT ONLY)
4	197-4533	1	KIT-ROLLER BEARINGS (SERVICED AS COMPLETE KIT ONLY)
5	197-4534	1	KIT-ISOLATOR ROLLER (SERVICED AS COMPLETE KIT ONLY)
6	197-4537	1	KIT-BUMPER AS. (SUSP) (SERVICED AS COMPLETE KIT ONLY)
7	197-4538	1	KIT-AIRLINE AS. (INCLS TUBE & FITTINGS) (SERVICED AS COMPLETE KIT ONLY)
8	197-4540	1	KIT-COMPRESSOR AS (SERVICED AS COMPLETE KIT ONLY)
9	197-4541	1	KIT-AIR SPRING AS. (SERVICED AS COMPLETE KIT ONLY)
10	197-4547	1	KIT-FORE/AFT (SERVICED AS COMPLETE KIT ONLY)
11	197-4548	1	KIT-CONTROL(LATERAL (SERVICED AS COMPLETE KIT ONLY)
12	501902D1	1	KIT-HARNESS (SUSPENSION) (NOT SHOWN) (SERVICED AS COMPLETE KIT ONLY)
13	501903D1	1	FRAME WLMT, ISOLATOR-LATERAL
14	501906D1	1	KIT-SPRING & SHOCK AS. (INCLS SCREWS & RETAINING RING) (SERVICED COMPLETE)
15	501907D2	1	KIT-SPRING & SHOCK AS. (SERVICED AS COMPLETE KIT ONLY)
16	501917D1	1	SHOCK (SUSP) (SHOCK ONLY)
17	501918D1	1	KIT-AIR TANK (W/FITTINGS, LINES, CLAMPS AND BRACKET) (SERVICED AS COMPLETE KIT ONLY)
18	501919D1	1	KIT-KNOB AS. (SUSP) (INCLS ITEM 11) (SERVICED AS COMPLETE KIT ONLY)
19	501920D1	1	KIT-CONTROL AS. (SHOCK) (INCLS ITEM 16) (SERVICED AS COMPLETE KIT ONLY)
20	501921D1	1	KIT-RIDE CNTRL SWITCH (INCL HARNESS) [B] (NOT SHOWN) (SERVICED AS KIT ONLY)
21	501922D1	1	KIT-CONTROL DAMPER (SERVICED AS COMPLETE KIT ONLY)

[A] PART OF 501909D1 KIT-SEAT
SUSPENSION

[B] SWITCH ON LH ARMREST. REFER TO
501912D1 KIT SEAT-LUMBAR-DELUXE

501916DB
PR: t05f07j07b0517

SEAT GP-COMPANION - 152-0433



**MT700 SERIES TRACK TRACTORS
OPERATOR STATION**

1141

SEAT GP-COMPANION - 152-0433

ITEM	NUMBER	QTY	DESCRIPTION
-	152-0433	--	SEAT GP-COMPANION [A] (NOT SERVICED)
1	185-2151	1	BELT SET
2	CH9X-6165	4	WASHER (6.5X22X2.5)
3	400055X1	2	BOLT (M12X1.75X25MM)
4	400357X1	2	WASHER-HARD (M12X25.5X3)
5	400300X1	4	NUT (M6X1)
6	164-7062	1	SEAT ASM (NOT SERVICED) (ORDER ITEMS 7 THRU 17)
7	162-6758	1	CUSHION-BACK
8	162-6759	1	COVER-BACK
9	178-9244	1	BRACKET-HINGE
10	CH095-0759	6	SCREW-MACHINE (M6X1X16.6)
11	CH8T-7963	2	LOCKNUT (M8X1.25)
12	169-6351	1	BRACKET ASM-HINGE
	8T-3994	4	STUD WELD
13	178-9245	2	BUSHING
14	400339X1	2	WASHER-HARD (8.8X16X2)
15	WR520867	2	BOLT (M8X1.25X25MM)
16	CH9X-2044	4	SCREW-TRUSS HEAD (M6X1X16MM)
17	162-6757	1	CUSHION-BASE

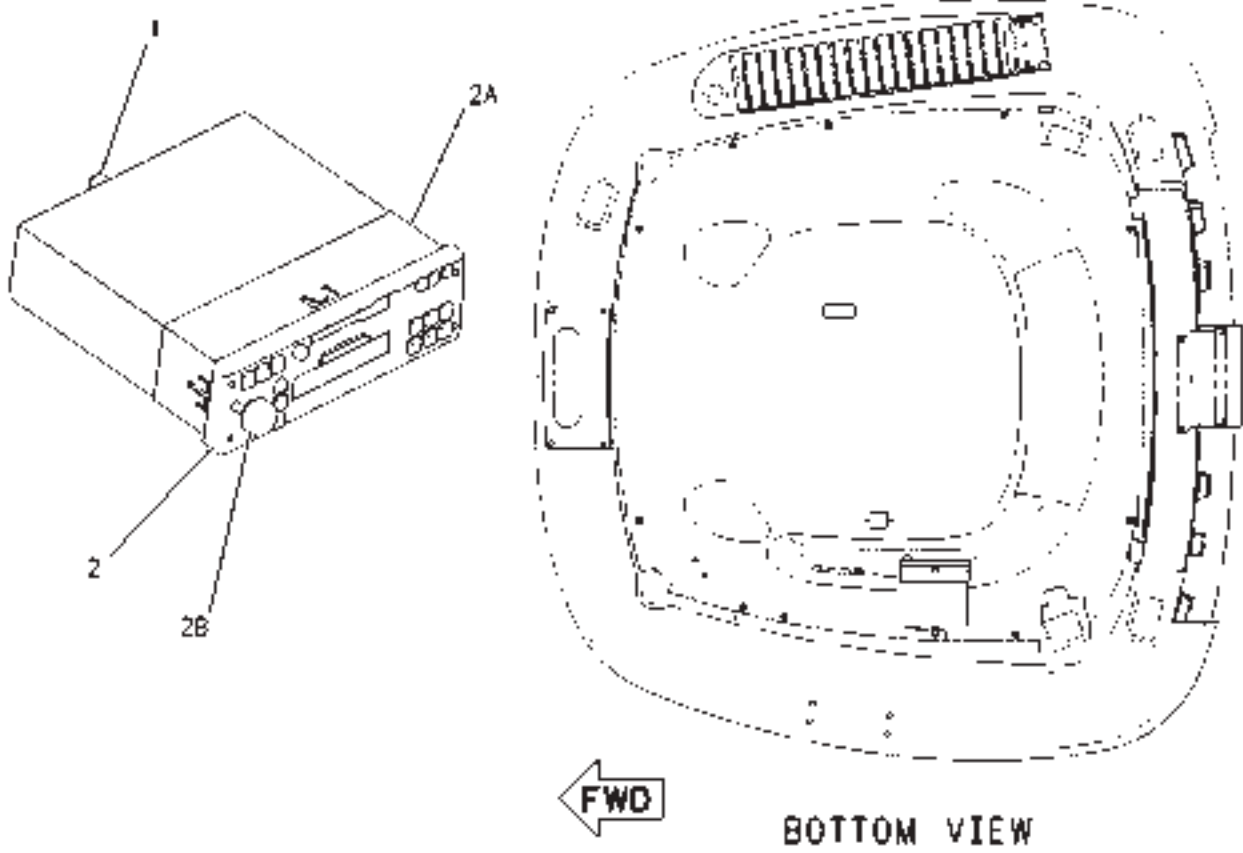
[A] PART OF 500845D1; 500846D1;
500847D1; 500848D1 CAB AR

00853227
PR: t05f07j07b0518

1142

**MT700 SERIES TRACK TRACTORS
OPERATOR STATION**

RADIO GP-STD - 168-1952
12V HD, AM/FM/WB/CASS W/GREEN BACKLIGHT
ROW



**MT700 SERIES TRACK TRACTORS
OPERATOR STATION**

1143

**RADIO GP-STD - 168-1952
12V HD, AM/FM/WB/CASS W/GREEN BACKLIGHT
ROW**

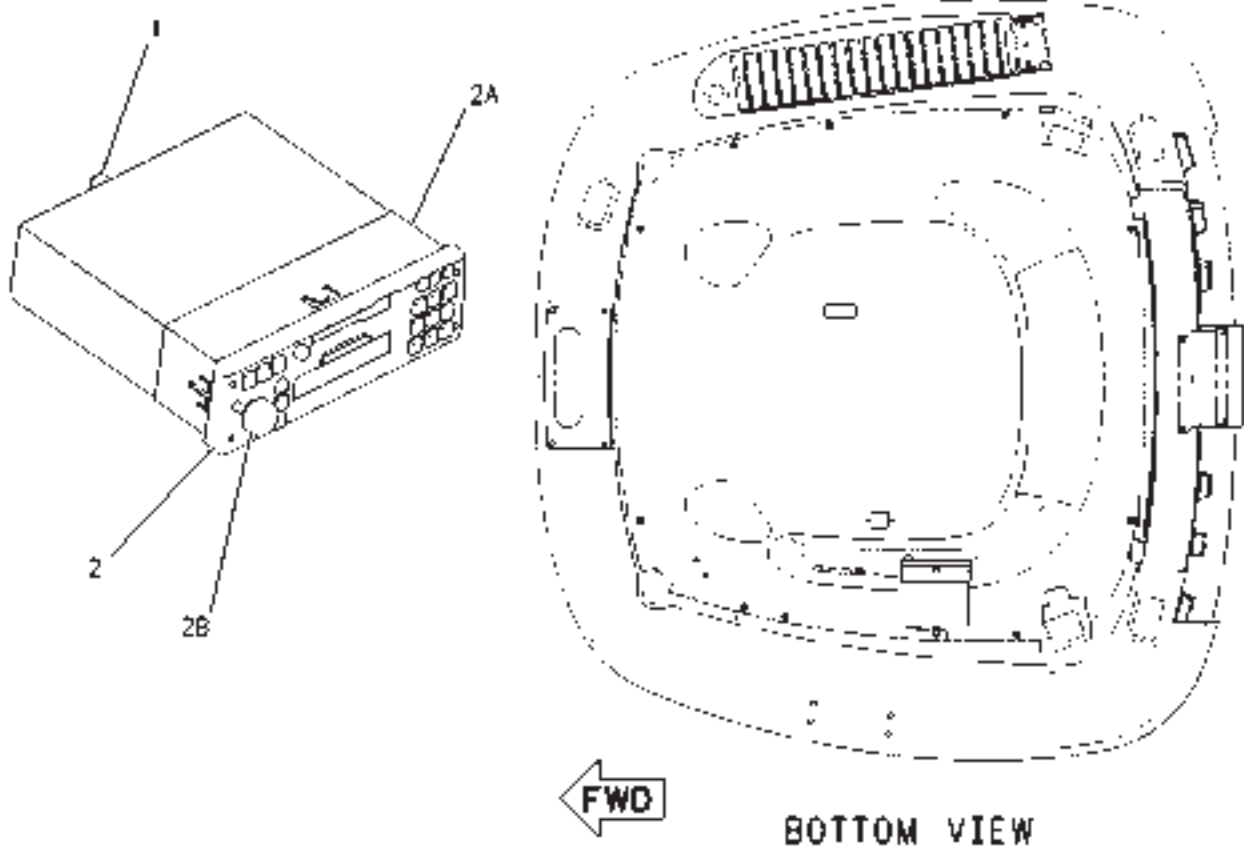
ITEM	NUMBER	QTY	DESCRIPTION
-	168-1952	--	RADIO GP
1	CH136-5490	1	BUSHING
2	CH169-6324	1	RADIO GP
2A	CH192-7054	1	EEVE [A]
2B	CH142-9681	1	OB (RADIO VOLUME)
-	400455X1	1	CONNECTOR [B]

[A] FOR FRONT RADIO MOUNTING
[B] MATING CONNECTOR TO CONNECT RADIO

00732187
PR: t05f07j07b0519

**MT700 SERIES TRACK TRACTORS
OPERATOR STATION**

RADIO GP-DELUXE - 168-1970
12V HD AM/FM/WB/CAS/REMOTE/GRN BACKLIGHT
ROW



**MT700 SERIESTRACKTRACTORS
OPERATOR STATION**

1145

**RADIO GP-DELUXE - 168-1970
12V HD AM/FM/WB/CAS/REMOTE/GRN BACKLIGHT
ROW**

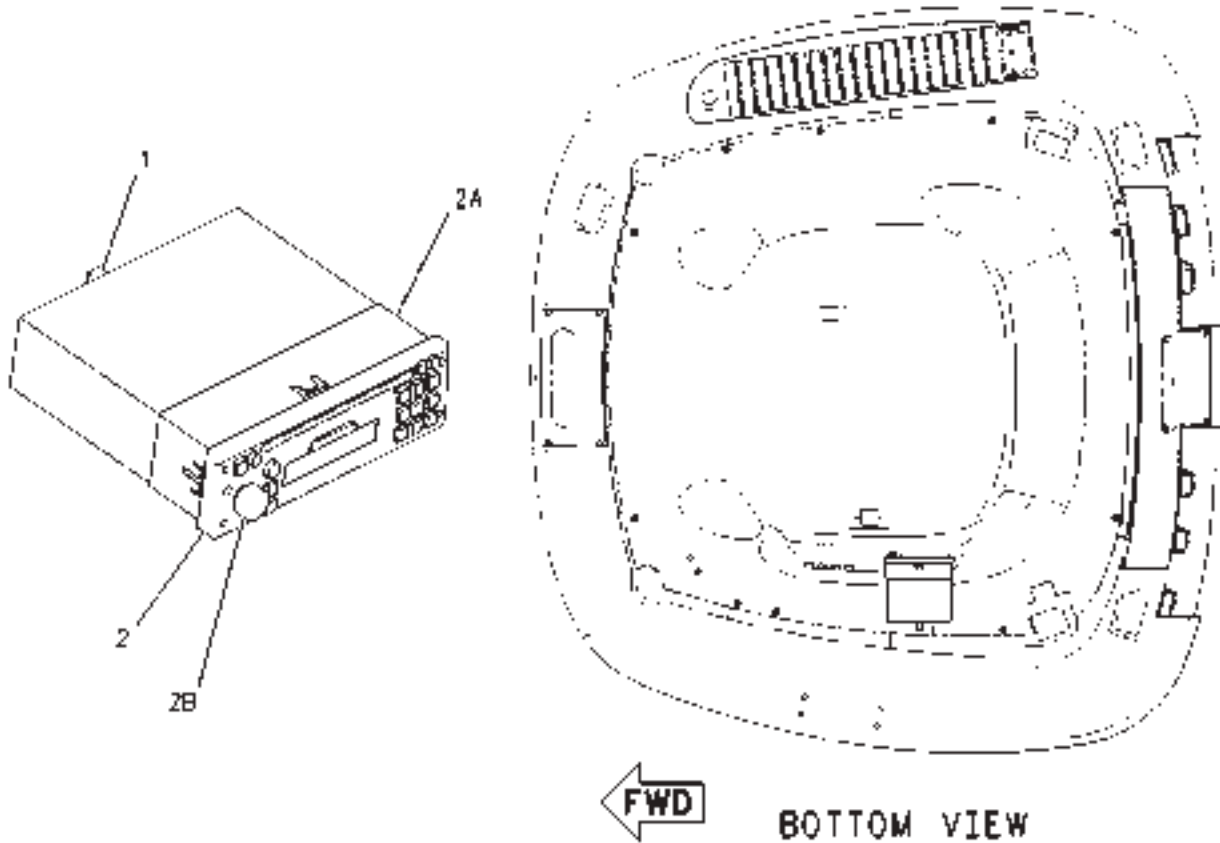
ITEM	NUMBER	QTY	DESCRIPTION
-	168-1970	--	RADIO GP
1	CH136-5490	1	BUSHING
2	CH169-6325	1	RADIO GP
2A	CH192-7054	1	SLEEVE [A]
2B	CH142-9681	1	KNOB (RADIO VOLUME)
-	CH170-7251	1	CHANGER-CD [B]
-	400455X1	1	CONNECTOR [C]

[A] FOR FRONT RADIO MOUNTING
[B] CD CHANGER WITH RADIO COMABIBLE
[C] MATING CONNECTOR REQUIRED TO
CONNECT RADIO

00732192
PR: t05f07j07b0520

MT700 SERIES TRACK TRACTORS
OPERATOR STATION

RADIO GP-DELUXE CD - 170-5739
12V HD AM/FM/WB/CD/REMOTE/GRN BACKLIGHT
ROW



**MT700 SERIES TRACK TRACTORS
OPERATOR STATION**

1147

**RADIO GP-DELUXE CD - 170-5739
12V HD AM/FM/WB/CD/REMOTE/GRN BACKLIGHT
ROW**

ITEM	NUMBER	QTY	DESCRIPTION
-	170-5739	--	RADIO GP
1	CH136-5490	1	BUSHING
2	CH169-6326	1	RADIO GP
2A	CH192-7054	1	SLEEVE [A]
2B	CH142-9681	1	KNOB (RADIO VOLUME)
-	400455X1	1	CONNECTOR RADIO [B]
-	CH170-7251	1	CHANGER-CD [C]

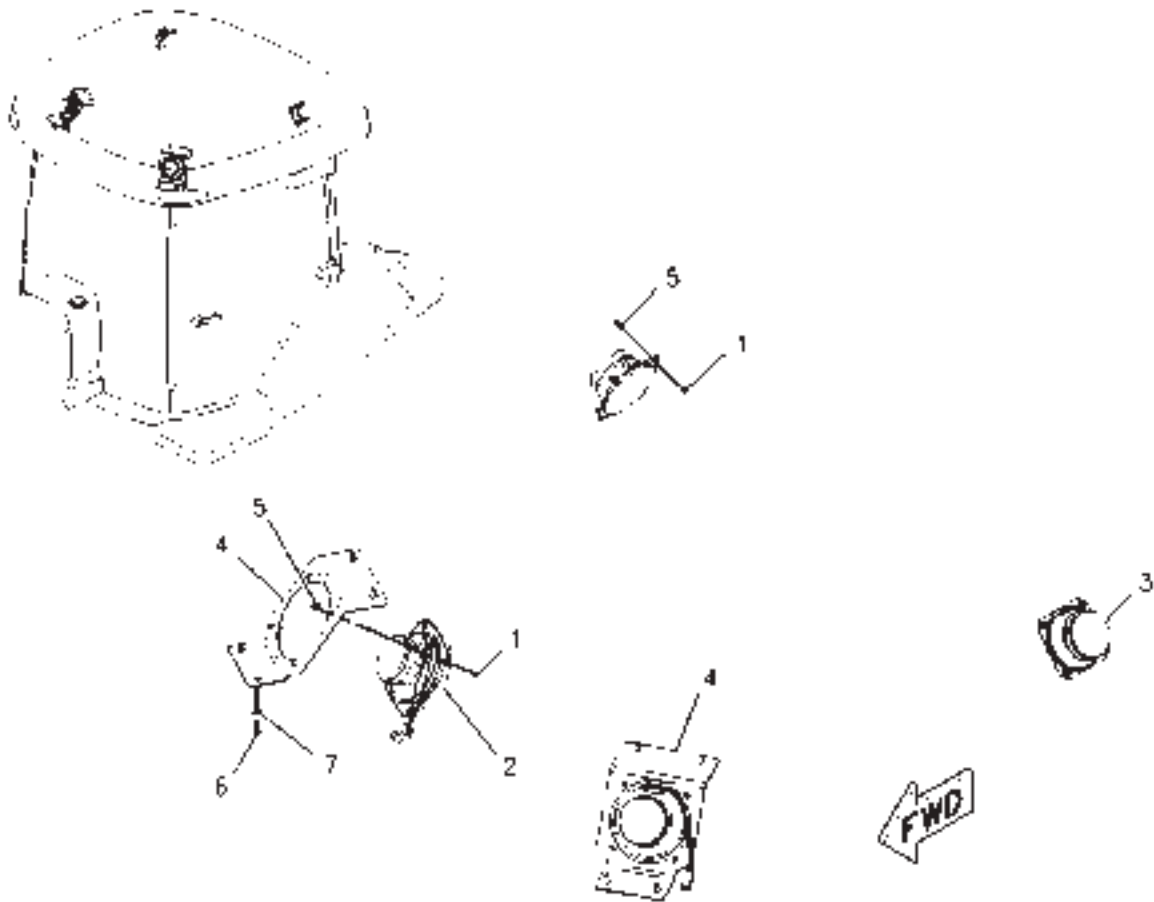
[A] FOR FRONT RADIO MOUNTING
[B] MATING CONNECTOR REQUIRED TO
CONNECT RADIO
[C] CD CHANGER COMPATIBLE WITH RADIO

00732194
PR: t05f07j07b0521

1148

MT700 SERIES TRACK TRACTORS
OPERATOR STATION

SPEAKER GP-RADIO
502794D1



00870222

**MT700 SERIESTRACKTRACTORS
OPERATOR STATION**

1149

**SPEAKER GP-RADIO
502794D1**

ITEM	NUMBER	QTY	DESCRIPTION
-	502794D1	--	SPEAKER GP-RADIO (NOT SERVICED)
-	152-0419	--	SPEAKER GP-RADIO [A] (NOT SERVICED)
1	CH119-5026	16	SCREW-PAN HEAD (10-16X0.631N)
2	CH136-5414	2	SPEAKER AS (FRONT)
3	CH136-5415	2	SPEAKER AS (REAR)
4	195-2612	2	BRACKET
5	400086X1	16	NUT
6	CH110-2028	8	SCREW-PAN HEAD (10-14X.75IN)
7	400310X1	8	WASHER (6.6X12X2MM THK)

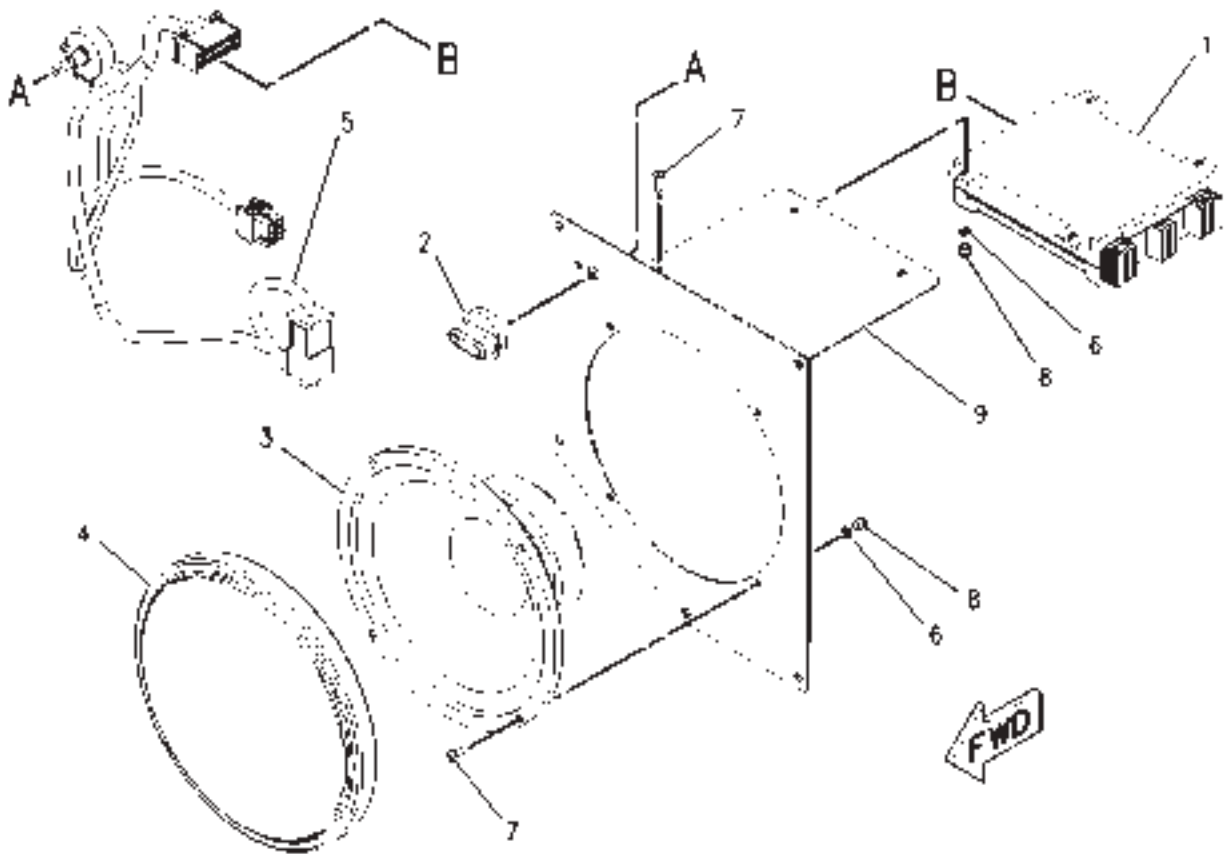
[A] PART OF 500845D1;500846D1;500847D1;
500848D1 CAB AR

00870222
PR: t05f07j07b0522

1150

MT700 SERIES TRACK TRACTORS
OPERATOR STATION

SPEAKER GP-RADIO - SUBWOOFER
173-6506



00786642

**MT700 SERIES TRACK TRACTORS
OPERATOR STATION**

1151

**SPEAKER GP-RADIO - SUBWOOFER
173-6506**

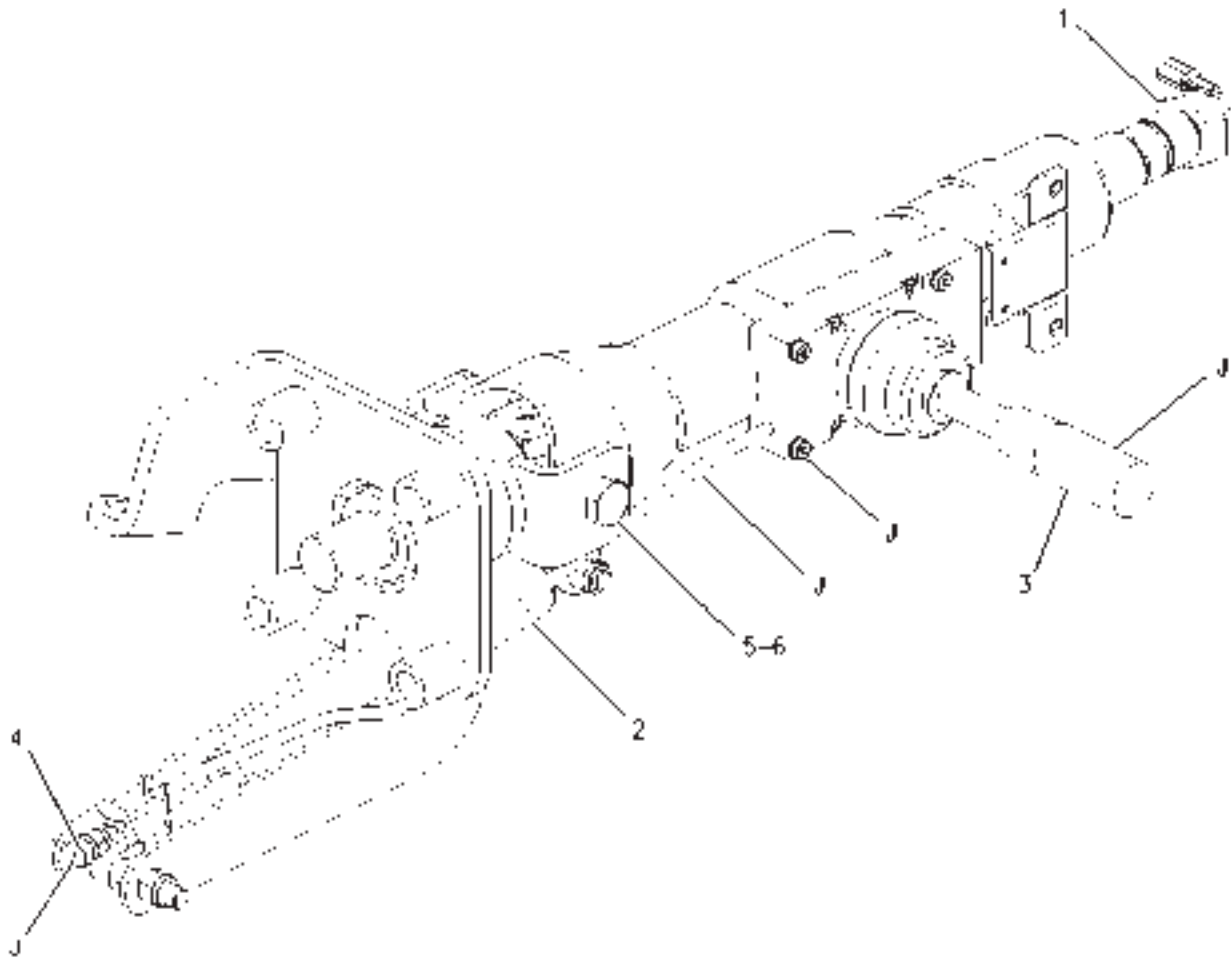
ITEM	NUMBER	QTY	DESCRIPTION
-	173-6506	--	SPEAKER GP-RADIO (NOT SERVICED)
1	CH136-5434	1	AMPLIFIER ASM
2	500419D1	1	KNOB-CONTROL (BASS VOLUME)
3	170-7255	1	SPEAKER
4	172-6842	1	GRILL
5	502191D1	1	HARNESS (SUBWOOFER)
6	CH8C-9660	8	WASHER (4.6X7.9X0.8)
7	CH7Y-3173	8	SCREW-BUTTON HEAD (M4X0.7X12MM)
8	CH8T-2659	8	LOCKNUT (M4X0.7)
9	189-9922	1	PLATE ASM

00786642
PR: t05f07j07b0523

1152

MT700 SERIES TRACK TRACTORS
OPERATOR STATION

STEERING COLUMN GP - CH166-3611



00830593

**MT700 SERIES TRACK TRACTORS
OPERATOR STATION**

1153

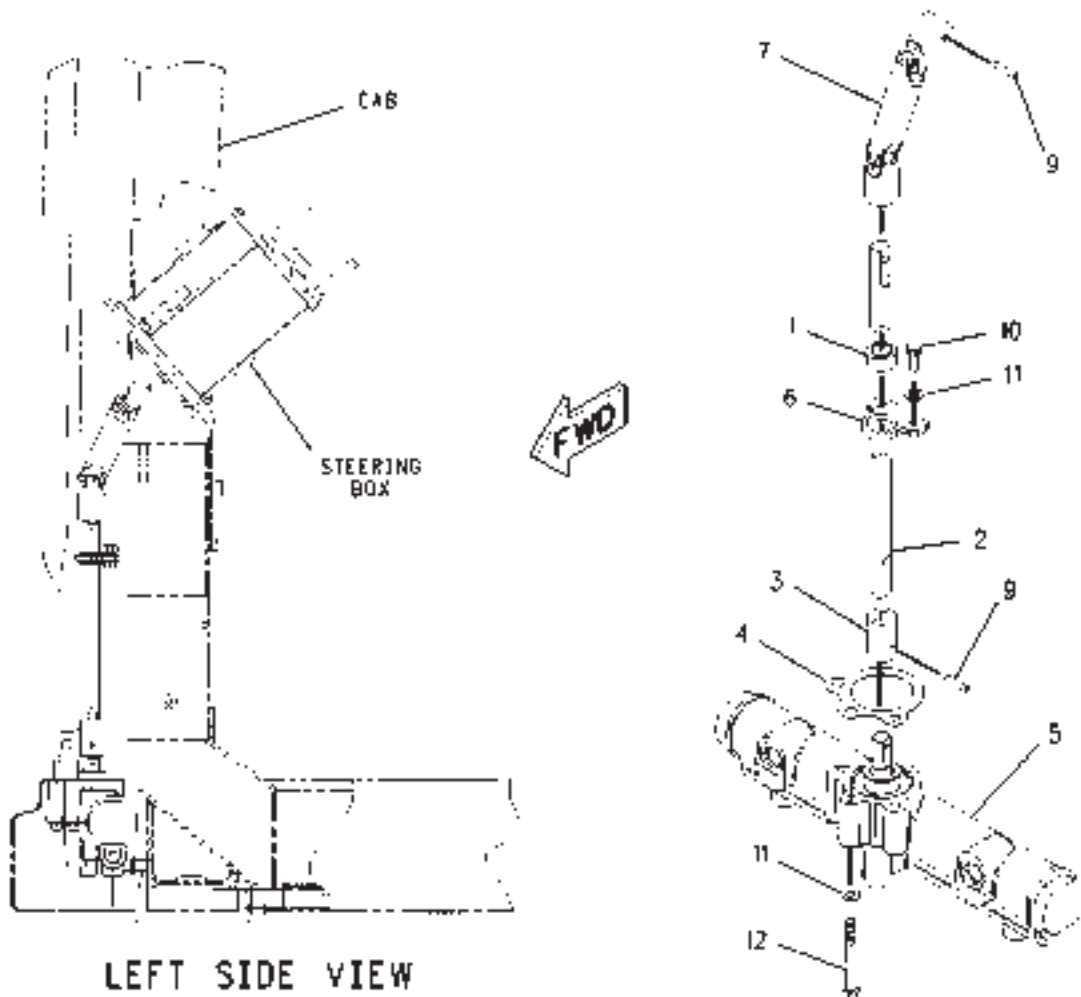
STEERING COLUMN GP - CH166-3611

ITEM	NUMBER	QTY	DESCRIPTION
-	CH166-3611	--	STEERING COLUMN GP [A]
1	CH169-3261	1	NUT (M18X1.5)
2	CH162-8550	1	KIT-GAS STRUT (STEERING COLUMN)
3	CH191-3701	1	CONTROL GP-STEERING COLUMN (TILT/TELESCOPE) (INCLS. LEVER, CLAMP, SCREW & ITEM 4)
4	CH185-3886	1	CLAMP ASM-CABLE
5	CH196-3699	2	PIN-PIVOT
6	CH196-3698	2	BUSHING-PIVOT

[A] PART OF 500768D1 CONSOLE GP

00830593
PR: t05f07j07b0524

CONTROL GP-MOUNTING - 166-4623
EAME ONLY



**MT700 SERIES TRACK TRACTORS
OPERATOR STATION**

1155

**CONTROL GP-MOUNTING - 166-4623
EAME ONLY**

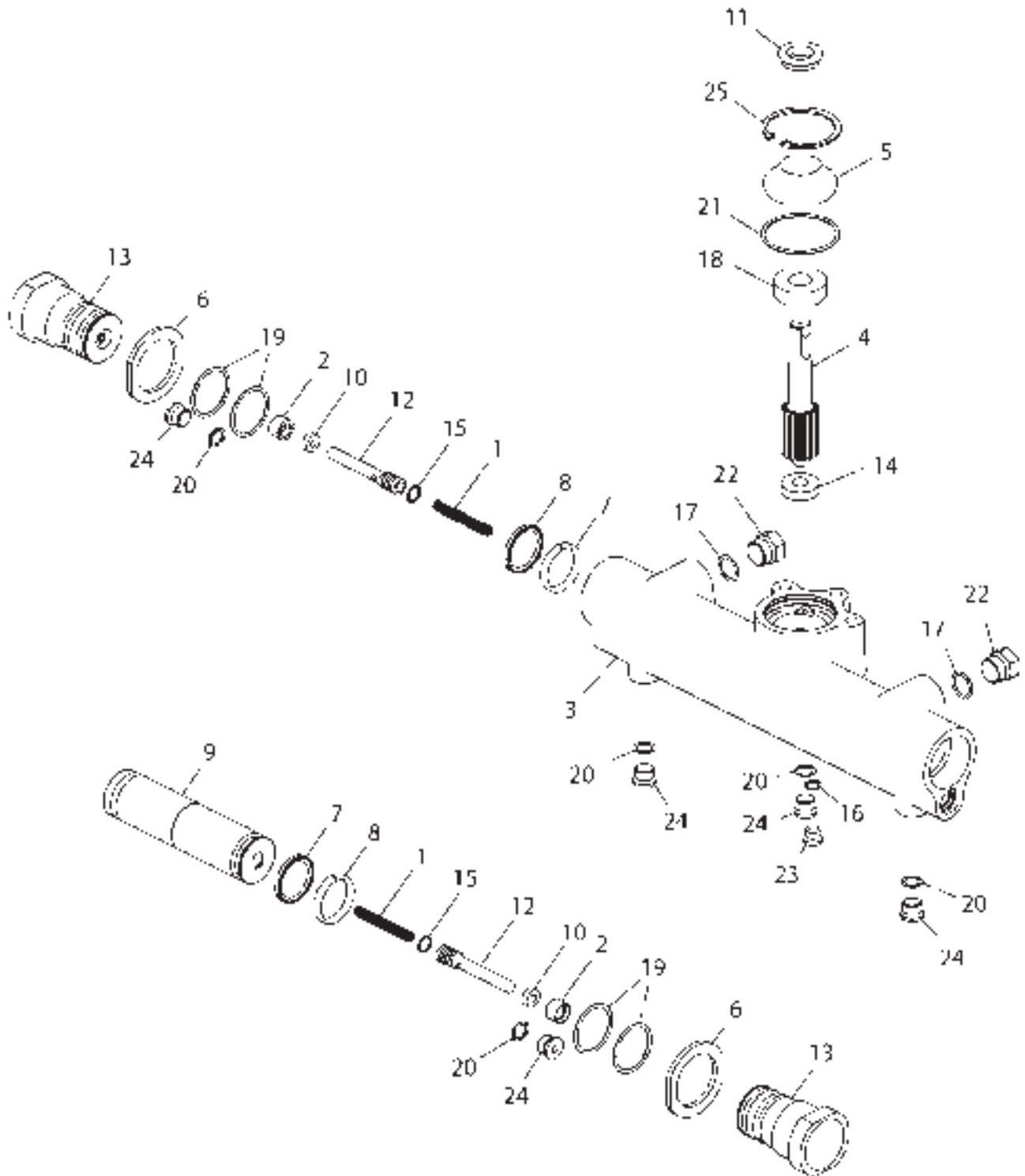
ITEM	NUMBER	QTY	DESCRIPTION
-	166-4623	--	CONTROL GP-MOUNTING [A]
1	CH4D-2619	1	BEARING
2	197-2997	1	SHAFT
3	197-2998	1	COLLAR
4	197-2999	1	GASKET
5	197-3000	1	CONTROL GP-SECONDARY STEERING (SEE BREAKDOWN FOR COMPONENTS)
6	201-8438	1	MOUNT
7	197-2996	1	JOINT AS
9	CH8T-0255	2	PIN-SPRING
10	400053X1	2	BOLT (M8X1.25X20MM)
11	400339X1	5	WASHER-HARD (8.8X16X2MM THK)
12	400068X1	3	BOLT (M8X1.25X70MM)

[A] PART OF 177-1589 BASE COMMON AR

1664623A
PR: t05f07j07b0525

MT700 SERIES TRACK TRACTORS
OPERATOR STATION

CONTROL GP-SECONDARY - 197-3000



MT700 SERIES TRACK TRACTORS
OPERATOR STATION

1157

CONTROL GP-SECONDARY - 197-3000

ITEM	NUMBER	QTY	DESCRIPTION
-	197-3000	--	CONTROL GP-SECONDARY [A]
1	179-0090	2	SPRING
2	180-9959	2	RETAINER
3	197-3001	1	HOUSING
4	197-3003	1	PINION
5	197-3006	1	RETAINER-SEAL
6	197-3007	2	NUT-JAM
7	197-3012	2	RING-WEAR
8	197-3013	2	SEAL-PISTON
9	197-3018	1	PISTON
10	197-3023	1	SEAL
11	-----	1	SEAL-LIP 17SFT X 25.58 BORE (NOT SERVICED)
12	201-8320	2	STEM
13	201-8321	2	SEAT
14	CH095-0974	1	BEARING-BALL 12ID X 28OD
15	CH2S-8418	2	RING-RETAINING INT13.44ODX0.89
16	400361X1	1	SEAL-O-RING 8.92 IDX1.83 DIA
17	CH3K-0360	2	SEAL-O-RING 16.36IDX2.21DIA
18	CH6B-0924	1	BEARING-BALL 17ID X 40OD
19	CH6V-4367	4	SEAL-O RING 34.59IDX2.62DIA
20	CH6V-5049	5	SEAL-O RING 11.89IDX1.98 DIA
21	CH6V-5100	1	SEAL-O RING 53.64IDX2.62DIA
22	CH9S-4185	2	PLUG 8 STOR ZN HEX
23	CH9S-8002	1	PLUG-4STOR HEX SOCKET
24	CH9S-8004	5	PLUG - 9/16-18-2A THD HSHD
25	CH9X-2858	1	RING-RETAINING INT 59.2 ODX2

[A] PART OF 166-4623 CONTROL GP MOUNTING

1973000A
PR: t05f07j07b0526

**MT700 SERIES TRACK TRACTORS
OPERATOR STATION**

1159

TRIM GP-CAB - 152-0450

ITEM	NUMBER	QTY	DESCRIPTION
-	152-0450	--	TRIM GP-CAB [A] (NOT SERVICED)
2	CH090-9555	2	CLIP
3	152-0431	1	FLOOR MAT
	207-2041	1	MAT (NOT ILL.)
	227-4313	1	INSULATION, FLOOR SOUND (NOT ILL.)
4	162-6751	1	CONSOLE CENTER
5	162-6752	1	CONSOLE-LH
6	164-7069	1	COVER
7	169-6342	1	COVER ASY. (RH)
8	169-6343	1	COVER ASY. (LH)
9	169-6344	1	COMPARTMENT ASY.
10	169-6345	1	SUPPORT ASY.
11	CH169-6352	1	MIRROR (INTERIOR CAB)
12	169-6383	1	COVER-WIRE
13	174-5774	1	GROMMET-BRAKE
14	400110X1	20	CLIP-TREE 8MM DIA X 3-12MM THK
15	174-5788	2	RETAINER
16	CH174-5789	4	PLUG-MONITOR
17	178-6238	1	COVER-SUBWOOFER
18	179-2957	1	LID ASY.
19	CH179-2959	1	MAGNET
20	180-2825	1	RETAINER
21	184-1704	1	HOLDER-STORAGE
22	190-8326	1	HOLDER-CELL PHONE
23	197-5852	1	COVER ASY.
24	CH197-5854	2	LATCH
25	CH096-6166	2	WASHER-HARD (4.5X9X1MM THK)
26	CH111-4627	1	SCREW-MACHINE (M6X1.0X30MM)
27	CH121-9870	1	SCREW-MACHINE (M6X1X40MM)
28	CH129-3178	2	LOCKNUT (M6X1 THD)
29	190-8754	5	NUT (U-TYPE RETAINER)
30	400094X1	8	PLUG-RUBBER,25.4MM
31	CH193-5914	6	PLUG
32	501026D1	1	SPRING ASY-GAS
35	CH3E-8020	2	SCREW-TRUSS HEAD (M6X1X25MM)
36	400599X1	4	WASHER-HARD (M8X20.5X2MM THK)
37	CH5V-1496	9	RETAINER
38	CH6V-5839	4	WASHER (11X21X2.5MM THK)
39	CH6V-8928	1	HOOK-COAT
40	400221X1	1	BOLT (M6X1X20MM)
41	400053X1	4	BOLT (M8X1.25X20MM)
42	CH9X-1046	2	SCREW (M4X0.7X18MM)
43	CH9X-2040	4	SCREW-TRUSS HEAD (M10X1.5X25MM)
44	9X-2041	6	SCREW-TRUSS HEAD (M10X1.5X20MM)
45	CH9X-2044	5	SCREW-TRUSS HEAD (M6X1X16MM)
46	CH9X-2045	5	SCREW-TRUSS HEAD (M6X1X20MM)
47	400113X1	1	GROMMET
48	400310X1	2	WASHER (6.6X12X2MM THK)
49	CH9X-2092	AR	STRIP-EDGE

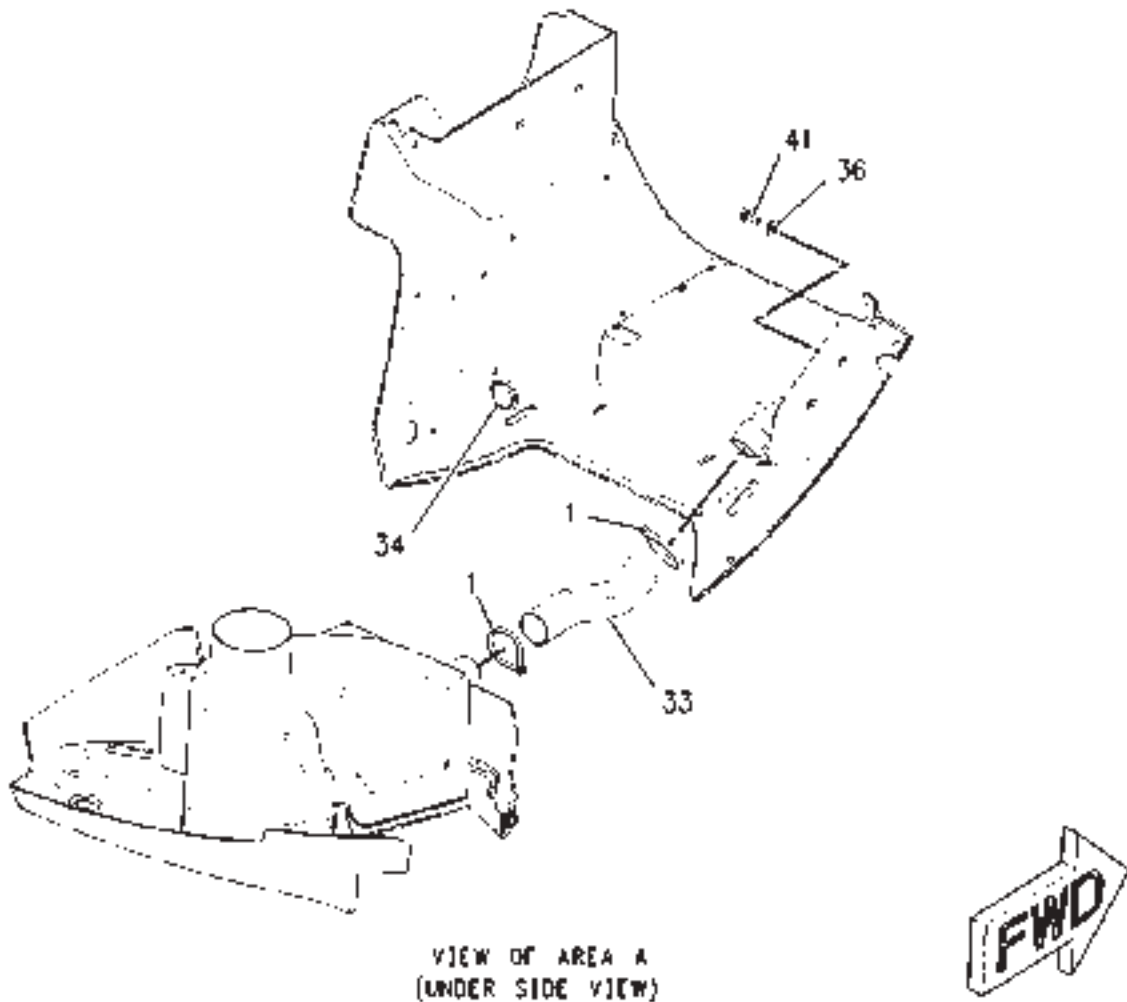
[A] PART OF 500845D1;500846D1;500847D1;
500848D1 CAB AR

00891163
PR: t05f07j07b0527

1160

MT700 SERIES TRACK TRACTORS
OPERATOR STATION

TRIM GP-CAB - 152-0450



00891164

**MT700 SERIESTRACKTRACTORS
OPERATOR STATION**

1161

TRIM GP-CAB - 152-0450

ITEM	NUMBER	QTY	DESCRIPTION
-	152-0450	--	TRIM GP-CAB [A] (NOT SERVICED)
1	CH7K-1181	2	STRAP-CABLE
33	CH208-5521	1	HOSE (192MM)
34	400106X1	1	PLUG-RUBBER 35MM
36	400599X1	4	WASHER-HARD (M8X20.5X2MM THK)
41	400053X1	4	BOLT (M8X1.25X20MM)
	CH154-9989	2	SPRING CLIP

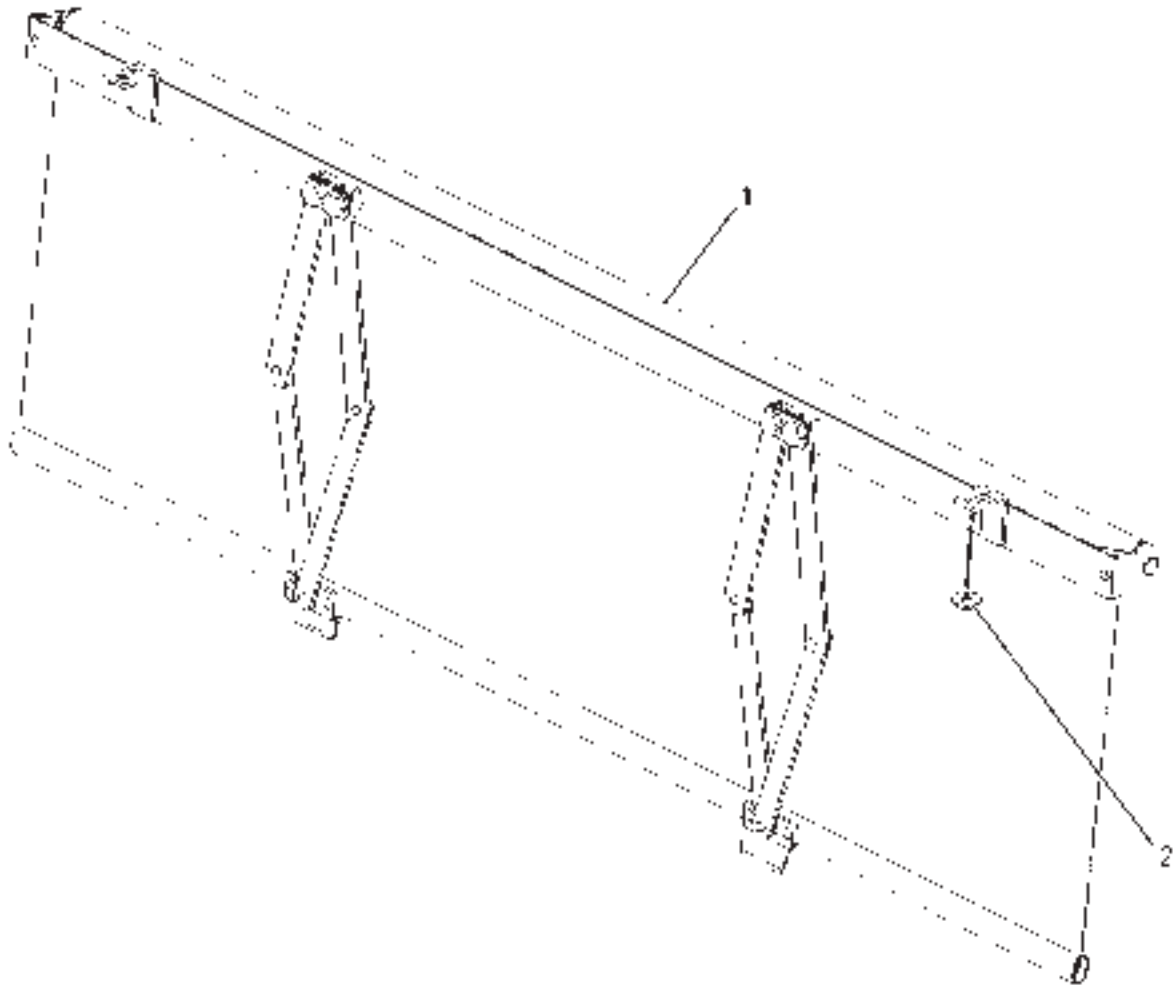
[A] PART OF 500845D1;500846D1;500847D1;
500848D1 CAB AR

00891164
PR: t05f07j07b0528

1162

MT700 SERIES TRACK TRACTORS
OPERATOR STATION

VISOR GP-CAB (SUN VISOR) - FRONT
502793D1



00867893

MT700 SERIESTRACKTRACTORS
OPERATOR STATION

1163

VISOR GP-CAB (SUN VISOR) - FRONT
502793D1

ITEM	NUMBER	QTY	DESCRIPTION
-	502793D1	--	VISOR GP-CAB (SUN VISOR) (NOT SERVICED)
-	152-0424	--	VISOR GP-CAB [A] (NOT SERVICED)
1	CH169-6397	1	SCREEN GP-SUN
2	CH9X-2038	2	WASHER (7X19X2MM THK)

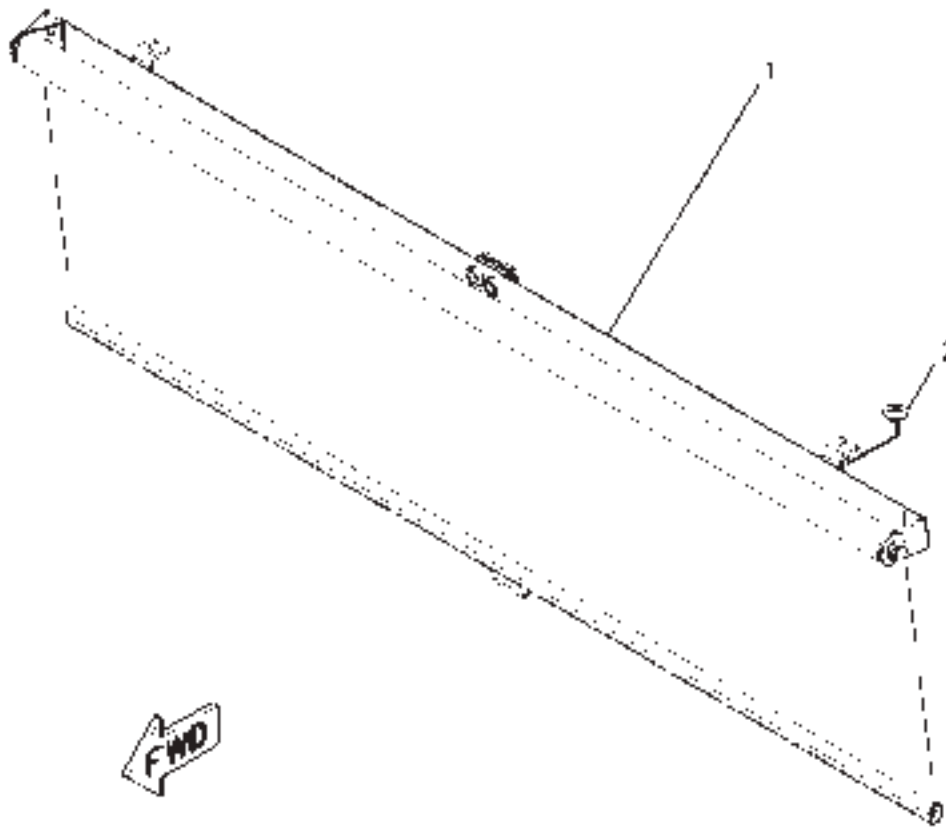
[A] PART OF 500845D1; 500847D1;
500848D1 CAB AR;
502793D1 VISOR GP

00867693
PR: t05f07j07b0529

1164

**MT700 SERIES TRACK TRACTORS
OPERATOR STATION**

VISOR GP-CAB (SUN VISOR) - REAR
162-4095



00867436

MT700 SERIESTRACKTRACTORS
OPERATOR STATION

1165

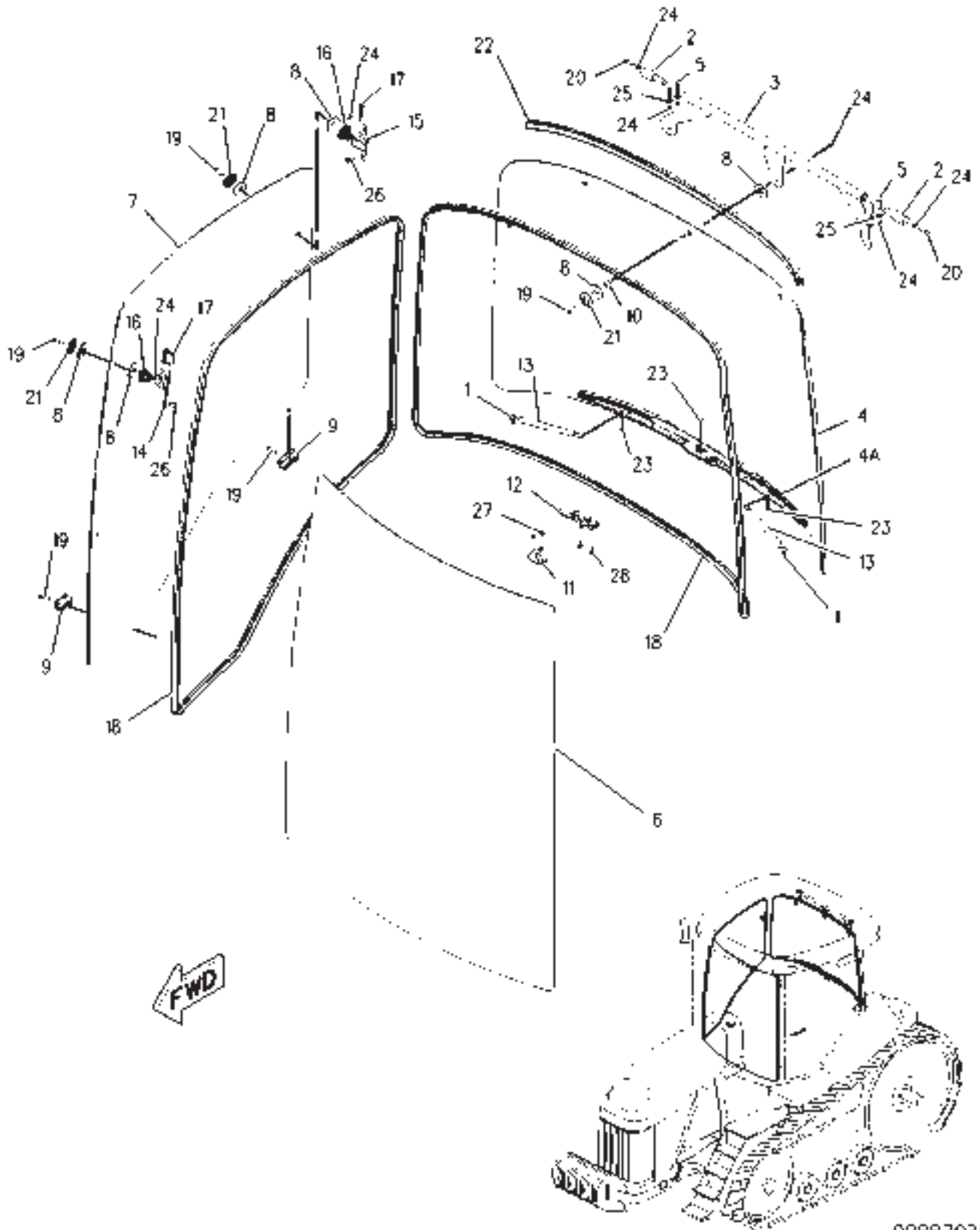
VISOR GP-CAB (SUN VISOR) - REAR
162-4095

ITEM	NUMBER	QTY	DESCRIPTION
-	162-4095	--	VISOR GP-CAB (SUN VISOR) (NOT SERVICED)
1	CH169-6397	1	SCREEN GP-SUN
2	CH9X-2038	2	WASHER (7X19X2MM THK)

00867436
PR: t05f07j07b0530

MT700 SERIES TRACK TRACTORS
OPERATOR STATION

WINDOW GP-CAB - 151-9994
ROW ONLY



**MT700 SERIES TRACK TRACTORS
OPERATOR STATION**

1167

**WINDOW GP-CAB - 151-9994
ROW ONLY**

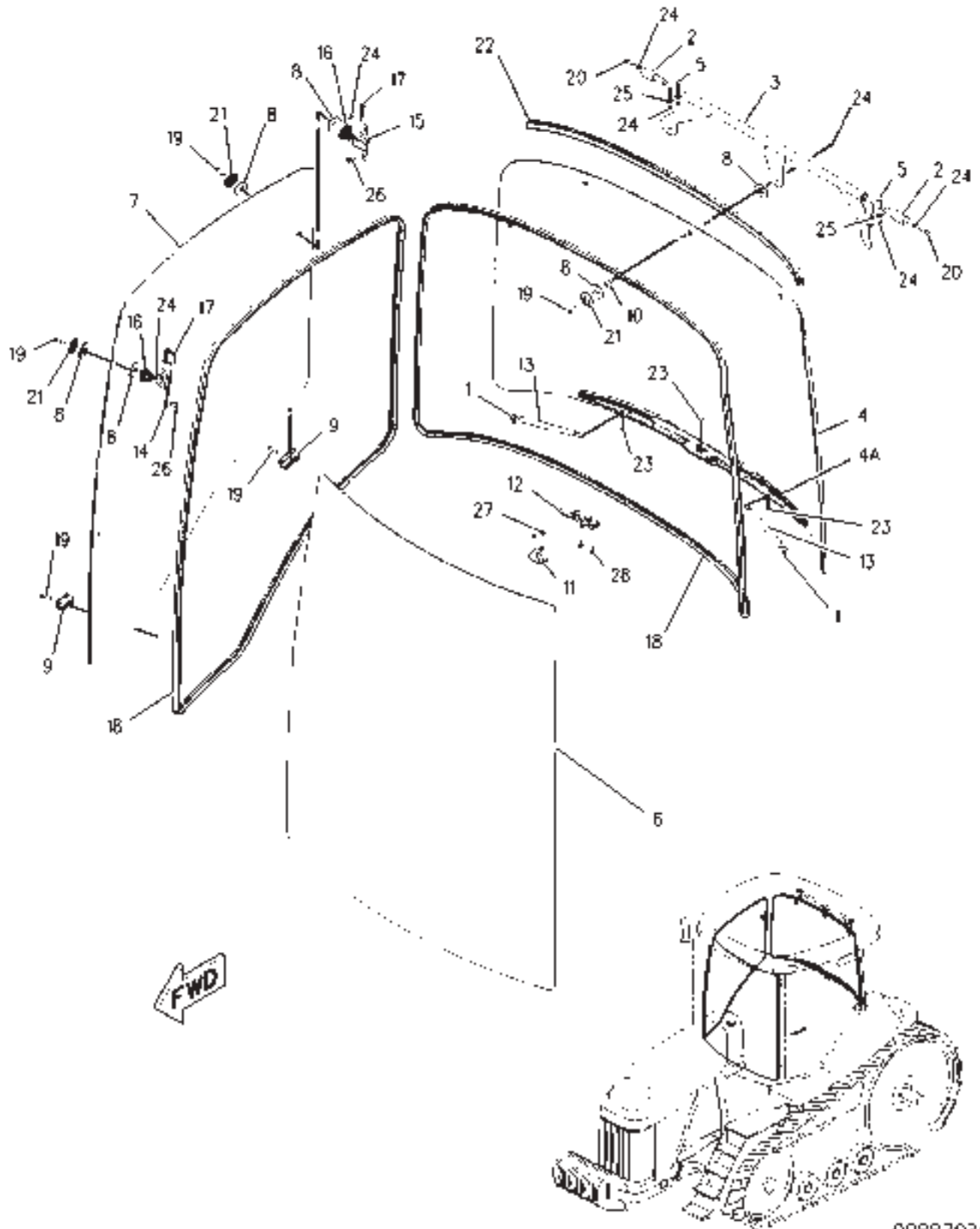
ITEM	NUMBER	QTY	DESCRIPTION
-	151-9994	--	WINDOW GP-CAB [A] (NOT SERVICED)
1	CH8T-2444	4	STUD-BALL
2	151-8541	2	PIN-HINGE
3	151-8545	1	PLATE AS
4	151-9979	1	WINDOW AS-REAR
4A	169-6328	1	SUPPORT AS
5	CH151-9989	2	CLAMP
6	151-9990	1	WINDOW-FRONT
7	151-9984	1	GLASS-RH
8	400330X1	6	WASHER (HINGE)
9	CH168-2309	2	CLAMP
10	CH169-6377	3	BUSHING
11	169-6399	1	PLATE AS
	400313X1	1	NUT-WELD (M6X1 THD)
12	CH170-1445	1	LATCH
13	CH172-6862	2	SPRING AS-GAS
14	178-7953	2	BRACKET
15	178-7954	1	BRACKET
16	178-7955	3	BOSS
17	179-4217	3	PIN
18	CH208-2404	AR	SEAL
19	CH142-2304	8	SCREW-BUTTON HEAD (M8X1.25X35MM)
20	CH160-8756	2	BOLT-HEX HEAD (M8X1.25X30MM)
21	400333X1	3	WASHER (REAR HINGE)
22	207-2036	1	SEAL
23	400300X1	2	NUT (M6X1 THD)
24	400340X1	12	NUT (M8X1.25 THD)
25	400599X1	4	WASHER-HARD (8.8X20.5X2MM THK)
26	CH8C-8585	6	BOLT-BUTTON HEAD (M10X1.5X20MM)
27	CH9X-2043	2	SCREW-TRUSS HEAD (M6X1X14MM)
28	CH9X-2045	3	SCREW-TRUSS HEAD (M6X1X20MM)
-	166-4568	1	CLAMP - WINDOW (NOT ILL.)
-	166-4570	2	CLAMP (NOT ILL.)

[A] PART OF 152-0001 CAB GP

00887936
PR: t05f07j07b0531

MT700 SERIES TRACK TRACTORS
OPERATOR STATION

GLASS GP-WINDSHIELD - 151-9995
EAME ONLY



**MT700 SERIES TRACK TRACTORS
OPERATOR STATION**

1169

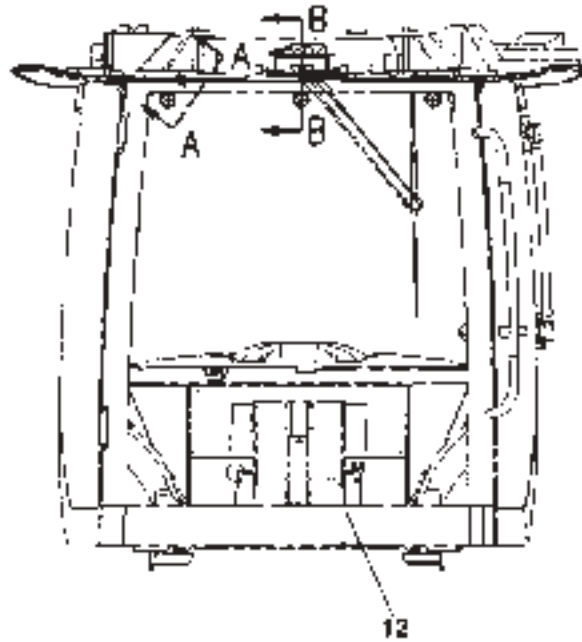
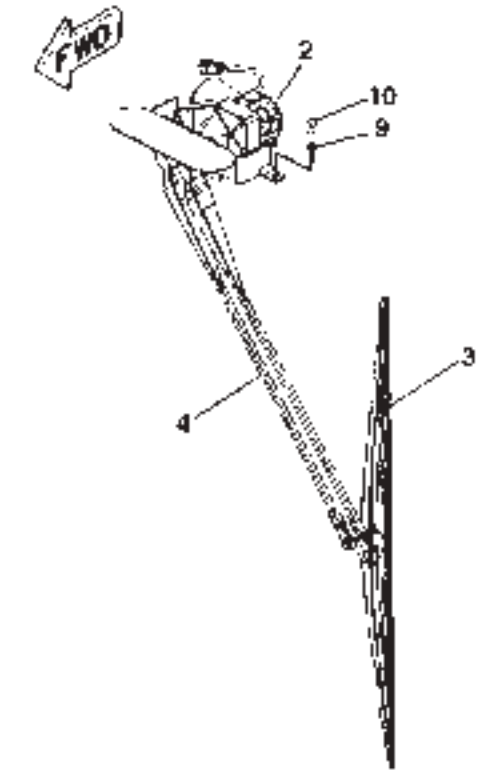
**GLASS GP-WINDSHIELD - 151-9995
EAME ONLY**

ITEM	NUMBER	QTY	DESCRIPTION
-	151-9995	--	GLASS GP-WINDSHIELD [A]
1	CH8T-2444	4	STUD-BALL
2	151-8541	2	PIN-HINGE
3	151-8545	1	PLATE AS-REAR HINGE
4	151-9979	1	GLASS AS-REAR
4A	169-6328	1	SUPPORT AS
5	CH151-9989	2	CLAMP
6	151-9990	1	GLASS-FRONT
7	151-9991	1	GLASS-RH
8	400333X1	6	WASHER (HINGE)
9	CH168-2309	2	CLAMP-WINDOW (LWR)
10	CH169-6377	3	BUSHING-WINDOW (HINGE)
11	169-6399	1	PLATE AS
	400313X1	2	NUT-WELD (M6X1 THD)
12	CH170-1445	1	LATCH-REAR WINDOW
13	CH172-6862	2	SPRING AS-GAS
14	178-7953	2	BRACKET
15	178-7954	1	BRACKET
16	CH178-7955	3	BOSS
17	CH179-4217	3	PIN
18	CH208-2404	AR	SEAL-BULK (1010 CM)
19	CH142-2304	8	SCREW-BUTTON HEAD (M8X1.25X35MM)
20	CH160-8756	2	BOLT-HEX HEAD (M8X1.25X30MM)
21	400330X1	14	WASHER (REAR HINGE)
22	207-2036	1	SEAL
23	400300X1	2	NUT (M6X1 THD)
24	400340X1	12	NUT (M8X1.25 THD)
25	400599X1	4	WASHER-HARD (8.8X20.5X2MM THK)
26	CH8C-8585	6	BOLT-BUTTON HEAD (M10X1.5X20MM)
27	CH9X-2043	2	SCREW-TRUSS HEAD (M6X1X14MM)
28	CH9X-2045	3	SCREW-TRUSS HEAD (M6X1X20MM)

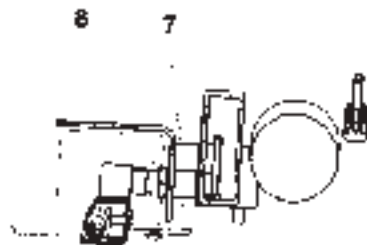
[A] PART OF 152-0002 CAB GP

00887936
PR: t05f07j07b0532

WIPER GP-WINDOW - 152-0422



FRONT VIEW



11
SECTION B-B



VIEW A-A

**MT700 SERIES TRACK TRACTORS
OPERATOR STATION**

1171

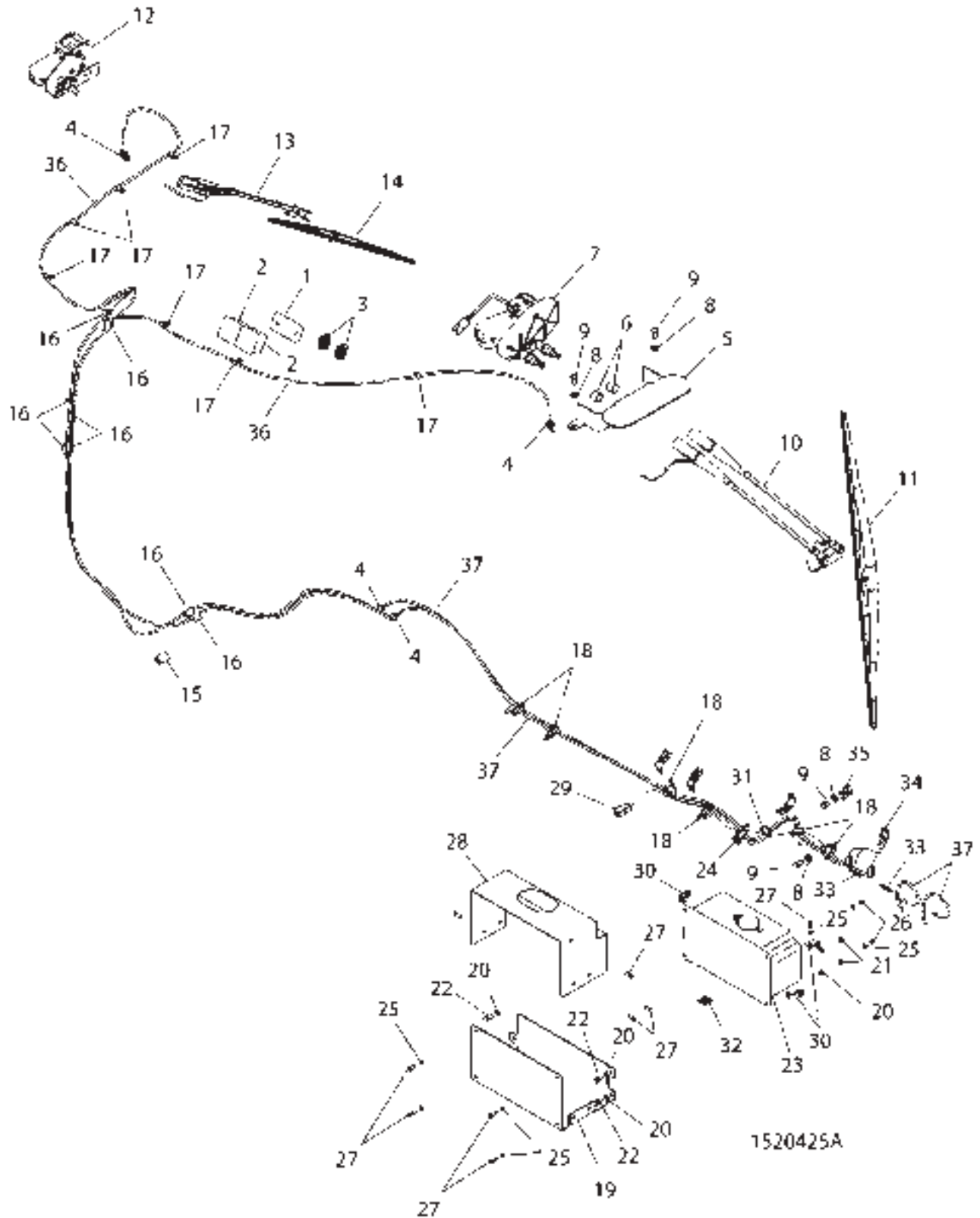
WIPER GP-WINDOW - 152-0422

ITEM	NUMBER	QTY	DESCRIPTION
-	152-0422		WIPER GP-WINDOW (NOT SERVICED)
1	CH216-2628	1	KNOB AS (FRONT WIPER & WASHER)
2	CH170-5696	1	MOTOR GP-WINDOW WIPER (12 VOLT) (SEE BREAKDOWN FOR COMPONENTS)
3	501688D1	1	BLADE-WIPER
4	CH178-3888	1	ARM ASM-WIPER
5	CH112-6174	1	SWITCH ASM-ROTARY(24 VOLT)(FRONT WIPER) (ORDER AS COMPLETE ASM OR ORDER THE FOLLOWING)
	2H-3920	1	LOCKWASHER
	6V-8369	1	NUT (7/16-28)
	186-3735	6	PIN-CONNECTOR
	CH8T-8737	2	PLUG-SEAL
	3E-3389	1	WEDGE
	102-8806	1	KIT-RECEPTACLE (8 PIN) (INCLUDES RECEPTACLE ASM AND WEDGE) (SERVICED AS COMPLETE KIT ONLY)
6	501256D1	1	FILM-INSTRUCTION (WIPER)
7	CH141-1762	2	SPACER (20)
8	169-6323	1	BRACKET
9	400287X1	2	WASHER-HARD (11X21X2.5)
10	400040X1	2	BOLT (M10X1.5X20MM)
11	CH5P-7803	1	BUTTON-PLUG
12	CH193-5914	2	PLUG

0874347A
PR: t05f07j07b0533

MT700 SERIES TRACK TRACTORS
OPERATOR STATION

WIPER GP-DELUXE
152-0425



1520425A

**MT700 SERIES TRACK TRACTORS
OPERATOR STATION**

1173

**WIPER GP-DELUXE
152-0425**

ITEM	NUMBER	QTY	DESCRIPTION
-	152-0425	--	WIPER GP [A] (NOT SERVICED)
-	502791D1	--	WIPER GP (NOT SERVICED) (REF GP ONLY)
1	501406D1	1	FILM-INST (NOT SHOWN)
2	CH135-9967	2	SWITCH AS.-WIPER INTMT 12V (SEE BREAKDOWN FOR COMPONENTS)
3	CH216-2628	2	KNOB AS.-CONTROL
4	CH8T-5400	4	CONNECTOR AS.-90 DEG
5	169-6323	1	BRACKET-WIPER MOUNT
6	CH141-1762	2	SPACER-25.4ODX21.2IDX20 STL
7	CH170-5696	1	MOTOR GP - COMPACT DRIVE
	400340X1		NUT
	CH3F-9556		LOCKWASHER
	CH102-8805		RECEPTACLE KIT
	CH8T-8737	1	PLUG
	CH186-3735	5	PIN-CONNECTOR
8	400287X1	2	WASHER-HARD 11IDX21ODX2.5 ZND1
9	400040X1	4	BOLT-M10X1.5X20 ZNDI HHD 10.9
10	501565D1	1	ARM AS. -WIPER(WET)
	501564D1	1	NOZZLE
	501566D1	1	HOSE
11	501688D1	1	BLADE AS. -WIPER
12	CH166-4596	1	MOTOR GP-COMPACT DRIVE 12V
	CH102-8805	1	RECEPTACLE KIT
	CH8T-8737	1	PLUG
	400561X1	5	PIN-CONNECTOR
13	501604D1	1	ARM AS. -WIPER
14	CH134-1935	1	BLADE-WIPER
15	CH146-9439	1	RELAY AS.
16	400282X1	8	CLIP
17	CH9N-2061	7	CLIP-LOOP 60.3 ID
18	400837X1	7	STRAP-CABLE (PLASTIC)
19	224-3912	1	BRACKET AS
20	400339X1	6	WASHER - HARD
21	400340X1	3	NUT-M8X1.25X13 HEX ZND1
22	400053X1	3	BOLT-M8X1.25X20 ZNDI HHD 10.9
23	CH208-9635	1	BOTTLE GP-WINDSHIELD
	209-4481	2	PUMP AS
	209-4482	1	CAP-VENTED
24	CH4P-7429	1	CLIP-LADDER 75DEGX45MM V COAT
25	400310X1	16	WASHER
26	400300X1	4	NUT M6X1
27	400221X1	12	BOLT-M6X1X20MM ZNDI HHD 10.9
28	224-3913	1	COVER
29	502182D1	1	HARNESS AS. - JUMPER
30	227-9819	2	BRACKET AS.
31	CH7K-1181	1	STRAP - CABLE 0.19-4.00
32	501251D1	1	FILM-NO STEP
33	501120D1	2	VALVE AS.
34	CH4P-7581	1	CLIP-LADDER 15DEGX12.5MM V COAT
35	CH4P-8134	1	CLIP-LADDER 75DEGX48MM V COAT
36	WR518622	AR	TUBING AIRLINE 0.25OD POLTHN (27.034FT)
37	WR514360	AR	HOSE WINDSHIELD WASHER 0.18ID (14.436FT)
37	WR514360	AR	HOSE WINDSHIELD WASHER 0.18ID (1.312FT)

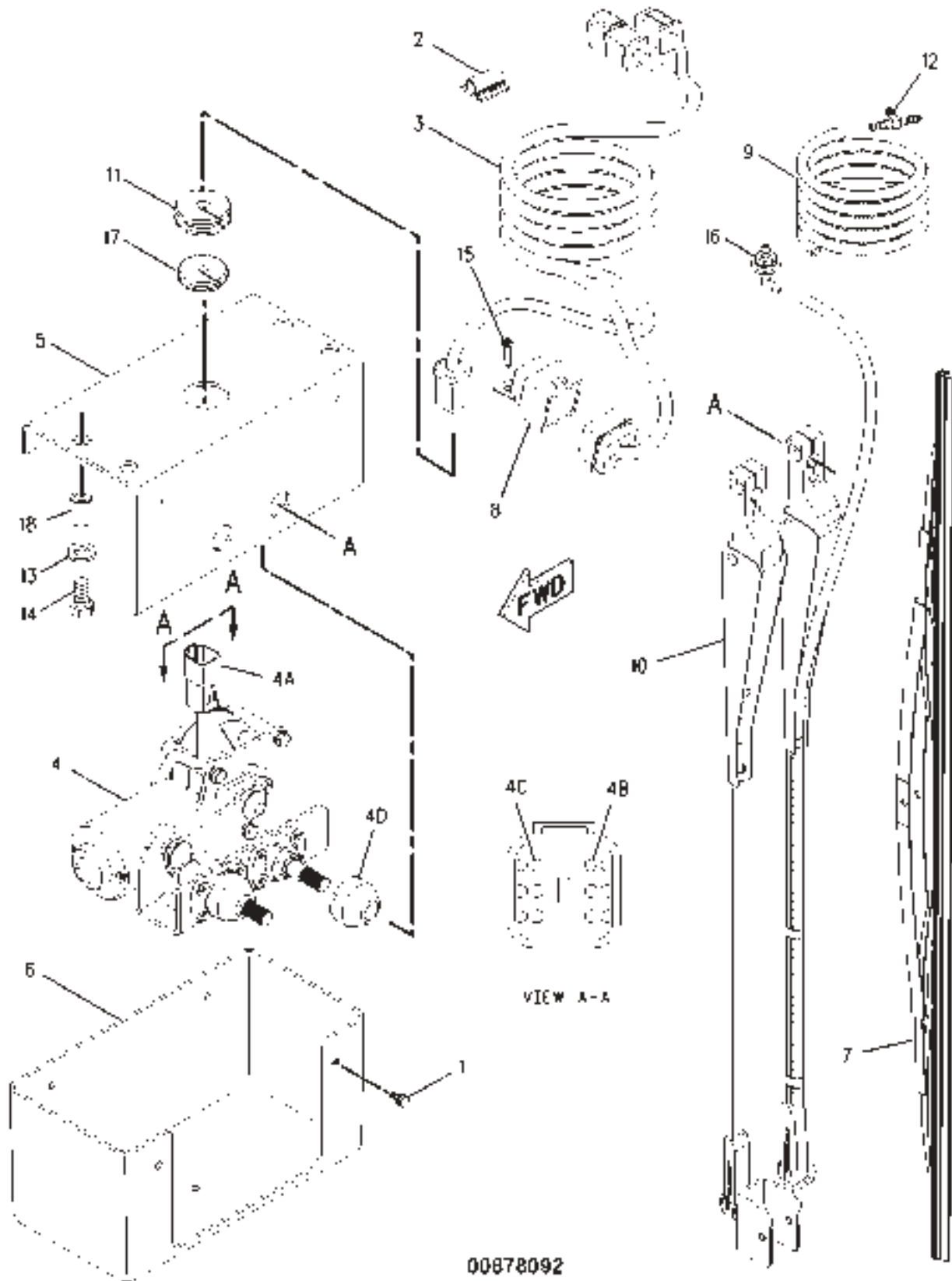
[A] PART OF 500845D1; 500847D1;
500848D1 CAB AR

1520425A
PR: t05f07j07b0534

1174

MT700 SERIES TRACK TRACTORS
OPERATOR STATION

WIPER GP-WINDOW - 162-4103
RH



00878092

**MT700 SERIES TRACK TRACTORS
OPERATOR STATION**

1175

**WIPER GP-WINDOW - 162-4103
RH**

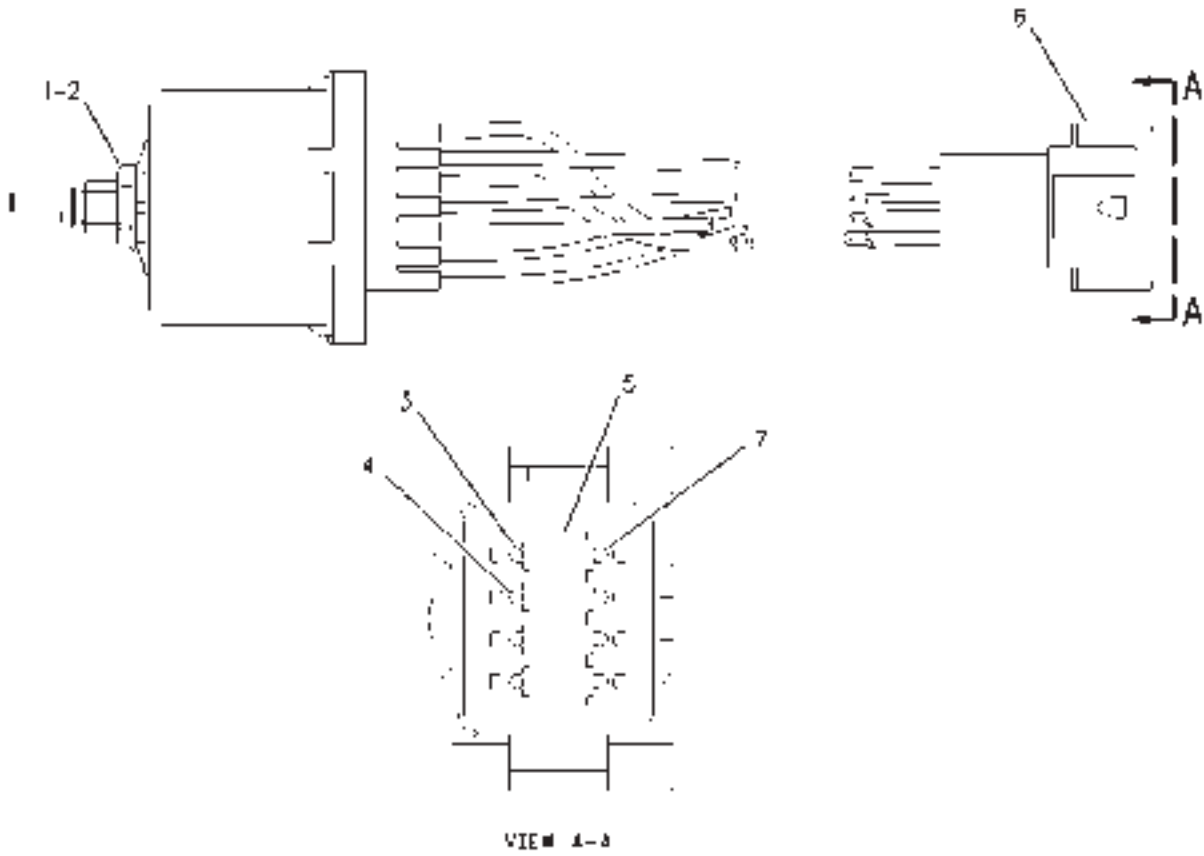
ITEM	NUMBER	QTY	DESCRIPTION
-	162-4103	--	WIPER GP-WINDOW
1	CH030-9613	4	SCREW-FORMING (10-24X0.37IN)
2	400282X1	2	CLIP
3	167-1258	1	HARNESS ASY. (SIDE WIPER)
4	CH211-4837	1	MOTOR GP-DRIVE (RH WINDOW WIPER)
4A	CH102-8805	1	KIT-RECEPTACLE (6 PIN) (INCL 4A-4D)
	CH3E-3383		WEDGE
4B	CH8T-8737	1	PLUG-SEAL
4C	400561X1	5	PIN-CONNECTOR
4D	CH206-5823	2	CAP
5	174-7872	1	BRACKET
6	175-0198	1	COVER
7	CH189-8610	1	BLADE ASY-WIPER (RH WINDOW)
8	400292X1	1	RELAY ASY. (12 VOLT) (RH WINDOW WIPER)
9	WR514360	AR	HOSE (78 CM)
10	501603D1	1	ARM ASY.
11	CH6H-4006	1	GROMMET
12	CH6K-9632	1	TEE
13	400287X1	4	WASHER-HARD (11X21X2.5MM THK)
14	400040X1	4	BOLT (M10X1.5X20MM)
15	CH8T-9501	1	SCREW (10-16X.75IN)
16	CH8T-5400	1	CONNECTOR
17	400114X1	1	GROMMET
18	CH179-4209	4	INSERT

00878092
PR: t05f07j07b0535

1176

MT700 SERIES TRACK TRACTORS
OPERATOR STATION

SWITCH GP-WIPER - CH135-9967
INTERMITTENT 12 VOLT



00673034

**MT700 SERIES TRACK TRACTORS
OPERATOR STATION**

1177

**SWITCH GP-WIPER - CH135-9967
INTERMITTENT 12 VOLT**

ITEM	NUMBER	QTY	DESCRIPTION
-	CH135-9967	--	SWITCH AS-WIPER [A]
1	CH6V-8369	1	NUT (7/16-28)
2	CH2H-3920	1	LOCKWASHER (11.38MM ID)
3	CH8T-8737	1	PLUG-SEAL
4	400562X1	3	PIN-CONNECTOR
5	CH3E-3389	1	WEDGE-RECEPTACLE LOCK
6	CH102-8806	1	KIT-RECEPTACLE (8 PIN) (INCLUDES RECEPTACLE ASM AND WEDGE) (SERVICED AS COMPLETE KIT ONLY)
7	400861X1	4	PIN-CONNECTOR

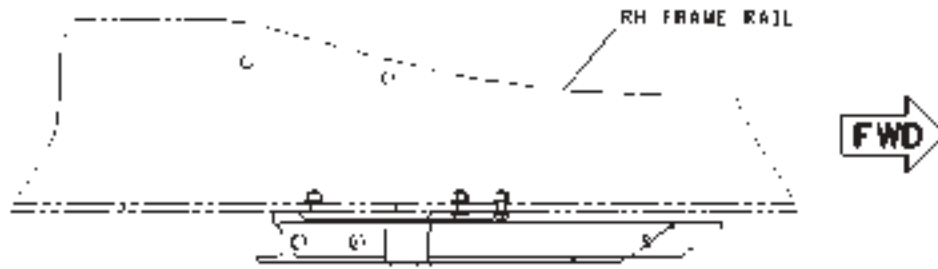
[A] PART OF 152-0425 WIPER GP-WINDOW

00673034
PR: t05f07j07b0536

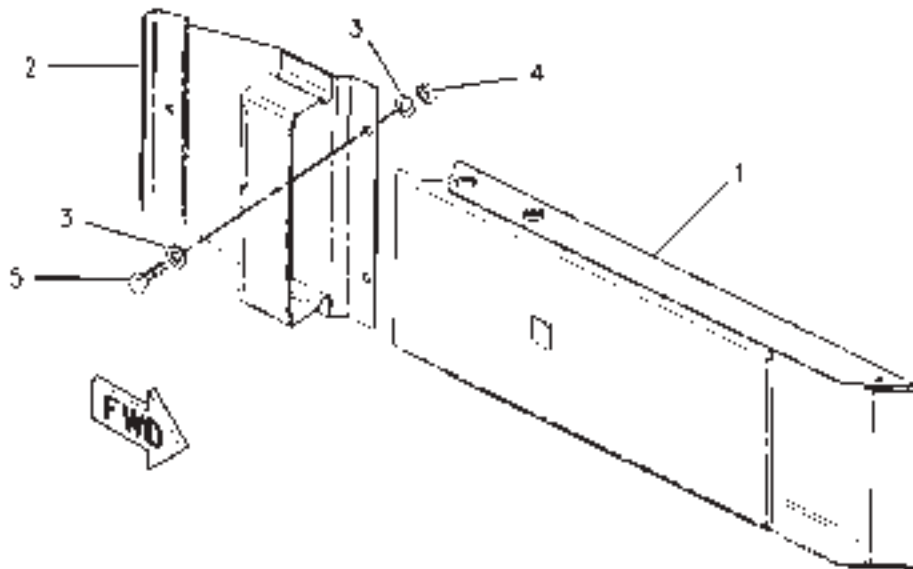
1178

MT700 SERIES TRACK TRACTORS
SERVICE EQUIPMENT AND SUPPLIES

CHOCK GP-WHEEL - 189-8931
EAME ONLY



TOP VIEW



MT700 SERIES TRACK TRACTORS
SERVICE EQUIPMENT AND SUPPLIES

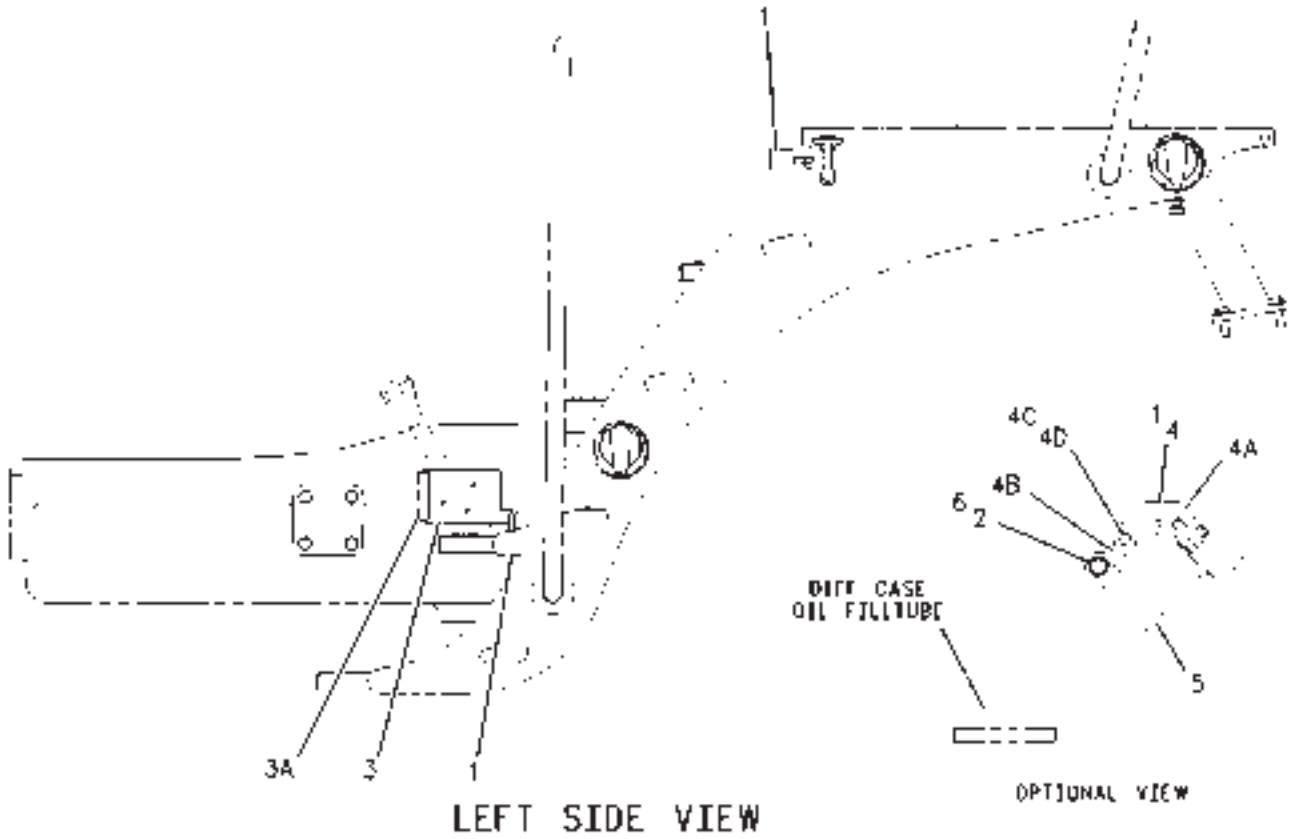
1179

CHOCK GP-WHEEL - 189-8931
EAME ONLY

ITEM	NUMBER	QTY	DESCRIPTION
-	189-8931	--	CHOCK GP-WHEEL
1	151-4059	1	CHOCK-WHEEL
2	CH151-6030	1	BRACKET AS
3	400599X1	6	WASHER-HARD (M8X20.5X2 THK)
4	400340X1	3	NUT (M8X1.25 THD)
5	400245X1	3	BOLT (M8X1.25X30MM)

00724244
PR: t05f07j07b0537

PROTECTION GP-VANDALISM - 180-3725



MT700 SERIES TRACK TRACTORS
SERVICE EQUIPMENT AND SUPPLIES

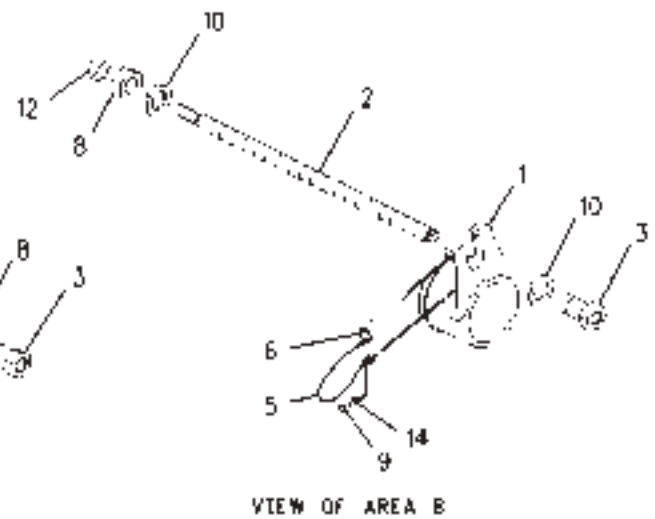
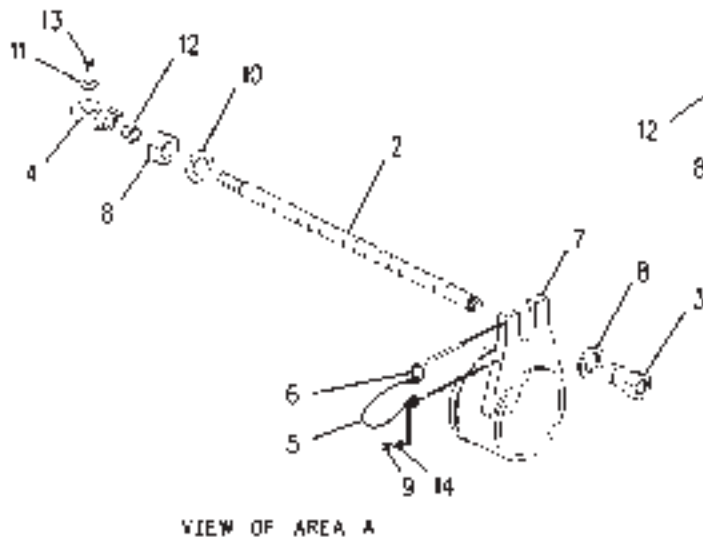
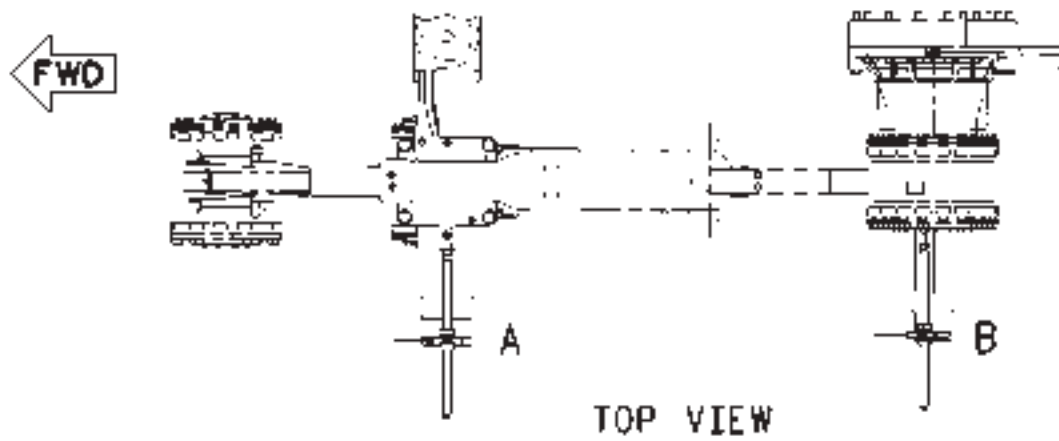
1181

PROTECTION GP-VANDALISM - 180-3725

ITEM	NUMBER	QTY	DESCRIPTION
-	180-3725	--	PROTECTION GP-VANDALISM (NOT SERVICED)
1	CH5P-8502	3	PADLOCK GP (W/KEY)
-	CH5P-8500	--	KEY
2	400135X1	1	BOLT-TAMPERPROOF (1/4-20X1IN)
3	188-1155	1	COVER ASY.
3A	CH8Y-8794	1	HINGE
4	191-8006	1	LOCK ASY.(INCL. 4A THRU 4D)
4A	CH2A-3211	1	WASHER (5.5X12.3X.8MM THK)
4B	CH2P-2717	1	HASP-OIL FILLER
4C	CH8D-9558	1	RIVET
4D	191-8007	1	LUG
5	CH191-8010	1	CLAMP
6	CH3E-9865	1	LOCKNUT (1/4-20 THD)

00877669
PR: t05f07j07b0538

TOOL GP-AXLE GAGE CHANGE - 203-9712



MT700 SERIES TRACK TRACTORS
SERVICE EQUIPMENT AND SUPPLIES

1183

TOOL GP-AXLE GAGE CHANGE - 203-9712

ITEM	NUMBER	QTY	DESCRIPTION
-	203-9712	--	TOOL GP-AXLE GAGE CHANGE (NOT SERVICED)
-	502763D1	--	TOOL GP-AXLE GAGE CHANGE (FIELD)
1	198-4474	1	BRACKET ASY.
2	198-4475	2	ROD
3	400354X1	2	NUT-SPECIAL
4	198-4477	1	ADAPTER ASY.
5	203-6604	2	LANYARD
6	203-7787	2	PIN
7	205-8790	1	BRACKET ASY.
8	400083X1	2	NUT-JAM (1 1/4-12-2B LH)
9	400152X1	2	BOLT (M6X1X16MM)
10	CH7X-0533	4	WASHER-HARD (34X55X6MM THK)
11	CH8C-9987	1	WASHER (8.3X28X2.5MM THK)
12	400286X1	2	NUT (M20X2.5 THD)
13	400227X1	1	BOLT (M8X1.25X16MM)
14	CH8T-4205	2	WASHER-HARD (7.2X14.5X2MM THK)

00816200
PR: t05f07j07b0539

1184

MT700 SERIES TRACK TRACTORS
SERVICE EQUIPMENT AND SUPPLIES

SOFTWARE GP - 501163D1

NO ILLUSTRATION

NOTIF

MT700 SERIES TRACK TRACTORS
SERVICE EQUIPMENT AND SUPPLIES

1185

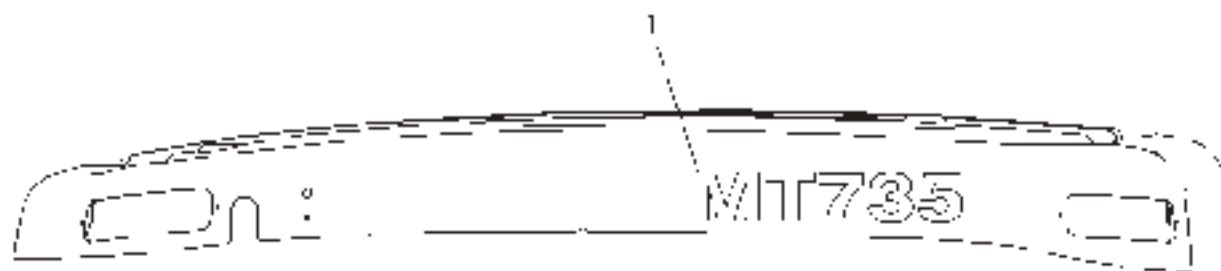
SOFTWARE GP - 501163D1

ITEM	NUMBER	QTY	DESCRIPTION
-	501163D1	--	SOFTWARE GP
1	501164D1	1	SOFTWARE
1	501165D1	1	MANUAL
1	501166D1	1	CD CASE
1	501167D1	1	COVER

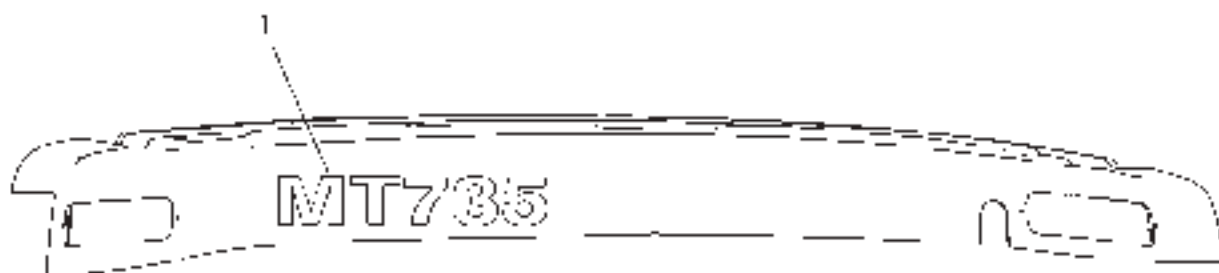
NOTIF
PR: t05f07j07b0540

MT700 SERIES TRACK TRACTORS
MARKINGS AND PAINT

FILM GP-MT735 - 500740D1



LEFT SIDE VIEW



RIGHT SIDE VIEW

500740DA

MT700 SERIESTRACKTRACTORS
MARKINGS AND PAINT

1187

FILM GP-MT735 - 500740D1

ITEM	NUMBER	QTY	DESCRIPTION
-	500740D1	--	FILM GP [A]
1	500720D1	2	FILM-MODEL MT735

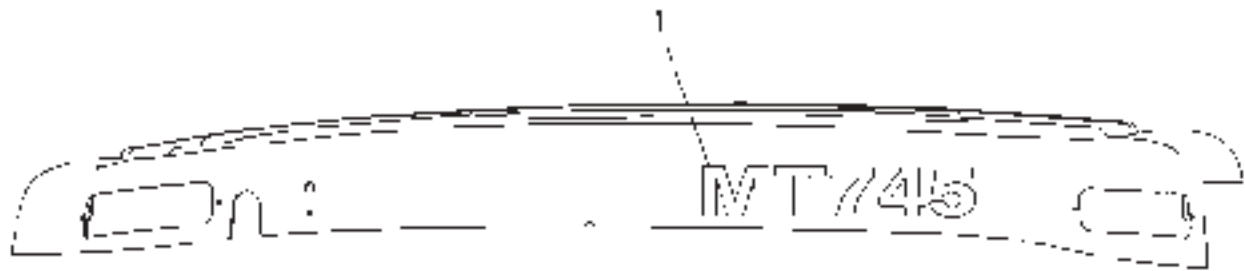
[A] PART OF 156-5578; 172-4493
BASE UNIT AR

500740DA
PR: t05f07j07b0541

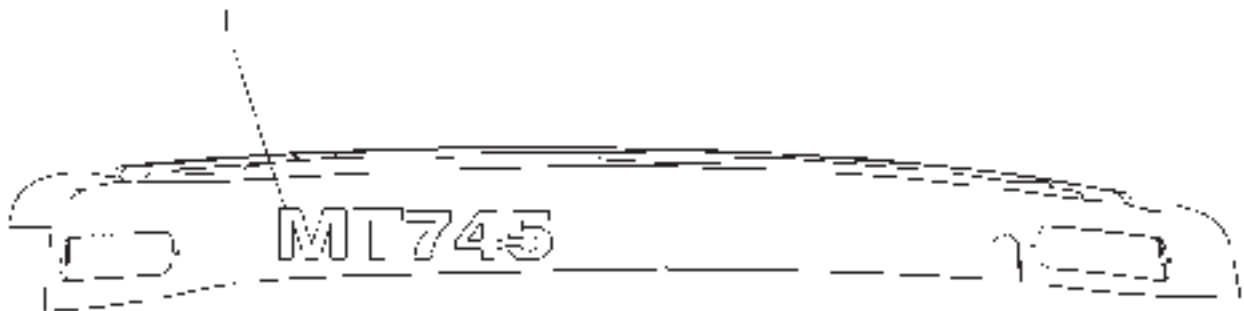
1188

MT700 SERIES TRACK TRACTORS
MARKINGS AND PAINT

FILM GP-MT745 - 500741D1



LEFT SIDE VIEW



RIGHT SIDE VIEW

500741DA

MT700 SERIESTRACKTRACTORS
MARKINGS AND PAINT

1189

FILM GP-MT745 - 500741D1

ITEM	NUMBER	QTY	DESCRIPTION
-	500741D1	--	FILM GP [A]
1	500721D1	2	FILM-MODEL MT745

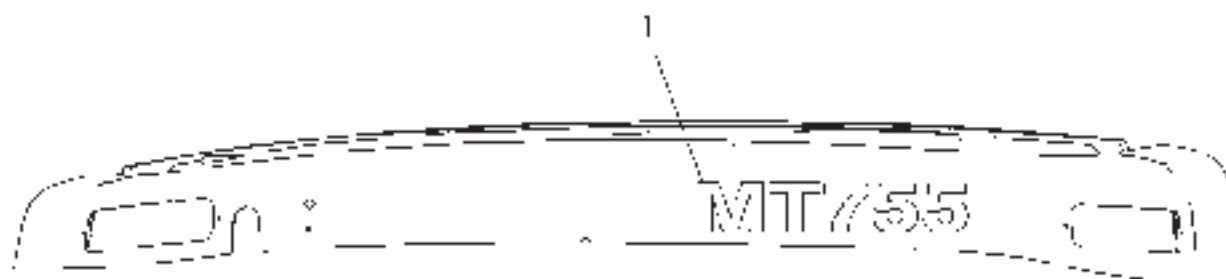
[A] PART OF 156-5579; 172-4494
BASE UNIT AR

500741DA
PR: t05f07j07b0542

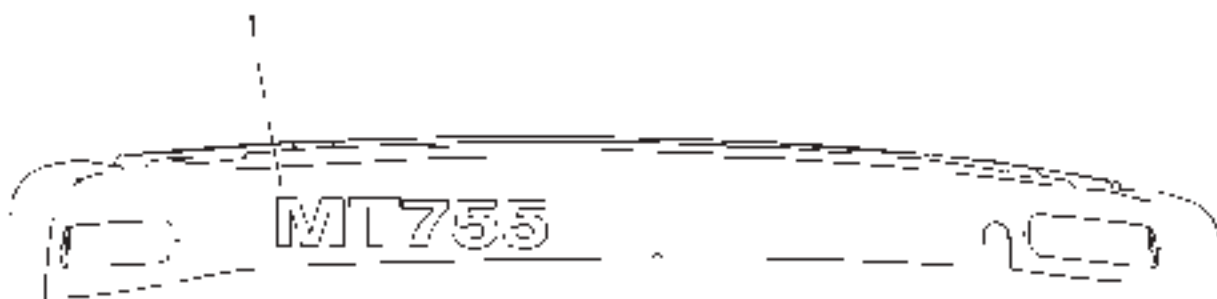
1190

MT700 SERIES TRACK TRACTORS
MARKINGS AND PAINT

FILM GP-MT755 - 500742D1



LEFT SIDE VIEW



RIGHT SIDE VIEW

500742DA

MT700 SERIESTRACKTRACTORS
MARKINGS AND PAINT

1191

FILM GP-MT755 - 500742D1

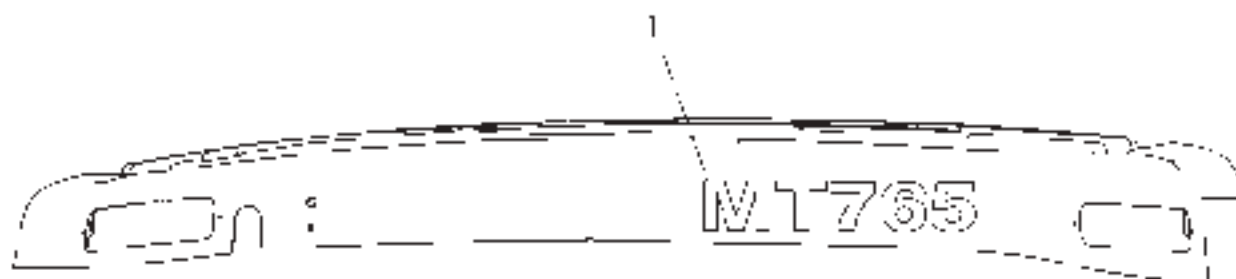
ITEM	NUMBER	QTY	DESCRIPTION
-	500742D1	--	FILM GP [A]
1	500722D1	2	FILM-MODEL MT755

[A] PART OF 156-5580; 172-4495
BASE UNIT AR

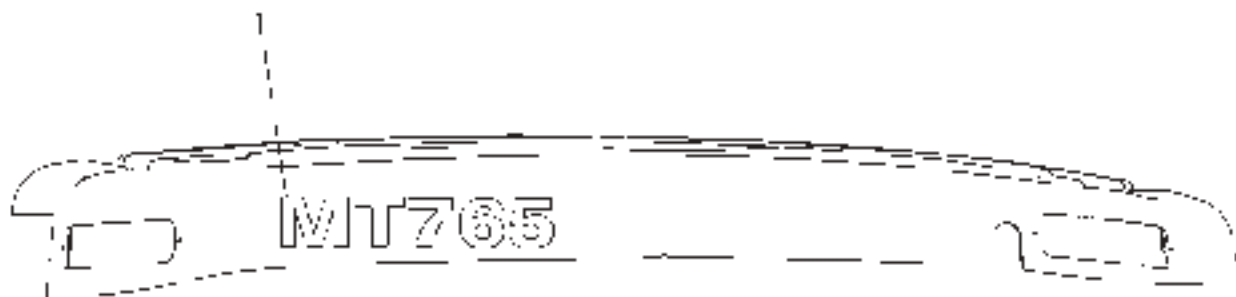
500742DA
PR: t05f07j07b0543

MT700 SERIES TRACK TRACTORS
MARKINGS AND PAINT

FILM GP-MT765 - 500743D1



LEFT SIDE VIEW



RIGHT SIDE VIEW

500743DA

MT700 SERIESTRACKTRACTORS
MARKINGS AND PAINT

1193

FILM GP-MT765 - 500743D1

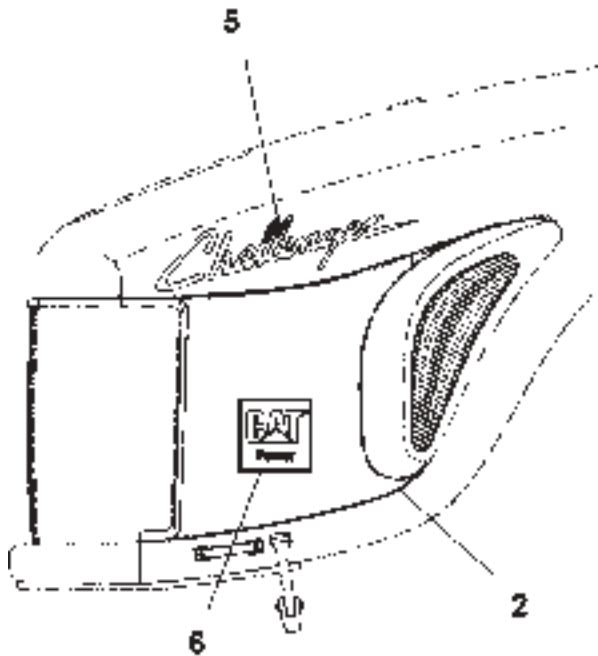
ITEM	NUMBER	QTY	DESCRIPTION
-	500743D1	--	FILM GP [A]
1	500723D1	2	FILM-MODEL MT765

[A] PART OF 169-5919; 172-4496
BASE UNIT AR

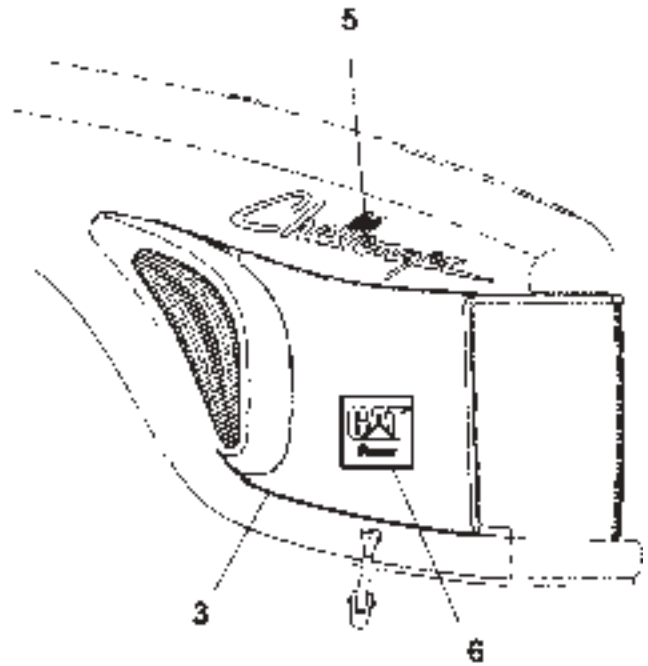
500743DA
PR: t05f07j07b0544

MT700 SERIES TRACK TRACTORS
MARKINGS AND PAINT

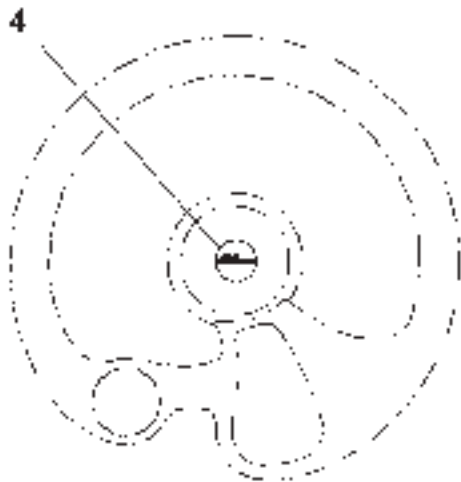
FILM GP-CHALLENGER - 500726D1



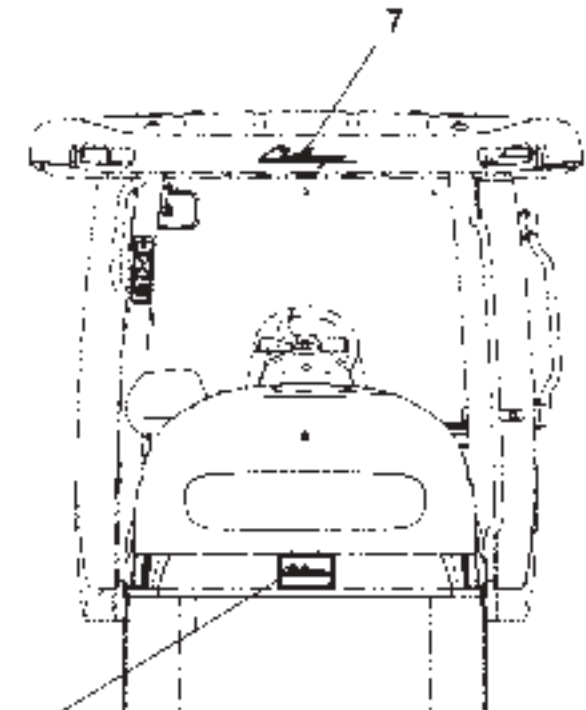
LEFT SIDE VIEW



RIGHT SIDE VIEW



STEERING WHEEL



FRONT VIEW

MT700 SERIESTRACKTRACTORS
MARKINGS AND PAINT

1195

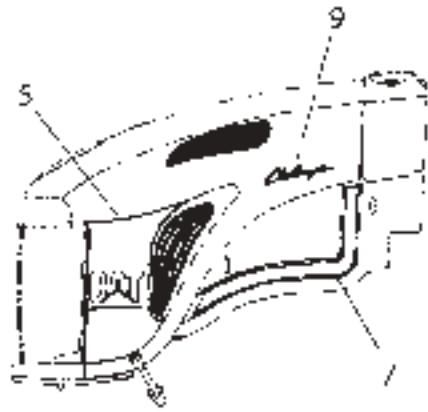
FILM GP-CHALLENGER - 500726D1

ITEM	NUMBER	QTY	DESCRIPTION
-	500726D1	--	FILM GP-CHALLENGER (NOT SERVICED)
1	500729D1	1	EMBLEM AS-CHALLENGER
2	500727D1	1	FILM-HOOD (LH)
3	500728D1	1	FILM-HOOD (RH)
4	500719D1	1	FILM-CHALLENGER
5	500724D1	2	FILM-CHALLENGER
6	500748D2	2	FILM-CAT POWER
7	500749D1	1	FILM-CHALLENGER

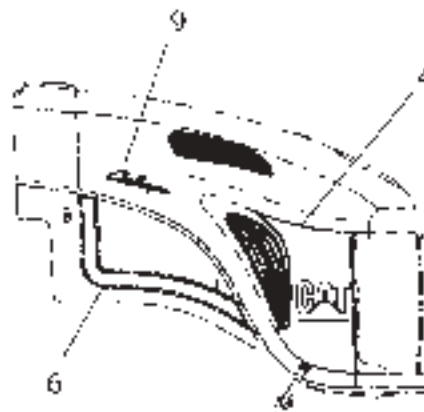
500736DB
PR: t05f07j07b0545

MT700 SERIES TRACK TRACTORS
MARKINGS AND PAINT

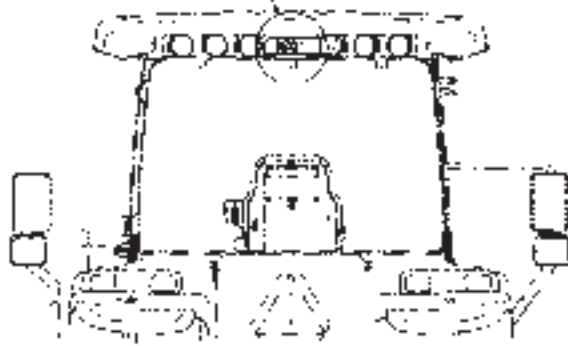
FILM GP-CAT - 500725D1



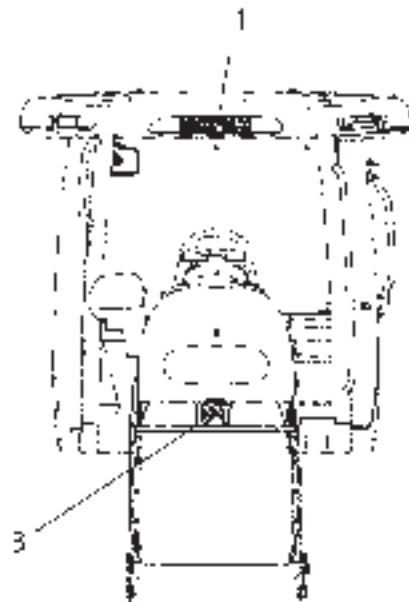
LEFT SIDE OF HOOD



RIGHT SIDE OF HOOD



REAR VIEW OF CAB



FRONT VIEW

MT700 SERIESTRACKTRACTORS
MARKINGS AND PAINT

1197

FILM GP-CAT - 500725D1

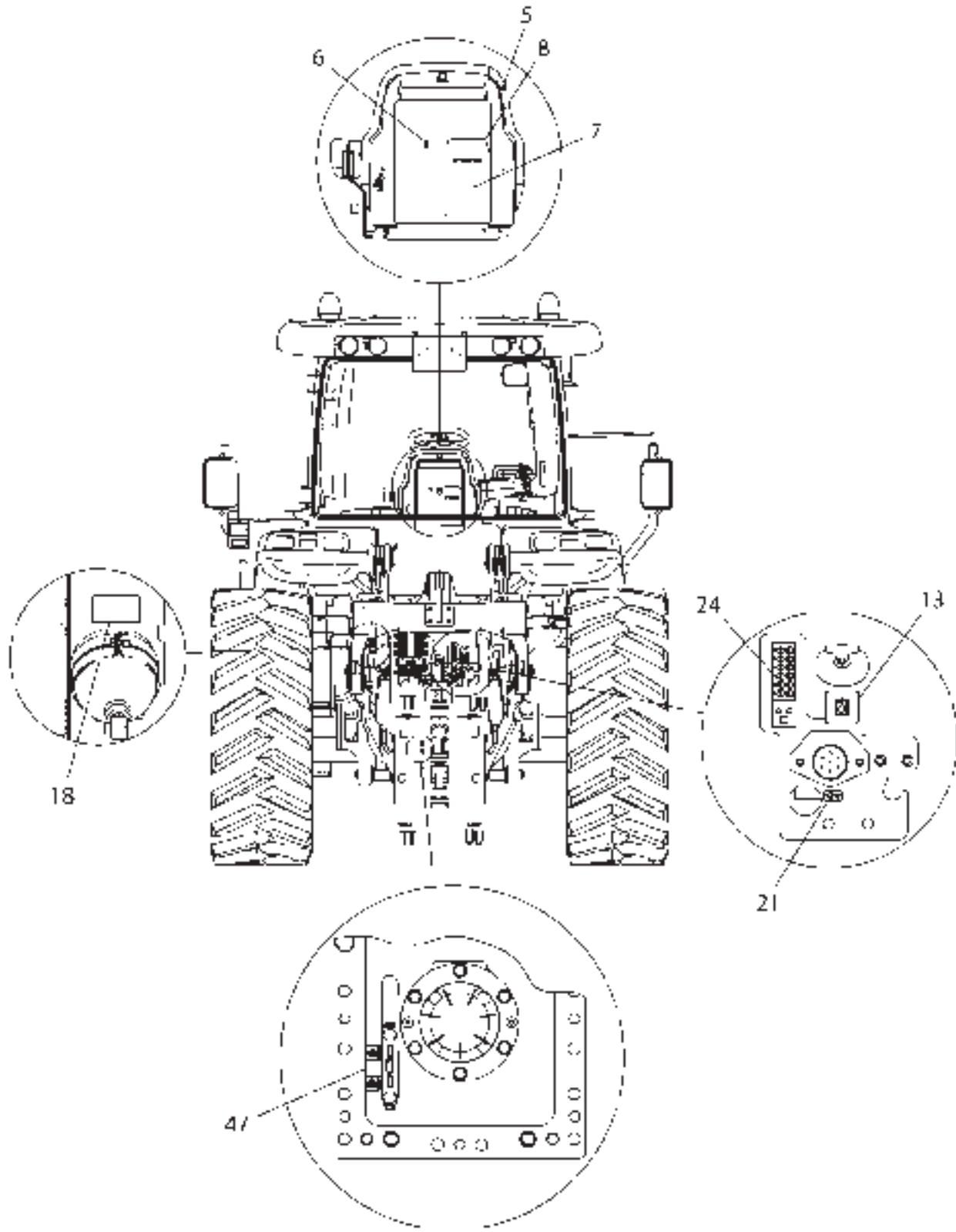
ITEM	NUMBER	QTY	DESCRIPTION
-	500725D1	--	FILM GP-CAT
1	501480D1	1	FILM-CATERPILLAR
2	501481D1	1	FILM-CAT
3	201-5096	1	EMBLEM AS. - CAT
4	501486D1	1	FILM-HOOD (RIGHT)
5	501487D1	1	FILM-HOOD (LEFT)
6	218-5153	1	FILM-STRIPE(LH)
7	218-5154	1	FILM-STRIPE(RH)
8	195-5221	1	FILM-CAT WHEEL LOGO
9	500749D1	2	FILM-CHALLENGER

500725DA
PR: t05f07j07b0546

MT700 SERIES TRACK TRACTORS
MARKINGS AND PAINT

FILM GP - PAINT - 173-4472

1 OF 6
ROW ONLY



REAR VIEW

MT700 SERIESTRACKTRACTORS
MARKINGS AND PAINT

1199

FILM GP - PAINT - 173-4472
1 OF 6
ROW ONLY

ITEM	NUMBER	QTY	DESCRIPTION
-	173-4472	--	FILM GP - PAINT [A] (NOT SERVICED)
3	500371D1	0	FILM - LIFT
4	500372D1	0	FILM - TIE-DOWN
10	502279D1	1	PLATE-INST (A/C)
11	CH168-8389	4	TACK-FASTENER (METAL)
12	501103D1	0	FILM - INST (FUEL FILTER) **
15	501106D1	0	FILM - IDENT (HYD OIL FILTER) **
17	501108D1	0	FILM - INSTRUCTION **
18	501250D1	0	FILM - WARNING **
23	501266D1	0	FILM-NOTICE **
29	501275D1	0	FILM - WARNING (FAN) **
33	501280D1	0	FILM-WATER SEPARATOR **
35	501284D1	0	FILM-WARNING **
39	501288D1	0	FILM-CLEAR COVER **
41	501304D1	0	FILM-WARNING **
42	501305D1	0	FILM-PATENT **
43	501306D1	0	FILM-AIR CLEANER ***
-	501500D1	1	DECAL SHEET-CAB (INCLUDES * ITEMS)
-	501502D1	1	DECAL SHEET-VEHICLE (INCLUDES ** ITEMS)
-	501504D1	1	DECAL SHEET-VEHICLE (INCLUDES *** ITEMS)

[A] PART OF 177-1588 BASE COMMON AR

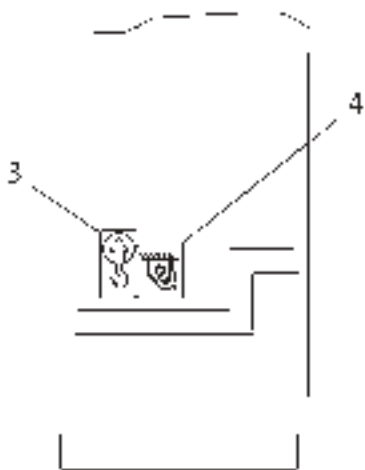
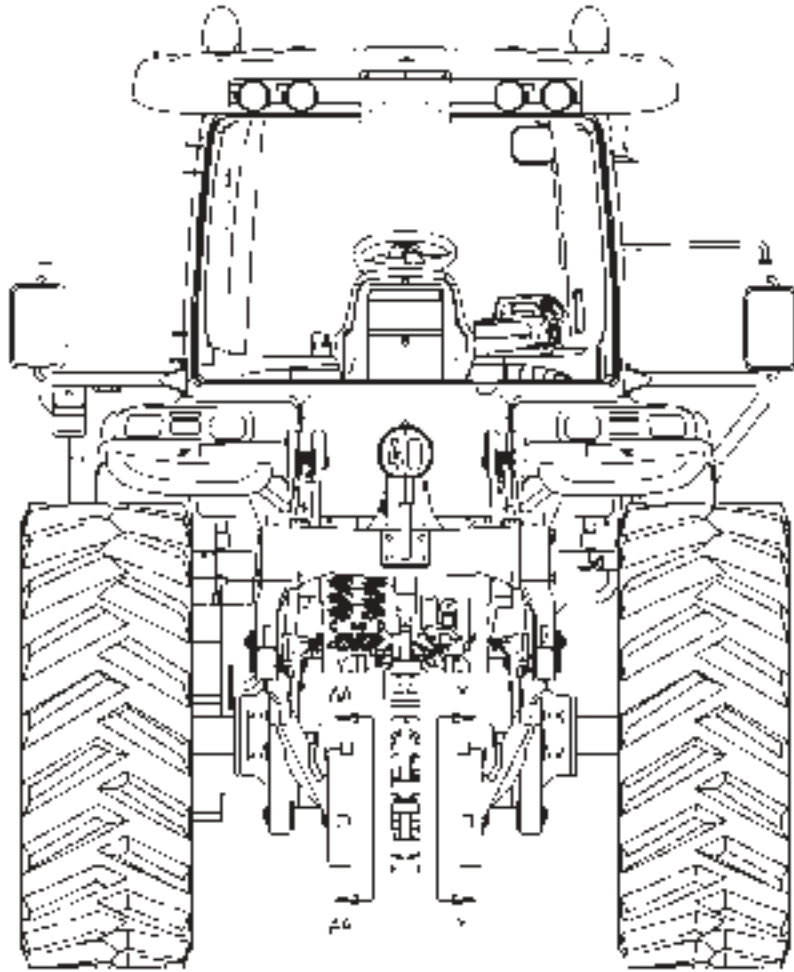
1734472A
PR: t05f07j07b0547

1200

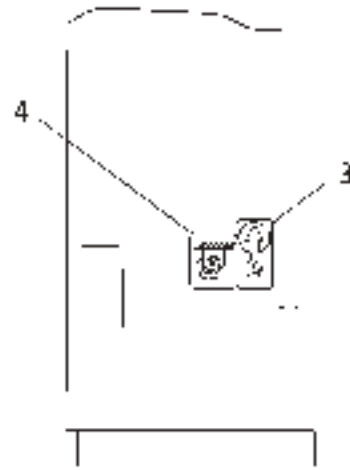
MT700 SERIES TRACK TRACTORS
MARKINGS AND PAINT

FILM GP - PAINT - 173-4472

2 OF 6
ROW ONLY



VIEW 66-66



VIEW 66-66

REAR VIEW

1734472B

**MT700 SERIESTRACKTRACTORS
MARKINGS AND PAINT**

1201

**FILM GP - PAINT - 173-4472
2 OF 6
ROW ONLY**

ITEM	NUMBER	QTY	DESCRIPTION
-	173-4472	--	FILM GP - PAINT [A] (NOT SERVICED)
3	500371D1	0	FILM - LIFT
4	500372D1	0	FILM - TIE-DOWN
5	CH5P-7958	1	SLEEVE-CABLE SPLICE 2.38 OD
7	CH6V-2405	1	ENVELOPE - KEY
8	CH7F-3400	1	BAG-POLYETHYLENE 305 X 380
13	501104D1	0	FILM - HYDRAULIC OIL **
18	501250D1	0	FILM - WARNING **
21	501253D1	0	FILM-IDENT (12V) * ***
24	501267D1	0	FILM - HYD COUPLERS (INST) ***
47	501307D1	0	FILM - XMSN OIL FILL **
-	501500D1	1	DECAL SHEET-CAB (INCLUDES * ITEMS)
-	501502D1	1	DECAL SHEET-VEHICLE (INCLUDES ** ITEMS)
-	501504D1	1	DECAL SHEET-VEHICLE (INCLUDES *** ITEMS)

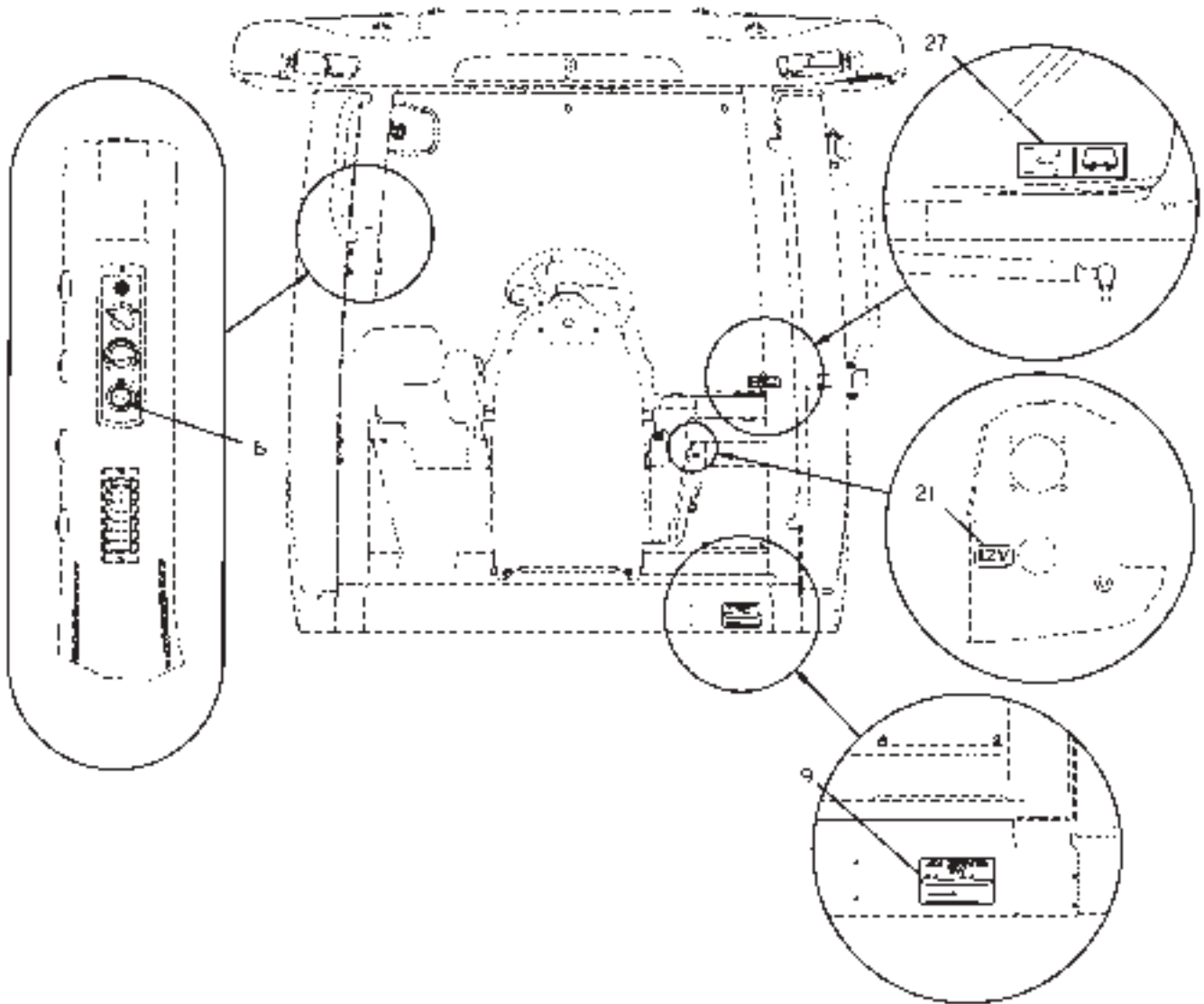
[A] PART OF 177-1588 BASE COMMON AR

1734472B
PR: t05f07j07b0548

MT700 SERIES TRACK TRACTORS
MARKINGS AND PAINT

FILM GP - PAINT - 173-4472

3 OF 6
ROW ONLY



FRONT VIEW OF CAB

MT700 SERIESTRACKTRACTORS
MARKINGS AND PAINT

1203

FILM GP - PAINT - 173-4472
3 OF 6
ROW ONLY

ITEM	NUMBER	QTY	DESCRIPTION
-	173-4472	--	FILM GP - PAINT [A] (NOT SERVICED)
6	CH5P-8500	2	KEY
9	CH8C-3348	2	RIVET-BLIND 1.6-3.18GRIPX3.18
21	501253D1	0	FILM-IDENT (12V) * ***
27	501272D1	0	FILM-ATERNATE EXIT *
-	501500D1	1	DECAL SHEET-CAB (INCLUDES * ITEMS)
-	501502D1	1	DECAL SHEET-VEHICLE (INCLUDES ** ITEMS)
-	501504D1	1	DECAL SHEET-VEHICLE (INCLUDES *** ITEMS)

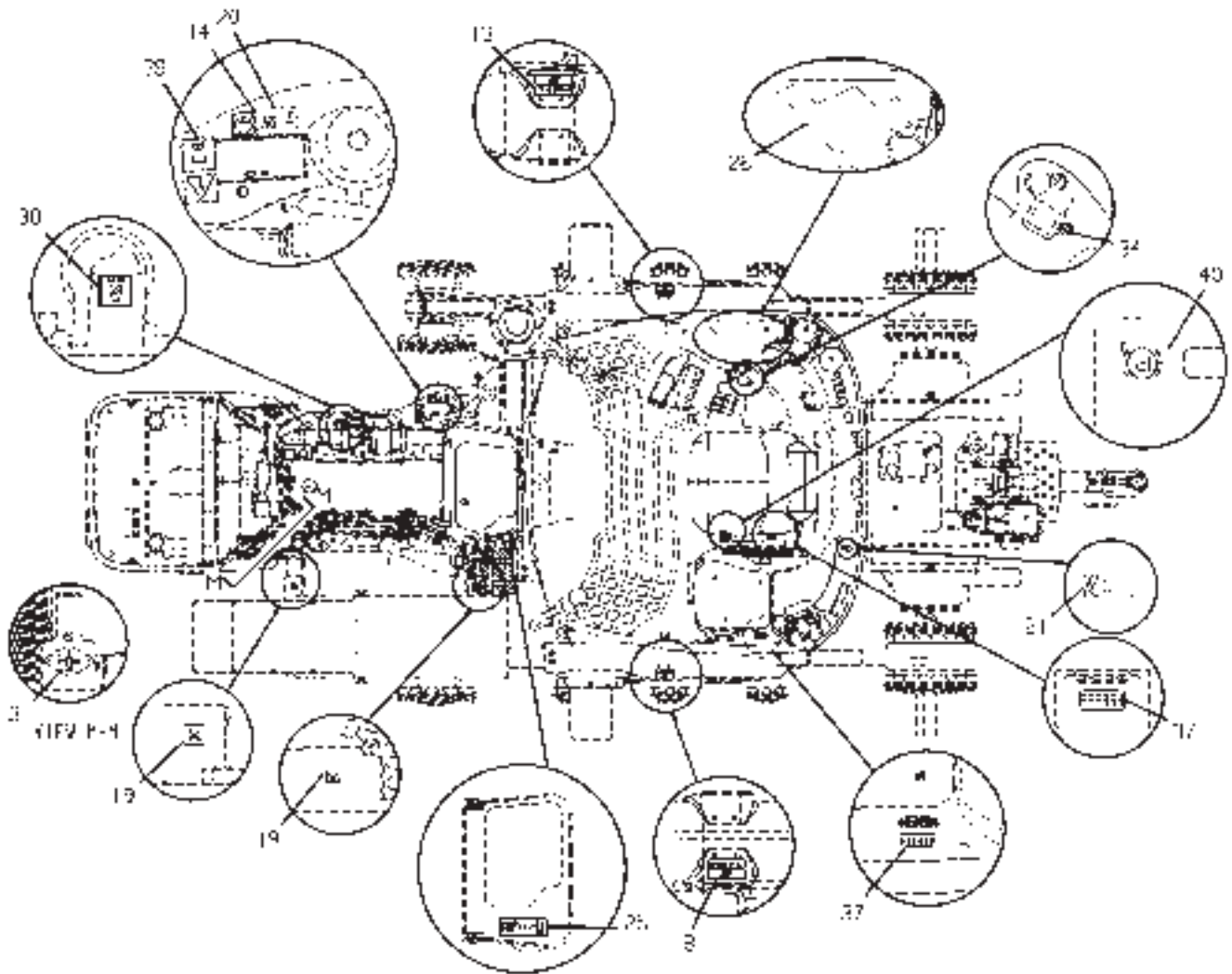
[A] PART OF 177-1588 BASE COMMON AR

1734472C
PR: t05f07j07b0549

MT700 SERIES TRACK TRACTORS
MARKINGS AND PAINT

FILM GP - PAINT - 173-4472

4 OF 6
ROW ONLY



**MT700 SERIESTRACKTRACTORS
MARKINGS AND PAINT**

1205

**FILM GP - PAINT - 173-4472
4 OF 6
ROW ONLY**

ITEM	NUMBER	QTY	DESCRIPTION
-	173-4472	--	FILM GP - PAINT [A] (NOT SERVICED)
14	501105D1	0	FILM - GROUND GEN **
18	501250D1	0	FILM - WARNING **
19	501251D1	0	FILM - NO STEP **
20	501252D1	0	FILM-IDENT (12V) **
21	501253D1	0	FILM-IDENT (12V) * ***
25	501268D1	0	FILM-WARNING **
26	501270D1	1	FILM-FUSE PANEL
30	501276D1	0	FILM - ENGINE OIL FILTER(INST) **
31	501277D1	0	FILM-BATTERY (INST) ***
34	501281D1	0	FILM-MIRRORS *
37	501286D1	0	FILM-INSTALLATION DATE *
38	501287D1	0	FILM-WARNING ***
40	501289D1	0	FILM-PARK BRAKE *
-	501500D1	1	DECAL SHEET-CAB (INCLUDES * ITEMS)
-	501502D1	1	DECAL SHEET-VEHICLE (INCLUDES ** ITEMS)
-	501504D1	1	DECAL SHEET-VEHICLE (INCLUDES *** ITEMS)

[A] PART OF 177-1588 BASE COMMON AR

1734472D
PR: t05f07j07b0550

MT700 SERIESTRACKTRACTORS
MARKINGS AND PAINT

1207

FILM GP - PAINT - 173-4472
5 OF 6
ROW ONLY

ITEM	NUMBER	QTY	DESCRIPTION
-	173-4472	--	FILM GP - PAINT [A] (NOT SERVICED)
3	500371D1	0	FILM - LIFT
4	500372D1	0	FILM - TIE-DOWN
16	501107D1	0	FILM-WARNING (HOT SURFACE) **
22	501258D1	0	FILM-NOTICE **
28	501274D1	0	FILM-NOTICE *
29	501275D1	0	FILM - WARNING (FAN) **
32	501279D1	0	FILM-BELT (ROUTING) **
36	501285D1	0	FILM-FULL COLD **
39	501288D1	0	FILM-CLEAR COVER **
-	501500D1	1	DECAL SHEET-CAB (INCLUDES * ITEMS)
-	501502D1	1	DECAL SHEET-VEHICLE (INCLUDES ** ITEMS)
-	501504D1	1	DECAL SHEET-VEHICLE (INCLUDES *** ITEMS)

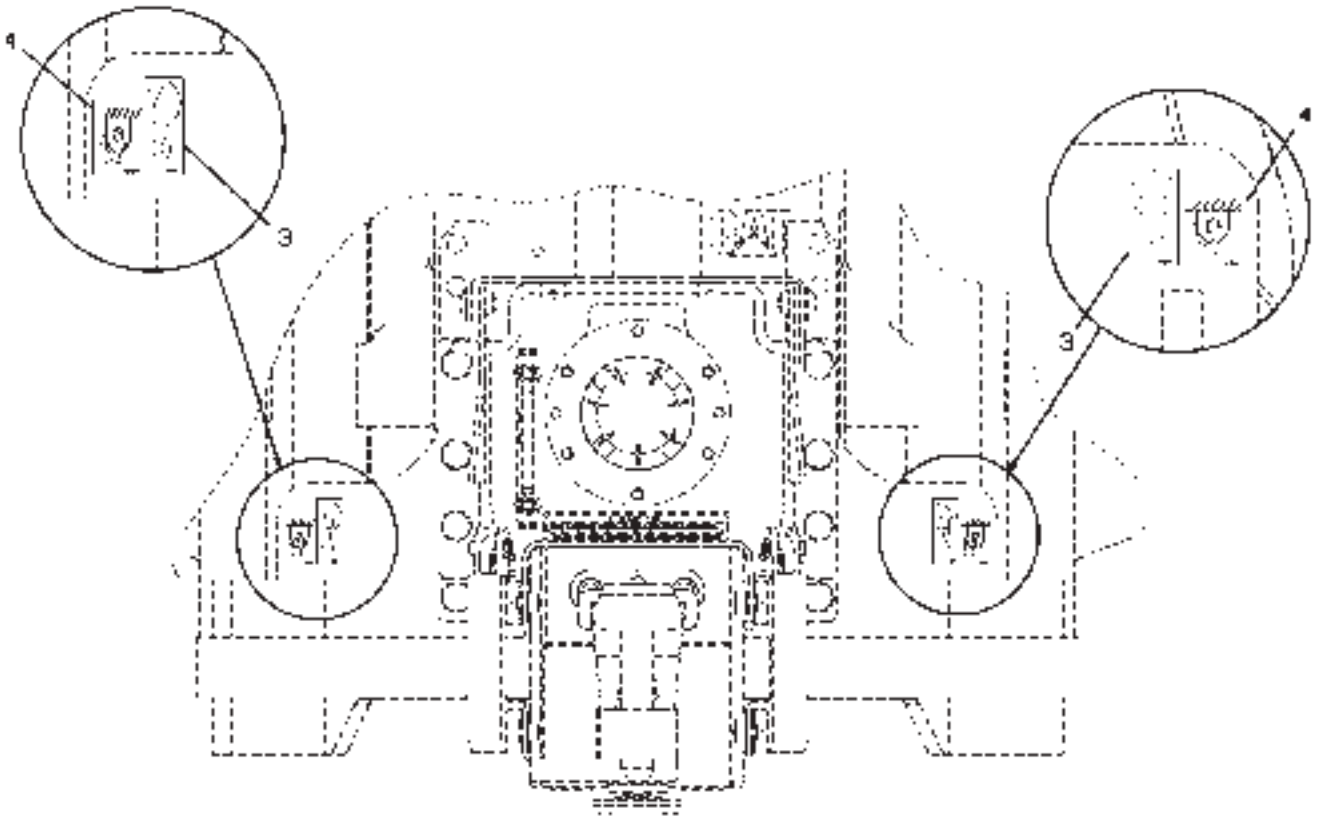
[A] PART OF 177-1588 BASE COMMON AR

1734472E
PR: t05f07j07b0551

MT700 SERIES TRACK TRACTORS
MARKINGS AND PAINT

FILM GP - PAINT - 173-4472

6 OF 6
ROW ONLY



ALTERNATE PLACEMENT

**MT700 SERIESTRACKTRACTORS
MARKINGS AND PAINT**

1209

**FILM GP - PAINT - 173-4472
6 OF 6
ROW ONLY**

ITEM	NUMBER	QTY	DESCRIPTION
-	173-4472	--	FILM GP - PAINT [A] (NOT SERVICED)
3	500371D1	0	FILM - LIFT
4	500372D1	0	FILM - TIE-DOWN
-	501500D1	1	DECAL SHEET-CAB (INCLUDES * ITEMS)
-	501502D1	1	DECAL SHEET-VEHICLE (INCLUDES ** ITEMS)
-	501504D1	1	DECAL SHEET-VEHICLE (INCLUDES *** ITEMS)

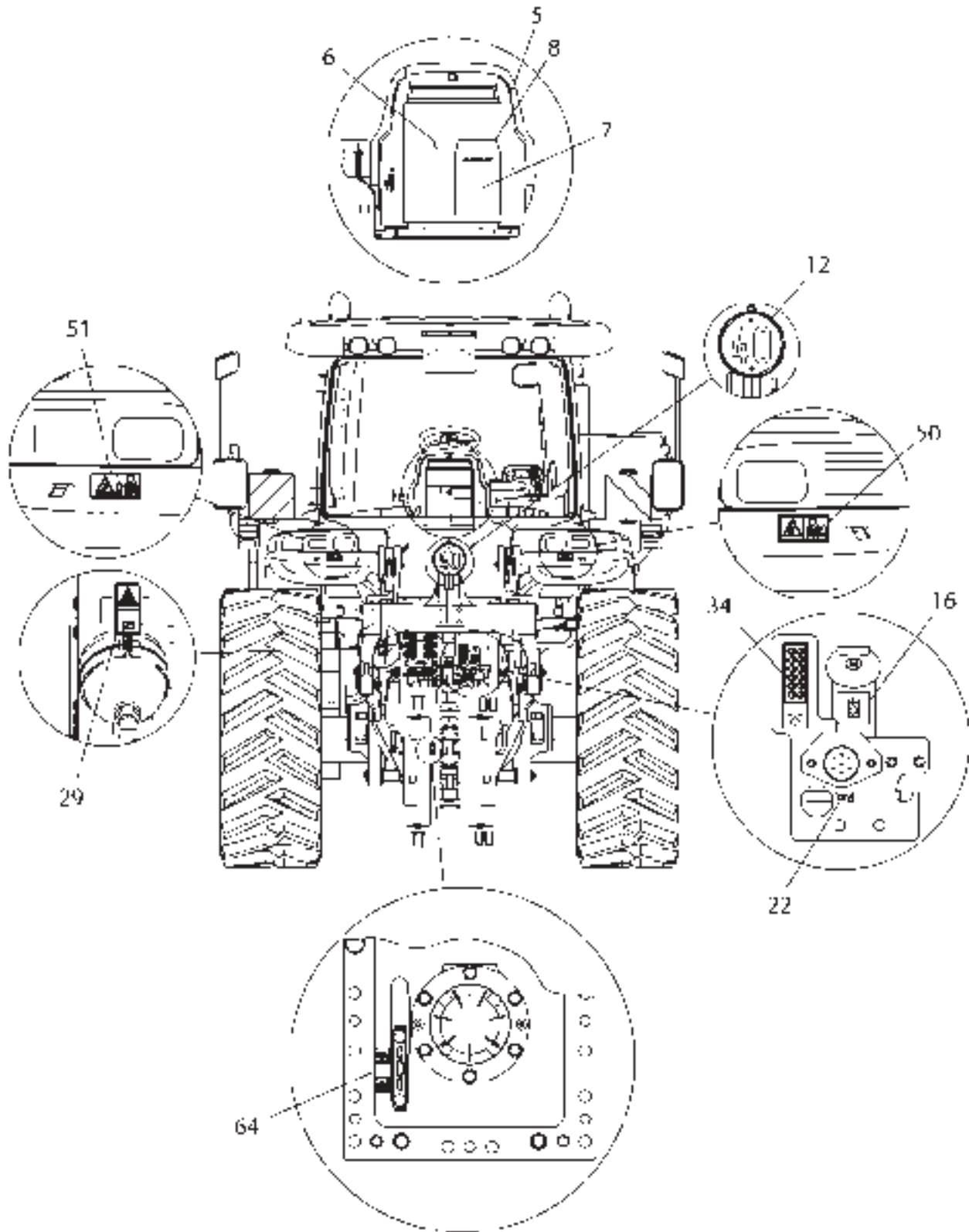
[A] PART OF 177-1588 BASE COMMON AR

1734472F
PR: t05f07j07b0552

MT700 SERIES TRACK TRACTORS MARKINGS AND PAINT

FILM & PLATE GP - 174-4480

1 OF 7
EAME ONLY



REARVIEW

**MT700 SERIESTRACKTRACTORS
MARKINGS AND PAINT**

1211

**FILM & PLATE GP - 174-4480
1 OF 7
EAME ONLY**

ITEM	NUMBER	QTY	DESCRIPTION
-	174-4480	--	FILM & PLATE GP [A] (NOT SERVICED)
5	CH5P-7958	1	SLEEVE-CABLE SPLICE 2.38 OD
6	CH5P-8500	2	KEY
7	CH6V-2405	1	ENVELOPE-KEY
8	CH7F-3400	1	BAG-POLYETHYLENE 305 X 380
12	207-8227	1	WARNING GP-SPEED
16	501104D1	0	FILM-HYDRAULIC OIL **
22	501253D1	0	FILM-IDENT (12V) * ***
29	501262D1	0	FILM-NOTICE ***
34	501267D1	0	FILM-HYD COUPLERS (INST) ***
50	501295D1	0	FILM-HITCH (RIGHT) ***
51	501296D1	0	FILM-HITCH (LEFT) ***
64	501307D1	0	FILM-XMSN OIL FILL **
-	501501D1	1	DECAL SHEET-CAB (INCLUDES * ITEMS)
-	501502D1	1	DECAL SHEET-VEHICLE (INCLUDES ** ITEMS)
-	501505D1	1	DECAL SHEET-VEHICLE (INCLUDES *** ITEMS)

[A] PART OF 502669D1 BASE COMMON AR

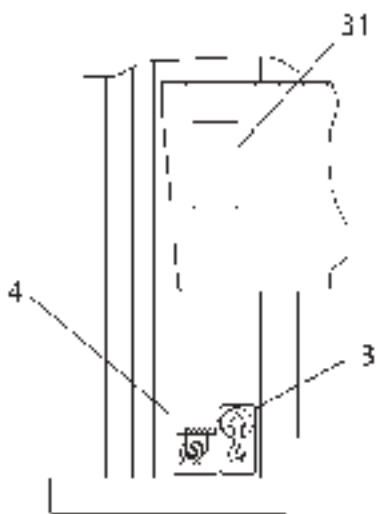
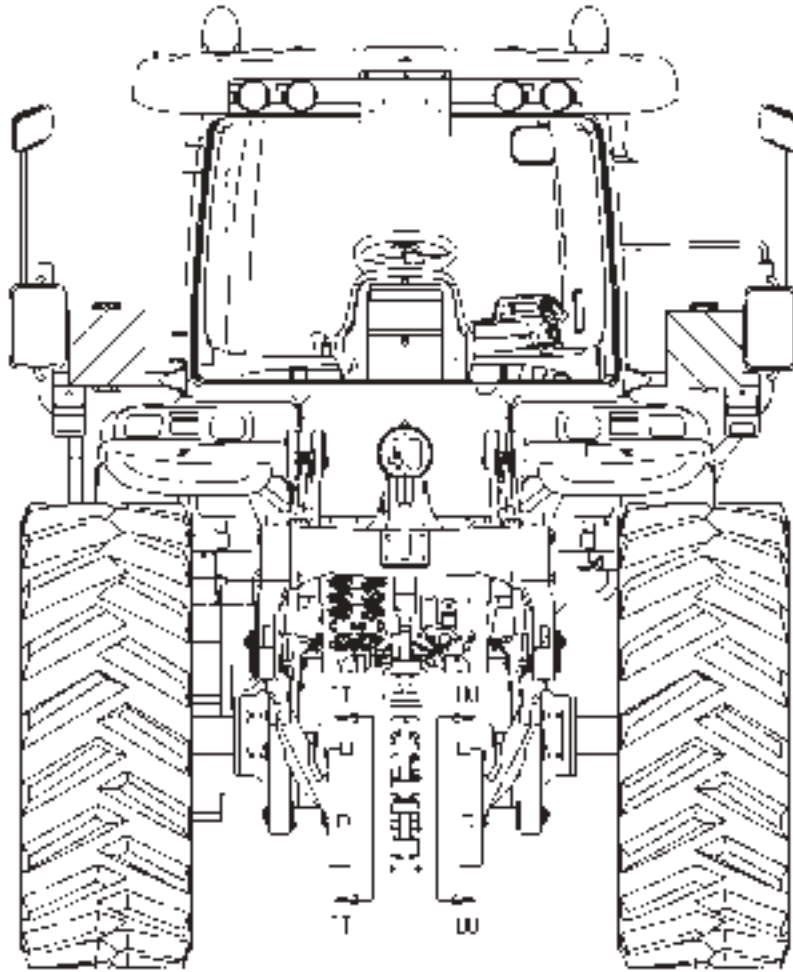
1744480A
PR: t05f07j07b0553

1212

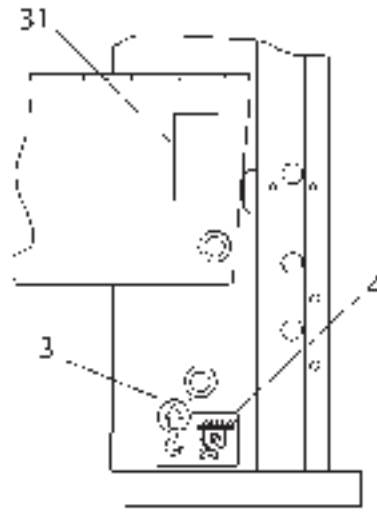
MT700 SERIES TRACK TRACTORS
MARKINGS AND PAINT

FILM & PLATE GP - 174-4480

2 OF 7
EAME ONLY



VIEW TT-TT



VIEW UU-UU

REAR VIEW

1744480B

**MT700 SERIESTRACKTRACTORS
MARKINGS AND PAINT**

1213

**FILM & PLATE GP - 174-4480
2 OF 7
EAME ONLY**

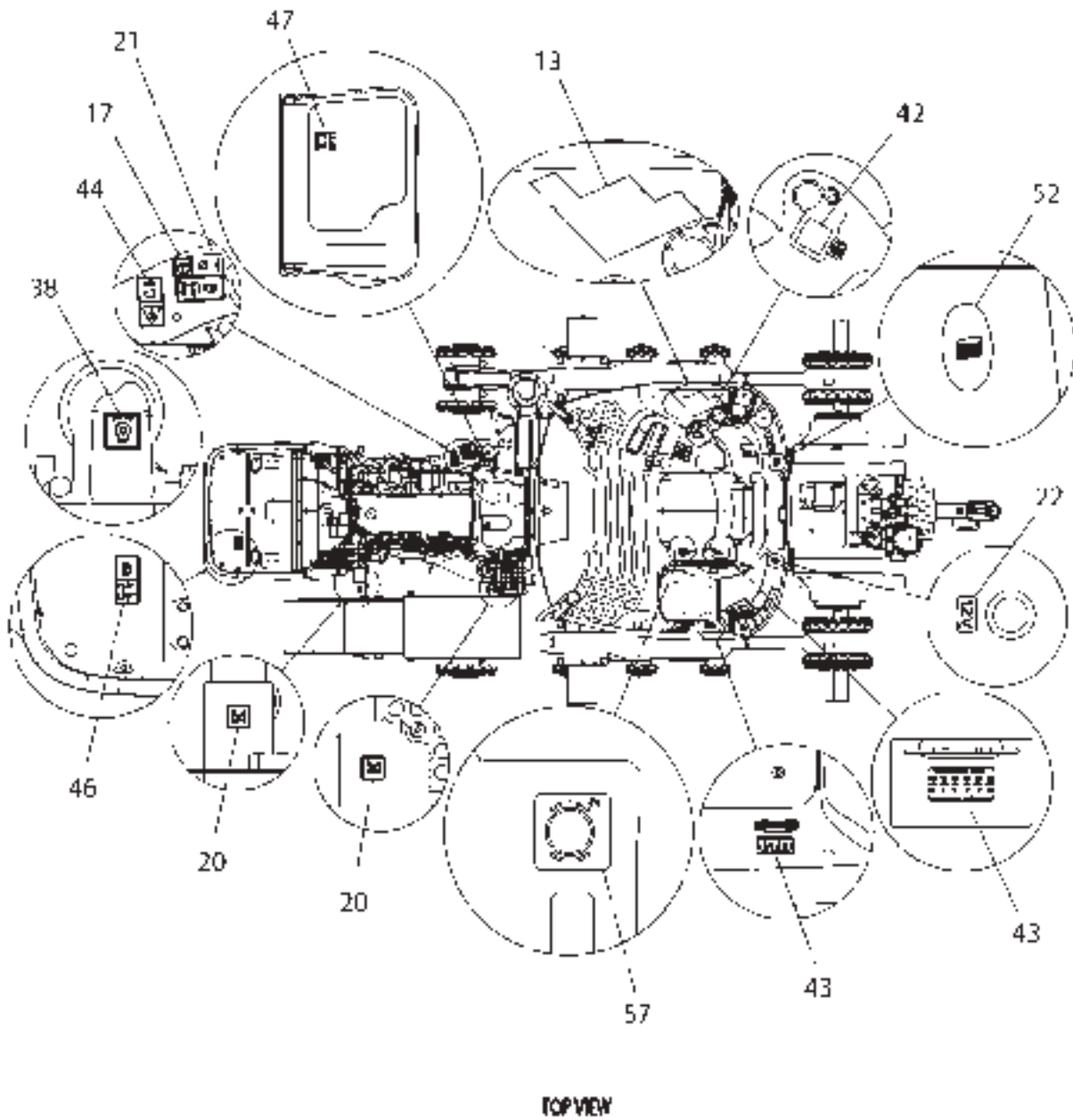
ITEM	NUMBER	QTY	DESCRIPTION
-	174-4480	--	FILM & PLATE GP [A] (NOT SERVICED)
3	500371D1	0	FILM-LIFT
4	500372D1	0	FILM-TIE-DOWN
31	501264D1	0	FILM-NOTICE ***
-	501501D1	1	DECAL SHEET-CAB (INCLUDES * ITEMS)
-	501502D1	1	DECAL SHEET-VEHICLE (INCLUDES ** ITEMS)
-	501505D1	1	DECAL SHEET-VEHICLE (INCLUDES *** ITEMS)

[A] PART OF 502669D1 BASE COMMON AR

1744480B
PR: t05f07j07b0554

MT700 SERIES TRACK TRACTORS
MARKINGS AND PAINT

FILM & PLATE GP - 174-4480
3 OF 7
EAME ONLY



**MT700 SERIESTRACKTRACTORS
MARKINGS AND PAINT**

1215

**FILM & PLATE GP - 174-4480
3 OF 7
EAME ONLY**

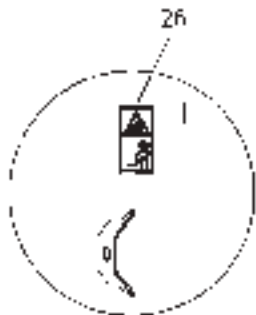
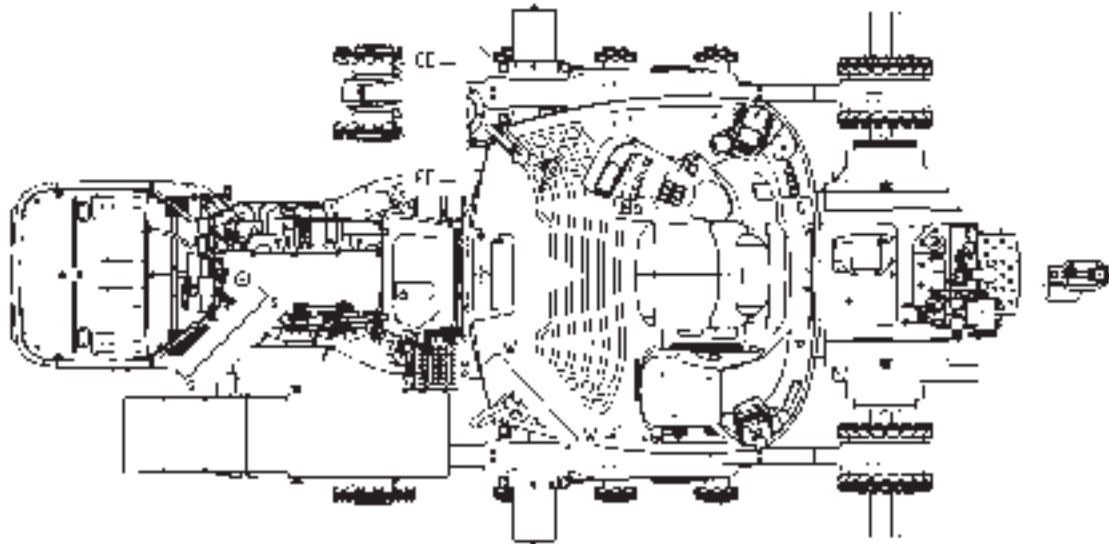
ITEM	NUMBER	QTY	DESCRIPTION
-	174-4480	--	FILM & PLATE GP [A] (NOT SERVICED)
13	501271D1	1	FILM-FUSE PANEL
17	501105D1	0	FILM-GROUND GEN **
20	501251D1	0	FILM-NO STEP **
21	501252D1	0	FILM-IDENT (12V) **
22	501253D1	0	FILM-IDENT (12V) * ***
38	501276D1	0	FILM-ENGINE OIL FILTER(INST) **
42	501281D1	0	FILM-MIRRORS *
43	501286D1	0	FILM-INSTALLATION DATE *
44	501287D1	0	FILM-WARNING ***
46	501291D1	0	FILM-BATTERY ***
47	501292D1	0	FILM-WARNING (OVERFLOW) ***
52	501297D1	0	FILM-WIRE ACCESS *
57	501302D1	0	FILM-BRAKE *
-	501501D1	1	DECAL SHEET-CAB (INCLUDES * ITEMS)
-	501502D1	1	DECAL SHEET-VEHICLE (INCLUDES ** ITEMS)
-	501505D1	1	DECAL SHEET-VEHICLE (INCLUDES *** ITEMS)

[A] PART OF 502669D1 BASE COMMON AR

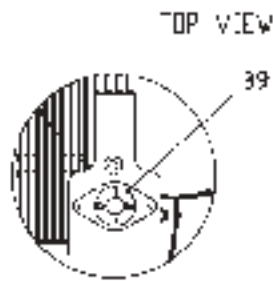
1744480C
PR: t05f07j07b0555

MT700 SERIES TRACK TRACTORS
MARKINGS AND PAINT

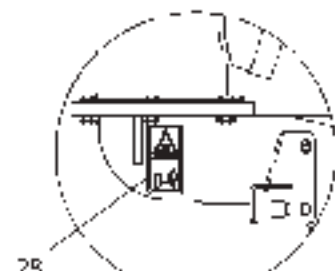
FILM & PLATE GP - 174-4480
4 OF 7
EAME ONLY



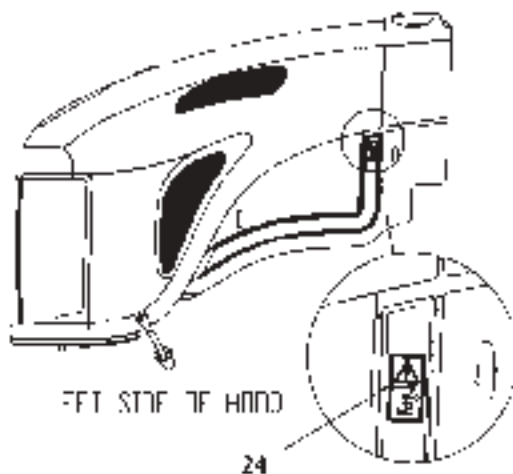
VIEW W-W



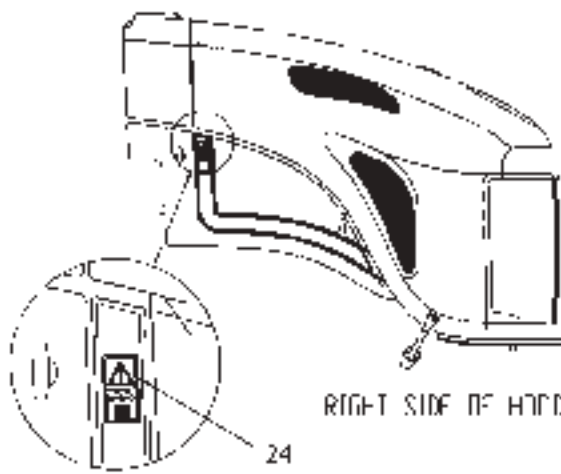
VIEW S-S



VIEW EE-EE



LEFT SIDE OF HOOD



RIGHT SIDE OF HOOD

**MT700 SERIESTRACKTRACTORS
MARKINGS AND PAINT**

1217

**FILM & PLATE GP - 174-4480
4 OF 7
EAME ONLY**

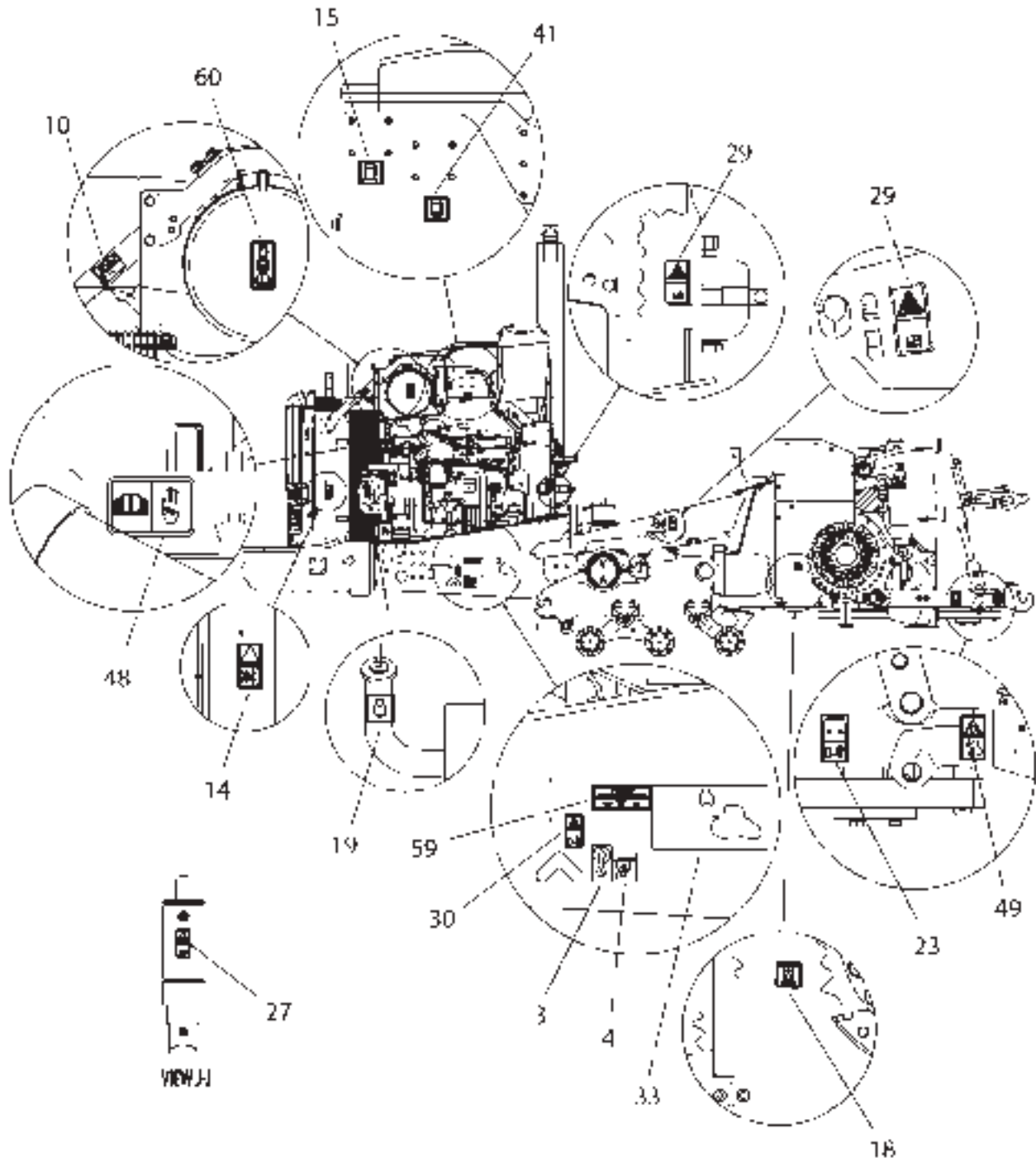
ITEM	NUMBER	QTY	DESCRIPTION
-	174-4480	--	FILM & PLATE GP [A] (NOT SERVICED)
24	501257D1	0	FILM-NOTICE ***
26	501259D1	0	FILM-NOTICE * ***
28	501261D1	0	FILM-NOTICE ***
39	501277D1	0	FILM-BATTERY (INST) ***
-	501501D1	1	DECAL SHEET-CAB (INCLUDES * ITEMS)
-	501502D1	1	DECAL SHEET-VEHICLE (INCLUDES ** ITEMS)
-	501505D1	1	DECAL SHEET-VEHICLE (INCLUDES *** ITEMS)

[A] PART OF 502669D1 BASE COMMON AR

1744480D
PR: t05f07j07b0556

MT700 SERIES TRACK TRACTORS
MARKINGS AND PAINT

FILM & PLATE GP - 174-4480
5 OF 7
EAME ONLY



LEFT VIEW

**MT700 SERIESTRACKTRACTORS
MARKINGS AND PAINT**

1219

**FILM & PLATE GP - 174-4480
5 OF 7
EAME ONLY**

ITEM	NUMBER	QTY	DESCRIPTION
-	174-4480	--	FILM GP-PAINT [A] (NOT SERVICED)
3	500371D1	0	FILM-LIFT
4	500372D1	0	FILM-TIE-DOWN
10	502279D1	1	PLATE-INST (A/C)
14	501290D1	0	FILM-CRUSH/SEVER
15	501103D1	0	FILM-INST (FUEL FILTER) **
18	501106D1	0	FILM-IDENT (HYD OIL FILTER) **
19	501108D1	0	FILM-INSTRUCTION **
23	501254D1	0	FILM-WARNING ***
27	501260D1	0	FILM-NOTICE ***
29	501262D1	0	FILM-NOTICE ***
30	501263D1	0	FILM-NOTICE ***
33	501266D1	0	FILM-NOTICE **
41	501280D1	0	FILM-WATER SEPARATOR **
48	501293D1	0	FILM-WARNING ***
49	501294D1	0	FILM-WARNING (HITCH) ***
59	501305D1	0	FILM-PATENT **
60	501306D1	0	FILM-AIR CLEANER ***
-	501501D1	1	DECAL SHEET-CAB (INCLUDES * ITEMS)
-	501502D1	1	DECAL SHEET-VEHICLE (INCLUDES ** ITEMS)
-	501505D1	1	DECAL SHEET-VEHICLE (INCLUDES *** ITEMS)

[A] PART OF 502669D1 BASE COMMON AR

1744480E
PR: t05f07j07b0557

**MT700 SERIESTRACKTRACTORS
MARKINGS AND PAINT**

1221

**FILM & PLATE GP - 174-4480
6 OF 7
EAME ONLY**

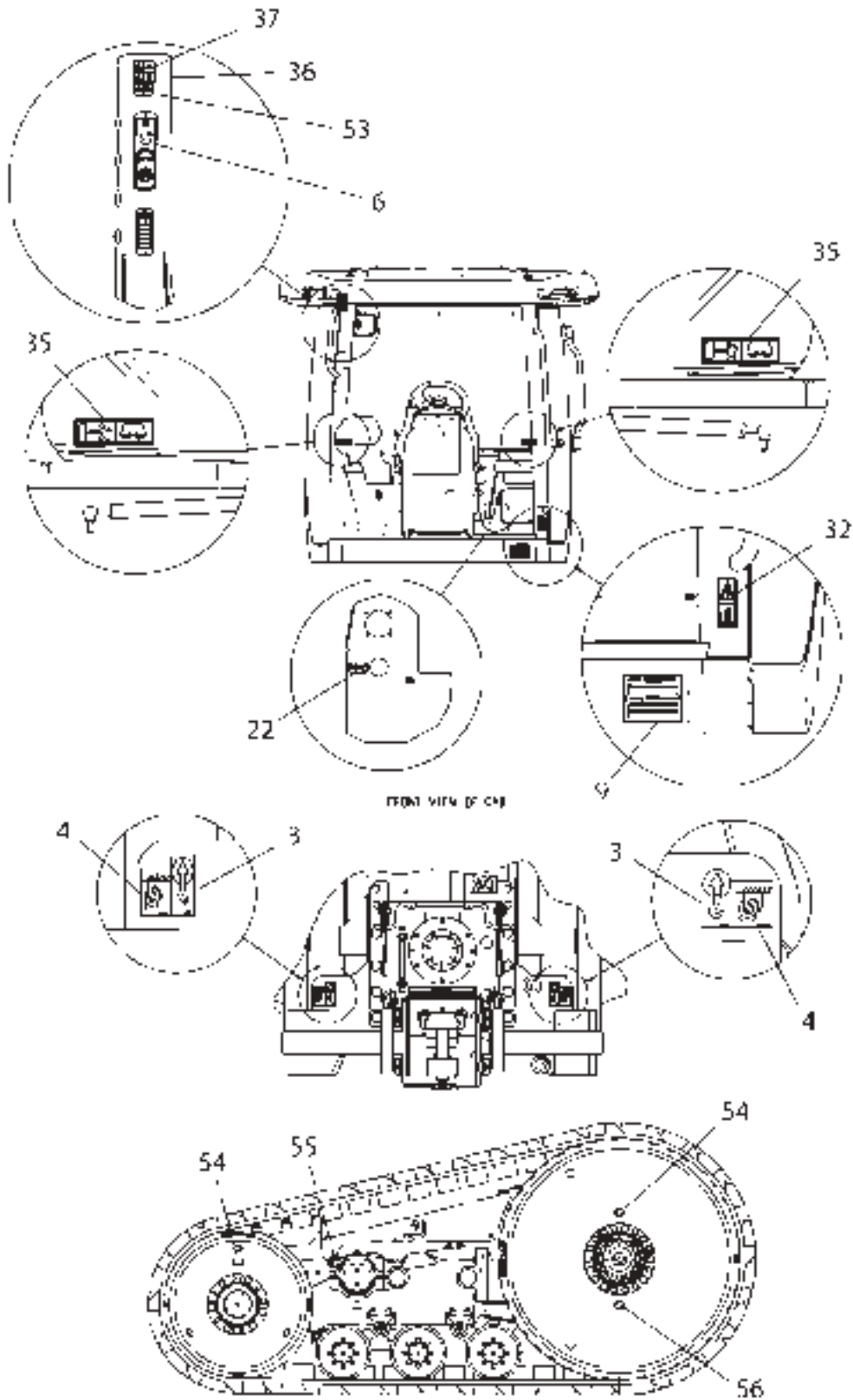
ITEM	NUMBER	QTY	DESCRIPTION
-	174-4480	--	FILM GP-PAINT [A] (NOT SERVICED)
3	500371D1	0	FILM-LIFT
4	500372D1	0	FILM-TIE-DOWN
11	CH168-8389	4	TACK-FASTENER (METAL)
14	501290D1	0	FILM-CRUSH/SEVER
23	501254D1	0	FILM-WARNING ***
25	501258D1	0	FILM-NOTICE **
37	501274D1	0	FILM-NOTICE *
40	501279D1	0	FILM-BELT (ROUTING) **
45	501288D1	0	FILM-CLEAR COVER **
49	501294D1	0	FILM-WARNING (HITCH) ***
58	501303D1	0	FILM-COOLANT (COLD FILL) ***
-	501501D1	1	DECAL SHEET-CAB (INCLUDES * ITEMS)
-	501502D1	1	DECAL SHEET-VEHICLE (INCLUDES ** ITEMS)
-	501505D1	1	DECAL SHEET-VEHICLE (INCLUDES *** ITEMS)

[A] PART OF 502669D1 BASE COMMON AR

1744480F
PR: t05f07j07b0558

MT700 SERIES TRACK TRACTORS
MARKINGS AND PAINT

FILM & PLATE GP - 174-4480
7 OF 7
EAME ONLY



**MT700 SERIESTRACKTRACTORS
MARKINGS AND PAINT**

1223

**FILM & PLATE GP - 174-4480
7 OF 7
EAME ONLY**

ITEM	NUMBER	QTY	DESCRIPTION
-	174-4480	--	FILM GP-PAINT [A] (NOT SERVICED)
3	500371D1	0	FILM-LIFT
4	500372D1	0	FILM-TIE-DOWN
6	CH5P-8500	2	KEY
9	CH8C-3348	2	RIVET-BLIND 1.6-3.18GRIPX3.18
22	501253D1	0	FILM-IDENT (12V) * ***
32	501265D1	0	FILM-NOTICE *
35	501272D1	0	FILM-ATERNATE EXIT *
36	501273D1	0	FILM-NOTICE *
37	501274D1	0	FILM-NOTICE *
53	501298D1	0	FILM-WARNING *
54	501299D1	0	FILM-TIGHTENING (BOLT) ***
55	501300D1	0	FILM-TIGHTENING (BOLT) ***
56	501301D1	0	FILM-TIGHTENING (BOLT) ***
-	501501D1	1	DECAL SHEET-CAB (INCLUDES * ITEMS)
-	501502D1	1	DECAL SHEET-VEHICLE (INCLUDES ** ITEMS)
-	501505D1	1	DECAL SHEET-VEHICLE (INCLUDES *** ITEMS)

[A] PART OF 502669D1 BASE COMMON AR

1744480G
PR: t05f07j07b0559

MT700 SERIES TRACK TRACTORS
MARKINGS AND PAINT

DECAL SHEET-501506D1
ENGLISH
ROW ONLY

NOTICE

Use only the instructions for jump for a jump start cable connections. Follow the procedure in the operation & maintenance manual for jump start cable use.

M100011

11

WARNING

Personal injury could result from improper use of the hydraulic system. Do not engage or disengage before the identified condition is met.

5

WARNING

Do not use the hydraulic system to lift or move the machine. The hydraulic system is designed for use only for the intended purpose. Do not use the hydraulic system to lift or move the machine. The hydraulic system is designed for use only for the intended purpose.

NOTICE

3

WARNING

Failure to follow these instructions can result in electrical or hydraulic injury.

- Pull only from drawer. Pulling from any other point may cause overturn.
- Use safety chains to tow equipment.

2

WARNING

Use caution when using the hydraulic system. Do not use the hydraulic system to lift or move the machine.

6

WARNING

Failure to follow these instructions can result in electrical or hydraulic injury.

- Do not use the hydraulic system to lift or move the machine.
- Do not use the hydraulic system to lift or move the machine.
- Do not use the hydraulic system to lift or move the machine.



1



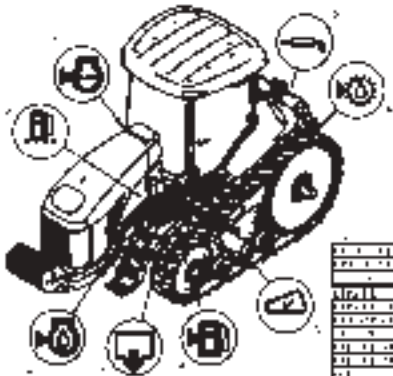
10

CAUTION

Do not use the hydraulic system to lift or move the machine. Do not use the hydraulic system to lift or move the machine.

8

SERVICE GUIDE



Item	Part No.	Qty.	Notes
1			
2			
3			
4			
5			
6			
7			
8			
9			
10			
11			
12			
13			
14			
15			
16			
17			
18			
19			
20			
21			
22			
23			
24			
25			
26			
27			
28			
29			
30			
31			
32			
33			
34			
35			
36			
37			
38			
39			
40			
41			
42			
43			
44			
45			
46			
47			
48			
49			
50			

NOTE: Refer to the operation & maintenance manual for more information.

7

WARNING

Improper jumper cable connections can cause explosion resulting in personal injury.

Use only the recommended locations to connect jumper cables. Follow procedure in the operation & maintenance manual.

9

WARNING



Do not use the hydraulic system to lift or move the machine. Do not use the hydraulic system to lift or move the machine.

4

**MT700 SERIESTRACKTRACTORS
MARKINGS AND PAINT**

1225

**DECAL SHEET-501506D1
ENGLISH
ROW ONLY**

ITEM	NUMBER	QTY	DESCRIPTION
-	178-4950	--	COMPLETING AR-ENGLISH (NOT SERVICED)
-	501506D1	--	DECAL SHEET [A] (INCLUDES 1-11)
1	501363D1	1	FILM-WARNING
2	501377D1	1	FILM-WARNING
3	501321D1	1	FILM-WARN UNIV (ENGLISH)
4	501335D1	1	FILM-WARNING
5	501342D1	1	FILM-WARNING
6	501349D1	2	FILM-WARNING
7	501404D1	1	FILM-SVC GUIDE
8	501314D1	1	FILM-CAUTION (ENGLISH)
9	501384D1	1	FILM-WARNING
10	501356D1	1	FILM-WIRE ACCESS
11	501370D1	1	FILM-NOTICE

[A] PART OF 178-4950
COMPLETING AR-ENGLISH

501506DA
PR: t05f07j07b0560

DECAL SHEET-501507D1
DUTCH

WAARSCHUWING
 Overmatig aansluiten van hulpstukken kan
 ontlasting versnaken wat lichamelijke
 schade tot gevolg heeft.

Overmatig aansluiten van hulpstukken kan
 de draagkracht van de banden of de
 draagkracht van de chassis verlagen en
 schade tot gevolg hebben.

9

WAARSCHUWING

1

WAARSCHUWING
 Het niet gebruiken van deze machine kan tot
 ernstige schade aan de machine en de
 omgeving leiden.

Wanneer u de machine gebruikt, moet u
 altijd de veiligheidsvoorschriften in acht
 nemen.

De gebruiker moet de machine altijd op de juiste
 manier gebruiken.

2

PAS DP

De machine is
 voorzien van
 een veiligheids-
 systeem dat de
 gebruiker beschermt
 tegen vallen.
 Het is belangrijk
 om de machine
 altijd op de juiste
 manier te gebruiken.

8



10

WAARSCHUWING
 Het niet gebruiken van deze machine kan
 tot ernstige schade aan de machine en de
 omgeving leiden.

Wanneer u de machine gebruikt, moet u
 altijd de veiligheidsvoorschriften in acht
 nemen.

De gebruiker moet de machine altijd op de juiste
 manier gebruiken.

OPGELET

3

WAARSCHUWING
 Het niet gebruiken van deze machine kan
 tot ernstige schade aan de machine en de
 omgeving leiden.

Wanneer u de machine gebruikt, moet u
 altijd de veiligheidsvoorschriften in acht
 nemen.

De gebruiker moet de machine altijd op de juiste
 manier gebruiken.

6

OPGELET
 Het niet gebruiken van deze machine kan
 tot ernstige schade aan de machine en de
 omgeving leiden.

Wanneer u de machine gebruikt, moet u
 altijd de veiligheidsvoorschriften in acht
 nemen.

De gebruiker moet de machine altijd op de juiste
 manier gebruiken.

11

WAARSCHUWING

Wanneer u de machine gebruikt, moet u
 altijd de veiligheidsvoorschriften in acht
 nemen.

De gebruiker moet de machine altijd op de juiste
 manier gebruiken.

4

WAARSCHUWING
 Het niet gebruiken van deze machine kan
 tot ernstige schade aan de machine en de
 omgeving leiden.

Wanneer u de machine gebruikt, moet u
 altijd de veiligheidsvoorschriften in acht
 nemen.

De gebruiker moet de machine altijd op de juiste
 manier gebruiken.

5

**ONDERHOUDS-
OVERZICHT**

DELEN	DAGEN	WEEKS
1. LUCHTFILTER (1/2)	100	1
2. RIJWEGEINDIGING (1/2)	100	1
3. RIJWEGEINDIGING (1/2)	100	1
4. RIJWEGEINDIGING (1/2)	100	1
5. RIJWEGEINDIGING (1/2)	100	1
6. RIJWEGEINDIGING (1/2)	100	1
7. RIJWEGEINDIGING (1/2)	100	1
8. RIJWEGEINDIGING (1/2)	100	1
9. RIJWEGEINDIGING (1/2)	100	1
10. RIJWEGEINDIGING (1/2)	100	1
11. RIJWEGEINDIGING (1/2)	100	1

CONTROLE DAN DE 100 UUR/DAAGLIJKES

- Controleer de oliepeil.
- Controleer de banden.
- Controleer de rijsnelheid.
- Controleer de rijsnelheid.
- Controleer de rijsnelheid.
- Controleer de rijsnelheid.
- Controleer de rijsnelheid.
- Controleer de rijsnelheid.
- Controleer de rijsnelheid.
- Controleer de rijsnelheid.
- Controleer de rijsnelheid.

OM DE 500 UUR

- Controleer de oliepeil.
- Controleer de banden.
- Controleer de rijsnelheid.
- Controleer de rijsnelheid.
- Controleer de rijsnelheid.
- Controleer de rijsnelheid.
- Controleer de rijsnelheid.
- Controleer de rijsnelheid.
- Controleer de rijsnelheid.
- Controleer de rijsnelheid.
- Controleer de rijsnelheid.

OPMERKINGEN

1. De afmetingen in de afbeelding zijn in millimeters.

2. De afmetingen in de afbeelding zijn in millimeters.

7

MT700 SERIESTRACKTRACTORS
MARKINGS AND PAINT

1227

DECAL SHEET-501507D1
DUTCH

ITEM	NUMBER	QTY	DESCRIPTION
-	178-4954	--	COMPLETING AR-DUTCH (NOT SERVICED)
-	501507D1	--	DECAL SHEET [A] (INCLUDES 1-11)
1	501367D1	1	FILM-WARNING
2	501378D1	1	FILM-WARNING
3	501322D1	1	FILM-WARN UNIV (DUTCH)
4	501336D1	1	FILM-WARNING (DUTCH)
5	501343D1	1	FILM-WARNING
6	501350D1	2	FILM-WARNING
7	501401D1	1	FILM-SVC GUIDE (DUTCH)
8	501319D1	1	FILM-CAUTION (DUTCH)
9	501388D1	1	FILM-WARNING
10	501357D1	1	FILM-WIRE ACCESS (DUTCH)
11	501374D1	1	FILM-NOTICE

[A] PART OF 178-4954
COMPLETING AR-DUTCH

501507DA
PR: t05f07j07b0561

MT700 SERIESTRACKTRACTORS
MARKINGS AND PAINT

1229

DECAL SHEET - 501508D1
FRENCH

ITEM	NUMBER	QTY	DESCRIPTION
-	178-4951	--	COMPLETING AR-FRENCH (NOT SERVICED)
-	501508D1	--	DECAL SHEET [A] (INCLUDES 1-11)
1	501315D1	1	FILM-CAUTION (FRENCH)
2	501323D1	1	FILM-WARN UNIV. (FRENCH)
3	501337D1	1	FILM-WARNING
4	501344D1	1	FILM-WARNING
5	501351D1	2	FILM-WARNING
6	501358D1	1	FILM-WIRE ACCESS (FRENCH)
7	501364D1	1	FILM-WARNING
8	501371D1	1	FILM-NOTICE
9	501379D1	1	FILM-WARNING
10	501385D1	1	FILM-WARNING
11	501398D1	1	FILM-SVC GUIDE (FRENCH)

[A] PART OF 178-4951
COMPLETING AR-FRENCH

501508DA
PR: t05f07j07b0562

DECAL SHEET-501509D1
JAPANESE

注意

ジャンパーケーブルを接続する場合は、取扱説明書のジャンパーケーブルの接続方法に従い、決められた位置にケーブルを接続するようになっています。

11

警告

ジャンパーケーブルを誤って接続すると、バッテリーが爆発し重大な事故につながる可能性があります。


取扱説明書のジャンパーケーブル接続方法に従い、必ずジャンパーケーブル接続部にケーブルを接続してください。

9

警告

この機器は、作業中にエンジンが回転し、部品が飛び出す可能性があります。必ず安全ヘルメットを着用してください。

エンジンオイルのレベルを確認するときは、必ずエンジンを止めてください。



1



10

警告

下記の標示に従わない場合は、作業者および周囲の人に人身事故や死亡事故を招く可能性があります。

- けん引する際は、必ずけん引バーを使用して下さい。動力伝達を切ってけん引すると制動を引起こすことが出来ます。
- けん引する場合は、安全チェーンも使用して下さい。

2

警告

本機は、作業中にエンジンが回転し、部品が飛び出す可能性があります。必ず安全ヘルメットを着用してください。

エンジンオイルのレベルを確認するときは、必ずエンジンを止めてください。

この機器は、作業中にエンジンが回転し、部品が飛び出す可能性があります。必ず安全ヘルメットを着用してください。

注意

この機器は、作業中にエンジンが回転し、部品が飛び出す可能性があります。必ず安全ヘルメットを着用してください。

3

サービスガイド

品名	部品番号	数量 (標準)
エンジンオイル (40リットル)	501509D1	1
エンジンオイル (20リットル)	501509D2	1
エンジンオイル (10リットル)	501509D3	1
エンジンオイル (5リットル)	501509D4	1
エンジンオイル (2.5リットル)	501509D5	1
エンジンオイル (1.25リットル)	501509D6	1
エンジンオイル (0.625リットル)	501509D7	1
エンジンオイル (0.3125リットル)	501509D8	1
エンジンオイル (0.15625リットル)	501509D9	1
エンジンオイル (0.078125リットル)	501509D10	1
エンジンオイル (0.0390625リットル)	501509D11	1

1 エンジンオイル (40リットル) のレベルを確認するときは、必ずエンジンを止めてください。

2 エンジンオイル (20リットル) のレベルを確認するときは、必ずエンジンを止めてください。

3 エンジンオイル (10リットル) のレベルを確認するときは、必ずエンジンを止めてください。

4 エンジンオイル (5リットル) のレベルを確認するときは、必ずエンジンを止めてください。

5 エンジンオイル (2.5リットル) のレベルを確認するときは、必ずエンジンを止めてください。

6 エンジンオイル (1.25リットル) のレベルを確認するときは、必ずエンジンを止めてください。

DC電源の接続

7 エアホースの接続や、エンジンオイルの接続は、必ず取扱説明書に従ってください。

7

警告

高圧電圧を防ぐためのリフトコントロールシステム作動中は作業員と車体の間に立たないで下さい。

4



8

警告

作業者の取り回し方が不正確であると、人身事故の原因となる場合があります。必ず取扱説明書に従って作業してください。

5

警告

エンジンから出る排気ガスは非常に有害です。必ず排気管の周囲を定期的に清掃してください。

6

MT700 SERIESTRACKTRACTORS
MARKINGS AND PAINT

1231

DECAL SHEET-501509D1
JAPANESE

ITEM	NUMBER	QTY	DESCRIPTION
-	178-4955	--	COMPLETING AR-JAPANESE (NOT SERVICED)
-	501509D1	--	DECAL SHEET [A] (INCLUDES 1-11)
1	501368D1	1	FILM-WARNING
2	501380D1	1	FILM-WARNING
3	501324D1	1	FILM-WARN UNIV. (JAPANESE)
4	501338D1	1	FILM-WARNING
5	501348D1	1	FILM-WARNING
6	501352D1	2	FILM-WARNING
7	501402D1	1	FILM-SVC GUIDE (JAPANESE)
8	501320D1	1	FILM-CAUTION (JAPANESE)
9	501389D1	1	FILM-WARNING
10	501359D1	1	FILM-WIRE ACCESS (JAPANESE)
11	501375D1	1	FILM-NOTICE

[A] PART OF 178-4955
COMPLETING AR-JAPANESE

501509DA
PR: t05f07j07b0563

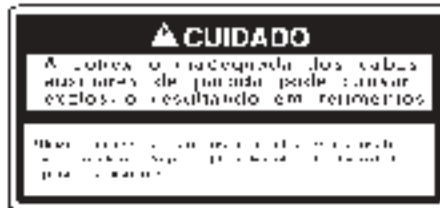
DECAL SHEET-501510D1
PORTUGUESE



1



2



3



4



5



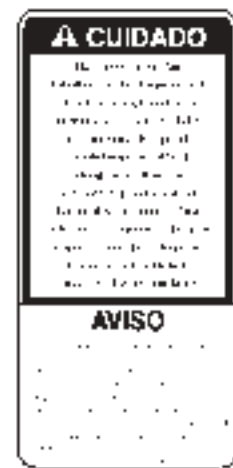
6



7



8



9



10

GUIA DE SERVIÇO

DADOS	ESPECÍFICO	CONFIRMAR
1. TIPO DE MOTOR		
2. TIPO DE TRANSMISSÃO		
3. TIPO DE DIFERENCIAL		
4. TIPO DE SUSPENSÃO		
5. TIPO DE PNEUS		
6. TIPO DE BATERIA		
7. TIPO DE LUBRIFICANTE		
8. TIPO DE ÓLEO		
9. TIPO DE FILTRO		
10. TIPO DE LUBRIFICANTE		
11. TIPO DE LUBRIFICANTE		

VERIFICAÇÕES A CADA 10 HORAS DE TRABALHO

- Verificar o nível do óleo do motor.
- Verificar o nível do óleo da transmissão.
- Verificar o nível do óleo do diferencial.
- Verificar o nível do óleo do sistema hidráulico.
- Verificar o nível do óleo do sistema de freio.
- Verificar o nível do óleo do sistema de direção.
- Verificar o nível do óleo do sistema de suspensão.
- Verificar o nível do óleo do sistema de lubrificação.
- Verificar o nível do óleo do sistema de lubrificação.
- Verificar o nível do óleo do sistema de lubrificação.
- Verificar o nível do óleo do sistema de lubrificação.

A CADA 100 HORAS DE TRABALHO

- Verificar o nível do óleo do motor.
- Verificar o nível do óleo da transmissão.
- Verificar o nível do óleo do diferencial.
- Verificar o nível do óleo do sistema hidráulico.
- Verificar o nível do óleo do sistema de freio.
- Verificar o nível do óleo do sistema de direção.
- Verificar o nível do óleo do sistema de suspensão.
- Verificar o nível do óleo do sistema de lubrificação.
- Verificar o nível do óleo do sistema de lubrificação.
- Verificar o nível do óleo do sistema de lubrificação.
- Verificar o nível do óleo do sistema de lubrificação.

NOTAS:

1. Verificar o nível do óleo do motor.

2. Verificar o nível do óleo da transmissão.

3. Verificar o nível do óleo do diferencial.

4. Verificar o nível do óleo do sistema hidráulico.

5. Verificar o nível do óleo do sistema de freio.

6. Verificar o nível do óleo do sistema de direção.

7. Verificar o nível do óleo do sistema de suspensão.

8. Verificar o nível do óleo do sistema de lubrificação.

9. Verificar o nível do óleo do sistema de lubrificação.

10. Verificar o nível do óleo do sistema de lubrificação.

11. Verificar o nível do óleo do sistema de lubrificação.

7

**MT700 SERIESTRACKTRACTORS
MARKINGS AND PAINT**

1233

**DECAL SHEET-501510D1
PORTUGUESE**

ITEM	NUMBER	QTY	DESCRIPTION
-	178-4953	--	COMPLETING AR-PORTUGUESE (NOT SERVICED)
-	501510D1	--	DECAL SHEET [A] (INCLUDES 1-11)
1	501366D1	1	FILM-WARNING
2	501381D1	1	FILM-WARNING
3	501325D1	1	FILM-WARN UNIV. (PORTUGUESE)
4	501339D1	1	FILM-WARNING
5	501345D1	1	FILM-WARNING
6	501353D1	2	FILM-WARNING
7	501400D1	1	FILM-SVC GUIDE (PORTUGUESE)
8	501317D1	1	FILM-CAUTION (PORTUGUESE)
9	501387D1	1	FILM-WARNING
10	501360D1	1	FILM-WIRE ACCESS (PORTUGUESE)
11	501373D1	1	FILM-NOTICE

[A] PART OF 178-4953
COMPLETING AR-PORTUGUESE

501510DA
PR: t05f07j07b0564

MT700 SERIES TRACK TRACTORS MARKINGS AND PAINT

DECAL SHEET-501511D1 RUSSIAN

⚠ ОСТОРОЖНО

МИКРОСКОПИЧЕСКОЕ ЗАМЕРЗАНИЕ МОЖЕТ ПОБЕДИТЬ ОРГАНЫ ЗРЕНИЯ. ВО ИЗБЕЖАНИЕ НЕЩАСТНОГО СЛУЧАЯ НЕ СМОТРИТЕ ПРЯМО В СВЕТОВОЙ ЧАСТЬ ДЕТЯМКА СВЕТЛОСТИ

6

⚠ ОСТОРОЖНО



ВО ОБЛАСТИ ТРАКТОРА ДЛЯ ПРОХОЖДЕНИЯ ЧЕРЕЗ НЕГО В РАБОЧЕЙ ПОЗИЦИИ НЕ ДОПУСКАЙТЕ ПРОХОДА НА РАБОЧЕЙ ПОЗИЦИИ МЕЖДУ ТРАКТОРОМ И СМОНТАЖНЫМ ОБЪЕКТОМ

4

⚠ ОСТОРОЖНО

ОБЛАСТЬ РАБОТЫ

ОБЛАСТЬ РАБОТЫ

ОБЛАСТЬ РАБОТЫ

ОБЛАСТЬ РАБОТЫ

ОБЛАСТЬ РАБОТЫ

ОБЛАСТЬ РАБОТЫ

8

⚠ ОСТОРОЖНО

АККУМУЛЯТОР И ЕГО КОМПОНЕНТЫ НЕ ДОПУСКАЙТЕ РАБОТЫ С НИМИ В НЕКОТОРЫХ РАБОЧЕЙ ПОЗИЦИИ И РАБОЧЕЙ ПОЗИЦИИ. НЕ ДОПУСКАЙТЕ РАБОТЫ С НИМИ В РАБОЧЕЙ ПОЗИЦИИ И РАБОЧЕЙ ПОЗИЦИИ. НЕ ДОПУСКАЙТЕ РАБОТЫ С НИМИ В РАБОЧЕЙ ПОЗИЦИИ И РАБОЧЕЙ ПОЗИЦИИ.

ВНИМАНИЕ

НЕ ДОПУСКАЙТЕ РАБОТЫ С НИМИ В РАБОЧЕЙ ПОЗИЦИИ И РАБОЧЕЙ ПОЗИЦИИ. НЕ ДОПУСКАЙТЕ РАБОТЫ С НИМИ В РАБОЧЕЙ ПОЗИЦИИ И РАБОЧЕЙ ПОЗИЦИИ. НЕ ДОПУСКАЙТЕ РАБОТЫ С НИМИ В РАБОЧЕЙ ПОЗИЦИИ И РАБОЧЕЙ ПОЗИЦИИ.

3

⚠ ОСТОРОЖНО

ВНЕ ОБЛАСТИ РАБОТЫ НЕ ДОПУСКАЙТЕ РАБОТЫ С НИМИ В РАБОЧЕЙ ПОЗИЦИИ И РАБОЧЕЙ ПОЗИЦИИ. НЕ ДОПУСКАЙТЕ РАБОТЫ С НИМИ В РАБОЧЕЙ ПОЗИЦИИ И РАБОЧЕЙ ПОЗИЦИИ. НЕ ДОПУСКАЙТЕ РАБОТЫ С НИМИ В РАБОЧЕЙ ПОЗИЦИИ И РАБОЧЕЙ ПОЗИЦИИ.

5

⚠ ОСТОРОЖНО

НЕБЕЗОПАСНОЕ ПОДСОЕДИНЕНИЕ ПУСКОВЫХ КАБЕЛЕЙ МОЖЕТ СТАТЬ ПРИЧИНОЙ ВЗРЫВА И НЕЩАСТНОГО СЛУЧАЯ.

ПРЕДУПРЕЖДЕНИЕ: СПЕЦИАЛЬНЫЕ ПУСКОВЫЕ КАБЕЛИ ПОДЛЕЖАТ РЕГУЛЯРНОМУ ОБСЛУЖИВАНИЮ. ДЛЯ ЭТОГО ПОЖАЛУЙСТА СЛЕДУЙТЕ УКАЗАНИЯМ РУКОВОДСТВА ПО ЭКСПЛУАТАЦИИ И ТЕХНИЧЕСКОМУ ОБСЛУЖИВАНИЮ.

9

ВНИМАНИЕ

ПОДЛИННОСТЬ ПУСКОВЫХ СОЕДИНЕНИЙ НЕ ДОПУСКАЙТЕ РАБОТЫ С НИМИ В РАБОЧЕЙ ПОЗИЦИИ И РАБОЧЕЙ ПОЗИЦИИ. НЕ ДОПУСКАЙТЕ РАБОТЫ С НИМИ В РАБОЧЕЙ ПОЗИЦИИ И РАБОЧЕЙ ПОЗИЦИИ. НЕ ДОПУСКАЙТЕ РАБОТЫ С НИМИ В РАБОЧЕЙ ПОЗИЦИИ И РАБОЧЕЙ ПОЗИЦИИ.

11

⚠ ОСТОРОЖНО

ОБЛАСТЬ РАБОТЫ



1

⚠ ОСТОРОЖНО

ПОДЛИННОСТЬ ПУСКОВЫХ СОЕДИНЕНИЙ НЕ ДОПУСКАЙТЕ РАБОТЫ С НИМИ В РАБОЧЕЙ ПОЗИЦИИ И РАБОЧЕЙ ПОЗИЦИИ. НЕ ДОПУСКАЙТЕ РАБОТЫ С НИМИ В РАБОЧЕЙ ПОЗИЦИИ И РАБОЧЕЙ ПОЗИЦИИ. НЕ ДОПУСКАЙТЕ РАБОТЫ С НИМИ В РАБОЧЕЙ ПОЗИЦИИ И РАБОЧЕЙ ПОЗИЦИИ.

2

РУКОВОДСТВО ПО ТЕХНИЧЕСКОМУ ОБСЛУЖИВАНИЮ

ДОСТУП ЭЛЕКТРОПРОВОВКЕ



1. Проверка уровня масла в двигателе

2. Проверка уровня масла в гидравлическом насосе

3. Проверка уровня масла в гидравлическом цилиндре

4. Проверка уровня масла в гидравлическом цилиндре

5. Проверка уровня масла в гидравлическом цилиндре

6. Проверка уровня масла в гидравлическом цилиндре

7. Проверка уровня масла в гидравлическом цилиндре

8. Проверка уровня масла в гидравлическом цилиндре

9. Проверка уровня масла в гидравлическом цилиндре

10. Проверка уровня масла в гидравлическом цилиндре

11. Проверка уровня масла в гидравлическом цилиндре

7

**MT700 SERIESTRACKTRACTORS
MARKINGS AND PAINT**

1235

**DECAL SHEET-501511D1
RUSSIAN**

ITEM	NUMBER	QTY	DESCRIPTION
-	178-4956	--	COMPLETING AR-RUSSIAN (NOT SERVICED)
-	501511D1	--	DECAL SHEET [A] (INCLUDES 1-11)
1	501369D1	1	FILM-WARNING
2	501382D1	1	FILM-WARNING
3	501326D1	1	FILM-WARN UNIV. (RUSSIAN)
4	501340D1	1	FILM-WARNING
5	501346D1	1	FILM-WARNING
6	501354D1	2	FILM-WARNING
7	501403D1	1	FILM-SVC GUIDE (RUSSIAN)
8	501318D1	1	FILM-CAUTION (RUSSIAN)
9	501390D1	1	FILM-WARNING
10	501361D1	1	FILM-WIRE ACCESS (RUSSIAN)
11	501376D1	1	FILM-NOTICE

[A] PART OF 178-4956
COMPLETING AR-RUSSIAN

501511DA
PR: t05f07j07b0565

DECAL SHEET-501512D1
SPANISH



1



2



5



9



6



4



11



8



3

GUÍA DE SERVICIO

DESCRIPCIÓN DEL COMPONENTE	NÚMERO DE PARTE	CANTIDAD
1. MOTOR DE COMBUSTIÓN		
2. TRANSMISIÓN		
3. EJE DE TRANSMISIÓN		
4. EJE DE MOTOR		
5. EJE DE TRANSMISIÓN		
6. EJE DE TRANSMISIÓN		
7. EJE DE TRANSMISIÓN		
8. EJE DE TRANSMISIÓN		
9. EJE DE TRANSMISIÓN		
10. EJE DE TRANSMISIÓN		
11. EJE DE TRANSMISIÓN		

COMPROBACIONES DIARIAS DE HORAS

1. Compruebe el nivel de aceite del motor.
2. Compruebe el nivel de aceite de la transmisión.
3. Compruebe el nivel de aceite de la caja de cambios.
4. Compruebe el nivel de aceite de la bomba de agua.
5. Compruebe el nivel de aceite de la bomba de agua.
6. Compruebe el nivel de aceite de la bomba de agua.

DE HORAS

1. Compruebe el nivel de aceite del motor.
2. Compruebe el nivel de aceite de la transmisión.



10



7

MT700 SERIESTRACKTRACTORS
MARKINGS AND PAINT

1237

DECAL SHEET-501512D1
SPANISH

ITEM	NUMBER	QTY	DESCRIPTION
-	178-4952	--	COMPLETING AR-SPANISH (NOT SERVICED)
-	501512D1	--	DECAL SHEET [A] (INCLUDES 1-11)
1	501365D1	1	FILM-WARNING
2	501383D1	1	FILM-WARNING
3	501372D1	1	FILM-NOTICE
4	501341D1	1	FILM-WARNING
5	501347D1	1	FILM-WARNING
6	501355D1	2	FILM-WARNING
7	501399D1	1	FILM-SVC GUIDE
8	501316D1	1	FILM-CAUTION (SPANISH)
9	501386D1	1	FILM-WARNING
10	501362D1	1	FILM-WIRE ACCESS (SPANISH)
11	501327D1	1	FILM-WARN UNIV (SPANISH)

[A] PART OF 178-4952
COMPLETING AR-SPANISH

501512DA
PR: t05f07j07b0566

1238

MT700 SERIESTRACKTRACTORS
MARKINGS AND PAINT

PAINT
PAINT

NO ILLUSTRATION

NOTIF

**MT700 SERIES TRACK TRACTORS
MARKINGS AND PAINT**

1239

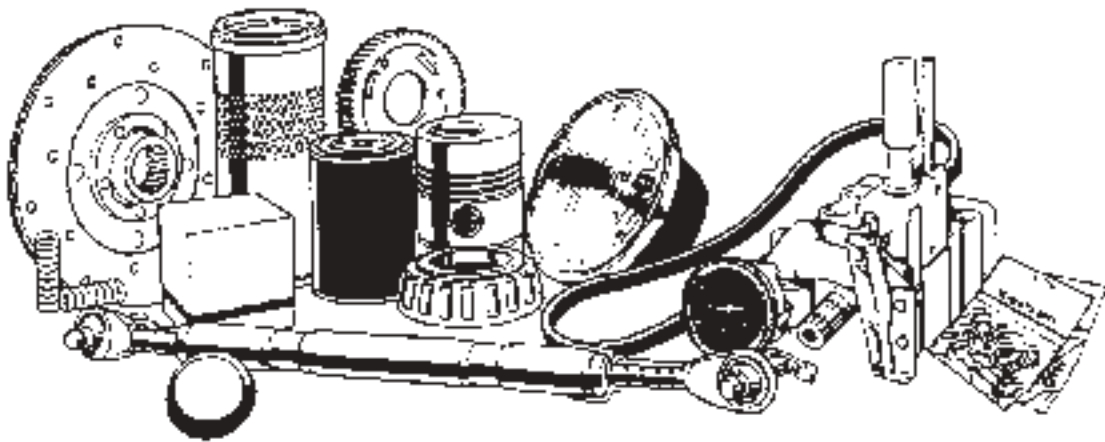
**PAINT
PAINT**

ITEM	NUMBER	QTY	DESCRIPTION
-	4C-4200	AR	YELLOW, AEROSOL
-	4C-6129	AR	YELLOW, 1 GAL
-	4C-6122	AR	YELLOW, 5 GAL
-	4C-6127	AR	YELLOW, 55 GAL
-	4C-4184	AR	YELLOW, FAST DRY-1 GAL
-	4C-4192	AR	YELLOW, FAST DRY-5 GAL
-	4C-4207	AR	YELLOW, FAST DRY-55 GAL
-	9U-7725	AR	YELLOW, WATER REDUCIBLE-1 GAL
-	4C-4198	AR	BLACK, MEDIUM GLOSS, AEROSOL
-	4C-4193	AR	BLACK, MEDIUM GLOSS, 1 GAL
-	4C-4191	AR	BLACK, MEDIUM GLOSS, 5 GAL
-	4C-4206	AR	BLACK, MEDIUM GLOSS, 55 GAL
-	4C-4199	AR	BLACK, MUFFLER
-	4C-6134	AR	YELLOW, TOUCH-UP FOR URETHANE, GAL
-	4C-6126	AR	YELLOW, TOUCH-UP FOR URETHANE, 5 GAL
-	4C-6133	AR	BLACK, TOUCH-UP FOR URETHANE, GAL
-	4C-5843	AR	BLACK GLOSS, AEROSOL
-	173-4060	AR	CHARCOAL GRAY, AEROSOL
-	171-9773	AR	CHARCOAL GRAY, GALLON
-	171-9774	AR	CHARCOAL GRAY, 5 GALLON
-	4C-4205	AR	PRIMER, YELLOW, AEROSOL
-	4C-4190	AR	PRIMER, YELLOW, GAL
-	4C-4197	AR	PRIMER, YELLOW, 5 GAL
-	4C-4211	AR	PRIMER, YELLOW, 55 GAL
-	4C-6130	AR	PAINT, PRIMER THINNER/RETARDER, GAL
-	4C-6123	AR	PAINT, PRIMER THINNER/RETARDER, 5 GAL
-	4C-6135	AR	PAINT, PRIMER THINNER/RETARDER, 55 GAL
-	4C-4189	AR	PAINT, PRIMER THINNER, GAL
-	4C-4196	AR	PAINT, PRIMER THINNER, 5 GAL
-	4C-4210	AR	PAINT, PRIMER THINNER, 55 GAL

NOTIF
PR: t05f07j07b0567

RECOMMENDED DEALER STOCK

RECOMMENDED DEALER'S STOCK



**MT700 SERIES TRACK TRACTORS
MAINTENANCE PARTS**

1241

RECOMMENDED DEALER STOCK

ITEM	NUMBER	QTY	DESCRIPTION
-	2D-6642	1	BALL
-	4B-9783	1	BALL
-	400832X1	1	BATTERY MAINT
-	185-2151	1	BELT
-	202-0951	1	BELT
-	210-5708	1	BELT
-	CH9X-8118	1	BULB (12V 55W)
-	400864X1	1	BULB (12V-50W)
-	400862X1	1	BULB/885-12.8V
-	500678D1	1	BULB/HALOGEN/8
-	CH175-1323	1	BULB/HEADLAMP
-	CH8I-4256	1	BULB/HEADLIGHT
-	6V-0852	1	CAP
-	500019D1	1	CAP/FUEL
-	195-9633	2	COUNTERWEIGHT
-	186-0342	1	COUPLING
-	205-8771	1	ELEMENT
-	205-8772	1	ELEMENT
-	CH6I-0273	1	ELEMENT/ASY PRIMARY
-	CH6I-0274	1	ELEMENT/ASY SECONDARY
-	501881D1	1	FILTER,AIR
-	501153D1	1	FILTER/AIR
-	CH1R-0762	1	FILTER/AS.-FUE
-	CH1R-0770	1	FILTER/AS.-SEP
-	501766D1	1	FILTER/ASY-HYD
-	501769D1	1	FILTER/ASY-HYD
-	501771D1	1	FILTER/ASY-HYD
-	CH170-1198	1	FLASHER
-	CH215-1382	1	FLASHER (EAME ONLY)
-	CH175-7057	1	FLASHER/SOLID
-	136-5600	1	FUSE
-	CH113-8490	1	FUSE/MINI 10A
-	CH113-8491	1	FUSE/MINI 15A
-	CH113-8492	1	FUSE/MINI 20A
-	CH124-3548	1	FUSE/MINI 30A
-	CH141-2759	1	FUSE/MINI 5A
-	CH5P-8500	1	KEY-IGNITION
-	172-1619	1	KIT, SEAL
-	209-9680	1	KIT, SEAL
-	502267D1	1	KIT/THERMISTOR
-	155-0014	1	LAMP
-	155-0020	1	LAMP
-	155-0027	1	LAMP
-	162-4091	1	LAMP
-	162-4092	1	LAMP
-	171-9687	1	LAMP
-	171-9688	1	LAMP
-	CH5M-8034	1	LAMP/MINIATURE
-	CH084-4348	1	LAMP/MINIATURE
-	179-5822	1	LIMITER
-	204-6819	1	LIMITER
-	202-9223	1	PLATE
-	203-9200	1	PLATE
-	206-4650	1	PLATE
-	175-7513	1	SEAL
-	9X-1813	1	SLEEVE
-	202-9220	1	WEIGHT

RDL
PR: t05f07j07b0568