

**310G,310SG and 315SG  
BACKHOE LOADERS**



**JOHN DEERE**

**PARTS CATALOG**

**310G,310SG and 315SG  
BACKHOE LOADERS**

**PC2755 (Jan-07) English**

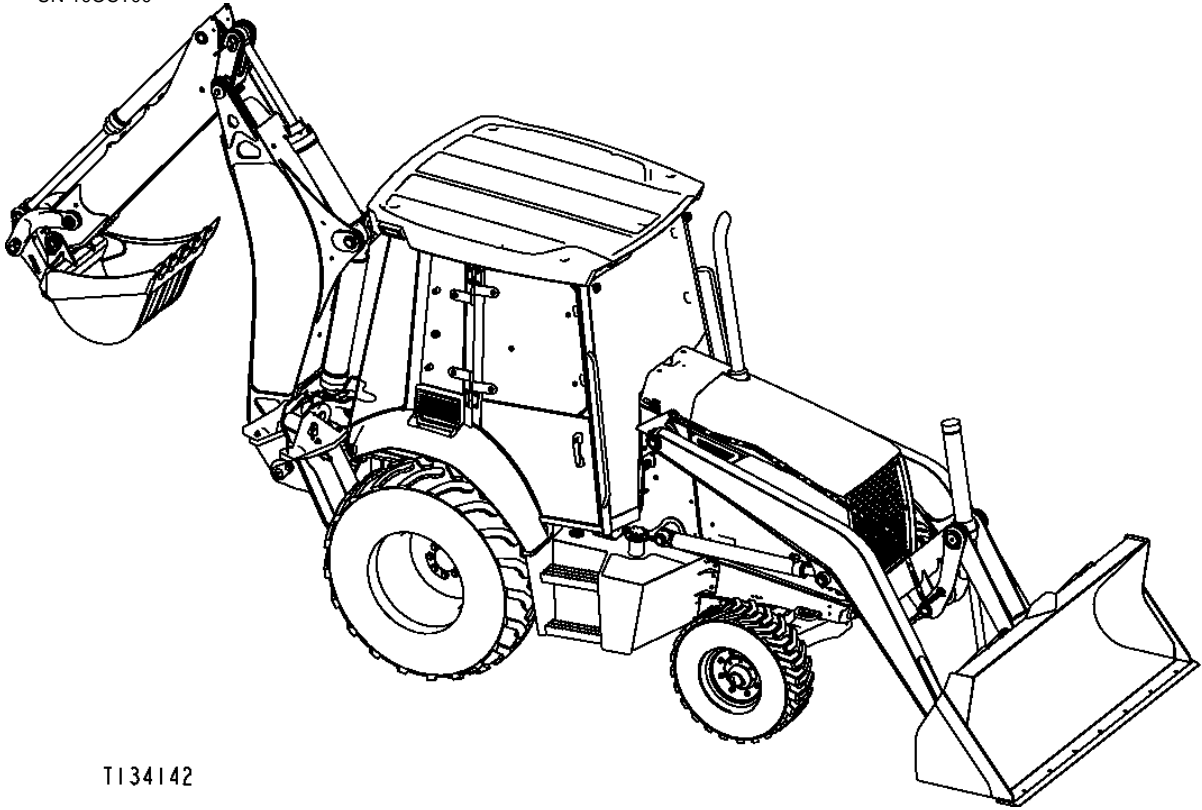
**Worldwide Construction and Forestry Division**

Worldwide Edition  
Litho In U.S.A. (Revised)  
COPYRIGHT © 2007  
DEERE & COMPANY  
Moline, Illinois  
All rights reserved



## INTRODUCTION AND CUSTOMER INFORMATION

T134142 -UN-10OCT00



T134142

*SIDE VIEW OF JOHN DEERE BACKHOE LOADER  
(MANUFACTURED 2000- )*

### TO THE CUSTOMER

THE PART NUMBERS IN THIS PARTS CATALOG WERE CORRECT AT THE TIME YOUR CATALOG WAS PUBLISHED. IT IS OUR POLICY TO CONSTANTLY IMPROVE OUR MACHINES AND, THEREFORE, PART NUMBERS MAY CHANGE. WHEN ORDERING PARTS, VERIFY PART NUMBERS THROUGH YOUR DEALER'S

*(SPECIFICATIONS AND DESIGN SUBJECT TO CHANGE WITHOUT NOTICE.)*

## SERIAL NUMBER LOCATIONS

EACH 310G, 310SG AND 315SG BACKHOE LOADER HAS SIX SERIAL NUMBERS, A PRODUCT IDENTIFICATION NUMBER PLATE, AN ENGINE SERIAL NUMBER PLATE, A HYDRAULIC PUMP SERIAL NUMBER PLATE, A MFWD AXLE SERIAL NUMBER PLATE, A TRANSMISSION SERIAL NUMBER PLATE, AND A REAR AXLE SERIAL NUMBER PLATE.

THE PRODUCT IDENTIFICATION NUMBER IS ON THE LEFT-HAND SIDE OF THE LOADER FRAME JUST ABOVE THE LIFT CYLINDER PIVOT BOSS.

THE ENGINE SERIAL NUMBER PLATE IS LOCATED ON THE RIGHT-HAND SIDE OF THE CYLINDER BLOCK NEAR THE FUEL PUMP.

THE MFWD AXLE SERIAL NUMBER PLATE IS LOCATED ON THE RIGHT-HAND (REAR) SIDE OF THE MFWD AXLE HOUSING.

THE REAR AXLE SERIAL NUMBER PLATE IS LOCATED ON THE RIGHT-HAND (FRONT) SIDE OF THE AXLE HOUSING.

THE TRANSMISSION SERIAL NUMBER PLATE IS LOCATED ON THE BOTTOM-REAR FACE OF THE HOUSING.

THE HYDRAULIC PUMP SERIAL NUMBER IS LOCATED ON THE BOTTOM FACE OF THE PUMP.

LEFT-HAND SIDE, RIGHT-HAND SIDE, FRONT AND REAR OF THE BACKHOE LOADER ARE VIEWED BY FACING IN THE DIRECTION OF THE BACKHOE LOADER FORWARD TRAVEL.

LEFT-HAND SIDE, RIGHT-HAND SIDE, FRONT AND REAR OF THE BACKHOE COMPONENTS ARE DETERMINED WHEN SEATED IN THE BACKHOE OPERATING POSITION.

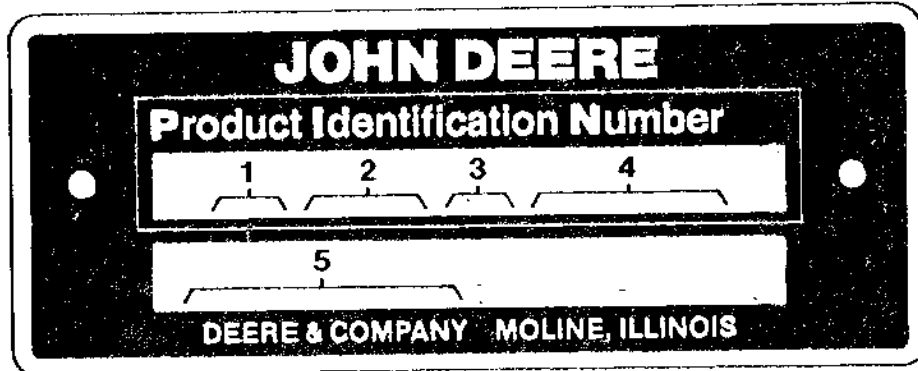
IF PRODUCT IDENTIFICATION NUMBERS OR SERIAL NUMBERS ARE REQUIRED FOR WARRANTY CLAIMS OR CORRESPONDENCE PERTAINING TO THIS PRODUCT. IT IS EXTREMELY IMPORTANT THAT ALL CHARACTERS BE FURNISHED. THIS POINT CANNOT BE OVEREMPHASIZED.

# 0001-3

310G, 310SG AND 315SG BACKHOE LOADERS

## PRODUCT IDENTIFICATION NUMBER

TP16004 -UN-01JAN94



TP16004

- |  |                                  |
|--|----------------------------------|
| 1. DESIGNATES BACKHOE MANUFACTURER         | T0 - JOHN DEERE DUBUQUE WORKS    |
| 2. DESIGNATES BACKHOE MODEL                | BE - BELL EQUIPMENT SOUTH AFRICA |
| 3. DESIGNATES BACKHOE CONFIGURATION        | 315                              |
| 4. DESIGNATES DUBUQUE WORKS SERIAL NUMBERS | SG                               |
| DESIGNATES BELL EQUIPMENT SERIAL NUMBERS   | 893079 THRU 948698               |
| 5. DESIGNATES UNIT TYPE                    | 200001 THRU XXXXXX               |
|  | BACKHOE LOADER                   |

# 000I-4

310G, 310SG AND 315SG BACKHOE LOADERS

## ENGINE SERIAL NUMBER PLATE

T134833 -UN-23OCT00



T134833

1. DESIGNATES ENGINE MANUFACTURER  
1.
2. DESIGNATES NUMBER OF CYLINDERS  
AND LITERS.
3. DESIGNATES FUEL TYPE OR SPECIAL COND.
4. DESIGNATES ENGINE SERIAL NUMBER
5. DESIGNATES THE ENGINE APPLICATION  
AND FACTORY USER.

T-JOHN DEERE DUBUQUE WORKS  
P-JOHN DEERE MOTORES  
4045 (4.5 LITER)

DT NON-TURBOCHARGED DIESEL ENGINE  
TT TURBOCHARGED DIESEL ENGINE

123456  
T04045DT056 (WITHOUT TURBOCHARGER)(310G)  
PE4045DT056 (WITHOUT TURBOCHARGER)(310G)  
T04045TT080 (WITH TURBOCHARGER)(310G)  
PE4045TT080 (WITH TURBOCHARGER)(310G)  
T04045TT081 (WITH TURBOCHARGER)(310SG,315SG)  
PE4045TT081 (WITH TURBOCHARGER)(310SG,315SG)  
PE4045DT058 (WITHOUT TURBOCHARGER)(310G)  
PE4045TT088 (WITH TURBOCHARGER)(310G)  
PE4045TT089 (WITH TURBOCHARGER)(310SG)

# 0001-5

310G, 310SG AND 315SG BACKHOE LOADERS

## MFWD AXLE SERIAL NUMBER PLATE

TP19438

-UN-01JAN94

The diagram shows a rectangular serial number plate with four mounting holes at the corners. At the top, it reads "Zahnradfabrik Passau GmbH". Below this, there are two main sections: "Type" and "Serial No.". The "Type" field is labeled with a bracket and the number 4. The "Serial No." field is labeled with a bracket and the number 5. Below these, there are two more sections: "Parts List No." and "Total Ratio/Version". The "Parts List No." field is labeled with a bracket and the number 3. The "Total Ratio/Version" section is divided into two sub-sections: "Ltri" (labeled with a bracket and the number 9) and "List of Lubricants" (labeled with a bracket and the number 8). The "List of Lubricants" section is further divided into three rows, each labeled with "TE-ML" and a bracket with the number 8. Below the "List of Lubricants" section, there is a "Customer's Code No." field labeled with a bracket and the number 1. The ZF logo is located on the left side of the plate.

TP19438

1. DESIGNATES CUSTOMER'S CODE NUMBER
2. DESIGNATES TYPE OF LUBRICANT
3. DESIGNATES ZF-PARTS-LIST NUMBER
4. DESIGNATES AXLE TYPE
5. DESIGNATES AXLE SERIAL NUMBER
6. DESIGNATES TOTAL - RATIO OF THE AXLE
7. DESIGNATES VERSION
8. DESIGNATES LUBRICANT SPECIFICATION
9. DESIGNATES CAPACITY

JOHN DEERE PART NUMBER  
M1L-L-2105B, SAE90  
4464 006 101  
AP-11H  
12345  
20.28  
SP. DIFF. (WITH OR WITHOUT SELF-LOCKING  
DIFFERENTIAL)  
05  
LTR (DIFFERENTIAL CARRIER AND PLANETARY GEAR  
ASSEMBLY

## SERIAL NUMBER LISTING INFORMATION

SERIAL NUMBER INFORMATION IS LISTED TO SHOW ON WHICH MACHINES EACH PART CAN BE USED; FOR EXAMPLE:

- THE PART CAN BE USED ON ALL MACHINES.
- 000000- THE PART CAN BE USED ON ALL MACHINES BEGINNING WITH THE SERIAL NUMBER LISTED.
- 000000 THE PART CAN BE USED ON ALL MACHINES UP TO AND INCLUDING THE SERIAL NUMBER LISTED.
- 000000-000000 THE PART CAN BE USED ON ALL MACHINES BETWEEN AND INCLUDING THE SERIAL NUMBERS LISTED.

WHEN XXXXXX'S ARE LISTED IN PLACE OF A SERIAL NUMBER, A SERIAL NUMBER CHANGE WAS MADE BUT THE EXACT SERIAL NUMBER WAS NOT AVAILABLE WHEN THE CATALOG WAS PRODUCED.

USE OF VEHICLE SERIAL NUMBERS ON ENGINE PAGES:

PLEASE PROVIDE THE VEHICLE SERIAL NUMBER (VSN-T0450HX910011), ENGINE SERIAL NUMBER (ESN-PE4045T19 0332), AND ENGINE MODEL NO. (PE4045TT058) WHEN ORDERING REPLACEMENT PARTS. ENGINE PARTS PAGES HAVE BEEN REVISED TO DETAIL THE VSN IN THE HEADER, ENGINE MODEL NO. IN THE REMARKS SECTION, AND VEHICLE SERIAL NO. IN THE ALPHABETICAL INDEX. PLEASE PROVIDE ALL THREE NUMBERS WHEN ORDERING ENGINE PARTS TO INSURE EFFICIENT SERVICE.

## DIRECTION ARROW

ARROWS ARE USED WITH ILLUSTRATIONS TO INDICATE THE FRONT OF THE UNIT. "RIGHT-HAND" AND "LEFT-HAND" SIDES OF THE LOADER OR TRACTOR PARTS ARE DETERMINED BY FACING IN THE DIRECTION OF MACHINE FORWARD TRAVEL

EXCEPTION: FOR ALL BACKHOE PARTS, "RIGHT-HAND" AND "LEFT-HAND" SIDES, "FRONT" AND "REAR" ARE DETERMINED WHEN SEATED FOR BACKHOE OPERATION.

## BOX-ENCLOSED ILLUSTRATIONS

A KEY NUMBER, SHOWN IN THE PARTS LIST, IS ASSIGNED TO A BOX ENCLOSING ALL PARTS SOLD AS A SERVICE ASSEMBLY.

## COMPLETE GOODS LISTINGS

COMPLETE GOODS ARE LISTED IN THE REMARKS COLUMN AS WHOLE GOODS. DO NOT INCLUDE ON REPLACEMENT PARTS ORDER.

## SI UNITS OF MEASURE

METRIC DIMENSIONS ARE GIVEN, WHERE APPLICABLE, THROUGHOUT THIS PARTS CATALOG.

## CHANGE INDICATOR LINE

CHANGES AFFECTING THE ORDERING OF PARTS ARE IDENTIFIED BY VERTICAL LINES MARKED IN THE LEFT-HAND MARGIN OF REVISED PARTS LISTING IMAGES. A LINE IS ALSO AT THE LEFT-HAND EDGE OF THE SAME PART NUMBER IN THE NUMERICAL INDEX TO SHOW THE LOCATION OF REVISED INFORMATION.



## REMARKS AND ABBREVIATIONS

TX1007193

-UN-04MAY06

| PHRASE                       | ENGLISH                        | FRANCAIS                                | DEUTSCH                                | ITALIANO   | ESPAÑOL                       | SVENSKA                                |
|------------------------------|--------------------------------|---|--|--|-------------------------------|--|
| ALSO ORDER, ORD W/           | Also order                     | Commander aussi                         | Ebenso bestellen                       | Ordinare anche                                   | Pedir también                 | Beställ även                           |
| AMP                          | Ampere                         | Ampère                                  | Ampere                                 | Ampere   | Amperio                       | Ampere                                 |
| APPL, APPL ONLY              | This application only          | Uniquement pour cette utilisation       | Nur für diese Anwendung                | Solo per questa applicazione                     | Solo para este propósito      | Endast för denna användning            |
| AR                           | As required                    | Selon le besoin                         | Nach Bedarf                            | Secondo necessità                                | Según necesidad               | Vid behov                              |
| ASSY                         | Complete assembly              | Ensemble complet                        | Kompl.-Zusammenbau                     | Gruppo completo                                  | Montaje completo              | Komplett montering                     |
| CA, CONVENIENCE ASSY         | Convenience assembly           | Ensemble convenance                     | Komfort-Zusammenbau                    | Montaggio pratico                                | Montaje de conveniencia       | Lämplig montering                      |
| CCW                          | Counter-clockwise              | Sens anti-horaire                       | Gegen Uhrzeigersinn                    | Senso antiorario                                 | A la izquierda                | Moturs                                 |
| COMPLETE                     | Complete                       | Complet                                 | Vollständig                            | Completo   | Completo                      | Fullständig                            |
| COMPLETE GOODS               | Complete goods                 | Compléter marchandises                  | Vollst. Waren                          | Merci complete                                   | Mercancías completas          | Kompleta varor                         |
| CTL CUT TO LENGTH            | Cut to length                  | Couper à la longueur                    | Auf Länge zurechtschneiden             | Tagliare alla lunghezza                          | Corte a la longitud           | Skära till längd                       |
| CW                           | Clockwise                      | Sens horaire                            | Im Uhrzeigersinn                       | In senso orario                                  | A la derecha                  | Medurs                                 |
| FOR                          | For                            | Pour                                    | Für                                    | Per  | Para                          | För                                    |
| FRONT                        | Front                          | Avant                                   | Vorn                                   | Anteriore  | Frente                        | Fram                                   |
| GAS                          | Gasoline                       | Essence                                 | Benzin                                 | Benzina  | Gasolina                      | Bensin                                 |
| HP                           | Horsepower                     | Puissance en cv                         | Leistung                               | Potenza  | Potencia                      | Hästkraft                              |
| HFWD                         | Hydraulic Front-wheel Drive    | Traction Avant Hydraulique              | Hydraulischer Vorderradantrieb         | Trazione Anteriore Idraulica                     | Traccion Delantera Hidraulica | Hydraulisk Framhjulsdraft              |
| HS, HEAD MARKED              | High strength, head marked     | Haute résistance, tête marquée          | Hochfest, vorn gekennzeichnet          | Contrassegnato in testa, ad alta resistenza      | Alta fuerza, marca en cabeza  | Hög styrka, huvudmärkt                 |
| ID                           | Inside diameter                | Diamètre intérieur                      | Innendurchmesser                       | Diametro interno                                 | Diá. interior                 | Innerdiameter                          |
| INCH                         | Inch                           | Pouce                                   | In.                                    | Pollice  | Pulg.                         | Tum                                    |
| INCL KEYS                    | Includes keys...               | Comprend les positions...               | Einschließlich Schlüssel...            | Include le chiavette...                          | Incluye posiciones...         | Inklusive nycklar...                   |
| INCL, INCLUDES               | Includes...                    | Comprend...                             | Enthält...                             | Include...                                       | Incluye...                    | Inkluderar...                          |
| INCLUDES PARTS/ ITEMS MARKED | Includes parts/items marked... | Comprend les pièces/articles marqués... | Enthält gekennzeichnete Teile/Pos. ... | Include i pezzi e gli elementi contrassegnati... | Incluye piezas marcadas...    | Inkluderar markerade delar/artiklar... |
| INNER                        | Inner                          | Intérieur                               | Innerer                                | Interno  | Interno                       | Inre, invändig                         |
| KIT                          | Kit                            | Kit                                     | Kit                                    | Kit  | Juego                         | Sats                                   |
| L                            | Number of links                | Nombre de maillons                      | Anzahl der Glieder                     | Numero di maglie                                 | Nº de eslabones               | Antal länkar                           |
| LGTH                         | Length                         | Longueur                                | Länge                                  | Lunghezza  | Longitud                      | Längd                                  |
| LGP                          | Low Ground Pressure            | Faible Pression Au Sol                  | Niederer Bodendruck                    | Bassa Pressione Sul Suolo                        | Baja Presion Sobre El Suelo   | Laagt Marktryck                        |
| LH                           | Left-hand                      | Gauche                                  | Links                                  | Sinistra   | Izquierda                     | Vänster                                |
| LT                           | Long Track                     | Chenille Longue                         | Mit Langem Laufwerk                    | Cingolo Lungo                                    | Cadena Largo                  | Laangt Larvband                        |
| LOW, LOWER                   | Lower                          | Inférieur                               | Unterer                                | Inferiore  | Inferior                      | Nedre                                  |
| MAKE FROM, MF MARKED         | Make from Marked               | Faireavec Marqué                        | Herstellen von Markiert                | Fabbricare da Contrassegnato                     | Hacer de Marcado              | Tillverka av Märkt                     |

TX1007193

## REMARKS AND ABBREVIATIONS

TX1007195

-UN-04MAY06

| PHRASE                 | ENGLISH                                    | FRANCAIS  | DEUTSCH  | ITALIANO                                      | ESPAÑOL                                    | SVENSKA  |
|------------------------|--|---|--|---|--|--|
| MATCHED SET            | Matched set                                | Ensemble assorti                                    | Passender Satz                                     | Set abbinato                                  | Sistema emparejado                         | Anpassad sats                                      |
| MFWD                   | Mechanical Front-Wheel Drive               | Pont Avant  | Allradantrieb                                      | Ruota Motrice Meccanica Anteriore             | Traccion Delantera Mecanica                | Mekanisk Framhjulsdrift                            |
| NA, NOT USED THIS APPL | Not used this application                  | Ne sert pas pour cette application                  | In dieser Anwendung nicht benutzt                  | Non usato in questa applicazione              | No se usa en esta aplicación               | Ej använd i detta sammanhang                       |
| NLA                    | No longer available                        | Épuisé  | Nicht mehr lieferbar                               | Non più disponibile                           | Descontinuado                              | Ej längre tillgänglig                              |
| NSEP                   | Not supplied separately                    | Non livré séparément                                | Nicht einzeln lieferbar                            | Non fornito separatamente                     | No se suministra por separado              | Kan ej erhållas separat                            |
| OD                     | Outside diameter                           | Diamètre extérieur                                  | Außendurchmesser                                   | Diametro esterno                              | Diá. exterior                              | Ytterdiameter                                      |
| OPTIONAL               | Optional                                   | En option   | Wahlweise  | Opzionale                                     | Opcional                                   | Valfri   |
| OR                     | Or   | Ou  | Oder   | Oppure  | O  | Eller  |
| ORD, ORDER             | Order                                      | Commander   | Bestellen  | Ordinare                                      | Pídase                                     | Order  |
| OS                     | Oversize                                   | Sur-dimension                                       | Übergröße  | Maggiorato                                    | Sobretamaño                                | Överdimension                                      |
| OUTER                  | Outer                                      | Externe   | Äußerer  | Esterno                                       | Externo                                    | Yttre, utvändig                                    |
| PKG, PACKG             | Package, Packet of                         | Emballage, paquet de                                | Verpackung, verpackt mit                           | In confezione da                              | Paquete de                                 | I sats; paket                                      |
| PTO                    | Power Take Off                             | Prise De Force                                      | Zapfwelle  | Presa Di Forza                                | Toma De Fuerza                             | Kraftuttag   |
| RATIO                  | Ratio                                      | Rapport   | Übersetzungs-verhältnis                            | Rapporto                                      | Índice                                     | Förhållande  |
| REAR                   | Rear                                       | Arrière   | Hinten   | Posteriore                                    | Trasero                                    | Bak; bakre   |
| REMAN                  | Remanufactured                             | Echange Standard                                    | Generalveberholt                                   | Refatto                                       | Refabricador por                           | Renoverad  |
| REPL                   | Replaces                                   | Remplace  | Ersetzt  | Sostituisce                                   | Sustituye                                  | Ersätter   |
| RH                     | Right-hand                                 | Droit   | Rechts   | Destra  | Derecha                                    | Höger  |
| SN                     | Serial number                              | Numéro de série                                     | Seriennummer                                       | Numero di serie                               | Nº de serie                                | Seriennummer                                       |
| STD                    | Standard                                   | Standard  | Standard   | Standard                                      | Normal                                     | Standard   |
| SUB                    | Replaced by                                | Remplacé par  | Ersetzt durch                                      | Sostituito da                                 | Sustituido por                             | Ersatt med   |
| SUB COMPONENTS         | Substitute components (of the kit or assy) | Substituer les composants (du kit ou de l'ensemble) | Komponenten ersetzen (des Kits oder der Baugruppe) | Sostituire i componenti (del kito del gruppo) | Sustituir los componentes                  | Ersätta komponenterna (i satsen eller monteringen) |
| SUB FOR                | Substitutes for                            | Remplace  | Ersatz für   | Sostituisce                                   | Sustitución para                           | Ersätter   |
| TEETH, Z               | Number of gear teeth                       | Nombre de dents d'engrenages                        | Zahl der Zahnradzähne                              | Numero di denti dell'ingranaggio              | Nº de dientes de engranaje                 | Antal redskapständer                               |
| TK                     | Thickness                                  | Épaisseur   | Stärke   | Spessore                                      | Espesor                                    | Tjocklek   |
| UP, UPPER              | Upper                                      | Supérieur   | Oberer   | Superiore                                     | Superior                                   | Övre   |
| US                     | Undersize                                  | Sous-dimension                                      | Untergröße   | Minorato                                      | Subtamaño                                  | Underdimension                                     |
| USE WITH               | Use with                                   | À utiliser avec                                     | Verwenden mit                                      | Usare con                                     | Usar con                                   | Använd med   |
| USE UNTIL EXHAUSTED    | Use until exhausted                        | Utilisation jusqu'à épuisé                          | Verwenden, bis erschöpft                           | Usare fino all'esaurimento                    | Usar hasta agotar                          | Använda till uttömd                                |
| W/                     | With                                       | Avec  | Mit  | Con   | Con  | Med; inklusive                                     |
| W/O                    | Without                                    | Sans  | Ohne   | Senza   | Sin  | Utän; exklusive                                    |
| WHOLE GOODS            | Whole goods                                | Marchandises entières                               | Vollständige Waren                                 | Merci intere                                  | Mercancías enteras                         | Hela varor   |
| XLT                    | Extra Long Track                           | Chenille Extra Longue                               | Mit Extra Langem Laufwerk                          | Cingolo Extra Lungo                           | Cadena Extra Larga                         | Extra Laangt Larvband                              |
| VEC                    | Vehicle Electronic Controller              | Controlleur Electronique Du Vehicule                | Elektronisches Steuergeraet Des Fahrzeugs          | Unità Di Comando Electronica Del Veicolo      | Unidad de Control Electronico del Vehiculo | Elektronisk Fordonsstyrenhet                       |
| VLC                    | Vehicle Load Center                        | Coffret De Repartition Du Vehicule                  | Verteilerstation Des Fahrzeugs                     | Centro Di Carico Del Veicolo                  | Centro De Cargas Del Vehiculo              | Fordonets Eicentral                                |

TX1007195

# 0001-9

310G, 310SG AND 315SG BACKHOE LOADERS

## ALPHABETICAL INDEX

|   | PAGE     |  | PAGE     |
|---|----------|--|----------|
| A   |          |  |          |
| A/C PRESSURE SWITCH HARNESS.....  | 1674-4   | AIR SUSPENSION SEAT COMPRESSOR.....  | 1821-16  |
| A/C SWITCH.....   | 1674-6   | AIR SUSPENSION SEAT SWITCH.....  | 1674-6   |
| ACCELERATOR PEDAL RUBBER BUMPER.....  | 1812-4   | ALARM SYSTEM, BACK-UP (315SG).....   | 2004-4   |
| ACCESS COVER, INJECTION PUMP GEAR<br>(VSN -911768) 310G (W/O TURBO).....          | 0402-4   | ALARM, BACK-UP ALARM (310G,310SG).....   | 2004-2   |
| ACCESS COVER, INJECTION PUMP GEAR<br>(VSN-910055) 310G(TURBO), 310SG, 315SG.....  | 0402-6   | ALARM, TRAVEL WARNING (310G,310SG).....  | 2004-2   |
| ACCESS COVER, INJECTION PUMP GEAR<br>310G (W/O TURBO) (VSN 911769- ).....         | 0402-4B  | ALARM, TRAVEL WARNING (315SG).....   | 2004-4   |
| ACCESS COVER, INJECTION PUMP GEAR<br>310G(TURBO), 310SG, 315SG (VSN910056- )..... | 0402-6B  | ALTERNATOR<br>(SN -XXXXX).....   | 1672-2   |
| ACCU-SWING VALVE KIT.....   | 3362-29A | ALTERNATOR<br>(SN -XXXXX).....   | 1672-4   |
| ACCUMULATOR SEAL KIT.....   | 2160-24  | ALTERNATOR<br>(SN XXXXXX-).....  | 1672-6   |
| ACCUMULATOR SEAL KIT.....   | 2160-26  | ALTERNATOR ADJUSTING STRAP.....  | 0423-2   |
| ACCUMULATOR VALVE.....  | 2160-24  | ALTERNATOR FAN<br>(SN -XXXXX).....   | 1672-2   |
| ACCUMULATOR VALVE.....  | 2160-26  | ALTERNATOR FAN<br>(SN -XXXXX).....   | 1672-4   |
| ACCUMULATOR, MANIFOLD<br>(PILOT CONTROL).....                                     | 3362-31  | ALTERNATOR FAN<br>(SN XXXXXX-).....  | 1672-6   |
| ACCUMULATOR, RIDE CONTROL.....  | 2160-24  | ALTERNATOR MOUNTING BRACKETS.....  | 0423-2   |
| ACCUMULATOR, RIDE CONTROL.....  | 2160-26  | ALTERNATOR PULLEY<br>(SN -XXXXX).....  | 1672-2   |
| ACCESS COVER , INJECTION PUMP GEAR<br>(VSN-910055) 310G(TURBO), 310SG, 315SG..... | 0402-6   | ALTERNATOR PULLEY<br>(SN -XXXXX).....  | 1672-4   |
| ACTUATOR DOOR RELAY.....  | 1674-4   | ALTERNATOR PULLEY<br>(SN XXXXXX-).....   | 1672-6   |
| ADAPTER KIT, STARTER MOTOR.....   | 0422-6   | ANCHOR, TIE BAND MOUNT, HARNESS<br>SERIAL NO. -XXXXXX.....                       | 1673-4   |
| ADAPTER,ENGINE OIL COOLER.....  | 0419-2   | ANCHOR, TIE BAND MOUNT, HARNESS<br>SERIAL NO. XXXXXX-.....                       | 1673-6   |
| ADAPTER,EXHAUST<br>310G(TURBO), 310SG, 315SG.....                                 | 0410-2   | ANGLE,BACKREST ADJUSTMENT.....   | 1821-2   |
| ADJUSTING STRAP, ALTERNATOR.....  | 0423-2   | ANGLE,BACKREST ADJUSTMENT.....   | 1821-3A  |
| AIR CLEANER.....  | 0520-2   | ANTENNA, RADIO.....  | 2001-2   |
| AIR CLEANER ELEMENT.....  | 0520-2   | ANTI-CAVITATION, BOOM SECTION.....   | 3162-10  |
| AIR CLEANER HOSE.....   | 0520-2   | ANTI-CAVITATION, BUCKET SECTION.....   | 3162-14  |
| AIR CLEANER RESTRICTION INDICATOR SWITCH.....                                     | 0520-2   | ANTI-SKID MAT.....   | 1812-4   |
| AIR CONDITIONING.....   | 1830-6   | ARM (FRAME), SUSPENSION SEAT SCISSOR.....  | 1821-10  |
| AIR CONDITIONING.....   | 1830-7A  | ARM GRIP REPAIR KIT,EXT.DIPPER.....  | 3346-8   |
| AIR CONDITIONING (FREEZE/COMPRESSOR) SWI<br>TCH.....                              | 1830-7A  | ARM RESTS.....   | 1821-2   |
| AIR CONDITIONING COMPRESSOR.....  | 1830-12  | ARM RESTS.....   | 1821-3A  |
| AIR CONDITIONING COMPRESSOR.....  | 1830-14  | ARM, LOADER LIFT.....  | 3140-2   |
| AIR CONDITIONING COMPRESSOR<br>MOUNTING BRACKETS.....                             | 1830-12  | ARM, PILOT CONTROLLER<br>(LEFT SIDE).....  | 1816-14  |
| AIR CONDITIONING COMPRESSOR<br>MOUNTING BRACKETS.....                             | 1830-14  | ARM, PILOT CONTROLLER<br>(RIGHT SIDE).....                                       | 1816-16  |
| AIR CONDITIONING COMPRESSOR DIODE.....  | 1674-8   | ARM, STANDARD.....   | 3346-2   |
| AIR CONDITIONING COMPRESSOR DIODE.....  | 1674-9A  | ARM,STABILIZER (310G,310SG).....   | 3348-2   |
| AIR CONDITIONING COMPRESSOR DIODE.....  | 1674-9C  | ARMS, ROCKER.....  | 0402-2   |
| AIR CONDITIONING COMPRESSOR DRIVE BELT.....                                       | 1830-12  | ATTACHMENT PLUMBING KIT.....   | 3363-42  |
| AIR CONDITIONING COMPRESSOR DRIVE BELT.....                                       | 1830-14  | AUDIBLE ALARM, QUICK COUPLER PIN ENGAGEM<br>ENT.....                             | 1674-5C  |
| AIR CONDITIONING COMPRESSOR HOSES.....  | 1830-12  | AUGER COUPLERS<br>(STANDARD DIPPERSTICK).....                                    | 3363-40  |
| AIR CONDITIONING COMPRESSOR HOSES.....  | 1830-14  | AUGER COUPLERS<br>(WITH EXTENDIBLE DIPPERSTICK).....                             | 3363-38  |
| AIR CONDITIONING CONDENSER.....   | 1830-12  | AUGER HYDRAULIC OIL LINES<br>(WITH EXTENDIBLE DIPPERSTICK).....                  | 3363-38  |
| AIR CONDITIONING CONDENSER.....   | 1830-14  | AUGER HYDRAULICS<br>(STANDARD DIPPERSTICK).....                                  | 3363-40  |
| AIR CONDITIONING DOOR ACTUATOR RELAY.....   | 1674-4   | AUXILIARY HYDRAULICS, STD. DIPPERSTICK<br>(310G AND 310SG).....                  | 3363-20  |
| AIR CONDITIONING DUCTS.....   | 1830-2   | AUXILIARY EQUIPMENT HYDRAULICS, EXTENDIB<br>LE DIPPERSTICK (310G AND 310SG)..... | 3363-24  |
| AIR CONDITIONING DUCTS.....   | 1830-4   | AUXILIARY FUNCTION PEDAL<br>(PILOT CONTROL).....                                 | 3315-15A |
| AIR CONDITIONING RECEIVER DRYER.....  | 1830-12  | AUXILIARY HYDRAULICS, EXT.DIPPERSTICK<br>(315SG).....                            | 3363-26  |
| AIR CONDITIONING RECEIVER DRYER.....  | 1830-14  |  |          |
| AIR CONDITIONING THERMOSTAT SWITCH.....   | 1816-12  |  |          |
| AIR INTAKE SYSTEM<br>310(W/O TURBO).....  | 0414-3   |  |          |
| AIR INTAKE SYSTEM 310G(TURBO), 310SG,<br>315SG (VSN -910055).....                 | 0414-1   |  |          |
| AIR INTAKE SYSTEM 310G(TURBO),310SG,315S<br>G (VSN 910056- ).....                 | 0414-2   |  |          |
| AIR INTAKE TEMPERATURE SENSOR 310G (TURB<br>O),310SG,315SG (VSN 910056- ).....    | 0414-2   |  |          |

# 000I-10

310G, 310SG AND 315SG BACKHOE LOADERS

## ALPHABETICAL INDEX - CONTINUED

|   | PAGE    |   | PAGE    |
|---|---------|---|---------|
| AUXILIARY HYDRAULICS, STD.DIPPERSTICK<br>(315SG).....                   | 3363-22 | BACKHOE BOOM LOCK HYDRAULICS<br>315SG .....                                   | 3363-30 |
| AUXILIARY OIL COOLER KIT (310G).....                                    | 2160-22 | BACKHOE BOOM PIN .....  | 3344-2  |
| AUXILIARY SECTION RELIEF VALVE<br>(SERIAL NO. -913416).....             | 3162-16 | BACKHOE BOOM STOP/CLAMP .....   | 3344-2  |
| AUXILIARY SECTION RELIEF VALVE<br>(SERIAL NO. 913417- ).....            | 3162-20 | BACKHOE BOOM,PROTECTION KIT .....   | 3344-3  |
| AUXILIARY SECTION, BACKHOE VALVE .....                                  | 3362-22 | BACKHOE BUCKET .....  | 3302-14 |
| AUXILIARY SECTION, LOADER VALVE<br>(SERIAL NO. -913416).....            | 3162-16 | BACKHOE BUCKET .....  | 3302-16 |
| AUXILIARY SECTION, LOADER VALVE<br>(SERIAL NO. 913417- ).....           | 3162-20 | BACKHOE BUCKET CUTTING EDGE .....   | 3302-14 |
| AUXILIARY VALVE KIT, LOADER<br>(SERIAL NO. -913416).....                | 3162-18 | BACKHOE BUCKET CUTTING EDGE .....   | 3302-16 |
| AXLE HOUSING .....  | 0201-2  | BACKHOE BUCKET CYLINDER<br>(310G)(SER.# 910901-925926) .....                  | 3365-11 |
| AXLE HOUSING .....  | 0201-4  | BACKHOE BUCKET CYLINDER<br>(310G)(SER.# 925927- ) .....                       | 3365-12 |
| AXLE HOUSING ASSEMBLY (MFWD).....                                       | 0250-4  | BACKHOE BUCKET CYLINDER<br>(310G)(SN -910900).....                            | 3365-10 |
| AXLE HOUSING, FRONT (WITHOUT MFWD)<br>(SERIAL NO. 911132- ).....        | 0230-6  | BACKHOE BUCKET CYLINDER<br>(310SG,315SG) (SN -926788) .....                   | 3365-15 |
| AXLE PIVOT PIN (WITHOUT MFWD)<br>(SERIAL NO. -911131).....              | 0230-2  | BACKHOE BUCKET CYLINDER<br>(310SG,315SG) (SN 926789-) .....                   | 3365-16 |
| AXLE ROLLER BEARING .....   | 0201-2  | BACKHOE BUCKET CYLINDER<br>(310SG,315SG) SERIAL NO. 926130-) .....            | 3365-14 |
| AXLE ROLLER BEARING .....   | 0201-4  | BACKHOE BUCKET CYLINDER<br>310SG,315SG (SERIAL NO. -926129) .....             | 3365-13 |
| AXLE SHAFT .....  | 0201-2  | BACKHOE BUCKET CYLINDER HYDRAULICS .....                                      | 3363-8  |
| AXLE SHAFT .....  | 0201-4  | BACKHOE BUCKET CYLINDER REPAIR KIT<br>(310G)(SER.# 910901-925926) .....       | 3365-11 |
| AXLE SWIVEL HOUSING, FRONT<br>(WITHOUT MFWD)(SERIAL NO. 911132- ) ..... | 0230-7  | BACKHOE BUCKET CYLINDER REPAIR KIT<br>(310G)(SER.# 925927- ) .....            | 3365-12 |
| AXLE, FRONT (MFWD).....   | 0250-1  | BACKHOE BUCKET CYLINDER REPAIR KIT<br>(310G)(SN -910900).....                 | 3365-10 |
| AXLE, FRONT (WITHOUT MFWD)<br>(SERIAL NO. -911131).....                 | 0230-2  | BACKHOE BUCKET CYLINDER REPAIR KIT<br>(310SG,315SG) (SN -926788) .....        | 3365-15 |
| AXLE, FRONT (WITHOUT MFWD)<br>(SERIAL NO. 911132- ).....                | 0230-5  | BACKHOE BUCKET CYLINDER REPAIR KIT<br>(310SG,315SG) (SN 926789-) .....        | 3365-16 |
| <b>B</b>  |         |   |         |
| BACK-UP ALARM SYSTEM (310G,310SG).....                                  | 2004-2  | BACKHOE BUCKET CYLINDER REPAIR KIT<br>(310SG,315SG) SERIAL NO. 926130-) ..... | 3365-14 |
| BACK-UP ALARM SYSTEM (315SG) .....                                      | 2004-4  | BACKHOE BUCKET CYLINDER REPAIR KIT<br>310SG,315SG (SERIAL NO. -926129) .....  | 3365-13 |
| BACK, SEAT .....  | 1821-4  | BACKHOE BUCKET PIN LUBE KIT<br>(310G) .....                                   | 3345-6  |
| BACKHOE BOOM.....   | 3344-2  | BACKHOE BUCKET PINS.....  | 3302-14 |
| BACKHOE BOOM CYLINDER<br>(310G).....                                    | 3365-2  | BACKHOE BUCKET PINS.....  | 3302-16 |
| BACKHOE BOOM CYLINDER<br>(310G)(SN 926130- ).....                       | 3365-4  | BACKHOE CONTROL LEVER CONVERSION LINKAGE<br>(SAE PATTERN) .....               | 3315-26 |
| BACKHOE BOOM CYLINDER<br>(310SG,315SG)(SN -926129) .....                | 3365-6  | BACKHOE CONTROL VALVE .....   | 3362-4  |
| BACKHOE BOOM CYLINDER<br>(310SG,315SG)(SN 926130- ).....                | 3365-8  | BACKHOE CONTROL VALVE .....   | 3362-6  |
| BACKHOE BOOM CYLINDER REPAIR KIT<br>(310G).....                         | 3365-2  | BACKHOE CONTROL VALVE LINKAGE, TWO LEVER<br>(310G AND 310SG).....             | 3315-6  |
| BACKHOE BOOM CYLINDER REPAIR KIT<br>(310G)(SN 926130- ).....            | 3365-4  | BACKHOE CONTROLS COVER .....  | 1816-2  |
| BACKHOE BOOM CYLINDER REPAIR KIT<br>(310SG,315SG)(SN -926129) .....     | 3365-6  | BACKHOE CONTROLS, PILOT CONTROLLER ARM<br>(LEFT SIDE) .....                   | 1816-14 |
| BACKHOE BOOM CYLINDER REPAIR KIT<br>(310SG,315SG)(SN 926130- ) .....    | 3365-8  | BACKHOE CONTROLS, PILOT CONTROLLER ARM<br>(RIGHT SIDE).....                   | 1816-16 |
| BACKHOE BOOM LOCK<br>(310G AND 310SG) .....                             | 3315-20 | BACKHOE CYLINDER HYDRAULICS (315SG) .....                                     | 3363-32 |
| BACKHOE BOOM LOCK CONTROL LEVER<br>(310G AND 310SG) .....               | 3315-18 | BACKHOE LEVER COVER .....   | 1816-4  |
| BACKHOE BOOM LOCK CONTROL LEVER<br>(315SG).....                         | 3315-22 | BACKHOE LEVERS COVER .....  | 1816-2  |
| BACKHOE BOOM LOCK CONTROL SOLENOID<br>(315SG).....                      | 3315-22 | BACKHOE LINKAGE, FIFTH FN LEVER FOR<br>THREE LEVER CONTROLS.....              | 3315-16 |
| BACKHOE BOOM LOCK CONTROL WIRE HARNESS<br>(315SG).....                  | 3315-22 | BACKHOE MAIN FRAME(315SG).....  | 1740-4  |
|   |         | BACKHOE OIL LINES CLAMP .....   | 3344-2  |
|   |         | BACKHOE STABILIZER CYLINDER HYDRAULICS .....                                  | 3363-2  |
|   |         | BACKHOE STABILIZER CYLINDER HYDRAULICS .....                                  | 3363-3A |
|   |         | BACKHOE STABILIZER CYLINDER HYDRAULICS,<br>SIDESHIFT 315SE .....              | 3363-4  |
|   |         | BACKHOE SWING CYLINDER HYDRAULICS<br>(315SG).....                             | 3363-16 |

## ALPHABETICAL INDEX - CONTINUED

|  | PAGE    |  | PAGE    |
|--|---------|--|---------|
| BACKHOE SWING LOCK CONTROL LEVER<br>(315SG).....                         | 3315-22 | BEARINGS,CONNECTING ROD 310G (W/O TURBO)<br>(VSN -911768).....           | 0403-2  |
| BACKHOE THREE LEVER CONTROL VALVE<br>CONVERSION KIT(310G AND 310SG)..... | 3315-8  | BELL HOUSING.....  | 0341-1  |
| BACKHOE VALVE AUXILIARY SECTION .....                                    | 3362-22 | BELL HOUSING.....  | 0341-2  |
| BACKHOE VALVE BOOM SECTION.....  | 3362-10 | BELLVILLEWASHER, FIRST GEAR, POWER SHIFT .....                           | 0350-14 |
| BACKHOE VALVE BOOM,PILOT SECTION .....                                   | 3362-40 | BELLVILLEWASHER, FORWARD, POWER SHIFT .....                              | 0350-22 |
| BACKHOE VALVE BUCKET SECTION .....                                       | 3362-12 | BELLVILLEWASHER, REVERSE, POWER SHIFT .....                              | 0350-24 |
| BACKHOE VALVE BUCKET, PILOT SECTION .....                                | 3362-42 | BELLVILLEWASHER, 2ND GEAR, POWER SHIFT .....                             | 0350-16 |
| BACKHOE VALVE CROWD SECTION.....   | 3362-14 | BELLVILLEWASHER, 3RD GEAR, POWER SHIFT .....                             | 0350-18 |
| BACKHOE VALVE CROWD, PILOT SECTION.....                                  | 3362-44 | BELLVILLEWASHER, 4TH GEAR, POWER SHIFT.....                              | 0350-20 |
| BACKHOE VALVE EXTENDIBLE SECTION .....                                   | 3362-18 | BELT, DRIVE  |         |
| BACKHOE VALVE MOUNTING PLATE<br>(PILOT CONTROL).....                     | 3315-3A | 310G(TURBO),310SG,315SG .....  | 0429-2  |
| BACKHOE VALVE MOUNTING PLATE<br>310G,310SG .....                         | 3315-2  | BELT, TETHER.....  | 1821-16 |
| BACKHOE VALVE MOUNTING PLATE<br>315SG .....                              | 3315-4  | BELT,AIR CONDITIONING COMPRESSOR DRIVE .....                             | 1830-12 |
| BACKHOE VALVE PRIORITY INLET SECTION .....                               | 3362-8  | BELT,AIR CONDITIONING COMPRESSOR DRIVE .....                             | 1830-14 |
| BACKHOE VALVE SELECTIVE FLOW SECTION.....                                | 3362-20 | BELT,FAN DRIVE .....   | 0510-2  |
| BACKHOE VALVE SWING SECTION .....  | 3362-16 | BELTS, SEAT .....  | 1821-2  |
| BACKHOE VALVE SWING, PILOT SECTION .....                                 | 3362-46 | BELTS, SEAT .....  | 1821-3A |
| BACKHOE VALVE TWO LEVER CONVERSION KIT<br>(310G AND 310SG).....          | 3315-6  | BELTS, TETHER WITH NON-SUSPENDED SEAT .....                              | 1821-12 |
| BACKHOE, FOUR-LEVER CONTROLS, STANDARD<br>(310G,310SG).....              | 3315-10 | BEVEL DRIVE GEAR (MFWD)<br>(310SG,315SG).....                            | 0250-10 |
| BACKHOE, THREE LEVER CONTROL VALVE<br>LINKAGE (310G AND 310SG).....      | 3315-8  | BLOCK, CYLINDER<br>310G(TURBO), 310SG, 315SG (VSN-910055) .....          | 0404-2  |
| BACKREST ADJUSTMENT ANGLE .....  | 1821-2  | BLOCK, TRUNNION SWING CYLINDER, 315SG.....                               | 3342-2  |
| BACKREST ADJUSTMENT ANGLE .....  | 1821-3A | BLOCK,TRUNNION SWING CYLINDER,310G,310SG .....                           | 1740-2  |
| BALANCER SHAFT, ENGINE<br>310G(TURBO), 310SG, 315SG .....                | 0415-2  | BLOWER MOTOR PRESSURIZER .....   | 1830-6  |
| BANK, FRONT AXLE GREASE.....   | 1370-2  | BLOWER MOTOR PRESSURIZER .....   | 1830-7A |
| BAR, CYLINDER SERVICE LOCK .....   | 1313-2  | BOLT, STRIKER, HOOD .....  | 1910-2  |
| BARREL, STEERING CYLINDER (MFWD) .....                                   | 0960-12 | BOLT, STRIKER, HOOD .....  | 1910-4  |
| BARRIER, HEAT AND NOISE .....  | 1834-2  | BOOM CYL.KIT, CONTROLLED LOWERING DEVICE .....                           | 3363-34 |
| BASE, SEAT FOR NON-SUSPENDED SEAT .....                                  | 1821-14 | BOOM CYL.KIT, LOWERING DEVICE,CONTROLLED .....                           | 3363-34 |
| BASE, SEAT WITH NON-SUSPENDED SEAT.....                                  | 1821-12 | BOOM CYLINDER  |         |
| BATTERIES,DUAL .....   | 1671-4  | (310SG AND 315SG)(SER.# 910492-926248) .....                             | 3165-8  |
| BATTERY BOX.....   | 1913-2  | BOOM CYLINDER HYDRAULIC HOSES.....                                       | 3363-6  |
| BATTERY CABLE, SINGLE .....  | 1671-2  | BOOM CYLINDER HYDRAULIC OIL LINES .....                                  | 3363-6  |
| BATTERY COVER .....  | 1913-2  | BOOM CYLINDER HYDRAULICS, LOADER .....                                   | 3163-2  |
| BATTERY DISCONNECT SWITCH,MASTER .....                                   | 1671-6  | BOOM CYLINDER HYDRAULICS, LOADER .....                                   | 3163-4  |
| BATTERY INSTALLATION, SINGLE .....                                       | 1671-2  | BOOM CYLINDER REPAIR KIT<br>(310SG AND 315SG)(SER.# 910492-926248) ..... | 3165-8  |
| BEACON, ROTATING .....   | 1673-2  | BOOM CYLINDER REPAIR KIT, BACKHOE<br>(310G) .....                        | 3365-2  |
| BEACON, STROBE .....   | 1673-2  | BOOM CYLINDER REPAIR KIT, BACKHOE<br>(310G)(SN 926130- ).....            | 3365-4  |
| BEARING, FRONT WHEEL (WITHOUT MFWD)<br>(SERIAL NO. -911131).....         | 0230-4  | BOOM CYLINDER REPAIR KIT, BACKHOE<br>(310SG,315SG)(SN -926129) .....     | 3365-6  |
| BEARING,FRONT AXLE HOUSING<br>(WITHOUT MFWD)(SERIAL NO. 911132- ) .....  | 0230-6  | BOOM CYLINDER REPAIR KIT, BACKHOE<br>(310SG,315SG)(SN 926130- ) .....    | 3365-8  |
| BEARINGS, MAIN<br>310G (W/O TURBO) (VSN 911769-) .....                   | 0401-2  | BOOM CYLINDER, BACKHOE<br>(310G) .....                                   | 3365-2  |
| BEARINGS, MAIN<br>310G (W/O TURBO) (VSN-911768) .....                    | 0401-1A | BOOM CYLINDER, BACKHOE<br>(310G)(SN 926130- ).....                       | 3365-4  |
| BEARINGS, MAIN<br>310G(TURBO),310SG,315SG (VSN -910055) .....            | 0401-4  | BOOM CYLINDER, BACKHOE<br>(310SG,315SG)(SN -926129) .....                | 3365-6  |
| BEARINGS, MAIN<br>310G(TURBO),310SG,315SG (VSN -910055) .....            | 0401-5  | BOOM CYLINDER, BACKHOE<br>(310SG,315SG)(SN 926130- ) .....               | 3365-8  |
| BEARINGS, MAIN<br>310G(TURBO),310SG,315SG (VSN 910056- ) .....           | 0401-6  | BOOM LEVER LOCK COVER .....  | 1816-10 |
| BEARINGS,CONNECTING ROD<br>310G (W/O TURBO) (VSN 911769-) .....          | 0403-2A | BOOM LEVER LOCK COVER .....  | 1816-12 |
| BEARINGS,CONNECTING ROD<br>310G(TURBO) 310SG 315SG (VSN 910056-) .....   | 0403-3A | BOOM LOCK CONTROL LEVER<br>(310G AND 310SG).....                         | 3315-18 |
| BEARINGS,CONNECTING ROD<br>310G(TURBO), 310SG, 315SG (VSN-910055) .....  | 0403-2B | BOOM LOCK, BACKHOE<br>(310G AND 310SG).....                              | 3315-20 |
|  |         | BOOM PIN, BACKHOE.....   | 3344-2  |
|  |         | BOOM SECTION ANTI-CAVITATION RELIEF .....                                | 3162-10 |
|  |         | BOOM SECTION RELIEF VALVE.....   | 3162-8  |
|  |         | BOOM SECTION RELIEF VALVE .....  | 3162-10 |
|  |         | BOOM SECTION RELIEF VALVE.....   | 3362-10 |
|  |         | BOOM SECTION, BACKHOE VALVE .....  | 3362-10 |

# 000I-12

310G, 310SG AND 315SG BACKHOE LOADERS

## ALPHABETICAL INDEX - CONTINUED

|  | PAGE    |   | PAGE    |
|--|---------|---|---------|
| BOOM SECTION, LOADER VALVE .....           | 3162-8  | BUCKET CYLINDER HYDRAULICS, BACKHOE .....   | 3363-8  |
| BOOM SECTION, LOADER VALVE .....           | 3162-10 | BUCKET CYLINDER LINES, BACKHOE .....        | 3363-8  |
| BOOM SERVICE LOCK BAR .....                | 1313-2  | BUCKET CYLINDER, BACKHOE                    |         |
| BOOM STOP/CLAMP, BACKHOE .....             | 3344-2  | (310SG, 315SG) (SN -926788) .....           | 3365-15 |
| BOOM, LOADER .....                         | 3140-2  | BUCKET CYLINDER, BACKHOE                    |         |
| BOOM, PILOT SECTION RELIEF VALVE .....     | 3362-40 | (310SG, 315SG) (SN 926789-) .....           | 3365-16 |
| BOOM, BACKHOE .....                        | 3344-2  | BUCKET CYLINDER, BACKHOE                    |         |
| BOOM, PILOT SECTION, BACKHOE VALVE .....   | 3362-40 | (310SG, 315SG) SERIAL NO. 926130-) .....    | 3365-14 |
| BRACKET, MECHANICAL SUSPENDED SEAT .....   | 1821-8  | BUCKET CYLINDER, BACKHOE                    |         |
| BRACKET, TRANSMISSION SHIFTER CARROT ..... | 0315-2  | 310SG, 315SG (SERIAL NO. -926129) .....     | 3365-13 |
| BRACKET, TRANSMISSION SHIFTER LEVER .....  | 0315-6  | BUCKET CYLINDER, LOADER                     |         |
| BOTTOM GUARD .....                         | 1746-4  | (SERIAL NO. -941225) .....                  | 3165-10 |
| BOX, BATTERY .....                         | 1913-2  | BUCKET CYLINDER, LOADER                     |         |
| BOX, TOOL .....                            | 1913-2  | (SERIAL NO. 941226- ) .....                 | 3165-12 |
| BRACKET, AIR CLEANER MOUNTING .....        | 0520-2  | BUCKET CYLINDER, LOADER                     |         |
| BRACKET, ENGINE MOUNTING .....             | 0540-2  | (SN 941226- ) REPLACEMENT .....             | 3165-14 |
| BRACKET, EXTERNAL REAR VIEW MIRROR .....   | 2002-3  | BUCKET CYLINDER, MULTI-PURPOSE              |         |
| BRACKET, HARNESS COVER .....               | 1812-4  | (SERIAL NO. -925076) .....                  | 3102-12 |
| BRACKET, HORN (SERIAL NO. -910147) .....   | 2004-6  | BUCKET CYLINDER, MULTI-PURPOSE              |         |
| BRACKET, INTERIOR REAR VIEW MIRROR .....   | 2002-2  | (SERIAL NO. 925077-) .....                  | 3102-13 |
| BRACKET, LICENCE PLATE .....               | 1314-2  | BUCKET LEVELING LINKAGE .....               | 3115-2  |
| BRACKET, STRIKER BOLT .....                | 1910-2  | BUCKET LEVELING LINKAGE .....               | 3115-4  |
| BRACKET, STRIKER BOLT .....                | 1910-4  | BUCKET LEVELING ROD .....                   | 3115-2  |
| BRACKET, BACKHOE VALVE MOUNTING            |         | BUCKET LEVELING ROD .....                   | 3115-4  |
| (PILOT CONTROL) .....                      | 3315-3A | BUCKET LEVELING YOKE .....                  | 3115-2  |
| BRACKET, BACKHOE VALVE MOUNTING            |         | BUCKET LEVELING YOKE .....                  | 3115-4  |
| 310G, 310SG .....                          | 3315-2  | BUCKET LINKAGE, LOADER .....                | 3140-4  |
| BRACKET, BACKHOE VALVE MOUNTING            |         | BUCKET LINKS AND PINS, BACKHOE              |         |
| 315SG .....                                | 3315-4  | (310SG AND 315SG) .....                     | 3345-4  |
| BRACKET, RADIO ANTENA .....                | 2001-2  | BUCKET LINKS AND PINS, BACKHOE (310G) ..... | 3345-2  |
| BRACKET, STABILIZER VALVE MOUNTING         |         | BUCKET PIN .....                            | 3346-2  |
| (PILOT CONTROL) .....                      | 3315-3A | BUCKET PINS, LOADER .....                   | 3102-6  |
| BRACKET, STABILIZER VALVE MOUNTING         |         | BUCKET SECTION ANTI-CAVITATION RELIEF ..... | 3162-14 |
| 310G, 310SG .....                          | 3315-2  | BUCKET SECTION RELIEF VALVE .....           | 3162-12 |
| BRACKET, STABILIZER VALVE MOUNTING         |         | BUCKET SECTION RELIEF VALVE .....           | 3162-14 |
| 315SG .....                                | 3315-4  | BUCKET SECTION RELIEF VALVE .....           | 3362-12 |
| BRACKET, TRANSMISSION SHIFTER LEVER .....  | 0315-6  | BUCKET SECTION, BACKHOE VALVE .....         | 3362-12 |
| BRACKETS, SEAT .....                       | 1821-2  | BUCKET SECTION, LOADER VALVE .....          | 3162-12 |
| BRACKETS, SEAT .....                       | 1821-3A | BUCKET SECTION, LOADER VALVE .....          | 3162-14 |
| BRACKETS, ALTERNATOR MOUNTING .....        | 0423-2  | BUCKET SPACER, SYNTHETIC .....              | 3346-2  |
| BRAKE DISK .....                           | 1011-2  | BUCKET, LOADER                              |         |
| BRAKE HOUSING .....                        | 1011-2  | .76 CUBIC METER (1.00 CUBIC YARD) .....     | 3102-2  |
| BRAKE LIGHT PRESSURE SWITCH .....          | 1060-2  | BUCKET, LOADER                              |         |
| BRAKE PEDAL .....                          | 1060-2  | .90 CUBIC METER (1.20 CUBIC YARD) .....     | 3102-2  |
| BRAKE PISTON .....                         | 1011-2  | BUCKET, LOADER                              |         |
| BRAKE SERVICE, HYDRAULICS .....            | 1060-6  | .96 CUBIC METER (1.25 CUBIC YARD) .....     | 3102-2  |
| BRAKE VALVE .....                          | 1060-2  | BUCKET, LOADER, COUPLER                     |         |
| BRAKE VALVE .....                          | 1060-4  | .76 CUBIC METER (1.00 CUBIC YARD) .....     | 3102-14 |
| BRAKE VALVE BOOST PLUMBING                 |         | BUCKET, LOADER, COUPLER                     |         |
| (CAB), 310G AND 310SG .....                | 1060-8  | .96 CUBIC METER (1.25 CUBIC YARD) .....     | 3102-14 |
| BRAKE VALVE BOOST PLUMBING                 |         | BUCKET, MULTI-PURPOSE .....                 | 3102-8  |
| (ROPS), 310G AND 310SG .....               | 1060-10 | BUCKET, PILOT SECTION RELIEF VALVE .....    | 3362-42 |
| BRAKE VALVE HOUSING .....                  | 1060-2  | BUCKET, PILOT SECTION, BACKHOE VALVE .....  | 3362-42 |
| BRAKE VALVE HOUSING .....                  | 1060-4  | BUCKET, BACKHOE .....                       | 3302-14 |
| BRAKE VALVE KIT .....                      | 1060-4  | BUCKET, BACKHOE .....                       | 3302-16 |
| BRAKE VALVE MOUNTING PLATE .....           | 1060-2  | BUCKET, LOADER                              |         |
| BRAKE VALVE PUSH ROD .....                 | 1060-4  | .86 CUBIC METER (1.13 CUBIC YARD) .....     | 3102-4  |
| BRAKE, PARK                                |         | BUCKET, LOADER                              |         |
| (AXLE SERIAL NO. -217496) .....            | 1111-2  | 1.00 CUBIC METER (1.30 CUBIC YARD) .....    | 3102-4  |
| BRAKE, PARK                                |         | BUCKET, LOADER, COUPLER                     |         |
| (AXLE SERIAL NO. 217497- ) .....           | 1111-4  | .86 CUBIC METER (1.13 CUBIC YARD) .....     | 3102-16 |
| BRAKES, SERVICE .....                      | 1011-2  | BUCKET, LOADER, COUPLER                     |         |
| BREATHER FILTER, HYDRAULIC RESERVOIR ..... | 2160-12 | 1.00 CUBIC METER (1.31 CUBIC YARD) .....    | 3102-16 |
| BREATHER, TRANSMISSION .....               | 0341-1  | BUCKET, MULTI-PURPOSE .....                 | 3102-10 |
| BREATHER, TRANSMISSION .....               | 0341-2  | BUCKET, MULTI-PURPOSE, COUPLER .....        | 3102-18 |
| BUCKET CYLINDER HYDRAULIC HOSES            |         | BUCKET, MULTI-PURPOSE, COUPLER .....        | 3102-20 |
| (EXTENDIBLE DIPPERSTICK) .....             | 3363-10 |   |         |



## ALPHABETICAL INDEX - CONTINUED

|   | PAGE     |  | PAGE    |
|---|----------|--|---------|
| CLUTCH BACKING PLATE, POWER SHIFT.....  | 0350-22  | CONSOLE, FRONT.....  | 1816-8  |
| CLUTCH BACKING PLATE, POWER SHIFT.....  | 0350-24  | CONTROLLED LOWERING DEVICE, BOOM CYL.KIT.....                        | 3363-34 |
| CLUTCH CARRIER, FIRST GEAR, POWER SHIFT.....  | 0350-14  | CONTROL CABLE, HEATER VALVE.....                                     | 1830-6  |
| CLUTCH CARRIER, FORWARD, POWER SHIFT.....   | 0350-22  | CONTROL CABLE, HEATER VALVE.....                                     | 1830-8  |
| CLUTCH CARRIER, FOURTH GEAR, POWER SHIFT.....                                       | 0350-20  | CONTROL COVER, BACKHOE, TWO LEVER.....                               | 1816-2  |
| CLUTCH CARRIER, REVERSE, POWER SHIFT.....   | 0350-24  | CONTROL HANDLE, PILOT,BUTTON FUNTION KIT.....                        | 3362-38 |
| CLUTCH CARRIER, SECOND GEAR, POWER SHIFT.....                                       | 0350-16  | CONTROL LEVER CONSOLE, BACKHOE.....                                  | 1816-4  |
| CLUTCH CARRIER, THIRD GEAR, POWER SHIFT.....  | 0350-18  | CONTROL LEVER, TRANSMISSION.....                                     | 0315-4  |
| CLUTCH DISK, PARK BRAKE<br>(AXLE SERIAL NO. -217496).....                           | 1111-2   | CONTROL LEVER, BACKHOE BOOM LOCK<br>(310G AND 310SG).....            | 3315-18 |
| CLUTCH DISK, PARK BRAKE<br>(AXLE SERIAL NO. 217497- ).....                          | 1111-4   | CONTROL LEVER, BACKHOE BOOM LOCK<br>(315SG).....                     | 3315-22 |
| CLUTCH HUB.....   | 0350-2   | CONTROL LEVER, BACKHOE SWING LOCK<br>(315SG).....                    | 3315-22 |
| CLUTCH HUB.....   | 0350-4   | CONTROL VALVE LINKAGE, STABILIZER.....                               | 3315-24 |
| COIL, CONTROL VALVE SOLENIOD<br>SYNCHRO-SHUTTLE.....                                | 0360-4   | CONTROL VALVE LINKAGE, THREE LEVER,<br>BACKHOE (310G AND 310SG)..... | 3315-8  |
| COLD WEATHER STARTING AID.....  | 0505-4   | CONTROL VALVE LINKAGE, BACKHOE, TWO LEVER<br>(310G AND 310GS).....   | 3315-6  |
| COLD WEATHER STARTING AID.....  | 0505-6   | CONTROL VALVE PISTON.....  | 0360-2  |
| COLD WEATHER STARTING AID SOLENIOD.....   | 0505-4   | CONTROL VALVE SOLENIOD COIL<br>SYNCHRO-SHUTTLE.....                  | 0360-4  |
| COLD WEATHER STARTING AID SOLENIOD.....   | 0505-6   | CONTROL VALVE SOLENIOD KIT<br>SYNCHRO-SHUTTLE.....                   | 0360-4  |
| COLUMN, STEERING.....   | 0960-2   | CONTROL VALVE SOLENIOD,<br>SYNCHRO-SHUTTLE.....                      | 0360-4  |
| COLUMN, STEERING.....   | 0960-4   | CONTROL VALVE, BACKHOE.....  | 3362-4  |
| COLUMN, TILT STEERING.....  | 0960-4   | CONTROL VALVE, BACKHOE.....  | 3362-6  |
| COMPRESSOR DIODE, A/C.....  | 1674-8   | CONTROL VALVE, LOADER/STABILIZER.....                                | 3162-4  |
| COMPRESSOR DIODE, A/C.....  | 1674-9A  | CONTROL VALVE, PILOT, LEFT.....                                      | 3362-34 |
| COMPRESSOR DIODE, A/C.....  | 1674-9C  | CONTROL VALVE, PILOT, RIGHT.....                                     | 3362-36 |
| COMPRESSOR MOUNTING BRACKETS,<br>AIR CONDITIONING.....                              | 1830-12  | CONTROL VALVE, TRANSMISSION.....                                     | 0360-2  |
| COMPRESSOR MOUNTING BRACKETS,<br>AIR CONDITIONING.....                              | 1830-14  | CONTROL VALVE, TRANSMISSION(POWER SHIFT).....                        | 0360-6  |
| COMPRESSOR, AIR CONDITIONING.....   | 1830-12  | CONTROL, RIDE.....   | 2160-24 |
| COMPRESSOR, AIR CONDITIONING.....   | 1830-14  | CONTROL, RIDE.....   | 2160-26 |
| COMPRESSOR, AIR SUSPENSION SEAT.....  | 1821-16  | CONTROL, RIDE.....   | 2160-26 |
| CONDENSER, AIR CONDITIONING.....  | 1830-12  | CONTROL, TEMPERATURE HEATER.....                                     | 1830-8  |
| CONDENSER, AIR CONDITIONING.....  | 1830-14  | CONTROLLED LOWERING DEVICE, CROWD CYL.KIT.....                       | 3363-36 |
| CONNECTING ROD<br>310G (W/O TURBO) (VSN 911769- ).....                              | 0403-2A  | CONTROLLER ARM, PILOT<br>(LEFT SIDE).....                            | 1816-14 |
| CONNECTING ROD<br>310G(TURBO) 310SG 315SG (VSN 910056- ).....                       | 0403-3A  | CONTROLLER ARM, PILOT<br>(RIGHT SIDE).....                           | 1816-16 |
| CONNECTING ROD<br>310G(TURBO), 310SG, 315SG (VSN-910055).....                       | 0403-2B  | CONTROLLER, LEFT HAND VALVE.....                                     | 3362-34 |
| CONNECTING ROD BEARINGS<br>310G (W/O TURBO) (VSN 911769- ).....                     | 0403-2A  | CONTROLLER, RIGHT HAND VALVE.....                                    | 3362-36 |
| CONNECTING ROD BEARINGS<br>310G(TURBO) 310SG 315SG (VSN 910056- ).....              | 0403-3A  | CONTROLLER, ENGINE<br>310G(TURBO), 310SG, 315SG (VSN 910056- ).....  | 0413-10 |
| CONNECTING ROD BEARINGS<br>310G(TURBO), 310SG, 315SG (VSN-910055).....              | 0403-2B  | CONTROLLER, ENGINE<br>310G(W/O TURBO)(VSN 911769- ).....             | 0413-6  |
| CONNECTING ROD BEARINGS 310G (W/O TURBO)<br>(VSN -911768).....                      | 0403-2   | CONTROLS, FOUR-LEVER STANDARD BACKHOE<br>(310G, 310SG).....          | 3315-10 |
| CONNECTING ROD 310G (W/O TURBO)<br>(VSN -911768).....                               | 0403-2   | CONVERSION, BACKHOE CONTROL LEVER<br>LINKAGE (SAE PATTERN).....      | 3315-26 |
| CONNECTOR, SOLENIOD, STANADYNE DE10<br>310G (W/O TURBO) (VSN 911769- ).....         | 0413-12A | CONVERTER, TORQUE.....   | 0350-1  |
| CONNECTOR, SOLENIOD, STANADYNE DE10<br>310G (W/O TURBO) (VSN 911769- ).....         | 0413-12B | COOLANT RECOVERY TANK.....   | 0510-2  |
| CONNECTOR, SOLENIOD, STANADYNE DE10<br>310G(TURBO), 310SG/315SG (VSN 910056- )..... | 0413-13A | COOLANT, ENGINE HEATER.....  | 0505-2  |
| CONNECTOR, SOLENIOD, STANADYNE DE10<br>310G(TURBO), 310SG/315SG (VSN 910056- )..... | 0413-13B | COOLER LINES.....  | 2160-10 |
| CONNECTORS, WEATHERPACK.....  | 1674-20  | COOLER, FUEL.....  | 0560-4  |
| CONSOLE WIRING HARNESS, FRONT<br>WITH CAB.....                                      | 1674-2   | COOLER, HYD. OIL KIT AND HOSES (310G).....                           | 2160-22 |
| CONSOLE WIRING HARNESS, FRONT<br>WITH CAB.....                                      | 1674-3A  | COOLER, TRANSMISSION, HYD. OIL.....                                  | 2160-18 |
| CONSOLE WIRING HARNESS, SIDE<br>WITH CAB.....                                       | 1674-4   | COOLER, HYD. OIL AND HOSES (HI-AMBIENT).....                         | 2160-20 |
| CONSOLE, BACKHOE CONTROL LEVER.....   | 1816-4   | COOLER, HYDRAULIC OIL AND HOSES.....                                 | 2160-18 |
|   |          | COOLER, HYDRAULIC OIL AND HOSES (310G).....                          | 2160-16 |
|   |          | CORD, MANUAL HOLDER ATTACHMENT.....                                  | 1811-2  |
|   |          | CORE, FUEL COOLER.....   | 0560-4  |
|   |          | CORE, HEATER (20,000 BTU).....                                       | 1830-10 |
|   |          | CORNER WINDOWPANE, REAR<br>(SER.NO. -920856).....                    | 1814-8  |



# 0001-15

310G, 310SG AND 315SG BACKHOE LOADERS

## ALPHABETICAL INDEX - CONTINUED

|   | PAGE    |   | PAGE    |
|---|---------|---|---------|
| CORNER WINDOWPANE, REAR<br>(SER.NO. 920857- ) .....                                 | 1814-9A | COVER, SEAT BELT .....  | 1821-2  |
| COUNTERWEIGHT FRAME .....   | 1749-3  | COVER, SEAT BELT .....  | 1821-3A |
| COUNTERWEIGHT, FRONT .....  | 1749-2  | COVER, SHIFT HOUSING .....  | 0315-2  |
| COUPLER FRAME, FORKLIFT .....   | 3103-2  | COVER, STABILIZER CONTROL .....   | 1816-10 |
| COUPLER LOADER BUCKET<br>.76 CUBIC METER (1.00 CUBIC YARD) .....                    | 3102-14 | COVER, STABILIZER CONTROL .....   | 1816-12 |
| COUPLER LOADER BUCKET<br>.86 CUBIC METER (1.13 CUBIC YARD) .....                    | 3102-16 | COVER, STEERING COLUMN .....  | 1816-6  |
| COUPLER LOADER BUCKET<br>.96 CUBIC METER (1.25 CUBIC YARD) .....                    | 3102-14 | COVER, THERMOSTAT .....   | 0418-2  |
| COUPLER LOADER BUCKET<br>1.00 CUBIC METER (1.31 CUBIC YARD) .....                   | 3102-16 | COVER, TIMING GEAR<br>(VSN -911768) 310G (W/O TURBO) .....                        | 0402-4  |
| COUPLER MULTI-PURPOSE BUCKET .....  | 3102-18 | COVER, TIMING GEAR (VSN -910055)<br>310G(TURBO), 310SG, 315SG .....               | 0402-6  |
| COUPLER MULTI-PURPOSE BUCKET .....  | 3102-20 | COVER, TIMING GEAR (VSN 910056-)<br>310G(TURBO), 310SG, 315SG (VSN910056- ) ..... | 0402-6B |
| COUPLER, CYLINDER, FRONT .....  | 3104-4  | COVER, TIMING GEAR 310G (W/O TURBO)<br>(VSN 911769- ) .....                       | 0402-4B |
| COUPLER, FRONT .....  | 3163-10 | COVER, WHEEL HUB (WITHOUT MFWD)<br>(SERIAL NO. 911132- ) .....                    | 0230-8  |
| COUPLER, HYDRAULIC HOSES .....  | 3163-12 | COVER,REMOTE START POST .....   | 1671-8  |
| COUPLER, HYDRAULIC LINES .....  | 3163-12 | CRANKSHAFT<br>310G (W/O TURBO) (VSN 911769- ) .....                               | 0401-2  |
| COUPLER, HYDRAULIC, FRONT .....   | 3104-2  | CRANKSHAFT<br>310G (W/O TURBO) (VSN-911768) .....                                 | 0401-1A |
| COUPLER, LOADER BUCKET .....  | 3163-10 | CRANKSHAFT<br>310G(TURBO),310SG,315SG (VSN -910055) .....                         | 0401-4  |
| COUPLER, LOADER BUCKET VALVE .....  | 3162-28 | CRANKSHAFT<br>310G(TURBO),310SG,315SG (VSN -910055) .....                         | 0401-5  |
| COUPLER, QUICK (STANDARD)<br>(310G) .....   | 3302-8  | CRANKSHAFT<br>310G(TURBO),310SG,315SG (VSN 910056- ) .....                        | 0401-6  |
| COUPLER, QUICK (STANDARD)<br>(310SG AND 315SG) .....                                | 3302-6  | CRANKSHAFT FRONT OIL SEAL<br>(VSN -911768) 310G (W/O TURBO) .....                 | 0402-4  |
| COUPLER, QUICK CONNECT .....  | 2160-6  | CRANKSHAFT FRONT OIL SEAL<br>(VSN-910055) 310G(TURBO), 310SG, 315SG .....         | 0402-6  |
| COUPLER, QUICK CONNECT .....  | 2160-8  | CRANKSHAFT FRONT OIL SEAL<br>310G (W/O TURBO) (VSN 911769- ) .....                | 0402-4B |
| COUPLER, QUICK COUPLER<br>(CASE) .....  | 3302-10 | CRANKSHAFT FRONT OIL SEAL<br>310G(TURBO), 310SG, 315SG (VSN910056- ) .....        | 0402-6B |
| COUPLER, QUICK COUPLER<br>(FORD) .....  | 3302-12 | CRANKSHAFT GEAR<br>310G (W/O TURBO) (VSN 911769- ) .....                          | 0401-2  |
| COUPLER, QUICK COUPLER (UNIVERSAL)<br>(310G) .....                                  | 3302-4  | CRANKSHAFT GEAR<br>310G (W/O TURBO) (VSN-911768) .....                            | 0401-1A |
| COUPLER, QUICK COUPLER (UNIVERSAL)<br>(310SG AND 315SG) .....                       | 3302-2  | CRANKSHAFT GEAR<br>310G(TURBO),310SG,315SG (VSN -910055) .....                    | 0401-4  |
| COUPLERS,AUGER<br>(STANDARD DIPPERSTICK) .....                                      | 3363-40 | CRANKSHAFT GEAR<br>310G(TURBO),310SG,315SG (VSN -910055) .....                    | 0401-5  |
| COUPLERS,AUGER<br>(WITH EXTENDIBLE DIPPERSTICK) .....                               | 3363-38 | CRANKSHAFT GEAR<br>310G(TURBO),310SG,315SG (VSN 910056- ) .....                   | 0401-6  |
| COVER, ACCESS, INJECTION PUMP GEAR<br>(VSN -911768) 310G (W/O TURBO) .....          | 0402-4  | CRANKSHAFT REAR OIL SEAL (VSN -910055) .....                                      | 0433-3  |
| COVER, ACCESS, INJECTION PUMP GEAR<br>(VSN-910055) 310G(TURBO), 310SG, 315SG .....  | 0402-6  | CRANKSHAFT REAR OIL SEAL (VSN 910056- ) .....                                     | 0433-4  |
| COVER, ACCESS, INJECTION PUMP GEAR<br>310G (W/O TURBO) (VSN 911769- ) .....         | 0402-4B | CRANKSHAFT SPEED SENSOR (VSN 910056- )<br>310G(TURBO), 310SG, 315SG .....         | 0402-6B |
| COVER, ACCESS, INJECTION PUMP GEAR<br>310G(TURBO), 310SG, 315SG (VSN910056- ) ..... | 0402-6B | CRANKSHAFT SPEED SENSOR 310G (W/O TURBO)<br>(VSN 911769- ) .....                  | 0402-4B |
| COVER, BACKHOE CONTROLS .....   | 1816-2  | CRANKSHAFT TIMING WHEEL<br>310G (W/O TURBO) (VSN 911769- ) .....                  | 0401-2  |
| COVER, BACKHOE LEVER .....  | 1816-4  | CRANKSHAFT TIMING WHEEL<br>310G (W/O TURBO) (VSN-911768) .....                    | 0401-1A |
| COVER, BACKHOE LEVERS .....   | 1816-2  | CRANKSHAFT TIMING WHEEL<br>310G(TURBO),310SG,315SG (VSN -910055) .....            | 0401-4  |
| COVER, BATTERY .....  | 1913-2  | CRANKSHAFT TIMING WHEEL<br>310G(TURBO),310SG,315SG (VSN -910055) .....            | 0401-5  |
| COVER, BOOM LEVER LOCK .....  | 1816-10 | CRANKSHAFT TIMING WHEEL<br>310G(TURBO),310SG,315SG (VSN 910056- ) .....           | 0401-6  |
| COVER, BOOM LEVER LOCK .....  | 1816-12 | CRANKSHAFT/CAM SWITCH (FRONT WIRE<br>HARNES) (SN 910056- ) .....                  | 1674-9E |
| COVER, FLOOR TO FRONT CONSOLE .....   | 1812-2  | CROWD CYL.KIT,CONTROLLED LOWERING DEVICE .....                                    | 3363-36 |
| COVER, FUSE PANEL .....   | 1816-8  | CROWD CYL,LOWERING DEVICE,CONTROLLED .....  | 3363-36 |
| COVER, JUMP START PROTECTION .....  | 1674-8  | CROWD CYLINDER .....  | 3365-17 |
| COVER, JUMP START PROTECTION .....  | 1674-9A |   |         |
| COVER, JUMP START PROTECTION .....  | 1674-9C |   |         |
| COVER, LINKAGE .....  | 1812-2  |   |         |
| COVER, LOADER CONTROL .....   | 1816-12 |   |         |
| COVER, LOADER CONTROL VALVE PLUMBING .....  | 1913-4  |   |         |
| COVER, MIDDLE FLOOR .....   | 1812-2  |   |         |
| COVER, OIL FILLER OPENING .....   | 0407-2  |   |         |
| COVER, OPERATOR STATION .....   | 1927-2  |   |         |
| COVER, REAR FLOOR .....   | 1812-2  |   |         |
| COVER, ROCKER ARM .....   | 0402-3  |   |         |

## ALPHABETICAL INDEX - CONTINUED

|  | PAGE    |   | PAGE     |
|--|---------|---|----------|
| CROWD CYLINDER                               |         | CYLINDER REPAIR KIT, BACKHOE BUCKET           |          |
| 310SG,315SG .....                            | 3365-18 | (310SG,315SG) (SN -926788) .....              | 3365-15  |
| CROWD CYLINDER HYDRAULIC HOSE .....          | 3363-12 | CYLINDER REPAIR KIT, BACKHOE BUCKET           |          |
| CROWD CYLINDER HYDRAULIC OIL LINES .....     | 3363-12 | (310SG,315SG) (SN 926789-) .....              | 3365-16  |
| CROWD CYLINDER REPAIR KIT .....              | 3365-17 | CYLINDER REPAIR KIT, BACKHOE BUCKET           |          |
| CROWD CYLINDER REPAIR KIT                    |         | (310SG,315SG) SERIAL NO. 926130-) .....       | 3365-14  |
| 310SG,315SG .....                            | 3365-18 | CYLINDER REPAIR KIT, BACKHOE BUCKET           |          |
| CROWD PIN .....                              | 3346-2  | 310SG,315SG (SERIAL NO. -926129) .....        | 3365-13  |
| CROWD SECTION RELIEF VALVE .....             | 3362-14 | CYLINDER REPAIR KIT, STABILIZER               |          |
| CROWD SECTION, BACKHOE VALVE .....           | 3362-14 | 310G (SERIAL NO. -925946) .....               | 3365-21A |
| CROWD SPACER, SYNTHETIC .....                | 3346-2  | CYLINDER REPAIR KIT, STABILIZER (310SG)       |          |
| CROWD, PILOT SECTION RELIEF VALVE .....      | 3362-44 | (SN 926207-952148) .....                      | 3365-24  |
| CROWD, PILOT SECTION, BACKHOE VALVE .....    | 3362-44 | CYLINDER REPAIR KIT, STABILIZER (315SG)       |          |
| CUSHIONS, SEAT .....                         | 1821-2  | (SERIAL NO. 944156- ) .....                   | 3365-28  |
| CUSHIONS, SEAT .....                         | 1821-3A | CYLINDER REPAIR KIT, STABILIZER (315SG)       |          |
| CUTTING EDGE ,COUPLER, LOADER BUCKET         |         | (SN -944155) .....                            | 3365-27  |
| .86 CUBIC METER (1.13 CUBIC YARD) .....      | 3102-16 | CYLINDER REPAIR KITS, STABILIZER              |          |
| CUTTING EDGE ,COUPLER, LOADER BUCKET         |         | 310G (SERIAL NO. 925947-951995) .....         | 3365-22  |
| 1.00 CUBIC METER (1.31 CUBIC YARD) .....     | 3102-16 | CYLINDER REPAIR KITS, STABILIZER              |          |
| CUTTING EDGE, BACKHOE BUCKET .....           | 3302-14 | 310G (SN 951996- ) .....                      | 3365-22A |
| CUTTING EDGE, BACKHOE BUCKET .....           | 3302-16 | CYLINDER REPAIR KITS, STABILIZER              |          |
| CUTTING EDGE, LOADER BUCKET .....            | 3102-2  | 310SG (SN -926206) .....                      | 3365-23  |
| CUTTING EDGE, LOADER BUCKET .....            | 3102-4  | CYLINDER REPAIR KITS, STABILIZER              |          |
| CUTTING EDGE, LOADER BUCKET                  |         | 310SG (SN 952149- ) .....                     | 3365-24B |
| .76 CUBIC METER (1.00 CUBIC YARD) .....      | 3102-14 | CYLINDER REPAIR KITS, STABILIZER              |          |
| CUTTING EDGE, LOADER BUCKET                  |         | 310SG (SERIAL NO. -925993) .....              | 3365-25  |
| .96 CUBIC METER (1.25 CUBIC YARD) .....      | 3102-14 | CYLINDER REPAIR KITS, STABILIZER              |          |
| CUTTING EDGE, MULTI-PURPOSE BUCKET .....     | 3102-8  | 310SG (SN 925994-952006) .....                | 3365-26  |
| CYLINDER BLOCK                               |         | CYLINDER REPAIR KITS, STABILIZER              |          |
| 310G(TURBO), 310SG, 315SG (VSN-910055) ..... | 0404-2  | 310SG (SN 952007-) .....                      | 3365-26A |
| CYLINDER HEAD .....                          | 0409-2  | CYLINDER ROD LOCK BAR .....                   | 1313-2   |
| CYLINDER HEAD GASKET .....                   | 0409-2  | CYLINDER, BACKHOE BOOM                        |          |
| CYLINDER HEAD REMOVAL GASKET SET             |         | (310G) .....                                  | 3365-2   |
| 310G(TURBO), 310SG, 315SG .....              | 0452-1  | CYLINDER, BACKHOE BOOM                        |          |
| CYLINDER HYDRAULICS, BACKHOE SWING           |         | (310G)(SN 926130- ) .....                     | 3365-4   |
| (315SG) .....                                | 3363-16 | CYLINDER, BACKHOE BOOM                        |          |
| CYLINDER LINER                               |         | (310SG,315SG)(SN -926129) .....               | 3365-6   |
| 310G (W/O TURBO) (VSN 911769-) .....         | 0403-2A | CYLINDER, BACKHOE BOOM                        |          |
| CYLINDER LINER                               |         | (310SG,315SG)(SN 926130- ) .....              | 3365-8   |
| 310G(TURBO) 310SG 315SG (VSN 910056-) .....  | 0403-3A | CYLINDER, BACKHOE BUCKET                      |          |
| CYLINDER LINER                               |         | (310G)(SER.# 910901-925926) .....             | 3365-11  |
| 310G(TURBO), 310SG, 315SG (VSN-910055) ..... | 0403-2B | CYLINDER, BACKHOE BUCKET                      |          |
| CYLINDER LINER O-RING KIT                    |         | (310G)(SER.# 925927- ) .....                  | 3365-12  |
| 310G (W/O TURBO) (VSN -911768) .....         | 0403-2  | CYLINDER, BACKHOE BUCKET                      |          |
| CYLINDER LINER O-RING KIT                    |         | (310G)(SN -910900) .....                      | 3365-10  |
| 310G (W/O TURBO) (VSN 911769-) .....         | 0403-2A | CYLINDER, BACKHOE BUCKET                      |          |
| CYLINDER LINER O-RING KIT                    |         | (310SG,315SG) (SN -926788) .....              | 3365-15  |
| 310G(TURBO) 310SG 315SG (VSN 910056-) .....  | 0403-3A | CYLINDER, BACKHOE BUCKET                      |          |
| CYLINDER LINER O-RING KIT                    |         | (310SG,315SG) (SN 926789-) .....              | 3365-16  |
| 310G(TURBO), 310SG, 315SG (VSN-910055) ..... | 0403-2B | CYLINDER, BACKHOE BUCKET                      |          |
| CYLINDER LINER 310G (W/O TURBO)              |         | (310SG,315SG) SERIAL NO. 926130-) .....       | 3365-14  |
| (VSN -911768) .....                          | 0403-2  | CYLINDER, BACKHOE BUCKET                      |          |
| CYLINDER REPAIR KIT, BACKHOE BOOM            |         | 310SG,315SG (SERIAL NO. -926129) .....        | 3365-13  |
| (310G) .....                                 | 3365-2  | CYLINDER, BACKHOE BUCKET HYDRAULICS .....     | 3363-8   |
| CYLINDER REPAIR KIT, BACKHOE BOOM            |         | CYLINDER, BACKHOE STABILIZER HYDRAULICS ..... | 3363-2   |
| (310G)(SN 926130- ) .....                    | 3365-4  | CYLINDER, BACKHOE STABILIZER HYDRAULICS ..... | 3363-3A  |
| CYLINDER REPAIR KIT, BACKHOE BOOM            |         | CYLINDER, BACKHOE STABILIZER HYDRAULICS       |          |
| (310SG,315SG)(SN -926129) .....              | 3365-6  | SIDESHIFT 315SE .....                         | 3363-4   |
| CYLINDER REPAIR KIT, BACKHOE BOOM            |         | CYLINDER, BOOM                                |          |
| (310SG,315SG)(SN 926130- ) .....             | 3365-8  | (310SG AND 315SG)(SER.# 910492-926248) .....  | 3165-8   |
| CYLINDER REPAIR KIT, BACKHOE BUCKET          |         | CYLINDER, CROWD .....                         | 3365-17  |
| (310G)(SER.# 910901-925926) .....            | 3365-11 | CYLINDER, CROWD                               |          |
| CYLINDER REPAIR KIT, BACKHOE BUCKET          |         | 310SG,315SG .....                             | 3365-18  |
| (310G)(SER.# 925927- ) .....                 | 3365-12 | CYLINDER, EXTENDIBLE ARM                      |          |
| CYLINDER REPAIR KIT, BACKHOE BUCKET          |         | (310G) (SN -928456) .....                     | 3365-30  |
| (310G)(SN -910900) .....                     | 3365-10 | CYLINDER, EXTENDIBLE ARM                      |          |
|  |         | (310G) (SN 928457-953470) .....               | 3365-31  |

## ALPHABETICAL INDEX - CONTINUED

|  | PAGE     |   | PAGE     |
|--|----------|---|----------|
| CYLINDER, EXTENDIBLE ARM<br>(310G) (SN 953471- )                     | 3365-32  | CYLINDER, SWING (310G)<br>(SN 957129- )                             | 3365-19A |
| CYLINDER, EXTENDIBLE ARM<br>(310SG,315SG) (SN -910900)               | 3365-34  | CYLINDER, SWING (310G,310SG)<br>(SN 957115- )                       | 3365-20  |
| CYLINDER, EXTENDIBLE ARM<br>(310SG,315SG) (SN 910901-926427)         | 3365-35  | CYLINDER, SWING (310SG,315SG)<br>(SN -957114)                       | 3365-19C |
| CYLINDER, EXTENDIBLE ARM<br>(310SG,315SG) (SN 926428- )              | 3365-36  | CYLINDER, SWING TRUNNION BLOCK, 315SG                               | 3342-2   |
| CYLINDER, EXTENDIBLE DIPPERSTICK                                     | 3346-4   | CYLINDER,CAB DOOR   | 1814-2   |
| CYLINDER, EXTENDIBLE DIPPERSTICK                                     | 3346-6   | CYLINDER,CAB DOOR   | 1814-4   |
| CYLINDER, EXTENDIBLE DIPPERSTICK<br>(310G) (SN -928456)              | 3365-30  | CYLINDER,EXTENSION,EXTENDIBLE DIPPERSTIC<br>K HYDRAULICS            | 3363-18  |
| CYLINDER, EXTENDIBLE DIPPERSTICK<br>(310G) (SN 928457-953470)        | 3365-31  | CYLINDER,FRONT AXLE STEERING<br>(WITHOUT MFWD)(SERIAL NO. 911132- ) | 0230-7   |
| CYLINDER, EXTENDIBLE DIPPERSTICK<br>(310G) (SN 953471- )             | 3365-32  | CYLINDER,LOADER BUCKET<br>(SERIAL NO. -941225)                      | 3165-10  |
| CYLINDER, EXTENDIBLE DIPPERSTICK<br>(310SG,315SG) (SN -910900)       | 3365-34  | CYLINDER,LOADER BUCKET<br>(SERIAL NO. 941226- )                     | 3165-12  |
| CYLINDER, EXTENDIBLE DIPPERSTICK<br>(310SG,315SG) (SN 910901-926427) | 3365-35  | CYLINDER,LOADER BUCKET<br>(SN 941226- ) REPLACEMENT                 | 3165-14  |
| CYLINDER, EXTENDIBLE DIPPERSTICK<br>(310SG,315SG) (SN 926428- )      | 3365-36  | CYLINDER,STABILIZER<br>310G (SERIAL NO. 925947-951995)              | 3365-22  |
| CYLINDER, FRONT COUPLER  | 3104-4   | CYLINDER,STABILIZER<br>310G (SN 951996- )                           | 3365-22A |
| CYLINDER, HYDRAULIC FRONT COUPLER                                    | 3104-2   | CYLINDER,SWING TRUNNION BLOCK,310G,310SG                            | 1740-2   |
| CYLINDER, LOADER BOOM LIFT<br>(310G)(SER.# -926493)                  | 3165-2   |   |          |
| CYLINDER, LOADER BOOM LIFT<br>(310G)(SER.# 926494- )                 | 3165-4   | <b>D</b>  |          |
| CYLINDER, LOADER BOOM LIFT<br>(310SG AND 315SG)(SER.# 926249- )      | 3165-9   | DECALS  | 1320-2   |
| CYLINDER, LOADER BOOM LIFT<br>(310SG AND 315SG)(SERIAL NO. -910491)  | 3165-6   | DECALS  | 1320-4   |
| CYLINDER, LOADER BOOM LIFT PINS<br>(310G)(SER.# -926493)             | 3165-2   | DECALS  | 1320-5A  |
| CYLINDER, LOCK SIDE SHIFT 315SG                                      | 3363-28  | DECALS  | 1320-6   |
| CYLINDER, MULTI-PURPOSE BUCKET                                       | 3102-10  | DECALS  | 1320-7A  |
| CYLINDER, MULTI-PURPOSE BUCKET<br>(SERIAL NO. -925076)               | 3102-12  | DECALS  | 1320-8   |
| CYLINDER, MULTI-PURPOSE BUCKET<br>(SERIAL NO. 925077-)               | 3102-13  | DELUXE LIGHTS<br>SERIAL NO. -XXXXXX                                 | 1673-4   |
| CYLINDER, POWER STEERING (WITHOUT MFWD)<br>(SERIAL NO. -911131)      | 0960-14  | DELUXE LIGHTS<br>SERIAL NO. XXXXXX-                                 | 1673-6   |
| CYLINDER, POWER STEERING (WITHOUT MFWD)<br>(SERIAL NO. -911131)      | 0960-16  | DEUTSCH TERMINALS   | 1674-23  |
| CYLINDER, STABILIZER<br>310G (SERIAL NO. -925946)                    | 3365-21A | DEVICE,CONTROLLED LOWERING,BOOM CYL.KIT                             | 3363-34  |
| CYLINDER, STABILIZER<br>310SG (SN 952149- )                          | 3365-24B | DEVICE,CONTROLLED LOWERING,CROWD CYL.KIT                            | 3363-36  |
| CYLINDER, STABILIZER (310SG)<br>(SN 926207-952148)                   | 3365-24  | DIFF LOCK SOLENOID  | 0350-7   |
| CYLINDER, STABILIZER (315SG)<br>(SERIAL NO. 944156- )                | 3365-28  | DIFF LOCK SOLENOID  | 0360-10  |
| CYLINDER, STABILIZER (315SG)<br>(SN -944155)                         | 3365-27  | DIFFERENTIAL ASSEMBLY WITH LOCK                                     | 0210-2   |
| CYLINDER, STABILIZER, EXTENDED<br>310SG (SERIAL NO. -925993)         | 3365-25  | DIFFERENTIAL HOUSING  | 0201-2   |
| CYLINDER, STABILIZER, EXTENDED<br>310SG (SN 925994-952006)           | 3365-26  | DIFFERENTIAL HOUSING  | 0201-4   |
| CYLINDER, STABILIZER, EXTENDED<br>310SG (SN 952007-)                 | 3365-26A | DIFFERENTIAL HOUSING WITH LOCK                                      | 0210-2   |
| CYLINDER, STABILIZER, STANDARD<br>310SG (SN -926206)                 | 3365-23  | DIFFERENTIAL LOCK PLUMBING  | 0210-6   |
| CYLINDER, STEERING, MECHANICAL FRONT<br>WHEEL DRIVE (MFWD)           | 0960-12  | DIFFERENTIAL LOCK PUSH BUTTON                                       | 1674-12  |
| CYLINDER, SWING (310G)<br>(SN -957128)                               | 3365-19  | DIFFERENTIAL LOCK SWITCH  | 1674-12  |
|  |          | DIFFERENTIAL LOCK, SOLENOID,<br>SYNCHRO-SHUTTLE                     | 0360-4   |
|  |          | DIFFERENTIAL SPIRAL BEVEL GEAR (MFWD)                               | 0250-12  |
|  |          | DIFFERENTIAL WITH LOCK  | 0210-2   |
|  |          | DIFFERENTIAL,LIMITED SLIP (MFWD)<br>(310SG,315SG)                   | 0250-10  |
|  |          | DIODE, A/C COMPRESSOR   | 1674-8   |
|  |          | DIODE, A/C COMPRESSOR   | 1674-9A  |
|  |          | DIODE, A/C COMPRESSOR   | 1674-9C  |
|  |          | DIODES  | 1674-8   |
|  |          | DIODES  | 1674-9A  |
|  |          | DIODES  | 1674-9C  |
|  |          | DIPPERSTICK   | 3346-2   |
|  |          | DIPPERSTICK EXTENDIBLE  | 3346-4   |
|  |          | DIPPERSTICK EXTENDIBLE  | 3346-6   |
|  |          | DIPPERSTICK PIN   | 3346-2   |

## ALPHABETICAL INDEX - CONTINUED

|  | PAGE    |   | PAGE    |
|--|---------|---|---------|
| DIPPERSTICK, CYLINDER EXTENDIBLE<br>(310G) (SN -928456).....                       | 3365-30 | <b>E</b>  |         |
| DIPPERSTICK, CYLINDER EXTENDIBLE<br>(310G) (SN 928457-953470).....                 | 3365-31 | ECU - ENGINE CONTROLLER<br>310G(W/O TURBO)(VSN 911769- ).....                 | 0413-6  |
| DIPPERSTICK, CYLINDER EXTENDIBLE<br>(310G) (SN 953471- ).....                      | 3365-32 | EDGING, ISOLATOR .....  | 0510-2  |
| DIPPERSTICK, CYLINDER EXTENDIBLE<br>(310SG,315SG) (SN -910900).....                | 3365-34 | ELBOW, ENGINE VENTILATING<br>PE4045DT058 .....                                | 0408-4  |
| DIPPERSTICK, CYLINDER EXTENDIBLE<br>(310SG,315SG) (SN 910901-926427).....          | 3365-35 | ELBOW,EXHAUST<br>310G(TURBO), 310SG, 315SG .....                              | 0410-2  |
| DIPPERSTICK, CYLINDER EXTENDIBLE<br>(310SG,315SG) (SN 926428- ).....               | 3365-36 | ELECTRICAL, FRONT COUPLER HARNESS.....  | 1674-5C |
| DIPPERSTICK,EXT. ARM GRIP REPAIR.....  | 3346-8  | ELECTRICAL, PILOT ENABLE.....   | 1674-5A |
| DIPPERSTICK,EXT.PROTECTION KIT.....  | 3346-8  | ELECTRONIC ETHER STARTING AID .....   | 0505-4  |
| DIPSTICK TUBE, ENGINE OIL .....  | 0407-4  | ELEMENT, AIR CLEANER.....   | 0520-2  |
| DIPSTICK TUBE, TRANSMISSION .....  | 0341-4  | ELEMENT, ENGINE OIL FILTER<br>(VSN -911768) 310G (W/O TURBO).....             | 0407-12 |
| DIPSTICK, ENGINE OIL .....   | 0407-4  | ELEMENT, ENGINE OIL FILTER<br>(VSN -910055) 310G(TURBO),310SG,315SG .....     | 0407-16 |
| DIPSTICK, ENGINE OIL PE4045DT058<br>(VSN 929330- ).....                            | 0407-5  | ELEMENT, ENGINE OIL FILTER<br>(VSN 910056-) 310G(TURBO),310SG,315SG .....     | 0407-18 |
| DIPSTICK, GUARD, TRANSMISSION .....  | 1746-4  | ELEMENT, ENGINE OIL FILTER<br>(VSN 911769- ) 310G (W/O TURBO).....            | 0407-14 |
| DIPSTICK,TRANSMISSION .....  | 0341-4  | ELEMENT, FILTER.....  | 2160-14 |
| DIRT PAD,SLIDING FRAME (315SG) .....   | 1740-4  | ELEMENT, FUEL FILTER 310G (TURBO),310SG,<br>315SG) (VSN -910055) .....        | 0420-8  |
| DISCONNECT SOLENOID, TRANSMISSION.....   | 0360-2  | ELEMENT, FUEL FILTER 310G (W/O TURBO)<br>(VSN -911768).....                   | 0420-2  |
| DISK, BRAKE .....  | 1011-2  | ELEMENT, FUEL FILTER 310G (W/O TURBO)<br>(VSN 911769-).....                   | 0420-4  |
| DOG GEAR,OUTPUT SHAFT .....  | 0350-8  | ELEMENT, FUEL FILTER 310G(TURBO), 310SG,<br>315SG (VSN 910056-) .....         | 0420-10 |
| DOME LIGHT.....  | 1811-4  | EMBLEM, SMV .....   | 2008-2  |
| DOOR FLAP RELAY,A/C .....  | 1674-4  | ENABLE SWITCH, REAR WIPER.....  | 1814-14 |
| DOOR STRAP.....  | 1814-4  | END CAP, STEERING CYLINDER (MFW).....   | 0960-12 |
| DOOR TETHER.....   | 1814-4  | ENGINE BALANCER SHAFT<br>310G(TURBO), 310SG, 315SG .....                      | 0415-2  |
| DOOR THRESHOLD .....   | 1812-4  | ENGINE CONTROLLER<br>310G(TURBO),310SG,315SG (VSN 910056-) .....              | 0413-10 |
| DOORS, CAB.....  | 1814-2  | ENGINE CONTROLLER<br>310G(W/O TURBO)(VSN 911769- ).....                       | 0413-6  |
| DOORS, CAB.....  | 1814-4  | ENGINE CONTROLLER UNIT - ECU<br>310G(W/O TURBO)(VSN 911769- ).....            | 0413-6  |
| DP SWITCH KIT .....  | 2160-14 | ENGINE COOLANT HEATER.....  | 0505-2  |
| DRAIN PACKAGE, ENVIRONMENTAL .....   | 1369-6  | ENGINE COOLANT TEMPERATURE SENDER .....                                       | 1674-8  |
| DRAIN VALVE,RADIATOR .....   | 0510-2  | ENGINE COOLANT TEMPERATURE SENDER .....                                       | 1674-9A |
| DRIVE SHAFT YOE (MFW).....   | 0250-2  | ENGINE COOLANT TEMPERATURE SENDER .....                                       | 1674-9C |
| DRIVE SHAFT, UNIVERSAL (MFW).....  | 0250-2  | ENGINE COOLANT TEMPERATURE SENSOR .....                                       | 0418-2  |
| DRIVE SHAFT,REAR(REVERSER).....  | 0325-2  | ENGINE COOLANT TEMPERATURE SWITCH<br>(FRONT WIRE HARNESS) (SN 910056- ) ..... | 1674-9E |
| DRIVE,PLANETARY (MFW)<br>(S.N. -962303).....                                       | 0250-8  | ENGINE FLYWHEEL.....  | 0433-2  |
| DRIVE,PLANETARY (MFW)<br>(S.N.962304-962373).....                                  | 0250-8A | ENGINE FRONT PLATE .....  | 0404-1  |
| DRIVE,PLANETARY (MFW)<br>(S.N.962374- ).....                                       | 0250-8B | ENGINE FRONT WIRE HARNESS (SN 910056- ).....                                  | 1674-9E |
| DRIVE,PLANETARY (MFW)(310G) .....  | 0250-9  | ENGINE MAJOR OVERHAUL GASKET SET<br>310G(TURBO), 310SG, 315SG .....           | 0452-2  |
| DRIVE,STARTER MOTOR<br>(310G) (ENG.SER.NO. 866618-908991) .....                    | 0422-2  | ENGINE MAJOR OVERHAUL GASKET SET<br>310G(TURBO), 310SG, 315SG .....           | 0452-4  |
| DRIVE,STARTER MOTOR<br>(310SG,315SG)(SERIAL NO. -894292) .....                     | 0422-3  | ENGINE MOUNT ISOLATOR.....  | 0540-2  |
| DRIVE,STARTER MOTOR (WITH TURBOCHARGER)<br>(310G) (ENGINE SERIAL NO. -268961)..... | 0422-2  | ENGINE MOUNTING BRACKET .....   | 0540-2  |
| DRIVE,STARTER MOTOR (WITHOUT TURBO)<br>(310G) (ENGINE SERIAL NO. -257521).....     | 0422-2  | ENGINE OIL BY-PASS VALVE<br>310G(TURBO), 310SG, 315SG (VSN-910055) .....      | 0404-2  |
| DRIVER LINK (310G) .....   | 3345-2  | ENGINE OIL COOLER .....   | 0419-2  |
| DRIVER LINK (310SG AND 315SG) .....  | 3345-4  | ENGINE OIL COOLER ADAPTER.....  | 0419-2  |
| DRYER,RECEIVER, AIR CONDITIONING .....   | 1830-12 | ENGINE OIL DIPSTICK .....   | 0407-4  |
| DRYER,RECEIVER, AIR CONDITIONING .....   | 1830-14 | ENGINE OIL DIPSTICK PE4045DT058<br>(VSN 929330- ).....                        | 0407-5  |
| DUAL BATTERIES .....   | 1671-4  | ENGINE OIL DIPSTICK TUBE .....  | 0407-4  |
| DUAL BATTERY CABLES .....  | 1671-4  | ENGINE OIL DIPSTICK TUBE PE4045DT058<br>(VSN 929330- ).....                   | 0407-5  |
| DUCTS, AIR CONDITIONING .....  | 1830-2  |   |         |
| DUCTS, AIR CONDITIONING .....  | 1830-4  |   |         |
| DUCTS, CAB HEATER .....  | 1830-2  |   |         |
| DUCTS, CAB HEATER .....  | 1830-4  |   |         |

# 000I-19

310G, 310SG AND 315SG BACKHOE LOADERS

## ALPHABETICAL INDEX - CONTINUED

|  | PAGE    |  | PAGE     |
|--|---------|--|----------|
| ENGINE OIL FILL INLET CAP .....              | 0407-2  | ENGINE SPEED CONTROL CABLE .....         | 0515-2   |
| ENGINE OIL FILTER                            |         | ENGINE SPEED CONTROL CABLE .....         | 0515-4   |
| (VSN -911768) 310G (W/O TURBO) .....         | 0407-12 | ENGINE SPEED CONTROL LEVER .....         | 0515-2   |
| ENGINE OIL FILTER                            |         | ENGINE SPEED CONTROL LEVER .....         | 0515-4   |
| (VSN -910055) 310G(TURBO),310SG,315SG .....  | 0407-16 | ENGINE SPEED CONTROL LINKAGE .....       | 0515-2   |
| ENGINE OIL FILTER                            |         | ENGINE SPEED CONTROL POTENTIOMETER ..... | 0515-4   |
| (VSN 910056-) 310G(TURBO),310SG,315SG .....  | 0407-18 | ENGINE SPEED SENSOR .....                | 0515-4   |
| ENGINE OIL FILTER                            |         | ENGINE SUPPORT .....                     | 0540-2   |
| (VSN 911769- ) 310G (W/O TURBO) .....        | 0407-14 | ENGINE THERMOSTAT .....                  | 0418-2   |
| ENGINE OIL FILTER HEADER                     |         | ENGINE VENTILATING HOSE                  |          |
| (VSN -911768) 310G (W/O TURBO) .....         | 0407-12 | (DT056, TT080/81/88/89) .....            | 0408-2   |
| ENGINE OIL FILTER HEADER                     |         | ENGINE VENTILATING SYSTEM                |          |
| (VSN -910055) 310G(TURBO),310SG,315SG .....  | 0407-16 | (DT056, TT080/81/88/89) .....            | 0408-2   |
| ENGINE OIL FILTER HEADER                     |         | ENGINE VENTILATING SYSTEM                |          |
| (VSN 910056-) 310G(TURBO),310SG,315SG .....  | 0407-18 | PE4045DT058 .....                        | 0408-4   |
| ENGINE OIL FILTER HEADER                     |         | ENGINE WIRING HARNESS .....              | 1674-8   |
| (VSN 911769- ) 310G (W/O TURBO) .....        | 0407-14 | ENGINE WIRING HARNESS .....              | 1674-9A  |
| ENGINE OIL PAN 310G (W/O TURBO)              |         | ENGINE WIRING HARNESS .....              | 1674-9C  |
| (VSN -911768)(VSN 911769- ) .....            | 0407-6  | ENVIRONMENTAL DRAIN PACKAGE .....        | 1369-6   |
| ENGINE OIL PAN 310G (W/O TURBO)              |         | ETHER SWITCH .....                       | 1674-6   |
| (VSN 893079 - 907963) .....                  | 0407-6  | EVAPORATOR .....                         | 1830-6   |
| ENGINE OIL PAN 310G(TURBO),310SG,315SG       |         | EVAPORATOR .....                         | 1830-7A  |
| (VSN 893079-907963)(VSN -910055) .....       | 0407-8  | EVAPORATOR TEMPERATURE SWITCH .....      | 1830-7A  |
| ENGINE OIL PAN 310G(TURBO),310SG,315SG       |         | EXHAUST ADAPTER                          |          |
| (VSN 910056- ) .....                         | 0407-10 | 310G(TURBO), 310SG, 315SG .....          | 0410-2   |
| ENGINE OIL PRESSURE REGULATING VALVE         |         | EXHAUST ELBOW                            |          |
| (VSN -911768) 310G (W/O TURBO) .....         | 0402-4  | 310G(TURBO), 310SG, 315SG .....          | 0410-2   |
| ENGINE OIL PRESSURE REGULATING VALVE         |         | EXHAUST EXTENSION .....                  | 0530-4   |
| (VSN-910055) 310G(TURBO), 310SG, 315SG ..... | 0402-6  | EXHAUST EXTENSION (310G) .....           | 0530-2   |
| ENGINE OIL PRESSURE REGULATING VALVE         |         | EXHAUST MANIFOLD .....                   | 0410-1   |
| 310G(TURBO), 310SG, 315SG (VSN-910055) ..... | 0404-2  | EXHAUST MANIFOLD GASKET .....            | 0410-1   |
| ENGINE OIL PRESSURE SWITCH .....             | 1674-8  | EXHAUST VALVE .....                      | 0409-2   |
| ENGINE OIL PRESSURE SWITCH .....             | 1674-9A | EXPANSION VALVE .....                    | 1830-6   |
| ENGINE OIL PRESSURE SWITCH .....             | 1674-9C | EXPANSION VALVE .....                    | 1830-7A  |
| ENGINE OIL PUMP .....                        | 0407-20 | EXT. DIPPERSTICK AUXILIARY HYDRAULICS    |          |
| ENGINE OIL PUMP GEAR .....                   | 0407-20 | (315SG) .....                            | 3363-26  |
| ENGINE OIL PUMP HOUSING .....                | 0407-20 | EXT.DIPPER ARM GRIP REPAIR KIT .....     | 3346-8   |
| ENGINE OIL PUMP INTAKE .....                 | 0407-20 | EXT.DIPPERSTICK PROTECTION KIT .....     | 3346-8   |
| ENGINE OVERHAUL KIT .....                    | 0450-2  | EXTENDED GRILLE HOUSING .....            | 1921-4   |
| ENGINE OVERHAUL KIT                          |         | EXTENDIBLE ARM CYLINDER                  |          |
| 310G(TURBO), 310SG, 315SG .....              | 0452-2  | (310G) (SN -928456) .....                | 3365-30  |
| ENGINE OVERHAUL KIT                          |         | EXTENDIBLE ARM CYLINDER                  |          |
| 310G(TURBO), 310SG, 315SG .....              | 0452-4  | (310G) (SN 928457-953470) .....          | 3365-31  |
| ENGINE PISTON                                |         | EXTENDIBLE ARM CYLINDER                  |          |
| 310G (W/O TURBO) (VSN 911769-) .....         | 0403-2A | (310G) (SN 953471- ) .....               | 3365-32  |
| ENGINE PISTON                                |         | EXTENDIBLE ARM CYLINDER                  |          |
| 310G(TURBO) 310SG 315SG (VSN 910056-) .....  | 0403-3A | (310SG,315SG) (SN -910900) .....         | 3365-34  |
| ENGINE PISTON                                |         | EXTENDIBLE ARM CYLINDER                  |          |
| 310G(TURBO), 310SG, 315SG (VSN-910055) ..... | 0403-2B | (310SG,315SG) (SN 910901-926427) .....   | 3365-35  |
| ENGINE PISTON 310G (W/O TURBO)               |         | EXTENDIBLE ARM CYLINDER                  |          |
| (VSN -911768) .....                          | 0403-2  | (310SG,315SG) (SN 926428- ) .....        | 3365-36  |
| ENGINE REBUILD KIT                           |         | EXTENDIBLE ARM LOCKING PIN .....         | 3346-4   |
| 310G(TURBO), 310SG, 315SG .....              | 0452-2  | EXTENDIBLE ARM LOCKING PIN .....         | 3346-6   |
| ENGINE REBUILD KIT                           |         | EXTENDIBLE ARM PAD .....                 | 3346-4   |
| 310G(TURBO), 310SG, 315SG .....              | 0452-4  | EXTENDIBLE ARM PAD .....                 | 3346-6   |
| ENGINE SHORT BLOCK                           |         | EXTENDIBLE ARM WEARSTRIPS .....          | 3346-4   |
| (ENG. SER. NO. -221705) .....                | 0404-4  | EXTENDIBLE ARM WEARSTRIPS .....          | 3346-6   |
| ENGINE SHORT BLOCK                           |         | EXTENDIBLE DIPPER PEDAL                  |          |
| (ENG. SER. NO. 221706-) .....                | 0404-6  | (PILOT CONTROL) .....                    | 3315-13A |
| ENGINE SHORT BLOCK (ENG.SER.NO.866618-90     |         | EXTENDIBLE DIPPERSTICK CYLINDER          |          |
| 8991) .....                                  | 0404-4  | (310G) (SN -928456) .....                | 3365-30  |
| ENGINE SIDE PANELS .....                     | 1910-2  | EXTENDIBLE DIPPERSTICK CYLINDER          |          |
| ENGINE SIDE PANELS .....                     | 1910-4  | (310G) (SN 928457-953470) .....          | 3365-31  |
| ENGINE SIDE SHIELDS .....                    | 1910-2  | EXTENDIBLE DIPPERSTICK CYLINDER          |          |
| ENGINE SIDE SHIELDS .....                    | 1910-4  | (310G) (SN 953471- ) .....               | 3365-32  |
| ENGINE SPEED CONTROL .....                   | 0515-2  | EXTENDIBLE DIPPERSTICK CYLINDER          |          |
| ENGINE SPEED CONTROL .....                   | 0515-4  | (310SG,315SG) (SN -910900) .....         | 3365-34  |

## ALPHABETICAL INDEX - CONTINUED

|  | PAGE     |   | PAGE    |
|--|----------|---|---------|
| EXTENDIBLE DIPPERSTICK CYLINDER<br>(310SG,315SG) (SN 910901-926427)..... | 3365-35  | FILTER, ENGINE OIL<br>(VSN -911768) 310G (W/O TURBO).....         | 0407-12 |
| EXTENDIBLE DIPPERSTICK CYLINDER<br>(310SG,315SG) (SN 926428- ).....      | 3365-36  | FILTER, ENGINE OIL<br>(VSN -910055) 310G(TURBO),310SG,315SG ..... | 0407-16 |
| EXTENDIBLE DIPPERSTICK.....  | 3346-4   | FILTER, ENGINE OIL<br>(VSN 910056-) 310G(TURBO),310SG,315SG ..... | 0407-18 |
| EXTENDIBLE DIPPERSTICK.....  | 3346-6   | FILTER, ENGINE OIL<br>(VSN 911769- ) 310G (W/O TURBO).....        | 0407-14 |
| EXTENDIBLE DIPPERSTICK AUXILIARY HYDRAUL<br>ICS (310G AND 310SG) .....   | 3363-24  | FILTER, FRESH AIR .....   | 1816-12 |
| EXTENDIBLE DIPPERSTICK BUCKET CYLINDER<br>HYDRAULICS .....               | 3363-10  | FILTER, FUEL 310G (TURBO),310SG,315SG<br>(VSN -910055).....       | 0420-8  |
| EXTENDIBLE DIPPERSTICK EXTENSION CYLINDE<br>R HYDRAULICS.....            | 3363-18  | FILTER, FUEL 310G (W/O TURBO)<br>(VSN -911768).....               | 0420-2  |
| EXTENDIBLE DIPPERSTICK HYDRAULICS.....                                   | 3363-18  | FILTER, FUEL 310G (W/O TURBO)<br>(VSN 911769-).....               | 0420-4  |
| EXTENDIBLE DIPPERSTICK LINES .....                                       | 3363-18  | FILTER, FUEL 310G(TURBO), 310SG, 315SG<br>(VSN 910056-).....      | 0420-10 |
| EXTENDIBLE DIPPERSTICK LINES, BUCKET .....                               | 3363-10  | FILTER, HYDRAULIC OIL .....                                       | 2160-14 |
| EXTENDIBLE SECTION, BACKHOE VALVE .....                                  | 3362-18  | FILTER, TRANSMISSION.....   | 0360-5  |
| EXTENSION CYLINDER HYDRAULICS,EXTENDIBLE<br>DIPPERSTICK .....            | 3363-18  | FILTERS, AIR CLEANER .....  | 0520-2  |
| EXTENSION, EXHAUST .....   | 0530-4   | FIRST GEAR CLUTCH ASSEMBLY, POWER SHIFT .....                     | 0350-14 |
| EXTENSION, EXHAUST (310G) .....  | 0530-2   | FIRST GEAR CLUTCH CARRIER, POWER SHIFT .....                      | 0350-14 |
| EXTERNAL REAR VIEW MIRROR .....  | 2002-3   | FIRST GEAR, BELLVILLEWASHER, POWER SHIFT .....                    | 0350-14 |
|  |          | FITTINGS, BRAKE VALVE .....                                       | 1060-4  |
|  |          | FITTINGS, SWING CYLINDER<br>(310G,310SG) .....                    | 3363-14 |
| <b>F</b>   |          | FLASHER, 12 VOLT .....  | 1674-2  |
| FAN DRIVE BELT.....  | 0510-2   | FLASHER, 12 VOLT .....  | 1674-3A |
| FAN DRIVE BELT TENSIONER<br>310G(TURBO),310SG,315SG .....                | 0429-2   | FLASHER, 4-WAY .....  | 1674-2  |
| FAN DRIVE HOUSING<br>310G(TURBO),310SG,315SG .....                       | 0429-2   | FLASHER, 4-WAY .....  | 1674-3A |
| FAN DRIVE HUB<br>310G(TURBO),310SG,315SG .....                           | 0429-2   | FLEXPLATE, TORQUE CONVERTOR .....                                 | 0350-1  |
| FAN DRIVE PULLEY<br>310G(TURBO),310SG,315SG .....                        | 0429-2   | FLOOR COVER, REAR .....   | 1812-2  |
| FAN SHROUD.....  | 0510-2   | FLOOR HOLES, FRONT CAB MOUNT PLUGS.....                           | 1812-4  |
| FAN SHROUD, RADIATOR.....  | 0510-2   | FLOOR MATS .....  | 1812-2  |
| FAN, ALTERNATOR<br>(SN -XXXXX).....                                      | 1672-2   | FLOOR PLATE, LOADER LINKAGE.....                                  | 3115-6  |
| FAN, ALTERNATOR<br>(SN -XXXXX).....                                      | 1672-4   | FLOW CONTROL VALVE .....  | 3363-1A |
| FAN, ALTERNATOR<br>(SN XXXXXX-) .....                                    | 1672-6   | FLUID, STARTING .....   | 0505-4  |
| FAN, CAB HEATER (20,000 BTU).....  | 1830-10  | FLYWHEEL HOUSING (VSN -910055).....                               | 0433-3  |
| FENDERS.....   | 1927-2   | FLYWHEEL HOUSING (VSN 910056-).....                               | 0433-4  |
| FIFTH FN LEVER FOR THREE LEVER CONTROLS.....                             | 3315-16  | FLYWHEEL RING GEAR .....  | 0433-2  |
| FIFTH FUNCTION FOOT CONTROL.....   | 3315-12  | FLYWHEEL, ENGINE.....   | 0433-2  |
| FIFTH FUNCTION MANUAL VALVE KIT<br>(310G) .....                          | 3362-24  | FNR, RANGE SWITCH.....  | 0315-4  |
| FIFTH FUNCTION MANUAL VALVE KIT<br>(310SG AND 315SG).....                | 3362-25  | FOOT CONTROL, FIFTH FUNCTION .....                                | 3315-12 |
| FIFTH FUNCTION PEDAL.....  | 3315-12  | FOOT CONTROL, SIXTH FUNCTION.....                                 | 3315-14 |
| FIFTH FUNCTION PEDAL<br>(PILOT CONTROL) .....                            | 3315-13A | FOOT, STABILIZER (315SG).....                                     | 1740-4  |
| FILTER ELEMENT .....   | 2160-14  | FORK, SHIFT .....   | 0315-1  |
| FILTER ELEMENT, PILOT CONTROL<br>(SN -943092).....                       | 3363-1A  | FORKLIFT FORKS .....  | 3103-2  |
| FILTER LINES, FUEL 310G (TURBO), 310SG,<br>315SG (VSN 910056-).....      | 0420-12  | FORKS, PALLET .....   | 3103-2  |
| FILTER LINES, FUEL 310G (TURBO),310SG,<br>315SG (VSN -910055) .....      | 0420-8   | FORKS,LOADER FORKLIFT .....                                       | 3103-2  |
| FILTER LINES, FUEL 310G (W/O TURBO)<br>(VSN -911768) .....               | 0420-2   | FORWARD CLUTCH ASSEMBLY .....                                     | 0350-2  |
| FILTER LINES, FUEL 310G (W/O TURBO)<br>(VSN 911769-) .....               | 0420-6   | FORWARD CLUTCH ASSEMBLY, POWER SHIFT .....                        | 0350-22 |
| FILTER, BREATHER, HYDRAULIC RESERVOIR .....                              | 2160-12  | FORWARD CLUTCH CARRIER, POWER SHIFT .....                         | 0350-22 |
| FILTER, CHARGE PUMP .....  | 0360-5   | FORWARD, BELLVILLEWASHER, POWERSHIFT .....                        | 0350-22 |
|  |          | FORWARD, NEUTRAL AND REVERSE SOLENOIDS.....                       | 0360-2  |
|  |          | FORWARD, NEUTRAL, REVERSE CONTROL.....                            | 0315-4  |
|  |          | FOURTH GEAR CLUTCH ASSEMBLY, POWER SHIFT .....                    | 0350-20 |
|  |          | FOURTH GEAR CLUTCH CARRIER, POWER SHIFT .....                     | 0350-20 |
|  |          | FOURTH GEAR, BELLVILLEWASHER, POWERSHIFT .....                    | 0350-20 |
|  |          | FRAME (ARM), SUSPENSION SEAT SCISSOR .....                        | 1821-10 |
|  |          | FRAME, BACKHOE SLIDING,315SG.....                                 | 3342-2  |
|  |          | FRAME, CAB .....  | 1811-4  |
|  |          | FRAME, COUNTERWEIGHT.....   | 1749-3  |
|  |          | FRAME, FORKLIFT COUPLER.....                                      | 3103-2  |
|  |          | FRAME, GRILLE, EXTENDED .....                                     | 1921-4  |
|  |          | FRAME, MAIN FRAME (315SG) .....                                   | 1740-4  |
|  |          | FRAME, ROPS .....   | 1811-2  |
|  |          | FRAME, SLIDING (315SG).....                                       | 1740-4  |

# 000I-21

310G, 310SG AND 315SG BACKHOE LOADERS

## ALPHABETICAL INDEX - CONTINUED

|  | PAGE    |   | PAGE    |
|--|---------|---|---------|
| FRAME, SWING 315SG .....   | 3343-4  | FUEL FILTER LINES 310G (TURBO),310SG,<br>315SG (VSN -910055) .....                    | 0420-8  |
| FRAME,MAIN FRAME(310G,310SG) .....                                     | 1740-2  | FUEL FILTER LINES 310G (W/O TURBO)<br>(VSN -911768).....                              | 0420-2  |
| FRAME,SLIDING,315SG .....  | 3342-2  | FUEL FILTER LINES 310G (W/O TURBO)<br>(VSN 911769-).....                              | 0420-6  |
| FRAME,SWING<br>(310G,310SG) .....                                      | 3343-2  | FUEL FILTER 310G (TURBO),310SG,315SG<br>(VSN -910055).....                            | 0420-8  |
| FREEZE/COMPRESSOR SWITCH, AIR CONDITIONI<br>NG .....                   | 1830-7A | FUEL FILTER 310G (W/O TURBO)<br>(VSN -911768).....                                    | 0420-2  |
| FRESH AIR FILTER .....   | 1816-12 | FUEL FILTER 310G (W/O TURBO)<br>(VSN 911769-).....                                    | 0420-4  |
| FRONT ASLE HOUSING .....   | 0250-6  | FUEL FILTER 310G(TURBO), 310SG, 315SG<br>(VSN 910056-).....                           | 0420-10 |
| FRONT AXLE (MFWD) .....  | 0250-1  | FUEL GAUGE SENDER .....   | 0560-2  |
| FRONT AXLE (WITHOUT MFWD)<br>(SERIAL NO. -911131) .....                | 0230-2  | FUEL GAUGE SENDER .....   | 0560-6  |
| FRONT AXLE (WITHOUT MFWD)<br>(SERIAL NO. 911132- ).....                | 0230-5  | FUEL HOSES .....  | 0560-2  |
| FRONT AXLE HOUSING (MFWD) .....  | 0250-4  | FUEL HOSES .....  | 0560-6  |
| FRONT AXLE HOUSING (MFWD) .....  | 0250-6  | FUEL INJECTION LINES<br>310G(TURBO),310SG,315SG (VSN 910056-) .....                   | 0413-10 |
| FRONT AXLE HOUSING (MWFWD) .....                                       | 0250-4  | FUEL INJECTION LINES<br>310G(W/O TURBO)(VSN 911769- ).....                            | 0413-6  |
| FRONT AXLE HOUSING (WITHOUT MFWD)<br>(SERIAL NO. 911132- ).....        | 0230-6  | FUEL INJECTION LINES 310G(TURBO),310SG,<br>315SG(VSN 893079-907963)(VSN-910055) ..... | 0413-8  |
| FRONT AXLE HUB (MFWD) .....  | 0250-6  | FUEL INJECTION LINES 310G(W/O TURBO)<br>(VSN 893079-907963)(VSN -911768).....         | 0413-4  |
| FRONT AXLE KING PIN .....  | 0250-6  | FUEL INJECTION NOZZLE (PE4045TT089)<br>310SG,315SG (VSN -943548) .....                | 0413-2  |
| FRONT AXLE LUBRICATION SYSTEM .....                                    | 1370-2  | FUEL INJECTION NOZZLE (PE4045TT089) 310S<br>G,315SG (VSN 943549- ).....               | 0413-3  |
| FRONT AXLE PIVOT PIN (MFWD) .....                                      | 0250-1  | FUEL INJECTION NOZZLE (TT088, 89)<br>310G(TURBO),310SG,315SG (VSN 910056-) .....      | 0413-2  |
| FRONT AXLE PIVOT PIN (WITHOUT MFWD)<br>(SERIAL NO. 911132- ).....      | 0230-5  | FUEL INJECTION NOZZLE (VSN -910055)<br>310G(TURBO), 310SG, 315SG .....                | 0413-1  |
| FRONT AXLE SWIVEL HOUSING (WITHOUT MFWD)<br>(SERIAL NO. 911132- )..... | 0230-7  | FUEL INJECTION NOZZLE 310G(TURBO),310SG,<br>315SG (VSN 893079-907963) .....           | 0413-1  |
| FRONT AXLE UNIVERSAL DRIVE SHAFT (MFWD) .....                          | 0250-6  | FUEL INJECTION NOZZLE 310G(W/O TURBO)<br>(VSN -911768).....                           | 0413-3A |
| FRONT AXLE WHEEL HUB(WITHOUT MFWD)<br>(SERIAL NO. 911132- ).....       | 0230-8  | FUEL INJECTION NOZZLE 310G(W/O TURBO)<br>(VSN 893079-907963).....                     | 0413-3A |
| FRONT CONSOLE .....  | 1816-8  | FUEL INJECTION NOZZLE 310G(W/O TURBO)<br>(VSN 911769- ).....                          | 0413-3B |
| FRONT CONSOLE COVER,FLOOR .....  | 1812-2  | FUEL INJECTION PUMP<br>310G(TURBO),310SG,315SG (VSN 910056-) .....                    | 0413-10 |
| FRONT CONSOLE SWITCHES .....   | 1674-2  | FUEL INJECTION PUMP<br>310G(W/O TURBO)(VSN 911769- ).....                             | 0413-6  |
| FRONT CONSOLE SWITCHES .....   | 1674-3A | FUEL INJECTION PUMP DRIVE GEAR<br>310G(TURBO),310SG,315SG (VSN 910056-) .....         | 0413-10 |
| FRONT CONSOLE WIRING HARNESS<br>WITH CAB .....                         | 1674-2  | FUEL INJECTION PUMP DRIVE GEAR<br>310G(W/O TURBO)(VSN -911768).....                   | 0413-4  |
| FRONT CONSOLE WIRING HARNESS<br>WITH CAB .....                         | 1674-3A | FUEL INJECTION PUMP DRIVE GEAR<br>310G(W/O TURBO)(VSN 893079-907963).....             | 0413-4  |
| FRONT COUNTERWEIGHT .....  | 1749-2  | FUEL INJECTION PUMP DRIVE GEAR<br>310G(W/O TURBO)(VSN 911769- ).....                  | 0413-6  |
| FRONT COUPLER CYLINDER .....   | 3104-4  | FUEL INJECTION PUMP DRIVE 310G(TURBO)<br>310SG,315SG (VSN-910055) .....               | 0413-8  |
| FRONT COUPLER VALVE .....  | 3162-28 | FUEL INJECTION PUMP DRIVE 310G(TURBO)<br>310SG,315SG(VSN 893079-907963) .....         | 0413-8  |
| FRONT COUPLER, HYDRAULIC .....   | 3104-2  | FUEL INJECTION PUMP 310G(TURBO),310SG,<br>315SG(VSN 893079-907963)(VSN-910055) .....  | 0413-8  |
| FRONT DRIVE WHEEL (MFWD) .....   | 0110-3  | FUEL INJECTION PUMP 310G(W/O TURBO)<br>(VSN 893079-907963)(VSN -911768).....          | 0413-4  |
| FRONT FLOOR MAT .....  | 1812-2  | FUEL INJECTION PUMP DRIVE GEAR<br>310G(TURBO),310SG,315SG (VSN 910056-) .....         | 0413-10 |
| FRONT LIGHTS SWITCH .....  | 1674-2  | FUEL INJECTION PUMP DRIVE GEAR<br>310G(W/O TURBO)(VSN -911768).....                   | 0413-4  |
| FRONT LIGHTS SWITCH .....  | 1674-3A | FUEL INJECTION PUMP DRIVE GEAR<br>310G(W/O TURBO)(VSN 910056-) .....                  | 0413-10 |
| FRONT PLATE, ENGINE .....  | 0404-1  | FUEL INJECTION PUMP DRIVE GEAR<br>310G(W/O TURBO)(VSN 911769- ).....                  | 0413-6  |
| FRONT WHEEL (WITHOUT MFWD).....  | 0120-1  | FUEL INJECTION SYSTEM<br>310G(TURBO),310SG,315SG (VSN 910056-) .....                  | 0413-10 |
| FRONT WHEEL BEARING (WITHOUT MFWD)<br>(SERIAL NO. -911131).....        | 0230-4  | FUEL INJECTION SYSTEM<br>310G(W/O TURBO)(VSN 911769- ).....                           | 0413-6  |
| FRONT WHEEL HUB (WITHOUT MFWD)<br>(SERIAL NO. -911131) .....           | 0230-4  |   |         |
| FRONT WINDSHIELD WIPER MOTOR .....                                     | 1814-10 |   |         |
| FRONT WINDSHILD WIPER SWITCH .....                                     | 1674-2  |   |         |
| FRONT WINDSHILD WIPER SWITCH .....                                     | 1674-3A |   |         |
| FUEL COOLER, HI-AMBIENT .....  | 0560-4  |   |         |
| FUEL FILTER HEATER 310G (TURBO),<br>310SG,315SG (VSN -910055) .....    | 0420-8  |   |         |
| FUEL FILTER HEATER 310G (TURBO), 310SG,<br>315SG (VSN 910056-) .....   | 0420-10 |   |         |
| FUEL FILTER HEATER 310G (W/O TURBO)<br>(VSN -911768) .....             | 0420-2  |   |         |
| FUEL FILTER HEATER 310G (W/O TURBO)<br>(VSN 911769-) .....             | 0420-4  |   |         |
| FUEL FILTER LINES 310G (TURBO), 310SG,<br>315SG (VSN 910056-) .....    | 0420-12 |   |         |

## ALPHABETICAL INDEX - CONTINUED

|   | PAGE     |  | PAGE    |
|---|----------|--|---------|
| FUEL INJECTION SYSTEM 310G(TURBO),310SG,<br>315SG(VSN 893079-907963)(VSN-910055) .....  | 0413-8   | GASKET,OIL PAN 310G(TURBO),310SG,315SG .....   | 0407-8  |
| FUEL INJECTION SYSTEM 310G(W/O TURBO)<br>(VSN 893079-907963)(VSN -911768) .....         | 0413-4   | GASKET,OIL PAN 310G(TURBO),310SG,315SG<br>(VSN 910056- ) .....                       | 0407-10 |
| FUEL LINE FILTER 310G (TURBO),310SG,<br>315SG (VSN -910055) .....                       | 0420-8   | GASKET,ROCKER ARM COVER .....  | 0402-3  |
| FUEL LINE FILTER 310G (W/O TURBO)<br>(VSN -911768) .....                                | 0420-2   | GASKET,TRANSMISSION CONTROL VALVE,<br>SYNCHRO-SHUTTLE .....                          | 0360-4  |
| FUEL LINES, FILTER 310G (TURBO), 310SG,<br>315SG (VSN 910056-) .....                    | 0420-12  | GASKETS, INTERMEDIATE PLATE<br>SYNCHRO-SHUTTLE .....                                 | 0360-4  |
| FUEL LINES, FILTER 310G (W/O TURBO)<br>(VSN 911769-) .....                              | 0420-6   | GASKETS, INTERMEDIATE PLATE, POWER SHIFT .....                                       | 0360-10 |
| FUEL TANK .....   | 0560-2   | GATHERING CLAMP .....  | 2160-6  |
| FUEL TANK .....   | 0560-6   | GATHERING CLAMP .....  | 2160-8  |
| FUEL TANK CAP .....   | 0560-2   | GATHERING CLAMP .....  | 2160-9A |
| FUEL TANK CAP .....   | 0560-6   | GEAR SHIFTERS .....  | 0315-1  |
| FUEL TANK STRAINER .....  | 0560-2   | GEAR, CAMSHAFT 310G (W/O TURBO)<br>(VSN -911768)PE4045DT056 .....                    | 0402-1  |
| FUEL TANK STRAINER .....  | 0560-6   | GEAR, CAMSHAFT 310G (W/O TURBO)<br>(VSN 893079-907963)T04045DT056 .....              | 0402-1  |
| FUEL TEMPERATURE SENSOR (FRONT WIRE<br>HARNESS) (SN 910056- ) .....                     | 1674-9E  | GEAR, CAMSHAFT 310G (W/O TURBO)<br>(VSN 911769-)T04045DT058 .....                    | 0402-1  |
| FUEL TEMPERATURE SENSOR, STANADYNE DE10<br>310G (W/O TURBO) (VSN 911769- ) .....        | 0413-12A | GEAR, CAMSHAFT 310G(TURBO), 310SG, 315SG<br>(VSN 910055) .....                       | 0402-1A |
| FUEL TEMPERATURE SENSOR, STANADYNE DE10<br>310G (W/O TURBO) (VSN 911769- ) .....        | 0413-12B | GEAR, CAMSHAFT 310G(TURBO), 310SG, 315SG<br>(VSN 893079-907963) .....                | 0402-1A |
| FUEL TEMPERATURE SENSOR, STANADYNE DE10<br>310G(TURBO),310SG/315SG (VSN 910056- ) ..... | 0413-13A | GEAR, CAMSHAFT 310G(TURBO), 310SG, 315SG<br>(VSN 910056- ) .....                     | 0402-1B |
| FUEL TEMPERATURE SENSOR, STANADYNE DE10<br>310G(TURBO),310SG/315SG (VSN 910056- ) ..... | 0413-13B | GEAR, CRANKSHAFT<br>310G (W/O TURBO) (VSN 911769-) .....                             | 0401-2  |
| FUEL TRANSFER PUMP .....  | 0421-2   | GEAR, CRANKSHAFT<br>310G (W/O TURBO) (VSN-911768) .....                              | 0401-1A |
| FUEL TRANSFER PUMP PUSH ROD .....   | 0421-2   | GEAR, CRANKSHAFT<br>310G(TURBO),310SG,315SG (VSN -910055) .....                      | 0401-4  |
| FUSE PANEL .....  | 1674-2   | GEAR, CRANKSHAFT<br>310G(TURBO),310SG,315SG (VSN -910055) .....                      | 0401-5  |
| FUSE PANEL .....  | 1674-3A  | GEAR, CRANKSHAFT<br>310G(TURBO),310SG,315SG (VSN 910056- ) .....                     | 0401-6  |
| FUSE PANEL COVER .....  | 1816-8   | GEAR, ENGINE OIL PUMP .....  | 0407-20 |
| FUSES .....   | 1674-2   | GEAR, FUEL INJECTION PUMP DRIVE .....  | 0413-8  |
| FUSES .....   | 1674-3A  | GEAR, FUEL INJECTION PUMP DRIVE<br>310G(TURBO),310SG,315SG (VSN 910056-) .....       | 0413-10 |
|   |          | GEAR, FUEL INJECTION PUMP DRIVE<br>310G(W/O TURBO)(VSN -911768) .....                | 0413-4  |
| <b>G</b>  |          | GEAR, FUEL INJECTION PUMP DRIVE<br>310G(W/O TURBO)(VSN 893079-907963) .....          | 0413-4  |
| GAS PEDAL .....   | 0515-2   | GEAR, FUEL INJECTION PUMP DRIVE<br>310G(W/O TURBO)(VSN 911769- ) .....               | 0413-6  |
| GAS PEDAL .....   | 0515-4   | GEAR, FUEL INJECTION PUMP DRIVE 310G<br>(TURBO),310SG,315SG (VSN-910055) .....       | 0413-8  |
| GASKET SET, CYLINDER HEAD REMOVAL<br>310G(TURBO), 310SG, 315SG .....                    | 0452-1   | GEAR, FUEL INJECTION PUMP DRIVE 310G<br>(TURBO),310SG,315SG(VSN 893079-907963) ..... | 0413-8  |
| GASKET SET,ENGINE MAJOR OVERHAUL<br>310G(TURBO), 310SG, 315SG .....                     | 0452-2   | GEAR, INTERMEDIATE, TRANSMISSION .....   | 0350-10 |
| GASKET SET,ENGINE MAJOR OVERHAUL<br>310G(TURBO), 310SG, 315SG .....                     | 0452-4   | GEAR, PLANET (MFWD)<br>(S.N. -962303) .....  | 0250-8  |
| GASKET SET,IN CHASSIS OVERHAUL<br>310G(TURBO), 310SG, 315SG .....                       | 0452-1   | GEAR, PLANET (MFWD)<br>(S.N.962304-962373) .....                                     | 0250-8A |
| GASKET, CYLINDER HEAD .....   | 0409-2   | GEAR, PLANET (MFWD)<br>(S.N.962374- ) .....  | 0250-8B |
| GASKET, EXHAUST MANIFOLD .....  | 0410-1   | GEAR, PLANET (MFWD)(310G) .....  | 0250-9  |
| GASKET, TIMING GEAR COVER<br>(VSN -911768) 310G (W/O TURBO) .....                       | 0402-4   | GEAR, PLANETARY PINION .....   | 0210-1  |
| GASKET, TIMING GEAR COVER<br>310G (W/O TURBO)) (VSN 911769- ) .....                     | 0402-4B  | GEAR, RING (MFWD)<br>(S.N. -962303) .....  | 0250-8  |
| GASKET, TIMING GEAR COVER (VSN 910056- )<br>310G(TURBO), 310SG, 315SG .....             | 0402-6B  | GEAR, RING (MFWD)<br>(S.N.962304-962373) .....                                       | 0250-8A |
| GASKET, TIMING GEAR COVER (VSN-910055)<br>310G(TURBO), 310SG, 315SG .....               | 0402-6   | GEAR, RING (MFWD)<br>(S.N.962374- ) .....  | 0250-8B |
| GASKET, TURBOCHARGER (VSN -910055)<br>310G(TURBO), 310SG, 315SG .....                   | 0416-2   | GEAR, RING (MFWD)(310G) .....  | 0250-9  |
| GASKET, TURBOCHARGER 310G(TURBO), 310SG,<br>315SG (VSN 910056- ) .....                  | 0416-4   | GEAR, SPIRAL BEVEL WITH LOCK .....   | 0210-2  |
| GASKET,OIL PAN 310G (W/O TURBO)<br>(VSN -911768)(VSN 911769- ) .....                    | 0407-6   |  |         |
| GASKET,OIL PAN 310G (W/O TURBO)<br>(VSN 893079- 907963) .....                           | 0407-6   |  |         |



## ALPHABETICAL INDEX - CONTINUED

|   | PAGE    |   | PAGE    |
|---|---------|---|---------|
| GEAR, SYNCHRONIZER, 2ND .....                   | 0350-9  | HEAD, CYLINDER .....                          | 0409-2  |
| GEAR, SYNCHRONIZER, 4TH .....                   | 0350-10 | HEADER, ENGINE OIL FILTER                     |         |
| GEAR, SYNCHRONIZER, 1ST .....                   | 0350-9  | (VSN -911768) 310G (W/O TURBO) .....          | 0407-12 |
| GEAR, SYNCHRONIZER, 3RD .....                   | 0350-10 | HEADER, ENGINE OIL FILTER                     |         |
| GEAR, BEVEL DRIVE (MFWD)                        |         | (VSN -910055) 310G(TURBO), 310SG, 315SG ..... | 0407-16 |
| (310SG, 315SG) .....                            | 0250-10 | HEADER, ENGINE OIL FILTER                     |         |
| GEAR, DIFFERENTIAL SPIRAL BEVEL (MFWD) .....    | 0250-12 | (VSN 910056-) 310G(TURBO), 310SG, 315SG ..... | 0407-18 |
| GREASE BANK, FRONT AXLE .....                   | 1370-2  | HEADER, ENGINE OIL FILTER                     |         |
| GREASE KIT, POWER LINK                          |         | (VSN 911769- ) 310G (W/O TURBO) .....         | 0407-14 |
| (310G) .....                                    | 3345-6  | HEADLINER LAMP .....                          | 1811-4  |
| GRILLE .....                                    | 1921-2  | HEADLINER, CAB .....                          | 1811-4  |
| GRILLE HOUSING .....                            | 1921-2  | HEADLINER, ROPS .....                         | 1811-2  |
| GRILLE HOUSING, EXTENDED .....                  | 1921-4  | HEADREST, SEAT .....                          | 1821-3  |
| GRILLE SCREEN .....                             | 1921-2  | HEADREST, SEAT .....                          | 1821-3B |
| GRILLE SCREEN EXTENDED .....                    | 1921-4  | HEAT AND NOISE BARRIER .....                  | 1834-2  |
| GRILLE, CAB HEATER (20,000 BTU) .....           | 1830-10 | HEATER CORE (20,000 BTU) .....                | 1830-10 |
| GRIPPER TEETH, REPAIR KIT, EXT. DIPPER .....    | 3346-8  | HEATER HOSE, CANOPY .....                     | 1830-8  |
| GROUND CABLE .....                              | 1674-8  | HEATER VALVE CONTROL .....                    | 1830-8  |
| GROUND CABLE .....                              | 1674-9A | HEATER VALVE CONTROL CABLE .....              | 1830-6  |
| GROUND CABLE .....                              | 1674-9C | HEATER VALVE CONTROL CABLE, CANOPY .....      | 1830-8  |
| GROUND STRAP .....                              | 1674-8  | HEATER VALVE KNOB .....                       | 1830-8  |
| GROUND STRAP .....                              | 1674-9A | HEATER, CAB (20,000 BTU) .....                | 1830-10 |
| GROUND STRAP .....                              | 1674-9C | HEATER, CANOPY .....                          | 1830-8  |
| GUARD, BOTTOM .....                             | 1746-4  | HEATER, ENGINE COOLANT .....                  | 0505-2  |
| GUARD, LOADER CONTROL VALVE PLUMBING .....      | 1913-4  | HEATER, FUEL FILTER 310G (TURBO),             |         |
| GUARD, MFWD .....                               | 1740-2  | 310SG, 315SG (VSN -910055) .....              | 0420-8  |
| GUARD, RADIATOR FAN .....                       | 0510-2  | HEATER, FUEL FILTER 310G (W/O TURBO)          |         |
| GUARD, REVERSE CONTROL LEVER .....              | 0315-4  | (VSN -911768) .....                           | 0420-2  |
| GUARD, MFWD (315SG) .....                       | 1740-4  | HEATER, FUEL FILTER 310G (W/O TURBO)          |         |
| GUARD, STABILIZER KIT                           |         | (VSN 911769-) .....                           | 0420-4  |
| 310G, 310SG .....                               | 1746-2  | HEATER, FUEL FILTER 310G(TURBO), 310SG,       |         |
|   |         | 315SG (VSN 910056-) .....                     | 0420-10 |
| <b>H</b>  |         | HEATER, TEMPERATURE CONTROL .....             | 1830-8  |
| HAND HELD HYDRAULIC TOOL KIT                    |         | HEIGHT ADJUSTER FOR NON-SUSPENDED SEAT .....  | 1821-14 |
| (SERIAL NO. -913416) .....                      | 3363-44 | HI-AMBIENT FUEL COOLER .....                  | 0560-4  |
| HAND HELD HYDRAULIC TOOL KIT                    |         | HI-AMBIENT OIL COOLER .....                   | 2160-20 |
| (SERIAL NO. 913417- ) .....                     | 3363-46 | HIGH PRESSURE SWITCH .....                    | 1830-6  |
| HARNESS CONNECTOR KIT .....                     | 1674-8  | HIGH PRESSURE SWITCH .....                    | 1830-7A |
| HARNESS CONNECTOR KIT .....                     | 1674-9A | HINGE PINS, MULTI-PURPOSE BUCKET .....        | 3102-8  |
| HARNESS CONNECTOR KIT .....                     | 1674-9C | HINGES, CAB DOORS .....                       | 1814-2  |
| HARNESS COVER BRACKET .....                     | 1812-4  | HINGES, CAB DOORS .....                       | 1814-4  |
| HARNESS COVER BRACKET STRAP .....               | 1812-4  | HOLDER, MANUAL .....                          | 1811-2  |
| HARNESS, ANCHOR, TIE BAND MOUNT                 |         | HOLDER, SWING PIN .....                       | 1811-2  |
| SERIAL NO. -XXXXXX .....                        | 1673-4  | HOOD .....                                    | 1910-2  |
| HARNESS, ANCHOR, TIE BAND MOUNT                 |         | HOOD .....                                    | 1910-4  |
| SERIAL NO. XXXXXX- .....                        | 1673-6  | HOOD LATCH .....                              | 1910-2  |
| HARNESS, ENGINE FRONT (SN 910056- ) .....       | 1674-9E | HOOD LATCH .....                              | 1910-4  |
| HARNESS, ENGINE WIRING .....                    | 1674-9A | HOOD STRICKER BRACKET .....                   | 0520-2  |
| HARNESS, ENGINE WIRING .....                    | 1674-9C | HOOD SUPPORT .....                            | 1910-2  |
| HARNESS, LOAD COUPLER CONTROL CHASSIS .....     | 1674-5C | HOOD SUPPORT .....                            | 1910-4  |
| HARNESS, LOADER COUPLER, CAB .....              | 1674-5C | HORN (FRONT WIRE HARNESS) (SN 910056- ) ..... | 1674-9E |
| HARNESS, PATTERN SELECTOR .....                 | 3362-32 | HORN (SERIAL NO. -910147) .....               | 2004-6  |
| HARNESS, PILOT ENABLE WIRING .....              | 1674-5A | HORN (SERIAL NO. 910148-) .....               | 2004-8  |
| HARNESS, PUMP CONTROL AND RELAY .....           | 1674-10 | HORN SWITCH .....                             | 1674-6  |
| HARNESS, QUICK COUPLER .....                    | 1674-5C | HOSE, AIR CLEANER .....                       | 0520-2  |
| HARNESS, RADIO .....                            | 2001-2  | HOSE, ENGINE VENTILATING                      |         |
| HARNESS, RIDE CONTROL .....                     | 2160-24 | (DT056, TT080/81/88/89) .....                 | 0408-2  |
| HARNESS, RIDE CONTROL .....                     | 2160-26 | HOSE, ENGINE VENTILATING                      |         |
| HARNESS, ROOF WIRING                            |         | PE4045DT058 .....                             | 0408-4  |
| SERIAL NO. -XXXXXX .....                        | 1673-4  | HOSE, HYDRAULIC, RIDE CONTROL .....           | 2160-24 |
| HARNESS, ROOF WIRING                            |         | HOSE, HYDRAULIC, RIDE CONTROL .....           | 2160-26 |
| SERIAL NO. XXXXXX- .....                        | 1673-6  | HOSE, WINDSHIELD WASHER .....                 | 1814-12 |
| HARNESS, SIDE CONSOLE WIRING, WITH CAB .....    | 1674-4  | HOSES, ATTACHMENT KIT .....                   | 3363-42 |
| HARNESS, A/C PRESSURE SWITCH .....              | 1674-4  | HOSES, FUEL .....                             | 0560-2  |
| HARNESS, SIDE SHIFT LOCK CONT VALVE 315SG ..... | 3363-28 | HOSES, FUEL .....                             | 0560-6  |
|   |         | HOSES, HAND HELD HYDRAULIC TOOL KIT           |         |
|   |         | (SERIAL NO. -913416) .....                    | 3363-44 |

## ALPHABETICAL INDEX - CONTINUED

|  | PAGE    |   | PAGE    |
|--|---------|---|---------|
| HOSES, HAND HELD HYDRAULIC TOOL KIT<br>(SERIAL NO. 913417- ).....        | 3363-46 | HUB, CLUTCH .....   | 0350-2  |
| HOSES, LOADER BOOM LIFT CYLINDER HOSES.....                              | 3163-2  | HUB, CLUTCH .....   | 0350-4  |
| HOSES, LOADER BOOM LIFT CYLINDER HOSES.....                              | 3163-4  | HUB, FAN DRIVE<br>310G(TURBO),310SG,315SG .....                     | 0429-2  |
| HOSES, LOADER BUCKET CYLINDER HOSES .....                                | 3163-6  | HUB, FRONT AXLE WHEEL (WITHOUT MFWD)<br>(SERIAL NO. 911132- ) ..... | 0230-8  |
| HOSES, LOADER BUCKET CYLINDER HOSES .....                                | 3163-8  | HUB, FRONT WHEEL (WITHOUT MFWD)<br>(SERIAL NO. -911131) .....       | 0230-4  |
| HOSES, MAIN HYDRAULIC .....  | 2160-6  | HUB,FRONT AXLE (MFWD).....  | 0250-6  |
| HOSES, MAIN HYDRAULIC .....  | 2160-8  | HYDRAULIC CYLINDER,MULTI-PURPOSE BUCKET.....                        | 3102-10 |
| HOSES, MAIN HYDRAULIC .....  | 2160-9A | HYDRAULIC CYLINDER,MULTI-PURPOSE BUCKET.....                        | 3102-18 |
| HOSES, MAIN HYDRAULIC .....  | 2160-10 | HYDRAULIC CYLINDER,MULTI-PURPOSE BUCKET.....                        | 3102-20 |
| HOSES, MULTI-PURPOSE BUCKET .....  | 3102-10 | HYDRAULIC FRONT COUPLER .....                                       | 3104-2  |
| HOSES, MULTI-PURPOSE BUCKET, COUPLER.....                                | 3102-18 | HYDRAULIC FRONT COUPLER .....                                       | 3163-10 |
| HOSES, MULTI-PURPOSE BUCKET, COUPLER.....                                | 3102-20 | HYDRAULIC FRONT COUPLER CYLINDER.....                               | 3104-4  |
| HOSES, OIL COOLER.....   | 2160-18 | HYDRAULIC FRONT COUPLER HARNES.....                                 | 1674-5C |
| HOSES, OIL COOLER (310G) .....   | 2160-16 | HYDRAULIC FRONT COUPLER VALVE .....                                 | 3162-28 |
| HOSES, OIL COOLER KIT (310G).....  | 2160-22 | HYDRAULIC FRONT COUPLER,HOSES .....                                 | 3163-12 |
| HOSES, OIL COOLER, HI-AMBIENT .....                                      | 2160-20 | HYDRAULIC FRONT COUPLER,LINES .....                                 | 3163-12 |
| HOSES, RADIATOR .....  | 0510-2  | HYDRAULIC HOSE, RIDE CONTROL .....                                  | 2160-24 |
| HOSES, STEERING (WITH MFWD) .....  | 0960-8  | HYDRAULIC HOSE, RIDE CONTROL .....                                  | 2160-26 |
| HOSES, STEERING (WITHOUT MFWD).....                                      | 0960-10 | HYDRAULIC HOSE,BOOM CYLINDER .....                                  | 3363-6  |
| HOSES, THIRD FUNCTION HYDRAULIC HOSES.....                               | 3163-6  | HYDRAULIC HOSE,CROWD CYLINDER .....                                 | 3363-12 |
| HOSES, THIR FUNCTION HYDRAULIC HOSES.....                                | 3163-8  | HYDRAULIC HOSES FOR ATTACHMENT KIT .....                            | 3363-42 |
| HOSES,AIR CONDITIONING COMPRESSOR .....                                  | 1830-12 | HYDRAULIC HOSES, HAND HELD TOOL KIT<br>(SERIAL NO. -913416) .....   | 3363-44 |
| HOSES,AIR CONDITIONING COMPRESSOR.....                                   | 1830-14 | HYDRAULIC HOSES, HAND HELD TOOL KIT<br>(SERIAL NO. 913417- ) .....  | 3363-46 |
| HOSES,AIR CONDITIONING COMPRESSOR,<br>RECEIVER DRYER.....                | 1830-12 | HYDRAULIC HOSES,BUCKET CYLINDER<br>(EXTENDIBLE DIPPERSTICK).....    | 3363-10 |
| HOSES,AIR CONDITIONING COMPRESSOR,<br>RECEIVER DRYER.....                | 1830-14 | HYDRAULIC LINES, COOLER .....                                       | 2160-10 |
| HOSES,RECEIVER DRYER,<br>AIR CONDITIONING COMPRESSOR.....                | 1830-12 | HYDRAULIC LOADER COUPLER VALVE.....                                 | 3162-28 |
| HOSES,RECEIVER DRYER,<br>AIR CONDITIONING COMPRESSOR.....                | 1830-14 | HYDRAULIC LOADER COUPLER, BUCKET.....                               | 3163-10 |
| HOUSING AXLE .....   | 0201-2  | HYDRAULIC OIL COOLER & HOSES(HI-AMBIENT) .....                      | 2160-20 |
| HOUSING AXLE .....   | 0201-4  | HYDRAULIC OIL COOLER AND HOSES .....                                | 2160-18 |
| HOUSING, BELL .....  | 0341-1  | HYDRAULIC OIL COOLER AND HOSES (310G) .....                         | 2160-16 |
| HOUSING, BELL .....  | 0341-2  | HYDRAULIC OIL COOLER KIT AND HOSES(310G).....                       | 2160-22 |
| HOUSING, BRAKE .....   | 1011-2  | HYDRAULIC OIL COOLER LINES .....                                    | 2160-6  |
| HOUSING, BRAKE VALVE .....   | 1060-2  | HYDRAULIC OIL COOLER LINES .....                                    | 2160-8  |
| HOUSING, BRAKE VALVE .....   | 1060-4  | HYDRAULIC OIL COOLER LINES .....                                    | 2160-9A |
| HOUSING, DIFFERENTIAL.....   | 0201-2  | HYDRAULIC OIL FILTER.....   | 2160-14 |
| HOUSING, DIFFERENTIAL.....   | 0201-4  | HYDRAULIC OIL LINE,BOOM CYLINDER.....                               | 3363-6  |
| HOUSING, DIFFERENTIAL WITH LOCK.....                                     | 0210-2  | HYDRAULIC OIL LINES LOADER BUCKET<br>CYLINDER .....                 | 3163-6  |
| HOUSING, FAN DRIVE<br>310G(TURBO),310SG,315SG .....                      | 0429-2  | HYDRAULIC OIL LINES LOADER BUCKET<br>CYLINDER .....                 | 3163-8  |
| HOUSING, FLYWHEEL (VSN 910056-) .....                                    | 0433-4  | HYDRAULIC OIL LINES,AUGER<br>(WITH EXTENDIBLE DIPPERSTICK).....     | 3363-38 |
| HOUSING, FRONT INSTRUMENT PANEL .....                                    | 1816-8  | HYDRAULIC OIL LINES,CROWD CYLINDER .....                            | 3363-12 |
| HOUSING, GRILLE .....  | 1921-2  | HYDRAULIC OIL LINES,MULTI-PURPOSE<br>BUCKET .....                   | 3102-10 |
| HOUSING, GRILLE, EXTENDED.....   | 1921-4  | HYDRAULIC OIL LINES,MULTI-PURPOSE<br>BUCKET, COUPLER.....           | 3102-18 |
| HOUSING, LOCK VALVE, SIDE SHIFT<br>(315SG).....                          | 3362-30 | HYDRAULIC OIL LINES,MULTI-PURPOSE<br>BUCKET, COUPLER .....          | 3102-20 |
| HOUSING, PARK BRAKE<br>(AXLE SERIAL NO. -217496).....                    | 1111-2  | HYDRAULIC OIL LINES,THIRD FUNCTION .....                            | 3163-6  |
| HOUSING, PARK BRAKE<br>(AXLE SERIAL NO. 217497- ).....                   | 1111-4  | HYDRAULIC OIL LINES,THIRD FUNCTION .....                            | 3163-8  |
| HOUSING, SIDE INSTRUMENT PANEL .....                                     | 1816-10 | HYDRAULIC REMOTE KIT .....  | 3362-28 |
| HOUSING, SIDE INSTRUMENT PANEL .....                                     | 1816-12 | HYDRAULIC RESERVOIR .....   | 2160-12 |
| HOUSING, SWIVEL, FRONT AXLE<br>(WITHOUT MFWD)(SERIAL NO. 911132- ) ..... | 0230-7  | HYDRAULIC RESERVOIR BREATHER FILTER.....                            | 2160-12 |
| HOUSING, TRANSMISSION.....   | 0341-1  | HYDRAULIC RIDE CONTROL .....  | 2160-24 |
| HOUSING, TRANSMISSION, POWER SHIFT .....                                 | 0341-2  | HYDRAULIC RIDE CONTROL .....  | 2160-26 |
| HOUSING,ENGINE OIL PUMP .....  | 0407-20 | HYDRAULIC VALVE, LOADER .....                                       | 3162-2  |
| HOUSING,FLYWHEEL (VSN -910055) .....                                     | 0433-3  | HYDRAULIC VALVE, LOADER/STABILIZER .....                            | 3162-4  |
| HOUSING,FRONT AXLE (MFWD) .....  | 0250-6  | HYDRAULICS HOSE,SWING CYLINDER<br>(310G,310SG) .....                | 3363-14 |
| HOUSING,FRONT AXLE (MWFD) .....  | 0250-4  |   |         |
| HOUSING,FRONT AXLE (WITHOUT MFWD)<br>(SERIAL NO. 911132- ).....          | 0230-6  |   |         |
| HOUSING,SHIFT .....  | 0315-2  |   |         |

## ALPHABETICAL INDEX - CONTINUED

|   | PAGE    |   | PAGE     |
|---|---------|---|----------|
| HYDRAULICS, AUXILIARY EQUIPMENT, EXT.<br>(315SG).....                                   | 3363-26 | INPUT SHAFT SEAL<br>(AXLE SERIAL NO. -217496).....                    | 1111-2   |
| HYDRAULICS, AUXILIARY EQUIPMENT, EXTENDI<br>BLE DIPPERSTICK (310G AND 310SG).....       | 3363-24 | INPUT SHAFT SEAL<br>(AXLE SERIAL NO. 217497- ).....                   | 1111-4   |
| HYDRAULICS, AUXILIARY EQUIPMENT, STD.<br>(315SG).....                                   | 3363-22 | INPUT SHAFT, POWER SHIFT .....  | 0350-12  |
| HYDRAULICS, AUXILIARY EQUIPMENT,STD.<br>(310G AND 310SG) .....                          | 3363-20 | INSIDE MIRROR.....  | 2002-2   |
| HYDRAULICS, BACKHOE BUCKET CYLINDER.....  | 3363-8  | INSTRUMENT PANEL VANDAL GUARD.....                                    | 1816-10  |
| HYDRAULICS, BACKHOE STABILIZER CYLINDER .....   | 3363-2  | INSTRUMENT PANEL, SIDE .....  | 1816-10  |
| HYDRAULICS, BACKHOE STABILIZER CYLINDER .....   | 3363-3A | INSTRUMENT PANEL, SIDE .....  | 1816-12  |
| HYDRAULICS, BACKHOE STABILIZER CYLINDER<br>SIDESHIFT 315SE.....                         | 3363-4  | INTAKE SYSTEM, AIR<br>310(W/O TURBO) .....                            | 0414-3   |
| HYDRAULICS, LOADER BOOM CYLINDER .....  | 3163-2  | INTAKE SYSTEM, AIR 310G(TURBO), 310SG,<br>315SG (VSN -910055) .....   | 0414-1   |
| HYDRAULICS, LOADER BOOM CYLINDER .....  | 3163-4  | INTAKE SYSTEM, AIR 310G(TURBO),310SG,315<br>SG (VSN 910056- ) .....   | 0414-2   |
| HYDRAULICS, MAIN .....  | 2160-6  | INTAKE VALVE .....  | 0409-2   |
| HYDRAULICS, MAIN .....  | 2160-8  | INTAKE, ENGINE OIL PUMP.....  | 0407-20  |
| HYDRAULICS, MAIN .....  | 2160-9A | INTERIOR REAR VIEW MIRROR .....                                       | 2002-2   |
| HYDRAULICS, MAIN .....  | 2160-10 | INTERMEDIATE GEAR, TRANSMISSION .....                                 | 0350-10  |
| HYDRAULICS, PILOT CONTROL .....   | 3363-1C | INTERMEDIATE PLATE GASKETS,<br>SYNCHRO-SHUTTLE .....                  | 0360-4   |
| HYDRAULICS, PILOT SELECTOR VALVE.....   | 3363-1C | INTERMEDIATE PLATE GASKETS, POWER SHIFT .....                         | 0360-10  |
| HYDRAULICS, SELECTOR VALVE<br>(PILOT CONTROL) .....                                     | 3363-1A | INTERMEDIATE PLATE, POWER SHIFT TRANSMIS<br>SION.....                 | 0360-10  |
| HYDRAULICS, SERVICE BRAKE .....   | 1060-6  | INTERMEDIATE PLATE,TRANSMISSION,<br>SYNCHRO-SHUTTLE .....             | 0360-4   |
| HYDRAULICS, STEERING VALVE (WITH MFWD).....   | 0960-8  | INTERMEDIATE SHAFT, TRANSMISSION .....                                | 0350-10  |
| HYDRAULICS, STEERING,(WITHOUT MFWD) .....   | 0960-10 | ISOLATED TRANSMISSION SHIFTER LEVER .....                             | 0315-6   |
| HYDRAULICS,AUGER<br>(STANDARD DIPPERSTICK).....   | 3363-40 | ISOLATOR EDGING .....   | 0510-2   |
| HYDRAULICS,BACKHOE CYLINDERS (315SG) .....  | 3363-32 | ISOLATOR SEAL .....   | 0510-2   |
| HYDRAULICS,BACKHOE SWING CYLINDER<br>(315SG).....                                       | 3363-16 | ISOLATOR, ENGINE MOUNT.....   | 0540-2   |
| HYDRAULICS,BOOM LOCK,BACKHOE<br>315SG .....   | 3363-30 | ISOLATORS, CAB MOUNTING .....   | 1811-4   |
| HYDRAULICS,BRAKE VALVE BOOST<br>(CAB),310G AND 310SG .....                              | 1060-8  | ISOLATORS, ROPS FRAME.....  | 1811-2   |
| HYDRAULICS,BRAKE VALVE BOOST<br>(ROPS),310G AND 310SG .....                             | 1060-10 |   |          |
|   |         | <b>J</b>  |          |
|   |         | JOY STICK, CONTROL VALVE, BUTTON<br>FUNCION KIT.....                  | 3362-38  |
|   |         | JOY STICK, CONTROL VALVE, LEFT.....                                   | 3362-34  |
|   |         | JOY STICK, CONTROL VALVE, RIGHT .....                                 | 3362-36  |
|   |         | JUMP START PROTECTION COVER .....                                     | 1674-8   |
|   |         | JUMP START PROTECTION COVER .....                                     | 1674-9A  |
|   |         | JUMP START PROTECTION COVER .....                                     | 1674-9C  |
|   |         | <b>K</b>  |          |
|   |         | KEY,IGNITION SWITCH .....   | 1674-6   |
|   |         | KING PIN (WITHOUT MFWD)<br>(SERIAL NO. -911131) .....                 | 0230-2   |
|   |         | KING PIN, FRONT AXLE .....  | 0250-6   |
|   |         | KINGPIN, FRONT AXLE (WITHOUT MFWD)<br>(SERIAL NO. 911132- ) .....     | 0230-7   |
|   |         | KIT, ACCU-SWING VALVE.....  | 3362-29A |
|   |         | KIT, ATTACHMENT PLUMBING KIT .....                                    | 3363-42  |
|   |         | KIT, AUXILIARY VALVE, LOADER<br>(SERIAL NO. -913416).....             | 3162-18  |
|   |         | KIT, BACKHOE BOOM CYLINDER REPAIR<br>(310G) .....                     | 3365-2   |
|   |         | KIT, BACKHOE BOOM CYLINDER REPAIR<br>(310G)(SN 926130- ).....         | 3365-4   |
|   |         | KIT, BACKHOE BOOM CYLINDER REPAIR<br>(310SG,315SG)(SN -926129) .....  | 3365-6   |
|   |         | KIT, BACKHOE BOOM CYLINDER REPAIR<br>(310SG,315SG)(SN 926130- ) ..... | 3365-8   |
| IDLER SHAFT, MFWD .....   | 0350-7  |   |          |
| IGNITION SWITCH.....  | 1674-6  |   |          |
| IGNITION SWITCH KEY.....  | 1674-6  |   |          |
| IMPELLER,WATER PUMP 310G(TURBO), 310SG,<br>315SG (VSN -910055) T0/PE4045TT080,081 ..... | 0417-3  |   |          |
| IMPELLER,WATER PUMP 310G(TURBO), 310SG,<br>315SG (VSN 910056-) PE4045TT088,089 .....    | 0417-4  |   |          |
| IMPELLER,WATER PUMP 310G(W/O TURBO)<br>(VSN -911768) T0/PE4045DT056.....                | 0417-3  |   |          |
| IMPELLER,WATER PUMP 310G(W/O TURBO) (VSN<br>911769-) PE4045DT058 .....                  | 0417-4  |   |          |
| IN CHASSIS OVERHAUL GASKET SET<br>310G(TURBO), 310SG, 315SG .....                       | 0452-1  |   |          |
| INJECTION PUMP,FUEL<br>310G(TURBO),310SG,315SG (VSN 910056-) .....                      | 0413-10 |   |          |
| INJECTION PUMP,FUEL<br>310G(W/O TURBO)(VSN 911769- ) .....                              | 0413-6  |   |          |
| INLET OIL FILL.....   | 0407-2  |   |          |
| INLET PRIORITY SECTION, BACKHOE VALVE .....   | 3362-8  |   |          |
| INLET SECTION RELIEF VALVE .....  | 3162-6  |   |          |
| INLET SECTION, LOADER VALVE .....   | 3162-6  |   |          |
| INLET, WATER PUMP<br>310G(TURBO), 310SG, 315SG .....                                    | 0417-2  |   |          |
| INPUT FLANGE,(MFWD) .....   | 0250-12 |   |          |
| INPUT PINION, SPIRAL BEVEL .....  | 0210-4  |   |          |
| INPUT SHAFT .....   | 0350-6  |   |          |

## ALPHABETICAL INDEX - CONTINUED

|  | PAGE    |  | PAGE     |
|--|---------|--|----------|
| KIT, BACKHOE BUCKET CYLINDER REPAIR<br>(310G)(SER.# 910901-925926) .....       | 3365-11 | KIT, O-RING .....  | 1369-4   |
| KIT, BACKHOE BUCKET CYLINDER REPAIR<br>(310G)(SER.# 925927- ) .....            | 3365-12 | KIT, PATTERN SELECTOR VALVE .....  | 3362-32  |
| KIT, BACKHOE BUCKET CYLINDER REPAIR<br>(310G)(SN -910900).....                 | 3365-10 | KIT, REAR WINDOW LATCH<br>(SER.NO. -920856) .....  | 1814-8   |
| KIT, BACKHOE BUCKET CYLINDER REPAIR<br>(310SG,315SG) (SN -926788) .....        | 3365-15 | KIT, REAR WINDOW LATCH<br>(SER.NO. 920857- ) .....                                       | 1814-9A  |
| KIT, BACKHOE BUCKET CYLINDER REPAIR<br>(310SG,315SG) (SN 926789-) .....        | 3365-16 | KIT, REPAIR, SWING CYLINDER (310G)<br>(SN -957128).....                                  | 3365-19  |
| KIT, BACKHOE BUCKET CYLINDER REPAIR<br>(310SG,315SG) SERIAL NO. 926130-) ..... | 3365-14 | KIT, REPAIR, SWING CYLINDER (310G)<br>(SN 957129- ) .....                                | 3365-19A |
| KIT, BACKHOE BUCKET CYLINDER REPAIR<br>310SG,315SG (SERIAL NO. -926129) .....  | 3365-13 | KIT, REPAIR, SWING CYLINDER (310G,310SG)<br>(SN 957115- ) .....                          | 3365-20  |
| KIT, BRAKE VALVE.....  | 1060-4  | KIT, SELECTIVE FLOW CONTROL .....  | 1674-10  |
| KIT, CATALYTIC MUFFLER .....   | 0530-6  | KIT, SIXTH FUNCTION MANUAL VALVE<br>(310G) .....   | 3362-26  |
| KIT, CONTROL VALVE SOLENIOD<br>SYNCHRO-SHUTTLE .....                           | 0360-4  | KIT, SIXTH FUNCTION MANUAL VALVE<br>(310SG AND 315SG) .....                              | 3362-27  |
| KIT, CYLINDER LINER O-RING<br>310G (W/O TURBO) (VSN -911768) .....             | 0403-2  | KIT, STABILIZER CYLINDER REPAIR<br>310G (SERIAL NO. -925946) .....                       | 3365-21A |
| KIT, CYLINDER LINER O-RING<br>310G (W/O TURBO) (VSN 911769-) .....             | 0403-2A | KIT, STABILIZER CYLINDER REPAIR (310SG)<br>(SN 926207-952148) .....                      | 3365-24  |
| KIT, CYLINDER LINER O-RING<br>310G(TURBO) 310SG 315SG (VSN 910056-) .....      | 0403-3A | KIT, STABILIZER CYLINDER REPAIR (315SG)<br>(SERIAL NO. 944156- ) .....                   | 3365-28  |
| KIT, CYLINDER LINER O-RING<br>310G(TURBO), 310SG, 315SG (VSN-910055) .....     | 0403-2B | KIT, STABILIZER CYLINDER REPAIR (315SG)<br>(SN -944155).....                             | 3365-27  |
| KIT, DP SWITCH.....  | 2160-14 | KIT, STABILIZER GUARD<br>310G,310SG.....   | 1746-2   |
| KIT, ENGINE OVERHAUL<br>310G(TURBO), 310SG, 315SG .....                        | 0452-2  | KIT, STARTER MOTOR ADAPTER .....   | 0422-6   |
| KIT, ENGINE OVERHAUL<br>310G(TURBO), 310SG, 315SG .....                        | 0452-4  | KIT, STEERING VALVE REPAIR<br>(SERIAL NO. -911131).....                                  | 0960-6   |
| KIT, EXT.DIPPER ARM GRIP REPAIR .....  | 3346-8  | KIT, SUSPENDED SEAT POSITION SENSOR .....  | 1821-8   |
| KIT, EXTENDED GRILLE HOUSING .....   | 1921-4  | KIT, UNIVERSAL DRIVE SHAFT (MFWD) .....  | 0250-2   |
| KIT, FIFTH FUNCTION MANUAL VALVE<br>(310G) .....                               | 3362-24 | KIT, WATER PUMP REPAIR 310G(TURBO),310SG<br>315SG (VSN -910055) T0/PE4045TT080,081 ..... | 0417-3   |
| KIT, FIFTH FUNCTION MANUAL VALVE<br>(310SG AND 315SG) .....                    | 3362-25 | KIT, WATER PUMP REPAIR 310G(W/O TURBO)<br>(VSN -911768) T0/PE4045DT056 .....             | 0417-3   |
| KIT, FRONT COUPLER CYLINDER REPAIR .....                                       | 3104-4  | KIT, WINDOW SEAL<br>(SER.NO. -920856) .....  | 1814-8   |
| KIT, FUEL FILTER HEATER 310G (W/O TURBO)<br>(VSN 911769-) .....                | 0420-4  | KIT, WINDOW SEAL<br>(SER.NO. 920857- ) .....   | 1814-9A  |
| KIT, FUEL FILTER HEATER 310G(TURBO),<br>310SG, 315SG (VSN 910056-) .....       | 0420-10 | KIT,AUXILIARY OIL COOLER (310G) .....  | 2160-22  |
| KIT, FUEL FILTER 310G (TURBO),310SG,<br>315SG (VSN -910055) .....              | 0420-8  | KIT,BACKHOE BOOM PROTECTION .....  | 3344-3   |
| KIT, FUEL FILTER 310G (W/O TURBO)<br>(VSN -911768) .....                       | 0420-2  | KIT,BACKHOE TWO LEVER CONVERSION<br>(310G AND 310SG).....                                | 3315-6   |
| KIT, FUEL FILTER 310G (W/O TURBO)<br>(VSN 911769-) .....                       | 0420-4  | KIT,BOOM CYLINDER REPAIR<br>(310SG AND 315SG)(SER.# 910492-926248) .....                 | 3165-8   |
| KIT, FUEL FILTER 310G(TURBO), 310SG,<br>315SG (VSN 910056-) .....              | 0420-10 | KIT,CROWD CYLINDER REPAIR .....  | 3365-17  |
| KIT, HAND HELD HYDRAULIC TOOL KIT<br>(SERIAL NO. -913416).....                 | 3363-44 | KIT,CROWD CYLINDER REPAIR<br>310SG,315SG .....   | 3365-18  |
| KIT, HAND HELD HYDRAULIC TOOL KIT<br>(SERIAL NO. 913417- ) .....               | 3363-46 | KIT,ENGINE REBUILD<br>310G(TURBO), 310SG, 315SG .....                                    | 0452-2   |
| KIT, HARNESS CONNECTOR .....   | 1674-8  | KIT,ENGINE REBUILD<br>310G(TURBO), 310SG, 315SG .....                                    | 0452-4   |
| KIT, HARNESS CONNECTOR .....   | 1674-9A | KIT,HYDRAULIC RIDE CONTROL .....   | 2160-24  |
| KIT, HARNESS CONNECTOR .....   | 1674-9C | KIT,HYDRAULIC RIDE CONTROL .....   | 2160-26  |
| KIT, HYDRAULIC REMOTE .....  | 3362-28 | KIT,MULTI-PURPOSE BUCKET<br>CYLINDER REPAIR (SERIAL NO. -925076).....                    | 3102-12  |
| KIT, LOADER BUCKET CYLINDER REPAIR<br>(SERIAL NO. -941225).....                | 3165-10 | KIT,MULTI-PURPOSE BUCKET<br>CYLINDER REPAIR (SERIAL NO. 925077-).....                    | 3102-13  |
| KIT, LOADER BUCKET CYLINDER REPAIR<br>(SERIAL NO. 941226- ) .....              | 3165-12 | KIT,PILOT CONTROL HANDLE,BUTTON FUNCTION .....   | 3362-38  |
| KIT, LOADER BUCKET CYLINDER REPAIR<br>(SN 941226- ) REPLACEMENT .....          | 3165-14 | KIT,POWER LINK GREASE KIT<br>(310G) .....  | 3345-6   |
| KIT, LOCTITE SERVICE .....   | 1330-2  | KIT,PROTECTION,BACKHOE BOOM .....  | 3344-3   |
| KIT, MAIN HYDRAULIC PUMP<br>(310SG AND 315SG).....                             | 2160-4  | KIT,PROTECTION,EXT.DIPPERSTICK .....   | 3346-8   |
|  |         | KIT,SAE BACKHOE CONTROL LINKAGE PATTERN .....  | 3315-26  |
|  |         | KIT,SEAT SLIDE LATCH .....   | 1821-4   |
|  |         | KIT,SLIDE PUCK SERVICE .....   | 1821-6   |

## ALPHABETICAL INDEX - CONTINUED

|   | PAGE     |  | PAGE    |
|---|----------|--|---------|
| KIT,STARTER MOTOR<br>(310G) (ENG.SER.NO. 866618-908991) .....                         | 0422-2   | LEVER, FOUR-LEVER CONTROLS, STANDARD<br>BACKHOE (310G,310SG).....        | 3315-10 |
| KIT,STARTER MOTOR<br>(310SG,315SG)(SERIAL NO. -894292) .....                          | 0422-3   | LEVER, ISOLATED, TRANSMISSION SHIFTER.....                               | 0315-6  |
| KIT,STARTER MOTOR (WITH TURBOCHARGER)<br>(310G) (ENGINE SERIAL NO. -268961).....      | 0422-2   | LEVER, STABILIZER .....  | 3315-24 |
| KIT,STARTER MOTOR (WITHOUT TURBOCHARGER)<br>(310G) (ENGINE SERIAL NO. -257521).....   | 0422-2   | LEVER, THIRD FUNCTION LOADER CONTROL.....                                | 3115-10 |
| KIT,STARTER MOTOR(310G W/O TURBO)<br>(ENG.SER.NO.257522-) .....                       | 0422-4   | LEVER, THIRD FUNCTION LOADER CONTROL.....                                | 3115-12 |
| KIT,STARTER MOTOR(310G W/TURBO)<br>(ENG.SER.NO.258962-) .....                         | 0422-4   | LEVER, THREE, BACKHOE CONTROL<br>VALVE (310G AND 310SG).....             | 3315-8  |
| KIT,STARTER MOTOR(310SG,315SG)<br>(ENG.SER.NO.894293-908991) .....                    | 0422-4   | LEVER, THROTTLE.....   | 0515-2  |
| KIT,SWING CYLINDER REPAIR (310SG,315SG)<br>(SN -957114).....                          | 3365-19C | LEVER, THROTTLE.....   | 0515-4  |
| KIT,SWIVEL LATCH.....   | 1821-6   | LEVER, TRANSMISSION CONTROL.....   | 0315-4  |
| KIT,WATER PUMP REPAIR 310G(TURBO, 310SG,<br>315SG (VSN 910056-) PE4045TT088,089 ..... | 0417-4   | LEVER, TRANSMISSION SHIFTER.....   | 0315-6  |
| KIT,WATER PUMP REPAIR 310G(W/O TURBO) (V<br>SN 911769) PE4045DT058.....               | 0417-4   | LEVER,BACKHOE BOOM LOCK CONTROL<br>(310G AND 310SG).....                 | 3315-18 |
| KITS, STABILIZER CYLINDER REPAIR<br>310G (SERIAL NO. 925947-951995).....              | 3365-22  | LEVER,BACKHOE BOOM LOCK CONTROL<br>(315SG).....                          | 3315-22 |
| KITS, STABILIZER CYLINDER REPAIR<br>310G (SN 951996- ) .....                          | 3365-22A | LEVER,BACKHOE SWING LOCK CONTROL<br>(315SG).....                         | 3315-22 |
| KITS, STABILIZER CYLINDER REPAIR<br>310SG (SERIAL NO. -925993).....                   | 3365-25  | LEVER,ENGINE SPEED CONTROL .....   | 0515-2  |
| KITS, STABILIZER CYLINDER REPAIR<br>310SG (SN -926206).....                           | 3365-23  | LEVER,ENGINE SPEED CONTROL .....   | 0515-4  |
| KITS, STABILIZER CYLINDER REPAIR<br>310SG (SN 925994-952006).....                     | 3365-26  | LEVER,LOADER CONTROL VALVE .....   | 3115-6  |
| KITS, STABILIZER CYLINDER REPAIR<br>310SG (SN 952007-).....                           | 3365-26A | LEVER,LOADER CONTROL VALVE .....   | 3115-8  |
| KITS, STABILIZER CYLINDER REPAIR<br>310SG (SN 952149- ).....                          | 3365-24B | LEVER,SEAT LUMBAR SUPPORT CONTROL.....                                   | 1821-4  |
| KITS, STABILIZER VALVE<br>(SERIAL NO.-913416).....                                    | 3162-24  | LEVER,SEAT SLIDE CONTROL.....  | 1821-4  |
| KNOB, HEATER VALVE .....  | 1830-8   | LEVER,SEAT SWIVEL CONTROL .....  | 1821-4  |
| KNUCKLE AND SPINDLE ASSEMBLY<br>(WITHOUT MFWD)(SERIAL NO. -911131) .....              | 0230-2   | LEVERS, BACKHOE COVER .....  | 1816-2  |
| KNUCKLE HOUSING (MFWD).....   | 0250-6   | LICENCE PLATE BRACKET .....  | 1314-2  |
| L   |          |  |         |
| LABELS .....  | 1320-2   | LICENCE PLATE LIGHT .....  | 1314-2  |
| LABELS .....  | 1320-4   | LIFT ARM, LOADER .....   | 3140-2  |
| LABELS .....  | 1320-5A  | LIFT ARM, LOADER, HYDRAULICS .....                                       | 3163-2  |
| LABELS .....  | 1320-6   | LIFT BRACKET, TRANSMISSION .....   | 0341-1  |
| LABELS .....  | 1320-7A  | LIFT BRACKET, TRANSMISSION .....   | 0341-2  |
| LABELS .....  | 1320-8   | LIFT CYLINDER, LOADER BOOM<br>(310G)(SER.# -926493) .....                | 3165-2  |
| LAMP, HEADLINER .....   | 1811-4   | LIFT CYLINDER, LOADER BOOM<br>(310G)(SER.# 926494- ) .....               | 3165-4  |
| LATCH, HOOD .....   | 1910-2   | LIFT CYLINDER, LOADER BOOM<br>(310SG AND 315SG)(SER.# 926249- ) .....    | 3165-9  |
| LATCH, HOOD .....   | 1910-4   | LIFT CYLINDER, LOADER BOOM<br>(310SG AND 315SG)(SERIAL NO. -910491)..... | 3165-6  |
| LATCH, REAR WINDOW<br>(SER.NO. -920856) .....   | 1814-8   | LIFT CYLINDER, LOADER BOOM PINS<br>(310G)(SER.# -926493) .....           | 3165-2  |
| LATCH, REAR WINDOW<br>(SER.NO. 920857- ) .....  | 1814-9A  | LIGHT SWITCH, FRONT .....  | 1674-2  |
| LATCH, SIDE WINDOW LATCH .....  | 1814-2   | LIGHT SWITCH, FRONT .....  | 1674-3A |
| LATCH, SIDE WINDOW LATCH .....  | 1814-4   | LIGHT, DOME .....  | 1811-4  |
| LATCH,SEAT SWIVEL .....   | 1821-6   | LIGHT, LICENCE PLATE .....   | 1314-2  |
| LEAD, WIRE, KIT .....   | 1674-16  | LIGHT,CAB DOME .....   | 2001-2  |
| LEAD, WIRE, KIT .....   | 1674-18  | LIGHTS,STANDARD AND DELUXE<br>SERIAL NO. -XXXXXX .....                   | 1673-4  |
| LEVER CONVERSION LINKAGE, BACKHOE<br>(SAE PATTERN).....                               | 3315-26  | LIGHTS,STANDARD AND DELUXE<br>SERIAL NO. XXXXXX- .....                   | 1673-6  |
| LEVER, FIFTH FN FOR THREE LEVER<br>CONTROLS .....                                     | 3315-16  | LIMITED SLIP DIFFERENTIAL (MFWD)<br>(310SG,315SG).....                   | 0250-10 |
|   |          | LINE, POWER BEYOND, HYDRAULIC .....                                      | 3362-4  |
|   |          | LINE, POWER BEYOND, HYDRAULIC .....                                      | 3362-6  |
|   |          | LINE, STABILIZER HYDRAULIC .....   | 3362-4  |
|   |          | LINE, STABILIZER HYDRAULIC .....   | 3362-6  |
|   |          | LINER, CYLINDER<br>310G (W/O TURBO) (VSN 911769-).....                   | 0403-2A |
|   |          | LINER, CYLINDER<br>310G(TURBO) 310SG 315SG (VSN 910056-) .....           | 0403-3A |
|   |          | LINER, CYLINDER<br>310G(TURBO), 310SG, 315SG (VSN-910055) .....          | 0403-2B |
|   |          | LINER, CYLINDER 310G (W/O TURBO)<br>(VSN -911768).....                   | 0403-2  |
|   |          | LINES, AUXILIARY EQUIPMENT, EXTENDIBLE<br>(315SG).....                   | 3363-26 |

## ALPHABETICAL INDEX - CONTINUED

|  | PAGE    |  | PAGE    |
|--|---------|--|---------|
| LINES, AUXILIARY EQUIPMENT, EXTENDIBLE DIPPERSTICK (310G AND 310SG) .....              | 3363-24 | LOADER BOOM LIFT CYLINDER<br>(310G)(SER.# 926494- ) .....                          | 3165-4  |
| LINES, AUXILIARY EQUIPMENT, STANDARD<br>(310G AND 310SG) .....                         | 3363-20 | LOADER BOOM LIFT CYLINDER<br>(310SG AND 315SG)(SER.# 926249- ) .....               | 3165-9  |
| LINES, AUXILIARY EQUIPMENT, STANDARD<br>(315SG) .....                                  | 3363-22 | LOADER BOOM LIFT CYLINDER<br>(310SG AND 315SG)(SERIAL NO. -910491).....            | 3165-6  |
| LINES, BUCKET CYLINDER, BACKHOE .....  | 3363-8  | LOADER BOOM LIFT CYLINDER PINS<br>(310G)(SER.# -926493) .....                      | 3165-2  |
| LINES, EXTENDIBLE DIPPERSTICK, BUCKET .....  | 3363-10 | LOADER BOOM LIFT CYLINDER REPAIR KIT<br>(310G)(SER.# -926493) .....                | 3165-2  |
| LINES, FUEL FILTER 310G (TURBO), 310SG,<br>315SG (VSN 910056-) .....                   | 0420-12 | LOADER BOOM LIFT CYLINDER REPAIR KIT<br>(310G)(SER.# 926494- ) .....               | 3165-4  |
| LINES, FUEL FILTER 310G (TURBO),310SG,<br>315SG (VSN -910055) .....                    | 0420-8  | LOADER BOOM LIFT CYLINDER REPAIR KIT<br>(310SG AND 315SG)(SER.# 926249- ) .....    | 3165-9  |
| LINES, FUEL FILTER 310G (W/O TURBO)<br>(VSN -911768) .....                             | 0420-2  | LOADER BOOM LIFT CYLINDER REPAIR KIT<br>(310SG AND 315SG)(SERIAL NO. -910491)..... | 3165-6  |
| LINES, FUEL FILTER 310G (W/O TURBO)<br>(VSN 911769-) .....                             | 0420-6  | LOADER BOOM OIL LINES .....  | 3163-2  |
| LINES, FUEL INJECTION<br>310G(TURBO),310SG,315SG (VSN 910056-) .....                   | 0413-10 | LOADER BOOM OIL LINES .....  | 3163-4  |
| LINES, FUEL INJECTION<br>310G(W/O TURBO)(VSN 911769- ) .....                           | 0413-6  | LOADER BOOM SERVICE LOCK .....   | 1313-2  |
| LINES, FUEL INJECTION 310G(TURBO),310SG,<br>315SG(VSN 893079-907963)(VSN-910055) ..... | 0413-8  | LOADER BUCKET<br>.76 CUBIC METER (1.00 CUBIC YARD).....                            | 3102-2  |
| LINES, FUEL INJECTION310G(W/O TURBO)<br>(VSN 893079-907963)(VSN -911768) .....         | 0413-4  | LOADER BUCKET<br>.86 CUBIC METER(1.13 CUBIC YARD).....                             | 3102-4  |
| LINES, HYDRAULIC COOLER .....  | 2160-10 | LOADER BUCKET<br>.90 CUBIC METER (1.20 CUBIC YARD).....                            | 3102-2  |
| LINES, OIL COOLER, HYDRAULIC .....   | 2160-6  | LOADER BUCKET<br>.96 CUBIC METER (1.25 CUBIC YARD).....                            | 3102-2  |
| LINES, OIL COOLER, HYDRAULIC .....   | 2160-8  | LOADER BUCKET<br>1.00 CUBIC METER(1.30 CUBIC YARD).....                            | 3102-4  |
| LINES, OIL COOLER, HYDRAULIC .....   | 2160-9A | LOADER BUCKET COUPLER<br>.76 CUBIC METER (1.00 CUBIC YARD).....                    | 3102-14 |
| LINES, QUICK COUPLER HYDRAULIC .....   | 3163-12 | LOADER BUCKET COUPLER<br>.96 CUBIC METER (1.25 CUBIC YARD).....                    | 3102-14 |
| LINES, SERVICE BRAKE .....   | 1060-6  | LOADER BUCKET CUTTING EDGE .....   | 3102-2  |
| LINES, TURBOCHARGER OIL (VSN -910055)<br>310G(TURBO), 310SG, 315SG .....               | 0416-6  | LOADER BUCKET CUTTING EDGE .....   | 3102-4  |
| LINES, TURBOCHARGER OIL (VSN 910056- )<br>310G(TURBO), 310SG, 315SG .....              | 0416-8  | LOADER BUCKET CYLINDER<br>(SERIAL NO. -941225) .....                               | 3165-10 |
| LINES,EXTENDIBLE DIPPERSTICK .....   | 3363-18 | LOADER BUCKET CYLINDER<br>(SERIAL NO. 941226- ) .....                              | 3165-12 |
| LINKAGE BACKHOE, FIFTH FN LEVER FOR<br>THREE LEVER CONTROLS .....                      | 3315-16 | LOADER BUCKET CYLINDER<br>(SN 941226- ) REPLACEMENT .....                          | 3165-14 |
| LINKAGE THREE LEVER BACKHOE CONTROL<br>VALVE (310G AND 310SG) .....                    | 3315-8  | LOADER BUCKET CYLINDER PINS .....  | 3102-6  |
| LINKAGE, BACKHOE CONTROL (SAE PATTERN) .....   | 3315-26 | LOADER BUCKET CYLINDER REPAIR KIT<br>(SERIAL NO. -941225) .....                    | 3165-10 |
| LINKAGE, BUCKET LEVELING .....   | 3115-2  | LOADER BUCKET CYLINDER REPAIR KIT<br>(SERIAL NO. 941226- ) .....                   | 3165-12 |
| LINKAGE, BUCKET LEVELING .....   | 3115-4  | LOADER BUCKET CYLINDER REPAIR KIT<br>(SN 941226- ) REPLACEMENT .....               | 3165-14 |
| LINKAGE, ENGINE SPEED CONTROL .....  | 0515-2  | LOADER BUCKET HYDRAULIC CYLINDER<br>(SERIAL NO. -941225) .....                     | 3165-10 |
| LINKAGE, FLOOR COVER .....   | 1812-2  | LOADER BUCKET HYDRAULIC CYLINDER<br>(SERIAL NO. 941226- ) .....                    | 3165-12 |
| LINKAGE, FOUR-LEVER CONTROL VALVE,<br>STANDARD BACKHOE (310G,310SG) .....              | 3315-10 | LOADER BUCKET HYDRAULIC CYLINDER<br>(SN 941226- ) REPLACEMENT .....                | 3165-14 |
| LINKAGE, STABILIZER VALVE .....  | 3315-24 | LOADER BUCKET LIFT CYLINDER HYDRAULICS .....                                       | 3163-6  |
| LINKAGE, TWO LEVER BACKHOE CONTROL VALVE<br>(310G AND 310SG) .....                     | 3315-6  | LOADER BUCKET LIFT CYLINDER HYDRAULICS .....                                       | 3163-8  |
| LINKAGE,LOADER BUCKET .....  | 3140-4  | LOADER BUCKET LINK PINS.....   | 3102-6  |
| LINKAGE,LOADER CONTROL VALVE .....   | 3115-6  | LOADER BUCKET LINKAGE .....  | 3140-4  |
| LINKAGE,LOADER CONTROL VALVE .....   | 3115-8  | LOADER BUCKET PINS.....  | 3102-6  |
| LINKAGE,RETURN-TO-DIG .....  | 3115-2  | LOADER BUCKET,COUPLER<br>.86 CUBIC METER (1.13 CUBIC YARD).....                    | 3102-16 |
| LINKAGE,RETURN-TO-DIG .....  | 3115-4  | LOADER BUCKET,COUPLER<br>1.00 CUBIC METER (1.31 CUBIC YARD).....                   | 3102-16 |
| LINKAGE,THIRD FUNCTION LOADER CONTROL<br>VALVE .....                                   | 3115-10 | LOADER CONTROL COVER .....   | 1816-12 |
| LINKAGE,THIRD FUNCTION LOADER CONTROL<br>VALVE .....                                   | 3115-12 | LOADER CONTROL VALVE .....   | 3162-2  |
| LOAD SENSE RELIEF VALVE<br>(SER.NO.913417-) .....                                      | 3162-26 | LOADER CONTROL VALVE LEVER .....   | 3115-6  |
| LOADER ARM SERVICE LOCK .....  | 1313-2  | LOADER CONTROL VALVE LEVER .....   | 3115-8  |
| LOADER BOOM .....  | 3140-2  |  |         |
| LOADER BOOM CYLINDER HYDRAULICS .....  | 3163-2  |  |         |
| LOADER BOOM CYLINDER HYDRAULICS .....  | 3163-4  |  |         |
| LOADER BOOM LIFT CYLINDER<br>(310G)(SER.# -926493) .....                               | 3165-2  |  |         |



# 0001-30

310G, 310SG AND 315SG BACKHOE LOADERS

## ALPHABETICAL INDEX - CONTINUED

|  | PAGE    |   | PAGE    |
|--|---------|---|---------|
| MOTOR, STARTING<br>(310G) (ENG.SER.NO. 866618-908991) .....                        | 0422-2  |   |         |
| MOTOR, STARTING<br>(310SG,315SG)(SERIAL NO. -894292) .....                         | 0422-3  |   |         |
| MOTOR, STARTING (WITH TURBOCHARGER)<br>(310G) (ENGINE SERIAL NO. -268961) .....    | 0422-2  |   |         |
| MOTOR, STARTING (WITHOUT TURBOCHARGER)<br>(310G) (ENGINE SERIAL NO. -257521) ..... | 0422-2  |   |         |
| MOTOR, STARTING(310G W/O TURBO)<br>(ENG.SER.NO.257522-) .....                      | 0422-4  |   |         |
| MOTOR, STARTING(310G W/TURBO)<br>(ENG.SER.NO.258962-) .....                        | 0422-4  |   |         |
| MOTOR, STARTING(310SG,315SG)<br>(ENG.SER.NO.894293-908991) .....                   | 0422-4  |   |         |
| MOUNTING BRACKETS, COMPRESSOR,<br>AIR CONDITIONING .....                           | 1830-12 |   |         |
| MOUNTING BRACKETS, COMPRESSOR,<br>AIR CONDITIONING .....                           | 1830-14 |   |         |
| MOUNTING PLATE, BACKHOE VALVE<br>(PILOT CONTROL) .....                             | 3315-3A |   |         |
| MOUNTING PLATE, BACKHOE VALVE<br>310G,310SG .....                                  | 3315-2  |   |         |
| MOUNTING PLATE, BACKHOE VALVE<br>315SG .....                                       | 3315-4  |   |         |
| MOUNTING PLATE, BRAKE VALVE .....  | 1060-2  |   |         |
| MOUNTING PLATE, RADIO/SPEAKER .....  | 2001-2  |   |         |
| MOUNTING PLATE, STABILIZER VALVE<br>(PILOT CONTROL) .....                          | 3315-3A |   |         |
| MOUNTING PLATE, STABILIZER VALVE<br>310G,310SG .....                               | 3315-2  |   |         |
| MOUNTING PLATE, STABILIZER VALVE<br>315SG .....                                    | 3315-4  |   |         |
| MOUNTING PLATE, MASTER DISCONNECT SWITCH .....                                     | 1671-6  |   |         |
| MUFFLER .....  | 0530-4  |   |         |
| MUFFLER (310G) .....   | 0530-2  |   |         |
| MUFFLER, CATALYTIC .....   | 0530-6  |   |         |
| MULTI-PURPOSE BUCKET .....   | 3102-8  |   |         |
| MULTI-PURPOSE BUCKET .....   | 3102-10 |   |         |
| MULTI-PURPOSE BUCKET CUTTING EDGE .....  | 3102-8  |   |         |
| MULTI-PURPOSE BUCKET CYLINDER<br>(SERIAL NO. -925076) .....                        | 3102-12 |   |         |
| MULTI-PURPOSE BUCKET CYLINDER<br>(SERIAL NO. 925077-) .....                        | 3102-13 |   |         |
| MULTI-PURPOSE BUCKET CYLINDER<br>REPAIR KIT (SERIAL NO. -925076) .....             | 3102-12 |   |         |
| MULTI-PURPOSE BUCKET CYLINDER<br>REPAIR KIT (SERIAL NO. 925077-) .....             | 3102-13 |   |         |
| MULTI-PURPOSE BUCKET CYLINDER PINS<br>COUPLER .....                                | 3102-18 |   |         |
| MULTI-PURPOSE BUCKET CYLINDER PINS<br>COUPLER .....                                | 3102-20 |   |         |
| MULTI-PURPOSE BUCKET HYDRAULIC<br>OIL LINES .....                                  | 3102-10 |   |         |
| MULTI-PURPOSE BUCKET HYDRAULIC<br>OIL LINES, COUPLER .....                         | 3102-18 |   |         |
| MULTI-PURPOSE BUCKET HYDRAULIC<br>OIL LINES, COUPLER .....                         | 3102-20 |   |         |
| MULTI-PURPOSE BUCKET HYDRAULIC CYLINDER .....                                      | 3102-10 |   |         |
| MULTI-PURPOSE BUCKET HYDRAULIC CYLINDER,<br>COUPLER .....                          | 3102-18 |   |         |
| MULTI-PURPOSE BUCKET HYDRAULIC CYLINDER,<br>COUPLER .....                          | 3102-20 |   |         |
| MULTI-PURPOSE BUCKET MOLDBOARD .....   | 3102-8  |   |         |
| MULTI-PURPOSE BUCKET, COUPLER .....  | 3102-18 |   |         |
| MULTI-PURPOSE BUCKET, COUPLER .....  | 3102-20 |   |         |
|  |         | N   |         |
|  |         | NEEDLE BEARING, AXIAL .....   | 0360-5  |
|  |         | NOISE AND HEAT BARRIER .....  | 1834-2  |
|  |         | NON-SLIP SURFACING .....  | 1812-4  |
|  |         | NON-SUSPENDED SEAT BASE .....   | 1821-12 |
|  |         | NON-SUSPENDED SEAT HEIGHT ADJUSTER .....  | 1821-14 |
|  |         | NOZZLE, FUEL INJECTION (PE4045TT089)<br>310SG,315SG (VSN -943548) .....           | 0413-2  |
|  |         | NOZZLE, FUEL INJECTION (PE4045TT089) 310<br>SG,315SG (VSN 943549- ) .....         | 0413-3  |
|  |         | NOZZLE, FUEL INJECTION (TT088, 89)<br>310G(TURBO),310SG,315SG (VSN 910056-) ..... | 0413-2  |
|  |         | NOZZLE, FUEL INJECTION (VSN -910055)<br>310G(TURBO), 310SG, 315SG .....           | 0413-1  |
|  |         | NOZZLE, FUEL INJECTION 310G(TURBO),310SG<br>315SG (VSN 893079-907963) .....       | 0413-1  |
|  |         | NOZZLE, FUEL INJECTION 310G(W/O TURBO)<br>(VSN -911768) .....                     | 0413-3A |
|  |         | NOZZLE, FUEL INJECTION 310G(W/O TURBO)<br>(VSN 893079-907963) .....               | 0413-3A |
|  |         | NOZZLE, FUEL INJECTION 310G(W/O TURBO)<br>(VSN 911769- ) .....                    | 0413-3B |
|  |         | O   |         |
|  |         | O-RING KIT .....  | 1369-4  |
|  |         | OIL COOLER .....  | 2160-18 |
|  |         | OIL COOLER (310G) .....   | 2160-16 |
|  |         | OIL COOLER KIT (310G) .....   | 2160-22 |
|  |         | OIL COOLER LINES, HYDRAULIC .....   | 2160-6  |
|  |         | OIL COOLER LINES, HYDRAULIC .....   | 2160-8  |
|  |         | OIL COOLER LINES, HYDRAULIC .....   | 2160-9A |
|  |         | OIL COOLER, ENGINE .....  | 0419-2  |
|  |         | OIL COOLER, HI-AMBIENT .....  | 2160-20 |
|  |         | OIL COOLER, HYDRAULIC .....   | 2160-18 |
|  |         | OIL COOLER, TRANSMISSION .....  | 2160-18 |
|  |         | OIL DIPSTICK PE4045DT058<br>(VSN 929330- ) .....                                  | 0407-5  |
|  |         | OIL FILL INLET .....  | 0407-2  |
|  |         | OIL FILLER OPENING COVER .....  | 0407-2  |
|  |         | OIL FILTER, CHARGE PUMP .....   | 0360-5  |
|  |         | OIL FILTER, ENGINE<br>(VSN -911768) 310G (W/O TURBO) .....                        | 0407-12 |
|  |         | OIL FILTER, ENGINE<br>(VSN -910055) 310G(TURBO),310SG,315SG .....                 | 0407-16 |
|  |         | OIL FILTER, ENGINE<br>(VSN 911769- ) 310G (W/O TURBO) .....                       | 0407-14 |
|  |         | OIL FILTER, TRANSMISSION .....  | 0360-5  |
|  |         | OIL FILTER, ENGINE<br>(VSN 910056-) 310G(TURBO),310SG,315SG .....                 | 0407-18 |
|  |         | OIL LINES, LOADER BOOM .....  | 3163-2  |
|  |         | OIL LINES, LOADER BOOM .....  | 3163-4  |
|  |         | OIL LINES, TURBOCHARGER (VSN -910055)<br>310G(TURBO), 310SG, 315SG .....          | 0416-6  |
|  |         | OIL LINES, TURBOCHARGER (VSN 910056- )<br>310G(TURBO), 310SG, 315SG .....         | 0416-8  |
|  |         | OIL PAN GASKET 310G (W/O TURBO)<br>(VSN -911768)(VSN 911769- ) .....              | 0407-6  |
|  |         | OIL PAN GASKET 310G (W/O TURBO)<br>(VSN 893079 - 907963) .....                    | 0407-6  |
|  |         | OIL PAN GASKET 310G(TURBO),310SG,315SG<br>(VSN 893079-907963)(VSN -910055) .....  | 0407-8  |
|  |         | OIL PAN GASKET 310G(TURBO),310SG,315SG<br>(VSN 910056- ) .....                    | 0407-10 |



# 0001-31

310G, 310SG AND 315SG BACKHOE LOADERS

## ALPHABETICAL INDEX - CONTINUED

|  | PAGE    |  | PAGE     |
|--|---------|--|----------|
| OIL PAN,ENGINE 310G (W/O TURBO)<br>(VSN -911768)(VSN 911769- ) .....             | 0407-6  | PARK BRAKE PISTON<br>(AXLE SERIAL NO. 217497- ) .....              | 1111-4   |
| OIL PAN,ENGINE 310G (W/O TURBO)<br>(VSN 893079 - 907963) .....                   | 0407-6  | PARK BRAKE SEPERATOR PLATE<br>(AXLE SERIAL NO. -217496).....       | 1111-2   |
| OIL PAN,ENGINE 310G(TURBO),310SG,315SG<br>(VSN 893079-907963)(VSN -910055) ..... | 0407-8  | PARK BRAKE SEPERATOR PLATE<br>(AXLE SERIAL NO. 217497- ).....      | 1111-4   |
| OIL PAN,ENGINE 310G(TURBO),310SG,315SG<br>(VSN 910056- ) .....                   | 0407-10 | PARK BRAKE SOLENOID .....  | 0350-7   |
| OPERATOR MANUAL HOLDER.....  | 1811-2  | PARK BRAKE SOLENOID .....  | 0360-10  |
| OPERATOR STATION SKIRTS.....   | 1927-2  | PARK BRAKE, SOLENOID,<br>SYNCHRO-SHUTTLE .....                     | 0360-4   |
| OPERATOR'S SEAT .....  | 1821-18 | PATTERN SELECTOR HARNESS.....                                      | 3362-32  |
| OUTPUT SHAFT DOG GEAR .....  | 0350-8  | PATTERN SELECTOR VALVE .....                                       | 3362-32  |
| OUTPUT SHAFT SCREEN .....  | 0350-8  | PATTERN SELECTOR, SWITCH.....                                      | 3362-32  |
| OUTPUT SHAFT SLIDING SLEEVE .....  | 0350-8  | PEDAL FIELD KIT, FIFTH FUNCTION<br>(PILOT CONTROL) .....           | 3315-13A |
| OUTPUT SHAFT YOKE, TRANSMISSION .....  | 0350-18 | PEDAL FIELD KIT, SIXTH FUNCTION<br>(PILOT CONTROL) .....           | 3315-15A |
| OUTPUT SHAFT, MFWD.....  | 0350-8  | PEDAL, AUXILIARY FUNCTION<br>(PILOT CONTROL) .....                 | 3315-15A |
| OUTPUT SHAFT, TRANSMISSION (MFWD).....   | 0350-26 | PEDAL, BRAKE .....   | 1060-2   |
| OUTPUT YOKE, TRANSMISSION .....  | 0350-9  | PEDAL, EXTENDIBLE DIPPER<br>(PILOT CONTROL) .....                  | 3315-13A |
| OUTSIDE MIRROR.....  | 2002-3  | PEDAL, FIFTH FUNCTION.....   | 3315-12  |
| OVERHAUL KIT, ENGINE.....  | 0450-2  | PEDAL, FIFTH FUNCTION<br>(PILOT CONTROL) .....                     | 3315-13A |
| OVERHUAL KIT, ENGINE<br>310G(TURBO), 310SG, 315SG .....                          | 0452-2  | PEDAL, SELECTIVE FLOW CONTROL VALVE .....                          | 1674-10  |
| <b>P</b>   |         |  |          |
| PACKAGE, ENVIORMENTAL DRAIN .....  | 1369-6  | PEDAL, SIXTH FUNCTION .....  | 3315-14  |
| PAD SEAT BACK .....  | 1821-2  | PEDAL, SIXTH FUNCTION<br>(PILOT CONTROL) .....                     | 3315-15A |
| PAD SEAT BACK .....  | 1821-3A | PEDAL, SPEED CONTROL.....  | 0515-2   |
| PAD,EXTENDIBLE ARM.....  | 3346-4  | PEDAL, SPEED CONTROL .....   | 0515-4   |
| PAD,EXTENDIBLE ARM.....  | 3346-6  | PILOT ACTIVATING MANIFOLD.....                                     | 3363-1A  |
| PALLET FORKS.....  | 3103-2  | PILOT BACKHOE BOOM SECTION VALVE.....                              | 3362-40  |
| PAN, SEAT BACK .....   | 1821-4  | PILOT BACKHOE BUCKET SECTION VALVE .....                           | 3362-42  |
| PAN,ENGINE OIL 310G (W/O TURBO)<br>(VSN -911768)(VSN 911769- ) .....             | 0407-6  | PILOT BACKHOE CROWD SECTION VALVE .....                            | 3362-44  |
| PAN,ENGINE OIL 310G (W/O TURBO)<br>(VSN 893079 - 907963) .....                   | 0407-6  | PILOT BACKHOE SWING SECTION VALVE .....                            | 3362-46  |
| PAN,ENGINE OIL 310G(TURBO),310SG,315SG<br>(VSN 893079-907963)(VSN -910055) ..... | 0407-8  | PILOT CONTROL HANDLE BUTTON FUNCTION KIT .....                     | 3362-38  |
| PAN,ENGINE OIL 310G(TURBO),310SG,315SG<br>(VSN 910056- ) .....                   | 0407-10 | PILOT CONTROL HYDRAULICS .....                                     | 3363-1C  |
| PANEL, FRONT INSTRUMENT .....  | 1816-8  | PILOT CONTROL MANIFOLD.....  | 3362-31  |
| PANEL, RADIO TRIM .....  | 2001-2  | PILOT CONTROL VALVE, BACKHOE .....                                 | 3362-4   |
| PANEL, REAR KICK .....   | 1812-2  | PILOT CONTROL VALVE, BACKHOE .....                                 | 3362-6   |
| PANEL,FUSE .....   | 1674-2  | PILOT CONTROL VALVE, LEFT.....                                     | 3362-34  |
| PANEL,FUSE .....   | 1674-3A | PILOT CONTROL VALVE, RIGHT .....                                   | 3362-36  |
| PANEL,MONITOR.....   | 1674-6  | PILOT CONTROLLER ARM<br>(LEFT SIDE).....                           | 1816-14  |
| PANELS, ENGINE SIDE .....  | 1910-2  | PILOT CONTROLLER ARM<br>(RIGHT SIDE).....                          | 1816-16  |
| PANELS, ENGINE SIDE .....  | 1910-4  | PILOT ENABLE .....   | 1674-5A  |
| PARK BRAKE<br>(AXLE SERIAL NO. -217496).....                                     | 1111-2  | PILOT ENABLE SWITCH.....   | 1674-5A  |
| PARK BRAKE<br>(AXLE SERIAL NO. 217497- ).....                                    | 1111-4  | PILOT SELECTOR VALVE HYDRAULICS.....                               | 3363-1C  |
| PARK BRAKE CLUTCH DISK<br>(AXLE SERIAL NO. -217496).....                         | 1111-2  | PIN, AXLE PIVOT (WITHOUT MFWD)<br>(SERIAL NO. -911131).....        | 0230-2   |
| PARK BRAKE CLUTCH DISK<br>(AXLE SERIAL NO. 217497- ).....                        | 1111-4  | PIN, BACKHOE BOOM.....   | 3344-2   |
| PARK BRAKE HOUSING<br>(AXLE SERIAL NO. -217496).....                             | 1111-2  | PIN, BACKHOE BUCKET LUBE KIT<br>(310G) .....                       | 3345-6   |
| PARK BRAKE HOUSING<br>(AXLE SERIAL NO. 217497- ).....                            | 1111-4  | PIN, BUCKET .....  | 3346-2   |
| PARK BRAKE OIL PRESSURE SWITCH.....  | 1674-8  | PIN, CROWD .....   | 3346-2   |
| PARK BRAKE OIL PRESSURE SWITCH.....  | 1674-9A | PIN, DIPPERSTICK .....   | 3346-2   |
| PARK BRAKE OIL PRESSURE SWITCH.....  | 1674-9C | PIN, KING (WITHOUT MFWD)<br>(SERIAL NO. -911131) .....             | 0230-2   |
| PARK BRAKE PISTON<br>(AXLE SERIAL NO. -217496).....                              | 1111-2  | PIN, KING, FRONT AXLE (MFWD) .....                                 | 0250-6   |
|  |         | PIN, SWING LOCK .....  | 1811-2   |
|  |         | PIN,FRONT AXLE PIVOT (MFWD).....                                   | 0250-1   |
|  |         | PIN,FRONT AXLE PIVOT (WITHOUT MFWD)<br>(SERIAL NO. 911132- ) ..... | 0230-5   |
|  |         | PIN,LOADER LIFT ARM .....  | 3140-2   |
|  |         | PINION GEAR, PLANETARY .....                                       | 0210-1   |

## ALPHABETICAL INDEX - CONTINUED

|  | PAGE    |  | PAGE     |
|--|---------|--|----------|
| PINION, BEVEL WITH LOCK .....                | 0210-2  | PLANETARY DRIVE (MFWD)                         |          |
| PINS AND BUCKET LINKS, BACKHOE               |         | (S.N. -962303) .....                           | 0250-8   |
| (310SG AND 315SG) .....                      | 3345-4  | PLANETARY DRIVE (MFWD)                         |          |
| PINS AND BUCKET LINKS, BACKHOE (310G) .....  | 3345-2  | (S.N.962304-962373) .....                      | 0250-8A  |
| PINS, BACKHOE BUCKET AND LINKS               |         | PLANETARY DRIVE (MFWD)                         |          |
| (310SG AND 315SG) .....                      | 3345-4  | (S.N.962374- ) .....                           | 0250-8B  |
| PINS, BACKHOE BUCKET AND LINKS (310G) .....  | 3345-2  | PLANETARY DRIVE (MFWD)(310G) .....             | 0250-9   |
| PINS, LOADER BOOM LIFT CYLINDER              |         | PLANETARY PINION CARRIER .....                 | 0210-1   |
| (310G)(SER.# -926493) .....                  | 3165-2  | PLANETARY PINION GEAR .....                    | 0210-1   |
| PINS, LOADER BUCKET CYLINDER .....           | 3102-6  | PLANETARY RING GEAR .....                      | 0210-1   |
| PINS, LOADER BUCKET LINK .....               | 3102-6  | PLATE, BULKHEAD .....                          | 3363-32  |
| PINS, MULTI-PURPOSE BUCKET CYLINDER .....    | 3102-10 | PLATE, BRAKE VALVE MOUNTING .....              | 1060-2   |
| PINS, MULTI-PURPOSE BUCKET CYLINDER,         |         | PLATE, REAR AXLE HOUSING MOUNTING .....        | 0201-2   |
| COUPLER .....                                | 3102-18 | PLATE, REAR AXLE HOUSING MOUNTING .....        | 0201-4   |
| PINS, MULTI-PURPOSE BUCKET CYLINDER,         |         | PLUG, FRONT CAB MOUNT FLOOR HOLES .....        | 1812-4   |
| COUPLER .....                                | 3102-20 | PLUG, TIMING PIN HOLE, STANADYNE DE10          |          |
| PINS, MULTI-PURPOSE BUCKET HINGE .....       | 3102-8  | 310G (W/O TURBO) (VSN 911769- ) .....          | 0413-12A |
| PINS, SWING FRAME 315SG .....                | 3343-4  | PLUG, TIMING PIN HOLE, STANADYNE DE10          |          |
| PINS, BACKHOE BUCKET .....                   | 3302-14 | 310G (W/O TURBO) (VSN 911769- ) .....          | 0413-12B |
| PINS, BACKHOE BUCKET .....                   | 3302-16 | PLUG, TIMING PIN HOLE, STANADYNE DE10          |          |
| PINS, LOADER BUCKET .....                    | 3102-6  | 310G(TURBO), 310SG/315SG (VSN 910056- ) .....  | 0413-13A |
| PINS, STABILIZER ARM (310G, 310SG) .....     | 3348-2  | PLUG, TIMING PIN HOLE, STANADYNE DE10          |          |
| PINS, STABILIZER CYLINDER .....              | 3348-4  | 310G(TURBO), 310SG/315SG (VSN 910056- ) .....  | 0413-13B |
| PINS, SWING FRAME                            |         | PLUMBING KIT, ATTACHMENT .....                 | 3363-42  |
| (310G, 310SG) .....                          | 3343-2  | PLUMBING, BRAKE VALVE BOOST                    |          |
| PIPE, EXHAUST PIPE .....                     | 0530-4  | (CAB), 310G AND 310SG .....                    | 1060-8   |
| PIPE, EXHAUST PIPE (310G) .....              | 0530-2  | PLUMBING, BRAKE VALVE BOOST                    |          |
| PIPE, MFWD .....                             | 0350-7  | (ROPS), 310G AND 310SG .....                   | 1060-10  |
| PISTON RINGS                                 |         | PLUMBING, DIFFERENTIAL LOCK .....              | 0210-6   |
| 310G (W/O TURBO) (VSN 911769- ) .....        | 0403-2A | POSITION SWITCH, SEAT .....                    | 1821-8   |
| PISTON RINGS                                 |         | POST, REMOTE START .....                       | 1671-8   |
| 310G(TURBO) 310SG 315SG (VSN 910056- ) ..... | 0403-3A | POTENTIOMETER, ENGINE SPEED CONTROL .....      | 0515-4   |
| PISTON RINGS                                 |         | POWER BEYOND HYDRAULIC LINE .....              | 3362-4   |
| 310G(TURBO), 310SG, 315SG (VSN-910055) ..... | 0403-2B | POWER BEYOND HYDRAULIC LINE .....              | 3362-6   |
| PISTON RINGS 310G (W/O TURBO)                |         | POWER LINK (310G) .....                        | 3345-2   |
| (VSN -911768) .....                          | 0403-2  | POWER LINK (310SG AND 315SG) .....             | 3345-4   |
| PISTON, BRAKE .....                          | 1011-2  | POWER LINK GREASE KIT                          |          |
| PISTON, BRAKE VALVE .....                    | 1060-4  | (310G) .....                                   | 3345-6   |
| PISTON, CLUTCH ASSEMBLY .....                | 0350-2  | POWER SHIFT CLUTCH ASSEMBLY, FIRST GEAR .....  | 0350-14  |
| PISTON, CLUTCH ASSEMBLY .....                | 0350-4  | POWER SHIFT CLUTCH ASSEMBLY, FORWARD .....     | 0350-22  |
| PISTON, ENGINE                               |         | POWER SHIFT CLUTCH ASSEMBLY, FOURTH GEAR ..... | 0350-20  |
| 310G (W/O TURBO) (VSN 911769- ) .....        | 0403-2A | POWER SHIFT CLUTCH ASSEMBLY, REVERSE .....     | 0350-24  |
| PISTON, ENGINE                               |         | POWER SHIFT CLUTCH ASSEMBLY, SECOND GEAR ..... | 0350-16  |
| 310G(TURBO) 310SG 315SG (VSN 910056- ) ..... | 0403-3A | POWER SHIFT CLUTCH ASSEMBLY, THIRD GEAR .....  | 0350-18  |
| PISTON, ENGINE                               |         | POWER STEERING CYLINDER (WITHOUT MFWD)         |          |
| 310G(TURBO), 310SG, 315SG (VSN-910055) ..... | 0403-2B | (SERIAL NO. -911131) .....                     | 0960-14  |
| PISTON, ENGINE 310G (W/O TURBO)              |         | POWER STEERING CYLINDER (WITHOUT MFWD)         |          |
| (VSN -911768) .....                          | 0403-2  | (SERIAL NO. -911131) .....                     | 0960-16  |
| PISTON, PARK BRAKE                           |         | PRE CLEANER .....                              | 0520-4   |
| (AXLE SERIAL NO. -217496) .....              | 1111-2  | PRESSURE REDUCING VALVE, MANIFOLD              |          |
| PISTON, PARK BRAKE                           |         | (PILOT CONTROL) .....                          | 3362-31  |
| (AXLE SERIAL NO. 217497- ) .....             | 1111-4  | PRESSURE REGULATOR, STANADYNE DE10             |          |
| PISTON, RANGE SHIFT VALVE, POWER SHIFT ..... | 0360-8  | 310G (W/O TURBO) (VSN 911769- ) .....          | 0413-12A |
| PISTON, SLIDING FRAME LOCK 315SG .....       | 3363-28 | PRESSURE REGULATOR, STANADYNE DE10             |          |
| PISTON, TRANSMISSION CONTROL VALVE .....     | 0360-2  | 310G (W/O TURBO) (VSN 911769- ) .....          | 0413-12B |
| PISTON, TRANSMISSION CONTROL VALVE           |         | PRESSURE REGULATOR, STANADYNE DE10             |          |
| (POWER SHIFT) .....                          | 0360-6  | 310G(TURBO), 310SG/315SG (VSN 910056- ) .....  | 0413-13A |
| PIVOT, SHIFT HOUSING .....                   | 0315-2  | PRESSURE REGULATOR, STANADYNE DE10             |          |
| PLANET GEAR (MFWD)                           |         | 310G(TURBO), 310SG/315SG (VSN 910056- ) .....  | 0413-13B |
| (S.N. -962303) .....                         | 0250-8  | PRESSURE SWITCH (ENGINE OIL)                   |          |
| PLANET GEAR (MFWD)                           |         | (SN 910056- ) .....                            | 1674-9E  |
| (S.N.962304-962373) .....                    | 0250-8A | PRESSURE SWITCH HARNESS, A/C .....             | 1674-4   |
| PLANET GEAR (MFWD)                           |         | PRESSURE SWITCH, BRAKE LIGHT .....             | 1060-2   |
| (S.N.962374- ) .....                         | 0250-8B | PRESSURE, ENGINE OIL SWITCH .....              | 1674-8   |
| PLANET GEAR (MFWD)(310G) .....               | 0250-9  | PRESSURE, ENGINE OIL SWITCH .....              | 1674-9A  |
| PLANETARY CARRIER SHAFT .....                | 0210-1  | PRESSURE, ENGINE OIL SWITCH .....              | 1674-9C  |
|  |         | PRIORITY VALVE INLET SECTION, BACKHOE .....    | 3362-8   |

## ALPHABETICAL INDEX - CONTINUED

|  | PAGE    |   | PAGE    |
|--|---------|---|---------|
| PROTECTION COVER, LOADER PLUMBING.....       | 1913-4  | QUICK COUPLER FORKS AND FRAME.....          | 3103-2  |
| PROTECTION KIT, BACKHOE BOOM.....            | 3344-3  | QUICK COUPLER PIN ENGAGE AUDIBLE ALARM..... | 1674-5C |
| PROTECTION KIT, EXT. DIPPERSTICK.....        | 3346-8  | QUICK COUPLER PIN, DISCONNECT SWITCH.....   | 1674-5C |
| PROTECTIVE SLEEVES.....                      | 2160-18 | QUICK COUPLER WIRING HARNESS.....           | 1674-5C |
| PROTECTIVE SLEEVES.....                      | 2160-20 | QUICK COUPLER, HYDRAULICS.....              | 3163-12 |
| PROTECTIVE SLEEVES (310G).....               | 2160-16 | QUICK COUPLER, HYDRAULICS LINES.....        | 3163-12 |
| PROTECTIVE SLEEVES (310G).....               | 2160-22 | QUICK COUPLER, LOADER BUCKET.....           | 3163-10 |
| PTO PUMP DRIVE SHAFT.....                    | 0350-6  | QUICK COUPLER, LOADER BUCKET VALVE.....     | 3162-28 |
| PTO PUMP DRIVE SHAFT, POWER SHIFT.....       | 0350-12 |   |         |
| PULLEY ALTERNATOR                            |         |   |         |
| (SN -XXXXX).....                             | 1672-2  |   |         |
| PULLEY ALTERNATOR                            |         |   |         |
| (SN -XXXXX).....                             | 1672-4  |   |         |
| PULLEY ALTERNATOR                            |         |   |         |
| (SN XXXXXX-).....                            | 1672-6  |   |         |
| PULLEY, FAN DRIVE                            |         |   |         |
| 310G(TURBO), 310SG, 315SG.....               | 0429-2  |   |         |
| PULLEY, WATER PUMP                           |         |   |         |
| 310G(TURBO), 310SG, 315SG.....               | 0417-2  |   |         |
| PUMP CONTROL RELAY AND HARNESS.....          | 1674-10 |   |         |
| PUMP, ENGINE OIL.....                        | 0407-20 |   |         |
| PUMP, FUEL INJECTION                         |         |   |         |
| 310G(TURBO), 310SG, 315SG (VSN 910056-)..... | 0413-10 |   |         |
| PUMP, FUEL INJECTION                         |         |   |         |
| 310G(W/O TURBO)(VSN 911769- ).....           | 0413-6  |   |         |
| PUMP, FUEL INJECTION 310G(TURBO), 310SG,     |         |   |         |
| 315SG(VSN 893079-907963)(VSN-910055).....    | 0413-8  |   |         |
| PUMP, FUEL INJECTION 310G(W/O TURBO)         |         |   |         |
| (VSN 893079-907963)(VSN -911768).....        | 0413-4  |   |         |
| PUMP, FUEL TRANSFER.....                     | 0421-2  |   |         |
| PUMP, MAIN HYDRAULIC (310G).....             | 2160-2  |   |         |
| PUMP, MAIN HYDRAULIC (310SG AND 315SG).....  | 2160-4  |   |         |
| PUMP, WINDSHIELD WASHER.....                 | 1814-12 |   |         |
| PUMP, CHARGE.....                            | 0360-5  |   |         |
| PUMP, WATER 310G(TURBO), 310SG, 315SG        |         |   |         |
| (VSN -910055) T0/PE4045TT080,081.....        | 0417-3  |   |         |
| PUMP, WATER 310G(TURBO), 310SG, 315SG        |         |   |         |
| (VSN 910056-) PE4045TT088,089.....           | 0417-4  |   |         |
| PUMP, WATER 310G(W/O TURBO)                  |         |   |         |
| (VSN -911768) T0/PE4045DT056.....            | 0417-3  |   |         |
| PUMP, WATER 310G(W/O TURBO) (VSN 911769-)    |         |   |         |
| PE4045DT058.....                             | 0417-4  |   |         |
| PUSH BUTTON, DIFFERENTIAL LOCK.....          | 1674-12 |   |         |
| PUSH ROD, BRAKE VALVE.....                   | 1060-4  |   |         |
| PUSH ROD, FUEL TRANSFER PUMP.....            | 0421-2  |   |         |
| PUSH RODS.....                               | 0402-2  |   |         |
|  |         |   |         |
| <b>Q</b>                                     |         |   |         |
| QUARTER CAB.....                             | 1811-2  |   |         |
| QUARTER CAB ROOF.....                        | 1811-6  |   |         |
| QUARTER CAB WINDSHIELD.....                  | 1814-6  |   |         |
| QUICK CONNECT COUPLER.....                   | 2160-6  |   |         |
| QUICK CONNECT COUPLER.....                   | 2160-8  |   |         |
| QUICK COUPLER                                |         |   |         |
| (CASE).....                                  | 3302-10 |   |         |
| QUICK COUPLER                                |         |   |         |
| (FORD).....                                  | 3302-12 |   |         |
| QUICK COUPLER (STANDARD)                     |         |   |         |
| (310G).....                                  | 3302-8  |   |         |
| QUICK COUPLER (STANDARD)                     |         |   |         |
| (310SG AND 315SG).....                       | 3302-6  |   |         |
| QUICK COUPLER (UNIVERSAL)                    |         |   |         |
| (310G).....                                  | 3302-4  |   |         |
| QUICK COUPLER (UNIVERSAL)                    |         |   |         |
| (310SG AND 315SG).....                       | 3302-2  |   |         |
|  |         |   |         |
|  |         | <b>R</b>                                    |         |
|  |         | RADIATOR.....                               | 0510-2  |
|  |         | RADIATOR CAP.....                           | 0510-2  |
|  |         | RADIATOR DRAIN VALVE.....                   | 0510-2  |
|  |         | RADIATOR FAN GUARD.....                     | 0510-2  |
|  |         | RADIATOR FAN SHROUD.....                    | 0510-2  |
|  |         | RADIATOR HOSES.....                         | 0510-2  |
|  |         | RADIO.....                                  | 2001-2  |
|  |         | RADIO ANTENA.....                           | 2001-2  |
|  |         | RADIO SPEAKER.....                          | 2001-2  |
|  |         | RAIL, SHIFT.....                            | 0315-1  |
|  |         | RANGE SHIFT VALVE, POWER SHIFT.....         | 0360-8  |
|  |         | REAR AXLE ASSEMBLY.....                     | 0201-2  |
|  |         | REAR AXLE ASSEMBLY.....                     | 0201-4  |
|  |         | REAR AXLE HOUSING MOUNTING PLATE.....       | 0201-2  |
|  |         | REAR AXLE HOUSING MOUNTING PLATE.....       | 0201-4  |
|  |         | REAR AXLE RING GEAR AND PINION.....         | 0210-4  |
|  |         | REAR AXLE SPIRAL BEVEL INPUT PINION.....    | 0210-4  |
|  |         | REAR AXLE YOKE.....                         | 0210-4  |
|  |         | REAR CONSOLE COVER FOR THREE LEVERS.....    | 1816-4  |
|  |         | REAR CORNER WINDOWPANE                      |         |
|  |         | (SER.NO. -920856).....                      | 1814-8  |
|  |         | REAR CORNER WINDOWPANE                      |         |
|  |         | (SER.NO. 920857- ).....                     | 1814-9A |
|  |         | REAR DRIVE SHAFT UNIVERSAL JOINT            |         |
|  |         | (REVERSER).....                             | 0325-2  |
|  |         | REAR DRIVE SHAFT(REVERSER).....             | 0325-2  |
|  |         | REAR DRIVE WHEEL.....                       | 0110-2  |
|  |         | REAR FLOOR COVER.....                       | 1812-2  |
|  |         | REAR FLOOR MAT.....                         | 1812-2  |
|  |         | REAR KICK PANEL.....                        | 1812-2  |
|  |         | REAR VIEW MIRROR, EXTERNAL.....             | 2002-3  |
|  |         | REAR VIEW MIRROR, INTERIOR.....             | 2002-2  |
|  |         | REAR WINDOW LATCH                           |         |
|  |         | (SER.NO. -920856).....                      | 1814-8  |
|  |         | REAR WINDOW LATCH                           |         |
|  |         | (SER.NO. 920857- ).....                     | 1814-9A |
|  |         | REAR WINDOW WEATHERSTRIP                    |         |
|  |         | (SER.NO. -920856).....                      | 1814-8  |
|  |         | REAR WINDOW WEATHERSTRIP                    |         |
|  |         | (SER.NO. 920857- ).....                     | 1814-9A |
|  |         | REAR WINDOWS                                |         |
|  |         | (SER.NO. -920856).....                      | 1814-8  |
|  |         | REAR WINDOWS                                |         |
|  |         | (SER.NO. 920857- ).....                     | 1814-9A |
|  |         | REAR WINDSHIELD WIPER MOTOR.....            | 1814-14 |
|  |         | REAR WIPER ENABLE SWITCH.....               | 1814-14 |
|  |         | RECEIVER DRYER HOSES.....                   | 1830-12 |
|  |         | RECEIVER DRYER HOSES.....                   | 1830-14 |
|  |         | RECEIVER DRYER, AIR CONDITIONING.....       | 1830-12 |
|  |         | RECEIVER DRYER, AIR CONDITIONING.....       | 1830-14 |
|  |         | REFRIGERANT HOSE.....                       | 1830-6  |
|  |         | REFRIGERANT HOSE.....                       | 1830-7A |
|  |         | REFRIGERANT LINE.....                       | 1830-6  |
|  |         | REFRIGERANT LINE.....                       | 1830-7A |

## ALPHABETICAL INDEX - CONTINUED

|   | PAGE     |  | PAGE     |
|---|----------|--|----------|
| REGULATOR, PRESSURE, STANADYNE DE10<br>310G (W/O TURBO) (VSN 911769- )        | 0413-12A | REPAIR KIT, LOADER BOOM LIFT CYLINDER<br>(310G)(SER.# 926494- )                | 3165-4   |
| REGULATOR, PRESSURE, STANADYNE DE10<br>310G (W/O TURBO) (VSN 911769- )        | 0413-12B | REPAIR KIT, LOADER BOOM LIFT CYLINDER<br>(310SG AND 315SG)(SER.# 926249- )     | 3165-9   |
| REGULATOR, PRESSURE, STANADYNE DE10<br>310G(TURBO),310SG/315SG (VSN 910056- ) | 0413-13A | REPAIR KIT, LOADER BOOM LIFT CYLINDER<br>(310SG AND 315SG)(SERIAL NO. -910491) | 3165-6   |
| REGULATOR, PRESSURE, STANADYNE DE10<br>310G(TURBO),310SG/315SG (VSN 910056- ) | 0413-13B | REPAIR KIT, LOADER BUCKET CYLINDER<br>(SERIAL NO. -941225)                     | 3165-10  |
| RELAY, ACTUATOR DOOR  | 1674-4   | REPAIR KIT, LOADER BUCKET CYLINDER<br>(SERIAL NO. 941226- )                    | 3165-12  |
| RELAY, PUMP CONTROL AND HARNESS   | 1674-10  | REPAIR KIT, LOADER BUCKET CYLINDER<br>(SN 941226- ) REPLACEMENT                | 3165-14  |
| RELAY, STARTER  | 1674-8   | REPAIR KIT, STABILIZER CYLINDER<br>310G (SERIAL NO. -925946)                   | 3365-21A |
| RELAY, STARTER  | 1674-9A  | REPAIR KIT, STABILIZER CYLINDER (310SG)<br>(SN 926207-952148)                  | 3365-24  |
| RELAY, STARTER  | 1674-9C  | REPAIR KIT, STABILIZER CYLINDER (315SG)<br>(SERIAL NO. 944156- )               | 3365-28  |
| RELAY, TIMER  | 1674-4   | REPAIR KIT, STABILIZER CYLINDER (315SG)<br>(SN -944155)                        | 3365-27  |
| RELIEF VALVE, ATTACHMENT PLUMBING KIT   | 3363-42  | REPAIR KIT, STEERING VALVE<br>(SERIAL NO. -911131)                             | 0960-6   |
| RELIEF VALVE, AUXILIARY SECTION<br>(SERIAL NO. -913416)                       | 3162-16  | REPAIR KIT, SWING CYLINDER (310G)<br>(SN -957128)                              | 3365-19  |
| RELIEF VALVE, AUXILIARY SECTION<br>(SERIAL NO. 913417- )                      | 3162-20  | REPAIR KIT, SWING CYLINDER (310G)<br>(SN 957129- )                             | 3365-19A |
| RELIEF VALVE, BOOM PILOT SECTION  | 3362-40  | REPAIR KIT, SWING CYLINDER (310G,310SG)<br>(SN 957115- )                       | 3365-20  |
| RELIEF VALVE, BOOM SECTION  | 3162-8   | REPAIR KIT, SWING CYLINDER (310SG,315SG)<br>(SN -957114)                       | 3365-19C |
| RELIEF VALVE, BOOM SECTION  | 3162-10  | REPAIR KIT,BOOM CYLINDER<br>(310SG AND 315SG)(SER.# 910492-926248)             | 3165-8   |
| RELIEF VALVE, BOOM SECTION  | 3362-10  | REPAIR KIT,CROWD CYLINDER  | 3365-17  |
| RELIEF VALVE, BUCKET PILOT SECTION  | 3362-42  | REPAIR KIT,CROWD CYLINDER<br>310SG,315SG                                       | 3365-18  |
| RELIEF VALVE, BUCKET SECTION  | 3162-12  | REPAIR KITS, STABILIZER CYLINDER<br>310G (SERIAL NO. 925947-951995)            | 3365-22  |
| RELIEF VALVE, BUCKET SECTION  | 3162-14  | REPAIR KITS, STABILIZER CYLINDER<br>310G (SN 951996- )                         | 3365-22A |
| RELIEF VALVE, BUCKET SECTION  | 3362-12  | REPAIR KITS, STABILIZER CYLINDER<br>310SG (SN -926206)                         | 3365-23  |
| RELIEF VALVE, CROWD PILOT SECTION   | 3362-44  | REPAIR KITS, STABILIZER CYLINDER<br>310SG (SN 952149- )                        | 3365-24B |
| RELIEF VALVE, CROWD SECTION   | 3362-14  | REPAIR KITS, STABILIZER CYLINDER<br>310SG (SERIAL NO. -925993)                 | 3365-25  |
| RELIEF VALVE, INLET SECTION   | 3162-6   | REPAIR KITS, STABILIZER CYLINDER<br>310SG (SN 925994-952006)                   | 3365-26  |
| RELIEF VALVE, LOADER<br>(SER.NO.913417- )                                     | 3162-26  | REPAIR KITS, STABILIZER CYLINDER<br>310SG (SN 952007- )                        | 3365-26A |
| RELIEF VALVE, SELECTIVE FLOW SECTION  | 3362-20  | REPLACEMENT, RETURN-TO-DIG   | 1674-14  |
| RELIEF VALVE, SIDE SHIFT<br>(315SG)   | 3362-30  | RESERVOIR BREATHER FILTER, HYDRAULIC   | 2160-12  |
| RELIEF VALVE, SWING PILOT SECTION   | 3362-46  | RESERVOIR, MAIN HYDRAULIC SCREEN   | 2160-12  |
| RELIEF VALVE, SWING SECTION   | 3362-16  | RESERVOIR, MAIN HYDRAULICS   | 2160-12  |
| RELIEF, MAIN HYDRAULIC PUMP<br>(310SG AND 315SG)                              | 2160-4   | RESERVOIR, WINDSHIELD WASHER   | 1814-12  |
| REMOTE KIT, HYDRAULIC   | 3362-28  | RESISTOR (FRONT WIRE HARNESS)<br>(SN 910056- )                                 | 1674-9E  |
| REMOTE START POST   | 1671-8   | RESISTOR, CAN TERMINATION  | 1674-9A  |
| REMOTE START POST COVER   | 1671-8   | RESISTOR, CAN TERMINATION  | 1674-9C  |
| REPAIR KIT, BACKHOE BOOM CYLINDER<br>(310G)                                   | 3365-2   | RESISTORS, CAN TERMINATION   | 1674-4   |
| REPAIR KIT, BACKHOE BOOM CYLINDER<br>(310G)(SN 926130- )                      | 3365-4   | RESTRICTION INDICATOR SWITCH,AIR CLEANER                                       | 0520-2   |
| REPAIR KIT, BACKHOE BOOM CYLINDER<br>(310SG,315SG)(SN -926129)                | 3365-6   | RETURN-TO-DIG CABLE  | 3115-2   |
| REPAIR KIT, BACKHOE BOOM CYLINDER<br>(310SG,315SG)(SN 926130- )               | 3365-8   | RETURN-TO-DIG LINKAGE  | 3115-2   |
| REPAIR KIT, BACKHOE BUCKET CYLINDER<br>(310G)(SER.# 910901-925926)            | 3365-11  | RETURN-TO-DIG LINKAGE  | 3115-4   |
| REPAIR KIT, BACKHOE BUCKET CYLINDER<br>(310G)(SER.# 925927- )                 | 3365-12  | RETURN-TO-DIG MAGNET   | 3162-12  |
| REPAIR KIT, BACKHOE BUCKET CYLINDER<br>(310G)(SN -910900)                     | 3365-10  | RETURN-TO-DIG MAGNET   | 3162-14  |
| REPAIR KIT, BACKHOE BUCKET CYLINDER<br>(310SG,315SG) (SN -926788)             | 3365-15  | RETURN-TO-DIG SWITCH   | 1674-14  |
| REPAIR KIT, BACKHOE BUCKET CYLINDER<br>(310SG,315SG) (SN 926789- )            | 3365-16  | REVERSE ALARM (310G,310SG)   | 2004-2   |
| REPAIR KIT, BACKHOE BUCKET CYLINDER<br>(310SG,315SG) SERIAL NO. 926130- )     | 3365-14  |  |          |
| REPAIR KIT, BACKHOE BUCKET CYLINDER<br>310SG,315SG (SERIAL NO. -926129)       | 3365-13  |  |          |
| REPAIR KIT, LOADER BOOM LIFT CYLINDER<br>(310G)(SER.# -926493)                | 3165-2   |  |          |

## ALPHABETICAL INDEX - CONTINUED

|  | PAGE    |  | PAGE     |
|--|---------|--|----------|
| REVERSE ALARM (315SG) .....                  | 2004-4  | RUBER BUMPER ACCELERATOR PEDAL .....           | 1812-4   |
| REVERSE CLUTCH ASSEMBLY .....                | 0350-4  |  |          |
| REVERSE CLUTCH ASSEMBLY, POWER SHIFT .....   | 0350-24 |  |          |
| REVERSE CLUTCH CARRIER, POWER SHIFT .....    | 0350-24 | <b>S</b>                                       |          |
| REVERSE, BELLVILLEWASHER, POWERSHIFT .....   | 0350-24 | SAE BACKHOE CONTROL LINKAGE PATTERN KIT .....  | 3315-26  |
| RIDE CONTROL .....                           | 2160-24 | SAE PATTERN, BACKHOE CONTROL LEVER .....       | 3315-26  |
| RIDE CONTROL .....                           | 2160-26 | SCISSOR FRAME (ARM) SEAT SUSPENSION .....      | 1821-10  |
| RIDE CONTROL HYDRAULIC HOSE .....            | 2160-24 | SCREEN, CAB HEATER FAN (20,000 BTU) .....      | 1830-10  |
| RIDE CONTROL HYDRAULIC HOSE .....            | 2160-26 | SCREEN, EXTENDED GRILLE .....                  | 1921-4   |
| RIDE CONTROL SWITCH .....                    | 1674-6  | SCREEN, GRILLE .....                           | 1921-2   |
| RIM, FRONT WHEEL (MFWD) .....                | 0110-3  | SCREEN, MAIN HYDRAULIC RESERVOIR .....         | 2160-12  |
| RIM, FRONT WHEEL (WITHOUT MFWD) .....        | 0120-1  | SCREEN, REAR, OUTPUT SHAFT .....               | 0350-8   |
| RING GEAR (MFWD) .....                       | 0250-8  | SCREW, TRANSFER PUMP TAP, STANADYNE DE10       |          |
| (S.N. -962303) .....                         | 0250-8  | 310G (W/O TURBO) (VSN 911769- ) .....          | 0413-12A |
| RING GEAR (MFWD) .....                       | 0250-8A | SCREW, TRANSFER PUMP TAP, STANADYNE DE10       |          |
| (S.N.962304-962373) .....                    | 0250-8A | 310G (W/O TURBO) (VSN 911769- ) .....          | 0413-12B |
| RING GEAR (MFWD) .....                       | 0250-8B | SCREW, TRANSFER PUMP TAP, STANADYNE DE10       |          |
| (S.N.962374- ) .....                         | 0250-8B | 310G(TURBO),310SG/315SG (VSN 910056- ) .....   | 0413-13A |
| RING GEAR (MFWD)(310G) .....                 | 0250-9  | SCREW, TRANSFER PUMP TAP, STANADYNE DE10       |          |
| RING GEAR AND PINION, REAR AXLE .....        | 0210-4  | 310G(TURBO),310SG/315SG (VSN 910056- ) .....   | 0413-13B |
| RING GEAR, FLYWHEEL .....                    | 0433-2  | SEAL, INPUT SHAFT                              |          |
| RING GEAR, PLANETARY .....                   | 0210-1  | (AXLE SERIAL NO. -217496) .....                | 1111-2   |
| RINGS, PISTON                                |         | SEAL, ISOLATOR .....                           | 0510-2   |
| 310G (W/O TURBO) (VSN 911769-) .....         | 0403-2A | SEAL, SHAFT, INPUT                             |          |
| RINGS, PISTON                                |         | (AXLE SERIAL NO. 217497- ) .....               | 1111-4   |
| 310G(TURBO) 310SG 315SG (VSN 910056-) .....  | 0403-3A | SEAL,CRANKSHAFT FRONT OIL                      |          |
| RINGS, PISTON                                |         | (VSN -911768) 310G (W/O TURBO) .....           | 0402-4   |
| 310G(TURBO), 310SG, 315SG (VSN-910055) ..... | 0403-2B | SEAL,CRANKSHAFT FRONT OIL                      |          |
| RINGS, PISTON 310G (W/O TURBO)               |         | (VSN-910055) 310G(TURBO), 310SG, 315SG .....   | 0402-6   |
| (VSN -911768) .....                          | 0403-2  | SEAL,CRANKSHAFT FRONT OIL                      |          |
| ROCKER ARM COVER .....                       | 0402-3  | 310G (W/O TURBO) (VSN 911769- ) .....          | 0402-4B  |
| ROCKER ARM COVER GASKET .....                | 0402-3  | SEAL,CRANKSHAFT FRONT OIL                      |          |
| ROCKER ARM SHAFT .....                       | 0402-2  | 310G(TURBO), 310SG, 315SG (VSN910056-) .....   | 0402-6B  |
| ROCKER ARMS .....                            | 0402-2  | SEAL,CRANKSHAFT REAR OIL (VSN -910055) .....   | 0433-3   |
| ROD ASSEMBLY,TIE (MFWD) .....                | 0250-4  | SEAL,CRANKSHAFT REAR OIL (VSN 910056-) .....   | 0433-4   |
| ROD, BUCKET LEVELING .....                   | 3115-2  | SEAL,SLIDING YOKE (MFWD) .....                 | 0250-2   |
| ROD, BUCKET LEVELING .....                   | 3115-4  | SEAT ADJUSTING SWITCH .....                    | 1821-16  |
| ROD, CONNECTING                              |         | SEAT BACK .....                                | 1821-4   |
| 310G (W/O TURBO) (VSN 911769-) .....         | 0403-2A | SEAT BACK PAD .....                            | 1821-2   |
| ROD, CONNECTING                              |         | SEAT BACK PAD .....                            | 1821-3A  |
| 310G(TURBO) 310SG 315SG (VSN 910056-) .....  | 0403-3A | SEAT BACK PAN .....                            | 1821-4   |
| ROD, CONNECTING                              |         | SEAT BASE FOR NON-SUSPENDED SEAT .....         | 1821-14  |
| 310G(TURBO), 310SG, 315SG (VSN-910055) ..... | 0403-2B | SEAT BASE WITH NON-SUSPENDED SEAT .....        | 1821-12  |
| ROD, CONNECTING 310G (W/O TURBO)             |         | SEAT BELT COVER .....                          | 1821-2   |
| (VSN -911768) .....                          | 0403-2  | SEAT BELT COVER .....                          | 1821-3A  |
| ROD, CYLINDER LOCK BAR .....                 | 1313-2  | SEAT BELTS .....                               | 1821-2   |
| ROD, STEERING CYLINDER (MFWD) .....          | 0960-12 | SEAT BELTS .....                               | 1821-3A  |
| ROD, TIE, ASSEMBLY (WITHOUT MFWD) .....      | 0230-1  | SEAT BRACKETS .....                            | 1821-2   |
| RODS, PUSH .....                             | 0402-2  | SEAT BRACKETS .....                            | 1821-3A  |
| ROLLER BEARING, AXLE .....                   | 0201-2  | SEAT CUSHIONS .....                            | 1821-2   |
| ROLLER BEARING, AXLE .....                   | 0201-4  | SEAT CUSHIONS .....                            | 1821-3A  |
| ROOF WIRING HARNESS                          |         | SEAT LUMBAR SUPPORT CONTROL LEVER .....        | 1821-4   |
| SERIAL NO. -XXXXXX .....                     | 1673-4  | SEAT SLIDE CONTROL LEVER .....                 | 1821-4   |
| ROOF WIRING HARNESS                          |         | SEAT SLIDE LATCH KIT .....                     | 1821-4   |
| SERIAL NO. -XXXXXX .....                     | 1673-4  | SEAT SPRING, MECHANICAL SUSPENDED .....        | 1821-8   |
| ROOF WIRING HARNESS                          |         | SEAT SUSPENSION SCISSOR ARM (FRAME) .....      | 1821-10  |
| SERIAL NO. XXXXXX .....                      | 1673-6  | SEAT SUSPENSION,SUSPENDED SEAT .....           | 1821-16  |
| ROOF,CAB .....                               | 1811-6  | SEAT SWIVEL .....                              | 1821-6   |
| ROOF,QUARTER CAB .....                       | 1811-6  | SEAT SWIVEL CONTROL LEVER .....                | 1821-4   |
| ROOF,ROPS .....                              | 1811-6  | SEAT SWIVEL LATCH .....                        | 1821-6   |
| ROPS FRAME .....                             | 1811-2  | SEAT, COMPLETE ASSEMBLY .....                  | 1821-18  |
| ROPS FRAME ISOLATORS .....                   | 1811-2  | SEAT, HEADREST .....                           | 1821-3   |
| ROPS HEADLINER .....                         | 1811-2  | SEAT, HEADREST .....                           | 1821-3B  |
| ROPS ROOF .....                              | 1811-6  | SEAT, OPERATOR'S .....                         | 1821-18  |
| ROPS SKIRT .....                             | 1927-2  | SECTIVE FLOW SECTION RELIEF VALVE .....        | 3362-20  |
| ROTATING BEACON .....                        | 1673-2  | SECOND GEAR CLUTCH ASSEMBLY, POWER SHIFT ..... | 0350-16  |
| ROTATING BEACON SWITCH .....                 | 1673-2  |  |          |

## ALPHABETICAL INDEX - CONTINUED

|  | PAGE     |  | PAGE     |
|--|----------|--|----------|
| SECOND GEAR CLUTCH CARRIER, POWER SHIFT .....  | 0350-16  | SHAFT, STATOR, POWER SHIFT .....             | 0350-12  |
| SECOND GEAR, BELLVILLEWASHER, POWERSHIFT ..... | 0350-16  | SHAFT, SUN GEAR (MFWD)                       |          |
| SELECTIVE FLOW CONTROL KIT .....               | 1674-10  | (S.N. -962303) .....                         | 0250-8   |
| SELECTIVE FLOW CONTROL SWITCH .....            | 1674-10  | SHAFT, SUN GEAR (MFWD)                       |          |
| SELECTIVE FLOW CONTROL WIRE                    |          | (S.N.962304-962373) .....                    | 0250-8A  |
| HARNES .....                                   | 1674-10  | SHAFT, SUN GEAR (MFWD)                       |          |
| SELECTIVE FLOW SECTION, BACKHOE VALVE .....    | 3362-20  | (S.N.962374- ) .....                         | 0250-8B  |
| SELECTOR VALVE                                 |          | SHAFT, SUN GEAR (MFWD)(310G) .....           | 0250-9   |
| (PILOT CONTROL) .....                          | 3363-1A  | SHAFT, SUSPENSION, SEAT .....                | 1821-10  |
| SELECTOR VALVE HYDRAULICS .....                | 3363-1C  | SHAFT, TURBINE .....                         | 0350-6   |
| SELECTOR VALVE HYDRAULICS                      |          | SHAFT, TURBINE, POWER SHIFT .....            | 0350-12  |
| (PILOT CONTROL) .....                          | 3363-1A  | SHAFT, UNIVERSAL DRIVE (MFWD) .....          | 0250-2   |
| SELECTOR VALVE, PATTERN .....                  | 3362-32  | SHAFT,INPUT .....                            | 0350-6   |
| SELF-LEVELING CABLE .....                      | 3115-2   | SHAFTS, SHIFTER .....                        | 0315-1   |
| SENDER, ENGINE COOLANT TEMPERATURE .....       | 1674-8   | SHIELD, LOADER CONTROL VALVE PLUMBING .....  | 1913-4   |
| SENDER, ENGINE COOLANT TEMPERATURE .....       | 1674-9A  | SHIELD, TRANSMISSION DIPSTICK .....          | 1746-4   |
| SENDER, ENGINE COOLANT TEMPERATURE .....       | 1674-9C  | SHIELDS, ENGINE SIDE .....                   | 1910-2   |
| SENDER, FUEL GAUGE .....                       | 0560-2   | SHIELDS, ENGINE SIDE .....                   | 1910-4   |
| SENDER, FUEL GAUGE .....                       | 0560-6   | SHIFT FORK .....                             | 0315-1   |
| SENDER, FUEL, ENGINE OIL, AIR FILTER           |          | SHIFT HOUSING .....                          | 0315-2   |
| (FRONT WIRE HARNESS) (SN 910056- ) .....       | 1674-9E  | SHIFT HOUSING COVER .....                    | 0315-2   |
| SENSOR, AIR INTAKE TEMPERATURE 310G (TUR       |          | SHIFT HOUSING PIVOT .....                    | 0315-2   |
| BO),310SG,315SG (VSN 910056- ) .....           | 0414-2   | SHIFT RAIL .....                             | 0315-1   |
| SENSOR, ENGINE COOLANT TEMPERATURE .....       | 0418-2   | SHIFTER LEVER CARROT, TRANSMISSION .....     | 0315-2   |
| SENSOR, FUEL TEMPERATURE (FRONT WIRE           |          | SHIFTER LEVER, ISOLATED, TRANSMISSION .....  | 0315-6   |
| HARNES) (SN 910056- ) .....                    | 1674-9E  | SHIFTER LEVER, TRANSMISSION .....            | 0315-6   |
| SENSOR, FUEL TEMPERATURE STANADYNE DE10        |          | SHIFTER SHAFTS .....                         | 0315-1   |
| 310G (W/O TURBO) (VSN 911769- ) .....          | 0413-12A | SHOCK ABSORBER, SUSPENDED SEAT .....         | 1821-8   |
| SENSOR, FUEL TEMPERATURE STANADYNE DE10        |          | SHOCK ABSORBER,SUSPENDED SEAT .....          | 1821-16  |
| 310G (W/O TURBO) (VSN 911769- ) .....          | 0413-12B | SHORT BLOCK,ENGINE                           |          |
| SENSOR, FUEL TEMPERATURE STANADYNE DE10        |          | (ENG. SER. NO. -221705) .....                | 0404-4   |
| 310G(TURBO),310SG/315SG (VSN 910056- ) .....   | 0413-13A | SHORT BLOCK,ENGINE                           |          |
| SENSOR, FUEL TEMPERATURE STANADYNE DE10        |          | (ENG. SER. NO. 221706-) .....                | 0404-6   |
| 310G(TURBO),310SG/315SG (VSN 910056- ) .....   | 0413-13B | SHORT BLOCK,ENGINE (ENG.SER.NO.866618-90     |          |
| SENSOR, THROTTLE POSITION .....                | 0515-4   | 8991) .....                                  | 0404-4   |
| SENSOR,CRANKSHAFT SPEED (VSN 910056- )         |          | SHROUD,FAN .....                             | 0510-2   |
| 310G(TURBO), 310SG, 315SG .....                | 0402-6B  | SIDE CONSOLE WIRING HARNESS                  |          |
| SENSOR,CRANKSHAFT SPEED 310G (W/O TURBO)       |          | WITH CAB .....                               | 1674-4   |
| (VSN 911769- ) .....                           | 0402-4B  | SIDE INSTRUMENT PANEL HOUSING .....          | 1816-10  |
| SENSOR,SUSPENDED SEAT POSITION .....           | 1821-8   | SIDE INSTRUMENT PANEL HOUSING .....          | 1816-12  |
| SENSOR,SUSPENDED SEAT POSITION .....           | 1821-16  | SIDE PANELS, ENGINE .....                    | 1910-2   |
| SEPERATOR PLATE, PARK BRAKE                    |          | SIDE PANELS, ENGINE .....                    | 1910-4   |
| (AXLE SERIAL NO. -217496) .....                | 1111-2   | SIDE SHIELD, LOADER PLUMBING .....           | 1913-4   |
| SEPERATOR PLATE, PARK BRAKE                    |          | SIDE SHIELDS, ENGINE .....                   | 1910-2   |
| (AXLE SERIAL NO. 217497- ) .....               | 1111-4   | SIDE SHIELDS, ENGINE .....                   | 1910-4   |
| SERVICE BRAKE HYDRAULICS .....                 | 1060-6   | SIDE SHIFT CONTROL VALVE HARNESS 315SG ..... | 3363-28  |
| SERVICE BRAKE LINES .....                      | 1060-6   | SIDE SHIFT LOCK 315SG .....                  | 3363-28  |
| SERVICE BRAKES .....                           | 1011-2   | SIDE SHIFT, LOCK VALVE HOUSING               |          |
| SERVICE LOCK BAR, BOOM .....                   | 1313-2   | (315SG) .....                                | 3362-30  |
| SERVICE LOCK, LOADER ARM .....                 | 1313-2   | SIDE SHIFT, LOCKING VALVE                    |          |
| SHAFT, AXLE .....                              | 0201-2   | (315SG) .....                                | 3362-30  |
| SHAFT, AXLE .....                              | 0201-4   | SIDE SHIFT, SOLENOID VALVE                   |          |
| SHAFT, ENGINE BALANCER                         |          | (315SG) .....                                | 3362-30  |
| 310G(TURBO), 310SG, 315SG .....                | 0415-2   | SIDE WINDOWS, CAB .....                      | 1814-2   |
| SHAFT, IDLER, MFWD .....                       | 0350-7   | SIDE WINDOWS, CAB .....                      | 1814-4   |
| SHAFT, INPUT SEAL                              |          | SIDESHIFT 315SE BACKHOE STABILIZER           |          |
| (AXLE SERIAL NO. 217497- ) .....               | 1111-4   | CYLINDER HYDRAULICS .....                    | 3363-4   |
| SHAFT, INPUT, POWER SHIFT .....                | 0350-12  | SINGLE BATTERY CABLE .....                   | 1671-2   |
| SHAFT, INTERMEDIATE, TRANSMISSION .....        | 0350-10  | SINGLE BATTERY INSTALLATION .....            | 1671-2   |
| SHAFT, OUTPUT, MFWD .....                      | 0350-8   | SIXTH FUNCTION MANUAL VALVE KIT              |          |
| SHAFT, PLANETARY SHAFT .....                   | 0210-1   | (310G) .....                                 | 3362-26  |
| SHAFT, PTO PUMP DRIVE .....                    | 0350-6   | SIXTH FUNCTION MANUAL VALVE KIT              |          |
| SHAFT, PTO PUMP DRIVE, POWER SHIFT .....       | 0350-12  | (310SG AND 315SG) .....                      | 3362-27  |
| SHAFT, ROCKER ARM .....                        | 0402-2   | SIXTH FUNCTION PEDAL .....                   | 3315-14  |
| SHAFT, SEAL, INPUT                             |          | SIXTH FUNCTION PEDAL                         |          |
| (AXLE SERIAL NO. -217496) .....                | 1111-2   | (PILOT CONTROL) .....                        | 3315-15A |
| SHAFT, STATOR .....                            | 0350-6   | SIXTH FUNTION FOOT CONTROL .....             | 3315-14  |

## ALPHABETICAL INDEX - CONTINUED

|  | PAGE     |  | PAGE     |
|--|----------|--|----------|
| SKIRT, MECHANICAL SUSPENDED SEAT .....   | 1821-8   | SPEED SENSOR, ENGINE .....   | 0515-4   |
| SKIRTS, OPERATOR STATION .....   | 1927-2   | SPINDLE AND KNUCKLE ASSEMBLY<br>(WITHOUT MFWD)(SERIAL NO. -911131).....  | 0230-2   |
| SLIDE PUCK SERVICE KIT .....   | 1821-6   | SPIRAL BEVEL GEAR,DIFFGERENTIAL (MFWD).....                              | 0250-12  |
| SLIDER BLOCKS, SUSPENSION SEAT .....   | 1821-10  | SPIRAL BEVEL INPUT PINION.....   | 0210-4   |
| SLIDING FRAME (315SG) .....  | 1740-4   | SPRING, MECHANICAL SUSPENDED SEAT .....                                  | 1821-8   |
| SLIDING FRAME DIRT PAD (315SG) .....   | 1740-4   | SPRING, SUSPENSION SEAT .....  | 1821-16  |
| SLIDING FRAME LOCK 315SG .....   | 3363-28  | SPRING,VALVE .....   | 0409-2   |
| SLIDING FRAME,315SG .....  | 3342-2   | STABILIZER (315SG) .....   | 1740-4   |
| SLIDING REAR WINDOWS<br>(SER.NO. -920856) .....                                      | 1814-8   | STABILIZER ARM (310G,310SG).....   | 3348-2   |
| SLIDING REAR WINDOWS<br>(SER.NO. 920857- ) .....                                     | 1814-9A  | STABILIZER ARM PINS (310G,310SG) .....                                   | 3348-2   |
| SLIDING SLEEVE, OUTPUT SHAFT .....   | 0350-8   | STABILIZER CONTROL CABLES .....  | 3315-24  |
| SLIDING YOKE, SEAL (MFWD) .....  | 0250-2   | STABILIZER CONTROL COVER .....   | 1816-10  |
| SMV EMBLEM .....   | 2008-2   | STABILIZER CONTROL COVER .....   | 1816-12  |
| SOLENIOD, CONTROL VALVE<br>SYNCHRO-SHUTTLE .....                                     | 0360-4   | STABILIZER CYLINDER<br>310G (SERIAL NO. -925946) .....                   | 3365-21A |
| SOLENOID CONNECTOR, STANADYNE DE10<br>310G (W/O TURBO) (VSN 911769- ) .....          | 0413-12A | STABILIZER CYLINDER<br>310G (SERIAL NO. 925947-951995) .....             | 3365-22  |
| SOLENOID CONNECTOR, STANADYNE DE10<br>310G (W/O TURBO) (VSN 911769- ) .....          | 0413-12B | STABILIZER CYLINDER<br>310G (SN 951996- ) .....                          | 3365-22A |
| SOLENOID CONNECTOR, STANADYNE DE10<br>310G(TURBO),310SG/315SG (VSN 910056- ) .....   | 0413-13A | STABILIZER CYLINDER (310SG)<br>(SN 926207-952148) .....                  | 3365-24  |
| SOLENOID CONNECTOR, STANADYNE DE10<br>310G(TURBO),310SG/315SG (VSN 910056- ) .....   | 0413-13B | STABILIZER CYLINDER (315SG)<br>(SERIAL NO. 944156- ) .....               | 3365-28  |
| SOLENOID VALVE, MAIN HYDRAULIC PUMP<br>(310SG AND 315SG) .....                       | 2160-4   | STABILIZER CYLINDER (315SG)<br>(SN -944155) .....                        | 3365-27  |
| SOLENOID VALVE, MANIFOLD<br>(PILOT CONTROL) .....                                    | 3362-31  | STABILIZER CYLINDER HYDRAULICS,<br>SIDESHIFT 315SE BACKHOE .....         | 3363-4   |
| SOLENOID VALVE, RANGE SHIFT,POWER SHIFT .....  | 0360-8   | STABILIZER CYLINDER HYDRAULICS, BACKHOE .....                            | 3363-2   |
| SOLENOID VALVE, SIDE SHIFT<br>(315SG) .....  | 3362-30  | STABILIZER CYLINDER HYDRAULICS, BACKHOE .....                            | 3363-3A  |
| SOLENOID VALVE, TRANSMISSION .....   | 0360-2   | STABILIZER CYLINDER PINS .....   | 3348-4   |
| SOLENOID VALVE,TRANSMISSION CONTROL<br>VALVE(POWER SHIFT) .....                      | 0360-6   | STABILIZER CYLINDER REPAIR KIT<br>310G (SERIAL NO. -925946) .....        | 3365-21A |
| SOLENOID, DIFFERENTIAL LOCK,<br>SYNCHRO-SHUTTLE .....                                | 0360-4   | STABILIZER CYLINDER REPAIR KIT (310SG)<br>(SN 926207-952148) .....       | 3365-24  |
| SOLENOID, FORWARD, NEUTRAL, REVERSE .....  | 0360-2   | STABILIZER CYLINDER REPAIR KIT (315SG)<br>(SERIAL NO. 944156- ) .....    | 3365-28  |
| SOLENOID, MFWD, SYNCHRO-SHUTTLE .....  | 0360-4   | STABILIZER CYLINDER REPAIR KIT (315SG)<br>(SN -944155) .....             | 3365-27  |
| SOLENOID, PARK BRAKE,<br>SYNCHRO-SHUTTLE .....                                       | 0360-4   | STABILIZER CYLINDER REPAIR KITS<br>310G (SERIAL NO. 925947-951995) ..... | 3365-22  |
| SOLENOID, RETURN-TO-DIG .....  | 3162-12  | STABILIZER CYLINDER REPAIR KITS<br>310G (SN 951996- ) .....              | 3365-22A |
| SOLENOID, RETURN-TO-DIG .....  | 3162-14  | STABILIZER CYLINDER REPAIR KITS<br>310SG (SERIAL NO. -925993) .....      | 3365-25  |
| SOLENOID, TRANSMISSION DISCONNECT .....  | 0360-2   | STABILIZER CYLINDER REPAIR KITS<br>310SG (SN -926206) .....              | 3365-23  |
| SOLENOID,BACKHOE BOOM LOCK CONTROL<br>(315SG) .....                                  | 3315-22  | STABILIZER CYLINDER REPAIR KITS<br>310SG (SN 952149- ) .....             | 3365-24B |
| SOLENOID,COLD WEATHER STARTING AID.....  | 0505-4   | STABILIZER CYLINDER SPACERS .....  | 3348-4   |
| SOLENOID,COLD WEATHER STARTING AID.....  | 0505-6   | STABILIZER CYLINDER, EXTENDED<br>310SG (SERIAL NO. -925993) .....        | 3365-25  |
| SOLENOID,STARTER MOTOR<br>(310G) (ENG.SER.NO. 866618-908991) .....                   | 0422-2   | STABILIZER CYLINDER, EXTENDED<br>310SG (SN 925994-952006) .....          | 3365-26  |
| SOLENOID,STARTER MOTOR<br>(310SG,315SG)(SERIAL NO. -894292) .....                    | 0422-3   | STABILIZER CYLINDER, EXTENDED<br>310SG (SN 952007- ) .....               | 3365-26A |
| SOLENOID,STARTER MOTOR (WITHOUT TURBO)<br>(310G) (ENGINE SERIAL NO. -257521).....    | 0422-2   | STABILIZER CYLINDER, STANDARD<br>310SG (SN -926206) .....                | 3365-23  |
| SOLENOID,STARTER MOTOR(WITH TURBOCHARGER<br>(310G) (ENGINE SERIAL NO. -268961) ..... | 0422-2   | STABILIZER FOOT (315SG).....   | 1740-4   |
| SOLENOIDS, PARK BRAKE, DIFF LOCK .....   | 0360-10  | STABILIZER GUARD KIT<br>310G,310SG .....                                 | 1746-2   |
| SOLENOIDS, PARK BRAKE, DIFF LOCK, MFWD.....  | 0350-7   | STABILIZER HYDRAULIC LINE .....  | 3362-4   |
| SPACER, SYNTHETIC BUCKET .....   | 3346-2   | STABILIZER HYDRAULIC LINE .....  | 3362-6   |
| SPACER, SYNTHETIC CROWD .....  | 3346-2   | STABILIZER LEVER .....   | 3315-24  |
| SPACER, WHEEL .....  | 0110-2   | STABILIZER LINKAGE .....   | 3315-24  |
| SPACERS, STABILIZER CYLINDER .....   | 3348-4   |  |          |
| SPEAKER, RADIO .....   | 2001-2   |  |          |
| SPEED CONTROL ENGINE .....   | 0515-2   |  |          |
| SPEED CONTROL ENGINE .....   | 0515-4   |  |          |
| SPEED CONTROL PEDAL .....  | 0515-2   |  |          |
| SPEED CONTROL PEDAL .....  | 0515-4   |  |          |

## ALPHABETICAL INDEX - CONTINUED

|  | PAGE     |  | PAGE    |
|--|----------|--|---------|
| STABILIZER LOCKOUT VALVE<br>(SER.NO.913417-) .....                                   | 3162-26  | STARTER RELAY .....  | 1674-9C |
| STABILIZER VALVE<br>(SERIAL NO.-913416).....   | 3162-22  | STARTER,JUMP START PROTECTION COVER .....  | 1674-8  |
| STABILIZER VALVE<br>(SERIAL NO.-913416).....   | 3162-24  | STARTER,JUMP START PROTECTION COVER .....  | 1674-9A |
| STABILIZER VALVE KITS<br>(SERIAL NO.-913416).....                                    | 3162-24  | STARTER,JUMP START PROTECTION COVER .....  | 1674-9C |
| STABILIZER VALVE LINKAGE .....   | 3315-24  | STARTING AID, COLD WEATHER .....   | 0505-4  |
| STABILIZER VALVE MOUNTING PLATE<br>(PILOT CONTROL) .....                             | 3315-3A  | STARTING AID, COLD WEATHER .....   | 0505-6  |
| STABILIZER VALVE MOUNTING PLATE<br>310G,310SG .....                                  | 3315-2   | STARTING FLUID .....   | 0505-4  |
| STABILIZER VALVE MOUNTING PLATE<br>315SG .....                                       | 3315-4   | STARTING MOTOR<br>(310G) (ENG.SER.NO. 866618-908991) .....                       | 0422-2  |
| STABILIZER VALVE RELIEF<br>(SER.NO.913417-) .....                                    | 3162-26  | STARTING MOTOR<br>(310SG,315SG)(SERIAL NO. -894292) .....                        | 0422-3  |
| STABILIZER/LOADER CONTROL VALVE.....   | 3162-4   | STARTING MOTOR (WITH TURBOCHARGER)<br>(310G) (ENGINE SERIAL NO. -268961).....    | 0422-2  |
| STABILIZER/LOADER VALVE<br>(SER.NO.913417-).....                                     | 3162-26  | STARTING MOTOR (WITHOUT TURBOCHARGER)<br>(310G) (ENGINE SERIAL NO. -257521)..... | 0422-2  |
| STABILIZER CYLINDER REPAIR KITS<br>310SG (SN 925994-952006).....                     | 3365-26  | STARTING MOTOR(310G W/O TURBO)<br>(ENG.SER.NO.257522-) .....                     | 0422-4  |
| STABILIZER CYLINDER REPAIR KITS<br>310SG (SN 952007-).....                           | 3365-26A | STARTING MOTOR(310G W/TURBO)<br>(ENG.SER.NO.268962-) .....                       | 0422-4  |
| STABILIZER ARM STREET PAD (310G,310SG) .....   | 3348-2   | STARTING MOTOR(310SG,315SG)<br>(ENG.SER.NO.894293-908991) .....                  | 0422-4  |
| STANDARD ARM .....   | 3346-2   | STATOR SHAFT .....   | 0350-6  |
| STANDARD DIPPERSTICK AUXILIARY HYDRAULIC<br>(310G AND 310SG) .....                   | 3363-20  | STATOR SHAFT, POWER SHIFT .....  | 0350-12 |
| STANDARD DIPPERSTICK AUXILIARY HYDRAULIC<br>(315SG).....                             | 3363-22  | STEERING COLUMN .....  | 0960-2  |
| STANDARD LIGHTS<br>SERIAL NO. -XXXXXX .....  | 1673-4   | STEERING COLUMN .....  | 0960-4  |
| STANDARD LIGHTS<br>SERIAL NO. XXXXXX .....   | 1673-6   | STEERING COLUMN COVER.....   | 1816-6  |
| STARTER MOTOR ADAPTER KIT .....  | 0422-6   | STEERING COLUMN, TILT .....  | 0960-4  |
| STARTER MOTOR DRIVE,<br>(310G) (ENG.SER.NO. 866618-908991) .....                     | 0422-2   | STEERING CYLINDER, FRONT AXLE<br>(WITHOUT MFWD)(SERIAL NO. 911132- ).....        | 0230-7  |
| STARTER MOTOR DRIVE,<br>(310SG,315SG)(SERIAL NO. -894292) .....                      | 0422-3   | STEERING CYLINDER, MECHANICAL FRONT<br>WHEEL DRIVE (MFWD) .....                  | 0960-12 |
| STARTER MOTOR DRIVE, (WITH TURBOCHARGER)<br>(310G) (ENGINE SERIAL NO. -268961).....  | 0422-2   | STEERING CYLINDER, POWER (WITHOUT MFWD)<br>(SERIAL NO. -911131).....             | 0960-14 |
| STARTER MOTOR DRIVE,(WITHOUT TURBO)<br>(310G) (ENGINE SERIAL NO. -257521).....       | 0422-2   | STEERING CYLINDER, POWER (WITHOUT MFWD)<br>(SERIAL NO. -911131).....             | 0960-16 |
| STARTER MOTOR KIT<br>(310G) (ENG.SER.NO. 866618-908991) .....                        | 0422-2   | STEERING HOSES (WITH MFWD) .....   | 0960-8  |
| STARTER MOTOR KIT<br>(310SG,315SG)(SERIAL NO. -894292) .....                         | 0422-3   | STEERING HYDRAULICS (WITHOUT MFWD) .....   | 0960-10 |
| STARTER MOTOR KIT (WITH TURBOCHARGER)<br>(310G) (ENGINE SERIAL NO. -268961).....     | 0422-2   | STEERING KNUCKLE HOUSING .....   | 0250-6  |
| STARTER MOTOR KIT (WITHOUT TURBOCHARGER)<br>(310G) (ENGINE SERIAL NO. -257521).....  | 0422-2   | STEERING VALVE (WITH MFWD) .....   | 0960-8  |
| STARTER MOTOR KIT(310G W/O TURBO)<br>(ENG.SER.NO.257522-) .....                      | 0422-4   | STEERING VALVE (WITHOUT MFWD).....   | 0960-10 |
| STARTER MOTOR KIT(310G W/TURBO)<br>(ENG.SER.NO.258962-) .....                        | 0422-4   | STEERING VALVE HOSE .....  | 2160-6  |
| STARTER MOTOR KIT(310SG,315SG)<br>(ENG.SER.NO.894293-908991) .....                   | 0422-4   | STEERING VALVE HOSE.....   | 2160-8  |
| STARTER MOTOR SOLENOID<br>(310G) (ENG.SER.NO. 866618-908991) .....                   | 0422-2   | STEERING VALVE HOSE.....   | 2160-9A |
| STARTER MOTOR SOLENOID<br>(310SG,315SG)(SERIAL NO. -894292) .....                    | 0422-3   | STEERING VALVE HYDRAULICS (WITH MFWD) .....                                      | 0960-8  |
| STARTER MOTOR SOLENOID (WITHOUT TURBO)<br>(310G) (ENGINE SERIAL NO. -257521).....    | 0422-2   | STEERING VALVE REPAIR KIT<br>(SERIAL NO. -911131).....                           | 0960-6  |
| STARTER MOTOR SOLENOID(WITH TURBOCHARGER)<br>(310G) (ENGINE SERIAL NO. -268961)..... | 0422-2   | STEERING WHEEL .....   | 0960-2  |
| STARTER RELAY .....  | 1674-8   | STEERING WHEEL .....   | 0960-4  |
| STARTER RELAY .....  | 1674-9A  | STEM, VALVE (WITHOUT MFWD) .....   | 0120-1  |
|  |          | STOP LIGHT SWITCH.....   | 1060-2  |
|  |          | STOP, BACKHOE BOOM.....  | 3344-2  |
|  |          | STRAINER, FUEL TANK.....   | 0560-2  |
|  |          | STRAINER, FUEL TANK.....   | 0560-6  |
|  |          | STRAP, HARNESS COVER BRACKET .....   | 1812-4  |
|  |          | STRAP,DOOR .....   | 1814-4  |
|  |          | STREET PAD,STABILIZER ARM (310G,310SG).....                                      | 3348-2  |
|  |          | STRICKER, BRACKET FOR HOOD .....   | 0520-2  |
|  |          | STRIKER BOLT, HOOD .....   | 1910-2  |
|  |          | STRIKER BOLT, HOOD .....   | 1910-4  |
|  |          | STROBE BEACON .....  | 1673-2  |
|  |          | STUDS, WHEEL (MFWD).....   | 0250-6  |
|  |          | SUCTION PIPE, TRANSMISSION .....   | 0341-1  |
|  |          | SUCTION PIPE, TRANSMISSION .....   | 0341-2  |
|  |          | SUN GEAR SHAFT (MFWD)<br>(S.N. -962303) .....                                    | 0250-8  |
|  |          | SUN GEAR SHAFT (MFWD)<br>(S.N.962304-962373) .....                               | 0250-8A |



# 0001-39

310G, 310SG AND 315SG BACKHOE LOADERS

## ALPHABETICAL INDEX - CONTINUED

|  | PAGE     |                                       | PAGE    |
|--|----------|---------------------------------------|---------|
| SUN GEAR SHAFT (MFWD)                      |          | SWITCH, BRAKE LIGHT, PRESSURE         | 1060-2  |
| (S.N.962374- )                             | 0250-8B  | SWITCH, CAM/CRANKSHAFT (FRONT WIRE    |         |
| SUN GEAR SHAFT (MFWD)(310G)                | 0250-9   | HARNESS) (SN 910056- )                | 1674-9E |
| SUN VISOR                                  | 2007-2   | SWITCH, DIFFERENTIAL LOCK             | 1674-12 |
| SUPPLEMENTARY TERMINALS, CONNECTORS AND    |          | SWITCH, ENGINE COOLANT TEMPERATURE    |         |
| REPAIR CONDUIT                             | 1674-22  | (FRONT WIRE HARNESS) (SN 910056- )    | 1674-9E |
| SUPPORT, ENGINE                            | 0540-2   | SWITCH, ENGINE OIL PRESSURE           | 1674-8  |
| SUPPORT, HOOD                              | 1910-2   | SWITCH, ENGINE OIL PRESSURE           | 1674-9A |
| SUPPORT, HOOD                              | 1910-4   | SWITCH, ENGINE OIL PRESSURE           | 1674-9C |
| SURFACING, NON-SLIP                        | 1812-4   | SWITCH, ETHER                         | 1674-6  |
| SUSPENDED SEAT POSITION SENSOR             | 1821-8   | SWITCH, FORWARD, NEUTRAL, REVERSE     | 0315-4  |
| SUSPENDED SEAT POSITION SENSOR             | 1821-16  | SWITCH, FRONT LIGHTS                  | 1674-2  |
| SUSPENDED SEAT POSITION SWITCH             | 1821-8   | SWITCH, FRONT LIGHTS                  | 1674-3A |
| SUSPENDED SEAT SHOCK ABSORBER              | 1821-8   | SWITCH, HIGH PRESSURE                 | 1830-6  |
| SUSPENDED SEAT SHOCK ABSORBER              | 1821-16  | SWITCH, HIGH PRESSURE                 | 1830-7A |
| SUSPENDED SEAT SUSPENSION                  | 1821-8   | SWITCH, HORN                          | 1674-6  |
| SUSPENDED SEAT SUSPENSION                  | 1821-16  | SWITCH, LOW PRESSURE                  | 1830-6  |
| SUSPENDED SEAT TETHER BELT                 | 1821-8   | SWITCH, LOW PRESSURE                  | 1830-7A |
| SUSPENSION SCISSOR ARM (FRAME), SEAT       | 1821-10  | SWITCH, MFWD                          | 1674-6  |
| SUSPENSION SEAT SLIDER BLOCKS              | 1821-10  | SWITCH, PARK BRAKE OIL PRESSURE       | 1674-8  |
| SUSPENSION SHAFT, SEAT                     | 1821-10  | SWITCH, PARK BRAKE OIL PRESSURE       | 1674-9A |
| SUSPENSION, SUSPENDED SEAT                 | 1821-8   | SWITCH, PARK BRAKE OIL PRESSURE       | 1674-9C |
| SWING CYLINDER (310G)                      |          | SWITCH, PATTERN SELECTOR              | 3362-32 |
| (SN -957128)                               | 3365-19  | SWITCH, PILOT ENABLE                  | 1674-5A |
| SWING CYLINDER (310G)                      |          | SWITCH, PIN DISCONNECT, QUICK COUPLER | 1674-5C |
| (SN 957129- )                              | 3365-19A | SWITCH, PRESSURE (ENGINE OIL)         |         |
| SWING CYLINDER (310G,310SG)                |          | (SN 910056- )                         | 1674-9E |
| (SN 957115- )                              | 3365-20  | SWITCH, REAR WIPER ENABLE             | 1814-14 |
| SWING CYLINDER (310SG,315SG)               |          | SWITCH, RETURN-TO-DIG                 | 1674-14 |
| (SN -957114)                               | 3365-19C | SWITCH, RIDE CONTROL                  | 1674-6  |
| SWING CYLINDER FITTINGS                    |          | SWITCH, ROTATING BEACON               | 1673-2  |
| (310G,310SG)                               | 3363-14  | SWITCH, SEAT ADJUSTING                | 1821-16 |
| SWING CYLINDER HYDRAULIC HOSE              |          | SWITCH, STOP LIGHT                    | 1060-2  |
| (310G,310SG)                               | 3363-14  | SWITCH, SUSPENDED SEAT POSITION KIT   | 1821-8  |
| SWING CYLINDER HYDRAULICS, BACKHOE         |          | SWITCH, TEMPERATURE CONTROL           | 1674-6  |
| (315SG)                                    | 3363-16  | SWITCH, TRANSMISSION CONTROL LEVER    | 0315-4  |
| SWING CYLINDER REPAIR KIT (310G)           |          | SWITCH, TURN SIGNAL                   | 1674-2  |
| (SN -957128)                               | 3365-19  | SWITCH, TURN SIGNAL                   | 1674-3A |
| SWING CYLINDER REPAIR KIT (310G)           |          | SWITCH, WARNING LIGHTS                | 1674-2  |
| (SN 957129- )                              | 3365-19A | SWITCH, WARNING LIGHTS                | 1674-3A |
| SWING CYLINDER REPAIR KIT (310G,310SG)     |          | SWITCH, WINDSHIELD WASHER             | 1814-12 |
| (SN 957115- )                              | 3365-20  | SWITCH, BATTERY, MASTER DISCONNECT    | 1671-6  |
| SWING CYLINDER REPAIR KIT (310SG,315SG)    |          | SWITCH, FRONT WINDSHIELD WIPER        | 1674-2  |
| (SN -957114)                               | 3365-19C | SWITCH, FRONT WINDSHIELD WIPER        | 1674-3A |
| SWING CYLINDER TRUNNION BLOCK, 310G, 310SG | 1740-2   | SWITCH, IGNITION                      | 1674-6  |
| SWING CYLINDER TRUNNION BLOCK, 315SG       | 3342-2   | SWITCH, SELECTIVE FLOW CONTROL VALVE  |         |
| SWING FRAME                                |          | PEDAL                                 | 1674-10 |
| (310G,310SG)                               | 3343-2   | SWITCH, STARTER MOTOR(310G W/O TURBO) |         |
| SWING FRAME PINS                           |          | (ENG.SER.NO.257522- )                 | 0422-4  |
| (310G,310SG)                               | 3343-2   | SWITCH, STARTER MOTOR(310G W/TURBO)   |         |
| SWING FRAME PINS 315SG                     | 3343-4   | (ENG.SER.NO.258962- )                 | 0422-4  |
| SWING FRAME 315SG                          | 3343-4   | SWITCH, STARTER MOTOR(310SG,315SG)    |         |
| SWING LOCK CONTROL LEVER AND LINKAGE       |          | (ENG.SER.NO.894293-908991)            | 0422-4  |
| (315SG)                                    | 3315-22  | SWITCHES, FRONT CONSOLE               | 1674-2  |
| SWING LOCK PIN                             | 1811-2   | SWITCHES, FRONT CONSOLE               | 1674-3A |
| SWING PIN HOLDER                           | 1811-2   | SWITCHES, FRONT WIRING HARNESS        |         |
| SWING SECTION RELIEF VALVE                 | 3362-16  | (SN 910056- )                         | 1674-9E |
| SWING SECTION, BACKHOE VALVE               | 3362-16  | SWITCHES, MONITOR PANEL               | 1674-6  |
| SWING VALVE ACCU-SWING KIT                 | 3362-29A | SWIVEL HOUSING, FRONT AXLE            |         |
| SWING, PILOT SECTION RELIEF VALVE          | 3362-46  | (WITHOUT MFWD)(SERIAL NO. 911132- )   | 0230-7  |
| SWING, PILOT SECTION, BACKHOE VALVE        | 3362-46  | SWIVEL SEAT                           | 1821-6  |
| SWITCH, A/C                                | 1674-6   | SWIVEL SERVICE KIT                    | 1821-6  |
| SWITCH, A/C PRESSURE HARNESS               | 1674-4   | SYNCHRONIZER GEAR, 1ST                | 0350-9  |
| SWITCH, AIR CONDITIONING (FREEZE/COMPRES   |          | SYNCHRONIZER GEAR, 2ND                | 0350-9  |
| SOR)                                       | 1830-7A  | SYNCHRONIZER GEAR, 3RD                | 0350-10 |
| SWITCH, AIR CONDITIONING THERMOSTAT        | 1816-12  | SYNCHRONIZER GEAR, 4TH                | 0350-10 |
| SWITCH, AIR SUSPENSION SEAT                | 1674-6   | SYNTHETIC BUCKET SPACER               | 3346-2  |

## ALPHABETICAL INDEX - CONTINUED

|   | PAGE    |  | PAGE     |
|---|---------|--|----------|
| SYNTHETIC CROWD SPACER.....                 | 3346-2  | TIE BAND MOUNT ANCHOR, HARNESS               |          |
| SYSTEM, FUEL INJECTION                      |         | SERIAL NO. XXXXXX-.....                      | 1673-6   |
| 310G(TURBO),310SG,315SG (VSN 910056- )..... | 0413-10 | TIE ROD ASSEMBLY (MFWD) .....                | 0250-4   |
| SYSTEM, FUEL INJECTION                      |         | TIE ROD ASSEMBLY (WITHOUT MFWD) .....        | 0230-1   |
| 310G(W/O TURBO)(VSN 911769- ) .....         | 0413-6  | TILT STEERING COLUMN .....                   | 0960-4   |
| SYSTEM, FUEL INJECTION 310G(TURBO),310SG    |         | TIMER RELAY.....                             | 1674-4   |
| 315SG(VSN 893079-907963)(VSN-910055) .....  | 0413-8  | TIMING GEAR COVER                            |          |
| SYSTEM, FUEL INJECTION 310G(W/O TURBO)      |         | (VSN -911768) 310G (W/O TURBO).....          | 0402-4   |
| (VSN 893079-907963)(VSN -911768) .....      | 0413-4  | TIMING GEAR COVER (VSN -910055)              |          |
|   |         | 310G(TURBO), 310SG, 315SG .....              | 0402-6   |
|   |         | TIMING GEAR COVER (VSN 910056- )             |          |
|   |         | 310G(TURBO), 310SG, 315SG .....              | 0402-6B  |
|   |         | TIMING GEAR COVER GASKET                     |          |
|   |         | (VSN -911768) 310G (W/O TURBO).....          | 0402-4   |
|   |         | TIMING GEAR COVER GASKET                     |          |
|   |         | (VSN-910055) 310G(TURBO), 310SG, 315SG ..... | 0402-6   |
|   |         | TIMING GEAR COVER GASKET                     |          |
|   |         | 310G (W/O TURBO) (VSN 911769- ).....         | 0402-4B  |
|   |         | TIMING GEAR COVER GASKET (VSN 910056- )      |          |
|   |         | 310G(TURBO), 310SG, 315SG .....              | 0402-6B  |
|   |         | TIMING GEAR COVER 310G (W/O TURBO)           |          |
|   |         | (VSN 911769- ).....                          | 0402-4B  |
|   |         | TIMING PIN HOLE PLUG, STANADYNE DE10         |          |
|   |         | 310G (W/O TURBO) (VSN 911769- ).....         | 0413-12A |
|   |         | TIMING PIN HOLE PLUG, STANADYNE DE10         |          |
|   |         | 310G (W/O TURBO) (VSN 911769- ).....         | 0413-12B |
|   |         | TIMING PIN HOLE PLUG, STANADYNE DE10         |          |
|   |         | 310G(TURBO),310SG/315SG (VSN 910056- ) ..... | 0413-13A |
|   |         | TIMING PIN HOLE PLUG, STANADYNE DE10         |          |
|   |         | 310G(TURBO),310SG/315SG (VSN 910056- ) ..... | 0413-13B |
|   |         | TIMING, CRANKSHAFT WHEEL                     |          |
|   |         | 310G (W/O TURBO) (VSN 911769- ).....         | 0401-2   |
|   |         | TIMING, CRANKSHAFT WHEEL                     |          |
|   |         | 310G (W/O TURBO) (VSN-911768).....           | 0401-1A  |
|   |         | TIMING, CRANKSHAFT WHEEL                     |          |
|   |         | 310G(TURBO),310SG,315SG (VSN -910055) .....  | 0401-4   |
|   |         | TIMING, CRANKSHAFT WHEEL                     |          |
|   |         | 310G(TURBO),310SG,315SG (VSN -910055) .....  | 0401-5   |
|   |         | TIMING, CRANKSHAFT WHEEL                     |          |
|   |         | 310G(TURBO),310SG,315SG (VSN 910056- ) ..... | 0401-6   |
|   |         | TOOL BOX .....                               | 1913-2   |
|   |         | TOOL KIT, HAND HELD HYDRAULIC                |          |
|   |         | (SERIAL NO. -913416) .....                   | 3363-44  |
|   |         | TOOL KIT, HAND HELD HYDRAULIC                |          |
|   |         | (SERIAL NO. 913417- ).....                   | 3363-46  |
|   |         | TOOTH, BACKHOE BUCKET .....                  | 3302-14  |
|   |         | TOOTH, BACKHOE BUCKET .....                  | 3302-16  |
|   |         | TORQUE CONVERTER.....                        | 0350-1   |
|   |         | TORQUE CONVERTER TEMPERATURE .....           | 1674-8   |
|   |         | TORQUE CONVERTER TEMPERATURE .....           | 1674-9A  |
|   |         | TORQUE CONVERTER TEMPERATURE .....           | 1674-9C  |
|   |         | TORQUE CONVERTOR FLEXPLATE .....             | 0350-1   |
|   |         | TRADEMARKS .....                             | 1320-2   |
|   |         | TRADEMARKS .....                             | 1320-4   |
|   |         | TRADEMARKS .....                             | 1320-5A  |
|   |         | TRADEMARKS .....                             | 1320-6   |
|   |         | TRADEMARKS .....                             | 1320-7A  |
|   |         | TRADEMARKS .....                             | 1320-8   |
|   |         | TRANSFER PUMP TAP SCREW, STANADYNE DE10      |          |
|   |         | 310G (W/O TURBO) (VSN 911769- ).....         | 0413-12A |
|   |         | TRANSFER PUMP TAP SCREW, STANADYNE DE10      |          |
|   |         | 310G (W/O TURBO) (VSN 911769- ).....         | 0413-12B |
|   |         | TRANSFER PUMP TAP SCREW, STANADYNE DE10      |          |
|   |         | 310G(TURBO),310SG/315SG (VSN 910056- ) ..... | 0413-13A |
|   |         | TRANSFER PUMP TAP SCREW, STANADYNE DE10      |          |
|   |         | 310G(TURBO),310SG/315SG (VSN 910056- ) ..... | 0413-13B |
|   |         | TRANSMISSION.....                            | 0341-4   |

### T

|   |          |
|---|----------|
| TANK, FUEL.....                               | 0560-2   |
| TANK, FUEL.....                               | 0560-6   |
| TANK,COOLANT RECOVERY.....                    | 0510-2   |
| TEETH, BACKHOE BUCKET .....                   | 3302-14  |
| TEETH, BACKHOE BUCKET .....                   | 3302-16  |
| TEMPERATURE CONTROL SWITCH.....               | 1674-6   |
| TEMPERATURE CONTROL,HEATER.....               | 1830-8   |
| TEMPERATURE SENSOR, FUEL (FRONT WIRE          |          |
| HARNESS) (SN 910056- ) .....                  | 1674-9E  |
| TEMPERATURE SENSOR, FUEL, STANADYNE DE10      |          |
| 310G (W/O TURBO) (VSN 911769- ) .....         | 0413-12A |
| TEMPERATURE SENSOR, FUEL, STANADYNE DE10      |          |
| 310G (W/O TURBO) (VSN 911769- ) .....         | 0413-12B |
| TEMPERATURE SENSOR, FUEL, STANADYNE DE10      |          |
| 310G(TURBO),310SG/315SG (VSN 910056- ) .....  | 0413-13A |
| TEMPERATURE SENSOR, FUEL, STANADYNE DE10      |          |
| 310G(TURBO),310SG/315SG (VSN 910056- ) .....  | 0413-13B |
| TEMPERATURE, TORQUE CONVERTER.....            | 1674-8   |
| TEMPERATURE, TORQUE CONVERTER.....            | 1674-9A  |
| TEMPERATURE, TORQUE CONVERTER.....            | 1674-9C  |
| TENSIONER, FAN DRIVE BELT                     |          |
| 310G(TURBO),310SG,315SG .....                 | 0429-2   |
| TERMINALS, DEUTSCH .....                      | 1674-23  |
| TERMINALS, SUPPLEMENTARY .....                | 1674-22  |
| TERMINALS, WEATHERPACK.....                   | 1674-20  |
| TERMINATION RESISTORS, CAN.....               | 1674-4   |
| TERMINATION RESISTORS, CAN.....               | 1674-9A  |
| TERMINATION RESISTORS, CAN.....               | 1674-9C  |
| TETHER BELT .....                             | 1821-16  |
| TETHER BELT,SUSPENDED SEAT .....              | 1821-8   |
| TETHER BELTS WITH NON-SUSPENDED SEAT .....    | 1821-12  |
| TETHER KIT, OPERATOR MANUAL .....             | 1811-2   |
| TETHER, DOOR .....                            | 1814-4   |
| THERMOSTAT COVER.....                         | 0418-2   |
| THERMOSTAT COVER TUBE .....                   | 0418-2   |
| THERMOSTAT SWITCH, AIR CONDITIONING .....     | 1816-12  |
| THERMOSTAT, ENGINE.....                       | 0418-2   |
| THIRD FUCTION HYDRAULIC OIL LINES .....       | 3163-6   |
| THIRD FUCTION HYDRAULIC OIL LINES .....       | 3163-8   |
| THIRD FUNCTION LOADER CONTROL VALVE           |          |
| LINKAGE .....                                 | 3115-10  |
| THIRD FUNCTION LOADER CONTROL VALVE           |          |
| LINKAGE .....                                 | 3115-12  |
| THIRD GEAR CLUTCH ASSEMBLY, POWER SHIFT ..... | 0350-18  |
| THIRD GEAR CLUTCH CARRIER, POWER SHIFT .....  | 0350-18  |
| THIRD GEAR, BELLVILLEWASHER, POWERSHIFT ..... | 0350-18  |
| THREE LEVER BACKHOE CONTROL                   |          |
| VALVE LINKAGE (310G AND 310SG).....           | 3315-8   |
| THRESHOLD, DOOR .....                         | 1812-4   |
| THROTTLE LEVER .....                          | 0515-2   |
| THROTTLE LEVER .....                          | 0515-4   |
| THROTTLE SENSOR .....                         | 0515-4   |
| TIE BAND MOUNT ANCHOR, HARNESS                |          |
| SERIAL NO. -XXXXXX.....                       | 1673-4   |

## ALPHABETICAL INDEX - CONTINUED

|  | PAGE    |   | PAGE     |
|--|---------|---|----------|
| TRANSMISSION BREATHER .....                    | 0341-1  | TURN SIGNAL SWITCH.....                       | 1674-3A  |
| TRANSMISSION BREATHER .....                    | 0341-2  | TWO LEVER BACKHOE CONTROL COVER .....         | 1816-2   |
| TRANSMISSION CONTROL LEVER .....               | 0315-4  | TWO LEVER BACKHOE CONTROL VALVE LINKAGE       |          |
| TRANSMISSION CONTROL LEVER SWITCH.....         | 0315-4  | (310G AND 310SG).....                         | 3315-6   |
| TRANSMISSION CONTROL VALVE .....               | 0360-2  |   |          |
| TRANSMISSION CONTROL VALVE PISTON              |         | <b>U</b>                                      |          |
| (POWER SHIFT).....                             | 0360-6  | UNIVERSAL DRIVE SHAFT (MFWD) .....            | 0250-2   |
| TRANSMISSION CONTROL VALVE SOLENOID            |         | UNIVERSAL DRIVE SHAFT KIT (MFWD) .....        | 0250-2   |
| (POWER SHIFT) .....                            | 0360-6  | UNIVERSAL DRIVE SHAFT,FRONT AXLE (MFWD) ..... | 0250-6   |
| TRANSMISSION CONTROL VALVE SOLENOID, POW       |         | UNIVERSAL JOINT YOKE                          |          |
| ER SHIFT .....                                 | 0360-10 | (AXLE SERIAL NO. -217496).....                | 1111-2   |
| TRANSMISSION CONTROL VALVE(POWER SHIFT).....   | 0360-6  | UNIVERSAL JOINT YOKE                          |          |
| TRANSMISSION DIPSTICK .....                    | 0341-4  | (AXLE SERIAL NO. 217497- ).....               | 1111-4   |
| TRANSMISSION DIPSTICK GUARD .....              | 1746-4  | UNIVERSAL JOINT,REAR DRIVE SHAFT              |          |
| TRANSMISSION DIPSTICK TUBE .....               | 0341-4  | (REVERSER) .....                              | 0325-2   |
| TRANSMISSION DISCONNECT SOLENOID .....         | 0360-2  |   |          |
| TRANSMISSION HOUSING .....                     | 0341-1  | <b>V</b>                                      |          |
| TRANSMISSION HOUSING, POWER SHIFT .....        | 0341-2  | VALVE LINKAGE, STABILIZER.....                | 3315-24  |
| TRANSMISSION INTERMEDIATE PLATE,               |         | VALVE MOUNTING PLATE, BACKHOE                 |          |
| SYNCHRO-SHUTTLE .....                          | 0360-4  | (PILOT CONTROL) .....                         | 3315-3A  |
| TRANSMISSION INTERMEDIATE PLATE, POWER S       |         | VALVE MOUNTING PLATE, BACKHOE                 |          |
| HIFT .....                                     | 0360-10 | 310G,310SG.....                               | 3315-2   |
| TRANSMISSION LIFT BRACKET .....                | 0341-1  | VALVE MOUNTING PLATE, BACKHOE                 |          |
| TRANSMISSION LIFT BRACKET .....                | 0341-2  | 315SG .....                                   | 3315-4   |
| TRANSMISSION OIL FILTER .....                  | 0360-5  | VALVE MOUNTING PLATE, STABILIZER              |          |
| TRANSMISSION OUTPUT SHAFT (MFWD) .....         | 0350-26 | (PILOT CONTROL) .....                         | 3315-3A  |
| TRANSMISSION OUTPUT SHAFT YOKE .....           | 0350-18 | VALVE MOUNTING PLATE, STABILIZER              |          |
| TRANSMISSION OUTPUT YOKE .....                 | 0350-9  | 310G,310SG.....                               | 3315-2   |
| TRANSMISSION SHIELD.....                       | 1746-4  | VALVE MOUNTING PLATE, STABILIZER              |          |
| TRANSMISSION SHIFTER CARROT BOOT .....         | 0315-2  | (PILOT CONTROL) .....                         | 3315-3A  |
| TRANSMISSION SHIFTER LEVER .....               | 0315-6  | VALVE MOUNTING PLATE, STABILIZER              |          |
| TRANSMISSION SHIFTER LEVER BOOT .....          | 0315-6  | 310G,310SG.....                               | 3315-2   |
| TRANSMISSION SHIFTER LEVER BRACKET.....        | 0315-6  | VALVE MOUNTING PLATE, STABILIZER              |          |
| TRANSMISSION SHIFTER LEVER CARROT .....        | 0315-2  | 315SG .....                                   | 3315-4   |
| TRANSMISSION SHIFTER LEVER, ISOLATED .....     | 0315-6  | VALVE SPRING .....                            | 0409-2   |
| TRANSMISSION SOLENOID VALVE .....              | 0360-2  | VALVE STEM .....                              | 0110-3   |
| TRANSMISSION SUCTION PIPE .....                | 0341-1  | VALVE STEM (WITHOUT MFWD).....                | 0120-1   |
| TRANSMISSION SUCTION PIPE .....                | 0341-2  | VALVE, ACCU-SWING KIT .....                   | 3362-29A |
| TRANSMISSION, INTERMEDIATE GEAR .....          | 0350-10 | VALVE, AUXILIARY KIT, LOADER                  |          |
| TRANSMISSION, OIL COOLER.....                  | 2160-18 | (SERIAL NO. -913416).....                     | 3162-18  |
| TRANSPORT PIN, SWING FRAME .....               | 1811-2  | VALVE, BACKHOE AUXILIARY SECTION .....        | 3362-22  |
| TRAVEL WARNING ALARM (310G,310SG) .....        | 2004-2  | VALVE, BACKHOE BOOM SECTION.....              | 3362-10  |
| TRAVEL WARNING ALARM (315SG) .....             | 2004-4  | VALVE, BACKHOE BOOM, PILOT SECTION.....       | 3362-40  |
| TRUNION BULKHEAD PLATE .....                   | 3363-32 | VALVE, BACKHOE BUCKET SECTION .....           | 3362-12  |
| TRUNNION BLOCK, SWING CYLINDER, 315SG .....    | 3342-2  | VALVE, BACKHOE BUCKET, PILOT SECTION .....    | 3362-42  |
| TRUNNION BLOCK, SWING CYLINDER,310G,310SG..... | 1740-2  | VALVE, BACKHOE CONTROL .....                  | 3362-4   |
| TUBE, ENGINE VENTILATING                       |         | VALVE, BACKHOE CONTROL .....                  | 3362-6   |
| PE4045DT058.....                               | 0408-4  | VALVE, BACKHOE CROWD SECTION.....             | 3362-14  |
| TUBE, TRANSMISSION DIPSTICK .....              | 0341-4  | VALVE, BACKHOE CROWD, PILOT SECTION.....      | 3362-44  |
| TUBE, THERMOSTAT COVER .....                   | 0418-2  | VALVE, BACKHOE EXTENDIBLE SECTION .....       | 3362-18  |
| TURBINE SHAFT .....                            | 0350-6  | VALVE, BACKHOE INLET PRIORITY SECTION.....    | 3362-8   |
| TURBINE SHAFT, POWER SHIFT .....               | 0350-12 | VALVE, BACKHOE SELECTIVE FLOW SECTION.....    | 3362-20  |
| TURBOCHARGER (VSN -910055)                     |         | VALVE, BACKHOE SWING SECTION.....             | 3362-16  |
| 310G(TURBO), 310SG, 315SG .....                | 0416-2  | VALVE, BACKHOE SWING, PILOT SECTION .....     | 3362-46  |
| TURBOCHARGER CENTER HOUSING(VSN -910055)       |         | VALVE, BRAKE .....                            | 1060-2   |
| 310G(TURBO), 310SG, 315SG .....                | 0416-2  | VALVE, BRAKE .....                            | 1060-4   |
| TURBOCHARGER GASKET (VSN -910055)              |         | VALVE, CANOPY HEATER SHUT-OFF .....           | 1830-8   |
| 310G(TURBO), 310SG, 315SG .....                | 0416-2  | VALVE, ENGINE OIL PRESSURE REGULATING         |          |
| TURBOCHARGER GASKET 310G(TURBO), 310SG,        |         | (VSN -911768) 310G (W/O TURBO).....           | 0402-4   |
| 315SG (VSN 910056- ) .....                     | 0416-4  | VALVE, ENGINE OIL PRESSURE REGULATING         |          |
| TURBOCHARGER OIL LINES (VSN -910055)           |         | (VSN-910055) 310G(TURBO), 310SG, 315SG .....  | 0402-6   |
| 310G(TURBO), 310SG, 315SG .....                | 0416-6  | VALVE, ENGINE OIL PRESSURE REGULATING         |          |
| TURBOCHARGER OIL LINES (VSN 910056- )          |         | 310G(TURBO), 310SG, 315SG (VSN-910055) .....  | 0404-2   |
| 310G(TURBO), 310SG, 315SG .....                | 0416-8  | VALVE, EXHAUST .....                          | 0409-2   |
| TURBOCHARGER 310G(TURBO), 310SG, 315SG         |         | VALVE, FIFTH FUNCTION MANUAL KIT              |          |
| (VSN 910056- ) .....                           | 0416-4  | (310G) .....                                  | 3362-24  |
| TURN SIGNAL SWITCH.....                        | 1674-2  |   |          |

# 000I-42

310G, 310SG AND 315SG BACKHOE LOADERS

## ALPHABETICAL INDEX - CONTINUED

|  | PAGE    |  | PAGE    |
|--|---------|--|---------|
| VALVE, FIFTH FUNCTION MANUAL KIT<br>(310SG AND 315SG).....               | 3362-25 |  |         |
| VALVE, FLOW CONTROL .....  | 3363-1A |  |         |
| VALVE, INTAKE.....   | 0409-2  |  |         |
| VALVE, LOADER AUXILIARY SECTION<br>(SERIAL NO. -913416).....             | 3162-16 |  |         |
| VALVE, LOADER AUXILIARY SECTION<br>(SERIAL NO. 913417- ).....            | 3162-20 |  |         |
| VALVE, LOADER BOOM SECTION .....   | 3162-8  |  |         |
| VALVE, LOADER BOOM SECTION .....   | 3162-10 |  |         |
| VALVE, LOADER BUCKET SECTION.....  | 3162-12 |  |         |
| VALVE, LOADER BUCKET SECTION.....  | 3162-14 |  |         |
| VALVE, LOADER CONTROL.....   | 3162-2  |  |         |
| VALVE, LOADER/STABILIZER CONTROL.....                                    | 3162-4  |  |         |
| VALVE, LOCKING, SIDE SHIFT<br>(315SG).....                               | 3362-30 |  |         |
| VALVE, PATTERN SELECTOR .....  | 3362-32 |  |         |
| VALVE, PILOT CONTROL HANDLE BUTTON KIT.....                              | 3362-38 |  |         |
| VALVE, PILOT CONTROLLER, LEFT.....                                       | 3362-34 |  |         |
| VALVE, PILOT CONTROLLER, RIGHT.....                                      | 3362-36 |  |         |
| VALVE, PRESSURE REDUCING, MANIFOLD<br>(PILOT CONTROL).....               | 3362-31 |  |         |
| VALVE, QUICK COUPLER BUCKET .....  | 3162-28 |  |         |
| VALVE, RANGE SHIFT, POWER SHIFT .....                                    | 0360-8  |  |         |
| VALVE, RELIEF, SIDE SHIFT<br>(315SG).....                                | 3362-30 |  |         |
| VALVE, SIXTH FUNCTION MANUAL KIT<br>(310G).....                          | 3362-26 |  |         |
| VALVE, SIXTH FUNCTION MANUAL KIT<br>(310SG AND 315SG).....               | 3362-27 |  |         |
| VALVE, SOLENOID (MANIFOLD)<br>(PILOT CONTROL).....                       | 3362-31 |  |         |
| VALVE, SOLENOID SIDE SHIFT<br>(315SG).....                               | 3362-30 |  |         |
| VALVE, SOLINOID FRONT COUPLER .....                                      | 3162-28 |  |         |
| VALVE, STABILIZER<br>(SERIAL NO.-913416).....                            | 3162-22 |  |         |
| VALVE, STABILIZER<br>(SERIAL NO.-913416).....                            | 3162-24 |  |         |
| VALVE, STABILIZER LOCKOUT<br>(SER.NO.913417-).....                       | 3162-26 |  |         |
| VALVE, STABILIZER/LOADER<br>(SER.NO.913417-).....                        | 3162-26 |  |         |
| VALVE, STEERING (WITH MFWD).....   | 0960-8  |  |         |
| VALVE, STEERING (WITHOUT MFWD) .....                                     | 0960-10 |  |         |
| VALVE, TRANSMISSION CONTROL .....  | 0360-2  |  |         |
| VALVE, TRANSMISSION CONTROL(POWER SHIFT).....                            | 0360-6  |  |         |
| VALVE, TRANSMISSION SOLENOID .....                                       | 0360-2  |  |         |
| VALVE,BRAKE VALVE BOOST HYDRAULICS<br>(CAB),310G AND 310SG.....          | 1060-8  |  |         |
| VALVE,BRAKE VALVE BOOST HYDRAULICS<br>(ROPS),310G AND 310SG .....        | 1060-10 |  |         |
| VALVE,ENGINE OIL BY-PASS<br>310G(TURBO), 310SG, 315SG (VSN-910055) ..... | 0404-2  |  |         |
| VANDAL GUARD LOCK .....  | 1816-10 |  |         |
| VANDAL GUARD,INSTRUMENT PANEL.....                                       | 1816-10 |  |         |
| VEHICLE WIRING HARNESS.....  | 1674-8  |  |         |
| VEHICLE WIRING HARNESS.....  | 1674-9A |  |         |
| VEHICLE WIRING HARNESS.....  | 1674-9C |  |         |
| VENTILATING SYSTEM, ENGINE<br>(DT056, TT080/81/88/89).....               | 0408-2  |  |         |
| VENTILATING SYSTEM, ENGINE<br>PE4045DT058.....                           | 0408-4  |  |         |
| VISOR, SUN .....   | 2007-2  |  |         |
|  |         | W  |         |
|  |         | WARNING ALARM, TRAVEL (310G,310SG) .....   | 2004-2  |
|  |         | WARNING ALARM, TRAVEL (315SG) .....  | 2004-4  |
|  |         | WARNING LIGHTS SWITCH.....   | 1674-2  |
|  |         | WARNING LIGHTS SWITCH.....   | 1674-3A |
|  |         | WASHER, WINDSHIELD RESERVOIR .....   | 1814-12 |
|  |         | WATER PUMP IMPELLER 310G(TURBO), 310SG,<br>315SG (VSN -910055) T0/PE4045TT080,081.....   | 0417-3  |
|  |         | WATER PUMP IMPELLER 310G(TURBO), 310SG,<br>315SG (VSN 910056-) PE4045TT088,089 .....     | 0417-4  |
|  |         | WATER PUMP IMPELLER 310G(W/O TURBO (VSN<br>911769) PE4045DT058.....                      | 0417-4  |
|  |         | WATER PUMP IMPELLER 310G(W/O TURBO)<br>(VSN -911768) T0/PE4045DT056.....                 | 0417-3  |
|  |         | WATER PUMP INLET<br>310G(TURBO), 310SG, 315SG .....                                      | 0417-2  |
|  |         | WATER PUMP PULLEY<br>310G(TURBO), 310SG, 315SG .....                                     | 0417-2  |
|  |         | WATER PUMP REPAIR KIT 310G(TURBO), 310SG<br>315SG (VSN -910055) T0/PE4045TT080,081 ..... | 0417-3  |
|  |         | WATER PUMP REPAIR KIT 310G(TURBO), 310SG,<br>315SG (VSN 910056-) PE4045TT088,089 .....   | 0417-4  |
|  |         | WATER PUMP REPAIR KIT 310G(W/O TURBO)<br>(VSN -911768) T0/PE4045DT056.....               | 0417-3  |
|  |         | WATER PUMP REPAIR KIT 310G(W/O TURBO) (V<br>SN 911769) PE4045DT058.....                  | 0417-4  |
|  |         | WATER PUMP 310G(TURBO), 310SG, 315SG<br>(VSN -910055) T0/PE4045TT080,081 .....           | 0417-3  |
|  |         | WATER PUMP 310G(TURBO), 310SG, 315SG<br>(VSN 910056-) PE4045TT088,089 .....              | 0417-4  |
|  |         | WATER PUMP 310G(W/O TURBO)<br>(VSN -911768) T0/PE4045DT056.....                          | 0417-3  |
|  |         | WATER PUMP 310G(W/O TURBO) (VSN 911769-)<br>PE4045DT058 .....                            | 0417-4  |
|  |         | WEARSTRIPS, EXTENDIBLE ARM .....   | 3346-4  |
|  |         | WEARSTRIPS, EXTENDIBLE ARM .....   | 3346-6  |
|  |         | WEATHERPACK CONNECTORS .....   | 1674-20 |
|  |         | WEATHERPACK TERMINALS.....   | 1674-20 |
|  |         | WEATHERSTRIP, REAR WINDOW<br>(SER.NO. -920856) .....                                     | 1814-8  |
|  |         | WEATHERSTRIP, REAR WINDOW<br>(SER.NO. 920857- ) .....                                    | 1814-9A |
|  |         | WET CAP KIT, HYDRAULIC .....   | 3362-28 |
|  |         | WHEEL HUB, FRONT (WITHOUT MFWD)<br>(SERIAL NO. -911131) .....                            | 0230-4  |
|  |         | WHEEL HUB, FRONT AXLE (WITHOUT MFWD)<br>(SERIAL NO. 911132- ) .....                      | 0230-8  |
|  |         | WHEEL SPACER .....   | 0110-2  |
|  |         | WHEEL STUDS (MFWD).....  | 0250-6  |
|  |         | WHEEL, DRIVE, FRONT (MFWD).....  | 0110-3  |
|  |         | WHEEL, DRIVE, REAR .....   | 0110-2  |
|  |         | WHEEL, FRONT (WITHOUT MFWD).....   | 0120-1  |
|  |         | WHEEL, STEERING .....  | 0960-2  |
|  |         | WHEEL, STEERING .....  | 0960-4  |
|  |         | WHEEL,CRANKSHAFT TIMING<br>310G (W/O TURBO) (VSN 911769-).....                           | 0401-2  |
|  |         | WHEEL,CRANKSHAFT TIMING<br>310G (W/O TURBO) (VSN-911768).....                            | 0401-1A |
|  |         | WHEEL,CRANKSHAFT TIMING<br>310G(TURBO),310SG,315SG (VSN -910055) .....                   | 0401-4  |
|  |         | WHEEL,CRANKSHAFT TIMING<br>310G(TURBO),310SG,315SG (VSN -910055) .....                   | 0401-5  |
|  |         | WHEEL,CRANKSHAFT TIMING<br>310G(TURBO),310SG,315SG (VSN 910056- ) .....                  | 0401-6  |
|  |         | WINDOW, CAB SIDE .....   | 1814-2  |
|  |         | WINDOW, CAB SIDE .....   | 1814-4  |

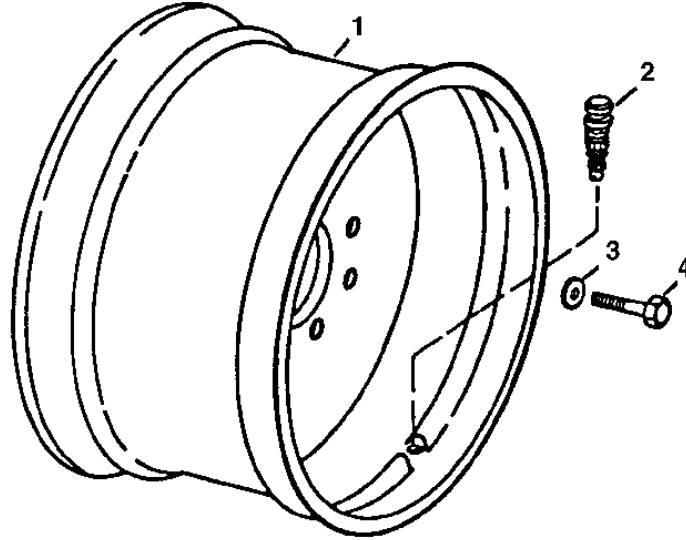
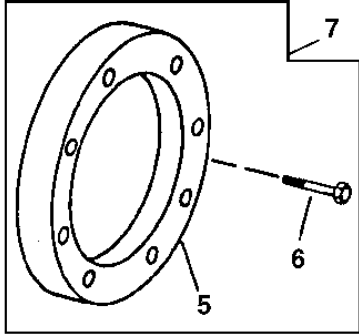
## ALPHABETICAL INDEX - CONTINUED

|  | PAGE    |   | PAGE   |
|--|---------|---|--------|
| WINDOWPANE, REAR CORNER<br>(SER.NO. -920856) .....       | 1814-8  | YOKE, UNIVERSAL JOINT<br>(AXLE SERIAL NO. 217497- ) ..... | 1111-4 |
| WINDOWPANE, REAR CORNER<br>(SER.NO. 920857- ) .....      | 1814-9A | YOKE, SEAL, SLIDING (MFWD) .....                          | 0250-2 |
| WINDOWS, REAR<br>(SER.NO. -920856) .....                 | 1814-8  |   |        |
| WINDOWS, REAR<br>(SER.NO. 920857- ) .....                | 1814-9A |   |        |
| WINDSHIELD WASHER HOSE .....                             | 1814-12 |   |        |
| WINDSHIELD WASHER PUMP .....                             | 1814-12 |   |        |
| WINDSHIELD WASHER SWITCH .....                           | 1814-12 |   |        |
| WINDSHIELD WIPER MOTOR, FRONT .....                      | 1814-10 |   |        |
| WINDSHIELD WIPER MOTOR, REAR .....                       | 1814-14 |   |        |
| WINDSHIELD WIPER SWITCH, FRONT .....                     | 1674-2  |   |        |
| WINDSHIELD WIPER SWITCH, FRONT .....                     | 1674-3A |   |        |
| WINDSHIELD, CAB OR QUARTER CAB .....                     | 1814-6  |   |        |
| WINDSHIELD, WASHER RESERVOIR .....                       | 1814-12 |   |        |
| WINDSHILD WIPER BLADE, FRONT .....                       | 1814-10 |   |        |
| WINDSHILD WIPER BLADE, REAR .....                        | 1814-14 |   |        |
| WIPER BLADE, FRONT .....                                 | 1814-10 |   |        |
| WIPER BLADE, REAR .....                                  | 1814-14 |   |        |
| WIPER MOTOR, FRONT WINDSHIELD .....                      | 1814-10 |   |        |
| WIPER MOTOR, REAR WINDSHIELD .....                       | 1814-14 |   |        |
| WIPER SWITCH, FRONT WINDSHIELD .....                     | 1674-2  |   |        |
| WIPER SWITCH, FRONT WINDSHIELD .....                     | 1674-3A |   |        |
| WIRE HARNESS, BACKHOE BOOM LOCK CONTROL<br>(315SG) ..... | 3315-22 |   |        |
| WIRE HARNESS, SELECTIVE FLOW<br>CONTROL .....            | 1674-10 |   |        |
| WIRE LEAD KIT .....                                      | 1674-16 |   |        |
| WIRE LEAD KIT .....                                      | 1674-18 |   |        |
| WIRING HARNESS FRONT CONSOLE<br>WITH CAB .....           | 1674-2  |   |        |
| WIRING HARNESS FRONT CONSOLE<br>WITH CAB .....           | 1674-3A |   |        |
| WIRING HARNESS SIDE CONSOLE<br>WITH CAB .....            | 1674-4  |   |        |
| WIRING HARNESS, ENGINE .....                             | 1674-8  |   |        |
| WIRING HARNESS, ENGINE .....                             | 1674-9A |   |        |
| WIRING HARNESS, ENGINE .....                             | 1674-9C |   |        |
| WIRING HARNESS, ENGINE FRONT<br>(SN 910056- ) .....      | 1674-9E |   |        |
| WIRING HARNESS, ROOF<br>SERIAL NO. -XXXXXX .....         | 1673-4  |   |        |
| WIRING HARNESS, ROOF<br>SERIAL NO. XXXXXX- .....         | 1673-6  |   |        |
| WIRING HARNESS, VEHICLE .....                            | 1674-8  |   |        |
| WIRING HARNESS, VEHICLE .....                            | 1674-9A |   |        |
| WIRING HARNESS, VEHICLE .....                            | 1674-9C |   |        |
| WIRING HARNESS, FRONT COUPLER .....                      | 1674-5C |   |        |
| WIRING HARNESS, MODE DOOR .....                          | 1816-8  |   |        |
| WIRING HARNESS, PILOT ENABLE .....                       | 1674-5A |   |        |
| Y  |         |   |        |
| YOKE, BUCKET LEVELING .....                              | 3115-2  |   |        |
| YOKE, BUCKET LEVELING .....                              | 3115-4  |   |        |
| YOKE, DRIVE SHAFT (MFWD) .....                           | 0250-2  |   |        |
| YOKE, REAL AXLE .....                                    | 0210-4  |   |        |
| YOKE, REAR AXLE<br>(AXLE SERIAL NO. -217496) .....       | 1111-2  |   |        |
| YOKE, TRANSMISSION OUTPUT .....                          | 0350-9  |   |        |
| YOKE, TRANSMISSION OUTPUT SHAFT .....                    | 0350-18 |   |        |
| YOKE, UNIVERSAL JOINT .....                              | 0210-4  |   |        |
| YOKE, UNIVERSAL JOINT<br>(AXLE SERIAL NO. -217496) ..... | 1111-2  |   |        |

# 0110-2

**REAR DRIVE WHEEL  
ROUE MOTRICE ARRIERE  
RUEDA MOTRIZ TRASERA**

TP50501 -UN-17OCT96



**TP50501**

| KEY | PART NO. | PART NAME       | QTY. | SERIAL NO. | REMARKS   |
|-----|----------|-----------------|------|------------|---|
|     |          |                 |      | 3 3        |   |
|     |          |                 |      | 3 1 1      |   |
|     |          |                 |      | 1 0 5      |   |
|     |          |                 |      | 0 S S      |   |
|     |          |                 |      | G G G      |   |
| 1   | AT309100 | WHEEL           | 1    |            | X (FOR 16.9 X 28 TIRE) (SUB FOR AT124371)<br>(ALSO ORDER (8) 19H2431)   |
|     | AT320204 | WHEEL           | 1    |            | X X X (FOR 19.5L X 24 TIRE) (SUB FOR AT66805,<br>AT300165 AND AT309110) |
|     | AT309102 | WHEEL           | 1    |            | X X (FOR 16.9 X 24 AND 17.5L X 24 TIRES)<br>(SUB FOR AT141444)          |
| 2   | AT25226  | TIRE VALVE STEM | 1    |            | X X X (WITH CALCIUM CHLORIDE)   |
|     | AN132749 | TIRE VALVE STEM | 1    |            | X X X (WITHOUT CALCIUM CHLORIDE) (TUBELESS)                             |
| 3   | R54124   | WASHER          | 8    |            | X X X   |
| 4   | 19H2717  | CAP SCREW       | 8    |            | X X X 3/4" X 1-3/4"   |
|     | 19H2431  | CAP SCREW       | 8    |            | X 3/4" X 2-1/4", (USE WITH AT309100)                                    |
| 5   | T66860   | SPACER          | 2    |            | X X X   |
| 6   | 19H3196  | CAP SCREW       | 16   |            | X X X 3/4" X 4"   |
| 7   | AT179287 | WHEEL KIT       | 1    |            | X X X (WHOLE GOODS)   |

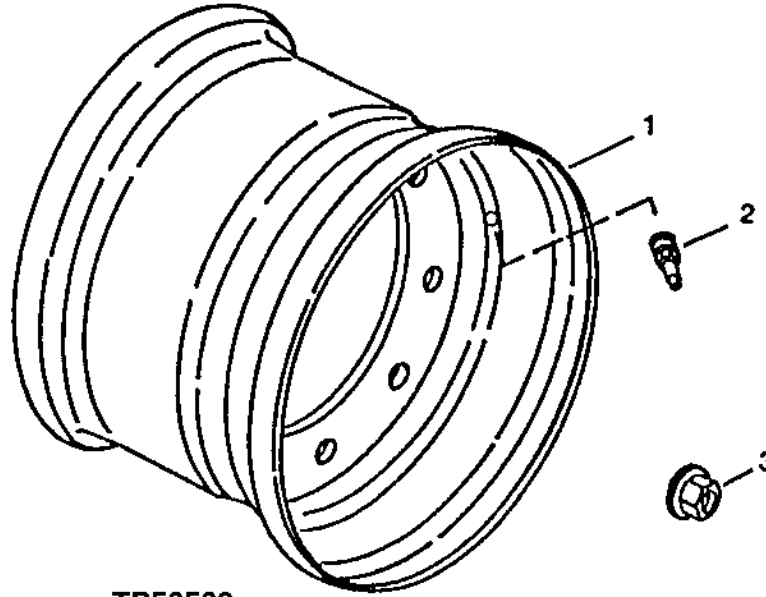
# 0110-3

WHEELS AND TIRES 1

POWERED WHEELS, TIRES AND FASTENINGS 0110

FRONT DRIVE WHEEL  
ROUE MOTRICE AVANT  
RUEDA MOTRIZ DELANTERA

TP50502 -UN-17OCT96



| KEY | PART NO. | PART NAME       | QTY. | SERIAL NO. | REMARKS  |
|-----|----------|-----------------|------|------------|--|
| 1   | AT309104 | WHEEL           | 1    |            | X X (FOR 12.5/80 X 18 TIRE) (SUB FOR AT169550) |
| 2   | AN132749 | TIRE VALVE STEM | 1    |            | X (FOR 12 X 16.5 TIRE) (SUB FOR AT178499)      |
| 3   | 14M7332  | FLANGE NUT      | 8    |            | X X X (TUBELESS)<br>X X X M18                  |

# 0110-4

WHEELS AND TIRES 1

POWERED WHEELS, TIRES AND FASTENINGS 0110

MEMORANDA  
MEMORANDA  
MEMORANDA

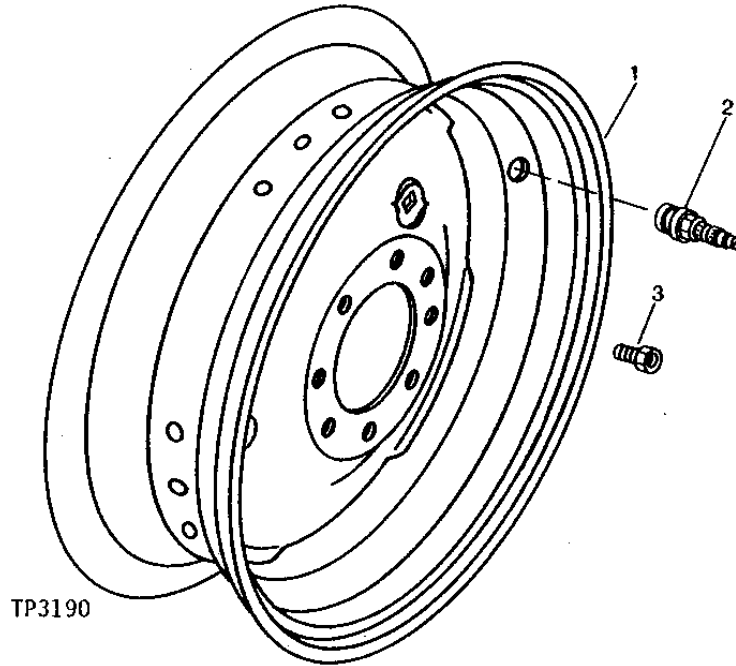


# 0120-1

WHEELS AND TIRES 1

NON-POWERED WHEELS, TIRES AND FASTENINGS 0120  
**FRONT WHEEL (WITHOUT MECHANICAL FRONT WHEEL DRIVE)**  
**ROUE AVANT (SANS TRACTION AVANT MECANIQUE)**  
**RUEDA MOTRIZ DELANTERA (SIN ETRACCION DELANTERA MECANICA)**

TP3190 -UN-01JAN94



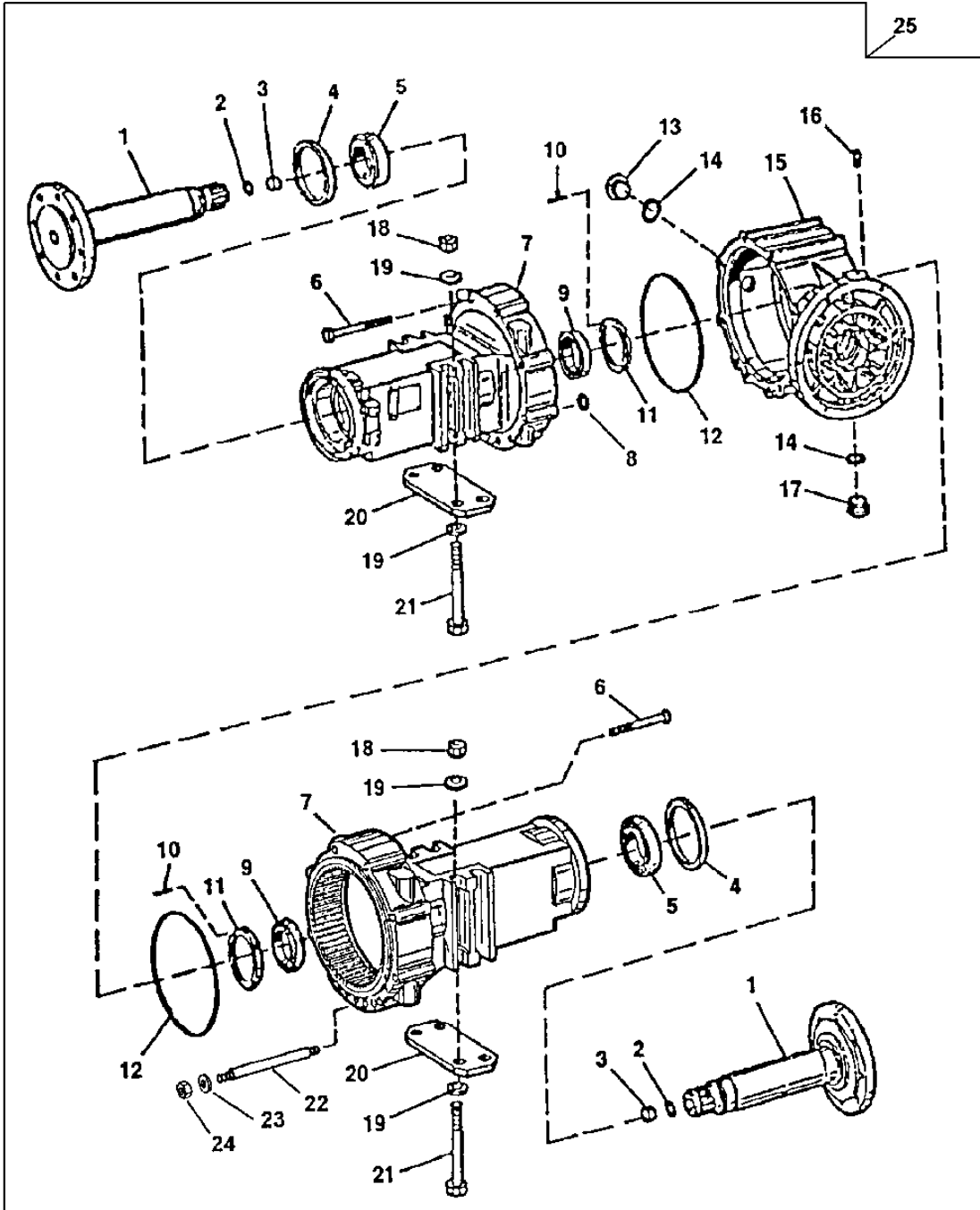
| KEY | PART NO. | PART NAME       | QTY. | SERIAL NO. | 3 3<br>3 1 1<br>1 0 5<br>0 S S<br>G G G | REMARKS                               |
|-----|----------|-----------------|------|------------|---|---------------------------------------|
| 1   | AT309111 | WHEEL           | 1    |            | X X                                     | (FOR 11L X 15 TIRE) (SUB FOR AT51878) |
|     | AT310291 | WHEEL           | 1    |            | X X X                                   | (FOR 11L X 16 TIRE) (SUB FOR JD3216)  |
| 2   | AN132749 | TIRE VALVE STEM | 1    |            | X X X                                   | (WITHOUT CALCIUM CHLORIDE) (TUBELESS) |
| 3   | JD21     | BOLT            | 8    | -911131    | X X X                                   |                                       |
|     | JD27     | BOLT            | 8    | 911132-    | X X X                                   |                                       |

# 0201-2

AXLES, DIFFERENTIALS AND SUSPENSION SYSTEMS 2

## DRIVE AXLE HOUSING AND SUPPORT 0201 CARTER DE DIFFERENTIEL, TROMPETTE D'ESSIEU ET ARBRE CAJA DEL DIFERENCIAL, CAJA DEL EJE Y EJE

T142285 -UN-25MAY01



T142285

# 0201-3

AXLES, DIFFERENTIALS AND SUSPENSION SYSTEMS 2

DRIVE AXLE HOUSING AND SUPPORT 0201  
**DIFFERENTIAL HOUSING, AXLE HOUSING AND SHAFT**  
**CARTER DE DIFFERENTIEL, TROMPETTE D'ESSIEU ET ARBRE**  
**CAJA DEL DIFERENCIAL, CAJA DEL EJE Y EJE**

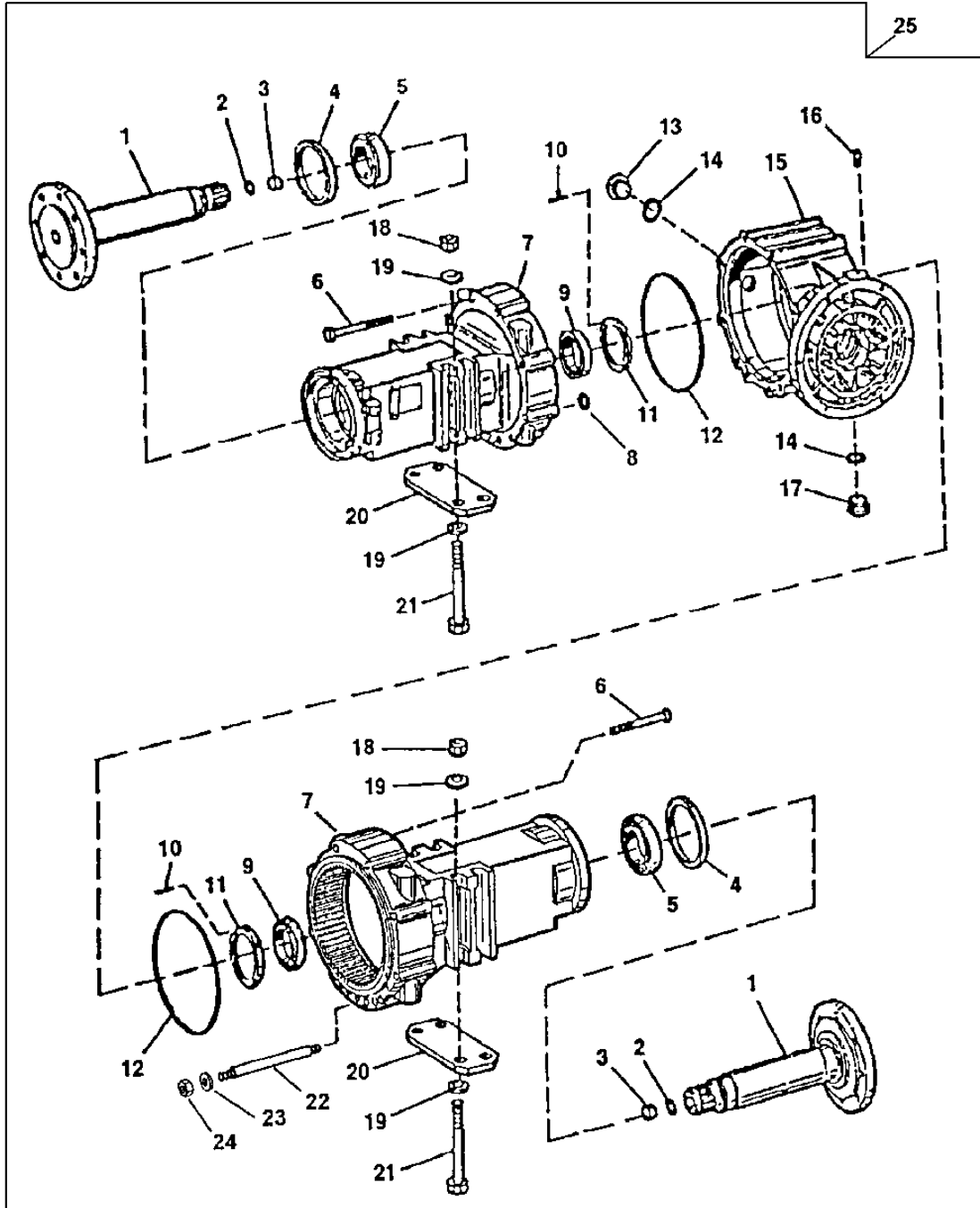
| KEY | PART NO. | PART NAME              | QTY. | AXLE<br>SERIAL NO. | 3 3<br>3 1 1<br>1 0 5<br>0 S S<br>G G G | REMARKS                                 |
|-----|----------|------------------------|------|--------------------|---|---|
| 1   | T154951  | SHAFT                  | 2    |                    | X X X                                   |   |
| 2   | R75384   | SHIM                   | AR   |                    | X X X                                   | 0.3MM (0.012")                          |
|     | R75383   | SHIM                   | AR   |                    | X X X                                   | 0.5MM (0.020")                          |
|     | R75382   | SOLID SHIM             | AR   |                    | X X X                                   | 1.0MM (0.040")                          |
|     | T183496  | SOLID SHIM             | AR   |                    | X X X                                   | 2.0MM (0.080")                          |
|     | R75385   | SOLID SHIM             | AR   |                    | X X X                                   | 3.0MM (0.118")                          |
| 3   | R79132   | PIN                    | 2    |                    | X X X                                   |   |
| 4   | AT179502 | SEAL                   | 2    |                    | X X X                                   |   |
| 5   | AT179500 | TAPERED ROLLER BEARING | 2    |                    | X X X                                   |   |
| 6   | 19M7677  | CAP SCREW              | 16   |                    | X X X                                   | M16 X 240                               |
| 7   | AT179499 | HOUSING                | 2    |                    | X X X                                   |   |
| 8   | T159373  | O-RING                 | 2    |                    | X X X                                   |   |
| 9   | AT179501 | TAPERED ROLLER BEARING | 2    |                    | X X X                                   |   |
| 10  | T164844  | GROOVE PIN             | 2    |                    | X X X                                   | (SUB FOR AT186927) (ALSO ORDER T184401) |
| 11  | T185444  | NUT                    | 2    |                    | X X X                                   | (SUB FOR T159371)                       |
| 12  | T159362  | O-RING                 | 2    |                    | X X X                                   |   |
| 13  | 15M7030  | PIPE PLUG              | 1    |                    | X X X                                   |   |
| 14  | L55580   | O-RING                 | 2    |                    | X X X                                   |   |
| 15  | T164998  | HOUSING                | 1    | -217496            | X X X                                   |   |
|     | T188279  | HOUSING                | 1    | 217497-            | X X X                                   |   |
| 16  | AL32877  | VENT                   | 1    |                    | X X X                                   |   |
| 17  | L56822   | PIPE PLUG              | 1    |                    | X X X                                   |   |
| 18  | 14M7315  | NUT                    | 8    |                    | X X X                                   | M20                                     |
| 19  | N231749  | WASHER                 | 16   |                    | X X X                                   |   |
| 20  | T147269  | PLATE                  | 2    |                    | X X X                                   |   |
| 21  | 19M8001  | CAP SCREW              | 8    |                    | X X X                                   | M20 X 260                               |
| 22  | T159388  | STUD                   | 4    |                    | X X X                                   |   |
| 23  | T159386  | WASHER                 | 4    |                    | X X X                                   |   |
| 24  | T159389  | NUT                    | 4    |                    | X X X                                   |   |

# 0201-4

AXLES, DIFFERENTIALS AND SUSPENSION SYSTEMS 2

DRIVE AXLE HOUSING AND SUPPORT 0201  
DIFFERENTIAL HOUSING, AXLE HOUSING AND SHAFT (CONTINUED)  
CARTER DE DIFFERENTIEL, TROMPETTE D'ESSIEU ET ARBRE (SUITE)  
CAJA DEL DIFERENCIAL, CAJA DEL EJE Y EJE (CONTINUACION)

T142285 -UN-25MAY01



T142285

# 0201-5

AXLES, DIFFERENTIALS AND SUSPENSION SYSTEMS 2

DRIVE AXLE HOUSING AND SUPPORT 0201  
**DIFFERENTIAL HOUSING, AXLE HOUSING AND SHAFT (CONTINUED)**  
**CARTER DE DIFFERENTIEL, TROMPETTE D'ESSIEU ET ARBRE (SUITE)**  
**CAJA DEL DIFERENCIAL, CAJA DEL EJE Y EJE (CONTINUACION)**

| KEY | PART NO. | PART NAME | QTY. | AXLE<br>SERIAL NO. | 3 3   | REMARKS |
|-----|----------|-----------|------|--------------------|---|---------|
|     |          |           |      |                    | 3 1 1   |         |
|     |          |           |      |                    | 1 0 5   |         |
|     |          |           |      |                    | 0 S S   |         |
|     |          |           |      |                    | G G G   |         |
| 25  | .....    | REAR AXLE | 1    | -217496            | X X X (A) (CA) ( AT192627 NLA) (SUB AT184406) |         |
|     | .....    | REAR AXLE | 1    | 217497-            | X X X (A) (CA) ( AT195851 NLA) (SUB AT195929) |         |
|     | AT184406 | REAR AXLE | 1    | -217496            | X X X (A) (REMAN) (SUB FOR AT192627)          |         |
|     | AT195929 | REAR AXLE | 1    | 217497-            | X X X (A) (REMAN) (SUB FOR AT195851)          |         |

(A) ALSO INCLUDES PLANETARY PINION CARRIER , RING GEAR ASSEMBLY, DIFFERENTIAL ASSEMBLY WITH LOCK,  
 (A) COMPREND AUSSI PORTE-SATELLITES, COURONNE, DIFFERENTIEL AVEC BLOCAGE, FREIN SERVICE,  
 (A) TAMBIEN INCLUYE PORTAPINON PLANETARIO, CONJUNTO DE CORONA DENTADA, CONJUNTO DIFERENCIAL

SERVICE BRAKE, PARK BRAKE ASSEMBLY AND INPUT YOKE  
 FREIN STATIONNEMENT ET CHAPE ENTREE  
 CON FRENO SERVICIO CON TRABA, CONJUNTO DE FRENO ESTACIONAMIENTO Y HORQUILLA DE ENTRADA

# 0201-6

AXLES, DIFFERENTIALS AND SUSPENSION SYSTEMS 2

DRIVE AXLE HOUSING AND SUPPORT 0201

MEMORANDA  
MEMORANDA  
MEMORANDA

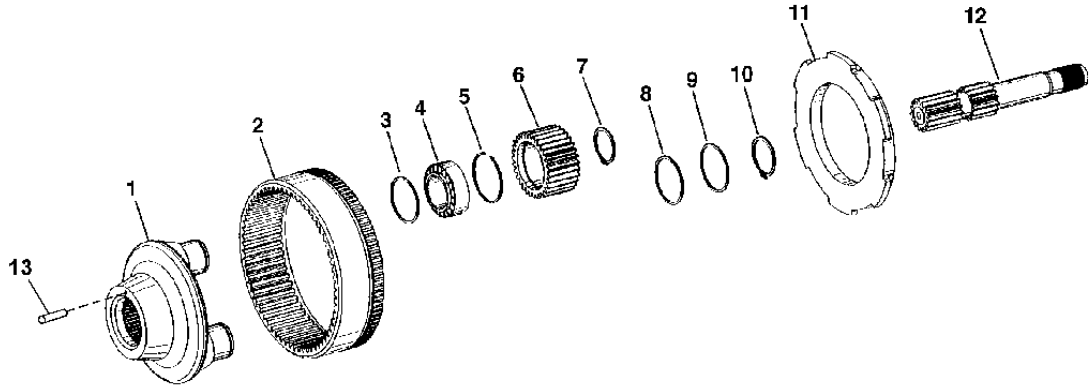
# 0210-1

AXLES, DIFFERENTIALS AND SUSPENSION SYSTEMS 2

DIFFERENTIAL OR BEVEL DRIVE 0210

## PLANETARY PINION CARRIER PORTE-SATELLITES PORTAPINONES PLANETARIOS

T199252 -UN-22APR04



T199252

| KEY | PART NO. | PART NAME              | QTY. | SERIAL NO. | REMARKS                                       |
|-----|----------|------------------------|------|------------|---|
|     |          |                        |      |            | 3 3   |
|     |          |                        |      |            | 3 1 1   |
|     |          |                        |      |            | 1 0 5   |
|     |          |                        |      |            | 0 S S   |
|     |          |                        |      |            | G G G   |
| 1   | T166084  | PLANET PINION CARRIER  | 1    |            | X X X   |
| 2   | .....    | HOUSING                | 1    |            | X X X (ORDER AT179499)                        |
| 3   | T183922  | WASHER                 | 6    |            | X X X   |
| 4   | AT179538 | TAPERED ROLLER BEARING | 3    |            | X X X   |
| 5   | T183923  | SNAP RING              | 6    |            | X X X   |
| 6   | T183921  | PLANET PINION          | 3    |            | X X X   |
| 7   | L110729  | SNAP RING              | 3    |            | X X X   |
| 8   | T159518  | THRUST WASHER          | 1    |            | X X X   |
| 9   | T159525  | SHIM                   | 1    |            | X X X 0.2MM (0.008")                          |
|     | T159523  | SHIM                   | 1    |            | X X X 0.3MM (0.012")                          |
|     | T159522  | SHIM                   | 1    |            | X X X 0.5MM (0.020")                          |
|     | T161249  | SHIM                   | 1    |            | X X X 1.5MM (0.060")                          |
|     | T161248  | SHIM                   | 1    |            | X X X 2.0MM (0.079")                          |
| 10  | T159519  | SNAP RING              | 1    |            | X X X   |
| 11  | T166085  | PLATE                  | 1    |            | X X X   |
| 12  | T154952  | SHAFT                  | 1    |            | X X X   |
| 13  | T164844  | GROOVE PIN             | 2    |            | X X X (SUB FOR AT186927) (ALSO ORDER T184401) |

# 0210-2

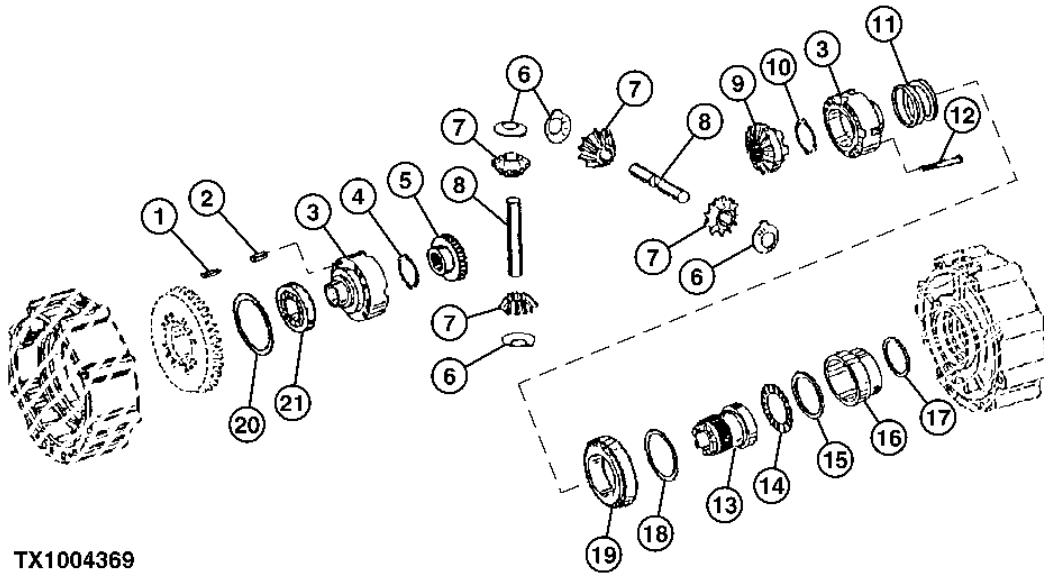
AXLES, DIFFERENTIALS AND SUSPENSION SYSTEMS 2

DIFFERENTIAL OR BEVEL DRIVE 0210

DIFFERENTIAL ASSEMBLY WITH LOCK  
DIFFERENTIEL AVEC BLOCAGE  
CONJUNTO DE DIFERENCIAL CON TRABA

TX1004369

-UN-03MAR06



TX1004369



# 0210-3

AXLES, DIFFERENTIALS AND SUSPENSION SYSTEMS 2

DIFFERENTIAL OR BEVEL DRIVE 0210

**DIFFERENTIAL ASSEMBLY WITH LOCK  
DIFFERENTIEL AVEC BLOPAGE  
CONJUNTO DE DIFERENCIAL CON TRABA**

| KEY | PART NO. | PART NAME              | QTY. | SERIAL NO. | REMARKS                 |
|-----|----------|------------------------|------|------------|-------------------------|
|     |          |                        |      |            | 3 3                     |
|     |          |                        |      |            | 3 1 1                   |
|     |          |                        |      |            | 1 0 5                   |
|     |          |                        |      |            | 0 S S                   |
|     |          |                        |      |            | G G G                   |
| 1   | T159359  | SPRING PIN             | 4    |            | X X X                   |
| 2   | T159358  | SPRING PIN             | 4    |            | X X X                   |
| 3   | AT186312 | DIFFERENTIAL           | 1    |            | X X X (LH, RH)          |
| 4   | T163374  | THRUST WASHER          | 1    |            | X X X (RING GEAR SIDE)  |
| 5   | T159348  | BEVEL GEAR             | 1    |            | X X X                   |
| 6   | T210077  | THRUST WASHER          | 4    |            | X X X (SUB FOR T159351) |
| 7   | T159350  | BEVEL GEAR             | 4    |            | X X X                   |
| 8   | T210078  | PINION SHAFT           | 2    |            | X X X (SUB FOR T164431) |
| 9   | T163810  | BEVEL GEAR             | 1    |            | X X X                   |
| 10  | T163375  | THRUST WASHER          | 1    |            | X X X (DIFF LOCK SIDE)  |
| 11  | T159341  | SPRING                 | 1    |            | X X X                   |
| 12  | 19M8771  | SCREW                  | 12   |            | X X X M14 X 120         |
| 13  | T166336  | SHIFT COLLAR           | 1    |            | X X X                   |
| 14  | AT179498 | NEEDLE BEARING         | 1    |            | X X X                   |
| 15  | T159344  | SEAL                   | 1    |            | X X X                   |
| 16  | T159343  | PISTON                 | 1    |            | X X X                   |
| 17  | T159346  | SEAL                   | 1    |            | X X X                   |
| 18  | T159444  | SHIM                   | 1    |            | X X X 0.10MM (0.004")   |
|     | T159445  | SHIM                   | 1    |            | X X X 0.15MM (0.006")   |
|     | T159443  | SHIM                   | 1    |            | X X X 0.20MM (0.008")   |
|     | T159440  | SHIM                   | 1    |            | X X X 0.30MM (0.012")   |
|     | T159441  | SHIM                   | 1    |            | X X X 0.50MM (0.020")   |
|     | T159442  | SHIM                   | 1    |            | X X X 1.00MM (0.040")   |
|     | T159446  | SHIM                   | 1    |            | X X X 1.10MM (0.043")   |
|     | T159447  | SHIM                   | 1    |            | X X X 1.20MM (0.047")   |
|     | T159448  | SHIM                   | 1    |            | X X X 1.30MM (0.051")   |
|     | T159449  | SHIM                   | 1    |            | X X X 1.40MM (0.055")   |
|     | T159450  | SHIM                   | 1    |            | X X X 1.50MM (0.059")   |
|     | T159451  | SHIM                   | 1    |            | X X X 1.60MM (0.063")   |
|     | T159452  | SHIM                   | 1    |            | X X X 1.70MM (0.067")   |
|     | T159453  | SHIM                   | 1    |            | X X X 1.80MM (0.071")   |
|     | T159457  | SHIM                   | 1    |            | X X X 2.80MM (0.110")   |
|     | T159459  | SHIM                   | 1    |            | X X X 3.00MM (0.118")   |
|     | T159461  | SHIM                   | 1    |            | X X X 3.20MM (0.126")   |
|     | T159463  | SHIM                   | 1    |            | X X X 3.40MM (0.129")   |
| 19  | AT179504 | TAPERED ROLLER BEARING | 1    |            | X X X (LH)              |
| 20  | T161247  | SHIM                   | 1    |            | X X X 0.20MM (0.008")   |
|     | T161246  | SHIM                   | 1    |            | X X X 0.30MM (0.012")   |
|     | T161245  | SHIM                   | 1    |            | X X X 0.40MM (0.016")   |
|     | T161244  | SHIM                   | 1    |            | X X X 0.50MM (0.020")   |
|     | T161243  | SHIM                   | 1    |            | X X X 0.70MM (0.028")   |
|     | T161242  | SHIM                   | 1    |            | X X X 0.75MM (0.030")   |
|     | T161241  | SHIM                   | 1    |            | X X X 0.80MM (0.031")   |
|     | T161240  | SHIM                   | 1    |            | X X X 0.85MM (0.033")   |
|     | T161239  | SHIM                   | 1    |            | X X X 0.90MM (0.035")   |
|     | T161238  | SHIM                   | 1    |            | X X X 0.95MM (0.037")   |
| 21  | AT179505 | TAPERED ROLLER BEARING | 1    |            | X X X (RH)              |

# 0210-4

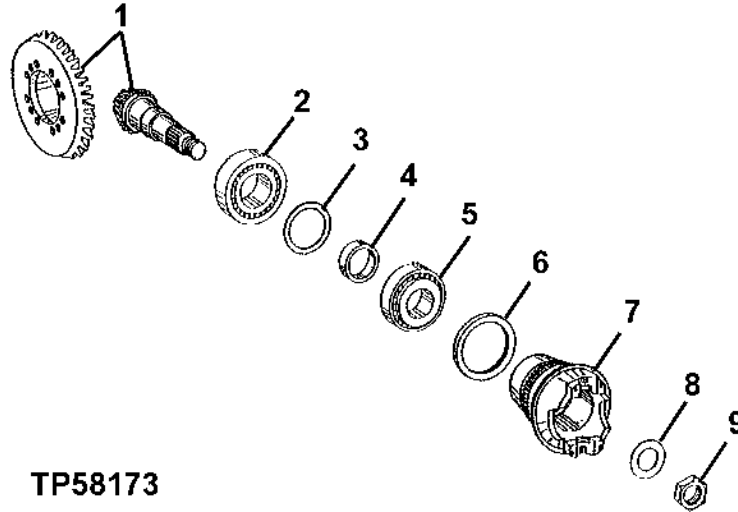
AXLES, DIFFERENTIALS AND SUSPENSION SYSTEMS 2

DIFFERENTIAL OR BEVEL DRIVE 0210

**SPIRAL BEVEL INPUT PINION AND RING GEAR SET**  
**JEU DE PIGNONS CONIQUES HELICOIDiaux D'ENTREE ET COURONNES**  
**JUEGO DE PINON DE ENTRADA CONICO EN ESPIRAL Y CORONA DENTADA**

TP58173

-UN-21FEB00



**TP58173**

# 0210-5

AXLES, DIFFERENTIALS AND SUSPENSION SYSTEMS 2

DIFFERENTIAL OR BEVEL DRIVE 0210

**SPIRAL BEVEL INPUT PINION AND RING GEAR SET  
JEU DE PIGNONS CONIQUES HELICOIDaux D'ENTREE ET COURONNES  
JUEGO DE PINON DE ENTRADA CONICO EN ESPIRAL Y CORONA DENTADA**

| KEY | PART NO. | PART NAME                  | QTY. | SERIAL NO. | REMARKS                 |
|-----|----------|----------------------------|------|------------|-------------------------|
|     |          |                            |      |            | 3 3                     |
|     |          |                            |      |            | 3 1 1                   |
|     |          |                            |      |            | 1 0 5                   |
|     |          |                            |      |            | 0 S S                   |
|     |          |                            |      |            | G G G                   |
| 1   | AT171644 | BEVEL GEAR DRIVE           | 1    |            | X X X                   |
| 2   | AT176491 | CYLINDRICAL ROLLER BEARING | 1    |            | X X X                   |
| 3   | T159310  | SHIM                       | 1    |            | X X X 1.20MM (0.047")   |
|     | T159315  | SHIM                       | 1    |            | X X X 1.30MM (0.051")   |
|     | T159314  | SHIM                       | 1    |            | X X X 1.40MM (0.055")   |
|     | T159309  | SHIM                       | 1    |            | X X X 1.50MM (0.059")   |
|     | T159313  | SHIM                       | 1    |            | X X X 1.60MM (0.063")   |
|     | T159308  | SHIM                       | 1    |            | X X X 1.80MM (0.071")   |
|     | T159311  | SHIM                       | 1    |            | X X X 1.90MM (0.075")   |
|     | T159307  | SHIM                       | 1    |            | X X X 2.00MM (0.079")   |
| 4   | T159322  | RING                       | 1    |            | X X X 16.40MM (0.6456") |
|     | T159323  | RING                       | 1    |            | X X X 16.50MM (0.6496") |
|     | T183482  | SOLID SHIM                 | 1    |            | X X X 16.56MM (0.6519") |
|     | T159324  | RING                       | 1    |            | X X X 16.60MM (0.6535") |
|     | T183483  | SOLID SHIM                 | 1    |            | X X X 16.62MM (0.6543") |
|     | T183484  | SOLID SHIM                 | 1    |            | X X X 16.64MM (0.6551") |
|     | T183485  | SOLID SHIM                 | 1    |            | X X X 16.68MM (0.6566") |
|     | T159325  | RING                       | 1    |            | X X X 16.70MM (0.6574") |
|     | T183486  | SOLID SHIM                 | 1    |            | X X X 16.72MM (0.6582") |
|     | T183487  | SOLID SHIM                 | 1    |            | X X X 16.74MM (0.6590") |
|     | .....    | RING                       | 1    |            | X X X 16.75MM (0.6594") |
|     | T183489  | SOLID SHIM                 | 1    |            | X X X 16.76MM (0.6598") |
|     | T183490  | SOLID SHIM                 | 1    |            | X X X 16.78MM (0.6606") |
|     | T159326  | RING                       | 1    |            | X X X 16.80MM (0.6614") |
|     | T183491  | SOLID SHIM                 | 1    |            | X X X 16.82MM (0.6622") |
|     | .....    | RING                       | 1    |            | X X X 16.83MM (0.6625") |
|     | T183492  | SOLID SHIM                 | 1    |            | X X X 16.84MM (0.6629") |
|     | T159334  | RING                       | 1    |            | X X X 16.86MM (0.6637") |
|     | T183493  | SOLID SHIM                 | 1    |            | X X X 16.88MM (0.6645") |
|     | .....    | RING                       | 1    |            | X X X 16.89MM (0.6650") |
|     | T183494  | SOLID SHIM                 | 1    |            | X X X 16.90MM (0.6653") |
|     | T159327  | RING                       | 1    |            | X X X 16.92MM (0.6661") |
|     | T183495  | SOLID SHIM                 | 1    |            | X X X 16.94MM (0.6669") |
|     | .....    | RING                       | 1    |            | X X X 16.95MM (0.6673") |
|     | T159337  | RING                       | 1    |            | X X X 16.98MM (0.6685") |
|     | .....    | RING                       | 1    |            | X X X 17.01MM (0.6696") |
|     | T159338  | RING                       | 1    |            | X X X 17.04MM (0.6708") |
|     | .....    | RING                       | 1    |            | X X X 17.07MM (0.6720") |
|     | T159329  | RING                       | 1    |            | X X X 17.10MM (0.6732") |
|     | T159330  | RING                       | 1    |            | X X X 17.20MM (0.6771") |
|     | T159331  | RING                       | 1    |            | X X X 17.30MM (0.6811") |
|     | T159332  | RING                       | 1    |            | X X X 17.40MM (0.6850") |
| 5   | AL79794  | TAPERED ROLLER BEARING     | 1    |            | X X X                   |
| 6   | AT179537 | SEAL                       | 1    |            | X X X                   |
| 7   | T158437  | UNIVERSAL JOINT YOKE       | 1    | -902702    | X X X                   |
|     | T188229  | UNIVERSAL JOINT YOKE       | 1    | 902703-    | X X X                   |
| 8   | T159316  | WASHER                     | 1    |            | X X X                   |
| 9   | T159317  | NUT                        | 1    |            | X X X                   |

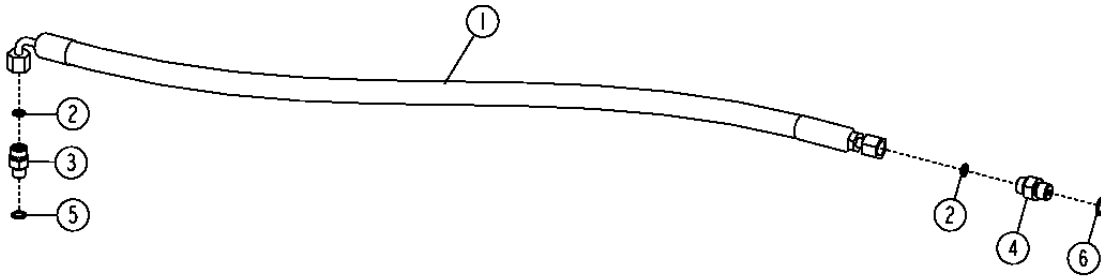
# 0210-6

AXLES, DIFFERENTIALS AND SUSPENSION SYSTEMS 2

DIFFERENTIAL OR BEVEL DRIVE 0210

## DIFFERENTIAL LOCK PLUMBING TUYAUTERIE DU BLOCAGE DU DIFFERENTIEL TUBERIA DE TRABA DE DIFERENCIAL

T154477 -UN-30APR02



T154477

| KEY | PART NO. | PART NAME                  | QTY. | SERIAL NO. | REMARKS                          |
|-----|----------|----------------------------|------|------------|----------------------------------|
| 1   | AT171637 | HYDRAULIC HOSE - FABRICATE | 1    | -951252    | 9/16" X 915 MM (36") X 9/16"     |
|     | AT309683 | HYDRAULIC HOSE - FABRICATE | 1    | 951253-    | 9/16" X 934 MM (36-3/4") X 9/16" |
| 2   | T77814   | O-RING                     | 2    |            |                                  |
| 3   | 38H1159  | ADAPTER FITTING            | 1    | -951252    |                                  |
|     | 38H1003  | ELBOW FITTING              | 1    | 951253-    | 90°                              |
| 4   | 38H1168  | ADAPTER FITTING            | 1    |            |                                  |
| 5   | R28782   | O-RING                     | 1    |            |                                  |
| 6   | R26448   | O-RING                     | 1    |            |                                  |

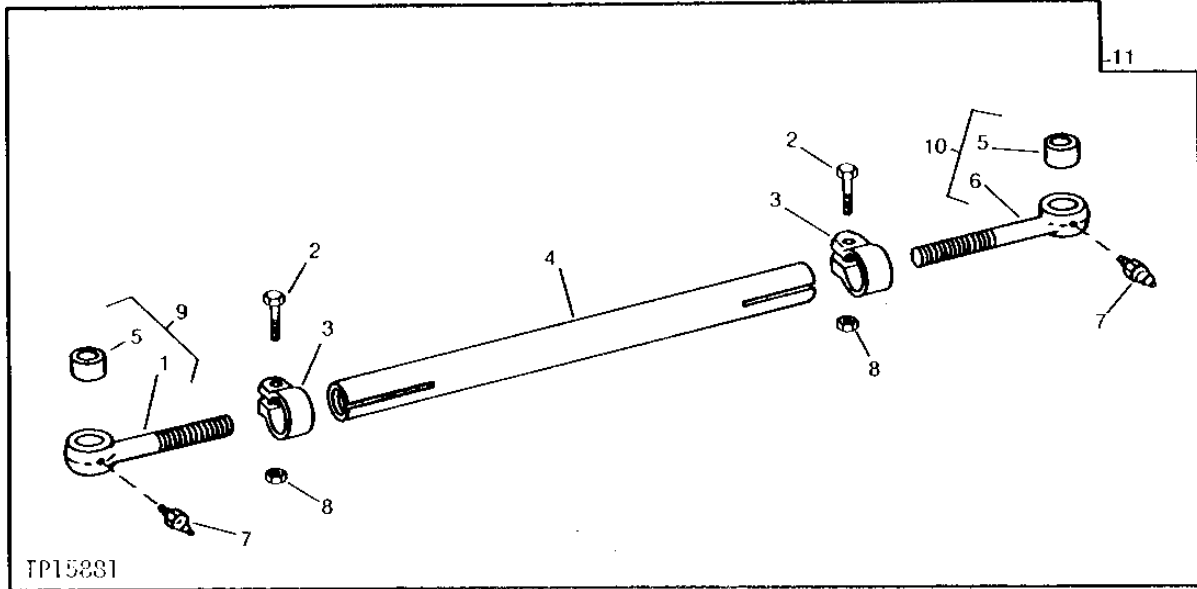
# 0230-1

AXLES, DIFFERENTIALS AND SUSPENSION SYSTEMS 2

NON-POWERED WHEEL AXLES 0230

TIE ROD ASSEMBLY (W/O MFWD) (SN -911131)  
 BARRE D'ACCOUPLMENT (W/O MFWD) (SN -911131)  
 CONJUNTO DE BARRA DE ACOPLAMIENTO (W/O MFWD) (SN -911131)

TP15881 -UN-01JAN94



| KEY | PART NO. | PART NAME           | QTY. | SERIAL NO. | REMARKS         |
|-----|----------|---------------------|------|------------|-----------------|
|     |          |                     |      |            | 3 3             |
|     |          |                     |      |            | 3 1 1           |
|     |          |                     |      |            | 1 0 5           |
|     |          |                     |      |            | 0 S S           |
|     |          |                     |      |            | G G G           |
| 1   | .....    | BOLT                | 1    |            | X X X (L)       |
| 2   | 19H3208  | CAP SCREW           | 2    |            | X X X 5/8" X 3" |
| 3   | T69360   | CLIP                | 2    |            | X X X           |
| 4   | T81963   | TUBE                | 1    |            | X X X           |
| 5   | T79786   | BUSHING             | 2    |            | X X X           |
| 6   | .....    | BOLT                | 1    |            | X X X (R)       |
| 7   | JD7797   | LUBRICATION FITTING | 2    |            | X X X 1/4"      |
| 8   | U14555   | LOCK NUT            | 2    |            | X X X           |
| 9   | AT79756  | BOLT                | 1    |            | X X X (L)       |
| 10  | AT79755  | BOLT                | 1    |            | X X X (R)       |
| 11  | AT79754  | TIE ROD ASSEMBLY    | 1    |            | X X X           |

(L) LEFT-HAND THREAD  
 (L) FILET A GAUCHE  
 (L) ROSCA IZQ.

(R) RIGHT-HAND THREAD  
 (R) FILET A DROITE  
 (R) ROSCA DERECHA

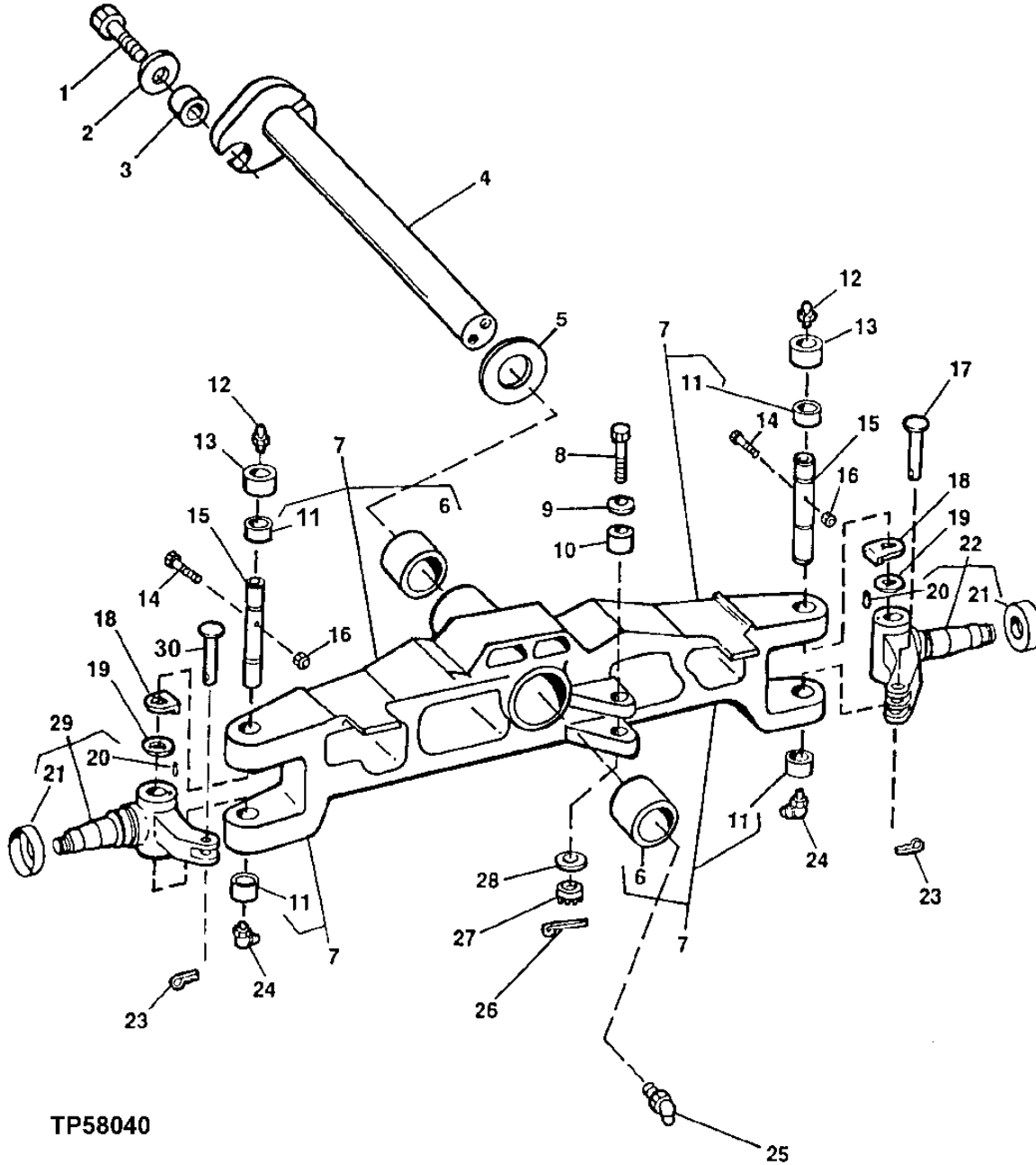
# 0230-2

AXLES, DIFFERENTIALS AND SUSPENSION SYSTEMS 2

FRONT AXLE, SPINDLE AND KNUCKLE ASSEMBLY (W/O MFWD) (SN -911131)  
NON-POWERED WHEEL AXLES 0230  
ESSIEU AVANT ET ARTICULATION-FUSEE (W/O MFWD) (SN -911131)  
CONJUNTO DE EJE DELANTERO, MANGUETA Y ARTICULACION (W/O MFWD) (SN -911131)

TP58040

-UN-04JUN99



TP58040

# 0230-3

AXLES, DIFFERENTIALS AND SUSPENSION SYSTEMS 2

NON-POWERED WHEEL AXLES 0230

FRONT AXLE, SPINDLE AND KUNCKLE ASSEMBLY (W/O MFWD) (SN -911131)  
 ESSIEU AVANT ET ARTICULATION-FUSEE (W/O MFWD) (SN -911131)  
 CONJUNTO DE EJE DELANTERO, MANGUETA Y ARTICULACION (W/O MFWD) (SN -911131)

| KEY | PART NO. | PART NAME           | QTY. | SERIAL NO. | REMARKS   |
|-----|----------|---------------------|------|------------|---|
|     |          |                     |      |            | 3 3<br>3 1 1<br>1 0 5<br>0 S S<br>G G G   |
| 1   | 19M7488  | CAP SCREW           | 1    |            | X X X M16 X 40  |
| 2   | T119912  | WASHER              | 1    |            | X X X   |
| 3   | T18145   | BUSHING             | 1    |            | X X X   |
| 4   | AT164442 | PIN                 | 2    |            | X X X   |
| 5   | R46973   | THRUST WASHER       | AR   |            | X X X   |
| 6   | T140211  | BUSHING             | 2    |            | X X X   |
| 7   | .....    | FRONT AXLE          | 1    |            | X X X ( AT176216 NLA) (MARKED T158828) (SUB AT307741) (ALSO ORDER AT197852 AND T125615) |
| 8   | 19M6575  | CAP SCREW           | 1    |            | X X X M12 X 110   |
| 9   | 24H1162  | WASHER              | 2    |            | X X X 17/32" X 1-1/4" X 0.060"  |
| 10  | T100813  | BUSHING             | 1    |            | X X X   |
| 11  | T140207  | BUSHING             | 4    |            | X X X   |
| 12  | T162396  | LUBRICATION FITTING | 2    |            | X X X   |
| 13  | T69027   | SEAL                | 2    |            | X X X   |
| 14  | 19H3445  | CAP SCREW           | 2    |            | X X X 3/8" X 3-3/4"   |
| 15  | T184816  | KINGPIN             | 2    |            | X X X   |
| 16  | T11234   | LOCK NUT            | 2    |            | X X X   |
| 17  | T69355   | PIN                 | 1    |            | X X X   |
| 18  | T69364   | THRUST WASHER       | 2    |            | X X X   |
| 19  | T69363   | THRUST WASHER       | 2    |            | X X X   |
| 20  | 34M7117  | SPRING PIN          | 2    |            | X X X 5 X 10 MM   |
| 21  | R20255   | DUST SHIELD         | 2    |            | X X X   |
| 22  | AT182390 | KNUCKLE             | 1    |            | X X X (RH) (MARKED T148467)   |
| 23  | 11M7030  | COTTER PIN          | 2    |            | X X X 5 X 40 MM   |
| 24  | T162396  | LUBRICATION FITTING | 2    |            | X X X   |
| 25  | JD7838   | ADAPTER FITTING     | 2    |            | X X X   |
| 26  | 11M7086  | COTTER PIN          | 1    |            | X X X 2.500 X 50 MM   |
| 27  | 14M7184  | NUT                 | 1    |            | X X X M12   |
| 28  | 24H1162  | WASHER              | 2    |            | X X X 17/32" X 1-1/4" X 0.060"  |
| 29  | AT182391 | KNUCKLE             | 1    |            | X X X (LH) (MARKED T148468)   |
| 30  | T69354   | PIN                 | 1    |            | X X X   |

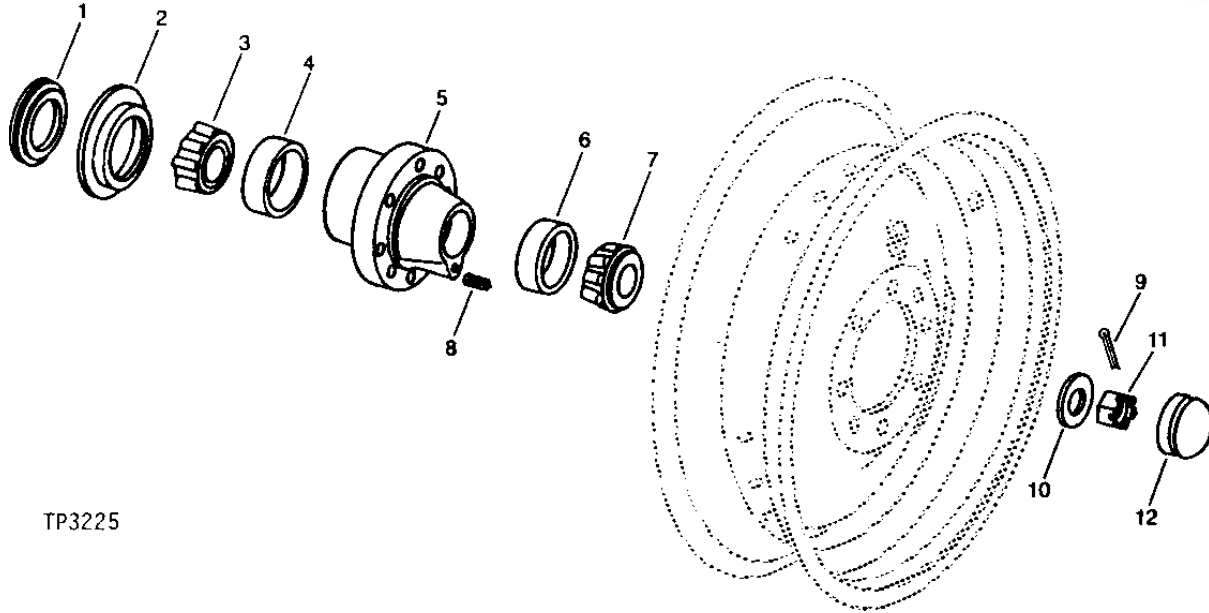
# 0230-4

AXLES, DIFFERENTIALS AND SUSPENSION SYSTEMS 2

NON-POWERED WHEEL AXLES 0230

FRONT WHEEL HUB (W/O MFWD) (SN -911131)  
 MOYEU DE LA ROUE AVANT (W/O MFWD) (SN -911131)  
 CUBO DEL NEUMATICO DELANTERO (W/O MFWD) (SN -911131)

TP3225 -UN-01JAN94



TP3225

| KEY | PART NO. | PART NAME    | QTY. | SERIAL NO. | REMARKS     |
|-----|----------|--------------|------|------------|-------------|
| 1   | AR26480  | SEAL         | 1    |            |             |
| 2   | R26632   | BUSHING      | 1    |            |             |
| 3   | JD9041   | BEARING CONE | 1    |            |             |
| 4   | JD9170   | BEARING CUP  | 1    |            |             |
| 5   | R49841   | HUB          | 1    |            |             |
| 6   | JD8251   | BEARING CUP  | 1    |            |             |
| 7   | JD8929   | BEARING CONE | 1    |            |             |
| 8   | 22H841   | SET SCREW    | 1    |            | 1/4" X 1/4" |
| 9   | 11M7030  | COTTER PIN   | 1    |            | 5 X 40 MM   |
| 10  | T75506   | WASHER       | 1    |            |             |
| 11  | 14M7519  | NUT          | 1    |            | M24         |
| 12  | R50992   | CAP          | 1    |            |             |



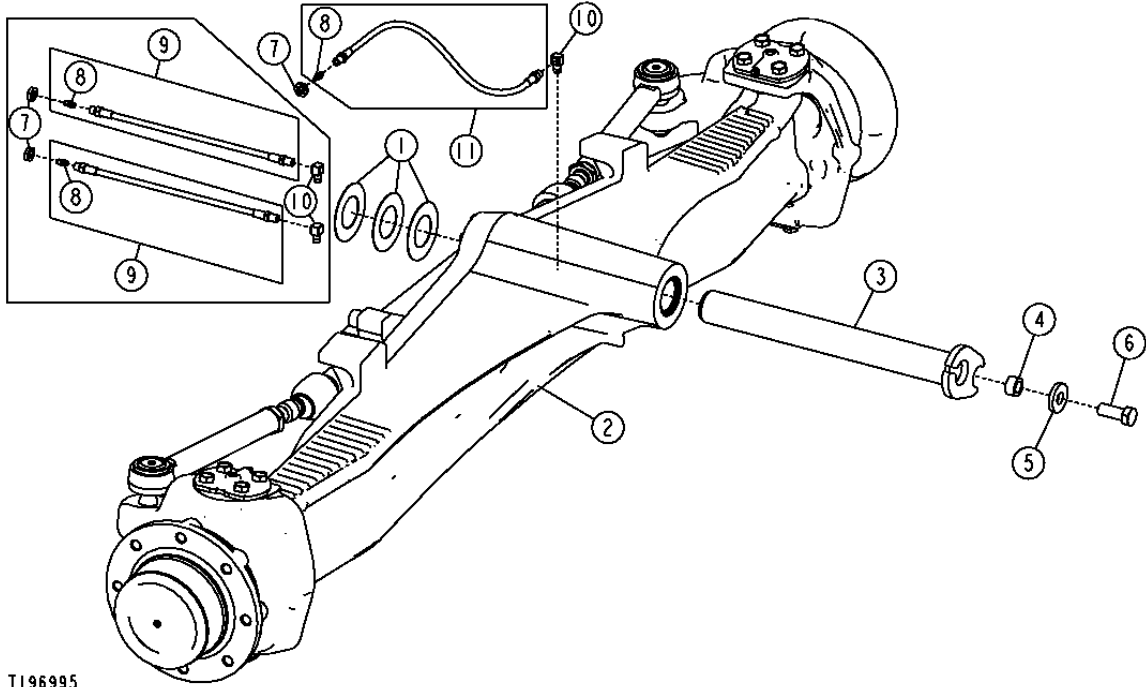
# 0230-5

AXLES, DIFFERENTIALS AND SUSPENSION SYSTEMS 2

STANDARD FRONT AXLE (W/O MFWD) (SN 911132- )  
 ESSIEU AVANT STANDARD (W/O MFWD) (SN 911132- )  
 EJE DELANTERO ESTANDAR (W/O MFWD) (SN 911132- )

NON-POWERED WHEEL AXLES 0230

T196995 -UN-07JAN04



T196995

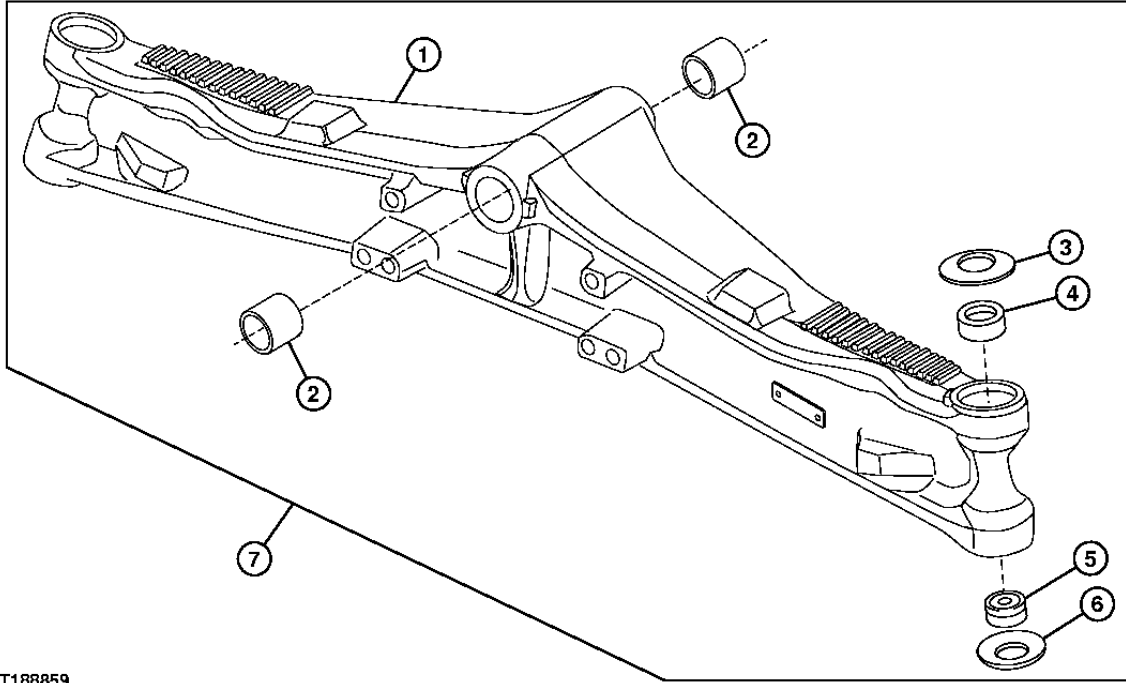
| KEY | PART NO. | PART NAME           | QTY. | SERIAL NO. | 3 3<br>3 1 1<br>1 0 5<br>0 S S<br>G G G | REMARKS   |
|-----|----------|---------------------|------|------------|---|---|
| 1   | R46973   | THRUST WASHER       | 3    |            | X X X                                   |   |
| 2   | .....    | FRONT AXLE          | 1    | -926720    | X X X                                   | ( AT196428 NLA) (COMPONENTS ON FOLLOWING PAGES) (SUB AT307741) (ALSO ORDER T125615) |
|     | AT307741 | FRONT AXLE          | 1    | 926721-    | X X X                                   | (CA)  |
| 3   | AT164442 | PIN                 | 1    | -926720    | X X X                                   |   |
|     | AT306684 | PIN                 | 1    | 926721-    | X X X                                   |   |
| 4   | T18145   | BUSHING             | 1    |            | X X X                                   |   |
| 5   | T119912  | WASHER              | 1    |            | X X X                                   |   |
| 6   | 19M7488  | CAP SCREW           | 1    |            | X X X                                   | M16 X 40  |
| 7   | E12379   | NUT                 | 2    |            | X X X                                   |   |
| 8   | JD7797   | LUBRICATION FITTING | 2    |            | X X X                                   |   |
| 9   | AT173254 | HYDRAULIC HOSE      | 2    | -926720    | X X X                                   |   |
| 10  | JD7838   | ADAPTER FITTING     | 2    |            | X X X                                   |   |
| 11  | AT224949 | HOSE                | 1    | 926721-    | X X X                                   | (STD, MFWD)   |

# 0230-6

AXLES, DIFFERENTIALS AND SUSPENSION SYSTEMS 2

NON-POWERED WHEEL AXLES 0230  
 STANDARD FRONT AXLE HOUSING (W/O MFWD) (SN 911132- )  
 ESSIEU AVANT STANDARD (W/O MFWD) (SN 911132- )  
 EJE DELANTERO ESTANDAR (W/O MFWD) (SN 911132- )

T188859 -UN-27MAR03



T188859

3 3  
 3 1 1  
 1 0 5  
 0 S S  
 G G G

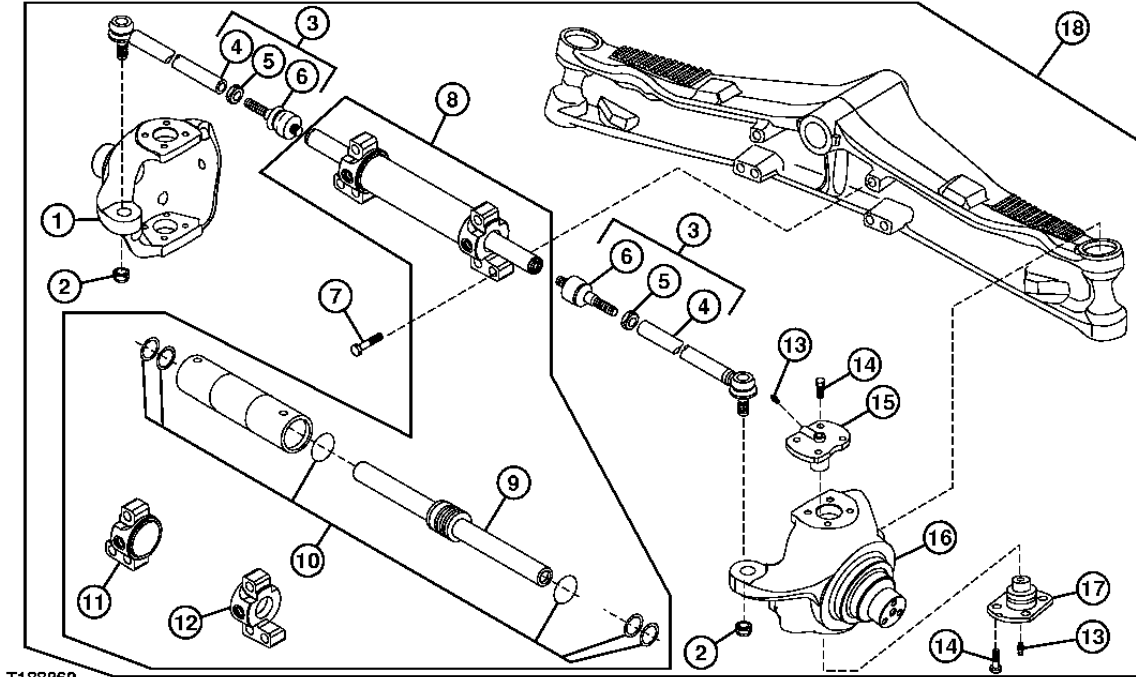
| KEY | PART NO. | PART NAME  | QTY. | SERIAL NO. | REMARKS  |
|-----|----------|------------|------|------------|--|
| 1   | T206520  | AXLE       | 1    |            | X X X (SUB FOR T190750)  |
| 2   | T202499  | BUSHING    | 2    |            | X X X (SUB FOR (2) T140211, THIS APPLICATION)  |
| 3   | R121593  | WASHER     | 2    |            | X X X  |
| 4   | R204271  | BUSHING    | 2    |            | X X X (SUB FOR R113780, THIS APPLICATION)  |
| 5   | RE45896  | BEARING    | 2    |            | X X X  |
| 6   | R121594  | WASHER     | 2    |            | X X X  |
| 7   | .....    | FRONT AXLE | 1    | -926720    | X X X ( AT196428 NLA) (ADDITIONAL COMPONENTS ON FOLLOWING PAGES) (SUB AT307741) (ALSO ORDER T125615) |
|     | AT307741 | FRONT AXLE | 1    | 926721-    | X X X (CA)   |

# 0230-7

AXLES, DIFFERENTIALS AND SUSPENSION SYSTEMS 2

NON-POWERED WHEEL AXLES 0230  
 SWIVEL HOUSINGS AND STEERING CYLINDER (W/O MFWD) (SN 911132- )  
 CARTERS PIVOTANTS ET VERIN DE DIRECTION (W/O MFWD) (SN 911132- )  
 CAJAS DE GIRO Y CILINDRO DE DIRECCION (W/O MFWD) (SN 911132- )

T188860 -UN-27MAR03



T188860

| KEY | PART NO. | PART NAME              | QTY. | SERIAL NO. | 3 3<br>3 1 1<br>1 0 5<br>0 S S<br>G G G | REMARKS  |
|-----|----------|------------------------|------|------------|---|--|
| 1   | T190745  | HOUSING                | 1    |            | X X X                                   | (LH)   |
| 2   | AT280268 | LOCK NUT               | 2    |            | X X X                                   | M20  |
| 3   | AT198602 | TIE ROD ASSEMBLY       | 2    |            | X X X                                   |  |
| 4   | T191428  | TIE ROD ASSEMBLY       | 2    |            | X X X                                   |  |
| 5   | 14M7309  | NUT                    | 2    |            | X X X                                   | M24  |
| 6   | T191427  | BALL JOINT             | 2    |            | X X X                                   |  |
| 7   | T116290  | BOLT                   | 6    |            | X X X                                   | M20 X 80   |
| 8   | AT198598 | CYLINDER               | 1    |            | X X X                                   |  |
| 9   | AT280869 | ROD                    | 1    |            | X X X                                   |  |
| 10  | T191430  | SEAL KIT               | 1    |            | X X X                                   |  |
| 11  | .....    | HYDRAULIC CYLINDER CAP | 1    |            | X X X                                   | (LH)   |
| 12  | .....    | HYDRAULIC CYLINDER CAP | 1    |            | X X X                                   | (RH)   |
| 13  | R140070  | LUBRICATION FITTING    | 4    |            | X X X                                   |  |
| 14  | 19M8011  | CAP SCREW              | 16   |            | X X X                                   | M12 X 30   |
| 15  | RE57471  | TRUNNION               | 2    |            | X X X                                   |  |
|     | R122218  | SPACER                 | AR   |            | X X X                                   |  |
| 16  | T190746  | HOUSING                | 1    |            | X X X                                   | (RH)   |
| 17  | RE57472  | TRUNNION               | 2    |            | X X X                                   |  |
| 18  | .....    | FRONT AXLE             | 1    | -926720    | X X X                                   | (CA) ( AT196428 NLA) (ADDITIONAL COMPONENTS ON PREVIOUS AND FOLLOWING PAGES) (SUB AT307741) (ALSO ORDER T125615) |
|     | AT307741 | FRONT AXLE             | 1    | 926721-    | X X X                                   |  |

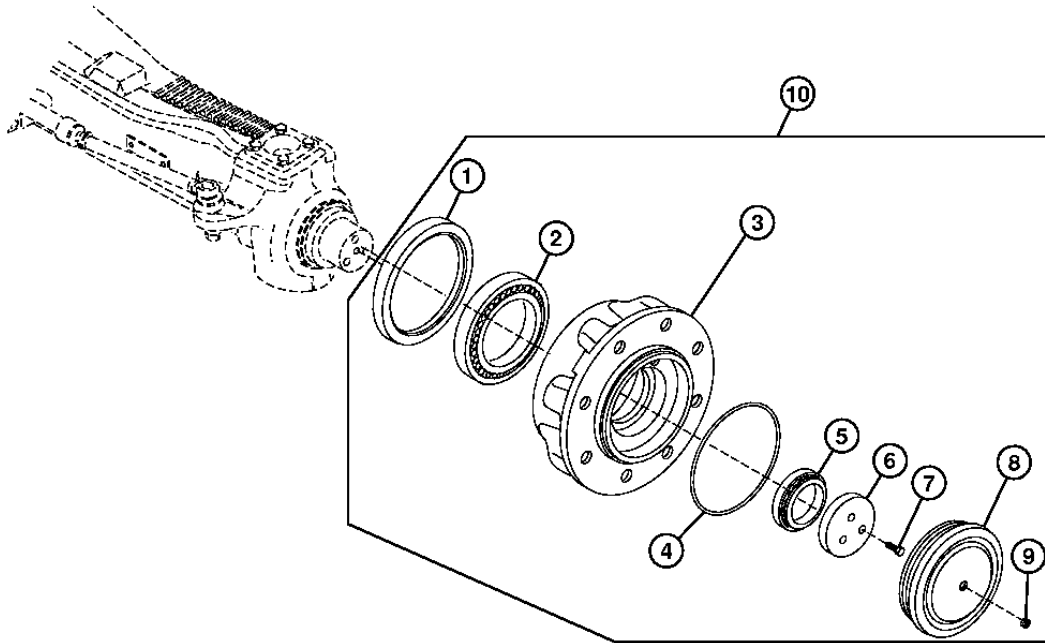
# 0230-8

AXLES, DIFFERENTIALS AND SUSPENSION SYSTEMS 2

NON-POWERED WHEEL AXLES 0230

WHEEL HUB (W/O MFWD) (SN 911132- ) )  
 MOYEU DE ROUE (W/O MFWD) (SN 911132- ) )  
 CUBO DE LA RUEDA (W/O MFWD) (SN 911132- ) )

T188861 -UN-27MAR03



T188861

3 3  
 3 1 1  
 1 0 5  
 0 S S  
 G G G

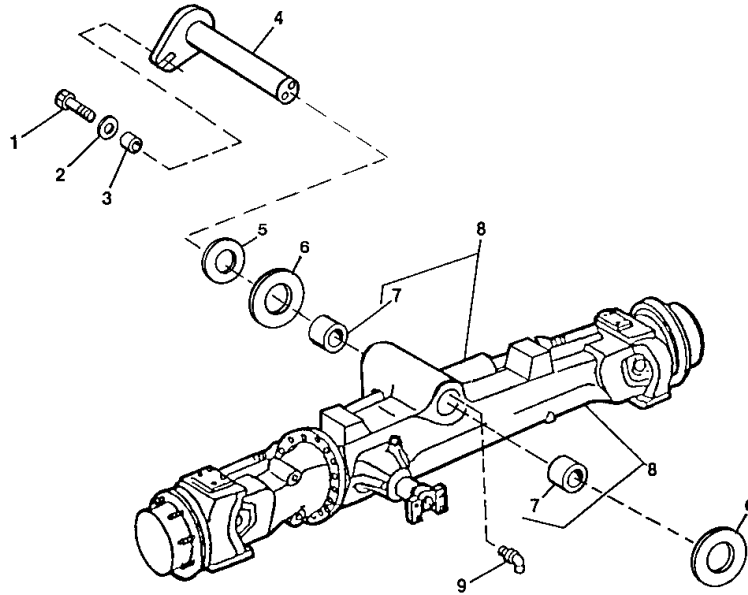
| KEY | PART NO. | PART NAME              | QTY. | SERIAL NO. | REMARKS   |
|-----|----------|------------------------|------|------------|---|
| 1   | AT280866 | SEAL                   | 2    |            | X X X   |
| 2   | AT196169 | BEARING                | 2    |            | X X X   |
| 3   | T190749  | HUB                    | 2    |            | X X X   |
| 4   | T188441  | O-RING                 | 2    |            | X X X   |
| 5   | JD10063  | TAPERED ROLLER BEARING | 2    |            | X X X   |
| 6   | T188442  | RING                   | 2    |            | X X X   |
| 7   | 19M8011  | CAP SCREW              | 6    |            | X X X M12 X 30  |
| 8   | T188448  | CAP                    | 2    |            | X X X   |
| 9   | R121079  | PLUG                   | 2    |            | X X X   |
| 10  | .....    | FRONT AXLE             | 1    | -926720    | X X X ( AT196428 NLA) (ADDITIONAL COMPONENTS ON PREVIOUS PAGES) (SUB AT307741) (ALSO ORDER T125615) |
|     | AT307741 | FRONT AXLE             | 1    | 926721-    | X X X (CA)  |

# 0250-1

AXLES, DIFFERENTIALS AND SUSPENSION SYSTEMS 2

## FRONT AXLE (MFWD) ESSIEU AVANT (MFWD) EJE DELANTERO (MFWD)

TP57965 -UN-11NOV98



TP57965

| KEY | PART NO. | PART NAME           | QTY. | SERIAL NO. | 3 3<br>3 1 1<br>1 0 5<br>0 S S<br>G G G | REMARKS   |
|-----|----------|---------------------|------|------------|---|---|
| 1   | 19M7488  | CAP SCREW           | 1    |            | X X X                                   | M16 X 40  |
| 2   | T119912  | WASHER              | 1    |            | X X X                                   |   |
| 3   | T18145   | BUSHING             | 1    |            | X X X                                   |   |
| 4   | AT164442 | PIN                 | 1    | -928777    | X X X                                   |   |
|     | AT306684 | PIN                 | 1    | 928778-    | X X X                                   |   |
| 5   | R46973   | THRUST WASHER       | AR   |            | X X X                                   | 45.212 X 82.550 X 0.914 MM                          |
| 6   | T80027   | THRUST WASHER       | 2    |            | X X X                                   |   |
| 7   | T140211  | BUSHING             | 2    |            | X X X                                   |   |
| 8   | .....    | FRONT AXLE          | 1    | -928777    | X                                       | ( AT178113 NLA) (SUB AT307737) (ALSO ORDER T125615) |
|     | AT307737 | FRONT AXLE          | 1    | 928778-    | X                                       |   |
|     | .....    | FRONT AXLE          | 1    | -928777    | X X                                     | ( AT171134 NLA) (SUB AT307739) (ALSO ORDER T125615) |
|     | AT307739 | FRONT AXLE          | 1    | 928778-    | X X                                     |   |
| 9   | JD7838   | LUBRICATION FITTING | 2    |            | X X X                                   |   |

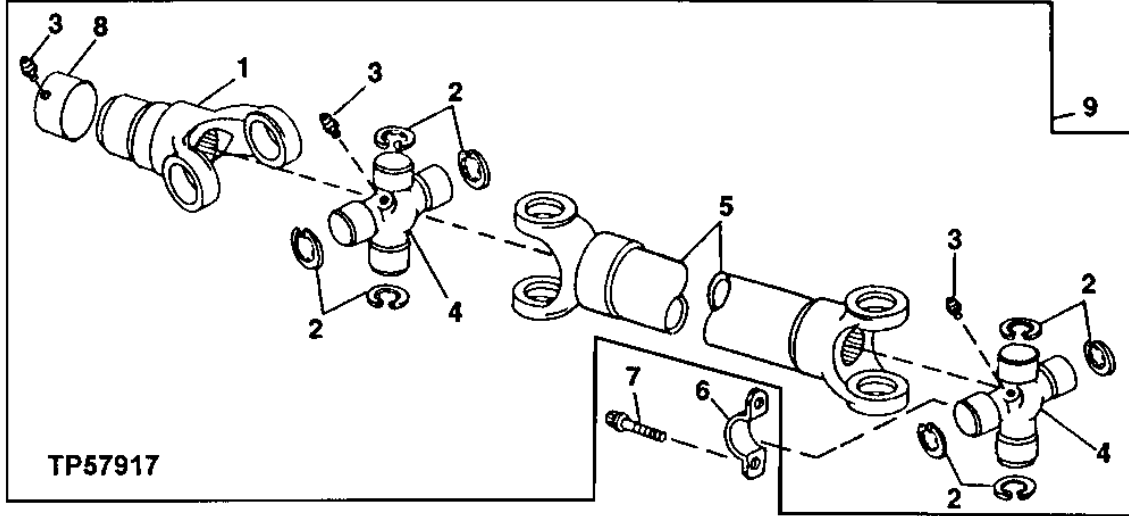
# 0250-2

AXLES, DIFFERENTIALS AND SUSPENSION SYSTEMS 2

AXLE SHAFT, BEARINGS AND REDUCTION GEARS 0250

DRIVE SHAFT (MFWD)  
ARBRE D'ENTRAÎNEMENT (MFWD)  
EJE DE TRANSMISION (MFWD)

TP57917 -UN-10SEP98



| KEY | PART NO. | PART NAME            | QTY. | SERIAL NO. | REMARKS                  |
|-----|----------|----------------------|------|------------|--------------------------|
|     |          |                      |      | 3 3        |                          |
|     |          |                      |      | 3 1 1      |                          |
|     |          |                      |      | 1 0 5      |                          |
|     |          |                      |      | 0 S S      |                          |
|     |          |                      |      | G G G      |                          |
| 1   | AT179596 | UNIVERSAL JOINT YOKE | 1    | X X X      |                          |
| 2   | N119316  | SNAP RING            | 6    | X X X      |                          |
| 3   | JD7797   | LUBRICATION FITTING  | 1    | X X X      |                          |
| 4   | AT178387 | KIT                  | 2    | X X X      | (U-JOINT) GREASEABLE     |
|     | AT178389 | KIT                  | 2    | X X X      | (U-JOINT) LUBED FOR LIFE |
| 5   | .....    | DRIVE SHAFT          | 1    | X X X      |                          |
| 6   | T69938   | HALF CLAMP           | 2    | X X X      |                          |
| 7   | T113128  | SCREW                | 4    | X X X      |                          |
| 8   | AT179590 | SEAL                 | 1    | X X X      | (SLIDING YOKE)           |
| 9   | AT182735 | UNIVERSAL DRIVESHAFT | 1    | X X X      | (LUBED FOR LIFE)         |

# 0250-3

AXLES, DIFFERENTIALS AND SUSPENSION SYSTEMS 2

AXLE SHAFT, BEARINGS AND REDUCTION GEARS 0250

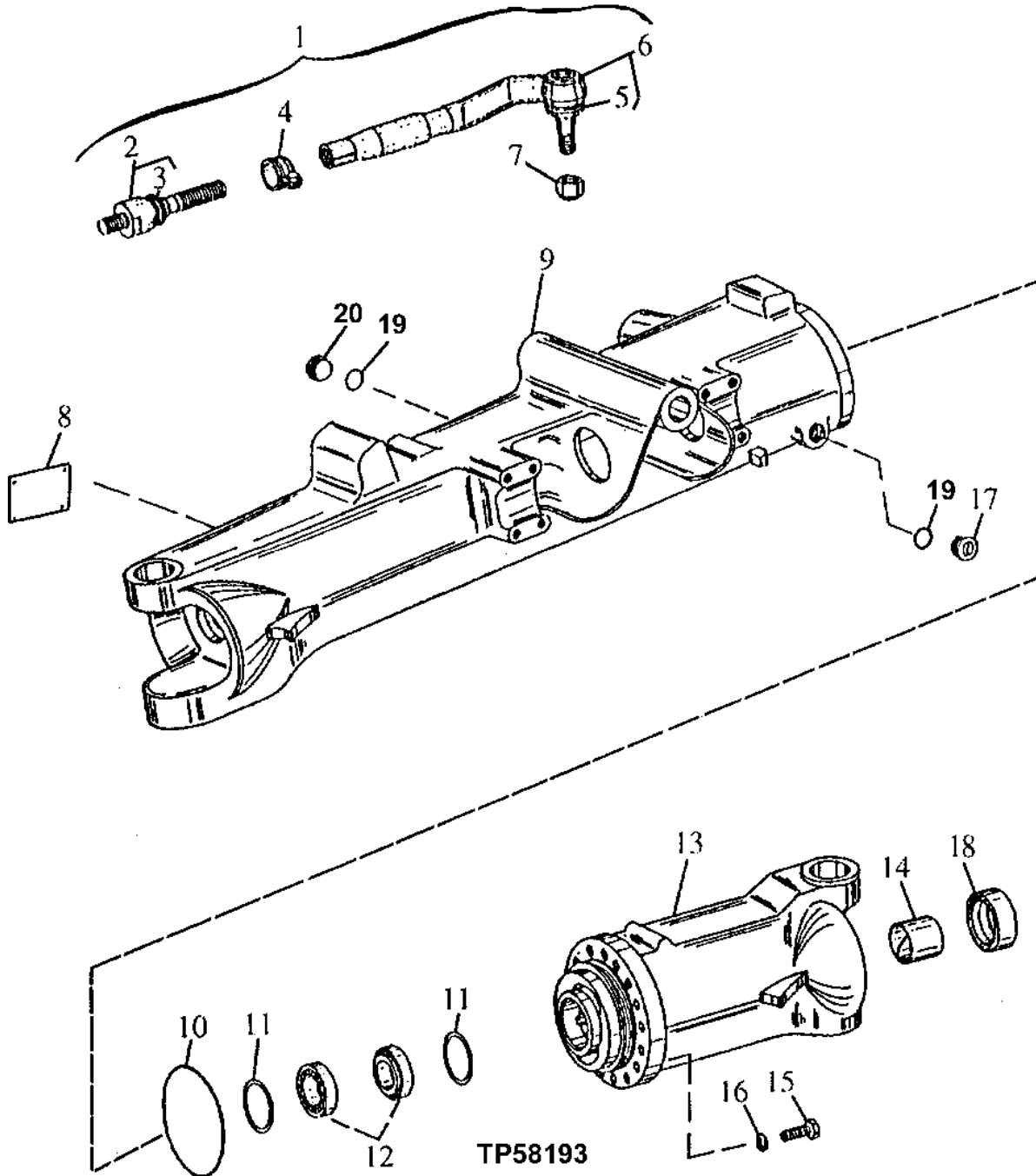
MEMORANDA  
MEMORANDA  
MEMORANDA

# 0250-4

AXLES, DIFFERENTIALS AND SUSPENSION SYSTEMS 2

AXLE SHAFT, BEARINGS AND REDUCTION GEARS 0250  
FRONT AXLE HOUSING AND TIE RODS (MFWD)  
CARTER D'ESSIEU AVANT ET BARRES D'ACCOUPEMENT (MFWD)  
CAJA DE EJE DELANTERO Y BARRAS DE ACOPLAMIENTO (MFWD)

TP58193 -UN-22MAR00





# 0250-5

AXLES, DIFFERENTIALS AND SUSPENSION SYSTEMS 2

AXLE SHAFT, BEARINGS AND REDUCTION GEARS 0250  
**FRONT AXLE HOUSING AND TIE RODS (MFWD)**  
**CARTER D'ESSIEU AVANT ET BARRES D'ACCOUPLLEMENT (MFWD)**  
**CAJA DE EJE DELANTERO Y BARRAS DE ACOPLAMIENTO (MFWD)**

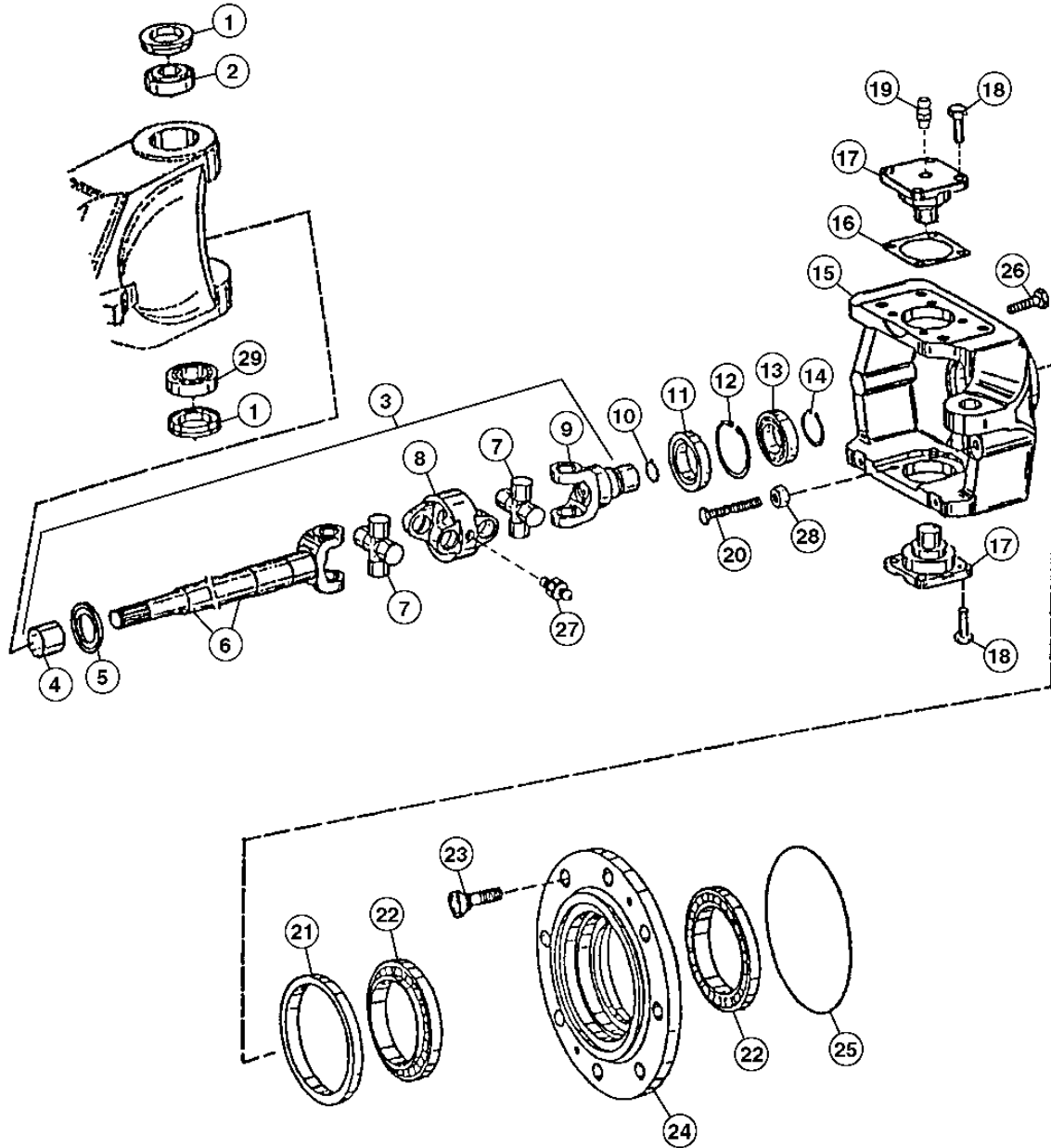
| KEY | PART NO. | PART NAME           | QTY. | SERIAL NO. | REMARKS   |
|-----|----------|---------------------|------|------------|---|
|     |          |                     |      |            | 3 3<br>3 1 1<br>1 0 5<br>0 S S<br>G G G                             |
| 1   | AT309304 | TIE ROD ASSEMBLY    | 1    |            | X X X (LH) (ALSO ORDER L55605) (SUB FOR AT170205)                   |
|     | AT309303 | TIE ROD ASSEMBLY    | 1    |            | X X X (RH) (NOT ILLUSTRATED) (ALSO ORDER L55605) (SUB FOR AT170204) |
| 2   | AL80542  | TIE ROD ASSEMBLY    | 1    |            | X X X (END)   |
| 3   | AL113451 | BOOT                | 1    |            | X X X   |
| 4   | AT309307 | CLAMP               | 1    |            | X X X (SUB FOR AT170209)  |
|     | L55605   | NUT                 | 1    |            | X X X M24   |
| 5   | AL113460 | BOOT                | 1    |            | X X X   |
| 6   | AT309305 | TIE ROD ASSEMBLY    | 1    |            | X X X (LH) (ALSO ORDER L55605) (SUB FOR AT170206)                   |
|     | AT309306 | TIE ROD ASSEMBLY    | 1    |            | X X X (RH) (NOT ILLUSTRATED) (ALSO ORDER L55605) (SUB FOR AT170208) |
| 7   | 14M7513  | LOCK NUT            | 1    |            | X X X M22   |
| 8   | .....    | SERIAL NUMBER PLATE | 1    |            | X X X   |
| 9   | T206432  | HOUSING             | 1    |            | X X X (RH) (SUB FOR T151262)  |
| 10  | L40306   | O-RING              | 1    |            | X X X   |
| 11  | L100141  | WASHER              | AR   |            | X X X 1.15MM (0.0453")  |
|     | L100145  | WASHER              | AR   |            | X X X 1.35MM (0.0531")  |
|     | L61263   | WASHER              | AR   |            | X X X 1.50MM (0.0591")  |
|     | L61267   | WASHER              | AR   |            | X X X 1.70MM (0.0669)   |
|     | L61271   | WASHER              | AR   |            | X X X 1.90MM (0.0748")  |
|     | L61275   | WASHER              | AR   |            | X X X 2.10MM (0.0827")  |
|     | T183518  | SOLID SHIM          | AR   |            | X X X 2.65MM (0.1043")  |
|     | T183519  | SOLID SHIM          | AR   |            | X X X 2.70MM (0.1063")  |
|     | T183520  | SOLID SHIM          | AR   |            | X X X 2.75MM (0.1083")  |
|     | T183521  | SOLID SHIM          | AR   |            | X X X 2.80MM (0.1102")  |
|     | T183522  | SOLID SHIM          | AR   |            | X X X 2.85MM (0.1122")  |
|     | T183523  | SOLID SHIM          | AR   |            | X X X 2.90MM (0.1142")  |
|     | T183524  | SOLID SHIM          | AR   |            | X X X 2.95MM (0.1161")  |
|     | T183525  | SOLID SHIM          | AR   |            | X X X 3.00MM (0.1181")  |
|     | T183526  | SOLID SHIM          | AR   |            | X X X 3.10MM (0.1220")  |
|     | T183527  | SOLID SHIM          | AR   |            | X X X 3.35MM (0.1319")  |
|     | T183528  | SOLID SHIM          | AR   |            | X X X 3.40MM (0.1339")  |
| 12  | AL79808  | BEARING             | 2    |            | X X X   |
| 13  | T151089  | HOUSING             | 1    |            | X X X (LH)  |
| 14  | L114558  | BUSHING             | 2    |            | X X X   |
| 15  | T151261  | CAP SCREW           | 15   |            | X X X   |
| 16  | L40014   | WASHER              | 15   |            | X X X 15 X 23.700 X 3 MM  |
| 17  | L56822   | PIPE PLUG           | 1    |            | X X X   |
| 18  | L110233  | SEAL                | 2    |            | X X X   |
| 19  | L55580   | O-RING              | 2    |            | X X X   |
| 20  | 15M7030  | PIPE PLUG           | 1    |            | X X X   |

# 0250-6

AXLES, DIFFERENTIALS AND SUSPENSION SYSTEMS 2

AXLE SHAFT, BEARINGS AND REDUCTION GEARS 0250  
FRONT AXLE HOUSINGS, HUBS AND UNIVERSAL JOINTS (MFWD)  
CARTERS D'ESSIEU AVANT, MOYEUX ET JOINTS UNIVERSELS (MFWD)  
CAJAS, CUBOS Y JUNTAS UNIVERSALES DE EJE DELANTERO (MFWD)

TX1010569 -UN-09AUG06



TX1010569

# 0250-7

AXLES, DIFFERENTIALS AND SUSPENSION SYSTEMS 2

AXLE SHAFT, BEARINGS AND REDUCTION GEARS 0250  
**FRONT AXLE HOUSINGS, HUBS AND UNIVERSAL JOINTS (MFWD)**  
**CARTERS D'ESSIEU AVANT, MOYEUX ET JOINTS UNIVERSELS (MFWD)**  
**CAJAS, CUBOS Y JUNTAS UNIVERSALES DE EJE DELANTERO (MFWD)**

| KEY | PART NO. | PART NAME                  | QTY. | SERIAL NO. | REMARKS   |
|-----|----------|----------------------------|------|------------|---|
|     |          |                            |      |            | 3 3   |
|     |          |                            |      |            | 3 1 1   |
|     |          |                            |      |            | 1 0 5   |
|     |          |                            |      |            | 0 S S   |
|     |          |                            |      |            | G G G   |
| 1   | AL79902  | SEAL                       | 2    |            | X X X   |
| 2   | AL79901  | BEARING                    | 1    |            | X X X   |
| 3   | AT167118 | UNIVERSAL DRIVESHAFT       | 1    |            | X X X (LH)  |
|     | AT167119 | UNIVERSAL DRIVESHAFT       | 1    |            | X X X (RH)  |
| 4   | L100636  | BUSHING                    | 1    |            | X X X   |
| 5   | L100635  | SHEET                      | 1    |            | X X X   |
| 6   | T153722  | SHAFT                      | 1    |            | X X X (LH)  |
|     | T153721  | SHAFT                      | 1    |            | X X X (RH)  |
| 7   | L100632  | CROSS AND BEARING ASSEMBLY | 2    |            | X X X   |
| 8   | L100633  | YOKE                       | 1    |            | X X X   |
| 9   | T153720  | UNIVERSAL JOINT            | 1    |            | X X X   |
| 10  | L40276   | SNAP RING                  | 1    |            | X X X   |
| 11  | AL79951  | SEAL                       | 1    |            | X X X   |
| 12  | 40M5099  | SNAP RING                  | 1    |            | X X X   |
| 13  | R115119  | BALL BEARING               | 1    |            | X X X   |
| 14  | T151264  | SNAP RING                  | 1    |            | X X X   |
| 15  | T151088  | HOUSING                    | 1    |            | X X X (LH)  |
|     | T151087  | HOUSING                    | 1    |            | X X X (RH)  |
| 16  | L100102  | SHIM                       | AR   |            | X X X 0.20MM (0.0079")  |
|     | T166150  | SHIM                       | AR   |            | X X X 0.50MM (0.0197")  |
|     | T166149  | SHIM                       | AR   |            | X X X 0.70MM (0.0276")  |
|     | L100106  | SHIM                       | AR   |            | X X X 0.80MM (0.0315")  |
|     | T166145  | SHIM                       | AR   |            | X X X 0.90MM (0.0354")  |
|     | T166148  | SHIM                       | AR   |            | X X X 1.10MM (0.0433")  |
|     | T166147  | SHIM                       | AR   |            | X X X 1.20MM (0.0472")  |
|     | T166146  | SHIM                       | AR   |            | X X X 1.30MM (0.0512")  |
|     | L100109  | SHIM                       | AR   |            | X X X 1.60MM (0.0630")  |
| 17  | T188397  | PIN                        | 2    |            | X X X (SUB FOR T151074, THIS APPLICATION)<br>(ALSO ORDER 58M5573) |
| 18  | 19M8011  | CAP SCREW                  | 8    |            | X X X   |
| 19  | 58M5573  | LUBRICATION FITTING        | 2    |            | X X X   |
| 20  | L100239  | SCREW                      | 1    |            | X X X   |
| 21  | AL79950  | SEAL                       | 1    |            | X X X   |
| 22  | JD10249  | TAPERED ROLLER BEARING     | 2    |            | X X X   |
| 23  | L55598   | WHEEL BOLT                 | 8    |            | X X X   |
| 24  | L100238  | HUB                        | 1    |            | X X X   |
| 25  | L40317   | O-RING                     | 1    |            | X X X   |
| 26  | 19M8738  | CAP SCREW                  | 8    |            | X X X M10 X 45, (RING GEAR TO HOUSING)                            |
| 27  | 58M5574  | LUBRICATION FITTING        | 2    |            | X X X   |
| 28  | 14M7345  | NUT                        | 1    |            | X X X M14   |
| 29  | AT333060 | TAPERED ROLLER BEARING     | 1    |            | X X X (SUB FOR AL79901, THIS APPLICATION)                         |

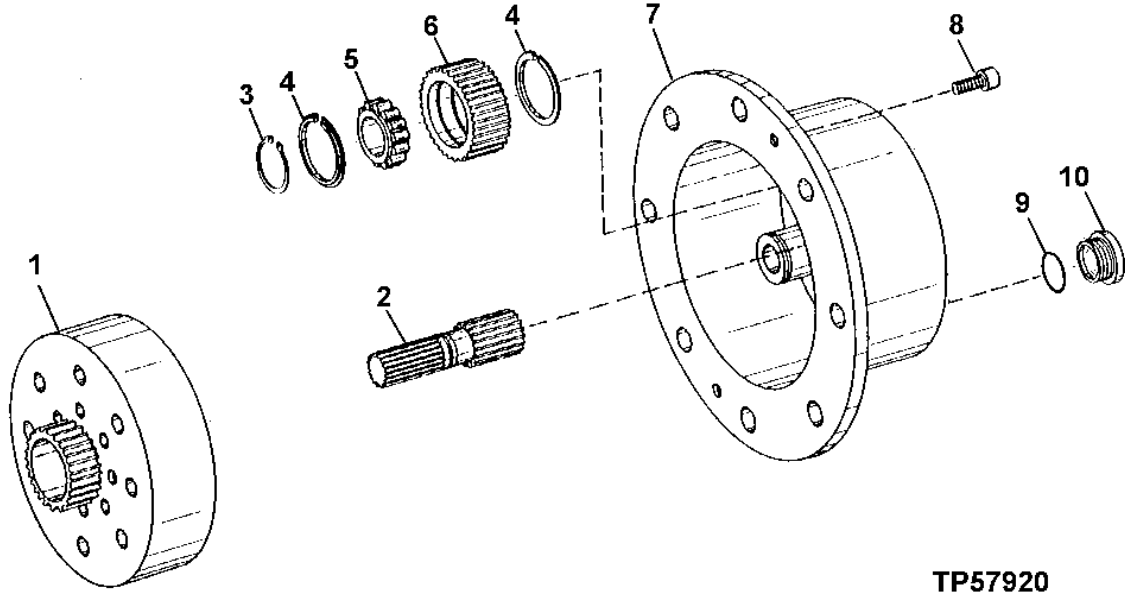
# 0250-8

AXLES, DIFFERENTIALS AND SUSPENSION SYSTEMS 2

AXLE SHAFT, BEARINGS AND REDUCTION GEARS 0250

PLANETARY DRIVE (MFWD)(S.N. -962303)  
 ENTRAINEMENT DE TRAIN PLANETAIRE (MFWD)(S.N. -962303)  
 MANDO DE PLANETARIOS (MFWD)(S.N. -962303)

TP57920 -UN-09SEP98



TP57920

| KEY | PART NO. | PART NAME                  | QTY. | SERIAL NO. | REMARKS  |
|-----|----------|----------------------------|------|------------|----------|
|     |          |                            |      | 3 3        |          |
|     |          |                            |      | 3 1 1      |          |
|     |          |                            |      | 1 0 5      |          |
|     |          |                            |      | 0 S S      |          |
|     |          |                            |      | G G G      |          |
| 1   | L110235  | RING GEAR                  | 1    | X X X      |          |
| 2   | T151065  | PINION SHAFT               | 1    | X X X      |          |
| 3   | 40M4624  | SNAP RING                  | 3    | X X X      |          |
| 4   | L41159   | SNAP RING                  | 6    | X X X      |          |
| 5   | JD10250  | CYLINDRICAL ROLLER BEARING | 3    | X X X      |          |
| 6   | L79728   | PLANET PINION              | 3    | X X X      |          |
| 7   | L100168  | PLANET PINION CARRIER      | 1    | X X X      |          |
| 8   | 19M5039  | SCREW                      | 2    | X X X      | M10 X 20 |
| 9   | L55580   | O-RING                     | 1    | X X X      |          |
| 10  | L100240  | DRAIN PLUG                 | 1    | X X X      |          |

# 0250-8A

AXLES, DIFFERENTIALS AND SUSPENSION SYSTEMS 2

AXLE SHAFT, BEARINGS AND REDUCTION GEARS 0250

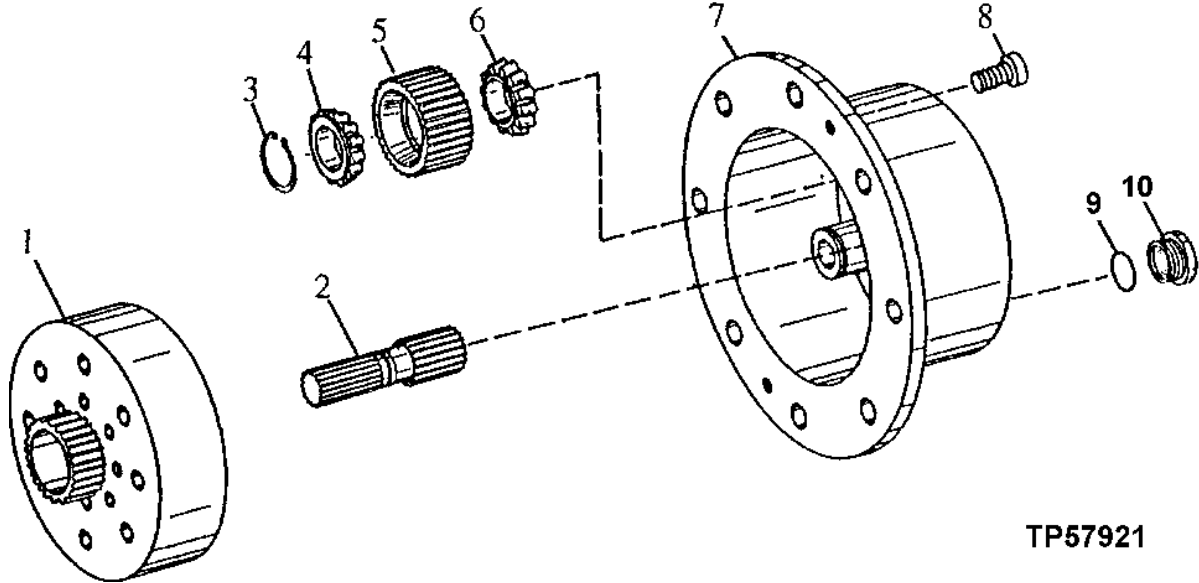
PLANETARY DRIVE (MFWD)(S.N.962304-962373)

ENTRAINEMENT DE TRAIN PLANETAIRE (MFWD)(S.N.962304-962373)

MANDO DE PLANETARIOS (MFWD)(S.N.962304-962373)

TP57921

-UN-04SEP98



TP57921

| KEY | PART NO. | PART NAME             | QTY. | SERIAL NO. | REMARKS           |
|-----|----------|-----------------------|------|------------|-------------------|
| 1   | L79729   | RING GEAR             | 1    |            |                   |
| 2   | T151085  | SUN GEAR              | 1    |            |                   |
| 3   | L100169  | SNAP RING             | 3    |            |                   |
| 4   | AL79843  | ROLLER BEARING        | 3    |            | (SUB FOR AL81853) |
| 5   | L100241  | PLANET PINION         | 3    |            |                   |
| 6   | AL79904  | ROLLER BEARING        | 3    |            | (SUB FOR AL81854) |
| 7   | L100242  | PLANET PINION CARRIER | 1    |            |                   |
| 8   | 19M5039  | SCREW                 | 2    |            | M10 X 20          |
| 9   | L55580   | O-RING                | 1    |            |                   |
| 10  | L100240  | DRAIN PLUG            | 1    |            |                   |

3 3  
3 1 1  
1 0 5  
0 S S  
G G G

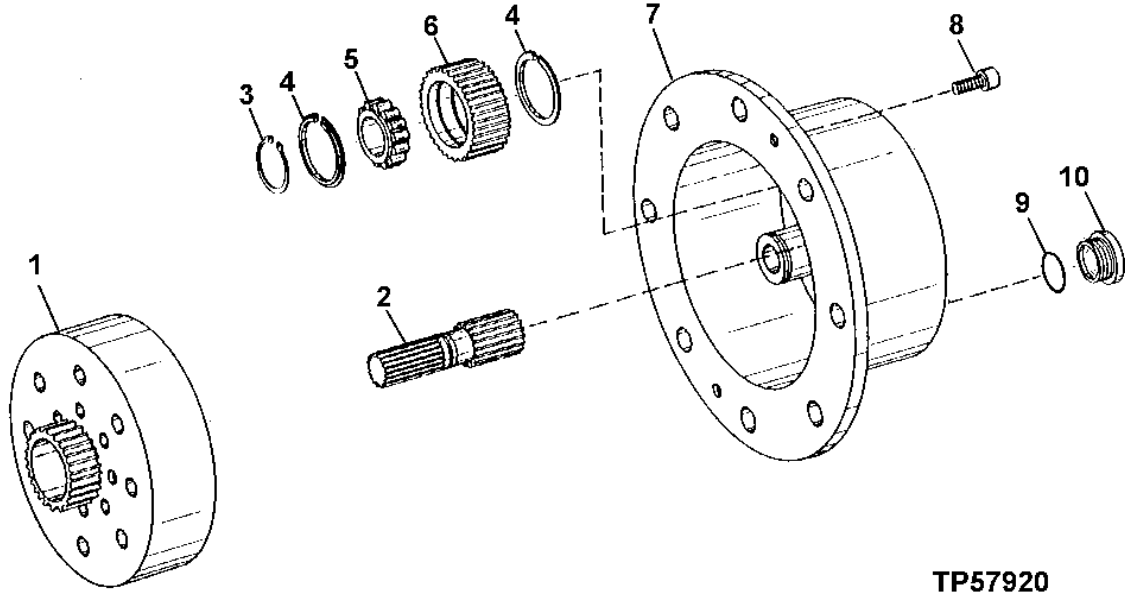
# 0250-8B

AXLES, DIFFERENTIALS AND SUSPENSION SYSTEMS 2

AXLE SHAFT, BEARINGS AND REDUCTION GEARS 0250

PLANETARY DRIVE (MFWD)(S.N.962374- )  
 ENTRAINEMENT DE TRAIN PLANETAIRE (MFWD)(S.N.962374- )  
 MANDO DE PLANETARIOS (MFWD)(S.N.962374- )

TP57920 -UN-09SEP98



TP57920

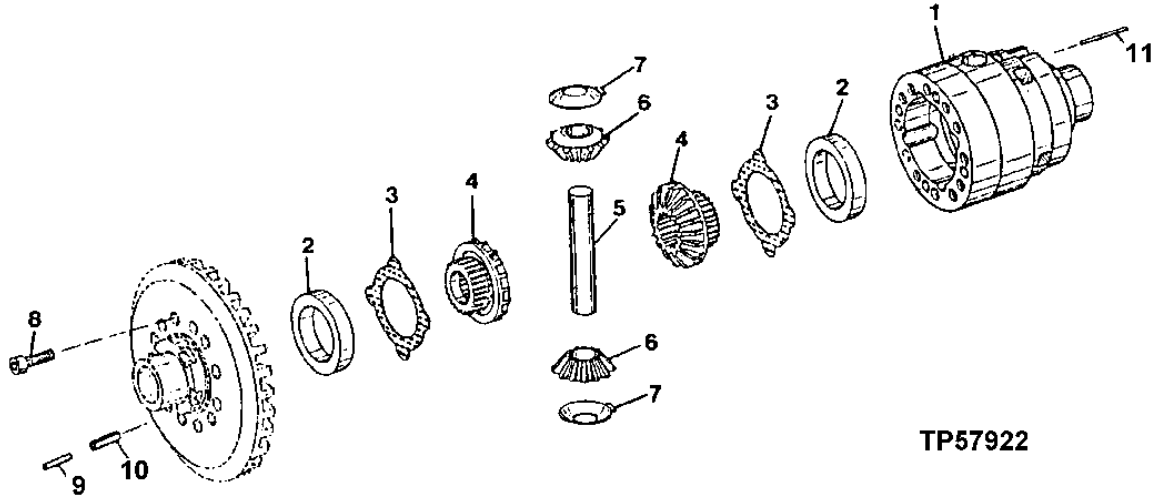
| KEY | PART NO. | PART NAME                  | QTY. | SERIAL NO. | REMARKS  |
|-----|----------|----------------------------|------|------------|----------|
|     |          |                            |      | 3 3        |          |
|     |          |                            |      | 3 1 1      |          |
|     |          |                            |      | 1 0 5      |          |
|     |          |                            |      | 0 S S      |          |
|     |          |                            |      | G G G      |          |
| 1   | L110235  | RING GEAR                  | 1    | X X X      |          |
| 2   | T151065  | PINION SHAFT               | 1    | X X X      |          |
| 3   | 40M4624  | SNAP RING                  | 3    | X X X      |          |
| 4   | L41159   | SNAP RING                  | 6    | X X X      |          |
| 5   | JD10250  | CYLINDRICAL ROLLER BEARING | 3    | X X X      |          |
| 6   | L79728   | PLANET PINION              | 3    | X X X      |          |
| 7   | L100168  | PLANET PINION CARRIER      | 1    | X X X      |          |
| 8   | 19M5039  | SCREW                      | 2    | X X X      | M10 X 20 |
| 9   | L55580   | O-RING                     | 1    | X X X      |          |
| 10  | L100240  | DRAIN PLUG                 | 1    | X X X      |          |

# 0250-9

AXLES, DIFFERENTIALS AND SUSPENSION SYSTEMS 2

## AXLE SHAFT, BEARINGS AND REDUCTION GEARS 0250 OPEN DIFFERENTIAL (MFWD) (310G) DIFFERENTIEL OUVERT (MFWD) (310G) DIFERENCIAL ABIERTO (MFWD) (310G)

TP57922 -UN-09SEP98



TP57922

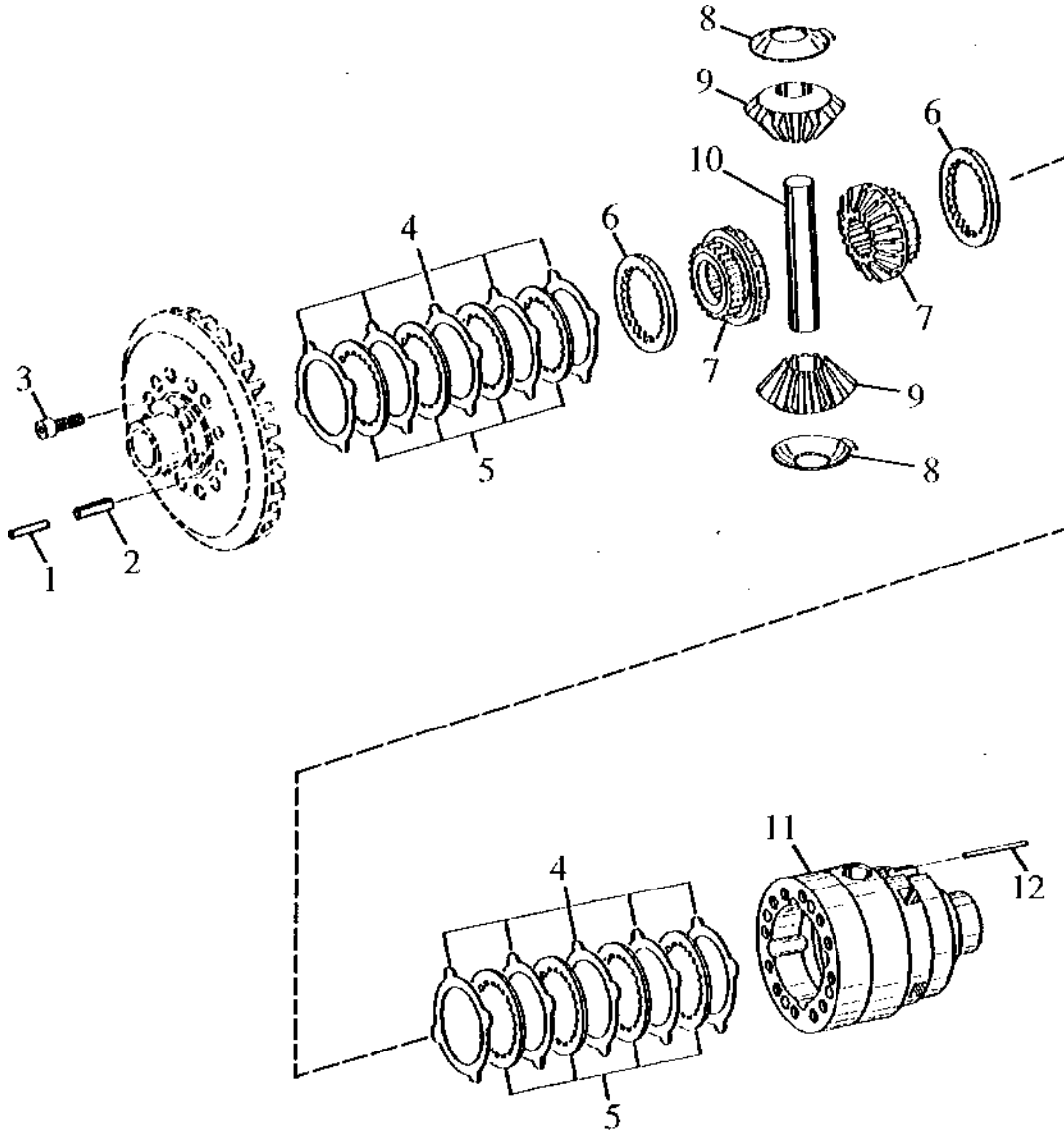
| KEY | PART NO. | PART NAME        | QTY. | SERIAL NO. | REMARKS  |
|-----|----------|------------------|------|------------|--|
|     |          |                  |      |            | 3 3  |
|     |          |                  |      |            | 3 1 1  |
|     |          |                  |      |            | 1 0 5  |
|     |          |                  |      |            | 0 S S  |
|     |          |                  |      |            | G G G  |
| 1   | L112197  | HOUSING          | 1    | X          | (ALSO ORDER 34M7119) (SUB FOR T151080)         |
| 2   | T162043  | SPACER           | 2    | X          | 13.5MM (0.5315")                               |
|     | T162044  | SPACER           | 2    | X          | 13.6MM (0.5354")                               |
|     | T162045  | SPACER           | 2    | X          | 13.7MM (0.5394")                               |
| 3   | T162046  | THRUST WASHER    | 2    | X          |  |
| 4   | T151075  | BEVEL GEAR DRIVE | 2    | X          |  |
| 5   | L60104   | PIN FASTENER     | 1    | X          |  |
| 6   | T116851  | BEVEL GEAR       | 2    | X          |  |
| 7   | L60103   | THRUST WASHER    | 2    | X          |  |
| 8   | 19M8533  | SCREW            | 12   | X          | M10 X 25, (SUB FOR T151077)                    |
| 9   | 34M7224  | SPRING PIN       | 4    | X          | 8 X 26 MM (0.315" X 1.024")                    |
| 10  | L100158  | SPRING PIN       | 4    | X          |  |
| 11  | 34M7119  | SPRING PIN       | 1    | X          | 5 X 65 MM (0.197" X 2.559") (USE WITH L112197) |
|     | 34M5723  | SPRING PIN       | 1    | X          | 5 X 55 MM (0.197" X 2.165") (USE WITH T151080) |

# 0250-10

AXLES, DIFFERENTIALS AND SUSPENSION SYSTEMS 2

AXLE SHAFT, BEARINGS AND REDUCTION GEARS 0250  
LIMITED SLIP DIFFERENTIAL (MFW) (310SG AND 315SG)  
DIFFERENTIEL AUTOBLOQUANT (MFW) (310SG ET 315SG)  
DIFERENCIAL DE PATINAJE LIMITADO (MFW) (310SG Y 315SG)

TP44518 -UN-01JAN94



TP44518



# 0250-11

AXLES, DIFFERENTIALS AND SUSPENSION SYSTEMS 2

AXLE SHAFT, BEARINGS AND REDUCTION GEARS 0250  
**LIMITED SLIP DIFFERENTIAL (MFWD) (310SG AND 315SG)**  
**DIFFERENTIEL AUTOBLOQUANT (MFWD) (310SG ET 315SG)**  
**DIFERENCIAL DE PATINAJE LIMITADO (MFWD) (310SG Y 315SG)**

| KEY | PART NO. | PART NAME              | QTY. | SERIAL NO. | REMARKS                                    |
|-----|----------|------------------------|------|------------|--|
|     |          |                        |      |            | 3 3  |
|     |          |                        |      |            | 3 1 1                                      |
|     |          |                        |      |            | 1 0 5                                      |
|     |          |                        |      |            | 0 S S                                      |
|     |          |                        |      |            | G G G                                      |
| 1   | 34M7224  | SPRING PIN             | 4    |            | X X 8 X 26 MM                              |
| 2   | L100158  | SPRING PIN             | 4    |            | X X  |
| 3   | 19M8533  | SCREW                  | 12   |            | X X (SUB FOR T151077)                      |
| 4   | L100150  | DISK WITH OUTER SPLINE | AR   |            | X X 1.0MM (0.0394")                        |
|     | L100151  | DISK WITH OUTER SPLINE | AR   |            | X X 1.1MM (0.0433")                        |
|     | L100152  | DISK WITH OUTER SPLINE | AR   |            | X X 1.2MM (0.0472")                        |
| 5   | L100153  | DISK WITH INNER SPLINE | 8    |            | X X  |
| 6   | L100154  | THRUST WASHER          | 2    |            | X X  |
| 7   | T151075  | BEVEL GEAR DRIVE       | 2    |            | X X  |
| 8   | L60103   | THRUST WASHER          | 2    |            | X X  |
| 9   | T116851  | BEVEL GEAR             | 2    |            | X X  |
| 10  | L60104   | PIN FASTENER           | 1    |            | X X  |
| 11  | L112197  | HOUSING                | 1    |            | X X (ALSO ORDER 34M5723) (SUB FOR T151080) |
| 12  | 34M5723  | SPRING PIN             | 1    |            | X X 5 X 55 MM                              |

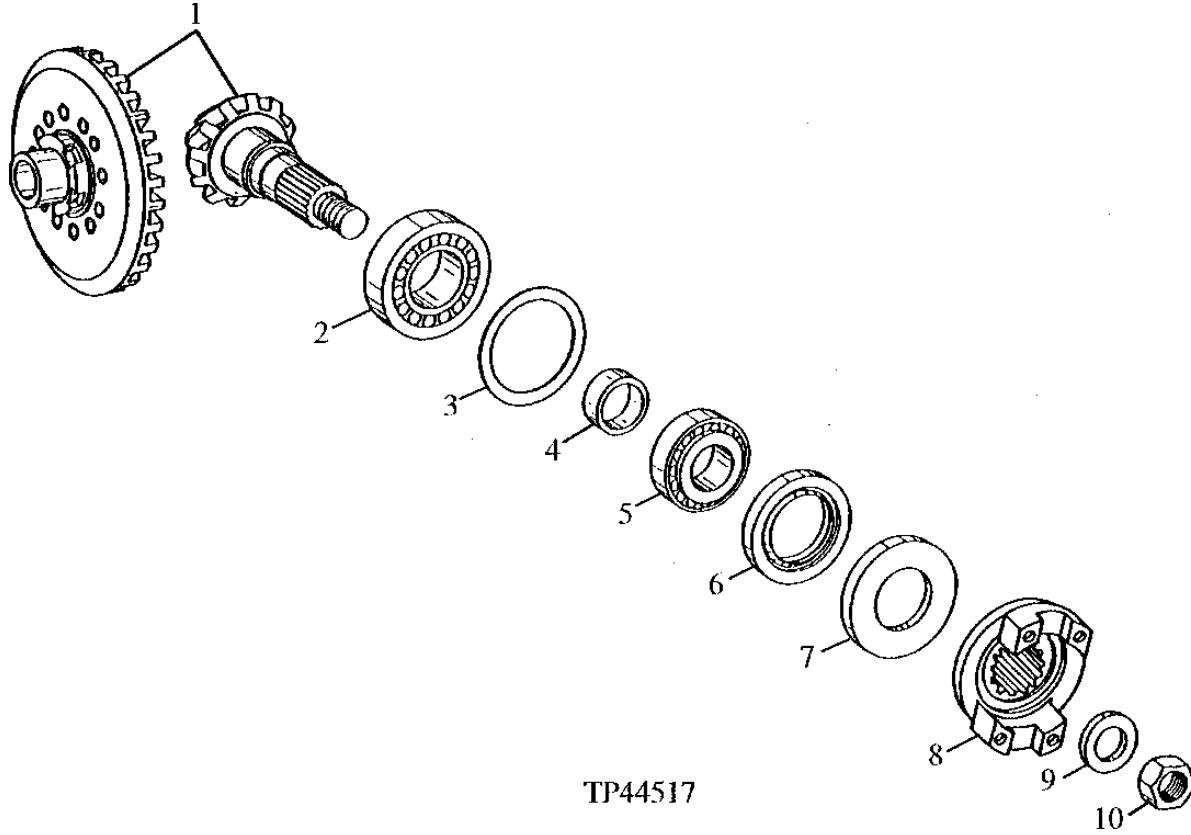
# 0250-12

AXLES, DIFFERENTIALS AND SUSPENSION SYSTEMS 2

AXLE SHAFT, BEARINGS AND REDUCTION GEARS 0250

SPIRAL BEVEL GEAR AND INPUT FLANGE (MFWD)  
PIGNON CONIQUE HELICOIDAL ET FLASQUE D'ENTREE (MFWD)  
ENGRANAJE CONICO EN ESPIRAL Y BRIDA DE ENTRADA (MFWD)

TP44517 -UN-01JAN94



TP44517

# 0250-13

AXLES, DIFFERENTIALS AND SUSPENSION SYSTEMS 2

AXLE SHAFT, BEARINGS AND REDUCTION GEARS 0250  
**SPIRAL BEVEL GEAR AND INPUT FLANGE (MFWD)**  
**PIGNON CONIQUE HELICOIDAL ET FLASQUE D'ENTREE (MFWD)**  
**ENGRANAJE CONICO EN ESPIRAL Y BRIDA DE ENTRADA (MFWD)**

| KEY | PART NO. | PART NAME              | QTY. | SERIAL NO. | REMARKS   |
|-----|----------|------------------------|------|------------|---|
|     |          |                        |      |            | 3 3   |
|     |          |                        |      |            | 3 1 1   |
|     |          |                        |      |            | 1 0 5   |
|     |          |                        |      |            | 0 S S   |
|     |          |                        |      |            | G G G   |
| 1   | AT178112 | RING GEAR AND PINION   | 1    |            | X   |
|     | AT178002 | BEVEL GEAR DRIVE       | 1    |            | X X   |
| 2   | AL79794  | TAPERED ROLLER BEARING | 1    |            | X X X   |
| 3   | L55606   | SHIM                   | AR   |            | X X X 0.650 MM (0.026")                                 |
|     | L55610   | WASHER                 | AR   |            | X X X 72 X 88.600 X 0.850 MM (2.835" X 3.488" X 0.033") |
|     | L40982   | WASHER                 | AR   |            | X X X 72 X 88.600 X 1 MM (2.835" X 3.488" X 0.039")     |
|     | L40985   | WASHER                 | AR   |            | X X X 72 X 88.600 X 1.150 MM (2.835" X 3.488" X 0.045") |
|     | L40988   | WASHER                 | AR   |            | X X X 72 X 88.600 X 1.300 MM (2.835" X 3.488" X 0.051") |
|     | L40991   | WASHER                 | AR   |            | X X X 72 X 88.600 X 1.450 MM (2.835" X 3.488" X 0.057") |
|     | L40994   | WASHER                 | AR   |            | X X X 72 X 88.600 X 1.600 MM (2.835" X 3.488" X 0.063") |
| 4   | L100057  | SPACER                 | AR   |            | X X X 15.10MM (0.5945")                                 |
|     | L100092  | SPACER                 | AR   |            | X X X 15.33MM (0.6035")                                 |
|     | L100060  | SPACER                 | AR   |            | X X X 15.40MM (0.6063")                                 |
|     | L100089  | SPACER                 | AR   |            | X X X 15.46MM (0.6089")                                 |
|     | L100096  | SPACER                 | AR   |            | X X X 15.48MM (0.6094")                                 |
|     | L100086  | SPACER                 | AR   |            | X X X 15.63MM (0.6154")                                 |
|     | T183508  | SPACER                 | AR   |            | X X X 15.69MM (0.6177")                                 |
|     | L100063  | SPACER                 | AR   |            | X X X 15.70MM (0.6181")                                 |
|     | T183509  | SPACER                 | AR   |            | X X X 15.72MM (0.6189")                                 |
|     | L100083  | SPACER                 | AR   |            | X X X 15.76MM (0.6205")                                 |
|     | T183510  | SPACER                 | AR   |            | X X X 15.78MM (0.6213")                                 |
|     | T183511  | SPACER                 | AR   |            | X X X 15.81MM (0.6224")                                 |
|     | T183512  | SPACER                 | AR   |            | X X X 15.84MM (0.6236")                                 |
|     | T183513  | SPACER                 | AR   |            | X X X 15.88MM (0.6252")                                 |
|     | T183514  | SPACER                 | AR   |            | X X X 15.89MM (0.6256")                                 |
|     | T183515  | SPACER                 | AR   |            | X X X 15.91MM (0.6264")                                 |
|     | L100080  | SPACER                 | AR   |            | X X X 15.93MM (0.6272")                                 |
|     | T183516  | SPACER                 | AR   |            | X X X 15.94MM (0.6276")                                 |
|     | T183517  | SPACER                 | AR   |            | X X X 15.97MM (0.6287")                                 |
|     | L100066  | SPACER                 | AR   |            | X X X 16.00MM (0.6299")                                 |
|     | L100077  | SPACER                 | AR   |            | X X X 16.06MM (0.6323")                                 |
|     | L100074  | SPACER                 | AR   |            | X X X 16.23MM (0.6390")                                 |
|     | L100069  | SPACER                 | AR   |            | X X X 16.30MM (0.6417")                                 |
| 5   | AL111096 | BEARING                | 1    |            | X X X   |
| 6   | AL79797  | SEAL                   | 1    |            | X X X (SUB FOR AT113921)                                |
| 7   | L100230  | GUARD                  | 1    |            | X X X   |
| 8   | T151072  | FLANGE                 | 1    |            | X X X   |
| 9   | L35714   | WASHER                 | 1    |            | X X X   |
| 10  | 14M7498  | LOCK NUT               | 1    |            | X X X M24   |

# 0250-14

AXLES, DIFFERENTIALS AND SUSPENSION SYSTEMS 2

AXLE SHAFT, BEARINGS AND REDUCTION GEARS 0250

MEMORANDA  
MEMORANDA  
MEMORANDA

# 0315-1

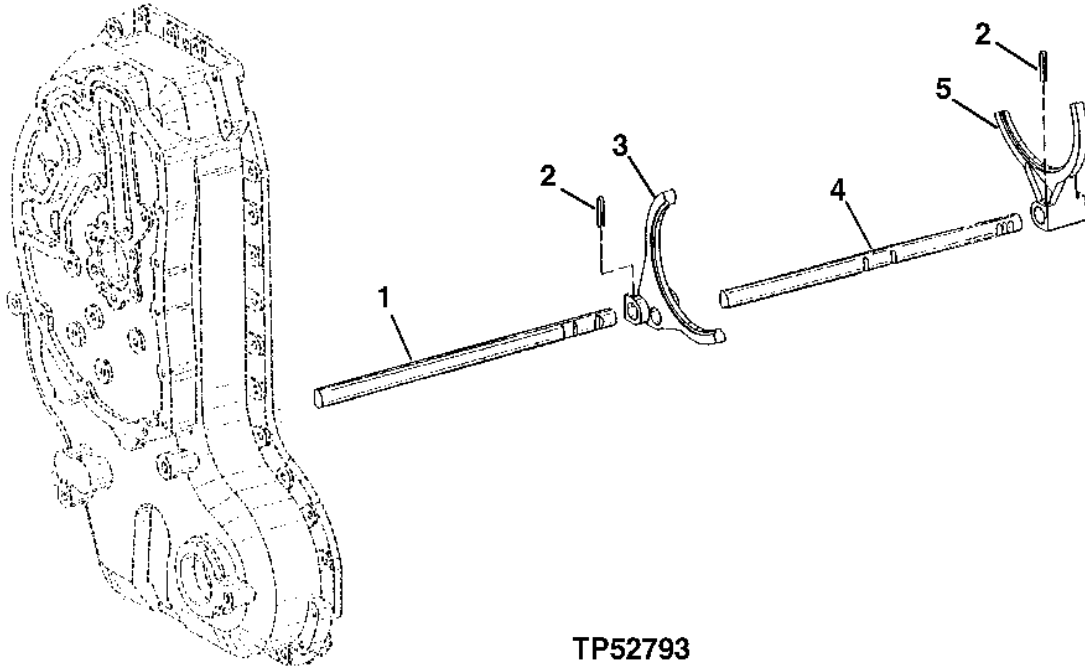
TRANSMISSION 3

CONTROLS 0315

SHIFT FORKS AND SHIFT RAILS (SYNCHSHUTTLE)  
 FOURCHETTES DE COMMANDE ET COULISSEUX DE COMMANDE (SYNCHSHUTTLE)  
 HORQUILLAS DE CAMBIOS Y RIELES DE CAMBIOS (SYNCHSHUTTLE)

TP52793

-UN-19AUG96



TP52793

3 3  
 3 1 1  
 1 0 5  
 0 S S  
 G G G

| KEY | PART NO. | PART NAME  | QTY. | SERIAL NO. | REMARKS   |
|-----|----------|------------|------|------------|-----------|
| 1   | T158817  | SHIFTER    | 1    |            | X X X (A) |
| 2   | T159578  | SPRING PIN | 4    |            | X X X     |
| 3   | T158815  | SHIFTER    | 1    |            | X X X (A) |
| 4   | T158818  | SHIFTER    | 1    |            | X X X (B) |
| 5   | T158816  | SHIFTER    | 1    |            | X X X (B) |

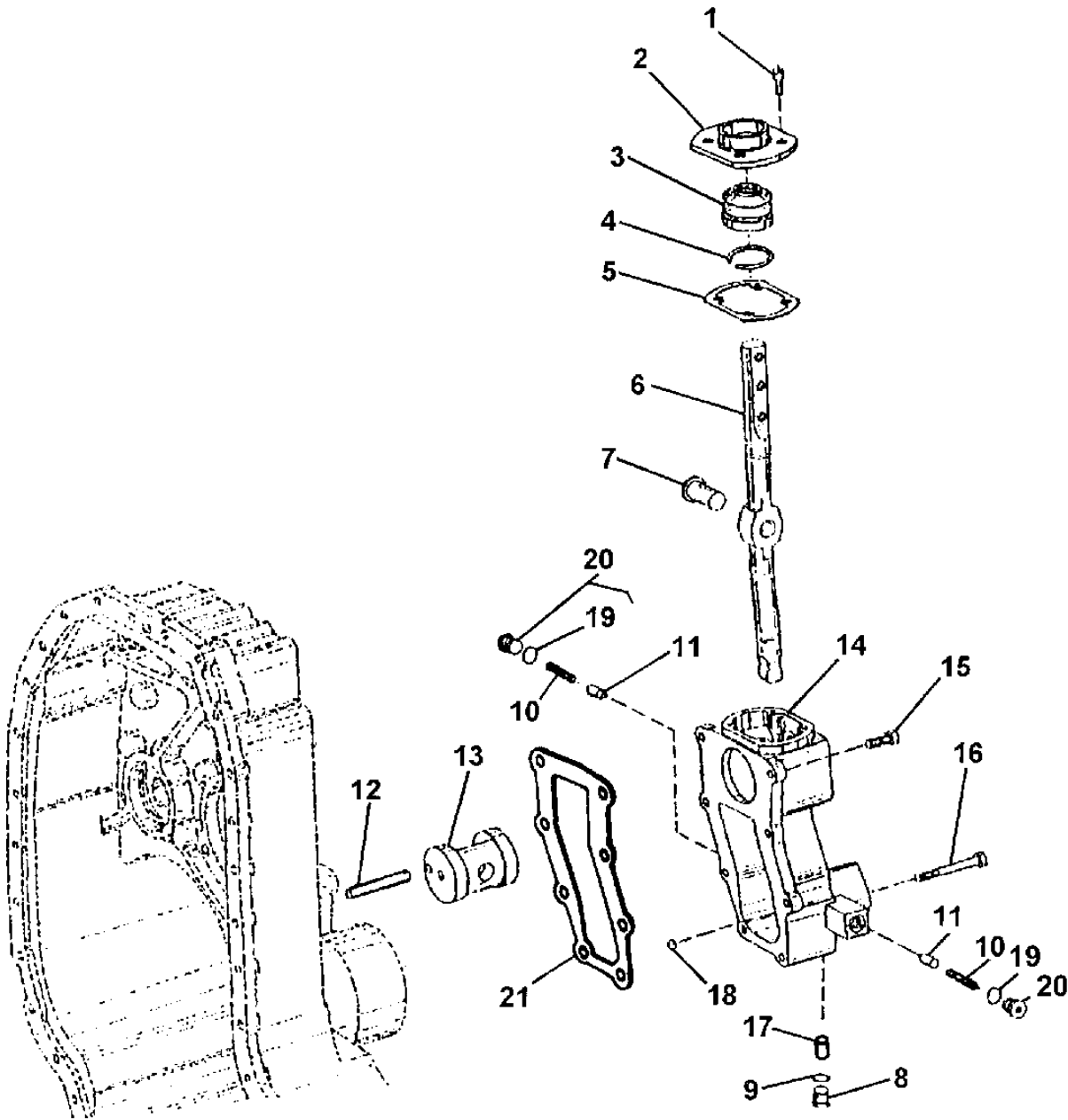
(A) 1ST AND 2ND  
 (A) 1ER ET 2EME  
 (A) 1ST Y 2DO

(B) 3RD AND 4TH  
 (B) 3EME ET 4EME  
 (B) 3RO Y 4TO

# 0315-2

TRANSMISSION SHIFTER LEVER AND HOUSING (SYNCHSHUTTLE)  
LEVIER DE VITESSES ET LOGEMENT (SYNCHSHUTTLE)  
PALANCA DE CAMBIOS DE TRANSMISION Y CAJA (SYNCHSHUTTLE)

T137914 -UN-08FEB01



T137914

# 0315-3

TRANSMISSION 3

CONTROLS 0315

**TRANSMISSION SHIFTER LEVER AND HOUSING (SYNCHSHUTTLE)  
 LEVIER DE VITESSES ET LOGEMENT (SYNCHSHUTTLE)  
 PALANCA DE CAMBIOS DE TRANSMISION Y CAJA (SYNCHSHUTTLE)**

| KEY | PART NO. | PART NAME | QTY. | SERIAL NO. | REMARKS       |
|-----|----------|-----------|------|------------|---------------|
|     |          |           |      |            | 3 3           |
|     |          |           |      |            | 3 1 1         |
|     |          |           |      |            | 1 0 5         |
|     |          |           |      |            | 0 S S         |
|     |          |           |      |            | G G G         |
| 1   | 19M7768  | SCREW     | 4    |            | X X X M6 X 16 |
| 2   | T158785  | COVER     | 1    |            | X X X         |
| 3   | T158784  | BOOT      | 1    |            | X X X         |
| 4   | T158758  | SNAP RING | 1    |            | X X X         |
| 5   | T158786  | GASKET    | 1    |            | X X X         |
| 6   | T154828  | LEVER     | 1    |            | X X X         |
| 7   | T158820  | PIVOT     | 1    |            | X X X         |
| 8   | AT183282 | PLUG      | 1    |            | X X X         |
| 9   | T74553   | O-RING    | AR   |            | X X X         |
| 10  | T163869  | SPRING    | 2    |            | X X X         |
| 11  | T163868  | PIN       | 2    |            | X X X         |
| 12  | T158735  | DOWEL PIN | 1    |            | X X X         |
| 13  | T158819  | PIVOT     | 1    |            | X X X         |
| 14  | T163867  | SHIFTER   | 1    |            | X X X         |
| 15  | 19M7407  | CAP SCREW | 6    |            | X X X M8 X 25 |
| 16  | 19M7663  | CAP SCREW | 2    |            | X X X M8 X 70 |
| 17  | T158734  | DOWEL PIN | 1    |            | X X X         |
| 18  | L38730   | BALL      | 1    |            | X X X         |
| 19  | T74553   | O-RING    | 2    |            | X X X         |
| 20  | AT175750 | PLUG      | 2    |            | X X X         |
| 21  | T163870  | GASKET    | 1    |            | X X X         |

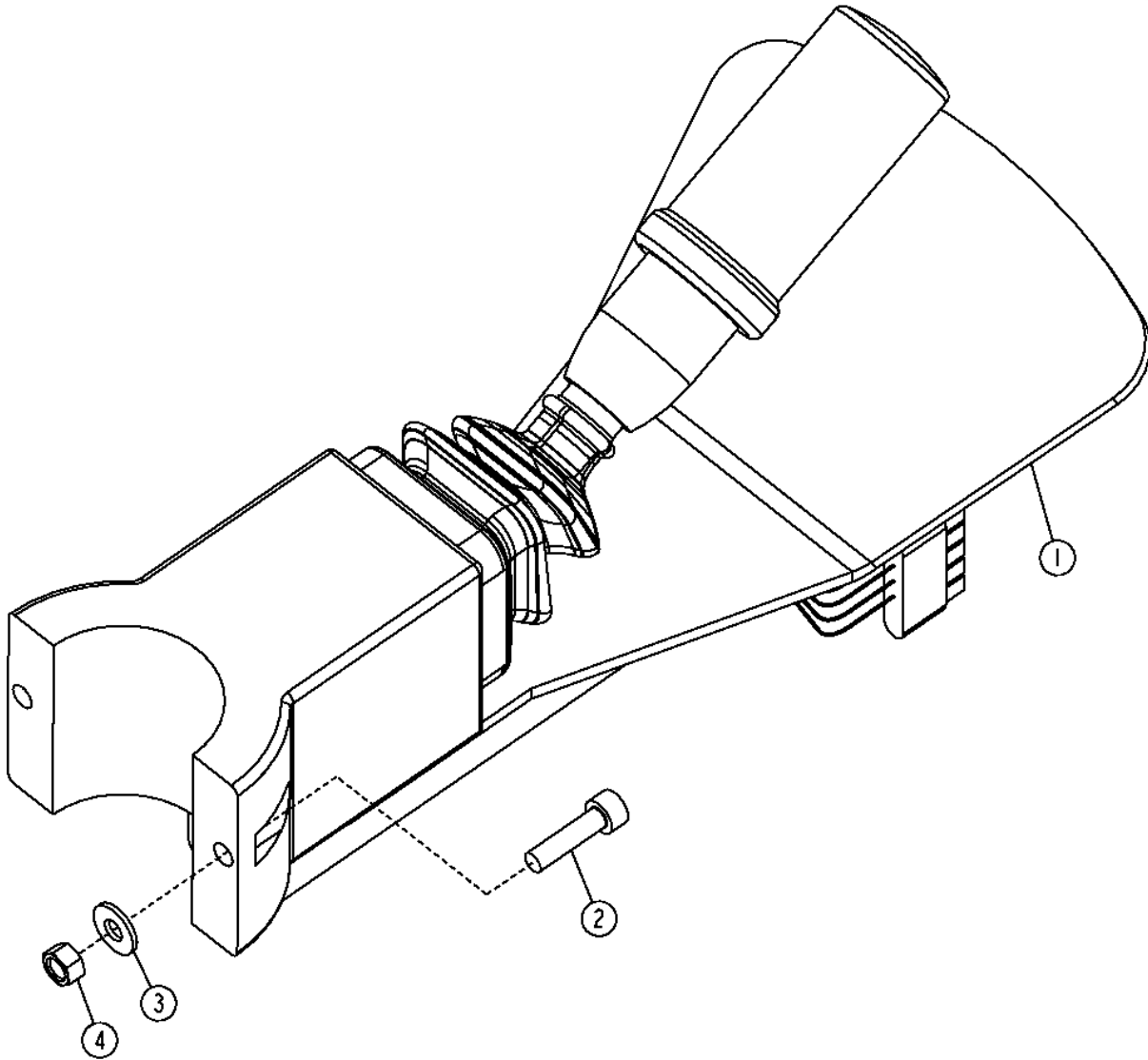
# 0315-4

TRANSMISSION 3

CONTROLS 0315

## TRANSMISSION CONTROL LEVER LEVIER DE VITESSES PALANCA DE CONTROL DE TRANSMISION

T135287 -UN-08NOV00



T135287



# 0315-5

TRANSMISSION 3

CONTROLS 0315

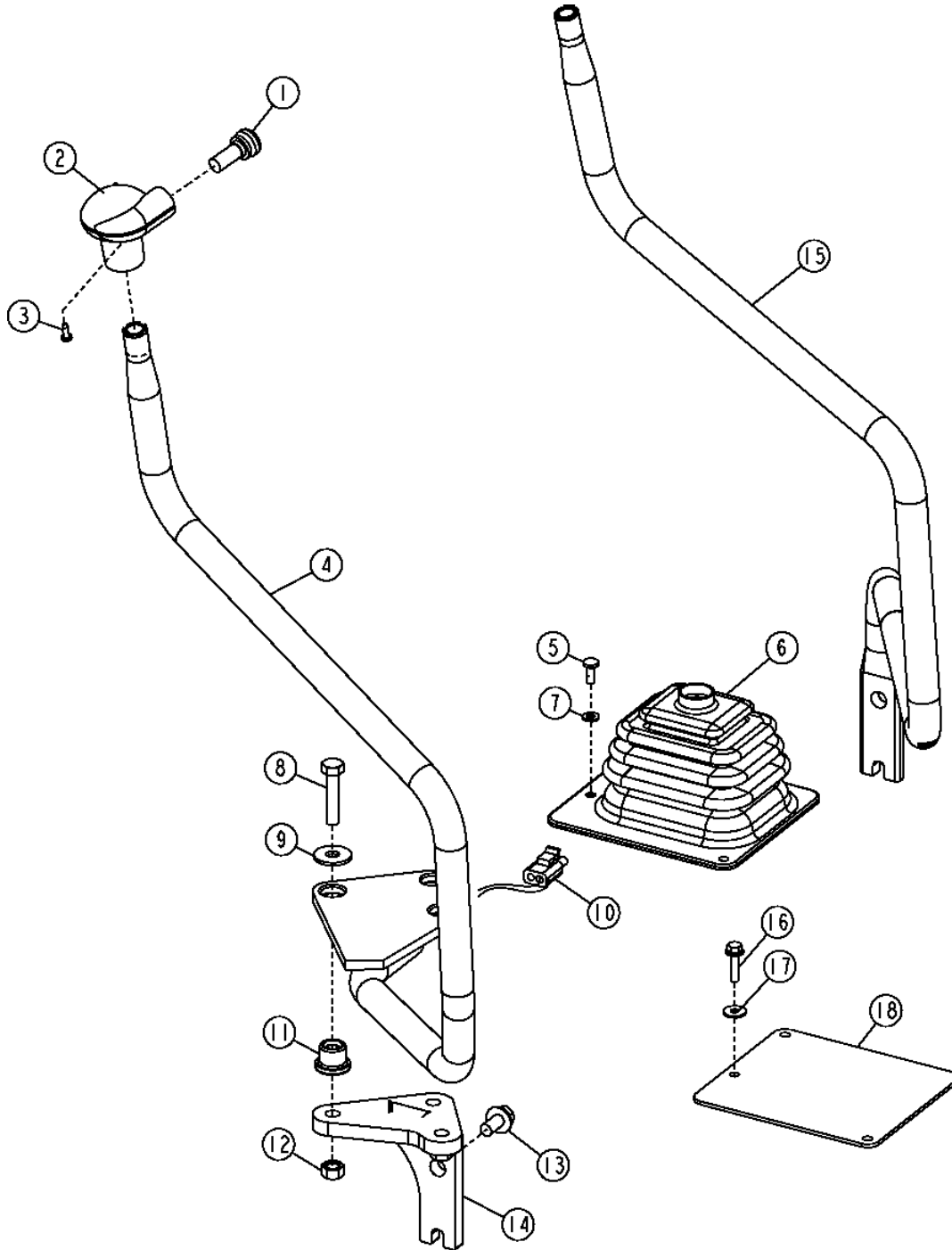
TRANSMISSION CONTROL LEVER  
LEVIER DE VITESSES  
PALANCA DE CONTROL DE TRANSMISION

| KEY | PART NO. | PART NAME  | QTY. | SERIAL NO. | REMARKS                               |
|-----|----------|------------|------|------------|---------------------------------------|
|     |          |            |      | 3 3        |                                       |
|     |          |            |      | 3 1 1      |                                       |
|     |          |            |      | 1 0 5      |                                       |
|     |          |            |      | 0 S S      |                                       |
|     |          |            |      | G G G      |                                       |
| 1   | AT180916 | SWITCH     | 1    |            | X X X (SYNCHSHUTTLE REVERSER CONTROL) |
|     | AT182520 | SWITCH     | 1    |            | X X (POWER SHIFT REVERSER CONTROL)    |
| 2   | 19M8581  | SCREW      | 2    |            | X X X M5 X 20                         |
| 3   | 24H1283  | WASHER     | 2    |            | X X X                                 |
| 4   | 14M7375  | FLANGE NUT | 2    |            | X X X M5                              |

# 0315-6

## TRANSMISSION SHIFTER LEVERS (STD & ISOLATED) LEVIERS DE VITESSES (STD & ISOLE) PALANCAS DE CAMBIOS DE TRANSMISION (STD & AISLADO)

TP58129 -UN-03OCT00



TP58129

# 0315-7

TRANSMISSION 3

CONTROLS 0315

**TRANSMISSION SHIFTER LEVERS (STD & ISOLATED)  
LEVIERS DE VITESSES (STD & ISOLE)  
PALANCAS DE CAMBIOS DE TRANSMISION (STD & AISLADO)**

| KEY | PART NO. | PART NAME                 | QTY. | SERIAL NO. | REMARKS   |
|-----|----------|---------------------------|------|------------|---|
|     |          |                           |      |            | 3 3   |
|     |          |                           |      |            | 3 1 1   |
|     |          |                           |      |            | 1 0 5   |
|     |          |                           |      |            | 0 S S   |
|     |          |                           |      |            | G G G   |
| 1   | AT162180 | SWITCH                    | 1    |            | X X X   |
| 2   | AT169304 | KNOB                      | 1    |            | X X X   |
| 3   | 37H95    | SCREW                     | 2    |            | X X X   |
| 4   | AT189549 | SHIFTER                   | 1    |            | X X X (ISOLATED)  |
| 5   | 19M7863  | SCREW                     | 3    |            | X X X M6 X 25   |
| 6   | AT189797 | BOOT                      | 1    |            | X X X   |
| 7   | 24M7139  | WASHER                    | 3    |            | X X X   |
| 8   | 19M7572  | CAP SCREW                 | 3    |            | X X X M10 X 45  |
| 9   | 24M7296  | WASHER                    | 3    |            | X X X   |
| 10  | RE12363  | ELECTRICAL CONNECTOR ASSY | 1    |            | X X X   |
| 11  | U42208   | ISOLATOR                  | 3    |            | X X X   |
| 12  | 14M7274  | NUT                       | 3    |            | X X X M10   |
| 13  | 19M7785  | SCREW                     | 2    |            | X X X M10 X 25  |
| 14  | AT190531 | SUPPORT                   | 1    |            | X X X   |
| 15  | .....    | SHIFTER ROD               | 1    |            | X X X (STD) (ORDER AT189549, AT190531, (3)<br>U42208, (3) 14M7274, (3) 19M7572, (3)<br>24M7296) |
| 16  | 19M7863  | SCREW                     | 3    |            | X X M6 X 25   |
| 17  | 24M7139  | WASHER                    | 3    |            | X X   |
| 18  | T166360  | COVER                     | 1    |            | X X (SHIFT LEVER HOLE)  |

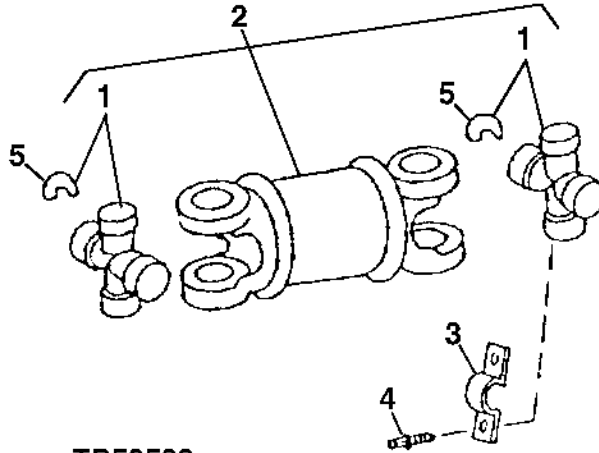
# 0325-2

TRANSMISSION 3

INPUT DRIVE SHAFTS AND U-JOINTS 0325

**REAR DRIVESHAFT AND UNIVERSAL JOINTS**  
**ARBRE D'ENTRAINEMENT ARRIERE ET JOINTS DE CARDAN**  
**EJE DE MANDO TRASERA Y EMPALMES UNIVERSALES**

TP50532 -UN-20NOV96



**TP50532**

| KEY | PART NO. | PART NAME            | QTY. | SERIAL NO. | REMARKS              |
|-----|----------|----------------------|------|------------|----------------------|
|     |          |                      |      | 3 3        |                      |
|     |          |                      |      | 3 1 1      |                      |
|     |          |                      |      | 1 0 5      |                      |
|     |          |                      |      | 0 S S      |                      |
|     |          |                      |      | G G G      |                      |
| 1   | AT178389 | KIT                  | 2    |            | X X X                |
| 2   | AT176080 | UNIVERSAL DRIVESHAFT | 1    |            | X X X (SYNCHSHUTTLE) |
|     | AT179063 | UNIVERSAL DRIVESHAFT | 1    |            | X X (POWER SHIFT)    |
| 3   | T69938   | HALF CLAMP           | 4    |            | X X X                |
| 4   | T113128  | SCREW                | 8    |            | X X X                |
| 5   | N119316  | SNAP RING            | 4    |            | X X X                |

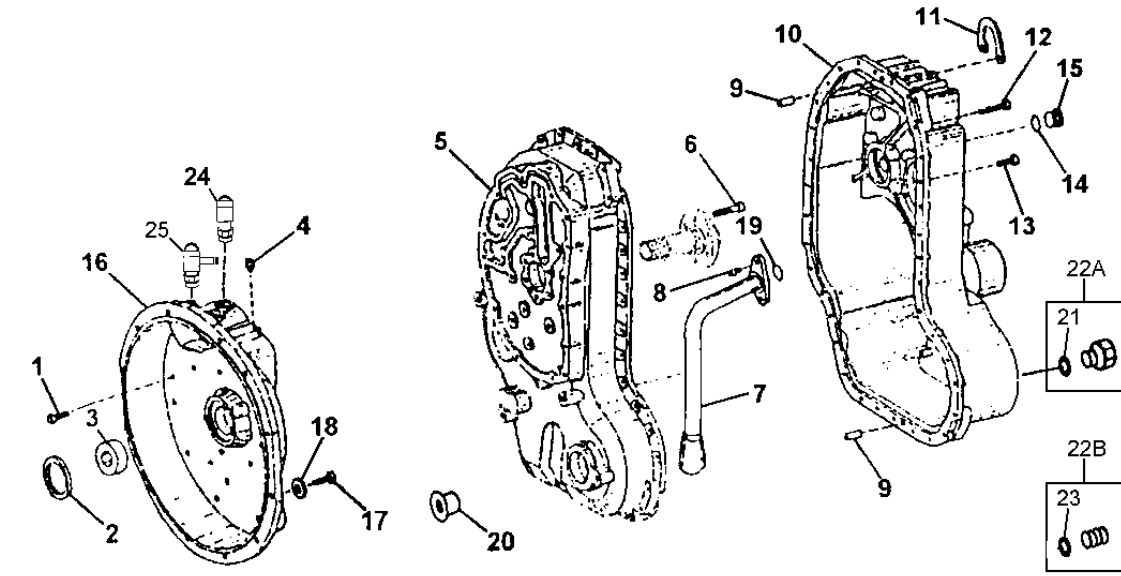
# 0341-1

TRANSMISSION 3

HOUSING AND COVERS 0341

**TRANSMISSION HOUSING (SYNCHSHUTTLE)  
CARTER DE TRANSMISSION (SYNCHSHUTTLE)  
CAJA DE LA TRANSMISION (SYNCHSHUTTLE)**

T196027 -UN-07NOV03



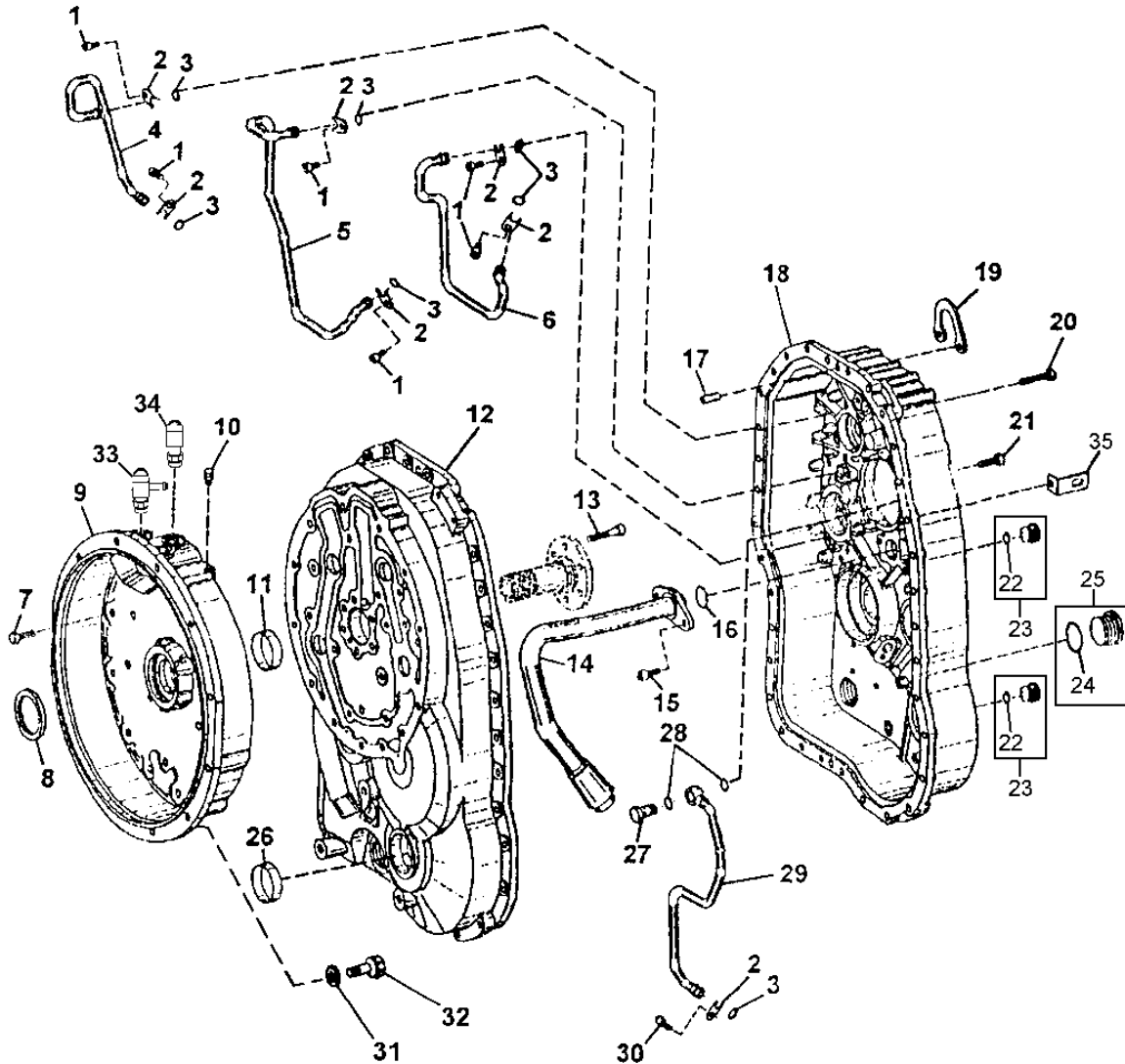
T196027

| KEY | PART NO. | PART NAME     | QTY. | SERIAL NO. | REMARKS       |
|-----|----------|---------------|------|------------|---------------|
|     |          |               |      | 3 3        |               |
|     |          |               |      | 3 1 1      |               |
|     |          |               |      | 1 0 5      |               |
|     |          |               |      | 0 S S      |               |
|     |          |               |      | G G G      |               |
| 1   | 19M7168  | CAP SCREW     | 22   | X X X      | M10 X 30      |
| 2   | AT179316 | SEAL          | 1    | X X X      |               |
| 3   | T164665  | BUSHING       | 1    | X X X      |               |
| 4   | T116918  | BREATHER      | 1    | X X X      |               |
| 5   | T154129  | HOUSING       | 1    | X X X      | FRONT         |
| 6   | 19M8213  | SCREW         | 6    | X X X      | M10 X 50      |
| 7   | AT179317 | LINE          | 1    | X X X      |               |
| 8   | 19M7660  | SCREW         | 2    | X X X      | M8 X 20       |
| 9   | T159564  | DOWEL PIN     | 2    | X X X      |               |
| 10  | T154128  | HOUSING       | 1    | X X X      | REAR          |
| 11  | T159567  | PLATE         | 1    | X X X      |               |
| 12  | 19M7658  | CAP SCREW     | 6    | X X X      | M10 X 50      |
| 13  | 19M7168  | CAP SCREW     | 29   | X X X      | M10 X 30      |
| 14  | L53816   | O-RING        | 1    | X X X      |               |
| 15  | T159565  | PLUG          | 1    | X X X      |               |
| 16  | T154130  | HOUSING       | 1    | X X X      |               |
| 17  | 19M7662  | CAP SCREW     | 11   | X X X      | M10 X 30      |
| 18  | 24M7239  | WASHER        | 12   | X X X      |               |
| 19  | T161181  | O-RING        | 1    | X X X      |               |
| 20  | T159683  | COVER         | 1    | X X X      | (W/O MFWD)    |
| 21  | R26906   | O-RING        | 2    | X X X      |               |
| 22A | R27474   | DRAIN PLUG    | 2    | X X X      | (HEX HEAD)    |
| 22B | T159565  | PLUG          | 2    | X X X      | (SOCKET HEAD) |
| 23  | H81744   | O-RING        | 2    | X X X      |               |
| 24  | AT193927 | HOSE FITTING  | 1    | X X X      |               |
| 25  | AT186236 | ELBOW FITTING | 1    | X X X      |               |

# 0341-2

TRANSMISSION HOUSING (POWER SHIFT)  
CARTER DE TRANSMISSION (POWER SHIFT)  
CAJA DE LA TRANSMISION (POWER SHIFT)

T196028 -UN-06NOV03



T196028

# 0341-3

TRANSMISSION 3

HOUSING AND COVERS 0341

**TRANSMISSION HOUSING (POWER SHIFT)  
CARTER DE TRANSMISSION (POWER SHIFT)  
CAJA DE LA TRANSMISION (POWER SHIFT)**

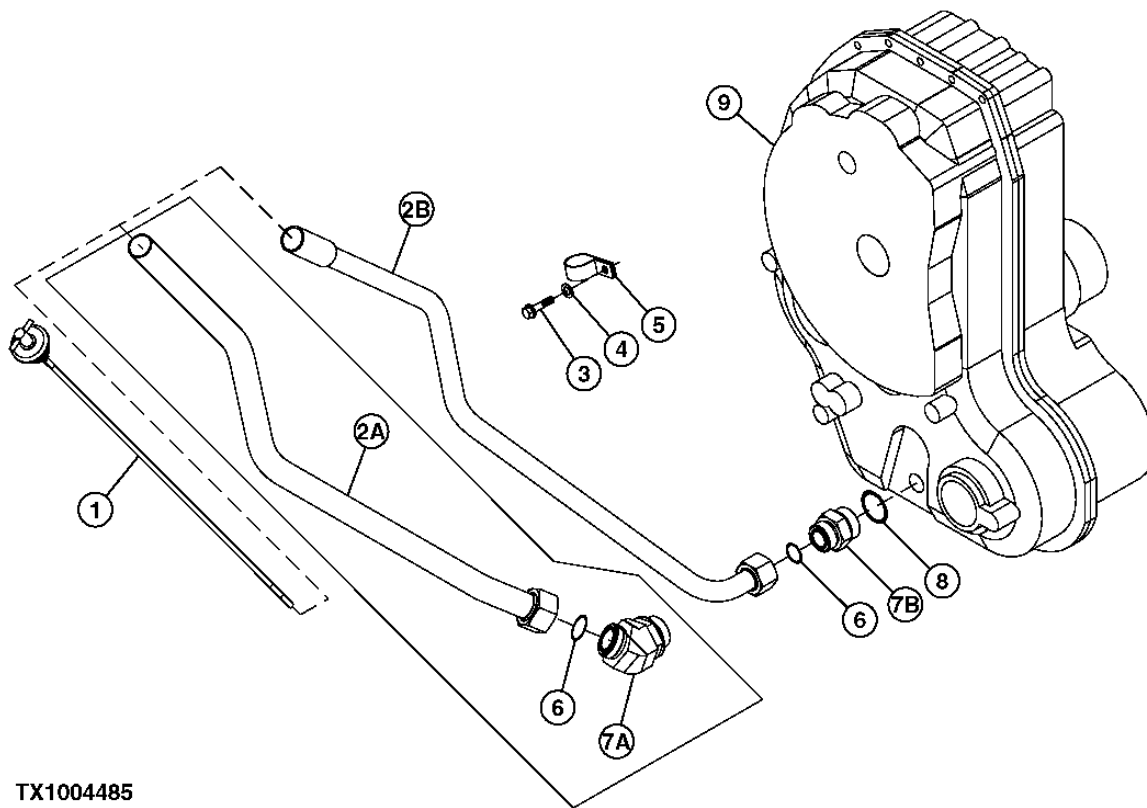
| KEY | PART NO. | PART NAME    | QTY. | SERIAL NO. | 3 3<br>3 1 1<br>1 0 5<br>0 S S<br>G G G | REMARKS                          |
|-----|----------|--------------|------|------------|---|----------------------------------|
| 1   | T164648  | CAP SCREW    | 6    |            | X X                                     |                                  |
| 2   | T164573  | PLATE        | 7    |            | X X                                     |                                  |
| 3   | T161218  | O-RING       | 7    |            | X X                                     |                                  |
| 4   | AT184060 | OIL LINE     | 1    |            | X X                                     |                                  |
| 5   | AT184061 | OIL LINE     | 1    |            | X X                                     |                                  |
| 6   | AT184062 | OIL LINE     | 1    |            | X X                                     |                                  |
| 7   | T164660  | SCREW        | 24   |            | X X                                     |                                  |
| 8   | AT179316 | SEAL         | 1    |            | X X                                     |                                  |
| 9   | T164659  | HOUSING      | 1    |            | X X                                     |                                  |
| 10  | T116918  | BREATHER     | 1    |            | X X                                     |                                  |
| 11  | T164665  | BUSHING      | 1    |            | X X                                     |                                  |
| 12  | T164657  | HOUSING      | 1    |            | X X                                     | FRONT, (ALSO ORDER T159683)      |
| 13  | T164666  | CAP SCREW    | 6    |            | X X                                     |                                  |
| 14  | AT184059 | LINE         | 1    |            | X X                                     |                                  |
| 15  | T161182  | CAP SCREW    | 2    |            | X X                                     |                                  |
| 16  | T161181  | O-RING       | 1    |            | X X                                     |                                  |
| 17  | T164662  | PIN          | 2    |            | X X                                     |                                  |
| 18  | T164658  | HOUSING      | 1    | -926902    | X X                                     | REAR                             |
| 19  | T164658  | HOUSING      | 1    | 926903-    | X X                                     | (ALSO ORDER AT185791 AND U13639) |
| 20  | T159567  | PLATE        | 1    |            | X X                                     |                                  |
| 21  | T164661  | SCREW        | 6    |            | X X                                     |                                  |
| 22  | T164660  | SCREW        | 28   |            | X X                                     |                                  |
| 23  | H81744   | O-RING       | 2    |            | X X                                     |                                  |
| 24  | T159565  | PLUG         | 2    |            | X X                                     |                                  |
| 25  | U13639   | O-RING       | 1    |            | X X                                     |                                  |
| 26  | AT185791 | PLUG         | 1    |            | X X                                     |                                  |
| 27  | T159683  | COVER        | 1    |            | X X                                     | (MFWD OUTPUT SHAFT HOLE PLUG)    |
| 28  | T164703  | CAP SCREW    | 1    |            | X X                                     |                                  |
| 29  | T164704  | O-RING       | 2    |            | X X                                     |                                  |
| 30  | AT183995 | OIL LINE     | 1    |            | X X                                     |                                  |
| 31  | T164648  | CAP SCREW    | 1    |            | X X                                     |                                  |
| 32  | 24M7239  | WASHER       | 12   |            | X X                                     |                                  |
| 33  | 19M7662  | CAP SCREW    | 12   |            | X X                                     | M10 X 30                         |
| 34  | AT186237 | TEE FITTING  | 1    |            | X X                                     |                                  |
| 35  | AH64349  | HOSE FITTING | 1    |            | X X                                     |                                  |
| 36  | T164671  | BRACKET      | 2    |            | X X                                     |                                  |

# 0341-4

TRANSMISSION 3  
HOUSING AND COVERS 0341

TRANSMISSION, DIPSTICK AND TUBE  
TRANSMISSION, JAUGE ET TUBE  
TRANSMISION, VARILLA DE MEDICION Y TUBO

TX1004485 -UN-08MAR06



TX1004485



# 0341-5

TRANSMISSION 3

HOUSING AND COVERS 0341

**TRANSMISSION, DIPSTICK AND TUBE  
TRANSMISSION, JAUGE ET TUBE  
TRANSMISION, VARILLA DE MEDICION Y TUBO**

| KEY | PART NO. | PART NAME       | QTY. | SERIAL NO. | 3 3<br>3 1 1<br>1 0 5<br>0 S S<br>G G G | REMARKS                             |
|-----|----------|-----------------|------|------------|---|-------------------------------------|
| 1   | AT174898 | DIPSTICK        | 1    |            | X X X                                   |                                     |
| 2A  | AT174365 | DIPSTICK TUBE   | 1    | -925932    | X X X                                   |                                     |
| 2B  | AT302258 | DIPSTICK TUBE   | 1    | 925933-    | X X X                                   |                                     |
| 3   | 19M7938  | CAP SCREW       | 1    | -925932    | X X X                                   | M10 X 20                            |
|     | 19M8291  | SCREW           | 1    | 925933-    | X X X                                   | M8 X 35                             |
| 4   | 24M7028  | WASHER          | 1    |            | X X X                                   |                                     |
| 5   | T26955   | CLAMP           | 1    | -925932    | X X X                                   |                                     |
|     | T102934  | CLAMP           | 1    | 925933-    | X X X                                   |                                     |
| 6   | T78612   | O-RING          | 1    | -925932    | X X X                                   |                                     |
|     | T76938   | O-RING          | 1    | 925933-    | X X X                                   |                                     |
| 7A  | 38H1050  | ELBOW FITTING   | 1    | -925932    | X X X                                   |                                     |
| 7B  | 38H1180  | ADAPTER FITTING | 1    | 925933-    | X X X                                   |                                     |
| 8   | U13639   | O-RING          | 1    |            | X X X                                   |                                     |
| 9   | AT171544 | TRANSMISSION    | 1    |            | X X X                                   | (A) (SYNCHSHUTTLE™) (CA) (W/MFWD)   |
|     | AT171541 | TRANSMISSION    | 1    |            | X X X                                   | (A) (SYNCHSHUTTLE™) (CA) (W/O MFWD) |
|     | AT168400 | TRANSMISSION    | 1    |            | X X                                     | (A) (POWER SHIFT) (CA) (W/MFWD)     |
|     | AT168397 | TRANSMISSION    | 1    |            | X X                                     | (A) (POWER SHIFT) (CA) (W/O MFWD)   |

(A) ALSO INCLUDES TORQUE CONVERTER ,BELL HOUSING,CONTROL VALVE,SOLENOIDS, CHARGE PUMP AND FILTER  
 (A) COMPREND CONVERT. COUPLES, CARTER FIXE EMBRAYAGE, DISTR., SOLENOIDE, POMPE CHARGE ET FILTRE  
 (A) INCLUYE CONVERT. PAR, CUBIERTA CONVERSOR, VALVULA CONTROL, SOLENOIDES,BOMBA CARGA Y FILTRO

# 0341-6

TRANSMISSION 3  
HOUSING AND COVERS 0341

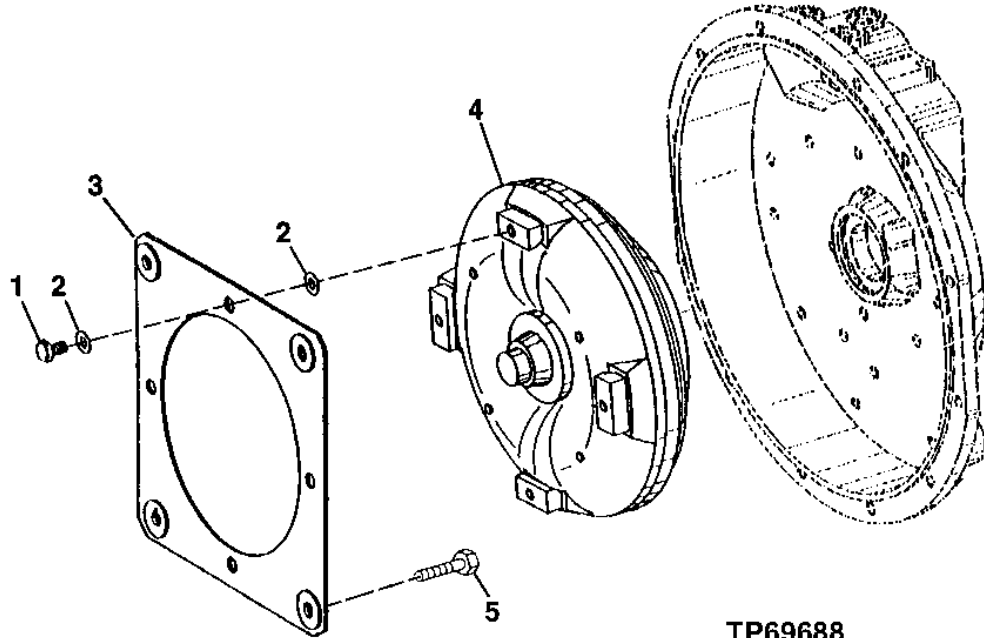
MEMORANDA  
MEMORANDA  
MEMORANDA

# 0350-1

TRANSMISSION 3

GEARS, SHAFTS, BEARINGS AND POWER SHIFT CLUTCH 0350  
 TORQUE CONVERTOR  
 CONVERTISSEUR DE COUPLE  
 CONVERTIDOR DE PAR

TP69688 -UN-14SEP00



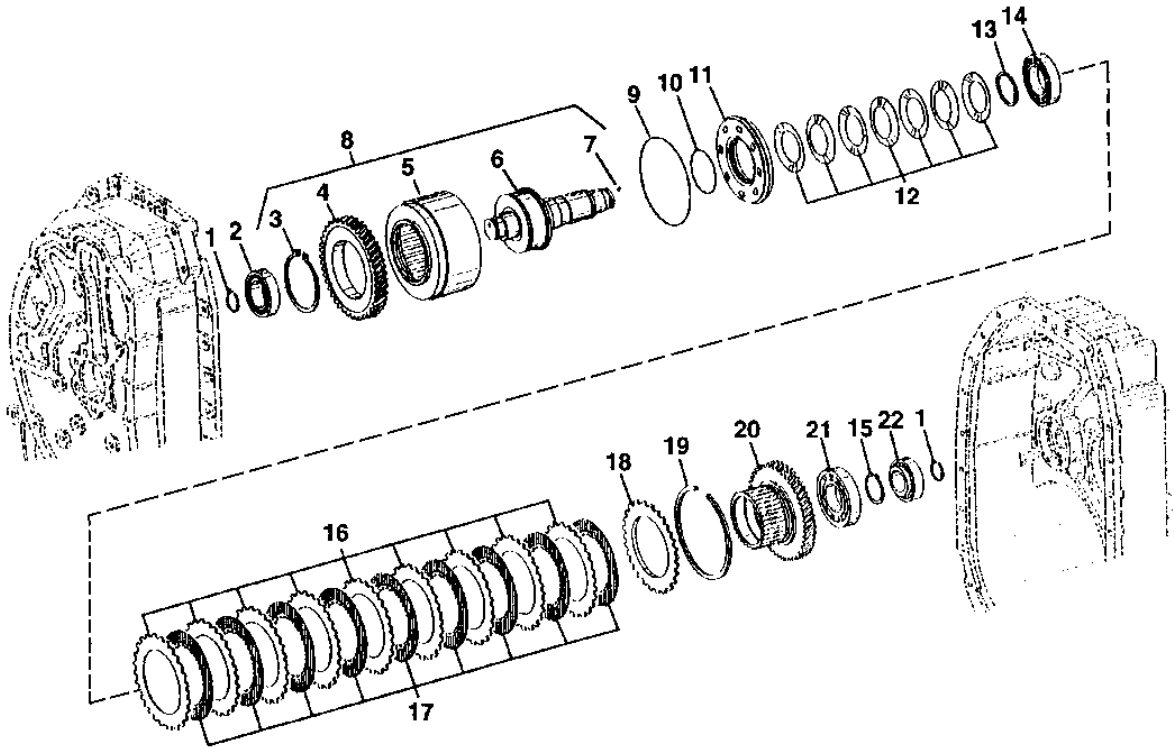
| KEY | PART NO. | PART NAME        | QTY. | SERIAL NO. | REMARKS                                    |
|-----|----------|------------------|------|------------|--|
|     |          |                  |      |            | 3 3  |
|     |          |                  |      |            | 3 1 1                                      |
|     |          |                  |      |            | 1 0 5                                      |
|     |          |                  |      |            | 0 S S                                      |
|     |          |                  |      |            | G G G                                      |
| 1   | 19M8289  | CAP SCREW        | 4    |            | X X X M10 X 16                             |
| 2   | T155324  | PLATE            | 8    |            | X X X                                      |
| 3   | AT179312 | PLATE            | 2    |            | X X X                                      |
| 4   | AT196803 | TORQUE CONVERTER | 1    |            | X X X (SUB FOR AT172763, THIS APPLICATION) |
| 5   | 19M7402  | CAP SCREW        | 4    |            | X X X M10 X 25                             |

# 0350-2

TRANSMISSION 3

GEARS, SHAFTS, BEARINGS AND POWER SHIFT CLUTCH 0350  
FORWARD CLUTCH ASSEMBLY (SYNCHSHUTTLE)  
EMBRAYAGE DE MARCHE AVANT (SYNCHSHUTTLE)  
CONJUNTO DE EMBRAGUE DE AVANCE (SYNCHSHUTTLE)

TP57805 -UN-18NOV97



TP57805

# 0350-3

TRANSMISSION 3

GEARS, SHAFTS, BEARINGS AND POWER SHIFT CLUTCH 0350  
**FORWARD CLUTCH ASSEMBLY (SYNCHSHUTTLE)**  
**EMBAYAGE DE MARCHE AVANT (SYNCHSHUTTLE)**  
**CONJUNTO DE EMBRAGUE DE AVANCE (SYNCHSHUTTLE)**

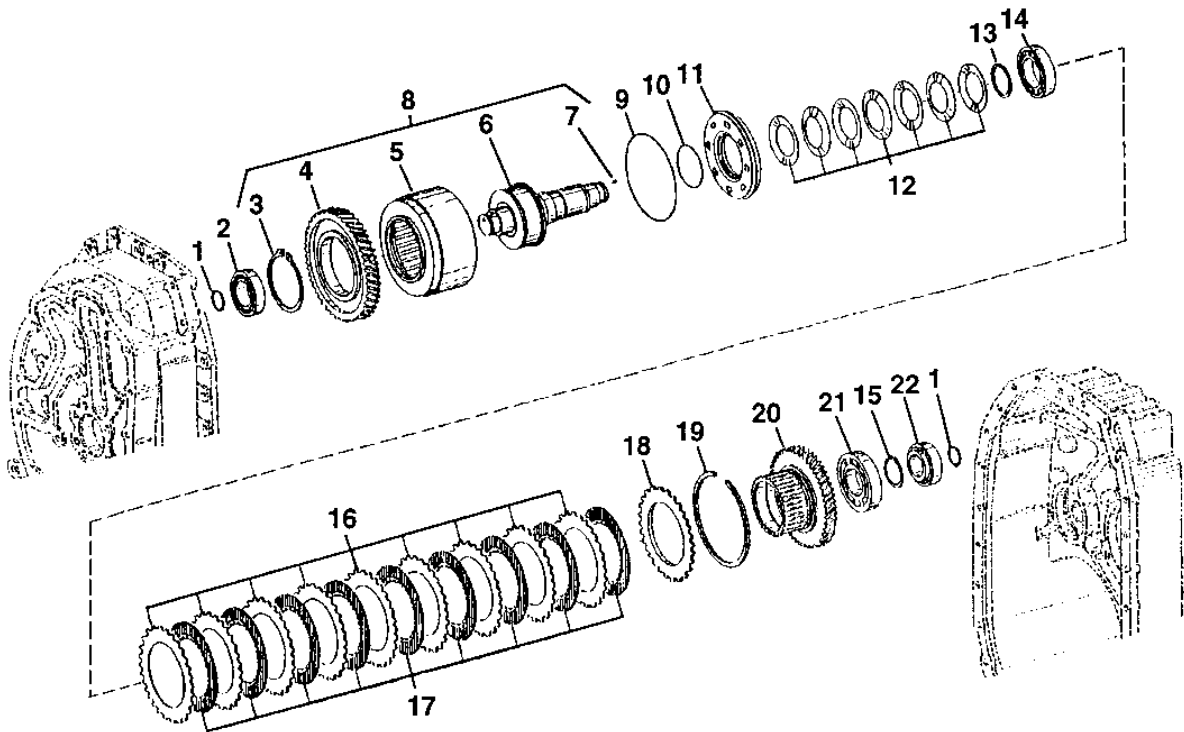
| KEY | PART NO. | PART NAME              | QTY. | SERIAL NO. | REMARKS                             |
|-----|----------|------------------------|------|------------|-------------------------------------|
|     |          |                        |      |            | 3 3                                 |
|     |          |                        |      |            | 3 1 1                               |
|     |          |                        |      |            | 1 0 5                               |
|     |          |                        |      |            | 0 S S                               |
|     |          |                        |      |            | G G G                               |
| 1   | T158742  | RING                   | 2    |            | X X X                               |
| 2   | AT179472 | TAPERED ROLLER BEARING | 1    |            | X X X                               |
| 3   | .....    | SNAP RING              | 1    |            | X X X                               |
| 4   | .....    | GEAR                   | 1    |            | X X X                               |
| 5   | .....    | CLUTCH                 | 1    |            | X X X                               |
| 6   | .....    | SHAFT                  | 1    |            | X X X                               |
| 7   | .....    | BALL                   | 1    |            | X X X                               |
| 8   | AT175733 | CLUTCH                 | 1    |            | X X X                               |
| 9   | .....    | RING                   | 1    |            | X X X ( T158739 NLA) (SUB AT193704) |
| 10  | .....    | RING                   | 1    |            | X X X ( T158743 NLA) (SUB AT193704) |
| 11  | AT193704 | PISTON                 | 1    |            | X X X (SUB FOR T158789)             |
| 12  | T158775  | DISK SPRING            | 7    |            | X X X                               |
| 13  | T158756  | WASHER                 | 1    |            | X X X                               |
| 14  | AT179469 | TAPERED ROLLER BEARING | 1    |            | X X X                               |
| 15  | T161193  | SNAP RING              | 1    |            | X X X 2.5MM (0.0984")               |
|     | T161192  | SNAP RING              | 1    |            | X X X 2.6MM (0.1024")               |
|     | T161191  | SNAP RING              | 1    |            | X X X 2.7MM (0.1063")               |
|     | T161190  | SNAP RING              | 1    |            | X X X 2.8MM (0.1102")               |
|     | T161189  | SNAP RING              | 1    |            | X X X 2.9MM (0.1142")               |
|     | T161188  | SNAP RING              | 1    |            | X X X 3.0MM (0.1181")               |
|     | T161187  | SNAP RING              | 1    |            | X X X 3.1MM (0.1220")               |
|     | T161186  | SNAP RING              | 1    |            | X X X 3.2MM (0.1260")               |
| 16  | T158801  | CLUTCH PLATE           | 9    |            | X X X                               |
| 17  | AT179473 | DISK WITH INNER SPLINE | 9    |            | X X X                               |
| 18  | T161147  | PLATE                  | 1    |            | X X X                               |
| 19  | T159570  | SNAP RING              | 1    |            | X X X 2.0MM (0.0787")               |
|     | T159569  | SNAP RING              | 1    |            | X X X 2.5MM (0.0984")               |
|     | T159568  | SNAP RING              | 1    |            | X X X 3.0MM (0.1181")               |
|     | T158778  | SNAP RING              | 1    |            | X X X 3.5MM (0.1378")               |
|     | T161183  | SNAP RING              | 1    |            | X X X 4.0MM (0.1575")               |
| 20  | T158802  | HUB                    | 1    |            | X X X                               |
| 21  | AT179470 | TAPERED ROLLER BEARING | 1    |            | X X X                               |
| 22  | AT179471 | TAPERED ROLLER BEARING | 1    |            | X X X                               |

# 0350-4

TRANSMISSION 3

GEARS, SHAFTS, BEARINGS AND POWER SHIFT CLUTCH 0350  
REVERSE CLUTCH ASSEMBLY (SYNCHSHUTTLE)  
EMBAYAGE DE MARCHE ARRIERE (SYNCHSHUTTLE)  
CONJUNTO DE EMBRAGUE DE RETROCESO (SYNCHSHUTTLE)

TP57806 -UN-18NOV97



TP57806

# 0350-5

TRANSMISSION 3

GEARS, SHAFTS, BEARINGS AND POWER SHIFT CLUTCH 0350  
**REVERSE CLUTCH ASSEMBLY (SYNCHSHUTTLE)**  
**EMBAYAGE DE MARCHE ARRIERE (SYNCHSHUTTLE)**  
**CONJUNTO DE EMBRAGUE DE RETROCESO (SYNCHSHUTTLE)**

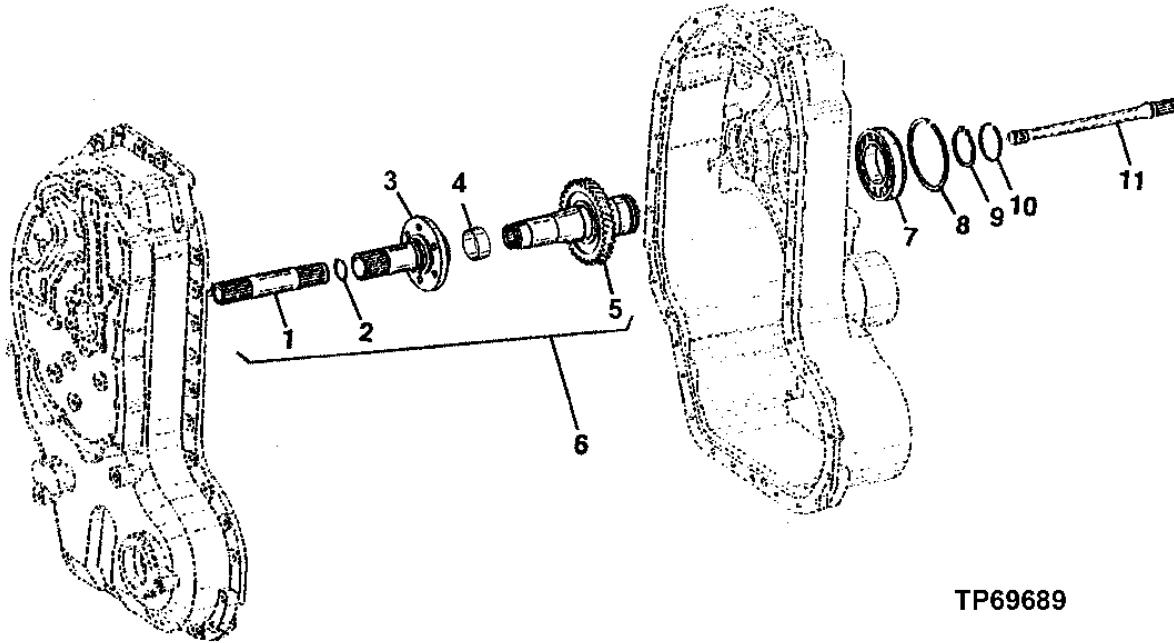
| KEY | PART NO. | PART NAME              | QTY. | SERIAL NO. | REMARKS                             |
|-----|----------|------------------------|------|------------|-------------------------------------|
|     |          |                        |      |            | 3 3                                 |
|     |          |                        |      |            | 3 1 1                               |
|     |          |                        |      |            | 1 0 5                               |
|     |          |                        |      |            | 0 S S                               |
|     |          |                        |      |            | G G G                               |
| 1   | T158742  | RING                   | 2    |            | X X X                               |
| 2   | AT179472 | TAPERED ROLLER BEARING | 1    |            | X X X                               |
| 3   | .....    | SNAP RING              | 1    |            | X X X                               |
| 4   | .....    | GEAR                   | 1    |            | X X X                               |
| 5   | .....    | CLUTCH                 | 1    |            | X X X                               |
| 6   | .....    | SHAFT                  | 1    |            | X X X                               |
| 7   | .....    | BALL                   | 1    |            | X X X                               |
| 8   | AT175734 | CLUTCH                 | 1    |            | X X X                               |
| 9   | .....    | RING                   | 1    |            | X X X ( T158739 NLA) (SUB AT193704) |
| 10  | .....    | RING                   | 1    |            | X X X ( T158743 NLA) (SUB AT193704) |
| 11  | AT193704 | PISTON                 | 1    |            | X X X (SUB FOR T158789)             |
| 12  | T158775  | DISK SPRING            | 7    |            | X X X                               |
| 13  | T158756  | WASHER                 | 1    |            | X X X                               |
| 14  | AT179469 | TAPERED ROLLER BEARING | 1    |            | X X X                               |
| 15  | T161193  | SNAP RING              | 1    |            | X X X 2.5MM (0.0984")               |
|     | T161192  | SNAP RING              | 1    |            | X X X 2.6MM (0.1024")               |
|     | T161191  | SNAP RING              | 1    |            | X X X 2.7MM (0.1063")               |
|     | T161190  | SNAP RING              | 1    |            | X X X 2.8MM (0.1102")               |
|     | T161189  | SNAP RING              | 1    |            | X X X 2.9MM (0.1142")               |
|     | T161188  | SNAP RING              | 1    |            | X X X 3.0MM (0.1181")               |
|     | T161187  | SNAP RING              | 1    |            | X X X 3.1MM (0.1220")               |
|     | T161186  | SNAP RING              | 1    |            | X X X 3.2MM (0.1260")               |
| 16  | T158801  | CLUTCH PLATE           | 9    |            | X X X                               |
| 17  | AT179473 | DISK WITH INNER SPLINE | 9    |            | X X X                               |
| 18  | T161147  | PLATE                  | 1    |            | X X X                               |
| 19  | T159570  | SNAP RING              | 1    |            | X X X 2.0MM (0.0787")               |
|     | T159569  | SNAP RING              | 1    |            | X X X 2.5MM (0.0984")               |
|     | T159568  | SNAP RING              | 1    |            | X X X 3.0MM (0.1181")               |
|     | T158778  | SNAP RING              | 1    |            | X X X 3.5MM (0.1378")               |
| 20  | T158802  | HUB                    | 1    |            | X X X                               |
| 21  | AT179470 | TAPERED ROLLER BEARING | 1    |            | X X X                               |
| 22  | AT179471 | TAPERED ROLLER BEARING | 1    |            | X X X                               |

# 0350-6

TRANSMISSION 3

GEARS, SHAFTS, BEARINGS AND POWER SHIFT CLUTCH 0350  
 INPUT SHAFTS (SYNCHSHUTTLE)  
 ARBRES PRIMAIRE (SYNCHSHUTTLE)  
 EJES DE ENTRADA (SYNCHSHUTTLE)

TP69689 -UN-14SEP00



TP69689

| KEY | PART NO. | PART NAME    | QTY. | SERIAL NO. | REMARKS |
|-----|----------|--------------|------|------------|---------|
| 1   | .....    | SHAFT        | 1    |            | X X X   |
| 2   | T158720  | SNAP RING    | 1    |            | X X X   |
| 3   | T164654  | SHAFT        | 1    |            | X X X   |
| 4   | T164655  | BUSHING      | 1    |            | X X X   |
| 5   | .....    | SHAFT        | 1    |            | X X X   |
| 6   | AT187711 | SHAFT        | 1    |            | X X X   |
| 7   | AT179314 | BALL BEARING | 1    |            | X X X   |
| 8   | T158717  | SNAP RING    | 1    |            | X X X   |
| 9   | T158718  | SNAP RING    | 1    |            | X X X   |
| 10  | T158740  | PACKING      | 1    |            | X X X   |
| 11  | T155259  | SHAFT        | 1    |            | X X X   |

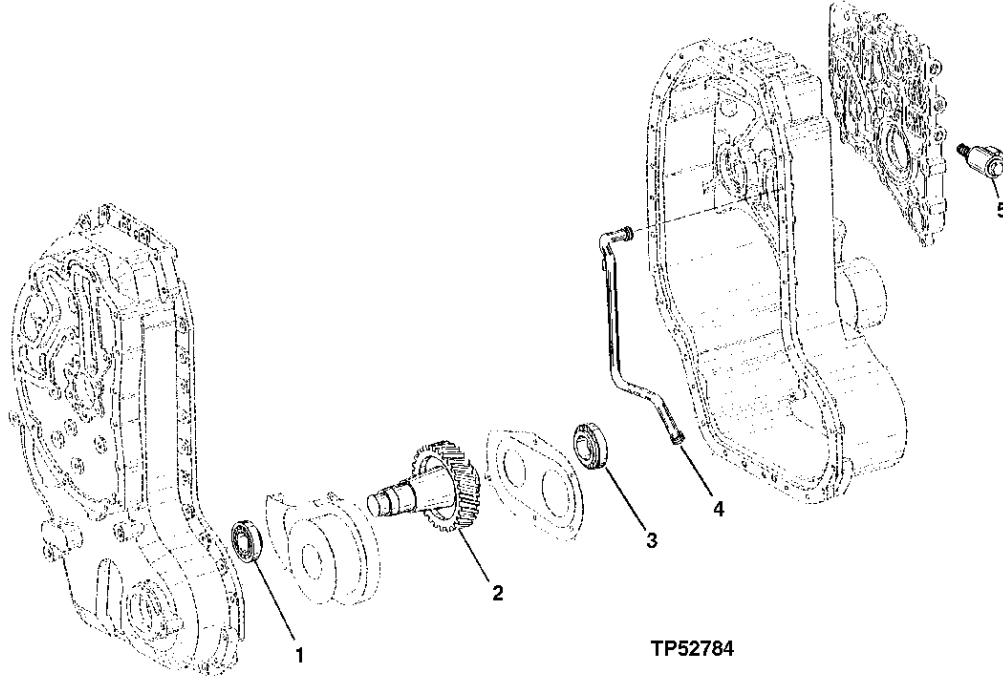


# 0350-7

TRANSMISSION 3

GEARS, SHAFTS, BEARINGS AND POWER SHIFT CLUTCH 0350  
 MFWD IDLER SHAFT (SYNCHSHUTTLE)  
 ARBRE INTERMEDIAIRE DE PONT AVANT (SYNCHSHUTTLE)  
 EJE INTERMEDIO DE TDM (SYNCHSHUTTLE)

TP52784 -UN-22OCT96



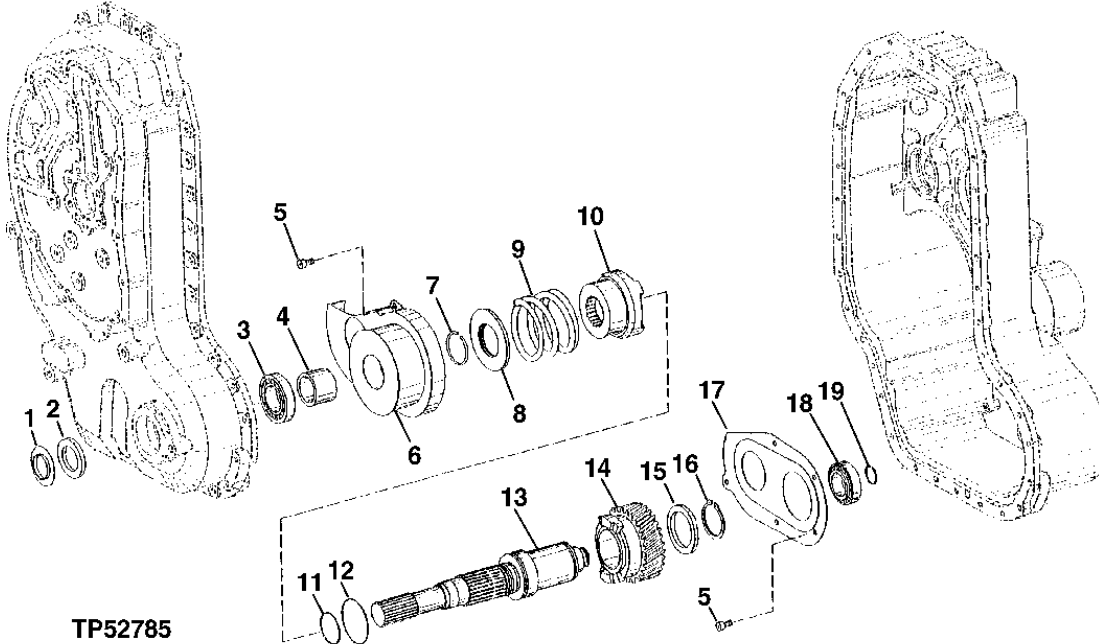
| KEY | PART NO. | PART NAME              | QTY. | SERIAL NO. | 3 3<br>3 1 1<br>1 0 5<br>0 S S<br>G G G | REMARKS                                |
|-----|----------|------------------------|------|------------|---|--|
| 1   | AT179471 | TAPERED ROLLER BEARING | 1    |            | X X X                                   |  |
| 2   | T158714  | SHAFT                  | 1    |            | X X X                                   |  |
| 3   | AT179468 | TAPERED ROLLER BEARING | 1    |            | X X X                                   |  |
| 4   | AT179467 | OIL LINE               | 1    |            | X X X                                   |  |
|     | T161218  | O-RING                 | 2    |            | X X X                                   |  |
| 5   | AT177703 | SOLENOID VALVE         | 2    |            | X X X                                   | (DIFFERENTIAL LOCK, PARK BRAKE, MFWD)  |
|     | .....    | SOLENOID               | 1    |            | X X X                                   | ( AT179318 NLA) (SERVICED IN AT177703) |
|     | AT179319 | ELECTRICAL COIL        | 1    |            | X X X                                   |  |
|     | AT179320 | O-RING KIT             | 1    |            | X X X                                   |  |
|     | T161144  | NUT                    | 1    |            | X X X                                   |  |

# 0350-8

TRANSMISSION 3

GEARS, SHAFTS, BEARINGS AND POWER SHIFT CLUTCH 0350  
 MFWD OUTPUT SHAFT (SYNCHSHUTTLE)  
 ARBRE DE SORTIE DE PONT AVANT (SYNCHSHUTTLE)  
 EJE DE SALIDA DE TDM (SYNCHSHUTTLE)

TP52785 -UN-19AUG96



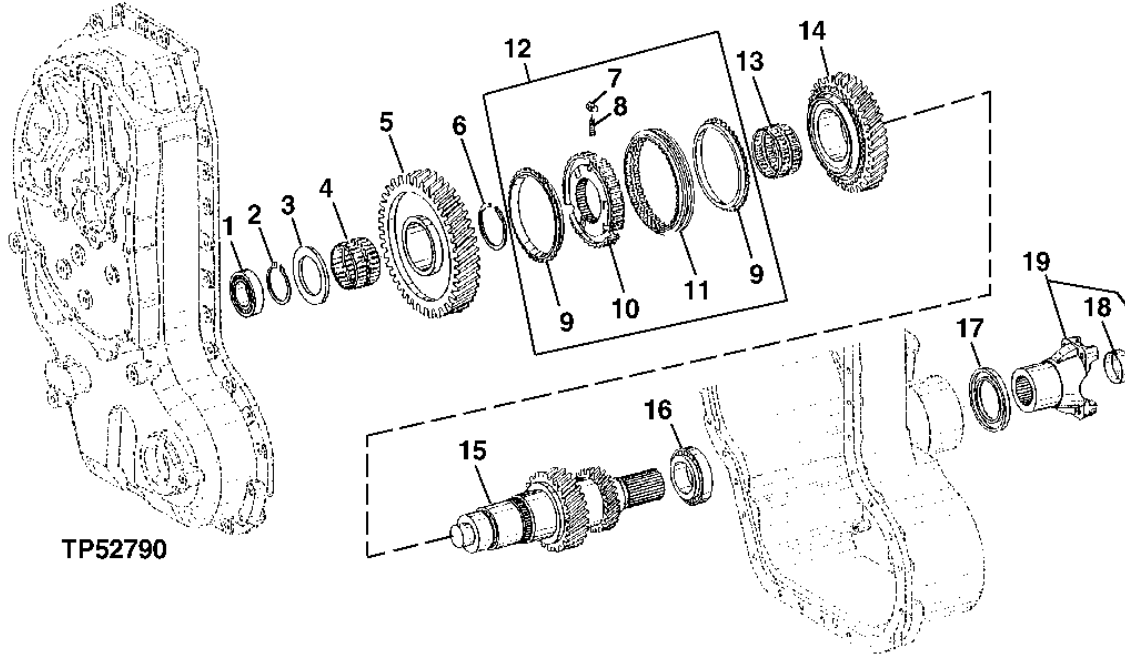
| KEY | PART NO. | PART NAME              | QTY. | SERIAL NO. | 3<br>3<br>1<br>0<br>0<br>G | 3<br>1<br>5<br>S<br>G | REMARKS |
|-----|----------|------------------------|------|------------|----------------------------|-----------------------|---------|
| 1   | T159572  | SEAL                   | 1    |            | X                          | X                     |         |
| 2   | AT179466 | SEAL                   | 1    |            | X                          | X                     |         |
| 3   | AT179468 | TAPERED ROLLER BEARING | 1    |            | X                          | X                     |         |
| 4   | T159571  | BUSHING                | 1    |            | X                          | X                     |         |
| 5   | 19M7931  | SCREW                  | 6    |            | X                          | X                     | M8 X 16 |
| 6   | T158861  | SCREEN                 | 1    |            | X                          | X                     |         |
| 7   | T158722  | SNAP RING              | 1    |            | X                          | X                     |         |
| 8   | T158855  | END PLATE              | 1    |            | X                          | X                     |         |
| 9   | T158762  | SPRING                 | 1    |            | X                          | X                     |         |
| 10  | T158859  | SLEEVE                 | 1    |            | X                          | X                     |         |
| 11  | T158745  | RING                   | 1    |            | X                          | X                     |         |
| 12  | T158744  | RING                   | 1    |            | X                          | X                     |         |
| 13  | T158858  | SHAFT                  | 1    |            | X                          | X                     |         |
| 14  | T158860  | SPUR GEAR              | 1    |            | X                          | X                     |         |
| 15  | T158760  | THRUST WASHER          | 1    |            | X                          | X                     |         |
| 16  | L78069   | RING                   | 1    |            | X                          | X                     |         |
| 17  | T158864  | SCREEN                 | 1    |            | X                          | X                     |         |
| 18  | AT179472 | TAPERED ROLLER BEARING | 1    |            | X                          | X                     |         |
| 19  | T158742  | RING                   | 1    |            | X                          | X                     |         |

# 0350-9

TRANSMISSION 3

GEARS, SHAFTS, BEARINGS AND POWER SHIFT CLUTCH 0350  
 OUTPUT SHAFT GROUP (SYNCHSHUTTLE)  
 GROUPE D'ARBRE DE SORTIE (SYNCHSHUTTLE)  
 GRUPO DE EJE DE SALIDA (SYNCHSHUTTLE)

TP52790 -UN-19AUG96



TP52790

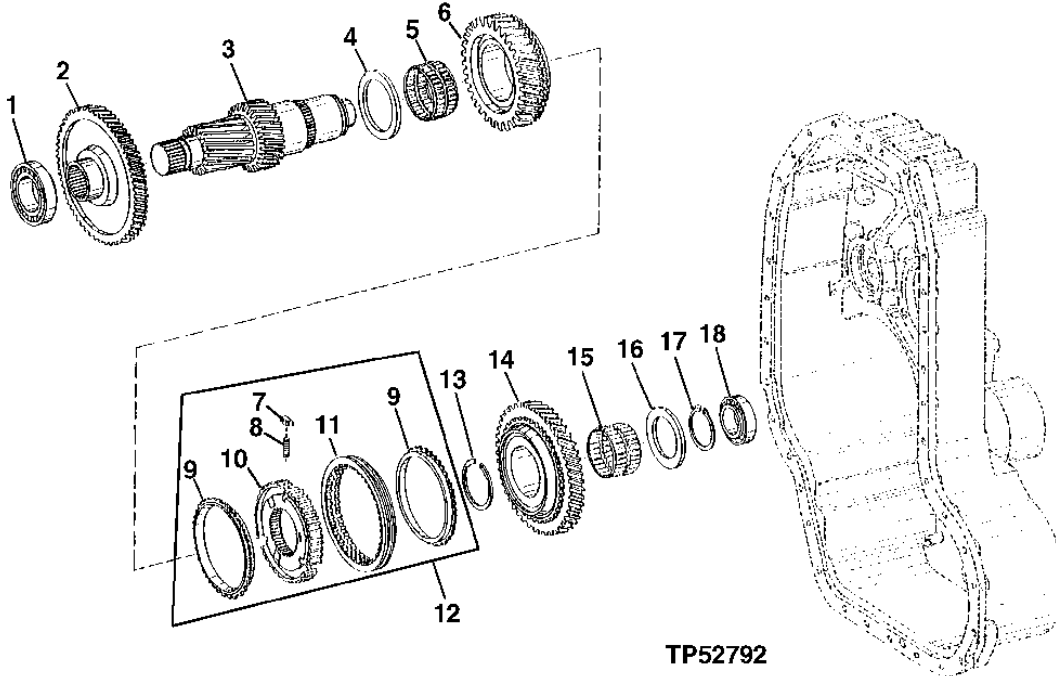
| KEY | PART NO. | PART NAME              | QTY. | SERIAL NO. | 3<br>3<br>1<br>1<br>0<br>5<br>0<br>S<br>S<br>G<br>G<br>G | REMARKS         |
|-----|----------|------------------------|------|------------|--|-----------------|
| 1   | AT179472 | TAPERED ROLLER BEARING | 1    |            | X X X  |                 |
| 2   | T158718  | SNAP RING              | 1    |            | X X X  |                 |
| 3   | T158748  | THRUST WASHER          | 1    |            | X X X  |                 |
| 4   | AT179482 | NEEDLE BEARING         | 1    |            | X X X  |                 |
| 5   | T165399  | GEAR                   | 1    |            | X X X  | (FIRST)         |
| 6   | T159577  | SNAP RING              | 1    |            | X X X  | 1.8MM (0.0709") |
|     | T159576  | SNAP RING              | 1    |            | X X X  | 1.9MM (0.0748") |
|     | T159575  | SNAP RING              | 1    |            | X X X  |                 |
|     | T159574  | SNAP RING              | 1    |            | X X X  | 2.1MM (0.0827") |
|     | T158777  | SNAP RING              | 1    |            | X X X  | 2.2MM (0.0866") |
| 7   | .....    | DETENT                 | 3    |            | X X X  |                 |
| 8   | .....    | SPRING                 | 3    |            | X X X  |                 |
| 9   | .....    | RING                   | 2    |            | X X X  |                 |
| 10  | .....    | HUB                    | 1    |            | X X X  |                 |
| 11  | .....    | SHIFT COLLAR           | 1    |            | X X X  |                 |
| 12  | AT175748 | SYNCHRONIZER           | 1    |            | X X X  |                 |
| 13  | AT179483 | NEEDLE BEARING         | 1    |            | X X X  |                 |
| 14  | T165400  | GEAR                   | 1    |            | X X X  | (SECOND)        |
| 15  | T158811  | SHAFT                  | 1    |            | X X X  |                 |
| 16  | AT179485 | TAPERED ROLLER BEARING | 1    |            | X X X  |                 |
| 17  | AT179481 | SEAL                   | 1    |            | X X X  |                 |
| 18  | .....    | PLUG                   | 1    |            | X X X  |                 |
| 19  | AT177701 | UNIVERSAL JOINT YOKE   | 1    |            | X X X  |                 |

# 0350-10

TRANSMISSION 3

GEARS, SHAFTS, BEARINGS AND POWER SHIFT CLUTCH 0350  
 INTERMEDIATE SHAFT GROUP (SYNCHSHUTTLE)  
 GROUPE D'ARBRE INTERMEDIAIRE (SYNCHSHUTTLE)  
 GRUPO DE EJE INTERMEDIO (SYNCHSHUTTLE)

TP52792 -UN-19AUG96



TP52792

3 3  
 3 1 1  
 1 0 5  
 0 S S  
 G G G

| KEY | PART NO. | PART NAME              | QTY. | SERIAL NO. | REMARKS               |
|-----|----------|------------------------|------|------------|-----------------------|
| 1   | AT179485 | TAPERED ROLLER BEARING | 1    |            | X X X                 |
| 2   | T158805  | GEAR                   | 1    |            | X X X                 |
| 3   | T158806  | SHAFT                  | 1    |            | X X X                 |
| 4   | T158747  | THRUST WASHER          | 1    |            | X X X                 |
| 5   | AT179483 | NEEDLE BEARING         | 1    |            | X X X                 |
| 6   | AT179490 | GEAR                   | 1    |            | X X X (3RD)           |
| 7   | .....    | DETENT                 | 3    |            | X X X                 |
| 8   | .....    | SPRING                 | 3    |            | X X X                 |
| 9   | .....    | RING                   | 2    |            | X X X                 |
| 10  | .....    | HUB                    | 1    |            | X X X                 |
| 11  | .....    | SHIFT COLLAR           | 1    |            | X X X                 |
| 12  | AT175748 | SYNCHRONIZER           | 1    |            | X X X                 |
| 13  | T159577  | SNAP RING              | 1    |            | X X X 1.8MM (0.0709") |
|     | T159576  | SNAP RING              | 1    |            | X X X 1.9MM (0.0748") |
|     | T159575  | SNAP RING              | 1    |            | X X X                 |
|     | T159574  | SNAP RING              | 1    |            | X X X 2.1MM (0.0827") |
|     | T158777  | SNAP RING              | 1    |            | X X X 2.2MM (0.0866") |
| 14  | T165401  | GEAR                   | 1    |            | X X X (4TH)           |
| 15  | AT179482 | NEEDLE BEARING         | 1    |            | X X X                 |
| 16  | T158748  | THRUST WASHER          | 1    |            | X X X                 |
| 17  | T158718  | SNAP RING              | 1    |            | X X X                 |
| 18  | AT179472 | TAPERED ROLLER BEARING | 1    |            | X X X                 |

# 0350-11

TRANSMISSION 3

---

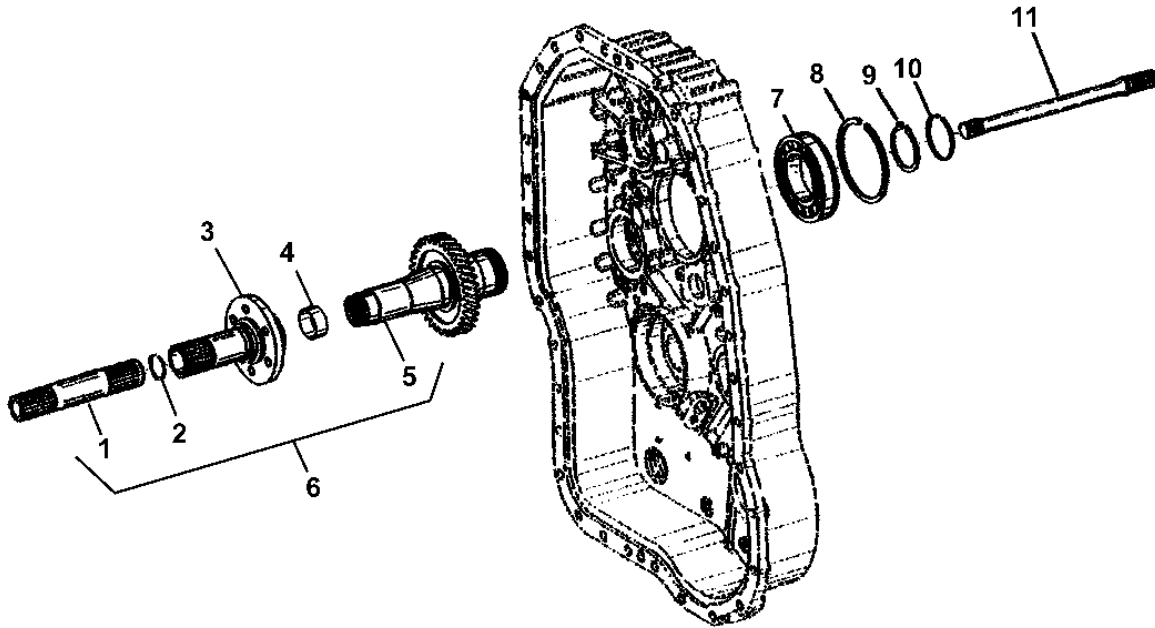
GEARS, SHAFTS, BEARINGS AND POWER SHIFT CLUTCH 0350  
MEMORANDA  
MEMORANDA  
MEMORANDA

# 0350-12

TRANSMISSION 3

GEARS, SHAFTS, BEARINGS AND POWER SHIFT CLUTCH 0350  
TRANSMISSION INPUT SHAFT (POWER SHIFT)  
ARBRE D ENTREE DE TRANSMISSION (POWER SHIFT)  
EJE DE ENTRADA DE LA TRANSMISION (POWER SHIFT)

TP58038 -UN-18MAY99



TP58038

# 0350-13

TRANSMISSION 3

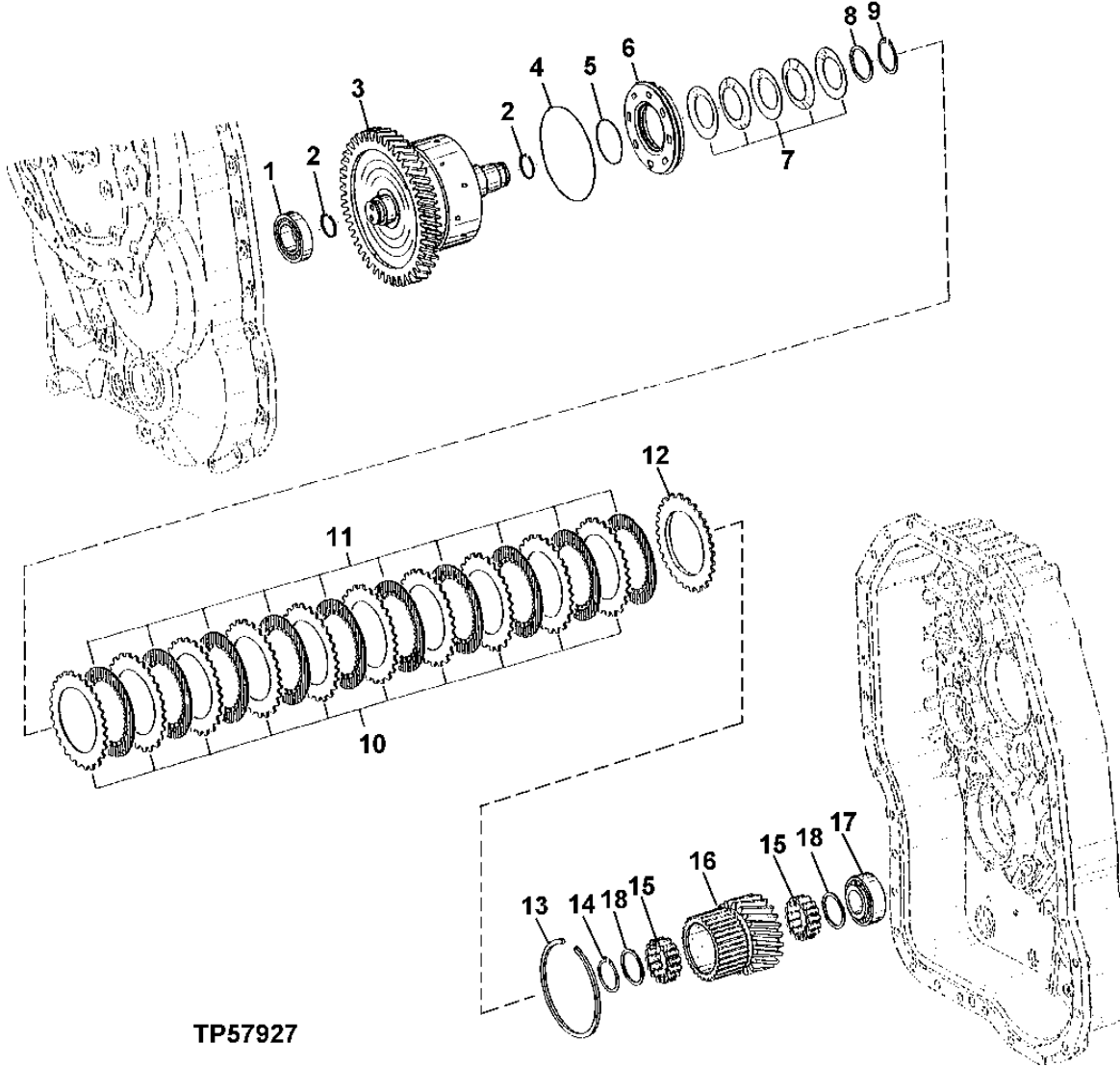
GEARS, SHAFTS, BEARINGS AND POWER SHIFT CLUTCH 0350  
 TRANSMISSION INPUT SHAFT (POWER SHIFT)  
 ARBRE D ENTREE DE TRANSMISSION (POWER SHIFT)  
 EJE DE ENTRADA DE LA TRANSMISION (POWER SHIFT)

| KEY | PART NO. | PART NAME    | QTY. | SERIAL NO. | 3 3<br>3 1 1<br>1 0 5<br>0 S S<br>G G G | REMARKS |
|-----|----------|--------------|------|------------|---|---------|
| 1   | .....    | SHAFT        | 1    |            | X X                                     |         |
| 2   | T158720  | SNAP RING    | 1    |            | X X                                     |         |
| 3   | T164654  | SHAFT        | 1    |            | X X                                     |         |
| 4   | T164655  | BUSHING      | 1    |            | X X                                     |         |
| 5   | .....    | SHAFT        | 1    |            | X X                                     |         |
| 6   | AT187711 | SHAFT        | 1    |            | X X                                     |         |
| 7   | AT179314 | BALL BEARING | 1    |            | X X                                     |         |
| 8   | T158717  | SNAP RING    | 1    |            | X X                                     |         |
| 9   | T158718  | SNAP RING    | 1    |            | X X                                     |         |
| 10  | T158740  | PACKING      | 1    |            | X X                                     |         |
| 11  | T155259  | SHAFT        | 1    |            | X X                                     |         |

# 0350-14

GEARS, SHAFTS, BEARINGS AND POWER SHIFT CLUTCH 0350  
FIRST GEAR CLUTCH ASSEMBLY (POWER SHIFT)  
EMBRAYAGE DE PREMIERE VITESSE (POWER SHIFT)  
CONJUNTO DE EMBRAGUE DE PRIMERA MARCHA (POWER SHIFT)

TP57927 -UN-16SEP98



TP57927



# 0350-15

TRANSMISSION 3

GEARS, SHAFTS, BEARINGS AND POWER SHIFT CLUTCH 0350  
**FIRST GEAR CLUTCH ASSEMBLY (POWER SHIFT)**  
**EMBAYAGE DE PREMIERE VITESSE (POWER SHIFT)**  
**CONJUNTO DE EMBRAGUE DE PRIMERA MARCHA (POWER SHIFT)**

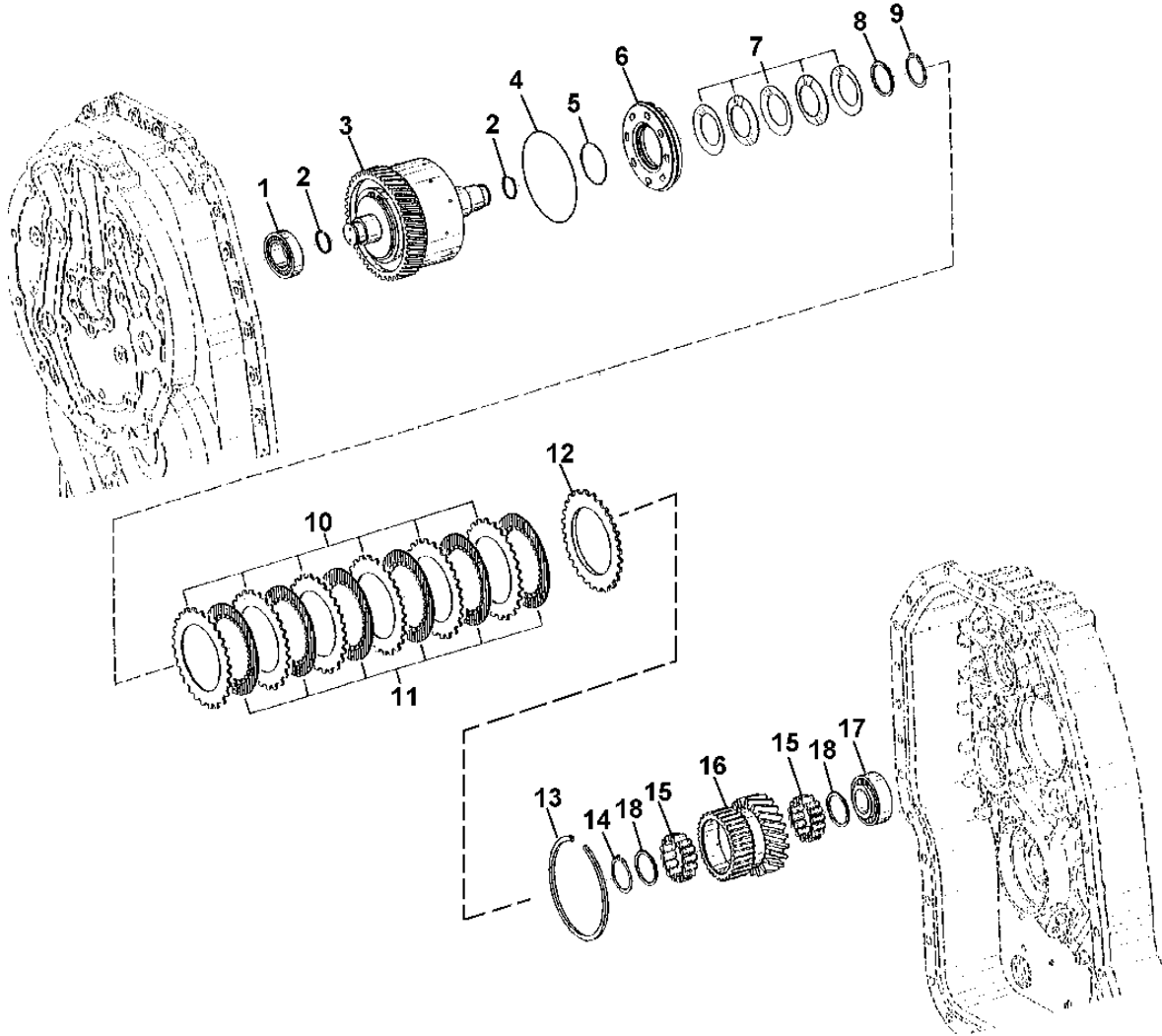
| KEY | PART NO. | PART NAME              | QTY. | SERIAL NO. | REMARKS                          |
|-----|----------|------------------------|------|------------|----------------------------------|
|     |          |                        |      |            | 3 3                              |
|     |          |                        |      |            | 3 1 1                            |
|     |          |                        |      |            | 1 0 5                            |
|     |          |                        |      |            | 0 S S                            |
|     |          |                        |      |            | G G G                            |
| 1   | AT179472 | TAPERED ROLLER BEARING | 1    |            | X X                              |
| 2   | T158742  | RING                   | 2    |            | X X                              |
| 3   | AT184048 | DRUM                   | 1    |            | X X (DISK CARRIER)               |
| 4   | .....    | RING                   | 1    |            | X X (T158739 NLA) (SUB AT193704) |
| 5   | .....    | RING                   | 1    |            | X X (T158743 NLA) (SUB AT193704) |
| 6   | AT193704 | PISTON                 | 1    |            | X X (SUB FOR T158789)            |
| 7   | T158775  | DISK SPRING            | 5    |            | X X                              |
| 8   | T164712  | SHIM                   | 1    |            | X X 2.0MM (0.0787")              |
| 9   | 40M7058  | SNAP RING              | 1    |            | X X                              |
| 10  | T158801  | CLUTCH PLATE           | 10   |            | X X                              |
| 11  | T164626  | DISK                   | 10   |            | X X                              |
| 12  | T161147  | PLATE                  | 1    |            | X X                              |
| 13  | T161183  | SNAP RING              | 1    |            | X X 4.0MM (0.1575")              |
|     | T158778  | SNAP RING              | 1    |            | X X 3.5MM (0.1378")              |
|     | T159568  | SNAP RING              | 1    |            | X X 3.0MM (0.1181")              |
|     | T159569  | SNAP RING              | 1    |            | X X 2.5MM (0.0984")              |
|     | T159570  | SNAP RING              | 1    |            | X X 2.0MM (0.0787")              |
| 14  | 40M7058  | SNAP RING              | 1    |            | X X                              |
| 15  | AT185793 | ROLLER                 | 2    |            | X X                              |
| 16  | T164640  | GEAR                   | 1    |            | X X                              |
| 17  | AT184052 | ROLLER                 | 1    |            | X X                              |
| 18  | T166062  | THRUST WASHER          | 2    |            | X X                              |

# 0350-16

TRANSMISSION 3

GEARS, SHAFTS, BEARINGS AND POWER SHIFT CLUTCH 0350  
SECOND GEAR CLUTCH ASSEMBLY (POWER SHIFT)  
EMBAYAGE DE SECONDE VITESSE (POWER SHIFT)  
CONJUNTO DE EMBRAGUE DE SEGUNDA MARCHA (POWER SHIFT)

TP57928 -UN-16SEP98



TP57928

# 0350-17

TRANSMISSION 3

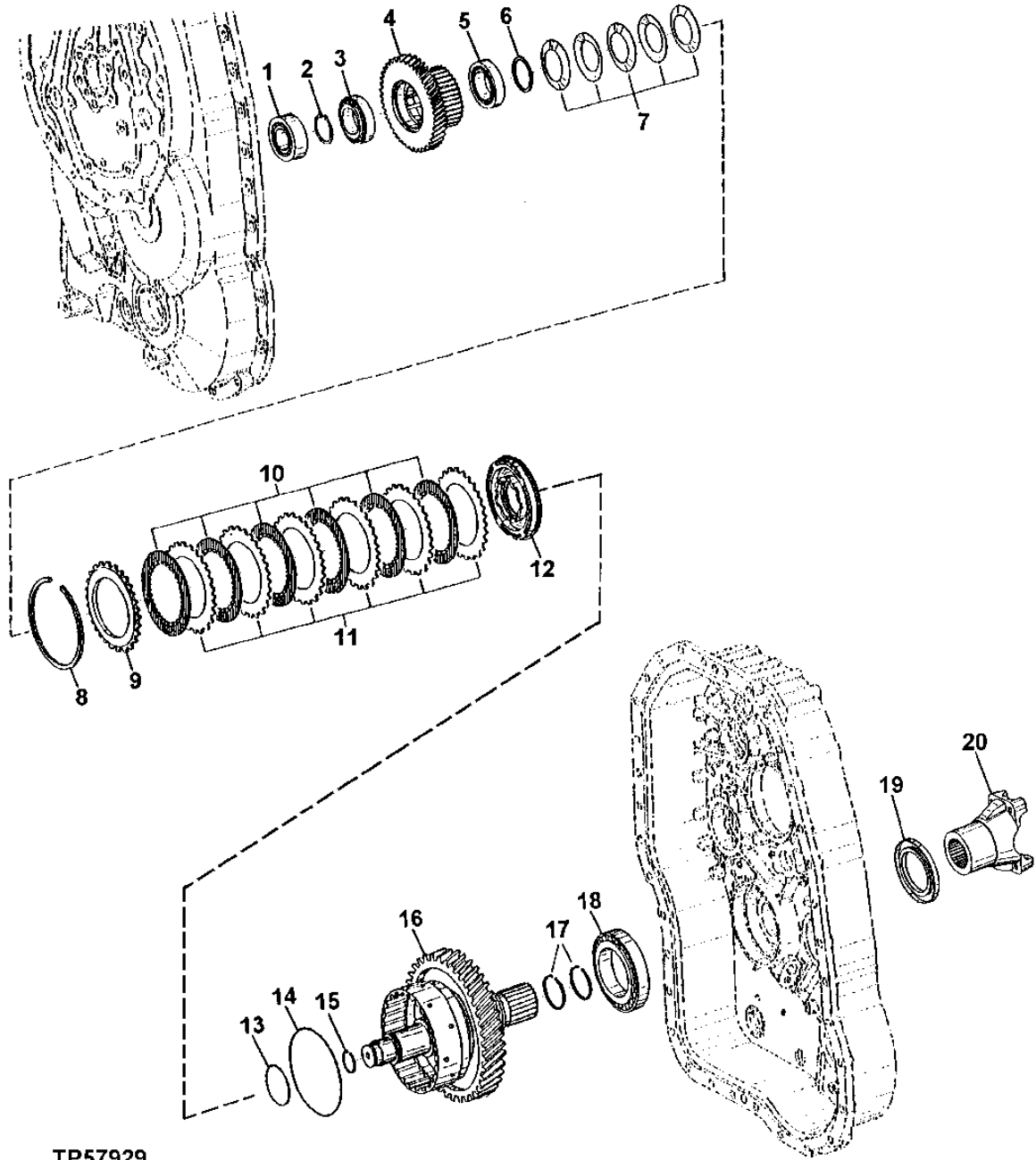
GEARS, SHAFTS, BEARINGS AND POWER SHIFT CLUTCH 0350  
**SECOND GEAR CLUTCH ASSEMBLY (POWER SHIFT)**  
**EMBAYAGE DE SECONDE VITESSE (POWER SHIFT)**  
**CONJUNTO DE EMBRAGUE DE SEGUNDA MARCHA (POWER SHIFT)**

| KEY | PART NO. | PART NAME              | QTY. | SERIAL NO. | REMARKS                          |
|-----|----------|------------------------|------|------------|----------------------------------|
|     |          |                        |      |            | 3 3                              |
|     |          |                        |      |            | 3 1 1                            |
|     |          |                        |      |            | 1 0 5                            |
|     |          |                        |      |            | 0 S S                            |
|     |          |                        |      |            | G G G                            |
| 1   | AT179472 | TAPERED ROLLER BEARING | 1    |            | X X                              |
| 2   | T158742  | RING                   | 2    |            | X X                              |
| 3   | AT184053 | DRUM                   | 1    |            | X X (DISK CARRIER)               |
| 4   | .....    | RING                   | 1    |            | X X (T158739 NLA) (SUB AT193704) |
| 5   | .....    | RING                   | 1    |            | X X (T158743 NLA) (SUB AT193704) |
| 6   | AT193704 | PISTON                 | 1    |            | X X (SUB FOR T158789)            |
| 7   | T158775  | DISK SPRING            | 5    |            | X X                              |
| 8   | T164712  | SHIM                   | 1    |            | X X                              |
| 9   | 40M7058  | SNAP RING              | 1    |            | X X 2.0MM (0.0787")              |
| 10  | T158801  | CLUTCH PLATE           | 6    |            | X X                              |
| 11  | T164626  | DISK                   | 6    |            | X X                              |
| 12  | T161147  | PLATE                  | 1    |            | X X                              |
| 13  | T161183  | SNAP RING              | 1    |            | X X 4.0MM (0.1575")              |
|     | T158778  | SNAP RING              | 1    |            | X X 3.5MM (0.1378")              |
|     | T159568  | SNAP RING              | 1    |            | X X 3.0MM (0.1181")              |
|     | T159569  | SNAP RING              | 1    |            | X X 2.5MM (0.0984")              |
|     | T159570  | SNAP RING              | 1    |            | X X 2.0MM (0.0787")              |
| 14  | 40M7058  | SNAP RING              | 1    |            | X X                              |
| 15  | AT185793 | ROLLER                 | 2    |            | X X                              |
| 16  | T164643  | GEAR                   | 1    |            | X X                              |
| 17  | AT184052 | ROLLER BEARING         | 1    |            | X X                              |
| 18  | T166062  | SNAP RING              | 2    |            | X X                              |

# 0350-18

GEARS, SHAFTS, BEARINGS AND POWER SHIFT CLUTCH 0350  
THIRD GEAR CLUTCH ASSEMBLY (POWER SHIFT)  
EMBRAYAGE DE TROISIEME VITESSE (POWER SHIFT)  
CONJUNTO DE EMBRAGUE DE TERCERA MARCHA (POWER SHIFT)

TP57929 -UN-18SEP98



TP57929

# 0350-19

TRANSMISSION 3

GEARS, SHAFTS, BEARINGS AND POWER SHIFT CLUTCH 0350  
**THIRD GEAR CLUTCH ASSEMBLY (POWER SHIFT)**  
**EMBAYAGE DE TROISIEME VITESSE (POWER SHIFT)**  
**CONJUNTO DE EMBRAGUE DE TERCERA MARCHA (POWER SHIFT)**

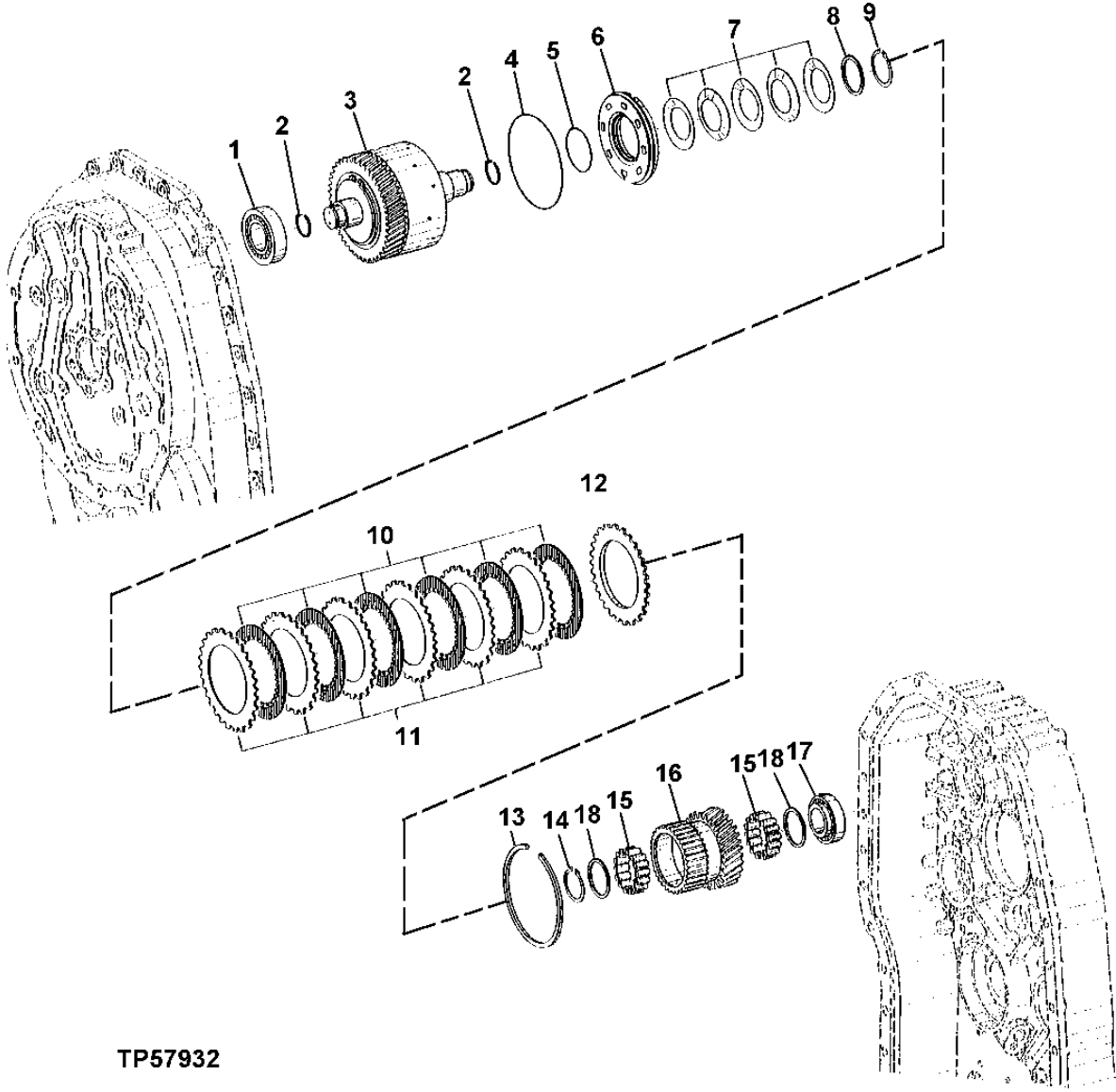
| KEY | PART NO. | PART NAME              | QTY. | SERIAL NO. | REMARKS                                 |
|-----|----------|------------------------|------|------------|---|
|     |          |                        |      |            | 3 3<br>3 1 1<br>1 0 5<br>0 S S<br>G G G |
| 1   | AT184052 | ROLLER BEARING         | 1    |            | X X                                     |
| 2   | T161186  | SNAP RING              | 1    |            | X X 3.2MM (0.1260")                     |
|     | T161187  | SNAP RING              | 1    |            | X X 3.1MM (0.1220")                     |
|     | T161188  | SNAP RING              | 1    |            | X X 3.0MM (0.1181")                     |
|     | T161189  | SNAP RING              | 1    |            | X X 2.9MM (0.1142")                     |
|     | T161190  | SNAP RING              | 1    |            | X X 2.8MM (0.1102")                     |
|     | T161191  | SNAP RING              | 1    |            | X X 2.7MM (0.1063")                     |
|     | T161192  | SNAP RING              | 1    |            | X X 2.6MM (0.1024")                     |
|     | T161193  | SNAP RING              | 1    |            | X X 2.5MM (0.0984")                     |
|     | T164628  | SNAP RING              | 1    |            | X X 2.3MM (0.0906")                     |
|     | T164629  | SNAP RING              | 1    |            | X X 2.2MM (0.0866")                     |
|     | T164630  | SNAP RING              | 1    |            | X X 2.1MM (0.0827")                     |
| 3   | AT179470 | TAPERED ROLLER BEARING | 1    |            | X X                                     |
| 4   | T166065  | GEAR                   | 1    |            | X X                                     |
| 5   | AT179469 | TAPERED ROLLER BEARING | 1    |            | X X                                     |
| 6   | T158756  | WASHER                 | 1    |            | X X                                     |
| 7   | T158775  | DISK SPRING            | 5    |            | X X                                     |
| 8   | T161183  | SNAP RING              | 1    |            | X X 4.0MM (0.1575")                     |
|     | T158778  | SNAP RING              | 1    |            | X X 3.5MM (0.1378")                     |
|     | T159568  | SNAP RING              | 1    |            | X X 3.0MM (0.1181")                     |
|     | T159569  | SNAP RING              | 1    |            | X X 2.5MM (0.0984")                     |
|     | T159570  | SNAP RING              | 1    |            | X X 2.0MM (0.0787")                     |
| 9   | T161147  | PLATE                  | 1    |            | X X 2.0MM (0.0787")                     |
| 10  | T164626  | DISK                   | 6    |            | X X                                     |
| 11  | T158801  | CLUTCH PLATE           | 6    |            | X X                                     |
| 12  | AT193704 | PISTON                 | 1    |            | X X (SUB FOR T158789)                   |
| 13  | .....    | RING                   | 1    |            | X X ( T158743 NLA) (SUB AT193704)       |
| 14  | .....    | RING                   | 1    |            | X X ( T158739 NLA) (SUB AT193704)       |
| 15  | T158742  | RING                   | 1    |            | X X                                     |
| 16  | AT184055 | DRUM                   | 1    |            | X X (DISK CARRIER)                      |
| 17  | T164646  | O-RING                 | 2    |            | X X                                     |
| 18  | AT184056 | ROLLER BEARING         | 1    |            | X X                                     |
| 19  | AT179481 | SEAL                   | 1    |            | X X                                     |
| 20  | AT177701 | UNIVERSAL JOINT YOKE   | 1    |            | X X                                     |

# 0350-20

TRANSMISSION 3

## GEARS, SHAFTS, BEARINGS AND POWER SHIFT CLUTCH 0350 FOURTH GEAR CLUTCH ASSEMBLY (POWER SHIFT) EMBAYAGE DE QUATRIEME VITESSE (POWER SHIFT) CONJUNTO DE EMBRAGUE DE CUARTA MARCHA (POWER SHIFT)

TP57932 -UN-16SEP98



# 0350-21

TRANSMISSION 3

GEARS, SHAFTS, BEARINGS AND POWER SHIFT CLUTCH 0350  
 FOURTH GEAR CLUTCH ASSEMBLY (POWER SHIFT)  
 EMBRAYAGE DE QUATRIEME VITESSE (POWER SHIFT)  
 CONJUNTO DE EMBRAGUE DE CUARTA MARCHA (POWER SHIFT)

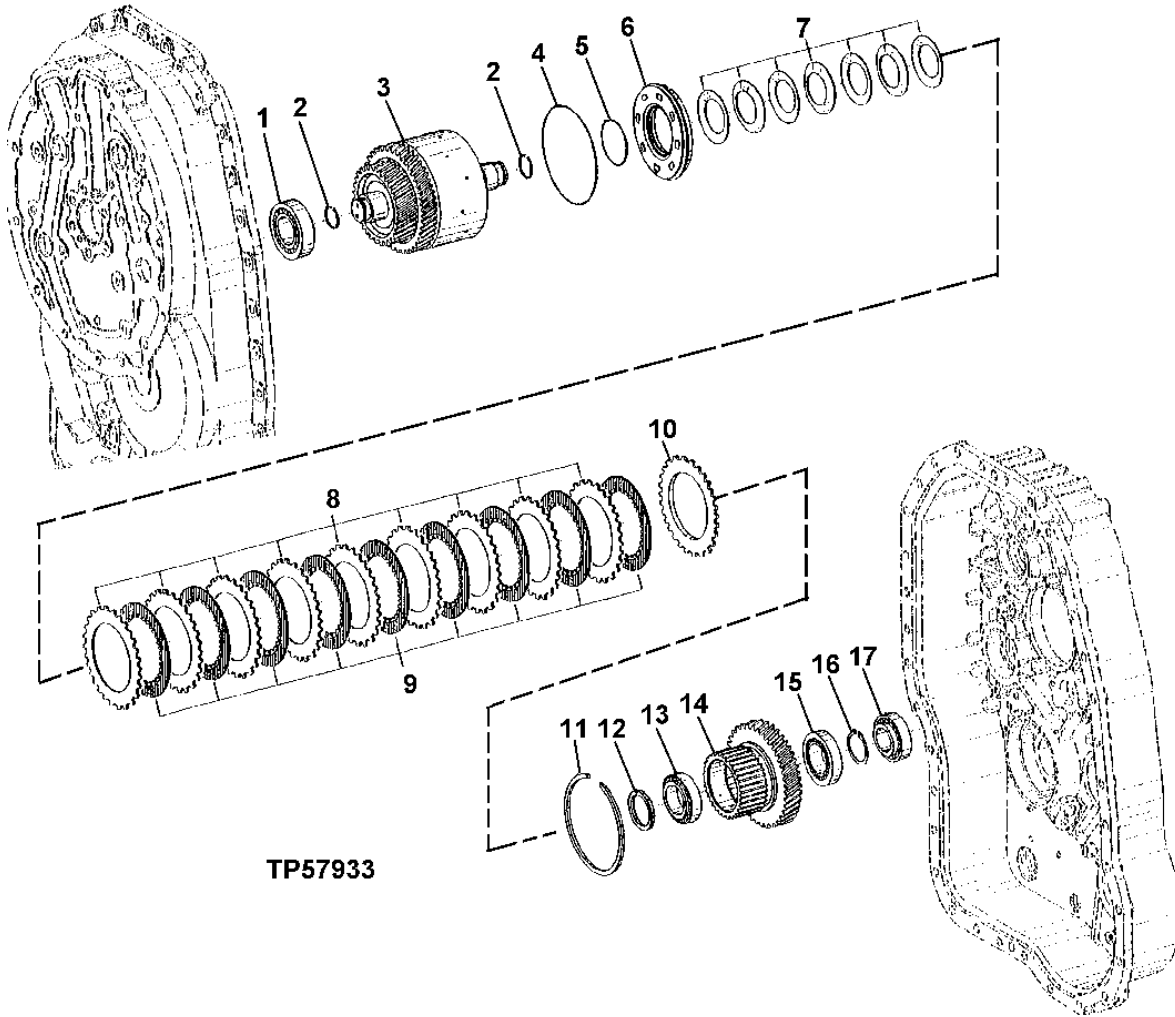
| KEY | PART NO. | PART NAME              | QTY. | SERIAL NO. | 3 3<br>3 1 1<br>1 0 5<br>0 S S<br>G G G | REMARKS                      |
|-----|----------|------------------------|------|------------|---|------------------------------|
| 1   | AT184042 | BEARING                | 1    |            | X X                                     |                              |
| 2   | T158742  | RING                   | 2    |            | X X                                     |                              |
| 3   | AT184057 | DRUM                   | 1    |            | X X                                     | (DISK CARRIER)               |
| 4   | .....    | RING                   | 1    |            | X X                                     | (T158739 NLA) (SUB AT193704) |
| 5   | .....    | RING                   | 1    |            | X X                                     | (T158743 NLA) (SUB AT193704) |
| 6   | AT193704 | PISTON                 | 1    |            | X X                                     | (SUB FOR T158789)            |
| 7   | T158775  | DISK SPRING            | 5    |            | X X                                     |                              |
| 8   | T164712  | SHIM                   | 1    |            | X X                                     |                              |
| 9   | 40M7058  | SNAP RING              | 1    |            | X X                                     | 2.0MM (0.0787")              |
| 10  | T158801  | CLUTCH PLATE           | 6    |            | X X                                     |                              |
| 11  | T164626  | DISK                   | 6    |            | X X                                     |                              |
| 12  | T161147  | PLATE                  | 1    |            | X X                                     |                              |
| 13  | T161183  | SNAP RING              | 1    |            | X X                                     | 4.0MM (0.1575")              |
|     | T158778  | SNAP RING              | 1    |            | X X                                     | 3.5MM (0.1378")              |
|     | T159568  | SNAP RING              | 1    |            | X X                                     | 3.0MM (0.1181")              |
|     | T159569  | SNAP RING              | 1    |            | X X                                     | 2.5MM (0.0984")              |
|     | T159570  | SNAP RING              | 1    |            | X X                                     | 2.0MM (0.0787")              |
| 14  | 40M7058  | SNAP RING              | 1    |            | X X                                     |                              |
| 15  | AT185793 | ROLLER                 | 2    |            | X X                                     |                              |
| 16  | T164647  | GEAR                   | 1    |            | X X                                     |                              |
| 17  | AT179471 | TAPERED ROLLER BEARING | 1    |            | X X                                     |                              |
| 18  | T166062  | THRUST WASHER          | 2    |            | X X                                     |                              |

# 0350-22

TRANSMISSION 3

GEARS, SHAFTS, BEARINGS AND POWER SHIFT CLUTCH 0350  
FORWARD CLUTCH ASSEMBLY (POWER SHIFT)  
EMBAYAGE DE MARCHÉ AVANT (POWER SHIFT)  
CONJUNTO DE EMBRAGUE DE AVANCE (POWER SHIFT)

TP57933 -UN-15SEP98





# 0350-23

TRANSMISSION 3

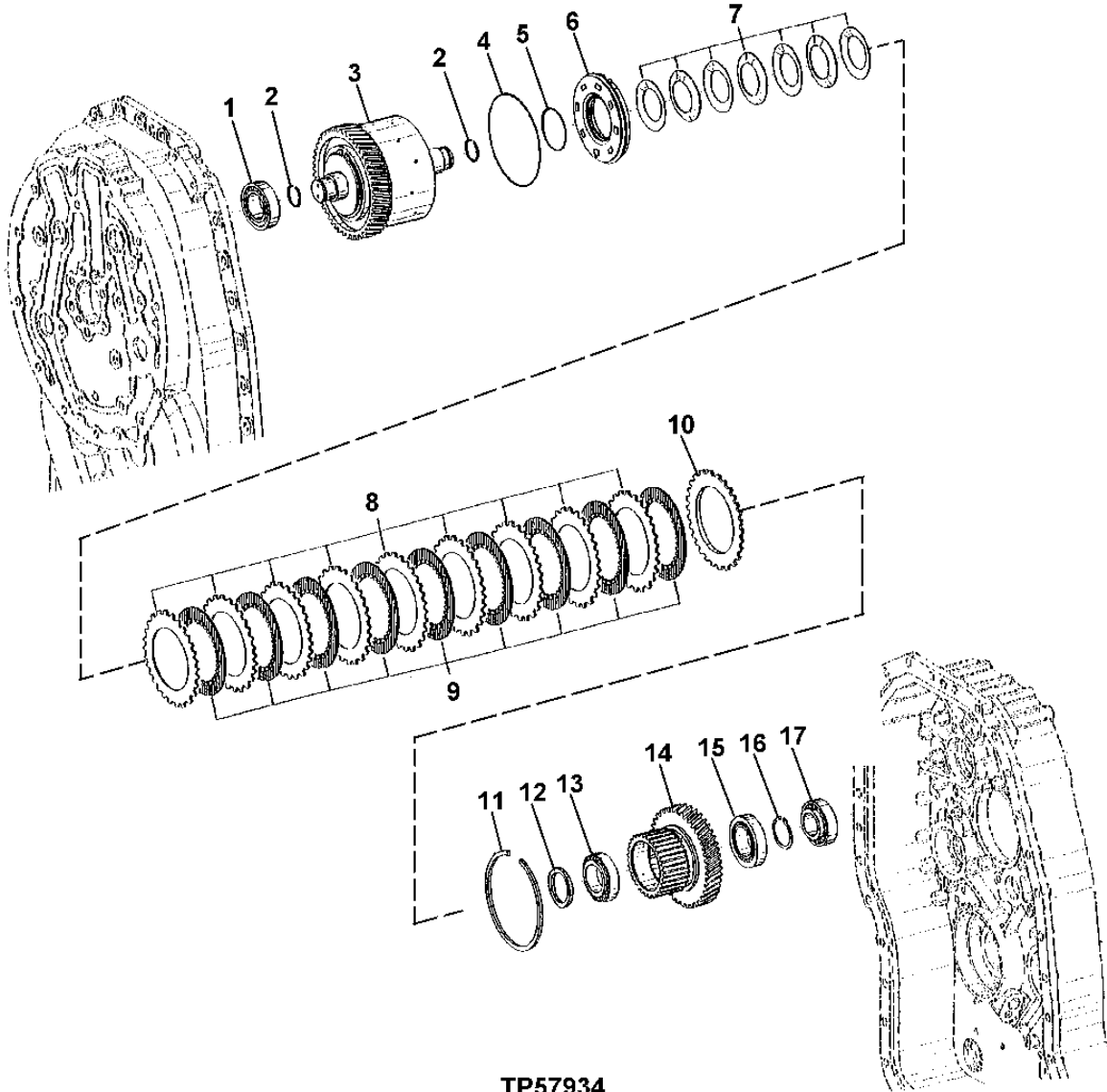
GEARS, SHAFTS, BEARINGS AND POWER SHIFT CLUTCH 0350  
**FORWARD CLUTCH ASSEMBLY (POWER SHIFT)**  
**EMBAYAGE DE MARCHE AVANT (POWER SHIFT)**  
**CONJUNTO DE EMBRAGUE DE AVANCE (POWER SHIFT)**

| KEY | PART NO. | PART NAME              | QTY. | SERIAL NO. | REMARKS                          |
|-----|----------|------------------------|------|------------|----------------------------------|
|     |          |                        |      |            | 3 3                              |
|     |          |                        |      |            | 3 1 1                            |
|     |          |                        |      |            | 1 0 5                            |
|     |          |                        |      |            | 0 S S                            |
|     |          |                        |      |            | G G G                            |
| 1   | AT184042 | BEARING                | 1    |            | X X                              |
| 2   | T158742  | RING                   | 2    |            | X X                              |
| 3   | AT184043 | DRUM                   | 1    |            | X X (DISK CARRIER)               |
| 4   | .....    | RING                   | 1    |            | X X (T158739 NLA) (SUB AT193704) |
| 5   | .....    | RING                   | 1    |            | X X (T158743 NLA) (SUB AT193704) |
| 6   | AT193704 | PISTON                 | 1    |            | X X (SUB FOR T158789)            |
| 7   | T158775  | DISK SPRING            | 7    |            | X X                              |
| 8   | T158801  | CLUTCH PLATE           | 9    |            | X X                              |
| 9   | AT179473 | DISK WITH INNER SPLINE | 9    |            | X X                              |
| 10  | T161147  | PLATE                  | 1    |            | X X                              |
| 11  | T161183  | SNAP RING              | 1    |            | X X 4.0MM (0.1578")              |
|     | T158778  | SNAP RING              | 1    |            | X X 3.5MM (0.1378")              |
|     | T159568  | SNAP RING              | 1    |            | X X 3.0MM (.01181")              |
|     | T159569  | SNAP RING              | 1    |            | X X 2.5MM (0.0984")              |
|     | T159570  | SNAP RING              | 1    |            | X X 2.0MM (0.0787")              |
| 12  | T158756  | WASHER                 | 1    |            | X X                              |
| 13  | AT179469 | TAPERED ROLLER BEARING | 1    |            | X X                              |
| 14  | T164711  | GEAR                   | 1    |            | X X                              |
| 15  | AT179470 | TAPERED ROLLER BEARING | 1    |            | X X                              |
| 16  | T161186  | SNAP RING              | 1    |            | X X 3.2MM (0.1260")              |
|     | T161187  | SNAP RING              | 1    |            | X X 3.1MM (0.1220")              |
|     | T161188  | SNAP RING              | 1    |            | X X 3.0MM (0.1181")              |
|     | T161189  | SNAP RING              | 1    |            | X X 2.9MM (0.1141")              |
|     | T161190  | SNAP RING              | 1    |            | X X 2.8MM (0.1102")              |
|     | T161191  | SNAP RING              | 1    |            | X X 2.7MM (0.1063")              |
|     | T161192  | SNAP RING              | 1    |            | X X 2.6MM (0.1024")              |
|     | T161193  | SNAP RING              | 1    |            | X X 2.5MM (0.0984")              |
|     | T164628  | SNAP RING              | 1    |            | X X 2.3MM (0.0905")              |
|     | T164629  | SNAP RING              | 1    |            | X X 2.2MM (0.0866")              |
|     | T164630  | SNAP RING              | 1    |            | X X 2.1MM (0.0827")              |
| 17  | AT179471 | TAPERED ROLLER BEARING | 1    |            | X X                              |

# 0350-24

GEARS, SHAFTS, BEARINGS AND POWER SHIFT CLUTCH 0350  
REVERSE CLUTCH ASSEMBLY (POWER SHIFT)  
INTERRUPTEUR DE RETOUR EN POSITION DE CREUSEMENT (POWER SHIFT)  
INTERRUPTOR DE RETORNO A EXCAVACION (POWER SHIFT)

TP57934 -UN-15SEP98



TP57934

# 0350-25

TRANSMISSION 3

GEARS, SHAFTS, BEARINGS AND POWER SHIFT CLUTCH 0350  
 REVERSE CLUTCH ASSEMBLY (POWER SHIFT)  
 INTERRUPTEUR DE RETOUR EN POSITION DE CREUSEMENT (POWER SHIFT)  
 INTERRUPTOR DE RETORNO A EXCAVACION (POWER SHIFT)

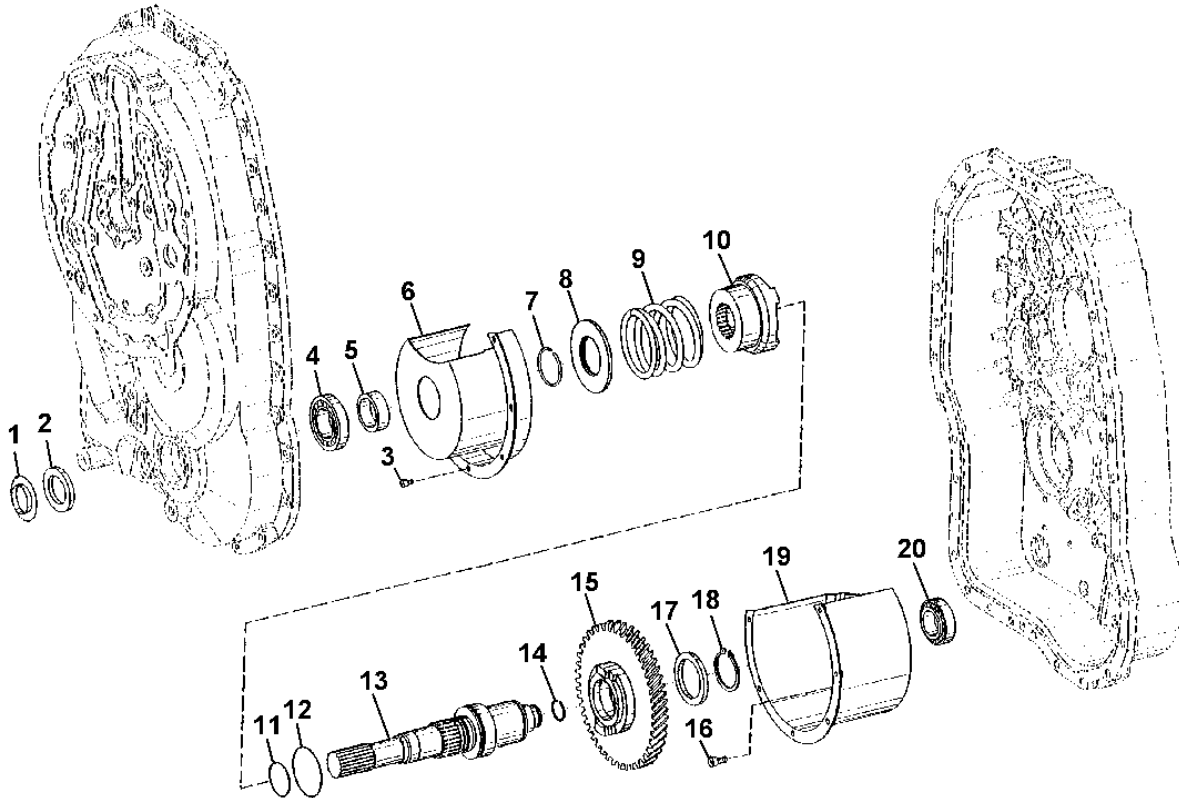
| KEY | PART NO. | PART NAME              | QTY. | SERIAL NO. | REMARKS                                 |
|-----|----------|------------------------|------|------------|---|
|     |          |                        |      |            | 3 3<br>3 1 1<br>1 0 5<br>0 S S<br>G G G |
| 1   | AT179472 | TAPERED ROLLER BEARING | 1    |            | X X                                     |
| 2   | T158742  | RING                   | 2    |            | X X                                     |
| 3   | AT184045 | DRUM                   | 1    |            | X X (DISK CARRIER)                      |
| 4   | .....    | RING                   | 1    |            | X X (T158739 NLA) (SUB AT193704)        |
| 5   | .....    | RING                   | 1    |            | X X (T158743 NLA) (SUB AT193704)        |
| 6   | AT193704 | PISTON                 | 1    |            | X X (SUB FOR T158789)                   |
| 7   | T158775  | DISK SPRING            | 7    |            | X X                                     |
| 8   | T158801  | CLUTCH PLATE           | 9    |            | X X                                     |
| 9   | AT179473 | DISK WITH INNER SPLINE | 9    |            | X X                                     |
| 10  | T161147  | PLATE                  | 1    |            | X X                                     |
| 11  | T161183  | SNAP RING              | 1    |            | X X 4.0MM (0.1575")                     |
|     | T158778  | SNAP RING              | 1    |            | X X 3.5MM (0.1378")                     |
|     | T159568  | SNAP RING              | 1    |            | X X 3.0MM (0.1181")                     |
|     | T159569  | SNAP RING              | 1    |            | X X 2.5MM (0.0984")                     |
|     | T159570  | SNAP RING              | 1    |            | X X 2.0MM (0.0787")                     |
| 12  | T158756  | WASHER                 | 1    |            | X X                                     |
| 13  | AT179469 | TAPERED ROLLER BEARING | 1    |            | X X                                     |
| 14  | T164711  | DISK                   | 1    |            | X X                                     |
| 15  | AT179470 | TAPERED ROLLER BEARING | 1    |            | X X                                     |
| 16  | T161186  | SNAP RING              | 1    |            | X X 3.2MM (0.1260")                     |
|     | T161187  | SNAP RING              | 1    |            | X X 3.1MM (0.1220")                     |
|     | T161188  | SNAP RING              | 1    |            | X X 3.0MM (0.1181")                     |
|     | T161189  | SNAP RING              | 1    |            | X X 2.9MM (0.1141")                     |
|     | T161190  | SNAP RING              | 1    |            | X X 2.8MM (0.1102")                     |
|     | T161191  | SNAP RING              | 1    |            | X X 2.7MM (0.1063")                     |
|     | T161192  | SNAP RING              | 1    |            | X X 2.6MM (0.1024")                     |
|     | T161193  | SNAP RING              | 1    |            | X X 2.5MM (0.0984")                     |
|     | T164628  | SNAP RING              | 1    |            | X X 2.3MM (0.0905")                     |
|     | T164629  | SNAP RING              | 1    |            | X X 2.2MM (0.0866")                     |
|     | T164630  | SNAP RING              | 1    |            | X X 2.1MM (0.0827")                     |
| 17  | AT179471 | TAPERED ROLLER BEARING | 1    |            | X X                                     |

# 0350-26

TRANSMISSION 3

GEARS, SHAFTS, BEARINGS AND POWER SHIFT CLUTCH 0350  
TRANSMISSION OUTPUT SHAFT (POWER SHIFT)(W/MFWD)  
ARBRE DE SORTIE DE TRANSMISSION (POWER SHIFT)(W/MFWD)  
EJE DE SALIDA DE LA TRANSMISION (POWER SHIFT)(W/MFWD)

TP57935 -UN-16SEP98



TP57935

# 0350-27

TRANSMISSION 3

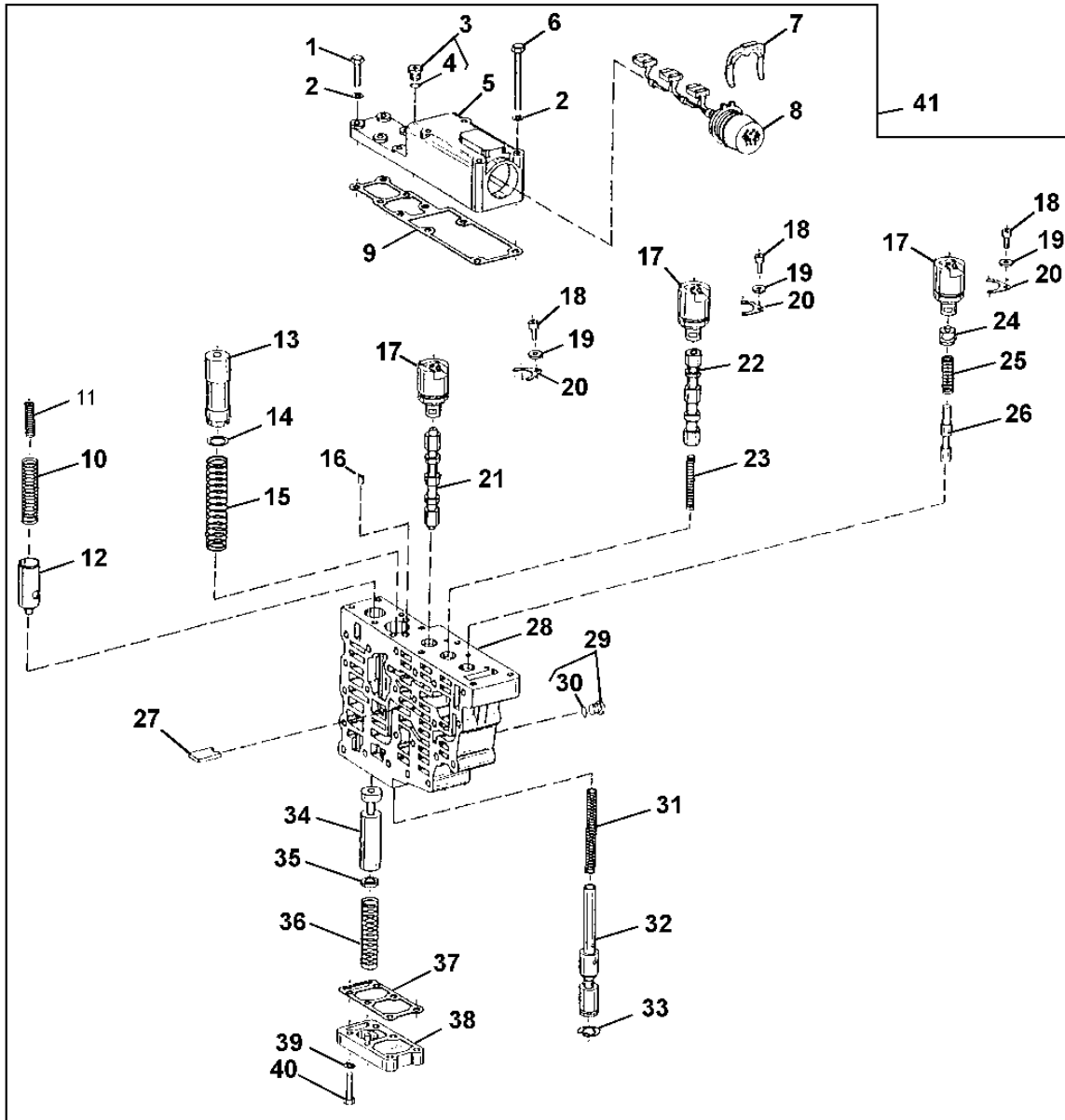
GEARS, SHAFTS, BEARINGS AND POWER SHIFT CLUTCH 0350  
 TRANSMISSION OUTPUT SHAFT (POWER SHIFT)(W/MFWD)  
 ARBRE DE SORTIE DE TRANSMISSION (POWER SHIFT)(W/MFWD)  
 EJE DE SALIDA DE LA TRANSMISION (POWER SHIFT)(W/MFWD)

| KEY | PART NO. | PART NAME              | QTY. | SERIAL NO. | 3 3<br>3 1 1<br>1 0 5<br>0 S S<br>G G G | REMARKS |
|-----|----------|------------------------|------|------------|---|---------|
| 1   | T159572  | SEAL                   | 1    |            | X X                                     |         |
| 2   | AT179466 | SEAL                   | 1    |            | X X                                     |         |
| 3   | T166078  | SCREW                  | 6    |            | X X                                     |         |
| 4   | AT179468 | TAPERED ROLLER BEARING | 1    |            | X X                                     |         |
| 5   | T164572  | BUSHING                | 1    |            | X X                                     |         |
| 6   | T164576  | SCREEN                 | 1    |            | X X                                     |         |
| 7   | T158722  | SNAP RING              | 1    |            | X X                                     |         |
| 8   | T158855  | END PLATE              | 1    |            | X X                                     |         |
| 9   | T158762  | SPRING                 | 1    |            | X X                                     |         |
| 10  | T158859  | SLEEVE                 | 1    |            | X X                                     |         |
| 11  | T158744  | RING                   | 1    |            | X X                                     |         |
| 12  | T158745  | RING                   | 1    |            | X X                                     |         |
| 13  | T164574  | SHAFT                  | 1    |            | X X                                     |         |
| 14  | T158742  | RING                   | 1    |            | X X                                     |         |
| 15  | T164575  | GEAR                   | 1    |            | X X                                     |         |
| 16  | 19M7931  | SCREW                  | 3    |            | X X                                     | M8 X 16 |
| 17  | T158760  | THRUST WASHER          | 1    |            | X X                                     |         |
| 18  | L78069   | RING                   | 1    |            | X X                                     |         |
| 19  | T184918  | SCREEN                 | 1    |            | X X                                     |         |
| 20  | AT179472 | TAPERED ROLLER BEARING | 1    |            | X X                                     |         |

# 0360-2

## TRANSMISSION CONTROL VALVE GROUP (SYNCHSHUTTLE) GROUPE DE DISTRIBUTEURS DE LA TRANSMISSION (SYNCHSHUTTLE) GRUPO DE VALVULA DE CONTROL DE TRANSMISION (SYNCHSHUTTLE)

T150759 -UN-31JAN02



T150759

# 0360-3

TRANSMISSION 3

TRANSMISSION HYDRAULICS 0360

**TRANSMISSION CONTROL VALVE GROUP (SYNCHSHUTTLE)  
 GROUPE DE DISTRIBUTEURS DE LA TRANSMISSION (SYNCHSHUTTLE)  
 GRUPO DE VALVULA DE CONTROL DE TRANSMISION (SYNCHSHUTTLE)**

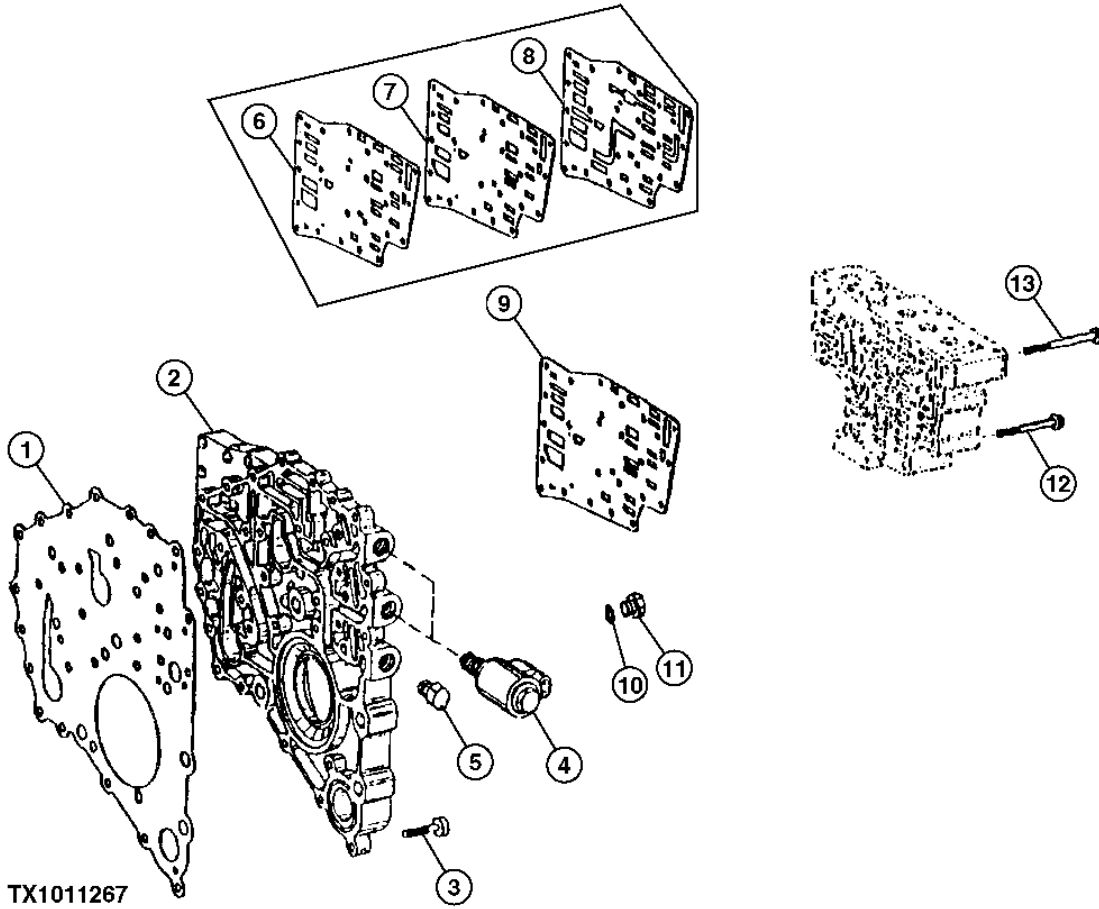
| KEY | PART NO. | PART NAME                  | QTY. | SERIAL NO. | REMARKS   |
|-----|----------|----------------------------|------|------------|---|
|     |          |                            |      |            | 3 3   |
|     |          |                            |      |            | 3 1 1   |
|     |          |                            |      |            | 1 0 5   |
|     |          |                            |      |            | 0 S S   |
|     |          |                            |      |            | G G G   |
| 1   | T159593  | CAP SCREW                  | 6    |            | X X X   |
| 2   | T161204  | WASHER                     | AR   |            | X X X   |
| 3   | T161194  | PLUG                       | 1    |            | X X X (INCLUDES L11698)                             |
| 4   | L11698   | O-RING                     | 1    |            | X X X   |
| 5   | T185606  | COVER                      | 1    |            | X X X   |
| 6   | T159607  | CAP SCREW                  | 4    |            | X X X   |
| 7   | T161207  | CLAMP                      | 1    |            | X X X   |
| 8   | AT179492 | WIRING HARNESS             | 1    |            | X X X   |
| 9   | T159604  | GASKET                     | 1    |            | X X X   |
| 10  | T159584  | SPRING                     | 1    |            | X X X   |
| 11  | T188173  | SPRING                     | 1    |            | X X X   |
| 12  | .....    | PISTON                     | 1    |            | X X X ( T159583, T161196 NLA) (SUB T188172)         |
|     | T188172  | PISTON                     | 1    |            | X X X   |
| 13  | T162947  | PISTON                     | 1    |            | X X X   |
| 14  | T164584  | SPACER                     | 1    |            | X X X 0.20MM (0.0078")                              |
|     | T164583  | SPACER                     | 1    |            | X X X 0.30MM (0.0118")                              |
|     | T164582  | SPACER                     | 1    |            | X X X 0.50MM (0.0197")                              |
|     | T161203  | SHIM                       | 1    |            | X X X 1.0MM (0.0394")                               |
|     | T164581  | SPACER                     | 1    |            | X X X 2.0MM (0.0787")                               |
| 15  | T161202  | SPRING                     | 1    |            | X X X   |
| 16  | T164577  | ORIFICE                    | 1    |            | X X X   |
| 17  | AT179491 | SOLENOID VALVE             | 3    |            | X X X (FORWARD, NEUTRAL CLUTCH DISCONNECT, REVERSE) |
| 18  | T164693  | SCREW                      | 3    |            | X X X   |
| 19  | T144487  | WASHER                     | 3    |            | X X X   |
| 20  | T144486  | PLATE                      | 3    |            | X X X   |
| 21  | AT182947 | PISTON                     | 1    |            | X X X   |
| 22  | T159595  | PISTON                     | 1    |            | X X X   |
| 23  | T159596  | SPRING                     | 1    |            | X X X   |
| 24  | T159599  | PLUG                       | 1    |            | X X X   |
| 25  | T159598  | SPRING                     | 1    |            | X X X   |
| 26  | T159597  | PISTON                     | 1    |            | X X X   |
| 27  | T159600  | PLATE                      | 1    |            | X X X   |
| 28  | T159582  | HOUSING                    | 1    |            | X X X   |
| 29  | T161194  | PLUG                       | 7    |            | X X X (INCLUDES L11698)                             |
| 30  | L11698   | O-RING                     | 7    |            | X X X   |
| 31  | T159589  | SPRING                     | 1    |            | X X X   |
| 32  | T159587  | PISTON                     | 1    |            | X X X   |
| 33  | T159588  | LOCK WASHER                | 1    |            | X X X   |
| 34  | T164579  | PISTON                     | 1    |            | X X X   |
| 35  | T161200  | SPACER                     | AR   |            | X X X 2.4MM (0.0945")                               |
|     | T161199  | SPACER                     | AR   |            | X X X 2.8MM (0.1102")                               |
|     | T161198  | SPACER                     | AR   |            | X X X 3.2MM (0.1260")                               |
|     | T161197  | SPACER                     | AR   |            | X X X 3.6MM (0.1417")                               |
| 36  | T159586  | SPRING                     | 1    |            | X X X   |
| 37  | T159591  | GASKET                     | 1    |            | X X X   |
| 38  | T159592  | COVER                      | 1    |            | X X X   |
| 39  | T161204  | WASHER                     | 6    |            | X X X   |
| 40  | T159593  | CAP SCREW                  | 6    |            | X X X   |
| 41  | AT195752 | HYD ACTUATED CONTROL VALVE | 1    |            | X X X (SUB FOR AT179447)                            |

# 0360-4

TRANSMISSION INTERMEDIATE PLATE AND GASKET (SYNCHSHUTTLE)  
PLAQUE INTERMEDIAIRE ET JOINT DE LA TRANSMISSION (SYNCHSHUTTLE)  
PLACA INTERMEDIA Y EMPAQUETADURA DE TRANSMISION (SYNCHSHUTTLE)

TX1011267

-UN-18AUG06



TX1011267



# 0360-4A

TRANSMISSION 3

TRANSMISSION HYDRAULICS 0360

**TRANSMISSION INTERMEDIATE PLATE AND GASKET (SYNCHSHUTTLE)  
 PLAQUE INTERMEDIAIRE ET JOINT DE LA TRANSMISSION (SYNCHSHUTTLE)  
 PLACA INTERMEDIA Y EMPAQUETADURA DE TRANSMISION (SYNCHSHUTTLE)**

| KEY | PART NO. | PART NAME       | QTY. | SERIAL NO. | REMARKS  |
|-----|----------|-----------------|------|------------|--|
|     |          |                 |      |            | 3 3  |
|     |          |                 |      |            | 3 1 1  |
|     |          |                 |      |            | 1 0 5  |
|     |          |                 |      |            | 0 S S  |
|     |          |                 |      |            | G G G  |
| 1   | T184586  | GASKET          | 1    |            | X X X  |
| 2   | T186041  | HOUSING         | 1    |            | X X X (ALSO ORDER T159684)   |
| 3   | T161208  | CAP SCREW       | 30   |            | X X X  |
| 4   | AT177703 | SOLENOID VALVE  | 2    |            | X X X (DIFFERENTIAL LOCK, PARK BRAKE, MFWD)  |
|     | .....    | SOLENOID        | 1    |            | X X X ( AT179318 NLA) (SERVICED IN AT177703)   |
|     | AT179319 | ELECTRICAL COIL | 1    |            | X X X  |
|     | AT179320 | O-RING KIT      | 1    |            | X X X  |
|     | T161144  | NUT             | 1    |            | X X X  |
| 5   | T159684  | PLUG            | 1    |            | X X X  |
| 6   | T224778  | GASKET          | 1    |            | X X X (SUB FOR AT192550) (ALSO ORDER (19) T164682)   |
| 7   | T159611  | PLATE           | 1    |            | X X X (SUB FOR AT192550) (ALSO ORDER (19) T164682)   |
| 8   | T224751  | GASKET          | 1    |            | X X X (SUB FOR AT192550) (ALSO ORDER (19) T164682)   |
| 9   | .....    | PLATE           | 1    |            | X X X ( AT192550 NLA) (NO GASKETS REQUIRED) (SUB T159611, T224751, T224778 AND (19) T164682) |
| 10  | R26286   | O-RING          | 1    |            | X X X  |
| 11  | R27094   | DRAIN PLUG      | 1    |            | X X X  |
| 12  | T159607  | CAP SCREW       | 19   |            | X X X  |
| 13  | T159613  | CAP SCREW       | 4    |            | X X X  |

# 0360-4B

TRANSMISSION 3

TRANSMISSION HYDRAULICS 0360

MEMORANDA  
MEMORANDA  
MEMORANDA

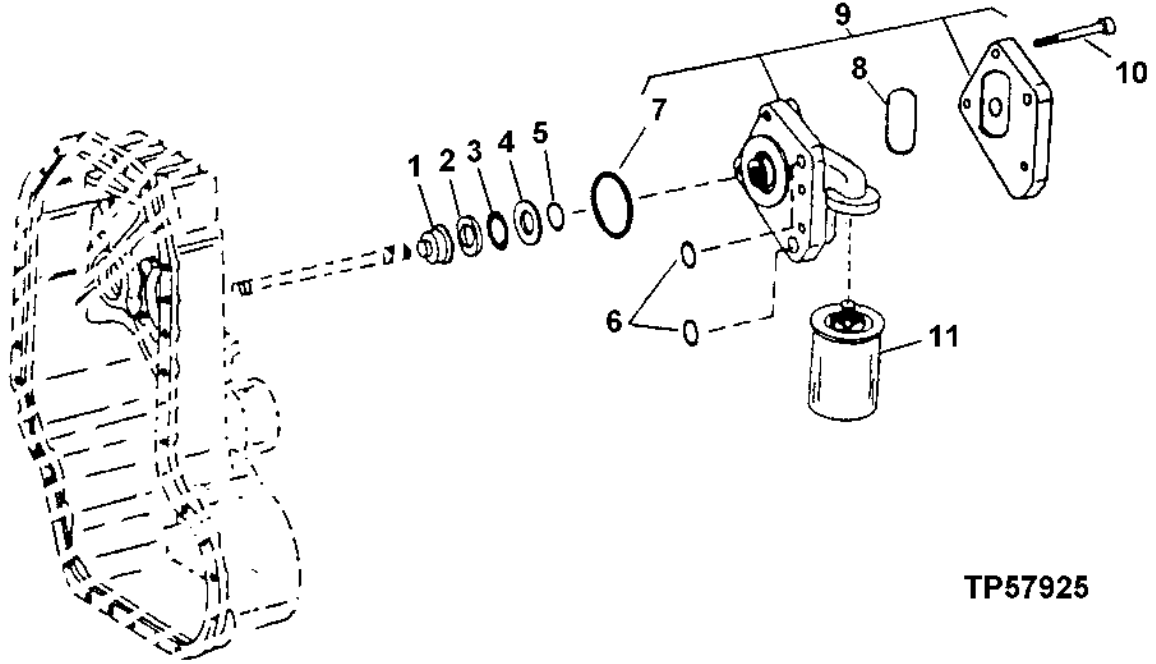
# 0360-5

TRANSMISSION 3

TRANSMISSION HYDRAULICS 0360

## TRANSMISSION CHARGE PUMP POMPE DE GAVAGE DE TRANSMISSION BOMBA DE CARGA DE LA TRANSMISSION

TP57925 -UN-14SEP98



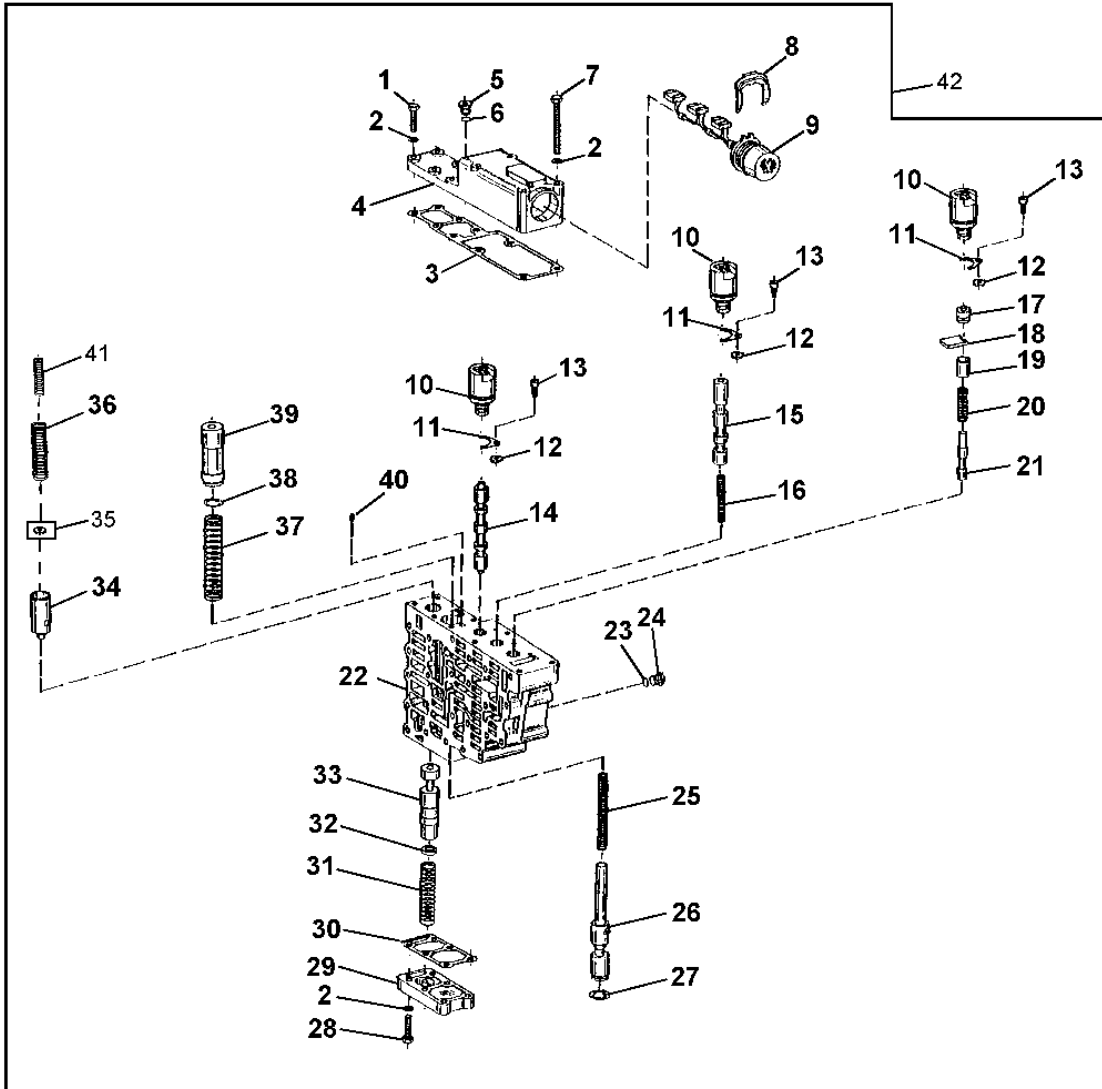
TP57925

| KEY | PART NO. | PART NAME      | QTY. | SERIAL NO. |       | REMARKS |
|-----|----------|----------------|------|------------|-------|---------|
|     |          |                |      |            | 3 3   |         |
|     |          |                |      |            | 3 1 1 |         |
|     |          |                |      |            | 1 0 5 |         |
|     |          |                |      |            | 0 S S |         |
|     |          |                |      |            | G G G |         |
| 1   | T166077  | STOP           | 1    |            | X X X |         |
| 2   | T158732  | DISK           | 1    |            | X X X |         |
| 3   | AT179153 | NEEDLE BEARING | 1    |            | X X X |         |
| 4   | T158749  | THRUST WASHER  | 1    |            | X X X |         |
| 5   | T141689  | O-RING         | 1    |            | X X X |         |
| 6   | T19854   | O-RING         | 2    |            | X X X |         |
| 7   | T162446  | PACKING        | 1    |            | X X X |         |
| 8   | T162935  | O-RING         | 1    |            | X X X |         |
| 9   | AT186167 | HYDRAULIC PUMP | 1    |            | X X X |         |
| 10  | T158754  | CAP SCREW      | 4    |            | X X X |         |
| 11  | AT179323 | OIL FILTER     | 1    |            | X X X |         |

# 0360-6

TRANSMISSION CONTROL VALVE GROUP (POWER SHIFT)  
GROUPE DE DISTRIBUTEURS DE LA TRANSMISSION (POWER SHIFT)  
GRUPO DE VALVULA DE CONTROL DE TRANSMISION (POWER SHIFT)

T150758 -UN-05FEB02



T150758

# 0360-7

TRANSMISSION 3

TRANSMISSION HYDRAULICS 0360

**TRANSMISSION CONTROL VALVE GROUP (POWER SHIFT)  
 GROUPE DE DISTRIBUTEURS DE LA TRANSMISSION (POWER SHIFT)  
 GRUPO DE VALVULA DE CONTROL DE TRANSMISION (POWER SHIFT)**

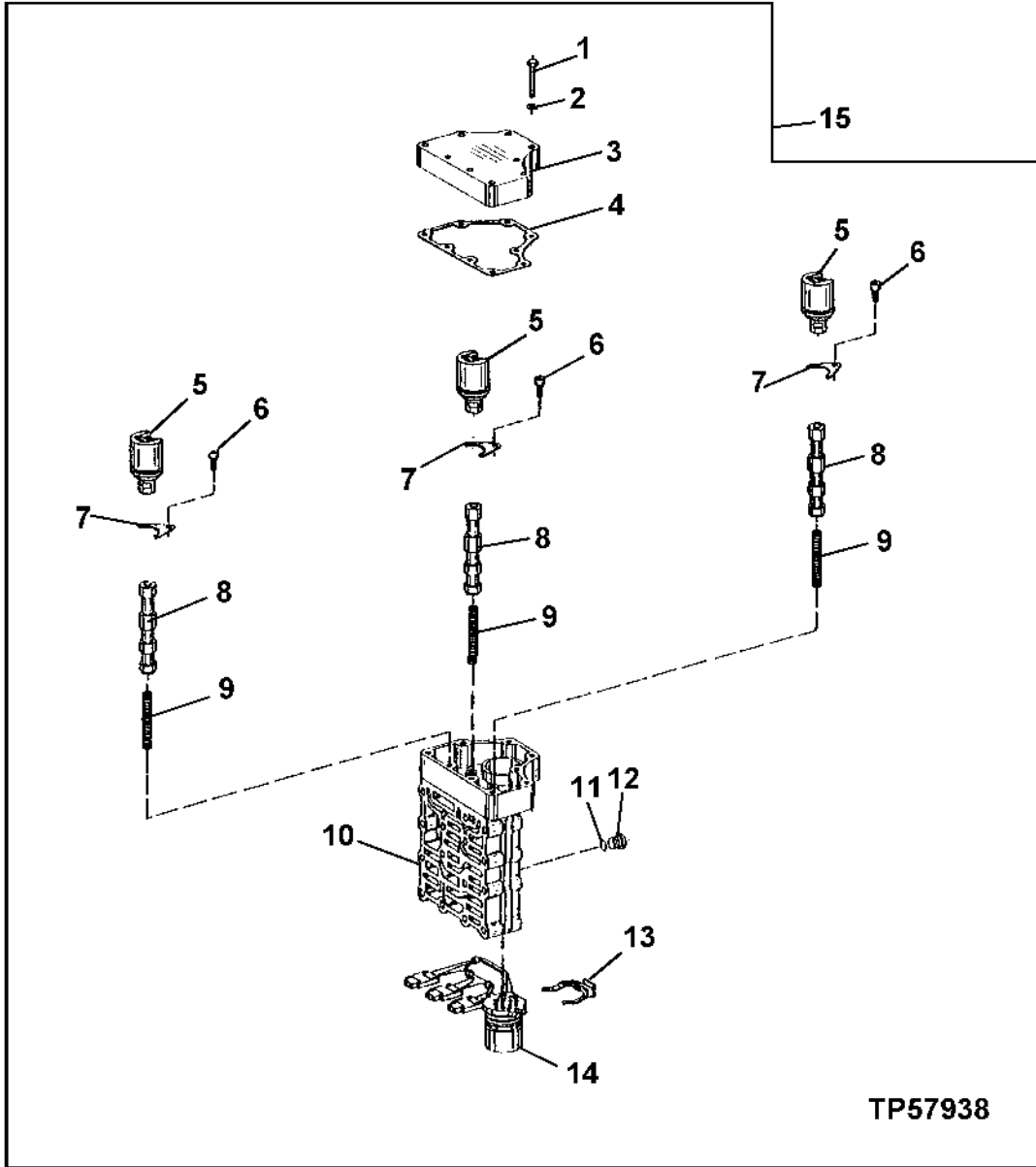
| KEY | PART NO. | PART NAME                  | QTY. | SERIAL NO. | 3 3<br>3 1 1<br>1 0 5<br>0 S S<br>G G G | REMARKS                                  |
|-----|----------|----------------------------|------|------------|---|--|
| 1   | T159593  | CAP SCREW                  | 6    |            | X X                                     |  |
| 2   | T161204  | WASHER                     | 16   |            | X X                                     |  |
| 3   | T159604  | GASKET                     | 1    |            | X X                                     |  |
| 4   | T185606  | COVER                      | 1    |            | X X                                     |  |
| 5   | T161194  | PLUG                       | 3    |            | X X                                     |  |
| 6   | L11698   | O-RING                     | 3    |            | X X                                     |  |
| 7   | T159607  | CAP SCREW                  | 4    |            | X X                                     |  |
| 8   | T161207  | CLAMP                      | 1    |            | X X                                     |  |
| 9   | AT179492 | WIRING HARNESS             | 1    |            | X X                                     |  |
| 10  | AT179491 | SOLENOID VALVE             | 3    |            | X X                                     | (FORWARD, NEUTRAL, REVERSE)              |
| 11  | T144486  | PLATE                      | 3    |            | X X                                     |  |
| 12  | T144487  | WASHER                     | 3    |            | X X                                     |  |
| 13  | T164693  | SCREW                      | 3    |            | X X                                     |  |
| 14  | AT182947 | PISTON                     | 1    |            | X X                                     |  |
| 15  | T164578  | PISTON                     | 1    |            | X X                                     |  |
| 16  | T159596  | SPRING                     | 1    |            | X X                                     |  |
| 17  | T159599  | PLUG                       | 1    |            | X X                                     |  |
| 18  | T159600  | PLATE                      | 1    |            | X X                                     |  |
| 19  | T164585  | SPACER                     | 1    |            | X X                                     |  |
| 20  | T159598  | SPRING                     | 1    |            | X X                                     |  |
| 21  | T159597  | PISTON                     | 1    |            | X X                                     |  |
| 22  | T159582  | HOUSING                    | 1    |            | X X                                     |  |
| 23  | L11698   | O-RING                     | 5    |            | X X                                     |  |
| 24  | T161194  | PLUG                       | 5    |            | X X                                     |  |
| 25  | T159589  | SPRING                     | 1    |            | X X                                     |  |
| 26  | T159587  | PISTON                     | 1    |            | X X                                     |  |
| 27  | T159588  | LOCK WASHER                | 1    |            | X X                                     |  |
| 28  | T159593  | CAP SCREW                  | 6    |            | X X                                     |  |
| 29  | T159592  | COVER                      | 1    |            | X X                                     |  |
| 30  | T159591  | GASKET                     | 1    |            | X X                                     |  |
| 31  | T159586  | SPRING                     | 1    |            | X X                                     |  |
| 32  | T161200  | SPACER                     | 1    |            | X X                                     | 2.40MM (0.0945")                         |
|     | T161199  | SPACER                     | 1    |            | X X                                     | 2.80MM (0.1102")                         |
|     | T161198  | SPACER                     | 1    |            | X X                                     | 3.20MM (0.1260")                         |
|     | T161197  | SPACER                     | 1    |            | X X                                     | 3.60MM (0.1417")                         |
| 33  | T164579  | PISTON                     | 1    |            | X X                                     |  |
| 34  | .....    | PISTON                     | 1    |            | X X                                     | ( T159583 NLA) (SUB T188172 AND T188173) |
|     | T188172  | PISTON                     | 1    |            | X X                                     |  |
| 35  | .....    | SPACER                     | 1    |            | X X                                     | ( T161196 NLA) (SUB T188172 AND T188173) |
| 36  | T159584  | SPRING                     | 1    |            | X X                                     |  |
| 37  | T161202  | SPRING                     | 1    |            | X X                                     |  |
| 38  | T164584  | SPACER                     | 1    |            | X X                                     | 0.2MM (0.0079")                          |
|     | T164583  | SPACER                     | 1    |            | X X                                     | 0.3MM (0.0118")                          |
|     | T164582  | SPACER                     | 1    |            | X X                                     | 0.5MM (0.0197")                          |
|     | T161203  | SHIM                       | 1    |            | X X                                     | 1.0MM (0.0894")                          |
|     | T164581  | SPACER                     | 1    |            | X X                                     | 2.0MM (0.0787")                          |
| 39  | T162947  | PISTON                     | 1    |            | X X                                     |  |
| 40  | T164577  | ORIFICE                    | 1    |            | X X                                     |  |
| 41  | T188173  | SPRING                     | 1    |            | X X                                     |  |
| 42  | AT195753 | HYD ACTUATED CONTROL VALVE | 1    |            | X X                                     | (SUB FOR AT183972)                       |

# 0360-8

RANGE SHIFT VALVE GROUP (POWER SHIFT)  
GROUPE DE SOUPAPES DE CHANGEMENT DE GAMME (POWER SHIFT)  
GRUPO DE VALVULAS DE CAMBIO DE GAMAS (POWER SHIFT)

TP57938

-UN-17SEP98



# 0360-9

TRANSMISSION 3

TRANSMISSION HYDRAULICS 0360

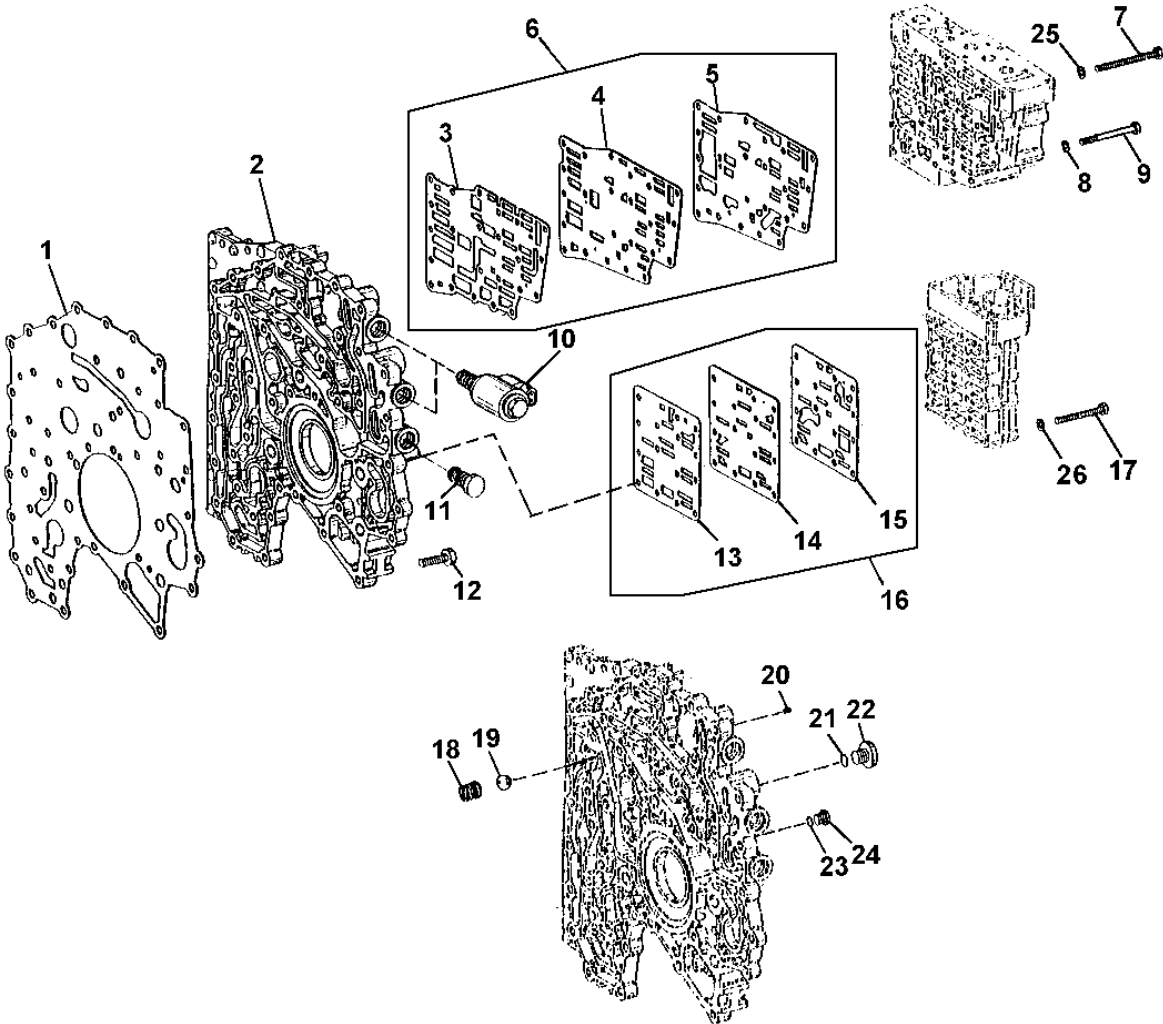
RANGE SHIFT VALVE GROUP (POWER SHIFT)  
 GROUPE DE SOUPAPES DE CHANGEMENT DE GAMME (POWER SHIFT)  
 GRUPO DE VALVULAS DE CAMBIO DE GAMAS (POWER SHIFT)

| KEY | PART NO. | PART NAME                  | QTY. | SERIAL NO. | 3 3<br>3 1 1<br>1 0 5<br>0 S S<br>G G G | REMARKS |
|-----|----------|----------------------------|------|------------|---|---------|
| 1   | T166066  | CAP SCREW                  | 9    |            | X X                                     |         |
| 2   | T164702  | WASHER                     | 9    |            | X X                                     |         |
| 3   | T164611  | COVER                      | 1    |            | X X                                     |         |
| 4   | T164612  | GASKET                     | 1    |            | X X                                     |         |
| 5   | AT179491 | SOLENOID VALVE             | 3    |            | X X                                     |         |
| 6   | T164693  | SCREW                      | 3    |            | X X                                     |         |
| 7   | T144486  | PLATE                      | 3    |            | X X                                     |         |
| 8   | T164610  | PISTON                     | 3    |            | X X                                     |         |
| 9   | T159596  | SPRING                     | 3    |            | X X                                     |         |
| 10  | T164609  | HOUSING                    | 1    |            | X X                                     |         |
| 11  | L11698   | RING                       | 4    |            | X X                                     |         |
| 12  | T161194  | PLUG                       | 4    |            | X X                                     |         |
| 13  | T161207  | CLAMP                      | 1    |            | X X                                     |         |
| 14  | AT184007 | WIRING HARNESS             | 1    |            | X X                                     |         |
| 15  | AT183973 | HYD ACTUATED CONTROL VALVE | 1    |            | X X                                     |         |

# 0360-10

TRANSMISSION HYDRAULICS 0360  
TRANSMISSION INTERMEDIATE PLATE AND GASKETS (POWER SHIFT)  
PLAQUE INTERMEDIAIRE ET JOINTS DE TRANSMISSION (POWER SHIFT)  
PLACA INTERMEDIA Y EMPAQUETADURAS DE TRANSMISSION (POWER SHIFT)

T143501 -UN-29JUN01



T143501



# 0360-11

TRANSMISSION 3

TRANSMISSION HYDRAULICS 0360

**TRANSMISSION INTERMEDIATE PLATE AND GASKETS (POWER SHIFT)  
PLAQUE INTERMEDIAIRE ET JOINTS DE TRANSMISSION (POWER SHIFT)  
PLACA INTERMEDIA Y EMPAQUETADURAS DE TRANSMISION (POWER SHIFT)**

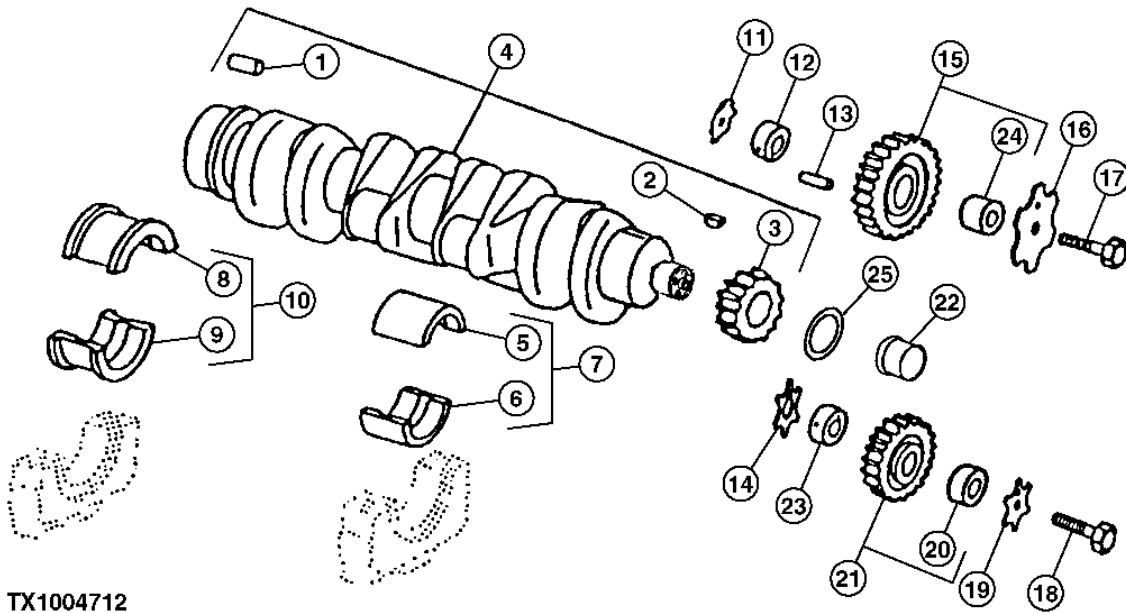
| KEY | PART NO. | PART NAME          | QTY. | SERIAL NO. | REMARKS  |
|-----|----------|--------------------|------|------------|--|
|     |          |                    |      |            | 3 3<br>3 1 1<br>1 0 5<br>0 S S<br>G G G  |
| 1   | T164592  | GASKET             | 1    |            | X X  |
| 2   | T186560  | HOUSING            | 1    |            | X X (SUB FOR T164591)  |
| 3   | .....    | GASKET             | 1    |            | X X (SUB AT192552) (ALSO ORDER (19)<br>T159607) (SUB FOR T159612)                          |
|     | T224750  | GASKET             | 1    |            | X X (SUB FOR AT192552) (ALSO ORDER (19)<br>T164682)  |
| 4   | .....    | PLATE              | 1    |            | X X (SUB AT192552) (ALSO ORDER (19)<br>T159607) (SUB FOR T164595)                          |
|     | T164595  | PLATE              | 1    |            | X X (SUB FOR AT192552) (ALSO ORDER (19)<br>T164682)  |
| 5   | .....    | GASKET             | 1    |            | X X (SUB AT192552) (ALSO ORDER (19)<br>T159607) (SUB FOR T164596)                          |
|     | T224751  | GASKET             | 1    |            | X X (SUB FOR AT192552) (ALSO ORDER (19)<br>T164682)  |
| 6   | .....    | PLATE              | 1    |            | X X ( AT192552 NLA) (SUB FOR T159612,<br>T164595 AND T164596) (ALSO ORDER (19)<br>T159607) |
| 7   | T159613  | CAP SCREW          | 4    |            | X X  |
| 8   | T161204  | WASHER             | 19   |            | X X  |
| 9   | T159607  | CAP SCREW          | 19   |            | X X  |
| 10  | AT177703 | SOLENOID VALVE     | 2    |            | X X (PARK BRAKE, DIFF LOCK)  |
|     | .....    | SOLENOID           | 2    |            | X X ( AT179318 NLA) (SERVICED IN AT177703)   |
|     | AT179319 | ELECTRICAL COIL    | 2    |            | X X  |
|     | AT179320 | O-RING KIT         | 2    |            | X X  |
|     | T161144  | NUT                | 2    |            | X X  |
| 11  | T159684  | PLUG               | 1    |            | X X (MFWD SOLENOID HOLE)   |
| 12  | T161208  | CAP SCREW          | 43   |            | X X  |
| 13  | .....    | GASKET             | 1    |            | X X (SUB AT192553) (ALSO ORDER (19)<br>T159607) (SUB FOR T164597)                          |
|     | T224776  | GASKET             | 1    |            | X X (SUB FOR AT192553) (ALSO ORDER (19)<br>T164682)  |
| 14  | .....    | PLATE              | 1    |            | X X (SUB AT192553) (ALSO ORDER (19)<br>T159607) (SUB FOR T164598)                          |
|     | T164598  | PLATE              | 1    |            | X X (SUB FOR AT192553) (ALSO ORDER (19)<br>T164682)  |
| 15  | .....    | GASKET             | 1    |            | X X (SUB AT192553) (ALSO ORDER (19)<br>T159607) (SUB FOR T164599)                          |
|     | T224777  | GASKET             | 1    |            | X X (SUB FOR AT192553) (ALSO ORDER (19)<br>T164682)  |
| 16  | .....    | PLATE              | 1    |            | X X ( AT192553 NLA) (SUB FOR T164597,<br>T164598, T164599) (ALSO ORDER (19)<br>T159607)    |
| 17  | T164686  | CAP SCREW          | 15   |            | X X  |
| 18  | T144494  | COMPRESSION SPRING | 1    |            | X X  |
| 19  | T144493  | BALL               | 1    |            | X X  |
| 20  | T164577  | ORIFICE            | 1    |            | X X  |
| 21  | R26286   | O-RING             | 1    |            | X X  |
| 22  | R27094   | DRAIN PLUG         | 1    |            | X X  |
| 23  | L11698   | O-RING             | 1    |            | X X  |
| 24  | T161194  | PLUG               | 1    |            | X X  |
| 25  | T161204  | WASHER             | 4    |            | X X  |
| 26  | T161204  | WASHER             | 15   |            | X X  |

# 0401-1A

ENGINE 4

CRANKSHAFT AND MAIN BEARINGS (310G) (W/O TURBO) (VSN -911768) TO/PE4405DT056  
VILEBREQUIN ET PALIER (310G) (W/O TURBO) (VSN -911768) TO/PE4405DT056  
CIGUENAL Y COJINETE DE BANCADA (310G) (W/O TURBO) (VSN -911768) TO/PE4405DT056

TX1004712 -UN-14MAR06



TX1004712

# 0401-1B

ENGINE 4

CRANKSHAFT AND MAIN BEARINGS (310G) (W/O TURBO) (VSN -911768) TO/PE4405DT056  
 VILEBREQUIN ET PALIER (310G) (W/O TURBO) (VSN -911768) TO/PE4405DT056  
 CIGUENAL Y COJINETE DE BANCADA (310G) (W/O TURBO) (VSN -911768) TO/PE4405DT056

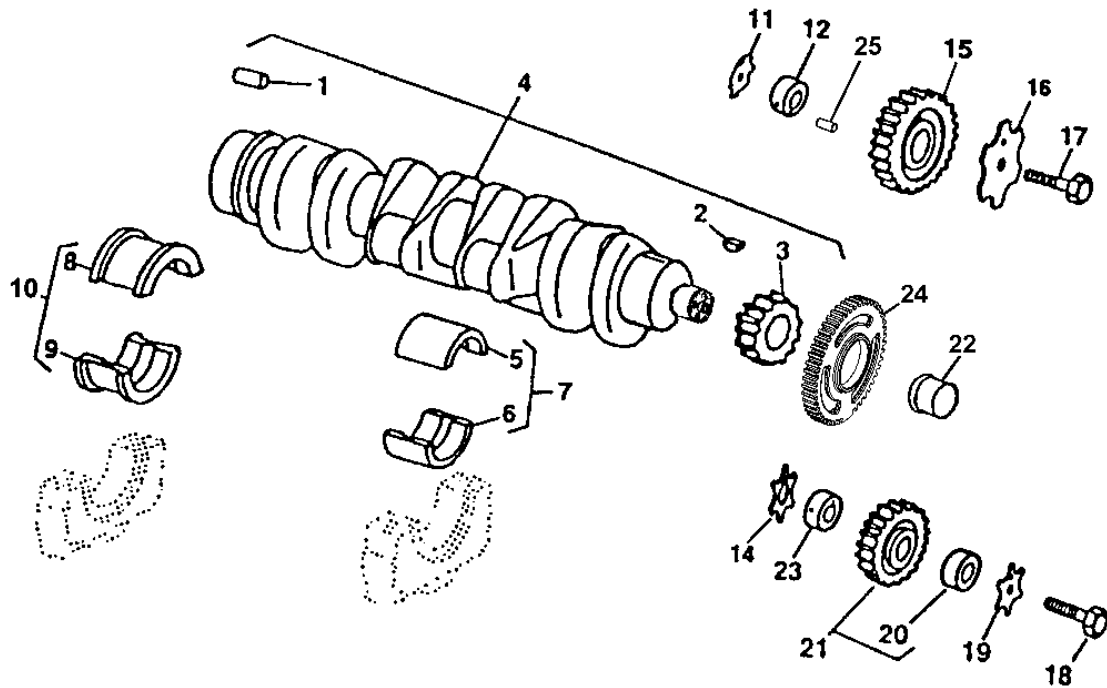
| KEY | PART NO. | PART NAME      | QTY. | ENGINE SERIAL NO. | 3 3<br>3 1 1<br>1 0 5<br>0 S S<br>G G G | REMARKS  |
|-----|----------|----------------|------|-------------------|---|--|
| 1   | R48685   | DOWEL PIN      | 1    |                   | X                                       |  |
| 2   | 26M4224  | SHAFT KEY      | 1    | -903066           | X                                       | 4 X 16 MM                                      |
|     | R505609  | SHAFT KEY      | 1    | 903067-           | X                                       |  |
| 3   | R120631  | GEAR           | 1    |                   | X                                       | (Z = 30)                                       |
| 4   | RE50618  | CRANKSHAFT     | 1    | -903066           | X                                       | (MARKED R113596) (SUB RE504638 AND RE516340)   |
|     | RE504638 | CRANKSHAFT     | 1    | 903067-           | X                                       | (MARKED R113596) (ALSO ORDER RE516340)         |
| 5   | .....    | BEARING        | 4    |                   | X                                       | (STD) (UPPER) (MARKED R123561)                 |
|     | .....    | BEARING        | 4    |                   | X                                       | (US) (UPPER) 0.254MM (.0100") (MARKED R130576) |
| 6   | .....    | BEARING        | 4    |                   | X                                       | (STD) (LOWER) (MARKED R123562)                 |
|     | .....    | BEARING        | 4    |                   | X                                       | (US) (LOWER) 0.254MM (.0100") (MARKED R130577) |
| 7   | RE65165  | BEARING KIT    | 4    |                   | X                                       | (STD)  |
|     | RE65911  | BEARING        | 4    |                   | X                                       | (US) 0.254MM (.0100")                          |
| 8   | .....    | BEARING        | 1    |                   | X                                       | (STD) (UPPER) (MARKED R123563)                 |
|     | .....    | BEARING        | 1    |                   | X                                       | (US) (UPPER) 0.254MM (.0100") (MARKED R130574) |
| 9   | .....    | BEARING        | 1    |                   | X                                       | (STD) (LOWER) (MARKED R123564)                 |
|     | .....    | BEARING        | 1    |                   | X                                       | (US) (LOWER) 0.254MM (.0100") (MARKED R130575) |
| 10  | RE65168  | BEARING KIT    | 1    |                   | X                                       | (STD)  |
|     | RE65912  | THRUST BEARING | 1    |                   | X                                       | (US) 0.254MM (.0100")                          |
| 11  | R101225  | THRUST WASHER  | 1    |                   | X                                       |  |
| 12  | R109863  | SHAFT          | 1    |                   | X                                       |  |
| 13  | 34H288   | SPRING PIN     | 1    |                   | X                                       |  |
| 14  | R101225  | THRUST WASHER  | 1    |                   | X                                       |  |
| 15  | RE500631 | GEAR           | 1    |                   | X                                       | (MARKED R500363)                               |
| 16  | R131283  | THRUST WASHER  | 1    |                   | X                                       |  |
| 17  | 19M8844  | SCREW          | 1    |                   | X                                       | M10 X 60                                       |
| 18  | 19M8966  | SCREW          | 1    |                   | X                                       | M10 X 50                                       |
| 19  | R131283  | THRUST WASHER  | 1    |                   | X                                       |  |
| 20  | R114193  | BUSHING        | 1    |                   | X                                       |  |
| 21  | RE56369  | GEAR           | 1    |                   | X                                       |  |
| 22  | RE59811  | SLEEVE         | 1    |                   | X                                       |  |
| 23  | R114194  | SHAFT          | 1    |                   | X                                       |  |
| 24  | T20034   | BUSHING        | 1    |                   | X                                       |  |
| 25  | RE516340 | KIT            | 1    | 903067-           | X                                       |  |

# 0401-2

ENGINE 4

CRANKSHAFT AND MAIN BEARINGS (310G) (W/O TURBO) (VSN 911769- ) PE4045DT058  
VILEBREQUIN ET PALIER (310G) (W/O TURBO) (VSN 911769- ) PE4045DT058  
CIGUENAL Y COJINETE DE BANCADA (310G) (W/O TURBO) (VSN 911769- ) PE4045DT058

T145419 -UN-12NOV01



T145419

# 0401-3

ENGINE 4

CRANKSHAFT AND MAIN BEARINGS (310G) (W/O TURBO) (VSN 911769- ) PE4045DT058  
 VILEBREQUIN ET PALIER (310G) (W/O TURBO) (VSN 911769- ) PE4045DT058  
 CIGUENAL Y COJINETE DE BANCADA (310G) (W/O TURBO) (VSN 911769- ) PE4045DT058

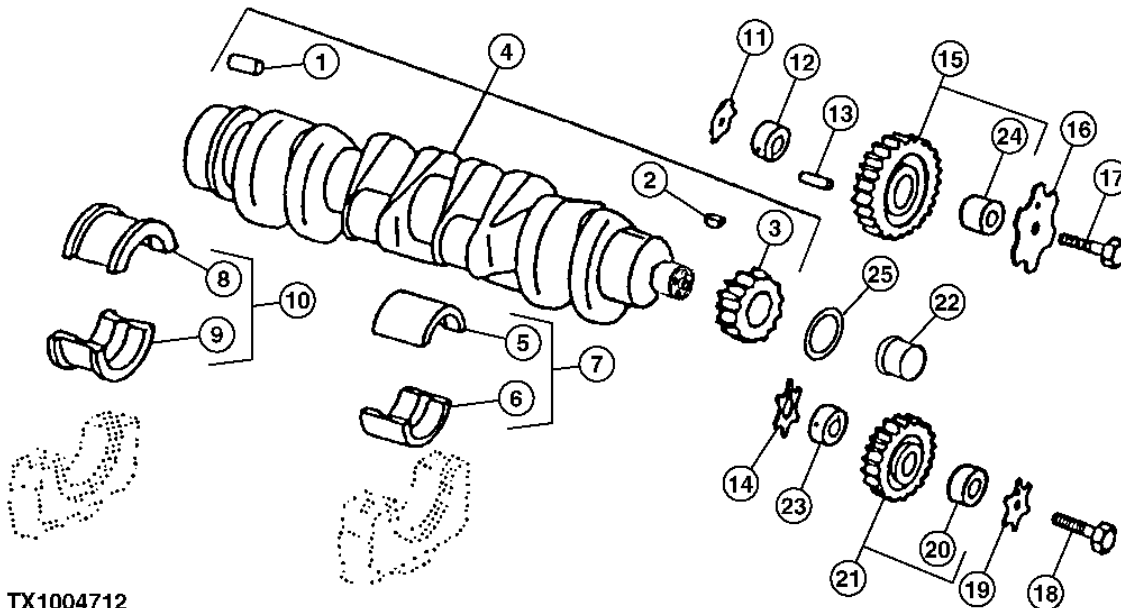
| KEY | PART NO. | PART NAME          | QTY. | ENGINE SERIAL NO. | REMARKS  |
|-----|----------|--------------------|------|-------------------|--|
|     |          |                    |      |                   | 3 3  |
|     |          |                    |      |                   | 3 1 1  |
|     |          |                    |      |                   | 1 0 5  |
|     |          |                    |      |                   | 0 S S  |
|     |          |                    |      |                   | G G G  |
| 1   | R48685   | DOWEL PIN          | 1    |                   | X  |
| 2   | R505609  | SHAFT KEY          | 1    |                   | X  |
| 3   | R120631  | GEAR               | 1    |                   | X (Z = 30)                                       |
| 4   | RE504638 | CRANKSHAFT         | 1    |                   | X (MARKED R113596) (ALSO ORDER RE59811)          |
| 5   | .....    | BEARING            | 4    |                   | X (STD) (UPPER) (MARKED R123561)                 |
|     | .....    | BEARING            | 4    |                   | X (US) (UPPER) 0.254MM (.0100") (MARKED R130576) |
| 6   | .....    | BEARING            | 4    |                   | X (STD) (LOWER) (MARKED R123562)                 |
|     | .....    | BEARING            | 4    |                   | X (US) (LOWER) 0.254MM (.0100") (MARKED R130577) |
| 7   | RE65165  | BEARING KIT        | 4    |                   | X (STD)  |
|     | RE65911  | BEARING            | 4    |                   | X (US) 0.254MM (.0100")                          |
| 8   | .....    | BEARING            | 1    |                   | X (STD) (UPPER) (MARKED R123563)                 |
|     | .....    | BEARING            | 1    |                   | X (US) (UPPER) 0.254MM (.0100") (MARKED R130574) |
| 9   | .....    | BEARING            | 1    |                   | X (STD) (LOWER) (MARKED R123564)                 |
|     | .....    | BEARING            | 1    |                   | X (US) (LOWER) 0.254MM (.0100") (MARKED R130575) |
| 10  | RE65168  | BEARING KIT        | 1    |                   | X (STD)  |
|     | RE65912  | THRUST BEARING     | 1    |                   | X (US) 0.254MM (.0100")                          |
| 11  | R123174  | THRUST WASHER      | 1    |                   | X  |
| 12  | R120641  | SHAFT              | 1    |                   | X  |
| 14  | R101225  | THRUST WASHER      | 1    |                   | X  |
| 15  | RE56313  | GEAR               | 1    |                   | X (MARKED R500563)                               |
| 16  | R131206  | THRUST WASHER      | 1    |                   | X  |
| 17  | 19M8997  | SCREW              | 1    |                   | X M10 X 65                                       |
| 18  | 19M8966  | SCREW              | 1    |                   | X M10 X 50                                       |
| 19  | R131283  | THRUST WASHER      | 1    |                   | X  |
| 20  | R114193  | BUSHING            | 1    |                   | X  |
| 21  | RE56369  | GEAR               | 1    |                   | X  |
| 22  | RE59811  | SLEEVE             | 1    |                   | X  |
| 23  | R114194  | SHAFT              | 1    |                   | X  |
| 24  | R501489  | WHEEL SPEED SENSOR | 1    |                   | X (CRANKSHAFT TIMING)                            |
| 25  | 34H288   | SPRING PIN         | 1    |                   | X 3/16" X 1-3/4"                                 |

# 0401-4

ENGINE 4

CRANKSHAFT AND MAIN BEARINGS 310G (TURBO),310SG,315SG (VSN -910055) TO/PE4045TT080/081  
VILEBREQUIN ET PALIER 310G (TURBO),310SG,315SG (VSN -910055) TO/PE4045TT080/081  
CIGUENAL Y COJINETE DE BANCADA 310G (TURBO),310SG,315SG (VSN -910055) TO/PE4045TT080/081

TX1004712 -UN-14MAR06



TX1004712

# 0401-5

ENGINE 4

CRANKSHAFT AND MAIN BEARINGS 310G(TURBO),310SG,315SG (VSN -910055) TO/PE4045TT080/081  
 VILEBREQUIN ET PALIER 310G(TURBO),310SG,315SG (VSN -910055) TO/PE4045TT080/081  
 CIGUENAL Y COJINETE DE BANCADA 310G(TURBO),310SG,315SG (VSN -910055) TO/PE4045TT080/081

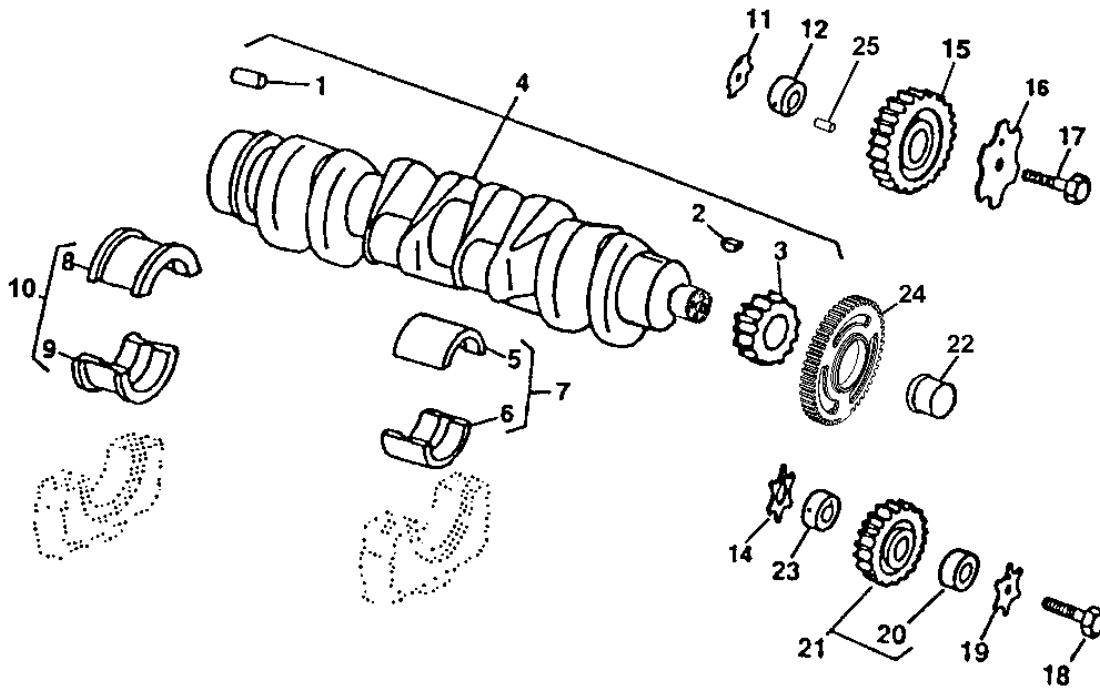
| KEY | PART NO. | PART NAME      | QTY. | ENGINE SERIAL NO. | REMARKS  |
|-----|----------|----------------|------|-------------------|--|
|     |          |                |      |                   | 3 3<br>3 1 1<br>1 0 5<br>0 S S<br>G G G              |
| 1   | R48685   | DOWEL PIN      | 1    |                   | X X X  |
| 2   | 26M4224  | SHAFT KEY      | 1    | -903066           | X X X 4 X 16 MM                                      |
|     | R505609  | SHAFT KEY      | 1    | 903067-           |  |
| 3   | R120631  | GEAR           | 1    |                   | X X X (Z = 30)                                       |
| 4   | RE50618  | CRANKSHAFT     | 1    | -903066           | X X X (MARKED R113596) (SUB RE504638 AND RE516340)   |
|     | RE504638 | CRANKSHAFT     | 1    | 903067-           | (ALSO ORDER RE516340) (MARKED R113596)               |
| 5   | .....    | BEARING        | 4    |                   | X X X (STD) (UPPER) (MARKED R123561)                 |
|     | .....    | BEARING        | 4    |                   | X X X (US) (UPPER) 0.254MM (.0100") (MARKED R130576) |
| 6   | .....    | BEARING        | 4    |                   | X X X (STD) (LOWER) (MARKED R123562)                 |
|     | .....    | BEARING        | 4    |                   | X X X (US) (LOWER) 0.254MM (.0100") (MARKED R130577) |
| 7   | RE65165  | BEARING KIT    | 4    |                   | X X X (STD)  |
|     | RE65911  | BEARING        | 4    |                   | X X X (US) 0.254MM (.0100")                          |
| 8   | .....    | BEARING        | 1    |                   | X X X (STD) (UPPER) (MARKED R123563)                 |
|     | .....    | BEARING        | 1    |                   | X X X (US) (UPPER) 0.254MM (.0100") (MARKED R130574) |
| 9   | .....    | BEARING        | 1    |                   | X X X (STD) (LOWER) (MARKED R123564)                 |
|     | .....    | BEARING        | 1    |                   | X X X (US) (LOWER) 0.254MM (.0100") (MARKED R130575) |
| 10  | RE65168  | BEARING KIT    | 1    |                   | X X X (STD)  |
|     | RE65912  | THRUST BEARING | 1    |                   | X X X (US) 0.254MM (.0100")                          |
| 11  | R101225  | THRUST WASHER  | 1    |                   | X X X  |
| 12  | R109863  | SHAFT          | 1    |                   | X X X  |
| 13  | 34H288   | SPRING PIN     | 1    |                   | X X X  |
| 14  | R101225  | THRUST WASHER  | 1    |                   | X X X  |
| 15  | RE500631 | GEAR           | 1    |                   | X X X (MARKED R500363)                               |
| 16  | R131283  | THRUST WASHER  | 1    |                   | X X X  |
| 17  | 19M8844  | SCREW          | 1    |                   | X X X M10 X 60                                       |
| 18  | 19M8966  | SCREW          | 1    |                   | X X X M10 X 50                                       |
| 19  | R131283  | THRUST WASHER  | 1    |                   | X X X  |
| 20  | R114193  | BUSHING        | 1    |                   | X X X  |
| 21  | RE56369  | GEAR           | 1    |                   | X X X  |
| 22  | RE59811  | SLEEVE         | 1    |                   | X X X  |
| 23  | R114194  | SHAFT          | 1    |                   | X X X  |
| 24  | T20034   | BUSHING        | 1    |                   | X X X  |
| 25  | RE516340 | KIT            | 1    | 903067-           | X X X  |

# 0401-6

ENGINE 4

CRANKSHAFT AND MAIN BEARINGS 310G(TURBO),310SG,315SG (VSN 910056- ) PE4045TT088, PE4045TT089  
VILEBREQUIN ET PALIER 310G(TURBO),310SG,315SG (VSN 910056- ) PE4045TT088, PE4045TT089  
CIGUENAL Y COJINETE DE BANCADA 310G(TURBO),310SG,315SG (VSN 910056- ) PE4045TT088, PE4045TT089

T145419



T145419



# 0401-7

ENGINE 4

CRANKSHAFT AND MAIN BEARINGS 310G(TURBO),310SG,315SG (VSN 910056- ) PE4045TT088, PE4045TT089  
 VILEBrequin ET PALIER 310G(TURBO),310SG,315SG (VSN 910056- ) PE4045TT088, PE4045TT089  
 CIGUENAL Y COJINETE DE BANCADA 310G(TURBO),310SG,315SG (VSN 910056- ) PE4045TT088, PE4045TT089

| KEY | PART NO. | PART NAME      | QTY. | ENGINE SERIAL NO. | REMARKS  |
|-----|----------|----------------|------|-------------------|--|
|     |          |                |      | 3 3               |  |
|     |          |                |      | 3 1 1             |  |
|     |          |                |      | 1 0 5             |  |
|     |          |                |      | 0 S S             |  |
|     |          |                |      | G G G             |  |
| 1   | R48685   | DOWEL PIN      | 1    | X X X             |  |
| 2   | R505609  | SHAFT KEY      | 1    | X X X             |  |
| 3   | R120631  | GEAR           | 1    | X X X (Z = 30)    |  |
| 4   | RE504638 | CRANKSHAFT     | 1    | X X X             | (MARKED R113596) (ALSO ORDER RE59811)          |
| 5   | .....    | BEARING        | 4    | X X X             | (STD) (UPPER) (MARKED R123561)                 |
|     | .....    | BEARING        | 4    | X X X             | (US) (UPPER) 0.254MM (.0100") (MARKED R130576) |
| 6   | .....    | BEARING        | 4    | X X X             | (STD) (LOWER) (MARKED R123562)                 |
|     | .....    | BEARING        | 4    | X X X             | (US) (LOWER) 0.254MM (.0100") (MARKED R130577) |
| 7   | RE65165  | BEARING KIT    | 4    | X X X             | (STD)  |
|     | RE65911  | BEARING        | 4    | X X X             | (US) 0.254MM (.0100")                          |
| 8   | .....    | BEARING        | 1    | X X X             | (STD) (UPPER) (MARKED R123563)                 |
|     | .....    | BEARING        | 1    | X X X             | (US) (UPPER) 0.254MM (.0100") (MARKED R130574) |
| 9   | .....    | BEARING        | 1    | X X X             | (STD) (LOWER) (MARKED R123564)                 |
|     | .....    | BEARING        | 1    | X X X             | (US) (LOWER) 0.254MM (.0100") (MARKED R130575) |
| 10  | RE65168  | BEARING KIT    | 1    | X X X             | (STD)  |
|     | RE65912  | THRUST BEARING | 1    | X X X             | (US) 0.254MM (.0100")                          |
| 11  | R123174  | THRUST WASHER  | 1    | X X X             |  |
| 12  | R120641  | SHAFT          | 1    | X X X             |  |
| 14  | R101225  | THRUST WASHER  | 1    | X X X             |  |
| 15  | RE56313  | GEAR           | 1    | X X X             | (MARKED R500563)                               |
| 16  | R131206  | THRUST WASHER  | 1    | X X X             |  |
| 17  | 19M8997  | SCREW          | 1    | X X X             | M10 X 65                                       |
| 18  | 19M8966  | SCREW          | 1    | X X X             | M10 X 50                                       |
| 19  | R131283  | THRUST WASHER  | 1    | X X X             |  |
| 20  | R114193  | BUSHING        | 1    | X X X             |  |
| 21  | RE56369  | GEAR           | 1    | X X X             |  |
| 22  | RE59811  | SLEEVE         | 1    | X X X             |  |
| 23  | R114194  | SHAFT          | 1    | X X X             |  |
| 24  | R517471  | WHEEL          | 1    | X X X             | (CRANKSHAFT TIMING) (SUB FOR R501489)          |
| 25  | 34H288   | SPRING PIN     | 1    | X X X             |  |

# 0401-8

ENGINE 4

CRANKSHAFT AND MAIN BEARINGS 0401

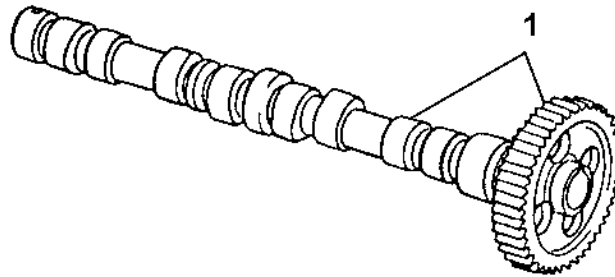
MEMORANDA  
MEMORANDA  
MEMORANDA

# 0402-1

ENGINE 4

CAMSHAFT AND VALVE ACTUATING MEANS 0402  
 CAMSHAFT (VSN 893079-907963)T04045DT056(VSN -911768)PE4045DT056 (VSN 911769- )PE4045DT058  
 ARBRE A CAMES (VSN 893079-907963)T04045DT056(VSN -911768)PE4045DT056(VSN 911769- )PE4045DT058  
 ARBOL DE LEVAS (VSN 893079-907963)T04045DT056(VSN-911768)PE4045DT056(VSN 911769- )PE4045DT058

TP69520 -UN-02JUN00



**TP69520**

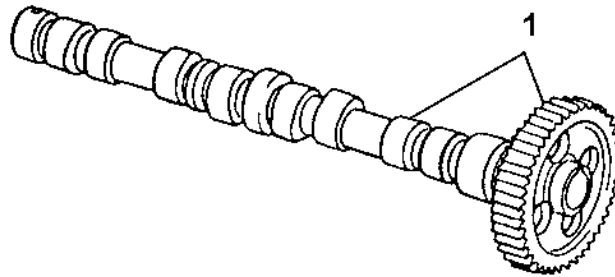
| KEY | PART NO. | PART NAME | QTY. | ENGINE SERIAL NO.                       | REMARKS  |
|-----|----------|-----------|------|---|--|
| 1   | RE56375  | CAMSHAFT  | 1    | 3 3<br>3 1 1<br>1 0 5<br>0 S S<br>G G G | (WITH GEAR AND KEY) (WITH AND WITHOUT TURBOCHARGER) (MARKED R135439) |

# 0402-1A

ENGINE 4

CAMSHAFT AND VALVE ACTUATING MEANS 0402  
 CAMSHAFT (VSN 893079-907963)T04045TT080/081(VSN -910055)PE4045TT080/081  
 ARBRE A CAMES (VSN 893079-907963)T04045TT080/081(VSN-910055)PE4045TT080/08 1  
 ARBOL DE LEVAS (VSN 893079-907963)T04045TT080/081(VSN-910055)PE4045TT080/81

TP69520 -UN-02JUN00



TP69520

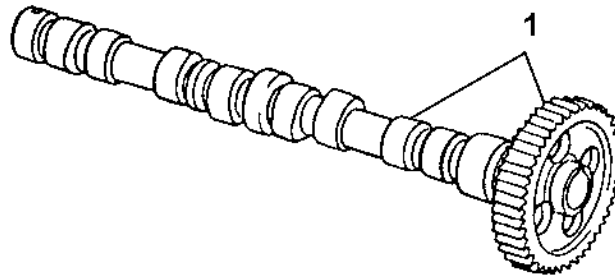
| KEY | PART NO. | PART NAME | QTY. | ENGINE SERIAL NO. | REMARKS   |
|-----|----------|-----------|------|-------------------|---|
| 1   | RE56375  | CAMSHAFT  | 1    | -221705           | 3 3<br>3 1 1<br>1 0 5<br>0 S S<br>G G G<br>X X X (WITH GEAR AND KEY) (WITH AND WITHOUT TURBOCHARGER) (MARKED R135439) |

# 0402-1B

ENGINE 4

CAMSHAFT AND VALVE ACTUATING MEANS 0402  
 CAMSHAFT (VSN 910056- ) PE4045TT088, PE4045TT089  
 ARBRE A CAMES (VSN 910056- ) PE4045TT088, PE4045TT089  
 ARBOL DE LEVAS (VSN 910056- ) PE4045TT088, PE4045TT089

TP69520 -UN-02JUN00



**TP69520**

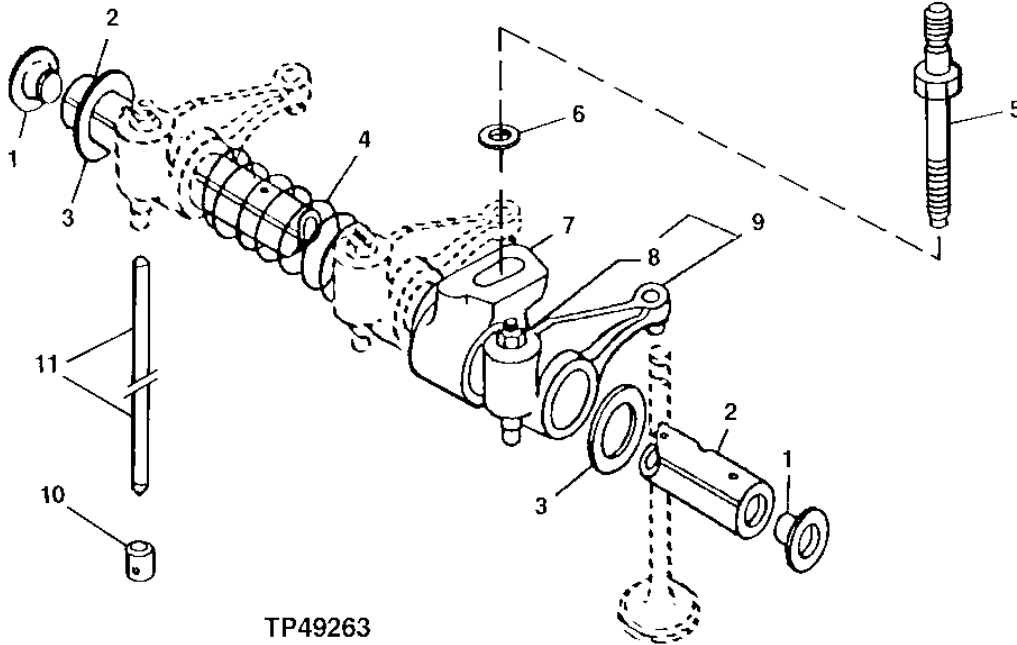
| KEY | PART NO. | PART NAME | QTY. | ENGINE SERIAL NO. | REMARKS   |
|-----|----------|-----------|------|-------------------|---|
| 1   | RE507595 | CAMSHAFT  | 1    | 221706-           | 3 3<br>3 1 1<br>1 0 5<br>0 S S<br>G G G<br>X X X (WITH GEAR AND KEY) (WITH AND WITHOUT TURBOCHARGER) (MARKED R135439) |

# 0402-2

ENGINE 4

CAMSHAFT AND VALVE ACTUATING MEANS 0402  
 ROCKER ARMS, SHAFT AND PUSHRODS (SEE FOOTNOTE)  
 CULBUTEURS, ARBRE DES CULBUTEURS ET TIGES DE CULBUTEURS (VOIR NOTE EN BAS DE PAGE)  
 BALANCINES, EJE Y VARILLAS DE EMPUJE (CONSULTE NOTA AL PIE DE PAGINA)

TP49263 -UN-20JUN95



TP49263

| KEY | PART NO. | PART NAME        | QTY. | ENGINE SERIAL NO. | REMARKS   |
|-----|----------|------------------|------|-------------------|-----------|
| 1   | R54565   | PLUG             | 2    |                   | X X X     |
| 2   | R123513  | ROCKER ARM SHAFT | 1    |                   | X X X     |
| 3   | T20316   | WASHER           | 2    |                   | X X X     |
| 4   | T20314   | SPRING           | 3    |                   | X X X     |
| 5   | R123271  | STUD             | 4    |                   | X X X     |
| 6   | 24M7346  | WASHER           | 4    |                   | X X X     |
| 7   | R123161  | SUPPORT          | 4    |                   | X X X     |
| 8   | 14M7148  | NUT              | 1    |                   | X X X M10 |
| 9   | RE68695  | ROCKER ARM       | 8    |                   | X X X     |
| 10  | R123565  | CAM FOLLOWER     | 8    |                   | X X X     |
| 11  | R107731  | PUSH ROD         | 8    |                   | X X X     |

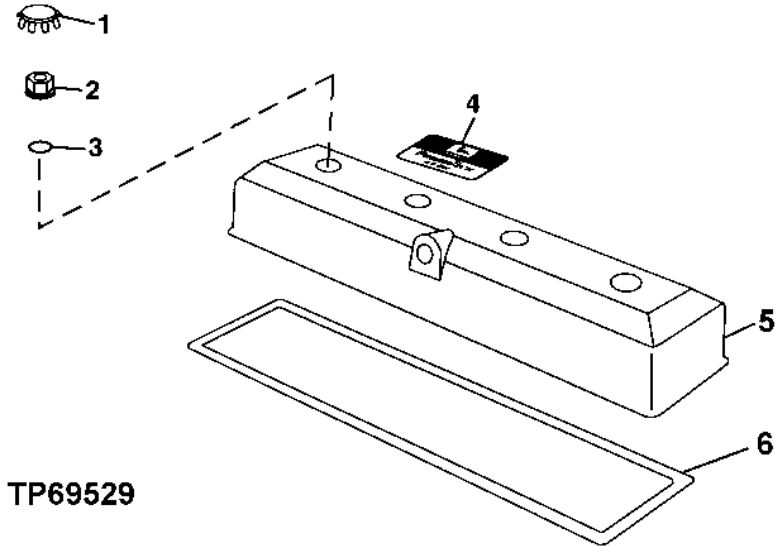
TO/PE4045DT056, TO/PE4045TT080, TO/PE4045TT081, PE4045DT058, PE4045TT088 AND PE4045TT089  
 TO/PE4045DT056, TO/PE4045TT080, TO/PE4045TT081, PE4045DT058, PE4045TT088 ET PE4045TT089  
 TO/PE4045DT056, TO/PE4045TT080, TO/PE4045TT081, PE4045DT058, PE4045TT088 Y PE4045TT089

# 0402-3

ENGINE 4

CAMSHAFT AND VALVE ACTUATING MEANS 0402  
**ROCKER ARM COVER AND GASKET**  
**COUVERCLE DE CULBUTEURS ET JOINT**  
**TAPA DE BALANCINES Y EMPAQUETADURA**

TP69529 -UN-26JUL00



TP69529

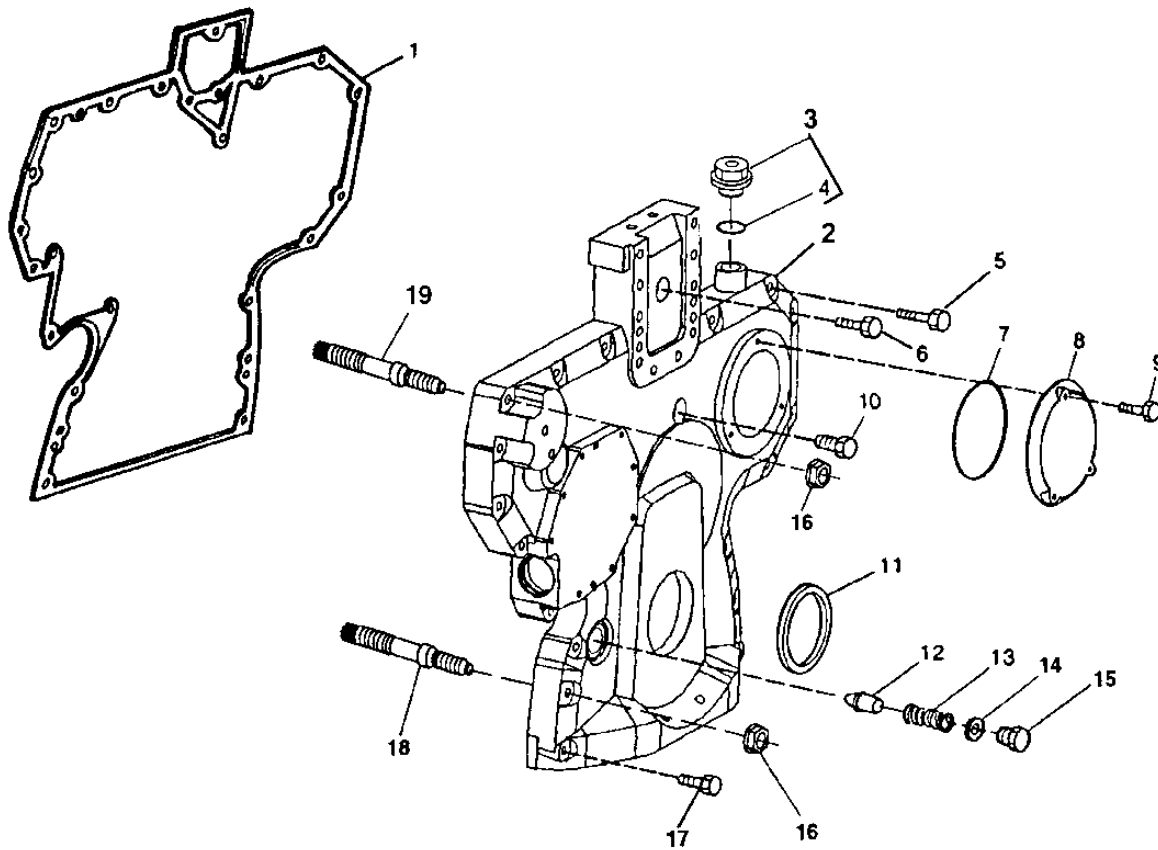
| KEY | PART NO. | PART NAME   | QTY. | ENGINE SERIAL NO. | REMARKS |
|-----|----------|-------------|------|-------------------|---------|
|     |          |             |      | 3 3               |         |
|     |          |             |      | 3 1 1             |         |
|     |          |             |      | 1 0 5             |         |
|     |          |             |      | 0 S S             |         |
|     |          |             |      | G G G             |         |
| 1   | H23125   | PLUG        | 4    |                   | X X X   |
| 2   | R123574  | NUT         | 4    |                   | X X X   |
| 3   | R123575  | O-RING      | 4    |                   | X X X   |
| 4   | R116324  | MEDALLION   | 1    |                   | X X X   |
| 5   | RE502969 | VALVE COVER | 1    |                   | X X X   |
| 6   | R123542  | GASKET      | 1    |                   | X X X   |

# 0402-4

ENGINE 4

CAMSHAFT AND VALVE ACTUATING MEANS 0402  
TIMING GEAR COVER AND GASKET 310G (W/O TURBO)(VSN -911768) TO/PE4045DT056  
CARTER DE DISTRIBUTION ET JOINT 310G (W/O TURBO)(VSN -911768) TO/PE4045DT056  
CUBIERTA DE ENGRANAJES DE DISTRIBUCION Y EMPAQUETADURA 310G (W/O TURBO)(VSN-911768) TO/PE4045DT056

TP68676 -UN-31JAN00



TP68676



# 0402-4A

ENGINE 4

CAMSHAFT AND VALVE ACTUATING MEANS 0402  
 TIMING GEAR COVER AND GASKET (310G W/O TURBO) (VSN -911768)  
 CARTER DE DISTRIBUCION ET JOINT (310G W/O TURBO) (VSN -911768)  
 CUBIERTA DE ENGRANAJES DE DISTRIBUCION Y EMPAQUETADURA (310G W/O TURBO) (VSN -911768)

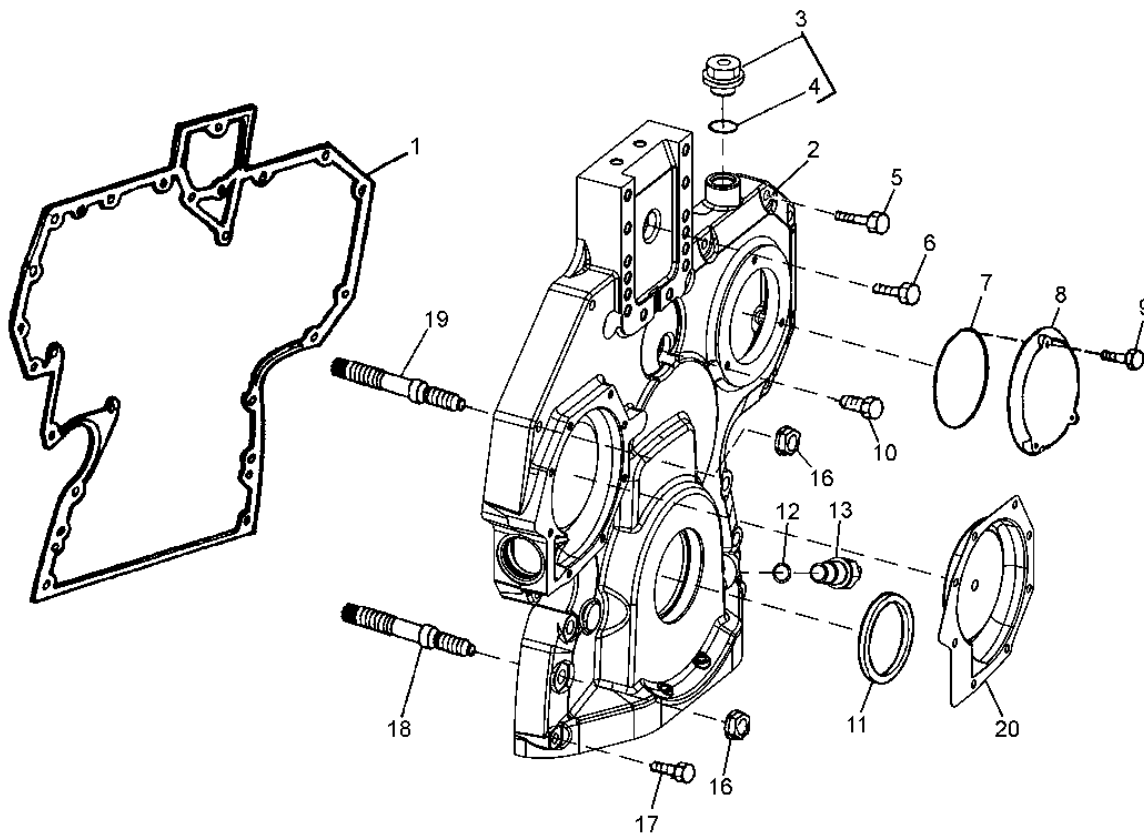
| KEY | PART NO. | PART NAME  | QTY. | ENGINE SERIAL NO. | REMARKS  |
|-----|----------|------------|------|-------------------|--|
|     |          |            |      |                   | 3 3  |
|     |          |            |      |                   | 3 1 1  |
|     |          |            |      |                   | 1 0 5  |
|     |          |            |      |                   | 0 S S  |
|     |          |            |      |                   | G G G  |
| 1   | R136516  | GASKET     | 1    |                   | X X X  |
| 2   | R505462  | COVER      | 1    |                   | X X X (SUB FOR R134531) (SUB R504725 AND RE515978)   |
| 3   | RE501938 | PLUG       | 1    |                   | X X X (WITHOUT TACHOMETER SENSOR)                    |
| 4   | 51M7044  | O-RING     | 1    |                   | X X X 17.300 X 2.200 MM                              |
| 5   | 19M8317  | SCREW      | 6    |                   | X X X M8 X 40  |
|     | 19M7801  | SCREW      | 1    |                   | X X X M8 X 60  |
|     | 19M7867  | SCREW      | 1    |                   | X X X M8 X 25  |
|     | RE67239  | SCREW      | 1    |                   | X X X  |
| 6   | 19M8291  | SCREW      | 1    |                   | X X X M8 X 35  |
| 7   | R121424  | O-RING     | 1    |                   | X X X  |
| 8   | R121411  | COVER      | 1    |                   | X X X  |
| 9   | 19M7775  | SCREW      | 3    |                   | X X X M6 X 16  |
| 10  | 19M7801  | SCREW      | 1    |                   | X X X M8 X 60  |
| 11  | RE516340 | KIT        | 1    |                   | X X X (MARKED RE52346 OR RE505515) (SUB FOR RE59810) |
| 12  | R83169   | VALVE      | 1    | -889024           | X X X  |
| 13  | R131425  | SPRING     | 1    | -889024           | X X X  |
| 14  | A4827R   | WASHER     | 1    | -889024           | X X X  |
| 15  | R91692   | PLUG       | 1    | -889024           | X X X (OIL PRESSURE REGULATING)                      |
| 16  | 14M7296  | FLANGE NUT | 6    |                   | X X X M10  |
| 17  | 19M7979  | SCREW      | 2    |                   | X X X M8 X 55  |
| 18  | R123584  | STUD       | 4    |                   | X X X  |
| 19  | R134518  | STUD       | 2    |                   | X X X  |

# 0402-4B

ENGINE 4

CAMSHAFT AND VALVE ACTUATING MEANS 0402  
TIMING GEAR COVER AND GASKET (310G W/O TURBO)(VSN 911769- ) PE4045DT058  
CARTER DE DISTRIBUTION ET JOINT (310G W/O TURBO) (VSN 911769- ) PE4045DT058  
CUBIERTA DE ENGRANAJES DE DISTRIBUCION Y EMPAQUETADURA (310G W/O TURBO)(VSN 911769- ) PE4045DT058

T145747 -UN-02OCT01



T145747

# 0402-5A

ENGINE 4

CAMSHAFT AND VALVE ACTUATING MEANS 0402  
 TIMING GEAR COVER AND GASKET (310G W/O TURBO)(VSN 911769- ) PE4045DT058  
 CARTER DE DISTRIBUCION ET JOINT (310G W/O TURBO) (VSN 911769- ) PE4045DT058  
 CUBIERTA DE ENGRANAJES DE DISTRIBUCION Y EMPAQUETADURA (310G W/O TURBO)(VSN 911769- ) PE4045DT058

| KEY | PART NO. | PART NAME   | QTY. | ENGINE<br>SERIAL NO. | REMARKS  |
|-----|----------|-------------|------|----------------------|--|
|     |          |             |      | 3 3                  |  |
|     |          |             |      | 3 1 1                |  |
|     |          |             |      | 1 0 5                |  |
|     |          |             |      | 0 S S                |  |
|     |          |             |      | G G G                |  |
| 1   | R136516  | GASKET      | 1    | X                    |  |
| 2   | R504725  | COVER       | 1    | X                    |  |
| 3   | RE501938 | PLUG        | 1    | X                    | (WITHOUT TACHOMETER SENSOR)                          |
| 4   | 51M7044  | O-RING      | 1    | X                    | 17.300 X 2.200 MM                                    |
| 5   | 19M8317  | SCREW       | 6    | X                    | M8 X 40  |
|     | 19M7867  | SCREW       | 1    | X                    | M8 X 25  |
|     | RE67239  | SCREW       | 1    | X                    |  |
| 6   | 19M8291  | SCREW       | 1    | X                    | M8 X 35  |
| 7   | R121424  | O-RING      | 1    | X                    |  |
| 8   | R121411  | COVER       | 1    | X                    |  |
| 9   | 19M7775  | SCREW       | 3    | X                    | M6 X 16  |
| 10  | 19M7801  | SCREW       | 1    | X                    | M8 X 60  |
| 11  | RE516340 | KIT         | 1    | X                    | (MARKED RE52346 OR RE505515) (SUB FOR RE59810)       |
| 12  | 51M7044  | O-RING      | 1    | X                    | 17.300 X 2.200 MM                                    |
| 13  | RE519144 | SENSOR      | 1    | X                    | (CRANKSHAFT SPEED) (SUB FOR RE508195)                |
|     | RE517370 | FITTING     | 1    | X                    | (WITHOUT CRANKSHAFT SPEED SENSOR) (SUB FOR RE501938) |
| 14  | RE505501 | BLEED VALVE | 1    | X                    |  |
| 15  | RE515978 | KIT         | 1    | X                    |  |
| 16  | 14M7296  | FLANGE NUT  | 6    | X                    | M10  |
| 17  | 19M7979  | SCREW       | 2    | X                    | M8 X 55  |
| 18  | R123584  | STUD        | 4    | X                    |  |
| 19  | R134518  | STUD        | 2    | X                    |  |
| 20  | RE508566 | KIT         | 1    | X                    | (WATER PUMP INSERT REPAIR)                           |

# 0402-6

ENGINE 4

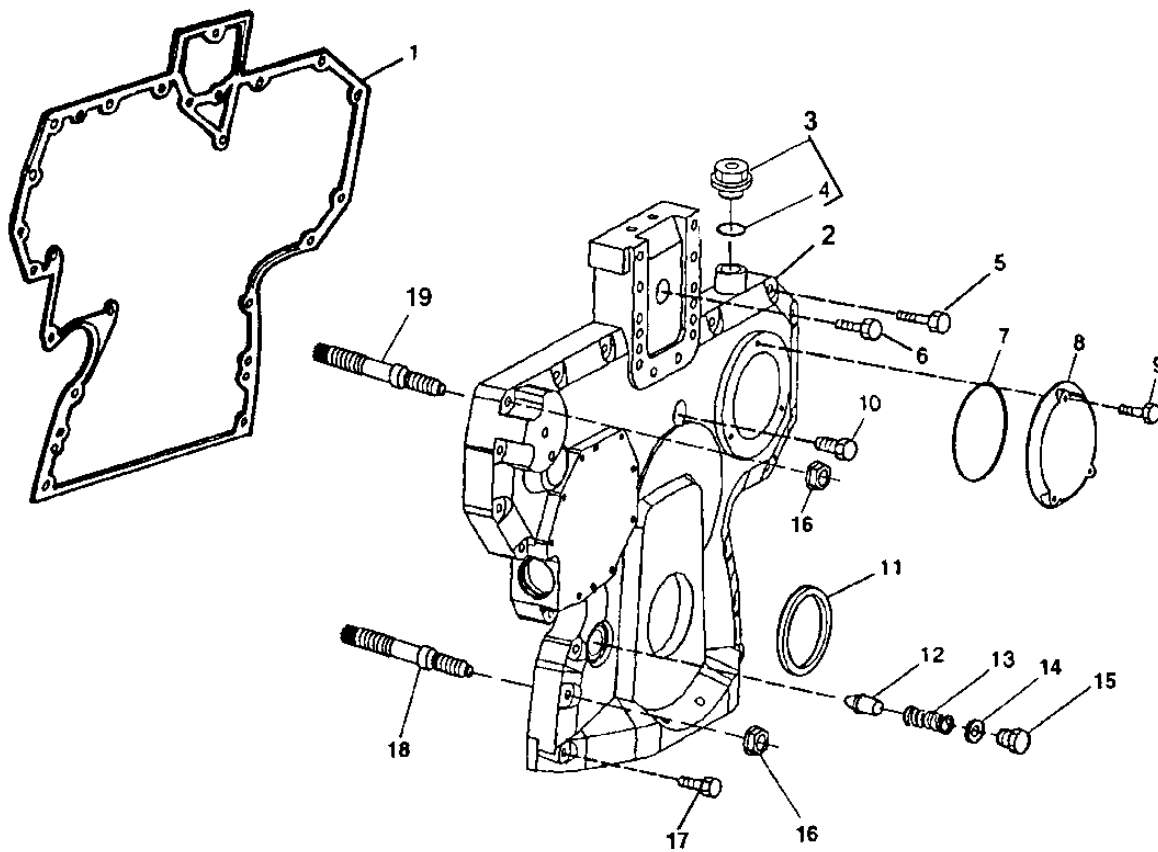
CAMSHAFT AND VALVE ACTUATING MEANS 0402

TIMING GEAR COVER AND GASKET (SEE FOOTNOTE)  
CARTER DE DISTRIBUTION ET JOINT (VOIR NOTE BAS DE PAGE)

CUBIERTA DE ENGRANAJES DE DISTRIBUCION Y EMPAQUETADURA (CONSULTE NOTA DE PIE DE PAGINA)

TP68676

-UN-31JAN00



TP68676

# 0402-6A

ENGINE 4

CAMSHAFT AND VALVE ACTUATING MEANS 0402  
**TIMING GEAR COVER AND GASKET (SEE FOOTNOTE)**  
**CARTER DE DISTRIBUTION ET JOINT (VOIR NOTE BAS DE PAGE)**  
**CUBIERTA DE ENGRANAJES DE DISTRIBUCION Y EMPAQUETADURA (CONSULTE NOTA DE PIE DE PAGINA)**

| KEY | PART NO. | PART NAME  | QTY. | ENGINE SERIAL NO. | REMARKS  |
|-----|----------|------------|------|-------------------|--|
|     |          |            |      |                   | 3 3<br>3 1 1<br>1 0 5<br>0 S S<br>G G G              |
| 1   | R136516  | GASKET     | 1    |                   | X X X  |
| 2   | R505462  | COVER      | 1    |                   | X X X (SUB FOR R134531) (SUB R504725 AND RE515978)   |
| 3   | RE501938 | PLUG       | 1    |                   | X X X (WITHOUT TACHOMETER SENSOR)                    |
| 4   | 51M7044  | O-RING     | 1    |                   | X X X 17.300 X 2.200 MM                              |
| 5   | 19M8317  | SCREW      | 6    |                   | X X X M8 X 40  |
|     | 19M7801  | SCREW      | 1    |                   | X X X M8 X 60  |
|     | 19M7867  | SCREW      | 1    |                   | X X X M8 X 25  |
|     | RE67239  | SCREW      | 1    |                   | X X X  |
| 6   | 19M8291  | SCREW      | 1    |                   | X X X M8 X 35  |
| 7   | R121424  | O-RING     | 1    |                   | X X X  |
| 8   | R121411  | COVER      | 1    |                   | X X X  |
| 9   | 19M7775  | SCREW      | 3    |                   | X X X M6 X 16  |
| 10  | 19M7801  | SCREW      | 1    |                   | X X X M8 X 60  |
| 11  | RE516340 | SEAL       | 1    |                   | X X X (MARKED RE52346 OR RE505515) (SUB FOR RE59810) |
| 12  | R83169   | VALVE      | 1    | -889024           | X X X  |
| 13  | R131425  | SPRING     | 1    | -889024           | X X X  |
| 14  | A4827R   | WASHER     | 1    | -889024           | X X X  |
| 15  | R91692   | PLUG       | 1    | -889024           | X X X (OIL PRESSURE REGULATING)                      |
| 16  | 14M7296  | FLANGE NUT | 6    |                   | X X X M10  |
| 17  | 19M7979  | SCREW      | 2    |                   | X X X M8 X 55  |
| 18  | R123584  | STUD       | 4    |                   | X X X  |
| 19  | R134518  | STUD       | 2    |                   | X X X  |

310G (TURBO), 310SG, 315SG (VSN -910055) TO/PE4045TT080/081  
 310G (TURBO), 310SG, 315SG (VSN -910055) TO/PE4045TT080/081  
 310G (TURBO), 310SG, 315SG (VSN -910055) TO/PE4045TT080/081

# 0402-6B

ENGINE 4

CAMSHAFT AND VALVE ACTUATING MEANS 0402

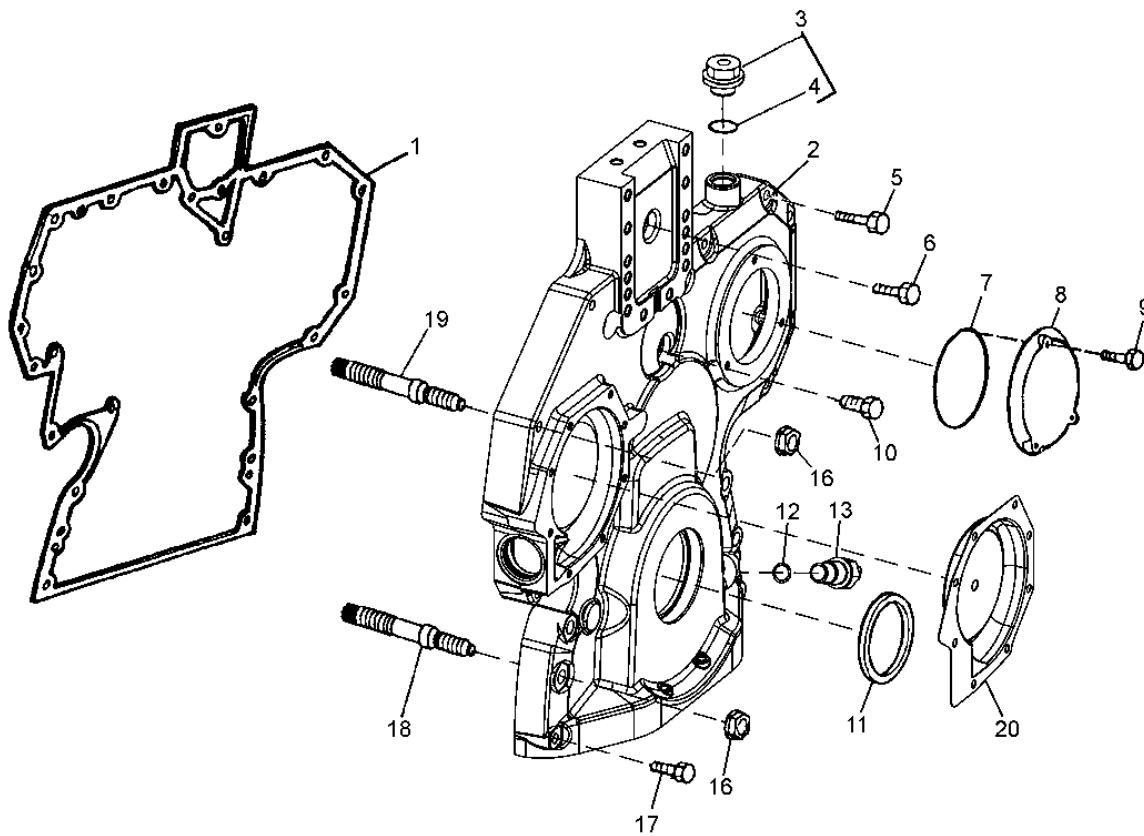
TIMING GEAR COVER AND GASKET (SEE FOOTNOTE)

CARTER DE DISTRIBUTION ET JOINT (VOIR NOTES EN BAS DE PAGE)

CUBIERTA DE ENGRANAJES DE DISTRIBUCION Y EMPAQUETADURA (CONSULTE NOTA DE PIE DE PAGINA)

T145747

-UN-02OCT01



T145747

# 0402-7A

ENGINE 4

CAMSHAFT AND VALVE ACTUATING MEANS 0402  
**TIMING GEAR COVER AND GASKET (SEE FOOTNOTE)**  
**CARTER DE DISTRIBUTION ET JOINT (VOIR NOTE BAS DE PAGE)**  
**CUBIERTA DE ENGRANAJES DE DISTRIBUCION Y EMPAQUETADURA (CONSULTE NOTA DE PIE DE PAGINA)**

| KEY | PART NO. | PART NAME   | QTY. | ENGINE<br>SERIAL NO. | REMARKS  |
|-----|----------|-------------|------|----------------------|--|
|     |          |             |      | 3 3                  |  |
|     |          |             |      | 3 1 1                |  |
|     |          |             |      | 1 0 5                |  |
|     |          |             |      | 0 S S                |  |
|     |          |             |      | G G G                |  |
| 1   | R136516  | GASKET      | 1    |                      | X X X  |
| 2   | R504725  | COVER       | 1    |                      | X X X  |
| 3   | RE501938 | PLUG        | 1    |                      | X X X (WITHOUT TACHOMETER SENSOR)                      |
| 4   | 51M7044  | O-RING      | 1    |                      | X X X 17.300 X 2.200 MM                                |
| 5   | 19M8317  | SCREW       | 6    |                      | X X X M8 X 40  |
|     | 19M7867  | SCREW       | 1    |                      | X X X M8 X 25  |
|     | RE67239  | SCREW       | 1    |                      | X X X  |
| 6   | 19M8291  | SCREW       | 1    |                      | X X X M8 X 35  |
| 7   | R121424  | O-RING      | 1    |                      | X X X  |
| 8   | R121411  | COVER       | 1    |                      | X X X  |
| 9   | 19M7775  | SCREW       | 3    |                      | X X X M6 X 16  |
| 10  | 19M7801  | SCREW       | 1    |                      | X X X M8 X 60  |
| 11  | RE516340 | SEAL        | 1    |                      | X X X (MARKED RE52346 OR RE505515) (SUB FOR RE59810)   |
| 12  | 51M7044  | O-RING      | 1    |                      | X X X 17.300 X 2.200 MM                                |
| 13  | RE519144 | SENSOR      | 1    |                      | X X X (CRANKSHAFT SPEED) (SUB FOR RE508195)            |
|     | RE517370 | FITTING     | 1    |                      | X (WITHOUT CRANKSHAFT SPEED SENSOR) (SUB FOR RE501938) |
| 14  | RE505501 | BLEED VALVE | 1    |                      | X X X  |
| 15  | RE515978 | KIT         | 1    |                      | X X X  |
| 16  | 14M7296  | FLANGE NUT  | 6    |                      | X X X M10  |
| 17  | 19M7979  | SCREW       | 2    |                      | X X X M8 X 55  |
| 18  | R123584  | STUD        | 4    |                      | X X X  |
| 19  | R134518  | STUD        | 2    |                      | X X X  |
| 20  | RE508566 | KIT         | 1    |                      | X X X (WATER PUMP INSERT REPAIR)                       |

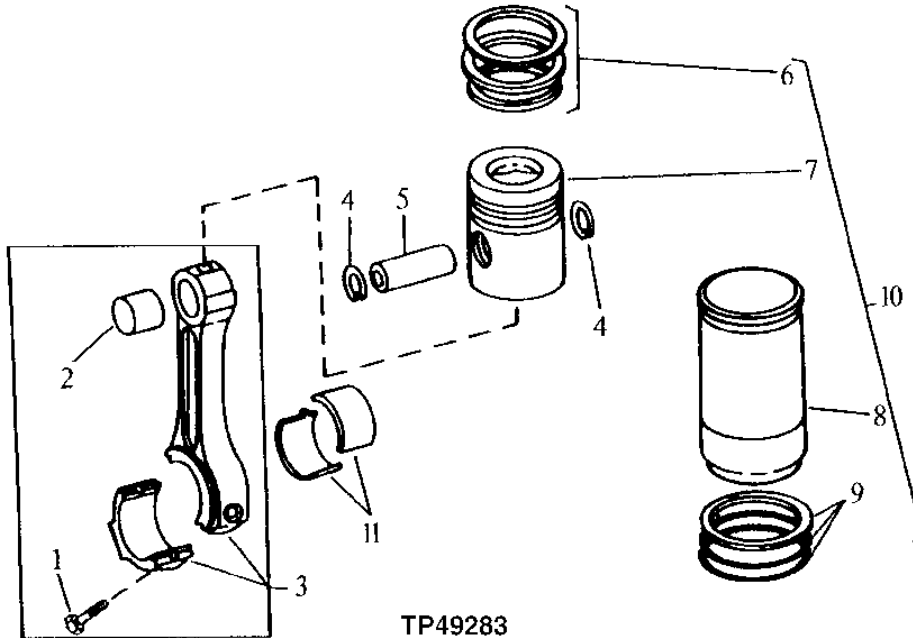
310G (TURBO), 310SG, 315SG (VSN 910056- ) PE4045TT088, PE4045TT089  
 310G (TURBO), 310SG, 315SG (VSN 910056- ) PE4045TT088, PE4045TT089  
 310G (TURBO), 310SG, 315SG (VSN 910056- ) PE4045TT088, PE4045TT089

# 0403-2

ENGINE 4

CONNECTING RODS AND PISTONS 0403  
 PISTON, CONNECTING RODS AND CYLINDER LINER 310G (W/O TURBO)(VSN -911768) T0/PE4045DT056  
 PISTON, BIELLES ET CHEMISE DE CYLINDRE 310G (W/O TURBO)(VSN -911768) T0/PE4045DT056  
 PISTON, BIELAS Y CAMISA DE CILINDRO 310G (W/O TURBO)(VSN -911768) T0/PE4045DT056

TP49283 -UN-17JUL95



| KEY | PART NO. | PART NAME        | QTY. | ENGINE SERIAL NO. | REMARKS |
|-----|----------|------------------|------|-------------------|---------|
| 1   | R501124  | SCREW            | 8    |                   |         |
| 2   | R123960  | BUSHING          | 4    |                   |         |
| 3   | RE500002 | CONNECTING ROD   | 4    |                   |         |
| 4   | M41029   | SNAP RING        | 8    |                   |         |
| 5   | R123178  | PISTON PIN       | 4    |                   |         |
| 6   | RE66271  | PISTON RING KIT  | 4    |                   |         |
| 7   | .....    | PISTON           | 4    |                   |         |
| 8   | .....    | CYLINDER LINER   | 4    |                   |         |
| 9   | AR65507  | O-RING KIT       | 4    |                   |         |
| 10  | RE505110 | PISTON-LINER KIT | 4    |                   |         |
| 11  | RE65908  | BEARING          | 4    |                   |         |
|     | RE65909  | BEARING          | 4    |                   |         |

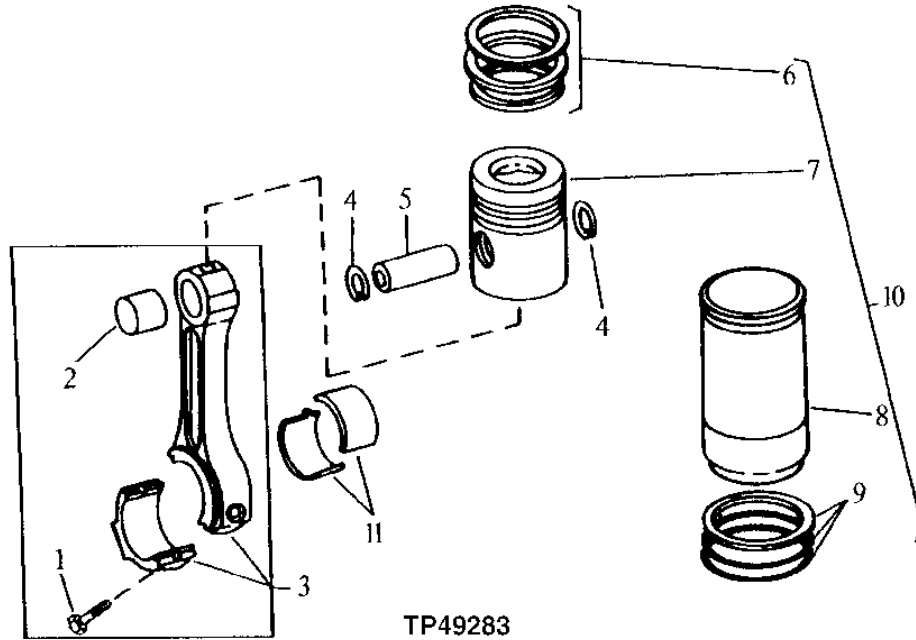


# 0403-2A

ENGINE 4

CONNECTING RODS AND PISTONS 0403  
 PISTON, CONNECTING RODS AND CYLINDER LINER 310G (W/O TURBO)(VSN 911769- ) PE4045DT058  
 PISTON, BIELLES ET CHEMISE DE CYLINDRE 310G (W/O TURBO)(VSN 911769- ) PE4045DT058  
 PISTON, BIELAS Y CAMISA DE CILINDRO 310G (W/O TURBO)(VSN 911769- ) PE4045DT058

TP49283 -UN-17JUL95



TP49283

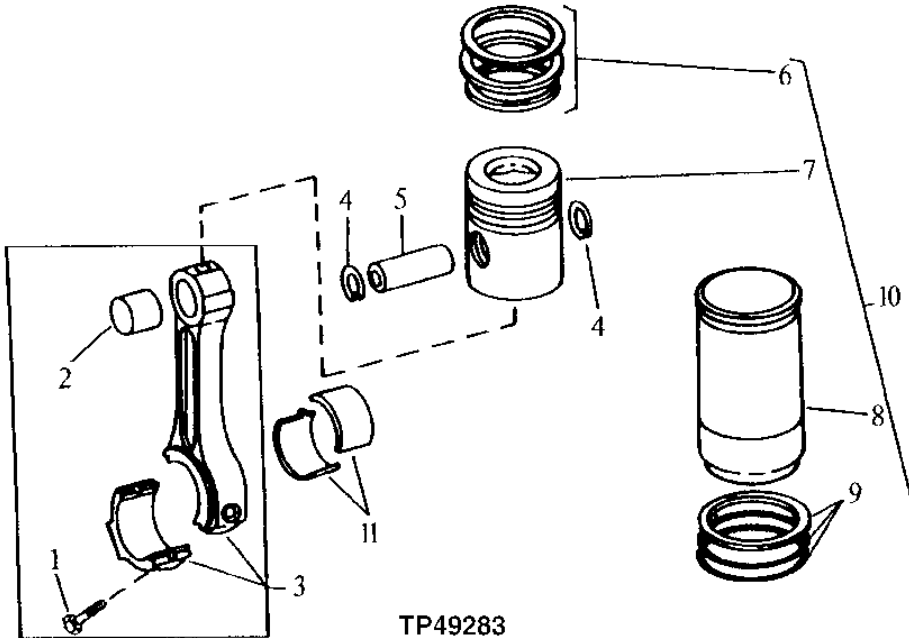
| KEY | PART NO. | PART NAME        | QTY. | ENGINE SERIAL NO. | REMARKS                 |
|-----|----------|------------------|------|-------------------|-------------------------|
|     |          |                  |      |                   | 3 3                     |
|     |          |                  |      |                   | 3 1 1                   |
|     |          |                  |      |                   | 1 0 5                   |
|     |          |                  |      |                   | 0 S S                   |
|     |          |                  |      |                   | G G G                   |
| 1   | R501124  | SCREW            | 8    |                   | X X X                   |
| 2   | R123960  | BUSHING          | 4    |                   | X X X                   |
| 3   | RE500002 | CONNECTING ROD   | 4    |                   | X X X (MARKED RE500000) |
| 4   | M41029   | SNAP RING        | 8    |                   | X X X                   |
| 5   | R123178  | PISTON PIN       | 4    |                   | X X X                   |
| 6   | RE66271  | PISTON RING KIT  | 4    |                   | X                       |
| 7   | .....    | PISTON           | 4    |                   | X X X (ORDER RE65966)   |
| 8   | .....    | CYLINDER LINER   | 4    |                   | X X X (ORDER RE65966)   |
| 9   | AR65507  | O-RING KIT       | 4    |                   | X X X (CYLINDER LINER)  |
| 10  | RE505110 | PISTON-LINER KIT | 4    |                   | X (SUB FOR RE65966)     |
| 11  | RE65908  | BEARING          | 4    |                   | X X X (STD)             |
|     | RE65909  | BEARING          | 4    |                   | X X X (.010" US)        |

# 0403-2B

ENGINE 4

CONNECTING RODS AND PISTONS 0403  
 PISTON, CONNECTING RODS AND CYLINDER LINER (310G TURBO) (VSN -910055) T0/PE4045TT080/081  
 PISTON, BIELLES ET CHEMISE DE CYLINDRE (310G TURBO) (VSN -910055) T0/PE4045TT080/081  
 PISTON, BIELAS Y CAMISA DE CILINDRO (310G TURBO) (VSN -910055) T0/PE4045TT080/081

TP49283 -UN-17JUL95



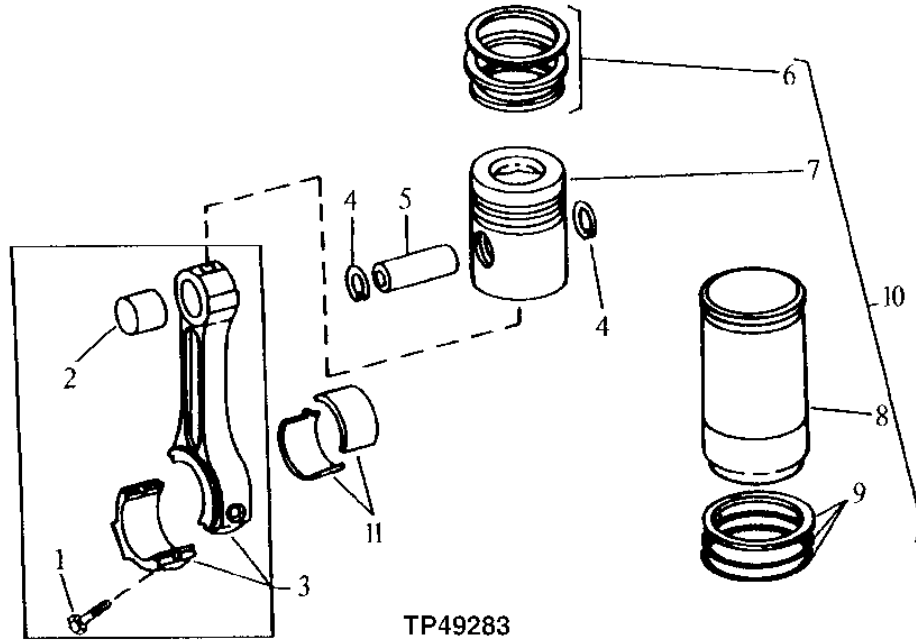
| KEY | PART NO. | PART NAME        | QTY. | ENGINE SERIAL NO. | REMARKS                                    |
|-----|----------|------------------|------|-------------------|--|
|     |          |                  |      | 3 3               |  |
|     |          |                  |      | 3 1 1             |  |
|     |          |                  |      | 1 0 5             |  |
|     |          |                  |      | 0 S S             |  |
|     |          |                  |      | G G G             |  |
| 1   | R501124  | SCREW            | 8    |                   | X X X                                      |
| 2   | R123960  | BUSHING          | 4    |                   | X X X                                      |
| 3   | RE500002 | CONNECTING ROD   | 4    |                   | X X X (MARKED RE500000)                    |
| 4   | M41029   | SNAP RING        | 8    |                   | X X X                                      |
| 5   | R123178  | PISTON PIN       | 4    |                   | X X X                                      |
| 6   | RE66271  | PISTON RING KIT  | 4    |                   | X X X                                      |
| 7   | .....    | PISTON           | 4    |                   | X X X (WITH TURBOCHARGER) (ORDER RE505111) |
| 8   | .....    | CYLINDER LINER   | 4    |                   | X X X (WITH TURBOCHARGER) (ORDER RE505111) |
| 9   | AR65507  | O-RING KIT       | 4    |                   | X X X (CYLINDER LINER)                     |
| 10  | RE505111 | PISTON-LINER KIT | 4    |                   | X X X (WITH TURBOCHARGER)                  |
| 11  | RE65908  | BEARING          | 4    |                   | X X X (STD)                                |
|     | RE65909  | BEARING          | 4    |                   | X X X (.010" US)                           |

# 0403-3A

ENGINE 4

CONNECTING RODS AND PISTONS 0403  
 PISTON, CONNECTING RODS AND CYLINDER LINER (VSN 910056- ) PE4045TT088, PE4045T089  
 PISTON, BIELLES ET CHEMISE DE CYLINDRE (VSN 910056- ) PE4045TT088, PE4045T089  
 PISTON, BIELAS Y CAMISA DE CILINDRO (VSN 910056- ) PE4045TT088, PE4045T089

TP49283 -UN-17JUL95



| KEY | PART NO. | PART NAME        | QTY. | ENGINE SERIAL NO. | REMARKS                                    |
|-----|----------|------------------|------|-------------------|--|
|     |          |                  |      | 3 3               |  |
|     |          |                  |      | 3 1 1             |  |
|     |          |                  |      | 1 0 5             |  |
|     |          |                  |      | 0 S S             |  |
|     |          |                  |      | G G G             |  |
| 1   | R501124  | SCREW            | 8    |                   | X X X                                      |
| 2   | R123960  | BUSHING          | 4    |                   | X X X                                      |
| 3   | RE500002 | CONNECTING ROD   | 4    |                   | X X X (MARKED RE500000)                    |
| 4   | M41029   | SNAP RING        | 8    |                   | X X X                                      |
| 5   | R123178  | PISTON PIN       | 4    |                   | X X X                                      |
| 6   | RE507852 | PISTON RING KIT  | 4    |                   | X X X (WITH TURBOCHARGER)                  |
| 7   | .....    | PISTON           | 4    |                   | X X X (WITH TURBOCHARGER) (ORDER RE507920) |
| 8   | .....    | CYLINDER LINER   | 4    |                   | X X X (WITH TURBOCHARGER) (ORDER RE507920) |
| 9   | AR65507  | O-RING KIT       | 4    |                   | X X X (CYLINDER LINER)                     |
| 10  | RE507920 | PISTON-LINER KIT | 4    |                   | X X X (WITH TURBOCHARGER)                  |
| 11  | RE65908  | BEARING          | 4    |                   | X X X (STD)                                |
|     | RE65909  | BEARING          | 4    |                   | X X X (.010" US)                           |

# 0403-4

ENGINE 4

CONNECTING RODS AND PISTONS 0403

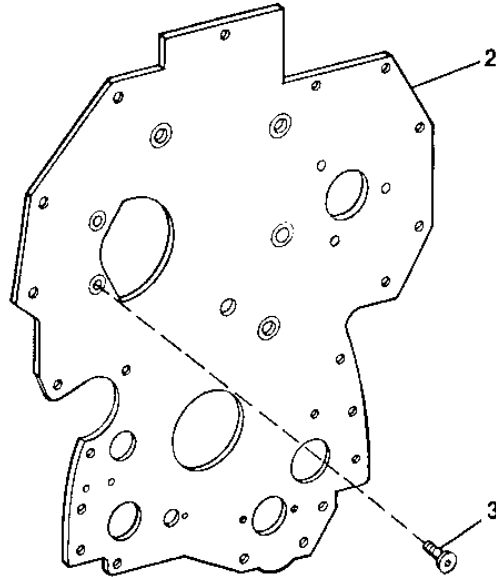
MEMORANDA  
MEMORANDA  
MEMORANDA

# 0404-1

ENGINE 4  
CYLINDER BLOCK 0404

ENGINE FRONT PLATE  
PLAQUE AVANT DE MOTEUR  
PLACA DELANTERA DEL MOTOR

T145836 -UN-21SEP01



T145836

| KEY | PART NO. | PART NAME | QTY. | ENGINE SERIAL NO.                | REMARKS |
|-----|----------|-----------|------|----------------------------------|---------|
| 2   | R134527  | PLATE     | 1    | 3 3                              |         |
| 3   | R136475  | SCREW     | 4    | 3 1 1<br>1 0 5<br>0 S S<br>G G G |         |

# 0404-2

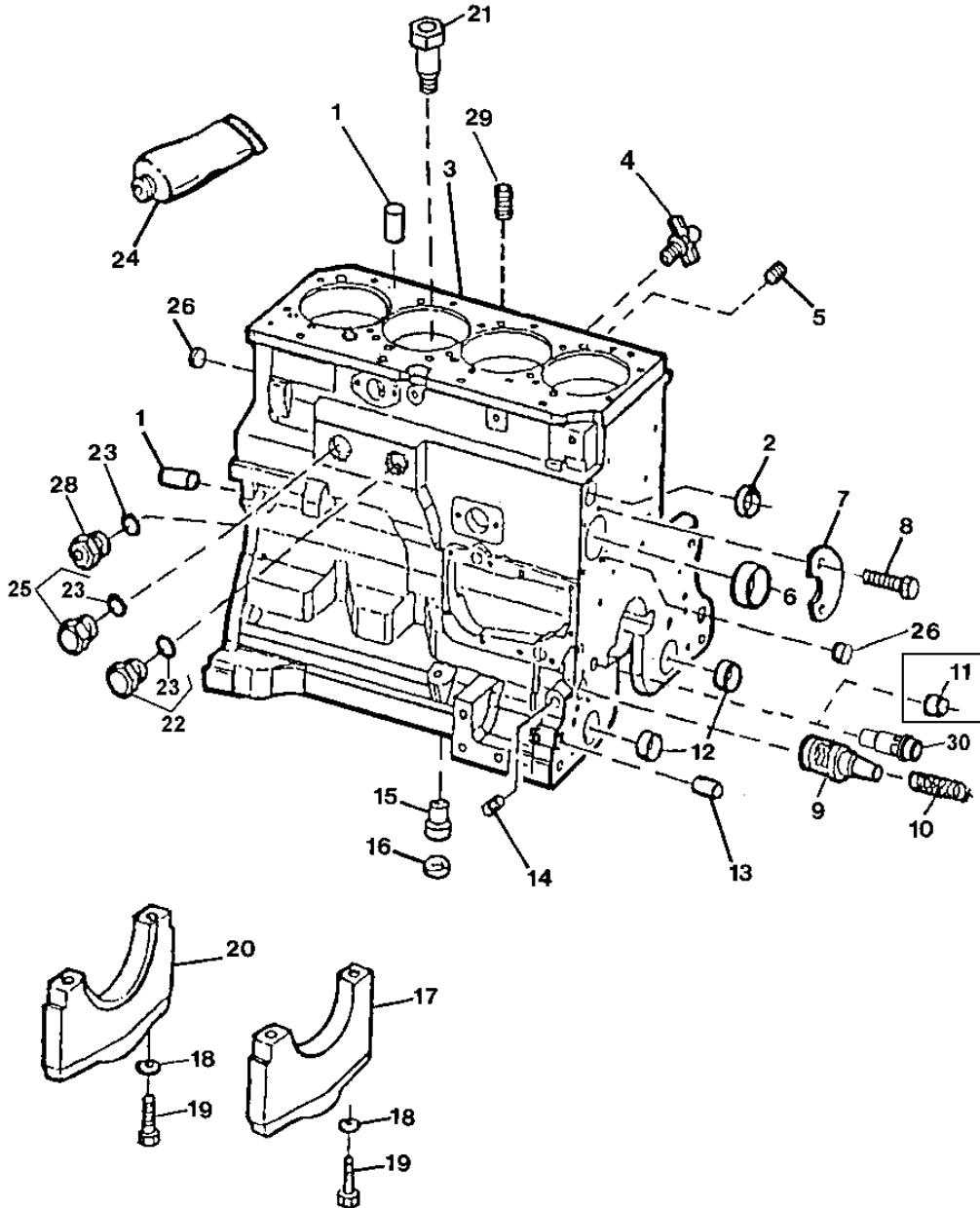
ENGINE 4

CYLINDER BLOCK 0404

CYLINDER BLOCK AND MAIN BEARING CAP (VSN -910055) T0/PE4045TT080, T0/PE4045TT081  
BLOC-CYLINDRES ET CHAPEAU DE PALIER (VSN -910055) T0/PE4045TT080, T0/PE4045TT081  
BLOQUE DE CILINDROS Y TAPA DE COJINETE DE BANCADA (VSN -910055) T0/PE4045TT080, T0/PE4045TT081

T146036

-UN-01OCT01



T146036

# 0404-3

ENGINE 4

CYLINDER BLOCK 0404

CYLINDER BLOCK AND MAIN BEARING CAP (VSN -910055) T0/PE4045TT080, T0/PE4045TT081  
 BLOC-CYLINDRES ET CHAPEAU DE PALIER (VSN -910055) T0/PE4045TT080, T0/PE4045TT081  
 BLOQUE DE CILINDROS Y TAPA DE COJINETE DE BANCADA (VSN -910055) T0/PE4045TT080, T0/PE4045TT081

| KEY | PART NO. | PART NAME      | QTY. | ENGINE SERIAL NO. | REMARKS   |
|-----|----------|----------------|------|-------------------|---|
|     |          |                |      |                   | 3 3   |
|     |          |                |      |                   | 3 1 1   |
|     |          |                |      |                   | 1 0 5   |
|     |          |                |      |                   | 0 S S   |
|     |          |                |      |                   | G G G   |
| 1   | R48685   | DOWEL PIN      | 4    |                   | X X X   |
| 2   | R116466  | PLUG           | 1    |                   | X X X   |
| 3   | .....    | CYLINDER BLOCK | 1    | -221705           | X X X (MARKED R115081) (ORDER RE516100 OR RE516099) |
| 4   | AT13740  | DRAIN VALVE    | 1    |                   | X X X   |
| 5   | R104592  | PIPE PLUG      | 5    |                   | X X X   |
| 6   | R119874  | BUSHING        | 1    |                   | X X X (CAMSHAFT)                                    |
| 7   | R132518  | PLATE          | 1    |                   | X X X   |
| 8   | 19M8999  | SCREW          | 2    |                   | X X X M8 X 25                                       |
| 9   | R121043  | VALVE          | 1    |                   | X X X (ENGINE OIL BYPASS)                           |
| 10  | R111137  | SPRING         | 1    |                   | X X X   |
| 11  | R26493   | BUSHING        | 1    | -221705           | X X X (OIL PRESSURE REGULATING)                     |
| 12  | R115299  | BUSHING        | 6    |                   | X X X (BALANCER SHAFT)                              |
| 13  | R26650   | DOWEL PIN      | 2    |                   | X X X   |
| 14  | 15H623   | PIPE PLUG      | 1    |                   | X X X   |
| 15  | R115390  | BUSHING        | 1    |                   | X X X   |
| 16  | R75892   | O-RING         | 1    |                   | X X X   |
| 17  | R114241  | BEARING CAP    | 4    |                   | X X X   |
| 18  | T20168   | WASHER         | 10   |                   | X X X   |
| 19  | T23474   | CAP SCREW      | 10   |                   | X X X   |
| 20  | R132186  | BEARING CAP    | 1    |                   | X X X   |
| 21  | R131182  | ORIFICE        | 4    |                   | X X X   |
| 22  | RE508185 | FITTING        | 1    |                   | X X X   |
| 23  | U13639   | O-RING         | 2    |                   | X X X   |
| 24  | PM38655  | SEALANT        | 1    |                   | X X X (SUB FOR TY6304)                              |
| 25  | RE508185 | FITTING        | 1    |                   | X X X (WITHOUT CAB HEATER)                          |
| 26  | T18891   | PLUG           | 2    |                   | X X X   |
| 28  | R123616  | PLUG           | 1    |                   | X X X (WITH CAB HEATER)                             |
| 29  | RE57836  | PIPE PLUG      | 1    |                   | X X X 1/2", (WITHOUT TURBOCHARGER) (SUB FOR 15H624) |
| 30  | RE505501 | BLEED VALVE    | 1    | 221706-           | X X X (OIL PRESSURE REGULATING)                     |

# 0404-4

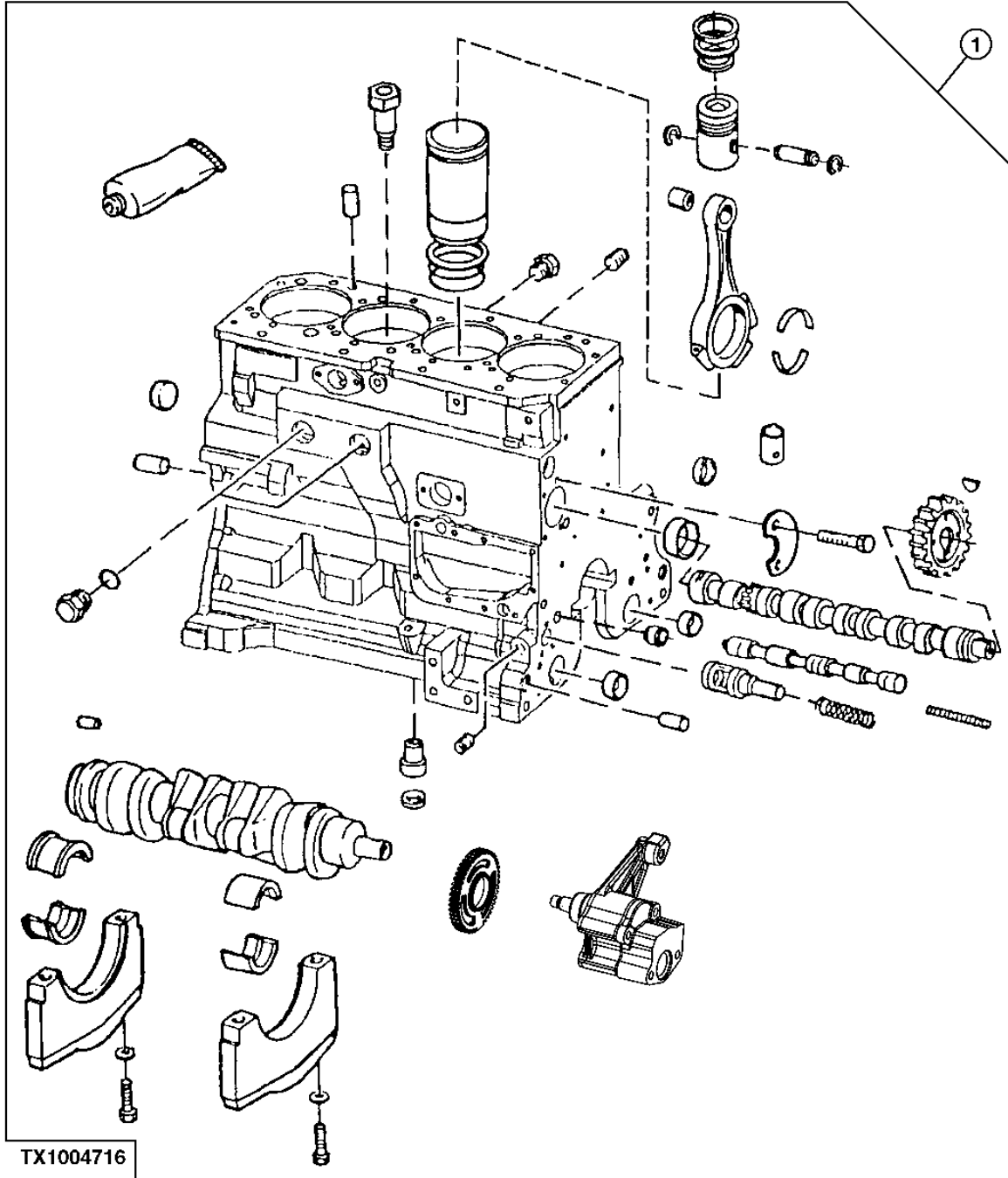
ENGINE 4

CYLINDER BLOCK 0404

ENGINE SHORT BLOCK (SEE FOOTNOTE)  
BLOC MOTEUR COURT (VOIR NOTES EN BAS DE PAGE)  
BLOQUE CORTO DEL MOTOR (CONSULTE NOTA DE PIE DE PAGINA)

TX1004716

-UN-14MAR06





# 0404-5

ENGINE 4

CYLINDER BLOCK 0404

ENGINE SHORT BLOCK (SEE FOOTNOTE)  
 BLOC MOTEUR COURT (VOIR NOTE BAS DE PAGE)  
 BLOQUE CORTO DEL MOTOR (CONSULTE NOTA DE PIE DE PAGINA)

| KEY | PART NO. | PART NAME               | QTY. | ENGINE SERIAL NO.                       | REMARKS  |
|-----|----------|-------------------------|------|---|--|
|     |          |                         |      | 3 3<br>3 1 1<br>1 0 5<br>0 S S<br>G G G |  |
| 1   | RE516099 | SHORT BLOCK ASSEMBLY    | 1    | X X X                                   | (WITH TURBOCHARGER) (DOES NOT INCLUDE FRONT PLATE) (MARKED R115081) (SUB FOR RE65953)    |
|     | RE516100 | SHORT BLOCK ASSEMBLY    | 1    | X                                       | (WITHOUT TURBOCHARGER) (DOES NOT INCLUDE FRONT PLATE) (MARKED R115081) (SUB FOR RE65951) |
|     | SE500711 | COMPLETE BLOCK ASSEMBLY | 1    | X                                       | (WITHOUT TURBOCHARGER) (REMAN) (PE/T04045DT056, PE4045DT058)                             |
|     | SE500716 | COMPLETE BLOCK ASSEMBLY | 1    | X X                                     | (WITH TURBOCHARGER) (REMAN) (PE/T04045TT080, PE/T04054TT081)                             |

(ESN. 866618-908991) TO4045DT056, TO4045TT080, TO4045TT081  
 (ESN. 866618-908991) TO4045DT056, TO4045TT080, TO4045TT081  
 (ESN. 866618-908991) TO4045DT056, TO4045TT080, TO4045TT081

(ESN. -221705) PE4045DT056, PE4045TT080, TO4045TT081  
 (ESN. -221705) PE4045DT056, PE4045TT080, TO4045TT081  
 (ESN. -221705) PE4045DT056, PE4045TT080, TO4045TT081

# 0404-6

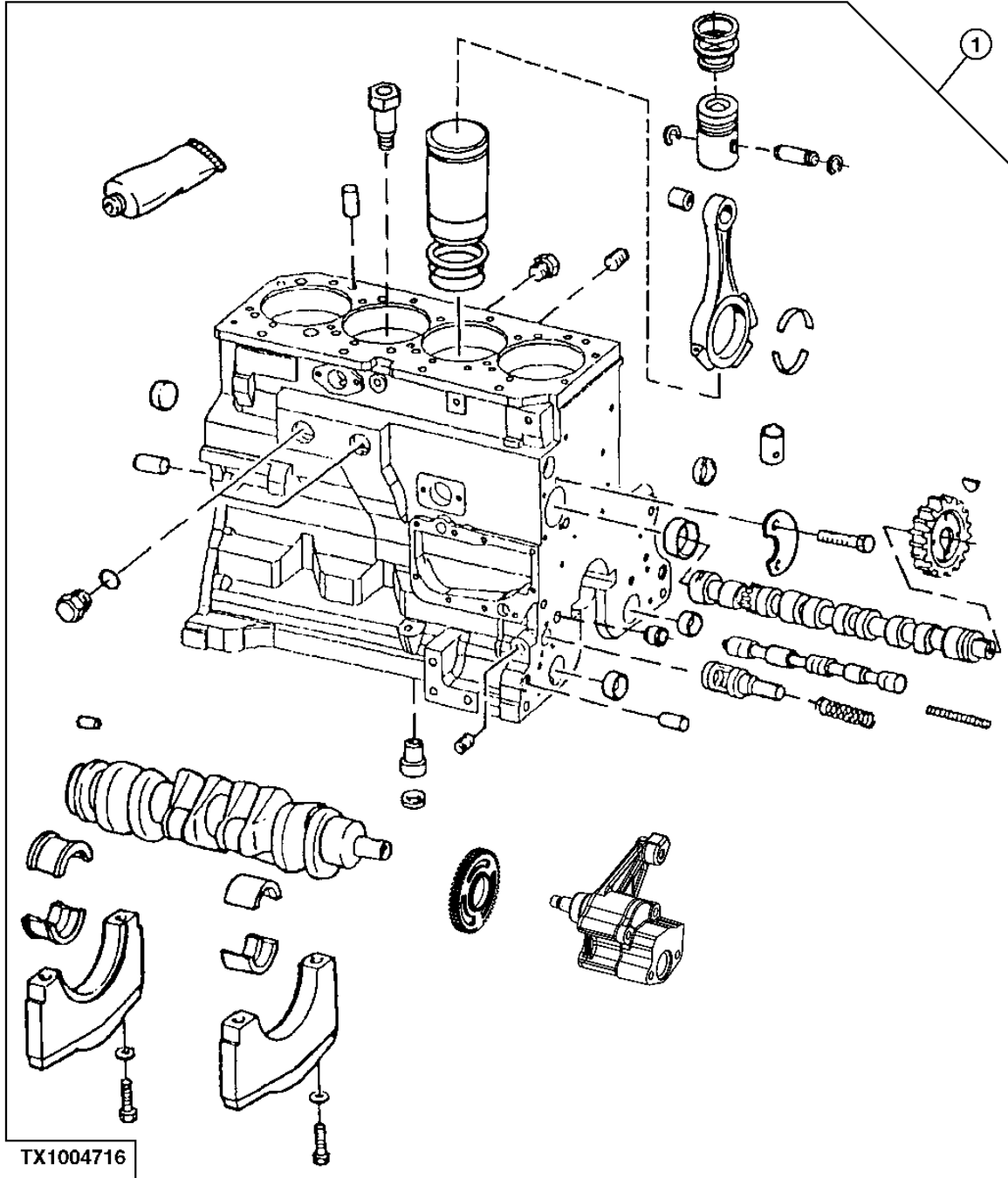
ENGINE 4

CYLINDER BLOCK 0404

ENGINE SHORT BLOCK (ESN 221706- ) PE4045DT058, PE4045TT088/089  
BLOC MOTEUR COURT (ESN 221706- ) PE4045DT058, PE4045TT088/089  
BLOQUE CORTO DEL MOTOR (ESN 221706- ) PE4045DT058, PE4045TT088/089

TX1004716

-UN-14MAR06



# 0404-7

ENGINE 4

CYLINDER BLOCK 0404

ENGINE SHORT BLOCK (ESN 221706- ) PE4045DT058, PE4045TT088/089  
BLOC MOTEUR COURT (ESN 221706- ) PE4045DT058, PE4045TT088/089  
BLOQUE CORTO DEL MOTOR (ESN 221706- ) PE4045DT058, PE4045TT088/089

| KEY | PART NO. | PART NAME            | QTY. | ENGINE<br>SERIAL NO.                    | REMARKS                   |
|-----|----------|----------------------|------|---|---------------------------|
|     |          |                      |      | 3 3<br>3 1 1<br>1 0 5<br>0 S S<br>G G G |                           |
| 1   | RE520023 | SHORT BLOCK ASSEMBLY | 1    |   | X X X (WITH TURBOCHARGER) |
|     | RE520031 | SHORT BLOCK ASSEMBLY | 1    |   | X (WITHOUT TURBOCHARGER)  |

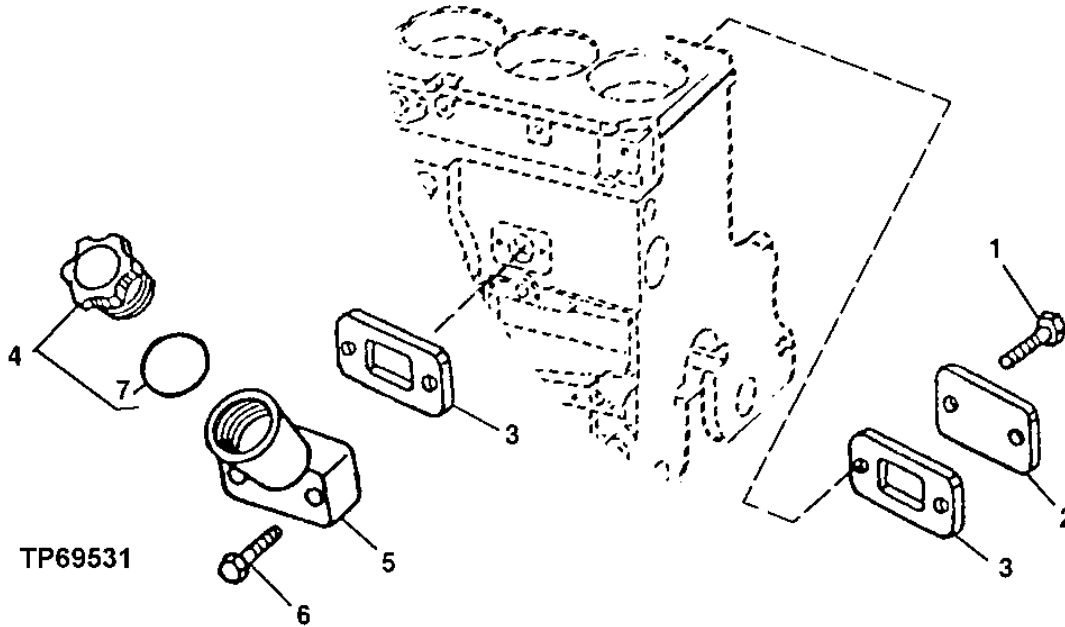
# 0407-2

ENGINE 4

ENGINE OILING SYSTEM 0407

ENGINE OIL FILLER INLET (SEE FOOTNOTE)  
 ENTREE DE REMPLISSAGE D HUILE MOTEUR (VOIR NOTE BAS DE PAGE)  
 ENTRADA DE LLENADO DE ACEITE DEL MOTOR (CONSULTE NOTA DE PIE DE PAGINA)

TP69531 -UN-26JUL00



| KEY | PART NO. | PART NAME   | QTY. | ENGINE SERIAL NO. | REMARKS                            |
|-----|----------|-------------|------|-------------------|------------------------------------|
|     |          |             |      | 3 3               |                                    |
|     |          |             |      | 3 1 1             |                                    |
|     |          |             |      | 1 0 5             |                                    |
|     |          |             |      | 0 S S             |                                    |
|     |          |             |      | G G G             |                                    |
| 1   | RE67238  | SCREW       | 2    | X X X             | M8 X 20, (WITH PREAPPLIED SEALANT) |
| 2   | R116296  | COVER       | 1    | X X X             |                                    |
| 3   | R136495  | GASKET      | 2    | X X X             |                                    |
| 4   | RE500005 | FILLER CAP  | 1    | X X X             |                                    |
| 5   | RE501377 | FILLER NECK | 1    | X X X             |                                    |
| 6   | RE67239  | SCREW       | 2    | X X X             | M8 X 45, (WITH PREAPPLIED SEALANT) |
| 7   | R502902  | PACKING     | 1    | X X X             |                                    |

TO/PE4045DT056, TO/PE4045TT080, TO/PE4045TT081, PE4045DT058, PE4045TT088, PE4045TT089  
 TO/PE4045DT056, TO/PE4045TT080, TO/PE4045TT081, PE4045DT058, PE4045TT088, PE4045TT089  
 TO/PE4045DT056, TO/PE4045TT080, TO/PE4045TT081, PE4045DT058, PE4045TT088, PE4045TT089

# 0407-3

ENGINE 4

ENGINE OILING SYSTEM 0407

MEMORANDA  
MEMORANDA  
MEMORANDA

# 0407-4

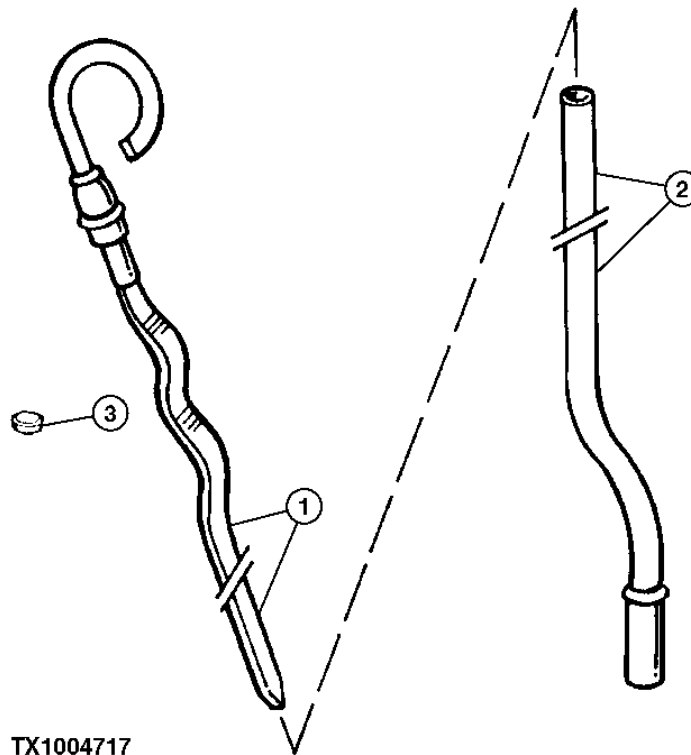
ENGINE 4

ENGINE OILING SYSTEM 0407

ENGINE OIL DIPSTICK (SEE FOOTNOTE)  
JAUGE A HUILE MOTEUR (VOIR NOTE BAS DE PAGE)  
ASPILLA PARA MEDIR EL NIVEL DE ACEITE DEL MOTOR (CONSULTE NOTA DE PIE DE PAGINA)

TX1004717

-UN-14MAR06



TX1004717

THIS PARTS LISTING IS CONTINUED

# 0407-4A

ENGINE 4

ENGINE OILING SYSTEM 0407

ENGINE OIL DIPSTICK (SEE FOOTNOTE)  
 JAUGE A HUILE MOTEUR (VOIR NOTE BAS DE PAGE)  
 ASPILLA PARA MEDIR EL NIVEL DE ACEITE DEL MOTOR (CONSULTE NOTA DE PIE DE PAGINA)

| KEY | PART NO. | PART NAME     | QTY. | ENGINE<br>SERIAL NO. | 3 3   | REMARKS |
|-----|----------|---------------|------|----------------------|-------|---------|
|     |          |               |      |                      | 3 1 1 |         |
|     |          |               |      |                      | 1 0 5 |         |
|     |          |               |      |                      | 0 S S |         |
|     |          |               |      |                      | G G G |         |
| 1   | RE69243  | DIPSTICK      | 1    |                      | X X X |         |
| 2   | R502604  | DIPSTICK TUBE | 1    |                      | X X X |         |
| 3   | R502725  | PLUG          | 1    |                      | X X X |         |

TO/PE4045DT056, TO/PE4045TT080/081, PE4045TT088, PE4045TT089 (VSN -929329) PE4045DT058  
 TO/PE4045DT056, TO/PE4045TT080/081, PE4045TT088, PE4045TT089 (VSN -929329) PE4045DT058  
 TO/PE4045DT056, TO/PE4045TT080/081, PE4045TT088, PE4045TT089 (VSN -929329) PE4045DT058

# 0407-4B

ENGINE 4

ENGINE OILING SYSTEM 0407

MEMORANDA  
MEMORANDA  
MEMORANDA



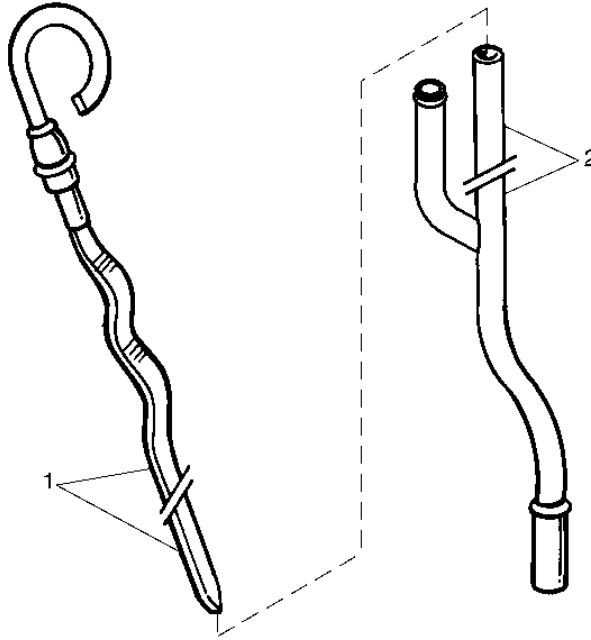
# 0407-5

ENGINE 4

ENGINE OILING SYSTEM 0407

ENGINE OIL DIPSTICK (VSN 929330- ) PE4045DT058  
 JAUGE A HUILE MOTEUR (VSN 929330- ) PE4045DT058  
 ASPILLA PARA MEDIR EL NIVEL DE ACEITE DEL MOTOR (VSN 929330- ) PE4045DT058

RGP10106 -UN-19SEP03



| KEY | PART NO. | PART NAME     | QTY. | ENGINE SERIAL NO. | REMARKS |
|-----|----------|---------------|------|-------------------|---------|
| 1   | RE69243  | DIPSTICK      | 1    |                   |         |
| 2   | RE522078 | DIPSTICK TUBE | 1    |                   |         |

3 3  
 3 1 1  
 1 0 5  
 0 S S  
 G G G

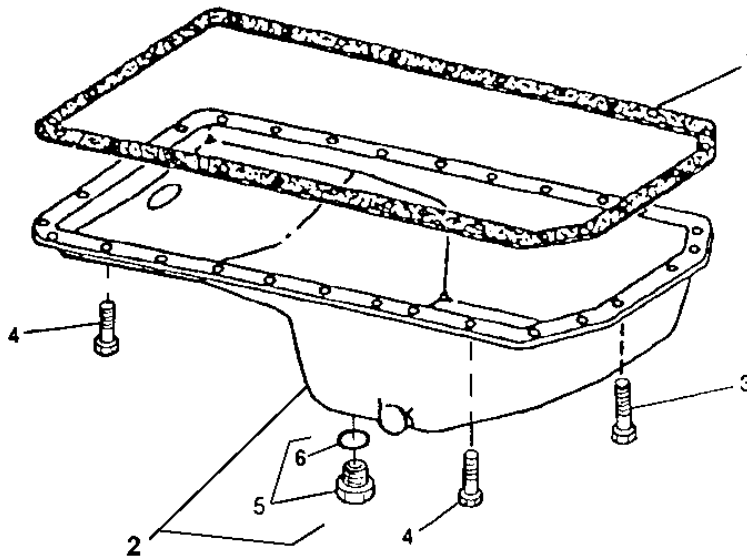
# 0407-6

ENGINE 4

ENGINE OILING SYSTEM 0407

ENGINE OIL PAN AND GASKET (SEE FOOTNOTE)  
CARTER D'HUILE MOTEUR ET JOINT (VOIR NOTES EN BAS DE PAGE)  
CARTER DE ACEITE Y EMPAQUETADURA (CONSULTE NOTA DE PIE DE PAGINA)

T145710 -UN-21SEP01



T145710

THIS PARTS LISTING IS CONTINUED

# 0407-7

ENGINE 4

ENGINE OILING SYSTEM 0407

**ENGINE OIL PAN AND GASKET (SEE FOOTNOTE)**  
**CARTER D'HUILE MOTEUR ET JOINT (VOIR NOTE BAS DE PAGE)**  
**CARTER DE ACEITE Y EMPAQUETADURA (CONSULTE NOTA DE PIE DE PAGINA)**

| KEY | PART NO. | PART NAME    | QTY. | ENGINE<br>SERIAL NO. | REMARKS                      |
|-----|----------|--------------|------|----------------------|------------------------------|
|     |          |              |      | 3 3                  |                              |
|     |          |              |      | 3 1 1                |                              |
|     |          |              |      | 1 0 5                |                              |
|     |          |              |      | 0 S S                |                              |
|     |          |              |      | G G G                |                              |
| 1   | R521493  | GASKET       | 1    |                      | X                            |
| 2   | RE59439  | OIL PAN      | 1    |                      | X                            |
| 3   | 19M7866  | SCREW        | 6    |                      | X M8 X 20. (SUB FOR 19M8062) |
| 4   | 19M8163  | BOLT         | 22   |                      | X M8 X 16                    |
| 5   | RE46685  | FITTING PLUG | 1    |                      | X                            |
| 6   | 51M7043  | O-RING       | 1    |                      | X 15.300 X 2.200 MM          |

(VSN 893079-907963) TO4045DT056 (VSN -911768) PE4045DT056 (911769- ) PE4045DT058 (W/O TURBO)  
 (VSN 893079-907963) TO4045DT056 (VSN -911768) PE4045DT056 (911769- ) PE4045DT058 (W/O TURBO)  
 (VSN 893079-907963) TO4045DT056 (VSN -911768) PE4045DT056 (911769- ) PE4045DT058 (W/O TURBO)

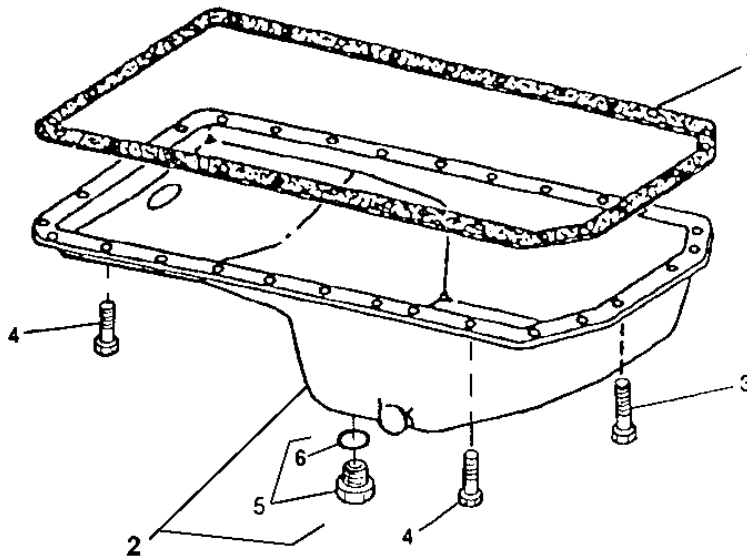
# 0407-8

ENGINE 4

ENGINE OILING SYSTEM 0407

ENGINE OIL PAN AND GASKET (SEE FOOTNOTE)  
CARTER D'HUILE MOTEUR ET JOINT (VOIR NOTE BAS DE PAGE)  
CARTER DE ACEITE Y EMPAQUETADURA (CONSULTE NOTA DE PIE DE PAGINA)

T145710 -UN-21SEP01



T145710

# 0407-9

ENGINE 4

ENGINE OILING SYSTEM 0407

ENGINE OIL PAN AND GASKET (SEE FOOTNOTE)  
 CARTER D'HUILE MOTEUR ET JOINT (VOIR NOTE BAS DE PAGE)  
 CARTER DE ACEITE Y EMPAQUETADURA (CONSULTE NOTA DE PIE DE PAGINA)

| KEY | PART NO. | PART NAME    | QTY. | ENGINE<br>SERIAL NO. | REMARKS                          |
|-----|----------|--------------|------|----------------------|----------------------------------|
|     |          |              |      | 3 3                  |                                  |
|     |          |              |      | 3 1 1                |                                  |
|     |          |              |      | 1 0 5                |                                  |
|     |          |              |      | 0 S S                |                                  |
|     |          |              |      | G G G                |                                  |
| 1   | R521493  | GASKET       | 1    |                      | X X X                            |
| 2   | RE59439  | OIL PAN      | 1    |                      | X X X                            |
| 3   | 19M7866  | SCREW        | 6    |                      | X X X M8 X 20. (SUB FOR 19M8062) |
| 4   | 19M8163  | BOLT         | 22   |                      | X X X M8 X 16                    |
| 5   | RE46685  | FITTING PLUG | 1    |                      | X X X                            |
| 6   | 51M7043  | O-RING       | 1    |                      | X X X 15.300 X 2.200 MM          |

(VSN 893079-907963) TO4045TT080/081 (VSN -910055) PE4045TT080/081  
 (VSN 893079-907963) TO4045TT080/081 (VSN -910055) PE4045TT080/081  
 (VSN 893079-907963) TO4045TT080/081 (VSN -910055) PE4045TT080/081

# 0407-10

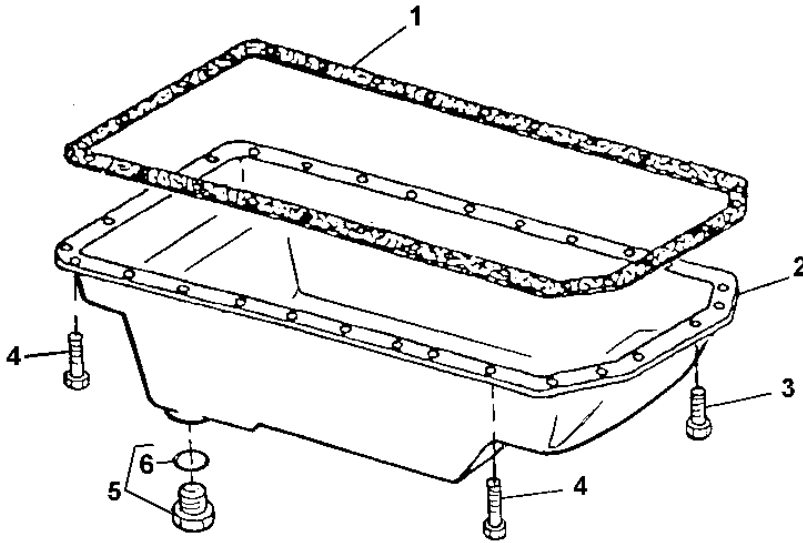
ENGINE 4

ENGINE OILING SYSTEM 0407

ENGINE OIL PAN AND GASKET (VSN 910056- ) PE4045TT088, PE4045TT089  
CARTER D'HUILE MOTEUR ET JOINT (VSN 910056- ) PE4045TT088, PE4045TT089  
CARTER DE ACEITE Y EMPAQUETADURA (VSN 910056- ) PE4045TT088, PE4045TT089

T145708

-UN-21SEP01



T145708

# 0407-11

ENGINE 4

ENGINE OILING SYSTEM 0407

ENGINE OIL PAN AND GASKET (VSN 910056- ) PE4045TT088, PE4045TT089  
 CARTER D'HUILE MOTEUR ET JOINT (VSN 910056- ) PE4045TT088, PE4045TT089  
 CARTER DE ACEITE Y EMPAQUETADURA (VSN 910056- ) PE4045TT088, PE4045TT089

| KEY | PART NO. | PART NAME    | QTY. | ENGINE<br>SERIAL NO. | REMARKS                          |
|-----|----------|--------------|------|----------------------|----------------------------------|
|     |          |              |      | 3 3                  |                                  |
|     |          |              |      | 3 1 1                |                                  |
|     |          |              |      | 1 0 5                |                                  |
|     |          |              |      | 0 S S                |                                  |
|     |          |              |      | G G G                |                                  |
| 1   | R521493  | GASKET       | 1    |                      | X X X                            |
| 2   | RE59545  | OIL PAN      | 1    |                      | X X X                            |
| 3   | 19M7866  | SCREW        | 6    |                      | X X X M8 X 20. (SUB FOR 19M8062) |
| 4   | 19M8163  | BOLT         | 22   |                      | X X X M8 X 16                    |
| 5   | RE46685  | FITTING PLUG | 1    |                      | X X X                            |
| 6   | 51M7043  | O-RING       | 1    |                      | X X X 15.300 X 2.200 MM          |

# 0407-12

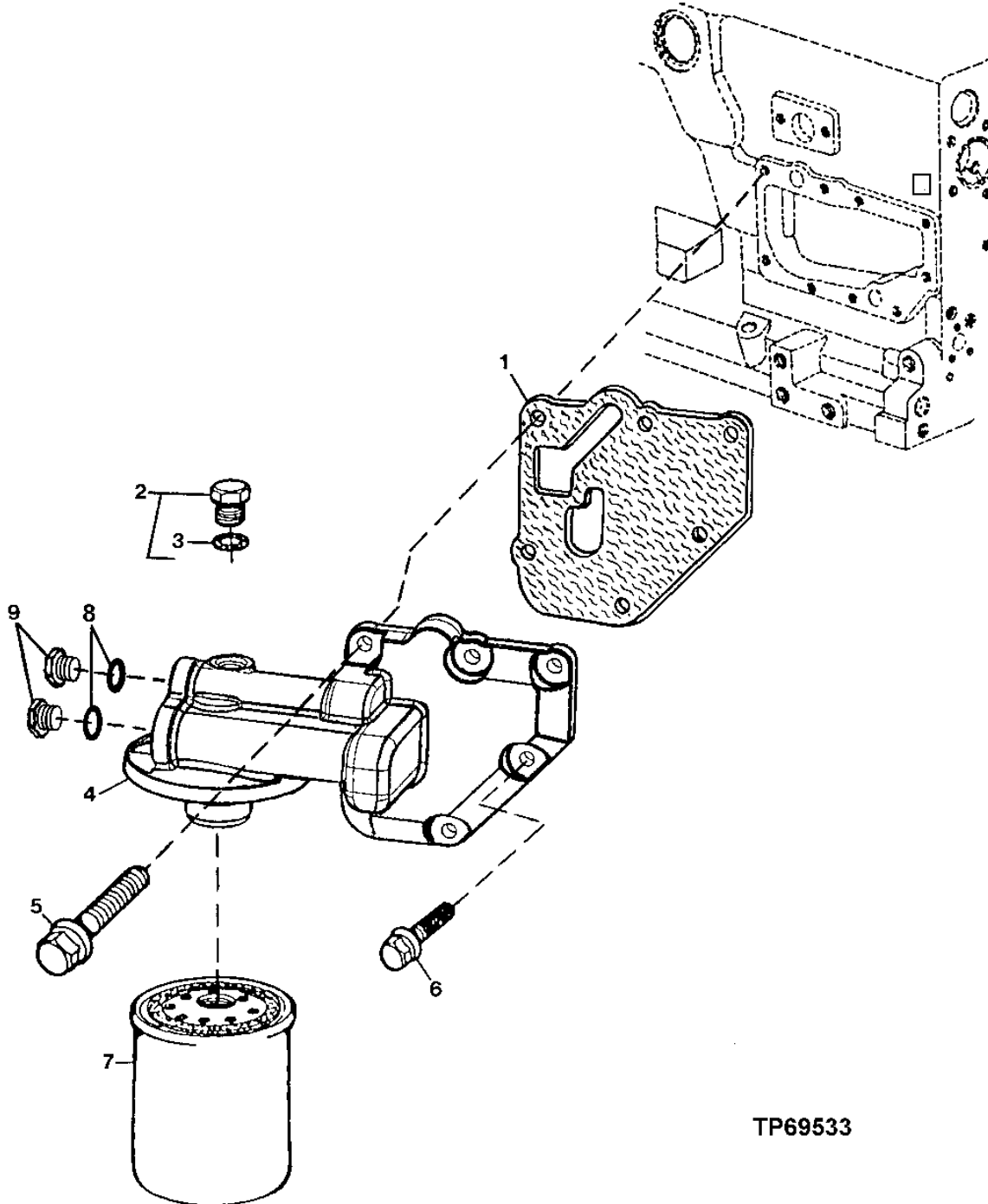
ENGINE 4

ENGINE OILING SYSTEM 0407

ENGINE OIL FILTER AND HOUSING (VSN -911768) T0/PE4045DT056  
FILTRE ET CARTER D'HUILE MOTEUR (VSN -911768) T0/PE4045DT056  
CAJA Y FILTRO DE ACEITE DEL MOTOR (VSN -911768) T0/PE4045DT056

TP69533

-UN-07AUG00



TP69533



# 0407-13

ENGINE 4

ENGINE OILING SYSTEM 0407

ENGINE OIL FILTER AND HOUSING (VSN -911768) T0/PE4045DT056  
 FILTRE ET CARTER D'HUILE MOTEUR (VSN -911768) T0/PE4045DT056  
 CAJA Y FILTRO DE ACEITE DEL MOTOR (VSN -911768) T0/PE4045DT056

| KEY | PART NO. | PART NAME   | QTY. | ENGINE<br>SERIAL NO. | REMARKS                              |
|-----|----------|-------------|------|----------------------|--------------------------------------|
|     |          |             |      | 3 3                  |                                      |
|     |          |             |      | 3 1 1                |                                      |
|     |          |             |      | 1 0 5                |                                      |
|     |          |             |      | 0 S S                |                                      |
|     |          |             |      | G G G                |                                      |
| 1   | R500374  | GASKET      | 1    |                      | X                                    |
| 2   | RE52242  | DRAIN PLUG  | 1    |                      | X                                    |
| 3   | 51M7042  | O-RING      | 1    |                      | X 13.300 X 2.200 MM                  |
| 4   | RE500133 | FILTER HEAD | 1    |                      | X                                    |
| 5   | 19M7802  | SCREW       | 5    |                      | X M8 X 65                            |
| 6   | RE67238  | SCREW       | 1    |                      | X M8 X 20. (WITH PREAPPLIED SEALANT) |
| 7   | RE59754  | OIL FILTER  | 1    |                      | X                                    |
| 8   | 51M7045  | O-RING      | 2    |                      | X 19.300 X 2.200 MM                  |
| 9   | R116115  | FITTING     | 2    |                      | X                                    |

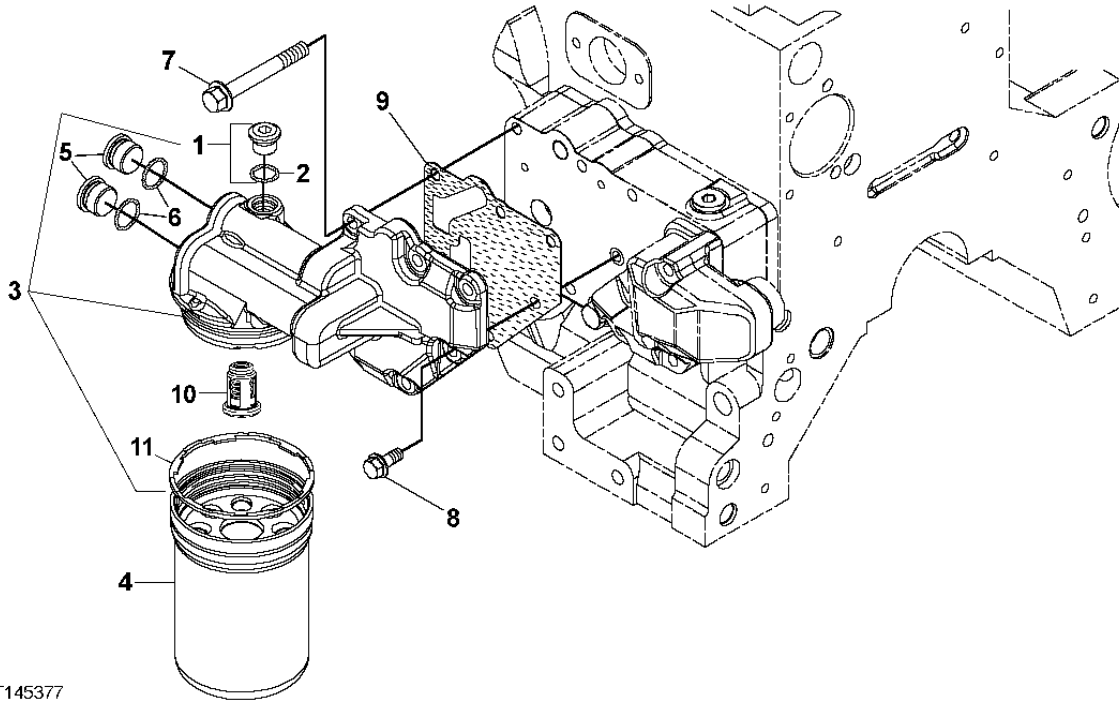
# 0407-14

ENGINE 4

ENGINE OILING SYSTEM 0407

ENGINE OIL FILTER AND HOUSING (VSN 911769- ) PE4045DT058  
 FILTRE ET CARTER D'HUILE MOTEUR (VSN 911769- ) PE4045DT058  
 CAJA Y FILTRO DE ACEITE DEL MOTOR (VSN 911769- ) PE4045DT058

T145377 -UN-14SEP01



T145377

| KEY | PART NO. | PART NAME   | QTY. | ENGINE SERIAL NO. | REMARKS                            |
|-----|----------|-------------|------|-------------------|------------------------------------|
|     |          |             |      | 3 3               |                                    |
|     |          |             |      | 3 1 1             |                                    |
|     |          |             |      | 1 0 5             |                                    |
|     |          |             |      | 0 S S             |                                    |
|     |          |             |      | G G G             |                                    |
| 1   | RE52242  | DRAIN PLUG  | 1    | X                 | M16 X 1.5                          |
| 2   | 51M7042  | O-RING      | 1    | X                 | 13.300 X 2.200 MM                  |
| 3   | RE504564 | FILTER HEAD | 1    | X                 | (MARKED R502505)                   |
| 4   | RE504836 | OIL FILTER  | 1    | X                 | (ALSO ORDER R502513)               |
| 5   | R116115  | FITTING     | 2    | X                 |                                    |
| 6   | 51M7045  | O-RING      | 2    | X                 | 19.300 X 2.200 MM                  |
| 7   | 19M7802  | SCREW       | 5    | X                 | M8 X 65                            |
| 8   | RE67238  | SCREW       | 1    | X                 | M8 X 20, (WITH PREAPPLIED SEALANT) |
| 9   | R500374  | GASKET      | 1    | X                 |                                    |
| 10  | RE504543 | VALVE       | 1    | X                 |                                    |
| 11  | R502513  | SEAL        | 1    | X                 |                                    |

# 0407-15

ENGINE 4

ENGINE OILING SYSTEM 0407

MEMORANDA  
MEMORANDA  
MEMORANDA

# 0407-16

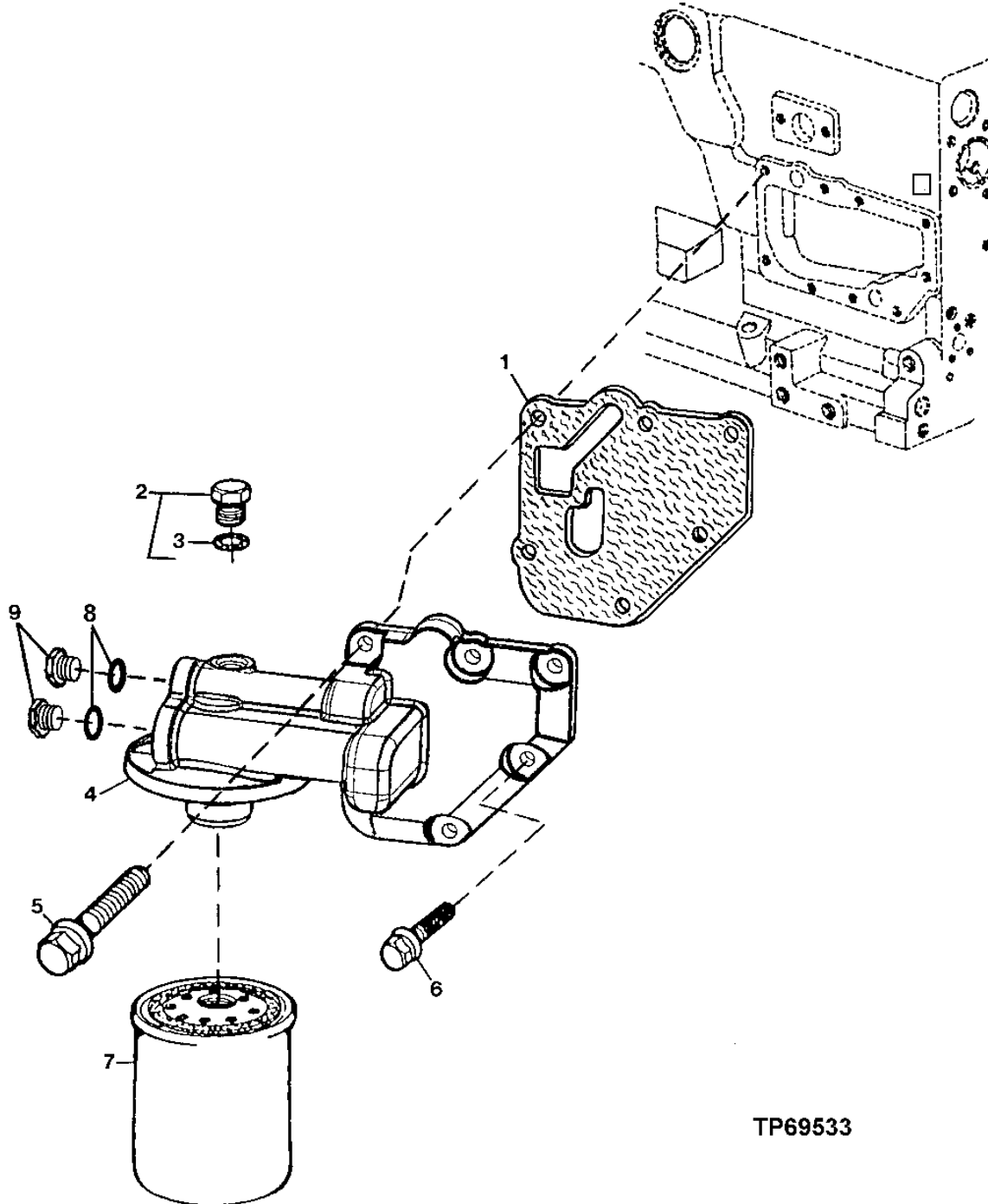
ENGINE 4

ENGINE OILING SYSTEM 0407

ENGINE OIL FILTER AND HOUSING (VSN -910055) T0/PE4045TT080/081  
FILTRE ET CARTER D'HUILE MOTEUR (VSN -910055) T0/PE4045TT080/081  
CAJA Y FILTRO DE ACEITE DEL MOTOR (VSN -910055) T0/PE4045TT080/081

TP69533

-UN-07AUG00



TP69533

# 0407-17

ENGINE 4

ENGINE OILING SYSTEM 0407

ENGINE OIL FILTER AND HOUSING (VSN -910055) T0/PE4045TT080/081  
 FILTRE ET CARTER D'HUILE MOTEUR (VSN -910055) T0/PE4045TT080/081  
 CAJA Y FILTRO DE ACEITE DEL MOTOR (VSN -910055) T0/PE4045TT080/081

| KEY | PART NO. | PART NAME   | QTY. | ENGINE<br>SERIAL NO. |       |       |                                    | REMARKS |
|-----|----------|-------------|------|----------------------|-------|-------|------------------------------------|---------|
|     |          |             |      |                      | 3 3   | 3 1 1 | 1 0 5                              |         |
|     |          |             |      |                      | 0 S S | G G G |                                    |         |
| 1   | R500374  | GASKET      | 1    |                      | X X X |       |                                    |         |
| 2   | RE52242  | DRAIN PLUG  | 1    |                      | X X X |       |                                    |         |
| 3   | 51M7042  | O-RING      | 1    |                      | X X X |       | 13.300 X 2.200 MM                  |         |
| 4   | RE500133 | FILTER HEAD | 1    |                      | X X X |       |                                    |         |
| 5   | 19M7802  | SCREW       | 5    |                      | X X X |       | M8 X 65                            |         |
| 6   | RE67238  | SCREW       | 1    |                      | X X X |       | M8 X 20. (WITH PREAPPLIED SEALANT) |         |
| 7   | RE59754  | OIL FILTER  | 1    |                      | X X X |       |                                    |         |
|     | RE67764  | OIL FILTER  | 1    |                      | X X X |       | (HIGH CAPACITY)                    |         |
| 8   | 51M7045  | O-RING      | 2    |                      | X X X |       | 19.300 X 2.200 MM                  |         |
| 9   | R116115  | FITTING     | 2    |                      | X X X |       |                                    |         |

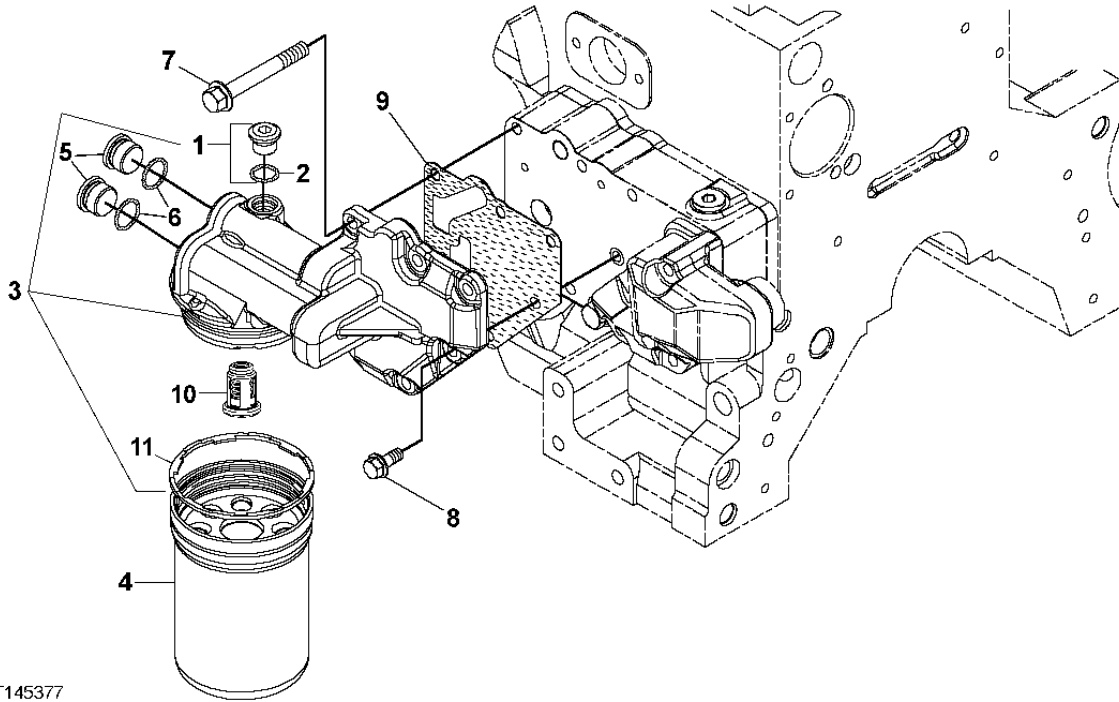
# 0407-18

ENGINE 4

ENGINE OILING SYSTEM 0407

ENGINE OIL FILTER AND HOUSING (VSN 910056- ) PE4045TT088/089  
 FILTRE ET CARTER D'HUILE MOTEUR (VSN 910056- ) PE4045TT088/089  
 CAJA Y FILTRO DE ACEITE DEL MOTOR (VSN 910056- ) PE4045TT088/089

T145377 -UN-14SEP01



T145377

| KEY | PART NO. | PART NAME   | QTY. | ENGINE SERIAL NO. | REMARKS                            |
|-----|----------|-------------|------|-------------------|------------------------------------|
|     |          |             |      | 3 3               |                                    |
|     |          |             |      | 3 1 1             |                                    |
|     |          |             |      | 1 0 5             |                                    |
|     |          |             |      | 0 S S             |                                    |
|     |          |             |      | G G G             |                                    |
| 1   | RE52242  | DRAIN PLUG  | 1    | X X X             | M16 X 1.5                          |
| 2   | 51M7042  | O-RING      | 1    | X X X             | 13.300 X 2.200 MM                  |
| 3   | RE504564 | FILTER HEAD | 1    | X X X             | (MARKED R502505)                   |
| 4   | RE504836 | OIL FILTER  | 1    | X X X             | (ALSO ORDER R502513)               |
| 5   | R116115  | FITTING     | 2    | X X X             |                                    |
| 6   | 51M7045  | O-RING      | 2    | X X X             | 19.300 X 2.200 MM                  |
| 7   | 19M7802  | SCREW       | 5    | X X X             | M8 X 65                            |
| 8   | RE67238  | SCREW       | 1    | X X X             | M8 X 20, (WITH PREAPPLIED SEALANT) |
| 9   | R500374  | GASKET      | 1    | X X X             |                                    |
| 10  | RE504543 | VALVE       | 1    | X X X             |                                    |
| 11  | R502513  | SEAL        | 1    | X X X             |                                    |

# 0407-19

ENGINE 4

ENGINE OILING SYSTEM 0407

MEMORANDA  
MEMORANDA  
MEMORANDA

# 0407-20

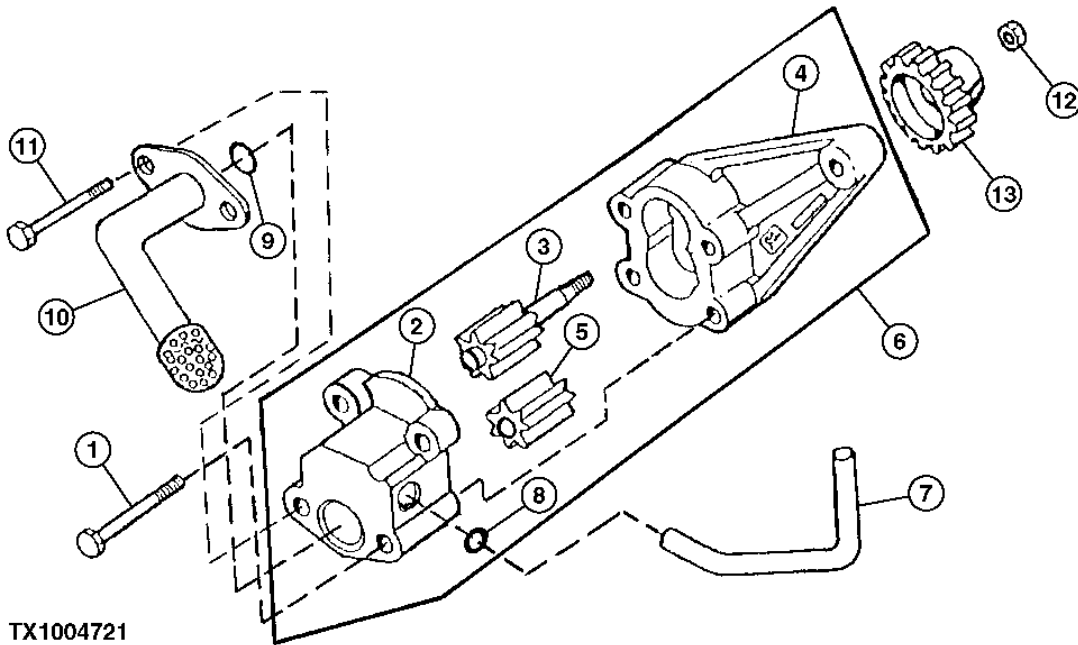
ENGINE 4

ENGINE OILING SYSTEM 0407

ENGINE OIL PUMP AND INTAKE (SEE FOOTNOTE)  
POMPE A HUILE MOTEUR ET ADMISSION (VOIR NOTE BAS DE PAGE)  
BOMBA Y TOMA DE ACEITE DEL MOTOR (CONSULTE NOTA DE PIE DE PAGINA)

TX1004721

-UN-14MAR06



TX1004721



# 0407-21

ENGINE 4

ENGINE OILING SYSTEM 0407

**ENGINE OIL PUMP AND INTAKE (SEE FOOTNOTE)  
 POMPE A HUILE MOTEUR ET ADMISSION (VOIR NOTE BAS DE PAGE)  
 BOMBA Y TOMA DE ACEITE DEL MOTOR (CONSULTE NOTA DE PIE DE PAGINA)**

| KEY | PART NO. | PART NAME       | QTY. | ENGINE SERIAL NO. | 3 3<br>3 1 1<br>1 0 5<br>0 S S<br>G G G | REMARKS                              |
|-----|----------|-----------------|------|-------------------|---|--------------------------------------|
| 1   | 19M8987  | SCREW           | 2    |                   | X X X                                   | M8 X 65                              |
| 2   | .....    | COVER           | 1    |                   | X X X                                   |                                      |
| 3   | .....    | GEAR            | 1    |                   | X X X                                   |                                      |
| 4   | .....    | HOUSING         | 1    |                   | X X X                                   |                                      |
| 5   | .....    | GEAR            | 1    |                   | X X X                                   |                                      |
| 6   | RE504914 | OIL PUMP        | 1    |                   | X X X                                   | (MARKED R502867)                     |
| 7   | R121376  | TUBE            | 1    |                   | X X X                                   | (TO CYLINDER BLOCK)                  |
| 8   | R97185   | O-RING          | 1    |                   | X X X                                   |                                      |
| 9   | R61871   | O-RING          | 1    |                   | X X X                                   |                                      |
| 10  | RE70073  | OIL PUMP INTAKE | 1    | -221705           | X X X                                   |                                      |
|     | RE57619  | OIL PUMP INTAKE | 1    | 221706-           | X X X                                   | (PE4045TT089)                        |
|     | RE57619  | OIL PUMP INTAKE | 1    | 224566-           | X                                       | (PE4045TT088)                        |
|     | RE70073  | OIL PUMP INTAKE | 1    | 241601-           | X                                       | (PE4045DT058) (WITHOUT TURBOCHARGER) |
| 11  | 19M8986  | SCREW           | 2    |                   | X X X                                   | M8 X 100                             |
| 12  | 14M7066  | NUT             | 1    |                   | X X X                                   | M12                                  |
| 13  | R120638  | GEAR            | 1    |                   | X X X                                   | (Z = 30)                             |

TO/PE4045DT056, TO/PE4045TT080/081, PE4045DT058, PE4045TT088/089  
 TO/PE4045DT056, TO/PE4045TT080/081, PE4045DT058, PE4045TT088/089  
 TO/PE4045DT056, TO/PE4045TT080/081, PE4045DT058, PE4045TT088/089

# 0408-2

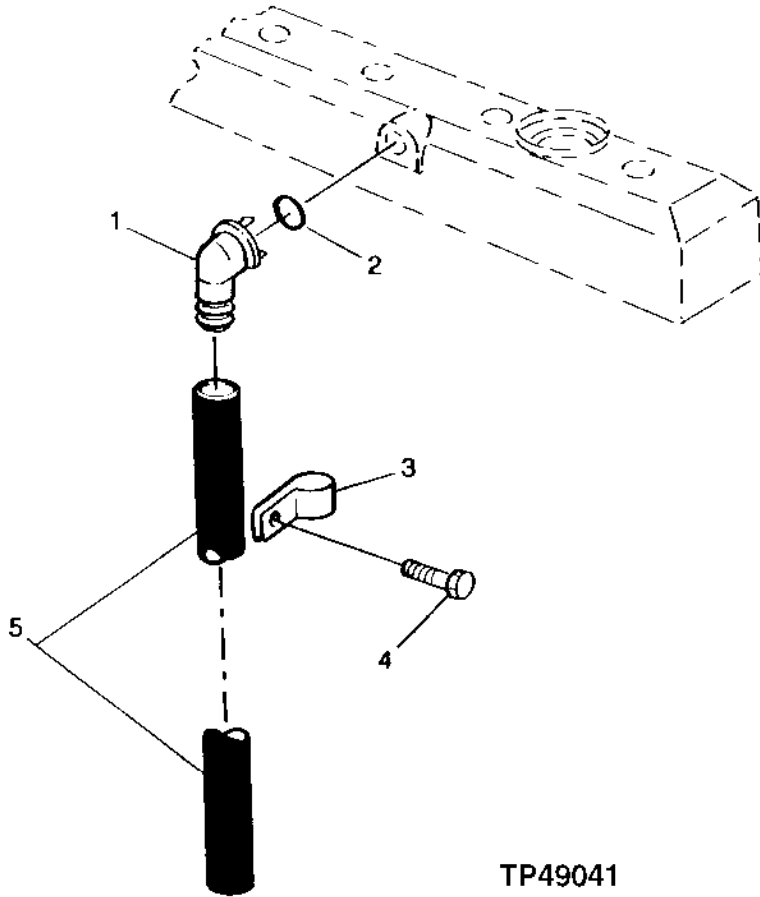
ENGINE 4

VENTILATING SYSTEM 0408

ENGINE VENTILATING SYSTEM (TO/PE4045DT056, TO/PE4045TT080/081, PE4045TT088/089)  
SYSTEME DE VENTILATION DU MOTEUR (TO/PE4045DT056, TO/PE4045TT080/081, PE4045TT088/089)  
SISTEMA DE VENTILACION DEL MOTOR (TO/PE4045DT056, TO/PE4045TT080/081, PE4045TT088/089)

TP49041

-UN-06SEP95



TP49041

# 0408-3

ENGINE 4

VENTILATING SYSTEM 0408

ENGINE VENTILATING SYSTEM (TO/PE4045DT056, TO/PE4045TT080/081, PE4045DT058, PE4045TT088/089)  
 SYSTEME DE VENTILATION DU MOTEUR (TO/PE4045DT056, TO/PE4045TT080/081, PE4045DT058, PE4045TT088/089)  
 SISTEMA DE VENTILACION DEL MOTOR (TO/PE4045DT056, TO/PE4045TT080/081, PE4045DT058, PE4045TT088/089)

| KEY | PART NO. | PART NAME     | QTY. | ENGINE<br>SERIAL NO.                    | REMARKS       |
|-----|----------|---------------|------|---|---------------|
|     |          |               |      | 3 3<br>3 1 1<br>1 0 5<br>0 S S<br>G G G |               |
| 1   | R120467  | ELBOW FITTING | 1    |   | X X X         |
| 2   | R72328   | O-RING        | 1    |   | X X X         |
| 3   | R72659   | CLAMP         | 1    |   | X X X         |
| 4   | 19M7866  | SCREW         | 1    |   | X X X M8 X 20 |
| 5   | TY24401  | BULK HOSE     | 1    |   | X X X         |

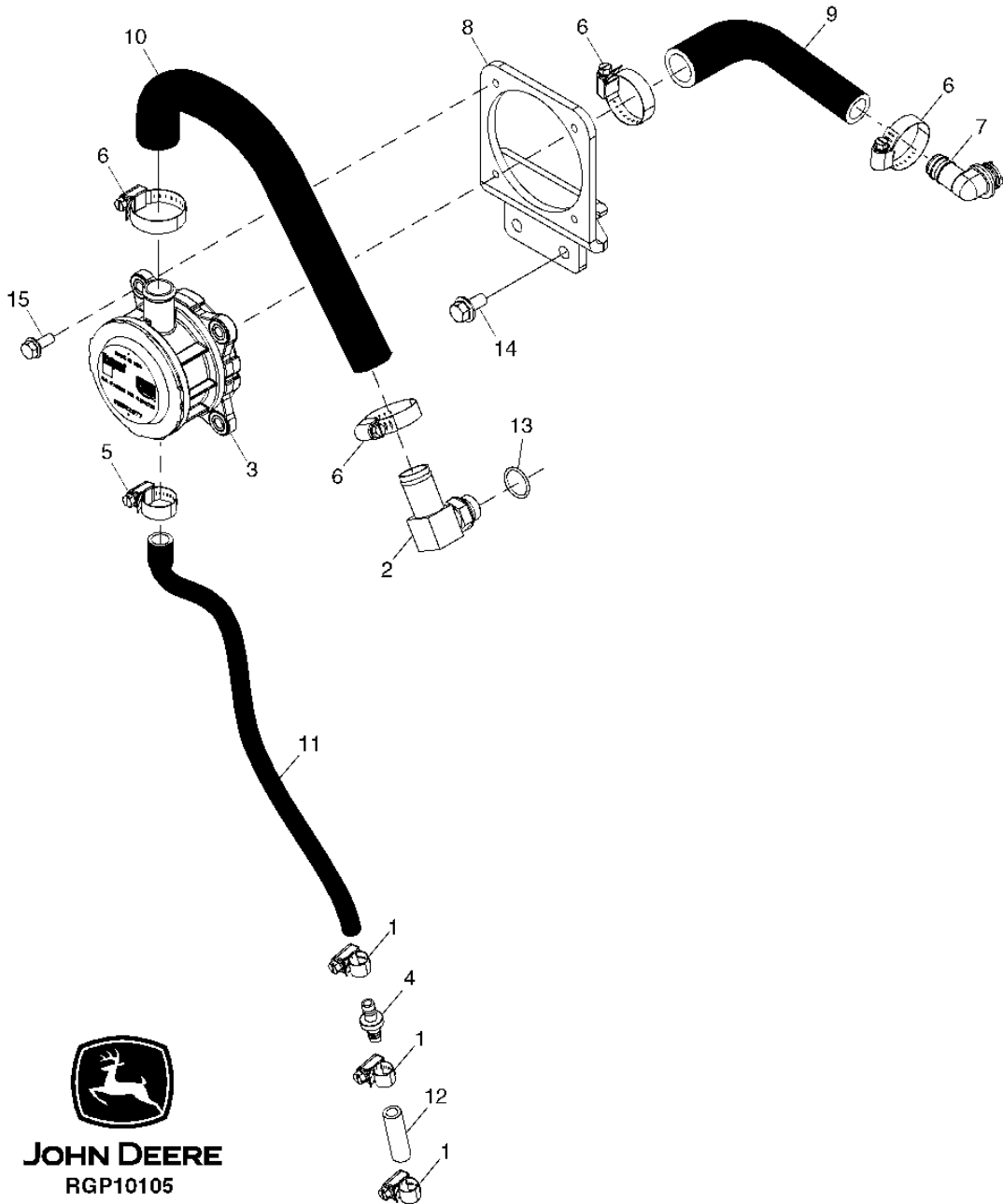
# 0408-4

ENGINE 4

VENTILATING SYSTEM 0408

ENGINE VENTILATING SYSTEM (310G W/O TURBO) (VSN 929330- ) PE4045DT058  
SYSTEME DE VENTILATION DU MOTEUR (310G W/O TURBO) (VSN 929330- ) PE4045DT058  
SISTEMA DE VENTILACION DEL MOTOR (310G W/O TURBO) (VSN 929330- ) PE4045DT058

RGP10105 -UN-19SEP03



# 0408-5

ENGINE 4

VENTILATING SYSTEM 0408

ENGINE VENTILATING SYSTEM (310G W/O TURBO) (VSN 929330- ) PE4045DT058  
 SYSTÈME DE VENTILATION DU MOTEUR (310G W/O TURBO) (VSN 929330- ) PE4045DT058  
 SISTEMA DE VENTILACION DEL MOTOR (310G W/O TURBO) (VSN 929330- ) PE4045DT058

| KEY | PART NO. | PART NAME     | QTY. | ENGINE SERIAL NO. | REMARKS              |
|-----|----------|---------------|------|-------------------|----------------------|
|     |          |               |      | 3 3               |                      |
|     |          |               |      | 3 1 1             |                      |
|     |          |               |      | 1 0 5             |                      |
|     |          |               |      | 0 S S             |                      |
|     |          |               |      | G G G             |                      |
| 1   | TY22464  | CLAMP         | 3    |                   | X                    |
| 2   | AT196258 | ELBOW FITTING | 1    |                   | X                    |
| 3   | RE522766 | IMPACTOR      | 1    |                   | X (SUB FOR RE522077) |
| 4   | RE522079 | CHECK VALVE   | 1    |                   | X                    |
| 5   | RE65978  | CLAMP         | 1    |                   | X                    |
| 6   | AR21839  | CLAMP         | 4    |                   | X                    |
| 7   | R120467  | ELBOW FITTING | 1    |                   | X                    |
| 8   | R519244  | BRACKET       | 1    |                   | X                    |
| 9   | R519273  | HOSE          | 1    |                   | X                    |
| 10  | R519274  | HOSE          | 1    |                   | X                    |
| 11  | R519275  | HOSE          | 1    |                   | X                    |
| 12  | R519286  | HOSE          | 1    |                   | X                    |
| 13  | R72328   | O-RING        | 1    |                   | X                    |
| 14  | 19M7784  | SCREW         | 4    |                   | X M10 X 20           |
| 15  | 19M7866  | SCREW         | 4    |                   | X M8 X 20            |

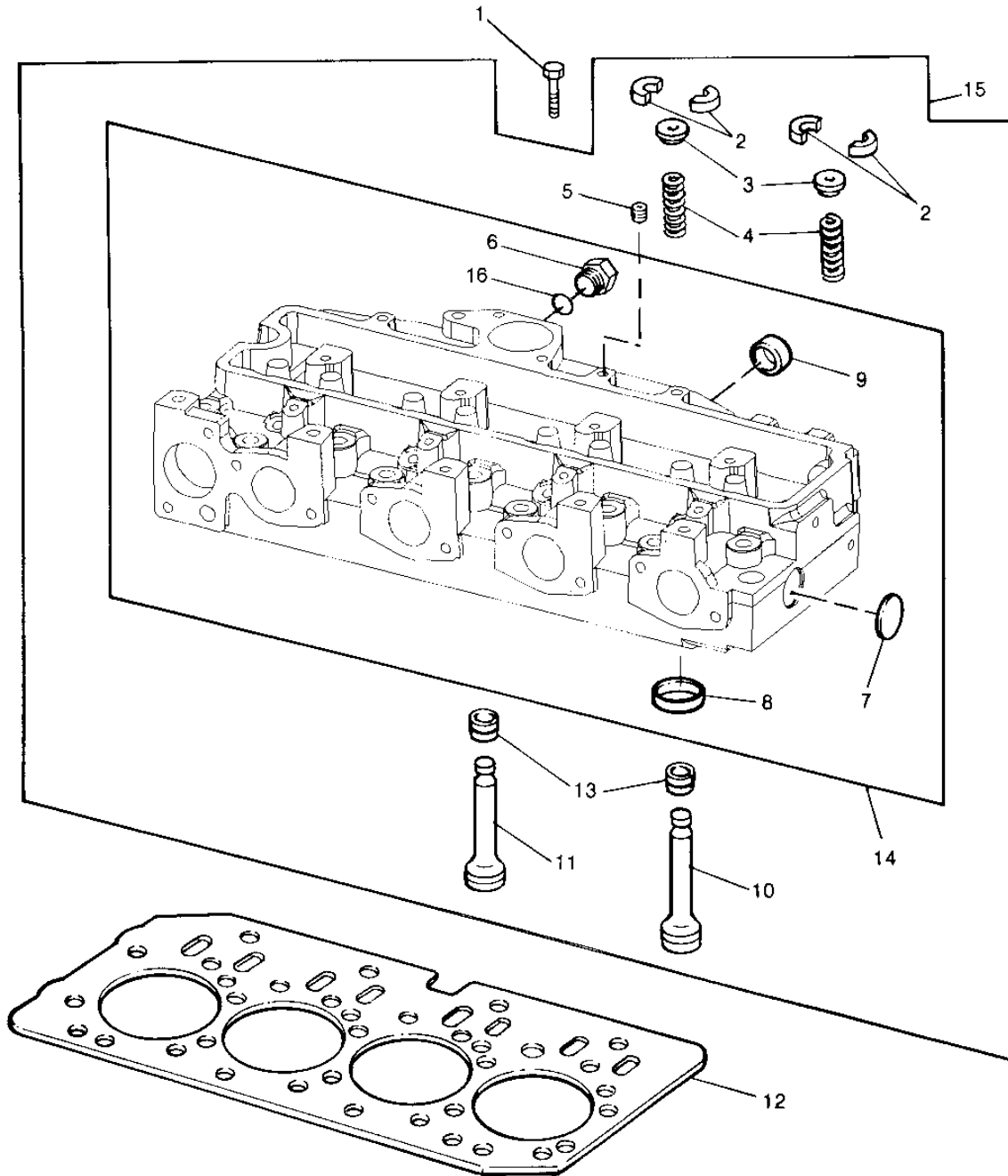
# 0409-2

ENGINE 4

CYLINDER HEAD AND VALVES (T0/PE4045DT056, T0/PE4045TT080/081, PE4045DT058, PE4045TT088/089)  
CULASSE ET SOUPAPES (T0/PE4045DT056, T0/PE4045TT080/081, PE4045DT058, PE4045TT088/089)  
CULATA Y VALVULAS (T0/PE4045DT056, T0/PE4045TT080/081, PE4045DT058, PE4045TT088/089)

T149672

-UN-10JAN02



T149672

# 0409-3

ENGINE 4

CYLINDER HEAD, VALVES AND EXHAUST VALVE BRAKE  
 CYLINDER HEAD AND VALVES (T0/PE4045DT056, T0/PE4045TT080/081, PE4045DT058, PE4045TT088/089)  
 CULASSE ET SOUPAPES (T0/PE4045DT056, T0/PE4045TT080/081, PE4045DT058, PE4045TT088/089)  
 CULATA Y VALVULAS (T0/PE4045DT056, T0/PE4045TT080/081, PE4045DT058, PE4045TT088/089)

| KEY | PART NO. | PART NAME                   | QTY. | ENGINE SERIAL NO. | REMARKS                |
|-----|----------|-----------------------------|------|-------------------|------------------------|
|     |          |                             |      |                   | 3 3                    |
|     |          |                             |      |                   | 3 1 1                  |
|     |          |                             |      |                   | 1 0 5                  |
|     |          |                             |      |                   | 0 S S                  |
|     |          |                             |      |                   | G G G                  |
| 1   | R85363   | CAP SCREW                   | 18   |                   | X X X                  |
| 2   | R91889   | RETAINER                    | 16   |                   | X X X                  |
| 3   | RE60005  | ROTATOR                     | 8    |                   | X X X                  |
| 4   | R26125   | SPRING                      | 8    |                   | X X X                  |
| 5   | R104592  | PIPE PLUG                   | 1    |                   | X X X                  |
| 6   | T58477   | FITTING                     | 1    |                   | X X X                  |
|     | R26906   | O-RING                      | 1    |                   | X X X                  |
| 7   | CD16284  | PLUG                        | 1    |                   | X X X                  |
| 8   | R98063   | VALVE SEAT INSERT           | 4    |                   | X X X (STD) (INTAKE)   |
|     | R98335   | VALVE SEAT INSERT           | 4    |                   | X X X (OS) (INTAKE)    |
|     | R85687   | VALVE SEAT INSERT           | 4    |                   | X X X (STD) (EXHAUST)  |
|     | R93910   | VALVE SEAT INSERT           | 4    |                   | X X X (OS) (EXHAUST)   |
| 9   | R43409   | PLUG                        | 2    |                   | X X X                  |
| 10  | R90692   | EXHAUST VALVE               | 4    |                   | X X X (STD)            |
| 11  | R98062   | INTAKE VALVE                | 4    |                   | X X X (STD)            |
| 12  | R116515  | ENGINE CYLINDER HEAD GASKET | 1    |                   | X X X                  |
| 13  | RE31617  | SEAL                        | 8    |                   | X X X                  |
| 14  | .....    | CYLINDER HEAD               | 1    |                   | X X X (MARKED R121402) |
| 15  | RE57234  | CYLINDER HEAD               | 1    |                   | X X X (MARKED R121402) |
| 16  | R26906   | O-RING                      | 1    |                   | X X X                  |

# 0409-4

ENGINE 4

---

CYLINDER;HEAD;VALVES AND;EXHAUST VALVE;BRAKE 0409  
MEMORANDA  
MEMORANDA  
MEMORANDA



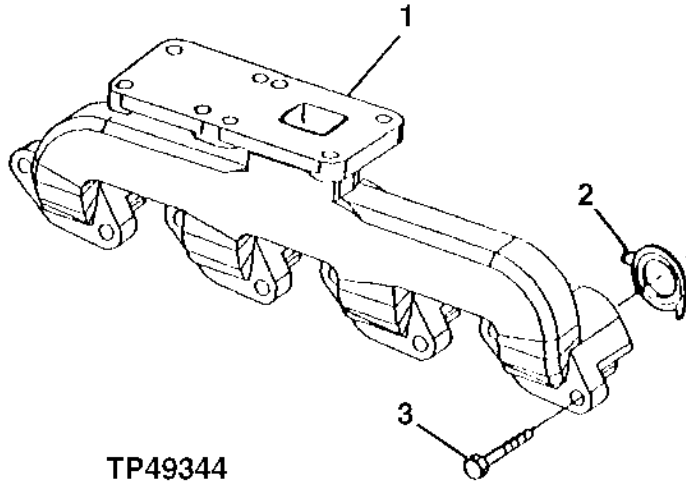
# 0410-1

ENGINE 4

EXHAUST MANIFOLD 0410

EXHAUST MANIFOLD AND GASKET (SEE FOOTNOTE)  
 COLLECTEUR D'ÉCHAPPEMENT ET GARNITURE (VOIR NOTE BAS DE PAGE)  
 COLECTOR DE ESCAPE Y JUNTA (CONSULTE NOTA DE PIE DE PAGINA)

TP49344 -UN-22NOV95



TP49344

| KEY | PART NO. | PART NAME        | QTY. | ENGINE SERIAL NO. | REMARKS  |
|-----|----------|------------------|------|-------------------|----------|
|     |          |                  |      | 3 3               |          |
|     |          |                  |      | 3 1 1             |          |
|     |          |                  |      | 1 0 5             |          |
|     |          |                  |      | 0 S S             |          |
|     |          |                  |      | G G G             |          |
| 1   | R132261  | EXHAUST MANIFOLD | 1    | X X X             |          |
| 2   | R90658   | GASKET           | 4    | X X X             |          |
| 3   | 19M7810  | SCREW            | 8    | X X X             | M10 X 80 |

TO/PE4045DT056, TO/PE4045TT080/081, PE4045DT058, PE4045TT088/089  
 TO/PE4045DT056, TO/PE4045TT080/081, PE4045DT058, PE4045TT088/089  
 TO/PE4045DT056, TO/PE4045TT080/081, PE4045DT058, PE4045TT088/089

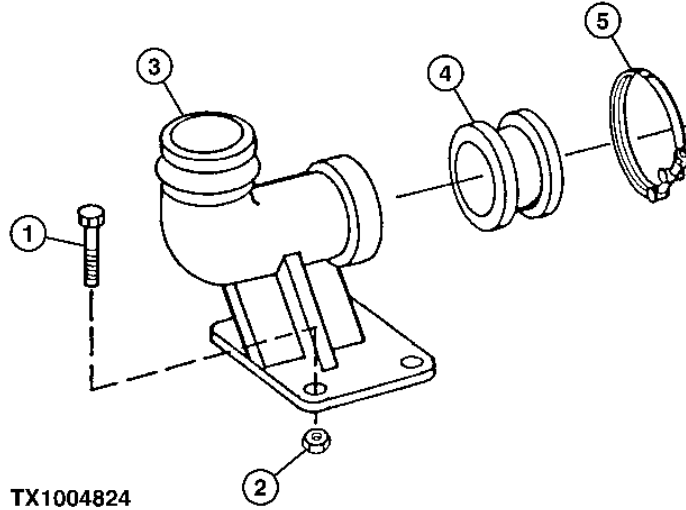
# 0410-2

ENGINE 4

EXHAUST MANIFOLD 0410

EXHAUST ELBOW (VSN -910055) T0/PE4045TT080/081 (VSN -910055) T0/PE4045TT080/081  
 COUDE D'ÉCHAPPEMENT (VSN -910055) T0/PE4045TT080/081 (VSN -910055) T0/PE4045TT080/081  
 CODO DE ESCAPE (VSN -910055) T0/PE4045TT080/081 (VSN -910055) T0/PE4045TT080/081

TX1004824 -UN-16MAR06



| KEY | PART NO. | PART NAME       | QTY. | ENGINE SERIAL NO. | REMARKS |
|-----|----------|-----------------|------|-------------------|---------|
| 1   | 19M8162  | SCREW           | 4    |                   |         |
| 2   | 14M7296  | FLANGE NUT      | 4    |                   |         |
| 3   | R123246  | PIPE ELBOW      | 1    |                   |         |
| 4   | R87732   | ADAPTER FITTING | 1    |                   |         |
| 5   | RE40048  | CLAMP           | 1    |                   |         |

3 3  
 3 1 1  
 1 0 5  
 0 S S  
 G G G

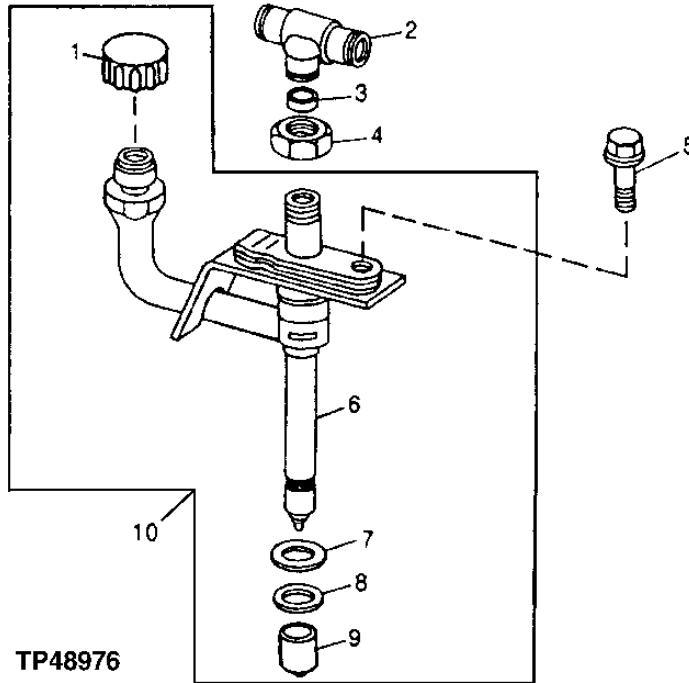
# 0413-1

ENGINE 4

FUEL INJECTION SYSTEM 0413

FUEL INJECTION NOZZLE (SEE FOOTNOTE)  
 INJECTEURS D'INJECTION DE CARBURANT (VOIR NOTE BAS DE PAGE)  
 TOBERAS DE INYECCION DE COMBUSTIBLE (CONSULTE NOTA DE PIE DE PAGINA)

TP48976 -UN-26OCT96



TP48976

| KEY | PART NO. | PART NAME        | QTY. | ENGINE SERIAL NO. | REMARKS   |
|-----|----------|------------------|------|-------------------|---|
|     |          |                  |      | 3 3               |   |
|     |          |                  |      | 3 1 1             |   |
|     |          |                  |      | 1 0 5             |   |
|     |          |                  |      | 0 S S             |   |
|     |          |                  |      | G G G             |   |
| 1   | .....    | CAP (HAT)        | 1    | X X X             |   |
| 2   | R71963   | TEE FITTING      | 1    | X X X             |   |
| 3   | R79605   | WASHER           | 1    | X X X             |   |
| 4   | R79604   | TUBE NUT         | 1    | X X X             |   |
| 5   | R116366  | SCREW            | 1    | X X X             |   |
| 6   | .....    | NOZZLE           | 1    | X X X             |   |
| 7   | R92352   | PACKING          | 1    | X X X             |   |
| 8   | R48000   | SEAL             | 1    | X X X             | (USE WITH OVERSIZE NOZZLE BORE) (NOT INCLUDED WITH RE48786) |
|     | R500390  | WASHER           | 1    | X X X             | (USE WITH STANDARD NOZZLE BORE)                             |
| 9   | T24472   | CAP              | 1    | X X X             |   |
| 10  | RE48786  | INJECTION NOZZLE | 1    | X X X             |   |
|     | SE500826 | NOZZLE           | 1    | X X X             | (REMANUFACTURED FOR RE48786) PKG 4                          |
|     | SE501101 | NOZZLE           | 1    | X X X             | (REMAN FOR RE48786) PKG 1                                   |

(VSN 893079-907963) TO4045TT080/081  
 (VSN 893079-907963) TO4045TT080/081  
 (VSN 893079-907963) TO4045TT080/081

(VSN -910055) PE4045TT088/089  
 (VSN -910055) PE4045TT088/089  
 (VSN -910055) PE4045TT088/089

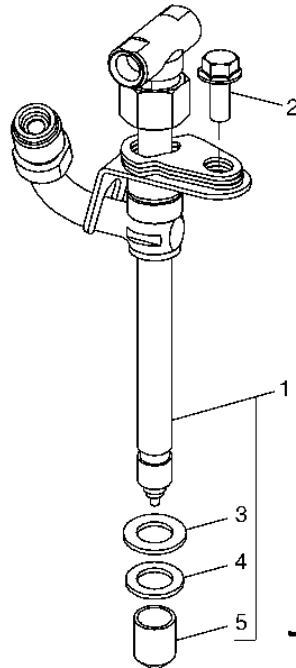
# 0413-2

ENGINE 4

FUEL INJECTION SYSTEM 0413

FUEL INJECTION NOZZLE (SEE FOOTNOTE)  
 INJECTEURS D'INJECTION DE CARBURANT (VOIR NOTE BAS DE PAGE)  
 TOBERAS DE INYECCION DE COMBUSTIBLE (CONSULTE NOTA DE PIE DE PAGINA)

RGP10095 -UN-



3 3  
 3 1 1  
 1 0 5  
 0 S S  
 G G G

| KEY | PART NO. | PART NAME        | QTY. | ENGINE SERIAL NO. | REMARKS                    |
|-----|----------|------------------|------|-------------------|----------------------------|
| 1   | RE507766 | INJECTION NOZZLE | 1    | X X X             |                            |
|     | SE500830 | NOZZLE           | 1    | X X X             | (REMAN FOR RE507766) PKG 4 |
|     | SE501103 | NOZZLE           | AR   | X X X             | (REMAN FOR RE507766) PKG 1 |
|     | RE531116 | KIT              | 1    | X X X             |                            |
| 2   | RE508716 | CLAMP            | 4    | X X X             |                            |
| 3   | R92352   | PACKING          | 1    | X X X             |                            |
| 4   | R500390  | WASHER           | 1    | X X X             |                            |
| 5   | T24472   | CAP              | 1    | X X X             |                            |

(VSN 910056- ) PE4045TT088/089  
 (VSN 910056- ) PE4045TT088/089  
 (VSN 910056- ) PE4045TT088/089

(VSN -943548) PE4045TT089  
 (VSN -943548) PE4045TT089  
 (VSN -943548) PE4045TT089

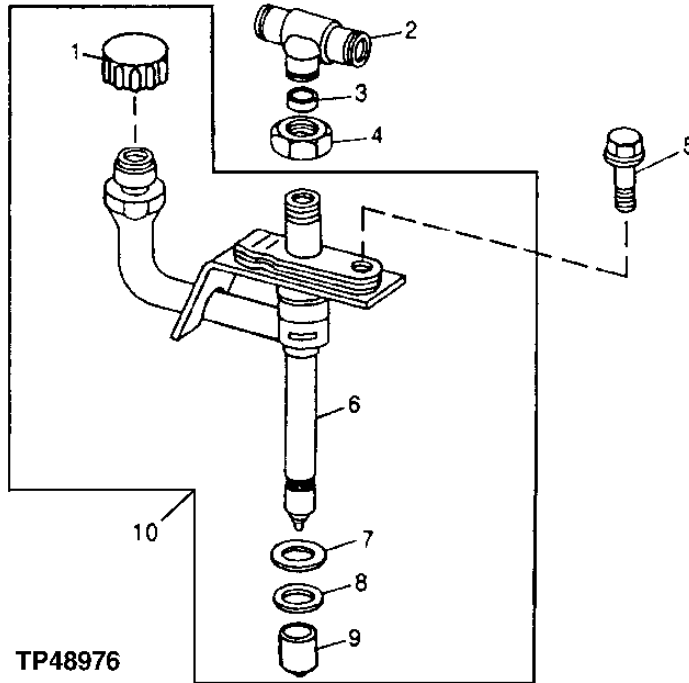
# 0413-3

ENGINE 4

FUEL INJECTION SYSTEM 0413

FUEL INJECTION NOZZLE (VSN 943549- ) T04045TT089  
 INJECTEURS D'INJECTION DE CARBURANT (VSN 943549- ) T04045TT089  
 TOBERAS DE INYECCION DE COMBUSTIBLE (VSN 943549- ) T04045TT089

TP48976 -UN-26OCT96



| KEY | PART NO. | PART NAME        | QTY. | ENGINE SERIAL NO. | REMARKS   |
|-----|----------|------------------|------|-------------------|---|
|     |          |                  |      | 3 3               |   |
|     |          |                  |      | 3 1 1             |   |
|     |          |                  |      | 1 0 5             |   |
|     |          |                  |      | 0 S S             |   |
|     |          |                  |      | G G G             |   |
| 1   | .....    | CAP (HAT)        | 1    |                   | X X   |
| 2   | R71963   | TEE FITTING      | 1    |                   | X X   |
| 3   | R79605   | WASHER           | 1    |                   | X X   |
| 4   | R79604   | TUBE NUT         | 1    |                   | X X   |
| 5   | R116366  | SCREW            | 1    |                   | X X   |
| 6   | .....    | NOZZLE           | 1    |                   | X X   |
| 7   | R92352   | PACKING          | 1    |                   | X X   |
| 8   | R48000   | SEAL             | 1    |                   | X X (USE WITH OVERSIZE NOZZLE BORE) (NOT INCLUDED WITH RE48786) |
|     | R500390  | WASHER           | 1    |                   | X X (USE WITH STANDARD NOZZLE BORE)                             |
| 9   | T24472   | CAP              | 1    |                   | X X   |
| 10  | RE48786  | INJECTION NOZZLE | 1    |                   | X X   |
|     | SE500826 | NOZZLE           | 1    |                   | X X X (REMAN FOR RE48786) PKG 4                                 |
|     | SE501101 | NOZZLE           | 1    |                   | X X (REMAN FOR RE48786) PKG 1                                   |

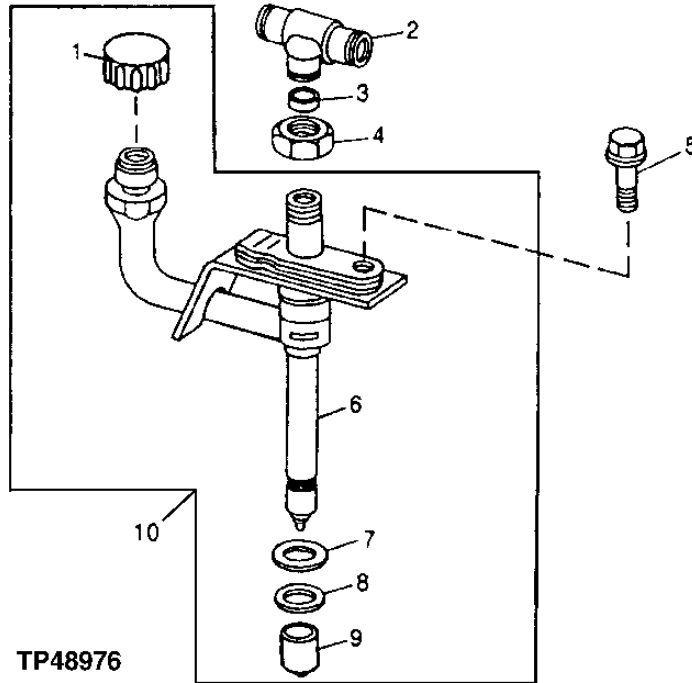
# 0413-3A

ENGINE 4

FUEL INJECTION SYSTEM 0413

FUEL INJECTION NOZZLE (VSN 893079-907963) TO4045DT056 (VSN -911768) TO4045DT056  
 INJECTEURS D'INJECTION DE CARBURANT (VSN 893079-907963) TO4045DT056 (VSN -911768) TO4045DT056  
 TOBERAS DE INYECCION DE COMBUSTIBLE (VSN 893079-907963) TO4045DT056 (VSN -911768) TO4045DT056

TP48976 -UN-26OCT96



TP48976

| KEY | PART NO. | PART NAME        | QTY. | ENGINE SERIAL NO. | REMARKS                         |
|-----|----------|------------------|------|-------------------|---------------------------------|
| 1   | .....    | CAP (HAT)        | 1    | X                 |                                 |
| 2   | R71963   | TEE FITTING      | 1    | X                 |                                 |
| 3   | R79605   | WASHER           | 1    | X                 |                                 |
| 4   | R79604   | TUBE NUT         | 1    | X                 |                                 |
| 5   | R116366  | SCREW            | 1    | X                 |                                 |
| 6   | .....    | NOZZLE           | 1    | X                 |                                 |
| 7   | R92352   | PACKING          | 1    | X                 |                                 |
| 8   | R48000   | SEAL             | 1    | X                 | (USE WITH OVERSIZE NOZZLE BORE) |
|     | R500390  | WASHER           | 1    | X                 | (USE WITH STANDARD NOZZLE BORE) |
| 9   | T24472   | CAP              | 1    | X                 |                                 |
| 10  | RE60062  | INJECTION NOZZLE | 1    | X                 |                                 |
|     | SE500828 | NOZZLE           | 1    | X X X             | (REMAN FOR RE60062) PKG 4       |

3 3  
3 1 1  
1 0 5  
0 S S  
G G G

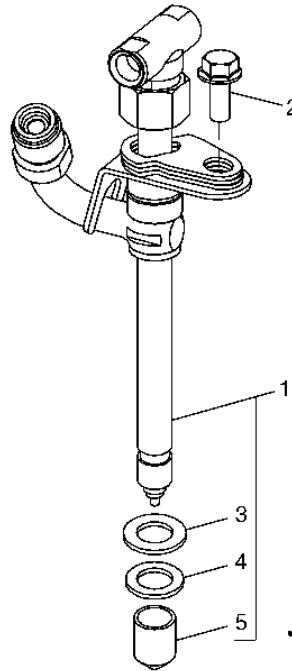
# 0413-3B

ENGINE 4

FUEL INJECTION SYSTEM 0413

FUEL INJECTION NOZZLE (VSN 911769- ) PE4045DTO58  
 INJECTEURS D'INJECTION DE CARBURANT (VSN 911769- ) PE4045DTO58  
 TOBERAS DE INYECCION DE COMBUSTIBLE (VSN 911769- ) PE4045DTO58

RGP10095 -UN-



3 3  
 3 1 1  
 1 0 5  
 0 S S  
 G G G

| KEY | PART NO. | PART NAME        | QTY. | ENGINE SERIAL NO. | REMARKS                    |
|-----|----------|------------------|------|-------------------|----------------------------|
| 1   | RE515684 | INJECTION NOZZLE | 1    | X                 |                            |
|     | SE501178 | NOZZLE           | 1    | X                 | (REMAN FOR RE515684) PKG 4 |
|     | SE501177 | NOZZLE           | 1    | X                 | (REMAN FOR RE515684) PKG 1 |
| 2   | R116366  | SCREW            | 1    | X                 |                            |
| 3   | R60746   | SEAL             | 1    | X                 |                            |
| 4   | R500390  | SEAL             | 1    | X                 |                            |
| 5   | T24472   | CAP              | 1    | X                 |                            |

# 0413-4

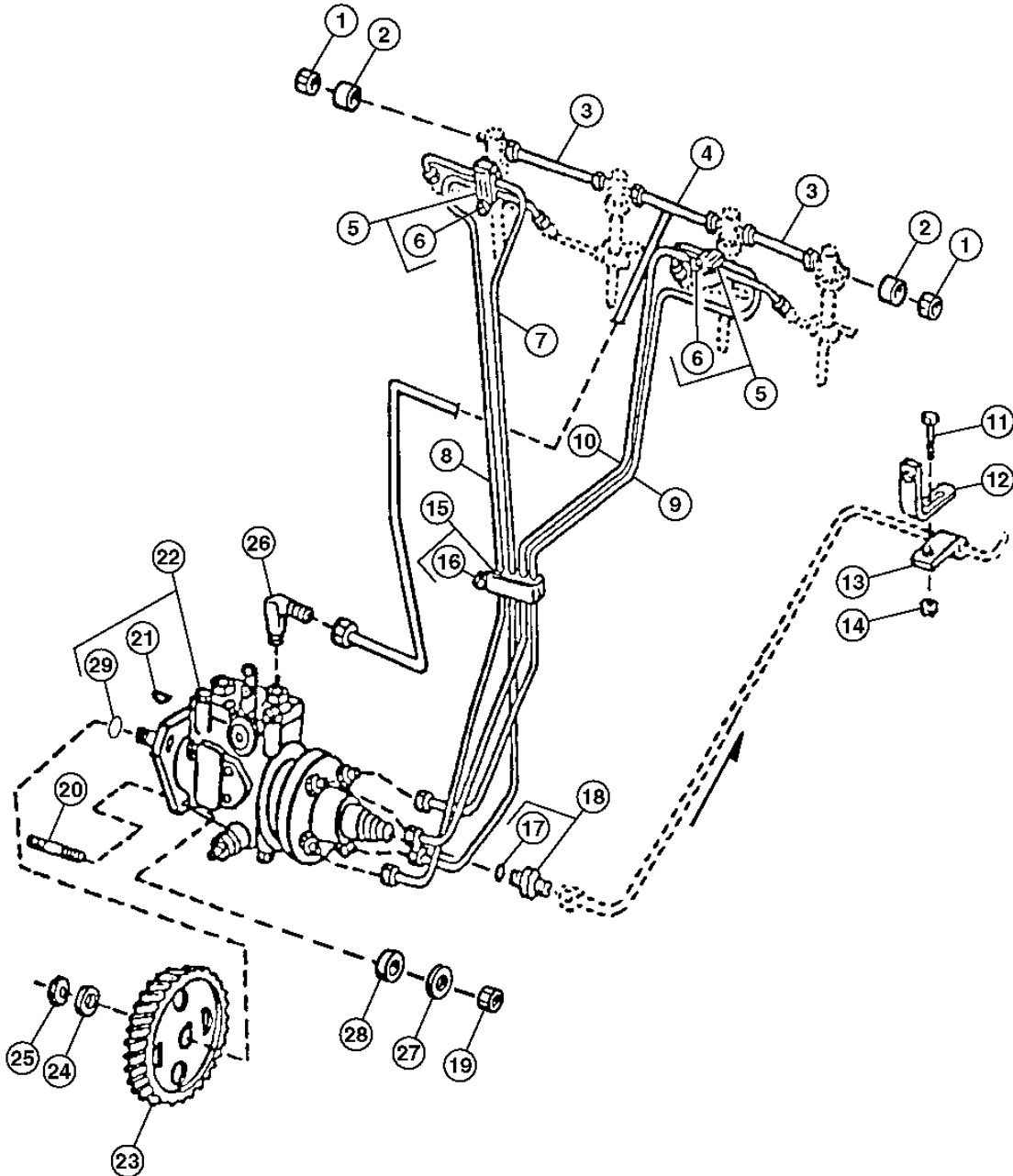
ENGINE 4

FUEL INJECTION SYSTEM 0413

FUEL INJECTION SYSTEM (SEE FOOTNOTE)  
INJECTEURS D'INJECTION DE CARBURANT (VOIR NOTES EN BAS DE PAGE)  
TOBERAS DE INYECCION DE COMBUSTIBLE (CONSULTE NOTA DE PIE DE PAGINA)

TX1005705

-UN-03APR06



TX1005705



# 0413-5

ENGINE 4

FUEL INJECTION SYSTEM 0413

FUEL INJECTION SYSTEM (SEE FOOTNOTE)  
 INJECTEURS D'INJECTION DE CARBURANT (VOIR NOTES EN BAS DE PAGE)  
 TOBERAS DE INYECCION DE COMBUSTIBLE (CONSULTE NOTA DE PIE DE PAGINA)

| KEY | PART NO. | PART NAME           | QTY. | ENGINE SERIAL NO. | REMARKS                                    |
|-----|----------|---------------------|------|-------------------|--|
|     |          |                     |      |                   | 3 3  |
|     |          |                     |      |                   | 3 1 1                                      |
|     |          |                     |      |                   | 1 0 5                                      |
|     |          |                     |      |                   | 0 S S                                      |
|     |          |                     |      |                   | G G G                                      |
| 1   | AR85519  | PLUG                | 2    |                   | X X X                                      |
| 2   | R123593  | TUBE NUT            | 2    |                   | X X X                                      |
| 3   | RE68748  | TUBE                | 2    |                   | X X X                                      |
| 4   | R51936   | SEALING WASHER      | 2    |                   | X X X (NOT ILLUSTRATED)                    |
|     | RE70848  | FUEL LINE           | 1    |                   | X X X (LEAK-OFF)                           |
|     | R51936   | SEALING WASHER      | 3    |                   | X X X (NOT ILLUSTRATED)                    |
| 5   | RE19797  | CLAMP               | 2    |                   | X X X                                      |
| 6   | 19M7300  | CAP SCREW           | 2    |                   | X X X M6 X 10                              |
| 7   | RE59447  | FUEL LINE           | 1    |                   | X X X NO. 1                                |
| 8   | RE59448  | FUEL LINE           | 1    |                   | X X X NO. 2                                |
| 9   | RE59449  | FUEL LINE           | 1    |                   | X X X NO. 3                                |
| 10  | RE59450  | FUEL LINE           | 1    |                   | X X X NO. 4                                |
| 11  | 19M7865  | SCREW               | 1    |                   | X X X M8 X 16, NO. 2                       |
| 12  | R116116  | BRACKET             | 1    |                   | X X X                                      |
| 13  | T14050   | CLAMP               | 1    |                   | X X X                                      |
| 14  | 14M7298  | FLANGE NUT          | 1    |                   | X X X M8                                   |
| 15  | RE19799  | CLAMP               | 1    |                   | X X X                                      |
| 16  | 19M7300  | CAP SCREW           | 1    |                   | X X X M6 X 10                              |
| 17  | 51M7040  | O-RING              | 1    |                   | X X X 9.300 X 2.200 MM, (USE WITH RE60029) |
|     | R26286   | O-RING              | 1    |                   | X X X (USE WITH RE59487)                   |
| 18  | RE60029  | ADAPTER FITTING     | 1    |                   | X X X                                      |
|     | RE59487  | FITTING             | 1    | -706976           | X X X                                      |
| 19  | 14M7273  | NUT                 | 3    |                   | X X X M8                                   |
| 20  | R116386  | STUD                | 3    |                   | X X X                                      |
| 21  | 26H10    | SHAFT KEY           | 1    |                   | X X X 5/32" X 5/8"                         |
| 22  | RE502380 | FUEL INJECTION PUMP | 1    |                   | X (A) (WITHOUT TURBOCHARGER) (STANADYNE)   |
|     | SE500685 | FUEL INJECTION PUMP | 1    |                   | X (A) (REMAN FOR RE502380)                 |
| 23  | R132267  | GEAR                | 1    |                   | X X X (Z = 60)                             |
| 24  | R132874  | WASHER              | 1    |                   | X X X                                      |
| 25  | R91360   | NUT                 | 1    |                   | X X X M14                                  |
| 26  | R67364   | ELBOW FITTING       | 1    |                   | X X X                                      |
| 27  | 12M7065  | LOCK WASHER         | 3    |                   | X X X 8 MM                                 |
| 28  | T27860   | WASHER              | 3    |                   | X X X                                      |
| 29  | T16318   | O-RING              | 1    |                   | X  |
|     | R502076  | O-RING              | 1    |                   | X X  |

(A) SEE YOUR AUTHORIZED PUMP REPAIR STATION FOR INTERNAL PARTS  
 (A) CONSULTEZ LA STATION DE REPARATION DE POMPE AGREEE POUR LES PIECES INTERNES  
 (A) CONSULTAR A UN TALLER AUTORIZADO DE REPARACION DE BOMBAS PARA LAS PIEZAS INTERNAS

(VSN 893079-907963) TO4045D056, TO4045T080/81 (VSN -911768) PE4045D058  
 (VSN 893079-907963) TO4045D056, TO4045T080/81 (VSN -911768) PE4045D058  
 (VSN 893079-907963) TO4045D056, TO4045T080/81 (VSN -911768) PE4045D058

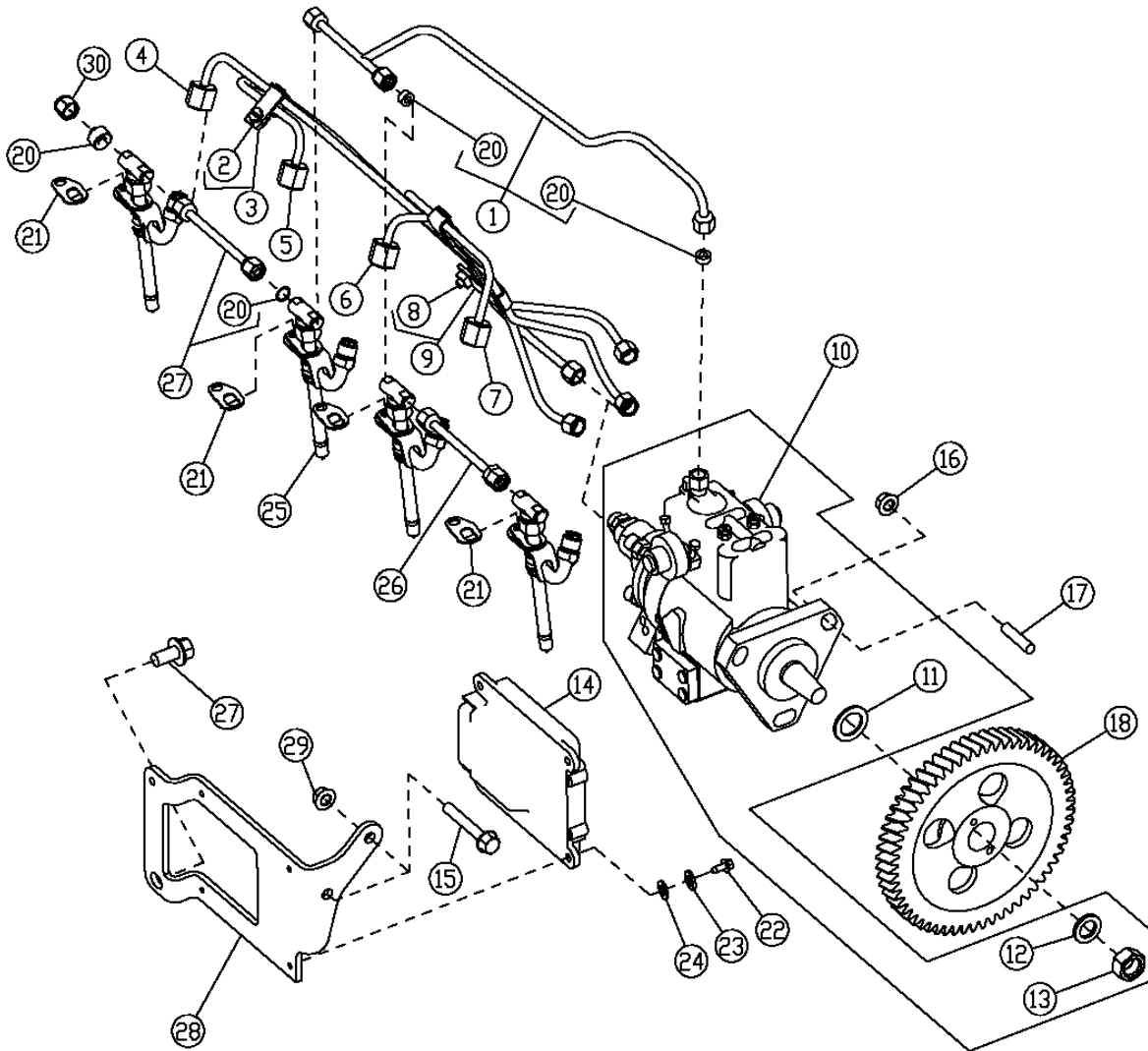
# 0413-6

ENGINE 4

FUEL INJECTION SYSTEM 0413

FUEL INJECTION PUMP, LINES AND ENGINE CONTROLLER (SEE FOOTNOTE)  
POMPE D'INJECTION DE CARBURANT, CONDUITES ET CONTROLEUR DE MOTEUR (VOIR NOTES EN BAS DE PAGE)  
BOMBA DE INYECCION DE COMBUSTIBLE, LINEAS Y UNIDAD DE CONTROL DEL MOTOR (CONSULTE NOTA PIE PAGINA)

T157487 -UN-18JUL02



T157487

# 0413-7

ENGINE 4

FUEL INJECTION SYSTEM 0413

FUEL INJECTION PUMP, LINES AND ENGINE CONTROLLER (SEE FOOTNOTE)  
 POMPE D'INJECTION DE CARBURANT, CONDUITES ET CONTROLEUR DE MOTEUR (VOIR NOTES EN BAS DE PAGE)  
 BOMBA DE INYECCION DE COMBUSTIBLE, LINEAS Y UNIDAD DE CONTROL DEL MOTOR (CONSULTE NOTA PIE PAGINA)

| KEY | PART NO. | PART NAME           | QTY. | ENGINE SERIAL NO. | REMARKS                             |
|-----|----------|---------------------|------|-------------------|-------------------------------------|
|     |          |                     |      | 3 3               |                                     |
|     |          |                     |      | 3 1 1             |                                     |
|     |          |                     |      | 1 0 5             |                                     |
|     |          |                     |      | 0 S S             |                                     |
|     |          |                     |      | G G G             |                                     |
| 1   | RE507598 | FUEL LINE           | 1    |                   | X X X                               |
| 2   | 19M6614  | CAP SCREW           | 2    |                   | X X X M6 X 12                       |
| 3   | RE19797  | CLAMP               | 2    |                   | X X X                               |
| 4   | RE507646 | FUEL LINE           | 1    |                   | X X X NO.1                          |
| 5   | RE507647 | FUEL LINE           | 1    |                   | X X X NO.2                          |
| 6   | RE507648 | FUEL LINE           | 1    |                   | X X X NO.3                          |
| 7   | RE507649 | FUEL LINE           | 1    |                   | X X X NO.4                          |
| 8   | 19M6614  | CAP SCREW           | 1    |                   | X X X M6 X 12                       |
| 9   | RE19799  | CLAMP               | 1    |                   | X X X                               |
| 10  | RE518087 | FUEL INJECTION PUMP | 1    |                   | X X X (SUB FOR RE515464) (12V)      |
|     | SE501235 | FUEL INJECTION PUMP | 1    |                   | X X X (REMANUFACTURED FOR RE518087) |
| 11  | R502076  | O-RING              | 1    |                   | X X X                               |
| 12  | R132874  | WASHER              | 1    |                   | X X X                               |
| 13  | R91360   | NUT                 | 1    |                   | X X X M14                           |
| 14  | RE522527 | ENGINE CONTROLLER   | 1    |                   | X X X (A) (SUB FOR RE518176)        |
| 15  | 19M7979  | SCREW               | 2    |                   | X X X M8 X 55                       |
| 16  | 14M7298  | FLANGE NUT          | 3    |                   | X X X M8                            |
| 17  | R116386  | STUD                | 3    |                   | X X X                               |
| 18  | R505472  | GEAR                | 1    |                   | X X X                               |
| 19  | R123593  | TUBE NUT            | 1    |                   | X X X                               |
| 20  | R51936   | SEALING WASHER      | 6    |                   | X X X                               |
| 21  | RE508716 | CLAMP               | 4    |                   | X X X                               |
| 22  | 19M7640  | CAP SCREW           | 4    |                   | X X X M5 X 12                       |
| 23  | 12H316   | LOCK WASHER         | 4    |                   | X X X 5.486 MM                      |
| 24  | 24M7027  | WASHER              | 4    |                   | X X X 5.300 X 10 X 1 MM             |
| 25  | RE507766 | INJECTION NOZZLE    | 4    |                   | X X X                               |
|     | SE500830 | NOZZLE              | 1    |                   | X X X (REMAN) PKG 4                 |
|     | SE501103 | NOZZLE              | 1    |                   | X X X (REMAN) PKG 1                 |
|     | RE531116 | KIT                 | 1    |                   | X X X                               |
| 26  | RE68748  | TUBE                | 2    |                   | X X X                               |
| 27  | 19M7784  | SCREW               | 2    |                   | X X X M10 X 20                      |
| 28  | R503520  | BRACKET             | 1    |                   | X X X                               |
| 29  | 14M7298  | FLANGE NUT          | 2    |                   | X X X M8                            |
| 30  | AR85519  | PLUG                | 2    |                   | X X X                               |

310G - WITHOUT TURBOCHARGER (VSN 911769- ) PE4045DT058  
 310G - SANS TURBOCOMPRESSEUR (VSN 911769- ) PE4045DT058  
 310G - SIN TURBOALIMENTADOR (VSN 911769- ) PE4045DT058

(A) WHEN ENGINE CONTROLLER IS BEING REPLACED YOU MUST PROVIDE THE ENGINE SERIAL NUMBER  
 (A) LORS DU REMPLACEMENT DU CONTROLEUR DU MOTEUR, FOURNIR LE NUMERO DE SERIE DU MOTEUR  
 (A) AL REEMPLAZAR UNIDAD DE CONTROL DEL MOTOR, DEBE PROPORCIONAR EL NUMERO DE SERIE DEL MOTOR

# 0413-8

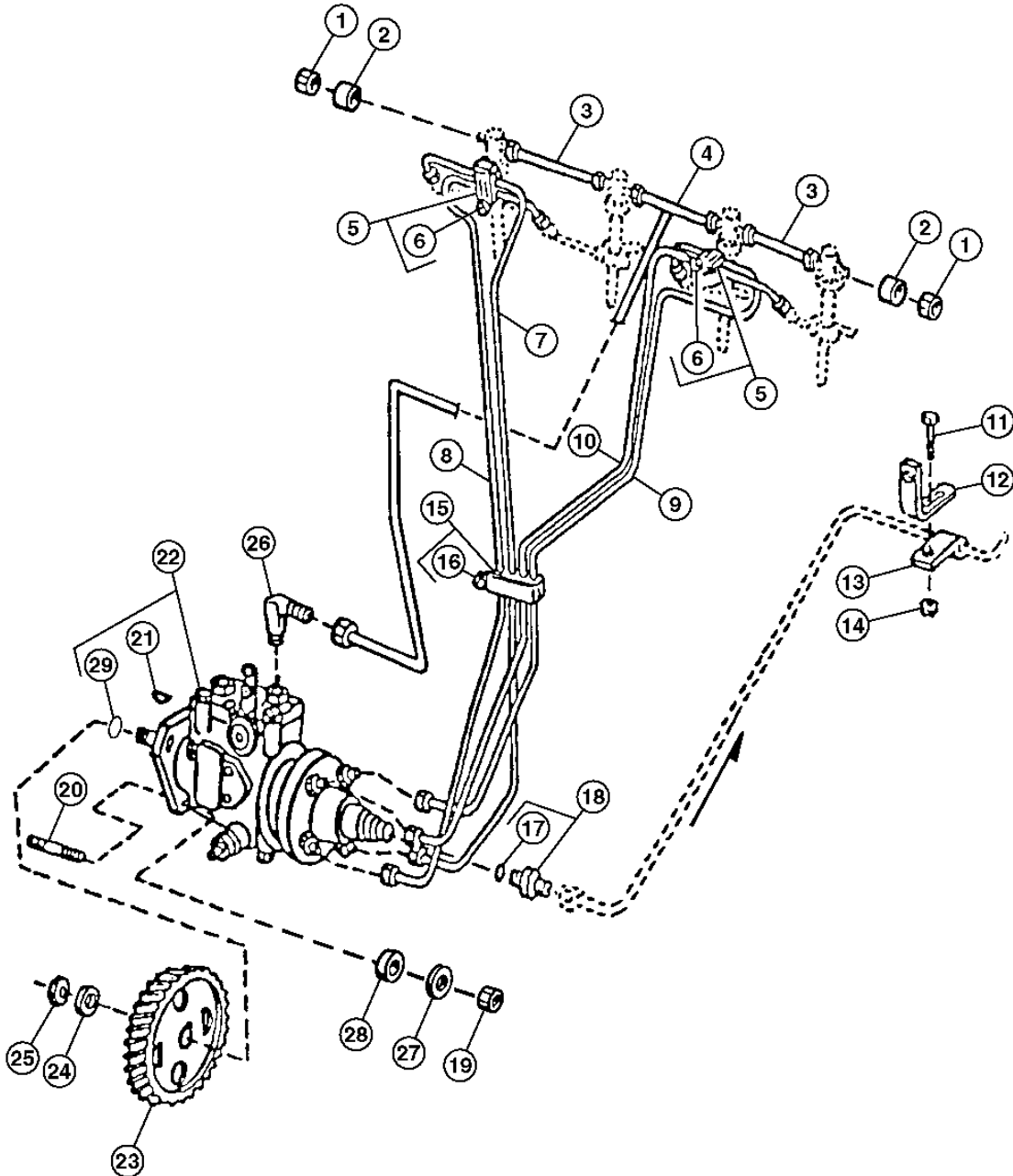
ENGINE 4

FUEL INJECTION SYSTEM 0413

FUEL INJECTION SYSTEM (SEE FOOTNOTE)  
CIRCUIT D'INJECTION DE CARBURANT (VOIR NOTE EN BAS DE PAGE)  
SISTEMA DE INYECCION DE COMBUSTIBLE (CONSULTE NOTA AL PIE DE PAGINA)

TX1005705

-UN-03APR06



TX1005705

# 0413-9

ENGINE 4

FUEL INJECTION SYSTEM 0413

FUEL INJECTION SYSTEM (SEE FOOTNOTE)  
 CIRCUIT D'INJECTION DE CARBURANT (VOIR NOTE BAS DE PAGE)  
 SISTEMA DE INYECCION DE COMBUSTIBLE (CONSULTE NOTA DE PIE DE PAGINA)

| KEY | PART NO. | PART NAME           | QTY. | ENGINE SERIAL NO. | REMARKS                                    |
|-----|----------|---------------------|------|-------------------|--|
|     |          |                     |      | 3 3               |  |
|     |          |                     |      | 3 1 1             |  |
|     |          |                     |      | 1 0 5             |  |
|     |          |                     |      | 0 S S             |  |
|     |          |                     |      | G G G             |  |
| 1   | AR85519  | PLUG                | 2    |                   | X X X                                      |
| 2   | R123593  | TUBE NUT            | 2    |                   | X X X                                      |
| 3   | RE68748  | TUBE                | 2    |                   | X X X                                      |
| 4   | R51936   | SEALING WASHER      | 2    |                   | X X X (NOT ILLUSTRATED)                    |
|     | RE70848  | FUEL LINE           | 1    |                   | X X X LEAK-OFF                             |
|     | R51936   | SEALING WASHER      | 3    |                   | X X X (NOT ILLUSTRATED)                    |
| 5   | RE19797  | CLAMP               | 2    |                   | X X X                                      |
| 6   | 19M7300  | CAP SCREW           | 2    |                   | X X X M6 X 10                              |
| 7   | RE59447  | FUEL LINE           | 1    |                   | X X X NO. 1                                |
| 8   | RE59448  | FUEL LINE           | 1    |                   | X X X NO. 2                                |
| 9   | RE59449  | FUEL LINE           | 1    |                   | X X X NO. 3                                |
| 10  | RE59450  | FUEL LINE           | 1    |                   | X X X NO. 4                                |
| 11  | 19M7865  | SCREW               | 1    |                   | X X X M8 X 16, NO. 2                       |
| 12  | R116116  | BRACKET             | 1    |                   | X X X                                      |
| 13  | T14050   | CLAMP               | 1    |                   | X X X                                      |
| 14  | 14M7298  | FLANGE NUT          | 1    |                   | X X X M8                                   |
| 15  | RE19799  | CLAMP               | 1    |                   | X X X                                      |
| 16  | 19M7300  | CAP SCREW           | 1    |                   | X X X M6 X 10                              |
| 17  | 51M7040  | O-RING              | 1    |                   | X X X 9.300 X 2.200 MM, (USE WITH RE60029) |
|     | R26286   | O-RING              | 1    |                   | X X X (USE WITH RE59487)                   |
| 18  | RE60029  | ADAPTER FITTING     | 1    |                   | X X X                                      |
|     | RE59487  | FITTING             | 1    | -706976           | X X X                                      |
| 19  | 14M7273  | NUT                 | 3    |                   | X X X M8                                   |
| 20  | R116386  | STUD                | 3    |                   | X X X                                      |
| 21  | 26H10    | SHAFT KEY           | 1    |                   | X X X 5/32" X 5/8"                         |
| 22  | RE502378 | FUEL INJECTION PUMP | 1    |                   | X X (A) (WITH TURBOCHARGER) (STANADYNE)    |
|     | SE500683 | FUEL INJECTION PUMP | 1    |                   | X X (A) (REMANUFACTURED FOR RE502378)      |
|     | RE502377 | FUEL INJECTION PUMP | 1    |                   | X (A) (WITH TURBOCHARGER) (STANADYNE)      |
|     | SE500769 | FUEL INJECTION PUMP | 1    |                   | X (REMAN FOR RE502377) PKG 1               |
| 23  | R132267  | GEAR                | 1    |                   | X X X (Z = 60)                             |
| 24  | R132874  | WASHER              | 1    |                   | X X X                                      |
| 25  | R91360   | NUT                 | 1    |                   | X X X M14                                  |
| 26  | R67364   | ELBOW FITTING       | 1    |                   | X X X                                      |
| 27  | 12M7065  | LOCK WASHER         | 3    |                   | X X X 8 MM                                 |
| 28  | T27860   | WASHER              | 3    |                   | X X X                                      |
| 29  | T16318   | O-RING              | 1    |                   | X  |
|     | R502076  | O-RING              | 1    |                   | X X  |

(A) SEE YOUR AUTHORIZED PUMP REPAIR STATION FOR INTERNAL PARTS  
 (A) CONSULTER LA STATION DE REPARATION DE POMPE AGREEE POUR LES PIECES INTERNES  
 (A) CONSULTAR A UN TALLER AUTORIZADO DE REPARACION DE BOMBAS PARA LAS PIEZAS INTERNAS

(VSN 893079-907963) TO4045DTO56, TO4045TTO80/81 (VSN -910055) PE4045TT088/89  
 (VSN 893079-907963) TO4045DTO56, TO4045TTO80/81 (VSN -910055) PE4045TT088/89  
 (VSN 893079-907963) TO4045DTO56, TO4045TTO80/81 (VSN -910055) PE4045TT088/89

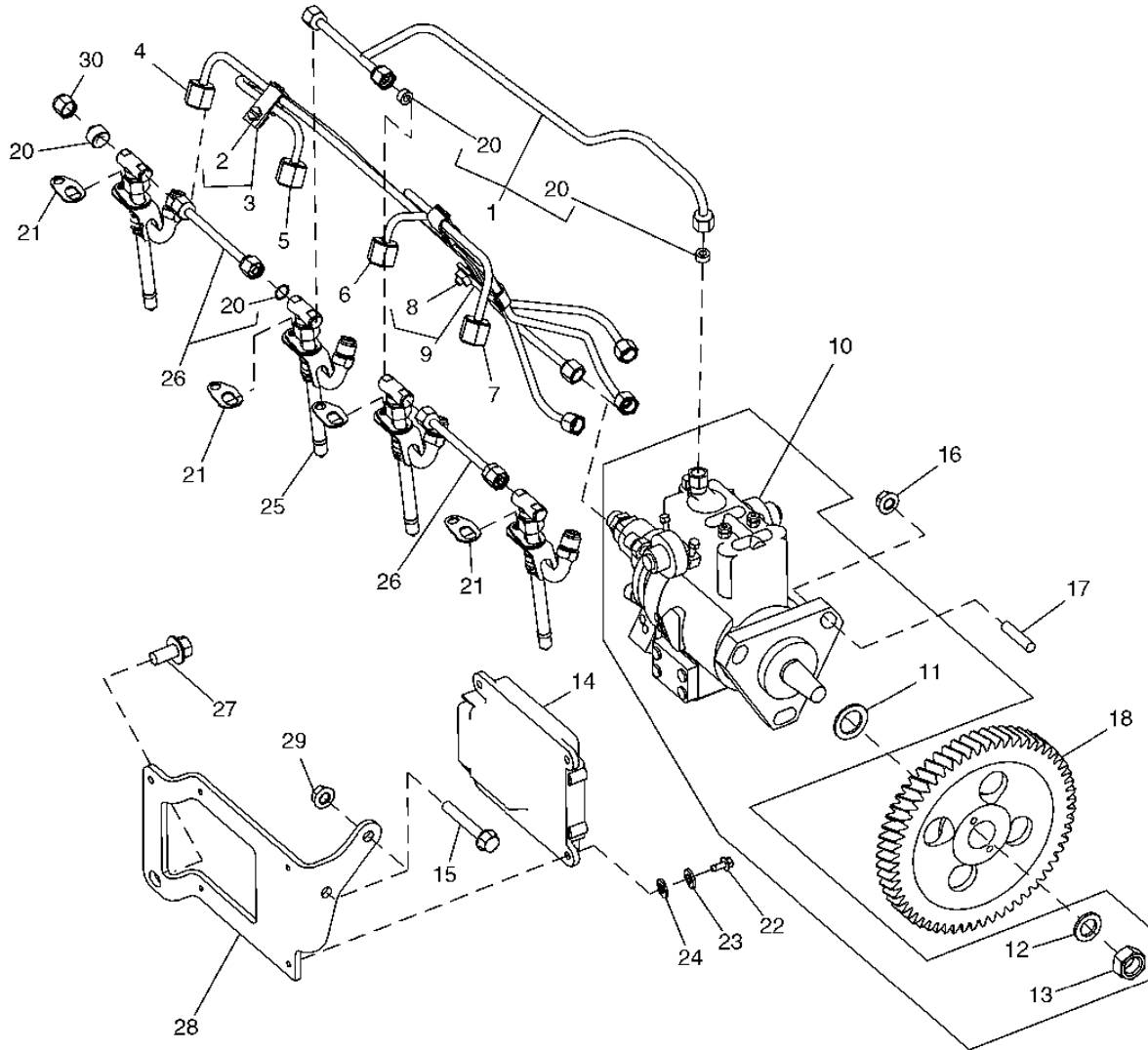
# 0413-10

ENGINE 4

FUEL INJECTION SYSTEM 0413

FUEL INJECTION PUMP, LINES AND ENGINE CONTROLLER (SEE FOOTNOTE)  
POMPE D'INJECTION DE CARBURANT, CONDUITES ET CONTROLEUR DE MOTEUR (VOIR NOTE EN BAS DE PAGE)  
BOMBA DE INYECCION DE COMBUSTIBLE, LINEAS Y UNIDAD DE CONTROL DEL MOTOR (VEA LA NOTA DEL PIE)

RGP10110 -UN-



**JOHN DEERE**  
RGP10110

THIS PARTS LISTING IS CONTINUED

# 0413-11

ENGINE 4

FUEL INJECTION SYSTEM 0413

FUEL INJECTION PUMP, LINES AND ENGINE CONTROLLER (SEE FOOTNOTE)  
 POMPE D'INJECTION DE CARBURANT, CONDUITES ET CONTROLEUR DE MOTEUR (VOIR NOTE EN BAS DE PAGE)  
 BOMBA DE INYECCION DE COMBUSTIBLE, LINEAS Y UNIDAD DE CONTROL DEL MOTOR (VEA NOTA PIE DEL PAGINA)

| KEY | PART NO. | PART NAME           | QTY. | ENGINE SERIAL NO. | REMARKS                             |
|-----|----------|---------------------|------|-------------------|-------------------------------------|
|     |          |                     |      | 3 3               |                                     |
|     |          |                     |      | 3 1 1             |                                     |
|     |          |                     |      | 1 0 5             |                                     |
|     |          |                     |      | 0 S S             |                                     |
|     |          |                     |      | G G G             |                                     |
| 1   | RE507598 | FUEL LINE           | 1    |                   | X X X                               |
| 2   | 19M7923  | CAP SCREW           | 2    |                   | X X X M6 X 12                       |
| 3   | RE19797  | CLAMP               | 2    |                   | X X X                               |
| 4   | RE507649 | FUEL LINE           | 1    |                   | X X X NO.4                          |
| 5   | RE507648 | FUEL LINE           | 1    |                   | X X X NO.3                          |
| 6   | RE507647 | FUEL LINE           | 1    |                   | X X X NO.2                          |
| 7   | RE507646 | FUEL LINE           | 1    |                   | X X X NO.1                          |
| 8   | 19M7923  | CAP SCREW           | 1    |                   | X X X M6 X 12                       |
| 9   | RE19799  | CLAMP               | 1    |                   | X X X                               |
| 10  | RE518087 | FUEL INJECTION PUMP | 1    |                   | X X X (SUB FOR RE515464) (12V)      |
|     | SE501235 | FUEL INJECTION PUMP | 1    |                   | X X X (REMANUFACTURED FOR RE518087) |
| 11  | R502076  | O-RING              | 1    |                   | X X X                               |
| 12  | R132874  | WASHER              | 1    |                   | X X X                               |
| 13  | R91360   | NUT                 | 1    |                   | X X X M14                           |
| 14  | RE522527 | ENGINE CONTROLLER   | 1    |                   | X X X (A) (SUB FOR RE518176)        |
| 15  | 19M7979  | SCREW               | 2    |                   | X X X M8 X 55                       |
| 16  | 14M7298  | FLANGE NUT          | 3    |                   | X X X M8                            |
| 17  | R116386  | STUD                | 3    |                   | X X X                               |
| 18  | R505472  | GEAR                | 1    |                   | X X X                               |
| 19  | R123593  | TUBE NUT            | 1    |                   | X X X                               |
| 20  | R51936   | SEALING WASHER      | 6    |                   | X X X                               |
| 21  | RE508716 | CLAMP               | 4    |                   | X X X                               |
| 22  | 19M7640  | CAP SCREW           | 4    |                   | X X X M5 X 12                       |
| 23  | 12H316   | LOCK WASHER         | 4    |                   | X X X 5.486 MM                      |
| 24  | 24M7027  | WASHER              | 4    |                   | X X X 5.300 X 10 X 1 MM             |
| 25  | RE507766 | INJECTION NOZZLE    | 4    |                   | X X X                               |
|     | SE500830 | NOZZLE              | 1    |                   | X X X (REMAN) PKG 4                 |
|     | SE501103 | NOZZLE              | AR   |                   | X X X (REMAN) PKG 1                 |
|     | RE531116 | KIT                 | 1    |                   | X X X                               |
| 26  | RE68748  | TUBE                | 2    |                   | X X X                               |
| 27  | 19M7784  | SCREW               | 2    |                   | X X X M10 X 20                      |
| 28  | R503520  | BRACKET             | 1    |                   | X X X                               |
| 29  | 14M7298  | FLANGE NUT          | 2    |                   | X X X M8                            |
| 30  | AR85519  | PLUG                | 2    |                   | X X X                               |

(VSN 910056- ) PE4045TTO88/89

(VSN 910056- ) PE4045TTO88/89

(VSN 910056- ) PE4045TTO88/89

(A) WHEN ENGINE CONTROLLER IS BEING REPLACED YOU MUST PROVIDE THE ENGINE SERIAL NUMBER

(A) LORS DU REMPLACEMENT DU CONTROLEUR DU MOTEUR, FOURNIR LE NUMERO DE SERIE DU MOTEUR

(A) AL REEMPLAZAR UNIDAD DE CONTROL DEL MOTOR, DEBE PROPORCIONAR EL NUMERO DE SERIE DEL MOTOR

# 0413-12A

ENGINE 4

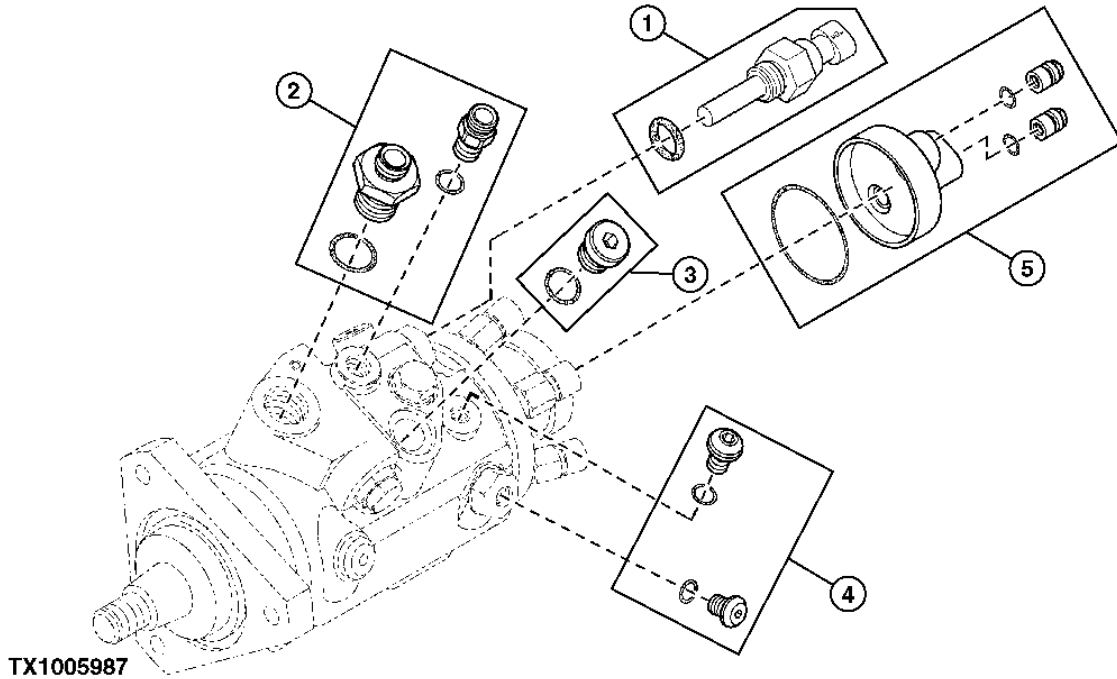
FUEL INJECTION SYSTEM 0413

FUEL INJECTION PUMP STANADYNE DE10 SERVICE KITS (SEE FOOTNOTE)

KITS D'ENTRETIEN DE POMPE D'INJECTION DE CARBURANT STANADYNE DE10 (VOIR NOTE EN BAS DE PAGE)

JUEGOS DE MANTENIMIENTO DE BOMBA DE INYECCION DE COMBUSTIBLE STANADYNE DE10(VEA NOTA PIE PAGINA)

TX1005987 -UN-11APR06





# 0413-12B

ENGINE 4

FUEL INJECTION SYSTEM 0413

FUEL INJECTION PUMP STANADYNE DE10 SERVICE KITS (SEE FOOTNOTE)  
 KITS D'ENTRETIEN DE POMPE D'INJECTION DE CARBURANT STANADYNE DE10 (VOIR NOTE BAS DE PAGE)  
 JUEGOS DE MANTENIMIENTO DE BOMBA DE INYECCION DE COMBUSTIBLE STANADYNE DE10(VEA NOTA PIE PAGINA)

| KEY | PART NO. | PART NAME | QTY. | ENGINE<br>SERIAL NO. | REMARKS   |
|-----|----------|-----------|------|----------------------|---|
|     |          |           |      | 3 3                  |   |
|     |          |           |      | 3 1 1                |   |
|     |          |           |      | 1 0 5                |   |
|     |          |           |      | 0 S S                |   |
|     |          |           |      | G G G                |   |
| 1   | RE521822 | KIT       | 1    | X                    | (FUEL TEMPERATURE SENSOR)                               |
| 2   | RE521823 | KIT       | 1    | X                    | (PRESSURE REGULATOR AND FUEL INLET<br>CONNECTOR)        |
| 3   | RE521824 | KIT       | 1    | X                    | (TIMING PIN HOLE PLUG)                                  |
| 4   | RE521825 | KIT       | 1    | X                    | (TRANSFER PUMP TAP SCREW AND VENT WIRE<br>ACCESS SCREW) |
| 5   | RE522109 | KIT       | 1    | X                    | (SOLENOID CONNECTOR ASSEMBLY)                           |

(VSN 911469- ) PE4045DTO58 (W/O TURBOCHARGER)  
 (VSN 911469- ) PE4045DTO58 (SANS TURBOCOMPRESSEUR)  
 (VSN 911469- ) PE4045DTO58 (SIN TURBOALIMENTADOR)

# 0413-13A

ENGINE 4

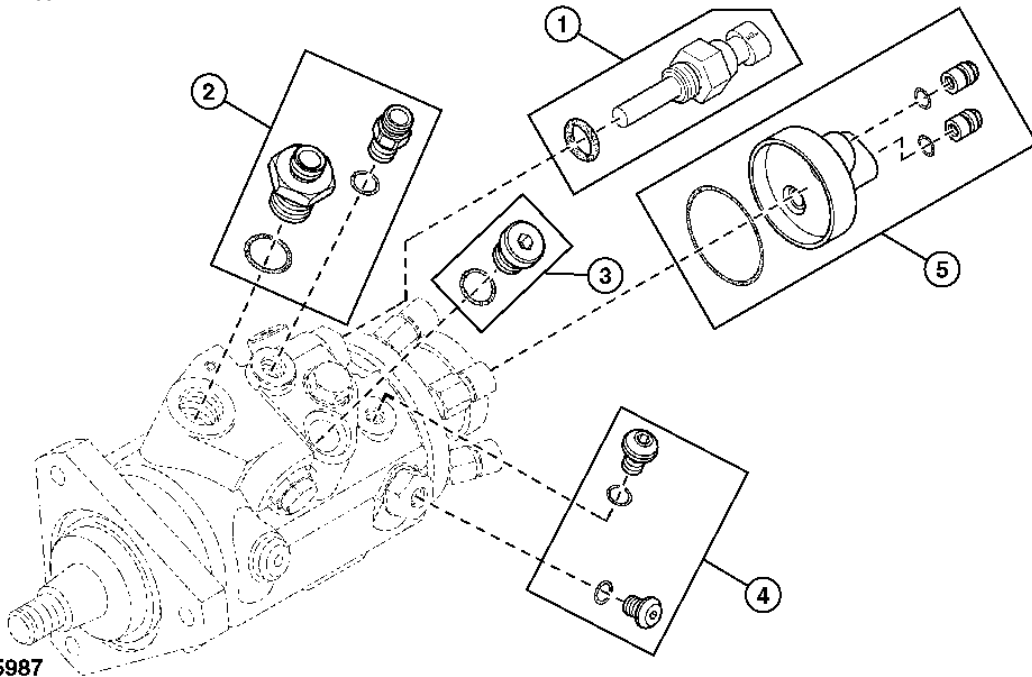
FUEL INJECTION SYSTEM 0413

FUEL INJECTION PUMP STANADYNE DE10 SERVICE KITS (SEE FOOTNOTE)

KITS D'ENTRETIEN DE POMPE D'INJECTION DE CARBURANT STANADYNE DE10 (VOIR NOTE EN BAS DE PAGE)

JUEGOS DE MANTENIMIENTO DE BOMBA DE INYECCION DE COMBUSTIBLE STANADYNE DE10(VEA NOTA PIE PAGINA)

TX1005987 -UN-11APR06



TX1005987

THIS PARTS LISTING IS CONTINUED

# 0413-13B

ENGINE 4

FUEL INJECTION SYSTEM 0413

FUEL INJECTION PUMP STANADYNE DE10 SERVICE KITS (SEE FOOTNOTE)  
 KITS D'ENTRETIEN DE POMPE D'INJECTION DE CARBURANT STANADYNE DE10 (VOIR NOTE EN BAS DE PAGE)  
 JUEGOS DE MANTENIMIENTO DE BOMBA DE INYECCION DE COMBUSTIBLE STANADYNE DE10(VEA NOTA PIE PAGINA)

| KEY | PART NO. | PART NAME | QTY. | ENGINE<br>SERIAL NO. | REMARKS   |
|-----|----------|-----------|------|----------------------|---|
|     |          |           |      | 3 3                  |   |
|     |          |           |      | 3 1 1                |   |
|     |          |           |      | 1 0 5                |   |
|     |          |           |      | 0 S S                |   |
|     |          |           |      | G G G                |   |
| 1   | RE521822 | KIT       | 1    |                      | X X X (FUEL TEMPERATURE SENSOR)                               |
| 2   | RE521823 | KIT       | 1    |                      | X X X (PRESSURE REGULATOR AND FUEL INLET<br>CONNECTOR)        |
| 3   | RE521824 | KIT       | 1    |                      | X X X (TIMING PIN HOLE PLUG)                                  |
| 4   | RE521825 | KIT       | 1    |                      | X X X (TRANSFER PUMP TAP SCREW AND VENT WIRE<br>ACCESS SCREW) |
| 5   | RE522109 | KIT       | 1    |                      | X X X (SOLENOID CONNECTOR ASSEMBLY)                           |

(VSN 910056- ) PE4045TTO88/89 (WITH TURBOCHARGER)  
 (VSN 910056- ) PE4045TTO88/89 (AVEC SURALIMENTATION)  
 (VSN 910056- ) PE4045TTO88/89 (CON TURBOALIMENTADOR)

# 0413-14

ENGINE 4

FUEL INJECTION SYSTEM 0413

MEMORANDA  
MEMORANDA  
MEMORANDA

# 0414-1

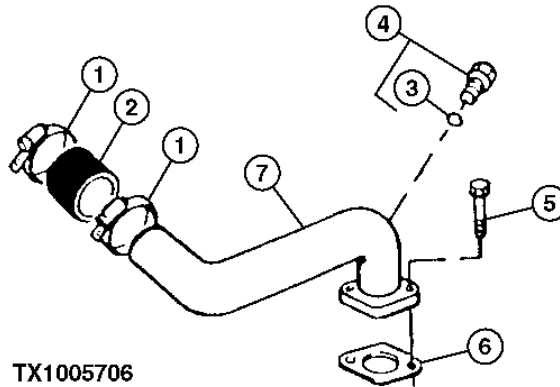
ENGINE 4

INTAKE MANIFOLD 0414

AIR INTAKE SYSTEM 310G (TURBO), 310SG, 315SG (VSN -910055) TO/PE4045TTO80/81  
 SYSTEME D'ADMISSION D'AIR 310G (TURBO), 310SG, 315SG (VSN -910055) TO/PE4045TTO80/81  
 SISTEMA DE ADMISION DE AIRE 310G (TURBO), 310SG, 315SG (VSN -910055) TO/PE4045TTO80/81

TX1005706

-UN-03APR06



TX1005706

| KEY | PART NO. | PART NAME | QTY. | ENGINE SERIAL NO. | REMARKS            |
|-----|----------|-----------|------|-------------------|--------------------|
|     |          |           |      | 3 3               |                    |
|     |          |           |      | 3 1 1             |                    |
|     |          |           |      | 1 0 5             |                    |
|     |          |           |      | 0 S S             |                    |
|     |          |           |      | G G G             |                    |
| 1   | R110531  | CLAMP     | 2    | X X X             |                    |
| 2   | R500596  | HOSE      | 1    | X X X             |                    |
| 3   | 51M7039  | O-RING    | 1    | X X X             | 8.100 X 1.600 MM   |
| 4   | RE60071  | FITTING   | 1    | X X X             | (SUB FOR RE502903) |
| 5   | 19M7785  | SCREW     | 2    | X X X             | M10 X 25           |
| 6   | R81275   | GASKET    | 1    | X X X             |                    |
| 7   | RE506662 | TUBE      | 1    | X X X             | (AIR INLET)        |

# 0414-2

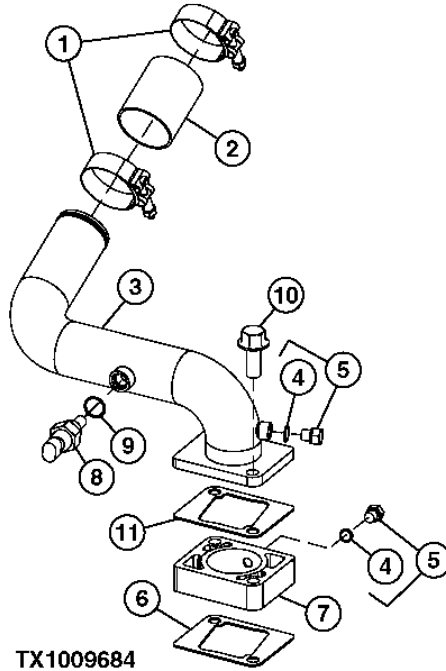
ENGINE 4

INTAKE MANIFOLD 0414

AIR INTAKE SYSTEM 310G (TURBO), 310SG, 315SG (VSN 910056- ) TO/PE4045TTO80/81  
 SYSTEME D'ADMISSION D'AIR 310G (TURBO), 310SG, 315SG (VSN 910056- ) TO/PE4045TTO80/81  
 SISTEMA DE ADMISION DE AIRE 310G (TURBO), 310SG, 315SG (VSN 910056- ) TO/PE4045TTO80/81

TX1009684

-UN-10JUL06



TX1009684

3 3  
 3 1 1  
 1 0 5  
 0 S S  
 G G G

| KEY | PART NO. | PART NAME         | QTY. | ENGINE SERIAL NO. | REMARKS                             |
|-----|----------|-------------------|------|-------------------|-------------------------------------|
| 1   | R110531  | CLAMP             | 2    | X X X             |                                     |
| 2   | R500596  | HOSE              | 1    | X X X             |                                     |
| 3   | RE506949 | STRUCTURAL TUBING | 1    | X X X             |                                     |
| 4   | 51M7039  | O-RING            | 2    | X X X             | 8.100 X 1.600 MM                    |
| 5   | RE60071  | FITTING           | 2    | X X X             |                                     |
| 6   | R81275   | GASKET            | 1    | X X X             |                                     |
| 7   | R501472  | SPACER            | 1    | X X X             | (AIR INLET) (ALSO ORDER (2) R81275) |
| 8   | RE61812  | SENSOR            | 1    | X X X             | (AIR INTAKE TEMPERATURE)            |
| 9   | 51M7041  | O-RING            | 1    | X X X             | 11.300 X 2.200 MM                   |
| 10  | 19M8292  | SCREW             | 2    | X X X             | M10 X 50                            |
| 11  | R81275   | GASKET            | 1    | X X X             |                                     |

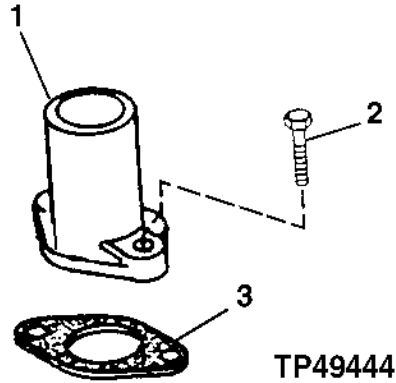
# 0414-3

ENGINE 4

INTAKE MANIFOLD 0414

AIR INTAKE SYSTEM 310G (W/O TURBO) (TO/PE4045DTO56)  
 SYSTEME D'ADMISSION D'AIR (W/O TURBO) (TO/PE4045DTO56)  
 SISTEMA DE ADMISION DE AIRE (W/O TURBO) (TO/PE4045DTO56)

TP49444 -UN-14AUG96



| KEY | PART NO. | PART NAME       | QTY. | ENGINE SERIAL NO. |   | REMARKS |
|-----|----------|-----------------|------|-------------------|---|---------|
| 1   | R123569  | INTAKE MANIFOLD | 1    |                   | X |         |
| 2   | R500394  | SCREW           | 2    |                   | X |         |
| 3   | R81275   | GASKET          | 1    |                   | X |         |

# 0415-2

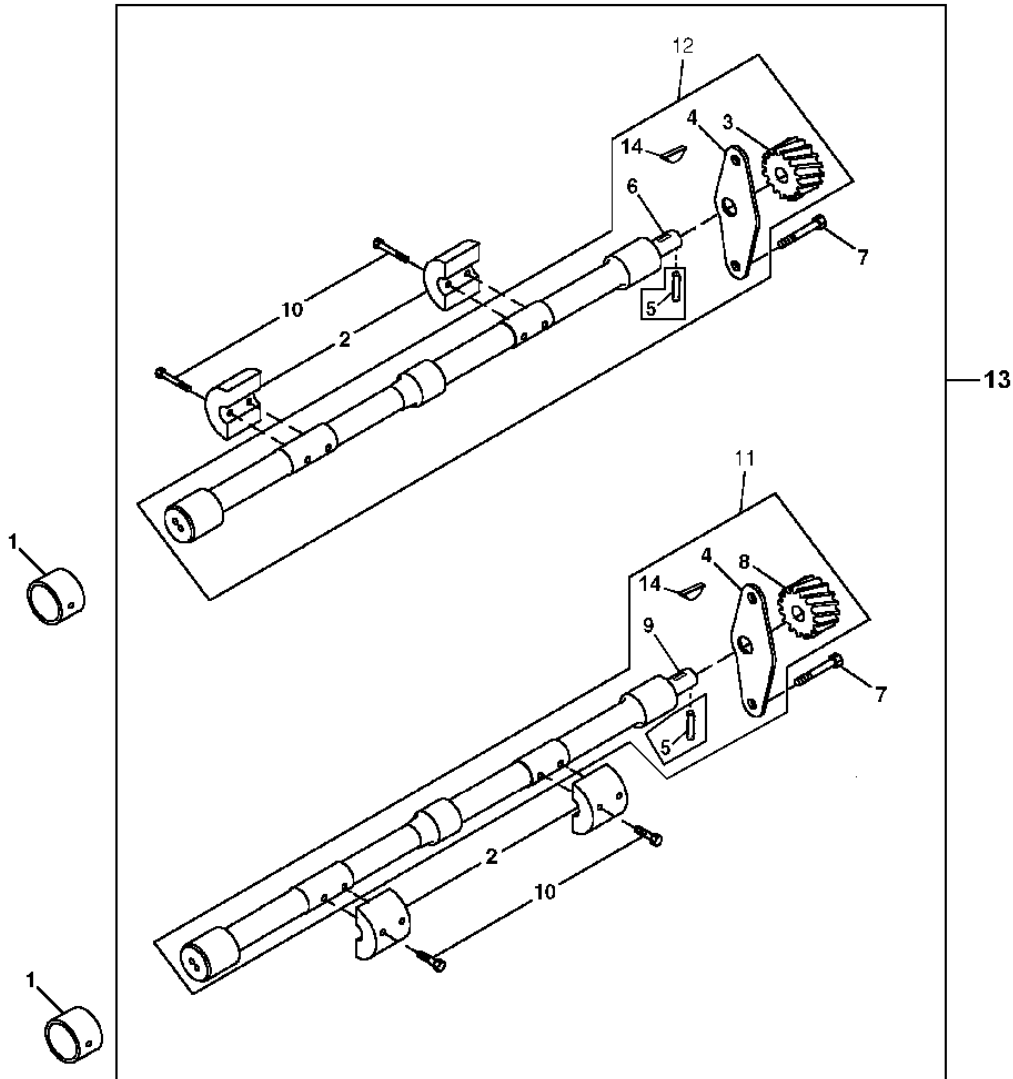
ENGINE 4

ENGINE BALANCER 0415

ENGINE BALANCER SHAFT 310G (TURBO), 310SG, 315SG (TO/PE4045TTO80/81)  
ARBRE DE BALANCIER DE MOTEUR 310G (TURBO), 310SG, 315SG (TO/PE4045TTO80/81)  
EJE DEL EQUILIBRADOR DEL MOTOR 310G (TURBO), 310SG, 315SG (TO/PE4045TTO80/81)

T149536

-UN-03JAN02



T149536



# 0415-3

ENGINE 4

ENGINE BALANCER 0415

ENGINE BALANCER SHAFT 310G (TURBO), 310SG, 315SG (TO/PE4045TTO80/81)  
 ARBRE DE BALANCIER DE MOTEUR 310G (TURBO), 310SG, 315SG (TO/PE4045TTO80/81)  
 EJE DEL EQUILIBRADOR DEL MOTOR 310G (TURBO), 310SG, 315SG (TO/PE4045TTO80/81)

| KEY | PART NO. | PART NAME      | QTY. | SERIAL NO. | REMARKS           |
|-----|----------|----------------|------|------------|-------------------|
|     |          |                |      |            | 3 3               |
|     |          |                |      |            | 3 1 1             |
|     |          |                |      |            | 1 0 5             |
|     |          |                |      |            | 0 S S             |
|     |          |                |      |            | G G G             |
| 1   | R115299  | BUSHING        | 6    |            | X X X             |
| 2   | R500265  | WEIGHT         | 4    |            | X X X             |
| 3   | .....    | GEAR           | 1    |            | X X X LH (Z = 15) |
| 4   | .....    | PLATE          | 2    |            | X X X             |
| 5   | 34M7089  | DOWEL PIN      | 2    | -782945    | X X X 4 X 12 MM   |
| 6   | .....    | BALANCER SHAFT | 1    |            | X X X LH          |
| 7   | 19M8998  | SCREW          | 4    |            | X X X M8 X 12     |
| 8   | .....    | GEAR           | 1    |            | X X X RH (Z = 15) |
| 9   | .....    | BALANCER SHAFT | 1    |            | X X X RH          |
| 10  | 19M8882  | SCREW          | 8    |            | X X X M8 X 40     |
| 11  | RE500448 | BALANCER SHAFT | 1    |            | X X X RH          |
| 12  | RE500449 | BALANCER SHAFT | 1    |            | X X X LH          |
| 13  | RE504741 | BALANCER SHAFT | 1    |            | X X X KIT         |
| 14  | R133303  | SHAFT KEY      | 2    | 782946-    | X X X             |

# 0416-2

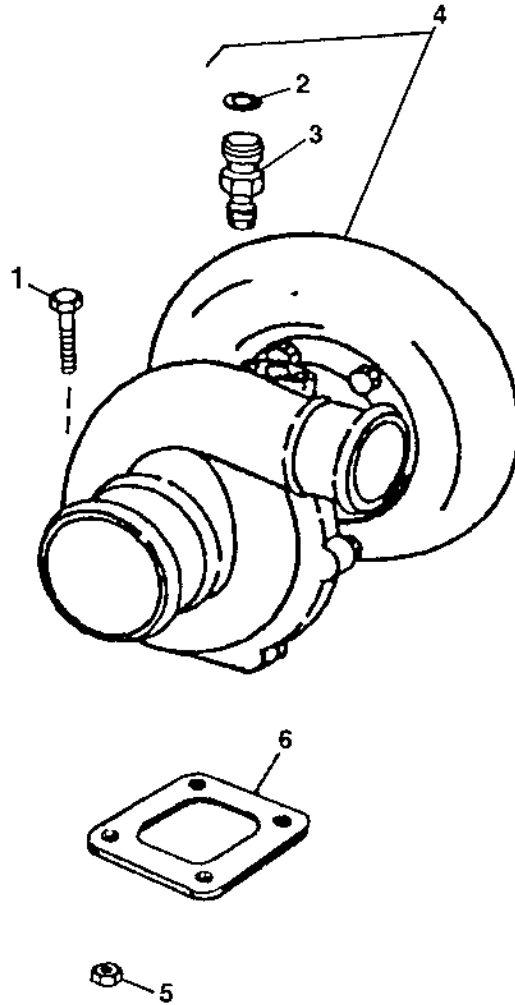
ENGINE 4

TURBORCHARGER 0416

TURBOCHARGER 310G (TURBO), 310SG, 315SG (VSN -910055) TO/PE4045TTO80/81  
TURBOCOMPRESSEUR 310G (TURBO), 310SG, 315SG (VSN -910055) TO/PE4045TTO80/81  
TURBOCARGADOR 310G (TURBO), 310SG, 315SG (VSN -910055) TO/PE4045TTO80/81

TP49341

-UN-27SEP96



TP49341

# 0416-3

ENGINE 4

TURBORCHARGER 0416

TURBOCHARGER 310G (TURBO), 310SG, 315SG (VSN -910055) TO/PE4045TTO80/81  
 TURBOCOMPRESSEUR 310G (TURBO), 310SG, 315SG (VSN -910055) TO/PE4045TTO80/81  
 TURBOCARGADOR 310G (TURBO), 310SG, 315SG (VSN -910055) TO/PE4045TTO80/81

| KEY | PART NO. | PART NAME       | QTY. | ENGINE<br>SERIAL NO. | REMARKS        |
|-----|----------|-----------------|------|----------------------|----------------|
|     |          |                 |      | 3 3                  |                |
|     |          |                 |      | 3 1 1                |                |
|     |          |                 |      | 1 0 5                |                |
|     |          |                 |      | 0 S S                |                |
|     |          |                 |      | G G G                |                |
| 1   | 19M8162  | SCREW           | 4    |                      | X X X M10 X 40 |
| 2   | R63548   | O-RING          | 1    |                      | X X X          |
| 3   | M87733   | ADAPTER FITTING | 1    |                      | X X X          |
| 4   | RE505047 | TURBOCHARGER    | 1    |                      | X X X          |
| 5   | 14M7296  | FLANGE NUT      | 4    |                      | X X X M10      |
| 6   | R92097   | GASKET          | 1    |                      | X X X          |

# 0416-4

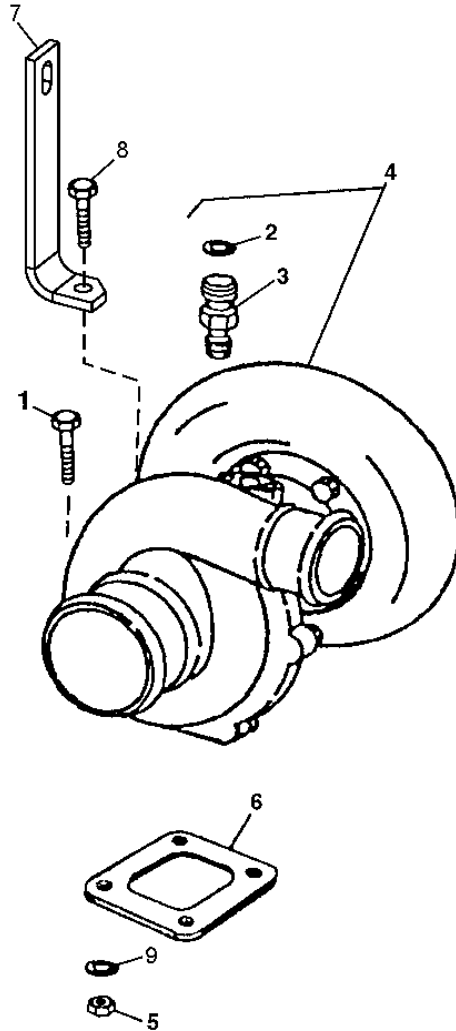
ENGINE 4

TURBORCHARGER 0416

TURBOCHARGER 310G (TURBO), 310SG, 315SG (VSN -910056) TO/PE4045TTO80/81  
TURBOCOMPRESSEUR 310G (TURBO), 310SG, 315SG (VSN -910056) TO/PE4045TTO80/81  
TURBOCARGADOR 310G (TURBO), 310SG, 315SG (VSN -910056) TO/PE4045TTO80/81

T155121

-UN-22MAY02



T145833

# 0416-5

ENGINE 4

TURBORCHARGER 0416

TURBOCHARGER 310G (TURBO), 310SG, 315SG (VSN -910056) TO/PE4045TTO80/81  
 TURBOCOMPRESSEUR 310G (TURBO), 310SG, 315SG (VSN -910056) TO/PE4045TTO80/81  
 TURBOCARGADOR 310G (TURBO), 310SG, 315SG (VSN -910056) TO/PE4045TTO80/81

| KEY | PART NO. | PART NAME       | QTY. | ENGINE<br>SERIAL NO. | 3 3<br>3 1 1<br>1 0 5<br>0 S S<br>G G G | REMARKS                |
|-----|----------|-----------------|------|----------------------|---|------------------------|
| 1   | 19M8162  | SCREW           | 4    |                      | X X X                                   | M10 X 40               |
| 2   | R63548   | O-RING          | 1    |                      | X X X                                   |                        |
| 3   | M87733   | ADAPTER FITTING | 1    |                      | X X X                                   |                        |
| 4   | RE509572 | TURBOCHARGER    | 1    | -406329              | X                                       | (REMAN) (BORG-WARNER)  |
|     | RE509572 | TURBOCHARGER    | 1    | -432748              | X X                                     | (REMAN) (BORG-WARNER)  |
|     | RE505047 | TURBOCHARGER    | 1    | 406330-              | X                                       | (CZ)                   |
|     | SE501155 | TURBOCHARGER    | 1    | 432749-              | X X                                     | (CZ)                   |
| 5   | 14M7296  | FLANGE NUT      | 4    |                      | X X X                                   |                        |
| 6   | R92097   | GASKET          | 1    |                      | X X X                                   |                        |
| 7   | T68098   | ANGLE           | 1    |                      | X X X                                   |                        |
| 8   | 19M8292  | SCREW           | 1    |                      | X X X                                   |                        |
| 9   | 24M7096  | WASHER          | 4    |                      | X X X                                   | 10.500 X 18 X 1.600 MM |

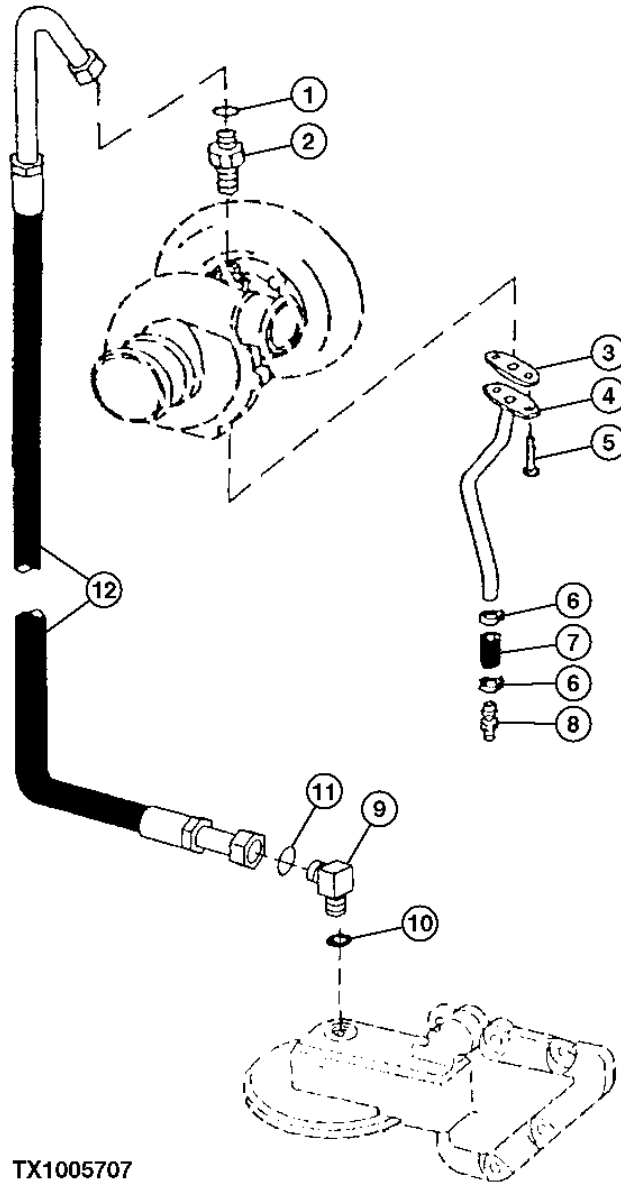
# 0416-6

ENGINE 4

TURBORCHARGER 0416

TURBOCHARGER OIL LINES 310G (TURBO), 310SG, 315SG (VSN -910055) TO/PE4045TT080/081  
CONDUITES D'HUILE DE TURBOCOMPRESSEUR 310G (TURBO), 310SG, 315SG (VSN -910055) TO/PE4045TT080/081  
LINEAS DE ACEITE DEL TURBOALIMENTADOR 310G (TURBO), 310SG, 315SG (VSN -910055) TO/PE4045TT080/081

TX1005707 -UN-03APR06



TX1005707

# 0416-7

ENGINE 4

TURBORCHARGER 0416

TURBOCHARGER OIL LINES 310G (TURBO), 310SG, 315SG (VSN -910055) TO/PE4045TT080/081  
 CONDUITES D'HUILE DE TURBOCOMPRESSEUR 310G (TURBO), 310SG, 315SG (VSN -910055) TO/PE4045TT080/081  
 LINEAS DE ACEITE DEL TURBOALIMENTADOR 310G (TURBO), 310SG, 315SG (VSN -910055) TO/PE4045TT080/081

| KEY | PART NO. | PART NAME       | QTY. | ENGINE     | REMARKS                         |
|-----|----------|-----------------|------|------------|---------------------------------|
|     |          |                 |      | SERIAL NO. |                                 |
|     |          |                 |      | 3 3        |                                 |
|     |          |                 |      | 3 1 1      |                                 |
|     |          |                 |      | 1 0 5      |                                 |
|     |          |                 |      | 0 S S      |                                 |
|     |          |                 |      | G G G      |                                 |
| 1   | R63548   | O-RING          | 1    |            | X X X                           |
| 2   | M87733   | ADAPTER FITTING | 1    |            | X X X                           |
| 3   | R123570  | GASKET          | 1    |            | X X X                           |
| 4   | RE59547  | OIL LINE        | 1    |            | X X X                           |
| 5   | 19M7866  | SCREW           | 2    |            | X X X M8 X 20                   |
| 6   | RE65978  | CLAMP           | 2    |            | X X X                           |
| 7   | .....    | HOSE            | 1    |            | X X X (MAKE FROM R120013) (CTL) |
| 8   | RE54885  | HOSE FITTING    | 1    |            | X X X                           |
| 9   | 38H5154  | ELBOW FITTING   | 1    |            | X X X                           |
| 10  | 51M7042  | O-RING          | 1    |            | X X X                           |
| 11  | T77613   | O-RING          | 1    |            | X X X                           |
| 12  | RE501260 | OIL LINE        | 1    |            | X X X                           |

# 0416-8

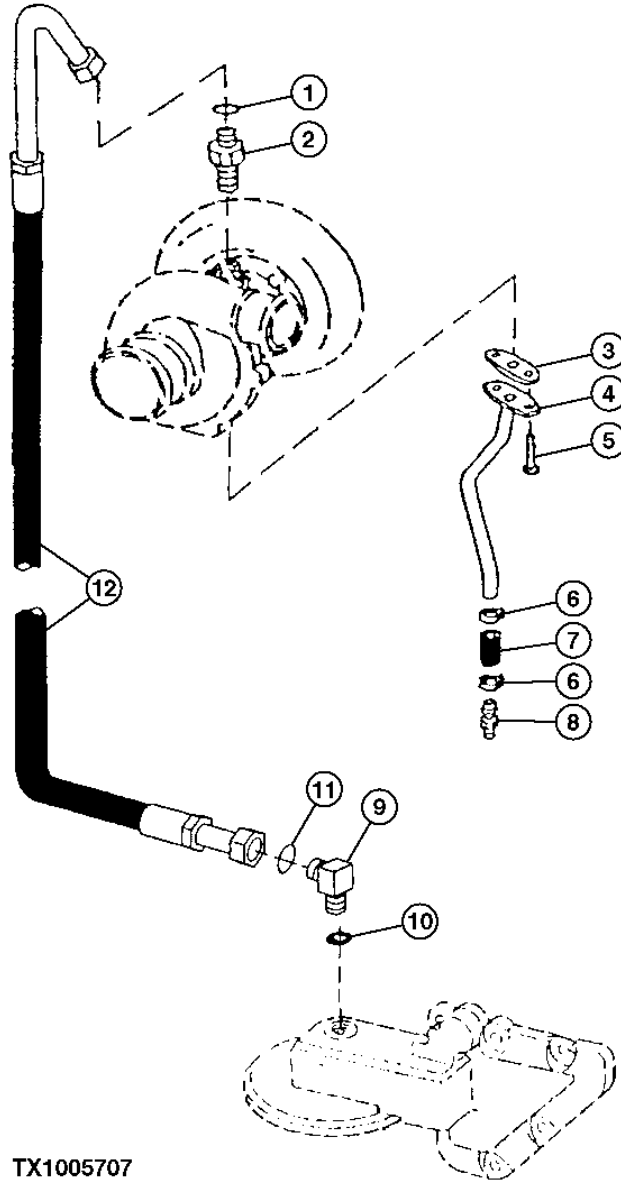
ENGINE 4

TURBORCHARGER 0416

TURBOCHARGER OIL LINES (VSN 910056- ) TO/PE4045TT080/081, PE4045TT088  
CONDUITES D'HUILE DE TURBOCOMPRESSEUR (VSN 910056- ) TO/PE4045TT080/081, PE4045TT088  
LINEAS DE ACEITE DEL TURBOALIMENTADOR (VSN 910056- ) TO/PE4045TT080/081, PE4045TT088

TX1005707

-UN-03APR06



TX1005707



# 0416-9

ENGINE 4

TURBORCHARGER 0416

TURBOCHARGER OIL LINES (VSN 910056- ) TO/PE4045TT080/081, PE4045TT088  
 CONDUITES D'HUILE DE TURBOCOMPRESSEUR (VSN 910056-) TO/PE4045TT080/081, PE4045TT088  
 LINEAS DE ACEITE DEL TURBOALIMENTADOR (VSN 910056-) TO/PE4045TT080/081, PE4045TT088

| KEY | PART NO. | PART NAME       | QTY. | ENGINE<br>SERIAL NO. | REMARKS                            |
|-----|----------|-----------------|------|----------------------|------------------------------------|
|     |          |                 |      |                      | 3 3                                |
|     |          |                 |      |                      | 3 1 1                              |
|     |          |                 |      |                      | 1 0 5                              |
|     |          |                 |      |                      | 0 S S                              |
|     |          |                 |      |                      | G G G                              |
| 1   | R63548   | O-RING          | 1    |                      | X X X                              |
| 2   | M87733   | ADAPTER FITTING | 1    |                      | X X X                              |
| 3   | R503891  | GASKET          | 1    | -406329              | X X X (USE WITH RE509572)          |
|     | R123570  | GASKET          | 1    | 406330-              | X X X (USE WITH RE505047)          |
| 4   | RE509555 | OIL LINE        | 1    | -406329              | X X X (USE WITH RE509572)          |
|     | RE59547  | OIL LINE        | 1    | 406330-              | X X X (USE WITH RE505047)          |
| 5   | 19M7862  | SCREW           | 2    | -406329              | X X X M6 X 20, (USE WITH RE509572) |
|     | 19M7866  | SCREW           | 2    | 406330-              | X X X M8 X 20, (USE WITH RE505047) |
| 6   | RE65978  | CLAMP           | 2    |                      | X X X                              |
| 7   | .....    | HOSE            | 1    |                      | X X X (MAKE FROM R120013) (CTL)    |
| 8   | RE54885  | HOSE FITTING    | 1    |                      | X X X                              |
| 9   | 38H5154  | ELBOW FITTING   | 1    |                      | X X X                              |
| 10  | R63548   | O-RING          | 1    |                      | X X X                              |
| 11  | T77613   | O-RING          | 1    |                      | X X X                              |
| 12  | RE501260 | OIL LINE        | 1    |                      | X X X                              |

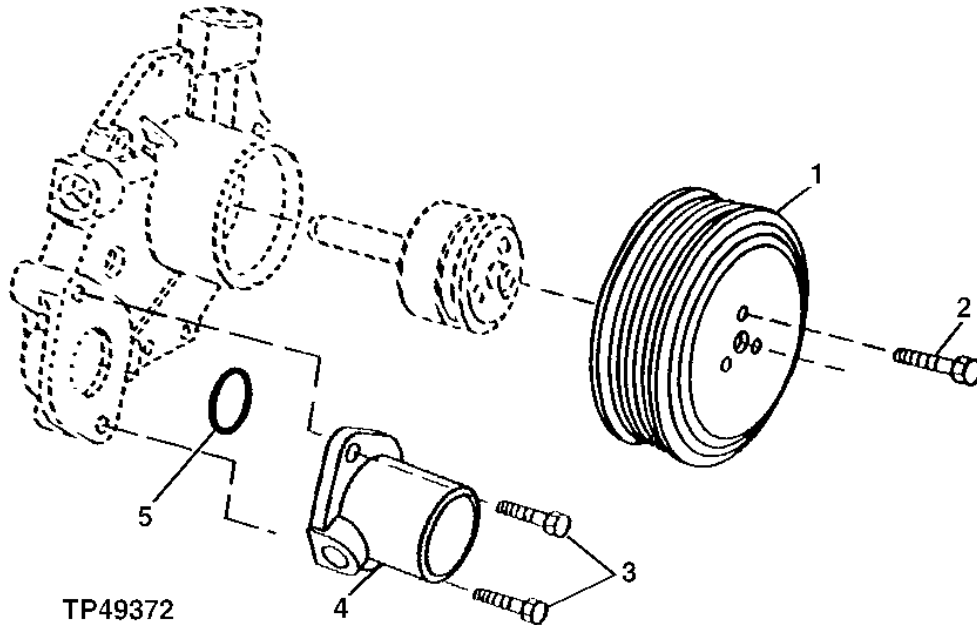
# 0417-2

ENGINE 4

WATER PUMP 0417

WATER PUMP INLET AND PULLEY  
 ENTREE DE POMPE A EAU ET POULIE  
 ENTRADA DE BOMBA DE AGUA Y POLEA

TP49372 -UN-18JAN96



TP49372

| KEY | PART NO. | PART NAME | QTY. | ENGINE SERIAL NO. | REMARKS |
|-----|----------|-----------|------|-------------------|---------|
| 1   | R121038  | PULLEY    | 1    | X X X             |         |
| 2   | 19M7774  | SCREW     | 3    | X X X             | M6 X 12 |
| 3   | 19M7867  | SCREW     | 2    | X X X             | M8 X 25 |
| 4   | R121634  | HOUSING   | 1    | X X X             |         |
| 5   | R89944   | O-RING    | 1    | X X X             |         |

3 3  
 3 1 1  
 1 0 5  
 0 S S  
 G G G

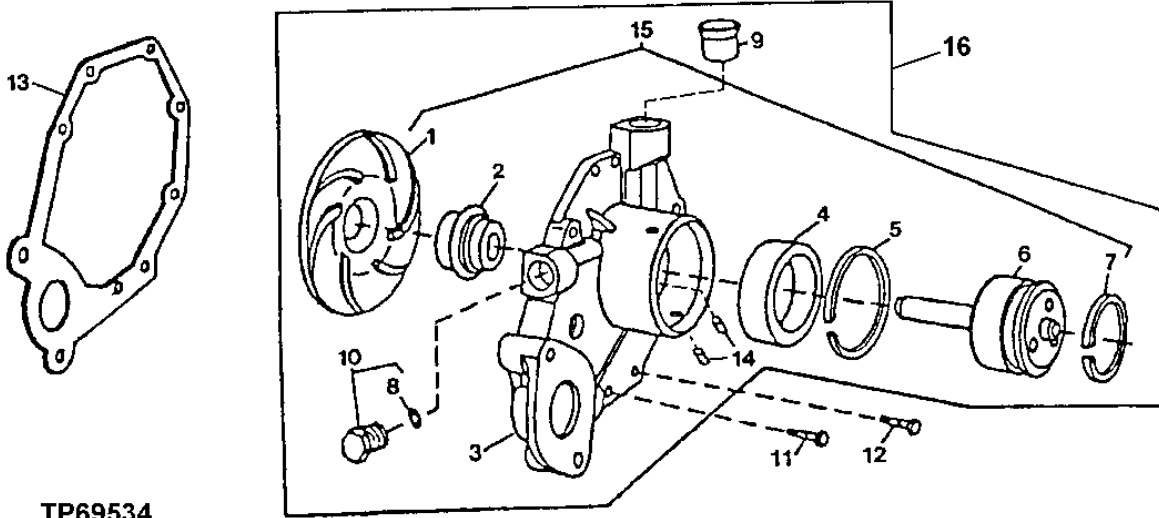
# 0417-3

ENGINE 4

WATER PUMP 0417

**WATER PUMP AND REPAIR KIT (SEE FOOTNOTE)**  
**POMPE A EAU ET KIT DE REPARATION (VOIR NOTE EN BAS DE PAGE)**  
**BOMBA DE AGUA Y JUEGO DE REPARACION (CONSULTE NOTA AL PIE DE PAGINA)**

TP69534 -UN-18JUL00



**TP69534**

| KEY | PART NO. | PART NAME    | QTY. | ENGINE SERIAL NO. | REMARKS                                      |
|-----|----------|--------------|------|-------------------|--|
|     |          |              |      | 3 3               |  |
|     |          |              |      | 3 1 1             |  |
|     |          |              |      | 1 0 5             |  |
|     |          |              |      | 0 S S             |  |
|     |          |              |      | G G G             |  |
| 1   | .....    | IMPELLER     | 1    | X X X             |  |
| 2   | .....    | SEAL         | 1    | X X X             |  |
| 3   | .....    | HOUSING      | 1    | X X X             |  |
| 4   | .....    | BALL BEARING | 1    | X X X             |  |
| 5   | .....    | RING         | 1    | X X X             |  |
| 6   | .....    | SHAFT        | 1    | X X X             |  |
| 7   | A364R    | SNAP RING    | 1    | X X X             |  |
| 8   | 51M7043  | O-RING       | 1    | X X X             | 15.300 X 2.200 MM                            |
| 9   | R123226  | GASKET       | 1    | X X X             |  |
| 10  | RE46685  | FITTING PLUG | 1    | X X X             |  |
| 11  | 19M7796  | SCREW        | 3    | X X X             | M6 X 30                                      |
| 12  | 19M7863  | SCREW        | 5    | X X X             | M6 X 25                                      |
| 13  | R123417  | GASKET       | 1    | X X X             |  |
| 14  | R100369  | FILTER       | 2    | X X X             |  |
| 15  | RE71240  | KIT          | 1    | X X X             |  |
| 16  | RE500737 | WATER PUMP   | 1    | X X X             | (MARKED R500401) (SUB RE505981 AND RE508566) |

310G (W/O TURBO) (VSN -911769) TO/PE4045DT056  
 310G (SANS SURALIMENTATION) (VSN -911769) TO/PE4045DT056  
 310G (SIN TURBOALIMENTADOR) (VSN -911769) TO/PE4045DT056

310G (TURBO), 310SG, 315SG (VSN -910055) TO/PE4045TT080/081  
 310G (TURBO), 310SG, 315SG (VSN -910055) TO/PE4045TT080/081  
 310G (TURBO), 310SG, 315SG (VSN -910055) TO/PE4045TT080/081

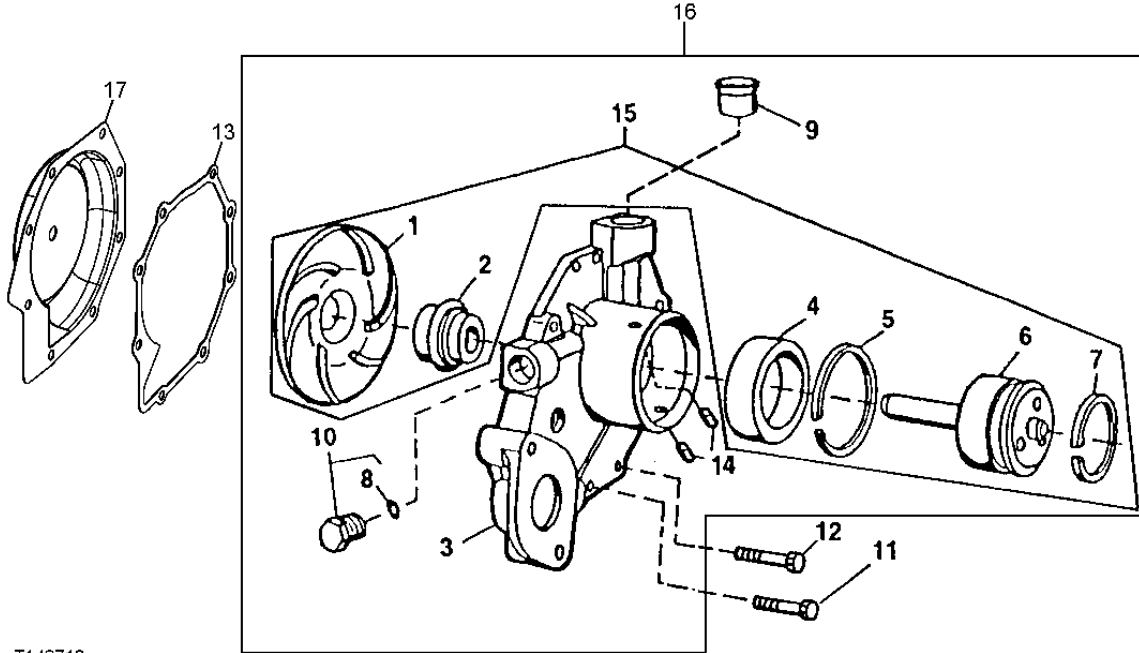
# 0417-4

ENGINE 4

WATER PUMP 0417

WATER PUMP AND REPAIR KIT (SEE FOOTNOTE)  
 POMPE A EAU ET KIT DE REPARATION (VOIR NOTE EN BAS DE PAGE)  
 BOMBA DE AGUA Y JUEGO DE REPARACION (CONSULTE NOTA AL PIE DE PAGINA)

T149718 -UN-07JAN02



T149718

| KEY | PART NO. | PART NAME    | QTY. | ENGINE SERIAL NO. | REMARKS                    |
|-----|----------|--------------|------|-------------------|----------------------------|
| 1   | .....    | IMPELLER     | 1    |                   | (MARKED R121036)           |
| 2   | .....    | SEAL         | 1    |                   | (MARKED R503509)           |
| 3   | .....    | HOUSING      | 1    |                   |                            |
| 4   | .....    | BALL BEARING | 1    |                   |                            |
| 5   | .....    | RING         | 1    |                   |                            |
| 6   | .....    | SHAFT        | 1    |                   |                            |
| 7   | A364R    | SNAP RING    | 1    |                   |                            |
| 8   | 51M7043  | O-RING       | 1    |                   | 15.300 X 2.200 MM          |
| 9   | R123226  | GASKET       | 1    |                   |                            |
| 10  | RE46685  | FITTING PLUG | 1    |                   |                            |
| 11  | 19M7863  | SCREW        | 5    |                   | M6 X 25                    |
| 12  | 19M7796  | SCREW        | 3    |                   | M6 X 30                    |
| 13  | R123417  | GASKET       | 1    |                   |                            |
| 14  | R100369  | FILTER       | 2    |                   |                            |
| 15  | RE70962  | KIT          | 1    |                   |                            |
| 16  | RE505981 | WATER PUMP   | 1    |                   | (MARKED R503509)           |
| 17  | RE508566 | KIT          | 1    |                   | (WATER PUMP INSERT REPAIR) |

310G (W/O TURBO) (VSN 911769- ) PE4045DT058  
 310G (SANS SURALIMENTATION) (VSN 911769- ) PE4045DT058  
 310G (SIN TURBOALIMENTADOR) (VSN 911769- ) PE4045DT058

310G (TURBO), 310SG, 315SG (VSN 910056- ) PE4045TT088/089  
 310G (TURBO), 310SG, 315SG (VSN 910056- ) PE4045TT088/089  
 310G (TURBO), 310SG, 315SG (VSN 910056- ) PE4045TT088/089

# 0417-5

ENGINE 4

WATER PUMP 0417

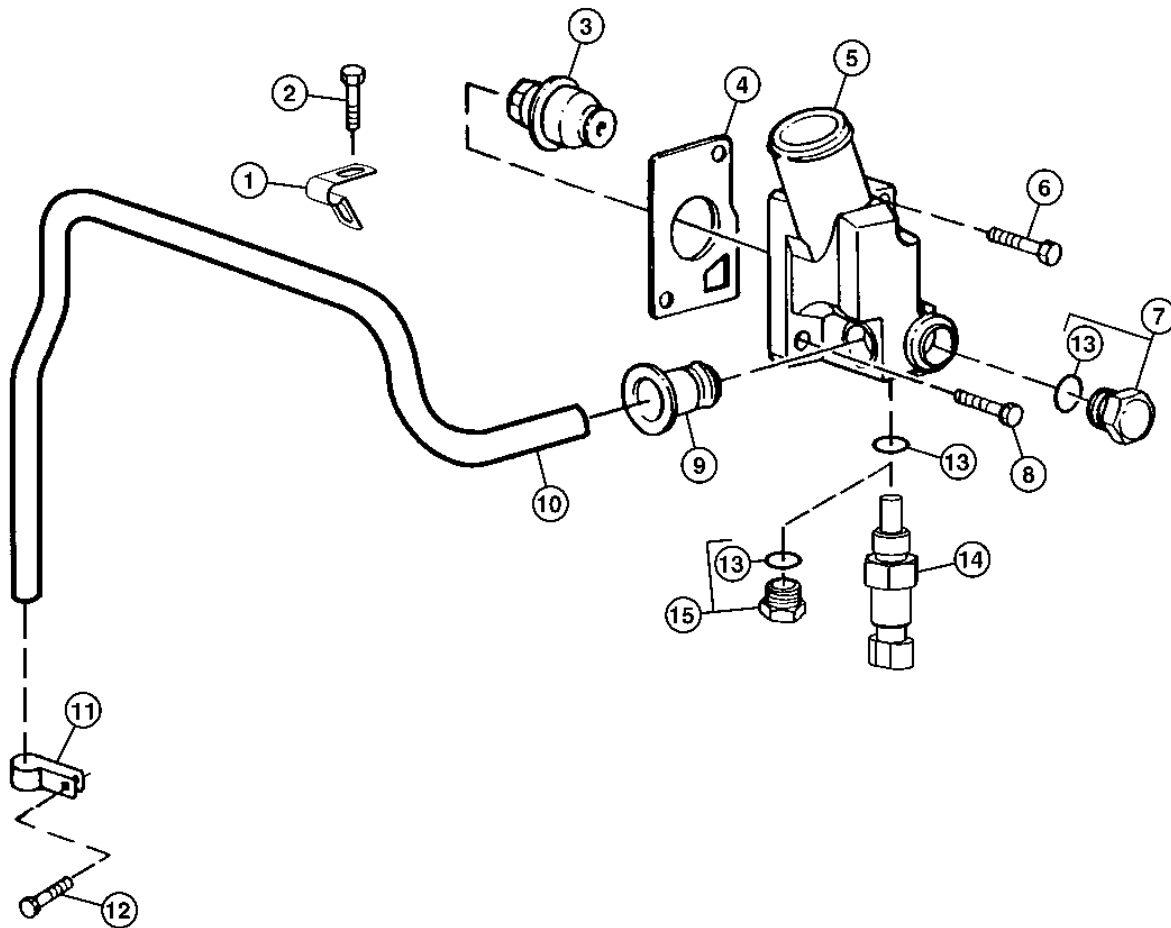
MEMORANDA  
MEMORANDA  
MEMORANDA

# 0418-2

ENGINE 4

## THERMOSTATS, HOUSING AND WATER PIPING 0418 THERMOSTAT AND COVER THERMOSTAT ET COUVERCLE THERMOSTATO Y TAPADERA

TX1006074 -UN-26APR06



TX1006074

# 0418-3

ENGINE 4

THERMOSTATS, HOUSING AND WATER PIPING 0418  
**THERMOSTAT AND COVER**  
**THERMOSTAT ET COUVERCLE**  
**TERMOSTATO Y TAPADERA**

| KEY | PART NO. | PART NAME    | QTY. | ENGINE SERIAL NO. | 3 3<br>3 1 1<br>1 0 5<br>0 S S<br>G G G | REMARKS                                     |
|-----|----------|--------------|------|-------------------|---|---|
| 1   | R123323  | CLAMP        | 1    |                   | X X X                                   |   |
| 2   | 19M7788  | SCREW        | 1    |                   | X X X                                   | M12 X 25                                    |
| 3   | RE522076 | THERMOSTAT   | 1    |                   | X X X                                   | 82° C (180° F) (SUB FOR RE506300)           |
| 4   | R502814  | GASKET       | 1    |                   | X X X                                   | (SUB FOR R135896)                           |
| 5   | R131016  | COVER        | 1    |                   | X X X                                   |   |
| 6   | 19M8292  | SCREW        | 1    |                   | X X X                                   | M10 X 50                                    |
| 7   | RE46684  | FITTING PLUG | 1    |                   | X X X                                   |   |
| 8   | 19M7786  | SCREW        | 1    |                   | X X X                                   | M10 X 30                                    |
| 9   | R123226  | GASKET       | 1    |                   | X X X                                   |   |
| 10  | R501144  | TUBE         | 1    |                   | X X X                                   | TO WATER PUMP                               |
| 11  | R123324  | CLAMP        | 1    |                   | X X X                                   |   |
| 12  | 19M7801  | SCREW        | 1    |                   | X X X                                   | M8 X 60                                     |
| 13  | 51M7041  | O-RING       | 2    |                   | X X X                                   | 11.300 X 2.200 MM                           |
| 14  | RE52722  | SENSOR       | 1    | 221706-           | X                                       | (ENGINE COOLANT TEMPERATURE)<br>PE4045TT089 |
|     | RE52722  | SENSOR       | 1    | 224069-           | X                                       | PE4045TT089                                 |
|     | RE52722  | SENSOR       | 1    | 224566-           | X                                       | PE4045TT088                                 |
|     | RE52722  | SENSOR       | 1    | 241601-           | X                                       | PE4045DT058                                 |
| 15  | RE46684  | FITTING PLUG | 1    | -221705           | X X                                     |   |
|     | RE46684  | FITTING PLUG | 1    |                   | X                                       |   |

# 0419-2

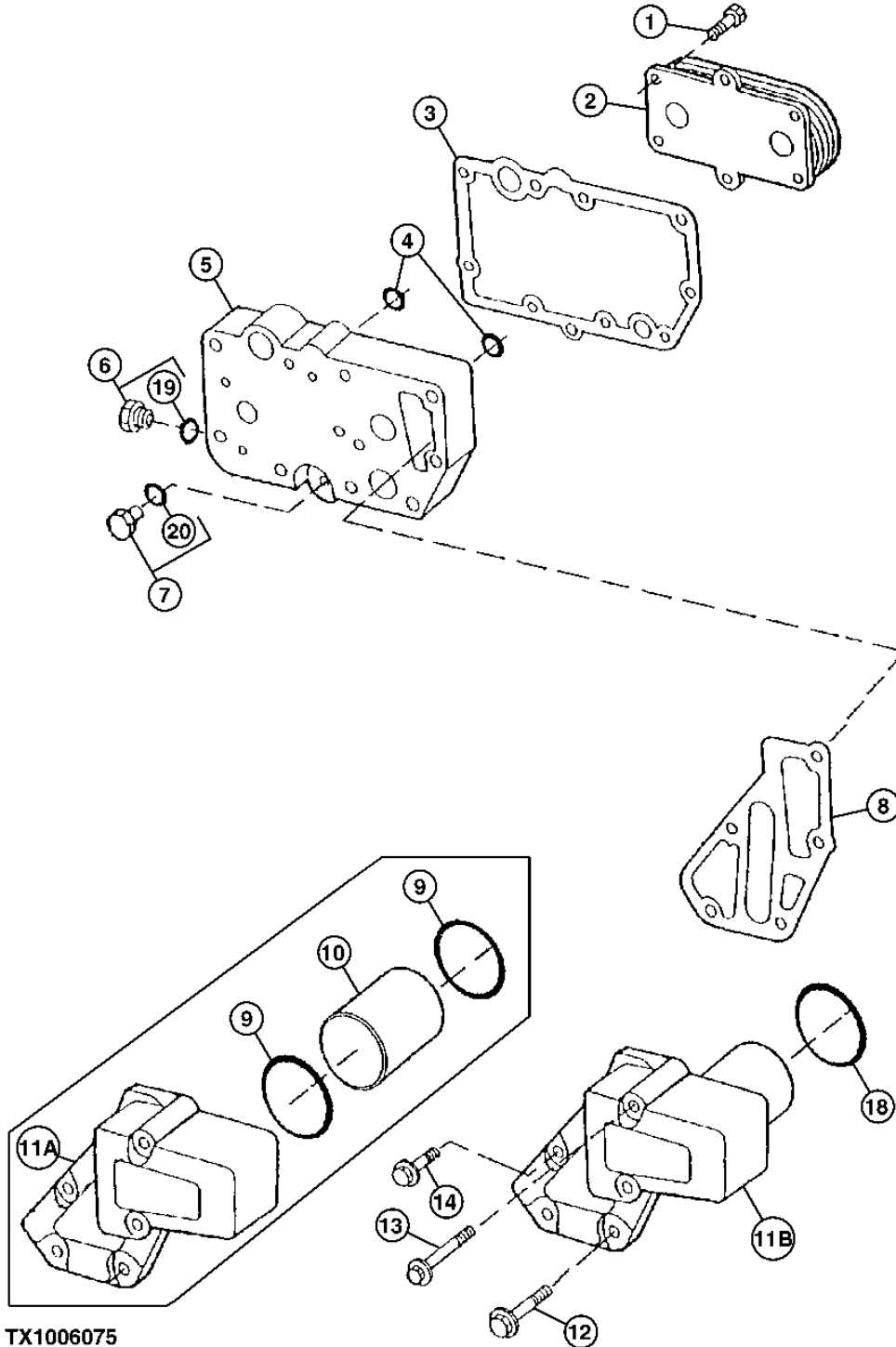
ENGINE 4

ENGINE OIL COOLER 0419

ENGINE OIL COOLER AND ADAPTER 310G (TURBO), 310SG, 315SG (TO/PE4045TT080/081)  
REFROIDISSEUR D'HUILE MOTEUR ET ADAPTATEUR 310G (TURBO), 310SG, 315SG (TO/PE4045TT080/081)  
ENFRIADOR DE ACEITE DEL MOTOR Y ADAPTADOR 310G (TURBO), 310SG, 315SG (TO/PE4045TT080/081)

TX1006075

-UN-26APR06



TX1006075



# 0419-3

ENGINE 4

ENGINE OIL COOLER 0419

ENGINE OIL COOLER AND ADAPTER 310G (TURBO), 310SG, 315SG (TO/PE4045TT080/081)  
 REFRIGERISSEUR D'HUILE MOTEUR ET ADAPTEUR 310G (TURBO), 310SG, 315SG (TO/PE4045TT080/081)  
 ENFRIADOR DE ACEITE DEL MOTOR Y ADAPTADOR 310G (TURBO), 310SG, 315SG (TO/PE4045TT080/081)

| KEY | PART NO. | PART NAME       | QTY. | ENGINE SERIAL NO. | REMARKS                                  |
|-----|----------|-----------------|------|-------------------|--|
|     |          |                 |      |                   | 3 3                                      |
|     |          |                 |      |                   | 3 1 1                                    |
|     |          |                 |      |                   | 1 0 5                                    |
|     |          |                 |      |                   | 0 S S                                    |
|     |          |                 |      |                   | G G G                                    |
| 1   | RE67231  | SCREW           | 6    |                   | X X X M6 X 16 (WITH PRE-APPLIED SEALANT) |
| 2   | RE59296  | OIL COOLER      | 1    |                   | X X X (5 PLATE) TO CYLINDER BLOCK        |
|     | RE522820 | OIL COOLER      | 1    |                   | X X X (5-PLATE TESTED ASSEMBLY)          |
| 3   | R123501  | GASKET          | 1    |                   | X X X                                    |
| 4   | T122075  | O-RING          | 2    |                   | X X X                                    |
| 5   | R123471  | HOUSING         | 1    |                   | X X X                                    |
| 6   | RE46686  | FITTING PLUG    | 1    |                   | X X X                                    |
| 7   | RE46685  | FITTING PLUG    | 1    |                   | X X X                                    |
| 8   | R501428  | GASKET          | 1    |                   | X X X                                    |
| 9   | R61105   | O-RING          | 2    | -873088           | X X X                                    |
| 10  | R115252  | BUSHING         | 1    | -873088           | X X X                                    |
| 11A | R135177  | ADAPTER FITTING | 1    | -873088           | X X X (SUB R502811) TO TIMING GEAR COVER |
| 11B | R502811  | ADAPTER FITTING | 1    | 873089-           | X X X TO TIMING GEAR COVER               |
| 12  | 19M7802  | SCREW           | 2    |                   | X X X M8 X 65                            |
| 13  | 19M7970  | SCREW           | 2    |                   | X X X M8 X 100                           |
| 14  | RE67238  | SCREW           | 1    |                   | X X X M8 X 20 (WITH PRE-APPLIED SEALANT) |
| 18  | R504734  | O-RING          | 1    | 873089-           | X X X                                    |
| 19  | 51M7040  | O-RING          | 1    |                   | X X X 9.300 X 2.200 MM                   |
| 20  | 51M7043  | O-RING          | 1    |                   | X X X 15.300 X 2.200 MM                  |

# 0420-2

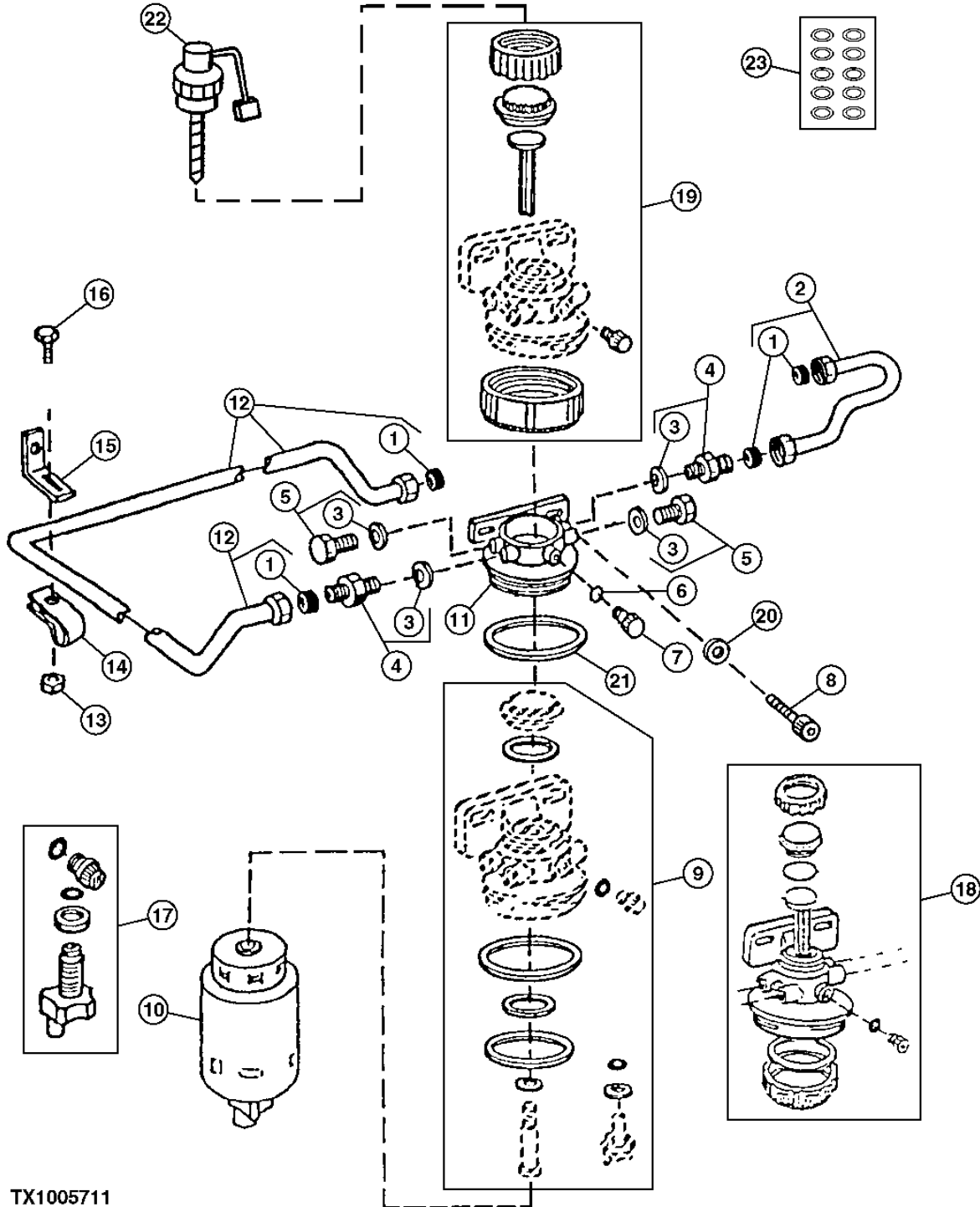
ENGINE 4

FUEL FILTER 0420

FUEL FILTER AND LINES 310G (W/O TURBO) (VSN -911768) TO/PE4045DT056  
FILTRE A COMBUSTIBLE ET CONDUITE 310G (W/O TURBO) (VSN -911768) TO/PE4045DT056  
FILTRO DE COMBUSTIBLE Y TUBERIA 310G (W/O TURBO) (VSN -911768) TO/PE4045DT056

TX1005711

-UN-03APR06



TX1005711

THIS PARTS LISTING IS CONTINUED

# 0420-3

ENGINE 4

FUEL FILTER 0420

FUEL FILTER AND LINES 310G (W/O TURBO) (VSN -911768) TO/PE4045DT056  
 FILTRE A COMBUSTIBLE ET CONDUITE 310G (W/O TURBO) (VSN -911768) TO/PE4045DT056  
 FILTRO DE COMBUSTIBLE Y TUBERIA 310G (W/O TURBO) (VSN -911768) TO/PE4045DT056

| KEY | PART NO. | PART NAME       | QTY. | ENGINE SERIAL NO. | REMARKS                                     |
|-----|----------|-----------------|------|-------------------|---|
|     |          |                 |      | 3 3               |   |
|     |          |                 |      | 3 1 1             |   |
|     |          |                 |      | 1 0 5             |   |
|     |          |                 |      | 0 S S             |   |
|     |          |                 |      | G G G             |   |
| 1   | R74012   | SEALING WASHER  | 4    | X                 |   |
| 2   | RE60037  | FUEL LINE       | 1    | X                 | TO FUEL TRANSFER PUMP                       |
| 3   | 51M7040  | O-RING          | 1    | X                 | (USE WITH RE60029)                          |
|     | R26286   | O-RING          | 1    | X                 | (USE WITH RE59487)                          |
| 4   | RE60029  | ADAPTER FITTING | 2    | X                 |   |
|     | RE59487  | FITTING         | 2    | X                 |   |
| 5   | RE56323  | FITTING PLUG    | 2    | X                 |   |
| 6   | R113562  | O-RING          | 1    | X                 |   |
| 7   | R113563  | DRAIN PLUG      | 1    | X                 | (ALSO ORDER R113562)                        |
| 8   | 19M8328  | SCREW           | 1    | X                 |   |
| 9   | RE516553 | SEAL KIT        | 1    | X                 | FUEL FILTER, (SUB FOR RE50752)              |
| 10  | RE62418  | FUEL FILTER     | 1    | X                 | INCL DRAIN VALVE                            |
| 11  | .....    | FILTER HEAD     | 1    | X                 | FINAL, (ORDER RE70358)                      |
| 12  | RE60025  | FUEL LINE       | 1    | X                 | TO FUEL INJECTION PUMP                      |
| 13  | 14M7298  | FLANGE NUT      | 1    | X                 | M8  |
| 14  | T14050   | CLAMP           | 1    | X                 |   |
| 15  | R116116  | BRACKET         | 1    | X                 |   |
| 16  | 19M7865  | SCREW           | 1    | X                 | M8 X 16                                     |
| 17  | RE60854  | DRAIN VALVE     | 1    | X                 | DRAIN VALVE                                 |
| 18  | RE70358  | FILTER HEAD     | 1    | X                 | FINAL FILTER                                |
| 19  | RE51649  | SEAL KIT        | 1    | X                 | FUEL FILTER                                 |
| 20  | 24M7096  | WASHER          | 2    | X                 | 10.500 X 18 X 1.600 MM                      |
| 21  | R113565  | O-RING          | 1    | X                 |   |
| 22  | RE51648  | KIT             | 1    | X                 | FUEL FILTER HEATER (12-VOLT)                |
| 23  | RE516513 | KIT             | 1    | X                 | (WITH HAND PRIMER) (CONTAINS 10 O-RINGS)    |
|     | RE516512 | O-RING KIT      | 1    | X                 | (WITHOUT HAND PRIMER) (CONTAINS 10 O-RINGS) |

# 0420-4

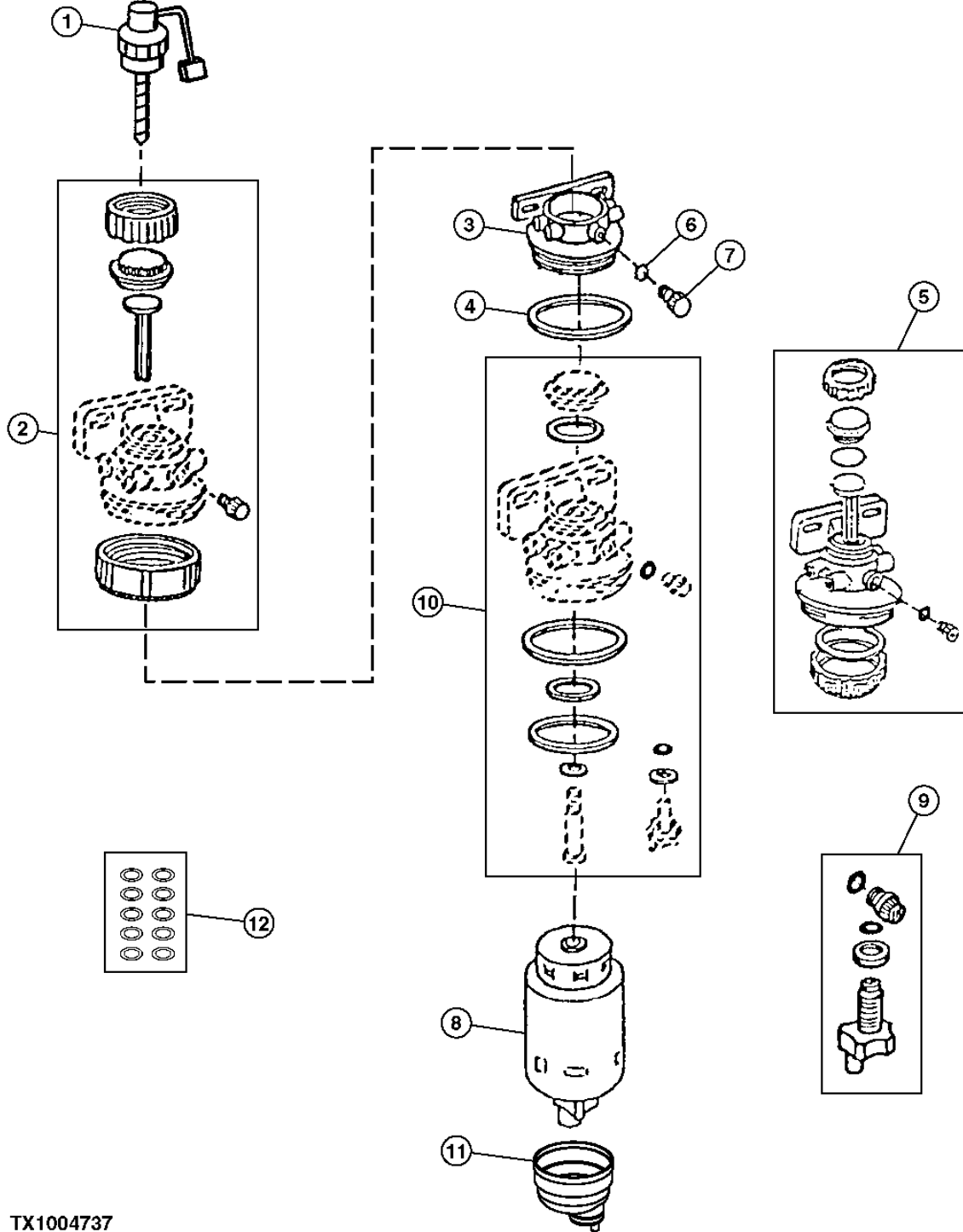
ENGINE 4

FUEL FILTER 0420

FUEL FILTER 310G (W/O TURBO) (VSN 911769- ) PE4045DT058  
FILTRE A CARBURANT 310G (W/O TURBO) (VSN 911769- ) PE4045DT058  
FILTRO DE COMBUSTIBLE Y TUBERIA 310G (W/O TURBO) (VSN 911769- ) PE4045DT058

TX1004737

-UN-22MAR06



TX1004737

# 0420-5

ENGINE 4

FUEL FILTER 0420

FUEL FILTER 310G (W/O TURBO) (VSN 911769- ) PE4045DT058  
 FILTRE A CARBURANT 310G (W/O TURBO) (VSN 911769- ) PE4045DT058  
 FILTRO DE COMBUSTIBLE Y TUBERIA 310G (W/O TURBO) (VSN 911769- ) PE4045DT058

| KEY | PART NO. | PART NAME      | QTY. | ENGINE<br>SERIAL NO. | REMARKS                                     |
|-----|----------|----------------|------|----------------------|---|
|     |          |                |      | 3 3                  |   |
|     |          |                |      | 3 1 1                |   |
|     |          |                |      | 1 0 5                |   |
|     |          |                |      | 0 S S                |   |
|     |          |                |      | G G G                |   |
| 1   | RE51648  | KIT            | 1    | X                    | FUEL FILTER HEATER (12-VOLT)                |
| 2   | RE51649  | SEAL KIT       | 1    | X                    | FUEL FILTER                                 |
| 3   | .....    | FILTER HEAD    | 1    | X                    | (ORDER RE509794)                            |
| 4   | RE516512 | O-RING KIT     | 1    | X                    |   |
| 5   | RE509794 | FILTER HEAD    | 1    | X                    | FUEL FILTER                                 |
| 6   | R113562  | O-RING         | 1    | X                    |   |
| 7   | R113563  | DRAIN PLUG     | 1    | X                    | (ALSO ORDER R113562)                        |
| 8   | RE509031 | FILTER ELEMENT | 1    | X                    |   |
| 9   | RE60854  | DRAIN VALVE    | 1    | X                    | DRAIN VALVE                                 |
| 10  | RE516553 | SEAL KIT       | 1    | X                    | (SUB FOR RE50752)                           |
| 11  | RE51650  | SEDIMENT BOWL  | 1    | X                    |   |
| 12  | RE516513 | KIT            | 1    | X                    | (WITH HAND PRIMER) (CONTAINS 10 O-RINGS)    |
|     | RE516512 | O-RING KIT     | 1    | X                    | (WITHOUT HAND PRIMER) (CONTAINS 10 O-RINGS) |

# 0420-6

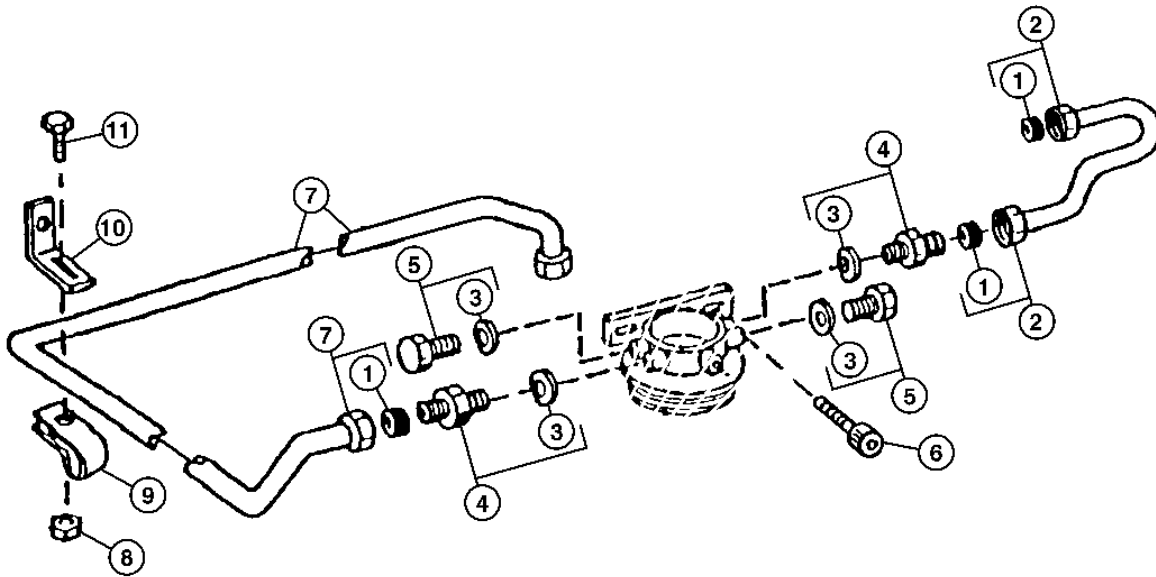
ENGINE 4

FUEL FILTER 0420

FUEL FILTER LINES 310G (W/O TURBO) (VSN 911769- ) PE4045DT058  
CONDUITES DU FILTRE A CARBURANT 310G (W/O TURBO) (VSN 911769- ) PE4045DT058  
LINEAS DEL FILTRO DE ACEITE 310G (W/O TURBO) (VSN 911769- ) PE4045DT058

TX1006076

-UN-26APR06



TX1006076

# 0420-7

ENGINE 4

FUEL FILTER 0420

FUEL FILTER LINES 310G (W/O TURBO) (VSN 911769- ) PE4045DT058  
 CONDUITES DU FILTRE A CARBURANT 310G (W/O TURBO) (VSN 911769- ) PE4045DT058  
 LINEAS DEL FILTRO DE ACEITE 310G (W/O TURBO) (VSN 911769- ) PE4045DT058

| KEY | PART NO. | PART NAME       | QTY. | ENGINE<br>SERIAL NO. | REMARKS                |
|-----|----------|-----------------|------|----------------------|------------------------|
|     |          |                 |      | 3 3                  |                        |
|     |          |                 |      | 3 1 1                |                        |
|     |          |                 |      | 1 0 5                |                        |
|     |          |                 |      | 0 S S                |                        |
|     |          |                 |      | G G G                |                        |
| 1   | R74012   | SEALING WASHER  | 4    | X                    |                        |
| 2   | RE60037  | FUEL LINE       | 1    | X                    | TO FUEL TRANSFER PUMP  |
| 3   | 51M7040  | O-RING          | 1    | X                    | (USE WITH RE60029)     |
|     | R26286   | O-RING          | 1    | X                    | (USE WITH RE59487)     |
| 4   | RE60029  | ADAPTER FITTING | 2    | X                    |                        |
|     | RE59487  | FITTING         | 2    | X                    |                        |
| 5   | RE46686  | FITTING PLUG    | 2    | X                    |                        |
| 6   | 19M7784  | SCREW           | 2    | X                    | M10 X 20               |
| 7   | RE507597 | FUEL LINE       | 1    | X                    | TO FUEL INJECTION PUMP |
| 8   | 14M7298  | FLANGE NUT      | 1    | X                    | M8                     |
| 9   | T14050   | CLAMP           | 1    | X                    |                        |
| 10  | R116116  | BRACKET         | 1    | X                    |                        |
| 11  | 19M7865  | SCREW           | 1    | X                    | M8 X 16                |

# 0420-8

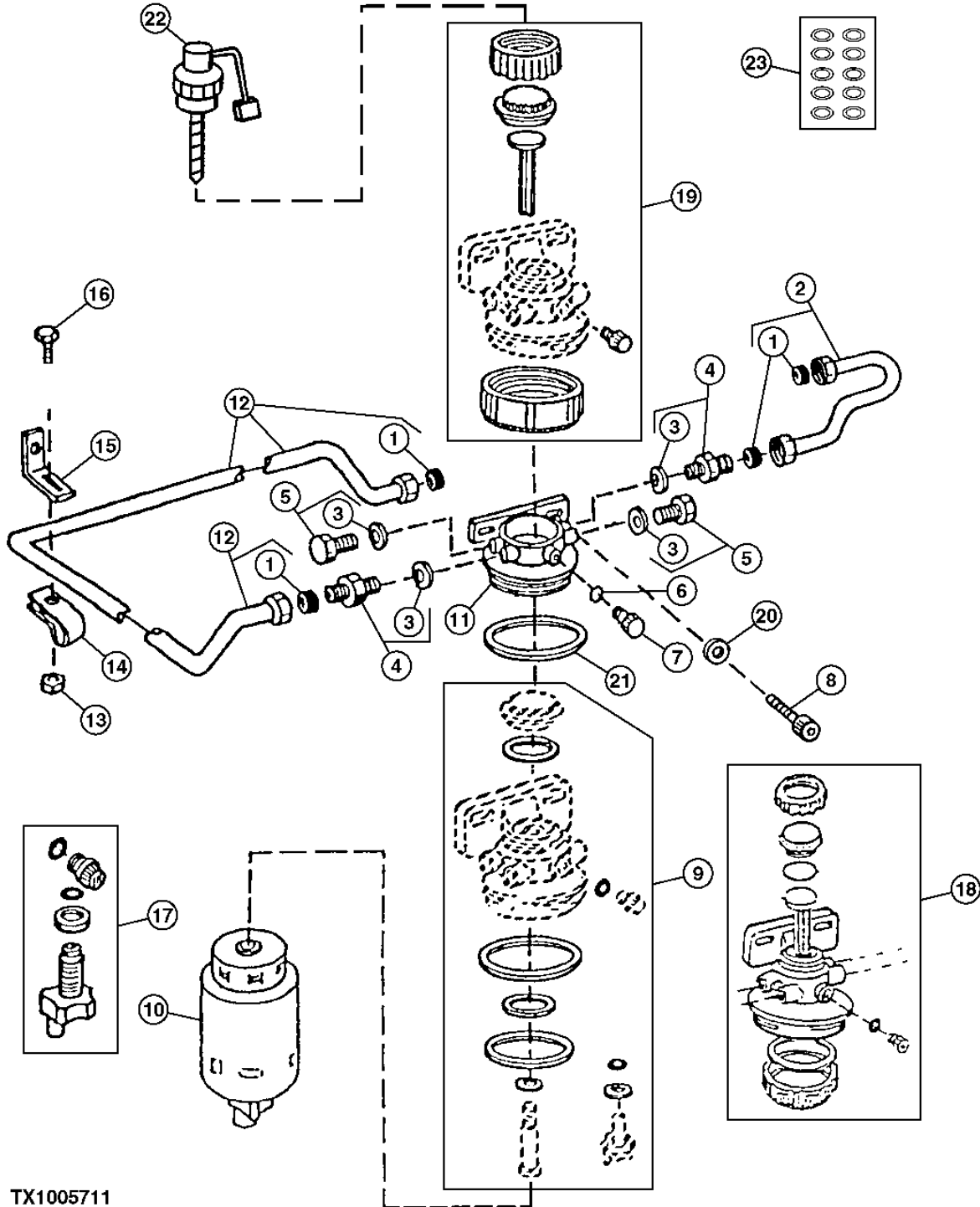
ENGINE 4

FUEL FILTER 0420

FUEL FILTER AND LINES 310G (TURBO), 310SG, 315SG (VSN -910055) TO/PE4045TT080/081  
FILTRE A COMBUSTIBLE ET CONDUITE 310G (TURBO), 310SG, 315SG (VSN -910055) TO/PE4045TT080/081  
FILTRO DE COMBUSTIBLE Y TUBERIA 310G (TURBO), 310SG, 315SG (VSN -910055) TO/PE4045TT080/081

TX1005711

-UN-03APR06



TX1005711

THIS PARTS LISTING IS CONTINUED



# 0420-9

ENGINE 4

FUEL FILTER 0420

FUEL FILTER AND LINES 310G (TURBO), 310SG, 315SG (VSN -910055) TO/PE4045TT080/081  
 FILTRE A COMBUSTIBLE ET CONDUITE 310G (TURBO), 310SG, 315SG (VSN -910055) TO/PE4045TT080/081  
 FILTRO DE COMBUSTIBLE Y TUBERIA 310G (TURBO), 310SG, 315SG (VSN -910055) TO/PE4045TT080/081

| KEY | PART NO. | PART NAME       | QTY. | ENGINE SERIAL NO. | REMARKS   |
|-----|----------|-----------------|------|-------------------|---|
|     |          |                 |      | 3 3               |   |
|     |          |                 |      | 3 1 1             |   |
|     |          |                 |      | 1 0 5             |   |
|     |          |                 |      | 0 S S             |   |
|     |          |                 |      | G G G             |   |
| 1   | R74012   | SEALING WASHER  | 4    |                   | X X X   |
| 2   | RE60037  | FUEL LINE       | 1    |                   | X X X TO FUEL TRANSFER PUMP                       |
| 3   | 51M7040  | O-RING          | 1    |                   | X X X (USE WITH RE60029)                          |
|     | R26286   | O-RING          | 1    |                   | X X X (USE WITH RE59487)                          |
| 4   | RE60029  | ADAPTER FITTING | 2    |                   | X X X   |
|     | RE59487  | FITTING         | 2    |                   | X X X   |
| 5   | RE56323  | FITTING PLUG    | 2    |                   | X X X   |
| 6   | R113562  | O-RING          | 1    |                   | X X X   |
| 7   | R113563  | DRAIN PLUG      | 1    |                   | X X X (ALSO ORDER R113562)                        |
| 8   | 19M8328  | SCREW           | 1    |                   | X X X   |
| 9   | RE516553 | SEAL KIT        | 1    |                   | X X X (SUB FOR RE50752) FUEL FILTER               |
| 10  | RE62418  | FUEL FILTER     | 1    |                   | X X X INCLUDES DRAIN VALVE                        |
| 11  | .....    | FILTER HEAD     | 1    |                   | X X X (ORDER RE70358) FINAL                       |
| 12  | RE60025  | FUEL LINE       | 1    |                   | X X X TO FUEL INJECTION PUMP                      |
| 13  | 14M7298  | FLANGE NUT      | 1    |                   | X X X M8  |
| 14  | T14050   | CLAMP           | 1    |                   | X X X   |
| 15  | R116116  | BRACKET         | 1    |                   | X X X   |
| 16  | 19M7865  | SCREW           | 1    |                   | X X X M8 X 16                                     |
| 17  | RE60854  | DRAIN VALVE     | 1    |                   | X X X DRAIN VALVE                                 |
| 18  | RE70358  | FILTER HEAD     | 1    |                   | X X X FINAL FILTER                                |
| 19  | RE51649  | SEAL KIT        | 1    |                   | X X X FUEL FILTER                                 |
| 20  | 24M7096  | WASHER          | 2    |                   | X X X 10.500 X 18 X 1.600 MM                      |
| 21  | R113565  | O-RING          | 1    |                   | X X X   |
| 22  | RE51648  | KIT             | 1    |                   | X X X FUEL FILTER HEATER (12-VOLT)                |
| 23  | RE516513 | KIT             | 1    |                   | X X X (WITH HAND PRIMER) (CONTAINS 10 O-RINGS)    |
|     | RE516512 | O-RING KIT      | 1    |                   | X X X (WITHOUT HAND PRIMER) (CONTAINS 10 O-RINGS) |

# 0420-10

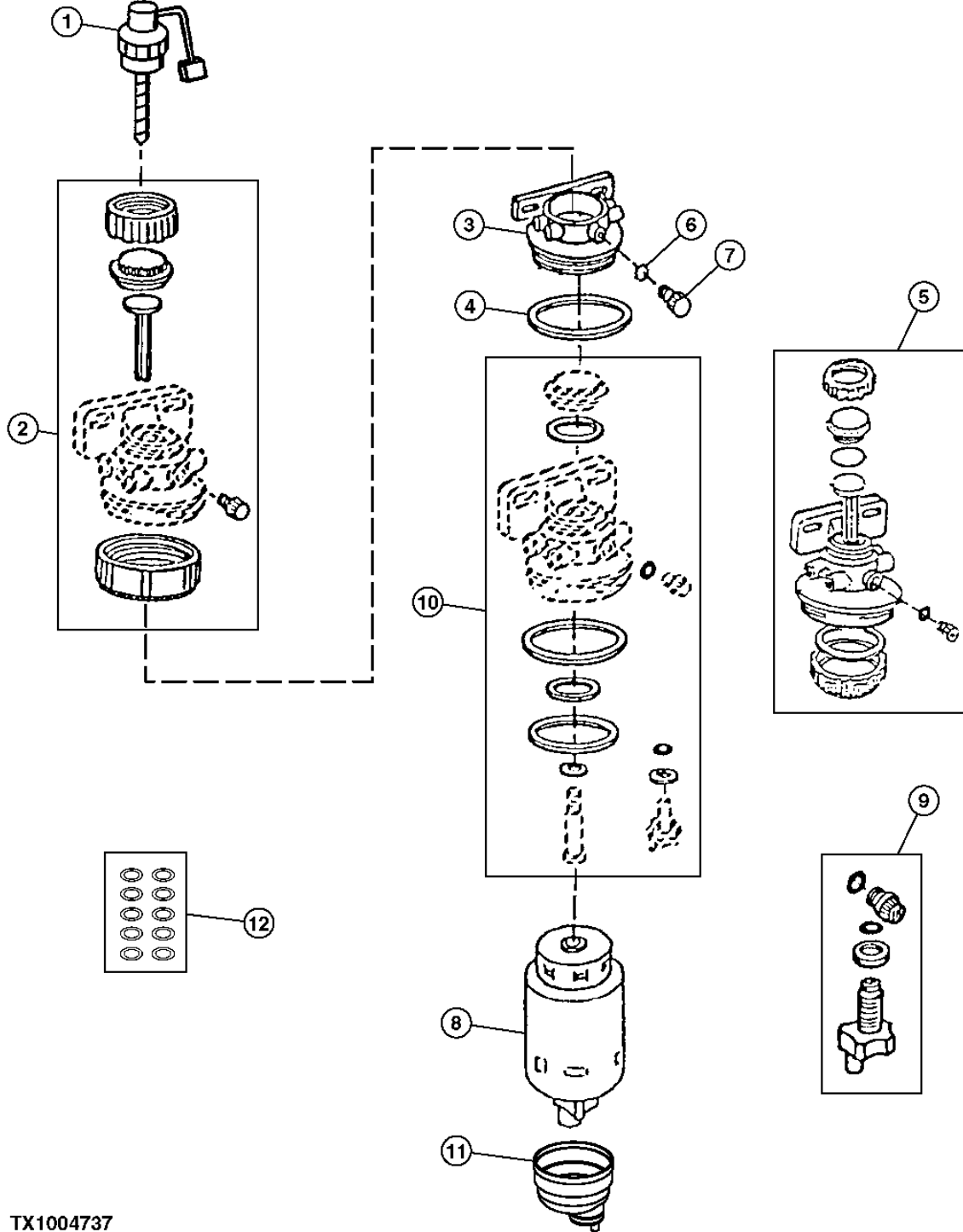
ENGINE 4

FUEL FILTER 0420

FUEL FILTER 310G (TURBO), 310SG, 315SG (VSN 910056- ) PE4045TT088/089  
FILTRE A CARBURANT 310G (TURBO), 310SG, 315SG (VSN 910056- ) PE4045TT088/089  
FILTRO DE COMBUSTIBLE Y TUBERIA 310G (TURBO), 310SG, 315SG (VSN 910056- ) PE4045TT088/089

TX1004737

-UN-22MAR06



TX1004737

# 0420-11

ENGINE 4

FUEL FILTER 0420

FUEL FILTER 310G (TURBO), 310SG, 315SG (VSN 910056- ) PE4045TT088/089  
 FILTRE A CARBURANT 310G (TURBO), 310SG, 315SG (VSN 910056- ) PE4045TT088/089  
 FILTRO DE COMBUSTIBLE Y TUBERIA 310G (TURBO), 310SG, 315SG (VSN 910056- ) PE4045TT088/089

| KEY | PART NO. | PART NAME      | QTY. | ENGINE<br>SERIAL NO. | REMARKS   |
|-----|----------|----------------|------|----------------------|---|
|     |          |                |      | 3 3                  |   |
|     |          |                |      | 3 1 1                |   |
|     |          |                |      | 1 0 5                |   |
|     |          |                |      | 0 S S                |   |
|     |          |                |      | G G G                |   |
| 1   | RE51648  | KIT            | 1    |                      | X X X FUEL FILTER HEATER (12-VOLT)                |
| 2   | RE51649  | SEAL KIT       | 1    |                      | X X X FUEL FILTER                                 |
| 3   | .....    | FILTER HEAD    | 1    |                      | X X X (ORDER RE509794)                            |
| 4   | RE516512 | O-RING KIT     | 1    |                      | X X X   |
| 5   | RE509794 | KIT            | 1    |                      | X X X FUEL FILTER                                 |
| 6   | R113562  | O-RING         | 1    |                      | X X X   |
| 7   | R113563  | DRAIN PLUG     | 1    |                      | X X X (ALSO ORDER R113562)                        |
| 8   | RE509031 | FILTER ELEMENT | 1    |                      | X X X   |
| 9   | RE60854  | DRAIN VALVE    | 1    |                      | X X X DRAIN VALVE                                 |
| 10  | RE516553 | SEAL KIT       | 1    |                      | X X X (SUB FOR RE50752)                           |
| 11  | RE51650  | SEDIMENT BOWL  | 1    |                      | X X X   |
| 12  | RE516513 | KIT            | 1    |                      | X X X (WITH HAND PRIMER) (CONTAINS 10 O-RINGS)    |
|     | RE516512 | O-RING KIT     | 1    |                      | X X X (WITHOUT HAND PRIMER) (CONTAINS 10 O-RINGS) |

# 0420-12

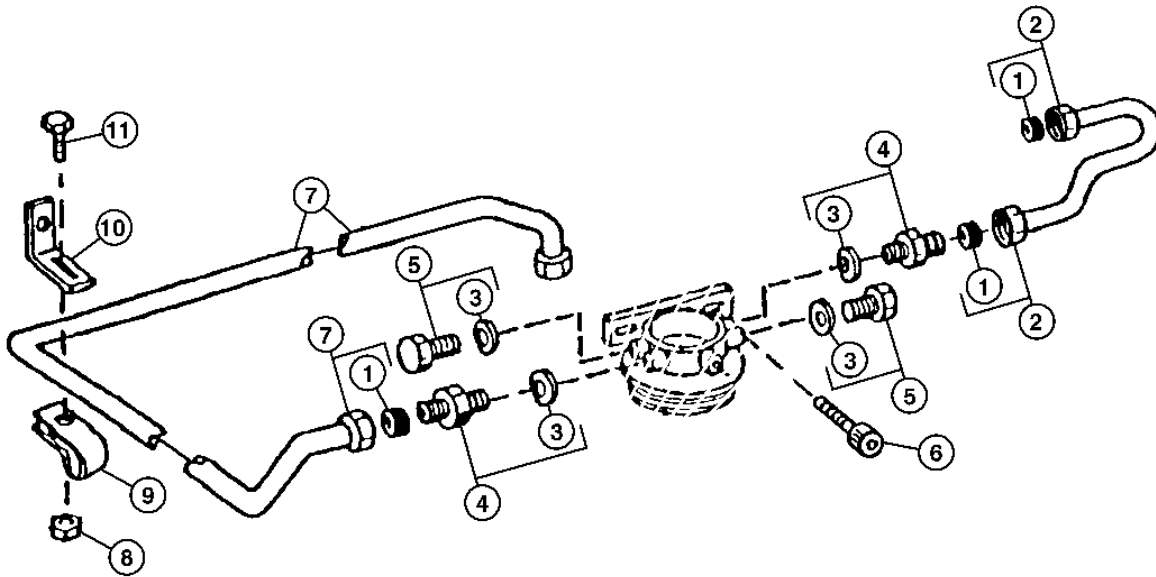
ENGINE 4

FUEL FILTER 0420

FUEL FILTER LINES 310G (TURBO), 310SG, 315SG (VSN 910056- ) PE4045TT088/089  
CONDUITES DU FILTRE A CARBURANT 310G (TURBO), 310SG, 315SG (VSN 910056- ) PE4045TT088/089  
LINEAS DEL FILTRO DE ACEITE 310G (TURBO), 310SG, 315SG (VSN 910056- ) PE4045TT088/089

TX1006076

-UN-26APR06



TX1006076

# 0420-13

ENGINE 4

FUEL FILTER 0420

FUEL FILTER LINES 310G (TURBO), 310SG, 315SG (VSN 910056- ) PE4045TT088/089  
 CONDUITES DU FILTRE A CARBURANT 310G (TURBO), 310SG, 315SG (VSN 910056- ) PE4045TT088/089  
 LINEAS DEL FILTRO DE ACEITE 310G (TURBO), 310SG, 315SG (VSN 910056- ) PE4045TT088/089

| KEY | PART NO. | PART NAME       | QTY. | ENGINE<br>SERIAL NO. | REMARKS                      |
|-----|----------|-----------------|------|----------------------|------------------------------|
|     |          |                 |      | 3 3                  |                              |
|     |          |                 |      | 3 1 1                |                              |
|     |          |                 |      | 1 0 5                |                              |
|     |          |                 |      | 0 S S                |                              |
|     |          |                 |      | G G G                |                              |
| 1   | R74012   | SEALING WASHER  | 4    |                      | X X X                        |
| 2   | RE60037  | FUEL LINE       | 1    |                      | X X X TO FUEL TRANSFER PUMP  |
| 3   | 51M7040  | O-RING          | 1    |                      | X X X (USE WITH RE60029)     |
|     | R26286   | O-RING          | 1    |                      | X X X                        |
| 4   | RE60029  | ADAPTER FITTING | 2    |                      | X X X (USE WITH RE59487)     |
|     | RE59487  | FITTING         | 2    |                      | X X X                        |
| 5   | RE46686  | FITTING PLUG    | 2    |                      | X X X                        |
| 6   | 19M7784  | SCREW           | 2    |                      | X X X M10 X 20               |
| 7   | RE507597 | FUEL LINE       | 1    |                      | X X X TO FUEL INJECTION PUMP |
| 8   | 14M7298  | FLANGE NUT      | 1    |                      | X X X M8                     |
| 9   | T14050   | CLAMP           | 1    |                      | X X X                        |
| 10  | R116116  | BRACKET         | 1    |                      | X X X                        |
| 11  | 19M7865  | SCREW           | 1    |                      | X X X M8 X 16                |

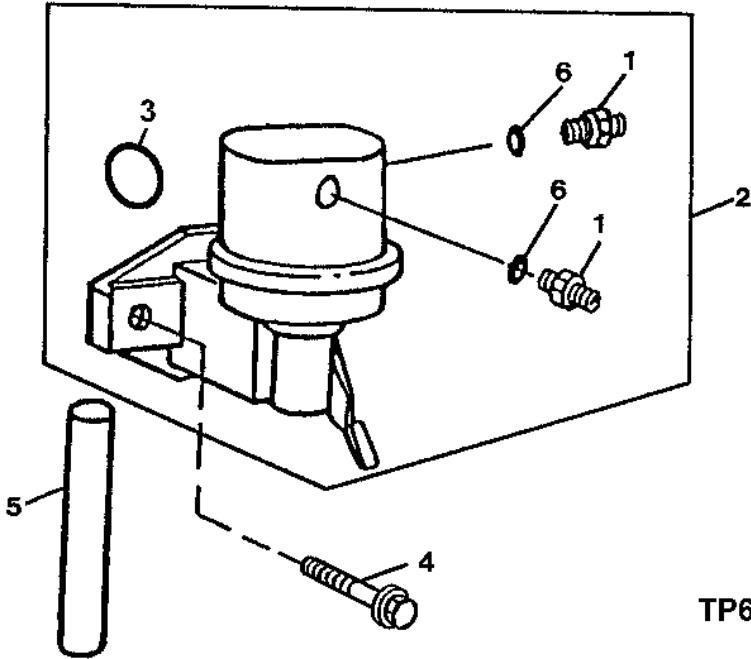
# 0421-2

ENGINE 4

FUEL TRANSFER PUMP 0421

FUEL TRANSFER PUMP  
 POMPE DE TRANSFERT DE CARBURANT  
 BOMBA DE TRANSFERENCIA DE COMBUSTIBLE

TP69536 -UN-18JUL00



TP69536

| KEY | PART NO. | PART NAME | QTY. | ENGINE SERIAL NO. | REMARKS |
|-----|----------|-----------|------|-------------------|---------|
|     |          |           |      | 3 3               |         |
|     |          |           |      | 3 1 1             |         |
|     |          |           |      | 1 0 5             |         |
|     |          |           |      | 0 S S             |         |
|     |          |           |      | G G G             |         |
| 1   | R500270  | FITTING   | 2    |                   | X X X   |
| 2   | RE66153  | FUEL PUMP | 1    |                   | X X X   |
| 3   | R123273  | O-RING    | 1    |                   | X X X   |
| 4   | RE504233 | CAP SCREW | 2    |                   | X X X   |
| 5   | R133405  | PIN       | 1    |                   | X X X   |
| 6   | R500271  | O-RING    | 2    |                   | X X X   |

# 0422-1

ENGINE 4

STARTING MOTOR AND FASTENINGS 0422

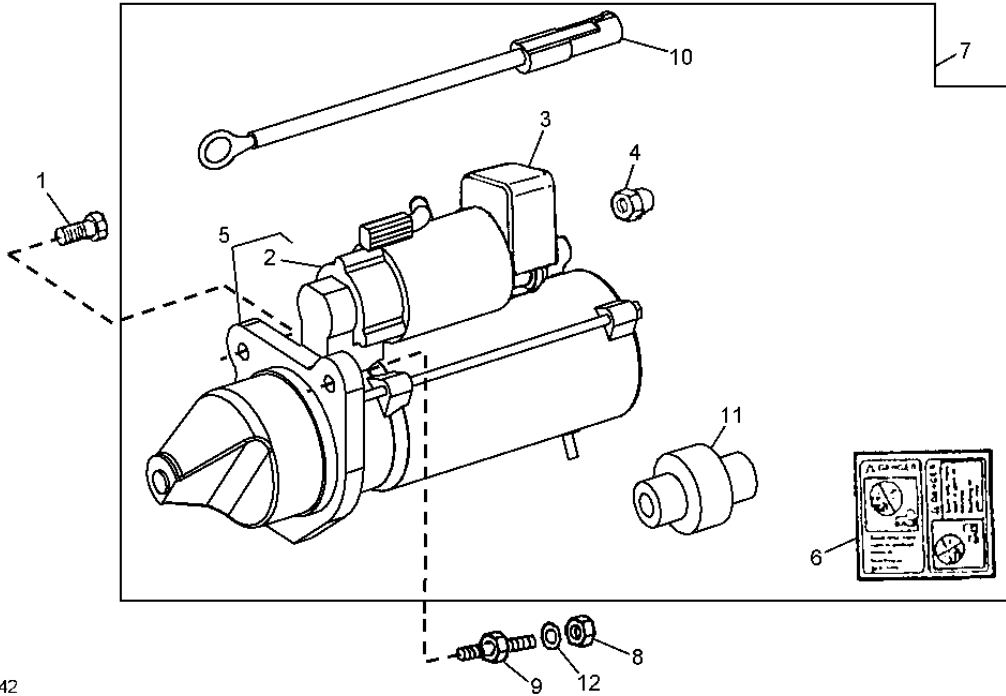
MEMORANDA  
MEMORANDA  
MEMORANDA

# 0422-2

ENGINE 4

STARTING MOTOR AND FASTENINGS 0422  
 STARTING MOTOR AND ATTACHING PARTS (ISKRA) (SEE FOOTNOTE)  
 DEMARREUR ET FIXATIONS (ISKRA) (VOIR NOTE EN BAS DE PAGE)  
 ARRANCADOR Y SUJETADORES (ISKRA) (CONSULTE NOTA AL PIE DE PÁGINA)

T145842 -UN-21SEP01



T145842

| KEY | PART NO. | PART NAME           | QTY. | ENGINE SERIAL NO. | REMARKS   |
|-----|----------|---------------------|------|-------------------|---|
| 1   | 19M7786  | SCREW               | 2    |                   |   |
| 2   | RE515428 | SOLENOID            | 1    |                   |   |
| 3   | R135431  | COVER               | 1    |                   |   |
| 4   | R135432  | NUT                 | 1    |                   |   |
| 5   | .....    | STARTER MOTOR       | 1    |                   | (12 VOLT)   |
| 6   | T146102  | LABEL               | 1    |                   |   |
| 7   | .....    | STARTER MOTOR KIT   | 1    |                   | (SUB FOR RE501767, THIS APPLICATION)<br>(SUB RE506105 AND AT196314) |
| 8   | 14M7296  | FLANGE NUT          | 1    |                   | M10   |
| 9   | R503419  | STUD                | 1    |                   |   |
| 10  | RE505400 | BATTERY CABLE       | 1    |                   |   |
| 11  | RE515688 | STARTER MOTOR DRIVE | 1    |                   | (SUB FOR RE507638)  |
| 12  | 12M7033  | LOCK WASHER         | 1    |                   | 10,500 MM   |

ESN 866618-908991  
 ESN 866618-908991  
 ESN 866618-908991

ESN -268961 (W/TURBO)  
 ESN -268961 (W/TURBO)  
 ESN -268961 (W/TURBO)

ESN -257521 (W/O TURBO)  
 ESN -257521 (W/O TURBO)  
 ESN -257521 (W/O TURBO)

TO/PE4045TT080, PE4045TT088, PE4045DT056/058  
 TO/PE4045TT080, PE4045TT088, PE4045DT056/058  
 TO/PE4045TT080, PE4045TT088, PE4045DT056/058

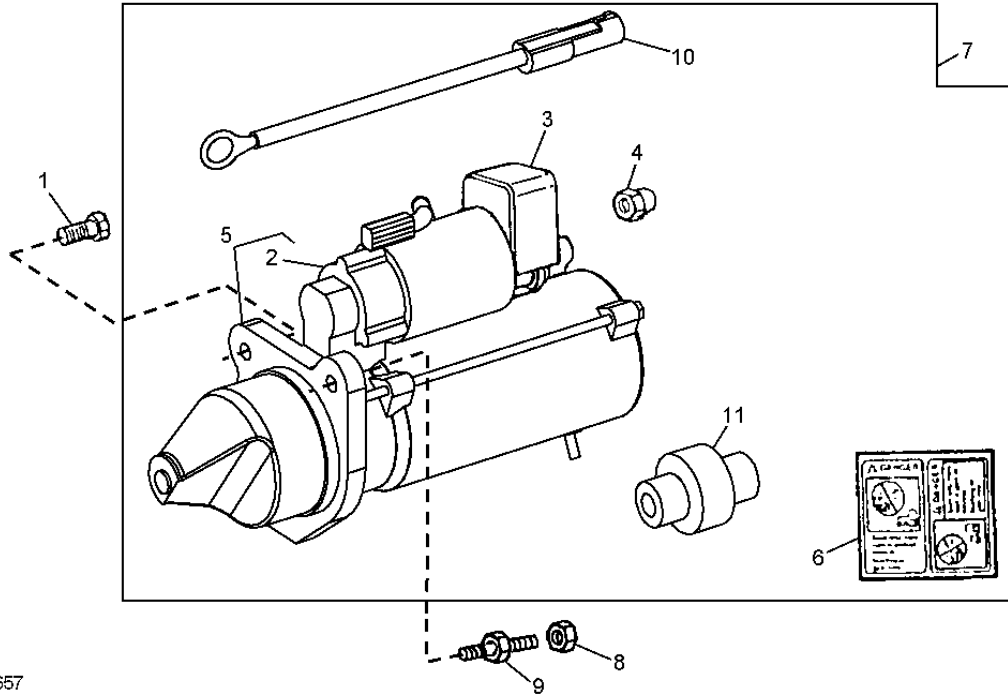


# 0422-3

ENGINE 4

STARTING MOTOR AND FASTENINGS 0422  
 STARTING MOTOR AND ATTACHING PARTS (ISKRA) (310SG AND 315SG) (ESN -894292) TO/PE4045TT081  
 DEMARREUR ET FIXATIONS (ISKRA) (310SG ET 315SG) (ESN -894292) TO/PE4045TT081  
 ARRANCADOR Y SUJETADORES (ISKRA) (310SG Y 315SG) (ESN -894292) TO/PE4045TT081

T135657 -UN-27NOV00



T135657

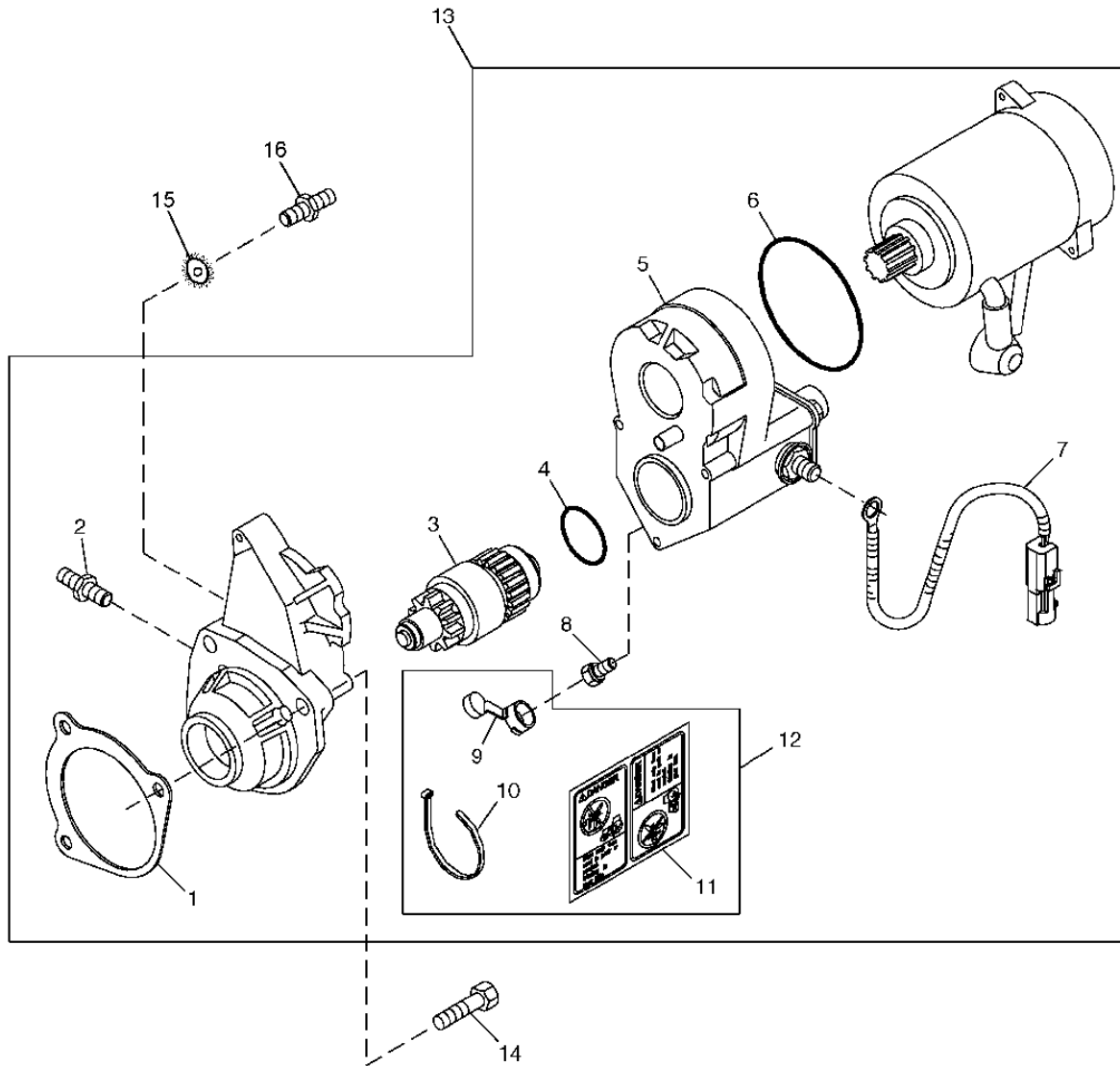
| KEY | PART NO. | PART NAME           | QTY. | ENGINE SERIAL NO. | REMARKS                         |
|-----|----------|---------------------|------|-------------------|---------------------------------|
|     |          |                     |      | 3 3               |                                 |
|     |          |                     |      | 3 1 1             |                                 |
|     |          |                     |      | 1 0 5             |                                 |
|     |          |                     |      | 0 S S             |                                 |
|     |          |                     |      | G G G             |                                 |
| 1   | 19M7786  | SCREW               | 2    |                   | X X M10 X 30                    |
| 2   | RE515428 | SOLENOID            | 1    |                   | X X (SUB FOR RE507637)          |
| 3   | R135431  | COVER               | 1    |                   | X X                             |
| 4   | R135432  | NUT                 | 1    |                   | X X                             |
| 5   | .....    | STARTER MOTOR       | 1    |                   | X X (12 VOLT)                   |
| 6   | T146102  | LABEL               | 1    |                   | X X                             |
| 7   | .....    | STARTER MOTOR KIT   | 1    |                   | X X (SUB RE506105 AND AT196314) |
| 8   | 14M7296  | FLANGE NUT          | 1    |                   | X X M10                         |
| 9   | R503419  | STUD                | 1    |                   | X X                             |
| 10  | RE505400 | BATTERY CABLE       | 1    |                   | X X                             |
| 11  | RE515688 | STARTER MOTOR DRIVE | 1    |                   | X X (SUB FOR RE507638)          |

# 0422-4

ENGINE 4

## STARTING MOTOR AND FASTENINGS 0422 DEMARRER (DENSO) (VOIR NOTE EN BAS DE PAGE) ARRANCADOR (DENSO) (CONSULTE NOTA AL PIE DE PAGINA)

T149124 -UN-14DEC01



T149124

# 0422-5

ENGINE 4

STARTING MOTOR AND FASTENINGS 0422

**STARTING MOTOR (DENSO) (SEE FOOTNOTE)  
 DEMARREUR (DENSO) (VOIR NOTE EN BAS DE PAGE)  
 ARRANCADOR (DENSO) (CONSULTE NOTA AL PIE DE PAGINA)**

| KEY | PART NO. | PART NAME         | QTY. | ENGINE<br>SERIAL NO. | REMARKS   |
|-----|----------|-------------------|------|----------------------|---|
|     |          |                   |      | 3 3                  |   |
|     |          |                   |      | 3 1 1                |   |
|     |          |                   |      | 1 0 5                |   |
|     |          |                   |      | 0 S S                |   |
|     |          |                   |      | G G G                |   |
| 1   | R53108   | GASKET            | 1    |                      | X X X NA  |
| 2   | R136052  | STUD              | 1    |                      | X X X   |
| 3   | RE70487  | CLUTCH            | 1    |                      | X X X   |
| 4   | R135510  | O-RING            | 1    |                      | X X X   |
| 5   | RE70486  | SWITCH            | 1    |                      | X X X   |
| 6   | R135509  | SEAL              | 1    |                      | X X X   |
| 7   | RE505400 | WIRING HARNESS    | 1    |                      | X X X   |
| 8   | RE71256  | SCREW WITH WASHER | 1    |                      | X X X   |
| 9   | .....    | COVER             | 1    |                      | X X X (ORDER RE70756)                             |
| 10  | R96703   | TIE BAND          | 1    |                      | X X X NA  |
| 11  | T146102  | LABEL             | 1    |                      | X X X DANGER (BYPASS START)                       |
| 12  | RE70756  | KIT               | 1    |                      | X X X   |
| 13  | RE506105 | STARTER MOTOR KIT | 1    |                      | X X X (A) DENSO 12V WET SEALED, (MARKED RE504244) |
|     | RE501298 | STARTER MOTOR KIT | 1    |                      | X X X (B)   |
| 14  | 19M7786  | SCREW             | 2    |                      | X X X M10 X 30                                    |
| 15  | 12M7033  | LOCK WASHER       | 1    |                      | X X X 10.500 MM                                   |
| 16  | R503419  | STUD              | 1    |                      | X X X   |

- (A) TO/PE4045DT056, TO/PE4045TT080, TO/PE4045TT081
- (A) TO/PE4045DT056, TO/PE4045TT080, TO/PE4045TT081
- (A) TO/PE4045DT056, TO/PE4045TT080, TO/PE4045TT081
- (B) PE4045DT058, PE4045TT088, PE4045TT089
- (B) PE4045DT058, PE4045TT088, PE4045TT089
- (B) PE4045DT058, PE4045TT088, PE4045TT089

- ESN 984293-908991 (TO4045TT081) (310SG & 315SG)
- ESN 984293-908991 (TO4045TT081) (310SG & 315SG)
- ESN 984293-908991 (TO4045TT081) (310SG & 315SG)
- ESN 268962- (PE4045TT080, PE4045TT088) (310G W/TURBO)
- ESN 268962- (PE4045TT080, PE4045TT088) (310G W/TURBO)
- ESN 268962- (PE4045TT080, PE4045TT088) (310G W/TURBO)
- ESN 257522- (PE4045DT058) (310G W/O TURBO)
- ESN 257522- (PE4045DT058) (310G W/O TURBO)
- ESN 257522- (PE4045DT058) (310G W/O TURBO)

# 0422-6

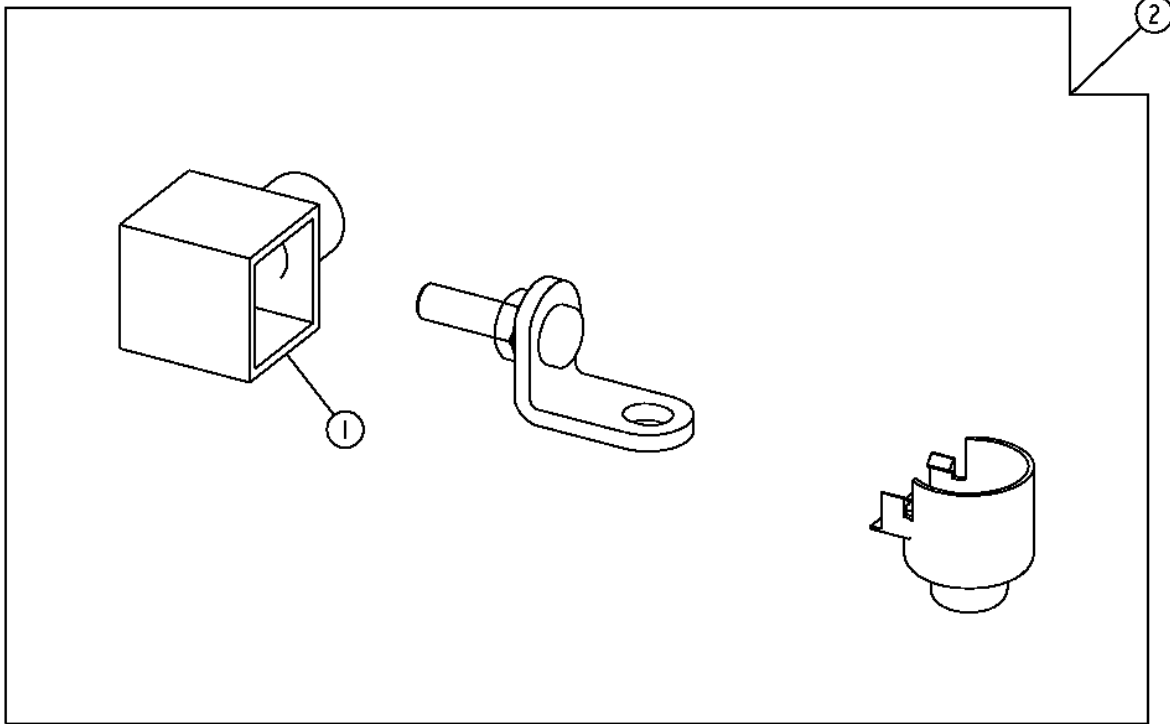
ENGINE 4

STARTING MOTOR AND FASTENINGS 0422

STARTER MOTOR ADAPTER KIT (SEE FOOTNOTE)  
KIT D'ADAPTATEUR DE DEMARREUR (VOIR NOTE EN BAS DE PAGE)  
JUEGO DE ADAPTADOR DE ARRANCADOR (CONSULTE NOTA AL PIE DE PAGINA)

T143910

-UN-16JUL01



T143910

THIS PARTS LISTING IS CONTINUED

# 0422-7

ENGINE 4

STARTING MOTOR AND FASTENINGS 0422

STARTER MOTOR ADAPTER KIT (SEE FOOTNOTE)  
KIT D'ADAPTATEUR DE DEMARREUR (VOIR NOTE EN BAS DE PAGE)  
JUEGO DE ADAPTADOR DE ARRANCADOR (CONSULTE NOTA AL PIE DE PAGINA)

| KEY | PART NO. | PART NAME | QTY. | SERIAL NO. | REMARKS                                   |
|-----|----------|-----------|------|------------|---|
|     |          |           |      | 3 3        |   |
|     |          |           |      | 3 1 1      |   |
|     |          |           |      | 1 0 5      |   |
|     |          |           |      | 0 S S      |   |
|     |          |           |      | G G G      |   |
| 1   | T129165  | BOOT      | 1    | X X X      |   |
| 2   | AT196314 | KIT       | 1    | X X X      | (ALSO ORDER RE506105) (STARTER MOTOR KIT) |

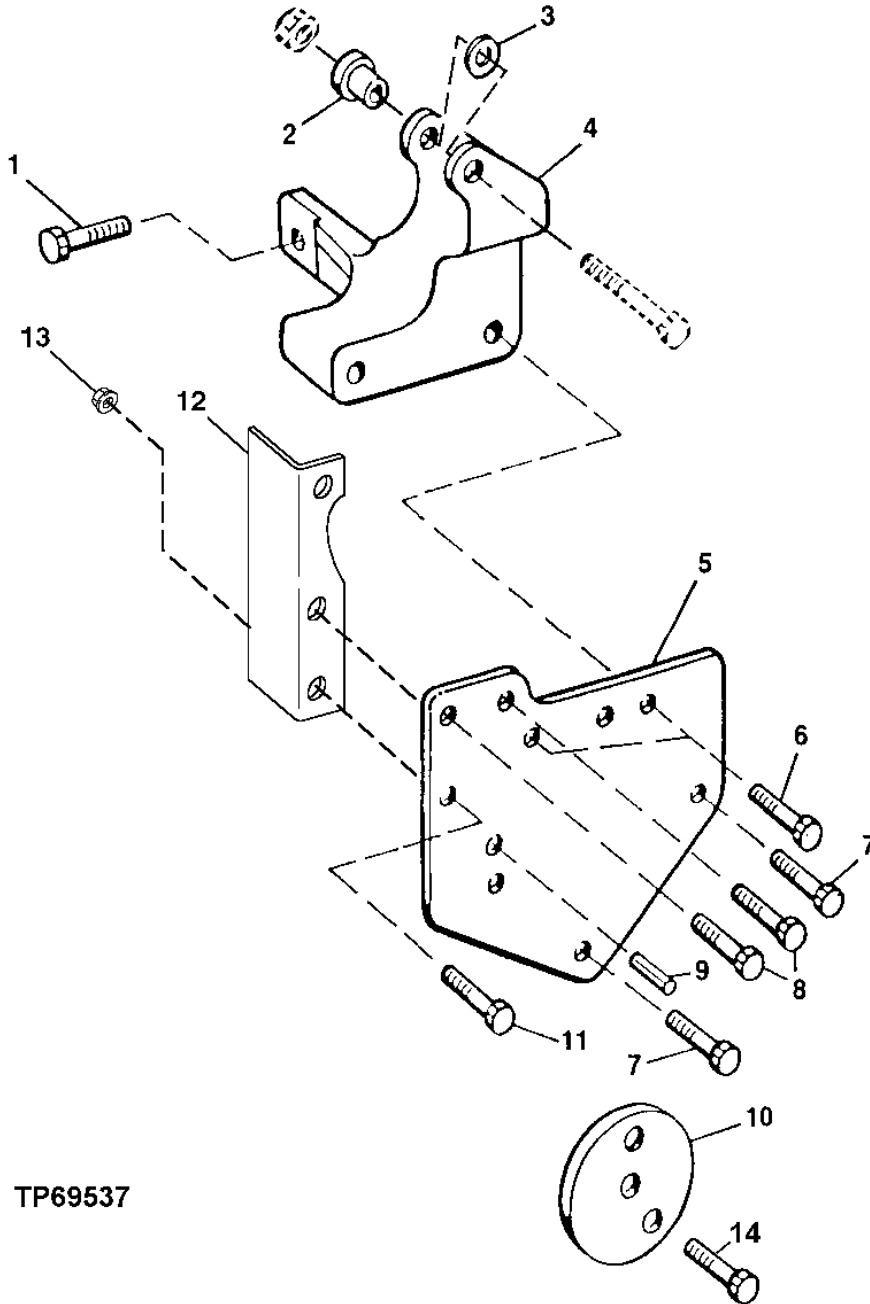
(TO CONVERT ISKRA STARTER TO DENSO STARTER)  
(POUR CONVERTIR LE DEMARREUR D'ISKRA EN DEMARREUR DE DENSO)  
(PARA CONVERTIR EL ARRANCADOR DEL ISKRA AL ARRANCADOR DEL DENSO)  
TO/PE4045DT056, TO/PE4045TT081/081, PE4045DT058, PE4045TT088/089  
TO/PE4045DT056, TO/PE4045TT081/081, PE4045DT058, PE4045TT088/089  
TO/PE4045DT056, TO/PE4045TT081/081, PE4045DT058, PE4045TT088/089

# 0423-2

ENGINE 4

## ALTERNATOR AND GENERATOR MOUNTING 0423 SUPPORTS DE MONTAGE DU ALTERNATEUR SOPORTES DE MONTAJE DEL ALTERNADOR

TP69537 -UN-26JUL00



TP69537

# 0423-3

ENGINE 4

ALTERNATOR AND GENERATOR MOUNTING 0423  
**ALTERNATOR MOUNTING BRACKETS**  
**SUPPORTS DE MONTAGE DU ALTERNATEUR**  
**SOPORTES DE MONTAJE DEL ALTERNADOR**

| KEY | PART NO. | PART NAME     | QTY. | ENGINE<br>SERIAL NO. | 3 3   | REMARKS   |
|-----|----------|---------------|------|----------------------|-------|-----------|
|     |          |               |      |                      | 3 1 1 |           |
|     |          |               |      |                      | 1 0 5 |           |
|     |          |               |      |                      | 0 S S |           |
|     |          |               |      |                      | G G G |           |
| 1   | 19M7786  | SCREW         | 2    |                      | X X X | M10 X 30  |
| 2   | R100377  | BUSHING       | 1    |                      | X X X |           |
| 3   | R64525   | THRUST WASHER | 1    |                      | X X X |           |
| 4   | R132166  | BRACKET       | 1    |                      | X X X |           |
| 5   | R133978  | SUPPORT       | 1    |                      | X X X |           |
| 6   | 19M7785  | SCREW         | 2    |                      | X X X | M10 X 25  |
| 7   | 19M7801  | SCREW         | 2    |                      | X X X | M8 X 60   |
| 8   | 19M7786  | SCREW         | 2    |                      | X X X | M10 X 30  |
| 9   | 34M7061  | SPRING PIN    | 1    |                      | X X X | 8 X 20 MM |
| 10  | R500322  | SPACER        | 1    |                      | X X X |           |
| 11  | 19M7786  | SCREW         | 4    |                      | X X X | M10 X 30  |
| 12  | R500531  | STRAP         | 1    |                      | X X X |           |
| 13  | 14M7296  | FLANGE NUT    | 2    |                      | X X X | M10       |
| 14  | 19M7811  | SCREW         | 1    |                      | X X X | M10 X 90  |

# 0429-2

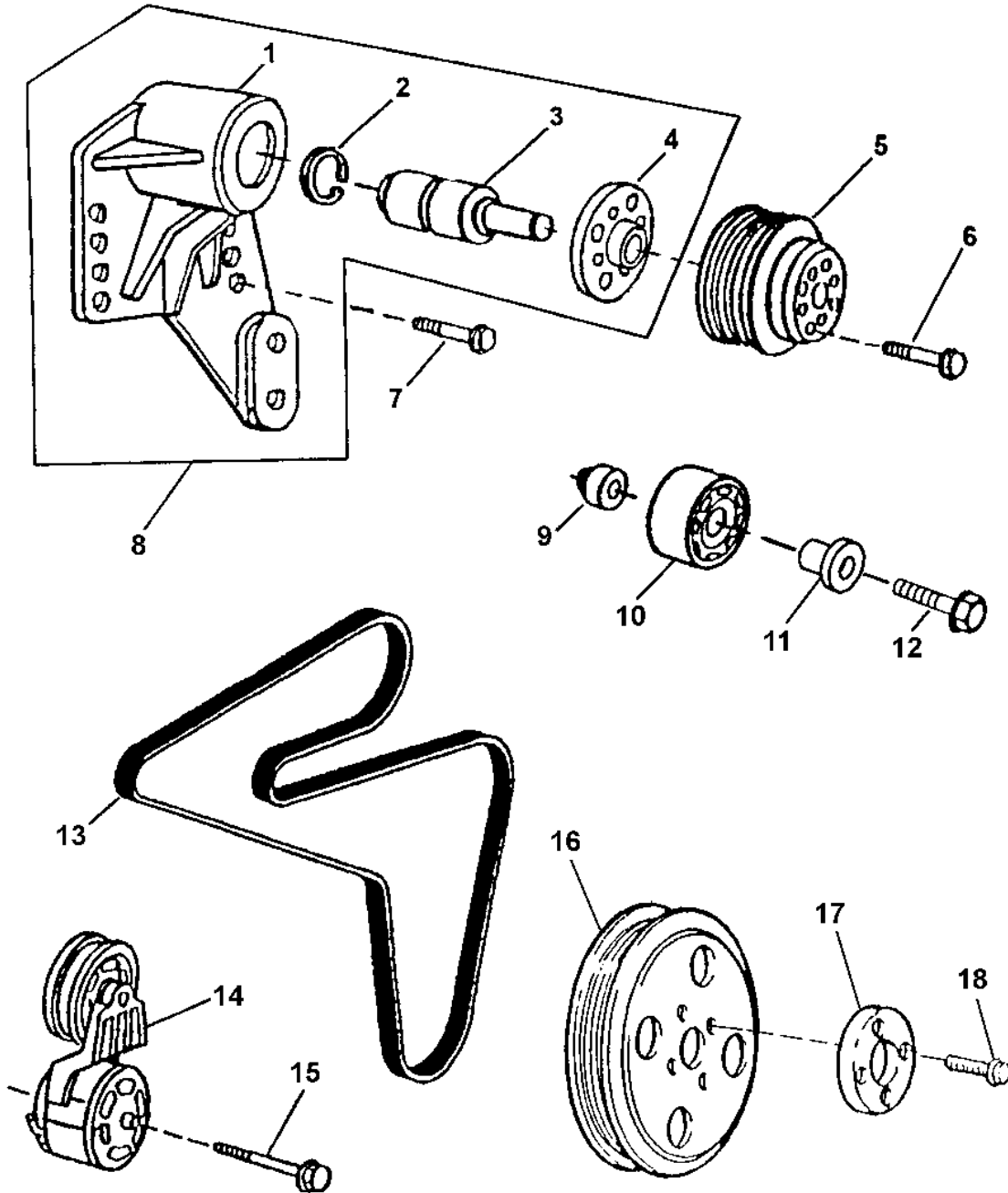
ENGINE 4

FAN DRIVE 0429

FAN DRIVE AND BELT 310G (TURBO), 310SG, 315SG (T0/PE4045TT080/081)  
ENTRAÎNEMENT DE VENTILATEUR ET COURROIE 310G (TURBO), 310SG, 315SG (T0/PE4045TT080/081)  
MANDO DEL VENTILADOR Y CORREA 310G (TURBO), 310SG, 315SG (T0/PE4045TT080/081)

TP69539

-UN-26JUL00



TP69539



# 0429-3

ENGINE 4

FAN DRIVE 0429

FAN DRIVE AND BELT 310G (TURBO), 310SG, 315SG (T0/PE4045TT080/081)  
 ENTRAINEMENT DE VENTILATEUR ET COURROIE 310G (TURBO), 310SG, 315SG (T0/PE4045TT080/081)  
 MANDO DEL VENTILADOR Y CORREA 310G (TURBO), 310SG, 315SG (T0/PE4045TT080/081)

| KEY | PART NO. | PART NAME    | QTY. | ENGINE SERIAL NO. | 3 3<br>3 1 1<br>1 0 5<br>0 S S<br>G G G | REMARKS  |
|-----|----------|--------------|------|-------------------|---|--|
| 1   | .....    | HOUSING      | 1    |                   | X X X                                   | (MARKED R500304)                                   |
| 2   | H80753   | SNAP RING    | 1    |                   | X X X                                   |  |
| 3   | .....    | BALL BEARING | 1    |                   | X X X                                   |  |
| 4   | .....    | HUB          | 1    |                   | X X X                                   | (MARKED R500598)                                   |
| 5   | R128660  | PULLEY       | 1    |                   | X X X                                   |  |
| 6   | 19M8197  | CAP SCREW    | 4    |                   | X X X                                   | M10 X 85   |
| 7   | 19M7835  | SCREW        | 4    |                   | X X X                                   | M10 X 35   |
| 8   | RE500539 | HUB          | 1    |                   | X X X                                   | (MARKED R500304)                                   |
| 9   | R500320  | SPACER       | 1    |                   | X X X                                   | (A)  |
| 10  | RE505264 | PULLEY       | 1    |                   | X X X                                   | (A)  |
| 11  | R502079  | SLEEVE       | 1    |                   | X X X                                   | (A)  |
| 12  | 19M7808  | SCREW        | 1    |                   | X X X                                   | (A) M10 X 65                                       |
| 13  | R504023  | V-BELT       | 1    |                   | X                                       | (A)  |
|     | R504023  | V-BELT       | 1    | -958748           | X X                                     | (A)  |
|     | T225495  | V-BELT       | 1    | 958749-           | X X                                     | (A)  |
|     | R504022  | V-BELT       | 1    |                   | X                                       | (B)  |
|     | R504022  | V-BELT       | 1    | -958549           | X X                                     | (B)  |
|     | T225494  | V-BELT       | 1    | 958550-           | X X                                     | (B)  |
| 14  | .....    | TIGHTENER    | 1    | -259046           | X X X                                   | ( RE70535 NLA) (SUB RE518097) (ALSO ORDER R516623) |
|     | RE518097 | TIGHTENER    | 1    | 259047-           | X X X                                   |  |
| 15  | 19M7811  | SCREW        | 2    |                   | X X X                                   | M10 X 90   |
| 16  | R133295  | PULLEY       | 1    |                   | X X X                                   |  |
| 17  | R500649  | FLANGE       | 1    |                   | X X X                                   |  |
| 18  | R121897  | BOLT         | 1    |                   | X X X                                   |  |

(A) WITH AIR CONDITIONING  
 (A) AVEC CLIMATISATION  
 (A) CON ACONDICIONADOR AIRE

(B) WITHOUT AIR CONDITIONING  
 (B) SANS CLIMATISATION  
 (B) SIN ACONDICIONADOR DE AIRE

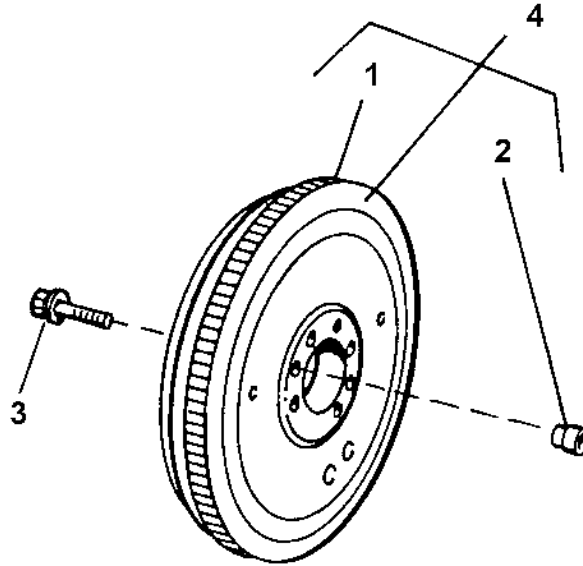
# 0433-2

ENGINE 4

FLYWHEEL, HOUSING AND FASTENINGS 0433

ENGINE FLYWHEEL  
VOLANT-MOTEUR  
VOLANTE DEL MOTOR

TP69538 -UN-18JUL00



TP69538

| KEY | PART NO. | PART NAME | QTY. | ENGINE SERIAL NO. | REMARKS |
|-----|----------|-----------|------|-------------------|---------|
| 1   | R28811   | RING GEAR | 1    |                   |         |
| 2   | R123521  | SLEEVE    | 1    |                   |         |
| 3   | R135918  | BOLT      | 4    |                   |         |
| 4   | RE500137 | FLYWHEEL  | 4    |                   |         |

| KEY | PART NO. | PART NAME | QTY. | ENGINE SERIAL NO.      | REMARKS |
|-----|----------|-----------|------|------------------------|---------|
|     |          |           |      | 3 3                    |         |
|     |          |           |      | 3 1 1                  |         |
|     |          |           |      | 1 0 5                  |         |
|     |          |           |      | 0 S S                  |         |
|     |          |           |      | G G G                  |         |
|     |          |           |      | X X X (Z = 129)        |         |
|     |          |           |      | X X X                  |         |
|     |          |           |      | X X X                  |         |
|     |          |           |      | X X X (MARKED R500096) |         |

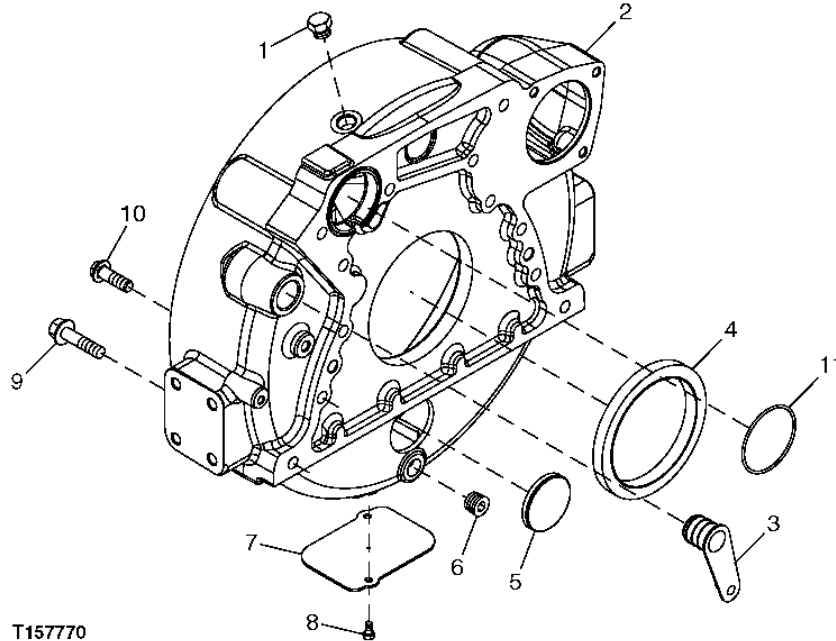
# 0433-3

ENGINE 4

FLYWHEEL, HOUSING AND FASTENINGS 0433

FLYWHEEL HOUSING (VSN -910055)  
 CARTER DE VOLANT-MOTEUR (VSN -910055)  
 CAJA DEL VOLANTE (VSN -910055)

T157770 -UN-02AUG02



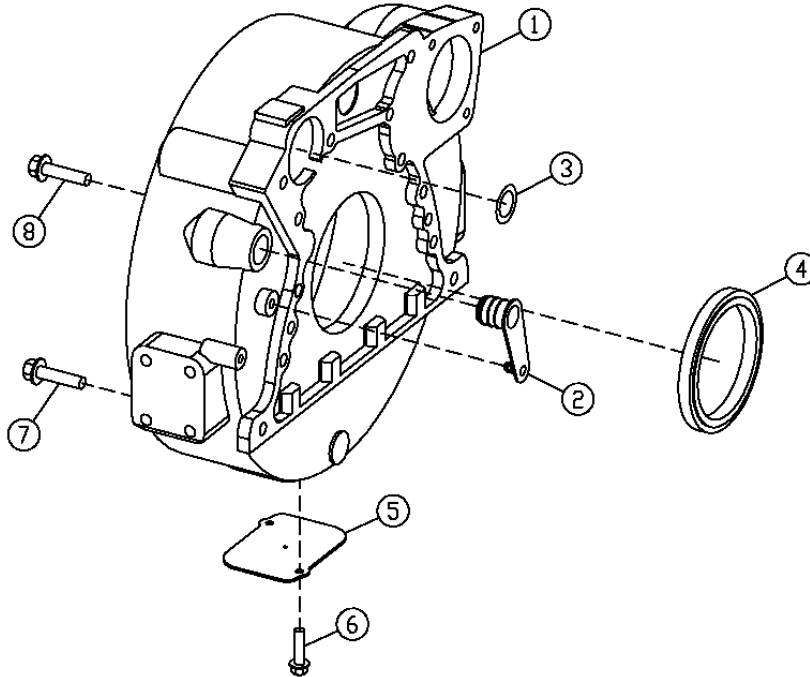
| KEY | PART NO. | PART NAME | QTY. | ENGINE SERIAL NO. | 3 3<br>3 1 1<br>1 0 5<br>0 S S<br>G G G | REMARKS                  |
|-----|----------|-----------|------|-------------------|---|--------------------------|
| 1   | R39112   | FITTING   | 1    |                   | X X X                                   |                          |
| 2   | R132006  | HOUSING   | 1    | -867794           | X X X                                   | (SUB R503451 AND R61467) |
|     | R503451  | HOUSING   | 1    | 867795-           | X X X                                   | (ALSO ORDER R61467)      |
| 3   | R131769  | PLUG      | 1    |                   | X X X                                   |                          |
| 4   | RE44574  | SEAL      | 1    |                   | X X X                                   |                          |
| 5   | T13518   | PLUG      | 1    |                   | X X X                                   |                          |
| 6   | RE57836  | PIPE PLUG | 1    |                   | X X X                                   | 1/2", (SUB FOR 15H624)   |
| 7   | R121039  | PLATE     | 2    |                   | X X X                                   |                          |
| 8   | 19M7923  | CAP SCREW | 2    |                   | X X X                                   | M6 X 12                  |
| 9   | 19M8306  | SCREW     | 4    |                   | X X X                                   | M12 X 50                 |
| 10  | R135918  | BOLT      | 8    |                   | X X X                                   |                          |
| 11  | R61467   | O-RING    | 1    | 867795-           | X X X                                   |                          |

# 0433-4

ENGINE 4

FLYWHEEL, HOUSING AND FASTENINGS 0433  
 FLYWHEEL HOUSING (VSN 910056- )  
 CARTER DE VOLANT-MOTEUR (VSN 910056- )  
 CAJA DEL VOLANTE (VSN 910056- )

T158177 -UN-26SEP02



T158177

| KEY | PART NO. | PART NAME | QTY. | ENGINE SERIAL NO. | REMARKS  |
|-----|----------|-----------|------|-------------------|----------|
|     |          |           |      | 3 3               |          |
|     |          |           |      | 3 1 1             |          |
|     |          |           |      | 1 0 5             |          |
|     |          |           |      | 0 S S             |          |
|     |          |           |      | G G G             |          |
| 1   | R503449  | HOUSING   | 1    | X X X             |          |
| 2   | R131769  | PLUG      | 1    | X X X             |          |
| 3   | R61467   | O-RING    | 1    | X X X             |          |
| 4   | RE44574  | SEAL      | 1    | X X X             |          |
| 5   | R121039  | PLATE     | 1    | X X X             |          |
| 6   | 19M7923  | CAP SCREW | 2    | X X X             | M6 X 12  |
| 7   | 19M8306  | SCREW     | 4    | X X X             | M12 X 50 |
| 8   | R135918  | BOLT      | 8    | X X X             |          |

# 0450-1

ENGINE 4

SERVICE CYLINDER BLOCK ASSEMBLIES 0450

MEMORANDA  
MEMORANDA  
MEMORANDA

# 0450-2

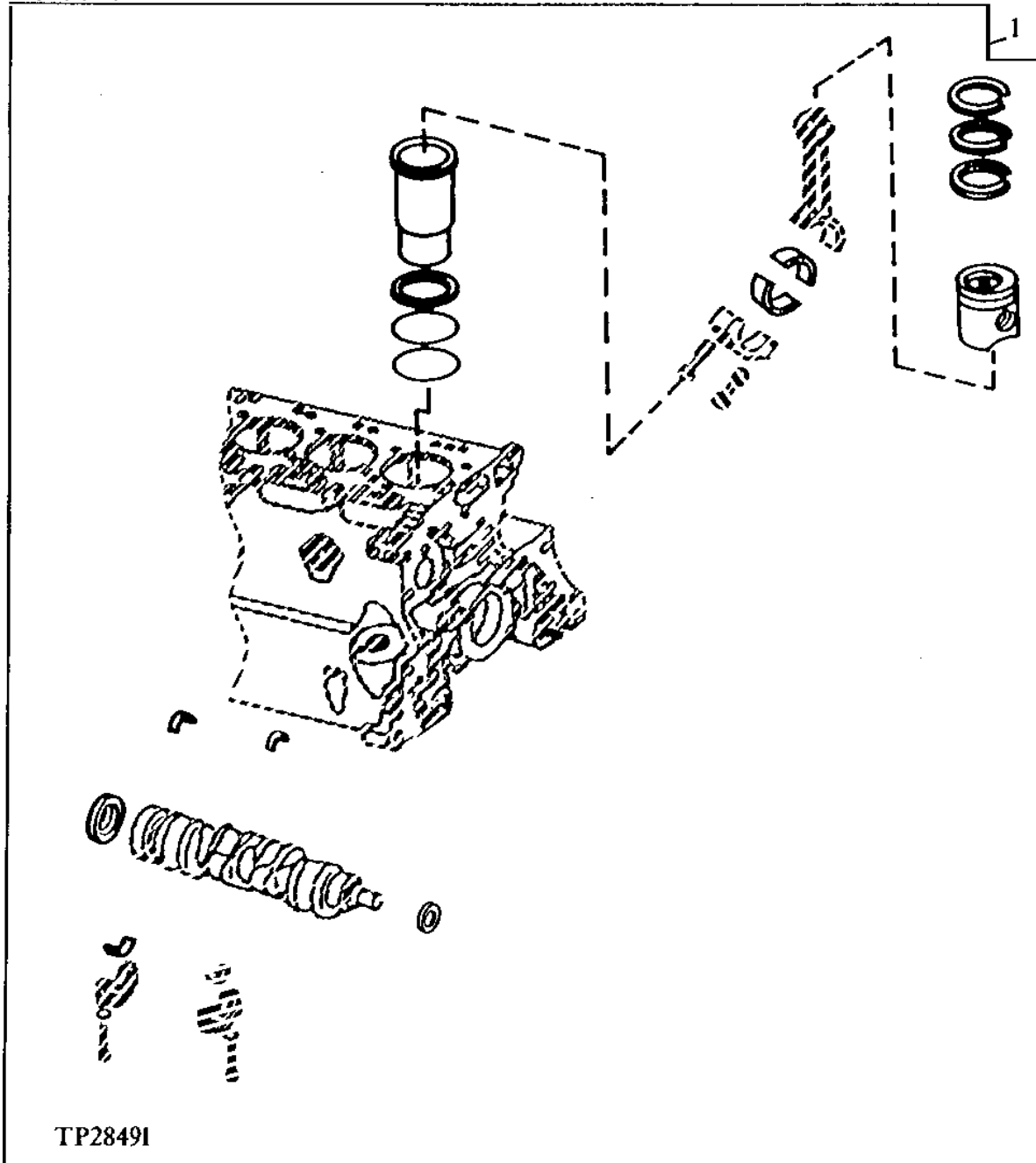
ENGINE 4

SERVICE CYLINDER BLOCK ASSEMBLIES 0450

OVERHAUL KIT  
JEU DE REMISE EN ETAT  
JUEGO DE RECONSTRUCCION

TP28491

-UN-01JAN94



TP28491

THIS PARTS LISTING IS CONTINUED

# 0450-3

ENGINE 4

SERVICE CYLINDER BLOCK ASSEMBLIES 0450

OVERHAUL KIT  
JEU DE REMISE EN ETAT  
JUEGO DE RECONSTRUCCION

| KEY | PART NO. | PART NAME           | QTY. | ENGINE<br>SERIAL NO. | REMARKS                   |
|-----|----------|---------------------|------|----------------------|---------------------------|
| 1   | RE527299 | ENGINE OVERHAUL KIT | 1    |                      | PISTON, (MARKED RE515372) |

# 0450-4

ENGINE 4

SERVICE CYLINDER BLOCK ASSEMBLIES 0450

MEMORANDA  
MEMORANDA  
MEMORANDA



# 0452-1

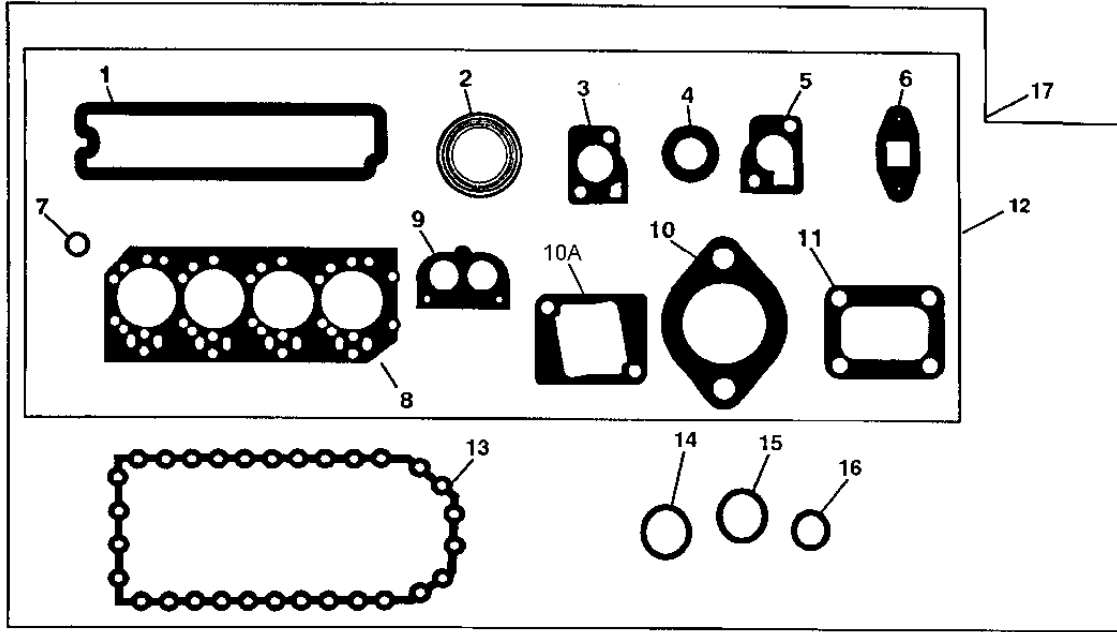
ENGINE 4

GASKET REPLACEMENT KITS 0452

**CYLINDER HEAD REMOVAL AND IN VEHICLE OVERHAUL GASKET SETS**  
**DEPOSE DE CULASSE ET JEU DE JOINTS DE REMISE A NEUF DANS LE VEHICULE**  
**JUEGO DE RETIRO DE CULATA Y EMPAQUETADURAS PARA REACONDICIONAMIENTO DEL VEHICULO**

T150756

-UN-31JAN20



T150756

| KEY | PART NO. | PART NAME                   | QTY. | ENGINE SERIAL NO. | REMARKS                                      |
|-----|----------|-----------------------------|------|-------------------|--|
| 1   | R123542  | GASKET                      | 1    |                   | (A) ROCKER ARM COVER                         |
| 2   | R521439  | GASKET                      | 4    |                   | (A) EXHAUST MANIFOLD, (SUB FOR R90658)       |
| 3   | R502814  | GASKET                      | 1    |                   | (A) THERMOSTAT COVER, (SUB FOR R135896)      |
| 4   | R123226  | GASKET                      | 2    |                   | (A) WATER BY-PASS TUBE                       |
| 5   | R123345  | GASKET                      | 1    |                   | (A) THERMOSTAT HOUSING                       |
| 6   | R123570  | GASKET                      | 1    |                   | (A) TURBOCHARGER OIL OUTLET LINE (SQUARE)    |
|     | R503891  | GASKET                      | 1    |                   | (A) TURBOCHARGER OIL OUTLET LINE (ROUND)     |
| 7   | R123575  | O-RING                      | 4    |                   | (A) ROCKER ARM COVER HOLD DOWN STUD          |
| 8   | R116515  | ENGINE CYLINDER HEAD GASKET | 1    |                   | (A) CYLINDER HEAD                            |
| 9   | R501373  | GASKET                      | 1    |                   | (A) THERMOSTAT COVER                         |
| 10  | R81275   | GASKET                      | 1    |                   | (A) AIR INLET                                |
| 10A | R133893  | GASKET                      | 1    |                   | (A) AIR INLET                                |
| 11  | R92097   | GASKET                      | 1    |                   | (A) TURBOCHARGER TO EXHAUST MANIFOLD         |
| 12  | RE526670 | GASKET KIT                  | 1    |                   | (A) CYLINDER HEAD REMOVAL, (SUB FOR RE66082) |
| 13  | R123353  | GASKET                      | 1    |                   | (A) ENGINE OIL PAN                           |
|     | R522030  | GASKET                      | 1    |                   | (A) (STEEL, 3/8")                            |
| 14  | R75892   | O-RING                      | 1    |                   | (A) OIL PUMP TUBE CONNECTOR                  |
| 15  | R97185   | O-RING                      | 1    |                   | (A) OIL PUMP OUTLET TUBE TO COVER            |
| 16  | R61871   | O-RING                      | 1    |                   | (A) OIL PUMP INTAKE TUBE                     |
| 17  | RE526671 | GASKET KIT                  | 1    |                   | (A) IN CHASSIS OVERHAUL, (SUB FOR RE66084)   |

(A) 310G (TURBO), 310SG, 315SG - TO/PE4045TT080, TO/PE4045TT081

(A) 310G (TURBO), 310SG, 315SG - TO/PE4045TT080, TO/PE4045TT081

(A) 310G (TURBO), 310SG, 315SG - TO/PE4045TT080, TO/PE4045TT081

# 0452-2

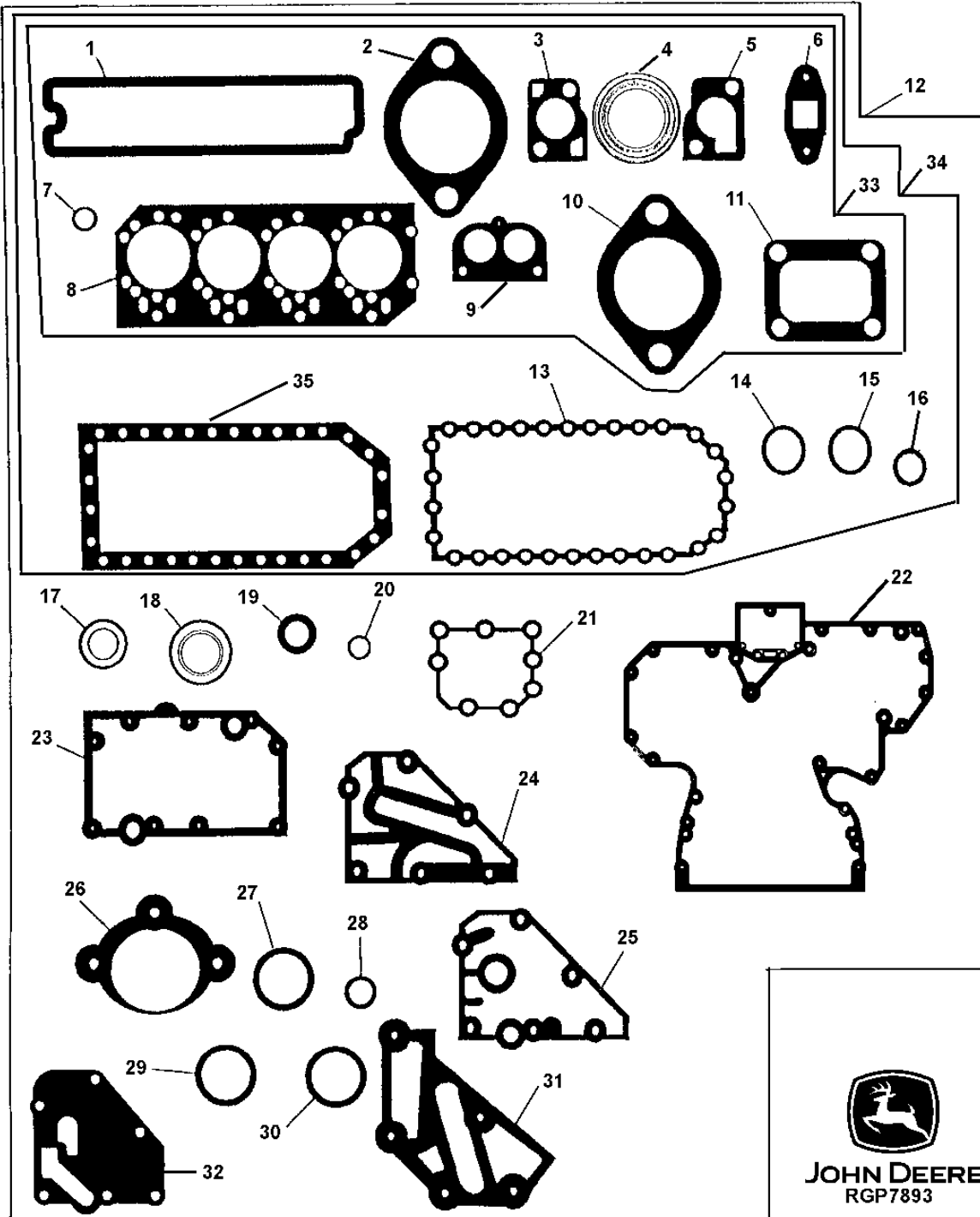
ENGINE 4

GASKET REPLACEMENT KITS 0452

ENGINE MAJOR OVERHAUL GASKET KIT (SEE FOOTNOTE)  
JEU DE JOINTS POUR REMISE A NEUF MAJEURE DE MOTEUR (VOIR NOTE EN BAS DE PAGE)  
JUEGO DE EMPAQUETADURAS PARA REACONDICIONAMIENTO DEL MOTOR (CONSULTE NOTA AL PIE DE PAGINA)

RGP7893

-UN-12JUL01



# 0452-3

ENGINE 4

GASKET REPLACEMENT KITS 0452

ENGINE MAJOR OVERHAUL GASKET KIT (SEE FOOTNOTE)  
 JEU DE JOINTS POUR REMISE A NEUF MAJEURE DE MOTEUR (VOIR NOTE EN BAS DE PAGE)  
 JUEGO DE EMPAQUETADURAS PARA REACONDICIONAMIENTO DEL MOTOR (CONSULTE NOTA AL PIE DE PAGINA)

| KEY | PART NO. | PART NAME                   | QTY. | ENGINE SERIAL NO. | REMARKS  |
|-----|----------|-----------------------------|------|-------------------|--|
|     |          |                             |      |                   | 3 3  |
|     |          |                             |      |                   | 3 1 1  |
|     |          |                             |      |                   | 1 0 5  |
|     |          |                             |      |                   | 0 S S  |
|     |          |                             |      |                   | G G G  |
| 1   | R123542  | GASKET                      | 1    |                   | ROCKER ARM COVER   |
|     | RE520539 | GASKET KIT                  | 1    |                   | HIGH TEMP ROCKER ARM COVER GASKET & SHIMS (NOT INCLUDED IN MAJOR KITS)   |
| 2   | R521439  | GASKET                      | 4    |                   | EXHAUST MANIFOLD. (SUB FOR R90658)   |
| 3   | R502814  | GASKET                      | 1    |                   | THERMOSTAT COVER   |
| 4   | R123226  | GASKET                      | 2    |                   | WATER BY-PASS TUBE   |
| 5   | R123345  | GASKET                      | 1    |                   | THERMOSTAT HOUSING   |
| 6   | R123570  | GASKET                      | 1    |                   | TURBOCHARGER OIL OUTLET TUBE   |
|     | R503891  | GASKET                      | 1    |                   | TURBOCHARGER OIL OUTLET TUBE   |
| 7   | R123575  | O-RING                      | 4    |                   | ROCKER ARM COVER HOLD DOWN STUD  |
| 8   | R116515  | ENGINE CYLINDER HEAD GASKET | 1    |                   | CYLINDER HEAD  |
| 9   | R501373  | GASKET                      | 1    |                   | THERMOSTAT COVER   |
| 10  | R81275   | GASKET                      | 1    |                   | AIR INLET (OVAL)   |
|     | R133893  | GASKET                      | 1    |                   | AIR INLET (SQUARE)   |
| 11  | R92097   | GASKET                      | 1    |                   | TURBOCHARGER TO EXHAUST MANIFOLD   |
| 12  | RE527042 | GASKET KIT                  | 1    | X X X             | (4045DT056,DT058,TT080,TT081,TT088, OR TT089) (SUB FOR RE501455)   |
|     | RE527298 | ENGINE OVERHAUL KIT         | 1    | X                 | (WITHOUT TURBOCHARGER-4045DT056 / TT058) (CONTAINS ENGINE OVERHAUL GASKET KIT, PISTON/LINER KIT,CONNECTING ROD BEARINGS AND CRANKSHAFT MAIN BEARINGS)      |
|     | RE527299 | ENGINE OVERHAUL KIT         | 1    | X X X             | (WITH TURBO-4045TT080,TT081, TT088, OR TT089) (CONTAINS ENGINE OVERHAUL GASKET KIT, PISTON/LINER KIT,CONNECTING ROD BEARINGS AND CRANKSHAFT MAIN BEARINGS) |

310G (TURBO)-(TO/PE4045TT080, PE4045TT088) 310G-(PE4045DT058) 310SG, 315SG -(TO/PE4045TT081/089)  
 310G (TURBO)-(TO/PE4045TT080, PE4045TT088) 310G-(PE4045DT058) 310SG, 315SG -(TO/PE4045TT081/089)  
 310G (TURBO)-(TO/PE4045TT080, PE4045TT088) 310G-(PE4045DT058) 310SG, 315SG -(TO/PE4045TT081/089)

# 0452-4

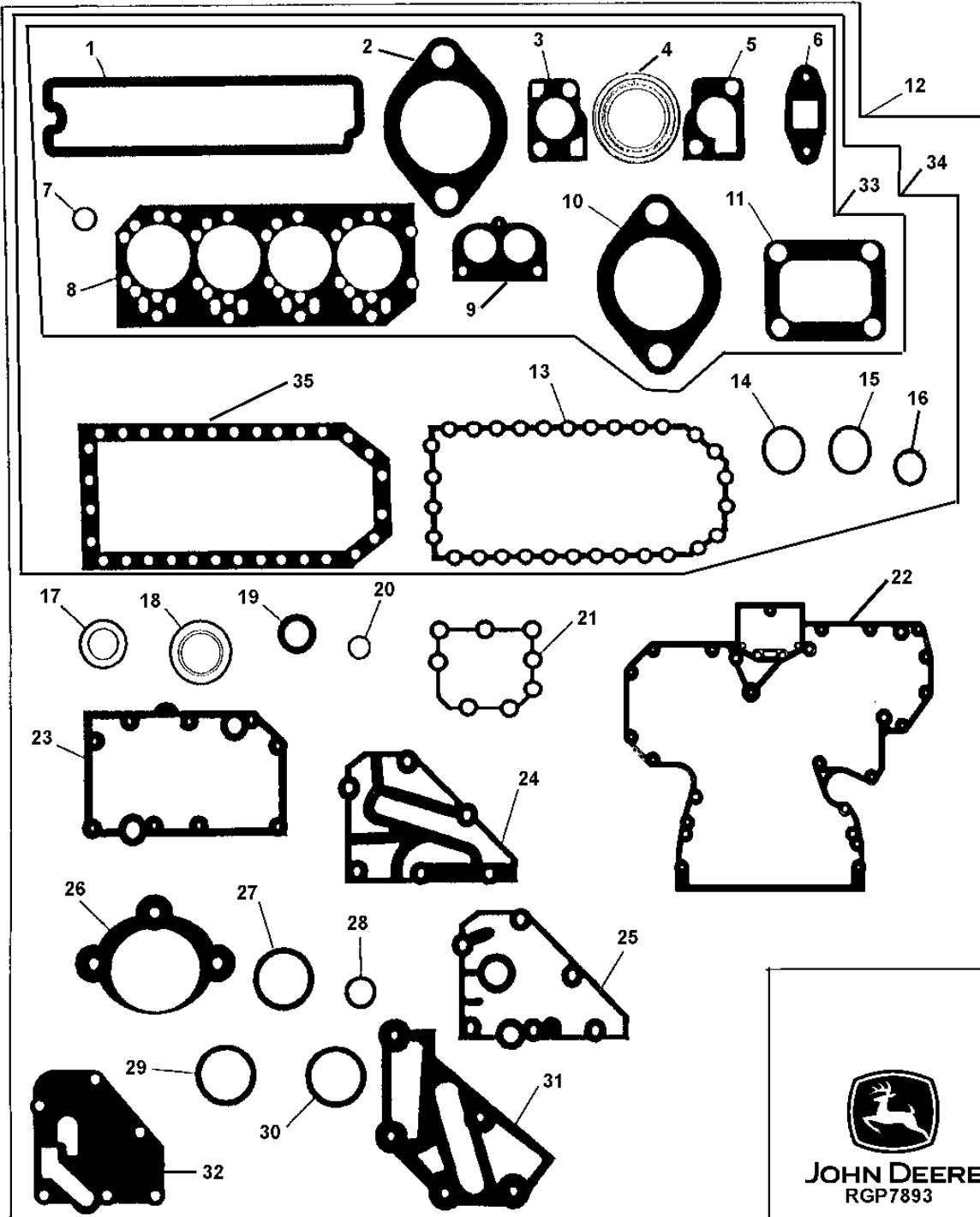
ENGINE 4

GASKET REPLACEMENT KITS 0452

ENGINE MAJOR OVERHAUL GASKET KIT (SEE FOOTNOTE)  
JEU DE JOINTS POUR REMISE A NEUF MAJEURE DE MOTEUR (VOIR NOTE EN BAS DE PAGE)  
JUEGO DE EMPAQUETADURAS PARA REACONDICIONAMIENTO DEL MOTOR (CONSULTE NOTA AL PIE DE PAGINA)

RGP7893

-UN-12JUL01



# 0452-5

ENGINE 4

GASKET REPLACEMENT KITS 0452

ENGINE MAJOR OVERHAUL GASKET KIT (SEE FOOTNOTE)  
 JEU DE JOINTS POUR REMISE A NEUF MAJEURE DE MOTEUR (VOIR NOTE EN BAS DE PAGE)  
 JUEGO DE EMPAQUETADURAS PARA REACONDICIONAMIENTO DEL MOTOR (CONSULTE NOTA AL PIE DE PAGINA)

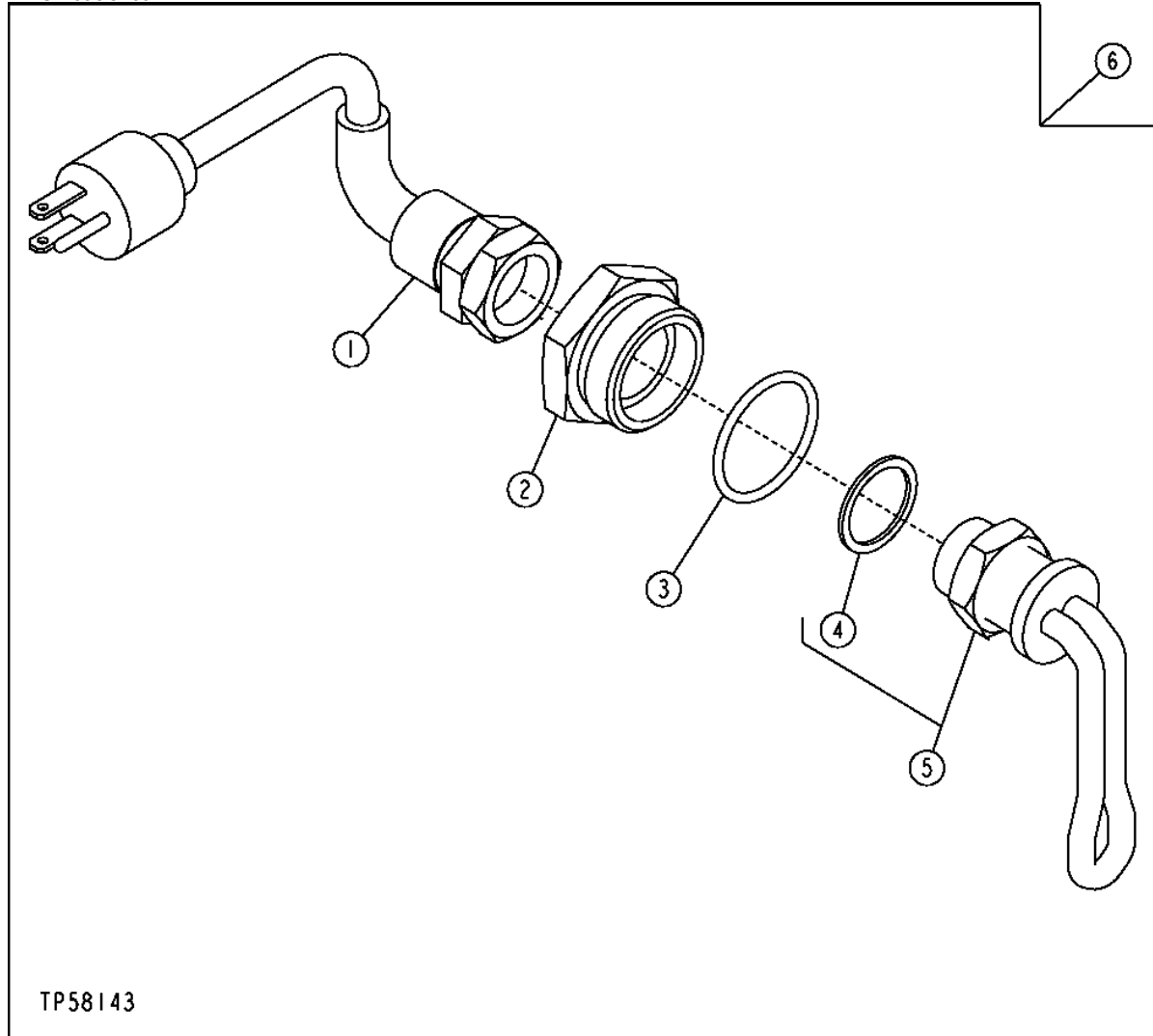
| KEY | PART NO. | PART NAME  | QTY. | ENGINE SERIAL NO. | REMARKS  |
|-----|----------|------------|------|-------------------|--|
|     |          |            |      | 3 3               |  |
|     |          |            |      | 3 1 1             |  |
|     |          |            |      | 1 0 5             |  |
|     |          |            |      | 0 S S             |  |
|     |          |            |      | G G G             |  |
| 13  | R522030  | GASKET     | 1    |                   | ENGINE OIL PAN (NOT INCLUDED IN MAJOR KITS)                    |
| 14  | R75892   | O-RING     | 1    |                   | OIL PUMP TUBE CONNECTOR  |
| 15  | R97185   | O-RING     | 1    |                   | OIL PUMP OUTLET TUBE TO COVER                                  |
| 16  | R61871   | O-RING     | 1    |                   | OIL PUMP INTAKE TUBE   |
| 17  | A4827R   | WASHER     | 1    |                   | OIL PRESSURE REGULATOR PLUG                                    |
| 18  | RE44574  | SEAL       | 1    |                   | REAR OIL SEAL  |
| 19  | RE516340 | KIT        | 1    |                   | FRONT OIL SEAL, (SUB FOR RE59810) (MARKED RE52346 OR RE505515) |
| 20  | R123273  | O-RING     | 1    |                   | FUEL TRANSFER PUMP   |
| 21  | R123417  | GASKET     | 1    |                   | WATER PUMP   |
| 22  | R136515  | GASKET     | 1    |                   | TIMING GEAR COVER (WITH AUXILIARY DRIVE)                       |
|     | R136516  | GASKET     | 1    |                   | TIMING GEAR COVER (WITHOUT AUXILIARY DRIVE)                    |
| 23  | R123501  | GASKET     | 1    |                   | OIL COOLER HOUSING   |
| 24  | R502864  | GASKET     | 1    |                   | REMOTE OIL FILTER ADAPTER                                      |
| 25  | R123525  | GASKET     | 1    |                   | OIL FILTER HEADER  |
| 26  | R53108   | GASKET     | 1    |                   | STARTING MOTOR   |
| 27  | R72328   | O-RING     | 4    |                   | OIL FILTER TUBES   |
| 28  | R89944   | O-RING     | 1    |                   | WATER PUMP INLET   |
| 29  | R504734  | O-RING     | 2    |                   | CONNECTOR TUBE TO TIMING GEAR COVER                            |
| 30  | T122075  | O-RING     | 2    |                   | OIL COOLER TO HOUSING  |
| 31  | R501428  | GASKET     | 1    |                   | COOLANT PASSAGE ADAPTER  |
| 32  | R500374  | GASKET     | 1    |                   | OIL FILTER HEADER  |
| 33  | RE526670 | GASKET KIT | 1    |                   | CYLINDER HEAD REMOVAL, (SUB FOR RE66082)                       |
| 34  | RE526671 | GASKET KIT | 1    |                   | IN CHASSIS OVERHAUL, (SUB FOR RE66084)                         |
| 35  | R123353  | GASKET     | 1    |                   | ENGINE OIL PAN   |

310G (TURBO)-(TO/PE4045TT080, PE4045TT088) 310G-(PE4045DT058) 310SG, 315SG -(TO/PE4045TT081/089)  
 310G (TURBO)-(TO/PE4045TT080, PE4045TT088) 310G-(PE4045DT058) 310SG, 315SG -(TO/PE4045TT081/089)  
 310G (TURBO)-(TO/PE4045TT080, PE4045TT088) 310G-(PE4045DT058) 310SG, 315SG -(TO/PE4045TT081/089)

# 0505-2

ENGINE COOLANT HEATER  
CHAUFFE-BLOC MOTEUR  
CALEFACTOR DE REFRIGERANTE DE MOTOR

TP58143 -UN-03OCT00



TP58143

# 0505-3

ENGINE AUXILIARY SYSTEM 5

COLD WEATHER STARTING AIDS 0505

**ENGINE COOLANT HEATER  
CHAUFFE-BLOC MOTEUR  
CALEFACTOR DE REFRIGERANTE DE MOTOR**

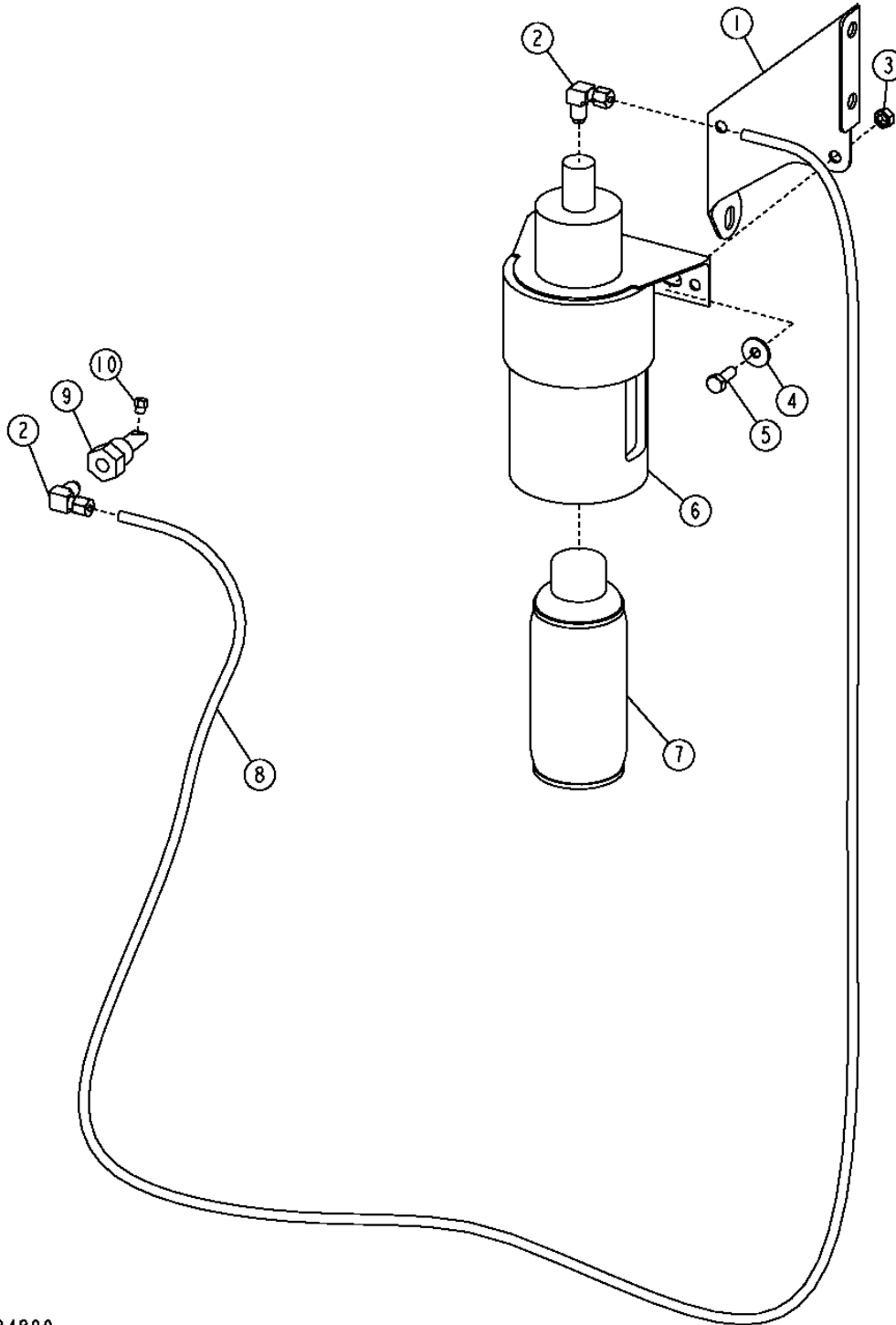
| KEY | PART NO. | PART NAME       | QTY. | SERIAL NO. | REMARKS                |
|-----|----------|-----------------|------|------------|------------------------|
|     |          |                 |      |            | 3 3                    |
|     |          |                 |      |            | 3 1 1                  |
|     |          |                 |      |            | 1 0 5                  |
|     |          |                 |      |            | 0 S S                  |
|     |          |                 |      |            | G G G                  |
| 1   | AT73296  | POWER CORD      | 1    |            | X X X                  |
| 2   | R54123   | ADAPTER FITTING | 1    |            | X X X                  |
| 3   | U13639   | O-RING          | 1    |            | X X X                  |
| 4   | R206883  | WASHER          | 1    |            | X X X (SUB FOR R47693) |
| 5   | RE42139  | HEATING ELEMENT | 1    |            | X X X                  |
| 6   | AT74940  | COOLANT HEATER  | 1    |            | X X X                  |

# 0505-4

COLD WEATHER STARTING AID (SN -910055)  
DISPOSITIF D'AIDE AU DEMARRAGE PAR TEMPS FROID (SN -910055)  
DISPOSITIVO PARA EL ARRANQUE EN TIEMPO FRIO (SN -910055)

COLD WEATHER STARTING AIDS 0505

T134800 -UN-08NOV00



T134800

THIS PARTS LISTING IS CONTINUED



# 0505-5

ENGINE AUXILIARY SYSTEM 5

COLD WEATHER STARTING AIDS 0505

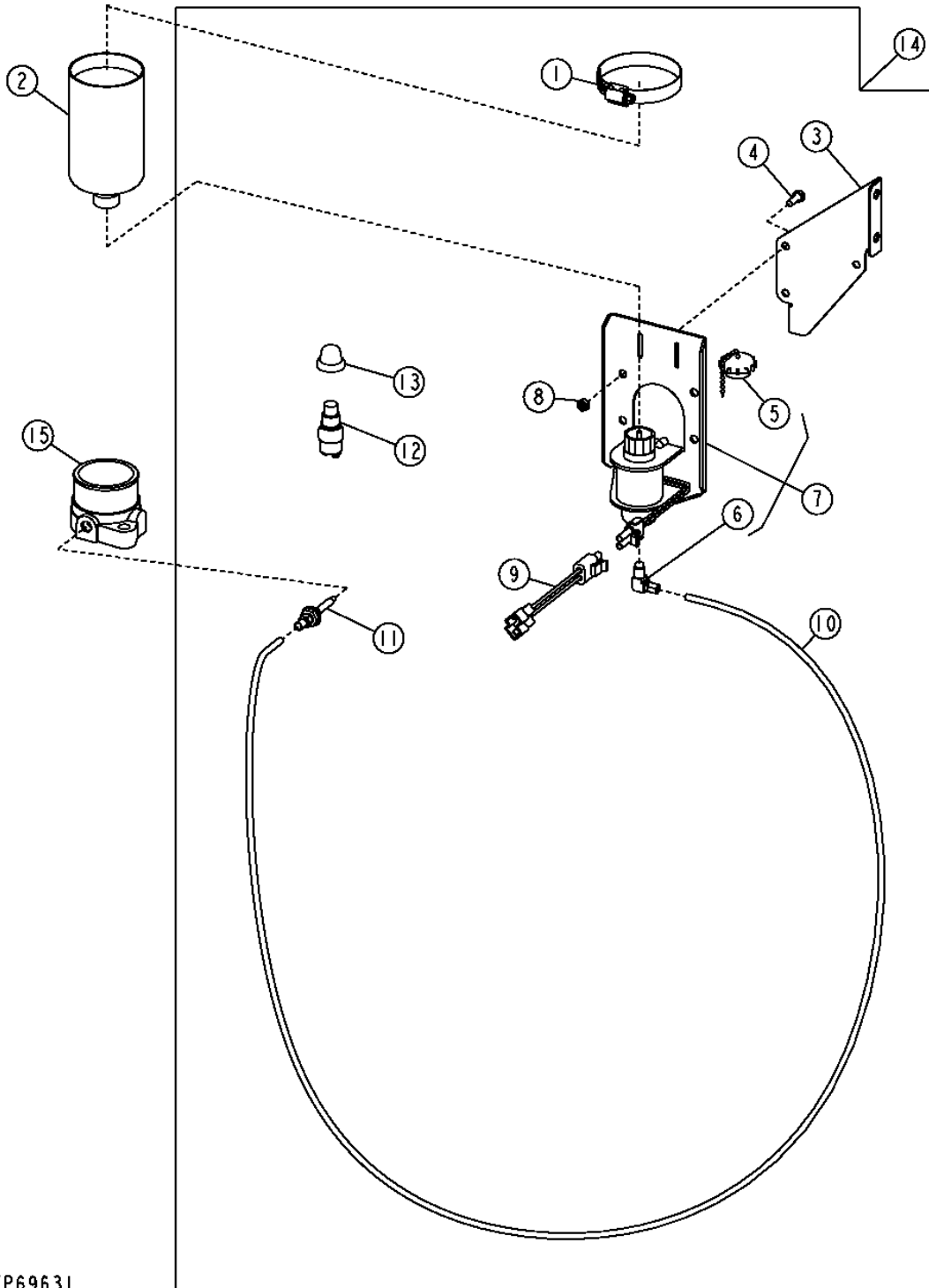
COLD WEATHER STARTING AID (SN -910055)  
 DISPOSITIF D'AIDE AU DEMARRAGE PAR TEMPS FROID (SN -910055)  
 DISPOSITIVO PARA EL ARRANQUE EN TIEMPO FRIO (SN -910055)

| KEY | PART NO. | PART NAME             | QTY. | SERIAL NO. | REMARKS                       |
|-----|----------|-----------------------|------|------------|-------------------------------|
|     |          |                       |      |            | 3 3                           |
|     |          |                       |      |            | 3 1 1                         |
|     |          |                       |      |            | 1 0 5                         |
|     |          |                       |      |            | 0 S S                         |
|     |          |                       |      |            | G G G                         |
| 1   | T185387  | BRACKET               | 1    |            | X X X                         |
| 2   | RE21790  | ELBOW FITTING         | 2    |            | X X X                         |
| 3   | 14M7272  | NUT                   | 2    |            | X X X M6                      |
| 4   | 24M7139  | WASHER                | 2    |            | X X X                         |
| 5   | 19M8425  | CAP SCREW             | 2    |            | X X X M6 X 16                 |
| 6   | RE48310  | STARTING AID SOLENOID | 1    |            | X X X                         |
| 7   | RE33636  | STARTING FLUID        | 1    |            | X X X                         |
| 8   | .....    | TUBE                  | 1    |            | X X X CTL, (MAKE FROM T78593) |
| 9   | R47160   | NOZZLE HOLDER         | 1    |            | X X X                         |
| 10  | T155858  | NOZZLE                | 1    |            | X X X                         |

# 0505-6

## COLD WEATHER STARTING AID DISPOSITIF D'AIDE AU DEMARRAGE PAR TEMPS FROID DISPOSITIVO PARA EL ARRANQUE EN TIEMPO FRIO

TP69631 -UN-20SEP00



TP69631

# 0505-7

**COLD WEATHER STARTING AID  
DISPOSITIF D'AIDE AU DEMARRAGE PAR TEMPS FROID  
DISPOSITIVO PARA EL ARRANQUE EN TIEMPO FRIO**

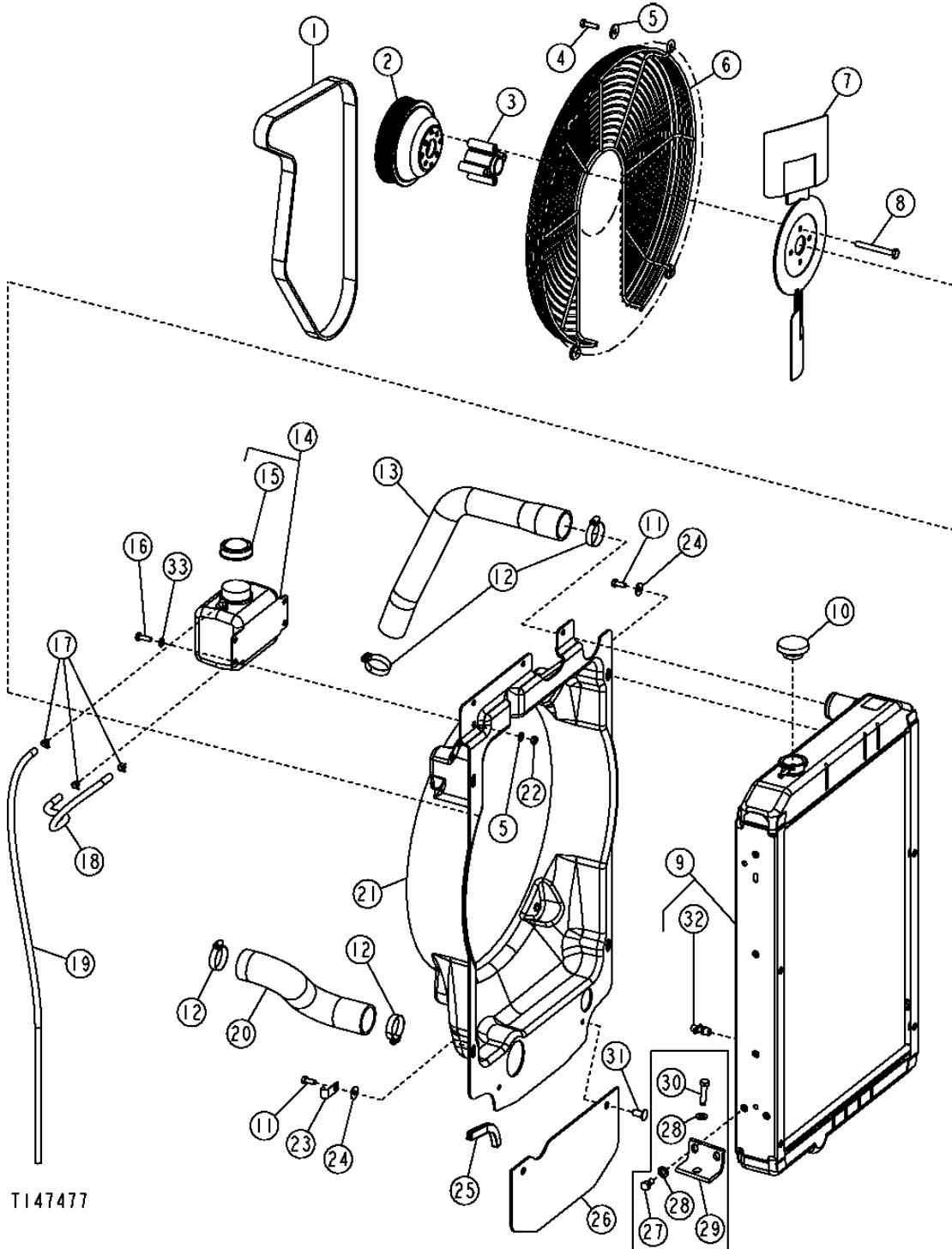
| KEY | PART NO. | PART NAME             | QTY. | SERIAL NO. | REMARKS                                      |
|-----|----------|-----------------------|------|------------|--|
|     |          |                       |      |            | 3 3  |
|     |          |                       |      |            | 3 1 1  |
|     |          |                       |      |            | 1 0 5  |
|     |          |                       |      |            | 0 S S  |
|     |          |                       |      |            | G G G  |
| 1   | AR21999  | HOSE CLAMP            | 1    |            | X X X  |
| 2   | AT171162 | STARTING FLUID        | 1    |            | X X X  |
| 3   | T185933  | BRACKET               | 1    |            | X X X  |
| 4   | 19M8425  | CAP SCREW             | 3    |            | X X X M6 X 16                                |
| 5   | AT171539 | CAP (HAT)             | 1    |            | X X X  |
| 6   | AT181582 | ELBOW FITTING         | 1    |            | X X X  |
| 7   | AT173385 | STARTING AID SOLENOID | 1    |            | X X X  |
| 8   | 14M7272  | NUT                   | 3    |            | X X X M6                                     |
|     | 24M7293  | WASHER                | 3    |            | X X X 6.500 X 13 X 1.600 MM                  |
| 9   | AT182257 | WIRING HARNESS        | 1    | -910055    | X X X (USE WITH AT196262)                    |
|     | AT199714 | WIRING HARNESS        | 1    | -910055    | X X X (USE WITH AT199060)                    |
| 10  | .....    | TUBE                  | 1    |            | X X X (CTL) 457MM (1.50') (MAKE FROM T78593) |
| 11  | AT183222 | NOZZLE                | 1    |            | X X X  |
| 12  | R39554   | SWITCH                | 1    |            | X X X  |
| 13  | T55585   | CAP                   | 1    |            | X X X  |
| 14  | AT192153 | KIT                   | 1    |            | X X X  |
| 15  | R133187  | INTAKE MANIFOLD       | 1    |            | X  |

# 0510-2

ENGINE AUXILIARY SYSTEM 5  
ENGINE COOLING SYSTEMS 0510

RADIATOR, HOSES, FAN SHROUD AND GUARD  
RADIATEUR, FLEXIBLES, CAPOT DE VENTILATEUR ET PROTECTION  
RADIADOR, MANGUERAS, ENVUELTA DEL VENTILADOR Y PROTECTOR

T147477 -UN-29OCT01



T147477

# 0510-3

ENGINE AUXILIARY SYSTEM 5  
ENGINE COOLING SYSTEMS 0510

**RADIATOR, HOSES, FAN SHROUD AND GUARD  
RADIATEUR, FLEXIBLES, CAPOT DE VENTILATEUR ET PROTECTION  
RADIADOR, MANGUERAS, ENVUELTA DEL VENTILADOR Y PROTECTOR**

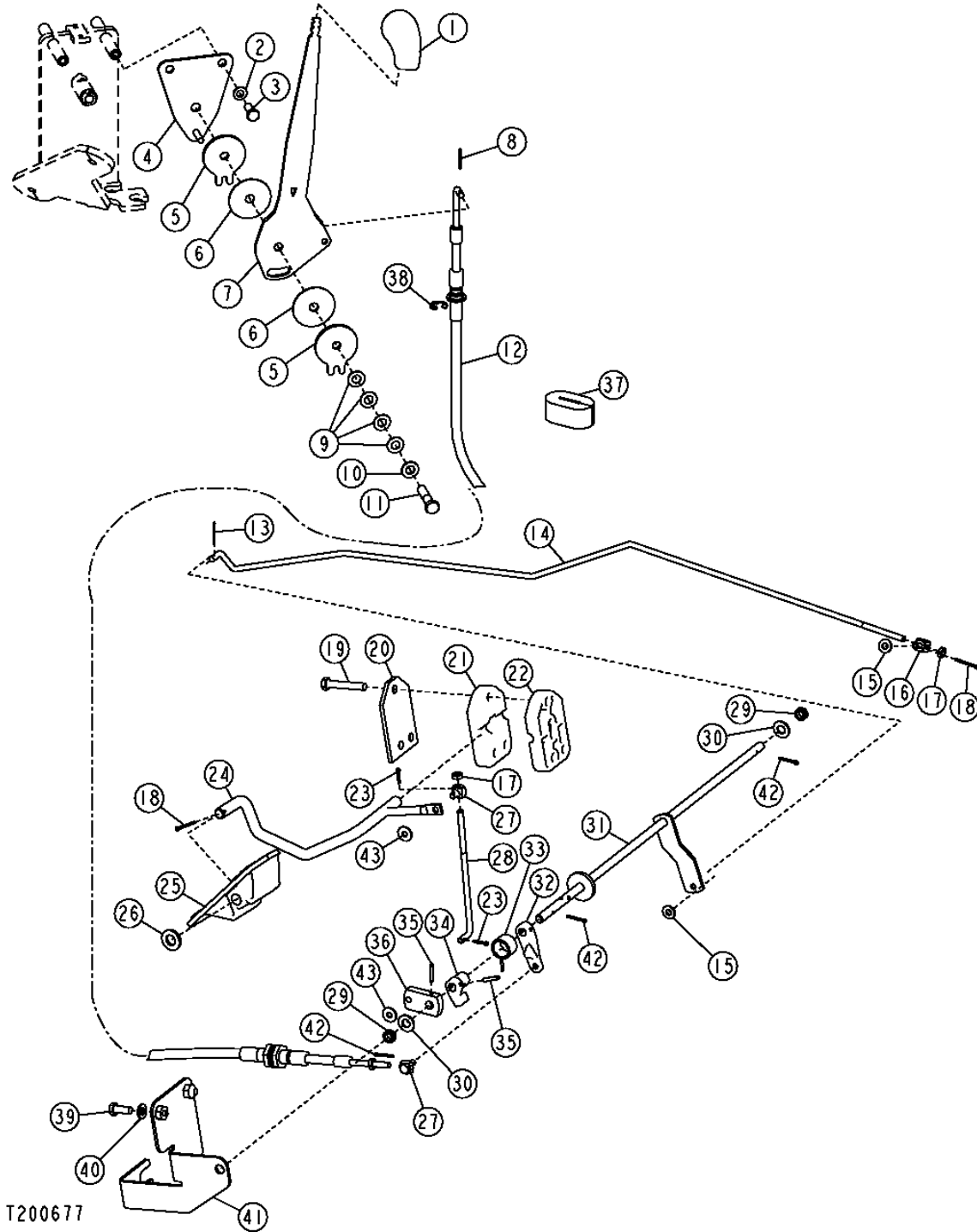
| KEY | PART NO. | PART NAME     | QTY. | SERIAL NO. | 3 3<br>3 1 1<br>1 0 5<br>0 S S<br>G G G | REMARKS  |
|-----|----------|---------------|------|------------|---|--|
| 1   | R504023  | V-BELT        | 1    |            | X                                       | (WITH AIR CONDITIONING)  |
|     | R504023  | V-BELT        | 1    | -958748    | X X                                     | (WITH AIR CONDITIONING)  |
|     | T225495  | V-BELT        | 1    | 958749-    | X X                                     | (WITH AIR CONDITIONING)  |
|     | R504022  | V-BELT        | 1    |            | X                                       | (WITHOUT AIR CONDITIONING)   |
|     | R504022  | V-BELT        | 1    | -958549    | X X                                     | (WITHOUT AIR CONDITIONING)   |
|     | T225494  | V-BELT        | 1    | 958550-    | X X                                     | (WITHOUT AIR CONDITIONING)   |
| 2   | R128660  | PULLEY        | 1    |            | X X X                                   |  |
| 3   | T160508  | SPACER        | 1    |            | X X X                                   |  |
| 4   | 19M7513  | CAP SCREW     | 4    |            | X X X                                   | M8 X 30  |
| 5   | 24M7024  | WASHER        | 4    |            | X X X                                   | (SUB FOR 24M7238, THIS APPLICATION)                                  |
| 6   | .....    | GUARD         | 1    |            | X X X                                   | ( AT186906 NLA) (SUB AT195907) (ALSO ORDER (4) 24M7024)              |
|     | AT195907 | GUARD         | 1    |            | X X X                                   |  |
| 7   | AT107512 | SUCTION FAN   | 1    |            | X                                       | (6 BLADE)  |
|     | AT178394 | FAN           | 1    |            | X X X                                   | (7 BLADE)  |
| 8   | 19M8197  | CAP SCREW     | 4    |            | X X X                                   | M10 X 85   |
| 9   | AT184503 | RADIATOR      | 1    |            | X                                       | (USE W/O AIR CONDITIONING OR FLOW CONTROL)                           |
|     | AT190595 | RADIATOR      | 1    |            | X X X                                   | (USE WITH HI-AMBIENT,AND/OR SELECTIVE FLOW, AND/OR AIR CONDITIONING) |
| 10  | AT173610 | FILLER CAP    | 1    |            | X X X                                   |  |
| 11  | M86877   | BOLT          | 4    |            | X X X                                   | M8 X 20  |
| 12  | AT308555 | HOSE CLAMP    | 4    |            | X X X                                   | (SUB FOR AR65294)  |
| 13  | T155826  | RADIATOR HOSE | 1    |            | X X X                                   |  |
| 14  | AN205068 | TANK          | 1    |            | X X X                                   |  |
| 15  | AT186925 | FILLER CAP    | 1    |            | X X X                                   |  |
| 16  | 19M7881  | SCREW         | 3    |            | X X X                                   | M8 X 20  |
| 17  | R56101   | CLIP          | 3    |            | X X X                                   |  |
| 18  | .....    | HOSE          | 1    |            | X X X                                   | (CTL) 396.2MM (1.3')   |
| 19  | .....    | HOSE          | 1    |            | X X X                                   | (CTL) 975.4MM (3.2')   |
| 20  | T155827  | HOSE          | 1    |            | X X X                                   |  |
| 21  | AT186747 | SHROUD        | 1    |            | X X X                                   |  |
| 22  | 14M7273  | NUT           | 3    |            | X X X                                   | M8   |
| 23  | AH89557  | CLIP          | 1    |            | X X X                                   |  |
| 24  | 24M7298  | WASHER        | 4    |            | X X X                                   |  |
| 25  | .....    | ISOLATOR      | 2    |            | X X X                                   | (CTL) 131.1MM (.43')   |
| 26  | T183669  | DEFLECTOR     | 1    |            | X X X                                   |  |
| 27  | 19M7938  | CAP SCREW     | 4    | -903149    | X X X                                   | M10 X 20   |
| 28  | 24M7239  | WASHER        | 6    | -903149    | X X X                                   |  |
| 29  | T164701  | ANGLE         | 2    | -903149    | X X X                                   |  |
| 30  | 19M7572  | CAP SCREW     | 2    | -903149    | X X X                                   | M10 X 45   |
| 31  | MT2485   | PLUG          | 2    |            | X X X                                   | FASTENER, (SUB FOR T161380)  |
| 32  | AT13740  | DRAIN VALVE   | 1    |            | X X X                                   |  |
| 33  | 24M7238  | WASHER        | 6    |            | X X X                                   |  |

# 0515-2

ENGINE SPEED CONTROL LINKAGE (SN -910055)  
TRINGLERIE DE COMMANDE DE REGIME MOTEUR (SN -910055)  
VARILLAJE DE CONTROL DE VELOCIDAD DEL MOTOR (SN -910055)

T200677

-UN-04JUN04



# 0515-3

ENGINE AUXILIARY SYSTEM 5

ENGINE SPEED CONTROLS 0515

ENGINE SPEED CONTROL LINKAGE (SN -910055)  
 TRINGLERIE DE COMMANDE DE REGIME MOTEUR (SN -910055)  
 VARILLAJE DE CONTROL DE VELOCIDAD DEL MOTOR (SN -910055)

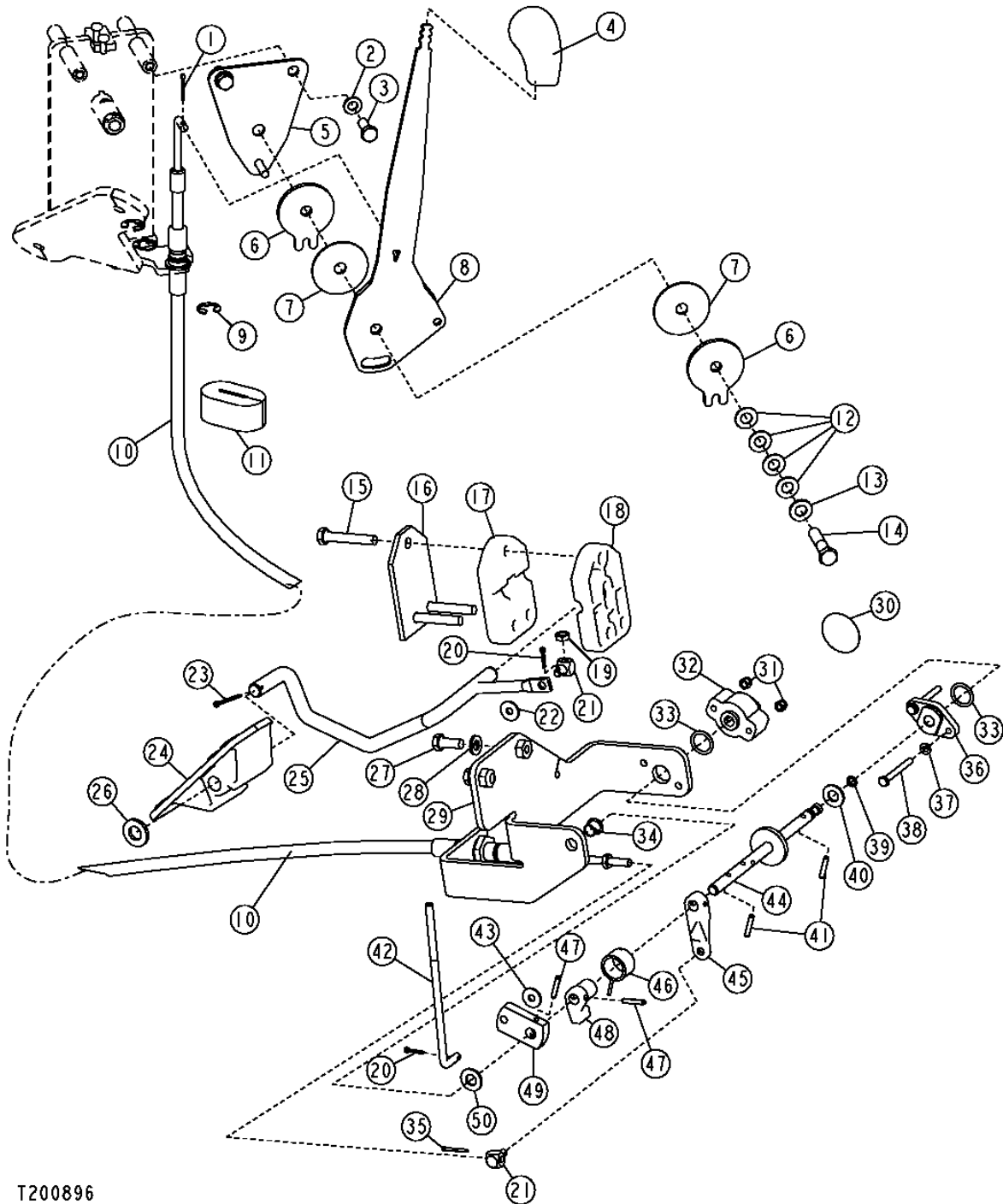
| KEY | PART NO. | PART NAME       | QTY. | SERIAL NO. | REMARKS  |
|-----|----------|-----------------|------|------------|--|
|     |          |                 |      |            | 3 3  |
|     |          |                 |      |            | 3 1 1  |
|     |          |                 |      |            | 1 0 5  |
|     |          |                 |      |            | 0 S S  |
|     |          |                 |      |            | G G G  |
| 1   | M48534   | KNOB            | 1    |            | X X X  |
| 2   | 24M7055  | WASHER          | 2    |            | X X X  |
| 3   | 19M7139  | CAP SCREW       | 2    |            | X X X M8 X 20  |
| 4   | AT191631 | BRACKET         | 1    | -913416    | X X X  |
|     | AT300768 | BRACKET         | 1    | 913417-    | X X X  |
| 5   | R33976   | PLATE           | 2    |            | X X X  |
| 6   | R105812  | WASHER          | 2    |            | X X X  |
| 7   | T185491  | LEVER           | 1    |            | X X X  |
| 8   | 11M7081  | COTTER PIN      | 1    |            | X X X 2.500 X 20 MM, (SUB FOR 11M7099, THIS APPLICATION) |
| 9   | 12M7117  | WASHER          | 4    |            | X X X  |
| 10  | 24M7028  | WASHER          | 1    |            | X X X  |
| 11  | R41920   | CAP SCREW       | 1    |            | X X X 3/8" X 1-3/4"                                      |
| 12  | AT196338 | PUSH PULL CABLE | 1    |            | X X X (SUB FOR AT185848)                                 |
|     | 24H1368  | WASHER          | 2    |            | X X X  |
| 13  | 11M7077  | COTTER PIN      | 1    |            | X X X 1.600 X 25 MM                                      |
| 14  | T166157  | ROD             | 1    |            | X X X INJECTION PUMP                                     |
| 15  | 24H1287  | WASHER          | 2    |            | X X X  |
| 16  | T142748  | SWIVEL          | 1    |            | X X X  |
| 17  | 14H649   | NUT             | 1    |            | X X X 1/4"   |
| 18  | 11M7082  | COTTER PIN      | 2    |            | X X X 2.500 X 25 MM                                      |
| 19  | 19M8397  | CAP SCREW       | 3    |            | X X X M8 X 50  |
| 20  | T129732  | PLATE           | 1    |            | X X X  |
| 21  | T137321  | SUPPORT         | 1    |            | X X X  |
| 22  | T137322  | SUPPORT         | 1    |            | X X X  |
| 23  | 11M7009  | COTTER PIN      | 2    |            | X X X 2 X 16 MM  |
| 24  | AT185836 | ROD             | 1    |            | X X X  |
| 25  | T137318  | PEDAL           | 1    |            | X X X ACCELERATOR  |
| 26  | 24M7240  | WASHER          | 1    |            | X X X  |
| 27  | T213225  | SWIVEL          | 1    |            | X X X (SUB FOR T35887, THIS APPLICATION)                 |
| 28  | T166174  | HOOK BOLT       | 1    |            | X X X  |
| 29  | T22241   | GROMMET         | 2    |            | X X X  |
| 30  | 24H1305  | WASHER          | 2    |            | X X X  |
| 31  | AT185849 | LINKAGE         | 1    |            | X X X  |
| 32  | T22240   | ARM             | 1    |            | X X X  |
| 33  | T77165   | SPRING          | 1    |            | X X X  |
| 34  | T22150   | ARM             | 1    |            | X X X  |
| 35  | 34H264   | SPRING PIN      | 1    |            | X X X 5/32" X 7/8"                                       |
| 36  | T135342  | LEVER           | 1    |            | X X X  |
| 37  | T183217  | SEAL            | 1    |            | X X X  |
| 38  | R26871   | SNAP RING       | 1    |            | X X X  |
| 39  | 19M7881  | SCREW           | 2    |            | X X X M8 X 20  |
| 40  | 24M7238  | WASHER          | 2    |            | X X X  |
| 41  | AT195550 | BRACKET         | 1    |            | X X X  |
| 42  | 11M7081  | COTTER PIN      | 3    |            | X X X 2.500 X 20 MM                                      |
| 43  | 24M7139  | WASHER          | 2    |            | X X X  |

# 0515-4

ENGINE AUXILIARY SYSTEM 5  
ENGINE SPEED CONTROLS 0515

ENGINE SPEED CONTROL LINKAGE (SN 910056- )  
TRINGLERIE DE COMMANDE DE REGIME MOTEUR (SN 910056- )  
VARILLAJE DE CONTROL DE VELOCIDAD DEL MOTOR (SN 910056- )

T200896 -UN-11JUN04



T200896



# 0515-5

ENGINE AUXILIARY SYSTEM 5

ENGINE SPEED CONTROLS 0515

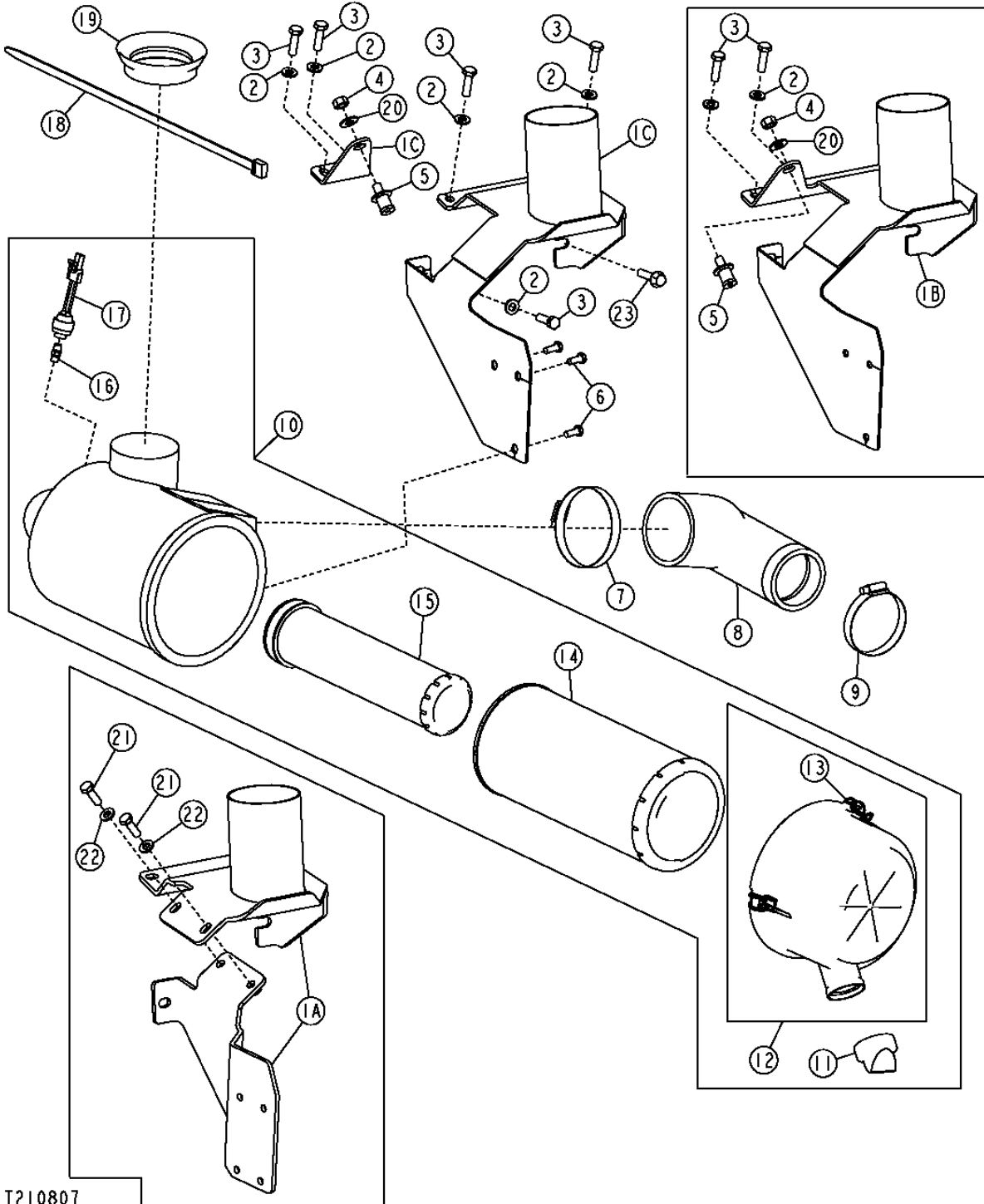
ENGINE SPEED CONTROL LINKAGE (SN 910056- )  
 TRINGLERIE DE COMMANDE DE REGIME MOTEUR (SN 910056- )  
 VARILLAJE DE CONTROL DE VELOCIDAD DEL MOTOR (SN 910056- )

| KEY | PART NO. | PART NAME       | QTY. | SERIAL NO. | REMARKS                                  |
|-----|----------|-----------------|------|------------|--|
|     |          |                 |      |            | 3 3                                      |
|     |          |                 |      |            | 3 1 1                                    |
|     |          |                 |      |            | 1 0 5                                    |
|     |          |                 |      |            | 0 S S                                    |
|     |          |                 |      |            | G G G                                    |
| 1   | 11M7081  | COTTER PIN      | 1    |            | X X X                                    |
| 2   | 24M7055  | WASHER          | 2    |            | X X X                                    |
| 3   | 19M7881  | SCREW           | 2    |            | X X X M8 X 20                            |
| 4   | M48534   | KNOB            | 1    |            | X X X                                    |
| 5   | AT191631 | BRACKET         | 1    |            | X X X                                    |
| 6   | R33976   | PLATE           | 2    |            | X X X                                    |
| 7   | R105812  | WASHER          | 2    |            | X X X                                    |
| 8   | T185491  | LEVER           | 1    |            | X X X                                    |
| 9   | R106466  | CLIP            | 1    |            | X X X                                    |
| 10  | AT196338 | PUSH PULL CABLE | 1    |            | X X X                                    |
|     | 24H1368  | WASHER          | 2    |            | X X X                                    |
| 11  | T183217  | SEAL            | 1    |            | X X X                                    |
| 12  | 12M7117  | WASHER          | 4    |            | X X X                                    |
| 13  | 24M7028  | WASHER          | 1    |            | X X X                                    |
| 14  | R41920   | CAP SCREW       | 1    |            | X X X 3/8" X 1-3/4"                      |
| 15  | 19M8397  | CAP SCREW       | 3    |            | X X X M8 X 50                            |
| 16  | T129732  | PLATE           | 1    |            | X X X                                    |
| 17  | T137321  | SUPPORT         | 1    |            | X X X                                    |
| 18  | T137322  | SUPPORT         | 1    |            | X X X                                    |
| 19  | 14H649   | NUT             | 1    |            | X X X 1/4"                               |
| 20  | 11M7009  | COTTER PIN      | 2    |            | X X X 2 X 16 MM                          |
| 21  | T213225  | SWIVEL          | 2    |            | X X X (SUB FOR T35887, THIS APPLICATION) |
| 22  | 24M7139  | WASHER          | 2    |            | X X X                                    |
| 23  | 11M7082  | COTTER PIN      | 1    |            | X X X 2.500 X 25 MM                      |
| 24  | T137318  | PEDAL           | 1    |            | X X X                                    |
| 25  | AT185836 | ROD             | 1    |            | X X X ACCELERATOR                        |
| 26  | 24M7240  | WASHER          | 1    |            | X X X                                    |
| 27  | 19M7881  | SCREW           | 2    |            | X X X M8 X 20                            |
| 28  | 24M7238  | WASHER          | 2    |            | X X X                                    |
| 29  | AT195421 | BRACKET         | 1    |            | X X X                                    |
| 30  | T186793  | LABEL           | 1    |            | X X X GREY CIRCLE                        |
| 31  | 14M7360  | LOCK NUT        | 2    |            | X X X M5                                 |
| 32  | RE56165  | POTENTIOMETER   | 1    |            | X X X                                    |
| 33  | P48347   | O-RING          | 2    |            | X X X                                    |
| 34  | T187920  | BUSHING         | 1    |            | X X X                                    |
| 35  | 11M7081  | COTTER PIN      | 1    |            | X X X 2.500 X 20 MM                      |
| 36  | R86457   | SUPPORT         | 1    |            | X X X                                    |
| 37  | 24M7027  | WASHER          | 2    |            | X X X                                    |
| 38  | 19M8834  | CAP SCREW       | 2    |            | X X X M5 X 45                            |
| 39  | A4365R   | O-RING          | 1    |            | X X X                                    |
| 40  | 24H1305  | WASHER          | 1    |            | X X X                                    |
| 41  | 34H264   | SPRING PIN      | 2    |            | X X X 3.962 X 22.225 MM                  |
| 42  | T166174  | HOOK BOLT       | 1    |            | X X X                                    |
| 43  | 24H1287  | WASHER          | 1    |            | X X X                                    |
| 44  | AT192776 | SHAFT           | 1    |            | X X X                                    |
| 45  | T22240   | ARM             | 1    |            | X X X                                    |
| 46  | T77165   | SPRING          | 1    |            | X X X                                    |
| 47  | 34H264   | SPRING PIN      | 2    |            | X X X 3.962 X 22.225 MM                  |
| 48  | T22150   | ARM             | 1    |            | X X X                                    |
| 49  | T135342  | LEVER           | 1    |            | X X X                                    |
| 50  | 24H1305  | WASHER          | 1    |            | X X X                                    |

# 0520-2

## AIR CLEANER AND MOUNTING BRACKETS FILTRE A AIR ET SUPPORTS DE MONTAGE FILTRO DE AIRE Y SOPORTES DE MONTAJE

T210807 -UN-09MAY05



T210807

# 0520-3

ENGINE AUXILIARY SYSTEM 5

INTAKE SYSTEM 0520

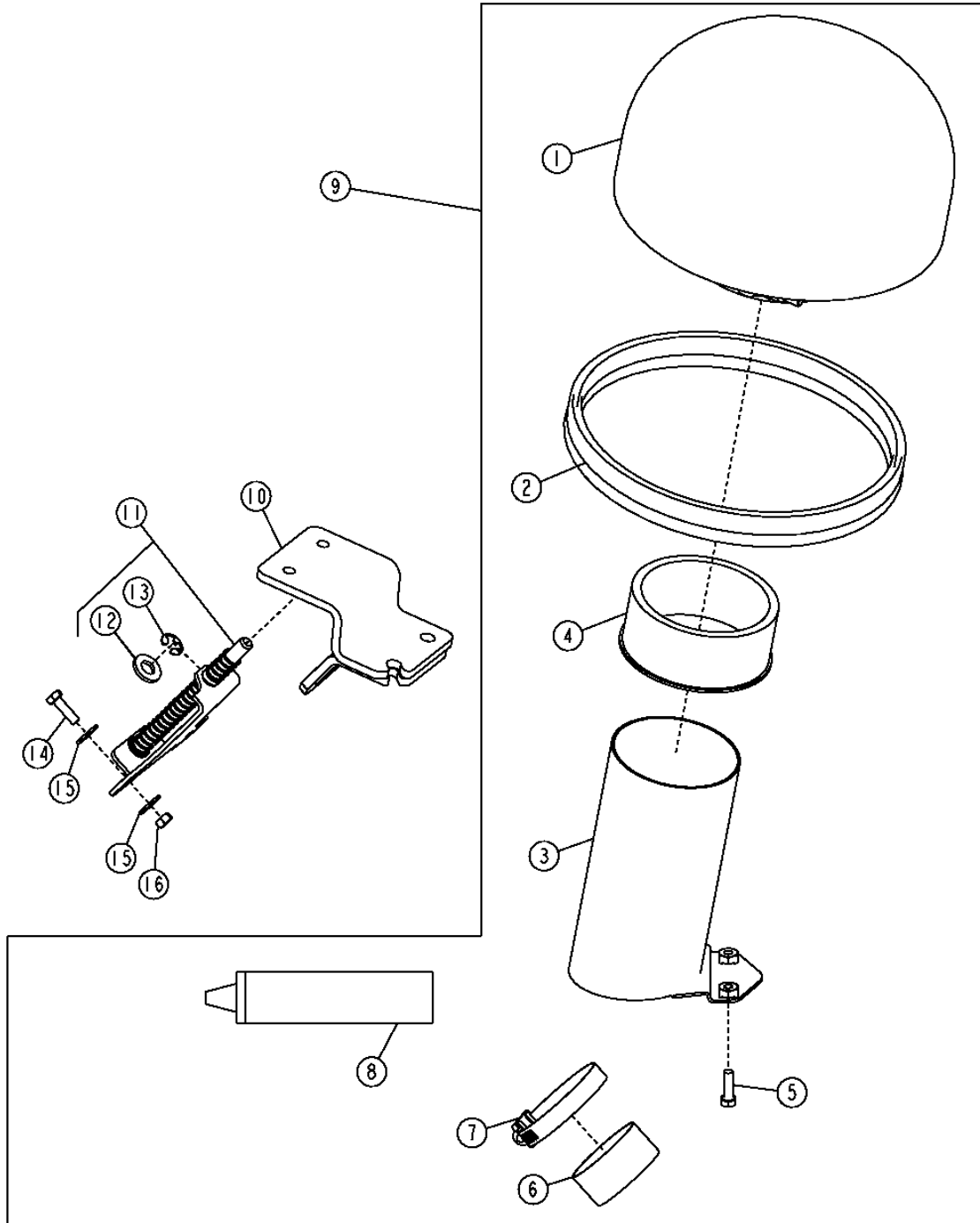
**AIR CLEANER AND MOUNTING BRACKETS  
 FILTRE A AIR ET SUPPORTS DE MONTAGE  
 FILTRO DE AIRE Y SOPORTES DE MONTAJE**

| KEY | PART NO. | PART NAME              | QTY. | SERIAL NO.    | 3 3<br>3 1 1<br>1 0 5<br>0 S S<br>G G G | REMARKS                                       |
|-----|----------|------------------------|------|---------------|---|---|
| 1A  | AT184304 | SUPPORT                | 1    | -903476       | X X X                                   | (UPPER)                                       |
|     | AT187812 | SUPPORT                | 1    | -903476       | X X X                                   | (LOWER)                                       |
| 1B  | AT196242 | SUPPORT                | 1    | 903477-948464 | X X X                                   |   |
| 1C  | AT322234 | SUPPORT                | 1    | 948465-       | X X X                                   |   |
|     | T215364  | ANGLE                  | 1    | 948465-       | X X X                                   |   |
| 2   | 24M7239  | WASHER                 | 4    |               | X X X                                   |   |
| 3   | 19M7550  | CAP SCREW              | 4    |               | X X X                                   | M10 X 35                                      |
| 4   | 14H1047  | NUT                    | 1    | 903477-       | X X X                                   | 7/16"   |
| 5   | AR91896  | STRIKER                | 1    | 903477-       | X X X                                   |   |
| 6   | 19M7881  | SCREW                  | 3    |               | X X X                                   | M8 X 20                                       |
| 7   | AH104837 | HOSE CLAMP             | 1    |               | X X X                                   | (WITH TURBOCHARGER)                           |
|     | TY22487  | HOSE CLAMP             | 1    |               | X                                       | (WITHOUT TURBOCHARGER) (SUB FOR AR85328)      |
| 8   | T164034  | HOSE                   | 1    |               | X X X                                   | (WITH TURBOCHARGER)                           |
|     | T165423  | SUCTION HOSE           | 1    |               | X                                       | (WITHOUT TURBOCHARGER)                        |
| 9   | TY22489  | HOSE CLAMP             | 1    |               | X X X                                   | (SUB FOR AR85329)                             |
| 10  | AT186281 | AIR CLEANER            | 1    |               | X X X                                   |   |
| 11  | R48568   | VALVE                  | 1    |               | X X X                                   |   |
| 12  | AT171855 | COVER                  | 1    |               | X X X                                   |   |
| 13  | AT180680 | LATCH                  | 3    |               | X X X                                   |   |
| 14  | KV16429  | AIR FILTER             | 1    |               | X X X                                   | PRIMARY, (SUB FOR AT171853, THIS APPLICATION) |
| 15  | AT171854 | AIR FILTER             | 1    |               | X X X                                   | SECONDARY                                     |
| 16  | AR44361  | FITTING                | 1    |               | X X X                                   |   |
| 17  | AT178542 | AIR RESTRICTION SENSOR | 1    |               | X X X                                   |   |
| 18  | N189220  | TIE BAND               | 1    |               | X X X                                   |   |
| 19  | T166091  | SEAL                   | 1    |               | X X X                                   |   |
| 20  | T105740  | WASHER                 | 1    | 903477-       | X X X                                   |   |
| 21  | 19M7662  | CAP SCREW              | 2    | -903476       | X X X                                   | M10 X 30                                      |
| 22  | 24M7239  | WASHER                 | 2    | -903476       | X X X                                   |   |
| 23  | 19M8320  | SCREW                  | 1    |               | X X X                                   | (SUB FOR 19M7550, THIS APPLICATION)           |

# 0520-4

## PRE CLEANER PREFILTRE PREFILTRO

T197455 -UN-29JAN04



T197455

# 0520-5

ENGINE AUXILIARY SYSTEM 5

INTAKE SYSTEM 0520

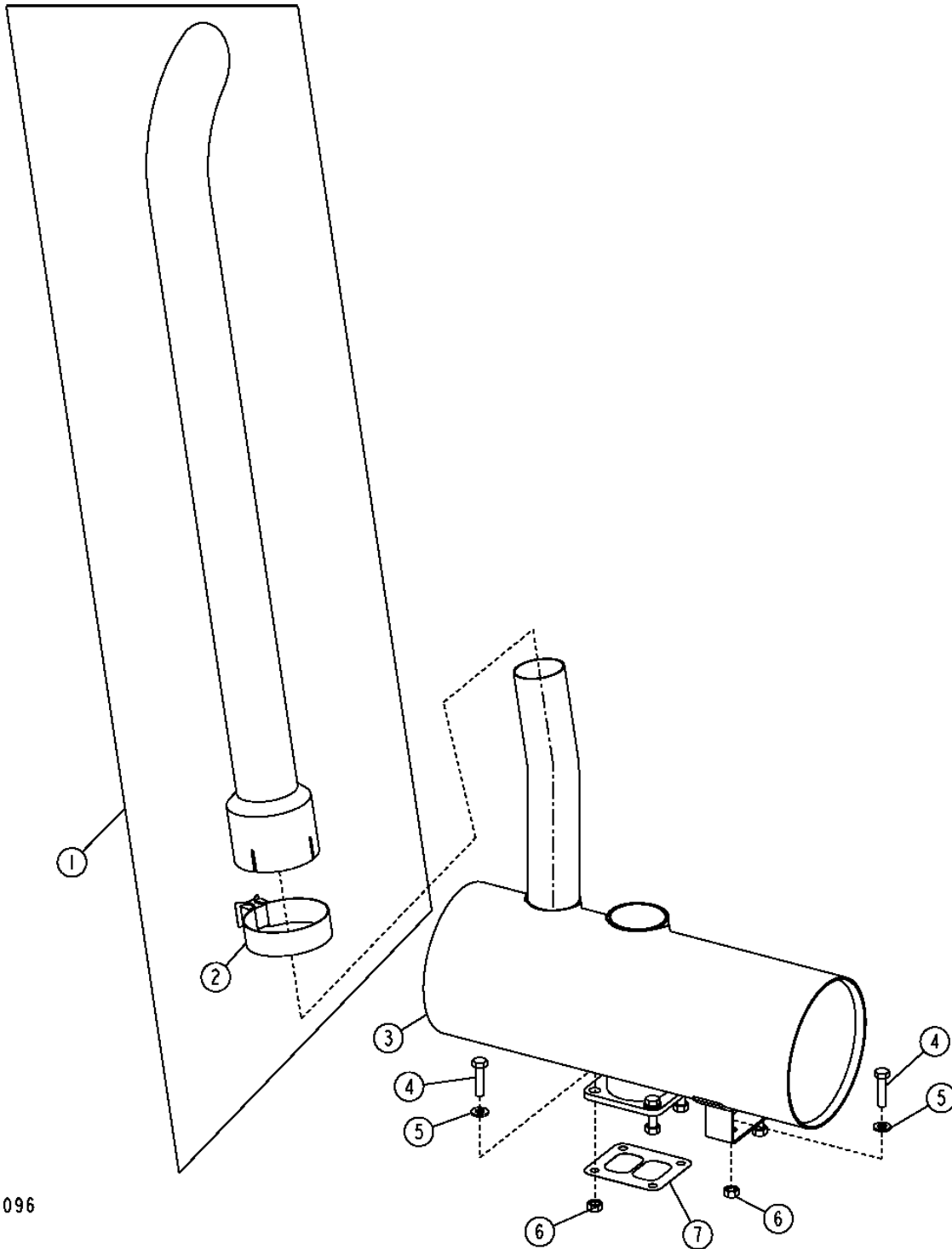
PRE CLEANER  
 PREFILTRE  
 PREFILTRO

| KEY | PART NO.        | PART NAME  | QTY.     | SERIAL NO. | REMARKS  |
|-----|-----------------|------------|----------|------------|--|
|     |                 |            |          |            | 3 3  |
|     |                 |            |          |            | 3 1 1  |
|     |                 |            |          |            | 1 0 5  |
|     |                 |            |          |            | 0 S S  |
|     |                 |            |          |            | G G G  |
| 1   | AT220930        | PRECLEANER | 1        |            | X X X  |
| 2   | AH140044        | ISOLATOR   | 1        |            | X X X  |
| 3   | AT191266        | TUBE       | 1        |            | X X X  |
| 4   | TY24867         | KIT        | 1        |            | X X X ADAPTER  |
| 5   | 21M7351         | SCREW      | 2        |            | X X X M6 X 20, (SUB FOR (2) 19M7077 AND (2) 24M7239, THIS APPLICATION) |
| 6   | T176553         | PLUG       | 1        |            | X X X  |
| 7   | AR40418         | HOSE CLAMP | 1        |            | X X X  |
| 8   | PM37465         | SEALANT    | 1        |            | X X X  |
| 9   | <b>AT189492</b> | <b>KIT</b> | <b>1</b> |            | <b>X X X WHOLE GOODS</b>   |
| 10  | .....           | BRACKET    | 1        | -903476    | X X X ( AT192456 NLA) (ORDER AT189400)                                 |
| 11  | AT191153        | SPRING     | 1        | -903476    | X X X  |
| 12  | 24M7239         | WASHER     | 1        | -903476    | X X X  |
| 13  | R72655          | SNAP RING  | 1        | -903476    | X X X  |
| 14  | 19M7077         | CAP SCREW  | 4        | -903476    | X X X M6 X 20  |
| 15  | 24M7139         | WASHER     | 4        | -903476    | X X X 6.400 X 18 X 1.600 MM  |
| 16  | 14M7272         | NUT        | 2        | -903476    | X X X M6   |

# 0530-2

EXHAUST EXTENSION AND MUFFLER (W/O TURBO) (310G)  
RALLONGE D'ÉCHAPPEMENT ET SILENCIEUX (W/O TURBO) (310G)  
EXTENSION DE ESCAPE Y SILENCIADOR (W/O TURBO) (310G)

T150096 -UN-11JAN02



T150096

# 0530-3

ENGINE AUXILIARY SYSTEM 5

EXTERNAL EXHAUST SYSTEMS 0530

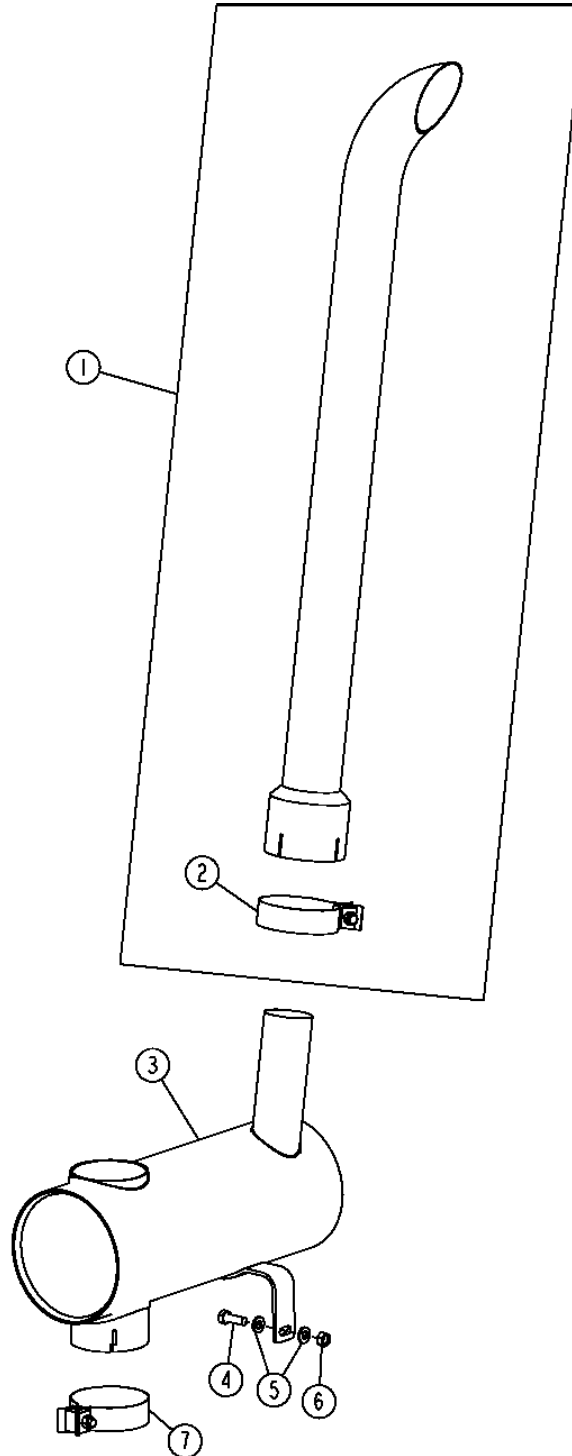
**EXHAUST EXTENSION AND MUFFLER (W/O TURBO) (310G)  
 RALLONGE D'ECHAPPEMENT ET SILENCIEUX (W/O TURBO) (310G)  
 EXTENSION DE ESCAPE Y SILENCIADOR (W/O TURBO) (310G)**

| KEY | PART NO. | PART NAME         | QTY. | SERIAL NO. | REMARKS                               |
|-----|----------|-------------------|------|------------|---------------------------------------|
|     |          |                   |      |            | 3 3                                   |
|     |          |                   |      |            | 3 1 1                                 |
|     |          |                   |      |            | 1 0 5                                 |
|     |          |                   |      |            | 0 S S                                 |
|     |          |                   |      |            | G G G                                 |
| 1   | AT184716 | MUFFLER EXTENSION | 1    |            | X                                     |
| 2   | RE52087  | CLAMP             | 1    |            | X                                     |
| 3   | AT195456 | MUFFLER           | 1    |            | X (SUB FOR AT184853)                  |
|     | AT185085 | MUFFLER           | 1    |            | X SPARK ARRESTOR                      |
| 4   | 19M7550  | CAP SCREW         | 6    |            | X M10 X 35                            |
| 5   | 24M7296  | WASHER            | AR   |            | X                                     |
|     | 24M7239  | WASHER            | 6    |            | X                                     |
| 6   | 14M7274  | NUT               | 6    |            | X M10                                 |
| 7   | R92097   | GASKET            | 1    |            | X (SUB FOR R123572, THIS APPLICATION) |

# 0530-4

EXHAUST EXTENSION AND MUFFLER (W/ TURBO)  
RALLONGE D'ÉCHAPPEMENT ET SILENCIEUX (W/ TURBO)  
EXTENSION DE ESCAPE Y SILENCIADOR (W/ TURBO)

TP58067 -UN-04OCT00



TP58067



# 0530-5

ENGINE AUXILIARY SYSTEM 5

EXTERNAL EXHAUST SYSTEMS 0530

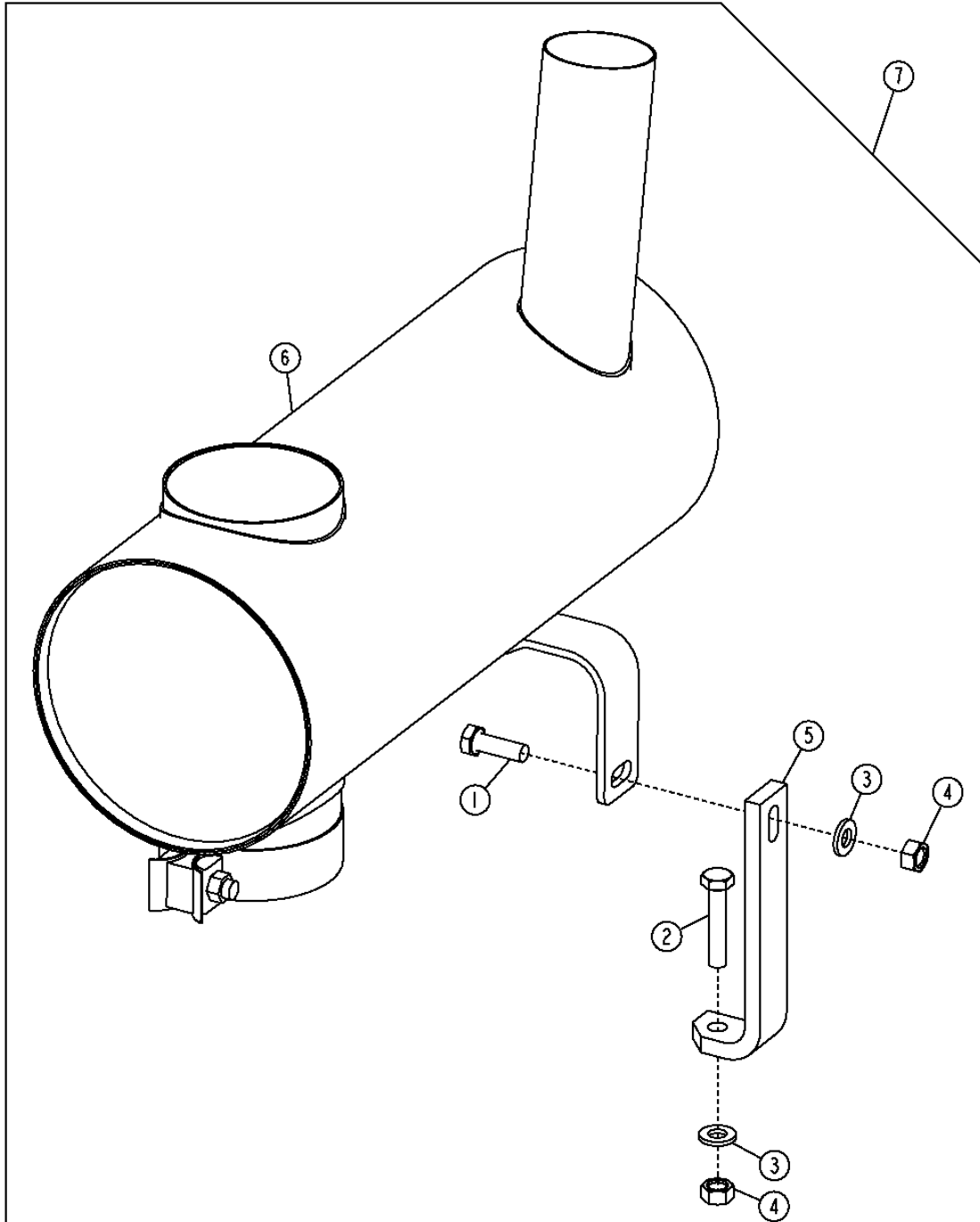
**EXHAUST EXTENSION AND MUFFLER (W/ TURBO)  
RALLONGE D'ECHAPPEMENT ET SILENCIEUX (W/ TURBO)  
EXTENSION DE ESCAPE Y SILENCIADOR (W/ TURBO)**

| KEY | PART NO. | PART NAME         | QTY. | SERIAL NO. | REMARKS        |
|-----|----------|-------------------|------|------------|----------------|
|     |          |                   |      |            | 3 3            |
|     |          |                   |      |            | 3 1 1          |
|     |          |                   |      |            | 1 0 5          |
|     |          |                   |      |            | 0 S S          |
|     |          |                   |      |            | G G G          |
| 1   | AT184716 | MUFFLER EXTENSION | 1    |            | X X X          |
|     | AT184848 | MUFFLER EXTENSION | 1    |            | X X X CHROME   |
| 2   | RE52087  | CLAMP             | 1    |            | X X X          |
| 3   | AT183219 | MUFFLER           | 1    |            | X X X          |
| 4   | 19M7402  | CAP SCREW         | 1    |            | X X X M10 X 25 |
| 5   | 24M7239  | WASHER            | 2    |            | X X X          |
| 6   | 14M7274  | NUT               | 1    |            | X X X M10      |
| 7   | AT183426 | CLAMP             | 1    |            | X X X          |

# 0530-6

CATALYTIC MUFFLER FIELD KIT (W/ TURBO)  
KIT DE SILENCIEUX CATALYTIQUE SUR LE TERRAIN (W/ TURBO)  
JUEGO DE CAMPO PARA SILENCIADOR CATALITICO (W/ TURBO)

TX1001320 -UN-20DEC05



TX1001320

# 0530-7

ENGINE AUXILIARY SYSTEM 5

EXTERNAL EXHAUST SYSTEMS 0530

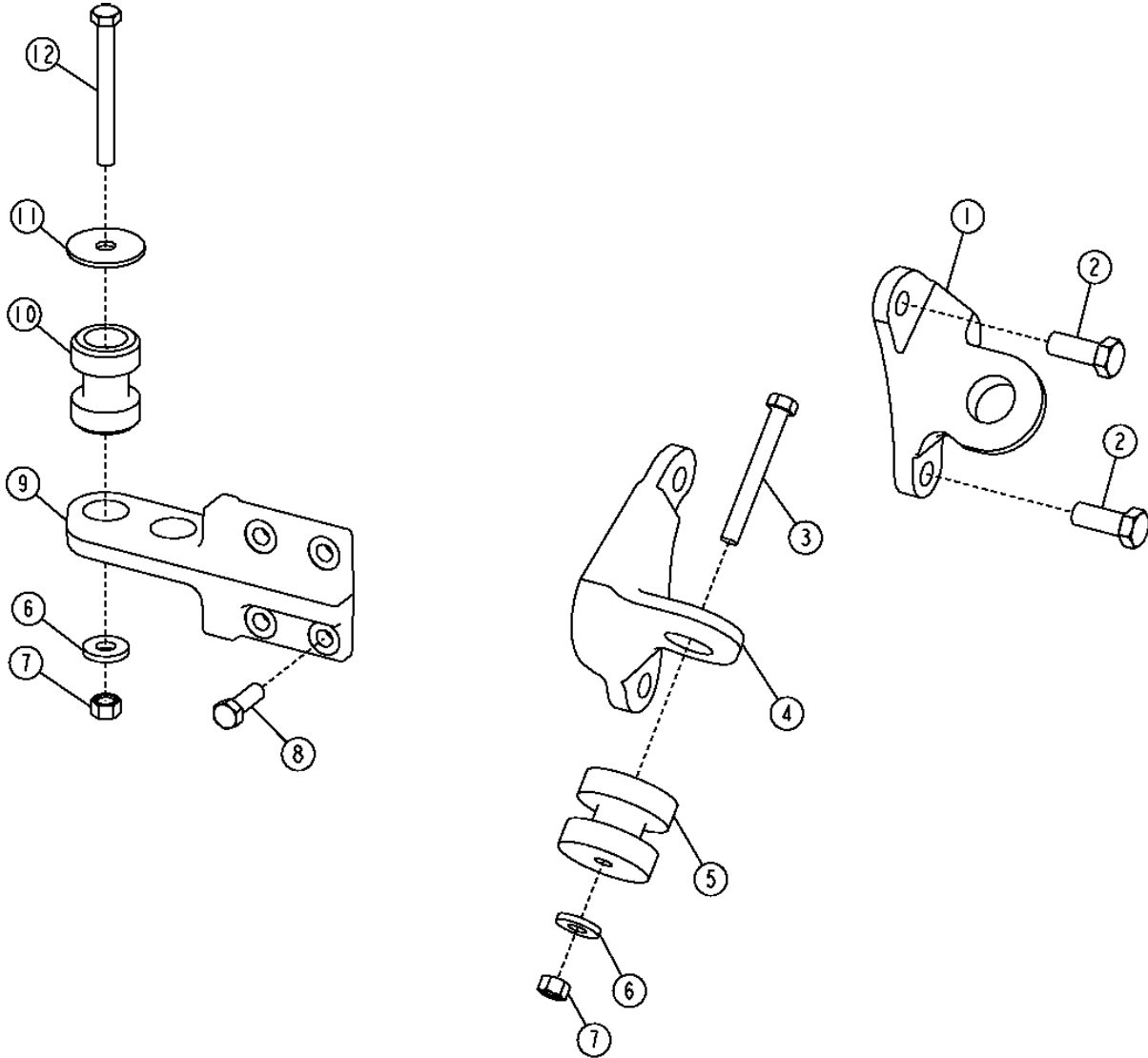
**CATALYTIC MUFFLER FIELD KIT (W/ TURBO)**  
**KIT DE SILENCIEUX CATALYTIQUE SUR LE TERRAIN (W/ TURBO)**  
**JUEGO DE CAMPO PARA SILENCIADOR CATALITICO (W/ TURBO)**

| KEY | PART NO.        | PART NAME          | QTY.     | SERIAL NO. | REMARKS                    |
|-----|-----------------|--------------------|----------|------------|----------------------------|
|     |                 |                    |          |            | 3 3                        |
|     |                 |                    |          |            | 3 1 1                      |
|     |                 |                    |          |            | 1 0 5                      |
|     |                 |                    |          |            | 0 S S                      |
|     |                 |                    |          |            | G G G                      |
| 1   | 19M7662         | CAP SCREW          | 1        |            | X X X M10 X 30             |
| 2   | 19M8600         | CAP SCREW          | 1        |            | X X X M10 X 50             |
| 3   | 24M7239         | WASHER             | 2        |            | X X X                      |
| 4   | 14M7274         | NUT                | 2        |            | X X X M10                  |
| 5   | .....           | ANGLE              | 1        |            | X X X                      |
| 6   | .....           | MUFFLER            | 1        |            | X X X                      |
| 7   | <b>AT314909</b> | <b>MUFFLER KIT</b> | <b>1</b> |            | <b>X X X (WHOLE GOODS)</b> |

# 0540-2

## ENGINE MOUNTS AND ISOLATORS SUPPORTS DE MOTEUR ET ISOLATEURS MONTAJES DEL MOTOR Y AMORTIGUADORES

TP69661 -UN-03OCT00



TP69661

# 0540-3

ENGINE AUXILIARY SYSTEM 5

ENGINE MOUNTING 0540

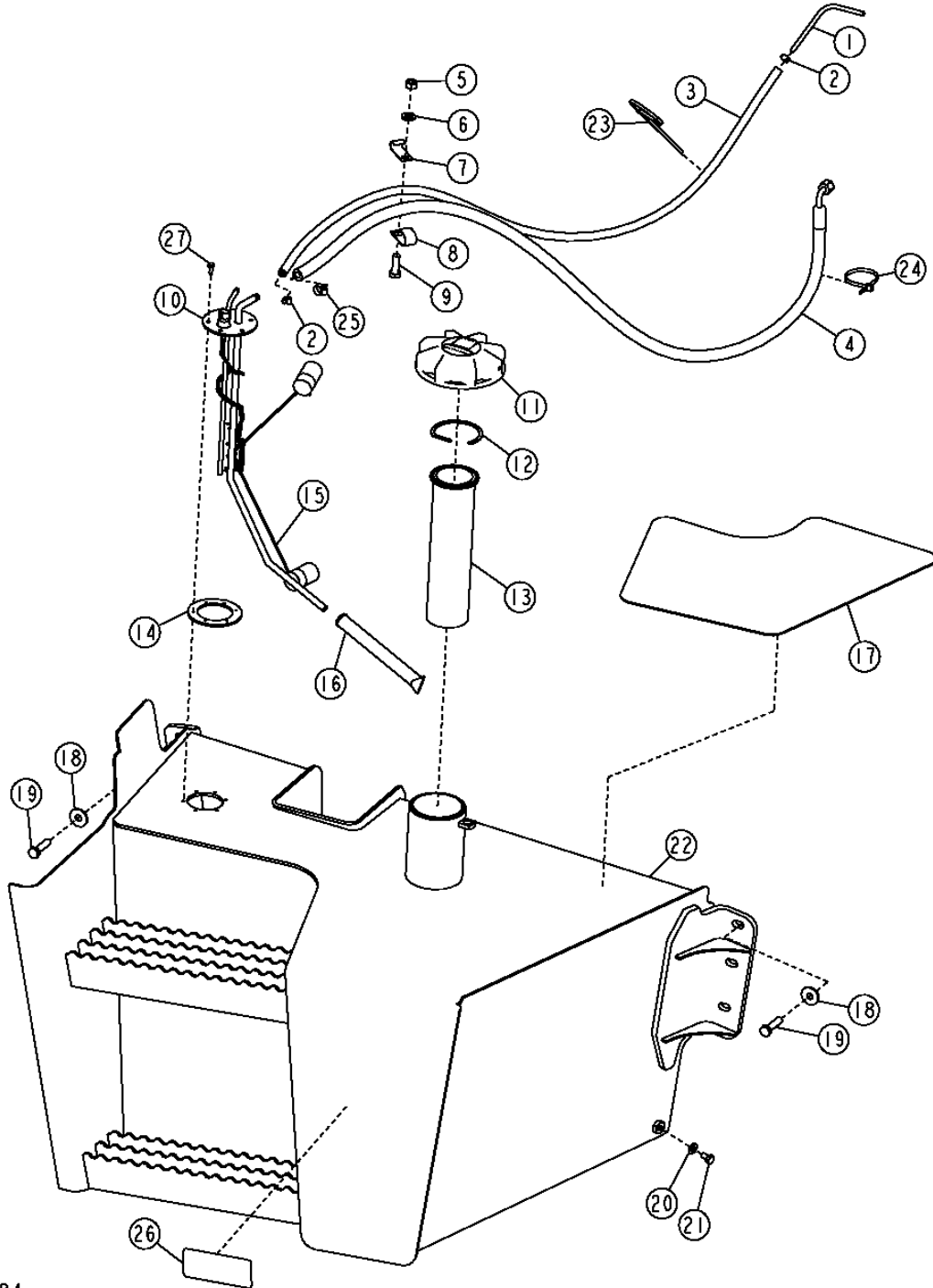
**ENGINE MOUNTS AND ISOLATORS  
SUPPORTS DE MOTEUR ET ISOLATEURS  
MONTAJES DEL MOTOR Y AMORTIGUADORES**

| KEY | PART NO. | PART NAME | QTY. | SERIAL NO. | REMARKS                 |
|-----|----------|-----------|------|------------|-------------------------|
|     |          |           |      |            | 3 3                     |
|     |          |           |      |            | 3 1 1                   |
|     |          |           |      |            | 1 0 5                   |
|     |          |           |      |            | 0 S S                   |
|     |          |           |      |            | G G G                   |
| 1   | T187571  | SUPPORT   | 1    |            | X X X (SUB FOR T170783) |
| 2   | 19M7488  | CAP SCREW | 4    |            | X X X M16 X 40          |
| 3   | 19M7949  | CAP SCREW | 2    |            | X X X M12 X 100         |
| 4   | T170784  | SUPPORT   | 1    |            | X X X                   |
| 5   | AT173400 | ISOLATOR  | 2    |            | X X X                   |
| 6   | T29342   | WASHER    | 6    |            | X X X                   |
| 7   | 14M7275  | NUT       | 6    |            | X X X M12               |
| 8   | 19M7403  | CAP SCREW | 8    |            | X X X M12 X 35          |
| 9   | T154449  | PLATE     | 2    |            | X X X                   |
| 10  | AT175374 | ISOLATOR  | 4    |            | X X X                   |
| 11  | T158648  | WASHER    | 4    |            | X X X                   |
| 12  | 19M7908  | CAP SCREW | 4    |            | X X X M12 X 110         |

# 0560-2

## FUEL TANK AND FUEL TANK HOSES RESERVOIR CARBURANT ET FLEXIBLES RESERVOIR CARBURANT TANQUE DE COMBUSTIBLE Y MANGUERAS DEL TANQUE DE COMBUSTIBLE

T208284 -UN-03JUN05



T208284

# 0560-3

ENGINE AUXILIARY SYSTEM 5

EXTERNAL FUEL SUPPLY SYSTEMS 0560

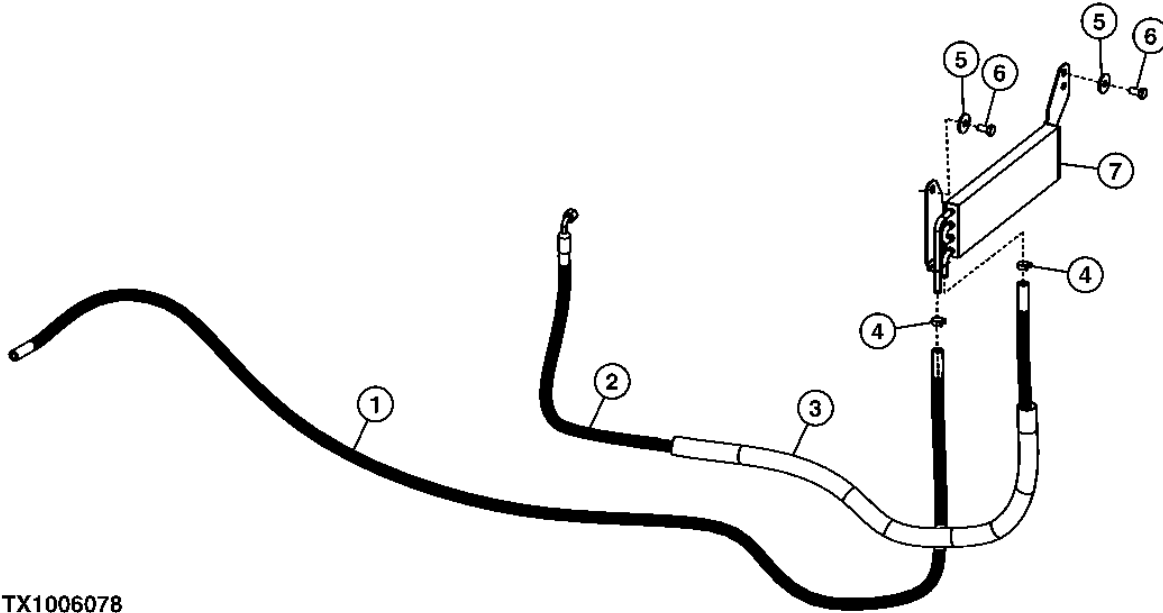
FUEL TANK AND FUEL TANK HOSES  
RESERVOIR CARBURANT ET FLEXIBLES RESERVOIR CARBURANT  
TANQUE DE COMBUSTIBLE Y MANGUERAS DEL TANQUE DE COMBUSTIBLE

| KEY | PART NO. | PART NAME      | QTY. | SERIAL NO. | REMARKS   |
|-----|----------|----------------|------|------------|---|
|     |          |                |      |            | 3 3   |
|     |          |                |      |            | 3 1 1   |
|     |          |                |      |            | 1 0 5   |
|     |          |                |      |            | 0 S S   |
|     |          |                |      |            | G G G   |
| 1   | T66701   | LINE           | 1    |            | X X X   |
| 2   | TY22462  | CLAMP          | 2    |            | X X X (SUB FOR AR48236)   |
| 3   | .....    | HOSE           | 1    |            | X X X (CTL) 1.3M (4.25") (MAKE FROM TY22559)  |
| 4   | AT183881 | HOSE           | 1    |            | X X X   |
|     | E87197   | PACKING        | 1    |            | X X X   |
| 5   | 14M7274  | NUT            | 1    |            | X X X M10   |
| 6   | 24M7239  | WASHER         | 1    |            | X X X   |
| 7   | AH89557  | CLIP           | 1    |            | X X X (SUB FOR T76252, THIS APPLICATION)  |
| 8   | AH96317  | CLIP           | 1    |            | X X X   |
| 9   | 19M7662  | CAP SCREW      | 1    |            | X X X M10 X 30  |
| 10  | 37H129   | SCREW          | 6    |            | X X X   |
| 11  | AT156445 | FILLER CAP     | 1    |            | X X X   |
|     | T103461  | SEALING WASHER | 1    |            | X X X   |
| 12  | T39155   | SNAP RING      | 1    |            | X X X   |
| 13  | AT161638 | STRAINER       | 1    |            | X X X   |
| 14  | T165292  | GASKET         | 1    |            | X X X   |
| 15  | .....    | FUEL SENDER    | 1    | -926900    | X X X ( AT183874 NLA) (SUB AT300958) (ALSO ORDER AT304837, AT65241, 57M7254, (2) R104846 AND 57M7289) |
|     | AT300958 | FUEL SENDER    | 1    | 926901-    | X X X (ALSO ORDER AT65241)  |
| 16  | AT65241  | STRAINER       | 1    |            | X X X   |
|     | PM37485  | ADHESIVE       | 1    |            | X X X (SUB FOR TY15969)   |
| 17  | T165295  | ANTI-SKID PAD  | 1    |            | X X X   |
| 18  | 24M7296  | WASHER         | 6    |            | X X X   |
| 19  | 19M8637  | CAP SCREW      | 6    |            | X X X M10 X 40  |
| 20  | R463R    | WASHER         | 1    |            | X X X   |
| 21  | 19H2020  | CAP SCREW      | 1    |            | X X X 5/16" X 1/2"  |
| 22  | .....    | FUEL TANK      | 1    |            | X X X AT317805 NLA, (ORDER AT322232)  |
| 23  | H77698   | TIE BAND       | 1    |            | X X X   |
| 24  | R44302   | TIE BAND       | 2    |            | X X X   |
| 25  | AR77962  | HOSE CLAMP     | 1    |            | X X X   |
| 26  | JD5933   | REFLECTOR      | 1    |            | X X X   |

# 0560-4

FUEL COOLER (SN 910059-910319)  
 REFROIDISSEUR DE CARBURANT (SN 910059-910319)  
 ENFRIADOR DE COMBUSTIBLE (SN 910059-910319)

TX1006078 -UN-26APR06



TX1006078

| KEY | PART NO. | PART NAME | QTY. | ENGINE SERIAL NO. | REMARKS  |
|-----|----------|-----------|------|-------------------|--|
| 1   | .....    | BULK HOSE | 1    |                   | X X CTL 2.56M (8.4 FEET) TO FUEL TANK,<br>(MAKE FROM M87571) |
| 2   | AT280234 | HOSE      | 1    |                   | X X TO FUEL TRANSFER PUMP                                    |
| 3   | T185089  | SLEEVE    | 1    |                   | X X  |
| 4   | R97021   | CLAMP     | 2    |                   | X X  |
| 5   | 24M7239  | WASHER    | 2    |                   | X X (SUB FOR 24M7101, THIS APPLICATION)                      |
| 6   | 19M7938  | CAP SCREW | 2    |                   | X X M10 X 20   |
| 7   | AT199908 | CORE      | 1    |                   | X X  |
|     | T165742  | ISOLATOR  | 2    |                   | X X  |

3 3  
 3 1 1  
 1 0 5  
 0 S S  
 G G G



# 0560-5

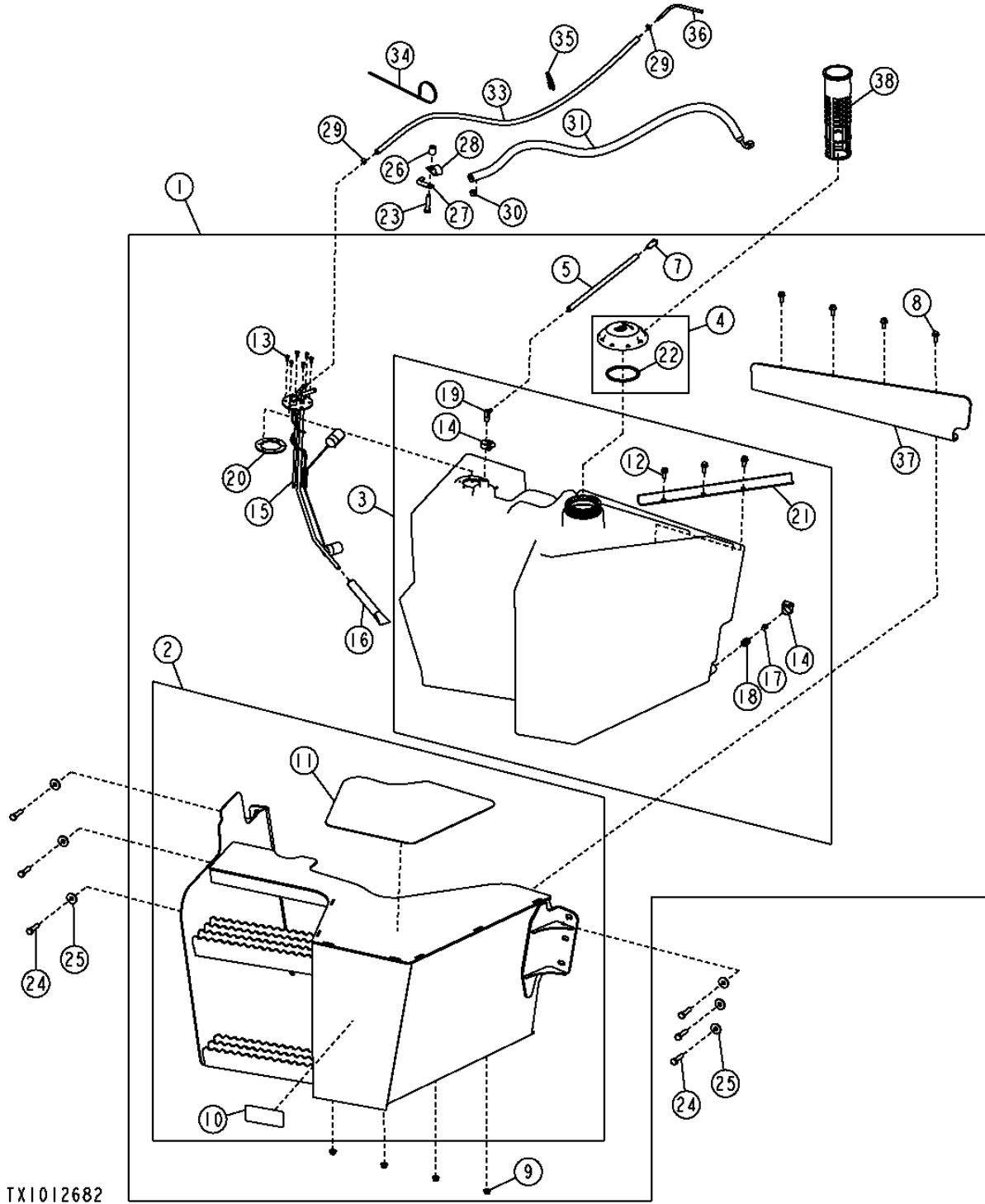
ENGINE AUXILIARY SYSTEM 5  
EXTERNAL FUEL SUPPLY SYSTEMS 0560

MEMORANDA  
MEMORANDA  
MEMORANDA

# 0560-6

## FUEL TANK AND FUEL TANK HOSES RESERVOIR CARBURANT ET FLEXIBLES RESERVOIR CARBURANT TANQUE DE COMBUSTIBLE Y MANGUERAS DEL TANQUE DE COMBUSTIBLE

TX1012682 -UN-



TX1012682

# 0560-7

ENGINE AUXILIARY SYSTEM 5

EXTERNAL FUEL SUPPLY SYSTEMS 0560

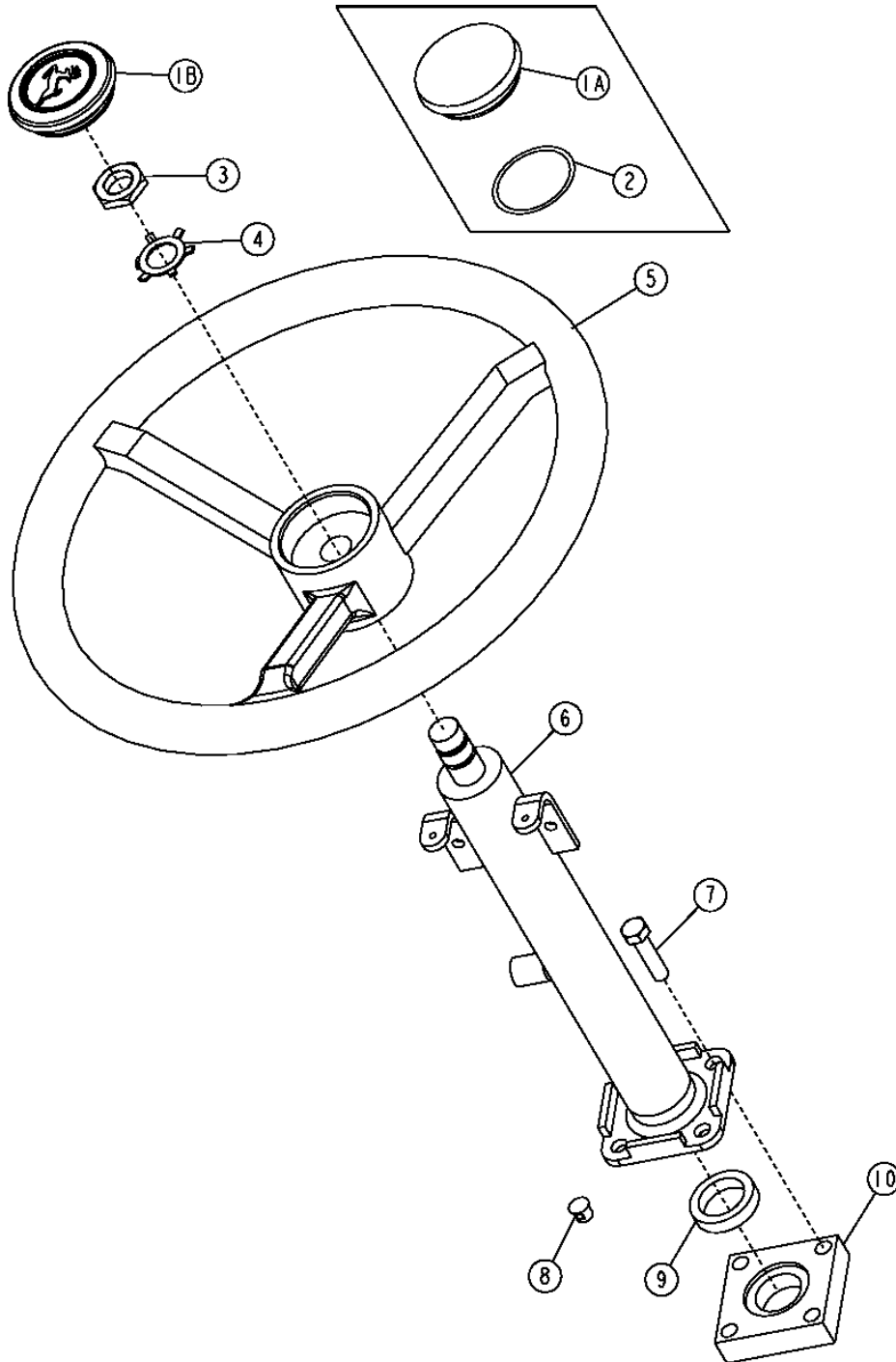
FUEL TANK AND FUEL TANK HOSES  
RESERVOIR CARBURANT ET FLEXIBLES RESERVOIR CARBURANT  
TANQUE DE COMBUSTIBLE Y MANGUERAS DEL TANQUE DE COMBUSTIBLE

| KEY | PART NO. | PART NAME       | QTY. | SERIAL NO. | REMARKS  |
|-----|----------|-----------------|------|------------|--|
|     |          |                 |      |            | 3 3  |
|     |          |                 |      |            | 3 1 1  |
|     |          |                 |      |            | 1 0 5  |
|     |          |                 |      |            | 0 S S  |
|     |          |                 |      |            | G G G  |
| 1   | AT322232 | FUEL TANK       | 1    |            | X X X CONVENIENCE ASSEMBLY, (SUB FOR AT317805) |
| 2   | AT320235 | HOUSING         | 1    |            | X X X  |
| 3   | AT339941 | FUEL TANK       | 1    |            | X X X (ALSO ORDER T165292)                     |
| 4   | AT323593 | CAP             | 1    |            | X X X  |
| 5   | .....    | HOSE            | 1    |            | X X X (MAKE FROM TY22559) CTL 52 INCH          |
| 7   | AM107314 | FUEL FILTER     | 1    |            | X X X  |
| 8   | 19M7866  | SCREW           | 4    |            | X X X M8 X 20                                  |
| 9   | 14M7298  | FLANGE NUT      | 4    |            | X X X M8                                       |
| 10  | JD5933   | REFLECTOR       | 1    |            | X X X  |
| 11  | T215367  | ANTI-SKID PAD   | 1    |            | X X X  |
| 12  | 19M7866  | SCREW           | 3    |            | X X X M8 X 20                                  |
| 13  | 21M7265  | SCREW           | 6    |            | X X X M5 X 12                                  |
| 14  | AR21837  | CLAMP           | 2    |            | X X X  |
| 15  | AT300958 | FUEL SENDER     | 1    |            | X X X  |
| 16  | AT65241  | STRAINER        | 1    |            | X X X  |
| 17  | L2646N   | PIPE PLUG       | 1    |            | X X X 1/8"                                     |
| 18  | N30405   | ADAPTER FITTING | 1    |            | X X X 1/8"                                     |
| 19  | RE179976 | CHECK VALVE     | 1    |            | X X X  |
| 20  | T165292  | GASKET          | 1    |            | X X X  |
| 21  | T224200  | ANGLE           | 1    |            | X X X  |
| 22  | R36424   | O-RING          | 1    |            | X X X 3.225" X 0.210"                          |
| 23  | 19M7572  | CAP SCREW       | 1    |            | X X X M10 X 45                                 |
| 24  | 19M8637  | CAP SCREW       | 6    |            | X X X M10 X 40                                 |
| 25  | 24M7296  | WASHER          | 6    |            | X X X 10.500 X 30 X 2.500 MM                   |
| 26  | 28H3383  | BUSHING         | 1    |            | X X X 0.493" X 0.675" X 3/4"                   |
| 27  | AH89557  | CLIP            | 1    |            | X X X  |
| 28  | AH96317  | CLIP            | 1    |            | X X X  |
| 29  | TY22462  | CLAMP           | 2    |            | X X X  |
| 30  | AR77962  | HOSE CLAMP      | 1    |            | X X X  |
| 31  | AT183881 | HOSE            | 1    |            | X X X  |
| 32  | E87197   | PACKING         | 1    |            | X X X  |
| 33  | .....    | HOSE            | 1    |            | X X X (MAKE FROM TY22559) CTL 15 INCH          |
| 34  | H77698   | TIE BAND        | 1    |            | X X X  |
| 35  | R44302   | TIE BAND        | 2    |            | X X X  |
| 36  | T66701   | LINE            | 1    |            | X X X  |
| 37  | T214270  | SUPPORT         | 1    |            | X X X  |
| 38  | AH162914 | STRAINER        | 1    |            | X X X  |

# 0960-2

## STEERING WHEEL AND COLUMN VOLANT ET COLONNE DE DIRECTION VOLANTE Y COLUMNA DE LA DIRECCION

T146670 -UN-15OCT01



T146670

# 0960-3

STEERING SYSTEM 9

POWER!STEERING!HYDRAULIC!SYSTEM 0960

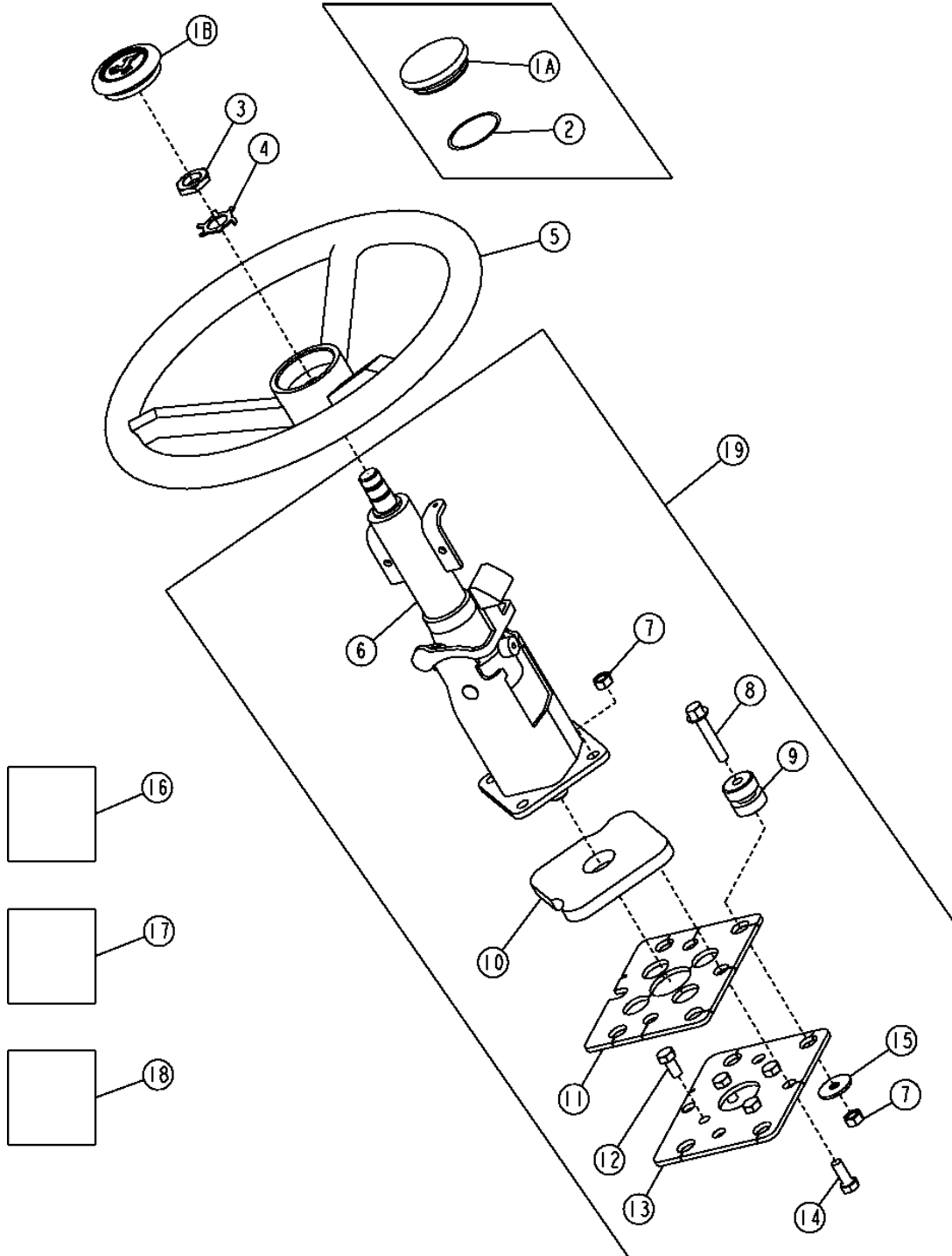
**STEERING WHEEL AND COLUMN  
VOLANT ET COLONNE DE DIRECTION  
VOLANTE Y COLUMNA DE LA DIRECCION**

| KEY | PART NO. | PART NAME       | QTY. | SERIAL NO.    | REMARKS                            |
|-----|----------|-----------------|------|---------------|------------------------------------|
|     |          |                 |      |               | 3 3                                |
|     |          |                 |      |               | 3 1 1                              |
|     |          |                 |      |               | 1 0 5                              |
|     |          |                 |      |               | 0 S S                              |
|     |          |                 |      |               | G G G                              |
| 1   | AL155227 | COVER           | 1    |               | X X X (SUB FOR AL118173 OR R47998) |
| 2   | P50631   | O-RING          | 1    | -902607       | X X X                              |
| 3   | T13630   | NUT             | 1    |               | X X X                              |
| 4   | T17148   | LOCK WASHER     | 1    |               | X X X                              |
| 5   | AT139694 | STEERING WHEEL  | 1    |               | X X X                              |
| 6   | AT184728 | STEERING COLUMN | 1    | -926969       | X X X                              |
|     | AT307345 | STEERING COLUMN | 1    | 926970-       | X X X                              |
| 7   | 19H2633  | CAP SCREW       | 4    | -911132       | X X X 3/8" X 1-1/2"                |
|     | 19M8637  | CAP SCREW       | 4    | 911133-926969 | X X X M10 X 40                     |
|     | 19M7938  | CAP SCREW       | 4    | 916970-       | X X X M10 X 20                     |
| 8   | H113924  | PLUG            | 8    |               | X X X                              |
| 9   | T167416  | WASHER          | 1    | -926969       | X X X                              |
| 10  | T167319  | ADAPTER FITTING | 1    | -926969       | X X X                              |

# 0960-4

POWER STEERING HYDRAULIC SYSTEM 0960  
VOLANT ET COLONNE D'INCLINAISON  
VOLANTE DE LA DIRECCION Y COLUMNA INCLINABLE

T146674 -UN-24OCT01



T146674

# 0960-5

STEERING SYSTEM 9

POWER!STEERING!HYDRAULIC!SYSTEM 0960

**STEERING WHEEL AND TILT COLUMN  
VOLANT ET COLONNE D'INCLINAISON  
VOLANTE DE LA DIRECCION Y COLUMNA INCLINABLE**

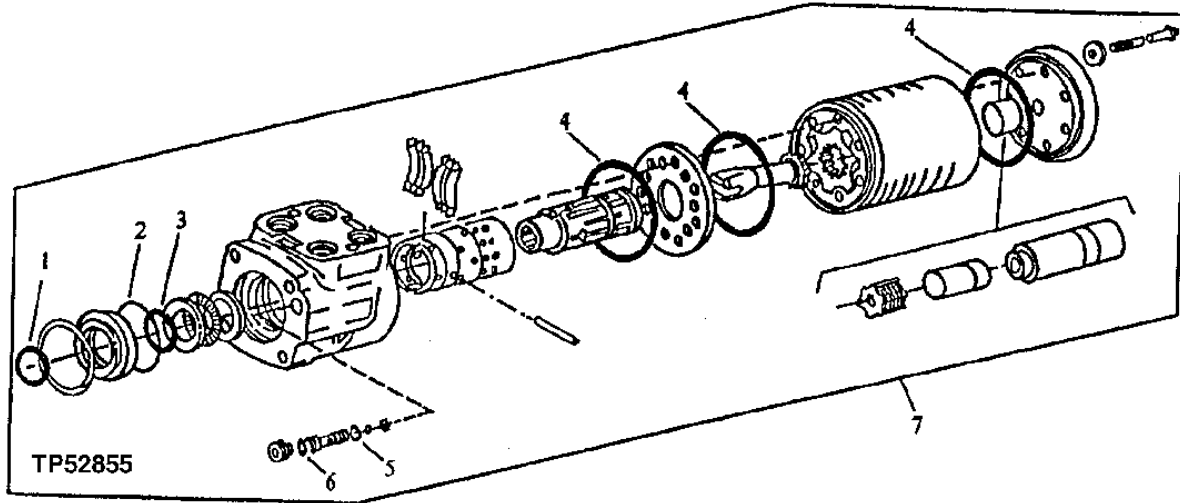
| KEY | PART NO. | PART NAME       | QTY. | SERIAL NO. | REMARKS   |
|-----|----------|-----------------|------|------------|---|
|     |          |                 |      |            | 3 3<br>3 1 1<br>1 0 5<br>0 S S<br>G G G                   |
| 1   | AL155227 | COVER           | 1    |            | X X X (SUB FOR AL118173 OR R47998)                        |
| 2   | P50631   | O-RING          | 1    | -902607    | X X X   |
| 3   | T13630   | NUT             | 1    |            | X X X   |
| 4   | T17148   | LOCK WASHER     | 1    |            | X X X   |
| 5   | AT139694 | STEERING WHEEL  | 1    |            | X X X   |
| 6   | AT184397 | STEERING COLUMN | 1    |            | X X X   |
| 7   | 14M7274  | NUT             | 8    |            | X X X M10   |
| 8   | 19M8528  | SCREW           | 4    |            | X X X M10 X 55  |
| 9   | AT219940 | ISOLATOR        | 4    |            | X X X   |
| 10  | T165533  | GASKET          | 1    |            | X X X   |
| 11  | T165188  | PLATE           | 1    |            | X X X   |
| 12  | 19H1648  | CAP SCREW       | 4    | -911132    | X X X 3/8" X 3/4"   |
|     | 19M7938  | CAP SCREW       | 4    | 911133-    | X X X M10 X 20  |
| 13  | T165256  | PLATE           | 1    |            | X X X   |
| 14  | 19M7402  | CAP SCREW       | 4    |            | X X X M10 X 25  |
| 15  | 24M7101  | WASHER          | 4    |            | X X X 11 X 34 X 3 MM, (SUB FOR 24H1312, THIS APPLICATION) |
| 16  | AT192278 | KIT             | 1    |            | X X X COLUMN TILT UP SPRING                               |
| 17  | AT192279 | KIT             | 1    |            | X X X LEVER RETURN SPRING                                 |
| 18  | AT192280 | KIT             | 1    |            | X X X KNOB  |
| 19  | AT195686 | KIT             | 1    |            | X X X (WHOLE GOODS)                                       |

# 0960-6

STEERING SYSTEM 9

POWER STEERING VALVE SEAL REPAIR KIT (SN -911131)  
 KIT DE REPARATION DE JOINT DE SOUPEPE DE DIRECTION ASSISTEE (SN -911131)  
 JUEGO DE REPARACION DE SELLO DE VALVULA DE SERVODIRECCION (SN -911131)

TP52855 -UN-16NOV96



| KEY | PART NO. | PART NAME | QTY. | SERIAL NO. | REMARKS |
|-----|----------|-----------|------|------------|---------|
| 1   | C15104   | SEAL      | 1    | X X X      |         |
| 2   | B3690R   | O-RING    | 1    | X X X      |         |
| 3   | C15107   | O-RING    | 1    | X X X      |         |
| 4   | T152288  | O-RING    | 3    | X X X      |         |
| 5   | R10093   | O-RING    | 1    | X X X      |         |
| 6   | A3917R   | O-RING    | 1    | X X X      |         |
| 7   | AT168632 | SEAL KIT  | 1    | X X X      |         |



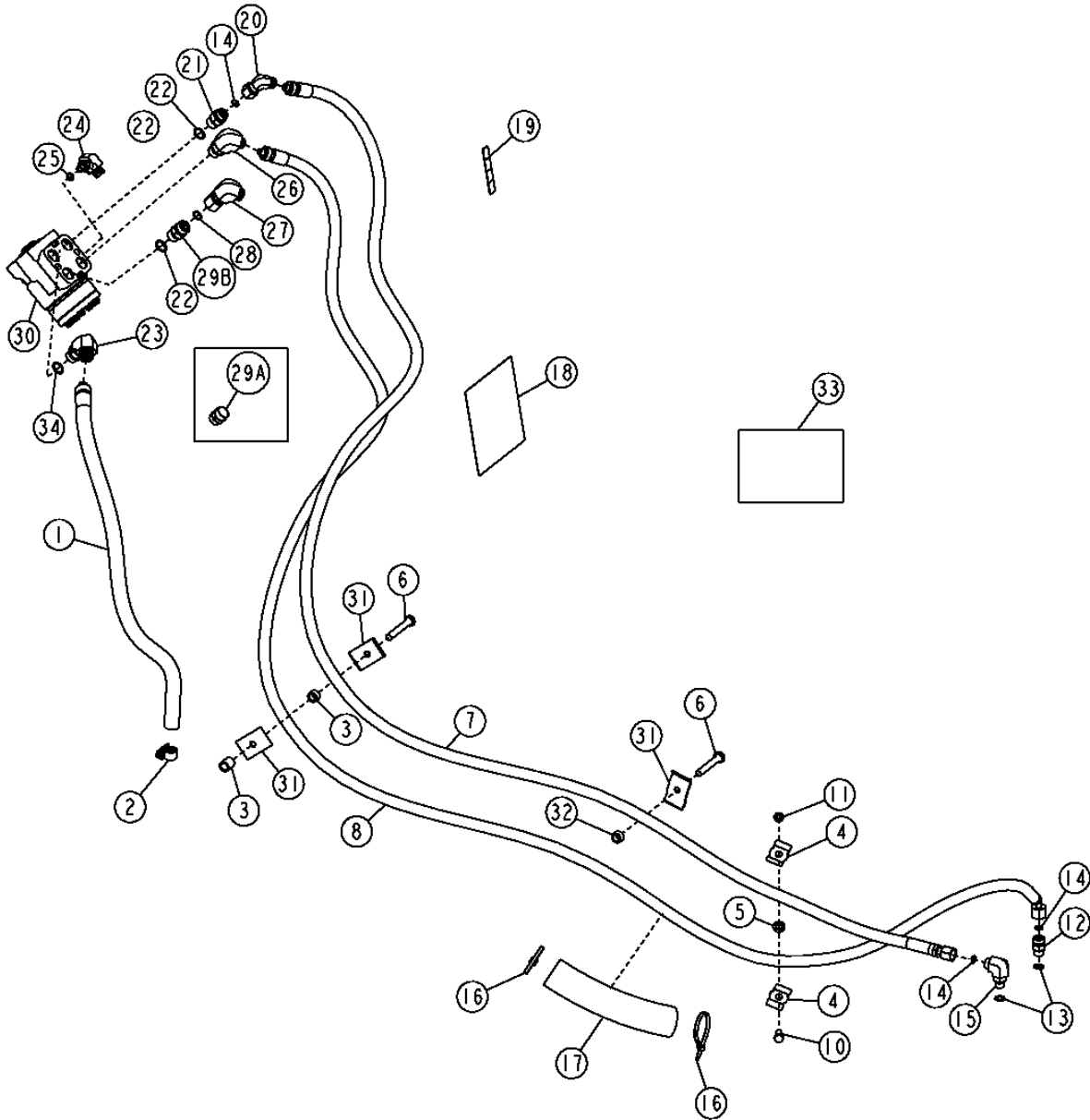
# 0960-7

MEMORANDA  
MEMORANDA  
MEMORANDA

# 0960-8

STEERING HYDRAULICS (W/ MFWD)  
CIRCUIT HYDRAULIQUE DE DIRECTION (W/ MFWD)  
SISTEMA HIDRAULICO DE DIRECCION (W/ MFWD)

T214095 -UN-08SEP05



T214095

# 0960-9

STEERING SYSTEM 9

POWER!STEERING!HYDRAULIC!SYSTEM 0960

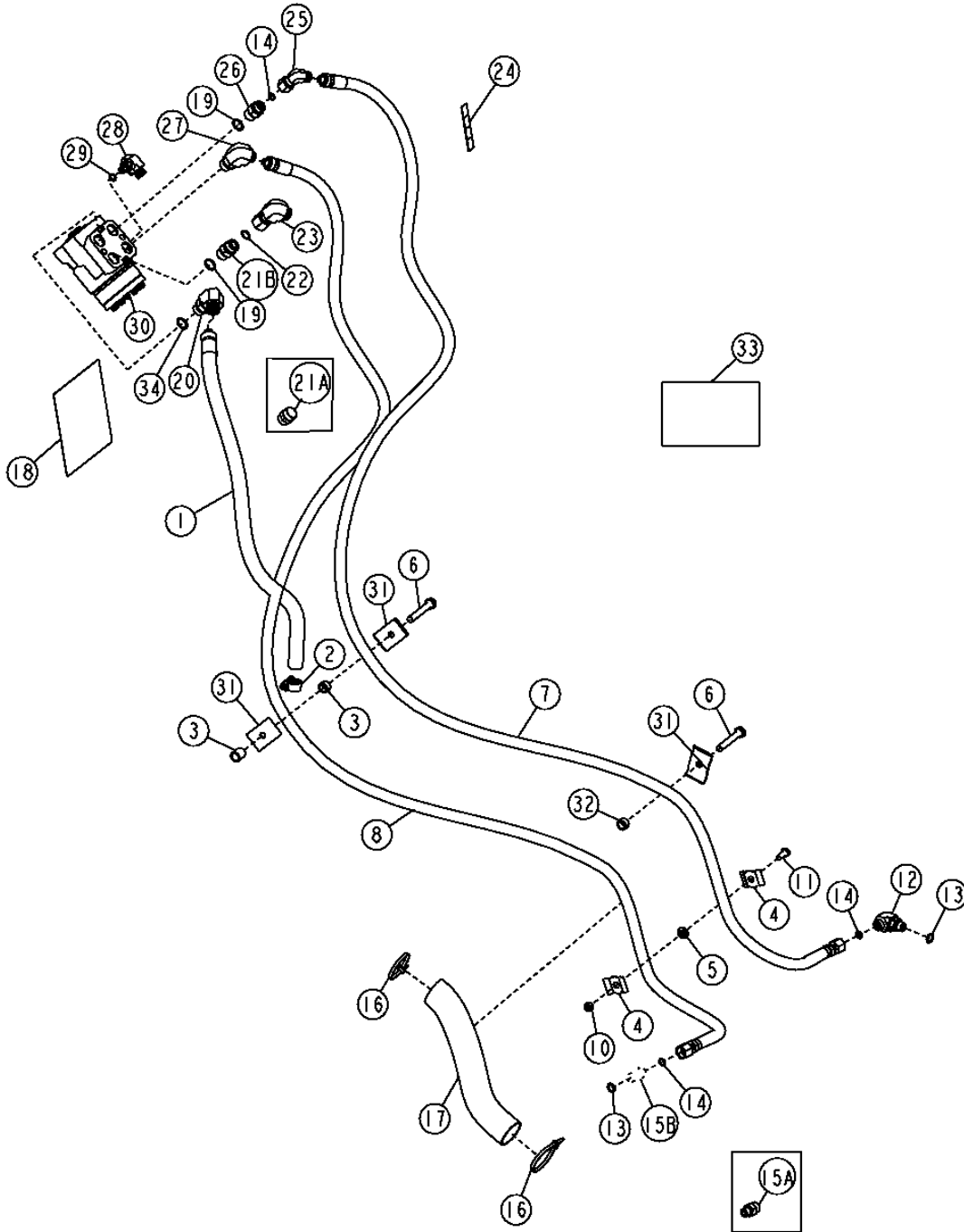
**STEERING HYDRAULICS (W/ MFWD)  
CIRCUIT HYDRAULIQUE DE DIRECTION (W/ MFWD)  
SISTEMA HIDRAULICO DE DIRECCION (W/ MFWD)**

| KEY | PART NO. | PART NAME                  | QTY. | SERIAL NO.    | 3 3<br>3 1 1<br>1 0 5<br>0 S S<br>G G G | REMARKS                              |
|-----|----------|----------------------------|------|---------------|---|--------------------------------------|
| 1   | AT184900 | HYDRAULIC HOSE - FABRICATE | 1    |               | X X X                                   | (ALSO ORDER 62H1043 AND T77857)      |
|     | 62H1043  | ADAPTER FITTING            | 1    |               | X X X                                   | STC™                                 |
|     | TY22464  | CLAMP                      | 1    |               | X X X                                   | (SUB FOR AR21836)                    |
| 3   | 28H3383  | BUSHING                    | 1    | -952043       | X X X                                   |                                      |
|     | 28H3421  | SPACER                     | 2    | 952044-       | X X X                                   |                                      |
| 4   | R27491   | CLAMP                      | 2    |               | X X X                                   |                                      |
| 5   | 24M7106  | WASHER                     | 1    |               | X X X                                   |                                      |
| 6   | 19M8412  | SCREW                      | 2    | -906604       | X X X                                   | (SUB FOR T184328)                    |
|     | 19M7742  | CAP SCREW                  | 2    | 906605-952043 | X X X                                   |                                      |
|     | 19M8600  | CAP SCREW                  | 2    | 952044-       | X X X                                   |                                      |
| 7   | AT184907 | HYDRAULIC HOSE - FABRICATE | 1    |               | X X X                                   | (ALSO ORDER 62H1042 AND T77613)      |
|     | 62H1042  | ADAPTER FITTING            | 1    |               | X X X                                   | STC™                                 |
| 8   | AT184908 | HYDRAULIC HOSE - FABRICATE | 1    |               | X X X                                   | (ALSO ORDER 62H1042 AND T77613)      |
|     | 62H1042  | ADAPTER FITTING            | 1    |               | X X X                                   | STC™                                 |
| 9   | 28H3394  | BUSHING                    | 1    | -952043       | X X X                                   |                                      |
| 10  | 19M7881  | SCREW                      | 1    |               | X X X                                   | M8 X 20                              |
| 11  | 14M7273  | NUT                        | 1    |               | X X X                                   | M8                                   |
| 12  | 38H1160  | ADAPTER FITTING            | 1    |               | X X X                                   |                                      |
| 13  | R26448   | O-RING                     | 2    |               | X X X                                   |                                      |
| 14  | T77613   | O-RING                     | 2    |               | X X X                                   |                                      |
| 15  | 38H1004  | ELBOW FITTING              | 1    |               | X X X                                   |                                      |
| 16  | R44302   | TIE BAND                   | 2    |               | X X X                                   |                                      |
| 17  | .....    | SLEEVE                     | 1    |               | X X X                                   | (CTL) 254MM (10") (MAKE FROM T78606) |
| 18  | T184319  | LABEL                      | 1    | -911132       | X X X                                   | HOSE                                 |
|     | T191425  | LABEL                      | 1    | 911133-       | X X X                                   |                                      |
| 19  | T184320  | LABEL                      | 1    |               | X X X                                   | HOSE                                 |
| 20  | AT195201 | ELBOW FITTING              | 1    |               | X X X                                   | (SUB FOR AT188009)                   |
| 21  | 38H1171  | ADAPTER FITTING            | 1    |               | X X X                                   |                                      |
| 22  | R26375   | O-RING                     | 4    |               | X X X                                   |                                      |
| 23  | AT187668 | ELBOW FITTING              | 1    | -911132       | X X X                                   |                                      |
|     | 38H1005  | ELBOW FITTING              | 1    | 911133-       | X X X                                   |                                      |
| 24  | AT188010 | ELBOW FITTING              | 1    |               | X X X                                   |                                      |
| 25  | R28782   | O-RING                     | 1    |               | X X X                                   |                                      |
| 26  | AT195202 | ELBOW FITTING              | 1    |               | X X X                                   | (SUB FOR AT188011)                   |
| 27  | AT195203 | ELBOW FITTING              | 1    |               | X X X                                   | (SUB FOR AT188182)                   |
| 28  | T77857   | O-RING                     | 1    | -911132       | X X X                                   |                                      |
| 29A | AT141527 | CHECK VALVE                | 1    | -911132       | X X X                                   |                                      |
| 29B | 38H1161  | ADAPTER FITTING            | 1    | 911133-       | X X X                                   |                                      |
| 30  | AT318271 | MANUAL HYDRAULIC VALVE     | 1    | -911132       | X X X                                   | (SUB FOR AT173411)                   |
|     | AT318271 | MANUAL HYDRAULIC VALVE     | 1    | 911133-       | X X X                                   | (SUB FOR AT198089 AND AT307738)      |
|     | AT316249 | SEAL KIT                   | 1    | 911133-       | X X X                                   | (SUB FOR AT198090)                   |
| 31  | R27491   | CLAMP                      | 4    | -906604       | X X X                                   |                                      |
|     | R46919   | HALF CLAMP                 | 3    | 906605-       | X X X                                   |                                      |
| 32  | 24M7106  | WASHER                     | 2    | -906604       | X X X                                   |                                      |
|     | 28H3412  | WASHER                     | 2    | 906605-952043 | X X X                                   |                                      |
|     | T166773  | WASHER                     | 1    | 952044-       | X X X                                   |                                      |
| 33  | AT193365 | KIT                        | 1    |               | X X X                                   | STC™ REPAIR (-06)                    |
|     | AT193366 | PUMP REPAIR KIT            | 1    |               | X X X                                   | STC™ REPAIR (-08)                    |
| 34  | R26375   | O-RING                     | 1    | -911132       | X X X                                   |                                      |
|     | T77857   | O-RING                     | 1    | 911133-       | X X X                                   |                                      |

# 0960-10

STEERING HYDRAULICS (W/O MFWD)  
CIRCUIT HYDRAULIQUE DE DIRECTION (W/O MFWD)  
SISTEMA HIDRAULICO DE DIRECCION (W/O MFWD)

T214094 -UN-08SEP05



T214094

# 0960-11

POWER/STEERING/HYDRAULIC/SYSTEM 0960  
**STEERING HYDRAULICS (W/O MFWD)**  
**CIRCUIT HYDRAULIQUE DE DIRECTION (W/O MFWD)**  
**SISTEMA HIDRAULICO DE DIRECCION (W/O MFWD)**

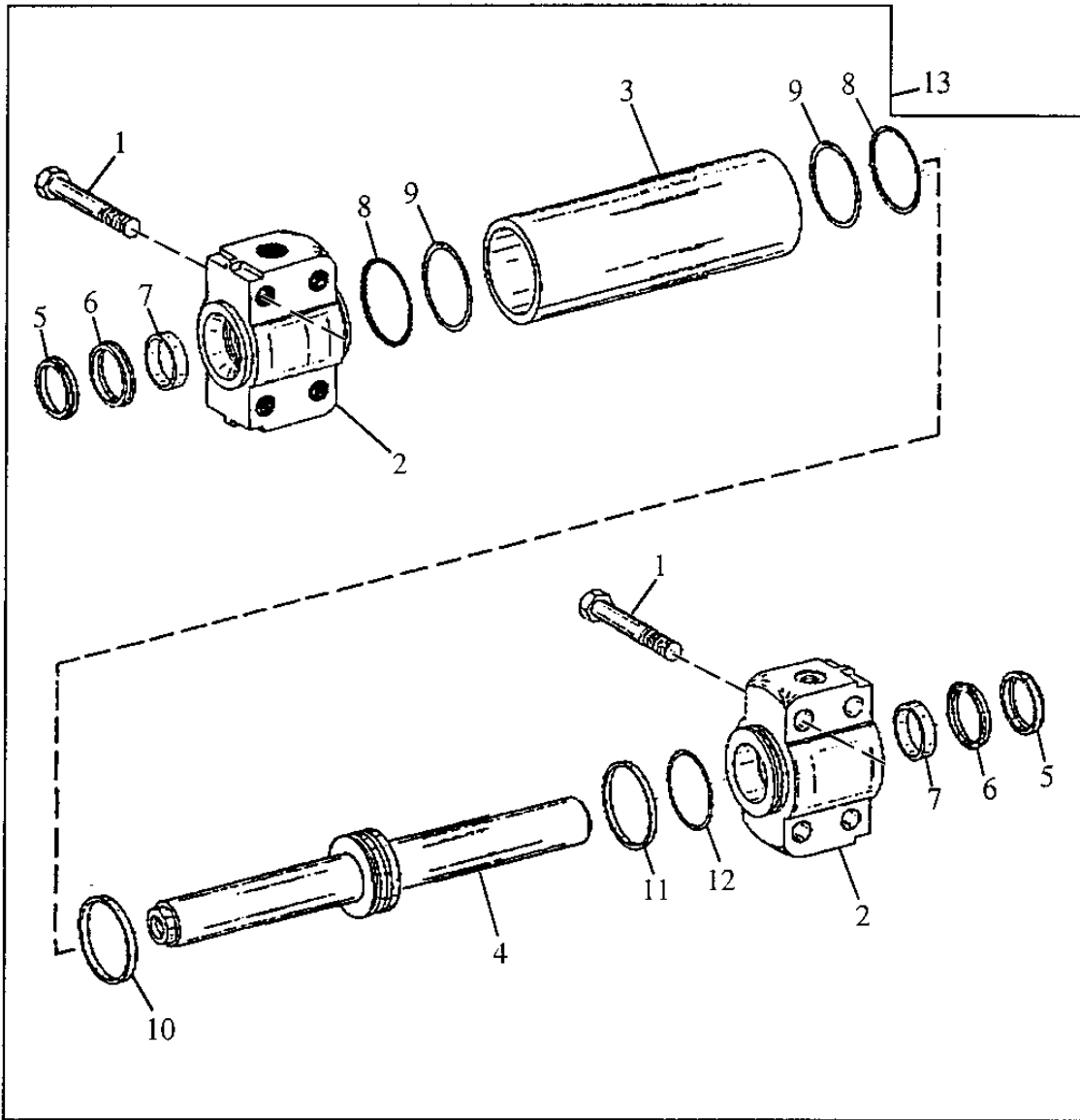
| KEY | PART NO. | PART NAME                  | QTY. | SERIAL NO.    | 3 3<br>3 1 1<br>1 0 5<br>0 S S<br>G G G | REMARKS  |
|-----|----------|----------------------------|------|---------------|---|--|
| 1   | AT184900 | HYDRAULIC HOSE - FABRICATE | 1    |               | X X X                                   | (ALSO ORDER 62H1043 AND T77857)                                  |
|     | 62H1043  | ADAPTER FITTING            | 1    |               | X X X                                   | STC™   |
| 2   | TY22464  | CLAMP                      | 1    |               | X X X                                   | (SUB FOR AR21836)  |
| 3   | 28H3383  | BUSHING                    | 1    | -911132       | X X X                                   |  |
|     | 28H3394  | BUSHING                    | 1    | 911133-952043 | X X X                                   |  |
|     | 28H3421  | SPACER                     | 1    | 952044-       | X X X                                   |  |
| 4   | R27491   | CLAMP                      | 2    | -911132       | X X X                                   |  |
| 5   | 24M7106  | WASHER                     | 1    | -911132       | X X X                                   |  |
| 6   | 19M8412  | SCREW                      | 2    | -906604       | X X X                                   | (SUB FOR T184328)  |
|     | 19M7742  | CAP SCREW                  | 2    | 906605-952043 | X X X                                   |  |
|     | 19M8600  | CAP SCREW                  | 2    | 952044-       | X X X                                   |  |
| 7   | AT184903 | HYDRAULIC HOSE - FABRICATE | 1    | -911132       | X X X                                   | (ALSO ORDER 62H1042 AND T77613)                                  |
|     | AT197852 | HYDRAULIC HOSE - FABRICATE | 1    | 911133-       | X X X                                   | 9/16" X 2 540 MM (100") X 9/16", (ALSO ORDER 62H1042 AND T77613) |
|     | 62H1042  | ADAPTER FITTING            | 1    |               | X X X                                   | STC™   |
| 8   | AT184902 | HYDRAULIC HOSE - FABRICATE | 1    |               | X X X                                   | (ALSO ORDER 62H1042 AND T77613)                                  |
|     | 62H1042  | ADAPTER FITTING            | 1    |               | X X X                                   | STC™   |
| 9   | 28H3394  | BUSHING                    | 1    | -952043       | X X X                                   |  |
| 10  | 14M7273  | NUT                        | 1    | -911132       | X X X                                   |  |
| 11  | 19M7881  | SCREW                      | 1    | -911132       | X X X                                   |  |
| 12  | 38H1004  | ELBOW FITTING              | 1    |               | X X X                                   |  |
| 13  | R26448   | O-RING                     | 2    |               | X X X                                   |  |
| 14  | T77613   | O-RING                     | 3    |               | X X X                                   |  |
| 15A | 38H1160  | ADAPTER FITTING            | 1    | -911132       | X X X                                   |  |
| 15B | 38H1004  | ELBOW FITTING              | AR   | 911133-       | X X X                                   | 3/8"   |
|     | 38H1010  | ELBOW FITTING              | AR   | 911133-       | X X X                                   | 1/2"   |
| 16  | R44302   | TIE BAND                   | 2    |               | X X X                                   |  |
| 17  | .....    | SLEEVE                     | 1    |               | X X X                                   | (CTL) 254MM (10") (MAKE FROM T78606)                             |
| 18  | T184319  | LABEL                      | 1    | -911132       | X X X                                   | HOSE   |
|     | T191425  | LABEL                      | 1    | 911133-       | X X X                                   |  |
| 19  | R26375   | O-RING                     | 4    |               | X X X                                   |  |
| 20  | AT187668 | ELBOW FITTING              | 1    | -911132       | X X X                                   |  |
|     | 38H1005  | ELBOW FITTING              | 1    | 911133-       | X X X                                   |  |
| 21A | AT141527 | CHECK VALVE                | 1    | -911132       | X X X                                   |  |
| 21B | 38H1161  | ADAPTER FITTING            | 1    | 911133-       | X X X                                   |  |
| 22  | T77857   | O-RING                     | 1    |               | X X X                                   |  |
| 23  | AT195203 | ELBOW FITTING              | 1    |               | X X X                                   | (SUB FOR AT188182)   |
| 24  | T184320  | LABEL                      | 1    |               | X X X                                   | HOSE   |
| 25  | AT195201 | ELBOW FITTING              | 1    |               | X X X                                   | (SUB FOR AT188009)   |
| 26  | 38H1171  | ADAPTER FITTING            | 1    |               | X X X                                   |  |
| 27  | AT195202 | ELBOW FITTING              | 1    |               | X X X                                   | (SUB FOR AT188011)   |
| 28  | AT188010 | ELBOW FITTING              | 1    |               | X X X                                   |  |
| 29  | R28782   | O-RING                     | 1    |               | X X X                                   |  |
| 30  | AT318271 | MANUAL HYDRAULIC VALVE     | 1    | -911132       | X X X                                   | (SUB FOR AT173411)   |
|     | AT318271 | MANUAL HYDRAULIC VALVE     | 1    | 911133-       | X X X                                   | (SUB FOR AT198089 AND AT307738)                                  |
|     | AT316249 | SEAL KIT                   | 1    | 911133-       | X X X                                   | (SUB FOR AT198090)   |
| 31  | R27491   | CLAMP                      | 4    | -906604       | X X X                                   |  |
|     | R46919   | HALF CLAMP                 | 3    | 906605-       | X X X                                   |  |
| 32  | 24M7106  | WASHER                     | 2    | -906604       | X X X                                   |  |
|     | 28H3412  | WASHER                     | 2    | 906605-952043 | X X X                                   |  |
|     | T166773  | WASHER                     | 1    | 952044-       | X X X                                   |  |
| 33  | AT193365 | KIT                        | 1    |               | X X X                                   | STC™ REPAIR (-06)  |
|     | AT193366 | PUMP REPAIR KIT            | 1    |               | X X X                                   | STC™ REPAIR (-08)  |
| 34  | R26375   | O-RING                     | 1    | -911132       | X X X                                   |  |
|     | T77857   | O-RING                     | 1    | 911133-       | X X X                                   |  |

# 0960-12

STEERING CYLINDER (MFWD)  
VERIN DE DIRECTION (MFWD)  
CILINDRO DE LA DIRECCION (MFWD)

T200302

-UN-26MAY04



14 — 5,6,7,8,9,10,11,12

T200302

# 0960-13

STEERING SYSTEM 9

POWER!STEERING!HYDRAULIC!SYSTEM 0960

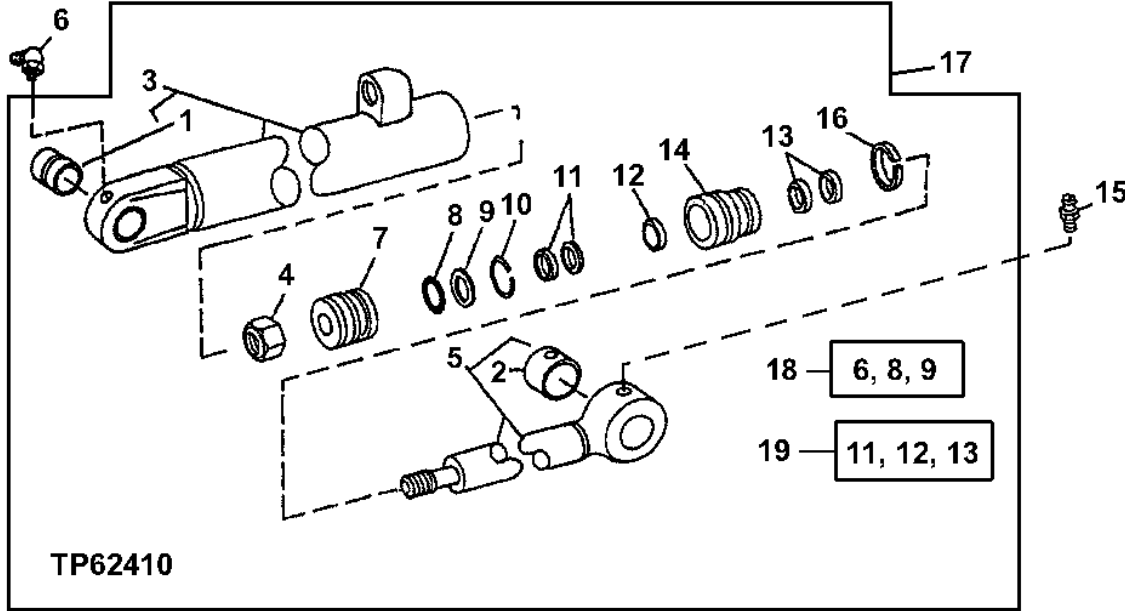
STEERING CYLINDER (MFWD)  
 VERIN DE DIRECTION (MFWD)  
 CILINDRO DE LA DIRECCION (MFWD)

| KEY | PART NO. | PART NAME                 | QTY. | AXLE<br>SERIAL NO. | 3 3<br>3 1 1<br>1 0 5<br>0 S S<br>G G G | REMARKS                          |
|-----|----------|---------------------------|------|--------------------|---|----------------------------------|
| 1   | 19M8632  | CAP SCREW                 | 8    |                    | X X X                                   | M16 X 75                         |
| 2   | T153723  | HYDRAULIC CYLINDER CAP    | 2    | -394241            | X                                       |                                  |
|     | .....    | HYDRAULIC CYLINDER CAP    | 2    | 394242-            | X                                       | ( T213799 NLA) (ORDER AT195570)  |
|     | T153723  | HYDRAULIC CYLINDER CAP    | 2    | -416701            | X X                                     |                                  |
|     | .....    | HYDRAULIC CYLINDER CAP    | 2    | 416702-            | X X                                     | ( T213799 NLA) (ORDER AT195570)  |
| 3   | T153742  | HYDRAULIC CYLINDER BARREL | 1    | -394241            | X                                       |                                  |
|     | .....    | HYDRAULIC CYLINDER BARREL | 1    | 394242-            | X                                       | ( T213800 NLA) (ORDER AT195570)  |
|     | T153742  | HYDRAULIC CYLINDER BARREL | 1    | -416701            | X X                                     |                                  |
|     | .....    | HYDRAULIC CYLINDER BARREL | 1    | 416702-            | X X                                     | ( T213800 NLA) (ORDER AT195570)  |
| 4   | AT195573 | ROD                       | 1    | -394241            | X                                       | (SUB FOR T153743)                |
|     | .....    | ROD                       | 1    | 394242-            | X                                       | ( AT318551 NLA) (ORDER AT195570) |
|     | AT195573 | ROD                       | 1    | -416701            | X X                                     | (SUB FOR T153743)                |
|     | .....    | ROD                       | 1    | 416702-            | X X                                     | ( AT318551 NLA) (ORDER AT195570) |
| 5   | .....    | SEAL                      | 2    |                    | X X X                                   | (A)                              |
| 6   | .....    | SEAL                      | 2    |                    | X X X                                   | (A)                              |
| 7   | .....    | GUIDE                     | 2    |                    | X X X                                   | (A)                              |
| 8   | .....    | O-RING                    | 2    |                    | X X X                                   | (A)                              |
| 9   | .....    | RING                      | 2    |                    | X X X                                   | (A)                              |
| 10  | .....    | SEAL                      | 1    |                    | X X X                                   | (A)                              |
| 11  | .....    | GUIDE                     | 1    |                    | X X X                                   | (A)                              |
| 12  | .....    | O-RING                    | 1    |                    | X X X                                   | (A)                              |
| 13  | AT195570 | CYLINDER                  | 1    |                    | X X X                                   | (SUB FOR AT167332)               |
| 14  | T153744  | HYDRAULIC CYLINDER KIT    | 1    | -394241            | X                                       | INCLUDES ALL PARTS MARKED (A)    |
|     | T213801  | HYDRAULIC CYLINDER KIT    | 1    | 394242-            | X                                       | INCLUDES ALL PARTS MARKED (A)    |
|     | T153744  | HYDRAULIC CYLINDER KIT    | 1    | -416701            | X X                                     | INCLUDES ALL PARTS MARKED (A)    |
|     | T213801  | HYDRAULIC CYLINDER KIT    | 1    | 416702-            | X X                                     | INCLUDES ALL PARTS MARKED (A)    |

# 0960-14

POWER STEERING CYLINDER (W/O MFWD) (SN -911131)  
 VERIN DE DIRECTION ASSISTEE (W/O MFWD) (SN -911131)  
 CILINDRO DE LA SERVODIRECCION (W/O MFWD) (SN -911131)

TP62410 -UN-15MAY00



| KEY | PART NO. | PART NAME                 | QTY. | SERIAL NO.      | REMARKS   |
|-----|----------|---------------------------|------|-----------------|---|
|     |          |                           |      | 3 3             |   |
|     |          |                           |      | 3 1 1           |   |
|     |          |                           |      | 1 0 5           |   |
|     |          |                           |      | 0 S S           |   |
|     |          |                           |      | G G G           |   |
| 1   | R81854   | BUSHING                   | 1    | X X X           |   |
| 2   | R72700   | BUSHING                   | 1    | X X X           |   |
| 3   | RE22413  | HYDRAULIC CYLINDER BARREL | 1    | X X X           |   |
| 4   | H170534  | NUT                       | 1    | X X X           |   |
| 5   | RE22415  | HYDRAULIC CYLINDER ROD    | 1    | X X X           |   |
| 6   | JD7838   | ADAPTER FITTING           | 1    | X X X (A)       |   |
| 7   | AH138200 | PISTON                    | 1    | X X X           | INCLUDES WEAR RINGS AND SEALS                       |
| 8   | H158942  | O-RING                    | 1    | X X X (A)       |   |
| 9   | R79117   | BACK-UP RING              | 1    | X X X (A)       |   |
| 10  | R82571   | SNAP RING                 | 1    | X X X           |   |
| 11  | AH151381 | SEAL                      | 1    | X X X (B)       |   |
| 12  | H158676  | SEAL                      | 1    | X X X (B)       |   |
| 13  | AH151380 | SEAL                      | 1    | X X X (B)       |   |
| 14  | H157662  | HYDR. CYLINDER ROD GUIDE  | 1    | X X X           |   |
| 15  | T162396  | LUBRICATION FITTING       | 1    | X X X (ROD END) |   |
| 16  | R90565   | SNAP RING                 | 1    | X X X           |   |
| 17  | .....    | HYDRAULIC CYLINDER        | 1    | X X X           | (AH154780 NLA) (SUB AH216821)                       |
| 18  | AH167552 | HYDRAULIC CYLINDER KIT    | 1    | X X X           | CYLINDER BORE REPAIR, INCLUDES ALL PARTS MARKED (A) |
| 19  | AH149810 | HYDRAULIC CYLINDER KIT    | 1    | X X X           | CYLINDER ROD REPAIR, INCLUDES ALL PARTS MARKED (B)  |



# 0960-15

STEERING SYSTEM 9

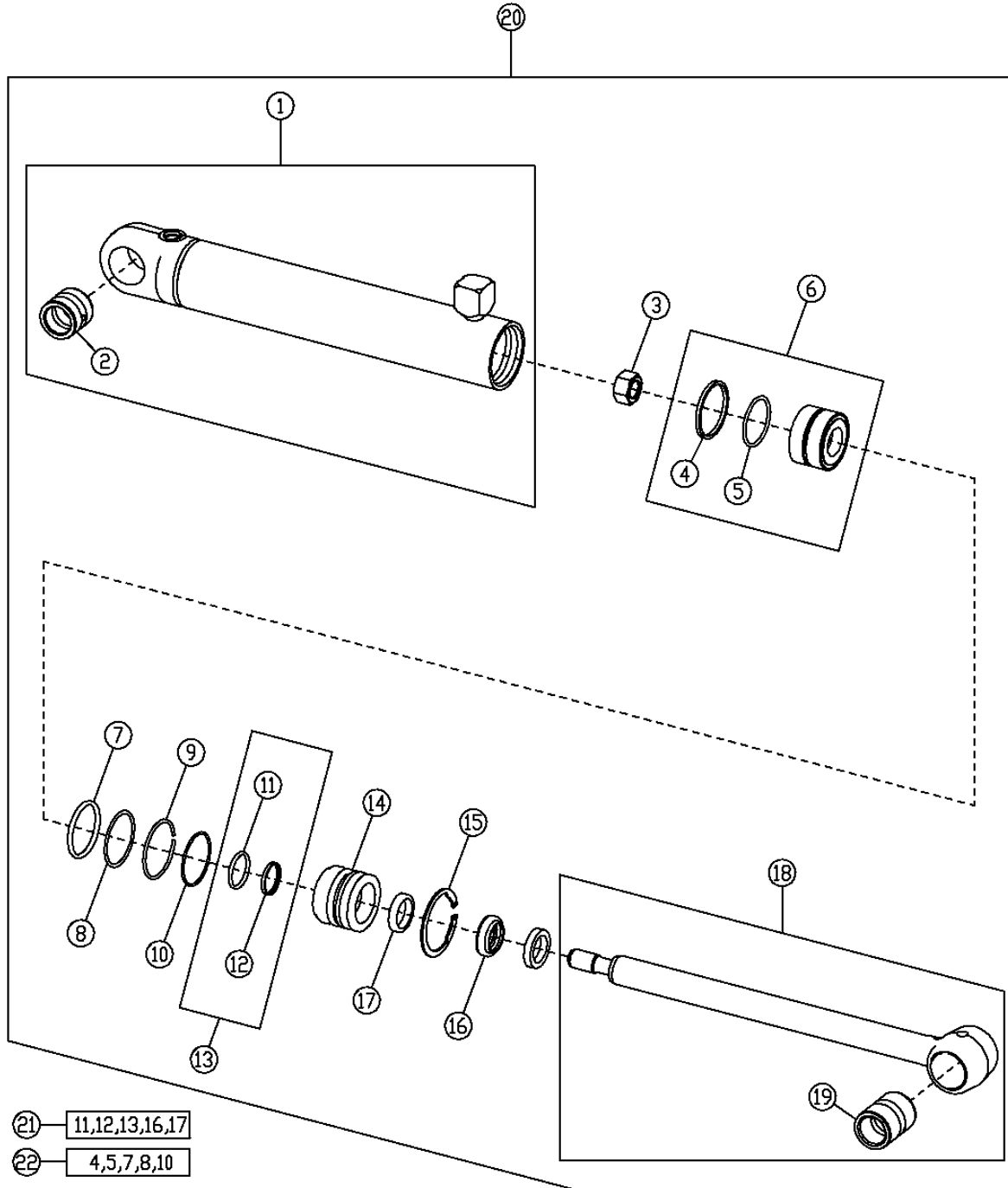
POWER!STEERING!HYDRAULIC!SYSTEM 0960

MEMORANDA  
MEMORANDA  
MEMORANDA

# 0960-16

POWER STEERING HYDRAULIC SYSTEM 0960  
 REPLACEMENT POWER STEERING CYLINDER (W/O MFWD) (SN -911131)  
 VERIN DE DIRECTION ASSISTEE DE RECHANGE (W/O MFWD) (SN -911131)  
 CILINDRO DE SERVODIRECCION DE REPUESTO (W/O MFWD) (SN -911131)

T212092 -UN-14JUL05



21 11,12,13,16,17

22 4,5,7,8,10

T212092

THIS PARTS LISTING IS CONTINUED

# 0960-17

STEERING SYSTEM 9

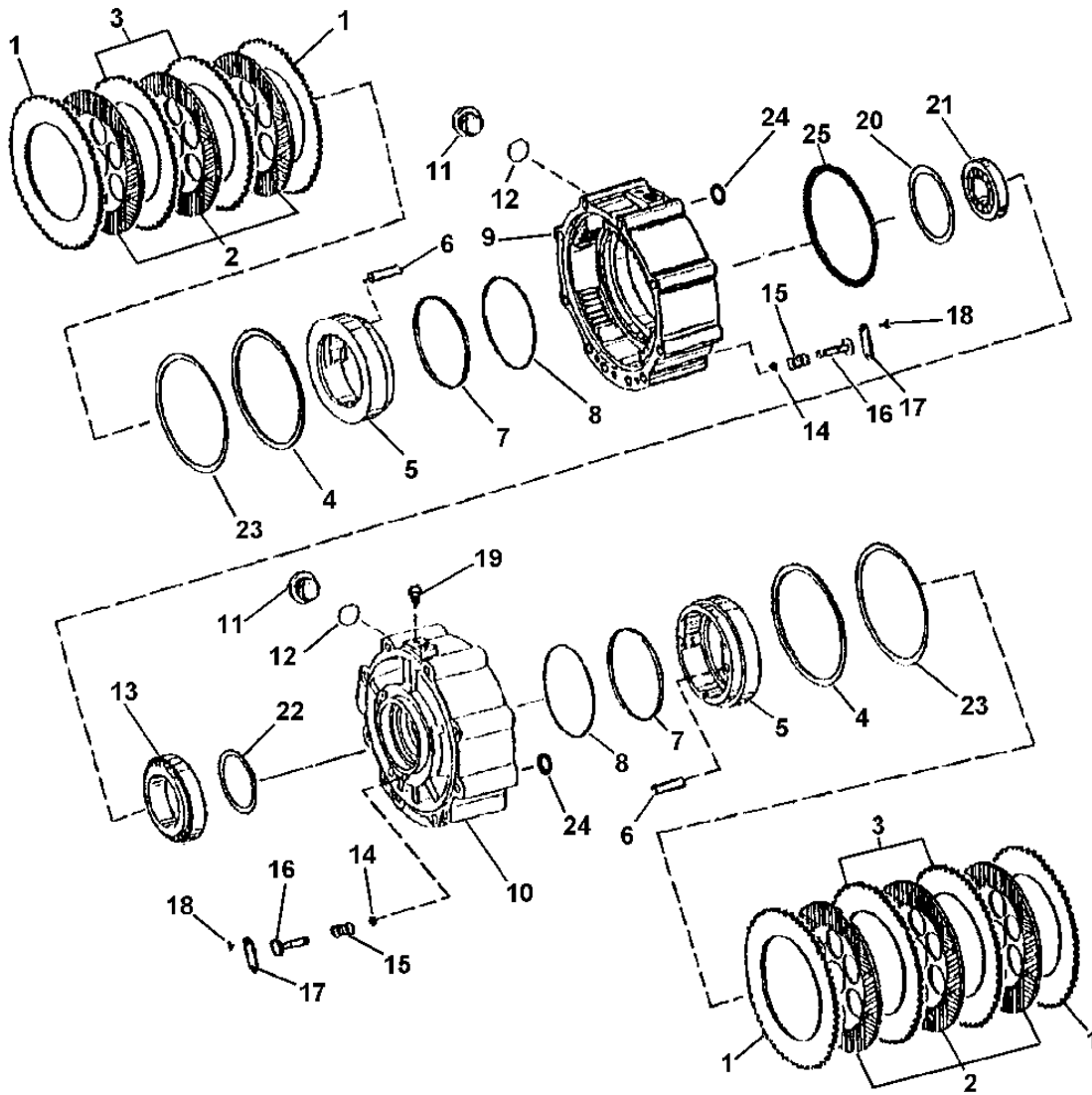
POWER STEERING HYDRAULIC SYSTEM 0960  
 REPLACEMENT POWER STEERING CYLINDER (W/O MFWD) (SN -911131)  
 VERIN DE DIRECTION ASSISTEE DE RECHANGE (W/O MFWD) (SN -911131)  
 CILINDRO DE SERVODIRECCION DE REPUESTO (W/O MFWD) (SN -911131)

| KEY | PART NO. | PART NAME                 | QTY. | SERIAL NO. | REMARKS   |
|-----|----------|---------------------------|------|------------|---|
| 1   | AH216822 | HYDRAULIC CYLINDER BARREL | 1    |            |   |
| 2   | R81854   | BUSHING                   | 1    |            |   |
| 3   | H170534  | NUT                       | 1    |            |   |
| 4   | H144342  | PISTON RING               | 1    | (B)        |   |
| 5   | U15973   | O-RING                    | 1    | (B)        |   |
| 6   | AH138200 | PISTON                    | 1    |            |   |
| 7   | H158942  | O-RING                    | 1    | (B)        |   |
| 8   | R79117   | BACK-UP RING              | 1    | (B)        |   |
| 9   | H164359  | SNAP RING                 | 1    |            |   |
| 10  | T22828   | O-RING                    | 1    | (B)        |   |
| 11  | H158674  | SEAL                      | 1    | (A)        |   |
| 12  | H158675  | SEAL                      | 1    | (A)        |   |
| 13  | AH151381 | SEAL                      | 1    | (A)        |   |
| 14  | H157662  | HYDR. CYLINDER ROD GUIDE  | 1    |            |   |
| 15  | R82571   | SNAP RING                 | 1    |            |   |
| 16  | AH151380 | SEAL                      | 1    | (A)        |   |
| 17  | H158676  | SEAL                      | 1    | (A)        |   |
| 18  | RE22415  | HYDRAULIC CYLINDER ROD    | 1    |            |   |
| 19  | R72700   | BUSHING                   | 1    |            |   |
| 20  | AH216821 | HYDRAULIC CYLINDER        | 1    |            |   |
| 21  | AH149810 | HYDRAULIC CYLINDER KIT    | 1    |            | CYLINDER BORE REPAIR, INCLUDES ALL PARTS MARKED (A) |
| 22  | AH167552 | HYDRAULIC CYLINDER KIT    | 1    |            | CYLINDER ROD REPAIR, INCLUDES ALL PARTS MARKED (B)  |

# 1011-2

## SERVICE BRAKE ASSEMBLY FREIN DE SERVICE CONJUNTO DE FRENOS DE SERVICIO

T138068 -UN-16FEB01



T138068

# 1011-3

**SERVICE BRAKE ASSEMBLY  
FREIN DE SERVICE  
CONJUNTO DE FRENOS DE SERVICIO**

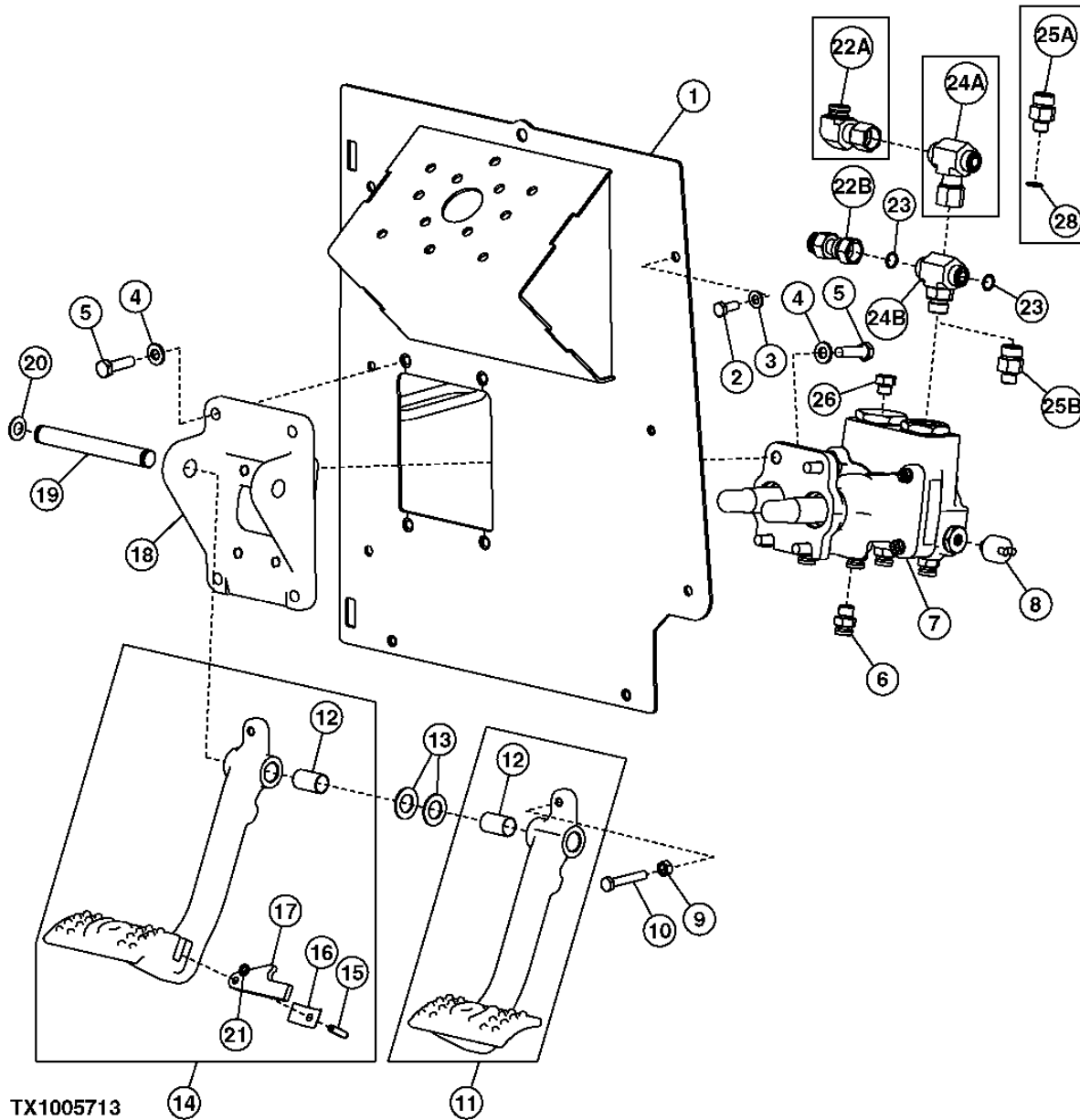
| KEY | PART NO. | PART NAME              | QTY. | SERIAL NO. | REMARKS          |
|-----|----------|------------------------|------|------------|------------------|
|     |          |                        |      | 3 3        |                  |
|     |          |                        |      | 3 1 1      |                  |
|     |          |                        |      | 1 0 5      |                  |
|     |          |                        |      | 0 S S      |                  |
|     |          |                        |      | G G G      |                  |
| 1   | T159409  | PLATE                  | 4    | X X X      | 3MM (0.1181")    |
| 2   | AT179503 | BRAKE DISK             | 6    | X X X      |                  |
| 3   | T161233  | DISK                   | 4    | X X X      | 4MM (0.1575")    |
| 4   | T159402  | SEAL                   | 2    | X X X      |                  |
| 5   | T185443  | PISTON                 | 2    | X X X      |                  |
| 6   | T159399  | DOWEL PIN              | 4    | X X X      |                  |
| 7   | T159400  | SEAL                   | 2    | X X X      |                  |
| 8   | T159401  | BACK-UP RING           | 2    | X X X      |                  |
| 9   | T159396  | HOUSING                | 1    | X X X      | RH               |
| 10  | T159397  | HOUSING                | 1    | X X X      | LH               |
| 11  | 15M7030  | PIPE PLUG              | 2    | X X X      |                  |
| 12  | L55580   | O-RING                 | 2    | X X X      |                  |
| 13  | AT179504 | TAPERED ROLLER BEARING | 1    | X X X      | LH               |
| 14  | T159407  | RING                   | 6    | X X X      |                  |
| 15  | T159408  | SPRING                 | 6    | X X X      |                  |
| 16  | T159406  | PIN                    | 6    | X X X      |                  |
| 17  | T159398  | LOCK PLATE             | 6    | X X X      |                  |
| 18  | 19M8425  | CAP SCREW              | 12   | X X X      |                  |
| 19  | T162517  | BLEED VALVE            | 2    | X X X      |                  |
| 20  | T161247  | SHIM                   | 1    | X X X      | .20MM (0.0079")  |
|     | T161246  | SHIM                   | 1    | X X X      | .30MM (0.0118")  |
|     | T161245  | SHIM                   | 1    | X X X      | .40MM (0.0157")  |
|     | T161244  | SHIM                   | 1    | X X X      | .50MM (0.0197")  |
|     | T161243  | SHIM                   | 1    | X X X      | .70MM (0.0276")  |
|     | T161242  | SHIM                   | 1    | X X X      | .75MM (0.0295")  |
|     | T161241  | SHIM                   | 1    | X X X      | .80MM (0.0315")  |
|     | T161240  | SHIM                   | 1    | X X X      | .85MM (0.0335")  |
|     | T161239  | SHIM                   | 1    | X X X      | .90MM (0.0354")  |
|     | T161238  | SHIM                   | 1    | X X X      | .95MM (0.0374")  |
|     | T159435  | SHIM                   | 1    | X X X      | 1.0MM (0.0394")  |
|     | T159431  | SHIM                   | 1    | X X X      | 1.2MM (0.0472")  |
|     | T159429  | SHIM                   | 1    | X X X      | 1.3MM (0.0512")  |
|     | T159427  | SHIM                   | 1    | X X X      | 1.4MM (0.0551")  |
|     | T159425  | SHIM                   | 1    | X X X      | 1.5MM (0.0591")  |
| 21  | AT179505 | TAPERED ROLLER BEARING | 1    | X X X      | RH               |
| 22  | T159444  | SHIM                   | 1    | X X X      | .10MM (0.0039")  |
|     | T159445  | SHIM                   | 1    | X X X      | .15MM (0.0059")  |
|     | T159443  | SHIM                   | 1    | X X X      | .20MM (0.0079")  |
|     | T159440  | SHIM                   | 1    | X X X      | .30MM (0.0118")  |
|     | T159441  | SHIM                   | 1    | X X X      | .50MM (0.0197")  |
|     | T159442  | SHIM                   | 1    | X X X      | 1.0MM (0.0394")  |
|     | T159446  | SHIM                   | 1    | X X X      | 1.1MM (0.0433")  |
|     | T159447  | SHIM                   | 1    | X X X      | 1.2MM (0.0472")  |
|     | T159448  | SHIM                   | 1    | X X X      | 1.3MM (0.0511")  |
|     | T159449  | SHIM                   | 1    | X X X      | 1.4MM (0.0551")  |
|     | T159450  | SHIM                   | 1    | X X X      | 1.5MM (0.0591")  |
|     | T159451  | SHIM                   | 1    | X X X      | 1.6MM (0.0630")  |
|     | T159452  | SHIM                   | 1    | X X X      | 1.7MM (0.0670")  |
|     | T159453  | SHIM                   | 1    | X X X      | 1.8MM (0.0709")  |
|     | T183500  | SOLID SHIM             | 1    | X X X      | 2.15MM (0.0846") |
|     | T183502  | SOLID SHIM             | 1    | X X X      | 2.25MM (0.0886") |
|     | T183505  | SOLID SHIM             | 1    | X X X      | 2.4MM (0.0945")  |
|     | T183506  | SOLID SHIM             | 1    | X X X      | 2.45MM (0.0965") |
|     | T183507  | SOLID SHIM             | 1    | X X X      | 2.5MM (0.0984")  |
|     | T159457  | SHIM                   | 1    | X X X      | 2.8MM (0.1102")  |
|     | T159459  | SHIM                   | 1    | X X X      | 3.0MM (0.1181")  |
|     | T159461  | SHIM                   | 1    | X X X      | 3.2MM (0.1260")  |
|     | T159463  | SHIM                   | 1    | X X X      | 3.4MM (0.1339")  |
| 23  | T159403  | BACK-UP RING           | 2    | X X X      |                  |
| 24  | T159373  | O-RING                 | 8    | X X X      |                  |
| 25  | T159362  | O-RING                 | 1    | X X X      |                  |

# 1060-2

## BRAKE VALVE AND PEDALS SOUPAPE ET PEDALES DES FREINS VALVULA Y PEDLES DE FRENO

TX1005713

-UN-03APR06



TX1005713

14

11

# 1060-3

SERVICE BRAKES 10

SERVICE BRAKES:HYDRAULICS 1060

**BRAKE VALVE AND PEDALS  
SOUPAPE ET PEDALES DES FREINS  
VALVULA Y PEDLES DE FRENO**

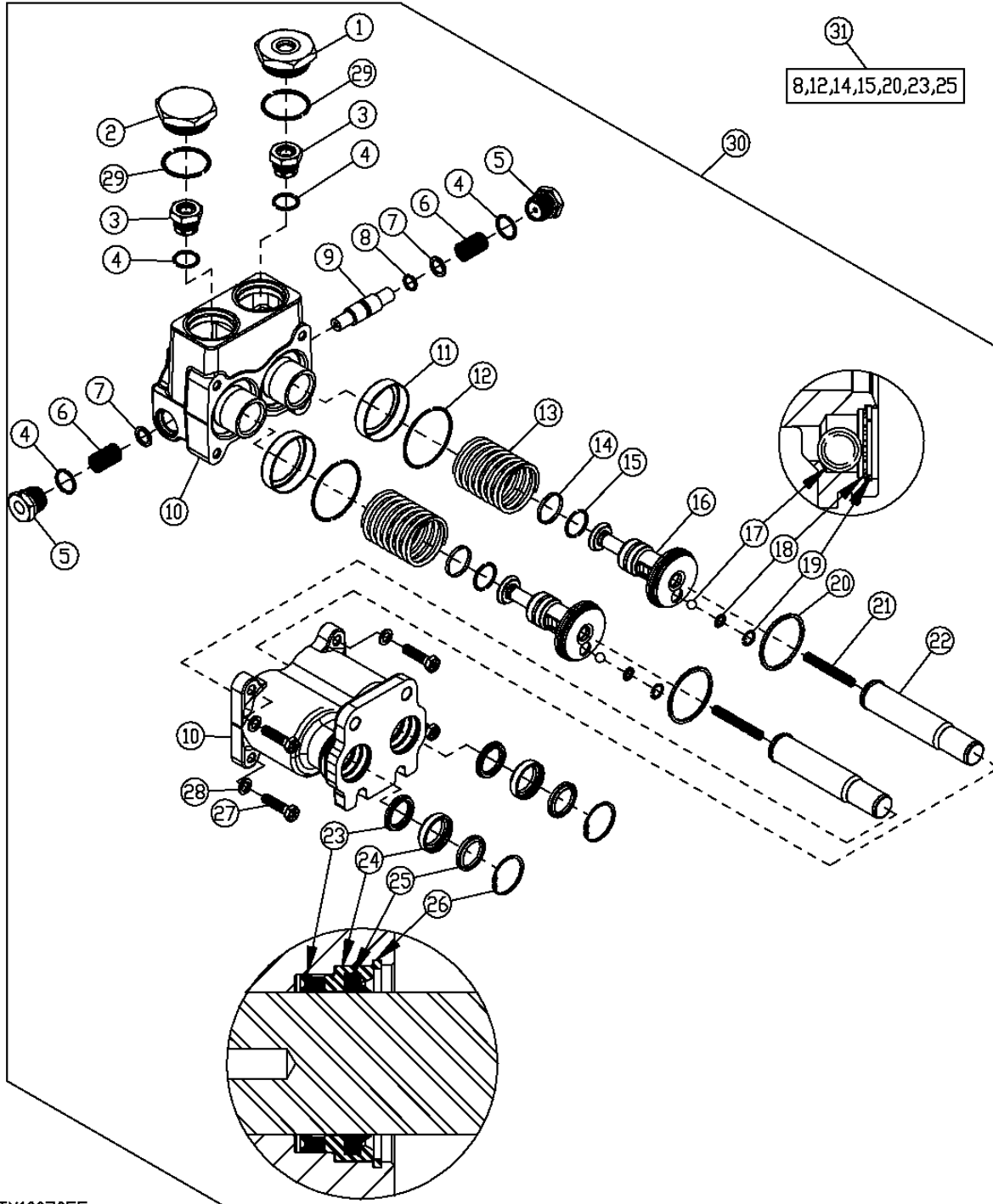
| KEY | PART NO. | PART NAME              | QTY. | SERIAL NO.    | REMARKS                  |
|-----|----------|------------------------|------|---------------|--------------------------|
|     |          |                        |      |               | 3 3                      |
|     |          |                        |      |               | 3 1 1                    |
|     |          |                        |      |               | 1 0 5                    |
|     |          |                        |      |               | 0 S S                    |
|     |          |                        |      |               | G G G                    |
| 1   | AT186839 | SUPPORT                | 1    |               | X X X                    |
| 2   | 19M7881  | SCREW                  | 4    |               | X X X M8 X 20            |
| 3   | 24M7238  | WASHER                 | 4    |               | X X X                    |
| 4   | 24M7239  | WASHER                 | 8    |               | X X X                    |
| 5   | 19M7550  | CAP SCREW              | 8    |               | X X X M10 X 35           |
| 6   | AT187666 | ADAPTER FITTING        | 7    |               | X X X                    |
|     | AT193365 | KIT                    | 1    |               | X X X STC                |
| 7   | AT304761 | MANUAL HYDRAULIC VALVE | 1    |               | X X X (SUB FOR AT184578) |
| 8   | R32548   | PRESSURE SWITCH        | 2    |               | X X X (BRAKE LIGHT)      |
| 9   | 14M7273  | NUT                    | 2    |               | X X X M8                 |
| 10  | 19M7164  | CAP SCREW              | 2    |               | X X X M8 X 50            |
| 11  | AT184592 | PEDAL                  | 1    |               | X X X RH                 |
| 12  | B177R    | BUSHING                | 1    |               | X X X                    |
| 13  | 24H1381  | WASHER                 | 2    |               | X X X                    |
| 14  | AT184579 | PEDAL                  | 1    |               | X X X LH                 |
| 15  | 34H212   | SPRING PIN             | 1    |               | X X X 5/64" X 5/8"       |
| 16  | R50034   | LEAF SPRING            | 1    |               | X X X                    |
| 17  | R50879   | ARM                    | 1    |               | X X X                    |
| 18  | T166171  | BRACKET                | 1    |               | X X X                    |
| 19  | T165282  | PIN FASTENER           | 1    |               | X X X                    |
| 20  | F2863R   | SNAP RING              | 2    |               | X X X                    |
| 21  | 24H1285  | WASHER                 | AR   |               | X X X                    |
| 22A | AT195203 | ELBOW FITTING          | 1    | 911133-913416 | X X X TO RESERVOIR       |
| 22B | AT280459 | ADAPTER FITTING        | 1    | 913417-       | X X X TO RESERVOIR       |
| 23  | T77857   | O-RING                 | 2    | 911133-       | X X X                    |
| 24A | 38H1039  | TEE FITTING            | 1    | 911133-922272 | X X X                    |
| 24B | 38H1017  | TEE FITTING            | 1    | 922273-       | X X X                    |
| 25A | AT187666 | ADAPTER FITTING        | 1    | 911133-922272 | X X X                    |
| 25B | 38H1173  | ADAPTER FITTING        | 1    | 911133-922272 | X X X                    |
| 26  | R27218   | FITTING PLUG           | 1    | 911133-922272 | X X X                    |
| 27  | T77857   | O-RING                 | 1    | -922272       | X X X                    |
|     | R26375   | O-RING                 | 1    | 922273-       | X X X                    |
| 28  | R26448   | O-RING                 | 1    | -922272       | X X X                    |

# 1060-4

## BRAKE VALVE ASSEMBLY CLAPET DE FREIN CONJUNTO DE VALVULA DE FRENOS

TX1007055

-UN-27APR06



TX1007055



# 1060-5

SERVICE BRAKES 10

SERVICE BRAKES:HYDRAULICS 1060

**BRAKE VALVE ASSEMBLY  
CLAPET DE FREIN  
CONJUNTO DE VALVULA DE FRENOS**

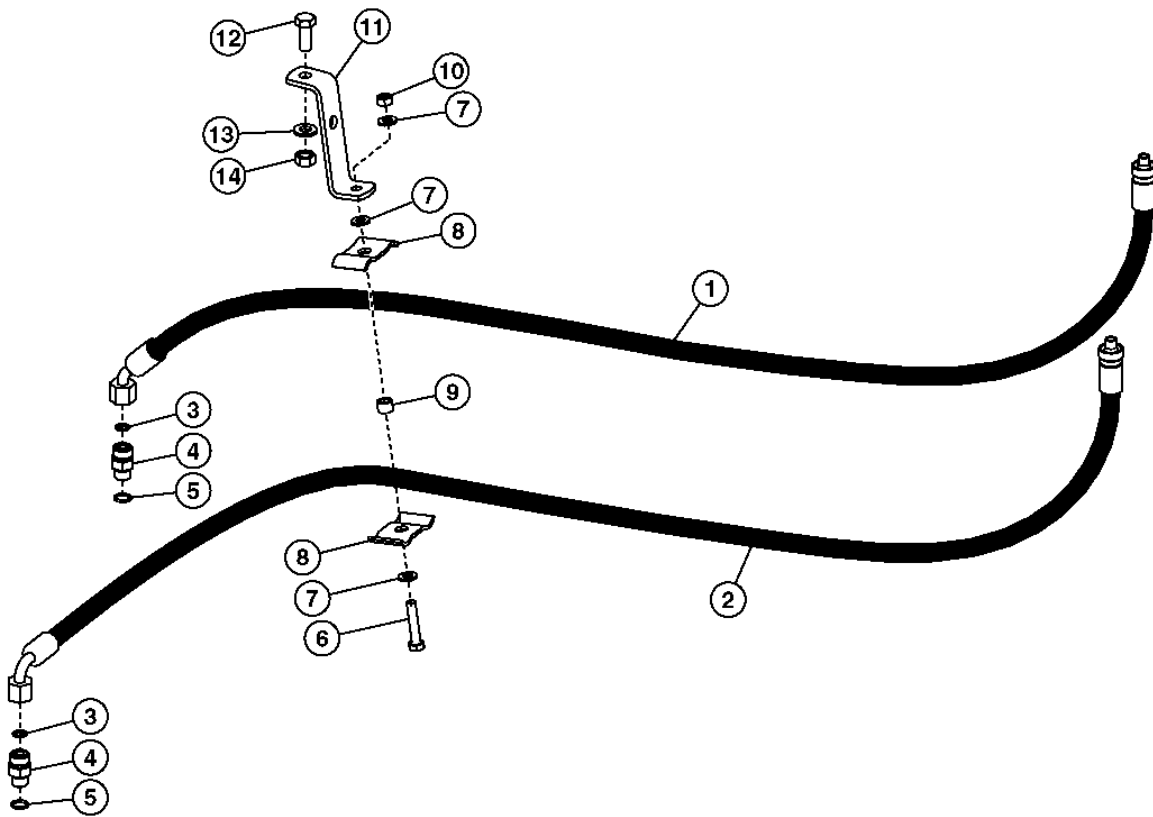
| KEY | PART NO. | PART NAME              | QTY. | SERIAL NO. | 3 3<br>3 1 1<br>1 0 5<br>0 S S<br>G G G | REMARKS   |
|-----|----------|------------------------|------|------------|---|---|
| 1   | T183268  | FITTING                | 1    | -922272    | X X X                                   |   |
|     | T203385  | REDUCER                | 1    | 922273-    | X X X                                   |   |
| 2   | T183268  | FITTING                | 1    | -922272    | X X X                                   |   |
|     | T203374  | FITTING PLUG           | 1    | 922273-    | X X X                                   |   |
| 3   | AT188343 | CHECK VALVE            | 2    |            | X X X                                   |   |
| 4   | R26906   | O-RING                 | 4    |            | X X X                                   |   |
| 5   | T185926  | PLUG                   | 2    |            | X X X                                   |   |
| 6   | T183274  | SPRING                 | 2    |            | X X X                                   |   |
| 7   | T183273  | WASHER                 | 2    |            | X X X                                   |   |
| 8   | .....    | RING                   | 2    |            | X X X                                   |   |
| 9   | T183272  | PISTON                 | 1    |            | X X X                                   |   |
| 10  | .....    | HOUSING                | 1    |            | X X X                                   | (ORDER AT304761)                                  |
| 11  | T183271  | RETAINER               | 2    |            | X X X                                   |   |
| 12  | .....    | O-RING                 | 2    |            | X X X                                   |   |
| 13  | T183270  | SPRING                 | 2    |            | X X X                                   |   |
| 14  | .....    | SEAL                   | 2    |            | X X X                                   |   |
| 15  | .....    | RING                   | 2    |            | X X X                                   |   |
| 16  | T183276  | PISTON                 | 2    |            | X X X                                   |   |
| 17  | R26552   | BALL                   | 2    |            | X X X                                   |   |
| 18  | T185078  | LOCK WASHER            | 2    |            | X X X                                   |   |
| 19  | R48523   | SNAP RING              | 2    |            | X X X                                   |   |
| 20  | T183362  | PISTON RING            | 2    |            | X X X                                   |   |
| 21  | T183269  | SPRING                 | 2    |            | X X X                                   |   |
| 22  | AT192151 | PUSH ROD               | 2    |            | X X X                                   |   |
| 23  | .....    | SEAL                   | 2    |            | X X X                                   |   |
| 24  | T183357  | RETAINER               | 2    |            | X X X                                   |   |
| 25  | .....    | SEAL                   | 2    |            | X X X                                   |   |
| 26  | M41029   | SNAP RING              | 2    |            | X X X                                   |   |
| 27  | 19H1849  | CAP SCREW              | 4    |            | X X X                                   | 5/16" X 1-1/4"                                    |
| 28  | T183310  | WASHER                 | 4    |            | X X X                                   |   |
| 29  | U13639   | O-RING                 | 2    |            | X X X                                   |   |
| 30  | AT304761 | MANUAL HYDRAULIC VALVE | 1    |            | X X X                                   | (SUB FOR AT184578)                                |
| 31  | AT192419 | KIT                    | 1    |            | X X X                                   | (BRAKE VALVE OVERHAUL) (REQUIRES 1 KIT PER VALVE) |

# 1060-6

SERVICE BRAKE HYDRAULICS  
CIRCUIT HYDRAULIQUE DE FREINS DE SERVICE  
SISTEMA HIDRAULICO DE FRENOS DE SERVICIO

TX1005714

-UN-03APR06



TX1005714

# 1060-7

SERVICE BRAKES 10

SERVICE BRAKES:HYDRAULICS 1060

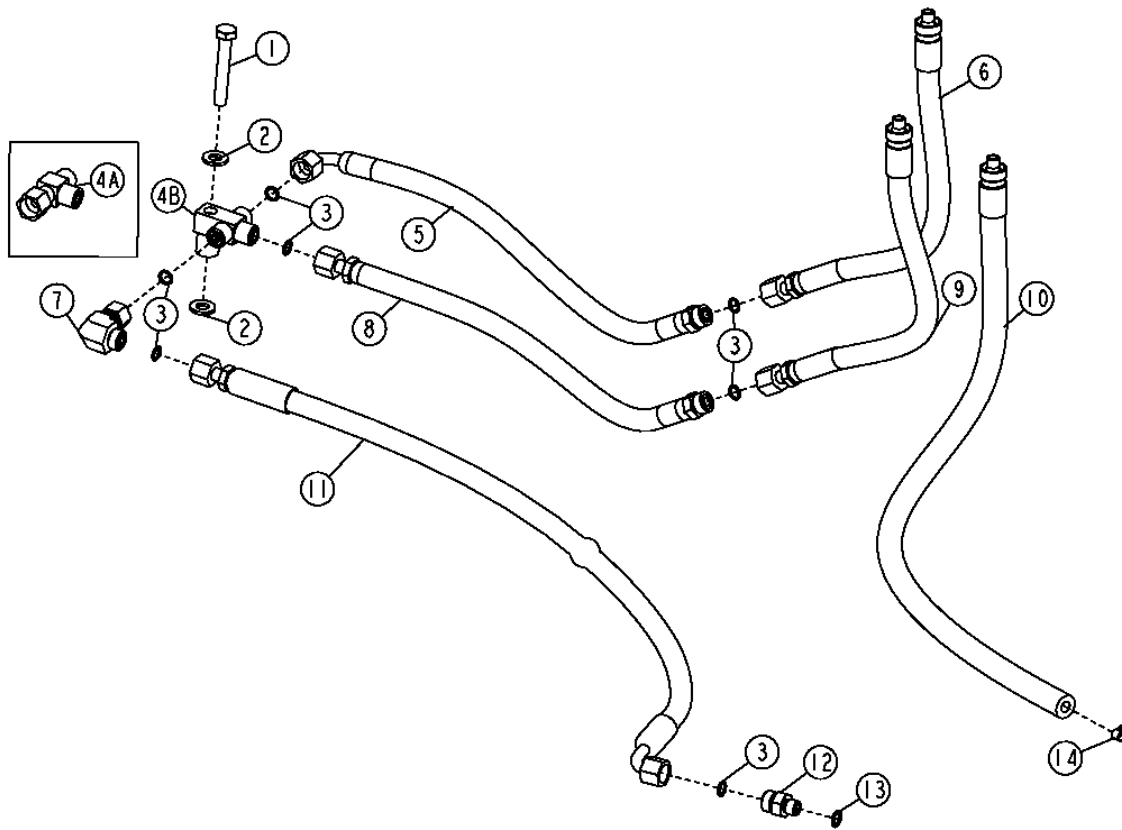
**SERVICE BRAKE HYDRAULICS  
CIRCUIT HYDRAULIQUE DE FREINS DE SERVICE  
SISTEMA HIDRAULICO DE FRENOS DE SERVICIO**

| KEY | PART NO. | PART NAME                  | QTY. | SERIAL NO. | REMARKS  |
|-----|----------|----------------------------|------|------------|--|
|     |          |                            |      |            | 3 3  |
|     |          |                            |      |            | 3 1 1  |
|     |          |                            |      |            | 1 0 5  |
|     |          |                            |      |            | 0 S S  |
|     |          |                            |      |            | G G G  |
| 1   | AT185513 | HYDRAULIC HOSE - FABRICATE | 1    |            | X X X (ALSO ORDER 62H1042 AND T77613) TO BRAKE VALVE |
|     | 62H1042  | ADAPTER FITTING            | 1    |            | X X X STC  |
| 2   | AT184894 | HYDRAULIC HOSE - FABRICATE | 1    |            | X X X (ALSO ORDER 62H1042 AND T77613) TO BRAKE VALVE |
|     | 62H1042  | ADAPTER FITTING            | 1    |            | X X X STC  |
| 3   | T77613   | O-RING                     | 2    |            | X X X  |
| 4   | 38H1160  | ADAPTER FITTING            | 2    |            | X X X TO REAR AXLE                                   |
| 5   | R26448   | O-RING                     | 2    |            | X X X  |
| 6   | 19M7922  | CAP SCREW                  | 1    |            | X X X M8 X 40  |
| 7   | 24M7238  | WASHER                     | 3    |            | X X X  |
| 8   | R46919   | HALF CLAMP                 | 2    |            | X X X  |
| 9   | T186859  | WASHER                     | 1    |            | X X X  |
| 10  | 14M7273  | NUT                        | 1    |            | X X X M8   |
| 11  | T158245  | STRAP                      | 1    |            | X X X  |
| 12  | 19M7402  | CAP SCREW                  | 1    |            | X X X M10 X 25                                       |
| 13  | 24M7239  | WASHER                     | 1    |            | X X X  |
| 14  | 14M7274  | NUT                        | 1    |            | X X X M10  |

# 1060-8

SERVICE BRAKES:HYDRAULICS 1060  
BRAKE VALVE BOOST PLUMBING (310G AND 310SG - CAB) (315SG - ROPS AND CAB)  
CONDUITES HYDRAULIQUES SURALIMENTATION CLAPET DE FREIN (310G,310SG-CABINE) (315SG -ROPS, CABINE)  
TUBERIA DE AUMENTO DE VALVULA DE FRENOS (310G, 310SG - CABINA) (315SG - ROPS, CABINA)

T201761 -UN-19JUL04



T201761

# 1060-9

SERVICE BRAKES 10

SERVICE BRAKES:HYDRAULICS 1060

**BRAKE VALVE BOOST PLUMBING (310G AND 310SG - CAB) (315SG - ROPS AND CAB)**  
**CONDUITES HYDRAULIQUES SURALIMENTATION CLAPET FREIN (310G,310SG-CABINE) (315SG -ROPS, CABINE)**  
**TUBERIA DE AUMENTO DE VALVULA DE FRENOS (310G, 310SG - CABINA) (315SG - ROPS, CABINA)**

| KEY | PART NO. | PART NAME                  | QTY. | SERIAL NO. | 3 3<br>3 1 1<br>1 0 5<br>0 S S<br>G G G | REMARKS  |
|-----|----------|----------------------------|------|------------|---|--|
| 1   | 19M7742  | CAP SCREW                  | 1    | -951096    | X X X                                   | M10 X 65   |
|     | 19M8499  | CAP SCREW                  | 1    | 951097-    | X X X                                   | M10 X 60   |
| 2   | 24M7239  | WASHER                     | AR   |            | X X X                                   |  |
| 3   | T77613   | O-RING                     | 7    |            | X X X                                   |  |
| 4A  | AT191868 | TEE FITTING                | 1    | -940475    | X X X                                   |  |
| 4B  | T212039  | TEE FITTING                | 1    | 940476-    | X X X                                   |  |
| 5   | AT194417 | HYDRAULIC HOSE - FABRICATE | 1    |            | X X X                                   | 11/16" X 470 MM (18-1/2") X 11/16"                                   |
| 6   | AT194412 | HYDRAULIC HOSE - FABRICATE | 1    |            | X X X                                   | (ALSO ORDER 62H1042 AND T77613)                                      |
| 7   | 38H1094  | ELBOW FITTING              | 1    |            | X X X                                   |  |
| 8   | AT194416 | HYDRAULIC HOSE - FABRICATE | 1    |            | X X X                                   | 11/16" X 465 MM (18-1/4") X 11/16"                                   |
| 9   | AT318113 | HYDRAULIC HOSE - FABRICATE | 1    |            | X X X                                   | (ALSO ORDER 62H1042 AND T77613) (SUB FOR AT194412, THIS APPLICATION) |
| 10  | AT186740 | HYDRAULIC HOSE - FABRICATE | 1    |            | X X X                                   | (ALSO ORDER 62H1042 AND T77613)                                      |
|     | 62H1042  | ADAPTER FITTING            | 1    |            | X X X                                   | STC  |
| 11  | AT193981 | HYDRAULIC HOSE - FABRICATE | 1    | -940475    | X X X                                   | 11/16" X 540 MM (21-1/4") X 11/16"                                   |
|     | AT304075 | HYDRAULIC HOSE - FABRICATE | 1    | 940476-    | X X X                                   | 11/16" X 635 MM (25") X 11/16"                                       |
| 12  | 38H1575  | ADAPTER FITTING            | 1    | -940475    | X X                                     |  |
|     | 38H1170  | ADAPTER FITTING            | 1    | 940476-    | X X                                     |  |
|     | 38H1170  | ADAPTER FITTING            | 1    |            | X                                       |  |
| 13  | R26286   | O-RING                     | 1    |            | X X X                                   |  |
| 14  | TY22462  | CLAMP                      | 1    |            | X X X                                   | (SUB FOR AR48236)  |

# 1060-10

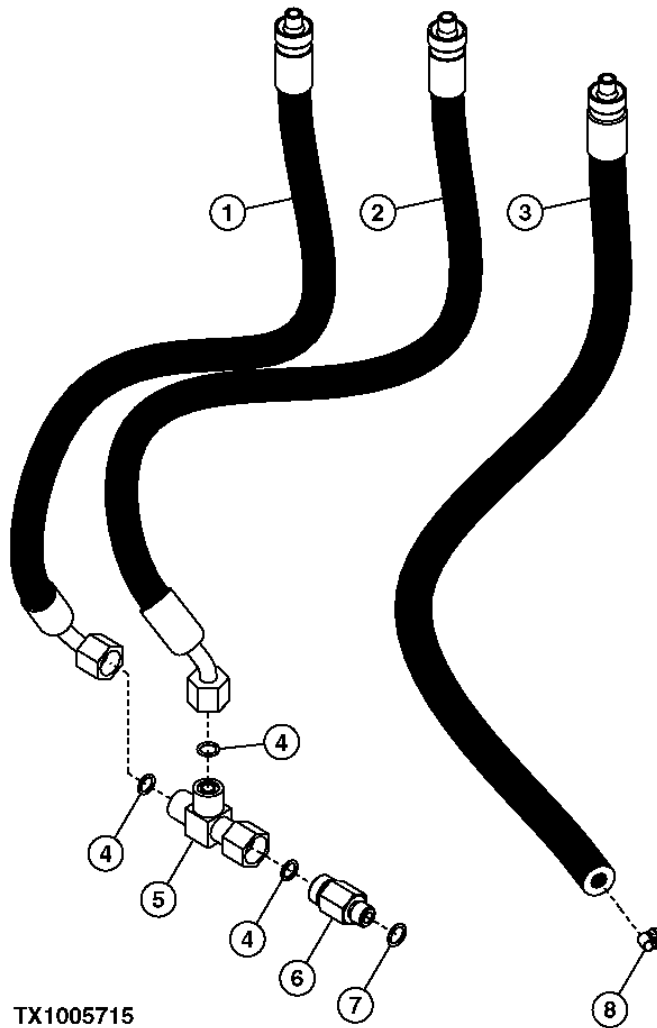
SERVICE BRAKES 10

SERVICE BRAKES:HYDRAULICS 1060

**BRAKE VALVE BOOST PLUMBING (310G AND 310SG - ROPS)**  
**CONDUITES HYDRAULIQUES DE SURALIMENTATION DE CLAPET DE FREIN (310G, 310SG - ROPS)**  
**TUBERIA DE AUMENTO DE VALVULA DE FRENOS (310G, 310SG - ROPS)**

TX1005715

-UN-03APR06



# 1060-11

SERVICE BRAKES 10

SERVICE BRAKES:HYDRAULICS 1060

**BRAKE VALVE BOOST PLUMBING (310G AND 310SG - ROPS)**  
**CONDUITES HYDRAULIQUES DE SURALIMENTATION DE CLAPET DE FREIN (310G, 310SG - ROPS)**  
**TUBERIA DE AUMENTO DE VALVULA DE FRENOS (310G, 310SG - ROPS)**

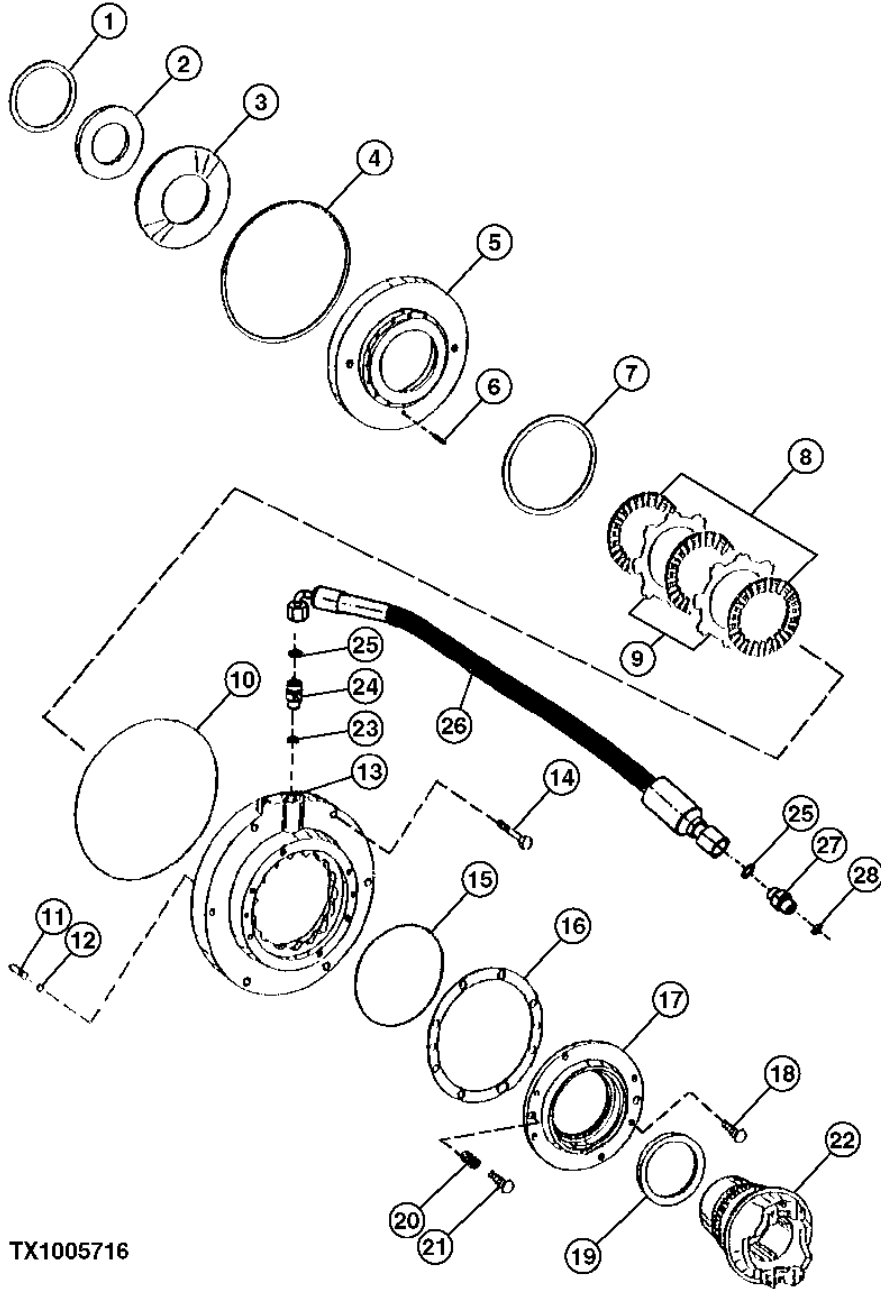
| KEY | PART NO. | PART NAME                  | QTY. | SERIAL NO. | REMARKS   |
|-----|----------|----------------------------|------|------------|---|
|     |          |                            |      |            | 3 3   |
|     |          |                            |      |            | 3 1 1   |
|     |          |                            |      |            | 1 0 5   |
|     |          |                            |      |            | 0 S S   |
|     |          |                            |      |            | G G G   |
| 1   | AT317121 | HYDRAULIC HOSE - FABRICATE | 1    |            | X X (ALSO ORDER 62H1042 AND T77613) (SUB FOR AT192415 AND AT192416, THIS APPLICATION) |
|     | 62H1042  | ADAPTER FITTING            | 1    |            | X X STC   |
| 2   | AT192416 | HYDRAULIC HOSE - FABRICATE | 1    |            | X X (ALSO ORDER 62H1042 AND T77613)   |
|     | 62H1042  | ADAPTER FITTING            | 1    |            | X X STC   |
| 3   | AT186740 | HYDRAULIC HOSE - FABRICATE | 1    |            | X X (ALSO ORDER 62H1042 AND T77613)   |
|     | 62H1042  | ADAPTER FITTING            | 1    |            | X X STC   |
| 4   | T77613   | O-RING                     | 3    |            | X X   |
| 5   | AT192417 | TEE FITTING                | 1    |            | X X   |
| 6   | T186238  | ADAPTER FITTING            | 1    |            | X X   |
| 7   | R26286   | O-RING                     | 1    |            | X X   |
| 8   | TY22462  | CLAMP                      | 1    |            | X X (SUB FOR AR48236)   |

# 1111-2

PARKING BRAKE (AXLE SN -217496)  
FREIN DE STATIONNEMENT (SN D'ESSIEU -217496)  
FRENO DE ESTACIONAMIENTO (SN DEL EJE -217496)

PARKING: BRAKE: ACTIVE: ELEMENTS 1111

TX1005716 -UN-04APR06



TX1005716



# 1111-3

PARKING BRAKE (AXLE SN -217496)  
 FREIN DE STATIONNEMENT (SN D'ESSIEU -217496)  
 FRENO DE ESTACIONAMIENTO (SN DEL EJE -217496)

PARKING BRAKE ACTIVE ELEMENTS 1111

| KEY | PART NO. | PART NAME                  | QTY. | AXLE<br>SERIAL NO. | 3 3   | REMARKS                                     |
|-----|----------|----------------------------|------|--------------------|-------|---|
|     |          |                            |      |                    | 3 1 1 |   |
|     |          |                            |      |                    | 1 0 5 |   |
|     |          |                            |      |                    | 0 S S |   |
|     |          |                            |      |                    | G G G |   |
| 1   | T159479  | SHIM                       | 1    |                    | X X X | 0.6MM (0.0236")                             |
|     | T159480  | SHIM                       | 1    |                    | X X X | 0.7MM (0.0276")                             |
|     | T159481  | SHIM                       | 1    |                    | X X X | 0.8MM (0.0315")                             |
|     | T159482  | SHIM                       | 1    |                    | X X X | 0.9MM (0.0354")                             |
|     | T159483  | SHIM                       | 1    |                    | X X X | 2.0MM (0.0787")                             |
| 2   | T159484  | SUPPORT                    | 1    |                    | X X X |   |
| 3   | T159485  | DISK SPRING                | 1    |                    | X X X |   |
| 4   | T159478  | SEAL                       | 1    |                    | X X X |   |
| 5   | T159476  | PISTON                     | 1    |                    | X X X |   |
| 6   | T159473  | SPRING PIN                 | 1    |                    | X X X |   |
| 7   | T159477  | SEAL                       | 1    |                    | X X X |   |
| 8   | T159475  | CLUTCH DISK                | 3    |                    | X X X |   |
| 9   | T159474  | PLATE                      | 2    |                    | X X X |   |
| 10  | T159472  | O-RING                     | 1    |                    | X X X |   |
| 11  | T159486  | PIN                        | 2    |                    | X X X |   |
| 12  | T159487  | O-RING                     | 2    |                    | X X X |   |
| 13  | T159471  | HOUSING                    | 1    |                    | X X X |   |
| 14  | 19M7935  | CAP SCREW                  | 6    |                    | X X X | M10 X 55                                    |
| 15  | T174398  | O-RING                     | 1    |                    | X X X | (SUB FOR T159491)                           |
| 16  | T159492  | SHIM                       | 1    |                    | X X X | 1.0MM (0.0394")                             |
|     | T159493  | SHIM                       | 1    |                    | X X X | 0.5MM (0.0197")                             |
|     | T159494  | SHIM                       | 1    |                    | X X X | 0.3MM (0.0118")                             |
|     | T159495  | SHIM                       | 1    |                    | X X X | 0.1MM (0.0039")                             |
|     | T159496  | SHIM                       | 1    |                    | X X X | 0.15MM (0.0059")                            |
|     | T159497  | SHIM                       | 1    |                    | X X X | 0.2MM (0.0079")                             |
| 17  | T159490  | COVER                      | 1    |                    | X X X |   |
| 18  | 19M8761  | SCREW                      | 6    |                    | X X X | M10 X 22                                    |
| 19  | AT179537 | SEAL                       | 1    |                    | X X X |   |
| 20  | T159502  | LOCK NUT                   | 2    |                    | X X X | (MANUAL RELEASE-PARK BRAKE)                 |
| 21  | T159499  | CAP SCREW                  | 2    |                    | X X X | (MANUAL RELEASE-PARK BRAKE)                 |
| 22  | T158437  | UNIVERSAL JOINT YOKE       | 1    |                    | X X X |   |
| 23  | R26906   | O-RING                     | 1    |                    | X X X |   |
| 24  | 38H1162  | ADAPTER FITTING            | 1    |                    | X X X |   |
| 25  | T77932   | O-RING                     | 2    |                    | X X X |   |
| 26  | AT179899 | HYDRAULIC HOSE - FABRICATE | 1    |                    | X X X | 1" X 655 MM (25-3/4") X 1", TO TRANSMISSION |
| 27  | 38H1317  | FITTING                    | 1    |                    | X X X |   |
| 28  | R26375   | O-RING                     | 1    |                    | X X X |   |

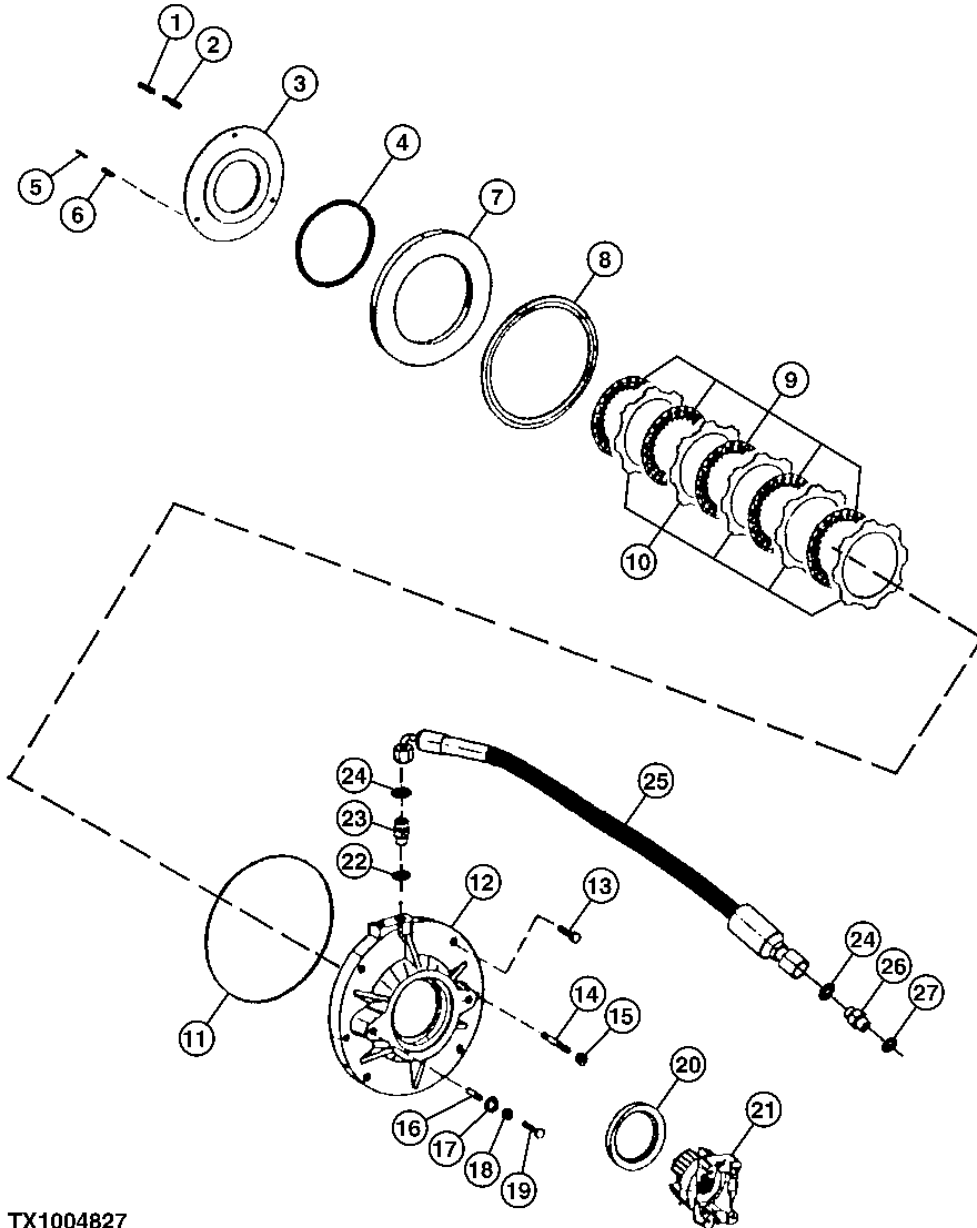
# 1111-4

PARKING BRAKE (AXLE SN 217497- )  
FREIN DE STATIONNEMENT (SN D'ESSIEU 217497- )  
FRENO DE ESTACIONAMIENTO (SN DEL EJE 217497- )

PARKING: BRAKE: ACTIVE: ELEMENTS 1111

TX1004827

-UN-16MAR06



TX1004827

# 1111-5

PARKING BRAKES 11

PARKING BRAKE (AXLE SN 217497- )  
 FREIN DE STATIONNEMENT (SN D'ESSIEU 217497- )  
 FRENO DE ESTACIONAMIENTO (SN DEL EJE 217497- )

| KEY | PART NO. | PART NAME                  | QTY. | AXLE<br>SERIAL NO. | REMARKS                                   |
|-----|----------|----------------------------|------|--------------------|---|
|     |          |                            |      |                    | 3 3                                       |
|     |          |                            |      |                    | 3 1 1                                     |
|     |          |                            |      |                    | 1 0 5                                     |
|     |          |                            |      |                    | 0 S S                                     |
|     |          |                            |      |                    | G G G                                     |
| 1   | T164917  | COMPRESSION SPRING         | 14   |                    | X X X                                     |
| 2   | T164916  | COMPRESSION SPRING         | 14   |                    | X X X                                     |
| 3   | T164915  | PLATE                      | 1    |                    | X X X                                     |
| 4   | T159477  | SEAL                       | 1    |                    | X X X                                     |
| 5   | T164911  | PIN                        | 1    |                    | X X X                                     |
| 6   | T159359  | SPRING PIN                 | 2    |                    | X X X                                     |
| 7   | T164914  | PISTON                     | 1    |                    | X X X                                     |
| 8   | T159478  | SEAL                       | 1    |                    | X X X                                     |
| 9   | T159475  | CLUTCH DISK                | 3    |                    | X X X                                     |
| 10  | T159474  | PLATE                      | 3    |                    | X X X                                     |
| 11  | T164909  | O-RING                     | 1    |                    | X X X                                     |
| 12  | T188234  | HOUSING                    | 1    |                    | X X X                                     |
| 13  | 19M7179  | CAP SCREW                  | 4    |                    | X X X M10 X 50                            |
| 14  | T164912  | STUD                       | 2    |                    | X X X                                     |
| 15  | T164913  | NUT                        | 2    |                    | X X X                                     |
| 16  | T164918  | PIN                        | 2    |                    | X X X                                     |
| 17  | T159487  | O-RING                     | 2    |                    | X X X                                     |
| 18  | T159502  | LOCK NUT                   | 2    |                    | X X X                                     |
| 19  | T164922  | SCREW                      | 2    |                    | X X X                                     |
| 20  | AT179537 | SEAL                       | 1    |                    | X X X                                     |
| 21  | T188229  | UNIVERSAL JOINT YOKE       | 1    |                    | X X X                                     |
| 22  | R26906   | O-RING                     | 1    |                    | X X X                                     |
| 23  | 38H1006  | ELBOW FITTING              | 1    |                    | X X X (SUB FOR 38H1162, THIS APPLICATION) |
| 24  | T77932   | O-RING                     | 2    |                    | X X X                                     |
| 25  | AT179899 | HYDRAULIC HOSE - FABRICATE | 1    |                    | X X X 655MM (25.78") TO TRANSMISSION      |
| 26  | 38H1317  | FITTING                    | 1    |                    | X X X TO TRANSMISSION                     |
| 27  | R26375   | O-RING                     | 1    |                    | X X X                                     |

# 1313-2

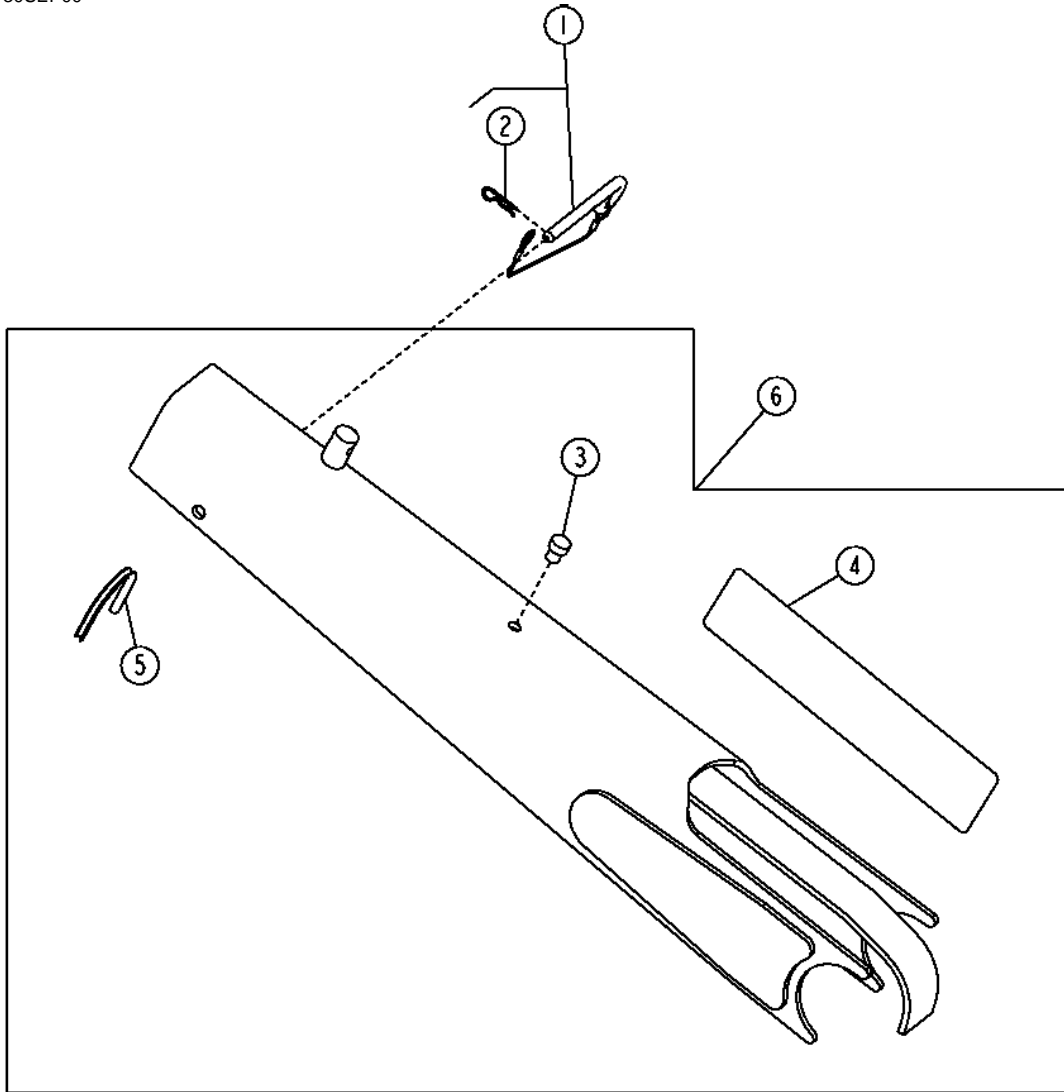
MISCELLANEOUS VEHICLE 13

HAND TOOLS 1313

## LOADER ARM SERVICE LOCK VERROUILLAGE D'ENTRETIEN DE BRAS DE CHARGEUR BLOQUEO DE SERVICIO DE BRAZO DE CARGADORA

T134150

-UN-30SEP00



T134150

THIS PARTS LISTING IS CONTINUED

# 1313-3

MISCELLANEOUS VEHICLE 13

HAND TOOLS 1313

**LOADER ARM SERVICE LOCK  
 VERROUILLAGE D'ENTRETIEN DE BRAS DE CHARGEUR  
 BLOQUEO DE SERVICIO DE BRAZO DE CARGADORA**

| KEY | PART NO. | PART NAME    | QTY. | SERIAL NO. | REMARKS                              |
|-----|----------|--------------|------|------------|--------------------------------------|
|     |          |              |      | 3 3        |                                      |
|     |          |              |      | 3 1 1      |                                      |
|     |          |              |      | 1 0 5      |                                      |
|     |          |              |      | 0 S S      |                                      |
|     |          |              |      | G G G      |                                      |
| 1   | AT195244 | PIN FASTENER | 1    | X X X      | (SUB FOR AT178745, THIS APPLICATION) |
| 2   | J16931   | PIN          | 1    | X X X      |                                      |
| 3   | T14083   | BUMPER       | 2    | X X X      |                                      |
| 4   | T185902  | LABEL        | 1    | X X X      |                                      |
| 5   | T152648  | ISOLATOR     | 1    | X X X      |                                      |
| 6   | AT307260 | ARM          | 1    | X X X      | SERVICE LOCK, (SUB FOR AT192367)     |

# 1314-2

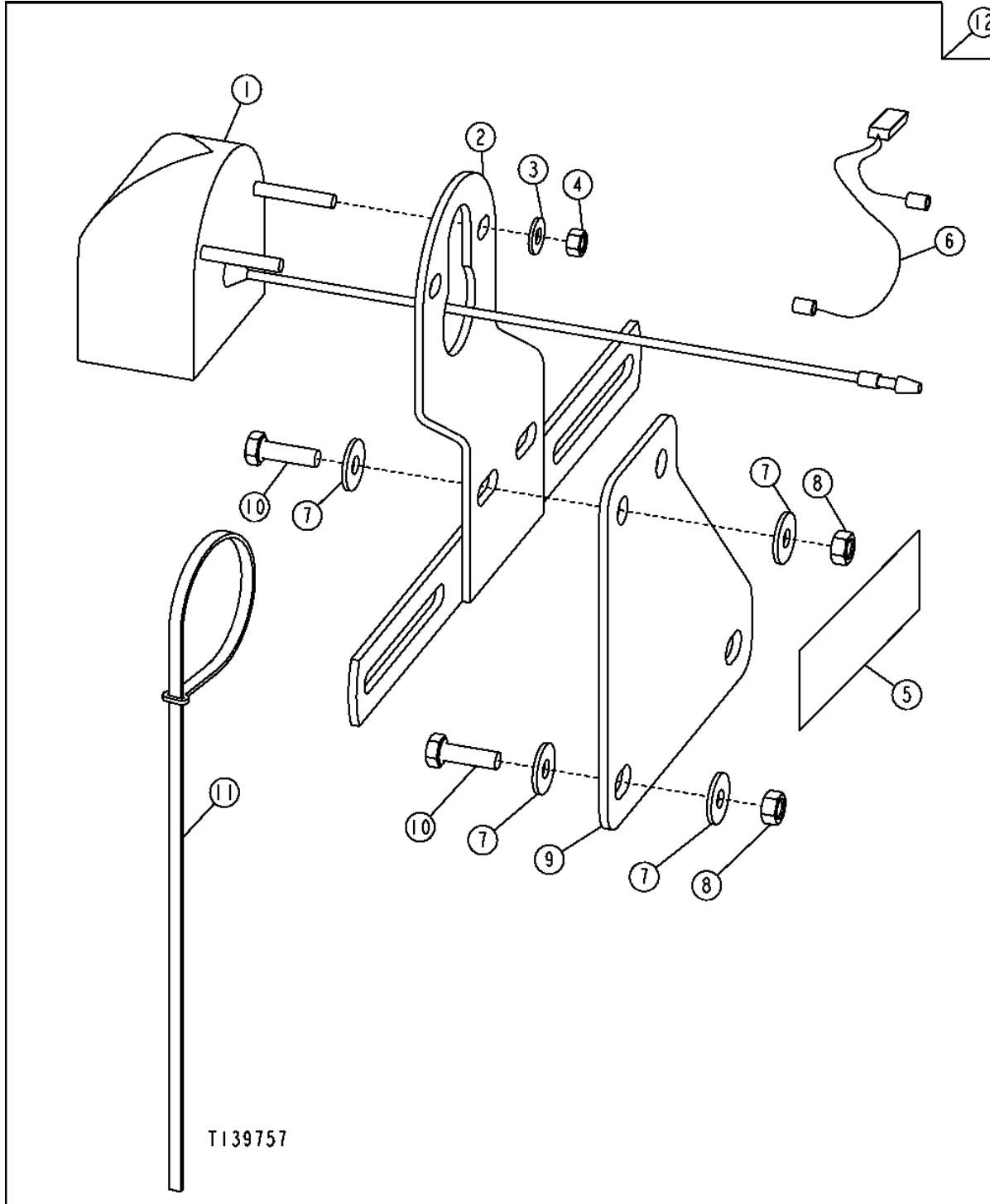
MISCELLANEOUS VEHICLE 13

LICENSE BRACKET 1314

LICENSE PLATE LAMP AND BRACKET  
PLAQUE MINERALOGIQUE, ECLAIRAGE ET SUPPORT  
LUZ DE MATRICULA Y SOPORTE

T139757

-UN-12MAR01



# 1314-3

MISCELLANEOUS VEHICLE 13

LICENSE BRACKET 1314

LICENSE PLATE LAMP AND BRACKET  
 PLAQUE MINERALOGIQUE, ECLAIRAGE ET SUPPORT  
 LUZ DE MATRICULA Y SOPORTE

| KEY | PART NO. | PART NAME      | QTY. | SERIAL NO. | REMARKS                                      |
|-----|----------|----------------|------|------------|--|
|     |          |                |      |            | 3 3  |
|     |          |                |      |            | 3 1 1  |
|     |          |                |      |            | 1 0 5  |
|     |          |                |      |            | 0 S S  |
|     |          |                |      |            | G G G  |
| 1   | AT34211  | LAMP           | 1    |            | X X X (INCLUDES (2) 24H1283 AND (2) 14M7297) |
|     | AB2599R  | BULB           | 1    |            | X X X  |
| 2   | AT34210  | BRACKET        | 1    |            | X X X  |
| 3   | 24H1283  | WASHER         | 2    |            | X X X  |
| 4   | 14M7297  | NUT            | 2    |            | X X X M5                                     |
| 5   | JD5920   | REFLECTOR      | 2    |            | X X X  |
| 6   | AT187708 | WIRING HARNESS | 1    |            | X X X  |
| 7   | 24M7139  | WASHER         | 8    |            | X X X  |
| 8   | 14M7272  | NUT            | 4    |            | X X X M6                                     |
| 9   | T186062  | PLATE          | 1    |            | X X X  |
| 10  | 19M7077  | CAP SCREW      | 4    |            | X X X M6 X 20                                |
| 11  | H77698   | TIE BAND       | 6    |            | X X X  |
| 12  | AT187707 | MOUNTING PARTS | 1    |            | X X X (WHOLE GOODS)                          |

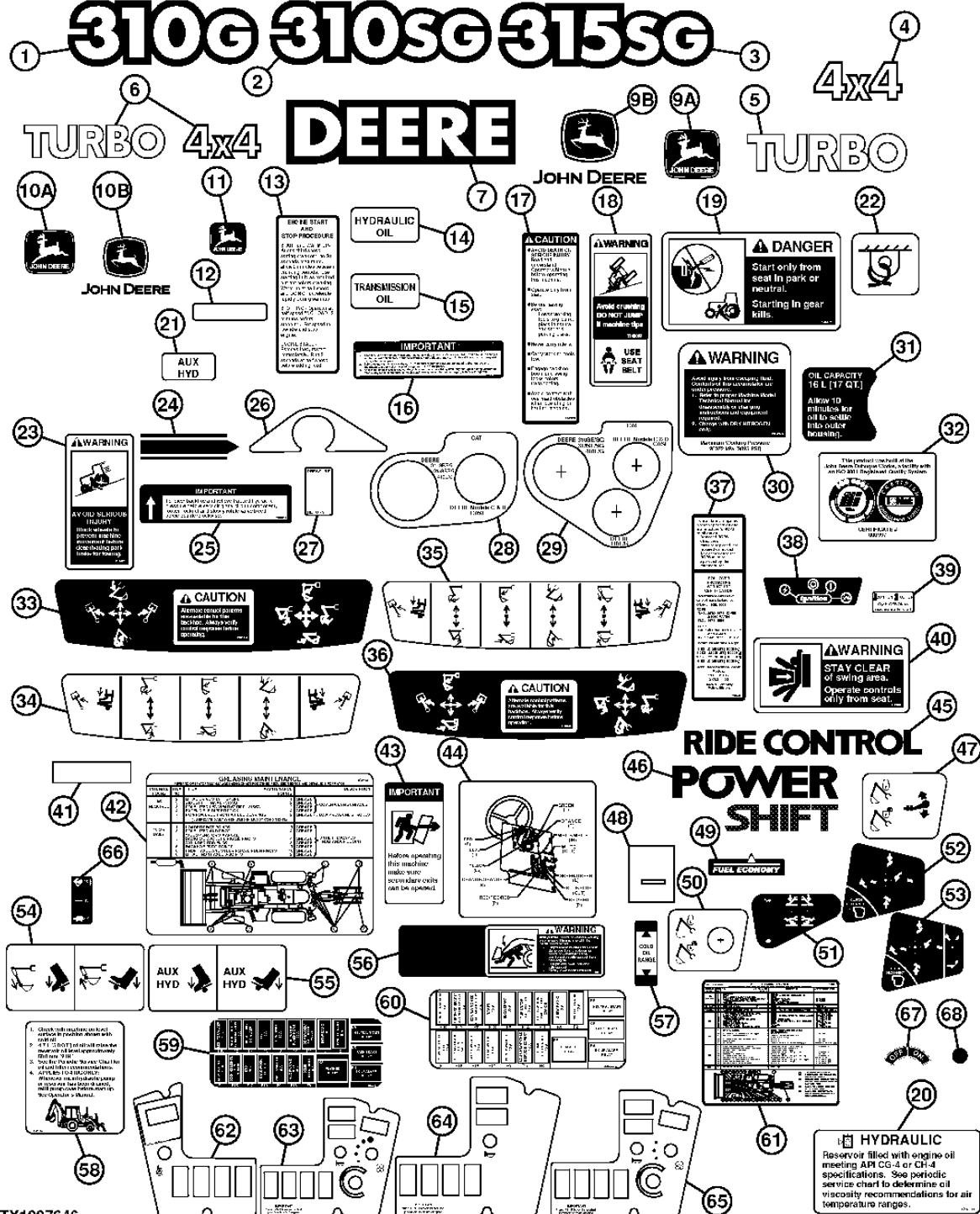
# 1320-2

MISCELLANEOUS VEHICLE 13  
VEHICLE FINISH AND TRIM 1320

TRADEMARKS AND LABELS  
MARQUES DEPOSEES ET ETIQUETTES  
MARCAS REGISTRADAS Y ETIQUETAS

TX1007646

-UN-16MAY06



TX1007646

THIS PARTS LISTING IS CONTINUED



# 1320-3

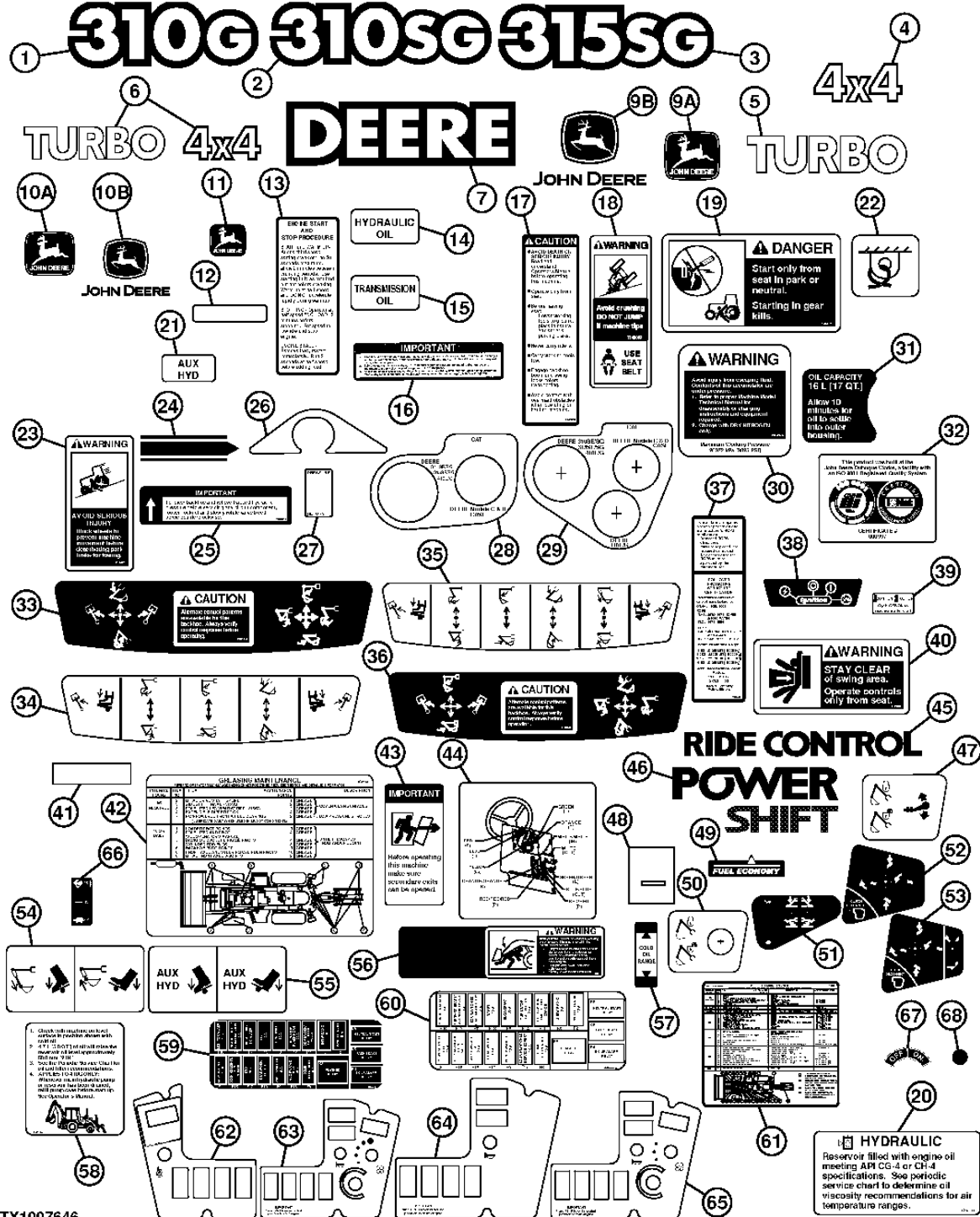
MISCELLANEOUS VEHICLE 13  
VEHICLE FINISH AND TRIM 1320

**TRADEMARKS AND LABELS  
MARQUES DEPOSEES ET ETIQUETES  
MARCAS REGISTRADAS Y ETIQUETAS**

| KEY | PART NO. | PART NAME | QTY. | SERIAL NO. | 3 3<br>3 1 1<br>1 0 5<br>0 S S<br>G G G | REMARKS                             |
|-----|----------|-----------|------|------------|---|-------------------------------------|
| 1   | T166904  | LABEL     | 2    | -951252    | X                                       | 310G                                |
|     | T206952  | LABEL     | 2    | 952253-    | X                                       | 310G                                |
| 2   | T166901  | LABEL     | 2    | -951252    | X                                       | 310SG                               |
|     | T206951  | LABEL     | 2    | 951253-    | X                                       | 310SG                               |
| 3   | T166958  | LABEL     | 2    | -951252    | X                                       | 315SG                               |
|     | T206954  | LABEL     | 2    | 951253-    | X                                       | 315SG                               |
| 4   | T165999  | LABEL     | 2    |            | X X X                                   | 4 X 4                               |
| 5   | T166001  | LABEL     | 1    |            | X X X                                   | TURBO                               |
| 6   | T166002  | LABEL     | 2    |            | X X X                                   | TURBO 4 X 4                         |
| 7   | T184759  | LABEL     | 2    |            | X X X                                   | DEERE (32 INCH)                     |
|     | JD5836   | LABEL     | 2    |            | X X X                                   | DEERE (BOLD OUTLINE) (36 INCH)      |
| 8   | T159815  | LABEL     | 2    |            | X                                       | TRANSPORT                           |
| 9A  | JD5621   | LABEL     | 1    | -902607    | X X X                                   | LEAPING DEER                        |
| 9B  | JD5750   | LABEL     | 1    | 902608-    | X X X                                   | LEAPING DEER                        |
| 10A | JD5694   | LABEL     | 1    | -902607    | X X X                                   | LEAPING DEER                        |
| 10B | JD5750   | LABEL     | 1    | 902608-    | X X X                                   | LEAPING DEER                        |
|     | JD5717   | LABEL     | 2    |            | X X X                                   | LEAPING DEER (DOOR GLASS)           |
|     | JD5761   | LABEL     | 1    |            | X X X                                   | LEAPING DEER (GRILLE)               |
| 11  | T184519  | LABEL     | 1    | -902607    | X X X                                   | LEAPING DEER (WINDOW)               |
| 12  | JD5920   | REFLECTOR | 2    |            | X X X                                   | RED                                 |
| 13  | T131938  | LABEL     | 1    |            | X X X                                   | ENGINE START/STOP                   |
| 14  | T140283  | LABEL     | 1    | -951252    | X X X                                   | HYDRAULIC OIL                       |
| 15  | T140311  | LABEL     | 1    |            | X X X                                   | TRANSMISSION OIL                    |
| 16  | T145560  | LABEL     | 1    |            | X X X                                   | IMPORTANT (RECEIVER DRYER)          |
| 17  | T146080  | LABEL     | 1    |            | X X X                                   | CAUTION (READ OPERATOR'S MANUAL)    |
| 18  | T146097  | LABEL     | 1    |            | X X X                                   | WARNING (SEAT BELT)                 |
| 19  | T146102  | LABEL     | 1    |            | X X X                                   | DANGER (BYPASS START)               |
| 20  | T207191  | LABEL     | 1    | 951253-    | X X X                                   | HYDRAULIC OIL LEVEL                 |
| 21  | T149199  | LABEL     | 1    |            | X X X                                   | AUXILIARY HYDRAULICS                |
| 22  | T153680  | LABEL     | 1    |            | X X X                                   | TIE DOWN                            |
| 23  | T159028  | LABEL     | 1    |            | X X X                                   | WARNING (PARK BRAKE)                |
| 24  | T160759  | LABEL     | 1    |            | X X X                                   | BUCKET LEVEL INDICATOR              |
| 25  | T161665  | LABEL     | 1    |            | X X X                                   | IMPORTANT (COUPLER / SERVICE VALVE) |

TRADEMARKS AND LABELS (CONTINUED)  
MARQUES DEPOSEES ET ETIQUETTES (SUITE)  
MARCAS REGISTRADAS Y ETIQUETAS (CONTINUACION)

TX1007646 -UN-16MAY06



TX1007646

THIS PARTS LISTING IS CONTINUED

# 1320-5

MISCELLANEOUS VEHICLE 13  
VEHICLE FINISH AND TRIM 1320

TRADEMARKS AND LABELS (CONTINUED)  
MARQUES DEPOSEES ET ETIQUETTES (SUITE)  
MARCAS REGISTRADAS Y ETIQUETAS (CONTINUACION)

| KEY | PART NO. | PART NAME | QTY. | SERIAL NO.    | REMARKS  |
|-----|----------|-----------|------|---------------|--|
|     |          |           |      |               | 3 3  |
|     |          |           |      |               | 3 1 1  |
|     |          |           |      |               | 1 0 5  |
|     |          |           |      |               | 0 S S  |
|     |          |           |      |               | G G G  |
| 26  | T161678  | LABEL     | 1    |               | X X X PROTECTIVE   |
| 27  | T162404  | LABEL     | 1    |               | X X X HAND HELD HYDRAULICS   |
| 28  | T162847  | LABEL     | 1    |               | X X X COUPLER "SE/SG"  |
| 29  | T162848  | LABEL     | 1    |               | X X X COUPLER "E/G"  |
| 30  | T225374  | LABEL     | 1    |               | X X X (SUB FOR T164124, THIS APPLICATION)<br>WARNING (ACCUMULATOR) |
| 31  | T164420  | LABEL     | 1    |               | X X X OIL CAPACITY (AXLE)  |
|     | T164999  | LABEL     | 1    |               | X X X OIL CAPACITY (AXLE)  |
| 32  | .....    | LABEL     | 1    |               | X X X ISO CERTIFICATION  |
| 33  | T165584  | LABEL     | 1    |               | X X X BACKHOE CONTROL (2 LEVER)                                    |
| 34  | T165585  | LABEL     | 1    |               | X X X BACKHOE CONTROL (3 LEVER)                                    |
|     | T165604  | LABEL     | 1    |               | X X BACKHOE CONTROL (4 LEVER)                                      |
| 35  | T165586  | LABEL     | 1    |               | X X X BACKHOE CONTROL (3 LEVER WITH<br>EXTENDIBLE)                 |
| 36  | T165595  | LABEL     | 1    |               | X X X BACKHOE CONTROL (2 LEVER) SAE                                |
| 37  | T166896  | LABEL     | 1    |               | X X X (SUB FOR T166051, THIS APPLICATION)<br>ROPS                  |
| 38  | T166300  | LABEL     | 1    |               | X X X START SWITCH   |
| 39  | T166538  | LABEL     | 1    |               | X X X FLOW CONTROL   |
| 40  | T183768  | LABEL     | 1    |               | X X X WARNING (STAY CLEAR)   |
| 41  | T184116  | LABEL     | 1    |               | X X X PROTECTIVE   |
| 42  | T184514  | LABEL     | 1    | -951252       | X X X PERIODIC GREASING  |
|     | T214321  | LABEL     | 1    | 951253-955713 | X X X PERIODIC GREASING  |
|     | T224283  | LABEL     | 1    | 955714-       | X X X PERIODIC GREASING  |
| 43  | T184789  | LABEL     | 1    |               | X X X WARNING (EXIT UNLOCK)  |
| 44  | T185019  | LABEL     | 1    |               | X X X HOSE ROUTING (FRONT CONSOLE)                                 |
| 45  | T185145  | LABEL     | 1    |               | X X X RIDE CONTROL   |
| 46  | T185146  | LABEL     | 1    |               | X X X POWER SHIFT  |
| 47  | T185330  | LABEL     | 1    |               | X X BOOM LOCK (WITH STANDARD CONTROLS)                             |
|     | T200990  | LABEL     | 1    |               | X BOOM LOCK (WITH HYDRAULIC PILOT<br>CONTROLS)                     |
| 48  | T185469  | LABEL     | 1    |               | X X X PROTECTIVE   |
| 49  | T185556  | LABEL     | 1    |               | X X X FUEL ECONOMY   |
| 50  | T185640  | LABEL     | 1    |               | X BOOM LOCK  |

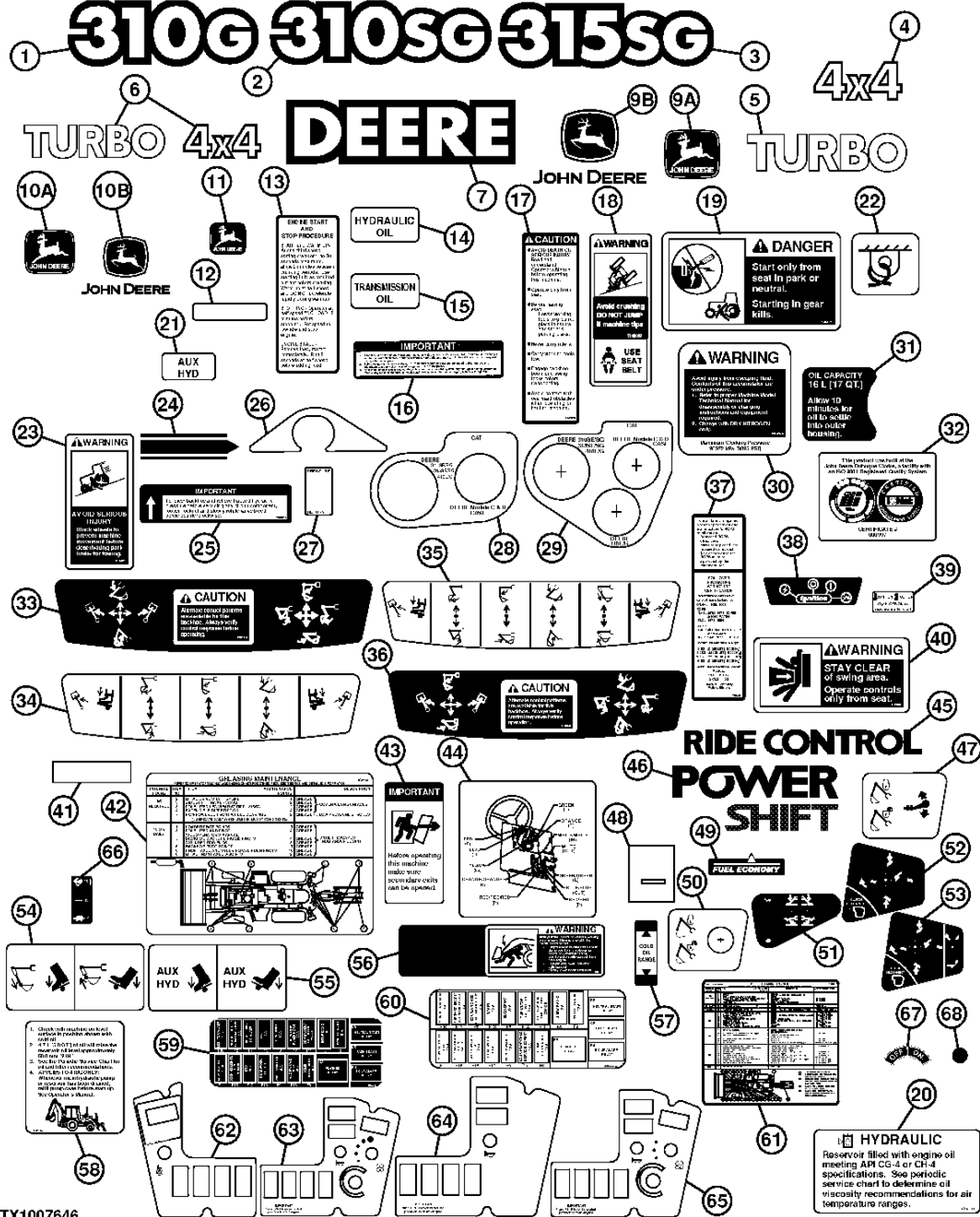
# 1320-5A

MISCELLANEOUS VEHICLE 13  
VEHICLE FINISH AND TRIM 1320

TRADEMARKS AND LABELS (CONTINUED)  
MARQUES DEPOSEES ET ETIQUETTES (SUITE)  
MARCAS REGISTRADAS Y ETIQUETAS (CONTINUACION)

TX1007646

-UN-16MAY06



TX1007646

THIS PARTS LISTING IS CONTINUED

# 1320-5B

MISCELLANEOUS VEHICLE 13  
VEHICLE FINISH AND TRIM 1320

TRADEMARKS AND LABELS (CONTINUED)  
MARQUES DEPOSEES ET ETIQUETTES (SUITE)  
MARCAS REGISTRADAS Y ETIQUETAS (CONTINUACION)

| KEY | PART NO. | PART NAME | QTY. | SERIAL NO.    | REMARKS   |
|-----|----------|-----------|------|---------------|---|
|     |          |           |      |               | 3 3   |
|     |          |           |      |               | 3 1 1   |
|     |          |           |      |               | 1 0 5   |
|     |          |           |      |               | 0 S S   |
|     |          |           |      |               | G G G   |
| 51  | T185646  | LABEL     | 1    |               | X X X STABILIZER SPEED CONTROL                      |
| 52  | T185675  | LABEL     | 1    |               | X X X LOADER CONTROL                                |
| 53  | T185676  | LABEL     | 1    |               | X X X LOADER CONTROL (THREE FUNCTION)               |
| 54  | T185691  | LABEL     | 1    |               | X X X FOOT PEDAL                                    |
| 55  | T185692  | LABEL     | 1    |               | X X X AUXILIARY HYDRAULICS (PEDAL)                  |
| 56  | T185902  | LABEL     | 1    |               | X X X BOOM LOCK                                     |
| 57  | T186123  | LABEL     | 1    |               | X X X HYDRAULIC OIL RANGE, COLD                     |
| 58  | T186124  | LABEL     | 1    |               | X X X HYDRAULIC RESERVOIR                           |
| 59  | T186360  | LABEL     | 1    | -910055       | X X X (A)   |
| 60  | T188817  | LABEL     | 1    | 910056-951252 | X X X (A)   |
|     | T207040  | LABEL     | 1    | 951253-       | X X X (A)   |
| 61  | T186391  | LABEL     | 1    |               | X (B) (W/O TURBO)                                   |
|     | T186391  | LABEL     | 1    | -910055       | X X X (B) (W/ TURBO)                                |
|     | T201293  | LABEL     | 1    | 910056-943092 | X X X (B) (W/ TURBO)                                |
|     | T213333  | LABEL     | 1    | 943093-951252 | X X X (B) (W/ TURBO)                                |
|     | T209529  | LABEL     | 1    | 951253-       | X X X (B) (W/ TURBO)                                |
| 62  | T186400  | LABEL     | 1    |               | X X X INSTRUMENT PANEL (LH)                         |
| 63  | T186401  | LABEL     | 1    |               | X X X INSTRUMENT PANEL (RH) (CAB)                   |
| 64  | T186402  | LABEL     | 1    |               | X X X INSTRUMENT PANEL (RH) (CANOPY)                |
| 65  | T186552  | LABEL     | 1    |               | X X X TEMPERATURE AND FAN SPEED CONTROL RH (CANOPY) |
| 66  | .....    | LABEL     | 1    |               | X X X SPEED CONTROL                                 |
| 67  | T42199   | LABEL     | 1    |               | X X X BATTERY DISCONNECT                            |
| 68  | T186793  | LABEL     | 9    |               | X X X GRAY CIRCULAR COVER                           |

(A) FUSE BLOCK  
(A) BLOC-FUSIBLES  
(A) BLOQUE DE FUSIBLES

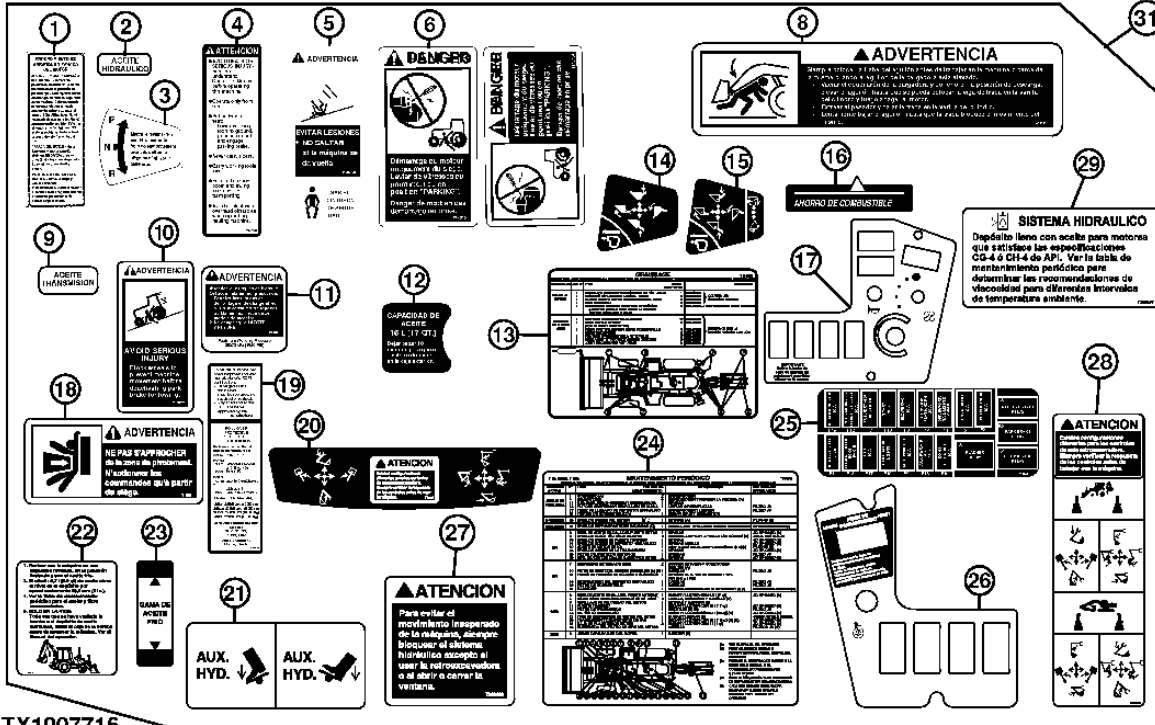
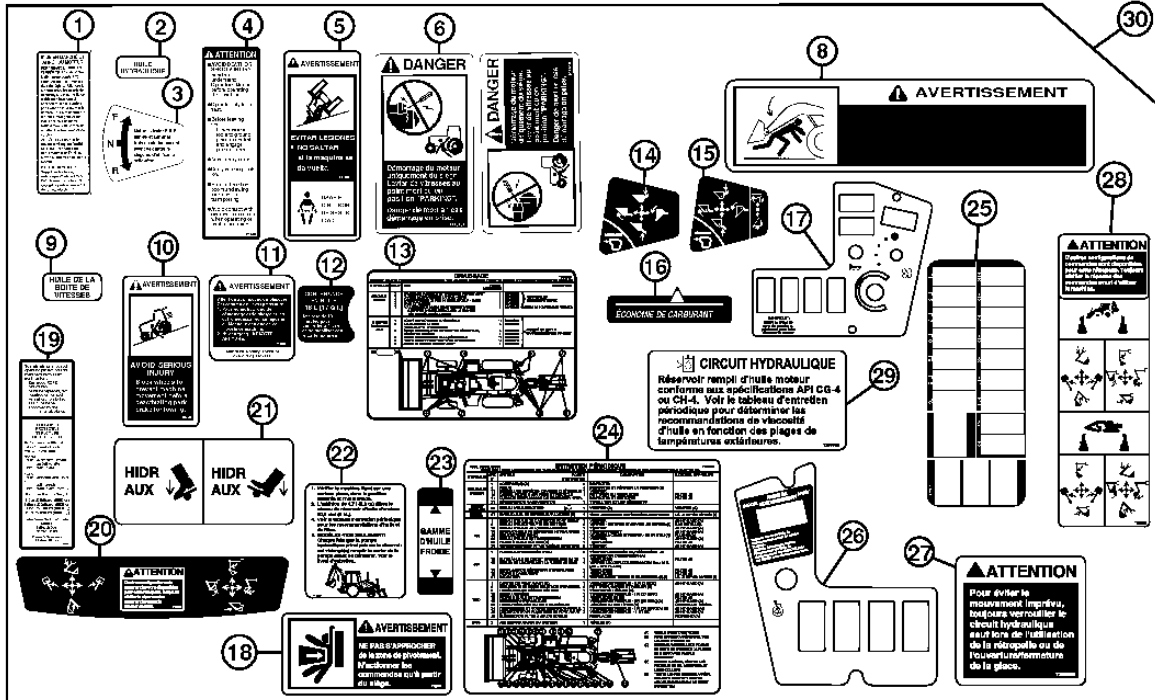
(B) PERIODIC MAINTENANCE CHART  
(B) TABLEAU D'ENTRETIEN PERIODIQUE  
(B) TABLA DE MANTENIMIENTO PERIODICO

# 1320-6

MISCELLANEOUS VEHICLE 13  
VEHICLE FINISH AND TRIM 1320

## TRADEMARKS AND LABELS (FRENCH AND SPANISH) MARQUES DEPOSEES ET ETIQUETTES (FRANCAIS ET ESPAGNOL) MARCAS REGISTRADAS Y ETIQUETAS (FRANCS Y ESPANOL)

TX1007716 -UN-16MAY06



TX1007716

# 1320-7

MISCELLANEOUS VEHICLE 13

VEHICLE FINISH AND TRIM 1320

**TRADEMARKS AND LABELS (FRENCH AND SPANISH)  
MARQUES DEPOSEES ET ETIQUETTES (FRANCAIS ET ESPAGNOL)  
MARCAS REGISTRADAS Y ETIQUETAS (FRANCES Y ESPANOL)**

| KEY | PART NO. | PART NAME   | QTY. | SERIAL NO.    | REMARKS  |
|-----|----------|-------------|------|---------------|--|
|     |          |             |      |               | 3 3  |
|     |          |             |      |               | 3 1 1  |
|     |          |             |      |               | 1 0 5  |
|     |          |             |      |               | 0 S S  |
|     |          |             |      |               | G G G  |
| 1   | T139165  | LABEL       | 1    |               | X X X ENGINE START AND STOP (FRENCH)   |
|     | T139167  | LABEL       | 1    |               | X X X ENGINE START AND STOP (SPANISH)  |
| 2   | T141093  | LABEL       | 1    |               | X X X HYDRAULIC OIL (FRENCH)   |
|     | T141075  | LABEL       | 1    |               | X X X HYDRAULIC OIL (SPANISH)  |
| 3   | T141096  | LABEL       | 1    |               | X X X DIRECTION CONTROL SWITCH (FRENCH)                                      |
|     | T141078  | LABEL       | 1    |               | X X X DIRECTION CONTROL SWITCH (SPANISH)                                     |
| 4   | T146095  | SAFETY SIGN | 1    |               | X X X CAUTION (READ OPERATOR'S MANUAL)<br>(FRENCH)                           |
|     | T146089  | SAFETY SIGN | 1    |               | X X X CAUTION (READ OPERATOR'S MANUAL)<br>(SPANISH)                          |
| 5   | T146099  | SAFETY SIGN | 1    |               | X X X WARNING (SEAT BELT) (FRENCH)   |
|     | T146098  | SAFETY SIGN | 1    |               | X X X WARNING (SEAT BELT) (SPANISH)  |
| 6   | T146104  | LABEL       | 1    |               | X X X DANGER (BYPASS START) (FRENCH)   |
|     | T146106  | LABEL       | 1    |               | X X X DANGER (BYPASS START) (SPANISH)  |
| 8   | T152997  | LABEL       | 1    |               | X X X WARNING (BOOM LOCK) (FRENCH)   |
|     | T152996  | LABEL       | 1    |               | X X X WARNING (BOOM LOCK) (SPANISH)  |
| 9   | T160761  | LABEL       | 1    |               | X X X TRANSMISSION OIL (FRENCH)  |
|     | T160763  | LABEL       | 1    |               | X X X TRANSMISSION OIL (SPANISH)   |
| 10  | T160762  | LABEL       | 1    |               | X X X WARNING (PARK BRAKE) (FRENCH)  |
|     | T160769  | LABEL       | 1    |               | X X X WARNING (PARK BRAKE) (SPANISH)   |
| 11  | T225375  | LABEL       | 1    |               | X X X (SUB FOR T164128, THIS APPLICATION)<br>WARNING (ACCUMULATOR) (FRENCH)  |
|     | T225376  | LABEL       | 1    |               | X X X (SUB FOR T164129, THIS APPLICATION)<br>WARNING (ACCUMULATOR) (SPANISH) |
| 12  | .....    | LABEL       | 1    |               | X X X AXLE OIL CAPACITY  |
| 13  | T184506  | LABEL       | 1    | -951252       | X X X PERIODIC GREASING (FRENCH)   |
|     | T214323  | LABEL       | 1    | 951253-955713 | X X X PERIODIC GREASING (FRENCH)   |
|     | T224285  | LABEL       | 1    | 955714-       | X X X PERIODIC GREASING (FRENCH)   |
|     | T184502  | LABEL       | 1    | -951252       | X X X PERIODIC GREASING (SPANISH)  |
|     | T214322  | LABEL       | 1    | 951253-955713 | X X X PERIODIC GREASING (SPANISH)  |
|     | T224284  | LABEL       | 1    | 955714-       | X X X PERIODIC GREASING (SPANISH)  |

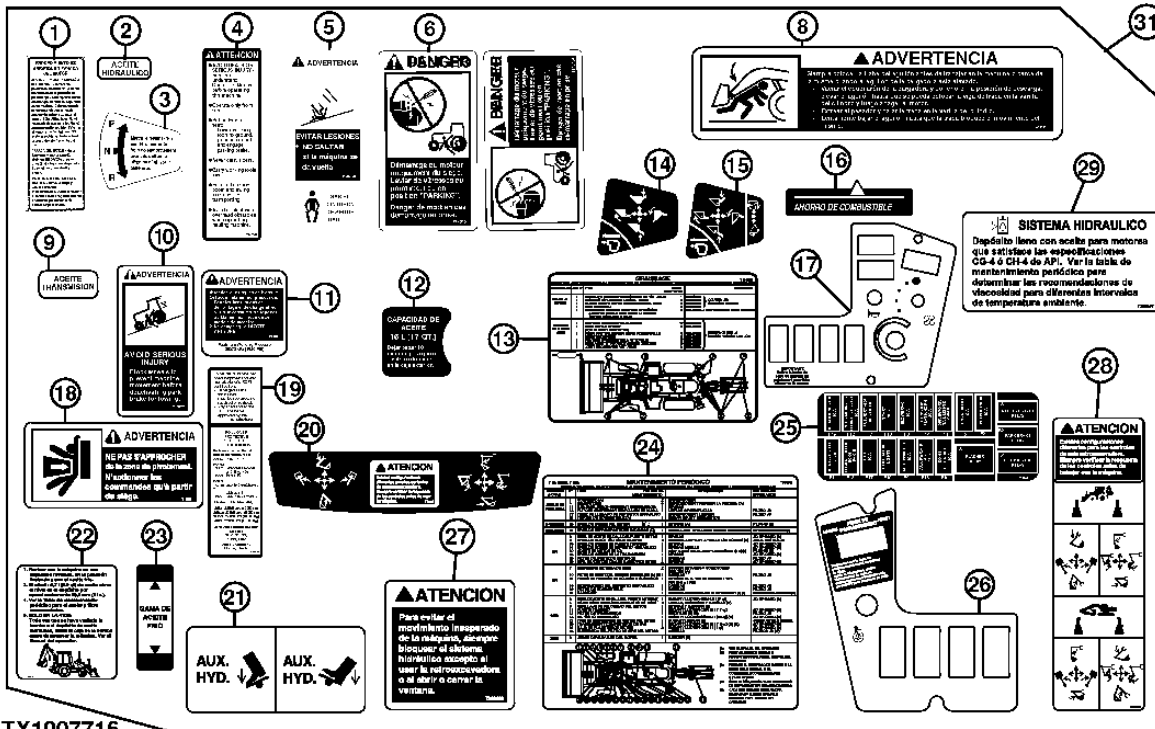
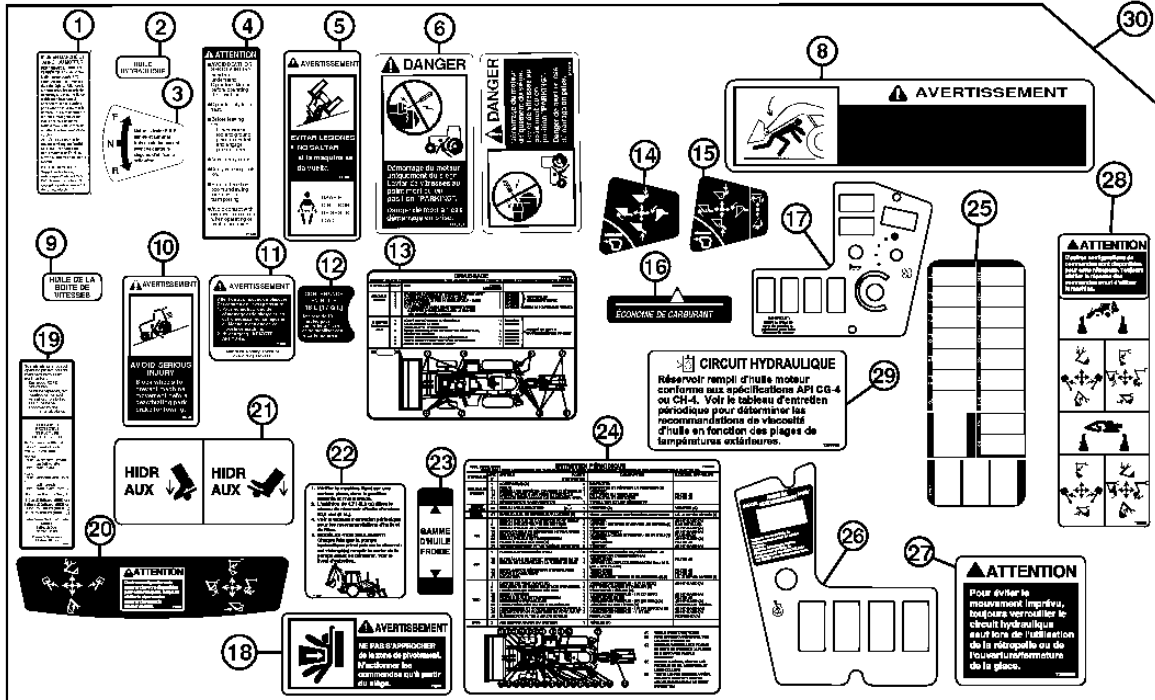
THIS PARTS LISTING IS CONTINUED

# 1320-7A

MISCELLANEOUS VEHICLE 13  
VEHICLE FINISH AND TRIM 1320

## TRADEMARKS AND LABELS (FRENCH AND SPANISH) MARQUES DEPOSEES ET ETIQUETTES (FRANCAIS ET ESPAGNOL) MARCAS REGISTRADAS Y ETIQUETAS (FRANCS Y ESPANOL)

TX1007716 -UN-16MAY06



TX1007716



# 1320-7B

MISCELLANEOUS VEHICLE 13  
VEHICLE FINISH AND TRIM 1320

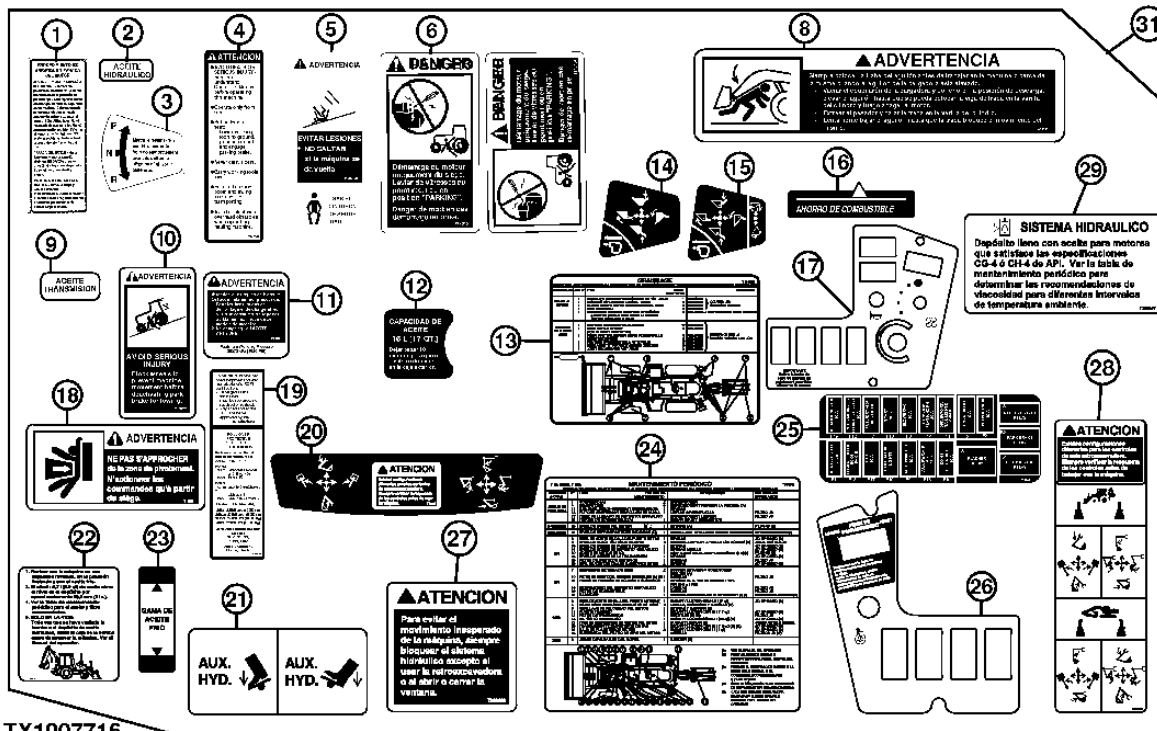
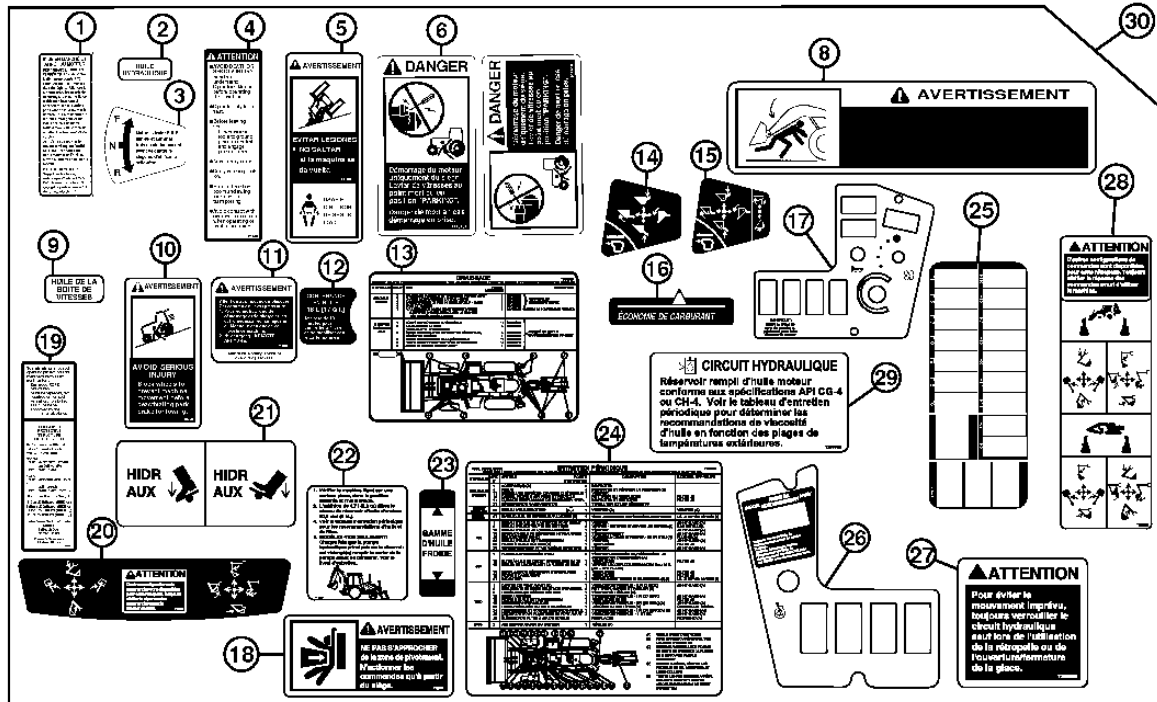
**TRADEMARKS AND LABELS (FRENCH AND SPANISH)  
MARQUES DEPOSEES ET ETIQUETTES (FRANCAIS ET ESPAGNOL)  
MARCAS REGISTRADAS Y ETIQUETAS (FRANCES Y ESPANOL)**

| KEY | PART NO. | PART NAME | QTY. | SERIAL NO. | REMARKS  |
|-----|----------|-----------|------|------------|--|
|     |          |           |      |            | 3 3  |
|     |          |           |      |            | 3 1 1  |
|     |          |           |      |            | 1 0 5  |
|     |          |           |      |            | 0 S S  |
|     |          |           |      |            | G G G  |
| 14  | T185567  | LABEL     | 1    |            | X X X LOADER CONTROL (FRENCH)                                  |
|     | T185545  | LABEL     | 1    |            | X X X LOADER CONTROL (SPANISH)                                 |
| 15  | T185568  | LABEL     | 1    |            | X X X LOADER CONTROL (THREE FUNCTION)<br>(FRENCH)              |
|     | T185546  | LABEL     | 1    |            | X X X LOADER CONTROL (THREE FUNCTION)<br>(SPANISH)             |
| 16  | T185569  | LABEL     | 1    |            | X X X FUEL ECONOMY (FRENCH)                                    |
|     | T185547  | LABEL     | 1    |            | X X X FUEL ECONOMY (SPANISH)                                   |
| 17  | T185570  | LABEL     | 1    |            | X X X INSTRUCTION (START) (RH) (FRENCH)                        |
|     | T185548  | LABEL     | 1    |            | X X X INSTRUCTION (START) (RH) (SPANISH)                       |
| 18  | T185571  | LABEL     | 1    |            | X X X WARNING (STAY CLEAR) (FRENCH)                            |
|     | T185549  | LABEL     | 1    |            | X X X WARNING (STAY CLEAR) (SPANISH)                           |
| 19  | T185573  | LABEL     | 1    |            | X X X ROPS (FRENCH)  |
|     | T185552  | LABEL     | 1    |            | X X X ROPS (SPANISH)   |
| 20  | T185577  | LABEL     | 1    |            | X X X BACKHOE CONTROL (2 LEVER) (FRENCH)                       |
|     | T185553  | LABEL     | 1    |            | X X X BACKHOE CONTROL (2 LEVER) (SPANISH)                      |
|     | T188018  | LABEL     | 1    |            | X X X ATTENTION - BACKHOE CONTROL (2 LEVER)<br>(SAE) (FRENCH)  |
|     | T188019  | LABEL     | 1    |            | X X X ATTENTION - BACKHOE CONTROL (2 LEVER)<br>(SAE) (SPANISH) |

THIS PARTS LISTING IS CONTINUED

**TRADEMARKS AND LABELS (FRENCH AND SPANISH) (CONTINUED)**  
**MARQUES DEPOSEES ET ETIQUETTES (FRANCAIS ET ESPAGNOL) (SUITE)**  
**MARCAS REGISTRADAS Y ETIQUETAS (FRANCO Y ESPANOL) (CONTINUACION)**

TX1007716 -UN-16MAY06



TX1007716

THIS PARTS LISTING IS CONTINUED

# 1320-9

MISCELLANEOUS VEHICLE 13

VEHICLE FINISH AND TRIM 1320

**TRADEMARKS AND LABELS (FRENCH AND SPANISH) (CONTINUED)**  
**MARQUES DEPOSEES ET ETIQUETTES (FRANCAIS ET ESPAGNOL) (SUITE)**  
**MARCAS REGISTRADAS Y ETIQUETAS (FRANCES Y ESPANOL) (CONTINUACION)**

| KEY | PART NO. | PART NAME   | QTY. | SERIAL NO.    | 3 3<br>3 1 1<br>1 0 5<br>0 S S<br>G G G | REMARKS                                 |
|-----|----------|-------------|------|---------------|---|---|
| 21  | T185695  | LABEL       | 1    |               | X X X                                   | FOOT PEDAL (FRENCH)                     |
|     | T185696  | LABEL       | 1    |               | X X X                                   | FOOT PEDAL (SPANISH)                    |
| 22  | T201286  | LABEL       | 1    |               | X X X                                   | HYDRAULIC RESERVOIR (FRENCH)            |
|     | T201285  | LABEL       | 1    |               | X X X                                   | HYDRAULIC RESERVOIR (SPANISH)           |
| 23  | T186128  | LABEL       | 1    |               | X X X                                   | HYDRAULIC OIL LEVEL (MIN-MAX) (FRENCH)  |
|     | T186125  | LABEL       | 1    |               | X X X                                   | HYDRAULIC OIL LEVEL (MIN-MAX) (SPANISH) |
| 24  | T186392  | LABEL       | 1    | -910055       | X X X                                   | PERIODIC MAINTENANCE (FRENCH)           |
|     | T201294  | LABEL       | 1    | 910056-943092 | X X X                                   | PERIODIC MAINTENANCE (FRENCH)           |
|     | T213334  | LABEL       | 1    | 943093-951252 | X X X                                   | PERIODIC MAINTENANCE (FRENCH)           |
|     | T209530  | LABEL       | 1    | 951252-       | X X X                                   | PERIODIC MAINTENANCE (FRENCH)           |
|     | T186393  | LABEL       | 1    | -910055       | X X X                                   | PERIODIC MAINTENANCE (SPANISH)          |
|     | T201295  | LABEL       | 1    | 910056-943092 | X X X                                   | PERIODIC MAINTENANCE (SPANISH)          |
|     | T213335  | LABEL       | 1    | 943093-951252 | X X X                                   | PERIODIC MAINTENANCE (SPANISH)          |
|     | T209531  | LABEL       | 1    | 951253-       | X X X                                   | PERIODIC MAINTENANCE (SPANISH)          |
| 25  | T186440  | LABEL       | 1    | -910055       | X X X                                   | FUSE BLOCK (FRENCH)                     |
|     | T188819  | LABEL       | 1    | 910056-951252 | X X X                                   | FUSE BLOCK (FRENCH)                     |
|     | T207042  | LABEL       | 1    | 951253-       | X X X                                   | FUSE BLOCK (FRENCH)                     |
|     | T186439  | LABEL       | 1    | -910055       | X X X                                   | FUSE BLOCK (SPANISH)                    |
|     | T188818  | LABEL       | 1    | 910056-951252 | X X X                                   | FUSE BLOCK (SPANISH)                    |
|     | T207041  | LABEL       | 1    | 951253-       | X X X                                   | FUSE BLOCK (SPANISH)                    |
| 26  | T186441  | LABEL       | 1    |               | X X X                                   | INSTRUMENT PANEL (LH) (FRENCH)          |
|     | T186442  | LABEL       | 1    |               | X X X                                   | INSTRUMENT PANEL (LH) (SPANISH)         |
| 27  | T200659  | SAFETY SIGN | 1    |               | X X X                                   | CAUTION (MOTION) (FRENCH)               |
|     | T200660  | SAFETY SIGN | 1    |               | X X X                                   | CAUTION (MOTION) (SPANISH)              |
| 28  | T200895  | SAFETY SIGN | 1    |               | X X X                                   | ATTENTION (BACKHOE CONTROL) (FRENCH)    |
|     | T200896  | SAFETY SIGN | 1    |               | X X X                                   | ATTENTION (BACKHOE CONTROL) (SPANISH)   |
| 29  | T208008  | LABEL       | 1    | 951253-       | X X X                                   | HYDRAULIC OIL LEVEL (FRENCH)            |
|     | T208007  | LABEL       | 1    | 951253-       | X X X                                   | HYDRAULIC OIL LEVEL (SPANISH)           |
| 30  | .....    | DECAL KIT   | 1    |               | X X X                                   | (FRENCH) (NLA)                          |
| 31  | .....    | DECAL KIT   | 1    |               | X X X                                   | (SPANISH) (NLA)                         |

# 1330-2

MISCELLANEOUS VEHICLE 13

SHIPPING AND PACKAGING 1330

LOCTITE SERVICE KIT (PARTS LISTED BELOW ARE NOT ILLUSTRATED)  
KIT D'ENTRETIEN LOCTITE (PIECES INDIQUEES CI-DESSOUS NON ILLUSTRÉES)  
JUEGO DE SERVICIO LOCTITE (LAS PIEZAS INDICADAS ABAJO NO SE ILUSTRAN)

| KEY | PART NO. | PART NAME | QTY. | SERIAL NO. | REMARKS                  |
|-----|----------|-----------|------|------------|--------------------------|
| 1   | TY16285  | PRIMER    | 1    |            |                          |
|     | T43512   | SEALANT   | 1    |            | LOCTITE                  |
|     | T43513   | SEALANT   | 1    |            |                          |
|     | PM38655  | SEALANT   | 1    |            | (SUB FOR T43514) PLASTIC |
|     | PM37485  | ADHESIVE  | 1    |            | (SUB FOR TY15969)        |

# 1330-3

MISCELLANEOUS VEHICLE 13  
SHIPPING AND PACKAGING 1330

MEMORANDA  
MEMORANDA  
MEMORANDA

# 1369-4

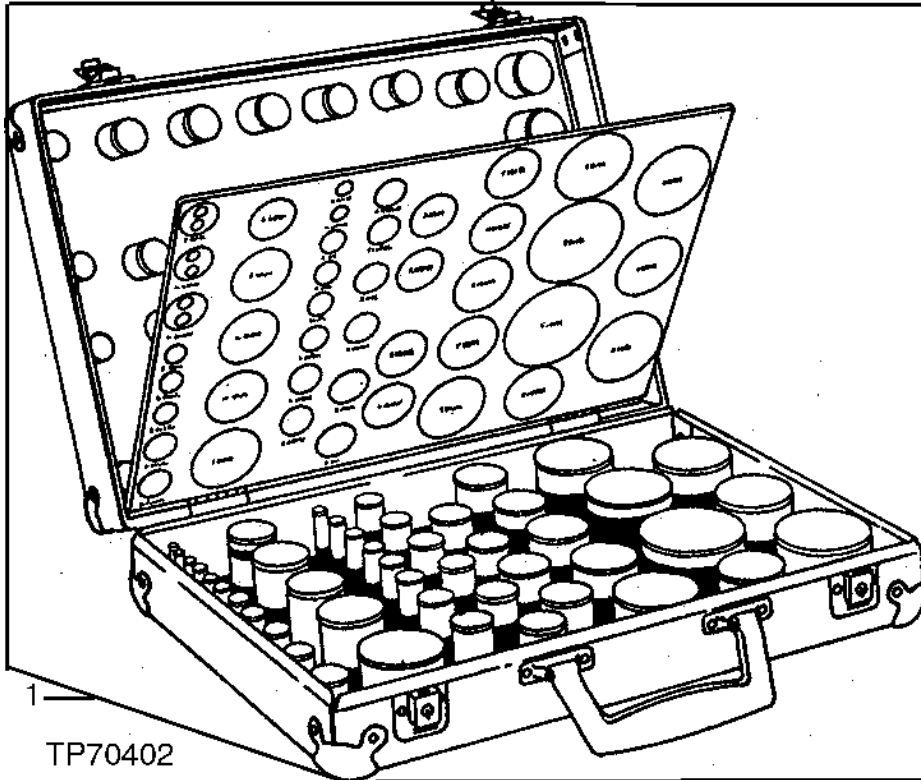
MISCELLANEOUS VEHICLE 13

GREASES, OILS, FUELS AND COOLANTS 1369

## O-RING KIT JEU DE PIÈCES DE JOINT TORIQUE JUEGO DE ANILLO TORICO

TP70402

-UN-13JUL00



TP70402

THIS PARTS LISTING IS CONTINUED

# 1369-5

MISCELLANEOUS VEHICLE 13

GREASES, OILS, FUELS AND COOLANTS 1369

O-RING KIT  
 JEU DE PIECES DE JOINT TORIQUE  
 JUEGO DE ANILLO TORICO

| KEY | PART NO. | PART NAME  | QTY. | SERIAL NO. | REMARKS   |
|-----|----------|------------|------|------------|---|
| 1   | AT130208 | O-RING KIT | 1    |            | (CONTAINS FIVE OF EACH O-RING LISTED BELOW)<br>(INCLUDES CARRYING CASE) |
|     | A3606R   | O-RING     | 1    |            |   |
|     | A3917R   | O-RING     | 1    |            |   |
|     | A4365R   | O-RING     | 1    |            |   |
|     | A4730R   | O-RING     | 1    |            |   |
|     | B2762R   | O-RING     | 1    |            |   |
|     | B3690R   | O-RING     | 1    |            |   |
|     | F1056R   | O-RING     | 1    |            |   |
|     | F1870R   | O-RING     | 1    |            |   |
|     | U12547   | O-RING     | 1    |            |   |
|     | F3353R   | O-RING     | 1    |            |   |
|     | H35244   | RING       | 1    |            |   |
|     | T78313   | O-RING     | 1    |            |   |
|     | M4237T   | O-RING     | 1    |            |   |
|     | N131838  | O-RING     | 1    |            |   |
|     | P46051   | O-RING     | 1    |            |   |
|     | P48403   | O-RING     | 1    |            |   |
|     | P50631   | O-RING     | 1    |            |   |
|     | R375R    | O-RING     | 1    |            |   |
|     | R394R    | O-RING     | 1    |            |   |
|     | R459R    | O-RING     | 1    |            |   |
|     | R460R    | O-RING     | 1    |            |   |
|     | R495R    | O-RING     | 1    |            |   |
|     | R10093   | O-RING     | 1    |            |   |
|     | R26286   | O-RING     | 1    |            |   |
|     | R26287   | O-RING     | 1    |            |   |
|     | R26375   | O-RING     | 1    |            |   |
|     | R26448   | O-RING     | 1    |            |   |
|     | R26773   | O-RING     | 1    |            |   |
|     | R26863   | O-RING     | 1    |            |   |
|     | R26906   | O-RING     | 1    |            |   |
|     | R27166   | O-RING     | 1    |            |   |
|     | R27928   | O-RING     | 1    |            |   |
|     | R28776   | O-RING     | 1    |            |   |
|     | R28782   | O-RING     | 1    |            |   |
|     | R29463   | O-RING     | 1    |            |   |
|     | R29936   | O-RING     | 1    |            |   |
|     | R30903   | O-RING     | 1    |            |   |
|     | R33259   | O-RING     | 1    |            |   |
|     | R56461   | O-RING     | 1    |            |   |
|     | R48638   | O-RING     | 1    |            |   |
|     | R71732   | O-RING     | 1    |            |   |
|     | R53543   | O-RING     | 1    |            |   |
|     | R56463   | O-RING     | 1    |            |   |
|     | R56751   | O-RING     | 1    |            |   |
|     | R60332   | O-RING     | 1    |            |   |
|     | R80632   | O-RING     | 1    |            |   |
|     | T12275   | O-RING     | 1    |            |   |
|     | T13119   | O-RING     | 1    |            |   |
|     | T16752   | O-RING     | 1    |            |   |
|     | T19687   | O-RING     | 1    |            |   |
|     | R112857  | O-RING     | 1    |            |   |
|     | T25335   | O-RING     | 1    |            |   |
|     | T34248   | O-RING     | 1    |            |   |
|     | U10289   | O-RING     | 1    |            |   |
|     | U10746   | O-RING     | 1    |            |   |
|     | U10776   | O-RING     | 1    |            |   |
|     | U11326   | O-RING     | 1    |            |   |
|     | U11343   | O-RING     | 1    |            |   |
|     | U12037   | O-RING     | 1    |            |   |
|     | U12198   | O-RING     | 1    |            |   |
|     | U12331   | O-RING     | 1    |            |   |
|     | U12547   | O-RING     | 1    |            |   |
|     | U13639   | O-RING     | 1    |            |   |
|     | U15415   | O-RING     | 1    |            |   |
|     | U15973   | O-RING     | 1    |            |   |
|     | U17409   | O-RING     | 1    |            |   |
|     | U42111   | O-RING     | 1    |            |   |

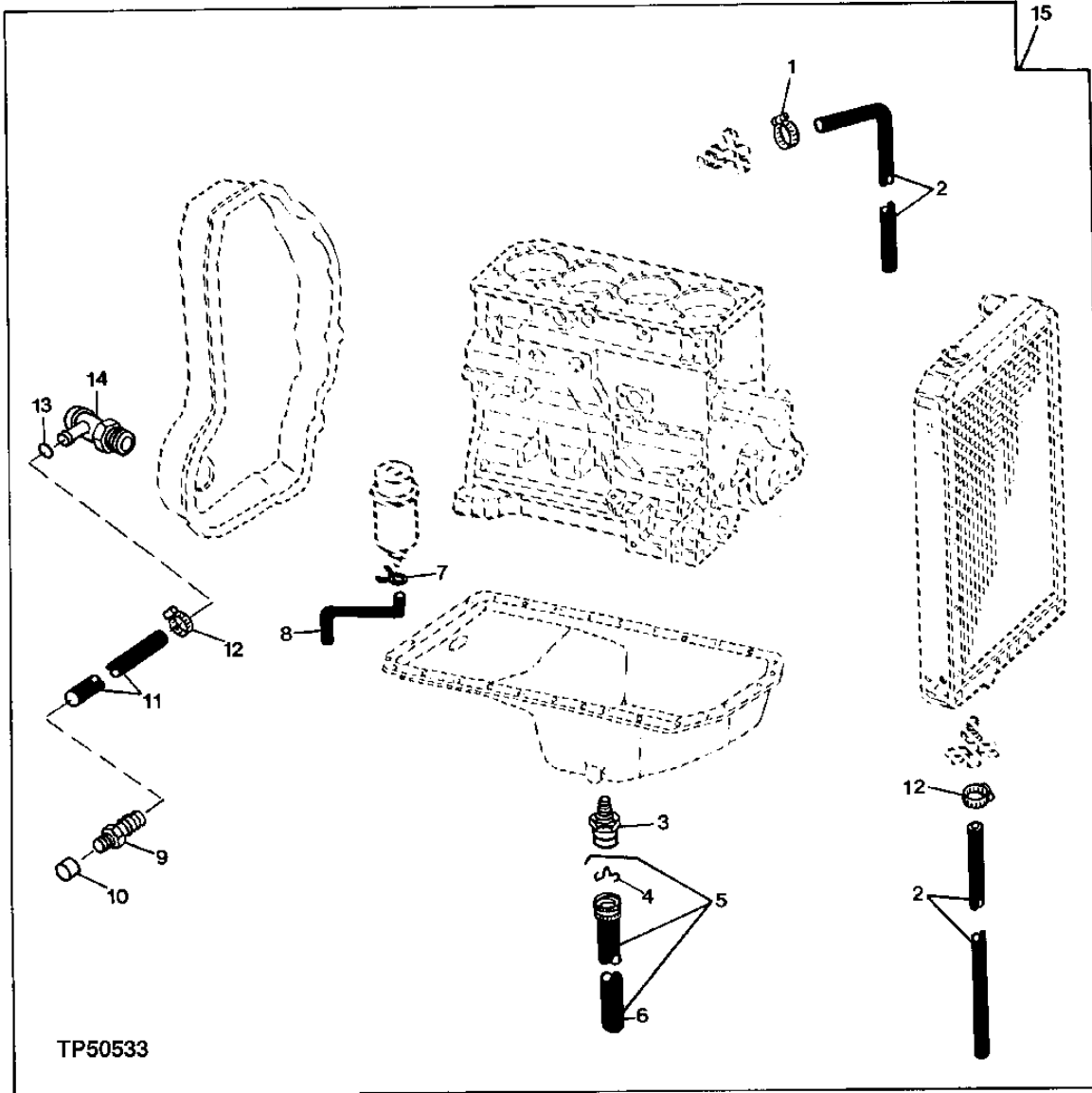
# 1369-6

MISCELLANEOUS VEHICLE 13

GREASES, OILS, FUELS AND COOLANTS 1369

## ENVIRONMENTAL DRAIN PACKAGE ENSEMBLE DE VIDANGE ECOLOGIQUE CONJUNTO DE VACIADO AMBIENTAL

TP50533 -UN-02JAN97





# 1369-7

MISCELLANEOUS VEHICLE 13

GREASES, OILS, FUELS AND COOLANTS 1369

**ENVIRONMENTAL DRAIN PACKAGE  
ENSEMBLE DE VIDANGE ECOLOGIQUE  
CONJUNTO DE VACIADO AMBIENTAL**

| KEY | PART NO. | PART NAME             | QTY. | SERIAL NO. | REMARKS                       |
|-----|----------|-----------------------|------|------------|-------------------------------|
|     |          |                       |      |            | 3 3                           |
|     |          |                       |      |            | 3 1 1                         |
|     |          |                       |      |            | 1 0 5                         |
|     |          |                       |      |            | 0 S S                         |
|     |          |                       |      |            | G G G                         |
| 1   | AR21837  | CLAMP                 | 1    |            | X X X                         |
| 2   | T161002  | HOSE                  | 2    |            | X X X                         |
| 3   | AT179995 | DRAIN VALVE           | 1    |            | X X X                         |
| 4   | T161615  | PIN                   | 1    |            | X X X                         |
| 5   | AT179996 | HOSE                  | 1    |            | X X X                         |
| 6   | .....    | BULK HOSE             | 1    |            | X X X (MAKE FROM TY22388) CTL |
| 7   | T13254   | CLAMP                 | 1    |            | X X X                         |
| 8   | T161093  | HOSE                  | 1    |            | X X X                         |
| 9   | H23196   | FITTING               | 1    |            | X X X                         |
| 10  | 15H3     | FITTING               | 1    |            | X X X                         |
| 11  | .....    | BULK HOSE             | 1    |            | X X X (MAKE FROM TY22388) CTL |
| 12  | RE65978  | CLAMP                 | 2    |            | X X X                         |
| 13  | R26906   | O-RING                | 1    |            | X X X                         |
| 14  | AT152180 | DRAIN VALVE           | 1    |            | X X X                         |
| 15  | AT179053 | <b>MOUNTING PARTS</b> | 1    |            | <b>X X X (WHOLE GOODS)</b>    |

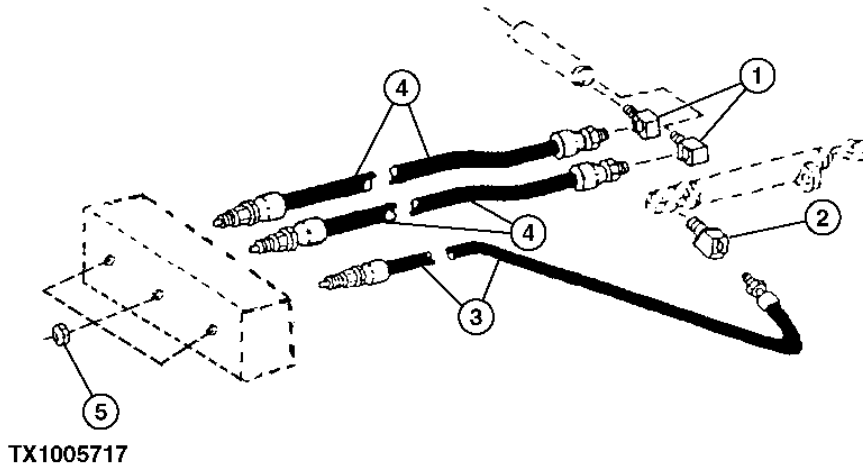
# 1370-2

MISCELLANEOUS VEHICLE 13

LUBRICATION SYSTEMS

FRONT AXLE AND STEERING CYLINDER LUBRICATION SYSTEM (SN -911131)  
 CIRCUIT DE LUBRIFICATION D'ESSIEU AVANT ET DE VERIN DE DIRECTION (SN -911131)  
 SISTEMA DE LUBRICACION DEL EJE DELANTERO Y CILINDRO DE DIRECCION (SN -911131)

TX1005717 -UN-04APR06



| KEY | PART NO. | PART NAME       | QTY. | SERIAL NO. | REMARKS |
|-----|----------|-----------------|------|------------|---------|
|     |          |                 |      | 3 3        |         |
|     |          |                 |      | 3 1 1      |         |
|     |          |                 |      | 1 0 5      |         |
|     |          |                 |      | 0 S S      |         |
|     |          |                 |      | G G G      |         |
| 1   | JD7838   | ADAPTER FITTING | 2    | X X X      |         |
| 2   | JD7838   | ADAPTER FITTING | 1    | X X X      |         |
| 3   | AT173254 | HYDRAULIC HOSE  | 1    | X X X      |         |
| 4   | AT173254 | HYDRAULIC HOSE  | 2    | X X X      |         |
| 5   | E12379   | NUT             | 3    | X X X      |         |

# 1370-3

MISCELLANEOUS VEHICLE 13

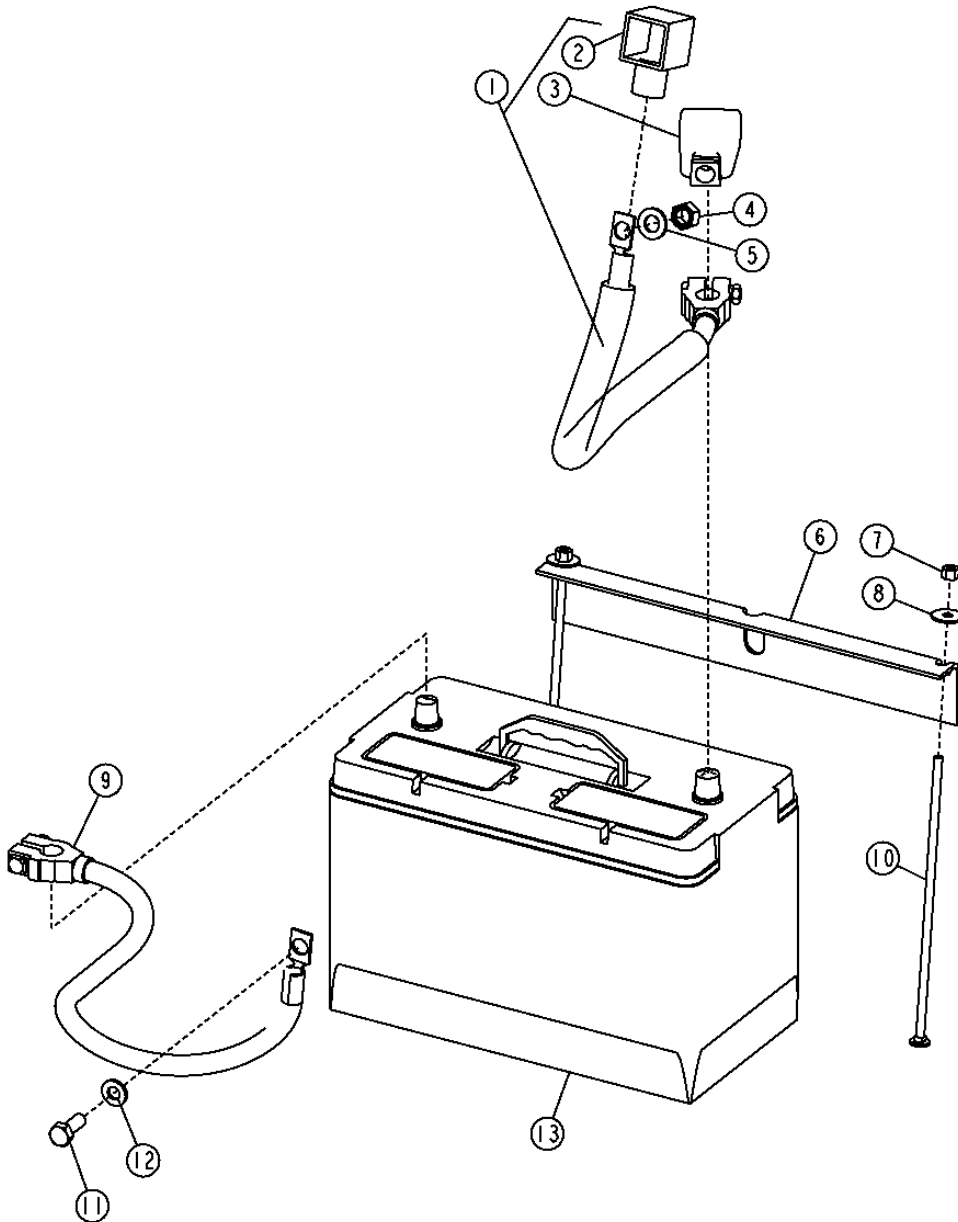
LUBRICATION SYSTEMS

MEMORANDA  
MEMORANDA  
MEMORANDA

# 1671-2

SINGLE BATTERY INSTALLATION  
INSTALLATION A BATTERIE UNIQUE  
INSTALACION DE BATERIA SENCILLA

T145407 -UN-20SEP01



T145407

# 1671-3

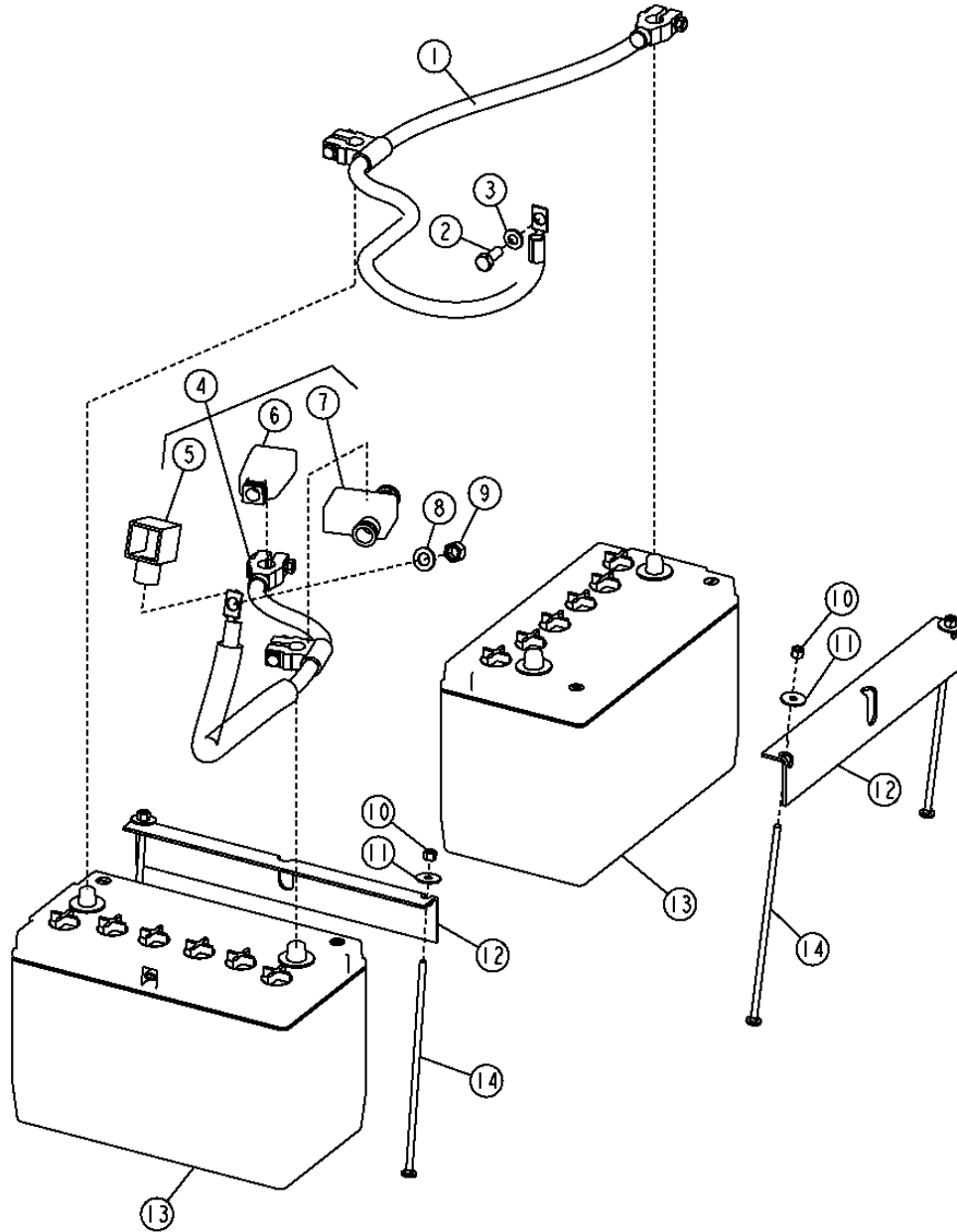
**SINGLE BATTERY INSTALLATION  
INSTALLATION A BATTERIE UNIQUE  
INSTALACION DE BATERIA SENCILLA**

| KEY | PART NO. | PART NAME           | QTY. | SERIAL NO. | 3 3<br>3 1 1<br>1 0 5<br>0 S S<br>G G G | REMARKS   |
|-----|----------|---------------------|------|------------|---|---|
| 1   | AT195996 | BATTERY CABLE       | 1    | -917119    | X                                       | POSITIVE (W/ TURBO) (SUB FOR AT185689)                                |
|     | AT195996 | BATTERY CABLE       | 1    | -916367    | X                                       | POSITIVE (W/O TURBO)  |
|     | AT196446 | BATTERY CABLE       | 1    | 917120-    | X                                       | POSITIVE (W/ TURBO) (SUB FOR AT185689)                                |
|     | AT196446 | BATTERY CABLE       | 1    | 916368-    | X                                       | POSITIVE (W/O TURBO)  |
|     | AT196446 | BATTERY CABLE       | 1    |            | X X                                     |   |
| 2   | T129165  | BOOT                | 1    |            | X X                                     |   |
| 3   | T107117  | COVER               | 1    |            | X X X                                   |   |
| 4   | 14M7275  | NUT                 | 1    |            | X X X                                   | M12   |
| 5   | 24M7047  | WASHER              | 1    |            | X X X                                   |   |
| 6   | T121288  | ANGLE               | 1    |            | X X X                                   |   |
| 7   | M40333   | LOCK NUT            | 2    |            | X X X                                   | 1/4"  |
| 8   | 24H1288  | WASHER              | 2    |            | X X X                                   |   |
| 9   | AT195995 | BATTERY CABLE       | 1    |            | X X X                                   | NEGATIVE, (SUB FOR AT185690)  |
| 10  | 03H2208  | BOLT                | 2    |            | X X X                                   | 1/4" X 9-1/4"   |
| 11  | 19M7402  | CAP SCREW           | 1    |            | X X X                                   | M10 X 25  |
| 12  | 24M7239  | WASHER              | 2    |            | X X X                                   |   |
| 13  | TY6128   | DRY CHARGED BATTERY | 1    |            | X X X                                   | (WARRANTY NO. AT132864) (950 CCA) (SUB FOR TY21766, THIS APPLICATION) |

# 1671-4

## DUAL BATTERY INSTALLATION INSTALLATION A BATTERIE DOUBLE INSTALACION DE DOS BATERIAS

T145408 -UN-20SEP01



T145408

# 1671-5

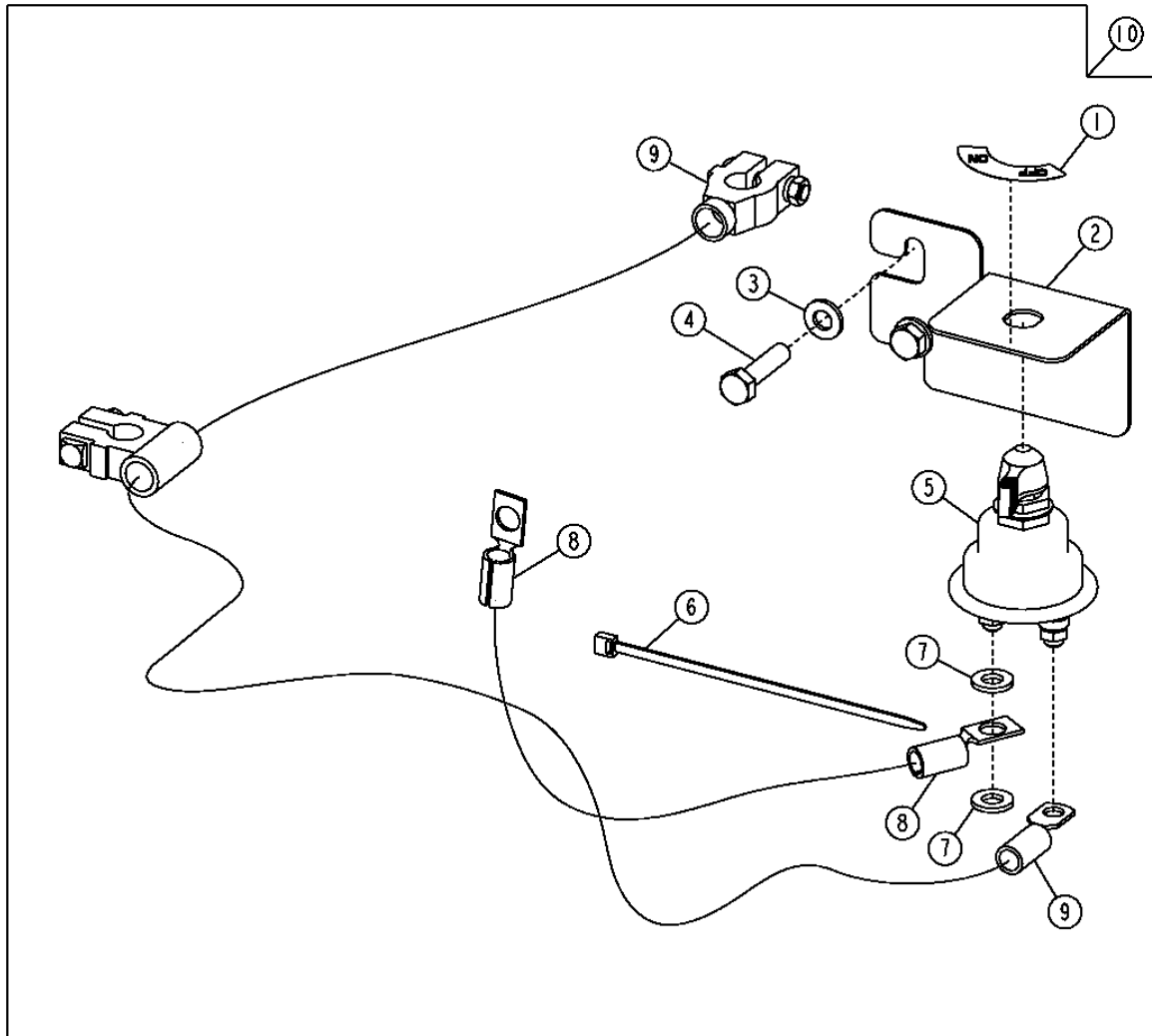
**DUAL BATTERY INSTALLATION  
INSTALLATION A BATTERIE DOUBLE  
INSTALACION DE DOS BATERIAS**

| KEY | PART NO. | PART NAME           | QTY. | SERIAL NO. | 3 3<br>3 1 1<br>1 0 5<br>0 S S<br>G G G | REMARKS   |
|-----|----------|---------------------|------|------------|---|---|
| 1   | AT195911 | BATTERY CABLE       | 1    |            | X X X                                   | NEGATIVE, (SUB FOR AT191817)  |
| 2   | 19M7402  | CAP SCREW           | 1    |            | X X X                                   | M10 X 25  |
| 3   | 24M7239  | WASHER              | 1    |            | X X X                                   |   |
| 4   | AT195910 | BATTERY CABLE       | 1    | -917119    | X                                       | POSITIVE (W/ TURBO) (SUB FOR AT185691)                                |
|     | AT195910 | BATTERY CABLE       | 1    | -916367    | X                                       | POSITIVE (W/O TURBO)  |
|     | AT196447 | BATTERY CABLE       | 1    | 917120-    | X                                       | POSITIVE (W/ TURBO) (SUB FOR AT185691)                                |
|     | AT196447 | BATTERY CABLE       | 1    | 916368-    | X                                       | POSITIVE (W/O TURBO)  |
|     | AT195910 | BATTERY CABLE       | 1    | -902007    | X X                                     | POSITIVE  |
|     | AT196447 | BATTERY CABLE       | 1    | 902008-    | X X                                     |   |
| 5   | T129165  | BOOT                | 1    |            | X X                                     |   |
| 6   | T107117  | COVER               | 1    |            | X X X                                   |   |
| 7   | T107116  | COVER               | 1    |            | X X X                                   |   |
| 8   | 24M7047  | WASHER              | 1    |            | X X X                                   |   |
| 9   | 14M7275  | NUT                 | 1    |            | X X X                                   |   |
| 10  | M40333   | LOCK NUT            | 4    |            | X X X                                   | 6.350 MM  |
| 11  | 24H1288  | WASHER              | 4    |            | X X X                                   |   |
| 12  | T121288  | ANGLE               | 2    |            | X X X                                   |   |
| 13  | TY6128   | DRY CHARGED BATTERY | 2    |            | X X X                                   | (WARRANTY NO. AT132864) (950 CCA) (SUB FOR TY21766, THIS APPLICATION) |
| 14  | 03H2208  | BOLT                | 4    |            | X X X                                   | 1/4" X 9-1/4"   |

# 1671-6

**MASTER BATTERY DISCONNECT  
SECTIONNEUR DE BATTERIE PRINCIPAL  
DESCONEXION MAESTRA DE BATERIAS**

T152635 -UN-21MAR02



T152635



# 1671-7

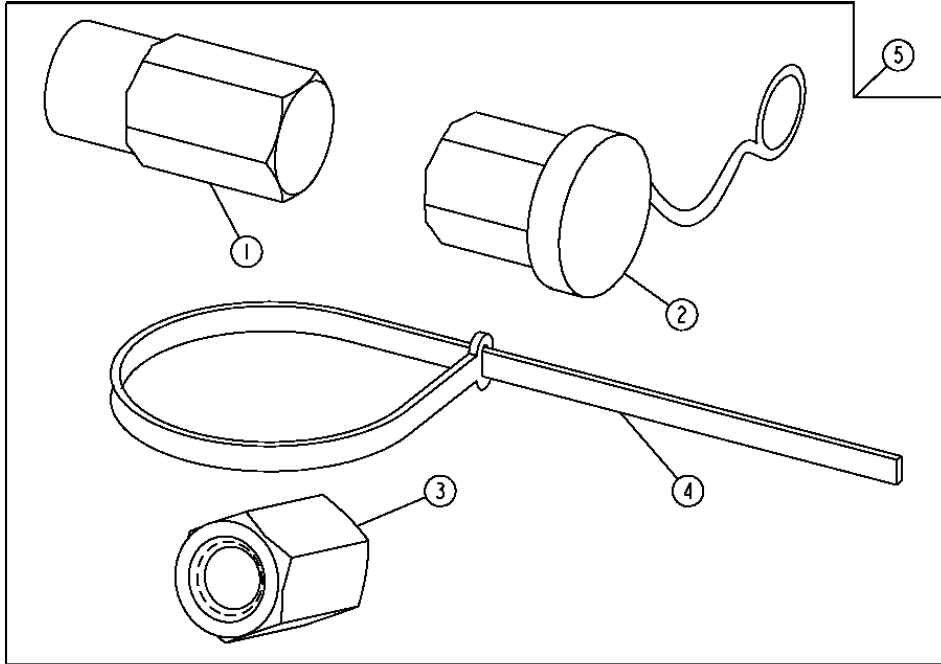
**MASTER BATTERY DISCONNECT  
SECTIONNEUR DE BATTERIE PRINCIPAL  
DESCONEXION MAESTRA DE BATERIAS**

| KEY | PART NO. | PART NAME     | QTY. | SERIAL NO. | REMARKS  |
|-----|----------|---------------|------|------------|--|
|     |          |               |      |            | 3 3  |
|     |          |               |      |            | 3 1 1  |
|     |          |               |      |            | 1 0 5  |
|     |          |               |      |            | 0 S S  |
|     |          |               |      |            | G G G  |
| 1   | T42199   | LABEL         | 1    |            | X X X  |
| 2   | T190658  | BRACKET       | 1    |            | X X X  |
| 3   | 24M7239  | WASHER        | 2    |            | X X X  |
| 4   | 19M7806  | SCREW         | 2    |            | X X X 10.700 X 21 X 2.500 MM                                   |
| 5   | AT41188  | SWITCH        | 1    |            | X X X M10 X 50, (SUB FOR 19M7384)                              |
| 6   | R44302   | TIE BAND      | 1    |            | X X X  |
| 7   | 24M7239  | WASHER        | 2    |            | X X X 10.700 X 21 X 2.500 MM                                   |
| 8   | AR67069  | GROUND CABLE  | 1    |            | X X X  |
| 9   | AT197922 | BATTERY CABLE | 1    |            | X X X (DUAL BATTERY)   |
|     | AT179926 | GROUND CABLE  | 1    |            | X X X (SINGLE BATTERY) (NOT ILLUSTRATED) (NOT INCLUDED IN KIT) |
| 10  | AT198096 | KIT           | 1    |            | X X X (WHOLE GOODS) (SUB FOR AT186452, THIS APPLICATION)       |

# 1671-8

**REMOTE START POST  
POSTE DE DEMARRAGE A DISTANCE  
BORNE PARA ARRANQUE REMOTO**

T144950 -UN-20AUG01



T144950

| KEY | PART NO. | PART NAME | QTY. | SERIAL NO. | REMARKS                        |
|-----|----------|-----------|------|------------|--------------------------------|
|     |          |           |      | 3 3        |                                |
|     |          |           |      | 3 1 1      |                                |
|     |          |           |      | 1 0 5      |                                |
|     |          |           |      | 0 S S      |                                |
|     |          |           |      | G G G      |                                |
| 1   | T172353  | TERMINAL  | 1    |            | X X X ISKRA                    |
| 2   | T134104  | COVER     | 1    |            | X X X                          |
| 3   | E64052   | NUT       | 1    |            | X X X DENSO, (SUB FOR T174530) |
| 4   | H77698   | TIE BAND  | 1    |            | X X X                          |
| 5   | AT186213 | KIT       | 1    |            | X X X (WHOLE GOODS)            |

# 1671-9

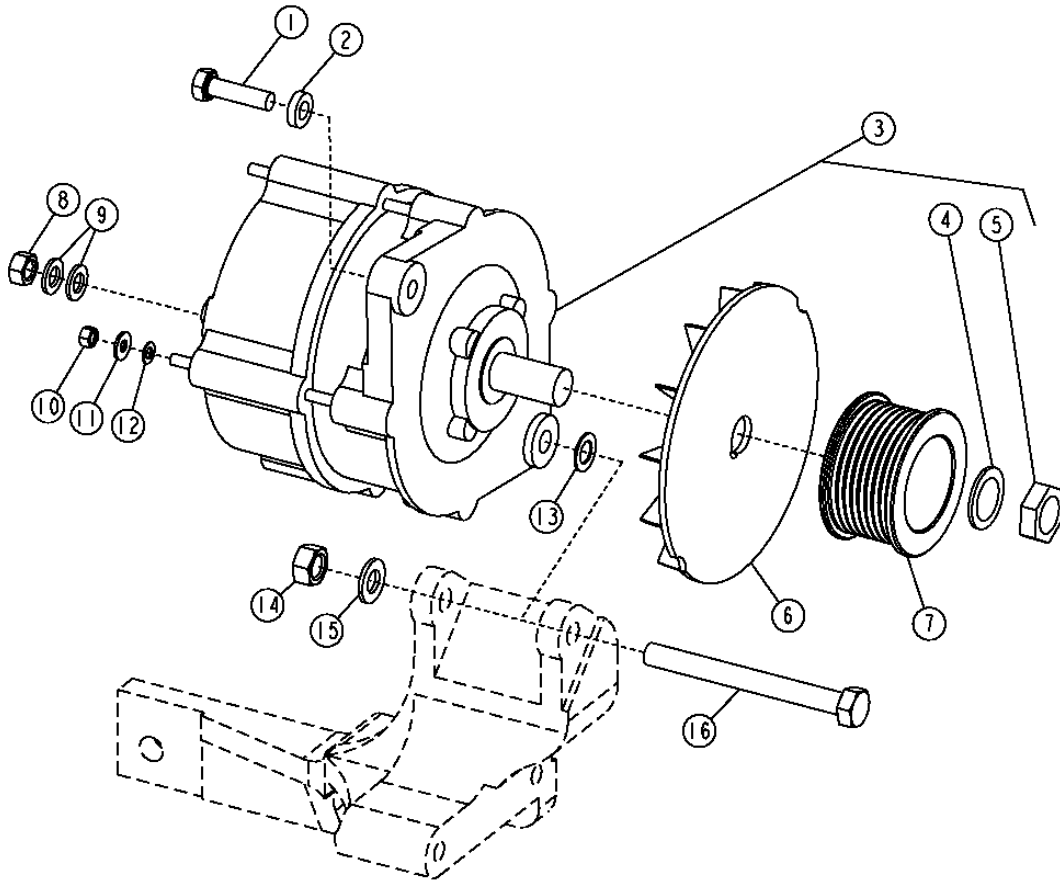
VEHICLE ELECTRICAL SYSTEM 16  
BATTERIES, SUPPORT AND CABLES 1671

MEMORANDA  
MEMORANDA  
MEMORANDA

# 1672-2

ALTERNATOR, REGULATOR & CHARGING SYSTEM WIRING 1672  
ALTERNATOR (SN -958549) (310G,310SG)  
ALTERNATEUR (SN -958549) (310G,310SG)  
ALTERNADOR (SN -958549) (310G,310SG)

T152387 -UN-03APR02



T152387

# 1672-3

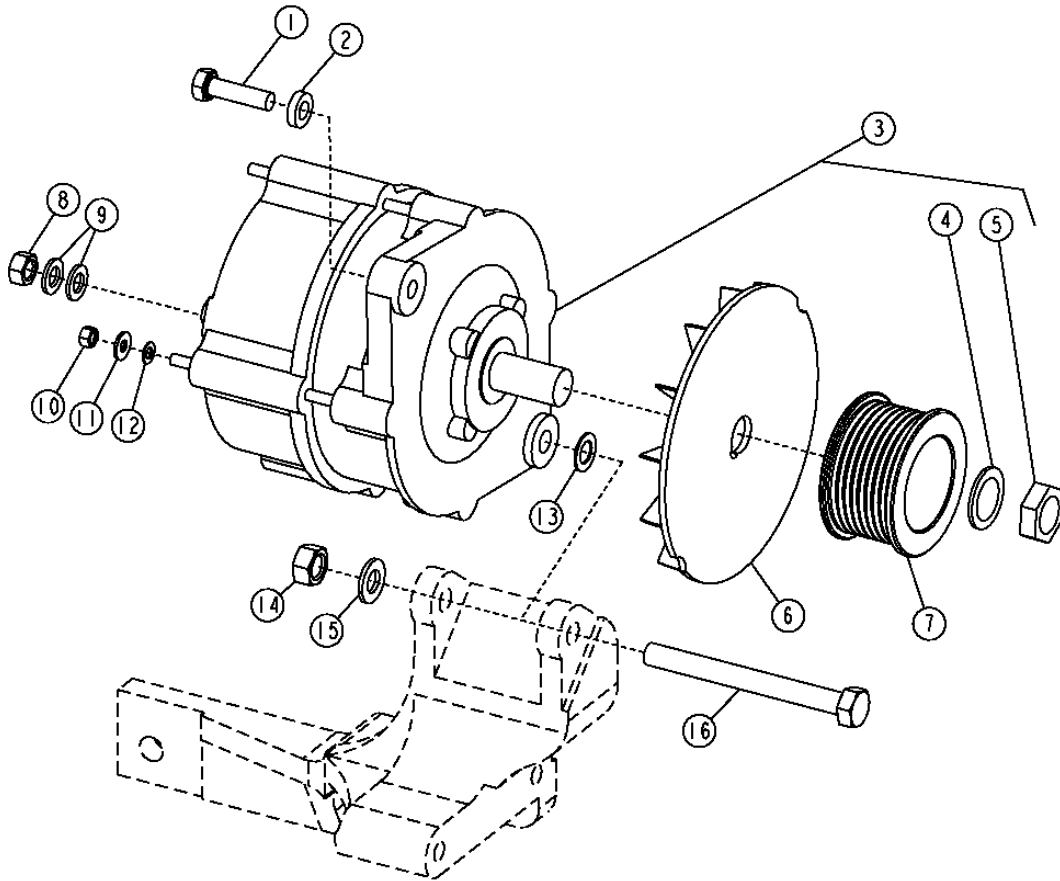
ALTERNATOR,REGULATOR;&CHARGING;SYSTEM;WIRING 1672  
 ALTERNATOR (SN -958549) (310G,310SG)  
 ALTERNATEUR (SN -958549) (310G,310SG)  
 ALTERNADOR (SN -958549) (310G,310SG)

| KEY | PART NO. | PART NAME         | QTY. | SERIAL NO. | REMARKS   |
|-----|----------|-------------------|------|------------|---|
|     |          |                   |      |            | 3 3   |
|     |          |                   |      |            | 3 1 1   |
|     |          |                   |      |            | 1 0 5   |
|     |          |                   |      |            | 0 S S   |
|     |          |                   |      |            | G G G   |
| 1   | 19M7513  | CAP SCREW         | 1    |            | X X M8 X 30   |
| 2   | R48808   | WASHER            | 1    |            | X X   |
| 3   | AH137883 | ALTERNATOR        | 1    |            | X X 12 VOLT 95 AMP. (SUB FOR AT220394)              |
|     | TY24485  | ALTERNATOR        | 1    |            | X X 12 VOLT 95 AMP (REMAN) (SUB FOR TY6750)         |
|     | AT173624 | ALTERNATOR        | 1    |            | X X 12 VOLT 65 AMP, (SUB FOR AT220393) (SUB TY6799) |
|     | H144094  | VOLTAGE REGULATOR | 1    |            | X X   |
|     | H144095  | CAPACITOR         | 1    |            | X X   |
|     | L33993   | FAN               | 1    |            | X X   |
|     | TY6799   | ALTERNATOR        | 1    |            | X X 12 VOLT 65 AMP (REMAN)                          |
|     | SE501342 | ALTERNATOR        | 1    |            | X X (REMANUFACTURED FOR TY24485)                    |
|     | SE501387 | ALTERNATOR        | 1    |            | X X (REMANUFACTURED FOR TY6799)                     |
| 4   | T10745   | WASHER            | 1    |            | X X   |
| 5   | 14M7158  | NUT               | 1    |            | X X M16   |
| 6   | T158584  | FAN               | 1    |            | X X   |
| 7   | R501486  | PULLEY            | 1    |            | X X   |
| 8   | 14M7273  | NUT               | 1    |            | X X M8  |
| 9   | 24M7036  | WASHER            | 2    |            | X X   |
| 10  | 14M7297  | NUT               | 2    |            | X X M5  |
| 11  | 24H1283  | WASHER            | 1    |            | X X   |
| 12  | 12M7060  | WASHER            | 3    |            | X X   |
| 13  | R64525   | THRUST WASHER     | 1    |            | X X   |
| 14  | 14M7274  | NUT               | 1    |            | X X M10   |
| 15  | 24M7028  | WASHER            | 1    |            | X X   |
| 16  | 19M8093  | CAP SCREW         | 1    |            | X X M10 X 100                                       |

# 1672-4

ALTERNATOR, REGULATOR & CHARGING SYSTEM WIRING 1672  
ALTERNATOR (315SG)  
ALTERNATEUR (315SG)  
ALTERNADOR (315SG)

T152387 -UN-03APR02



T152387

# 1672-5

VEHICLE ELECTRICAL SYSTEM 16

ALTERNATOR,REGULATOR&CHARGINGSYSTEM;WIRING 1672  
 ALTERNATOR (315SG)  
 ALTERNATEUR (315SG)  
 ALTERNADOR (315SG)

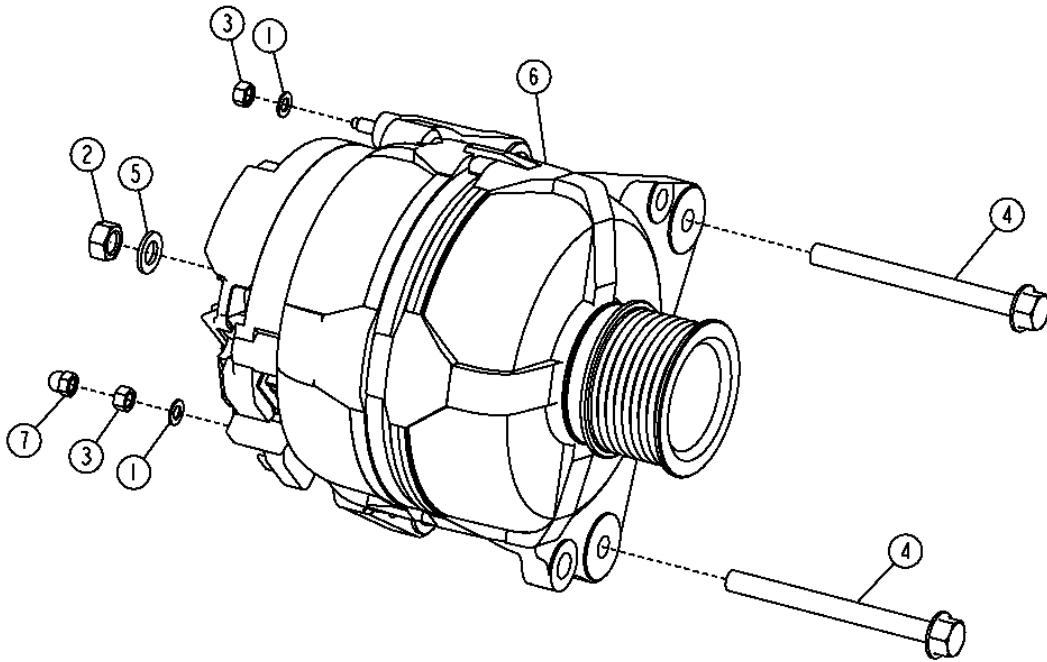
| KEY | PART NO. | PART NAME         | QTY. | SERIAL NO. | REMARKS   |
|-----|----------|-------------------|------|------------|---|
|     |          |                   |      |            | 3 3   |
|     |          |                   |      |            | 3 1 1   |
|     |          |                   |      |            | 1 0 5   |
|     |          |                   |      |            | 0 S S   |
|     |          |                   |      |            | G G G   |
| 1   | 19M7513  | CAP SCREW         | 1    |            | X M8 X 30   |
| 2   | R48808   | WASHER            | 1    |            | X   |
| 3   | AH137883 | ALTERNATOR        | 1    |            | X 12 VOLT 95 AMP. (SUB FOR AT220394)              |
|     | TY24485  | ALTERNATOR        | 1    |            | X 12 VOLT 95 AMP (REMAN) (SUB FOR TY6750)         |
|     | AT173624 | ALTERNATOR        | 1    |            | X 12 VOLT 65 AMP, (SUB FOR AT220393) (SUB TY6799) |
|     | H144094  | VOLTAGE REGULATOR | 1    |            | X   |
|     | H144095  | CAPACITOR         | 1    |            | X   |
|     | L33993   | FAN               | 1    |            | X   |
|     | TY6799   | ALTERNATOR        | 1    |            | X 12 VOLT 65 AMP (REMAN)                          |
|     | SE501342 | ALTERNATOR        | 1    |            | X X (REMANUFACTURED FOR TY24485)                  |
|     | SE501387 | ALTERNATOR        | 1    |            | X (REMANUFACTURED FOR TY6799)                     |
| 4   | T10745   | WASHER            | 1    |            | X   |
| 5   | 14M7158  | NUT               | 1    |            | X M16   |
| 6   | T158584  | FAN               | 1    |            | X   |
| 7   | R501486  | PULLEY            | 1    |            | X   |
| 8   | 14M7273  | NUT               | 1    |            | X M8  |
| 9   | 24M7036  | WASHER            | 2    |            | X   |
| 10  | 14M7297  | NUT               | 2    |            | X M5  |
| 11  | 24H1283  | WASHER            | 1    |            | X   |
| 12  | 12M7060  | WASHER            | 3    |            | X   |
| 13  | R64525   | THRUST WASHER     | 1    |            | X   |
| 14  | 14M7274  | NUT               | 1    |            | X M10   |
| 15  | 24M7028  | WASHER            | 1    |            | X   |
| 16  | 19M8093  | CAP SCREW         | 1    |            | X M10 X 100                                       |

# 1672-6

ALTERNATOR, REGULATOR & CHARGING SYSTEM WIRING 1672  
ALTERNATOR (SN 958550- ) (310G,310SG)  
ALTERNATEUR (SN 958550- ) (310G,310SG)  
ALTERNADOR (SN 958550- ) (310G,310SG)

TX1007739

-UN-22JUN06



TX1007739



# 1672-7

ALTERNATOR,REGULATOR;&CHARGING;SYSTEM;WIRING 1672  
 ALTERNATOR (SN 958550- ) (310G,310SG)  
 ALTERNATEUR (SN 958550- ) (310G,310SG)  
 ALTERNADOR (SN 958550- ) (310G,310SG)

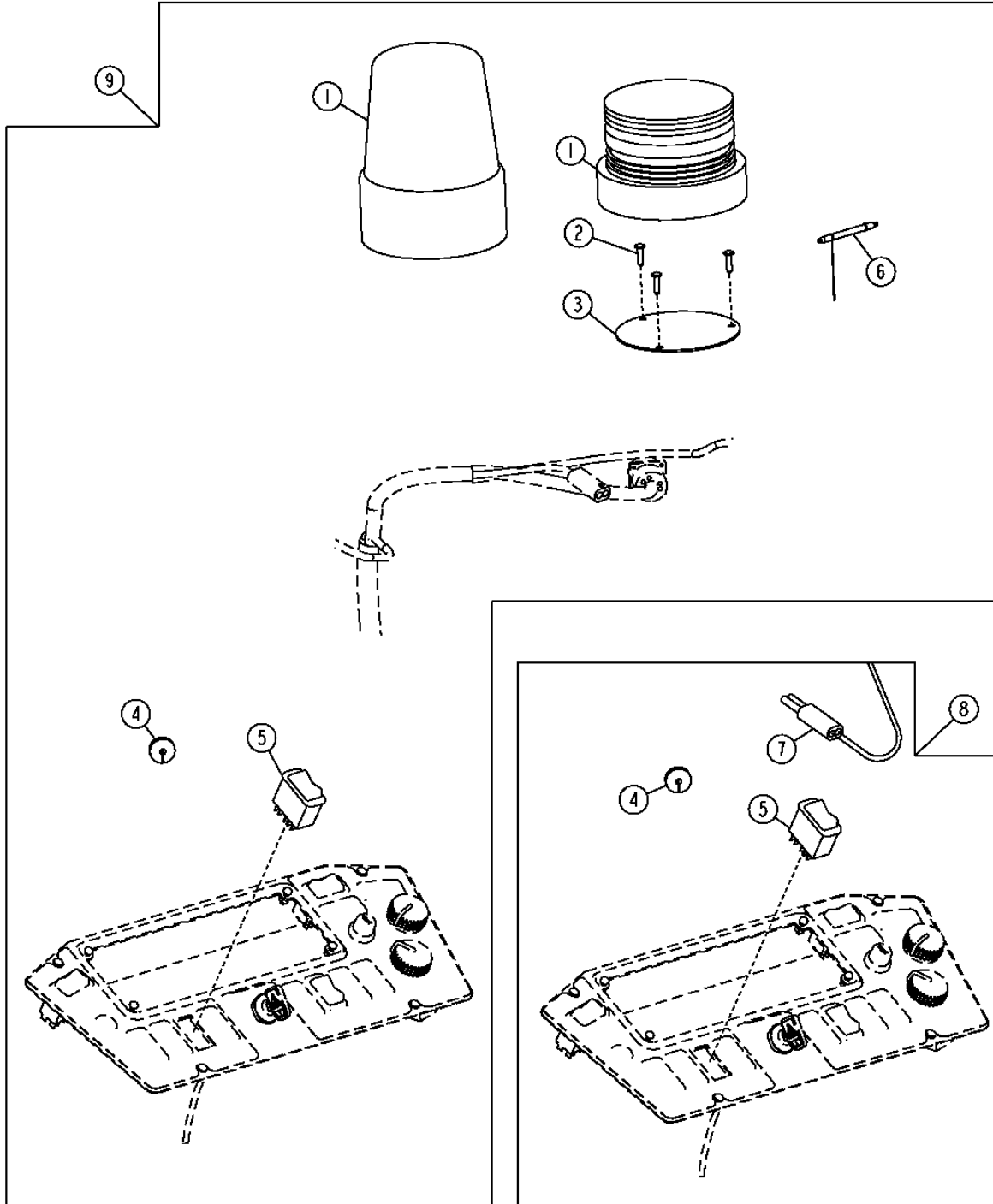
| KEY | PART NO. | PART NAME  | QTY. | SERIAL NO. | REMARKS                 |
|-----|----------|------------|------|------------|-------------------------|
|     |          |            |      |            | 3 3                     |
|     |          |            |      |            | 3 1 1                   |
|     |          |            |      |            | 1 0 5                   |
|     |          |            |      |            | 0 S S                   |
|     |          |            |      |            | G G G                   |
| 1   | 12M7060  | WASHER     | 2    |            | X X 5.300 MM            |
| 2   | 14M7273  | NUT        | 1    |            | X X M8                  |
| 3   | 14M7297  | NUT        | 2    |            | X X M5                  |
| 4   | 19M7913  | SCREW      | 2    |            | X X M8 X 90             |
| 5   | 24M7036  | WASHER     | 1    |            | X X                     |
| 6   | AT321280 | ALTERNATOR | 1    |            | X X 12 VOLT - 70 AMPERE |
|     | AT318374 | ALTERNATOR | 1    |            | X X 12 VOLT - 90 AMPERE |
|     | AT334722 | PULLEY     | 1    |            | X X                     |
| 7   | T224227  | NUT        | 1    |            | X X                     |

# 1673-2

## ROTATING BEACON PHARE A ECLATS FARO GIRATORIO

TX1004828

-UN-16MAR06



TX1004828

# 1673-3

VEHICLE ELECTRICAL SYSTEM 16

VEHICLE LIGHTING SYSTEM 1673

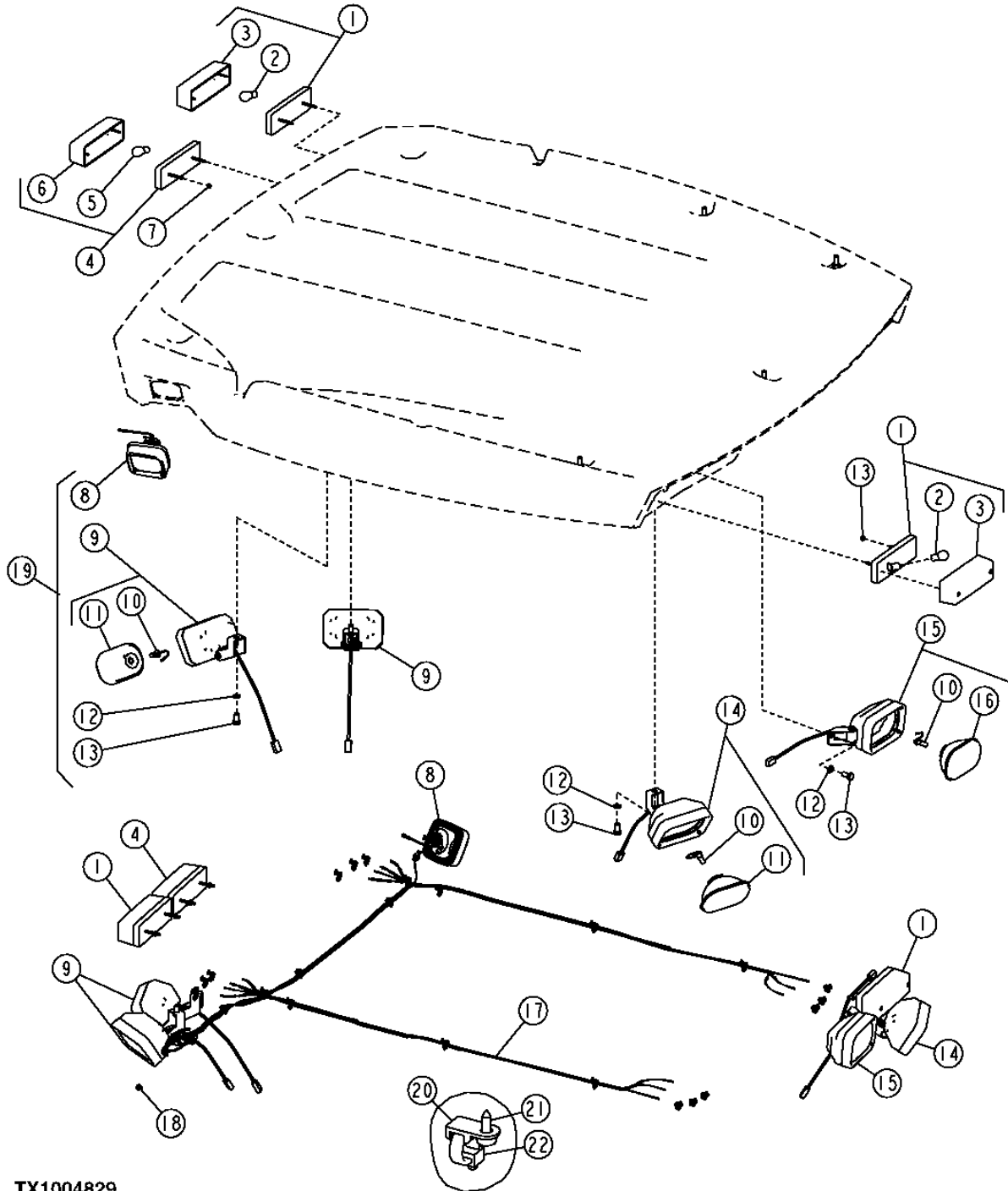
**ROTATING BEACON  
PHARE A ECLATS  
FARO GIRATORIO**

| KEY | PART NO. | PART NAME            | QTY. | SERIAL NO. | REMARKS                             |
|-----|----------|----------------------|------|------------|-------------------------------------|
|     |          |                      |      |            | 3 3                                 |
|     |          |                      |      |            | 3 1 1                               |
|     |          |                      |      |            | 1 0 5                               |
|     |          |                      |      |            | 0 S S                               |
|     |          |                      |      |            | G G G                               |
| 1   | AT187816 | STROBE LIGHT         | 1    |            | X X X STROBE                        |
|     | AT194822 | REVOLVING LIGHT DOME | 1    |            | X X X ROTATING BEACON               |
|     | AT310650 | REVOLVING LIGHT      | 1    |            | X X X BEACON                        |
| 2   | 37M7218  | SCREW                | 3    |            | X X X                               |
| 3   | T167214  | PLATE                | 1    |            | X X X                               |
| 4   | T74952   | GROMMET              | 1    |            | X X X                               |
| 5   | AT175603 | TOGGLE/ROCKER SWITCH | 1    |            | X X X                               |
| 6   | PML377   | STROBE LIGHT         | 1    |            | X X X 12 VOLT                       |
| 7   | AT195461 | ROOF WIRING HARNESS  | 1    |            | X X X                               |
| 8   | AT195462 | KIT                  | 1    |            | X X X (WHOLE GOODS) WIRING KIT      |
| 9   | AT187815 | KIT                  | 1    |            | X X X (WHOLE GOODS) STROBE LIGHT    |
|     | AT194821 | KIT                  | 1    |            | X X X (WHOLE GOODS) ROTATING BEACON |

# 1673-4

ROOF LIGHTS (SN -953497)  
FEUX DE TOIT (SN -953497)  
LUCES DE TECHO (SN -953497)

TX1004829 -UN-16MAR06



TX1004829

# 1673-5

VEHICLE ELECTRICAL SYSTEM 16

VEHICLE LIGHTING SYSTEM 1673

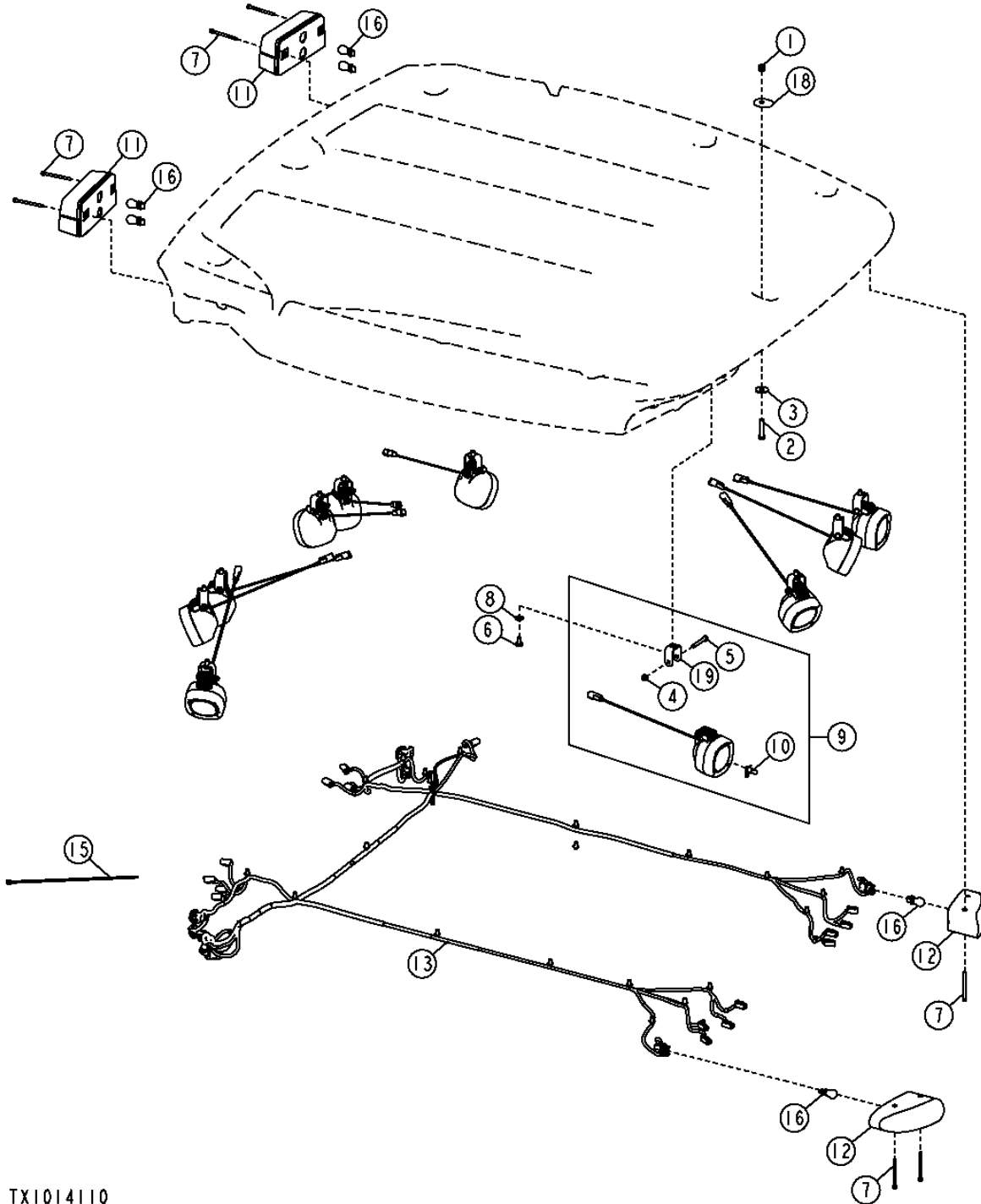
ROOF LIGHTS (SN -953497)  
 FEUX DE TOIT (SN -953497)  
 LUCES DE TECHO (SN -953497)

| KEY | PART NO.        | PART NAME           | QTY.     | SERIAL NO. | REMARKS                                     |
|-----|-----------------|---------------------|----------|------------|---|
|     |                 |                     |          |            | 3 3   |
|     |                 |                     |          |            | 3 1 1                                       |
|     |                 |                     |          |            | 1 0 5                                       |
|     |                 |                     |          |            | 0 S S                                       |
|     |                 |                     |          |            | G G G                                       |
| 1   | AT184736        | LAMP                | 4        |            | X X X WARNING                               |
| 2   | AD2062R         | BULB                | 4        |            | X X X                                       |
| 3   | T165542         | LENS                | 4        |            | X X X AMBER                                 |
| 4   | AT184737        | LAMP                | 2        |            | X X X STOP/TAIL                             |
| 5   | AR48041         | BULB                | 2        |            | X X X                                       |
| 6   | T165543         | LENS                | 2        |            | X X X RED                                   |
| 7   | 14M7375         | FLANGE NUT          | 12       |            | X X X M5                                    |
| 8   | AT187868        | LAMP                | 2        |            | X X X DOCKING                               |
|     | AT130104        | BULB                | 2        |            | X X X                                       |
|     | AT191409        | LENS                | 2        |            | X X X                                       |
| 9   | AT191875        | LAMP                | 4        |            | X X X WORK                                  |
| 10  | AT130104        | BULB                | 4        |            | X X X                                       |
| 11  | AT191408        | LENS                | 4        |            | X X X                                       |
| 12  | 24M7239         | WASHER              | 8        |            | X X X (SUB FOR 24M7096, THIS APPLICATION)   |
| 13  | 19M8324         | CAP SCREW           | 8        |            | X X X M10 X 16                              |
| 14  | AT192460        | LAMP                | 2        |            | X X X WORK                                  |
|     | AT130104        | BULB                | 2        |            | X X X                                       |
|     | AT191408        | LENS                | 2        |            | X X X                                       |
| 15  | AT184972        | LAMP                | 1        |            | X X X RH                                    |
|     | AT185451        | LAMP                | 1        |            | X X X LH                                    |
| 16  | AT191407        | LENS                | 2        |            | X X X WITH REFLECTOR                        |
| 17  | AT191873        | ROOF WIRING HARNESS | 1        |            | X X X                                       |
| 18  | R41440          | GROMMET             | 2        |            | X X X                                       |
| 19  | <b>AT192242</b> | <b>KIT</b>          | <b>1</b> |            | <b>X X X WHOLE GOODS</b>                    |
| 20  | T187394         | ANCHOR              | 30       |            | X X X (SUB FOR (4) T185713 AND (5) T185714) |
| 21  | T185769         | SCREW               | 30       |            | X X X                                       |
| 22  | R44302          | TIE BAND            | 30       |            | X X X                                       |

# 1673-6

ROOF LIGHTS (SN 953498- )  
FEUX DE TOIT (SN 953498- )  
LUCES DE TECHO (SN 953498- )

TX1014110 -UN-



TX1014110

THIS PARTS LISTING IS CONTINUED

# 1673-7

VEHICLE ELECTRICAL SYSTEM 16

VEHICLE LIGHTING SYSTEM 1673

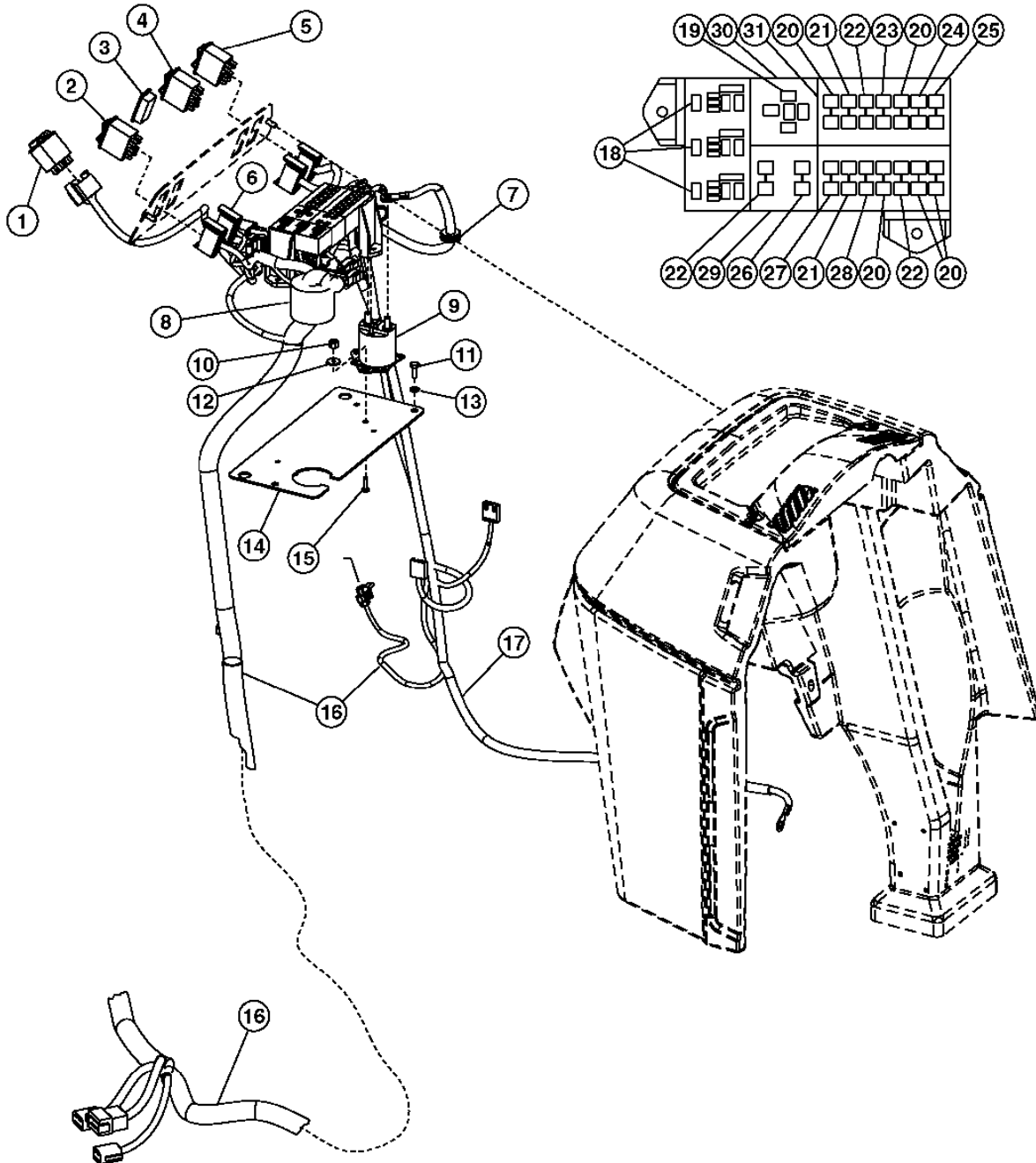
ROOF LIGHTS (SN 953498- )  
 FEUX DE TOIT (SN 953498- )  
 LUCES DE TECHO (SN 953498- )

| KEY | PART NO. | PART NAME           | QTY. | SERIAL NO. | 3 3<br>3 1 1<br>1 0 5<br>0 S S<br>G G G | REMARKS  |
|-----|----------|---------------------|------|------------|---|--|
| 1   | 14M7517  | LOCK NUT            | 8    |            | X X X                                   | M10  |
| 2   | 19M8600  | CAP SCREW           | 8    |            | X X X                                   | M10 X 50   |
| 3   | 24M7101  | WASHER              | 8    |            | X X X                                   |  |
| 4   | 14M7426  | LOCK NUT            | 10   |            | X X X                                   | M8   |
| 5   | 19M7165  | CAP SCREW           | 10   |            | X X X                                   | M8 X 55  |
| 6   | 19M8324  | CAP SCREW           | 10   |            | X X X                                   | M10 X 16   |
| 7   | 19M8482  | SCREW               | 8    |            | X X X                                   | M6 X 80  |
| 8   | 24M7239  | WASHER              | 10   |            | X X X                                   |  |
| 9   | AT323301 | FLOODLAMP           | 10   |            | X X X                                   | (DELUXE LIGHTS) (SUB FOR AT323744, THIS APPLICATION)   |
|     | AT323301 | FLOODLAMP           | 4    |            | X X X                                   | (STANDARD LIGHTS) (SUB FOR AT323744, THIS APPLICATION) |
| 10  | AT130104 | BULB                | 10   |            | X X X                                   |  |
| 11  | AT324938 | STOP LIGHT          | 2    |            | X X X                                   |  |
| 12  | AT326622 | LAMP                | 2    |            | X X                                     | (WARNING LAMP)   |
|     | AT326622 | LAMP                | 2    | -200132    | X                                       | (WARNING LAMP)   |
|     | AT329524 | LAMP                | 2    | 200133-    | X                                       |  |
| 13  | AT321365 | ROOF WIRING HARNESS | 1    |            | X X X                                   | (DELUXE LIGHTS)  |
|     | AT326166 | ROOF WIRING HARNESS | 1    |            | X X                                     | (STANDARD LIGHTS)                                      |
|     | AT326166 | ROOF WIRING HARNESS | 1    | -200132    | X                                       | (STANDARD LIGHTS)                                      |
|     | AT326932 | ROOF WIRING HARNESS | 1    | 200133-    | X                                       |  |
| 14  | T209627  | CLAMP               | 23   |            | X X X                                   |  |
| 15  | R44302   | TIE BAND            | 10   |            | X X X                                   |  |
| 16  | RE49778  | BULB                | 6    |            | X X X                                   |  |
| 17  | M115279  | PLUG                | 1    |            | X X X                                   |  |
| 18  | T185664  | SEALING WASHER      | 8    |            | X X X                                   |  |
| 19  | T215487  | ROOF                | AR   |            | X X X                                   |  |

# 1674-2

## FRONT CONSOLE WIRING HARNESSES FAISCEAUX DE FILS DE CONSOLE AVANT ARNESSES DE ALAMBRADO DE CONSOLA DELANTERA

TX1005718 -UN-04APR06



TX1005718

THIS PARTS LISTING IS CONTINUED



# 1674-3

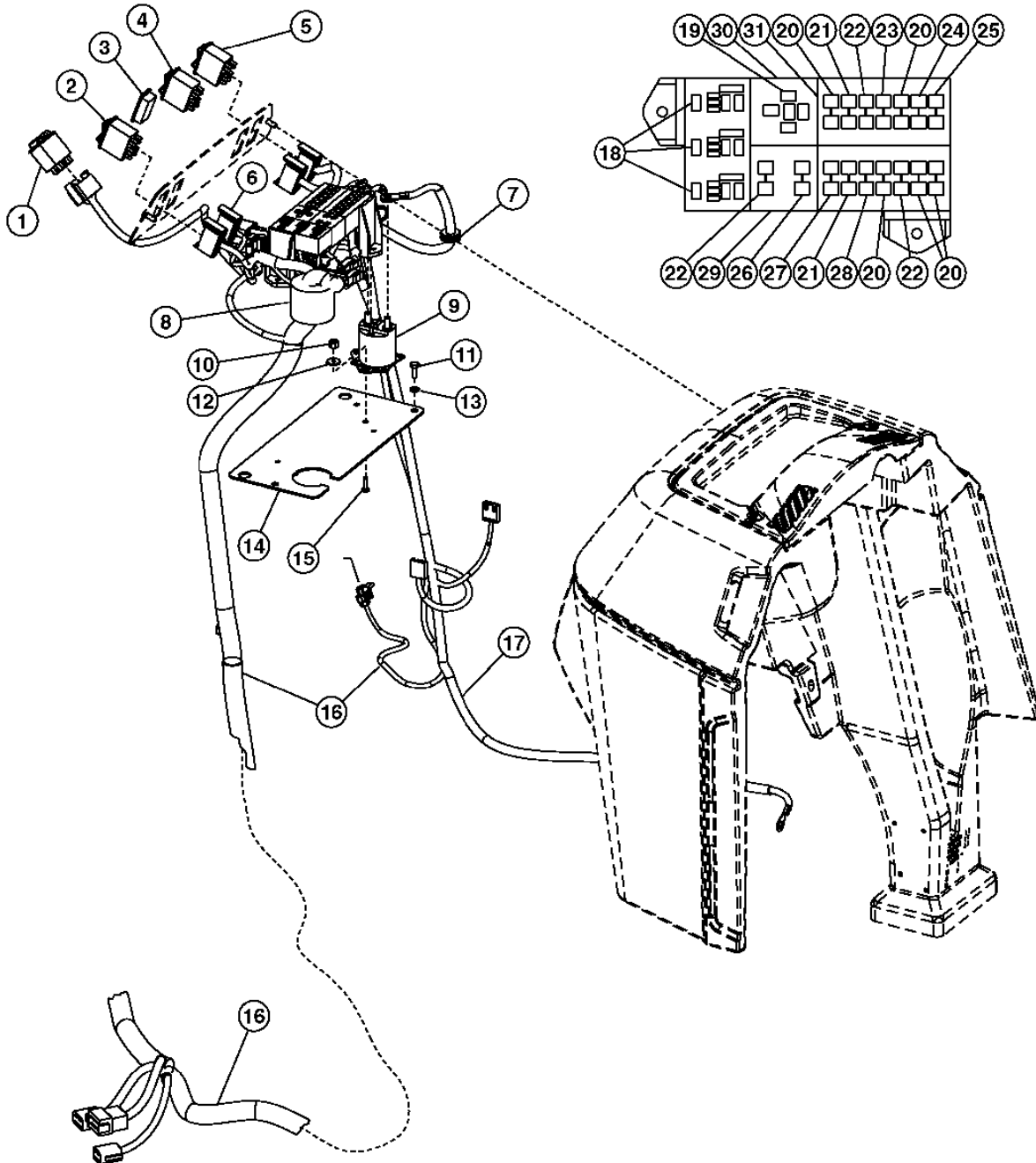
**FRONT CONSOLE WIRING HARNESSES  
FAISCEAUX DE FILS DE CONSOLE AVANT  
ARNESES DE ALAMBRADO DE CONSOLA DELANTERA**

| KEY | PART NO. | PART NAME      | QTY. | SERIAL NO.    | REMARKS  |
|-----|----------|----------------|------|---------------|--|
|     |          |                |      |               | 3 3  |
|     |          |                |      |               | 3 1 1  |
|     |          |                |      |               | 1 0 5  |
|     |          |                |      |               | 0 S S  |
|     |          |                |      |               | G G G  |
| 1   | AT175300 | SWITCH         | 1    |               | X X X TURN SIGNAL  |
|     | T162380  | BULB           | 1    |               | X X X  |
| 2   | AT175071 | SWITCH         | 1    |               | X X X FRONT WIPER  |
|     | AT175072 | SWITCH         | 1    |               | X X X FRONT WASHER   |
| 3   | .....    | PLUG           | 1    |               | X X X ( T163309 NLA) (SUB T207060)   |
|     | M115279  | PLUG           | 1    |               | X X X SMALL BLANK  |
| 4   | AT175070 | SWITCH         | 1    |               | X X X WARNING  |
| 5   | AT175069 | SWITCH         | 1    |               | X X X LIGHTS   |
| 6   | AT191701 | WIRING HARNESS | 1    |               | X X X QUARTER CAB WIPER HARNESS  |
| 7   | M85517   | GROMMET        | 1    |               | X X X  |
| 8   | T166244  | BUSHING        | 1    |               | X X X  |
| 9   | AR73144  | RELAY          | 1    |               | X X X  |
| 10  | 14M7375  | FLANGE NUT     | 2    |               | X X X M5   |
| 11  | 19M7775  | SCREW          | 2    |               | X X X M6 X 16, (SUB FOR 19M8425, THIS APPLICATION)                             |
| 12  | .....    | WASHER         | 2    |               | X X X ( 24M7210 NLA)   |
| 13  | .....    | WASHER         | 2    |               | X X X ( 24M7054 NLA)   |
| 14  | T206491  | PLATE          | 1    |               | X X X (SUB FOR T183600) (ALSO ORDER T186793)                                   |
| 15  | 19M7372  | CAP SCREW      | 2    |               | X X X M5 X 16  |
| 16  | AT185980 | WIRING HARNESS | 1    | -910055       | X X X CAB W/ SYNCHRO-SHUTTLE TRANSMISSION                                      |
|     | AT194865 | WIRING HARNESS | 1    | 910056-951252 | X X X CAB W/ SYNCHRO-SHUTTLE TRANSMISSION                                      |
|     | AT308208 | WIRING HARNESS | 1    | 951253-       | X X CAB W/ SYNCHRO-SHUTTLE TRANSMISSION  |
|     | AT308208 | WIRING HARNESS | 1    | 951253-200132 | X CAB W/ SYNCHRO-SHUTTLE TRANSMISSION  |
|     | AT327441 | WIRING HARNESS | 1    | 200133-       | X CAB W/ SYNCHRO-SHUTTLE TRANSMISSION  |
|     | AT185981 | WIRING HARNESS | 1    | -910055       | X X X CANOPY OR QUARTER CAB W/ SYNCHRO-SHUTTLE TRANSMISSION                    |
|     | AT303579 | WIRING HARNESS | 1    | 910056-951252 | X X X (SUB FOR AT194866) CANOPY OR QUARTER CAB W/ SYNCHRO-SHUTTLE TRANSMISSION |
|     | AT308148 | WIRING HARNESS | 1    | 951253-       | X X X CANOPY W/ SYNCHRO-SHUTTLE TRANSMISSION                                   |
|     | AT199372 | WIRING HARNESS | 1    | -910055       | X X (SUB FOR AT186625) CAB WITH POWER SHIFT TRANSMISSION                       |
|     | AT194867 | WIRING HARNESS | 1    | 910056-951252 | X X CAB WITH POWER SHIFT TRANSMISSION  |
|     | AT310730 | WIRING HARNESS | 1    | 951253-       | X X CAB WITH POWER SHIFT TRANSMISSION  |
|     | AT303575 | WIRING HARNESS | 1    | -910055       | X X (SUB FOR AT186626) CANOPY OR QUARTER CAB W/ POWER SHIFT TRANSMISSION       |
|     | AT303580 | WIRING HARNESS | 1    | 910056-951252 | X X (SUB FOR AT194868) CANOPY OR QUARTER CAB W/ POWER SHIFT TRANSMISSION       |
|     | AT310728 | WIRING HARNESS | 1    | 951253-       | X X CANOPY WITH POWER SHIFT TRANSMISSION                                       |

# 1674-3A

## FRONT CONSOLE WIRING HARNESSES FAISCEAUX DE FILS DE CONSOLE AVANT ARNESSES DE ALAMBRADO DE CONSOLA DELANTERA

TX1005718 -UN-04APR06



TX1005718

THIS PARTS LISTING IS CONTINUED

# 1674-3B

VEHICLE ELECTRICAL SYSTEM 16

WIRING HARNESS AND SWITCHES 1674

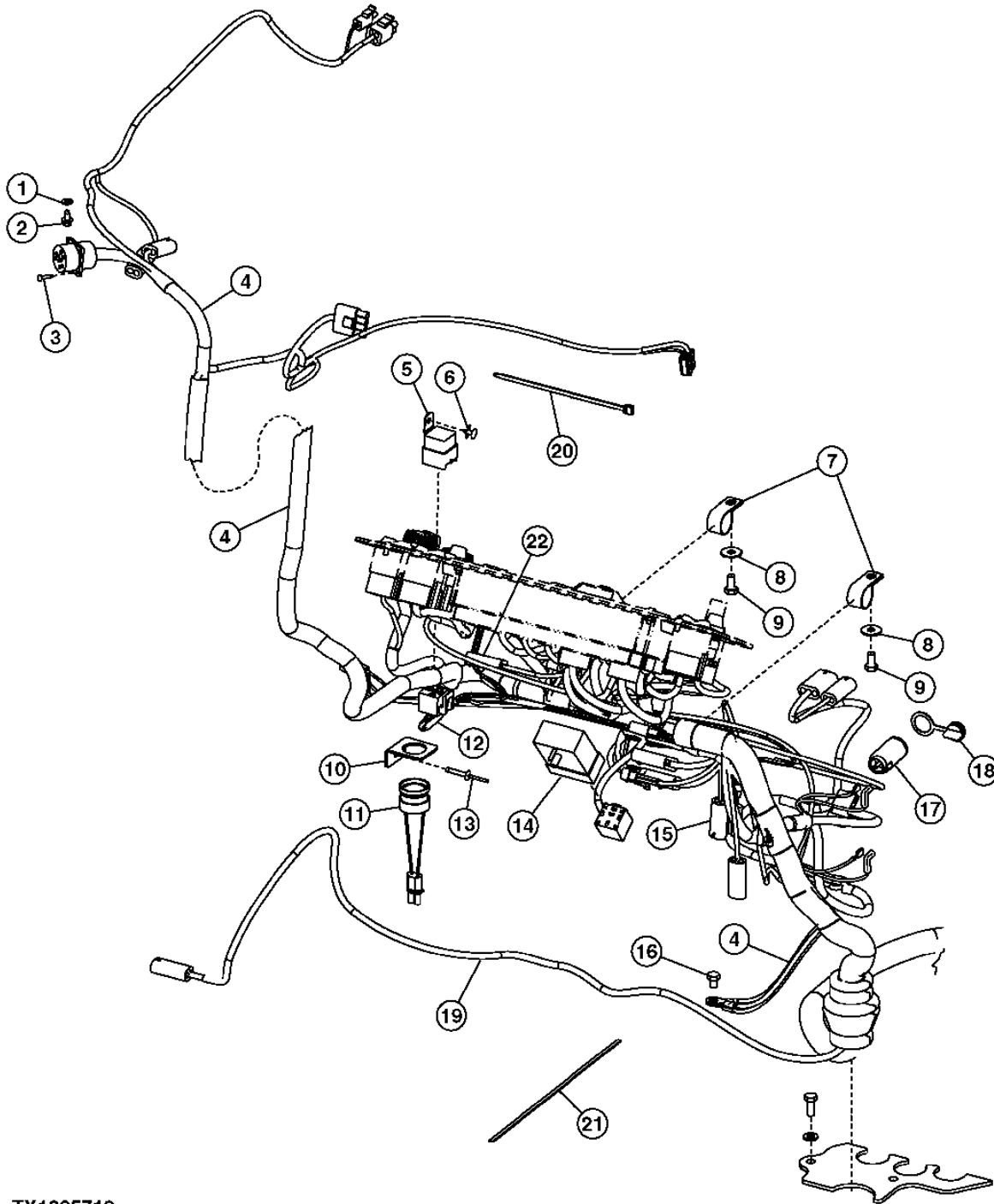
**FRONT CONSOLE WIRING HARNESSES  
FAISCEAUX DE FILS DE CONSOLE AVANT  
ARNESES DE ALAMBRADO DE CONSOLA DELANTERA**

| KEY | PART NO. | PART NAME       | QTY. | SERIAL NO. | REMARKS   |
|-----|----------|-----------------|------|------------|---|
|     |          |                 |      |            | 3 3   |
|     |          |                 |      |            | 3 1 1   |
|     |          |                 |      |            | 1 0 5   |
|     |          |                 |      |            | 0 S S   |
|     |          |                 |      |            | G G G   |
| 17  | AT196390 | WIRING HARNESS  | 1    |            | X X X (SUB FOR AT192769)                          |
| 18  | AT310980 | RELAY           | 3    | -941732    | X X X (SUB FOR AT189041)                          |
|     | AT310980 | RELAY           | 3    | -939834    | X X X (SUB FOR AT189041)                          |
|     | AT310980 | RELAY           | 3    | -942024    | X X X (SUB FOR AT189041)                          |
|     | AT308380 | RELAY           | 3    | 941733-    | X X X (USE WITH AT194865) ABOVE SER. NO.<br>BREAK |
|     | AT308380 | RELAY           | 3    | 941733-    | X X X (USE WITH AT303580) ABOVE SER. NO.<br>BREAK |
|     | AT308380 | RELAY           | 3    | 939835-    | X X X (USE WITH AT303579) ABOVE SER. NO.<br>BREAK |
|     | AT308380 | RELAY           | 3    | 942024-    | X X X (USE WITH AT194867) ABOVE SER. NO.<br>BREAK |
| 19  | .....    | FLASHER         | 1    | -951254    | X X X ( AT163088 NLA) (SUB T215293)               |
|     | T215293  | FLASHER         | 1    | 951255-    | X X X (SUB FOR AT163088)                          |
| 20  | 57M7121  | FUSE            | 5    |            | X X X 10 AMP                                      |
| 21  | 57M7120  | FUSE            | 2    |            | X X X 20 AMP                                      |
| 22  | 99M7065  | FUSE            | 3    |            | X X X 15 AMP                                      |
| 23  | T103834  | CIRCUIT BREAKER | 1    |            | X X X   |
| 24  | T108357  | CIRCUIT BREAKER | 1    |            | X X X   |
| 25  | 99M7064  | FUSE            | 1    |            | X X X 7-1/2 AMP                                   |
| 26  | 57M7125  | FUSE            | 1    |            | X X X 5 AMP                                       |
| 27  | T102780  | CIRCUIT BREAKER | 1    |            | X X X   |
| 28  | 57M7146  | FUSE            | 1    |            | X X X 30 AMP                                      |
| 29  | T190197  | MODULE          | 1    |            | X X X   |
| 30  | T190198  | RELAY MODULE    | 1    |            | X X X   |
| 31  | T190199  | WEDGE           | AR   |            | X X X   |

# 1674-4

SIDE CONSOLE WIRING HARNESSES  
FAISCEAUX DE FILS DE CONSOLE LATÉRALE  
ARNESSES DE ALAMBRADO DE CONSOLA DELANTERA

TX1005719 -UN-04APR06



TX1005719

# 1674-5

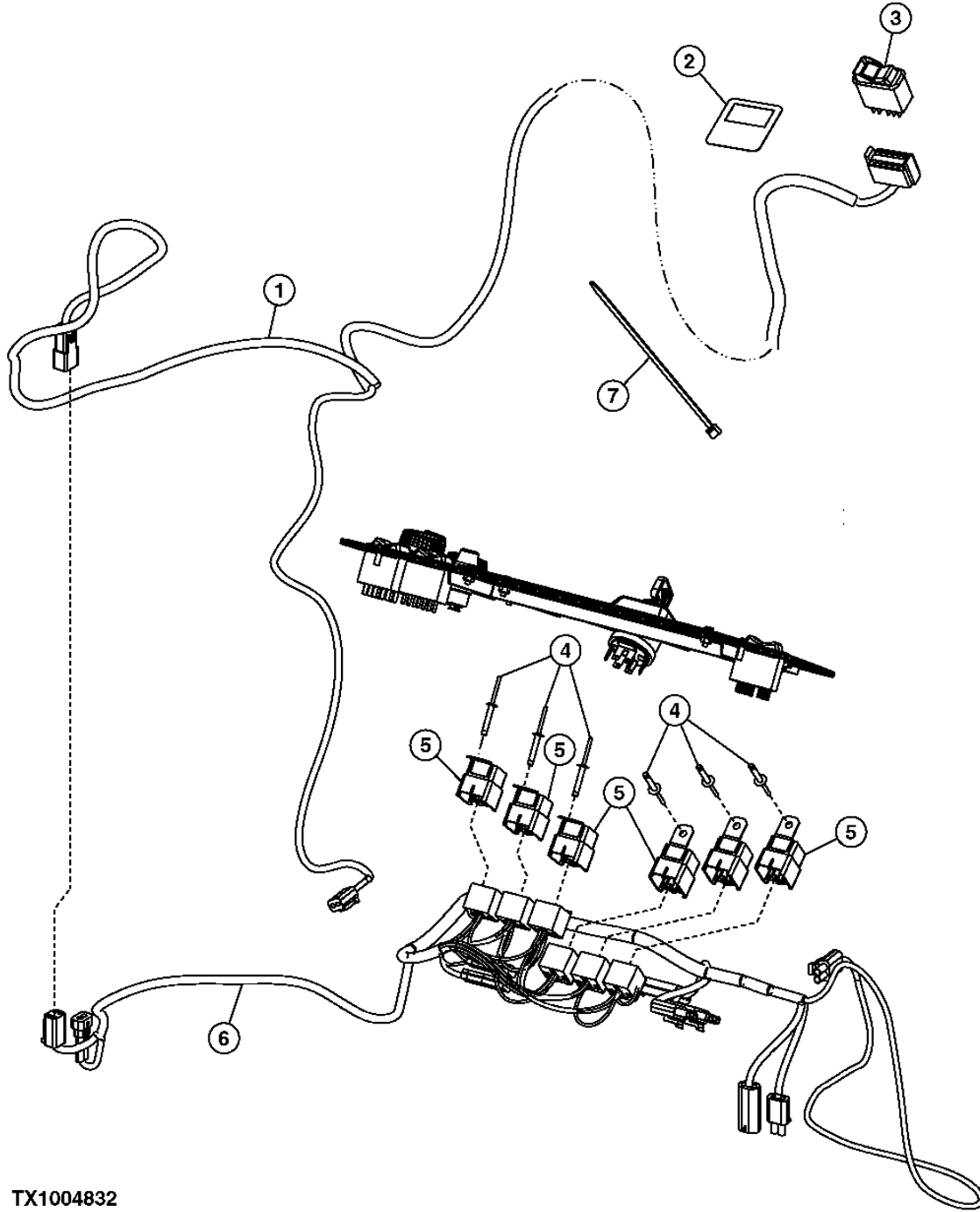
**SIDE CONSOLE WIRING HARNESSES  
FAISCEAUX DE FILS DE CONSOLE LATÉRALE  
ARNESES DE ALAMBRADO DE CONSOLA LATERAL**

| KEY | PART NO. | PART NAME             | QTY. | SERIAL NO.    | 3 3<br>3 1 1<br>1 0 5<br>0 S S<br>G G G | REMARKS   |
|-----|----------|-----------------------|------|---------------|---|---|
| 1   | 24M7054  | WASHER                | 1    |               | X X X                                   | 6.400 X 12 X 1.600 MM   |
| 2   | 37M7089  | SCREW                 | 1    |               | X X X                                   | M6 X 12   |
| 3   | 37M7066  | SCREW                 | 4    |               | X X X                                   |   |
| 4   | AT185980 | WIRING HARNESS        | 1    | -910055       | X X X                                   | CAB W/ SYNCHRO-SHUTTLE TRANSMISSION   |
|     | AT194865 | WIRING HARNESS        | 1    | 910056-951252 | X X X                                   | CAB W/ SYNCHRO-SHUTTLE TRANSMISSION   |
|     | AT308208 | WIRING HARNESS        | 1    | 951253-       | X X                                     | CAB W/ SYNCHRO-SHUTTLE TRANSMISSION   |
|     | AT308208 | WIRING HARNESS        | 1    | 951253-200132 | X                                       | CAB W/ SYNCHRO-SHUTTLE TRANSMISSION   |
|     | AT327441 | WIRING HARNESS        | 1    | 200133-       | X                                       | CAB W/ SYNCHRO-SHUTTLE TRANSMISSION   |
|     | AT185981 | WIRING HARNESS        | 1    | -910055       | X X X                                   | CANOPY OR QUARTER CAB W/<br>SYNCHRO-SHUTTLE TRANSMISSION                    |
|     | AT303579 | WIRING HARNESS        | 1    | 910056-951252 | X X X                                   | (SUB FOR AT194866) CANOPY OR QUARTER<br>CAB W/ SYNCHRO-SHUTTLE TRANSMISSION |
|     | AT308148 | WIRING HARNESS        | 1    | 951253-       | X X X                                   | CANOPY WITH SYNCHRO-SHUTTLE<br>TRANSMISSION                                 |
|     | AT199372 | WIRING HARNESS        | 1    | -910055       | X X                                     | CAB WITH POWER SHIFT TRANSMISSION, (SUB<br>FOR AT186625)                    |
|     | AT194867 | WIRING HARNESS        | 1    | 910056-951252 | X X                                     | CAB WITH POWER SHIFT TRANSMISSION   |
|     | AT310730 | WIRING HARNESS        | 1    | 951253-       | X X                                     | CAB WITH POWER SHIFT TRANSMISSION   |
|     | AT303575 | WIRING HARNESS        | 1    | -910055       | X X                                     | CANOPY OR QUARTER CAB WITH POWER SHIFT<br>TRANSMISSION, (SUB FOR AT186626)  |
|     | AT303580 | WIRING HARNESS        | 1    | 910056-951252 | X X                                     | CANOPY OR QUARTER CAB WITH POWER SHIFT<br>TRANSMISSION, (SUB FOR AT194868)  |
|     | AT310728 | WIRING HARNESS        | 1    | 951253-       | X X                                     | CANOPY WITH POWER SHIFT TRANSMISSION  |
| 5   | AT75769  | RELAY                 | 1    |               | X X X                                   | AIR CONDITION ACTUATOR DOOR   |
| 6   | T184345  | RIVET                 | 1    |               | X X X                                   |   |
| 7   | T102934  | CLAMP                 | AR   |               | X X X                                   |   |
|     | T162675  | CLAMP                 | AR   |               | X X X                                   |   |
| 8   | 24M7207  | WASHER                | 2    |               | X X X                                   | (USE WITH 19M7932)  |
| 9   | 19M7865  | SCREW                 | 2    |               | X X X                                   | M8 X 16, (SUB FOR 19M7932, THIS<br>APPLICATION)                             |
| 10  | T166344  | BRACKET               | 1    |               | X X X                                   |   |
| 11  | AT178526 | AUDIBLE WARNING ALARM | 1    |               | X X X                                   | WARNING   |
| 12  | AT191747 | WIRING HARNESS        | 1    | -925506       | X X X                                   | A/C SWITCH TO CONSOLE HARNESS   |
|     | AT302727 | WIRING HARNESS        | 1    | 925507-       | X X X                                   | A/C SWITCH TO CONSOLE HARNESS   |
| 13  | T184345  | RIVET                 | 1    |               | X X X                                   |   |
| 14  | AT180485 | RELAY MODULE          | 1    |               | X X X                                   | TIMER RELAY   |
| 15  | AT189174 | WIRING HARNESS        | 1    |               | X X X                                   | RIDE CONTROL  |
| 16  | 19M7008  | CAP SCREW             | 1    |               | X X X                                   | M8 X 10   |
| 17  | AT78633  | HOUSING               | 3    |               | X X X                                   |   |
| 18  | R131671  | PLUG                  | 3    |               | X X X                                   |   |
| 19  | AT191953 | POWER SUPPLY          | 2    |               | X X X                                   |   |
| 20  | R44302   | TIE BAND              | 14   |               | X X X                                   |   |
| 21  | H77698   | TIE BAND              | 6    |               | X X X                                   |   |
| 22  | 57M8131  | RESISTOR NETWORK      | 1    | 910056-       | X X X                                   | CAN RESISTOR  |

# 1674-5A

## PILOT ENABLE ACTIVATION PILOTE HABILITACION DE PILOTO

TX1004832 -UN-15MAR06



TX1004832

# 1674-5B

VEHICLE ELECTRICAL SYSTEM 16  
WIRING HARNESS AND SWITCHES 1674

PILOT ENABLE  
ACTIVATION PILOTE  
HABILITACION DE PILOTO

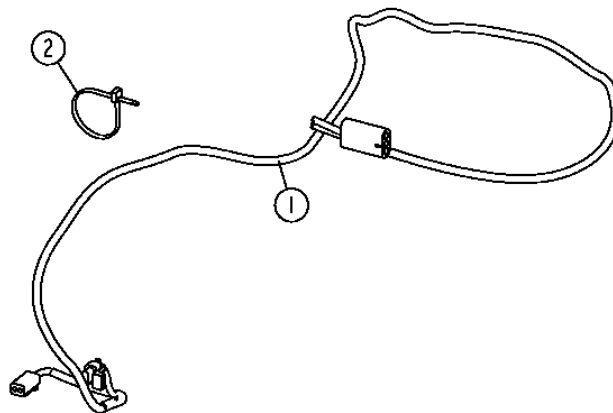
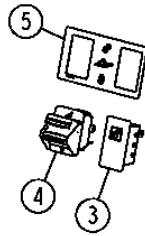
| KEY | PART NO. | PART NAME                 | QTY. | SERIAL NO. | 3 3<br>3 1 1<br>1 0 5<br>0 S S<br>G G G | REMARKS   |
|-----|----------|---------------------------|------|------------|---|---|
| 1   | .....    | CAB WIRING HARNESS        | 1    | -918287    | X                                       | ( AT199016 NLA) (SUB AT302625) (ALSO ORDER 57M7535, 57M7618, (4) R78065, 57M7628, 57M7619 AND (4) R78066) |
|     | AT302625 | CAB WIRING HARNESS        | 1    | 918288-    | X X                                     |   |
| 1A  | 57M8021  | ELECTRICAL CONNECTOR ASSY | 1    |            | X X                                     |   |
| 1B  | R78065   | ELEC. CONNECTOR TERMINAL  | 1    |            | X X                                     |   |
| 2   | T200424  | LABEL                     | 1    |            | X X                                     |   |
| 3   | AT301427 | SWITCH                    | 1    |            | X X                                     |   |
| 4   | T184345  | RIVET                     | 6    |            | X X                                     |   |
| 5   | AT75769  | RELAY                     | 6    |            | X X                                     |   |
| 6   | AT302628 | WIRING HARNESS            | 1    |            | X X                                     | (SUB FOR AT198844)  |
| 7   | R44302   | TIE BAND                  | 1    |            | X X                                     |   |

# 1674-5C

**HYDRAULIC FRONT COUPLER HARNESS**  
**FAISCEAU D'ACCOUPEMENT AVANT HYDRAULIQUE**  
**ARNES DE ACOPLADOR HIDRAULICO DELANTERO**

T205502

-UN-29NOV04



T205502



# 1674-5D

VEHICLE ELECTRICAL SYSTEM 16

WIRING HARNESS AND SWITCHES 1674

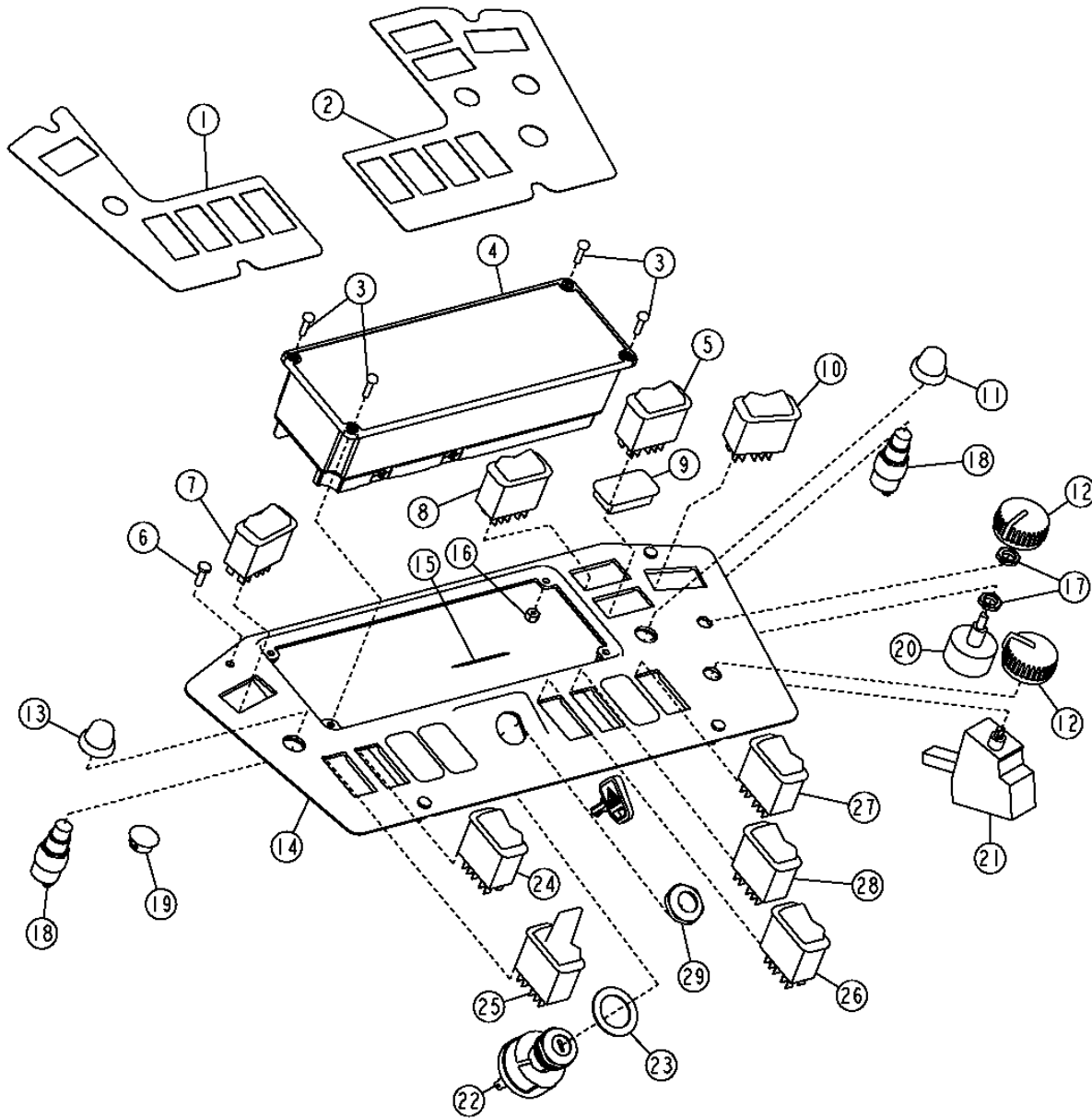
**HYDRAULIC FRONT COUPLER HARNESS  
FAISCEAU D'ACCOUPLMENT AVANT HYDRAULIQUE  
ARNES DE ACOPLADOR HIDRAULICO DELANTERO**

| KEY | PART NO. | PART NAME      | QTY. | SERIAL NO. | REMARKS                                     |
|-----|----------|----------------|------|------------|---|
|     |          |                |      |            | 3 3   |
|     |          |                |      |            | 3 1 1                                       |
|     |          |                |      |            | 1 0 5                                       |
|     |          |                |      |            | 0 S S                                       |
|     |          |                |      |            | G G G                                       |
| 1   | AT308440 | WIRING HARNESS | 1    |            | X X X LOADER COUPLER                        |
|     | AT308473 | WIRING HARNESS | 1    |            | X X X LOAD COUPLER CONTROL CHASSIS          |
|     | 14M7303  | FLANGE NUT     | 1    |            | X X X M6                                    |
|     | 21M7247  | SCREW          | 1    |            | X X X M6 X 35                               |
|     | 24M7139  | WASHER         | 1    |            | X X X                                       |
|     | 24M7239  | WASHER         | 1    |            | X X X                                       |
|     | AE44436  | HORN           | 1    |            | X X X AUDIBLE ALARM, COUPLER PIN ENGAGEMENT |
|     | AT308237 | RELAY MODULE   | 1    |            | X X X                                       |
|     | AT308475 | WIRING HARNESS | 1    |            | X X X LOADER COUPLER CAB                    |
|     | T206695  | BRACKET        | 1    |            | X X X ALARM MOUNTING                        |
|     | H77698   | TIE BAND       | 1    |            | X X X                                       |
|     | T186793  | LABEL          | 1    |            | X X X GRAY CIRCLE                           |
| 2   | R44302   | TIE BAND       | 4    |            | X X X                                       |
| 3   | AT311598 | INDICATOR LAMP | 1    |            | X X X PIN DISCONNECT                        |
| 4   | AT225952 | SWITCH         | 1    |            | X X X PIN DISCONNECT                        |
| 5   | T209212  | LABEL          | 1    |            | X X X ENABLE/DISABLE                        |

# 1674-6

**MONITOR PANEL WITH MONITOR, SWITCHES AND LABELS**  
**PANNEAU DE MONITEUR AVEC MONITEUR, INTERRUPTEURS ET ETIQUETTES**  
**TABLERO DE MONITOR CON MONITOR, CONMUTADORES Y ROTULOS**

T192707 -UN-18JUL03



T192707

# 1674-7

VEHICLE ELECTRICAL SYSTEM 16

WIRING HARNESS AND SWITCHES 1674

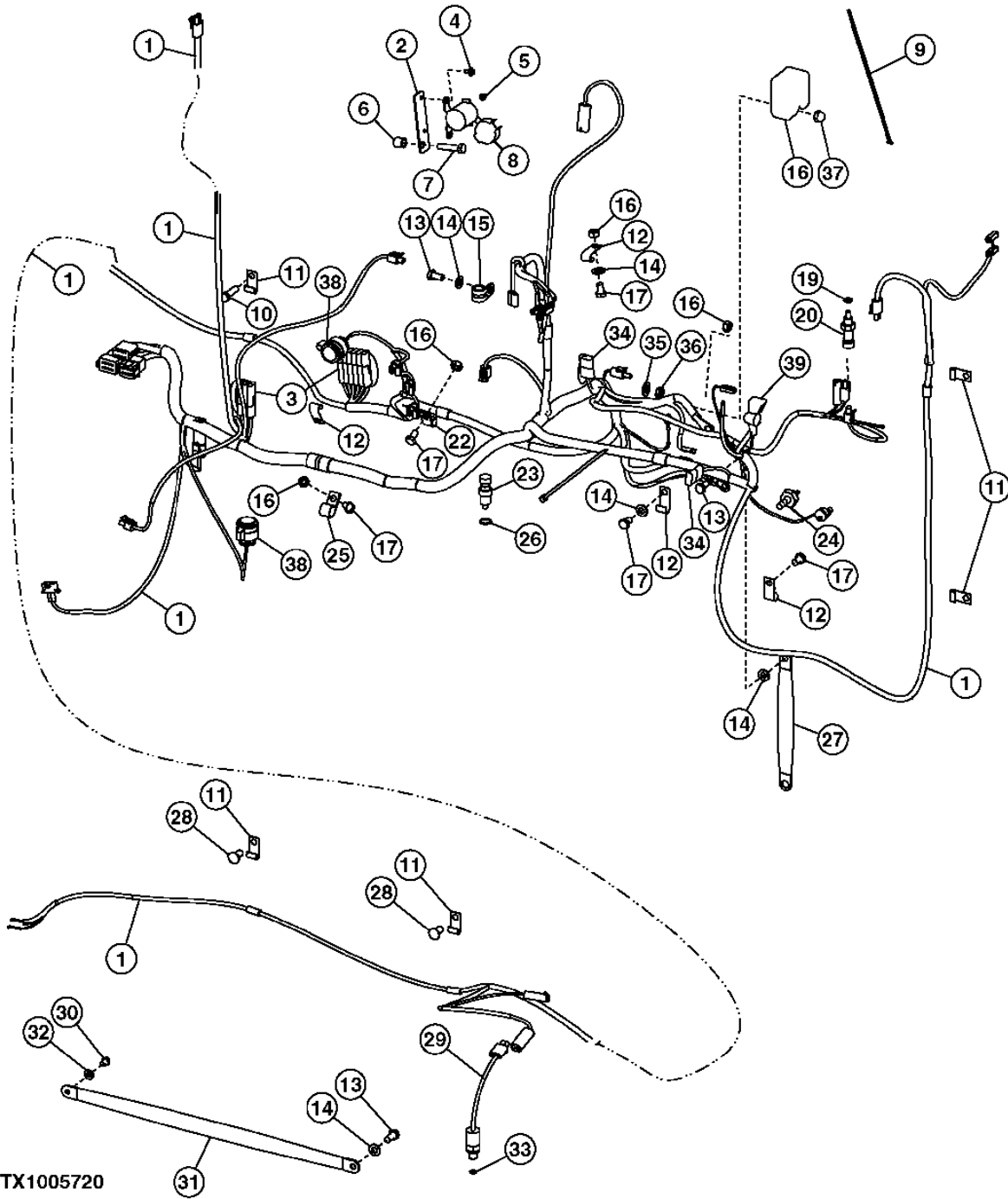
**MONITOR PANEL WITH MONITOR, SWITCHES AND LABELS**  
**PANNEAU DE MONITEUR AVEC MONITEUR, INTERRUPTEURS ET ETIQUETTES**  
**TABLERO DE MONITOR CON MONITOR, CONMUTADORES Y ROTULOS**

| KEY | PART NO. | PART NAME                  | QTY. | SERIAL NO. | 3 3<br>3 1 1<br>1 0 5<br>0 S S<br>G G G | REMARKS   |
|-----|----------|----------------------------|------|------------|---|---|
| 1   | T186400  | LABEL                      | 1    |            | X X X                                   | LH  |
| 2   | T186401  | LABEL                      | 1    |            | X X X                                   | RH  |
| 3   | T82791   | SCREW                      | 4    |            | X X X                                   | 4.166 X 16.002 MM   |
| 4   | AT332118 | MONITOR                    | 1    |            | X X X                                   | (SUB FOR AT191861, AT197381, AT194491, AT300131, AT304971 AND AT309994) |
| 5   | AT310630 | LAMP                       | AR   |            | X X X                                   |   |
|     | AT189473 | ROTARY SWITCH              | 1    |            | X X X                                   | DOCKING LIGHT   |
| 6   | 21M7271  | SCREW                      | 4    |            | X X X                                   | M5 X 16   |
| 7   | AT189088 | SWITCH                     | 1    |            | X X X                                   | PARK BRAKE  |
| 8   | AT189473 | ROTARY SWITCH              | 1    |            | X X X                                   | REAR LIGHT  |
| 9   | .....    | PLUG                       | 9    |            | X X X                                   | (SUB T207060) ( T163309 NLA)  |
| 10  | AT189630 | ROTARY SWITCH              | 1    | -919463    | X X X                                   | REAR WIPER  |
|     | AT199633 | TOGGLE/ROCKER SWITCH       | 1    | 919464-    | X X X                                   | PATTERN SELECT  |
| 11  | T55501   | CAP                        | 1    |            | X X X                                   |   |
| 12  | R111632  | KNOB                       | 2    |            | X X X                                   |   |
| 13  | T55585   | CAP                        | 1    |            | X X X                                   |   |
| 14  | T167065  | INSTRUMENT PANEL           | 1    |            | X X X                                   |   |
| 15  | T166300  | LABEL                      | 1    |            | X X X                                   | START SWITCH  |
| 16  | M63431   | LOCK NUT                   | 4    |            | X X X                                   | 4.166 MM  |
| 17  | R44165   | LOCK NUT                   | 2    |            | X X X                                   | 7/16"   |
| 18  | R39554   | SWITCH                     | 1    |            | X X X                                   | ETHER OR HORN   |
| 19  | T154361  | PLUG                       | 1    |            | X X X                                   |   |
| 20  | RE43497  | CONTROL                    | 1    |            | X X X                                   | FAN SPEED   |
| 21  | RE46742  | AC/HEAT TEMPERATURE SWITCH | 1    |            | X X X                                   | TEMPERATURE CONTROL   |
|     | 12H292   | LOCK WASHER                | 1    |            | X X X                                   |   |
|     | 14H934   | NUT                        | 1    |            | X X X                                   | 7/16"   |
| 22  | AT195301 | SWITCH                     | 1    |            | X X X                                   | (SUB FOR AT145931) IGNITION   |
|     | AT145929 | KEY                        | 1    | -902604    | X X X                                   |   |
|     | AT195302 | KEY                        | 1    | 902605-    | X X X                                   |   |
|     | R44342   | NUT                        | 1    |            | X X X                                   | 1"  |
| 23  | 24H1441  | WASHER                     | 1    |            | X X X                                   | (SUB FOR R52725)  |
| 24  | AT184335 | SWITCH                     | 1    |            | X X X                                   | RIDE CONTROL  |
| 25  | AT189692 | SWITCH                     | 1    |            | X X X                                   | MFWD  |
| 26  | AT189145 | SWITCH                     | 1    |            | X X X                                   | AIR SEAT  |
| 27  | AT192716 | TOGGLE/ROCKER SWITCH       | 1    |            | X X X                                   | A/C SWITCH  |
| 28  | AT304561 | ROTARY SWITCH              | 1    | 919464-    | X X X                                   | REAR WIPER  |
| 29  | R44342   | NUT                        | 1    |            | X X X                                   |   |

# 1674-8

## ENGINE WIRING HARNESS FAISCEAU DE FILS MOTEUR ARNES DE ALAMBRADO DEL MOTOR

TX1005720 -UN-04APR06



TX1005720

THIS PARTS LISTING IS CONTINUED

# 1674-9

**ENGINE WIRING HARNESS  
FAISCEAU DE FILS MOTEUR  
ARNES DE ALAMBRADO DEL MOTOR**

| KEY | PART NO. | PART NAME      | QTY. | SERIAL NO.    | 3 3<br>3 1 1<br>1 0 5<br>0 S S<br>G G G | REMARKS  |
|-----|----------|----------------|------|---------------|---|--|
| 1   | AT196261 | WIRING HARNESS | 1    | -901683       | X X X                                   | (A) (SUB FOR AT185677) (ALSO ORDER AT196246)   |
|     | AT196261 | WIRING HARNESS | 1    | 901684-910055 | X X X                                   | (A)  |
|     | .....    | WIRING HARNESS | 1    | 910056-926900 | X X X                                   | (A) ( AT194862 NLA) (SUB AT304824)<br>(ALSO ORDER AT304837, 57M7254, (2) R104846 AND (2) 57M7289)  |
|     | AT304824 | WIRING HARNESS | 1    | 926901-951252 | X X                                     | (A)  |
|     | AT304824 | WIRING HARNESS | 1    | 926901-XXXXXX | X                                       | (A)  |
|     | AT332110 | WIRING HARNESS | 1    | 951253-       | X X                                     | (A) (SUB FOR AT308322)   |
|     | AT332110 | WIRING HARNESS | 1    | XXXXXX-       | X                                       | (A) (SUB FOR AT308322)   |
|     | .....    | WIRING HARNESS | 1    | -901683       | X X                                     | (B) ( AT199060 NLA) (SUB FOR AT185678, AT196262) (ALSO ORDER AT196246) (SUB AT304826) (ALSO ORDER AT304837, 57M7254, (2) R104846, (2) 57M7289) |
|     | .....    | WIRING HARNESS | 1    | 901684-910055 | X X                                     | (B) ( AT199060 NLA) (SUB FOR AT196262) (SUB AT304826) (ALSO ORDER AT304837, 57M7254, (2) R104846, (2) 57M7289)                                 |
|     | AT304826 | WIRING HARNESS | 1    | -910055       | X X                                     | (B)  |
|     | .....    | WIRING HARNESS | 1    | 910056-926835 | X X                                     | (B) ( AT194864 NLA) (SUB AT304825) (ALSO ORDER AT304837, 57M7254, (2) R104846, (2) 57M7289)  |
|     | AT304825 | WIRING HARNESS | 1    | 926836-951252 | X X                                     | (B)  |
|     | AT332114 | WIRING HARNESS | 1    | 951253-       | X                                       | (B) (SUB FOR AT308319)   |
|     | AT332114 | WIRING HARNESS | 1    | XXXXXX-       | X                                       | (B) (SUB FOR AT308319)   |

(A) SYNCHRO-SHUTTLE TRANSMISSION  
(A) TRANSMISSION DE SYNCHROSHUTTLE  
(A) TRANSMISSION DEL SYNCHROSHUTTLE

(B) POWER SHIFT TRANSMISSION  
(B) TRANSMISSION DE DECALAGE DE PUISSANCE  
(B) TRANSMISSION DE CAMBIO DE ENERGIA

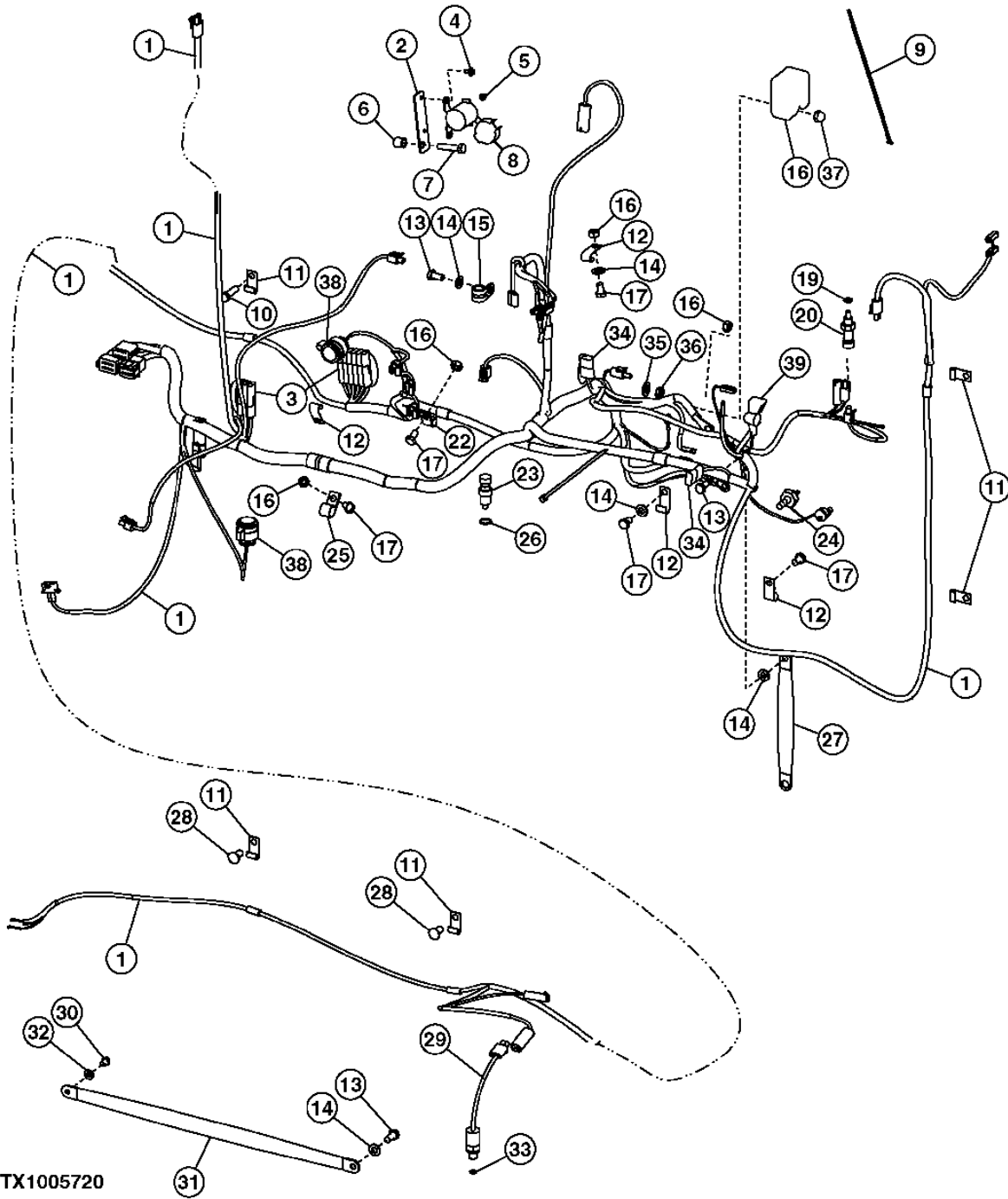
THIS PARTS LISTING IS CONTINUED

# 1674-9A

ENGINE WIRING HARNESS (CONTINUED)  
FAISCEAU DE FILS MOTEUR (SUITE)  
ARNES DE ALAMBRADO DEL MOTOR (CONTINUACION)

TX1005720

-UN-04APR06



TX1005720

THIS PARTS LISTING IS CONTINUED

# 1674-9B

VEHICLE ELECTRICAL SYSTEM 16

WIRING HARNESS AND SWITCHES 1674

**ENGINE WIRING HARNESS (CONTINUED)**  
**FAISCEAU DE FILS MOTEUR (SUITE)**  
**ARNES DE ALAMBRADO DEL MOTOR (CONTINUACION)**

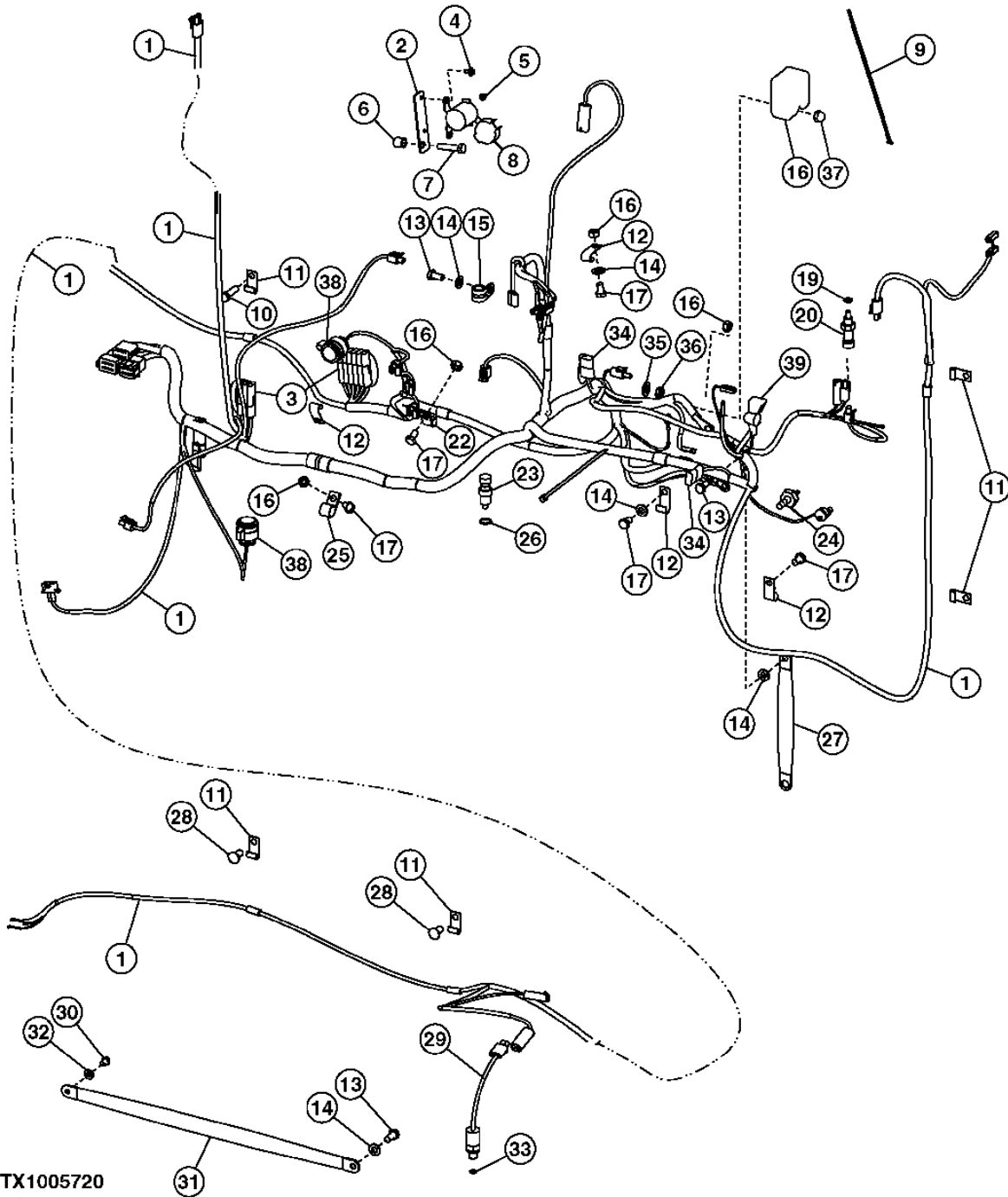
| KEY | PART NO. | PART NAME | QTY. | SERIAL NO. | 3 3<br>3 1 1<br>1 0 5<br>0 S S<br>G G G | REMARKS  |
|-----|----------|-----------|------|------------|---|--|
| 2   | T184676  | STRAP     | 1    |            | X X X                                   |  |
| 3   | AR94101  | DIODE     | AR   |            | X X X                                   | DIFF LOCK, MFWD, PARK BRAKE, REVERSE,<br>AND FORWARD SOLENOIDS |
| 4   | 37H116   | SCREW     | 2    |            | X X X                                   |  |
| 5   | 14M7272  | NUT       | 2    |            | X X X                                   | M6   |
|     | 24M7088  | WASHER    | 2    |            | X X X                                   |  |
| 6   | 28H3381  | SPACER    | 1    |            | X X X                                   |  |
| 7   | 19M7572  | CAP SCREW | 1    |            | X X X                                   | M10 X 45   |
| 8   | AT141011 | RELAY     | 1    |            | X X X                                   |  |
| 9   | R44302   | TIE BAND  | 2    |            | X X X                                   |  |
| 11  | T19935   | CLAMP     | 5    |            | X X X                                   |  |
| 12  | AH89557  | CLIP      | 4    |            | X X X                                   |  |
| 13  | 19M7938  | CAP SCREW | 2    |            | X X X                                   | M10 X 20   |
| 14  | 24M7239  | WASHER    | 3    |            | X X X                                   |  |
| 15  | T76252   | CLAMP     | 1    |            | X X X                                   |  |
| 16  | 14M7274  | NUT       | 4    |            | X X X                                   | M10, STARTER   |
| 17  | 19M7557  | CAP SCREW | 5    |            | X X X                                   | M10 X 16   |
| 18  | R135431  | COVER     | 1    |            | X                                       |  |
|     | R135431  | COVER     | 1    | -866615    | X X                                     |  |
| 19  | 51M7041  | O-RING    | 1    |            | X X X                                   |  |
| 20  | RE52722  | SENSOR    | 1    |            | X X X                                   | ENGINE COOLANT TEMPERATURE                                     |
|     | 51M7041  | O-RING    | 1    |            | X X X                                   |  |
| 22  | T75197   | CLAMP     | 1    |            | X X X                                   |  |
| 23  | AT183823 | SENDER    | 1    |            | X X X                                   | TORQUE CONVERTER TEMPERATURE                                   |
| 24  | AT85174  | SWITCH    | 1    |            | X X X                                   | ENGINE OIL PRESSURE  |
| 25  | T74416   | CLAMP     | 1    |            | X X X                                   |  |

# 1674-9C

## ENGINE WIRING HARNESS (CONTINUED) FAISCEAU DE FILS MOTEUR (SUITE) ARNES DE ALAMBRADO DEL MOTOR (CONTINUACION)

TX1005720

-UN-04APR06



TX1005720

THIS PARTS LISTING IS CONTINUED



# 1674-9D

VEHICLE ELECTRICAL SYSTEM 16

WIRING HARNESS AND SWITCHES 1674

**ENGINE WIRING HARNESS  
FAISCEAU DE FILS MOTEUR  
ARNES DE ALAMBRADO DEL MOTOR (CONTINUACION)**

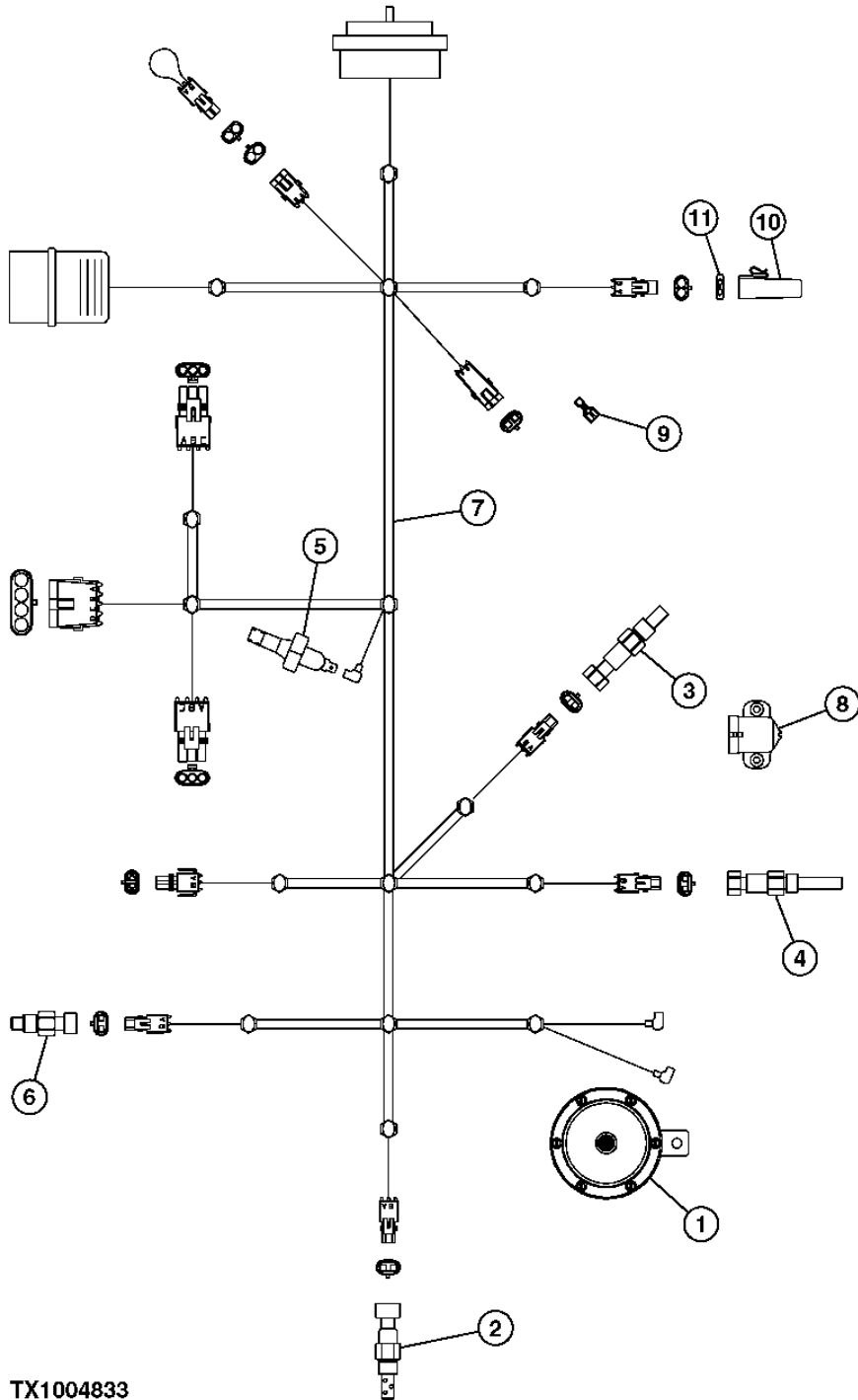
| KEY | PART NO. | PART NAME        | QTY. | SERIAL NO. | 3 3<br>3 1 1<br>1 0 5<br>0 S S<br>G G G | REMARKS   |
|-----|----------|------------------|------|------------|---|---|
| 26  | R26375   | O-RING           | 1    |            | X X X                                   |   |
| 27  | AT167399 | GROUND CABLE     | 1    |            | X X X                                   |   |
| 28  | MT2485   | PLUG             | 3    |            | X X X                                   | FASTENER, (SUB FOR T161380)                                 |
| 29  | AT159811 | SWITCH           | 1    |            | X X X                                   | PARK BRAKE OIL PRESSURE                                     |
| 30  | 19M7008  | CAP SCREW        | 1    |            | X X X                                   | M8 X 10   |
| 31  | AT180705 | GROUND CABLE     | 1    |            | X X X                                   |   |
| 32  | 24M7238  | WASHER           | 1    |            | X X X                                   |   |
| 33  | 51M7039  | O-RING           | 1    |            | X X X                                   |   |
| 34  | AT103399 | DIODE            | 2    |            | X X X                                   | ALTERNATOR, STARTER, A/C COMPRESSOR AND<br>PARK BRAKE RELAY |
| 35  | 24M7047  | WASHER           | 1    | -910055    | X X X                                   | (SYNCHRO-SHUTTLE TRANSMISSION)                              |
|     | 24M7047  | WASHER           | 1    |            | X X X                                   | (POWER SHIFT TRANSMISSION)                                  |
| 36  | 14M7415  | NUT              | 1    |            | X X X                                   | M12, (POWER SHIFT TRANSMISSION)                             |
| 37  | R135432  | NUT              | 1    |            | X                                       | STARTER COVER   |
|     | R135432  | NUT              | 1    | -866615    | X X                                     |   |
| 38  | AT180706 | KIT              | 1    |            | X X X                                   | HARNESS CONNECTOR (16 PIN FEMALE END)                       |
|     | .....    | CONNECTOR        | 6    |            | X X X                                   | (ORDER AT180706)  |
|     | .....    | SEAL             | 6    |            | X X X                                   | (ORDER AT180706)  |
|     | .....    | PLUG             | 14   |            | X X X                                   | (ORDER AT180706)  |
|     | .....    | CONNECTOR        | 1    |            | X X X                                   | (ORDER AT180706)  |
| 39  | 57M8131  | RESISTOR NETWORK | 1    |            | X X X                                   | CAN RESISTOR  |

# 1674-9E

ENGINE FRONT HARNESS (SN 910056- )  
FAISCEAU AVANT DE MOTEUR (SN 910056- )  
ARNES DELANTERO DEL MOTOR (SN 910056- )

TX1004833

-UN-15MAR06



# 1674-9F

VEHICLE ELECTRICAL SYSTEM 16

WIRING HARNESS AND SWITCHES 1674

ENGINE FRONT HARNESS (SN 910056- )  
FAISCEAU AVANT DE MOTEUR (SN 910056- )  
ARNES DELANTERO DEL MOTOR (SN 910056- )

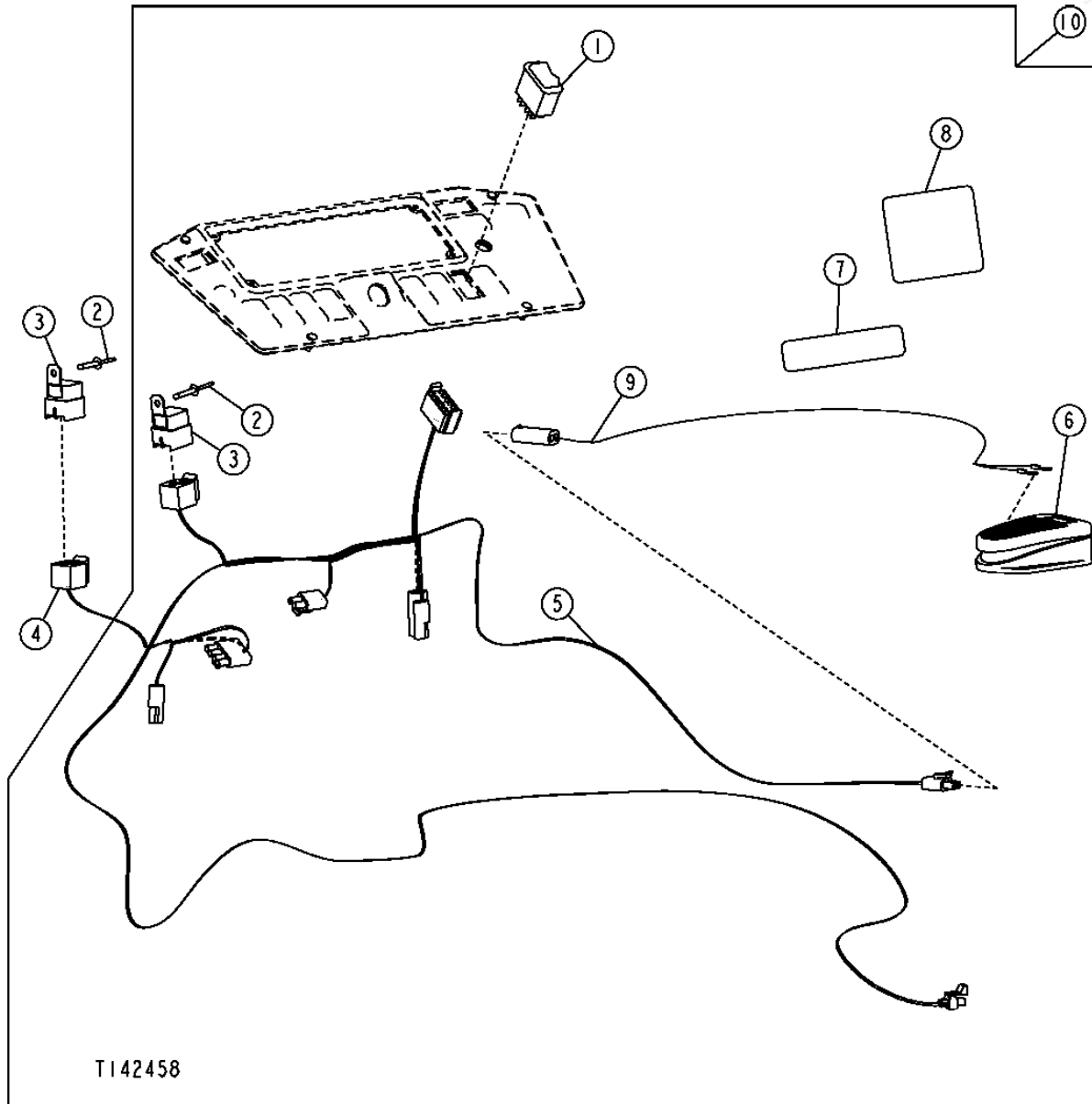
| KEY | PART NO. | PART NAME                  | QTY. | SERIAL NO. | REMARKS  |
|-----|----------|----------------------------|------|------------|--|
| 1   | AT226281 | HORN                       | 1    |            |  |
| 2   | RE61812  | SENSOR                     | 1    |            | AIR TEMPERATURE  |
| 3   | RE521822 | KIT                        | 1    |            | FUEL/COOLANT TEMPERATURE   |
| 4   | AH156144 | COOLANT TEMPERATURE SENSOR | 1    |            |  |
| 5   | AT85174  | SWITCH                     | 1    |            | ENGINE OIL PRESSURE  |
| 6   | RE519144 | SENSOR                     | 1    |            | CAM/CRANKSHAFT (CRANKSHAFT POSITION SENSOR)<br>(CRANKSHAFT SPEED SENSOR) |
| 7   | .....    | WIRING HARNESS             | 1    |            |  |
| 8   | RE56165  | POTENTIOMETER              | 1    |            |  |
| 9   | AT190929 | RESISTOR                   | 1    |            |  |
| 10  | 57M8487  | ELECTRICAL CONNECTOR CAP   | 1    |            |  |
| 11  | 57M7121  | FUSE                       | 1    |            | (10 AMP)   |

# 1674-10

**SELECTIVE FLOW CONTROL AND PUMP CONTROL WIRE HARNESS**  
**COMMANDE DE DEBIT SELECTIF ET FAISCEAU DE FILS DE COMMANDE DE POMPE**  
**ARNES DE ALAMBRADO DE CONTROL DE CAUDAL SELECTIVO Y CONTROL DE BOMBA**

T142458

-UN-01JUN01



# 1674-11

VEHICLE ELECTRICAL SYSTEM 16

WIRING HARNESS AND SWITCHES 1674

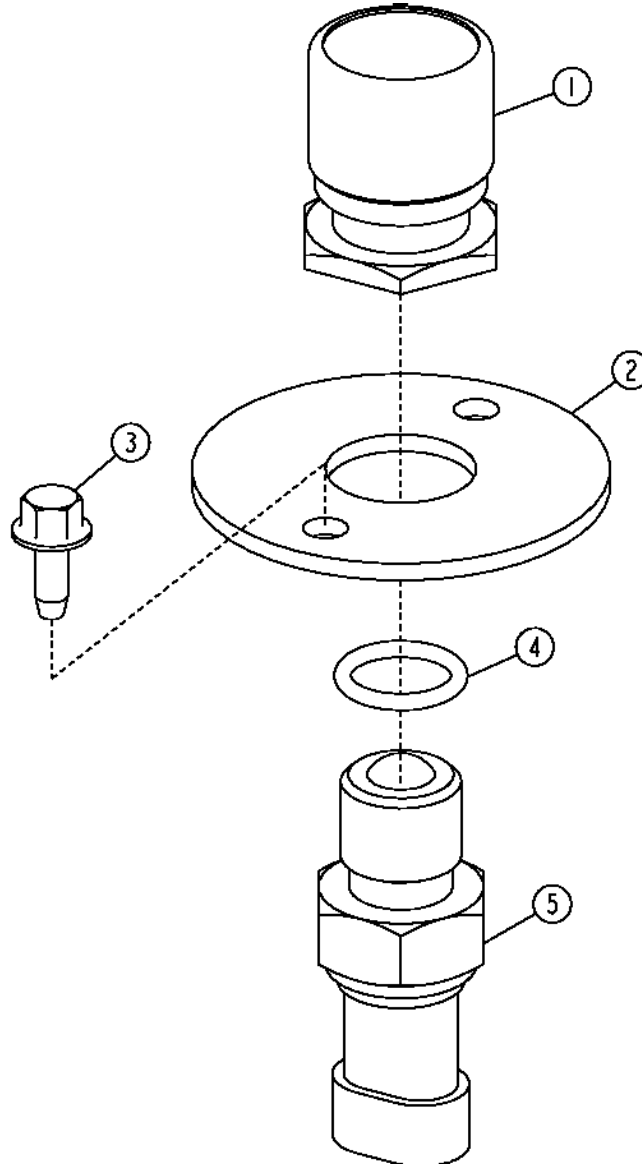
**SELECTIVE FLOW CONTROL AND PUMP CONTROL WIRE HARNESS  
 COMMANDE DE DEBIT SELECTIF ET FAISCEAU DE FILS DE COMMANDE DE POMPE  
 ARNES DE ALAMBRADO DE CONTROL DE CAUDAL SELECTIVO Y CONTROL DE BOMBA**

| KEY | PART NO. | PART NAME      | QTY. | SERIAL NO. | REMARKS   |
|-----|----------|----------------|------|------------|---|
|     |          |                |      |            | 3 3   |
|     |          |                |      |            | 3 1 1   |
|     |          |                |      |            | 1 0 5   |
|     |          |                |      |            | 0 S S   |
|     |          |                |      |            | G G G   |
| 1   | AT175604 | SWITCH         | 1    |            | X X X   |
| 2   | T184345  | RIVET          | 2    |            | X X X 4.780 MM  |
| 3   | AT75769  | RELAY          | 2    |            | X X X   |
| 4   | AT189801 | WIRING HARNESS | 1    |            | X X X PUMP CONTROL VALVE  |
| 5   | AT187797 | WIRING HARNESS | 1    |            | X X X FLOW CONTROL VALVE  |
| 6   | AT82210  | SWITCH         | 1    |            | X X X   |
| 7   | .....    | LABEL          | 1    |            | X X X (AUXILIARY HYDRAULICS) ( T149199 NLA)   |
| 8   | T166538  | LABEL          | 1    |            | X X X (FLOW CONTROL)  |
| 9   | AT156431 | WIRING HARNESS | 1    |            | X X X   |
| 10  | AT186689 | KIT            | 1    |            | X X X (WHOLE GOODS) (INCLUDES AT192384, AT190234, AT186297, AT191037, AT193881 AND AT300928) KIT ALSO INCLUDES TIE BOLTS. WHEN THIS KIT IS ADDED TO AN EXISTING 6 FUNCTION VALVE, ORDER (2) T159263 AND AT159264, 7 FUNCTION TIE BOLTS. |

# 1674-12

**DIFFERENTIAL LOCK SWITCH**  
**INTERRUPTEUR DE BLOCAGE DU DIFFERENTIEL**  
**INTERRUPTOR DE TRABA DEL DIFERENCIAL**

TP58124 -UN-03OCT00



TP58124

# 1674-13

VEHICLE ELECTRICAL SYSTEM 16

WIRING HARNESS AND SWITCHES 1674

**DIFFERENTIAL LOCK SWITCH**  
**INTERRUPTEUR DE BLOCAGE DU DIFFERENTIEL**  
**INTERRUPTOR DE TRABA DEL DIFERENCIAL**

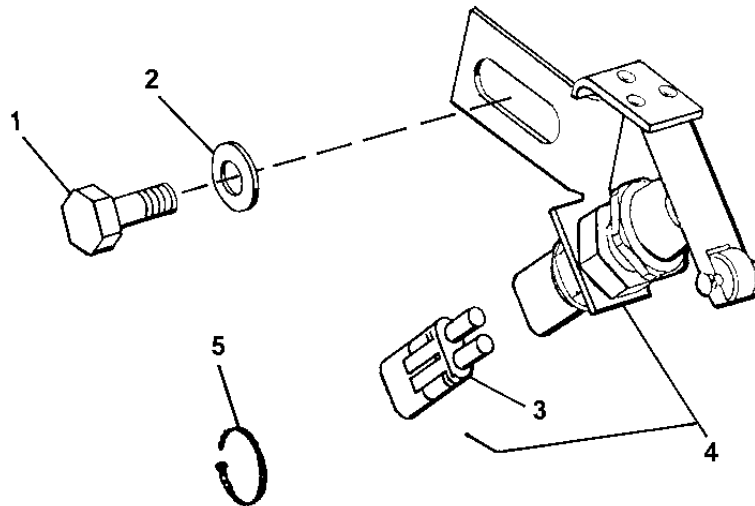
| KEY | PART NO. | PART NAME | QTY. | SERIAL NO. | 3 3<br>3 1 1<br>1 0 5<br>0 S S<br>G G G | REMARKS |
|-----|----------|-----------|------|------------|---|---------|
| 1   | RE43637  | ACTUATOR  | 1    |            | X X X                                   |         |
| 2   | T186024  | PLATE     | 1    |            | X X X                                   |         |
| 3   | 37M7059  | SCREW     | 2    |            | X X X                                   | M5 X 12 |
| 4   | 51M7042  | O-RING    | 1    |            | X X X                                   |         |
| 5   | RE46534  | SWITCH    | 1    |            | X X X                                   |         |

# 1674-14

VEHICLE ELECTRICAL SYSTEM 16  
WIRING HARNESS AND SWITCHES 1674

## RETURN-TO-DIG SWITCH INTERRUPTEUR DE RETOUR EN POSITION DE CREUSEMENT INTERRUPTOR DEL RETORNO A EXCAVAR

T144515 -UN-14AUG01



T144515

| KEY | PART NO. | PART NAME                 | QTY. | SERIAL NO. | REMARKS                  |
|-----|----------|---------------------------|------|------------|--------------------------|
| 1   | 19M8017  | CAP SCREW                 | 1    |            | X X X M12 X 20           |
| 2   | 24M7047  | WASHER                    | 1    |            | X X X 13 X 24 X 2.500 MM |
| 3   | RE12363  | ELECTRICAL CONNECTOR ASSY | 1    |            | X X X                    |
| 4   | AT183246 | SWITCH                    | 1    |            | X X X                    |
| 5   | R44302   | TIE BAND                  | AR   |            | X X X                    |



# 1674-15

VEHICLE ELECTRICAL SYSTEM 16  
WIRING HARNESS AND SWITCHES 1674

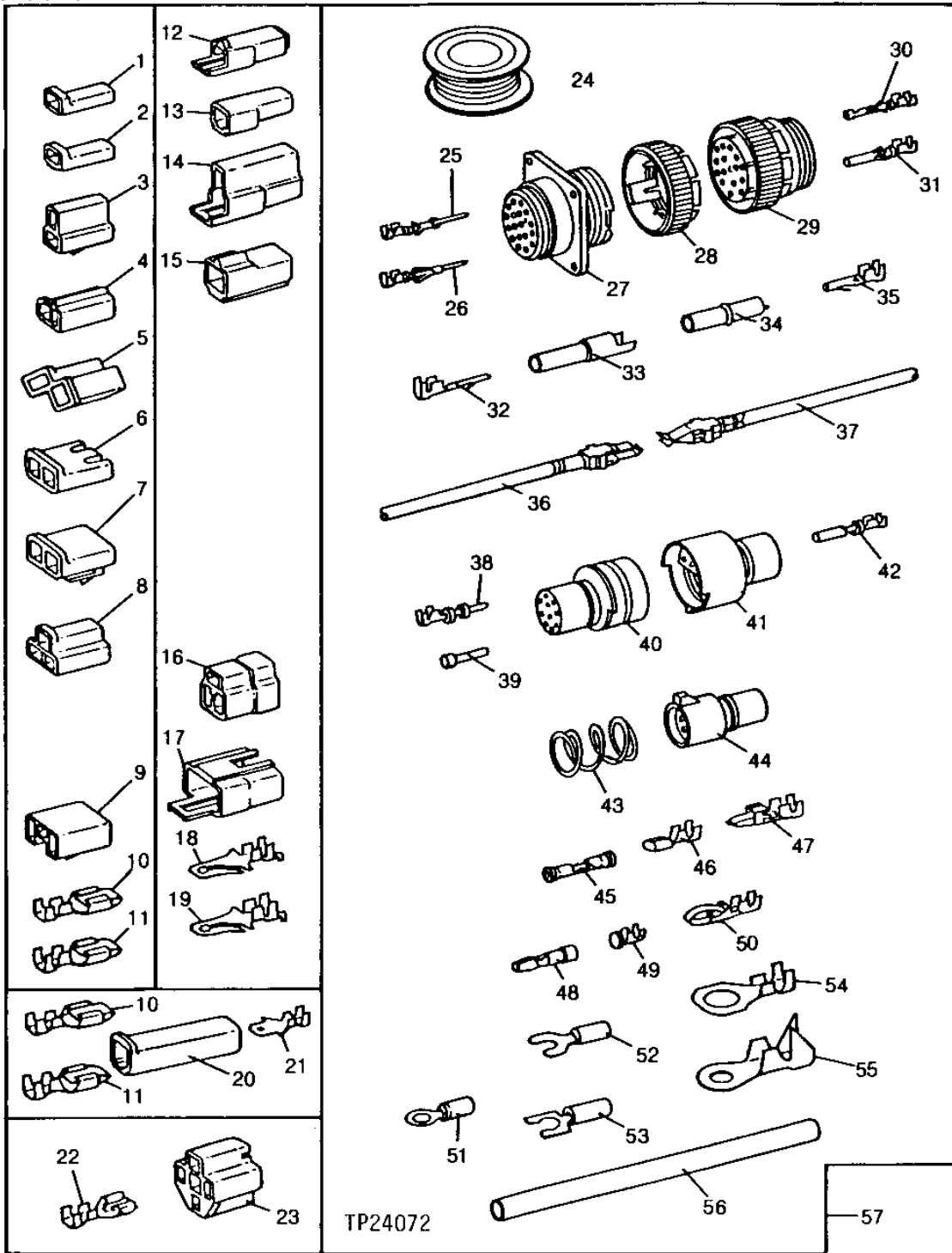
MEMORANDA  
MEMORANDA  
MEMORANDA

# 1674-16

## WIRE LEAD KIT MOYEU DE ROUE CUBO DE RUEDA

TP24072

-UN-01JAN94



# 1674-17

**WIRE LEAD KIT  
MOYEU DE ROUE  
CUBO DE RUEDA**

| KEY | PART NO. | PART NAME                   | QTY. | SERIAL NO. | REMARKS                    |
|-----|----------|-----------------------------|------|------------|----------------------------|
|     |          |                             |      |            | 3 3                        |
|     |          |                             |      |            | 3 1 1                      |
|     |          |                             |      |            | 1 0 5                      |
|     |          |                             |      |            | 0 S S                      |
|     |          |                             |      |            | G G G                      |
| 1   | T28583   | ELEC. CONNECTOR HOUSING     | 1    |            | X X X (B) PKG=3            |
| 2   | M43835   | ELECTRICAL CONNECTOR ASSY   | 1    |            | X X X (B) PKG=3            |
| 3   | R77476   | ELECTRICAL CONNECTOR ASSY   | 1    |            | X X X (A) PKG=2            |
| 4   | R77477   | ELEC. CONNECTOR HOUSING     | 1    |            | X X X (A) PKG=2            |
| 5   | R77479   | ELECTRICAL CONNECTOR ASSY   | 1    |            | X X X (A) PKG=2            |
| 6   | R77480   | ELECTRICAL CONNECTOR ASSY   | 1    |            | X X X (A) PKG=2            |
| 7   | R77481   | ELECTRICAL CONNECTOR ASSY   | 1    |            | X X X (A) PKG=2            |
| 8   | R77482   | ELECTRICAL CONNECTOR ASSY   | 1    |            | X X X                      |
| 9   | H104855  | ELECTRICAL CONNECTOR ASSY   | 1    |            | X X X                      |
| 10  | U46662   | ELEC. CONNECTOR TERMINAL    | 1    |            | X X X (E) (F) PKG=25       |
| 11  | N115096  | TERMINAL                    | 1    |            | X X X (C) (D) PKG=15       |
| 12  | T28585   | ELECTRICAL CONNECTOR ASSY   | 1    |            | X X X (B) PKG=3            |
| 13  | R77475   | ELECTRICAL CONNECTOR ASSY   | 1    |            | X X X (B) PKG=3            |
| 14  | T28586   | ELECTRICAL CONNECTOR ASSY   | 1    |            | X X X (A) PKG=2            |
| 15  | R77478   | ELECTRICAL CONNECTOR ASSY   | 1    |            | X X X (A) PKG=2            |
| 16  | R77483   | ELECTRICAL CONNECTOR ASSY   | 1    |            | X X X                      |
| 17  | R48887   | ELECTRICAL CONNECTOR ASSY   | 1    |            | X X X                      |
| 18  | T34067   | ELEC. CONNECTOR TERMINAL    | 1    |            | X X X (E) (F) PKG=25       |
| 19  | R77484   | ELEC. CONNECTOR TERMINAL    | 1    |            | X X X (C) (D) PKG=15       |
| 20  | U46370   | ELECTRICAL CONNECTOR ASSY   | 1    |            | X X X (B) PKG=3            |
| 21  | R77485   | ELEC. CONNECTOR TERMINAL    | 1    |            | X X X (E) (F) PKG=10       |
| 22  | R77486   | ELEC. CONNECTOR TERMINAL    | 1    |            | X X X (E) (F) PKG=25       |
| 23  | R77487   | ELECTRICAL CONNECTOR ASSY   | 1    |            | X X X (B) PKG=3            |
| 24  | R66321   | WIRING LEAD                 | 1    |            | X X X (C) 15M (50')        |
|     | R66320   | WIRING LEAD                 | 1    |            | X X X (D) 30.5M (100')     |
|     | R77501   | WIRE                        | 1    |            | X X X (E) 30.5M (100')     |
|     | R77500   | WIRE                        | 1    |            | X X X (F) 30.5M (100')     |
|     | R77499   | WIRE                        | 1    |            | X X X (G) 30.5M (100')     |
|     | R77498   | WIRE                        | 1    |            | X X X (H) 30.5M (100')     |
| 25  | R77462   | ELEC. CONNECTOR TERMINAL    | 1    |            | X X X (H) (I) (J) PKG=40   |
| 26  | R77464   | ELEC. CONNECTOR TERMINAL    | 1    |            | X X X (H) PKG=50           |
| 27  | R77456   | ELEC. CONNECTOR TERMINAL    | 1    |            | X X X (37 WAY)             |
| 28  | R77458   | ELEC.CONNECT LOCKING DEVICE | 1    |            | X X X (A) PKG=2, (SIZE 23) |
|     | R77459   | ELEC.CONNECT LOCKING DEVICE | 1    |            | X X X (A) PKG=2, (SIZE 17) |
|     | R77460   | ELEC.CONNECT LOCKING DEVICE | 1    |            | X X X (A) PKG=2, (SIZE 13) |
|     | R77461   | ELEC.CONNECT LOCKING DEVICE | 1    |            | X X X (A) PKG=2, (SIZE 11) |
| 29  | R77457   | ELEC. CONNECTOR TERMINAL    | 1    |            | X X X (37 WAY)             |
| 30  | R77463   | ELEC. CONNECTOR TERMINAL    | 1    |            | X X X (H) (I) (J) PKG=40   |
| 31  | R77465   | ELEC. CONNECTOR TERMINAL    | 1    |            | X X X (H) PKG=50           |
| 32  | R77468   | ELEC. CONNECTOR TERMINAL    | 1    |            | X X X PKG=5                |
| 33  | R77466   | ELECTRICAL CONNECTOR ASSY   | 1    |            | X X X (A) PKG=2            |
| 34  | R77467   | ELECTRICAL CONNECTOR ASSY   | 1    |            | X X X (A) PKG=2            |

- |   |   |   |
|---|---|---|
| (A) 6 GAUGE<br>(A) CALIBRE 6<br>(A) ANCHO DE VIA 6    | (B) 8 GAUGE<br>(B) CALIBRE 8<br>(B) ANCHO DE VIA 8    | (C) 10 GAUGE<br>(C) CALIBRE 10<br>(C) ANCHO DE VIA 10 |
| (D) 12 GAUGE<br>(D) CALIBRE 12<br>(D) ANCHO DE VIA 12 | (E) 14 GAUGE<br>(E) CALIBRE 14<br>(E) ANCHO DE VIA 14 | (F) 16 GAUGE<br>(F) CALIBRE 16<br>(F) ANCHO DE VIA 16 |
| (G) 18 GAUGE<br>(G) CALIBRE 18<br>(G) ANCHO DE VIA 18 | (H) 20 GAUGE<br>(H) CALIBRE 20<br>(H) ANCHO DE VIA 20 | (I) 22 GAUGE<br>(H) CALIBRE 22<br>(I) ANCHO DE VIA 22 |
| (J) 24 GAUGE<br>(J) CALIBRE 24<br>(J) ANCHO DE VIA 24 |   |   |

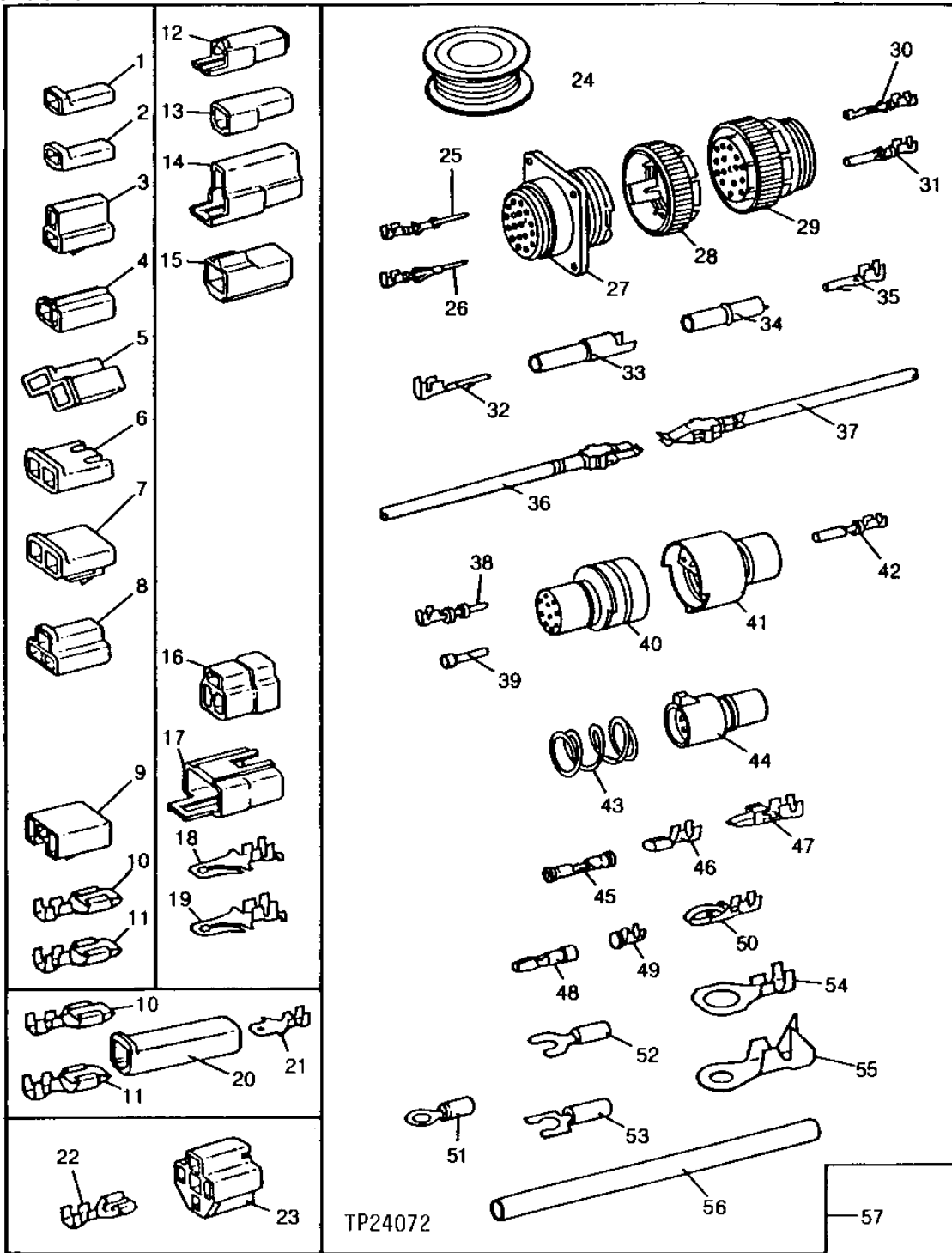
THIS PARTS LISTING IS CONTINUED

# 1674-18

WIRE LEAD KIT (CONTINUED)  
MOYEU DE ROUE (SUITE)  
CUBO DE RUEDA (CONTINUACION)

TP24072

-UN-01JAN94



# 1674-19

**WIRE LEAD KIT (CONTINUED)  
MOYEU DE ROUE (SUITE)  
CUBO DE RUEDA (CONTINUACION)**

| KEY | PART NO. | PART NAME                 | QTY. | SERIAL NO. | REMARKS                                      |
|-----|----------|---------------------------|------|------------|--|
|     |          |                           |      |            | 3 3  |
|     |          |                           |      |            | 3 1 1  |
|     |          |                           |      |            | 1 0 5  |
|     |          |                           |      |            | 0 S S  |
|     |          |                           |      |            | G G G  |
| 35  | R77469   | ELEC. CONNECTOR TERMINAL  | 1    |            | X X X PKG=5                                  |
| 36  | RE11156  | ELEC. CONNECTOR TERMINAL  | 1    |            | X X X (B) (MALE) PKG=3                       |
| 37  | RE11157  | ELEC. CONNECTOR TERMINAL  | 1    |            | X X X (B) (FEMALE) PKG=3                     |
| 38  | R70222   | ELEC. CONNECTOR TERMINAL  | 1    |            | X X X (E) (F) (G) PKG=20                     |
| 39  | R70221   | ELEC. CONNECTOR TERMINAL  | 1    |            | X X X (E) PKG=25                             |
| 40  | R70219   | PLUG                      | 1    |            | X X X (A) (10 WAY) PKG=2                     |
|     | R70217   | PLUG                      | 1    |            | X X X (A) (7 WAY) PKG=2                      |
|     | R70215   | PLUG                      | 1    |            | X X X (A) (4 WAY) PKG=2                      |
|     | R70213   | ELEC. CONNECTOR HOUSING   | 1    |            | X X X (A) (3 WAY) PKG=2                      |
| 41  | R70211   | ELECTRICAL CONNECTOR ASSY | 1    |            | X X X (A) (2 WAY) PKG=2                      |
|     | R70218   | ELEC. CONNECTOR TERMINAL  | 1    |            | X X X (A) (10 WAY) PKG=2                     |
|     | R70216   | ELEC. CONNECTOR TERMINAL  | 1    |            | X X X (A) (7 WAY) PKG=2                      |
|     | R70214   | ELEC. CONNECTOR TERMINAL  | 1    |            | X X X (A) (4 WAY) PKG=2                      |
|     | R70212   | ELEC. CONNECTOR TERMINAL  | 1    |            | X X X (A) (3 WAY) PKG=2                      |
|     | R70210   | ELEC. CONNECTOR TERMINAL  | 1    |            | X X X (A) (2 WAY) PKG=2                      |
| 42  | AR91793  | ELEC. CONNECTOR TERMINAL  | 1    |            | X X X (D) PKG=20                             |
| 43  | R30378   | SPRING                    | 1    |            | X X X (C) PKG=10                             |
| 44  | R77474   | ELECTRICAL CONNECTOR ASSY | 1    |            | X X X (A) (6 WAY) PKG=2                      |
| 45  | R77470   | ELEC. CONNECTOR TERMINAL  | 1    |            | X X X (F) (G) (H) (I) (J) SPLICE PKG=15      |
|     | R77471   | ELEC. CONNECTOR TERMINAL  | 1    |            | X X X (C) (D) SPLICE PKG=10                  |
|     | R77472   | ELEC. CONNECTOR TERMINAL  | 1    |            | X X X (B) SPLICE PKG=2                       |
|     | R77473   | ELEC. CONNECTOR TERMINAL  | 1    |            | X X X (A) SPLICE PKG=2                       |
| 46  | R65607   | ELEC. CONNECTOR TERMINAL  | 1    |            | X X X (G) (H) PKG=10                         |
| 47  | U46664   | ELEC. CONNECTOR TERMINAL  | 1    |            | X X X (E) (F) PKG=10                         |
| 48  | R32026   | ELEC. CONNECTOR TERMINAL  | 1    |            | X X X (E) (F) PKG=20                         |
| 49  | R65602   | ELEC. CONNECTOR TERMINAL  | 1    |            | X X X (F) (G) PKG=10                         |
| 50  | R70220   | ELEC. CONNECTOR TERMINAL  | 1    |            | X X X (H) (I) PKG=10                         |
| 51  | R77489   | ELEC. CONNECTOR TERMINAL  | 1    |            | X X X (E) (F) (G) (H) (NO. 10 EYELET) PKG=20 |
|     | R77493   | ELEC. CONNECTOR TERMINAL  | 1    |            | X X X (C) (D) (NO. 10 EYELET) PKG=20         |
|     | R77488   | ELEC. CONNECTOR TERMINAL  | 1    |            | X X X (E) (F) (G) (H) (3/8" EYELET) PKG=20   |
|     | R77490   | ELEC. CONNECTOR TERMINAL  | 1    |            | X X X (C) (D) (1/2" EYELET) PKG=20           |
| 52  | R77496   | ELEC. CONNECTOR TERMINAL  | 1    |            | X X X (E) (F) (NO. 8 SPADE) PKG=20           |
|     | R77495   | ELEC. CONNECTOR TERMINAL  | 1    |            | X X X (G) (NO. 10 SPADE) PKG=20              |
| 53  | R77497   | ELEC. CONNECTOR TERMINAL  | 1    |            | X X X (E) (F) (NO. 6 SPADE) PKG=20           |
| 54  | R77491   | ELEC. CONNECTOR TERMINAL  | 1    |            | X X X (C) (D) (3/8" EYELET) PKG=20           |
|     | R77492   | ELEC. CONNECTOR TERMINAL  | 1    |            | X X X (C) (D) (1/4" EYELET) PKG=20           |
| 55  | R77494   | ELEC. CONNECTOR TERMINAL  | 1    |            | X X X (A) (B) (1/4" EYELET) PKG=20           |
| 56  | R77502   | TUBE                      | 1    |            | X X X PKG=8 (3/8" HEAT SHRINK)               |
|     | R77503   | TUBE                      | 1    |            | X X X PKG=8 (3/16" HEAT SHRINK)              |
| 57  | TY26194  | KIT                       | 1    |            | X X X (SUB FOR RE11154) (SUB FOR PM797NA)    |

(A) 6 GAUGE  
(A) CALIBRE 6  
(A) ANCHO DE VIA 6

(B) 8 GAUGE  
(B) CALIBRE 8  
(B) ANCHO DE VIA 8

(C) 10 GAUGE  
(C) CALIBRE 10  
(C) ANCHO DE VIA 10

(D) 12 GAUGE  
(D) CALIBRE 12  
(D) ANCHO DE VIA 12

(E) 14 GAUGE  
(E) CALIBRE 14  
(E) ANCHO DE VIA 14

(F) 16 GAUGE  
(F) CALIBRE 16  
(F) ANCHO DE VIA 16

(G) 18 GAUGE  
(G) CALIBRE 18  
(G) ANCHO DE VIA 18

(H) 20 GAUGE  
(H) CALIBRE 20  
(H) ANCHO DE VIA 20

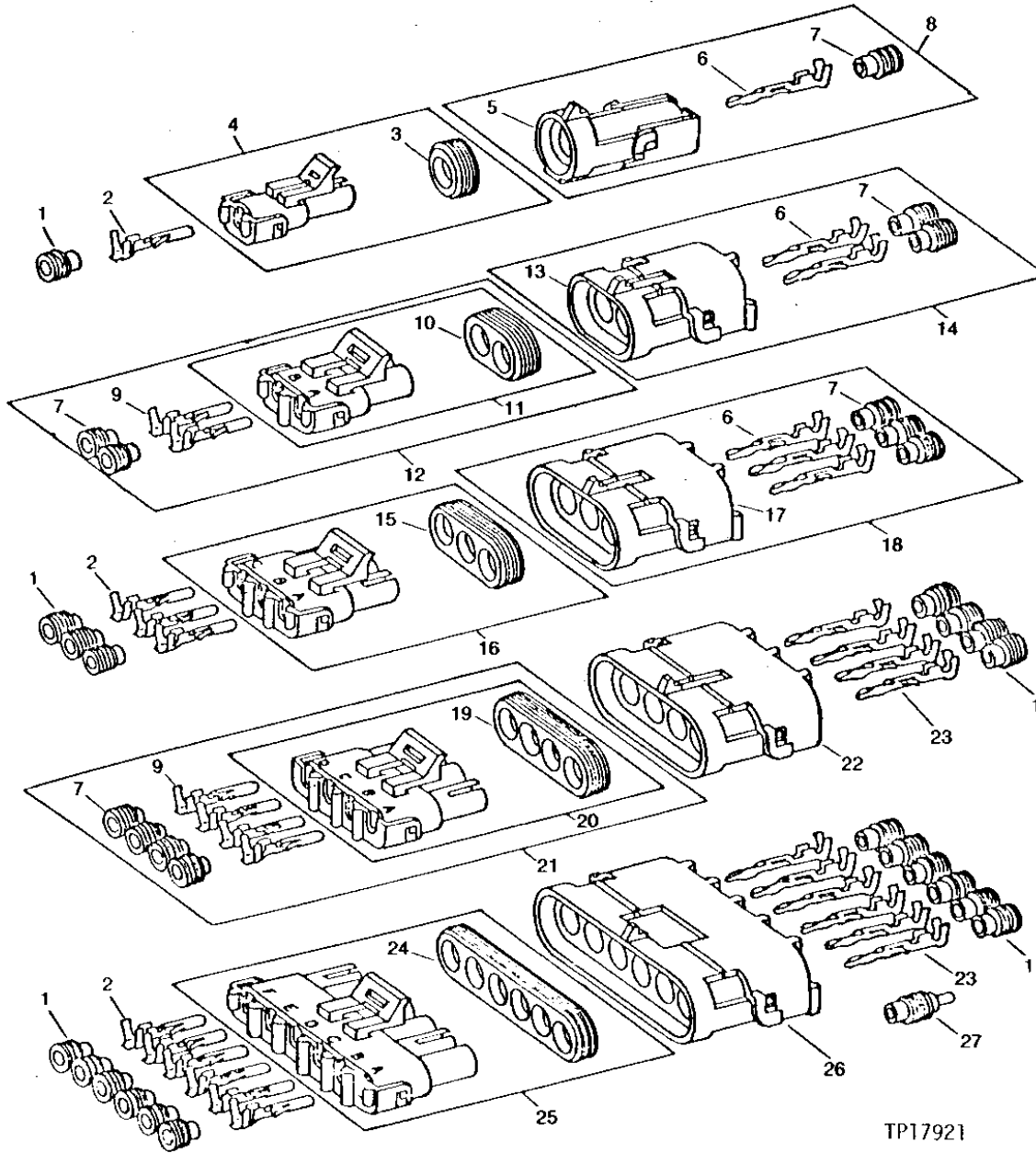
(I) 22 GAUGE  
(I) CALIBRE 22  
(I) ANCHO DE VIA 22

(J) 24 GAUGE  
(J) CALIBRE 24  
(J) ANCHO DE VIA 24

# 1674-20

## WEATHERPACK TERMINALS AND CONNECTORS COSSES ET CONNECTEURS WEATHERPACK TERMINALES Y CONEXIONES WEATHERPACK

TP17921 -UN-01JAN94



TP17921

# 1674-21

VEHICLE ELECTRICAL SYSTEM 16

WIRING HARNESS AND SWITCHES 1674

**WEATHERPACK TERMINALS AND CONNECTORS  
COSSES ET CONNECTEURS WEATHERPACK  
TERMINALES Y CONEXIONES WEATHERPACK**

| KEY | PART NO. | PART NAME                   | QTY. | TRACTOR<br>SERIAL NO. | REMARKS                       |
|-----|----------|-----------------------------|------|-----------------------|-------------------------------|
|     |          |                             |      | 3 3                   |                               |
|     |          |                             |      | 3 1 1                 |                               |
|     |          |                             |      | 1 0 5                 |                               |
|     |          |                             |      | 0 S S                 |                               |
|     |          |                             |      | G G G                 |                               |
| 1   | R78063   | ELEC. CONNECTOR SEAL        | 1    |                       | X X X (B) (GRAY) PKG=40       |
|     | R78059   | ELEC. CONNECTOR SEAL        | 1    |                       | X X X (C) (D) (GREEN) PKG=40  |
|     | R78062   | ELEC. CONNECTOR ACCESSORY   | 1    |                       | X X X (A) (BLUE) PKG=40       |
| 2   | R78057   | ELEC. CONNECTOR TERMINAL    | 1    |                       | X X X (C) (D) (NO. 19) PKG=40 |
|     | R78060   | ELEC. CONNECTOR TERMINAL    | 1    |                       | X X X (A) (B) (NO. 15) PKG=40 |
| 3   | R78047   | SEAL                        | 1    |                       | X X X PKG=5                   |
| 4   | RE12362  | ELECTRICAL CONNECTOR ASSY   | 1    |                       | X X X PKG=3                   |
| 5   | R78052   | ELECTRICAL CONNECTOR ASSY   | 1    |                       | X X X PKG=3                   |
| 6   | R78061   | ELEC. CONNECTOR TERMINAL    | 1    |                       | X X X (A) (B) (NO. 15) PKG=40 |
| 7   | R78063   | ELEC. CONNECTOR SEAL        | 1    |                       | X X X (B) (GRAY) PKG=40       |
| 8   | RE12334  | ELECTRICAL CONNECTOR ASSY   | 1    |                       | X X X                         |
| 9   | R78060   | ELEC. CONNECTOR TERMINAL    | 1    |                       | X X X (A) (B) (NO. 15) PKG=40 |
| 10  | R78048   | ELEC. CONNECTOR ACCESSORY   | 1    |                       | X X X PKG=5                   |
| 11  | RE12363  | ELECTRICAL CONNECTOR ASSY   | 1    |                       | X X X PKG=3                   |
| 12  | RE12331  | ELECTRICAL CONNECTOR ASSY   | 1    |                       | X X X                         |
| 13  | R78053   | ELECTRICAL CONNECTOR ASSY   | 1    |                       | X X X PKG=3                   |
| 14  | RE12330  | ELECTRICAL CONNECTOR ASSY   | 1    |                       | X X X                         |
| 15  | R78049   | SEAL                        | 1    |                       | X X X PKG=5                   |
| 16  | RE12364  | ELECTRICAL CONNECTOR ASSY   | 1    |                       | X X X PKG=3                   |
| 17  | R78054   | ELECTRICAL CONNECTOR ASSY   | 1    |                       | X X X PKG=3                   |
| 18  | RE12332  | ELECTRICAL CONNECTOR ASSY   | 1    |                       | X X X                         |
| 19  | R78050   | SEAL                        | 1    |                       | X X X PKG=5                   |
| 20  | RE12365  | ELECTRICAL CONNECTOR ASSY   | 1    |                       | X X X PKG=2                   |
| 21  | RE12333  | ELECTRICAL CONNECTOR ASSY   | 1    |                       | X X X                         |
| 22  | R78055   | ELECTRICAL CONNECTOR ASSY   | 1    |                       | X X X PKG=2                   |
| 23  | R78061   | ELEC. CONNECTOR TERMINAL    | 1    |                       | X X X (NO. 15) PKG=40         |
|     | R78058   | ELEC. CONNECTOR TERMINAL    | 1    |                       | X X X (C) (D) (NO. 19) PKG=40 |
| 24  | R78051   | SEAL                        | 1    |                       | X X X PKG=5                   |
| 25  | RE12366  | ELECTRICAL CONNECTOR ASSY   | 1    |                       | X X X PKG=2                   |
| 26  | R78056   | ELECTRICAL CONNECTOR ASSY   | 1    |                       | X X X PKG=2                   |
| 27  | R78064   | ELEC. CONNECTOR CAVITY PLUG | 1    |                       | X X X PKG=40                  |

(A) 14 GAUGE  
(A) CALIBRE 14  
(A) ANCHO DE VIA 14

(B) 16 GAUGE  
(B) CALIBRE 16  
(B) ANCHO DE VIA 16

(C) 18 GAUGE  
(C) CALIBRE 18  
(C) ANCHO DE VIA 18

(D) 20 GAUGE  
(D) CALIBRE 20  
(D) ANCHO DE VIA 20

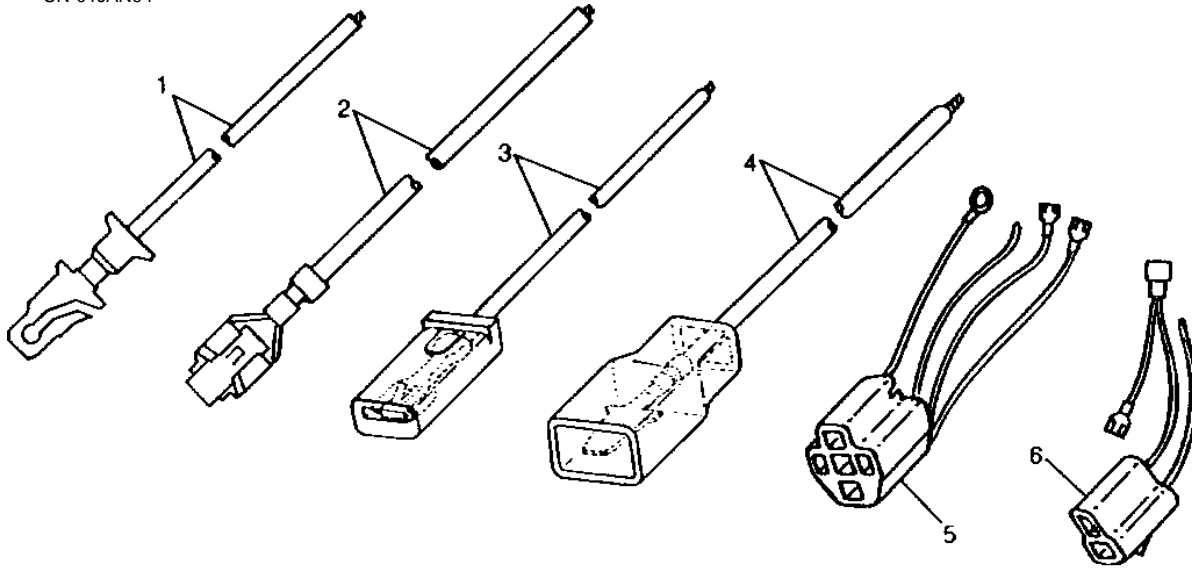
# 1674-22

VEHICLE ELECTRICAL SYSTEM 16

WIRING HARNESS AND SWITCHES 1674

**SUPPLEMENTARY TERMINALS, CONNECTORS AND REPAIR CONDUIT**  
**BORNES SUPPLEMENTAIRES, CONNECTEURS ET CONDUIT DE REPARATION**  
**BORNES SUPLEMENTARIOS, CONECTORES Y CONDUCTO DE REPUESTO**

TP24539 -UN-01JAN94



TP24539

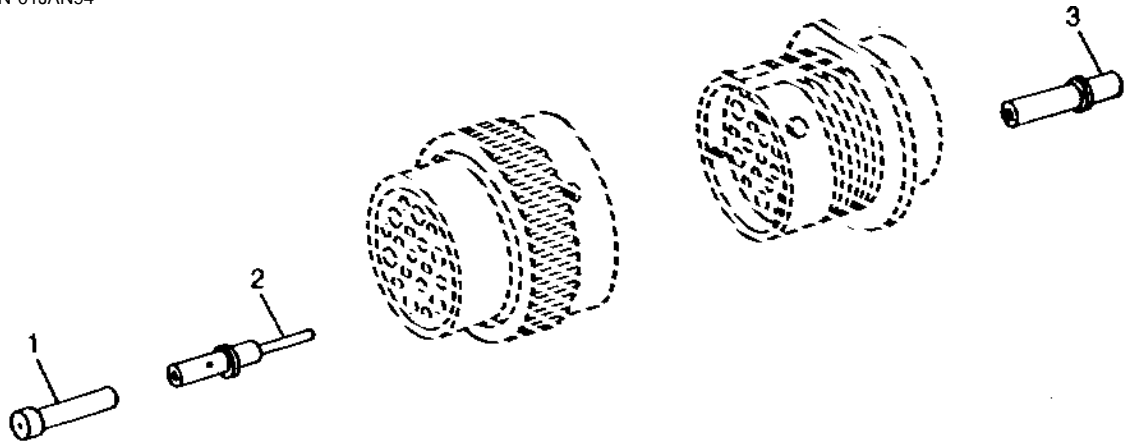
| KEY | PART NO. | PART NAME                 | QTY. | SERIAL NO. | REMARKS                              |
|-----|----------|---------------------------|------|------------|--------------------------------------|
|     |          |                           |      | 3 3        |                                      |
|     |          |                           |      | 3 1 1      |                                      |
|     |          |                           |      | 1 0 5      |                                      |
|     |          |                           |      | 0 S S      |                                      |
|     |          |                           |      | G G G      |                                      |
| 1   | AR65005  | ELEC. CONNECTOR TERMINAL  | 1    |            | X X X                                |
| 2   | AR65006  | ELEC. CONNECTOR TERMINAL  | 1    |            | X X X                                |
| 3   | R32024   | WIRING LEAD               | 1    |            | X X X                                |
| 4   | R32025   | WIRING LEAD               | 1    |            | X X X                                |
| 5   | RE21730  | ELECTRICAL CONNECTOR ASSY | 1    |            | X X X (ILLUSTRATED)                  |
|     | RE21731  | ELECTRICAL CONNECTOR ASSY | 1    |            | X X X                                |
| 6   | RE21732  | ELECTRICAL CONNECTOR ASSY | 1    |            | X X X                                |
|     | R93219   | CONDUIT                   | 1    |            | X X X 0.3 X 3048 MM (1/4" X 120")    |
|     | R93220   | CONDUIT                   | 1    |            | X X X 10.4 X 2048 MM (13/32" X 120") |
|     | R93221   | CONDUIT                   | 1    |            | X X X 15.9 X 3048 MM (5/8" X 120")   |
|     | R93222   | CONDUIT                   | 1    |            | X X X 25.4 X 3048 MM (1" X 120")     |



# 1674-23

DEUTSCH TERMINALS  
BORNES DEUTSCH  
TERMINALES DE DEUTSCH

TP24540 -UN-01JAN94



## TP24540

| KEY | PART NO. | PART NAME                | QTY. | SERIAL NO. | REMARKS        |
|-----|----------|--------------------------|------|------------|----------------|
|     |          |                          |      | 3 3        |                |
|     |          |                          |      | 3 1 1      |                |
|     |          |                          |      | 1 0 5      |                |
|     |          |                          |      | 0 S S      |                |
|     |          |                          |      | G G G      |                |
| 1   | R78069   | ELEC. CONNECTOR TERMINAL | 3    | X X X      | (PKG = 40)     |
| 2   | R78066   | ELEC. CONNECTOR TERMINAL | 14   | X X X      | (B) (PKG = 40) |
|     | R78068   | ELEC. CONNECTOR TERMINAL | 4    | X X X      | (A) (PKG = 40) |
| 3   | R78065   | ELEC. CONNECTOR TERMINAL | 14   | X X X      | (B) (PKG = 40) |
|     | R78067   | ELEC. CONNECTOR TERMINAL | 4    | X X X      | (A) (PKG = 40) |

(A) 12 OR 14 GAUGE  
(A) CALIBRE 12 OU 14  
(A) ANCHO DE VIA 12 O 14

(B) 16 OR 18 GAUGE  
(B) CALIBRE 16 OU 18  
(B) ANCHO DE VIA 16 O 18

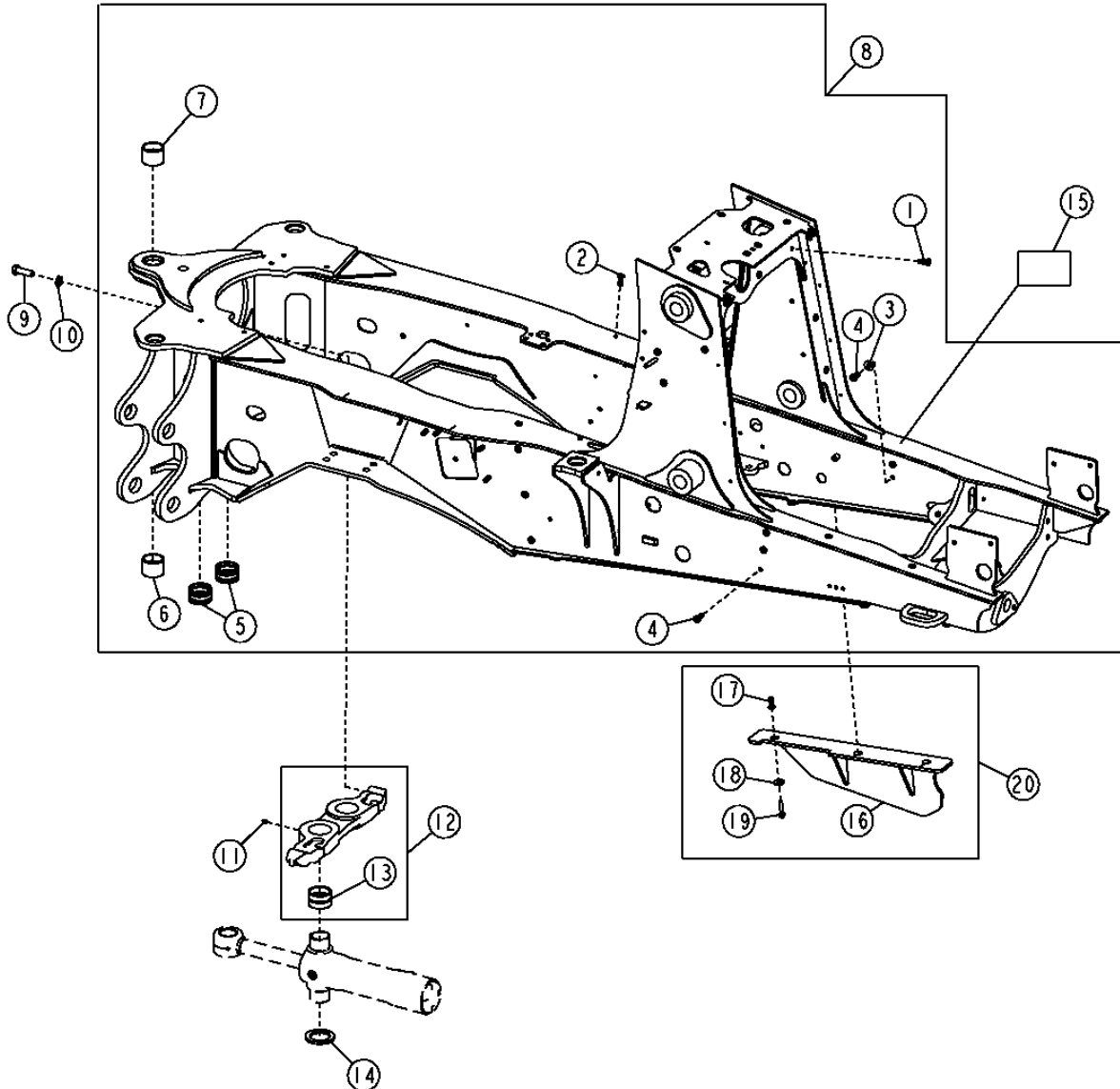
# 1740-2

FRAME CHASSIS OR SUPPORTING STRUCTURE 17

FRAME INSTALLATION 1740

MAIN FRAME (310G, 310SG)  
CHASSIS PRINCIPAL (310G, 310SG)  
BASTIDOR PRINCIPAL (310G, 310SG)

T214536 -UN-21SEP05



T214536

# 1740-3

FRAME CHASSIS OR SUPPORTING STRUCTURE 17

FRAME INSTALLATION 1740

**MAIN FRAME (310G, 310SG)  
CHASSIS PRINCIPAL (310G, 310SG)  
BASTIDOR PRINCIPAL (310G, 310SG)**

| KEY | PART NO. | PART NAME           | QTY. | SERIAL NO. | 3 3<br>3 1 1<br>1 0 5<br>0 S S<br>G G G | REMARKS   |
|-----|----------|---------------------|------|------------|---|---|
| 1   | T148410  | NUT                 | 20   |            | X                                       | M10, 8MM PLATE  |
|     | T148410  | NUT                 | 17   |            | X                                       | M10, 8MM PLATE  |
| 2   | T148411  | NUT                 | 7    |            | X                                       | M10, 10MM PLATE   |
|     | T148411  | NUT                 | 16   |            | X                                       | M10, 10MM PLATE   |
| 3   | 24H1211  | WASHER              | 5    |            | X                                       |   |
| 4   | T148409  | NUT                 | 23   |            | X X                                     | M10, 6MM PLATE  |
| 5   | T147070  | BUSHING             | 2    |            | X X                                     |   |
| 6   | T148313  | BUSHING             | 1    |            | X                                       |   |
|     | T154621  | BUSHING             | 1    |            | X                                       |   |
| 7   | T159832  | BUSHING             | 1    | -901551    | X                                       |   |
|     | T148313  | BUSHING             | 1    | 901552-    | X                                       |   |
|     | T154621  | BUSHING             | 1    |            | X                                       |   |
| 8   | AT197231 | MAIN FRAME          | 1    |            | X                                       | CONVENIENCE ASSY, (ALSO ORDER T146102)<br>(SUB FOR AT184777 AND AT197232) |
|     | AT197247 | MAIN FRAME          | 1    |            | X                                       | CONVENIENCE ASSY, (ALSO ORDER T146102)<br>(SUB FOR AT183899 AND AT197248) |
| 9   | 19M8224  | CAP SCREW           | 4    |            | X X                                     | M20 X 60  |
| 10  | T83426   | WASHER              | 4    |            | X X                                     |   |
| 11  | T162396  | LUBRICATION FITTING | 6    |            | X X                                     |   |
| 12  | AT169804 | TRUNNION            | 1    |            | X X                                     |   |
| 13  | T153303  | BUSHING             | 2    |            | X X                                     |   |
| 14  | T148387  | WASHER              | 2    |            | X X                                     |   |
| 15  | T146102  | LABEL               | 1    |            | X X                                     | BYPASS STARTING WARNING   |
| 16  | AT315263 | GUARD               | 1    |            | X X                                     |   |
| 17  | T148410  | NUT                 | 3    |            | X X                                     |   |
| 18  | 24M7226  | WASHER              | 3    |            | X X                                     |   |
| 19  | 19M7806  | SCREW               | 3    |            | X X                                     |   |
| 20  | AT323348 | KIT                 | 1    |            | X X                                     | MFWD GUARD (WHOLE GOODS)  |

# 1740-4

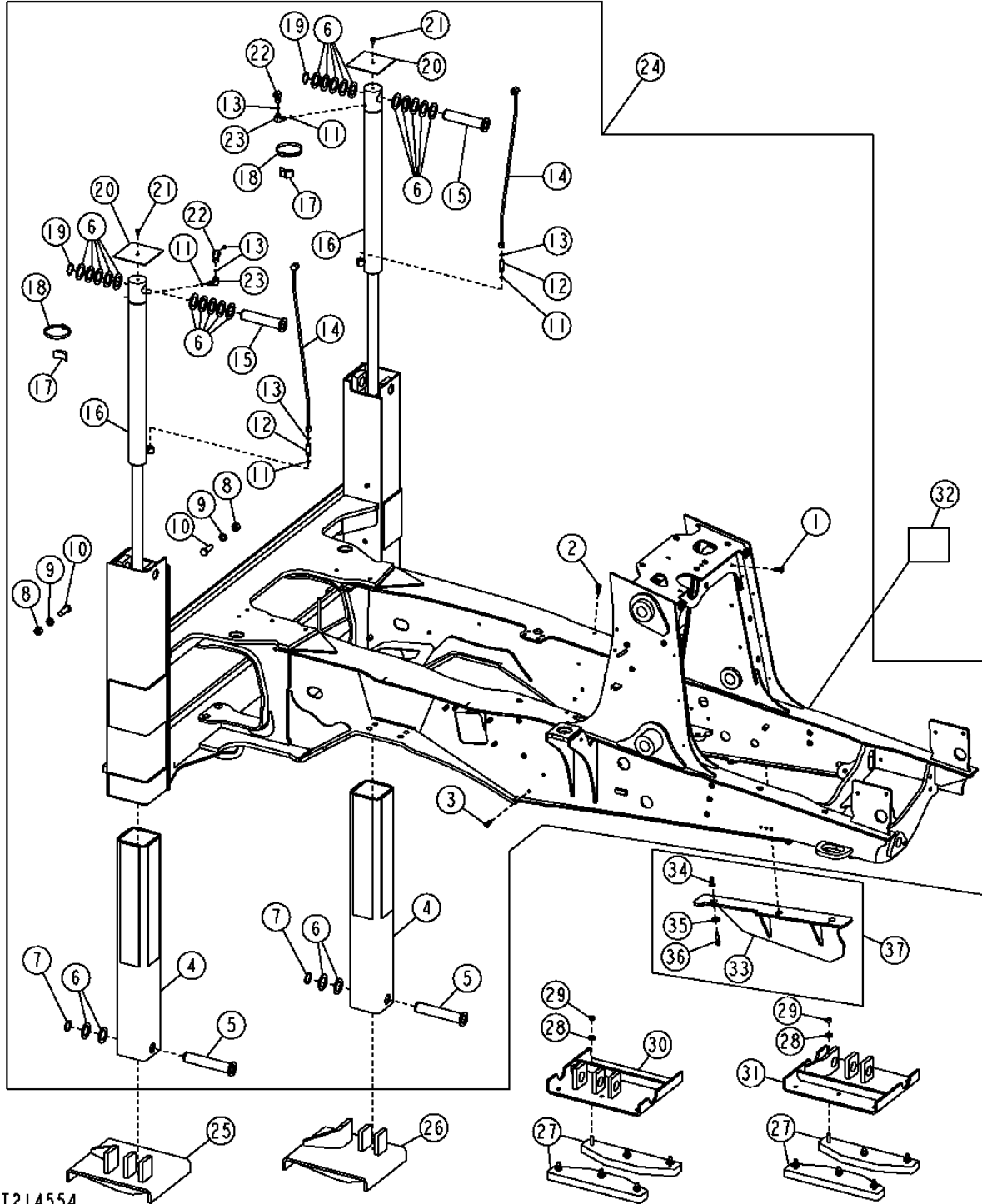
FRAME CHASSIS OR SUPPORTING STRUCTURE 17

FRAME INSTALLATION 1740

## MAIN FRAME WITH STABILIZER (315SG) CHASSIS PRINCIPAL AVEC STABILISATEUR (315SG) CHASIS PRINCIPAL CON ESTABILIZADOR (315SG)

T214554

-UN-20SEP05



# 1740-5

FRAME CHASSIS OR SUPPORTING STRUCTURE 17

FRAME INSTALLATION 1740

**MAIN FRAME WITH STABILIZER (315SG)  
CHASSIS PRINCIPAL AVEC STABILISATEUR (315SG)  
CHASIS PRINCIPAL CON ESTABILIZADOR (315SG)**

| KEY | PART NO. | PART NAME          | QTY. | SERIAL NO. | 3 3<br>3 1 1<br>1 0 5<br>0 S S<br>G G G | REMARKS   |
|-----|----------|--------------------|------|------------|---|---|
| 1   | T148410  | NUT                | 18   |            | X                                       | M10   |
| 2   | T148411  | NUT                | 7    |            | X                                       | M10   |
| 3   | T148409  | NUT                | 23   |            | X                                       | M10   |
| 4   | AT145849 | ARM                | 2    |            | X                                       |   |
| 5   | AT186254 | PIN                | 2    |            | X                                       |   |
| 6   | 24H1571  | WASHER             | 24   |            | X                                       |   |
| 7   | U12167   | SNAP RING          | 2    |            | X                                       |   |
| 8   | 14M7277  | NUT                | 2    |            | X                                       | M20   |
| 9   | 14M7335  | NUT                | 2    |            | X                                       | M20   |
| 10  | 19M8002  | CAP SCREW          | 2    |            | X                                       | M20 X 55  |
| 11  | R26448   | O-RING             | 4    |            | X                                       |   |
| 12  | 38H1160  | ADAPTER FITTING    | 2    | -944155    | X                                       |   |
|     | 38H1212  | ADAPTER FITTING    | 2    | 944156-    | X                                       |   |
| 13  | T77613   | O-RING             | 2    |            | X                                       |   |
| 14  | AT178683 | LINE               | 2    |            | X                                       |   |
| 15  | AT135084 | PIN FASTENER       | 2    |            | X                                       |   |
| 16  | AH211348 | HYDRAULIC CYLINDER | 2    |            | X                                       | (SUB FOR AH154788)  |
| 17  | T181801  | CLAMP              | 2    |            | X                                       | (SUB FOR T101624, THIS APPLICATION)                                       |
| 18  | AR21842  | CLAMP              | 2    |            | X                                       |   |
| 19  | 40M7180  | SNAP RING          | 2    |            | X                                       |   |
| 20  | T126013  | STRAP              | 2    |            | X                                       |   |
| 21  | 19M8324  | CAP SCREW          | 2    |            | X                                       | M10 X 16  |
| 22  | 38H1094  | ELBOW FITTING      | 2    |            | X                                       |   |
| 23  | 38H1004  | ELBOW FITTING      | 2    |            | X                                       |   |
| 24  | AT197255 | MAIN FRAME         | 1    |            | X                                       | CONVENIENCE ASSY, (ALSO ORDER T146102)<br>(SUB FOR AT186630 AND AT197256) |
| 25  | AT172419 | STABILIZER         | 1    |            | X                                       | DIRT PAD, LH  |
| 26  | AT172420 | STABILIZER         | 1    |            | X                                       | DIRT PAD, RH  |
| 27  | AT195669 | STREET PAD         | 4    |            | X                                       |   |
| 28  | T29342   | WASHER             | 12   |            | X                                       |   |
| 29  | 14H809   | NUT                | 12   |            | X                                       | 1/2"  |
| 30  | AT182588 | STABILIZER         | 1    |            | X                                       | STREET PAD, LH  |
| 31  | AT182587 | STABILIZER         | 1    |            | X                                       | STREET PAD, RH  |
| 32  | T146102  | LABEL              | 1    |            | X                                       | BYPASS START WARNING  |
| 33  | AT315263 | GUARD              | 1    |            | X                                       |   |
| 34  | T148410  | NUT                | 3    |            | X                                       | M10   |
| 35  | 24M7226  | WASHER             | 3    |            | X                                       |   |
| 36  | 19M7806  | SCREW              | 3    |            | X                                       | M10 X 50  |
| 37  | AT323348 | KIT                | 1    |            | X                                       | MFWD GUARD (WHOLE GOODS)  |

# 1746-2

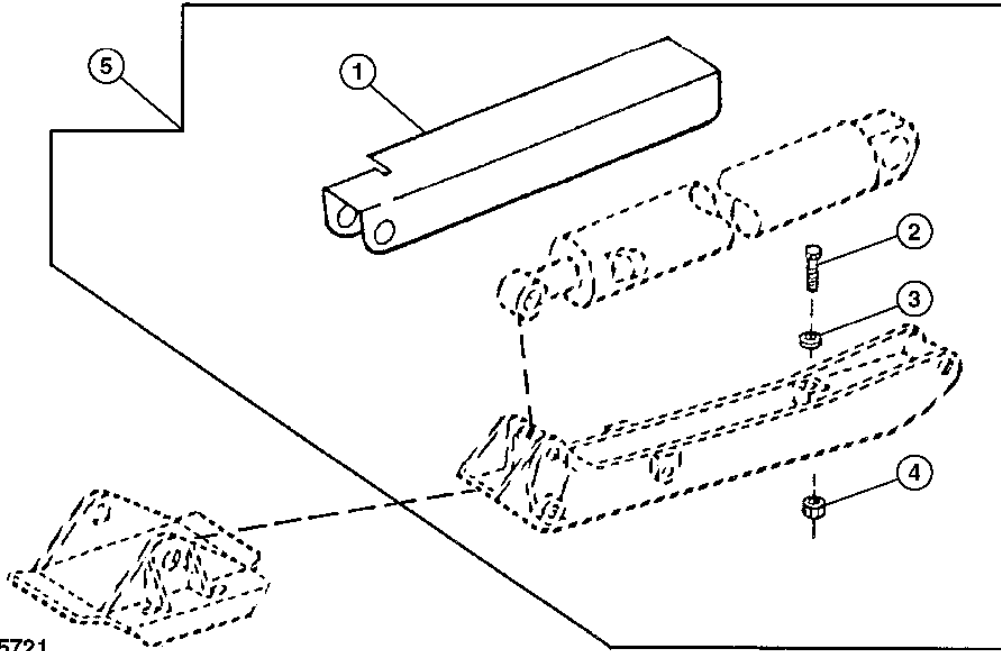
FRAME CHASSIS OR SUPPORTING STRUCTURE 17

FRAME!BOTTOM!GUARDS 1746

## STABILIZER CYLINDER GUARD KIT KIT DE PROTECTION DE VERIN DE STABILISATEUR JUEGO DE PROTECTOR DE CILINDRO DE ESTABILIZADOR

TX1005721

-UN-04APR06



TX1005721

3 3  
3 1 1  
1 0 5  
0 S S  
G G G

| KEY | PART NO. | PART NAME | QTY. | SERIAL NO. | REMARKS                          |
|-----|----------|-----------|------|------------|----------------------------------|
| 1   | T203361  | COVER     | 1    | X X        | RH, (SUB FOR T185989)            |
|     | T203362  | COVER     | 1    | X X        | LH, (SUB FOR T185990)            |
| 2   | 19H2261  | CAP SCREW | 1    | X X        | 5/8" X 2-1/2"                    |
| 3   | 24M7241  | WASHER    | 7    | X X        | 17 X 34 X 4 MM                   |
|     | T75815   | WASHER    | AR   | X X        |                                  |
| 4   | .....    | NUT       | 1    | X X        |                                  |
| 5   | AT305073 | KIT       | 1    | X X        | (WHOLE GOODS) (SUB FOR AT192188) |

# 1746-3

FRAME CHASSIS OR SUPPORTING STRUCTURE 17

FRAME!BOTTOM!GUARDS 1746

MEMORANDA  
MEMORANDA  
MEMORANDA

# 1746-4

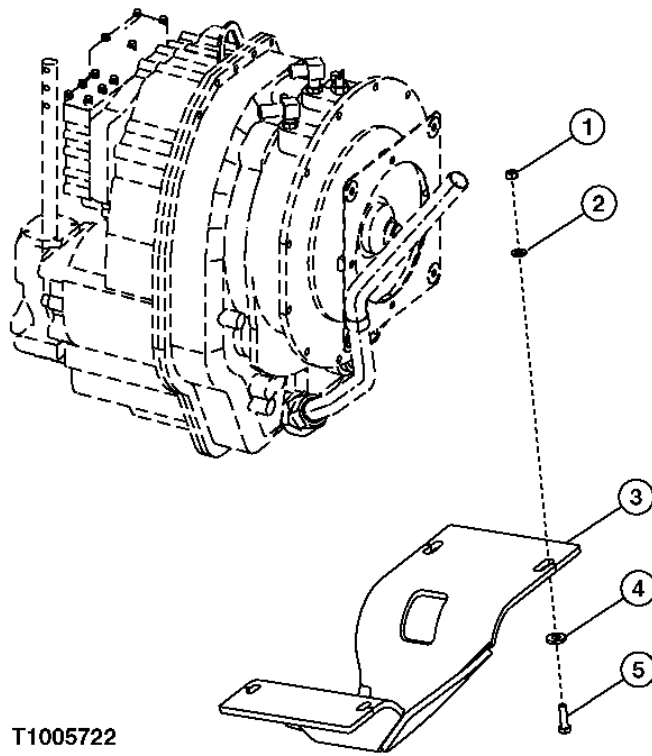
FRAME CHASSIS OR SUPPORTING STRUCTURE 17

FRAME\BOTTOM\GUARDS 1746

**BOTTOM GUARD  
PROTECTION INFERIEURE  
PROTECTOR INFERIOR**

TX1005722

-UN-04APR06



T1005722



# 1746-5

FRAME CHASSIS OR SUPPORTING STRUCTURE 17

FRAME!BOTTOM!GUARDS 1746

**BOTTOM GUARD  
PROTECTION INFERIEURE  
PROTECTOR INFERIOR**

| KEY | PART NO. | PART NAME | QTY. | SERIAL NO. | 3 3<br>3 1 1<br>1 0 5<br>0 S S<br>G G G | REMARKS  |
|-----|----------|-----------|------|------------|---|----------|
| 1   | 14M7274  | NUT       | 4    |            | X X X                                   | M10      |
| 2   | 24M7239  | WASHER    | 4    |            | X X X                                   |          |
| 3   | AT178315 | GUARD     | 1    |            | X X X                                   |          |
| 4   | 24H1886  | WASHER    | 4    |            | X X X                                   |          |
| 5   | 19M7550  | CAP SCREW | 4    |            | X X X                                   | M10 X 35 |

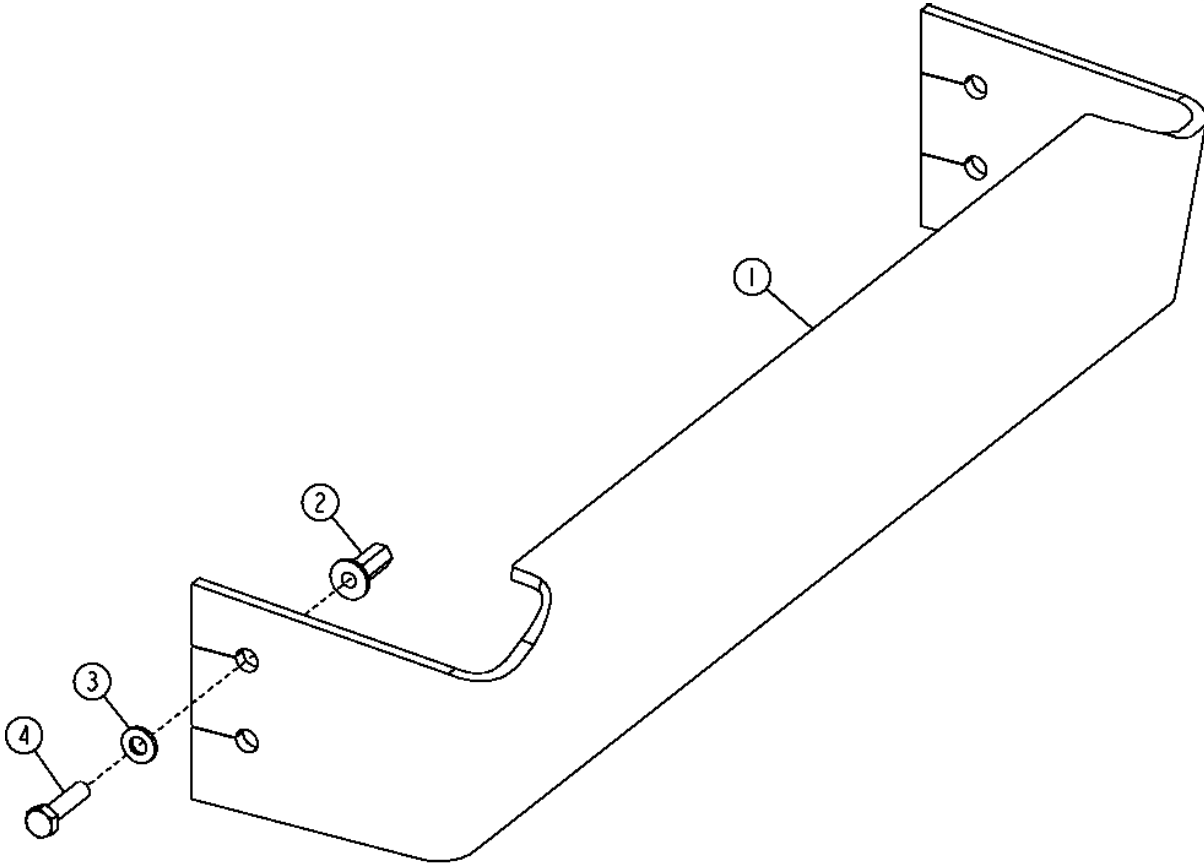
# 1747-2

FRAME CHASSIS OR SUPPORTING STRUCTURE 17

BUMPERS, VEHICLE 1747

BUMPER (SN -901551)  
PARE-CHOCS (SN -901551)  
PARAGOLPES (SN -901551)

TP69619 -UN-05OCT00



TP69619

THIS PARTS LISTING IS CONTINUED

# 1747-3

FRAME CHASSIS OR SUPPORTING STRUCTURE 17

BUMPERS,VEHICLE 1747

BUMPER (SN -901551)  
PARE-CHOCS (SN -901551)  
PARAGOLPES (SN -901551)

| KEY | PART NO. | PART NAME | QTY. | SERIAL NO. | REMARKS  |
|-----|----------|-----------|------|------------|--|
| 1   | .....    | BUMPER    | 1    |            | X X X ( T166329 NLA) (SUB T188360, (2)<br>24H1368 AND (2) 19M8029) |
| 2   | T148409  | NUT       | 4    |            | X X X M10  |
| 3   | 24M7239  | WASHER    | 4    |            | X X X  |
| 4   | 19M8637  | CAP SCREW | 4    |            | X X X M10 X 40   |

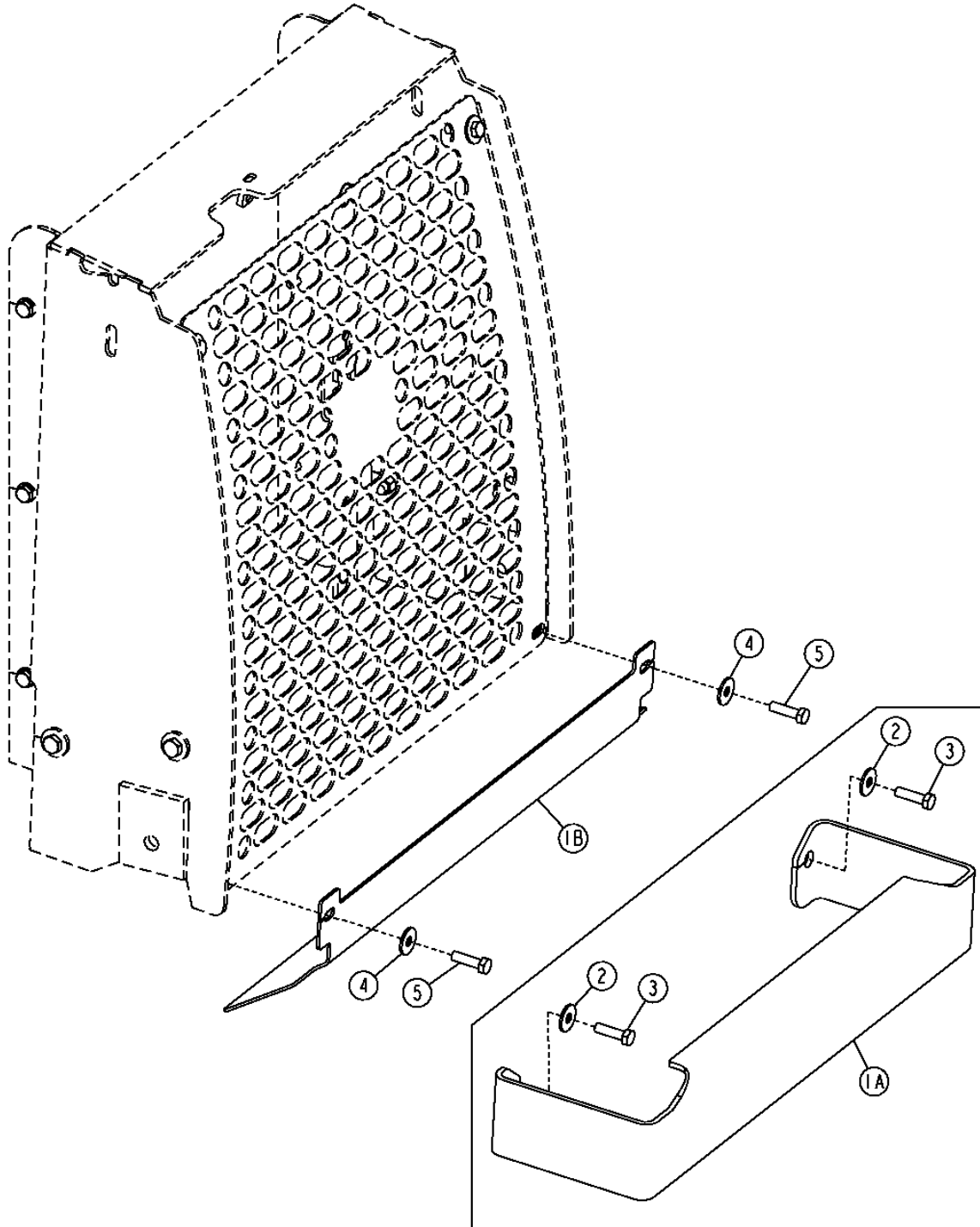
# 1747-4

FRAME CHASSIS OR SUPPORTING STRUCTURE 17

BUMPERS, VEHICLE 1747

BUMPER (SN 901552- )  
PARE-CHOCS (SN 901552- )  
PARAGOLPES (SN 901552- )

T211914 -UN-22JUN05



T211914

# 1747-5

FRAME CHASSIS OR SUPPORTING STRUCTURE 17

BUMPERS, VEHICLE 1747

BUMPER (SN 901552- )  
 PARE-CHOCS (SN 901552- )  
 PARAGOLPES (SN 901552- )

| KEY | PART NO. | PART NAME | QTY. | SERIAL NO. | 3 3<br>3 1 1<br>1 0 5<br>0 S S<br>G G G | REMARKS                      |
|-----|----------|-----------|------|------------|---|------------------------------|
| 1A  | .....    | BUMPER    | 1    | -950460    | X X X                                   | ( T188360 NLA) (SUB T214677) |
| 1B  | T214677  | BUMPER    | 1    | 950461-    | X X X                                   |                              |
| 2   | 24H1368  | WASHER    | 2    |            | X X X                                   |                              |
| 3   | 19M8029  | CAP SCREW | 2    |            | X X X                                   | M16 X 30                     |
| 4   | 24M7296  | WASHER    | 2    |            | X X X                                   | 10.500 X 30 X 2.500 MM       |
| 5   | 19M7550  | CAP SCREW | 2    |            | X X X                                   | M10 X 35                     |

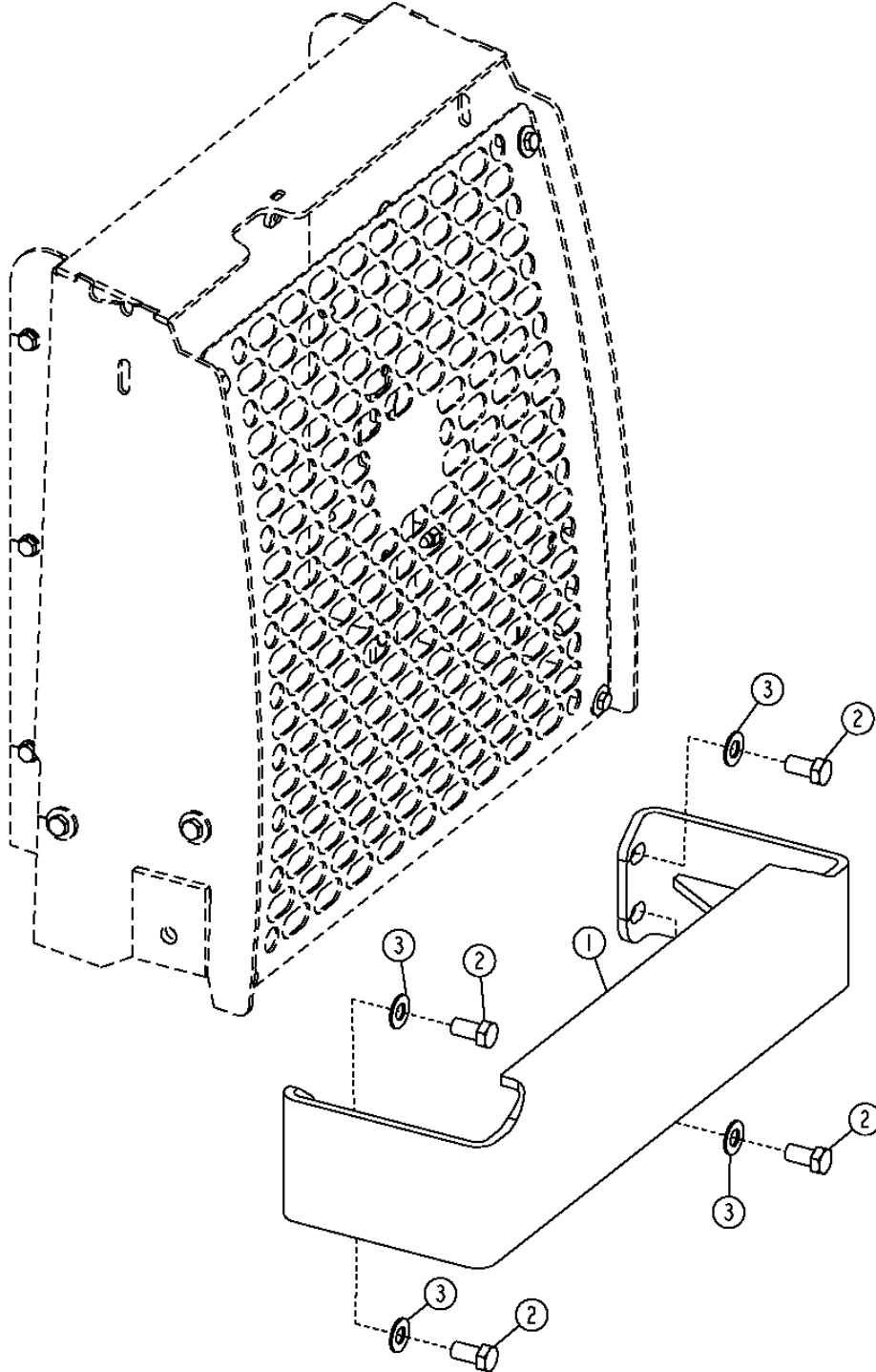
# 1747-6

FRAME CHASSIS OR SUPPORTING STRUCTURE 17

BUMPERS, VEHICLE 1747

BUMPER (SN 901552- )  
PARE-CHOCS (SN 901552- )  
PARAGOLPES (SN 901552- )

T211927 -UN-17JUN05



T211927

THIS PARTS LISTING IS CONTINUED

# 1747-7

FRAME CHASSIS OR SUPPORTING STRUCTURE 17

BUMPERS,VEHICLE 1747

BUMPER (SN 901552- )  
PARE-CHOCS (SN 901552- )  
PARAGOLPES (SN 901552- )

| KEY | PART NO. | PART NAME | QTY. | SERIAL NO. | 3 3<br>3 1 1<br>1 0 5<br>0 S S<br>G G G | REMARKS                    |
|-----|----------|-----------|------|------------|---|----------------------------|
| 1   | AT321040 | BUMPER    | 1    |            | X X X                                   |                            |
| 2   | 19M8029  | CAP SCREW | 4    |            | X X X                                   | M16 X 30                   |
| 3   | 24H1368  | WASHER    | 4    |            | X X X                                   | 16.662 X 33.325 X 2.286 MM |

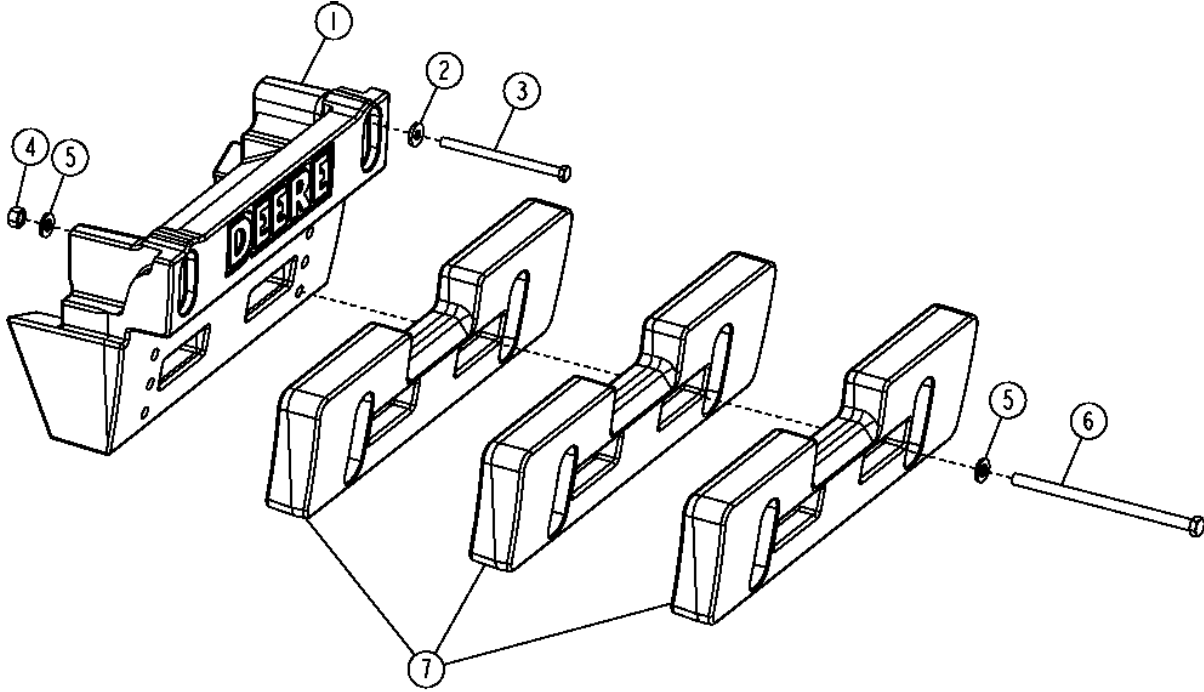
# 1749-2

FRAME CHASSIS OR SUPPORTING STRUCTURE 17

CHASSIS WEIGHTS 1749

## FRONT COUNTERWEIGHT CONTREPOIDS AVANT CONTRAPESO DELANTERO

TP58100 -UN-06OCT00



TP58100

THIS PARTS LISTING IS CONTINUED



# 1749-3

FRAME CHASSIS OR SUPPORTING STRUCTURE 17

CHASSIS WEIGHTS 1749

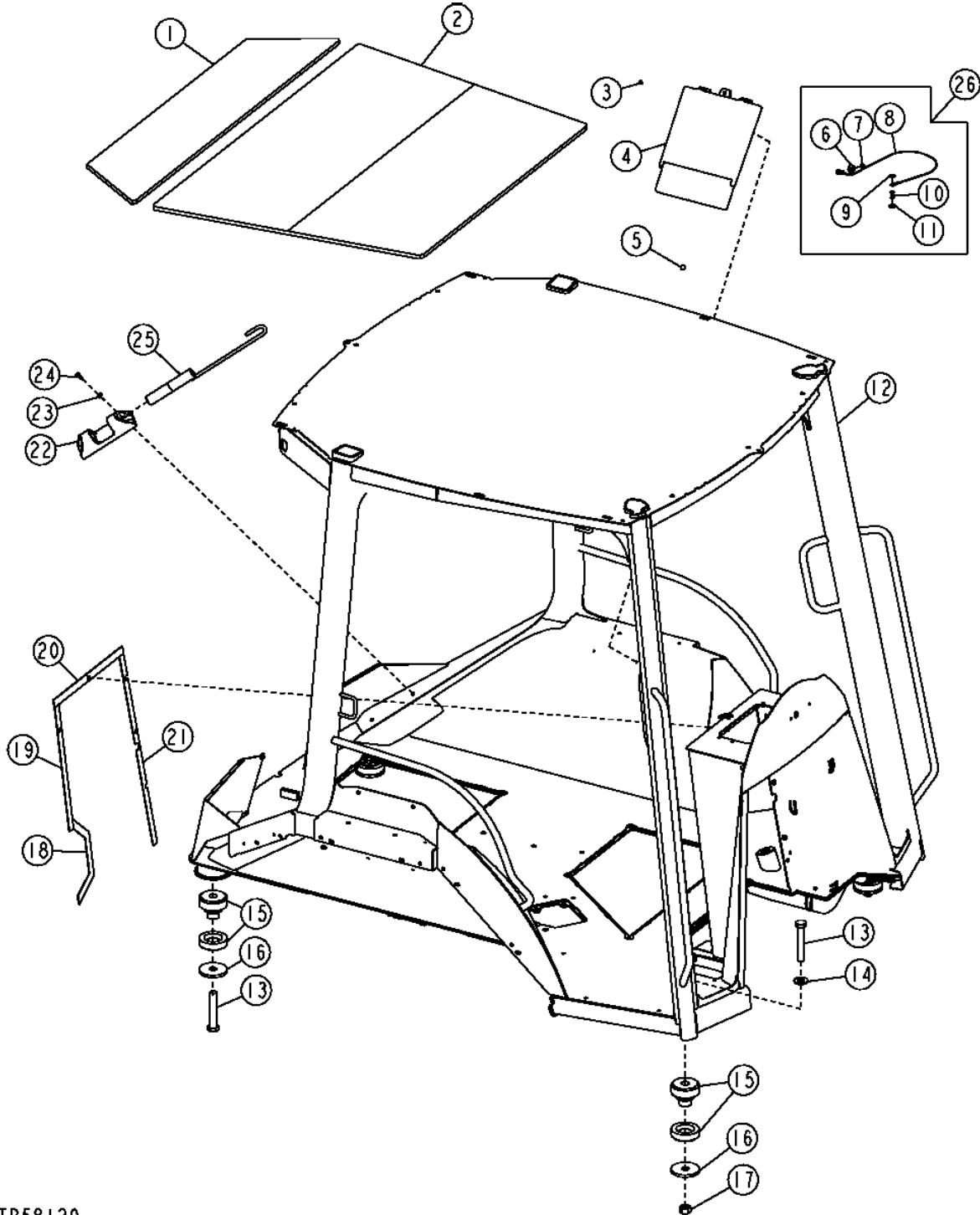
**FRONT COUNTERWEIGHT  
CONTREPOIDS AVANT  
CONTRAPESO DELANTERO**

| KEY | PART NO.       | PART NAME            | QTY.     | SERIAL NO. | REMARKS   |
|-----|----------------|----------------------|----------|------------|---|
|     |                |                      |          |            | 3 3<br>3 1 1<br>1 0 5<br>0 S S<br>G G G                                       |
| 1   | T165950        | COUNTERWEIGHT        | 1        |            | X X X (WHOLE GOODS) (400 LB.) PRIMARY COUNTERWEIGHT                           |
|     | <b>T165525</b> | <b>COUNTERWEIGHT</b> | <b>1</b> |            | <b>X X X (WHOLE GOODS) (600 LB.) PRIMARY COUNTERWEIGHT</b>                    |
| 2   | T119912        | WASHER               | 4        |            | X X X (USE WITH PRIMARY COUNTERWEIGHT)  |
| 3   | 19M9027        | BOLT                 | 4        |            | X X X M16 X 240, (USE WITH PRIMARY COUNTERWEIGHT)                             |
| 4   | 14M7277        | NUT                  | 2        |            | X X X M20, (USE WITH ADDITIONAL COUNTERWEIGHT)                                |
| 5   | T151797        | WASHER               | 4        |            | X X X (USE WITH ADDITIONAL COUNTERWEIGHT) (SUB FOR 24M7242, THIS APPLICATION) |
| 6   | 19M7645        | BOLT                 | 2        |            | X X X M20 X 200, (250 LB.) ADDITIONAL COUNTERWEIGHT, (USE WITH T165739)       |
|     | 19M8389        | BOLT                 | 2        |            | X X X M20 X 280, (250 LB.) ADDITIONAL COUNTERWEIGHT, (USE WITH (2) T165739)   |
|     | 19M8817        | BOLT                 | 2        |            | X X X M20 X 360, (250 LB.) ADDITIONAL COUNTERWEIGHT, (USE WITH (3) T165739)   |
| 7   | <b>T165739</b> | <b>COUNTERWEIGHT</b> | <b>1</b> |            | <b>X X X (WHOLE GOODS) (250 LB.) ADDITIONAL COUNTERWEIGHT</b>                 |

# 1811-2

HEADLINER AND MOUNTING ISOLATORS (ROPS CANOPY OR QUARTER CAB)  
ROPS, FOPS, OPS, OR BODY FRAME 1811  
REVETEMENT DE TOIT ET ISOLATEURS DE MONTAGE (AUVENT D'ARCEAU DE SECURITE OU QUART DE CABINE)  
FORRO INTERIOR DE TECHO Y AMORTIGUADORES DE MONTAJE (DOSEL CON ROPS O CABINA DE UN CUARTO)

TP58120 -UN-05OCT00



TP58120

THIS PARTS LISTING IS CONTINUED

# 1811-3

OPERATOR'S STATION 18

ROPS;!FOPS;!OPS;!OR;!BODY;!FRAME 1811

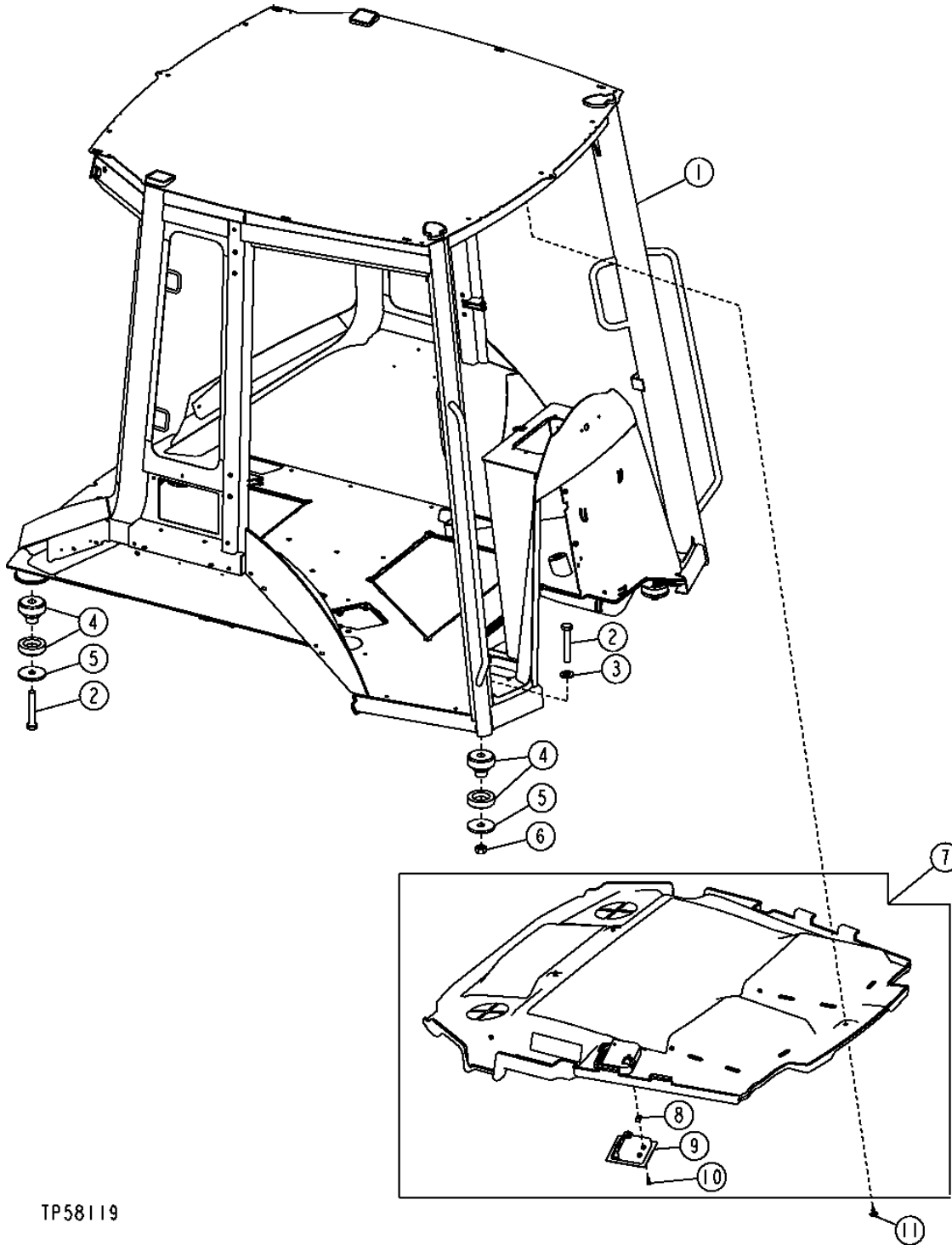
**HEADLINER AND MOUNTING ISOLATORS (ROPS CANOPY OR QUARTER CAB)**  
**REVETEMENT DE TOIT ET ISOLATEURS DE MONTAGE (AUVENT D'ARCEAU DE SECURITE OU QUART DE CABINE)**  
**FORRO INTERIOR DE TECHO Y AMORTIGUADORES DE MONTAJE (DOSEL CON ROPS O CABINA DE UN CUARTO)**

| KEY | PART NO. | PART NAME    | QTY. | SERIAL NO. | 3 3<br>3 1 1<br>1 0 5<br>0 S S<br>G G G | REMARKS   |
|-----|----------|--------------|------|------------|---|---|
| 1   | T186029  | HEADLINER    | 1    |            | X X X                                   | REAR  |
| 2   | T186030  | HEADLINER    | 1    |            | X X X                                   | FRONT   |
| 3   | R79033   | RIVET        | 2    |            | X X X                                   |   |
| 4   | AT195894 | HOLDER       | 1    |            | X X X                                   | (SUB FOR RE14246, THIS APPLICATION)   |
| 5   | R55326   | RIVET        | 1    |            | X X X                                   |   |
| 6   | 24M7100  | WASHER       | 1    |            | X X X                                   |   |
| 7   | .....    | SCREW        | 1    |            | X X X                                   |   |
| 8   | AT164804 | CABLE        | 1    |            | X X X                                   |   |
| 9   | 24M7139  | WASHER       | 1    |            | X X X                                   |   |
| 10  | AT164803 | BOLT         | 1    |            | X X X                                   |   |
| 11  | 24M7139  | WASHER       | 1    |            | X X X                                   |   |
| 12  | AT188965 | FRAME        | 1    | -903163    | X X X                                   | (INCLUDES T166896) (ALSO ORDER AT195550 AND (2) 19M7881 AND (2) 24M7238) (SUB FOR AT185757) |
|     | AT188965 | FRAME        | 1    | 903164-    | X X X                                   | (INCLUDES T166896) (SUB FOR AT185757)   |
|     | AT304887 | FRAME        | 1    |            | X X X                                   | (PILOT CONTROL) (INCLUDES T166896)  |
| 13  | 19M7883  | SCREW        | 4    |            | X X X                                   | M20 X 120   |
| 14  | 24M7242  | WASHER       | 2    |            | X X X                                   |   |
| 15  | AT165288 | ISOLATOR     | 4    |            | X X X                                   |   |
| 16  | T101807  | WASHER       | 4    |            | X X X                                   |   |
| 17  | 14M7277  | NUT          | 2    |            | X X X                                   | M20   |
| 18  | T185785  | GASKET       | 1    |            | X X X                                   |   |
| 19  | T185784  | ISOLATOR     | 1    |            | X X X                                   |   |
| 20  | T185782  | GASKET       | 1    |            | X X X                                   |   |
| 21  | T185783  | GASKET       | 1    |            | X X X                                   |   |
| 22  | T141234  | HOLDER       | 1    |            | X X X                                   |   |
| 23  | 24M7238  | WASHER       | 2    |            | X X X                                   |   |
| 24  | 21M7310  | SCREW        | 2    |            | X X X                                   | (SUB FOR T134895, THIS APPLICATION)   |
| 25  | AT150725 | PIN FASTENER | 1    |            | X X X                                   | SWING PIN   |
| 26  | AT192032 | KIT          | 1    |            | X X X                                   | (WHOLE GOODS) (OPERATOR MANUAL TETHER KIT)  |

# 1811-4

HEADLINER AND MOUNTING ISOLATORS (CAB FRAME)  
REVEITEMENT DE TOIT ET ISOLATEURS DE MONTAGE (OSSATURE DE CABINE)  
FORRO INTERIOR DE TECHO Y AMORTIGUADORES DE MONTAJE (BASTIDOR DE CABINA)

TP58119 -UN-06OCT00



TP58119

# 1811-5

OPERATOR'S STATION 18

ROPS,;FOPS,;OPS,;OR;BODY;FRAME 1811

**HEADLINER AND MOUNTING ISOLATORS (CAB FRAME)**  
**REVEITEMENT DE TOIT ET ISOLATEURS DE MONTAGE (OSSATURE DE CABINE)**  
**FORRO INTERIOR DE TECHO Y AMORTIGUADORES DE MONTAJE (BASTIDOR DE CABINA)**

| KEY | PART NO. | PART NAME          | QTY. | SERIAL NO. | 3 3<br>3 1 1<br>1 0 5<br>0 S S<br>G G G | REMARKS  |
|-----|----------|--------------------|------|------------|---|--|
| 1   | AT187096 | FRAME              | 1    | -903163    | X X X                                   | (ALSO ORDER AT195550 AND (2) 19M7881 AND (2) 24M7238) (SUB FOR AT184761) |
|     | AT187096 | FRAME              | 1    | 903164-    | X X X                                   | (LEVER CONTROL) (SUB FOR AT184761)                                       |
|     | AT199734 | FRAME              | 1    |            | X X X                                   | (PILOT CONTROL) (SUB FOR AT199735)                                       |
| 2   | 19M7883  | SCREW              | 4    |            | X X X                                   | M20 X 120  |
| 3   | 24M7242  | WASHER             | 2    |            | X X X                                   |  |
| 4   | AT165288 | ISOLATOR           | 4    |            | X X X                                   |  |
| 5   | T101807  | WASHER             | 4    |            | X X X                                   |  |
| 6   | 14M7277  | NUT                | 2    |            | X X X                                   | M20  |
| 7   | .....    | HEADLINER          | 1    | -951252    | X X X                                   | (B) ( AT185498 NLA) (SUB AT321004)<br>(ALSO ORDER AT326356 AND AT320544) |
|     | .....    | HEADLINER          | 1    | -951252    | X X X                                   | (A) ( AT185499 NLA) (SUB AT321005)<br>(ALSO ORDER AT326356 AND AT320544) |
|     | AT321004 | HEADLINER          | 1    | 951253-    | X X X                                   | (B)  |
|     | AT321005 | HEADLINER          | 1    | 951253-    | X X X                                   | (A)  |
| 8   | M84972   | NUT                | 2    | -951252    | X X X                                   |  |
| 9   | .....    | LAMP               | 1    | -951252    | X X X                                   | ( AT185500 NLA) (SUB AT320544 AND AT326356)                              |
|     | AT320544 | LAMP               | 1    | 951253-    | X X X                                   |  |
| 10  | T134895  | SELF-LOCKING SCREW | 2    | -951252    | X X X                                   |  |
| 11  | .....    | PLUG               | 9    | -921525    | X X X                                   | ( T184892 NA) (DRILL HOLE TO 10MM )<br>(SUB (9) MT2485)                  |
|     | MT2485   | PLUG               | 9    | 921526-    | X X X                                   | FASTENER   |
| 12  | AT326356 | CAB WIRING HARNESS | 1    | -951252    | X X X                                   |  |
| 13  | AT192414 | BULB               | 1    | 951253-    | X X X                                   |  |

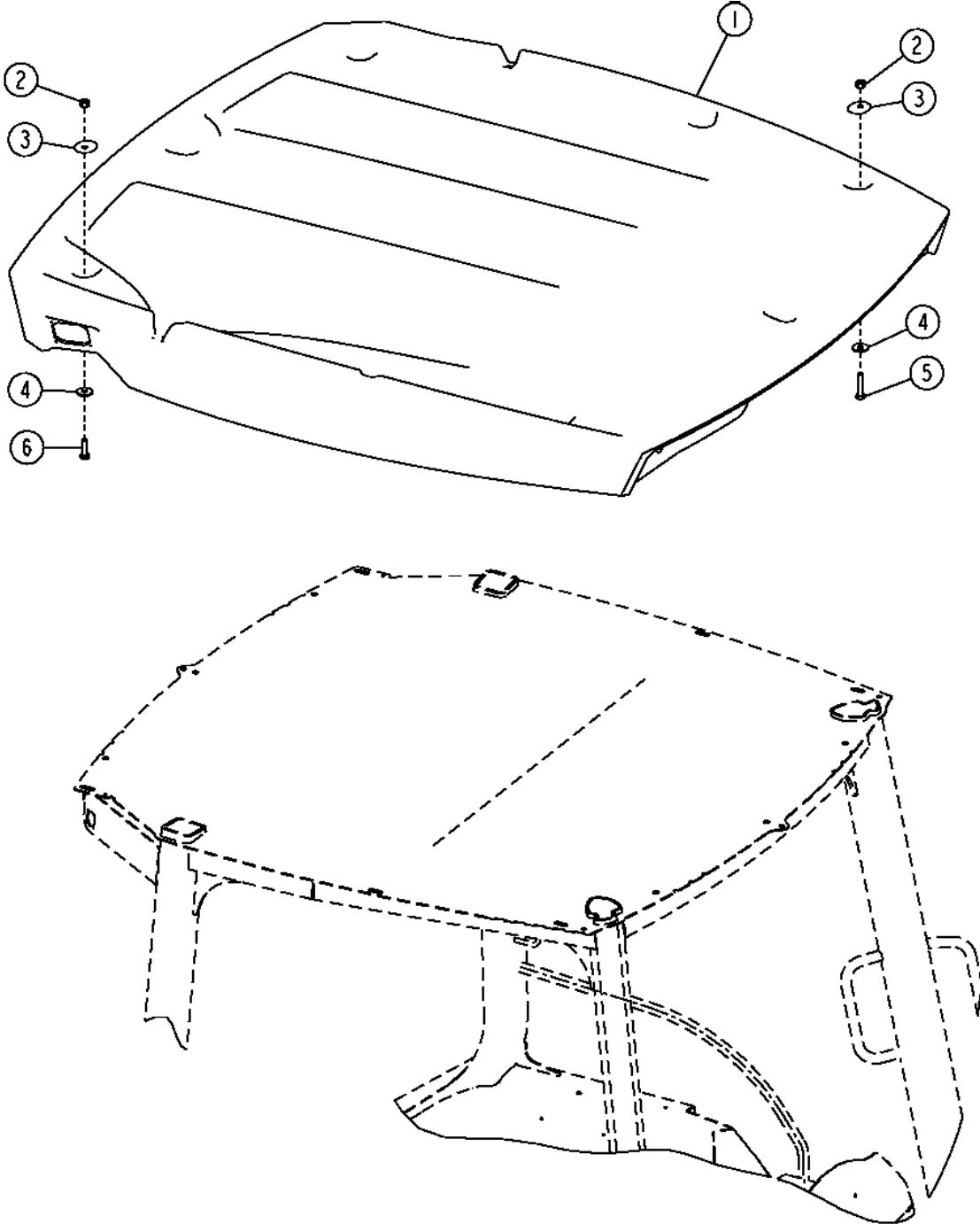
(A) W/ RADIO  
 (A) AVEC RADIO  
 (A) CON RADIO

(B) W/O RADIO  
 (B) SANS RADIO  
 (B) SIN RADIO

# 1811-6

ROOF (CAB, QUARTER CAB OR ROPS)  
TOIT (CABINE, QUART DE CABINE OU AUVENT D'ARCEAU DE SECURITE)  
TECHO (CABINA, CABINA DE UN CUARTO O DOSEL CON ROPS)

T138530 -UN-22FEB01



T138530

# 1811-7

OPERATOR'S STATION 18

ROPS;!FOPS;!OPS;!OR!BODY!FRAME 1811

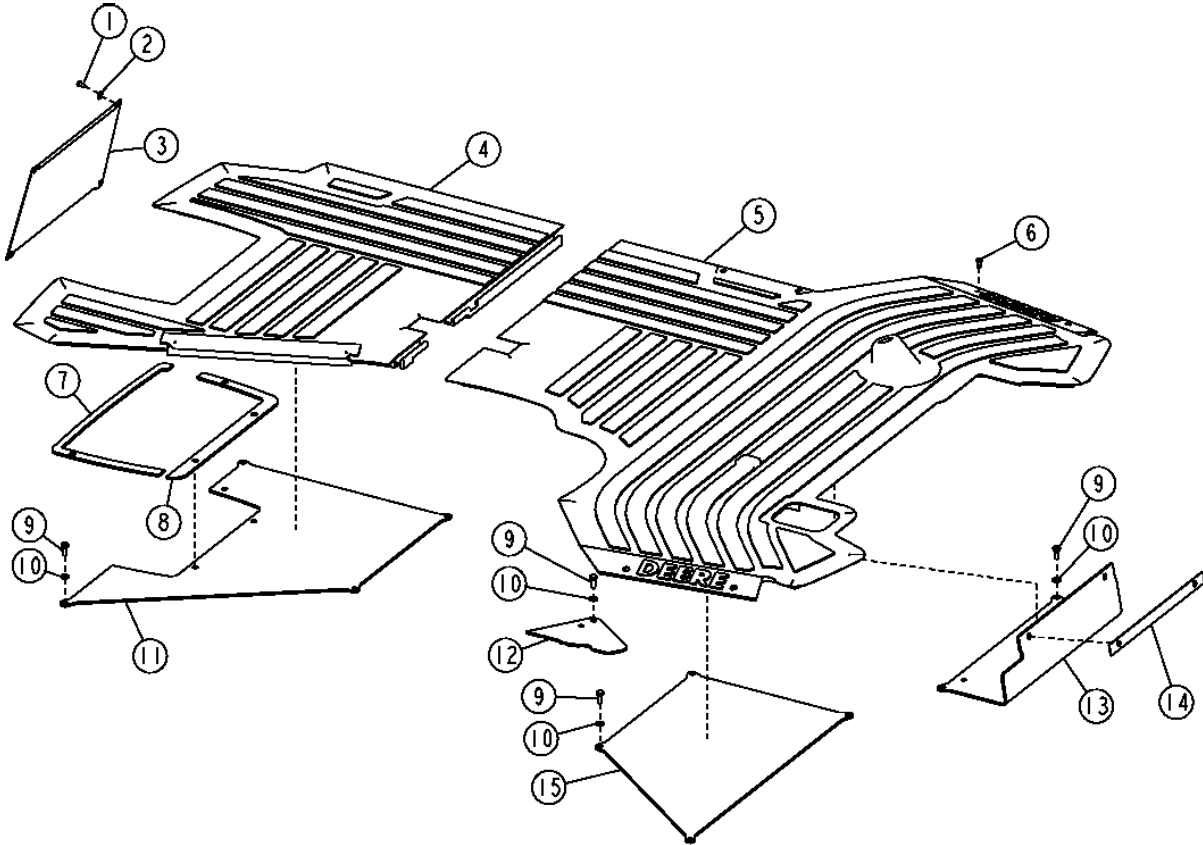
ROOF (CAB, QUARTER CAB OR ROPS)  
 TOIT (CABINE, QUART DE CABINE OU AUVENT D'ARCEAU DE SECURITE)  
 TECHO (CABINA, CABINA DE UN CUARTO O DOSEL CON ROPS)

| KEY | PART NO. | PART NAME      | QTY. | SERIAL NO. | 3 3<br>3 1 1<br>1 0 5<br>0 S S<br>G G G | REMARKS                                       |
|-----|----------|----------------|------|------------|---|---|
| 1   | T185328  | ROOF           | 1    | -953497    | X X X                                   | (WITH DELUXE LIGHTING) (YELLOW)               |
|     | T185329  | ROOF           | 1    | -953497    | X X X                                   | (WITH STD LIGHTING) (YELLOW)                  |
|     | T215487  | ROOF           | 1    | 953498-    | X X X                                   | (WITH STD AND DELUXE LIGHTING) (YELLOW)       |
| 2   | 14M7517  | LOCK NUT       | 8    |            | X X X                                   | M10   |
| 3   | T185664  | SEALING WASHER | 8    |            | X X X                                   |   |
| 4   | 24M7101  | WASHER         | 7    |            | X X X                                   |   |
| 5   | 19M8600  | CAP SCREW      | 3    |            | X X X                                   | M10 X 50, (SUB FOR 19M7550, THIS APPLICATION) |
| 6   | 19M8600  | CAP SCREW      | 5    |            | X X X                                   | M10 X 50                                      |

# 1812-2

## FLOOR MATS TAPIS FELPUDO

T136077 -UN-05DEC00



T136077

THIS PARTS LISTING IS CONTINUED



# 1812-3

OPERATOR'S STATION 18

PLATFORM 1812

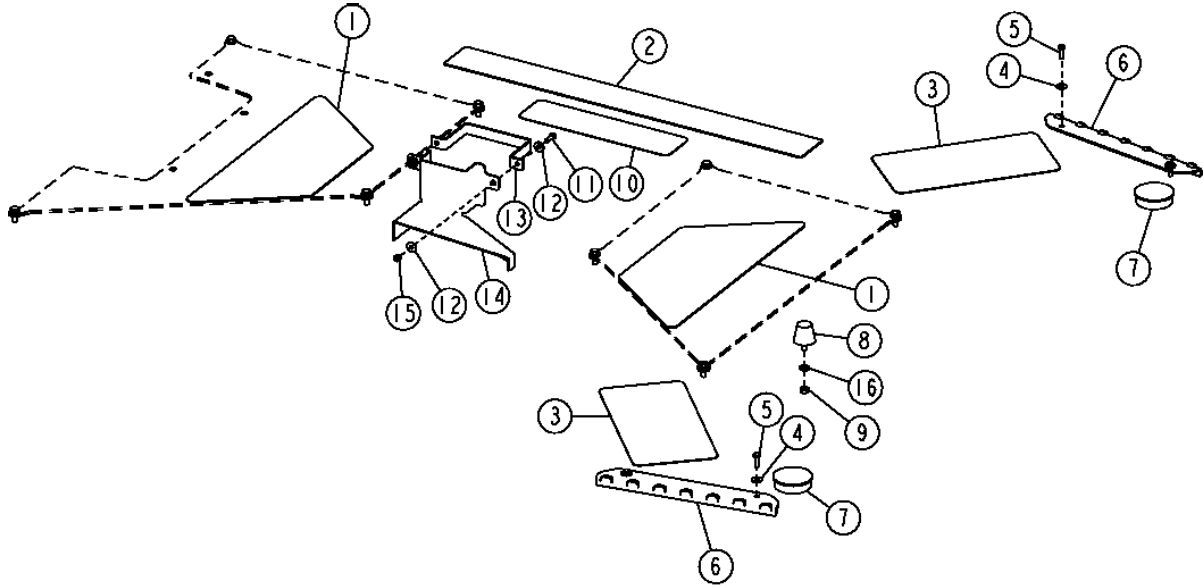
FLOOR MATS  
TAPIS  
FELPUDO

| KEY | PART NO. | PART NAME          | QTY. | SERIAL NO. | REMARKS   |
|-----|----------|--------------------|------|------------|---|
|     |          |                    |      |            | 3 3   |
|     |          |                    |      |            | 3 1 1   |
|     |          |                    |      |            | 1 0 5   |
|     |          |                    |      |            | 0 S S   |
|     |          |                    |      |            | G G G   |
| 1   | 19M7923  | CAP SCREW          | 4    |            | X X X M6 X 12   |
| 2   | 24M7139  | WASHER             | 4    |            | X X X   |
| 3   | T203458  | PANEL              | 1    |            | X X X (SUB FOR T185524)   |
| 4   | T166000  | MAT                | 1    |            | X X X REAR  |
|     | T188726  | MAT                | 1    |            | X X X REAR (PILOT CONTROLS)   |
| 5   | T165969  | MAT                | 1    |            | X X X FRONT   |
| 6   | T133674  | SELF-LOCKING SCREW | 4    |            | X X X M6 X 16, (SUB FOR 21M7292, THIS APPLICATION)                                |
| 7   | T185773  | GASKET             | 1    |            | X X X   |
| 8   | T185774  | GASKET             | 1    |            | X X X (LEVER CONTROLS)  |
|     | T191142  | GASKET             | 1    |            | X X X (PILOT CONTROLS)  |
| 9   | 19M7881  | SCREW              | 13   |            | X X X M8 X 20   |
| 10  | 24M7238  | WASHER             | 13   |            | X X X   |
| 11  | AT186321 | COVER              | 1    |            | X X X REAR  |
|     | AT196294 | COVER              | 1    |            | X X X REAR (PILOT CONTROLS)   |
| 12  | AT191976 | COVER              | 1    | -913416    | X X X LINKAGE   |
|     | AT197479 | COVER              | 1    | 913417-    | X X X LINKAGE   |
|     | AT193881 | COVER              | 1    | -913416    | X X X LINKAGE, WITH RIDE CONTROL, SELECTIVE FLOW VALVE OR HYDRAULIC FRONT COUPLER |
|     | AT300928 | COVER              | 1    | 913417-    | X X X LINKAGE, WITH RIDE CONTROL, SELECTIVE FLOW VALVE OR HYDRAULIC FRONT COUPLER |
| 13  | T188565  | COVER              | 1    |            | X X X FRONT, (SUB FOR T185666)  |
| 14  | T185775  | GASKET             | 1    |            | X X X   |
| 15  | T165948  | COVER              | 1    |            | X X X MIDDLE  |

# 1812-4

FLOOR COVERS AND NON SLIP SURFACE  
PROTECTIONS DE PLANCHER ET SURFACE ANTIDERAPANTE  
CUBIERTAS DE PISO Y SUPERFICIE ANTIDESLIZANTE

T136112 -UN-05DEC00



T136112

THIS PARTS LISTING IS CONTINUED

# 1812-5

OPERATOR'S STATION 18

PLATFORM 1812

FLOOR COVERS AND NON SLIP SURFACE  
 PROTECTIONS DE PLANCHER ET SURFACE ANTIDERAPANTE  
 CUBIERTAS DE PISO Y SUPERFICIE ANTIDESLIZANTE

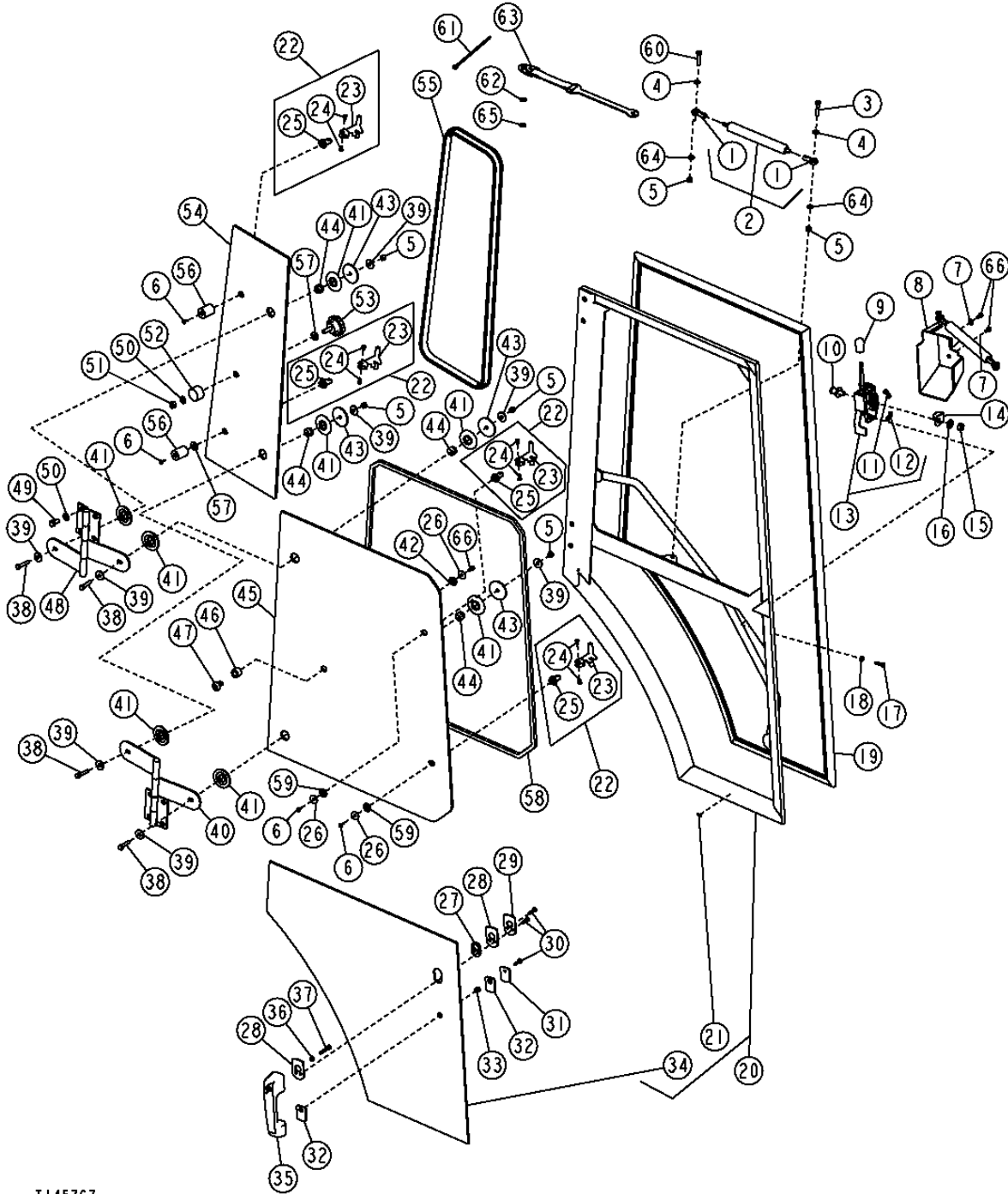
| KEY | PART NO. | PART NAME  | QTY. | SERIAL NO. | 3 3<br>3 1 1<br>1 0 5<br>0 S S<br>G G G | REMARKS  |
|-----|----------|------------|------|------------|---|--|
| 1   | T166997  | MAT        | 2    |            | X                                       | ANTI-SKID  |
| 2   | T100787  | MAT        | 1    |            | X                                       | ANTI-SKID  |
| 3   | T25838   | MAT        | 2    |            | X                                       | ANTI-SKID  |
| 4   | .....    | WASHER     | 4    |            | X                                       | ( 24M7139 NA)  |
| 5   | 19M7775  | SCREW      | 4    |            | X                                       | M6 X 16, (SUB FOR 19M7077, THIS APPLICATION)             |
| 6   | T185757  | STEP       | 2    |            | X                                       | THRESHOLD  |
| 7   | T184528  | PLUG       | 2    |            | X                                       |  |
| 8   | AT36635  | BUMPER     | 1    |            | X                                       | ACCELERATOR PEDAL  |
| 9   | 14H650   | NUT        | 1    |            | X                                       | 5/16"  |
| 10  | T158428  | MAT        | 1    |            | X                                       | ANTI-SKID  |
| 11  | 19M7775  | SCREW      | 2    |            | X                                       | M6 X 16, (SUB FOR 19M7077 AND 19M7862, THIS APPLICATION) |
| 12  | .....    | WASHER     | 4    |            | X                                       | ( 24M7139 NA)  |
| 13  | T185466  | STRAP      | 1    |            | X                                       |  |
| 14  | T185465  | BRACKET    | 1    |            | X                                       |  |
| 15  | 14M7303  | FLANGE NUT | 2    |            | X                                       | M6, (SUB FOR 14M7272, THIS APPLICATION)                  |
| 16  | 24M7238  | WASHER     | 1    |            | X                                       |  |

# 1814-2

OPERATOR'S STATION 18  
WINDSHIELD AND WIPER 1814

## DOORS AND SIDE WINDOWS (CAB) PORTIERES ET GLACES LATERALES (CABINE) PUERTAS Y VENTANAS LATERALES (CABINA)

T145767 -UN-20SEP01



T145767

# 1814-3

OPERATOR'S STATION 18  
WINDSHIELD AND WIPER 1814

**DOORS AND SIDE WINDOWS (CAB)  
PORTIERES ET GLACES LATERALES (CABINE)  
PUERTAS Y VENTANAS LATERALES (CABINA)**

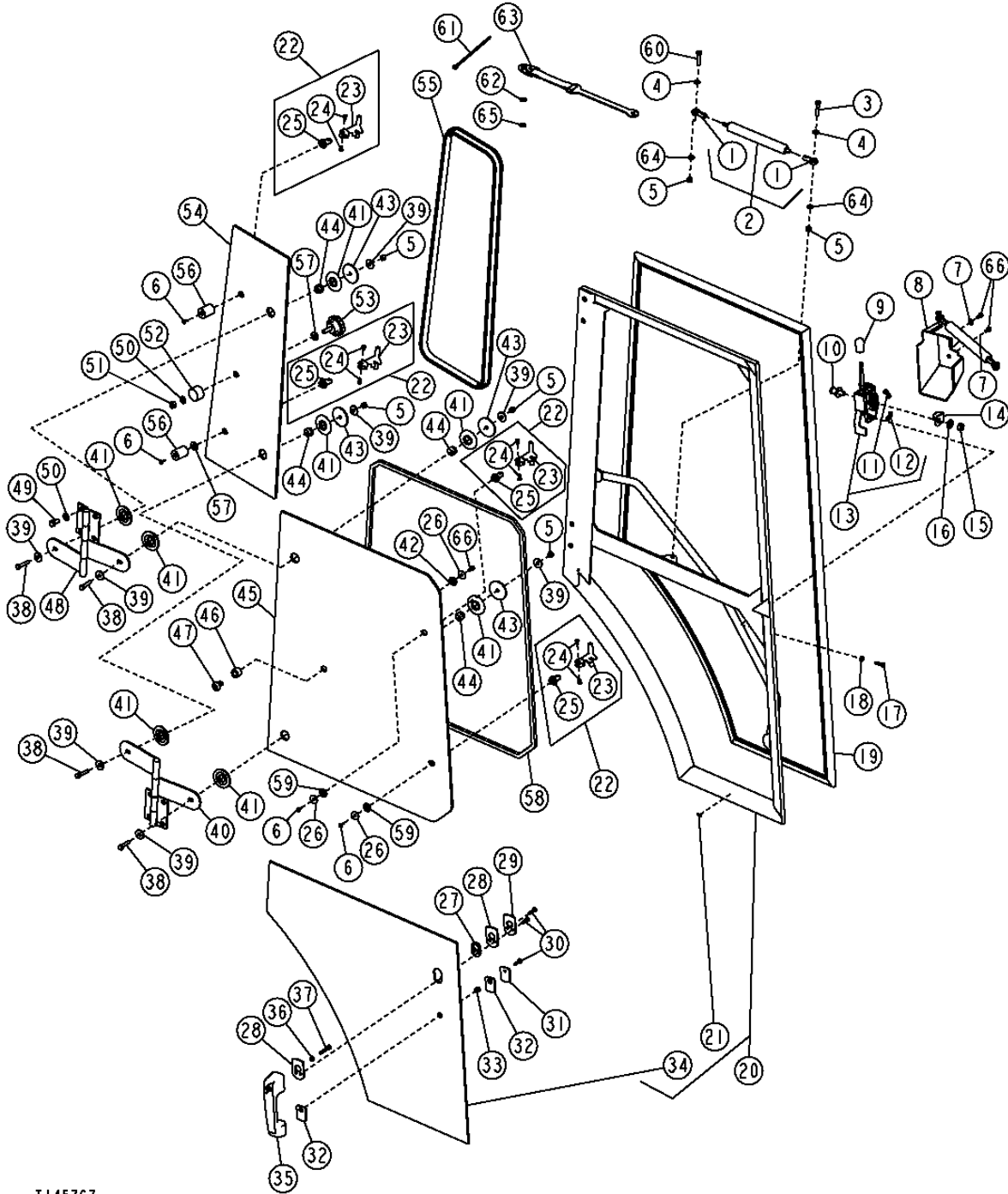
| KEY | PART NO. | PART NAME          | QTY. | SERIAL NO. | 3 3<br>3 1 1<br>1 0 5<br>0 S S<br>G G G | REMARKS  |
|-----|----------|--------------------|------|------------|---|--|
| 1   | AW24539  | END                | 2    | -904214    | X X X                                   |  |
|     | AM102062 | LINK END           | 2    | 904215-    | X X X                                   |  |
| 2   | .....    | CYLINDER           | 1    | -904214    | X X X                                   | ( AT193621 NLA) (SUB AT194718, 19M7922,<br>(4) 24M7238) (SUB FOR AT184407) |
|     | AT340155 | CYLINDER           | 1    | 904215-    | X X X                                   |  |
| 3   | 19M7922  | CAP SCREW          | 1    |            | X X X                                   | M8 X 40  |
| 4   | 24M7238  | WASHER             | 2    |            | X X X                                   |  |
| 5   | 14M7426  | LOCK NUT           | 6    |            | X X X                                   | M8   |
| 6   | T133674  | SELF-LOCKING SCREW | 4    | -902299    | X X X                                   |  |
|     | T188806  | SCREW              | 4    | 902300-    | X X X                                   |  |
| 7   | .....    | WASHER             | 2    |            | X X X                                   |  |
| 8   | T165095  | COVER              | 1    |            | X X X                                   | RH   |
|     | T165096  | COVER              | 1    |            | X X X                                   | LH   |
| 9   | T133487  | KNOB               | 1    |            | X X X                                   |  |
| 10  | AR91896  | STRIKER            | 1    |            | X X X                                   |  |
| 11  | T161373  | CLIP               | 1    |            | X X X                                   |  |
| 12  | R26491   | CLIP               | 1    |            | X X X                                   |  |
| 13  | AT145792 | LATCH              | 1    |            | X X X                                   | RH   |
|     | AT184767 | LATCH              | 1    |            | X X X                                   | LH   |
| 14  | T135583  | GUARD              | 1    |            | X X X                                   | STRIKER  |
| 15  | 14H1047  | NUT                | 1    |            | X X X                                   | 7/16"  |
| 16  | T105740  | WASHER             | 1    |            | X X X                                   |  |
| 17  | 19H1914  | CAP SCREW          | 2    |            | X X X                                   | 1/4" X 1"  |
| 18  | 24H1287  | WASHER             | 2    |            | X X X                                   |  |
| 19  | AT184652 | ISOLATOR           | 1    |            | X X X                                   | RH   |
|     | AT184719 | ISOLATOR           | 1    |            | X X X                                   | LH   |
| 20  | AT194627 | DOOR               | 1    |            | X X X                                   | RH   |
|     | AT194628 | DOOR               | 1    |            | X X X                                   | LH   |
| 21  | T135675  | STAND-OFF          | 7    |            | X X X                                   |  |
| 22  | .....    | LATCH              | 4    | -902299    | X X X                                   | ( AT118766 NLA) (SUB AT196522 AND<br>T188806)                              |
|     | AT196522 | LATCH              | 4    | 902300-    | X X X                                   |  |
| 23  | T119153  | LATCH              | 1    |            | X X X                                   |  |
| 24  | A48970   | DUAL LOCK FASTENER | 2    |            | X X X                                   |  |
| 25  | .....    | BASE               | 1    |            | X X X                                   |  |
| 26  | 24H1288  | WASHER             | 3    |            | X X X                                   |  |
| 27  | T175645  | SPACER             | 1    |            | X X X                                   |  |
| 28  | T175642  | GROMMET            | 2    |            | X X X                                   |  |
| 29  | T175641  | PLATE              | 1    |            | X X X                                   |  |
| 30  | T134895  | SELF-LOCKING SCREW | 3    |            | X X X                                   |  |
| 31  | T175644  | PLATE              | 1    |            | X X X                                   |  |
| 32  | T175643  | GROMMET            | 2    |            | X X X                                   |  |
| 33  | T175646  | SPACER             | 1    |            | X X X                                   |  |
| 34  | T165158  | WINDOWPANE         | 1    |            | X X X                                   | RH   |
|     | T165336  | WINDOWPANE         | 1    |            | X X X                                   | LH   |

THIS PARTS LISTING IS CONTINUED

# 1814-4

DOORS AND SIDE WINDOWS (CAB) (CONTINUED)  
PORTIERES ET GLACES LATERALES (CABINE) (SUITE)  
PUERTAS Y VENTANAS LATERALES (CABINA) (CONTINUACION)

T145767 -UN-20SEP01



T145767

# 1814-5

OPERATOR'S STATION 18  
WINDSHIELD AND WIPER 1814

DOORS AND SIDE WINDOWS (CAB) (CONTINUED)  
PORTIERES ET GLACES LATERALES (CABINE) (SUITE)  
PUERTAS Y VENTANAS LATERALES (CABINA) (CONTINUACION)

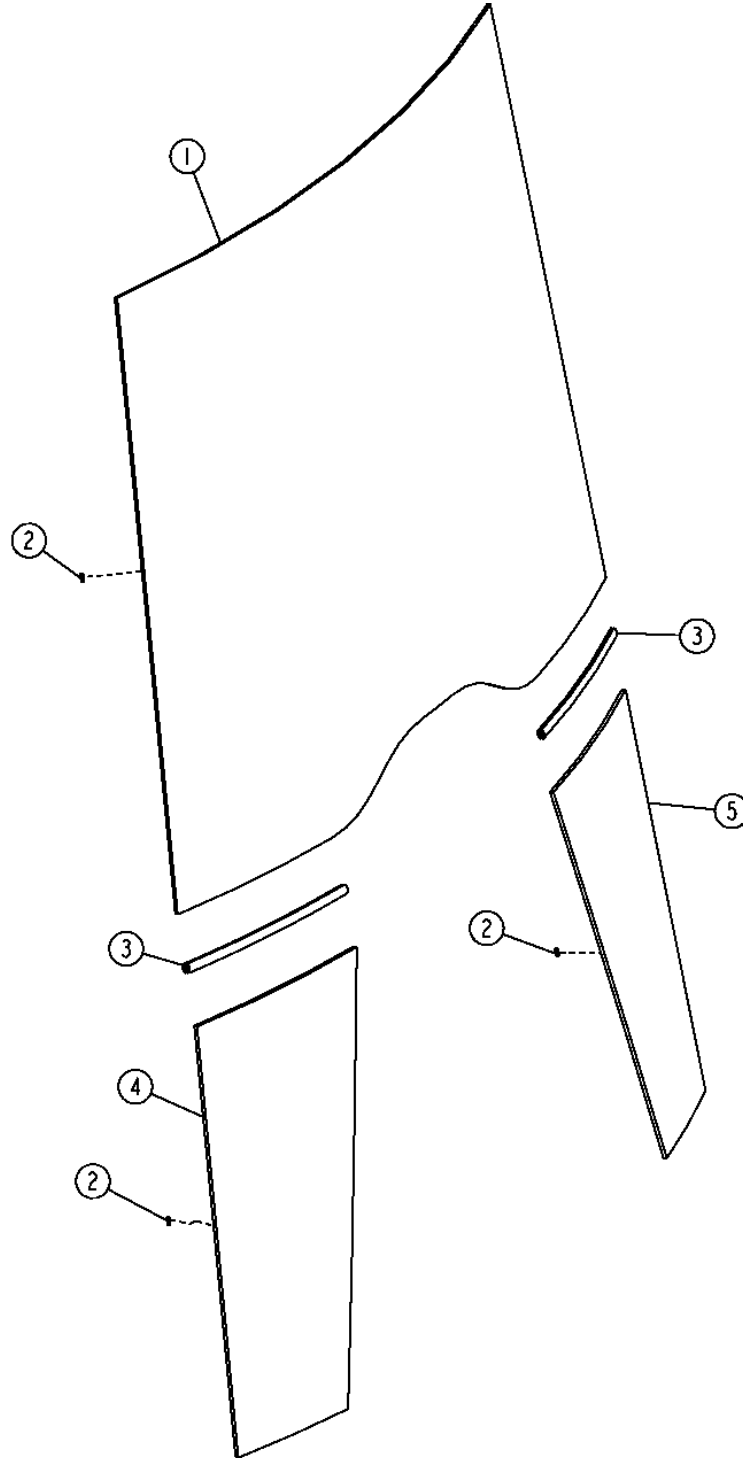
| KEY | PART NO. | PART NAME          | QTY. | SERIAL NO. | 3 3<br>3 1 1<br>1 0 5<br>0 S S<br>G G G | REMARKS   |
|-----|----------|--------------------|------|------------|---|---|
| 35  | AT220317 | HANDLE             | 1    |            | X X X                                   |   |
| 36  | 14H786   | NUT                | 1    |            | X X X                                   |   |
| 37  | T166035  | SCREW              | 1    |            | X X X                                   |   |
| 38  | 19M7922  | CAP SCREW          | 4    |            | X X X                                   | M8 X 40   |
| 39  | 24M7024  | WASHER             | 8    |            | X X X                                   |   |
| 40  | AT184524 | HINGE              | 2    |            | X X X                                   | LOWER RH AND UPPER LH                                   |
| 41  | T158081  | WASHER             | 8    |            | X X X                                   |   |
| 42  | T76832   | WASHER             | 1    |            | X X X                                   |   |
| 43  | T185678  | WASHER             | 4    |            | X X X                                   |   |
| 44  | T158358  | BUSHING            | 4    |            | X X X                                   |   |
| 45  | T164707  | WINDOWPANE         | 1    |            | X X X                                   | RH AND LH   |
| 46  | T186017  | BUSHING            | 1    |            | X X X                                   |   |
| 47  | T186016  | BUSHING            | 1    |            | X X X                                   |   |
| 48  | AT184651 | HINGE              | 2    |            | X X X                                   | LOWER LH AND UPPER RH                                   |
| 49  | 19M7938  | CAP SCREW          | 8    |            | X X X                                   | M10 X 20  |
| 50  | 24M7239  | WASHER             | 8    |            | X X X                                   |   |
| 51  | 14M7167  | LOCK NUT           | 1    |            | X X X                                   | M10   |
| 52  | T76830   | GUARD              | 1    |            | X X X                                   |   |
| 53  | AT75311  | KNOB               | 1    |            | X X X                                   |   |
| 54  | T164706  | WINDOWPANE         | 1    |            | X X X                                   | RH  |
|     | T166060  | WINDOWPANE         | 1    |            | X X X                                   | LH  |
| 55  | T164710  | ISOLATOR           | 1    |            | X X X                                   | RH  |
|     | T164709  | ISOLATOR           | 1    |            | X X X                                   | LH  |
| 56  | T186018  | BUMPER             | 2    |            | X X X                                   |   |
| 57  | R52921   | WASHER             | 2    |            | X X X                                   | PLASTIC   |
|     | T76833   | WASHER             | 2    |            | X X X                                   | RUBBER  |
| 58  | T165357  | ISOLATOR           | 1    |            | X X X                                   |   |
| 59  | T76833   | WASHER             | 2    |            | X X X                                   |   |
| 60  | 19M8397  | CAP SCREW          | 1    | -904214    | X X X                                   | M8 X 50   |
|     | 19M7922  | CAP SCREW          | 1    | 904215-    | X X X                                   | M8 X 40   |
| 61  | R44302   | TIE BAND           | 1    | -904214    | X X X                                   |   |
| 62  | M87534   | SPRING WASHER      | 1    | -904214    | X X X                                   |   |
| 63  | .....    | STRAP              | 1    | -904214    | X X X                                   | ( AT194407 NLA) (SUB AT194718, 19M7922 AND (4) 24M7238) |
| 64  | 24M7298  | WASHER             | 2    | -904214    | X X X                                   |   |
|     | 24M7238  | WASHER             | 2    | 904215-    | X X X                                   |   |
| 65  | 28H1511  | WASHER             | 1    | -904214    | X X X                                   |   |
| 66  | T133674  | SELF-LOCKING SCREW | 3    |            | X X X                                   |   |

# 1814-6

OPERATOR'S STATION 18  
WINDSHIELD AND WIPER 1814

WINDSHIELD (CAB OR QUARTER CAB)  
PARA-BRISE (CABINE OU QUART DE CABINE)  
PARABRISAS (CABINA O CABINA DE UN CUARTO)

TP69621 -UN-05OCT00



TP69621



# 1814-7

OPERATOR'S STATION 18  
WINDSHIELD AND WIPER 1814

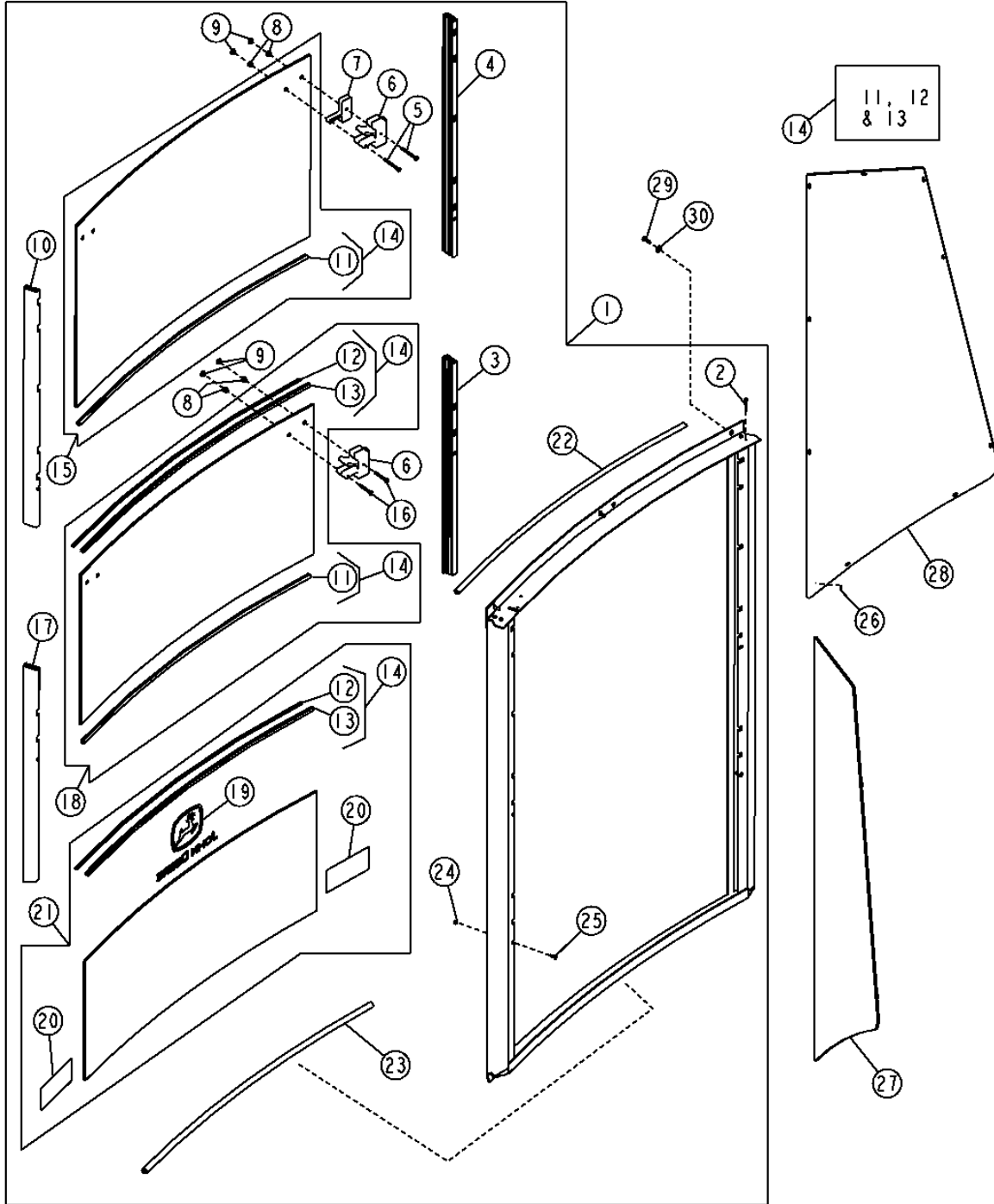
WINDSHIELD (CAB OR QUARTER CAB)  
PARA-BRISE (CABINE OU QUART DE CABINE)  
PARABRISAS (CABINA O CABINA DE UN CUARTO)

| KEY | PART NO. | PART NAME  | QTY. | SERIAL NO. | REMARKS                            |
|-----|----------|------------|------|------------|------------------------------------|
|     |          |            |      |            | 3 3                                |
|     |          |            |      |            | 3 1 1                              |
|     |          |            |      |            | 1 0 5                              |
|     |          |            |      |            | 0 S S                              |
|     |          |            |      |            | G G G                              |
| 1   | T191071  | WINDOWPANE | 1    |            | X X X (SUB FOR T164694)            |
| 2   | T135675  | STAND-OFF  | 22   |            | X X X                              |
| 3   | T164697  | ISOLATOR   | 2    |            | X X X                              |
| 4   | T191072  | WINDOWPANE | 1    |            | X X X LOWER, RH, (SUB FOR T164695) |
| 5   | T191073  | WINDOWPANE | 1    |            | X X X LOWER, LH, (SUB FOR T164696) |

# 1814-8

SLIDING REAR WINDOWS AND CORNER WINDOWS (SN -920856)  
GLACES ARRIERE COULISSANTES ET DE COIN (SN -920856)  
VENTANAS CORREDIZAS TRASERAS Y VENTANAS DE ESQUINA (SN -920856)

T152680 -UN-14MAR02



T152680

# 1814-9

OPERATOR'S STATION 18

WINDSHIELD AND WIPER 1814

SLIDING REAR WINDOWS AND CORNER WINDOWS (SN -920856)  
 GLACES ARRIERE COULISSANTES ET DE COIN (SN -920856)  
 VENTANAS CORREDIZAS TRASERAS Y VENTANAS DE ESQUINA (SN -920856)

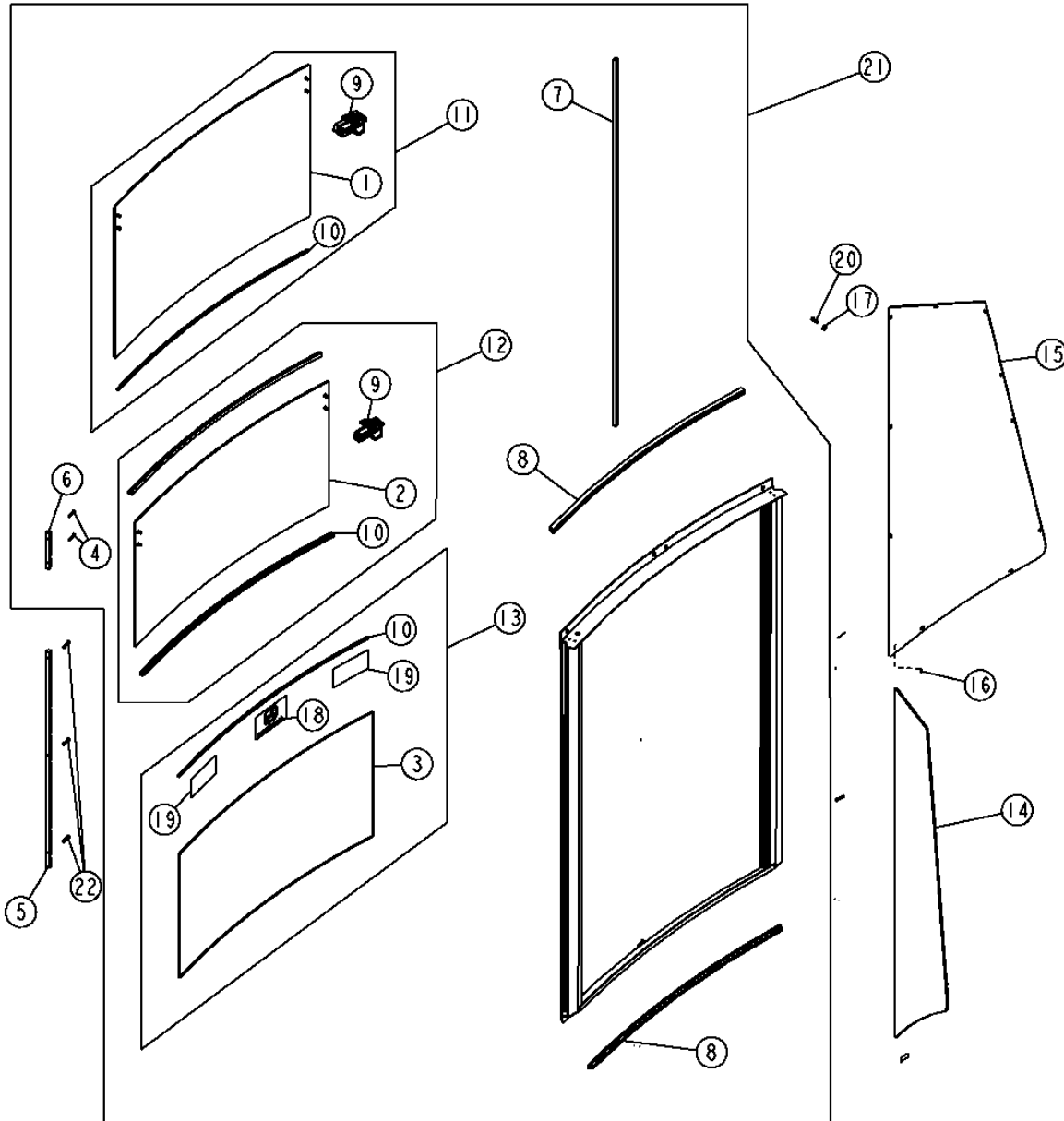
| KEY | PART NO. | PART NAME    | QTY. | SERIAL NO. | REMARKS   |
|-----|----------|--------------|------|------------|---|
|     |          |              |      |            | 3 3   |
|     |          |              |      |            | 3 1 1   |
|     |          |              |      |            | 1 0 5   |
|     |          |              |      |            | 0 S S   |
|     |          |              |      |            | G G G   |
| 1   | .....    | WINDOW       | 1    |            | X X X CA ( AT184089 NLA) (SUB AT302812)   |
| 2   | T164698  | SCREW        | 8    |            | X X X   |
| 3   | AT190194 | GUIDE        | 1    |            | X X X (BOTTOM LEFT WINDOW)  |
| 4   | AT190193 | GUIDE        | 1    |            | X X X (TOP LEFT WINDOW)   |
| 5   | T166368  | SCREW        | 2    |            | X X X   |
| 6   | AT309347 | LATCH        | 1    |            | X X X (LH AND RH) (DOES NOT INCLUDE HARDWARE)<br>(SUB FOR AT196391)                                   |
| 7   | T165561  | SPACER       | 1    |            | X X X   |
| 8   | T166371  | GROMMET      | 2    |            | X X X   |
| 9   | T187765  | INSERT       | 2    |            | X X X (SUB FOR T166370)   |
| 10  | AT190191 | GUIDE        | 1    |            | X X X (TOP RIGHT WINDOW)  |
| 11  | .....    | SEAL         | 1    |            | X X X (A) (ORDER AT190490)  |
| 12  | .....    | WEATHERSTRIP | 1    |            | X X X (A) (ORDER AT190490)  |
| 13  | .....    | SEAL         | 1    |            | X X X (A) (ORDER AT190490)  |
| 14  | AT190490 | KIT          | 1    |            | X X X INCLUDES ALL PARTS MARKED (A), ONE KIT<br>SERVICES MIDDLE WINDOW, TWO KITS<br>SERVICE ALL THREE |
| 15  | AT189176 | WINDOW       | 1    |            | X X X (UPPER)   |
| 16  | T166369  | SCREW        | 2    |            | X X X   |
| 17  | AT190192 | GUIDE        | 1    |            | X X X (BOTTOM RIGHT WINDOW)   |
| 18  | AT189175 | WINDOW       | 1    |            | X X X (MIDDLE)  |
| 19  | JD5694   | LABEL        | 1    | -902607    | X X X LEAPING DEER  |
|     | JD5750   | LABEL        | 1    | 902608-    | X X X LEAPING DEER  |
| 20  | T183768  | LABEL        | 2    |            | X X X WARNING   |
| 21  | AT187036 | WINDOW       | 1    |            | X X X (LOWER)   |
| 22  | T166881  | WEATHERSTRIP | 1    |            | X X X   |
| 23  | T187780  | ISOLATOR     | 1    |            | X X X (SUB FOR T166881, THIS APPLICATION)   |
| 24  | T185378  | NUT          | 2    |            | X X X   |
| 25  | T185377  | SCREW        | 2    |            | X X X   |
| 26  | T135675  | STAND-OFF    | 22   |            | X X X   |
| 27  | T164705  | WINDOWPANE   | 1    |            | X X X (RH REAR CORNER)  |
| 28  | T164708  | WINDOWPANE   | 1    |            | X X X (LH REAR CORNER)  |
| 29  | 19M7775  | SCREW        | 6    |            | X X X M6 X 16   |
| 30  | 24M7139  | WASHER       | 6    |            | X X X   |

# 1814-9A

SLIDING REAR WINDOWS AND CORNER WINDOWS (SN 920857- )  
GLACES ARRIERE COULISSANTES ET DE COIN (SN 920857- )  
VENTANAS CORREDIZAS TRASERAS Y VENTANAS DE ESQUINA (SN 920857- )

T200471

-UN-28MAY04



T200471

THIS PARTS LISTING IS CONTINUED

# 1814-9B

OPERATOR'S STATION 18

WINDSHIELD AND WIPER 1814

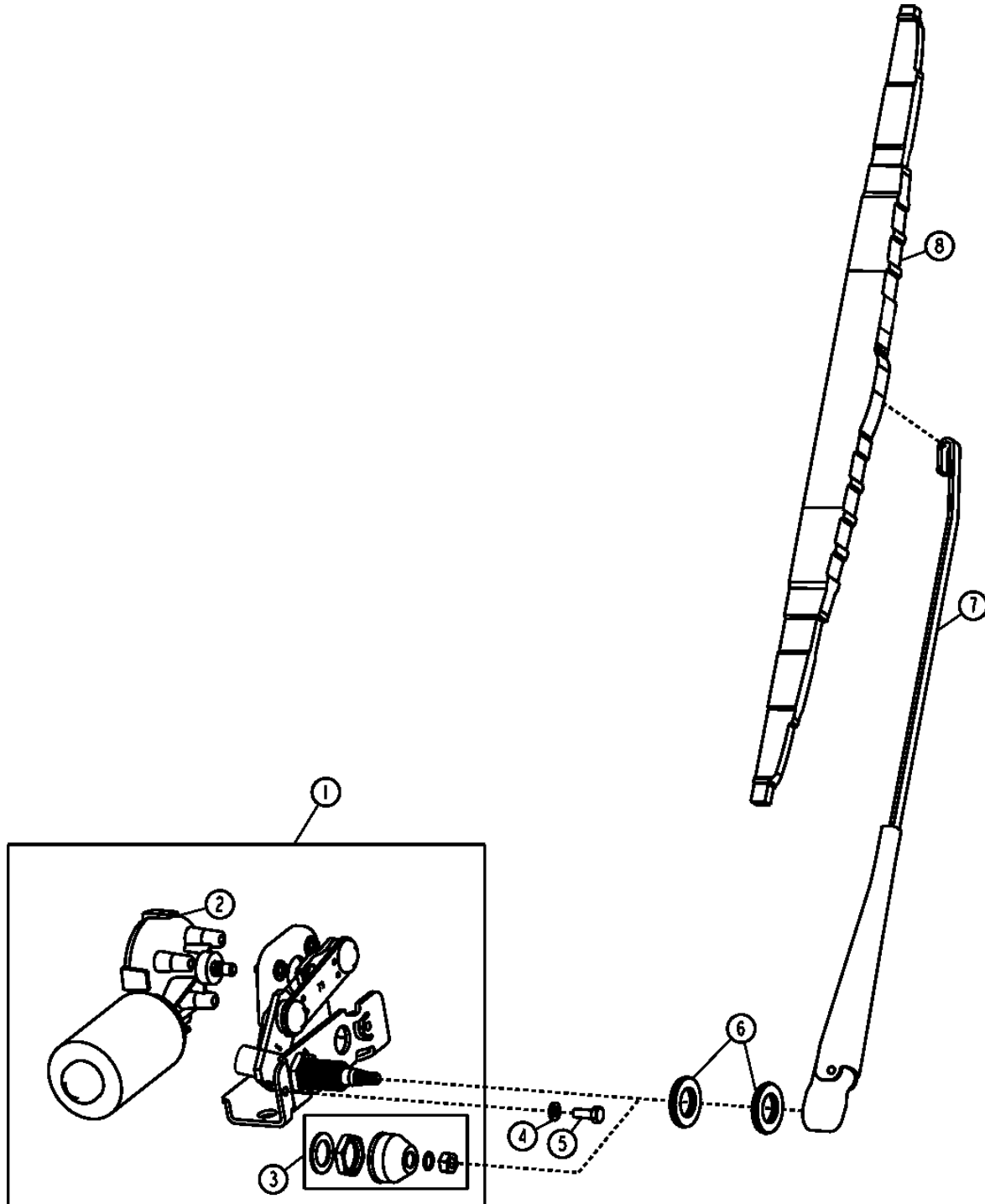
SLIDING REAR WINDOWS AND CORNER WINDOWS (SN 920857- )  
 GLACES ARRIERE COULISSANTES ET DE COIN (SN 920857- )  
 VENTANAS CORREDIZAS TRASERAS Y VENTANAS DE ESQUINA (SN 920857- )

| KEY | PART NO. | PART NAME    | QTY. | SERIAL NO. | REMARKS  |
|-----|----------|--------------|------|------------|--|
|     |          |              |      |            | 3 3  |
|     |          |              |      |            | 3 1 1  |
|     |          |              |      |            | 1 0 5  |
|     |          |              |      |            | 0 S S  |
|     |          |              |      |            | G G G  |
| 1   | T201955  | WINDOWPANE   | 1    |            | X X X  |
| 2   | T201954  | WINDOWPANE   | 1    |            | X X X  |
| 3   | T201953  | WINDOWPANE   | 1    |            | X X X  |
| 4   | T201952  | SCREW        | 10   |            | X X X  |
| 5   | T201957  | FRAME        | 2    |            | X X X  |
| 6   | T201956  | FRAME        | 2    |            | X X X  |
| 7   | T201958  | WEATHERSTRIP | 2    |            | X X X  |
| 8   | T201968  | GASKET       | 2    |            | X X X  |
| 9   | AT302817 | LATCH        | 1    |            | X X X (INCL HARDWARE AND (1) LATCH)                            |
|     | 21H1395  | SCREW        | 2    |            | X X X 0.164" X 2", (TOP WINDOW)                                |
|     | 21H1367  | SCREW        | 2    |            | X X X 0.164" X 1-3/8", (MIDDLE WINDOW)                         |
|     | T166371  | GROMMET      | 2    |            | X X X  |
|     | T223289  | INSERT       | 2    |            | X X X 0.164"   |
| 10  | AT307770 | SEAL         | 1    |            | X X X  |
| 11  | AT302816 | WINDOW       | 1    |            | X X X  |
| 12  | AT302815 | WINDOW       | 1    |            | X X X  |
| 13  | AT302813 | WINDOW       | 1    |            | X X X  |
| 14  | T164705  | WINDOWPANE   | 1    |            | X X X (RH REAR CORNER)   |
| 15  | T164708  | WINDOWPANE   | 1    |            | X X X (LH REAR CORNER)   |
| 16  | T135675  | STAND-OFF    | 22   |            | X X X  |
| 17  | 24M7139  | WASHER       | 6    |            | X X X  |
| 18  | JD5750   | LABEL        | 1    |            | X X X  |
| 19  | T183768  | LABEL        | 1    |            | X X X  |
| 20  | 19M7775  | SCREW        | 6    |            | X X X M6 X 16, (SUB FOR 19M7077 AND 19M7862, THIS APPLICATION) |
| 21  | AT302812 | WINDOW       | 1    |            | X X X CA, (ALSO ORDER (2) T201957 AND (6) T208077)             |
| 22  | T208077  | SCREW        | 6    |            | X X X  |

# 1814-10

FRONT WINDSHIELD WIPER SYSTEM  
ESSUIE-GLACE AVANT  
SISTEMA DE LIMPIAPARABRISAS

T137150 -UN-30JAN01



T137150

# 1814-11

OPERATOR'S STATION 18  
WINDSHIELD AND WIPER 1814

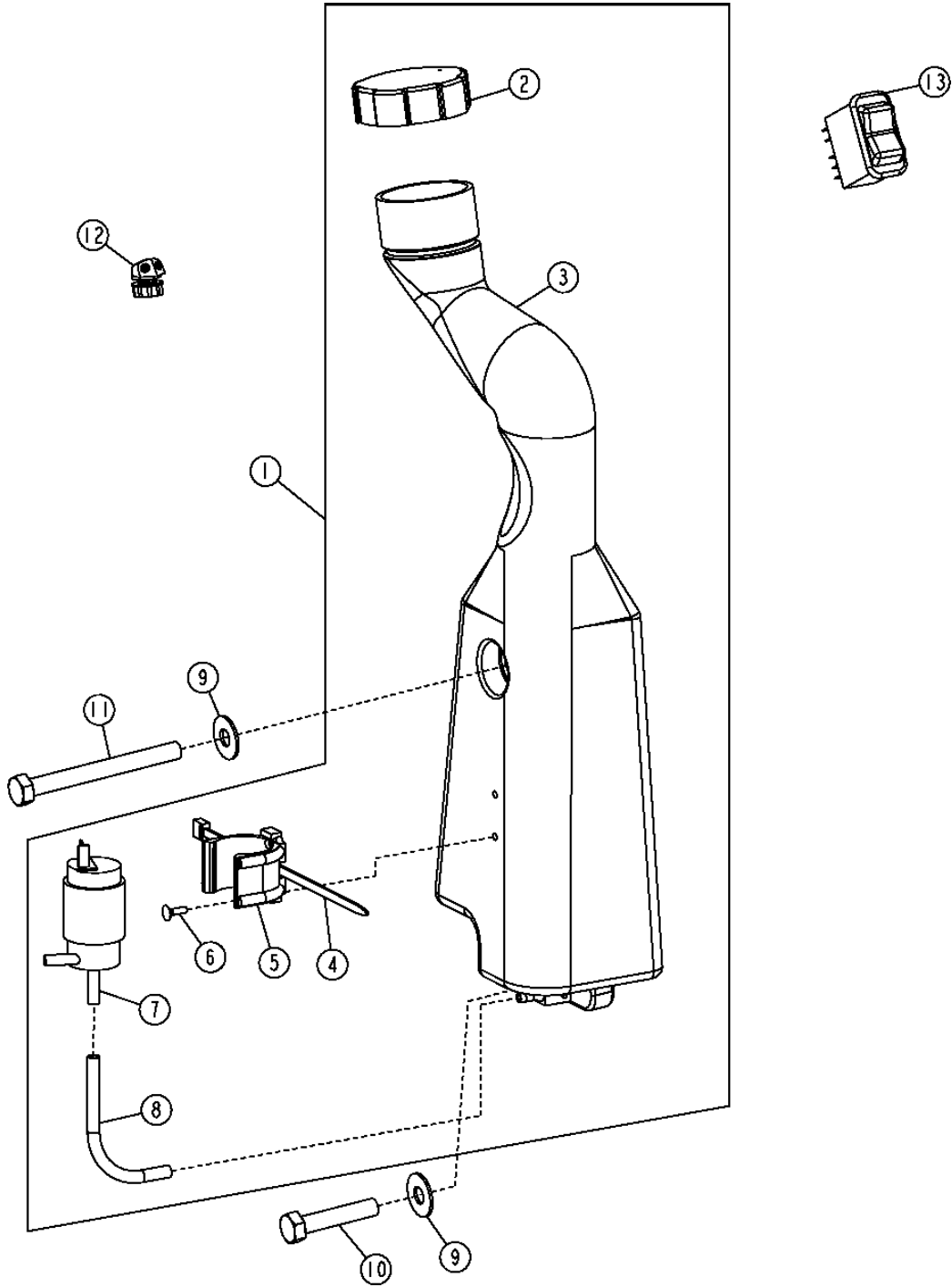
FRONT WINDSHIELD WIPER SYSTEM  
ESSUIE-GLACE AVANT  
SISTEMA DE LIMPIAPARABRISAS

| KEY | PART NO. | PART NAME   | QTY. | SERIAL NO.    | 3 3<br>3 1 1<br>1 0 5<br>0 S S<br>G G G | REMARKS  |
|-----|----------|-------------|------|---------------|---|--|
| 1   | .....    | WIPER MOTOR | 1    | -895627       | X X X                                   | ( AT189103 NLA) (SUB AT323014 AND (2) 19M8425) |
|     | .....    | WIPER MOTOR | 1    | 895628-953087 | X X X                                   | ( AT192587 NLA) (SUB AT323014)                 |
|     | AT323014 | WIPER MOTOR | 1    | 953088-       | X X X                                   | (SUB FOR AT192587) (INCLUDES AT323022)         |
|     | AT323022 | JUMPER      | 1    | 953088-       | X X X                                   |  |
| 2   | AT315228 | WIPER MOTOR | 1    | 953088-       | X X X                                   | (INCLUDES RE40049)                             |
| 3   | RE40049  | KIT         | 1    | -953087       | X X X                                   |  |
| 4   | 12H302   | LOCK WASHER | 2    | -895627       | X X X                                   | 1/4"   |
| 5   | 19H2651  | CAP SCREW   | 2    | -895627       | X X X                                   | 1/4" X 3/4"                                    |
|     | 19M7775  | SCREW       | 2    | 895628-       | X X X                                   | M6 X 16, (SUB FOR 19M8425, THIS APPLICATION)   |
| 6   | T183664  | WASHER      | 2    | -953087       | X X X                                   |  |
| 7   | AT323012 | WIPER ARM   | 1    |               | X X X                                   | (SUB FOR AT184965)                             |
| 8   | AL153661 | WIPER BLADE | 1    |               | X X X                                   | (SUB FOR AT184966)                             |

# 1814-12

## FRONT WINDSHIELD WASHER RESERVOIR AND PUMP RESERVOIR ET POMPE DE LAVE-GLACE AVANT DEPOSITO DE LAVAPARABRISAS Y BOMBA

TP58145 -UN-05OCT00



TP58145



# 1814-13

OPERATOR'S STATION 18  
WINDSHIELD AND WIPER 1814

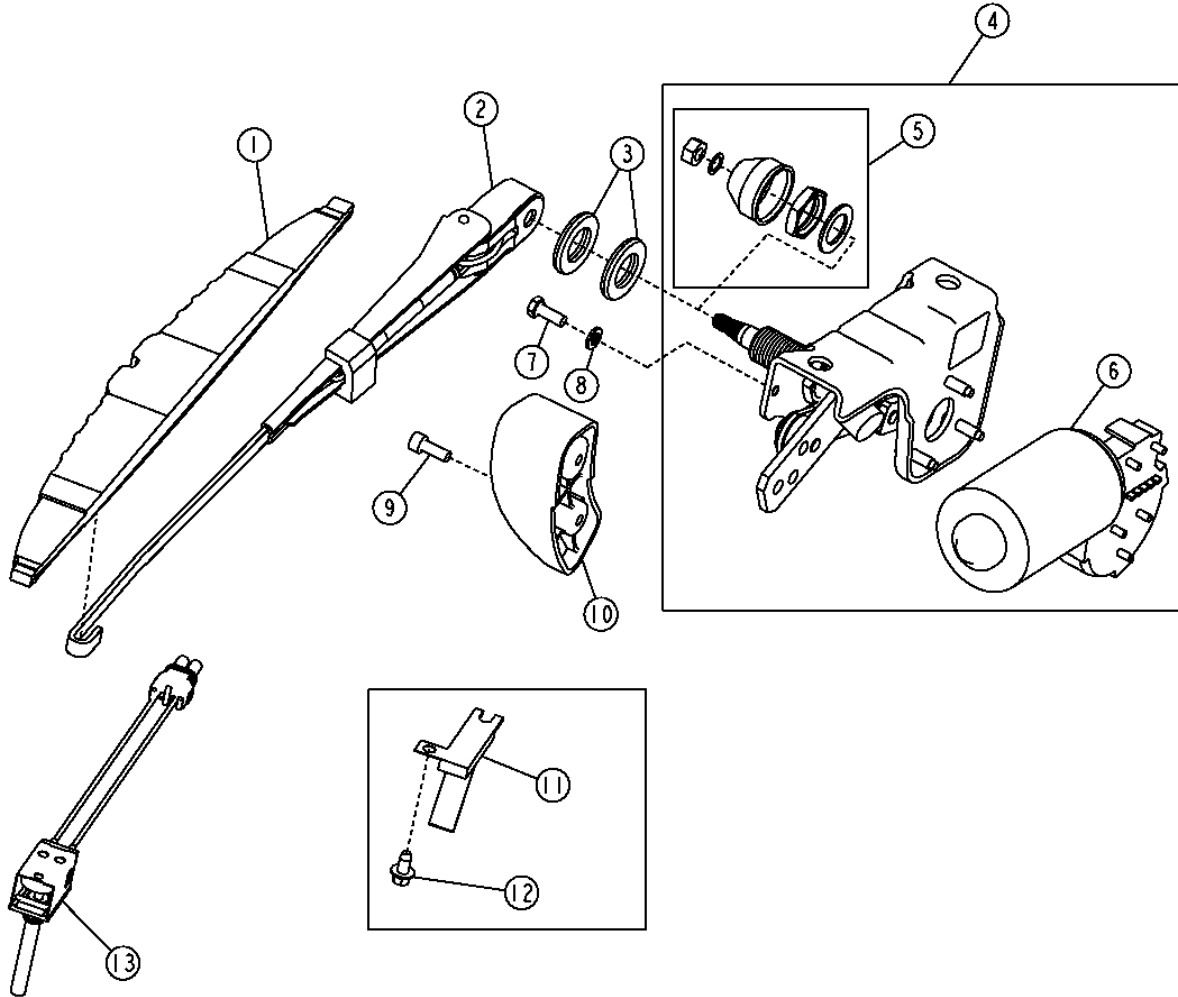
**FRONT WINDSHIELD WASHER RESERVOIR AND PUMP  
RESERVOIR ET POMPE DE LAVE-GLACE AVANT  
DEPOSITO DE LAVAPARABRISAS Y BOMBA**

| KEY | PART NO. | PART NAME            | QTY. | SERIAL NO. | REMARKS                                   |
|-----|----------|----------------------|------|------------|---|
|     |          |                      |      |            | 3 3                                       |
|     |          |                      |      |            | 3 1 1                                     |
|     |          |                      |      |            | 1 0 5                                     |
|     |          |                      |      |            | 0 S S                                     |
|     |          |                      |      |            | G G G                                     |
| 1   | AT187710 | WINDSHIELD WASHER    | 1    |            | X X X                                     |
| 2   | AT173193 | CAP                  | 1    |            | X X X (SUB FOR AT189043)                  |
| 3   | T179055  | RESERVOIR            | 1    |            | X X X                                     |
| 4   | R44302   | TIE BAND             | 1    |            | X X X                                     |
| 5   | T183344  | BRACKET              | 1    |            | X X X                                     |
| 6   | R116089  | SCREW                | 2    |            | X X X 0.138" X 1/2"                       |
| 7   | AT174348 | PUMP                 | 1    |            | X X X                                     |
| 8   | .....    | HOSE                 | 1    |            | X X X (CUT TO LENGTH) (MAKE FROM R120653) |
| 9   | 24H1307  | WASHER               | 2    |            | X X X                                     |
| 10  | R151507  | CAP SCREW            | 1    |            | X X X M10 X 50                            |
| 11  | M132832  | CAP SCREW            | 1    |            | X X X M10 X 100                           |
| 12  | AT188766 | NOZZLE               | 1    |            | X X X                                     |
| 13  | AT175072 | TOGGLE/ROCKER SWITCH | 1    |            | X X X                                     |

# 1814-14

REAR WINDSHIELD WIPER SYSTEM  
ESSUIE-GLACE ARRIERE  
SISTEMA DE LIMPIACRISTAL

T192678 -UN-09JUL03



T192678

# 1814-15

OPERATOR'S STATION 18  
WINDSHIELD AND WIPER 1814

REAR WINDSHIELD WIPER SYSTEM  
ESSUIE-GLACE ARRIERE  
SISTEMA DE LIMPIACRISTAL

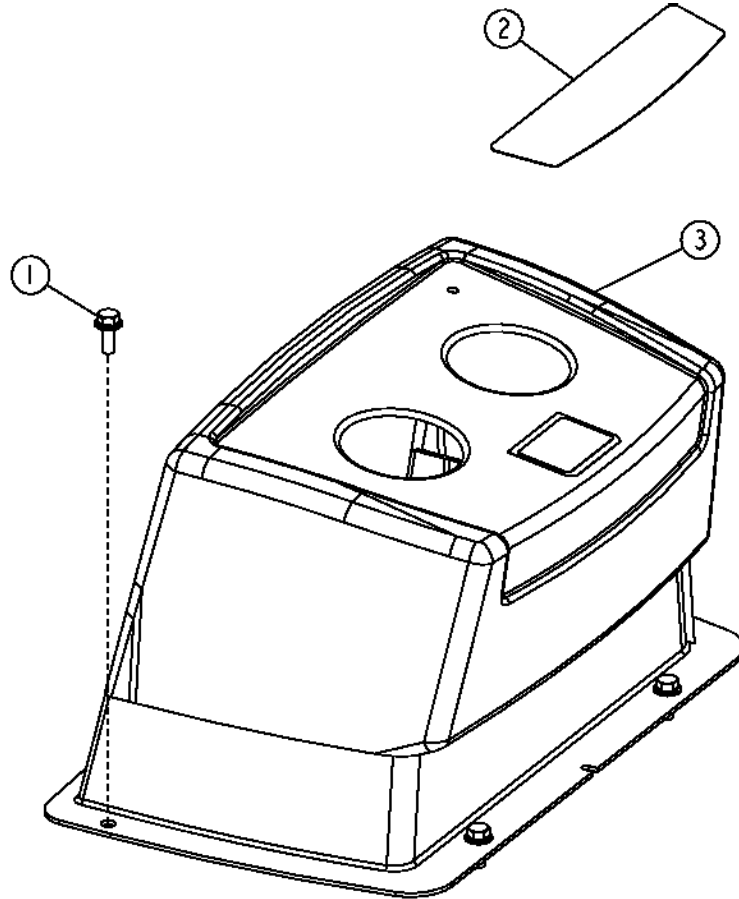
| KEY | PART NO. | PART NAME   | QTY. | SERIAL NO.    | 3 3<br>3 1 1<br>1 0 5<br>0 S S<br>G G G | REMARKS   |
|-----|----------|-------------|------|---------------|---|---|
| 1   | AT304631 | WIPER BLADE | 1    |               | X X X                                   | (SUB FOR AT184970)                                      |
| 2   | AT323013 | WIPER ARM   | 1    |               | X X X                                   | (SUB FOR AT184969)                                      |
| 3   | T183664  | WASHER      | 2    | -953143       | X X X                                   |   |
| 4   | .....    | WIPER MOTOR | 1    | -895627       | X X X                                   | ( AT184968 NLA) (SUB AT323015 AND (2)<br>19M8425)       |
|     | .....    | WIPER MOTOR | 1    | 895628-953143 | X X X                                   | (INCL DRIVE ASSEMBLY) ( AT194279 NLA)<br>(SUB AT323015) |
|     | AT323015 | WIPER MOTOR | 1    | 953144-       | X X X                                   | (SUB FOR AT194279) (INCLUDES AT323022)                  |
|     | AT323022 | JUMPER      | 1    | 953144-       | X X X                                   |   |
| 5   | RE40049  | KIT         | 1    | -953143       | X X X                                   |   |
| 6   | AT315227 | WIPER MOTOR | 1    | 953144-       | X X X                                   | (INCLUDES RE40049)                                      |
| 7   | 19H2651  | CAP SCREW   | 2    | -895627       | X X X                                   | 1/4" X 3/4"   |
|     | 19M7775  | SCREW       | 2    | 895628-       | X X X                                   | M6 X 16, (SUB FOR 19M8425, THIS<br>APPLICATION)         |
| 8   | 12H302   | LOCK WASHER | 2    | -895627       | X X X                                   |   |
| 9   | 19M8553  | SCREW       | 2    |               | X X X                                   | M6 X 16   |
| 10  | AT340856 | RAMP        | 1    |               | X X X                                   | (SUB FOR AT187229)                                      |
| 11  | AT186913 | SWITCH      | 1    | -920856       | X X X                                   |   |
| 12  | 37M7089  | SCREW       | 2    | -920856       | X X X                                   | M6 X 12   |
| 13  | AT305685 | PUSH SWITCH | 1    | 920857-       | X X X                                   |   |

# 1816-2

OPERATOR'S STATION 18

INSTRUMENT;&CONTROL;MOUNTING;STRUCTURE 1816  
BACKHOE CONTROL CONSOLE (TWO LEVER)  
CONSOLE DE COMMANDE DE RETROPELLE (DEUX LEVIER)  
CONSOLA DE CONTROL DE RETROEXCAVADORA (DOS PALANCA)

TP58177 -UN-12AUG00



TP58177

# 1816-3

OPERATOR'S STATION 18

INSTRUMENT;CONTROL;MOUNTING;STRUCTURE 1816  
**BACKHOE CONTROL CONSOLE (TWO LEVER)**  
**CONSOLE DE COMMANDE DE RETROPELLE (DEUX LEVIER)**  
**CONSOLA DE CONTROL DE RETROEXCAVADORA (DOS PALANCA)**

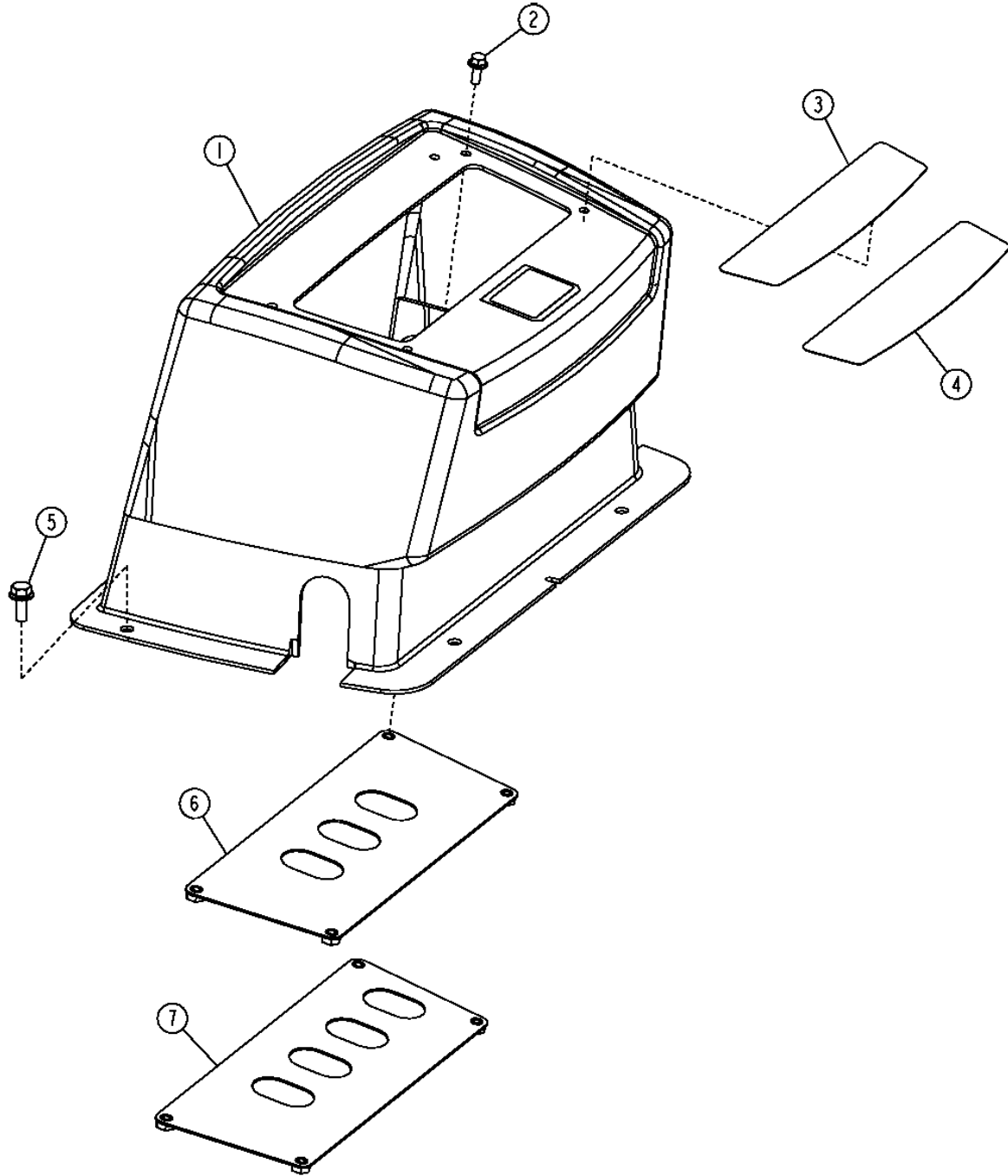
| KEY | PART NO. | PART NAME | QTY. | SERIAL NO. | REMARKS                                 |
|-----|----------|-----------|------|------------|---|
|     |          |           |      |            | 3 3<br>3 1 1<br>1 0 5<br>0 S S<br>G G G |
| 1   | 19M7866  | SCREW     | 4    |            | X X X M8 X 20                           |
| 2   | T165584  | LABEL     | 1    |            | X X                                     |
| 3   | AT189269 | COVER     | 1    |            | X X                                     |
|     | AT193375 | COVER     | 1    |            | X                                       |
|     | AT189270 | COVER     | 1    |            | X X WITH RH PEDAL                       |
|     | AT193526 | COVER     | 1    |            | X WITH RH PEDAL                         |
|     | AT189271 | COVER     | 1    |            | X X WITH LH AND RH PEDAL                |

# 1816-4

OPERATOR'S STATION 18

INSTRUMENT & CONTROL MOUNTING STRUCTURE 1816  
BACKHOE CONTROL CONSOLE (MULTIPLE LEVERS)  
CONSOLE DE COMMANDE DE RETROPELLE (LEVIERS MULTIPLES)  
CONSOLA DE CONTROL DE RETROEXCAVADORA (PALANCAS MULTIPLES)

TP69618 -UN-12AUG00



TP69618

# 1816-5

OPERATOR'S STATION 18

INSTRUMENT;&CONTROL:MOUNTING:STRUCTURE 1816  
**BACKHOE CONTROL CONSOLE (MULTIPLE LEVERS)**  
**CONSOLE DE COMMANDE DE RETROPELLE (LEVIERS MULTIPLES)**  
**CONSOLA DE CONTROL DE RETROEXCAVADORA (PALANCAS MULTIPLES)**

| KEY | PART NO. | PART NAME | QTY. | SERIAL NO. | 3 3<br>3 1 1<br>1 0 5<br>0 S S<br>G G G | REMARKS |
|-----|----------|-----------|------|------------|---|---------|
| 1   | AT189272 | COVER     | 1    |            | X X                                     |         |
| 2   | 19M7775  | SCREW     | 4    |            | X X                                     | M6 X 16 |
| 3   | T165585  | LABEL     | 1    |            | X X                                     | (A)     |
| 4   | T165586  | LABEL     | 1    |            | X X                                     | (B)     |
| 5   | 19M7866  | SCREW     | 4    |            | X X                                     | M8 X 20 |
| 6   | AT186045 | COVER     | 1    | -952137    | X X                                     | (A)     |
|     | AT312121 | COVER     | 1    | 952138-    | X X                                     | (A)     |
| 7   | AT186050 | COVER     | 1    | -944916    | X X                                     | (B)     |
|     | AT311929 | COVER     | 1    | 944917-    | X X                                     | (B)     |

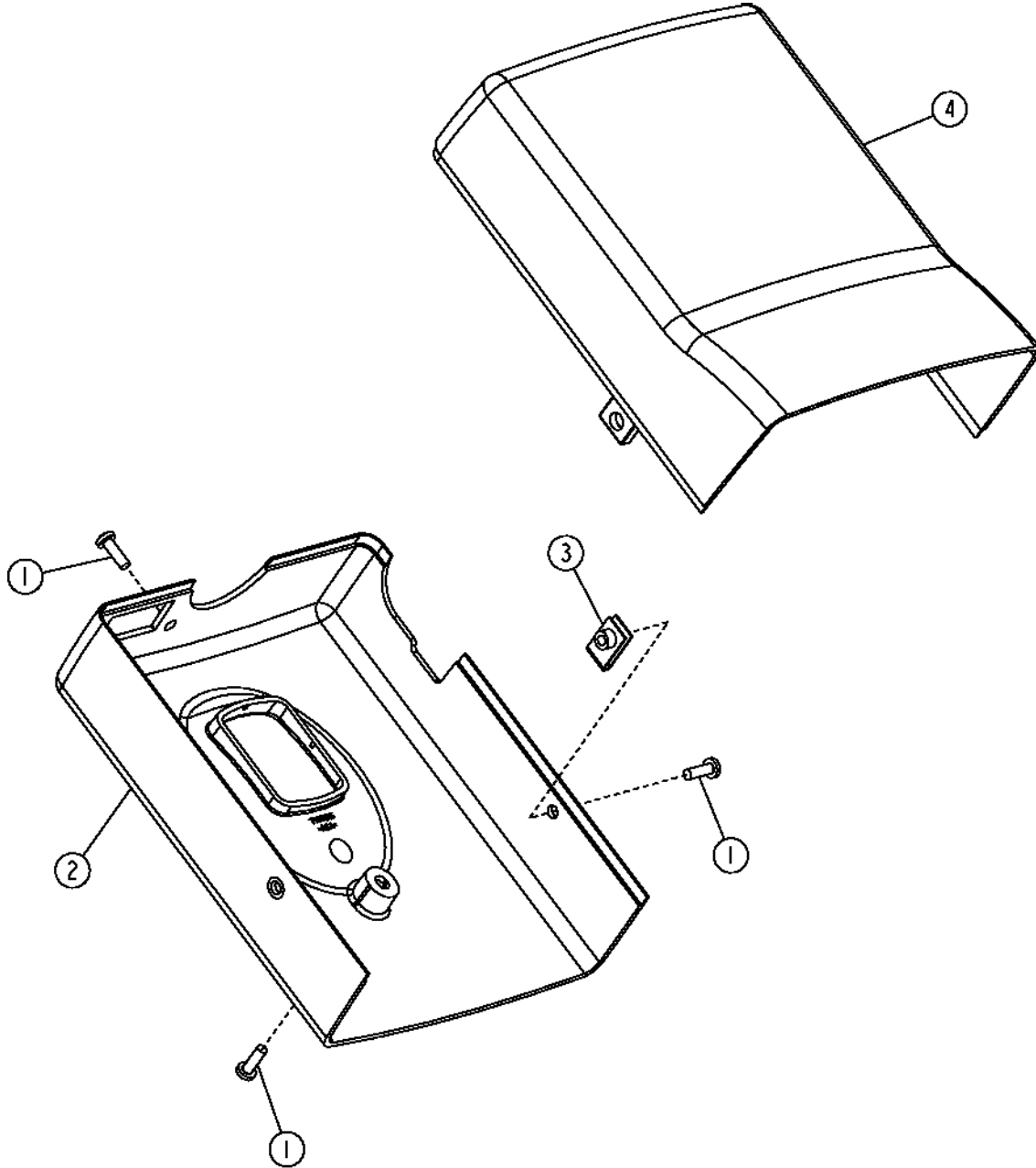
(A) THREE LEVER  
 (A) LEVIER TROIS  
 (A) PALANCA TRES

(B) THREE LEVER WITH EXTENDABLE  
 (B) LEVIER TROIS AVEC EXTENSIBLE  
 (B) PALANCA TRES CON EXTENSIBLE

# 1816-6

INSTRUMENT & CONTROL MOUNTING STRUCTURE 1816  
STEERING COLUMN COVER  
COUVERCLE DE COLONNE DE DIRECTION  
CUBIERTA DE LA COLUMNA DE DIRECCION

TP58083 -UN-05OCT00



TP58083



# 1816-7

OPERATOR'S STATION 18

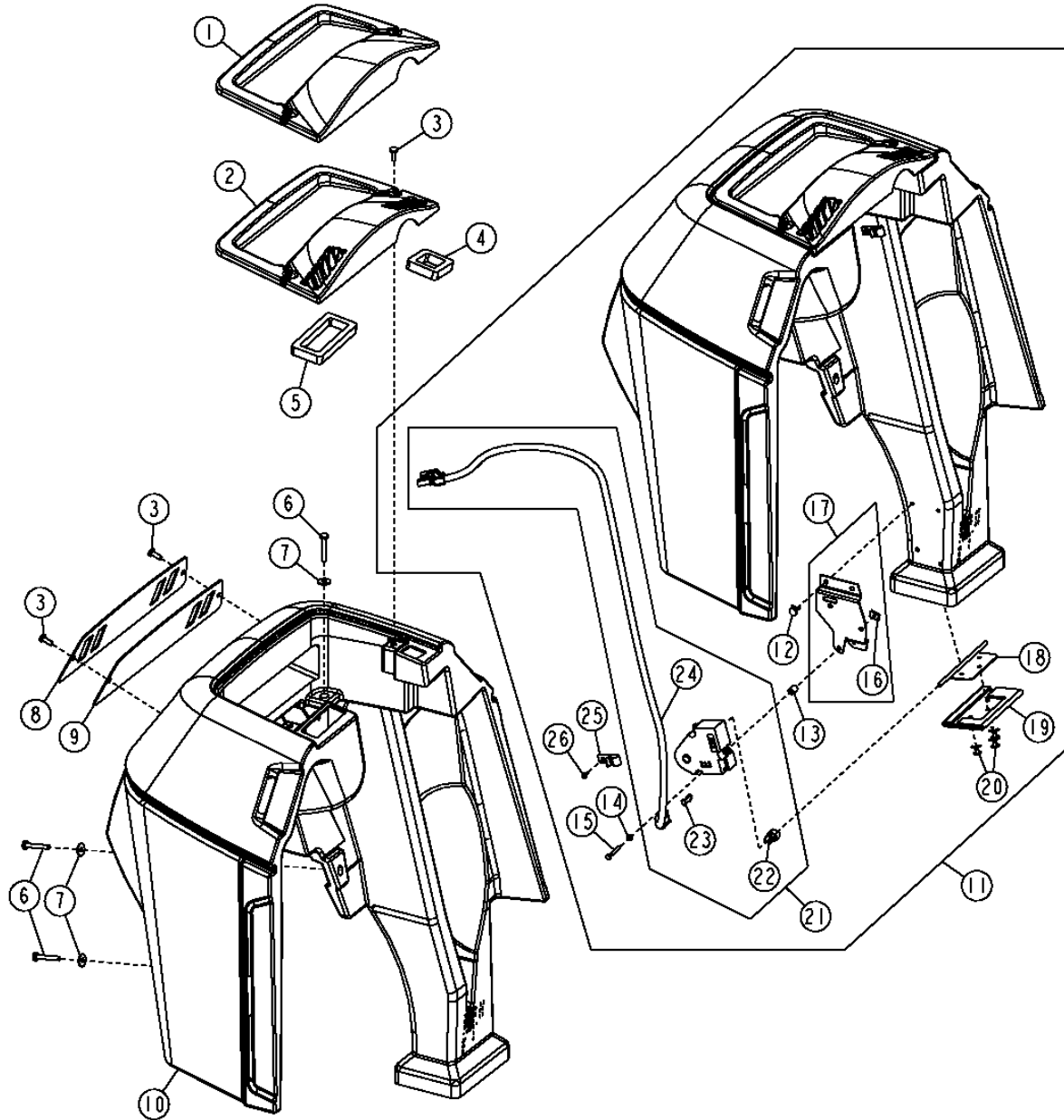
INSTRUMENT&CONTROL MOUNTING STRUCTURE 1816  
STEERING COLUMN COVER  
COUVERCLE DE COLONNE DE DIRECTION  
CUBIERTA DE LA COLUMNA DE DIRECCION

| KEY | PART NO. | PART NAME | QTY. | SERIAL NO. | 3 3<br>3 1 1<br>1 0 5<br>0 S S<br>G G G | REMARKS                 |
|-----|----------|-----------|------|------------|---|-------------------------|
| 1   | 21M7271  | SCREW     | 5    |            | X X X                                   | M5 X 16                 |
| 2   | T166213  | COVER     | 1    |            | X X X                                   | STD                     |
|     | T166213  | COVER     | 1    |            | X X X                                   | TILT, (SUB FOR T166215) |
| 3   | R117892  | NUT       | 2    |            | X X X                                   |                         |
| 4   | T166211  | COVER     | 1    |            | X X X                                   |                         |

# 1816-8

INSTRUMENT & CONTROL MOUNTING STRUCTURE 1816  
FRONT CONSOLE (CAB OR CANOPY)  
CONSOLE AVANT (CABINE OU AUVENT)  
CONSOLA DELANTERA (CABINA O DOSEL)

T209250 -UN-11MAR05



T209250

# 1816-9

OPERATOR'S STATION 18

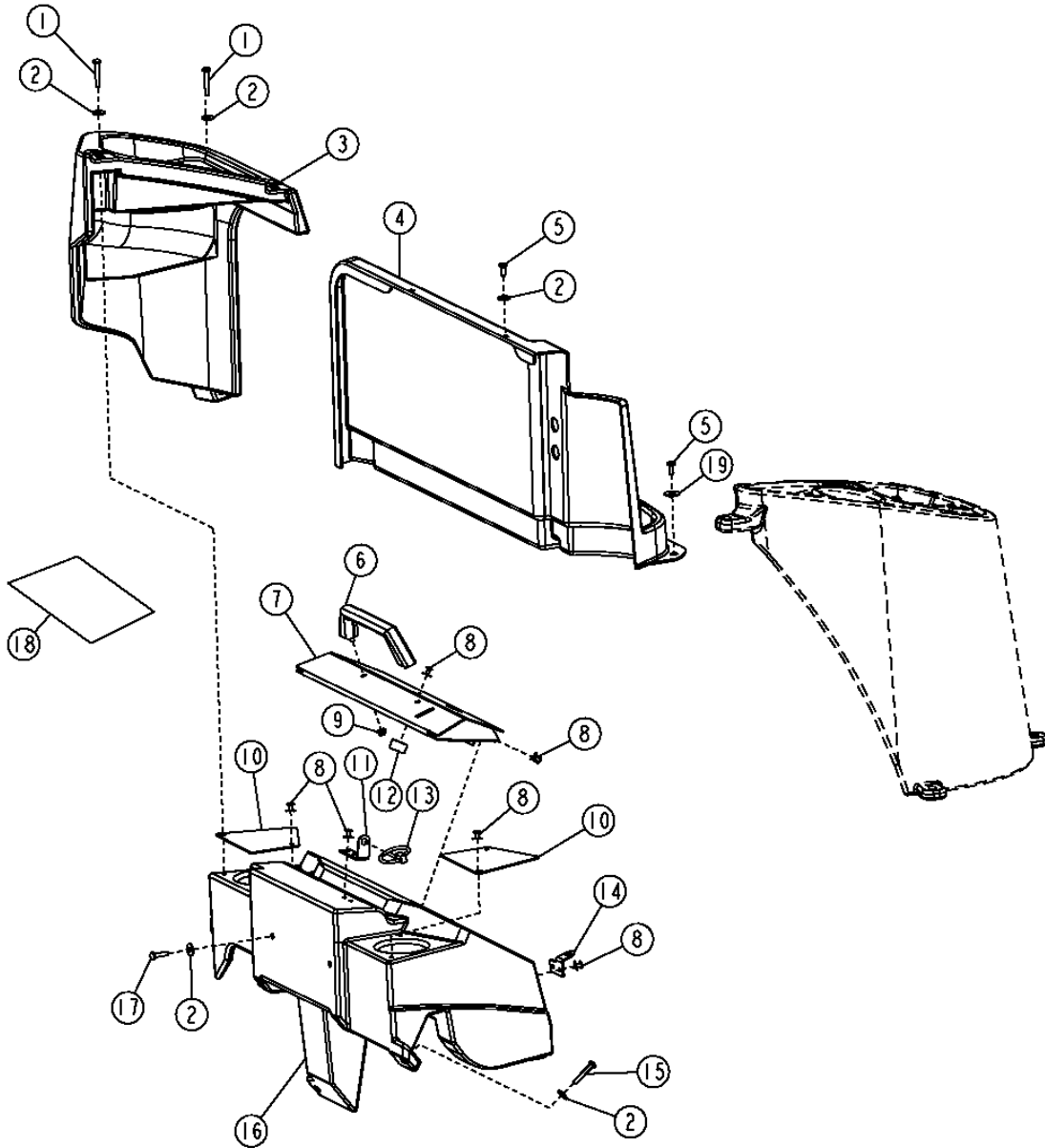
INSTRUMENTS;CONTROL MOUNTING STRUCTURE 1816  
 FRONT CONSOLE (CAB OR CANOPY)  
 CONSOLE AVANT (CABINE OU AUVENT)  
 CONSOLA DELANTERA (CABINA O DOSEL)

| KEY | PART NO. | PART NAME                 | QTY. | SERIAL NO. | REMARKS  |
|-----|----------|---------------------------|------|------------|--|
|     |          |                           |      |            | 3 3  |
|     |          |                           |      |            | 3 1 1  |
|     |          |                           |      |            | 1 0 5  |
|     |          |                           |      |            | 0 S S  |
|     |          |                           |      |            | G G G  |
| 1   | T183706  | PANEL                     | 1    |            | X X X (CANOPY)                                     |
| 2   | T167083  | PANEL                     | 1    |            | X X X (CAB)  |
| 3   | T133674  | SELF-LOCKING SCREW        | 2    |            | X X X M6 X 16, (SUB FOR 21M7292, THIS APPLICATION) |
| 4   | T184008  | ISOLATOR                  | 1    |            | X X X LH   |
| 5   | T184009  | ISOLATOR                  | 1    |            | X X X RH   |
| 6   | T134874  | SELF-LOCKING SCREW        | 6    |            | X X X M6 X 40, (SUB FOR 21M7403, THIS APPLICATION) |
| 7   | 24H1821  | WASHER                    | 4    |            | X X X (SUB FOR 24H1646)                            |
| 8   | T206457  | PANEL                     | 1    |            | X X (CAB) (SUB FOR T167150)                        |
|     | T206457  | PANEL                     | 1    | -200132    | X  |
|     | .....    | PANEL                     | 1    | 200133-    | X  |
| 9   | T206457  | PANEL                     | 1    |            | X X X (CANOPY) (SUB FOR T167149)                   |
| 10  | T167082  | COVER                     | 1    |            | X X X (CAB)  |
|     | T167119  | COVER                     | 1    |            | X X X (CANOPY/ROPS)                                |
| 11  | AT191629 | COVER                     | 1    |            | X X X (W/ AIR CONDITIONING)                        |
| 12  | T184345  | RIVET                     | 3    |            | X X X  |
| 13  | T134586  | SPACER                    | 1    |            | X X X  |
| 14  | 24M7117  | WASHER                    | 3    |            | X X X  |
| 15  | 19M7715  | CAP SCREW                 | 3    |            | X X X M4 X 30                                      |
| 16  | T185742  | NUT                       | 3    |            | X X X  |
| 17  | AT191877 | BRACKET                   | 1    |            | X X X  |
| 18  | AT191826 | GATE                      | 1    |            | X X X  |
| 19  | AT191688 | PLATE                     | 1    |            | X X X (W/ SEAL)                                    |
| 20  | T184345  | RIVET                     | 3    |            | X X X  |
| 21  | AT191876 | ACTUATOR                  | 1    |            | X X X  |
| 22  | T185485  | ADAPTER FITTING           | 1    |            | X X X  |
| 23  | T186022  | ELECTRICAL CONNECTOR ASSY | 1    |            | X X X  |
| 24  | AT191919 | WIRING HARNESS            | 1    |            | X X X  |
| 25  | T185743  | CLIP                      | 3    |            | X X X  |
| 26  | T185769  | SCREW                     | 3    |            | X X X  |

# 1816-10

INSTRUMENT AND CONTROL MOUNTING STRUCTURE 1816  
SIDE INSTRUMENT PANEL HOUSING AND STABILIZER LEVER COVER (CANOPY)  
LOGEMENT DE TABLEAU DE BORD LATERAL ET PROTECTION DE LEVIER DE STABILISATEUR (AUVENT)  
CAJA DE TABLERO LATERAL DE INSTRUMENTOS Y CUBIERTA DE PALANCA DE ESTABILIZADOR (DOSEL)

T137242 -UN-05MAR02



T137242

# 1816-11

OPERATOR'S STATION 18

INSTRUMENT CONTROL MOUNTING STRUCTURE 1816  
 SIDE INSTRUMENT PANEL HOUSING AND STABILIZER LEVER COVER (CANOPY)  
 LOGEMENT DE TABLEAU DE BORD LATERAL ET PROTECTION DE LEVIER DE STABILISATEUR (AUVENT)  
 CAJA DE TABLERO LATERAL DE INSTRUMENTOS Y CUBIERTA DE PALANCA DE ESTABILIZADOR (DOSEL)

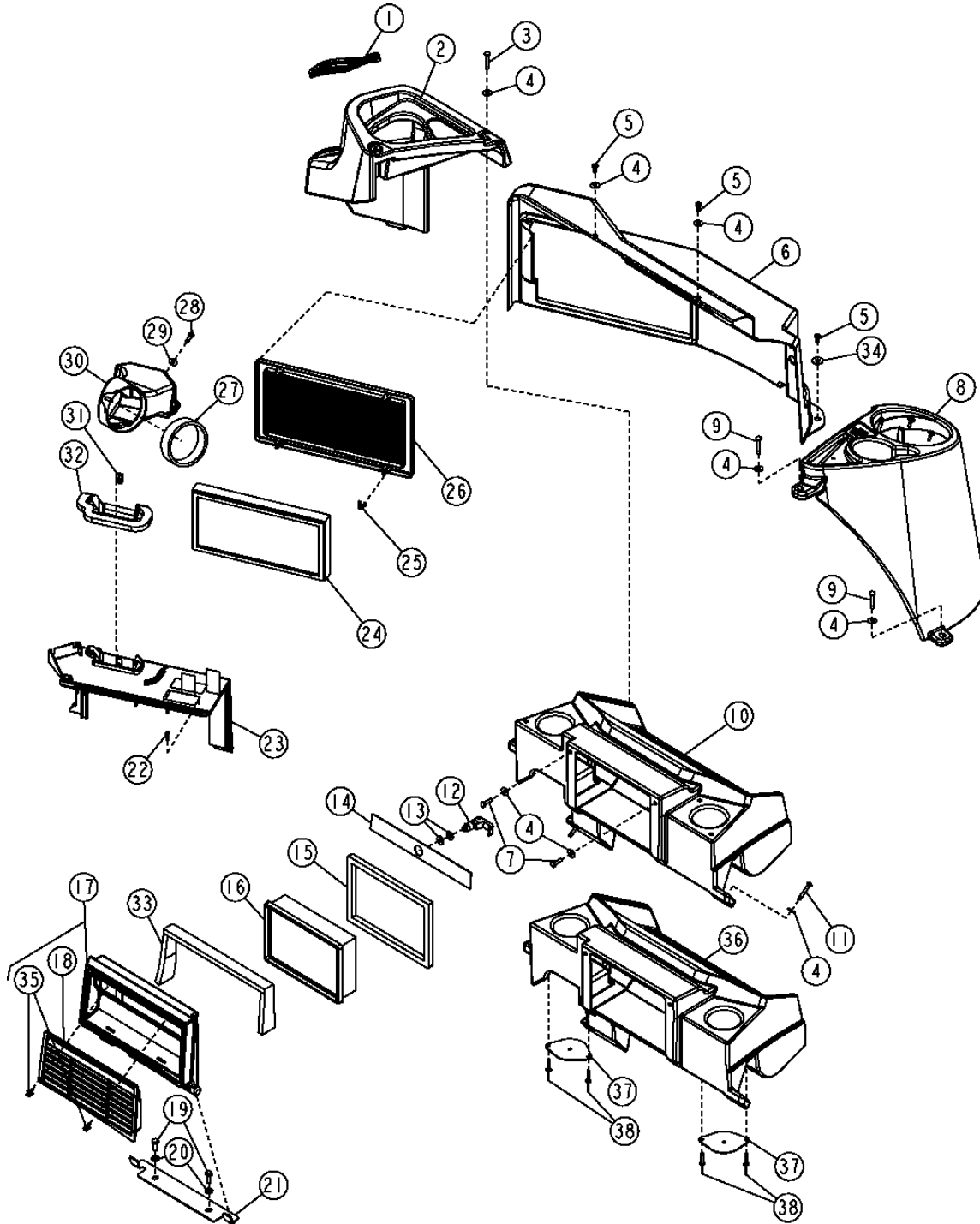
| KEY | PART NO. | PART NAME          | QTY. | SERIAL NO. | REMARKS  |
|-----|----------|--------------------|------|------------|--|
|     |          |                    |      |            | 3 3<br>3 1 1<br>1 0 5<br>0 S S<br>G G G            |
| 1   | T134874  | SELF-LOCKING SCREW | 3    |            | X X X M6 X 40, (SUB FOR 21M7403, THIS APPLICATION) |
| 2   | 24H1646  | WASHER             | 9    |            | X X X  |
| 3   | T185619  | COVER              | 1    |            | X X X STABILIZER CONTROL                           |
|     | AT304324 | COVER              | 1    |            | X X PILOT CONTROL                                  |
| 4   | AT304593 | COVER              | 1    |            | X X X CENTER, (SUB FOR T166875)                    |
| 5   | T133674  | SELF-LOCKING SCREW | 5    |            | X X X M6 X 16                                      |
| 6   | AM118928 | HANDLE             | 1    |            | X X X  |
| 7   | AT192122 | COVER              | 1    |            | X X X VANDAL PROTECTION                            |
| 8   | T184345  | RIVET              | 13   |            | X X X  |
| 9   | 14M7303  | FLANGE NUT         | 2    |            | X X X M6   |
| 10  | T185654  | PANEL              | 2    |            | X X X  |
| 11  | T185905  | ANGLE              | 1    |            | X X X  |
| 12  | T134896  | BUMPER             | 1    |            | X X X VANDAL PROTECTION                            |
| 13  | M72598   | QUICK LOCK PIN     | 1    |            | X X X  |
| 14  | T183151  | STRAP              | 1    |            | X X X  |
| 15  | T134874  | SELF-LOCKING SCREW | 2    |            | X X X M6 X 40                                      |
| 16  | T185653  | HOUSING            | 1    |            | X X X INSTRUMENT PANEL                             |
| 17  | T134895  | SELF-LOCKING SCREW | 2    |            | X X X M6 X 25                                      |
| 18  | T186552  | LABEL              | 1    |            | X X X TEMPERATURE AND FAN SPEED CONTROL            |
| 19  | 24M7207  | WASHER             | 3    |            | X X X  |

# 1816-12

INSTRUMENT & CONTROL MOUNTING STRUCTURE 1816  
SIDE INSTRUMENT PANEL HOUSING AND STABILIZER LEVER COVER (CAB)  
LOGEMENT DE TABLEAU DE BORD LATÉRAL ET PROTECTION DE LEVIER DE STABILISATEUR (CABINE)  
CAJA DE TABLERO LATERAL DE INSTRUMENTOS Y CUBIERTA DE PALANCA DE ESTABILIZADOR (CABINA)

T147548

-UN-30OCT01



T147548

# 1816-13

OPERATOR'S STATION 18

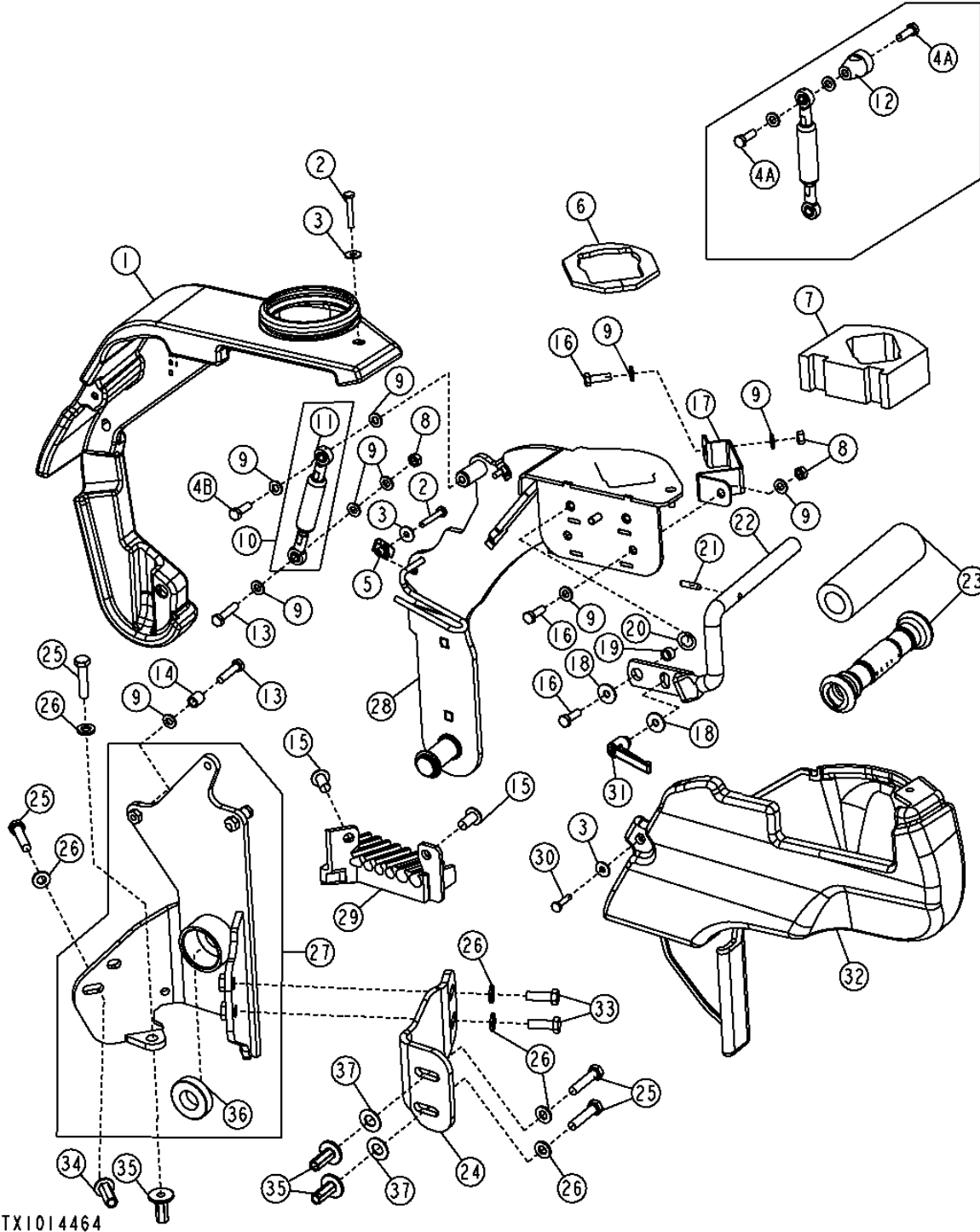
INSTRUMENT & CONTROL MOUNTING STRUCTURE 1816  
**SIDE INSTRUMENT PANEL HOUSING AND STABILIZER LEVER COVER (CAB)**  
**LOGEMENT DE TABLEAU DE BORD LATÉRAL ET PROTECTION DE LEVIER DE STABILISATEUR (CABINE)**  
**CAJA DE TABLERO LATÉRAL DE INSTRUMENTOS Y CUBIERTA DE PALANCA DE ESTABILIZADOR (CABINA)**

| KEY | PART NO.            | PART NAME          | QTY.   | SERIAL NO. | REMARKS   |
|-----|---------------------|--------------------|--------|------------|---|
|     |                     |                    |        |            | 3 3<br>3 1 1<br>1 0 5<br>0 S S<br>G G G   |
| 1   | .....               | ISOLATOR           | 1      |            | X X X (CUT TO LENGTH, 445 MM) (MAKE FROM T58056)  |
| 2   | T185494<br>AT304891 | COVER<br>COVER     | 1<br>1 |            | X X X STABILIZER CONTROL<br>X X STABILIZER CONTROL (FOR PILOT CONTROL WITH SELECTOR VALVE) (SUB FOR AT280255) |
|     | .....               | PLUG               | 1      |            | ( T163309 NLA) (SELECTOR VALVE SWITCH PLUG) (SUB T207060)   |
| 3   | T134874             | SELF-LOCKING SCREW | 3      |            | X X M6 X 40, (SUB FOR 21M7403, THIS APPLICATION)  |
| 4   | 24H1821             | WASHER             | 12     |            | X X X   |
| 5   | T133674             | SELF-LOCKING SCREW | 5      |            | X X X M6 X 16, (SUB FOR 21M7292, THIS APPLICATION)  |
| 6   | T166874             | COVER              | 1      |            | X X X CENTER  |
| 7   | T134895             | SELF-LOCKING SCREW | 2      |            | X X X M6 X 25   |
| 8   | T185493             | COVER              | 1      |            | X X X LOADER CONTROL  |
| 9   | T134874             | SELF-LOCKING SCREW | 3      |            | X X X M6 X 40, (SUB FOR 21M7403, THIS APPLICATION)  |
| 10  | T185495             | HOUSING            | 1      |            | X X X INSTRUMENT PANEL (AIR CONDITIONING)   |
| 11  | T134874             | SELF-LOCKING SCREW | 2      |            | X X X M6 X 40   |
| 12  | AT222150            | LATCH              | 1      |            | X X X   |
| 13  | 24H1136             | WASHER             | 2      |            | X X X   |
| 14  | T185896             | ISOLATOR           | 1      |            | X X X   |
| 15  | T185770             | ISOLATOR           | 1      |            | X X X   |
| 16  | AT191102            | AIR FILTER         | 1      |            | X X X FRESH AIR   |
| 17  | AT185396            | COVER              | 1      |            | X X X FRESH AIR   |
| 18  | T165808             | GRILLE             | 1      |            | X X X   |
| 19  | 19M7881             | SCREW              | 2      |            | X X X M8 X 20   |
| 20  | 24M7238             | WASHER             | 2      |            | X X X   |
| 21  | T184164             | BRACKET            | 1      |            | X X X   |
| 22  | T184620             | SCREW              | 4      |            | X X X   |
| 23  | T164620             | HOUSING            | 1      |            | X X X TOP ACCESS  |
| 24  | AT184590            | AIR FILTER         | 1      |            | X X X   |
| 25  | R120160             | CLIP               | 4      |            | X X X   |
| 26  | T164621             | GRILLE             | 1      |            | X X X   |
| 27  | T185844             | ISOLATOR           | 1      |            | X X X   |
| 28  | 19M7933             | CAP SCREW          | 2      |            | X X X M6 X 25   |
| 29  | 24M7139             | WASHER             | 2      |            | X X X   |
| 30  | T166322             | AIR DUCT           | 1      |            | X X X   |
| 31  | M84972              | NUT                | 1      |            | X X X   |
| 32  | T184370             | SEAL               | 1      |            | X X X   |
| 33  | T187110             | ISOLATOR           | 1      |            | X X X   |
| 34  | 24M7207             | WASHER             | 3      |            | X X X   |
| 35  | T184214             | RIVET              | 2      |            | X X X   |
| 36  | T185651             | HOUSING            | 1      |            | X X X INSTRUMENT PANEL (HEATER)   |
| 37  | T185652             | PANEL              | 2      |            | X X X   |
| 38  | T184345             | RIVET              | 4      |            | X X X   |

# 1816-14

INSTRUMENT & CONTROL MOUNTING STRUCTURE 1816  
PILOT CONTROLLER ARM (LEFT SIDE)  
BRAS DE COMMANDE PILOTE (COTE GAUCHE)  
BRAZO DE PALANCA DE CONTROL PILOTO (LADO IZQUIERDO)

TX1014464 -UN-



TX1014464



# 1816-15

OPERATOR'S STATION 18

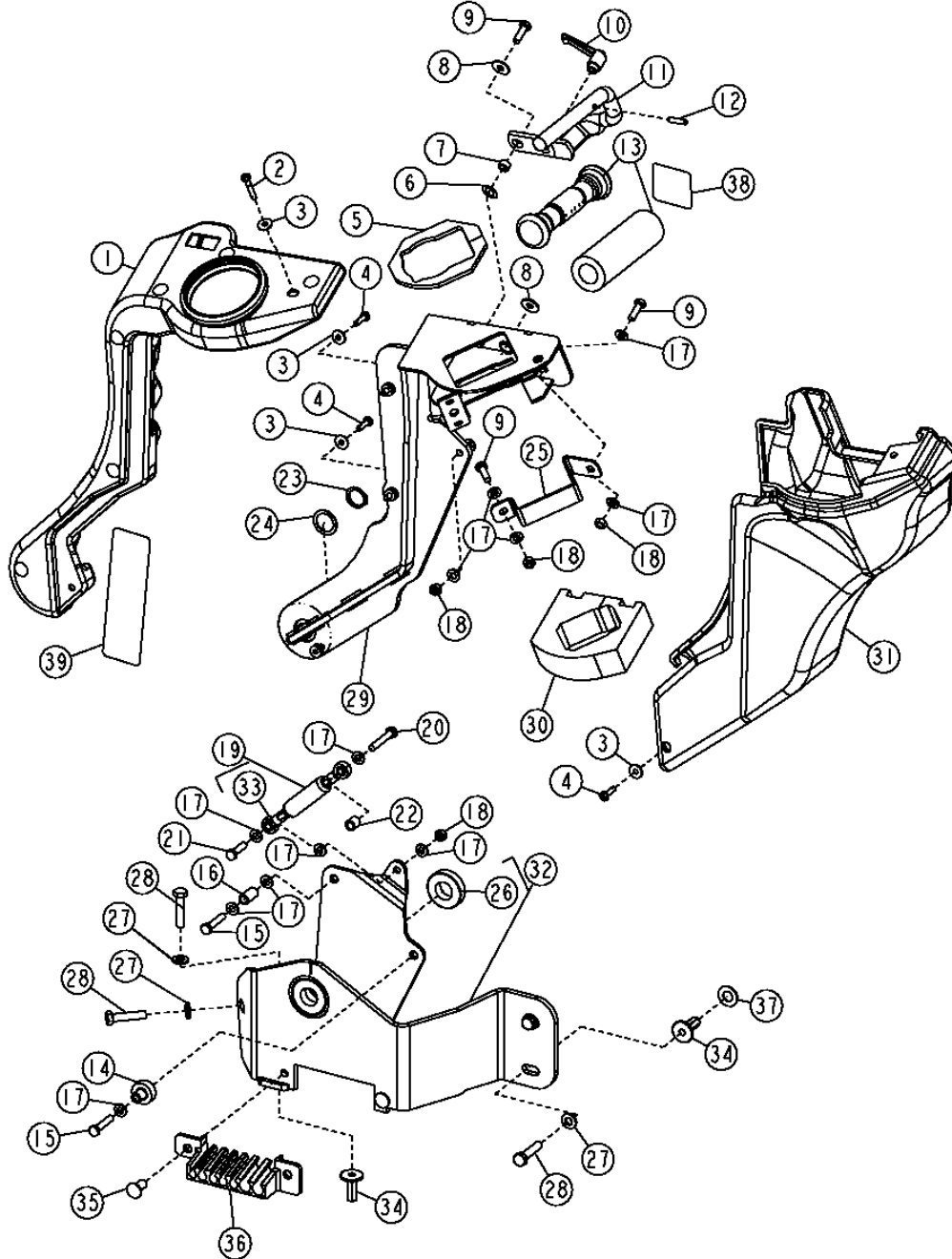
INSTRUMENT & CONTROL MOUNTING STRUCTURE 1816  
**PILOT CONTROLLER ARM (LEFT SIDE)**  
**BRAS DE COMMANDE PILOTE (COTE GAUCHE)**  
**BRAZO DE PALANCA DE CONTROL PILOTO (LADO IZQUIERDO)**

| KEY | PART NO. | PART NAME             | QTY. | SERIAL NO. | REMARKS                         |
|-----|----------|-----------------------|------|------------|---------------------------------|
|     |          |                       |      |            | 3 3                             |
|     |          |                       |      |            | 3 1 1                           |
|     |          |                       |      |            | 1 0 5                           |
|     |          |                       |      |            | 0 S S                           |
|     |          |                       |      |            | G G G                           |
| 1   | AT199591 | COVER                 | 1    |            | X X                             |
| 2   | T134874  | SELF-LOCKING SCREW    | 3    |            | X X M6 X 40                     |
| 3   | 24H1646  | WASHER                | 5    |            | X X                             |
| 4A  | .....    | CAP SCREW             | 2    | -943052    | X X                             |
| 4B  | 19M7407  | CAP SCREW             | 1    | 943053-    | X X M8 X 25                     |
| 5   | R120332  | NUT                   | 2    |            | X X                             |
| 6   | T190998  | ISOLATOR              | 1    |            | X X                             |
| 7   | T190999  | ISOLATOR              | 1    |            | X X                             |
| 8   | 14M7273  | NUT                   | 4    |            | X X M8                          |
| 9   | 24M7238  | WASHER                | 9    |            | X X                             |
| 10  | AT280674 | GAS OPERATED CYLINDER | 1    |            | X X                             |
| 11  | AM102062 | LINK END              | 2    |            | X X                             |
| 12  | T213244  | BUSHING               | 1    | -943052    | X X                             |
| 13  | 19M8008  | CAP SCREW             | 3    |            | X X M8 X 35                     |
| 14  | 28H3376  | SPACER                | 2    |            | X X                             |
| 15  | MT2485   | PLUG                  | 2    |            | X X FASTENER, (SUB FOR T161380) |
| 16  | 19M7407  | CAP SCREW             | 3    |            | X X M8 X 25                     |
| 17  | T190868  | STRAP                 | 1    |            | X X                             |
| 18  | 24M7298  | WASHER                | 2    |            | X X                             |
| 19  | 28H3392  | WASHER                | 1    |            | X X                             |
| 20  | M87534   | SPRING WASHER         | 1    |            | X X                             |
| 21  | T190956  | PIN                   | 1    |            | X X                             |
| 22  | AT300750 | BRACKET               | 1    |            | X X                             |
| 23  | AT303853 | SLEEVE                | 1    |            | X X                             |
| 24  | T190912  | SUPPORT               | 1    |            | X X                             |
| 25  | 19M7572  | CAP SCREW             | 4    |            | X X M10 X 45                    |
| 26  | 24M7239  | WASHER                | 5    |            | X X                             |
| 27  | AT198778 | SUPPORT               | 1    |            | X X                             |
| 28  | AT198777 | ARM                   | 1    |            | X X                             |
| 29  | T190960  | GUIDE                 | 1    |            | X X                             |
| 30  | T134895  | SELF-LOCKING SCREW    | 2    |            | X X M6 X 25                     |
| 31  | AT227063 | LEVER                 | 1    |            | X X                             |
| 32  | AT199592 | COVER                 | 1    |            | X X                             |
| 33  | 19M7662  | CAP SCREW             | 2    |            | X X M10 X 30                    |
| 34  | T148410  | NUT                   | 2    |            | X X M10                         |
| 35  | H173411  | NUT                   | 3    |            | X X M10                         |
| 36  | JD10373  | BALL BEARING          | 2    |            | X X                             |
| 37  | 24H1261  | WASHER                | 2    |            | X X                             |

# 1816-16

INSTRUMENT & CONTROL MOUNTING STRUCTURE 1816  
PILOT CONTROLLER ARM (RIGHT SIDE)  
BRAS DE COMMANDE PILOTE (COTE DROIT)  
BRAZO DE PALANCA DE CONTROL PILOTO (LADO DERECHA)

T199111 -UN-07APR04



T199111

# 1816-17

OPERATOR'S STATION 18

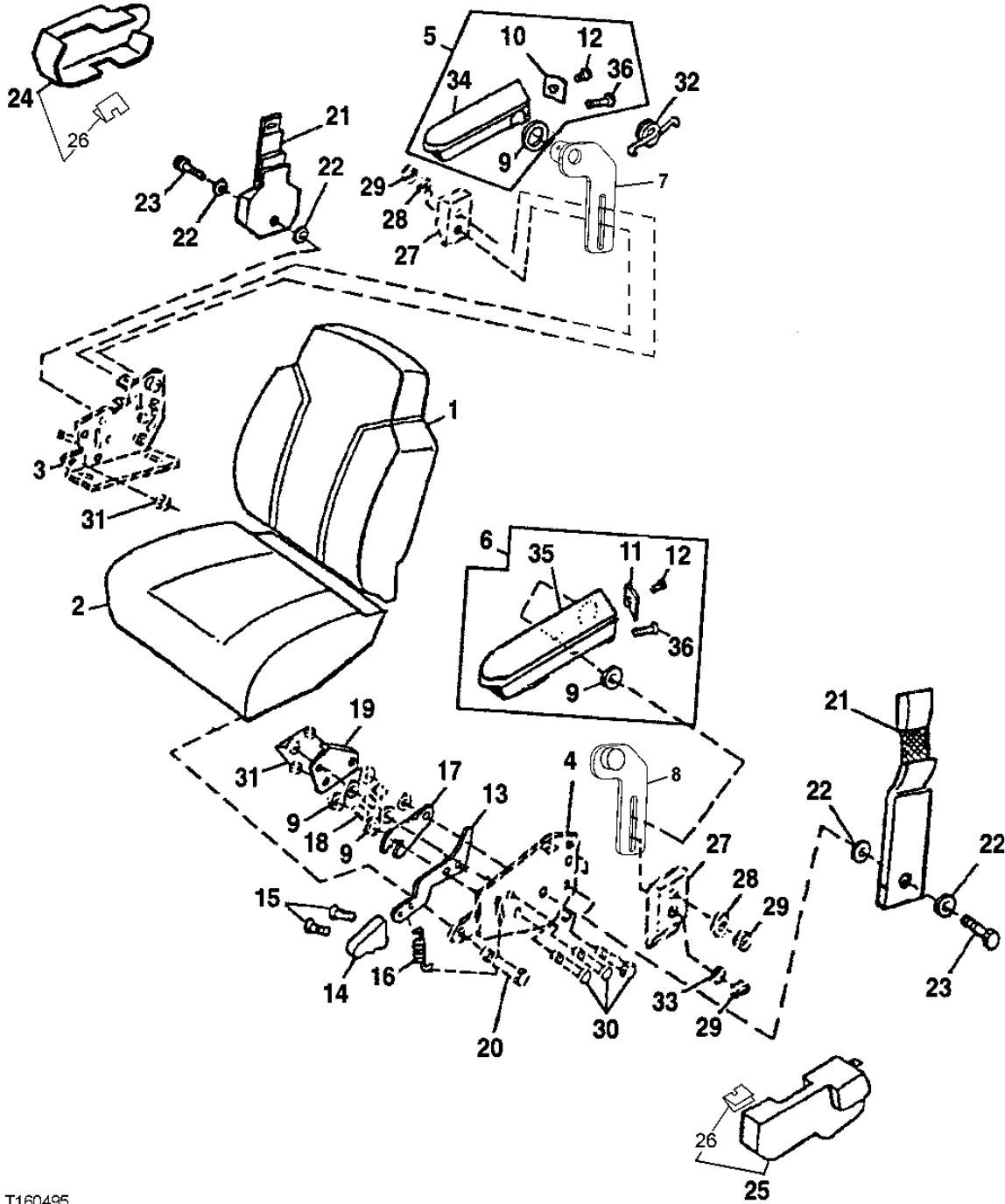
INSTRUMENT & CONTROL MOUNTING STRUCTURE 1816  
 PILOT CONTROLLER ARM (RIGHT SIDE)  
 BRAS DE COMMANDE PILOTE (DROIT COTE)  
 BRAZO DE PALANCA DE CONTROL PILOTO (LADO DERECHO)

| KEY | PART NO. | PART NAME             | QTY. | SERIAL NO. | REMARKS                       |
|-----|----------|-----------------------|------|------------|-------------------------------|
|     |          |                       |      |            | 3 3                           |
|     |          |                       |      |            | 3 1 1                         |
|     |          |                       |      |            | 1 0 5                         |
|     |          |                       |      |            | 0 S S                         |
|     |          |                       |      |            | G G G                         |
| 1   | AT199594 | COVER                 | 1    |            | X                             |
| 2   | T134874  | SELF-LOCKING SCREW    | 1    |            | X M6 X 40                     |
| 3   | 24H1646  | WASHER                | 5    |            | X                             |
| 4   | T134895  | SELF-LOCKING SCREW    | 4    |            | X M6 X 25                     |
| 5   | T191000  | ISOLATOR              | 1    |            | X                             |
| 6   | M87534   | SPRING WASHER         | 1    |            | X                             |
| 7   | 28H3392  | WASHER                | 1    |            | X                             |
| 8   | 24M7298  | WASHER                | 2    |            | X                             |
| 9   | 19M7407  | CAP SCREW             | 3    |            | X M8 X 25                     |
| 10  | AT227063 | LEVER                 | 1    |            | X                             |
| 11  | AT300885 | BRACKET               | 1    |            | X                             |
| 12  | T190956  | PIN                   | 1    |            | X                             |
| 13  | AT303853 | SLEEVE                | 1    |            | X                             |
| 14  | T202720  | BUSHING               | 1    |            | X                             |
| 15  | 19M7922  | CAP SCREW             | 2    |            | X M8 X 40                     |
| 16  | 28H3390  | SPACER                | 1    |            | X                             |
| 17  | 24M7238  | WASHER                | 14   |            | X                             |
| 18  | 14M7273  | NUT                   | 4    |            | X M8                          |
| 19  | AT280674 | GAS OPERATED CYLINDER | 1    |            | X                             |
| 20  | 19M8397  | CAP SCREW             | 1    |            | X M8 X 50                     |
| 21  | 19M7513  | CAP SCREW             | 1    |            | X M8 X 30                     |
| 22  | 28H3376  | SPACER                | 1    |            | X                             |
| 23  | W23122   | SNAP RING             | 1    |            | X                             |
| 24  | 24H1844  | WASHER                | 1    |            | X                             |
| 25  | T190868  | STRAP                 | 1    |            | X                             |
| 26  | JD10373  | BALL BEARING          | 2    |            | X                             |
| 27  | 24M7239  | WASHER                | 5    |            | X                             |
| 28  | 19M7572  | CAP SCREW             | 4    |            | X M10 X 45                    |
| 29  | AT198776 | ARM                   | 1    |            | X                             |
| 30  | T190999  | ISOLATOR              | 1    |            | X                             |
| 31  | AT199595 | COVER                 | 1    |            | X                             |
| 32  | AT198865 | SUPPORT               | 1    |            | X                             |
| 33  | AM102062 | LINK END              | 2    |            | X                             |
| 34  | H173411  | NUT                   | 6    |            | X M10                         |
| 35  | MT2485   | PLUG                  | 2    |            | X FASTENER, (SUB FOR T161380) |
| 36  | T190964  | GUIDE                 | 1    |            | X                             |
| 37  | 24H1261  | WASHER                | 2    |            | X                             |
| 38  | T200658  | SAFETY SIGN           | 1    |            | X                             |
| 39  | T200781  | LABEL                 | 1    |            | X (BACKHOE CONTROLS)          |

# 1821-2

SEAT/SEAT BELTS/ARM REST  
SIEGE/CEINTURE DE SECURITE/ACCOUDOIR  
ASIENTO/CINTURON DE SEGURIDAD/REPOSABRAZOS

T160495 -UN-21OCT02



T160495

# 1821-3

OPERATOR'S STATION 18  
SEAT AND SEAT BELTS 1821

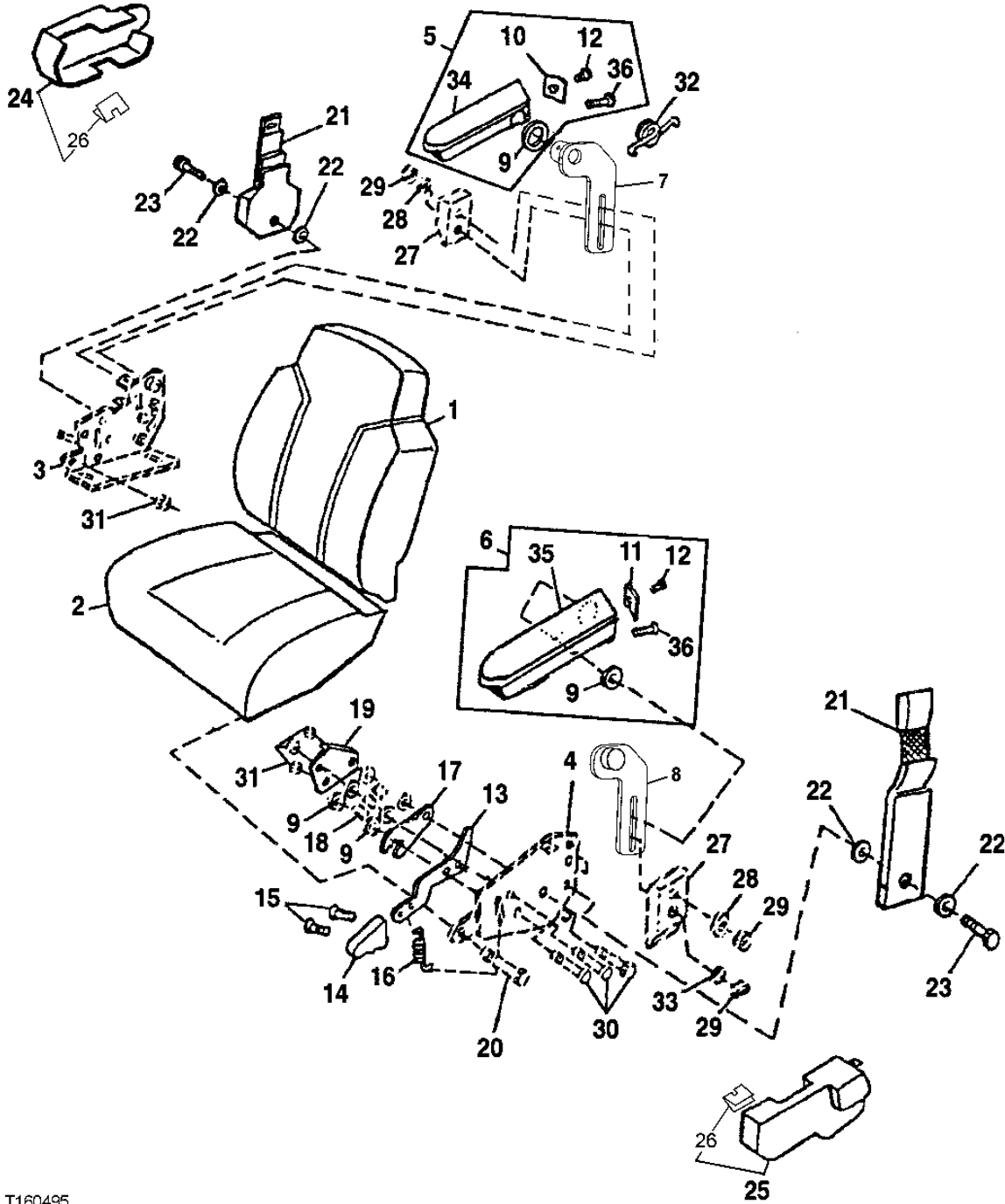
SEAT/SEAT BELTS/ARM RESTS  
SIEGE/CEINTURE DE SECURITE/ACCOUDOIR  
ASIENTO/CINTURON DE SEGURIDAD/REPOSABRAZOS

| KEY | PART NO. | PART NAME | QTY. | SERIAL NO. | REMARKS   |
|-----|----------|-----------|------|------------|---|
|     |          |           |      |            | 3 3   |
|     |          |           |      |            | 3 1 1   |
|     |          |           |      |            | 1 0 5   |
|     |          |           |      |            | 0 S S   |
|     |          |           |      |            | G G G   |
| 1   | AT308796 | CUSHION   | 1    |            | X X X (CLOTH, BACK PAD) (SUB FOR AT221020)  |
|     | AT221016 | PAD       | 1    |            | X X X (VINYL, BACK PAD)   |
|     | T171686  | CLIP      | 4    |            | X X X   |
| 2   | AT308797 | CUSHION   | AR   |            | X X X (HEADREST OPTIONAL)   |
|     | AT308795 | CUSHION   | 1    |            | X X X (SEAT PAD, CLOTH) (SUB FOR AT221019)  |
|     | AT221015 | SEAT      | 1    |            | X X X (SEAT PAD, VINYL)   |
| 3   | .....    | PLATE     | 1    |            | X X X (RH BACKREST ANGLE ADJUSTMENT)  |
| 4   | .....    | PLATE     | 1    |            | X X X (LH BACKREST ANGLE ADJUSTMENT)  |
| 5   | AT312730 | ARMREST   | 1    |            | X X X RH. (SUB FOR AT186152)  |
| 6   | AT312728 | ARMREST   | 1    |            | X X X (LH) (SUB FOR AT186156)   |
| 7   | AT189059 | BRACKET   | 1    |            | X X X (RH ARM REST ASSEMBLY)  |
| 8   | AT189030 | BRACKET   | 1    |            | X X X (LH ARM REST ASSEMBLY)  |
| 9   | T120545  | WASHER    | 2    |            | X X X (WAVE)  |
| 10  | T166226  | PLATE     | 1    |            | X X X (RH COVER)  |
| 11  | T166227  | PLATE     | 1    |            | X X X (LH COVER)  |
| 12  | T120543  | SCREW     | 2    |            | X X X (SET SCREW)   |
| 13  | AT209225 | KIT       | 1    |            | X X X (RECLINER) INCL EXTENSION SPRING,<br>TORSION SPRING, BACKING PLATE, LATCH,<br>SPACERS AND HARDWARE. |
|     | .....    | LEVER     | 1    |            | X X X   |
| 14  | AT209025 | KIT       | 1    |            | X X X (KNOB AND SCREW) (RECLINER)   |
| 15  | 37H121   | SCREW     | 2    |            | X X X (RECLINER KNOB)   |
| 16  | .....    | SPRING    | 1    |            | X X X (TILT LEVER)  |
| 17  | .....    | LATCH     | 1    |            | X X X (RECLINER-SAW TOOTH)  |
| 18  | .....    | SPACER    | 3    |            | X X X (BETWEEN SMALL AND LARGE PLATE) (TILT<br>LEVER)   |
| 19  | .....    | PLATE     | 1    |            | X X X (SMALL 3-HOLE INSIDE PLATE)   |

# 1821-3A

SEAT / SEAT BELTS / ARM REST (CONTINUED)  
SIEGE / CEINTURE DE SECURITE / ACCOUDOIR (SUITE)  
ASIENTO / CINTURON DE SEGURIDAD / REPOSABRAZOS (CONTINUACION)

T160495 -UN-21OCT02



T160495

# 1821-3B

OPERATOR'S STATION 18  
SEAT AND SEAT BELTS 1821

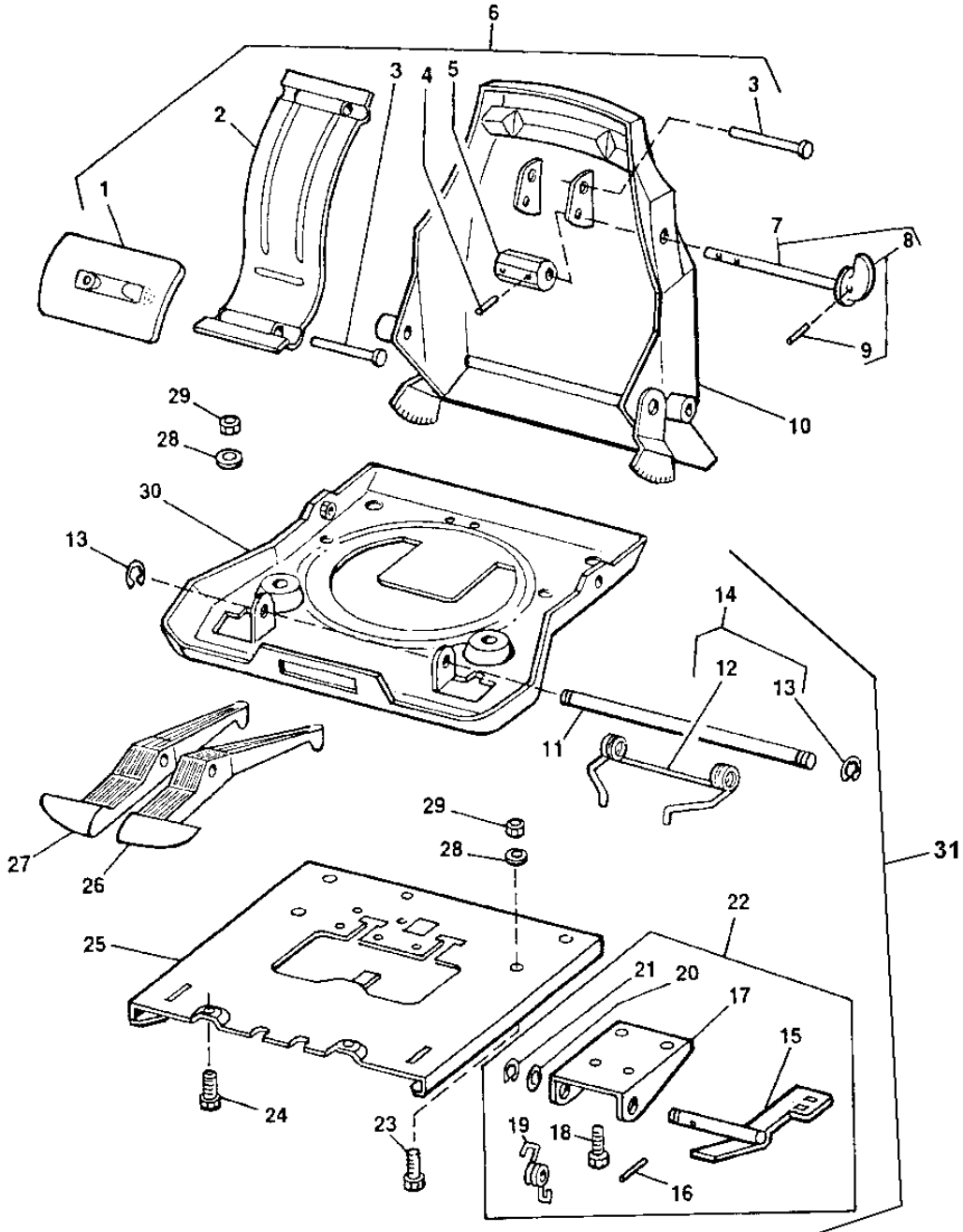
SEAT / SEAT BELTS / ARM RESTS (CONTINUED)  
SIEGE / CEINTURE DE SECURITE / ACCOUDOIR (SUITE)  
ASIENTO / CINTURON DE SEGURIDAD / REPOSABRAZOS (CONTINUACION)

| KEY | PART NO. | PART NAME | QTY. | SERIAL NO. | REMARKS   |
|-----|----------|-----------|------|------------|---|
|     |          |           |      |            | 3 3   |
|     |          |           |      |            | 3 1 1   |
|     |          |           |      |            | 1 0 5   |
|     |          |           |      |            | 0 S S   |
|     |          |           |      |            | G G G   |
| 20  | 19H1813  | CAP SCREW | 2    |            | X X X 5/16" X 5/8", (TILT LEVER)  |
|     | 24H1136  | WASHER    | 2    |            | X X X   |
| 21  | AT179423 | SEAT BELT | 1    |            | X X X (2 INCH) (ALSO ORDER (4) T105740 AND (2) 19H2109)                     |
|     | AT308199 | SEAT BELT | 1    |            | X X X (3 INCH) (ALSO ORDER (4) T105740 AND (2) 19H2109) (SUB FOR AT178065)  |
| 22  | T105740  | WASHER    | 4    |            | X X X (SEAT BELT)   |
| 23  | 19H2109  | CAP SCREW | 2    |            | X X X 7/16" X 1-1/4", (SEAT BELT)   |
| 24  | T160896  | COVER     | 1    |            | X X X (SEAT BELT) (RH) REQUIRES SCREWS                                      |
| 25  | T163962  | COVER     | 1    |            | X X X (SEAT BELT) (LH) REQUIRES SCREWS, (SUB FOR T160895, THIS APPLICATION) |
| 26  | .....    | CLIP      | 1    |            | X X X   |
| 27  | .....    | SPACER    | 2    |            | X X X   |
| 28  | .....    | WASHER    | 4    |            | X X X   |
| 29  | .....    | NUT       | 4    |            | X X X   |
| 30  | 19H1914  | CAP SCREW | 3    |            | X X X 1/4" X 1"   |
|     | 24H1287  | WASHER    | 6    |            | X X X   |
| 31  | M453T    | LOCK NUT  | 3    |            | X X X 1/4", (RECLINER)  |
| 32  | .....    | SPRING    | 1    |            | X X X SEAT BACK   |
| 33  | .....    | WASHER    | 2    |            | X X X   |
| 34  | .....    | ARMREST   | 1    |            | X X X (RH)  |
| 35  | .....    | ARMREST   | 1    |            | X X X (LH)  |
| 36  | T120544  | SCREW     | 2    |            | X X X   |

# 1821-4

SEAT SLIDE AND LUMBAR ADJUSTER CONTROL LEVERS  
GLISSIERE DE SIEGE ET LEVIERS DE COMMANDE DE REGLAGE  
PALANCAS DE CONTROL DE DESLIZAMIENTO Y DE AJUSTE DEL ASIENTO

T144454 -UN-08AUG01



T144454



# 1821-5

OPERATOR'S STATION 18  
SEAT AND SEAT BELTS 1821

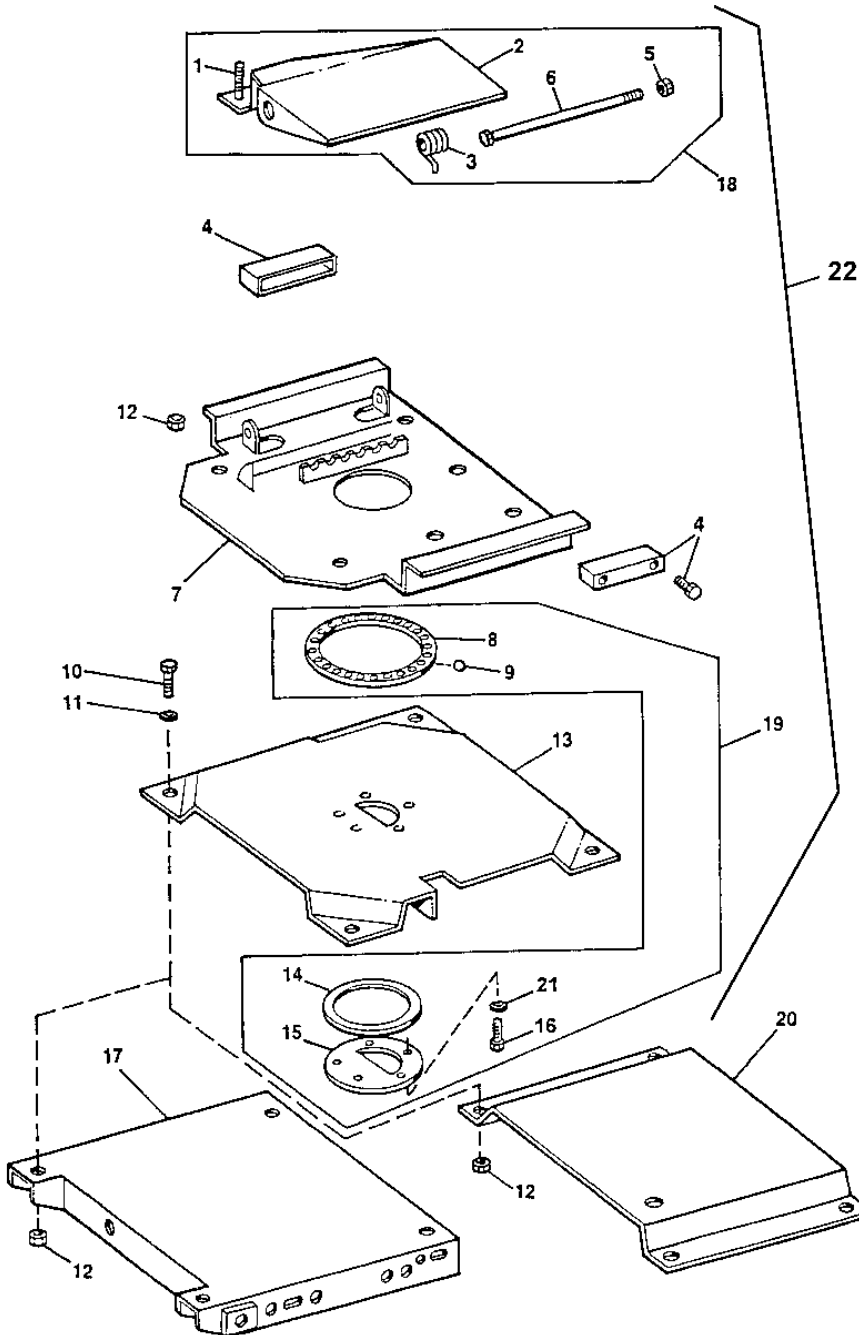
**SEAT SLIDE AND LUMBAR ADJUSTER CONTROL LEVERS**  
**GLISSIERE DE SIEGE ET LEVIERS DE COMMANDE DE REGLAGE**  
**PALANCAS DE CONTROL DE DESLIZAMIENTO Y DE AJUSTE DEL ASIENTO**

| KEY | PART NO. | PART NAME      | QTY. | SERIAL NO. | REMARKS  |
|-----|----------|----------------|------|------------|--|
|     |          |                |      |            | 3 3  |
|     |          |                |      |            | 3 1 1  |
|     |          |                |      |            | 1 0 5  |
|     |          |                |      |            | 0 S S  |
|     |          |                |      |            | G G G  |
| 1   | .....    | PADDLE         | 1    |            | X X X  |
| 2   | .....    | TORSION SPRING | 1    |            | X X X  |
| 3   | .....    | NAIL           | 2    |            | X X X  |
| 4   | 34H387   | SPRING PIN     | 1    |            | X X X 3/16" X 3/4"   |
| 5   | .....    | CAM            | 1    |            | X X X  |
| 6   | AT209026 | KIT            | 1    |            | X X X (LUMBAR ADJUSTER)  |
| 7   | .....    | KNOB           | 1    |            | X X X WITH SHAFT (LUMBAR ADJUSTER)                                 |
| 8   | AT209024 | KIT            | 1    |            | X X X (LUMBAR ADJUSTER KNOB)                                       |
| 9   | 34H262   | SPRING PIN     | 1    |            | X X X 5/32" X 3/4"   |
| 10  | AT280583 | PAN            | 1    |            | X X X  |
| 11  | .....    | SHAFT          | 1    |            | X X X  |
| 12  | .....    | SPRING         | 1    |            | X X X (DOUBLE TORSION)   |
| 13  | R72655   | SNAP RING      | 2    |            | X X X  |
| 14  | AT179688 | KIT            | 1    |            | X X X (SLIDE LATCH SPRING)   |
| 15  | .....    | LATCH          | 1    |            | X X X  |
| 16  | 34H262   | SPRING PIN     | 1    |            | X X X 5/32" X 3/4"   |
| 17  | .....    | BRACKET        | 1    |            | X X X  |
| 18  | 19H1227  | CAP SCREW      | 4    |            | X X X 1/4" X 1/2"  |
| 19  | .....    | SPRING         | 1    |            | X X X  |
| 20  | 24H1305  | WASHER         | 2    |            | X X X  |
| 21  | R72655   | SNAP RING      | 1    |            | X X X  |
| 22  | AT179691 | KIT            | 1    |            | X X X (SLIDE CONTROL)  |
| 23  | .....    | BOLT           | 3    |            | X X X  |
| 24  | .....    | CAP SCREW      | 2    |            | X X X  |
| 25  | .....    | PLATE          | 1    |            | X X X  |
| 26  | .....    | CONTROL LEVER  | 1    |            | X X X (SWIVEL) (ORDER AT179692)                                    |
| 27  | .....    | CONTROL LEVER  | 1    |            | X X X (FORE-AFT) (ORDER AT179691)                                  |
| 28  | .....    | WASHER         | 2    |            | X X X  |
| 29  | .....    | NUT            | 2    |            | X X X  |
| 30  | AT191620 | PAN            | 1    |            | X X X  |
| 31  | AT179686 | KIT            | 1    |            | X X X INCLUDES SWIVEL SERVICE KIT, SWIVEL LATCH KIT AND SLIDE PUCK |

# 1821-6

SEAT SWIVEL AND SWIVEL LATCH  
PIVOTEMENT DE SIEGE ET VERROU DE PIVOTEMENT  
ADAPTADOR GIRATORIO DE ASIENTO Y BLOQUEO DE GIRO

T138328 -UN-20FEB01



T138328

# 1821-7

OPERATOR'S STATION 18  
SEAT AND SEAT BELTS 1821

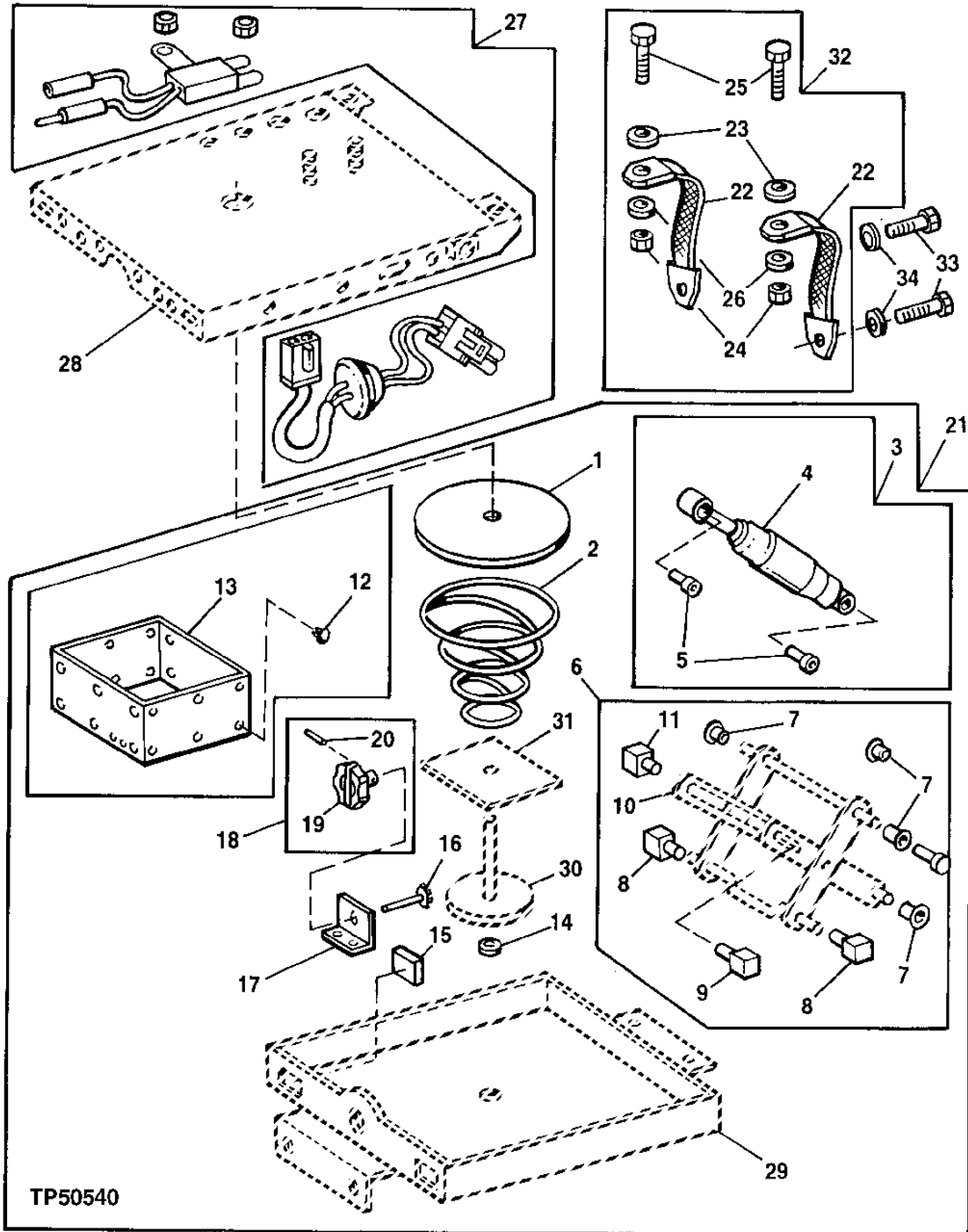
**SEAT SWIVEL AND SWIVEL LATCH  
PIVOTEMENT DE SIEGE ET VERROU DE PIVOTEMENT  
ADAPTADOR GIRATORIO DE ASIENTO Y BLOQUEO DE GIRO**

| KEY | PART NO. | PART NAME  | QTY. | SERIAL NO. | REMARKS  |
|-----|----------|------------|------|------------|--|
|     |          |            |      |            | 3 3  |
|     |          |            |      |            | 3 1 1  |
|     |          |            |      |            | 1 0 5  |
|     |          |            |      |            | 0 S S  |
|     |          |            |      |            | G G G  |
| 1   | .....    | CLIP       | 1    |            | X X X  |
| 2   | .....    | LOCK PLATE | 1    |            | X X X  |
| 3   | .....    | SPRING     | 1    |            | X X X  |
| 4   | AT209020 | KIT        | 1    |            | X X X (SLIDE PUCK)                                   |
| 5   | M47031   | LOCK NUT   | 1    |            | X X X (SUB FOR (2) R72655, THIS APPLICATION)         |
| 6   | .....    | BOLT       | 1    |            | X X X 3/8-16 X 8.5                                   |
| 7   | .....    | PLATE      | 1    |            | X X X (TOP SWIVEL)                                   |
| 8   | .....    | RETAINER   | 1    |            | X X X (BALL BEARING)                                 |
| 9   | M87261   | BALL       | 24   |            | X X X BEARING  |
| 10  | 19M7402  | CAP SCREW  | 4    |            | X X X M10 X 25                                       |
| 11  | 24M7239  | WASHER     | 4    |            | X X X  |
| 12  | M47031   | LOCK NUT   | 4    |            | X X X 9.525 MM                                       |
| 13  | .....    | PLATE      | 1    |            | X X X (BOTTOM SWIVEL)                                |
| 14  | .....    | PLATE      | 1    |            | X X X (BEARING)                                      |
| 15  | .....    | PLATE      | 1    |            | X X X (RETAINING)                                    |
| 16  | .....    | BOLT       | 5    |            | X X X (SHOULDER)                                     |
| 17  | .....    | TRAY       | 1    |            | X X X (UPPER) (WITH SUSPENDED SEAT)                  |
| 18  | AT179692 | KIT        | 1    |            | X X X (SWIVEL LATCH)                                 |
| 19  | AT179687 | KIT        | 1    |            | X X X (SWIVEL)                                       |
| 20  | .....    | PLATFORM   | 1    |            | X X X (WITH NON SUSPENDED SEAT)                      |
|     | AT186701 | PLATE      | 1    |            | X X X (AIR SUSPENSION TO SWIVEL)                     |
| 21  | 24M6504  | WASHER     | 5    |            | X X X  |
| 22  | AT179686 | KIT        | 1    |            | X X X INCLUDES SLIDE LATCH KIT AND SLIDE CONTROL KIT |

# 1821-8

SEAT SUSPENSION (WITH SUSPENDED SEAT)  
SUSPENSION DE SIEGE (AVEC SIEGE SUSPENDU)  
SUSPENSION DE ASIENTO (CON ASIENTO SUSPENDIDO)

TP50540 -UN-02JAN97



TP50540

# 1821-9

OPERATOR'S STATION 18  
SEAT AND SEAT BELTS 1821

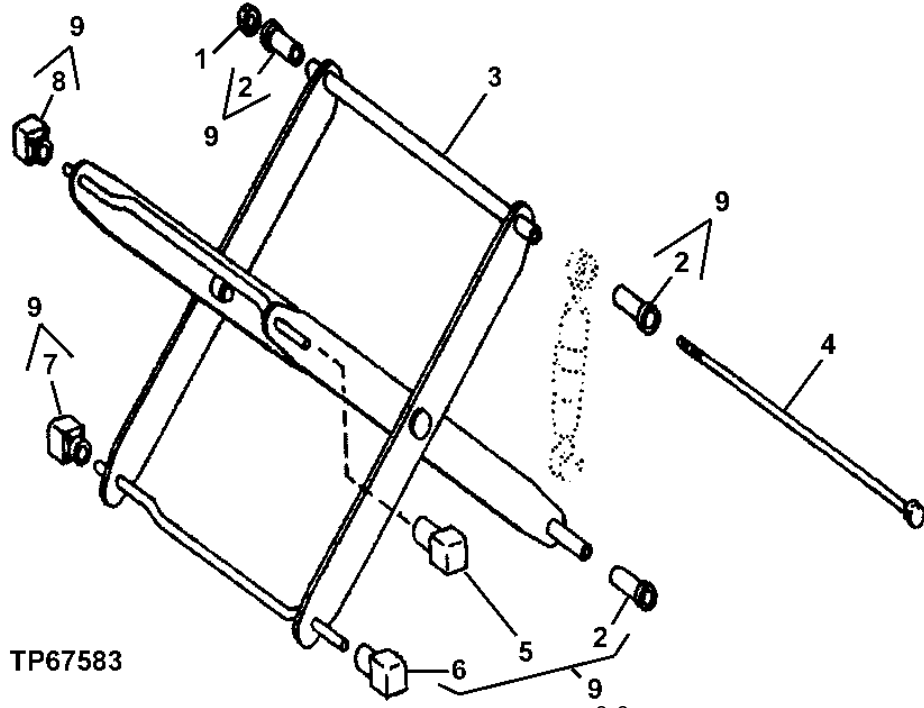
**SEAT SUSPENSION (WITH SUSPENDED SEAT)  
SUSPENSION DE SIEGE (AVEC SIEGE SUSPENDU)  
SUSPENSION DE ASIENTO (CON ASIENTO SUSPENDIDO)**

| KEY | PART NO. | PART NAME    | QTY. | SERIAL NO. | REMARKS  |
|-----|----------|--------------|------|------------|--|
|     |          |              |      |            | 3 3  |
|     |          |              |      |            | 3 1 1  |
|     |          |              |      |            | 1 0 5  |
|     |          |              |      |            | 0 S S  |
|     |          |              |      |            | G G G  |
| 1   | T55208   | PAD          | 1    |            | X X X  |
| 2   | AT125801 | SPRING       | 1    |            | X X X (REGULAR)  |
|     | T160315  | SPRING       | 1    |            | X X X (HEAVY DUTY)   |
| 3   | AT175436 | KIT          | 1    |            | X X X (SHOCK ABSORBER)   |
| 4   | .....    | ABSORBER     | 1    |            | X X X (SHOCK)  |
| 5   | T55222   | BUSHING      | 2    |            | X X X (SHOCK ABSORBER)   |
| 6   | AT106397 | KIT          | 1    |            | X X X (BEARING/BUSHING)  |
| 7   | .....    | BUSHING      | 4    |            | X X X  |
| 8   | .....    | PILLOW BLOCK | 2    |            | X X X  |
| 9   | .....    | PILLOW BLOCK | 1    |            | X X X  |
| 10  | .....    | FRAME        | 1    |            | X X X (SCISSOR)  |
| 11  | .....    | PILLOW BLOCK | 1    |            | X X X  |
| 12  | T63798   | PLUG         | 25   |            | X X X (FASTENER)   |
| 13  | AT179699 | BOOT         | 1    |            | X X X (VINYL)  |
| 14  | T158481  | WASHER       | 1    |            | X X X  |
| 15  | T55224   | BUMPER       | 2    |            | X X X  |
| 16  | AT175353 | GEAR         | 1    |            | X X X  |
| 17  | T55214   | ANGLE        | 1    |            | X X X  |
| 18  | AT125805 | KIT          | 1    |            | X X X (ADJUSTING KNOB)   |
| 19  | AT125829 | KNOB         | 1    |            | X X X  |
| 20  | 25H729   | GROOVE PIN   | 1    |            | X X X (ADJUSTING KNOB)   |
| 21  | AT186150 | KIT          | 1    |            | X X X (GUARDIAN SUSPENSION) (INCLUDES SEAT<br>SUSPENSION SCISSOR ARM SHOWN ON<br>ANOTHER PAGE) |
| 22  | .....    | BELT         | 2    |            | X X X (TETHER)   |
| 23  | M1340T   | WASHER       | 2    |            | X X X (TETHER)   |
| 24  | M47031   | LOCK NUT     | 2    |            | X X X 9.525 MM, (TETHER)   |
| 25  | 19H2676  | CAP SCREW    | 2    |            | X X X 3/8" X 1", (TETHER)  |
| 26  | 24H1305  | WASHER       | 2    |            | X X X (TETHER)   |
| 27  | AT179694 | KIT          | 1    |            | X X X (SEAT POSITION SWITCH) (2 BLACK WIRES -<br>8")   |
|     | AT304775 | KIT          | 1    |            | X X X (SUB FOR AT192687) (FORWARD SEAT<br>POSITION SWITCH) (2 BLACK WIRES -<br>28.5")          |
|     | AT304776 | KIT          | 1    |            | X X X (INCLUDES AT196793) (REAR SEAT POSITION<br>SWITCH) (WITH PILOT CONTROLS)                 |
|     | AT196793 | SWITCH       | 1    |            | X X X (REAR SEAT POSITION) (WITH PILOT<br>CONTROLS) (2 GRAY - 28.5")                           |
| 28  | .....    | TRAY         | 1    |            | X X X (UPPER)  |
| 29  | .....    | TRAY         | 1    |            | X X X (LOWER)  |
| 30  | .....    | GEAR         | 1    |            | X X X (LARGE BASE)   |
| 31  | .....    | PLATE        | 1    |            | X X X (SPRING SUPPORT)   |
| 32  | AT179693 | KIT          | 1    |            | X X X (TETHER BELT SET)  |
| 33  | 19M7402  | CAP SCREW    | 4    |            | X X X M10 X 25   |
| 34  | 24M7239  | WASHER       | 4    |            | X X X  |

# 1821-10

SEAT SUSPENSION ARMS AND SHAFT  
BRAS ET ARBRE DE SUSPENSION DE SIEGE  
BRAZOS Y EJE DE SUSPENSION DE ASIENTO

TP67583 -UN-20AUG99



TP67583

3 3  
3 1 1  
1 0 5  
0 S S  
G G G

| KEY | PART NO. | PART NAME   | QTY. | SERIAL NO. | REMARKS                         |
|-----|----------|-------------|------|------------|---------------------------------|
| 1   | BP12214  | RETAINER    | 2    | X X        |                                 |
| 2   | .....    | BUSHING     | 4    | X X        |                                 |
| 3   | AT191619 | ARM         | 1    |            | (SCISSOR) (ALSO ORDER AT106397) |
| 4   | E67574   | SHAFT       | 2    | X X        |                                 |
| 5   | .....    | END         | 1    | X X        | (A)                             |
| 6   | .....    | END         | 1    | X X        | (A)                             |
| 7   | .....    | END         | 1    | X X        | (A)                             |
| 8   | .....    | END         | 1    | X X        | (A)                             |
| 9   | AT106397 | BEARING KIT | 1    | X X        |                                 |

- (A) SLIDER BLOCK
- (A) COULISSEAU
- (A) BLOQUE DESLIZANTE

# 1821-11

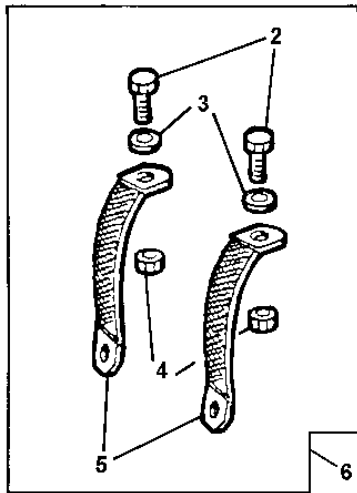
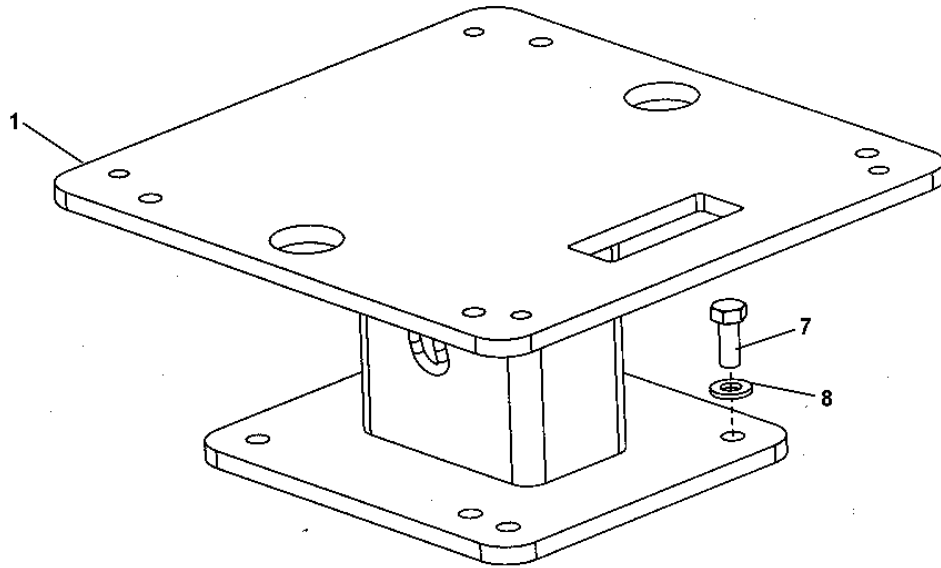
OPERATOR'S STATION 18  
SEAT AND SEAT BELTS 1821

MEMORANDA  
MEMORANDA  
MEMORANDA

# 1821-12

SEAT BASE AND TETHER BELT (WITH NON-SUSPENDED SEAT)  
BASE DE SIEGE ET REGLAGE DE HAUTEUR (AVEC SIEGE NON-SUSPENDU)  
BASE DEL ASIENTO Y AJUSTADOR DE ALTURA (CON ASIENTO NO-SUSPENDIDO)

T134229 -UN-06OCT00



T134229

THIS PARTS LISTING IS CONTINUED



# 1821-13

OPERATOR'S STATION 18  
SEAT AND SEAT BELTS 1821

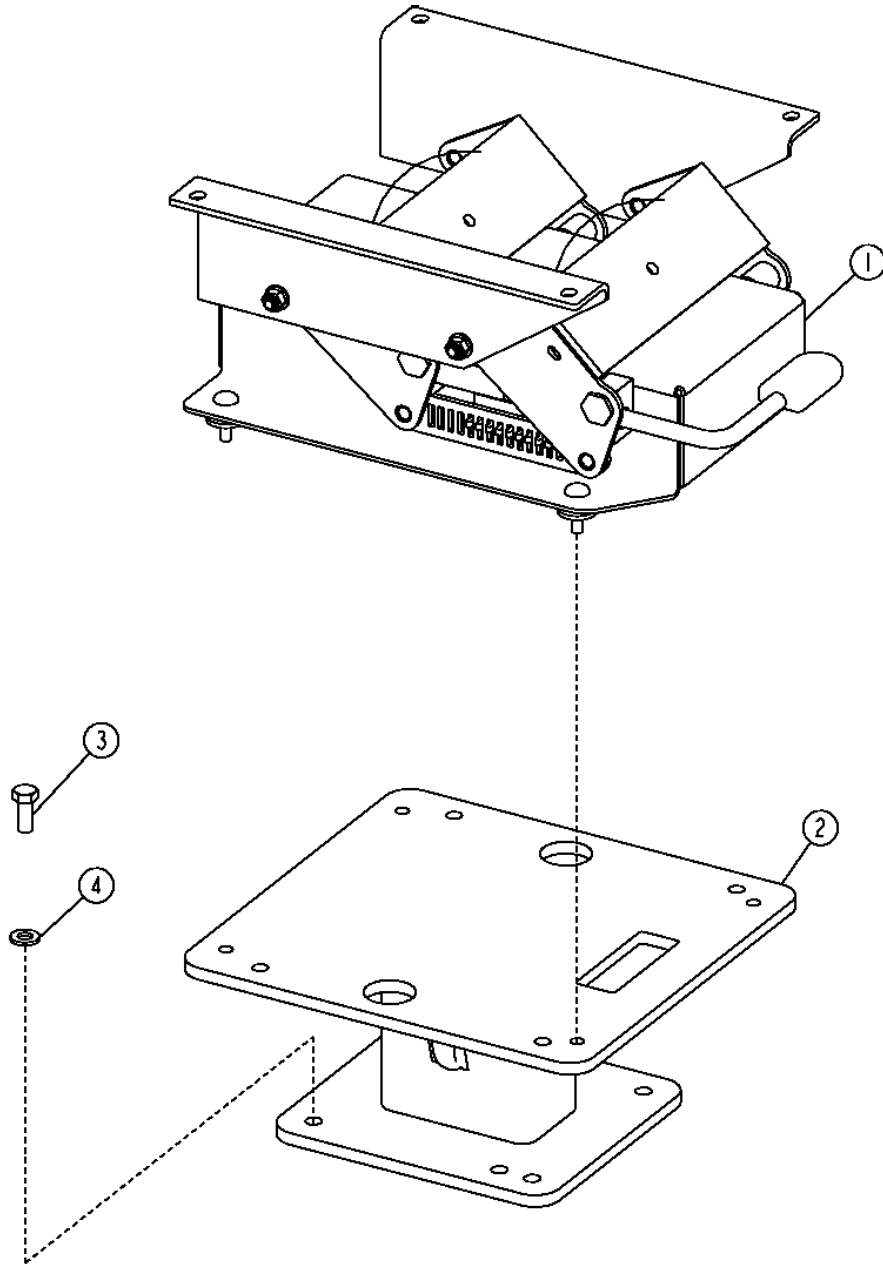
**SEAT BASE AND TETHER BELT (WITH NON-SUSPENDED SEAT)**  
**BASE DE SIEGE ET REGLAGE DE HAUTEUR (AVEC SIEGE NON-SUSPENDU)**  
**BASE DEL ASIENTO Y AJUSTADOR DE ALTURA (CON ASIENTO NO-SUSPENDIDO)**

| KEY | PART NO. | PART NAME | QTY. | SERIAL NO. | REMARKS           |
|-----|----------|-----------|------|------------|-------------------|
|     |          |           |      |            | 3 3               |
|     |          |           |      |            | 3 1 1             |
|     |          |           |      |            | 1 0 5             |
|     |          |           |      |            | 0 S S             |
|     |          |           |      |            | G G G             |
| 1   | AT184609 | BASE      | 1    |            | X X X             |
| 2   | 19H2676  | CAP SCREW | 2    |            | X X X 3/8" X 1"   |
| 3   | 24H1305  | WASHER    | 2    |            | X X X             |
| 4   | M47031   | LOCK NUT  | 2    |            | X X X             |
| 5   | .....    | BELT      | 4    |            | X X X             |
| 6   | AT179714 | KIT       | 1    |            | X X X TETHER BELT |
| 7   | 19M7402  | CAP SCREW | 4    |            | X X X M10 X 25    |
| 8   | 24M7239  | WASHER    | 4    |            | X X X             |

# 1821-14

SEAT BASE AND HEIGHT ADJUSTER (WITH NON-SUSPENDED SEAT)  
BASE DE SIEGE ET REGLAGE DE HAUTEUR (AVEC SIEGE SUSPENDU)  
BASE DEL ASIENTO Y AJUSTADOR DE ALTURA (CON ASIENTO NO-SUSPENDIDO)

T137895 -UN-08FEB01



T137895

# 1821-15

OPERATOR'S STATION 18

SEAT AND SEAT BELTS 1821

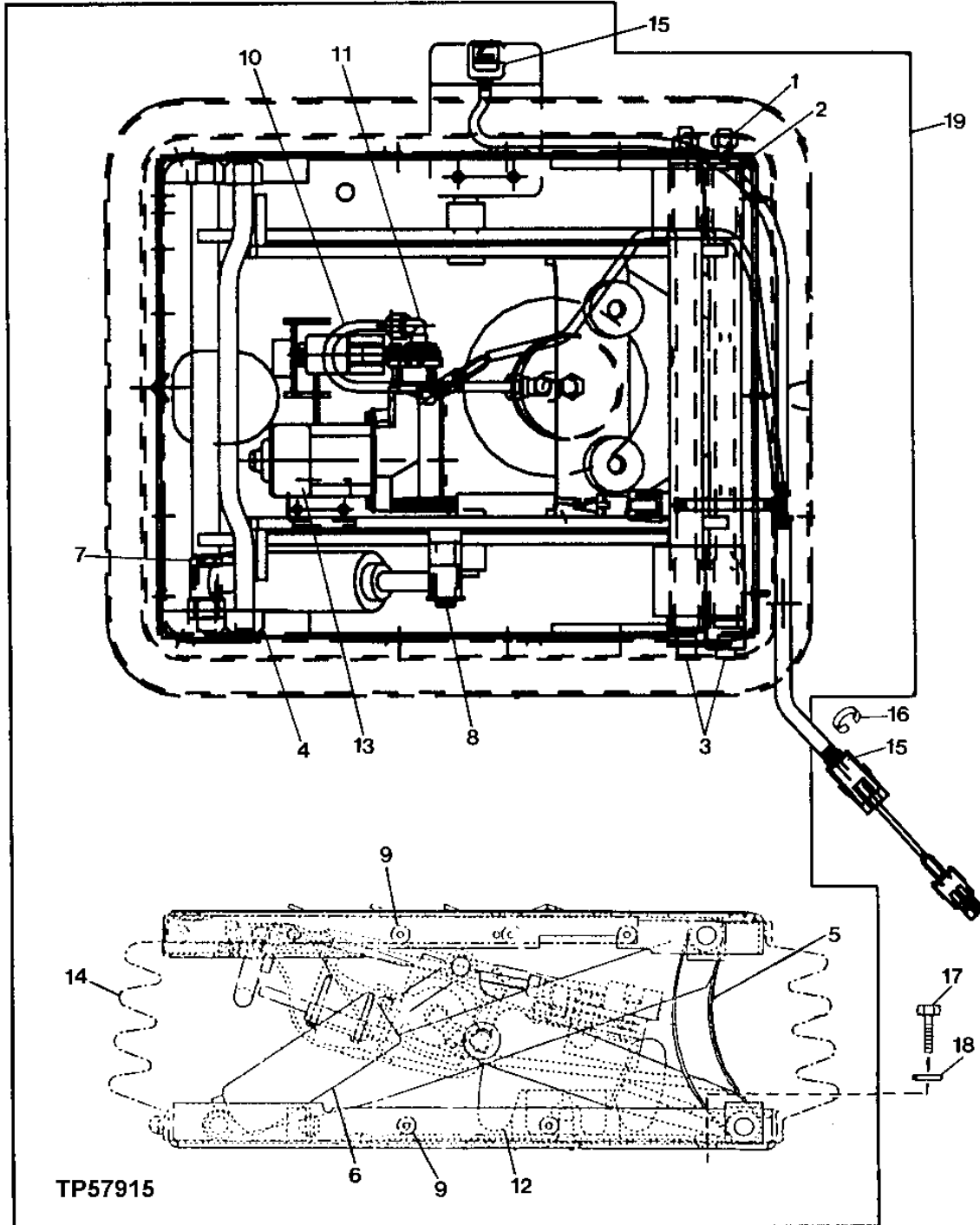
**SEAT BASE AND HEIGHT ADJUSTER (WITH NON-SUSPENDED SEAT)  
BASE DE SIEGE ET REGLAGE DE HAUTEUR (AVEC SIEGE SUSPENDU)  
BASE DEL ASIENTO Y AJUSTADOR DE ALTURA (CON ASIENTO NO-SUSPENDIDO)**

| KEY | PART NO. | PART NAME | QTY. | SERIAL NO. | 3 3<br>3 1 1<br>1 0 5<br>0 S S<br>G G G | REMARKS  |
|-----|----------|-----------|------|------------|---|----------|
| 1   | AT186204 | ADJUSTER  | 1    |            | X X X                                   |          |
| 2   | AT184609 | BASE      | 1    |            | X X X                                   |          |
| 3   | 19M7402  | CAP SCREW | 4    |            | X X X                                   | M10 X 25 |
| 4   | 24M7239  | WASHER    | 4    |            | X X X                                   |          |

# 1821-16

AIR SUSPENSION SEAT BASE (SN 849689- )  
BASE DE SIEGE A SUSPENSION PNEUMATIQUE (SN 849689- )  
BASE DE ASIENTO CON SUSPENSION NEUMATICA (SN 849689- )

TP57915 -UN-31AUG98



# 1821-17

OPERATOR'S STATION 18  
SEAT AND SEAT BELTS 1821

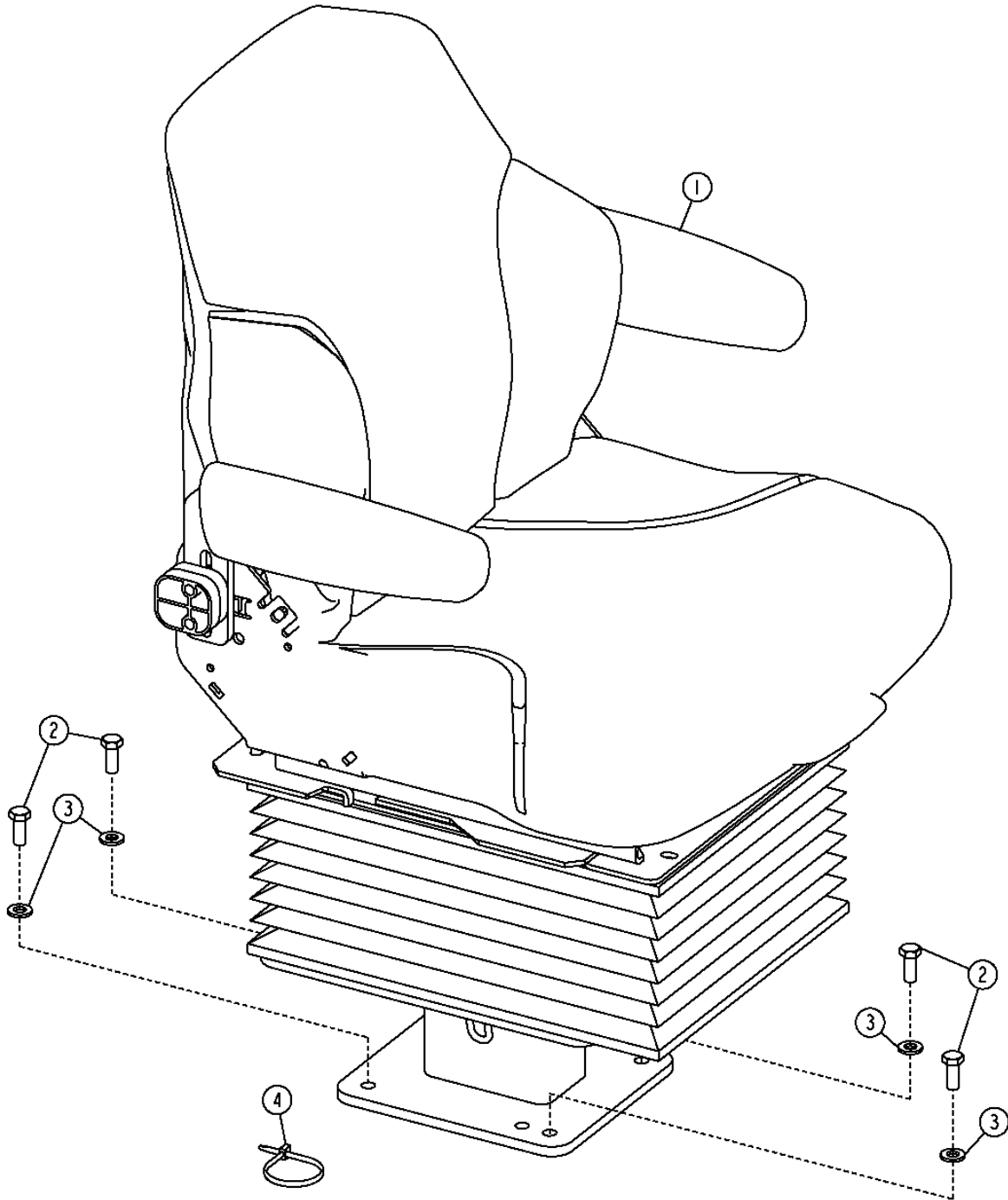
**AIR SUSPENSION SEAT BASE (SN 849689- )**  
**BASE DE SIEGE A SUSPENSION PNEUMATIQUE (SN 849689- )**  
**BASE DE ASIENTO CON SUSPENSION NEUMATICA (SN 849689- )**

| KEY | PART NO. | PART NAME                | QTY. | SERIAL NO. | REMARKS  |
|-----|----------|--------------------------|------|------------|--|
| 1   | .....    | LOCK NUT                 | 2    |            | (A)  |
| 2   | .....    | SHAFT                    | 4    |            | (A)  |
| 3   | .....    | BEARING                  | 2    |            | (A)  |
| 4   | AT173314 | SEAT BEARING ROLLER KIT  | 1    |            | SUSPENSION ROLLER  |
| 5   | AT173315 | KIT                      | 1    |            | TETHER BELT SERVICE  |
| 6   | .....    | ABSORBER                 | 1    |            | (B)  |
| 7   | .....    | BEARING                  | 2    |            | (B)  |
| 8   | .....    | BOLT                     | 1    |            | (B)  |
| 9   | AT173321 | SEAT SUSPENSION BOOT KIT | 1    |            | BOOT CLIP  |
| 10  | .....    | LINE                     | 1    |            | (C)  |
| 11  | .....    | FITTING                  | 2    |            | (C)  |
| 12  | AT208486 | KIT                      | 1    |            | AIR SPRING SEAT (AIR BLADDER SPRING)                                       |
|     | AT208483 | HOUSING                  | 1    |            | LOWER WELDMENT   |
| 13  | AT198694 | KIT                      | 1    |            | COMPRESSOR   |
| 14  | AT208491 | KIT                      | 1    |            | BOOT SERVICE. (INCLUDES AT173321)  |
| 15  | AT183810 | KIT                      | 1    |            | SUSPENSION SWITCH  |
| 16  | T164714  | GROMMET                  | 1    |            |  |
| 17  | 19M7402  | CAP SCREW                | 4    |            |  |
| 18  | 24M7239  | WASHER                   | 4    |            |  |
| 19  | AT186224 | SEAT SUSPENSION          | 1    |            | (INCLUDES AT208485) (ALSO ORDER AT189145) AIR                              |
|     | AT208485 | ARM                      | 1    |            | (NOT ILLUSTRATED) (AIR SUSPENSION ARM WELDMENT)                            |
|     | AT192689 | KIT                      | 1    |            | (NOT ILLUSTRATED) WIRE HARNESS   |
|     | AT182954 | KIT                      | 1    |            | INCLUDES PARTS MARKED (B) (SUSPENSION SHOCK SERVICE)                       |
|     | AT208493 | FITTING KIT              | 1    |            | INCLUDES PARTS MARKED (C) (AIR LINE / FITTING SERVICE)                     |
|     | AT173313 | SHAFT                    | 1    |            | INCLUDES PARTS MARKED (A) (SUSPENSION SHAFT SERVICE) (ALSO ORDER AT189145) |
| 20  | T55224   | BUMPER                   | 1    |            | (NOT ILLUSTRATED)  |

# 1821-18

SUSPENSION SEAT  
SIEGE A SUSPENSION  
ASIENTO CON SUSPENSION

TX1000637 -UN-18JAN06



TX1000637

# 1821-19

OPERATOR'S STATION 18  
SEAT AND SEAT BELTS 1821

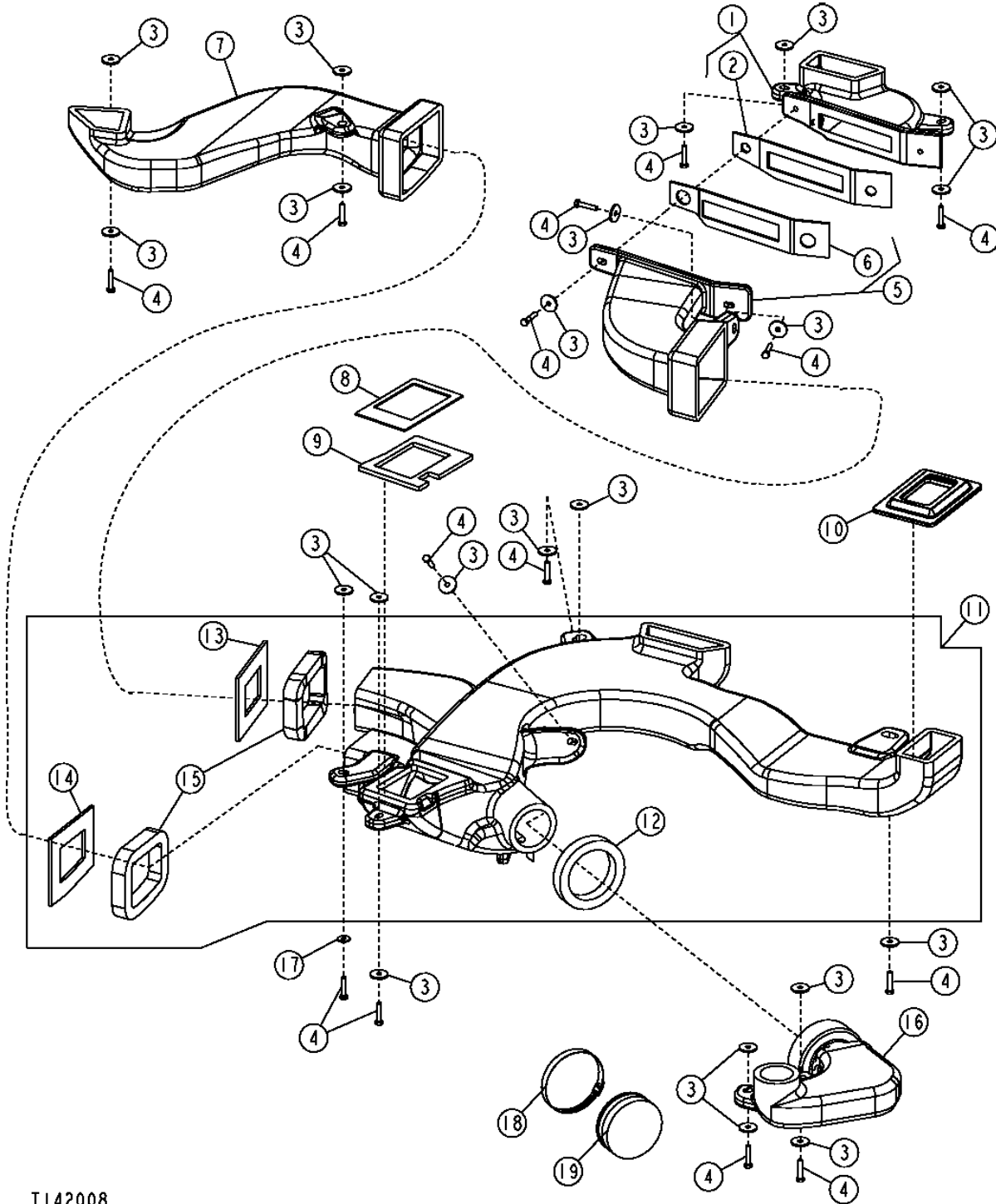
**SUSPENSION SEAT  
SIEGE A SUSPENSION  
ASIENTO CON SUSPENSION**

| KEY | PART NO.        | PART NAME   | QTY.     | SERIAL NO. | REMARKS  |
|-----|-----------------|-------------|----------|------------|--|
|     |                 |             |          |            | 3 3<br>3 1 1<br>1 0 5<br>0 S S<br>G G G                      |
| 1   | AT196286        | SEAT        | 1        |            | X X X CLOTH, AIR SUSPENSION (CONVENIENCE ASSY)               |
|     | <b>AT196561</b> | <b>SEAT</b> | <b>1</b> |            | <b>X X X CLOTH, MECHANICAL SUSPENSION (CONVENIENCE ASSY)</b> |
|     | <b>AT196559</b> | <b>SEAT</b> | <b>1</b> |            | <b>X X X VINYL, MECHANICAL SUSPENSION (CONVENIENCE ASSY)</b> |
| 2   | 19M7402         | CAP SCREW   | 4        |            | X X X M10 X 25   |
| 3   | 24M7239         | WASHER      | 4        |            | X X X  |
| 4   | R44302          | TIE BAND    | 1        |            | X X X  |

# 1830-2

## HEATER AND AIR CONDITIONING DUCTING CONDUITS DE CHAUFFAGE ET DE CLIMATISATION CONDUCTOS DE CALEFACTOR Y ACONDICIONADOR DE AIRE

T142008 -UN-10MAY01



T142008

THIS PARTS LISTING IS CONTINUED



# 1830-3

OPERATOR'S STATION 18

HEATING AND AIR CONDITIONING 1830

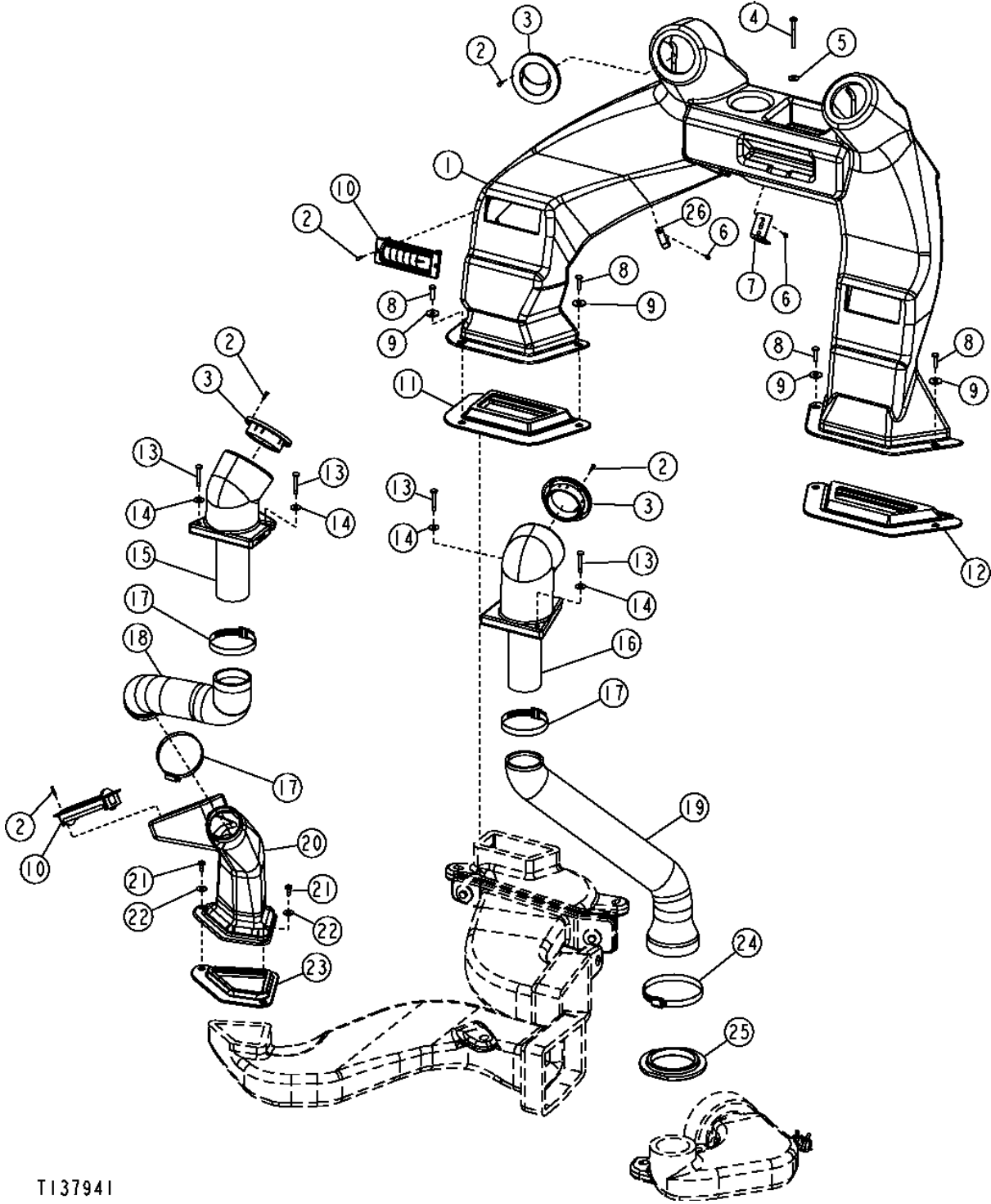
HEATER AND AIR CONDITIONING DUCTING  
 CONDUITS DE CHAUFFAGE ET DE CLIMATISATION  
 CONDUCTOS DE CALEFACTOR Y ACONDICIONADOR DE AIRE

| KEY | PART NO. | PART NAME  | QTY. | SERIAL NO. | REMARKS                |
|-----|----------|------------|------|------------|------------------------|
|     |          |            |      |            | 3 3                    |
|     |          |            |      |            | 3 1 1                  |
|     |          |            |      |            | 1 0 5                  |
|     |          |            |      |            | 0 S S                  |
|     |          |            |      |            | G G G                  |
| 1   | AT188307 | AIR DUCT   | 1    |            | X X X (LH, REAR)       |
| 2   | T185841  | ISOLATOR   | 1    |            | X X X                  |
| 3   | 24H1296  | WASHER     | 21   |            | X X X                  |
| 4   | 19M7922  | CAP SCREW  | 15   |            | X X X M8 X 40          |
| 5   | AT192074 | AIR DUCT   | 1    |            | X X X (REAR CONNECTOR) |
| 6   | T185840  | ISOLATOR   | 1    |            | X X X                  |
| 7   | T167325  | AIR DUCT   | 1    |            | X X X (RH, REAR)       |
| 8   | T185842  | ISOLATOR   | 1    |            | X X X                  |
| 9   | T185843  | ISOLATOR   | 1    |            | X X X                  |
| 10  | T185850  | ISOLATOR   | 1    |            | X X X                  |
| 11  | AT188306 | AIR DUCT   | 1    |            | X X X (MAIN BOTTOM)    |
| 12  | T185867  | ISOLATOR   | 1    |            | X X X                  |
| 13  | T185779  | ISOLATOR   | 1    |            | X X X                  |
| 14  | T185780  | ISOLATOR   | 1    |            | X X X                  |
| 15  | T185866  | ISOLATOR   | 2    |            | X X X                  |
| 16  | T167324  | AIR DUCT   | 1    |            | X X X (RH, FRONT)      |
| 17  | 24M7207  | WASHER     | 1    |            | X X X                  |
| 18  | TY22490  | HOSE CLAMP | 1    |            | X X X                  |
| 19  | T185673  | CAP        | 1    |            | X X X                  |

# 1830-4

## HEATER AND AIR CONDITIONING DUCTING CONDUITS DE CHAUFFAGE ET DE CLIMATISATION CONDUCTOS DE CALEFACTOR Y ACONDICIONADOR DE AIRE

T137941 -UN-10MAY01



T137941

# 1830-5

OPERATOR'S STATION 18

HEATING AND AIR CONDITIONING 1830

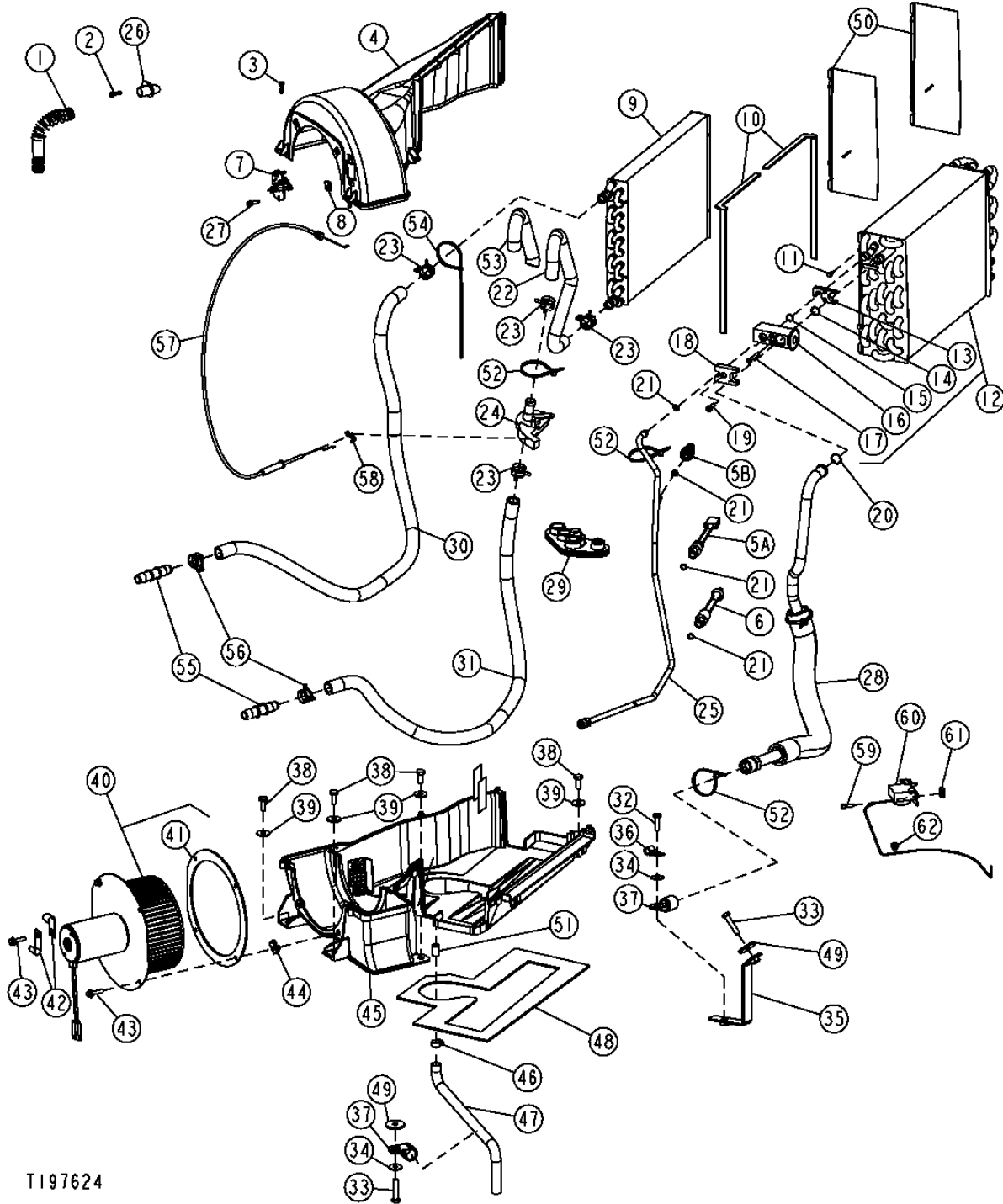
HEATER AND AIR CONDITIONING DUCTING  
 CONDUITS DE CHAUFFAGE ET DE CLIMATISATION  
 CONDUCTOS DE CALEFACTOR Y ACONDICIONADOR DE AIRE

| KEY | PART NO. | PART NAME          | QTY. | SERIAL NO. | REMARKS  |
|-----|----------|--------------------|------|------------|--|
|     |          |                    |      |            | 3 3  |
|     |          |                    |      |            | 3 1 1  |
|     |          |                    |      |            | 1 0 5  |
|     |          |                    |      |            | 0 S S  |
|     |          |                    |      |            | G G G  |
| 1   | T185540  | AIR DUCT           | 1    |            | X X X (LH, FENDER) WITH AIR CONDITIONING                       |
|     | T185744  | AIR DUCT           | 1    |            | X X X (LH, FENDER) WITHOUT AIR CONDITIONING                    |
| 2   | 37M7333  | SCREW              | 22   |            | X X X  |
| 3   | AT151036 | LOUVER             | 4    |            | X X X  |
| 4   | T186873  | SELF-LOCKING SCREW | 1    |            | X X X  |
| 5   | 24H1821  | WASHER             | 1    |            | X X X  |
| 6   | T185769  | SCREW              | 5    |            | X X X  |
| 7   | T183560  | BRACKET            | 1    |            | X X X  |
| 8   | 21M7310  | SCREW              | 4    |            | X X X M6 X 25, (SUB FOR T134895, THIS APPLICATION)             |
| 9   | 24M7207  | WASHER             | 4    |            | X X X  |
| 10  | AT177227 | LOUVER             | AR   |            | X X X  |
| 11  | T185848  | ISOLATOR           | 1    |            | X X X  |
| 12  | T185849  | ISOLATOR           | 1    |            | X X X  |
| 13  | T134874  | SELF-LOCKING SCREW | 4    |            | X X X M6 X 40, (SUB FOR 21M7403, THIS APPLICATION)             |
| 14  | 24H1821  | WASHER             | 4    |            | X X X  |
| 15  | T185479  | AIR DUCT           | 1    |            | X X X (REAR EXTENSION)   |
| 16  | T185478  | AIR DUCT           | 1    |            | X X X (FRONT EXTENSION)  |
| 17  | AR62936  | CLAMP              | 3    |            | X X X  |
| 18  | T185482  | AIR DUCT           | 1    |            | X X X (REAR, UPPER)  |
| 19  | T185480  | AIR DUCT           | 1    |            | X X X (FRONT)  |
| 20  | T185481  | AIR DUCT           | 1    |            | X X X (REAR, LOWER)  |
| 21  | 21M7310  | SCREW              | 6    |            | X X X M6 X 25, (SUB FOR T134895 AND T133674, THIS APPLICATION) |
| 22  | 24H1821  | WASHER             | 2    |            | X X X  |
| 23  | T185847  | ISOLATOR           | 1    |            | X X X  |
| 24  | AR21842  | CLAMP              | 1    |            | X X X  |
| 25  | T185846  | ISOLATOR           | 1    |            | X X X  |
| 26  | T185743  | CLIP               | 3    |            | X X X  |

# 1830-6

## HEATER AND AIR CONDITIONING WITH PRESSURIZER CHAUFFAGE ET CLIMATISATION AVEC PRESSURISATEUR CALEFACTOR Y ACONDICIONADOR DE AIRE CON PRESURIZADOR

T197624 -UN-03FEB04



T197624

# 1830-7

OPERATOR'S STATION 18

HEATING AND AIR CONDITIONING 1830

**HEATER AND AIR CONDITIONING WITH PRESSURIZER  
CHAUFFAGE ET CLIMATISATION AVEC PRESSURISATEUR  
CALEFACTOR Y ACONDICIONADOR DE AIRE CON PRESURIZADOR**

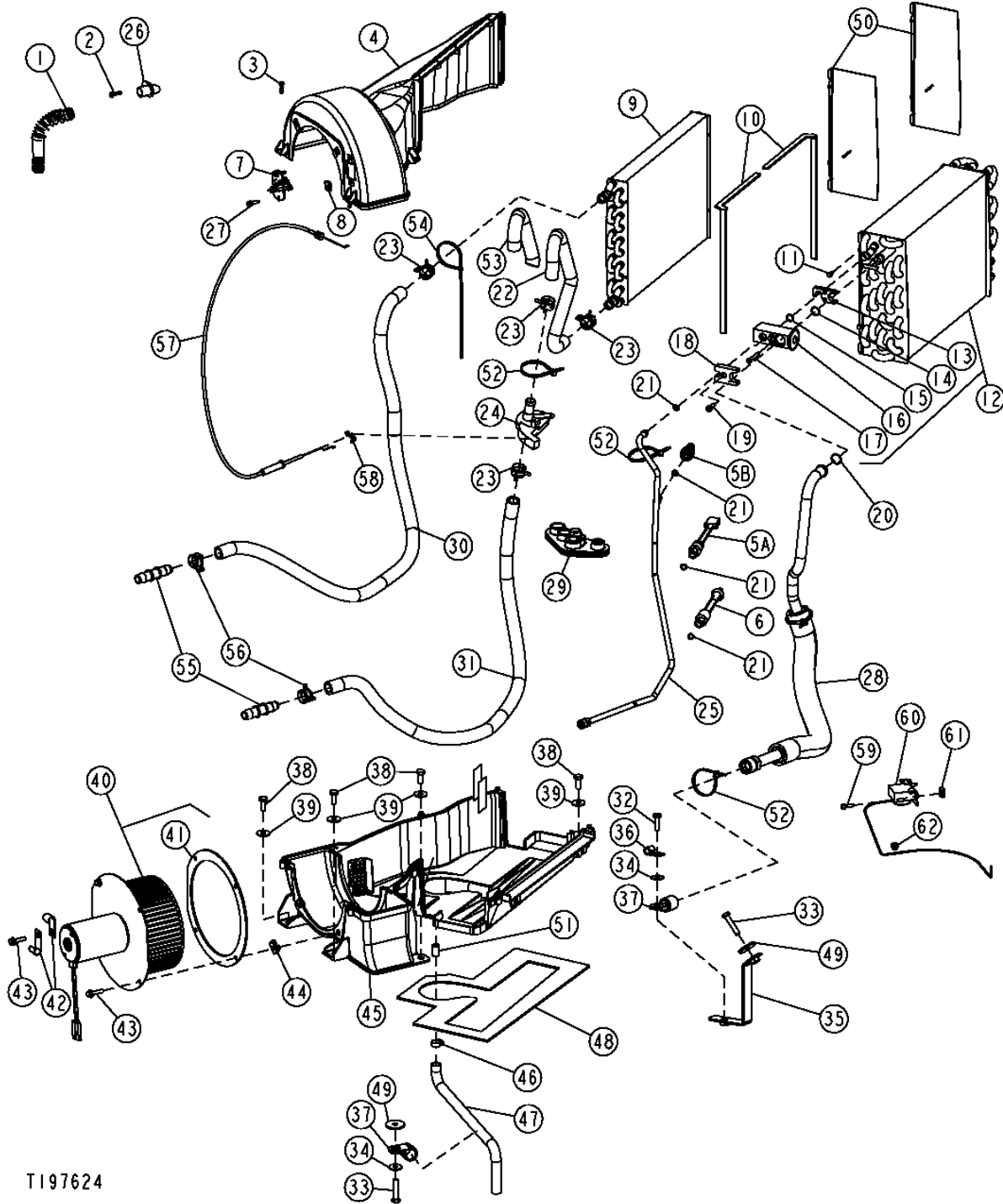
| KEY | PART NO. | PART NAME           | QTY. | SERIAL NO. | 3 3<br>3 1 1<br>1 0 5<br>0 S S<br>G G G | REMARKS   |
|-----|----------|---------------------|------|------------|---|---|
| 1   | T165169  | HOSE                | 1    | -926427    | X X X                                   |   |
| 2   | T184620  | SCREW               | 1    | -926427    | X X X                                   |   |
| 3   | T184620  | SCREW               | 9    |            | X X X                                   |   |
| 4   | T164619  | HOUSING             | 1    | -926427    | X X X                                   | (TOP)   |
|     | T205969  | HOUSING             | 1    | 926428-    | X X X                                   |   |
| 5A  | RE155938 | PRESSURE SWITCH     | 1    | -843495    | X X X                                   |   |
| 5B  | RE157329 | SWITCH              | 1    | 843496-    | X X X                                   |   |
| 6   | RE60888  | PRESSURE SWITCH     | 1    | -843495    | X X X                                   |   |
| 7   | AT210515 | RESISTOR            | 1    |            | X X X                                   |   |
| 8   | R50279   | NUT                 | 2    |            | X X X                                   |   |
| 9   | AT191993 | CORE                | 1    |            | X X X                                   | (HEATER)  |
| 10  | T184369  | SEAL                | 2    |            | X X X                                   |   |
| 11  | H85092   | SCREW               | 4    |            | X X X                                   |   |
| 12  | AT191994 | EVAPORATOR          | 1    |            | X X X                                   |   |
| 13  | T181522  | PLATE               | 1    |            | X X X                                   | (SUB FOR T186760)   |
| 14  | R33259   | O-RING              | 1    |            | X X X                                   |   |
| 15  | R113050  | O-RING              | 1    |            | X X X                                   |   |
| 16  | RE174764 | VALVE               | 1    |            | X X X                                   | (EXPANSION) (SUB FOR AT189639, THIS APPLICATION)                |
| 17  | PT11778  | BOLT                | 2    |            | X X X                                   |   |
| 18  | R125223  | PLATE               | 1    |            | X X X                                   |   |
| 19  | 19M8553  | SCREW               | 1    |            | X X X                                   | M6 X 16   |
| 20  | T143169  | O-RING              | 1    |            | X X X                                   |   |
| 21  | R10093   | O-RING              | 3    |            | X X X                                   |   |
| 22  | T185789  | RADIATOR HOSE       | 1    |            | X X X                                   |   |
| 23  | T184924  | HOSE CLAMP          | 4    |            | X X X                                   |   |
| 24  | AT193500 | HAND OPERATED VALVE | 1    |            | X X X                                   | (WATER)   |
| 25  | AT192033 | LINE                | 1    | -843495    | X X X                                   | (LIQUID REFRIGERANT)  |
|     | AT303214 | LINE                | 1    | 843496-    | X X X                                   | (LIQUID REFRIGERANT)  |
| 26  | RE36133  | TUBE                | 1    | -926427    | X X X                                   | (AIR OUTLET)  |
| 27  | 37M7073  | SCREW               | 2    |            | X X X                                   |   |
| 28  | AT191990 | REFRIGERANT HOSE    | 1    |            | X X X                                   |   |
| 29  | T166297  | GROMMET             | 1    |            | X X X                                   |   |
| 30  | .....    | BULK HOSE           | 1    |            | X X X                                   | (CUT TO LENGTH, 33 INCHES) (MAKE FROM T60811)                   |
| 31  | .....    | BULK HOSE           | 1    |            | X X X                                   | (CUT TO LENGTH, 38 INCHES) (MAKE FROM T60811)                   |
| 32  | 19M7407  | CAP SCREW           | 1    |            | X X X                                   | M8 X 25   |
| 33  | 19M7922  | CAP SCREW           | 2    |            | X X X                                   | M8 X 40   |
| 34  | 24M7207  | WASHER              | 2    |            | X X X                                   |   |
| 35  | AT192509 | BRACKET             | 1    |            | X X X                                   |   |
| 36  | T13814   | CLAMP               | 1    |            | X X X                                   |   |
| 37  | T70659   | CLAMP               | 2    |            | X X X                                   |   |
| 38  | 19M7881  | SCREW               | 4    |            | X X X                                   | M8 X 20   |
| 39  | 24M7207  | WASHER              | 4    |            | X X X                                   |   |
| 40  | .....    | BLOWER MOTOR        | 1    | -926427    | X X X                                   | ( AT195731 NLA) (PRESSURIZER) (SUB AT307691) (SUB FOR AT184530) |
|     | AT307691 | BLOWER MOTOR        | 1    | 926428-    | X X X                                   |   |

THIS PARTS LISTING IS CONTINUED

# 1830-7A

HEATER AND AIR CONDITIONING WITH PRESSURIZER (CONTINUED)  
CHAUFFAGE ET CLIMATISATION AVEC PRESSURISATEUR (SUITE)  
CALEFACTOR Y ACONDICIONADOR DE AIRE CON PRESURIZADOR (CONTINUACION)

T197624 -UN-03FEB04



T197624

THIS PARTS LISTING IS CONTINUED

# 1830-7B

OPERATOR'S STATION 18

HEATING AND AIR CONDITIONING 1830

**HEATER AND AIR CONDITIONING WITH PRESSURIZER (CONTINUED)**  
**CHAUFFAGE ET CLIMATISATION AVEC PRESSURISATEUR (SUITE)**  
**CALEFACTOR Y ACONDICIONADOR DE AIRE CON PRESURIZADOR (CONTINUACION)**

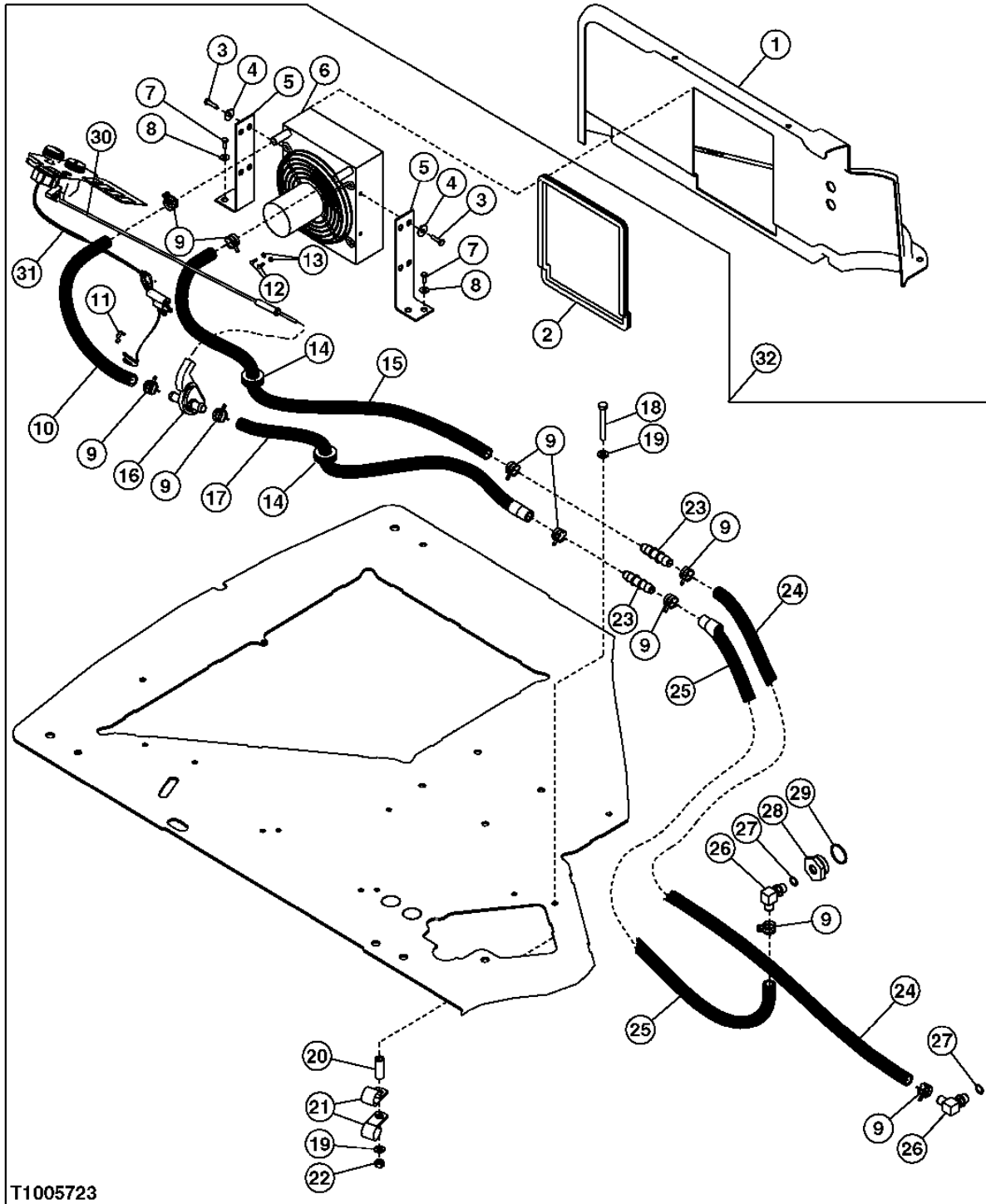
| KEY | PART NO. | PART NAME                 | QTY. | SERIAL NO. | REMARKS   |
|-----|----------|---------------------------|------|------------|---|
|     |          |                           |      |            | 3 3   |
|     |          |                           |      |            | 3 1 1   |
|     |          |                           |      |            | 1 0 5   |
|     |          |                           |      |            | 0 S S   |
|     |          |                           |      |            | G G G   |
| 41  | T184368  | SEAL                      | 2    |            | X X X   |
| 42  | AH89557  | CLIP                      | 2    |            | X X X   |
| 43  | T178251  | CAP SCREW                 | 4    |            | X X X   |
| 44  | M84972   | NUT                       | 5    |            | X X X   |
| 45  | T164618  | HOUSING                   | 1    |            | X X X (BOTTOM)                                  |
| 46  | AR77962  | HOSE CLAMP                | 1    |            | X X X   |
| 47  | AT186304 | HOSE                      | 1    |            | X X X (CONDENSATE)                              |
| 48  | T185845  | ISOLATOR                  | 1    |            | X X X   |
| 49  | 24H1296  | WASHER                    | 2    |            | X X X   |
| 50  | T184414  | SHEET                     | 2    |            | X X X   |
| 51  | T184415  | PLUG                      | 1    |            | X X X   |
| 52  | R44302   | TIE BAND                  | 4    |            | X X X   |
| 53  | T186766  | HOSE GUARD                | 1    |            | X X X   |
| 54  | H77698   | TIE BAND                  | 1    |            | X X X   |
| 55  | T160492  | ELEC. CONNECTOR ACCESSORY | 2    |            | X X X   |
| 56  | R117721  | CLAMP                     | 2    |            | X X X   |
| 57  | AT186289 | CABLE                     | 1    |            | X X X (HEATER CONTROL)                          |
| 58  | L57881   | CLIP                      | 1    |            | X X X   |
| 59  | 37M7073  | SCREW                     | 2    |            | X X X   |
| 60  | RE198074 | TEMPERATURE SWITCH        | 1    |            | X X X A/C THERMOSTAT SWITCH, (SUB FOR AH144020) |
| 61  | R50279   | NUT                       | 2    |            | X X X   |
| 62  | T178971  | GROMMET                   | 1    |            | X X X   |

# 1830-8

## CANOPY HEATER, HOSES AND CONTROL CHAUFFAGE D'AUVENT, FLEXIBLES ET COMMANDE CALEFACTOR DE DOSÉL, MANGUERAS Y CONTROL

TX1005723

-UN-04APR06



T1005723

THIS PARTS LISTING IS CONTINUED



# 1830-9

OPERATOR'S STATION 18

HEATING AND AIR CONDITIONING 1830

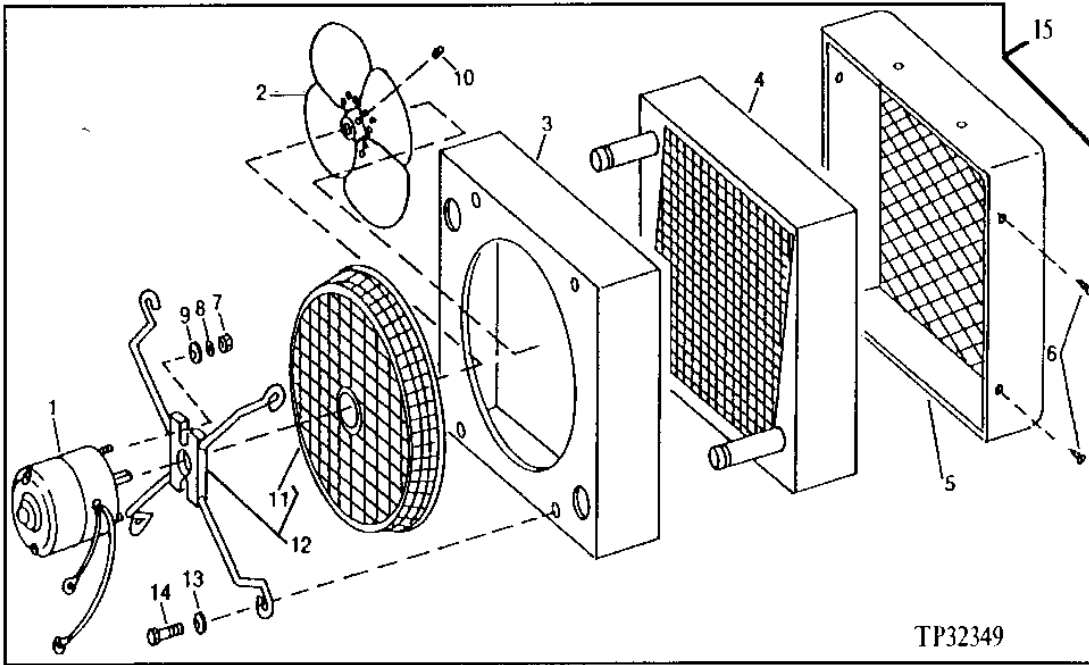
**CANOPY HEATER, HOSES AND CONTROL  
CHAUFFAGE D'AUVENT, FLEXIBLES ET COMMANDE  
CALEFACTOR DE DOSEL, MANGUERAS Y CONTROL**

| KEY | PART NO. | PART NAME                 | QTY. | SERIAL NO. | REMARKS   |
|-----|----------|---------------------------|------|------------|---|
|     |          |                           |      |            | 3 3   |
|     |          |                           |      |            | 3 1 1   |
|     |          |                           |      |            | 1 0 5   |
|     |          |                           |      |            | 0 S S   |
|     |          |                           |      |            | G G G   |
| 1   | AT304593 | COVER                     | 1    |            | X X X (SUB FOR T185763)   |
| 2   | .....    | ISOLATOR                  | 1    |            | X X X (CUT TO LENGTH, 3.23 FT. (986 MM))<br>(MAKE FROM T58056)                  |
| 3   | 19H1914  | CAP SCREW                 | 4    |            | X X X 1/4" X 1"   |
| 4   | 24H1287  | WASHER                    | 4    |            | X X X   |
| 5   | T185762  | BRACKET                   | 2    |            | X X X   |
| 6   | AT169175 | HEATER                    | 1    |            | X X X   |
| 7   | 19M8425  | CAP SCREW                 | 4    |            | X X X M6 X 16   |
| 8   | 24M7139  | WASHER                    | 4    |            | X X X   |
| 9   | R117721  | CLAMP                     | 10   |            | X X X   |
| 10  | .....    | HOSE                      | 1    |            | X X X (CUT TO LENGTH, 1.37 FT. (416MM)) (MAKE FROM T60811)                      |
| 11  | L57881   | CLIP                      | 1    |            | X X X   |
| 12  | 21H1290  | SCREW                     | 2    |            | X X X 0.138" X 1/2", CONNECTS HEATER UNIT ELECTRICAL EYELETS TO VEHICLE HARNESS |
| 13  | 14H1026  | NUT                       | 2    |            | X X X 0.138"  |
| 14  | T58739   | GROMMET                   | 2    |            | X X X   |
| 15  | .....    | HOSE                      | 1    |            | X X X (CUT TO LENGTH, 2.92 FT (890 MM)) (MAKE FROM T60811)                      |
| 16  | AT193500 | HAND OPERATED VALVE       | 1    |            | X X X (TEMPERATURE/HEATER)  |
| 17  | .....    | HOSE                      | 1    |            | X X X (CUT TO LENGTH, 2.21 FT (675 MM)) (MAKE FROM T60811)                      |
| 18  | 19M8081  | CAP SCREW                 | 1    |            | X X X M10 X 80  |
| 19  | 24M7239  | WASHER                    | 2    |            | X X X   |
| 20  | T101975  | BUSHING                   | 1    |            | X X X   |
| 21  | R46667   | CLAMP                     | 2    |            | X X X   |
| 22  | 14M7274  | NUT                       | 1    |            | X X X M10   |
| 23  | T160492  | ELEC. CONNECTOR ACCESSORY | 2    |            | X X X   |
| 24  | .....    | BULK HOSE                 | 1    |            | X X X (CUT TO LENGTH, 6 FT.) (MAKE FROM T60811)                                 |
| 25  | .....    | BULK HOSE                 | 1    |            | X X X (CUT TO LENGTH, 5.2 FT) (MAKE FROM T60811)                                |
| 26  | AT174697 | ELBOW FITTING             | 2    |            | X X X   |
| 27  | 51M7043  | O-RING                    | 2    |            | X X X   |
| 28  | R123616  | PLUG                      | 1    |            | X X X   |
| 29  | U13639   | O-RING                    | 1    |            | X X X   |
| 30  | AT186289 | CABLE                     | 1    |            | X X X   |
| 31  | AT191507 | MOTOR WIRING HARNESS      | 1    |            | X X X   |
| 32  | AT192200 | COOLANT HEATER            | 1    |            | X X X (WHOLE GOODS)   |

# 1830-10

**CAB HEATER (20,000 BTU)**  
**CHAUFFAGE DE CABINE (20,000 BTU)**  
**CALEFACTOR DE CABINA (20,000 BTU)**

TP32349 -UN-01JAN94



TP32349

| KEY | PART NO. | PART NAME       | QTY. | SERIAL NO. | REMARKS                 |
|-----|----------|-----------------|------|------------|-------------------------|
|     |          |                 |      | 3 3        |                         |
|     |          |                 |      | 3 1 1      |                         |
|     |          |                 |      | 1 0 5      |                         |
|     |          |                 |      | 0 S S      |                         |
|     |          |                 |      | G G G      |                         |
| 1   | AT169180 | ELECTRIC MOTOR  | 1    |            | X X X                   |
| 2   | AT112810 | FAN             | 1    |            | X X X                   |
| 3   | .....    | CASE            | 1    |            | X X X (ORDER AT169175)  |
| 4   | AT156440 | CORE            | 1    |            | X X X                   |
|     | AT169929 | HEATING ELEMENT | 1    |            | X X X (NOT ILLUSTRATED) |
| 5   | .....    | SHROUD          | 1    |            | X X X (ORDER AT169175)  |
| 6   | 37H43    | SCREW           | 4    |            | X X X                   |
| 7   | 14H778   | NUT             | 2    |            | X X X 0.190"            |
| 8   | 12M7060  | WASHER          | 2    |            | X X X                   |
| 9   | 24H1283  | WASHER          | 2    |            | X X X                   |
| 10  | 22H897   | SET SCREW       | 1    |            | X X X 1/4" X 1/4"       |
| 11  | .....    | SCREEN          | 1    |            | X X X (ORDER T114774)   |
| 12  | T114774  | GUARD           | 1    |            | X X X                   |
| 13  | 24H1287  | WASHER          | 4    |            | X X X                   |
| 14  | 19H1227  | CAP SCREW       | 4    |            | X X X 1/4" X 1/2"       |
| 15  | AT169175 | HEATER          | 1    |            | X X X                   |

# 1830-11

OPERATOR'S STATION 18

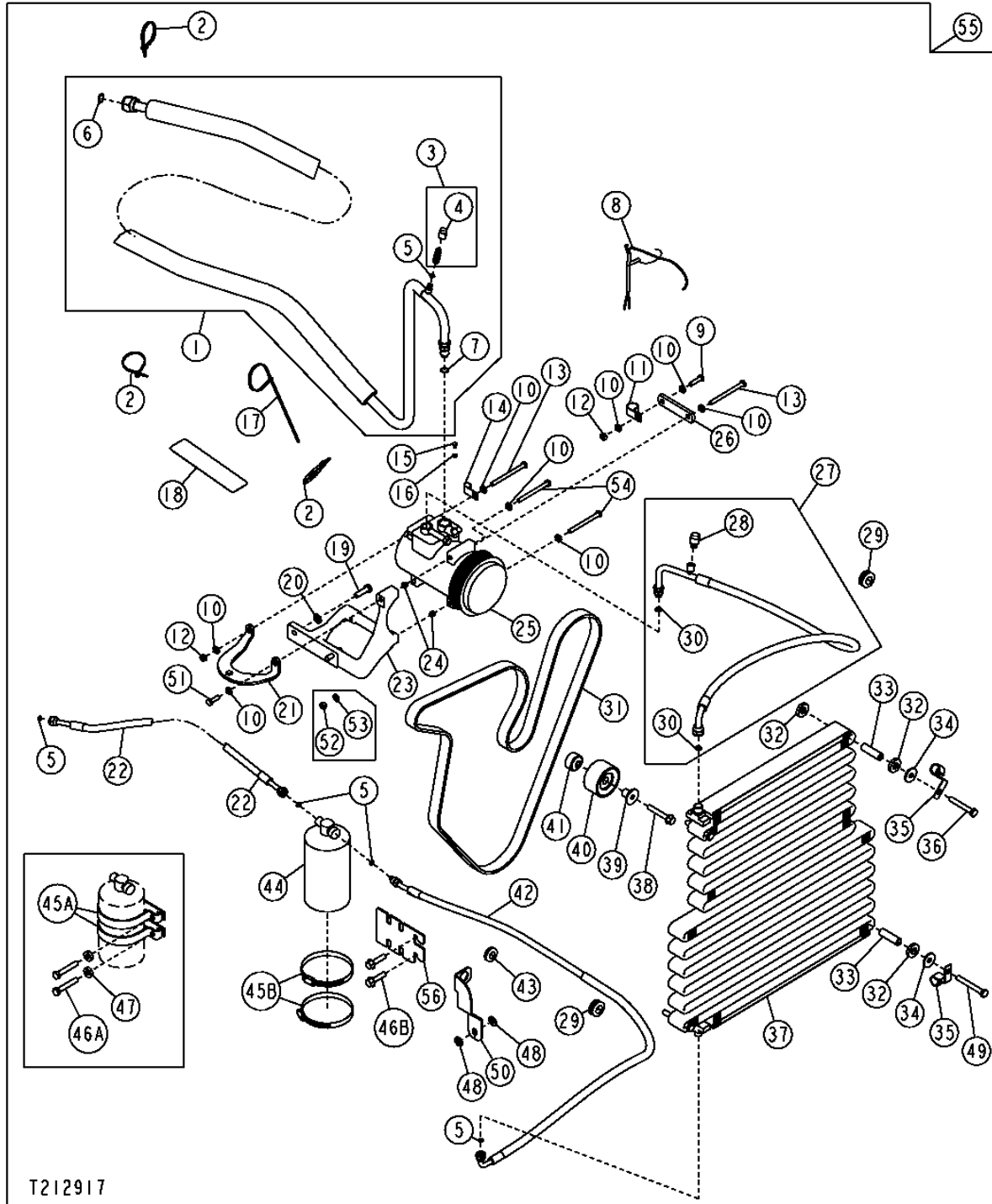
HEATING AND AIR CONDITIONING 1830

MEMORANDA  
MEMORANDA  
MEMORANDA

# 1830-12

AIR CONDITIONING, HARDWARE AND HOSES  
CLIMATISATION, BOULONNERIE ET FLEXIBLES  
ACONDICIONADOR DE AIRE, TORNILLERIA Y MANGUERAS

T212917 -UN-21JUL05



T212917

# 1830-13

OPERATOR'S STATION 18

HEATING AND AIR CONDITIONING 1830

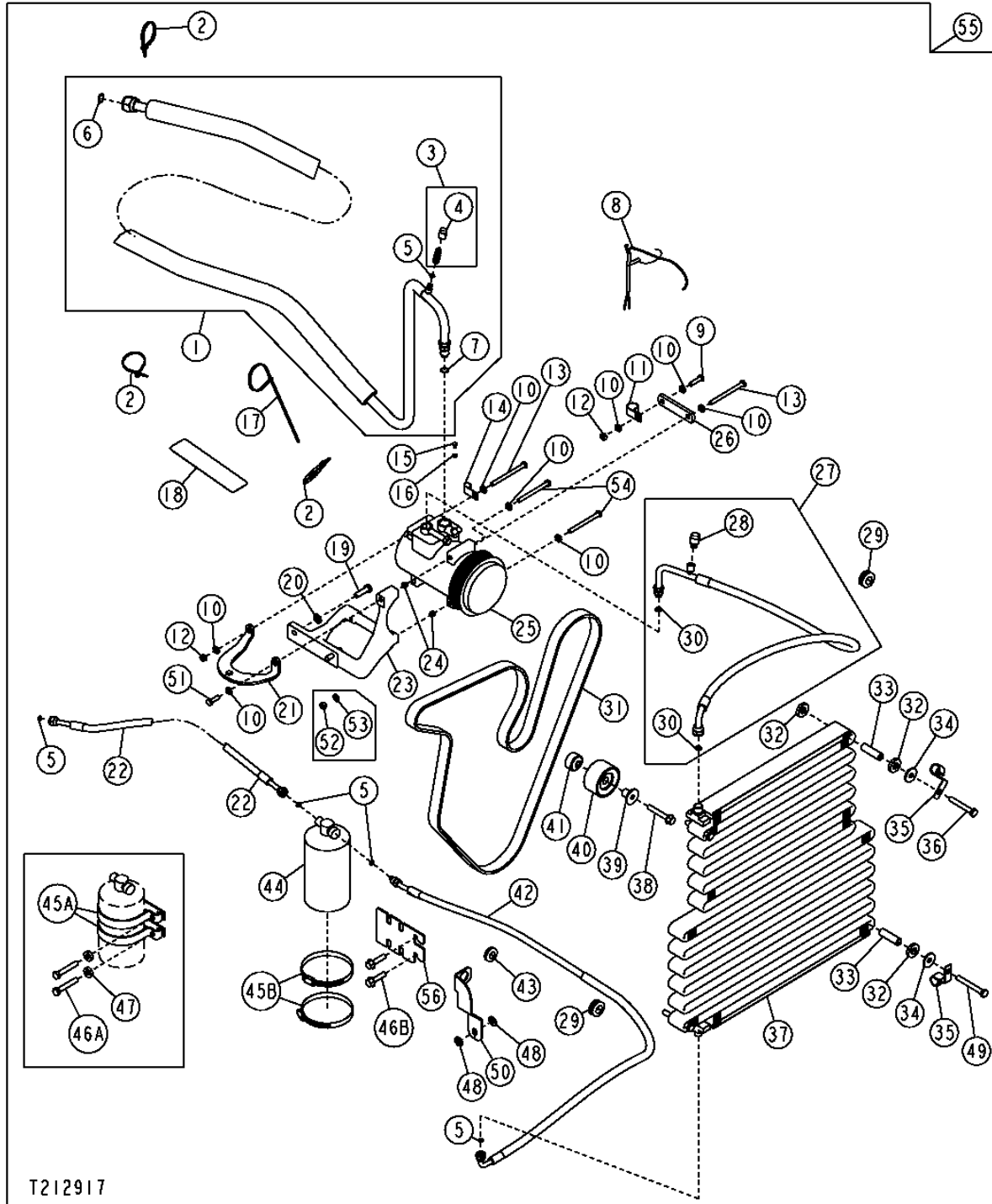
**AIR CONDITIONING, HARDWARE AND HOSES  
CLIMATISATION, BOULONNERIE ET FLEXIBLES  
ACONDICIONADOR DE AIRE, TORNILLERIA Y MANGUERAS**

| KEY | PART NO. | PART NAME                 | QTY. | SERIAL NO. | REMARKS   |
|-----|----------|---------------------------|------|------------|---|
|     |          |                           |      |            | 3 3   |
|     |          |                           |      |            | 3 1 1   |
|     |          |                           |      |            | 1 0 5   |
|     |          |                           |      |            | 0 S S   |
|     |          |                           |      |            | G G G   |
| 1   | AT188368 | REFRIGERANT HOSE          | 1    |            | X X X   |
| 2   | R44302   | TIE BAND                  | 3    |            | X X X   |
| 3   | AT181530 | FLOW CONTROL HYD. VALVE   | 1    |            | X X X (LOW SIDE)  |
| 4   | T162557  | CAP                       | 1    |            | X X X   |
| 5   | R10093   | O-RING                    | 8    |            | X X X   |
| 6   | T143169  | O-RING                    | 1    |            | X X X   |
| 7   | R33259   | O-RING                    | 1    |            | X X X   |
| 8   | AT190658 | AC COMPRESSOR WRG HARNESS | 1    |            | X X X   |
| 9   | 19M7513  | CAP SCREW                 | 1    |            | X X X M8 X 30   |
| 10  | 24M7238  | WASHER                    | 11   |            | X X X   |
| 11  | T78787   | CLAMP                     | 1    |            | X X X   |
| 12  | 14M7273  | NUT                       | 1    |            | X X X M8  |
| 13  | 19M8456  | CAP SCREW                 | 2    |            | X X X M8 X 100  |
| 14  | AH89557  | CLIP                      | 1    |            | X X X (SUB FOR T19935, THIS APPLICATION)  |
| 15  | 21M7283  | SCREW                     | 1    |            | X X X M5 X 8  |
| 16  | 12H316   | LOCK WASHER               | 1    |            | X X X   |
| 17  | H77698   | TIE BAND                  | 1    |            | X X X   |
| 18  | T145560  | LABEL                     | 1    |            | X X X   |
| 19  | 19M7402  | CAP SCREW                 | 2    | -901696    | X X X M10 X 25  |
|     | 19M7550  | CAP SCREW                 | 2    | 901697-    | X X X M10 X 35  |
| 20  | 24M7239  | WASHER                    | 2    |            | X X X   |
| 21  | R132690  | SUPPORT                   | 1    | -901696    | X X X   |
|     | R504191  | BRACKET                   | 1    | 901697-    | X X X   |
| 22  | AT188369 | REFRIGERANT HOSE          | 1    |            | X X X   |
| 23  | .....    | BRACKET                   | 1    |            | X X X ( AT180350 NLA) (SUB R504192) (ALSO<br>ORDER R504191, 19M7407, (2) 19M7550,<br>(3) 19M8539) |
|     | R504192  | BRACKET                   | 1    | 901697-    | X X X   |
| 24  | 34M7189  | SPRING PIN                | 1    |            | X X X 11 X 8 MM   |
| 25  | RE46609  | COMPRESSOR                | 1    |            | X X X   |
|     | TY6764   | COMPRESSOR                | 1    |            | X X X REMAN   |
| 26  | M86533   | STRAP                     | 1    |            | X X X   |
| 27  | AT199081 | REFRIGERANT HOSE          | 1    |            | X X X (SUB FOR AT186263)  |
| 28  | AT178930 | HYDRAULIC CYLINDER PORT   | 1    |            | X X X   |
| 29  | R137851  | GROMMET                   | 2    | -903152    | X X X   |
|     | T190177  | GROMMET                   | 2    | 903153-    | X X X   |
| 30  | R113050  | O-RING                    | 2    |            | X X X   |
| 31  | R504023  | V-BELT                    | 1    |            | X X X   |
| 32  | T158424  | WASHER                    | 11   |            | X X X RUBBER  |
| 33  | L3483N   | BUSHING                   | 4    |            | X X X   |
| 34  | 24M7101  | WASHER                    | 4    |            | X X X   |
| 35  | AT192168 | CLAMP                     | 2    |            | X X X   |
| 36  | 19M7328  | CAP SCREW                 | 2    |            | X X X M10 X 70  |
| 37  | AT184522 | VAPOR CONDENSER           | 1    |            | X X X   |
| 38  | 19M7808  | SCREW                     | 1    |            | X X X M10 X 65  |
| 39  | R502079  | SLEEVE                    | 1    |            | X X X   |

# 1830-14

HEATING AND AIR CONDITIONING 1830  
AIR CONDITIONING, HARDWARE AND HOSES (CONTINUED)  
CLIMATISATION, BOULONNERIE ET FLEXIBLES (SUITE)  
ACONDICIONADOR DE AIRE, TORNILLERIA Y MANGUERAS (CONTINUACION)

T212917 -UN-21JUL05



T212917

# 1830-15

OPERATOR'S STATION 18

HEATING AND AIR CONDITIONING 1830

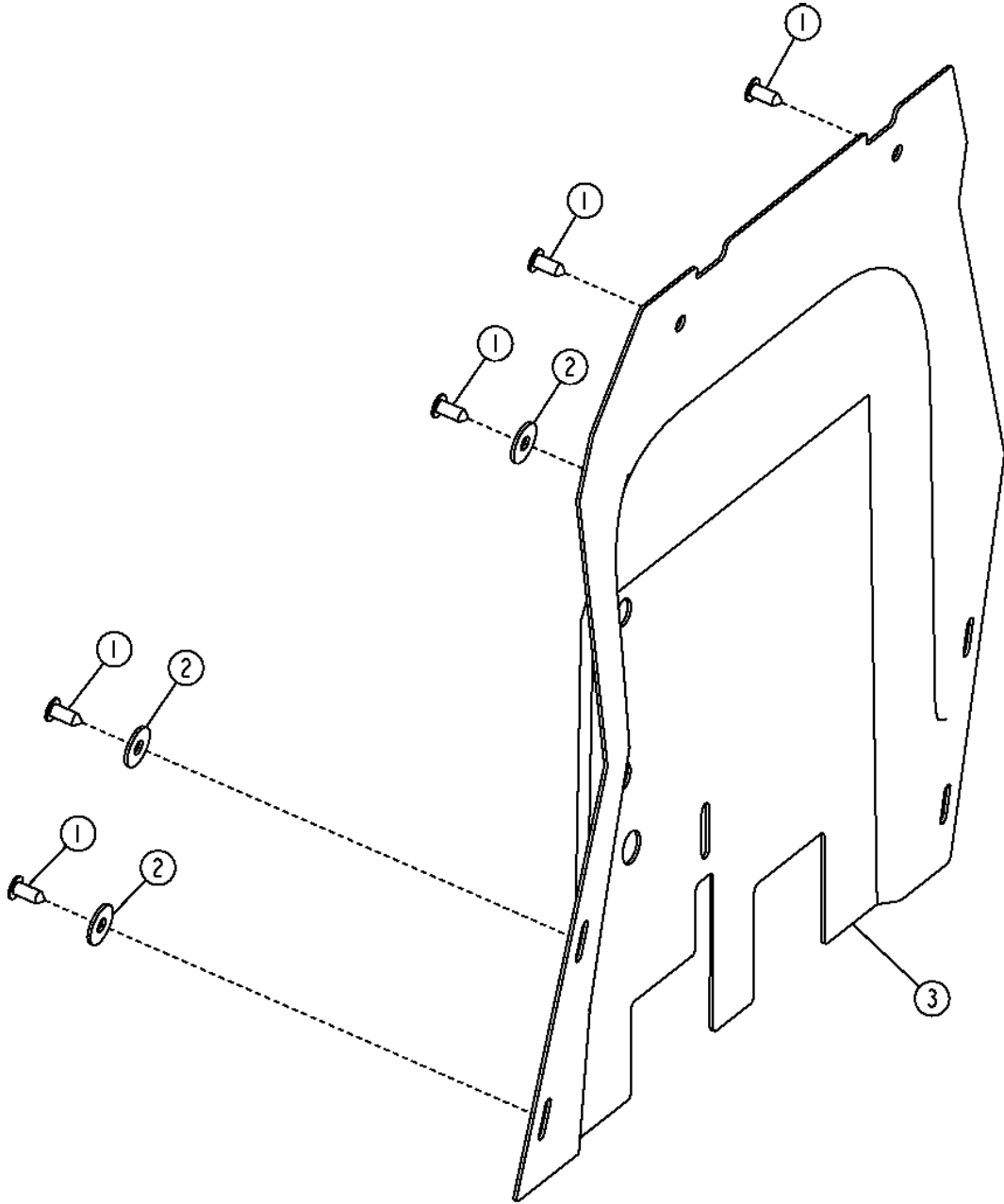
**AIR CONDITIONING, HARDWARE AND HOSES (CONTINUED)**  
**CLIMATISATION, BOULONNERIE ET FLEXIBLES (SUITE)**  
**ACONDICIONADOR DE AIRE, TORNILLERIA Y MANGUERAS (CONTINUACION)**

| KEY | PART NO. | PART NAME        | QTY. | SERIAL NO. | 3 3<br>3 1 1<br>1 0 5<br>0 S S<br>G G G | REMARKS  |
|-----|----------|------------------|------|------------|---|--|
| 40  | RE505264 | PULLEY           | 1    |            | X X X                                   |  |
| 41  | R500320  | SPACER           | 1    |            | X X X                                   |  |
| 42  | AT193499 | REFRIGERANT HOSE | 1    |            | X X X                                   |  |
| 43  | R115350  | GROMMET          | 1    |            | X X X                                   |  |
| 44  | AT162848 | RECEIVER-DRYER   | 1    |            | X X X                                   |  |
| 45A | T190438  | CLAMP            | 2    | -951252    | X X X                                   |  |
| 45B | AR21842  | CLAMP            | 2    | 951253-    | X X X                                   |  |
| 46A | 19M7384  | CAP SCREW        | 2    | -952252    | X X X                                   | M10 X 60   |
| 46B | 19M7806  | SCREW            | 2    | 951253-    | X X X                                   | M10 X 50, (SUB FOR 19M7804)  |
| 47  | 24H1781  | WASHER           | 2    | -951252    | X X X                                   |  |
| 48  | 24M7239  | WASHER           | 1    |            | X X X                                   |  |
| 49  | 19M8049  | CAP SCREW        | 2    |            | X X X                                   | M10 X 80   |
| 50  | T185949  | BRACKET          | 1    |            | X X X                                   |  |
| 51  | 19M7407  | CAP SCREW        | 1    | 901697-    | X X X                                   |  |
| 52  | 14M7273  | NUT              | 1    | -901696    | X X X                                   | M8   |
| 53  | 24M7238  | WASHER           | 1    | -901696    | X X X                                   |  |
| 54  | 19M8456  | CAP SCREW        | 2    | -901696    | X X X                                   | M8 X 100   |
|     | 19M8539  | CAP SCREW        | 2    | 901697-    | X X X                                   | M8 X 90  |
| 55  | AT187439 | KIT              | 1    |            | X                                       | (WHOLE GOODS) WITH FIELD INSTALLED FLOW CONTROL, INCLUDES INSULATED DUCT WORK, (INCLUDES AT178394, AT192656 AND T187606) |
|     | AT187442 | KIT              | 1    |            | X                                       | (WHOLE GOODS) WITH FLOW CONTROL, INCLUDES INSULATED DUCT WORK, (INCLUDES AT192656)                                       |
|     | AT187442 | KIT              | 1    |            | X X                                     | (WHOLE GOODS) WITH BASE COOLING, INCLUDES INSULATED DUCT WORK, (INCLUDES AT192656)                                       |
|     | AT187440 | KIT              | 1    |            | X X                                     | (WHOLE GOODS) WITH HIGH AMBIENT COOLING, INCLUDES INSULATED DUCT WORK (SUB (2) T190438 AND (2) 19M7875)                  |
| 56  | T212352  | BRACKET          | 1    | 951253-    |   |  |

# 1834-2

HEAT AND NOISE BARRIER  
CHAUFFAGE ET BARRIERE CONTRE LE BRUIT  
BARRERA TERMICA Y DE RUIDOS

T145246 -UN-04SEP01



T145246



# 1834-3

OPERATOR'S STATION 18

GRILLES, BAFFLES AND CONTROLS 1834

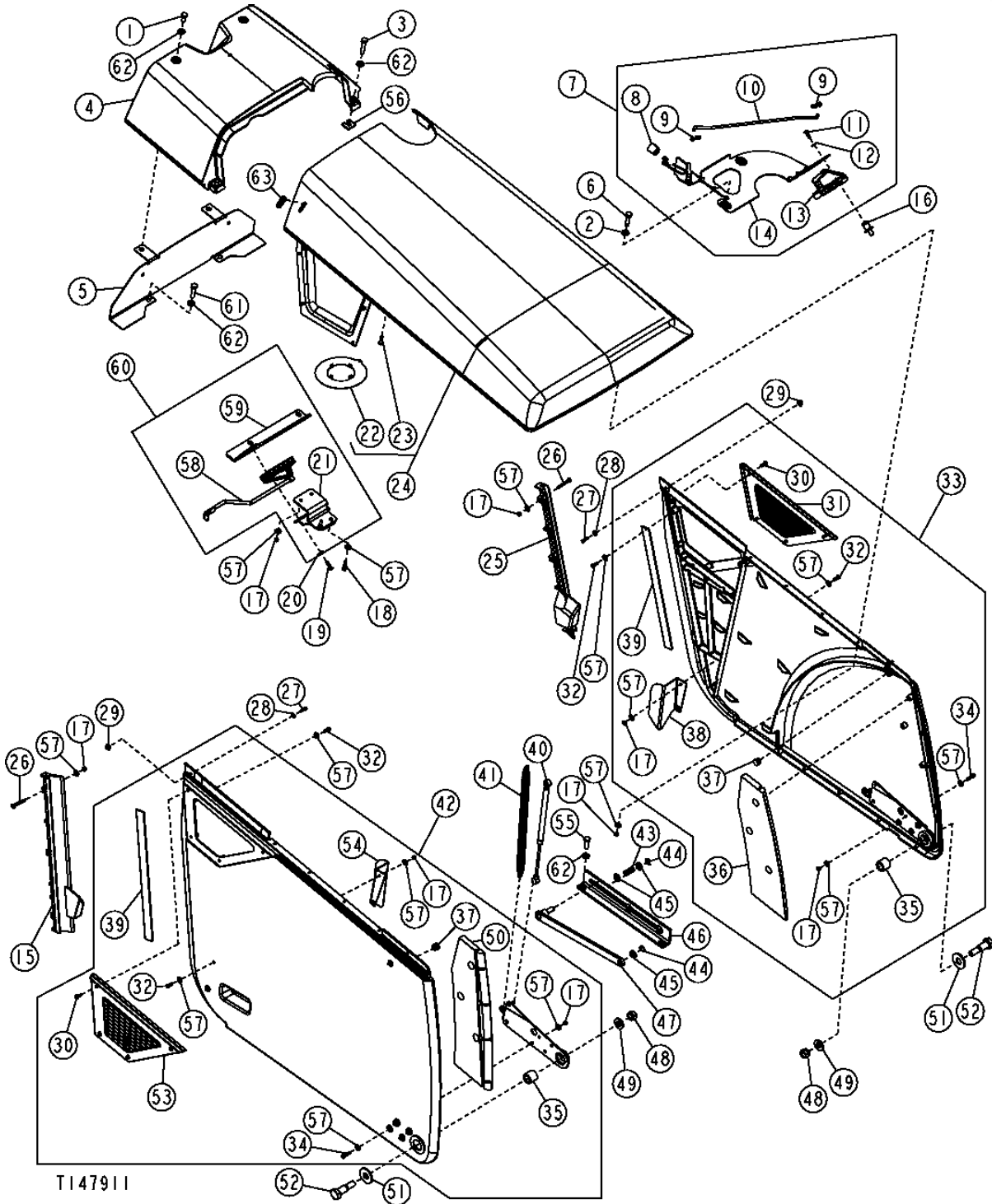
HEAT AND NOISE BARRIER  
CHAUFFAGE ET BARRIERE CONTRE LE BRUIT  
BARRERA TERMICA Y DE RUIDOS

| KEY | PART NO. | PART NAME | QTY. | SERIAL NO. | 3 3<br>3 1 1<br>1 0 5<br>0 S S<br>G G G | REMARKS   |
|-----|----------|-----------|------|------------|---|---|
| 1   | MT2485   | PLUG      | 5    |            | X X X                                   | FASTENER, (SUB FOR 19M7662, THIS APPLICATION) (SUB FOR T161380) |
| 2   | 24M7180  | WASHER    | 3    |            | X X X                                   |   |
| 3   | T185663  | PANEL     | 1    | -913416    | X X X                                   |   |
|     | T191101  | ISOLATOR  | 1    | 913417-    | X X X                                   |   |

# 1910-2

HOOD AND SIDE PANELS  
CAPOT ET PANNEAUX LATERAUX  
CAPO Y PANELES LATERALES

T147911 -UN-29NOV01



# 1910-3

SHEET METAL AND STYLING 19

HOOD OR ENGINE ENCLOSURE 1910

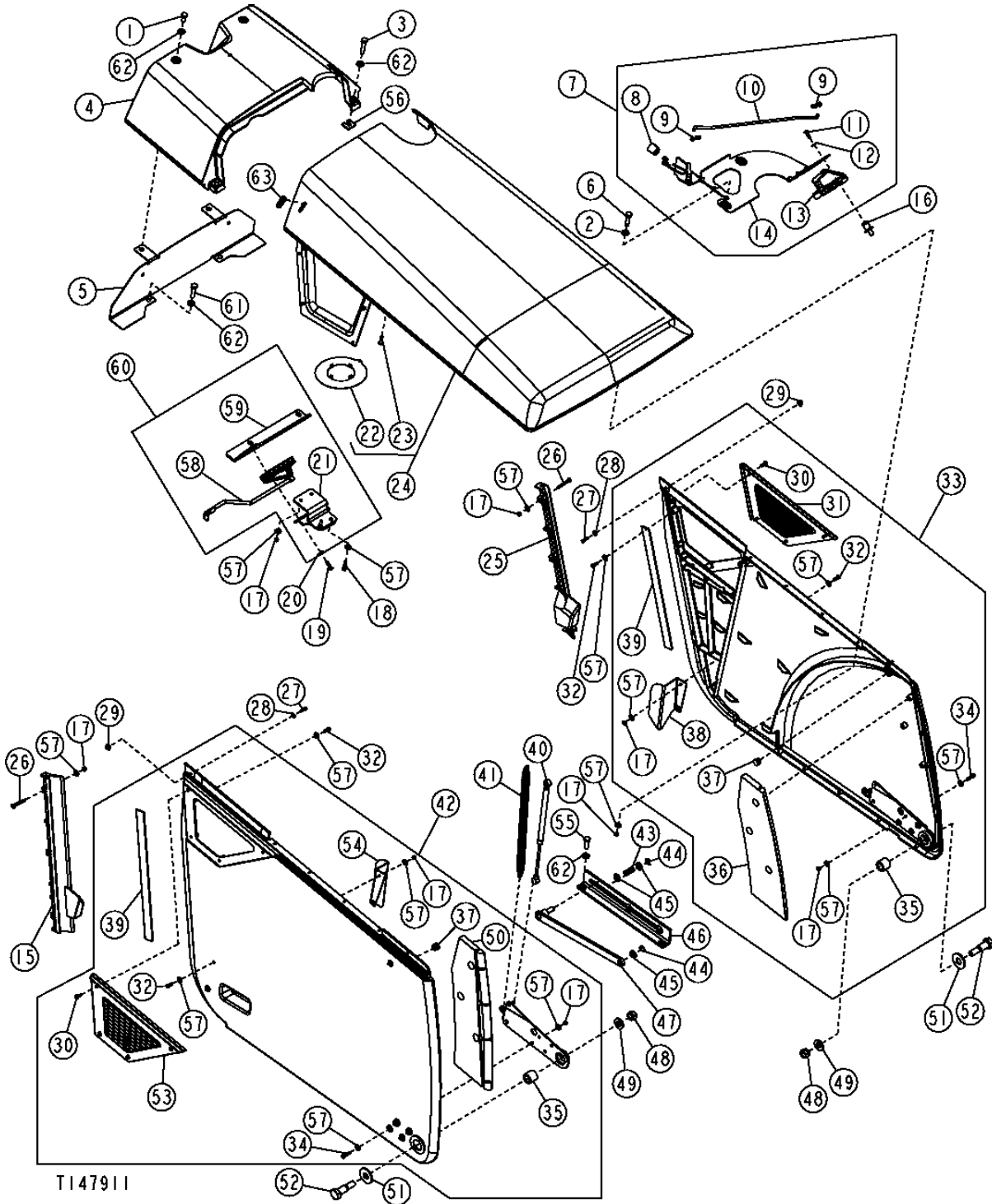
**HOOD AND SIDE PANELS  
CAPOT ET PANNEAUX LATERAUX  
CAPO Y PANELES LATERALES**

| KEY | PART NO. | PART NAME | QTY. | SERIAL NO. | 3 3<br>3 1 1<br>1 0 5<br>0 S S<br>G G G | REMARKS  |
|-----|----------|-----------|------|------------|---|--|
| 1   | 19M7938  | CAP SCREW | 2    |            | X X X                                   | M10 X 20   |
| 2   | 24M7239  | WASHER    | 3    | -903476    | X X X                                   |  |
| 3   | 19M8600  | CAP SCREW | 2    |            | X X X                                   | M10 X 50   |
| 4   | T165982  | HOOD      | 1    | -903476    | X X X                                   |  |
|     | T209334  | HOOD      | 1    | 903477-    | X X X                                   | (SUB FOR T188707)  |
| 5   | AT302803 | SUPPORT   | 1    |            | X X X                                   | (SUB FOR AT185683)   |
| 6   | 19M8637  | CAP SCREW | 3    | -903476    | X X X                                   | M10 X 40   |
| 7   | .....    | LATCH     | 1    | -903476    | X X X                                   | ORDER ATTACHING HARDWARE, (SUB AT196815) (ALSO ORDER (2) 14M7272, (2) 19M7874, (2) 19M7933, (4) 24M7139) |
| 8   | T133487  | KNOB      | 1    | -903476    | X X X                                   |  |
| 9   | T161373  | CLIP      | 2    | -903476    | X X X                                   |  |
| 10  | T165973  | ROD       | 1    | -903476    | X X X                                   |  |
| 11  | 19M7077  | CAP SCREW | 2    | -903476    | X X X                                   | M6 X 20  |
| 12  | 24M7139  | WASHER    | 1    | -903476    | X X X                                   |  |
| 13  | AT185680 | LATCH     | 1    | -903476    | X X X                                   |  |
| 14  | .....    | LATCH     | 1    | -903476    | X X X                                   | ( AT191557 NLA) (SUB AT196815)   |
| 15  | T165976  | GUIDE     | 1    |            | X X X                                   | RH   |
| 16  | AR91896  | STRIKER   | 1    | -903476    | X X X                                   |  |
| 17  | 14M7272  | NUT       | 28   |            | X X X                                   | M6   |
| 18  | 19M7874  | CAP SCREW | 2    |            | X X X                                   | M6 X 30  |
| 19  | 14H1047  | NUT       | 1    | -903476    | X X X                                   | 7/16"  |
|     | 19M7933  | CAP SCREW | 2    | 903477-    | X X X                                   | M6 X 25  |
| 20  | T105740  | WASHER    | 1    | -903476    | X X X                                   |  |
|     | 24M7139  | WASHER    | 2    | 903477-    | X X X                                   |  |
| 21  | AT189400 | BRACKET   | 1    | -903476    | X X X                                   | STRIKER BOLT BRACKET   |
|     | T201591  | BRACKET   | 1    | 903477-    | X X X                                   | (SUB FOR AT195339)   |
| 22  | .....    | PLATE     | 1    |            | X X X                                   |  |
| 23  | T187272  | SCREW     | 4    |            | X X X                                   | (SUB FOR T165985)  |
| 24  | .....    | HOOD      | 1    | -903476    | X X X                                   | ( AT185537 NLA) (SUB AT311787 AND T188642)   |
|     | .....    | HOOD      | 1    | -903476    | X X X                                   | ( AT196355 NLA) (SUB AT311787, T188642 AND AT196815)   |
|     | AT311787 | HOOD      | 1    | 903477-    | X X X                                   |  |
| 25  | T184393  | GUIDE     | 1    |            | X X X                                   | LH   |
| 26  | 19M9100  | SCREW     | 6    |            | X X X                                   | M6 X 50  |
| 27  | 19M7373  | CAP SCREW | 4    |            | X X X                                   | M5 X 20  |
| 28  | 24M7138  | WASHER    | 4    |            | X X X                                   |  |
| 29  | T183773  | NUT       | 4    |            | X X X                                   |  |
| 30  | 21M7246  | SCREW     | 8    |            | X X X                                   | M6 X 16  |
| 31  | T165916  | LOUVER    | 1    |            | X X X                                   | LH   |
| 32  | 19M8425  | CAP SCREW | 12   |            | X X X                                   | M6 X 16  |

# 1910-4

HOOD AND SIDE PANELS (CONTINUED)  
CAPOT ET PANNEAUX LATERAUX (SUITE)  
CAPO Y PANELES LATERALES (CONTINUACION)

T147911 -UN-29NOV01



# 1910-5

SHEET METAL AND STYLING 19

HOOD OR ENGINE ENCLOSURE 1910

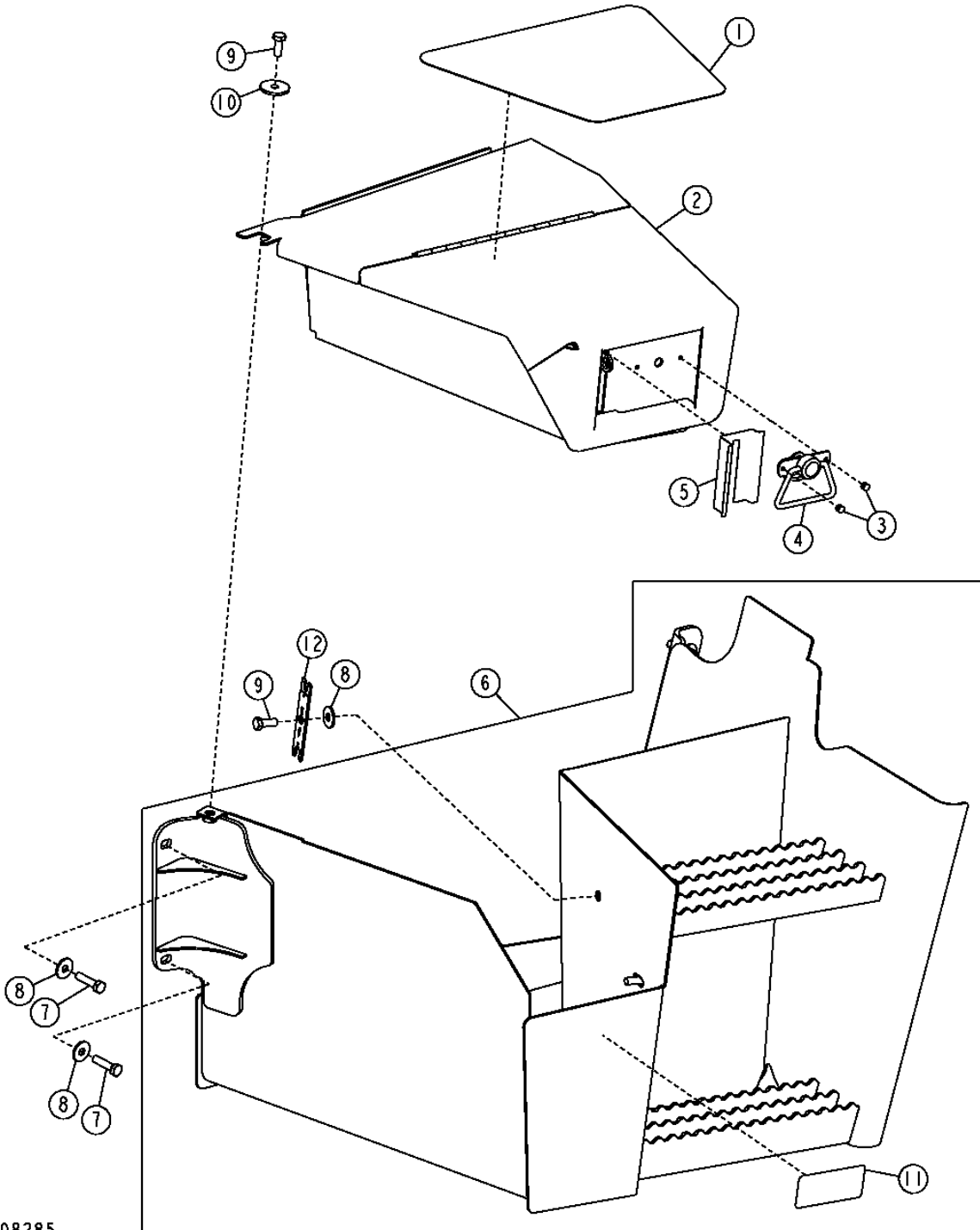
HOOD AND SIDE PANELS (CONTINUED)  
 CAPOT ET PANNEAUX LATERAUX (SUITE)  
 CAPO Y PANELES LATERALES (CONTINUACION)

| KEY | PART NO. | PART NAME             | QTY. | SERIAL NO. | REMARKS                      |
|-----|----------|-----------------------|------|------------|------------------------------|
|     |          |                       |      |            | 3 3                          |
|     |          |                       |      |            | 3 1 1                        |
|     |          |                       |      |            | 1 0 5                        |
|     |          |                       |      |            | 0 S S                        |
|     |          |                       |      |            | G G G                        |
| 33  | AT311786 | PANEL                 | 1    |            | X X X LH, (SUB FOR AT185539) |
| 34  | 19M7933  | CAP SCREW             | 10   |            | X X X M6 X 25                |
| 35  | T165911  | BUSHING               | 2    |            | X X X                        |
| 36  | .....    | SHIELD                | 1    |            | X X X ( T183781 NLA) LH      |
| 37  | T165997  | INSERT                | 2    |            | X X X                        |
| 38  | T184788  | BRACKET               | 1    |            | X X X LH, GUIDE              |
| 39  | T184116  | LABEL                 | 2    |            | X X X                        |
| 40  | AT311334 | GAS OPERATED CYLINDER | 1    |            | X X X (SUB FOR AT191760)     |
| 41  | T165977  | EXTENSION SPRING      | 2    |            | X X X                        |
| 42  | AT311785 | PANEL                 | 1    |            | X X X RH, (SUB FOR AT185538) |
| 43  | T165981  | COMPRESSION SPRING    | 1    |            | X X X                        |
| 44  | R26871   | SNAP RING             | 2    |            | X X X                        |
| 45  | 24M7047  | WASHER                | 3    |            | X X X                        |
| 46  | T165978  | GUIDE                 | 1    |            | X X X                        |
| 47  | AT189661 | BAR                   | 1    |            | X X X                        |
| 48  | 14M7328  | LOCK NUT              | 2    |            | X X X M16                    |
| 49  | 24M7241  | WASHER                | 2    |            | X X X                        |
| 50  | .....    | SHIELD                | 1    |            | X X X ( T183780 NLA) RH      |
| 51  | 24H1236  | WASHER                | 2    |            | X X X                        |
| 52  | T165975  | BOLT                  | 2    |            | X X X                        |
| 53  | T165915  | LOUVER                | 1    |            | X X X RH                     |
| 54  | T184787  | BRACKET               | 1    |            | X X X RH, GUIDE              |
| 55  | 19M8637  | CAP SCREW             | 2    |            | X X X M10 X 40               |
| 56  | .....    | SHIM                  | AR   |            | X X X                        |
| 57  | 24M7139  | WASHER                | 52   |            | X X X                        |
| 58  | AT196358 | LATCH                 | 1    | 903477-    | X X X                        |
| 59  | .....    | BRACKET               | 1    | 903477-    | X X X                        |
| 60  | AT196815 | KIT                   | 1    |            | X X X (INCLUDES T188642)     |
| 61  | 19M8637  | CAP SCREW             | 2    |            | X X X M10 X 40               |
| 62  | 24M7239  | WASHER                | 8    |            | X X X                        |
| 63  | T188642  | GROMMET               | 1    | 903477-    | X X X                        |

# 1913-2

BATTERY ENCLOSURE AND TOOL BOX  
COMPARTIMENT BATTERIE ET BOITE A OUTILS  
ENVUELTA DE BATERIA Y CAJA DE HERRAMIENTAS

T208285 -UN-25FEB05



T208285

# 1913-3

SHEET METAL AND STYLING 19  
MISCELLANEOUS SHIELDS 1913

**BATTERY ENCLOSURE AND TOOL BOX  
COMPARTIMENT BATTERIE ET BOITE A OUTILS  
ENVUELTA DE BATERIA Y CAJA DE HERRAMIENTAS**

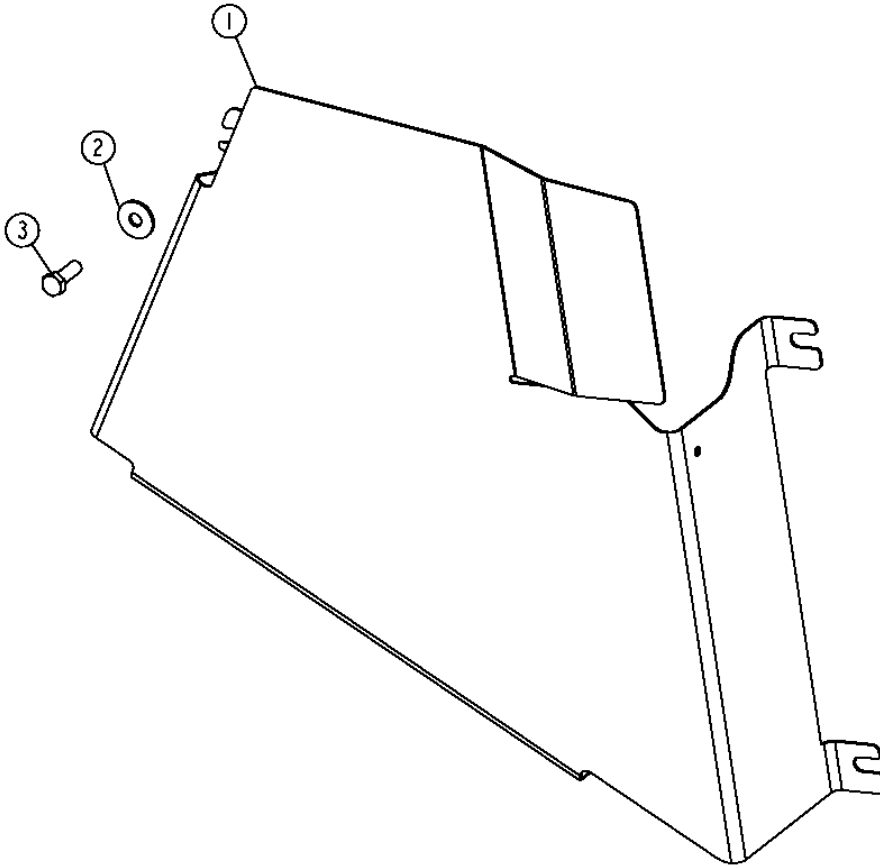
| KEY | PART NO. | PART NAME     | QTY. | SERIAL NO. | 3 3<br>3 1 1<br>1 0 5<br>0 S S<br>G G G | REMARKS                     |
|-----|----------|---------------|------|------------|---|-----------------------------|
| 1   | T165290  | ANTI-SKID PAD | 1    |            | X X X                                   |                             |
| 2   | AT183428 | TOOLBOX       | 1    | -963068    | X X X                                   |                             |
|     | AT332084 | TOOLBOX       | 1    | 963069-    | X X X                                   |                             |
| 3   | M63200   | RIVET         | 2    | -963068    | X X X                                   |                             |
|     | AT333453 | RIVET         | 2    | 963069-    | X X X                                   |                             |
| 4   | T185360  | LATCH         | 1    | -963068    | X X X                                   | (ALSO ORDER (2) M63200)     |
|     | AT332153 | LATCH         | 1    | 963069-    | X X X                                   |                             |
| 5   | T185469  | LABEL         | 1    | -963068    | X X X                                   | PROTECTIVE                  |
|     | T227945  | ANGLE         | 1    | 963069-    | X X X                                   |                             |
| 6   | AT183411 | BATTERY BOX   | 1    | -963068    | X X X                                   |                             |
|     | AT332597 | BATTERY BOX   | 1    | 963069-    | X X X                                   |                             |
| 7   | 19M8637  | CAP SCREW     | 4    |            | X X X                                   | M10 X 40                    |
| 8   | 24M7296  | WASHER        | 6    |            | X X X                                   |                             |
| 9   | 19M7402  | CAP SCREW     | 3    |            | X X X                                   | M10 X 25, (SUB FOR 19M7938) |
| 10  | 24H1718  | WASHER        | 1    |            | X X X                                   |                             |
| 11  | JD5933   | REFLECTOR     | 1    |            | X X X                                   |                             |
| 12  | T212304  | TOOL          | 1    |            | X X X                                   | STC                         |

# 1913-4

SHEET METAL AND STYLING 19  
MISCELLANEOUS SHIELDS 1913

LOADER PLUMBING SHIELD  
PROTECTION DE CONDUITES HYDRAULIQUES DE CHARGEUR  
ESCUDO DE TUBERIA DE CARGADORA

T135722 -UN-21APR04



T135722



# 1913-5

SHEET METAL AND STYLING 19

MISCELLANEOUS SHIELDS 1913

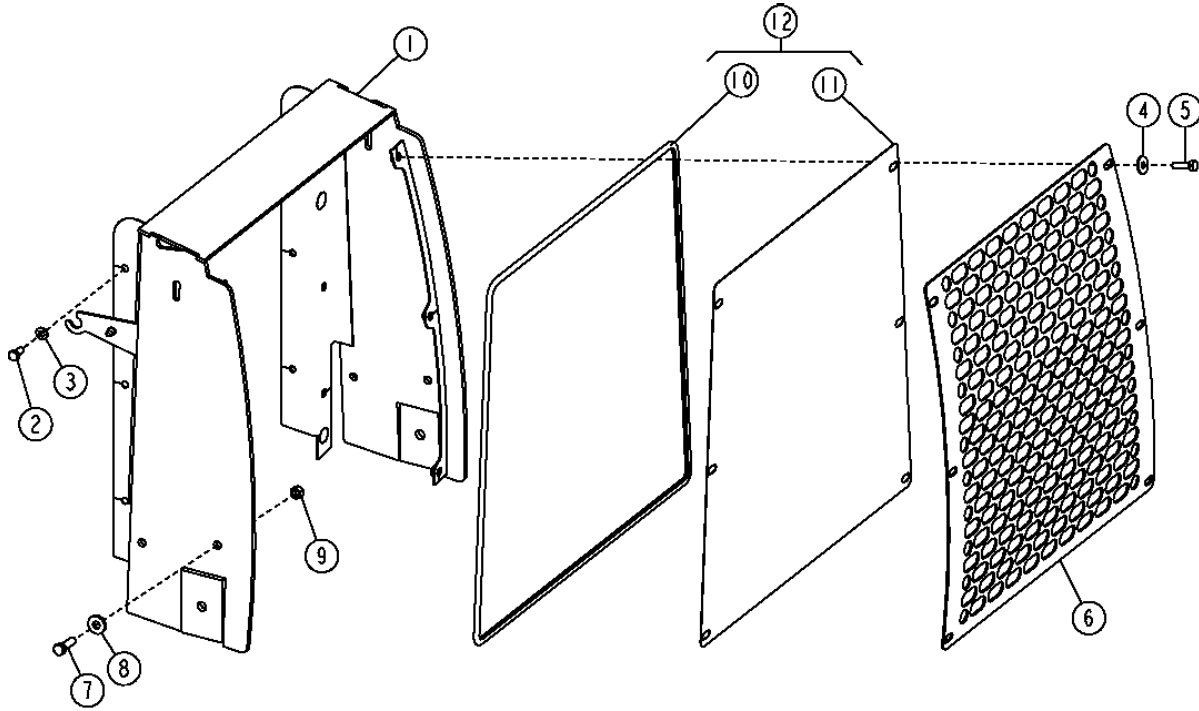
LOADER PLUMBING SHIELD  
PROTECTION DE CONDUITES HYDRAULIQUES DE CHARGEUR  
ESCUDO DE TUBERIA DE CARGADORA

| KEY | PART NO. | PART NAME | QTY. | SERIAL NO. | 3 3<br>3 1 1<br>1 0 5<br>0 S S<br>G G G | REMARKS           |
|-----|----------|-----------|------|------------|---|-------------------|
| 1   | T206525  | SHIELD    | 1    | -944620    | X X X                                   | (SUB FOR T166531) |
|     | T206908  | SHIELD    | 1    | 944621-    | X X X                                   |                   |
| 2   | 24M7296  | WASHER    | 1    |            | X X X                                   |                   |
| 3   | 19M7662  | CAP SCREW | 1    |            | X X X                                   | M10 X 30          |

# 1921-2

## GRILLE AND GRILLE HOUSING CALANDRE ET LOGEMENT DE CALANDRE PARRILLA Y CAJA DE LA PARRILLA

TP58071 -UN-06SEP00



TP58071

# 1921-3

SHEET METAL AND STYLING 19

GRILLE!&!GRILLE!HOUSING 1921

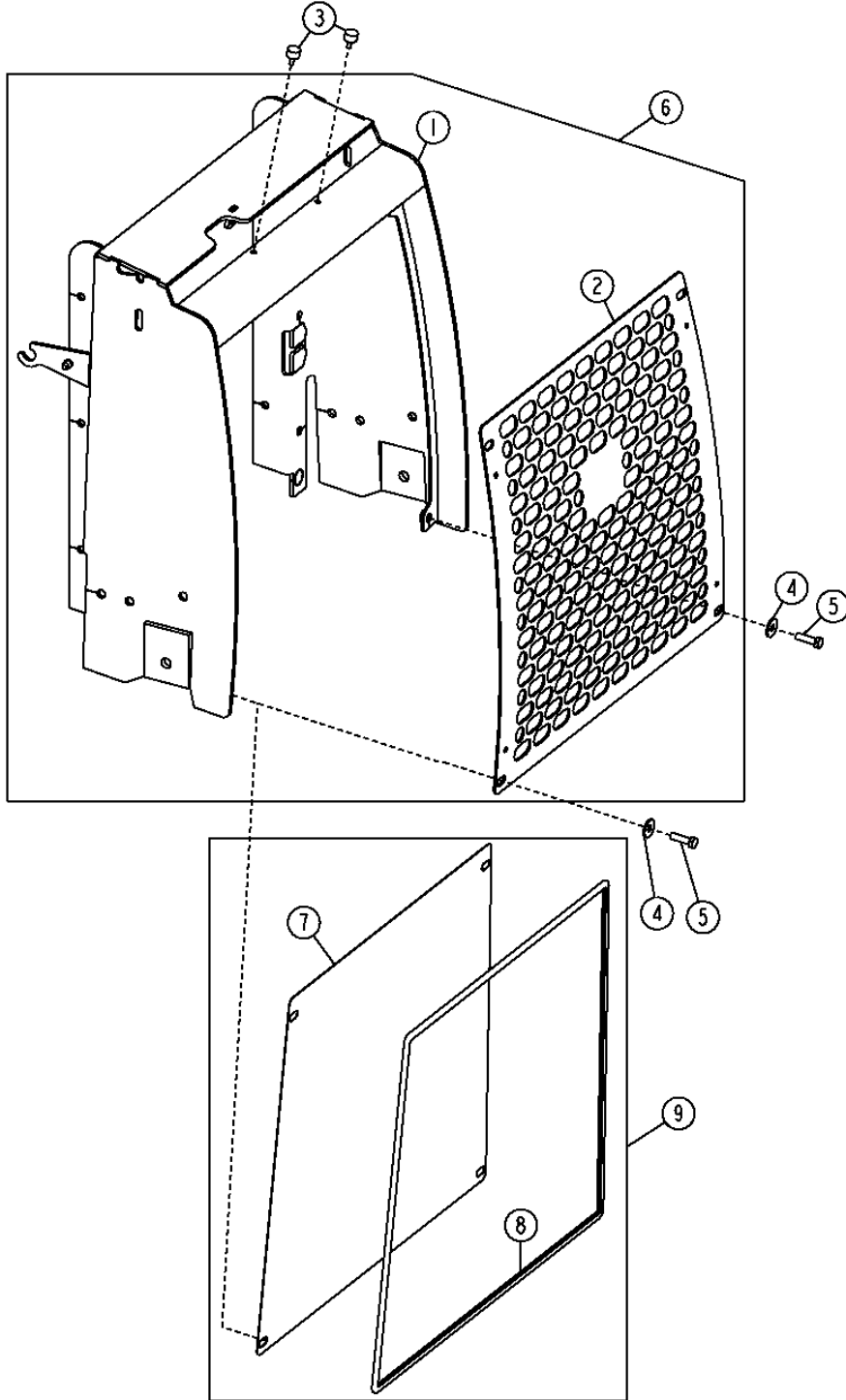
GRILLE AND GRILLE HOUSING  
CALANDRE ET LOGEMENT DE CALANDRE  
PARRILLA Y CAJA DE LA PARRILLA

| KEY | PART NO.        | PART NAME     | QTY.     | SERIAL NO. | 3 3<br>3 1 1<br>1 0 5<br>0 S S<br>G G G | REMARKS                                       |
|-----|-----------------|---------------|----------|------------|---|---|
| 1   | AT197001        | KIT           | 1        | -903149    | X X X                                   | (SUB FOR AT185004)                            |
|     | AT195872        | FRAME         | 1        | 903150-    | X X X                                   |   |
| 2   | 19M7938         | CAP SCREW     | 6        |            | X X X                                   | M10 X 20                                      |
| 3   | 24M7239         | WASHER        | 6        |            | X X X                                   |   |
| 4   | 24M7296         | WASHER        | 6        |            | X X X                                   |   |
| 5   | 19M7550         | CAP SCREW     | 6        |            | X X X                                   | M10 X 35                                      |
| 6   | T165896         | GRILLE        | 1        | -949370    | X X X                                   |   |
|     | T217001         | GRILLE        | 1        | 949371-    | X X X                                   |   |
| 7   | 19M7493         | CAP SCREW     | 4        |            | X X X                                   | M12 X 40                                      |
| 8   | T29342          | WASHER        | 4        |            | X X X                                   |   |
| 9   | 14M7275         | NUT           | 4        |            | X X X                                   | M12   |
| 10  | .....           | MOLDING       | 1        |            | X X X                                   | (CUT TO LENGTH, 8.74 FEET) (MAKE FROM T58056) |
| 11  | AT189091        | SCREEN        | 1        |            | X X X                                   | (TRASH SCREEN)                                |
| 12  | <b>AT189090</b> | <b>SCREEN</b> | <b>1</b> |            | <b>X X X</b>                            | <b>WHOLE GOODS</b>                            |

# 1921-4

EXTENDED GRILLE HOUSING  
LOGEMENT DE CALANDRE ETENDU  
CAJA DE PARRILLA EXTENDIDA

T212960 -UN-25JUL05



T212960

# 1921-5

SHEET METAL AND STYLING 19

GRILLE!&!GRILLE!HOUSING 1921

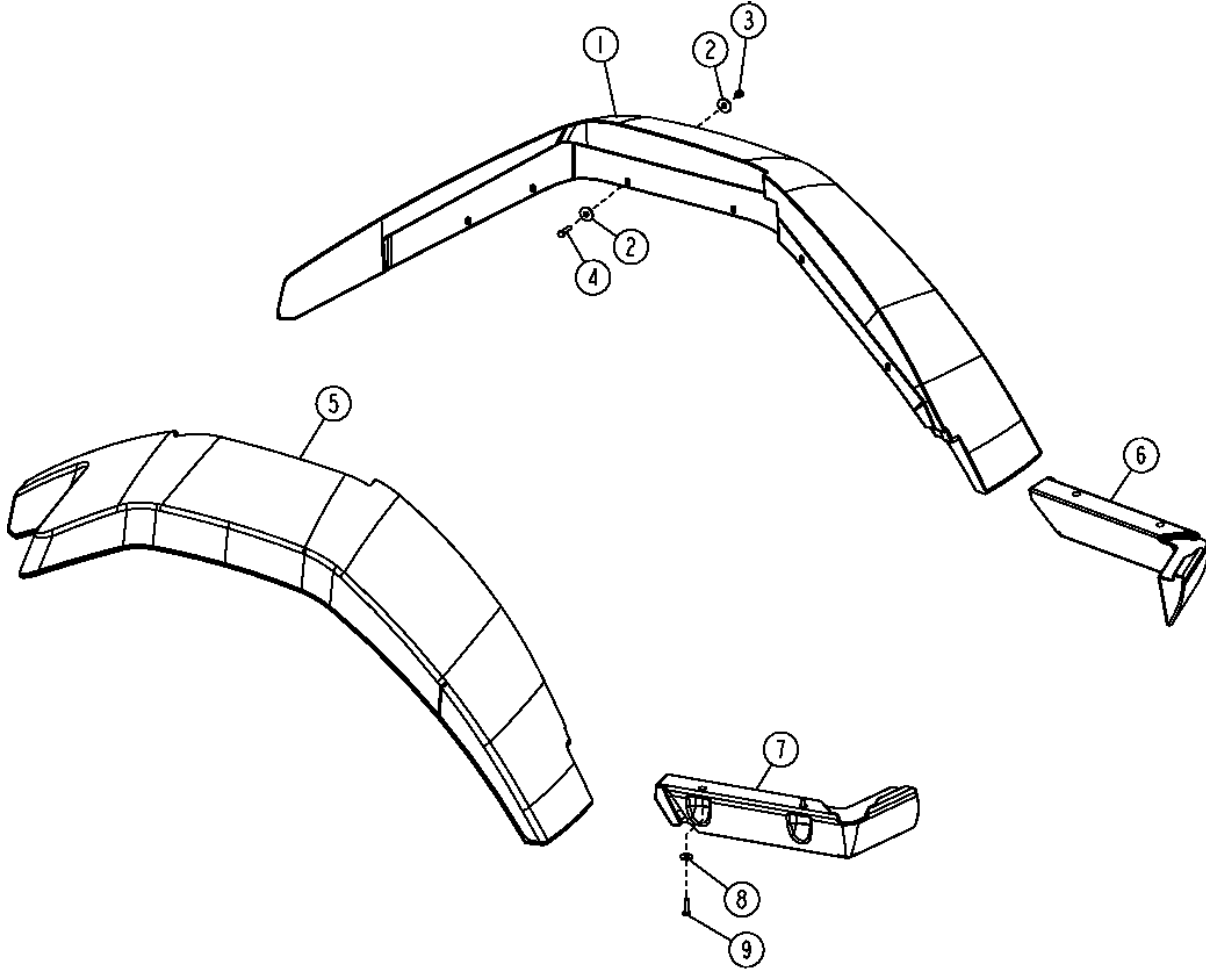
EXTENDED GRILLE HOUSING  
 LOGEMENT DE CALANDRE ETENDU  
 CAJA DE PARRILLA EXTENDIDA

| KEY | PART NO. | PART NAME | QTY. | SERIAL NO. | REMARKS   |
|-----|----------|-----------|------|------------|---|
|     |          |           |      |            | 3 3   |
|     |          |           |      |            | 3 1 1   |
|     |          |           |      |            | 1 0 5   |
|     |          |           |      |            | 0 S S   |
|     |          |           |      |            | G G G   |
| 1   | AT316227 | FRAME     | 1    |            | X X X   |
| 2   | T210544  | GRILLE    | 1    |            | X X X   |
|     | JD5761   | LABEL     | 1    |            | X X X LEAPING DEER                                  |
| 3   | H158596  | BUMPER    | 2    |            | X X X   |
| 4   | 24M7296  | WASHER    | 4    |            | X X X   |
| 5   | 19M7550  | CAP SCREW | 4    |            | X X X M10 X 35                                      |
| 6   | AT323124 | KIT       | 1    |            | X X X (WHOLE GOODS)                                 |
| 7   | AT322743 | SCREEN    | 1    |            | X X X (TRASH SCREEN)                                |
| 8   | .....    | MOLDING   | 1    |            | X X X (CUT TO LENGTH, 8.38 FEET) (MAKE FROM T58056) |
| 9   | AT322742 | SCREEN    | 1    |            | X X X (WHOLE GOODS)                                 |

# 1927-2

OPERATOR STATION FENDERS AND SKIRTS  
AILES ET JUPES DU POSTE DE CONDUITE  
GUARDABARROS Y FALDILLAS DE PUESTO DEL OPERADOR

TP58069 -UN-05OCT00



TP58069

# 1927-3

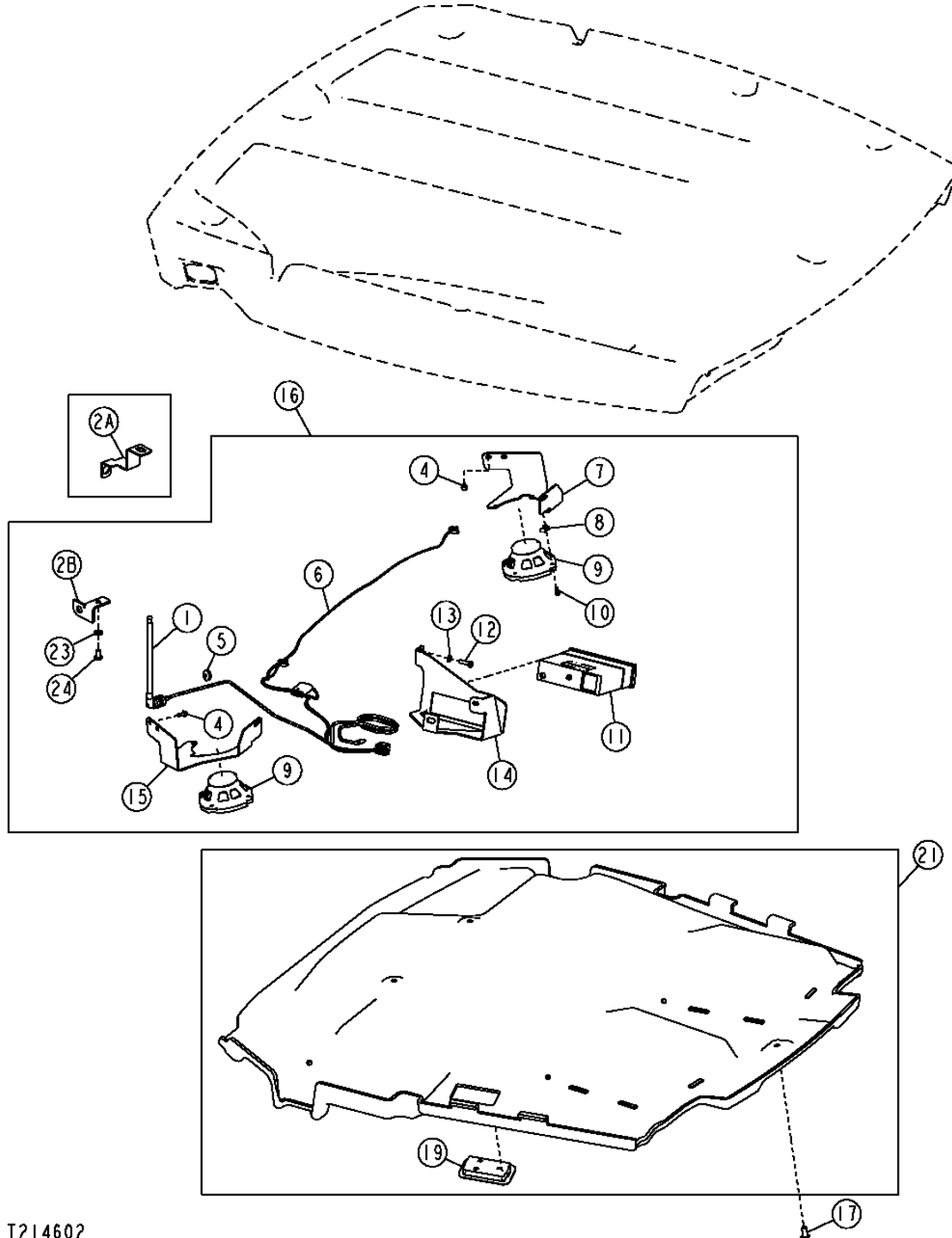
OPERATOR STATION FENDERS AND SKIRTS  
 AILES ET JUPES DU POSTE DE CONDUITE  
 GUARDABARROS Y FALDILLAS DE PUESTO DEL OPERADOR

| KEY | PART NO. | PART NAME | QTY. | SERIAL NO. | REMARKS               |
|-----|----------|-----------|------|------------|-----------------------|
|     |          |           |      |            | 3 3                   |
|     |          |           |      |            | 3 1 1                 |
|     |          |           |      |            | 1 0 5                 |
|     |          |           |      |            | 0 S S                 |
|     |          |           |      |            | G G G                 |
| 1   | T177187  | FENDER    | 1    |            | X X X LH              |
| 2   | 24M7296  | WASHER    | 24   |            | X X X                 |
| 3   | 14M7426  | LOCK NUT  | 12   |            | X X X M8              |
| 4   | 19M7513  | CAP SCREW | 12   |            | X X X M8 X 30         |
| 5   | T165870  | FENDER    | 1    |            | X X X RH              |
| 6   | T166331  | COVER     | 1    |            | X X LH (SERVICE ONLY) |
| 7   | T166332  | COVER     | 1    |            | X X RH (SERVICE ONLY) |
| 8   | 24M7298  | WASHER    | 4    |            | X X                   |
| 9   | 19M7513  | CAP SCREW | 4    |            | X X M8 X 30           |

# 2001-2

RADIO (CAB)  
RADIO (CABINE)  
RADIO (CABINA)

T214602 -UN-21SEP05



T214602



# 2001-3

SAFETY, CONVENIENCE AND MISCELLANEOUS 20

RADIO 2001

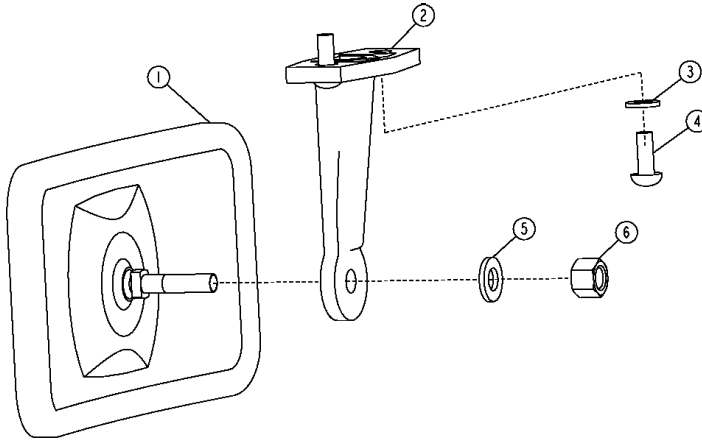
RADIO (CAB)  
RADIO (CABINE)  
RADIO (CABINA)

| KEY | PART NO.        | PART NAME          | QTY. | SERIAL NO. | 3 3<br>3 1 1<br>1 0 5<br>0 S S<br>G G G | REMARKS   |
|-----|-----------------|--------------------|------|------------|---|---|
| 1   | AT19388         | ANTENNA            | 1    |            | X X X                                   | (SUB FOR AT185366)  |
| 2A  | T167232         | BRACKET            | 1    | -951253    | X X X                                   |   |
| 2B  | T204635         | BRACKET            | 1    | 951254-    | X X X                                   |   |
| 3   | 24M7054         | WASHER             | 6    |            | X X X                                   |   |
| 4   | 19M7775         | SCREW              | 6    |            | X X X                                   | M6 X 16, (SUB FOR 19M7933, THIS APPLICATION)                                |
| 5   | T74952          | GROMMET            | 1    |            | X X X                                   |   |
| 6   | AT191575        | WIRING HARNESS     | 1    |            | X X X                                   |   |
| 7   | T186443         | BRACKET            | 1    |            | X X X                                   |   |
| 8   | R117892         | NUT                | 6    |            | X X X                                   | RADIO/SPEAKER MOUNTING  |
| 9   | AT188759        | SPEAKER            | 2    |            | X X X                                   |   |
| 10  | 21M7271         | SCREW              | 6    |            | X X X                                   | M5 X 16   |
| 11  | RE190139        | RADIO              | 1    |            | X X X                                   | AM/FM STEREO, (SUB FOR AT192956, THIS APPLICATION)                          |
| 12  | 19M7513         | CAP SCREW          | 2    |            | X X X                                   | M8 X 30   |
| 13  | 24M7238         | WASHER             | 2    |            | X X X                                   |   |
| 14  | T165951         | BRACKET            | 1    |            | X X X                                   |   |
| 15  | T186444         | BRACKET            | 1    |            | X X X                                   |   |
| 16  | <b>AT192217</b> | <b>RADIO</b>       | 1    |            | <b>X X X</b>                            | <b>(WHOLE GOODS)</b>  |
| 17  | .....           | PLUG               | 9    | -921525    | X X X                                   | ( T184892 NA) (SUB (9) MT2485) (DRILL HOLE TO 10MM )                        |
| 18  | MT2485          | PLUG               | 9    | 921526-    | X X X                                   | FASTENER, (SUB FOR T161380)   |
| 19  | M84972          | NUT                | 2    | -951253    | X X X                                   |   |
| 19  | .....           | HEADLINER          | 1    | -951253    | X X X                                   | ( AT185500 NLA) (SUB AT320544) (ALSO ORDER AT326356)                        |
| 20  | AT320544        | LAMP               | 1    | 951254-    |   |   |
| 21  | T134895         | SELF-LOCKING SCREW | 1    | -951253    | X X X                                   |   |
| 21  | .....           | HEADLINER          | 1    | -951253    | X X X                                   | FOR RADIO ( AT185499 NLA) (SUB AT321005) (ALSO ORDER AT326356 AND AT320544) |
| 22  | AT321005        | HEADLINER          | 1    | 951254-    | X X X                                   |   |
| 23  | AT326356        | CAB WIRING HARNESS | 1    | -951253    | X X X                                   |   |
| 23  | 24M7239         | WASHER             | 1    | 951254-    | X X X                                   |   |
| 24  | 19M8324         | CAP SCREW          | 1    | 951254-    | X X X                                   |   |

# 2002-2

**INTERIOR REAR VIEW MIRROR  
RETROVISEUR L'INTERIEUR  
RETROVISOR DEL INTERIOR**

T145088 -UN-24AUG01



T145088

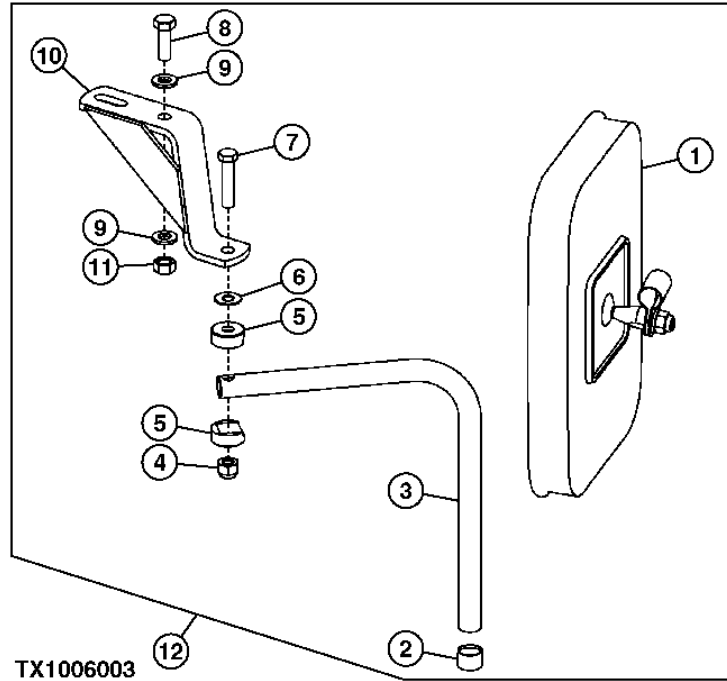
| KEY | PART NO.           | PART NAME                   | QTY.   | SERIAL NO. | REMARKS   |
|-----|--------------------|-----------------------------|--------|------------|---|
| 1   | AT222333           | REAR VIEW MIRROR            | 1      |            | X X X (RECOMMENDED FOR USE IN HIGHLY CORROSIVE ENVIRONMENT) |
| 2   | AT196427<br>L75379 | REAR VIEW MIRROR<br>BRACKET | 1<br>1 |            | X X X<br>X X X  |
| 3   | .....              | WASHER                      | 2      |            | X X X   |
| 4   | 21M7246            | SCREW                       | 2      |            | X X X M6 X 16   |
| 5   | 24M7238            | WASHER                      | 1      |            | X X X   |
| 6   | 14M7426            | LOCK NUT                    | 1      |            | X X X M8  |

# 2002-3

## EXTERNAL MIRROR RETROVISEUR EXTERIEUR ESPEJO EXTERNO

TX1006003

-UN-17APR06



TX1006003

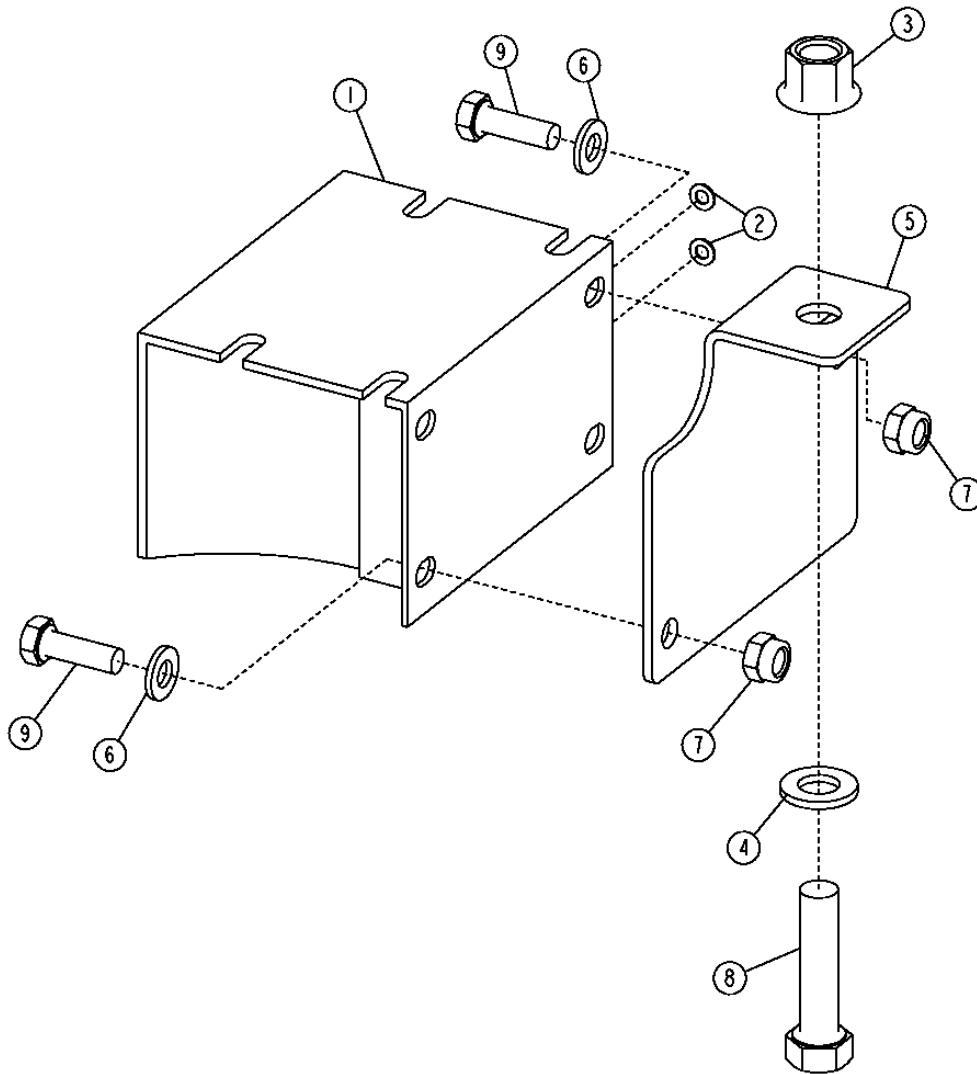
3 3  
3 1 1  
1 0 5  
0 S S  
G G G

| KEY | PART NO. | PART NAME        | QTY. | SERIAL NO. | REMARKS                     |
|-----|----------|------------------|------|------------|-----------------------------|
| 1   | AT103919 | REAR VIEW MIRROR | 2    |            | X X                         |
|     | AT103919 | REAR VIEW MIRROR | 2    | -200132    | X                           |
|     | .....    | REAR VIEW MIRROR | 1    | 200133-    | X                           |
| 2   | T128437  | CAP              | 2    |            | X X X                       |
| 3   | T148817  | TUBE             | 2    |            | X X X                       |
| 4   | T11234   | LOCK NUT         | 2    |            | X X X 3/8"                  |
| 5   | T115030  | HALF CLAMP       | 4    |            | X X X                       |
| 6   | T60920   | WASHER           | 2    |            | X X X                       |
| 7   | 19H3217  | CAP SCREW        | 2    |            | X X X 3/8" X 1-3/4"         |
| 8   | 19M7662  | CAP SCREW        | 2    |            | X X X M10 X 30              |
| 9   | 24M7239  | WASHER           | 4    |            | X X X                       |
| 10  | AT195814 | BRACKET          | 1    |            | X X X LH, (SUB FOR T166898) |
|     | AT195815 | BRACKET          | 1    |            | X X X RH, (SUB FOR T166898) |
|     | T223008  | BRACKET          | 1    | 200133-    | X LH                        |
|     | T223009  | BRACKET          | 1    | 200133-    | X RH                        |
| 11  | 14M7274  | NUT              | 2    |            | X X X M10                   |
| 12  | AT186155 | REAR VIEW MIRROR | 1    |            | X X X                       |

# 2004-2

WARNING: DEVICES INCLUDING HORN & REVERSE ALARM 2004  
BACK-UP ALARM SYSTEM (310G AND 310SG)  
SYSTEME AVERTISSEUR SONORE DE MARCHE ARRIERE (310G ET 310SG)  
SISTEMA DE BOCINA DE RETROCESO (310G Y 310SG)

T160035 -UN-01OCT02



T160035

# 2004-3

SAFETY, CONVENIENCE AND MISCELLANEOUS 20

WARNING: DEVICES INCLUDING HORN & REVERSE ALARM 2004  
**BACK-UP ALARM SYSTEM (310G AND 310SG)**  
**SYSTEME AVERTISSEUR SONORE DE MARCHE ARRIERE (310G ET 310SG)**  
**SISTEMA DE BOCINA DE RETROCESO (310G Y 310SG)**

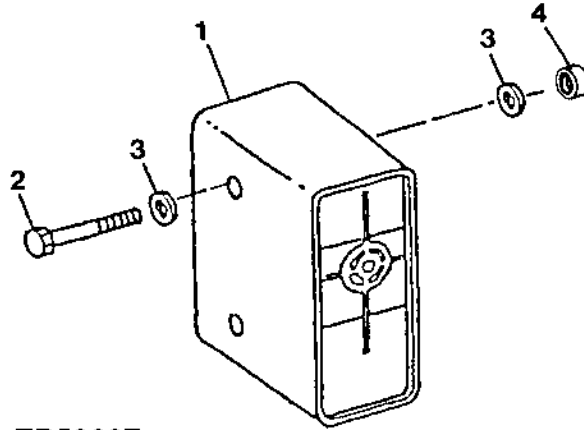
| KEY | PART NO. | PART NAME            | QTY. | SERIAL NO. | REMARKS  |
|-----|----------|----------------------|------|------------|--|
|     |          |                      |      |            | 3 3  |
|     |          |                      |      |            | 3 1 1  |
|     |          |                      |      |            | 1 0 5  |
|     |          |                      |      |            | 0 S S  |
|     |          |                      |      |            | G G G  |
| 1   | AT120461 | TRAVEL WARNING ALARM | 1    |            | X X  |
| 2   | 12M7084  | LOCK WASHER          | 2    |            | X X  |
| 3   | 14M7401  | LOCK NUT             | 1    |            | X X M12  |
| 4   | 24M7047  | WASHER               | 1    |            | X X  |
| 5   | T161368  | BRACKET              | 1    |            | X X  |
| 6   | 24M7238  | WASHER               | 2    |            | X X  |
| 7   | 14M7426  | LOCK NUT             | 2    |            | X X M8   |
| 8   | 19M7496  | CAP SCREW            | 1    |            | X X M12 X 45, (SUB FOR 19M7631 AND 19M7361,<br>THIS APPLICATION) |
| 9   | 19M7407  | CAP SCREW            | 2    |            | X X M8 X 25  |

# 2004-4

SAFETY, CONVENIENCE AND MISCELLANEOUS 20

WARNING: DEVICES INCLUDING HORN & REVERSE ALARM 2004  
 BACK-UP ALARM SYSTEM (315SG)  
 SYSTEME AVERTISSEUR SONORE DE MARCHE ARRIERE (315SG)  
 SISTEMA DE BOCINA DE RETROCESO (315SG)

TP50607 -UN-19MAR97



TP50607

| KEY | PART NO. | PART NAME            | QTY. | SERIAL NO. | REMARKS     |
|-----|----------|----------------------|------|------------|-------------|
| 1   | AT78534  | TRAVEL WARNING ALARM | 1    |            | X           |
| 2   | N275275  | CAP SCREW            | 2    |            | X M10 X 125 |
| 3   | 24M7239  | WASHER               | 2    |            | X           |
| 4   | 28H2547  | SPACER               | 2    |            | X           |

3 3  
 3 1 1  
 1 0 5  
 0 S S  
 G G G

# 2004-5

SAFETY, CONVENIENCE AND MISCELLANEOUS 20

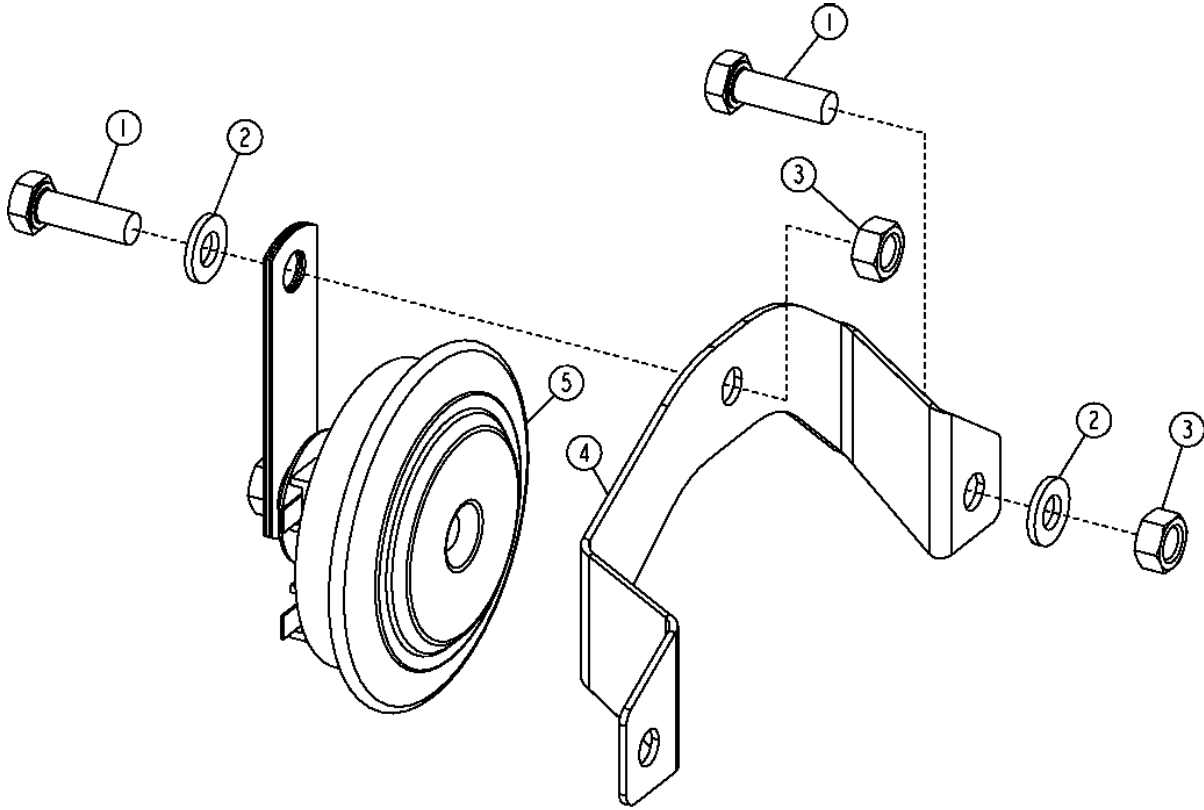
---

WARNING: DEVICES INCLUDING HORN & REVERSE ALARM 2004  
MEMORANDA  
MEMORANDA  
MEMORANDA

# 2004-6

WARNING: DEVICES INCLUDING HORN & REVERSE ALARM 2004  
HORN (SN -910147)  
KLAXON (SN -910147)  
BOCINA (SN -910147)

TP58115 -UN-09OCT00



TP58115



# 2004-7

SAFETY, CONVENIENCE AND MISCELLANEOUS 20

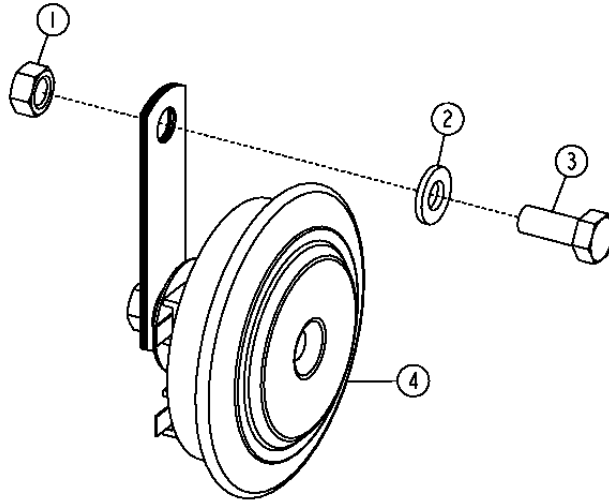
WARNING: DEVICES INCLUDING HORN & REVERSE ALARM 2004  
 HORN (SN -910147)  
 KLAXON (SN -910147)  
 BOCINA (SN -910147)

| KEY | PART NO. | PART NAME | QTY. | SERIAL NO. | REMARKS                  |
|-----|----------|-----------|------|------------|--------------------------|
|     |          |           |      |            | 3 3                      |
|     |          |           |      |            | 3 1 1                    |
|     |          |           |      |            | 1 0 5                    |
|     |          |           |      |            | 0 S S                    |
|     |          |           |      |            | G G G                    |
| 1   | M86877   | BOLT      | 2    |            | X X X M8 X 20            |
| 2   | 24M7238  | WASHER    | 2    |            | X X X                    |
| 3   | 14M7273  | NUT       | 2    |            | X X X M8                 |
| 4   | T185699  | BRACKET   | 1    |            | X X X                    |
| 5   | AT226281 | HORN      | 1    |            | X X X (SUB FOR AT222276) |

# 2004-8

WARNING: DEVICES INCLUDING HORN & REVERSE ALARM 2004  
 HORN (SN 910148- ) )  
 KLAXON (SN 910148- ) )  
 BOCINA (SN 910148- ) )

T154411 -UN-29APR02



T154411

| KEY | PART NO. | PART NAME | QTY. | SERIAL NO. | REMARKS |
|-----|----------|-----------|------|------------|---------|
| 1   | 14M7273  | NUT       | 1    |            |         |
| 2   | 24M7238  | WASHER    | 1    |            |         |
| 3   | M86877   | BOLT      | 1    |            |         |
| 4   | AT226281 | HORN      | 1    |            |         |

3 3  
 3 1 1  
 1 0 5  
 0 S S  
 G G G

# 2004-9

SAFETY, CONVENIENCE AND MISCELLANEOUS 20

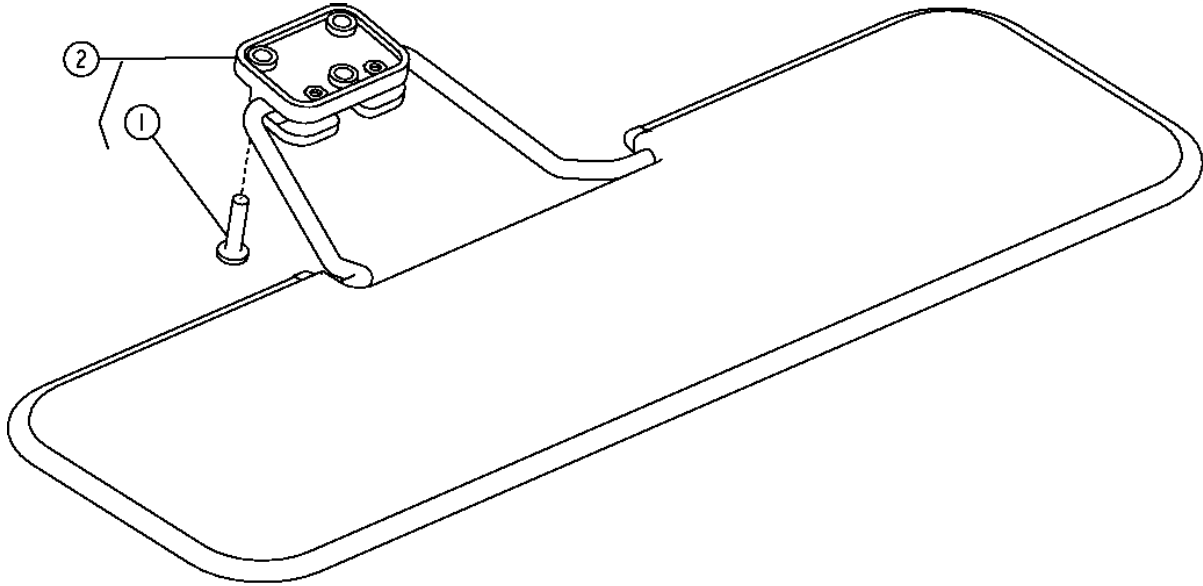
---

WARNING: DEVICES INCLUDING HORN & REVERSE ALARM 2004  
MEMORANDA  
MEMORANDA  
MEMORANDA

# 2007-2

## SUN VISOR PARE-SOLEIL VISERA

TP58072 -UN-09OCT00



TP58072

# 2007-3

SAFETY, CONVENIENCE AND MISCELLANEOUS 20

SUN VISOR 2007

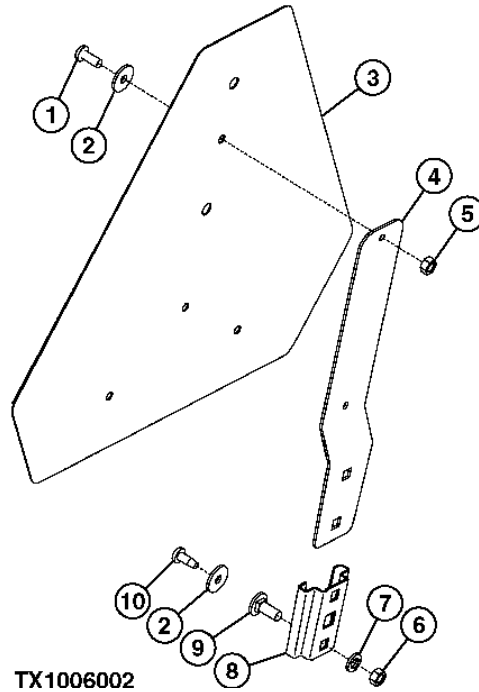
## SUN VISOR PARE-SOLEIL VISERA

| KEY | PART NO. | PART NAME          | QTY. | SERIAL NO. | REMARKS                  |
|-----|----------|--------------------|------|------------|--------------------------|
| 1   | T134895  | SELF-LOCKING SCREW | 3    |            | X X X M6 X 25            |
| 2   | AT186307 | SUN VISOR          | 1    |            | X X X <b>WHOLE GOODS</b> |

# 2008-2

**SMV EMBLEM  
SYMBOLE DE VEHICULE LENT  
DISTINTIVO VEHICULO DE MOVIMIENTO LENTO**

TX1006002 -UN-17APR06



TX1006002

3 3  
3 1 1  
1 0 5  
0 S S  
G G G

| KEY | PART NO. | PART NAME   | QTY. | SERIAL NO. | REMARKS      |
|-----|----------|-------------|------|------------|--------------|
| 1   | 21H1302  | SCREW       | 2    | X X X      | 1/4" X 5/8"  |
| 2   | 24M7100  | WASHER      | 4    | X X X      |              |
| 3   | JD5930   | SMV EMBLEM  | 1    | X X X      |              |
| 4   | JD5404   | BRACKET     | 1    | X X X      |              |
| 5   | 14H786   | NUT         | 2    | X X X      | 1/4"         |
| 6   | 14H785   | NUT         | 2    | X X X      | 5/16"        |
| 7   | 12M7065  | LOCK WASHER | 2    | X X X      |              |
| 8   | JD126    | BRACKET     | 1    | X X X      |              |
| 9   | 03H1268  | BOLT        | 2    | X X X      | 5/16" X 3/4" |
| 10  | 37M7074  | SCREW       | 2    | X X X      |              |

# 2008-3

SAFETY, CONVENIENCE AND MISCELLANEOUS 20

REFLECTORS & SIGN 2008

MEMORANDA  
MEMORANDA  
MEMORANDA

# 2160-2

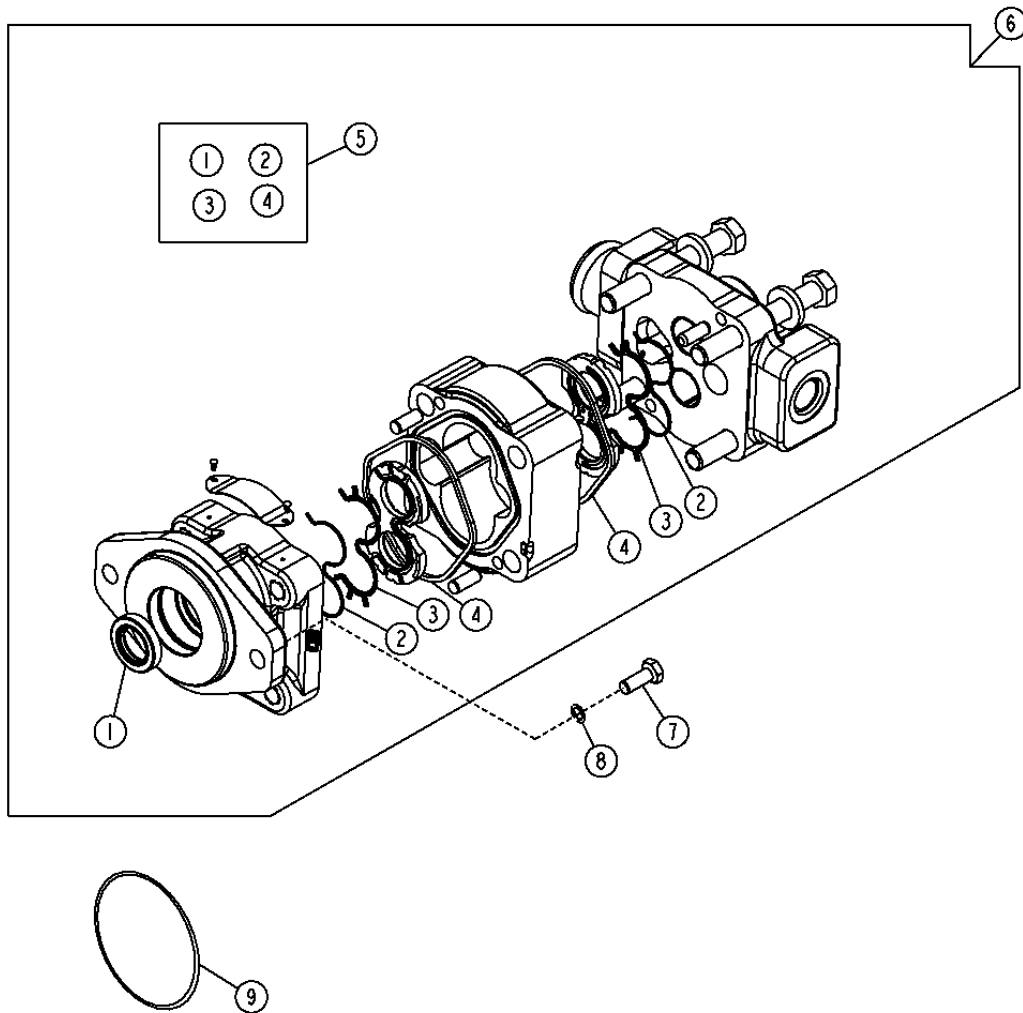
VEHICLE:MAIN:HYDRAULIC:SYSTEM 21

VEHICLE HYDRAULICS 2160

## MAIN HYDRAULIC PUMP (310G) POMPE HYDRAULIQUE PRINCIPALE (310G) BOMBA HIDRAULICA PRINCIPAL (310G)

T137562

-UN-24JAN01



T137562



# 2160-3

VEHICLE:MAIN:HYDRAULIC:SYSTEM 21

VEHICLE HYDRAULICS 2160

**MAIN HYDRAULIC PUMP (310G)  
POMPE HYDRAULIQUE PRINCIPALE (310G)  
BOMBA HIDRAULICA PRINCIPAL (310G)**

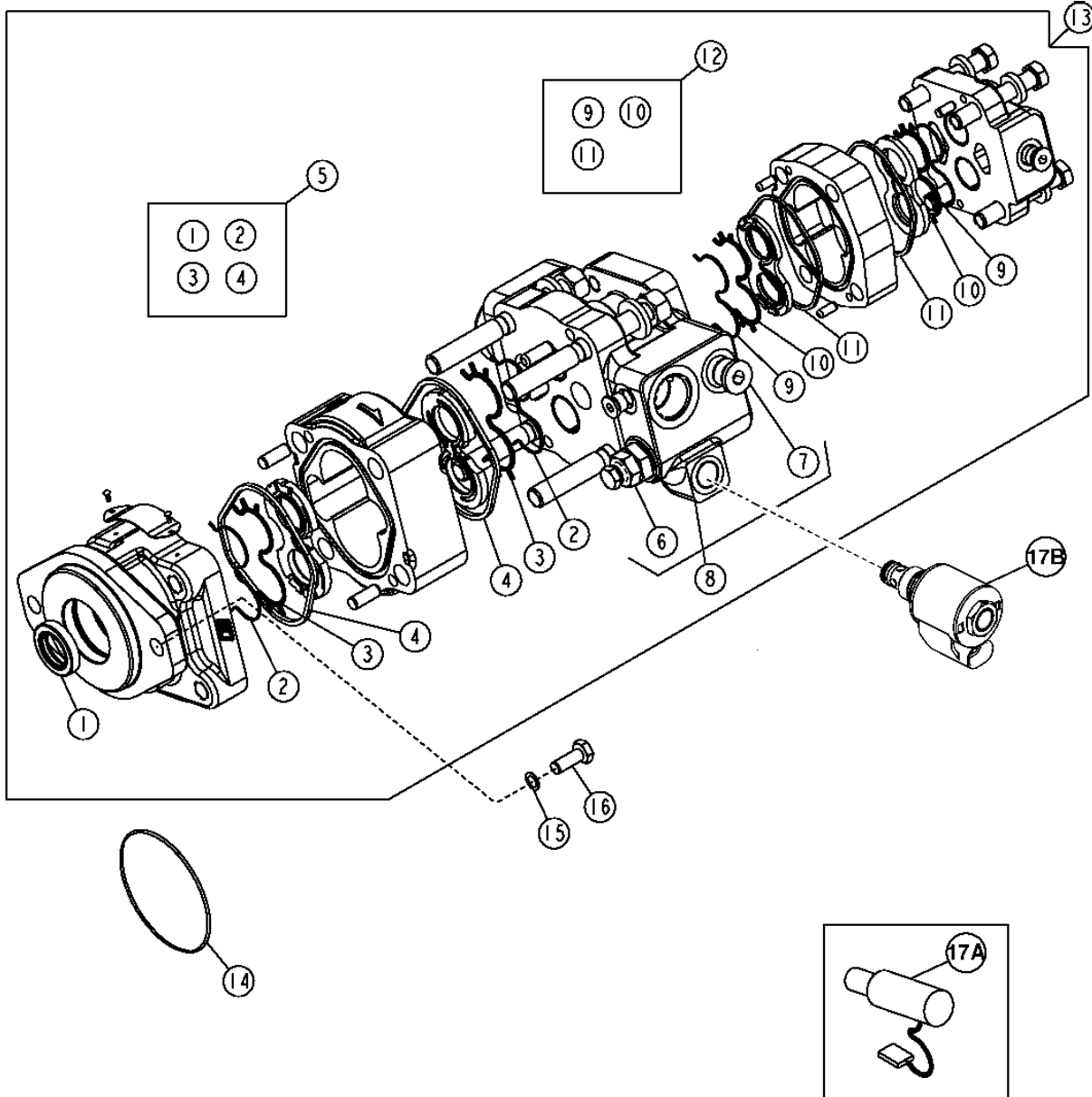
| KEY | PART NO.  | PART NAME      | QTY. | SERIAL NO. | REMARKS                     |
|-----|-----------|----------------|------|------------|-----------------------------|
|     |           |                |      |            | 3 3                         |
|     |           |                |      |            | 3 1 1                       |
|     |           |                |      |            | 1 0 5                       |
|     |           |                |      |            | 0 S S                       |
|     |           |                |      |            | G G G                       |
| 1   | .....     | SEAL           | 2    |            | X                           |
| 2   | .....     | BACK-UP RING   | 2    |            | X                           |
| 3   | .....     | SEAL           | 2    |            | X                           |
| 4   | .....     | SEAL           | 2    |            | X                           |
| 5   | AT199930  | SEAL KIT       | 1    |            | X (P330) (SUB FOR AT170052) |
| 6   | AT179792  | HYDRAULIC PUMP | 1    |            | X (SUB FOR AT182078)        |
| 7   | 19M7403   | CAP SCREW      | 2    |            | X M12 X 35                  |
| 8   | 24M7240   | WASHER         | 2    |            | X                           |
| 9   | F37030242 | O-RING         | 1    |            | X                           |

# 2160-4

**MAIN HYDRAULIC PUMP (310SG AND 315SG)  
POMPE HYDRAULIQUE PRINCIPALE (310SG ET 315SG)  
BOMBA HIDRAULICA PRINCIPAL (310SG Y 315SG)**

TX1009980

-UN-27JUL06



TX1009980

# 2160-5

VEHICLE:MAIN:HYDRAULIC:SYSTEM 21

VEHICLE HYDRAULICS 2160

**MAIN HYDRAULIC PUMP (310SG AND 315SG)  
POMPE HYDRAULIQUE PRINCIPALE (310SG ET 315SG)  
BOMBA HIDRAULICA PRINCIPAL (310SG Y 315SG)**

| KEY | PART NO.  | PART NAME                  | QTY. | SERIAL NO. | 3 3<br>3 1 1<br>1 0 5<br>0 S S<br>G G G | REMARKS   |
|-----|-----------|----------------------------|------|------------|---|---|
| 1   | .....     | SEAL                       | 1    |            | X X                                     |   |
| 2   | .....     | BACK-UP RING               | 2    |            | X X                                     |   |
| 3   | .....     | SEAL                       | 2    |            | X X                                     |   |
| 4   | .....     | SEAL                       | 2    |            | X X                                     |   |
| 5   | AT199930  | SEAL KIT                   | 1    |            | X X                                     | (P330) (SUB FOR AT170052)   |
| 6   | AT317385  | PRESSURE RELIEF VALVE      | 1    |            | X X                                     | (2900 PSI) (SUB FOR AT181937)   |
|     | T164075   | SPRING                     | 1    |            | X X                                     | UNLOADER SPOOL  |
| 7   | AT180530  | CHECK VALVE                | 1    |            | X X                                     |   |
|     | R26906    | O-RING                     | 1    |            | X X                                     |   |
|     | R27474    | DRAIN PLUG                 | 1    |            | X X                                     |   |
| 8   | .....     | PUMP/VALVE CONTROLLER      | 1    | -959174    | X                                       | UNLOADER ( AT317442 NLA) (SUB AT332462)<br>(ALSO ORDER AT195142 AND AT333053)<br>(SUB FOR AT192455) |
|     | .....     | PUMP/VALVE CONTROLLER      | 1    | -XXXXXX    | X                                       | UNLOADER ( AT317442 NLA) (SUB AT332462)<br>(ALSO ORDER AT195142 AND AT333053)<br>(SUB FOR AT192455) |
|     | AT199938  | SEAL KIT                   | 1    | -959174    | X                                       | UNLOADER, (SUB FOR AT178608)  |
|     | AT199938  | SEAL KIT                   | 1    | -XXXXXX    | X                                       | UNLOADER, (SUB FOR AT178608)  |
|     | AT332462  | HYDR./PILOT CONTROL VALVE  | 1    | 959175-    | X                                       |   |
|     | AT332462  | HYDR./PILOT CONTROL VALVE  | 1    | XXXXXX-    | X                                       |   |
| 9   | .....     | BACK-UP RING               | 2    |            | X X                                     |   |
| 10  | .....     | SEAL                       | 2    |            | X X                                     |   |
| 11  | .....     | SEAL                       | 2    |            | X X                                     |   |
| 12  | AT199931  | SEAL KIT                   | 1    |            | X X                                     | (P315) (SUB FOR AT170053)   |
| 13  | .....     | PUMP                       | 1    | -959174    | X                                       | ( AT317640 NLA) (SUB AT331223) (ALSO<br>ORDER AT195142 AND AT333053) (SUB FOR<br>AT183664)          |
|     | .....     | PUMP                       | 1    | -XXXXXX    | X                                       | ( AT317640 NLA) (SUB AT331223) (ALSO<br>ORDER AT195142 AND AT333053) (SUB FOR<br>AT183664)          |
|     | AT331223  | PUMP                       | 1    | 959175-    | X                                       |   |
|     | AT331223  | PUMP                       | 1    | XXXXXX-    | X                                       |   |
| 14  | F37030242 | O-RING                     | 1    |            | X X                                     |   |
| 15  | 24M7240   | WASHER                     | 2    |            | X X                                     |   |
| 16  | 19M7403   | CAP SCREW                  | 2    |            | X X                                     | M12 X 35  |
| 17A | RE32530   | SOLENOID VALVE             | 1    | -959174    | X                                       | DESTROKE  |
|     | RE32530   | SOLENOID VALVE             | 1    | -XXXXXX    | X                                       |   |
|     | R26375    | O-RING                     | 1    |            | X X                                     |   |
|     | T40308    | O-RING                     | 1    |            | X X                                     |   |
|     | T57374    | BACK-UP RING               | 1    |            | X X                                     |   |
| 17B | AT195142  | HYD ACTUATED CONTROL VALVE | 1    | 959175-    | X                                       |   |
|     | AT195142  | HYD ACTUATED CONTROL VALVE | 1    | XXXXXX-    | X                                       |   |
|     | AT195143  | SEAL KIT                   | 1    |            | X X                                     |   |
|     | T187815   | O-RING                     | 1    |            | X X                                     |   |
|     | AT333807  | SOLENOID VALVE COIL        | 1    |            | X X                                     |   |
|     | T225291   | NUT                        | 1    |            | X X                                     |   |
| 18  | AT333053  | ELECTRICAL CONNECTOR ASSY  | 1    | -959174    | X                                       | NOT ILLUSTRATED   |
|     | AT333053  | ELECTRICAL CONNECTOR ASSY  | 1    | -XXXXXX    | X                                       | NOT ILLUSTRATED   |

# 2160-6

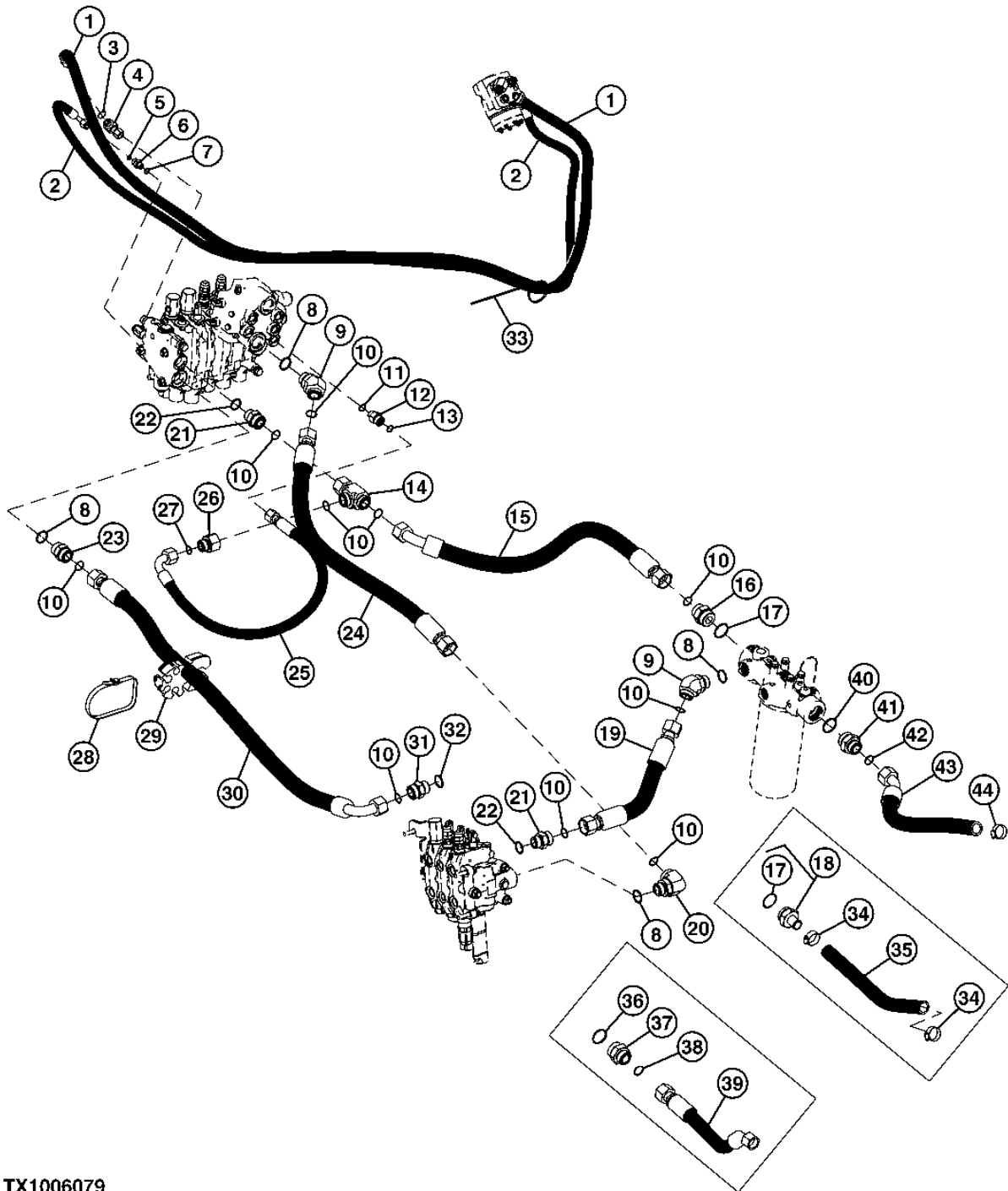
VEHICLE:MAIN:HYDRAULIC:SYSTEM 21

VEHICLE HYDRAULICS 2160

MAIN HYDRAULIC SYSTEM (SN -913416)  
CIRCUIT HYDRAULIQUE PRINCIPAL (SN -913416)  
SISTEMA HIDRAULICO PRINCIPAL (SN -913416)

TX1006079

-UN-26APR06



TX1006079

# 2160-7

VEHICLE:MAIN:HYDRAULIC:SYSTEM 21

VEHICLE HYDRAULICS 2160

**MAIN HYDRAULIC SYSTEM (SN -913416)  
CIRCUIT HYDRAULIQUE PRINCIPAL (SN -913416)  
SISTEMA HIDRAULICO PRINCIPAL (SN -913416)**

| KEY | PART NO. | PART NAME                  | QTY. | SERIAL NO.    | REMARKS   |
|-----|----------|----------------------------|------|---------------|---|
|     |          |                            |      |               | 3 3<br>3 1 1<br>1 0 5<br>0 S S<br>G G G   |
| 1   | AT184952 | HYDRAULIC HOSE - FABRICATE | 1    |               | X X X (ALSO ORDER 62H1043 AND T77857)   |
|     | 62H1043  | ADAPTER FITTING            | 1    |               | X X X STC®  |
| 2   | AT184951 | HYDRAULIC HOSE - FABRICATE | 1    |               | X X X (ALSO ORDER 62H1042 AND T77613)   |
|     | 62H1042  | ADAPTER FITTING            | 1    |               | X X X STC®  |
| 3   | T77857   | O-RING                     | 1    |               | X X X   |
| 4   | 38H1095  | ELBOW FITTING              | 1    |               | X X X   |
| 5   | T77613   | O-RING                     | 1    |               | X X X   |
| 6   | 38H1160  | ADAPTER FITTING            | 1    |               | X X X   |
| 7   | R26448   | O-RING                     | 1    |               | X X X   |
| 8   | R29936   | O-RING                     | 4    |               | X X X   |
| 9   | 38H1073  | ELBOW FITTING              | 2    |               | X   |
|     | 38H1049  | ELBOW FITTING              | 2    |               | X X   |
| 10  | T77858   | O-RING                     | 6    |               | X   |
|     | T76938   | O-RING                     | 6    |               | X X   |
| 11  | R26375   | O-RING                     | 1    |               | X X X   |
| 12  | 38H1317  | FITTING                    | 1    |               | X X X   |
| 13  | T77932   | O-RING                     | 1    |               | X X X   |
| 14  | 38H1033  | TEE FITTING                | 1    |               | X   |
|     | 38H1002  | TEE FITTING                | 1    |               | X   |
|     | 38H1002  | TEE FITTING                | AR   |               | X (NOT ILLUSTRATED)   |
| 15  | AT191046 | HYDRAULIC HOSE - FABRICATE | 1    |               | X 1-7/16" X 860 MM (33-3/4") X 1-3/16"  |
|     | AT190829 | HYDRAULIC HOSE - FABRICATE | 1    |               | X 1-7/16" X 800 MM (31-1/2") X 1-7/16",<br>WITH AUXILIARY HYDRAULICS  |
|     | AT186357 | HYDRAULIC HOSE - FABRICATE | 1    |               | X 1-7/16" X 850 MM (33-1/2") X 1-7/16",<br>WITHOUT AUXILIARY HYDRAULICS                                       |
|     | AT190829 | HYDRAULIC HOSE - FABRICATE | 1    |               | X 1-7/16" X 800 MM (31-1/2") X 1-7/16",<br>WITH AUXILIARY HYDRAULICS, (SUB FOR<br>AT191236, THIS APPLICATION) |
|     | AT190829 | HYDRAULIC HOSE - FABRICATE | 1    |               | X 1-7/16" X 800 MM (31-1/2") X 1-7/16",<br>WITHOUT AUXILIARY HYDRAULICS                                       |
| 16  | 38H1180  | ADAPTER FITTING            | 1    |               | X X X   |
| 17  | U13639   | O-RING                     | 1    | -909422       | X X X   |
| 18  | .....    | ADAPTER FITTING            | 1    | 905529-909422 | X X X (AT198196 NLA) (SUB T191313, U13639,<br>T76938, AT280598 AND AH105968)                                  |
| 19  | AT186428 | HYDRAULIC HOSE - FABRICATE | 1    |               | X 1-3/16" X 410 MM (16-1/4") X 1-3/16"  |
|     | AT199334 | HYDRAULIC HOSE - FABRICATE | 1    |               | X X 1-7/16" X 400 MM (15-3/4") X 1-7/16",<br>(SUB FOR AT186358)   |
| 20  | 38H1052  | ELBOW FITTING              | 1    |               | X   |
|     | 38H1037  | ELBOW FITTING              | 1    |               | X X   |
| 21  | 38H1343  | ADAPTER FITTING            | 2    |               | X   |
|     | 38H1346  | ADAPTER FITTING            | 2    |               | X X   |
| 22  | U17409   | O-RING                     | 2    |               | X X X   |
| 23  | 38H1194  | ADAPTER FITTING            | 1    |               | X   |
|     | 38H1164  | ADAPTER FITTING            | 1    |               | X X   |
| 24  | AT186427 | HYDRAULIC HOSE - FABRICATE | 1    |               | X 1-3/16" X 975 MM (38-1/2") X 1-3/16"  |
|     | AT185609 | HYDRAULIC HOSE - FABRICATE | 1    |               | X X 1-7/16" X 985 MM (38-3/4") X 1-7/16"  |
| 25  | AT186359 | HYDRAULIC HOSE - FABRICATE | 1    |               | X X 1" X 860 MM (33-3/4") X 1-3/16"   |
|     | AT191237 | HYDRAULIC HOSE - FABRICATE | 1    |               | X 1" X 565 MM (22-1/4") X 1", (NOT<br>ILLUSTRATED)  |

THIS PARTS LISTING IS CONTINUED

# 2160-8

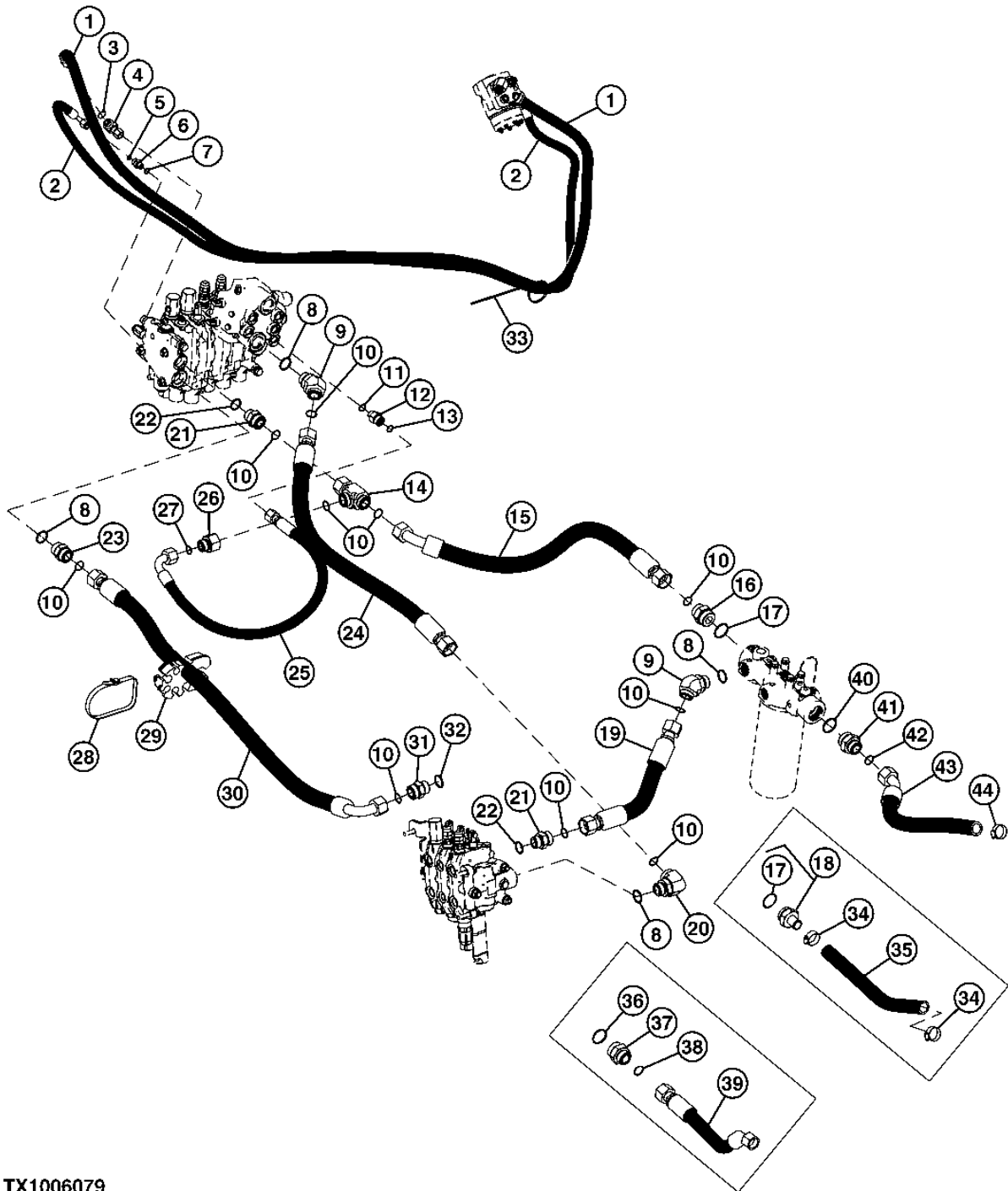
VEHICLE:MAIN:HYDRAULIC:SYSTEM 21

VEHICLE HYDRAULICS 2160

MAIN HYDRAULIC SYSTEM (SN -913416) (CONTINUED)  
CIRCUIT HYDRAULIQUE PRINCIPAL (SN -913416) (SUITE)  
SISTEMA HIDRAULICO PRINCIPAL (SN -913416) (CONTINUACION)

TX1006079

-UN-26APR06



TX1006079

THIS PARTS LISTING IS CONTINUED

# 2160-9

VEHICLE:MAIN:HYDRAULIC:SYSTEM 21

VEHICLE HYDRAULICS 2160

MAIN HYDRAULIC SYSTEM (SN -913416) (CONTINUED)  
 CIRCUIT HYDRAULIQUE PRINCIPAL (SN -913416) (SUITE)  
 SISTEMA HIDRAULICO PRINCIPAL (SN -913416) (CONTINUACION)

| KEY | PART NO. | PART NAME                  | QTY. | SERIAL NO.    | 3 3<br>3 1 1<br>1 0 5<br>0 S S<br>G G G | REMARKS                                |
|-----|----------|----------------------------|------|---------------|---|--|
| 26  | 38H1483  | REDUCER                    | 1    |               | X X                                     |  |
|     | 38H1476  | REDUCER                    | 2    |               | X X                                     | (NOT ILLUSTRATED)                      |
| 27  | T77858   | O-RING                     | 1    |               | X X                                     |  |
|     | T77932   | O-RING                     | 1    |               | X X X                                   | (NOT ILLUSTRATED)                      |
| 28  | N189220  | TIE BAND                   | 1    |               | X X X                                   |  |
| 29  | T167142  | HOSE CLAMP                 | 1    |               | X                                       | GATHERING CLAMP                        |
|     | T165940  | HOSE CLAMP                 | 1    | -911132       | X X                                     | GATHERING CLAMP, (SUB FOR T165940)     |
|     | T190669  | HOSE CLAMP                 | 1    | 911133-       | X X                                     |  |
| 30  | AT187709 | HYDRAULIC HOSE - FABRICATE | 1    |               | X                                       | 1-3/16" X 1 281 MM (50-1/2") X 1-3/16" |
|     | AT185586 | HYDRAULIC HOSE - FABRICATE | 1    |               | X X                                     | 1-7/16" X 1 305 MM (51-1/2") X 1-7/16" |
| 31  | 38H1163  | ADAPTER FITTING            | 1    |               | X                                       |  |
|     | 38H1164  | ADAPTER FITTING            | 1    |               | X X                                     |  |
| 32  | U12547   | O-RING                     | 1    |               | X                                       |  |
|     | R29936   | O-RING                     | 1    |               | X X                                     |  |
| 33  | H77698   | TIE BAND                   | 1    |               | X X X                                   |  |
| 34  | AH105968 | HOSE CLAMP                 | 2    | 905529-909422 | X X X                                   |  |
| 35  | T207885  | HOSE                       | 1    | 905529-909422 | X X X                                   | 660MM                                  |
| 36  | U13639   | O-RING                     | 1    | -905528       | X X X                                   |  |
| 37  | 38H1180  | ADAPTER FITTING            | 1    | -905528       | X X X                                   |  |
| 38  | T76938   | O-RING                     | 1    | -905528       | X X X                                   |  |
| 39  | AT190561 | HYDRAULIC HOSE - FABRICATE | 1    | -905528       | X X X                                   | 1-7/16" X 615 MM (24-1/4") X 1-3/16"   |
| 40  | U13639   | O-RING                     | 1    | 909423-       | X X X                                   |  |
| 41  | T191313  | ORIFICE                    | 1    | 909423-       | X X X                                   |  |
| 42  | T76938   | O-RING                     | 1    | 909423-       | X X X                                   |  |
| 43  | AT280598 | HYDRAULIC HOSE - FABRICATE | 1    | 909423-       | X X X                                   |  |
| 44  | AH105968 | HOSE CLAMP                 | 1    | 909423-       | X X X                                   |  |

# 2160-9A

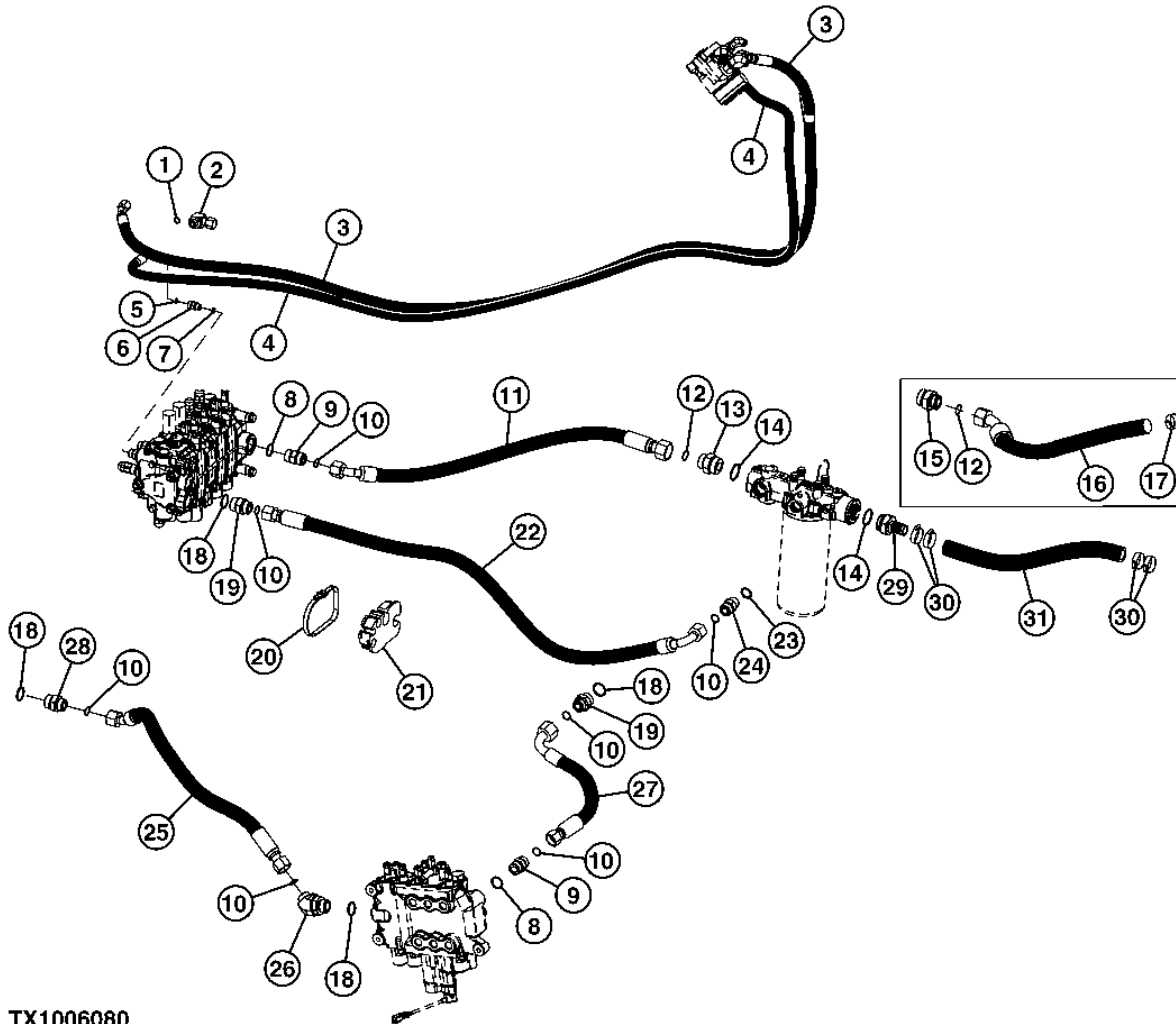
VEHICLE:MAIN:HYDRAULIC:SYSTEM 21

VEHICLE HYDRAULICS 2160

MAIN HYDRAULIC SYSTEM (SN 913417- )  
CIRCUIT HYDRAULIQUE PRINCIPAL (SN 913417- )  
SISTEMA HIDRAULICO PRINCIPAL (SN 913417- )

TX1006080

-UN-26APR06



TX1006080

THIS PARTS LISTING IS CONTINUED



# 2160-9B

VEHICLE:MAIN:HYDRAULIC:SYSTEM 21

VEHICLE HYDRAULICS 2160

MAIN HYDRAULIC SYSTEM (SN 913417- )  
 CIRCUIT HYDRAULIQUE PRINCIPAL (SN 913417- )  
 SISTEMA HIDRAULICO PRINCIPAL (SN 913417- )

| KEY | PART NO. | PART NAME                  | QTY. | SERIAL NO. | 3 3<br>3 1 1<br>1 0 5<br>0 S S<br>G G G | REMARKS   |
|-----|----------|----------------------------|------|------------|---|---|
| 1   | T77857   | O-RING                     | 1    |            | X X X                                   |   |
| 2   | 38H1095  | ELBOW FITTING              | 1    |            | X X X                                   |   |
| 3   | AT184952 | HYDRAULIC HOSE - FABRICATE | 1    |            | X X X                                   |   |
| 4   | AT184951 | HYDRAULIC HOSE - FABRICATE | 1    |            | X X X                                   |   |
| 5   | T77613   | O-RING                     | 1    |            | X X X                                   |   |
| 6   | 38H1160  | ADAPTER FITTING            | 1    |            | X X X                                   |   |
| 7   | R26448   | O-RING                     | 1    |            | X X X                                   |   |
| 8   | U17409   | O-RING                     | 2    |            | X X X                                   |   |
| 9   | 38H1343  | ADAPTER FITTING            | 2    |            | X                                       |   |
|     | 38H1346  | ADAPTER FITTING            | 2    |            | X X                                     |   |
| 10  | T77858   | O-RING                     | 7    |            | X                                       |   |
|     | T76938   | O-RING                     | 7    |            | X X                                     |   |
| 11  | AT190762 | HYDRAULIC HOSE - FABRICATE | 1    |            | X                                       | 1-3/16" X 710 MM (28") X 1-7/16", WITH<br>AUXILIARY HYDRAULICS              |
|     | AT196400 | HYDRAULIC HOSE - FABRICATE | 1    |            | X                                       | 1" X 953 MM (37-1/2") X 13/16", WITHOUT<br>AUXILIARY HYDRAULICS             |
|     | AT300759 | HYDRAULIC HOSE - FABRICATE | 1    |            | X X                                     | 1-7/16" X 870 MM (34-1/4") X 1-7/16",<br>WITH AUXILIARY HYDRAULICS          |
|     | AT196320 | HYDRAULIC HOSE - FABRICATE | 1    |            | X X                                     | 1" X 965 MM (38") X 1", WITHOUT<br>AUXILIARY HYDRAULICS                     |
| 12  | T76938   | O-RING                     | 2    |            | X X X                                   |   |
| 13  | 38H1180  | ADAPTER FITTING            | 1    |            | X X X                                   |   |
| 14  | U13639   | O-RING                     | 2    |            | X X X                                   |   |
| 15  | T191313  | ORIFICE                    | 1    | -909422    | X X X                                   |   |
| 16  | AT280598 | HYDRAULIC HOSE - FABRICATE | 1    | -909422    | X X X                                   |   |
| 17  | AH105968 | HOSE CLAMP                 | 1    | -909422    | X X X                                   |   |
| 18  | R29936   | O-RING                     | 1    |            | X X X                                   |   |
| 19  | 38H1194  | ADAPTER FITTING            | 2    |            | X                                       |   |
|     | 38H1164  | ADAPTER FITTING            | 2    |            | X X                                     |   |
| 20  | N189220  | TIE BAND                   | 1    |            | X X X                                   |   |
| 21  | T167142  | HOSE CLAMP                 | 1    |            | X                                       |   |
|     | T190669  | HOSE CLAMP                 | 1    |            | X                                       | (WITH PILOT CONTROLS)   |
|     | T190669  | HOSE CLAMP                 | 1    |            | X X                                     |   |
| 22  | AT303066 | HYDRAULIC HOSE - FABRICATE | 1    |            | X                                       | 1-3/16" X 1 295 MM (51") X 1-3/16",<br>(SUB FOR AT196399, THIS APPLICATION) |
|     | AT303065 | HYDRAULIC HOSE - FABRICATE | 1    |            | X X                                     | 1-7/16" X 1 295 MM (51") X 1-7/16",<br>(SUB FOR AT196318, THIS APPLICATION) |
| 23  | U12547   | O-RING                     | 1    |            | X                                       |   |
|     | R29936   | O-RING                     | 1    |            | X X                                     |   |
| 24  | 38H1163  | ADAPTER FITTING            | 1    |            | X                                       | (SUB FOR 38H1007, THIS APPLICATION)   |
|     | 38H1164  | ADAPTER FITTING            | 1    |            | X X                                     | (SUB FOR 38H1037, THIS APPLICATION)   |
| 25  | AT196397 | HYDRAULIC HOSE - FABRICATE | 1    |            | X                                       | 13/16" X 864 MM (34") X 13/16"  |
|     | AT318647 | HYDRAULIC HOSE - FABRICATE | 1    |            | X                                       | 1-3/16" X 826 MM (32-1/2") X 1-7/16",<br>(PILOT CONTROL)                    |
|     | AT196319 | HYDRAULIC HOSE - FABRICATE | 1    |            | X X                                     | 1" X 826 MM (32-1/2") X 1"  |
| 26  | 38H1073  | ELBOW FITTING              | 1    |            | X                                       |   |
|     | 38H1049  | ELBOW FITTING              | 1    |            | X X                                     |   |
| 27  | AT196398 | HYDRAULIC HOSE - FABRICATE | 1    |            | X                                       | 13/16" X 495 MM (19-1/2") X 13/16"  |
|     | AT196321 | HYDRAULIC HOSE - FABRICATE | 1    |            | X X                                     | 1" X 495 MM (19-1/2") X 1"  |
| 28  | 38H1194  | ADAPTER FITTING            | 1    |            | X                                       |   |
|     | 38H1216  | ADAPTER FITTING            | 1    |            | X                                       | (PILOT CONTROL)   |
|     | 38H1216  | ADAPTER FITTING            | 1    |            | X X                                     |   |
| 29  | T208467  | FITTING                    | 1    | 909423-    | X X X                                   | (SUB FOR T204992)   |
| 30  | AT300153 | HOSE CLAMP                 | 4    | 909423-    | X X X                                   |   |
| 31  | TY22556  | HOSE                       | 1    | 909423-    | X X X                                   | (CTL 2.25')   |

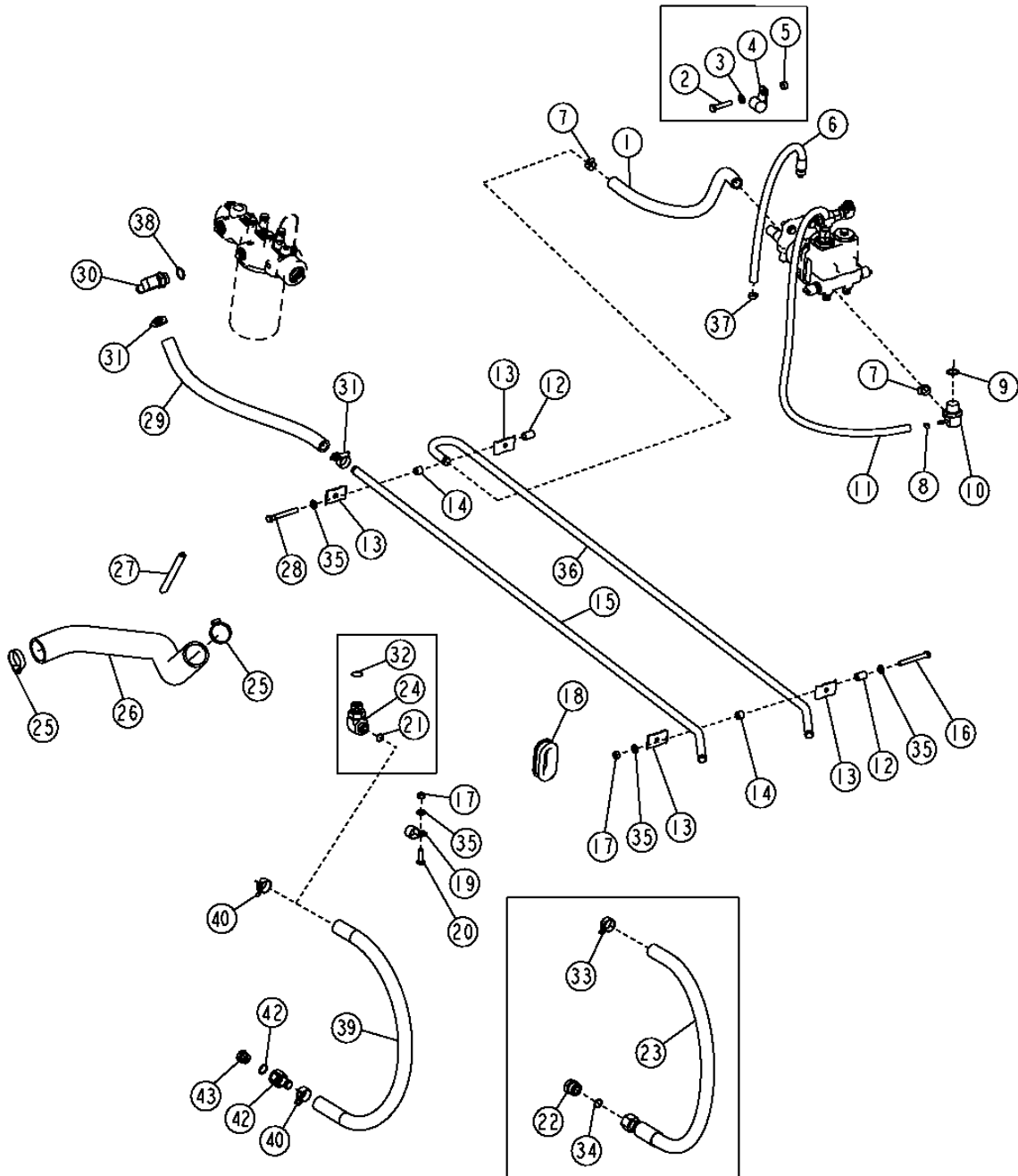
# 2160-10

VEHICLE:MAIN:HYDRAULIC:SYSTEM 21

VEHICLE HYDRAULICS 2160

## MAIN HYDRAULIC SYSTEM CIRCUIT HYDRAULIQUE PRINCIPAL SISTEMA HIDRAULICO PRINCIPAL

T192803 -UN-23JUL03



T192803

# 2160-11

VEHICLE:MAIN:HYDRAULIC:SYSTEM 21

VEHICLE HYDRAULICS 2160

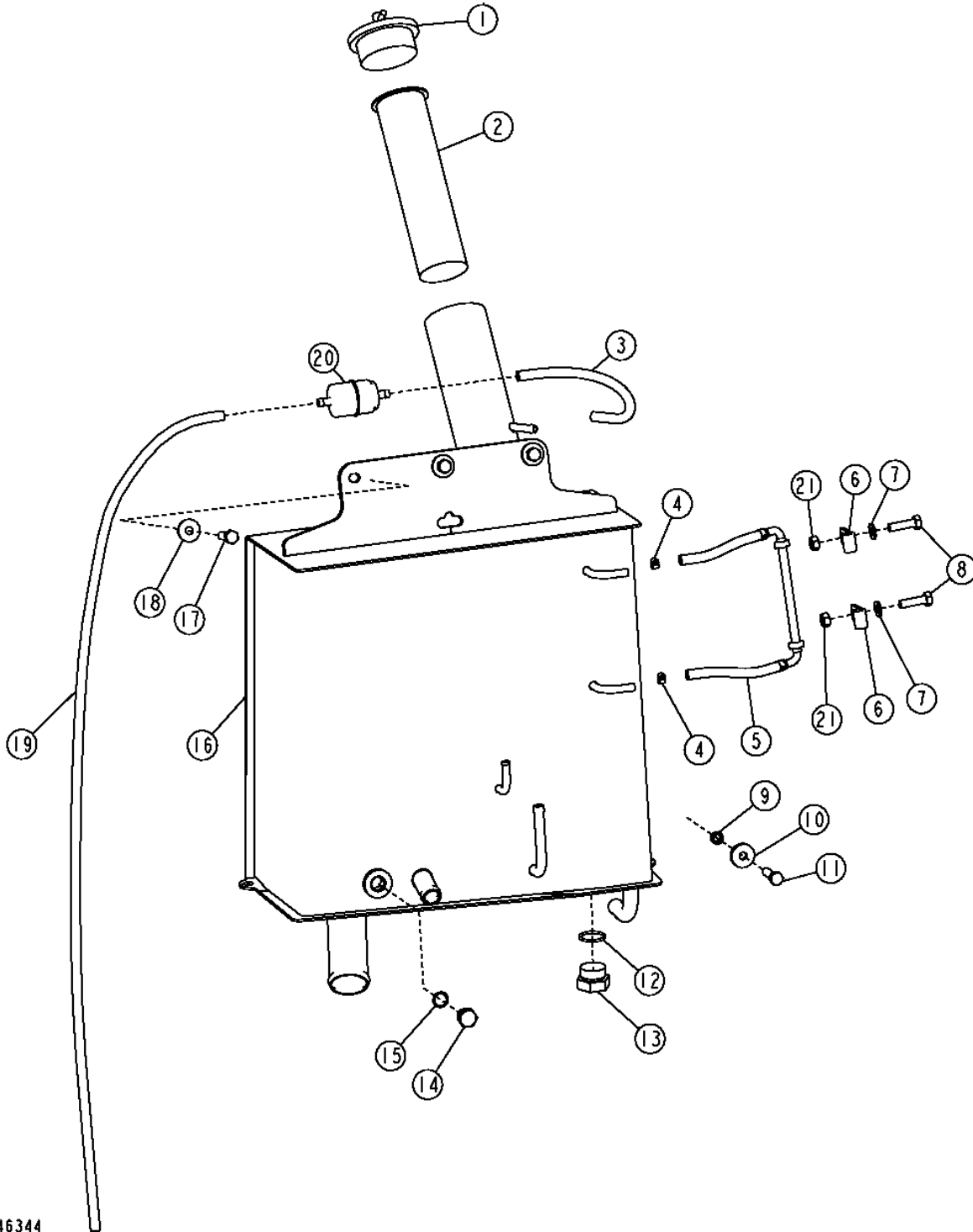
## MAIN HYDRAULIC SYSTEM CIRCUIT HYDRAULIQUE PRINCIPAL SISTEMA HIDRAULICO PRINCIPAL

| KEY | PART NO. | PART NAME                  | QTY. | SERIAL NO.    | REMARKS  |
|-----|----------|----------------------------|------|---------------|--|
|     |          |                            |      |               | 3 3  |
|     |          |                            |      |               | 3 1 1  |
|     |          |                            |      |               | 1 0 5  |
|     |          |                            |      |               | 0 S S  |
|     |          |                            |      |               | G G G  |
| 1   | .....    | HOSE                       | 1    |               | X X X (CTL, 322MM) (MAKE FROM T78497)                    |
| 2   | 19M8600  | CAP SCREW                  | 2    | -902890       | X X X M10 X 50   |
| 3   | 24M7239  | WASHER                     | 2    | -902890       | X X X  |
| 4   | R46667   | CLAMP                      | 2    | -902890       | X X X  |
| 5   | 28H3412  | WASHER                     | 2    | -902890       | X X X  |
| 6   | AT185078 | HYDRAULIC HOSE - FABRICATE | 1    | -911132       | X X X (ALSO ORDER 62H1042 AND T77613)                    |
|     | AT101779 | HYDRAULIC HOSE - FABRICATE | 1    | 911133-       | X X X STC®   |
| 7   | AT301917 | HOSE CLAMP                 | 2    |               | X X X (SUB FOR RE65978)                                  |
| 8   | TY22462  | CLAMP                      | 1    |               | X X X (SUB FOR AR48236)                                  |
| 9   | U12547   | O-RING                     | 1    | -911132       | X X X  |
| 10  | AT187779 | TEE FITTING                | 1    | -911132       | X X X  |
| 11  | AT185077 | HYDRAULIC HOSE - FABRICATE | 1    | -911132       | X X X (ALSO ORDER 62H1042 AND T77613)                    |
|     | AT280598 | HYDRAULIC HOSE - FABRICATE | 1    | 911133-       | X X X STC®   |
|     | 62H1042  | ADAPTER FITTING            | 1    | -911132       | X X X  |
| 12  | H141836  | BUSHING                    | 2    |               | X X X  |
| 13  | R46919   | HALF CLAMP                 | 4    |               | X X X  |
| 14  | T126052  | SPACER                     | 2    |               | X X X  |
| 15  | T183913  | OIL TUBE                   | 1    |               | X X X UPPER  |
| 16  | 19M8081  | CAP SCREW                  | 1    |               | X X X M10 X 80   |
| 17  | 14M7274  | NUT                        | 2    |               | X X X M10  |
| 18  | T158476  | GROMMET                    | 1    |               | X X X  |
| 19  | T102934  | CLAMP                      | 1    |               | X X X  |
| 20  | 19M7662  | CAP SCREW                  | 1    |               | X X X M10 X 30   |
| 21  | T77932   | O-RING                     | 1    | -902890       | X X X  |
| 22  | 38H1148  | FITTING PLUG               | 1    | -902890       | X X X  |
|     | 38H1149  | FITTING PLUG               | 1    | 902891-923038 | X X X  |
| 23  | AT191884 | HYDRAULIC HOSE - FABRICATE | 1    | -902890       | X X X  |
|     | AT196814 | HYDRAULIC HOSE - FABRICATE | 1    | 902891-923038 | X X X  |
| 24  | 38H1404  | ELBOW FITTING              | 1    | -902890       | X X X  |
| 25  | AT308555 | HOSE CLAMP                 | 2    |               | X X X (SUB FOR AR65294)                                  |
| 26  | AT186170 | SUCTION HOSE               | 1    |               | X X X  |
| 27  | .....    | MOLDING                    | 1    | -902890       | X X X (CTL) (MAKE FROM T61861)                           |
| 28  | 19M8081  | CAP SCREW                  | 1    |               | X X X M10 X 80   |
| 29  | .....    | HOSE                       | 1    |               | X X X (CTL, 622MM) (MAKE FROM T78497)                    |
| 30  | AH61472  | HOSE FITTING               | 1    |               | X X X  |
| 31  | AT301917 | HOSE CLAMP                 | 4    |               | X X X (SUB FOR RE65978 AND AT196496)                     |
| 32  | U12547   | O-RING                     | 1    | -902890       | X X X  |
| 33  | T185826  | CLAMP                      | 1    | 902891-923038 | X X X  |
| 34  | T77932   | O-RING                     | 1    | -902890       | X X X  |
|     | T77858   | O-RING                     | 1    | 902891-923038 | X X X  |
| 35  | 24M7239  | WASHER                     | 4    |               | X X X  |
| 36  | .....    | OIL TUBE                   | 1    | -902890       | X X X LOWER. (SUB T188573)                               |
|     | T188573  | OIL TUBE                   | 1    | 902891-       | X X X LOWER  |
| 37  | AR77962  | HOSE CLAMP                 | 1    | -911132       | X X X  |
| 38  | U12547   | O-RING                     | 1    |               | X X X  |
| 39  | .....    | BULK HOSE                  | 1    | 923039-       | X X X (CTL, 32 IN.) (MAKE FROM T78497) (SUB FOR T203949) |
| 40  | T185826  | CLAMP                      | 2    | 923039-       | X X X  |
| 41  | T190892  | HOSE FITTING               | 1    | 923039-       | X X X  |
| 42  | R26906   | O-RING                     | 1    | 923039-       | X X X  |
| 43  | R27474   | DRAIN PLUG                 | 1    | 923039-       | X X X  |

# 2160-12

## MAIN HYDRAULIC SYSTEM RESERVOIR RESERVOIR DE CIRCUIT HYDRAULIQUE PRINCIPAL DEPOSITO DEL SISTEMA HIDRAULICO PRINCIPAL

T146344 -UN-01FEB02



T146344

THIS PARTS LISTING IS CONTINUED

# 2160-13

VEHICLE:MAIN:HYDRAULIC:SYSTEM 21

VEHICLE HYDRAULICS 2160

**MAIN HYDRAULIC SYSTEM RESERVOIR  
RESERVOIR DE CIRCUIT HYDRAULIQUE PRINCIPAL  
DEPOSITO DEL SISTEMA HIDRAULICO PRINCIPAL**

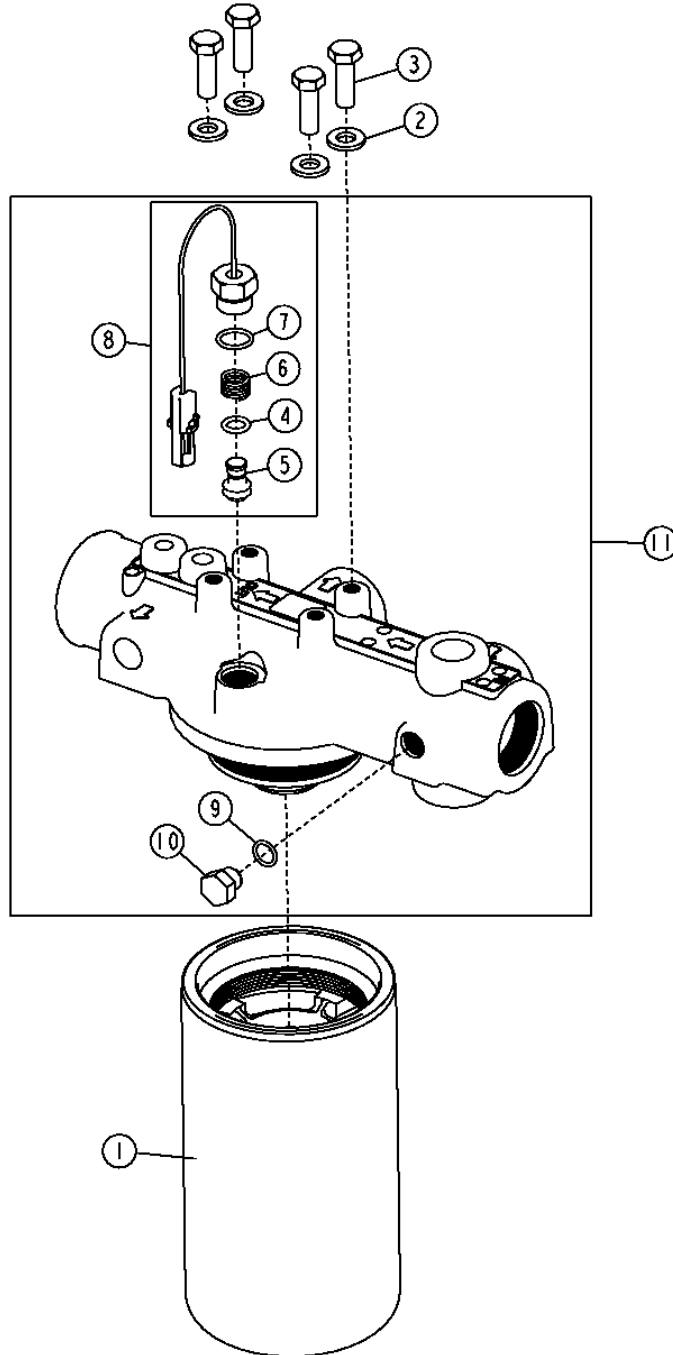
| KEY | PART NO. | PART NAME           | QTY. | SERIAL NO.    | REMARKS   |
|-----|----------|---------------------|------|---------------|---|
|     |          |                     |      |               | 3 3<br>3 1 1<br>1 0 5<br>0 S S<br>G G G   |
| 1   | AT174743 | FILLER CAP          | 1    |               | X X X   |
| 2   | AT161638 | STRAINER            | 1    |               | X X X   |
| 3   | .....    | HOSE                | 1    |               | X X X (CUT TO LENGTH) (MAKE FROM M87571)  |
| 4   | AR77962  | HOSE CLAMP          | 2    |               | X X X   |
| 5   | AT199541 | LEVEL GAUGE         | 1    |               | X X X   |
| 6   | T185683  | CLIP                | 2    |               | X X X   |
| 7   | 24M7239  | WASHER              | 2    |               | X X X   |
| 8   | 19M7662  | CAP SCREW           | 2    |               | X X X M10 X 30  |
| 9   | T184657  | SPACER              | 1    |               | X X X   |
| 10  | 24H1311  | WASHER              | 1    |               | X X X   |
| 11  | 19M8637  | CAP SCREW           | 1    |               | X X X M10 X 40  |
| 12  | R29936   | O-RING              | 1    | -913416       | X X X   |
|     | R26375   | O-RING              | 1    | 913417-       | X X X   |
| 13  | R36636   | FITTING PLUG        | 1    | -913416       | X X X   |
|     | R39112   | FITTING             | 1    | 913417-       | X X X   |
| 14  | R39112   | FITTING             | 1    |               | X X X   |
| 15  | R26375   | O-RING              | 1    |               | X X X   |
| 16  | AT184082 | HYDRAULIC RESERVOIR | 1    | -905457       | X X X   |
|     | AT196813 | HYDRAULIC RESERVOIR | 1    | 905458-911132 | X X X   |
|     | AT280396 | HYDRAULIC RESERVOIR | 1    | 911133-913416 | X X X   |
|     | .....    | HYDRAULIC RESERVOIR | 1    | 913417-909422 | X X X ( AT197542 NLA) (SUB AT305766) (ALSO ORDER T208467, (4) AT300153 AND TY22556) |
|     | AT305766 | HYDRAULIC RESERVOIR | 1    | 909423-       | X X X   |
| 17  | 19M8637  | CAP SCREW           | 3    |               | X X X M10 X 40  |
| 18  | 24M7296  | WASHER              | 3    |               | X X X   |
| 19  | .....    | HOSE                | 1    |               | X X X (CUT TO LENGTH) (MAKE FROM M87571)  |
| 20  | AT101565 | AIR FILTER          | 1    |               | X X X BREATHER (INSTALL WITH FLOW ARROW POINTING TOWARD RESERVOIR)                  |
| 21  | 14M7274  | NUT                 | 2    |               | X X X M10   |

# 2160-14

## HYDRAULIC OIL FILTER FILTRE A HUILE HYDRAULIQUE FILTRO DE ACEITE HIDRAULICO

T203720

-UN-03NOV04



T203720

# 2160-15

VEHICLE:MAIN:HYDRAULIC:SYSTEM 21

VEHICLE HYDRAULICS 2160

**HYDRAULIC OIL FILTER  
FILTRE A HUILE HYDRAULIQUE  
FILTRO DE ACEITE HIDRAULICO**

| KEY | PART NO. | PART NAME    | QTY. | SERIAL NO. | 3 3<br>3 1 1<br>1 0 5<br>0 S S<br>G G G | REMARKS                                   |
|-----|----------|--------------|------|------------|---|---|
| 1   | AT308274 | OIL FILTER   | 1    |            | X X X                                   | (SUB FOR AT189924, AT195915 AND AT228474) |
| 2   | 24M7239  | WASHER       | 4    |            | X X X                                   |   |
| 3   | 19M7662  | CAP SCREW    | 4    | -951097    | X X X                                   | M10 X 30                                  |
| 4   | 19M7402  | CAP SCREW    | 4    | 951098-    | X X X                                   | M10 X 25                                  |
| 4   | T186154  | O-RING       | 1    |            | X X X                                   |   |
| 5   | .....    | PISTON       | 1    |            | X X X                                   |   |
| 6   | .....    | SPRING       | 1    |            | X X X                                   |   |
| 7   | R26375   | O-RING       | 1    |            | X X X                                   |   |
| 8   | AT192373 | KIT          | 1    |            | X X X                                   |   |
| 9   | R26448   | O-RING       | 1    |            | X X X                                   |   |
| 10  | R27218   | FITTING PLUG | 1    |            | X X X                                   |   |
| 11  | AT192374 | FILTER HEAD  | 1    |            | X X X                                   |   |

# 2160-16

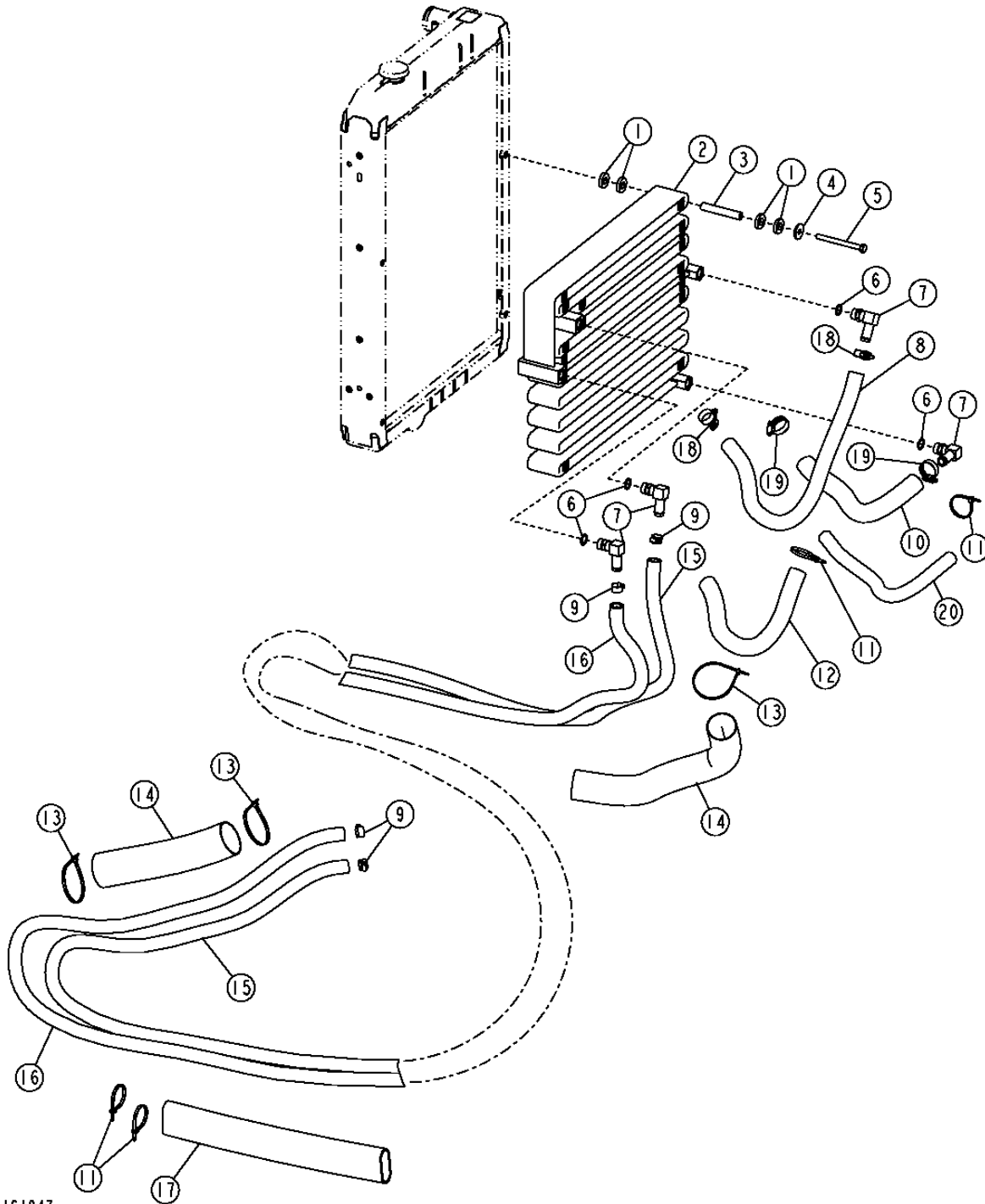
VEHICLE:MAIN:HYDRAULIC:SYSTEM 21

VEHICLE HYDRAULICS 2160

HYDRAULIC OIL COOLER AND HOSES (W/O FLOW CONTROL) (310G)  
REFROIDISSEUR D'HUILE HYDRAULIQUE ET FLEXIBLES (W/O COMMANDE DE DEBIT) (310G)  
ENFRIADOR DE ACEITE HIDRAULICO Y MANGUERAS (W/O CONTROL DE CAUDAL) (310G)

T161947

-UN-22NOV02



T161947



# 2160-17

VEHICLE:MAIN:HYDRAULIC:SYSTEM 21

VEHICLE HYDRAULICS 2160

**HYDRAULIC OIL COOLER AND HOSES (W/O FLOW CONTROL) (310G)**  
**REFROIDISSEUR D'HUILE HYDRAULIQUE ET FLEXIBLES (W/O COMMANDE DE DEBIT) (310G)**  
**ENFRIADOR DE ACEITE HIDRAULICO Y MANGUERAS (W/O CONTROL DE CAUDAL) (310G)**

| KEY | PART NO. | PART NAME               | QTY. | SERIAL NO. | REMARKS  |
|-----|----------|-------------------------|------|------------|--|
|     |          |                         |      |            | 3 3  |
|     |          |                         |      |            | 3 1 1  |
|     |          |                         |      |            | 1 0 5  |
|     |          |                         |      |            | 0 S S  |
|     |          |                         |      |            | G G G  |
| 1   | T158424  | WASHER                  | 16   |            | X RUBBER   |
| 2   | AT187869 | OIL COOLER              | 1    |            | X  |
| 3   | B28851   | SPACER                  | 4    |            | X  |
| 4   | 24M7101  | WASHER                  | 4    |            | X  |
| 5   | 19M8166  | CAP SCREW               | 4    |            | X M10 X 110  |
| 6   | R26906   | O-RING                  | 4    |            | X  |
| 7   | AH64349  | HOSE FITTING            | 4    |            | X  |
| 8   | .....    | HYDRAULIC HOSE          | 1    |            | X (CTL, 2.75 FT.) (MAKE FROM T78497)                     |
| 9   | AT301917 | HOSE CLAMP              | 4    |            | X (SUB FOR RE65978)                                      |
| 10  | T191469  | HOSE                    | 1    |            | X (CTL, 2.7 FT.)   |
| 11  | R44302   | TIE BAND                | 4    |            | X  |
| 12  | T185189  | HOSE GUARD              | 1    |            | X  |
| 13  | N198516  | TIE BAND                | 3    |            | X  |
| 14  | T161463  | SLEEVE                  | 2    |            | X  |
| 15  | .....    | HYDRAULIC HOSE          | 1    |            | X (CTL, 10.83 FT.) (MAKE FROM T78497)                    |
| 16  | .....    | HYDRAULIC HOSE          | 1    |            | X (CTL, 10.66 FT.) (MAKE FROM T78497)                    |
| 17  | .....    | HOSE SLEEVE - FABRICATE | 2    |            | X (CTL, 254MM) (MAKE FROM T78606) (SUB FOR T161464)      |
| 18  | AT301917 | HOSE CLAMP              | 4    |            | X (SUB FOR AT196496)                                     |
| 19  | AT300153 | HOSE CLAMP              | 2    |            | X (SUB FOR RE65978, THIS APPLICATION) (SUB FOR AT304913) |
| 20  | T161463  | SLEEVE                  | 1    |            | X (SUB FOR T185189, THIS APPLICATION)                    |

# 2160-18

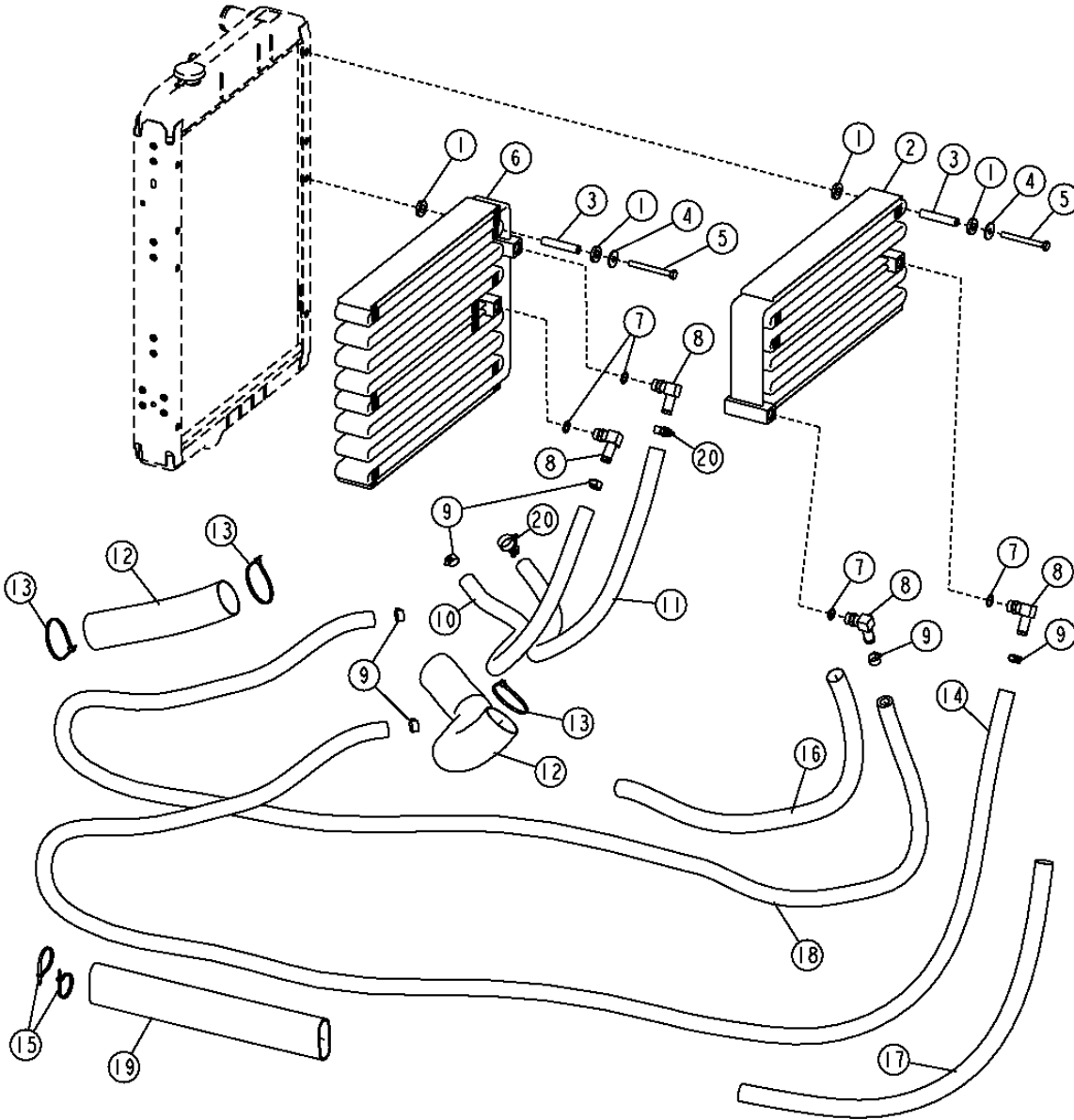
VEHICLE:MAIN:HYDRAULIC:SYSTEM 21

VEHICLE HYDRAULICS 2160

HYDRAULIC OIL COOLER AND HOSES (310G W/FLOW CONTROL)(310SG,315SG STD EQUIP)  
REFROIDISSEUR D'HUILE HYDRAULIQUE ET FLEXIBLES (310G W/COMMANDE DE DEBIT)(310SG,315SG STD EQUIP)  
ENFRIADOR DE ACEITE HIDRAULICO Y MANGUERAS (310G W/CONTROL DE CAUDAL)(310SG,315SG STD EQUIPO)

T146574

-UN-11OCT01



T146574

# 2160-19

VEHICLE:MAIN:HYDRAULIC:SYSTEM 21

VEHICLE HYDRAULICS 2160

HYDRAULIC OIL COOLER AND HOSES (310G W/FLOW CONTROL)(310SG,315SG STD EQUIPMENT)  
 REFROIDISSEUR D'HUILE HYDRAULIQUE ET FLEXIBLES (310G W/COMMANDE DE DEBIT)(310SG,315SG STD EQUIP)  
 ENFRIADOR DE ACEITE HIDRAULICO Y MANGUERAS (310G W/CONTROL DE CAUDAL)(310SG,315SG STD EQUIPO)

| KEY | PART NO. | PART NAME               | QTY. | SERIAL NO. | REMARKS   |
|-----|----------|-------------------------|------|------------|---|
|     |          |                         |      |            | 3 3   |
|     |          |                         |      |            | 3 1 1   |
|     |          |                         |      |            | 1 0 5   |
|     |          |                         |      |            | 0 S S   |
|     |          |                         |      |            | G G G   |
| 1   | T158424  | WASHER                  | 16   |            | X X X RUBBER  |
| 2   | AT178693 | OIL COOLER              | 1    |            | X X X TRANSMISSION                                      |
| 3   | N117290  | SPACER                  | 8    |            | X X X   |
| 4   | 24M7101  | WASHER                  | 8    |            | X X X   |
| 5   | 19M8093  | CAP SCREW               | 8    |            | X X X M10 X 100   |
| 6   | AT177204 | OIL COOLER              | 1    |            | X X X HYDRAULIC   |
| 7   | R26906   | O-RING                  | 4    |            | X X X   |
| 8   | AH64349  | HOSE FITTING            | 4    |            | X X X   |
| 9   | AT301917 | HOSE CLAMP              | 6    |            | X X X (SUB FOR RE65978)                                 |
| 10  | .....    | HYDRAULIC HOSE          | 1    |            | X X X (CTL, 2.5 FT.) (MAKE FROM T78497)                 |
| 11  | .....    | HYDRAULIC HOSE          | 4    |            | X X X (CTL, 3 FT.) (MAKE FROM T78497)                   |
| 12  | T161463  | SLEEVE                  | 2    |            | X X X   |
| 13  | N198516  | TIE BAND                | 3    |            | X X X   |
| 14  | .....    | HYDRAULIC HOSE          | 1    |            | X X X (CTL, 11.7 FT.) (MAKE FROM T78497)                |
| 15  | R44302   | TIE BAND                | 2    |            | X X X   |
| 16  | T185090  | SLEEVE                  | 1    |            | X X X CODURA  |
| 17  | T185089  | SLEEVE                  | 1    |            | X X X CODURA  |
| 18  | .....    | HOSE                    | 1    |            | X X X (CTL, 11.6 FT.) (MAKE FROM T78497)                |
| 19  | .....    | HOSE SLEEVE - FABRICATE | 2    |            | X X X (CTL, 254MM) (MAKE FROM T78497) (SUB FOR T161464) |
| 20  | AT301917 | HOSE CLAMP              | 4    |            | X X X (SUB FOR AT196496)                                |

# 2160-20

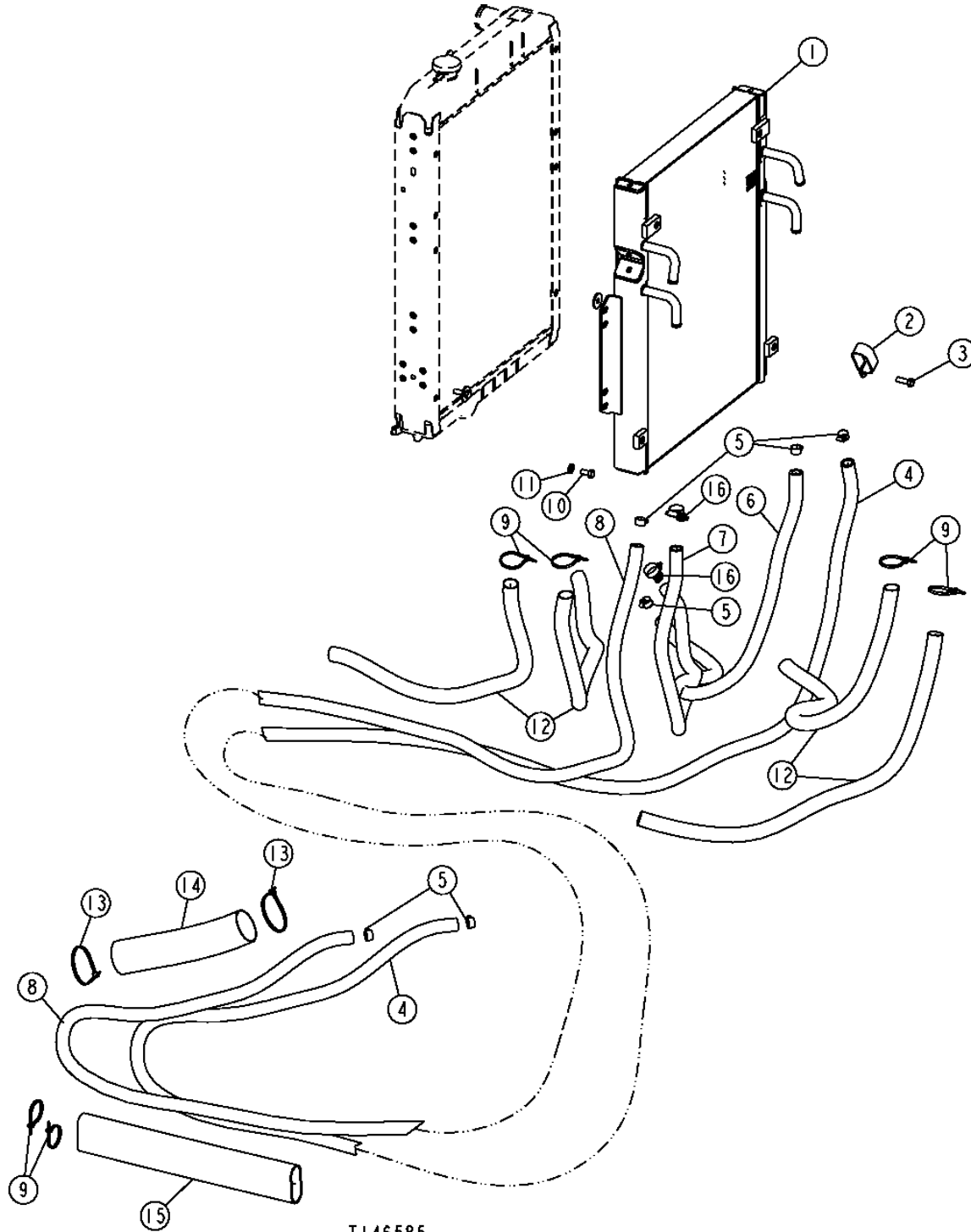
VEHICLE:MAIN:HYDRAULIC:SYSTEM 21

VEHICLE HYDRAULICS 2160

## HYDRAULIC OIL COOLER AND HOSES (HI-AMBIENT) REFROIDISSEUR D'HUILE HYDRAULIQUE ET FLEXIBLES (HAUTE AMBIANTE) ENFRIADOR DE ACEITE HIDRAULICO Y MANGUERAS (AMBIENTE ALTA)

T146585

-UN-11OCT01



T146585

# 2160-21

VEHICLE:MAIN:HYDRAULIC:SYSTEM 21

VEHICLE HYDRAULICS 2160

**HYDRAULIC OIL COOLER AND HOSES (HI-AMBIENT)  
REFROIDISSEUR D'HUILE HYDRAULIQUE ET FLEXIBLES (HAUTE AMBIANTE)  
ENFRIADOR DE ACEITE HIDRAULICO Y MANGUERAS (AMBIENTE ALTA)**

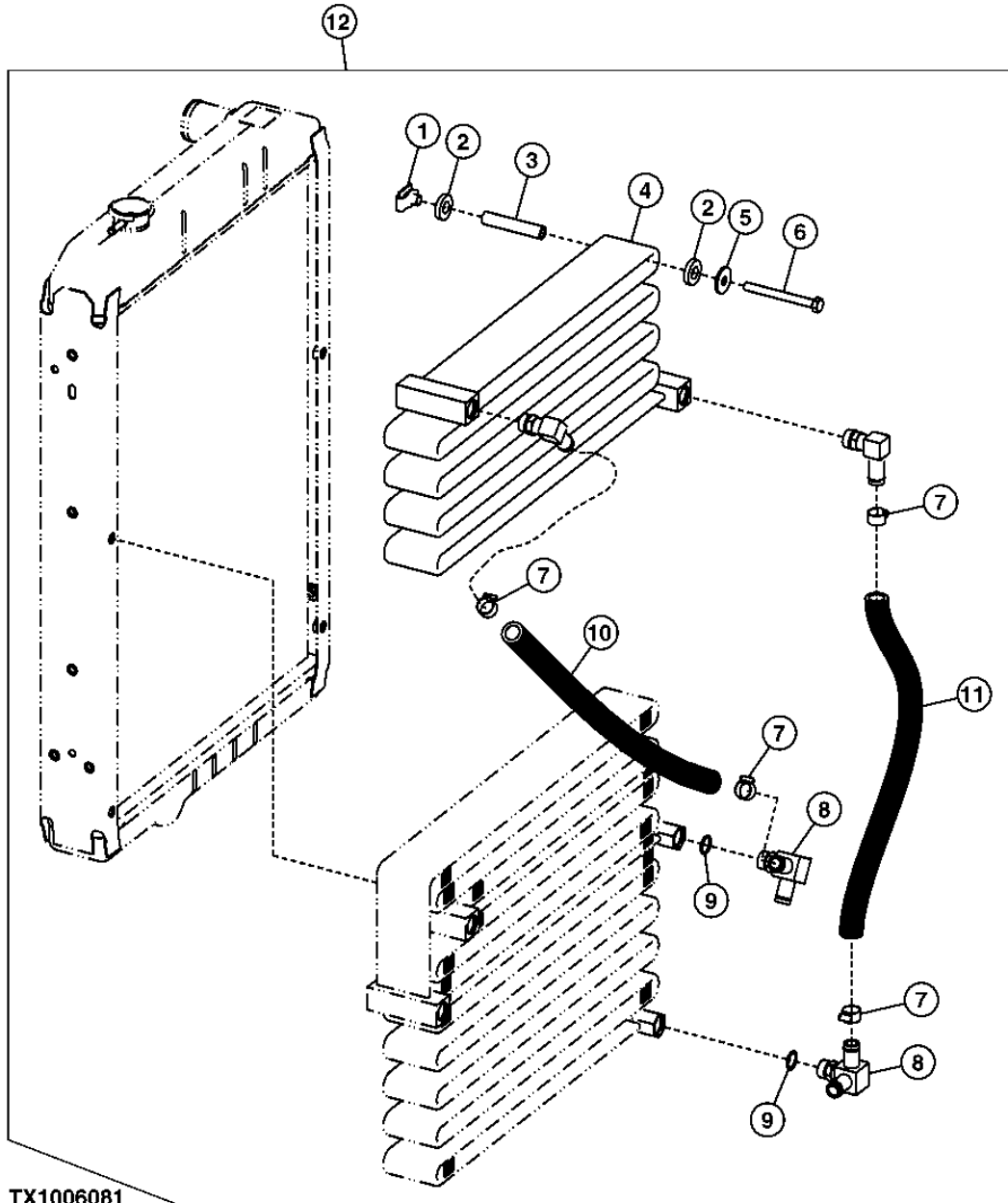
| KEY | PART NO. | PART NAME               | QTY. | SERIAL NO. | REMARKS   |
|-----|----------|-------------------------|------|------------|---|
|     |          |                         |      |            | 3 3   |
|     |          |                         |      |            | 3 1 1   |
|     |          |                         |      |            | 1 0 5   |
|     |          |                         |      |            | 0 S S   |
|     |          |                         |      |            | G G G   |
| 1   | AT192656 | OIL COOLER              | 1    |            | X X X (SUB FOR AT184519)                                |
| 2   | T185154  | CLAMP                   | 2    |            | X X X   |
| 3   | 19M7662  | CAP SCREW               | 2    |            | X X X M10 X 30  |
| 4   | .....    | HYDRAULIC HOSE          | 1    |            | X X X (CTL, 11.88 FT.) (MAKE FROM T78497)               |
| 5   | AT301917 | HOSE CLAMP              | 6    |            | X X X (SUB FOR RE65978)                                 |
| 6   | .....    | HYDRAULIC HOSE          | 1    |            | X X X (CTL, 3.58 FT.) (MAKE FROM T78497)                |
| 7   | .....    | HYDRAULIC HOSE          | 1    |            | X X X (CTL, 3.75 FT.) (MAKE FROM T78497)                |
| 8   | .....    | HYDRAULIC HOSE          | 1    |            | X X X (CTL, 11.4 FT.) (MAKE FROM T78497)                |
| 9   | R44302   | TIE BAND                | 6    |            | X X X   |
| 10  | 19M7402  | CAP SCREW               | 4    |            | X X X M10 X 25  |
| 11  | 24M7239  | WASHER                  | 4    |            | X X X   |
| 12  | T185089  | SLEEVE                  | 4    |            | X X X   |
| 13  | N198516  | TIE BAND                | 2    |            | X X X   |
| 14  | T161463  | SLEEVE                  | 1    |            | X X X   |
| 15  | .....    | HOSE SLEEVE - FABRICATE | 2    |            | X X X (CTL, 254MM) (MAKE FROM T78606) (SUB FOR T161464) |
| 16  | AT301917 | HOSE CLAMP              | 4    |            | X X X (SUB FOR AT196496)                                |

# 2160-22

AUXILIARY HYDRAULIC OIL COOLER KIT (310G)  
KIT DE REFROIDISSEUR D'HUILE HYDRAULIQUE AUXILIAIRE (310G)  
JUEGO DE ENFRIADOR DE ACEITE HIDRAULICO AUXILIAR (310G)

TX1006081

-UN-26APR06



# 2160-23

VEHICLE:MAIN:HYDRAULIC:SYSTEM 21

VEHICLE HYDRAULICS 2160

**AUXILIARY HYDRAULIC OIL COOLER KIT (310G)**  
**KIT DE REFROIDISSEUR D'HUILE HYDRAULIQUE AUXILIAIRE (310G)**  
**JUEGO DE ENFRIADOR DE ACEITE HIDRAULICO AUXILIAR (310G)**

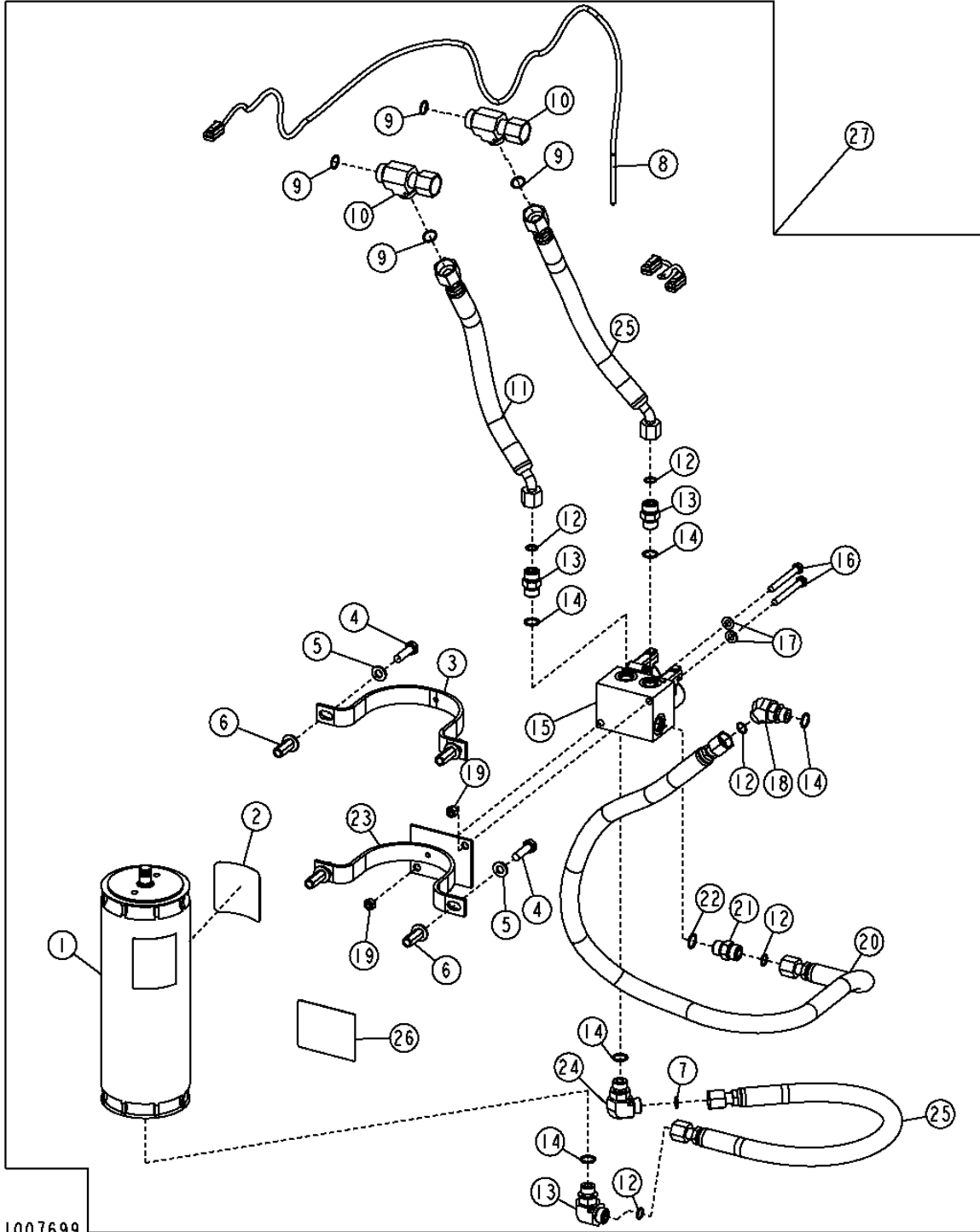
| KEY | PART NO. | PART NAME   | QTY. | SERIAL NO. | REMARKS             |
|-----|----------|-------------|------|------------|---------------------|
|     |          |             |      |            | 3 3                 |
|     |          |             |      |            | 3 1 1               |
|     |          |             |      |            | 1 0 5               |
|     |          |             |      |            | 0 S S               |
|     |          |             |      |            | G G G               |
| 1   | H146457  | NUT         | 4    |            | X                   |
| 2   | T158424  | WASHER      | 8    |            | X RUBBER            |
| 3   | N117290  | SPACER      | 4    |            | X                   |
| 4   | AT186929 | OIL COOLER  | 1    |            | X                   |
| 5   | 24M7101  | WASHER      | 4    |            | X 11 X 34 X 3 MM    |
| 6   | 19M8166  | CAP SCREW   | 4    |            | X M10 X 110         |
| 7   | AT301917 | HOSE CLAMP  | 4    |            | X (SUB FOR RE65978) |
| 8   | AT190758 | TEE FITTING | 2    |            | X                   |
| 9   | R26906   | O-RING      | 2    |            | X                   |
| 10  | T167328  | HOSE        | 1    |            | X                   |
| 11  | T167328  | HOSE        | 1    |            | X                   |
| 12  | AT191759 | KIT         | 1    |            | X (WHOLE GOODS)     |

# 2160-24

RIDE CONTROL KIT (SN -911132)  
KIT DE COMMANDE DE SUSPENSION (SN -911132)  
JUEGO DE CONTROL DE SUSPENSION (SN -911132)

TX1007699

-UN-16MAY06



TX1007699



# 2160-25

VEHICLE:MAIN:HYDRAULIC:SYSTEM 21

VEHICLE HYDRAULICS 2160

RIDE CONTROL KIT (SN -911132)  
 KIT DE COMMANDE DE SUSPENSION (SN -911132)  
 JUEGO DE CONTROL DE SUSPENSION (SN -911132)

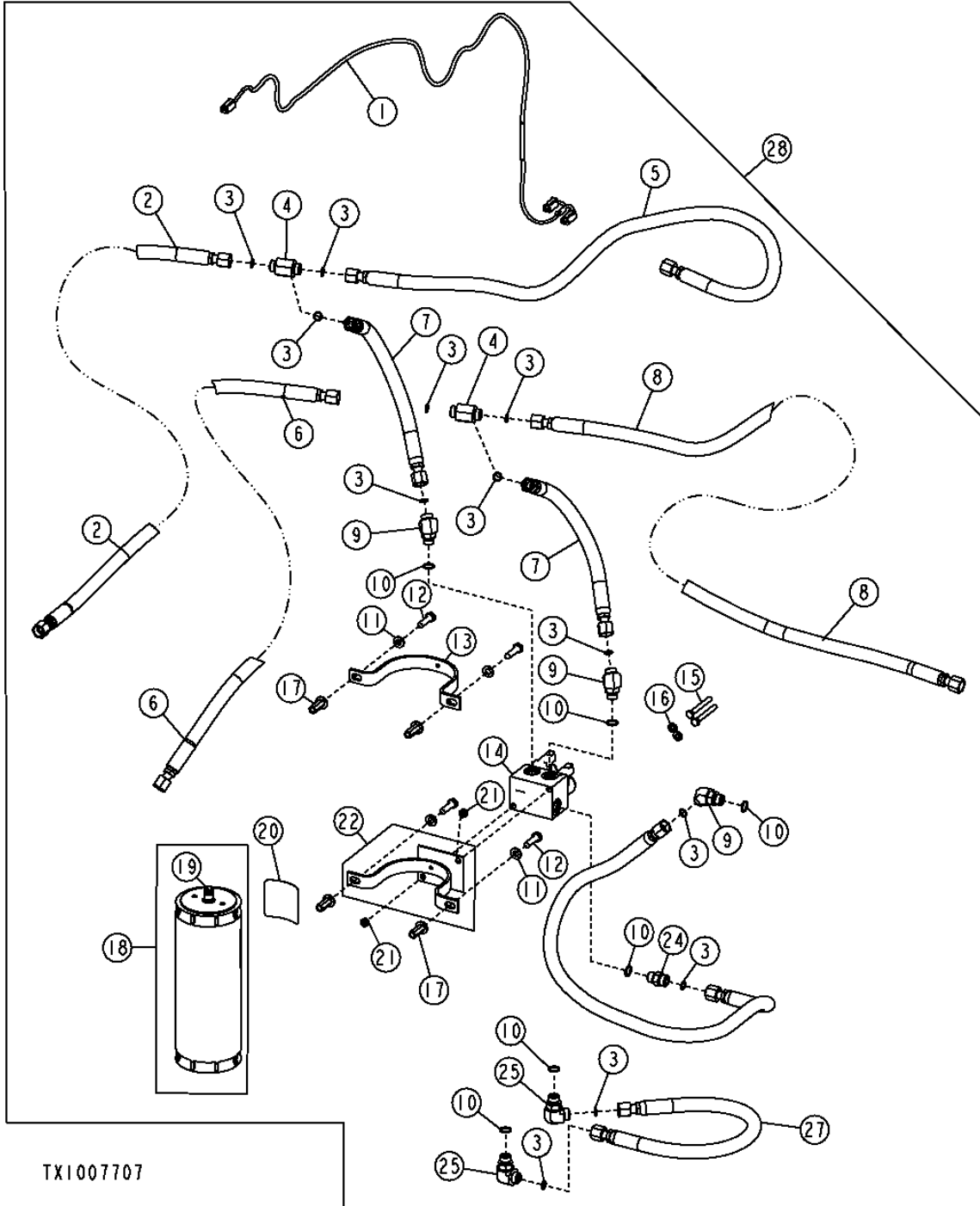
| KEY | PART NO. | PART NAME                  | QTY. | SERIAL NO. | REMARKS  |
|-----|----------|----------------------------|------|------------|--|
|     |          |                            |      |            | 3 3<br>3 1 1<br>1 0 5<br>0 S S<br>G G G  |
| 1   | AT196351 | HYDRAULIC ACCUMULATOR      | 1    |            | X X X (SUB FOR AT188819, THIS APPLICATION) (INCLUDES T225374, T225375 AND T225376)                                 |
|     | AT161527 | SEAL KIT                   | 1    | -902361    | X X X (NOT ILLUSTRATED)  |
|     | AT161528 | HYD ACTUATED CONTROL VALVE | 1    | -902361    | X X X (NOT ILLUSTRATED)  |
|     | T146481  | CAP                        | 1    | -902361    | X X X (NOT ILLUSTRATED)  |
|     | AT196760 | KIT                        | 1    | 902362-    | X X X (NOT ILLUSTRATED) (SCHRADER VALVE SERVICE KIT)   |
| 2   | T225374  | LABEL                      | 1    |            | X X X WARNING (ACCUMULATOR) (ENGLISH) (SUB FOR T164124, THIS APPLICATION)  |
|     | .....    | LABEL KIT                  | 1    |            | X X X FRENCH   |
|     | .....    | LABEL KIT                  | 1    |            | X X X SPANISH  |
| 3   | T166761  | CLAMP                      | 1    |            | X X X  |
| 4   | 19M7550  | CAP SCREW                  | 4    |            | X X X M10 X 35   |
| 5   | 24M7239  | WASHER                     | 4    |            | X X X  |
| 6   | T148409  | NUT                        | 4    |            | X X X M10  |
| 7   | T77932   | O-RING                     | 1    |            | X X X  |
| 8   | AT183590 | WIRING HARNESS             | 1    |            | X X X  |
| 9   | T77932   | O-RING                     | 4    |            | X X X  |
| 10  | 38H1032  | TEE FITTING                | 2    |            | X X X  |
| 11  | AT186898 | HYDRAULIC HOSE - FABRICATE | 1    |            | X X X  |
| 12  | T77857   | O-RING                     | 5    |            | X X X  |
| 13  | 38H1161  | ADAPTER FITTING            | 3    |            | X X X  |
| 14  | R26375   | O-RING                     | 5    |            | X X X  |
| 15  | .....    | SOLENOID HYDRAULIC VALVE   | 1    |            | X X X (SUB AT310818) (ALSO ORDER AT199646 AND (2) 19M7663) (SUB FOR AT191176, THIS APPLICATION) (SUB FOR AT198760) |
|     | 19H3070  | SCREW                      | 4    |            | X X X 0.190" X 1-1/4"  |
|     | AT184161 | ELECTRICAL COIL            | 1    |            | X X X  |
|     | N203255  | NUT                        | 1    |            | X X X  |
|     | AT172179 | SEAL KIT                   | 1    |            | X X X  |
| 16  | 19M8402  | CAP SCREW                  | 2    |            | X X X M8 X 65  |
| 17  | 24M7238  | WASHER                     | 2    |            | X X X  |
| 18  | 38H1046  | ELBOW FITTING              | 1    |            | X X X  |
| 19  | 14M7273  | NUT                        | 2    |            | X X X M8   |
| 20  | AT188401 | HYDRAULIC HOSE - FABRICATE | 1    |            | X X X  |
| 21  | 38H1173  | ADAPTER FITTING            | 1    |            | X X X  |
| 22  | R26448   | O-RING                     | 1    |            | X X X  |
| 23  | AT189210 | CLAMP                      | 1    |            | X X X  |
| 24  | 38H1405  | ELBOW FITTING              | 1    |            | X X X  |
| 25  | AT186899 | HYDRAULIC HOSE - FABRICATE | 2    |            | X X X  |
| 26  | T185145  | LABEL                      | 2    |            | X X X RIDE CONTROL   |
| 27  | .....    | KIT                        | 1    |            | X X X (WHOLE GOODS) ( AT185950 NLA) (INCLUDES AT193881, T162238 AND T70341) (SUB FOR AT280742) (SUB AT309385)      |

# 2160-26

RIDE CONTROL KIT (SN 911133- )  
KIT DE COMMANDE DE SUSPENSION (SN 911133- )  
JUEGO DE CONTROL DE SUSPENSION (SN 911133- )

TX1007707

-UN-19MAY06



TX1007707

# 2160-27

VEHICLE:MAIN:HYDRAULIC:SYSTEM 21

VEHICLE HYDRAULICS 2160

RIDE CONTROL KIT (SN 911133- )  
 KIT DE COMMANDE DE SUSPENSION (SN 911133- )  
 JUEGO DE CONTROL DE SUSPENSION (SN 911133- )

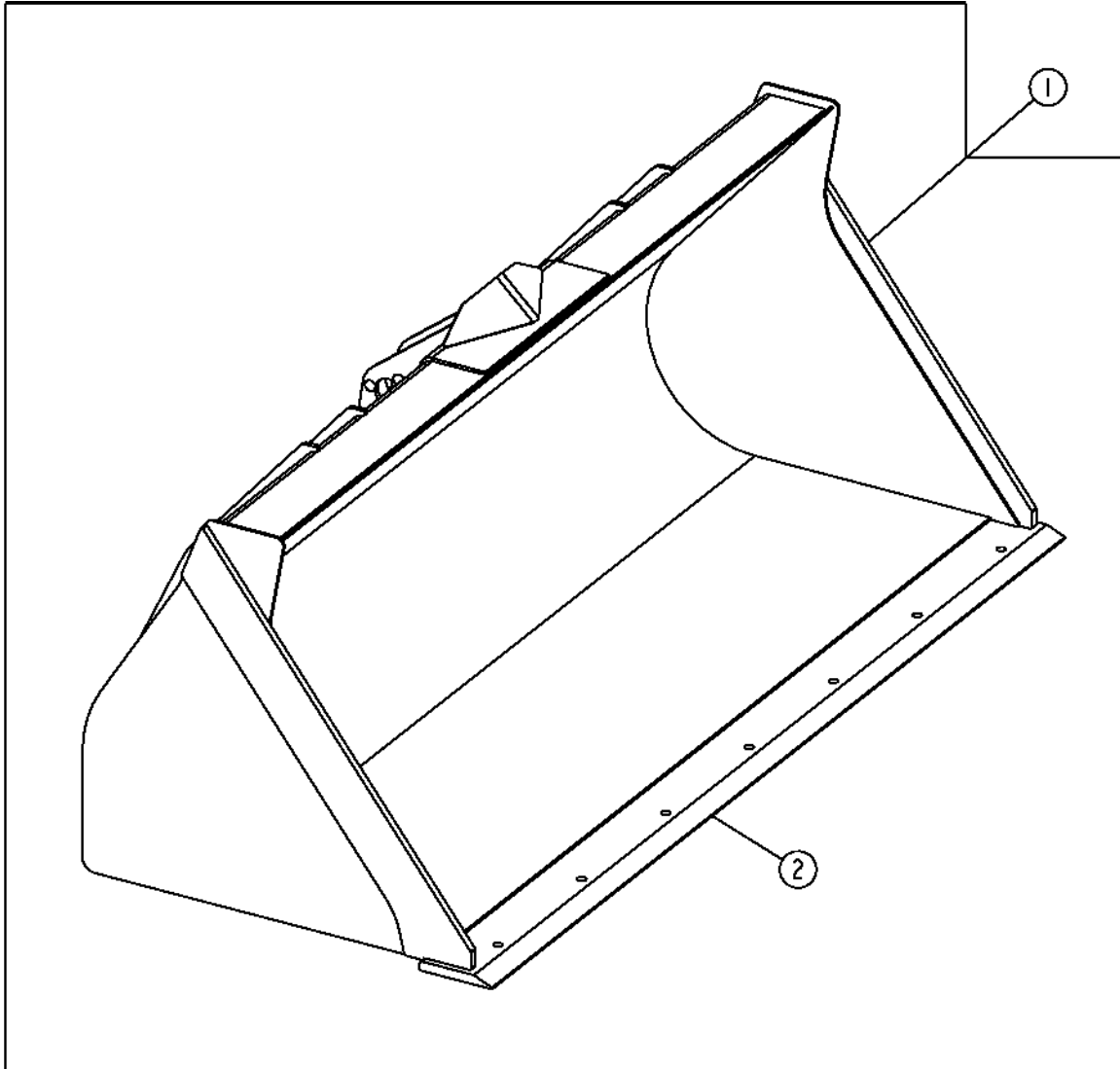
| KEY | PART NO. | PART NAME                  | QTY. | SERIAL NO. | 3 3<br>3 1 1<br>1 0 5<br>0 S S<br>G G G | REMARKS  |
|-----|----------|----------------------------|------|------------|---|--|
| 1   | AT199646 | WIRING HARNESS             | 1    |            | X X X                                   |  |
| 2   | AT199643 | HYDRAULIC HOSE - FABRICATE | 1    |            | X X X                                   | 9/16" X 927 MM (36-1/2") X 9/16"   |
| 3   | T77857   | O-RING                     | 12   |            | X X X                                   |  |
| 4   | 38H1032  | TEE FITTING                | 2    | -913416    | X X X                                   |  |
|     | 38H1206  | TEE FITTING                | 2    | 913417-    | X X X                                   |  |
| 5   | AT199645 | HYDRAULIC HOSE - FABRICATE | 1    |            | X X X                                   | 13/16" X 1 143 MM (45") X 13/16"   |
| 6   | AT199642 | HYDRAULIC HOSE - FABRICATE | 1    |            | X X X                                   | 13/16" X 889 MM (35") X 13/16"   |
| 7   | AT280509 | HYDRAULIC HOSE - FABRICATE | 2    | -913416    | X X X                                   | 1" X 394 MM (15-1/2") X 13/16"   |
|     | AT199639 | HYDRAULIC HOSE - FABRICATE | 2    | 913417-    | X X X                                   | 13/16" X 419 MM (16-1/2") X 13/16"   |
| 8   | AT199644 | HYDRAULIC HOSE - FABRICATE | 1    |            | X X X                                   | 13/16" X 1 499 MM (59") X 13/16"   |
| 9   | 38H1161  | ADAPTER FITTING            | 2    | -913416    | X X X                                   | (STRAIGHT)   |
|     | 38H1046  | ELBOW FITTING              | 2    | 913417-    | X X X                                   | (45°)  |
| 10  | R26375   | O-RING                     | 6    |            | X X X                                   |  |
| 11  | 24M7239  | WASHER                     | 4    |            | X X X                                   |  |
| 12  | 19M7550  | CAP SCREW                  | 4    |            | X X X                                   |  |
| 13  | T166761  | CLAMP                      | 1    |            | X X X                                   |  |
| 14  | AT310818 | SOLENOID HYDRAULIC VALVE   | 1    |            | X X X                                   | (SUB FOR AT198760)   |
|     | AT280440 | SOLENOID HYDRAULIC VALVE   | 2    |            | X X X                                   | CARTRIDGE  |
|     | AT280441 | SOLENOID VALVE COIL        | 2    |            | X X X                                   |  |
|     | E71998   | BACK-UP RING               | 2    |            | X X X                                   |  |
|     | R28776   | O-RING                     | 2    |            | X X X                                   |  |
|     | R47151   | O-RING                     | 2    |            | X X X                                   |  |
|     | 14M7477  | NUT                        | 2    |            | X X X                                   | M18  |
| 15  | 19M7663  | CAP SCREW                  | 2    |            | X X X                                   |  |
| 16  | 24M7238  | WASHER                     | 2    |            | X X X                                   |  |
| 17  | T148409  | NUT                        | 4    |            | X X X                                   |  |
| 18  | AT196351 | HYDRAULIC ACCUMULATOR      | 1    |            | X X X                                   | (INCLUDES T225374, T225375 AND T225376)  |
| 19  | AT196760 | KIT                        | 1    |            | X X X                                   |  |
| 20  | T225374  | LABEL                      | 1    |            | X X X                                   | (SUB FOR T164124, THIS APPLICATION)  |
| 21  | 14M7273  | NUT                        | 2    |            | X X X                                   |  |
| 22  | AT189210 | CLAMP                      | 1    |            | X X X                                   |  |
| 24  | 38H1161  | ADAPTER FITTING            | 1    |            | X X X                                   |  |
| 25  | 38H1005  | ELBOW FITTING              | 2    |            | X X X                                   |  |
| 26  | AT199641 | HYDRAULIC HOSE - FABRICATE | 1    |            | X X X                                   | 13/16" X 1 168 MM (46") X 13/16"   |
| 27  | AT199640 | HYDRAULIC HOSE - FABRICATE | 1    |            | X X X                                   | 13/16" X 533 MM (21") X 13/16"   |
| 28  | AT309385 | KIT                        | 1    |            | X X X                                   | (WHOLEGOODS) (USE FOR PRE AND POST COMBO VALVE) (KIT INCLUDES HOSES) (INCLUDES AT300928, AT193881, AT184335 AND AT189174) (SUB FOR AT197238) |

# 3102-2

LOADER 31  
BUCKETS 3102

LOADER BUCKET AND CUTTING EDGE  
BENNE DE CHARGEUR A ACCOUPLEMENT ET TRANCHANT  
ACOPLADOR DE CUCHARON DE CARGADORA Y BORDE CORTANTE

TP69675 -UN-10OCT00



TP69675

# 3102-3

LOADER 31  
BUCKETS 3102

LOADER BUCKET AND CUTTING EDGE  
BENNE DE CHARGEUR ET TRANCHANT  
CUCHARON DE CARGADORA Y BORDE CORTANTE

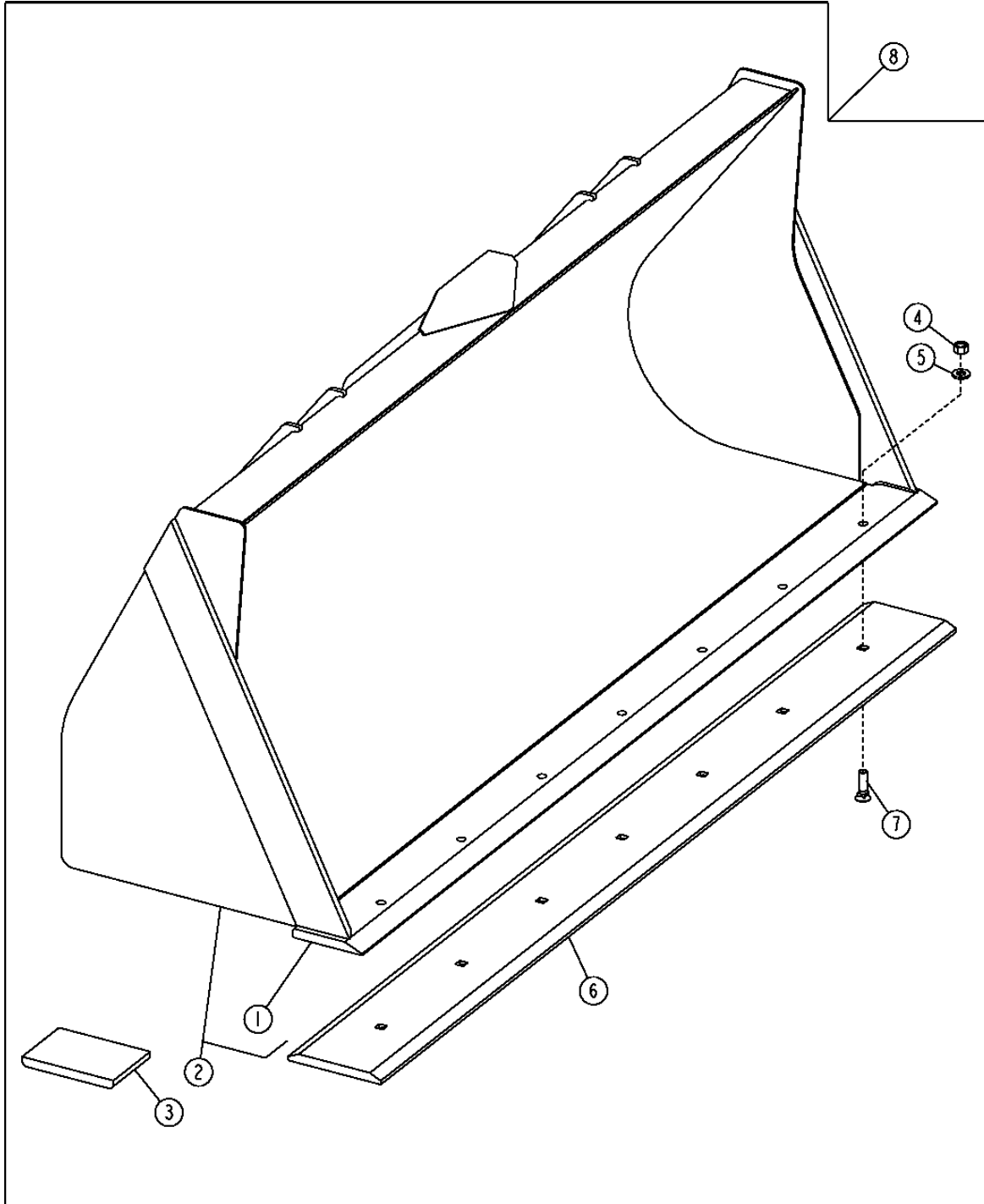
| KEY | PART NO. | PART NAME     | QTY. | SERIAL NO. | REMARKS  |
|-----|----------|---------------|------|------------|--|
|     |          |               |      |            | 3 3<br>3 1 1<br>1 0 5<br>0 S S<br>G G G  |
| 1   | AT308040 | LOADER BUCKET | 1    |            | X .76 CUBIC METER (1.00 CUBIC YARD)<br>(WHOLE GOODS) (MARKED AT308040) (USE<br>WITH (2) T204908, (2) 14M7319 AND (2)<br>19M7949) (SUB FOR AT184738) (MARKED<br>AT184738)     |
|     | AT308188 | LOADER BUCKET | 1    |            | X X X .90 CUBIC METER (1.20 CUBIC YARD)<br>(WHOLE GOODS) (MARKED AT308188) (USE<br>WITH (2) T204908, (2) 14M7319 AND (2)<br>19M7949) (SUB FOR AT185524) (MARKED<br>AT185524) |
|     | AT308076 | LOADER BUCKET | 1    | 941415-    | X X X .96 CUBIC METER (1.25 CUBIC YARD)<br>(WHOLE GOODS) (MARKED AT308076) (USE<br>WITH (2) T204908, (2) 14M7319 AND (2)<br>19M7949) (SUB FOR AT185522) (MARKED<br>AT185522) |
| 2   | T150487  | CUTTING EDGE  | 1    |            | X X X (WELDED ON) SBF  |

# 3102-4

LOADER 31  
BUCKETS 3102

LOADER BUCKET AND CUTTING EDGE  
BENNE DE CHARGEUR ET TRANCHANT  
CUCHARON DE CARGADORA Y BORDE CORTANTE

TP58156 -UN-10OCT00



TP58156

# 3102-5

LOADER 31  
BUCKETS 3102

LOADER BUCKET AND CUTTING EDGE  
BENNE DE CHARGEUR ET TRANCHANT  
CUCHARON DE CARGADORA Y BORDE CORTANTE

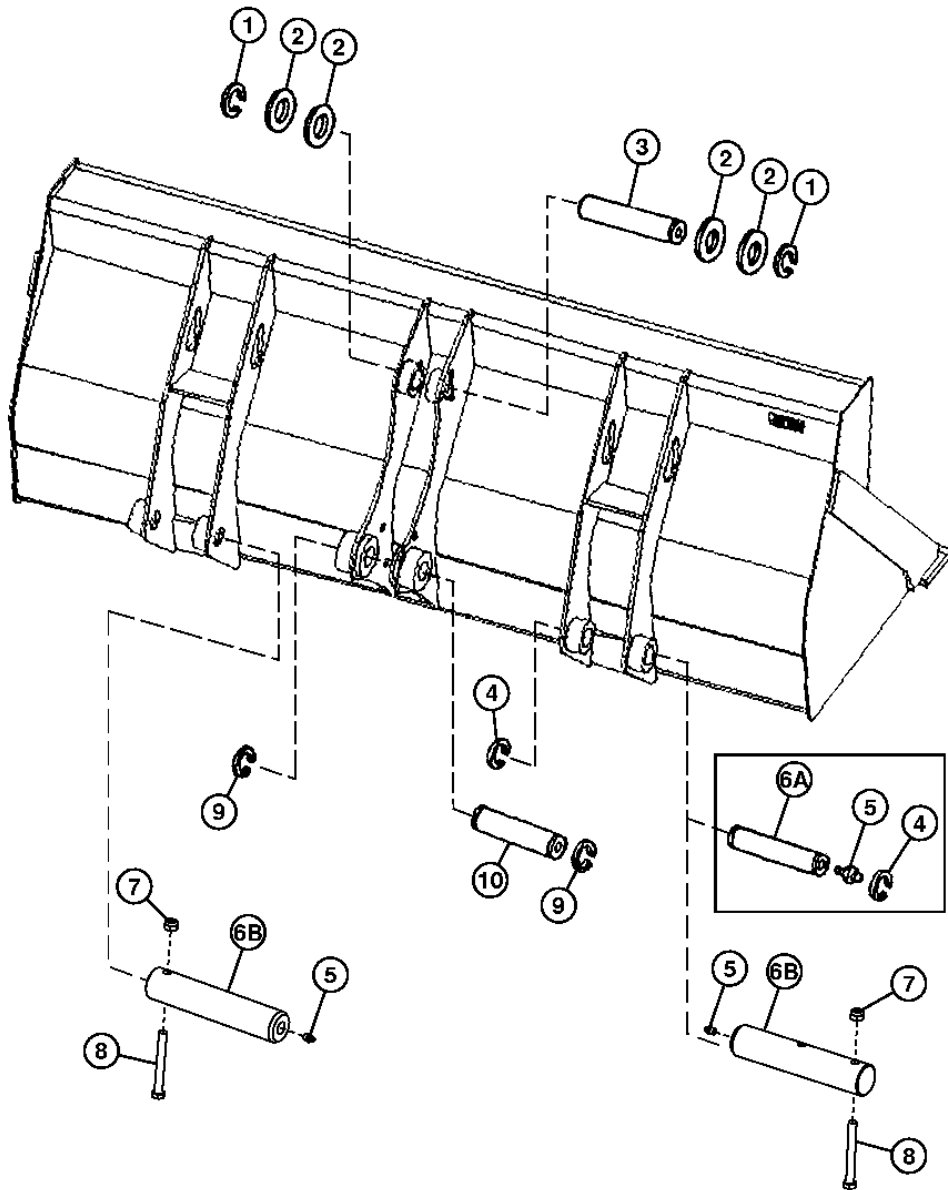
| KEY | PART NO.  | PART NAME                | QTY. | SERIAL NO. | REMARKS   |
|-----|-----------|--------------------------|------|------------|---|
|     |           |                          |      |            | 3 3<br>3 1 1<br>1 0 5<br>0 S S<br>G G G   |
| 1   | T150487   | CUTTING EDGE             | 1    |            | X X X (1.13 CUBIC YARD) SBF   |
|     | T118768   | CUTTING EDGE             | 1    |            | X X (1.30 CUBIC YARD) 3/4" SBF  |
| 2   | .....     | LOADER BUCKET            | 1    |            | X X X   |
| 3   | T147296   | SHOE                     | 2    |            | X X X   |
| 4   | 14H1039   | NUT                      | 8    |            | X X X 5/8"  |
| 5   | 24M7241   | WASHER                   | 8    |            | X X X 17 X 34 X 4 MM  |
| 6   | T150517   | CUTTING EDGE             | 1    |            | X X X (AUXILIARY) 3/4 TK X 8" DBF X 86",<br>(ALSO ORDER (7) 09H1759, (7) 14H1039<br>AND (7) 24M7241)  |
|     | T150517HD | DURA-MAX TM CUTTING EDGE | 1    |            | X X X (AUXILIARY) 1" TK X 8" DBF X 86", (ALSO<br>ORDER (7) 09H1764, (7) 14H1039 AND<br>(7) 24M7241)   |
|     | T84194    | CUTTING EDGE             | 1    |            | X X (AUXILIARY) 3/4" TK X 8" DBF X 92 3/8"<br>LONG, (ALSO ORDER (8) 09H1759, (8)<br>14H1039 AND (8) 24M7241)  |
|     | T84194HD  | DURA-MAX TM CUTTING EDGE | 1    |            | X X (AUXILIARY) 1" TK X 8" DBF X 92 3/8"<br>LONG, (ALSO ORDER (8) 09H1764, (8)<br>14H1039 AND (8) 24M7241)  |
| 7   | 09H1759   | BOLT                     | 8    |            | X X X 5/8" X 2-1/4"   |
|     | 09H1764   | BOLT                     | 8    |            | X X X 5/8" X 2-1/2"   |
| 8   | .....     | LOADER BUCKET            | 1    |            | X X 0.76 CUBIC METER (1.00 CUBIC YARD) LESS<br>SKID PLATES ( AT307632 NLA)  |
|     | AT308071  | LOADER BUCKET            | 1    |            | X X X 0.86 CUBIC METER (1.13 CUBIC YARD)<br>(WHOLE GOODS) (USE WITH (2) T204908,<br>(2) 14M7319 AND (2) 19M7949) (SUB FOR<br>AT185526)                                      |
|     | AT308080  | LOADER BUCKET            | 1    |            | X X 1.00 CUBIC METER (1.30 CUBIC YARD)<br>(WHOLE GOODS) (MARKED AT308080) (USE<br>WITH (2) T204908, (2) 14M7319 AND (2)<br>19M7949) (SUB FOR AT185519) (MARKED<br>AT185519) |
|     | .....     | LOADER BUCKET            | 1    | -944081    | X X FRONT COUPLER BUCKET ( AT180838 NLA)  |
|     | .....     | LOADER BUCKET            | 1    | -944081    | X X X FRONT COUPLER BUCKET ( AT180839 NLA)  |

# 3102-6

LOADER 31  
BUCKETS 3102

## LOADER BUCKET PINS AXES DE BENNE DE CHARGEUR PASADORES DE CUCHARON DE CARGADORA

T201154 -UN-25JUN04



T201154

THIS PARTS LISTING IS CONTINUED



# 3102-7

LOADER 31  
BUCKETS 3102

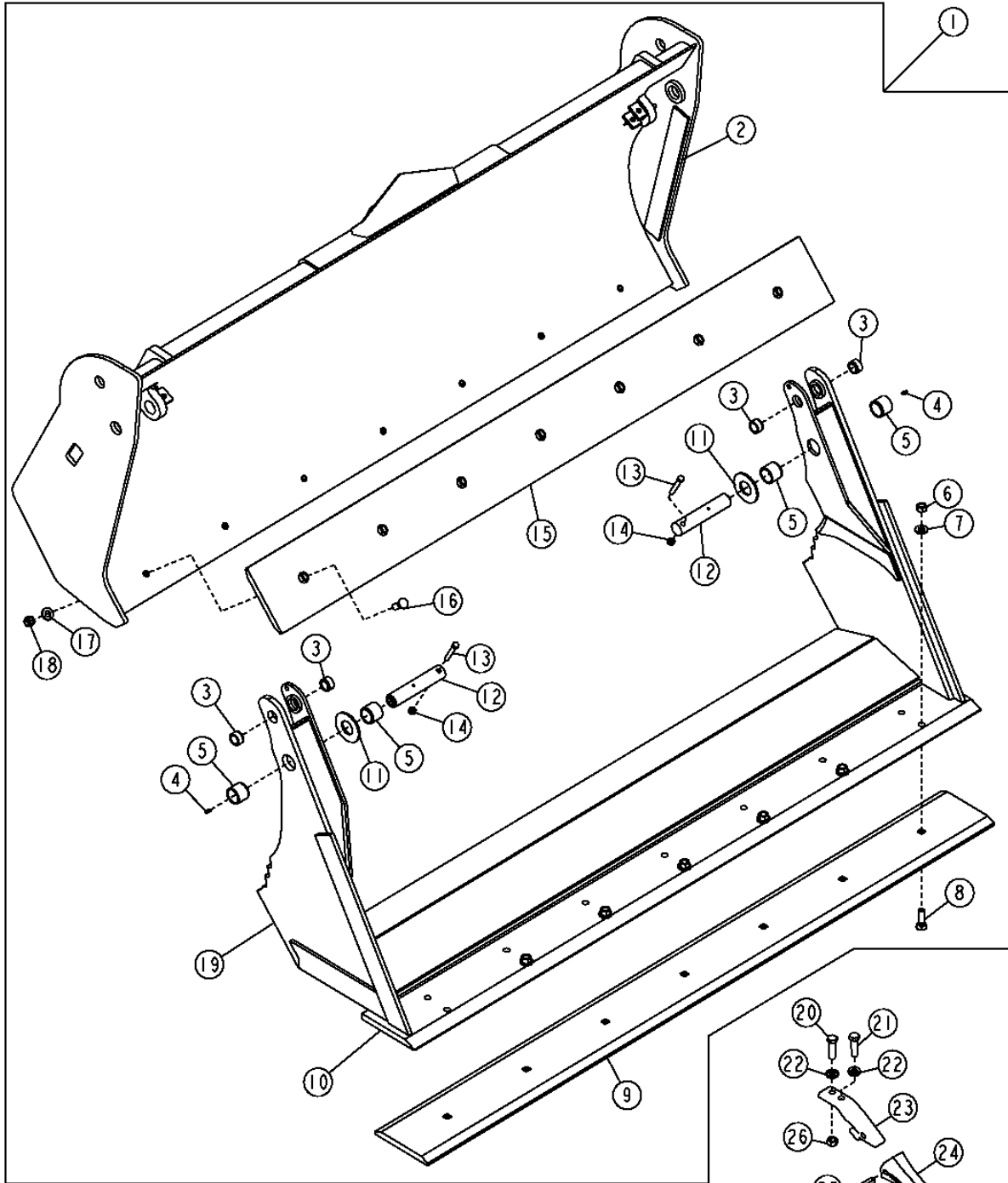
LOADER BUCKET PINS  
AXES DE BENNE DE CHARGEUR  
PASADORES DE CUCHARON DE CARGADORA

| KEY | PART NO. | PART NAME           | QTY. | SERIAL NO. | 3 3<br>3 1 1<br>1 0 5<br>0 S S<br>G G G | REMARKS                           |
|-----|----------|---------------------|------|------------|---|-----------------------------------|
| 1   | 40M7066  | SNAP RING           | 2    |            | X X X                                   |                                   |
| 2   | T161036  | WASHER              | 4    |            | X X X                                   | 2.205" X 3.150" X 0.079"          |
| 3   | T165333  | PIN FASTENER        | 1    |            | X X X                                   | 54.475 X 246 MM (2.145" X 9.685") |
| 4   | 40M7166  | SNAP RING           | 2    | -941414    | X X X                                   |                                   |
| 5   | T162396  | LUBRICATION FITTING | 2    |            | X X X                                   |                                   |
| 6A  | T154360  | PIN FASTENER        | 2    |            | X                                       | (USE WITH BUCKET MARKED AT184738) |
|     | T154360  | PIN FASTENER        | 2    |            | X X X                                   | (USE WITH BUCKET MARKED AT185524) |
|     | T154360  | PIN FASTENER        | 2    | -941414    | X X X                                   | (USE WITH BUCKET MARKED AT185522) |
|     | T154360  | PIN FASTENER        | 2    | -940584    | X X X                                   | (USE WITH BUCKET MARKED AT185526) |
|     | T154360  | PIN FASTENER        | 2    | -940629    | X X                                     | (USE WITH BUCKET MARKED AT185519) |
|     | T154360  | PIN FASTENER        | 2    | -941159    | X X X                                   | (USE WITH BUCKET MARKED AT189703) |
|     | T154360  | PIN FASTENER        | 2    | -941020    | X X X                                   | (USE WITH BUCKET MARKED AT189702) |
|     | T154360  | PIN FASTENER        | 2    | -940899    | X X                                     | (USE WITH BUCKET MARKED AT189699) |
| 6B  | T204908  | PIN FASTENER        | 2    |            | X                                       | (USE WITH BUCKET MARKED AT308040) |
|     | T204908  | PIN FASTENER        | 2    |            | X X X                                   | (USE WITH BUCKET MARKED AT308188) |
|     | T204908  | PIN FASTENER        | 2    | 941415-    | X X X                                   | (USE WITH BUCKET MARKED AT308076) |
|     | T204908  | PIN FASTENER        | 2    | 940585-    | X X X                                   | (USE WITH BUCKET MARKED AT308071) |
|     | T204908  | PIN FASTENER        | 2    | 940630-    | X X X                                   | (USE WITH BUCKET MARKED AT308080) |
|     | T204908  | PIN FASTENER        | 2    | 941160-    | X X X                                   | (USE WITH BUCKET MARKED AT308049) |
|     | T204908  | PIN FASTENER        | 2    | 941021-    | X X X                                   | (USE WITH BUCKET MARKED AT308095) |
|     | T204908  | PIN FASTENER        | 2    | 940900-    | X X                                     | (USE WITH BUCKET MARKED AT308099) |
| 7   | 14M7319  | LOCK NUT            | 2    |            | X X X                                   | M12                               |
| 8   | 19M7949  | CAP SCREW           | 2    |            | X X X                                   | M12 X 100                         |
| 9   | 40M7166  | SNAP RING           | 2    |            | X X X                                   |                                   |
| 10  | T165332  | PIN FASTENER        | 1    |            | X X X                                   | 49.475 X 244.600 MM               |

# 3102-8

MULTI-PURPOSE BUCKET  
BENNE UNIVERSELLE  
CUCHARA POLIVALENTE

T201293 -UN-29JUN04



T201293

# 3102-9

LOADER 31  
BUCKETS 3102

**MULTI-PURPOSE BUCKET  
BENNE UNIVERSELLE  
CUCHARA POLIVALENTE**

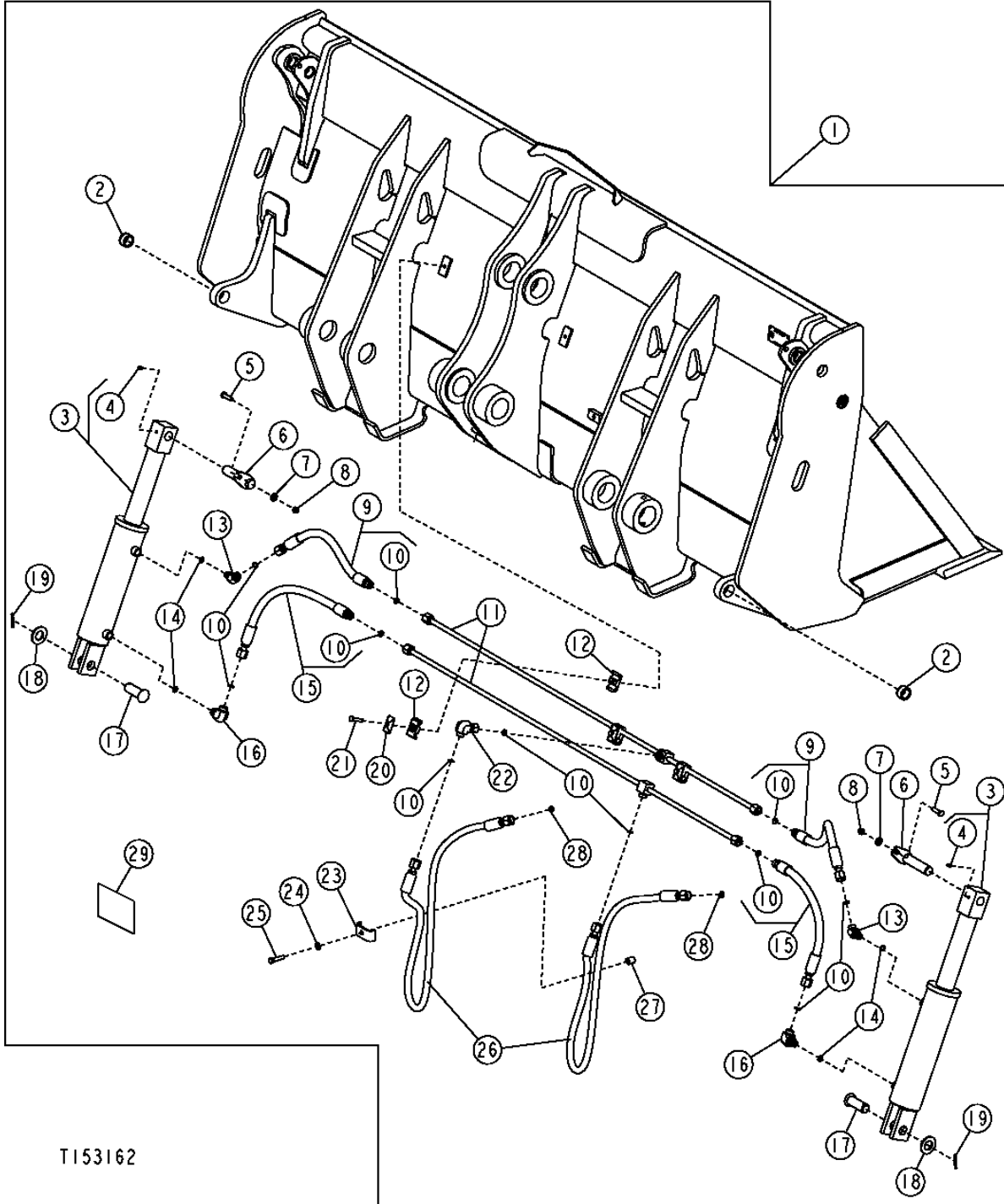
| KEY | PART NO.        | PART NAME                   | QTY.     | SERIAL NO.     | 3 3<br>3 1 1<br>1 0 5<br>0 S S<br>G G G | REMARKS  |
|-----|-----------------|-----------------------------|----------|----------------|---|--|
| 1   | AT308042        | MULTI-PURPOSE BUCKET        | 1        | 941160-        | X X X                                   | (2083MM - 82 INCH) INCLUDES CYLINDERS, LINES AND HOSES (WHOLE GOODS) (MARKED AT308049) (USE WITH (2) T204908, (2) 14M7319 AND (2) 19M7949) (SUB FOR AT186370)        |
|     | <b>AT308191</b> | <b>MULTI-PURPOSE BUCKET</b> | <b>1</b> | <b>941021-</b> | <b>X X X</b>                            | <b>(2184MM - 86 INCH) INCLUDES CYLINDERS, LINES AND HOSES (WHOLE GOODS) (MARKED AT308095) (USE WITH (2) T204908, (2) 14M7319 AND (2) 19M7949) (SUB FOR AT185634)</b> |
|     | <b>AT308193</b> | <b>MULTI-PURPOSE BUCKET</b> | <b>1</b> | <b>940900-</b> | <b>X X</b>                              | <b>(2337MM - 92 INCH) INCLUDES CYLINDERS, LINES AND HOSES (WHOLE GOODS) (MARKED AT308099) (USE WITH (2) T204908, (2) 14M7319 AND (2) 19M7949) (SUB FOR AT185639)</b> |
| 2   | .....           | MOLDBOARD                   | 1        |                | X X X                                   | (ORDER AT308042, AT308191 OR AT308193)   |
| 3   | T166433         | BUSHING                     | 4        |                | X X X                                   |  |
| 4   | JD7797          | LUBRICATION FITTING         | 2        |                | X X X                                   |  |
| 5   | T128533         | BUSHING                     | 4        |                | X X X                                   |  |
| 6   | 14H1039         | NUT                         | 8        |                | X X X                                   | 5/8"   |
| 7   | 24M7241         | WASHER                      | 8        |                | X X X                                   |  |
| 8   | 09H1759         | BOLT                        | 8        |                | X X X                                   | 5/8" X 2-1/4"  |
|     | 09H1764         | BOLT                        | 8        |                | X X X                                   |  |
| 9   | T166437         | CUTTING EDGE                | 1        |                | X X X                                   | (82 INCH) AUXILIARY  |
|     | T150517         | CUTTING EDGE                | 1        |                | X X X                                   | (86 INCH) AUXILIARY  |
|     | T150517HD       | DURA-MAX TM CUTTING EDGE    | 1        |                | X X X                                   | (86 INCH) AUXILIARY  |
|     | T84194          | CUTTING EDGE                | 1        |                | X X                                     | (92 INCH) AUXILIARY  |
|     | T84194HD        | DURA-MAX TM CUTTING EDGE    | 1        |                | X X                                     | (92 INCH) AUXILIARY  |
| 10  | T166419         | CUTTING EDGE                | 1        |                | X X X                                   | (82 INCH)  |
|     | T166455         | CUTTING EDGE                | 1        |                | X X X                                   | (86 INCH)  |
|     | T128538         | CUTTING EDGE                | 1        |                | X X                                     | (92 INCH)  |
| 11  | 24H1554         | WASHER                      | 2        |                | X X X                                   |  |
| 12  | T167059         | PIN                         | 2        |                | X X X                                   |  |
| 13  | 19H2106         | CAP SCREW                   | 2        |                | X X X                                   | 7/16" X 2-3/4"   |
| 14  | K40006          | LOCK NUT                    | 2        |                | X X X                                   | 7/16"  |
| 15  | T143802         | CUTTING EDGE                | 1        |                | X X X                                   | (82 INCH)  |
|     | T166454         | CUTTING EDGE                | 1        |                | X X X                                   | (86 INCH)  |
|     | T143802         | CUTTING EDGE                | 1        |                | X X                                     | (92 INCH)  |
| 16  | 09H1776         | BOLT                        | 8        |                | X X X                                   | 5/8" X 1-3/4"  |
| 17  | 24M7241         | WASHER                      | 8        |                | X X X                                   |  |
| 18  | 14H1039         | NUT                         | 8        |                | X X X                                   | 5/8"   |
| 19  | .....           | HINGE                       | 1        |                | X X X                                   | (ORDER AT308042, AT308191 OR AT308193)   |
| 20  | 19H3244         | CAP SCREW                   | 1        |                | X X X                                   | 5/8" X 2-1/4"  |
| 21  | 19H2599         | CAP SCREW                   | 1        |                | X X X                                   | 5/8" X 2-1/2"  |
| 22  | 24H1367         | WASHER                      | 2        |                | X X X                                   |  |
| 23  | T221X230        | ADAPTER FITTING             | 1        |                | X X X                                   |  |
| 24  | T230SP          | TOOTH                       | 1        |                | X X X                                   |  |
| 25  | T23P            | PIN                         | 1        |                | X X X                                   |  |
| 26  | 14H1039         | NUT                         | 1        |                | X X X                                   |  |

# 3102-10

LOADER 31  
BUCKETS 3102

MULTI-PURPOSE BUCKET, CYLINDER AND HYDRAULIC OIL LINES  
BENNE UNIVERSELLE, VERIN ET CONDUITES D'HUILE HYDRAULIQUE  
CUCHARON UNIVERSAL, CILINDRO Y LINEAS DE ACEITE HIDRAULICO

T153162 -UN-10APR02



T153162

# 3102-11

LOADER 31  
BUCKETS 3102

**MULTI-PURPOSE BUCKET, CYLINDER AND HYDRAULIC OIL LINES  
BENNE UNIVERSELLE, VERIN ET CONDUITES D'HUILE HYDRAULIQUE  
CUCHARON UNIVERSAL, CILINDRO Y LINEAS DE ACEITE HIDRAULICO**

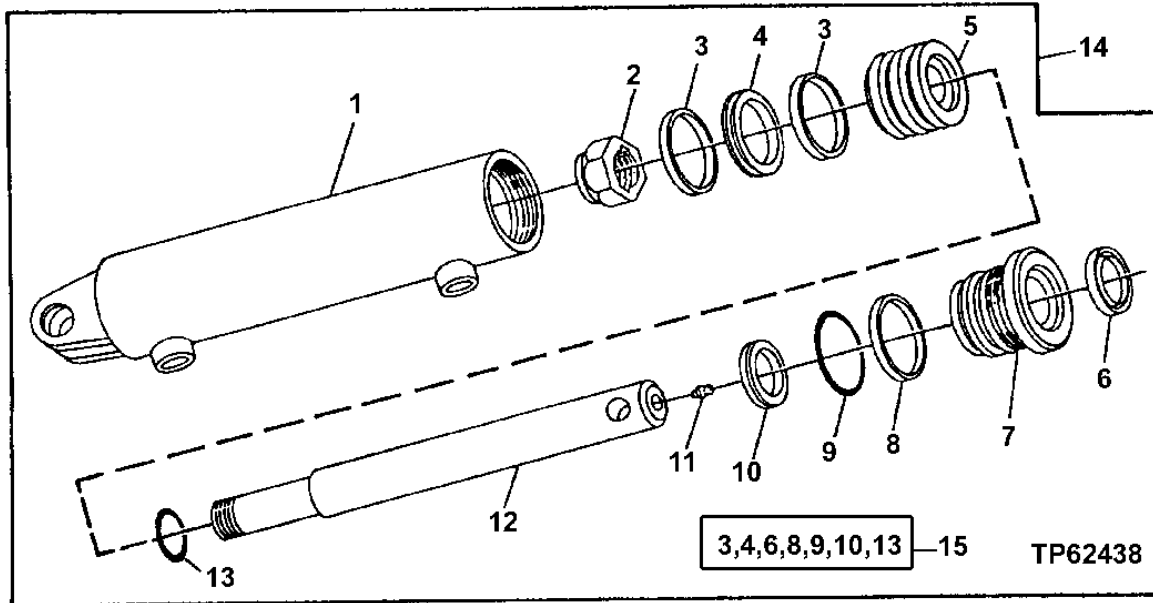
| KEY | PART NO. | PART NAME                  | QTY. | SERIAL NO. | REMARKS   |
|-----|----------|----------------------------|------|------------|---|
|     |          |                            |      |            | 3 3<br>3 1 1<br>1 0 5<br>0 S S<br>G G G   |
| 1   | AT308042 | MULTI-PURPOSE BUCKET       | 1    |            | X X X (2083MM - 82 INCH) INCLUDES CYLINDERS, LINES AND HOSES (WHOLE GOODS) (USE WITH (2) T204908, (2) 14M7319 AND (2) 19M7949) (SUB FOR AT186370) |
|     | AT308191 | MULTI-PURPOSE BUCKET       | 1    |            | X X X (2184MM - 86 INCH) INCLUDES CYLINDERS, LINES AND HOSES (WHOLE GOODS) (USE WITH (2) T204908, (2) 14M7319 AND (2) 19M7949) (SUB FOR AT185634) |
|     | AT308193 | MULTI-PURPOSE BUCKET       | 1    |            | X X (2337MM - 92 INCH) INCLUDES CYLINDERS, LINES AND HOSES (WHOLE GOODS) (USE WITH (2) T204908, (2) 14M7319 AND (2) 19M7949) (SUB FOR AT185639)   |
| 2   | T166433  | BUSHING                    | 2    |            | X X X   |
| 3   | AT190880 | CYLINDER                   | 2    | -925076    | X X X   |
|     | A24073   | BUSHING                    | 8    | -925076    | X X X 1" X 1-1/4" X 0.780"  |
| 4   | AH210737 | HYDRAULIC CYLINDER         | 2    | 925077-    | X X X   |
|     | JD7797   | LUBRICATION FITTING        | 2    | -925076    | X X X   |
|     | JD7844   | LUBRICATION FITTING        | 2    | 925077-    | X X X   |
| 5   | 19H3239  | CAP SCREW                  | 2    |            | X X X 3/8" X 1-1/4"   |
| 6   | AT190900 | PIN                        | 2    |            | X X X   |
| 7   | 24M7239  | WASHER                     | 2    |            | X X X   |
| 8   | T54568   | LOCK NUT                   | 2    |            | X X X 3/8"  |
| 9   | AT189822 | HYDRAULIC HOSE - FABRICATE | 2    |            | X X X   |
|     | AT190628 | HYDRAULIC HOSE - FABRICATE | 2    |            | X X X 13/16" X 241 MM (9-1/2") X 13/16"   |
|     | AT189822 | HYDRAULIC HOSE - FABRICATE | 2    |            | X X X   |
| 10  | T77857   | O-RING                     | AR   |            | X X X   |
| 11  | AT189819 | LINE                       | 2    |            | X X X   |
| 12  | H135156  | CLAMP                      | 6    |            | X X X   |
| 13  | 38H1521  | ELBOW FITTING              | 2    |            | X X X   |
| 14  | R26448   | O-RING                     | 4    |            | X X X   |
| 15  | AT189822 | HYDRAULIC HOSE - FABRICATE | 2    |            | X X X (82 INCH)   |
|     | AT190702 | HYDRAULIC HOSE - FABRICATE | 2    |            | X X X (86 INCH)   |
|     | AT190701 | HYDRAULIC HOSE - FABRICATE | 2    |            | X X (92 INCH)   |
| 16  | 38H1314  | ELBOW FITTING              | 2    |            | X X X   |
| 17  | .....    | PIN                        | 2    | -925076    | X X X ( T185041 NLA) (SUB T191318) (ALSO ORDER (6) 24H1138)   |
|     | T191318  | PIN FASTENER               | 2    | 925077-    | X X X   |
| 18  | 24H1138  | WASHER                     | 2    |            | X X X   |
| 19  | 11M7030  | COTTER PIN                 | 2    |            | X X X   |
| 20  | H121168  | PLATE                      | 3    |            | X X X   |
| 21  | 19H3552  | CAP SCREW                  | 3    |            | X X X 5/16" X 1-1/2"  |
| 22  | 38H1095  | ELBOW FITTING              | 1    |            | X X X   |
| 23  | T27022   | CLAMP                      | 1    |            | X X X (SUB FOR U40398, THIS APPLICATION)  |
| 24  | 24M7106  | WASHER                     | 1    |            | X X X   |
| 25  | 19H2633  | CAP SCREW                  | 1    |            | X X X 3/8" X 1-1/2"   |
| 26  | AT175198 | HYDRAULIC HOSE - FABRICATE | 2    | -913426    | X X X 13/16" X 1 170 MM (46") X 13/16"  |
|     | AT172386 | HYDRAULIC HOSE - FABRICATE | 2    | 913427-    | X X X 13/16" X 1 170 MM (46") X 1"  |
| 27  | 28H3383  | BUSHING                    | 1    |            | X X X   |
| 28  | T77857   | O-RING                     | 2    |            | X X X   |
| 29  | T160759  | LABEL                      | 1    |            | X X X BUCKET LEVEL INDICATOR  |

# 3102-12

LOADER 31  
BUCKETS 3102

MULTI-PURPOSE BUCKET CYLINDER (SN -925076)  
VERIN DE BENNE UNIVERSELLE (SN -925076)  
CILINDRO DE CUCHARON UNIVERSAL (SN -925076)

TP62438 -UN-06JUL00



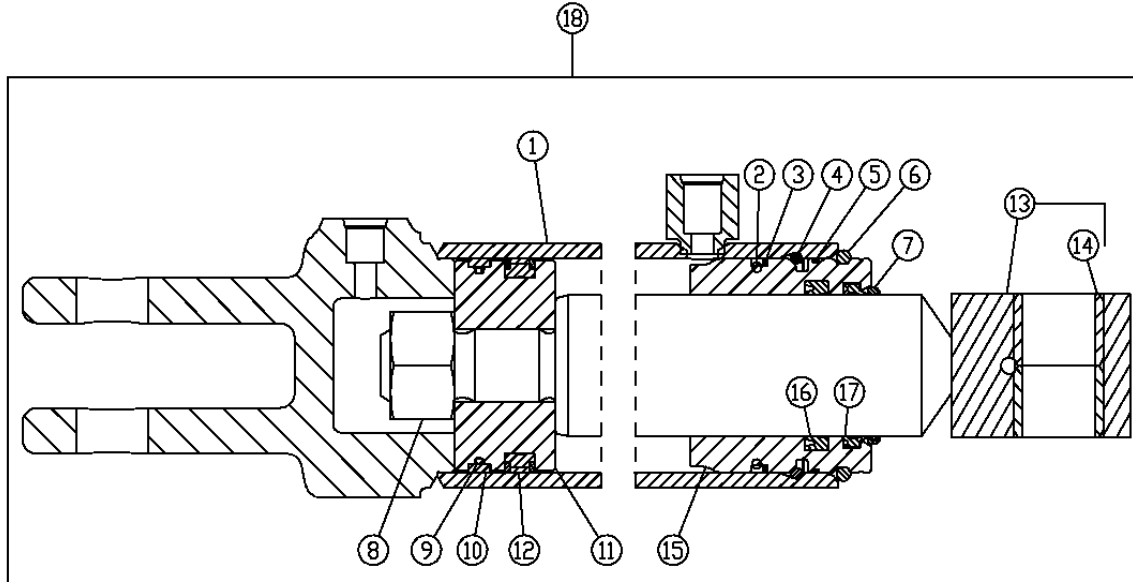
| KEY | PART NO. | PART NAME                | QTY. | SERIAL NO. | REMARKS   |
|-----|----------|--------------------------|------|------------|---|
| 1   | AT190881 | BARREL                   | 1    | X X X      |   |
| 2   | H29619   | LOCK NUT                 | 1    | X X X      |   |
| 3   | .....    | WEAR RING                | 2    | X X X      |   |
| 4   | .....    | SEAL                     | 1    | X X X      |   |
| 5   | T163117  | PISTON                   | 1    | X X X      |   |
| 6   | .....    | SEAL                     | 1    | X X X      |   |
| 7   | T163116  | HYDR. CYLINDER ROD GUIDE | 1    | X X X      |   |
| 8   | .....    | BACK-UP RING             | 1    | X X X      |   |
| 9   | .....    | O-RING                   | 1    | X X X      |   |
| 10  | .....    | SEAL                     | 1    | X X X      |   |
| 11  | JD7797   | LUBRICATION FITTING      | 1    | X X X      |   |
| 12  | T163118  | HYDRAULIC CYLINDER ROD   | 1    | X X X      |   |
| 13  | .....    | O-RING                   | 1    | X X X      |   |
| 14  | .....    | CYLINDER                 | 1    | X X X      | ( AT190880 NLA) (SUB (2) AH210737, (2) T191318 AND (6) 24H1138) |
| 15  | AT190898 | KIT                      | 1    | X X X      |   |

# 3102-13

LOADER 31  
BUCKETS 3102

MULTI-PURPOSE BUCKET CYLINDER AND REPAIR KIT (SN 925077- )  
VERIN DE BENNE UNIVERSELLE ET KIT DE REPARATION (SN 925077- )  
CILINDRO DE CUCHARON UNIVERSAL Y JUEGO DE REPARACION (SN 925077- )

T197121 -UN-08JAN04



19 — 2,3,5,9,10,12,16,17

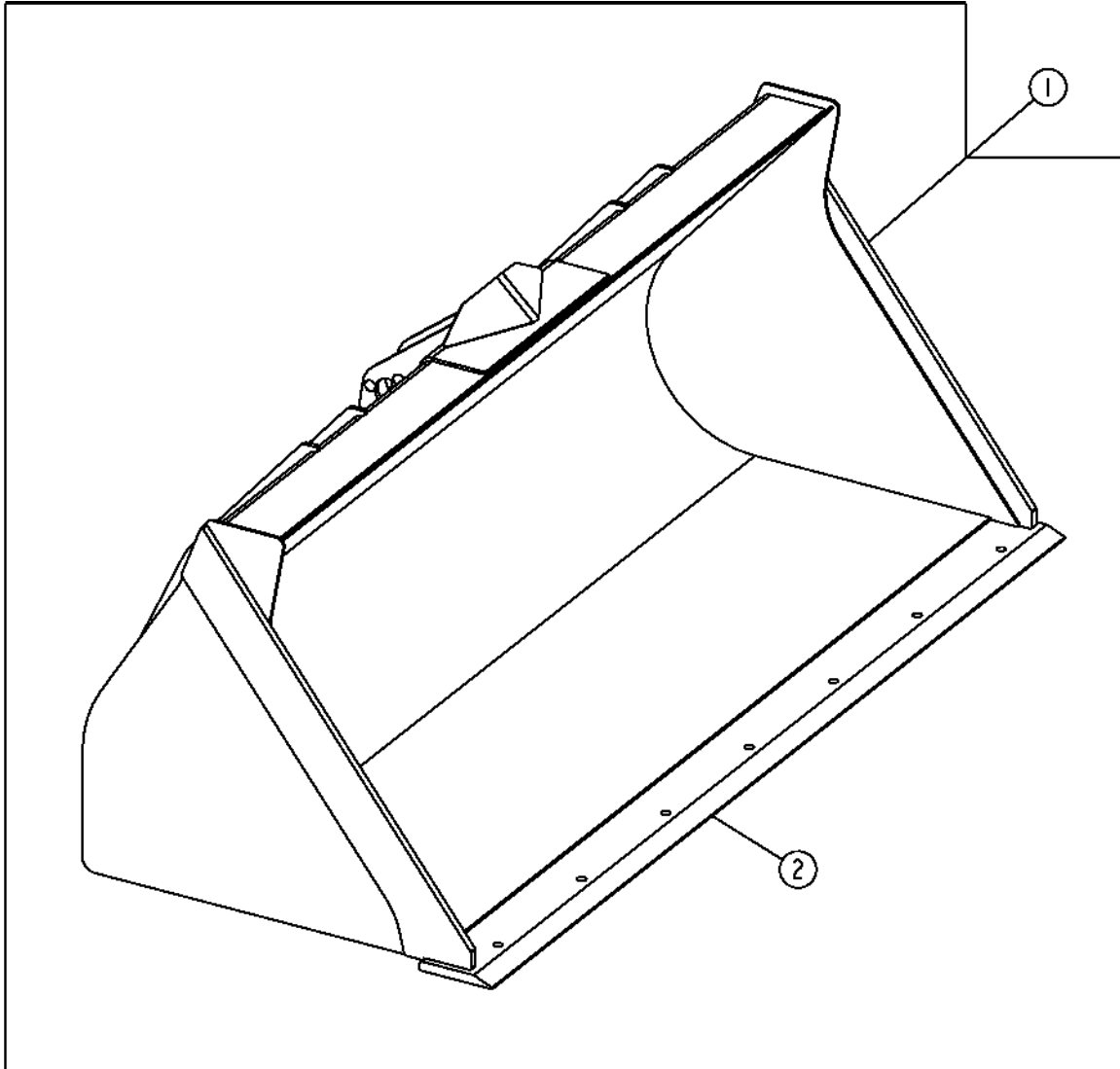
| T197121 |          |                           |      |            |                       |
|---------|----------|---------------------------|------|------------|-----------------------|
| KEY     | PART NO. | PART NAME                 | QTY. | SERIAL NO. | REMARKS               |
| 1       | .....    | HYDRAULIC CYLINDER BARREL | 1    |            |                       |
| 2       | T14065   | O-RING                    | 1    |            |                       |
| 3       | .....    | RING                      | 2    |            |                       |
| 4       | H177854  | SNAP RING                 | 1    |            |                       |
| 5       | .....    | O-RING                    | 1    |            |                       |
| 6       | H180927  | SNAP RING                 | 1    |            |                       |
| 7       | .....    | O-RING                    | 1    |            |                       |
| 8       | 14H1112  | NUT                       | 1    |            | 1", (SUB FOR H179692) |
| 9       | .....    | WEAR RING                 | 1    |            |                       |
| 10      | .....    | O-RING                    | 1    |            |                       |
| 11      | .....    | PISTON                    | 1    |            |                       |
| 12      | .....    | PISTON RING               | 1    |            |                       |
| 13      | .....    | ROD                       | 1    |            |                       |
| 14      | .....    | BUSHING                   | 1    |            |                       |
| 15      | .....    | HYDR. CYLINDER ROD GUIDE  | 1    |            |                       |
| 16      | H152203  | SEAL                      | 1    |            |                       |
| 17      | .....    | SEAL                      | 1    |            |                       |
| 18      | AH210737 | HYDRAULIC CYLINDER        | 1    |            |                       |
| 19      | AH209022 | HYDRAULIC CYLINDER KIT    | 1    |            |                       |

# 3102-14

LOADER 31  
BUCKETS 3102

COUPLER LOADER BUCKET AND CUTTING EDGE  
BENNE DE CHARGEUR A ACCOUPLEMENT ET TRANCHANT  
ACOPLADOR DE CUCHARON DE CARGADORA Y BORDE CORTANTE

TP69675 -UN-10OCT00



TP69675



# 3102-15

LOADER 31  
BUCKETS 3102

**COUPLER LOADER BUCKET AND CUTTING EDGE  
BENNE DE CHARGEUR A ACCOUPLEMENT ET TRANCHANT  
ACOPLADOR DE CUCHARON DE CARGADORA Y BORDE CORTANTE**

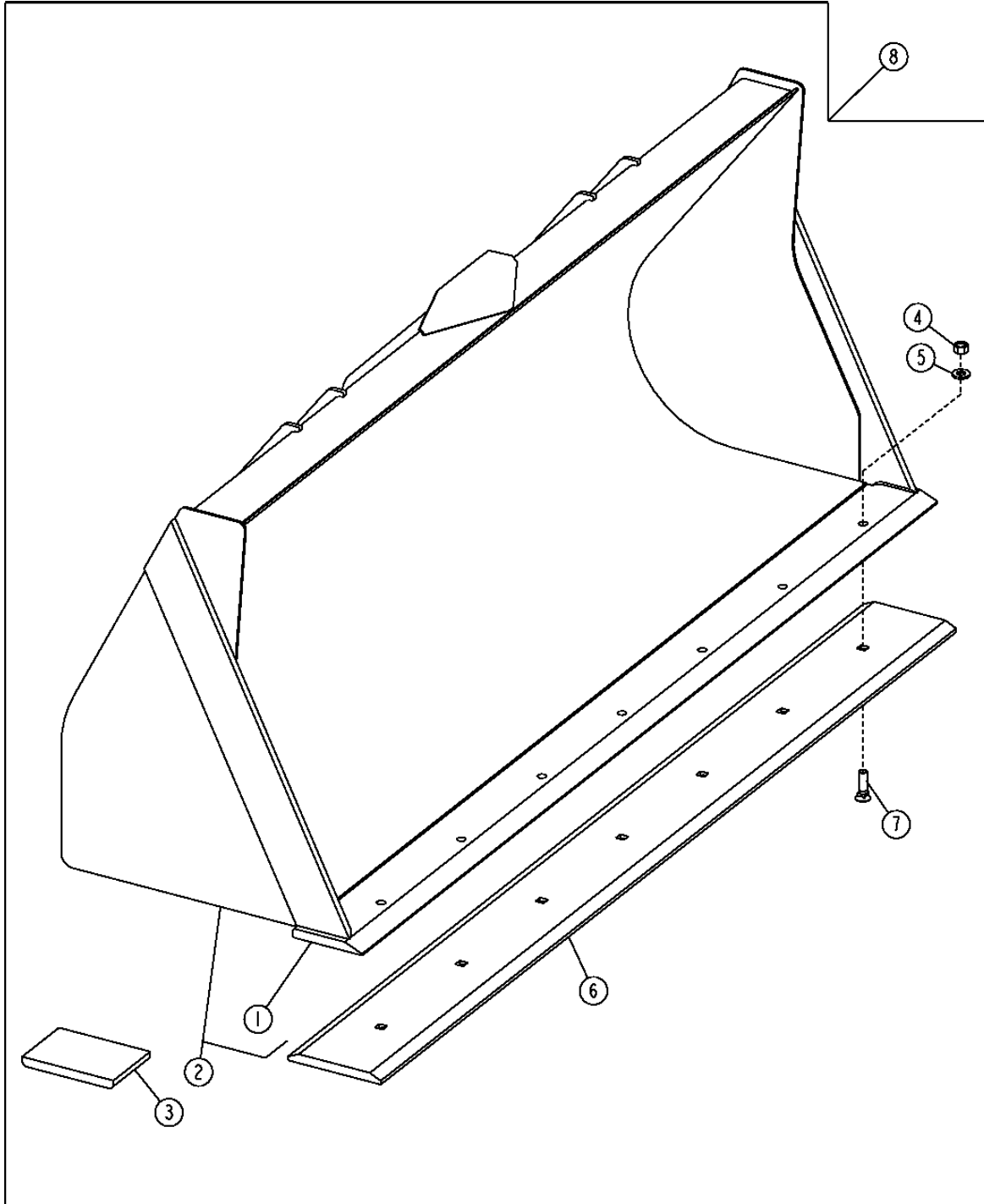
| KEY | PART NO.        | PART NAME            | QTY.     | SERIAL NO. | REMARKS   |
|-----|-----------------|----------------------|----------|------------|---|
|     |                 |                      |          |            | 3 3<br>3 1 1<br>1 0 5<br>0 S S<br>G G G   |
| 1   | .....           | LOADER BUCKET        | 1        |            | X X X .76 CUBIC METER (1.00 CUBIC YARD),<br>FRONT COUPLER BUCKET, ( AT309208 NLA)<br>(MARKED AT308968)        |
|     | <b>AT308968</b> | <b>LOADER BUCKET</b> | <b>1</b> |            | <b>X X X .96 CUBIC METER (1.25 CUBIC YARD),<br/>FRONT COUPLER BUCKET, (WHOLE GOODS)<br/>(MARKED AT308968)</b> |
| 2   | T150487         | CUTTING EDGE         | 1        |            | X X X (WELDED ON) SBF   |

# 3102-16

LOADER 31  
BUCKETS 3102

COUPLER LOADER BUCKET AND CUTTING EDGE  
BENNE DE CHARGEUR A ACCOUPLEMENT ET TRANCHANT  
ACOPLADOR DE CUCHARON DE CARGADORA Y BORDE CORTANTE

TP58156 -UN-10OCT00



TP58156

# 3102-17

LOADER 31  
BUCKETS 3102

**COUPLER LOADER BUCKET AND CUTTING EDGE  
BENNE DE CHARGEUR A ACCOUPLEMENT ET TRANCHANT  
ACOPLADOR DE CUCHARON DE CARGADORA Y BORDE CORTANTE**

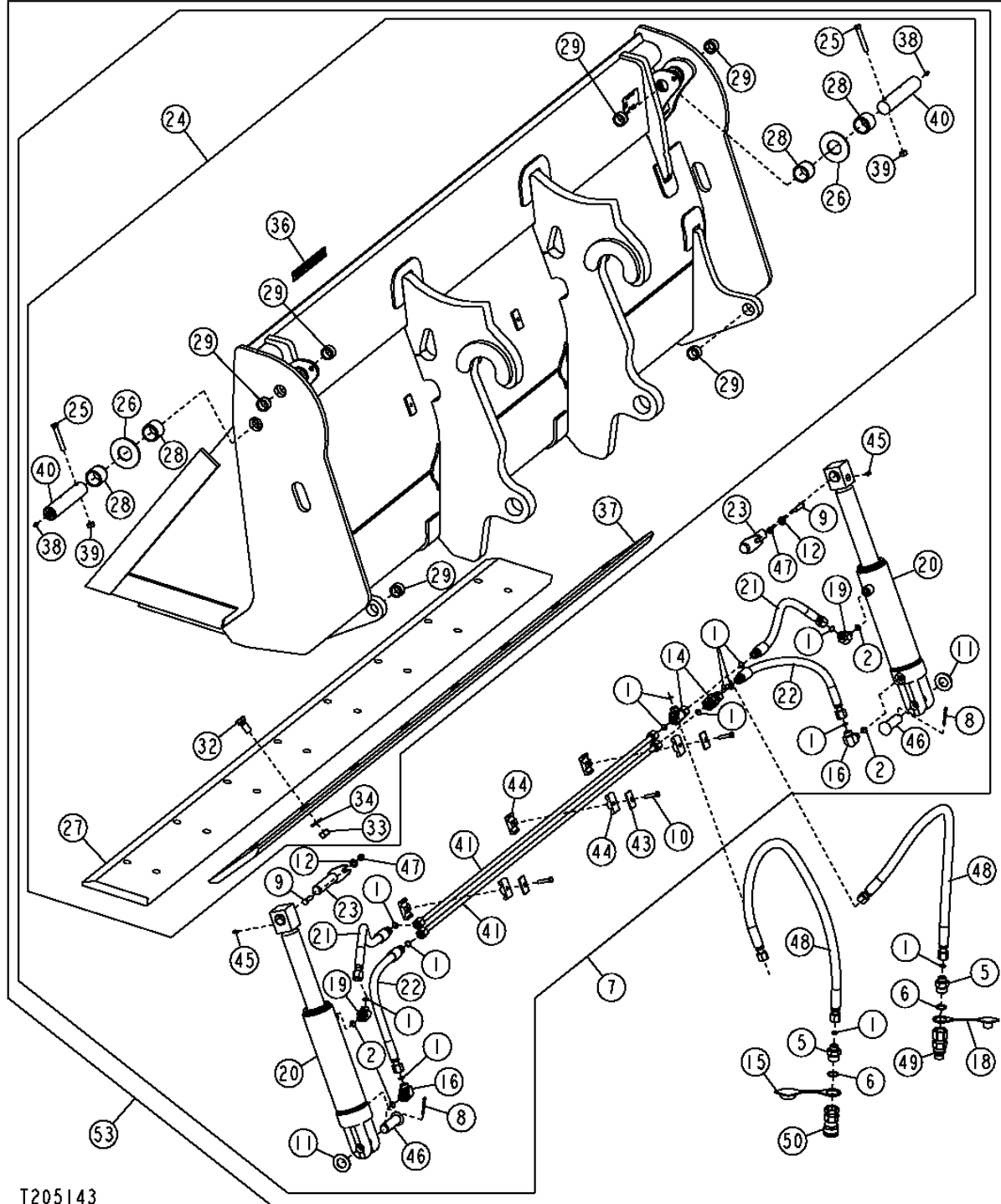
| KEY | PART NO.        | PART NAME                | QTY.     | SERIAL NO. | REMARKS  |
|-----|-----------------|--------------------------|----------|------------|--|
|     |                 |                          |          |            | 3 3  |
|     |                 |                          |          |            | 3 1 1  |
|     |                 |                          |          |            | 1 0 5  |
|     |                 |                          |          |            | 0 S S  |
|     |                 |                          |          |            | G G G  |
| 1   | T150487         | CUTTING EDGE             | 1        |            | X X X (1.13 CUBIC YARD) 3/4" SBF   |
|     | T118768         | CUTTING EDGE             | 1        |            | X X X (1.31 CUBIC YARD) 3/4" SBF   |
| 2   | .....           | LOADER BUCKET            | 1        |            | X X X  |
| 3   | T147296         | SHOE                     | 2        |            | X X X  |
| 4   | 14H1039         | NUT                      | 8        |            | X X X 5/8"   |
| 5   | 24M7241         | WASHER                   | 8        |            | X X X  |
| 6   | T150517         | CUTTING EDGE             | 1        |            | X X X (AUXILIARY) 3/4 TK X 8 INCH DBF X 86<br>INCH LONG (1.13 CUBIC YARD)                                      |
|     | T150517HD       | DURA-MAX TM CUTTING EDGE | 1        |            | X X X (AUXILIARY) 1" TK X 8 INCH DBF X 86<br>INCH LONG (1.13 CUBIC YARD)                                       |
|     | T84194          | CUTTING EDGE             | 1        |            | X X X (AUXILIARY) 3/4 TK X 8 INCH DBF X 92<br>3/8 INCH LONG (1.31 CUBIC YARD)                                  |
|     | T84194HD        | DURA-MAX TM CUTTING EDGE | 1        |            | X X X (AUXILIARY) 1" TK X 8 INCH DBF X 92 3/8<br>INCH LONG (1.31 CUBIC YARD)                                   |
| 7   | 09H1759         | BOLT                     | 8        |            | X X X 5/8" X 2-1/4"  |
|     | 09H1764         | BOLT                     | 8        |            | X X X 5/8" X 2-1/2"  |
| 8   | <b>AT308970</b> | <b>LOADER BUCKET</b>     | <b>1</b> |            | <b>X X X 0.86 CUBIC METER (1.13 CUBIC YARD),<br/>FRONT COUPLER BUCKET, (WHOLE GOODS)<br/>(MARKED AT308970)</b> |
|     | <b>AT308966</b> | <b>LOADER BUCKET</b>     | <b>1</b> |            | <b>X X X 1.00 CUBIC METER (1.31 CUBIC YARD),<br/>FRONT COUPLER BUCKET, (WHOLE GOODS)<br/>(MARKED AT308966)</b> |

# 3102-18

LOADER 31  
BUCKETS 3102

QUICK COUPLER MULTI-PURPOSE BUCKET, CYLINDERS AND LINES  
BENNE UNIVERSELLE A ACCOUPLEMENT RAPIDE, VERINS ET CONDUITES  
ACOPLADOR RAPIDO DE CUCHARON UNIVERSAL, CILINDROS Y LINEAS

T205143 -UN-23NOV04



T205143

THIS PARTS LISTING IS CONTINUED

# 3102-19

LOADER 31  
BUCKETS 3102

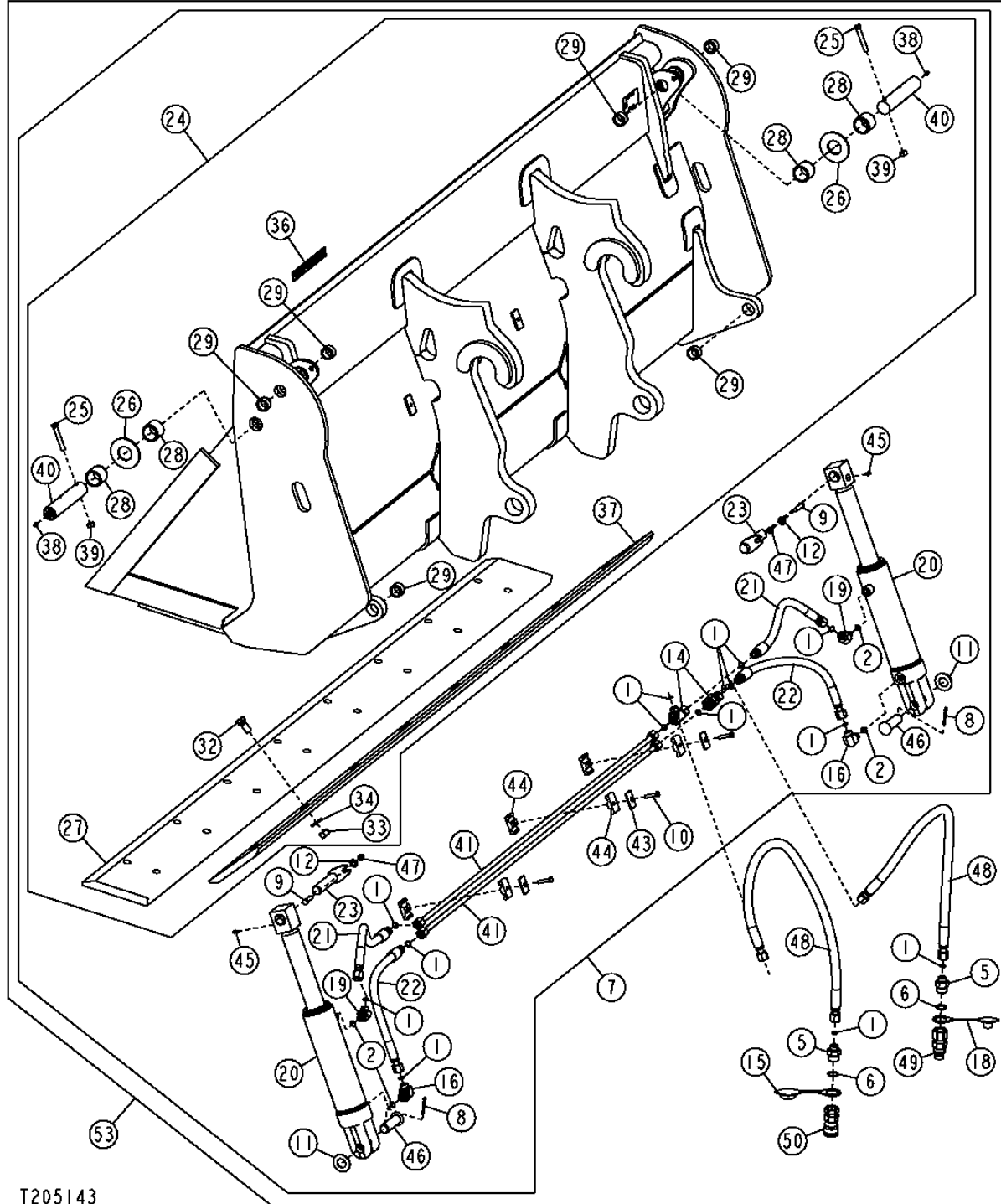
**QUICK COUPLER MULTI-PURPOSE BUCKET, CYLINDERS AND LINES  
BENNE UNIVERSELLE A ACCOUPLEMENT RAPIDE, VERINS ET CONDUITES  
ACOPLADOR RAPIDO DE CUCHARON UNIVERSAL, CILINDROS Y LINEAS**

| KEY | PART NO. | PART NAME                  | QTY. | SERIAL NO. | REMARKS   |
|-----|----------|----------------------------|------|------------|---|
|     |          |                            |      |            | 3 3   |
|     |          |                            |      |            | 3 1 1   |
|     |          |                            |      |            | 1 0 5   |
|     |          |                            |      |            | 0 S S   |
|     |          |                            |      |            | G G G   |
| 1   | T77857   | O-RING                     | 9    |            | X X X   |
| 2   | R26448   | O-RING                     | 2    |            | X X X   |
| 3   | 19H2633  | CAP SCREW                  | 1    |            | X X X 3/8" X 1-1/2"                                 |
| 5   | 38H1175  | ADAPTER FITTING            | 2    |            | X X X   |
| 6   | U12547   | O-RING                     | 1    |            | X X X   |
| 7   | .....    | MULTI-PURPOSE BUCKET       | 1    |            | X X X (ORDER AT308972 OR AT308974)                  |
| 8   | 11M7030  | COTTER PIN                 | 2    |            | X X X 0.197" X 1.575"                               |
| 9   | 19H3239  | CAP SCREW                  | 2    |            | X X X 3/8" X 1-1/4"                                 |
| 10  | 19H3552  | CAP SCREW                  | 3    |            | X X X 5/16" X 1-1/2"                                |
| 11  | 24H1138  | WASHER                     | 2    |            | X X X   |
| 12  | 24M7239  | WASHER                     | 2    |            | X X X   |
| 13  | T162396  | LUBRICATION FITTING        | 2    |            | X X X   |
| 14  | 38H1031  | TEE FITTING                | 1    |            | X X X   |
| 15  | T188879  | BOOT                       | 1    |            | X X X   |
| 16  | 38H1314  | ELBOW FITTING              | 1    |            | X X X   |
| 17  | 38H1148  | FITTING PLUG               | 1    |            | X X X   |
| 18  | T188880  | BOOT                       | 1    |            | X X X   |
| 19  | 38H1521  | ELBOW FITTING              | 1    |            | X X X   |
| 20  | AH210737 | HYDRAULIC CYLINDER         | 2    |            | X X X   |
| 21  | AT190628 | HYDRAULIC HOSE - FABRICATE | 2    |            | X X X 13/16" X 241 MM (9-1/2") X 13/16", (86 INCH)  |
|     | AT189822 | HYDRAULIC HOSE - FABRICATE | 2    |            | X X X (92 INCH)                                     |
| 22  | AT190702 | HYDRAULIC HOSE - FABRICATE | 2    |            | X X X 13/16" X 407 MM (16") X 13/16", (86 INCH)     |
|     | AT190701 | HYDRAULIC HOSE - FABRICATE | 2    |            | X X X 13/16" X 470 MM (18-1/2") X 13/16", (92 INCH) |
| 23  | AT190900 | PIN                        | 2    |            | X X X   |
| 24  | .....    | MOLDBOARD                  | 1    |            | X X X (ORDER AT308972 OR AT308974)                  |
| 25  | 19H2106  | CAP SCREW                  | 2    |            | X X X 7/16" X 2-3/4"                                |
| 26  | 24H1554  | WASHER                     | 2    |            | X X X   |
| 27  | T166455  | CUTTING EDGE               | 1    |            | X X X WELDED ON (86 INCH)                           |
|     | T150517  | CUTTING EDGE               | 1    |            | X X X AUXILIARY (86 INCH)                           |
|     | T128538  | CUTTING EDGE               | 1    |            | X X X WELDED ON (92 INCH)                           |
|     | T84194   | CUTTING EDGE               | 1    |            | X X X AUXILIARY (92 INCH)                           |
| 28  | T128533  | BUSHING                    | 4    |            | X X X   |
| 29  | T166433  | BUSHING                    | 2    |            | X X X   |
| 32  | 09H1776  | BOLT                       | 8    |            | X X X 5/8" X 1-3/4", MOLDBOARD                      |
|     | 09H1759  | BOLT                       | 8    |            | X X X 5/8" X 2-1/4", AUXILIARY                      |
| 33  | 14H1039  | NUT                        | 8    |            | X X X 5/8"  |

# 3102-20

QUICK COUPLER MULTI-PURPOSE BUCKET, CYLINDERS AND LINES (CONTINUED)  
BENNE UNIVERSELLE A ACCOUPLEMENT RAPIDE, VERINS ET CONDUITES (SUITE)  
ACOPLADOR RAPIDO DE CUCHARON UNIVERSAL, CILINDROS Y LINEAS (CONTINUACION)

T205143 -UN-23NOV04



T205143

# 3102-21

LOADER 31  
BUCKETS 3102

**QUICK COUPLER MULTI-PURPOSE BUCKET, CYLINDERS AND LINES (CONTINUED)**  
**BENNE UNIVERSELLE A ACCOUPLEMENT RAPIDE, VERINS ET CONDUITES (SUITE)**  
**ACOPLADOR RAPIDO DE CUCHARON UNIVERSAL, CILINDROS Y LINEAS (CONTINUACION)**

| KEY | PART NO. | PART NAME                  | QTY. | SERIAL NO. | REMARKS                                |
|-----|----------|----------------------------|------|------------|--|
|     |          |                            |      |            | 3 3                                    |
|     |          |                            |      |            | 3 1 1                                  |
|     |          |                            |      |            | 1 0 5                                  |
|     |          |                            |      |            | 0 S S                                  |
|     |          |                            |      |            | G G G                                  |
| 34  | 24M7241  | WASHER                     | 8    |            | X X X                                  |
| 36  | T213143  | LABEL                      | 1    |            | X X X WORKSITE PRO™, (SUB FOR KV22121) |
| 37  | T166454  | CUTTING EDGE               | 1    |            | X X X (86 INCH) DBF                    |
|     | T143804  | CUTTING EDGE               | 1    |            | X X X (92 INCH) DBF                    |
| 38  | JD7797   | LUBRICATION FITTING        | 2    |            | X X X                                  |
| 39  | K40006   | LOCK NUT                   | 2    |            | X X X 7/16"                            |
| 40  | T167059  | PIN                        | 2    |            | X X X                                  |
| 41  | AT311143 | TUBE                       | 2    |            | X X X                                  |
| 42  | 38H1354  | TUBE NUT                   | 2    |            | X X X                                  |
| 43  | H121168  | PLATE                      | 3    |            | X X X                                  |
| 44  | H135156  | CLAMP                      | 6    |            | X X X                                  |
| 45  | JD7844   | LUBRICATION FITTING        | 2    |            | X X X                                  |
| 46  | T191318  | PIN FASTENER               | 2    |            | X X X                                  |
| 47  | T54568   | LOCK NUT                   | 2    |            | X X X 3/8"                             |
| 48  | AT172386 | HYDRAULIC HOSE - FABRICATE | 2    |            | X X X 13/16" X 1 170 MM (46") X 1"     |
|     | T77932   | O-RING                     | 2    |            | X X X                                  |
|     | AT309986 | HYDRAULIC HOSE - FABRICATE | 1    |            | X X X UPPER                            |
|     | AT309934 | HYDRAULIC HOSE - FABRICATE | 1    |            | X X X LOWER                            |
| 49  | AT312470 | HYD. QUICK-CONNECT COUPLER | 1    |            | X X X                                  |
|     | KV11305  | HYD. QUICK-CONNECT COUPLER | 1    |            | X X X                                  |
|     | T77932   | O-RING                     | 1    |            | X X X                                  |
|     | T80306   | NUT                        | 1    |            | X X X                                  |
| 50  | KV14216  | HYD. QUICK-CONNECT COUPLER | 1    |            | X X X                                  |
|     | KV11304  | HYD. QUICK-CONNECT COUPLER | 1    |            | X X X                                  |
| 53  | AT308972 | MULTI-PURPOSE BUCKET       | 1    |            | X X X (2184MM - 86 INCH) (WHOLE GOODS) |
|     | AT308974 | MULTI-PURPOSE BUCKET       | 1    |            | X X X (2337MM - 92 INCH) (WHOLE GOODS) |

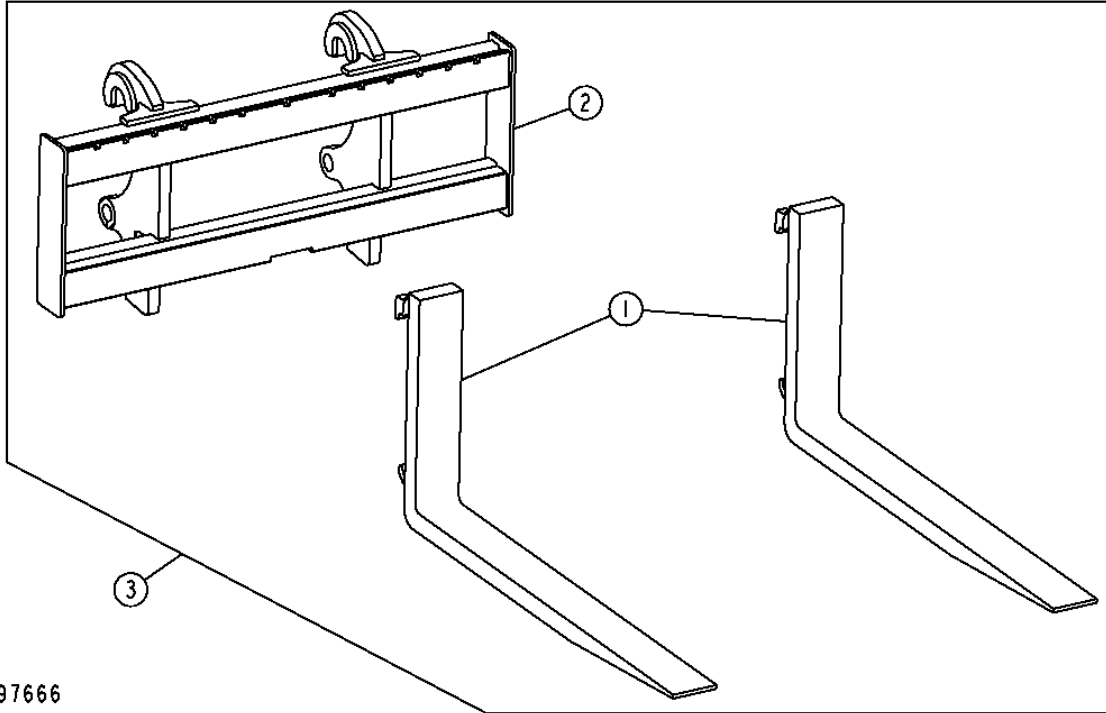
# 3103-2

LOADER 31

FORKS 3103

QUICK COUPLER FORKS AND FRAME  
FOURCHES A ACCOUPLEMENT RAPIDE ET BATI  
ACOPLADOR RAPIDO DE HORQUILLAS Y BASTIDOR

T197666 -UN-19FEB04



T197666

THIS PARTS LISTING IS CONTINUED



# 3103-3

LOADER 31

FORKS 3103

**QUICK COUPLER FORKS AND FRAME  
FOURCHES A ACCOUPLEMENT RAPIDE ET BATI  
ACOPLADOR RAPIDO DE HORQUILLAS Y BASTIDOR**

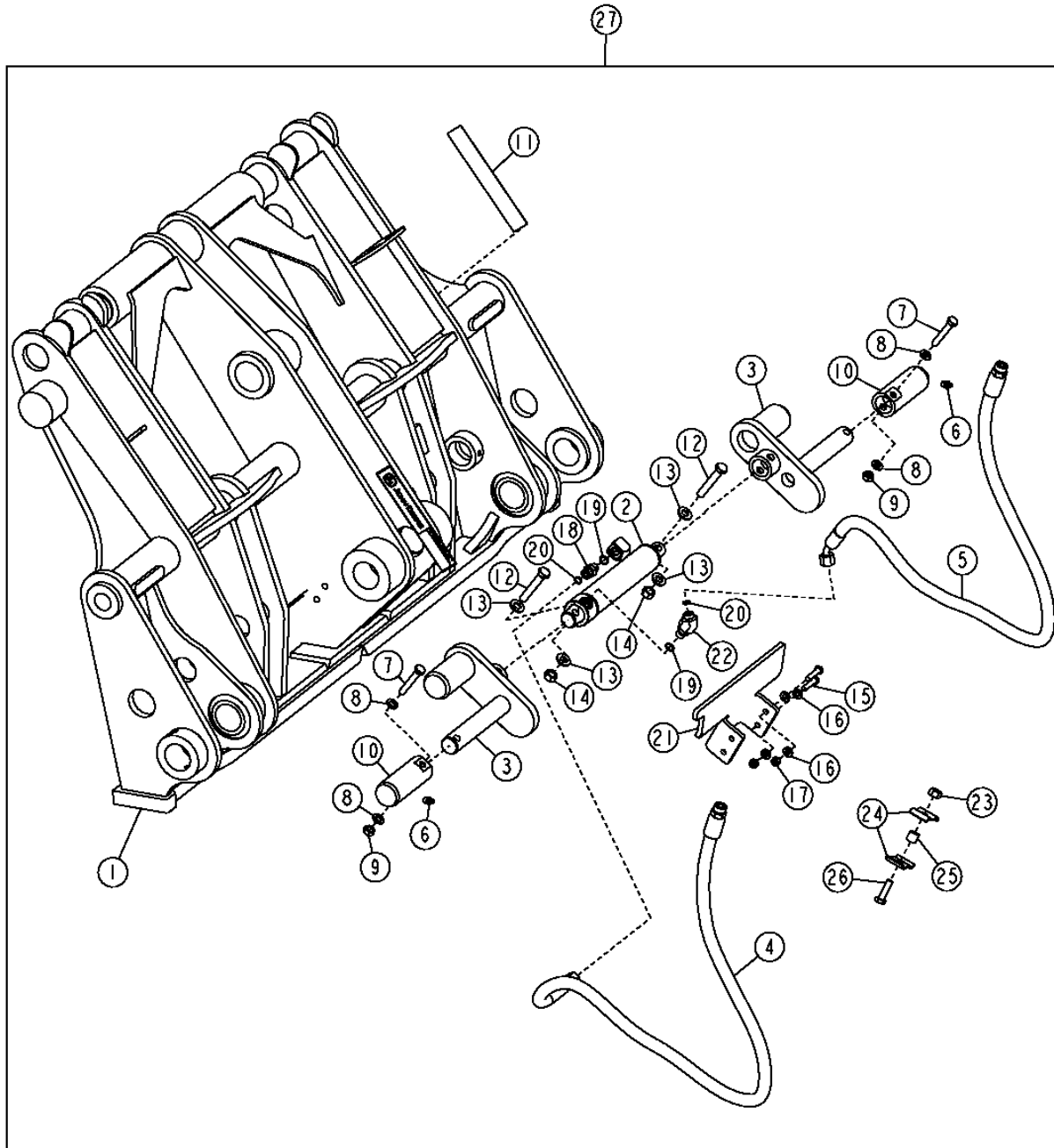
| KEY | PART NO. | PART NAME | QTY. | SERIAL NO. | REMARKS                          |
|-----|----------|-----------|------|------------|----------------------------------|
|     |          |           |      |            | 3 3                              |
|     |          |           |      |            | 3 1 1                            |
|     |          |           |      |            | 1 0 5                            |
|     |          |           |      |            | 0 S S                            |
|     |          |           |      |            | G G G                            |
| 1   | AT308925 | FORK      | 1    |            | X X X CONVENIENCE ASSY (48 INCH) |
|     | AT308926 | FORK      | 1    |            | X X X CONVENIENCE ASSY (60 INCH) |
|     | AT308067 | LOCK      | 2    |            | X X X                            |
| 2   | AT308910 | FORK      | 1    |            | X X X CONVENIENCE ASSY           |
| 3   | AT308138 | FORKLIFT  | 1    |            | X X X (48 INCH) (WHOLEGOODS)     |
|     | AT308139 | FORKLIFT  | 1    |            | X X X (60 INCH) (WHOLEGOODS)     |

# 3104-2

## HYDRAULIC FRONT COUPLER ACCOUPLMENT AVANT HYDRAULIQUE ACOPLADOR HIDRAULICO DELANTERO

T209829

-UN-11APR05



T209829

# 3104-3

LOADER 31

ATTACHMENT COUPLER 3104

**HYDRAULIC FRONT COUPLER  
ACCOUPLLEMENT AVANT HYDRAULIQUE  
ACOPLADOR HIDRAULICO DELANTERO**

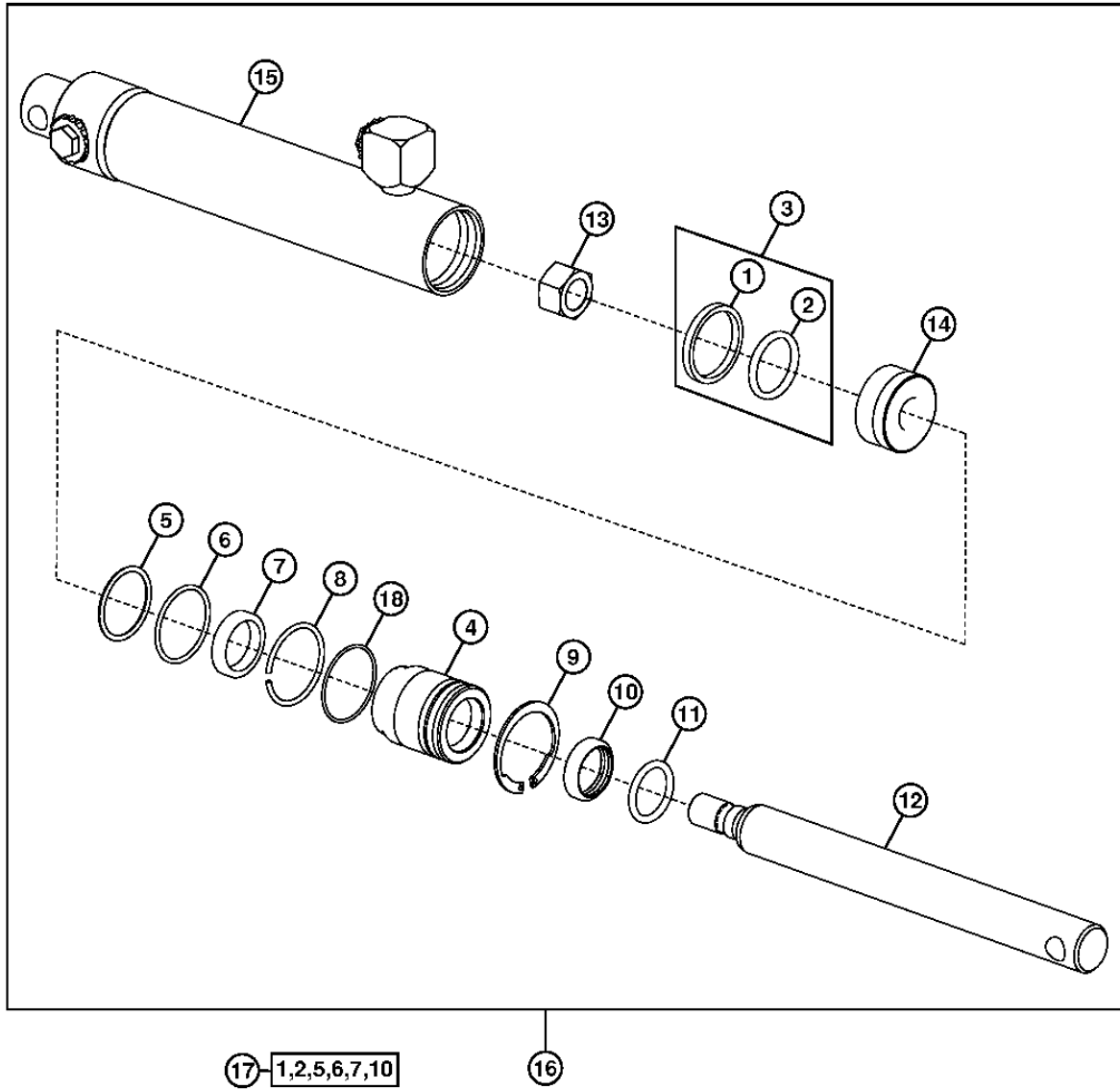
| KEY | PART NO. | PART NAME                  | QTY. | SERIAL NO. | REMARKS   |
|-----|----------|----------------------------|------|------------|---|
|     |          |                            |      |            | 3 3   |
|     |          |                            |      |            | 3 1 1   |
|     |          |                            |      |            | 1 0 5   |
|     |          |                            |      |            | 0 S S   |
|     |          |                            |      |            | G G G   |
| 1   | .....    | QUICK COUPLER              | 1    |            | X X X (ORDER AT307916)  |
| 2   | AH217348 | HYDRAULIC CYLINDER         | 1    |            | X X X   |
| 3   | AT307106 | PIN FASTENER               | 2    |            | X X X   |
| 4   | AT309746 | HYDRAULIC HOSE - FABRICATE | 1    |            | X X X 11/16" X 1 245 MM (49") X 11/16"  |
| 5   | AT309747 | HYDRAULIC HOSE - FABRICATE | 1    |            | X X X 11/16" X 1 125 MM (44-1/4") X 11/16"  |
| 6   | T162396  | LUBRICATION FITTING        | 2    |            | X X X   |
| 7   | 19M8499  | CAP SCREW                  | 2    |            | X X X M10 X 60  |
| 8   | 24M7346  | WASHER                     | 4    |            | X X X   |
| 9   | 14M7274  | NUT                        | 2    |            | X X X M10   |
| 10  | T205017  | PIN                        | 2    |            | X X X   |
| 11  | T213143  | LABEL                      | 1    |            | X X X   |
| 12  | 19M7753  | CAP SCREW                  | 2    |            | X X X M12 X 70  |
| 13  | 24M7240  | WASHER                     | 4    |            | X X X   |
| 14  | 14M7275  | NUT                        | 2    |            | X X X M12   |
| 15  | 19M8008  | CAP SCREW                  | 4    |            | X X X M8 X 35   |
| 16  | 24M7238  | WASHER                     | 8    |            | X X X   |
| 17  | 14M7273  | NUT                        | 4    |            | X X X M8  |
| 18  | 38H1160  | ADAPTER FITTING            | 1    |            | X X X   |
| 19  | R26448   | O-RING                     | 2    |            | X X X   |
| 20  | T77613   | O-RING                     | 2    |            | X X X   |
| 21  | T213288  | BRACKET                    | 1    |            | X X X   |
| 22  | 38H1045  | ELBOW FITTING              | 1    |            | X X X   |
| 23  | 14M7274  | NUT                        | 1    |            | X X X   |
| 24  | R46919   | HALF CLAMP                 | 2    |            | X X X   |
| 25  | 28H3381  | SPACER                     | 1    |            | X X X   |
| 26  | 19M7550  | CAP SCREW                  | 1    |            | X X X   |
| 27  | AT307916 | KIT                        | 1    |            | X X X (WHOLE GOODS) INCLUDES HYDRAULIC LINES,<br>FITTINGS, SOLENOID VALVE, HARNESS,<br>SWITCHES AND HARDWARE. |

# 3104-4

## FRONT COUPLER CYLINDER VERIN D'ACCOUPEMENT AVANT CILINDRO DE ACOPLADOR DELANTERO

TX1015950

-UN-



TX1015950

# 3104-5

LOADER 31

ATTACHMENT COUPLER 3104

FRONT COUPLER CYLINDER  
VERIN D'ACCOUPLMENT AVANT  
CILINDRO DE ACOPLADOR DELANTERO

| KEY | PART NO. | PART NAME                | QTY. | SERIAL NO. | REMARKS                              |
|-----|----------|--------------------------|------|------------|--------------------------------------|
|     |          |                          |      |            | 3 3                                  |
|     |          |                          |      |            | 3 1 1                                |
|     |          |                          |      |            | 1 0 5                                |
|     |          |                          |      |            | 0 S S                                |
|     |          |                          |      |            | G G G                                |
| 1   | .....    | SEAL                     | 1    |            | X X X (ORDER AH176230) ( H180778 NA) |
| 2   | .....    | O-RING                   | 1    |            | X X X (ORDER AH176230) ( H180782 NA) |
| 3   | AH176230 | SEAL                     | 1    |            | X X X                                |
| 4   | H173205  | HYDR. CYLINDER ROD GUIDE | 1    |            | X X X                                |
| 5   | M4125T   | O-RING                   | 1    |            | X X X                                |
| 6   | H162312  | BACK-UP RING             | 1    |            | X X X                                |
| 7   | H158676  | SEAL                     | 1    |            | X X X                                |
| 8   | H173206  | RING                     | 1    |            | X X X                                |
| 9   | H173207  | SNAP RING                | 1    |            | X X X                                |
| 10  | H164925  | SEAL                     | 1    |            | X X X                                |
| 11  | P45750   | O-RING                   | 1    |            | X X X                                |
| 12  | .....    | ROD                      | 1    |            | X X X (ORDER AH217348) ( H217543 NA) |
| 13  | 14H1083  | NUT                      | 1    |            | X X X 5/8"                           |
| 14  | H173199  | PISTON                   | 1    |            | X X X                                |
| 16  | AH217348 | HYDRAULIC CYLINDER       | 1    |            | X X X                                |
| 17  | AH176272 | HYDRAULIC CYLINDER KIT   | 1    |            | X X X                                |
| 18  | .....    | O-RING                   | 1    |            | X X X ( H207036 NA)                  |

# 3115-2

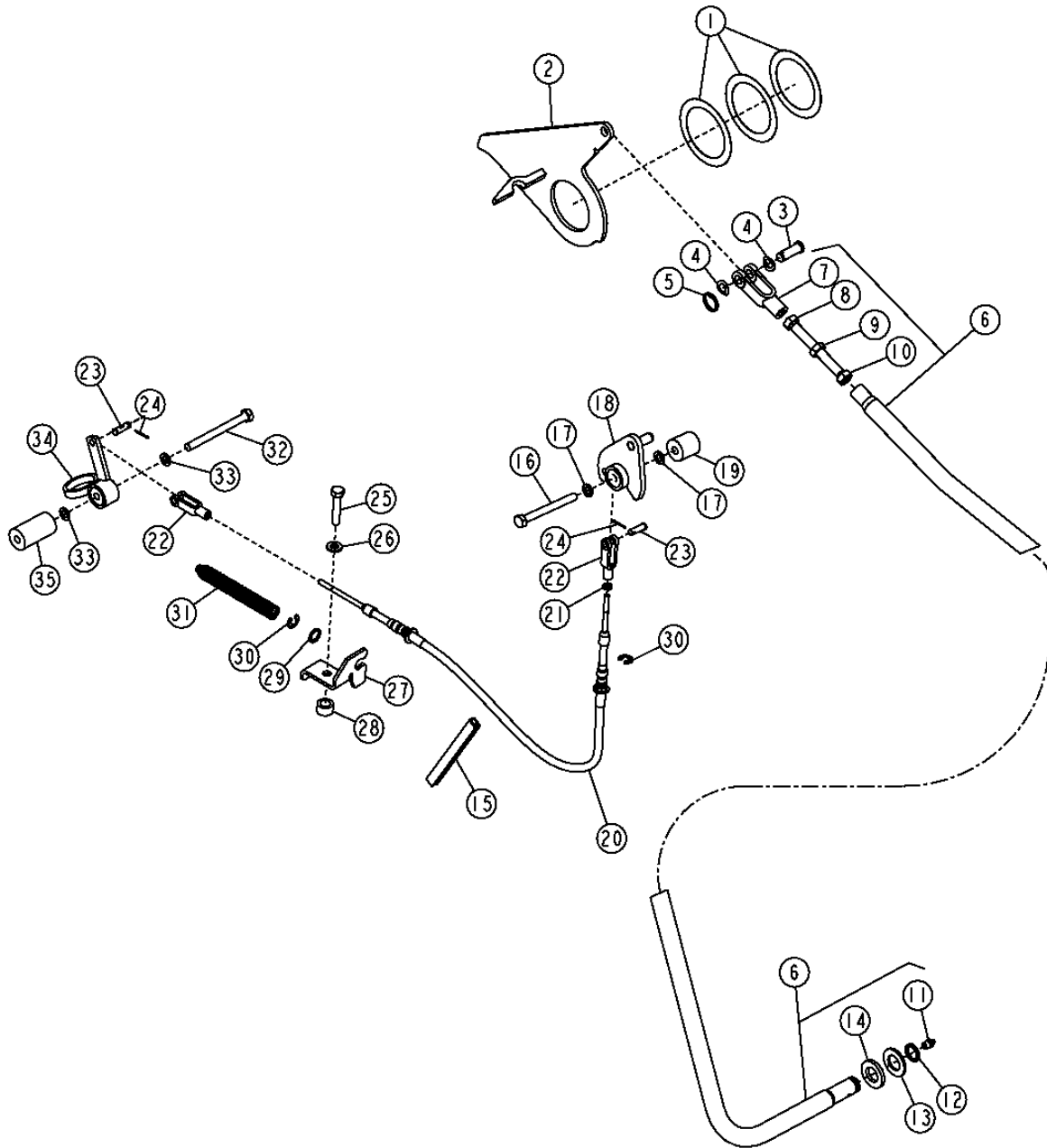
LOADER 31

CONTROLS LINKAGE 3115

BUCKET LEVELING AND RETURN-TO-DIG LINKAGE (SN -913416)  
TRINGLERIE DE MISE A NIVEAU DE BENNE ET DE RETOUR EN POSITION DE CREUSEMENT (SN -913416)  
VARILLAJE DE NIVELACION DE CUCHARON Y DE RETORNO A EXCAVACION (SN -913416)

T144118

-UN-07SEP01



T144118

# 3115-3

LOADER 31

CONTROLS LINKAGE 3115

**BUCKET LEVELING AND RETURN-TO-DIG LINKAGE (SN -913416)  
 TRINGLERIE DE MISE A NIVEAU DE BENNE ET DE RETOUR EN POSITION DE CREUSEMENT (SN -913416)  
 VARILLAJE DE NIVELACION DE CUCHARON Y DE RETORNO A EXCAVACION (SN -913416)**

| KEY | PART NO. | PART NAME           | QTY. | SERIAL NO. | REMARKS   |
|-----|----------|---------------------|------|------------|---|
|     |          |                     |      |            | 3 3<br>3 1 1<br>1 0 5<br>0 S S<br>G G G           |
| 1   | T161497  | SHIM                | 3    |            | X X X   |
| 2   | AT185957 | BRACKET             | 1    |            | X X X   |
| 3   | R72855   | PIN FASTENER        | 1    |            | X X X   |
| 4   | T146757  | WASHER              | 2    |            | X X X   |
| 5   | T148182  | RING                | 1    |            | X X X   |
| 6   | AT184682 | TUBE                | 1    |            | X X X   |
| 7   | T159981  | YOKE                | 1    |            | X X X   |
| 8   | 14H881   | NUT                 | 1    |            | X X X 1/2"  |
| 9   | T159980  | STUD                | 1    |            | X X X   |
| 10  | 14H856   | NUT                 | 1    |            | X X X 1/2"  |
| 11  | T162396  | LUBRICATION FITTING | 1    |            | X X X   |
| 12  | 5787YT   | SNAP RING           | 1    |            | X X X   |
| 13  | 24H1659  | WASHER              | 1    |            | X X X   |
| 14  | T160720  | WASHER              | 1    |            | X X X   |
| 15  | .....    | MOLDING             | 1    |            | X X X (CTL, 152MM) (MAKE FROM T61861)             |
| 16  | 19M8093  | CAP SCREW           | 1    |            | X X X M10 X 100                                   |
| 17  | 24M7096  | WASHER              | 2    |            | X X X   |
| 18  | AT185440 | BELLCRANK           | 1    |            | X X X (INCLUDES AA34134)                          |
|     | AA34134  | BALL BEARING        | 1    |            | X X X (NOT ILLUSTRATED)                           |
| 19  | T184873  | BUSHING             | 1    |            | X X X   |
| 20  | .....    | CABLE               | 1    | -894048    | X X X ( AT184341 NLA) (SUB AT196333 AND AT194487) |
|     | AT196333 | PUSH PULL CABLE     | 1    | 894049-    | X X X (SUB FOR AT194488)                          |
| 21  | 14H649   | NUT                 | 1    |            | X X X 1/4"  |
| 22  | T184870  | YOKE                | 2    |            | X X X   |
| 23  | P10456   | PIN FASTENER        | 2    |            | X X X   |
| 24  | 11M7078  | COTTER PIN          | 2    |            | X X X 2 X 20 MM                                   |
| 25  | 19M8600  | CAP SCREW           | 1    |            | X X X M10 X 50                                    |
| 26  | 24M7239  | WASHER              | 1    |            | X X X   |
| 27  | T186082  | BRACKET             | 1    |            | X X X   |
| 28  | T186083  | SPACER              | 1    |            | X X X   |
| 29  | 24M7228  | WASHER              | 1    |            | X X X   |
| 30  | R26871   | SNAP RING           | 2    |            | X X X (SUB FOR R106466)                           |
| 31  | T185700  | COMPRESSION SPRING  | 1    |            | X X X   |
| 32  | 19M8166  | CAP SCREW           | 1    |            | X X X M10 X 110                                   |
| 33  | 24M7096  | WASHER              | 2    |            | X X X   |
| 34  | .....    | BELLCRANK           | 1    | -894048    | X X X ( AT191023 NLA) (SUB AT194487 AND AT196333) |
|     | AT194487 | BELLCRANK           | 1    | 894049-    | X X X (INCLUDES AA34134)                          |
|     | AA34134  | BALL BEARING        | 1    | 894049-    | X X X (NOT ILLUSTRATED)                           |
| 35  | T164953  | SPACER              | 1    |            | X X X   |

# 3115-4

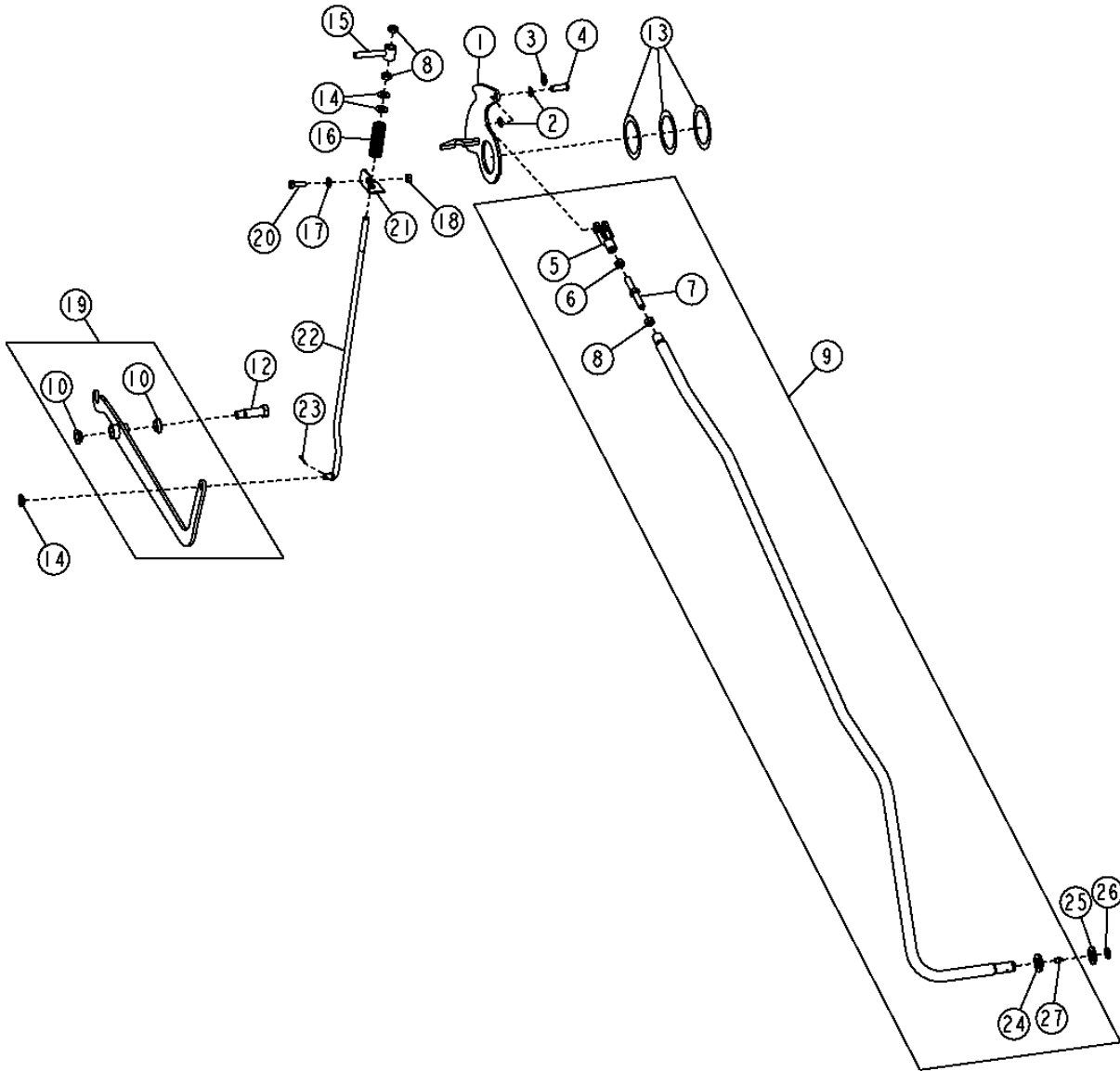
LOADER 31

CONTROLS LINKAGE 3115

BUCKET LEVELING AND RETURN-TO-DIG LINKAGE (SN 913417- )  
TRINGLERIE DE MISE A NIVEAU DE BENNE ET DE RETOUR EN POSITION DE CREUSEMENT (SN 913417- )  
VARILLAJE DE NIVELACION DE CUCHARON Y DE RETORNO A EXCAVACION (SN 913417- )

TX1005442

-UN-30MAR06



TX1005442



# 3115-5

LOADER 31

CONTROLS LINKAGE 3115

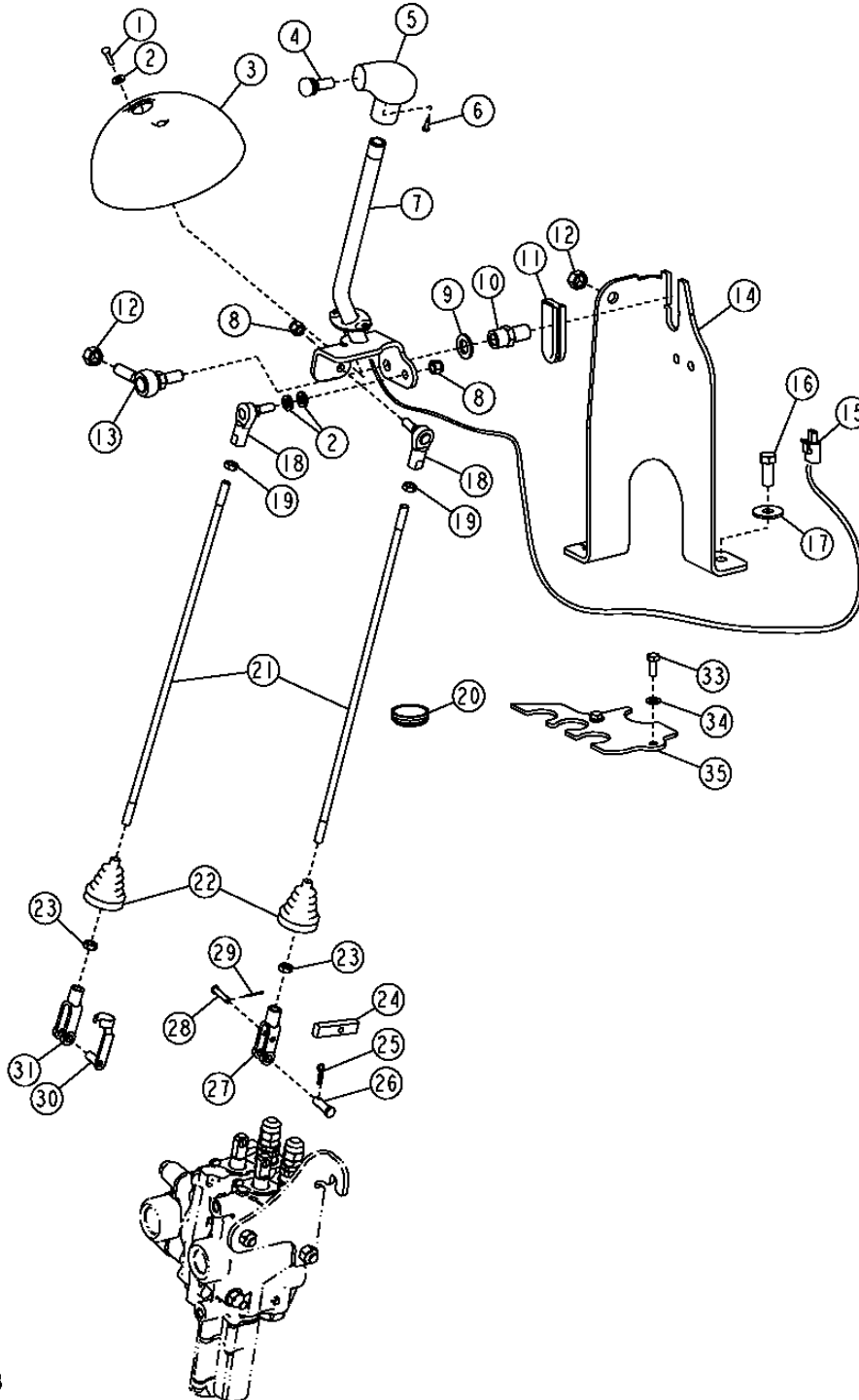
BUCKET LEVELING AND RETURN-TO-DIG LINKAGE (SN 913417- )  
 TRINGLERIE DE MISE A NIVEAU DE BENNE ET DE RETOUR EN POSITION DE CREUSEMENT (SN 913417- )  
 VARILLAJE DE NIVELACION DE CUCHARON Y DE RETORNO A EXCAVACION (SN 913417- )

| KEY | PART NO. | PART NAME           | QTY. | SERIAL NO. | REMARKS                                  |
|-----|----------|---------------------|------|------------|--|
|     |          |                     |      |            | 3 3                                      |
|     |          |                     |      |            | 3 1 1                                    |
|     |          |                     |      |            | 1 0 5                                    |
|     |          |                     |      |            | 0 S S                                    |
|     |          |                     |      |            | G G G                                    |
| 1   | AT197105 | PLATE               | 1    |            | X X X                                    |
| 2   | T146757  | WASHER              | 2    |            | X X X                                    |
| 3   | T148182  | RING                | 1    |            | X X X                                    |
| 4   | R72855   | PIN FASTENER        | 1    |            | X X X                                    |
| 5   | T159981  | YOKE                | 1    |            | X X X                                    |
| 6   | 14H881   | NUT                 | 1    |            | X X X                                    |
| 7   | T159980  | STUD                | 1    |            | X X X                                    |
| 8   | 14H856   | NUT                 | 3    |            | X X X                                    |
| 9   | AT184682 | TUBE                | 1    |            | X X X                                    |
| 10  | T166097  | BEARING             | 2    |            | X X X (SUB FOR JD9954, THIS APPLICATION) |
| 12  | T191285  | BOLT                | 1    |            | X X X                                    |
| 13  | T161497  | SHIM                | 3    |            | X X X                                    |
| 14  | 24H1111  | WASHER              | 3    |            | X X X                                    |
| 15  | AT326922 | LINK                | 1    |            | X X X (SUB FOR AT300159)                 |
| 16  | T190992  | COMPRESSION SPRING  | 1    |            | X X X                                    |
| 17  | 24M7239  | WASHER              | 1    |            | X X X                                    |
| 18  | 14M7274  | NUT                 | 1    |            | X X X                                    |
| 19  | AT199335 | ARM                 | 1    |            | X X X                                    |
| 20  | 19M7662  | CAP SCREW           | 1    |            | X X X                                    |
| 21  | T190357  | SUPPORT             | 1    |            | X X X                                    |
| 22  | T191226  | ROD                 | 1    |            | X X X                                    |
| 23  | 11M7082  | COTTER PIN          | 1    |            | X X X (SUB FOR R46528, THIS APPLICATION) |
| 24  | T160720  | WASHER              | 1    |            | X X X                                    |
| 25  | 24H1659  | WASHER              | 1    |            | X X X                                    |
| 26  | 5787YT   | SNAP RING           | 1    |            | X X X                                    |
| 27  | T162396  | LUBRICATION FITTING | 1    |            | X X X                                    |

# 3115-6

LOADER CONTROL VALVE LINKAGE (SN -913416)  
TRINGLERIE DE DISTRIBUTEURS DE CHARGEUR (SN -913416)  
VARILLAJE DE VALVULA DE CONTROL DE CARGADORA (SN -913416)

T158663 -UN-20AUG02



T158663

# 3115-7

LOADER 31

CONTROLS LINKAGE 3115

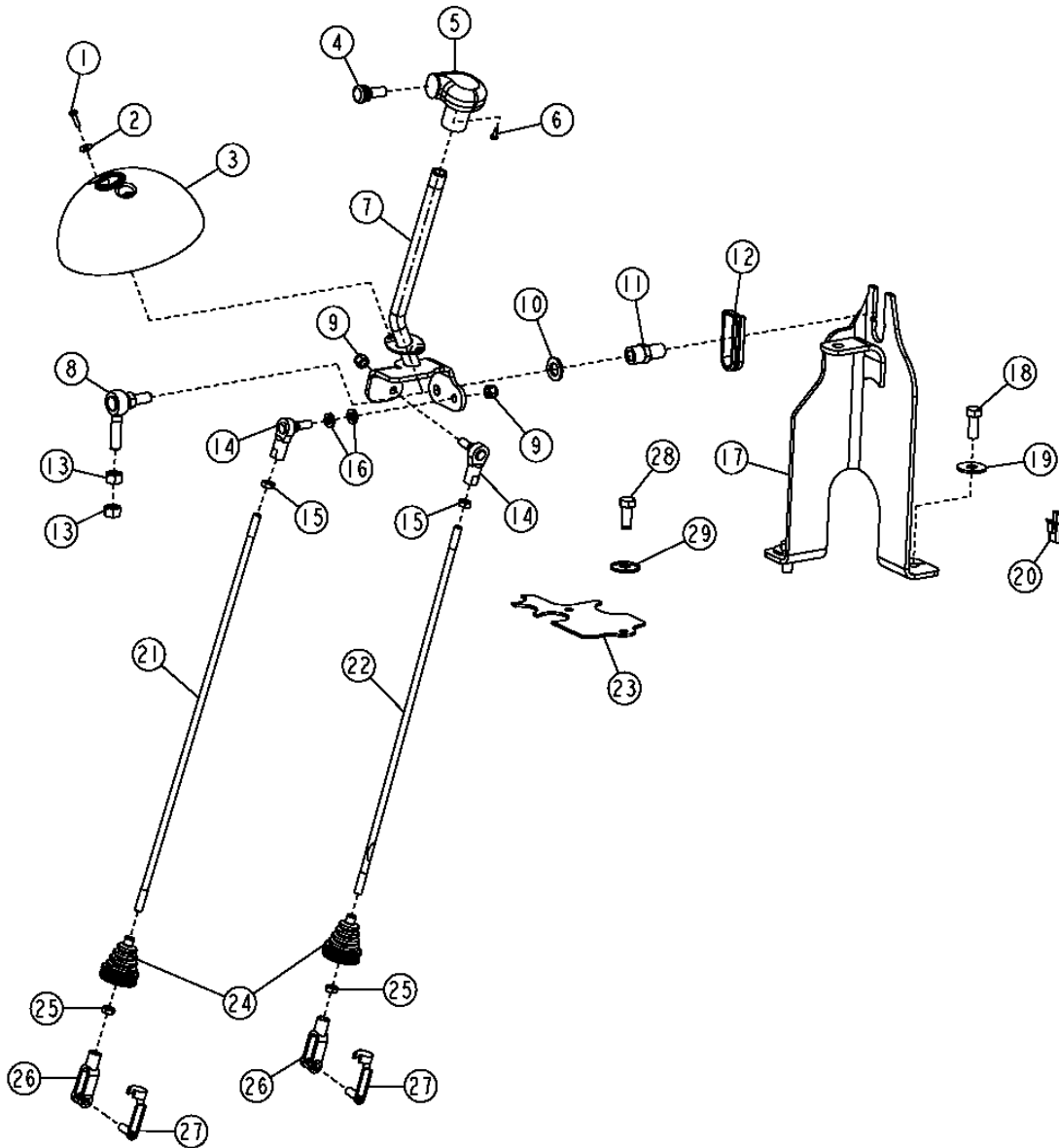
LOADER CONTROL VALVE LINKAGE (SN -913416)  
 TRINGLERIE DE DISTRIBUTEURS DE CHARGEUR (SN -913416)  
 VARILLAJE DE VALVULA DE CONTROL DE CARGADORA (SN -913416)

| KEY | PART NO. | PART NAME                 | QTY. | SERIAL NO. | REMARKS                 |
|-----|----------|---------------------------|------|------------|-------------------------|
|     |          |                           |      |            | 3 3                     |
|     |          |                           |      |            | 3 1 1                   |
|     |          |                           |      |            | 1 0 5                   |
|     |          |                           |      |            | 0 S S                   |
|     |          |                           |      |            | G G G                   |
| 1   | 21H1406  | SCREW                     | 2    |            | X X X 0.190" X 3/4"     |
| 2   | T83061   | WASHER                    | 2    |            | X X X                   |
| 3   | T166899  | COVER                     | 1    |            | X X X                   |
| 4   | AT162180 | SWITCH                    | 1    |            | X X X                   |
| 5   | AT171550 | KNOB                      | 1    |            | X X X                   |
| 6   | 37H95    | SCREW                     | 2    |            | X X X                   |
| 7   | AT184156 | LEVER                     | 1    |            | X X X                   |
| 8   | M68954   | LOCK NUT                  | 2    |            | X X X 3/8"              |
| 9   | 24M7053  | WASHER                    | 1    |            | X X X                   |
| 10  | T187072  | SPACER                    | 1    |            | X X X (SUB FOR T167104) |
| 11  | T167192  | INSERT                    | 1    |            | X X X                   |
| 12  | 14H865   | NUT                       | 2    |            | X X X 1/2"              |
| 13  | AT124107 | BALL JOINT                | 1    |            | X X X                   |
| 14  | T165299  | SUPPORT                   | 1    |            | X X X                   |
| 15  | RE12363  | ELECTRICAL CONNECTOR ASSY | 1    |            | X X X                   |
| 16  | 19M8011  | CAP SCREW                 | 2    |            | X X X M12 X 30          |
| 17  | 24M7180  | WASHER                    | 2    |            | X X X                   |
| 18  | AT169087 | BALL JOINT                | 2    |            | X X X                   |
| 19  | 14H774   | NUT                       | 2    |            | X X X 3/8"              |
| 20  | T185711  | PLUG                      | 2    |            | X X X (THIRD FUNCTION)  |
| 21  | T164257  | ROD                       | 2    |            | X X X                   |
| 22  | T185710  | BOOT                      | 2    |            | X X X                   |
| 23  | 14H913   | NUT                       | 2    |            | X X X 3/8"              |
| 24  | T184821  | STRAP                     | 1    |            | X X X                   |
| 25  | R46528   | SPRING LOCKING PIN        | 1    |            | X X X                   |
| 26  | R65563   | PIN FASTENER              | 1    |            | X X X                   |
| 27  | T185004  | YOKE                      | 1    |            | X X X (L.H.)            |
| 28  | 45M7036  | PIN FASTENER              | 1    |            | X X X                   |
| 29  | 11M7093  | COTTER PIN                | 1    |            | X X X 1.600 X 20 MM     |
| 30  | T183617  | PIN FASTENER              | 1    |            | X X X                   |
| 31  | T140328  | YOKE                      | 1    |            | X X X (L.H.)            |
| 32  | 24M7106  | WASHER                    | 2    |            | X X X                   |
| 33  | 19M7881  | SCREW                     | 2    |            | X X X M8 X 20           |
| 34  | 24M7238  | WASHER                    | 2    |            | X X X                   |
| 35  | T185748  | PLATE                     | 1    |            | X X X                   |

# 3115-8

LOADER CONTROL VALVE LINKAGE (SN 913417- )  
TRINGLERIE DE DISTRIBUTEURS DE CHARGEUR (SN 913417- )  
VARILLAJE DE VALVULA DE CONTROL DE CARGADORA (SN 913417- )

T164098 -UN-16JAN03



T164098

# 3115-9

LOADER 31

CONTROLS LINKAGE 3115

LOADER CONTROL VALVE LINKAGE (SN 913417- )  
 TRINGLERIE DE DISTRIBUTEURS DE CHARGEUR (SN 913417- )  
 VARILLAJE DE VALVULA DE CONTROL DE CARGADORA (SN 913417- )

| KEY | PART NO. | PART NAME                 | QTY. | SERIAL NO. | REMARKS                  |
|-----|----------|---------------------------|------|------------|--------------------------|
|     |          |                           |      |            | 3 3                      |
|     |          |                           |      |            | 3 1 1                    |
|     |          |                           |      |            | 1 0 5                    |
|     |          |                           |      |            | 0 S S                    |
|     |          |                           |      |            | G G G                    |
| 1   | 21H1406  | SCREW                     | 2    |            | X X X 0.190" X 3/4"      |
| 2   | T83061   | WASHER                    | 2    |            | X X X                    |
| 3   | T166899  | COVER                     | 1    |            | X X X                    |
| 4   | AT162180 | SWITCH                    | 1    |            | X X X                    |
| 5   | AT171550 | KNOB                      | 1    |            | X X X                    |
| 6   | 37H95    | SCREW                     | 2    |            | X X X                    |
| 7   | AT196591 | LEVER                     | 1    |            | X X X                    |
| 8   | AT124107 | BALL JOINT                | 1    |            | X X X                    |
| 9   | M68954   | LOCK NUT                  | 2    |            | X X X 9.525 MM           |
| 10  | 24M7053  | WASHER                    | 1    |            | X X X                    |
| 11  | T187072  | SPACER                    | 1    |            | X X X                    |
| 12  | T167192  | INSERT                    | 1    |            | X X X                    |
| 13  | 14H865   | NUT                       | 2    |            | X X X 1/2"               |
| 14  | AT169087 | BALL JOINT                | 2    |            | X X X                    |
| 15  | 14H774   | NUT                       | 2    |            | X X X 3/8"               |
| 16  | 24M7106  | WASHER                    | 2    |            | X X X 10 X 18 X 2.500 MM |
| 17  | AT196590 | CONTROL SUPPORT           | 1    |            | X X X                    |
| 18  | 19M8011  | CAP SCREW                 | 2    |            | X X X M12 X 30           |
| 19  | 24M7180  | WASHER                    | 2    |            | X X X                    |
| 20  | RE12363  | ELECTRICAL CONNECTOR ASSY | 1    |            | X X X                    |
| 21  | T188976  | ROD                       | 1    |            | X X X                    |
| 22  | T188976  | ROD                       | 1    |            | X X X                    |
| 23  | T190473  | PLATE                     | 1    |            | X X X                    |
| 24  | T185710  | BOOT                      | 2    |            | X X X                    |
| 25  | 14H913   | NUT                       | 2    |            | X X X 3/8"               |
| 26  | T140328  | YOKE                      | 2    |            | X X X                    |
| 27  | T183617  | PIN FASTENER              | 2    |            | X X X                    |
| 28  | 19M7881  | SCREW                     | 2    |            | X X X M8 X 20            |
| 29  | 24M7238  | WASHER                    | 2    |            | X X X                    |

# 3115-10

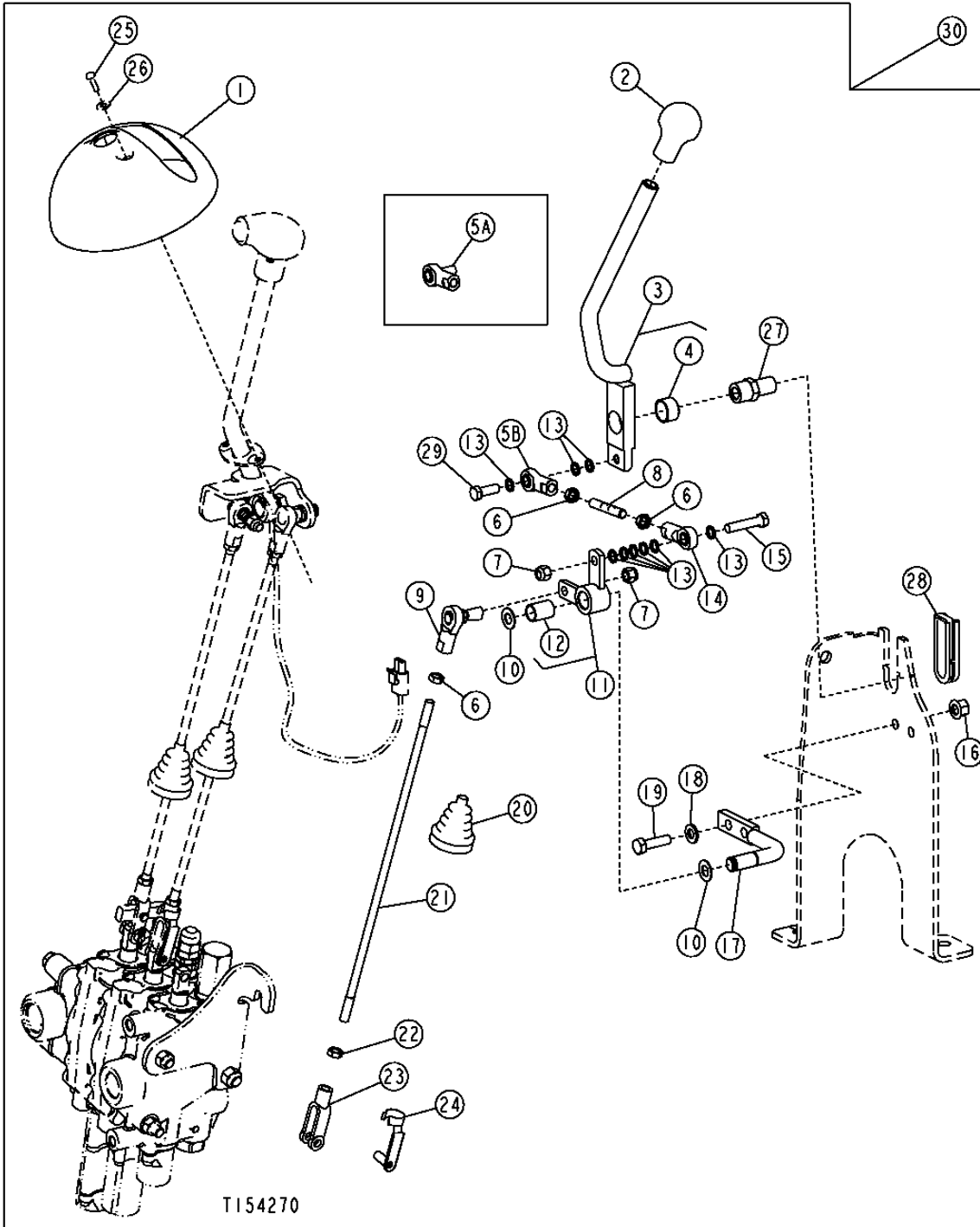
LOADER 31

CONTROLS LINKAGE 3115

THIRD FUNCTION LOADER CONTROL VALVE LINKAGE (SN -913416)  
TRINGLERIE DE DISTRIBUTEURS DE CHARGEUR A TROISIEME FONCTION (SN -913416)  
VARILLAJE DE VALVULA DE CONTROL DE CARGADORA DE TERCERA FUNCION (SN -913416)

T154270

-UN-23APR02



# 3115-11

LOADER 31

CONTROLS LINKAGE 3115

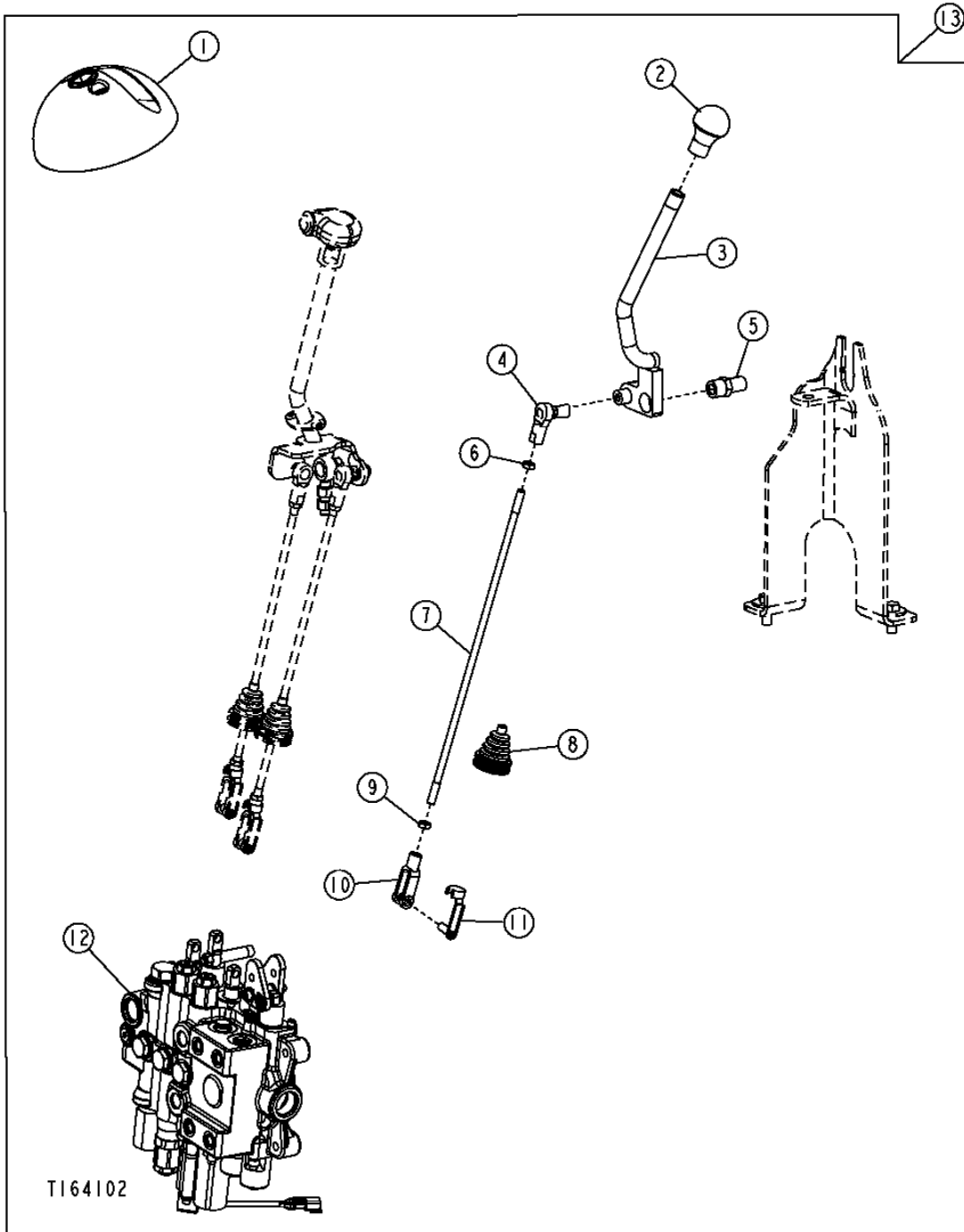
**THIRD FUNCTION LOADER CONTROL VALVE LINKAGE (SN -913416)  
 TRINGLERIE DE DISTRIBUTEURS DE CHARGEUR A TROISIEME FONCTION (SN -913416)  
 VARILLAJE DE VALVULA DE CONTROL DE CARGADORA DE TERCERA FUNCION (SN -913416)**

| KEY | PART NO. | PART NAME    | QTY. | SERIAL NO. | 3 3<br>3 1 1<br>1 0 5<br>0 S S<br>G G G | REMARKS  |
|-----|----------|--------------|------|------------|---|--|
| 1   | T166900  | COVER        | 1    |            | X X X                                   |  |
| 2   | T133291  | KNOB         | 1    |            | X X X                                   |  |
| 3   | AT192261 | LEVER        | 1    |            | X X X                                   |  |
| 4   | L4694T   | BUSHING      | 1    |            | X X X                                   |  |
| 5A  | .....    | BALL JOINT   | 1    | -906331    | X X X                                   | ( AT192684 NLA) (SUB AE37072, 19H2987, 19H2960, (5) 24H1301)   |
| 5B  | AE37072  | LINK END     | 1    | 906332-    | X X X                                   |  |
| 6   | 14H774   | NUT          | 3    |            | X X X                                   | 3/8"   |
| 7   | M68954   | LOCK NUT     | 2    |            | X X X                                   | 3/8"   |
| 8   | T165431  | STUD         | 1    |            | X X X                                   |  |
| 9   | AT169087 | BALL JOINT   | 1    |            | X X X                                   |  |
| 10  | F2863R   | SNAP RING    | 2    |            | X X X                                   |  |
| 11  | AT184744 | BELLCRANK    | 1    |            | X X X                                   |  |
| 12  | U12857   | BUSHING      | 1    |            | X X X                                   |  |
| 13  | 24H1301  | WASHER       | 4    | -906331    | X X X                                   |  |
|     | 24H1301  | WASHER       | 9    | 906332-    | X X X                                   |  |
| 14  | AE37072  | LINK END     | 1    |            | X X X                                   |  |
| 15  | 19H2544  | CAP SCREW    | 1    | -906331    | X X X                                   | 3/8" X 1-1/2"  |
|     | 19H2960  | CAP SCREW    | 1    | 906332-    | X X X                                   | 3/8" X 1-3/4"  |
| 16  | 14M7400  | LOCK NUT     | 2    |            | X X X                                   | M10  |
| 17  | T185338  | SUPPORT      | 1    |            | X X X                                   |  |
| 18  | 24M7239  | WASHER       | 2    |            | X X X                                   |  |
| 19  | 19M7550  | CAP SCREW    | 2    |            | X X X                                   | M10 X 35   |
| 20  | T185710  | BOOT         | 1    |            | X X X                                   |  |
| 21  | T164259  | ROD          | 1    |            | X X X                                   |  |
| 22  | 14H913   | NUT          | 1    |            | X X X                                   | 3/8"   |
| 23  | T140328  | YOKE         | 1    |            | X X X                                   |  |
| 24  | T183617  | PIN FASTENER | 1    |            | X X X                                   |  |
| 25  | 21H1406  | SCREW        | 2    |            | X X X                                   | 0.190" X 3/4"  |
| 26  | T83061   | WASHER       | 2    |            | X X X                                   |  |
| 27  | T187072  | SPACER       | 1    |            | X X X                                   |  |
| 28  | T167192  | INSERT       | 1    |            | X X X                                   |  |
| 29  | 19H2987  | CAP SCREW    | 1    | 906332-    | X X X                                   | 3/8" X 1"  |
| 30  | AT194369 | KIT          | 1    |            | X X X                                   | <b>(WHOLE GOODS) (INCLUDES HYDRAULIC OIL LINES, ADAPTERS AND ATTACHING HARDWARE) (ALSO ORDER AT192185)</b> |

# 3115-12

THIRD FUNCTION LOADER CONTROL VALVE LINKAGE (SN 913417- )  
TRINGLERIE DE DISTRIBUTEURS DE CHARGEUR A TROISIEME FONCTION (SN 913417- )  
VARILLAJE DE VALVULA DE CONTROL DE CARGADORA DE TERCERA FUNCION (SN 913417- )

T164102 -UN-16JAN03



T164102



# 3115-13

LOADER 31

CONTROLS LINKAGE 3115

THIRD FUNCTION LOADER CONTROL VALVE LINKAGE (SN 913417- )  
TRINGLERIE DE DISTRIBUTEURS DE CHARGEUR A TROISIEME FONCTION (SN 913417- )  
VARILLAJE DE VALVULA DE CONTROL DE CARGADORA DE TERCERA FUNCION (SN 913417- )

| KEY | PART NO. | PART NAME     | QTY. | SERIAL NO. | REMARKS  |
|-----|----------|---------------|------|------------|--|
| 1   | T166900  | COVER         | 1    |            |  |
| 2   | T133291  | KNOB          | 1    |            |  |
| 3   | AT196596 | LEVER         | 1    |            |  |
| 4   | AT169087 | BALL JOINT    | 1    |            |  |
| 5   | L4694T   | BUSHING       | 1    |            |  |
| 6   | 14H774   | NUT           | 1    |            | 3/8"   |
| 7   | T188976  | ROD           | 1    |            |  |
| 8   | T185710  | BOOT          | 1    |            |  |
| 9   | 14H913   | NUT           | 1    |            | 3/8"   |
| 10  | T140328  | YOKE          | 1    |            |  |
| 11  | T183617  | PIN FASTENER  | 1    |            |  |
| 12  | AT196624 | CONTROL VALVE | 1    |            | (CONVENIENCE ASSEMBLY)   |
| 13  | AT197236 | KIT           | 1    |            | (WHOLE GOODS) (INCLUDES HYDRAULIC OIL LINES,<br>ADAPTERS AND ATTACHING HARDWARE) |

# 3140-2

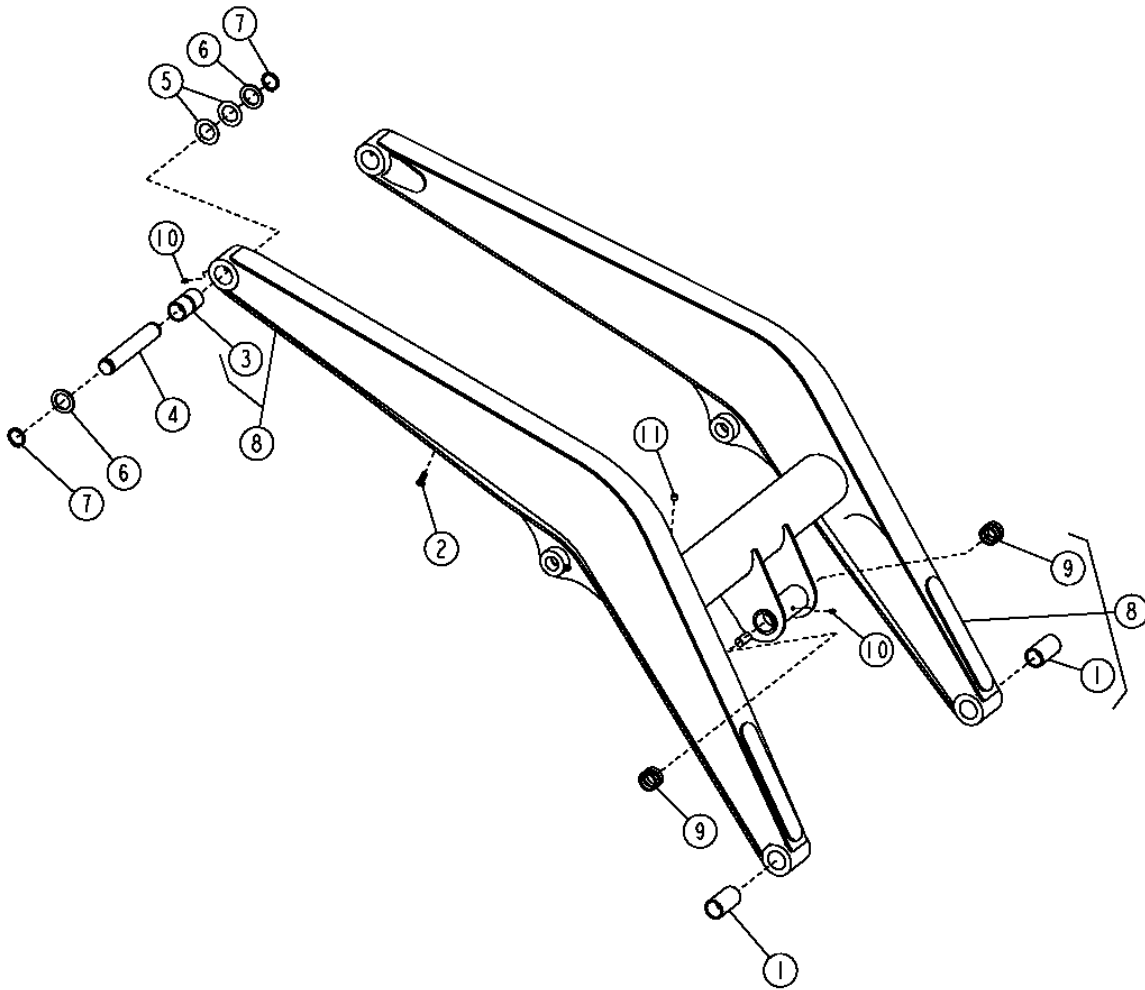
LOADER 31

FRAMES 3140

LOADER LIFT ARM  
BRAS DE RELEVAGE DE CHARGEUR  
BRAZO ELEVADOR DE CARGADORA

T152287

-UN-05MAR02



T152287

THIS PARTS LISTING IS CONTINUED

# 3140-3

LOADER 31

FRAMES 3140

LOADER LIFT ARM  
BRAS DE RELEVAGE DE CHARGEUR  
BRAZO ELEVADOR DE CARGADORA

| KEY | PART NO. | PART NAME           | QTY. | SERIAL NO. | 3 3<br>3 1 1<br>1 0 5<br>0 S S<br>G G G | REMARKS  |
|-----|----------|---------------------|------|------------|---|--|
| 1   | T154165  | BUSHING             | 2    |            | X X X                                   |  |
| 2   | T148411  | NUT                 | 1    |            | X X X                                   | M10  |
| 3   | T154166  | BUSHING             | 2    |            | X X X                                   | (SN 9084382 REQUIRES T154764)  |
| 4   | T154352  | PIN                 | 2    |            | X X X                                   | 49.475 X 296.600 MM (1.948" X 11.677")<br>(SN 908382 REQUIRES T154769)   |
| 5   | 24H1589  | WASHER              | 6    |            | X X X                                   | (SN 908382 REQUIRES 24H1679)   |
| 6   | T75815   | WASHER              | 4    |            | X X X                                   | (SN 908382 REQUIRES T75816)  |
| 7   | T61226   | SNAP RING           | 4    |            | X X X                                   | (SN 908382 REQUIRES T158181)   |
| 8   | .....    | LOADER BOOM         | 1    | -896864    | X X X                                   | ( AT184843 NLA) (SUB AT315189) (ALSO<br>ORDER (2) T187275, (2) T187276 AND<br>(2) 19M7784) (SUB FOR AT199740, THIS<br>APPLICATION) |
|     | AT315189 | LIFT ARM            | 1    | 896865-    | X X X                                   | (SN 908382 REQUIRES AT314739)  |
| 9   | T154058  | BUSHING             | 2    |            | X X X                                   |  |
| 10  | T162396  | LUBRICATION FITTING | 3    |            | X X X                                   |  |

# 3140-4

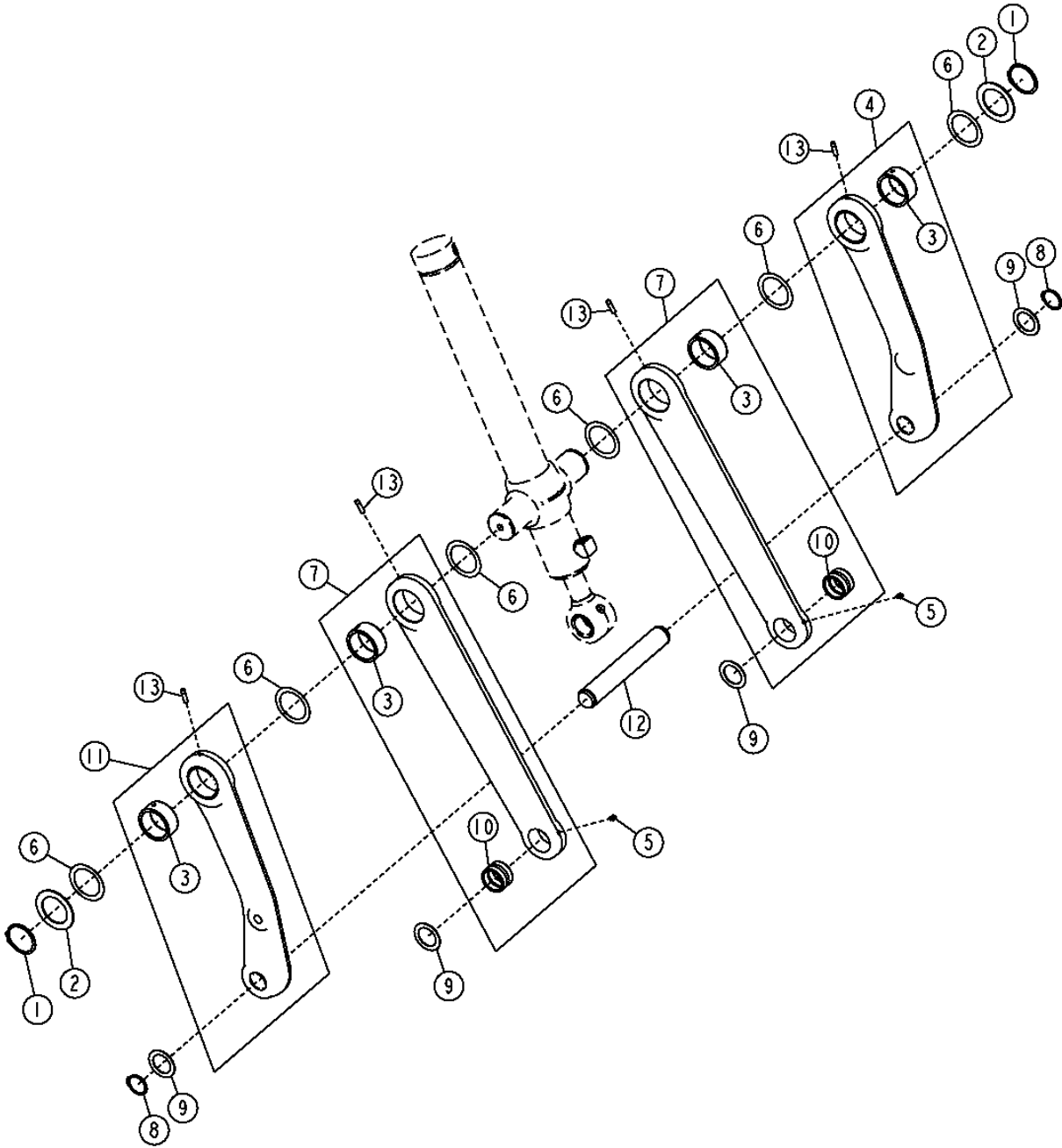
LOADER 31

FRAMES 3140

## LOADER BUCKET LINKAGE TRINGLERIE DE BENNE DE CHARGEUR VARILLAJE DE CUCHARON DE CARGADORA

TX1007618

-UN-16MAY06



TX1007618

# 3140-5

LOADER 31

FRAMES 3140

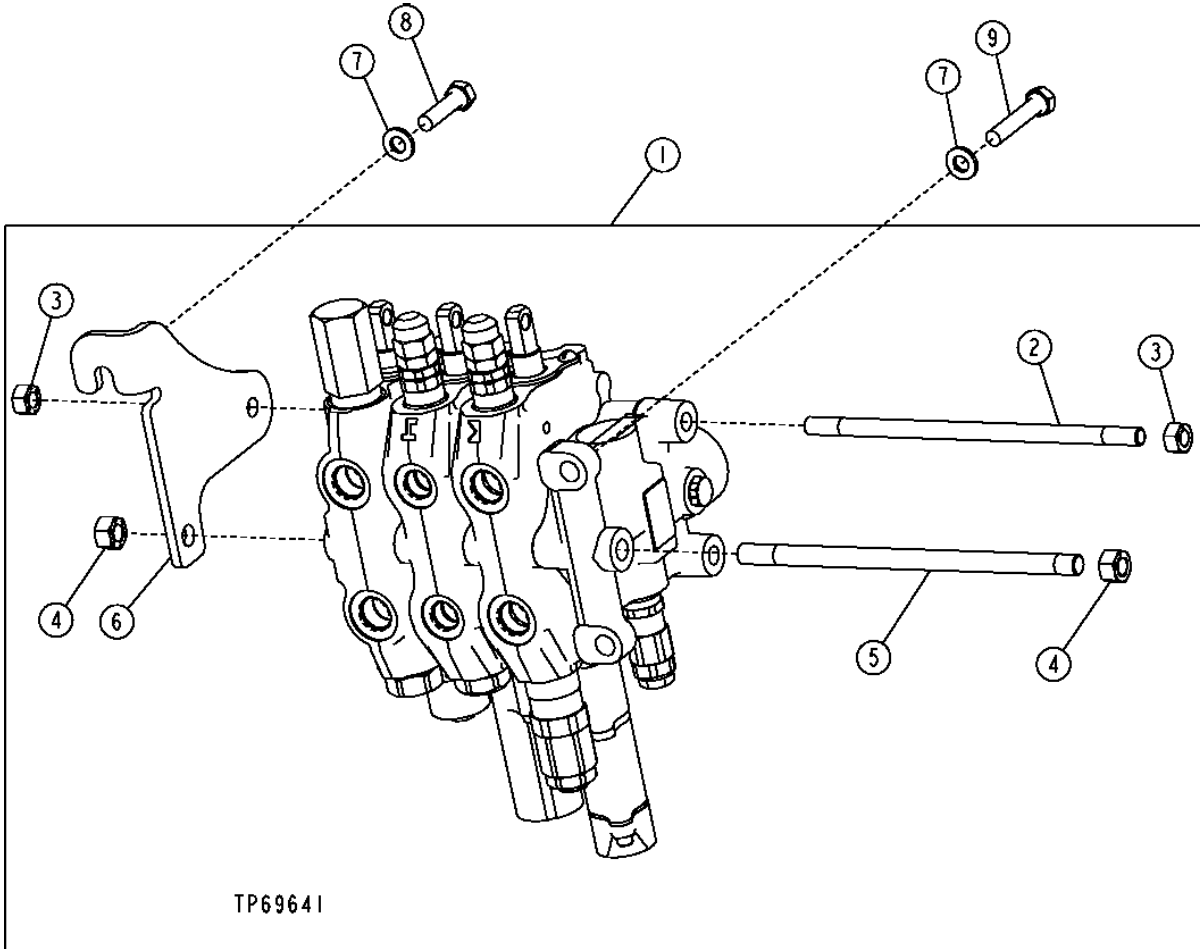
LOADER BUCKET LINKAGE  
 TRINGLERIE DE BENNE DE CHARGEUR  
 VARILLAJE DE CUCHARON DE CARGADORA

| KEY | PART NO. | PART NAME           | QTY. | SERIAL NO. | REMARKS                   |
|-----|----------|---------------------|------|------------|---------------------------|
|     |          |                     |      |            | 3 3                       |
|     |          |                     |      |            | 3 1 1                     |
|     |          |                     |      |            | 1 0 5                     |
|     |          |                     |      |            | 0 S S                     |
|     |          |                     |      |            | G G G                     |
| 1   | 40M7217  | SNAP RING           | 2    |            | X X X                     |
| 2   | T158579  | WASHER              | 2    |            | X X X                     |
| 3   | T216397  | BUSHING             | 4    |            | X X X                     |
| 4   | AT184647 | LINK                | 1    |            | X X X (LH)                |
| 5   | T162396  | LUBRICATION FITTING | 2    |            | X X X                     |
| 6   | T161497  | SHIM                | 6    |            | X X X                     |
| 7   | AT184064 | LINK                | 2    |            | X X X                     |
| 8   | 40M7166  | SNAP RING           | 2    |            | X X X                     |
| 9   | 24H1595  | WASHER              | 4    |            | X X X                     |
| 10  | T183356  | BUSHING             | 2    |            | X X X                     |
| 11  | AT184646 | LINK                | 1    |            | X X X (RH)                |
| 12  | T165314  | PIN                 | 1    |            | X X X 49.475 X 330.100 MM |
| 13  | T224857  | DOWEL PIN           | 4    |            | X X X                     |

# 3162-2

CONTROL & LOAD HOLDING VALVES 3162  
LOADER CONTROL VALVE (HUSCO) (SN -913416)  
DISTRIBUTEUR DE CHARGEUR (HUSCO) (SN -913416)  
VALVULA DE CONTROL DE CARGADORA (HUSCO) (SN -913416)

TP69641 -UN-06OCT00



# 3162-3

LOADER 31

CONTROL& LOAD:HOLDING:VALVES 3162

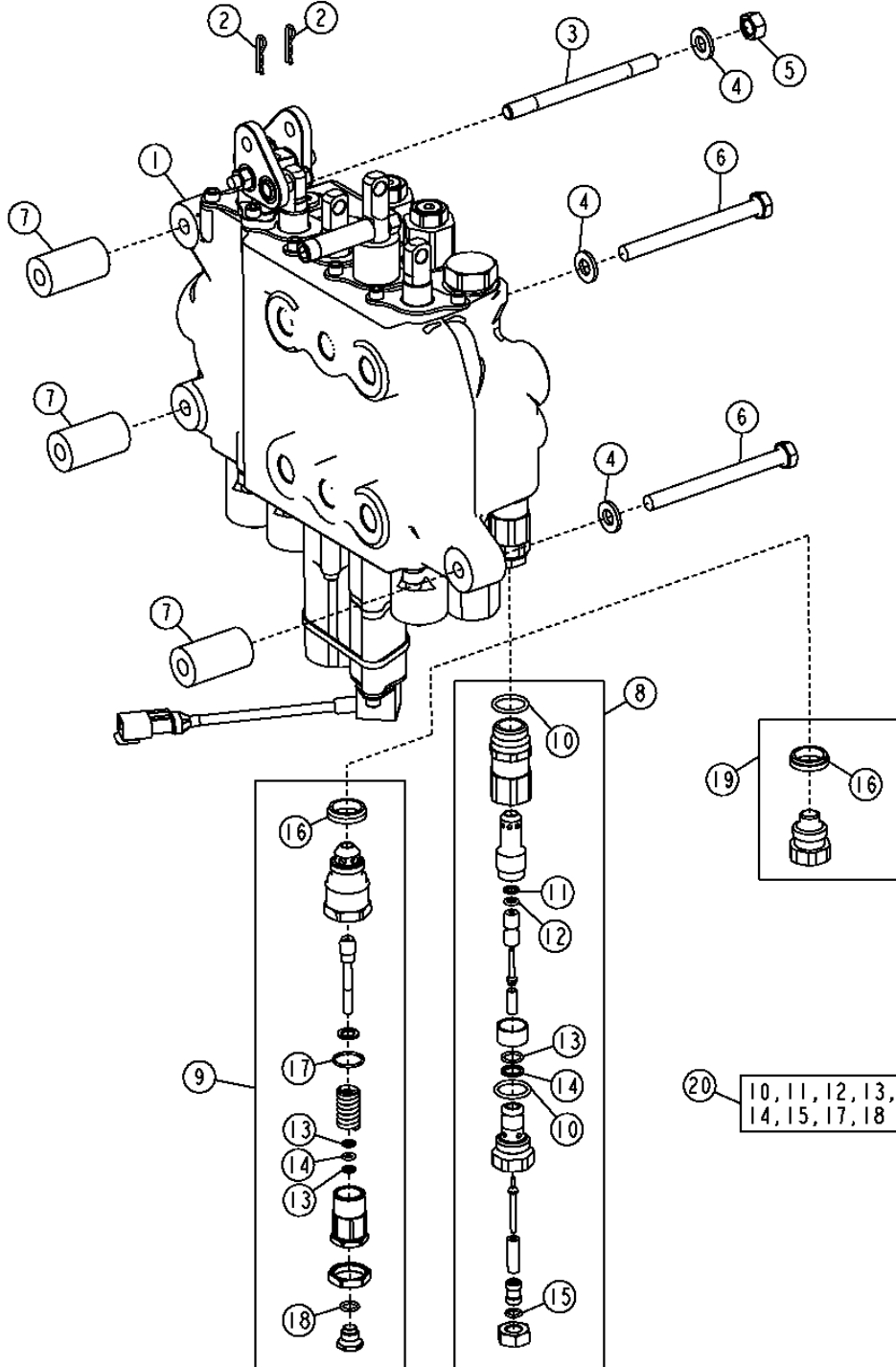
**LOADER CONTROL VALVE (HUSCO) (SN -913416)**  
**DISTRIBUTEUR DE CHARGEUR (HUSCO) (SN -913416)**  
**VALVULA DE CONTROL DE CARGADORA (HUSCO) (SN -913416)**

| KEY | PART NO. | PART NAME    | QTY. | SERIAL NO. | REMARKS   |
|-----|----------|--------------|------|------------|---|
|     |          |              |      |            | 3 3<br>3 1 1<br>1 0 5<br>0 S S<br>G G G                   |
| 1   | .....    | RELIEF VALVE | 1    |            | X X X (TWO FUNCTION) ( AT184003 NLA) (ORDER COMPONENTS)   |
|     | .....    | RELIEF VALVE | 1    |            | X X X (THREE FUNCTION) ( AT184005 NLA) (ORDER COMPONENTS) |
| 2   | T185982  | STUD         | 2    |            | X X X (TWO FUNCTION)                                      |
|     | T186319  | STUD         | 2    |            | X X X (THREE FUNCTION)                                    |
| 3   | 14H807   | NUT          | 4    |            | X X X 7/16"   |
| 4   | 14H865   | NUT          | 2    |            | X X X 1/2"  |
| 5   | T185985  | STUD         | 1    |            | X X X (TWO FUNCTION)                                      |
|     | T121238  | STUD         | 1    |            | X X X (THREE FUNCTION)                                    |
| 6   | T164088  | BRACKET      | 1    |            | X X X   |
| 7   | 24M7239  | WASHER       | 3    |            | X X X   |
| 8   | 19M8637  | CAP SCREW    | 1    |            | X X X M10 X 40  |
| 9   | 19M7935  | CAP SCREW    | 2    |            | X X X M10 X 55  |

# 3162-4

CONTROL & LOAD HOLDING VALVES 3162  
 LOADER CONTROL VALVE (HUSCO) (SN 913417- )  
 DISTRIBUTEUR DE CHARGEUR (HUSCO) (SN 913417- )  
 VALVULA DE CONTROL DE CARGADORA (HUSCO) (SN 913417- )

T206864 -UN-28JAN05



T206864



# 3162-5

LOADER 31

CONTROL& LOAD:HOLDING:VALVES 3162

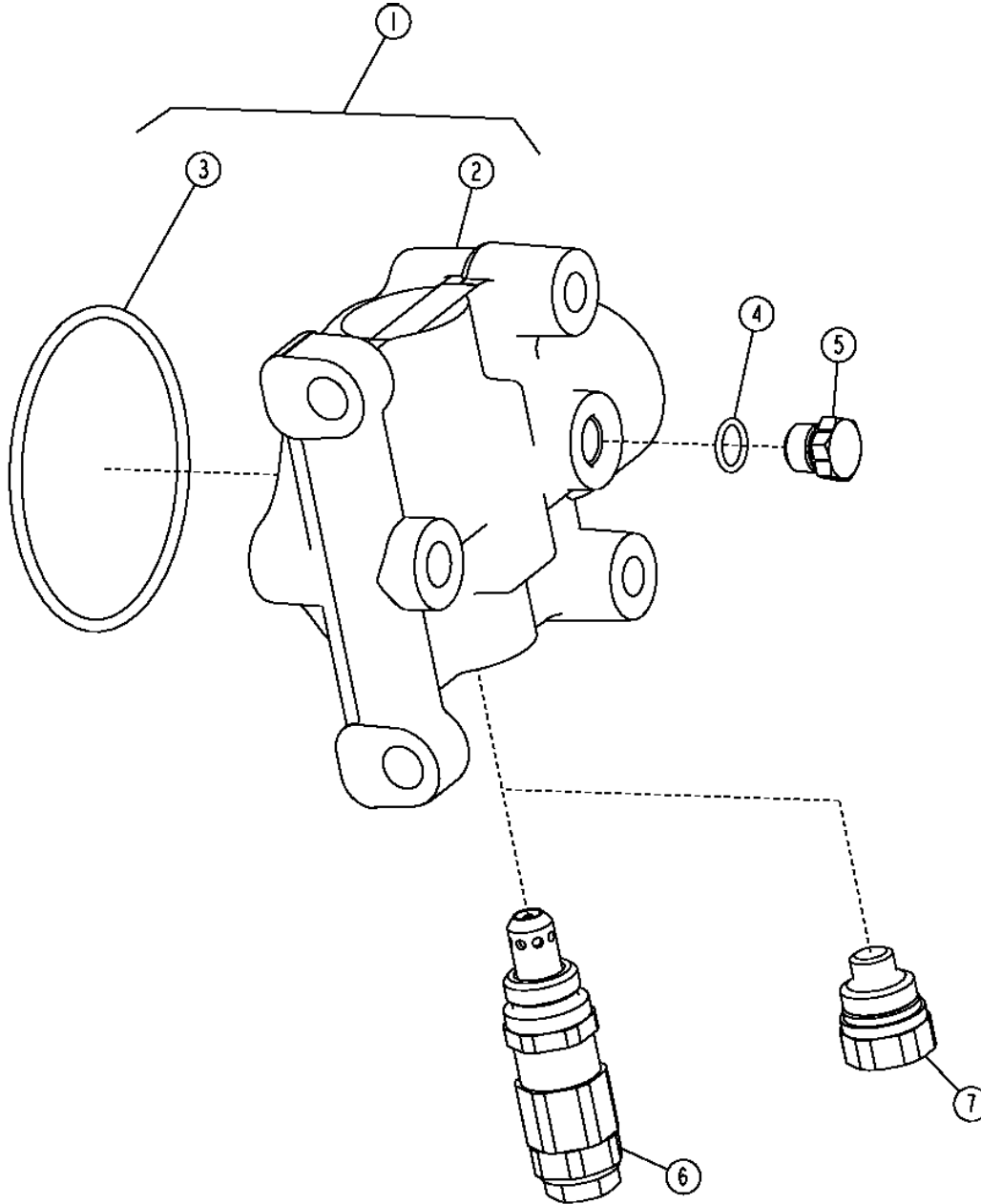
**LOADER CONTROL VALVE (HUSCO) (SN 913417- )**  
**DISTRIBUTEUR DE CHARGEUR (HUSCO) (SN 913417- )**  
**VALVULA DE CONTROL DE CARGADORA (HUSCO) (SN 913417- )**

| KEY | PART NO. | PART NAME             | QTY. | SERIAL NO. | 3 3<br>3 1 1<br>1 0 5<br>0 S S<br>G G G | REMARKS  |
|-----|----------|-----------------------|------|------------|---|--|
| 1   | AT196622 | SPOOL VALVE           | 1    |            | X X X                                   | (TWO FUNCTION) (CONVENIENCE ASSEMBLY)                  |
|     | AT196624 | SPOOL VALVE           | 1    |            | X X X                                   | (THREE FUNCTION) (CONVENIENCE ASSEMBLY)                |
| 2   | R46528   | SPRING LOCKING PIN    | 2    |            | X X X                                   |  |
| 3   | T190300  | STUD                  | 1    |            | X X X                                   |  |
| 4   | 24M7239  | WASHER                | 3    |            | X X X                                   |  |
| 5   | 14M7274  | NUT                   | 1    |            | X X X                                   | M10  |
| 6   | 19M8166  | CAP SCREW             | 2    |            | X X X                                   | M10 X 110  |
| 7   | T190296  | SPACER                | 3    |            | X X X                                   |  |
| 8   | .....    | PRESSURE RELIEF VALVE | 1    | -943225    | X                                       | ( AT172945 NLA) 18271 KPA (2650 PSI)<br>(SUB AT316301) |
| 9   | AT316301 | PRESSURE RELIEF VALVE | 1    | 943226-    | X                                       | 19305 KPA (2800 PSI)                                   |
| 10  | KV12858  | O-RING                | 2    |            | X                                       |  |
| 11  | .....    | BACK-UP RING          | 1    |            | X                                       |  |
| 12  | .....    | O-RING                | 1    |            | X                                       |  |
| 13  | .....    | O-RING                | 1    |            | X                                       |  |
| 14  | .....    | BACK-UP RING          | 1    |            | X                                       |  |
| 15  | R79060   | O-RING                | 1    |            | X                                       |  |
| 16  | T183756  | SEAL                  | 1    |            | X X X                                   |  |
| 17  | .....    | O-RING                | 1    |            | X                                       |  |
| 18  | .....    | O-RING                | 1    |            | X                                       |  |
| 19  | AT78527  | FITTING PLUG          | 1    |            | X X                                     |  |
| 20  | AT314538 | SEAL KIT              | 1    |            | X X X                                   | (7/8 INCH) (RELIEF VALVE) (SUB FOR<br>AT189413)        |
|     | AT314539 | SEAL KIT              | 1    |            | X X X                                   | (1 1/16 INCH) (RELIEF VALVE) (SUB FOR<br>AT189413)     |

# 3162-6

CONTROL & LOAD HOLDING VALVES 3162  
INLET SECTION (LOADER VALVE) (SN -913416)  
SECTION D'ENTREE (SOUPAPE DE CHARGEUR) (SN -913416)  
SECCION DE ENTRADA (VALVULA DE CARGADORA) (SN -913416)

TP69644 -UN-06OCT00



TP69644

# 3162-7

LOADER 31

CONTROL & LOAD HOLDING VALVES 3162

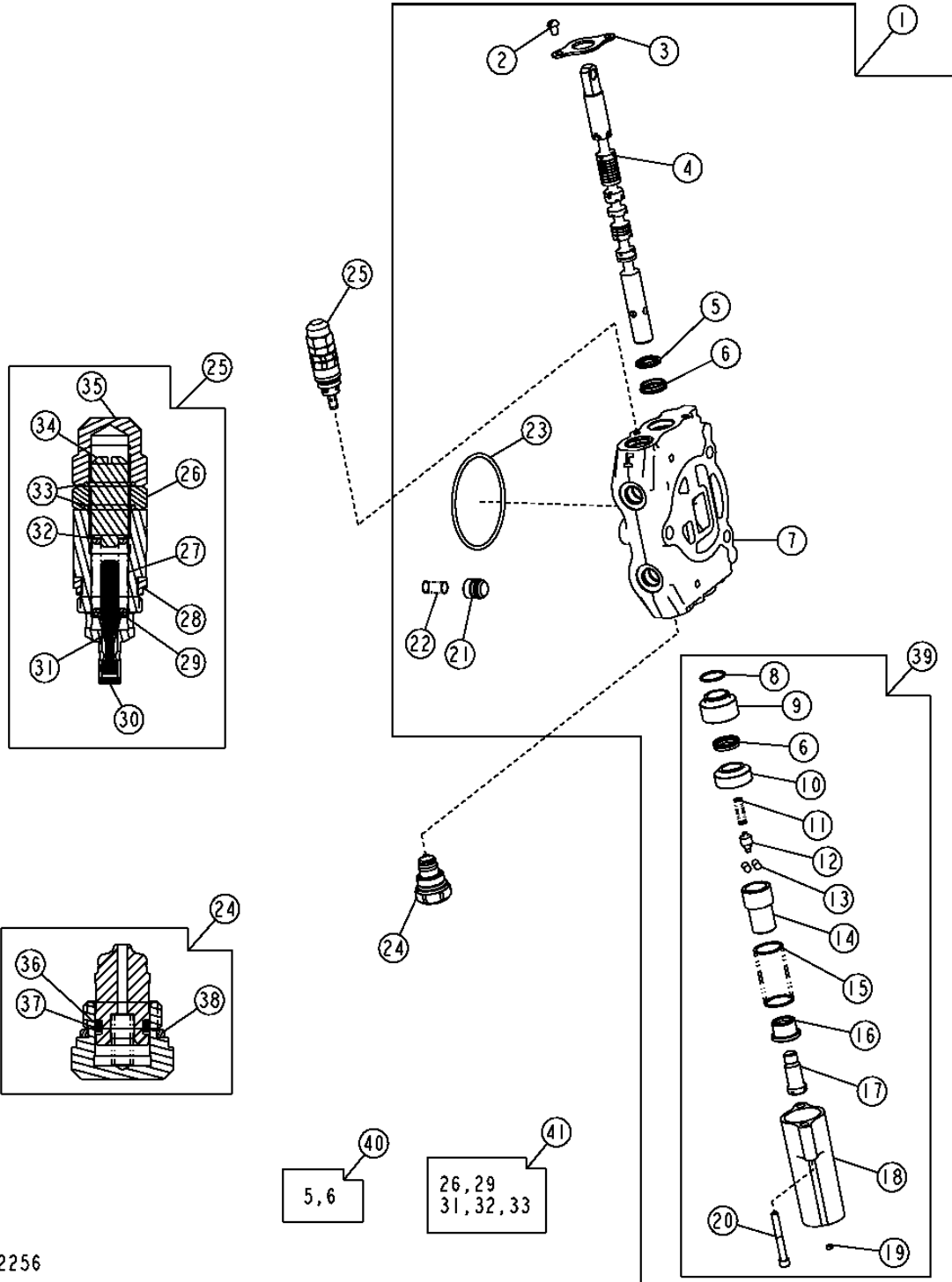
INLET SECTION (LOADER VALVE) (SN -913416)  
 SECTION D'ENTREE (SOUPAPE DE CHARGEUR) (SN -913416)  
 SECCION DE ENTRADA (VALVULA DE CARGADORA) (SN -913416)

| KEY | PART NO. | PART NAME             | QTY. | SERIAL NO. | 3 3<br>3 1 1<br>1 0 5<br>0 S S<br>G G G | REMARKS                                 |
|-----|----------|-----------------------|------|------------|---|---|
| 1   | AT185939 | SPOOL VALVE           | 1    |            | X X X                                   |   |
| 2   | .....    | HOUSING               | 1    |            | X X X                                   |   |
| 3   | T118685  | O-RING                | 1    |            | X X X                                   |   |
| 4   | R26448   | O-RING                | 1    |            | X X X                                   |   |
| 5   | R27218   | FITTING PLUG          | 1    |            | X X X                                   |   |
| 6   | AT318530 | PRESSURE RELIEF VALVE | 1    | -910055    | X                                       | 18271 KPA (2650 PSI) (SUB FOR AT172945) |
|     | AT316301 | PRESSURE RELIEF VALVE | 1    | 910056-    | X                                       | 19305 KPA (2800 PSI) (SUB FOR AT172945) |
|     | AT184547 | PRESSURE RELIEF VALVE | 1    | -910055    | X                                       |   |
| 7   | AT78527  | FITTING PLUG          | 1    | 910056-    | X                                       |   |
|     | AT78527  | FITTING PLUG          | 1    |            | X                                       |   |

# 3162-8

CONTROL & LOAD HOLDING VALVES 3162  
 BOOM SECTION (LOADER VALVE) (SN -913416)  
 SECTION DE FLECHE (SOUPAPE DE CHARGEUR) (SN -913416)  
 SECCION DE AGUILON (VALVULA DE CARGADORA) (SN -913416)

T142256 -UN-18MAY01



T142256

# 3162-9

LOADER 31

CONTROL & LOAD HOLDING VALVES 3162

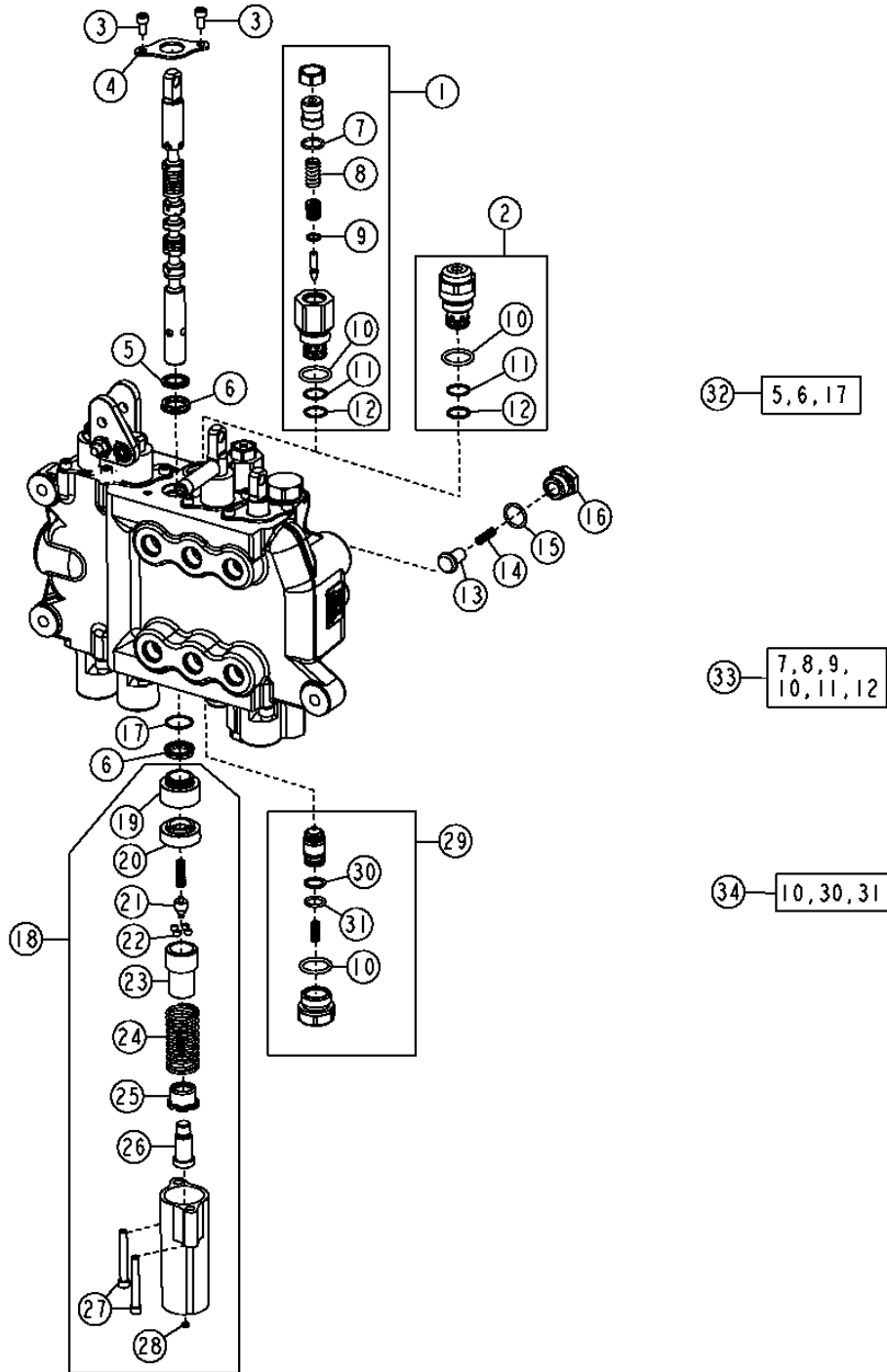
**BOOM SECTION (LOADER VALVE) (SN -913416)**  
**SECTION DE FLECHE (SOUPAPE DE CHARGEUR) (SN -913416)**  
**SECCION DE AGUILON (VALVULA DE CARGADORA) (SN -913416)**

| KEY | PART NO. | PART NAME                  | QTY. | SERIAL NO. | REMARKS   |
|-----|----------|----------------------------|------|------------|---|
|     |          |                            |      |            | 3 3   |
|     |          |                            |      |            | 3 1 1   |
|     |          |                            |      |            | 1 0 5   |
|     |          |                            |      |            | 0 S S   |
|     |          |                            |      |            | G G G   |
| 1   | AT191715 | VALVE                      | 1    |            | X X X (2 FUNCTION)                                    |
|     | AT191707 | HYD ACTUATED CONTROL VALVE | 1    |            | X X X (3 FUNCTION)                                    |
| 2   | 21H1352  | SCREW                      | 2    |            | X X X 1/4" X 3/8"                                     |
| 3   | T81524   | PLATE                      | 1    |            | X X X   |
| 4   | .....    | SPOOL VALVE                | 1    |            | X X X   |
| 5   | .....    | SEAL                       | 2    |            | X X X   |
| 6   | .....    | SEAL                       | 2    |            | X X X   |
| 7   | .....    | HOUSING                    | 1    |            | X X X   |
| 8   | .....    | O-RING                     | 1    |            | X X X   |
| 9   | T152404  | SLEEVE                     | 1    |            | X X X   |
| 10  | T152401  | SLEEVE                     | 1    |            | X X X   |
| 11  | .....    | SPRING                     | 1    |            | X X X   |
| 12  | T118715  | CAM                        | 1    |            | X X X   |
| 13  | T81535   | BALL                       | 4    |            | X X X   |
| 14  | T118708  | SEAT                       | 1    |            | X X X   |
| 15  | T118884  | SPRING                     | 1    |            | X X X   |
| 16  | T118709  | SEAT                       | 1    |            | X X X   |
| 17  | T118711  | END                        | 1    |            | X X X   |
| 18  | T152398  | CAP                        | 1    |            | X X X   |
| 19  | T118799  | FILTER                     | 1    |            | X X X   |
| 20  | T118712  | SCREW                      | 2    |            | X X X   |
| 21  | T152406  | POPPET                     | 1    |            | X X X (2 FUNCTION)                                    |
|     | T81538   | POPPET                     | 1    |            | X X X (3 FUNCTION)                                    |
| 22  | T152407  | SPRING                     | 1    |            | X X X (2 FUNCTION)                                    |
|     | T81539   | SPRING                     | 1    |            | X X X (3 FUNCTION)                                    |
| 23  | T118685  | O-RING                     | 1    |            | X X X   |
| 24  | AT169373 | CHECK VALVE                | 1    |            | X X X   |
| 25  | AT174217 | PRESSURE RELIEF VALVE      | 1    |            | X X X 34473 KPA (5000 PSI)                            |
| 26  | T67424   | NUT                        | 1    |            | X X X   |
| 27  | .....    | SPRING                     | 1    |            | X X X   |
| 28  | T183756  | SEAL                       | 1    |            | X X X   |
| 29  | .....    | RETAINER                   | 1    |            | X X X   |
| 30  | .....    | PLUG                       | 1    |            | X X X   |
| 31  | .....    | POPPET                     | 1    |            | X X X   |
| 32  | .....    | SHIM                       | 1    |            | X X X   |
| 33  | .....    | O-RING                     | 2    |            | X X X   |
| 34  | .....    | SCREW                      | 1    |            | X X X   |
| 35  | T67425   | NUT                        | 1    |            | X X X   |
| 36  | .....    | BACK-UP RING               | 1    |            | X X X   |
| 37  | .....    | O-RING                     | 1    |            | X X X   |
| 38  | T118681  | O-RING                     | 1    |            | X X X   |
| 39  | AT192372 | DETENT                     | 1    |            | X X X (POSITIONER)                                    |
| 40  | AT280406 | SEAL KIT                   | 1    |            | X X X (SPOOL) (SUB FOR AT178372)                      |
| 41  | AT314538 | SEAL KIT                   | 1    |            | X X X (7/8 INCH) (RELIEF VALVE) (SUB FOR AT189413)    |
|     | AT314539 | SEAL KIT                   | 1    |            | X X X (1 1/16 INCH) (RELIEF VALVE) (SUB FOR AT189413) |

# 3162-10

CONTROL & LOAD HOLDING VALVES 3162  
 BOOM SECTION (LOADER/STABILIZER VALVE) (SN 913417- )  
 SECTION DE FLECHE (SOUPAPE DE CHARGEUR/STABILISATEUR) (SN 913417- )  
 SECCION DE AGUILON (VALVULA DE CARGADORA/ESTABILIZADOR) (SN 913417- )

T163271 -UN-27DEC02



T163271

# 3162-11

LOADER 31

CONTROL& LOAD:HOLDING:VALVES 3162

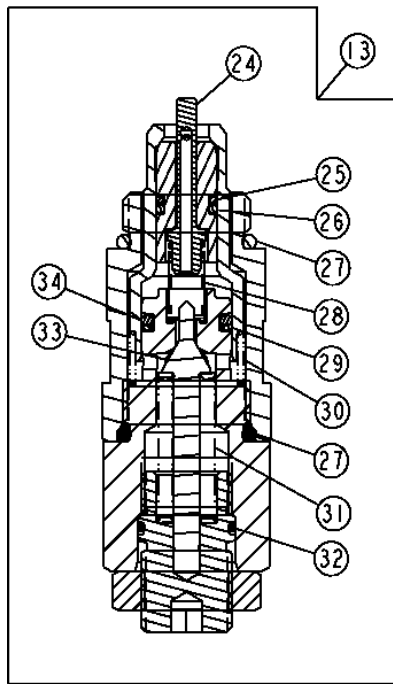
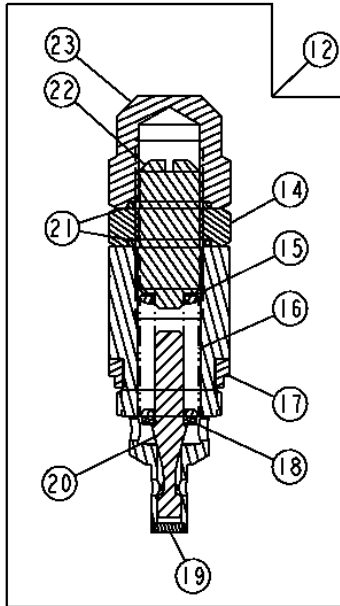
BOOM SECTION (LOADER/STABILIZER VALVE) (SN 913417- )  
 SECTION DE FLECHE (SOUPAPE DE CHARGEUR/STABILISATEUR) (SN 913417- )  
 SECCION DE AGUILON (VALVULA DE CARGADORA/ESTABILIZADOR) (SN 913417- )

| KEY | PART NO. | PART NAME             | QTY. | SERIAL NO. | REMARKS   |
|-----|----------|-----------------------|------|------------|---|
|     |          |                       |      |            | 3 3<br>3 1 1<br>1 0 5<br>0 S S<br>G G G           |
| 1   | AT300803 | PRESSURE RELIEF VALVE | 1    |            | X X X (NOT ANTI-CAVITATION) 34473 KPA (5000 PSI)  |
| 2   | AT301128 | PRESSURE RELIEF VALVE | 1    |            | X X X (ANTI-CAVITATION) 34473 KPA (5000 PSI)      |
| 3   | 21H1352  | SCREW                 | 2    |            | X X X 1/4" X 3/8"                                 |
| 4   | T81524   | PLATE                 | 1    |            | X X X   |
| 5   | .....    | SEAL                  | 1    |            | X X X   |
| 6   | .....    | SEAL                  | 2    |            | X X X   |
| 7   | .....    | O-RING                | 1    |            | X X X   |
| 8   | .....    | SPRING                | 1    |            | X X X   |
| 9   | R63548   | O-RING                | 1    |            | X X X   |
| 10  | T118681  | O-RING                | 3    |            | X X X   |
| 11  | .....    | BACK-UP RING          | 2    |            | X X X   |
| 12  | T107887  | O-RING                | 2    |            | X X X   |
| 13  | T118694  | POPPET                | 1    |            | X X X   |
| 14  | T118693  | SPRING                | 1    |            | X X X   |
| 15  | R26906   | O-RING                | 1    |            | X X X   |
| 16  | T118692  | SEAT                  | 1    |            | X X X   |
| 17  | .....    | O-RING                | 1    |            | X X X   |
| 18  | AT192372 | DETENT                | 1    |            | X X X   |
| 19  | T152404  | SLEEVE                | 1    |            | X X X   |
| 20  | T152401  | SLEEVE                | 1    |            | X X X   |
| 21  | T118715  | CAM                   | 1    |            | X X X   |
| 22  | T81535   | BALL                  | 4    |            | X X X   |
| 23  | T118708  | VALVE SEAT INSERT     | 1    |            | X X X   |
| 24  | T118884  | SPRING                | 1    |            | X X X   |
| 25  | T118709  | VALVE SEAT INSERT     | 1    |            | X X X   |
| 26  | T118711  | END                   | 1    |            | X X X   |
| 27  | T118712  | SCREW                 | 2    |            | X X X   |
| 28  | T118799  | FILTER                | 1    |            | X X X   |
| 29  | AT169373 | CHECK VALVE           | 1    |            | X X X   |
| 30  | .....    | BACK-UP RING          | 1    |            | X X X   |
| 31  | .....    | O-RING                | 1    |            | X X X   |
| 32  | AT280406 | SEAL KIT              | 1    |            | X X X (SPOOL) (SUB FOR AT178372)                  |
| 33  | AT300801 | SEAL KIT              | 2    |            | X X X   |
| 34  | AT314538 | SEAL KIT              | 1    |            | X X X (7/8") (RELIEF VALVE) (SUB FOR AT189413)    |
|     | AT314539 | SEAL KIT              | 1    |            | X X X (1 1/16") (RELIEF VALVE) (SUB FOR AT189413) |

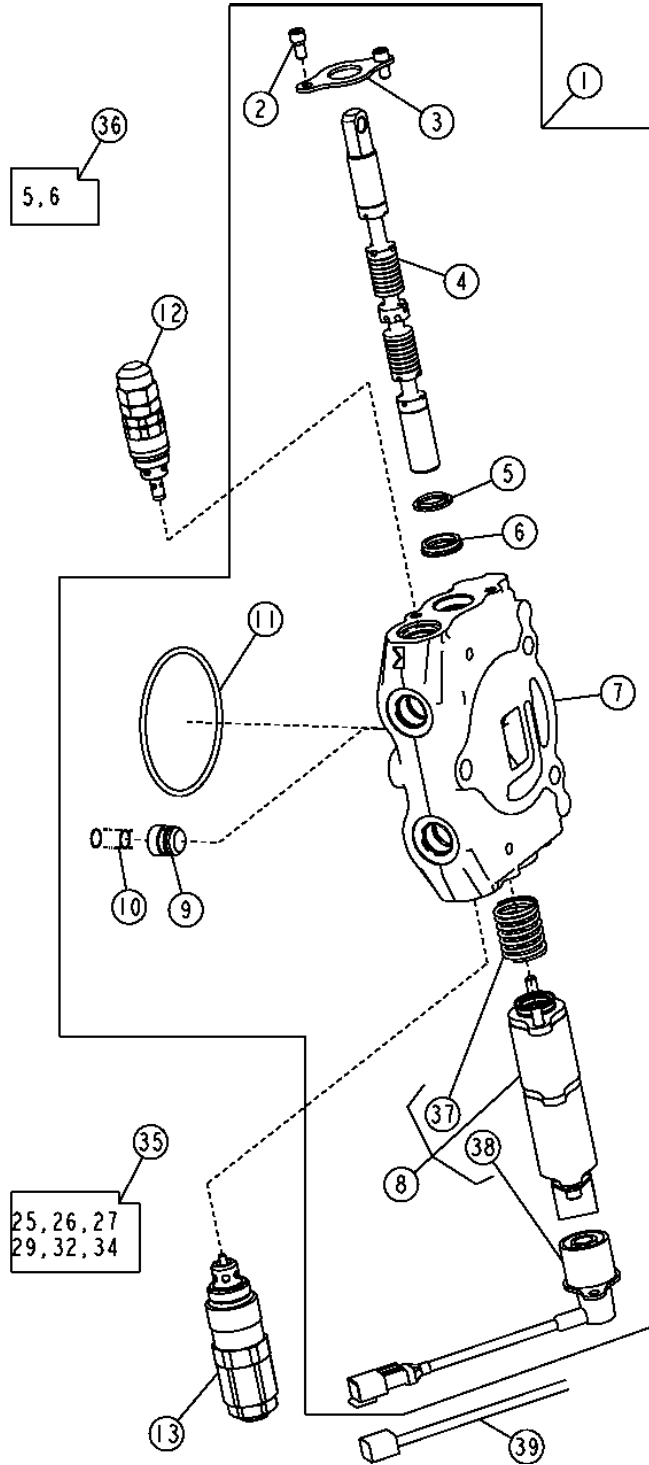
# 3162-12

CONTROL & LOAD HOLDING VALVES 3162  
 BUCKET SECTION (LOADER VALVE) (SN -913416)  
 SECTION DE GODET (SOUPAPE DE CHARGEUR) (SN -913416)  
 SECCION DE CUCHARON (VALVULA DE CARGADORA) (SN -913416)

T149039 -UN-08JAN02



T149039





# 3162-13

LOADER 31

CONTROL & LOAD HOLDING VALVES 3162

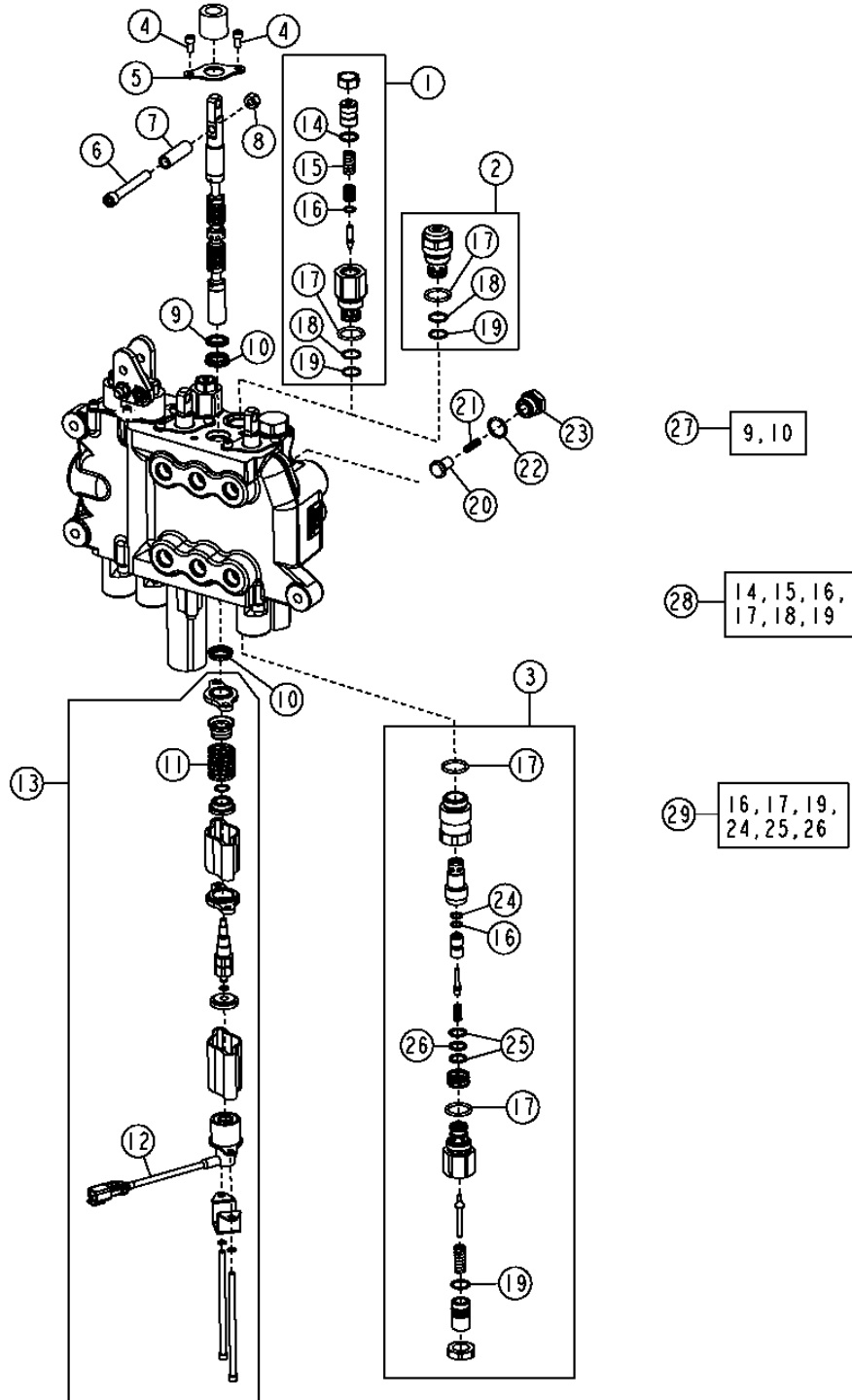
**BUCKET SECTION (LOADER VALVE) (SN -913416)**  
**SECTION DE GODET (SOUPAPE DE CHARGEUR) (SN -913416)**  
**SECCION DE CUCHARON (VALVULA DE CARGADORA) (SN -913416)**

| KEY | PART NO. | PART NAME             | QTY. | SERIAL NO. | REMARKS   |
|-----|----------|-----------------------|------|------------|---|
|     |          |                       |      |            | 3 3<br>3 1 1<br>1 0 5<br>0 S S<br>G G G                             |
| 1   | AT170218 | CONTROL VALVE         | 1    |            | X X X   |
| 2   | 21H1352  | SCREW                 | 2    |            | X X X 1/4" X 3/8"   |
| 3   | T81524   | PLATE                 | 1    |            | X X X   |
| 4   | .....    | SPOOL VALVE           | 1    |            | X X X   |
| 5   | .....    | SEAL                  | 2    |            | X X X   |
| 6   | .....    | SEAL                  | 2    |            | X X X   |
| 7   | .....    | HOUSING               | 1    |            | X X X   |
| 8   | AT196245 | DETENT                | 1    | -901683    | X X X (SEE DTAC SOL 51993) (ALSO ORDER AT183590) (SUB FOR AT178326) |
|     | AT196245 | DETENT                | 1    | 901684-    | X X X   |
| 9   | T81538   | POPPET                | 1    |            | X X X   |
| 10  | T81539   | SPRING                | 1    |            | X X X   |
| 11  | T118685  | O-RING                | 1    |            | X X X   |
| 12  | AT172937 | PRESSURE RELIEF VALVE | 1    |            | X X X 31715 KPA (4600 PSI)  |
| 13  | AT192457 | PRESSURE RELIEF VALVE | 1    |            | X X X 31715 KPA (4600 PSI)  |
| 14  | T67424   | NUT                   | 1    |            | X X X   |
| 15  | .....    | SHIM                  | 1    |            | X X X   |
| 16  | .....    | SPRING                | 1    |            | X X X   |
| 17  | T183756  | SEAL                  | 1    |            | X X X   |
| 18  | .....    | RETAINER              | 1    |            | X X X   |
| 19  | .....    | PLUG                  | 1    |            | X X X   |
| 20  | .....    | POPPET                | 1    |            | X X X   |
| 21  | .....    | O-RING                | 2    |            | X X X   |
| 22  | .....    | SCREW                 | 1    |            | X X X   |
| 23  | T67425   | NUT                   | 1    |            | X X X   |
| 24  | .....    | POPPET                | 1    |            | X X X   |
| 25  | .....    | BACK-UP RING          | 1    |            | X X X   |
| 26  | .....    | O-RING                | 1    |            | X X X   |
| 27  | T118681  | O-RING                | 2    |            | X X X   |
| 28  | .....    | SPRING                | 1    |            | X X X   |
| 29  | .....    | BACK-UP RING          | 1    |            | X X X   |
| 30  | .....    | SPRING                | 1    |            | X X X   |
| 31  | .....    | SPRING                | 1    |            | X X X   |
| 32  | .....    | O-RING                | 1    |            | X X X   |
| 33  | .....    | POPPET                | 1    |            | X X X   |
| 34  | .....    | O-RING                | 1    |            | X X X   |
| 35  | AT314538 | SEAL KIT              | 1    |            | X X X (7/8") (RELIEF VALVE) (SUB FOR AT189413)                      |
|     | AT314539 | SEAL KIT              | 1    |            | X X X (1 1/16") (RELIEF VALVE) (SUB FOR AT189413)                   |
| 36  | AT280406 | SEAL KIT              | 1    |            | X X X (SPOOL) (SUB FOR AT178372)                                    |
| 37  | T134881  | SPRING                | 1    |            | X X X   |
| 38  | AT196246 | MAGNET                | 1    |            | X X X   |
| 39  | AT183590 | WIRING HARNESS        | 1    | -901683    | X X X (SEE DTAC SOL 51993)  |

# 3162-14

CONTROL & LOAD HOLDING VALVES 3162  
 BUCKET SECTION (LOADER VALVE) (SN 913417- )  
 SECTION DE GODET (SOUPAPE DE CHARGEUR) (SN 913417- )  
 SECCION DE CUCHARON (VALVULA DE CARGADORA) (SN 913417- )

T163249 -UN-27DEC02



T163249

# 3162-15

LOADER 31

CONTROL & LOAD HOLDING VALVES 3162

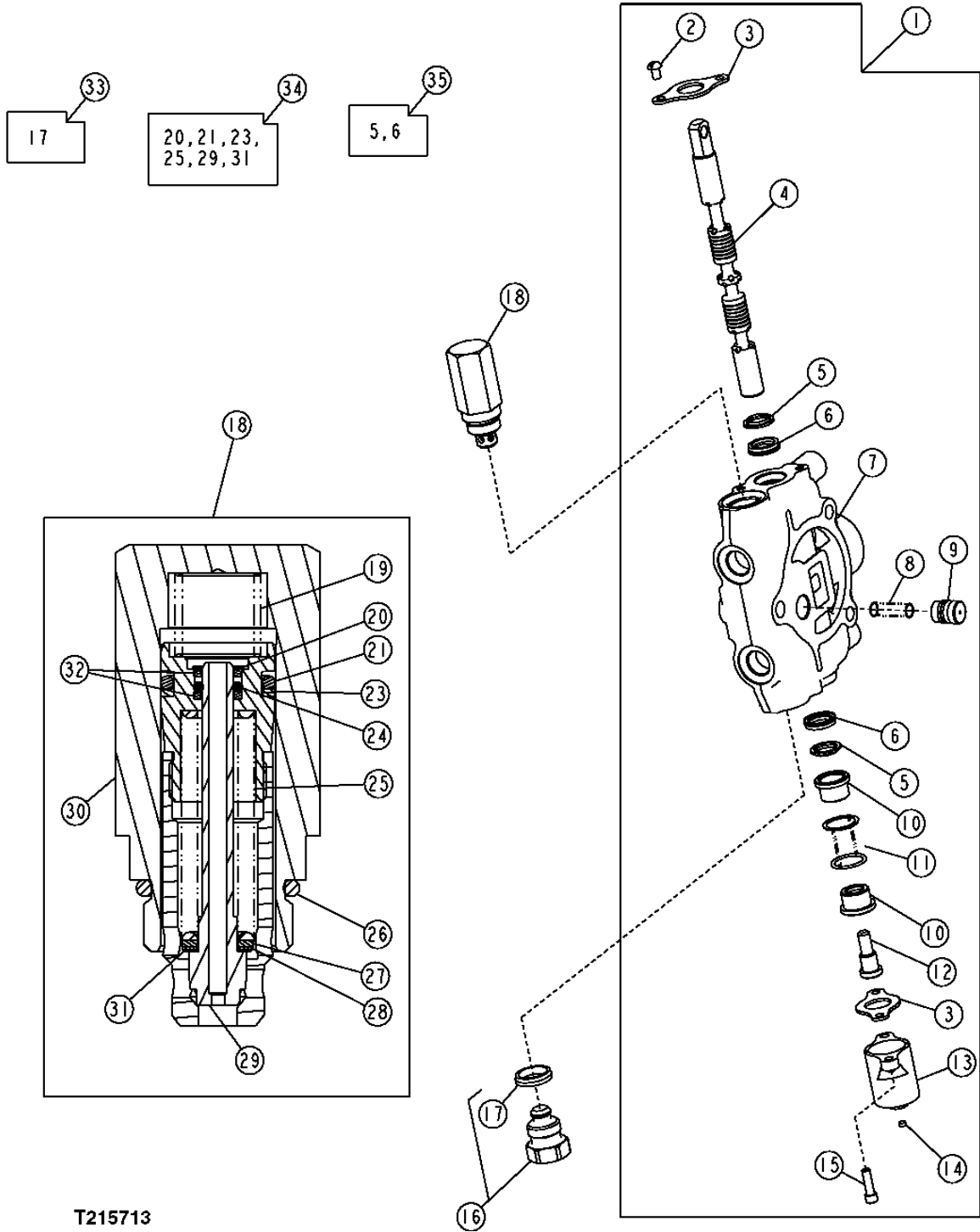
**BUCKET SECTION (LOADER VALVE) (SN 913417- )**  
**SECTION DE GODET (SOUPAPE DE CHARGEUR) (SN 913417- )**  
**SECCION DE CUCHARON (VALVULA DE CARGADORA) (SN 913417- )**

| KEY | PART NO. | PART NAME             | QTY. | SERIAL NO. | REMARKS  |
|-----|----------|-----------------------|------|------------|--|
|     |          |                       |      |            | 3 3<br>3 1 1<br>1 0 5<br>0 S S<br>G G G          |
| 1   | AT301526 | PRESSURE RELIEF VALVE | 1    |            | X X X (NOT ANTI-CAVITATION) 31715 KPA (4600 PSI) |
| 2   | AT301527 | PRESSURE RELIEF VALVE | 1    |            | X X X (ANTI-CAVITATION) 31715 KPA (4600 PSI)     |
| 3   | AT192457 | PRESSURE RELIEF VALVE | 1    |            | X X X 31715 KPA (4600 PSI)                       |
| 4   | 21H1352  | SCREW                 | 2    |            | X X X 1/4" X 3/8"                                |
| 5   | T81524   | PLATE                 | 1    |            | X X X  |
| 6   | 19H3317  | SCREW                 | 1    |            | X X X 3/8" X 2-3/4"                              |
| 7   | T190795  | TUBE                  | 1    |            | X X X  |
| 8   | 14H1076  | NUT                   | 1    |            | X X X 3/8"                                       |
| 9   | .....    | SEAL                  | 1    |            | X X X  |
| 10  | .....    | SEAL                  | 2    |            | X X X  |
| 11  | T134881  | SPRING                | 1    |            | X X X  |
| 12  | AT196246 | MAGNET                | 1    |            | X X X  |
| 13  | AT196245 | DETENT                | 1    |            | X X X  |
| 14  | .....    | O-RING                | 1    |            | X X X  |
| 15  | .....    | SPRING                | 1    |            | X X X  |
| 16  | R63548   | O-RING                | 2    |            | X X X  |
| 17  | T118681  | O-RING                | 4    |            | X X X  |
| 18  | .....    | BACK-UP RING          | 2    |            | X X X  |
| 19  | T107887  | O-RING                | 3    |            | X X X  |
| 20  | T118694  | POPPET                | 1    |            | X X X  |
| 21  | T118693  | SPRING                | 1    |            | X X X  |
| 22  | R26906   | O-RING                | 1    |            | X X X  |
| 23  | T118692  | FITTING PLUG          | 1    |            | X X X  |
| 24  | T150958  | BACK-UP RING          | 1    |            | X X X  |
| 25  | .....    | BACK-UP RING          | 2    |            | X X X  |
| 26  | .....    | O-RING                | 1    |            | X X X  |
| 27  | AT280406 | SEAL KIT              | 1    |            | X X X (SPOOL) (SUB FOR AT178372)                 |
| 28  | AT300801 | SEAL KIT              | 2    |            | X X X  |
| 29  | AT314538 | SEAL KIT              | 1    |            | (7/8") (RELIEF VALVE) (SUB FOR AT189413)         |
|     | AT314539 | SEAL KIT              | 1    |            | (1 1/16") (RELIEF VALVE) (SUB FOR AT189413)      |

# 3162-16

AUXILIARY SECTION (LOADER VALVE) (SN -913416)  
 SECTION AUXILIAIRE (SOUPAPE DE CHARGEUR) (SN -913416)  
 SECCION AUXILIAR (VALVULA DE CARGADORA) (SN -913416)

T215713 -UN-10OCT05



T215713

# 3162-17

LOADER 31

CONTROL & LOAD HOLDING VALVES 3162

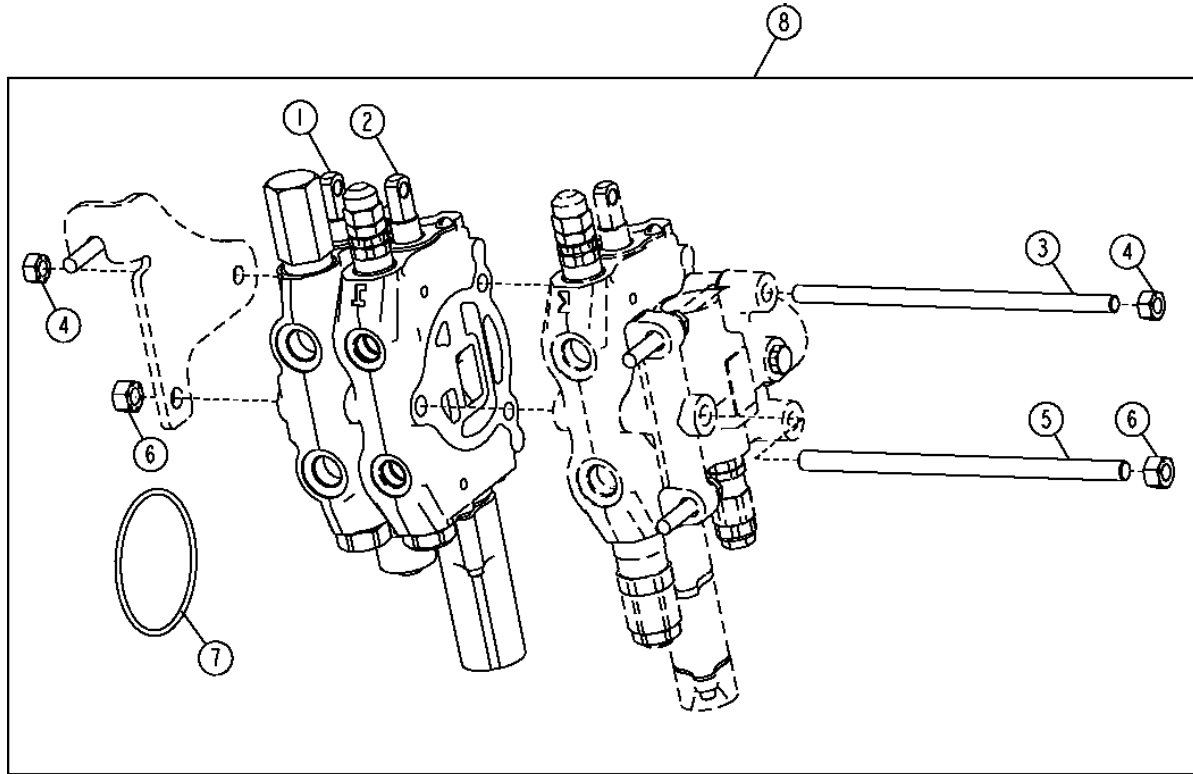
**AUXILIARY SECTION (LOADER VALVE) (SN -913416)**  
**SECTION AUXILIAIRE (SOUPAPE DE CHARGEUR) (SN -913416)**  
**SECCION AUXILIAR (VALVULA DE CARGADORA) (SN -913416)**

| KEY | PART NO. | PART NAME             | QTY. | SERIAL NO. | REMARKS                                     |
|-----|----------|-----------------------|------|------------|---|
|     |          |                       |      |            | 3 3<br>3 1 1<br>1 0 5<br>0 S S<br>G G G     |
| 1   | AT191711 | SPOOL VALVE           | 1    |            | X X X                                       |
| 2   | 21H1352  | SCREW                 | 2    |            | X X X 1/4" X 3/8"                           |
| 3   | T81524   | PLATE                 | 1    |            | X X X                                       |
| 4   | .....    | SPOOL VALVE           | 1    |            | X X X                                       |
| 5   | .....    | SEAL                  | 2    |            | X X X                                       |
| 6   | .....    | SEAL                  | 2    |            | X X X                                       |
| 7   | .....    | HOUSING               | 1    |            | X X X                                       |
| 8   | T152407  | SPRING                | 1    |            | X X X                                       |
| 9   | T152406  | POPPET                | 1    |            | X X X                                       |
| 10  | T81540   | RETAINER              | 2    |            | X X X                                       |
| 11  | T118879  | SPRING                | 1    |            | X X X                                       |
| 12  | T81541   | SCREW                 | 1    |            | X X X                                       |
| 13  | T118808  | CAP                   | 1    |            | X X X                                       |
| 14  | T118799  | FILTER                | 1    | -906011    | X X X                                       |
| 15  | 19H3554  | SCREW                 | 2    |            | X X X 1/4" X 0.880"                         |
| 16  | AT83174  | FITTING PLUG          | 1    |            | X X X                                       |
| 17  | T183757  | SEAL                  | 1    |            | X X X                                       |
| 18  | AT182377 | PRESSURE RELIEF VALVE | 1    |            | X X X 26200 KPA (3800 PSI)                  |
| 19  | T118867  | SPRING                | 1    |            | X X X                                       |
| 20  | .....    | RETAINER              | 1    |            | X X X                                       |
| 21  | .....    | O-RING                | 1    |            | X X X                                       |
| 22  | .....    | O-RING                | 1    |            | X X X                                       |
| 23  | .....    | BACK-UP RING          | 1    |            | X X X                                       |
| 24  | .....    | O-RING                | 1    |            | X X X                                       |
| 25  | .....    | SPRING                | 1    |            | X X X                                       |
| 26  | T118681  | O-RING                | 1    |            | X X X                                       |
| 27  | .....    | WASHER                | 1    |            | X X X                                       |
| 28  | .....    | WASHER                | 1    |            | X X X                                       |
| 29  | .....    | POPPET                | 1    |            | X X X                                       |
| 30  | T118866  | HOUSING               | 1    |            | X X X                                       |
| 31  | .....    | WASHER                | 1    |            | X X X                                       |
| 32  | .....    | BACK-UP RING          | 2    |            | X X X                                       |
| 33  | AT314538 | SEAL KIT              | 1    |            | (7/8") (RELIEF VALVE) (SUB FOR AT189413)    |
|     | AT314539 | SEAL KIT              | 1    |            | (1 1/16") (RELIEF VALVE) (SUB FOR AT189413) |
| 34  | AT178362 | KIT                   | 1    |            | X X X (RELIEF VALVE CARTRIDGE)              |
| 35  | AT280406 | SEAL KIT              | 1    |            | X X X (SPOOL) (SUB FOR AT178372)            |

# 3162-18

AUXILIARY VALVE KIT (LOADER VALVE) (SN -913416) CONTROL & LOAD HOLDING VALVES 3162  
KIT DE SOUPAPE AUXILIAIRE (SOUPAPE DE CHARGEUR) (SN -913416)  
JUEGO DE VALVULA AUXILIAR (VALVULA DE CARGADORA) (SN -913416)

T135702 -UN-28NOV00



T135702

# 3162-19

LOADER 31

CONTROL & LOAD HOLDING VALVES 3162

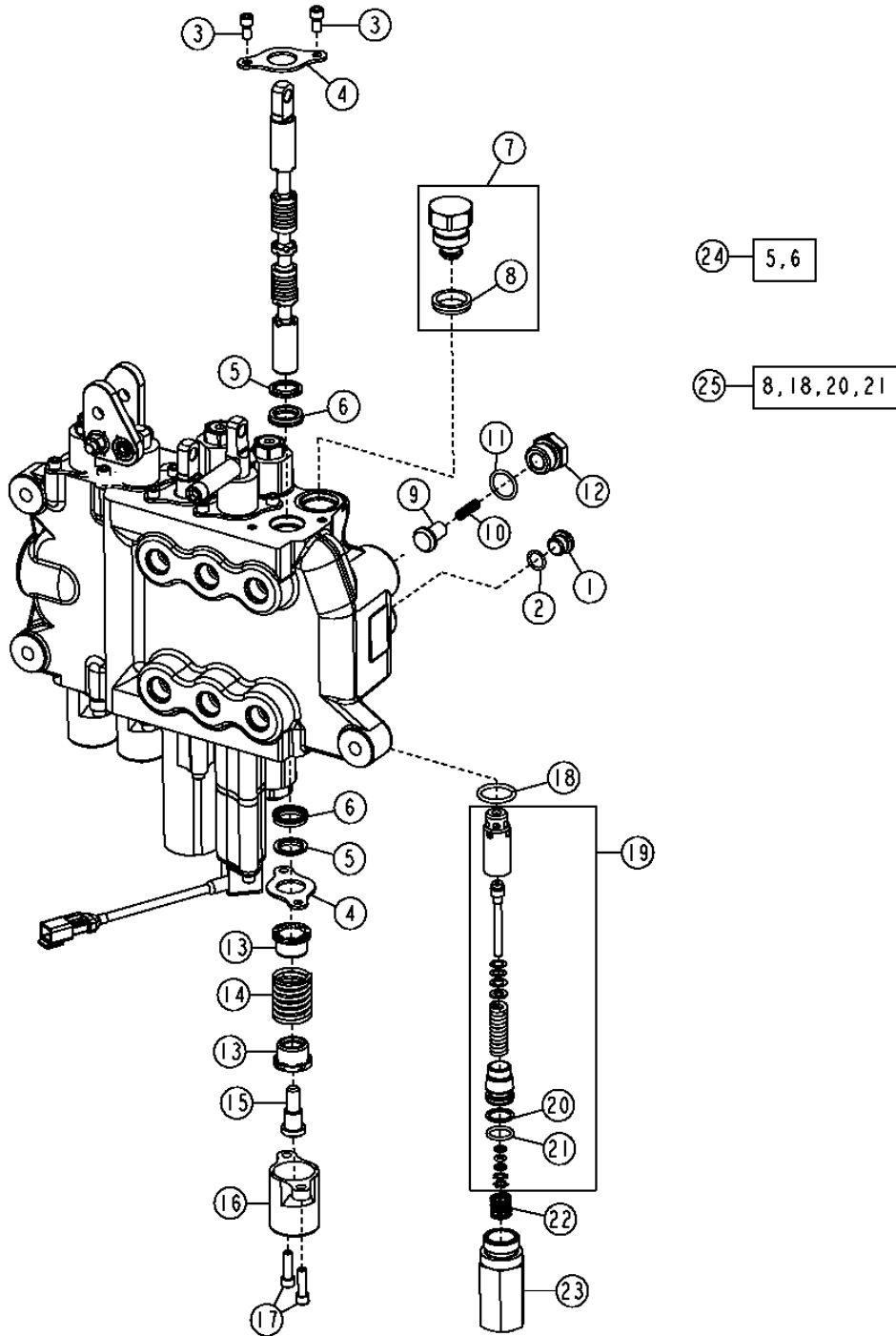
**AUXILIARY VALVE KIT (LOADER VALVE) (SN -913416)**  
**KIT DE SOUPAPE AUXILIAIRE (SOUPAPE DE CHARGEUR) (SN -913416)**  
**JUEGO DE VALVULA AUXILIAR (VALVULA DE CARGADORA) (SN -913416)**

| KEY | PART NO. | PART NAME                  | QTY. | SERIAL NO. | REMARKS   |
|-----|----------|----------------------------|------|------------|---|
|     |          |                            |      |            | 3 3   |
|     |          |                            |      |            | 3 1 1   |
|     |          |                            |      |            | 1 0 5   |
|     |          |                            |      |            | 0 S S   |
|     |          |                            |      |            | G G G   |
| 1   | AT191711 | SPOOL VALVE                | 1    |            | X X X (AUXILIARY SECTION)                                     |
| 2   | AT191707 | HYD ACTUATED CONTROL VALVE | 1    |            | X X X (BOOM SECTION)  |
| 3   | T186319  | STUD                       | 2    |            | X X X   |
| 4   | 14H807   | NUT                        | 4    |            | X X X 7/16"   |
| 5   | T121238  | STUD                       | 1    |            | X X X   |
| 6   | 14H865   | NUT                        | 2    |            | X X X 1/2"  |
| 7   | T118685  | O-RING                     | 2    |            | X X X   |
| 8   | AT192185 | KIT                        | 1    |            | X X X (WHOLE GOODS) (INCLUDES AT182377) (ALSO ORDER AT194369) |

# 3162-20

AUXILIARY SECTION (LOADER/STABILIZER VALVE) (SN 913417- )  
SECTION AUXILIAIRE (SOUPAPE DE CHARGEUR/STABILISATEUR) (SN 913417- )  
SECCION AUXILIAR (VALVULA DE CARGADORA/ESTABILIZADOR) (SN 913417- )

T163042 -UN-06JAN03



T163042



# 3162-21

LOADER 31

CONTROL& LOAD:HOLDING:VALVES 3162

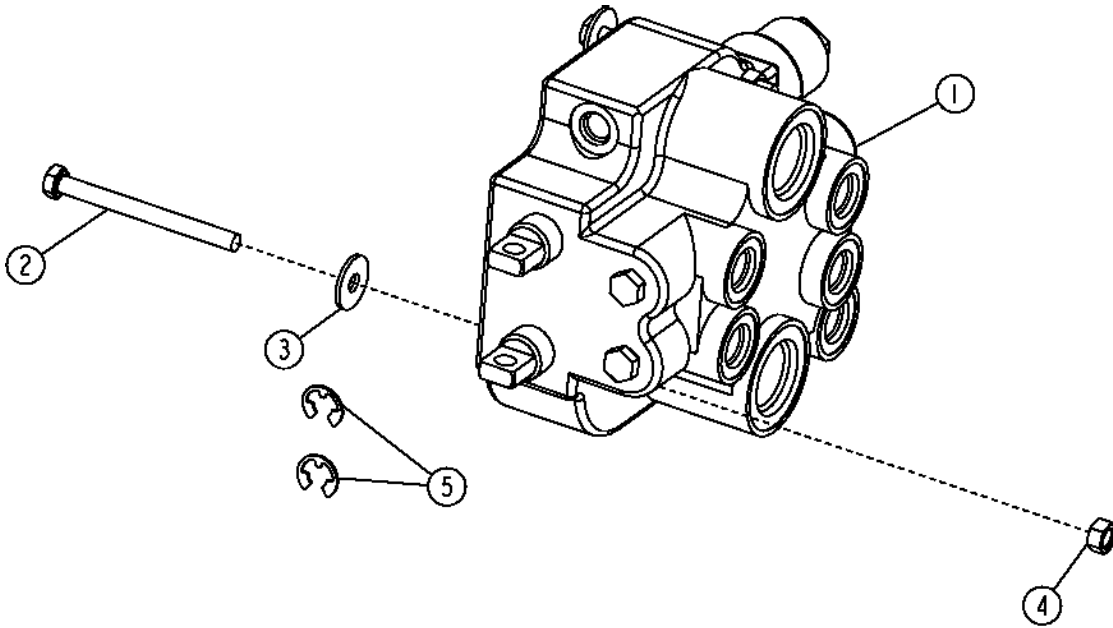
AUXILIARY SECTION (LOADER/STABILIZER VALVE) (SN 913417- )  
 SECTION AUXILIAIRE (SOUPAPE DE CHARGEUR/STABILISATEUR) (SN 913417- )  
 SECCION AUXILIAR (VALVULA DE CARGADORA/ESTABILIZADOR) (SN 913417- )

| KEY | PART NO. | PART NAME    | QTY. | SERIAL NO. | REMARKS   |
|-----|----------|--------------|------|------------|---|
|     |          |              |      |            | 3 3<br>3 1 1<br>1 0 5<br>0 S S<br>G G G           |
| 1   | R111493  | FITTING PLUG | 1    |            | X X X   |
| 2   | T70177   | O-RING       | 1    |            | X X X   |
| 3   | 21H1352  | SCREW        | 2    |            | X X X   |
| 4   | T81524   | PLATE        | 2    |            | X X X   |
| 5   | .....    | SEAL         | 2    |            | X X X   |
| 6   | .....    | SEAL         | 2    |            | X X X   |
| 7   | AT83174  | FITTING PLUG | 1    |            | X X X   |
| 8   | T183757  | SEAL         | 1    |            | X X X   |
| 9   | T118694  | POPPET       | 1    |            | X X X   |
| 10  | T118693  | SPRING       | 1    |            | X X X   |
| 11  | R26906   | O-RING       | 1    |            | X X X   |
| 12  | T118692  | FITTING PLUG | 1    |            | X X X   |
| 13  | T81540   | RETAINER     | 2    |            | X X X   |
| 14  | T118879  | SPRING       | 1    |            | X X X   |
| 15  | T81541   | SCREW        | 1    |            | X X X   |
| 16  | T118808  | CAP          | 1    |            | X X X   |
| 17  | 19H3554  | SCREW        | 2    |            | X X X 1/4" X 0.880"                               |
| 18  | T118681  | O-RING       | 1    |            | X X X   |
| 19  | AT178362 | KIT          | 1    |            | X X X   |
| 20  | .....    | BACK-UP RING | 1    |            | X X X   |
| 21  | .....    | O-RING       | 1    |            | X X X   |
| 22  | T118867  | SPRING       | 1    |            | X X X   |
| 23  | T118866  | HOUSING      | 1    |            | X X X   |
| 24  | AT280406 | SEAL KIT     | 1    |            | X X X (SPOOL) (SUB FOR AT178372)                  |
| 25  | AT314538 | SEAL KIT     | 1    |            | X X X (7/8") (RELIEF VALVE) (SUB FOR AT189413)    |
|     | AT314539 | SEAL KIT     | 1    |            | X X X (1 1/16") (RELIEF VALVE) (SUB FOR AT189413) |

# 3162-22

STABILIZER VALVE (EATON) (SN -913416)  
SOUPAPE DE STABILISATEUR (EATON) (SN -913416)  
VALVULA ESTABILIZADORA (EATON) (SN -913416)

T144119 -UN-17JUL01



T144119

# 3162-23

LOADER 31

CONTROL & LOAD HOLDING VALVES 3162

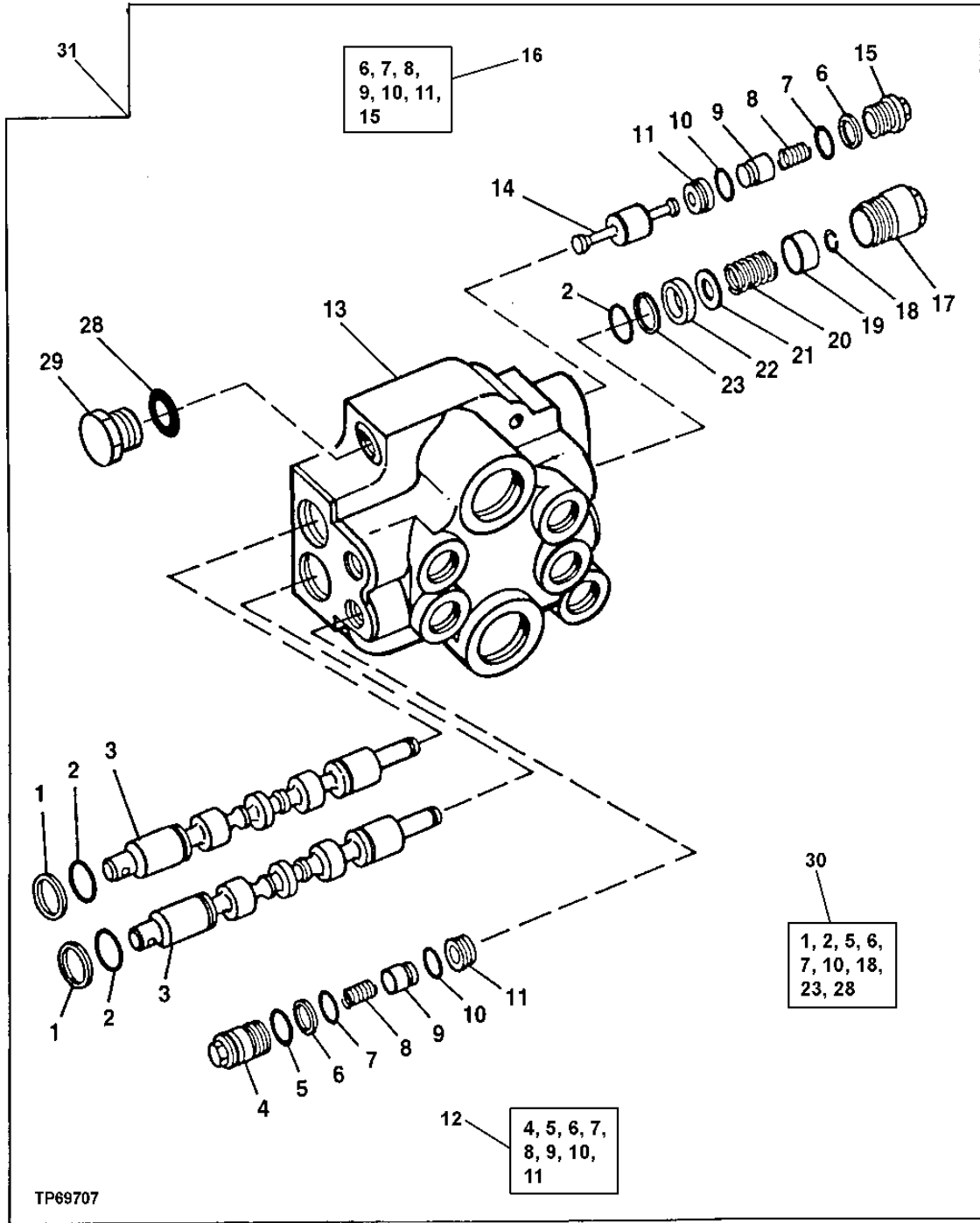
STABILIZER VALVE (EATON) (SN -913416)  
 SOUPE DE STABILISATEUR (EATON) (SN -913416)  
 VALVULA ESTABILIZADORA (EATON) (SN -913416)

| KEY | PART NO. | PART NAME   | QTY. | SERIAL NO. | REMARKS                                 |
|-----|----------|-------------|------|------------|---|
|     |          |             |      |            | 3 3<br>3 1 1<br>1 0 5<br>0 S S<br>G G G |
| 1   | AT190330 | SPOOL VALVE | 1    |            | X X X                                   |
| 2   | 19M8539  | CAP SCREW   | 2    |            | X X X M8 X 90                           |
| 3   | 24M7298  | WASHER      | 2    |            | X X X                                   |
| 4   | 14M7273  | NUT         | 2    |            | X X X M8                                |
| 5   | R26871   | SNAP RING   | 2    |            | X X X (SUB FOR R106466)                 |

# 3162-24

CONTROL & LOAD HOLDING VALVES 3162  
 STABILIZER VALVE ASSEMBLY (EATON) (SN -913416)  
 SOUPAPE DE STABILISATEUR (EATON) (SN -913416)  
 CONJUNTO DE VALVULA ESTABILIZADORA (EATON) (SN -913416)

TP69707 -UN-29SEP00



# 3162-25

LOADER 31

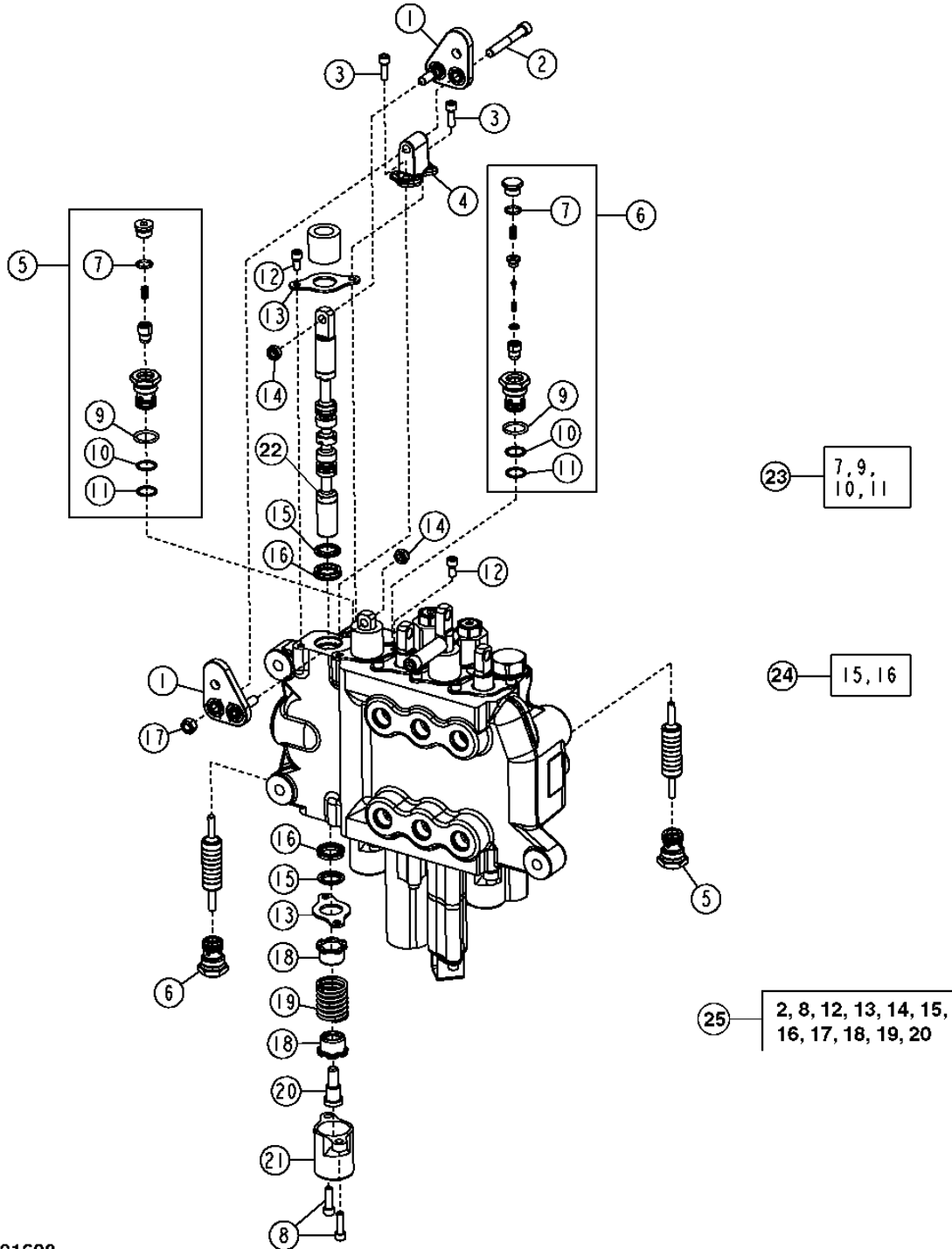
STABILIZER VALVE ASSEMBLY (EATON) (SN -913416) CONTROL& LOAD:HOLDING:VALVES 3162  
 SOUPAPE DE STABILISATEUR (EATON) (SN -913416)  
 CONJUNTO DE VALVULA ESTABILIZADORA (EATON) (SN -913416)

| KEY | PART NO. | PART NAME    | QTY. | SERIAL NO. | REMARKS                             |
|-----|----------|--------------|------|------------|-------------------------------------|
|     |          |              |      |            | 3 3                                 |
|     |          |              |      |            | 3 1 1                               |
|     |          |              |      |            | 1 0 5                               |
|     |          |              |      |            | 0 S S                               |
|     |          |              |      |            | G G G                               |
| 1   | T127265  | SEAL         | 2    |            | X X X                               |
| 2   | T127268  | O-RING       | 4    |            | X X X                               |
| 3   | .....    | VALVE SPOOL  | 2    |            | X X X (ORDER AT190330)              |
| 4   | .....    | RETAINER     | 2    |            | X X X (ORDER AT190334)              |
| 5   | R116031  | O-RING       | 2    |            | X X X                               |
| 6   | T154187  | BACK-UP RING | 4    |            | X X X                               |
| 7   | R72328   | O-RING       | 4    |            | X X X                               |
| 8   | .....    | SPRING       | 4    |            | X X X (ORDER AT190333 AND AT190334) |
| 9   | .....    | POPPET       | 4    |            | X X X (ORDER AT190333 AND AT190334) |
| 10  | R56464   | O-RING       | 4    |            | X X X                               |
| 11  | .....    | SEAT         | 4    |            | X X X (ORDER AT190333 AND AT190334) |
| 12  | AT190334 | KIT          | 2    |            | X X X (THERMAL RELIEF)              |
| 13  | .....    | HOUSING      | 1    |            | X X X (ORDER AT190330)              |
| 14  | T127257  | PLUNGER      | 2    |            | X X X                               |
| 15  | .....    | RETAINER     | 2    |            | X X X (ORDER AT190333)              |
| 16  | AT190333 | KIT          | 2    |            | X X X (STD)                         |
| 17  | AT135767 | CAP          | 2    |            | X X X                               |
| 18  | T127263  | SNAP RING    | 2    |            | X X X                               |
| 19  | T127261  | RETAINER     | 2    |            | X X X                               |
| 20  | MG272321 | SPRING       | 2    |            | X X X                               |
| 21  | T127264  | WASHER       | 2    |            | X X X                               |
| 22  | T127260  | SPACER       | 2    |            | X X X                               |
| 23  | R73530   | BACK-UP RING | 2    |            | X X X                               |
| 24  | 19M8539  | CAP SCREW    | 2    |            | X X X M8 X 90                       |
| 25  | 24M7298  | WASHER       | 2    |            | X X X                               |
| 26  | 24M7298  | WASHER       | 2    |            | X X X                               |
| 27  | 14M7273  | NUT          | 2    |            | X X X M8                            |
| 28  | R26448   | O-RING       | 1    |            | X X X                               |
| 29  | T54967   | FITTING PLUG | 1    |            | X X X                               |
| 30  | AT190741 | SEAL KIT     | 1    |            | X X X                               |
| 31  | AT190330 | SPOOL VALVE  | 1    |            | X X X                               |

# 3162-26

CONTROL & LOAD HOLDING VALVES 3162  
 STABILIZER/LOADER VALVE (HUSCO) (SN 913417- )  
 SOUPAPE DE STABILISATEUR/DE CHARGEUR (HUSCO) (SN 913417- )  
 VALVULA ESTABILIZADORA/DE CARGADORA (HUSCO) (SN 913417- )

TX1001608 -UN-21DEC05



TX1001608

# 3162-27

LOADER 31

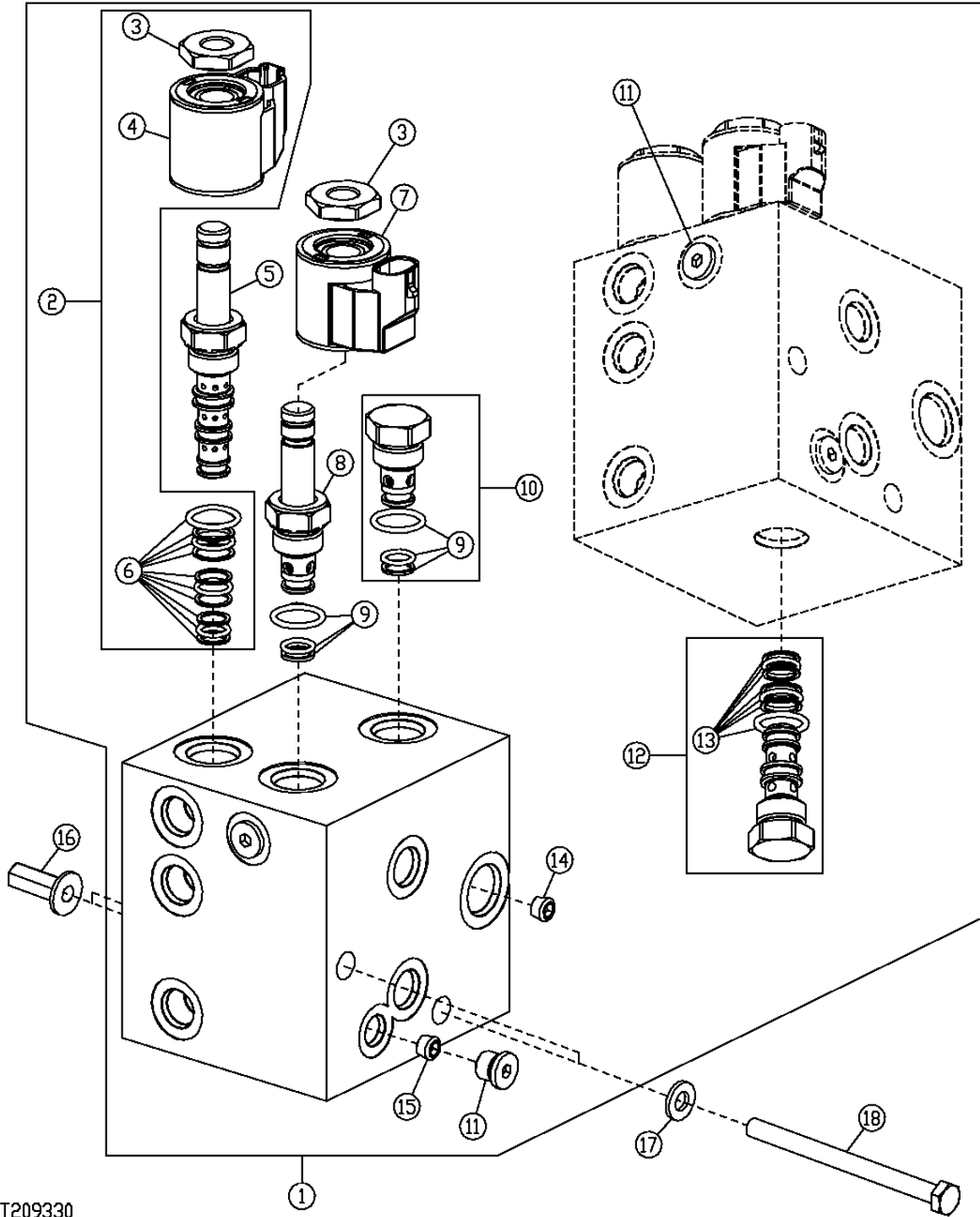
CONTROL& LOAD:HOLDING:VALVES 3162  
 STABILIZER/LOADER VALVE (HUSCO) (SN 913417- )  
 SOUPAPE DE STABILISATEUR / DE CHARGEUR (HUSCO) (SN 913417- )  
 VALVULA ESTABILIZADORA / DE CARGADORA (HUSCO) (SN 913417- )

| KEY | PART NO. | PART NAME    | QTY. | SERIAL NO. | REMARKS   |
|-----|----------|--------------|------|------------|---|
|     |          |              |      |            | 3 3   |
|     |          |              |      |            | 3 1 1   |
|     |          |              |      |            | 1 0 5   |
|     |          |              |      |            | 0 S S   |
|     |          |              |      |            | G G G   |
| 1   | AT199656 | BELLCRANK    | 1    |            | X X X   |
| 2   | M1036T   | SCREW        | 1    |            | X X X 5/16" X 2-1/4", (SUB FOR 19H3152, THIS APPLICATION)                   |
| 3   | 19H2924  | SCREW        | 2    |            | X X X 1/4" X 3/4"   |
| 4   | AT199657 | BASE         | 1    |            | X X X   |
| 5   | AT337941 | VALVE        | 2    |            | X X X (LOCKOUT) (WITHOUT THERMAL RELIEF VALVE) (SUB FOR AT199652)           |
| 6   | AT330860 | VALVE        | 2    |            | X X X (LOCKOUT) (WITH THERMAL RELIEF VALVE) (SUB FOR AT328231 AND AT199654) |
| 7   | T70177   | O-RING       | 2    |            | X X X   |
| 8   | 19H3554  | SCREW        | 4    |            | X X X 1/4" X 0.880"   |
| 9   | R26906   | O-RING       | 4    |            | X X X   |
| 10  | .....    | O-RING       | 4    |            | X X X   |
| 11  | .....    | BACK-UP RING | 4    |            | X X X   |
| 12  | 21H1352  | SCREW        | 4    |            | X X X 1/4" X 3/8"   |
| 13  | T81524   | PLATE        | 4    |            | X X X   |
| 14  | R11151   | LOCK NUT     | 2    |            | X X X   |
| 15  | .....    | SEAL         | 4    |            | X X X   |
| 16  | .....    | SEAL         | 4    |            | X X X   |
| 17  | 14H785   | NUT          | 1    |            | X X X 5/16"   |
| 18  | T81540   | RETAINER     | 4    |            | X X X   |
| 19  | T118683  | SPRING       | 2    |            | X X X   |
| 20  | T81541   | SCREW        | 2    |            | X X X 3/8" X 1-5/16"  |
| 21  | T118808  | CAP          | 2    |            | X X X   |
| 22  | .....    | SPOOL        | 2    |            | X X X   |
| 23  | AT196924 | SEAL KIT     | 4    |            | X X X   |
| 24  | AT280406 | SEAL KIT     | 2    |            | X X X (SPOOL)   |
| 25  | AT328623 | KIT          | 1    |            | X X X   |

# 3162-28

## HYDRAULIC FRONT COUPLER VALVE SOUPAPE D'ACCOUPLMENT AVANT HYDRAULIQUE VALVULA DE ACOPLADOR HIDRAULICO DELANTERO

T209330 -UN-10MAR05



T209330

THIS PARTS LISTING IS CONTINUED



# 3162-29

LOADER 31

CONTROL& LOAD&HOLDING&VALVES 3162

HYDRAULIC FRONT COUPLER VALVE  
 SOUPAPE D'ACCOUPLMENT AVANT HYDRAULIQUE  
 VALVULA DE ACOPLADOR HIDRAULICO DELANTERO

| KEY | PART NO. | PART NAME                  | QTY. | SERIAL NO. | 3 3<br>3 1 1<br>1 0 5<br>0 S S<br>G G G | REMARKS              |
|-----|----------|----------------------------|------|------------|---|----------------------|
| 1   | AT309458 | SOLENOID VALVE             | 1    |            | X X X                                   |                      |
|     | T187815  | O-RING                     | 1    |            | X X X                                   |                      |
| 2   | AT301765 | SOLENOID VALVE             | 1    |            | X X X                                   |                      |
| 3   | T181306  | NUT                        | 1    |            | X X X                                   |                      |
| 4   | AT301767 | SOLENOID VALVE COIL        | 1    |            | X X X                                   |                      |
| 5   | AT195922 | HYD ACTUATED CONTROL VALVE | 1    |            | X X X                                   |                      |
| 6   | AT301766 | SEAL KIT                   | 1    |            | X X X                                   |                      |
| 7   | AT195144 | SOLENOID VALVE COIL        | 1    |            | X X X                                   |                      |
| 8   | AT307315 | SOLENOID VALVE             | 1    |            | X X X                                   |                      |
| 9   | AT224862 | SEAL KIT                   | 1    |            | X X X                                   |                      |
| 10  | AT224570 | CHECK VALVE                | 1    |            | X X X                                   |                      |
| 11  | .....    | PLUG                       | 2    |            | X X X                                   |                      |
| 12  | AT195140 | CHECK VALVE                | 1    |            | X X X                                   |                      |
| 13  | AT195141 | SEAL KIT                   | 1    |            | X X X                                   |                      |
| 14  | .....    | ORIFICE                    | 1    |            | X X X                                   |                      |
| 15  | .....    | ORIFICE                    | 1    |            | X X X                                   |                      |
| 16  | T148409  | NUT                        | 2    |            | X X X                                   | M10, (FOR 6MM PLATE) |
| 17  | 24M7239  | WASHER                     | 2    |            | X X X                                   |                      |
| 18  | 19M7638  | CAP SCREW                  | 2    |            | X X X                                   | M10 X 130            |

# 3163-2

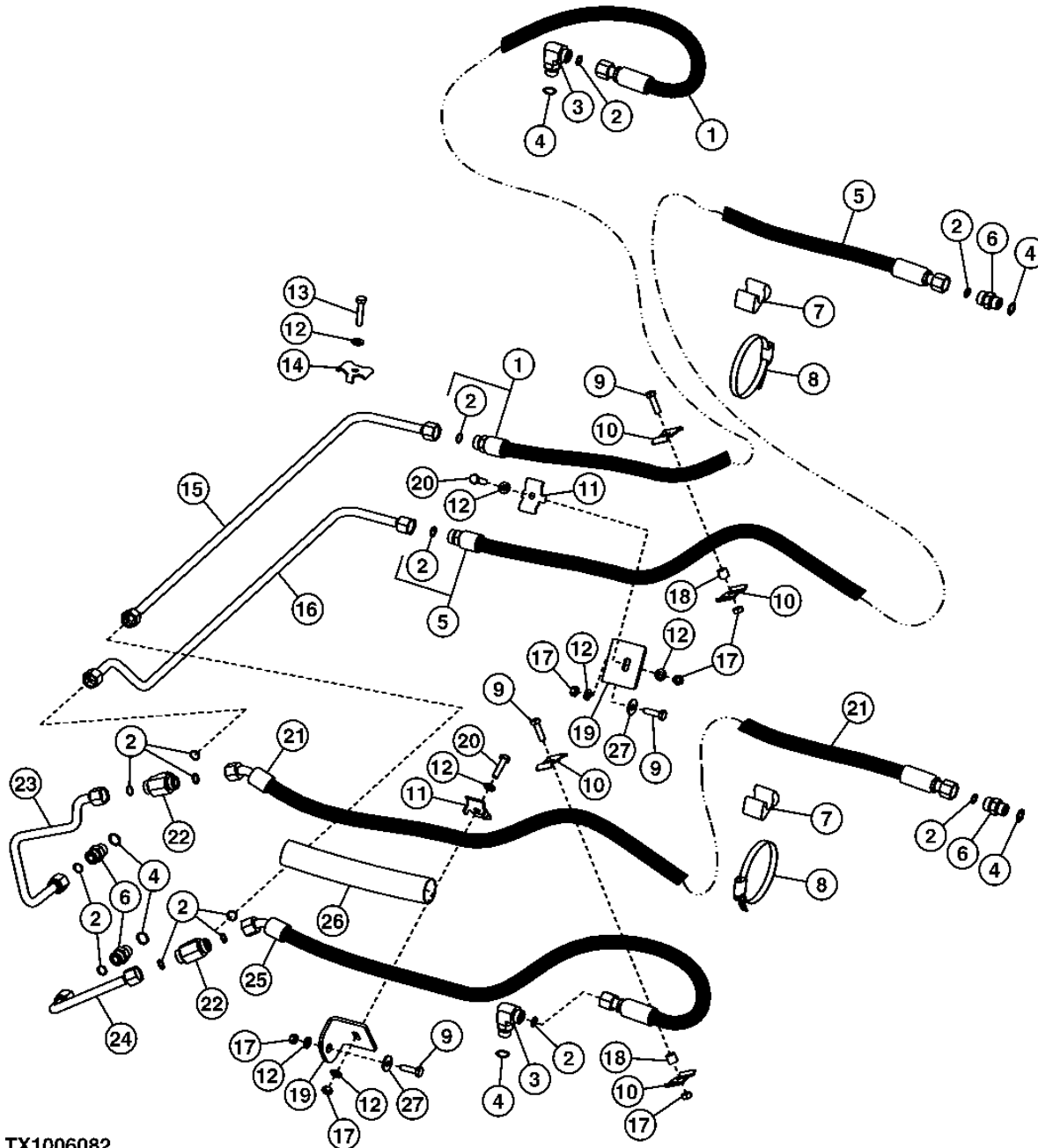
LOADER 31

LINES, HOSES & FITTINGS 3163

LOADER BOOM LIFT CYLINDER HYDRAULICS (SN -913416)  
CIRCUIT HYDRAULIQUE DE VERIN DE RELEVAGE DE FLECHE DU CHARGEUR (SN -913416)  
SISTEMA HIDRAULICO DE CILINDRO ELEVADOR DE AGUILON DE CARGADORA (SN -913416)

TX1006082

-UN-26APR06



TX1006082

# 3163-3

LOADER 31

LINES, HOSES & FITTINGS 3163

LOADER BOOM LIFT CYLINDER HYDRAULICS (SN -913416)  
 CIRCUIT HYDRAULIQUE DE VERIN DE RELEVAGE DE FLECHE DU CHARGEUR (SN -913416)  
 SISTEMA HIDRAULICO DE CILINDRO ELEVADOR DE AGUILON DE CARGADORA (SN -913416)

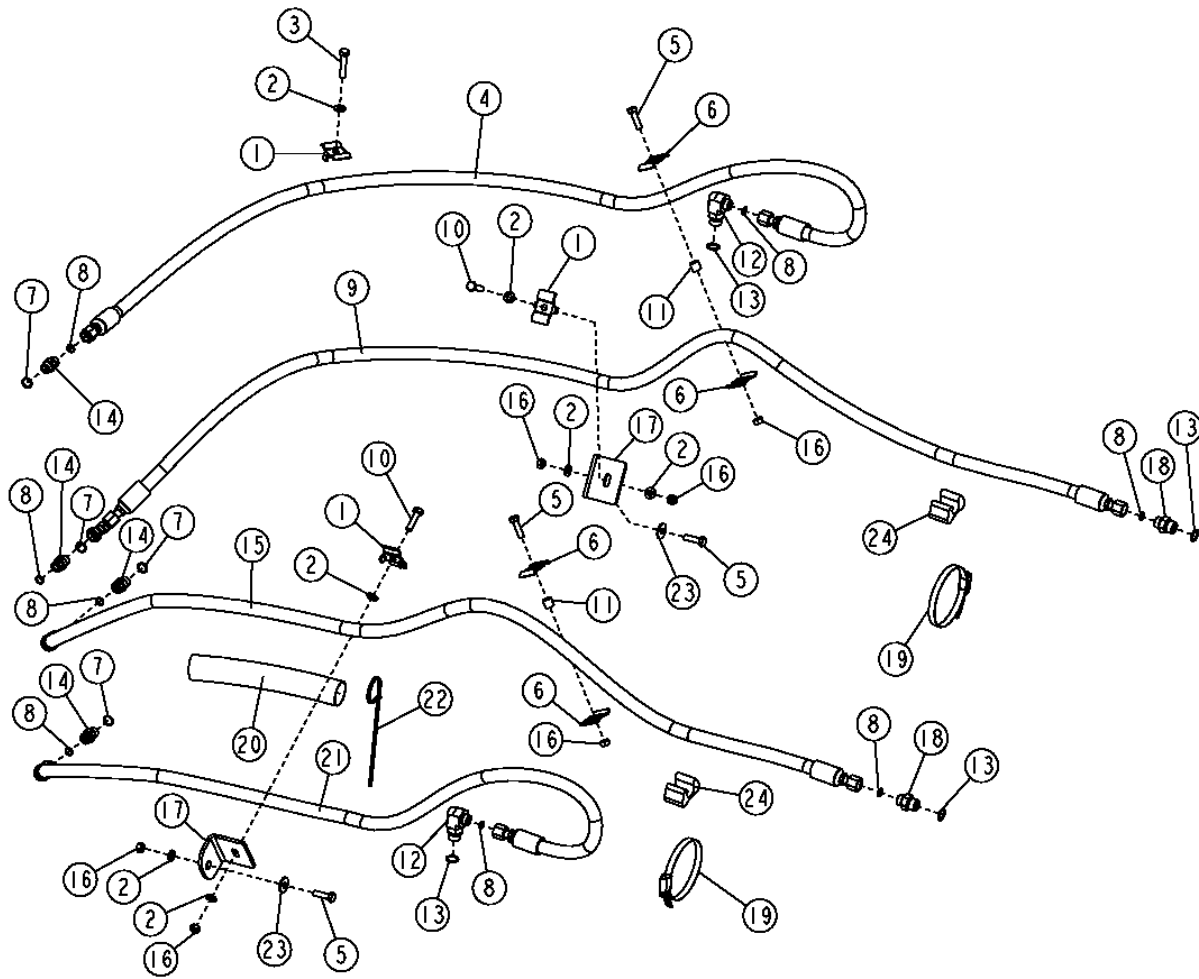
| KEY | PART NO. | PART NAME                  | QTY. | SERIAL NO. | REMARKS                            |
|-----|----------|----------------------------|------|------------|------------------------------------|
|     |          |                            |      |            | 3 3                                |
|     |          |                            |      |            | 3 1 1                              |
|     |          |                            |      |            | 1 0 5                              |
|     |          |                            |      |            | 0 S S                              |
|     |          |                            |      |            | G G G                              |
| 1   | AT189423 | HYDRAULIC HOSE - FABRICATE | 1    |            | X X X 1" X 1 270 MM (50") X 1"     |
| 2   | T77932   | O-RING                     | 14   |            | X X X                              |
| 3   | 38H1006  | ELBOW FITTING              | 2    |            | X X X                              |
| 4   | R26906   | O-RING                     | 6    |            | X X X                              |
| 5   | AT185799 | HYDRAULIC HOSE - FABRICATE | 1    |            | X X X 1" X 1 598 MM (63") X 1"     |
| 6   | 38H1162  | ADAPTER FITTING            | 4    |            | X X X                              |
| 7   | T105773  | GUIDE                      | 2    |            | X X X                              |
| 8   | C16054   | CLAMP                      | 2    |            | X X X                              |
| 9   | 19M7550  | CAP SCREW                  | 4    |            | X X X M10 X 35                     |
| 10  | R46919   | HALF CLAMP                 | 4    |            | X X X                              |
| 11  | KV22609  | CLAMP                      | 2    |            | X X X (SUB FOR T160550)            |
| 12  | 24M7239  | WASHER                     | 7    |            | X X X                              |
| 13  | 19M8600  | CAP SCREW                  | 1    |            | X X X M10 X 50                     |
| 14  | T159954  | CLAMP                      | 1    |            | X X X                              |
| 15  | AT183721 | OIL LINE                   | 1    |            | X X X                              |
| 16  | AT183722 | OIL LINE                   | 1    |            | X X X                              |
| 17  | 14M7274  | NUT                        | 6    |            | X X X M10                          |
| 18  | 28H3381  | SPACER                     | 2    |            | X X X                              |
| 19  | T165864  | ANGLE                      | 2    |            | X X X                              |
| 20  | 19M8637  | CAP SCREW                  | 2    |            | X X X M10 X 40                     |
| 21  | AT185797 | HYDRAULIC HOSE - FABRICATE | 1    |            | X X X 1" X 1 670 MM (65-3/4") X 1" |
| 22  | 38H1207  | TEE FITTING                | 2    |            | X X X                              |
| 23  | AT183717 | OIL LINE                   | 1    |            | X X X                              |
| 24  | AT183718 | OIL LINE                   | 1    |            | X X X                              |
| 25  | AT185798 | HYDRAULIC HOSE - FABRICATE | 1    |            | X X X 1" X 1 350 MM (53-1/4") X 1" |
| 26  | .....    | SLEEVE                     | 2    |            | X X X                              |
| 27  | 24M7296  | WASHER                     | 2    |            | X X X                              |

# 3163-4

LOADER BOOM LIFT CYLINDER HYDRAULICS (SN 913417- )  
CIRCUIT HYDRAULIQUE DE VERIN DE RELEVAGE DE FLECHE DU CHARGEUR (SN 913417- )  
SISTEMA HIDRAULICO DE CILINDRO ELEVADOR DE AGUILON DE CARGADORA (SN 913417- )

T163734

-UN-10JAN03



T163734

# 3163-5

LOADER 31

LINES, HOSES & FITTINGS 3163

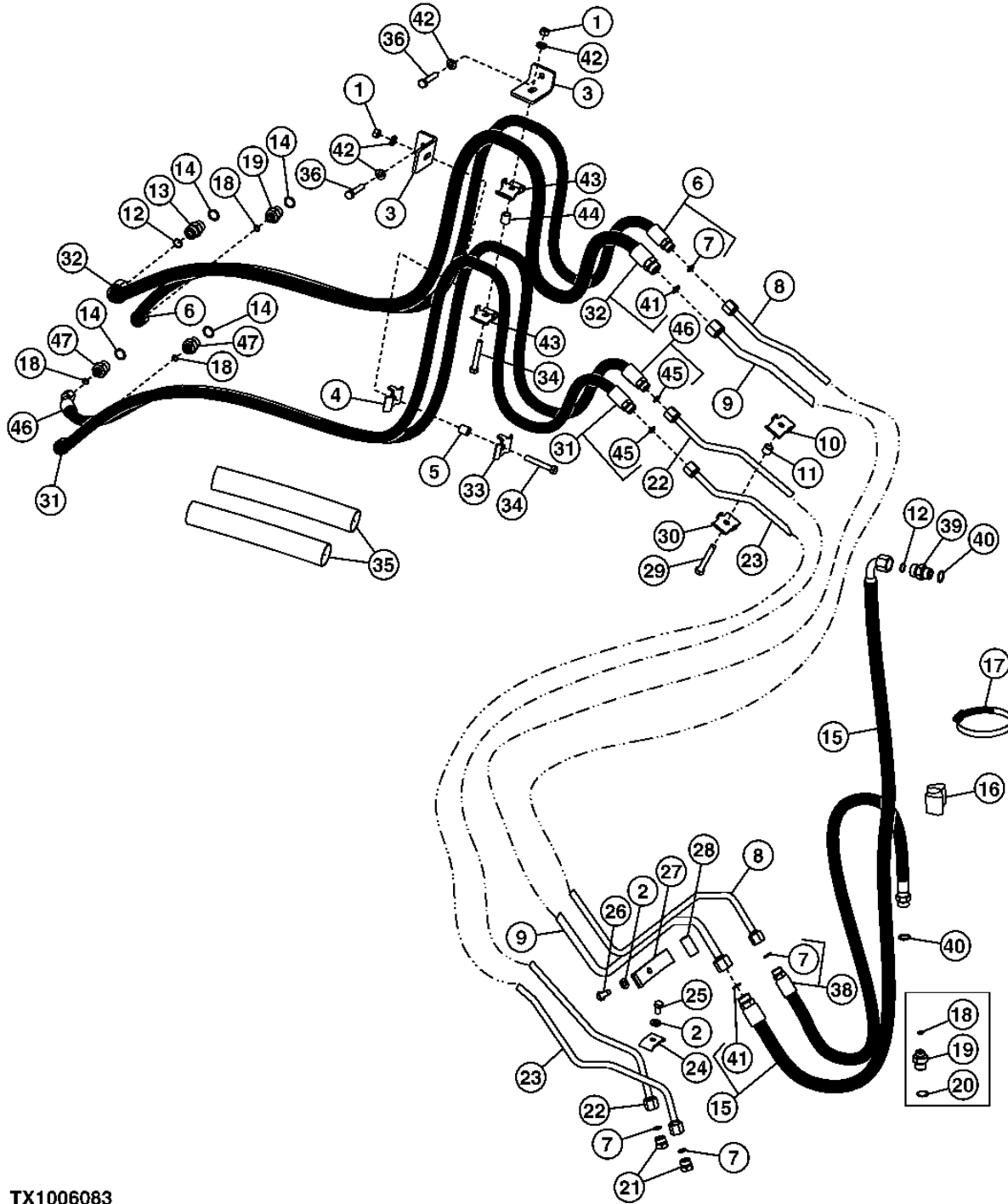
LOADER BOOM LIFT CYLINDER HYDRAULICS (SN 913417- )  
 CIRCUIT HYDRAULIQUE DE VERIN DE RELEVAGE DE FLECHE DU CHARGEUR (SN 913417- )  
 SISTEMA HIDRAULICO DE CILINDRO ELEVADOR DE AGUILON DE CARGADORA (SN 913417- )

| KEY | PART NO. | PART NAME                  | QTY. | SERIAL NO. | REMARKS   |
|-----|----------|----------------------------|------|------------|---|
|     |          |                            |      |            | 3 3   |
|     |          |                            |      |            | 3 1 1   |
|     |          |                            |      |            | 1 0 5   |
|     |          |                            |      |            | 0 S S   |
|     |          |                            |      |            | G G G   |
| 1   | KV22609  | CLAMP                      | 3    |            | X X X (SUB FOR T160550)                           |
| 2   | 24M7239  | WASHER                     | 6    |            | X X X   |
| 3   | 19M8600  | CAP SCREW                  | 1    |            | X X X M10 X 50                                    |
| 4   | AT197654 | HYDRAULIC HOSE - FABRICATE | 1    |            | X X X 13/16" X 2 105 MM (82-3/4") X 13/16"        |
| 5   | 19M7550  | CAP SCREW                  | 4    |            | X X X M10 X 35                                    |
| 6   | R46919   | HALF CLAMP                 | 4    |            | X X X   |
| 7   | R26375   | O-RING                     | 3    |            | X X X   |
| 8   | T77857   | O-RING                     | 8    |            | X X X   |
| 9   | AT197647 | HYDRAULIC HOSE - FABRICATE | 1    |            | X X X 13/16" X 2 410 MM (95") X 13/16"            |
| 10  | 19M8637  | CAP SCREW                  | 2    |            | X X X M10 X 40                                    |
| 11  | 28H3381  | SPACER                     | 2    |            | X X X   |
| 12  | 38H1012  | ELBOW FITTING              | 2    |            | X X X   |
| 13  | R26906   | O-RING                     | 4    |            | X X X   |
| 14  | 38H1161  | ADAPTER FITTING            | 4    |            | X X X   |
| 15  | AT197645 | HYDRAULIC HOSE - FABRICATE | 1    |            | X X X 13/16" X 2 110 MM (83") X 13/16"            |
| 16  | 14M7274  | NUT                        | 6    |            | X X X M10   |
| 17  | T165864  | ANGLE                      | 2    |            | X X X   |
| 18  | 38H1174  | ADAPTER FITTING            | 2    |            | X X X   |
| 19  | AR21842  | CLAMP                      | 2    |            | X X X (SUB FOR C16054, THIS APPLICATION)          |
| 20  | .....    | HOSE GUARD                 | 2    |            | X X X (CUT TO 254MM (10.0 IN)) (MAKE FROM T78606) |
| 21  | AT197646 | HYDRAULIC HOSE - FABRICATE | 1    |            | X X X 13/16" X 1 755 MM (69") X 13/16"            |
| 22  | H77698   | TIE BAND                   | 2    |            | X X X   |
| 23  | 24M7296  | WASHER                     | 2    |            | X X X   |
| 24  | T105773  | GUIDE                      | 2    |            | X X X   |

# 3163-6

LOADERS BUCKET CYLINDER AND THIRD FUNCTION HYDRAULICS (SN -913416) LINES, HOSES & FITTINGS 3163  
VERIN DE BENNE DE CHARGEUR ET CIRCUIT HYDRAULIQUE DE TROISIEME FONCTION (SN -913416)  
SISTEMA HIDRAULICO DE CILINDRO DE CUCHARON DE CARGADORA Y TERCERA FUNCION (SN -913416)

TX1006083 -UN-26APR06



TX1006083

# 3163-7

LOADER 31

LINES, HOSES & FITTINGS 3163

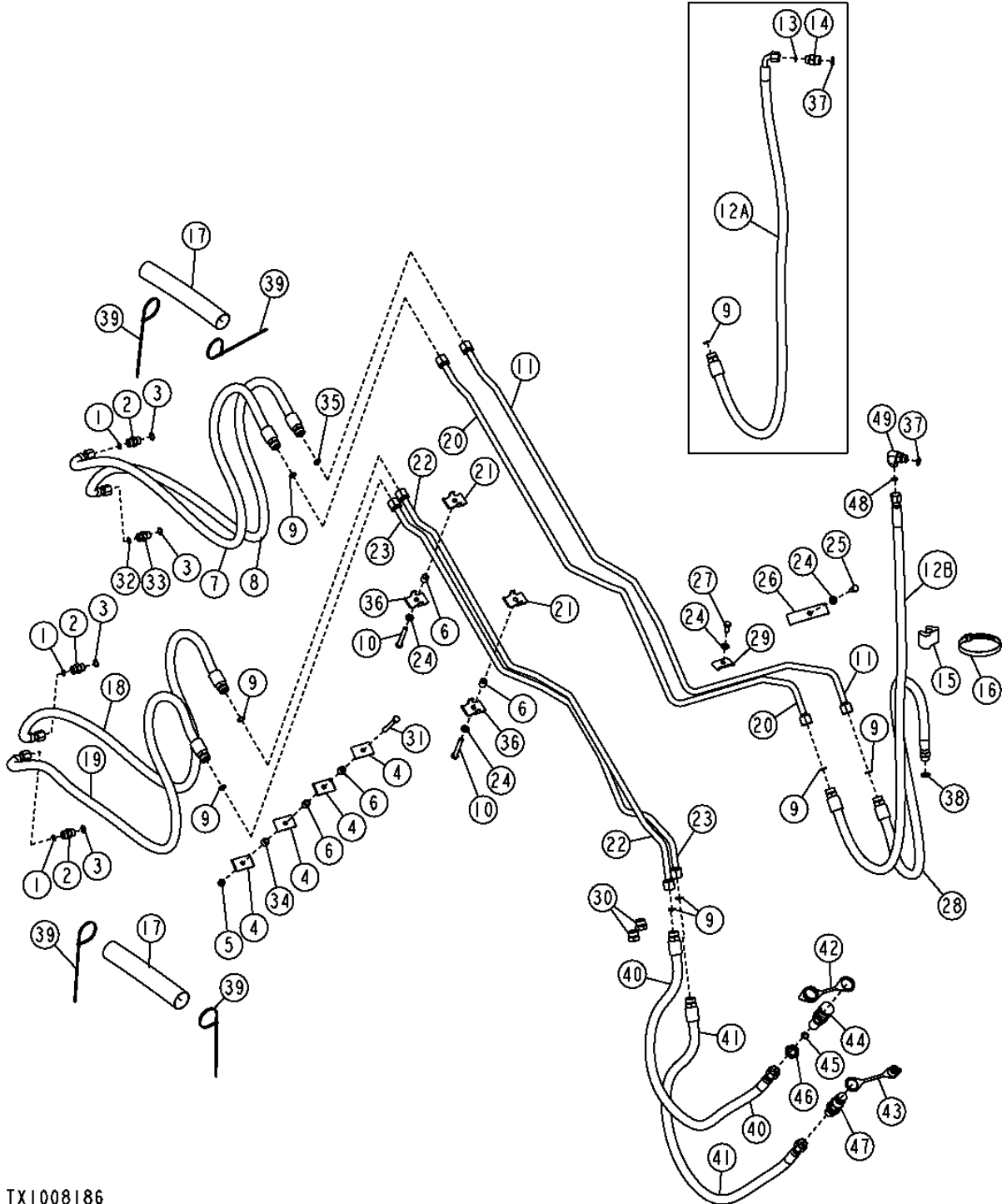
**LOADER BUCKET CYLINDER AND THIRD FUNCTION HYDRAULICS (SN -913416)**  
**VERIN DE BENNE DE CHARGEUR ET CIRCUIT HYDRAULIQUE DE TROISIEME FONCTION (SN -913416)**  
**SISTEMA HIDRAULICO DE CILINDRO DE CUCHARON DE CARGADORA Y TERCERA FUNCION (SN -913416)**

| KEY | PART NO. | PART NAME                  | QTY. | SERIAL NO. | REMARKS  |
|-----|----------|----------------------------|------|------------|--|
|     |          |                            |      |            | 3 3<br>3 1 1<br>1 0 5<br>0 S S<br>G G G            |
| 1   | 14M7274  | NUT                        | 2    |            | X X X M10  |
| 2   | 24M7239  | WASHER                     | 2    |            | X X X  |
| 3   | T202050  | ANGLE                      | 2    | -913416    | X X X (SUB FOR T166245)                            |
| 4   | T160548  | CLAMP                      | 1    | -913416    | X X X  |
| 5   | 28H3383  | BUSHING                    | 1    | -913416    | X X X  |
| 6   | AT186856 | HYDRAULIC HOSE - FABRICATE | 1    | -913416    | X X X 11/16" X 2 147 MM (84-1/2") X 13/16"         |
| 7   | T77857   | O-RING                     | 4    |            | X X X  |
| 8   | AT185976 | OIL LINE                   | 1    | -913416    | X X X  |
| 9   | AT185977 | OIL LINE                   | 1    | -913416    | X X X  |
| 10  | T159952  | CLAMP                      | 1    |            | X X X  |
| 11  | T126052  | SPACER                     | 1    | -913416    | X X X  |
| 12  | T77932   | O-RING                     | 2    | -913416    | X X X  |
| 13  | 38H1162  | ADAPTER FITTING            | 1    | -913416    | X X X  |
| 14  | R26906   | O-RING                     | 4    | -913417    | X X X  |
| 15  | AT173128 | HYDRAULIC HOSE - FABRICATE | 1    | -913416    | X X X 1" X 1 628 MM (64") X 1"                     |
| 16  | T105773  | GUIDE                      | 1    |            | X X X  |
| 17  | AU12450  | HOSE CLAMP                 | 1    |            | X X X  |
| 18  | T77613   | O-RING                     | 4    | -901979    | X X X  |
|     | T77613   | O-RING                     | 3    | 901980-    | X X X  |
| 19  | 38H1172  | ADAPTER FITTING            | 1    | -901979    | X X X  |
|     | 38H1171  | ADAPTER FITTING            | 1    | 901980-    | X X X  |
| 20  | R26906   | O-RING                     | 1    | -901979    | X X X  |
| 21  | 38H1148  | FITTING PLUG               | 2    |            | X X X  |
| 22  | AT185978 | OIL LINE                   | 1    | -913416    | X X X  |
| 23  | AT185979 | OIL LINE                   | 1    | -913416    | X X X  |
| 24  | U10516   | HOSE CLAMP                 | 1    |            | X X X  |
| 25  | 19M8324  | CAP SCREW                  | 1    |            | X X X M10 X 16                                     |
| 26  | 19M7938  | CAP SCREW                  | 1    |            | X X X  |
| 27  | T105720  | CLAMP                      | 1    |            | X X X  |
| 28  | .....    | HOSE GUARD                 | 1    |            | X X X (CUT TO 254 MM (10.0 IN)) (MAKE FROM T78606) |
| 29  | 19M7875  | CAP SCREW                  | 1    |            | X X X  |
| 30  | T159950  | CLAMP                      | 1    |            | X X X  |
| 31  | AT186858 | HYDRAULIC HOSE - FABRICATE | 1    |            | X X X  |
| 32  | AT190748 | HYDRAULIC HOSE - FABRICATE | 1    |            | X X X  |
| 33  | T160549  | CLAMP                      | 2    |            | X X X  |
| 34  | 19M7742  | CAP SCREW                  | 2    |            | X X X  |
| 35  | .....    | SLEEVE                     | 1    |            | X X X (CUT TO 254 MM (10.0 IN)) (MAKE FROM T78606) |
| 36  | 19M8600  | CAP SCREW                  | 2    |            | X X X  |
| 37  | H77698   | TIE BAND                   | 6    |            | X X X  |
| 38  | AT173120 | HYDRAULIC HOSE - FABRICATE | 1    | -901979    | X X X  |
|     | AT196853 | HYDRAULIC HOSE - FABRICATE | 1    | 901980-    | X X X  |
| 39  | 38H1162  | ADAPTER FITTING            | 1    |            | X X X  |
| 40  | R26906   | O-RING                     | 2    |            | X X X  |
| 41  | T77932   | O-RING                     | 2    |            | X X X  |
| 42  | 24M7239  | WASHER                     | 4    |            | X X X  |
| 43  | T160548  | CLAMP                      | 1    |            | X X X  |
| 44  | 28H3383  | BUSHING                    | 1    |            | X X X  |
| 45  | T77857   | O-RING                     | 2    |            | X X X  |
| 46  | AT186858 | HYDRAULIC HOSE - FABRICATE | 1    |            | X X X  |
| 47  | 38H1161  | ADAPTER FITTING            | 2    |            | X X X  |

# 3163-8

LOADER BUCKET CYLINDER AND THIRD FUNCTION HYDRAULICS (SN 913417- )  
VERIN DE BENNE DE CHARGEUR ET CIRCUIT HYDRAULIQUE DE TROISIEME FONCTION (SN 913417- )  
SISTEMA HIDRAULICO DE CILINDRO DE CUCHARON DE CARGADORA Y TERCERA FUNCION (SN 913417- )

TX1008186 -UN-07JUN06



TX1008186



# 3163-9

LOADER 31

LINES, HOSES & FITTINGS 3163

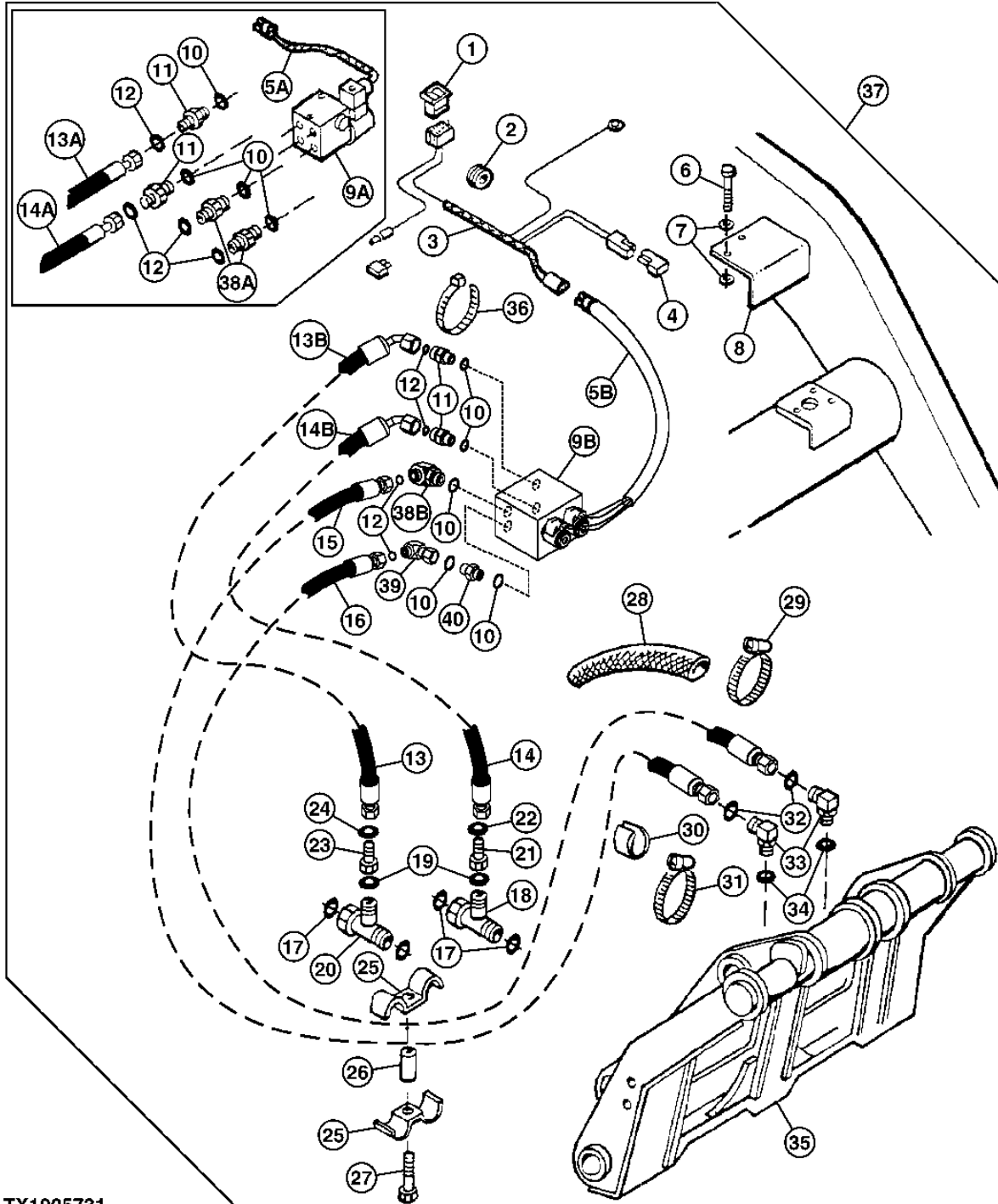
**LOADER BUCKET CYLINDER AND THIRD FUNCTION HYDRAULICS (SN 913417- )**  
**VERIN DE BENNE DE CHARGEUR ET CIRCUIT HYDRAULIQUE DE TROISIEME FONCTION (SN 913417- )**  
**SISTEMA HIDRAULICO DE CILINDRO DE CUCHARON DE CARGADORA Y TERCERA FUNCION (SN 913417- )**

| KEY | PART NO. | PART NAME                  | QTY. | SERIAL NO. | REMARKS  |
|-----|----------|----------------------------|------|------------|--|
|     |          |                            |      |            | 3 3<br>3 1 1<br>1 0 5<br>0 S S<br>G G G  |
| 1   | T77857   | O-RING                     | 3    |            | X X X  |
| 2   | 38H1161  | ADAPTER FITTING            | 3    |            | X X X  |
| 3   | R26375   | O-RING                     | 4    |            | X X X  |
| 4   | R46919   | HALF CLAMP                 | 4    |            | X X X  |
| 5   | 14M7274  | NUT                        | 1    |            | X X X M10  |
| 6   | 28H3381  | SPACER                     | 4    |            | X X X  |
| 7   | AT198258 | HYDRAULIC HOSE - FABRICATE | 1    |            | X X X 13/16" X 1 867 MM (73-1/2") X 1"   |
| 8   | AT301476 | HYDRAULIC HOSE - FABRICATE | 1    |            | X X X 11/16" X 1 892 MM (74-1/2") X 13/16"   |
| 9   | T77932   | O-RING                     | 6    |            | X X X  |
| 10  | 19M7875  | CAP SCREW                  | 2    |            | X X X M10 X 70   |
| 11  | AT197648 | OIL LINE                   | 1    |            | X X X  |
| 12A | .....    | HYDRAULIC HOSE - FABRICATE | 1    | -955725    | X X ( AT197760 NLA) (SUB AT188560, 38H1005, T77857 AND R26375)   |
|     | .....    | HYDRAULIC HOSE - FABRICATE | 1    | -200382    | X ( AT197760 NLA) (SUB AT188560, 38H1005, T77857 AND R26375)   |
| 12B | AT188560 | HYDRAULIC HOSE - FABRICATE | 1    | 955726-    | X X  |
|     | AT188560 | HYDRAULIC HOSE - FABRICATE | 1    | 200383-    | X  |
| 13  | T77857   | O-RING                     | 1    | -955725    | X X  |
|     | T77857   | O-RING                     | 1    | -200382    | X  |
| 14  | 38H1174  | ADAPTER FITTING            | 1    | -955725    | X X  |
|     | 38H1174  | ADAPTER FITTING            | 1    | -200382    | X  |
| 15  | T105773  | GUIDE                      | 1    |            | X X X  |
| 16  | AU12450  | HOSE CLAMP                 | 1    |            | X X X  |
| 17  | .....    | HOSE GUARD                 | 2    |            | X X X (CUT TO 254 MM (10.0 IN)) (MAKE FROM T78606)   |
| 18  | AT198260 | HYDRAULIC HOSE - FABRICATE | 1    |            | X X X 13/16" X 1 822 MM (71-3/4") X 1"   |
| 19  | AT198254 | HYDRAULIC HOSE - FABRICATE | 1    |            | X X X 5/8" X 1 835 MM (72-1/4") X 11/16"   |
| 20  | AT197649 | OIL LINE                   | 1    |            | X X X  |
| 21  | T159952  | CLAMP                      | 2    |            | X X X  |
| 22  | AT198253 | OIL LINE                   | 1    |            | X X X  |
| 23  | AT198251 | OIL LINE                   | 1    |            | X X X  |
| 24  | 24M7239  | WASHER                     | 4    |            | X X X  |
| 25  | 19M7938  | CAP SCREW                  | 1    |            | X X X M10 X 20   |
| 26  | T105720  | CLAMP                      | 1    |            | X X X  |
| 27  | 19M7938  | CAP SCREW                  | 1    |            | X X X M10 X 20   |
| 28  | AT173120 | HYDRAULIC HOSE - FABRICATE | 1    |            | X X X 11/16" X 1 226 MM (48-1/4") X 13/16", (SUB FOR AT196853, THIS APPLICATION) (ALSO ORDER 38H1172, R26906 AND T77613) |
| 29  | U10516   | HOSE CLAMP                 | 1    |            | X X X  |
| 30  | 38H1148  | FITTING PLUG               | 2    |            | X X X  |
| 31  | 19M8081  | CAP SCREW                  | 1    |            | X X X M10 X 80   |
| 32  | T77613   | O-RING                     | 1    |            | X X X  |
| 33  | 38H1171  | ADAPTER FITTING            | 1    |            | X X X  |
| 34  | 28H3394  | BUSHING                    | 1    |            | X X X  |
| 35  | T77857   | O-RING                     | 2    |            | X X X  |
| 36  | T159954  | CLAMP                      | 2    |            | X X X  |
| 37  | R26375   | O-RING                     | 1    |            | X X X  |
| 38  | R26906   | O-RING                     | 1    |            | X X X  |
| 39  | H77698   | TIE BAND                   | 2    |            | X X X  |
| 40  | AT309986 | HYDRAULIC HOSE - FABRICATE | 1    |            | X X X  |
| 41  | AT309934 | HYDRAULIC HOSE - FABRICATE | 1    |            | X X X  |
| 42  | T188879  | BOOT                       | 1    |            | X X X  |
| 43  | T188880  | BOOT                       | 1    |            | X X X  |
| 44  | KV11305  | HYD. QUICK-CONNECT COUPLER | 1    |            | X X X  |
| 45  | T77932   | O-RING                     | 2    |            | X X X  |
| 46  | T80306   | NUT                        | 2    |            | X X X  |
| 47  | AT312876 | HYD. QUICK-CONNECT COUPLER | 1    |            | X X X  |
| 48  | T77857   | O-RING                     | 1    | 955726-    | X X  |
|     | T77857   | O-RING                     | 1    | 200383-    | X  |
| 49  | 38H1005  | ELBOW FITTING              | 1    | 955726-    | X X  |
|     | 38H1005  | ELBOW FITTING              | 1    | 200383-    | X X X  |

# 3163-10

HYDRAULIC FRONT COUPLER (SN -944081)  
ACCOUPLMENT AVANT HYDRAULIQUE (SN -944081)  
ACOPLADOR HIDRAULICO DELANTERO (SN -944081)

TX1005731 -UN-05APR06



TX1005731

THIS PARTS LISTING IS CONTINUED

# 3163-11

LOADER 31

LINES, HOSES & FITTINGS 3163

HYDRAULIC FRONT COUPLER (SN -944081)  
 ACCOUPLEMENT AVANT HYDRAULIQUE (SN -944081)  
 ACOPLADOR HIDRAULICO DELANTERO (SN -944081)

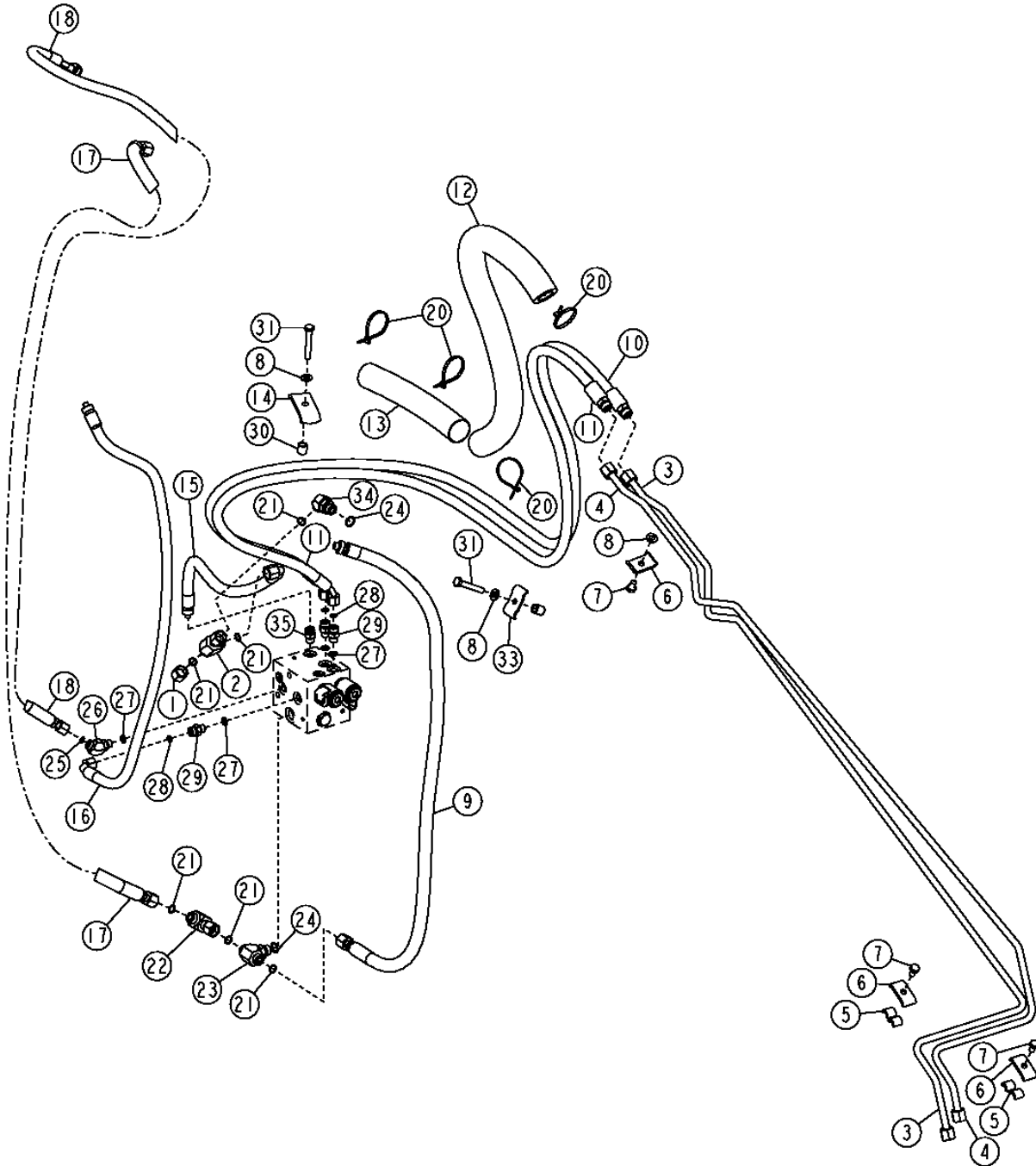
| KEY | PART NO. | PART NAME           | QTY. | SERIAL NO. | 3 3<br>3 1 1<br>1 0 5<br>0 S S<br>G G G | REMARKS  |
|-----|----------|---------------------|------|------------|---|--|
| 1   | AT181292 | SWITCH              | 1    |            | X X X                                   |  |
| 2   | N30256   | GROMMET             | 1    |            | X X X                                   |  |
|     | T70341   | GROMMET             | 1    |            | X X X                                   |  |
| 3   | AT193699 | CAB WIRING HARNESS  | 1    |            | X X X                                   | (ALSO ORDER AT300857) (SUB FOR AT185877)               |
| 4   | AR94101  | DIODE               | 1    |            | X X X                                   |  |
| 5A  | AT185876 | WIRING HARNESS      | 1    | -913970    | X X X                                   | (ALSO ORDER AT193699)                                  |
| 5B  | AT300857 | WIRING HARNESS      | 1    | 913971-    | X X X                                   | (ALSO ORDER AT193699)                                  |
| 6   | 19M8456  | CAP SCREW           | 2    |            | X X X                                   | M8 X 100, (SUB FOR 19M7763, THIS APPLICATION)          |
| 7   | 24M7238  | WASHER              | 4    |            | X X X                                   | 8,700 X 17 X 2 MM, (SUB FOR 24M7250, THIS APPLICATION) |
| 8   | T200540  | COVER               | 1    |            | X X X                                   | (SUB FOR A36518)                                       |
| 9A  | AT181422 | VALVE               | 1    | -913970    | X X X                                   |  |
| 9B  | AT300855 | VALVE               | 1    | 913971-    | X X X                                   |  |
|     | AT224865 | SOLENOID VALVE COIL | 1    | 913871-    | X X X                                   |  |
|     | AT301016 | CHECK VALVE         | 3    | 913871-    | X X X                                   |  |
|     | AT301017 | SOLENOID VALVE      | 1    | 913871-    | X X X                                   | (LARGE DIAMETER)                                       |
|     | AT301019 | SOLENOID VALVE COIL | 1    | 913871-    | X X X                                   |  |
|     | AT301020 | SOLENOID VALVE      | 1    | 913871-    | X X X                                   | (SMALL DIAMETER)                                       |
|     | T181306  | NUT                 | 2    | 913871-    | X X X                                   |  |
| 10  | R26448   | O-RING              | 4    |            | X X X                                   |  |
| 11  | 38H1168  | ADAPTER FITTING     | 2    |            | X X X                                   |  |
| 12  | T77814   | O-RING              | 4    |            | X X X                                   |  |
| 13A | AT195862 | HYDRAULIC HOSE      | 1    | -913970    | X X X                                   | (SUB FOR AT194784, THIS APPLICATION)                   |
| 13B | AT300860 | HYDRAULIC HOSE      | 1    | 913971-    | X X X                                   |  |
| 14A | AT195862 | HYDRAULIC HOSE      | 1    | -913970    | X X X                                   | (SUB FOR AT194784, THIS APPLICATION)                   |
| 14B | AT300860 | HYDRAULIC HOSE      | 1    | 913971-    | X X X                                   |  |
| 15  | AT194785 | HYDRAULIC HOSE      | 1    |            | X X X                                   |  |
| 16  | AT194786 | HYDRAULIC HOSE      | 1    |            | X X X                                   |  |
| 17  | T77932   | O-RING              | 4    |            | X X X                                   |  |
| 18  | 38H1031  | TEE FITTING         | 1    |            | X X X                                   |  |
| 19  | T77857   | O-RING              | 2    |            | X X X                                   |  |
| 20  | 38H1032  | TEE FITTING         | 1    |            | X X X                                   |  |
| 21  | 38H1471  | REDUCER             | 1    |            | X X X                                   |  |
| 22  | T77932   | O-RING              | 1    |            | X X X                                   |  |
| 23  | 38H1471  | REDUCER             | 1    |            | X X X                                   |  |
| 24  | T77613   | O-RING              | 1    |            | X X X                                   |  |
| 25  | R46919   | HALF CLAMP          | 2    |            | X X X                                   |  |
| 26  | 28H1878  | SPACER              | 1    |            | X X X                                   |  |
| 27  | 19M7179  | CAP SCREW           | 1    |            | X X X                                   |  |
| 28  | T162439  | HOSE GUARD          | 1    |            | X X X                                   |  |
| 29  | AR21842  | CLAMP               | 2    |            | X X X                                   |  |
| 30  | .....    | BULK HOSE           | 2    |            | X X X                                   | (CUT TO LENGTH) (MAKE FROM T60811)                     |
| 31  | AR21839  | CLAMP               | 2    |            | X X X                                   |  |
| 32  | T77613   | O-RING              | 2    |            | X X X                                   |  |
| 33  | 38H1009  | ELBOW FITTING       | 2    |            | X X X                                   |  |
| 34  | R26448   | O-RING              | 2    |            | X X X                                   |  |
| 35  | .....    | QUICK COUPLER       | 1    |            | X X X                                   |  |
| 36  | H77698   | TIE BAND            | 12   |            | X X X                                   |  |
| 37  | .....    | KIT                 | 1    |            | X X X                                   | ( AT300853 NLA) (SUB FOR AT185635 AND AT194410)        |
| 38A | 38H1168  | ADAPTER FITTING     | 2    | -913970    | X X X                                   | (PORT A, B)  |
| 38B | 38H1009  | ELBOW FITTING       | 1    | 913971-    | X X X                                   | (PORT A)   |
| 39  | 38H1093  | ELBOW FITTING       | 1    | 913971-    | X X X                                   | (PORT B)   |
| 40  | 38H1168  | ADAPTER FITTING     | 1    | 913971-    | X X X                                   | (PORT B)   |

# 3163-12

## HYDRAULIC FRONT COUPLER ACCOUPEMENT AVANT HYDRAULIQUE ACOPLADOR HIDRAULICO DELANTERO

T209883

-UN-11APR05



T209883

# 3163-13

LOADER 31

LINES,HOSES & FITTINGS 3163

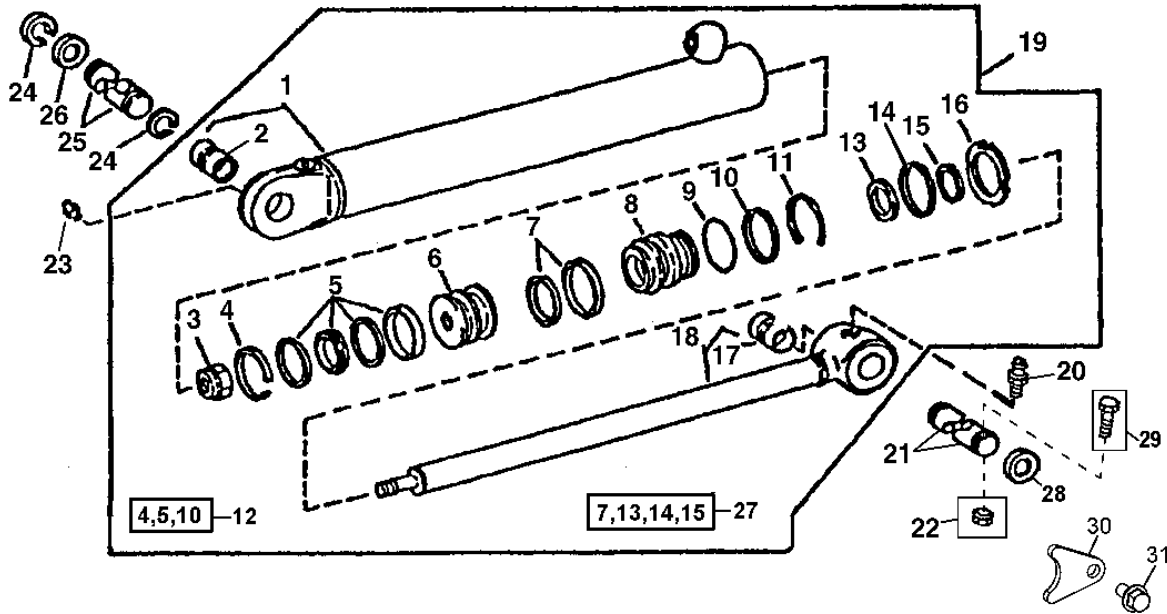
**HYDRAULIC FRONT COUPLER  
ACCOUPLLEMENT AVANT HYDRAULIQUE  
ACOPLADOR HIDRAULICO DELANTERO**

| KEY | PART NO. | PART NAME                  | QTY. | SERIAL NO. | REMARKS                              |
|-----|----------|----------------------------|------|------------|--------------------------------------|
| 1   | 38H1416  | FITTING                    | 1    |            |                                      |
| 2   | 38H1031  | TEE FITTING                | 1    |            |                                      |
| 3   | AT309663 | OIL LINE                   | 1    |            |                                      |
| 4   | AT309662 | OIL LINE                   | 1    |            |                                      |
| 5   | .....    | ISOLATOR                   | 4    |            |                                      |
| 6   | U10516   | HOSE CLAMP                 | 3    |            |                                      |
| 7   | 19M8324  | CAP SCREW                  | 3    |            | M10 X 16                             |
| 8   | 24M7239  | WASHER                     | 5    |            |                                      |
| 9   | AT309694 | HYDRAULIC HOSE - FABRICATE | 1    |            |                                      |
| 10  | AT311651 | HYDRAULIC HOSE - FABRICATE | 1    |            | 11/16" X 2 045 MM (80-1/2") X 13/16" |
| 11  | AT308506 | HYDRAULIC HOSE - FABRICATE | 1    |            | 11/16" X 1 994 MM (78-1/2") X 13/16" |
| 12  | T185089  | SLEEVE                     | 1    |            |                                      |
| 13  | T78606   | HOSE GUARD                 | 2    |            | (CUT TO 254MM (10.0 IN))             |
| 14  | T190979  | HALF CLAMP                 | 1    |            |                                      |
| 15  | AT309679 | HYDRAULIC HOSE - FABRICATE | 1    |            |                                      |
| 16  | AT309682 | HYDRAULIC HOSE - FABRICATE | 1    |            |                                      |
| 17  | AT309696 | HYDRAULIC HOSE - FABRICATE | 1    |            |                                      |
| 18  | AT309690 | HYDRAULIC HOSE - FABRICATE | 1    |            |                                      |
| 20  | R44302   | TIE BAND                   | 4    |            |                                      |
| 21  | T77857   | O-RING                     | 5    |            |                                      |
| 22  | 38H1095  | ELBOW FITTING              | 1    |            |                                      |
| 23  | 38H1017  | TEE FITTING                | 1    |            |                                      |
| 24  | R26375   | O-RING                     | 2    |            |                                      |
| 25  | T77613   | O-RING                     | 1    |            |                                      |
| 26  | 38H1045  | ELBOW FITTING              | 1    |            |                                      |
| 27  | R26448   | O-RING                     | 2    |            |                                      |
| 28  | T77613   | O-RING                     | 1    |            |                                      |
| 29  | 38H1160  | ADAPTER FITTING            | 1    |            |                                      |
| 30  | 28H1522  | SPACER                     | 1    |            |                                      |
| 31  | 19M7742  | CAP SCREW                  | 2    |            | M10 X 65                             |
| 32  | 28H3383  | BUSHING                    | 2    |            |                                      |
| 33  | R46919   | HALF CLAMP                 | 1    |            |                                      |
| 34  | 38H1046  | ELBOW FITTING              | 1    |            |                                      |
| 35  | AT187666 | ADAPTER FITTING            | 1    |            |                                      |

# 3165-2

BOOM CYLINDER AND REPAIR KITS (310G) (SN -926493)  
VERIN DE FLECHE ET KITS DE REPARATION (310G) (SN -926493)  
CILINDRO DE AGUILON Y JUEGOS DE REPARACION (310G) (SN -926493)

T148462 -UN-28NOV01



T148462

THIS PARTS LISTING IS CONTINUED

# 3165-3

LOADER 31

HYDRAULIC CYLINDERS 3165

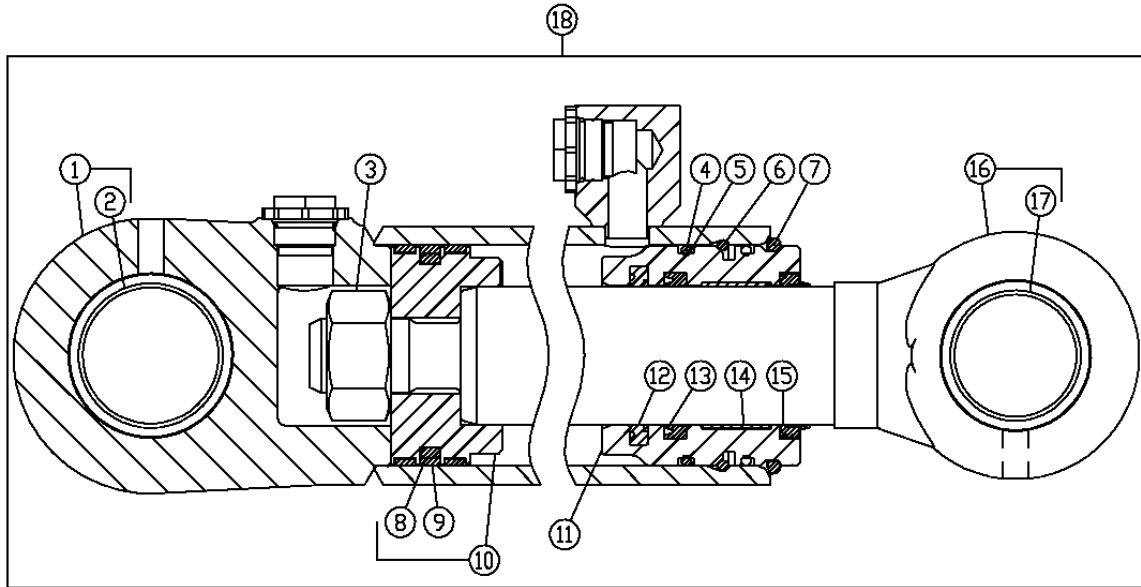
**BOOM CYLINDER AND REPAIR KITS (310G) (SN -926493)  
 VERIN DE FLECHE ET KITS DE REPARATION (310G) (SN -926493)  
 CILINDRO DE AGUILON Y JUEGOS DE REPARACION (310G) (SN -926493)**

| KEY | PART NO. | PART NAME                 | QTY. | SERIAL NO.    | REMARKS                                     |
|-----|----------|---------------------------|------|---------------|---|
|     |          |                           |      |               | 3 3   |
|     |          |                           |      |               | 3 1 1                                       |
|     |          |                           |      |               | 1 0 5                                       |
|     |          |                           |      |               | 0 S S                                       |
|     |          |                           |      |               | G G G                                       |
| 1   | AH146876 | HYDRAULIC CYLINDER BARREL | 1    |               | X   |
| 2   | H159941  | BUSHING                   | 1    |               | X   |
| 3   | H170538  | NUT                       | 1    |               | X   |
| 4   | R81777   | WEAR RING                 | 1    | -902497       | X   |
| 5   | RE20345  | SEAL                      | 1    | -902497       | X   |
| 6   | H145359  | PISTON                    | 1    | -902497       | X   |
|     | AH165826 | PISTON                    | 1    | 902498-926493 | X   |
|     | R98323   | SEAL                      | 1    | 902498-926493 | X   |
|     | R98322   | SEAL                      | 1    | 902498-926493 | X   |
| 7   | AH146561 | SEAL                      | 1    |               | X   |
| 8   | H152345  | HYDR. CYLINDER ROD GUIDE  | 1    |               | X   |
| 9   | T12582   | O-RING                    | 1    |               | X   |
| 10  | R81864   | BACK-UP RING              | 1    |               | X   |
| 11  | R81789   | RING                      | 1    |               | X   |
| 12  | AH212091 | HYDRAULIC CYLINDER KIT    | 1    | -902497       | X (CYLINDER BORE REPAIR) (SUB FOR AH149842) |
| 13  | H152203  | SEAL                      | 1    |               | X   |
| 14  | H152794  | WEAR RING                 | 1    |               | X   |
| 15  | AH146557 | SEAL                      | 1    |               | X   |
| 16  | R81795   | NUT                       | 1    |               | X   |
| 17  | H151542  | BUSHING                   | 1    | -902497       | X   |
| 18  | AH146875 | HYDRAULIC CYLINDER ROD    | 1    |               | X   |
| 19  | AH146874 | HYDRAULIC CYLINDER        | 1    | -902497       | X   |
|     | .....    | HYDRAULIC CYLINDER        | 1    | 902498-926493 | X ( AH174222 NLA) (SUB AH211203)            |
| 20  | T162396  | LUBRICATION FITTING       | 1    |               | X   |
| 21  | T186354  | PIN                       | 2    | -896864       | X   |
|     | T187275  | PIN FASTENER              | 2    | 896865-       | X   |
| 22  | 14M7168  | LOCK NUT                  | 2    | -896864       | X M12                                       |
| 23  | T162396  | LUBRICATION FITTING       | 1    |               | X   |
| 24  | T61226   | SNAP RING                 | 4    |               | X   |
| 25  | T158132  | PIN                       | 1    |               | X   |
| 26  | T75815   | WASHER                    | AR   |               | X 1.988" X 2.953" X 0.197"                  |
| 27  | AH210484 | HYDRAULIC CYLINDER KIT    | 1    |               | X (CYLINDER ROD REPAIR) (SUB FOR AH148164)  |
| 28  | 24H1577  | WASHER                    | 8    | -896864       | X   |
| 29  | 19M7949  | CAP SCREW                 | 2    | -896864       | X M12 X 100                                 |
| 30  | T187276  | PLATE                     | 1    | 896865-       | X (RETAINER)                                |
| 31  | 19M7784  | SCREW                     | 1    | 896865-       | X   |

# 3165-4

BOOM CYLINDER AND REPAIR KITS (310G) (SN 926494- )  
 VERIN DE FLECHE ET KITS DE REPARATION (310G) (SN 926494- )  
 CILINDRO DE AGUILON Y JUEGOS DE REPARACION (310G) (SN 926494- )

T196129 -UN-10NOV03



19-12,13,14,15      20-5,8,9

T196129

| KEY | PART NO. | PART NAME                 | QTY. | SERIAL NO. | 3<br>3<br>1<br>1<br>1<br>0<br>5<br>0<br>S<br>S<br>G<br>G<br>G | REMARKS     |
|-----|----------|---------------------------|------|------------|---|-------------|
| 1   | AH211204 | HYDRAULIC CYLINDER BARREL | 1    |            | X   |             |
| 2   | H159941  | BUSHING                   | 1    |            | X   |             |
| 3   | H170538  | NUT                       | 1    |            | X   |             |
| 4   | T12582   | O-RING                    | 2    |            | X   |             |
| 5   | R81864   | BACK-UP RING              | 1    |            | X   |             |
| 6   | .....    | SNAP RING                 | 1    |            | X   |             |
| 7   | .....    | SNAP RING                 | 1    |            | X   |             |
| 8   | R98323   | SEAL                      | 1    |            | X   |             |
| 9   | R98322   | SEAL                      | 1    |            | X   |             |
| 10  | AH165826 | PISTON                    | 1    |            | X   |             |
| 11  | H209221  | HYDR. CYLINDER ROD GUIDE  | 1    |            | X   |             |
| 12  | AH146561 | SEAL                      | 1    |            | X   |             |
| 13  | H152203  | SEAL                      | 1    |            | X   |             |
| 14  | H208987  | WEAR RING                 | 1    |            | X   |             |
| 15  | AH146557 | SEAL                      | 1    |            | X   |             |
| 16  | AH146875 | HYDRAULIC CYLINDER ROD    | 1    |            | X   |             |
| 17  | H151542  | BUSHING                   | 1    |            | X   |             |
| 18  | AH211203 | HYDRAULIC CYLINDER        | 1    |            | X   |             |
| 19  | AH210484 | HYDRAULIC CYLINDER KIT    | 1    |            | X   | (ROD SEAL)  |
| 20  | AH212092 | HYDRAULIC CYLINDER KIT    | 1    |            | X   | (BORE SEAL) |



# 3165-5

MEMORANDA  
MEMORANDA  
MEMORANDA

# 3165-6

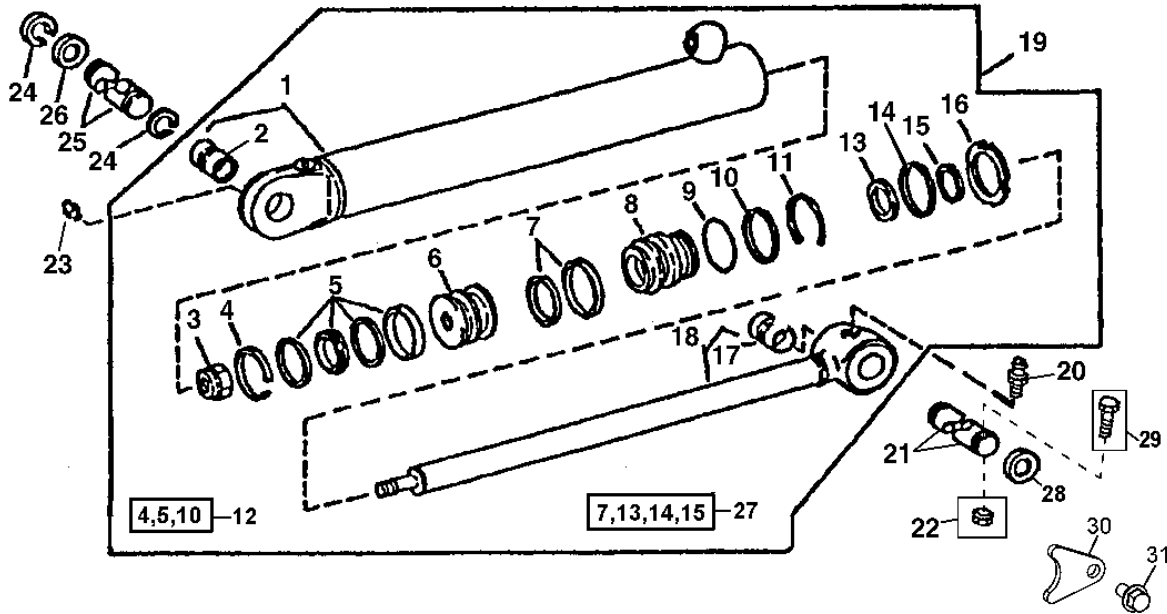
LOADER 31

HYDRAULIC CYLINDERS 3165

BOOM CYLINDER AND REPAIR KITS (310SG AND 315SG) (SN -910491)  
VERIN DE FLECHE ET KITS DE REPARATION (310SG ET 315SG) (SN -910491)  
CILINDRO DE AGUILON Y JUEGOS DE REPARACION (310SG Y 315SG) (SN -91049 1)

T148462

-UN-28NOV01



T148462

THIS PARTS LISTING IS CONTINUED

# 3165-7

LOADER 31

HYDRAULIC CYLINDERS 3165

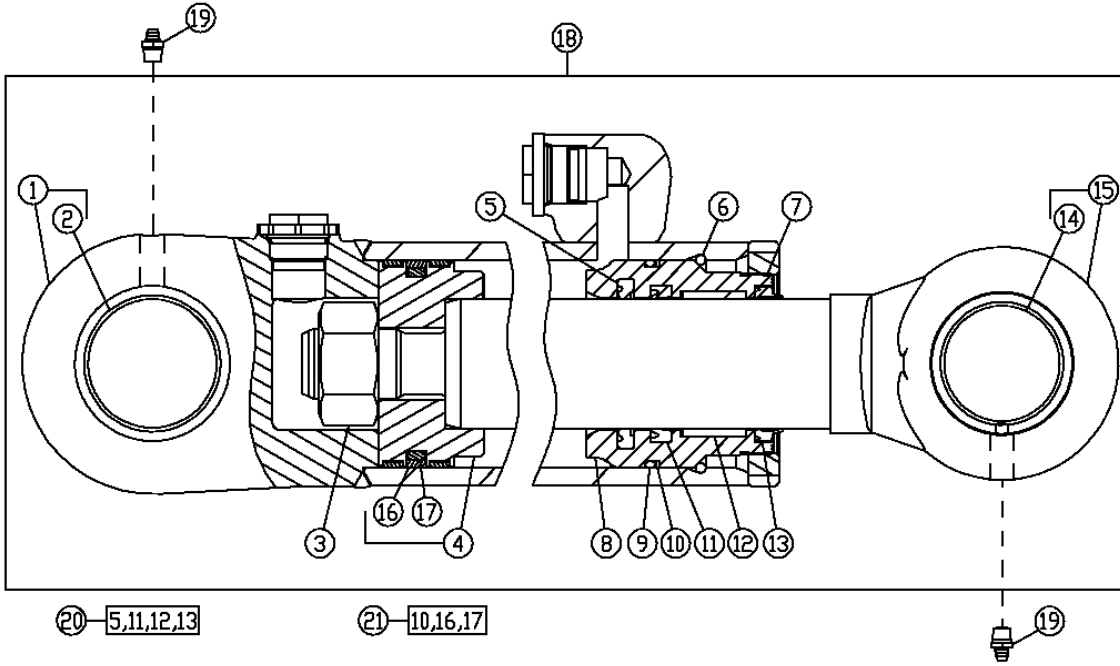
**BOOM CYLINDER AND REPAIR KITS (310SG AND 315SG) (SN -910491)**  
**VERIN DE FLECHE ET KITS DE REPARATION (310SG ET 315SG) (SN -910491)**  
**CILINDRO DE AGUILON Y JUEGOS DE REPARACION (310SG Y 315SG) (SN -91049 1)**

| KEY | PART NO. | PART NAME                 | QTY. | SERIAL NO. | REMARKS                                       |
|-----|----------|---------------------------|------|------------|---|
|     |          |                           |      |            | 3 3   |
|     |          |                           |      |            | 3 1 1   |
|     |          |                           |      |            | 1 0 5   |
|     |          |                           |      |            | 0 S S   |
|     |          |                           |      |            | G G G   |
| 1   | AH146876 | HYDRAULIC CYLINDER BARREL | 1    |            | X X   |
| 2   | H159941  | BUSHING                   | 1    |            | X X   |
| 3   | H170538  | NUT                       | 1    |            | X X   |
| 4   | R81777   | WEAR RING                 | 1    |            | X X   |
| 5   | RE20345  | SEAL                      | 1    |            | X X   |
| 6   | H145359  | PISTON                    | 1    |            | X X   |
| 7   | AH146561 | SEAL                      | 1    |            | X X   |
| 8   | H152345  | HYDR. CYLINDER ROD GUIDE  | 1    |            | X X   |
| 9   | T12582   | O-RING                    | 1    |            | X X   |
| 10  | R81864   | BACK-UP RING              | 1    |            | X X   |
| 11  | R81789   | RING                      | 1    |            | X X   |
| 12  | AH212091 | HYDRAULIC CYLINDER KIT    | 1    |            | X X (CYLINDER BORE REPAIR) (SUB FOR AH149842) |
| 13  | H152203  | SEAL                      | 1    |            | X X   |
| 14  | H152794  | WEAR RING                 | 1    |            | X X   |
| 15  | AH146557 | SEAL                      | 1    |            | X X   |
| 16  | R81795   | NUT                       | 1    |            | X X   |
| 17  | H151542  | BUSHING                   | 1    |            | X X   |
| 18  | AH146875 | HYDRAULIC CYLINDER ROD    | 1    |            | X X   |
| 19  | .....    | HYDRAULIC CYLINDER        | 1    |            | X X ( AH146874 NLA) (SUB AH211206)            |
| 20  | T162396  | LUBRICATION FITTING       | 1    |            | X X   |
| 21  | T186354  | PIN                       | 2    | -896864    | X X   |
|     | T187275  | PIN FASTENER              | 2    | 896865-    | X X   |
| 22  | 14M7168  | LOCK NUT                  | 2    | -896864    | X X M12                                       |
| 23  | T162396  | LUBRICATION FITTING       | 1    |            | X X   |
| 24  | T61226   | SNAP RING                 | 4    |            | X X   |
| 25  | T158132  | PIN                       | 1    |            | X X   |
| 26  | T75815   | WASHER                    | AR   |            | X X 1.988" X 2.953" X 0.197"                  |
| 27  | AH210484 | HYDRAULIC CYLINDER KIT    | 1    |            | X X (CYLINDER ROD REPAIR) (SUB FOR AH148164)  |
| 28  | 24H1577  | WASHER                    | 8    | -896864    | X X   |
| 29  | 19M7949  | CAP SCREW                 | 2    | -896864    | X X M12 X 100                                 |
| 30  | T187276  | PLATE                     | 1    | 896865-    | X X (RETAINER)                                |
| 31  | 19M7784  | SCREW                     | 1    | 896865-    | X X   |

# 3165-8

**BOOM CYLINDER AND REPAIR KITS (310SG AND 315SG) (SN 910492-926248)**  
**VERIN DE FLECHE ET KITS DE REPARATION (310SG ET 315SG) (SN 910492-926248)**  
**CILINDRO DE AGUILON Y JUEGOS DE REPARA (310SG Y 315SG) (SN 910492-926248)**

T212490 -UN-06JUL05



T212490

| KEY | PART NO. | PART NAME                 | QTY. | SERIAL NO. | 3 3<br>3 1 1<br>1 0 5<br>0 S S<br>G G G | REMARKS                        |
|-----|----------|---------------------------|------|------------|---|--------------------------------|
| 1   | AH146876 | HYDRAULIC CYLINDER BARREL | 1    |            | X X                                     |                                |
| 2   | H159941  | BUSHING                   | 1    |            | X X                                     |                                |
| 3   | H170538  | NUT                       | 1    |            | X X                                     |                                |
| 4   | AH165826 | PISTON                    | 1    |            | X X                                     |                                |
| 5   | AH146561 | SEAL                      | 1    |            | X X                                     |                                |
| 6   | R81789   | RING                      | 1    |            | X X                                     |                                |
| 7   | R81795   | NUT                       | 1    |            | X X                                     |                                |
| 8   | H152345  | HYDR. CYLINDER ROD GUIDE  | 1    |            | X X                                     |                                |
| 9   | T12582   | O-RING                    | 1    |            | X X                                     |                                |
| 10  | R81864   | BACK-UP RING              | 1    |            | X X                                     |                                |
| 11  | H152203  | SEAL                      | 1    |            | X X                                     |                                |
| 12  | H152794  | WEAR RING                 | 1    |            | X X                                     |                                |
| 13  | AH146557 | SEAL                      | 1    |            | X X                                     |                                |
| 14  | H151542  | BUSHING                   | 1    |            | X X                                     |                                |
| 15  | AH146875 | HYDRAULIC CYLINDER ROD    | 1    |            | X X                                     |                                |
| 16  | R98322   | SEAL                      | 1    |            | X X                                     |                                |
| 17  | R98323   | SEAL                      | 1    |            | X X                                     |                                |
| 18  | .....    | HYDRAULIC CYLINDER        | 1    |            | X X                                     | ( AH207401 NLA) (SUB AH211206) |
| 19  | T162396  | LUBRICATION FITTING       | 2    |            | X X                                     |                                |
| 20  | AH210484 | HYDRAULIC CYLINDER KIT    | 1    |            | X X                                     | (ROD SEAL) (SUB FOR AH148164)  |
| 21  | AH212092 | HYDRAULIC CYLINDER KIT    | 1    |            | X X                                     | (BORE SEAL) (SUB FOR AH202080) |

# 3165-9

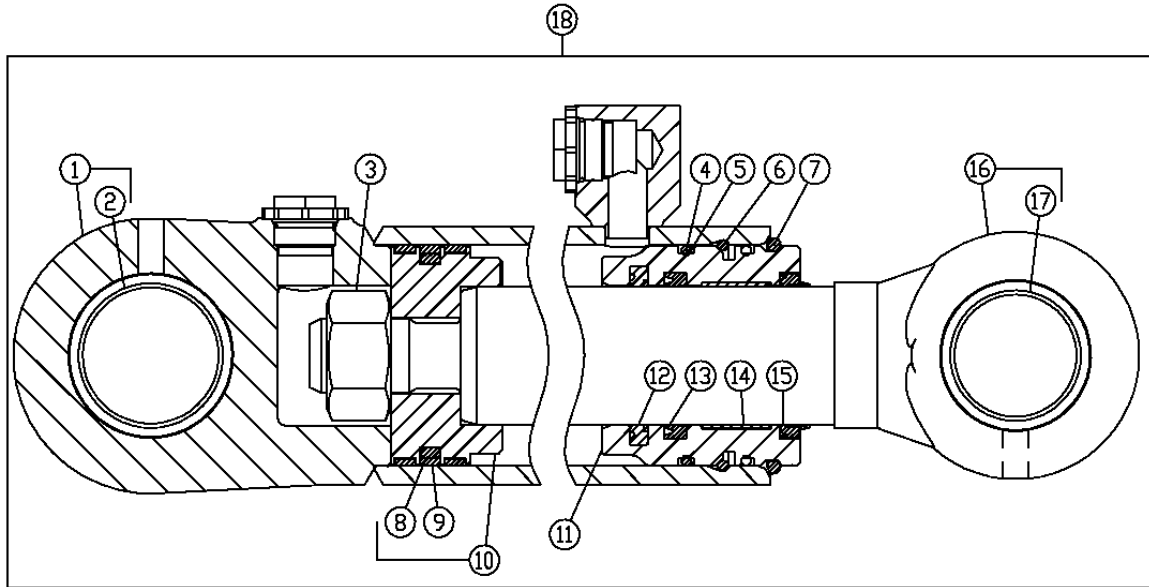
LOADER 31

HYDRAULIC CYLINDERS 3165

BOOM CYLINDER AND REPAIR KITS (310SG AND 315SG) (SN 926249- )  
 VERIN DE FLECHE ET KITS DE REPARATION (310SG ET 315SG) (SN 926249- )  
 CILINDRO DE AGUILON Y JUEGOS DE REPARACION (310SG Y 315SG) (SN 926249- )

T196129

-UN-10NOV03



19-12,13,14,15

20-5,8,9

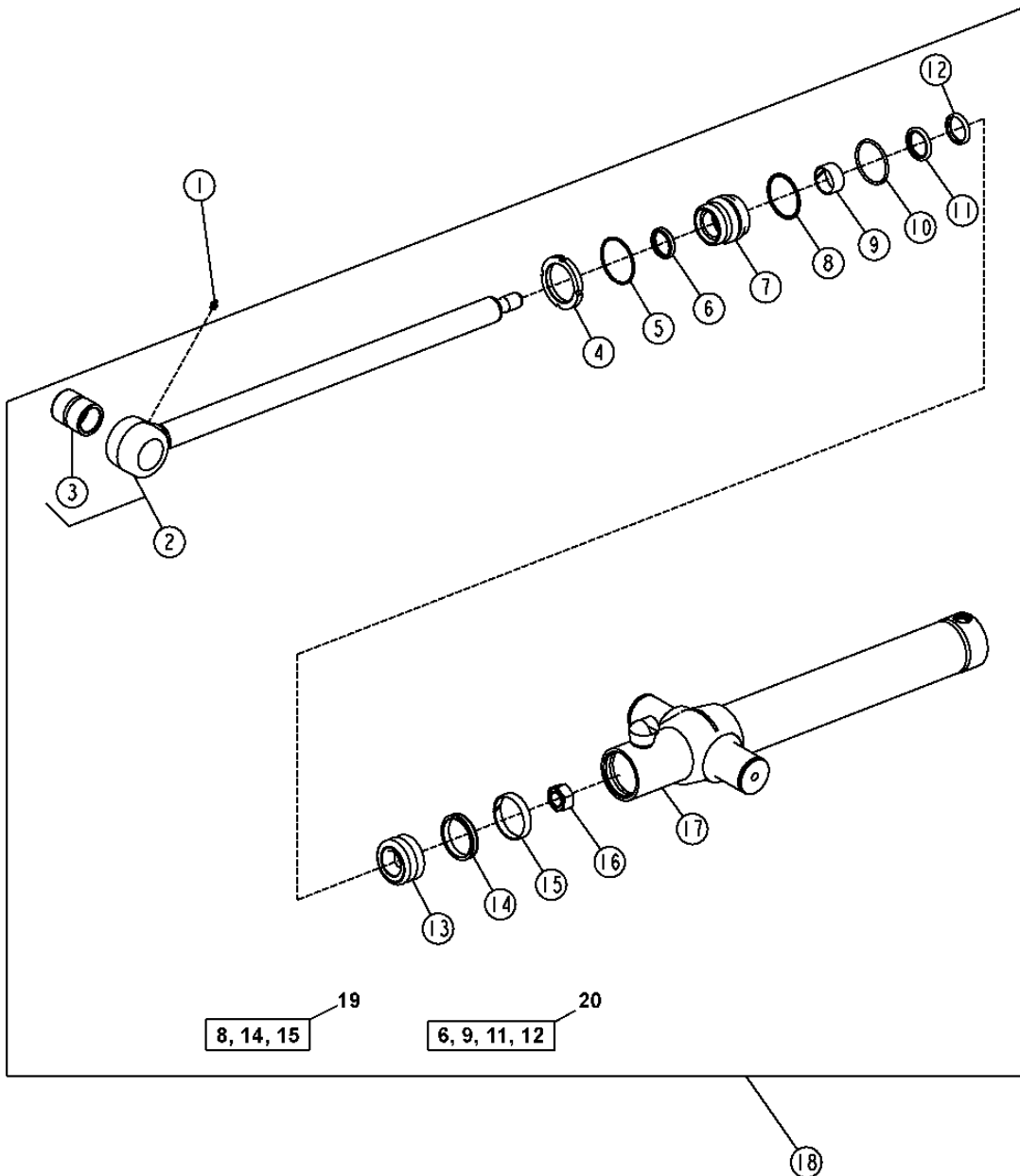
T196129

| KEY | PART NO. | PART NAME                 | QTY. | SERIAL NO. | 3<br>3<br>1<br>1<br>1<br>0<br>5<br>0<br>S<br>S<br>G<br>G<br>G | REMARKS            |
|-----|----------|---------------------------|------|------------|---|--------------------|
| 1   | AH211204 | HYDRAULIC CYLINDER BARREL | 1    |            | X X   |                    |
| 2   | H159941  | BUSHING                   | 1    |            | X X   |                    |
| 3   | H170538  | NUT                       | 1    |            | X X   |                    |
| 4   | T12582   | O-RING                    | 2    |            | X X   |                    |
| 5   | R81864   | BACK-UP RING              | 1    |            | X X   |                    |
| 6   | H170216  | SNAP RING                 | 1    |            | X X   |                    |
| 7   | H180787  | SNAP RING                 | 1    |            | X X   |                    |
| 8   | R98323   | SEAL                      | 1    |            | X X   |                    |
| 9   | R98322   | SEAL                      | 1    |            | X X   |                    |
| 10  | AH165826 | PISTON                    | 1    |            | X X   |                    |
| 11  | H209221  | HYDR. CYLINDER ROD GUIDE  | 1    |            | X X   |                    |
| 12  | AH146561 | SEAL                      | 1    |            | X X   | (SUB FOR AH149842) |
| 13  | H152203  | SEAL                      | 1    |            | X X   |                    |
| 14  | H208987  | WEAR RING                 | 1    |            | X X   |                    |
| 15  | AH146557 | SEAL                      | 1    |            | X X   |                    |
| 16  | AH146875 | HYDRAULIC CYLINDER ROD    | 1    |            | X X   |                    |
| 17  | H151542  | BUSHING                   | 1    |            | X X   |                    |
| 18  | AH211206 | HYDRAULIC CYLINDER        | 1    |            | X X   |                    |
| 19  | AH210484 | HYDRAULIC CYLINDER KIT    | 1    |            | X X   | (ROD SEAL)         |
| 20  | AH212092 | HYDRAULIC CYLINDER KIT    | 1    |            | X X   | (BORE SEAL)        |

# 3165-10

LOADER BUCKET CYLINDER AND REPAIR KIT (SN -941225)  
VERIN DE BENNE DE CHARGEUR ET KIT DE REPARATION (SN -941225)  
CILINDRO DE CUCHARON DE CARGADORA Y JUEGO DE REPARACION (SN -941225)

TP62470 -UN-26SEP00



TP62470

# 3165-11

LOADER 31

HYDRAULIC CYLINDERS 3165

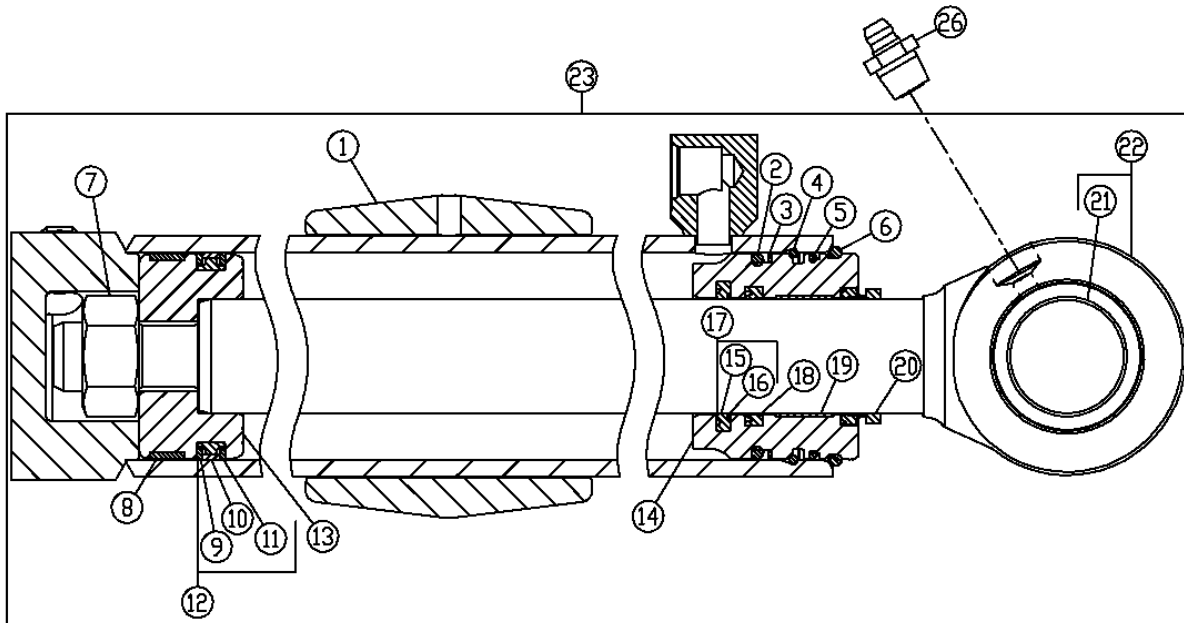
LOADER BUCKET CYLINDER AND REPAIR KIT (SN -941225)  
 VERIN DE BENNE DE CHARGEUR ET KIT DE REPARATION (SN -941225)  
 CILINDRO DE CUCHARON DE CARGADORA Y JUEGO DE REPARACION (SN -941225)

| KEY | PART NO. | PART NAME                 | QTY. | SERIAL NO. | REMARKS                                |
|-----|----------|---------------------------|------|------------|--|
|     |          |                           |      |            | 3 3                                    |
|     |          |                           |      |            | 3 1 1                                  |
|     |          |                           |      |            | 1 0 5                                  |
|     |          |                           |      |            | 0 S S                                  |
|     |          |                           |      |            | G G G                                  |
| 1   | T162396  | LUBRICATION FITTING       | 1    |            | X X X                                  |
| 2   | AH162040 | END                       | 1    |            | X X X                                  |
| 3   | H151594  | BUSHING                   | 1    |            | X X X                                  |
| 4   | R81794   | NUT                       | 1    |            | X X X                                  |
| 5   | R81788   | RING                      | 1    |            | X X X                                  |
| 6   | AH146557 | SEAL                      | 1    |            | X X X                                  |
| 7   | H154352  | HYDR. CYLINDER ROD GUIDE  | 1    |            | X X X                                  |
| 8   | R79101   | BACK-UP RING              | 1    |            | X X X                                  |
| 9   | H152794  | WEAR RING                 | 1    |            | X X X                                  |
| 10  | F1430R   | O-RING                    | 1    |            | X X X                                  |
| 11  | AH146561 | SEAL                      | 1    |            | X X X                                  |
| 12  | H152203  | SEAL                      | 1    |            | X X X                                  |
| 13  | H142090  | PISTON                    | 1    |            | X X X                                  |
| 14  | RE20344  | SEAL                      | 1    |            | X X X                                  |
| 15  | R81776   | WEAR RING                 | 1    |            | X X X                                  |
| 16  | H170539  | NUT                       | 1    |            | X X X                                  |
| 17  | AH173568 | HYDRAULIC CYLINDER BARREL | 1    |            | X X X (SUB FOR AH171229)               |
| 18  | .....    | HYDRAULIC CYLINDER        | 1    |            | X X X (AH173567 NLA) (SUB AH220550)    |
| 19  | AH212096 | HYDRAULIC CYLINDER KIT    | 1    |            | X X X (BORE REPAIR) (SUB FOR AH149843) |
| 20  | AH210484 | HYDRAULIC CYLINDER KIT    | 1    |            | X X X (ROD REPAIR) (SUB FOR AH148164)  |

# 3165-12

LOADER BUCKET CYLINDER AND REPAIR KIT (SN 941226- )  
VERIN DE BENNE DE CHARGEUR ET KIT DE REPARATION (SN 941226- )  
CILINDRO DE CUCHARON DE CARGADORA Y JUEGO DE REPARACION (SN 941226- )

TX1013554 -UN-



TX1013554

24 17,18,19,20

25 3,5,8,12



# 3165-13

LOADERS 31

HYDRAULIC CYLINDERS 3165

LOADER BUCKET CYLINDER AND REPAIR KIT (SN 941226- )  
 VERIN DE BENNE DE CHARGEUR ET KIT DE REPARATION (SN 941226- )  
 CILINDRO DE CUCHARON DE CARGADORA Y JUEGO DE REPARACION (SN 941226- )

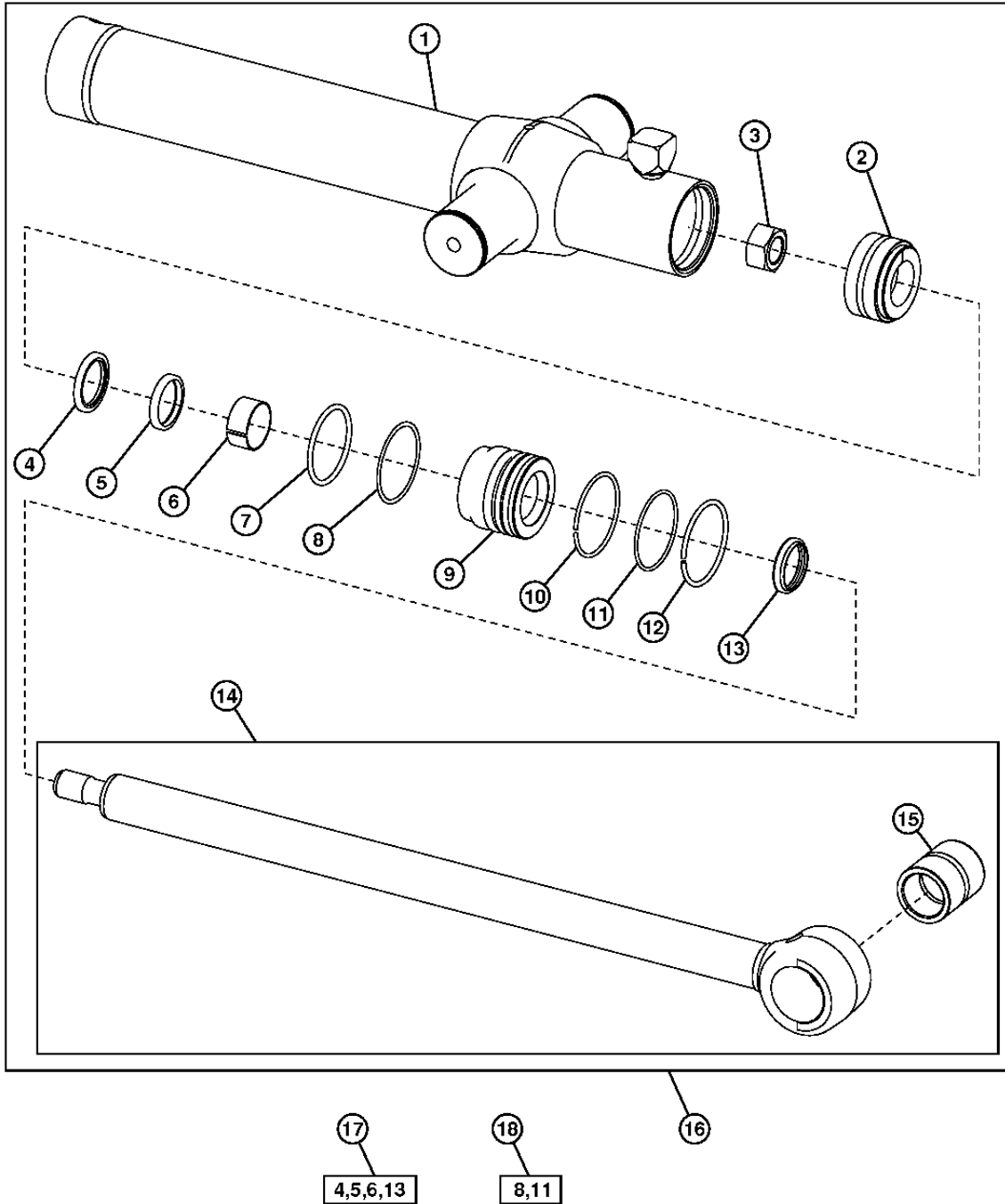
| KEY | PART NO. | PART NAME                 | QTY. | SERIAL NO. | REMARKS                              |
|-----|----------|---------------------------|------|------------|--------------------------------------|
|     |          |                           |      |            | 3 3                                  |
|     |          |                           |      |            | 3 1 1                                |
|     |          |                           |      |            | 1 0 5                                |
|     |          |                           |      |            | 0 S S                                |
|     |          |                           |      |            | G G G                                |
| 1   | AH216339 | HYDRAULIC CYLINDER BARREL | 1    |            | X X X                                |
| 2   | F1430R   | O-RING                    | 1    |            | X X X                                |
| 3   | R79101   | BACK-UP RING              | 1    |            | X X X                                |
| 4   | H180103  | SNAP RING                 | 1    |            | X X X                                |
| 5   | .....    | O-RING                    | 1    |            | X X X                                |
| 6   | H206859  | SNAP RING                 | 1    |            | X X X                                |
| 7   | H170539  | NUT                       | 1    |            | X X X                                |
| 8   | R81776   | WEAR RING                 | 1    |            | X X X                                |
| 9   | .....    | SEAL                      | 1    |            | X X X                                |
| 10  | .....    | BACK-UP RING              | 1    |            | X X X                                |
| 11  | .....    | SEAL                      | 1    |            | X X X                                |
| 12  | RE20344  | SEAL                      | 1    |            | X X X                                |
| 13  | H142090  | PISTON                    | 1    |            | X X X                                |
| 14  | H208631  | HYDR. CYLINDER ROD GUIDE  | 1    |            | X X X                                |
| 15  | .....    | SEAL                      | 1    |            | X X X                                |
| 16  | .....    | SEAL                      | 1    |            | X X X                                |
| 17  | AH146561 | SEAL                      | 1    |            | X X X                                |
| 18  | H152203  | SEAL                      | 1    |            | X X X                                |
| 19  | H208987  | WEAR RING                 | 1    |            | X X X                                |
| 20  | AH146557 | SEAL                      | 1    |            | X X X                                |
| 21  | H151594  | BUSHING                   | 1    |            | X X X                                |
| 22  | AH162040 | END                       | 1    |            | X X X                                |
| 23  | .....    | HYDRAULIC CYLINDER        | 1    |            | X X X ( AH216338 NLA) (SUB AH220550) |
| 24  | AH210484 | HYDRAULIC CYLINDER KIT    | 1    |            | X X X (ROD REPAIR)                   |
| 25  | AH212096 | HYDRAULIC CYLINDER KIT    | 1    |            | X X X (BORE REPAIR)                  |
| 26  | T162396  | LUBRICATION FITTING       | 1    |            | X X X                                |

# 3165-14

LOADER BUCKET CYLINDER AND REPAIR KIT (SN. 941226- )  
VERIN DE BENNE DE CHARGEUR ET KIT DE REPARATION (SN. 941226- )  
CILINDRO DE CUCHARON DE CARGADORA Y JUEGO DE REPARACION (SN. 941226- )  
(REPLACEMENT CYLINDER)  
CYLINDRE RECHANGE  
CILINDRO REPUESTO

TX1008161

-UN-



TX1008161

# 3165-15

LOADER 31

HYDRAULIC CYLINDERS 3165

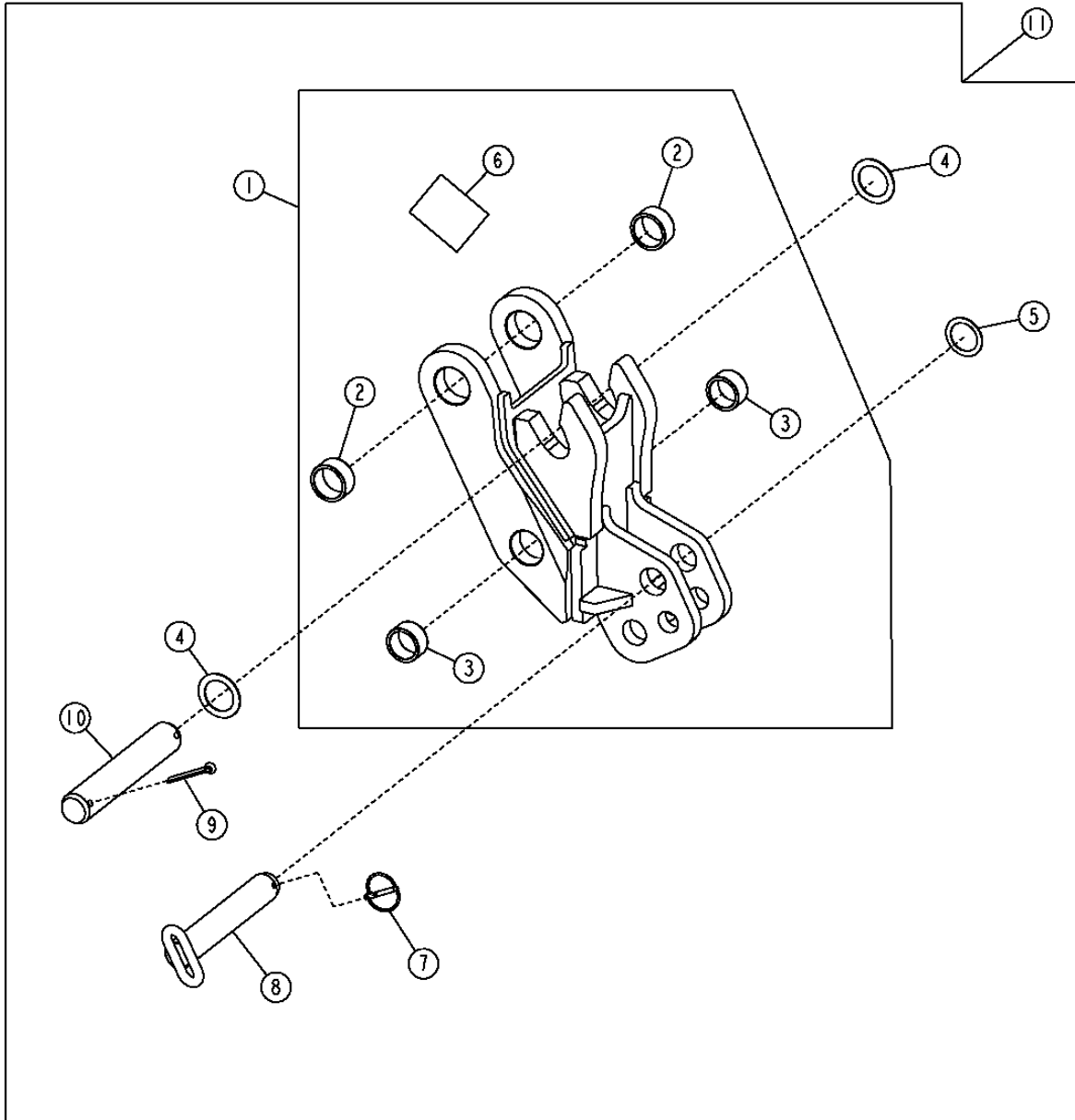
LOADER BUCKET CYLINDER AND REPAIR KIT (SN. 941226- )  
VERIN DE BENNE DE CHARGEUR ET KIT DE REPARATION (SN. 941226- )  
CILINDRO DE CUCHARON DE CARGADORA Y JUEGO DE REPARACION (SN. 941226- )  
(REPLACEMENT CYLINDER)  
CYLINDRE RECHANGE  
CILINDRO REPUESTO

| KEY | PART NO. | PART NAME                 | QTY. | SERIAL NO. | REMARKS   |
|-----|----------|---------------------------|------|------------|-----------|
| 1   | AH220551 | HYDRAULIC CYLINDER BARREL | 1    |            |           |
| 2   | AH205060 | PISTON                    | 1    |            |           |
| 3   | H170539  | NUT                       | 1    |            |           |
| 4   | AH146561 | SEAL                      | 1    |            |           |
| 5   | H152203  | SEAL                      | 1    |            |           |
| 6   | H208987  | WEAR RING                 | 1    |            |           |
| 7   | F1430R   | O-RING                    | 1    |            |           |
| 8   | R79101   | BACK-UP RING              | 1    |            |           |
| 9   | H208631  | HYDR. CYLINDER ROD GUIDE  | 1    |            |           |
| 10  | H180103  | SNAP RING                 | 1    |            |           |
| 11  | H181114  | O-RING                    | 1    |            |           |
| 12  | H206859  | SNAP RING                 | 1    |            |           |
| 13  | AH146557 | SEAL                      | 1    |            |           |
| 14  | AH162040 | END                       | 1    |            |           |
| 15  | H151594  | BUSHING                   | 1    |            |           |
| 16  | AH220550 | HYDRAULIC CYLINDER        | 1    |            |           |
| 17  | AH210484 | HYDRAULIC CYLINDER KIT    | 1    |            | ROD SEAL  |
| 18  | AH212097 | HYDRAULIC CYLINDER KIT    | 1    |            | BORE SEAL |

# 3302-2

QUICK COUPLER (UNIVERSAL) (310SG AND 315SG)  
ACCOUPLMENT RAPIDE (UNIVERSEL) (310SG ET 315SG)  
ACOPLAMIENTO RAPIDO (UNIVERSAL) (310SG Y 315SG)

T151499 -UN-14FEB02



T151499

# 3302-3

BACKHOE 33

BUCKET WITH TEETH 3302

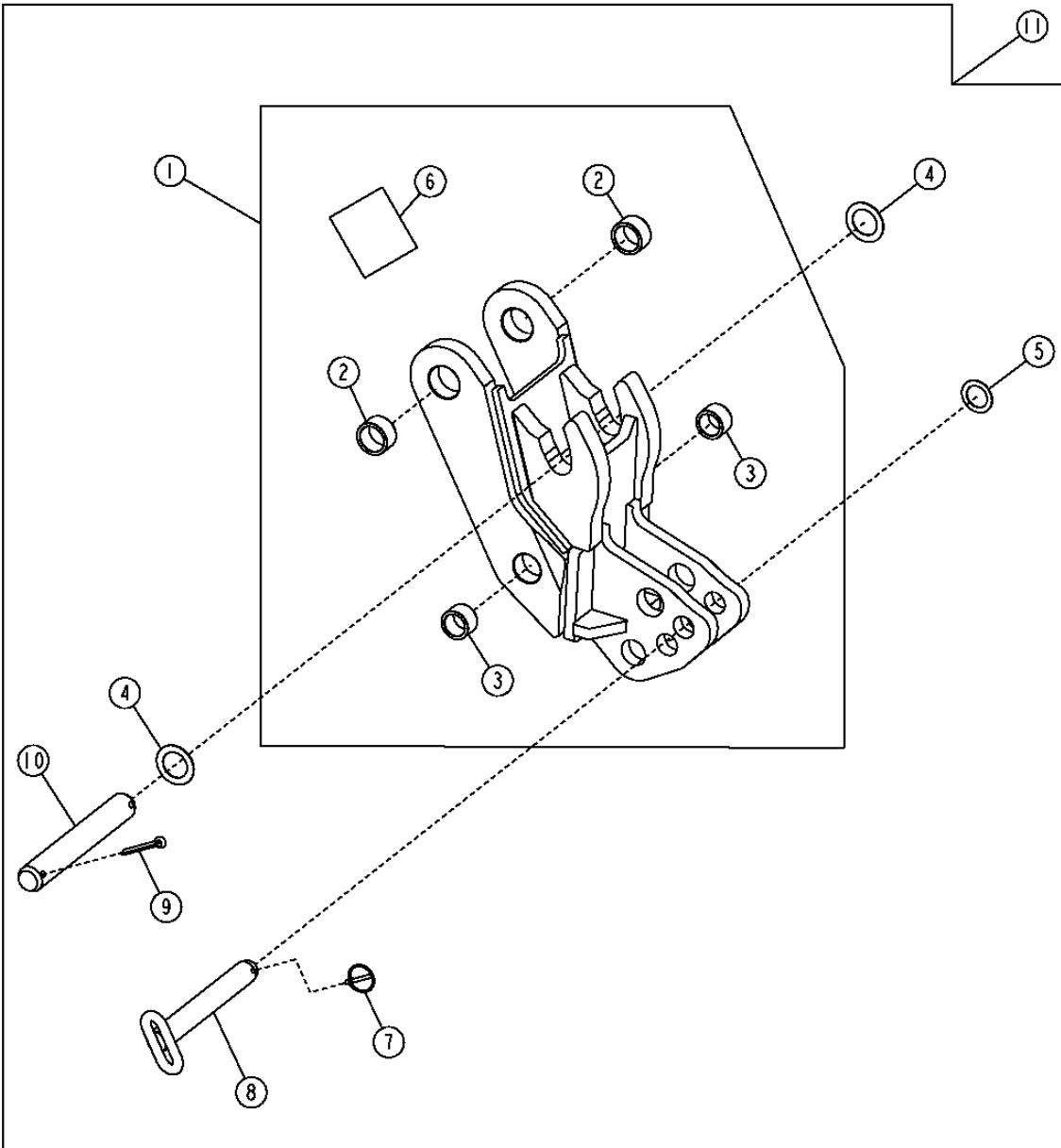
QUICK COUPLER (UNIVERSAL) (310SG AND 315SG)  
 ACCOUPLEMENT RAPIDE (UNIVERSEL) (310SG ET 315SG)  
 ACOPLAMIENTO RAPIDO (UNIVERSAL) (310SG Y 315SG)

| KEY | PART NO. | PART NAME      | QTY. | SERIAL NO. | 3 3<br>3 1 1<br>1 0 5<br>0 S S<br>G G G | REMARKS |
|-----|----------|----------------|------|------------|---|---------|
| 1   | AT192106 | QUICK COUPLER  | 1    |            | X X                                     |         |
| 2   | T187117  | BUSHING        | 2    |            | X X                                     |         |
| 3   | T187116  | BUSHING        | 2    |            | X X                                     |         |
| 4   | T161036  | WASHER         | 2    |            | X X                                     |         |
| 5   | 24H1683  | WASHER         | 1    |            | X X                                     |         |
| 6   | T162847  | LABEL          | 1    |            | X X                                     |         |
| 7   | AR83396  | QUICK LOCK PIN | 1    |            | X X                                     |         |
| 8   | AT192111 | PIN            | 1    |            | X X                                     |         |
| 9   | 11H227   | COTTER PIN     | 2    |            | X X                                     |         |
| 10  | T185832  | PIN FASTENER   | 1    |            | X X                                     |         |
| 11  | AT192092 | QUICK COUPLER  | 1    |            | X X (WHOLE GOODS)                       |         |

# 3302-4

QUICK COUPLER (UNIVERSAL) (310G)  
ACCOUPLMENT RAPIDE (UNIVERSEL) (310G)  
ACOPLAMIENTO RAPIDO (UNIVERSAL) (310G)

T151498 -UN-14FEB02



T151498

# 3302-5

BACKHOE 33

BUCKET WITH TEETH 3302

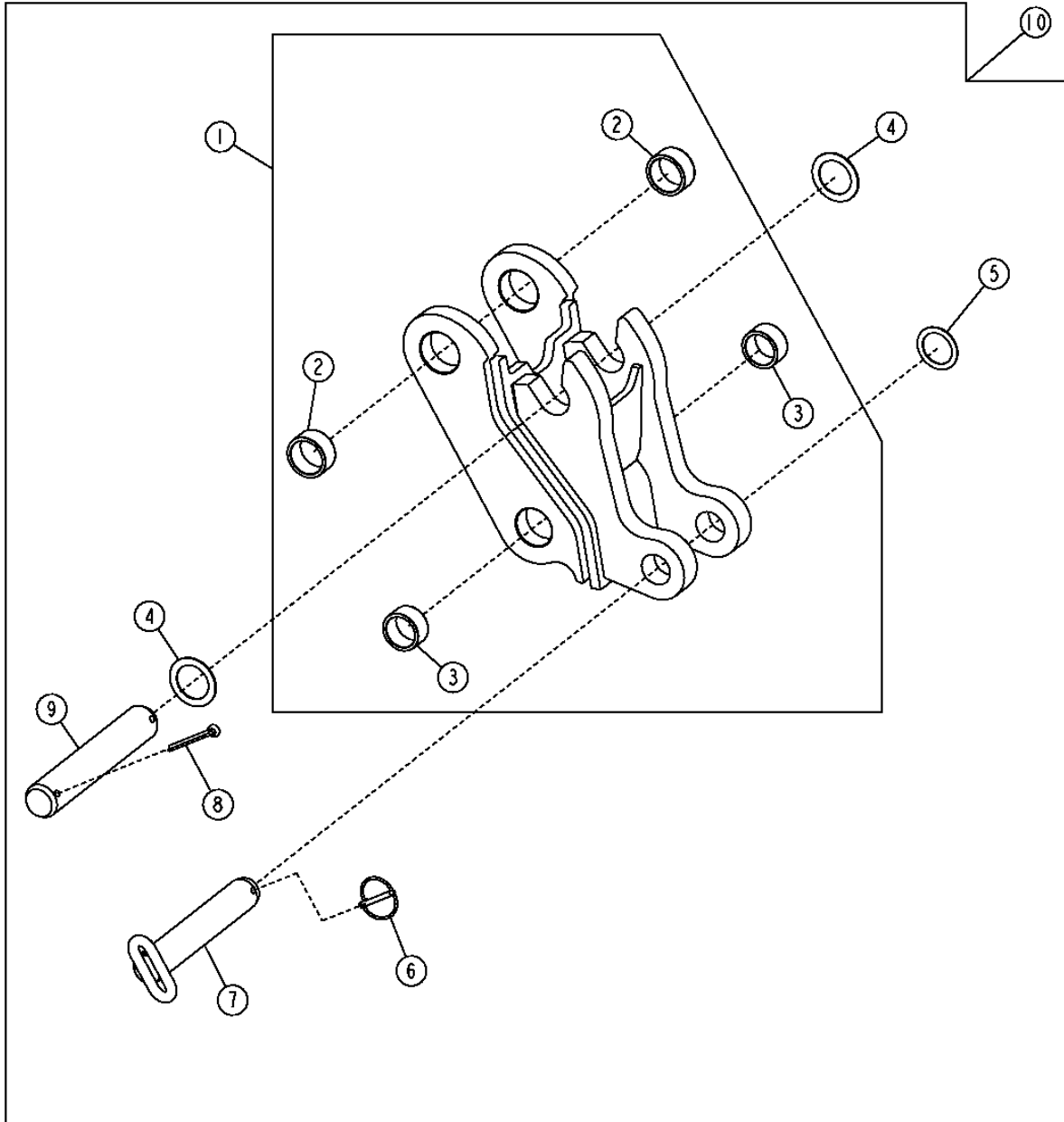
QUICK COUPLER (UNIVERSAL) (310G)  
 ACCOUPLEMENT RAPIDE (UNIVERSEL) (310G)  
 ACOPLAMIENTO RAPIDO (UNIVERSAL) (310G)

| KEY | PART NO.        | PART NAME            | QTY.     | SERIAL NO. | 3 3<br>3 1 1<br>1 0 5<br>0 S S<br>G G G | REMARKS              |
|-----|-----------------|----------------------|----------|------------|---|----------------------|
| 1   | AT192104        | QUICK COUPLER        | 1        |            | X                                       |                      |
| 2   | T187115         | BUSHING              | 2        |            | X                                       |                      |
| 3   | T187114         | BUSHING              | 2        |            | X                                       |                      |
| 4   | 24H1574         | WASHER               | 2        |            | X                                       |                      |
| 5   | 24H1536         | WASHER               | 1        |            | X                                       |                      |
| 6   | T162848         | LABEL                | 1        |            | X                                       |                      |
| 7   | AA21292         | QUICK LOCK PIN       | 1        |            | X                                       |                      |
| 8   | AT178072        | PIN                  | 1        |            | X                                       |                      |
| 9   | 11H221          | COTTER PIN           | 2        |            | X                                       |                      |
| 10  | T185830         | PIN FASTENER         | 1        |            | X                                       |                      |
| 11  | <b>AT192088</b> | <b>QUICK COUPLER</b> | <b>1</b> |            | <b>X</b>                                | <b>(WHOLE GOODS)</b> |

# 3302-6

QUICK COUPLER (STANDARD) (310SG AND 315SG)  
ACCOUPLMENT RAPIDE (STANDARD) (310SG ET 315SG)  
ACOPLAMIENTO RAPIDO (ESTANDAR) (310SG Y 315SG)

T151505 -UN-14FEB02



T151505



# 3302-7

BACKHOE 33

BUCKET WITH TEETH 3302

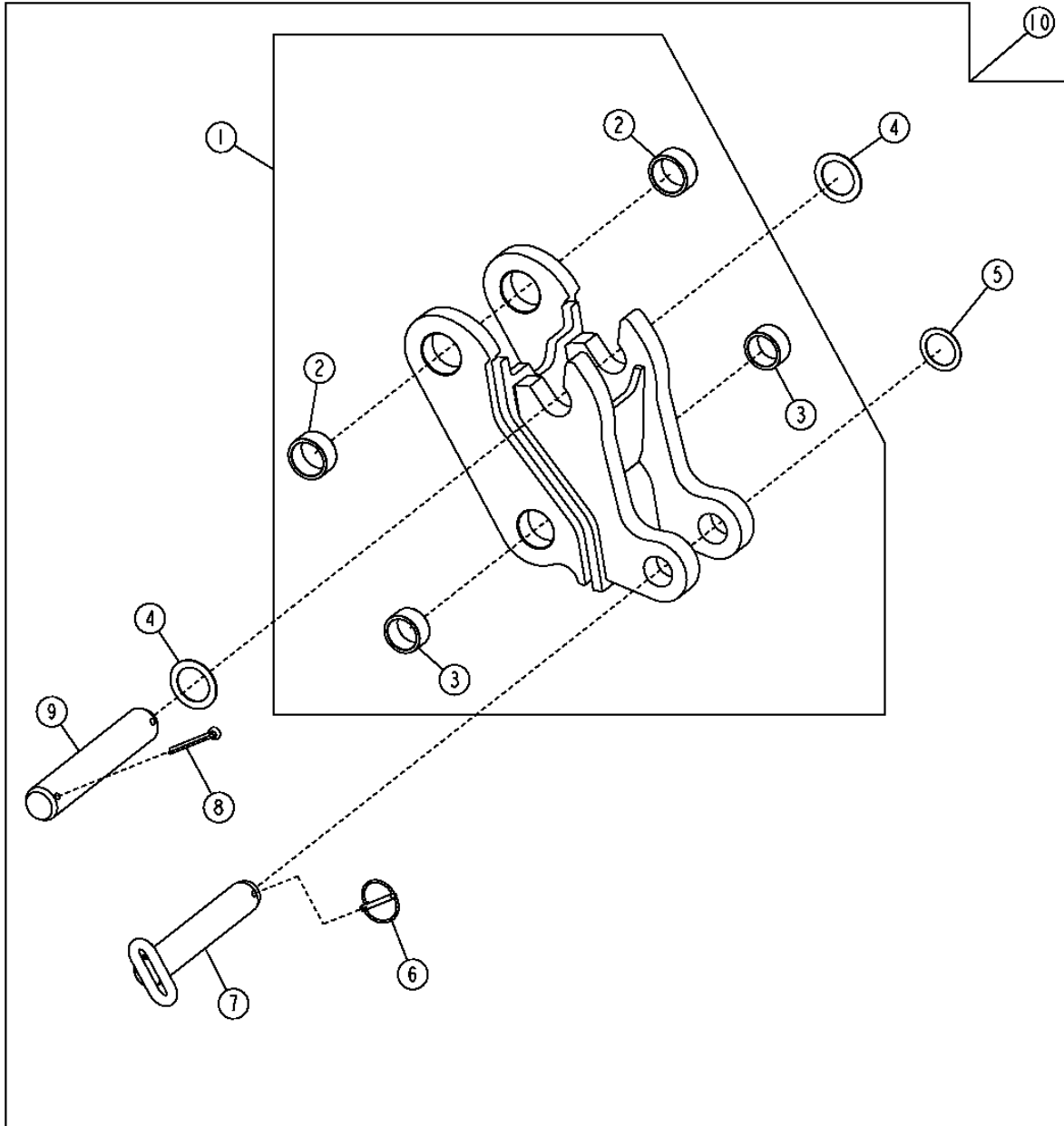
QUICK COUPLER (STANDARD) (310SG AND 315SG)  
 ACCOUPLEMENT RAPIDE (STANDARD) (310SG ET 315SG)  
 ACOPLAMIENTO RAPIDO (ESTANDAR) (310SG Y 315SG)

| KEY | PART NO. | PART NAME      | QTY. | SERIAL NO. | REMARKS           |
|-----|----------|----------------|------|------------|-------------------|
|     |          |                |      | 3 3        |                   |
|     |          |                |      | 3 1 1      |                   |
|     |          |                |      | 1 0 5      |                   |
|     |          |                |      | 0 S S      |                   |
|     |          |                |      | G G G      |                   |
| 1   | AT192107 | QUICK COUPLER  | 1    |            | X X               |
| 2   | T187117  | BUSHING        | 2    |            | X X               |
| 3   | T187116  | BUSHING        | 2    |            | X X               |
| 4   | T161036  | WASHER         | 2    |            | X X               |
| 5   | 24H1683  | WASHER         | 1    |            | X X               |
| 6   | AR83396  | QUICK LOCK PIN | 1    |            | X X               |
| 7   | AT192111 | PIN            | 1    |            | X X               |
| 8   | 11H227   | COTTER PIN     | 2    |            | X X               |
| 9   | T185832  | PIN FASTENER   | 1    |            | X X               |
| 10  | AT192093 | QUICK COUPLER  | 1    |            | X X (WHOLE GOODS) |

# 3302-8

QUICK COUPLER (STANDARD) (310G)  
ACCOUPLMENT RAPIDE (STANDARD) (310G)  
ACOPLAMIENTO RAPIDO (ESTANDAR) (310G)

T151505 -UN-14FEB02



T151505

# 3302-9

BACKHOE 33

BUCKET WITH TEETH 3302

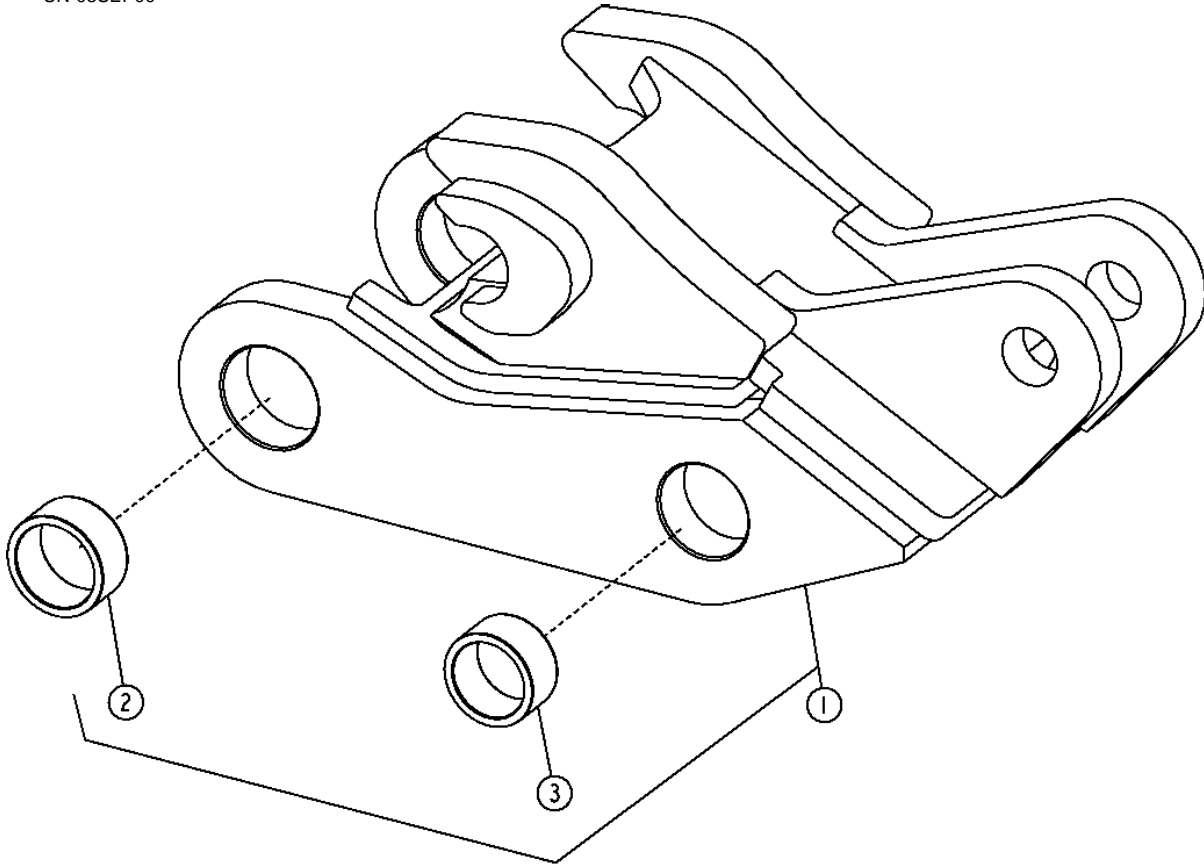
QUICK COUPLER (STANDARD) (310G)  
 ACCOUPLEMENT RAPIDE (STANDARD) (310G)  
 ACOPLAMIENTO RAPIDO (ESTANDAR) (310G)

| KEY | PART NO. | PART NAME      | QTY. | SERIAL NO. | 3 3<br>3 1 1<br>1 0 5<br>0 S S<br>G G G | REMARKS          |
|-----|----------|----------------|------|------------|---|------------------|
| 1   | .....    | QUICK COUPLER  | 1    |            | X                                       | (ORDER AT192090) |
| 2   | T187115  | BUSHING        | 2    |            | X                                       |                  |
| 3   | T187114  | BUSHING        | 2    |            | X                                       |                  |
| 4   | 24H1574  | WASHER         | 2    |            | X                                       |                  |
| 5   | 24H1536  | WASHER         | 1    |            | X                                       |                  |
| 6   | AA21292  | QUICK LOCK PIN | 1    |            | X                                       |                  |
| 7   | AT178072 | PIN            | 1    |            | X                                       |                  |
| 8   | 11H221   | COTTER PIN     | 2    |            | X                                       |                  |
| 9   | T185830  | PIN FASTENER   | 1    |            | X                                       |                  |
| 10  | AT192090 | QUICK COUPLER  | 1    |            | X                                       | (WHOLE GOODS)    |

# 3302-10

QUICK COUPLER (CASE)  
ACCOUPLMENT RAPIDE (CASE)  
ACOPLAMIENTO RAPIDO (CASE)

TP69671 -UN-05SEP00



TP69671

# 3302-11

BACKHOE 33

BUCKET WITH TEETH 3302

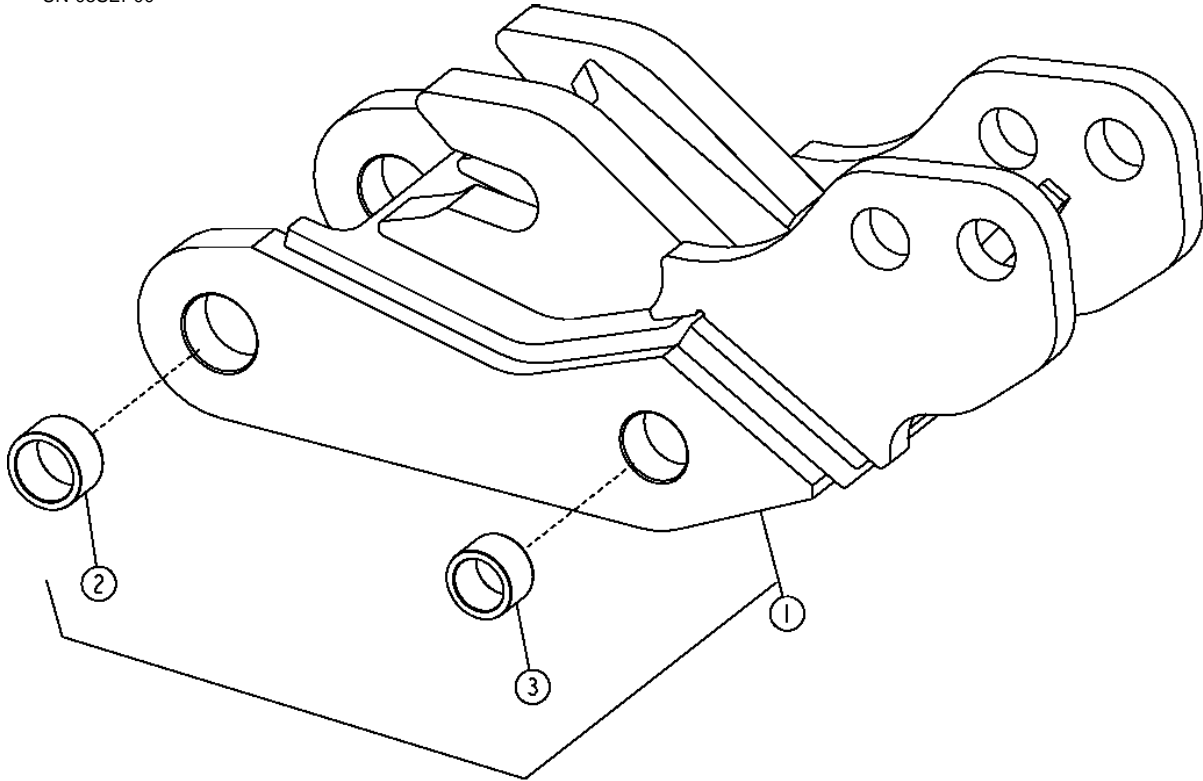
QUICK COUPLER (CASE)  
 ACCOUPLEMENT RAPIDE (CASE)  
 ACOPLAMIENTO RAPIDO (CASE)

| KEY | PART NO. | PART NAME     | QTY. | SERIAL NO. | REMARKS                          |
|-----|----------|---------------|------|------------|----------------------------------|
|     |          |               |      |            | 3 3                              |
|     |          |               |      |            | 3 1 1                            |
|     |          |               |      |            | 1 0 5                            |
|     |          |               |      |            | 0 S S                            |
|     |          |               |      |            | G G G                            |
| 1   | .....    | QUICK COUPLER | 1    |            | X (WHOLE GOODS)( AT192091 NLA)   |
|     | .....    | QUICK COUPLER | 1    |            | X X (WHOLE GOODS)( AT192094 NLA) |
| 2   | T187115  | BUSHING       | 2    |            | X                                |
|     | T187117  | BUSHING       | 2    |            | X X                              |
| 3   | T187114  | BUSHING       | 2    |            | X                                |
|     | T187116  | BUSHING       | 2    |            | X X                              |

# 3302-12

QUICK COUPLER (FORD)  
ACCOUPLMENT RAPIDE (FORD)  
ACOPLAMIENTO RAPIDO (FORD)

TP69672 -UN-05SEP00



TP69672

# 3302-13

BACKHOE 33

BUCKET WITH TEETH 3302

QUICK COUPLER (FORD)  
ACCOUPLMENT RAPIDE (FORD)  
ACOPLAMIENTO RAPIDO (FORD)

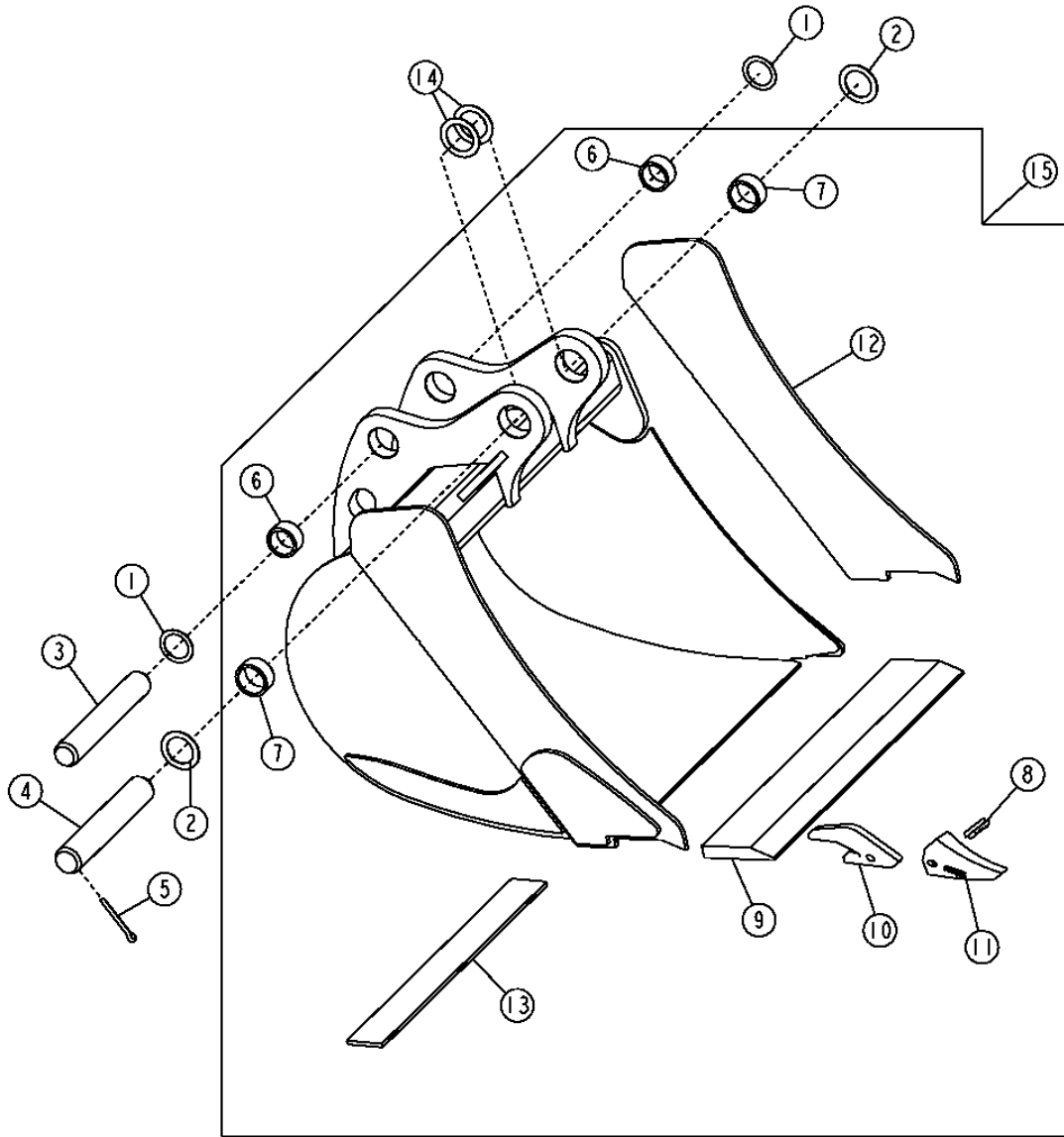
| KEY | PART NO. | PART NAME     | QTY. | SERIAL NO. | 3 3<br>3 1 1<br>1 0 5<br>0 S S<br>G G G | REMARKS                     |
|-----|----------|---------------|------|------------|---|-----------------------------|
| 1   | .....    | QUICK COUPLER | 1    |            | X                                       | (WHOLE GOODS)(AT192089 NLA) |
| 2   | T187115  | BUSHING       | 2    |            | X                                       |                             |
| 3   | T187114  | BUSHING       | 2    |            | X                                       |                             |

# 3302-14

BACKHOE BUCKETS  
GOGETS DE RETROPELLE  
CUCHARONES DE RETROEXCAVADORA

T214797

-UN-22SEP05



T214797



# 3302-15

**BACKHOE BUCKETS  
GODETS DE RETROPELLE  
CUCHARONES DE RETROEXCAVADORA**

| KEY | PART NO.        | PART NAME             | QTY. | SERIAL NO. | REMARKS   |
|-----|-----------------|-----------------------|------|------------|---|
|     |                 |                       |      |            | 3 3<br>3 1 1<br>1 0 5<br>0 S S<br>G G G   |
| 1   | 24H1683         | WASHER                | 2    |            | X X   |
|     | 24H1536         | WASHER                | 2    |            | X   |
|     | T161036         | WASHER                | 3    |            | X X 2.205" X 3.150" X 0.079"  |
| 3   | T185831         | PIN FASTENER          | 1    |            | X X 49.475 X 320 MM   |
|     | T185829         | PIN FASTENER          | 1    |            | X 38.100 X 320 MM   |
| 4   | T185832         | PIN FASTENER          | 1    |            | X X 54.475 X 320 MM   |
|     | T185830         | PIN FASTENER          | 1    |            | X 44.475 X 320 MM   |
| 5   | 11H227          | COTTER PIN            | 4    |            | X X   |
|     | 11H221          | COTTER PIN            | 4    |            | X   |
| 6   | T187114         | BUSHING               | 2    |            | X   |
|     | T187116         | BUSHING               | 2    |            | X X   |
| 7   | T187115         | BUSHING               | 2    |            | X   |
|     | T187117         | BUSHING               | 2    |            | X X   |
| 8   | TF23P           | PIN                   | AR   |            | X X X (FLEX)  |
| 9   | T161279         | CUTTING EDGE          | 1    |            | X X X (CTL) USE WITH PARTS MARKED (A)   |
|     | T161759         | CUTTING EDGE          | 1    |            | X (CTL) USE WITH PARTS MARKED (B)   |
|     | T161319         | CUTTING EDGE          | 1    |            | X X X (CTL) USE WITH PARTS MARKED (C)   |
| 10  | U43792          | BUCKET TOOTH ADAPTER  | AR   |            | X X X   |
| 11  | TF23D           | TOOTH                 | AR   |            | X X X (TIP)   |
| 12  | T159197         | PLATE                 | 2    |            | X   |
|     | T162535         | PLATE                 | 2    |            | X X X   |
|     | T162553         | PLATE                 | 2    |            | X X   |
|     | T162569         | PLATE                 | 2    |            | X X X   |
| 13  | .....           | WEAR PLATE            | AR   |            | X X (USE WITH SEVERE DUTY BUCKETS) 692 X 76 X 8 MM                                  |
| 14  | 24H1679         | WASHER                | 3    |            | X X 2-17/64" X 3-1/4" X 0.060"  |
|     | 24H1574         | WASHER                | 2    |            | X 1-13/16" X 2-3/4" X 0.060"  |
| 15  | <b>AT192004</b> | <b>BACKHOE BUCKET</b> | 1    |            | <b>X (A) (E) 304MM (12") 3.3 CUBIC FEET, (CONTAINS (2) T162535) (WHOLE GOODS)</b>   |
|     | <b>AT192011</b> | <b>BACKHOE BUCKET</b> | 1    |            | <b>X X (A) (E) 304MM (12") 3.3 CUBIC FEET, (CONTAINS (2) T162535) (WHOLE GOODS)</b> |
|     | <b>AT192005</b> | <b>BACKHOE BUCKET</b> | 1    |            | <b>X (B) (D) 457MM (18") 4.6 CUBIC FEET, (CONTAINS (2) T159197) (WHOLE GOODS)</b>   |
|     | <b>AT192006</b> | <b>BACKHOE BUCKET</b> | 1    |            | <b>X (A) (E) 457MM (18") 5.1 CUBIC FEET, (CONTAINS (2) T162535) (WHOLE GOODS)</b>   |
|     | <b>AT192012</b> | <b>BACKHOE BUCKET</b> | 1    |            | <b>X X (A) (E) 457MM (18") 5.1 CUBIC FEET, (CONTAINS (2) T162535) (WHOLE GOODS)</b> |
|     | <b>AT192013</b> | <b>BACKHOE BUCKET</b> | 1    |            | <b>X X (C) (F) 457MM (18") 5.1 CUBIC FEET, (CONTAINS (2) T162553) (WHOLE GOODS)</b> |

(D) STANDARD DUTY  
(D) USAGE STANDARD  
(D) SERVICIO NORMAL

(E) HEAVY DUTY  
(E) USAGE INTENSIF  
(E) SERVICIO SEVERO

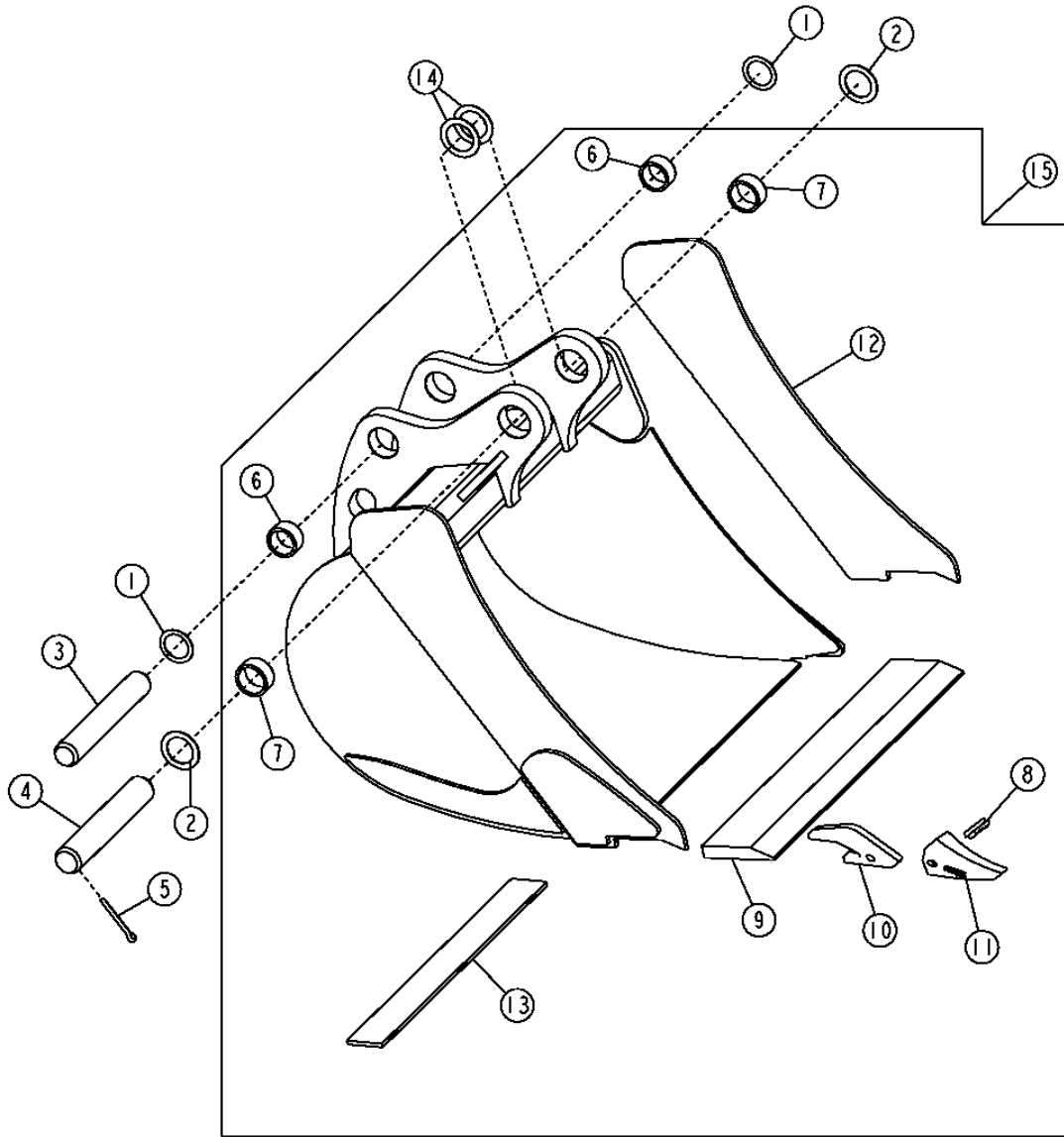
(F) SEVERE DUTY  
(F) CONDITIONS DIFFICILES  
(F) SERVICIO SEVERO

# 3302-16

BACKHOE BUCKETS (CONTINUED)  
GOSETS DE RETROPELLE (SUITE)  
CUCHARONES DE RETROEXCAVADORA (CONTINUACION)

T214797

-UN-22SEP05



T214797

# 3302-17

BACKHOE 33

BUCKET WITH TEETH 3302

**BACKHOE BUCKETS (CONTINUED)**  
**GOSETS DE RETROPELLE (SUITE)**  
**CUCHARONES DE RETROEXCAVADORA (CONTINUACION)**

| KEY | PART NO. | PART NAME      | QTY. | SERIAL NO. | REMARKS   |
|-----|----------|----------------|------|------------|---|
|     |          |                |      |            | 3 3<br>3 1 1<br>1 0 5<br>0 S S<br>G G G                                     |
| 15  | AT192007 | BACKHOE BUCKET | 1    | X          | (D) (B) 610MM (24") 6.5 CUBIC FEET<br>(WHOLE GOODS) (CONTAINS (2) T159197)  |
|     | AT192014 | BACKHOE BUCKET | 1    | X X        | (D) (A) 610MM (24") 7.5 CUBIC FEET<br>(WHOLE GOODS) (CONTAINS (2) T162535)  |
|     | AT192015 | BACKHOE BUCKET | 1    | X X        | (E) (A) 610MM (24") 7.5 CUBIC FEET<br>(WHOLE GOODS) (CONTAINS (2) T162535)  |
|     | AT192016 | BACKHOE BUCKET | 1    | X X        | (F) (A) 610MM (24") 7.5 CUBIC FEET<br>(WHOLE GOODS) (CONTAINS (2) T162553)  |
|     | AT192008 | BACKHOE BUCKET | 1    | X          | (E) (A) 610MM (24") 7.5 CUBIC FEET<br>(WHOLE GOODS) (CONTAINS (2) T162535)  |
|     | AT192009 | BACKHOE BUCKET | 1    | X          | (E) (A) 610MM (24") 8.8 CUBIC FEET<br>(WHOLE GOODS) (CONTAINS (2) T162569)  |
|     | AT192017 | BACKHOE BUCKET | 1    | X X        | (E) (A) 610MM (24") 8.8 CUBIC FEET<br>(WHOLE GOODS) (CONTAINS (2) T162569)  |
|     | AT192018 | BACKHOE BUCKET | 1    | X X        | (F) (A) 610MM (24") 8.8 CUBIC FEET<br>(WHOLE GOODS) (CONTAINS (2) T162569)  |
|     | AT192010 | BACKHOE BUCKET | 1    | X          | (E) (C) 762MM (30") 10.0 CUBIC FEET<br>(WHOLE GOODS) (CONTAINS (2) T162535) |
|     | AT192019 | BACKHOE BUCKET | 1    | X X        | (E) (C) 762MM (30") 10.0 CUBIC FEET<br>(WHOLE GOODS) (CONTAINS (2) T162535) |
|     | AT192020 | BACKHOE BUCKET | 1    | X X        | (F) (C) 762MM (30") 10.0 CUBIC FEET<br>(WHOLE GOODS) (CONTAINS (2) T162553) |
|     | AT192022 | BACKHOE BUCKET | 1    | X X        | (C) 914MM (36") 12.5 CUBIC FEET (WHOLE<br>GOODS) (CONTAINS (2) T162553)     |
|     | AT192021 | BACKHOE BUCKET | 1    | X X        | (E) (C) 914MM (36") 12.5 CUBIC FEET<br>(WHOLE GOODS) (CONTAINS (2) T162553) |

(D) STANDARD DUTY  
 (D) USAGE STANDARD  
 (D) SERVICIO NORMAL

(E) HEAVY DUTY  
 (E) USAGE INTENSIF  
 (E) SERVICIO SEVERO

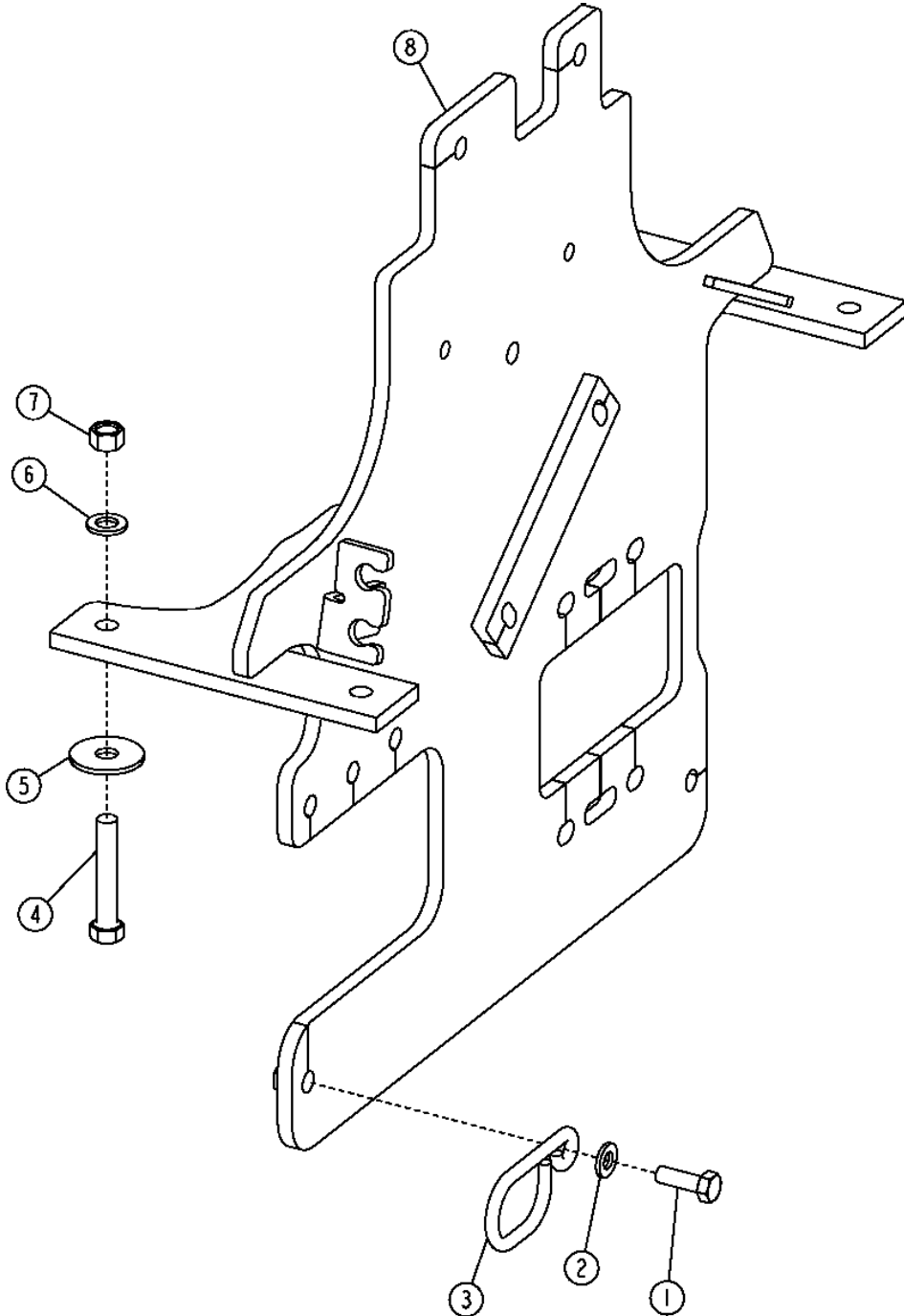
(F) SEVERE DUTY  
 (F) CONDITIONS DIFFICILES  
 (F) SERVICIO SEVERO

# 3315-2

BACKHOE 33  
CONTROLS LINKAGE 3315

BACKHOE VALVE MOUNTING PLATE (310G AND 310SG)  
PLAQUE DE MONTAGE DE SOUPEPE DE RETROPELLE (310G ET 310SG)  
PLACA DE MONTAJE DE VALVULA DE RETROEXCAVADORA (310G Y 310SG)

T134496 -UN-10OCT00



T134496

# 3315-3

BACKHOE 33

CONTROLS LINKAGE 3315

**BACKHOE VALVE MOUNTING PLATE (310G AND 310SG)  
 PLAQUE DE MONTAGE DE SOUPEPE DE RETROPELLE (310G ET 310SG)  
 PLACA DE MONTAJE DE VALVULA DE RETROEXCAVADORA (310G Y 310SG)**

| KEY | PART NO. | PART NAME | QTY. | SERIAL NO.    | 3 3<br>3 1 1<br>1 0 5<br>0 S S<br>G G G | REMARKS                                       |
|-----|----------|-----------|------|---------------|---|---|
| 1   | 19M7662  | CAP SCREW | 2    |               | X X                                     | M10 X 30                                      |
| 2   | 24M7239  | WASHER    | 2    |               | X X                                     | 10.700 X 21 X 2.500 MM                        |
| 3   | T166223  | GUIDE     | 2    |               | X X                                     |   |
| 4   | 19M8348  | CAP SCREW | 4    |               | X X                                     | M12 X 65, (SUB FOR 19M7753, THIS APPLICATION) |
| 5   | T187044  | WASHER    | 4    |               | X X                                     |   |
| 6   | 24M7345  | WASHER    | 4    |               | X X                                     | 13.500 X 24 X 2.500 MM                        |
| 7   | 14M7275  | NUT       | 4    |               | X X                                     | M12   |
| 8   | AT184404 | SUPPORT   | 1    | -913416       | X X                                     |   |
|     | AT197134 | SUPPORT   | 1    | 913417-940475 | X X                                     |   |
|     | AT309864 | SUPPORT   | 1    | 940476-       | X X                                     |   |

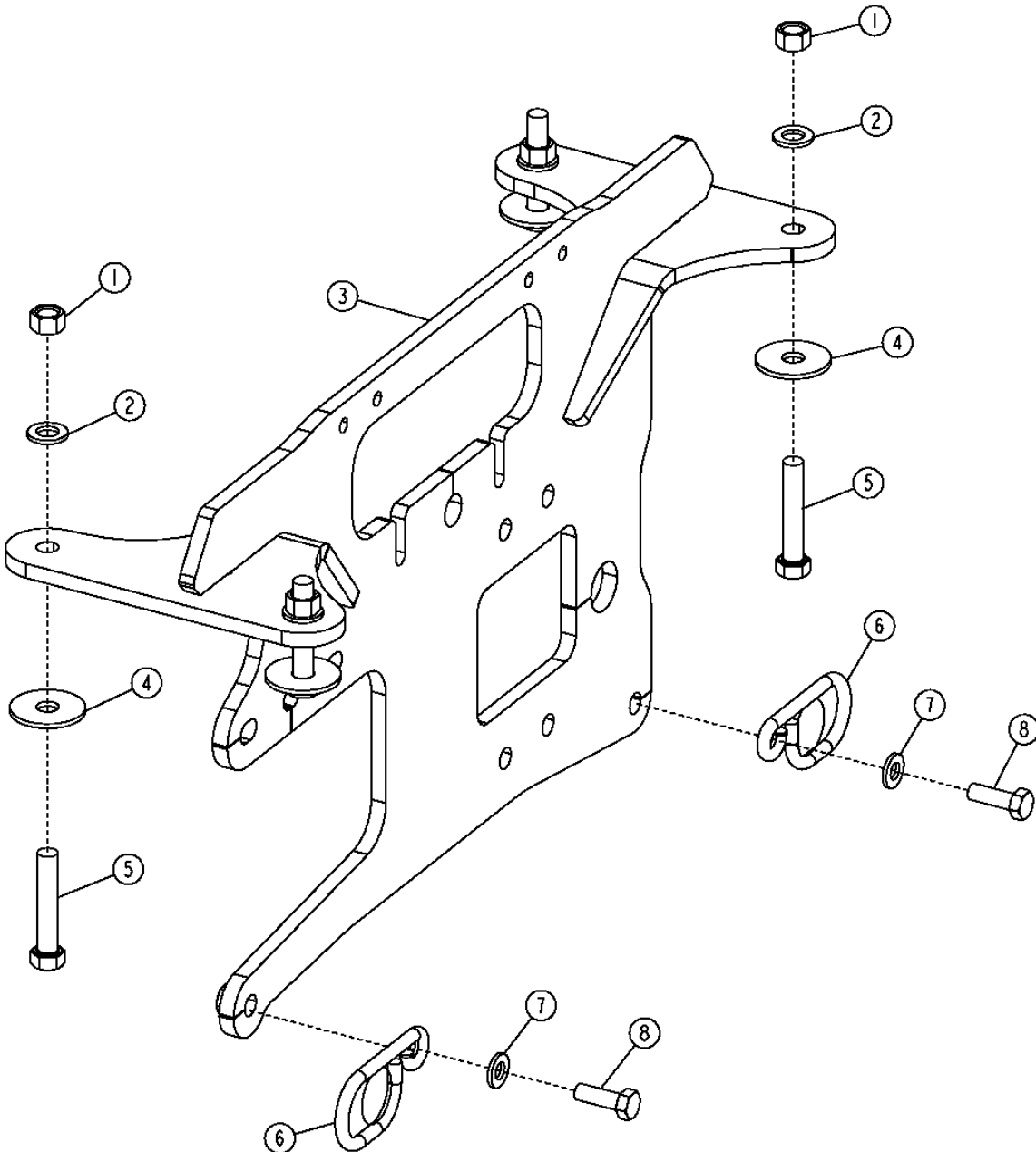
# 3315-3A

BACKHOE 33

CONTROLS LINKAGE 3315

BACKHOE VALVE MOUNTING PLATE (PILOT CONTROL)  
PLAQUE DE MONTAGE DE SOUPAPE DE RETROPELLE (COMMANDE PILOTE)  
PLACA DE MONTAJE DE VALVULA DE RETROEXCAVADORA (CONTROL PILOTO)

T165712 -UN-20FEB03



T165712

# 3315-3B

BACKHOE 33

CONTROLS LINKAGE 3315

**BACKHOE VALVE MOUNTING PLATE (PILOT CONTROL)  
 PLAQUE DE MONTAGE DE SOUPAPE DE RETROPELLE (COMMANDE PILOTE)  
 PLACA DE MONTAJE DE VALVULA DE RETROEXCAVADORA (CONTROL PILOTO)**

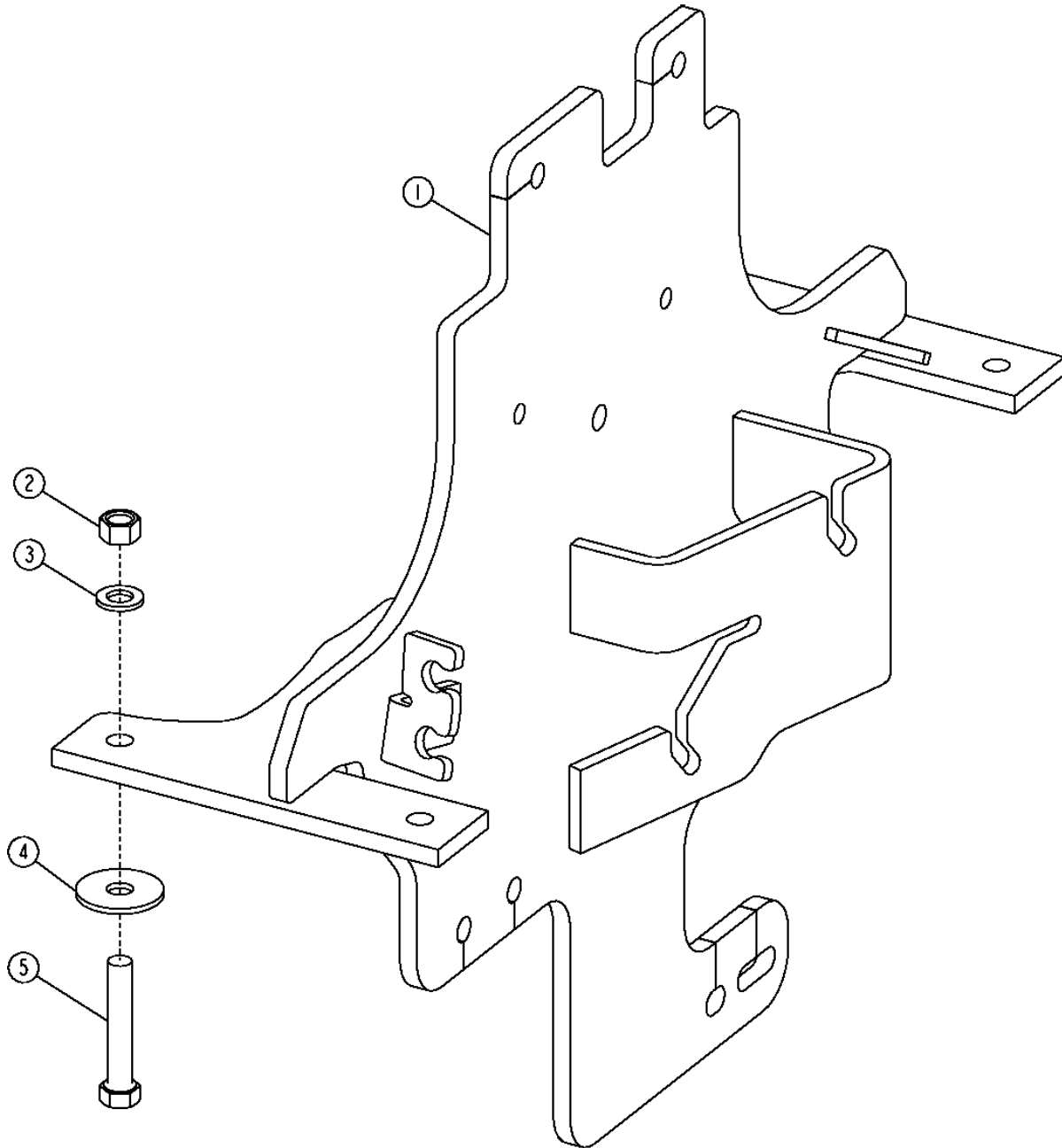
| KEY | PART NO. | PART NAME | QTY. | SERIAL NO. | REMARKS                    |
|-----|----------|-----------|------|------------|----------------------------|
|     |          |           |      |            | 3 3                        |
|     |          |           |      |            | 3 1 1                      |
|     |          |           |      |            | 1 0 5                      |
|     |          |           |      |            | 0 S S                      |
|     |          |           |      |            | G G G                      |
| 1   | 14M7275  | NUT       | 4    |            | X X M12                    |
| 2   | 24M7345  | WASHER    | 4    |            | X X 13.500 X 24 X 2.500 MM |
| 3   | AT314672 | BRACKET   | 1    |            | X X (SUB FOR AT300045)     |
| 4   | T187044  | WASHER    | 4    |            | X X                        |
| 5   | 19M8348  | CAP SCREW | 4    |            | X X M12 X 65               |
| 6   | T166223  | GUIDE     | 2    |            | X X                        |
| 7   | 24M7239  | WASHER    | 2    |            | X X 10.700 X 21 X 2.500 MM |
| 8   | 19M7662  | CAP SCREW | 2    |            | X X M10 X 30               |

# 3315-4

BACKHOE 33  
CONTROLS LINKAGE 3315

BACKHOE VALVE MOUNTING PLATE (315SG)  
PLAQUE DE MONTAGE DE SOUPAPE DE RETROPELLE (315SG)  
PLACA DE MONTAJE DE VALVULA DE RETROEXCAVADORA (315SG)

TP69668 -UN-07SEP00



TP69668



# 3315-5

BACKHOE 33

CONTROLS LINKAGE 3315

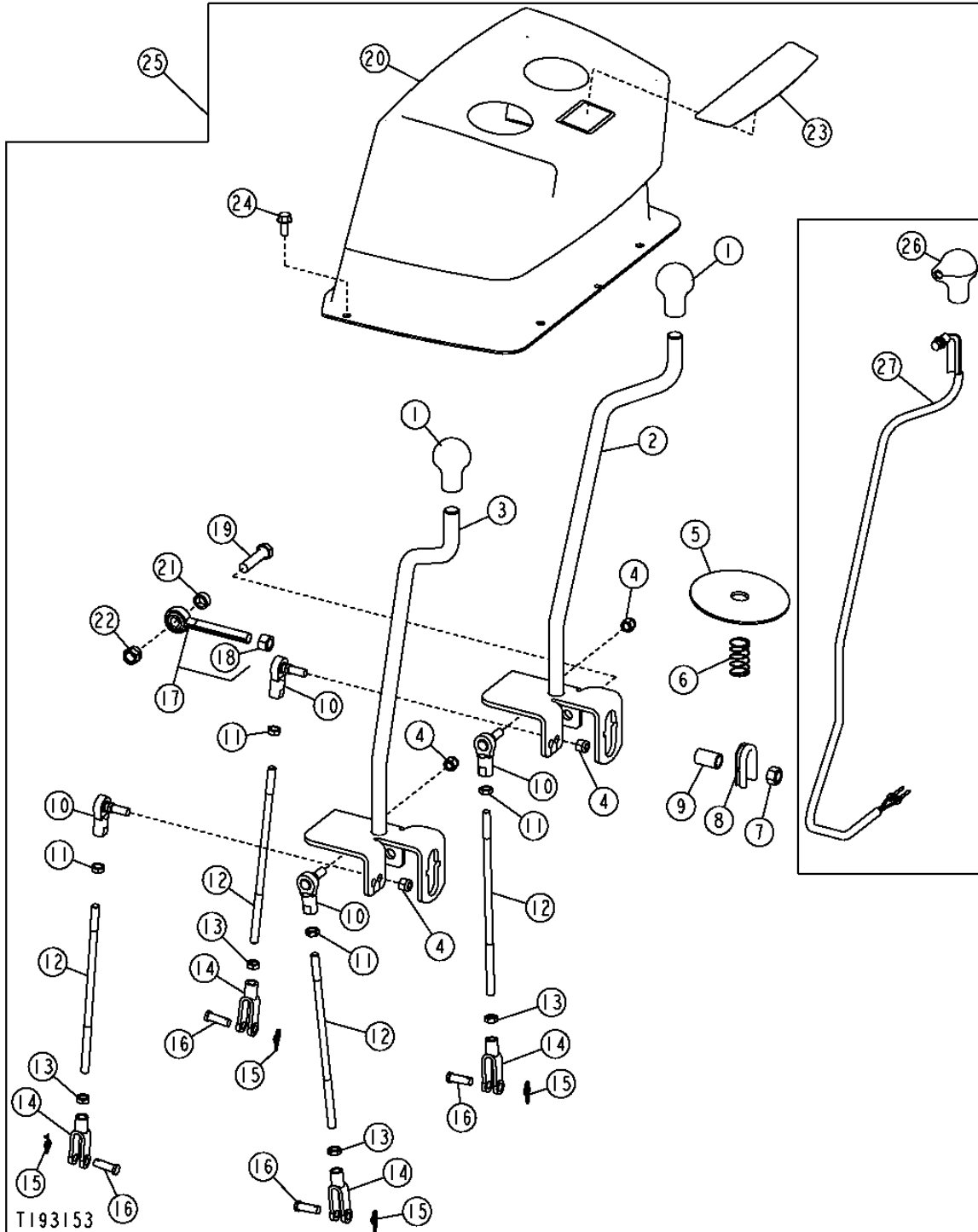
**BACKHOE VALVE MOUNTING PLATE (315SG)  
PLAQUE DE MONTAGE DE SOUPEPE DE RETROPELLE (315SG)  
PLACA DE MONTAJE DE VALVULA DE RETROEXCAVADORA (315SG)**

| KEY | PART NO. | PART NAME | QTY. | SERIAL NO. | 3 3<br>3 1 1<br>1 0 5<br>0 S S<br>G G G | REMARKS |
|-----|----------|-----------|------|------------|---|---------|
| 1   | AT189093 | SUPPORT   | 1    |            | X                                       |         |
| 2   | 14M7275  | NUT       | 4    |            | X M12                                   |         |
| 3   | 24M7345  | WASHER    | 4    |            | X 13.500 X 24 X 2.500 MM                |         |
| 4   | 24H1346  | WASHER    | 4    |            | X 17/32" X 1-3/4" X 0.120"              |         |
| 5   | 19M7753  | CAP SCREW | 4    |            | X M12 X 70                              |         |

# 3315-6

TWO LEVER BACKHOE CONTROL LEVER VALVE CONVERSION KIT (310G AND 310SG)  
KIT DE CONVERSION DE SOUPAPE DE LEVIER DE COMMANDE DE RETROPELLE A DEUX LEVIERS (310G ET 310SG)  
JUEGO DE CONVERSION DE VALV. PALANCA DOS PALANCAS DE CONTROL DE RETROEXCAVADORA (310G Y 310SG)

T193153 -UN-15JUL03



# 3315-7

BACKHOE 33

CONTROLS LINKAGE 3315

**TWO LEVER BACKHOE CONTROL LEVER VALVE CONVERSION KIT (310G AND 310SG)  
 KIT DE CONVERSION DE SOUPAPE DE LEVIER DE COMMANDE DE RETROPELLE A DEUX LEVIERS (310G ET 310SG)  
 JUEGO DE CONVERSION VALV. DE PALANCA A DOS PALANCAS CONTROL DE RETROEXCAVADORA (310G Y 310SG)**

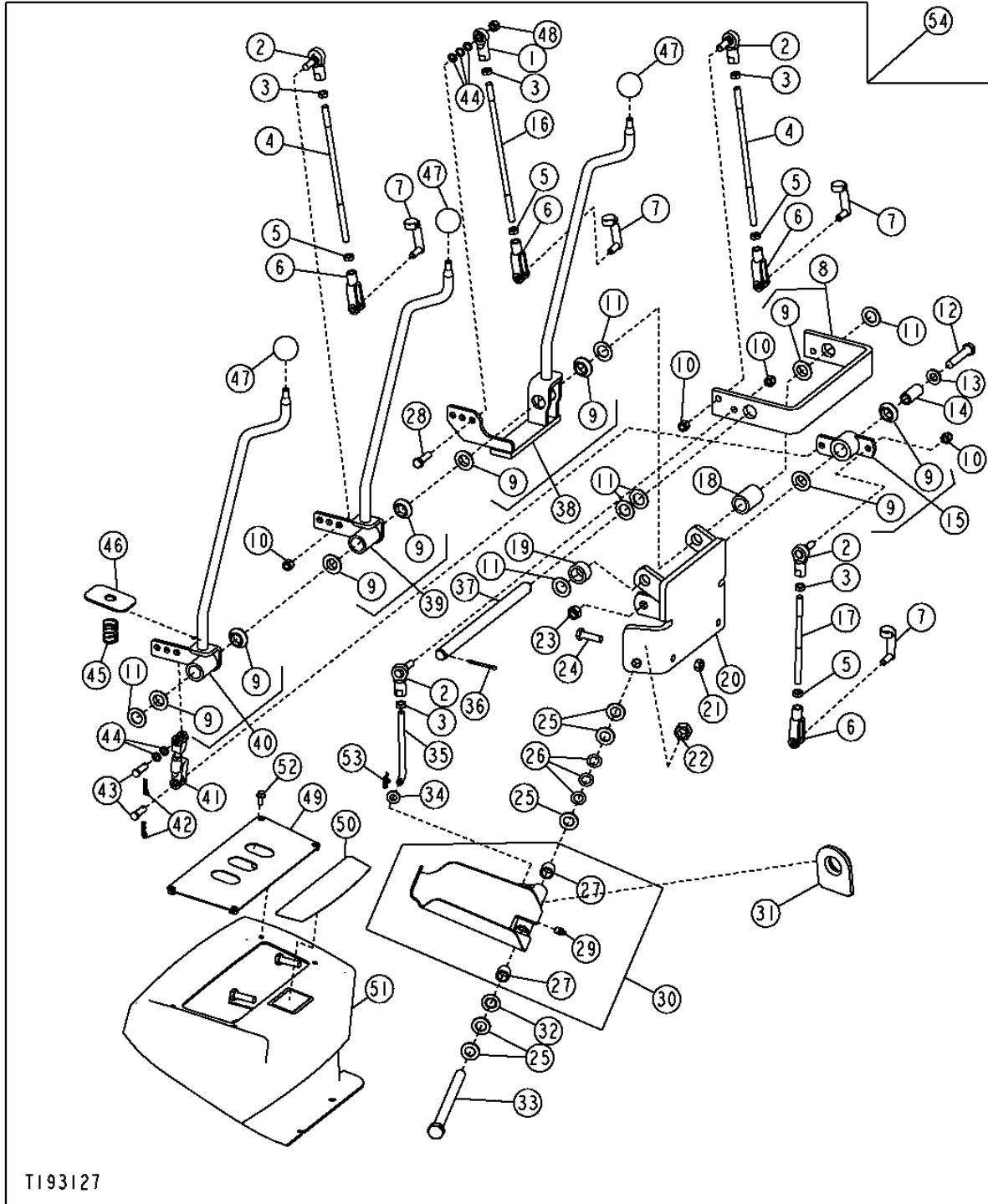
| KEY | PART NO.        | PART NAME      | QTY. | SERIAL NO. | REMARKS                                  |
|-----|-----------------|----------------|------|------------|--|
|     |                 |                |      |            | 3 3                                      |
|     |                 |                |      |            | 3 1 1                                    |
|     |                 |                |      |            | 1 0 5                                    |
|     |                 |                |      |            | 0 S S                                    |
|     |                 |                |      |            | G G G                                    |
| 1   | T133291         | KNOB           | 2    |            | X X X                                    |
| 2   | AT184599        | LEVER          | 1    |            | X X X (RH)                               |
| 3   | AT184598        | LEVER          | 1    |            | X X X (LH)                               |
| 4   | M68954          | LOCK NUT       | 4    |            | X X X 3/8"                               |
| 5   | T165590         | DUST SHIELD    | 2    |            | X X X                                    |
| 6   | T185085         | SPRING         | 2    |            | X X X                                    |
| 7   | 14H865          | NUT            | 2    |            | X X X 1/2"                               |
| 8   | T188639         | GROMMET        | 2    |            | X X X (SUB FOR T166749)                  |
| 9   | T166772         | SPACER         | 2    |            | X X X                                    |
| 10  | AT169087        | BALL JOINT     | 4    |            | X X X                                    |
| 11  | 14H774          | NUT            | 4    |            | X X X 3/8"                               |
| 12  | T165697         | ROD            | 4    |            | X X X                                    |
| 13  | 14H913          | NUT            | 4    |            | X X X 3/8"                               |
| 14  | T140328         | YOKE           | 4    |            | X X X                                    |
| 15  | T202956         | RETAINER       | 4    |            | X X X (SUB FOR R46528, THIS APPLICATION) |
| 16  | R65563          | PIN FASTENER   | 4    |            | X X X                                    |
| 17  | AT300152        | LINK END       | 2    |            | X X X (SUB FOR AT186382)                 |
| 18  | 14H865          | NUT            | 1    |            | X X X 1/2"                               |
| 19  | 19M7361         | CAP SCREW      | 2    |            | X X X M12 X 50                           |
| 20  | AT189269        | COVER          | 1    |            | X X X                                    |
| 21  | T166773         | WASHER         | 2    |            | X X X                                    |
| 22  | 14M7313         | LOCK NUT       | 2    |            | X X X M12                                |
| 23  | T165584         | LABEL          | 1    |            | X X X                                    |
| 24  | 19M7866         | SCREW          | 4    |            | X X X M8 X 20                            |
| 25  | <b>AT185624</b> | <b>LINKAGE</b> | 1    |            | <b>X X X (WHOLE GOODS)</b>               |
| 26  | AT157986        | KNOB           | 1    |            | X  |
| 27  | AT145984        | SWITCH         | 1    |            | X  |

# 3315-8

THREE LEVER CONTROL LEVER VALVE CONVERSION KIT (310G AND 310SG)  
KIT DE CONVERSION DE SOUPAPE DE LEVIER DE COMMANDE A TROIS LEVIERS (310G ET 310SG)  
JUEGO DE CONVERSION DE VALV. DE PALANCA A TRES PALANCAS DE CONTROL (310G Y 310SG)

T193127

-UN-15JUL03



# 3315-9

BACKHOE 33

CONTROLS LINKAGE 3315

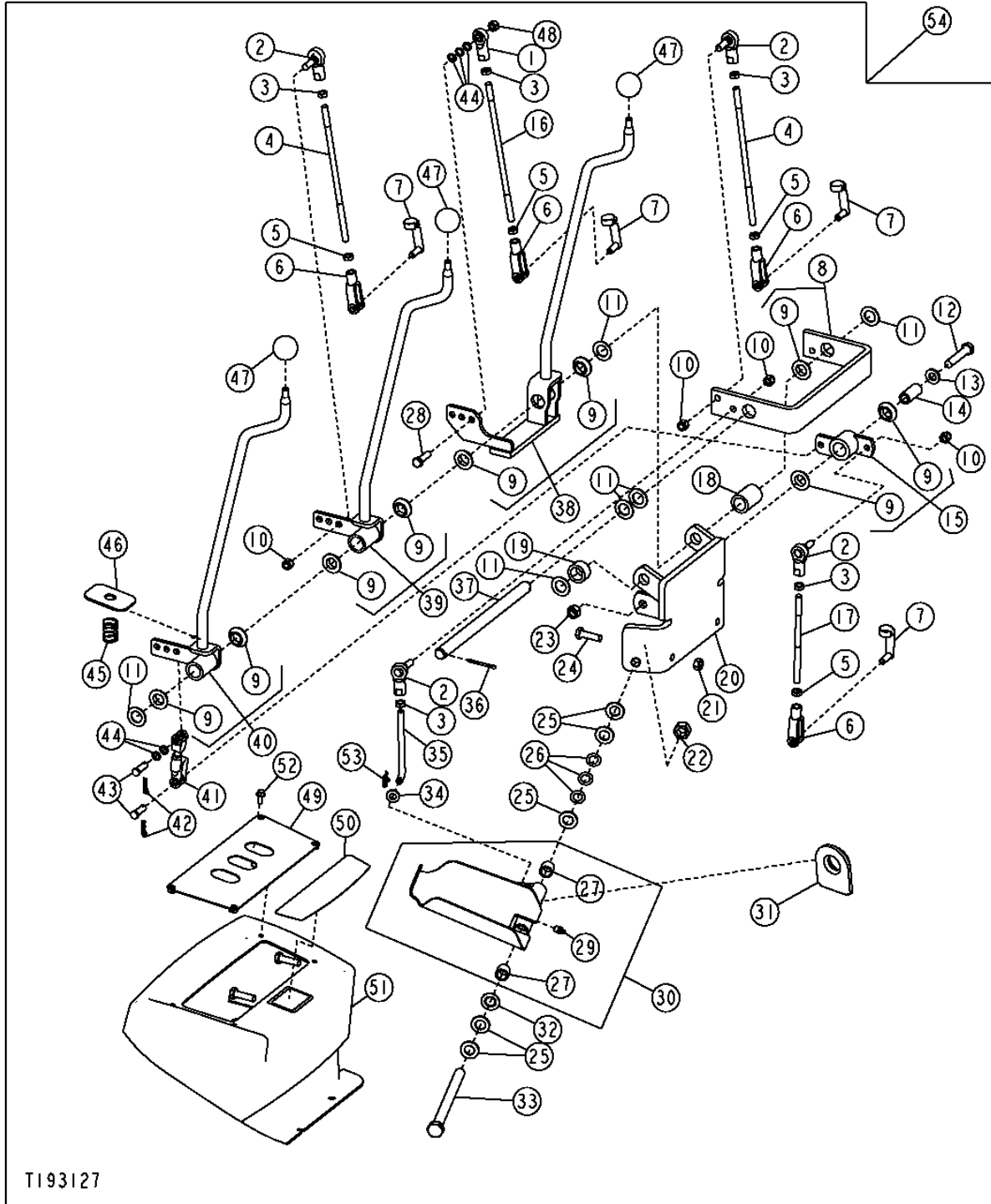
**THREE LEVER CONTROL LEVER VALVE CONVERSION KIT (310G AND 310SG)  
 KIT DE CONVERSION DE SOUPAPE DE LEVIER DE COMMANDE A TROIS LEVIERS (310G ET 310SG)  
 JUEGO DE CONVERSION DE VALV. DE PALANCA A TRES PALANCAS DE CONTROL (310G Y 310SG)**

| KEY | PART NO. | PART NAME           | QTY. | SERIAL NO. | REMARKS                       |
|-----|----------|---------------------|------|------------|-------------------------------|
|     |          |                     |      |            | 3 3                           |
|     |          |                     |      |            | 3 1 1                         |
|     |          |                     |      |            | 1 0 5                         |
|     |          |                     |      |            | 0 S S                         |
|     |          |                     |      |            | G G G                         |
| 1   | AE37072  | LINK END            | 2    |            | X X                           |
| 2   | AT169087 | BALL JOINT          | 4    |            | X X                           |
| 3   | 14H774   | NUT                 | 5    |            | X X 3/8"                      |
| 4   | T165697  | ROD                 | 2    |            | X X                           |
| 5   | 14H913   | NUT                 | 4    |            | X X 3/8"                      |
| 6   | T140328  | YOKE                | 4    |            | X X                           |
| 7   | T183617  | PIN FASTENER        | 4    | -940440    | X X                           |
| 8   | AT185340 | BRACKET             | 1    |            | X X                           |
| 9   | T166097  | BEARING             | 6    |            | X X                           |
| 10  | M68954   | LOCK NUT            | 7    |            | X X 9.525 MM                  |
| 11  | 24H1391  | WASHER              | 5    |            | X X 25/32" X 1-5/16" X 0.060" |
| 12  | 19M7363  | CAP SCREW           | 1    |            | X X M12 X 60                  |
| 13  | 24M7240  | WASHER              | 1    |            | X X 13 X 25 X 3 MM            |
| 14  | T166031  | SPACER              | 1    |            | X X                           |
| 15  | AT186043 | BELLCRANK           | 1    | -940584    | X X                           |
|     | AT309186 | BELLCRANK           | 1    | 940585-    | X X                           |
| 16  | T165788  | ROD                 | 1    |            | X X                           |
| 17  | T165787  | ROD                 | 1    |            | X X                           |
| 18  | T185648  | SPACER              | 1    | -940584    | X X                           |
|     | T207484  | SPACER              | 2    | 940585-    | X X                           |
| 19  | T167247  | SPACER              | 1    |            | X X                           |
| 20  | AT185339 | SUPPORT             | 1    | -940440    | X X                           |
|     | AT317091 | SUPPORT             | 1    | 940441-    | X X                           |
| 21  | 14M7274  | NUT                 | 2    |            | X X M10                       |
| 22  | U14555   | LOCK NUT            | 2    |            | X X 5/8"                      |
| 23  | 14M7275  | NUT                 | 1    |            | X X M12                       |
| 24  | 19M7550  | CAP SCREW           | 2    |            | X X M10 X 35                  |
| 25  | 24M7053  | WASHER              | 10   |            | X X 17 X 30 X 3 MM            |
| 26  | M87534   | SPRING WASHER       | 6    |            | X X                           |
| 27  | T58109   | BUSHING             | 2    |            | X X                           |
| 28  | 19H3239  | CAP SCREW           | 2    |            | X X 3/8" X 1-1/4"             |
| 29  | T162396  | LUBRICATION FITTING | 1    |            | X X                           |
| 30  | AT185749 | PEDAL               | 1    |            | X X LH                        |
|     | AT185750 | PEDAL               | 1    |            | X X RH                        |
| 31  | T166224  | GROMMET             | 2    |            | X X                           |
| 32  | AT48016  | SEAL                | 2    |            | X X                           |
| 33  | 19H3323  | CAP SCREW           | 2    |            | X X 5/8" X 8"                 |
| 34  | 24M7239  | WASHER              | 1    |            | X X 10.700 X 21 X 2.500 MM    |
| 35  | T165785  | HOOK BOLT           | 1    |            | X X                           |

# 3315-9A

THREE LEVER CONTROL LEVER VALVE CONVERSION KIT (310G AND 310SG)(CONTINUED)  
KIT DE CONVERSION DE SOUPAPE DE LEVIER DE COMMANDE A TROIS LEVIERS (310G ET 310SG) (SUITE)  
JUEGO DE CONVERSION DE VALV. DE PALANCA A TRES PALANCAS DE CONTROL (310G Y 310SG) (CONTINUACION)

T193127 -UN-15JUL03



T193127

# 3315-9B

BACKHOE 33

CONTROLS LINKAGE 3315

**THREE LEVER CONTROL LEVER VALVE CONVERSION KIT (310G AND 310SG)(CONTINUED)**  
**KIT DE CONVERSION DE SOUPAPE DE LEVIER DE COMMANDE A TROIS LEVIERS (310G ET 310SG) (SUITE)**  
**JUEGO DE CONVERSION DE VALV. DE PALANCA A TRES PALANCAS DE CONTROL (310G Y 310SG) (CONTINACION)**

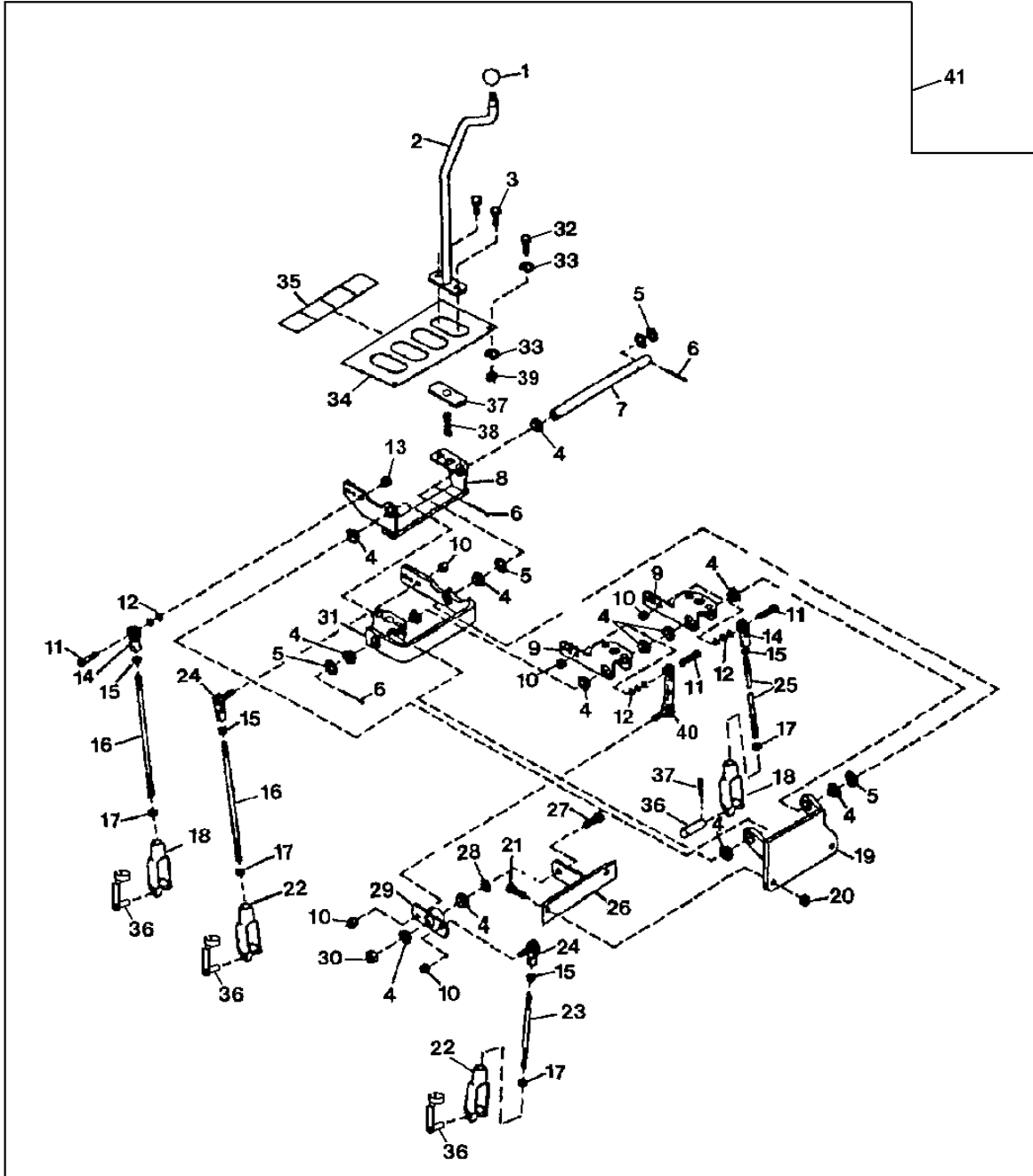
| KEY | PART NO.        | PART NAME          | QTY.     | SERIAL NO.     | 3 3<br>3 1 1<br>1 0 5<br>0 S S<br>G G G | REMARKS                            |
|-----|-----------------|--------------------|----------|----------------|---|------------------------------------|
| 36  | 11M7087         | COTTER PIN         | 1        | -940584        | X X                                     | 4 X 40 MM                          |
|     | U17408          | RING               | 2        | 940585-        | X X                                     |                                    |
| 37  | T167248         | PIN                | 1        | -940584        | X X                                     |                                    |
|     | T207309         | PIN                | 1        | 940585-        | X X                                     |                                    |
| 38  | AT185338        | CONTROL LEVER      | 1        | -940584        | X X                                     |                                    |
|     | AT309185        | CONTROL LEVER      | 1        | 940585-        | X X                                     |                                    |
| 39  | AT185337        | LEVER              | 1        | -940584        | X X                                     |                                    |
|     | AT309184        | CONTROL LEVER      | 1        | 940585-        | X X                                     |                                    |
| 40  | AT187885        | CONTROL LEVER      | 1        | -940584        | X X                                     |                                    |
|     | AT309184        | CONTROL LEVER      | 1        | 940585-        | X X                                     |                                    |
| 41  | AT188077        | LINK               | 1        | -940584        | X X                                     |                                    |
|     | AT309413        | LINK               | 1        | 940585-        | X X                                     |                                    |
| 42  | R46528          | SPRING LOCKING PIN | 3        |                | X X                                     |                                    |
| 43  | R65563          | PIN FASTENER       | 5        |                | X X                                     |                                    |
| 44  | M359T           | WASHER             | 4        |                | X X                                     |                                    |
| 45  | T165591         | SPRING             | 1        |                | X X                                     |                                    |
| 46  | T183149         | COVER              | 1        |                | X X                                     |                                    |
|     | T209588         | COVER              | 1        | 940441-        | X X                                     |                                    |
| 47  | 39M1709         | KNOB               | 3        |                | X X                                     |                                    |
| 48  | .....           | LOCK NUT           | 1        |                | X X                                     |                                    |
| 49  | AT186045        | COVER              | 1        | -952137        | X X                                     |                                    |
|     | AT312121        | COVER              | 1        | 952138-        | X X                                     |                                    |
| 50  | T165585         | LABEL              | 1        |                | X X                                     |                                    |
| 51  | AT189272        | COVER              | 1        |                | X X                                     |                                    |
| 52  | 19M7775         | SCREW              | 4        |                | X X                                     | M6 X 16                            |
| 53  | T202956         | RETAINER           | 4        |                | X X                                     | (SUB FOR R46528, THIS APPLICATION) |
| 54  | .....           | KIT                | 1        | -940584        | X X                                     | ( AT185626 NLA) (SUB AT309739)     |
|     | <b>AT309739</b> | <b>KIT</b>         | <b>1</b> | <b>940585-</b> | <b>X X</b>                              | <b>(WHOLE GOODS)</b>               |

# 3315-10

BACKHOE 33  
CONTROLS LINKAGE 3315

FOUR LEVER CONTROL VALVE LINKAGE  
TRINGLERIE DE DISTRIBUTEURS A QUATRE LEVIERS  
VARILLAJE DE VALVULA DE CONTROL DE CUATRO PALANCAS

T198881 -UN-08APR04



T198881



# 3315-11

BACKHOE 33

CONTROLS LINKAGE 3315

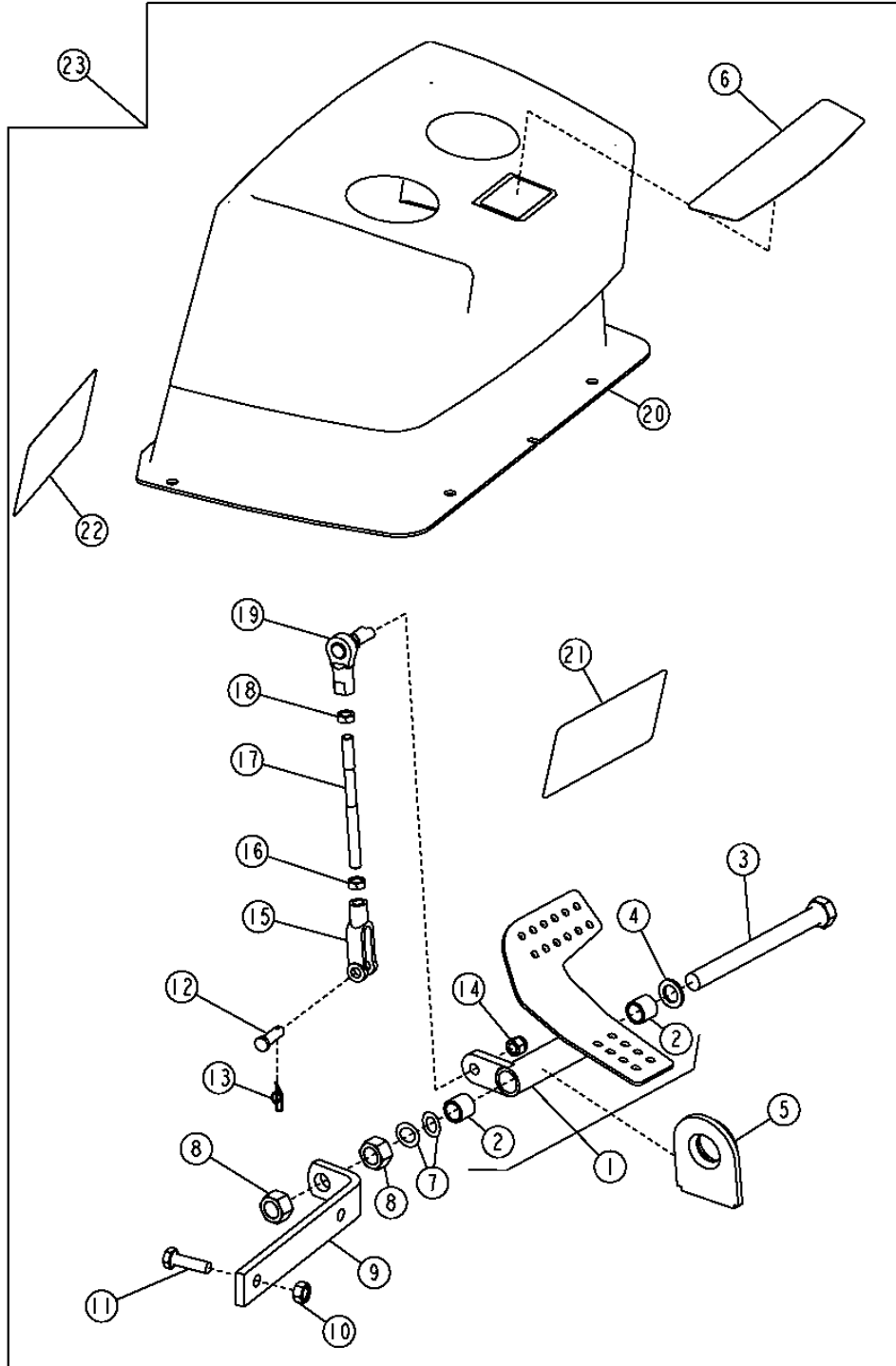
**FOUR LEVER CONTROL VALVE LINKAGE  
TRINGLERIE DE DISTRIBUTEURS A QUATRE LEVIERS  
VARILLAJE DE VALVULA DE CONTROL DE CUATRO PALANCAS**

| KEY | PART NO.        | PART NAME          | QTY.     | SERIAL NO. | REMARKS                                    |
|-----|-----------------|--------------------|----------|------------|--|
|     |                 |                    |          |            | 3 3  |
|     |                 |                    |          |            | 3 1 1                                      |
|     |                 |                    |          |            | 1 0 5                                      |
|     |                 |                    |          |            | 0 S S                                      |
|     |                 |                    |          |            | G G G                                      |
| 1   | T35233          | GRIP               | 4        |            | X X  |
| 2   | AT169512        | LEVER              | 4        |            | X X  |
| 3   | 19M7402         | CAP SCREW          | 8        |            | X X M10 X 25                               |
| 4   | T125808         | BUSHING            | 11       |            | X X  |
| 5   | 24H1746         | WASHER             | 4        |            | X X  |
| 6   | 11M7087         | COTTER PIN         | 2        |            | X X 4 X 40 MM                              |
| 7   | T188268         | SHAFT              | 1        |            | X X (SUB FOR T140650, THIS APPLICATION)    |
| 8   | AT150763        | BASE               | 1        |            | X X  |
| 9   | AT150762        | BASE               | 2        |            | X X  |
| 10  | M68954          | LOCK NUT           | 4        |            | X X 3/8"                                   |
| 11  | 19H3239         | CAP SCREW          | 2        |            | X X 3/8" X 1-1/4"                          |
| 12  | M359T           | WASHER             | 10       |            | X X  |
| 13  | H129201         | LOCK NUT           | 2        |            | X X 3/8"                                   |
| 14  | AE37072         | LINK END           | 2        |            | X X  |
| 15  | 14H774          | NUT                | 4        |            | X X 3/8"                                   |
| 16  | T148741         | ROD                | 2        |            | X X 266MM (10.50 IN)                       |
|     | T165788         | ROD                | 2        |            | X X 256MM (10.0 IN)                        |
| 17  | 14H913          | NUT                | 4        |            | X X 3/8"                                   |
| 18  | T140328         | YOKE               | 2        |            | X X  |
| 19  | AT194686        | SUPPORT            | 1        |            | X X  |
| 20  | 14M7274         | NUT                | 2        |            | X X M10                                    |
| 21  | 19M8600         | CAP SCREW          | 2        |            | X X M10 X 50                               |
| 22  | T140328         | YOKE               | 2        |            | X X  |
| 23  | T187530         | ROD                | 1        |            | X X 170MM (6.70 IN)                        |
|     | T158812         | ROD                | 1        |            | X X 152MM (6.0 IN)                         |
| 24  | AT169087        | BALL JOINT         | 2        |            | X X  |
| 25  | T165697         | ROD                | 1        |            | X X 250MM (9.84 IN)                        |
|     | T158810         | ROD                | 1        |            | X X 250MM (9.84 IN)                        |
| 26  | AT194684        | SUPPORT            | 1        |            | X X 69MM (2.72 IN) (FROM RIGHT END TO TAB) |
|     | AT196839        | SUPPORT            | 1        |            | X X 79MM (3.11 IN) (FROM RIGHT END TO TAB) |
| 27  | 19H3030         | CAP SCREW          | 1        |            | X X 1/2" X 1-1/4"                          |
| 28  | 24M7047         | WASHER             | 1        |            | X X  |
| 29  | AT158197        | BELLCRANK          | 1        |            | X X  |
| 30  | T141126         | SPACER             | 1        |            | X X  |
| 31  | AT195877        | BASE               | 1        |            | X X (SUB FOR AT150764, THIS APPLICATION)   |
| 32  | T133674         | SELF-LOCKING SCREW | 4        |            | X X M6 X 16                                |
| 33  | 24H1646         | WASHER             | 8        |            | X X  |
| 34  | AT196419        | PANEL              | 4        |            | X X (SUB FOR T187505)                      |
| 35  | T165604         | LABEL              | 1        |            | X X (CONTROL LEVER)                        |
| 36  | T183617         | PIN FASTENER       | 4        |            | X X  |
| 37  | T183149         | COVER              | 4        |            | X X  |
| 38  | T165591         | SPRING             | 4        |            | X X  |
| 39  | 14M7272         | NUT                | 4        |            | X X M6                                     |
| 40  | AT158198        | LINK               | 1        |            | X X  |
| 41  | <b>AT185628</b> | <b>KIT</b>         | <b>1</b> |            | <b>X X (WHOLE GOODS)</b>                   |

# 3315-12

## FIFTH FUNCTION PEDAL PEDALE DE CINQUIEME FONCTION PEDAL DE QUINTA FUNCION

T193181 -UN-16JUL03



T193181

# 3315-13

BACKHOE 33

CONTROLS LINKAGE 3315

FIFTH FUNCTION PEDAL  
 PEDALE DE CINQUIEME FONCTION  
 PEDAL DE QUINTA FUNCION

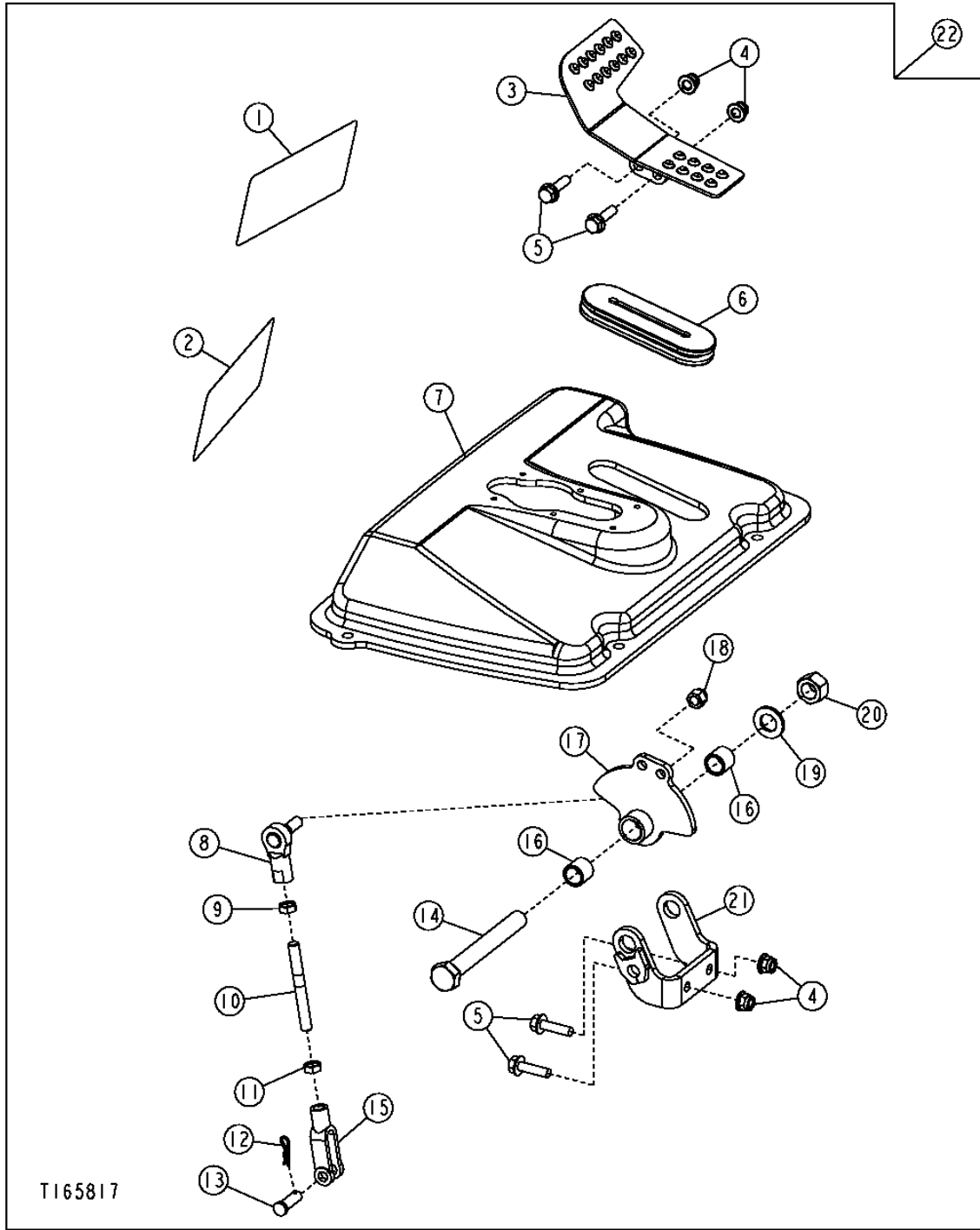
| KEY | PART NO. | PART NAME     | QTY. | SERIAL NO. | REMARKS                                  |
|-----|----------|---------------|------|------------|--|
|     |          |               |      |            | 3 3                                      |
|     |          |               |      |            | 3 1 1                                    |
|     |          |               |      |            | 1 0 5                                    |
|     |          |               |      |            | 0 S S                                    |
|     |          |               |      |            | G G G                                    |
| 1   | AT191446 | PEDAL         | 1    |            | X X X                                    |
| 2   | T58109   | BUSHING       | 2    |            | X X X                                    |
| 3   | 19H3450  | CAP SCREW     | 1    |            | X X X                                    |
| 4   | N119479  | WASHER        | 1    |            | X X X 5/8" X 6-3/4"                      |
| 5   | T166224  | GROMMET       | 1    |            | X X X (SUB FOR R64059)                   |
| 6   | T165584  | LABEL         | 1    |            | X X X                                    |
| 7   | M87534   | SPRING WASHER | 2    |            | X X X                                    |
| 8   | 14H1039  | NUT           | 2    |            | X X X 5/8"                               |
| 9   | T183548  | ANGLE         | 1    |            | X X X                                    |
| 10  | 14M7274  | NUT           | 2    |            | X X X M10                                |
| 11  | 19M7550  | CAP SCREW     | 2    |            | X X X M10 X 35                           |
| 12  | R65563   | PIN FASTENER  | 1    |            | X X X                                    |
| 13  | T202956  | RETAINER      | 1    |            | X X X (SUB FOR R46528, THIS APPLICATION) |
| 14  | M68954   | LOCK NUT      | 1    |            | X X X 3/8"                               |
| 15  | T140328  | YOKE          | 1    |            | X X X                                    |
| 16  | 14H913   | NUT           | 1    |            | X X X 3/8"                               |
| 17  | T184129  | STUD          | 1    |            | X X X                                    |
| 18  | 14H774   | NUT           | 1    |            | X X X 3/8"                               |
| 19  | AT169087 | BALL JOINT    | 1    |            | X X X                                    |
| 20  | AT189270 | COVER         | 1    |            | X X X                                    |
| 21  | T185691  | LABEL         | 1    |            | X X X (WITH EXTENDABLE DIPPERSTICK)      |
| 22  | T185692  | LABEL         | 1    |            | X X X (WITHOUT EXTENDABLE DIPPERSTICK)   |
| 23  | AT185625 | KIT           | 1    |            | X X X (WHOLE GOODS)                      |

# 3315-13A

BACKHOE 33  
CONTROLS LINKAGE 3315

FIFTH FUNCTION PEDAL (PILOT CONTROL)  
PEDALE DE CINQUIEME FONCTION (COMMANDE PILOTE)  
PEDAL DE QUINTA FUNCION (CONTROL PILOTO)

T165817 -UN-25FEB03



T165817

# 3315-13B

BACKHOE 33

CONTROLS LINKAGE 3315

FIFTH FUNCTION PEDAL (PILOT CONTROL)  
 CINQUIEME FONCTION (COMMANDE PILOTE)  
 QUINTA FUNCION (CONTROL PILOTO)

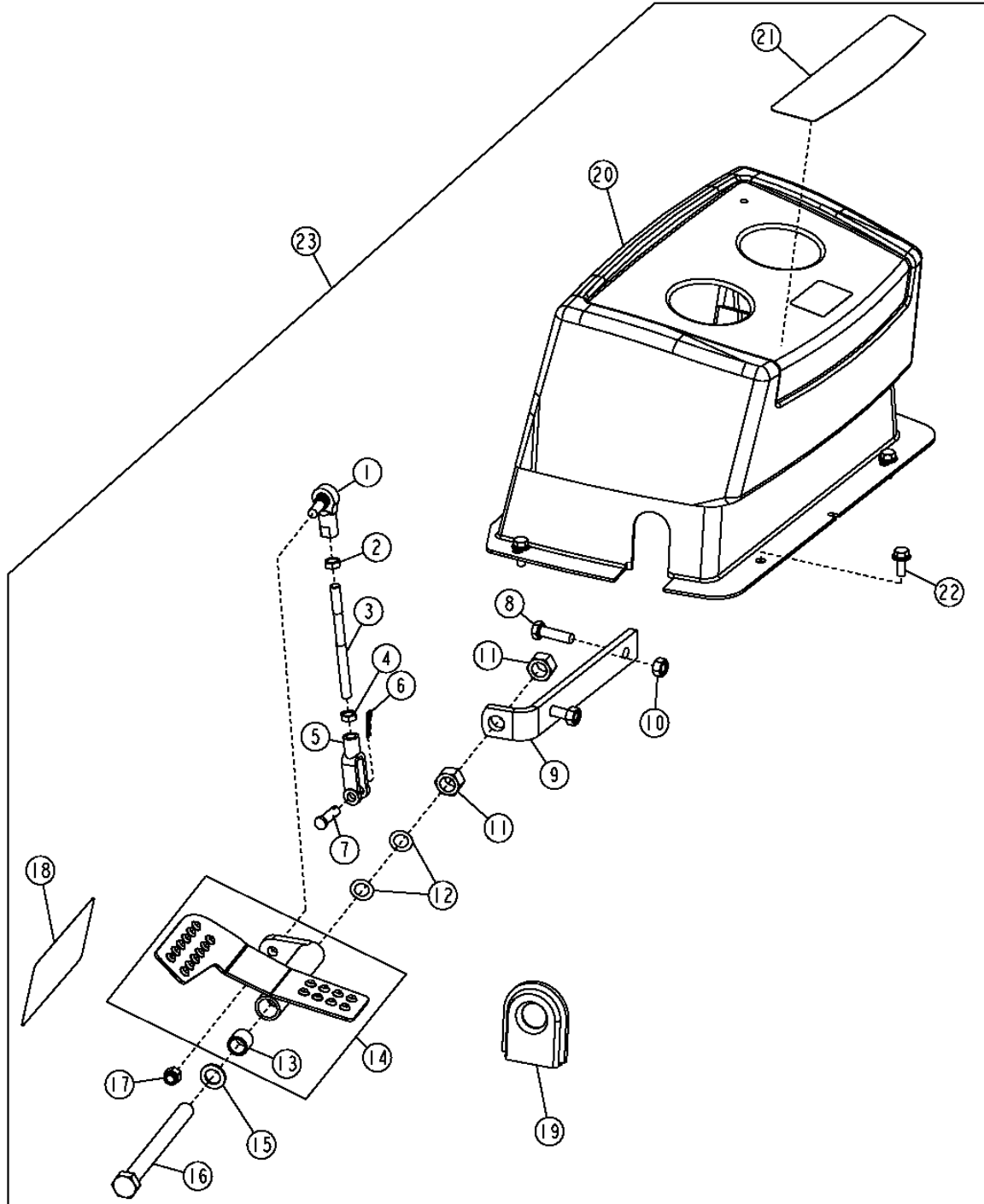
| KEY | PART NO. | PART NAME    | QTY. | SERIAL NO. | REMARKS                                |
|-----|----------|--------------|------|------------|--|
|     |          |              |      |            | 3 3                                    |
|     |          |              |      |            | 3 1 1                                  |
|     |          |              |      |            | 1 0 5                                  |
|     |          |              |      |            | 0 S S                                  |
|     |          |              |      |            | G G G                                  |
| 1   | T185691  | LABEL        | 1    |            | X X                                    |
| 2   | T185692  | LABEL        | 1    |            | X X                                    |
| 3   | AT300058 | PEDAL        | 1    |            | X X                                    |
| 4   | 14M7396  | LOCK NUT     | 4    |            | X X M8                                 |
| 5   | 19M7868  | SCREW        | 4    |            | X X M8 X 30                            |
| 6   | T200095  | GROMMET      | 1    |            | X X                                    |
| 7   | T200093  | COVER        | 1    |            | X X                                    |
| 8   | AT169087 | BALL JOINT   | 1    |            | X X                                    |
| 9   | 14H774   | NUT          | 1    |            | X X 3/8"                               |
| 10  | T200078  | STUD         | 1    |            | X X                                    |
| 11  | 14H913   | NUT          | 1    |            | X X 3/8"                               |
| 12  | T202956  | RETAINER     | 1    |            | X X (SUB FOR R46528, THIS APPLICATION) |
| 13  | R65563   | PIN FASTENER | 1    |            | X X                                    |
| 14  | 19H3353  | CAP SCREW    | 1    |            | X X 5/8" X 5"                          |
| 15  | T140328  | YOKE         | 1    |            | X X                                    |
| 16  | T58109   | BUSHING      | 2    |            | X X                                    |
| 17  | AT300056 | PIVOT        | 1    |            | X X                                    |
| 18  | M68954   | LOCK NUT     | 1    |            | X X 3/8"                               |
| 19  | 24M7053  | WASHER       | 1    |            | X X                                    |
| 20  | U14555   | LOCK NUT     | 1    |            | X X 5/8"                               |
| 21  | AT300060 | BRACKET      | 1    |            | X X                                    |
| 22  | AT301484 | KIT          | 1    |            | X X (WHOLE GOODS)                      |

# 3315-14

BACKHOE 33  
CONTROLS LINKAGE 3315

SIXTH FUNCTION PEDAL (310G AND 310SG)  
PEDALE DE SIXIEME FONCTION (310G ET 310SG)  
PEDAL DE SEXTA FUNCION (310G Y 310SG)

T193198 -UN-21JUL03



T193198

# 3315-15

BACKHOE 33

CONTROLS LINKAGE 3315

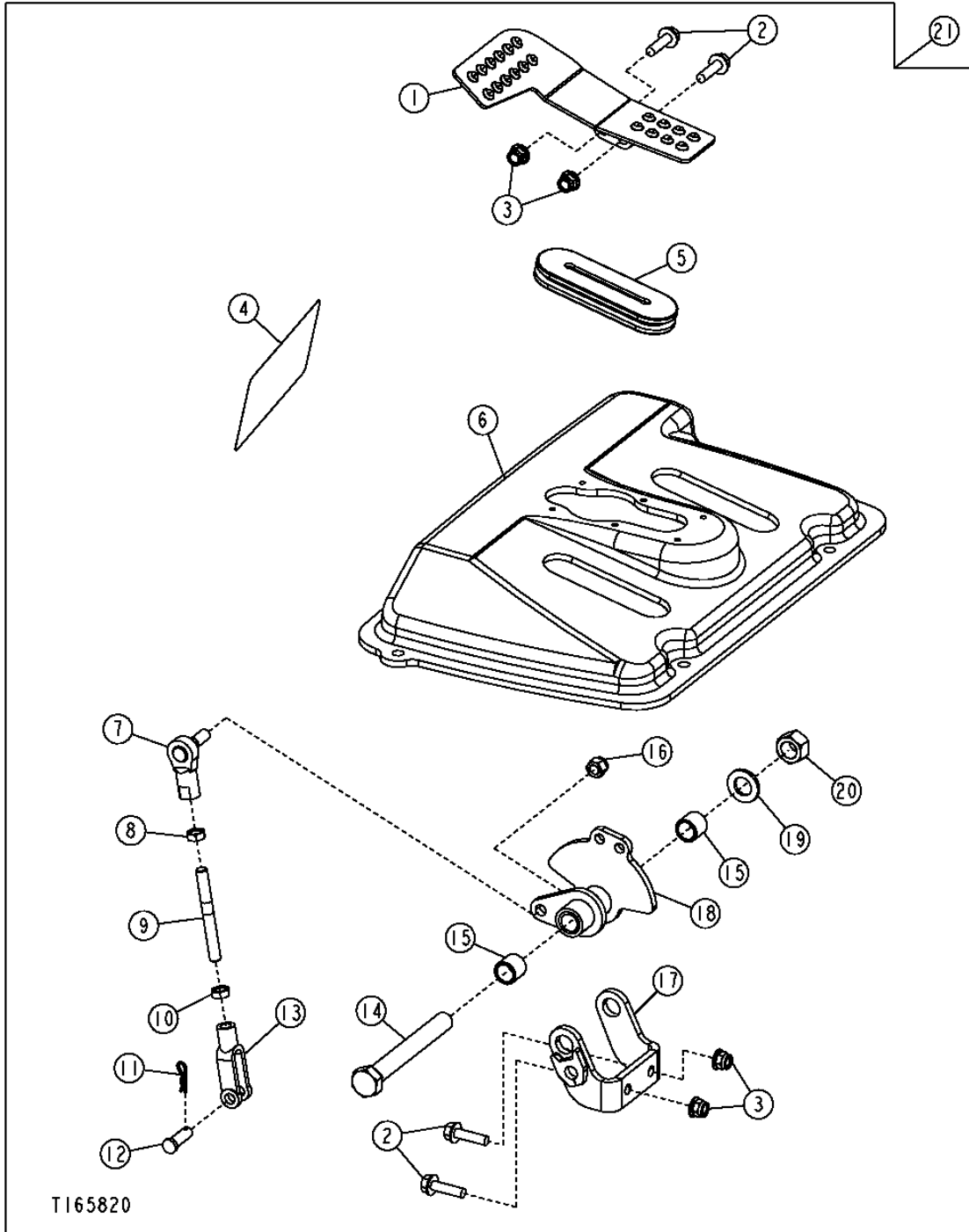
**SIXTH FUNCTION PEDAL (310G AND 310SG)  
 PEDALE DE SIXIEME FONCTION (310G ET 310SG)  
 PEDAL DE SEXTA FUNCION (310G Y 310SG)**

| KEY | PART NO. | PART NAME     | QTY. | SERIAL NO. | REMARKS                                |
|-----|----------|---------------|------|------------|--|
|     |          |               |      |            | 3 3                                    |
|     |          |               |      |            | 3 1 1                                  |
|     |          |               |      |            | 1 0 5                                  |
|     |          |               |      |            | 0 S S                                  |
|     |          |               |      |            | G G G                                  |
| 1   | AT169087 | BALL JOINT    | 1    |            | X X (WHOLE GOODS)                      |
| 2   | 14H774   | NUT           | 1    |            | X X 3/8"                               |
| 3   | T184129  | STUD          | 1    |            | X X                                    |
| 4   | 14H913   | NUT           | 1    |            | X X 3/8"                               |
| 5   | T140328  | YOKE          | 1    |            | X X                                    |
| 6   | T202956  | RETAINER      | 1    |            | X X (SUB FOR R46528, THIS APPLICATION) |
| 7   | R65563   | PIN FASTENER  | 1    |            | X X                                    |
| 8   | 19M7550  | CAP SCREW     | 2    |            | X X M10 X 35                           |
| 9   | T184133  | ANGLE         | 1    |            | X X                                    |
| 10  | 14M7274  | NUT           | 2    |            | X X M10                                |
| 11  | 14H1039  | NUT           | 2    |            | X X 5/8"                               |
| 12  | M87534   | SPRING WASHER | 2    |            | X X                                    |
| 13  | T58109   | BUSHING       | 2    |            | X X                                    |
| 14  | AT190073 | PEDAL         | 1    |            | X X                                    |
| 15  | N119479  | WASHER        | 1    |            | X X (SUB FOR R64059)                   |
| 16  | 19H3450  | CAP SCREW     | 1    |            | X X 5/8" X 6-3/4"                      |
| 17  | M68954   | LOCK NUT      | 1    |            | X X 3/8"                               |
| 18  | T185692  | LABEL         | 1    |            | X X                                    |
| 19  | T166224  | GROMMET       | 1    |            | X X                                    |
| 20  | AT189271 | COVER         | 1    |            | X X                                    |
| 21  | T165584  | LABEL         | 1    |            | X X                                    |
| 22  | 19M7866  | SCREW         | 4    |            | X X M8 X 20                            |
| 23  | AT185629 | KIT           | 1    |            | X X (WHOLE GOODS)                      |

# 3315-15A

SIXTH FUNCTION PEDAL (PILOT CONTROL)  
PEDALE DE SIXIEME FONCTION (COMMANDE PILOTE)  
PEDAL DE SEXTA FUNCION (CONTROL PILOTO)

T165820 -UN-25FEB03



T165820



# 3315-15B

BACKHOE 33

CONTROLS LINKAGE 3315

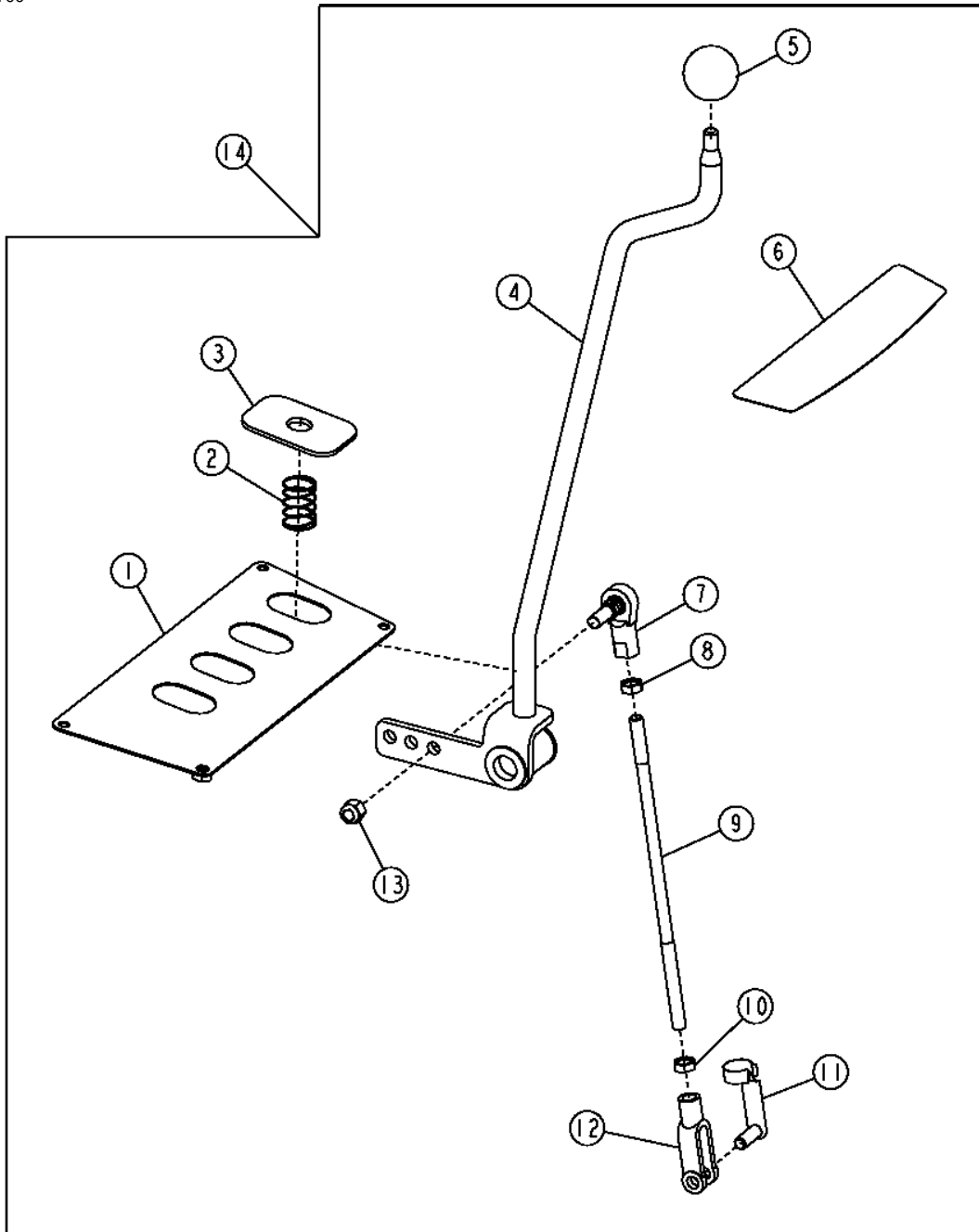
SIXTH FUNCTION PEDAL (PILOT CONTROL)  
 PEDALE DE SIXIEME FONCTION (COMMANDE PILOTE)  
 PEDAL DE SEXTA FUNCION (CONTROL PILOTO)

| KEY | PART NO.        | PART NAME          | QTY.     | SERIAL NO. | 3 3<br>3 1 1<br>1 0 5<br>0 S S<br>G G G | REMARKS              |
|-----|-----------------|--------------------|----------|------------|---|----------------------|
| 1   | AT300057        | PEDAL              | 1        |            | X X                                     |                      |
| 2   | 19M7868         | SCREW              | 4        |            | X X                                     | M8 X 30              |
| 3   | 14M7396         | LOCK NUT           | 4        |            | X X                                     | M8                   |
| 4   | T185692         | LABEL              | 1        |            | X X                                     |                      |
| 5   | T200095         | GROMMET            | 1        |            | X X                                     |                      |
| 6   | T200094         | COVER              | 1        |            | X X                                     |                      |
| 7   | AT169087        | BALL JOINT         | 1        |            | X X                                     |                      |
| 8   | 14H774          | NUT                | 1        |            | X X                                     | 3/8"                 |
| 9   | T200078         | STUD               | 1        |            | X X                                     |                      |
| 10  | 14H913          | NUT                | 1        |            | X X                                     | 3/8"                 |
| 11  | R46528          | SPRING LOCKING PIN | 1        |            | X X                                     |                      |
| 12  | R65563          | PIN FASTENER       | 1        |            | X X                                     |                      |
| 13  | T140328         | YOKE               | 1        |            | X X                                     |                      |
| 14  | 19H3353         | CAP SCREW          | 1        |            | X X                                     | 5/8" X 5"            |
| 15  | T58109          | BUSHING            | 2        |            | X X                                     |                      |
| 16  | M68954          | LOCK NUT           | 1        |            | X X                                     | 3/8"                 |
| 17  | AT300060        | BRACKET            | 1        |            | X X                                     |                      |
| 18  | AT300055        | PIVOT              | 1        |            | X X                                     |                      |
| 19  | 24M7053         | WASHER             | 1        |            | X X                                     |                      |
| 20  | U14555          | LOCK NUT           | 1        |            | X X                                     | 5/8"                 |
| 21  | <b>AT301485</b> | <b>KIT</b>         | <b>1</b> |            | <b>X X</b>                              | <b>(WHOLE GOODS)</b> |

# 3315-16

FIFTH FUNCTION LEVER FOR THREE LEVER CONTROLS CONVERSION KIT  
LEVIER DE CINQUIEME FONCTION POUR KIT DE CONVERSION DES COMMANDES A TROIS LEVIERS  
PALANCA DE QUINTA FUNCION PARA JUEGO DE CONVERSION A CONTROLES CON TRES PALANCAS

TP69704 -UN-02OCT00



TP69704

# 3315-17

BACKHOE 33

CONTROLS LINKAGE 3315

**FIFTH FUNCTION LEVER FOR THREE LEVER CONTROLS CONVERSION KIT  
 LEVIER DE CINQUIEME FONCTION POUR KIT DE CONVERSION DES COMMANDES A TROIS LEVIERS  
 PALANCA DE QUINTA FUNCION PARA JUEGO DE CONVERSION A CONTROLES CON TRES PALANCAS**

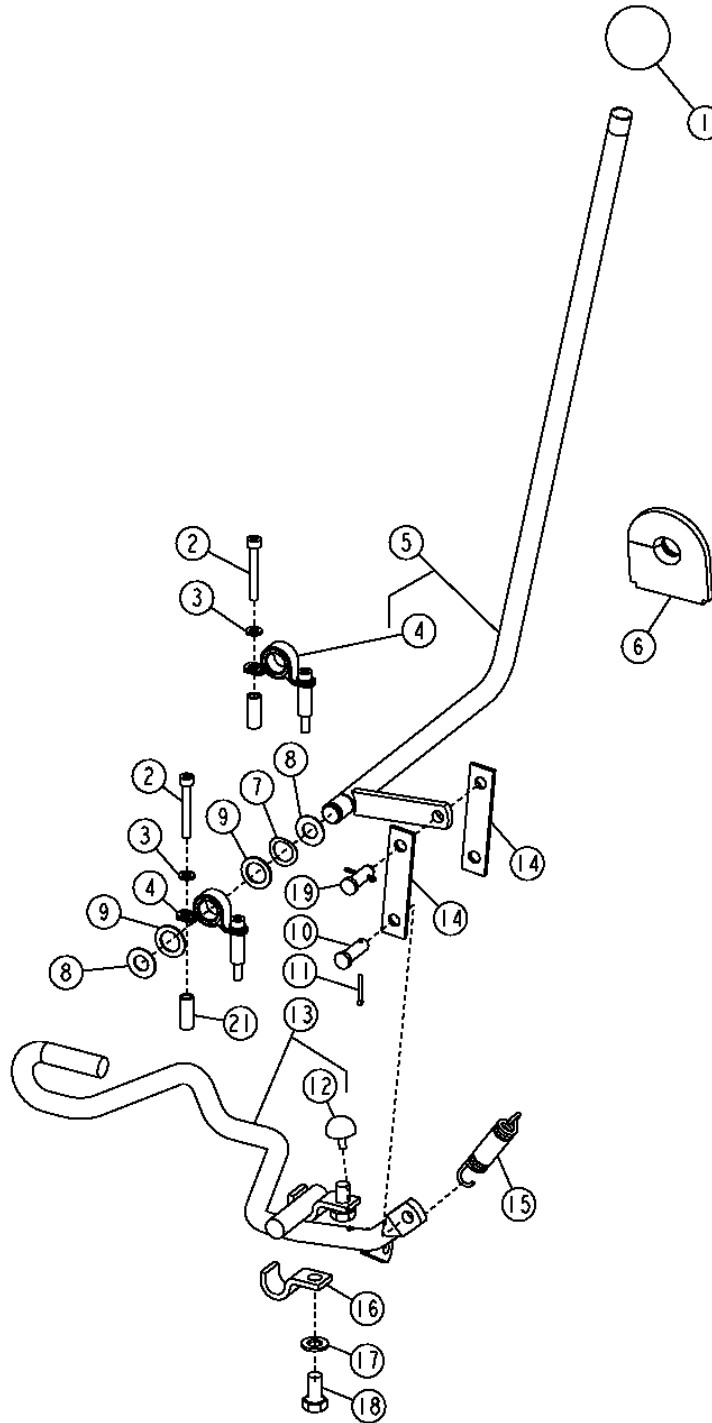
| KEY | PART NO.        | PART NAME            | QTY. | SERIAL NO.     | 3 3<br>3 1 1<br>1 0 5<br>0 S S<br>G G G | REMARKS                             |
|-----|-----------------|----------------------|------|----------------|---|-------------------------------------|
| 1   | AT186050        | COVER                | 1    | -944916        | X X X                                   |                                     |
|     | AT311929        | COVER                | 1    | 944917-        | X X X                                   |                                     |
| 2   | T165591         | SPRING               | 1    |                | X X X                                   |                                     |
| 3   | T209588         | COVER                | 1    |                | X X X                                   | (SUB FOR T183149, THIS APPLICATION) |
| 4   | AT189580        | CONTROL LEVER        | 1    | -940584        | X X X                                   |                                     |
|     | AT309190        | CONTROL LEVER        | 1    | 940585-        | X X X                                   |                                     |
| 5   | 39M1709         | KNOB                 | 1    |                | X X X                                   |                                     |
| 6   | T165586         | LABEL                | 1    |                | X X X                                   |                                     |
| 7   | AT169087        | BALL JOINT           | 1    |                | X X X                                   | (SUB FOR AT49300)                   |
| 8   | 14H774          | NUT                  | 1    |                | X X X                                   | 3/8"                                |
| 9   | T165697         | ROD                  | 1    |                | X X X                                   |                                     |
| 10  | 14H913          | NUT                  | 1    |                | X X X                                   | 3/8"                                |
| 11  | T183617         | PIN FASTENER         | 1    |                | X X X                                   |                                     |
| 12  | T140328         | YOKE                 | 1    |                | X X X                                   |                                     |
| 13  | M68954          | LOCK NUT             | 1    |                | X X X                                   |                                     |
| 14  | <b>AT185627</b> | <b>CONTROL LEVER</b> | 1    | <b>-940584</b> | <b>X X X</b>                            | <b>(WHOLE GOODS)</b>                |
|     | <b>AT309740</b> | <b>CONTROL LEVER</b> | 1    | <b>940585-</b> | <b>X X X</b>                            | <b>(WHOLE GOODS)</b>                |

# 3315-18

BACKHOE BOOM LOCK CONTROL LEVER AND LINKAGE (310G AND 310SG)  
TRINGLERIE ET LEVIER DE COMMANDE DE VERROUILLAGE DE FLECHE DE RETROPELLE (310G ET 310SG)  
PALANCA DE CONTROL DE BLOQUEO DE AGUILON DE RETROEXCAVADORA Y VARILLAJE (310G Y 310SG)

T160156

-UN-03OCT02



T160156

# 3315-19

BACKHOE 33

CONTROLS LINKAGE 3315

**BACKHOE BOOM LOCK CONTROL LEVER AND LINKAGE (310G AND 310SG)  
 TRINGLERIE ET LEVIER DE COMMANDE DE VERROUILLAGE DE FLECHE DE RETROPELLE (310G ET 310SG)  
 PALANCA DE CONTROL DE BLOQUEO DE AGUILON DE RETROEXCAVADORA Y VARILLAJE (310G Y 310SG)**

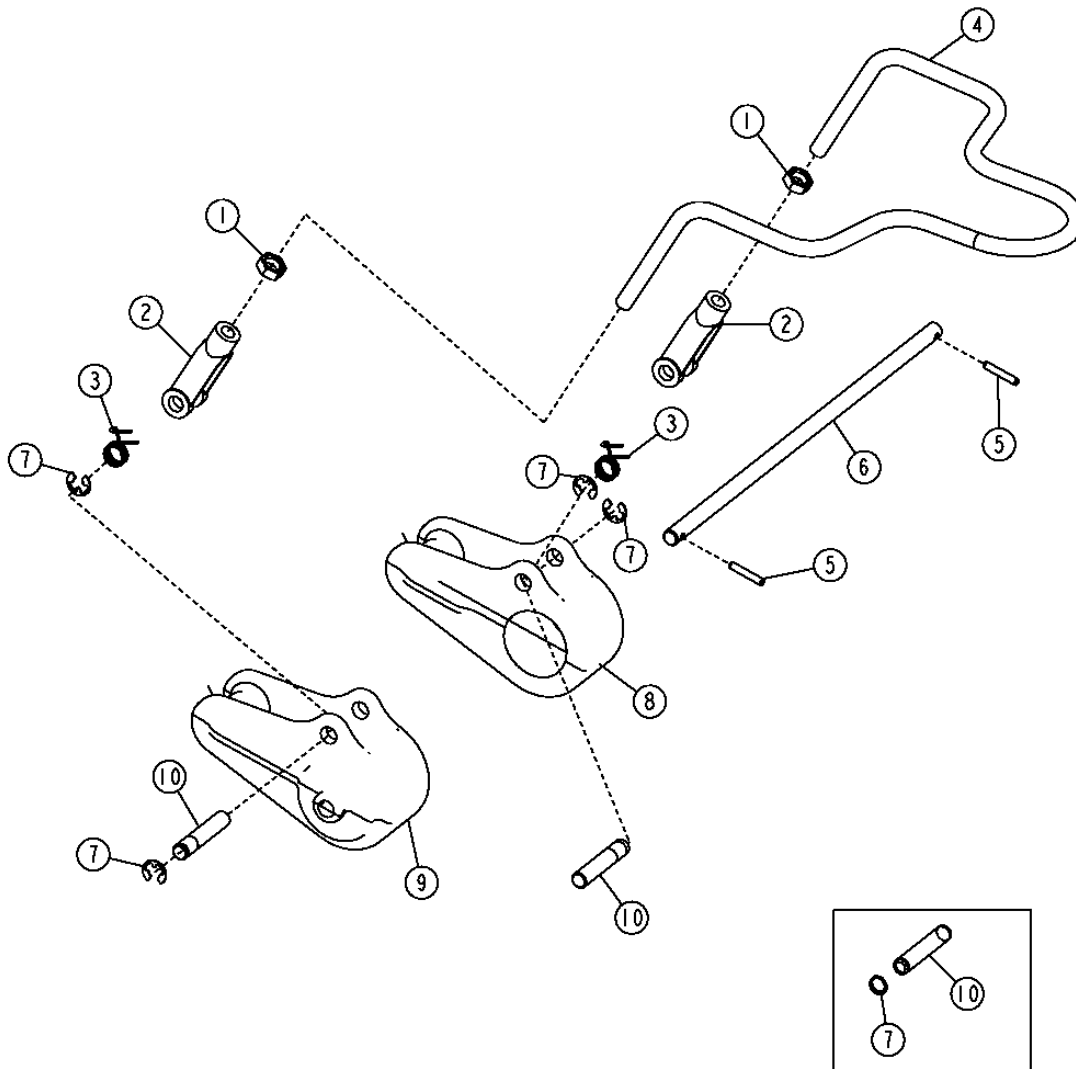
| KEY | PART NO. | PART NAME            | QTY. | SERIAL NO. | 3 3<br>3 1 1<br>1 0 5<br>0 S S<br>G G G | REMARKS   |
|-----|----------|----------------------|------|------------|---|---|
| 1   | T185309  | KNOB                 | 1    |            | X X                                     | MANUAL CONTROL  |
|     | T133291  | KNOB                 | 1    |            | X X                                     | PILOT CONTROL   |
| 2   | 19M7603  | SCREW                | 4    | -911194    | X X                                     | M6 X 20, (SUB FOR 19M8627, THIS APPLICATION)                              |
|     | 19M8713  | SCREW                | 4    | 911195-    | X X                                     | M6 X 45   |
| 3   | 24M7054  | WASHER               | 4    |            | X X                                     |   |
| 4   | AT195620 | BEARING WITH HOUSING | 2    |            | X X                                     | (SUB FOR AT185317)  |
| 5   | AT195623 | LEVER                | 1    |            | X X                                     | STD CONTROLS, (SUB FOR AT185311)  |
|     | AT196387 | LEVER                | 1    |            | X X                                     | PILOT CONTROLS  |
| 6   | T177623  | GROMMET              | 1    |            | X X                                     |   |
| 7   | T166237  | SPRING WASHER        | 1    |            | X X                                     |   |
| 8   | F2863R   | SNAP RING            | 2    |            | X X                                     |   |
| 9   | 24H1658  | WASHER               | 1    |            | X X                                     | STD CONTROLS  |
|     | 24H1658  | WASHER               | 3    |            | X X                                     | PILOT CONTROLS  |
| 10  | M40569   | PIN FASTENER         | 1    |            | X X                                     | (SUB FOR R65563, THIS APPLICATION)  |
| 11  | 11M7081  | COTTER PIN           | 2    |            | X X                                     | (SUB FOR R46528 AND 11M7078, THIS APPLICATION)                            |
| 12  | AT185847 | BUMPER               | 1    |            | X X                                     |   |
| 13  | AT185315 | ROD                  | 1    |            | X X                                     |   |
| 14  | .....    | LINK                 | 1    | -903254    | X X                                     | ( AT191528 NLA) (SUB (2) T188356) (ALSO ORDER (2) M40569 AND (2) 11M7078) |
|     | T188356  | STRAP                | 2    | 903255-    | X X                                     |   |
| 15  | T24509   | SPRING               | 1    |            | X X                                     |   |
| 16  | T157785  | CLAMP                | 2    |            | X X                                     |   |
| 17  | 24M7040  | WASHER               | 2    |            | X X                                     | 11 X 20 X 2 MM  |
| 18  | 19M7938  | CAP SCREW            | 2    |            | X X                                     | M10 X 20  |
| 19  | M40569   | PIN FASTENER         | 1    |            | X X                                     | (SUB FOR R65563, THIS APPLICATION)  |
| 20  | 24H1658  | WASHER               | 1    | -903254    | X X                                     |   |
| 21  | 28H1921  | BUSHING              | 4    | 911195-    | X X                                     |   |

# 3315-20

BACKHOE 33  
CONTROLS LINKAGE 3315

BACKHOE BOOM LOCK (310G AND 310SG)  
VERROUILLAGE DE FLECHE DE RETROPELLE (310G ET 310SG)  
BLOQUEO DE AGUILON DE RETROEXCAVADORA (310G Y 310SG)

T157614 -UN-17JUL02



T157614

# 3315-21

BACKHOE 33

CONTROLS LINKAGE 3315

**BACKHOE BOOM LOCK (310G AND 310SG)  
 VERROUILLAGE DE FLECHE DE RETROPELLE (310G ET 310SG)  
 BLOQUEO DE AGUILON DE RETROEXCAVADORA (310G Y 310SG)**

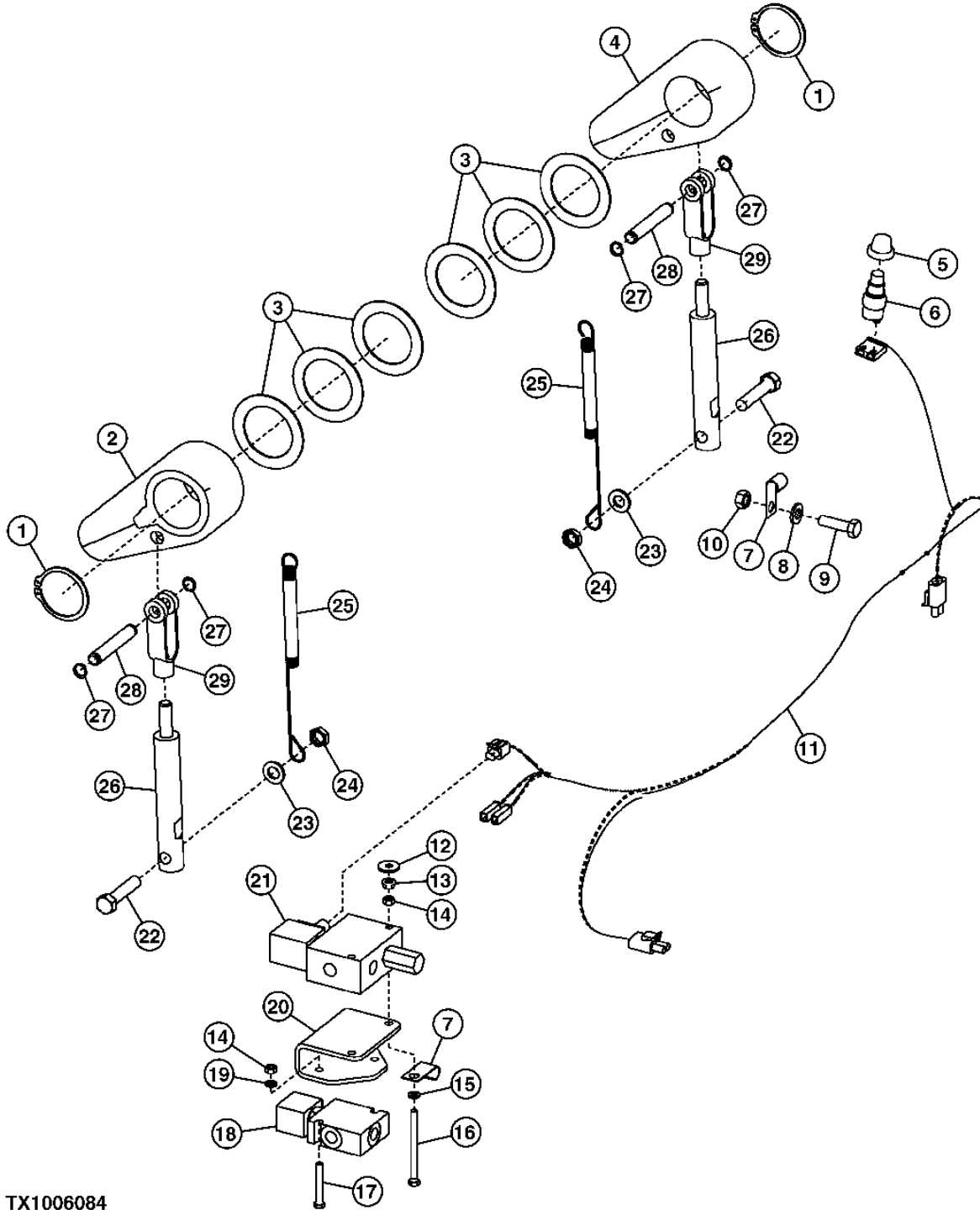
| KEY | PART NO. | PART NAME  | QTY. | SERIAL NO. | 3 3<br>3 1 1<br>1 0 5<br>0 S S<br>G G G | REMARKS   |
|-----|----------|------------|------|------------|---|---|
| 1   | 14H856   | NUT        | 2    |            | X X                                     | 1/2"  |
| 2   | T121474  | YOKE       | 2    |            | X X                                     |   |
| 3   | T160589  | SPRING     | 2    |            | X X                                     |   |
| 4   | T157762  | ROD        | 1    |            | X X                                     |   |
| 5   | 34M7141  | SPRING PIN | 2    |            | X X                                     |   |
| 6   | T160515  | PIN        | 1    |            | X X                                     |   |
| 7   | T161598  | SNAP RING  | 4    | -910310    | X X                                     |   |
|     | R26871   | SNAP RING  | 4    | 910311-    | X X                                     |   |
|     | 24M7047  | WASHER     | AR   | 910311-    | X                                       | 13 X 24 X 2.500 MM  |
| 8   | T186005  | LOCK       | 1    |            | X X                                     | LH, (SUB FOR T160638)                                       |
| 9   | T186006  | LOCK       | 1    |            | X X                                     | RH, (SUB FOR T160639)                                       |
| 10  | .....    | PIN        | 2    | -910310    | X X                                     | ( T158397 NLA) (SUB (2) T186000) (ALSO<br>ORDER (4) R26871) |
|     | T186000  | PIN        | 2    | 910311-    | X X                                     |   |

# 3315-22

BACKHOE BOOM LOCK CONTROL LEVER AND LINKAGE (315SG)  
TRINGLERIE ET LEVIER DE COMMANDE DE VERROUILLAGE DE FLECHE DE RETROPELLE (315SG)  
PALANCA DE CONTROL DE BLOQUEO DE AGUILON DE RETROEXCAVADORA Y VARILLAJE (315SG)

TX1006084

-UN-26APR06



TX1006084



# 3315-23

BACKHOE 33

CONTROLS LINKAGE 3315

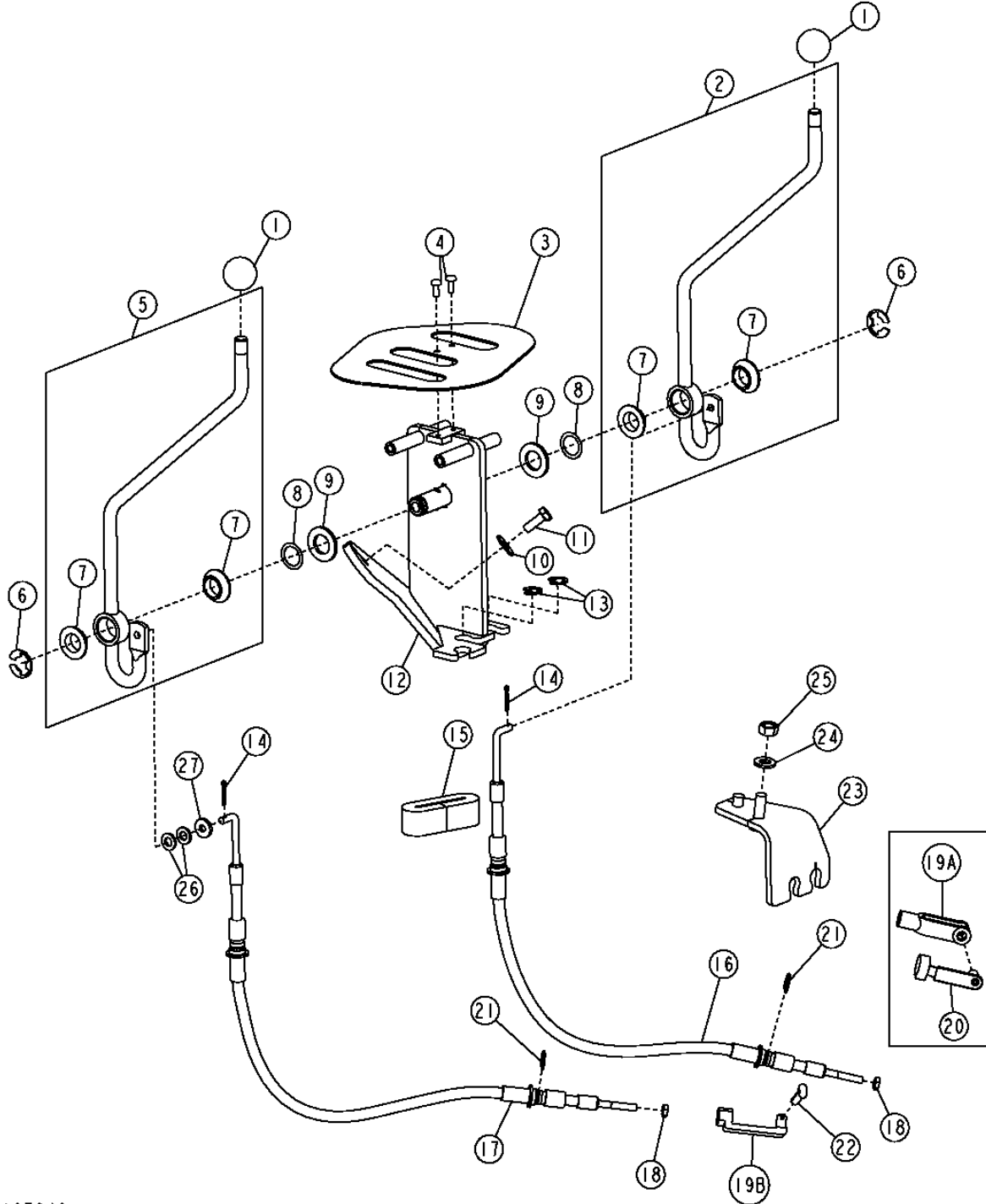
**BACKHOE BOOM LOCK CONTROL LEVER AND LINKAGE (315SG)  
 TRINGLERIE ET LEVIER DE COMMANDE DE VERROUILLAGE DE FLECHE DE RETROPELLE (315SG)  
 PALANCA DE CONTROL DE BLOQUEO DE AGUILON DE RETROEXCAVADORA Y VARILLAJE (315SG)**

| KEY | PART NO. | PART NAME                | QTY. | SERIAL NO. | 3 3<br>3 1 1<br>1 0 5<br>0 S S<br>G G G | REMARKS                    |
|-----|----------|--------------------------|------|------------|---|----------------------------|
| 1   | 40M7066  | SNAP RING                | 2    |            | X                                       |                            |
| 2   | T161012  | LOCK                     | 1    |            | X                                       |                            |
| 3   | 24H1679  | WASHER                   | 6    | -200449    | X                                       |                            |
|     | 24H1679  | WASHER                   | 2    | 200450-    | X                                       |                            |
| 4   | T161011  | LOCK                     | 1    |            | X                                       |                            |
| 5   | AR47374  | CAP                      | 1    |            | X                                       |                            |
| 6   | R39554   | SWITCH                   | 1    |            | X                                       |                            |
| 7   | AH89557  | CLIP                     | 2    |            | X                                       |                            |
| 8   | 24M7239  | WASHER                   | 1    |            | X                                       |                            |
| 9   | 19M7550  | CAP SCREW                | 1    |            | X                                       | M10 X 35                   |
| 10  | 14M7274  | NUT                      | 1    |            | X                                       | M10                        |
| 11  | AT194343 | WIRING HARNESS           | 1    |            | X                                       |                            |
| 12  | 24H1288  | WASHER                   | 2    |            | X                                       |                            |
| 13  | 14M7303  | FLANGE NUT               | 2    |            | X                                       | M6                         |
| 14  | 14M7272  | NUT                      | 4    |            | X                                       | M6                         |
| 15  | 24M7088  | WASHER                   | 2    |            | X                                       |                            |
| 16  | 19M8880  | CAP SCREW                | 2    |            | X                                       | M6 X 80                    |
| 17  | 19M8321  | SCREW                    | 2    |            | X                                       | M6 X 45                    |
| 18  | AT179029 | SOLENOID VALVE           | 1    |            | X                                       | (BACKHOE BOOM LOCK)        |
| 19  | 24M7088  | WASHER                   | 2    |            | X                                       |                            |
| 20  | T184957  | BRACKET                  | 1    |            | X                                       |                            |
| 21  | AT183556 | SOLENOID HYDRAULIC VALVE | 1    |            | X                                       | (SIDE SHIFT SLIDE LOCKING) |
| 22  | 19M7362  | CAP SCREW                | 2    |            | X                                       | M12 X 55                   |
| 23  | 24M7047  | WASHER                   | 2    |            | X                                       |                            |
| 24  | 14M7415  | NUT                      | 2    |            | X                                       | M12                        |
| 25  | T160590  | SPRING                   | 2    |            | X                                       |                            |
| 26  | AH171683 | HYDRAULIC CYLINDER       | 2    |            | X                                       |                            |
| 27  | T161598  | SNAP RING                | 4    |            | X                                       |                            |
| 28  | T161013  | PIN                      | 2    |            | X                                       |                            |
| 29  | T121474  | YOKE                     | 2    |            | X                                       |                            |

# 3315-24

## STABILIZER VALVE LINKAGE TRINGLERIE DE SOUPAPE DE STABILISATEUR VARILLAJE DE VALVULA ESTABILIZADORA

T197646 -UN-20FEB04



T197646

# 3315-25

BACKHOE 33

CONTROLS LINKAGE 3315

**STABILIZER VALVE LINKAGE  
TRINGLERIE DE SOUPAPE DE STABILISATEUR  
VARILLAJE DE VALVULA ESTABILIZADORA**

| KEY | PART NO. | PART NAME       | QTY. | SERIAL NO. | 3 3<br>3 1 1<br>1 0 5<br>0 S S<br>G G G | REMARKS  |
|-----|----------|-----------------|------|------------|---|--|
| 1   | T185766  | KNOB            | 2    |            | X X X                                   |  |
| 2   | AT185851 | CONTROL LEVER   | 1    | -913416    | X X X                                   |  |
|     | AT300770 | CONTROL LEVER   | 1    | 913417-    | X X X                                   |  |
| 3   | T185496  | PLATE           | 1    |            | X X X                                   |  |
| 4   | 21H1316  | SCREW           | 2    |            | X X X                                   | 0.190" X 1/2", (SUB FOR 21H1406, THIS APPLICATION) |
| 5   | AT185851 | CONTROL LEVER   | 1    | -913416    | X X X                                   |  |
|     | AT300771 | CONTROL LEVER   | 1    | 913417-    | X X X                                   |  |
| 6   | R27434   | SNAP RING       | 2    |            | X X X                                   |  |
| 7   | T166097  | BEARING         | 4    |            | X X X                                   |  |
| 8   | R26081   | WASHER          | 2    |            | X X X                                   |  |
| 9   | 24H1392  | WASHER          | 2    |            | X X X                                   |  |
| 10  | 24M7207  | WASHER          | 2    |            | X X X                                   |  |
| 11  | 19M7376  | CAP SCREW       | 2    |            | X X X                                   | M8 X 22  |
| 12  | AT186983 | BRACKET         | 1    | -913416    | X X X                                   |  |
|     | AT300769 | BRACKET         | 1    | 913417-    | X X X                                   |  |
| 13  | R26871   | SNAP RING       | 2    |            | X X X                                   | (SUB FOR R106466, THIS APPLICATION)                |
| 14  | 11M7081  | COTTER PIN      | 2    |            | X X X                                   | 2.500 X 20 MM                                      |
| 15  | T183905  | SEAL            | 1    |            | X X X                                   |  |
| 16  | AT196336 | PUSH PULL CABLE | 1    | -913416    | X X X                                   | (RH) (STABILIZER) (SUB FOR AT185855)               |
|     | AT196606 | PUSH PULL CABLE | 1    | 913417-    | X X X                                   |  |
| 17  | AT196337 | PUSH PULL CABLE | 1    | -913416    | X X X                                   | (LH) (STABILIZER) (SUB FOR AT185856)               |
|     | AT196606 | PUSH PULL CABLE | 1    | 913417-    | X X X                                   |  |
| 18  | 14H649   | NUT             | 2    |            | X X X                                   | 1/4"   |
| 19A | T166102  | YOKE            | 2    | -913416    | X X X                                   |  |
| 19B | T191245  | SWIVEL          | 2    | 913417-    | X X X                                   |  |
| 20  | T183617  | PIN FASTENER    | 2    | -913416    | X X X                                   |  |
| 21  | R26871   | SNAP RING       | 4    |            | X X X                                   | (SUB FOR R106466)                                  |
| 22  | 11M7081  | COTTER PIN      | 1    | 913417-    | X X X                                   |  |
| 23  | AT280363 | BRACKET         | 1    | 913417-    | X X X                                   |  |
| 24  | 24M7239  | WASHER          | 1    | 913417-    | X X X                                   |  |
| 25  | 14M7274  | NUT             | 1    | 913417-    | X X X                                   | M10  |
| 26  | 24M7238  | WASHER          | 2    |            | X X X                                   |  |
| 27  | 24H1923  | WASHER          | 1    |            | X X X                                   |  |

# 3315-26

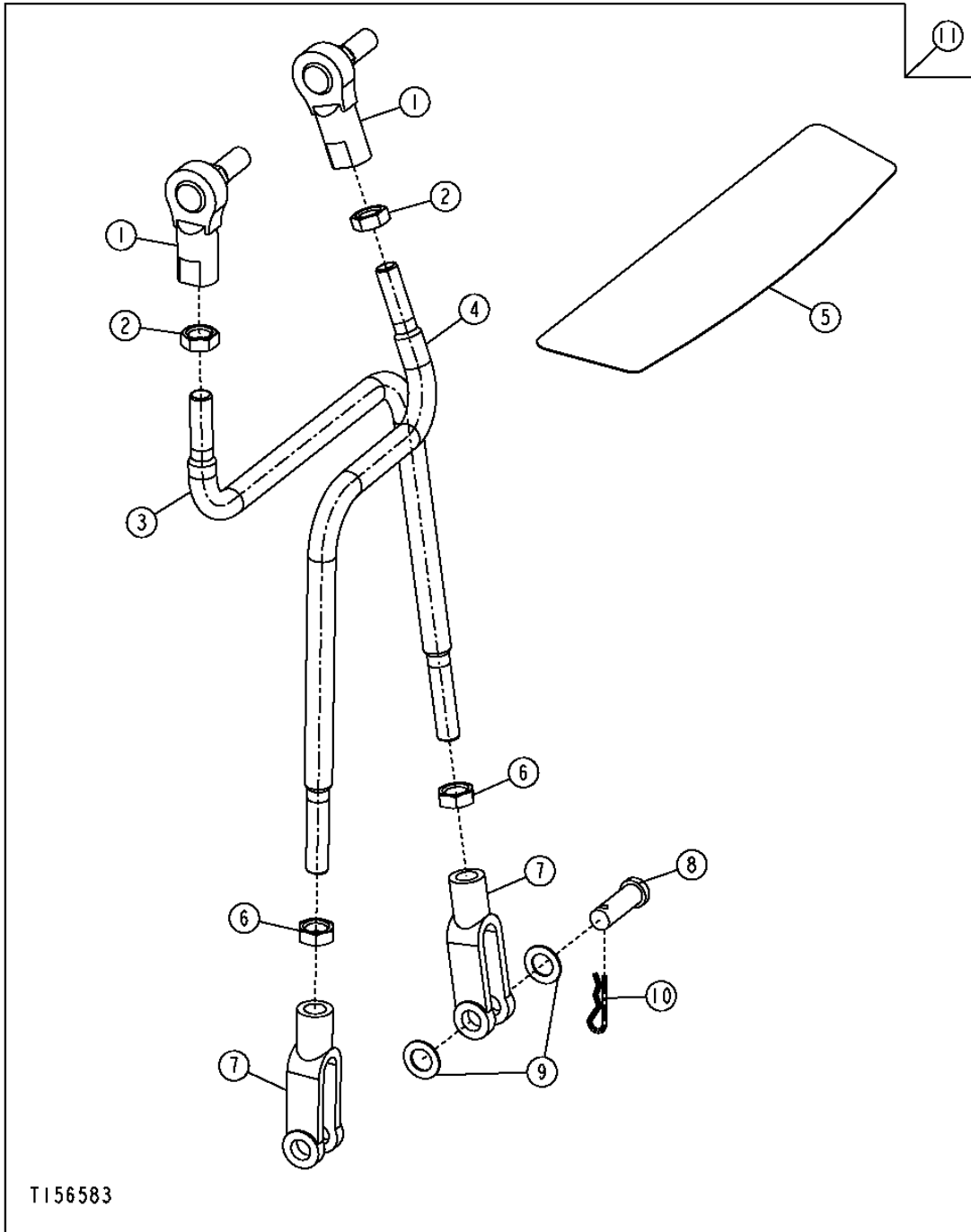
BACKHOE 33

CONTROLS LINKAGE 3315

SAE BACKHOE CONTROL LINKAGE PATTERN KIT  
KIT DE CONFIGURATION DE TRINGLERIE DE COMMANDE DE RETROPELLE SAE  
JUEGO DE PATRON DE VARILLAJE DE CONTROL DE RETROEXCAVADORA SAE

T156583

-UN-25JUN02



T156583

# 3315-27

BACKHOE 33

CONTROLS LINKAGE 3315

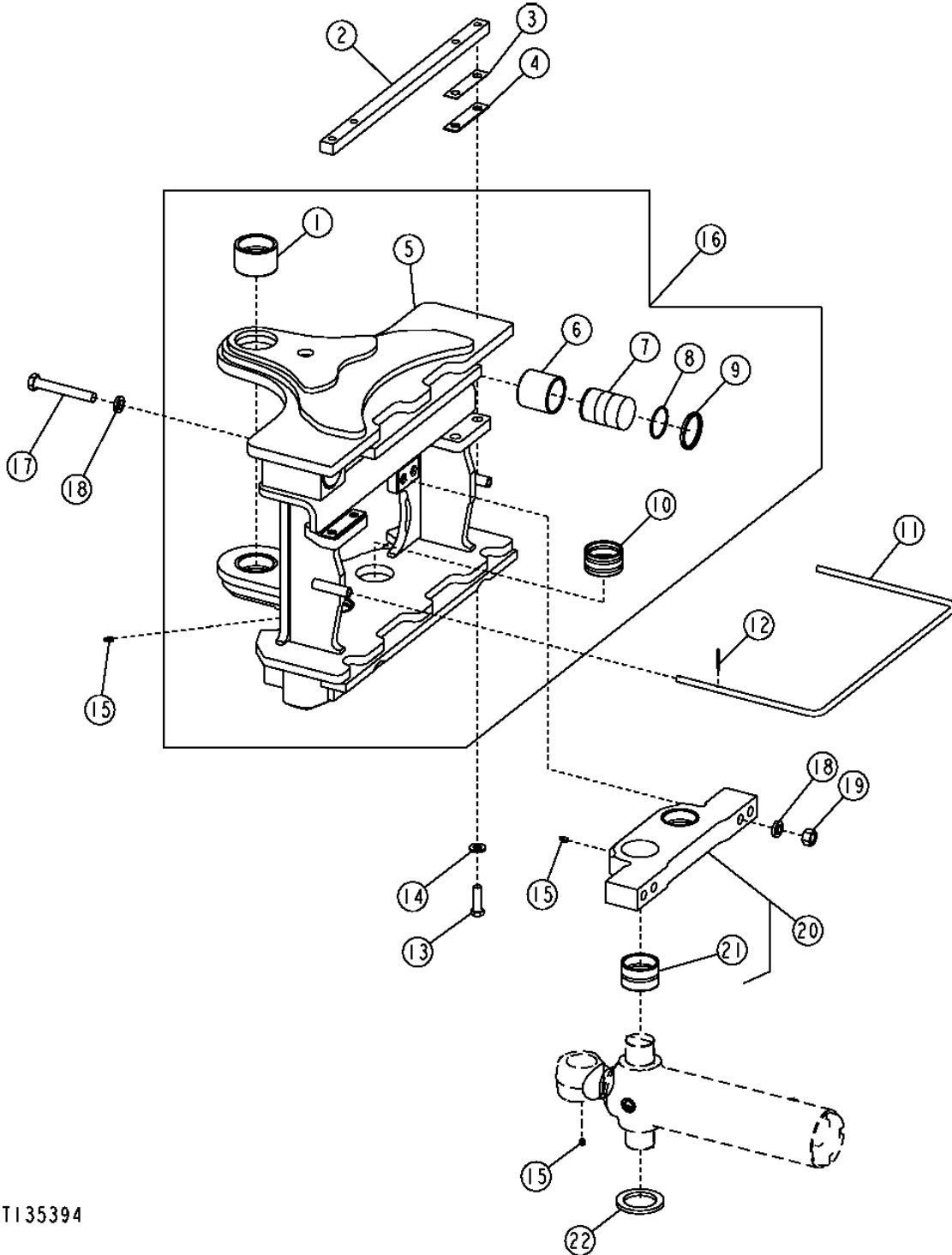
SAE BACKHOE CONTROL LINKAGE PATTERN KIT  
 KIT DE CONFIGURATION DE TRINGLERIE DE COMMANDE DE RETROPELLE SAE  
 JUEGO DE PATRON DE VARILLAJE DE CONTROL DE RETROEXCAVADORA SAE

| KEY | PART NO. | PART NAME    | QTY. | SERIAL NO. | REMARKS                                |
|-----|----------|--------------|------|------------|--|
|     |          |              |      |            | 3 3                                    |
|     |          |              |      |            | 3 1 1                                  |
|     |          |              |      |            | 1 0 5                                  |
|     |          |              |      |            | 0 S S                                  |
|     |          |              |      |            | G G G                                  |
| 1   | AT169087 | BALL JOINT   | 1    |            | X X (SUB FOR AT49300)                  |
| 2   | 14H774   | NUT          | 1    |            | X X 3/8"                               |
| 3   | T191445  | ROD          | 1    |            | X X ( T183884 NLA)                     |
| 4   | T183885  | STUD         | 1    |            | X X                                    |
| 5   | T165595  | LABEL        | 1    |            | X X                                    |
| 6   | 14H913   | NUT          | 1    |            | X X 3/8"                               |
| 7   | T140328  | YOKE         | 1    |            | X X                                    |
| 8   | R65563   | PIN FASTENER | 2    |            | X X                                    |
| 9   | 24H1302  | WASHER       | 6    |            | X X 13/32" X 11/16" X 0.035"           |
| 10  | T202956  | RETAINER     | 2    |            | X X (SUB FOR R46528, THIS APPLICATION) |
| 11  | AT301434 | KIT          | 1    |            | X X (WHOLE GOODS)                      |

# 3342-2

SLIDING FRAME (315SG)  
CHASSIS COULISSANT (315SG)  
BASTIDOR DESLIZANTE (315SG)

T135394 -UN-11JAN01



T135394

# 3342-3

BACKHOE 33

SUBFRAME AND TIE BARS 3342

SLIDING FRAME (315SG)  
 CHASSIS COULISSANT (315SG)  
 BASTIDOR DESLIZANTE (315SG)

| KEY | PART NO. | PART NAME           | QTY. | SERIAL NO. | REMARKS                        |
|-----|----------|---------------------|------|------------|--------------------------------|
|     |          |                     |      |            | 3 3                            |
|     |          |                     |      |            | 3 1 1                          |
|     |          |                     |      |            | 1 0 5                          |
|     |          |                     |      |            | 0 S S                          |
|     |          |                     |      |            | G G G                          |
| 1   | T154621  | BUSHING             | 2    |            | X SWING FRAME MOUNTING         |
| 2   | T106066  | BAR                 | 1    |            | X LOCK BAR                     |
| 3   | T106399  | STRAP               | 2    |            | X 1 MM (.042" THICK) LOCKBAR   |
| 4   | T106398  | STRAP               | 6    |            | X 3.2 MM (.125" THICK) LOCKBAR |
| 5   | .....    | FRAME               | 1    |            | X SLIDING (WITH BUSHINGS)      |
| 6   | T161813  | BUSHING             | 4    |            | X LOCK CYLINDER BORES          |
| 7   | T166535  | PISTON              | 4    |            | X LOCKING CYLINDER             |
| 8   | AT186563 | SEAL KIT            | 4    |            | X                              |
| 9   | T157277  | SEAL                | 4    |            | X LOCK CYLINDER BORE           |
| 10  | T147070  | BUSHING             | 2    |            | X SWING CYLINDER MOUNTING      |
| 11  | T161770  | ROD                 | 1    |            | X PROTECTION                   |
| 12  | 11M7012  | COTTER PIN          | 4    |            | X PROTECTION ROD               |
| 13  | 19M8295  | CAP SCREW           | 4    |            | X M16 X 55                     |
| 14  | 24M7241  | WASHER              | 4    |            | X                              |
| 15  | T162396  | LUBRICATION FITTING | 4    |            | X LOWER GREASE PASSAGE         |
| 16  | AT182935 | FRAME               | 1    |            | X SLIDING WITH PISTON          |
| 17  | 19M7907  | SCREW               | 4    |            | X M20 X 140                    |
| 18  | T83426   | WASHER              | 8    |            | X                              |
| 19  | 14M7277  | NUT                 | 4    |            | X M20                          |
| 20  | AT175921 | PLATE               | 1    |            | X                              |
| 21  | T153303  | BUSHING             | 2    |            | X                              |
| 22  | T148387  | WASHER              | 2    |            | X                              |





# 3343-3

**SWING FRAME (310G AND 310SG)  
CHASSIS DE PIVOTEMENT (310G ET 310SG)  
BASTIDOR DE GIRO (310G Y 310SG)**

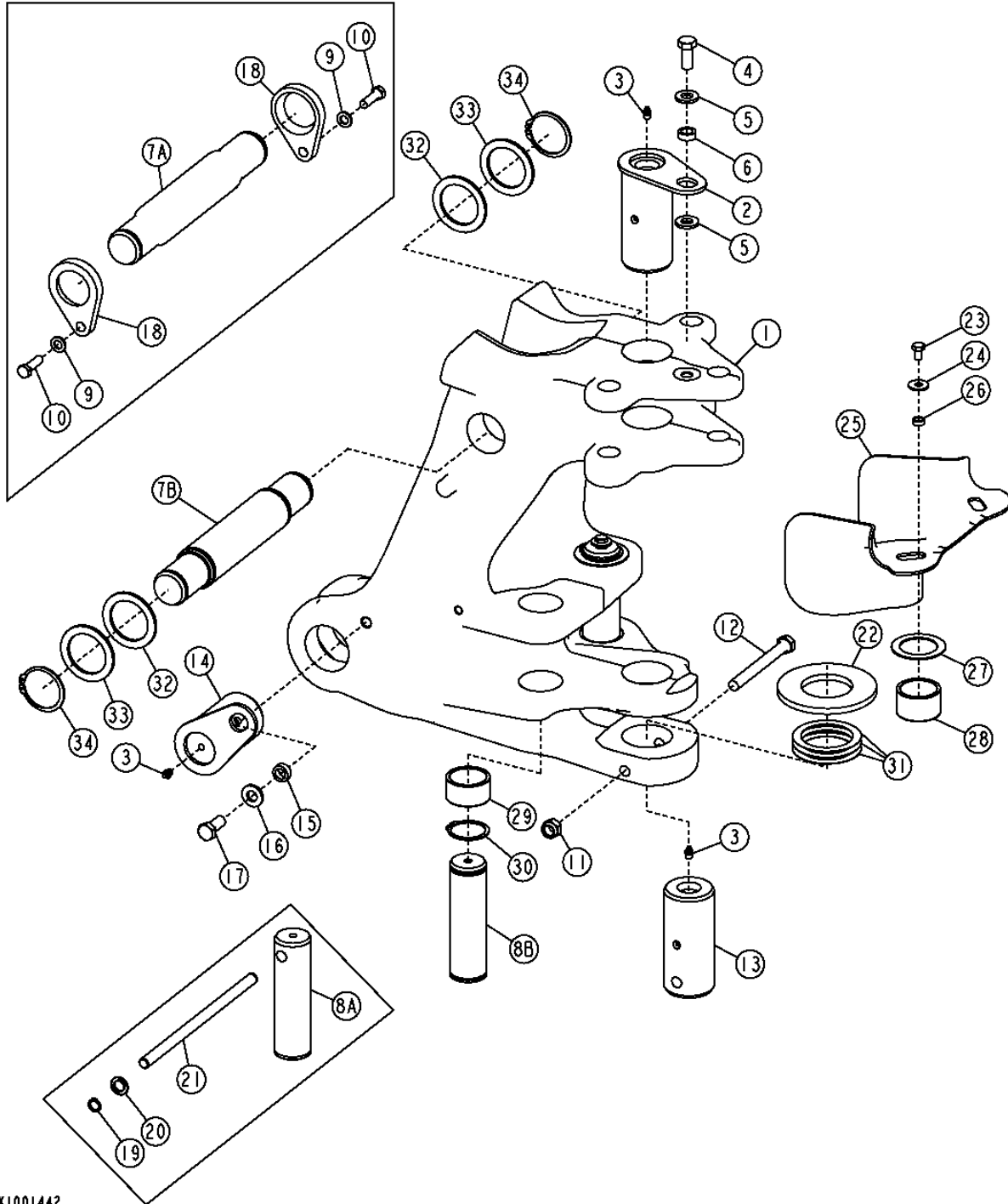
| KEY | PART NO.          | PART NAME           | QTY.   | SERIAL NO. | 3<br>3<br>1<br>1<br>0<br>5<br>0<br>S<br>S<br>G<br>G<br>G | REMARKS  |
|-----|-------------------|---------------------|--------|------------|--|--|
| 1   | AT334604<br>..... | FRAME<br>FRAME      | 1<br>1 | -928871    | X<br>X   | (SUB FOR T161594, THIS APPLICATION)<br>( T161593 NLA) (SUB AT334603) (ALSO<br>ORDER (2) T201971, (4) 40M7066, (2)<br>T161036 AND (2) AT306499) |
|     | AT334603          | FRAME               | 1      | 928872-    | X  | (INCLUDES (2) T201361 AND (2) T201362)   |
| 2   | T159118           | PIN FASTENER        | 2      |            | X  | STD  |
|     | T153531           | PIN FASTENER        | 2      |            | X  | STD  |
|     | T165563           | PIN                 | 2      |            | X  | OS   |
|     | T205810           | PIN FASTENER        | 2      |            | X  |  |
| 3   | T162396           | LUBRICATION FITTING | 4      |            | X X  |  |
| 4   | 19M8021           | CAP SCREW           | 1      |            | X X  | M16 X 200  |
| 5   | 14M7328           | LOCK NUT            | 2      |            | X X  | M16  |
| 6   | 19M7954           | CAP SCREW           | 1      |            | X X  | M16 X 150  |
| 7A  | .....             | PIN FASTENER        | 1      | -952166    | X  | ( T160567 NLA) (SUB T217548) (ALSO<br>ORDER (2) 24H1616, (2) 24H1615 AND<br>(2) 40M7120)   |
| 7B  | T217548           | PIN                 | 1      | 952167-    | X  |  |
| 8   | T159986           | RETAINER            | 2      | -952166    | X  |  |
| 9   | 24M7047           | WASHER              | 2      | -952166    | X  |  |
| 10  | 19M7493           | CAP SCREW           | 2      | -952166    | X  | M12 X 40   |
| 11A | T160568           | PIN                 | 1      | -912528    | X  |  |
| 11B | T186001           | PIN                 | 1      | 912529-    | X  |  |
| 12  | T160067           | SPACER              | 2      | -912528    | X  |  |
| 13  | T161608           | SCREW               | 6      | -912528    | X  | 3/8" X 3/4"  |
| 14  | AT176115          | PIN                 | 2      | -928871    | X  | STD  |
|     | AT306500          | PIN                 | 2      | 928872-    | X  |  |
|     | AT170043          | PIN                 | 2      | -928871    | X  | STD  |
|     | AT184058          | PIN FASTENER        | 2      | -928871    | X  | OS   |
|     | AT306499          | PIN                 | 2      | 928872-    | X  |  |
| 15  | T215678           | BUSHING             | 2      |            | X X  | (SUB FOR M2649DN, THIS APPLICATION)  |
| 16  | 24M7241           | WASHER              | 2      |            | X X  |  |
| 17  | 19M8035           | CAP SCREW           | 2      |            | X X  | M16 X 35   |
| 18  | T154821           | PIN                 | 2      | -911128    | X X  | STD  |
|     | T200240           | PIN FASTENER        | 2      | 911129-    | X  | STD  |
|     | T200240           | PIN FASTENER        | 2      | -928871    | X  |  |
|     | T164669           | PIN FASTENER        | 2      | -911128    | X X  | OS   |
|     | T200853           | PIN FASTENER        | 2      | 911129-    | X  | OS   |
|     | T200853           | PIN FASTENER        | 2      | -928871    | X  |  |
| 19  | T201971           | PIN                 | 2      | 928872-    | X  |  |
| 20  | 24M7097           | WASHER              | 2      |            | X  |  |
|     | 24M7097           | WASHER              | 2      | -928871    | X  |  |
| 21  | T159800           | PIN                 | 1      |            | X  |  |
|     | T159800           | PIN                 | 1      | -928871    | X  |  |
| 22  | T205873           | THRUST WASHER       | 1      |            | X  | (SUB FOR (2) T159119)  |
|     | T205875           | THRUST WASHER       | 1      |            | X  | (SUB FOR (2) T154712)  |
| 23  | T161036           | WASHER              | 2      | 912529-    | X  |  |
| 24  | AM118997          | CLAMP               | 2      | 912529-    | X  |  |
| 25  | 19M8324           | CAP SCREW           | 2      | 911129-    | X X  | M10 X 16   |
| 26  | 24M7296           | WASHER              | 2      | 911129-    | X X  |  |
| 27  | T190925           | HOSE GUARD          | 1      | 911129-    | X X  |  |
| 28  | N105572           | SNAP RING           | 2      |            | X  |  |
|     | N105572           | SNAP RING           | 2      | -928871    | X  |  |
| 29  | 40M7066           | SNAP RING           | 4      | 928872-    | X  | (SUB FOR T116400)  |
| 30  | H140456           | WASHER              | 2      | 924055-    | X X  |  |
| 31  | T161036           | WASHER              | 2      | 928872-    | X  |  |
| 32  | T201361           | BUSHING             | 2      | 928872-    | X  |  |
| 33  | T201362           | BUSHING             | 2      | 928872-    | X  |  |
| 34  | 24H1615           | WASHER              | 2      | 952167-    | X  | 2-9/16" X 3-1/2" X 0.180", (SUB FOR<br>24H1616, THIS APPLICATION)  |
| 35  | 24H1615           | WASHER              | 2      | 952167-    | X  | 2-9/16" X 3-1/2" X 0.180"  |
| 36  | 40M7120           | SNAP RING           | 2      | 952167-    | X  |  |
| 37  | T161497           | SHIM                | 3      |            | X  | 0.508 MM (0.020")  |

# 3343-4

BACKHOE 33  
MOVEABLE FRAME 3343

SWING FRAME (315SG)  
CHASSIS DE PIVOTEMENT (315SG)  
BASTIDOR DE GIRO (315SG)

TX1001442 -UN-20DEC05



TX1001442

# 3343-5

**SWING FRAME (315SG)  
CHASSIS DE PIVOTEMENT (315SG)  
BASTIDOR DE GIRO (315SG)**

| KEY | PART NO. | PART NAME           | QTY. | SERIAL NO.    | REMARKS   |
|-----|----------|---------------------|------|---------------|---|
|     |          |                     |      |               | 3 3<br>3 1 1<br>1 0 5<br>0 S S<br>G G G   |
| 1   | .....    | FRAME               | 1    | -932609       | X ( T160218 NLA) (SUB AT334606) (ALSO ORDER (2) T201971, (4) 40M7066, (2) T161036) (ALSO ORDER T223076, (2) 24H1616, (2) 24H1615 AND (2) 40M7120) |
|     | .....    | FRAME               | 1    | 932610-200449 | X ( AT303155 NLA) (SUB AT334606, T223076, (2) 24H1616, (2) 24H1615 AND (2) 40M7120)   |
|     | AT334606 | FRAME               | 1    | 200450-       | X (SUB FOR AT329694, THIS APPLICATION) (INCLUDES (2) T201361 AND (2) T201362)   |
| 2   | AT177790 | PIN FASTENER        | 1    |               | X STD   |
| 3   | T162396  | LUBRICATION FITTING | 4    |               | X   |
| 4   | 19M8035  | CAP SCREW           | 1    |               | X M16 X 35  |
| 5   | 24M7241  | WASHER              | 2    |               | X   |
| 6   | T215678  | BUSHING             | 1    |               | X (SUB FOR M2649DN, THIS APPLICATION)   |
| 7A  | .....    | PIN                 | 1    | -200449       | X ( T154708 NLA) (SUB T223076, (2) 24H1616, (2) 24H1615 AND (2) 40M7120)  |
| 7B  | T223076  | PIN                 | 1    | 200450-       | X   |
| 8A  | T154821  | PIN                 | 2    | -911128       | X   |
|     | T200240  | PIN FASTENER        | 2    | 911129-932609 | X   |
| 8B  | T201971  | PIN                 | 2    | 928610-       | X   |
| 9   | 24M7047  | WASHER              | 2    | -200449       | X   |
| 10  | 19M7493  | CAP SCREW           | 2    | -200449       | X M12 X 40  |
| 11  | 14M7328  | LOCK NUT            | 1    |               | X M16, (SUB FOR M2649DN, THIS APPLICATION)  |
| 12  | 19M7954  | CAP SCREW           | 1    |               | X M16 X 150   |
| 13  | T153531  | PIN FASTENER        | 1    |               | X STD   |
|     | T205810  | PIN FASTENER        | 1    |               | X   |
| 14  | AT170043 | PIN                 | 2    | -932609       | X   |
|     | AT306499 | PIN                 | 2    | 932610-       | X   |
| 15  | T215678  | BUSHING             | 2    |               | X   |
| 16  | 24M7241  | WASHER              | 2    |               | X   |
| 17  | 19M8035  | CAP SCREW           | 2    |               | X M16 X 35  |
| 18  | T159986  | RETAINER            | 2    | -200449       | X   |
| 19  | N105572  | SNAP RING           | 2    | -928871       | X   |
| 20  | 24M7097  | WASHER              | 2    | -928871       | X   |
| 21  | T159800  | PIN                 | 1    | -928871       | X   |
| 22  | T205875  | THRUST WASHER       | 1    |               | X (SUB FOR (2) T154712 AND (2) T159188)   |
| 23  | 19M8324  | CAP SCREW           | 2    | 911129-       | X M10 X 16  |
| 24  | 24M7296  | WASHER              | 2    | 911129-       | X   |
| 25  | T190925  | HOSE GUARD          | 1    | 911129-       | X   |
| 26  | H140456  | WASHER              | 2    | 924055-       | X   |
| 27  | T161036  | WASHER              | 2    | 928872-       | X   |
| 28  | T201361  | BUSHING             | 2    | 928872-       | X   |
| 29  | T201362  | BUSHING             | 2    | 928872-       | X   |
| 30  | 40M7066  | SNAP RING           | 4    | 928872-       | X (SUB FOR T116400)   |
| 31  | T161497  | SHIM                | 3    |               | X 0.508 MM (0.020")   |
| 32  | 24H1616  | WASHER              | 2    | 200450-       | X   |
| 33  | 24H1615  | WASHER              | 2    | 200450-       | X   |
| 34  | 40M7120  | SNAP RING           | 2    | 200450-       | X   |

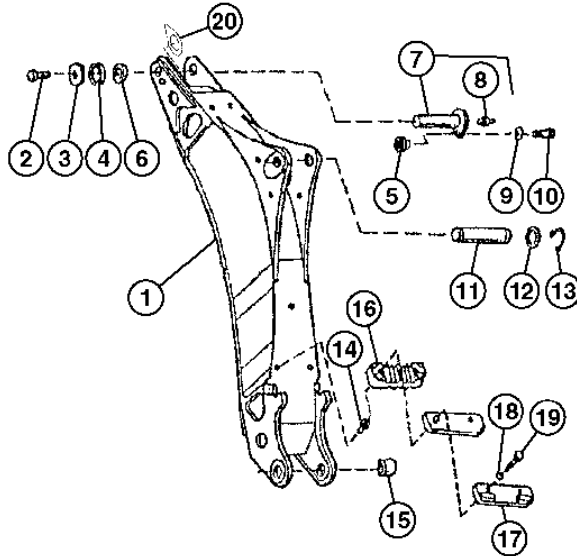
# 3344-2

BACKHOE 33

BOOM 3344

BACKHOE BOOM  
FLECHE DE RETROPELLE  
AGUILON DE RETROEXCAVADORA

TX1006085 -UN-17APR06



TX1006085

| KEY | PART NO. | PART NAME           | QTY. | SERIAL NO. | REMARKS                                       |
|-----|----------|---------------------|------|------------|---|
|     |          |                     |      | 3 3        |   |
|     |          |                     |      | 3 1 1      |   |
|     |          |                     |      | 1 0 5      |   |
|     |          |                     |      | 0 S S      |   |
|     |          |                     |      | G G G      |   |
| 1   | AT184993 | BACKHOE BOOM        | 1    | X          | (ALSO ORDER (5) T148409)                      |
|     | AT184989 | BACKHOE BOOM        | 1    | X          | (ALSO ORDER (5) T148410)                      |
|     | AT190358 | BACKHOE BOOM        | 1    | X          | (ALSO ORDER (5) T148410)                      |
| 2   | 19M7597  | CAP SCREW           | 1    | X X X      | M20 X 50, (SUB FOR 19M8224, THIS APPLICATION) |
| 3   | T101807  | WASHER              | 1    | X X X      |   |
| 4   | T22826   | SHIM                | AR   | X X        | 0.762 MM (0.030") (0.030 IN)                  |
| 5   | T188568  | BUSHING             | 1    | X X X      | (SUB FOR T157922)                             |
| 6   | T48613   | SHIM                | 4    | X          | 0.762 MM (0.030") (0.030 IN)                  |
|     | 24H1616  | WASHER              | AR   | X X        | 2-9/16" X 3-3/4" X 0.036"                     |
| 7   | AT196407 | PIN                 | 1    | X          | (SUB FOR AT176075)                            |
|     | AT197726 | PIN                 | 1    | X X        | (SUB FOR AT171702)                            |
| 8   | T162396  | LUBRICATION FITTING | 1    | X X X      | 1/8"  |
| 9   | T29342   | WASHER              | 1    | X X X      |   |
| 10  | 19M8935  | CAP SCREW           | 1    | X X X      | M12 X 16                                      |
| 11  | T159089  | PIN                 | 1    | X          | 54.475 X 267 MM                               |
|     | T153608  | PIN                 | 1    | X X        | 64.475 X 267 MM                               |
| 12  | T161036  | WASHER              | 2    | X          | 56 X 80 X 2 MM                                |
|     | 24H1635  | WASHER              | 2    | X X        | 2-5/8" X 3-3/8" X 0.120"                      |
|     | 24H1616  | WASHER              | AR   | X X        | 65.075 X 95.250 X 0.914 MM                    |
| 13  | 40M7066  | SNAP RING           | 2    | X          |   |
|     | 40M7120  | SNAP RING           | 2    | X X        |   |
| 14  | T148409  | NUT                 | 5    | X          | M10, (GOLD NO.6 FOR 6 MM PLATE)               |
|     | T148410  | NUT                 | 5    | X X        | M10, (RED NO.8 FOR 8 MM PLATE)                |
| 15  | T164182  | BUSHING             | 2    | X          |   |
|     | T164183  | BUSHING             | 2    | X X        |   |
| 16  | AT178025 | CLAMP               | 1    | X X X      |   |
| 17  | AT176635 | STOP                | 1    | X          |   |
|     | AT175993 | STOP                | 1    | X X        |   |
| 18  | 24M7239  | WASHER              | 2    | X X X      |   |
| 19  | 19M8183  | CAP SCREW           | 2    | X X X      |   |
| 20  | T208510  | WASHER              | 2    | X X        |   |

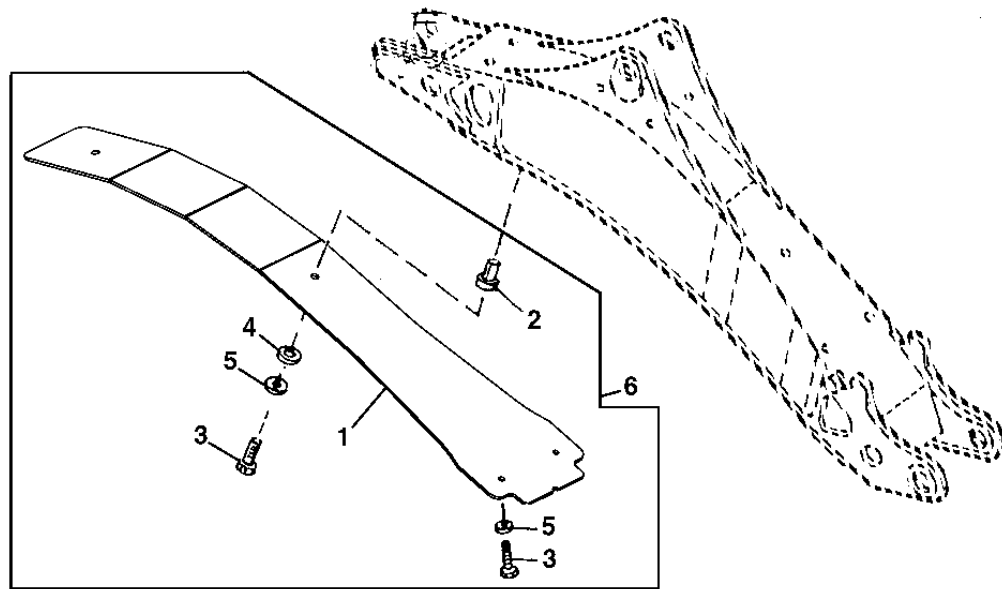
# 3344-3

BACKHOE 33

BOOM 3344

**BACKHOE BOOM PROTECTION KIT**  
**KIT DE PROTECTION DE FLECHE DE RETROPELLE**  
**JUEGO DE PROTECCION DE AGUILON DE RETROEXCAVADORA**

T145191 -UN-07SEP01



T145191

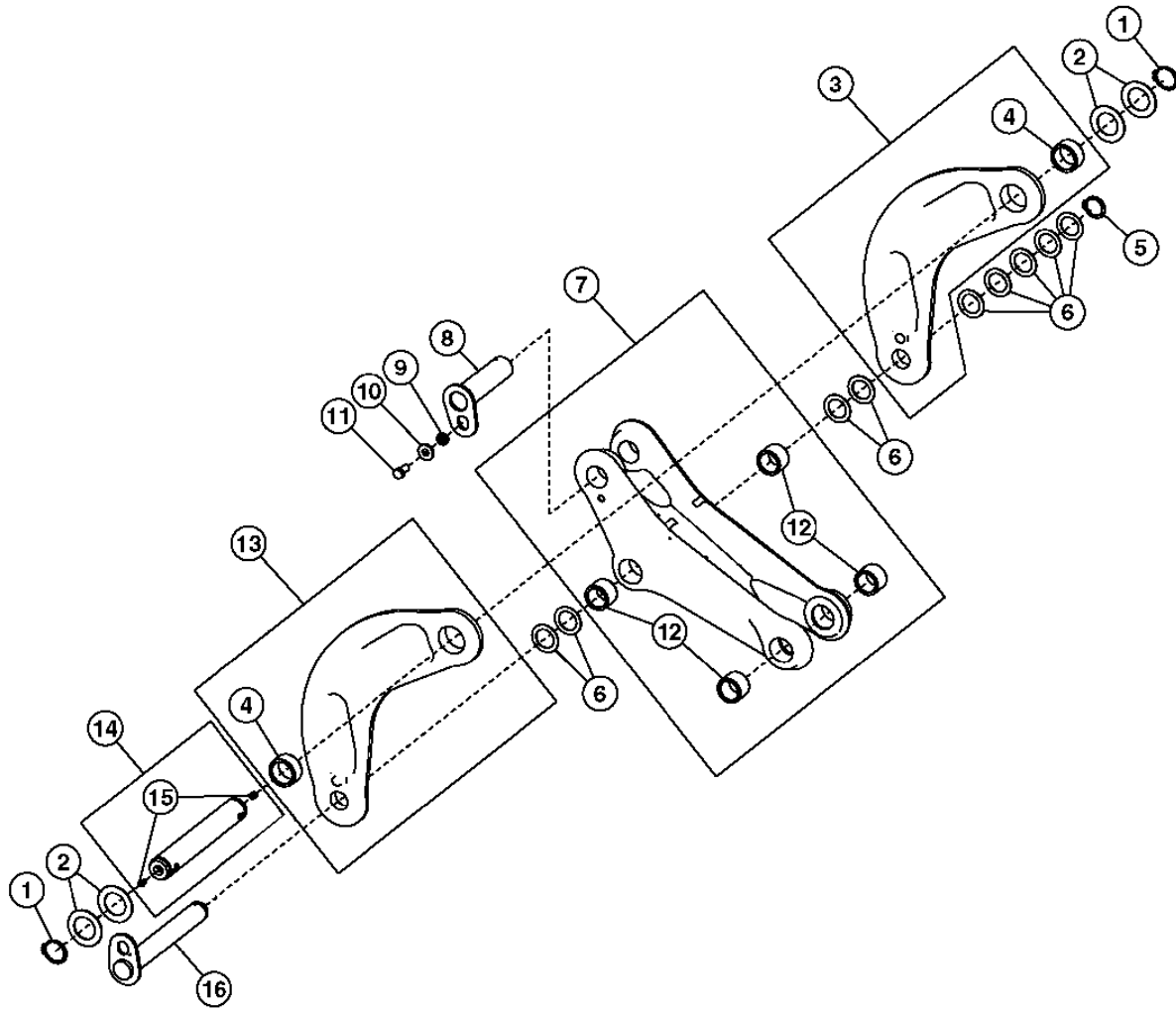
| KEY | PART NO. | PART NAME | QTY. | SERIAL NO. | REMARKS                               |
|-----|----------|-----------|------|------------|---------------------------------------|
|     |          |           |      |            | 3 3                                   |
|     |          |           |      |            | 3 1 1                                 |
|     |          |           |      |            | 1 0 5                                 |
|     |          |           |      |            | 0 S S                                 |
|     |          |           |      |            | G G G                                 |
| 1   | .....    | PLATE     | 1    |            | X ( AT179448 NLA) (SUB AT311060)      |
|     | .....    | PLATE     | 1    |            | X X ( AT179465 NLA) (SUB AT310062)    |
| 2   | T148409  | NUT       | 4    |            | X X X M10. (GOLD NO.6 FOR 6 MM PLATE) |
| 3   | 19M8637  | CAP SCREW | 4    |            | X X X M10 X 40                        |
| 4   | 28H1519  | WASHER    | 2    |            | X X X 0.493" X 0.675" X 3/8"          |
| 5   | 24M7296  | WASHER    | 4    |            | X X X 10.500 X 30 X 2.500 MM          |
| 6   | AT311060 | KIT       | 1    |            | X ( AT178411 NLA) (WHOLE GOODS)       |
|     | AT310062 | KIT       | 1    |            | X X ( AT179464 NLA) (WHOLE GOODS)     |

# 3345-2

BACKHOE 33  
BUCKET LINKAGE 3345

BACKHOE BUCKET LINKS (310G)  
TRINGLERIES DE GODET DE RETROPELLE (310G)  
BRAZOS DE CUCHARON DE RETROEXCAVADORA (310G)

TX1006086 -UN-17APR06



TX1006086

# 3345-3

BACKHOE 33

BUCKET LINKAGE 3345

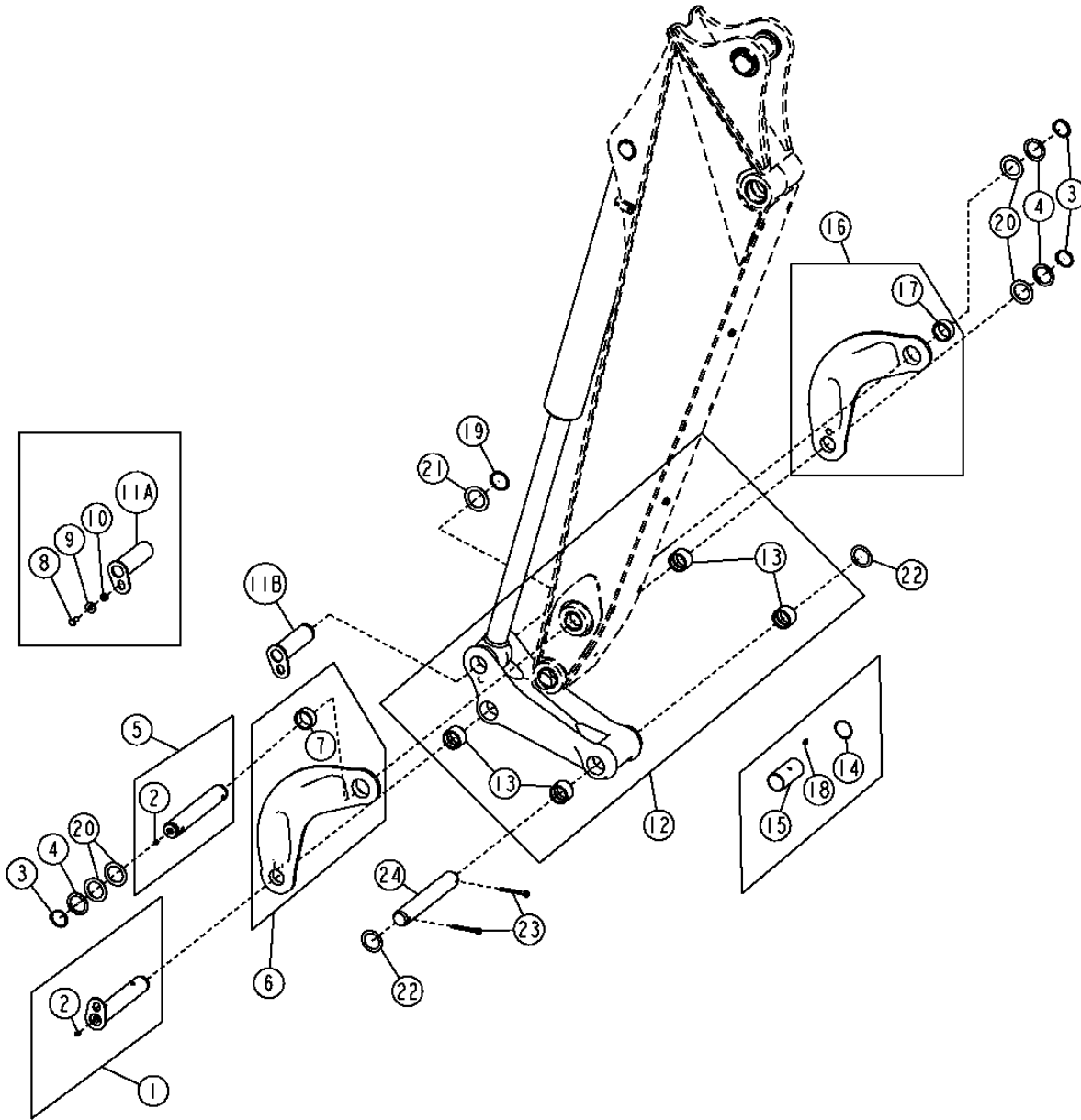
**BACKHOE BUCKET LINKS (310G)  
TRINGLERIES DE GODET DE RETROPELLE (310G)  
BRAZOS DE CUCHARON DE RETROEXCAVADORA (310G)**

| KEY | PART NO. | PART NAME           | QTY. | SERIAL NO. | 3 3<br>3 1 1<br>1 0 5<br>0 S S<br>G G G | REMARKS  |
|-----|----------|---------------------|------|------------|---|----------|
| 1   | 40M7180  | SNAP RING           | 2    |            | X                                       |          |
| 2   | 24H1576  | WASHER              | 4    |            | X                                       |          |
| 3   | AT181713 | LINK                | 1    |            | X                                       |          |
| 4   | T166714  | BUSHING             | 2    |            | X                                       |          |
| 5   | T161583  | SNAP RING           | 1    |            | X                                       |          |
| 6   | 24H1536  | WASHER              | 9    |            | X                                       |          |
| 7   | AT183068 | LINK                | 1    |            | X                                       |          |
| 8   | AT176537 | PIN                 | 1    |            | X                                       |          |
| 9   | 28H3418  | WASHER              | 1    |            | X                                       |          |
| 10  | T29342   | WASHER              | 1    |            | X                                       |          |
| 11  | 19M7872  | CAP SCREW           | 1    |            | X                                       | M12 X 25 |
| 12  | T105988  | BUSHING             | 4    |            | X                                       |          |
| 13  | AT181712 | LINK                | 1    |            | X                                       |          |
| 14  | AT176538 | PIN                 | 1    |            | X                                       |          |
| 15  | T162396  | LUBRICATION FITTING | 2    |            | X                                       |          |
| 16  | AT176536 | PIN                 | 1    |            | X                                       |          |

# 3345-4

BACKHOE BUCKET LINKS (310SG AND 315SG)  
TRINGLERIES DE GODET DE RETROPELLE (310SG ET 315SG)  
BRAZOS DE CUCHARON DE RETROEXCAVADORA (310SG Y 315SG)

T214079 -UN-03NOV05



T214079



# 3345-5

BACKHOE 33

BUCKET LINKAGE 3345

**BACKHOE BUCKET LINKS (310SG AND 315SG)  
TRINGLIERIES DE GODET DE RETROPELLE (310SG ET 315SG)  
BRAZOS DE CUCHARON DE RETROEXCAVADORA (310SG Y 315SG)**

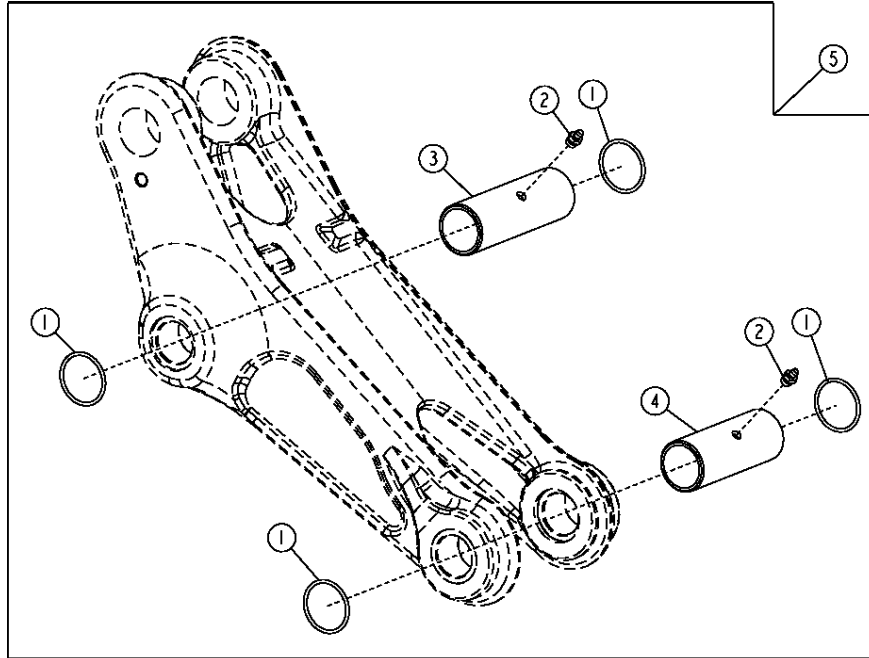
| KEY | PART NO. | PART NAME           | QTY. | SERIAL NO.    | REMARKS  |
|-----|----------|---------------------|------|---------------|--|
|     |          |                     |      |               | 3 3  |
|     |          |                     |      |               | 3 1 1  |
|     |          |                     |      |               | 1 0 5  |
|     |          |                     |      |               | 0 S S  |
|     |          |                     |      |               | G G G  |
| 1   | AT171077 | PIN                 | 1    |               | X X  |
| 2   | T162396  | LUBRICATION FITTING | 4    |               | X X  |
| 3   | 40M7166  | SNAP RING           | 3    |               | X X  |
| 4   | 24H1594  | WASHER              | AR   |               | X X  |
|     | 24H1595  | WASHER              | AR   |               | X X  |
| 5   | AT171079 | PIN                 | 1    |               | X X  |
| 6   | AT181714 | LINK                | 1    |               | X X  |
| 7   | T166715  | BUSHING             | 1    |               | X X  |
| 8   | 19M7872  | CAP SCREW           | 1    |               | X X M12 X 25   |
| 9   | T29342   | WASHER              | 1    |               | X X  |
| 10  | 28H3418  | WASHER              | 1    |               | X X  |
| 11A | .....    | PIN                 | 1    | -952235       | X X ( AT171078 NLA) (SUB AT324237)   |
| 11B | AT324237 | PIN FASTENER        | 1    | 952236-       | X X  |
| 12  | .....    | LINK                | 1    | -927744       | X X ( AT192121 NLA) (SUB AT324138) (ALSO<br>ORDER AT324237, T161036 AND 40M7066) |
|     | .....    | LINK                | 1    | 927945-953789 | X X ( AT192121 NLA) (SUB AT324138) (ALSO<br>ORDER AT324237, T161036 AND 40M7066) |
|     | AT324138 | LINK                | 1    | 953790-       | X X  |
| 13  | T154273  | BUSHING             | 4    |               | X X  |
| 14  | R30916   | O-RING              | 2    | -927744       | X X  |
| 15  | T187184  | STRUCTURAL TUBING   | 1    | -927744       | X X (SUB FOR T185904)  |
| 16  | AT181715 | LINK                | 1    |               | X X  |
| 17  | T166715  | BUSHING             | 1    |               | X X  |
| 18  | JD7798   | LUBRICATION FITTING | 2    |               | X X  |
| 19  | 40M7066  | SNAP RING           | 1    | 952236-       |  |
| 20  | 24H1595  | WASHER              | 3    | 952236-       |  |
| 21  | T161036  | WASHER              | 1    | 952236-       |  |
| 22  | 24H1683  | WASHER              | 2    | 952236-       |  |
| 23  | 11H227   | COTTER PIN          | 4    |               |  |
| 24  | T185831  | PIN FASTENER        | 1    | 952236-       | 49.475 X 320 MM  |

# 3345-6

BACKHOE 33  
 BUCKET LINKAGE 3345

**BACKHOE BUCKET GREASE KIT (310G)**  
**KIT DE GRAISSAGE DE GODET DE RETROPELLE (310G)**  
**JUEGO DE ENGRASE DE CUCHARON DE RETROEXCAVADORA (310G)**

T138386 -UN-22FEB01



T138386

| KEY | PART NO.        | PART NAME           | QTY.     | SERIAL NO. | REMARKS                                |
|-----|-----------------|---------------------|----------|------------|--|
| 1   | R26773          | O-RING              | 4        |            |  |
| 2   | T162396         | LUBRICATION FITTING | 4        |            |  |
| 3   | .....           | STRUCTURAL TUBING   | 1        |            | (SUB AT194493)                         |
| 4   | .....           | STRUCTURAL TUBING   | 1        |            | (SUB AT194493)                         |
| 5   | <b>AT194493</b> | <b>KIT</b>          | <b>1</b> |            | <b>WHOLE GOODS, (SUB FOR AT190174)</b> |

3 3  
 3 1 1  
 1 0 5  
 0 S S  
 G G G

# 3345-7

BACKHOE 33  
BUCKET LINKAGE 3345

MEMORANDA  
MEMORANDA  
MEMORANDA



# 3346-3

BACKHOE 33  
DIPPERSTICK 3346

STANDARD ARM  
BRAS STANDARD  
BRAZO ESTANDAR

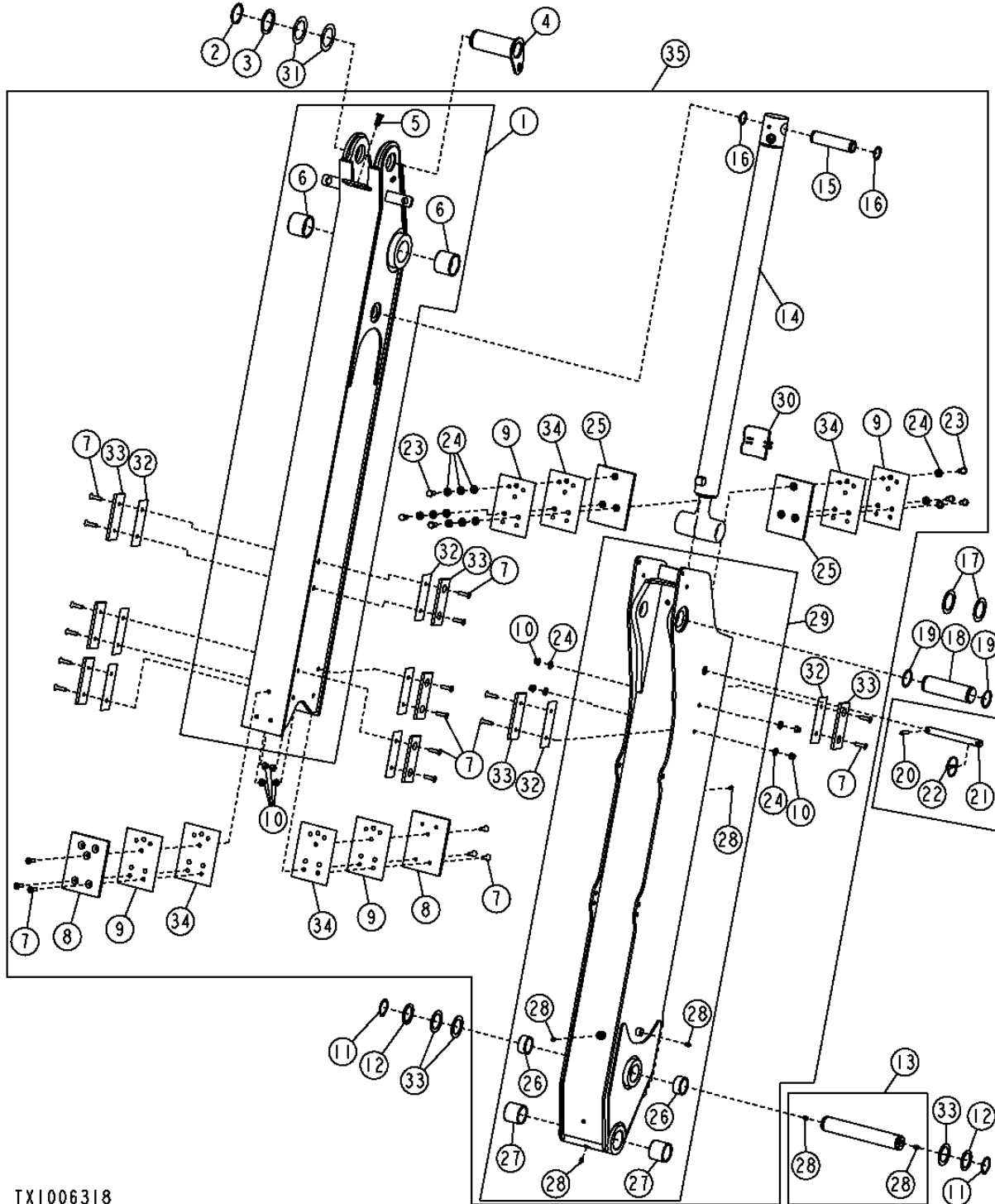
| KEY | PART NO. | PART NAME           | QTY. | SERIAL NO. | REMARKS                                     |
|-----|----------|---------------------|------|------------|---|
|     |          |                     |      |            | 3 3   |
|     |          |                     |      |            | 3 1 1                                       |
|     |          |                     |      |            | 1 0 5                                       |
|     |          |                     |      |            | 0 S S                                       |
|     |          |                     |      |            | G G G                                       |
| 1   | T160304  | SPACER              | 2    |            | X   |
|     | T160300  | WEAR PLATE          | 2    |            | X X   |
|     | T161036  | WASHER              | AR   |            | X X X                                       |
|     | 24H1679  | WASHER              | AR   |            | X X   |
| 2   | 24H1576  | WASHER              | 4    |            | X   |
| 3   | 40M7180  | SNAP RING           | 2    |            | X   |
|     | 40M7066  | SNAP RING           | 2    |            | X X   |
| 4   | T159281  | PIN                 | 1    |            | X STD                                       |
|     | T153567  | PIN                 | 1    |            | X X STD                                     |
| 5   | AT176533 | PIN                 | 1    |            | X   |
|     | AT169831 | PIN                 | 1    |            | X X   |
| 6   | 40M7066  | SNAP RING           | 1    |            | X   |
|     | 40M7120  | SNAP RING           | 1    |            | X X   |
| 7   | T161036  | WASHER              | AR   |            | X   |
|     | 24H1635  | WASHER              | AR   |            | X X 2-5/8" X 3-3/8" X 0.120"                |
| 8   | T148410  | NUT                 | 8    |            | X X X M10                                   |
|     | T148409  | NUT                 | 2    |            | X X X M10                                   |
| 9   | T162582  | BUSHING             | 2    |            | X   |
|     | T162581  | BUSHING             | 2    |            | X X   |
| 10  | T160303  | SPACER              | 2    |            | X   |
|     | T160302  | SPACER              | 2    |            | X X   |
|     | T160299  | WEAR PLATE          | 2    |            | X   |
| 11  | T166714  | BUSHING             | 2    |            | X   |
|     | T166715  | BUSHING             | 2    |            | X X   |
| 12  | T166716  | BUSHING             | 2    |            | X   |
|     | T166686  | BUSHING             | 2    |            | X X   |
| 13  | T162396  | LUBRICATION FITTING | 1    |            | X X X                                       |
| 14  | AT330781 | ARM                 | 1    |            | X (SUB FOR AT176405, AT195463 AND AT303024) |
|     | AT171019 | ARM                 | 1    |            | X   |
|     | AT175820 | ARM                 | 1    |            | X   |
| 15  | T222442  | STRAP               | 1    |            | X X X (SUB FOR T159853, THIS APPLICATION)   |
| 16  | 24M7239  | WASHER              | 10   |            | X X X                                       |
| 17  | 19M8600  | CAP SCREW           | 10   |            | X X X M10 X 50                              |

# 3346-4

BACKHOE 33  
DIPPERSTICK 3346

EXTENDABLE ARM AND LOCKING PIN  
BRAS TELESCOPIQUE ET AXE DE BLOQUEO  
BRAZO EXTENSIBLE Y PASADOR DE BLOQUEO

TX1006318 -UN-03MAY06



TX1006318

# 3346-5

BACKHOE 33  
DIPPERSTICK 3346

**EXTENDABLE ARM AND LOCKING PIN  
BRAS TELESCOPIQUE ET AXE DE BLOCAGE  
BRAZO EXTENSIBLE Y PASADOR DE BLOQUEO**

| KEY | PART NO. | PART NAME          | QTY. | SERIAL NO. | 3 3<br>3 1 1<br>1 0 5<br>0 S S<br>G G G | REMARKS   |
|-----|----------|--------------------|------|------------|---|---|
| 1   | AT176579 | DIPPERSTICK        | 1    |            | X                                       | (STATIONARY MEMBER)                               |
|     | AT175284 | DIPPERSTICK        | 1    | -954400    | X                                       | (STATIONARY MEMBER)                               |
|     | AT318335 | DIPPERSTICK        | 1    | 954401-    | X                                       |   |
|     | AT175812 | DIPPERSTICK        | 1    | -200311    | X                                       | (STATIONARY MEMBER)                               |
|     | AT324533 | DIPPERSTICK        | 1    | 200312-    | X                                       |   |
| 2   | 40M7066  | SNAP RING          | 1    |            | X                                       |   |
|     | 40M7120  | SNAP RING          | 1    |            | X X                                     |   |
| 3   | 24H1679  | WASHER             | 1    |            | X                                       |   |
|     | 24H1635  | WASHER             | 2    |            | X X                                     |   |
| 4   | AT176533 | PIN                | 1    |            | X                                       |   |
|     | AT169831 | PIN                | 1    |            | X X                                     |   |
| 5   | T148410  | NUT                | 1    |            | X X X                                   | M10   |
| 6   | T162582  | BUSHING            | 2    |            | X                                       |   |
|     | T162581  | BUSHING            | 2    |            | X X                                     |   |
| 7   | 19M7666  | SCREW              | 12   | -954400    | X X                                     | M10 X 40  |
|     | 19M7666  | SCREW              | 12   | -200311    | X                                       | M10 X 40  |
|     | 19M7666  | SCREW              | 18   | 954401-    | X X                                     | M10 X 40  |
|     | 19M7666  | SCREW              | 18   | 200312-    | X                                       | M10 X 40  |
| 8   | T157792  | WEAR PLATE         | 4    | -954400    | X X                                     |   |
|     | T157792  | WEAR PLATE         | 4    | -200311    | X                                       |   |
|     | T157792  | WEAR PLATE         | 2    | 954401-    | X X                                     |   |
|     | T157792  | WEAR PLATE         | 2    | 200312-    | X                                       |   |
| 9   | T216970  | SHIM               | AR   |            | X X X                                   | (SUB FOR T157796)                                 |
| 10  | 14M7400  | LOCK NUT           | 12   | -954400    | X X                                     | M10   |
|     | 14M7400  | LOCK NUT           | 18   | -200311    | X                                       | M10   |
|     | 14M7400  | LOCK NUT           | 18   | 954401-    | X X                                     | M10   |
|     | 14M7400  | LOCK NUT           | 18   | 200312-    | X                                       | M10   |
| 11  | 40M7066  | SNAP RING          | 2    |            | X                                       |   |
|     | 40M7166  | SNAP RING          | 2    |            | X X                                     |   |
| 12  | 24H1576  | WASHER             | 2    |            | X                                       |   |
|     | 24H1594  | WASHER             | 2    |            | X X                                     |   |
| 13  | AT176538 | PIN                | 1    |            | X                                       |   |
|     | AT171079 | PIN                | 1    |            | X X                                     |   |
| 14  | .....    | HYDRAULIC CYLINDER | 1    |            | X                                       | (AH175181 NLA) (SUB FOR AH152472) (SUB AH218606)  |
|     | .....    | HYDRAULIC CYLINDER | 1    |            | X X                                     | (AH152473, AH175182, AH207281 NLA) (SUB AH211361) |
| 15  | T160384  | SPACER             | 1    |            | X                                       |   |
|     | T160384  | SPACER             | 1    |            | X X                                     |   |
| 16  | 40M7179  | SNAP RING          | 2    |            | X X X                                   |   |
| 17  | T160304  | SPACER             | 2    |            | X                                       | (SYNTHETIC)                                       |
|     | T160300  | WEAR PLATE         | AR   |            | X X                                     | (SYNTHETIC)                                       |
|     | 24H1679  | WASHER             | AR   |            | X X                                     |   |
| 18  | T159281  | PIN                | 1    |            | X                                       |   |
|     | T153567  | PIN                | 1    |            | X X                                     |   |
| 19  | 40M7180  | SNAP RING          | 2    |            | X                                       |   |
|     | 40M7066  | SNAP RING          | 2    |            | X X                                     |   |
| 20  | 34M7054  | SPRING PIN         | 1    |            | X X X                                   | 10 X 50 MM  |
| 21  | T153322  | PIN                | 1    |            | X X X                                   |   |
| 22  | AR83396  | QUICK LOCK PIN     | 1    |            | X X X                                   |   |
| 23  | 19H2472  | CAP SCREW          | 6    |            | X X X                                   | 1/2" X 1"   |
| 24  | 24M7240  | WASHER             | 12   | -954400    | X X                                     | 13 X 25 X 3 MM                                    |
|     | 24M7240  | WASHER             | 12   | -200311    | X                                       | 13 X 25 X 3 MM                                    |
|     | 24M7240  | WASHER             | 16   | 954401-    | X X                                     | 13 X 25 X 3 MM                                    |
|     | 24M7240  | WASHER             | 16   | 200312-    | X                                       | 13 X 25 X 3 MM                                    |

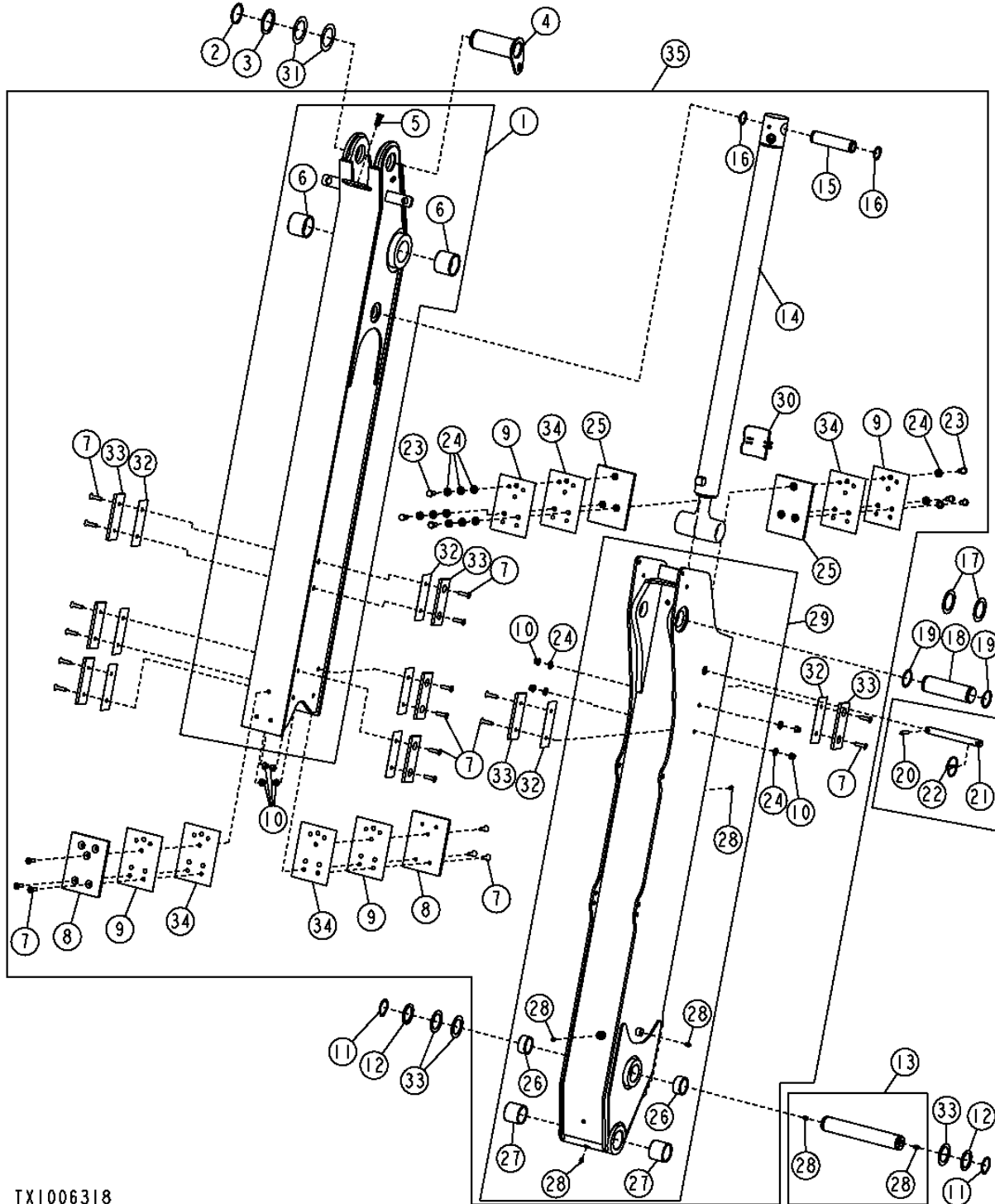
THIS PARTS LISTING IS CONTINUED

# 3346-6

BACKHOE 33  
DIPPERSTICK 3346

## EXTENDABLE ARM AND LOCKING PIN (CONTINUED) BRAS TELESCOPIQUE ET AXE DE BLOCAGE (SUITE) BRAZO EXTENSIBLE Y PASADOR DE BLOQUEO (CONTINUACION)

TX1006318 -UN-03MAY06



TX1006318



# 3346-7

BACKHOE 33  
DIPPERSTICK 3346

**EXTENDABLE ARM AND LOCKING PIN (CONTINUED)  
BRAS TELESCOPIQUE ET AXE DE BLOPAGE (SUITE)  
BRAZO EXTENSIBLE Y PASADOR DE BLOQUEO (CONTINUACION)**

| KEY | PART NO. | PART NAME           | QTY. | SERIAL NO. | REMARKS                                   |
|-----|----------|---------------------|------|------------|---|
|     |          |                     |      |            | 3 3<br>3 1 1<br>1 0 5<br>0 S S<br>G G G   |
| 25  | AT173933 | WEAR PLATE          | 2    |            | X X X                                     |
| 26  | T166714  | BUSHING             | 2    |            | X   |
|     | T166715  | BUSHING             | 2    |            | X X                                       |
| 27  | T166716  | BUSHING             | 2    |            | X   |
|     | T166686  | BUSHING             | 2    |            | X X                                       |
| 28  | T162396  | LUBRICATION FITTING | 7    |            | X X X                                     |
| 29  | AT176578 | DIPPERSTICK         | 1    |            | X (EXTENDING MEMBER)                      |
|     | AT322950 | DIPPERSTICK         | 1    |            | X X (EXTENDING MEMBER) (SUB FOR AT175283) |
| 30  | AT191241 | GUIDE               | 1    | -950663    | X X X                                     |
| 31  | 24H1616  | WASHER              | 2    |            | X X X                                     |
| 32  | T216812  | SHIM                | AR   | 954401-    | X X                                       |
|     | T216812  | SHIM                | AR   | 200312-    | X   |
| 33  | T213705  | WEAR PLATE          | 8    | 954401-    | X X                                       |
|     | T213705  | WEAR PLATE          | 8    | 200312-    | X   |
| 34  | T215257  | SHIM                | AR   |            | X X X                                     |
| 35  | AT179903 | ARM                 | 1    |            | X (K) (WHOLE GOODS)                       |
|     | AT179902 | ARM                 | 1    |            | X (K) (WHOLE GOODS)                       |
|     | AT179905 | ARM                 | 1    |            | X (K) (WHOLE GOODS)                       |

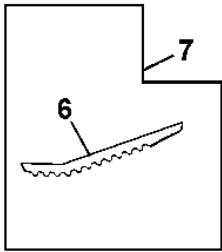
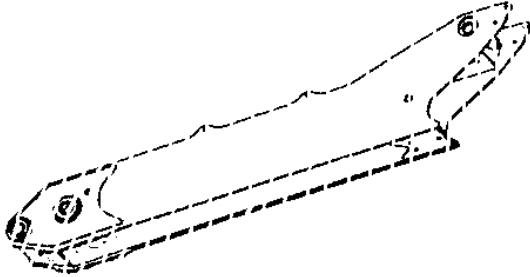
(K) INCLUDES HOSES, FITTINGS, CLAMPS AND HARDWARE INSIDE ARM  
 (K) COMPREND FLEXIBLES, RACCORDS, COLLIERS, BOULONNERIE DANS BRAS  
 (K) INCLUYE MANGUERAS, ADAPTADORES, PINZAS Y TORNILLERIA DENTRO DE BRAZO

# 3346-8

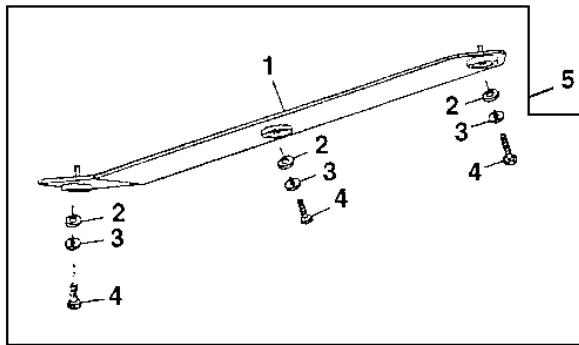
BACKHOE 33  
DIPPERSTICK 3346

PROTECTION AND ARM GRIP KIT (EXTENDABLE DIPPERSTICK)  
PROTECTION ET KIT DE POIGNEE DE BRAS (ESCUDOS LATERALES DEL MOTOR)  
JUEGO DE PROTECCION Y EMPUNADURA DE BRAZO (BRAZO EXTENSIBLE)

TP57776 -UN-30SEP97



TP57776



3 3  
3 1 1  
1 0 5  
0 S S  
G G G

| KEY | PART NO. | PART NAME | QTY. | SERIAL NO. | REMARKS                 |
|-----|----------|-----------|------|------------|-------------------------|
| 1   | .....    | PLATE     | 1    |            | X X X ( AT179617 NLA)   |
| 2   | T188568  | BUSHING   | 3    |            | X X X (SUB FOR T157922) |
| 3   | 24M7180  | WASHER    | 3    |            | X X X 13 X 37 X 3 MM    |
| 4   | 19M8935  | CAP SCREW | 3    |            | X X X M12 X 16          |
| 5   | AT179105 | KIT       | 1    |            | X X X (WHOLE GOODS)     |
| 6   | .....    | GRIP      | 2    |            | X (ORDER AT182190)      |
|     | .....    | GRIP      | 2    |            | X X (ORDER AT182193)    |
| 7   | AT182190 | KIT       | 1    |            | X (WHOLE GOODS)         |
|     | AT182193 | KIT       | 1    |            | X X (WHOLE GOODS)       |

# 3346-9

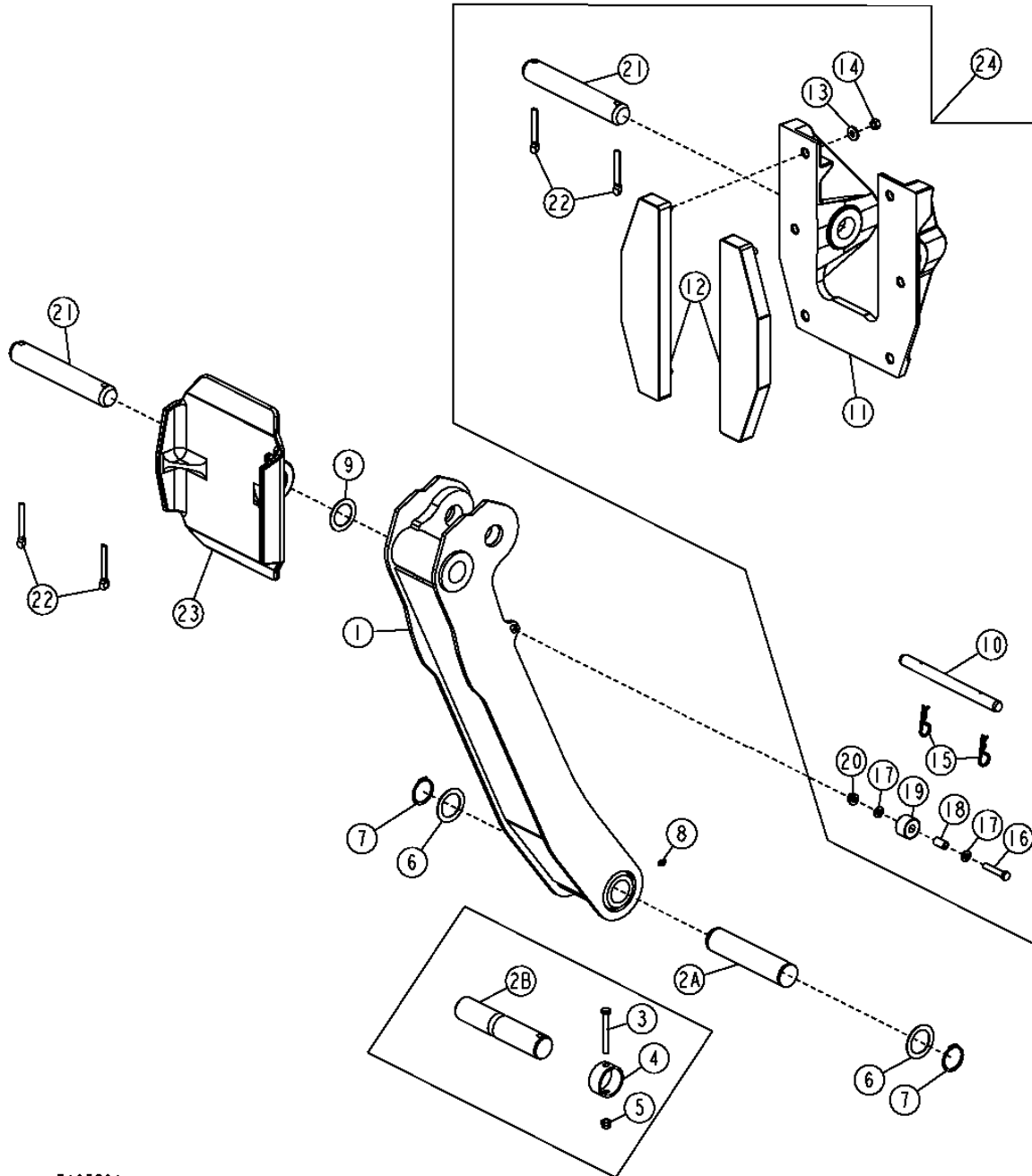
BACKHOE 33  
DIPPERSTICK 3346

MEMORANDA  
MEMORANDA  
MEMORANDA

# 3348-2

STABILIZER ARMS AND FEET (310G AND 310SG)  
BRAS ET PIEDS DE STABILISATEUR (310G ET 310SG)  
BRAZOS Y PATAS ESTABILIZADORES (310G Y 310SG)

T195391 -UN-08OCT03



T195391

# 3348-3

BACKHOE 33  
STABILIZERS 3348

**STABILIZER ARMS AND FEET (310G AND 310SG)  
BRAS ET PIEDS DE STABILISATEUR (310G ET 310SG)  
BRAZOS Y PATAS ESTABILIZADORES (310G Y 310SG)**

| KEY | PART NO. | PART NAME           | QTY. | SERIAL NO. | 3 3<br>3 1 1<br>1 0 5<br>0 S S<br>G G G | REMARKS                                  |
|-----|----------|---------------------|------|------------|---|--|
| 1   | AT193495 | STABILIZER          | 2    | -916460    | X                                       |  |
|     | AT196190 | STABILIZER          | 2    | 916461-    | X                                       | (SUB FOR AT190828)                       |
|     | AT196190 | STABILIZER          | 2    |            | X                                       |  |
|     | AT196204 | STABILIZER          | 2    |            | X                                       | (EXTENDED) (SUB FOR AT185062)            |
| 2A  | T201909  | PIN FASTENER        | 2    |            | X X                                     | (SUB FOR T163109, THIS APPLICATION)      |
| 2B  | T204869  | PIN                 | 2    |            | X X                                     | (D)                                      |
| 3   | 19M7949  | CAP SCREW           | 2    |            | X X                                     | (D) M12 X 100                            |
| 4   | T205897  | SPACER              | 2    |            | X X                                     | (D)                                      |
| 5   | 14M7313  | LOCK NUT            | 2    |            | X X                                     | (D) M12                                  |
| 6   | T161036  | WASHER              | 4    |            | X X                                     |  |
| 7   | 40M7066  | SNAP RING           | 4    |            | X X                                     |  |
| 8   | T162396  | LUBRICATION FITTING | 2    |            | X X                                     |  |
| 9   | 24H1595  | WASHER              | 4    |            | X X                                     | 2-1/16" X 3" X 0.075"                    |
| 10  | T184988  | PIN FASTENER        | 2    | -916460    | X                                       |  |
|     | T184988  | PIN FASTENER        | 2    |            | X                                       |  |
| 11  | T206569  | STABILIZER FOOT     | 2    |            | X X                                     | (SUB FOR T166258, THIS APPLICATION)      |
| 12  | AT195669 | STREET PAD          | 4    |            | X X                                     | (SUB FOR AT192120)                       |
| 13  | T29342   | WASHER              | 12   |            | X X                                     |  |
| 14  | 14H1040  | NUT                 | 12   |            | X X                                     | 1/2", (SUB FOR 14H826, THIS APPLICATION) |
| 15  | A3581R   | SPRING LOCKING PIN  | 4    | -916460    | X                                       |  |
|     | A3581R   | SPRING LOCKING PIN  | 4    |            | X                                       |  |
| 16  | 19M8348  | CAP SCREW           | 2    | 916461-    | X                                       | M12 X 65                                 |
| 17  | 24M7240  | WASHER              | 4    | 916461-    | X                                       |  |
| 18  | 28H3387  | BUSHING             | 2    | 916461-    | X                                       |  |
| 19  | AT197876 | STOP                | 2    | 916461-    | X                                       |  |
| 20  | 14M7401  | LOCK NUT            | 2    | 916461-    | X                                       |  |
| 21  | T69472   | PIN FASTENER        | 2    |            | X X                                     |  |
| 22  | 11H270   | COTTER PIN          | 4    |            | X X                                     | 12.700 X 76.200 MM                       |
| 23  | T126867  | STABILIZER FOOT     | 2    |            | X X                                     |  |
| 24  | AT157327 | KIT                 | 1    |            | X X                                     | (WHOLE GOODS) (REVERSIBLE STREET PAD)    |

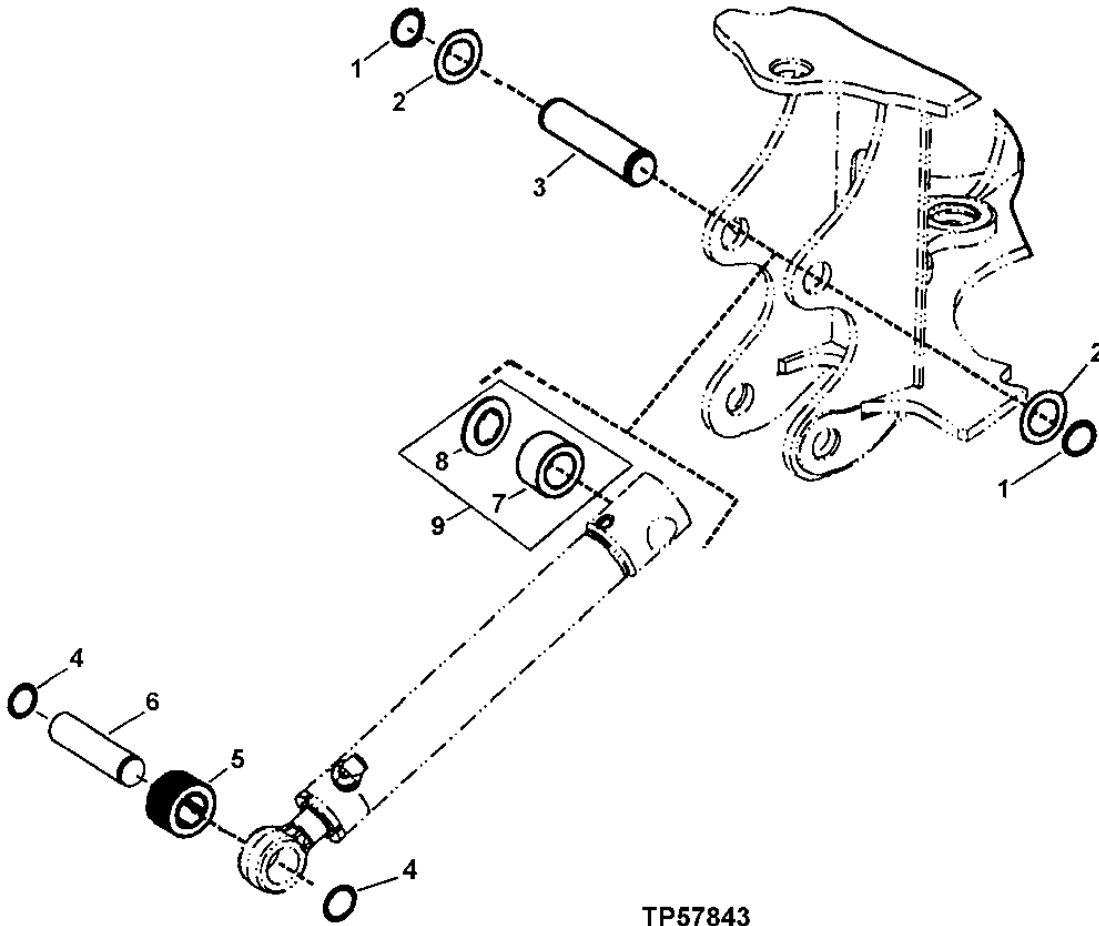
(D) SEE DTAC SOL 61248  
(D) MENTIONNER SOLUTION DTAC 61248  
(D) CONSULTAR SOLUCION DTAC 61248

# 3348-4

BACKHOE 33  
STABILIZERS 3348

STABILIZER CYLINDER PINS AND SPACERS  
AXES DE VERIN DE STABILISATEUR ET PIECES D'ECARTEMENT  
PASADORES Y ESPACIADORES DE CILINDRO DE ESTABILIZADOR

TP57843 -UN-25MAR98



TP57843

# 3348-5

BACKHOE 33  
STABILIZERS 3348

**STABILIZER CYLINDER PINS AND SPACERS  
AXES DE VERIN DE STABILISATEUR ET PIECES D'ECARTEMENT  
PASADORES Y ESPACIADORES DE CILINDRO DE ESTABILIZADOR**

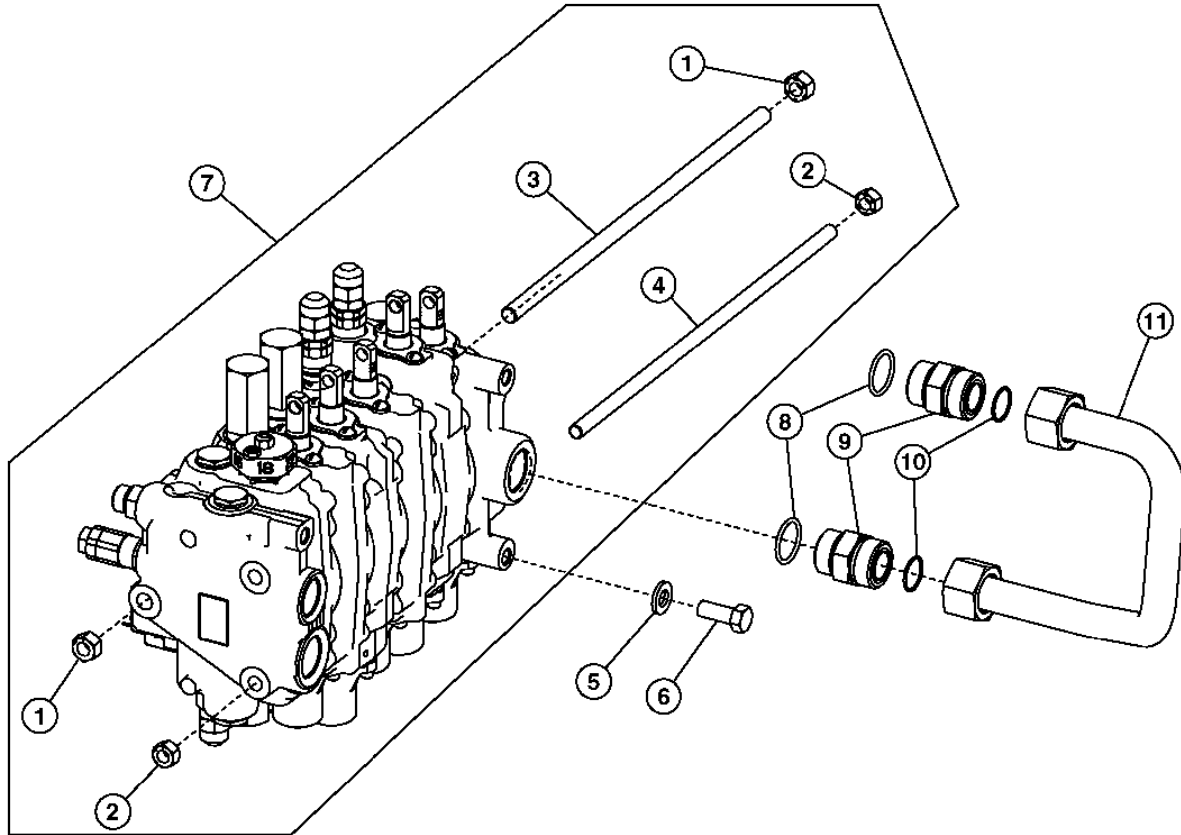
| KEY | PART NO. | PART NAME    | QTY. | SERIAL NO. | 3 3<br>3 1 1<br>1 0 5<br>0 S S<br>G G G | REMARKS  |
|-----|----------|--------------|------|------------|---|--|
| 1   | 40M7066  | SNAP RING    | 2    |            | X X                                     |  |
| 2   | T161036  | WASHER       | 2    |            | X X                                     |  |
| 3   | T161027  | PIN          | 1    | -902115    | X                                       |  |
|     | T163109  | PIN FASTENER | 1    | 902116-    | X                                       |  |
|     | T163109  | PIN FASTENER | 1    |            | X                                       |  |
| 4   | 40M7166  | SNAP RING    | 2    |            | X X                                     |  |
| 5   | T188777  | SPACER       | 1    |            | X X                                     | (HOSE SEGMENT) (SUB FOR T164087,<br>T164086 AND T189080) |
| 6   | T127437  | PIN FASTENER | 1    |            | X X                                     |  |
| 7   | .....    | WEAR PLATE   | 1    | -902508    | X X                                     |  |
| 8   | T160303  | SPACER       | 1    | -902508    | X X                                     |  |
| 9   | AT181327 | KIT          | 1    | -902508    | X X                                     | (BARREL END)   |

# 3362-4

BACKHOE CONTROL VALVE (310G) (HUSCO)  
DISTRIBUTEUR DE RETROPPELLE (310G) (HUSCO)  
VALVULA DE CONTROL DE RETROEXCAVADORA (310G) (HUSCO)

TX1006087

-UN-17APR06



TX1006087

THIS PARTS LISTING IS CONTINUED



# 3362-5

**BACKHOE CONTROL VALVE (310G) (HUSCO)  
DISTRIBUTEUR DE RETROPELLE (310G) (HUSCO)  
VALVULA DE CONTROL DE RETROEXCAVADORA (310G) (HUSCO)**

| KEY | PART NO. | PART NAME       | QTY. | SERIAL NO. | 3 3<br>3 1 1<br>1 0 5<br>0 S S<br>G G G | REMARKS   |
|-----|----------|-----------------|------|------------|---|---|
| 1   | 14H865   | NUT             | 2    |            | X                                       | 1/2"  |
| 2   | 14H807   | NUT             | 4    |            | X                                       | 7/16"   |
| 3   | T160628  | STUD            | 1    |            | X                                       | (A)   |
|     | T140699  | ROD             | 1    |            | X                                       | (B)   |
|     | T140700  | ROD             | 1    |            | X                                       | (C)   |
|     | T159264  | STUD            | 1    |            | X                                       | (D)   |
| 4   | T160629  | STUD            | 2    |            | X                                       | (A)   |
|     | T118695  | ROD             | 2    |            | X                                       | (B)   |
|     | T118697  | ROD             | 2    |            | X                                       | (C)   |
|     | T159263  | STUD            | 2    |            | X                                       | (D)   |
| 5   | 24M7240  | WASHER          | 3    |            | X                                       |   |
| 6   | 19M8011  | CAP SCREW       | 3    |            | X                                       | M12 X 30  |
| 7   | AT300570 | CONTROL VALVE   | 1    |            | X                                       | (A) CONVENIENCE ASSEMBLY, (SUB FOR AT186069)  |
|     | AT317783 | CONTROL VALVE   | 1    |            | X                                       | (A) (PILOT CONTROL) CONVENIENCE ASSEMBLY  |
|     | AT300574 | CONTROL VALVE   | 1    |            | X                                       | (B) CONVENIENCE ASSEMBLY (WITH MANUAL AUXILIARY) (SUB FOR AT186070)                         |
|     | AT317784 | CONTROL VALVE   | 1    |            | X                                       | (A) (PILOT CONTROL) CONVENIENCE ASSEMBLY (WITH SELECTIVE FLOW AUXILIARY)                    |
|     | AT304502 | CONTROL VALVE   | 1    |            | X                                       | (B) CONVENIENCE ASSEMBLY (WITH SELECTIVE FLOW AUXILIARY)                                    |
|     | AT317786 | CONTROL VALVE   | 1    |            | X                                       | (B) (PILOT CONTROL) CONVENIENCE ASSEMBLY (WITH SELECTIVE FLOW AUXILIARY)                    |
|     | AT300575 | CONTROL VALVE   | 1    |            | X                                       | (C) CONVENIENCE ASSEMBLY (WITH SELECTIVE FLOW AUXILIARY) (SUB FOR AT186071)                 |
|     | AT317785 | CONTROL VALVE   | 1    |            | X                                       | (C) (PILOT CONTROL) CONVENIENCE ASSEMBLY (WITH SELECTIVE FLOW AUXILIARY) (SUB FOR AT186071) |
|     | .....    | CONTROL VALVE   | 1    |            | X                                       | (C) (WITH MANUAL AUXILIARY) ( AT300577 NLA) (SUB FOR AT186998)                              |
|     | .....    | CONTROL VALVE   | 1    |            | X                                       | (D) ( AT300579 NLA) (SUB FOR AT188353)  |
| 8   | R29936   | O-RING          | 2    | -913416    | X                                       |   |
| 9   | 38H1164  | ADAPTER FITTING | 2    | -913416    | X                                       |   |
| 10  | T76938   | O-RING          | 2    | -913416    | X                                       |   |
| 11  | AT186298 | OIL LINE        | 1    | -913416    | X                                       | (A)   |
|     | AT186297 | OIL LINE        | 1    | -913416    | X                                       | (B) (C) (D)   |

(A) 4 FUNCTION  
(A) FONCTION 4  
(A) 4 FUNCION

(B) 5 FUNCTION  
(B) FONCTION 5  
(B) 5 FUNCION

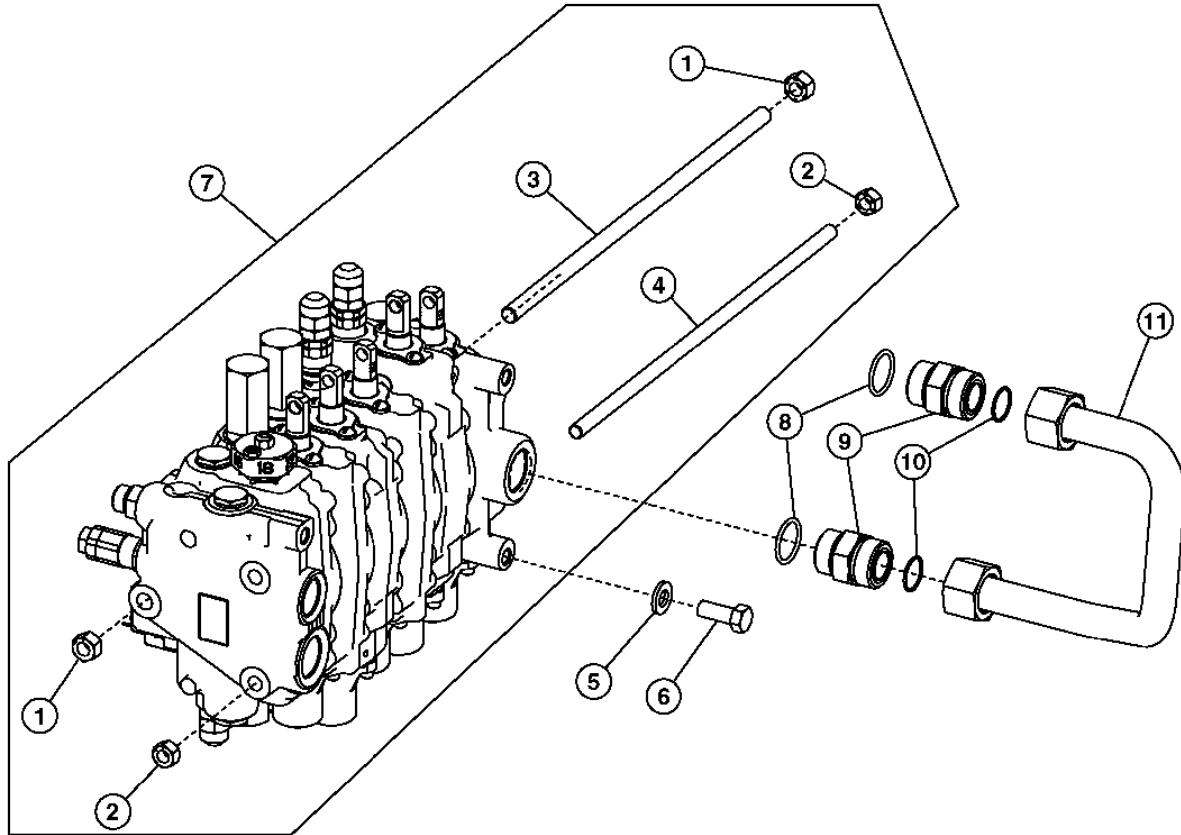
(C) 6 FUNCTION  
(C) FONCTION 6  
(C) 6 FUNCION

(D) 7 FUNCTION  
(D) FONCTION 7  
(D) 7 FUNCION

# 3362-6

CONTROL & LOAD HOLDING VALVES 3362  
BACKHOE CONTROL VALVE (310SG AND 315SG) (HUSCO)  
DISTRIBUTEUR DE RETROPELLE (310SG ET 315SG) (HUSCO)  
VALVULA DE CONTROL DE RETROEXCAVADORA (310SG Y 315SG) (HUSCO)

TX1006087 -UN-17APR06



TX1006087

# 3362-7

CONTROL & LOAD HOLDING VALVES 3362

**BACKHOE CONTROL VALVE (310SG AND 315SG) (HUSCO)**  
**DISTRIBUTEUR DE RETROPELLE (310SG ET 315SG) (HUSCO)**  
**VALVULA DE CONTROL DE RETROEXCAVADORA (310SG Y 315SG) (HUSCO)**

| KEY   | PART NO.      | PART NAME       | QTY. | SERIAL NO. | REMARKS  |
|-------|---------------|-----------------|------|------------|--|
|       |               |                 |      |            | 3 3<br>3 1 1<br>1 0 5<br>0 S S<br>G G G  |
| 1     | 14H865        | NUT             | 2    |            | X X 1/2"   |
| 2     | 14H807        | NUT             | 4    |            | X X 7/16"  |
| 3     | T160628       | STUD            | 1    |            | X X (A)  |
|       | T140699       | ROD             | 1    |            | X X (B)  |
|       | T140700       | ROD             | 1    |            | X X (C)  |
|       | T159264       | STUD            | 1    |            | X X (D)  |
| 4     | T160629       | STUD            | 2    |            | X X (A)  |
|       | T118695       | ROD             | 2    |            | X X (B)  |
|       | T118697       | ROD             | 2    |            | X X (C)  |
|       | T118679       | TUBE            | 2    |            | X  |
|       | T159263       | STUD            | 2    |            | X X (D)  |
| 5     | 24M7240       | WASHER          | 3    |            | X X  |
| 6     | 19M8011       | CAP SCREW       | 3    |            | X X M12 X 30   |
| 7     | AT300583      | CONTROL VALVE   | 1    |            | X X (A) CONVENIENCE ASSEMBLY, (SUB FOR AT183997)                                   |
|       | AT196633      | CONTROL VALVE   | 1    |            | X (A) (PILOT CONTROL) CONVENIENCE ASSEMBLY   |
| ..... | CONTROL VALVE |                 | 1    | -913424    | X X (B) CONVENIENCE ASSEMBLY ( AT183999 NLA) (SUB AT300585)                        |
|       | AT300585      | CONTROL VALVE   | 1    | 913425-    | X X (B) CONVENIENCE ASSEMBLY   |
|       | AT196634      | CONTROL VALVE   | 1    |            | X (B) (PILOT CONTROL) CONVENIENCE ASSEMBLY   |
| ..... | CONTROL VALVE |                 | 1    | -913424    | X X (C) (WITH SELECTIVE FLOW) ( AT184001 NLA) (SUB AT300587)                       |
|       | AT300587      | CONTROL VALVE   | 1    | 913425-    | X X (C) CONVENIENCE ASSEMBLY (WITH SELECTIVE FLOW)                                 |
| ..... | CONTROL VALVE |                 | 1    |            | X (C) (WITH MANUAL AUXILIARY) ( AT300589 NLA) (SUB FOR AT186073)                   |
| ..... | CONTROL VALVE |                 | 1    |            | X (C) (PILOT CONTROL) CONVENIENCE ASSEMBLY (WITH MANUAL AUXILIARY) ( AT196636 NLA) |
|       | AT196635      | CONTROL VALVE   | 1    |            | X (C) (PILOT CONTROL) CONVENIENCE ASSEMBLY (WITH SELECTIVE FLOW)                   |
| ..... | CONTROL VALVE |                 | 1    | -913424    | X (D) CONVENIENCE ASSEMBLY ( AT188350 NLA) (SUB AT300591)                          |
|       | AT300591      | CONTROL VALVE   | 1    | 913425-    | X (D) CONVENIENCE ASSEMBLY   |
|       | AT196637      | CONTROL VALVE   | 1    |            | X (D) (PILOT CONTROL) CONVENIENCE ASSEMBLY   |
| 8     | R29936        | O-RING          | 2    | -913416    | X X  |
| 9     | 38H1164       | ADAPTER FITTING | 2    | -913416    | X X  |
| 10    | T76938        | O-RING          | 2    | -913416    | X X  |
| 11    | AT186298      | OIL LINE        | 1    | -913416    | X (A)  |
|       | AT191036      | OIL LINE        | 1    | -913416    | X (A)  |
|       | AT186297      | OIL LINE        | 1    | -913416    | X (B) (C) (D)  |
|       | AT191037      | OIL LINE        | 1    | -913416    | X (B) (C)  |

(A) 4 FUNCTION  
 (A) FONCTION 4  
 (A) 4 FUNCION

(B) 5 FUNCTION  
 (B) FONCTION 5  
 (B) 5 FUNCION

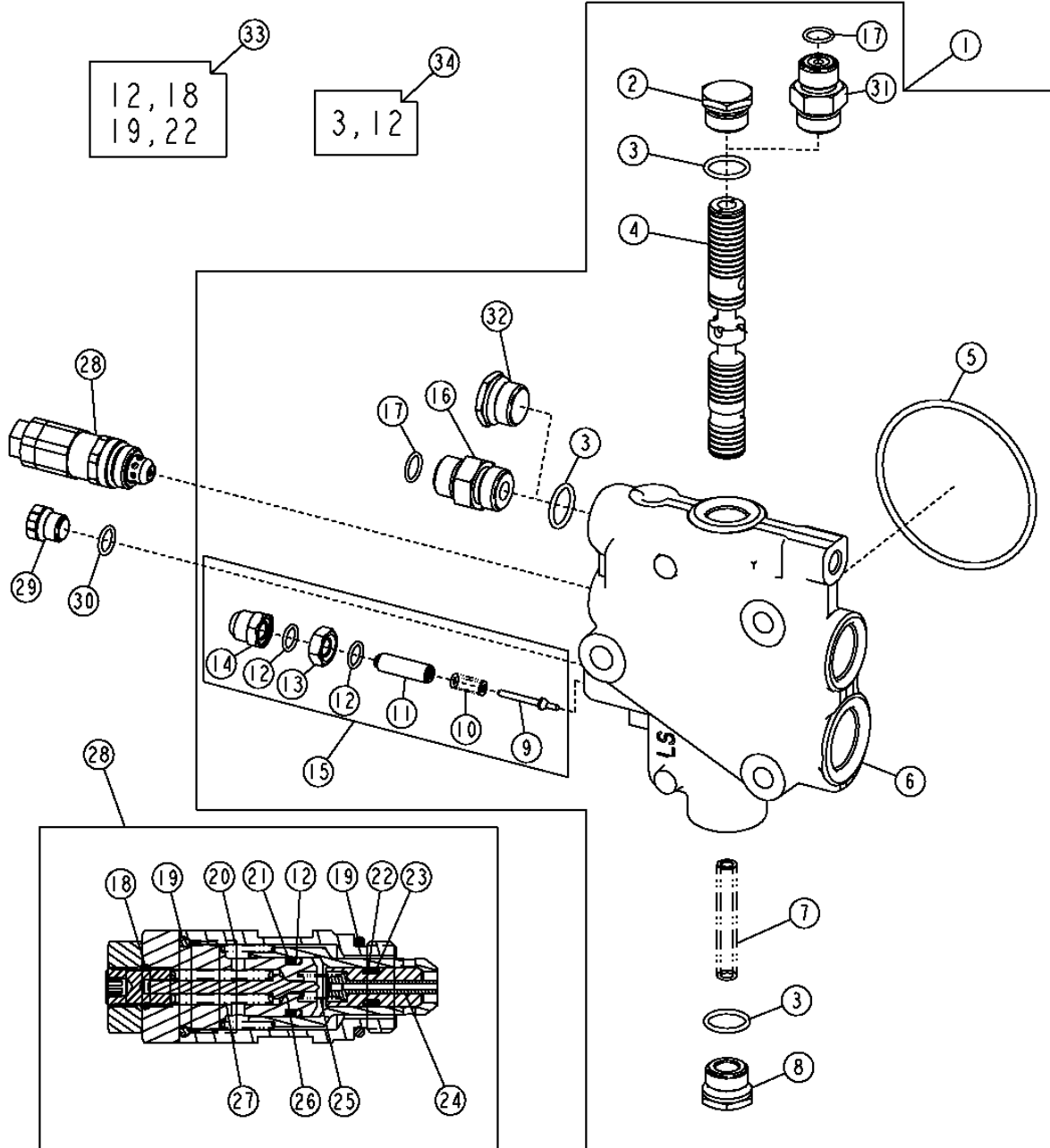
(C) 6 FUNCTION  
 (C) FONCTION 6  
 (C) 6 FUNCION

(D) 7 FUNCTION  
 (D) FONCTION 7  
 (D) 7 FUNCION

# 3362-8

## PRIORITY INLET SECTION SECTION D'ENTREE PRIORITAIRE SECCION DE ENTRADA PRIORITARIA

T196617 -UN-24NOV03



T196617

# 3362-9

BACKHOE 33

CONTROL& LOAD&HOLDING&VALVES 3362

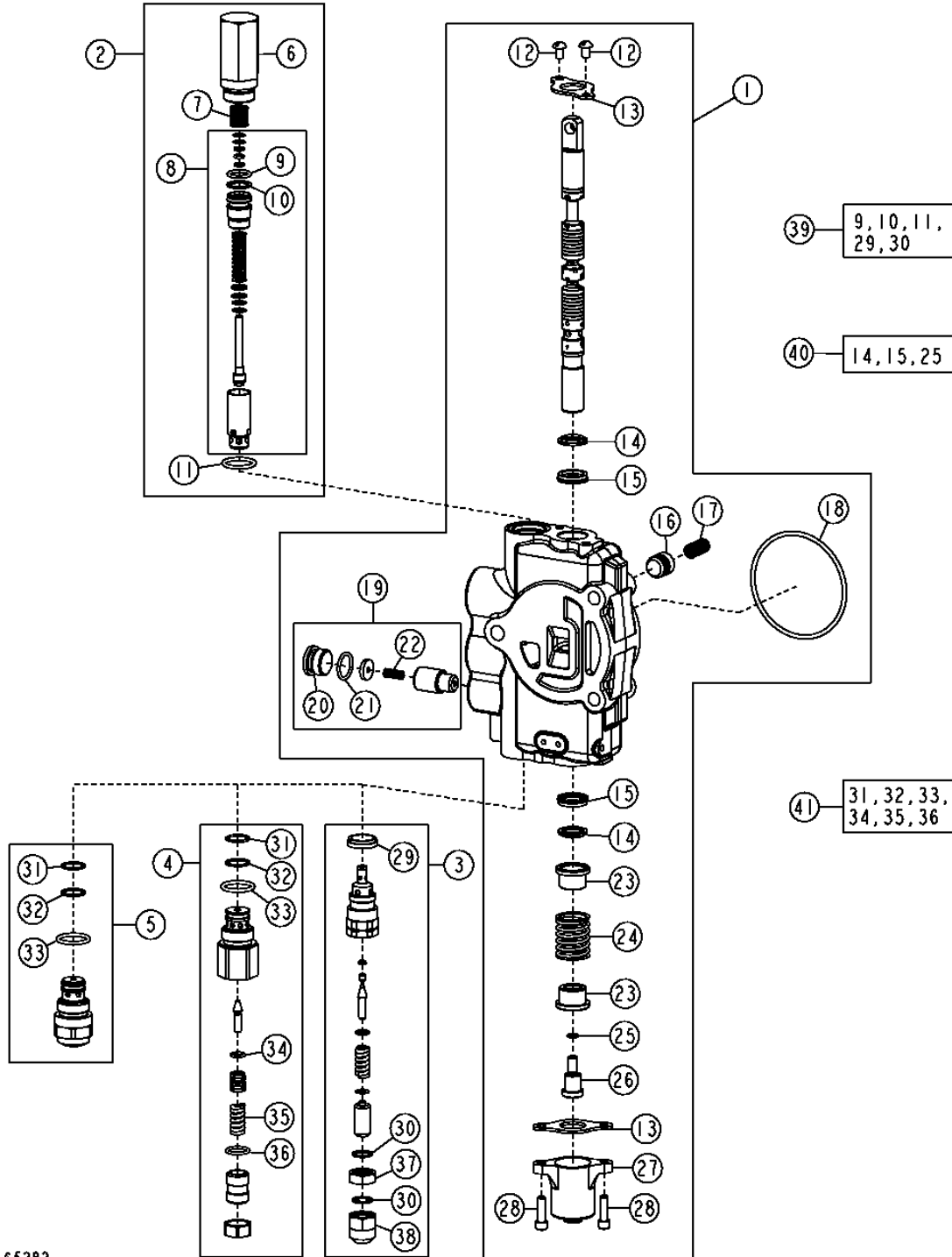
PRIORITY INLET SECTION  
SECTION D'ENTREE PRIORITAIRE  
SECCION DE ENTRADA PRIORITARIA

| KEY | PART NO. | PART NAME             | QTY. | SERIAL NO. | REMARKS  |
|-----|----------|-----------------------|------|------------|--|
|     |          |                       |      |            | 3 3  |
|     |          |                       |      |            | 3 1 1  |
|     |          |                       |      |            | 1 0 5  |
|     |          |                       |      |            | 0 S S  |
|     |          |                       |      |            | G G G  |
| 1   | AT191768 | VALVE SPOOL           | 1    |            | X X X  |
| 2   | T76502   | FITTING               | 1    |            | X X  |
| 3   | R26906   | O-RING                | 3    |            | X X X  |
| 4   | .....    | SPOOL VALVE           | 1    |            | X X X  |
| 5   | T118685  | O-RING                | 1    |            | X X X  |
| 6   | .....    | HOUSING               | 1    |            | X X X  |
| 7   | T152374  | SPRING                | 1    |            | X X X  |
| 8   | T160613  | PLUG                  | 1    |            | X X X  |
| 9   | .....    | POPPET                | 1    |            | X X X  |
| 10  | .....    | COMPRESSION SPRING    | 1    |            | X X X  |
| 11  | .....    | SCREW                 | 1    |            | X X X  |
| 12  | .....    | RING                  | 2    |            | X X X  |
| 13  | .....    | NUT                   | 1    |            | X X X  |
| 14  | .....    | NUT                   | 1    |            | X X X  |
| 15  | AT168671 | PRESSURE RELIEF VALVE | 1    |            | X X X (LOAD SENSE)                                     |
| 16  | 38H1174  | ADAPTER FITTING       | 1    |            | X X (SUB FOR T164387, THIS APPLICATION)                |
| 17  | T77857   | O-RING                | 2    |            | X X X  |
| 18  | .....    | O-RING                | 1    |            | X X X  |
| 19  | .....    | O-RING                | 1    |            | X X X  |
| 20  | .....    | SPRING                | 1    |            | X X X  |
| 21  | .....    | BACK-UP RING          | 1    |            | X X X  |
| 22  | .....    | O-RING                | 1    |            | X X X  |
| 23  | .....    | BACK-UP RING          | 1    |            | X X X  |
| 24  | .....    | PISTON                | 1    |            | X X X  |
| 25  | .....    | SPRING                | 1    |            | X X X  |
| 26  | .....    | POPPET                | 1    |            | X X X  |
| 27  | .....    | SPRING                | 1    |            | X X X  |
| 28  | AT316302 | PRESSURE RELIEF VALVE | 1    |            | X X X (3625 PSI) (SUB FOR AT178471)                    |
| 29  | R27218   | FITTING PLUG          | 1    |            | X X X  |
| 30  | R26448   | O-RING                | 1    |            | X X X  |
| 31  | T164387  | FITTING               | 1    |            | X (ORIFICE)  |
| 32  | T76502   | FITTING               | 1    |            | X  |
| 33  | AT314538 | SEAL KIT              | 1    |            | X X X 22.23 MM (7/8") RELIEF VALVE, (SUB FOR AT189413) |
| 34  | AT280406 | SEAL KIT              | 1    |            | X X X SPOOL, (SUB FOR AT178372)                        |

# 3362-10

**BOOM SECTION  
SECTION DE FLECHE  
SECCION DE AGUILON**

T165282 -UN-13FEB03



T165282

# 3362-11

**BOOM SECTION  
SECTION DE FLECHE  
SECCION DE AGUILON**

| KEY | PART NO. | PART NAME                  | QTY. | SERIAL NO. | 3 3<br>3 1 1<br>1 0 5<br>0 S S<br>G G G | REMARKS   |
|-----|----------|----------------------------|------|------------|---|---|
| 1   | AT301789 | HYD ACTUATED CONTROL VALVE | 1    |            | X                                       | (SUB FOR AT191719)  |
|     | AT301783 | HYD ACTUATED CONTROL VALVE | 1    |            | X X                                     | (SUB FOR AT191716)  |
|     | AT171403 | PRESSURE RELIEF VALVE      | 1    |            | X X X                                   | (2150 PSI)  |
| 3   | AT174217 | PRESSURE RELIEF VALVE      | 1    | -913416    | X                                       | (A) (5000 PSI) (7/8" PORT)                                      |
|     | AT182248 | PRESSURE RELIEF VALVE      | 1    | -913416    | X X                                     | (A) (5500 PSI) (7/8" PORT) (SUB FOR AT174217, THIS APPLICATION) |
| 4   | AT300803 | PRESSURE RELIEF VALVE      | 1    | 913417-    | X                                       | (A) (5000 PSI) (1-1/16" PORT)                                   |
|     | AT301447 | PRESSURE RELIEF VALVE      | 1    | 913417-    | X X                                     | (A) (5500 PSI) (1-1/16" PORT)                                   |
| 5   | AT301128 | PRESSURE RELIEF VALVE      | 1    | 913417-    | X                                       | (B) (5000 PSI) (1-1/16" PORT)                                   |
|     | AT301487 | PRESSURE RELIEF VALVE      | 1    | 913417-    | X X                                     | (B) (5500 PSI) (1-1/16" PORT)                                   |
| 6   | T118866  | HOUSING                    | 1    |            | X X X                                   |   |
| 7   | T118867  | SPRING                     | 1    |            | X X X                                   |   |
| 8   | AT178363 | PRESSURE RELIEF VALVE      | 1    |            | X X X                                   |   |
| 9   | .....    | O-RING                     | 1    |            | X X X                                   |   |
| 10  | .....    | BACK-UP RING               | 1    |            | X X X                                   |   |
| 11  | T118681  | O-RING                     | 1    |            | X X X                                   |   |
| 12  | 21H1352  | SCREW                      | 2    |            | X X X                                   | 1/4" X 3/8"   |
| 13  | T81524   | PLATE                      | 2    |            | X X X                                   |   |
| 14  | .....    | SEAL                       | 2    |            | X X X                                   |   |
| 15  | .....    | SEAL                       | 2    |            | X X X                                   |   |
| 16  | T81538   | POPPET                     | 1    |            | X X X                                   |   |
| 17  | T81539   | SPRING                     | 1    |            | X X X                                   |   |
| 18  | T118685  | O-RING                     | 1    |            | X X X                                   |   |
| 19  | AT178371 | SEAL KIT                   | 1    |            | X X X                                   | (DRIFT CHECK)   |
| 20  | T201424  | PLUG                       | 1    |            | X X X                                   |   |
| 21  | R26906   | O-RING                     | 1    |            | X X X                                   |   |
| 22  | R111238  | SPRING                     | 1    |            | X X X                                   |   |
| 23  | T81540   | RETAINER                   | 2    |            | X X X                                   |   |
| 24  | T160518  | COMPRESSION SPRING         | 1    |            | X X X                                   |   |
| 25  | R30903   | O-RING                     | 1    |            | X X X                                   |   |
| 26  | T160519  | SCREW                      | 1    |            | X X X                                   |   |
| 27  | T118808  | CAP                        | 1    |            | X X X                                   |   |
| 28  | 19H3554  | SCREW                      | 2    |            | X X X                                   |   |
| 29  | T183756  | SEAL                       | 1    |            | X X X                                   |   |
| 30  | .....    | O-RING                     | 2    |            | X X X                                   |   |
| 31  | T107887  | O-RING                     | 2    |            | X X X                                   |   |
| 32  | .....    | BACK-UP RING               | 2    |            | X X X                                   |   |
| 33  | T118681  | O-RING                     | 2    |            | X X X                                   |   |
| 34  | R63548   | O-RING                     | 1    |            | X X X                                   |   |
| 35  | .....    | SPRING                     | 1    |            | X X X                                   |   |
| 36  | .....    | O-RING                     | 1    |            | X X X                                   |   |
| 37  | T67424   | NUT                        | 1    |            | X X X                                   |   |
| 38  | T67425   | NUT                        | 1    |            | X X X                                   |   |
| 39  | AT314538 | SEAL KIT                   | 1    |            | X X X                                   | 22.23 MM (7/8") RELIEF VALVE, (SUB FOR AT189413)                |
|     | AT314539 | SEAL KIT                   | 1    |            | X X X                                   | 27.0 MM (1-1/16") RELIEF VALVE, (SUB FOR AT189413)              |
| 40  | AT280406 | SEAL KIT                   | 1    |            | X X X                                   | SPOOL, (SUB FOR AT178372)                                       |
| 41  | AT300801 | SEAL KIT                   | 1    |            | X X X                                   | (SEAL AND SPRING)   |

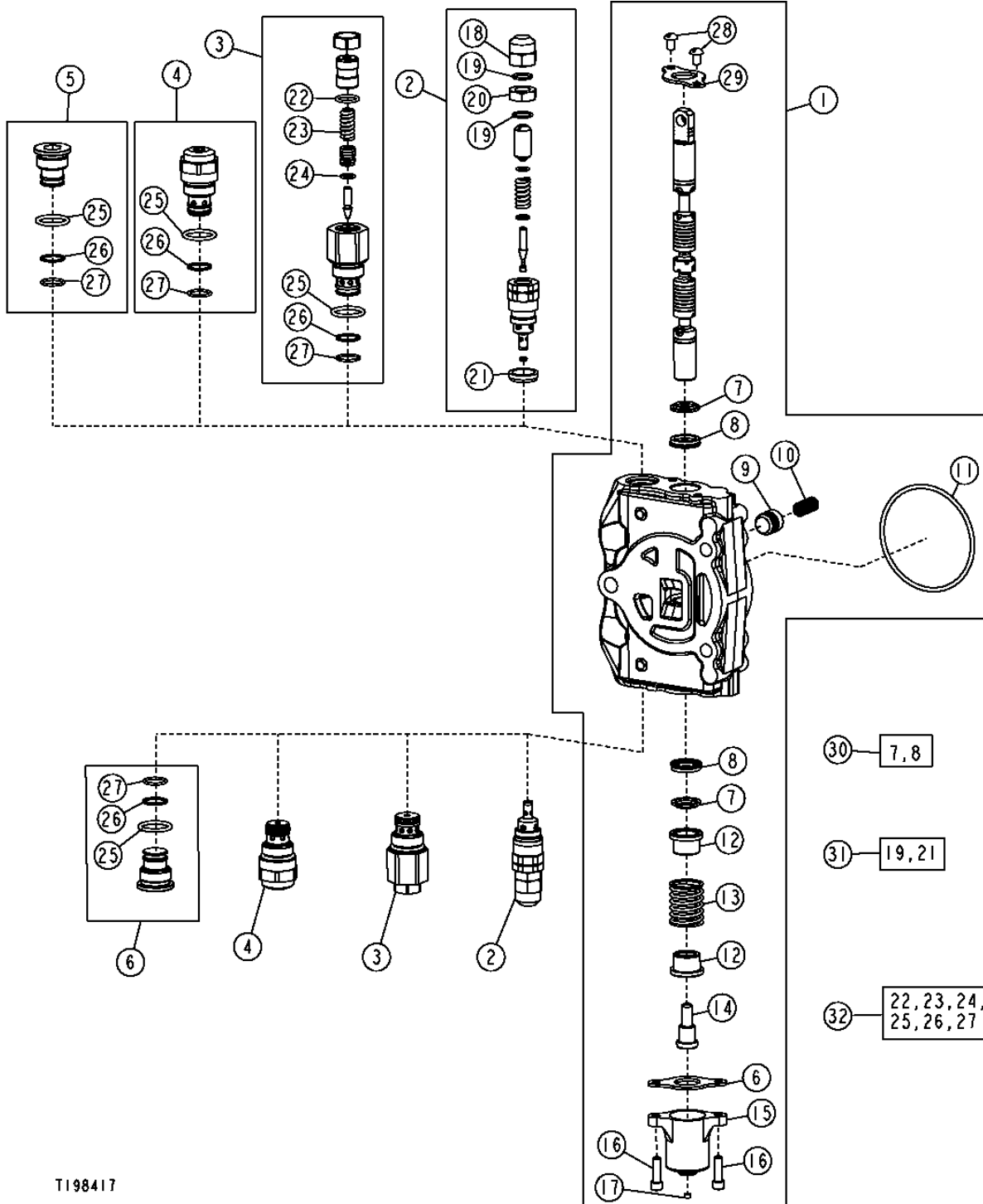
(A) NOT ANTI-CAVITATION  
(A) NON ANTI-CAVITATION  
(A) SIN FUNCION ANTICAVITACION

(B) ANTI-CAVITATION  
(B) ANTI-CAVITATION  
(B) ANTICAVITACION

# 3362-12

BUCKET SECTION  
SECTION DE GODET  
SECCION DE CUCHARON

T198417 -UN-10MAR04



T198417



# 3362-13

**BUCKET SECTION  
SECTION DE GODET  
SECCION DE CUCARON**

| KEY | PART NO.          | PART NAME                  | QTY. | SERIAL NO.    | 3 3<br>3 1 1<br>1 0 5<br>0 S S<br>G G G | REMARKS  |
|-----|-------------------|----------------------------|------|---------------|---|--|
| 1   | .....<br>AT301786 | HYD ACTUATED CONTROL VALVE | 1    | -913416       | X                                       | ( AT191705 NLA) (SUB AT301786)   |
|     | .....             | HYD ACTUATED CONTROL VALVE | 1    | 913417-       | X                                       |  |
|     | .....             | HYD ACTUATED CONTROL VALVE | 1    | -913416       | X X                                     | ( AT170232 NLA) (SUB AT301782)   |
|     | AT301782          | HYD ACTUATED CONTROL VALVE | 1    | 913417-       | X X                                     |  |
| 2   | AT172937          | PRESSURE RELIEF VALVE      | 2    | -913416       | X X X                                   | (A) (7/8" PORT) (4600 PSI)   |
| 3   | AT301526          | PRESSURE RELIEF VALVE      | 2    | 913417-925502 | X X X                                   | (A) (1-1/16" PORT) (4 AND 5 FUNCTION)<br>(4600 PSI)                    |
|     | AT301526          | PRESSURE RELIEF VALVE      | 2    | 913417-       | X X X                                   | (A) (1-1/16" PORT) (6 AND 7 FUNCTION)<br>(4600 PSI)                    |
|     | AT301526          | PRESSURE RELIEF VALVE      | 1    | 927954-       | X X X                                   | (A) (1-1/16" PORT) (4 AND 5 FUNCTION)<br>(4600 PSI)                    |
| 4   | AT301527          | PRESSURE RELIEF VALVE      | 2    | 913417-925502 | X X X                                   | (B) (1-1/16" PORT) (4 AND 5 FUNCTION)<br>(4600 PSI) (SUB FOR AT301127) |
|     | AT301527          | PRESSURE RELIEF VALVE      | 2    | 913417-       | X X X                                   | (B) (1-1/16" PORT) (6 AND 7 FUNCTION)<br>(4600 PSI)                    |
|     | AT301527          | PRESSURE RELIEF VALVE      | 1    | 927954-       | X X X                                   | (B) (1-1/16" PORT) (4 AND 5 FUNCTION)<br>(4600 PSI)                    |
| 5   | .....             | PLUG                       | 1    | 925503-927953 | X X X                                   | (4 AND 5 FUNCTION) (SUB AT301526 OR<br>AT301527)                       |
| 6   | AT307332          | PLUG                       | 2    | 925503-       | X X X                                   | (4 AND 5 FUNCTION)   |
| 7   | .....             | SEAL                       | 2    |               | X X X                                   |  |
| 8   | .....             | SEAL                       | 2    |               | X X X                                   |  |
| 9   | T81538            | POPPET                     | 1    |               | X X X                                   |  |
| 10  | T81539            | SPRING                     | 1    |               | X X X                                   |  |
| 11  | T118685           | O-RING                     | 1    |               | X X X                                   |  |
| 12  | T81540            | RETAINER                   | 2    |               | X X X                                   |  |
| 13  | T160518           | COMPRESSION SPRING         | 1    |               | X X X                                   |  |
| 14  | T81541            | SCREW                      | 1    |               | X X X                                   |  |
| 15  | T118808           | CAP                        | 1    |               | X X X                                   |  |
| 16  | 19H3554           | SCREW                      | 2    |               | X X X                                   | 1/4" X 0.880"  |
| 17  | T118799           | FILTER                     | 1    | -906011       | X X X                                   |  |
| 18  | T67425            | NUT                        | 1    |               | X X X                                   |  |
| 19  | .....             | O-RING                     | 2    |               | X X X                                   |  |
| 20  | T67424            | NUT                        | 2    |               | X X X                                   |  |
| 21  | T183756           | SEAL                       | 1    |               | X X X                                   |  |
| 22  | .....             | O-RING                     | 2    |               | X X X                                   |  |
| 23  | .....             | SPRING                     | 2    |               | X X X                                   |  |
| 24  | R63548            | O-RING                     | 2    |               | X X X                                   |  |
| 25  | T118681           | O-RING                     | 4    |               | X X X                                   |  |
| 26  | .....             | BACK-UP RING               | 4    |               | X X X                                   |  |
| 27  | T107887           | O-RING                     | 4    |               | X X X                                   |  |
| 28  | 21H1352           | SCREW                      | 2    |               | X X X                                   | 1/4" X 3/8"  |
| 29  | T81524            | PLATE                      | 2    |               | X X X                                   |  |
| 30  | AT280406          | SEAL KIT                   | 1    |               | X X X                                   | SPOOL, (SUB FOR AT178372)  |
| 31  | AT314538          | SEAL KIT                   | 1    |               | X X X                                   | 22.23 MM (7/8") RELIEF VALVE, (SUB FOR<br>AT189413)                    |
|     | AT314539          | SEAL KIT                   | 1    |               | X X X                                   | 27.0 MM (1-1/16") RELIEF VALVE, (SUB<br>FOR AT189413)                  |
| 32  | AT300801          | SEAL KIT                   | 1    |               | X X X                                   |  |

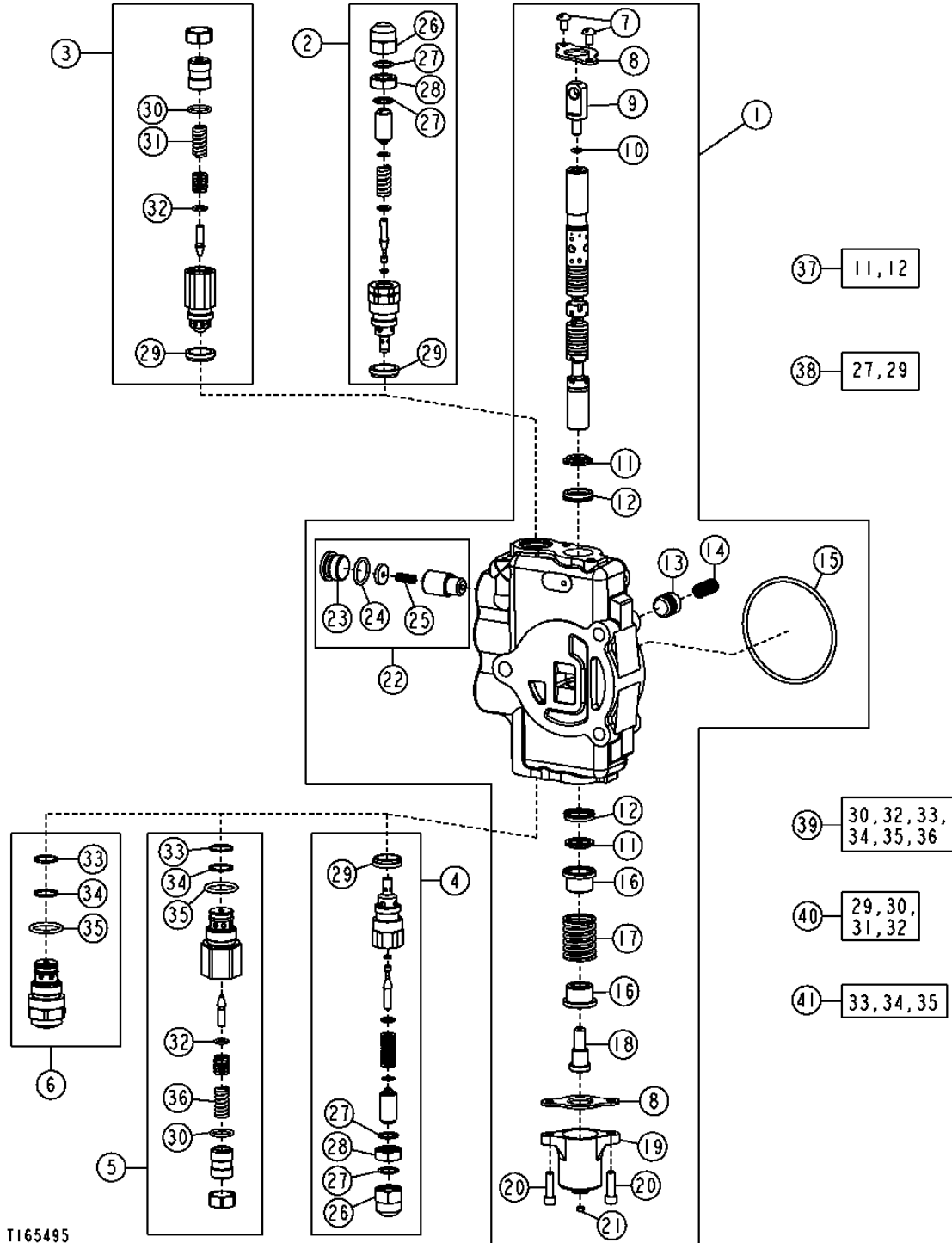
(A) NOT ANTI-CAVITATION  
(A) NON ANTI-CAVITATION  
(A) SIN FUNCION ANTICAVITACION

(B) ANTI-CAVITATION  
(B) ANTI-CAVITATION  
(B) ANTICAVITACION

# 3362-14

CROWD SECTION  
SECTION DE CAVAGE  
SECCION DE EMPUJE

T165495 -UN-19FEB03



T165495

THIS PARTS LISTING IS CONTINUED

# 3362-15

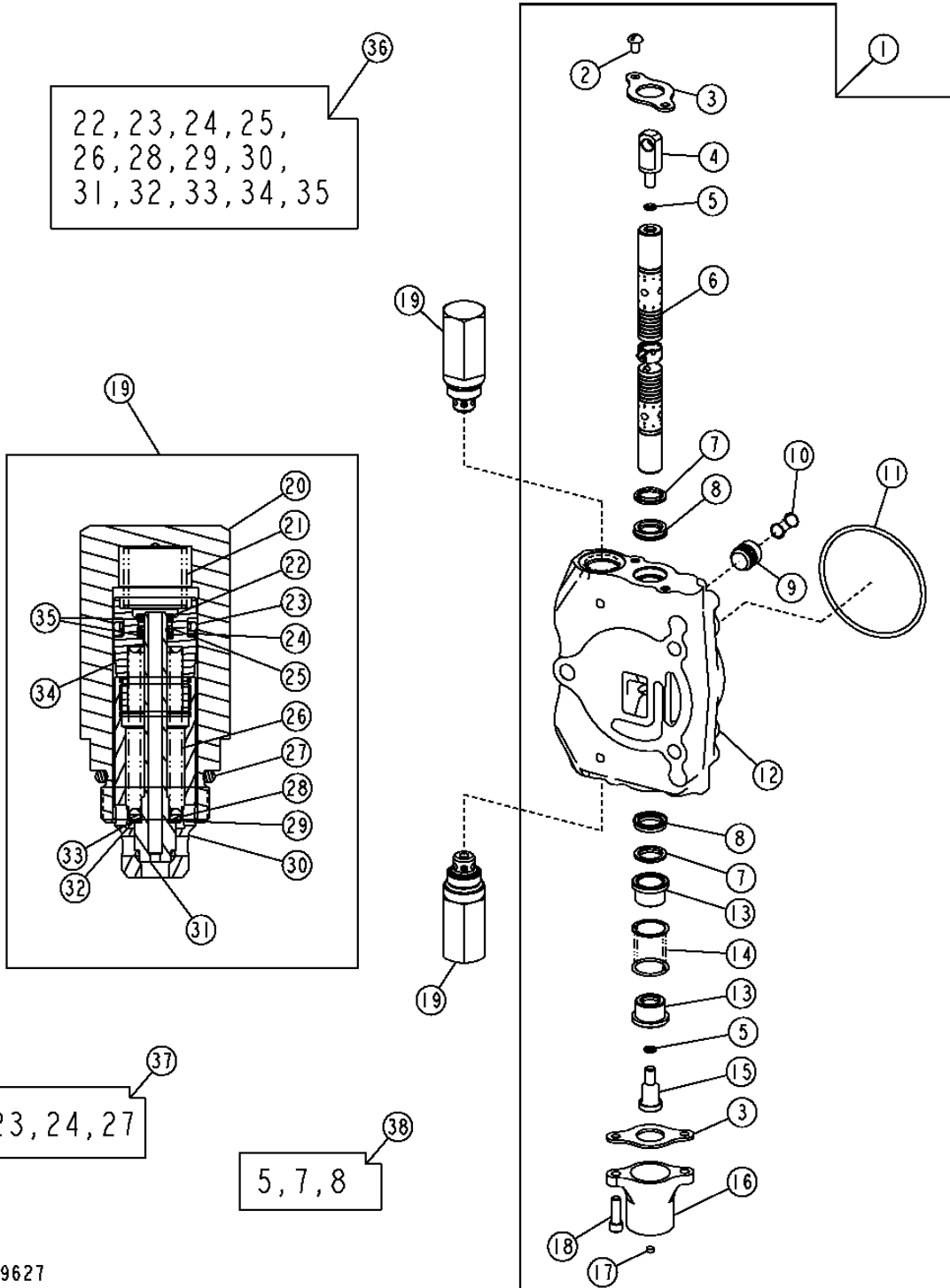
**CROWD SECTION  
SECTION DE CAVAGE  
SECCION DE EMPUJE**

| KEY | PART NO. | PART NAME             | QTY. | SERIAL NO.    | 3 3<br>3 1 1<br>1 0 5<br>0 S S<br>G G G | REMARKS   |
|-----|----------|-----------------------|------|---------------|---|---|
| 1   | AT301788 | VALVE SPOOL           | 1    |               | X                                       | (4 FUNCTION) (5 FUNCTION WITH SELECTIVE FLOW AND/OR LH MANUAL AUXILIARY) (SUB FOR AT191713) |
|     | AT301776 | VALVE SPOOL           | 1    |               | X X                                     | (4 FUNCTION) (SUB FOR AT191718)   |
|     | AT301787 | VALVE SPOOL           | 1    |               | X                                       | (5, 6 AND 7 FUNCTION WITH EXT. DIPPERSTICK OR RH MANUAL AUXILIARY) (SUB FOR AT191706)       |
| 2   | AT301784 | VALVE SPOOL           | 1    |               | X X                                     | (5,6 AND 7 FUNCTION) (SUB FOR AT191717)   |
|     | AT171404 | PRESSURE RELIEF VALVE | 1    | -913416       | X X X                                   | (4750 PSI) (7/8" PORT)  |
|     | AT171404 | PRESSURE RELIEF VALVE | 1    | 915641-       | X X X                                   | (4750 PSI) (7/8" PORT)  |
| 3   | AT302113 | PRESSURE RELIEF VALVE | 1    | 913417-915640 | X X X                                   | (4750 PSI) (7/8" PORT) (NOT ANTI-CAVITATION)  |
| 4   | AT171405 | PRESSURE RELIEF VALVE | 1    | -913416       | X X X                                   | (3800 PSI) (7/8" PORT)  |
| 5   | .....    | PRESSURE RELIEF VALVE | 1    | 913417-915640 | X X X                                   | (3800 PSI) (1-1/16" PORT) (NOT ANTI-CAVITATION) ( AT301750 NLA) (SUB AT303954)              |
|     | AT303954 | PRESSURE RELIEF VALVE | 1    | 915641-       | X X X                                   | (3800 PSI) (1-1/16" PORT) (NOT ANTI-CAVITATION)   |
| 6   | AT301751 | PRESSURE RELIEF VALVE | 1    | 913417-       | X X X                                   | (3800 PSI) (1-1/16" PORT) (ANTI-CAVITATION)   |
| 7   | 21H1352  | SCREW                 | 2    |               | X X X                                   | 1/4" X 3/8"   |
| 8   | T81524   | PLATE                 | 2    |               | X X X                                   |   |
| 9   | T160702  | END                   | 1    |               | X X X                                   |   |
| 10  | R30903   | O-RING                | 1    |               | X X X                                   |   |
| 11  | .....    | SEAL                  | 2    |               | X X X                                   |   |
| 12  | .....    | SEAL                  | 2    |               | X X X                                   |   |
| 13  | T152406  | POPPET                | 1    |               | X X X                                   | (4 FUNCTION)  |
|     | T81538   | POPPET                | 1    |               | X X X                                   |   |
| 14  | T152407  | SPRING                | 1    |               | X X X                                   | (4 FUNCTION)  |
|     | T81539   | SPRING                | 1    |               | X X X                                   |   |
| 15  | T118685  | O-RING                | 1    |               | X X X                                   |   |
| 16  | T81540   | RETAINER              | 2    |               | X X X                                   |   |
| 17  | T160518  | COMPRESSION SPRING    | 1    |               | X X X                                   |   |
| 18  | T81541   | SCREW                 | 1    |               | X X X                                   |   |
| 19  | T118808  | CAP                   | 1    |               | X X X                                   |   |
| 20  | 19H3554  | SCREW                 | 2    |               | X X X                                   | 1/4" X 0.880"   |
| 21  | T118799  | FILTER                | 1    | -906011       | X X X                                   |   |
| 22  | AT194687 | KIT                   | 1    |               | X X X                                   | (DRIFT CHECK) (SUB FOR AT178371, THIS APPLICATION)  |
| 23  | T201424  | PLUG                  | 1    |               | X X X                                   |   |
| 24  | R26906   | O-RING                | 1    |               | X X X                                   |   |
| 25  | R111238  | SPRING                | 1    |               | X X X                                   |   |
| 26  | T67425   | NUT                   | 2    |               | X X X                                   |   |
| 27  | .....    | O-RING                | 4    |               | X X X                                   |   |
| 28  | T67424   | NUT                   | 2    |               | X X X                                   |   |
| 29  | T183756  | SEAL                  | 3    |               | X X X                                   |   |
| 30  | .....    | O-RING                | 2    |               | X X X                                   |   |
| 31  | .....    | SPRING                | 1    |               | X X X                                   |   |
| 32  | R63548   | O-RING                | 2    |               | X X X                                   |   |
| 33  | T107887  | O-RING                | 2    |               | X X X                                   |   |
| 34  | .....    | BACK-UP RING          | 2    |               | X X X                                   |   |
| 35  | T118681  | O-RING                | 2    |               | X X X                                   |   |
| 36  | .....    | SPRING                | 1    |               | X X X                                   |   |
| 37  | AT280406 | SEAL KIT              | 1    |               | X X X                                   | SPOOL, (SUB FOR AT178372)   |
| 38  | AT314538 | SEAL KIT              | 1    |               | X X X                                   | 22.23 MM (7/8") RELIEF VALVE, (SUB FOR AT189413)  |
|     | AT314539 | SEAL KIT              | 1    |               | X X X                                   | 27.0 MM (1-1/16") RELIEF VALVE, (SUB FOR AT189413)  |
| 39  | AT301749 | SEAL KIT              | 1    | 913417-915640 | X X X                                   | (USE WITH AT301750)   |
|     | AT300801 | SEAL KIT              | 1    | 915641-       | X X X                                   | (USE WITH AT303954)   |
| 40  | AT302108 | SEAL KIT              | 1    |               | X X X                                   |   |
| 41  | AT301749 | SEAL KIT              | 1    |               | X X X                                   |   |

# 3362-16

SWING SECTION  
SECTION DE PIVOTEMENT  
SECCION DE GIRO

TP69627 -UN-02OCT00



TP69627

# 3362-17

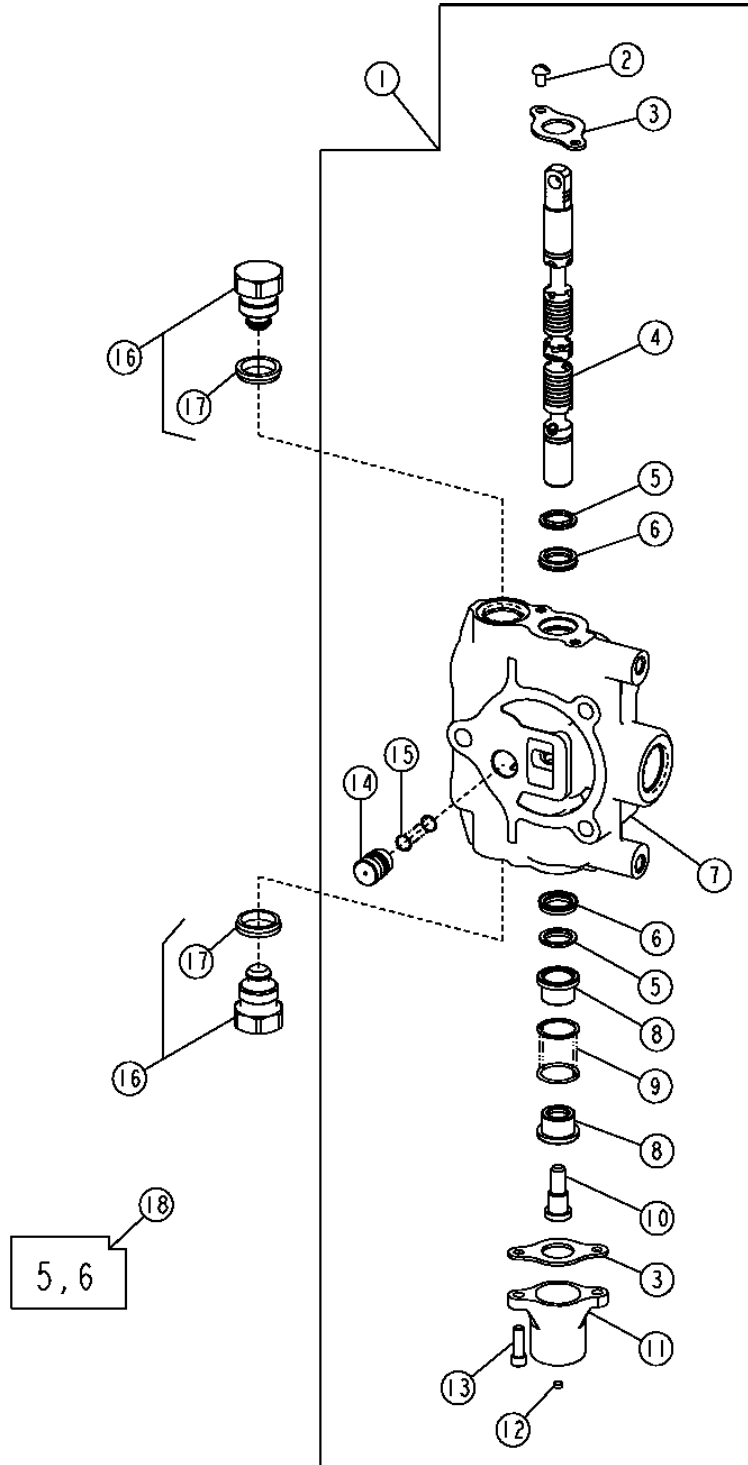
SWING SECTION  
SECTION DE PIVOTEMENT  
SECCION DE GIRO

| KEY | PART NO. | PART NAME          | QTY. | SERIAL NO. | REMARKS  |
|-----|----------|--------------------|------|------------|--|
|     |          |                    |      |            | 3 3  |
|     |          |                    |      |            | 3 1 1  |
|     |          |                    |      |            | 1 0 5  |
|     |          |                    |      |            | 0 S S  |
|     |          |                    |      |            | G G G  |
| 1   | AT191709 | VALVE SPOOL        | 1    |            | X (4,5 AND 6 FUNCTION)   |
|     | AT191708 | VALVE SPOOL        | 1    |            | X (6 AND 7 FUNCTION WITH MANUAL AUXILIARY)   |
|     | AT170221 | VALVE SPOOL        | 1    |            | X X (4,5 AND 6 FUNCTION)   |
|     | AT179109 | SPOOL VALVE        | 1    |            | X (6 AND 7 FUNCTION WITH MANUAL AUXILIARY)   |
| 2   | 21H1352  | SCREW              | 2    |            | X X X 1/4" X 3/8"  |
| 3   | T81524   | PLATE              | 2    |            | X X X  |
| 4   | T160702  | END                | 1    |            | X X X  |
| 5   | R30903   | O-RING             | 2    |            | X X X  |
| 6   | .....    | SPOOL VALVE        | 1    |            | X X X  |
| 7   | .....    | SEAL               | 2    |            | X X X  |
| 8   | .....    | SEAL               | 2    |            | X X X  |
| 9   | T81539   | SPRING             | 1    |            | X X X  |
| 10  | T118685  | O-RING             | 1    |            | X X X  |
| 11  | T81538   | POPPET             | 1    |            | X X X  |
| 12  | .....    | HOUSING            | 1    |            | X X X  |
| 13  | T81540   | RETAINER           | 2    |            | X X X  |
| 14  | T160518  | COMPRESSION SPRING | 1    |            | X X X  |
| 15  | T160519  | SCREW              | 1    |            | X X X  |
| 16  | T118808  | CAP                | 1    |            | X X X  |
| 17  | T118799  | FILTER             | 1    | -906011    | X X X  |
| 18  | 19H3554  | SCREW              | 2    |            | X X X 1/4" X 0.880"  |
| 19  | .....    | CHECK VALVE        | 2    |            | X X X (3800 PSI) (SUB FOR AT182377, THIS APPLICATION) (ORDER AT178362, T118866, T118867 AND T118681) |
| 20  | T118866  | HOUSING            | 1    |            | X X X  |
| 21  | T118867  | SPRING             | 1    |            | X X X  |
| 22  | .....    | SNAP RING          | 1    |            | X X X  |
| 23  | .....    | O-RING             | 1    |            | X X X  |
| 24  | .....    | BACK-UP RING       | 1    |            | X X X  |
| 25  | .....    | O-RING             | 1    |            | X X X  |
| 26  | .....    | SPRING             | 1    |            | X X X  |
| 27  | T118681  | O-RING             | 1    |            | X X X  |
| 28  | .....    | WASHER             | 1    |            | X X X  |
| 29  | .....    | WASHER             | 1    |            | X X X  |
| 30  | .....    | SLEEVE             | 1    |            | X X X  |
| 31  | .....    | POPPET             | 1    |            | X X X  |
| 32  | .....    | WASHER             | 1    |            | X X X  |
| 33  | .....    | WASHER             | 1    |            | X X X  |
| 34  | .....    | SCREW              | 1    |            | X X X  |
| 35  | .....    | BACK-UP RING       | 1    |            | X X X  |
| 36  | AT178362 | SEAL KIT           | 1    |            | X X X RELIEF VALVE   |
| 37  | AT314538 | SEAL KIT           | 1    |            | X X X 22.23 MM (7/8") RELIEF VALVE, (SUB FOR AT189413)   |
|     | AT314539 | SEAL KIT           | 1    |            | X X X 27.0 MM (1-1/16") RELIEF VALVE, (SUB FOR AT189413)   |
| 38  | AT280406 | SEAL KIT           | 1    |            | X X X SPOOL, (SUB FOR AT178372)  |

# 3362-18

## EXTENDABLE SECTION SECTION TELESCOPIQUE SECCION EXTENSIBLE

TP69638 -UN-02OCT00



TP69638

# 3362-19

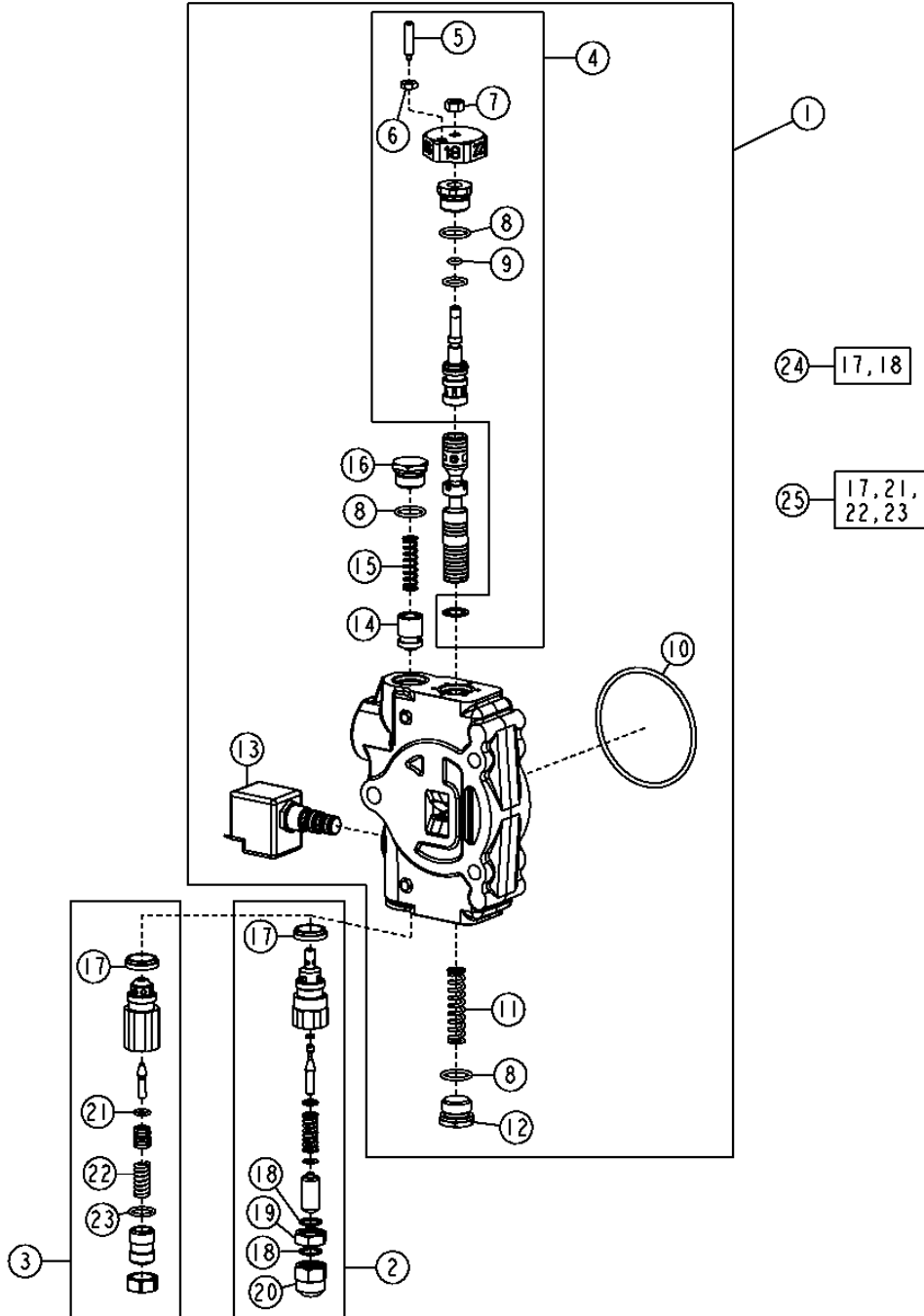
EXTENDABLE SECTION  
SECTION TELESCOPIQUE  
SECCION EXTENSIBLE

| KEY | PART NO. | PART NAME          | QTY. | SERIAL NO. | 3 3<br>3 1 1<br>1 0 5<br>0 S S<br>G G G | REMARKS                   |
|-----|----------|--------------------|------|------------|---|---------------------------|
| 1   | AT191712 | VALVE SPOOL        | 1    |            | X                                       | (5,6 AND 7 FUNCTION)      |
|     | AT191704 | VALVE SPOOL        | 1    |            | X X                                     | (5,6 AND 7 FUNCTION)      |
| 2   | 21H1352  | SCREW              | 2    |            | X X X                                   | 1/4" X 3/8"               |
| 3   | T81524   | PLATE              | 2    |            | X X X                                   |                           |
| 4   | .....    | SPOOL VALVE        | 1    |            | X X X                                   |                           |
| 5   | .....    | SEAL               | 2    |            | X X X                                   |                           |
| 6   | .....    | SEAL               | 2    |            | X X X                                   |                           |
| 7   | .....    | HOUSING            | 1    |            | X X X                                   |                           |
| 8   | T81540   | RETAINER           | 2    |            | X X X                                   |                           |
| 9   | T160518  | COMPRESSION SPRING | 1    |            | X X X                                   |                           |
| 10  | T81541   | SCREW              | 1    |            | X X X                                   |                           |
| 11  | T118808  | CAP                | 1    |            | X X X                                   |                           |
| 12  | T118799  | FILTER             | 1    | -906011    | X X X                                   |                           |
| 13  | 19H3554  | SCREW              | 2    |            | X X X                                   | 1/4" X 0.880"             |
| 14  | T152406  | POPPET             | 1    |            | X X X                                   |                           |
| 15  | T152407  | SPRING             | 1    |            | X X X                                   |                           |
| 16  | AT83174  | FITTING PLUG       | 2    |            | X X X                                   |                           |
| 17  | T183757  | SEAL               | 1    |            | X X X                                   |                           |
| 18  | AT280406 | SEAL KIT           | 1    |            | X X X                                   | SPOOL, (SUB FOR AT178372) |

# 3362-20

SELECTIVE FLOW SECTION  
SECTION DE DEBIT SELECTIF  
SECCION DE CAUDAL SELECTIVO

T165707 -UN-20FEB03



T165707



# 3362-21

BACKHOE 33

CONTROL& LOAD:HOLDING:VALVES 3362

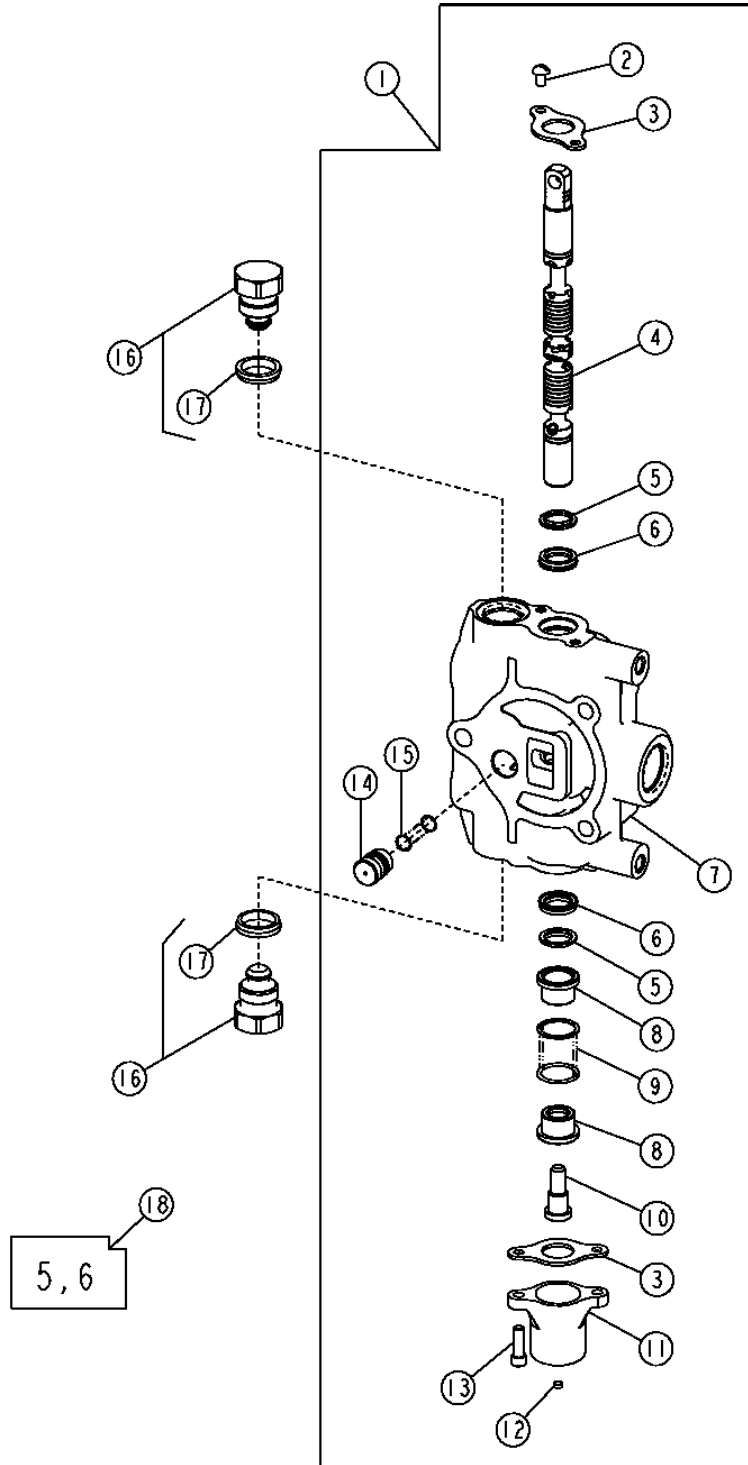
SELECTIVE FLOW SECTION  
SECTION DE DEBIT SELECTIF  
SECCION DE CAUDAL SELECTIVO

| KEY | PART NO. | PART NAME                  | QTY. | SERIAL NO.    | 3 3<br>3 1 1<br>1 0 5<br>0 S S<br>G G G | REMARKS  |
|-----|----------|----------------------------|------|---------------|---|--|
| 1   | AT192384 | VALVE SPOOL                | 1    |               | X X X                                   |  |
| 2   | AT190234 | PRESSURE RELIEF VALVE      | 1    | -913416       | X X X                                   | (2900 PSI)   |
|     | AT190234 | PRESSURE RELIEF VALVE      | 1    | 915641-       | X X X                                   | (2900 PSI)   |
| 3   | AT301748 | PRESSURE RELIEF VALVE      | 1    | 913417-915640 | X X X                                   | (2900 PSI)   |
| 4   | AT192385 | HAND OPERATED VALVE        | 1    |               | X X X                                   | (FLOW ADJUSTMENT)                                  |
| 5   | T160663  | PLUNGER                    | 1    |               | X X X                                   |  |
| 6   | 14H786   | NUT                        | 1    |               | X X X                                   | 1/4"   |
| 7   | 14H785   | NUT                        | 1    |               | X X X                                   | 5/16"  |
| 8   | R26906   | O-RING                     | 3    |               | X X X                                   |  |
| 9   | R10093   | O-RING                     | 1    |               | X X X                                   |  |
| 10  | T118685  | O-RING                     | 1    |               | X X X                                   |  |
| 11  | T184356  | SPRING                     | 1    |               | X X X                                   |  |
| 12  | T76502   | FITTING                    | 1    |               | X X X                                   |  |
| 13  | AT174923 | HYD ACTUATED CONTROL VALVE | 1    |               | X X X                                   |  |
|     | AT178475 | SEAL KIT                   | 1    |               | X X X                                   | (SOLENOID VALVE)                                   |
| 14  | T184271  | POPPET                     | 1    |               | X X X                                   |  |
| 15  | T160520  | SPRING                     | 1    |               | X X X                                   |  |
| 16  | T160613  | PLUG                       | 1    |               | X X X                                   |  |
| 17  | T183756  | SEAL                       | 1    |               | X X X                                   |  |
| 18  | .....    | O-RING                     | 2    |               | X X X                                   |  |
| 19  | T67424   | NUT                        | 1    |               | X X X                                   |  |
| 20  | T67425   | NUT                        | 1    |               | X X X                                   |  |
| 21  | R63548   | O-RING                     | 1    |               | X X X                                   |  |
| 22  | .....    | SPRING                     | 1    |               | X X X                                   |  |
| 23  | .....    | O-RING                     | 1    |               | X X X                                   |  |
| 24  | AT314538 | SEAL KIT                   | 1    |               | X X X                                   | 22.3 MM (7/8") RELIEF VALVE, (SUB FOR AT189413)    |
|     | AT314539 | SEAL KIT                   | 1    |               | X X X                                   | 27.0 MM (1-1/16") RELIEF VALVE, (SUB FOR AT189413) |
| 25  | AT301227 | SEAL KIT                   | 1    |               | X X X                                   | (RELIEF VALVE SEAL AND SPRING)                     |

# 3362-22

## AUXILIARY SECTION SECTION AUXILIAIRE SECCION AUXILIAR

TP69638 -UN-02OCT00



TP69638

THIS PARTS LISTING IS CONTINUED

# 3362-23

BACKHOE 33

CONTROL& LOAD;HOLDING;VALVES 3362

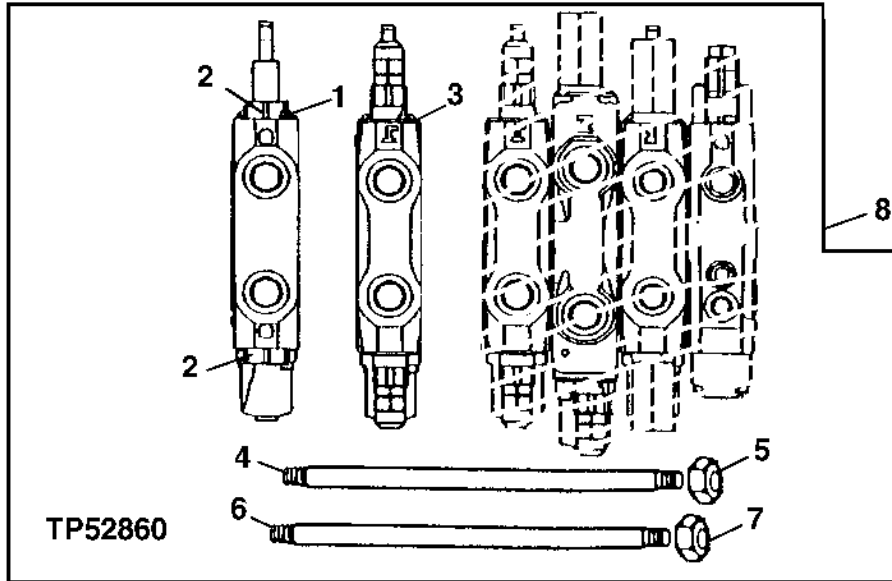
AUXILIARY SECTION  
SECTION AUXILIAIRE  
SECCION AUXILIAR

| KEY | PART NO. | PART NAME          | QTY. | SERIAL NO. | 3 3<br>3 1 1<br>1 0 5<br>0 S S<br>G G G | REMARKS                   |
|-----|----------|--------------------|------|------------|---|---------------------------|
| 1   | AT191710 | SPOOL VALVE        | 1    |            | X                                       |                           |
|     | AT189168 | SPOOL VALVE        | 1    |            | X                                       |                           |
| 2   | 21H1352  | SCREW              | 2    |            | X X                                     | 1/4" X 3/8"               |
| 3   | T81524   | PLATE              | 2    |            | X X                                     |                           |
| 4   | .....    | SPOOL VALVE        | 1    |            | X X                                     |                           |
| 5   | .....    | SEAL               | 2    |            | X X                                     |                           |
| 6   | .....    | SEAL               | 2    |            | X X                                     |                           |
| 7   | .....    | HOUSING            | 1    |            | X X                                     |                           |
| 8   | T81540   | RETAINER           | 2    |            | X X                                     |                           |
| 9   | T160518  | COMPRESSION SPRING | 1    |            | X X                                     |                           |
| 10  | T81541   | SCREW              | 1    |            | X X                                     |                           |
| 11  | T118808  | CAP                | 1    |            | X X                                     |                           |
| 12  | T118799  | FILTER             | 1    | -906011    | X X                                     |                           |
| 13  | 19H3554  | SCREW              | 2    |            | X X                                     | 1/4" X 0.880"             |
| 14  | T152406  | POPPET             | 1    |            | X X                                     |                           |
| 15  | T152407  | SPRING             | 1    |            | X X                                     |                           |
| 16  | AT83174  | FITTING PLUG       | 2    |            | X X                                     |                           |
| 17  | T183757  | SEAL               | 1    |            | X X                                     |                           |
| 18  | R26906   | O-RING             | 2    |            | X X                                     |                           |
| 19  | R27175   | PLUG               | 2    |            | X X                                     | (SUB FOR R27474)          |
| 20  | AT280406 | SEAL KIT           | 1    |            | X X                                     | SPOOL, (SUB FOR AT178372) |

# 3362-24

FIFTH FUNCTION MANUAL VALVE KIT (310G)  
 KIT DE SOUPAPE MANUELLE DE CINQUIEME FONCTION (310G)  
 JUEGO DE VALVULA MANUAL DE QUINTA FUNCION (310G)

TP52860 -UN-22NOV96



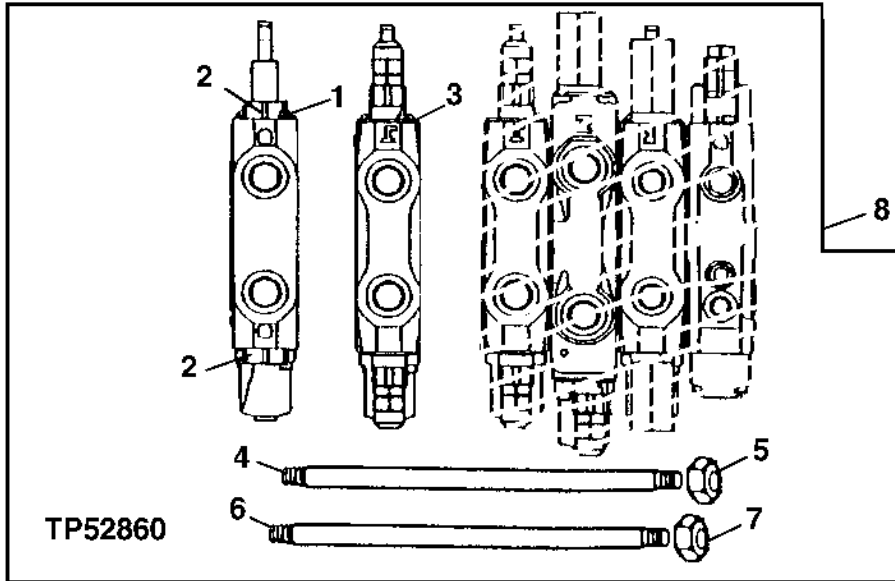
| KEY | PART NO.           | PART NAME            | QTY.   | SERIAL NO. | REMARKS   |
|-----|--------------------|----------------------|--------|------------|---|
| 1   | AT191712           | VALVE                | 1      | X          | (EXTENDABLE DIPPERSTICK) (COMPONENTS ON ANOTHER PAGE) |
| 2   | AT83174<br>T183757 | FITTING PLUG<br>SEAL | 2<br>2 | X<br>X     |   |
| 3   | .....              | VALVE                | 1      | X          | (CROWD) (COMPONENTS ON ANOTHER PAGE)                  |
| 4   | T118695            | ROD                  | 2      | X          |   |
| 5   | 14H807             | NUT                  | 4      | X          | 7/16"   |
| 6   | T140699            | ROD                  | 1      | X          |   |
| 7   | 14H865             | NUT                  | 2      | X          | 1/2"  |
| 8   | AT192247           | KIT                  | 1      | X          | (WHOLE GOODS) (INCLUDES AT186297)                     |

# 3362-25

CONTROL & LOAD HOLDING VALVES 3362

**FIFTH FUNCTION MANUAL VALVE KIT (310SG AND 315SG)**  
**KIT DE SOUPAPE MANUELLE DE CINQUIEME FONCTION (310SG ET 315SG)**  
**JUEGO DE VALVULA MANUAL DE QUINTA FUNCION (310SG Y 315SG)**

TP52860 -UN-22NOV96

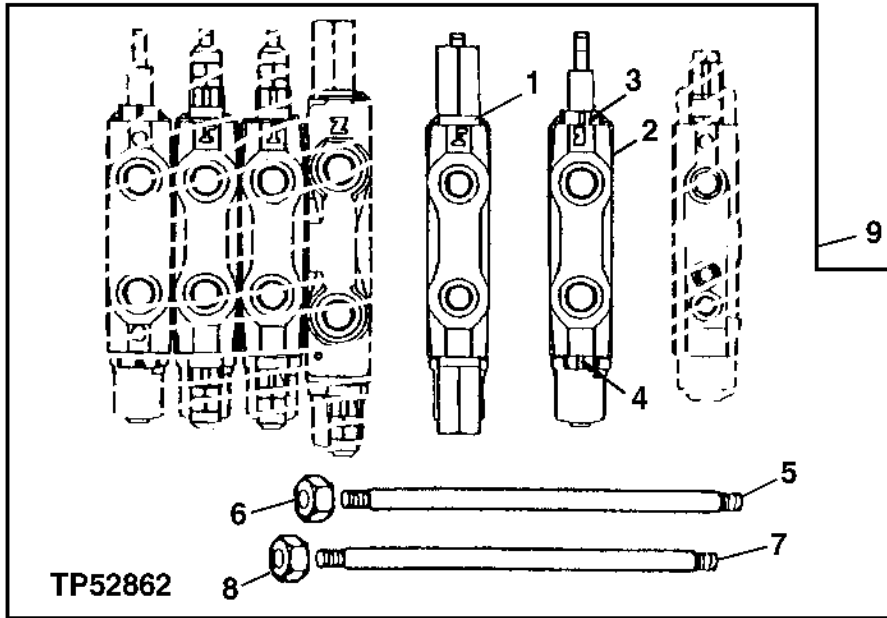


| KEY | PART NO. | PART NAME                  | QTY. | SERIAL NO. | REMARKS  |
|-----|----------|----------------------------|------|------------|--|
|     |          |                            |      | 3 3        |  |
|     |          |                            |      | 3 1 1      |  |
|     |          |                            |      | 1 0 5      |  |
|     |          |                            |      | 0 S S      |  |
|     |          |                            |      | G G G      |  |
| 1   | AT191704 | HYD ACTUATED CONTROL VALVE | 1    |            | X X (EXTENDABLE DIPPERSTICK) (COMPONENTS ON ANOTHER PAGE)              |
| 2   | AT83174  | FITTING PLUG               | 2    |            | X X  |
|     | T183757  | SEAL                       | 2    |            | X X  |
| 3   | .....    | VALVE                      | 1    |            | X X (CROWD) (COMPONENTS ON ANOTHER PAGE) (AT191717 NLA) (SUB AT301784) |
| 4   | T118695  | ROD                        | 2    |            | X X  |
| 5   | 14H807   | NUT                        | 4    |            | X X 7/16"  |
| 6   | T140699  | ROD                        | 1    |            | X X  |
| 7   | 14H865   | NUT                        | 2    |            | X X 1/2"   |
| 8   | AT192189 | KIT                        | 1    |            | X X (WHOLE GOODS) (INCLUDES AT186297 AND AT191037)                     |

# 3362-26

CONTROL & LOAD HOLDING VALVES 3362  
 SIXTH FUNCTION MANUAL AND PILOT CONTROL KITS (310G)  
 KITS DE COMMANDES PILOTE ET MANUELLE DE SIXIEME FONCTION (310G)  
 JUEGOS DE CONTROL MANUAL DE SEXTA FUNCION Y CONTROL PILOTO (310G)

TP52862 -UN-22NOV96

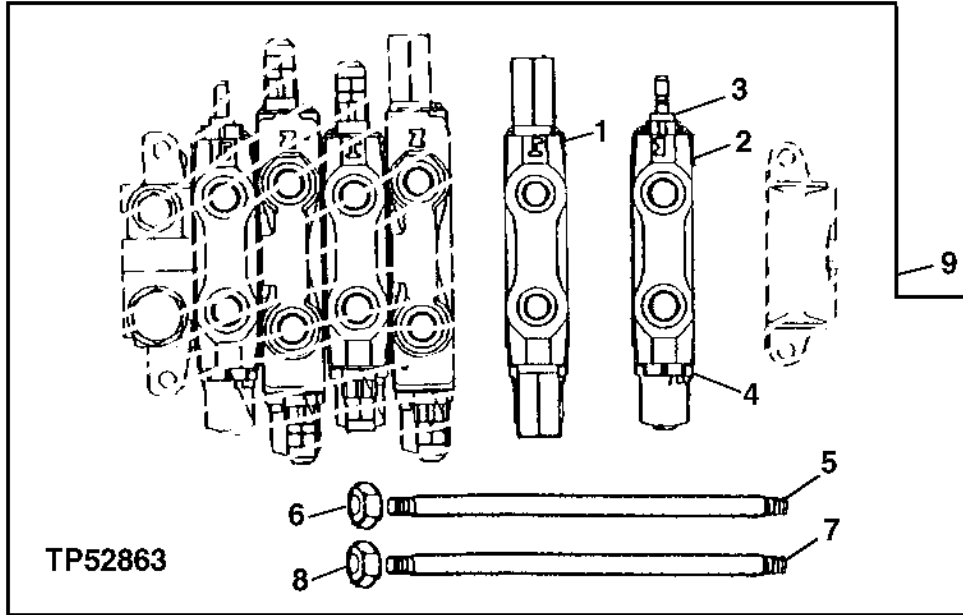


| KEY | PART NO. | PART NAME                  | QTY. | SERIAL NO. | REMARKS                                |
|-----|----------|----------------------------|------|------------|--|
|     |          |                            |      | 3 3        |  |
|     |          |                            |      | 3 1 1      |  |
|     |          |                            |      | 1 0 5      |  |
|     |          |                            |      | 0 S S      |  |
|     |          |                            |      | G G G      |  |
| 1   | AT191708 | HYD ACTUATED CONTROL VALVE | 1    | X          | (SWING) MANUAL CONTROLS                |
|     | AT323398 | HYD ACTUATED CONTROL VALVE | 1    | X          | (SWING) PILOT CONTROLS                 |
| 2   | AT191710 | VALVE                      | 1    | X          | (AUXILIARY)                            |
| 3   | AT83174  | FITTING PLUG               | 3    | X          |  |
|     | T183757  | SEAL                       | 1    | X          |  |
| 4   | AT83174  | FITTING PLUG               | 1    | X          |  |
| 5   | T118695  | ROD                        | 2    | X          | (USED WHEN ADDING TO 4-FUNCTION VALVE) |
|     | T118697  | ROD                        | 2    | X          | (USED WHEN ADDING TO 5-FUNCTION VALVE) |
| 6   | 14H807   | NUT                        | 4    | X          | 7/16"                                  |
| 7   | T140699  | ROD                        | 1    | X          | (USED WHEN ADDING TO 4-FUNCTION VALVE) |
|     | T140700  | ROD                        | 1    | X          | (USED WHEN ADDING TO 5-FUNCTION VALVE) |
| 8   | 14H865   | NUT                        | 2    | X          | 1/2"                                   |
| 9   | AT192334 | KIT                        | 1    | X          | (WHOLE GOODS) (INCLUDES AT186297)      |
|     | AT320497 | KIT                        | 1    | X          | (WHOLE GOODS) (FOR PILOT APPLICATION)  |

# 3362-27

CONTROL & LOAD HOLDING VALVES 3362  
 SIXTH FUNCTION MANUAL AND PILOT CONTROL KIT (310SG AND 315SG)  
 KITS DE COMMANDES PILOTE ET MANUELLE DE SIXIEME FONCTION (310SG ET 315SG)  
 JUEGOS DE CONTROL MANUAL DE SEXTA FUNCION Y CONTROL PILOTO (310SG Y 315SG)

TP52863 -UN-22NOV96

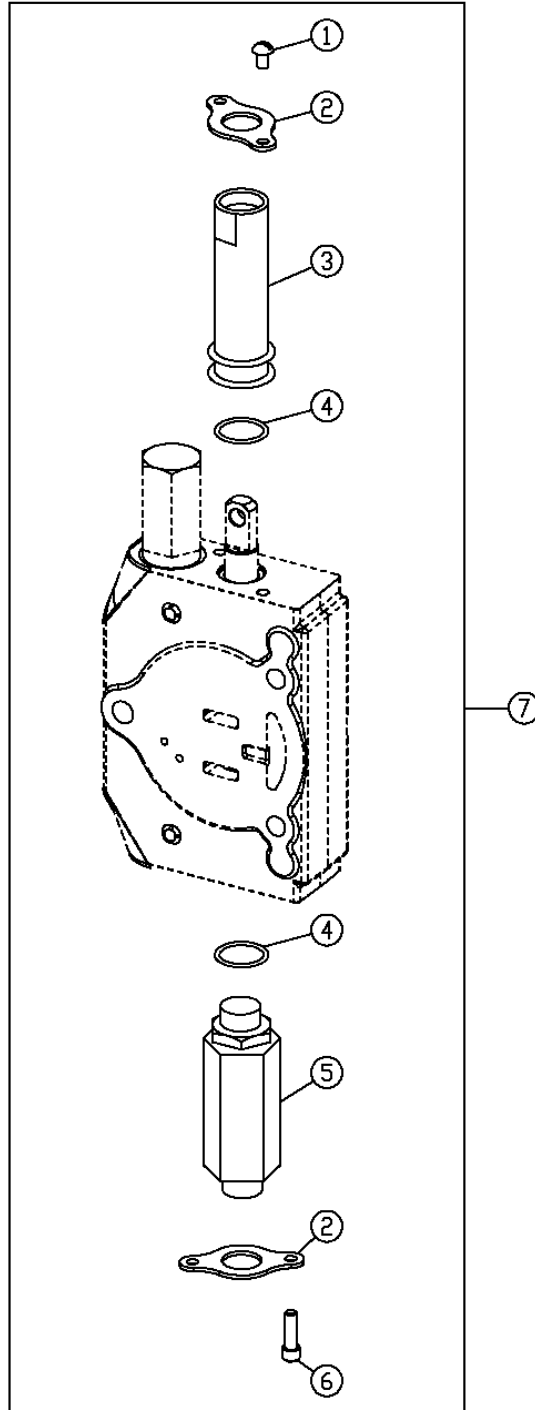


| KEY | PART NO. | PART NAME    | QTY. | SERIAL NO. | REMARKS   |
|-----|----------|--------------|------|------------|---|
|     |          |              |      | 3 3        |   |
|     |          |              |      | 3 1 1      |   |
|     |          |              |      | 1 0 5      |   |
|     |          |              |      | 0 S S      |   |
|     |          |              |      | G G G      |   |
| 1   | AT179109 | SPOOL VALVE  | 1    |            | X X (SWING) MANUAL CONTROLS                               |
|     | AT300805 | SPOOL VALVE  | 1    |            | X X (SWING) PILOT CONTROLS                                |
| 2   | AT189168 | VALVE        | 1    |            | X X (AUXILIARY)   |
| 3   | AT83174  | FITTING PLUG | 1    |            | X X   |
| 4   | AT83174  | FITTING PLUG | 1    |            | X X   |
|     | T183757  | SEAL         | 1    |            | X X   |
| 5   | T118695  | ROD          | 2    |            | X X (USED WHEN ADDING TO 4-FUNCTION VALVE)                |
|     | T118697  | ROD          | 2    |            | X X (USED WHEN ADDING TO 5-FUNCTION VALVE)                |
| 6   | 14H807   | NUT          | 4    |            | X X 7/16"   |
| 7   | T140699  | ROD          | 1    |            | X X (USED WHEN ADDING TO 4-FUNCTION VALVE)                |
|     | T140700  | ROD          | 1    |            | X X (USED WHEN ADDING TO 5-FUNCTION VALVE)                |
| 8   | 14H865   | NUT          | 2    |            | X X 1/2"  |
| 9   | AT192239 | KIT          | 1    |            | X X (WHOLE GOODS) (MANUAL CONTROL)<br>(INCLUDES AT186297) |
|     | AT307664 | KIT          | 1    |            | X X (WHOLE GOODS) (PILOT CONTROL)                         |

# 3362-28

## HYDRAULIC REMOTE KIT KIT DE COMMANDE HYDRAULIQUE A DISTANCE JUEGO REMOTO HIDRAULICO

T143055 -UN-19JUN01



T143055



# 3362-29

BACKHOE 33

CONTROL& LOAD:HOLDING:VALVES 3362

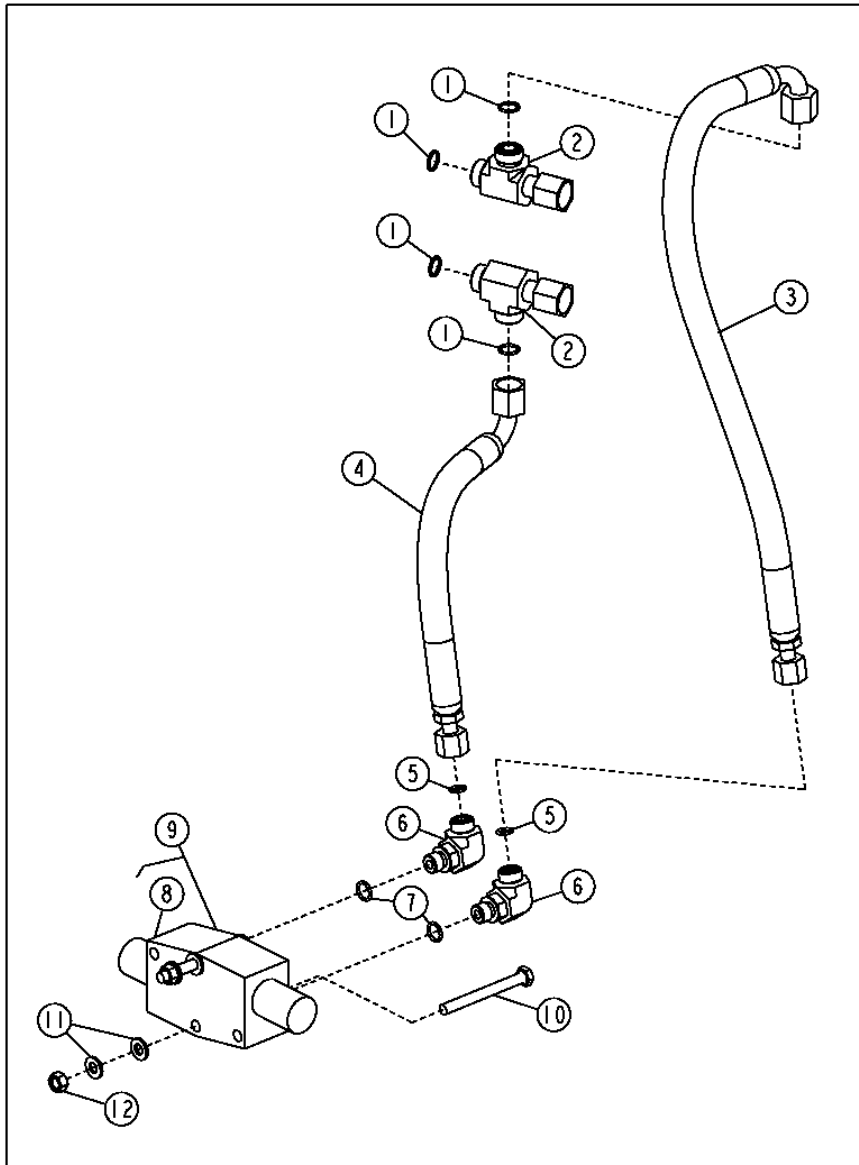
HYDRAULIC REMOTE KIT  
 KIT DE COMMANDE HYDRAULIQUE A DISTANCE  
 JUEGO REMOTO HIDRAULICO

| KEY | PART NO. | PART NAME | QTY. | SERIAL NO. | 3 3<br>3 1 1<br>1 0 5<br>0 S S<br>G G G | REMARKS                                 |
|-----|----------|-----------|------|------------|---|---|
| 1   | .....    | SCREW     | 2    |            | X X X                                   |   |
| 2   | .....    | PLATE     | 2    |            | X X X                                   |   |
| 3   | .....    | SLEEVE    | 1    |            | X X X                                   |   |
| 4   | U15192   | O-RING    | 2    |            | X X X                                   |   |
| 5   | .....    | HOUSING   | 1    |            | X X X                                   |   |
| 6   | .....    | SCREW     | 2    |            | X X X                                   |   |
| 7   | AT181856 | KIT       | 1    |            | X X X                                   | (REQUIRES ADDITIONAL CUSTOM COMPONENTS) |

# 3362-29A

ACCU-SWING VALVE  
SOUPAPE ACCU-SWING  
VALVULA ACCU-SWING

T201568 -UN-07JUL04



T201568

# 3362-29B

BACKHOE 33

CONTROL& LOAD;HOLDING;VALVES 3362

ACCU-SWING VALVE  
SOUPAPE ACCU-SWING  
VALVULA ACCU-SWING

| KEY | PART NO. | PART NAME      | QTY. | SERIAL NO. | REMARKS  |
|-----|----------|----------------|------|------------|--|
|     |          |                |      |            | 3 3  |
|     |          |                |      |            | 3 1 1  |
|     |          |                |      |            | 1 0 5  |
|     |          |                |      |            | 0 S S  |
|     |          |                |      |            | G G G  |
| 1   | T77857   | O-RING         | 4    |            | X X  |
| 2   | 38H1031  | TEE FITTING    | 2    |            | X X  |
| 3   | AT312919 | HYDRAULIC HOSE | 1    |            | X X  |
| 4   | AT312918 | HYDRAULIC HOSE | 1    |            | X X  |
| 5   | T77613   | O-RING         | 2    |            | X X  |
| 6   | 38H1004  | ELBOW FITTING  | 2    |            | X X  |
| 7   | R26448   | O-RING         | 2    |            | X X  |
| 8   | AT314127 | SEAL KIT       | 1    |            | X X  |
| 9   | AT312944 | VALVE          | 1    |            | X X  |
| 10  | 19M7663  | CAP SCREW      | 2    |            | X X  |
| 11  | 24M7238  | WASHER         | 4    |            | X X  |
| 12  | 14M7273  | NUT            | 2    |            | X X  |
| 13  | AT312949 | KIT            | 1    |            | X X  |
|     |          |                |      |            | M8 X 70  |
|     |          |                |      |            | 8.700 X 17 X 2 MM                              |
|     |          |                |      |            | M8   |
|     |          |                |      |            | (WHOLE GOODS) (INCLUDES AT312918 AND AT312919) |

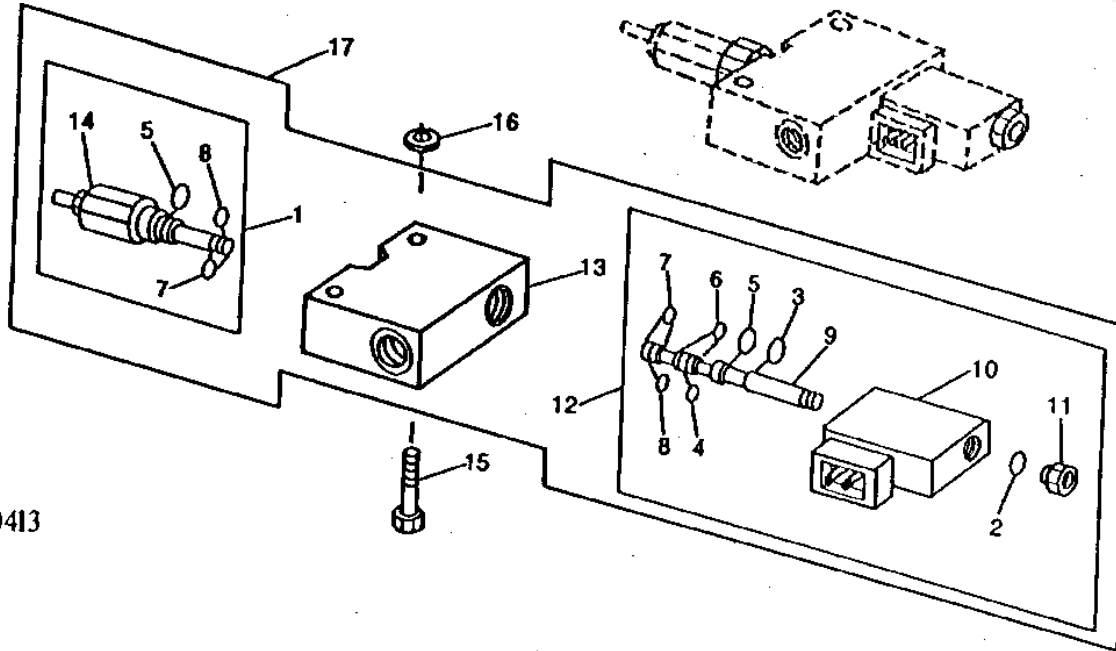
# 3362-30

LOCKING CONTROL VALVE (315SG)  
 DISTRIBUTEUR VERROUILLABLE (315SG)  
 VALVULA DE CONTROL DE BLOQUEO (315SG)

TP40413 -UN-01JAN94



TP40413

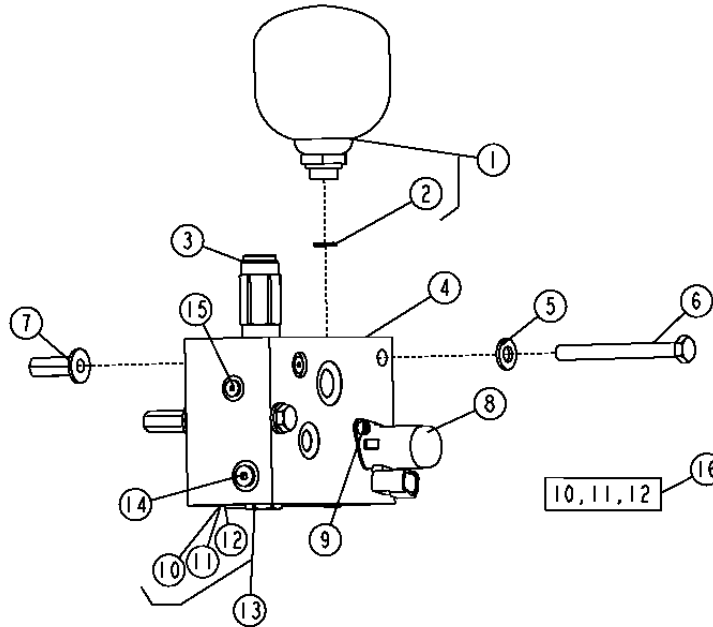


| KEY | PART NO. | PART NAME                | QTY. | SERIAL NO. | REMARKS     |
|-----|----------|--------------------------|------|------------|-------------|
|     |          |                          |      | 3 3        |             |
|     |          |                          |      | 3 1 1      |             |
|     |          |                          |      | 1 0 5      |             |
|     |          |                          |      | 0 S S      |             |
|     |          |                          |      | G G G      |             |
| 1   | AT183592 | PRESSURE RELIEF VALVE    | 1    |            | X           |
| 2   | R26375   | O-RING                   | 1    |            | X           |
| 3   | P50883   | RING                     | 1    |            | X           |
| 4   | R33259   | O-RING                   | 1    |            | X           |
| 5   | R26906   | O-RING                   | 2    |            | X           |
| 6   | T101764  | BACK-UP RING             | 2    |            | X           |
| 7   | T101763  | SHIM                     | 4    |            | X           |
| 8   | R28776   | O-RING                   | 3    |            | X           |
| 9   | .....    | SPOOL VALVE              | 1    |            | X           |
| 10  | .....    | HOUSING                  | 1    |            | X           |
| 11  | .....    | FITTING                  | 1    |            | X           |
| 12  | .....    | SOLENOID VALVE           | 1    |            | X (12-VOLT) |
| 13  | .....    | HOUSING                  | 1    |            | X           |
| 14  | .....    | RELIEF VALVE             | 1    |            | X           |
| 15  | 19M7529  | CAP SCREW                | 2    |            | X M6 X 55   |
| 16  | 24M7293  | WASHER                   | 2    |            | X           |
| 17  | AT183556 | SOLENOID HYDRAULIC VALVE | 1    |            | X           |

# 3362-31

PILOT CONTROL MANIFOLD  
COLLECTEUR DE COMMANDE PILOTE  
COLECTOR DE CONTROL PILOTO

T198598 -UN-22MAR04



T198598

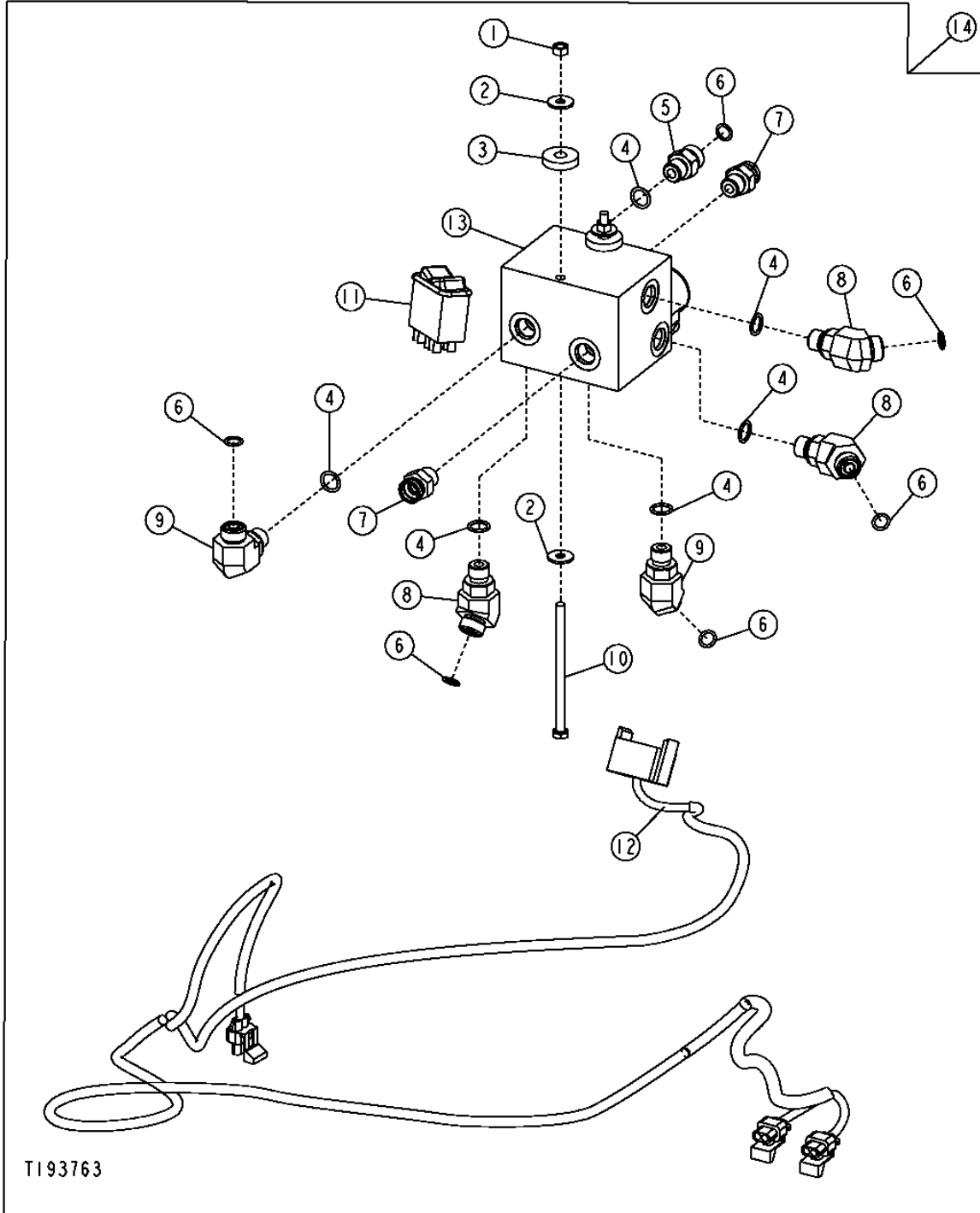
| KEY | PART NO. | PART NAME                | QTY. | SERIAL NO. |       | REMARKS  |
|-----|----------|--------------------------|------|------------|-------|--|
|     |          |                          |      |            | 3 3   |  |
|     |          |                          |      |            | 3 1 1 |  |
|     |          |                          |      |            | 1 0 5 |  |
|     |          |                          |      |            | 0 S S |  |
|     |          |                          |      |            | G G G |  |
| 1   | AT195957 | PNEUMATIC ACCUMULATOR    | 1    |            | X X   |  |
| 2   | R26448   | O-RING                   | 1    |            | X X   |  |
| 3   | AT332497 | HYDRAULIC PRESSURE VALVE | 1    |            | X X   | (SUB FOR AT313708, THIS APPLICATION)<br>(SUB FOR AT300230)   |
| 4   | AT196943 | SEAL KIT                 | 1    |            |       |  |
|     | .....    | FLOW CONTROL HYD. VALVE  | 1    | -943092    | X X   | ( AT197769 NLA) (INCLUDES AT224570,<br>AT300230, AT49216, KV25678 AND (6)<br>T105368) (SUB AT306550) (ALSO ORDER<br>AT187669 AND AT317350) |
|     | AT306550 | FLOW CONTROL HYD. VALVE  | 1    | 943093-    | X X   | (INCLUDES AT224570, AT332497, AT49216,<br>KV25678, 0344046 AND (6) T105368)  |
| 5   | 24M7239  | WASHER                   | 2    |            | X X   |  |
| 6   | 19M8093  | CAP SCREW                | 2    |            | X X   | M10 X 100  |
| 7   | T148410  | NUT                      | 2    |            | X X   | M10  |
| 8   | KV25678  | SOLENOID VALVE           | 1    |            | X X   | (SUB FOR AT300254)   |
| 9   | 0344046  | BOLT                     | 2    |            | X X   | (SUB FOR AT121123)   |
| 10  | .....    | BACK-UP RING             | 1    |            | X X   |  |
| 11  | .....    | O-RING                   | 1    |            | X X   |  |
| 12  | .....    | O-RING                   | 1    |            | X X   |  |
| 13  | AT224570 | CHECK VALVE              | 1    |            | X X   | (MARKED CV08)  |
| 14  | AT49216  | FITTING PLUG             | 1    |            | X X   | (INCLUDES R26448)  |
| 15  | T105368  | FITTING PLUG             | 6    |            | X X   |  |
| 16  | AT300255 | SEAL KIT                 | 1    |            | X X   |  |

# 3362-32

**PATTERN SELECTOR VALVE (PILOT CONTROL)**  
**SOUPAPE DE SELECTION DE CONFIGURATION (COMMANDE PILOTE)**  
**VALVULA SELECTORA DE PATRON (CONTROL PILOTO)**

T193763

-UN-06AUG03



T193763

# 3362-33

BACKHOE 33

CONTROL& LOAD:HOLDING:VALVES 3362

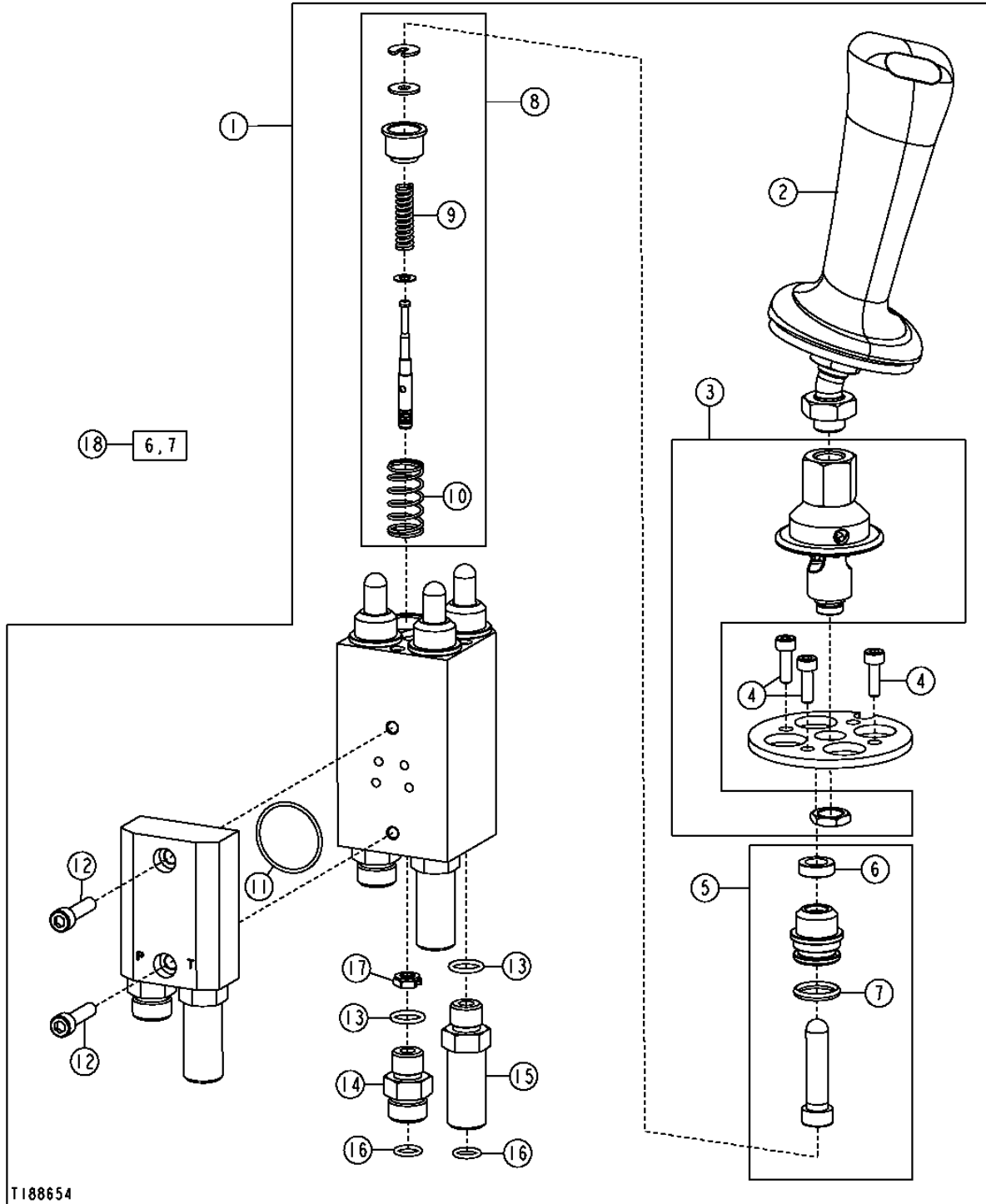
PATTERN SELECTOR VALVE (PILOT CONTROL)  
 SOUPEPE DE SELECTION DE CONFIGURATION (COMMANDE PILOTE)  
 VALVULA SELECTORA DE PATRON (CONTROL PILOTO)

| KEY | PART NO.        | PART NAME                  | QTY.     | SERIAL NO. | REMARKS                  |
|-----|-----------------|----------------------------|----------|------------|--------------------------|
|     |                 |                            |          |            | 3 3                      |
|     |                 |                            |          |            | 3 1 1                    |
|     |                 |                            |          |            | 1 0 5                    |
|     |                 |                            |          |            | 0 S S                    |
|     |                 |                            |          |            | G G G                    |
| 1   | 14M7272         | NUT                        | 2        |            | X X M6                   |
| 2   | 24M7139         | WASHER                     | 4        |            | X X                      |
| 3   | 24H1621         | WASHER                     | 2        |            | X X                      |
| 4   | R26448          | O-RING                     | 6        |            | X X                      |
| 5   | 38H1160         | ADAPTER FITTING            | 4        |            | X X                      |
| 6   | T77613          | O-RING                     | 6        |            | X X                      |
| 7   | AT187666        | ADAPTER FITTING            | 2        |            | X X                      |
|     | AT193365        | KIT                        | 2        |            | X X STC REPAIR           |
| 8   | 38H1045         | ELBOW FITTING              | 3        |            | X X                      |
| 9   | 38H1004         | ELBOW FITTING              | 4        |            | X X 90°                  |
| 10  | 19M9090         | CAP SCREW                  | 2        |            | X X                      |
| 11  | AT199633        | TOGGLE/ROCKER SWITCH       | 1        |            | X X                      |
| 12  | AT198847        | WIRING HARNESS             | 1        |            | X X                      |
| 13  | AT199065        | FLOW CONTROL HYD. VALVE    | 1        |            | X X                      |
|     | AT195144        | SOLENOID VALVE COIL        | 2        |            | X X                      |
|     | AT195922        | HYD ACTUATED CONTROL VALVE | 2        |            | X X                      |
| 14  | <b>AT197165</b> | <b>KIT</b>                 | <b>1</b> |            | <b>X X (WHOLE GOODS)</b> |

# 3362-34

CONTROL & LOAD HOLDING VALVES 3362  
PILOT CONTROLLER VALVE (LEFT HAND)  
VANNE DE COMMANDE PILOTE (GAUCHE)  
VALVULA DE PALANCA DE CONTROL PILOTO (IZQUIERDO)

T188654 -UN-18MAR03



T188654



# 3362-35

BACKHOE 33

CONTROL & LOAD HOLDING VALVES 3362

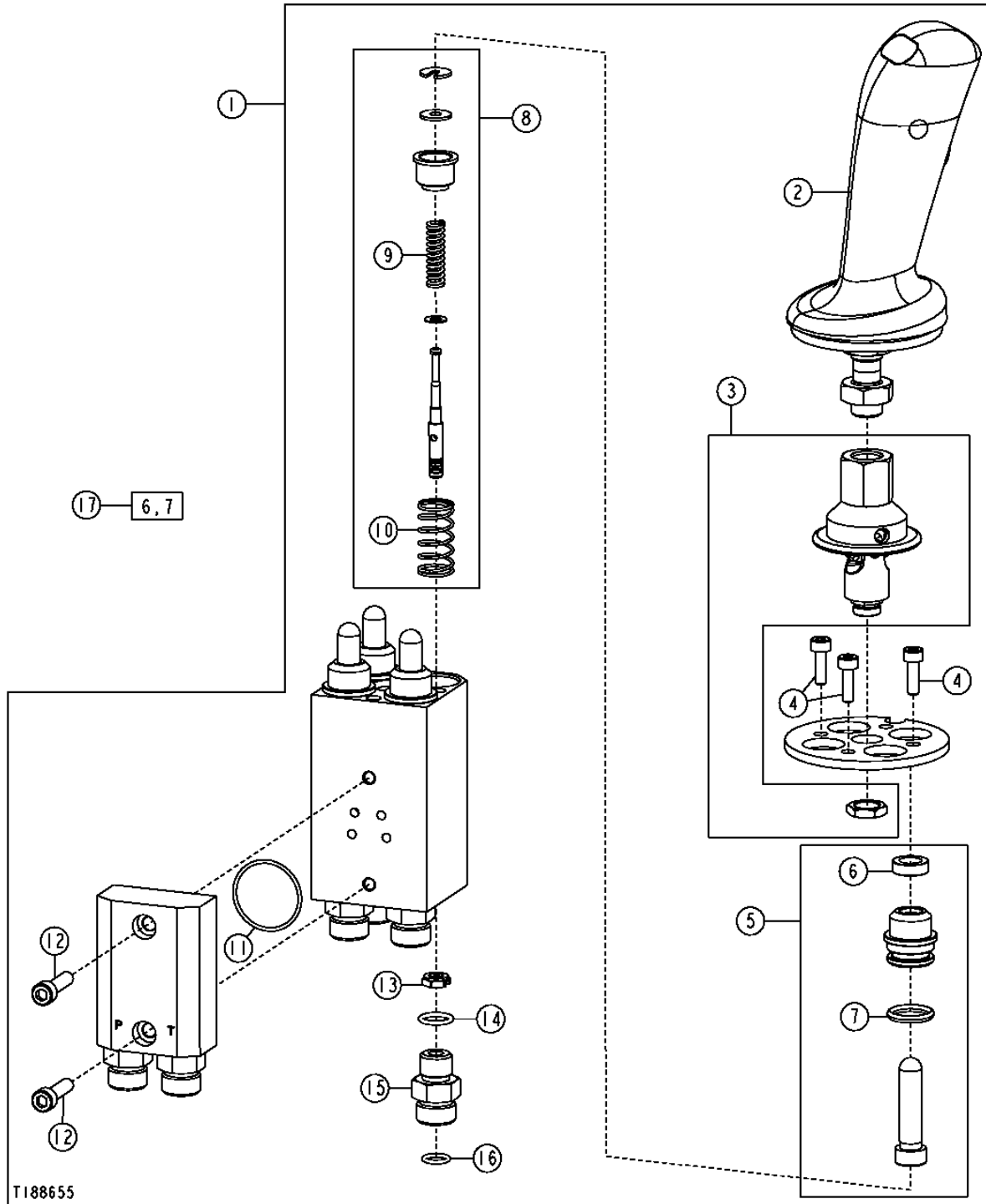
**PILOT CONTROLLER VALVE (LEFT HAND)  
VANNE DE COMMANDE PILOTE (GAUCHE)  
VALVULA DE PALANCA DE CONTROL PILOTO (IZQUIERDO)**

| KEY | PART NO. | PART NAME                 | QTY. | SERIAL NO. | REMARKS                                       |
|-----|----------|---------------------------|------|------------|---|
|     |          |                           |      |            | 3 3   |
|     |          |                           |      |            | 3 1 1   |
|     |          |                           |      |            | 1 0 5   |
|     |          |                           |      |            | 0 S S   |
|     |          |                           |      |            | G G G   |
| 1   | AT303890 | HYDR./PILOT CONTROL VALVE | 1    |            | X X (LH) (SUB FOR AT198617)                   |
|     | T190825  | BOOT                      | 1    |            | X X (NOT ILLUSTRATED)                         |
| 2   | AT198768 | HANDLE                    | 1    |            | X X   |
| 3   | AT198773 | KIT                       | 1    |            | X X   |
| 4   | T190824  | SCREW                     | 3    |            | X X   |
| 5   | AT198770 | KIT                       | 4    |            | X X   |
| 6   | .....    | SEAL                      | 4    |            | X X (A)                                       |
| 7   | .....    | O-RING                    | 4    |            | X X (A)                                       |
| 8   | AT307187 | SPOOL VALVE               | 4    |            | X X (SUB FOR AT198772) (SUB FOR AT303892)     |
| 9   | .....    | SPRING                    | 4    |            | X X   |
| 10  | .....    | SPRING                    | 4    |            | X X   |
| 11  | T190819  | O-RING                    | 1    |            | X X   |
| 12  | T190820  | CAP SCREW                 | 2    |            | X X   |
| 13  | R26448   | O-RING                    | 6    |            | X X   |
| 14  | 38H1160  | ADAPTER FITTING           | 3    |            | X X   |
| 15  | 38H1212  | ADAPTER FITTING           | 3    |            | X X   |
| 16  | T77613   | O-RING                    | 6    |            | X X   |
| 17  | T200956  | ORIFICE                   | 1    |            | X X (ONLY USED IN PORT 4, BOOM DOWN FUNCTION) |
| 18  | AT198771 | KIT                       | 4    |            | X X (INCL ALL PARTS MARKED (A))               |

# 3362-36

PILOT CONTROLLER VALVE (RIGHT HAND)  
VANNE DE COMMANDE PILOTE (DROIT)  
VALVULA DE PALANCA DE CONTROL PILOTO (DERECHO)

T188655 -UN-18MAR03



T188655

# 3362-37

BACKHOE 33

CONTROL & LOAD HOLDING VALVES 3362

PILOT CONTROLLER VALVE (RIGHT HAND)  
 VANNE DE COMMANDE PILOTE (DROIT)  
 VALVULA DE PALANCA DE CONTROL PILOTO (DERECHO)

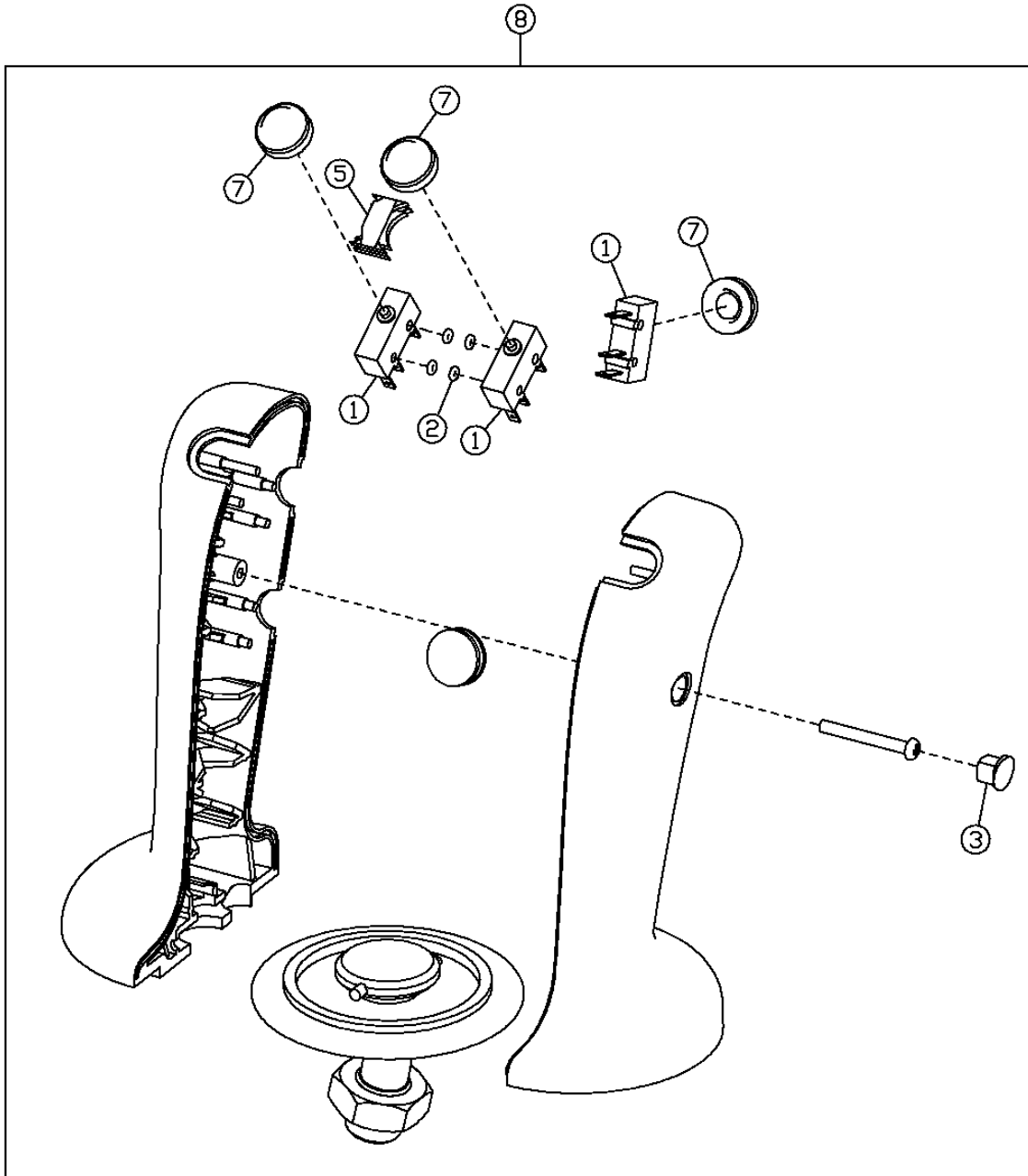
| KEY | PART NO. | PART NAME                 | QTY. | SERIAL NO. | REMARKS                                       |
|-----|----------|---------------------------|------|------------|---|
|     |          |                           |      |            | 3 3   |
|     |          |                           |      |            | 3 1 1   |
|     |          |                           |      |            | 1 0 5   |
|     |          |                           |      |            | 0 S S   |
|     |          |                           |      |            | G G G   |
| 1   | AT303891 | HYDR./PILOT CONTROL VALVE | 1    |            | X X (RH) (SUB FOR AT198618)                   |
|     | T190825  | BOOT                      | 1    |            | X X (NOT ILLUSTRATED)                         |
| 2   | AT198774 | HANDLE                    | 1    |            | X X   |
| 3   | AT198773 | KIT                       | 1    |            | X X   |
| 4   | T190824  | SCREW                     | 3    |            | X X   |
| 5   | AT198770 | KIT                       | 4    |            | X X   |
| 6   | .....    | SEAL                      | 4    |            | X X (A)                                       |
| 7   | .....    | O-RING                    | 4    |            | X X (A)                                       |
| 8   | AT307187 | SPOOL VALVE               | 4    |            | X X (SUB FOR AT198772) (SUB FOR AT303892)     |
| 9   | .....    | SPRING                    | 4    |            | X X   |
| 10  | .....    | SPRING                    | 4    |            | X X   |
| 11  | T190819  | O-RING                    | 1    |            | X X   |
| 12  | T190820  | CAP SCREW                 | 2    |            | X X   |
| 13  | T200956  | ORIFICE                   | 1    |            | X X (ONLY USED IN PORT 2, CROWD OUT FUNCTION) |
| 14  | R26448   | O-RING                    | 6    |            | X X   |
| 15  | 38H1160  | ADAPTER FITTING           | 6    |            | X X   |
| 16  | T77613   | O-RING                    | 6    |            | X X   |
| 17  | AT198771 | KIT                       | 4    |            | X X (INCL ALL PARTS MARKED (A))               |

# 3362-38

PILOT CONTROL HANDLE BUTTON FUNCTION KIT  
KIT DE FONCTION DE BOUTON DE POIGNEE DE COMMANDE PILOTE  
JUEGO DE FUNCION DE BOTON DE PALANCA DE CONTROL PILOTO

T202931

-UN-30SEP04



T202931

# 3362-39

BACKHOE 33

CONTROL & LOAD HOLDING VALVES 3362

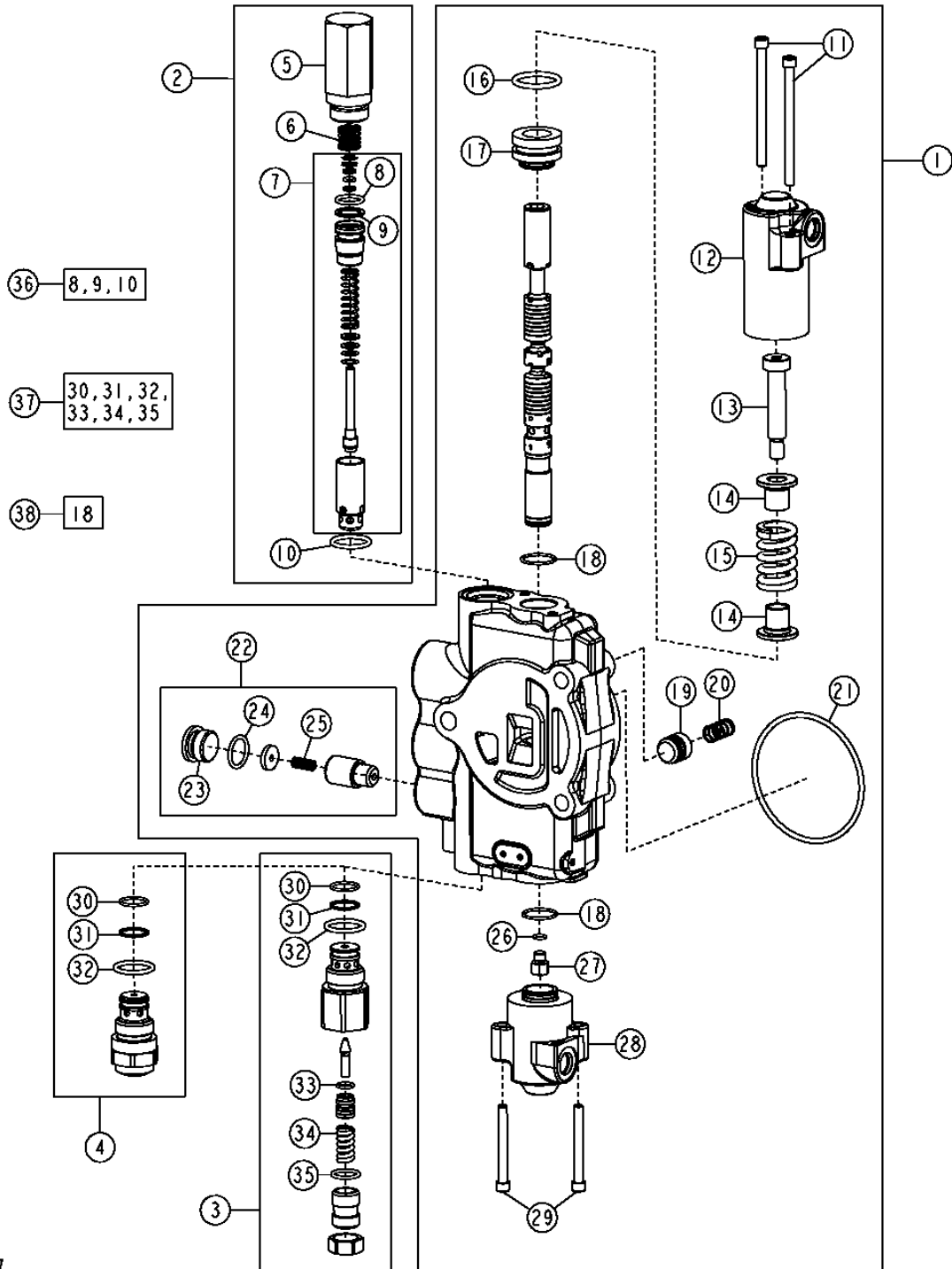
**PILOT CONTROL HANDLE BUTTON FUNCTION KIT  
 KIT DE FONCTION DE BOUTON DE POIGNEE DE COMMANDE PILOTE  
 JUEGO DE FUNCION DE BOTON DE PALANCA DE CONTROL PILOTO**

| KEY | PART NO. | PART NAME      | QTY. | SERIAL NO. | 3 3<br>3 1 1<br>1 0 5<br>0 S S<br>G G G | REMARKS |
|-----|----------|----------------|------|------------|---|---------|
| 1   | .....    | SWITCH         | 4    |            | X X                                     |         |
| 2   | .....    | O-RING         | 4    |            | X X                                     |         |
| 3   | .....    | PLUG           | 1    |            | X X                                     |         |
| 4   | .....    | TIE BAND       | 1    |            | X X                                     |         |
| 5   | .....    | SPACER         | 1    |            | X X                                     |         |
| 6   | .....    | WIRING HARNESS | 1    |            | X X                                     |         |
| 7   | .....    | PUSH BUTTON    | 4    |            | X X                                     |         |
| 8   | AT314668 | KIT            | 1    |            | X X                                     |         |

# 3362-40

## BOOM SECTION, PILOT SECTION DE FLECHE, SOUPAPE PILOTE SECCION DE AGUILON, PILOTO

T188687 -UN-19MAR03



T188687

# 3362-41

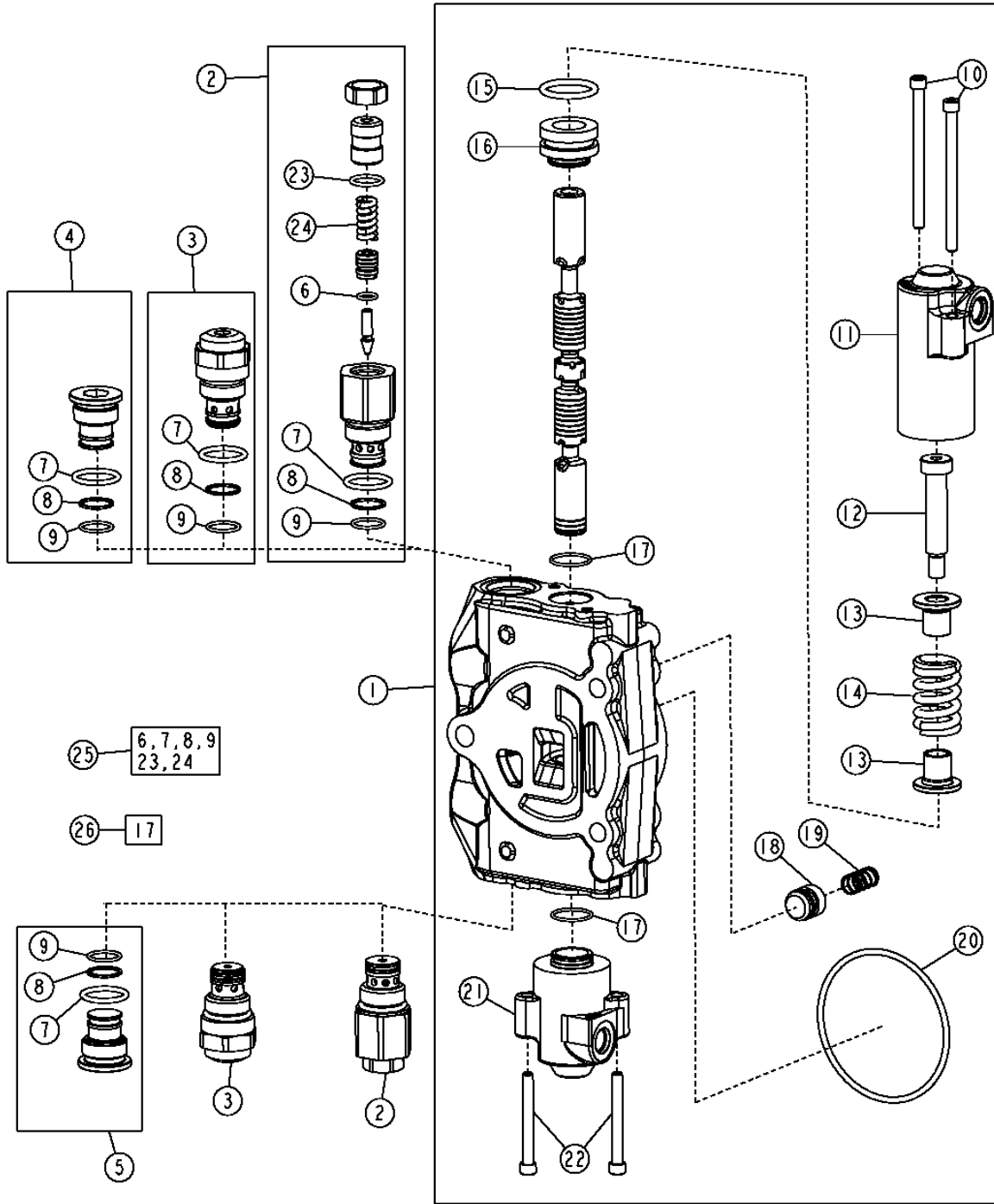
**BOOM SECTION, PILOT  
SECTION DE FLECHE, SOUPAPE PILOTE  
SECCION DE AGUILON, PILOTO**

| KEY | PART NO.  | PART NAME             | QTY. | SERIAL NO. | REMARKS   |
|-----|-----------|-----------------------|------|------------|---|
|     |           |                       |      |            | 3 3   |
|     |           |                       |      |            | 3 1 1   |
|     |           |                       |      |            | 1 0 5   |
|     |           |                       |      |            | 0 S S   |
|     |           |                       |      |            | G G G   |
| 1   | AT320370  | VALVE                 | 1    |            | X   |
|     | AT300827  | VALVE                 | 1    |            | X X   |
| 2   | AT171403  | PRESSURE RELIEF VALVE | 1    |            | X X (2150 PSI)  |
| 3   | AT300803  | PRESSURE RELIEF VALVE | 1    |            | X (5000 PSI) (NOT ANTI-CAVITATION)  |
|     | AT301447  | PRESSURE RELIEF VALVE | 1    |            | X (5500 PSI) (NOT ANTI-CAVITATION)  |
| 4   | AT301128  | PRESSURE RELIEF VALVE | 1    |            | X (5000 PSI) (ANTI-CAVITATION)  |
|     | AT301487  | PRESSURE RELIEF VALVE | 1    |            | X (5500 PSI) (ANTI-CAVITATION)  |
| 5   | T118866   | HOUSING               | 1    |            | X X   |
| 6   | T118867   | SPRING                | 1    |            | X X   |
| 7   | AT178363  | PRESSURE RELIEF VALVE | 1    |            | X X   |
| 8   | .....     | O-RING                | 1    |            | X X (A)   |
| 9   | .....     | BACK-UP RING          | 1    |            | X X (A)   |
| 10  | T118681   | O-RING                | 1    |            | X X (A)   |
| 11  | T191335   | SCREW                 | 2    |            | X X   |
| 12  | T201072   | CAP                   | 1    |            | X X   |
| 13  | 790107100 | SCREW                 | 1    |            | X X   |
| 14  | T201306   | RETAINER              | 2    |            | X X   |
| 15  | T201071   | COMPRESSION SPRING    | 1    |            | X X   |
| 16  | T191346   | O-RING                | 1    |            | X X   |
| 17  | 790106800 | RETAINER              | 1    |            | X X   |
| 18  | T213059   | O-RING                | 2    |            | X X (C)   |
| 19  | T81538    | POPPET                | 1    |            | X X   |
| 20  | T81539    | SPRING                | 1    |            | X X   |
| 21  | T118685   | O-RING                | 1    |            | X X   |
| 22  | AT178371  | SEAL KIT              | 1    |            | X X (DRIFT CHECK)   |
| 23  | T201424   | PLUG                  | 1    |            | X X   |
| 24  | R26906    | O-RING                | 1    |            | X X   |
| 25  | R111238   | SPRING                | 1    |            | X X   |
| 26  | R30903    | O-RING                | 1    |            | X X   |
| 27  | T191336   | PLUG                  | 1    |            | X X   |
| 28  | T201069   | CAP                   | 1    |            | X X   |
| 29  | T191334   | SCREW                 | 2    |            | X X   |
| 30  | T107887   | O-RING                | 2    |            | X X (B)   |
| 31  | .....     | BACK-UP RING          | 2    |            | X X (B)   |
| 32  | T118681   | O-RING                | 2    |            | X X (B)   |
| 33  | R63548    | O-RING                | 1    |            | X X (B)   |
| 34  | .....     | SPRING                | 1    |            | X X (B)   |
| 35  | .....     | O-RING                | 1    |            | X X (B)   |
| 36  | AT314538  | SEAL KIT              | 1    |            | X X 23.3 MM (7/8 IN) RELIEF VALVE (INCL ALL PARTS MARKED (A)) (SUB FOR AT189413)    |
|     | AT314539  | SEAL KIT              | 1    |            | X X 27.0 MM (1-1/16 IN) RELIEF VALVE (INCL ALL PARTS MARKED (A)) (SUB FOR AT189413) |
| 37  | AT300801  | SEAL KIT              | 1    |            | X X (SEAL AND SPRING) (INCL ALL PARTS MARKED (B))                                   |
| 38  | AT280406  | SEAL KIT              | 1    |            | X X (SPOOL) (INCL ALL PARTS MARKED (C)) (SUB FOR AT178372)                          |

# 3362-42

BUCKET SECTION, PILOT  
SECTION DE BENNE, SOUPAPE PILOTE  
SECCION DE CUCHARON, PILOTO

T198418 -UN-10MAR04



T198418



# 3362-43

**BUCKET SECTION, PILOT  
SECTION DE BENNE, SOUPAPE PILOTE  
SECCION DE CUCHARON, PILOTO**

| KEY | PART NO.  | PART NAME             | QTY. | SERIAL NO.    | REMARKS   |
|-----|-----------|-----------------------|------|---------------|---|
|     |           |                       |      |               | 3 3<br>3 1 1<br>1 0 5<br>0 S S<br>G G G                                 |
| 1   | AT320369  | VALVE                 | 1    |               | X   |
|     | AT300825  | VALVE                 | 1    |               | X   |
| 2   | AT301526  | PRESSURE RELIEF VALVE | 2    | -926295       | X (A) (1-1/16" PORT) (4600 PSI) (4 AND 5 FUNCTION)                      |
|     | AT301526  | PRESSURE RELIEF VALVE | 2    |               | X X (A) (1-1/16" PORT) (4600 PSI) (6 AND 7 FUNCTION)                    |
|     | AT301526  | PRESSURE RELIEF VALVE | 1    | 927954-       | X X X (A) (1-1/16" PORT) (4 AND 5 FUNCTION) (4600 PSI)                  |
| 3   | AT301527  | PRESSURE RELIEF VALVE | 2    | -926295       | X (B) (1-1/16" PORT) (4600 PSI) (4 AND 5 FUNCTION) (SUB FOR AT301127)   |
|     | AT301527  | PRESSURE RELIEF VALVE | 2    |               | X X (B) (1-1/16" PORT) (4600 PSI) (6 AND 7 FUNCTION) (SUB FOR AT301127) |
|     | AT301527  | PRESSURE RELIEF VALVE | 1    | 927954-       | X X X (B) (1-1/16" PORT) (4 AND 5 FUNCTION) (4600 PSI)                  |
| 4   | .....     | PLUG                  | 2    | 926296-927953 | X (4 AND 5 FUNCTION) (SUB AT301526 OR AT301527)                         |
| 5   | AT307332  | PLUG                  | 2    | 925503-       | X X X (4 AND 5 FUNCTION)  |
| 6   | R63548    | O-RING                | 2    |               | X X (C)   |
| 7   | T118681   | O-RING                | 4    |               | X X (C)   |
| 8   | .....     | BACK-UP RING          | 4    |               | X X (C)   |
| 9   | T107887   | O-RING                | 4    |               | X X (C)   |
| 10  | T191335   | SCREW                 | 2    |               | X X   |
| 11  | T201072   | CAP                   | 1    |               | X X   |
| 12  | 790107100 | SCREW                 | 1    |               | X X   |
| 13  | T201306   | RETAINER              | 2    |               | X X   |
| 14  | T201071   | COMPRESSION SPRING    | 1    |               | X X   |
| 15  | T191346   | O-RING                | 1    |               | X X   |
| 16  | 790106800 | RETAINER              | 1    |               | X X   |
| 17  | .....     | O-RING                | 2    |               | X X (D)   |
| 18  | T81538    | POPPET                | 1    |               | X X   |
| 19  | T81539    | SPRING                | 1    |               | X X   |
| 20  | T118685   | O-RING                | 1    |               | X X   |
| 21  | T201069   | CAP                   | 1    |               | X X   |
| 22  | T191334   | SCREW                 | 2    |               | X X   |
| 23  | .....     | O-RING                | 2    |               | X X (C)   |
| 24  | .....     | SPRING                | 2    |               | X X (C)   |
| 25  | AT300801  | SEAL KIT              | 1    |               | X X (SEAL AND SPRING) (INCL ALL PARTS MARKED (C))                       |
| 26  | AT280406  | SEAL KIT              | 1    |               | X X (SPOOL) (INCL ALL PARTS MARKED (D)) (SUB FOR AT178372)              |

(A) NOT ANTI-CAVITATION  
(A) NON ANTI-CAVITATION  
(A) SIN FUNCION ANTICAVITACION

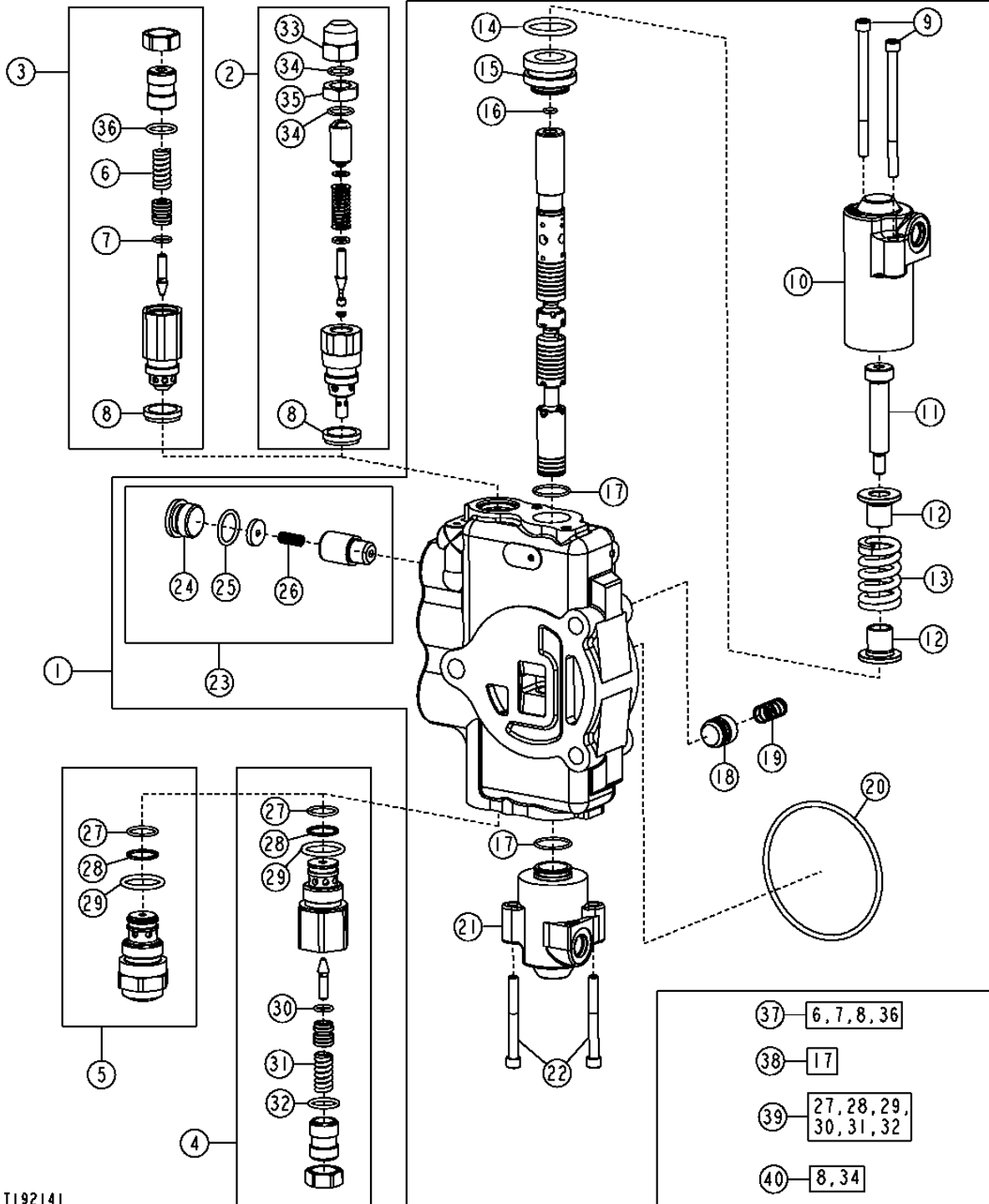
(B) ANTI-CAVITATION  
(B) ANTI-CAVITATION  
(B) ANTICAVITACION

# 3362-44

BACKHOE VALVE, CROWD SECTION, PILOT  
SECTION DE CAVAGE, SOUPAPE PILOTE  
SECCION DE EMPUJE, PILOTO

CONTROL & LOAD HOLDING VALVES 3362

T192141 -UN-02SEP03



T192141

# 3362-45

BACKHOE 33

CONTROL & LOAD HOLDING VALVES 3362  
 BACKHOE VALVE, CROWD SECTION, PILOT  
 SECTION DE CAVAGE, SOUPAPE PILOTE  
 SECCION DE EMPUJE, PILOTO

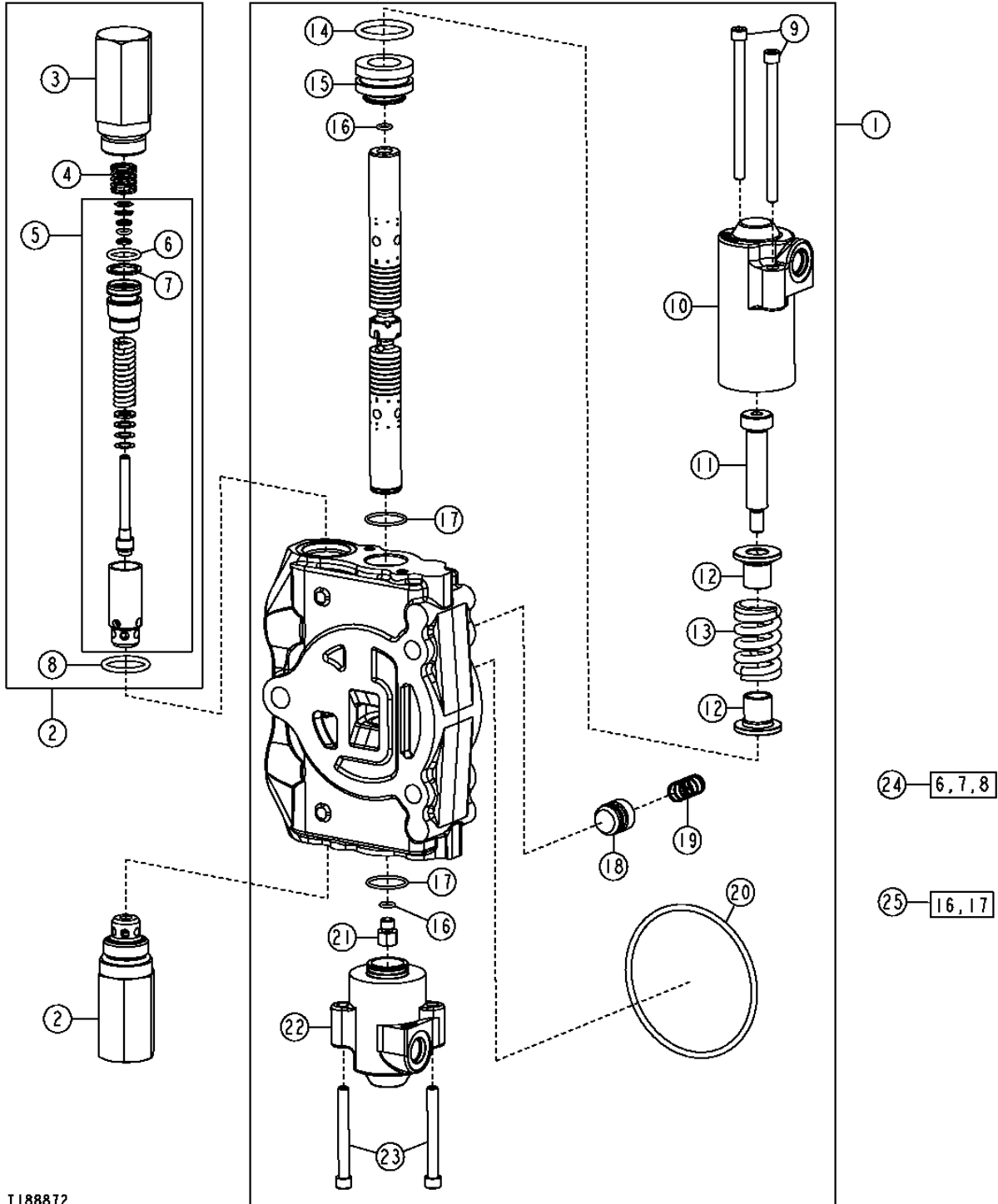
| KEY | PART NO.  | PART NAME             | QTY. | SERIAL NO. | 3 3<br>3 1 1<br>1 0 5<br>0 S S<br>G G G | REMARKS  |
|-----|-----------|-----------------------|------|------------|---|--|
| 1   | AT320372  | VALVE                 | 1    |            | X                                       | (4 FUNCTION)   |
|     | AT320378  | VALVE                 | 1    |            | X                                       | (5 AND 6 FUNCTION WITH SELECTIVE FLOW AUXILIARY)                               |
|     | AT302103  | VALVE                 | 1    |            | X                                       | (4 FUNCTION)   |
|     | AT300828  | VALVE                 | 1    |            | X                                       | (5,6 AND 7 FUNCTION)   |
| 2   | AT171404  | PRESSURE RELIEF VALVE | 1    | 915641-    | X X                                     | (4750 PSI) (7/8" PORT) (NOT ANTI-CAVITATION)                                   |
| 3   | AT302113  | PRESSURE RELIEF VALVE | 1    | -915640    | X                                       | (4750 PSI) (7/8" PORT) (NOT ANTI-CAVITATION)                                   |
| 4   | .....     | PRESSURE RELIEF VALVE | 1    | -915640    | X                                       | ( AT301750 NLA) (3800 PSI) (1-1/16" PORT) (NOT ANTI-CAVITATION) (SUB AT303954) |
|     | AT303954  | PRESSURE RELIEF VALVE | 1    | 915641-    | X X                                     | (3800 PSI) (1-1/16" PORT) (NOT ANTI-CAVITATION)                                |
| 5   | AT301751  | PRESSURE RELIEF VALVE | 1    |            | X X                                     | (3800 PSI) (1-1/16" PORT) (ANTI-CAVITATION)                                    |
| 6   | .....     | SPRING                | 1    |            | X X                                     | (A)  |
| 7   | R63548    | O-RING                | 1    |            | X X                                     | (A)  |
| 8   | T183756   | SEAL                  | 2    |            | X X                                     | (A) (B)  |
| 9   | T191335   | SCREW                 | 2    |            | X X                                     |  |
| 10  | T201072   | CAP                   | 1    |            | X X                                     |  |
| 11  | T191337   | SCREW                 | 1    |            | X X                                     |  |
| 12  | T201306   | RETAINER              | 2    |            | X X                                     |  |
| 13  | T201071   | COMPRESSION SPRING    | 1    |            | X X                                     | (4 FUNCTION) (SUB FOR T191338)   |
|     | T201071   | COMPRESSION SPRING    | 1    |            | X X                                     | (5,6 AND 7 FUNCTION)   |
| 14  | T191346   | O-RING                | 1    |            | X X                                     |  |
| 15  | 790106800 | RETAINER              | 1    |            | X X                                     |  |
| 16  | R30903    | O-RING                | 1    |            | X X                                     |  |
| 17  | .....     | O-RING                | 2    |            | X X                                     | (B)  |
| 18  | T152406   | POPPET                | 1    |            | X X                                     | (4 FUNCTION)   |
|     | T81538    | POPPET                | 1    |            | X X                                     | (5,6 AND 7 FUNCTION)   |
| 19  | T152407   | SPRING                | 1    |            | X X                                     | (4 FUNCTION)   |
|     | T81539    | SPRING                | 1    |            | X X                                     | (5,6 AND 7 FUNCTION)   |
| 20  | T118685   | O-RING                | 1    |            | X X                                     |  |
| 21  | T201069   | CAP                   | 1    |            | X X                                     |  |
| 22  | T191334   | SCREW                 | 2    |            | X X                                     |  |
| 23  | AT178371  | SEAL KIT              | 1    |            | X X                                     | (DRIFT CHECK)  |
| 24  | T201424   | PLUG                  | 1    |            | X X                                     |  |
| 25  | R26906    | O-RING                | 1    |            | X X                                     |  |
| 26  | R111238   | SPRING                | 1    |            | X X                                     |  |
| 27  | T107887   | O-RING                | 2    |            | X X                                     |  |
| 28  | .....     | BACK-UP RING          | 2    |            | X X                                     |  |
| 29  | T118681   | O-RING                | 2    |            | X X                                     |  |
| 30  | R63548    | O-RING                | 1    |            | X X                                     |  |
| 31  | .....     | SPRING                | 1    |            | X X                                     |  |
| 32  | .....     | O-RING                | 1    |            | X X                                     |  |
| 33  | T67425    | NUT                   | 1    |            | X X                                     |  |
| 34  | .....     | O-RING                | 2    |            | X X                                     |  |
| 35  | T67424    | NUT                   | 1    |            | X X                                     |  |
| 36  | .....     | RING                  | 1    |            | X X                                     |  |
| 37  | AT302108  | SEAL KIT              | 1    |            | X X                                     |  |
| 38  | AT280406  | SEAL KIT              | 1    |            | X X                                     | (SUB FOR AT178372)   |
| 39  | AT301749  | SEAL KIT              | 1    | -915640    | X                                       | (USE WITH AT301750)  |
|     | AT300801  | SEAL KIT              | 1    | 915641-    | X X                                     | (USE WITH AT303954)  |
| 40  | AT314538  | SEAL KIT              | 1    |            | X X                                     | 22.3 MM (7/8 INCH) RELIEF VALVE, (SUB FOR AT189413, THIS APPLICATION)          |
|     | AT314539  | SEAL KIT              | 1    |            | X X                                     | 27.0 MM (1-1/16 INCH) RELIEF VALVE, (SUB FOR AT189413, THIS APPLICATION)       |

THIS PARTS LISTING IS CONTINUED

# 3362-46

SWING SECTION, PILOT  
SECTION DE PIVOTEMENT, SOUPEPE PILOTE  
SECCION DE GIRO, PILOTO

T188872 -UN-22MAR03



T188872

# 3362-47

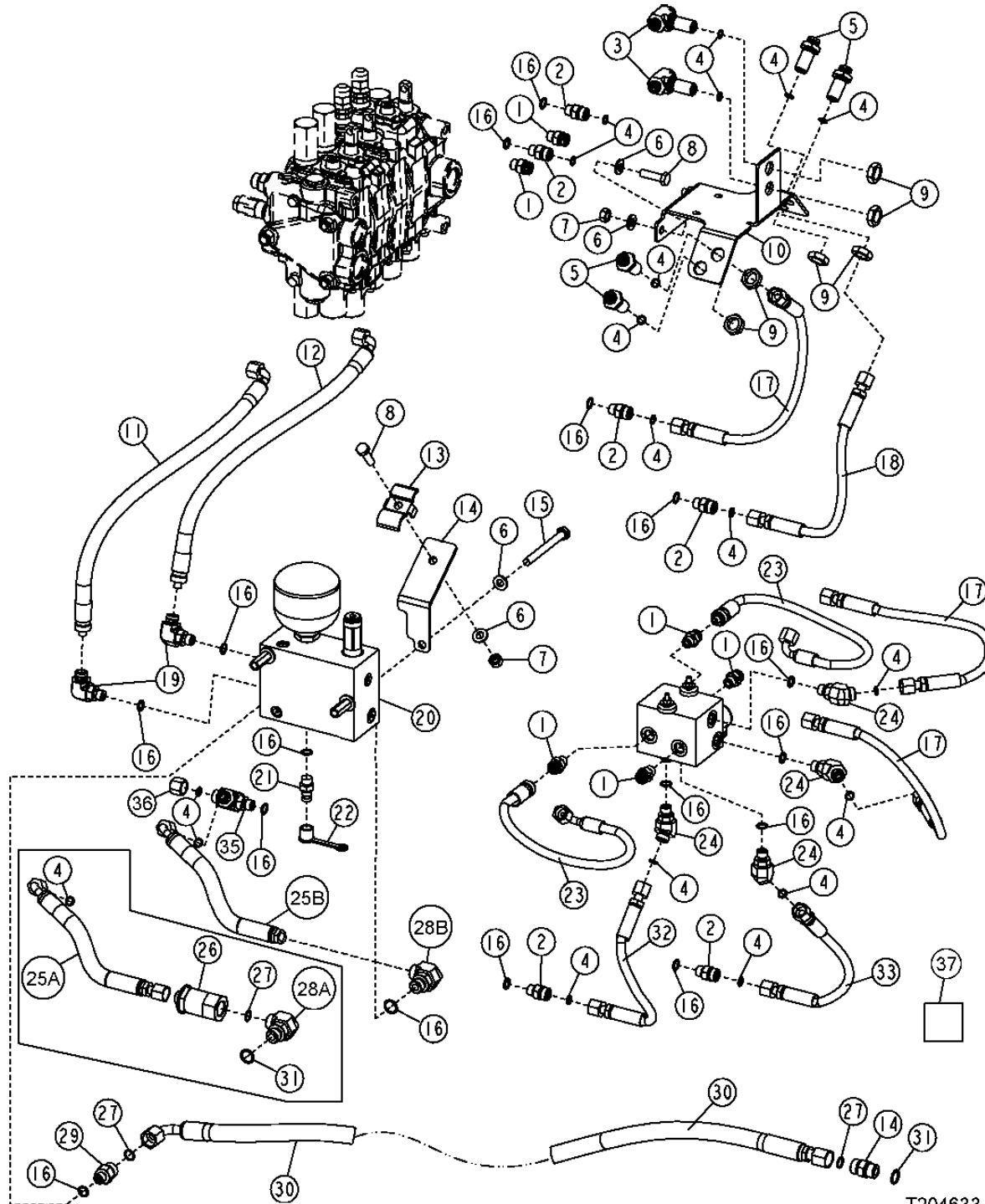
SWING SECTION, PILOT  
SECTION DE PIVOTEMENT, SOUPE PILOTE  
SECCION DE GIRO, PILOTO

| KEY | PART NO.  | PART NAME          | QTY. | SERIAL NO. | 3 3<br>3 1 1<br>1 0 5<br>0 S S<br>G G G | REMARKS  |
|-----|-----------|--------------------|------|------------|---|--|
| 1   | AT320371  | VALVE              | 1    |            | X                                       | 4,5 FUNCTION AND 4,6 FUNCTION (W/FLOW CONTROL AUX.)  |
|     | AT323398  | VALVE              | 1    |            | X                                       | 6 FUNCTION   |
|     | AT301763  | VALVE              | 1    |            | X                                       | 4,5,AND 6 FUNCTION (W/FLOW CONTROL AUX.)   |
| 2   | AT300805  | VALVE              | 1    |            | X                                       | 6 AND 7 FUNCTION (W/MANUAL AUX.)   |
|     | .....     | CHECK VALVE        | 2    |            | X X                                     | (3800 PSI) (SUB FOR AT182377, THIS APPLICATION) (ORDER AT178362, T118866, T118867 AND T118681) |
| 3   | T118866   | HOUSING            | 2    |            | X X                                     |  |
| 4   | T118867   | SPRING             | 2    |            | X X                                     |  |
| 5   | AT178362  | SEAL KIT           | 2    |            | X X                                     | (RELIEF VALVE)   |
| 6   | .....     | O-RING             | 2    |            | X X                                     | (A)  |
| 7   | .....     | BACK-UP RING       | 2    |            | X X                                     | (A)  |
| 8   | T118681   | O-RING             | 2    |            | X X                                     | (A)  |
| 9   | T191335   | SCREW              | 2    |            | X X                                     |  |
| 10  | T201072   | CAP                | 1    |            | X X                                     |  |
| 11  | T191337   | SCREW              | 1    |            | X X                                     |  |
| 12  | T201306   | RETAINER           | 2    |            | X X                                     |  |
| 13  | T201071   | COMPRESSION SPRING | 1    |            | X X                                     | 4,5 AND 6 FUNCTION (W/FLOW CONTROL AUX.) (SUB FOR T191338)                                     |
|     | T201071   | SPRING             | 1    |            | X X                                     | 6 FUNCTION (W/ MANUAL AUX.) AND 7 FUNCTION   |
| 14  | T191346   | O-RING             | 1    |            | X X                                     |  |
| 15  | 790106800 | RETAINER           | 1    |            | X X                                     |  |
| 16  | R30903    | O-RING             | 2    |            | X X                                     | (B)  |
| 17  | T213059   | O-RING             | 2    |            | X X                                     | (B)  |
| 18  | T81538    | POPPET             | 1    |            | X X                                     |  |
| 19  | T81539    | SPRING             | 1    |            | X X                                     |  |
| 20  | T118685   | O-RING             | 1    |            | X X                                     |  |
| 21  | T191336   | PLUG               | 1    |            | X X                                     |  |
| 22  | T201069   | CAP                | 1    |            | X X                                     |  |
| 23  | T191334   | SCREW              | 2    |            | X X                                     |  |
| 24  | AT314538  | SEAL KIT           | 1    |            | X X                                     | 22.30 MM (7/8") RELIEF VALVE (INCL PARTS MARKED (A)) (SUB FOR AT189413)                        |
|     | AT314539  | SEAL KIT           | 1    |            | X X                                     | 27.0 MM (1-1/16") RELIEF VALVE (INCL PARTS MARKED (B)) (SUB FOR AT189413)                      |
| 25  | AT280406  | SEAL KIT           | 1    |            | X X                                     | SPOOL, (SUB FOR AT178372)  |

# 3363-1A

PILOT CONTROL HYDRAULICS WITH SELECTOR VALVE  
CIRCUIT HYDRAULIQUE DE COMMANDE PILOTE AVEC LE CLAPET SELECTEUR  
SISTEMA HIDRAULICO DE CONTROL PILOTO CON LA VALVULA DE SELECTOR

T204633 -UN-18NOV04



T204633

# 3363-1B

BACKHOE 33

LINES, HOSES AND FITTINGS 3363

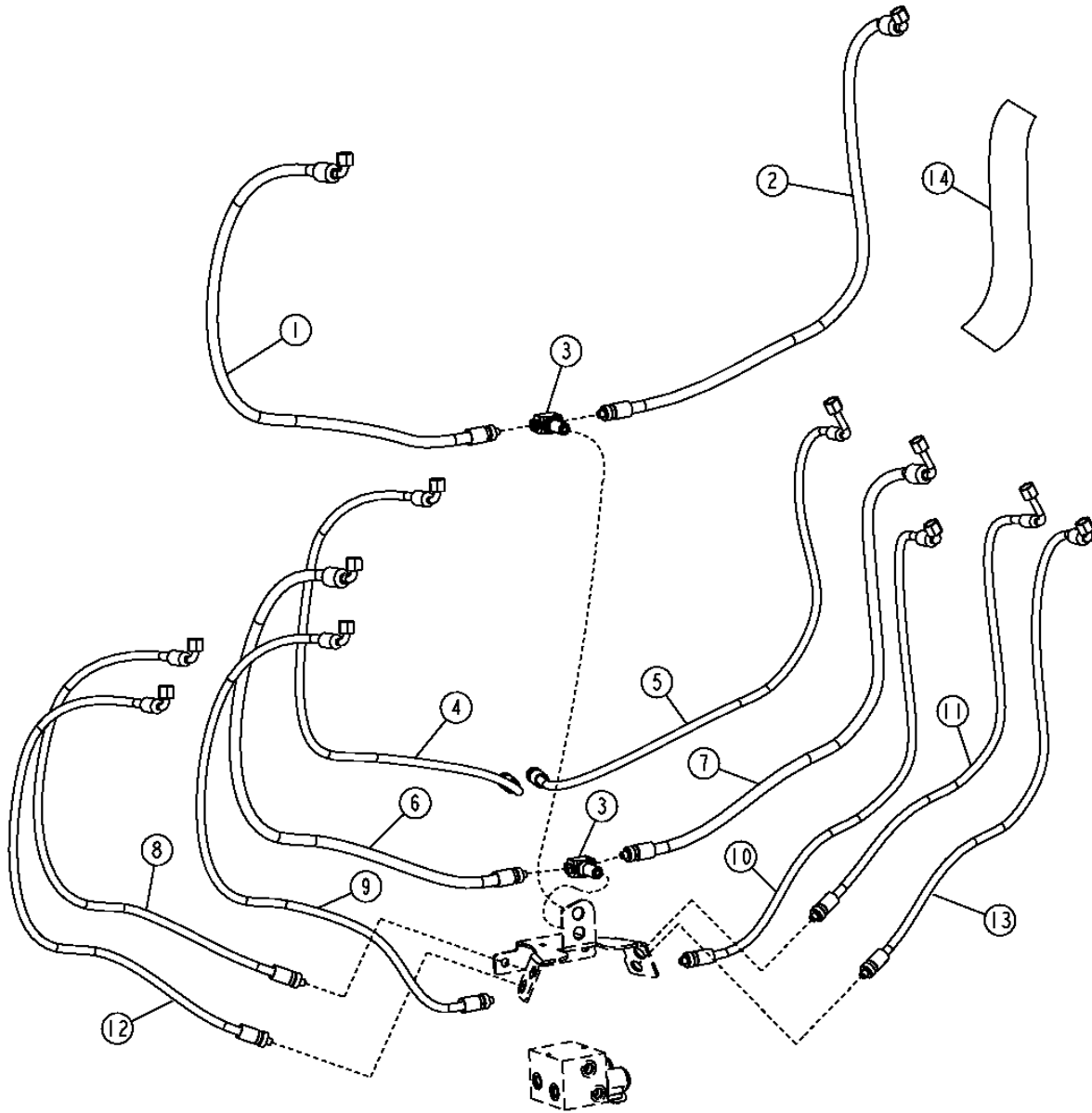
**PILOT CONTROL HYDRAULICS WITH SELECTOR VALVE**  
**CIRCUIT HYDRAULIQUE DE COMMANDE PILOTE AVEC LE CLAPET SELECTEUR**  
**SISTEMA HIDRAULICO DE CONTROL PILOTO CON LA VALVULA DE SELECTOR**

| KEY | PART NO. | PART NAME                  | QTY. | SERIAL NO. | 3 3<br>3 1 1<br>1 0 5<br>0 S S<br>G G G | REMARKS  |
|-----|----------|----------------------------|------|------------|---|--|
| 1   | AT187666 | ADAPTER FITTING            | 6    |            | X X                                     |  |
| 2   | 38H1160  | ADAPTER FITTING            | 6    |            | X X                                     |  |
| 3   | AT199496 | TEE FITTING                | 2    |            | X X                                     |  |
| 4   | T77613   | O-RING                     | 18   |            | X X                                     |  |
| 5   | AT199495 | FITTING                    | 4    |            | X X                                     |  |
| 6   | 24M7239  | WASHER                     | 6    |            | X X                                     |  |
| 7   | 14M7274  | NUT                        | 3    |            | X X                                     |  |
| 8   | 19M7550  | CAP SCREW                  | 3    |            | X X                                     |  |
| 9   | T81029   | NUT                        | 6    |            | X X                                     |  |
| 10  | T190311  | BRACKET                    | 1    |            | X X                                     |  |
| 11  | AT197210 | HYDRAULIC HOSE - FABRICATE | 1    |            | X X                                     | (ALSO ORDER 62H1042 AND T77613)  |
| 12  | AT197211 | HYDRAULIC HOSE - FABRICATE | 1    |            | X X                                     | (ALSO ORDER 62H1042 AND T77613)  |
| 13  | T160548  | CLAMP                      | 1    |            | X X                                     |  |
| 14  | T190993  | BRACKET                    | 1    |            | X X                                     |  |
| 15  | 19M8093  | CAP SCREW                  | 1    |            | X X                                     | M10 X 100  |
| 16  | R26448   | O-RING                     | 12   |            | X X                                     |  |
| 17  | AT197208 | HYDRAULIC HOSE - FABRICATE | 3    |            | X X                                     |  |
| 18  | AT197209 | HYDRAULIC HOSE - FABRICATE | 1    |            | X X                                     |  |
| 19  | AT187669 | ADAPTER FITTING            | 2    |            | X X                                     |  |
| 20  | .....    | FLOW CONTROL HYD. VALVE    | 1    | -943092    | X X                                     | ( AT197769 NLA) (SUB AT306550) (ALSO ORDER AT187669, AT317350, 62H1042 AND T77613) |
|     | AT306550 | FLOW CONTROL HYD. VALVE    | 1    | 943093-    | X X                                     |  |
| 21  | AH125760 | HYD. QUICK-CONNECT COUPLER | 1    |            | X X                                     |  |
| 22  | R77175   | COVER                      | 1    |            | X X                                     |  |
| 23  | AT280200 | HYDRAULIC HOSE - FABRICATE | 2    |            | X X                                     | (ALSO ORDER 62H1042 AND T77613)  |
| 24  | 38H1045  | ELBOW FITTING              | 4    |            | X X                                     |  |
| 25A | AT305773 | HYDRAULIC HOSE - FABRICATE | 1    | -943092    | X                                       | (SUB FOR AT197212, THIS APPLICATION)   |
| 25B | AT317350 | HYDRAULIC HOSE - FABRICATE | 1    | 093043-    | X                                       |  |
| 26  | AT183869 | FILTER ELEMENT             | 1    | -943092    | X                                       | (USE WITH AT197769)  |
| 27  | T77857   | O-RING                     | 3    |            | X X                                     |  |
| 28A | 38H1005  | ELBOW FITTING              | 1    | -943092    | X                                       |  |
| 28B | AT187669 | ADAPTER FITTING            | 1    | 943093-    | X X                                     |  |
| 29  | 38H1173  | ADAPTER FITTING            | 1    |            | X X                                     |  |
| 30  | AT300742 | HYDRAULIC HOSE - FABRICATE | 1    |            | X X                                     |  |
| 31  | R26375   | O-RING                     | 2    |            | X X                                     |  |
| 32  | AT198417 | HYDRAULIC HOSE - FABRICATE | 1    |            | X X                                     |  |
| 33  | AT198416 | HYDRAULIC HOSE - FABRICATE | 1    |            | X X                                     |  |
| 34  | 38H1161  | ADAPTER FITTING            | 1    |            | X X                                     |  |
| 35  | 38H1023  | TEE FITTING                | 1    |            | X X                                     | (SUB FOR 38H1160, THIS APPLICATION)  |
| 36  | 38H1415  | FITTING                    | 1    |            | X X                                     |  |
| 37  | AT193365 | KIT                        | 1    |            | X X                                     | STC REPAIR (-06)   |
|     | AT193366 | PUMP REPAIR KIT            | 1    |            | X X                                     | STC REPAIR (-08)   |

# 3363-1C

PILOT CONTROL HYDRAULICS  
CIRCUIT HYDRAULIQUE DE COMMANDE PILOTE  
SISTEMA HIDRAULICO DE CONTROL PILOTO

T165883 -UN-27FEB03



T165883



# 3363-1D

BACKHOE 33

LINES, HOSES AND FITTINGS 3363

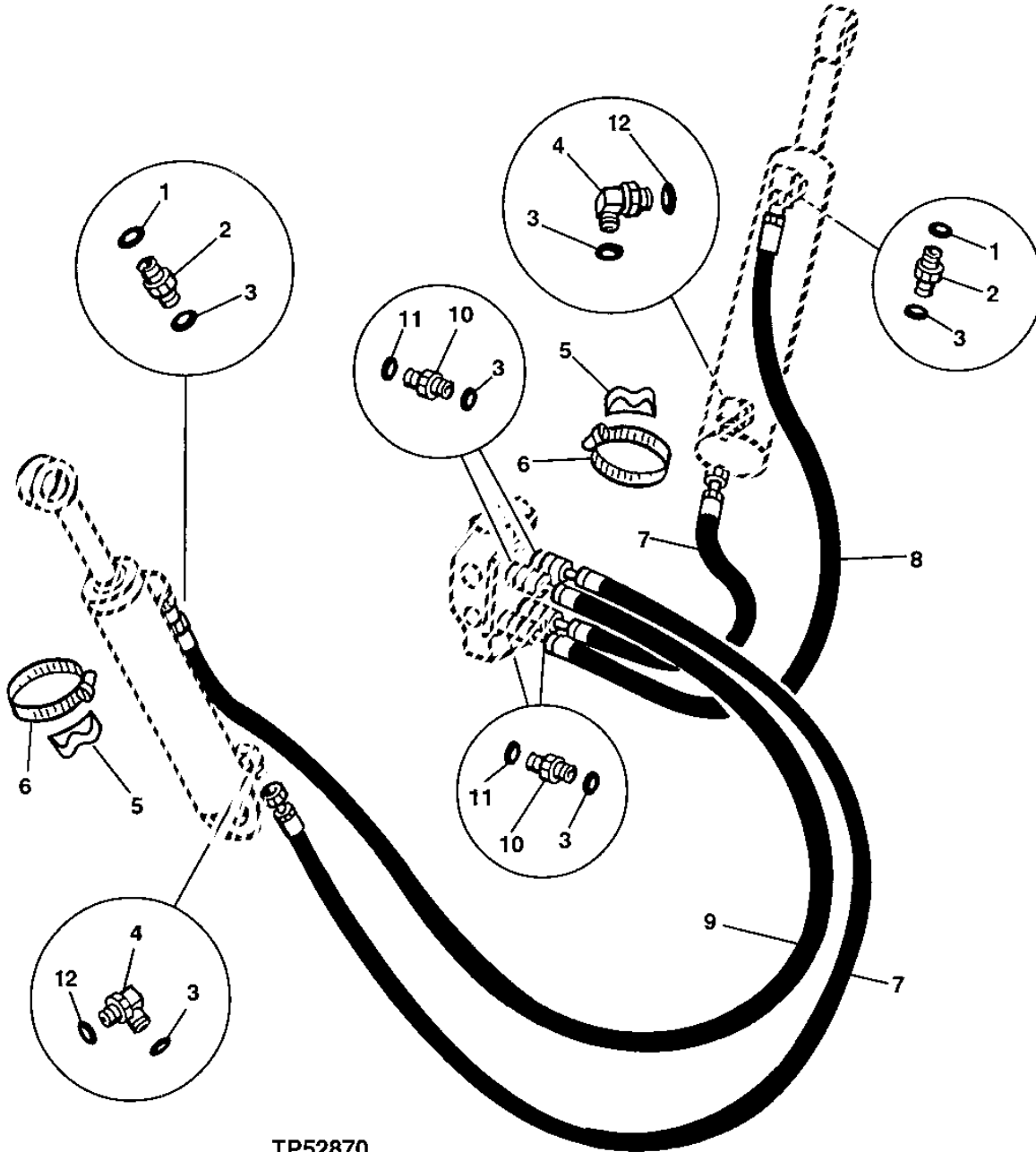
**PILOT CONTROL HYDRAULICS  
CIRCUIT HYDRAULIQUE DE COMMANDE PILOTE  
SISTEMA HIDRAULICO DE CONTROL PILOTO**

| KEY | PART NO. | PART NAME                  | QTY. | SERIAL NO. | REMARKS                             |
|-----|----------|----------------------------|------|------------|-------------------------------------|
|     |          |                            |      |            | 3 3                                 |
|     |          |                            |      |            | 3 1 1                               |
|     |          |                            |      |            | 1 0 5                               |
|     |          |                            |      |            | 0 S S                               |
|     |          |                            |      |            | G G G                               |
| 1   | AT198350 | HYDRAULIC HOSE - FABRICATE | 1    |            | X X (ALSO ORDER 62H1042 AND T77613) |
| 2   | AT198355 | HYDRAULIC HOSE - FABRICATE | 1    |            | X X (ALSO ORDER 62H1042 AND T77613) |
| 3   | AT199496 | TEE FITTING                | 2    |            | X X                                 |
| 4   | AT198351 | HYDRAULIC HOSE - FABRICATE | 1    |            | X X (ALSO ORDER 62H1042 AND T77613) |
| 5   | AT198360 | HYDRAULIC HOSE - FABRICATE | 1    |            | X X (ALSO ORDER 62H1042 AND T77613) |
| 6   | AT198349 | HYDRAULIC HOSE - FABRICATE | 1    |            | X X (ALSO ORDER 62H1042 AND T77613) |
| 7   | AT198356 | HYDRAULIC HOSE - FABRICATE | 1    |            | X X (ALSO ORDER 62H1042 AND T77613) |
| 8   | AT198352 | HYDRAULIC HOSE - FABRICATE | 1    |            | X X (ALSO ORDER 62H1042 AND T77613) |
| 9   | AT198354 | HYDRAULIC HOSE - FABRICATE | 1    |            | X X (ALSO ORDER 62H1042 AND T77613) |
| 10  | AT198358 | HYDRAULIC HOSE - FABRICATE | 1    |            | X X (ALSO ORDER 62H1042 AND T77613) |
| 11  | AT198357 | HYDRAULIC HOSE - FABRICATE | 1    |            | X X (ALSO ORDER 62H1042 AND T77613) |
| 12  | AT198353 | HYDRAULIC HOSE - FABRICATE | 1    |            | X X (ALSO ORDER 62H1042 AND T77613) |
| 13  | AT198359 | HYDRAULIC HOSE - FABRICATE | 1    |            | X X (ALSO ORDER 62H1042 AND T77613) |
| 14  | T201656  | HOSE GUARD                 | 1    |            | X X                                 |

# 3363-2

STABILIZER CYLINDER HYDRAULICS (310G, 310SG) (SN -913416)  
FLEXIBLES HYDRAULIQUES DE VERIN DE STABILISATEUR (310G, 310SG) (SN -913416)  
MANGUERAS HIDRAULICAS DE CILINDRO DE ESTABILIZADOR (310G, 310SG) (SN -913416)

TP52870 -UN-02DEC96



# 3363-3

BACKHOE 33

LINES, HOSES AND FITTINGS 3363

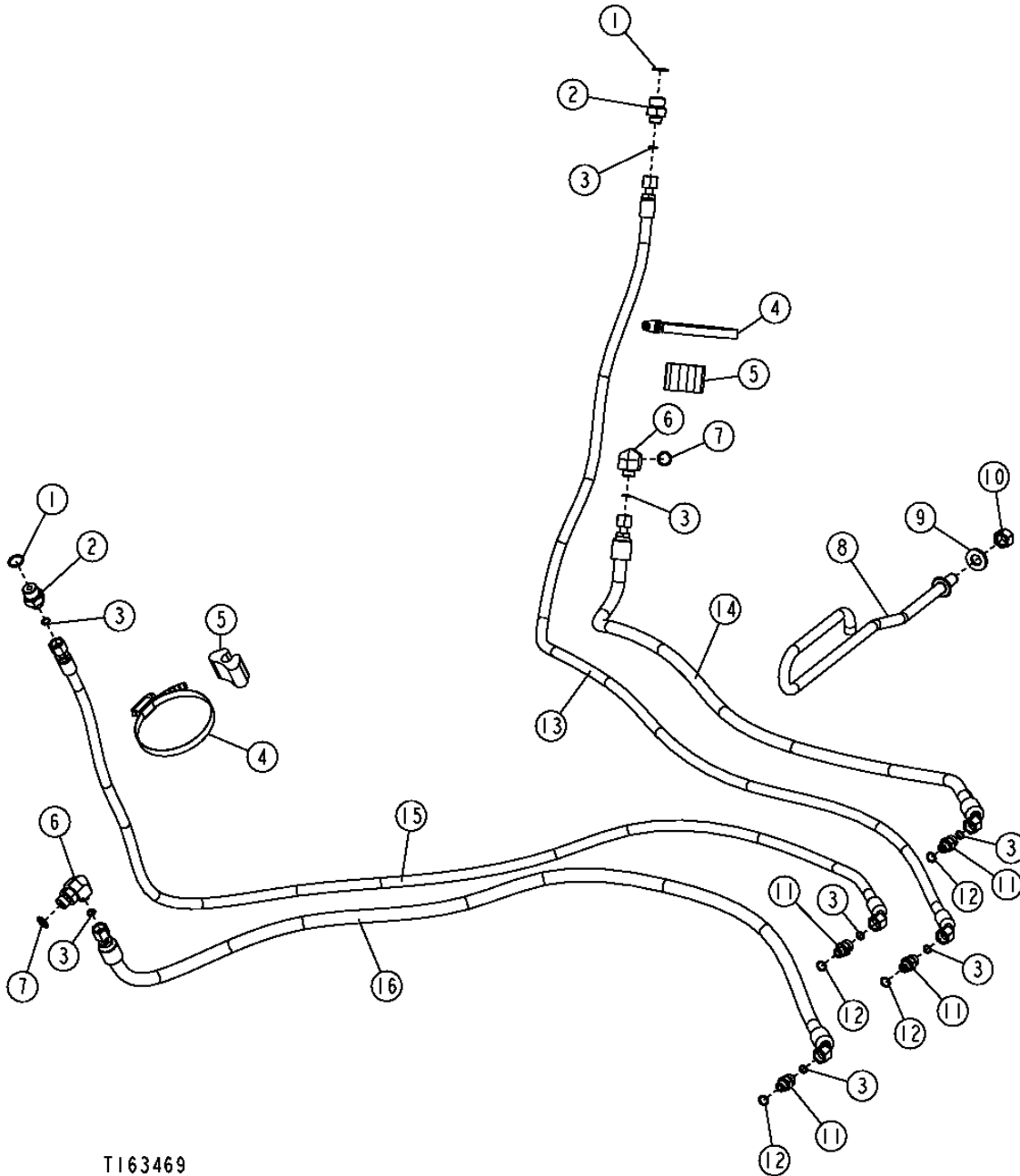
STABILIZER CYLINDER HYDRAULICS (310G, 310SG) (SN -913416)  
 FLEXIBLES HYDRAULIQUES DE VERIN DE STABILISATEUR (310G, 310SG) (SN -913416)  
 MANGUERAS HIDRAULICAS DE CILINDRO DE ESTABILIZADOR (310G, 310SG) (SN -913416)

| KEY | PART NO. | PART NAME                  | QTY. | SERIAL NO. | REMARKS |
|-----|----------|----------------------------|------|------------|---------|
|     |          |                            |      |            | 3 3     |
|     |          |                            |      |            | 3 1 1   |
|     |          |                            |      |            | 1 0 5   |
|     |          |                            |      |            | 0 S S   |
|     |          |                            |      |            | G G G   |
| 1   | R26906   | O-RING                     | 2    |            | X X     |
| 2   | 38H1172  | ADAPTER FITTING            | 2    |            | X X     |
| 3   | T77613   | O-RING                     | 8    |            | X X     |
| 4   | 38H1010  | ELBOW FITTING              | 2    |            | X X     |
| 5   | T105774  | GUIDE                      | 2    |            | X X     |
| 6   | AR21842  | CLAMP                      | 2    |            | X       |
|     | C16054   | CLAMP                      | 2    |            | X       |
| 7   | AT175446 | HYDRAULIC HOSE - FABRICATE | 2    |            | X X     |
| 8   | AT176478 | HYDRAULIC HOSE - FABRICATE | 1    |            | X X     |
| 9   | AT172610 | HYDRAULIC HOSE - FABRICATE | 1    |            | X X     |
| 10  | 38H1171  | ADAPTER FITTING            | 4    |            | X X     |
| 11  | R26906   | O-RING                     | 4    |            | X X     |
| 12  | R26375   | O-RING                     | 2    |            | X X     |

# 3363-3A

STABILIZER CYLINDER HYDRAULICS (310G, 310SG) (SN 913417- )  
FLEXIBLES HYDRAULIQUES DE VERIN DE STABILISATEUR (310G, 310SG) (SN 913417- )  
MANGUERAS HIDRAULICAS DE CILINDRO DE ESTABILIZADOR (310G, 310SG) (SN 913417- )

T163469 -UN-06JAN03



T163469

# 3363-3B

BACKHOE 33

LINES, HOSES AND FITTINGS 3363

STABILIZER CYLINDER HYDRAULICS (310G, 310SG) (SN 913417- )  
 FLEXIBLES HYDRAULIQUES DE VERIN DE STABILISATEUR (310G, 310SG) (SN 913417- )  
 MANGUERAS HIDRAULICAS DE CILINDRO DE ESTABILIZADOR (310G, 310SG) (SN 93417- )

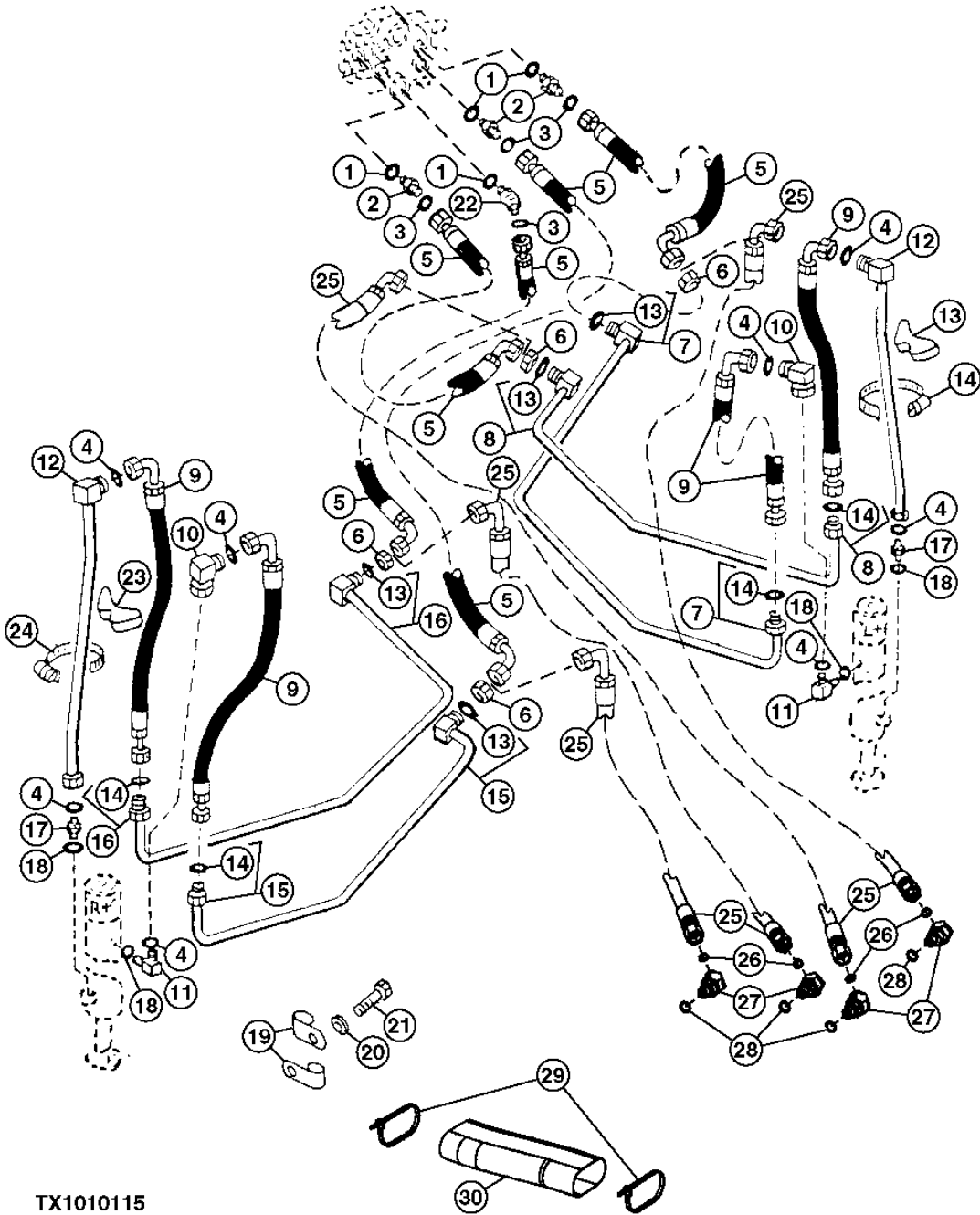
| KEY | PART NO. | PART NAME                  | QTY. | SERIAL NO. | 3 3<br>3 1 1<br>1 0 5<br>0 S S<br>G G G | REMARKS                            |
|-----|----------|----------------------------|------|------------|---|------------------------------------|
| 1   | R26906   | O-RING                     | 2    | -951995    | X X                                     |                                    |
|     | R26448   | O-RING                     | 2    | 951996-    | X X                                     |                                    |
| 2   | 38H1172  | ADAPTER FITTING            | 2    | -951995    | X X                                     |                                    |
|     | 38H1160  | ADAPTER FITTING            | 2    | 951996-    | X X                                     |                                    |
| 3   | T77613   | O-RING                     | 8    |            | X X                                     |                                    |
| 4   | AR21842  | CLAMP                      | 2    |            | X                                       | (SUB FOR C16054, THIS APPLICATION) |
|     | C16054   | CLAMP                      | 2    |            | X                                       |                                    |
| 5   | T105774  | GUIDE                      | 2    |            | X X                                     |                                    |
| 6   | 38H1010  | ELBOW FITTING              | 2    | -951995    | X X                                     |                                    |
|     | 38H1004  | ELBOW FITTING              | 2    | 951996-    | X X                                     |                                    |
| 7   | R26375   | O-RING                     | 2    | -951995    | X X                                     |                                    |
|     | R26448   | O-RING                     | 2    | 951996-    | X X                                     |                                    |
| 8   | T200362  | HOSE SUPPORT               | 1    |            | X X                                     |                                    |
| 9   | 24M7241  | WASHER                     | 1    |            | X X                                     |                                    |
| 10  | 14M7276  | NUT                        | 1    |            | X X                                     |                                    |
| 11  | 38H1160  | ADAPTER FITTING            | 4    |            | X X                                     |                                    |
| 12  | R26448   | O-RING                     | 4    |            | X X                                     |                                    |
| 13  | AT197068 | HYDRAULIC HOSE - FABRICATE | 1    |            | X X                                     |                                    |
| 14  | AT197067 | HYDRAULIC HOSE - FABRICATE | 1    |            | X X                                     |                                    |
| 15  | AT196525 | HYDRAULIC HOSE - FABRICATE | 1    |            | X X                                     |                                    |
| 16  | AT196526 | HYDRAULIC HOSE - FABRICATE | 1    |            | X X                                     |                                    |

# 3363-4

STABILIZER CYLINDER HYDRAULICS (315SG)  
FLEXIBLES HYDRAULIQUES DE VERIN DE STABILISATEUR (315SG)  
MANGUERAS HIDRAULICAS DE CILINDRO DE ESTABILIZADOR (315SG)

TX1010115

-UN-13JUL06



TX1010115

# 3363-5

BACKHOE 33

LINES, HOSES AND FITTINGS 3363

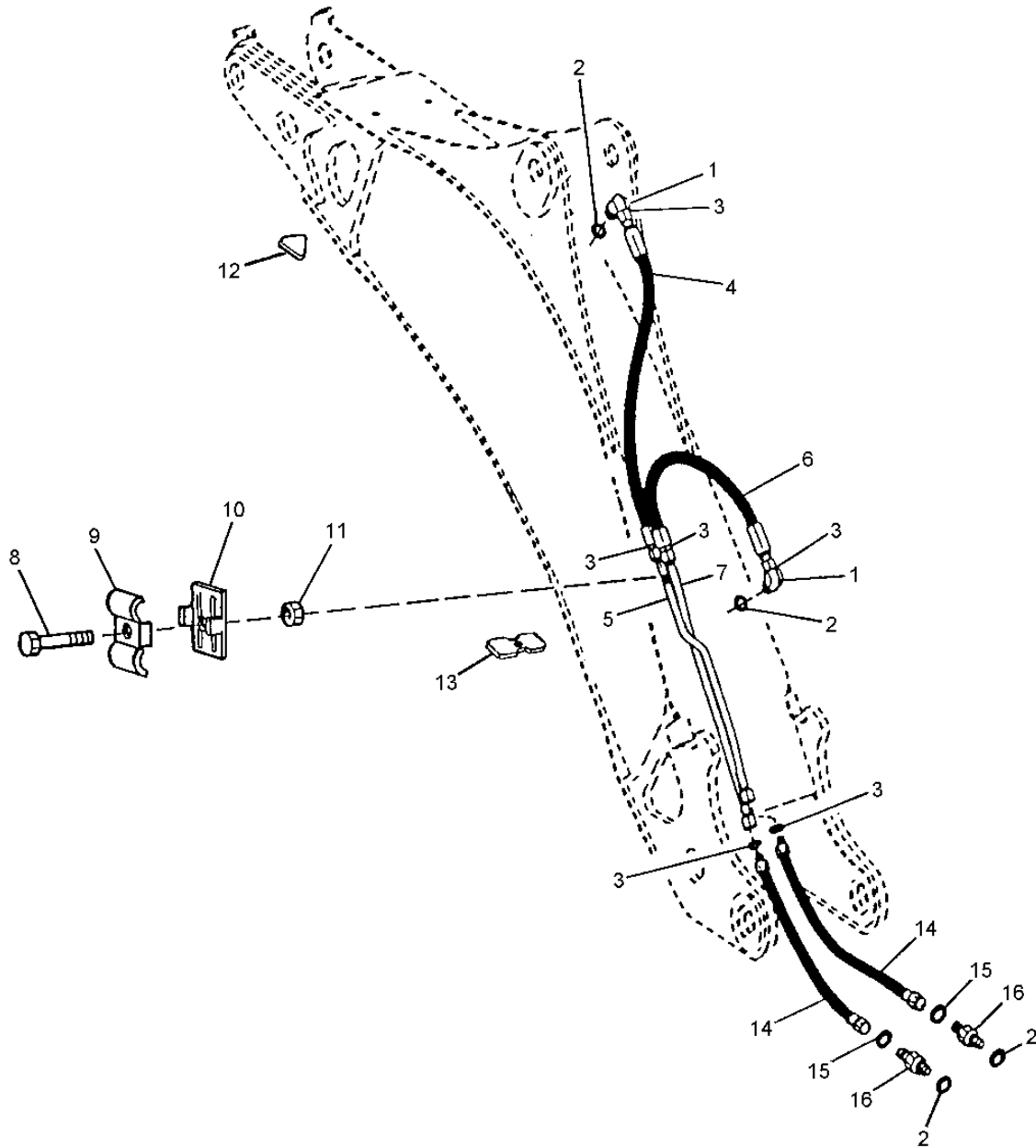
**STABILIZER CYLINDER HYDRAULICS (315SG)  
FLEXIBLES HYDRAULIQUES DE VERIN DE STABILISATEUR (315SG)  
MANGUERAS HIDRAULICAS DE CILINDRO DE ESTABILIZADOR (315SG)**

| KEY | PART NO. | PART NAME                  | QTY. | SERIAL NO. | 3 3<br>3 1 1<br>1 0 5<br>0 S S<br>G G G | REMARKS  |
|-----|----------|----------------------------|------|------------|---|--|
| 1   | R26375   | O-RING                     | 4    | -913416    | X                                       |  |
| 2   | 38H1445  | ADAPTER FITTING            | 3    | -913416    | X                                       |  |
| 3   | T77814   | O-RING                     | 4    | -913416    | X                                       |  |
| 4   | T77613   | O-RING                     | 8    |            | X                                       |  |
| 5   | AT191252 | HYDRAULIC HOSE - FABRICATE | 4    | -913416    | X                                       |  |
| 6   | 14H832   | NUT                        | 4    |            | X                                       | 9/16"  |
| 7   | AT196755 | OIL LINE                   | 1    |            | X                                       | (SUB FOR AT176542)   |
| 8   | AT196754 | OIL LINE                   | 1    |            | X                                       | (SUB FOR AT176540)   |
| 9   | AT171098 | HYDRAULIC HOSE - FABRICATE | 4    |            | X                                       |  |
| 10  | 38H1094  | ELBOW FITTING              | 2    |            | X                                       |  |
| 11  | 38H1004  | ELBOW FITTING              | 2    |            | X                                       |  |
| 12  | AT178683 | LINE                       | 2    |            | X                                       |  |
| 13  | T77814   | O-RING                     | 4    |            | X                                       |  |
| 14  | T77613   | O-RING                     | 4    |            | X                                       |  |
| 15  | AT196756 | OIL LINE                   | 1    |            | X                                       | (SUB FOR AT176543)   |
| 16  | AT196757 | OIL LINE                   | 1    |            | X                                       | (SUB FOR AT176544)   |
| 17  | 38H1160  | ADAPTER FITTING            | 2    | -944155    | X                                       |  |
|     | 38H1212  | ADAPTER FITTING            | 2    | 944156-    | X                                       |  |
| 18  | R26448   | O-RING                     | 4    |            | X                                       |  |
| 19  | T38545   | CLAMP                      | 4    |            | X                                       |  |
| 20  | 24M7055  | WASHER                     | 2    |            | X                                       | 8.400 X 16 X 1.600 MM  |
| 21  | 19M7932  | CAP SCREW                  | 2    |            | X                                       | M8 X 16  |
| 22  | 38H1582  | ELBOW FITTING              | 1    | -913416    | X                                       | 45°  |
| 23  | T181801  | CLAMP                      | 2    |            | X                                       | (SUB FOR T101624, THIS APPLICATION)  |
| 24  | AR21842  | CLAMP                      | 2    |            | X                                       |  |
| 25  | AT196527 | HYDRAULIC HOSE - FABRICATE | 4    | 913417-    | X                                       |  |
| 26  | T77613   | O-RING                     | 4    | 913417-    | X                                       |  |
| 27  | 38H1045  | ELBOW FITTING              | 4    | 913417-    | X                                       |  |
| 28  | R26448   | O-RING                     | 4    | 913417-    | X                                       |  |
| 29  | N198516  | TIE BAND                   | 2    | 913417-    | X                                       |  |
| 30  | .....    | HOSE GUARD                 | 2    | 913417-    | X                                       | (SUB FOR T161463, THIS APPLICATION)<br>(MAKE FROM T78606) (CTL 254MM)<br>(10.0") |

# 3363-6

**BOOM CYLINDER, HYDRAULIC HOSES AND FITTINGS**  
**CYLINDRE DE FLECHE, FLEXIBLES ET RACCORDS HYDRAULIQUES**  
**CILINDRO DEL AGUILON, MANGUERAS HIDRAULICAS Y ADAPTADORES**

T136774 -UN-27DEC00



T136774



# 3363-7

BACKHOE 33

LINES, HOSES AND FITTINGS 3363

**BOOM CYLINDER, HYDRAULIC HOSES AND FITTINGS  
CYLINDRE DE FLECHE, FLEXIBLES ET RACCORDS HYDRAULIQUES  
CILINDRO DEL AGUILON, MANGUERAS HIDRAULICAS Y ADAPTADORES**

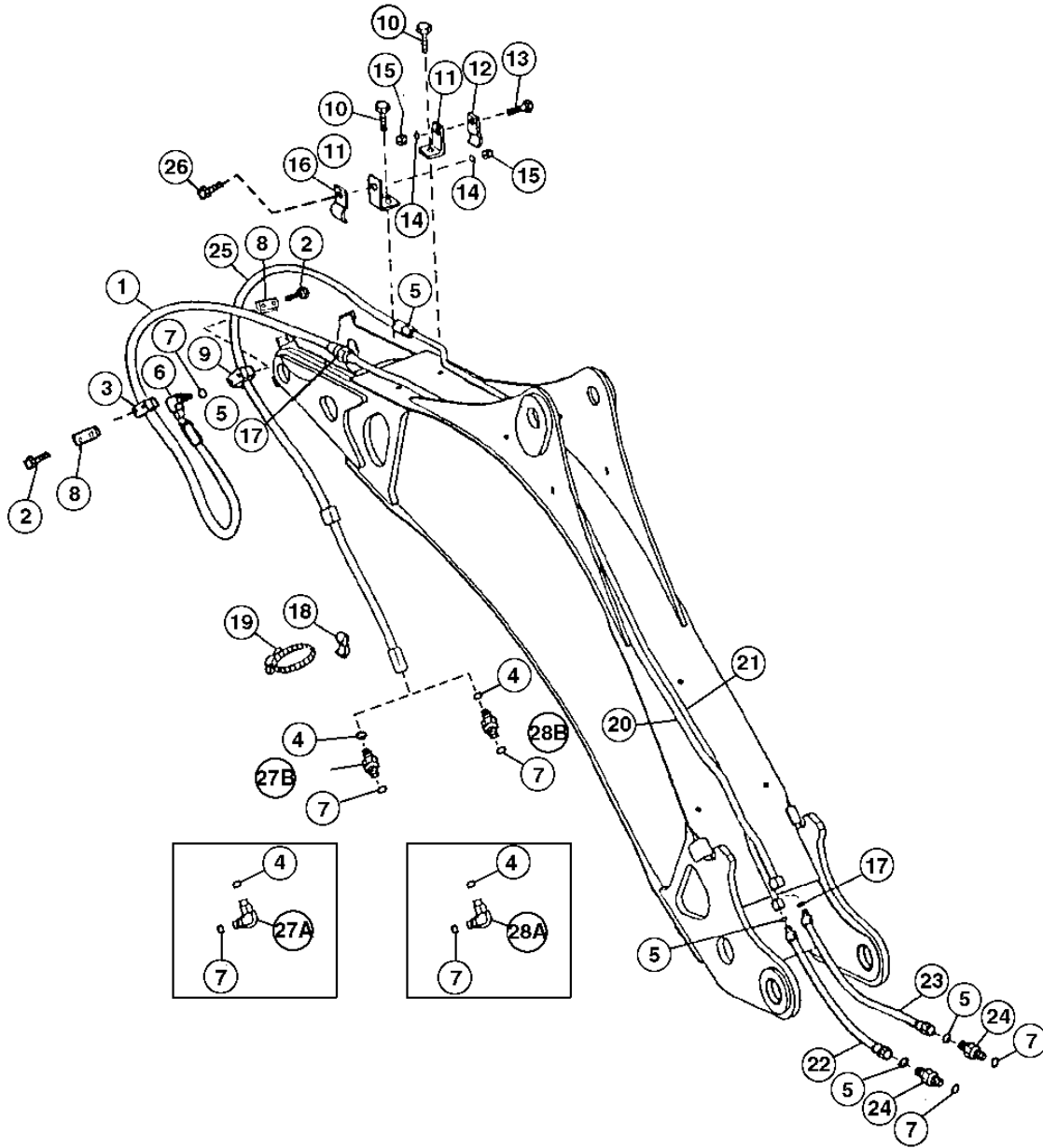
| KEY | PART NO. | PART NAME                  | QTY. | SERIAL NO. | REMARKS        |
|-----|----------|----------------------------|------|------------|----------------|
|     |          |                            |      |            | 3 3            |
|     |          |                            |      |            | 3 1 1          |
|     |          |                            |      |            | 1 0 5          |
|     |          |                            |      |            | 0 S S          |
|     |          |                            |      |            | G G G          |
| 1   | 38H1006  | ELBOW FITTING              | 2    |            | X X X          |
| 2   | R26906   | O-RING                     | 4    |            | X X X          |
| 3   | T77932   | O-RING                     | 6    |            | X X X          |
| 4   | AT174355 | HYDRAULIC HOSE - FABRICATE | 1    |            | X X X          |
| 5   | AT174208 | OIL LINE                   | 1    |            | X X X          |
| 6   | AT179083 | HYDRAULIC HOSE - FABRICATE | 1    |            | X X X          |
| 7   | AT174209 | OIL LINE                   | 1    |            | X X X          |
| 8   | 19M7550  | CAP SCREW                  | 1    |            | X X X M10 X 35 |
| 9   | T159954  | CLAMP                      | 1    |            | X X X          |
| 10  | T159956  | CLAMP                      | 1    |            | X X X          |
| 11  | 14M7274  | NUT                        | 1    |            | X X X          |
| 12  | T165742  | ISOLATOR                   | 1    |            | X X X          |
| 13  | T165740  | ISOLATOR                   | 2    |            | X X X          |
| 14  | AT177603 | HYDRAULIC HOSE - FABRICATE | 2    | -911128    | X X            |
|     | AT280343 | HYDRAULIC HOSE - FABRICATE | 2    | 911129-    | X X            |
|     | AT180152 | HYDRAULIC HOSE - FABRICATE | 2    | -911128    | X              |
|     | AT280346 | HYDRAULIC HOSE - FABRICATE | 2    | 911129-    | X              |
| 15  | T77932   | O-RING                     | 2    |            | X X            |
|     | T77857   | O-RING                     | 2    |            | X              |
| 16  | 38H1162  | ADAPTER FITTING            | 2    |            | X X            |
|     | 38H1174  | ADAPTER FITTING            | 2    |            | X              |

# 3363-8

LINES, HOSES AND FITTINGS 3363  
BUCKET CYLINDER HYDRAULIC HOSES, LINES AND FITTINGS (STANDARD DIPPERSTICK)  
CYLINDRE DE GODET, FLEXIBLES ET RACCORDS HYDRAULIQUES (BRAS STANDARD)  
CILINDRO DE CUCHARON, MANGUERAS HIDRAULICAS Y ADAPTADORES (BRAZO ESTANDAR)

TX1001365

-UN-15DEC05



TX1001365

# 3363-9

LINES, HOSES AND FITTINGS 3363

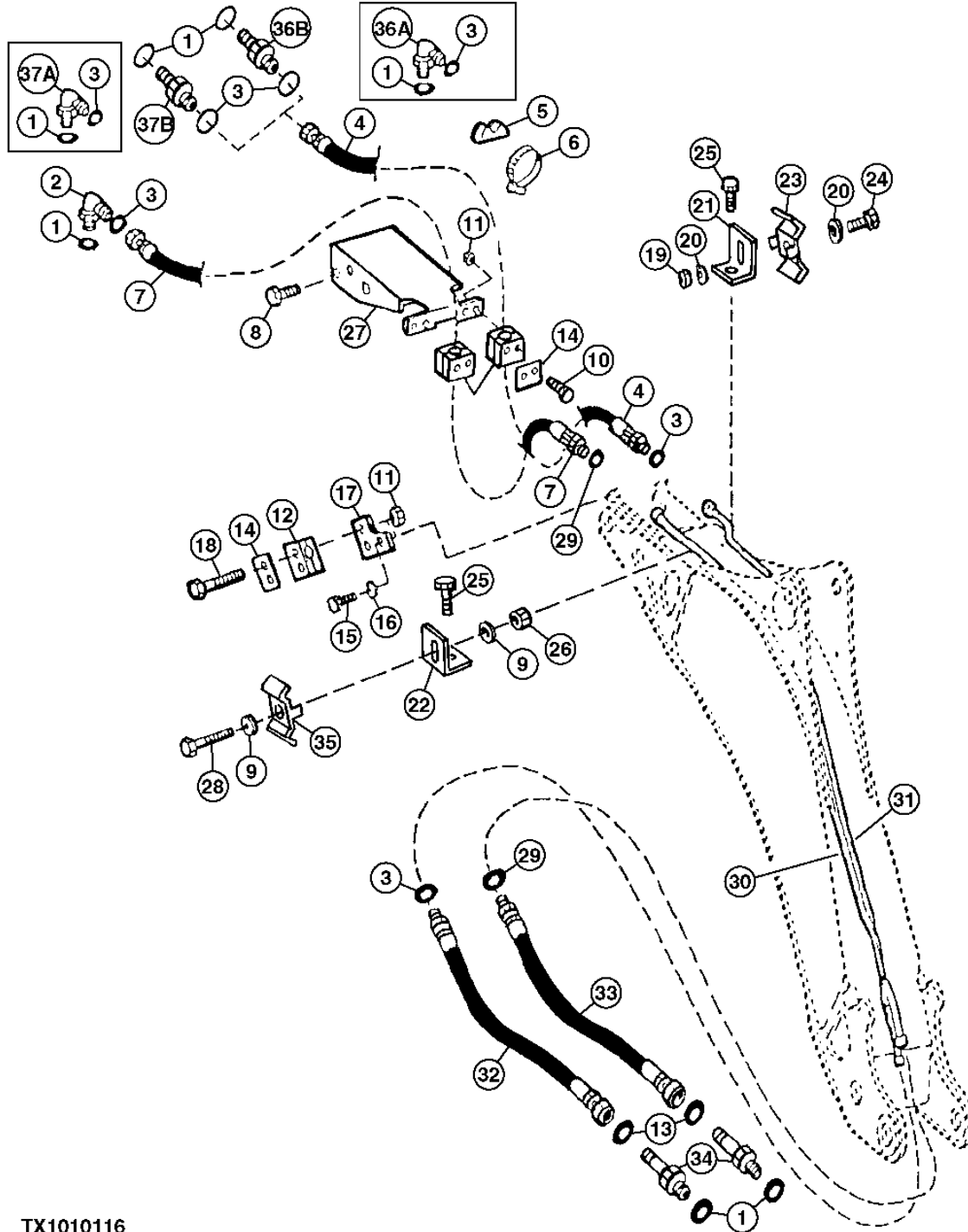
**BUCKET CYLINDER HYDRAULIC HOSES, LINES AND FITTINGS (STANDARD DIPPERSTICK)**  
**CYLINDRE DE GODET, FLEXIBLES ET RACCORDS HYDRAULIQUES (BRAS STANDARD)**  
**CILINDRO DE CUCHARON, MANGUERAS HIDRAULICAS Y ADAPTADORES (BRAZO ESTANDAR)**

| KEY | PART NO. | PART NAME                  | QTY. | SERIAL NO. | 3 3<br>3 1 1<br>1 0 5<br>0 S S<br>G G G | REMARKS  |
|-----|----------|----------------------------|------|------------|---|--|
| 1   | AT174393 | HYDRAULIC HOSE - FABRICATE | 1    |            | X X X                                   | 1" X 1 600 MM (63") X 1-3/16"                          |
| 2   | 19M7981  | CAP SCREW                  | 4    | -953591    | X X X                                   | M8 X 55  |
|     | 19M7802  | SCREW                      | 4    | 953592-    | X X X                                   |  |
|     | 14M7426  | LOCK NUT                   | 4    | 953592-    | X X X                                   |  |
| 3   | T162004  | CLAMP                      | 2    |            | X X X                                   |  |
| 4   | T77932   | O-RING                     | 2    |            | X X X                                   |  |
| 5   | T77932   | O-RING                     | 4    |            | X X X                                   |  |
| 6   | 38H1006  | ELBOW FITTING              | 1    |            | X X X                                   |  |
|     | 38H1404  | ELBOW FITTING              | 1    |            | X X X                                   | USE WITH HEAVY DUTY CYLINDER                           |
| 7   | R26906   | O-RING                     | 4    |            | X X X                                   |  |
|     | U12547   | O-RING                     | 1    |            | X X                                     | USE WITH HEAVY DUTY CYLINDER                           |
| 8   | T162005  | STRAP                      | 2    |            | X X X                                   |  |
| 9   | T162003  | CLAMP                      | 2    |            | X X X                                   |  |
| 10  | 19M7550  | CAP SCREW                  | 2    |            | X X X                                   | M10 X 35   |
| 11  | T202050  | ANGLE                      | 2    |            | X X X                                   | (SUB FOR T159829, THIS APPLICATION)                    |
| 12  | R46919   | HALF CLAMP                 | 1    |            | X X                                     |  |
|     | U12288   | CLAMP                      | 1    |            | X                                       |  |
| 13  | 19M7550  | CAP SCREW                  | 1    |            | X X X                                   | M10 X 35   |
| 14  | 24M7239  | WASHER                     | 2    |            | X X X                                   |  |
| 15  | 14M7274  | NUT                        | 2    |            | X X X                                   | M10  |
| 16  | T160376  | CLAMP                      | 1    |            | X X X                                   |  |
| 17  | T77858   | O-RING                     | 2    |            | X X X                                   |  |
| 18  | T105773  | GUIDE                      | 1    |            | X X X                                   |  |
| 19  | AR21842  | CLAMP                      | 1    |            | X                                       |  |
|     | C16054   | CLAMP                      | 1    |            | X X                                     |  |
| 20  | AT176968 | OIL LINE                   | 1    |            | X                                       |  |
|     | AT174330 | OIL LINE                   | 1    |            | X X                                     |  |
| 21  | AT176969 | OIL LINE                   | 1    |            | X                                       |  |
|     | AT174336 | OIL LINE                   | 1    |            | X X                                     |  |
| 22  | AT177603 | HYDRAULIC HOSE - FABRICATE | 1    | -911128    | X X                                     | 1" X 1 080 MM (42-1/2") X 1", LOWER TUBE               |
|     | AT280343 | HYDRAULIC HOSE - FABRICATE | 1    | 911129-    | X X                                     | 1" X 1 080 MM (42-1/2") X 1"                           |
|     | AT180152 | HYDRAULIC HOSE - FABRICATE | 1    | -911128    | X                                       | 13/16" X 1 056 MM (41-1/2") X 1", LOWER TUBE / ROD END |
|     | AT280346 | HYDRAULIC HOSE - FABRICATE | 1    | 911129-    | X                                       | 1" X 1 056 MM (41-1/2") X 1"                           |
| 23  | AT177604 | HYDRAULIC HOSE - FABRICATE | 1    | -911128    | X X                                     | 1" X 1 080 MM (42-1/2") X 1-3/16", UPPER TUBE          |
|     | AT280344 | HYDRAULIC HOSE - FABRICATE | 1    | 911129-    | X X                                     | 1" X 1 080 MM (42-1/2") X 1-3/16", UPPER TUBE          |
|     | AT181591 | HYDRAULIC HOSE - FABRICATE | 1    | -911128    | X                                       | 1" X 1 140 MM (45") X 1-3/16", UPPER TUBE / HEAD END   |
|     | AT280347 | HYDRAULIC HOSE - FABRICATE | 1    | 911129-    | X                                       | 1" X 1 140 MM (45") X 1-3/16"                          |
| 24  | 38H1214  | ADAPTER FITTING            | 2    |            | X X                                     |  |
| 25  | AT174394 | HYDRAULIC HOSE - FABRICATE | 1    |            | X X X                                   | 1" X 1 734 MM (68-1/4") X 1"                           |
| 26  | 19M7550  | CAP SCREW                  | 1    |            | X X X                                   | M10 X 35   |
|     | 28H3394  | BUSHING                    | 1    |            | X                                       |  |
| 27A | 38H1006  | ELBOW FITTING              | 1    | -910900    | X                                       |  |
| 27B | 38H1162  | ADAPTER FITTING            | 1    | 910901-    | X                                       |  |
| 28A | 38H1006  | ELBOW FITTING              | 1    | -926129    | X X                                     |  |
| 28B | 38H1162  | ADAPTER FITTING            | 1    | 926130-    | X X                                     |  |

# 3363-10

LINES, HOSES AND FITTINGS 3363  
BUCKET CYLINDER HYDRAULIC HOSES AND FITTINGS (EXTENDABLE DIPPERSTICK)  
CYLINDRE DE GODET, FLEXIBLES ET RACCORDS HYDRAULIQUES (BRAS TELESCOPIQUE)  
CILINDRO DE CUCHARON, MANGUERAS HIDRAULICAS Y ADAPTADORES (BRAZO EXTENSIBLE)

TX1010116 -UN-13JUL06



TX1010116

# 3363-11

BACKHOE 33

LINES, HOSES AND FITTINGS 3363

**BUCKET CYLINDER HYDRAULIC HOSES AND FITTINGS (EXTENDABLE DIPPERSTICK)**  
**CYLINDRE DE GODET, FLEXIBLES ET RACCORDS HYDRAULIQUES (BRAS TELESCOPIQUE)**  
**CILINDRO DE CUCHARON, MANGUERAS HIDRAULICAS Y ADAPTADORES (BRAZO EXTENSIBLE)**

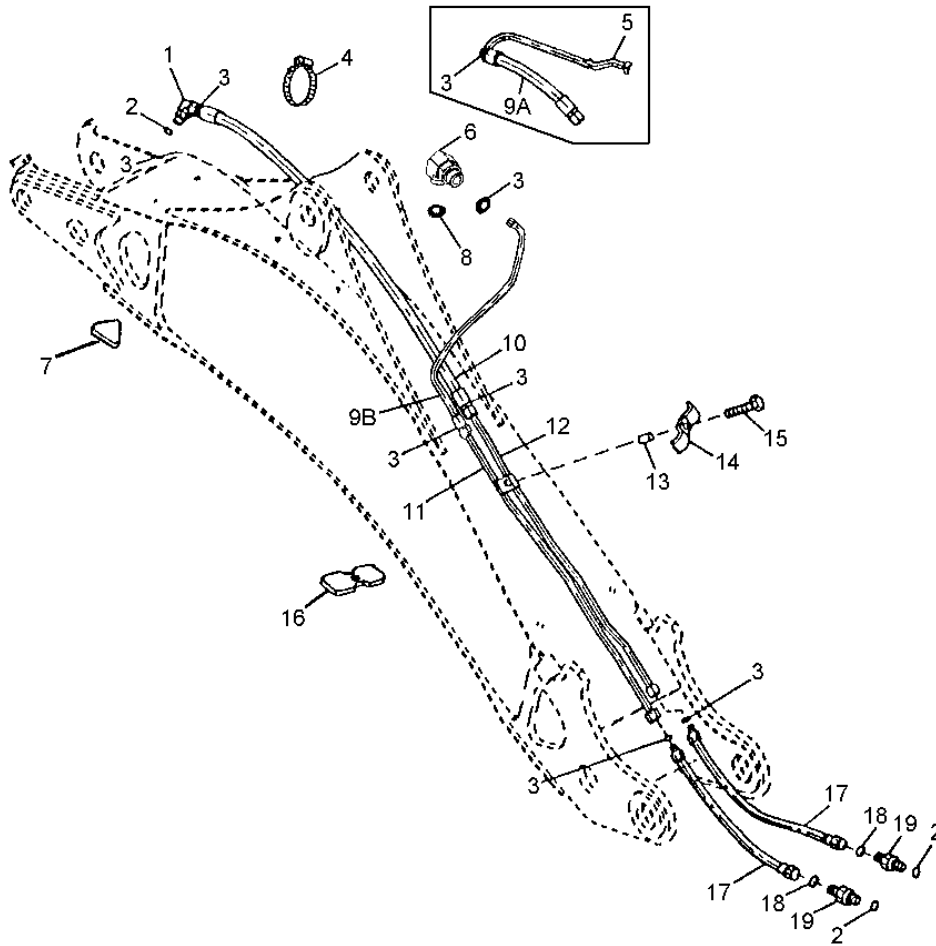
| KEY | PART NO. | PART NAME                  | QTY. | SERIAL NO. | 3 3<br>3 1 1<br>1 0 5<br>0 S S<br>G G G | REMARKS  |
|-----|----------|----------------------------|------|------------|---|--|
| 1   | R26906   | O-RING                     | 4    |            | X X X                                   |  |
| 2   | 38H1006  | ELBOW FITTING              | 1    |            | X X X                                   |  |
| 3   | T77932   | O-RING                     | 6    |            | X X X                                   |  |
| 4   | AT170172 | HYDRAULIC HOSE - FABRICATE | 1    |            | X X X                                   | 1" X 2 892 MM (113-3/4") X 1"  |
| 5   | T105773  | GUIDE                      | 1    |            | X X X                                   |  |
| 6   | AR21842  | CLAMP                      | 1    |            | X                                       |  |
|     | C16054   | CLAMP                      | 1    |            | X X                                     |  |
| 7   | AT170173 | HYDRAULIC HOSE - FABRICATE | 1    |            | X X X                                   | 1" X 2 000 MM (78-3/4") X 1-3/16"                                      |
| 8   | T165889  | SCREW                      | 4    |            | X X X                                   | M10 X 30   |
| 9   | 24M7239  | WASHER                     | 2    |            | X X X                                   | 10.700 X 21 X 2.500 MM   |
| 10  | 19M7185  | CAP SCREW                  | 4    |            | X X X                                   | M8 X 60  |
| 11  | 14M7426  | LOCK NUT                   | 4    |            | X X X                                   |  |
| 12  | T162004  | CLAMP                      | 8    |            | X X X                                   |  |
| 13  | T77932   | O-RING                     | 2    |            | X X X                                   |  |
| 14  | T162005  | STRAP                      | 4    |            | X X X                                   |  |
| 15  | 19M7932  | CAP SCREW                  | 2    |            | X X X                                   | M8 X 16  |
| 16  | 24M7238  | WASHER                     | 2    |            | X X X                                   |  |
| 17  | T161342  | PLATE                      | 2    |            | X X X                                   |  |
| 18  | 19M7185  | CAP SCREW                  | 2    |            | X X X                                   | M8 X 60  |
| 19  | 14M7274  | NUT                        | 2    |            | X X X                                   | M10  |
| 20  | 24M7239  | WASHER                     | 4    |            | X X X                                   |  |
| 21  | T202050  | ANGLE                      | 1    |            | X X X                                   | (SUB FOR T159829, THIS APPLICATION)                                    |
| 22  | T202050  | ANGLE                      | 1    |            | X X X                                   | (SUB FOR T159829, THIS APPLICATION)                                    |
| 23  | T159954  | CLAMP                      | 1    |            | X X X                                   |  |
| 24  | 19M7550  | CAP SCREW                  | 2    |            | X X X                                   | M10 X 35   |
| 25  | 19M7550  | CAP SCREW                  | 2    |            | X X X                                   | M10 X 35   |
| 26  | 14M7274  | NUT                        | 2    |            | X X X                                   | M10  |
| 27  | AT179233 | BRACKET                    | 1    |            | X                                       |  |
|     | AT179046 | HOSE SUPPORT               | 1    |            | X X                                     |  |
| 28  | 19M7662  | CAP SCREW                  | 2    |            | X X X                                   | M10 X 30   |
| 29  | T77858   | O-RING                     | 2    |            | X X X                                   |  |
| 30  | AT176968 | OIL LINE                   | 1    |            | X                                       |  |
|     | AT174330 | OIL LINE                   | 1    |            | X X                                     |  |
| 31  | AT176969 | OIL LINE                   | 1    |            | X                                       |  |
|     | AT174336 | OIL LINE                   | 1    |            | X X                                     |  |
| 32  | AT177603 | HYDRAULIC HOSE - FABRICATE | 1    | -911128    | X X                                     | 1" X 1 080 MM (42-1/2") X 1", LOWER TUBE                               |
|     | AT280343 | HYDRAULIC HOSE - FABRICATE | 1    | 911129-    | X X                                     | 1" X 1 080 MM (42-1/2") X 1", LOWER TUBE                               |
|     | AT180152 | HYDRAULIC HOSE - FABRICATE | 1    | -911128    | X                                       | 13/16" X 1 056 MM (41-1/2") X 1", LOWER TUBE/ROD END                   |
|     | AT280346 | HYDRAULIC HOSE - FABRICATE | 1    | 911129-    | X                                       | 1" X 1 056 MM (41-1/2") X 1", LOWER TUBE/ROD END                       |
| 33  | AT177604 | HYDRAULIC HOSE - FABRICATE | 1    | -911128    | X X                                     | 1" X 1 080 MM (42-1/2") X 1-3/16", UPPER TUBE                          |
|     | AT280344 | HYDRAULIC HOSE - FABRICATE | 1    | 911129-    | X X                                     | 1" X 1 080 MM (42-1/2") X 1-3/16", UPPER TUBE                          |
|     | AT181591 | HYDRAULIC HOSE - FABRICATE | 1    | -911128    | X                                       | 1" X 1 140 MM (45") X 1-3/16", UPPER TUBE/HEAD END. (SUB FOR AT180153) |
|     | AT280347 | HYDRAULIC HOSE - FABRICATE | 1    | 911129-    | X                                       | 1" X 1 140 MM (45") X 1-3/16", UPPER TUBE/HEAD END                     |
| 34  | 38H1214  | ADAPTER FITTING            | 2    |            | X X                                     |  |
| 35  | T160554  | CLAMP                      | 1    |            | X X                                     |  |
| 36A | 38H1006  | ELBOW FITTING              | 1    | -910900    | X                                       |  |
| 36B | 38H1162  | ADAPTER FITTING            | 1    | 910901-    | X                                       |  |
| 37A | 38H1006  | ELBOW FITTING              | 1    | -926129    | X X                                     |  |
| 37B | 38H1162  | ADAPTER FITTING            | 1    | 926130-    | X X                                     |  |

# 3363-12

**CROWD CYLINDER HYDRAULIC HOSES AND FITTINGS**  
**VERIN DE CAVAGE, FLEXIBLES ET RACCORDS HYDRAULIQUES**  
**CILINDRO DE EMPUJE, MANGUERAS HIDRAULICAS Y ADAPTADORES**

T196761

-UN-18DEC03



T196761

# 3363-13

BACKHOE 33

LINES, HOSES AND FITTINGS 3363

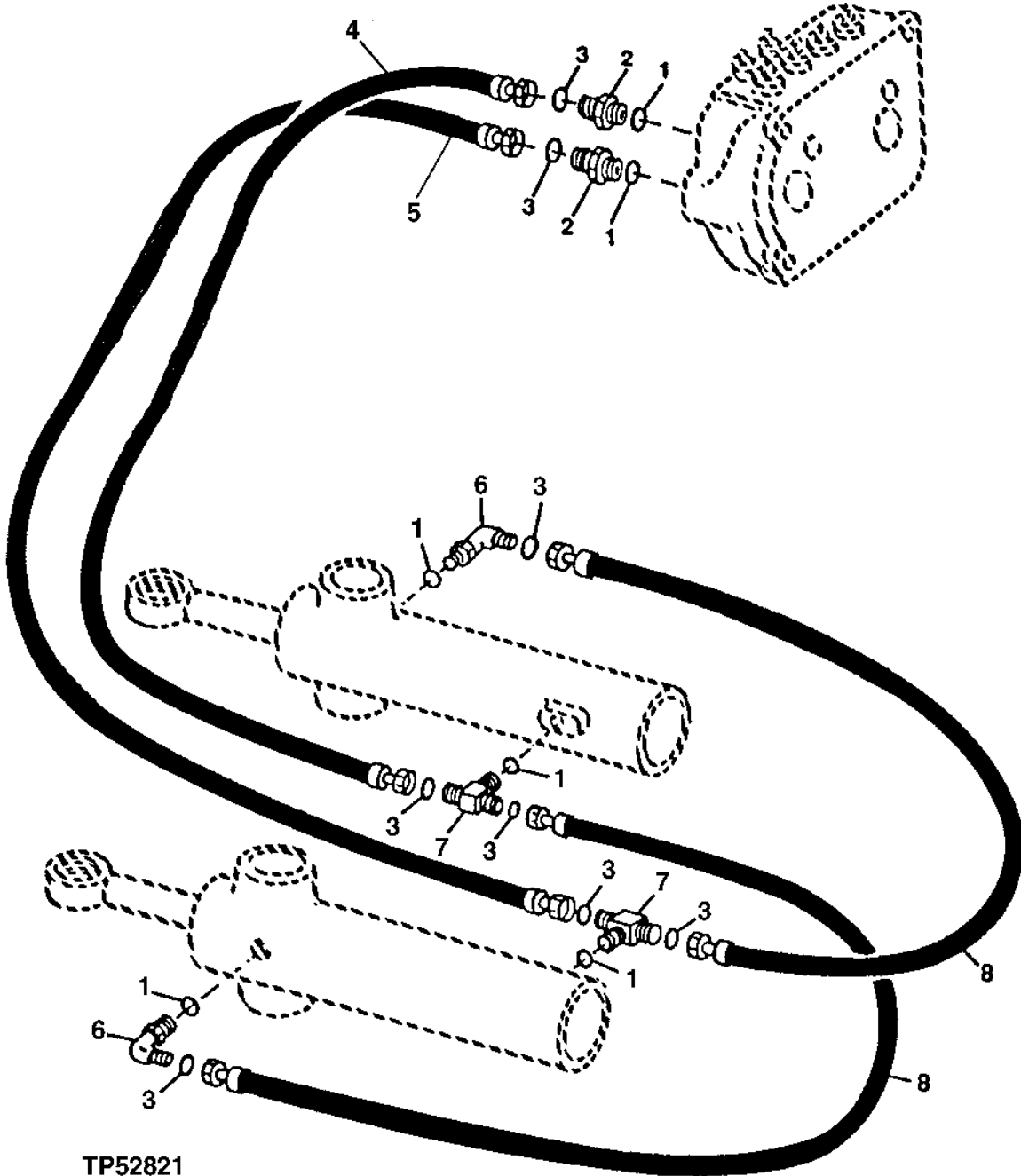
**CROWD CYLINDER HYDRAULIC HOSES AND FITTINGS  
VERIN DE CAVAGE, FLEXIBLES ET RACCORDS HYDRAULIQUES  
CILINDRO DE EMPUJE, MANGUERAS HIDRAULICAS Y ADAPTADORES**

| KEY | PART NO. | PART NAME                  | QTY. | SERIAL NO. | 3 3<br>3 1 1<br>1 0 5<br>0 S S<br>G G G | REMARKS                          |
|-----|----------|----------------------------|------|------------|---|----------------------------------|
| 1   | 38H1006  | ELBOW FITTING              | 1    |            | X X X                                   |                                  |
| 2   | R26906   | O-RING                     | 3    |            | X X X                                   |                                  |
| 3   | T77932   | O-RING                     | 7    |            | X X X                                   |                                  |
| 4   | C16054   | CLAMP                      | 1    | -925501    | X X X                                   |                                  |
|     | R76477   | TIE BAND                   | 1    |            | X X X                                   | (SUB FOR A49232)                 |
| 5   | AT177540 | OIL LINE                   | 1    | -925501    | X X X                                   |                                  |
| 6   | 38H1404  | ELBOW FITTING              | 1    |            | X X X                                   |                                  |
| 7   | T165742  | ISOLATOR                   | 2    |            | X X X                                   |                                  |
| 8   | U12547   | O-RING                     | 1    |            | X X X                                   |                                  |
| 9A  | .....    | HYDRAULIC HOSE - FABRICATE | 1    | -925501    | X X X                                   | ( AT179835 NLA) (SUB AT179083)   |
| 9B  | AT179083 | HYDRAULIC HOSE - FABRICATE | 1    | 925502-    | X X X                                   | 1" X 850 MM (33-1/2") X 1"       |
| 10  | AT174353 | HYDRAULIC HOSE - FABRICATE | 1    |            | X X X                                   | 1" X 1 245 MM (49") X 1"         |
| 11  | AT174268 | OIL LINE                   | 1    |            | X X X                                   |                                  |
| 12  | AT174269 | OIL LINE                   | 1    |            | X X X                                   |                                  |
| 13  | 28H3421  | SPACER                     | 1    |            | X X X                                   |                                  |
| 14  | T159954  | CLAMP                      | 1    |            | X X X                                   |                                  |
| 15  | 19M7572  | CAP SCREW                  | 1    |            | X X X                                   | M10 X 45                         |
| 16  | T165740  | ISOLATOR                   | 2    |            | X X X                                   |                                  |
| 17  | AT177603 | HYDRAULIC HOSE - FABRICATE | 2    | -811128    | X X                                     | 1" X 1 080 MM (42-1/2") X 1"     |
|     | AT280343 | HYDRAULIC HOSE - FABRICATE | 2    | 811129-    | X X                                     | 1" X 1 080 MM (42-1/2") X 1"     |
|     | AT180152 | HYDRAULIC HOSE - FABRICATE | 2    | -811128    | X                                       | 13/16" X 1 056 MM (41-1/2") X 1" |
|     | AT280346 | HYDRAULIC HOSE - FABRICATE | 2    | 811129-    | X                                       | 1" X 1 056 MM (41-1/2") X 1"     |
| 18  | T77932   | O-RING                     | 2    |            | X X                                     |                                  |
|     | T77857   | O-RING                     | 2    |            | X                                       |                                  |
| 19  | 38H1214  | ADAPTER FITTING            | 2    |            | X X                                     |                                  |
|     | 38H1174  | ADAPTER FITTING            | 2    |            | X                                       |                                  |

# 3363-14

SWING CYLINDER HYDRAULIC HOSES AND FITTINGS (310G, 310SG)  
CYLINDRE OSCILLANT, FLEXIBLES ET RACCORDS HYDRAULIQUES (310G, 310SG)  
CILINDRE GIRATORIO, MANGUERAS HIDRAULICAS Y ADAPTADORES (310G, 310SG)

TP52821 -UN-01OCT96



TP52821



# 3363-15

BACKHOE 33

LINES, HOSES AND FITTINGS 3363

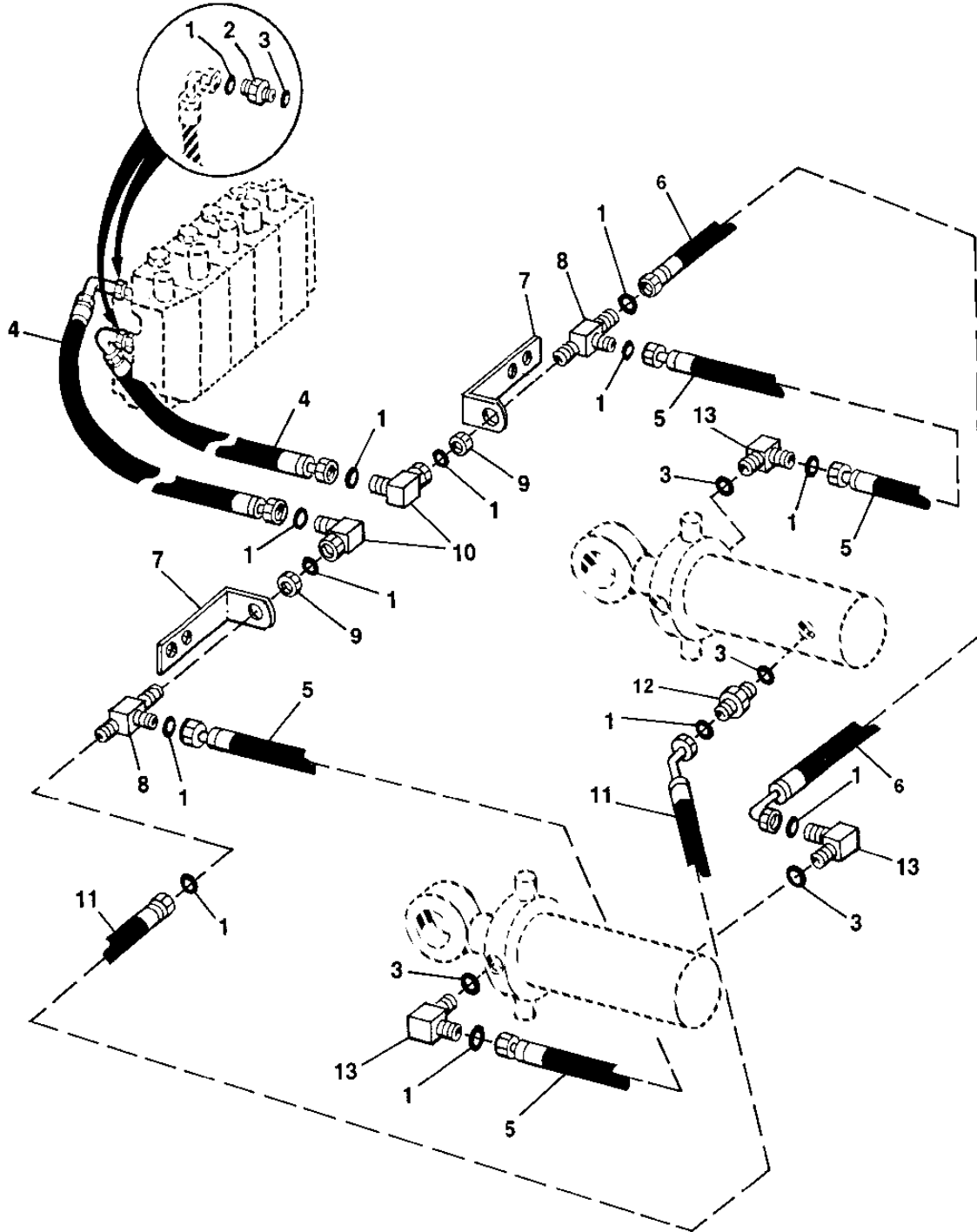
**SWING CYLINDER HYDRAULIC HOSES AND FITTINGS (310G, 310SG)**  
**CYLINDEUR OSCILLANT, FLEXIBLES ET RACCORDS HYDRAULIQUES (310G, 310SG)**  
**CILINDRE GIRATORIO, MANGUERAS HIDRAULICAS Y ADAPTADORES (310G, 310SG)**

| KEY | PART NO. | PART NAME                  | QTY. | SERIAL NO. | REMARKS                                |
|-----|----------|----------------------------|------|------------|--|
|     |          |                            |      |            | 3 3                                    |
|     |          |                            |      |            | 3 1 1                                  |
|     |          |                            |      |            | 1 0 5                                  |
|     |          |                            |      |            | 0 S S                                  |
|     |          |                            |      |            | G G G                                  |
| 1   | R26375   | O-RING                     | 6    |            | X X                                    |
| 2   | 38H1161  | ADAPTER FITTING            | 2    |            | X X                                    |
| 3   | T77857   | O-RING                     | 8    |            | X X                                    |
| 4   | AT176157 | HYDRAULIC HOSE - FABRICATE | 1    |            | X X 13/16" X 880 MM (34-3/4") X 13/16" |
| 5   | AT171758 | HYDRAULIC HOSE - FABRICATE | 1    |            | X X 13/16" X 813 MM (32") X 13/16"     |
| 6   | 38H1005  | ELBOW FITTING              | 2    |            | X X                                    |
| 7   | 38H1017  | TEE FITTING                | 2    |            | X X                                    |
| 8   | AT171759 | HYDRAULIC HOSE - FABRICATE | 2    |            | X X 13/16" X 914 MM (36") X 13/16"     |

# 3363-16

SWING CYLINDER HYDRAULIC HOSES AND FITTINGS (315SG)  
CYLINDRE OSCILLANT, FLEXIBLES ET RACCORDS HYDRAULIQUES (315SG)  
CILINDRE GIRATORIO, MANGUERAS HIDRAULICAS Y ADAPTADORES (315SG)

T136725 -UN-03JAN01



T136725

# 3363-17

BACKHOE 33

LINES, HOSES AND FITTINGS 3363

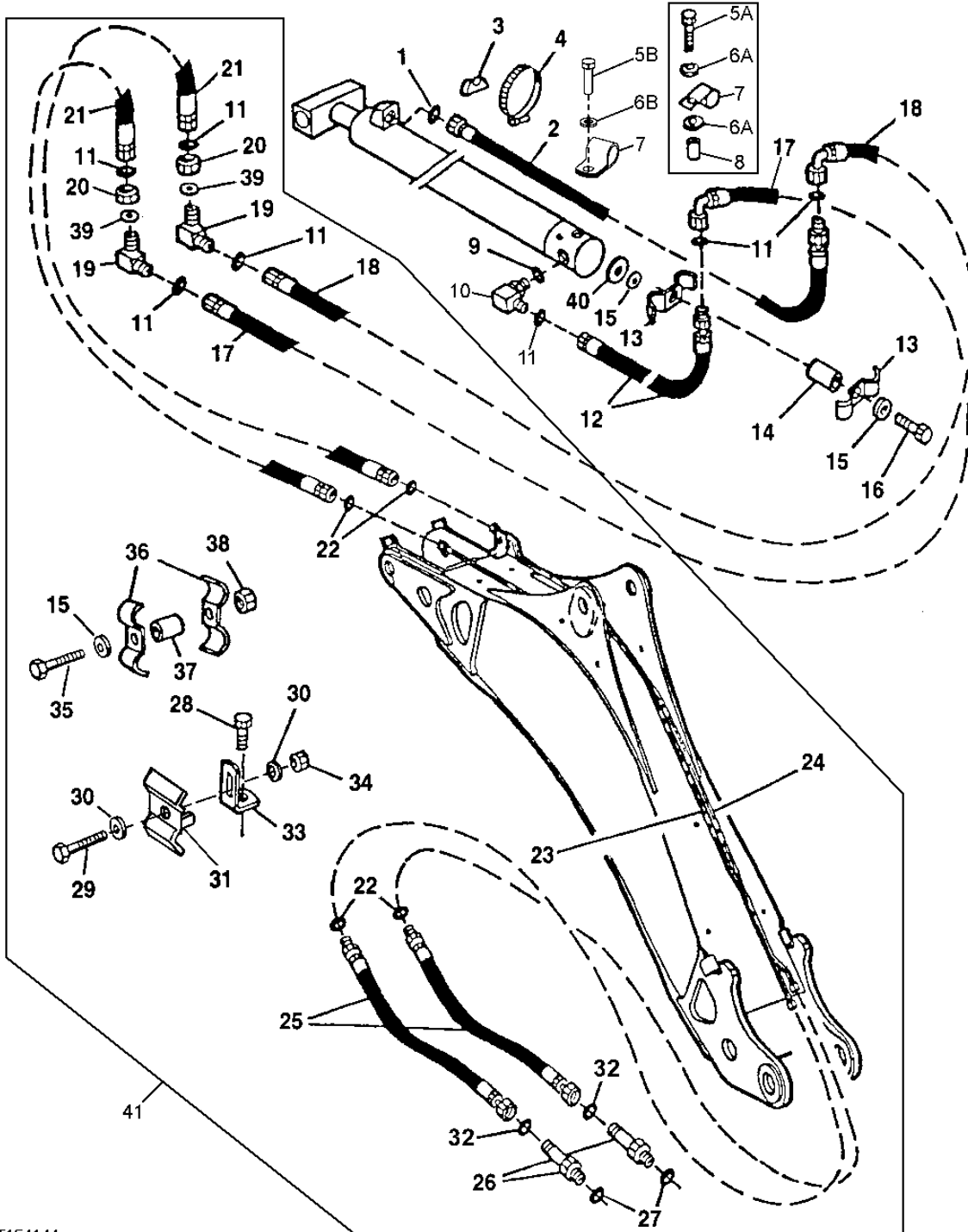
**SWING CYLINDER HYDRAULIC HOSES AND FITTINGS (315SG)**  
**CYLINDEUR OSCILLANT, FLEXIBLES ET RACCORDS HYDRAULIQUES (315SG)**  
**CILINDRE GIRATORIO, MANGUERAS HIDRAULICAS Y ADAPTADORES (315SG)**

| KEY | PART NO. | PART NAME                  | QTY. | SERIAL NO. | REMARKS                              |
|-----|----------|----------------------------|------|------------|--------------------------------------|
|     |          |                            |      |            | 3 3                                  |
|     |          |                            |      |            | 3 1 1                                |
|     |          |                            |      |            | 1 0 5                                |
|     |          |                            |      |            | 0 S S                                |
|     |          |                            |      |            | G G G                                |
| 1   | T77613   | O-RING                     | 16   |            | X                                    |
| 2   | 38H1171  | ADAPTER FITTING            | 2    |            | X                                    |
| 3   | R26375   | O-RING                     | 6    |            | X                                    |
| 4   | AT191140 | HYDRAULIC HOSE - FABRICATE | 2    |            | X 11/16" X 2 285 MM (90") X 11/16"   |
| 5   | AT182599 | HYDRAULIC HOSE - FABRICATE | 2    |            | X 11/16" X 525 MM (20-3/4") X 11/16" |
| 6   | AT182598 | HYDRAULIC HOSE - FABRICATE | 1    |            | X 11/16" X 735 MM (29") X 11/16"     |
| 7   | T163455  | BRACKET                    | 2    |            | X                                    |
| 8   | 38H1503  | TEE FITTING                | 2    |            | X                                    |
| 9   | T81029   | NUT                        | 2    |            | X 11/16"                             |
| 10  | 38H1094  | ELBOW FITTING              | 2    |            | X                                    |
| 11  | AT182597 | HYDRAULIC HOSE - FABRICATE | 1    |            | X 11/16" X 775 MM (30-1/2") X 11/16" |
| 12  | 38H1171  | ADAPTER FITTING            | 1    |            | X                                    |
| 13  | 38H1010  | ELBOW FITTING              | 3    |            | X                                    |

# 3363-18

LINES, HOSES AND FITTINGS 3363  
EXTENSION CYLINDER HYDRAULIC HOSES AND FITTINGS (EXTENDABLE DIPPERSTICK)  
VERIN D'EXTENSION, FLEXIBLES ET RACCORDS HYDRAULIQUES (BRAS TELESCOPIQUE)  
CILINDRO DE EXTENSION, MANGUERAS HIDRAULICAS Y ADAPTADORES (BRAZO EXTENSIBLE)

T154144 -UN-18APR02



T154144

THIS PARTS LISTING IS CONTINUED

# 3363-19

BACKHOE 33

LINES, HOSES AND FITTINGS 3363

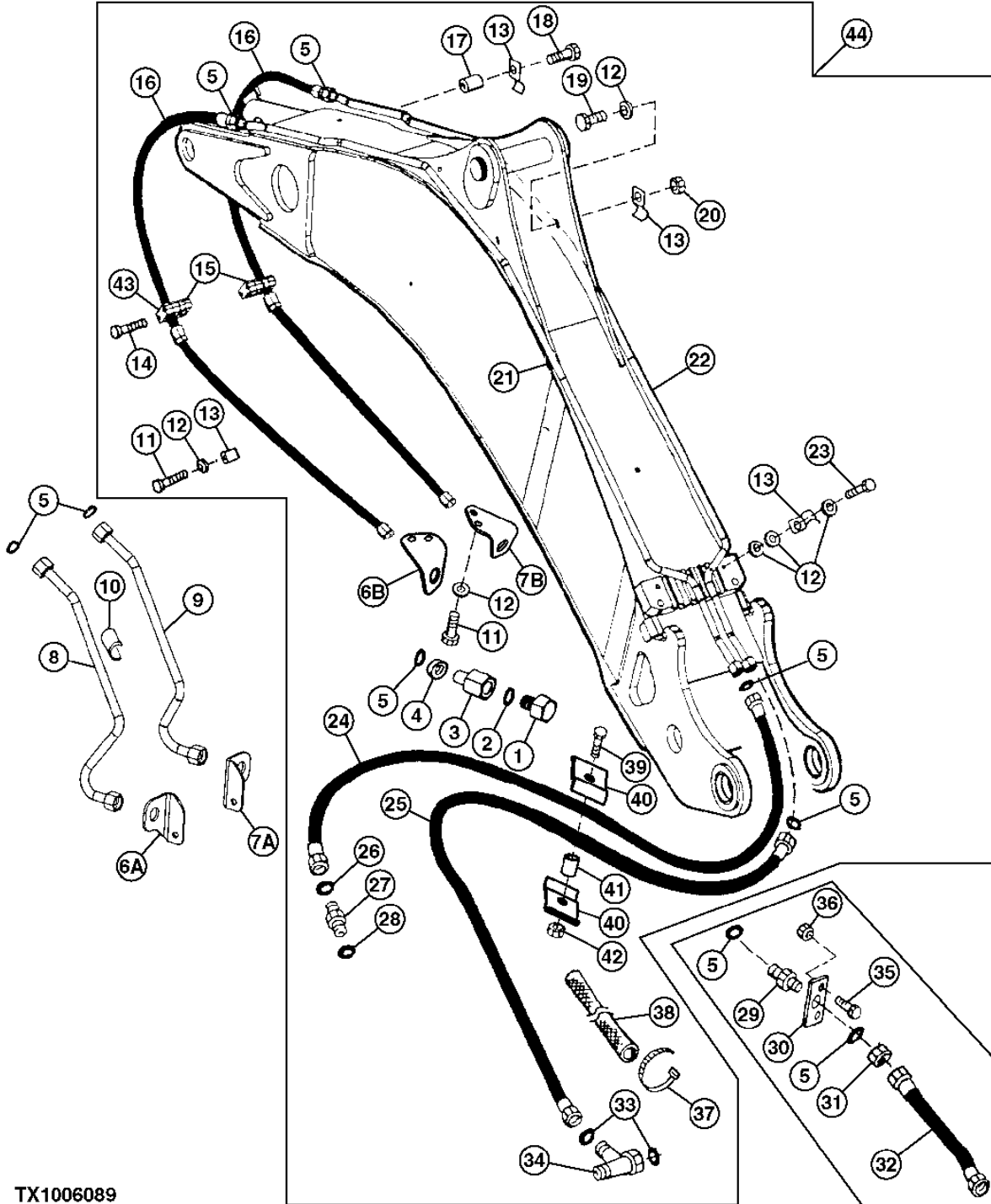
**EXTENSION CYLINDER HYDRAULIC HOSES AND FITTINGS (EXTENDABLE DIPPERSTICK)  
VERIN D'EXTENSION, FLEXIBLES ET RACCORDS HYDRAULIQUES (BRAS TELESCOPIQUE)  
CILINDRO DE EXTENSION, MANGUERAS HIDRAULICAS Y ADAPTADORES (BRAZO EXTENSIBLE)**

| KEY | PART NO. | PART NAME                  | QTY. | SERIAL NO. | 3 3<br>3 1 1<br>1 0 5<br>0 S S<br>G G G | REMARKS   |
|-----|----------|----------------------------|------|------------|---|---|
| 1   | R26448   | O-RING                     | 1    |            | X X X                                   |   |
| 2   | AT172255 | HYDRAULIC HOSE - FABRICATE | 2    |            | X X X                                   | 9/16" X 1 815 MM (71-1/2") X 13/16"   |
| 3   | T105774  | GUIDE                      | 1    |            | X X X                                   |   |
| 4   | AR21841  | CLAMP                      | 1    |            | X X X                                   |   |
| 5A  | 19M7513  | CAP SCREW                  | 1    | -906309    | X X X                                   | M8 X 30   |
| 5B  | M86877   | BOLT                       | 1    | 906310-    | X X X                                   | M8 X 20   |
| 6A  | 24M7238  | WASHER                     | 2    | -906309    | X X X                                   |   |
| 6B  | 24M7238  | WASHER                     | 1    | 906310-    | X X X                                   |   |
| 7   | T24959   | CLAMP                      | 1    |            | X X X                                   |   |
| 8   | R54701   | SPACER                     | 1    | -906309    | X X X                                   |   |
| 9   | R26375   | O-RING                     | 1    |            | X X X                                   |   |
| 10  | 38H1005  | ELBOW FITTING              | 1    |            | X X X                                   |   |
| 11  | T77857   | O-RING                     | 7    |            | X X X                                   |   |
| 12  | AT172256 | HYDRAULIC HOSE - FABRICATE | 1    |            | X X X                                   | 13/16" X 590 MM (23-1/4") X 13/16"  |
| 13  | R46919   | HALF CLAMP                 | 2    |            | X X X                                   |   |
| 14  | T126052  | SPACER                     | 1    |            | X X X                                   |   |
| 15  | 24M7239  | WASHER                     | 4    |            | X X X                                   |   |
| 16  | 19M7935  | CAP SCREW                  | 1    |            | X X X                                   | M10 X 55  |
| 17  | AT179238 | HYDRAULIC HOSE             | 1    |            | X X X                                   | 13/16" X 460 MM (18") X 13/16"  |
| 18  | AT179238 | HYDRAULIC HOSE             | 1    |            | X X X                                   | 13/16" X 460 MM (18") X 13/16"  |
| 19  | 38H1323  | ELBOW FITTING              | 2    |            | X X X                                   |   |
| 20  | T78716   | NUT                        | 2    |            | X X X                                   | 13/16"  |
| 21  | AT178413 | HYDRAULIC HOSE - FABRICATE | 2    |            | X X X                                   | 13/16" X 1 200 MM (47-1/4") X 1", (SUB FOR AT178405)  |
| 22  | T77932   | O-RING                     | 4    |            | X X X                                   |   |
| 23  | AT176982 | OIL LINE                   | 1    |            | X                                       | UPPER TUBE  |
|     | AT174339 | OIL LINE                   | 1    |            | X X                                     | UPPER TUBE  |
| 24  | AT176983 | LINE                       | 1    |            | X                                       | LOWER TUBE  |
|     | AT174340 | OIL LINE                   | 1    |            | X X                                     | LOWER TUBE  |
| 25  | AT177603 | HYDRAULIC HOSE - FABRICATE | 2    | -911128    | X X                                     | 1" X 1 080 MM (42-1/2") X 1"  |
|     | AT280343 | HYDRAULIC HOSE - FABRICATE | 2    | 911129-    | X X                                     | 1" X 1 080 MM (42-1/2") X 1"  |
|     | AT180152 | HYDRAULIC HOSE - FABRICATE | 2    | -911128    | X                                       | 13/16" X 1 056 MM (41-1/2") X 1"  |
|     | AT280346 | HYDRAULIC HOSE - FABRICATE | 2    | 911129-    | X                                       | 1" X 1 056 MM (41-1/2") X 1"  |
| 26  | 38H1214  | ADAPTER FITTING            | 2    |            | X X                                     |   |
|     | 38H1174  | ADAPTER FITTING            | 2    |            | X                                       |   |
| 27  | R26906   | O-RING                     | 2    |            | X X X                                   |   |
| 28  | 19M7550  | CAP SCREW                  | 2    |            | X X X                                   | M10 X 35  |
| 29  | 19M7550  | CAP SCREW                  | 2    |            | X X X                                   | M10 X 35  |
| 30  | 24M7239  | WASHER                     | 4    |            | X X X                                   |   |
| 31  | T160554  | CLAMP                      | 1    |            | X X X                                   | LH  |
|     | T159954  | CLAMP                      | 1    |            | X X X                                   | RH  |
| 32  | T77932   | O-RING                     | 2    |            | X X                                     |   |
|     | T77857   | O-RING                     | 2    |            | X                                       |   |
| 33  | T202050  | ANGLE                      | 2    |            | X X X                                   | (SUB FOR T159829, THIS APPLICATION)   |
| 34  | 14M7274  | NUT                        | 2    |            | X X X                                   | M10   |
| 35  | 19M8637  | CAP SCREW                  | 2    |            | X X X                                   | M10 X 40  |
| 36  | R46919   | HALF CLAMP                 | 4    |            | X X X                                   |   |
| 37  | 28H3381  | SPACER                     | 2    |            | X X X                                   |   |
| 38  | 14M7274  | NUT                        | 2    |            | X X X                                   | M10   |
| 39  | 24M7396  | WASHER                     | 4    |            | X X X                                   | 21 X 34 X 3 MM  |
| 40  | T29342   | WASHER                     | 1    |            | X X X                                   | 13.487 X 31.750 X 4.572 MM  |
| 41  | AT178784 | KIT                        | 1    |            | X                                       | (WHOLE GOODS) (INCLUDES AT170172, AT170173, (8) T147187 AND AT179233) (ALSO INCLUDES BUCKET CYLINDER CLAMPS AND HARDWARE) |
|     | AT191548 | KIT                        | 1    |            | X X                                     | (WHOLE GOODS) (INCLUDES AT170172, AT170173, (8) T147187 AND AT179046) (ALSO INCLUDES BUCKET CYLINDER CLAMPS AND HARDWARE) |

# 3363-20

LINES, HOSES AND FITTINGS 3363  
AUXILIARY EQUIPMENT HYDRAULIC HOSES AND FITTINGS (STANDARD DIPPERSTICK) (310G, 310SG)  
EQUIPEMENT AUXILIAIRE, FLEXIBLES ET RACCORDS HYDRAULIQUES (BRAS STANDARD) (310G, 310SG)  
EQUIPO AUXILIAR, MANGUERAS HIDRAULICAS (BRAZO ESTANDAR) (310G, 310SG)

TX1006089 -UN-17APR06



TX1006089

# 3363-21

BACKHOE 33

LINES, HOSES AND FITTINGS 3363

**AUXILIARY EQUIPMENT HYDRAULIC HOSES AND FITTINGS (STANDARD DIPPERSTICK) (310G, 310SG)**  
**EQUIPEMENT AUXILIAIRE, FLEXIBLES ET RACCORDS HYDRAULIQUES (BRAS STANDARD) (310G, 310SG)**  
**EQUIPO AUXILIAR, MANGUERAS HIDRAULICAS (BRAZO ESTANDAR) (310G, 310SG)**

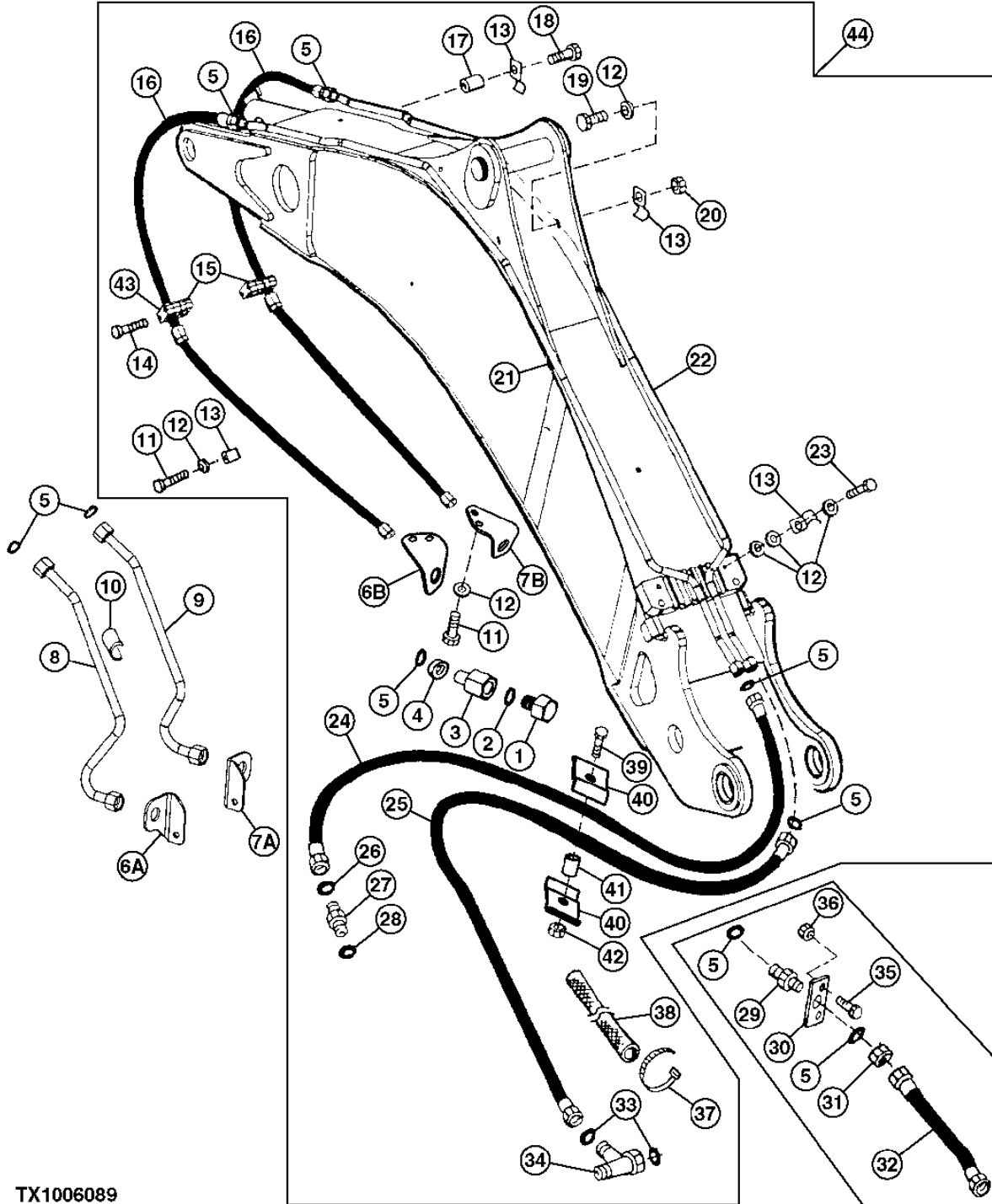
| KEY | PART NO. | PART NAME                  | QTY. | SERIAL NO.    | 3 3<br>3 1 1<br>1 0 5<br>0 S S<br>G G G | REMARKS   |
|-----|----------|----------------------------|------|---------------|---|---|
| 1   | R27175   | DRAIN PLUG                 | 2    |               | X X                                     |   |
| 2   | U12547   | O-RING                     | 2    |               | X X                                     |   |
| 3   | T163702  | REDUCER                    | 2    |               | X X                                     |   |
| 4   | T78707   | NUT                        | 2    |               | X X                                     |   |
| 5   | T77858   | O-RING                     | 10   |               | X X                                     |   |
| 6A  | T162682  | BRACKET                    | 1    | -940475       | X X                                     |   |
| 6B  | T205636  | BRACKET                    | 1    | 940476-       | X X                                     |   |
| 7A  | T162681  | BRACKET                    | 1    | -940475       | X X                                     |   |
| 7B  | T205637  | BRACKET                    | 1    | 940476-       | X X                                     |   |
| 8   | AT181680 | OIL LINE                   | 1    | -940475       | X                                       |   |
|     | AT181885 | OIL LINE                   | 1    | -940475       | X                                       |   |
| 9   | AT181679 | OIL LINE                   | 1    | -940475       | X                                       |   |
|     | AT181884 | OIL LINE                   | 1    | -940475       | X                                       |   |
| 10  | T107029  | CONDUIT                    | 2    |               | X X                                     | .812 MAX X .500 ID                                  |
| 11  | 19M7662  | CAP SCREW                  | AR   |               | X X                                     | M10 X 30  |
| 12  | 24M7239  | WASHER                     | AR   |               | X X                                     |   |
| 13  | T160376  | CLAMP                      | 12   |               | X X                                     |   |
| 14  | 19M8456  | CAP SCREW                  | 4    | -952642       | X X                                     | M8 X 100  |
|     | 24M7238  | WASHER                     | 4    | -952642       | X X                                     |   |
|     | 19M7873  | SCREW                      | 4    | 952643-       | X X                                     | M8 X 110  |
|     | 14M7426  | LOCK NUT                   | 4    | 952643-       | X X                                     | M8  |
| 15  | T162004  | CLAMP                      | 4    |               | X X                                     |   |
| 16  | AT179036 | HYDRAULIC HOSE - FABRICATE | 2    | -940475       | X X                                     | 1-3/16" X 1 092 MM (43") X 1-3/16"                  |
|     | AT310257 | HYDRAULIC HOSE - FABRICATE | 2    | 940476-       | X X                                     | 13/16" X 1 691 MM (66-1/2") X 13/16"                |
| 17  | T126052  | SPACER                     | 2    |               | X X                                     |   |
| 18  | 19M7572  | CAP SCREW                  | 2    |               | X X                                     | M10 X 45  |
| 19  | 03M7192  | BOLT                       | 4    |               | X X                                     | M10 X 30  |
| 20  | 14M7274  | NUT                        | 4    |               | X X                                     |   |
| 21  | AT329520 | HYDRAULIC LINE             | 1    |               | X                                       | (SUB FOR AT179031)                                  |
|     | AT178376 | HYDRAULIC LINE             | 1    |               | X                                       |   |
| 22  | AT179030 | HYDRAULIC LINE             | 1    | -952642       | X                                       |   |
|     | AT329519 | HYDRAULIC LINE             | 1    | 953643-       | X                                       |   |
|     | AT178375 | HYDRAULIC LINE             | 1    |               | X                                       |   |
| 23  | 19M8183  | CAP SCREW                  | 2    |               | X X                                     | M10 X 90  |
| 24  | AT179033 | HYDRAULIC HOSE - FABRICATE | 1    | -911128       | X X                                     | 1" X 1 207 MM (47-1/2") X 1-3/16", TO BACKHOE VALVE |
|     | AT280350 | HYDRAULIC HOSE - FABRICATE | 1    | 911129-       | X X                                     | 1" X 1 207 MM (47-1/2") X 1-3/16", TO BACKHOE VALVE |
| 25  | AT191859 | HYDRAULIC HOSE - FABRICATE | 1    | -911128       | X X                                     | 1-3/16" X 1 321 MM (52") X 1"                       |
|     | AT280345 | HYDRAULIC HOSE - FABRICATE | 1    | 911129-940475 | X X                                     | 1-3/16" X 1 321 MM (52") X 1-3/16"                  |
|     | AT309710 | HYDRAULIC HOSE - FABRICATE | 1    | 940476-       | X X                                     | 13/16" X 2 057 MM (81") X 13/16"                    |

THIS PARTS LISTING IS CONTINUED

# 3363-21A

AUX EQUIPMENT HYD HOSES AND FITTINGS (STANDARD DIPPERSTICK) (310G, 310SG) (CONTINUED) LINES, HOSES AND FITTINGS 3363  
EQUIPEMENT AUX, FLEXIBLES ET RACCORDS HYD (BRAS STANDARD) (310G, 310SG) (SUITE)  
EQUIPO AUX, MANGUERAS HID. (BRAZO ESTÁNDAR) (310G, 310SG) (CONTINUE)

TX1006089 -UN-17APR06



TX1006089



# 3363-21B

BACKHOE 33

LINES, HOSES AND FITTINGS 3363

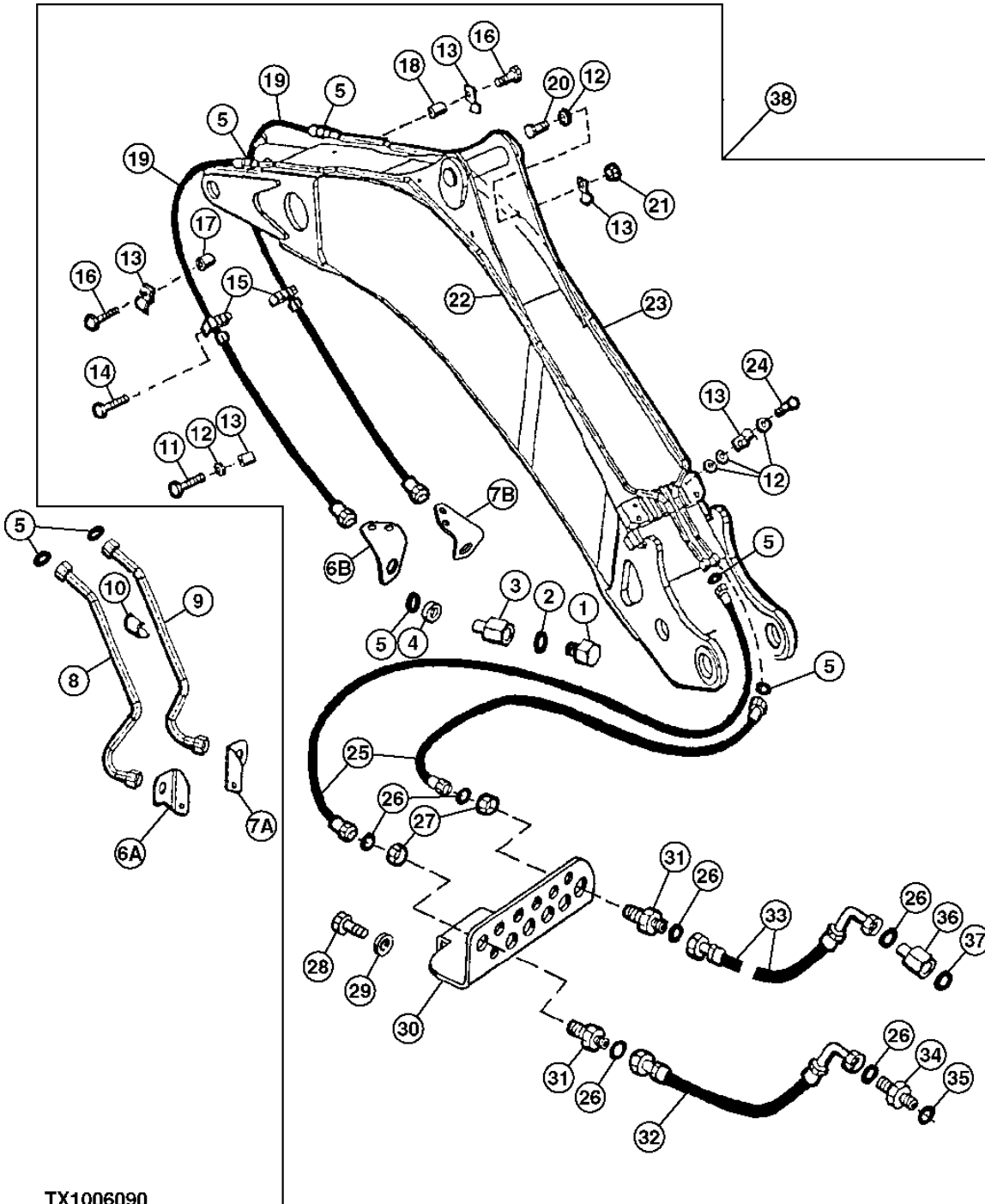
**AUX EQUIPMENT HYD HOSES AND FITTINGS (STANDARD DIPPERSTICK) (310G, 310SG) (CONTINUED)**  
**EQUIPEMENT AUX, FLEXIBLES ET RACCORDS HYD (BRAS STANDARD) (310G, 310SG) (SUITE)**  
**EQUIPO AUX, MANGUERAS HID. (BRAZO ESTÁNDAR) (310G, 310SG) (CONTINUE)**

| KEY | PART NO.        | PART NAME                  | QTY.     | SERIAL NO.     | REMARKS   |
|-----|-----------------|----------------------------|----------|----------------|---|
|     |                 |                            |          |                | 3 3<br>3 1 1<br>1 0 5<br>0 S S<br>G G G             |
| 26  | T77932          | O-RING                     | 1        |                | X X   |
| 27  | 38H1329         | ADAPTER FITTING            | 1        |                | X X   |
| 28  | U12547          | O-RING                     | 1        |                | X X   |
| 29  | 38H1276         | ADAPTER FITTING            | 1        | -940475        | X X   |
| 30  | T184579         | STRAP                      | 1        | -913416        | X X   |
| 31  | T78707          | NUT                        | 1        | -940475        | X X 1-3/16"   |
| 32  | AT190762        | HYDRAULIC HOSE - FABRICATE | 1        | -940475        | X X 1-3/16" X 710 MM (28") X 1-7/16"                |
| 33  | T76938          | O-RING                     | 2        |                | X X   |
| 34  | 38H1002         | TEE FITTING                | 1        |                | X X TO FILTER TEE                                   |
| 35  | 19M7662         | CAP SCREW                  | 2        | -913416        | X X   |
| 36  | 14M7274         | NUT                        | 2        | -913416        | X X   |
| 37  | H77698          | TIE BAND                   | 2        | 940476-        | X X   |
| 38  | .....           | CONDUIT                    | 1        | 940476-        | X X CTL 360.4MM (14.190") (MAKE FROM T107029)       |
| 39  | 19M8637         | CAP SCREW                  | 1        | 940476-        | X X M10 X 40  |
| 40  | R46919          | HALF CLAMP                 | 2        | 940476-        | X X   |
| 41  | 28H3416         | BUSHING                    | 1        | 940476-        | X X 0.493" X 0.675" X 13/16"                        |
| 42  | 14M7274         | NUT                        | 1        | 940476-        | X X M10   |
| 43  | T162005         | STRAP                      | 2        |                | X X   |
| 44  | .....           | KIT                        | 1        | -940475        | X ( AT197243 NLA) (SUB FOR AT190653) (SUB AT329662) |
|     | <b>AT329662</b> | <b>KIT</b>                 | <b>1</b> | <b>940476-</b> | <b>X (WHOLE GOODS) (SUB FOR AT309706)</b>           |
|     | <b>AT197253</b> | <b>KIT</b>                 | <b>1</b> | <b>-940475</b> | <b>X (WHOLE GOODS) (SUB FOR AT191838)</b>           |
|     | <b>AT309567</b> | <b>KIT</b>                 | <b>1</b> | <b>940476-</b> | <b>X (WHOLE GOODS)</b>                              |

# 3363-22

LINES, HOSES AND FITTINGS 3363  
AUXILIARY EQUIPMENT HYDRAULIC HOSES AND FITTINGS (STANDARD DIPPERSTICK) (315SG)  
EQUIPEMENT AUXILIAIRE, FLEXIBLES ET RACCORDS HYDRAULIQUES (BRAS STANDARD) (315SG)  
EQUIPO AUXILIAR, MANGUERAS HIDRAULICAS Y ADAPTADORES (BRAZO ESTANDAR) (315SG)

TX1006090 -UN-17APR06



TX1006090

# 3363-23

BACKHOE 33

LINES, HOSES AND FITTINGS 3363

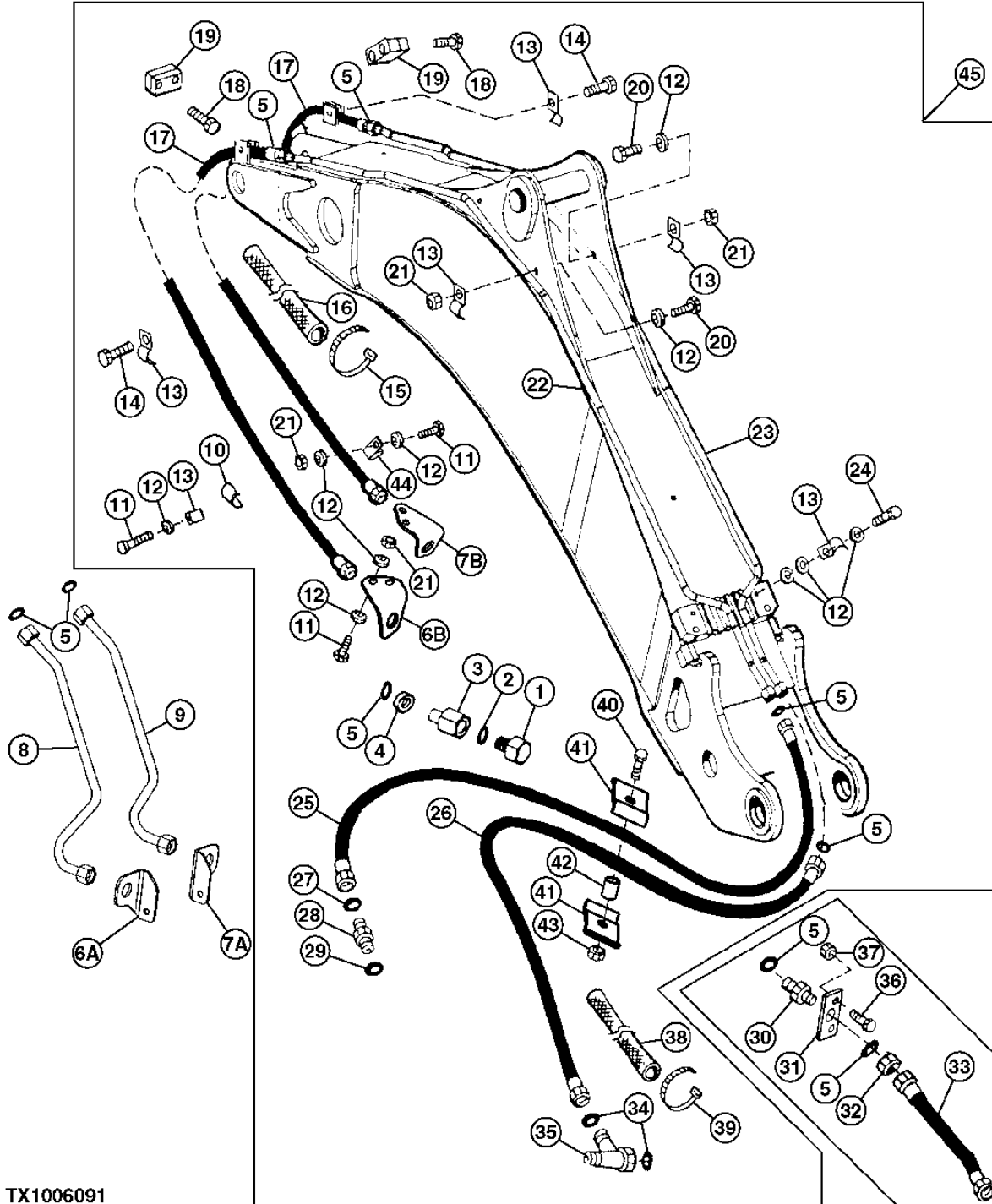
**AUXILIARY EQUIPMENT HYDRAULIC HOSES AND FITTINGS (STANDARD DIPPERSTICK) (315SG)**  
**EQUIPEMENT AUXILIAIRE, FLEXIBLES ET RACCORDS HYDRAULIQUES (BRAS STANDARD) (315SG)**  
**EQUIPO AUXILIAR, MANGUERAS HIDRAULICAS Y ADAPTADORES (BRAZO ESTANDAR) (315SG)**

| KEY | PART NO. | PART NAME                  | QTY. | SERIAL NO. | 3 3<br>3 1 1<br>1 0 5<br>0 S S<br>G G G | REMARKS   |
|-----|----------|----------------------------|------|------------|---|---|
| 1   | R27175   | PLUG                       | 2    |            | X                                       |   |
| 2   | U12547   | O-RING                     | 2    |            | X                                       |   |
| 3   | T163702  | REDUCER                    | 2    |            | X                                       |   |
| 4   | T78707   | NUT                        | 2    |            | X                                       |   |
| 5   | T77858   | O-RING                     | 8    |            | X                                       |   |
| 6A  | T162682  | BRACKET                    | 1    | -940475    | X                                       |   |
| 6B  | T205636  | BRACKET                    | 1    | 940476-    | X                                       |   |
| 7A  | T162681  | BRACKET                    | 1    | -940475    | X                                       |   |
| 7B  | T205637  | BRACKET                    | 1    | 940476-    | X                                       |   |
| 8   | AT181885 | HYDRAULIC LINE             | 1    | -940475    | X                                       |   |
| 9   | AT181884 | HYDRAULIC LINE             | 1    | -940475    | X                                       |   |
| 10  | .....    | ISOLATOR                   | 2    |            | X                                       | .812 MAX X .500 ID  |
| 11  | 19M7662  | CAP SCREW                  | 4    |            | X                                       | M10 X 30  |
| 12  | 24M7239  | WASHER                     | AR   |            | X                                       |   |
| 13  | T160376  | CLAMP                      | 10   |            | X                                       |   |
| 14  | 19M8456  | CAP SCREW                  | 4    | -940475    | X                                       | M8 X 100  |
|     | 19M7873  | SCREW                      | 4    | 940476-    | X                                       | M8 X 110  |
|     | 14M7426  | LOCK NUT                   | 4    | 940476-    | X                                       | M8  |
| 15  | T162004  | CLAMP                      | 4    |            | X                                       |   |
| 16  | 19M7572  | CAP SCREW                  | 2    |            | X                                       | M10 X 45  |
| 17  | 28H3383  | SPACER                     | 1    |            | X                                       |   |
| 18  | T126052  | SPACER                     | 1    |            | X                                       |   |
| 19  | AT179036 | HYDRAULIC HOSE - FABRICATE | 2    | -940475    | X                                       | 1-3/16" X 1 092 MM (43") X 1-3/16"                                    |
|     | AT310257 | HYDRAULIC HOSE - FABRICATE | 2    | 940476-    | X                                       | 13/16" X 1 691 MM (66-1/2") X 13/16"                                  |
| 20  | 03M7192  | BOLT                       | 4    |            | X                                       | M10 X 30  |
| 21  | 14M7274  | NUT                        | 4    |            | X                                       | M10   |
| 22  | AT178376 | OIL LINE                   | 1    |            | X                                       |   |
| 23  | AT178375 | OIL LINE                   | 1    |            | X                                       |   |
| 24  | 19M8183  | CAP SCREW                  | 2    |            | X                                       | M10 X 90  |
| 25  | AT181591 | HYDRAULIC HOSE - FABRICATE | 2    | -911128    | X                                       | 1" X 1 140 MM (45") X 1-3/16"   |
|     | AT280347 | HYDRAULIC HOSE - FABRICATE | 2    | 911129-    | X                                       | 1" X 1 140 MM (45") X 1-3/16"   |
| 26  | T77932   | O-RING                     | 6    |            | X                                       |   |
| 27  | T80306   | NUT                        | 2    |            | X                                       | 1"  |
| 28  | 19M7872  | CAP SCREW                  | 2    |            | X                                       | M12 X 25  |
| 29  | 24M7047  | WASHER                     | 2    |            | X                                       |   |
| 30  | T163225  | PLATE                      | 1    |            | X                                       | NOT INCLUDED IN AT197259 OR AT309577                                  |
| 31  | 38H1286  | ADAPTER FITTING            | 2    |            | X                                       |   |
| 32  | AT191146 | HYDRAULIC HOSE - FABRICATE | 1    |            | X                                       | 1" X 2 400 MM (94-1/2") X 1", TO<br>SELECTIVE FLOW CONTROL VALVE PORT |
| 33  | AT191147 | HYDRAULIC HOSE - FABRICATE | 1    |            | X                                       | 1" X 1 885 MM (74-1/4") X 1", TO<br>AUXILIARY RETURN PORT             |
| 34  | 38H1162  | ADAPTER FITTING            | 1    |            | X                                       |   |
| 35  | R26906   | O-RING                     | 1    |            | X                                       |   |
| 36  | 38H1476  | REDUCER                    | 1    |            | X                                       |   |
| 37  | R29936   | O-RING                     | 1    |            | X                                       |   |
| 38  | AT197259 | KIT                        | 1    | -940475    | X                                       | (WHOLE GOODS) (SUB FOR AT191545)                                      |
|     | AT309577 | KIT                        | 1    | 940476-    | X                                       | (WHOLE GOODS)   |

# 3363-24

LINES, HOSES AND FITTINGS 3363  
AUXILIARY EQUIPMENT HYDRAULIC HOSES AND FITTINGS (EXTENDABLE DIPPERSTICK) (310G, 310SG)  
EQUIPEMENT AUXILIAIRE, FLEXIBLES ET RACCORDS HYDRAULIQUES (BRAS TELESCOPIQUE) (310G, 310SG)  
EQUIPO AUXILIAR, MANGUERAS HIDRAULICAS Y ADAPTADORES (BRAZO EXTENSIBLE) (310G, 310SG)

TX1006091 -UN-17APR06



TX1006091

# 3363-25

**AUXILIARY EQUIPMENT HYDRAULIC HOSES AND FITTINGS (EXTENDABLE DIPPERSTICK) (310G, 310SG)  
EQUIPEMENT AUXILIAIRE, FLEXIBLES ET RACCORDS HYDRAULIQUES (BRAS TELESCOPIQUE) (310G, 310SG)  
EQUIPO AUXILIAR, MANGUERAS HIDRAULICAS Y ADAPTADORES (BRAZO EXTENSIBLE) (310G, 310SG)**

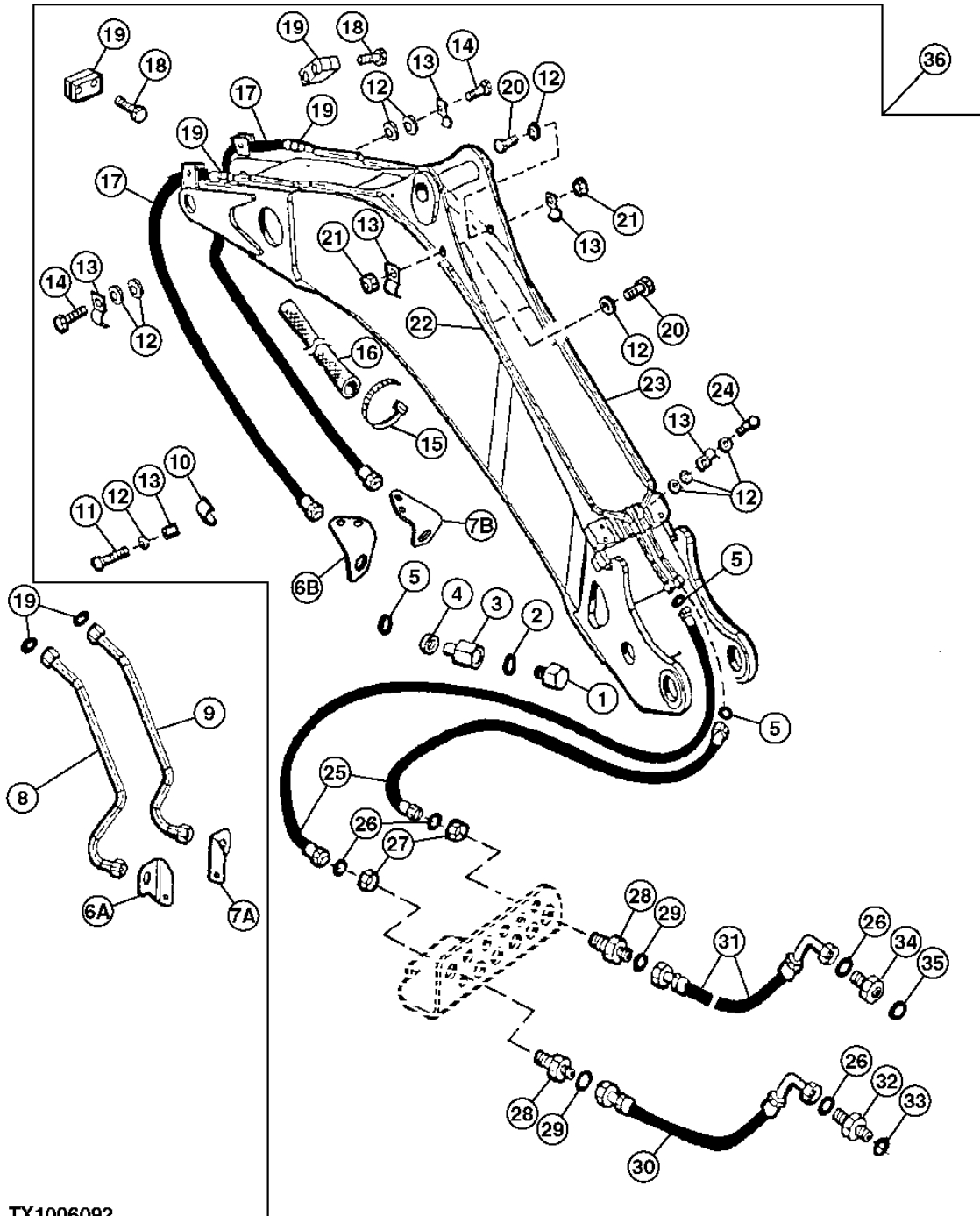
| KEY | PART NO.        | PART NAME                  | QTY.     | SERIAL NO.     | REMARKS   |
|-----|-----------------|----------------------------|----------|----------------|---|
|     |                 |                            |          |                | 3 3<br>3 1 1<br>1 0 5<br>0 S S<br>G G G                 |
| 1   | R27175          | PLUG                       | 2        |                | X X   |
| 2   | U12547          | O-RING                     | 2        |                | X X   |
| 3   | T163702         | REDUCER                    | 2        |                | X X   |
| 4   | T78707          | NUT                        | 2        |                | X X   |
| 5   | T77858          | O-RING                     | 10       |                | X X   |
| 6A  | T166781         | BRACKET                    | 1        | -940475        | X X   |
| 6B  | T205636         | BRACKET                    | 1        | 940476-        | X X   |
| 7A  | T166780         | BRACKET                    | 1        | -940475        | X X   |
| 7B  | T205637         | BRACKET                    | 1        | 940476-        | X X   |
| 8   | AT186920        | HYDRAULIC LINE             | 1        | -940475        | X X   |
| 9   | AT186915        | HYDRAULIC LINE             | 1        | -940475        | X X   |
| 10  | T189065         | HOSE                       | 2        | -940475        | X X (SUB FOR T153193, THIS APPLICATION)                 |
| 11  | 19M7662         | CAP SCREW                  | AR       |                | X X M10 X 30  |
| 12  | 24M7239         | WASHER                     | AR       |                | X X   |
| 13  | T160376         | CLAMP                      | 10       |                | X X   |
| 14  | 19M7572         | CAP SCREW                  | 2        |                | X X M10 X 45  |
| 15  | H77698          | TIE BAND                   | 4        |                | X X   |
| 16  | T161365         | SLEEVE                     | 2        |                | X X FABRIC  |
| 17  | AT179399        | HYDRAULIC HOSE - FABRICATE | 2        | -940475        | X X   |
|     | AT308466        | HYDRAULIC HOSE - FABRICATE | 2        | 940476-        | X X   |
| 18  | 19M8456         | CAP SCREW                  | 8        |                | X X M8 X 100  |
| 19  | T162004         | CLAMP                      | 8        |                | X X   |
| 20  | 03M7192         | BOLT                       | 4        |                | X X M10 X 30  |
| 21  | 14M7274         | NUT                        | AR       |                | X X M10   |
| 22  | AT329520        | OIL LINE                   | 1        |                | X (SUB FOR AT179031)                                    |
|     | AT178376        | OIL LINE                   | 1        |                | X   |
| 23  | AT179030        | OIL LINE                   | 1        | -952642        | X   |
|     | AT329519        | OIL LINE                   | 1        | 952643-        | X   |
|     | AT178375        | OIL LINE                   | 1        |                | X   |
| 24  | 19M8093         | CAP SCREW                  | 2        |                | X X M10 X 100, (SUB FOR 19M8183, THIS APPLICATION)      |
| 25  | AT179033        | HYDRAULIC HOSE - FABRICATE | 1        | -911128        | X X 1" X 1 207 MM (47-1/2") X 1-3/16", TO BACKHOE VALVE |
|     | AT280350        | HYDRAULIC HOSE - FABRICATE | 1        | 911129-        | X X 1" X 1 207 MM (47-1/2") X 1-3/16", TO BACKHOE VALVE |
| 26  | AT191859        | HYDRAULIC HOSE - FABRICATE | 1        | -911128        | X X 1-3/16" X 1 321 MM (52") X 1"                       |
|     | AT280345        | HYDRAULIC HOSE - FABRICATE | 1        | 911129-940475  | X X 1-3/16" X 1 321 MM (52") X 1-3/16"                  |
|     | AT309710        | HYDRAULIC HOSE - FABRICATE | 1        | 940476-        | X X 13/16" X 2 057 MM (81") X 13/16"                    |
| 27  | T77932          | O-RING                     | 3        |                | X X   |
| 28  | 38H1329         | ADAPTER FITTING            | 1        |                | X X   |
| 29  | U12547          | O-RING                     | 1        |                | X X   |
| 30  | 38H1276         | ADAPTER FITTING            | 1        | -940475        | X X   |
| 31  | T184579         | STRAP                      | 1        | -913416        | X X   |
| 32  | T78707          | NUT                        | 1        | -940475        | X X 1-3/16"   |
| 33  | AT190762        | HYDRAULIC HOSE - FABRICATE | 1        | -940475        | X X   |
| 34  | T76938          | O-RING                     | 2        |                | X X   |
| 35  | 38H1002         | TEE FITTING                | 1        |                | X X TO FILTER TEE                                       |
| 36  | 19M7662         | CAP SCREW                  | 2        | -913416        | X X   |
| 37  | 14M7274         | NUT                        | 2        | -913416        | X X   |
| 38  | .....           | CONDUIT                    | 1        | 940476-        | X X CTL, (MAKE FROM T107029)                            |
| 39  | H77698          | TIE BAND                   | 2        | 940476-        | X X   |
| 40  | 19M8637         | CAP SCREW                  | 1        | 940476-        | X X M10 X 40  |
| 41  | R46919          | HALF CLAMP                 | 2        | 940476-        | X X   |
| 42  | 28H3416         | BUSHING                    | 1        | 940476-        | X X 0.493" X 0.675" X 13/16"                            |
| 43  | 14M7274         | NUT                        | 1        | 940476-        | X X M10   |
| 44  | T102934         | CLAMP                      | 2        | 940476-        | X X   |
| 45  | .....           | KIT                        | 1        | -940475        | X ( AT197245 NLA) (SUB FOR AT190655) (SUB AT329663)     |
|     | <b>AT329663</b> | <b>KIT</b>                 | <b>1</b> | <b>940476-</b> | <b>X</b> <b>(WHOLE GOODS) (SUB FOR AT309707)</b>        |
|     | <b>AT197254</b> | <b>KIT</b>                 | <b>1</b> | <b>-940475</b> | <b>X</b> <b>(WHOLE GOODS) (SUB FOR AT191839)</b>        |
|     | <b>AT309568</b> | <b>KIT</b>                 | <b>1</b> | <b>940476-</b> | <b>X</b> <b>(WHOLE GOODS)</b>                           |

# 3363-26

AUXILIARY EQUIPMENT HYDRAULIC HOSES AND FITTINGS (EXTENDABLE DIPPERSTICK) (315SG)  
EQUIPEMENT AUXILIAIRE, FLEXIBLES ET RACCORDS HYDRAULIQUES (BRAS TELESCOPIQUE) (315SG)  
EQUIPO AUXILIAR, MANGUERAS HIDRAULICAS Y ADAPTADORES (BRAZO EXTENSIBLE) (315SG)

TX1006092

-UN-17APR06



TX1006092

THIS PARTS LISTING IS CONTINUED

# 3363-27

LINES, HOSES AND FITTINGS 3363

**AUXILIARY EQUIPMENT HYDRAULIC HOSES AND FITTINGS (EXTENDABLE DIPPERSTICK) (315SG)**  
**EQUIPEMENT AUXILIAIRE, FLEXIBLES ET RACCORDS HYDRAULIQUES (BRAS TELESCOPIQUE) (315SG)**  
**EQUIPO AUXILIAR, MANGUERAS HIDRAULICAS Y ADAPTADORES (BRAZO EXTENSIBLE) (315SG)**

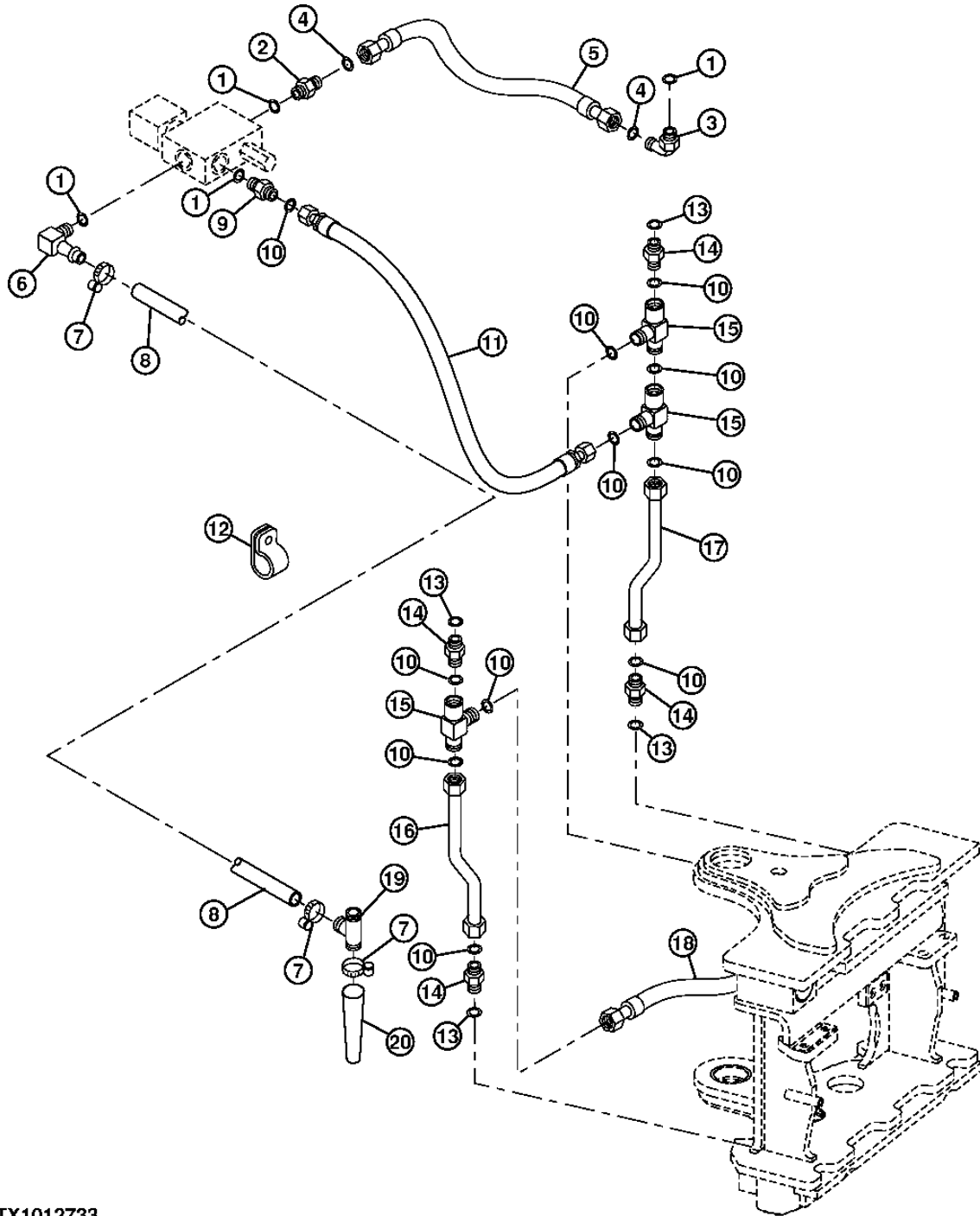
| KEY | PART NO. | PART NAME                  | QTY. | SERIAL NO. | REMARKS   |
|-----|----------|----------------------------|------|------------|---|
|     |          |                            |      |            | 3 3<br>3 1 1<br>1 0 5<br>0 S S<br>G G G                                 |
| 1   | R27175   | PLUG                       | 2    |            | X   |
| 2   | U12547   | O-RING                     | 2    |            | X   |
| 3   | T163702  | REDUCER                    | 2    |            | X   |
| 4   | T78707   | NUT                        | 2    |            | X   |
| 5   | T77858   | O-RING                     | 8    |            | X TO BACKHOE VALVE  |
| 6A  | T166781  | BRACKET                    | 1    | -940475    | X   |
| 6B  | T205636  | BRACKET                    | 1    | 940476-    | X   |
| 7A  | T166780  | BRACKET                    | 1    | -940475    | X   |
| 7B  | T205637  | BRACKET                    | 1    | 940476-    | X   |
| 8   | AT186915 | HYDRAULIC LINE             | 1    | -940475    | X   |
| 9   | AT186920 | HYDRAULIC LINE             | 1    | -940475    | X   |
| 10  | .....    | ISOLATOR                   | 2    |            | X .812 MAX X .500 ID  |
| 11  | 19M7662  | CAP SCREW                  | 4    |            | X M10 X 30  |
| 12  | 24M7239  | WASHER                     | AR   |            | X   |
| 13  | T160376  | CLAMP                      | 10   |            | X   |
| 14  | 19M7572  | CAP SCREW                  | 2    |            | X M10 X 45  |
| 15  | H77698   | TIE BAND                   | 4    |            | X   |
| 16  | T161365  | SLEEVE                     | 2    |            | X FABRIC  |
| 17  | AT179399 | HYDRAULIC HOSE - FABRICATE | 2    | -940475    | X 1-3/16" X 2 443 MM (96-1/4") X 1-3/16"                                |
|     | AT308466 | HYDRAULIC HOSE - FABRICATE | 2    | 940476-    | X 1-3/16" X 3 322 MM (130-3/4") X 1-3/16"                               |
| 18  | 19M8456  | CAP SCREW                  | 8    |            | X M8 X 100  |
| 19  | T162004  | CLAMP                      | 8    |            | X FROM BRAKE VALVE  |
| 20  | 03M7192  | BOLT                       | 4    |            | X M10 X 30, TO RESERVOIR  |
| 21  | 14M7274  | NUT                        | 4    |            | X M10   |
| 22  | AT178376 | OIL LINE                   | 1    |            | X   |
| 23  | AT178375 | OIL LINE                   | 1    |            | X   |
| 24  | 19M8183  | CAP SCREW                  | 2    |            | X M10 X 90  |
| 25  | AT181591 | HYDRAULIC HOSE - FABRICATE | 2    | -911128    | X 1" X 1 140 MM (45") X 1-3/16"   |
|     | AT280347 | HYDRAULIC HOSE - FABRICATE | 2    | 911129-    | X 1" X 1 140 MM (45") X 1-3/16"   |
| 26  | T77932   | O-RING                     | 4    |            | X   |
| 27  | T80306   | NUT                        | 2    |            | X 1"  |
| 28  | 38H1286  | ADAPTER FITTING            | 2    |            | X   |
| 29  | R26906   | O-RING                     | 2    |            | X   |
| 30  | AT191146 | HYDRAULIC HOSE - FABRICATE | 1    |            | X 1" X 2 400 MM (94-1/2") X 1", TO<br>SELECTIVE FLOW CONTROL VALVE PORT |
| 31  | AT191147 | HYDRAULIC HOSE - FABRICATE | 1    |            | X 1" X 1 885 MM (74-1/4") X 1", TO<br>AUXILIARY RETURN PORT             |
| 32  | 38H1162  | ADAPTER FITTING            | 1    |            | X   |
| 33  | R26906   | O-RING                     | 1    |            | X   |
| 34  | 38H1476  | REDUCER                    | 1    |            | X   |
| 35  | T76938   | O-RING                     | 1    |            | X   |
| 36  | AT197260 | KIT                        | 1    | -940475    | X (WHOLE GOODS) (SUB FOR AT191546)                                      |
|     | AT309579 | KIT                        | 1    | 940476-    | X (WHOLE GOODS)   |

# 3363-28

## SIDE SHIFT LOCK HYDRAULICS (315SG) CIRCUIT HYDRAULIQUE DE VERROUILLAGE DE DEPLACEMENT LATERAL (315SG) SISTEMA HIDRAULICO DE BLOQUEO DE DESPLAZAMIENTO LATERAL (315SG)

TX1012733

-UN-



TX1012733



# 3363-29

BACKHOE 33

LINES, HOSES AND FITTINGS 3363

**SIDE SHIFT LOCK HYDRAULICS (315SG)**  
**CIRCUIT HYDRAULIQUE DE VERROUILLAGE DE DEPLACEMENT LATERAL (315SG)**  
**SISTEMA HIDRAULICO DE BLOQUEO DE DESPLAZAMIENTO LATERAL (315SG)**



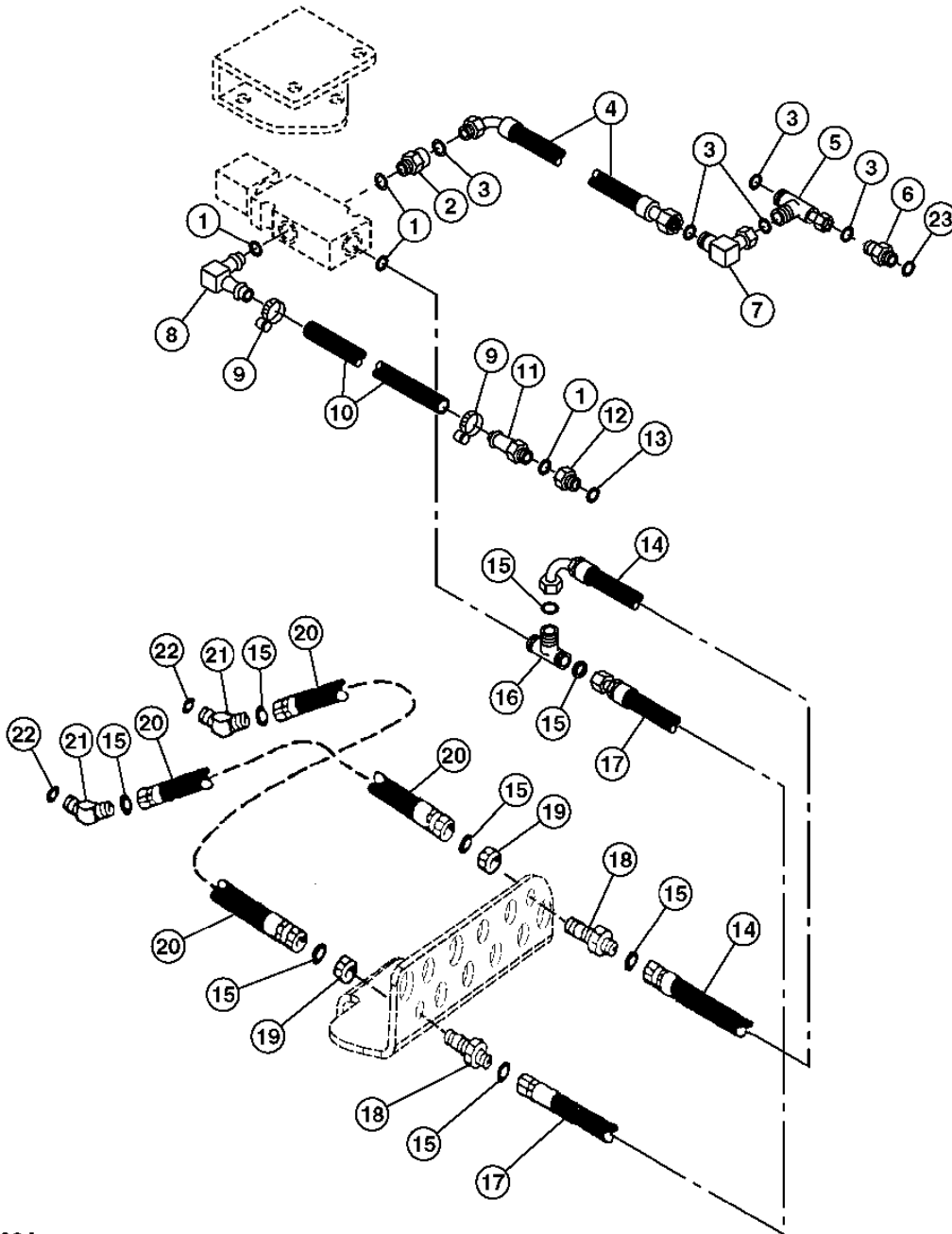
| KEY | PART NO. | PART NAME                  | QTY. | SERIAL NO. | 3 3<br>3 1 1<br>1 0 5<br>0 S S<br>G G G | REMARKS  |
|-----|----------|----------------------------|------|------------|---|--|
| 1   | R26448   | O-RING                     | 4    |            | X                                       |  |
| 2   | AT81867  | CHECK VALVE                | 1    |            | X                                       |  |
| 3   | 38H1004  | ELBOW FITTING              | 1    |            | X                                       |  |
| 4   | T77613   | O-RING                     | 2    |            | X                                       |  |
| 5   | AT189408 | HYDRAULIC HOSE - FABRICATE | 1    |            | X                                       | 11/16" X 500 MM (19-3/4") X 11/16", TO BACKHOE VALVE |
| 6   | AR64705  | ELBOW FITTING              | 1    | -911132    | X                                       |  |
|     | AT68978  | ELBOW FITTING              | 1    | 911133-    | X                                       |  |
| 7   | TY22462  | CLAMP                      | 4    | -911132    | X                                       | (SUB FOR AR48236)                                    |
|     | AR21836  | CLAMP                      | 4    | 911133-    | X                                       |  |
| 8   | .....    | HOSE                       | AR   | -911132    | X                                       | (MAKE FROM M87571) CTL 2590.8MM (8'6")               |
|     | .....    | HOSE                       | AR   | 911133-    | X                                       | CTL 2565.4MM (8'5") (MAKE FROM T168383)              |
| 9   | 38H1168  | ADAPTER FITTING            | 1    |            | X                                       |  |
| 10  | T77814   | O-RING                     | 12   |            | X                                       |  |
| 11  | AT189407 | HYDRAULIC HOSE - FABRICATE | 1    |            | X                                       | 9/16" X 2 465 MM (97") X 9/16"                       |
| 12  | T74416   | CLAMP                      | 1    |            | X                                       |  |
| 13  | R28782   | O-RING                     | 4    |            | X                                       |  |
| 14  | 38H1159  | ADAPTER FITTING            | 4    |            | X                                       |  |
| 15  | 38H1029  | TEE FITTING                | 3    |            | X                                       |  |
| 16  | AT176522 | LINE                       | 1    |            | X                                       |  |
| 17  | AT176521 | LINE                       | 1    |            | X                                       |  |
| 18  | AT177433 | LINE                       | 1    |            | X                                       |  |
| 19  | XN8TUB8  | TEE FITTING                | 1    |            | X                                       | (SUB FOR M86863, THIS APPLICATION) FROM BRAKE VALVE  |
| 20  | .....    | HOSE                       | AR   |            | X                                       | (MAKE FROM M87571) CTL 152.4MM (6") (TO RESERVOIR)   |

# 3363-30

**BACKHOE BOOM LOCK VALVE HYDRAULICS (315SG)**  
**CIRCUIT HYDRAULIQUE DE SOUPAPE DE VERROUILLAGE DE FLECHE DE RETROPELLE (315SG)**  
**SISTEMA HIDRAULICO DE VALVULA DE BLOQUEO DE AGUILON DE RETROEXCAVADORA (315SG)**

TX1006094

-UN-17APR06



TX1006094

# 3363-31

BACKHOE 33

LINES, HOSES AND FITTINGS 3363

**BACKHOE BOOM LOCK VALVE HYDRAULICS (315SG)  
 CIRCUIT HYDRAULIQUE DE SOUPAPE DE VERROUILLAGE DE FLECHE DE RETROPELLE (315SG)  
 SISTEMA HIDRAULICO DE VALVULA DE BLOQUEO DE AGUILON DE RETROEXCAVADORA (315SG)**

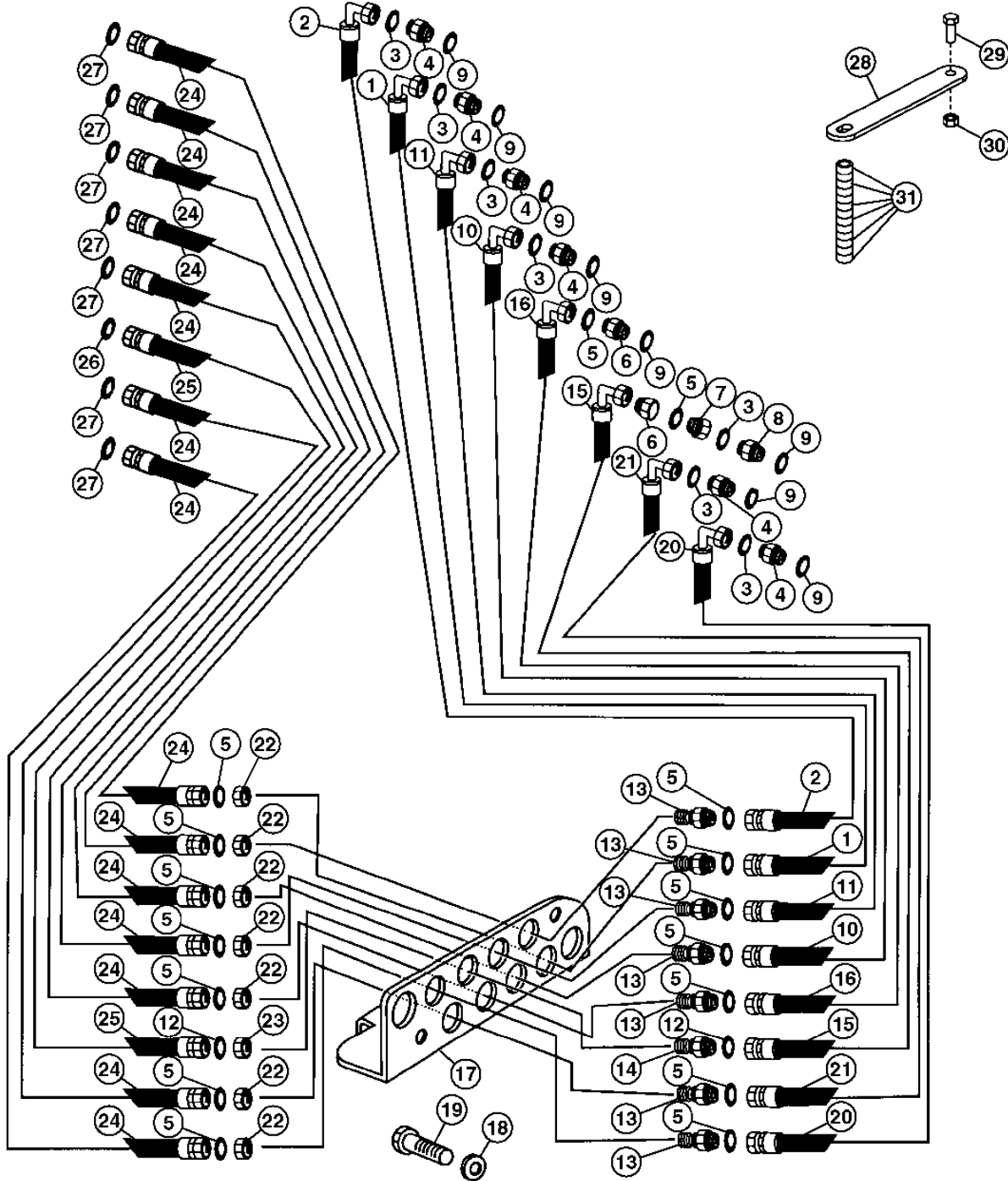
| KEY | PART NO. | PART NAME                  | QTY. | SERIAL NO. | REMARKS   |
|-----|----------|----------------------------|------|------------|---|
|     |          |                            |      |            | 3 3   |
|     |          |                            |      |            | 3 1 1   |
|     |          |                            |      |            | 1 0 5   |
|     |          |                            |      |            | 0 S S   |
|     |          |                            |      |            | G G G   |
| 1   | R26448   | O-RING                     | 4    |            | X   |
| 2   | 38H1160  | ADAPTER FITTING            | 1    |            | X   |
| 3   | T77613   | O-RING                     | 5    |            | X   |
| 4   | AT189403 | HYDRAULIC HOSE - FABRICATE | 1    |            | X 11/16" X 1 930 MM (76") X 11/16"                        |
| 5   | 38H1030  | TEE FITTING                | 1    |            | X TO BRAKE VALVE BOOST PLUMBING                           |
| 6   | 38H1170  | ADAPTER FITTING            | 1    |            | X TO TRANSMISSION   |
| 7   | 38H1094  | ELBOW FITTING              | 1    |            | X   |
| 8   | AR64705  | ELBOW FITTING              | 1    |            | X   |
| 9   | TY22462  | CLAMP                      | 2    |            | X (SUB FOR AR48236)                                       |
| 10  | .....    | HOSE                       | AR   |            | X (MAKE FROM M87571) CTL 1800MM (70.87")                  |
| 11  | T65295   | HOSE FITTING               | 1    |            | X   |
| 12  | R32247   | ADAPTER FITTING            | 1    |            | X TO TRANSMISSION   |
| 13  | R26906   | O-RING                     | 1    |            | X   |
| 14  | AT189405 | HYDRAULIC HOSE - FABRICATE | 1    |            | X 9/16" X 2 250 MM (88-1/2") X 9/16"                      |
| 15  | T77814   | O-RING                     | 8    |            | X   |
| 16  | 38H1425  | TEE FITTING                | 1    |            | X   |
| 17  | AT189404 | HYDRAULIC HOSE - FABRICATE | 1    |            | X 9/16" X 2 250 MM (88-1/2") X 9/16"                      |
| 18  | 38H1284  | ADAPTER FITTING            | 2    |            | X   |
| 19  | 14H832   | NUT                        | 2    |            | X 9/16"   |
| 20  | AT180147 | HYDRAULIC HOSE - FABRICATE | 2    | -911128    | X 9/16" X 610 MM (24") X 9/16", TO BOOM<br>LOCK CYLINDERS |
|     | AT280348 | HYDRAULIC HOSE - FABRICATE | 2    | 911129-    | X 9/16" X 610 MM (24") X 9/16", TO BOOM<br>LOCK CYLINDERS |
| 21  | 38H1044  | ELBOW FITTING              | 2    |            | X 45°   |
| 22  | R28782   | O-RING                     | 2    |            | X   |
| 23  | R26286   | O-RING                     | 1    |            | X   |

# 3363-32

BACKHOE CYLINDER HYDRAULICS (315SG)  
CIRCUIT HYDRAULIQUE DE VERIN DE RETROPELLE (315SG)  
SISTEMA HIDRAULICO DE CILINDRO DE RETROEXCAVADORA (315SG)

TX1006095

-UN-17APR06



TX1006095

# 3363-33

BACKHOE 33

LINES, HOSES AND FITTINGS 3363

**BACKHOE CYLINDER HYDRAULICS (315SG)  
CIRCUIT HYDRAULIQUE DE VERIN DE RETROPELLE (315SG)  
SISTEMA HIDRAULICO DE CILINDRO DE RETROEXCAVADORA (315SG)**

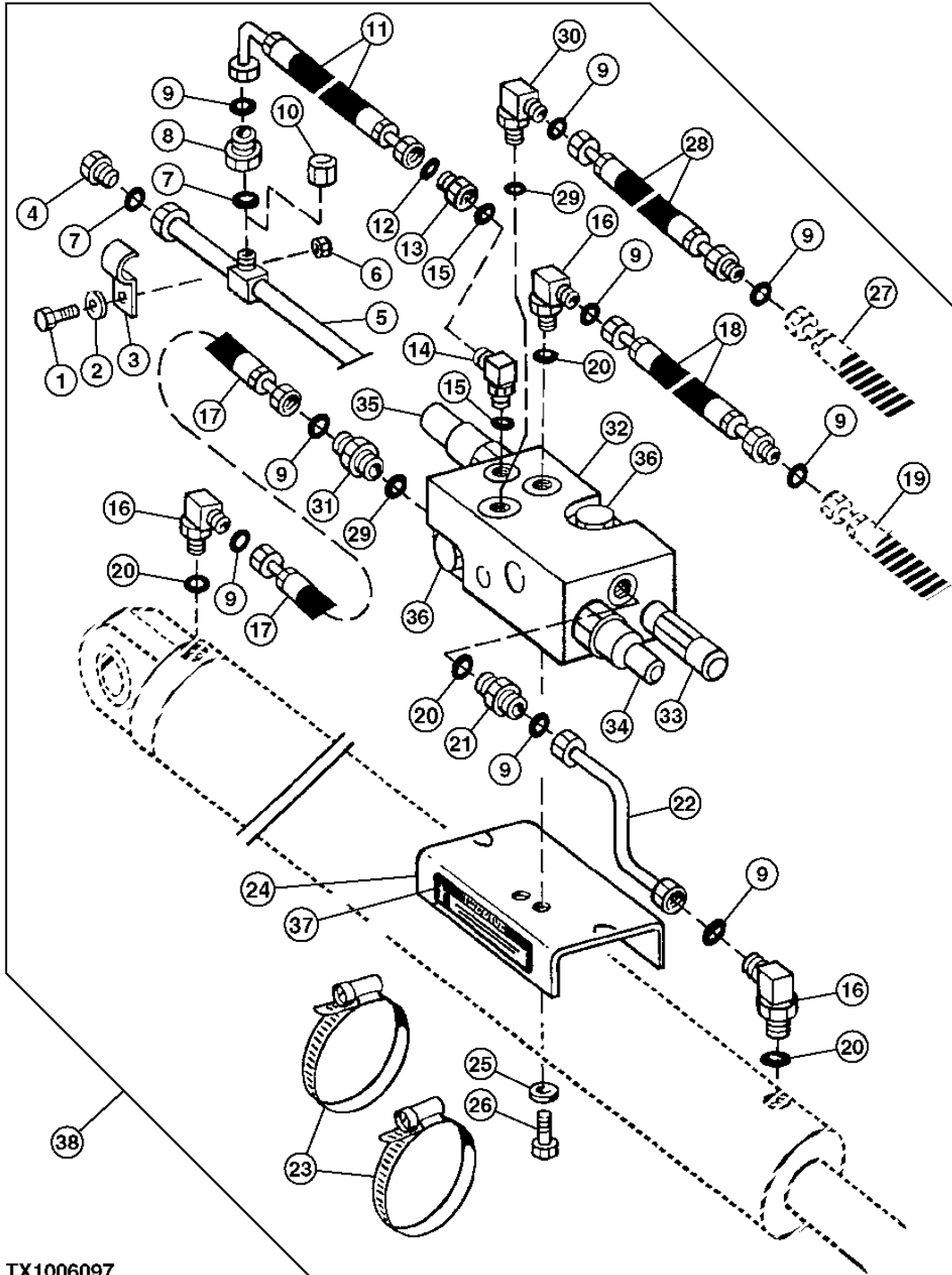
| KEY | PART NO. | PART NAME                  | QTY. | SERIAL NO. | REMARKS   |
|-----|----------|----------------------------|------|------------|---|
|     |          |                            |      |            | 3 3   |
|     |          |                            |      |            | 3 1 1   |
|     |          |                            |      |            | 1 0 5   |
|     |          |                            |      |            | 0 S S   |
|     |          |                            |      |            | G G G   |
| 1   | AT191143 | HYDRAULIC HOSE - FABRICATE | 1    |            | X 13/16" X 2 400 MM (94-1/2") X 13/16", TO EXTENDABLE VALVE |
| 2   | AT191143 | HYDRAULIC HOSE - FABRICATE | 1    |            | X 13/16" X 2 400 MM (94-1/2") X 13/16", TO EXTENDABLE VALVE |
| 3   | T77932   | O-RING                     | 8    |            | X   |
| 4   | 38H1174  | ADAPTER FITTING            | 6    |            | X   |
| 5   | T77857   | O-RING                     | 15   |            | X   |
| 6   | 38H1162  | ADAPTER FITTING            | 1    |            | X   |
| 7   | 38H1471  | REDUCER                    | 1    |            | X   |
| 8   | 38H1162  | ADAPTER FITTING            | 1    |            | X   |
| 9   | R26906   | O-RING                     | 8    |            | X   |
| 10  | AT191143 | HYDRAULIC HOSE - FABRICATE | 1    |            | X 13/16" X 2 400 MM (94-1/2") X 13/16", TO CROWD VALVE      |
| 11  | AT191143 | HYDRAULIC HOSE - FABRICATE | 1    |            | X 13/16" X 2 400 MM (94-1/2") X 13/16", TO CROWD VALVE      |
| 12  | T77932   | O-RING                     | 2    |            | X   |
| 13  | 38H1275  | ADAPTER FITTING            | 7    |            | X   |
| 14  | 38H1286  | ADAPTER FITTING            | 1    |            | X   |
| 15  | AT191143 | HYDRAULIC HOSE - FABRICATE | 1    |            | X 13/16" X 2 400 MM (94-1/2") X 13/16", TO BUCKET VALVE     |
| 16  | AT191146 | HYDRAULIC HOSE - FABRICATE | 1    |            | X 1" X 2 400 MM (94-1/2") X 1", TO BUCKET VALVE             |
| 17  | T163225  | PLATE                      | 1    |            | X   |
| 18  | 24M7047  | WASHER                     | 2    |            | X   |
| 19  | 19M7872  | CAP SCREW                  | 2    |            | X M12 X 25  |
| 20  | AT191143 | HYDRAULIC HOSE - FABRICATE | 1    |            | X 13/16" X 2 400 MM (94-1/2") X 13/16", TO BOOM VALVE       |
| 21  | AT191143 | HYDRAULIC HOSE - FABRICATE | 1    |            | X 13/16" X 2 400 MM (94-1/2") X 13/16", TO BOOM VALVE       |
| 22  | T78716   | NUT                        | 7    |            | X 13/16"  |
| 23  | T80306   | NUT                        | 1    |            | X 1"  |
| 24  | AT180152 | HYDRAULIC HOSE - FABRICATE | 7    | -911128    | X 13/16" X 1 056 MM (41-1/2") X 1", TO BOOM                 |
| 25  | AT280346 | HYDRAULIC HOSE - FABRICATE | 7    | 911129-    | X 1" X 1 056 MM (41-1/2") X 1", TO BOOM                     |
|     | AT181591 | HYDRAULIC HOSE - FABRICATE | 1    | -911128    | X 1" X 1 140 MM (45") X 1-3/16", TO BOOM                    |
|     | AT280347 | HYDRAULIC HOSE - FABRICATE | 1    | 911129-    | X 1" X 1 140 MM (45") X 1-3/16", TO BOOM                    |
| 26  | T77858   | O-RING                     | 1    |            | X   |
| 27  | T77932   | O-RING                     | 7    |            | X   |
| 28  | T185681  | STRAP                      | 1    |            | X   |
| 29  | 19M7402  | CAP SCREW                  | 1    |            | X M10 X 25  |
| 30  | 14M7274  | NUT                        | 1    |            | X M10   |
| 31  | T185682  | SPACER                     | 13   |            | X   |

# 3363-34

**CONTROLLED LOAD LOWERING DEVICE KIT (BOOM CYLINDER)**  
**KIT DE DISPOSITIF D'ABAISEMENT DE CHARGE CONTROLÉ (CYLINDRE DE FLECHE)**  
**JUEGO DE DISPOSITIVO DE BAJADA CONTROLADA DE CARGAS (CILINDRO DEL AGUILÓN)**

TX1006097

-UN-17APR06



TX1006097

THIS PARTS LISTING IS CONTINUED

# 3363-35

BACKHOE 33

LINES, HOSES AND FITTINGS 3363

**CONTROLLED LOAD LOWERING DEVICE KIT (BOOM CYLINDER)  
KIT DE DISPOSITIF D'ABAISSEMENT DE CHARGE CONTROLE (CYLINDRE DE FLECHE)  
JUEGO DE DISPOSITIVO DE BAJADA CONTROLADA DE CARGAS (CILINDRO DEL AGUILÓN)**

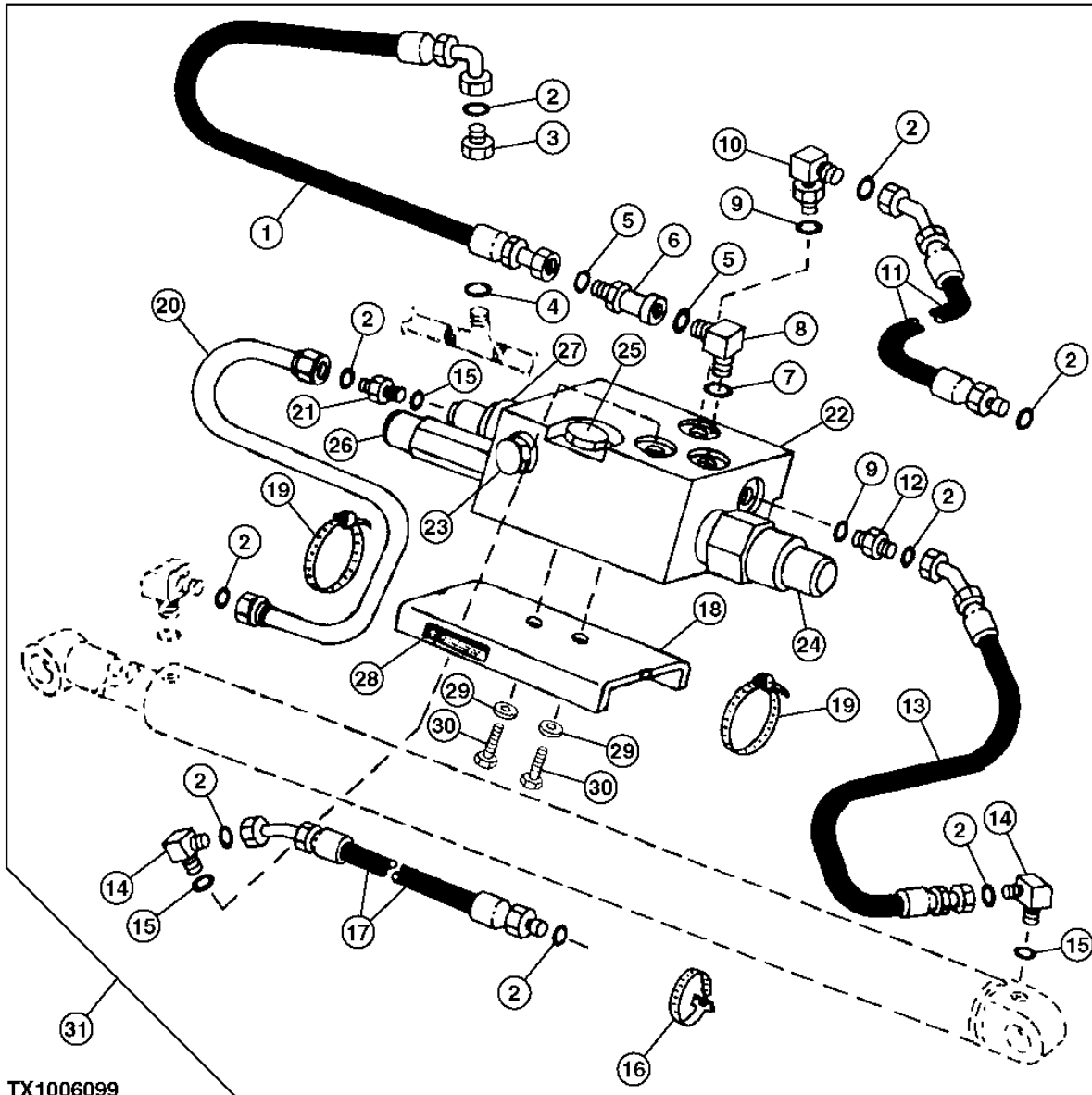
| KEY | PART NO. | PART NAME                  | QTY. | SERIAL NO. | REMARKS   |
|-----|----------|----------------------------|------|------------|---|
|     |          |                            |      |            | 3 3   |
|     |          |                            |      |            | 3 1 1   |
|     |          |                            |      |            | 1 0 5   |
|     |          |                            |      |            | 0 S S   |
|     |          |                            |      |            | G G G   |
| 1   | 03M7192  | BOLT                       | 2    |            | X X X M10 X 30, (RETURN LINE)   |
| 2   | 24M7239  | WASHER                     | 2    |            | X X X (MOUNTING BRACKET SCREWS)   |
| 3   | T160376  | CLAMP                      | 4    |            | X X X (RIGHT SIDE BOOM LINE)  |
| 4   | 38H1149  | FITTING PLUG               | 1    |            | X X X (RETURN LINE)   |
| 5   | AT180204 | OIL LINE                   | 1    |            | X (RIGHT SIDE OF BOOM)  |
|     | AT180667 | OIL LINE                   | 1    |            | X X (RIGHT SIDE OF BOOM)  |
| 6   | 14M7274  | NUT                        | 4    |            | X X X M10, (RETURN LINE)  |
| 7   | T77858   | O-RING                     | 6    |            | X X X   |
| 8   | 38H1482  | REDUCER                    | 1    |            | X X X (RETURN LINE)   |
| 9   | T77932   | O-RING                     | 11   |            | X X X   |
| 10  | 38H1418  | FITTING                    | 1    |            | X X X (TEE CAP WHEN CROWD CLLD IS NOT REQUIRED)   |
| 11  | AT180208 | HYDRAULIC HOSE - FABRICATE | 1    |            | X X X 13/16" X 803 MM (31-1/2") X 1", (PORT "M")  |
| 12  | T77857   | O-RING                     | 2    |            | X X X (PORT "M" )   |
| 13  | 38H1161  | ADAPTER FITTING            | 1    |            | X X X (PORT "M" )   |
| 14  | 38H1095  | ELBOW FITTING              | 1    |            | X X X (PORT "M" )   |
| 15  | R26375   | O-RING                     | 1    |            | X X X   |
| 16  | 38H1006  | ELBOW FITTING              | 1    |            | X X X (PORT "B" )   |
| 17  | AT180209 | HYDRAULIC HOSE - FABRICATE | 1    |            | X X X (PORT "FB")   |
| 18  | AT180212 | HYDRAULIC HOSE - FABRICATE | 1    |            | X X X 1" X 825 MM (32-1/2") X 1", (PORT "B")  |
| 19  | .....    | OIL LINE                   | 1    |            | X X X (TO BOOM ROD TUBE)  |
| 20  | R26906   | O-RING                     | 2    |            | X X X (PORT "B" (1) - PORT "M" (1) )  |
| 21  | 38H1162  | ADAPTER FITTING            | 1    |            | X X X (PORT "ANN" )   |
| 22  | AT180205 | OIL LINE                   | 1    |            | X X X (PORT "ANN")  |
| 23  | AR85327  | CLAMP                      | 2    |            | X (MOUNTING PLATE)  |
|     | TY22493  | HOSE CLAMP                 | 2    |            | X X (SUB FOR AR89602, THIS APPLICATION)   |
| 24  | T161769  | PLATE                      | 1    |            | X X X (TO BOOM CYLINDER)  |
| 25  | 24M7239  | WASHER                     | 6    |            | X X X (RETURN LINE)   |
| 26  | 19H1134  | CAP SCREW                  | 2    |            | X X X 3/8" X 3/4", (MOUNTING BRACKET)   |
| 27  | .....    | OIL LINE                   | 1    |            | X X X (TO BOOM CAP TUBE)  |
| 28  | AT180212 | HYDRAULIC HOSE - FABRICATE | 1    |            | X X X 1" X 825 MM (32-1/2") X 1", (PORT "A")  |
| 29  | U12547   | O-RING                     | 2    |            | X X X (PORT "FB" (1) - PORT "A" (1) )   |
| 30  | 38H1404  | ELBOW FITTING              | 1    |            | X X X (PORT "A")  |
| 31  | 38H1329  | ADAPTER FITTING            | 1    |            | X X X (PORT "FB")   |
| 32  | AT175125 | HYD ACTUATED CONTROL VALVE | 1    |            | X X X   |
| 33  | AT180076 | PRESSURE RELIEF VALVE      | 1    |            | X X X RELIEF (5000 PSI)   |
|     | AT180081 | SEAL KIT                   | 1    |            | X X X   |
| 34  | AT180077 | HYD ACTUATED CONTROL VALVE | 1    |            | X X X SEQUENCE (550 PSI)  |
|     | AT180082 | SEAL KIT                   | 1    |            | X X X   |
| 35  | AT180078 | HYD ACTUATED CONTROL VALVE | 1    |            | X X X LOAD CONTROL (325 PSI)  |
|     | AT180083 | SEAL KIT                   | 1    |            | X X X   |
| 36  | AT180079 | CHECK VALVE                | 1    |            | X X X   |
|     | AT180086 | SEAL KIT                   | 1    |            | X X X   |
| 37  | T161665  | LABEL                      | 1    |            | X X X (SERVICE VALVE)   |
| 38  | AT194444 | KIT                        | 1    |            | X (WHOLE GOODS) (SUB FOR AT178788) (ALSO INCLUDES ADDITIONAL HYDRAULIC HOSES, FITTINGS AND MISCELLANEOUS PARTS)   |
|     | AT194445 | KIT                        | 1    |            | X X (WHOLE GOODS) (SUB FOR AT178768) (ALSO INCLUDES ADDITIONAL HYDRAULIC HOSES, FITTINGS AND MISCELLANEOUS PARTS) |

# 3363-36

CONTROLLED LOAD LOWERING DEVICE KIT (CROWD CYLINDER)  
KIT DE DISPOSITIF D'ABAISSEMENT DE CHARGE CONTROLÉ (VERIN DE CAVAGE)  
JUEGO DE DISPOSITIVO DE BAJADA CONTROLADA DE CARGAS (CILINDRO DE EMPUJE)

TX1006099

-UN-17APR06



TX1006099

THIS PARTS LISTING IS CONTINUED



# 3363-37

BACKHOE 33

LINES, HOSES AND FITTINGS 3363

**CONTROLLED LOAD LOWERING DEVICE KIT (CROWD CYLINDER)  
KIT DE DISPOSITIF D'ABAISSEMENT DE CHARGE CONTROLÉ (VERIN DE CAVAGE)  
JUEGO DE DISPOSITIVO DE BAJADA CONTROLADA DE CARGAS (CILINDRO DE EMPUJE)**

| KEY | PART NO. | PART NAME                  | QTY. | SERIAL NO. | REMARKS  |
|-----|----------|----------------------------|------|------------|--|
|     |          |                            |      |            | 3 3  |
|     |          |                            |      |            | 3 1 1  |
|     |          |                            |      |            | 1 0 5  |
|     |          |                            |      |            | 0 S S  |
|     |          |                            |      |            | G G G  |
| 1   | AT180210 | HYDRAULIC HOSE - FABRICATE | 1    |            | X X X 13/16" X 592 MM (23-1/4") X 1", (PORT "M")   |
| 2   | T77932   | O-RING                     | 9    |            | X X X  |
| 3   | 38H1482  | REDUCER                    | 1    |            | X X X (RETURN LINE)  |
| 4   | T77858   | O-RING                     | 1    |            | X X X (RETURN LINE)  |
| 5   | T77857   | O-RING                     | 2    |            | X X X (PORT "M" HOSE ENDS)   |
| 6   | 38H1095  | ELBOW FITTING              | 1    |            | X X X (PORT "M")   |
| 7   | R26375   | O-RING                     | 1    |            | X X X (PORT "M")   |
| 8   | 38H1161  | ADAPTER FITTING            | 1    |            | X X X (PORT "M")   |
| 9   | U12547   | O-RING                     | 2    |            | X X X (PORT "FB" (1) - PORT "A" (1))   |
| 10  | 38H1404  | ELBOW FITTING              | 1    |            | X X X (PORT "A")   |
| 11  | AT180213 | HYDRAULIC HOSE - FABRICATE | 1    |            | X X X (PORT "A") TO CROWD CAP TUBE   |
| 12  | 38H1329  | ADAPTER FITTING            | 1    |            | X X X (PORT "FB")  |
| 13  | AT180211 | HYDRAULIC HOSE - FABRICATE | 1    |            | X 1" X 310 MM (12-1/4") X 1", (PORT "FB")  |
|     | AT180658 | HYDRAULIC HOSE - FABRICATE | 1    |            | X X X 1" X 368 MM (14-1/2") X 1", (PORT "FB")  |
| 14  | 38H1006  | ELBOW FITTING              | 1    |            | X X X (PORT "B")   |
|     | 38H1006  | ELBOW FITTING              | 1    |            | X (CROWD HEAD END)   |
| 15  | R26906   | O-RING                     | 2    |            | X X X (PORT "B" (1) - PORT "ANN" (1))  |
|     | R26906   | O-RING                     | 1    |            | X (HEAD END OF CROWD CYLINDER)   |
| 16  | R44302   | TIE BAND                   | 1    |            | X X X (PORT "A" AND PORT "B" HOSES)  |
| 17  | AT180214 | HYDRAULIC HOSE - FABRICATE | 1    |            | X X X (PORT "B") TO CROWD CAP TUBE   |
| 18  | T161769  | PLATE                      | 1    |            | X X X (TO CROWD CYLINDER)  |
| 19  | AR85327  | CLAMP                      | 2    |            | X (MOUNTING PLATE)   |
|     | TY22493  | HOSE CLAMP                 | 2    |            | X X (SUB FOR AR89602, THIS APPLICATION)  |
| 20  | AT180206 | OIL LINE                   | 1    |            | X X X (PORT "ANN")   |
| 21  | 38H1162  | ADAPTER FITTING            | 1    |            | X X X (PORT "ANN")   |
| 22  | AT175126 | HYD ACTUATED CONTROL VALVE | 1    |            | X X X  |
| 23  | .....    | SCREW                      | 1    |            | X X X ADJUSTABLE (CLLD)  |
|     | .....    | SEAL                       | 1    |            | X X X LOCK NUT (CLLD VALVE)  |
| 24  | AT180088 | HYD ACTUATED CONTROL VALVE | 1    |            | X X X LOAD CONTROL (400 PSI)   |
|     | AT180083 | SEAL KIT                   | 1    |            | X X X  |
| 25  | AT180087 | HYD ACTUATED CONTROL VALVE | 1    |            | X X X  |
|     | AT180082 | SEAL KIT                   | 1    |            | X X X  |
| 26  | AT180076 | PRESSURE RELIEF VALVE      | 1    |            | X X X RELIEF (5000 PSI)  |
|     | AT180081 | SEAL KIT                   | 1    |            | X X X  |
| 27  | AT180079 | CHECK VALVE                | 1    |            | X X X SEQUENCE (450 PSI)   |
|     | AT180086 | SEAL KIT                   | 1    |            | X X X  |
| 28  | T161665  | LABEL                      | 1    |            | X X X (SERVICE VALVE)  |
| 29  | 24M7239  | WASHER                     | 2    |            | X X X (MOUNTING BRACKET SCREWS)  |
| 30  | 19H1134  | CAP SCREW                  | 2    |            | X X X (MOUNTING BRACKET)   |
| 31  | AT178789 | KIT                        | 1    |            | X (AT178789 NLA)   |
|     | AT178769 | KIT                        | 1    |            | X X (WHOLE GOODS) (ALSO INCLUDES ADDITIONAL HYDRAULIC HOSES, FITTINGS AND MISCELLANEOUS PARTS) |

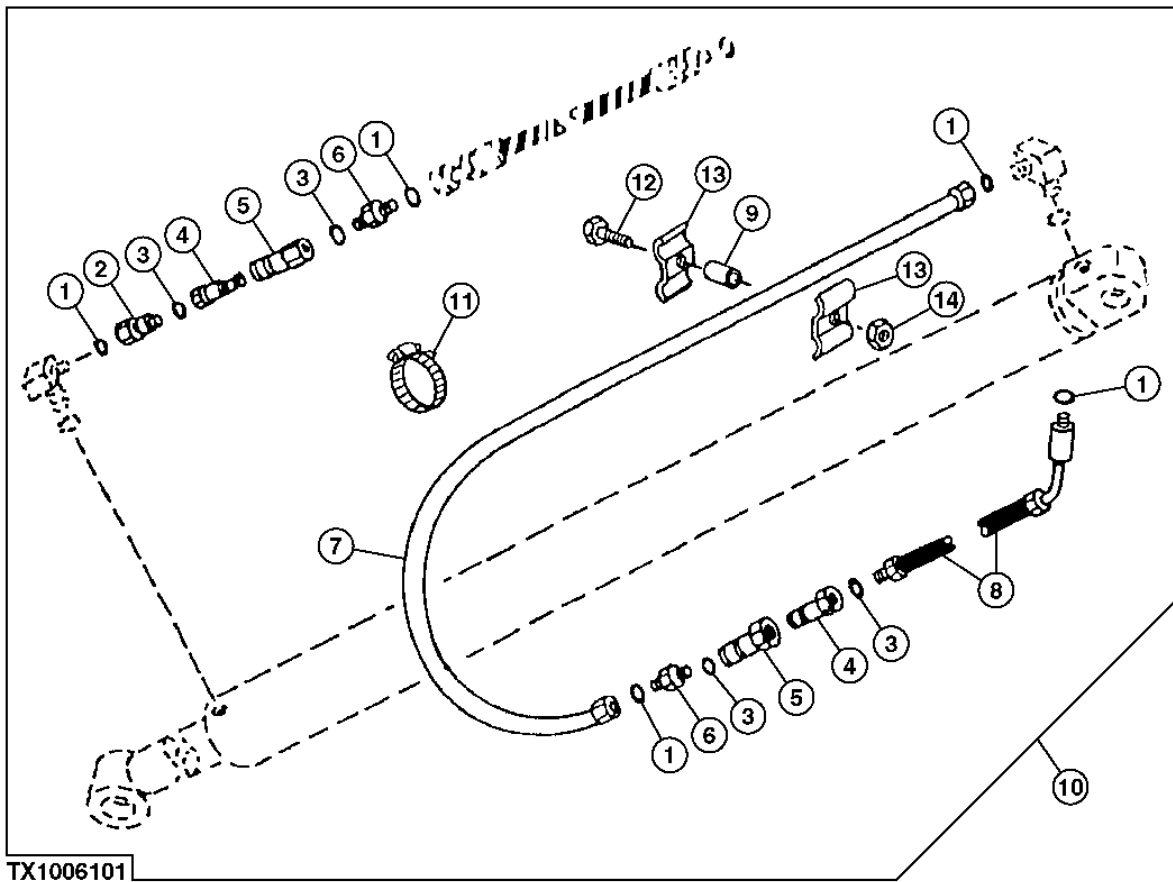
# 3363-38

BACKHOE 33

LINES, HOSES AND FITTINGS 3363  
AUGER HYDRAULIC OIL LINES AND HOSES (EXTENDABLE DIPPERSTICK)  
FLEXIBLES ET CONDUITES HYDRAULIQUES DE VIS (BRAS TELESCOPIQUE)  
LINEAS Y MANGUERAS HIDRAULICAS DE SINFIN (BRAZO EXTENSIBLE)

TX1006101

-UN-17APR06



# 3363-39

BACKHOE 33

LINES, HOSES AND FITTINGS 3363

**AUGER HYDRAULIC OIL LINES AND HOSES (EXTENDABLE DIPPERSTICK)**  
**FLEXIBLES ET CONDUITES HYDRAULIQUES DE VIS (BRAS TELESCOPIQUE)**  
**LINEAS Y MANGUERAS HIDRAULICAS DE SINFIN (BRAZO EXTENSIBLE)**

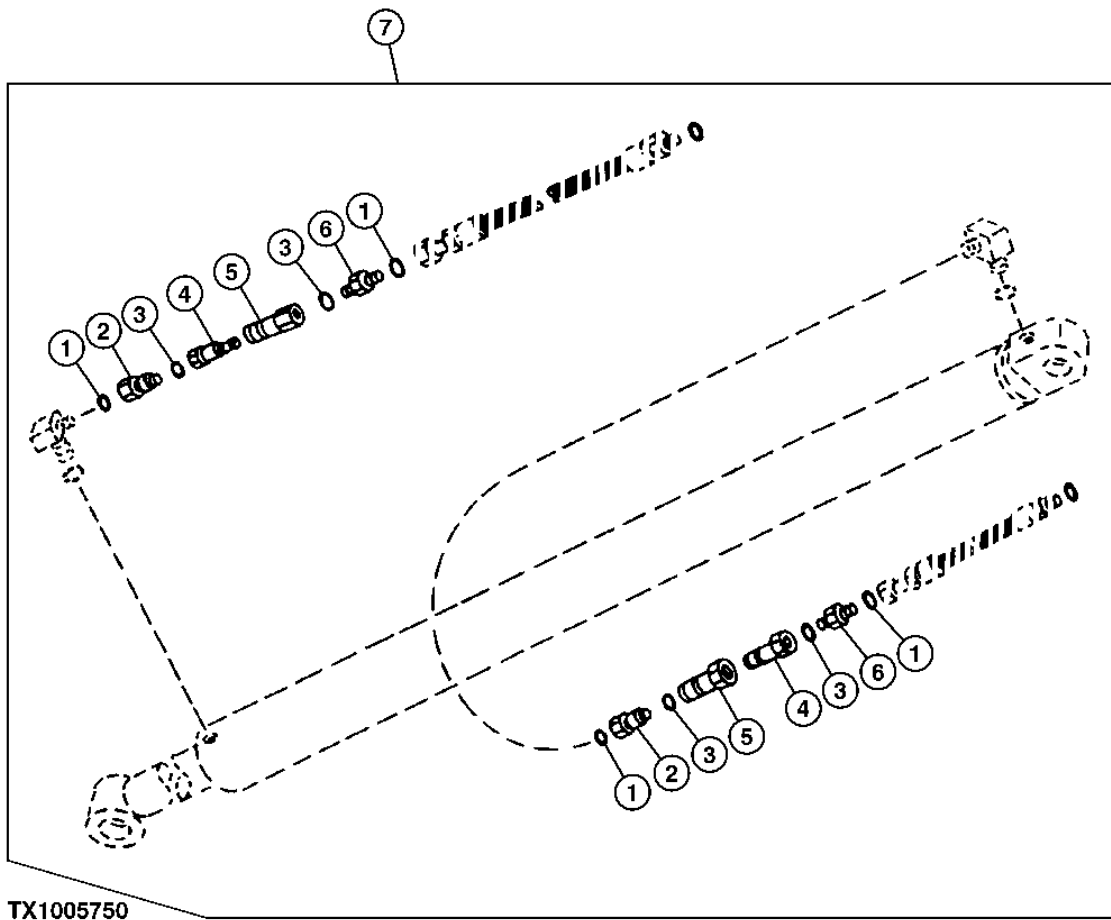
| KEY       | PART NO.        | PART NAME                  | QTY.     | SERIAL NO. | REMARKS                                   |
|-----------|-----------------|----------------------------|----------|------------|---|
|           |                 |                            |          |            | 3 3                                       |
|           |                 |                            |          |            | 3 1 1                                     |
|           |                 |                            |          |            | 1 0 5                                     |
|           |                 |                            |          |            | 0 S S                                     |
|           |                 |                            |          |            | G G G                                     |
| 1         | T77932          | O-RING                     | 5        |            | X X X 15.596 X 1.778 MM (0.614" X 0.070") |
| 2         | 38H1069         | FITTING                    | 1        |            | X X X (SWIVEL)                            |
| 3         | R26906          | O-RING                     | 4        |            | X X X 19.177 X 2.464 MM (0.755" X 0.097") |
| 4         | XH4-63-T10      | HYDR.QUICK COUPLER SOCKET  | 2        |            | X X X                                     |
| 5         | XH4-62-T10      | HYDR.QUICK COUPLER PLUG    | 2        |            | X X X                                     |
| 6         | 38H1162         | ADAPTER FITTING            | 2        |            | X X X (STRAIGHT)                          |
| 7         | AT177540        | OIL LINE                   | 1        |            | X X X                                     |
| 8         | AT184494        | HYDRAULIC HOSE - FABRICATE | 1        |            | X X                                       |
| 9         | 28H3383         | BUSHING                    | 1        |            | X X 0.493" X 0.675" X 3/4"                |
| <b>10</b> | <b>AT180828</b> | <b>KIT</b>                 | <b>1</b> |            | <b>X X X (WHOLE GOODS)</b>                |
| 11        | AR21842         | CLAMP                      | 1        |            | X X X                                     |
| 12        | 19M7550         | CAP SCREW                  | 1        |            | X X M10 X 35                              |
| 13        | R46919          | HALF CLAMP                 | 2        |            | X X X                                     |
| 14        | 14M7274         | NUT                        | 1        |            | X X X M10                                 |

# 3363-40

AUGER HYDRAULICS (STANDARD DIPPERSTICK)  
CIRCUIT HYDRAULIQUE DE VIS (BRAS STANDARD)  
SISTEMA HIDRAULICO DE SINFIN (BRAZO ESTANDAR)

TX1005750

-UN-10APR06



# 3363-41

BACKHOE 33

LINES, HOSES AND FITTINGS 3363

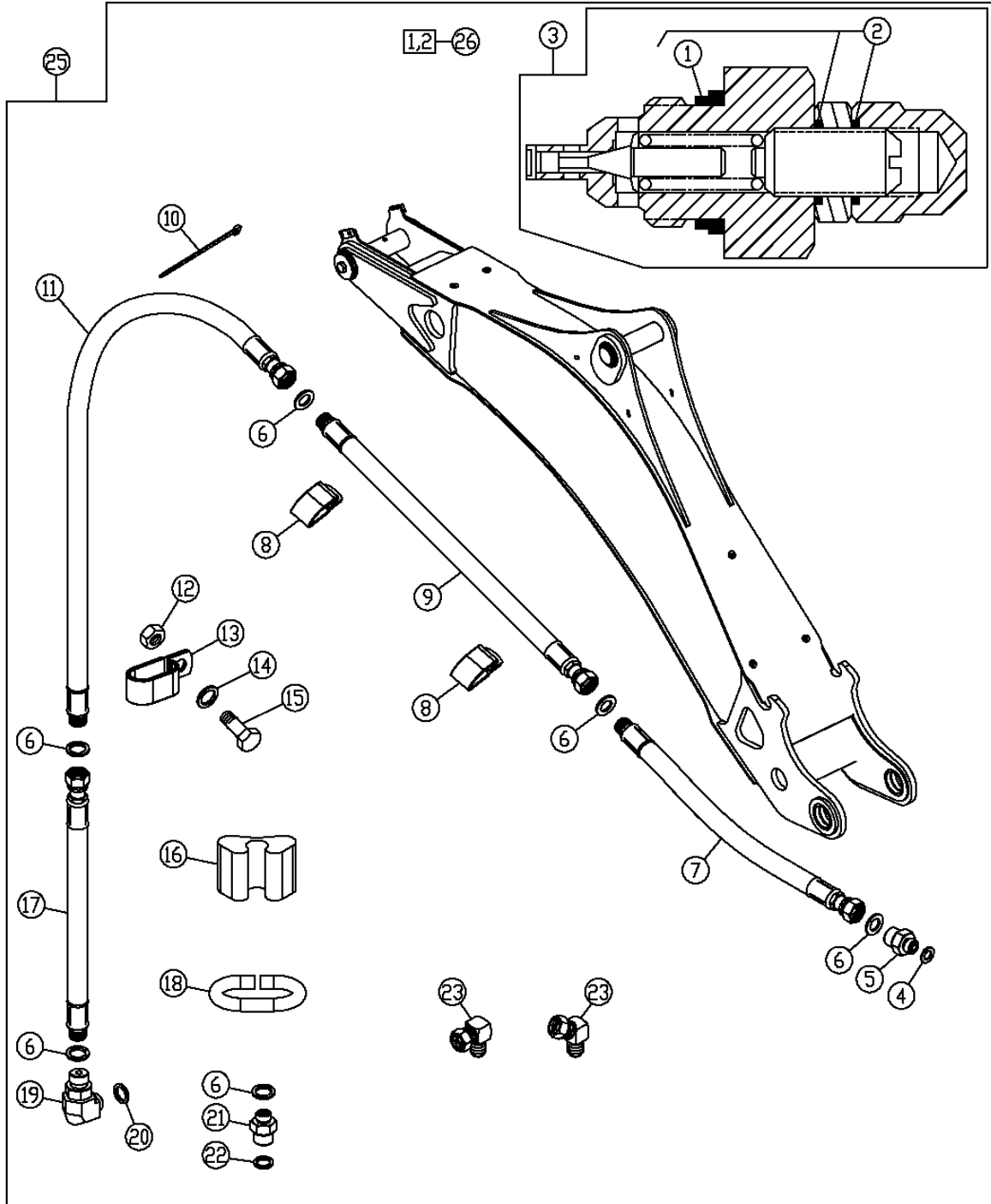
**AUGER HYDRAULICS (STANDARD DIPPERSTICK)  
CIRCUIT HYDRAULIQUE DE VIS (BRAS STANDARD)  
SISTEMA HIDRAULICO DE SINFIN (BRAZO ESTANDAR)**

| KEY | PART NO.        | PART NAME                 | QTY.     | SERIAL NO. | REMARKS                                   |
|-----|-----------------|---------------------------|----------|------------|---|
|     |                 |                           |          |            | 3 3                                       |
|     |                 |                           |          |            | 3 1 1                                     |
|     |                 |                           |          |            | 1 0 5                                     |
|     |                 |                           |          |            | 0 S S                                     |
|     |                 |                           |          |            | G G G                                     |
| 1   | T77932          | O-RING                    | 4        |            | X X X 15.596 X 1.778 MM (0.614" X 0.070") |
| 2   | 38H1069         | FITTING                   | 2        |            | X X X (SWIVEL)                            |
| 3   | R26906          | O-RING                    | 4        |            | X X X 19.177 X 2.464 MM (0.755" X 0.097") |
| 4   | XH4-63-T10      | HYDR.QUICK COUPLER SOCKET | 2        |            | X X X                                     |
| 5   | XH4-62-T10      | HYDR.QUICK COUPLER PLUG   | 2        |            | X X X                                     |
| 6   | 38H1162         | ADAPTER FITTING           | 2        |            | X X X                                     |
| 7   | <b>AT181192</b> | <b>KIT</b>                | <b>1</b> |            | <b>X X X (WHOLE GOODS)</b>                |

# 3363-42

## ATTACHMENT PLUMBING KIT KIT DE CONDUITES HYDRAULIQUES D'ACCESSOIRE JUEGO DE TUBERIA DE ACCESORIO

T141784 -UN-02MAY01



T141784

THIS PARTS LISTING IS CONTINUED

# 3363-43

BACKHOE 33

LINES, HOSES AND FITTINGS 3363

**ATTACHMENT PLUMBING KIT  
KIT DE CONDUITES HYDRAULIQUES D'ACCESSOIRE  
JUEGO DE TUBERIA DE ACCESORIO**

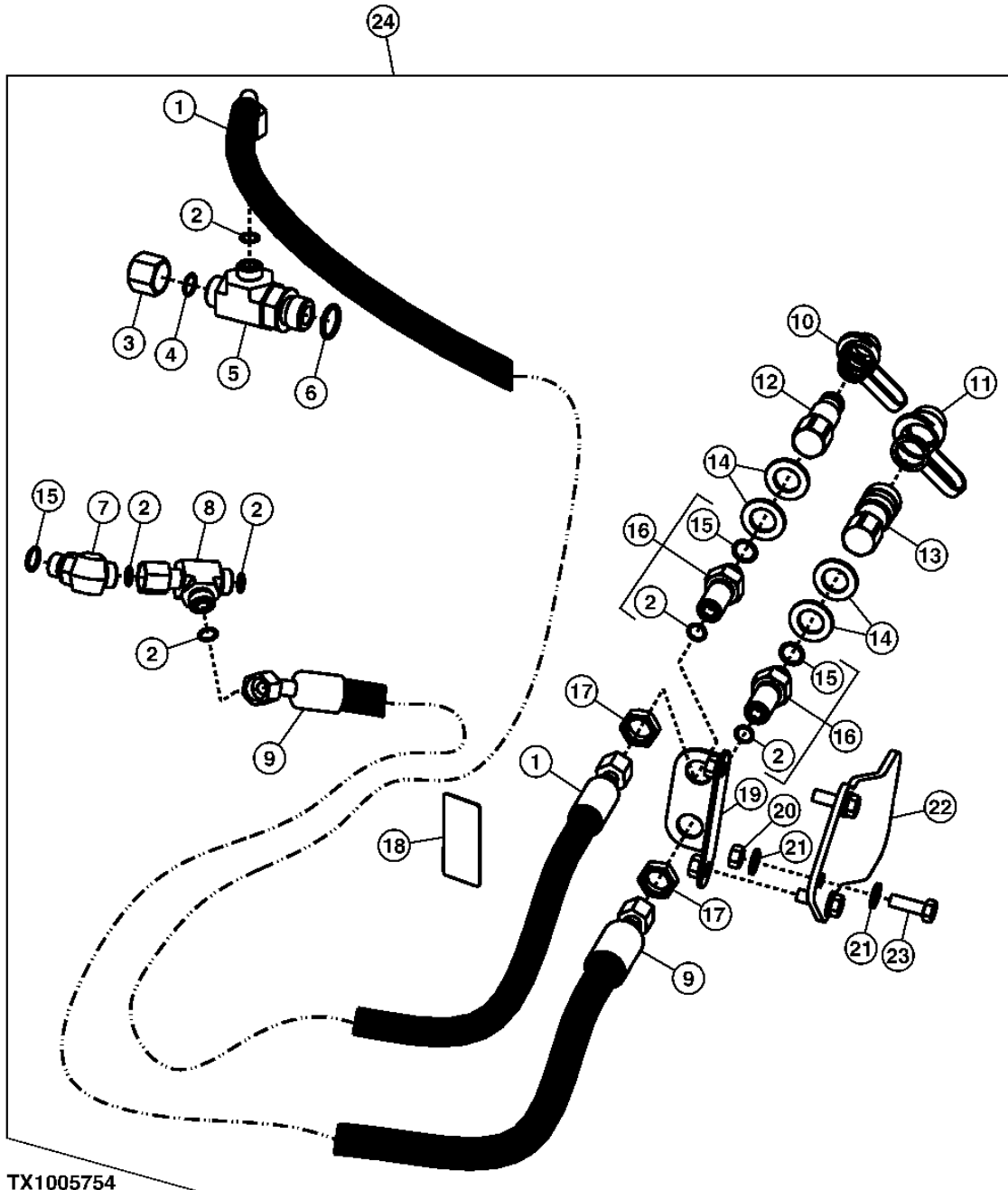
| KEY | PART NO. | PART NAME                  | QTY. | SERIAL NO. | REMARKS   |
|-----|----------|----------------------------|------|------------|---|
|     |          |                            |      |            | 3 3<br>3 1 1<br>1 0 5<br>0 S S<br>G G G   |
| 1   | T183757  | SEAL                       | 2    |            | X X   |
| 2   | T150961  | O-RING                     | 4    |            | X X   |
| 3   | AT170061 | PRESSURE RELIEF VALVE      | 2    |            | X X   |
| 4   | R26906   | O-RING                     | 2    |            | X X   |
| 5   | 38H1172  | ADAPTER FITTING            | 2    |            | X X   |
| 6   | T77613   | O-RING                     | 10   |            | X X   |
| 7   | AT194378 | HYDRAULIC HOSE - FABRICATE | 2    |            | X X 11/16" X 1 156 MM (45-1/2") X 11/16"  |
| 8   | T24959   | CLAMP                      | 14   |            | X X   |
| 9   | AT194379 | HYDRAULIC HOSE - FABRICATE | 2    |            | X 11/16" X 2 146 MM (84-1/2") X 11/16"  |
|     | AT194393 | HYDRAULIC HOSE - FABRICATE | 2    |            | X 11/16" X 2 235 MM (88") X 11/16"  |
| 10  | R44302   | TIE BAND                   | 10   |            | X X   |
| 11  | AT194398 | HYDRAULIC HOSE - FABRICATE | 2    |            | X 11/16" X 1 778 MM (70") X 11/16",<br>(STANDARD DIPPERSTICK)                       |
|     | AT194394 | HYDRAULIC HOSE - FABRICATE | 2    |            | X 11/16" X 1 905 MM (75") X 11/16",<br>(STANDARD DIPPERSTICK)                       |
|     | AT194395 | HYDRAULIC HOSE - FABRICATE | 2    |            | X X 11/16" X 2 794 MM (110") X 11/16",<br>(EXTENDABLE DIPPERSTICK)                  |
| 12  | 14M7400  | LOCK NUT                   | 4    |            | X X M10   |
| 13  | R49921   | CLAMP                      | 2    |            | X X   |
| 14  | 24M7040  | WASHER                     | 4    |            | X X   |
| 15  | 19M7938  | CAP SCREW                  | 4    |            | X X M10 X 20  |
| 16  | T105774  | GUIDE                      | 4    |            | X X   |
| 17  | AT194397 | HYDRAULIC HOSE - FABRICATE | 2    |            | X X 11/16" X 1 778 MM (70") X 11/16",<br>(STANDARD AND EXTENDABLE) (THUMB OR CLAMP) |
|     | AT194396 | HYDRAULIC HOSE - FABRICATE | 2    |            | X 1/4" X 1 651 MM (65") X 11/16",<br>(STANDARD DIPPERSTICK) (SWINGER)               |
|     | AT194392 | HYDRAULIC HOSE - FABRICATE | 2    |            | X 1/4" X 1 613 MM (63-1/2") X 11/16",<br>(EXTENDABLE DIPPERSTICK) (SWINGER)         |
| 18  | T159976  | GUIDE                      | 2    |            | X X   |
| 19  | 38H1010  | ELBOW FITTING              | 1    |            | X X (THUMB OR CLAMP)  |
| 20  | R26375   | O-RING                     | 1    |            | X X   |
| 21  | 38H1172  | ADAPTER FITTING            | 1    |            | X X (THUMB OR CLAMP)  |
| 22  | R26906   | O-RING                     | 1    |            | X X   |
| 23  | AP22688  | HOSE FITTING               | 2    |            | X X (SWINGER)   |
| 24  | AM3762T  | ELBOW FITTING              | 1    |            | X X (SWINGER)   |
| 25  | AT194368 | KIT                        | 1    |            | X X (WHOLE GOODS)   |

# 3363-44

HAND HELD HYDRAULIC TOOL KIT (SERIAL NO. -913416)  
KIT D'OUTILS A MAIN HYDRAULIQUES (SN -913416)  
JUEGO DE HERRAMIENTAS HIDRAULICAS DE MANO (SN -913416)

LINES, HOSES AND FITTINGS 3363

TX1005754 -UN-10APR06



TX1005754



# 3363-45

BACKHOE 33

LINES, HOSES AND FITTINGS 3363

HAND HELD HYDRAULIC TOOL KIT (SERIAL NO. -913416)  
 KIT D'OUTILS A MAIN HYDRAULIQUES (SN -913416)  
 JUEGO DE HERRAMIENTAS HIDRAULICAS DE MANO (SN -913416)

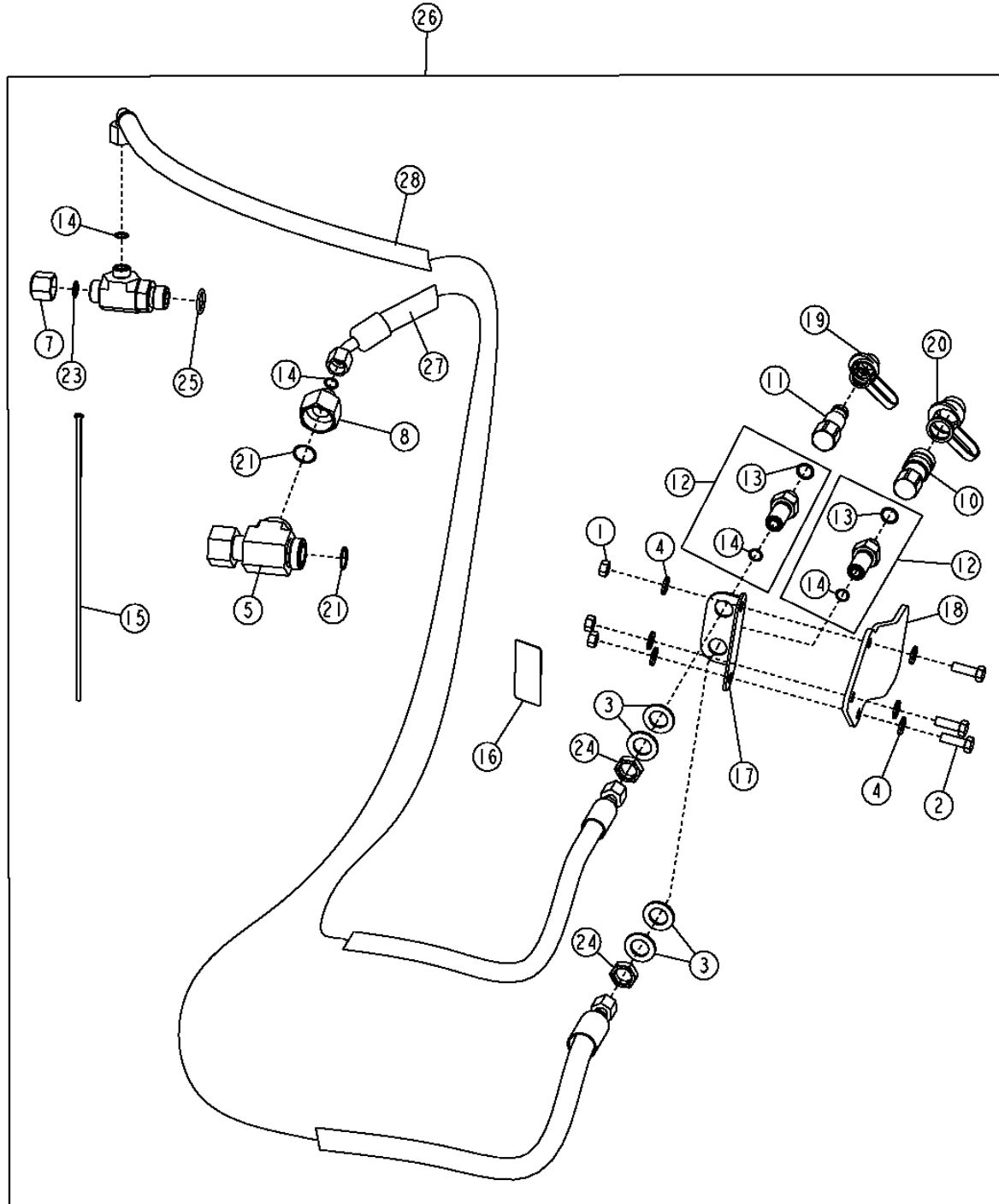
| KEY | PART NO. | PART NAME                  | QTY. | SERIAL NO. | REMARKS                                   |
|-----|----------|----------------------------|------|------------|---|
|     |          |                            |      |            | 3 3<br>3 1 1<br>1 0 5<br>0 S S<br>G G G   |
| 1   | AT192154 | HYDRAULIC HOSE - FABRICATE | 1    |            | X X 13/16" X 3 560 MM (140-1/4") X 13/16" |
| 2   | T77857   | O-RING                     | 7    |            | X X                                       |
| 3   | 38H1417  | FITTING                    | 1    |            | X X                                       |
| 4   | T77932   | O-RING                     | 2    |            | X X                                       |
| 5   | 38H1390  | TEE FITTING                | 1    |            | X X TO BACKHOE VALVE                      |
| 6   | U12547   | O-RING                     | 1    |            | X X                                       |
| 7   | 38H1032  | TEE FITTING                | 1    |            | X X TO STABILIZER VALVE                   |
| 8   | 38H1471  | REDUCER                    | 1    |            | X X TO STABILIZER RETURN HOSE             |
| 9   | AT192155 | HYDRAULIC HOSE - FABRICATE | 1    |            | X X 13/16" X 2 890 MM (113-3/4") X 13/16" |
| 10  | .....    | COVER                      | 1    |            | X X PARKER HANNIFIN NR-37 (PRESSURE)      |
| 11  | .....    | COVER                      | 1    |            | X X PARKER HANNIFIN NR-50                 |
| 12  | .....    | HYD. QUICK-CONNECT COUPLER | 1    |            | X X PARKER HANNIFIN FF-372-870            |
| 13  | .....    | HYD. QUICK-CONNECT COUPLER | 1    |            | X X PARKER HANNIFIN FF-371-870            |
| 14  | 24M7090  | WASHER                     | 4    |            | X X                                       |
| 15  | R26375   | O-RING                     | 2    |            | X X                                       |
| 16  | .....    | ADAPTER FITTING            | 2    |            | X X (ORDER M135646, R26375 AND T77857)    |
| 17  | T78716   | NUT                        | 2    |            | X X 13/16"                                |
| 18  | T162404  | LABEL                      | 1    |            | X X (HAND HELD HYDRAULICS)                |
| 19  | T186282  | BRACKET                    | 1    |            | X X                                       |
| 20  | 14M7274  | NUT                        | 3    |            | X X M10                                   |
| 21  | 24M7239  | WASHER                     | 6    |            | X X                                       |
| 22  | T186474  | GUARD                      | 1    |            | X X                                       |
| 23  | 19M7662  | CAP SCREW                  | 3    |            | X X M10 X 30                              |
| 24  | .....    | KIT                        | 1    |            | X X ( AT190118 NLA)                       |

# 3363-46

HAND HELD HYDRAULIC TOOL KIT (SERIAL NO. 913417- )  
KIT D'OUTILS A MAIN HYDRAULIQUES (SN 913417- )  
JUEGO DE HERRAMIENTAS HIDRAULICAS DE MANO (SN 913417- )

LINES, HOSES AND FITTINGS 3363 )

T189646 -UN-29APR03



T189646

# 3363-47

BACKHOE 33

HAND HELD HYDRAULIC TOOL KIT (SERIAL NO. 913417- )  
 KIT D'OUTILS A MAIN HYDRAULIQUES (SN 913417- )  
 JUEGO DE HERRAMIENTAS HIDRAULICAS DE MANO (SN 913417- )

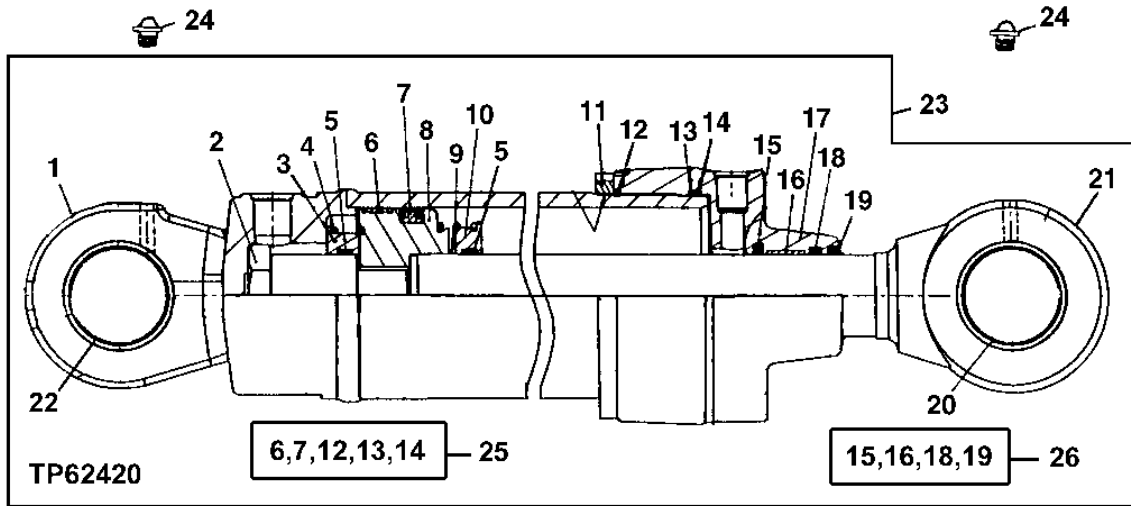
LINES, HOSES AND FITTINGS 3363

| KEY       | PART NO.        | PART NAME                  | QTY.     | SERIAL NO. | REMARKS   |
|-----------|-----------------|----------------------------|----------|------------|---|
|           |                 |                            |          |            | 3 3   |
|           |                 |                            |          |            | 3 1 1   |
|           |                 |                            |          |            | 1 0 5   |
|           |                 |                            |          |            | 0 S S   |
|           |                 |                            |          |            | G G G   |
| 1         | 14M7274         | NUT                        | 3        |            | X X   |
| 2         | 19M7662         | CAP SCREW                  | 3        |            | X X   |
| 3         | 24M7090         | WASHER                     | 4        |            | X X   |
| 4         | 24M7239         | WASHER                     | 6        |            | X X   |
| 5         | 38H1002         | TEE FITTING                | 1        |            | X   |
|           | 38H1532         | TEE FITTING                | 1        |            | X   |
| 6         | 38H1358         | TUBE NUT                   | 1        |            | X X   |
| 7         | 38H1417         | FITTING                    | 1        |            | X X   |
| 8         | 38H1475         | REDUCER                    | 1        |            | X X   |
|           | 38H1358         | TUBE NUT                   | 1        |            | X X   |
| 10        | AT181185        | HYD. QUICK-CONNECT COUPLER | 1        |            | X X   |
| 11        | AT181186        | HYD. QUICK-CONNECT COUPLER | 1        |            | X X   |
| 12        | AT192637        | ADAPTER FITTING            | 2        |            | X X   |
| 13        | R26375          | O-RING                     | 2        |            | X X   |
| 14        | T77857          | O-RING                     | 4        |            | X X   |
| 15        | H77698          | TIE BAND                   | 15       |            | X X   |
| 16        | T162404         | LABEL                      | 1        |            | X X   |
| 17        | T186282         | BRACKET                    | 1        |            | X X   |
| 18        | T186474         | GUARD                      | 1        |            | X X   |
| 19        | .....           | COVER                      | 1        |            | X X   |
| 20        | .....           | COVER                      | 1        |            | X X   |
|           |                 |                            |          |            | PROTECTIVE COVER 3/8 (ORDER XNR-37 THRU JD SERVICE PARTS) |
|           |                 |                            |          |            | PROTECTIVE COVER 1/2 (ORDER XNR-50 THRU JD SERVICE PARTS) |
| 21        | T76938          | O-RING                     | 2        |            | X   |
|           | T77858          | O-RING                     | 1        |            | X   |
| 23        | T77932          | O-RING                     | 1        |            | X X   |
| 24        | T78716          | NUT                        | 2        |            | X X   |
| 25        | U12547          | O-RING                     | 1        |            | X X   |
| <b>26</b> | <b>AT197246</b> | <b>KIT</b>                 | <b>1</b> |            | <b>X X</b>  |
|           |                 |                            |          |            | <b>WHOLE GOODS</b>  |
| 27        | AT192155        | HYDRAULIC HOSE - FABRICATE | 1        |            | X X   |
| 28        | AT192154        | HYDRAULIC HOSE - FABRICATE | 1        |            | X X   |

# 3365-2

BOOM CYLINDER (310G) (SN -926129)  
CYLINDRE DE FLECHE (310G) (SN -926129)  
CILINDRO DEL AGUILON (310G) (SN -926129)

TP62420 -UN-05JUN00



# 3365-3

BACKHOE 33

HYDRAULIC CYLINDERS 3365

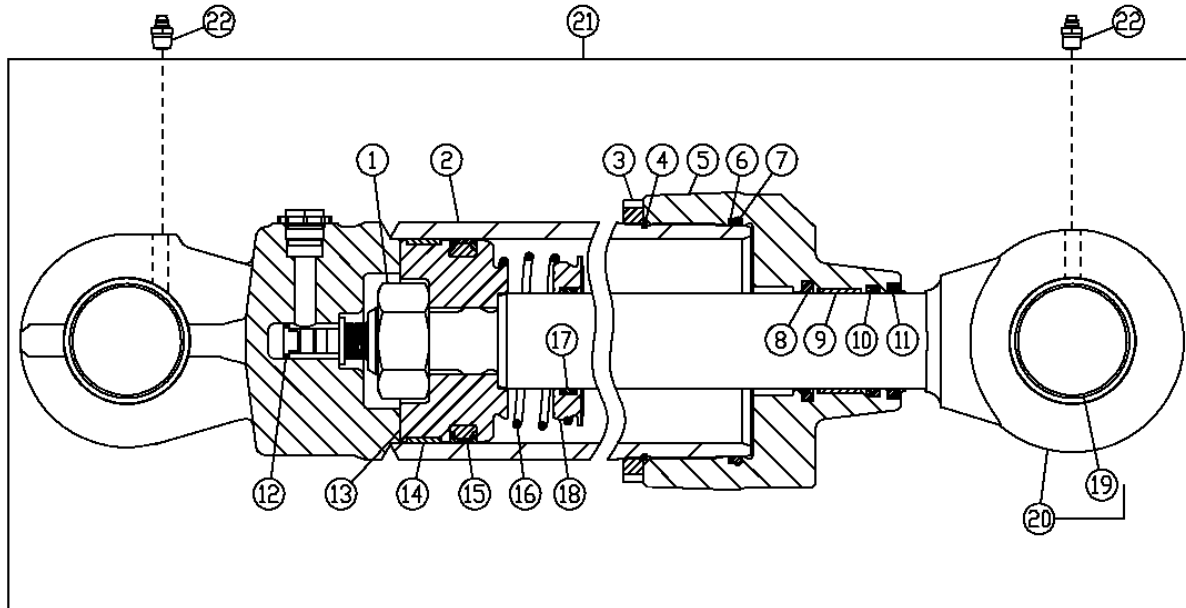
BOOM CYLINDER (310G) (SN -926129)  
 CYLINDRE DE FLECHE (310G) (SN -926129)  
 CILINDRO DEL AGUILON (310G) (SN -926129)

| KEY | PART NO. | PART NAME                 | QTY. | SERIAL NO. | REMARKS                                       |
|-----|----------|---------------------------|------|------------|---|
|     |          |                           |      |            | 3 3   |
|     |          |                           |      |            | 3 1 1   |
|     |          |                           |      |            | 1 0 5   |
|     |          |                           |      |            | 0 S S   |
|     |          |                           |      |            | G G G   |
| 1   | AH149750 | HYDRAULIC CYLINDER BARREL | 1    |            | X   |
| 2   | H151833  | NUT                       | 1    |            | X   |
| 3   | H151832  | PISTON                    | 1    |            | X CUSHION                                     |
| 4   | H140818  | SPRING                    | 1    |            | X   |
| 5   | H151831  | RING                      | 2    |            | X   |
| 6   | H155543  | SCRAPER RING              | 1    |            | X (A)   |
| 7   | AH138082 | SEAL                      | 1    |            | X (A)   |
| 8   | H157081  | PISTON                    | 1    |            | X   |
| 9   | H169161  | SPRING                    | 1    |            | X   |
| 10  | H151830  | PISTON                    | 1    |            | X CUSHION                                     |
| 11  | H180431  | NUT                       | 1    |            | X (SUB FOR H155483, THIS APPLICATION)         |
| 12  | C11884   | O-RING                    | 1    |            | X (A)   |
| 13  | H155540  | BACK-UP RING              | 1    |            | X (A)   |
| 14  | T41356   | O-RING                    | 1    |            | X (A) (SUB FOR H155539)                       |
| 15  | AH146562 | SEAL                      | 1    |            | X (B)   |
| 16  | H152795  | WEAR RING                 | 1    |            | X (B)   |
| 17  | H155423  | HYDR. CYLINDER ROD GUIDE  | 1    |            | X   |
| 18  | H152204  | SEAL                      | 1    |            | X (B)   |
| 19  | AH146558 | SEAL                      | 1    |            | X (B)   |
| 20  | H155420  | BUSHING                   | 1    |            | X   |
| 21  | AH149751 | HYDRAULIC CYLINDER ROD    | 1    |            | X (INCLUDES H155420)                          |
| 22  | H158062  | BUSHING                   | 2    |            | X   |
| 23  | .....    | HYDRAULIC CYLINDER        | 1    |            | X ( AH149625 NLA) (SUB AH211131)              |
| 24  | T162396  | LUBRICATION FITTING       | 3    |            | X   |
| 25  | AH149845 | KIT                       | 1    |            | X (BORE REPAIR) INCLUDES ALL PARTS MARKED (A) |
| 26  | AH149814 | HYDRAULIC CYLINDER KIT    | 1    |            | X (ROD REPAIR) INCLUDES ALL PARTS MARKED (B)  |

# 3365-4

BOOM CYLINDER (310G) (SN 926130- )  
CYLINDRE DE FLECHE (310G) (SN 926130- )  
CILINDRO DEL AGUILON (310G) (SN 926130- )

T195656 -UN-07NOV03



23 8,9,10,11      24 4,14,15

T195656

# 3365-5

BACKHOE 33

HYDRAULIC CYLINDERS 3365

BOOM CYLINDER (310G) (SN 926130- )  
 CYLINDRE DE FLECHE (310G) (SN 926130- )  
 CILINDRO DEL AGUILON (310G) (SN 926130- )

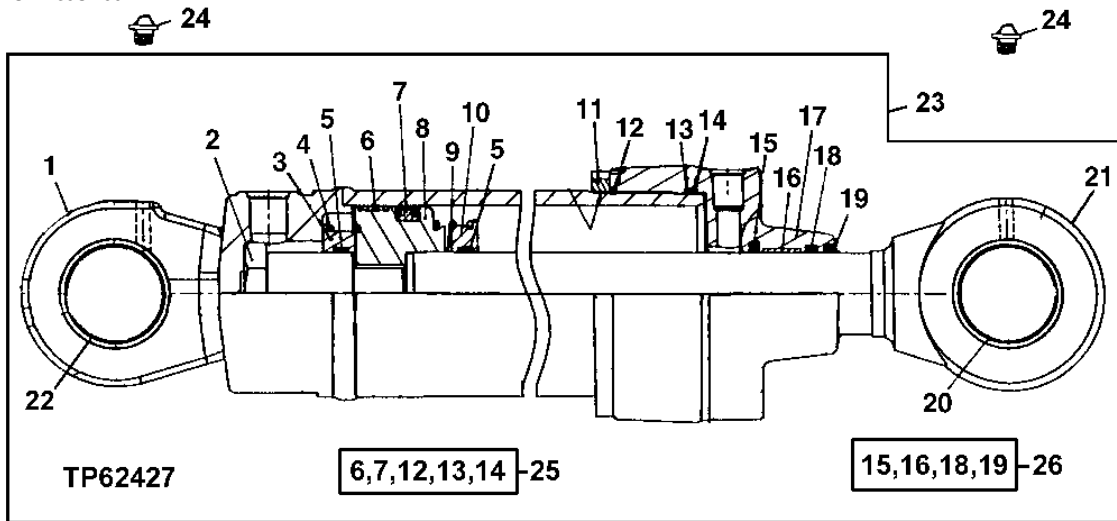
| KEY | PART NO. | PART NAME                 | QTY. | SERIAL NO. | REMARKS                                     |
|-----|----------|---------------------------|------|------------|---|
|     |          |                           |      |            | 3 3   |
|     |          |                           |      |            | 3 1 1                                       |
|     |          |                           |      |            | 1 0 5                                       |
|     |          |                           |      |            | 0 S S                                       |
|     |          |                           |      |            | G G G                                       |
| 1   | H209712  | NUT                       | 1    |            | X   |
| 2   | AH211133 | HYDRAULIC CYLINDER BARREL | 1    |            | X   |
| 3   | H180431  | NUT                       | 1    |            | X   |
| 4   | C11884   | O-RING                    | 1    |            | X (B)                                       |
| 5   | H155423  | HYDR. CYLINDER ROD GUIDE  | 1    |            | X   |
| 6   | H155540  | BACK-UP RING              | 1    |            | X   |
| 7   | T41356   | O-RING                    | 1    |            | X   |
| 8   | AH146562 | SEAL                      | 1    |            | X (A)                                       |
| 9   | H152795  | WEAR RING                 | 1    |            | X (A)                                       |
| 10  | H152204  | SEAL                      | 1    |            | X (A)                                       |
| 11  | AH146558 | SEAL                      | 1    |            | X (A)                                       |
| 12  | AH216853 | SCREW                     | 1    |            | X (SUB FOR AH210719)                        |
| 13  | H157081  | PISTON                    | 1    |            | X   |
| 14  | H155543  | SCRAPER RING              | 1    |            | X (B)                                       |
| 15  | AH138082 | SEAL                      | 1    |            | X (B)                                       |
| 16  | H169161  | SPRING                    | 1    |            | X   |
| 17  | H151831  | RING                      | 1    |            | X   |
| 18  | H151830  | PISTON                    | 1    |            | X   |
| 19  | H155420  | BUSHING                   | 1    |            | X   |
| 20  | AH211135 | ROD                       | 1    |            | X   |
| 21  | AH211131 | HYDRAULIC CYLINDER        | 1    |            | X   |
| 22  | T162396  | LUBRICATION FITTING       | 2    |            | X   |
| 23  | AH149814 | KIT                       | 1    |            | X (ROD SEAL) INCLUDES ALL PARTS MARKED (A)  |
| 24  | AH149845 | KIT                       | 1    |            | X (BORE SEAL) INCLUDES ALL PARTS MARKED (B) |

# 3365-6

BOOM CYLINDER (310SG, 315SG) (SN -926129)  
CYLINDRE DE FLECHE (310SG, 315SG) (SN -926129)  
CILINDRO DEL AGUILON (310SG, 315SG) (SN -926129)

TP62427

-UN-13JUN00





# 3365-7

**BOOM CYLINDER (310SG, 315SG) (SN -926129)  
CYLINDRE DE FLECHE (310SG, 315SG) (SN -926129)  
CILINDRO DEL AGUILON (310SG, 315SG) (SN -926129)**

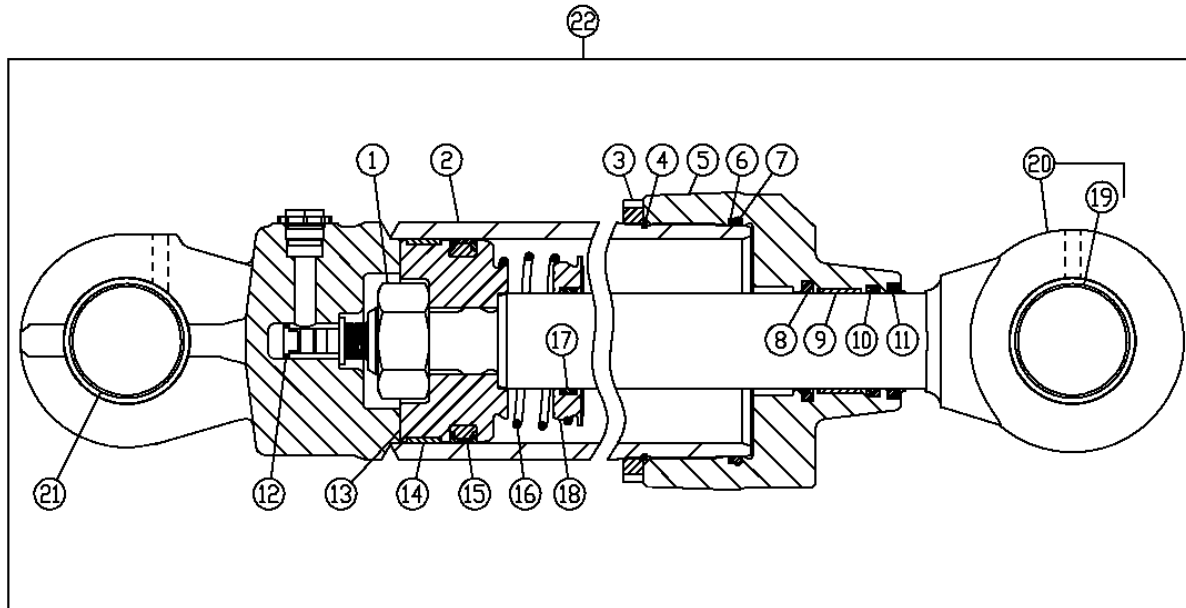
| KEY | PART NO. | PART NAME                 | QTY. | SERIAL NO. | REMARKS  |
|-----|----------|---------------------------|------|------------|--|
|     |          |                           |      |            | 3 3  |
|     |          |                           |      |            | 3 1 1  |
|     |          |                           |      |            | 1 0 5  |
|     |          |                           |      |            | 0 S S  |
|     |          |                           |      |            | G G G  |
| 1   | AH149662 | HYDRAULIC CYLINDER BARREL | 1    |            | X X  |
| 2   | H151833  | NUT                       | 1    |            | X X  |
| 3   | H151832  | PISTON                    | 1    |            | X X CUSHION  |
| 4   | H140818  | SPRING                    | 1    |            | X X  |
| 5   | H151831  | RING                      | 2    |            | X X  |
| 6   | H154900  | SCRAPER RING              | 1    |            | X X (A)  |
| 7   | AH138083 | SEAL                      | 1    |            | X X (A)  |
| 8   | H157083  | PISTON                    | 1    |            | X X  |
| 9   | H169161  | SPRING                    | 1    |            | X X  |
| 10  | H151830  | PISTON                    | 1    |            | X X CUSHION  |
| 11  | H180433  | NUT                       | 1    |            | X X (SUB FOR H154901, THIS APPLICATION)              |
| 12  | T105469  | O-RING                    | 1    |            | X X (A)  |
| 13  | H154898  | BACK-UP RING              | 1    |            | X X (A)  |
| 14  | R77857   | RING                      | 1    |            | X X (A) (SUB FOR H154897)                            |
| 15  | AH146562 | SEAL                      | 1    |            | X X (B)  |
| 16  | H152795  | WEAR RING                 | 1    |            | X X (B)  |
| 17  | H155738  | HYDR. CYLINDER ROD GUIDE  | 1    |            | X X  |
| 18  | H152204  | SEAL                      | 1    |            | X X (B)  |
| 19  | AH146558 | SEAL                      | 1    |            | X X (B)  |
| 20  | H152140  | BUSHING                   | 1    |            | X X  |
| 21  | AH175515 | HYDRAULIC CYLINDER ROD    | 1    |            | X X (SUB FOR AH148174, THIS APPLICATION)             |
| 22  | H150964  | BUSHING                   | 2    |            | X X  |
| 23  | .....    | HYDRAULIC CYLINDER        | 1    |            | X X (AH175513 NLA) (SUB AH211132) (SUB FOR AH149624) |
| 24  | T162396  | LUBRICATION FITTING       | 3    |            | X X  |
| 25  | AH149847 | KIT                       | 1    |            | X X (BORE REPAIR) INCLUDES ALL PARTS MARKED (A)      |
| 26  | AH149814 | HYDRAULIC CYLINDER KIT    | 1    |            | X X (ROD REPAIR) INCLUDES ALL PARTS MARKED (B)       |

# 3365-8

BOOM CYLINDER (310SG, 315SG) (SN 926130- )  
CYLINDRE DE FLECHE (310SG, 315SG) (SN 926130- )  
CILINDRO DEL AGUILON (310SG, 315SG) (SN 926130- )

T195686

-UN-07NOV03



23 8,9,10,11

24 4,6,7,14,15

T195686

# 3365-9

BACKHOE 33

HYDRAULIC CYLINDERS 3365

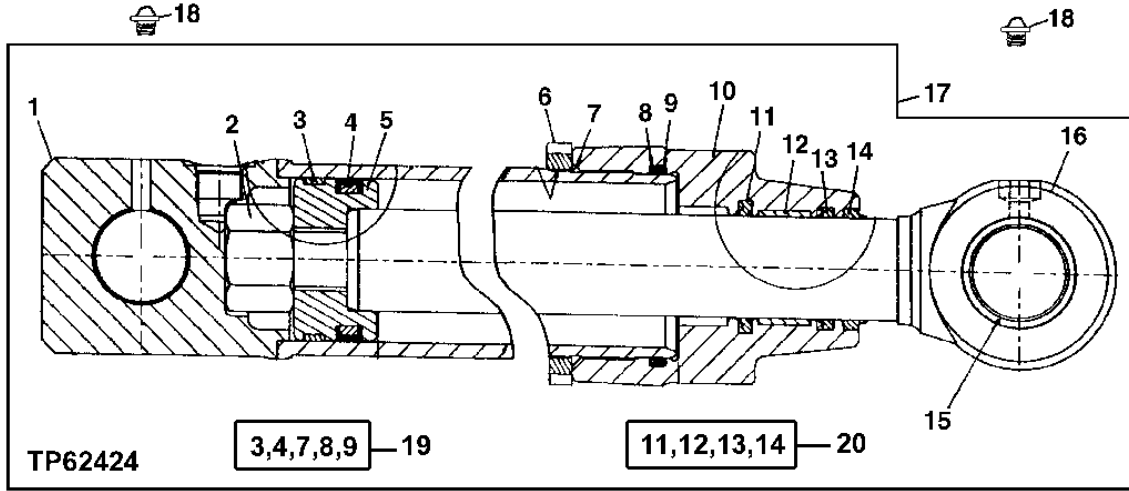
**BOOM CYLINDER (310SG, 315SG) (SN 926130- )  
 CYLINDRE DE FLECHE (310SG, 315SG) (SN 926130- )  
 CILINDRO DEL AGUILON (310SG, 315SG) (SN 926130- )**

| KEY | PART NO. | PART NAME                 | QTY. | SERIAL NO. | REMARKS                                       |
|-----|----------|---------------------------|------|------------|---|
|     |          |                           |      |            | 3 3   |
|     |          |                           |      |            | 3 1 1   |
|     |          |                           |      |            | 1 0 5   |
|     |          |                           |      |            | 0 S S   |
|     |          |                           |      |            | G G G   |
| 1   | H209712  | NUT                       | 1    |            | X X   |
| 2   | AH211134 | HYDRAULIC CYLINDER BARREL | 1    |            | X X (INCLUDES (2) H150964)                    |
| 3   | H180433  | NUT                       | 1    |            | X X   |
| 4   | T105469  | O-RING                    | 1    |            | X X (B)                                       |
| 5   | H155738  | HYDR. CYLINDER ROD GUIDE  | 1    |            | X X   |
| 6   | H154898  | BACK-UP RING              | 1    |            | X X (B)                                       |
| 7   | R77857   | RING                      | 1    |            | X X (B)                                       |
| 8   | AH146562 | SEAL                      | 1    |            | X X (A)                                       |
| 9   | H152795  | WEAR RING                 | 1    |            | X X (A)                                       |
| 10  | H152204  | SEAL                      | 1    |            | X X (A)                                       |
| 11  | AH146558 | SEAL                      | 1    |            | X X (A)                                       |
| 12  | AH216869 | SCREW                     | 1    |            | X X (SUB FOR AH210719)                        |
| 13  | H180397  | PISTON                    | 1    |            | X X   |
| 14  | H154900  | SCRAPER RING              | 1    |            | X X (B)                                       |
| 15  | AH138083 | SEAL                      | 1    |            | X X (B)                                       |
| 16  | H169161  | SPRING                    | 1    |            | X X   |
| 17  | H151831  | RING                      | 1    |            | X X   |
| 18  | H151830  | PISTON                    | 1    |            | X X   |
| 19  | H152140  | BUSHING                   | 1    |            | X X   |
| 20  | AH211138 | HYDRAULIC CYLINDER ROD    | 1    |            | X X   |
| 21  | H150964  | BUSHING                   | 2    |            | X X   |
| 22  | AH211132 | HYDRAULIC CYLINDER        | 1    |            | X X   |
| 23  | AH149814 | KIT                       | 1    |            | X X (ROD SEAL) INCLUDES ALL PARTS MARKED (A)  |
| 24  | AH149847 | KIT                       | 1    |            | X X (BORE SEAL) INCLUDES ALL PARTS MARKED (B) |

# 3365-10

BUCKET CYLINDER (310G) (SN -910900)  
 CYLINDRE DE GODET (310G) (SN -910900)  
 CILINDRE DE CUCHARON (310G) (SN -910900)

TP62424 -UN-08JUN00

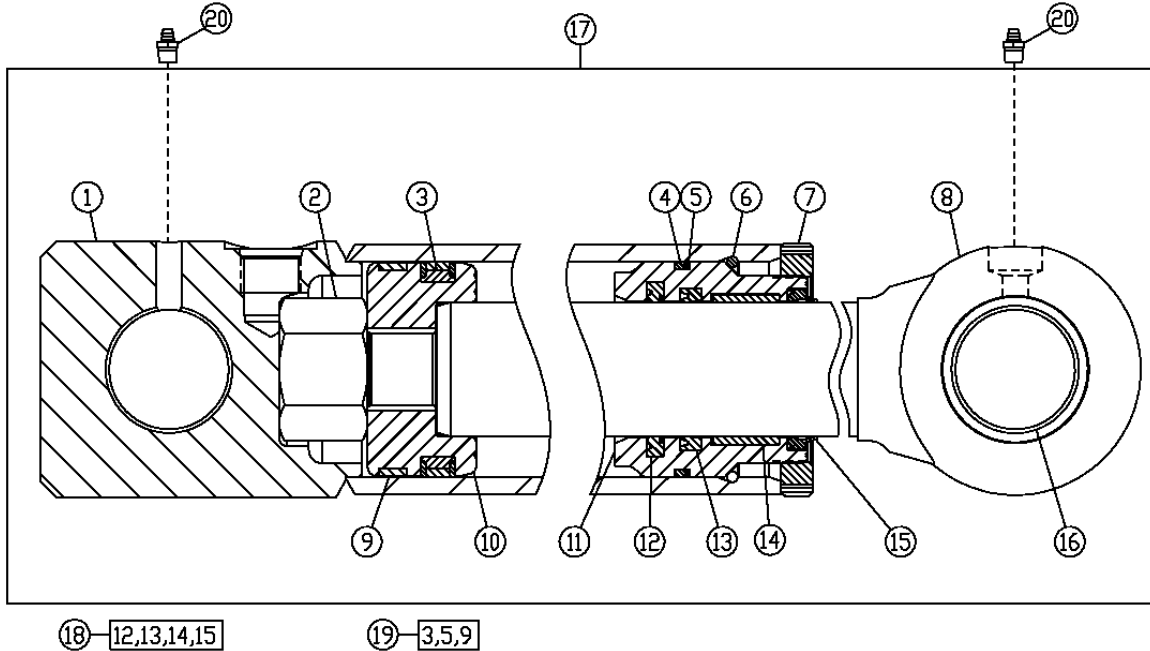


| KEY | PART NO. | PART NAME                 | QTY. | SERIAL NO. | REMARKS  |
|-----|----------|---------------------------|------|------------|--|
|     |          |                           |      | 3 3        |  |
|     |          |                           |      | 3 1 1      |  |
|     |          |                           |      | 1 0 5      |  |
|     |          |                           |      | 0 S S      |  |
|     |          |                           |      | G G G      |  |
| 1   | AH148551 | HYDRAULIC CYLINDER BARREL | 1    | X          |  |
| 2   | H155513  | NUT                       | 1    | X          |  |
| 3   | R81777   | WEAR RING                 | 1    | X          | (A)  |
| 4   | RE20345  | SEAL                      | 1    | X          | (A)  |
| 5   | H155520  | PISTON                    | 1    | X          |  |
| 6   | H180569  | NUT                       | 1    | X          | (SUB FOR H155512, THIS APPLICATION)                            |
| 7   | P48403   | O-RING                    | 1    | X          | (A)  |
| 8   | H155548  | BACK-UP RING              | 1    | X          | (A)  |
| 9   | F950R    | O-RING                    | 1    | X          | (A) (SUB FOR H155547)  |
| 10  | H155424  | HYDR. CYLINDER ROD GUIDE  | 1    | X          |  |
| 11  | AH146561 | SEAL                      | 1    | X          | (B)  |
| 12  | H152794  | WEAR RING                 | 1    | X          | (B)  |
| 13  | H152203  | SEAL                      | 1    | X          | (B)  |
| 14  | AH146557 | SEAL                      | 1    | X          | (B)  |
| 15  | H155419  | BUSHING                   | 1    | X          |  |
| 16  | AH148553 | HYDRAULIC CYLINDER ROD    | 1    | X          |  |
| 17  | .....    | HYDRAULIC CYLINDER        | 1    | X          | ( AH148437 NLA) (SUB AH209080)                                 |
| 18  | T162396  | LUBRICATION FITTING       | 2    | X          |  |
| 19  | AH212091 | HYDRAULIC CYLINDER KIT    | 1    | X          | (BORE REPAIR) INCLUDES ALL PARTS MARKED (A) (SUB FOR AH149842) |
| 20  | AH210484 | HYDRAULIC CYLINDER KIT    | 1    | X          | (ROD REPAIR) INCLUDES ALL PARTS MARKED (B) (SUB FOR AH148164)  |

# 3365-11

**BUCKET CYLINDER (310G) (SN 910901-925926)**  
**CYLINDRE DE GODET (310G) (SN 910901-925926)**  
**CILINDRO DE CUCHARON (310G) (SN 910901-925926)**

T161609 -UN-18NOV02



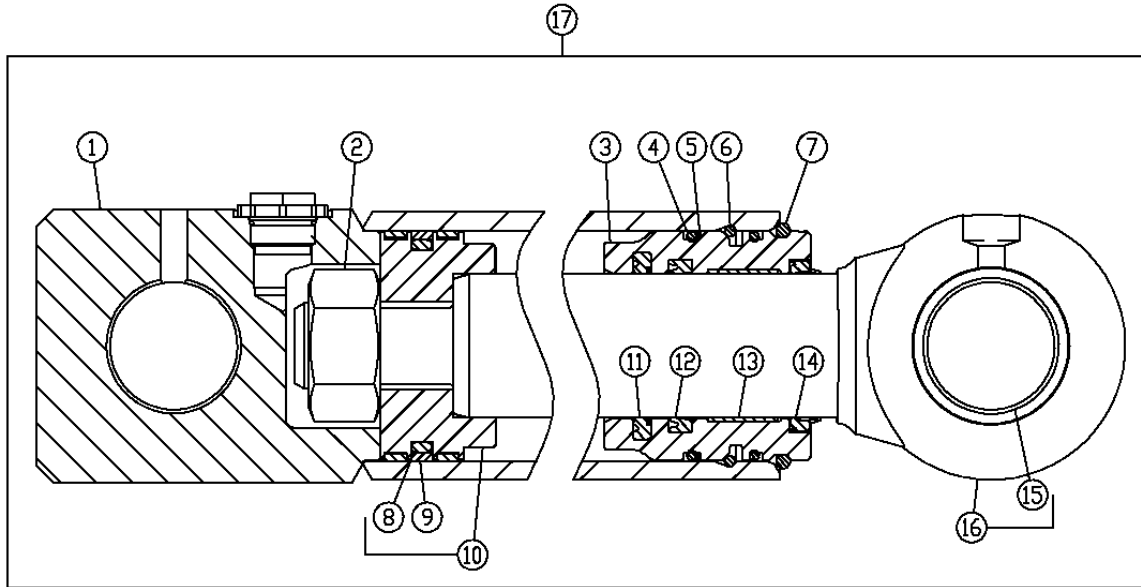
T161609

| KEY | PART NO. | PART NAME                 | QTY. | SERIAL NO. | 3 3<br>3 1 1<br>1 0 5<br>0 S S<br>G G G | REMARKS  |
|-----|----------|---------------------------|------|------------|---|--|
| 1   | AH207411 | HYDRAULIC CYLINDER BARREL | 1    |            | X                                       |  |
| 2   | H155513  | NUT                       | 1    |            | X                                       |  |
| 3   | RE20345  | SEAL                      | 1    |            | X                                       | (B)  |
| 4   | T12582   | O-RING                    | 1    |            | X                                       |  |
| 5   | R81864   | BACK-UP RING              | 1    |            | X                                       | (B)  |
| 6   | R81789   | RING                      | 1    |            | X                                       |  |
| 7   | R81795   | NUT                       | 1    |            | X                                       |  |
| 8   | AH148553 | HYDRAULIC CYLINDER ROD    | 1    |            | X                                       |  |
| 9   | R81777   | WEAR RING                 | 1    |            | X                                       | (B)  |
| 10  | H155520  | PISTON                    | 1    |            | X                                       |  |
| 11  | H152345  | HYDR. CYLINDER ROD GUIDE  | 1    |            | X                                       |  |
| 12  | AH146561 | SEAL                      | 1    |            | X                                       | (A)  |
| 13  | H152203  | SEAL                      | 1    |            | X                                       | (A)  |
| 14  | H152794  | WEAR RING                 | 1    |            | X                                       | (A)  |
| 15  | AH146557 | SEAL                      | 1    |            | X                                       | (A)  |
| 16  | H155419  | BUSHING                   | 1    |            | X                                       |  |
| 17  | .....    | HYDRAULIC CYLINDER        | 1    |            | X                                       | ( AH206649 NLA) (SUB AH209080)                   |
| 18  | AH210484 | HYDRAULIC CYLINDER KIT    | 1    |            | X                                       | INCLUDES ALL PARTS MARKED (A) (SUB FOR AH148164) |
| 19  | AH212091 | HYDRAULIC CYLINDER KIT    | 1    |            | X                                       | INCLUDES ALL PARTS MARKED (B) (SUB FOR AH149842) |
| 20  | T162396  | LUBRICATION FITTING       | 2    |            | X                                       |  |

# 3365-12

BUCKET CYLINDER (310G) (SN 925927- )  
 CYLINDRE DE GODET (310G) (SN 925927- )  
 CILINDRO DE CUCHARÓN (310G) (SN 925927- )

T199107 -UN-13APR04



18-11,12,13,14

19-5,8,9

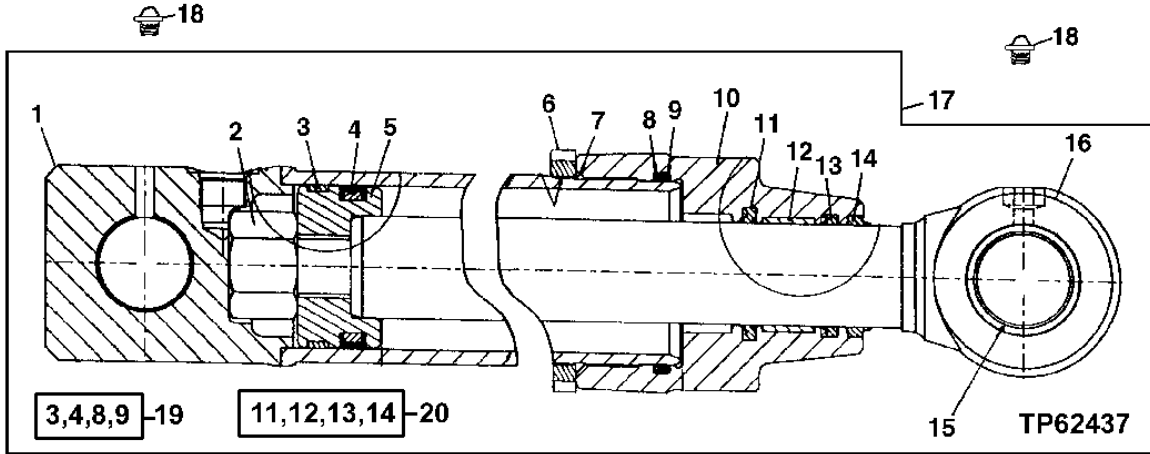
T199107

| KEY | PART NO. | PART NAME                 | QTY. | SERIAL NO. | REMARKS                              |
|-----|----------|---------------------------|------|------------|--------------------------------------|
|     |          |                           |      | 3 3        |                                      |
|     |          |                           |      | 3 1 1      |                                      |
|     |          |                           |      | 1 0 5      |                                      |
|     |          |                           |      | 0 S S      |                                      |
|     |          |                           |      | G G G      |                                      |
| 1   | AH209081 | HYDRAULIC CYLINDER BARREL | 1    | X          |                                      |
| 2   | H170539  | NUT                       | 1    | X          |                                      |
| 3   | H209221  | HYDR. CYLINDER ROD GUIDE  | 1    | X          |                                      |
| 4   | T12582   | O-RING                    | 1    | X          |                                      |
| 5   | R81864   | BACK-UP RING              | 1    | X          | (B)                                  |
| 6   | H170216  | SNAP RING                 | 1    | X          |                                      |
| 7   | H180787  | SNAP RING                 | 1    | X          |                                      |
| 8   | R98323   | SEAL                      | 1    | X          | (B)                                  |
| 9   | R98322   | SEAL                      | 1    | X          | (B)                                  |
| 10  | AH173410 | PISTON                    | 1    | X          |                                      |
| 11  | AH146561 | SEAL                      | 1    | X          | (A)                                  |
| 12  | H152203  | SEAL                      | 1    | X          | (A)                                  |
| 13  | H208987  | WEAR RING                 | 1    | X          | (A)                                  |
| 14  | AH146557 | SEAL                      | 1    | X          | (A)                                  |
| 15  | H155419  | BUSHING                   | 1    | X          |                                      |
| 16  | AH209082 | HYDRAULIC CYLINDER ROD    | 1    | X          |                                      |
| 17  | AH209080 | HYDRAULIC CYLINDER        | 1    | X          |                                      |
| 18  | AH210484 | HYDRAULIC CYLINDER KIT    | 1    | X          | (ROD) INCLUDES ALL PARTS MARKED (A)  |
| 19  | AH212092 | HYDRAULIC CYLINDER KIT    | 1    | X          | (BORE) INCLUDES ALL PARTS MARKED (B) |

# 3365-13

BUCKET CYLINDER (310SG, 315SG) (SN -926129)  
 CYLINDRE DE GODET (310SG, 315SG) (SN -926129)  
 CILINDRO DE CUCHARON (310SG, 315SG) (SN -926129)

TP62437 -UN-29JUN00



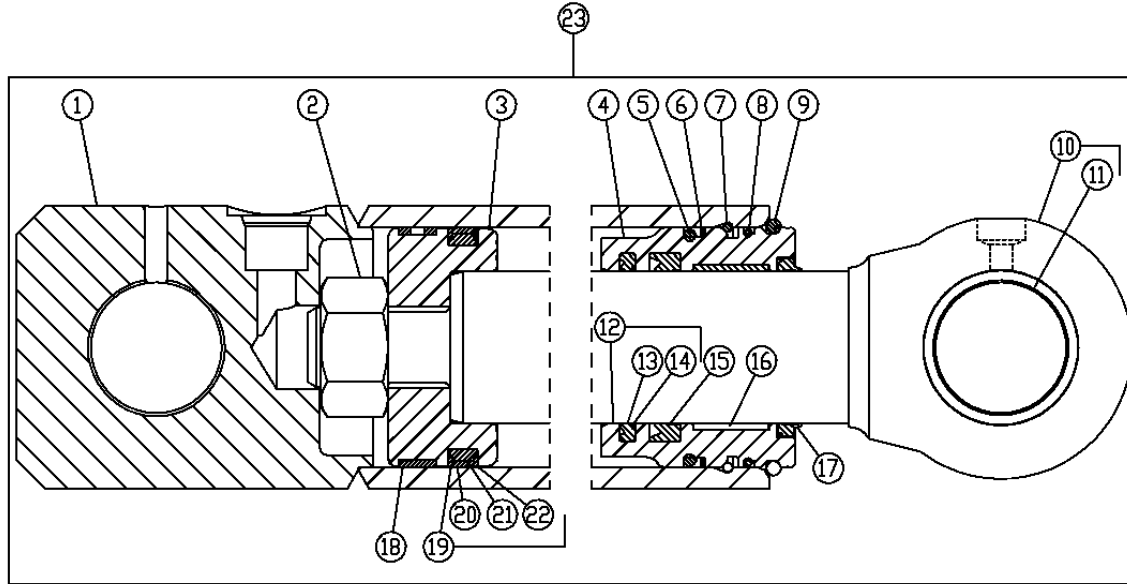
| KEY | PART NO. | PART NAME                 | QTY. | SERIAL NO. | REMARKS  |
|-----|----------|---------------------------|------|------------|--|
|     |          |                           |      |            | 3 3<br>3 1 1<br>1 0 5<br>0 S S<br>G G G                            |
| 1   | AH150209 | HYDRAULIC CYLINDER BARREL | 1    |            | X X  |
| 2   | H151815  | NUT                       | 1    |            | X X  |
| 3   | R81776   | WEAR RING                 | 1    |            | X X (A)  |
| 4   | RE20344  | SEAL                      | 1    |            | X X (A)  |
| 5   | H150976  | PISTON                    | 1    |            | X X  |
| 6   | H151816  | NUT                       | 1    |            | X X  |
| 7   | H154380  | O-RING                    | 1    |            | X X  |
| 8   | H151889  | BACK-UP RING              | 1    |            | X X (A)  |
| 9   | R74657   | O-RING                    | 1    |            | X X (A) (SUB FOR H154381)  |
| 10  | H155718  | HYDR. CYLINDER ROD GUIDE  | 1    |            | X X  |
| 11  | AH146562 | SEAL                      | 1    |            | X X (B)  |
| 12  | H152795  | WEAR RING                 | 1    |            | X X (B)  |
| 13  | H152204  | SEAL                      | 1    |            | X X (B)  |
| 14  | AH146558 | SEAL                      | 1    |            | X X (B)  |
| 15  | H154269  | BUSHING                   | 1    |            | X X  |
| 16  | AH146271 | HYDRAULIC CYLINDER ROD    | 1    |            | X X  |
| 17  | .....    | HYDRAULIC CYLINDER        | 1    |            | X X ( AH149790 NLA) (SUB AH208379)                                 |
| 18  | T162396  | LUBRICATION FITTING       | 2    |            | X X  |
| 19  | AH212096 | HYDRAULIC CYLINDER KIT    | 1    |            | X X (BORE REPAIR) INCLUDES ALL PARTS MARKED (A) (SUB FOR AH149843) |
| 20  | AH149814 | HYDRAULIC CYLINDER KIT    | 1    |            | X X (ROD REPAIR) INCLUDES ALL PARTS MARKED (B)                     |

# 3365-14

**BUCKET CYLINDER AND REPAIR KIT (310SG, 315SG) (SN 926130- )**  
**VERIN DE BENNE ET KIT DE REPARATION (310SG, 315SG) (SN 926130- )**  
**CILINDRO DE CUCHARON Y JUEGO DE REPARACION (310SG, 315SG) (SN 926130- )**

T202327

-UN-27AUG04



24 — 12,13,14,15,16,17

25 — 6,8,18,19,20,21,22

T202327

| KEY | PART NO. | PART NAME                 | QTY. | SERIAL NO. | 3 3<br>3 1 1<br>1 0 5<br>0 S S<br>G G G | REMARKS                                     |
|-----|----------|---------------------------|------|------------|---|---|
| 1   | AH209078 | HYDRAULIC CYLINDER BARREL | 1    |            | X X                                     |   |
| 2   | H170540  | LOCK NUT                  | 1    |            | X X                                     |   |
| 3   | H150976  | PISTON                    | 1    |            | X X                                     |   |
| 4   | H209264  | HYDR. CYLINDER ROD GUIDE  | 1    |            | X X                                     |   |
| 5   | F1430R   | O-RING                    | 1    |            | X X                                     |   |
| 6   | R79101   | BACK-UP RING              | 1    |            | X X (B)                                 |   |
| 7   | H180103  | SNAP RING                 | 1    |            | X X                                     |   |
| 8   | .....    | O-RING                    | 1    |            | X X (B)                                 |   |
| 9   | H206859  | SNAP RING                 | 1    |            | X X                                     |   |
| 10  | AH209079 | HYDRAULIC CYLINDER ROD    | 1    |            | X X                                     |   |
| 11  | H180402  | BUSHING                   | 1    |            | X X                                     |   |
| 12  | AH146562 | SEAL                      | 1    |            | X X (A)                                 |   |
| 13  | .....    | SEAL                      | 1    |            | X X (A)                                 |   |
| 14  | .....    | BACK-UP RING              | 1    |            | X X (A)                                 |   |
| 15  | H152204  | SEAL                      | 1    |            | X X (A)                                 |   |
| 16  | H152795  | WEAR RING                 | 1    |            | X X (A)                                 |   |
| 17  | AH146558 | SEAL                      | 1    |            | X X (A)                                 |   |
| 18  | R81776   | WEAR RING                 | 1    |            | X X (B)                                 |   |
| 19  | RE20344  | SEAL                      | 1    |            | X X (B)                                 |   |
| 20  | .....    | SEAL                      | 1    |            | X X (B)                                 |   |
| 21  | .....    | SEAL                      | 1    |            | X X (B)                                 |   |
| 22  | .....    | BACK-UP RING              | 2    |            | X X (B)                                 |   |
| 23  | AH208379 | HYDRAULIC CYLINDER        | 1    |            | X X                                     |   |
| 24  | AH149814 | HYDRAULIC CYLINDER KIT    | 1    |            | X X                                     | (ROD REPAIR) INCLUDES ALL PARTS MARKED (A)  |
| 25  | AH212096 | HYDRAULIC CYLINDER KIT    | 1    |            | X X                                     | (BORE REPAIR) INCLUDES ALL PARTS MARKED (B) |

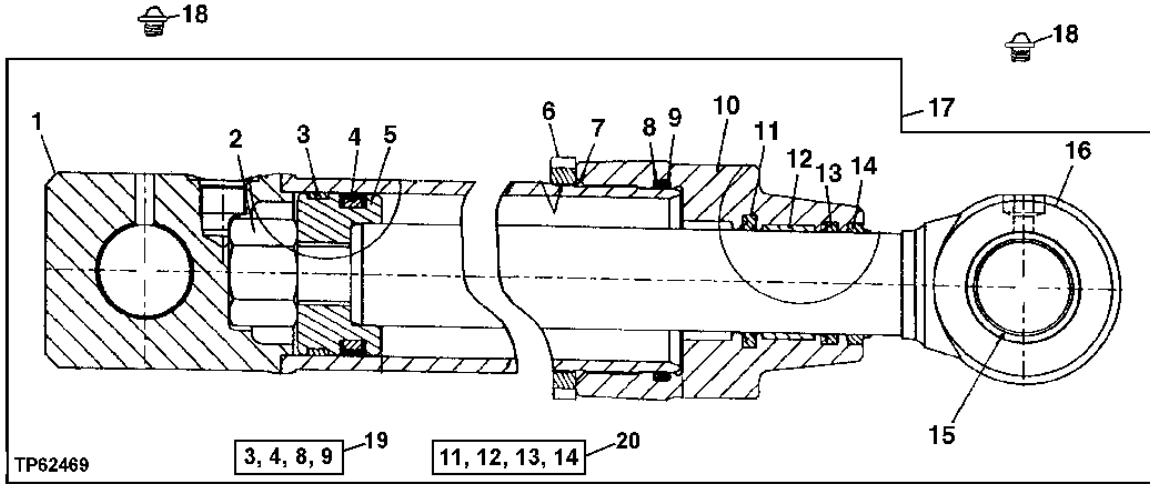


# 3365-15

BUCKET CYLINDER AND REPAIR KIT (HEAVY DUTY) (310SG, 315SG) (SN -926788)  
 VERIN DE BENNE ET KIT DE REPARATION (POUR SERVICE SEVERE) (310SG, 315SG) (SN -926788)  
 CILINDRO DE CUCHARON Y JUEGO DE REPARACION (SERVICIO SEVERO) (310SG, 315SG) (SN -926788)

TP62469

-UN-26SEP00



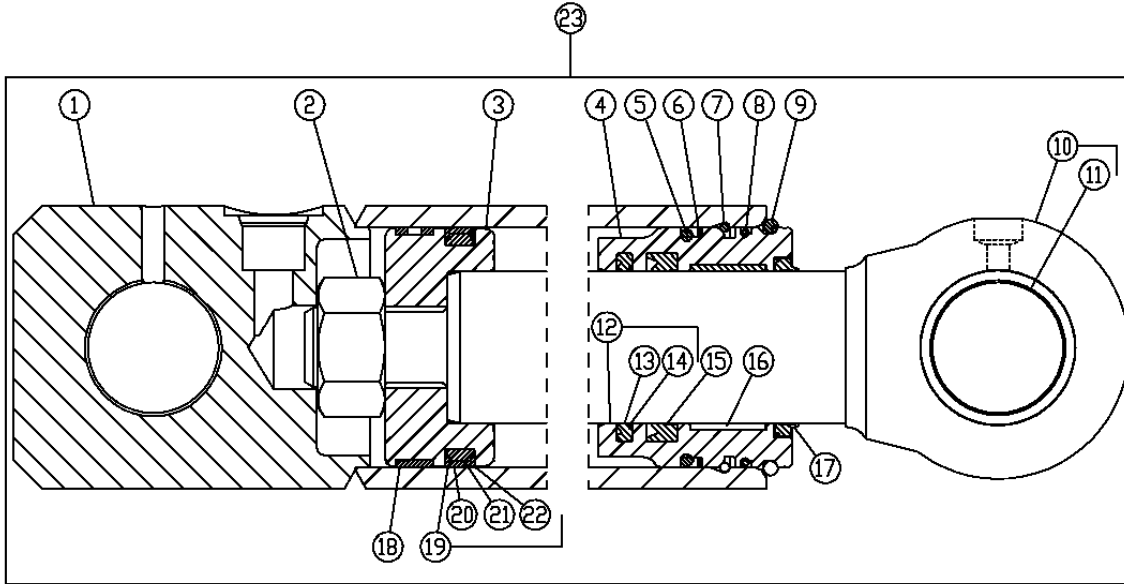
| KEY | PART NO. | PART NAME                 | QTY. | SERIAL NO. | 3 3<br>3 1 1<br>1 0 5<br>0 S S<br>G G G | REMARKS  |
|-----|----------|---------------------------|------|------------|---|--|
| 1   | AH150211 | HYDRAULIC CYLINDER BARREL | 1    |            | X X                                     |  |
| 2   | H151815  | NUT                       | 1    |            | X X                                     |  |
| 3   | R81775   | WEAR RING                 | 1    |            | X X (A)                                 |  |
| 4   | RE20343  | SEAL                      | 1    |            | X X (A)                                 |  |
| 5   | H151893  | PISTON                    | 1    |            | X X                                     |  |
| 6   | H180430  | NUT                       | 1    |            | X X                                     | (SUB FOR H151892, THIS APPLICATION)                            |
| 7   | H154382  | O-RING                    | 1    |            | X X                                     |  |
| 8   | H152065  | BACK-UP RING              | 1    |            | X X (A)                                 |  |
| 9   | E49244   | O-RING                    | 1    |            | X X (A)                                 | (SUB FOR H154383)  |
| 10  | H155740  | HYDR. CYLINDER ROD GUIDE  | 1    |            | X X                                     |  |
| 11  | AH146563 | SEAL                      | 1    |            | X X (B)                                 |  |
| 12  | H152796  | WEAR RING                 | 1    |            | X X (B)                                 |  |
| 13  | H152205  | SEAL                      | 1    |            | X X (B)                                 |  |
| 14  | AH146559 | SEAL                      | 1    |            | X X (B)                                 |  |
| 15  | H154269  | BUSHING                   | 1    |            | X X                                     |  |
| 16  | AH146318 | HYDRAULIC CYLINDER ROD    | 1    |            | X X                                     |  |
| 17  | AH149791 | HYDRAULIC CYLINDER        | 1    |            | X X                                     |  |
| 18  | T162396  | LUBRICATION FITTING       | 2    |            | X X                                     |  |
| 19  | AH212101 | HYDRAULIC CYLINDER KIT    | 1    |            | X X                                     | (BORE REPAIR) INCLUDES ALL PARTS MARKED (A) (SUB FOR AH149844) |
| 20  | AH149815 | HYDRAULIC CYLINDER KIT    | 1    |            | X X                                     | (ROD REPAIR) INCLUDES ALL PARTS MARKED (B)                     |

# 3365-16

**BUCKET CYLINDER AND REPAIR KIT (HEAVY DUTY) (310SG, 315SG) (SN 926789- )**  
**VERIN DE BENNE ET KIT DE REPARATION (POUR SERVICE SEVERE) (310SG, 315SG) (SN 926789- )**  
**CILINDRO DE CUCHARON Y JUEGO DE REPARACION (SERVICIO SEVERO) (310SG, 315SG) (SN 926789- )**

T202327

-UN-27AUG04



24 12,13,14,15,16,17

25 6,8,18,19,20,21,22

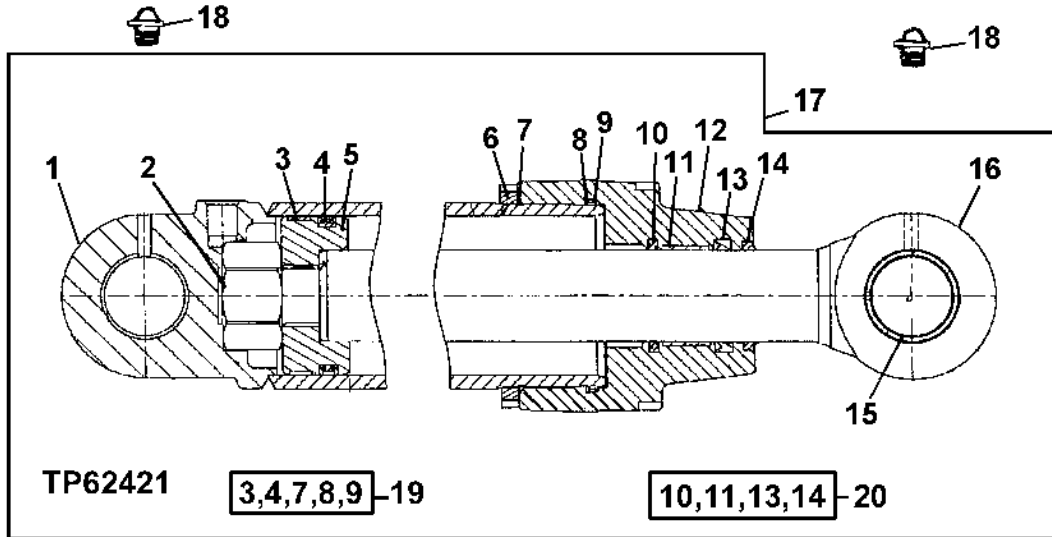
T202327

| KEY | PART NO. | PART NAME                 | QTY. | SERIAL NO. | REMARKS  |
|-----|----------|---------------------------|------|------------|--|
|     |          |                           |      | 3 3        |  |
|     |          |                           |      | 3 1 1      |  |
|     |          |                           |      | 1 0 5      |  |
|     |          |                           |      | 0 S S      |  |
|     |          |                           |      | G G G      |  |
| 1   | AH220523 | HYDRAULIC CYLINDER BARREL | 1    |            | X X (SUB FOR AH206725)   |
| 2   | H170540  | LOCK NUT                  | 1    |            | X X  |
| 3   | H151893  | PISTON                    | 1    |            | X X  |
| 4   | H206792  | HYDR. CYLINDER ROD GUIDE  | 1    |            | X X  |
| 5   | F950R    | O-RING                    | 1    |            | X X  |
| 6   | R81862   | BACK-UP RING              | 1    |            | X X (B)  |
| 7   | H180094  | SNAP RING                 | 1    |            | X X  |
| 8   | .....    | O-RING                    | 1    |            | X X (B)  |
| 9   | H180080  | SNAP RING                 | 1    |            | X X  |
| 10  | AH209083 | HYDRAULIC CYLINDER ROD    | 1    |            | X X  |
| 11  | H180402  | BUSHING                   | 1    |            | X X  |
| 12  | AH146563 | SEAL                      | 1    |            | X X (A)  |
| 13  | .....    | SEAL                      | 1    |            | X X (A)  |
| 14  | .....    | BACK-UP RING              | 1    |            | X X (A)  |
| 15  | H152205  | SEAL                      | 1    |            | X X (A)  |
| 16  | H152796  | WEAR RING                 | 1    |            | X X (A)  |
| 17  | AH146559 | SEAL                      | 1    |            | X X (A)  |
| 18  | R81775   | WEAR RING                 | 1    |            | X X (B)  |
| 19  | RE20343  | SEAL                      | 1    |            | X X (B)  |
| 20  | .....    | SEAL                      | 1    |            | X X (B)  |
| 21  | .....    | SEAL                      | 1    |            | X X (B)  |
| 22  | .....    | BACK-UP RING              | 2    |            | X X (B)  |
| 23  | AH220526 | HYDRAULIC CYLINDER        | 1    |            | X X (SUB FOR AH206726)   |
| 24  | AH149815 | HYDRAULIC CYLINDER KIT    | 1    |            | X X (ROD REPAIR) INCLUDES ALL PARTS MARKED (A)                                       |
| 25  | AH212101 | HYDRAULIC CYLINDER KIT    | 1    |            | X X (BORE REPAIR) INCLUDES ALL PARTS MARKED (B) (SUB FOR AH212102, THIS APPLICATION) |

# 3365-17

**CROWD CYLINDER AND REPAIR KIT (310G)  
VERIN DE CAVAGE ET KIT DE REPARATION (310G)  
CILINDRO DE EMPUJE Y JUEGO DE REPARACION (310G)**

TP62421 -UN-05JUN00

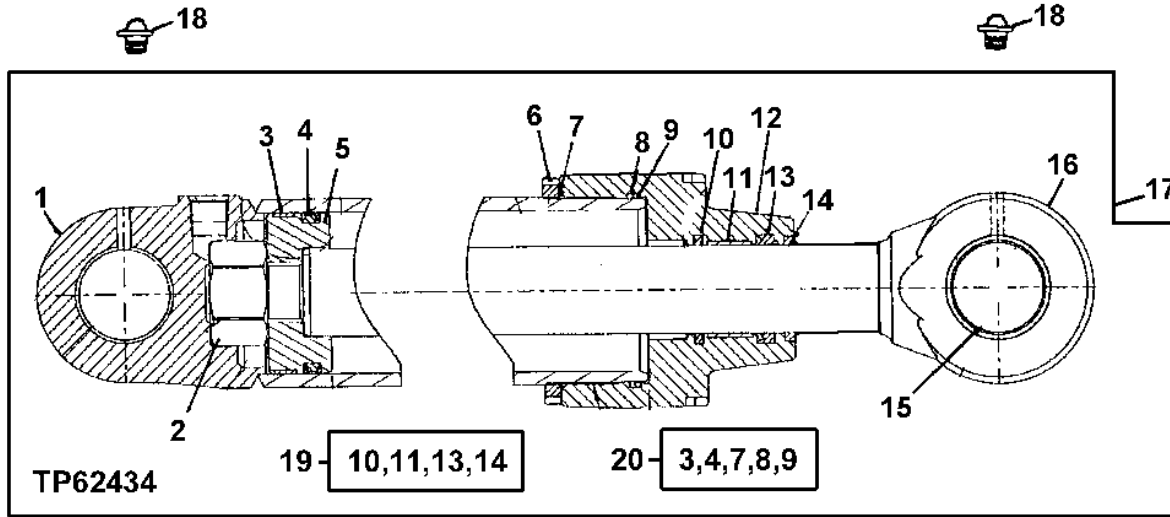


| KEY | PART NO. | PART NAME                 | QTY. | SERIAL NO. | REMARKS                                     |
|-----|----------|---------------------------|------|------------|---|
|     |          |                           |      | 3 3        |   |
|     |          |                           |      | 3 1 1      |   |
|     |          |                           |      | 1 0 5      |   |
|     |          |                           |      | 0 S S      |   |
|     |          |                           |      | G G G      |   |
| 1   | AH157977 | HYDRAULIC CYLINDER BARREL | 1    | X          |   |
| 2   | H151894  | NUT                       | 1    | X          |   |
| 3   | H155543  | SCRAPER RING              | 1    | X          | (A)   |
| 4   | AH138082 | SEAL                      | 1    | X          | (A)   |
| 5   | H164464  | PISTON                    | 1    | X          |   |
| 6   | H180431  | NUT                       | 1    | X          | (SUB FOR H155483, THIS APPLICATION)         |
| 7   | C11884   | O-RING                    | 1    | X          | (A)   |
| 8   | H155540  | BACK-UP RING              | 1    | X          | (A)   |
| 9   | T41356   | O-RING                    | 1    | X          | (A) (SUB FOR H155539)                       |
| 10  | AH146563 | SEAL                      | 1    | X          | (B)   |
| 11  | H152796  | WEAR RING                 | 1    | X          | (B)   |
| 12  | H156929  | HYDR. CYLINDER ROD GUIDE  | 1    | X          |   |
| 13  | H152205  | SEAL                      | 1    | X          | (B)   |
| 14  | AH146559 | SEAL                      | 1    | X          | (B)   |
| 15  | H158947  | BUSHING                   | 1    | X          |   |
| 16  | AH157979 | HYDRAULIC CYLINDER ROD    | 1    | X          |   |
| 17  | AH157980 | HYDRAULIC CYLINDER        | 1    | X          |   |
| 18  | T162396  | LUBRICATION FITTING       | 2    | X          |   |
| 19  | AH149845 | KIT                       | 1    | X          | (BORE REPAIR) INCLUDES ALL PARTS MARKED (A) |
| 20  | AH149815 | HYDRAULIC CYLINDER KIT    | 1    | X          | (ROD REPAIR) INCLUDES ALL PARTS MARKED (B)  |

# 3365-18

**CROWD CYLINDER AND REPAIR KIT (310SG, 315SG)**  
**VERIN DE CAVAGE ET KIT DE REPARATION (310SG, 315SG)**  
**CILINDRO DE EMPUJE Y JUEGO DE REPARACION (310SG, 315SG)**

TP62434 -UN-22JUN00

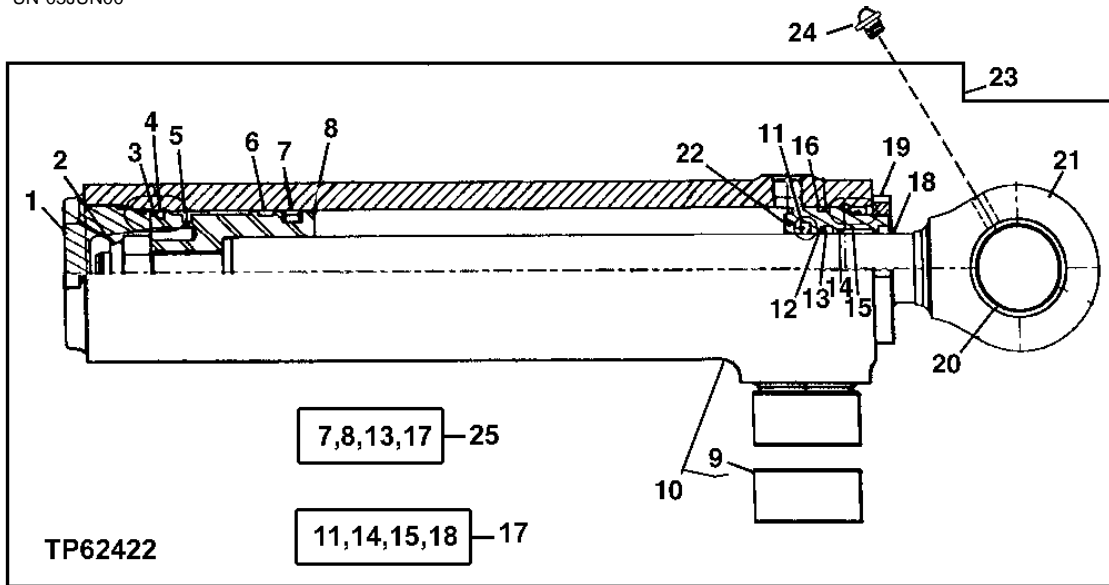


| KEY | PART NO. | PART NAME                 | QTY. | SERIAL NO. | REMARKS  |
|-----|----------|---------------------------|------|------------|--|
|     |          |                           |      | 3 3        |  |
|     |          |                           |      | 3 1 1      |  |
|     |          |                           |      | 1 0 5      |  |
|     |          |                           |      | 0 S S      |  |
|     |          |                           |      | G G G      |  |
| 1   | AH158576 | HYDRAULIC CYLINDER BARREL | 1    |            | X X  |
| 2   | H170372  | NUT                       | 1    |            | X X  |
| 3   | R82095   | WEAR RING                 | 1    |            | X X (B)  |
| 4   | RE20809  | SEAL                      | 1    |            | X X (B)  |
| 5   | H170371  | PISTON                    | 1    |            | X X  |
| 6   | H151781  | NUT                       | 1    |            | X X  |
| 7   | T12275   | O-RING                    | 1    |            | X X (B)  |
| 8   | H151891  | BACK-UP RING              | 1    |            | X X (B)  |
| 9   | T38485   | O-RING                    | 1    |            | X X (B) (SUB FOR H154385)  |
| 10  | AH146563 | SEAL                      | 1    |            | X X (A)  |
| 11  | H152796  | WEAR RING                 | 1    |            | X X (A)  |
| 12  | H155769  | HYDR. CYLINDER ROD GUIDE  | 1    |            | X X  |
| 13  | H152205  | SEAL                      | 1    |            | X X (A)  |
| 14  | AH146559 | SEAL                      | 1    |            | X X (A)  |
| 15  | H151820  | BUSHING                   | 1    |            | X X  |
| 16  | AH162394 | ROD                       | 1    |            | X X  |
| 17  | AH164137 | CYLINDER                  | 1    |            | X X  |
| 18  | T162396  | LUBRICATION FITTING       | 2    |            | X X  |
| 19  | AH149815 | HYDRAULIC CYLINDER KIT    | 1    |            | X X (ROD REPAIR) INCLUDES ALL PARTS MARKED (A)                     |
| 20  | AH212103 | HYDRAULIC CYLINDER KIT    | 1    |            | X X (BORE REPAIR) INCLUDES ALL PARTS MARKED (B) (SUB FOR AH149846) |

# 3365-19

SWING CYLINDER AND REPAIR KIT (310G) (SN -957128)  
 VERIN DE PIVOTEMENT ET KIT DE REPARATION (310G) (SN -957128)  
 CILINDRO DE GIRO Y JUEGO DE REPARACION (310G) (SN -957128)

TP62422 -UN-05JUN00



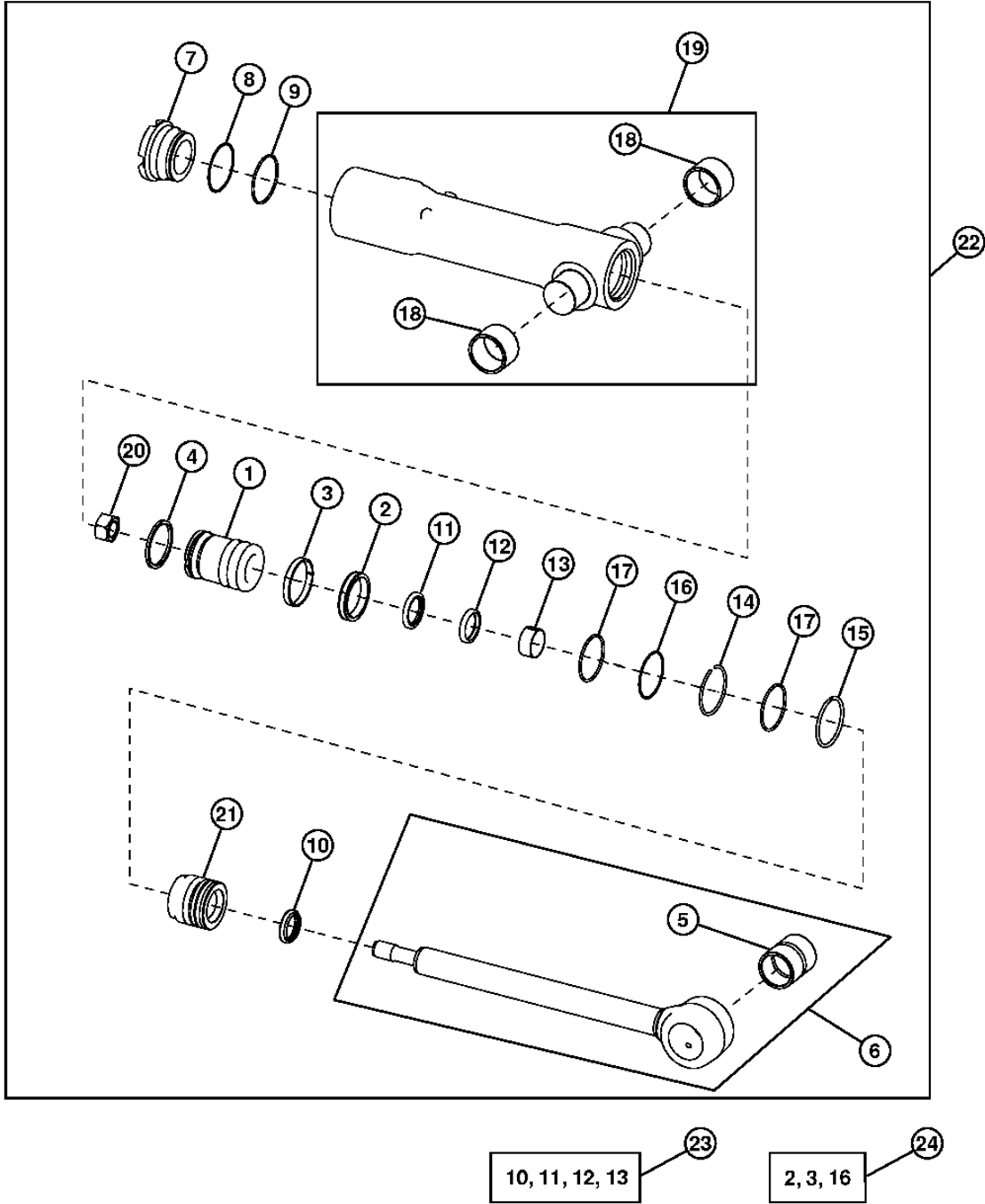
| KEY | PART NO. | PART NAME                 | QTY. | SERIAL NO. | REMARKS                                     |
|-----|----------|---------------------------|------|------------|---|
|     |          |                           |      |            | 3 3   |
|     |          |                           |      |            | 3 1 1                                       |
|     |          |                           |      |            | 1 0 5                                       |
|     |          |                           |      |            | 0 S S                                       |
|     |          |                           |      |            | G G G                                       |
| 1   | H158090  | HYDRAULIC CYLINDER CAP    | 1    | X          |   |
| 2   | H170538  | NUT                       | 1    | X          |   |
| 3   | H168275  | BACK-UP RING              | 1    | X          |   |
| 4   | M4237T   | O-RING                    | 1    | X          |   |
| 5   | R81797   | RING                      | 1    | X          |   |
| 6   | R81777   | WEAR RING                 | 1    | X          |   |
| 7   | RE20345  | SEAL                      | 1    | X          | (B)   |
| 8   | H151641  | PISTON                    | 1    | X          | (B)   |
| 9   | H151328  | BUSHING                   | 2    | X          |   |
| 10  | AH146065 | HYDRAULIC CYLINDER BARREL | 1    | X          |   |
| 11  | AH146560 | SEAL                      | 1    | X          | (A)   |
| 12  | T12582   | O-RING                    | 1    | X          |   |
| 13  | R81864   | BACK-UP RING              | 1    | X          | (B)   |
| 14  | H152202  | SEAL                      | 1    | X          | (A)   |
| 15  | H152793  | BACK-UP RING              | 1    | X          | (A)   |
| 16  | R81789   | RING                      | 1    | X          |   |
| 17  | AH149813 | HYDRAULIC CYLINDER KIT    | 1    | X          | (ROD REPAIR) INCLUDES ALL PARTS MARKED (A)  |
| 18  | AH146556 | SEAL                      | 1    | X          | (A)   |
| 19  | R81795   | NUT                       | 1    | X          |   |
| 20  | H154269  | BUSHING                   | 1    | X          |   |
| 21  | AH146062 | HYDRAULIC CYLINDER ROD    | 1    | X          |   |
| 22  | H157510  | HYDR. CYLINDER ROD GUIDE  | 1    | X          |   |
| 23  | AH172882 | HYDRAULIC CYLINDER        | 1    | X          | (SUB FOR AH145994) (SUB AH220099)           |
|     | AH220099 | HYDRAULIC CYLINDER        | 1    | X          |   |
| 24  | T162396  | LUBRICATION FITTING       | 3    | X          |   |
| 25  | AH149842 | HYDRAULIC CYLINDER KIT    | 1    | X          | (BORE REPAIR) INCLUDES ALL PARTS MARKED (B) |

# 3365-19A

SWING CYLINDER AND REPAIR KIT (310G) (SN 957129- )  
VERIN DE PIVOTEMENT ET KIT DE REPARATION (310G) (SN 957129- )  
CILINDRO DE GIRO Y JUEGO DE REPARACION (310G) (SN 957129- )

T214926

-UN-27SEP05



T214926

# 3365-19B

BACKHOE 33

HYDRAULIC CYLINDERS 3365

SWING CYLINDER AND REPAIR KIT (310G) (SN 957129- )  
 VERIN DE PIVOTEMENT ET KIT DE REPARATION (310G) (SN 957129- )  
 CILINDRO DE GIRO Y JUEGO DE REPARACION (310G) (SN 957129- )

| KEY | PART NO. | PART NAME                 | QTY. | SERIAL NO. | REMARKS       |
|-----|----------|---------------------------|------|------------|---------------|
|     |          |                           |      |            | 3 3           |
|     |          |                           |      |            | 3 1 1         |
|     |          |                           |      |            | 1 0 5         |
|     |          |                           |      |            | 0 S S         |
|     |          |                           |      |            | G G G         |
| 1   | H151641  | PISTON                    | 1    |            | X             |
| 2   | RE20345  | SEAL                      | 1    |            | X             |
| 3   | R81777   | WEAR RING                 | 1    |            | X             |
| 4   | R81797   | RING                      | 1    |            | X             |
| 5   | H180402  | BUSHING                   | 1    |            | X             |
| 6   | AH146062 | HYDRAULIC CYLINDER ROD    | 1    |            | X             |
| 7   | H158090  | HYDRAULIC CYLINDER CAP    | 1    |            | X             |
| 8   | H168275  | BACK-UP RING              | 1    |            | X             |
| 9   | M4237T   | O-RING                    | 1    |            | X             |
| 10  | AH146556 | SEAL                      | 1    |            | X             |
| 11  | AH146560 | SEAL                      | 1    |            | X             |
| 12  | H152202  | SEAL                      | 1    |            | X             |
| 13  | H157898  | WEAR RING                 | 1    |            | X             |
| 14  | H170216  | SNAP RING                 | 1    |            | X             |
| 15  | H180787  | SNAP RING                 | 1    |            | X             |
| 16  | R81864   | BACK-UP RING              | 1    |            | X             |
| 17  | T12582   | O-RING                    | 1    |            | X             |
| 18  | H151328  | BUSHING                   | 1    |            | X             |
| 19  | AH220101 | HYDRAULIC CYLINDER BARREL | 1    |            | X             |
| 20  | H170538  | NUT                       | 1    |            | X M27         |
| 21  | H210731  | HYDR. CYLINDER ROD GUIDE  | 1    |            | X             |
| 22  | AH220099 | HYDRAULIC CYLINDER        | 1    |            | X             |
| 23  | AH149813 | HYDRAULIC CYLINDER KIT    | 1    |            | X (ROD SEAL)  |
| 24  | AH212091 | HYDRAULIC CYLINDER KIT    | 1    |            | X (BORE SEAL) |

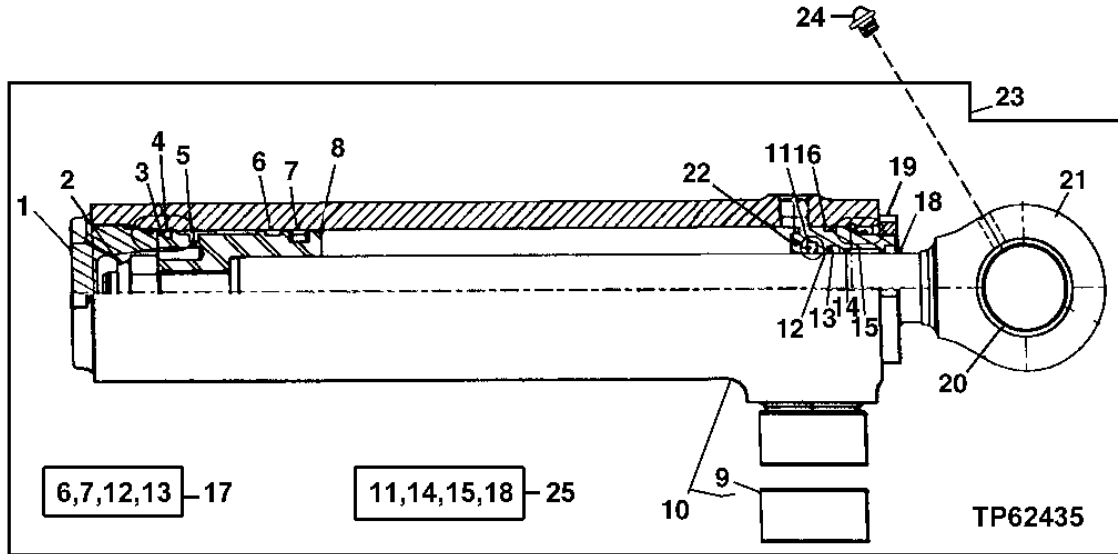
# 3365-19C

BACKHOE 33

HYDRAULIC CYLINDERS 3365

SWING CYLINDER AND REPAIR KIT (310SG, 315SG) (SN -957114)  
 VERIN DE PIVOTEMENT ET KIT DE REPARATION (310SG, 315SG) (SN -957114)  
 CILINDRO DE GIRO Y JUEGO DE REPARACION (310SG, 315SG) (SN -957114)  
 SWING CYLINDER AND REPAIR KIT (315SG) (SN -200413)  
 VERIN DE PIVOTEMENT ET KIT DE REPARATION (315SG) (SN -200413)  
 CILINDRO DE GIRO Y JUEGO DE REPARACION (315SG) (SN -200413)

TP62435 -UN-27JUN00



| KEY | PART NO. | PART NAME                 | QTY. | SERIAL NO. | REMARKS                              |
|-----|----------|---------------------------|------|------------|--------------------------------------|
|     |          |                           |      | 3 3        |                                      |
|     |          |                           |      | 3 1 1      |                                      |
|     |          |                           |      | 1 0 5      |                                      |
|     |          |                           |      | 0 S S      |                                      |
|     |          |                           |      | G G G      |                                      |
| 1   | H156486  | HYDRAULIC CYLINDER CAP    | 1    |            | X X                                  |
| 2   | H170539  | NUT                       | 1    |            | X X                                  |
| 3   | H154373  | BACK-UP RING              | 1    |            | X X                                  |
| 4   | P48403   | O-RING                    | 1    |            | X X                                  |
| 5   | H150947  | PISTON RING               | 1    |            | X X                                  |
| 6   | R81776   | WEAR RING                 | 1    |            | X X                                  |
| 7   | RE20344  | SEAL                      | 1    |            | X X                                  |
| 8   | H154372  | PISTON                    | 1    |            | X X                                  |
| 9   | H151328  | BUSHING                   | 2    |            | X X                                  |
| 10  | AH147889 | HYDRAULIC CYLINDER BARREL | 1    |            | X X                                  |
| 11  | AH146561 | SEAL                      | 1    |            | X X                                  |
| 12  | R83576   | O-RING                    | 1    |            | X X                                  |
| 13  | R79101   | BACK-UP RING              | 1    |            | X X                                  |
| 14  | H152203  | SEAL                      | 1    |            | X X                                  |
| 15  | H152794  | WEAR RING                 | 1    |            | X X                                  |
| 16  | R81788   | RING                      | 1    |            | X X                                  |
| 17  | AH212096 | HYDRAULIC CYLINDER KIT    | 1    |            | X X (BORE REPAIR) (SUB FOR AH149843) |
| 18  | AH146557 | SEAL                      | 1    |            | X X                                  |
| 19  | R81794   | NUT                       | 1    |            | X X                                  |
| 20  | H180402  | BUSHING                   | 1    |            | X X (SUB FOR H142209)                |
| 21  | AH147893 | HYDRAULIC CYLINDER ROD    | 1    |            | X X                                  |
| 22  | H154352  | HYDR. CYLINDER ROD GUIDE  | 1    |            | X X                                  |
| 23  | .....    | HYDRAULIC CYLINDER        | 1    |            | X X ( AH173163 NLA) (SUB AH220108)   |
| 24  | T162396  | LUBRICATION FITTING       | 3    |            | X X                                  |
| 25  | AH210484 | HYDRAULIC CYLINDER KIT    | 1    |            | X X (ROD REPAIR) (SUB FOR AH148164)  |



# 3365-19D

BACKHOE 33

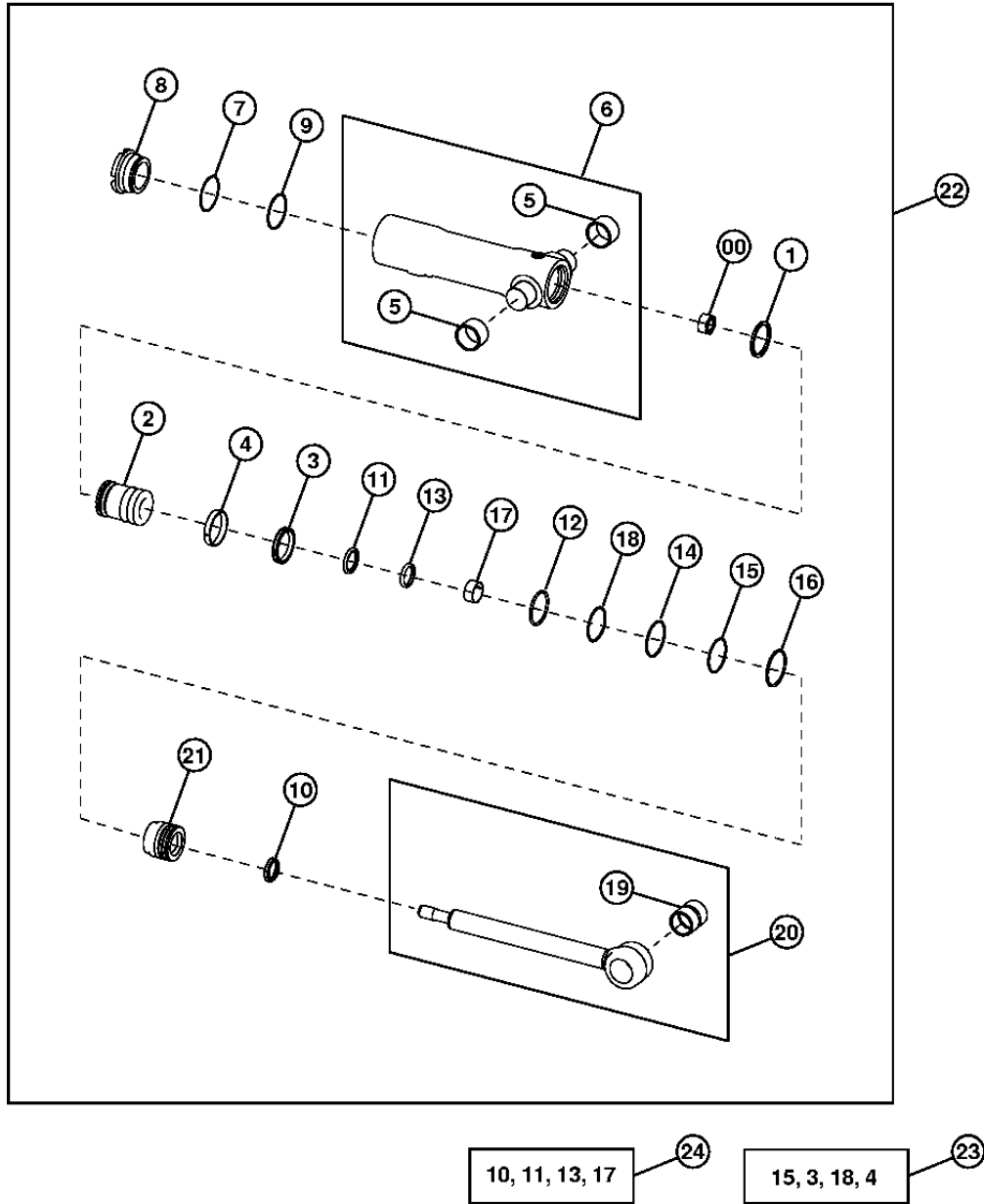
HYDRAULIC CYLINDERS 3365

MEMORANDA  
MEMORANDA  
MEMORANDA

# 3365-20

SWING CYLINDER AND REPAIR KIT (310SG) (SN 957115- )  
 VERIN DE PIVOTEMENT ET KIT DE REPARATION (310SG) (SN 957115- )  
 CILINDRO DE GIRO Y JUEGO DE REPARACION (310SG) (SN 957115- )  
 SWING CYLINDER AND REPAIR KIT (315SG) (SN 200414- )  
 VERIN DE PIVOTEMENT ET KIT DE REPARATION (315SG) (SN 200414- )  
 CILINDRO DE GIRO Y JUEGO DE REPARACION (315SG) (SN 200414- )

T214927 -UN-



T214927

# 3365-21

SWING CYLINDER AND REPAIR KIT (310SG) (SN 957115- )  
 VERIN DE PIVOTEMENT ET KIT DE REPARATION (310SG) (SN 957115- )  
 CILINDRO DE GIRO Y JUEGO DE REPARACION (310SG) (SN 957115- )  
 SWING CYLINDER AND REPAIR KIT (315SG) (SN 200414- )  
 VERIN DE PIVOTEMENT ET KIT DE REPARATION (315SG) (SN 200414- )  
 CILINDRO DE GIRO Y JUEGO DE REPARACION (315SG) (SN 200414- )

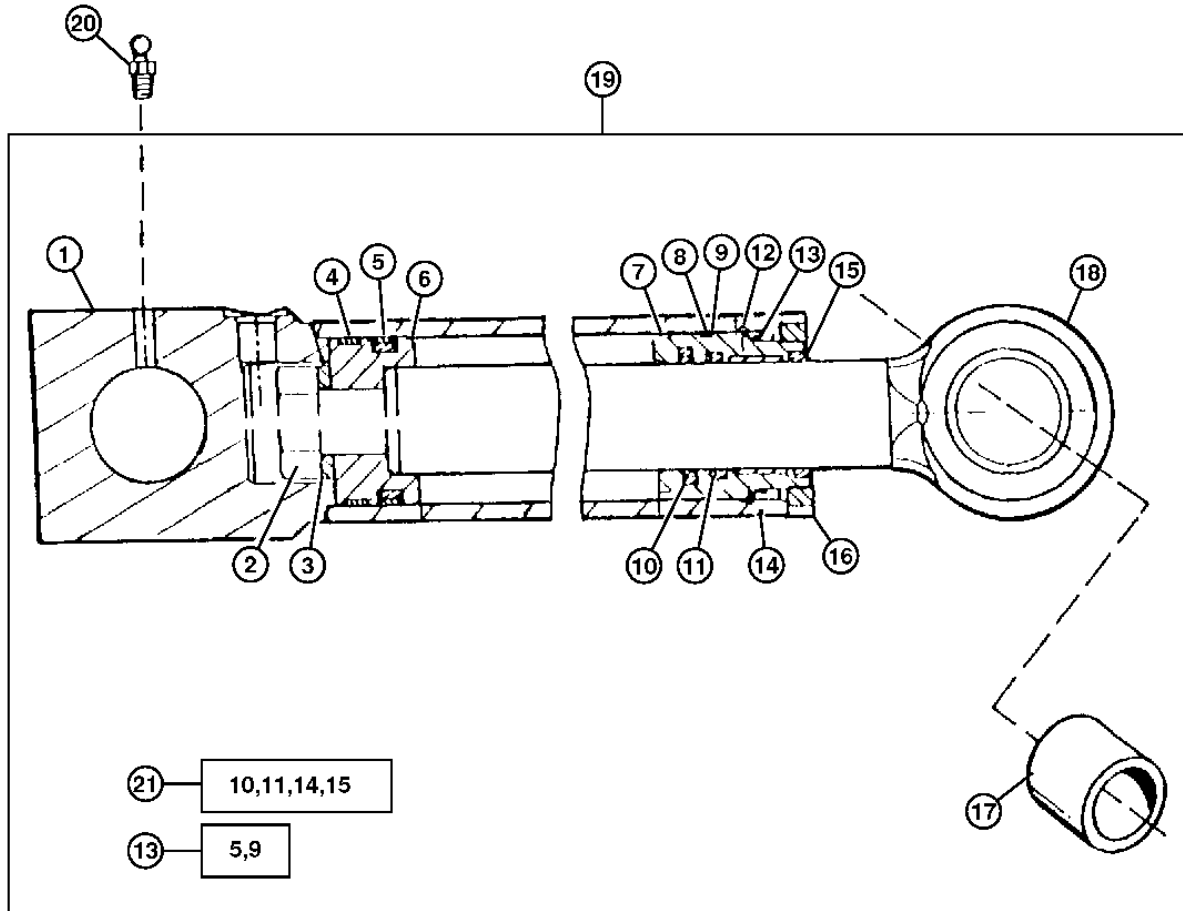
| KEY | PART NO. | PART NAME                 | QTY. | SERIAL NO. | 3 3<br>3 1 1<br>1 0 5<br>0 S S<br>G G G | REMARKS     |
|-----|----------|---------------------------|------|------------|---|-------------|
| 0   | H170539  | NUT                       | 1    |            | X X                                     |             |
| 1   | H150947  | PISTON RING               | 1    |            | X X                                     |             |
| 2   | H154372  | PISTON                    | 1    |            | X X                                     |             |
| 3   | RE20344  | SEAL                      | 1    |            | X X                                     |             |
| 4   | R81776   | WEAR RING                 | 1    |            | X X                                     |             |
| 5   | H151328  | BUSHING                   | 1    |            | X X                                     |             |
| 6   | AH220114 | HYDRAULIC CYLINDER BARREL | 1    |            | X X                                     |             |
| 7   | H154373  | BACK-UP RING              | 1    |            | X X                                     |             |
| 8   | H156486  | HYDRAULIC CYLINDER CAP    | 1    |            | X X                                     |             |
| 9   | P48403   | O-RING                    | 1    |            | X X                                     |             |
| 10  | AH146557 | SEAL                      | 1    |            | X X                                     |             |
| 11  | AH146561 | SEAL                      | 1    |            | X X                                     |             |
| 12  | F1430R   | O-RING                    | 1    |            | X X                                     |             |
| 13  | H152203  | SEAL                      | 1    |            | X X                                     |             |
| 14  | H180103  | SNAP RING                 | 1    |            | X X                                     |             |
| 15  | H181114  | O-RING                    | 1    |            | X X                                     |             |
| 16  | H206859  | SNAP RING                 | 1    |            | X X                                     |             |
| 17  | H208987  | WEAR RING                 | 1    |            | X X                                     |             |
| 18  | R79101   | BACK-UP RING              | 1    |            | X X                                     |             |
| 19  | H180402  | BUSHING                   | 1    |            | X X                                     |             |
| 20  | AH147893 | HYDRAULIC CYLINDER ROD    | 1    |            | X X                                     |             |
| 21  | H208631  | HYDR. CYLINDER ROD GUIDE  | 1    |            | X X                                     |             |
| 22  | AH220108 | HYDRAULIC CYLINDER        | 1    |            | X X                                     |             |
| 23  | AH212096 | HYDRAULIC CYLINDER KIT    | 1    |            | X X                                     | (BORE SEAL) |
| 24  | AH210484 | HYDRAULIC CYLINDER KIT    | 1    |            | X X                                     | (ROD SEAL)  |

# 3365-21A

STABILIZER CYLINDER AND REPAIR KIT (310G) (SERIAL NO. -925946)  
VERIN DE STABILISATEUR ET KIT DE REPARATION (310G) (SN -925946)  
CILINDRO DE ESTABILIZADOR Y JUEGO DE REPARACION (310G) (SN -925946)

TX1001642

-UN-28DEC05



TX1001642

# 3365-21B

**STABILIZER CYLINDER AND REPAIR KIT (310G) (SERIAL NO. -925946)**  
**VERIN DE STABILISATEUR ET KIT DE REPARATION (310G) (SN -925946)**  
**CILINDRO DE ESTABILIZADOR Y JUEGO DE REPARACION (310G) (SN -925946)**

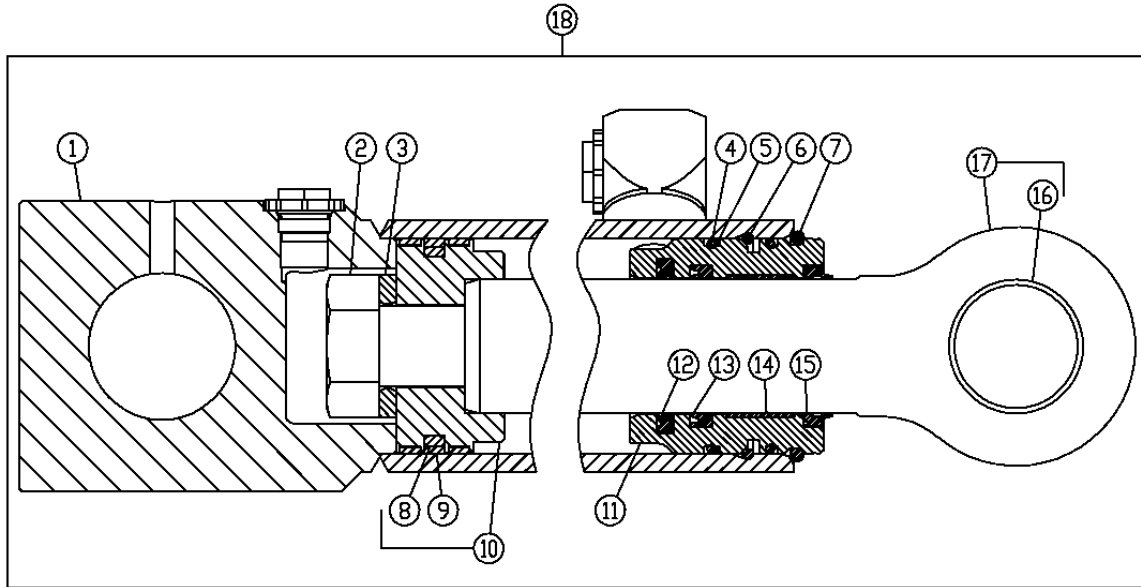
| KEY | PART NO. | PART NAME                 | QTY. | SERIAL NO. | 3 3<br>3 1 1<br>1 0 5<br>0 S S<br>G G G | REMARKS  |
|-----|----------|---------------------------|------|------------|---|--|
| 1   | AH149974 | HYDRAULIC CYLINDER BARREL | 1    |            | X                                       | (L.H.)   |
|     | AH149975 | HYDRAULIC CYLINDER BARREL | 1    |            | X                                       | (R.H.)   |
| 2   | 19M8353  | CAP SCREW                 | 1    |            | X                                       | M30 X 80   |
| 3   | H145175  | WASHER                    | 1    |            | X                                       |  |
| 4   | R81777   | WEAR RING                 | 1    | -902497    | X                                       |  |
| 5   | RE20345  | SEAL                      | 1    | -902497    | X                                       | (A)  |
|     | R98322   | SEAL                      | 1    | 902498-    | X                                       | (A)  |
|     | R98323   | SEAL                      | 1    | 902498-    | X                                       | (A)  |
| 6   | H155520  | PISTON                    | 1    | -902497    | X                                       |  |
|     | AH173410 | PISTON                    | 1    | 902498-    | X                                       | (C) (INCLUDES WEAR RINGS AND SEALS)  |
| 7   | H152345  | HYDR. CYLINDER ROD GUIDE  | 1    |            | X                                       |  |
| 8   | T12582   | O-RING                    | 1    |            | X                                       |  |
| 9   | R81864   | BACK-UP RING              | 1    |            | X                                       | (A)  |
| 10  | AH146561 | SEAL                      | 1    |            | X                                       | (B)  |
| 11  | H152203  | SEAL                      | 1    |            | X                                       | (B)  |
| 12  | R81789   | RING                      | 1    |            | X                                       |  |
| 13  | AH212091 | HYDRAULIC CYLINDER KIT    | 1    | -902497    | X                                       | (BORE REPAIR) INCLUDES ALL PARTS MARKED (A)  |
|     | AH212092 | HYDRAULIC CYLINDER KIT    | 1    | 902498-    | X                                       | (BORE REPAIR) INCLUDES ALL PARTS MARKED (A) (SUB FOR AH202080)                                 |
| 14  | H152794  | WEAR RING                 | 1    |            | X                                       | (B)  |
| 15  | AH146557 | SEAL                      | 1    |            | X                                       | (B)  |
| 16  | R81795   | NUT                       | 1    |            | X                                       |  |
| 17  | H154404  | BUSHING                   | 1    | -902497    | X                                       |  |
| 18  | AH147902 | HYDRAULIC CYLINDER ROD    | 1    |            | X                                       |  |
| 19  | .....    | HYDRAULIC CYLINDER        | 1    | -902497    | X                                       | (L.H.) (SUB AH176122)  |
|     | .....    | HYDRAULIC CYLINDER        | 1    | 902498-    | X                                       | (L.H.) ( AH176122 NLA) (SUB AH219499) (ALSO ORDER 38H1160, 38H1004, (2) T77613 AND (2) R26448) |
|     | .....    | HYDRAULIC CYLINDER        | 1    | -902497    | X                                       | (R.H.) (SUB AH173202)  |
|     | .....    | HYDRAULIC CYLINDER        | 1    | 902498-    | X                                       | (R.H.) (SUB AH219500) (ALSO ORDER 38H1160, 38H1004, (2) T77613 AND (2) R26448)                 |
| 20  | T162396  | LUBRICATION FITTING       | 1    |            | X                                       |  |
| 21  | AH210484 | HYDRAULIC CYLINDER KIT    | 1    |            | X                                       | (ROD REPAIR) INCLUDES ALL PARTS MARKED (B) (SUB FOR AH148164)                                  |

(C) SEE DTAC SOLUTION 69663 IF SN IS BETWEEN 913417 - 952532  
 (C) VOIR LA SOLUTION 69663 DE DTAC SI LE SN EST ENTRE 913417 - 952532  
 (C) VEA LA SOLUCION 69663 DEL DTAC SI EL SN ESTA ENTRE 913417 - 952532

# 3365-22

**STABILIZER CYLINDER AND REPAIR KIT (310G) (SN 925947-951995)**  
**VERIN DE STABILISATEUR ET KIT DE REPARATION (310G) (SN 925947-951995)**  
**CILINDRO DE ESTABILIZADOR Y JUEGO DE REPARACION (310G) (SN 925947-951995)**

T196166 -UN-10NOV03



19-12,13,14,15      20-5,8,9

T196166

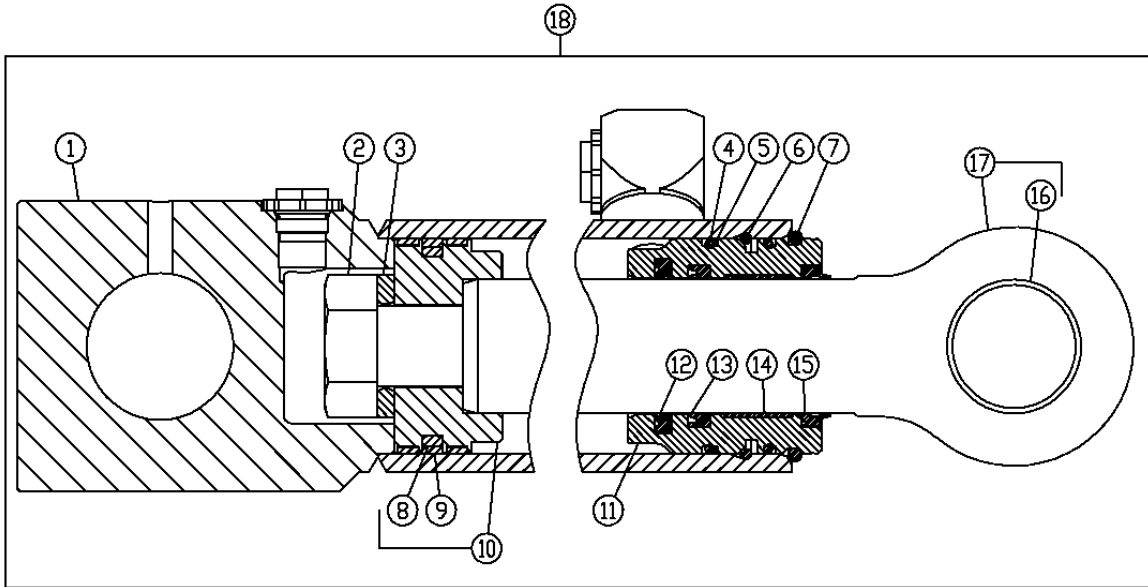
| KEY | PART NO. | PART NAME                 | QTY. | SERIAL NO. | REMARKS  |
|-----|----------|---------------------------|------|------------|--|
|     |          |                           |      |            | 3 3  |
|     |          |                           |      |            | 3 1 1  |
|     |          |                           |      |            | 1 0 5  |
|     |          |                           |      |            | 0 S S  |
|     |          |                           |      |            | G G G  |
| 1   | AH211197 | HYDRAULIC CYLINDER BARREL | 1    | X          | (L.H.)   |
|     | AH211199 | HYDRAULIC CYLINDER BARREL | 1    | X          | (R.H.)   |
| 2   | 19M8353  | CAP SCREW                 | 1    | X          | M30 X 80   |
| 3   | H145175  | WASHER                    | 1    | X          |  |
| 4   | T12582   | O-RING                    | 1    | X          |  |
| 5   | R81864   | BACK-UP RING              | 1    | X          | (B)  |
| 6   | H170216  | SNAP RING                 | 1    | X          |  |
| 7   | H180787  | SNAP RING                 | 1    | X          |  |
| 8   | R98323   | SEAL                      | 1    | X          | (B)  |
| 9   | R98322   | SEAL                      | 1    | X          | (B)  |
| 10  | AH173410 | PISTON                    | 1    | X          | (C)  |
| 11  | H209221  | HYDR. CYLINDER ROD GUIDE  | 1    | X          |  |
| 12  | AH146561 | SEAL                      | 1    | X          | (A)  |
| 13  | H152203  | SEAL                      | 1    | X          | (A)  |
| 14  | H208987  | WEAR RING                 | 1    | X          | (A)  |
| 15  | AH146557 | SEAL                      | 1    | X          | (A)  |
| 16  | H154404  | BUSHING                   | 1    | X          |  |
| 17  | AH147902 | HYDRAULIC CYLINDER ROD    | 1    | X          |  |
| 18  | .....    | HYDRAULIC CYLINDER        | 1    | X          | (L.H.) ( AH211196 NLA) (SUB AH219499)<br>(ALSO ORDER 38H1160, 38H1004, (2)<br>T77613 AND (2) R26448) |
|     | .....    | HYDRAULIC CYLINDER        | 1    | X          | (R.H.) ( AH211198 NLA) (SUB AH219500)<br>(ALSO ORDER 38H1160, 38H1004, (2)<br>T77613 AND (2) R26448) |
| 19  | AH210484 | HYDRAULIC CYLINDER KIT    | 1    | X          | (ROD REPAIR) INCLUDES ALL PARTS MARKED<br>(A)  |
| 20  | AH212092 | HYDRAULIC CYLINDER KIT    | 1    | X          | (BORE REPAIR) INCLUDES ALL PARTS MARKED<br>(B)   |

(C) SEE DTAC SOLUTION 69663 IF SN IS BETWEEN 913417 - 952532  
 (C) VOIR LA SOLUTION 69663 DE DTAC SI LE SN EST ENTRE 913417 - 952532  
 (C) VEA LA SOLUCION 69663 DE DTAC SI EL SN ESTA ENTRE 913417 - 952532

# 3365-22A

STABILIZER CYLINDER AND REPAIR KIT (310G) (SN 951996- )  
 VERIN DE STABILISATEUR ET KIT DE REPARATION (310G) (SN 951996- )  
 CILINDRO DE ESTABILIZADOR Y JUEGO DE REPARACION (310G) (SN 951996- )

T196166 -UN-10NOV03



19 12,13,14,15

20 5,8,9

T196166

| KEY | PART NO. | PART NAME                 | QTY. | SERIAL NO. | 3 3<br>3 1 1<br>1 0 5<br>0 S S<br>G G G | REMARKS                                     |
|-----|----------|---------------------------|------|------------|---|---|
| 1   | AH219503 | HYDRAULIC CYLINDER BARREL | 1    |            | X                                       | (L.H.)                                      |
|     | AH219504 | HYDRAULIC CYLINDER BARREL | 1    |            | X                                       | (R.H.)                                      |
| 2   | 19M8353  | CAP SCREW                 | 1    |            | X                                       | M30 X 80                                    |
| 3   | H145175  | WASHER                    | 1    |            | X                                       |   |
| 4   | T12582   | O-RING                    | 1    |            | X                                       |   |
| 5   | R81864   | BACK-UP RING              | 1    |            | X                                       | (B)   |
| 6   | H170216  | SNAP RING                 | 1    |            | X                                       |   |
| 7   | H180787  | SNAP RING                 | 1    |            | X                                       |   |
| 8   | R98323   | SEAL                      | 1    |            | X                                       | (B)   |
| 9   | R98322   | SEAL                      | 1    |            | X                                       | (B)   |
| 10  | AH173410 | PISTON                    | 1    |            | X                                       | (C)   |
| 11  | H209221  | HYDR. CYLINDER ROD GUIDE  | 1    |            | X                                       |   |
| 12  | AH146561 | SEAL                      | 1    |            | X                                       | (A)   |
| 13  | H152203  | SEAL                      | 1    |            | X                                       | (A)   |
| 14  | H208987  | WEAR RING                 | 1    |            | X                                       | (A)   |
| 15  | AH146557 | SEAL                      | 1    |            | X                                       | (A)   |
| 16  | H154404  | BUSHING                   | 1    |            | X                                       |   |
| 17  | AH147902 | HYDRAULIC CYLINDER ROD    | 1    |            | X                                       |   |
| 18  | AH219499 | HYDRAULIC CYLINDER        | 1    |            | X                                       | (C) (L.H.)                                  |
|     | AH219500 | HYDRAULIC CYLINDER        | 1    |            | X                                       | (C) (R.H.)                                  |
| 19  | AH210484 | HYDRAULIC CYLINDER KIT    | 1    |            | X                                       | (ROD REPAIR) INCLUDES ALL PARTS MARKED (A)  |
| 20  | AH212092 | HYDRAULIC CYLINDER KIT    | 1    |            | X                                       | (BORE REPAIR) INCLUDES ALL PARTS MARKED (B) |

(C) SEE DTAC SOLUTION 69663 IF SN IS BETWEEN 913417 - 952532  
 (C) VOIR LA SOLUTION 69663 DE DTAC SI LE SN EST ENTRE 913417 - 952532  
 (C) VEA LA SOLUCION 69663 DE DTAC SI EL SN ESTA ENTRE 913417 - 952532

# 3365-22B

BACKHOE 33

HYDRAULIC CYLINDERS 3365

MEMORANDA  
MEMORANDA  
MEMORANDA



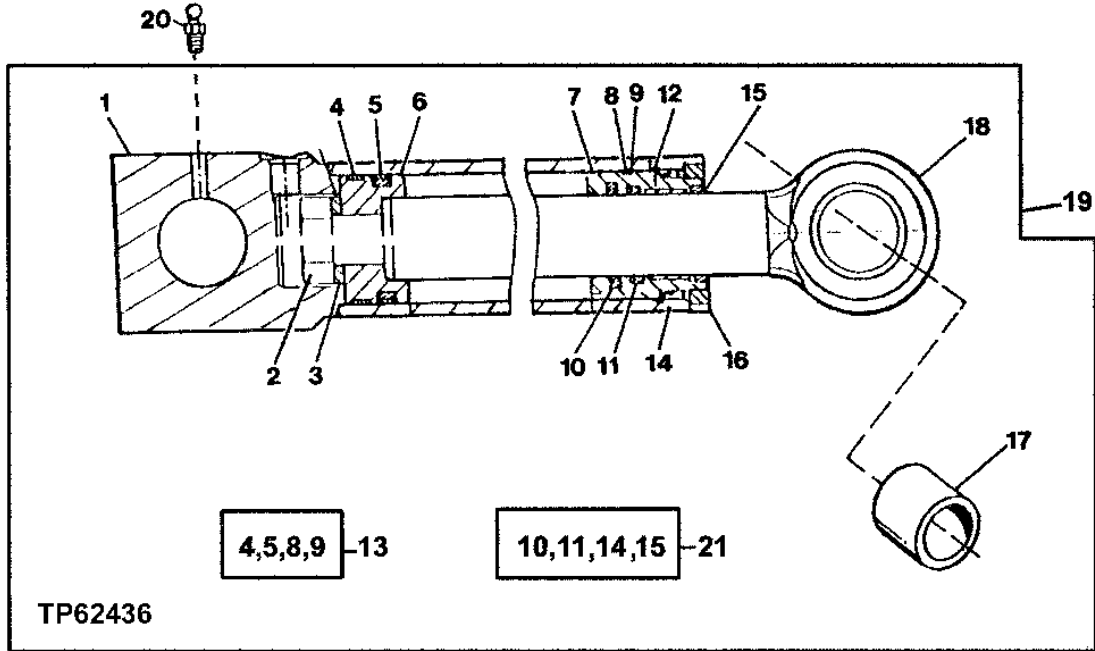
# 3365-23

BACKHOE 33

HYDRAULIC CYLINDERS 3365

STABILIZER CYLINDER AND REPAIR KIT (STANDARD STABILIZER) (310SG) (SN -926206)  
 VERIN DE STABILISATEUR ET KIT DE REPARATION (CARTER D'ESSIEU AVANT STANDARD) (310SG) (SN -926206)  
 CILINDRO DE ESTABILIZADOR Y JUEGO DE REPARACION(CAJA DE EJE DELANTERO ESTANDAR)(310SG)(SN -926206)

TP62436 -UN-27JUN00



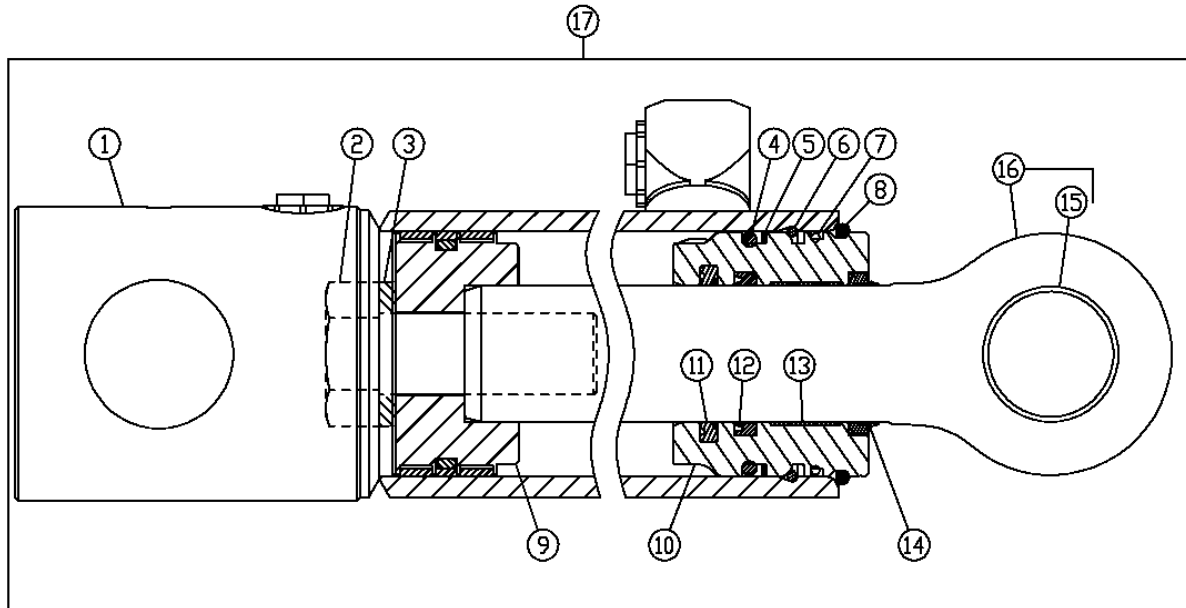
| KEY | PART NO. | PART NAME                 | QTY. | SERIAL NO. | REMARKS  |
|-----|----------|---------------------------|------|------------|--|
|     |          |                           |      | 3 3        |  |
|     |          |                           |      | 3 1 1      |  |
|     |          |                           |      | 1 0 5      |  |
|     |          |                           |      | 0 S S      |  |
|     |          |                           |      | G G G      |  |
| 1   | AH147901 | HYDRAULIC CYLINDER BARREL | 1    |            | X (L.H.)   |
|     | AH147900 | HYDRAULIC CYLINDER BARREL | 1    |            | X (R.H.)   |
| 2   | 19M8353  | CAP SCREW                 | 1    |            | X M30 X 80   |
| 3   | H145175  | WASHER                    | 1    |            | X  |
| 4   | R81776   | WEAR RING                 | 1    |            | X (A)  |
| 5   | RE20344  | SEAL                      | 1    |            | X (A)  |
| 6   | H142090  | PISTON                    | 1    |            | X  |
| 7   | H154352  | HYDR. CYLINDER ROD GUIDE  | 1    |            | X  |
| 8   | R83576   | O-RING                    | 1    |            | X (A)  |
| 9   | R79101   | BACK-UP RING              | 1    |            | X (A)  |
| 10  | AH146561 | SEAL                      | 1    |            | X (B)  |
| 11  | H152203  | SEAL                      | 1    |            | X (B)  |
| 12  | R81788   | RING                      | 1    |            | X  |
| 13  | AH212096 | HYDRAULIC CYLINDER KIT    | 1    |            | X (BORE REPAIR) INCLUDES ALL PARTS MARKED (A) (SUB FOR AH149843) |
| 14  | H152794  | WEAR RING                 | 1    |            | X (B)  |
| 15  | AH146557 | SEAL                      | 1    |            | X (B)  |
| 16  | R81794   | NUT                       | 1    |            | X  |
| 17  | H154404  | BUSHING                   | 1    | -910855    | X  |
| 18  | AH147902 | HYDRAULIC CYLINDER ROD    | 1    |            | X  |
| 19  | .....    | HYDRAULIC CYLINDER        | 1    |            | X (L.H.) ( AH207327 NLA) (SUB FOR AH147863) (SUB AH210901)       |
|     | .....    | HYDRAULIC CYLINDER        | 1    |            | X (R.H.) ( AH207328 NLA) (SUB FOR AH147864) (SUB AH210902)       |
| 20  | T162396  | LUBRICATION FITTING       | 1    |            | X  |
| 21  | AH210484 | HYDRAULIC CYLINDER KIT    | 1    |            | X (ROD REPAIR) INCLUDES ALL PARTS MARKED (B) (SUB FOR AH148164)  |

# 3365-24

STABILIZER CYLINDER AND REPAIR KIT (STANDARD STABILIZER) (310SG)  
VERIN DE STABILISATEUR ET KIT DE REPARATION (CARTER D'ESSIEU AVANT STANDARD) (310SG)  
CILINDRO DE ESTABILIZADOR Y JUEGO DE REPARACION (CAJA DE EJE DELANTERO ESTANDAR) (310SG)

T195668

-UN-07NOV03



18-11,12,13,14

19-5,7

T195668

# 3365-24A

BACKHOE 33

HYDRAULIC CYLINDERS 3365

**STABILIZER CYLINDER AND REPAIR KIT (STANDARD STABILIZER) (310SG)  
 VERIN DE STABILISATEUR ET KIT DE REPARATION (CARTER D'ESSIEU AVANT STANDARD) (310SG)  
 CILINDRO DE ESTABILIZADOR Y JUEGO DE REPARACION (CAJA DE EJE DELANTERO ESTANDAR) (310SG)**

| KEY | PART NO. | PART NAME                 | QTY. | SERIAL NO.    | 3 3<br>3 1 1<br>1 0 5<br>0 S S<br>G G G | REMARKS  |
|-----|----------|---------------------------|------|---------------|---|--|
| 1   | AH210999 | HYDRAULIC CYLINDER BARREL | 1    | 926207-952148 | X                                       | (L.H.)   |
|     | AH211000 | HYDRAULIC CYLINDER BARREL | 1    | 926207-952148 | X                                       | (R.H.)   |
| 2   | 19M8353  | CAP SCREW                 | 1    | 926207-952148 | X                                       | M30 X 80   |
| 3   | H145175  | WASHER                    | 1    | 926207-952148 | X                                       |  |
| 4   | F1430R   | O-RING                    | 1    | 926207-952148 | X                                       |  |
| 5   | R79101   | BACK-UP RING              | 1    | 926207-952148 | X                                       | (B)  |
| 6   | H180103  | SNAP RING                 | 1    | 926207-952148 | X                                       |  |
| 7   | H181114  | O-RING                    | 1    | 926207-952148 | X                                       | (B)  |
| 8   | H206859  | SNAP RING                 | 1    | 926207-952148 | X                                       |  |
| 9   | AH205060 | PISTON                    | 1    | 926207-952148 | X                                       |  |
| 10  | H208631  | HYDR. CYLINDER ROD GUIDE  | 1    | 926207-952148 | X                                       |  |
| 11  | AH146561 | SEAL                      | 1    | 926207-952148 | X                                       | (A)  |
| 12  | H152203  | SEAL                      | 1    | 926207-952148 | X                                       | (A)  |
| 13  | H208987  | WEAR RING                 | 1    | 926207-952148 | X                                       | (A)  |
| 14  | AH146557 | SEAL                      | 1    | 926207-952148 | X                                       | (A)  |
| 15  | H154404  | BUSHING                   | 1    | 926207-952148 | X                                       |  |
| 16  | AH147902 | HYDRAULIC CYLINDER ROD    | 1    | 926207-952148 | X                                       |  |
| 17  | .....    | HYDRAULIC CYLINDER        | 1    | 926207-952148 | X                                       | (L.H.) ( AH210901 NLA) (SUB AH219537)<br>(ALSO ORDER 38H1004, 38H1160, (2)<br>T77613 AND (2) R26448) |
|     | .....    | HYDRAULIC CYLINDER        | 1    | 926207-952148 | X                                       | (R.H.) ( AH210902 NLA) (SUB AH219538)<br>(ALSO ORDER 38H1004, 38H1160, (2)<br>T77613 AND (2) R26448) |
| 18  | AH210484 | HYDRAULIC CYLINDER KIT    | 1    | 926207-952148 | X                                       | (ROD REPAIR) INCLUDES ALL PARTS MARKED<br>(A)  |
| 19  | AH212097 | HYDRAULIC CYLINDER KIT    | 1    | 926207-952148 | X                                       | (BORE REPAIR) INCLUDES ALL PARTS MARKED<br>(B)   |

(C) SEE DTAC SOLUTION 69663 IF SN IS BETWEEN 913417 - 952532  
 (C) VOIR LA SOLUTION 69663 DE DTAC SI LE SN EST ENTRE 913417 - 952532  
 (C) VEA LA SOLUCION 69663 DE DTAC SI EL SN ESTA ENTRE 913417 - 952532

# 3365-24B

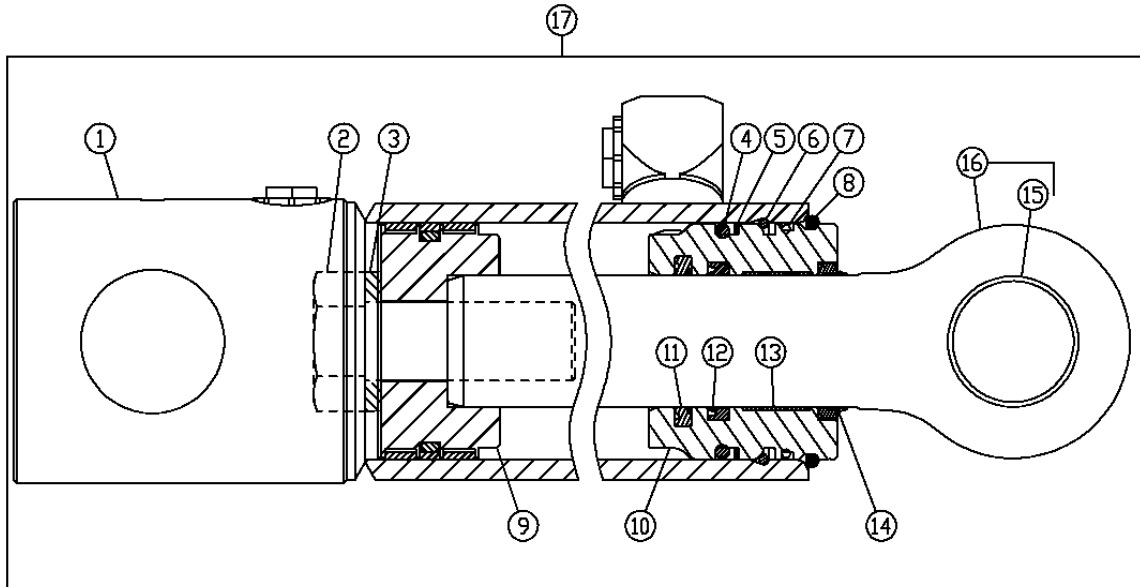
BACKHOE 33

HYDRAULIC CYLINDERS 3365

**STABILIZER CYLINDER AND REPAIR KIT (STANDARD STABILIZER) (310SG)**  
**VERIN DE STABILISATEUR ET KIT DE REPARATION (CARTER D'ESSEU AVANT STANDARD) (310SG)**  
**CILINDRO DE ESTABILIZADOR Y JUEGO DE REPARACION (CAJA DE EJE DELANTERO ESTANDAR) (310SG)**

T195668

-UN-07NOV03



18-11,12,13,14

19-5,7

T195668

| KEY | PART NO. | PART NAME                 | QTY. | SERIAL NO. | 3<br>3<br>1<br>1<br>1<br>0<br>5<br>0<br>S<br>S<br>G<br>G<br>G | REMARKS                                     |
|-----|----------|---------------------------|------|------------|---|---|
| 1   | AH219539 | HYDRAULIC CYLINDER BARREL | 1    | 952149-    | X   | (L.H.)                                      |
|     | AH219540 | HYDRAULIC CYLINDER BARREL | 1    | 952149-    | X   | (R.H.)                                      |
| 2   | 19M8353  | CAP SCREW                 | 1    | 952149-    | X   | M30 X 80                                    |
| 3   | H145175  | WASHER                    | 1    | 952149-    | X   |   |
| 4   | F1430R   | O-RING                    | 1    | 952149-    | X   |   |
| 5   | R79101   | BACK-UP RING              | 1    | 952149-    | X   | (B)   |
| 6   | H180103  | SNAP RING                 | 1    | 952149-    | X   |   |
| 7   | H181114  | O-RING                    | 1    | 952149-    | X   | (B)   |
| 8   | H206859  | SNAP RING                 | 1    | 952149-    | X   |   |
| 9   | AH205060 | PISTON                    | 1    | 952149-    | X   | (C)   |
| 10  | H208631  | HYDR. CYLINDER ROD GUIDE  | 1    | 952149-    | X   |   |
| 11  | AH146561 | SEAL                      | 1    | 952149-    | X   | (A)   |
| 12  | H152203  | SEAL                      | 1    | 952149-    | X   | (A)   |
| 13  | H208987  | WEAR RING                 | 1    | 952149-    | X   | (A)   |
| 14  | AH146557 | SEAL                      | 1    | 952149-    | X   | (A)   |
| 15  | H154404  | BUSHING                   | 1    | 952149-    | X   |   |
| 16  | AH147902 | HYDRAULIC CYLINDER ROD    | 1    | 952149-    | X   |   |
| 17  | AH219537 | HYDRAULIC CYLINDER        | 1    | 952149-    | X   | (C) (L.H.)                                  |
|     | AH219538 | HYDRAULIC CYLINDER        | 1    | 952149-    | X   | (C) (R.H.)                                  |
| 18  | AH210484 | HYDRAULIC CYLINDER KIT    | 1    | 952149-    | X   | (ROD REPAIR) INCLUDES ALL PARTS MARKED (A)  |
| 19  | AH212097 | HYDRAULIC CYLINDER KIT    | 1    | 952149-    | X   | (BORE REPAIR) INCLUDES ALL PARTS MARKED (B) |

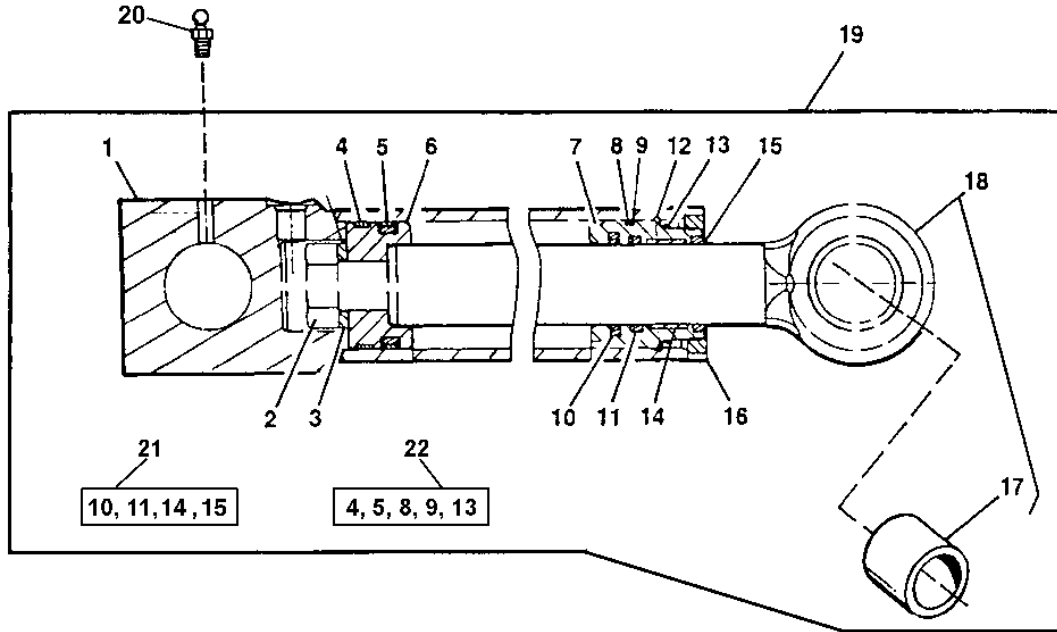
(C) SEE DTAC SOLUTION 69663 IF SN IS BETWEEN 913417 - 952532  
 (C) VOIR LA SOLUTION 69663 DE DTAC SI LE SN EST ENTRE 913417 - 952532  
 (C) VEA LA SOLUCION 69663 DE DTAC SI EL SN ESTA ENTRE 913417 - 952532

# 3365-25

**EXTENDED STABILIZER CYLINDER AND REPAIR KIT (310SG) (SN -925993)**  
**VERIN DE STABILISATEUR ET KIT DE REPARATION (STABILISATEUR ETENDU) (310SG) (SN -925993)**  
**CILINDRO DE ESTABILIZADOR Y JUEGO DE REPARACION (ESTABILIZADOR EXTENDIDO) (310SG) (SN -925993)**

T213908

-UN-26AUG05



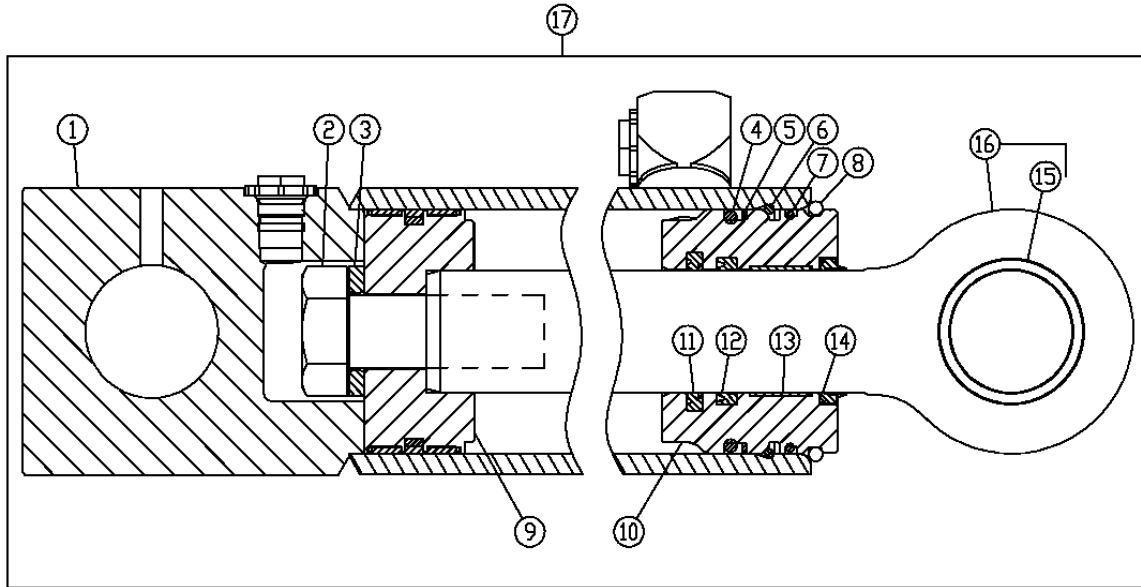
T213908

| KEY | PART NO. | PART NAME                 | QTY. | SERIAL NO. | REMARKS  |
|-----|----------|---------------------------|------|------------|--|
|     |          |                           |      | 3 3        |  |
|     |          |                           |      | 3 1 1      |  |
|     |          |                           |      | 1 0 5      |  |
|     |          |                           |      | 0 S S      |  |
|     |          |                           |      | G G G      |  |
| 1   | AH148676 | HYDRAULIC CYLINDER BARREL | 1    | X          | (L.H.)   |
|     | AH148677 | HYDRAULIC CYLINDER BARREL | 1    | X          | (R.H.)   |
| 2   | 19M8353  | CAP SCREW                 | 1    | X          | M30 X 80   |
| 3   | H145175  | WASHER                    | 1    | X          |  |
| 4   | R81775   | WEAR RING                 | 1    | X          | (B)  |
| 5   | RE20343  | SEAL                      | 1    | X          | (B)  |
| 6   | H145456  | PISTON                    | 1    | X          |  |
| 7   | H157978  | HYDR. CYLINDER ROD GUIDE  | 1    | X          |  |
| 8   | R83577   | O-RING                    | 1    | X          | (B)  |
| 9   | R81862   | BACK-UP RING              | 1    | X          | (B)  |
| 10  | AH146561 | SEAL                      | 1    | X          | (A)  |
| 11  | H152203  | SEAL                      | 1    | X          | (A)  |
| 12  | R81787   | RING                      | 1    | X          |  |
| 13  | R91731   | RING                      | AR   | X          | (B)  |
| 14  | H152794  | WEAR RING                 | 1    | X          | (A)  |
| 15  | AH146557 | SEAL                      | 1    | X          | (A)  |
| 16  | R81793   | NUT                       | 1    | X          |  |
| 17  | H154404  | BUSHING                   | 1    | X          |  |
| 18  | AH147902 | HYDRAULIC CYLINDER ROD    | 1    | X          |  |
| 19  | .....    | HYDRAULIC CYLINDER        | 1    | X          | (L.H.) ( AH148674 NLA) (SUB AH219541)                          |
|     | .....    | HYDRAULIC CYLINDER        | 1    | X          | (R.H.) ( AH148675 NLA) (SUB AH219542)                          |
|     |          |                           |      |            | (ALSO ORDER 38H1004, 38H1160, (2) T77613 AND (2) R26448)       |
| 20  | T162396  | LUBRICATION FITTING       | 1    | X          |  |
| 21  | AH210484 | HYDRAULIC CYLINDER KIT    | 1    | X          | (ROD REPAIR) INCLUDES ALL PARTS MARKED (A) (SUB FOR AH148164)  |
| 22  | AH212101 | HYDRAULIC CYLINDER KIT    | 1    | X          | (BORE REPAIR) INCLUDES ALL PARTS MARKED (B) (SUB FOR AH149844) |

# 3365-26

**STABILIZER CYLINDER AND REPAIR KIT (EXTENDED STABILIZER) (310SG)**  
**VERIN DE STABILISATEUR ET KIT DE REPARATION (STABILISATEUR ETENDU) (310SG)**  
**CILINDRO DE ESTABILIZADOR Y JUEGO DE REPARACION (ESTABILIZADOR EXTENDIDO) (310SG)**

T196176 -UN-10NOV03



18 11,12,13,14

19 5,7

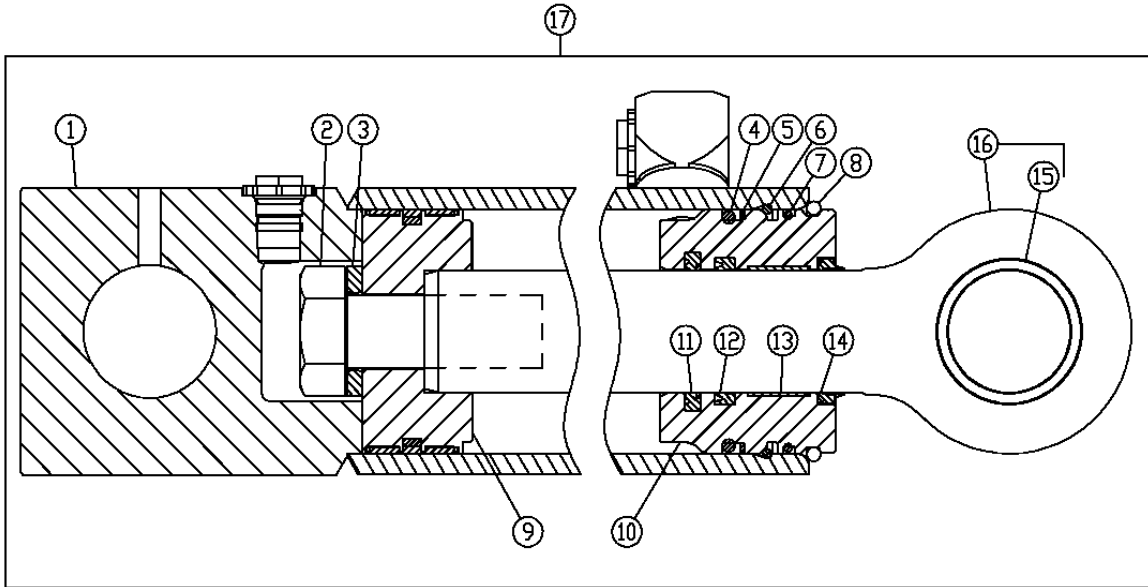
T196176

| KEY   | PART NO. | PART NAME                 | QTY. | SERIAL NO.    | 3<br>3<br>1<br>1<br>1<br>0<br>5<br>0<br>S<br>S<br>G<br>G<br>G | REMARKS  |
|-------|----------|---------------------------|------|---------------|---|--|
| 1     | AH209134 | HYDRAULIC CYLINDER BARREL | 1    | 925994-952006 | X   | (L.H.)   |
|       | AH209140 | HYDRAULIC CYLINDER BARREL | 1    | 925994-952006 | X   | (R.H.)   |
| 2     | 19M8353  | CAP SCREW                 | 1    | 925994-952006 | X   | M30 X 80   |
| 3     | H145175  | WASHER                    | 1    | 925994-952006 | X   |  |
| 4     | F950R    | O-RING                    | 1    | 925994-952006 | X   |  |
| 5     | R81862   | BACK-UP RING              | 1    | 925994-952006 | X   | (B)  |
| 6     | H180094  | SNAP RING                 | 1    | 925994-952006 | X   |  |
| 7     | .....    | O-RING                    | 1    | 925994-952006 | X   | (B)  |
| 8     | H180080  | SNAP RING                 | 1    | 925994-952006 | X   |  |
| 9     | AH205062 | PISTON                    | 1    | 925994-952006 | X   |  |
| 10    | H208995  | HYDR. CYLINDER ROD GUIDE  | 1    | 925994-952006 | X   |  |
| 11    | AH146561 | SEAL                      | 1    | 925994-952006 | X   | (A)  |
| 12    | H152203  | SEAL                      | 1    | 925994-952006 | X   | (A)  |
| 13    | H208987  | WEAR RING                 | 1    | 925994-952006 | X   | (A)  |
| 14    | AH146557 | SEAL                      | 1    | 925994-952006 | X   | (A)  |
| 15    | H154404  | BUSHING                   | 1    | 925994-952006 | X   |  |
| 16    | AH147902 | HYDRAULIC CYLINDER ROD    | 1    | 925994-952006 | X   |  |
| 17    | .....    | HYDRAULIC CYLINDER        | 1    | 925994-952006 | X   | (L.H.) ( AH209133 NLA) (SUB AH219541)<br>(ALSO ORDER 38H1004, 38H1160, (2)<br>T77613 AND (2) R26448) |
| ..... | .....    | HYDRAULIC CYLINDER        | 1    | 925994-952006 | X   | (R.H.) ( AH209138 NLA) (SUB AH219542)<br>(ALSO ORDER 38H1004, 38H1160, (2)<br>T77613 AND (2) R26448) |
| 18    | AH210484 | HYDRAULIC CYLINDER KIT    | 1    | 925994-952006 | X   | (ROD REPAIR) INCLUDES ALL PARTS MARKED (A)   |
| 19    | AH212102 | HYDRAULIC CYLINDER KIT    | 1    | 925994-952006 | X   | (BORE REPAIR) INCLUDES ALL PARTS MARKED (B)  |

# 3365-26A

**STABILIZER CYLINDER AND REPAIR KIT (EXTENDED STABILIZER) (310SG)  
 VERIN DE STABILISATEUR ET KIT DE REPARATION (STABILISATEUR ETENDU) (310SG)  
 CILINDRO DE ESTABILIZADOR Y JUEGO DE REPARACION (ESTABILIZADOR EXTENDIDO) (310SG)**

T196176 -UN-10NOV03



18-11,12,13,14

19-5,7

T196176

| KEY | PART NO. | PART NAME                 | QTY. | SERIAL NO. | 3 3<br>3 1 1<br>1 0 5<br>0 S S<br>G G G | REMARKS                                     |
|-----|----------|---------------------------|------|------------|---|---|
| 1   | AH219543 | HYDRAULIC CYLINDER BARREL | 1    | 952007-    | X                                       | (L.H.)                                      |
|     | AH219544 | HYDRAULIC CYLINDER BARREL | 1    | 952007-    | X                                       | (R.H.)                                      |
| 2   | 19M8353  | CAP SCREW                 | 1    | 952007-    | X                                       | M30 X 80                                    |
| 3   | H145175  | WASHER                    | 1    | 952007-    | X                                       |   |
| 4   | F950R    | O-RING                    | 1    | 952007-    | X                                       |   |
| 5   | R81862   | BACK-UP RING              | 1    | 952007-    | X                                       | (B)   |
| 6   | H180094  | SNAP RING                 | 1    | 952007-    | X                                       |   |
| 7   | .....    | O-RING                    | 1    | 952007-    | X                                       | (B)   |
| 8   | H180080  | SNAP RING                 | 1    | 952007-    | X                                       |   |
| 9   | AH205062 | PISTON                    | 1    | 952007-    | X                                       |   |
| 10  | H208995  | HYDR. CYLINDER ROD GUIDE  | 1    | 952007-    | X                                       |   |
| 11  | AH146561 | SEAL                      | 1    | 952007-    | X                                       | (A)   |
| 12  | H152203  | SEAL                      | 1    | 952007-    | X                                       | (A)   |
| 13  | H208987  | WEAR RING                 | 1    | 952007-    | X                                       | (A)   |
| 14  | AH146557 | SEAL                      | 1    | 952007-    | X                                       | (A)   |
| 15  | H154404  | BUSHING                   | 1    | 952007-    | X                                       |   |
| 16  | AH147902 | HYDRAULIC CYLINDER ROD    | 1    | 952007-    | X                                       |   |
| 17  | AH219541 | HYDRAULIC CYLINDER        | 1    | 952007-    | X                                       | (L.H.)                                      |
|     | AH219542 | HYDRAULIC CYLINDER        | 1    | 952007-    | X                                       | (R.H.)                                      |
| 18  | AH210484 | HYDRAULIC CYLINDER KIT    | 1    | 952007-    | X                                       | (ROD REPAIR) INCLUDES ALL PARTS MARKED (A)  |
| 19  | AH212102 | HYDRAULIC CYLINDER KIT    | 1    | 952007-    | X                                       | (BORE REPAIR) INCLUDES ALL PARTS MARKED (B) |

# 3365-26B

BACKHOE 33

HYDRAULIC CYLINDERS 3365

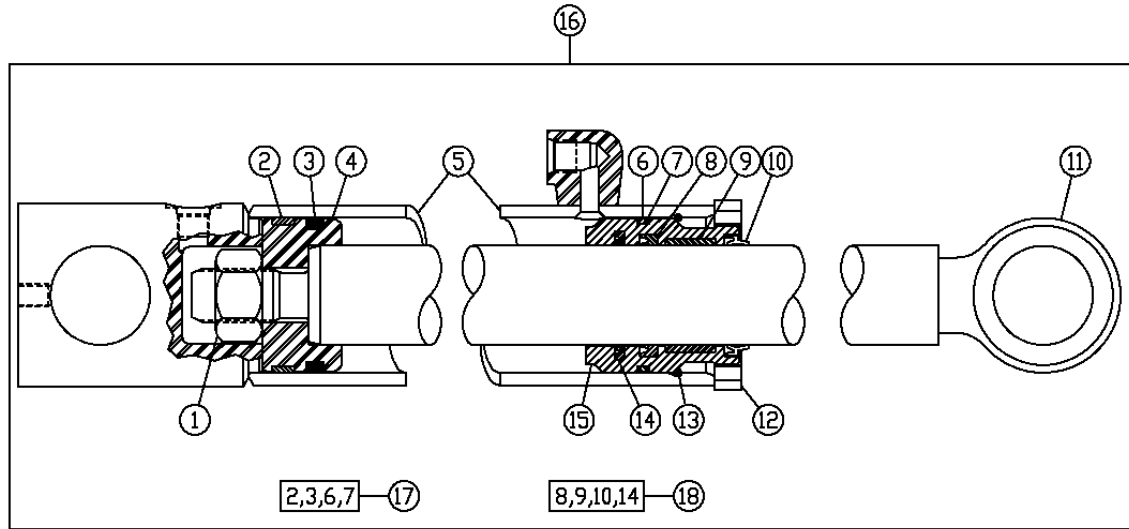
MEMORANDA  
MEMORANDA  
MEMORANDA



# 3365-27

**STABILIZER CYLINDER AND REPAIR KIT (315SG) (SN -944155)**  
**VERIN DE STABILISATEUR ET KIT DE REPARATION (315SG) (SN -944155)**  
**CILINDRO DE ESTABILIZADOR Y JUEGO DE REPARACION (315SG) (SN -944155)**

T145457 -UN-18SEP01



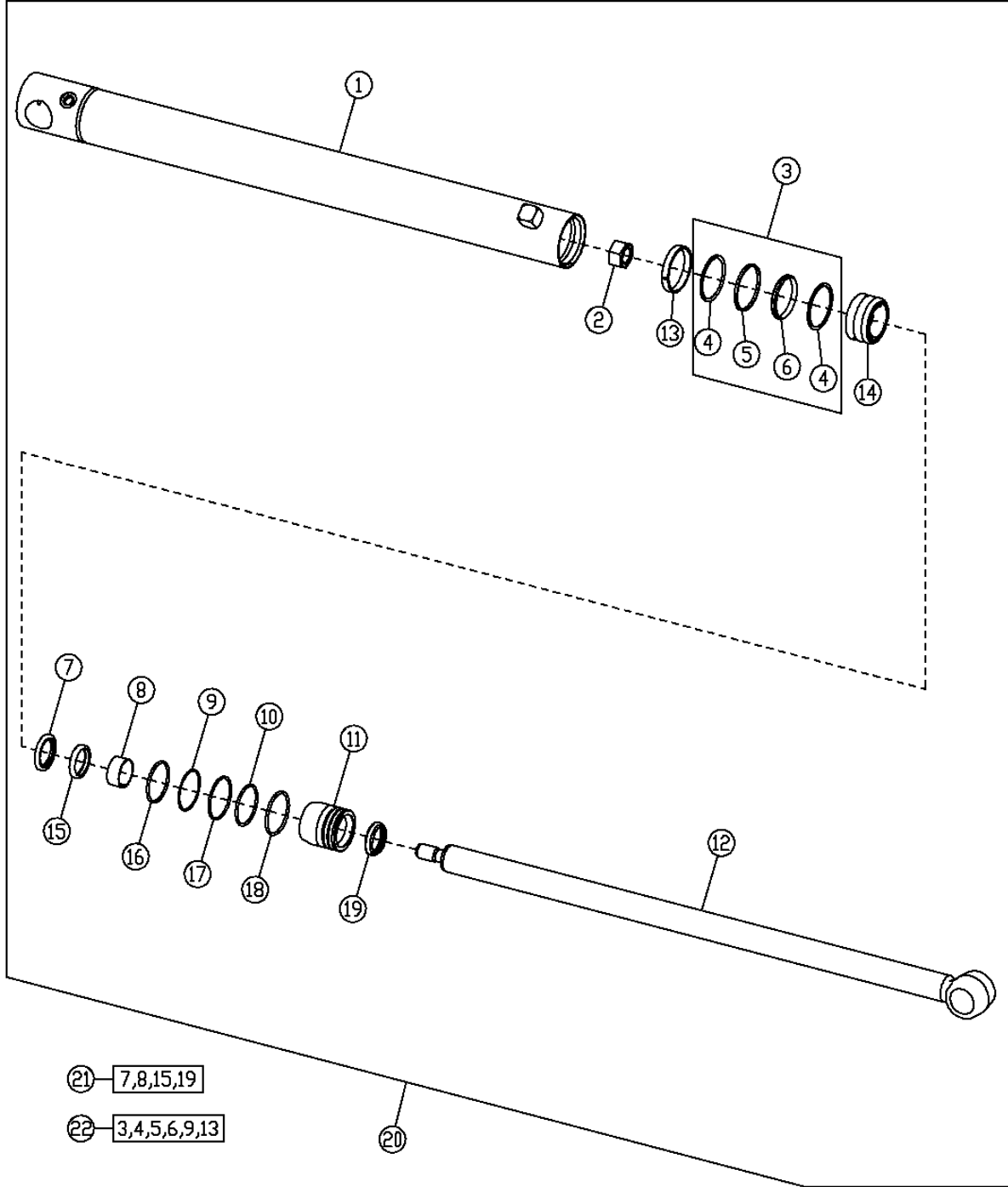
T145457

| KEY | PART NO. | PART NAME                 | QTY. | SERIAL NO. | 3 3<br>3 1 1<br>1 0 5<br>0 S S<br>G G G | REMARKS   |
|-----|----------|---------------------------|------|------------|---|---|
| 1   | H170537  | NUT                       | 1    |            | X                                       | M24   |
| 2   | R81774   | SCRAPER RING              | 1    |            | X                                       | (A)   |
| 3   | RE20342  | SEAL                      | 1    |            | X                                       | (A)   |
| 4   | R86380   | PISTON                    | 1    |            | X                                       |   |
| 5   | RE32173  | HYDRAULIC CYLINDER BARREL | 1    |            | X                                       |   |
| 6   | R83469   | O-RING                    | 1    |            | X                                       | (A)   |
| 7   | R81195   | BACK-UP RING              | 1    |            | X                                       | (A)   |
| 8   | H152202  | SEAL                      | 1    |            | X                                       | (B)   |
| 9   | H152793  | BACK-UP RING              | 1    |            | X                                       | (B)   |
| 10  | AH146556 | SEAL                      | 1    |            | X                                       | (B)   |
| 11  | RE32175  | HYDRAULIC CYLINDER ROD    | 1    |            | X                                       |   |
| 12  | R81792   | NUT                       | 1    |            | X                                       |   |
| 13  | R81786   | RING                      | 1    |            | X                                       |   |
| 14  | AH146560 | SEAL                      | 1    |            | X                                       | (B)   |
| 15  | H154402  | HYDR. CYLINDER ROD GUIDE  | 1    |            | X                                       |   |
| 16  | .....    | HYDRAULIC CYLINDER        | 1    |            | X                                       | ( AH154788 NLA) (SUB AH211348)                                |
| 17  | AH212089 | HYDRAULIC CYLINDER KIT    | 1    |            | X                                       | (BORE REPAIR) INCLUDES ALL PARTS MARKED (A) (SUB FOR RE20428) |
| 18  | AH149813 | HYDRAULIC CYLINDER KIT    | 1    |            | X                                       | (ROD REPAIR) INCLUDES ALL PARTS MARKED (B)                    |

# 3365-28

STABILIZER CYLINDER AND REPAIR KIT (315SG) (SN 944156- )  
VERIN DE STABILISATEUR ET KIT DE REPARATION (315SG) (SN 944156- )  
CILINDRO DE ESTABILIZADOR Y JUEGO DE REPARACION (315SG) (SN 944156- )

T209067 -UN-10MAR05



T209067

# 3365-29

BACKHOE 33

HYDRAULIC CYLINDERS 3365

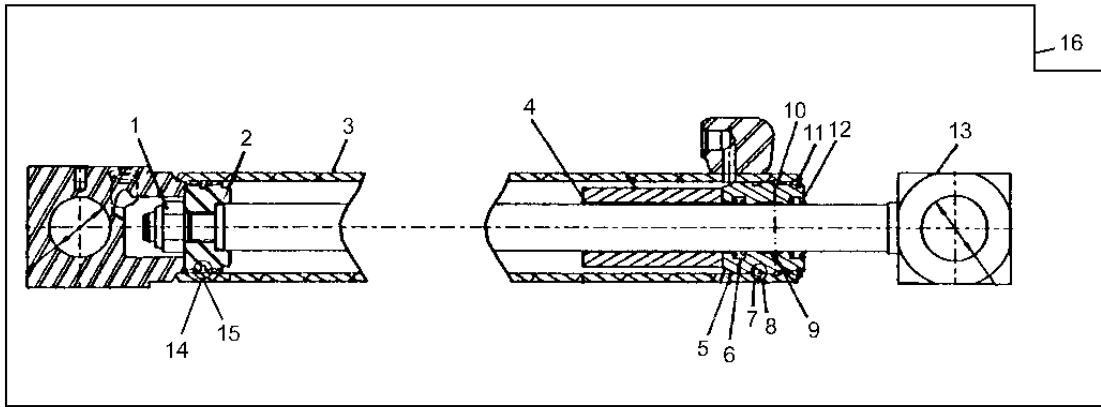
**STABILIZER CYLINDER AND REPAIR KIT (315SG) (SN 944156- )**  
**VERIN DE STABILISATEUR ET KIT DE REPARATION (315SG) (SN 944156- )**  
**CILINDRO DE ESTABILIZADOR Y JUEGO DE REPARACION (315SG) (SN 944156- )**

| KEY | PART NO. | PART NAME                 | QTY. | SERIAL NO. | REMARKS                                       |
|-----|----------|---------------------------|------|------------|---|
|     |          |                           |      |            | 3 3   |
|     |          |                           |      |            | 3 1 1   |
|     |          |                           |      |            | 1 0 5   |
|     |          |                           |      |            | 0 S S   |
|     |          |                           |      |            | G G G   |
| 1   | AH211349 | HYDRAULIC CYLINDER BARREL | 1    |            | X   |
| 2   | H170537  | NUT                       | 1    |            | X   |
| 3   | RE20342  | SEAL                      | 1    |            | X (B)   |
| 4   | .....    | BACK-UP RING              | 2    |            | X (B)   |
| 5   | .....    | SEAL                      | 1    |            | X (B)   |
| 6   | .....    | SEAL                      | 1    |            | X (B)   |
| 7   | AH146560 | SEAL                      | 1    |            | X (A)   |
| 8   | H157898  | WEAR RING                 | 1    |            | X (A)   |
| 9   | R81195   | BACK-UP RING              | 1    |            | X (A)   |
| 10  | U12198   | O-RING                    | 1    |            | X   |
| 11  | H210941  | HYDR. CYLINDER ROD GUIDE  | 1    |            | X   |
| 12  | RE32175  | HYDRAULIC CYLINDER ROD    | 1    |            | X   |
| 13  | R81774   | SCRAPER RING              | 1    |            | X (B)   |
| 14  | R86380   | PISTON                    | 1    |            | X   |
| 15  | H152202  | SEAL                      | 1    |            | X (A)   |
| 16  | R83469   | O-RING                    | 1    |            | X   |
| 17  | H178765  | SNAP RING                 | 1    |            | X   |
| 18  | H179657  | SNAP RING                 | 1    |            | X   |
| 19  | AH146556 | SEAL                      | 1    |            | X (A)   |
| 20  | AH211348 | HYDRAULIC CYLINDER        | 1    |            | X   |
| 21  | AH149813 | HYDRAULIC CYLINDER KIT    | 1    |            | X (ROD REPAIR) INCLUDES ALL PARTS MARKED (A)  |
| 22  | AH212089 | HYDRAULIC CYLINDER KIT    | 1    |            | X (BORE REPAIR) INCLUDES ALL PARTS MARKED (B) |

# 3365-30

**EXTENDABLE DIPPERSTICK CYLINDER (310G) (SN -928456)**  
**VERIN DE BRAS TELESCOPIQUE (310G) (SN -928456)**  
**CILINDRO DE BRAZO EXTENSIBLE (310G) (SN -928456)**

T194037 -UN-22AUG03



6, 9, 12 — 17

18 — 7, 8, 14, 15

T194037

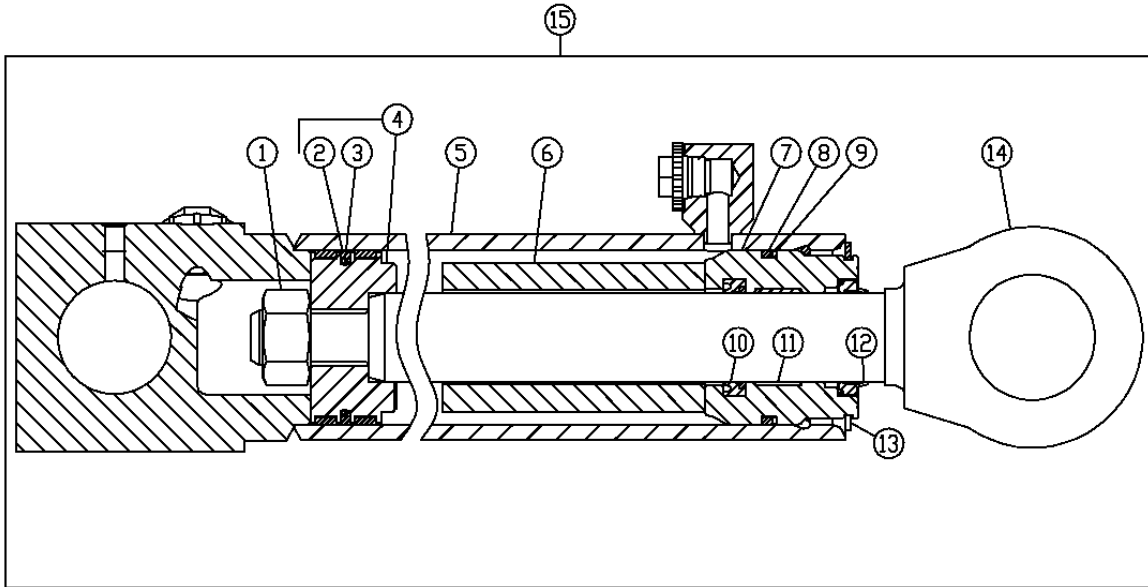
3 3  
 3 1 1  
 1 0 5  
 0 S S  
 G G G

| KEY | PART NO. | PART NAME                 | QTY. | SERIAL NO. | REMARKS   |
|-----|----------|---------------------------|------|------------|---|
| 1   | H170535  | NUT                       | 1    | X          |   |
| 2   | AH142159 | PISTON                    | 1    | X          |   |
| 3   | AH152475 | HYDRAULIC CYLINDER BARREL | 1    | X          |   |
| 4   | H150291  | BUSHING                   | 1    | X          |   |
| 5   | H154109  | HYDR. CYLINDER ROD GUIDE  | 1    | X          |   |
| 6   | AH148643 | SEAL                      | 1    | X          | (A)   |
| 7   | R93633   | O-RING                    | 1    | X          | (B)   |
| 8   | U13461   | BACK-UP RING              | 1    | X          | (B)   |
| 9   | H156058  | WEAR RING                 | 1    | X          | (A)   |
| 10  | R86387   | SNAP RING                 | 1    | X          |   |
| 11  | R90265   | SNAP RING                 | 1    | X          |   |
| 12  | AH150452 | SEAL                      | 1    | X          | (A)   |
| 13  | AH175518 | HYDRAULIC CYLINDER ROD    | 1    | X          | (SUB FOR AH148620)  |
| 14  | R90237   | RING                      | 1    | X          | (B)   |
| 15  | U40708   | O-RING                    | 1    | X          | (B)   |
| 16  | .....    | HYDRAULIC CYLINDER        | 1    | X          | ( AH175181 NLA) (SUB FOR AH152472) (SUB AH218606)             |
| 17  | AH168286 | HYDRAULIC CYLINDER KIT    | 1    | X          | (ROD REPAIR) INCLUDES ALL PARTS MARKED (A)                    |
| 18  | AH212088 | HYDRAULIC CYLINDER KIT    | 1    | X          | (BORE REPAIR) INCLUDES ALL PARTS MARKED (B) (SUB FOR RE33412) |

# 3365-31

**EXTENDABLE DIPPERSTICK CYLINDER (310G) (SN 928457-953470)**  
**VERIN DE BRAS TELESCOPIQUE (310G) (SN 928457-953470)**  
**CILINDRO DE BRAZO EXTENSIBLE (310G) (SN 928457-953470)**

T209542 -UN-14MAR05



①⑥-10,11,12

①⑦-2,3,8,9

T209542

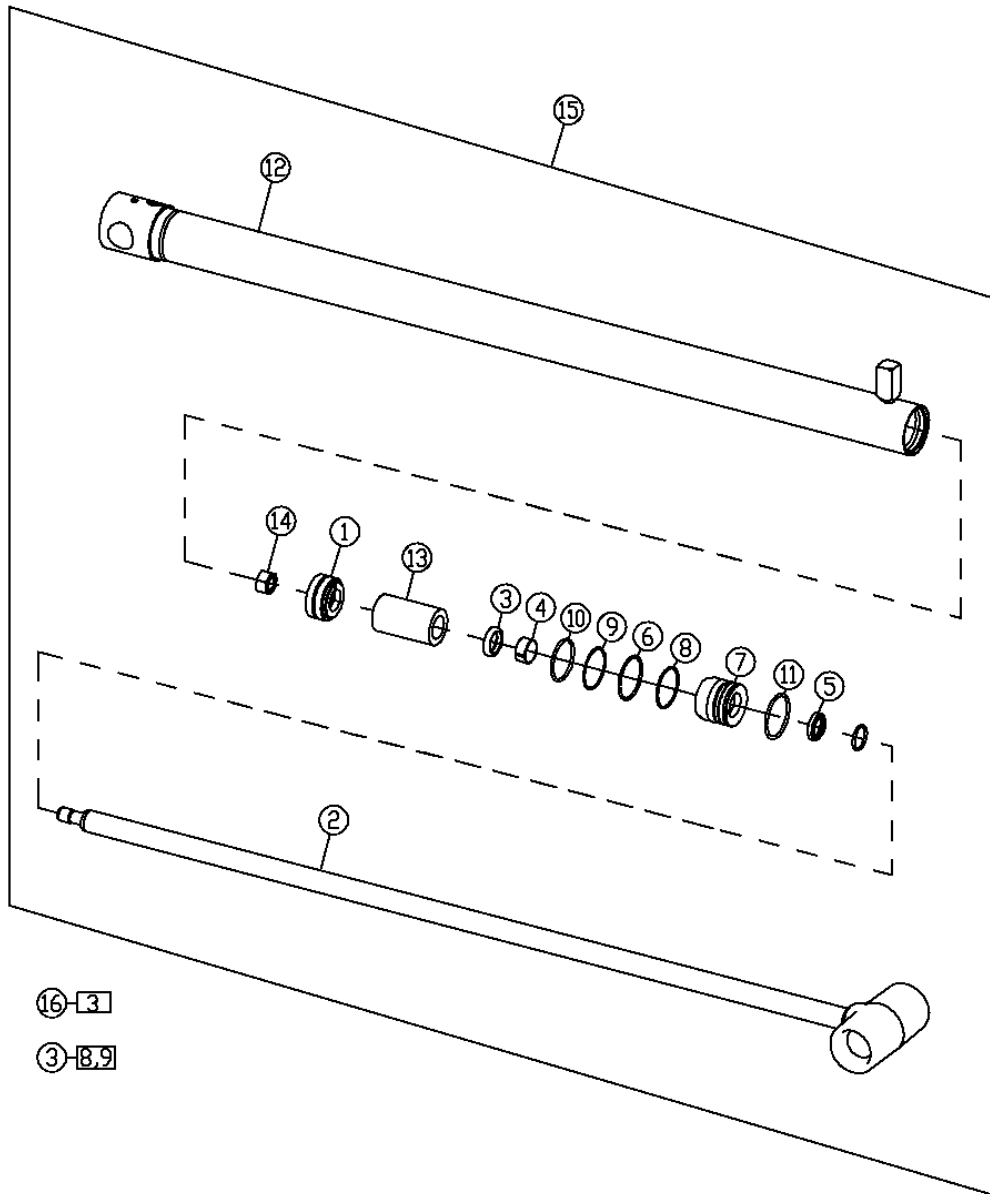
| KEY | PART NO. | PART NAME                 | QTY. | SERIAL NO. | 3<br>3<br>1<br>1<br>1<br>0<br>5<br>0<br>S<br>S<br>G<br>G<br>G | REMARKS                                     |
|-----|----------|---------------------------|------|------------|---|---|
| 1   | H170535  | NUT                       | 1    |            | X   |   |
| 2   | U40708   | O-RING                    | 1    |            | X   | (B)   |
| 3   | R90237   | RING                      | 1    |            | X   | (B)   |
| 4   | AH142159 | PISTON                    | 1    |            | X   |   |
| 5   | AH211332 | HYDRAULIC CYLINDER BARREL | 1    |            | X   |   |
| 6   | H150291  | BUSHING                   | 1    |            | X   |   |
| 7   | H154109  | HYDR. CYLINDER ROD GUIDE  | 1    |            | X   |   |
| 8   | R93633   | O-RING                    | 1    |            | X   | (B)   |
| 9   | U13461   | BACK-UP RING              | 1    |            | X   | (B)   |
| 10  | AH148643 | SEAL                      | 1    |            | X   | (A)   |
| 11  | H156058  | WEAR RING                 | 1    |            | X   | (A)   |
| 12  | AH150452 | SEAL                      | 1    |            | X   | (A)   |
| 13  | R90265   | SNAP RING                 | 1    |            | X   |   |
| 14  | AH175518 | HYDRAULIC CYLINDER ROD    | 1    |            | X   |   |
| 15  | .....    | HYDRAULIC CYLINDER        | 1    |            | X   | (AH211331 NLA) (SUB AH218606)               |
| 16  | AH168286 | HYDRAULIC CYLINDER KIT    | 1    |            | X   | (ROD REPAIR) INCLUDES ALL PARTS MARKED (A)  |
| 17  | AH212088 | HYDRAULIC CYLINDER KIT    | 1    |            | X   | (BORE REPAIR) INCLUDES ALL PARTS MARKED (B) |

# 3365-32

EXTENDABLE DIPPERSTICK CYLINDER (310G) (SN 953471- )  
VERIN DE BRAS TELESCOPIQUE (310G) (SN 953471- )  
CILINDRO DE BRAZO EXTENSIBLE (310G) (SN 953471- )

T214591

-UN-22SEP05



16-3

3-8,9

T214591

THIS PARTS LISTING IS CONTINUED

# 3365-33

BACKHOE 33

HYDRAULIC CYLINDERS 3365

**EXTENDABLE DIPPERSTICK CYLINDER (310G) (SN 953471- )  
 VERIN DE BRAS TELESCOPIQUE (310G) (SN 953471- )  
 CILINDRO DE BRAZO EXTENSIBLE (310G) (SN 953471- )**

| KEY | PART NO. | PART NAME                 | QTY. | SERIAL NO. | REMARKS                                       |
|-----|----------|---------------------------|------|------------|---|
|     |          |                           |      |            | 3 3   |
|     |          |                           |      |            | 3 1 1   |
|     |          |                           |      |            | 1 0 5   |
|     |          |                           |      |            | 0 S S   |
|     |          |                           |      |            | G G G   |
| 1   | AH142159 | PISTON                    | 1    |            | X   |
| 2   | AH175518 | HYDRAULIC CYLINDER ROD    | 1    |            | X   |
| 3   | H154514  | SEAL                      | 1    |            | X (A)   |
| 4   | H156058  | WEAR RING                 | 2    |            | X   |
| 5   | H156586  | SEAL                      | 1    |            | X   |
| 6   | H164982  | SNAP RING                 | 1    |            | X   |
| 7   | H210874  | HYDR. CYLINDER ROD GUIDE  | 1    |            | X   |
| 8   | H63262   | O-RING                    | 1    |            | X (B)   |
| 9   | U13461   | BACK-UP RING              | 1    |            | X (B)   |
| 10  | .....    | SEAL                      | 1    |            | X   |
| 11  | H211156  | SNAP RING                 | 1    |            | X   |
| 12  | AH218608 | HYDRAULIC CYLINDER BARREL | 1    |            | X   |
| 13  | H150291  | BUSHING                   | 1    |            | X   |
| 14  | H170535  | NUT                       | 1    |            | X   |
| 15  | AH218606 | HYDRAULIC CYLINDER        | 1    |            | X   |
| 16  | AH148823 | KIT                       | 1    |            | X (ROD REPAIR) INCLUDES ALL PARTS MARKED (A)  |
| 17  | AH212088 | KIT                       | 1    |            | X (BORE REPAIR) INCLUDES ALL PARTS MARKED (B) |

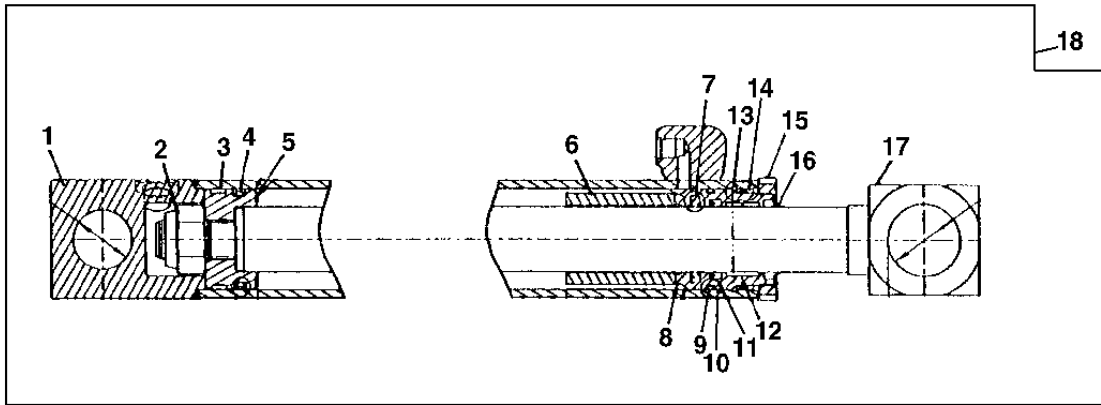
# 3365-34

BACKHOE 33

HYDRAULIC CYLINDERS 3365

EXTENDABLE DIPPERSTICK CYLINDER (310SG, 315SG) (SN -910900)  
 VERIN DE BRAS TELESCOPIQUE (310SG, 315SG) (SN -910900)  
 CILINDRO DE BRAZO EXTENSIBLE (310SG, 315SG) (SN -910900)

T136793 -UN-29DEC00



7,11,12,16-19

3,4,9,10,14-20

T136793

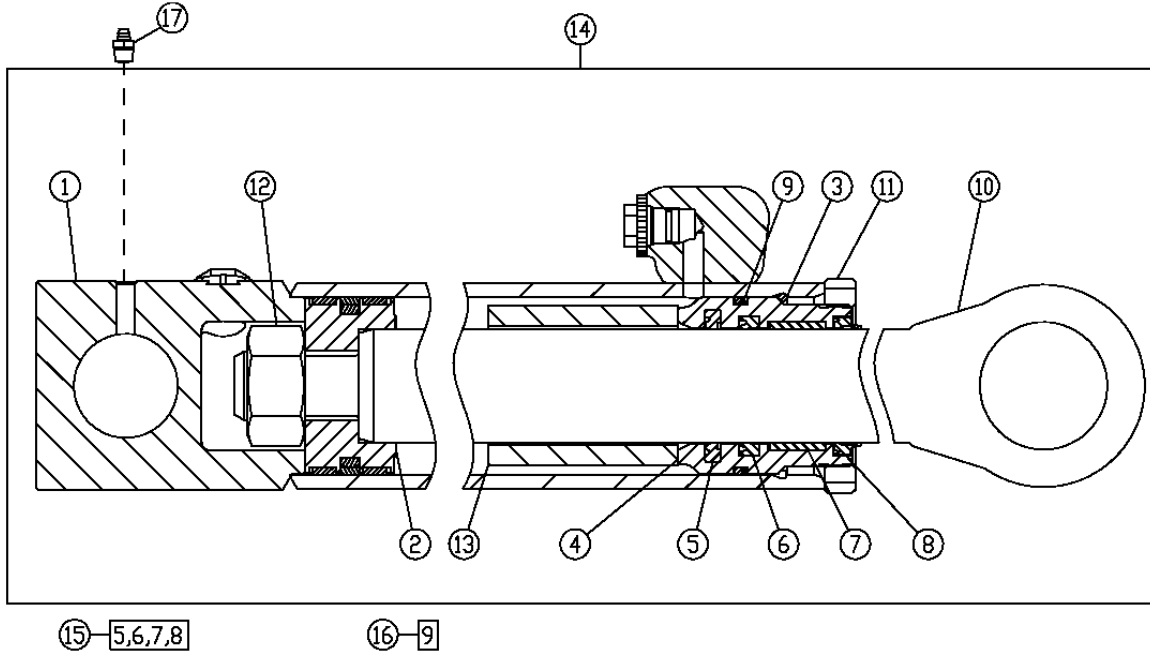
| KEY | PART NO. | PART NAME                 | QTY. | SERIAL NO. | 3<br>3<br>1<br>1<br>1<br>0<br>5<br>0<br>S<br>S<br>G<br>G<br>G | REMARKS   |
|-----|----------|---------------------------|------|------------|---|---|
| 1   | AH152476 | HYDRAULIC CYLINDER BARREL | 1    |            | X X   |   |
| 2   | R81866   | NUT                       | 1    |            | X X   |   |
| 3   | R81774   | SCRAPER RING              | 1    |            | X X (B)   |   |
| 4   | RE20342  | SEAL                      | 1    |            | X X (B)   |   |
| 5   | R86085   | PISTON                    | 1    |            | X X   |   |
| 6   | H151790  | BUSHING                   | 1    |            | X X   |   |
| 7   | AH146560 | SEAL                      | 1    |            | X X (A)   |   |
| 8   | H154402  | HYDR. CYLINDER ROD GUIDE  | 1    |            | X X   |   |
| 9   | R83469   | O-RING                    | 1    |            | X X (B)   |   |
| 10  | R81195   | BACK-UP RING              | 1    |            | X X (B)   |   |
| 11  | H152202  | SEAL                      | 1    |            | X X (A)   |   |
| 12  | H152793  | BACK-UP RING              | 1    |            | X X (A)   |   |
| 13  | R81786   | RING                      | 1    |            | X X   |   |
| 14  | R91728   | BACK-UP RING              | AR   |            | X X (B)   |   |
| 15  | R81792   | NUT                       | 1    |            | X X   |   |
| 16  | AH146556 | SEAL                      | 1    |            | X X (A)   |   |
| 17  | AH146248 | ROD                       | 1    | -903324    | X X   |   |
|     | AH175519 | HYDRAULIC CYLINDER ROD    | 1    | 903325-    | X X   |   |
| 18  | .....    | HYDRAULIC CYLINDER        | 1    |            | X X   | ( AH152473 AND AH175182 NLA) (SUB AH211361)                   |
| 19  | AH149813 | HYDRAULIC CYLINDER KIT    | 1    |            | X X   | (ROD REPAIR) INCLUDES ALL PARTS MARKED (A)                    |
| 20  | AH212089 | HYDRAULIC CYLINDER KIT    | 1    |            | X X   | (BORE REPAIR) INCLUDES ALL PARTS MARKED (B) (SUB FOR RE20428) |



# 3365-35

**EXTENDABLE DIPPERSTICK CYLINDER (310SG, 315SG) (SN 910901-926427)**  
**VERIN DE BRAS TELESCOPIQUE (310SG, 315SG) (SN 910901-926427)**  
**CILINDRO DE BRAZO EXTENSIBLE (310SG, 315SG) (SN 910901-926427)**

T161774 -UN-18NOV02



T161774

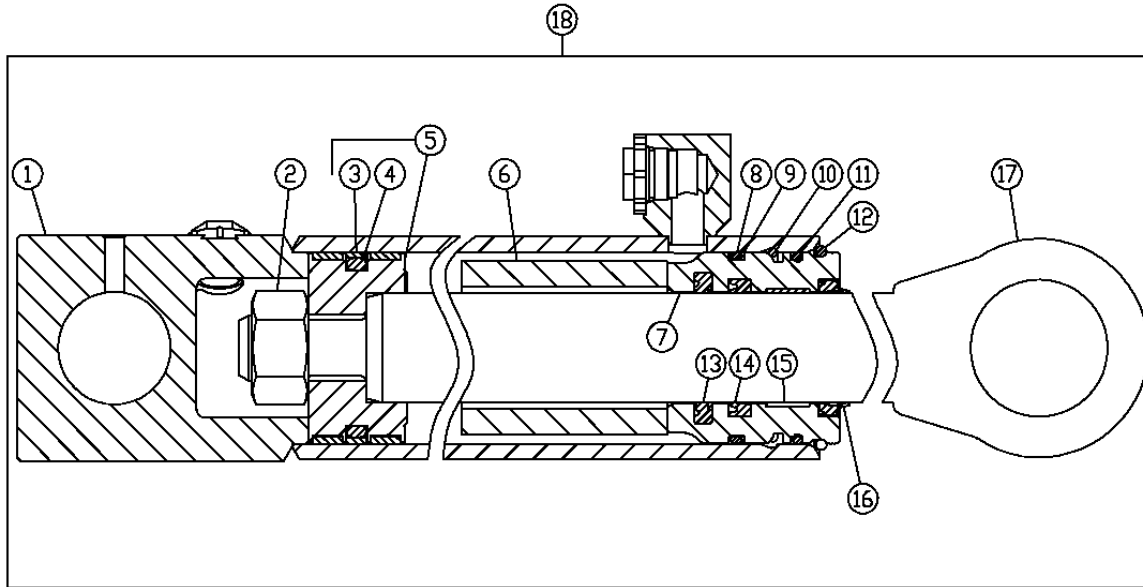
| KEY | PART NO. | PART NAME                 | QTY. | SERIAL NO. | 3 3<br>3 1 1<br>1 0 5<br>0 S S<br>G G G | REMARKS  |
|-----|----------|---------------------------|------|------------|---|--|
| 1   | AH152476 | HYDRAULIC CYLINDER BARREL | 1    |            | X X                                     |  |
| 2   | AH165962 | PISTON                    | 1    |            | X X                                     |  |
| 3   | R81786   | RING                      | 1    |            | X X                                     |  |
| 4   | H154402  | HYDR. CYLINDER ROD GUIDE  | 1    |            | X X                                     |  |
| 5   | AH146560 | SEAL                      | 1    |            | X X (A)                                 |  |
| 6   | H152202  | SEAL                      | 1    |            | X X (A)                                 |  |
| 7   | H152793  | BACK-UP RING              | 1    |            | X X (A)                                 |  |
| 8   | AH146556 | SEAL                      | 1    |            | X X (A)                                 |  |
| 9   | R81195   | BACK-UP RING              | 1    |            | X X (B)                                 |  |
| 10  | AH175519 | HYDRAULIC CYLINDER ROD    | 1    |            | X X                                     |  |
| 11  | R81792   | NUT                       | 1    |            | X X                                     |  |
| 12  | H170538  | NUT                       | 1    |            | X X                                     |  |
| 13  | H151790  | BUSHING                   | 1    |            | X X                                     |  |
| 14  | .....    | HYDRAULIC CYLINDER        | 1    |            | X X                                     | (AH207281 NLA) (SUB AH211361)                                  |
| 15  | AH149813 | HYDRAULIC CYLINDER KIT    | 1    |            | X X                                     | (ROD REPAIR) INCLUDES ALL PARTS MARKED (A)                     |
| 16  | AH212090 | HYDRAULIC CYLINDER KIT    | 1    |            | X X                                     | (BORE REPAIR) INCLUDES ALL PARTS MARKED (B) (SUB FOR AH202070) |
| 17  | T162396  | LUBRICATION FITTING       | 1    |            | X X                                     |  |

THIS PARTS LISTING IS CONTINUED

# 3365-36

EXTENDABLE DIPPERSTICK CYLINDER (310SG, 315SG) (SN 926428- )  
 VERIN DE BRAS TELESCOPIQUE (310SG, 315SG) (SN 926428- )  
 CILINDRO DE BRAZO EXTENSIBLE (310SG, 315SG) (SN 926428- )

T195663 -UN-07NOV03



19-13,14,16

20-3,4,8,9,11

T195663

| KEY | PART NO. | PART NAME                 | QTY. | SERIAL NO. | 3 3<br>3 1 1<br>1 0 5<br>0 S S<br>G G G         | REMARKS |
|-----|----------|---------------------------|------|------------|---|---------|
| 1   | AH211362 | HYDRAULIC CYLINDER BARREL | 1    |            | X X   |         |
| 2   | H170537  | NUT                       | 1    |            | X X   |         |
| 3   | R98325   | SEAL                      | 1    |            | X X (B)   |         |
| 4   | R98324   | SEAL                      | 1    |            | X X (B)   |         |
| 5   | AH158623 | PISTON                    | 1    |            | X X   |         |
| 6   | .....    | SPACER                    | 1    |            | X X   |         |
| 7   | H210939  | HYDR. CYLINDER ROD GUIDE  | 1    |            | X X   |         |
| 8   | R83469   | O-RING                    | 1    |            | X X (B)   |         |
| 9   | R81195   | BACK-UP RING              | 1    |            | X X (B)   |         |
| 10  | H178765  | SNAP RING                 | 1    |            | X X   |         |
| 11  | U12198   | O-RING                    | 1    |            | X X (B)   |         |
| 12  | H179657  | SNAP RING                 | 1    |            | X X   |         |
| 13  | AH148608 | SEAL                      | 1    |            | X X (A)   |         |
| 14  | H155655  | SEAL                      | 1    |            | X X (A)   |         |
| 15  | H157897  | WEAR RING                 | 1    |            | X X (SUB FOR H157947)                           |         |
| 16  | AH150453 | SEAL                      | 1    |            | X X (A)   |         |
| 17  | AH211926 | HYDRAULIC CYLINDER ROD    | 1    |            | X X   |         |
| 18  | AH211361 | HYDRAULIC CYLINDER        | 1    |            | X X   |         |
| 19  | AH149194 | HYDRAULIC CYLINDER KIT    | 1    |            | X X (ROD REPAIR) INCLUDES ALL PARTS MARKED (A)  |         |
| 20  | AH212090 | HYDRAULIC CYLINDER KIT    | 1    |            | X X (BORE REPAIR) INCLUDES ALL PARTS MARKED (B) |         |

THIS PARTS LISTING IS CONTINUED

# 9995-1

310G, 310SG AND 315SG BACKHOE LOADERS

## NUMERICAL INDEX

| PART NO. | KEY | PAGE     | PART NO. | KEY | PAGE     | PART NO. | KEY | PAGE     |
|----------|-----|----------|----------|-----|----------|----------|-----|----------|
| AA21292  | 7   | 3302-5   | AH146558 | 19  | 3365-3   | AH147902 | 17  | 3365-22A |
| AA21292  | 6   | 3302-9   | AH146558 | 11  | 3365-5   | AH147902 | 18  | 3365-23  |
| AA34134  | 18  | 3115-3   | AH146558 | 19  | 3365-7   | AH147902 | 16  | 3365-24A |
| AA34134  | 34  | 3115-3   | AH146558 | 11  | 3365-9   | AH147902 | 16  | 3365-24B |
| AB2599R  | 1   | 1314-3   | AH146558 | 14  | 3365-13  | AH147902 | 18  | 3365-25  |
| AD2062R  | 2   | 1673-5   | AH146558 | 17  | 3365-14  | AH147902 | 16  | 3365-26  |
| AE37072  | 5A  | 3115-11  | AH146559 | 14  | 3365-15  | AH147902 | 16  | 3365-26A |
| AE37072  | 5B  | 3115-11  | AH146559 | 17  | 3365-16  | AH148164 | 27  | 3165-3   |
| AE37072  | 14  | 3115-11  | AH146559 | 14  | 3365-17  | AH148164 | 27  | 3165-7   |
| AE37072  | 1   | 3315-9   | AH146559 | 14  | 3365-18  | AH148164 | 20  | 3165-8   |
| AE37072  | 14  | 3315-11  | AH146560 | 11  | 3365-19  | AH148164 | 20  | 3165-11  |
| AE44436  | 1   | 1674-5D  | AH146560 | 11  | 3365-19B | AH148164 | 20  | 3365-10  |
| AH104837 | 7   | 0520-3   | AH146560 | 14  | 3365-27  | AH148164 | 18  | 3365-11  |
| AH105968 | 18  | 2160-7   | AH146560 | 7   | 3365-29  | AH148164 | 25  | 3365-19C |
| AH105968 | 34  | 2160-9   | AH146560 | 7   | 3365-34  | AH148164 | 21  | 3365-21B |
| AH105968 | 44  | 2160-9   | AH146560 | 5   | 3365-35  | AH148164 | 21  | 3365-23  |
| AH105968 | 17  | 2160-9B  | AH146561 | 7   | 3165-3   | AH148164 | 21  | 3365-25  |
| AH125760 | 21  | 3363-1B  | AH146561 | 12  | 3165-4   | AH148174 | 21  | 3365-7   |
| AH137883 | 3   | 1672-3   | AH146561 | 7   | 3165-7   | AH148437 | 17  | 3365-10  |
| AH137883 | 3   | 1672-5   | AH146561 | 5   | 3165-8   | AH148551 | 1   | 3365-10  |
| AH138082 | 7   | 3365-3   | AH146561 | 12  | 3165-9   | AH148553 | 16  | 3365-10  |
| AH138082 | 15  | 3365-5   | AH146561 | 11  | 3165-11  | AH148553 | 8   | 3365-11  |
| AH138082 | 4   | 3365-17  | AH146561 | 17  | 3165-13  | AH148608 | 13  | 3365-36  |
| AH138083 | 7   | 3365-7   | AH146561 | 4   | 3165-15  | AH148620 | 13  | 3365-30  |
| AH138083 | 15  | 3365-9   | AH146561 | 11  | 3365-10  | AH148643 | 6   | 3365-30  |
| AH138200 | 7   | 0960-14  | AH146561 | 12  | 3365-11  | AH148643 | 10  | 3365-31  |
| AH138200 | 6   | 0960-17  | AH146561 | 11  | 3365-12  | AH148674 | 19  | 3365-25  |
| AH140044 | 2   | 0520-5   | AH146561 | 11  | 3365-19C | AH148675 | 19  | 3365-25  |
| AH142159 | 2   | 3365-30  | AH146561 | 11  | 3365-21  | AH148676 | 1   | 3365-25  |
| AH142159 | 4   | 3365-31  | AH146561 | 10  | 3365-21B | AH148677 | 1   | 3365-25  |
| AH142159 | 1   | 3365-33  | AH146561 | 12  | 3365-22  | AH148823 | 16  | 3365-33  |
| AH144020 | 60  | 1830-7B  | AH146561 | 12  | 3365-22A | AH149194 | 19  | 3365-36  |
| AH145994 | 23  | 3365-19  | AH146561 | 10  | 3365-23  | AH149624 | 23  | 3365-7   |
| AH146062 | 21  | 3365-19  | AH146561 | 11  | 3365-24A | AH149625 | 23  | 3365-3   |
| AH146062 | 6   | 3365-19B | AH146561 | 11  | 3365-24B | AH149662 | 1   | 3365-7   |
| AH146065 | 10  | 3365-19  | AH146561 | 10  | 3365-25  | AH149750 | 1   | 3365-3   |
| AH146248 | 17  | 3365-34  | AH146561 | 11  | 3365-26  | AH149751 | 21  | 3365-3   |
| AH146271 | 16  | 3365-13  | AH146561 | 11  | 3365-26A | AH149790 | 17  | 3365-13  |
| AH146318 | 16  | 3365-15  | AH146562 | 15  | 3365-3   | AH149791 | 17  | 3365-15  |
| AH146556 | 18  | 3365-19  | AH146562 | 8   | 3365-5   | AH149810 | 19  | 0960-14  |
| AH146556 | 10  | 3365-19B | AH146562 | 15  | 3365-7   | AH149810 | 21  | 0960-17  |
| AH146556 | 10  | 3365-27  | AH146562 | 8   | 3365-9   | AH149813 | 17  | 3365-19  |
| AH146556 | 19  | 3365-29  | AH146562 | 11  | 3365-13  | AH149813 | 23  | 3365-19B |
| AH146556 | 16  | 3365-34  | AH146562 | 12  | 3365-14  | AH149813 | 18  | 3365-27  |
| AH146556 | 8   | 3365-35  | AH146563 | 11  | 3365-15  | AH149813 | 21  | 3365-29  |
| AH146557 | 15  | 3165-3   | AH146563 | 12  | 3365-16  | AH149813 | 19  | 3365-34  |
| AH146557 | 15  | 3165-4   | AH146563 | 10  | 3365-17  | AH149813 | 15  | 3365-35  |
| AH146557 | 15  | 3165-7   | AH146563 | 10  | 3365-18  | AH149814 | 26  | 3365-3   |
| AH146557 | 13  | 3165-8   | AH146874 | 19  | 3165-3   | AH149814 | 23  | 3365-5   |
| AH146557 | 15  | 3165-9   | AH146874 | 19  | 3165-7   | AH149814 | 26  | 3365-7   |
| AH146557 | 6   | 3165-11  | AH146875 | 18  | 3165-3   | AH149814 | 23  | 3365-9   |
| AH146557 | 20  | 3165-13  | AH146875 | 16  | 3165-4   | AH149814 | 20  | 3365-13  |
| AH146557 | 13  | 3165-15  | AH146875 | 18  | 3165-7   | AH149814 | 24  | 3365-14  |
| AH146557 | 14  | 3365-10  | AH146875 | 15  | 3165-8   | AH149815 | 20  | 3365-15  |
| AH146557 | 15  | 3365-11  | AH146875 | 16  | 3165-9   | AH149815 | 24  | 3365-16  |
| AH146557 | 14  | 3365-12  | AH146876 | 1   | 3165-3   | AH149815 | 20  | 3365-17  |
| AH146557 | 18  | 3365-19C | AH146876 | 1   | 3165-7   | AH149815 | 19  | 3365-18  |
| AH146557 | 10  | 3365-21  | AH146876 | 1   | 3165-8   | AH149842 | 12  | 3165-3   |
| AH146557 | 15  | 3365-21B | AH147863 | 19  | 3365-23  | AH149842 | 12  | 3165-7   |
| AH146557 | 15  | 3365-22  | AH147864 | 19  | 3365-23  | AH149842 | 12  | 3165-9   |
| AH146557 | 15  | 3365-22A | AH147889 | 10  | 3365-19C | AH149842 | 19  | 3365-10  |
| AH146557 | 15  | 3365-23  | AH147893 | 21  | 3365-19C | AH149842 | 19  | 3365-11  |
| AH146557 | 14  | 3365-24A | AH147893 | 20  | 3365-21  | AH149842 | 25  | 3365-19  |
| AH146557 | 14  | 3365-24B | AH147900 | 1   | 3365-23  | AH149843 | 19  | 3165-11  |
| AH146557 | 15  | 3365-25  | AH147901 | 1   | 3365-23  | AH149843 | 19  | 3365-13  |
| AH146557 | 14  | 3365-26  | AH147902 | 18  | 3365-21B | AH149843 | 17  | 3365-19C |
| AH146557 | 14  | 3365-26A | AH147902 | 17  | 3365-22  | AH149843 | 13  | 3365-23  |

# 9995-2

310G, 310SG AND 315SG BACKHOE LOADERS

## NUMERICAL INDEX - CONTINUED

| PART NO. | KEY | PAGE     | PART NO. | KEY | PAGE     | PART NO. | KEY | PAGE     |
|----------|-----|----------|----------|-----|----------|----------|-----|----------|
| AH149844 | 19  | 3365-15  | AH175518 | 13  | 3365-30  | AH210737 | 14  | 3102-12  |
| AH149844 | 22  | 3365-25  | AH175518 | 14  | 3365-31  | AH210737 | 18  | 3102-13  |
| AH149845 | 25  | 3365-3   | AH175518 | 2   | 3365-33  | AH210737 | 20  | 3102-19  |
| AH149845 | 24  | 3365-5   | AH175519 | 17  | 3365-34  | AH210901 | 19  | 3365-23  |
| AH149845 | 19  | 3365-17  | AH175519 | 10  | 3365-35  | AH210901 | 17  | 3365-24A |
| AH149846 | 20  | 3365-18  | AH176122 | 19  | 3365-21B | AH210902 | 19  | 3365-23  |
| AH149847 | 25  | 3365-7   | AH176230 | 1   | 3104-5   | AH210902 | 17  | 3365-24A |
| AH149847 | 24  | 3365-9   | AH176230 | 2   | 3104-5   | AH210999 | 1   | 3365-24A |
| AH149974 | 1   | 3365-21B | AH176230 | 3   | 3104-5   | AH211000 | 1   | 3365-24A |
| AH149975 | 1   | 3365-21B | AH176272 | 17  | 3104-5   | AH211131 | 23  | 3365-3   |
| AH150209 | 1   | 3365-13  | AH202070 | 16  | 3365-35  | AH211131 | 21  | 3365-5   |
| AH150211 | 1   | 3365-15  | AH202080 | 21  | 3165-8   | AH211132 | 23  | 3365-7   |
| AH150452 | 12  | 3365-30  | AH202080 | 13  | 3365-21B | AH211132 | 22  | 3365-9   |
| AH150452 | 12  | 3365-31  | AH205060 | 2   | 3165-15  | AH211133 | 2   | 3365-5   |
| AH150453 | 16  | 3365-36  | AH205060 | 9   | 3365-24A | AH211134 | 2   | 3365-9   |
| AH151380 | 13  | 0960-14  | AH205060 | 9   | 3365-24B | AH211135 | 20  | 3365-5   |
| AH151380 | 16  | 0960-17  | AH205062 | 9   | 3365-26  | AH211138 | 20  | 3365-9   |
| AH151381 | 11  | 0960-14  | AH205062 | 9   | 3365-26A | AH211196 | 18  | 3365-22  |
| AH151381 | 13  | 0960-17  | AH206649 | 17  | 3365-11  | AH211197 | 1   | 3365-22  |
| AH152472 | 14  | 3346-5   | AH206725 | 1   | 3365-16  | AH211198 | 18  | 3365-22  |
| AH152472 | 16  | 3365-30  | AH206726 | 23  | 3365-16  | AH211199 | 1   | 3365-22  |
| AH152473 | 14  | 3346-5   | AH207281 | 14  | 3346-5   | AH211203 | 19  | 3165-3   |
| AH152473 | 18  | 3365-34  | AH207281 | 14  | 3365-35  | AH211203 | 18  | 3165-4   |
| AH152475 | 3   | 3365-30  | AH207327 | 19  | 3365-23  | AH211204 | 1   | 3165-4   |
| AH152476 | 1   | 3365-34  | AH207328 | 19  | 3365-23  | AH211204 | 1   | 3165-9   |
| AH152476 | 1   | 3365-35  | AH207401 | 18  | 3165-8   | AH211206 | 19  | 3165-7   |
| AH154780 | 17  | 0960-14  | AH207411 | 1   | 3365-11  | AH211206 | 18  | 3165-8   |
| AH154788 | 16  | 1740-5   | AH208379 | 17  | 3365-13  | AH211206 | 18  | 3165-9   |
| AH154788 | 16  | 3365-27  | AH208379 | 23  | 3365-14  | AH211331 | 15  | 3365-31  |
| AH156144 | 4   | 1674-9F  | AH209022 | 19  | 3102-13  | AH211332 | 5   | 3365-31  |
| AH157977 | 1   | 3365-17  | AH209078 | 1   | 3365-14  | AH211348 | 16  | 1740-5   |
| AH157979 | 16  | 3365-17  | AH209079 | 10  | 3365-14  | AH211348 | 16  | 3365-27  |
| AH157980 | 17  | 3365-17  | AH209080 | 17  | 3365-10  | AH211348 | 20  | 3365-29  |
| AH158576 | 1   | 3365-18  | AH209080 | 17  | 3365-11  | AH211349 | 1   | 3365-29  |
| AH158623 | 5   | 3365-36  | AH209080 | 17  | 3365-12  | AH211361 | 14  | 3346-5   |
| AH162040 | 2   | 3165-11  | AH209081 | 1   | 3365-12  | AH211361 | 18  | 3365-34  |
| AH162040 | 22  | 3165-13  | AH209082 | 16  | 3365-12  | AH211361 | 14  | 3365-35  |
| AH162040 | 14  | 3165-15  | AH209083 | 10  | 3365-16  | AH211361 | 18  | 3365-36  |
| AH162394 | 16  | 3365-18  | AH209133 | 17  | 3365-26  | AH211362 | 1   | 3365-36  |
| AH162914 | 38  | 0560-7   | AH209134 | 1   | 3365-26  | AH211926 | 17  | 3365-36  |
| AH164137 | 17  | 3365-18  | AH209138 | 17  | 3365-26  | AH212088 | 18  | 3365-30  |
| AH165826 | 6   | 3165-3   | AH209140 | 1   | 3365-26  | AH212088 | 17  | 3365-31  |
| AH165826 | 10  | 3165-4   | AH210484 | 27  | 3165-3   | AH212088 | 17  | 3365-33  |
| AH165826 | 4   | 3165-8   | AH210484 | 19  | 3165-4   | AH212089 | 17  | 3365-27  |
| AH165826 | 10  | 3165-9   | AH210484 | 27  | 3165-7   | AH212089 | 22  | 3365-29  |
| AH165962 | 2   | 3365-35  | AH210484 | 20  | 3165-8   | AH212089 | 20  | 3365-34  |
| AH167552 | 18  | 0960-14  | AH210484 | 19  | 3165-9   | AH212090 | 16  | 3365-35  |
| AH167552 | 22  | 0960-17  | AH210484 | 20  | 3165-11  | AH212090 | 20  | 3365-36  |
| AH168286 | 17  | 3365-30  | AH210484 | 24  | 3165-13  | AH212091 | 12  | 3165-3   |
| AH168286 | 16  | 3365-31  | AH210484 | 17  | 3165-15  | AH212091 | 12  | 3165-7   |
| AH171229 | 17  | 3165-11  | AH210484 | 20  | 3365-10  | AH212091 | 19  | 3365-10  |
| AH171683 | 26  | 3315-23  | AH210484 | 18  | 3365-11  | AH212091 | 19  | 3365-11  |
| AH172882 | 23  | 3365-19  | AH210484 | 18  | 3365-12  | AH212091 | 24  | 3365-19B |
| AH173163 | 23  | 3365-19C | AH210484 | 25  | 3365-19C | AH212091 | 13  | 3365-21B |
| AH173202 | 19  | 3365-21B | AH210484 | 24  | 3365-21  | AH212092 | 20  | 3165-4   |
| AH173410 | 10  | 3365-12  | AH210484 | 21  | 3365-21B | AH212092 | 21  | 3165-8   |
| AH173410 | 6   | 3365-21B | AH210484 | 19  | 3365-22  | AH212092 | 20  | 3165-9   |
| AH173410 | 10  | 3365-22  | AH210484 | 19  | 3365-22A | AH212092 | 19  | 3365-12  |
| AH173410 | 10  | 3365-22A | AH210484 | 21  | 3365-23  | AH212092 | 13  | 3365-21B |
| AH173567 | 18  | 3165-11  | AH210484 | 18  | 3365-24A | AH212092 | 20  | 3365-22  |
| AH173568 | 17  | 3165-11  | AH210484 | 18  | 3365-24B | AH212092 | 20  | 3365-22A |
| AH174222 | 19  | 3165-3   | AH210484 | 21  | 3365-25  | AH212096 | 19  | 3165-11  |
| AH175181 | 14  | 3346-5   | AH210484 | 18  | 3365-26  | AH212096 | 25  | 3165-13  |
| AH175181 | 16  | 3365-30  | AH210484 | 18  | 3365-26A | AH212096 | 19  | 3365-13  |
| AH175182 | 14  | 3346-5   | AH210719 | 12  | 3365-5   | AH212096 | 25  | 3365-14  |
| AH175513 | 23  | 3365-7   | AH210719 | 12  | 3365-9   | AH212096 | 17  | 3365-19C |
| AH175515 | 21  | 3365-7   | AH210737 | 3   | 3102-11  | AH212096 | 23  | 3365-21  |

# 9995-3

310G, 310SG AND 315SG BACKHOE LOADERS

## NUMERICAL INDEX - CONTINUED

| PART NO. | KEY | PAGE     | PART NO. | KEY | PAGE    | PART NO. | KEY | PAGE    |
|----------|-----|----------|----------|-----|---------|----------|-----|---------|
| AH212096 | 13  | 3365-23  | AH89557  | 12  | 1674-9B | AR48236  | 14  | 1060-9  |
| AH212097 | 18  | 3165-15  | AH89557  | 42  | 1830-7B | AR48236  | 8   | 1060-11 |
| AH212097 | 19  | 3365-24A | AH89557  | 14  | 1830-13 | AR48236  | 8   | 2160-11 |
| AH212097 | 19  | 3365-24B | AH89557  | 7   | 3315-23 | AR48236  | 7   | 3363-29 |
| AH212101 | 19  | 3365-15  | AH96317  | 8   | 0560-3  | AR48236  | 9   | 3363-31 |
| AH212101 | 25  | 3365-16  | AH96317  | 28  | 0560-7  | AR62936  | 17  | 1830-5  |
| AH212101 | 22  | 3365-25  | AL111096 | 5   | 0250-13 | AR64705  | 6   | 3363-29 |
| AH212102 | 25  | 3365-16  | AL113451 | 3   | 0250-5  | AR64705  | 8   | 3363-31 |
| AH212102 | 19  | 3365-26  | AL113460 | 5   | 0250-5  | AR65005  | 1   | 1674-22 |
| AH212102 | 19  | 3365-26A | AL118173 | 1   | 0960-3  | AR65006  | 2   | 1674-22 |
| AH212103 | 20  | 3365-18  | AL118173 | 1   | 0960-5  | AR65294  | 12  | 0510-3  |
| AH216338 | 23  | 3165-13  | AL153661 | 8   | 1814-11 | AR65294  | 25  | 2160-11 |
| AH216339 | 1   | 3165-13  | AL155227 | 1   | 0960-3  | AR65507  | 9   | 0403-2  |
| AH216821 | 17  | 0960-14  | AL155227 | 1   | 0960-5  | AR65507  | 9   | 0403-2A |
| AH216821 | 20  | 0960-17  | AL32877  | 16  | 0201-3  | AR65507  | 9   | 0403-2B |
| AH216822 | 1   | 0960-17  | AL79794  | 5   | 0210-5  | AR65507  | 9   | 0403-3A |
| AH216853 | 12  | 3365-5   | AL79794  | 2   | 0250-13 | AR67069  | 8   | 1671-7  |
| AH216869 | 12  | 3365-9   | AL79797  | 6   | 0250-13 | AR73144  | 9   | 1674-3  |
| AH217348 | 2   | 3104-3   | AL79808  | 12  | 0250-5  | AR77962  | 25  | 0560-3  |
| AH217348 | 12  | 3104-5   | AL79843  | 4   | 0250-8A | AR77962  | 30  | 0560-7  |
| AH217348 | 16  | 3104-5   | AL79901  | 2   | 0250-7  | AR77962  | 46  | 1830-7B |
| AH218606 | 14  | 3346-5   | AL79901  | 29  | 0250-7  | AR77962  | 37  | 2160-11 |
| AH218606 | 16  | 3365-30  | AL79902  | 1   | 0250-7  | AR77962  | 4   | 2160-13 |
| AH218606 | 15  | 3365-31  | AL79904  | 6   | 0250-8A | AR83396  | 7   | 3302-3  |
| AH218606 | 15  | 3365-33  | AL79950  | 21  | 0250-7  | AR83396  | 6   | 3302-7  |
| AH218608 | 12  | 3365-33  | AL79951  | 11  | 0250-7  | AR83396  | 22  | 3346-5  |
| AH219499 | 19  | 3365-21B | AL80542  | 2   | 0250-5  | AR85327  | 23  | 3363-35 |
| AH219499 | 18  | 3365-22  | AL81853  | 4   | 0250-8A | AR85327  | 19  | 3363-37 |
| AH219499 | 18  | 3365-22A | AL81854  | 6   | 0250-8A | AR85328  | 7   | 0520-3  |
| AH219500 | 19  | 3365-21B | AM102062 | 1   | 1814-3  | AR85329  | 9   | 0520-3  |
| AH219500 | 18  | 3365-22  | AM102062 | 11  | 1816-15 | AR85519  | 1   | 0413-5  |
| AH219500 | 18  | 3365-22A | AM102062 | 33  | 1816-17 | AR85519  | 30  | 0413-7  |
| AH219503 | 1   | 3365-22A | AM107314 | 7   | 0560-7  | AR85519  | 1   | 0413-9  |
| AH219504 | 1   | 3365-22A | AM118928 | 6   | 1816-11 | AR85519  | 30  | 0413-11 |
| AH219537 | 17  | 3365-24A | AM118997 | 24  | 3343-3  | AR89602  | 23  | 3363-35 |
| AH219537 | 17  | 3365-24B | AM3762T  | 24  | 3363-43 | AR89602  | 19  | 3363-37 |
| AH219538 | 17  | 3365-24A | AN132749 | 2   | 0110-2  | AR91793  | 42  | 1674-19 |
| AH219538 | 17  | 3365-24B | AN132749 | 2   | 0110-3  | AR91896  | 5   | 0520-3  |
| AH219539 | 1   | 3365-24B | AN132749 | 2   | 0120-1  | AR91896  | 10  | 1814-3  |
| AH219540 | 1   | 3365-24B | AN205068 | 14  | 0510-3  | AR91896  | 16  | 1910-3  |
| AH219541 | 19  | 3365-25  | AP22688  | 23  | 3363-43 | AR94101  | 3   | 1674-9B |
| AH219541 | 17  | 3365-26  | AR21836  | 2   | 0960-9  | AR94101  | 4   | 3163-11 |
| AH219541 | 17  | 3365-26A | AR21836  | 2   | 0960-11 | AT101565 | 20  | 2160-13 |
| AH219542 | 19  | 3365-25  | AR21836  | 7   | 3363-29 | AT101779 | 6   | 2160-11 |
| AH219542 | 17  | 3365-26  | AR21837  | 14  | 0560-7  | AT103399 | 34  | 1674-9D |
| AH219542 | 17  | 3365-26A | AR21837  | 1   | 1369-7  | AT103919 | 1   | 2002-3  |
| AH219543 | 1   | 3365-26A | AR21839  | 6   | 0408-5  | AT106397 | 6   | 1821-9  |
| AH219544 | 1   | 3365-26A | AR21839  | 31  | 3163-11 | AT106397 | 3   | 1821-10 |
| AH220099 | 23  | 3365-19  | AR21841  | 4   | 3363-19 | AT106397 | 9   | 1821-10 |
| AH220099 | 22  | 3365-19B | AR21842  | 18  | 1740-5  | AT107512 | 7   | 0510-3  |
| AH220101 | 19  | 3365-19B | AR21842  | 24  | 1830-5  | AT112810 | 2   | 1830-10 |
| AH220108 | 23  | 3365-19C | AR21842  | 45B | 1830-15 | AT113921 | 6   | 0250-13 |
| AH220108 | 22  | 3365-21  | AR21842  | 19  | 3163-5  | AT118766 | 22  | 1814-3  |
| AH220114 | 6   | 3365-21  | AR21842  | 29  | 3163-11 | AT120461 | 1   | 2004-3  |
| AH220523 | 1   | 3365-16  | AR21842  | 6   | 3363-3  | AT121123 | 9   | 3362-31 |
| AH220526 | 23  | 3365-16  | AR21842  | 4   | 3363-3B | AT124107 | 13  | 3115-7  |
| AH220550 | 18  | 3165-11  | AR21842  | 24  | 3363-5  | AT124107 | 8   | 3115-9  |
| AH220550 | 23  | 3165-13  | AR21842  | 19  | 3363-9  | AT124371 | 1   | 0110-2  |
| AH220550 | 16  | 3165-15  | AR21842  | 6   | 3363-11 | AT125801 | 2   | 1821-9  |
| AH220551 | 1   | 3165-15  | AR21842  | 11  | 3363-39 | AT125805 | 18  | 1821-9  |
| AH61472  | 30  | 2160-11  | AR21999  | 1   | 0505-7  | AT125829 | 19  | 1821-9  |
| AH64349  | 34  | 0341-3   | AR26480  | 1   | 0230-4  | AT130104 | 8   | 1673-5  |
| AH64349  | 7   | 2160-17  | AR40418  | 7   | 0520-5  | AT130104 | 10  | 1673-5  |
| AH64349  | 8   | 2160-19  | AR44361  | 16  | 0520-3  | AT130104 | 14  | 1673-5  |
| AH89557  | 23  | 0510-3   | AR47374  | 5   | 3315-23 | AT130104 | 10  | 1673-7  |
| AH89557  | 7   | 0560-3   | AR48041  | 5   | 1673-5  | AT130208 | 1   | 1369-5  |
| AH89557  | 27  | 0560-7   | AR48236  | 2   | 0560-3  | AT132864 | 13  | 1671-3  |

# 9995-4

310G, 310SG AND 315SG BACKHOE LOADERS

## NUMERICAL INDEX - CONTINUED

| PART NO. | KEY | PAGE     | PART NO. | KEY | PAGE    | PART NO. | KEY | PAGE    |
|----------|-----|----------|----------|-----|---------|----------|-----|---------|
| AT132864 | 13  | 1671-5   | AT169087 | 1   | 3315-27 | AT172763 | 4   | 0350-1  |
| AT135084 | 15  | 1740-5   | AT169175 | 6   | 1830-9  | AT172937 | 12  | 3162-13 |
| AT135767 | 17  | 3162-25  | AT169175 | 3   | 1830-10 | AT172937 | 2   | 3362-13 |
| AT13740  | 4   | 0404-3   | AT169175 | 5   | 1830-10 | AT172945 | 8   | 3162-5  |
| AT13740  | 32  | 0510-3   | AT169175 | 15  | 1830-10 | AT172945 | 6   | 3162-7  |
| AT139694 | 5   | 0960-3   | AT169180 | 1   | 1830-10 | AT173120 | 38  | 3163-7  |
| AT139694 | 5   | 0960-5   | AT169304 | 2   | 0315-7  | AT173120 | 28  | 3163-9  |
| AT141011 | 8   | 1674-9B  | AT169373 | 24  | 3162-9  | AT173128 | 15  | 3163-7  |
| AT141444 | 1   | 0110-2   | AT169373 | 29  | 3162-11 | AT173193 | 2   | 1814-13 |
| AT141527 | 29A | 0960-9   | AT169512 | 2   | 3315-11 | AT173254 | 9   | 0230-5  |
| AT141527 | 21A | 0960-11  | AT169550 | 1   | 0110-3  | AT173254 | 3   | 1370-2  |
| AT145792 | 13  | 1814-3   | AT169804 | 12  | 1740-3  | AT173254 | 4   | 1370-2  |
| AT145849 | 4   | 1740-5   | AT169831 | 5   | 3346-3  | AT173313 | 19  | 1821-17 |
| AT145929 | 22  | 1674-7   | AT169831 | 4   | 3346-5  | AT173314 | 4   | 1821-17 |
| AT145931 | 22  | 1674-7   | AT169929 | 4   | 1830-10 | AT173315 | 5   | 1821-17 |
| AT145984 | 27  | 3315-7   | AT170043 | 14  | 3343-3  | AT173321 | 9   | 1821-17 |
| AT150725 | 25  | 1811-3   | AT170043 | 14  | 3343-5  | AT173321 | 14  | 1821-17 |
| AT150762 | 9   | 3315-11  | AT170052 | 5   | 2160-3  | AT173385 | 7   | 0505-7  |
| AT150763 | 8   | 3315-11  | AT170052 | 5   | 2160-5  | AT173400 | 5   | 0540-3  |
| AT150764 | 31  | 3315-11  | AT170053 | 12  | 2160-5  | AT173411 | 30  | 0960-9  |
| AT151036 | 3   | 1830-5   | AT170061 | 3   | 3363-43 | AT173411 | 30  | 0960-11 |
| AT152180 | 14  | 1369-7   | AT170172 | 4   | 3363-11 | AT173610 | 10  | 0510-3  |
| AT156431 | 9   | 1674-11  | AT170172 | 41  | 3363-19 | AT173624 | 3   | 1672-3  |
| AT156440 | 4   | 1830-10  | AT170173 | 7   | 3363-11 | AT173624 | 3   | 1672-5  |
| AT156445 | 11  | 0560-3   | AT170173 | 41  | 3363-19 | AT173933 | 25  | 3346-7  |
| AT157327 | 24  | 3348-3   | AT170204 | 1   | 0250-5  | AT174208 | 5   | 3363-7  |
| AT157986 | 26  | 3315-7   | AT170205 | 1   | 0250-5  | AT174209 | 7   | 3363-7  |
| AT158197 | 29  | 3315-11  | AT170206 | 6   | 0250-5  | AT174217 | 25  | 3162-9  |
| AT158198 | 40  | 3315-11  | AT170208 | 6   | 0250-5  | AT174217 | 3   | 3362-11 |
| AT159264 | 10  | 1674-11  | AT170209 | 4   | 0250-5  | AT174268 | 11  | 3363-13 |
| AT159811 | 29  | 1674-9D  | AT170218 | 1   | 3162-13 | AT174269 | 12  | 3363-13 |
| AT161527 | 1   | 2160-25  | AT170221 | 1   | 3362-17 | AT174330 | 20  | 3363-9  |
| AT161528 | 1   | 2160-25  | AT170232 | 1   | 3362-13 | AT174330 | 30  | 3363-11 |
| AT161638 | 13  | 0560-3   | AT171019 | 14  | 3346-3  | AT174336 | 21  | 3363-9  |
| AT161638 | 2   | 2160-13  | AT171077 | 1   | 3345-5  | AT174336 | 31  | 3363-11 |
| AT162180 | 1   | 0315-7   | AT171078 | 11A | 3345-5  | AT174339 | 23  | 3363-19 |
| AT162180 | 4   | 3115-7   | AT171079 | 5   | 3345-5  | AT174340 | 24  | 3363-19 |
| AT162180 | 4   | 3115-9   | AT171079 | 13  | 3346-5  | AT174348 | 7   | 1814-13 |
| AT162848 | 44  | 1830-15  | AT171098 | 9   | 3363-5  | AT174353 | 10  | 3363-13 |
| AT163088 | 19  | 1674-3B  | AT171134 | 8   | 0250-1  | AT174355 | 4   | 3363-7  |
| AT164442 | 4   | 0230-3   | AT171162 | 2   | 0505-7  | AT174365 | 2A  | 0341-5  |
| AT164442 | 3   | 0230-5   | AT171403 | 2   | 3362-11 | AT174393 | 1   | 3363-9  |
| AT164442 | 4   | 0250-1   | AT171403 | 2   | 3362-41 | AT174394 | 25  | 3363-9  |
| AT164803 | 10  | 1811-3   | AT171404 | 2   | 3362-15 | AT174697 | 26  | 1830-9  |
| AT164804 | 8   | 1811-3   | AT171404 | 2   | 3362-45 | AT174743 | 1   | 2160-13 |
| AT165288 | 15  | 1811-3   | AT171405 | 4   | 3362-15 | AT174898 | 1   | 0341-5  |
| AT165288 | 4   | 1811-5   | AT171539 | 5   | 0505-7  | AT174923 | 13  | 3362-21 |
| AT167118 | 3   | 0250-7   | AT171541 | 9   | 0341-5  | AT175069 | 5   | 1674-3  |
| AT167119 | 3   | 0250-7   | AT171544 | 9   | 0341-5  | AT175070 | 4   | 1674-3  |
| AT167332 | 13  | 0960-13  | AT171550 | 5   | 3115-7  | AT175071 | 2   | 1674-3  |
| AT167399 | 27  | 1674-9D  | AT171550 | 5   | 3115-9  | AT175072 | 2   | 1674-3  |
| AT168397 | 9   | 0341-5   | AT171637 | 1   | 0210-6  | AT175072 | 13  | 1814-13 |
| AT168400 | 9   | 0341-5   | AT171644 | 1   | 0210-5  | AT175125 | 32  | 3363-35 |
| AT168632 | 7   | 0960-6   | AT171702 | 7   | 3344-2  | AT175126 | 22  | 3363-37 |
| AT168671 | 15  | 3362-9   | AT171758 | 5   | 3363-15 | AT175198 | 26  | 3102-11 |
| AT169087 | 18  | 3115-7   | AT171759 | 8   | 3363-15 | AT175283 | 29  | 3346-7  |
| AT169087 | 14  | 3115-9   | AT171853 | 14  | 0520-3  | AT175284 | 1   | 3346-5  |
| AT169087 | 9   | 3115-11  | AT171854 | 15  | 0520-3  | AT175300 | 1   | 1674-3  |
| AT169087 | 4   | 3115-13  | AT171855 | 12  | 0520-3  | AT175353 | 16  | 1821-9  |
| AT169087 | 10  | 3315-7   | AT172179 | 15  | 2160-25 | AT175374 | 10  | 0540-3  |
| AT169087 | 2   | 3315-9   | AT172255 | 2   | 3363-19 | AT175436 | 3   | 1821-9  |
| AT169087 | 24  | 3315-11  | AT172256 | 12  | 3363-19 | AT175446 | 7   | 3363-3  |
| AT169087 | 19  | 3315-13  | AT172386 | 26  | 3102-11 | AT175603 | 5   | 1673-3  |
| AT169087 | 8   | 3315-13B | AT172386 | 48  | 3102-21 | AT175604 | 1   | 1674-11 |
| AT169087 | 1   | 3315-15  | AT172419 | 25  | 1740-5  | AT175733 | 8   | 0350-3  |
| AT169087 | 7   | 3315-15B | AT172420 | 26  | 1740-5  | AT175734 | 8   | 0350-5  |
| AT169087 | 7   | 3315-17  | AT172610 | 9   | 3363-3  | AT175748 | 12  | 0350-9  |

# 9995-5

310G, 310SG AND 315SG BACKHOE LOADERS

## NUMERICAL INDEX - CONTINUED

| PART NO. | KEY | PAGE    | PART NO. | KEY | PAGE    | PART NO. | KEY | PAGE    |
|----------|-----|---------|----------|-----|---------|----------|-----|---------|
| AT175748 | 12  | 0350-10 | AT178362 | 5   | 3362-47 | AT179053 | 15  | 1369-7  |
| AT175750 | 20  | 0315-3  | AT178363 | 8   | 3362-11 | AT179063 | 2   | 0325-2  |
| AT175812 | 1   | 3346-5  | AT178363 | 7   | 3362-41 | AT179083 | 6   | 3363-7  |
| AT175820 | 14  | 3346-3  | AT178371 | 19  | 3362-11 | AT179083 | 9A  | 3363-13 |
| AT175921 | 20  | 3342-3  | AT178371 | 22  | 3362-15 | AT179083 | 9B  | 3363-13 |
| AT175993 | 17  | 3344-2  | AT178371 | 22  | 3362-41 | AT179105 | 5   | 3346-8  |
| AT176075 | 7   | 3344-2  | AT178371 | 23  | 3362-45 | AT179109 | 1   | 3362-17 |
| AT176080 | 2   | 0325-2  | AT178372 | 40  | 3162-9  | AT179109 | 1   | 3362-27 |
| AT176115 | 14  | 3343-3  | AT178372 | 32  | 3162-11 | AT179153 | 3   | 0360-5  |
| AT176157 | 4   | 3363-15 | AT178372 | 36  | 3162-13 | AT179233 | 27  | 3363-11 |
| AT176216 | 7   | 0230-3  | AT178372 | 27  | 3162-15 | AT179233 | 41  | 3363-19 |
| AT176405 | 14  | 3346-3  | AT178372 | 35  | 3162-17 | AT179238 | 17  | 3363-19 |
| AT176478 | 8   | 3363-3  | AT178372 | 24  | 3162-21 | AT179238 | 18  | 3363-19 |
| AT176491 | 2   | 0210-5  | AT178372 | 34  | 3362-9  | AT179287 | 7   | 0110-2  |
| AT176521 | 17  | 3363-29 | AT178372 | 40  | 3362-11 | AT179312 | 3   | 0350-1  |
| AT176522 | 16  | 3363-29 | AT178372 | 30  | 3362-13 | AT179312 | 7   | 0350-6  |
| AT176533 | 5   | 3346-3  | AT178372 | 37  | 3362-15 | AT179314 | 7   | 0350-13 |
| AT176533 | 4   | 3346-5  | AT178372 | 38  | 3362-17 | AT179316 | 2   | 0341-1  |
| AT176536 | 16  | 3345-3  | AT178372 | 18  | 3362-19 | AT179316 | 8   | 0341-3  |
| AT176537 | 8   | 3345-3  | AT178372 | 20  | 3362-23 | AT179317 | 7   | 0341-1  |
| AT176538 | 14  | 3345-3  | AT178372 | 38  | 3362-41 | AT179318 | 5   | 0350-7  |
| AT176538 | 13  | 3346-5  | AT178372 | 26  | 3362-43 | AT179318 | 4   | 0360-4A |
| AT176540 | 8   | 3363-5  | AT178372 | 38  | 3362-45 | AT179318 | 10  | 0360-11 |
| AT176542 | 7   | 3363-5  | AT178372 | 25  | 3362-47 | AT179319 | 5   | 0350-7  |
| AT176543 | 15  | 3363-5  | AT178375 | 22  | 3363-21 | AT179319 | 4   | 0360-4A |
| AT176544 | 16  | 3363-5  | AT178375 | 23  | 3363-23 | AT179319 | 10  | 0360-11 |
| AT176578 | 29  | 3346-7  | AT178375 | 23  | 3363-25 | AT179320 | 5   | 0350-7  |
| AT176579 | 1   | 3346-5  | AT178375 | 23  | 3363-27 | AT179320 | 4   | 0360-4A |
| AT176635 | 17  | 3344-2  | AT178376 | 21  | 3363-21 | AT179320 | 10  | 0360-11 |
| AT176968 | 20  | 3363-9  | AT178376 | 22  | 3363-23 | AT179323 | 11  | 0360-5  |
| AT176968 | 30  | 3363-11 | AT178376 | 22  | 3363-25 | AT179399 | 17  | 3363-25 |
| AT176969 | 21  | 3363-9  | AT178376 | 22  | 3363-27 | AT179399 | 17  | 3363-27 |
| AT176969 | 31  | 3363-11 | AT178387 | 4   | 0250-2  | AT179423 | 21  | 1821-3B |
| AT176982 | 23  | 3363-19 | AT178389 | 4   | 0250-2  | AT179447 | 41  | 0360-3  |
| AT176983 | 24  | 3363-19 | AT178389 | 1   | 0325-2  | AT179448 | 1   | 3344-3  |
| AT177204 | 6   | 2160-19 | AT178394 | 7   | 0510-3  | AT179464 | 6   | 3344-3  |
| AT177227 | 10  | 1830-5  | AT178394 | 55  | 1830-15 | AT179465 | 1   | 3344-3  |
| AT177433 | 18  | 3363-29 | AT178405 | 21  | 3363-19 | AT179466 | 2   | 0350-8  |
| AT177540 | 5   | 3363-13 | AT178411 | 6   | 3344-3  | AT179466 | 2   | 0350-27 |
| AT177540 | 7   | 3363-39 | AT178413 | 21  | 3363-19 | AT179467 | 4   | 0350-7  |
| AT177603 | 14  | 3363-7  | AT178471 | 28  | 3362-9  | AT179468 | 3   | 0350-7  |
| AT177603 | 22  | 3363-9  | AT178475 | 13  | 3362-21 | AT179468 | 3   | 0350-8  |
| AT177603 | 32  | 3363-11 | AT178499 | 1   | 0110-3  | AT179468 | 4   | 0350-27 |
| AT177603 | 17  | 3363-13 | AT178526 | 11  | 1674-5  | AT179469 | 14  | 0350-3  |
| AT177603 | 25  | 3363-19 | AT178542 | 17  | 0520-3  | AT179469 | 14  | 0350-5  |
| AT177604 | 23  | 3363-9  | AT178608 | 8   | 2160-5  | AT179469 | 5   | 0350-19 |
| AT177604 | 33  | 3363-11 | AT178683 | 14  | 1740-5  | AT179469 | 13  | 0350-23 |
| AT177701 | 19  | 0350-9  | AT178683 | 12  | 3363-5  | AT179469 | 13  | 0350-25 |
| AT177701 | 20  | 0350-19 | AT178693 | 2   | 2160-19 | AT179470 | 21  | 0350-3  |
| AT177703 | 5   | 0350-7  | AT178745 | 1   | 1313-3  | AT179470 | 21  | 0350-5  |
| AT177703 | 4   | 0360-4A | AT178768 | 38  | 3363-35 | AT179470 | 3   | 0350-19 |
| AT177703 | 10  | 0360-11 | AT178769 | 31  | 3363-37 | AT179470 | 15  | 0350-23 |
| AT177790 | 2   | 3343-5  | AT178784 | 41  | 3363-19 | AT179470 | 15  | 0350-25 |
| AT178002 | 1   | 0250-13 | AT178788 | 38  | 3363-35 | AT179471 | 22  | 0350-3  |
| AT178025 | 16  | 3344-2  | AT178789 | 31  | 3363-37 | AT179471 | 22  | 0350-5  |
| AT178065 | 21  | 1821-3B | AT178930 | 28  | 1830-13 | AT179471 | 1   | 0350-7  |
| AT178072 | 8   | 3302-5  | AT179029 | 18  | 3315-23 | AT179471 | 17  | 0350-21 |
| AT178072 | 7   | 3302-9  | AT179030 | 22  | 3363-21 | AT179471 | 17  | 0350-23 |
| AT178112 | 1   | 0250-13 | AT179030 | 23  | 3363-25 | AT179471 | 17  | 0350-25 |
| AT178113 | 8   | 0250-1  | AT179031 | 21  | 3363-21 | AT179472 | 2   | 0350-3  |
| AT178315 | 3   | 1746-5  | AT179031 | 22  | 3363-25 | AT179472 | 2   | 0350-5  |
| AT178326 | 8   | 3162-13 | AT179033 | 24  | 3363-21 | AT179472 | 18  | 0350-8  |
| AT178362 | 34  | 3162-17 | AT179033 | 25  | 3363-25 | AT179472 | 1   | 0350-9  |
| AT178362 | 19  | 3162-21 | AT179036 | 16  | 3363-21 | AT179472 | 18  | 0350-10 |
| AT178362 | 19  | 3362-17 | AT179036 | 19  | 3363-23 | AT179472 | 1   | 0350-15 |
| AT178362 | 36  | 3362-17 | AT179046 | 27  | 3363-11 | AT179472 | 1   | 0350-17 |
| AT178362 | 2   | 3362-47 | AT179046 | 41  | 3363-19 | AT179472 | 1   | 0350-25 |

# 9995-6

310G, 310SG AND 315SG BACKHOE LOADERS

## NUMERICAL INDEX - CONTINUED

| PART NO. | KEY | PAGE    | PART NO. | KEY | PAGE    | PART NO. | KEY | PAGE    |
|----------|-----|---------|----------|-----|---------|----------|-----|---------|
| AT179472 | 20  | 0350-27 | AT180082 | 34  | 3363-35 | AT182193 | 6   | 3346-8  |
| AT179473 | 17  | 0350-3  | AT180082 | 25  | 3363-37 | AT182193 | 7   | 3346-8  |
| AT179473 | 17  | 0350-5  | AT180083 | 35  | 3363-35 | AT182248 | 3   | 3362-11 |
| AT179473 | 9   | 0350-23 | AT180083 | 24  | 3363-37 | AT182257 | 9   | 0505-7  |
| AT179473 | 9   | 0350-25 | AT180086 | 36  | 3363-35 | AT182377 | 18  | 3162-17 |
| AT179481 | 17  | 0350-9  | AT180086 | 27  | 3363-37 | AT182377 | 8   | 3162-19 |
| AT179481 | 19  | 0350-19 | AT180087 | 25  | 3363-37 | AT182377 | 19  | 3362-17 |
| AT179482 | 4   | 0350-9  | AT180088 | 24  | 3363-37 | AT182377 | 2   | 3362-47 |
| AT179482 | 15  | 0350-10 | AT180147 | 20  | 3363-31 | AT182390 | 22  | 0230-3  |
| AT179483 | 13  | 0350-9  | AT180152 | 14  | 3363-7  | AT182391 | 29  | 0230-3  |
| AT179483 | 5   | 0350-10 | AT180152 | 22  | 3363-9  | AT182520 | 1   | 0315-5  |
| AT179485 | 16  | 0350-9  | AT180152 | 32  | 3363-11 | AT182587 | 31  | 1740-5  |
| AT179485 | 1   | 0350-10 | AT180152 | 17  | 3363-13 | AT182588 | 30  | 1740-5  |
| AT179490 | 6   | 0350-10 | AT180152 | 25  | 3363-19 | AT182597 | 11  | 3363-17 |
| AT179491 | 17  | 0360-3  | AT180152 | 24  | 3363-33 | AT182598 | 6   | 3363-17 |
| AT179491 | 10  | 0360-7  | AT180153 | 33  | 3363-11 | AT182599 | 5   | 3363-17 |
| AT179491 | 5   | 0360-9  | AT180204 | 5   | 3363-35 | AT182735 | 9   | 0250-2  |
| AT179492 | 8   | 0360-3  | AT180205 | 22  | 3363-35 | AT182935 | 16  | 3342-3  |
| AT179492 | 9   | 0360-7  | AT180206 | 20  | 3363-37 | AT182947 | 21  | 0360-3  |
| AT179498 | 14  | 0210-3  | AT180208 | 11  | 3363-35 | AT182947 | 14  | 0360-7  |
| AT179499 | 7   | 0201-3  | AT180209 | 17  | 3363-35 | AT182954 | 19  | 1821-17 |
| AT179499 | 2   | 0210-1  | AT180210 | 1   | 3363-37 | AT183068 | 7   | 3345-3  |
| AT179500 | 5   | 0201-3  | AT180211 | 13  | 3363-37 | AT183219 | 3   | 0530-5  |
| AT179501 | 9   | 0201-3  | AT180212 | 18  | 3363-35 | AT183222 | 11  | 0505-7  |
| AT179502 | 4   | 0201-3  | AT180212 | 28  | 3363-35 | AT183246 | 4   | 1674-14 |
| AT179503 | 2   | 1011-3  | AT180213 | 11  | 3363-37 | AT183282 | 8   | 0315-3  |
| AT179504 | 19  | 0210-3  | AT180214 | 17  | 3363-37 | AT183411 | 6   | 1913-3  |
| AT179504 | 13  | 1011-3  | AT180350 | 23  | 1830-13 | AT183426 | 7   | 0530-5  |
| AT179505 | 21  | 0210-3  | AT180485 | 14  | 1674-5  | AT183428 | 2   | 1913-3  |
| AT179505 | 21  | 1011-3  | AT180530 | 7   | 2160-5  | AT183556 | 21  | 3315-23 |
| AT179537 | 6   | 0210-5  | AT180658 | 13  | 3363-37 | AT183556 | 17  | 3362-30 |
| AT179537 | 19  | 1111-3  | AT180667 | 5   | 3363-35 | AT183590 | 8   | 2160-25 |
| AT179537 | 20  | 1111-5  | AT180680 | 13  | 0520-3  | AT183590 | 8   | 3162-13 |
| AT179538 | 4   | 0210-1  | AT180705 | 31  | 1674-9D | AT183590 | 39  | 3162-13 |
| AT179590 | 8   | 0250-2  | AT180706 | 38  | 1674-9D | AT183592 | 1   | 3362-30 |
| AT179596 | 1   | 0250-2  | AT180828 | 10  | 3363-39 | AT183664 | 13  | 2160-5  |
| AT179617 | 1   | 3346-8  | AT180838 | 8   | 3102-5  | AT183717 | 23  | 3163-3  |
| AT179686 | 31  | 1821-5  | AT180839 | 8   | 3102-5  | AT183718 | 24  | 3163-3  |
| AT179686 | 22  | 1821-7  | AT180916 | 1   | 0315-5  | AT183721 | 15  | 3163-3  |
| AT179687 | 19  | 1821-7  | AT181185 | 10  | 3363-47 | AT183722 | 16  | 3163-3  |
| AT179688 | 14  | 1821-5  | AT181186 | 11  | 3363-47 | AT183810 | 15  | 1821-17 |
| AT179691 | 22  | 1821-5  | AT181192 | 7   | 3363-41 | AT183823 | 23  | 1674-9B |
| AT179691 | 27  | 1821-5  | AT181292 | 1   | 3163-11 | AT183869 | 26  | 3363-1B |
| AT179692 | 26  | 1821-5  | AT181327 | 9   | 3348-5  | AT183874 | 15  | 0560-3  |
| AT179692 | 18  | 1821-7  | AT181422 | 9A  | 3163-11 | AT183881 | 4   | 0560-3  |
| AT179693 | 32  | 1821-9  | AT181530 | 3   | 1830-13 | AT183881 | 31  | 0560-7  |
| AT179694 | 27  | 1821-9  | AT181582 | 6   | 0505-7  | AT183899 | 8   | 1740-3  |
| AT179699 | 13  | 1821-9  | AT181591 | 23  | 3363-9  | AT183972 | 42  | 0360-7  |
| AT179714 | 6   | 1821-13 | AT181591 | 33  | 3363-11 | AT183973 | 15  | 0360-9  |
| AT179792 | 6   | 2160-3  | AT181591 | 25  | 3363-23 | AT183995 | 29  | 0341-3  |
| AT179835 | 9A  | 3363-13 | AT181591 | 25  | 3363-27 | AT183997 | 7   | 3362-7  |
| AT179899 | 26  | 1111-3  | AT181591 | 25  | 3363-33 | AT183999 | 7   | 3362-7  |
| AT179899 | 25  | 1111-5  | AT181679 | 9   | 3363-21 | AT184001 | 7   | 3362-7  |
| AT179902 | 35  | 3346-7  | AT181680 | 8   | 3363-21 | AT184003 | 1   | 3162-3  |
| AT179903 | 35  | 3346-7  | AT181712 | 13  | 3345-3  | AT184005 | 1   | 3162-3  |
| AT179905 | 35  | 3346-7  | AT181713 | 3   | 3345-3  | AT184007 | 14  | 0360-9  |
| AT179926 | 9   | 1671-7  | AT181714 | 6   | 3345-5  | AT184042 | 1   | 0350-21 |
| AT179995 | 3   | 1369-7  | AT181715 | 16  | 3345-5  | AT184042 | 1   | 0350-23 |
| AT179996 | 5   | 1369-7  | AT181856 | 7   | 3362-29 | AT184043 | 3   | 0350-23 |
| AT180076 | 33  | 3363-35 | AT181884 | 9   | 3363-21 | AT184045 | 3   | 0350-25 |
| AT180076 | 26  | 3363-37 | AT181884 | 9   | 3363-23 | AT184048 | 3   | 0350-15 |
| AT180077 | 34  | 3363-35 | AT181885 | 8   | 3363-21 | AT184052 | 17  | 0350-15 |
| AT180078 | 35  | 3363-35 | AT181885 | 8   | 3363-23 | AT184052 | 17  | 0350-17 |
| AT180079 | 36  | 3363-35 | AT181937 | 6   | 2160-5  | AT184052 | 1   | 0350-19 |
| AT180079 | 27  | 3363-37 | AT182078 | 6   | 2160-3  | AT184053 | 3   | 0350-17 |
| AT180081 | 33  | 3363-35 | AT182190 | 6   | 3346-8  | AT184055 | 16  | 0350-19 |
| AT180081 | 26  | 3363-37 | AT182190 | 7   | 3346-8  | AT184056 | 18  | 0350-19 |



# 9995-7

310G, 310SG AND 315SG BACKHOE LOADERS

## NUMERICAL INDEX - CONTINUED

| PART NO. | KEY | PAGE    | PART NO. | KEY | PAGE    | PART NO. | KEY | PAGE    |
|----------|-----|---------|----------|-----|---------|----------|-----|---------|
| AT184057 | 3   | 0350-21 | AT184965 | 7   | 1814-11 | AT185793 | 15  | 0350-17 |
| AT184058 | 14  | 3343-3  | AT184966 | 8   | 1814-11 | AT185793 | 15  | 0350-21 |
| AT184059 | 14  | 0341-3  | AT184968 | 4   | 1814-15 | AT185797 | 21  | 3163-3  |
| AT184060 | 4   | 0341-3  | AT184969 | 2   | 1814-15 | AT185798 | 25  | 3163-3  |
| AT184061 | 5   | 0341-3  | AT184970 | 1   | 1814-15 | AT185799 | 5   | 3163-3  |
| AT184062 | 6   | 0341-3  | AT184972 | 15  | 1673-5  | AT185836 | 24  | 0515-3  |
| AT184064 | 7   | 3140-5  | AT184989 | 1   | 3344-2  | AT185836 | 25  | 0515-5  |
| AT184082 | 16  | 2160-13 | AT184993 | 1   | 3344-2  | AT185847 | 12  | 3315-19 |
| AT184089 | 1   | 1814-9  | AT185004 | 1   | 1921-3  | AT185848 | 12  | 0515-3  |
| AT184156 | 7   | 3115-7  | AT185062 | 1   | 3348-3  | AT185849 | 31  | 0515-3  |
| AT184161 | 15  | 2160-25 | AT185077 | 11  | 2160-11 | AT185851 | 2   | 3315-25 |
| AT184304 | 1A  | 0520-3  | AT185078 | 6   | 2160-11 | AT185851 | 5   | 3315-25 |
| AT184335 | 24  | 1674-7  | AT185085 | 3   | 0530-3  | AT185855 | 16  | 3315-25 |
| AT184335 | 28  | 2160-27 | AT185311 | 5   | 3315-19 | AT185856 | 17  | 3315-25 |
| AT184341 | 20  | 3115-3  | AT185315 | 13  | 3315-19 | AT185876 | 5A  | 3163-11 |
| AT184397 | 6   | 0960-5  | AT185317 | 4   | 3315-19 | AT185877 | 3   | 3163-11 |
| AT184404 | 8   | 3315-3  | AT185337 | 39  | 3315-9B | AT185939 | 1   | 3162-7  |
| AT184406 | 25  | 0201-5  | AT185338 | 38  | 3315-9B | AT185950 | 27  | 2160-25 |
| AT184407 | 2   | 1814-3  | AT185339 | 20  | 3315-9  | AT185957 | 2   | 3115-3  |
| AT184494 | 8   | 3363-39 | AT185340 | 8   | 3315-9  | AT185976 | 8   | 3163-7  |
| AT184503 | 9   | 0510-3  | AT185366 | 1   | 2001-3  | AT185977 | 9   | 3163-7  |
| AT184519 | 1   | 2160-21 | AT185396 | 17  | 1816-13 | AT185978 | 22  | 3163-7  |
| AT184522 | 37  | 1830-13 | AT185440 | 18  | 3115-3  | AT185979 | 23  | 3163-7  |
| AT184524 | 40  | 1814-5  | AT185451 | 15  | 1673-5  | AT185980 | 16  | 1674-3  |
| AT184530 | 40  | 1830-7  | AT185498 | 7   | 1811-5  | AT185980 | 4   | 1674-5  |
| AT184547 | 6   | 3162-7  | AT185499 | 7   | 1811-5  | AT185981 | 16  | 1674-3  |
| AT184578 | 7   | 1060-3  | AT185499 | 21  | 2001-3  | AT185981 | 4   | 1674-5  |
| AT184578 | 30  | 1060-5  | AT185500 | 9   | 1811-5  | AT186043 | 15  | 3315-9  |
| AT184579 | 14  | 1060-3  | AT185500 | 19  | 2001-3  | AT186045 | 6   | 1816-5  |
| AT184590 | 24  | 1816-13 | AT185513 | 1   | 1060-7  | AT186045 | 49  | 3315-9B |
| AT184592 | 11  | 1060-3  | AT185519 | 8   | 3102-5  | AT186050 | 7   | 1816-5  |
| AT184598 | 3   | 3315-7  | AT185519 | 6A  | 3102-7  | AT186050 | 1   | 3315-17 |
| AT184599 | 2   | 3315-7  | AT185522 | 1   | 3102-3  | AT186069 | 7   | 3362-5  |
| AT184609 | 1   | 1821-13 | AT185522 | 6A  | 3102-7  | AT186070 | 7   | 3362-5  |
| AT184609 | 2   | 1821-15 | AT185524 | 1   | 3102-3  | AT186071 | 7   | 3362-5  |
| AT184646 | 11  | 3140-5  | AT185524 | 6A  | 3102-7  | AT186073 | 7   | 3362-7  |
| AT184647 | 4   | 3140-5  | AT185526 | 8   | 3102-5  | AT186150 | 21  | 1821-9  |
| AT184651 | 48  | 1814-5  | AT185526 | 6A  | 3102-7  | AT186152 | 5   | 1821-3  |
| AT184652 | 19  | 1814-3  | AT185537 | 24  | 1910-3  | AT186155 | 12  | 2002-3  |
| AT184682 | 6   | 3115-3  | AT185538 | 42  | 1910-5  | AT186156 | 6   | 1821-3  |
| AT184682 | 9   | 3115-5  | AT185539 | 33  | 1910-5  | AT186167 | 9   | 0360-5  |
| AT184716 | 1   | 0530-3  | AT185586 | 30  | 2160-9  | AT186170 | 26  | 2160-11 |
| AT184716 | 1   | 0530-5  | AT185609 | 24  | 2160-7  | AT186204 | 1   | 1821-15 |
| AT184719 | 19  | 1814-3  | AT185624 | 25  | 3315-7  | AT186213 | 5   | 1671-8  |
| AT184728 | 6   | 0960-3  | AT185625 | 23  | 3315-13 | AT186224 | 19  | 1821-17 |
| AT184736 | 1   | 1673-5  | AT185626 | 54  | 3315-9B | AT186236 | 25  | 0341-1  |
| AT184737 | 4   | 1673-5  | AT185627 | 14  | 3315-17 | AT186237 | 33  | 0341-3  |
| AT184738 | 1   | 3102-3  | AT185628 | 41  | 3315-11 | AT186254 | 5   | 1740-5  |
| AT184738 | 6A  | 3102-7  | AT185629 | 23  | 3315-15 | AT186263 | 27  | 1830-13 |
| AT184744 | 11  | 3115-11 | AT185634 | 1   | 3102-9  | AT186281 | 10  | 0520-3  |
| AT184761 | 1   | 1811-5  | AT185634 | 1   | 3102-11 | AT186289 | 57  | 1830-7B |
| AT184767 | 13  | 1814-3  | AT185635 | 37  | 3163-11 | AT186289 | 30  | 1830-9  |
| AT184777 | 8   | 1740-3  | AT185639 | 1   | 3102-9  | AT186297 | 10  | 1674-11 |
| AT184843 | 8   | 3140-3  | AT185639 | 1   | 3102-11 | AT186297 | 11  | 3362-5  |
| AT184848 | 1   | 0530-5  | AT185677 | 1   | 1674-9  | AT186297 | 11  | 3362-7  |
| AT184853 | 3   | 0530-3  | AT185678 | 1   | 1674-9  | AT186297 | 8   | 3362-24 |
| AT184894 | 2   | 1060-7  | AT185680 | 13  | 1910-3  | AT186297 | 8   | 3362-25 |
| AT184900 | 1   | 0960-9  | AT185683 | 5   | 1910-3  | AT186297 | 9   | 3362-26 |
| AT184900 | 1   | 0960-11 | AT185689 | 1   | 1671-3  | AT186297 | 9   | 3362-27 |
| AT184902 | 8   | 0960-11 | AT185690 | 9   | 1671-3  | AT186298 | 11  | 3362-5  |
| AT184903 | 7   | 0960-11 | AT185691 | 4   | 1671-5  | AT186298 | 11  | 3362-7  |
| AT184907 | 7   | 0960-9  | AT185749 | 30  | 3315-9  | AT186304 | 47  | 1830-7B |
| AT184908 | 8   | 0960-9  | AT185750 | 30  | 3315-9  | AT186307 | 2   | 2007-3  |
| AT184951 | 2   | 2160-7  | AT185757 | 12  | 1811-3  | AT186312 | 3   | 0210-3  |
| AT184951 | 4   | 2160-9B | AT185791 | 18  | 0341-3  | AT186321 | 11  | 1812-3  |
| AT184952 | 1   | 2160-7  | AT185791 | 25  | 0341-3  | AT186357 | 15  | 2160-7  |
| AT184952 | 3   | 2160-9B | AT185793 | 15  | 0350-15 | AT186358 | 19  | 2160-7  |

# 9995-8

310G, 310SG AND 315SG BACKHOE LOADERS

## NUMERICAL INDEX - CONTINUED

| PART NO. | KEY | PAGE    | PART NO. | KEY | PAGE    | PART NO. | KEY | PAGE     |
|----------|-----|---------|----------|-----|---------|----------|-----|----------|
| AT186359 | 25  | 2160-7  | AT188009 | 20  | 0960-9  | AT189413 | 38  | 3362-15  |
| AT186370 | 1   | 3102-9  | AT188009 | 25  | 0960-11 | AT189413 | 37  | 3362-17  |
| AT186370 | 1   | 3102-11 | AT188010 | 24  | 0960-9  | AT189413 | 24  | 3362-21  |
| AT186382 | 17  | 3315-7  | AT188010 | 28  | 0960-11 | AT189413 | 36  | 3362-41  |
| AT186427 | 24  | 2160-7  | AT188011 | 26  | 0960-9  | AT189413 | 40  | 3362-45  |
| AT186428 | 19  | 2160-7  | AT188011 | 27  | 0960-11 | AT189413 | 24  | 3362-47  |
| AT186452 | 10  | 1671-7  | AT188077 | 41  | 3315-9B | AT189423 | 1   | 3163-3   |
| AT186563 | 8   | 3342-3  | AT188182 | 27  | 0960-9  | AT189473 | 5   | 1674-7   |
| AT186625 | 16  | 1674-3  | AT188182 | 23  | 0960-11 | AT189473 | 8   | 1674-7   |
| AT186625 | 4   | 1674-5  | AT188306 | 11  | 1830-3  | AT189492 | 9   | 0520-5   |
| AT186626 | 16  | 1674-3  | AT188307 | 1   | 1830-3  | AT189549 | 4   | 0315-7   |
| AT186626 | 4   | 1674-5  | AT188343 | 3   | 1060-5  | AT189549 | 15  | 0315-7   |
| AT186630 | 24  | 1740-5  | AT188350 | 7   | 3362-7  | AT189580 | 4   | 3315-17  |
| AT186689 | 10  | 1674-11 | AT188353 | 7   | 3362-5  | AT189630 | 10  | 1674-7   |
| AT186701 | 20  | 1821-7  | AT188368 | 1   | 1830-13 | AT189639 | 16  | 1830-7   |
| AT186740 | 10  | 1060-9  | AT188369 | 22  | 1830-13 | AT189661 | 47  | 1910-5   |
| AT186740 | 3   | 1060-11 | AT188401 | 20  | 2160-25 | AT189692 | 25  | 1674-7   |
| AT186747 | 21  | 0510-3  | AT188560 | 12A | 3163-9  | AT189699 | 6A  | 3102-7   |
| AT186839 | 1   | 1060-3  | AT188560 | 12B | 3163-9  | AT189702 | 6A  | 3102-7   |
| AT186856 | 6   | 3163-7  | AT188759 | 9   | 2001-3  | AT189703 | 6A  | 3102-7   |
| AT186858 | 31  | 3163-7  | AT188766 | 12  | 1814-13 | AT189797 | 6   | 0315-7   |
| AT186858 | 46  | 3163-7  | AT188819 | 1   | 2160-25 | AT189801 | 4   | 1674-11  |
| AT186898 | 11  | 2160-25 | AT188965 | 12  | 1811-3  | AT189819 | 11  | 3102-11  |
| AT186899 | 25  | 2160-25 | AT189030 | 8   | 1821-3  | AT189822 | 9   | 3102-11  |
| AT186906 | 6   | 0510-3  | AT189041 | 18  | 1674-3B | AT189822 | 15  | 3102-11  |
| AT186913 | 11  | 1814-15 | AT189043 | 2   | 1814-13 | AT189822 | 21  | 3102-19  |
| AT186915 | 9   | 3363-25 | AT189059 | 7   | 1821-3  | AT189924 | 1   | 2160-15  |
| AT186915 | 8   | 3363-27 | AT189088 | 7   | 1674-7  | AT190073 | 14  | 3315-15  |
| AT186920 | 8   | 3363-25 | AT189090 | 12  | 1921-3  | AT190118 | 24  | 3363-45  |
| AT186920 | 9   | 3363-27 | AT189091 | 11  | 1921-3  | AT190174 | 5   | 3345-6   |
| AT186925 | 15  | 0510-3  | AT189093 | 1   | 3315-5  | AT190191 | 10  | 1814-9   |
| AT186927 | 10  | 0201-3  | AT189103 | 1   | 1814-11 | AT190192 | 17  | 1814-9   |
| AT186927 | 13  | 0210-1  | AT189145 | 26  | 1674-7  | AT190193 | 4   | 1814-9   |
| AT186929 | 4   | 2160-23 | AT189145 | 19  | 1821-17 | AT190194 | 3   | 1814-9   |
| AT186983 | 12  | 3315-25 | AT189168 | 1   | 3362-23 | AT190234 | 10  | 1674-11  |
| AT186998 | 7   | 3362-5  | AT189168 | 2   | 3362-27 | AT190234 | 2   | 3362-21  |
| AT187036 | 21  | 1814-9  | AT189174 | 15  | 1674-5  | AT190330 | 1   | 3162-23  |
| AT187096 | 1   | 1811-5  | AT189174 | 28  | 2160-27 | AT190330 | 3   | 3162-25  |
| AT187229 | 10  | 1814-15 | AT189175 | 18  | 1814-9  | AT190330 | 13  | 3162-25  |
| AT187439 | 55  | 1830-15 | AT189176 | 15  | 1814-9  | AT190330 | 31  | 3162-25  |
| AT187440 | 55  | 1830-15 | AT189210 | 23  | 2160-25 | AT190333 | 8   | 3162-25  |
| AT187442 | 55  | 1830-15 | AT189210 | 22  | 2160-27 | AT190333 | 9   | 3162-25  |
| AT187666 | 6   | 1060-3  | AT189269 | 3   | 1816-3  | AT190333 | 11  | 3162-25  |
| AT187666 | 25A | 1060-3  | AT189269 | 20  | 3315-7  | AT190333 | 15  | 3162-25  |
| AT187666 | 35  | 3163-13 | AT189270 | 3   | 1816-3  | AT190333 | 16  | 3162-25  |
| AT187666 | 7   | 3362-33 | AT189270 | 20  | 3315-13 | AT190334 | 4   | 3162-25  |
| AT187666 | 1   | 3363-1B | AT189271 | 3   | 1816-3  | AT190334 | 8   | 3162-25  |
| AT187668 | 23  | 0960-9  | AT189271 | 20  | 3315-15 | AT190334 | 9   | 3162-25  |
| AT187668 | 20  | 0960-11 | AT189272 | 1   | 1816-5  | AT190334 | 11  | 3162-25  |
| AT187669 | 4   | 3362-31 | AT189272 | 51  | 3315-9B | AT190334 | 12  | 3162-25  |
| AT187669 | 19  | 3363-1B | AT189400 | 10  | 0520-5  | AT190358 | 1   | 3344-2   |
| AT187669 | 20  | 3363-1B | AT189400 | 21  | 1910-3  | AT190490 | 11  | 1814-9   |
| AT187669 | 28B | 3363-1B | AT189403 | 4   | 3363-31 | AT190490 | 12  | 1814-9   |
| AT187707 | 12  | 1314-3  | AT189404 | 17  | 3363-31 | AT190490 | 13  | 1814-9   |
| AT187708 | 6   | 1314-3  | AT189405 | 14  | 3363-31 | AT190490 | 14  | 1814-9   |
| AT187709 | 30  | 2160-9  | AT189407 | 11  | 3363-29 | AT190531 | 14  | 0315-7   |
| AT187710 | 1   | 1814-13 | AT189408 | 5   | 3363-29 | AT190531 | 15  | 0315-7   |
| AT187711 | 6   | 0350-6  | AT189413 | 20  | 3162-5  | AT190561 | 39  | 2160-9   |
| AT187711 | 6   | 0350-13 | AT189413 | 41  | 3162-9  | AT190595 | 9   | 0510-3   |
| AT187779 | 10  | 2160-11 | AT189413 | 34  | 3162-11 | AT190628 | 9   | 3102-11  |
| AT187797 | 5   | 1674-11 | AT189413 | 35  | 3162-13 | AT190628 | 21  | 3102-19  |
| AT187812 | 1A  | 0520-3  | AT189413 | 29  | 3162-15 | AT190653 | 44  | 3363-21B |
| AT187815 | 9   | 1673-3  | AT189413 | 33  | 3162-17 | AT190655 | 45  | 3363-25  |
| AT187816 | 1   | 1673-3  | AT189413 | 25  | 3162-21 | AT190658 | 8   | 1830-13  |
| AT187868 | 8   | 1673-5  | AT189413 | 33  | 3362-9  | AT190701 | 15  | 3102-11  |
| AT187869 | 2   | 2160-17 | AT189413 | 39  | 3362-11 | AT190701 | 22  | 3102-19  |
| AT187885 | 40  | 3315-9B | AT189413 | 31  | 3362-13 | AT190702 | 15  | 3102-11  |

# 9995-9

310G, 310SG AND 315SG BACKHOE LOADERS

## NUMERICAL INDEX - CONTINUED

| PART NO. | KEY | PAGE     | PART NO. | KEY | PAGE     | PART NO. | KEY | PAGE    |
|----------|-----|----------|----------|-----|----------|----------|-----|---------|
| AT190702 | 22  | 3102-19  | AT191707 | 2   | 3162-19  | AT192093 | 10  | 3302-7  |
| AT190741 | 30  | 3162-25  | AT191708 | 1   | 3362-17  | AT192094 | 1   | 3302-11 |
| AT190748 | 32  | 3163-7   | AT191708 | 1   | 3362-26  | AT192104 | 1   | 3302-5  |
| AT190758 | 8   | 2160-23  | AT191709 | 1   | 3362-17  | AT192106 | 1   | 3302-3  |
| AT190762 | 11  | 2160-9B  | AT191710 | 1   | 3362-23  | AT192107 | 1   | 3302-7  |
| AT190762 | 32  | 3363-21B | AT191710 | 2   | 3362-26  | AT192111 | 8   | 3302-3  |
| AT190762 | 33  | 3363-25  | AT191711 | 1   | 3162-17  | AT192111 | 7   | 3302-7  |
| AT190828 | 1   | 3348-3   | AT191711 | 1   | 3162-19  | AT192120 | 12  | 3348-3  |
| AT190829 | 15  | 2160-7   | AT191712 | 1   | 3362-19  | AT192121 | 12  | 3345-5  |
| AT190880 | 3   | 3102-11  | AT191712 | 1   | 3362-24  | AT192122 | 7   | 1816-11 |
| AT190880 | 14  | 3102-12  | AT191713 | 1   | 3362-15  | AT192151 | 22  | 1060-5  |
| AT190881 | 1   | 3102-12  | AT191715 | 1   | 3162-9   | AT192153 | 14  | 0505-7  |
| AT190898 | 15  | 3102-12  | AT191716 | 1   | 3362-11  | AT192154 | 1   | 3363-45 |
| AT190900 | 6   | 3102-11  | AT191717 | 1   | 3362-15  | AT192154 | 28  | 3363-47 |
| AT190900 | 23  | 3102-19  | AT191717 | 3   | 3362-25  | AT192155 | 9   | 3363-45 |
| AT190929 | 9   | 1674-9F  | AT191718 | 1   | 3362-15  | AT192155 | 27  | 3363-47 |
| AT191023 | 34  | 3115-3   | AT191719 | 1   | 3362-11  | AT192168 | 35  | 1830-13 |
| AT191036 | 11  | 3362-7   | AT191747 | 12  | 1674-5   | AT192185 | 30  | 3115-11 |
| AT191037 | 10  | 1674-11  | AT191759 | 12  | 2160-23  | AT192185 | 8   | 3162-19 |
| AT191037 | 11  | 3362-7   | AT191760 | 40  | 1910-5   | AT192188 | 5   | 1746-2  |
| AT191037 | 8   | 3362-25  | AT191768 | 1   | 3362-9   | AT192189 | 8   | 3362-25 |
| AT191046 | 15  | 2160-7   | AT191817 | 1   | 1671-5   | AT192200 | 32  | 1830-9  |
| AT191102 | 16  | 1816-13  | AT191826 | 18  | 1816-9   | AT192217 | 16  | 2001-3  |
| AT191140 | 4   | 3363-17  | AT191838 | 44  | 3363-21B | AT192239 | 9   | 3362-27 |
| AT191143 | 1   | 3363-33  | AT191839 | 45  | 3363-25  | AT192242 | 19  | 1673-5  |
| AT191143 | 2   | 3363-33  | AT191859 | 25  | 3363-21  | AT192247 | 8   | 3362-24 |
| AT191143 | 10  | 3363-33  | AT191859 | 26  | 3363-25  | AT192261 | 3   | 3115-11 |
| AT191143 | 11  | 3363-33  | AT191861 | 4   | 1674-7   | AT192278 | 16  | 0960-5  |
| AT191143 | 15  | 3363-33  | AT191868 | 4A  | 1060-9   | AT192279 | 17  | 0960-5  |
| AT191143 | 20  | 3363-33  | AT191873 | 17  | 1673-5   | AT192280 | 18  | 0960-5  |
| AT191143 | 21  | 3363-33  | AT191875 | 9   | 1673-5   | AT192334 | 9   | 3362-26 |
| AT191146 | 32  | 3363-23  | AT191876 | 21  | 1816-9   | AT192367 | 6   | 1313-3  |
| AT191146 | 30  | 3363-27  | AT191877 | 17  | 1816-9   | AT192372 | 39  | 3162-9  |
| AT191146 | 16  | 3363-33  | AT191884 | 23  | 2160-11  | AT192372 | 18  | 3162-11 |
| AT191147 | 33  | 3363-23  | AT191919 | 24  | 1816-9   | AT192373 | 8   | 2160-15 |
| AT191147 | 31  | 3363-27  | AT191953 | 19  | 1674-5   | AT192374 | 11  | 2160-15 |
| AT191153 | 11  | 0520-5   | AT191976 | 12  | 1812-3   | AT192384 | 10  | 1674-11 |
| AT191176 | 15  | 2160-25  | AT191990 | 28  | 1830-7   | AT192384 | 1   | 3362-21 |
| AT191236 | 15  | 2160-7   | AT191993 | 9   | 1830-7   | AT192385 | 4   | 3362-21 |
| AT191237 | 25  | 2160-7   | AT191994 | 12  | 1830-7   | AT192414 | 13  | 1811-5  |
| AT191241 | 30  | 3346-7   | AT192004 | 15  | 3302-15  | AT192415 | 1   | 1060-11 |
| AT191252 | 5   | 3363-5   | AT192005 | 15  | 3302-15  | AT192416 | 1   | 1060-11 |
| AT191266 | 3   | 0520-5   | AT192006 | 15  | 3302-15  | AT192416 | 2   | 1060-11 |
| AT191407 | 16  | 1673-5   | AT192007 | 15  | 3302-17  | AT192417 | 5   | 1060-11 |
| AT191408 | 11  | 1673-5   | AT192008 | 15  | 3302-17  | AT192419 | 31  | 1060-5  |
| AT191408 | 14  | 1673-5   | AT192009 | 15  | 3302-17  | AT192455 | 8   | 2160-5  |
| AT191409 | 8   | 1673-5   | AT192010 | 15  | 3302-17  | AT192456 | 10  | 0520-5  |
| AT191446 | 1   | 3315-13  | AT192011 | 15  | 3302-15  | AT192457 | 13  | 3162-13 |
| AT191507 | 31  | 1830-9   | AT192012 | 15  | 3302-15  | AT192457 | 3   | 3162-15 |
| AT191528 | 14  | 3315-19  | AT192013 | 15  | 3302-15  | AT192460 | 14  | 1673-5  |
| AT191545 | 38  | 3363-23  | AT192014 | 15  | 3302-17  | AT192509 | 35  | 1830-7  |
| AT191546 | 36  | 3363-27  | AT192015 | 15  | 3302-17  | AT192550 | 6   | 0360-4A |
| AT191548 | 41  | 3363-19  | AT192016 | 15  | 3302-17  | AT192550 | 7   | 0360-4A |
| AT191557 | 14  | 1910-3   | AT192017 | 15  | 3302-17  | AT192550 | 8   | 0360-4A |
| AT191575 | 6   | 2001-3   | AT192018 | 15  | 3302-17  | AT192550 | 9   | 0360-4A |
| AT191619 | 3   | 1821-10  | AT192019 | 15  | 3302-17  | AT192552 | 3   | 0360-11 |
| AT191620 | 30  | 1821-5   | AT192020 | 15  | 3302-17  | AT192552 | 4   | 0360-11 |
| AT191629 | 11  | 1816-9   | AT192021 | 15  | 3302-17  | AT192552 | 5   | 0360-11 |
| AT191631 | 4   | 0515-3   | AT192022 | 15  | 3302-17  | AT192552 | 6   | 0360-11 |
| AT191631 | 5   | 0515-5   | AT192032 | 26  | 1811-3   | AT192553 | 13  | 0360-11 |
| AT191688 | 19  | 1816-9   | AT192033 | 25  | 1830-7   | AT192553 | 14  | 0360-11 |
| AT191701 | 6   | 1674-3   | AT192074 | 5   | 1830-3   | AT192553 | 15  | 0360-11 |
| AT191704 | 1   | 3362-19  | AT192088 | 11  | 3302-5   | AT192553 | 16  | 0360-11 |
| AT191704 | 1   | 3362-25  | AT192090 | 1   | 3302-9   | AT192587 | 1   | 1814-11 |
| AT191705 | 1   | 3362-13  | AT192090 | 10  | 3302-9   | AT192627 | 25  | 0201-5  |
| AT191706 | 1   | 3362-15  | AT192091 | 1   | 3302-11  | AT192637 | 12  | 3363-47 |
| AT191707 | 1   | 3162-9   | AT192092 | 11  | 3302-3   | AT192656 | 55  | 1830-15 |

# 9995-10

310G, 310SG AND 315SG BACKHOE LOADERS

## NUMERICAL INDEX - CONTINUED

| PART NO. | KEY | PAGE    | PART NO. | KEY | PAGE    | PART NO. | KEY | PAGE    |
|----------|-----|---------|----------|-----|---------|----------|-----|---------|
| AT192656 | 1   | 2160-21 | AT194396 | 17  | 3363-43 | AT195550 | 41  | 0515-3  |
| AT192684 | 5A  | 3115-11 | AT194397 | 17  | 3363-43 | AT195550 | 12  | 1811-3  |
| AT192687 | 27  | 1821-9  | AT194398 | 11  | 3363-43 | AT195550 | 1   | 1811-5  |
| AT192689 | 19  | 1821-17 | AT194407 | 63  | 1814-5  | AT195570 | 2   | 0960-13 |
| AT192716 | 27  | 1674-7  | AT194410 | 37  | 3163-11 | AT195570 | 3   | 0960-13 |
| AT192769 | 17  | 1674-3B | AT194412 | 6   | 1060-9  | AT195570 | 4   | 0960-13 |
| AT192776 | 44  | 0515-5  | AT194412 | 9   | 1060-9  | AT195570 | 13  | 0960-13 |
| AT192956 | 11  | 2001-3  | AT194416 | 8   | 1060-9  | AT195573 | 4   | 0960-13 |
| AT193365 | 33  | 0960-9  | AT194417 | 5   | 1060-9  | AT195620 | 4   | 3315-19 |
| AT193365 | 33  | 0960-11 | AT194444 | 38  | 3363-35 | AT195623 | 5   | 3315-19 |
| AT193365 | 6   | 1060-3  | AT194445 | 38  | 3363-35 | AT195669 | 27  | 1740-5  |
| AT193365 | 7   | 3362-33 | AT194487 | 20  | 3115-3  | AT195669 | 12  | 3348-3  |
| AT193365 | 37  | 3363-1B | AT194487 | 34  | 3115-3  | AT195686 | 19  | 0960-5  |
| AT193366 | 33  | 0960-9  | AT194488 | 20  | 3115-3  | AT195731 | 40  | 1830-7  |
| AT193366 | 33  | 0960-11 | AT194491 | 4   | 1674-7  | AT195752 | 41  | 0360-3  |
| AT193366 | 37  | 3363-1B | AT194493 | 3   | 3345-6  | AT195753 | 42  | 0360-7  |
| AT193375 | 3   | 1816-3  | AT194493 | 4   | 3345-6  | AT195814 | 10  | 2002-3  |
| AT193495 | 1   | 3348-3  | AT194493 | 5   | 3345-6  | AT195815 | 10  | 2002-3  |
| AT193499 | 42  | 1830-15 | AT194627 | 20  | 1814-3  | AT195851 | 25  | 0201-5  |
| AT193500 | 24  | 1830-7  | AT194628 | 20  | 1814-3  | AT195862 | 13A | 3163-11 |
| AT193500 | 16  | 1830-9  | AT194684 | 26  | 3315-11 | AT195862 | 14A | 3163-11 |
| AT193526 | 3   | 1816-3  | AT194686 | 19  | 3315-11 | AT195872 | 1   | 1921-3  |
| AT193621 | 2   | 1814-3  | AT194687 | 22  | 3362-15 | AT195877 | 31  | 3315-11 |
| AT193699 | 3   | 3163-11 | AT194718 | 2   | 1814-3  | AT195894 | 4   | 1811-3  |
| AT193699 | 5A  | 3163-11 | AT194718 | 63  | 1814-5  | AT195907 | 6   | 0510-3  |
| AT193699 | 5B  | 3163-11 | AT194784 | 13A | 3163-11 | AT195910 | 4   | 1671-5  |
| AT193704 | 9   | 0350-3  | AT194784 | 14A | 3163-11 | AT195911 | 1   | 1671-5  |
| AT193704 | 10  | 0350-3  | AT194785 | 15  | 3163-11 | AT195915 | 1   | 2160-15 |
| AT193704 | 11  | 0350-3  | AT194786 | 16  | 3163-11 | AT195922 | 5   | 3162-29 |
| AT193704 | 9   | 0350-5  | AT194821 | 9   | 1673-3  | AT195922 | 13  | 3362-33 |
| AT193704 | 10  | 0350-5  | AT194822 | 1   | 1673-3  | AT195929 | 25  | 0201-5  |
| AT193704 | 11  | 0350-5  | AT194862 | 1   | 1674-9  | AT195957 | 1   | 3362-31 |
| AT193704 | 4   | 0350-15 | AT194864 | 1   | 1674-9  | AT195995 | 9   | 1671-3  |
| AT193704 | 5   | 0350-15 | AT194865 | 16  | 1674-3  | AT195996 | 1   | 1671-3  |
| AT193704 | 6   | 0350-15 | AT194865 | 18  | 1674-3B | AT196169 | 2   | 0230-8  |
| AT193704 | 4   | 0350-17 | AT194865 | 4   | 1674-5  | AT196190 | 1   | 3348-3  |
| AT193704 | 5   | 0350-17 | AT194866 | 16  | 1674-3  | AT196204 | 1   | 3348-3  |
| AT193704 | 6   | 0350-17 | AT194866 | 4   | 1674-5  | AT196242 | 1B  | 0520-3  |
| AT193704 | 12  | 0350-19 | AT194867 | 16  | 1674-3  | AT196245 | 8   | 3162-13 |
| AT193704 | 13  | 0350-19 | AT194867 | 18  | 1674-3B | AT196245 | 13  | 3162-15 |
| AT193704 | 14  | 0350-19 | AT194867 | 4   | 1674-5  | AT196246 | 1   | 1674-9  |
| AT193704 | 4   | 0350-21 | AT194868 | 16  | 1674-3  | AT196246 | 38  | 3162-13 |
| AT193704 | 5   | 0350-21 | AT194868 | 4   | 1674-5  | AT196246 | 12  | 3162-15 |
| AT193704 | 6   | 0350-21 | AT195140 | 12  | 3162-29 | AT196258 | 2   | 0408-5  |
| AT193704 | 4   | 0350-23 | AT195141 | 13  | 3162-29 | AT196261 | 1   | 1674-9  |
| AT193704 | 5   | 0350-23 | AT195142 | 8   | 2160-5  | AT196262 | 9   | 0505-7  |
| AT193704 | 6   | 0350-23 | AT195142 | 13  | 2160-5  | AT196262 | 1   | 1674-9  |
| AT193704 | 4   | 0350-25 | AT195142 | 17B | 2160-5  | AT196286 | 1   | 1821-19 |
| AT193704 | 5   | 0350-25 | AT195143 | 17B | 2160-5  | AT196294 | 11  | 1812-3  |
| AT193704 | 6   | 0350-25 | AT195144 | 7   | 3162-29 | AT196314 | 7   | 0422-2  |
| AT193881 | 10  | 1674-11 | AT195144 | 13  | 3362-33 | AT196314 | 7   | 0422-3  |
| AT193881 | 12  | 1812-3  | AT195201 | 20  | 0960-9  | AT196314 | 2   | 0422-7  |
| AT193881 | 27  | 2160-25 | AT195201 | 25  | 0960-11 | AT196318 | 22  | 2160-9B |
| AT193881 | 28  | 2160-27 | AT195202 | 26  | 0960-9  | AT196319 | 25  | 2160-9B |
| AT193927 | 24  | 0341-1  | AT195202 | 27  | 0960-11 | AT196320 | 11  | 2160-9B |
| AT193981 | 11  | 1060-9  | AT195203 | 27  | 0960-9  | AT196321 | 27  | 2160-9B |
| AT194279 | 4   | 1814-15 | AT195203 | 23  | 0960-11 | AT196333 | 20  | 3115-3  |
| AT194343 | 11  | 3315-23 | AT195203 | 22A | 1060-3  | AT196333 | 34  | 3115-3  |
| AT194368 | 25  | 3363-43 | AT195244 | 1   | 1313-3  | AT196336 | 16  | 3315-25 |
| AT194369 | 30  | 3115-11 | AT195301 | 22  | 1674-7  | AT196337 | 17  | 3315-25 |
| AT194369 | 8   | 3162-19 | AT195302 | 22  | 1674-7  | AT196338 | 12  | 0515-3  |
| AT194378 | 7   | 3363-43 | AT195339 | 21  | 1910-3  | AT196338 | 10  | 0515-5  |
| AT194379 | 9   | 3363-43 | AT195421 | 29  | 0515-5  | AT196351 | 1   | 2160-25 |
| AT194392 | 17  | 3363-43 | AT195456 | 3   | 0530-3  | AT196351 | 18  | 2160-27 |
| AT194393 | 9   | 3363-43 | AT195461 | 7   | 1673-3  | AT196355 | 24  | 1910-3  |
| AT194394 | 11  | 3363-43 | AT195462 | 8   | 1673-3  | AT196358 | 58  | 1910-5  |
| AT194395 | 11  | 3363-43 | AT195463 | 14  | 3346-3  | AT196387 | 5   | 3315-19 |

# 9995-11

310G, 310SG AND 315SG BACKHOE LOADERS

## NUMERICAL INDEX - CONTINUED

| PART NO. | KEY | PAGE    | PART NO. | KEY | PAGE     | PART NO. | KEY | PAGE    |
|----------|-----|---------|----------|-----|----------|----------|-----|---------|
| AT196390 | 17  | 1674-3B | AT197212 | 25A | 3363-1B  | AT198768 | 2   | 3362-35 |
| AT196391 | 6   | 1814-9  | AT197231 | 8   | 1740-3   | AT198770 | 5   | 3362-35 |
| AT196397 | 25  | 2160-9B | AT197232 | 8   | 1740-3   | AT198770 | 5   | 3362-37 |
| AT196398 | 27  | 2160-9B | AT197236 | 13  | 3115-13  | AT198771 | 18  | 3362-35 |
| AT196399 | 22  | 2160-9B | AT197238 | 28  | 2160-27  | AT198771 | 17  | 3362-37 |
| AT196400 | 11  | 2160-9B | AT197243 | 44  | 3363-21B | AT198772 | 8   | 3362-35 |
| AT196407 | 7   | 3344-2  | AT197245 | 45  | 3363-25  | AT198772 | 8   | 3362-37 |
| AT196419 | 34  | 3315-11 | AT197246 | 26  | 3363-47  | AT198773 | 3   | 3362-35 |
| AT196427 | 1   | 2002-2  | AT197247 | 8   | 1740-3   | AT198773 | 3   | 3362-37 |
| AT196428 | 2   | 0230-5  | AT197248 | 8   | 1740-3   | AT198774 | 2   | 3362-37 |
| AT196428 | 7   | 0230-6  | AT197253 | 44  | 3363-21B | AT198776 | 29  | 1816-17 |
| AT196428 | 18  | 0230-7  | AT197254 | 45  | 3363-25  | AT198777 | 28  | 1816-15 |
| AT196428 | 10  | 0230-8  | AT197255 | 24  | 1740-5   | AT198778 | 27  | 1816-15 |
| AT196446 | 1   | 1671-3  | AT197256 | 24  | 1740-5   | AT198844 | 6   | 1674-5B |
| AT196447 | 4   | 1671-5  | AT197259 | 30  | 3363-23  | AT198847 | 12  | 3362-33 |
| AT196496 | 31  | 2160-11 | AT197259 | 38  | 3363-23  | AT198865 | 32  | 1816-17 |
| AT196496 | 18  | 2160-17 | AT197260 | 36  | 3363-27  | AT199016 | 1   | 1674-5B |
| AT196496 | 20  | 2160-19 | AT197381 | 4   | 1674-7   | AT199060 | 9   | 0505-7  |
| AT196496 | 16  | 2160-21 | AT197479 | 12  | 1812-3   | AT199060 | 1   | 1674-9  |
| AT196522 | 22  | 1814-3  | AT197542 | 16  | 2160-13  | AT199065 | 13  | 3362-33 |
| AT196525 | 15  | 3363-3B | AT197645 | 15  | 3163-5   | AT199081 | 27  | 1830-13 |
| AT196526 | 16  | 3363-3B | AT197646 | 21  | 3163-5   | AT199334 | 19  | 2160-7  |
| AT196527 | 25  | 3363-5  | AT197647 | 9   | 3163-5   | AT199335 | 19  | 3115-5  |
| AT196559 | 1   | 1821-19 | AT197648 | 11  | 3163-9   | AT199372 | 16  | 1674-3  |
| AT196561 | 1   | 1821-19 | AT197649 | 20  | 3163-9   | AT199372 | 4   | 1674-5  |
| AT196590 | 17  | 3115-9  | AT197654 | 4   | 3163-5   | AT199388 | 1   | 2001-3  |
| AT196591 | 7   | 3115-9  | AT197726 | 7   | 3344-2   | AT199495 | 5   | 3363-1B |
| AT196596 | 3   | 3115-13 | AT197760 | 12A | 3163-9   | AT199496 | 3   | 3363-1B |
| AT196606 | 16  | 3315-25 | AT197769 | 4   | 3362-31  | AT199496 | 3   | 3363-1D |
| AT196606 | 17  | 3315-25 | AT197769 | 20  | 3363-1B  | AT199541 | 5   | 2160-13 |
| AT196622 | 1   | 3162-5  | AT197769 | 26  | 3363-1B  | AT199591 | 1   | 1816-15 |
| AT196624 | 12  | 3115-13 | AT197852 | 7   | 0230-3   | AT199592 | 32  | 1816-15 |
| AT196624 | 1   | 3162-5  | AT197852 | 7   | 0960-11  | AT199594 | 1   | 1816-17 |
| AT196633 | 7   | 3362-7  | AT197876 | 19  | 3348-3   | AT199595 | 31  | 1816-17 |
| AT196634 | 7   | 3362-7  | AT197922 | 9   | 1671-7   | AT199633 | 10  | 1674-7  |
| AT196635 | 7   | 3362-7  | AT198089 | 30  | 0960-9   | AT199633 | 11  | 3362-33 |
| AT196636 | 7   | 3362-7  | AT198089 | 30  | 0960-11  | AT199639 | 7   | 2160-27 |
| AT196637 | 7   | 3362-7  | AT198090 | 30  | 0960-9   | AT199640 | 27  | 2160-27 |
| AT196754 | 8   | 3363-5  | AT198090 | 30  | 0960-11  | AT199641 | 26  | 2160-27 |
| AT196755 | 7   | 3363-5  | AT198096 | 10  | 1671-7   | AT199642 | 6   | 2160-27 |
| AT196756 | 15  | 3363-5  | AT198196 | 18  | 2160-7   | AT199643 | 2   | 2160-27 |
| AT196757 | 16  | 3363-5  | AT198251 | 23  | 3163-9   | AT199644 | 8   | 2160-27 |
| AT196760 | 1   | 2160-25 | AT198253 | 22  | 3163-9   | AT199645 | 5   | 2160-27 |
| AT196760 | 19  | 2160-27 | AT198254 | 19  | 3163-9   | AT199646 | 15  | 2160-25 |
| AT196793 | 27  | 1821-9  | AT198258 | 7   | 3163-9   | AT199646 | 1   | 2160-27 |
| AT196803 | 4   | 0350-1  | AT198260 | 18  | 3163-9   | AT199652 | 5   | 3162-27 |
| AT196813 | 16  | 2160-13 | AT198349 | 6   | 3363-1D  | AT199654 | 6   | 3162-27 |
| AT196814 | 23  | 2160-11 | AT198350 | 1   | 3363-1D  | AT199656 | 1   | 3162-27 |
| AT196815 | 7   | 1910-3  | AT198351 | 4   | 3363-1D  | AT199657 | 4   | 3162-27 |
| AT196815 | 14  | 1910-3  | AT198352 | 8   | 3363-1D  | AT199714 | 9   | 0505-7  |
| AT196815 | 24  | 1910-3  | AT198353 | 12  | 3363-1D  | AT199734 | 1   | 1811-5  |
| AT196815 | 60  | 1910-5  | AT198354 | 9   | 3363-1D  | AT199735 | 1   | 1811-5  |
| AT196839 | 26  | 3315-11 | AT198355 | 2   | 3363-1D  | AT199740 | 8   | 3140-3  |
| AT196853 | 38  | 3163-7  | AT198356 | 7   | 3363-1D  | AT199908 | 7   | 0560-4  |
| AT196853 | 28  | 3163-9  | AT198357 | 11  | 3363-1D  | AT199930 | 5   | 2160-3  |
| AT196924 | 23  | 3162-27 | AT198358 | 10  | 3363-1D  | AT199930 | 5   | 2160-5  |
| AT196943 | 3   | 3362-31 | AT198359 | 13  | 3363-1D  | AT199931 | 12  | 2160-5  |
| AT197001 | 1   | 1921-3  | AT198360 | 5   | 3363-1D  | AT199938 | 8   | 2160-5  |
| AT197067 | 14  | 3363-3B | AT198416 | 33  | 3363-1B  | AT208483 | 12  | 1821-17 |
| AT197068 | 13  | 3363-3B | AT198417 | 32  | 3363-1B  | AT208485 | 19  | 1821-17 |
| AT197105 | 1   | 3115-5  | AT198598 | 8   | 0230-7   | AT208486 | 12  | 1821-17 |
| AT197134 | 8   | 3315-3  | AT198602 | 3   | 0230-7   | AT208491 | 14  | 1821-17 |
| AT197165 | 14  | 3362-33 | AT198617 | 1   | 3362-35  | AT208493 | 19  | 1821-17 |
| AT197208 | 17  | 3363-1B | AT198618 | 1   | 3362-37  | AT209020 | 4   | 1821-7  |
| AT197209 | 18  | 3363-1B | AT198694 | 13  | 1821-17  | AT209024 | 8   | 1821-5  |
| AT197210 | 11  | 3363-1B | AT198760 | 15  | 2160-25  | AT209025 | 14  | 1821-3  |
| AT197211 | 12  | 3363-1B | AT198760 | 14  | 2160-27  | AT209026 | 6   | 1821-5  |

# 9995-12

310G, 310SG AND 315SG BACKHOE LOADERS

## NUMERICAL INDEX - CONTINUED

| PART NO. | KEY | PAGE    | PART NO. | KEY | PAGE     | PART NO. | KEY | PAGE     |
|----------|-----|---------|----------|-----|----------|----------|-----|----------|
| AT209225 | 13  | 1821-3  | AT280406 | 34  | 3362-9   | AT300801 | 39  | 3362-45  |
| AT210515 | 7   | 1830-7  | AT280406 | 40  | 3362-11  | AT300803 | 1   | 3162-11  |
| AT219940 | 9   | 0960-5  | AT280406 | 30  | 3362-13  | AT300803 | 4   | 3362-11  |
| AT220317 | 35  | 1814-5  | AT280406 | 37  | 3362-15  | AT300803 | 3   | 3362-41  |
| AT220393 | 3   | 1672-3  | AT280406 | 38  | 3362-17  | AT300805 | 1   | 3362-27  |
| AT220393 | 3   | 1672-5  | AT280406 | 18  | 3362-19  | AT300805 | 1   | 3362-47  |
| AT220394 | 3   | 1672-3  | AT280406 | 20  | 3362-23  | AT300825 | 1   | 3362-43  |
| AT220394 | 3   | 1672-5  | AT280406 | 38  | 3362-41  | AT300827 | 1   | 3362-41  |
| AT220930 | 1   | 0520-5  | AT280406 | 26  | 3362-43  | AT300828 | 1   | 3362-45  |
| AT221015 | 2   | 1821-3  | AT280406 | 38  | 3362-45  | AT300853 | 37  | 3163-11  |
| AT221016 | 1   | 1821-3  | AT280406 | 25  | 3362-47  | AT300855 | 9B  | 3163-11  |
| AT221019 | 2   | 1821-3  | AT280440 | 14  | 2160-27  | AT300857 | 3   | 3163-11  |
| AT221020 | 1   | 1821-3  | AT280441 | 14  | 2160-27  | AT300857 | 5B  | 3163-11  |
| AT222150 | 12  | 1816-13 | AT280459 | 22B | 1060-3   | AT300860 | 13B | 3163-11  |
| AT222276 | 5   | 2004-7  | AT280509 | 7   | 2160-27  | AT300860 | 14B | 3163-11  |
| AT222276 | 4   | 2004-8  | AT280583 | 10  | 1821-5   | AT300885 | 11  | 1816-17  |
| AT222333 | 1   | 2002-2  | AT280598 | 18  | 2160-7   | AT300928 | 10  | 1674-11  |
| AT224570 | 10  | 3162-29 | AT280598 | 43  | 2160-9   | AT300928 | 12  | 1812-3   |
| AT224570 | 4   | 3362-31 | AT280598 | 16  | 2160-9B  | AT300928 | 28  | 2160-27  |
| AT224570 | 13  | 3362-31 | AT280598 | 11  | 2160-11  | AT300958 | 15  | 0560-3   |
| AT224862 | 9   | 3162-29 | AT280674 | 10  | 1816-15  | AT300958 | 15  | 0560-7   |
| AT224865 | 9B  | 3163-11 | AT280674 | 19  | 1816-17  | AT301016 | 9B  | 3163-11  |
| AT224949 | 11  | 0230-5  | AT280742 | 27  | 2160-25  | AT301017 | 9B  | 3163-11  |
| AT225952 | 4   | 1674-5D | AT280866 | 1   | 0230-8   | AT301019 | 9B  | 3163-11  |
| AT226281 | 1   | 1674-9F | AT280869 | 9   | 0230-7   | AT301020 | 9B  | 3163-11  |
| AT226281 | 5   | 2004-7  | AT300045 | 3   | 3315-3B  | AT301127 | 4   | 3362-13  |
| AT226281 | 4   | 2004-8  | AT300055 | 18  | 3315-15B | AT301127 | 3   | 3362-43  |
| AT227063 | 31  | 1816-15 | AT300056 | 17  | 3315-13B | AT301128 | 2   | 3162-11  |
| AT227063 | 10  | 1816-17 | AT300057 | 1   | 3315-15B | AT301128 | 5   | 3362-11  |
| AT228474 | 1   | 2160-15 | AT300058 | 3   | 3315-13B | AT301128 | 4   | 3362-41  |
| AT25226  | 2   | 0110-2  | AT300060 | 21  | 3315-13B | AT301227 | 25  | 3362-21  |
| AT280200 | 23  | 3363-1B | AT300060 | 17  | 3315-15B | AT301427 | 3   | 1674-5B  |
| AT280234 | 2   | 0560-4  | AT300131 | 4   | 1674-7   | AT301434 | 11  | 3315-27  |
| AT280255 | 2   | 1816-13 | AT300152 | 17  | 3315-7   | AT301447 | 4   | 3362-11  |
| AT280268 | 2   | 0230-7  | AT300153 | 30  | 2160-9B  | AT301447 | 3   | 3362-41  |
| AT280343 | 14  | 3363-7  | AT300153 | 16  | 2160-13  | AT301476 | 8   | 3163-9   |
| AT280343 | 22  | 3363-9  | AT300153 | 19  | 2160-17  | AT301484 | 22  | 3315-13B |
| AT280343 | 32  | 3363-11 | AT300159 | 15  | 3115-5   | AT301485 | 21  | 3315-15B |
| AT280343 | 17  | 3363-13 | AT300165 | 1   | 0110-2   | AT301487 | 5   | 3362-11  |
| AT280343 | 25  | 3363-19 | AT300230 | 3   | 3362-31  | AT301487 | 4   | 3362-41  |
| AT280344 | 23  | 3363-9  | AT300230 | 4   | 3362-31  | AT301526 | 1   | 3162-15  |
| AT280344 | 33  | 3363-11 | AT300254 | 8   | 3362-31  | AT301526 | 3   | 3362-13  |
| AT280345 | 25  | 3363-21 | AT300255 | 16  | 3362-31  | AT301526 | 5   | 3362-13  |
| AT280345 | 26  | 3363-25 | AT300570 | 7   | 3362-5   | AT301526 | 2   | 3362-43  |
| AT280346 | 14  | 3363-7  | AT300574 | 7   | 3362-5   | AT301526 | 4   | 3362-43  |
| AT280346 | 22  | 3363-9  | AT300575 | 7   | 3362-5   | AT301527 | 2   | 3162-15  |
| AT280346 | 32  | 3363-11 | AT300577 | 7   | 3362-5   | AT301527 | 4   | 3362-13  |
| AT280346 | 17  | 3363-13 | AT300579 | 7   | 3362-5   | AT301527 | 5   | 3362-13  |
| AT280346 | 25  | 3363-19 | AT300583 | 7   | 3362-7   | AT301527 | 3   | 3362-43  |
| AT280346 | 24  | 3363-33 | AT300585 | 7   | 3362-7   | AT301527 | 4   | 3362-43  |
| AT280347 | 23  | 3363-9  | AT300587 | 7   | 3362-7   | AT301748 | 3   | 3362-21  |
| AT280347 | 33  | 3363-11 | AT300589 | 7   | 3362-7   | AT301749 | 39  | 3362-15  |
| AT280347 | 25  | 3363-23 | AT300591 | 7   | 3362-7   | AT301749 | 41  | 3362-15  |
| AT280347 | 25  | 3363-27 | AT300742 | 30  | 3363-1B  | AT301749 | 39  | 3362-45  |
| AT280347 | 25  | 3363-33 | AT300750 | 22  | 1816-15  | AT301750 | 5   | 3362-15  |
| AT280348 | 20  | 3363-31 | AT300759 | 11  | 2160-9B  | AT301750 | 39  | 3362-15  |
| AT280350 | 24  | 3363-21 | AT300768 | 4   | 0515-3   | AT301750 | 4   | 3362-45  |
| AT280350 | 25  | 3363-25 | AT300769 | 12  | 3315-25  | AT301750 | 39  | 3362-45  |
| AT280363 | 23  | 3315-25 | AT300770 | 2   | 3315-25  | AT301751 | 6   | 3362-15  |
| AT280396 | 16  | 2160-13 | AT300771 | 5   | 3315-25  | AT301751 | 5   | 3362-45  |
| AT280406 | 40  | 3162-9  | AT300801 | 33  | 3162-11  | AT301763 | 1   | 3362-47  |
| AT280406 | 32  | 3162-11 | AT300801 | 28  | 3162-15  | AT301765 | 2   | 3162-29  |
| AT280406 | 36  | 3162-13 | AT300801 | 41  | 3362-11  | AT301766 | 6   | 3162-29  |
| AT280406 | 27  | 3162-15 | AT300801 | 32  | 3362-13  | AT301767 | 4   | 3162-29  |
| AT280406 | 35  | 3162-17 | AT300801 | 39  | 3362-15  | AT301776 | 1   | 3362-15  |
| AT280406 | 24  | 3162-21 | AT300801 | 37  | 3362-41  | AT301782 | 1   | 3362-13  |
| AT280406 | 24  | 3162-27 | AT300801 | 25  | 3362-43  | AT301783 | 1   | 3362-11  |

# 9995-13

310G, 310SG AND 315SG BACKHOE LOADERS

## NUMERICAL INDEX - CONTINUED

| PART NO. | KEY | PAGE    | PART NO. | KEY | PAGE    | PART NO. | KEY | PAGE     |
|----------|-----|---------|----------|-----|---------|----------|-----|----------|
| AT301784 | 1   | 3362-15 | AT304825 | 1   | 1674-9  | AT308188 | 6B  | 3102-7   |
| AT301784 | 3   | 3362-25 | AT304826 | 1   | 1674-9  | AT308191 | 1   | 3102-9   |
| AT301786 | 1   | 3362-13 | AT304837 | 15  | 0560-3  | AT308191 | 2   | 3102-9   |
| AT301787 | 1   | 3362-15 | AT304837 | 1   | 1674-9  | AT308191 | 19  | 3102-9   |
| AT301788 | 1   | 3362-15 | AT304887 | 12  | 1811-3  | AT308191 | 1   | 3102-11  |
| AT301789 | 1   | 3362-11 | AT304891 | 2   | 1816-13 | AT308193 | 1   | 3102-9   |
| AT301917 | 7   | 2160-11 | AT304913 | 19  | 2160-17 | AT308193 | 2   | 3102-9   |
| AT301917 | 31  | 2160-11 | AT304971 | 4   | 1674-7  | AT308193 | 19  | 3102-9   |
| AT301917 | 9   | 2160-17 | AT305073 | 5   | 1746-2  | AT308193 | 1   | 3102-11  |
| AT301917 | 18  | 2160-17 | AT305685 | 13  | 1814-15 | AT308199 | 21  | 1821-3B  |
| AT301917 | 9   | 2160-19 | AT305766 | 16  | 2160-13 | AT308208 | 16  | 1674-3   |
| AT301917 | 20  | 2160-19 | AT305773 | 25A | 3363-1B | AT308208 | 4   | 1674-5   |
| AT301917 | 5   | 2160-21 | AT306499 | 1   | 3343-3  | AT308237 | 1   | 1674-5D  |
| AT301917 | 16  | 2160-21 | AT306499 | 14  | 3343-3  | AT308274 | 1   | 2160-15  |
| AT301917 | 7   | 2160-23 | AT306499 | 14  | 3343-5  | AT308319 | 1   | 1674-9   |
| AT302103 | 1   | 3362-45 | AT306500 | 14  | 3343-3  | AT308322 | 1   | 1674-9   |
| AT302108 | 40  | 3362-15 | AT306550 | 4   | 3362-31 | AT308380 | 18  | 1674-3B  |
| AT302108 | 37  | 3362-45 | AT306550 | 20  | 3363-1B | AT308440 | 1   | 1674-5D  |
| AT302113 | 3   | 3362-15 | AT306684 | 3   | 0230-5  | AT308466 | 17  | 3363-25  |
| AT302113 | 3   | 3362-45 | AT306684 | 4   | 0250-1  | AT308466 | 17  | 3363-27  |
| AT302258 | 2B  | 0341-5  | AT307106 | 3   | 3104-3  | AT308473 | 1   | 1674-5D  |
| AT302625 | 1   | 1674-5B | AT307187 | 8   | 3362-35 | AT308475 | 1   | 1674-5D  |
| AT302628 | 6   | 1674-5B | AT307187 | 8   | 3362-37 | AT308506 | 11  | 3163-13  |
| AT302727 | 12  | 1674-5  | AT307260 | 6   | 1313-3  | AT308555 | 12  | 0510-3   |
| AT302803 | 5   | 1910-3  | AT307315 | 8   | 3162-29 | AT308555 | 25  | 2160-11  |
| AT302812 | 1   | 1814-9  | AT307332 | 6   | 3362-13 | AT308795 | 2   | 1821-3   |
| AT302812 | 21  | 1814-9B | AT307332 | 5   | 3362-43 | AT308796 | 1   | 1821-3   |
| AT302813 | 13  | 1814-9B | AT307345 | 6   | 0960-3  | AT308797 | 1   | 1821-3   |
| AT302815 | 12  | 1814-9B | AT307632 | 8   | 3102-5  | AT308910 | 2   | 3103-3   |
| AT302816 | 11  | 1814-9B | AT307664 | 9   | 3362-27 | AT308925 | 1   | 3103-3   |
| AT302817 | 9   | 1814-9B | AT307691 | 40  | 1830-7  | AT308926 | 1   | 3103-3   |
| AT303024 | 14  | 3346-3  | AT307737 | 8   | 0250-1  | AT308966 | 8   | 3102-17  |
| AT303065 | 22  | 2160-9B | AT307738 | 30  | 0960-9  | AT308968 | 1   | 3102-15  |
| AT303066 | 22  | 2160-9B | AT307738 | 30  | 0960-11 | AT308970 | 8   | 3102-17  |
| AT303155 | 1   | 3343-5  | AT307739 | 8   | 0250-1  | AT308972 | 7   | 3102-19  |
| AT303214 | 25  | 1830-7  | AT307741 | 7   | 0230-3  | AT308972 | 24  | 3102-19  |
| AT303575 | 16  | 1674-3  | AT307741 | 2   | 0230-5  | AT308972 | 53  | 3102-21  |
| AT303575 | 4   | 1674-5  | AT307741 | 7   | 0230-6  | AT308974 | 7   | 3102-19  |
| AT303579 | 16  | 1674-3  | AT307741 | 18  | 0230-7  | AT308974 | 24  | 3102-19  |
| AT303579 | 18  | 1674-3B | AT307741 | 10  | 0230-8  | AT308974 | 53  | 3102-21  |
| AT303579 | 4   | 1674-5  | AT307770 | 10  | 1814-9B | AT309100 | 1   | 0110-2   |
| AT303580 | 16  | 1674-3  | AT307916 | 1   | 3104-3  | AT309100 | 4   | 0110-2   |
| AT303580 | 18  | 1674-3B | AT307916 | 27  | 3104-3  | AT309102 | 1   | 0110-2   |
| AT303580 | 4   | 1674-5  | AT308040 | 1   | 3102-3  | AT309104 | 1   | 0110-3   |
| AT303853 | 23  | 1816-15 | AT308040 | 6B  | 3102-7  | AT309105 | 1   | 0110-3   |
| AT303853 | 13  | 1816-17 | AT308042 | 1   | 3102-9  | AT309110 | 1   | 0110-2   |
| AT303890 | 1   | 3362-35 | AT308042 | 2   | 3102-9  | AT309111 | 1   | 0120-1   |
| AT303891 | 1   | 3362-37 | AT308042 | 19  | 3102-9  | AT309184 | 39  | 3315-9B  |
| AT303892 | 8   | 3362-35 | AT308042 | 1   | 3102-11 | AT309184 | 40  | 3315-9B  |
| AT303892 | 8   | 3362-37 | AT308049 | 6B  | 3102-7  | AT309185 | 38  | 3315-9B  |
| AT303954 | 5   | 3362-15 | AT308049 | 1   | 3102-9  | AT309186 | 15  | 3315-9   |
| AT303954 | 39  | 3362-15 | AT308067 | 1   | 3103-3  | AT309190 | 4   | 3315-17  |
| AT303954 | 4   | 3362-45 | AT308071 | 8   | 3102-5  | AT309208 | 1   | 3102-15  |
| AT303954 | 39  | 3362-45 | AT308071 | 6B  | 3102-7  | AT309303 | 1   | 0250-5   |
| AT304075 | 11  | 1060-9  | AT308076 | 1   | 3102-3  | AT309304 | 1   | 0250-5   |
| AT304324 | 3   | 1816-11 | AT308076 | 6B  | 3102-7  | AT309305 | 6   | 0250-5   |
| AT304502 | 7   | 3362-5  | AT308080 | 8   | 3102-5  | AT309306 | 6   | 0250-5   |
| AT304561 | 28  | 1674-7  | AT308080 | 6B  | 3102-7  | AT309307 | 4   | 0250-5   |
| AT304593 | 4   | 1816-11 | AT308095 | 6B  | 3102-7  | AT309347 | 6   | 1814-9   |
| AT304593 | 1   | 1830-9  | AT308095 | 1   | 3102-9  | AT309385 | 27  | 2160-25  |
| AT304631 | 1   | 1814-15 | AT308099 | 6B  | 3102-7  | AT309385 | 28  | 2160-27  |
| AT304761 | 7   | 1060-3  | AT308099 | 1   | 3102-9  | AT309413 | 41  | 3315-9B  |
| AT304761 | 10  | 1060-5  | AT308138 | 3   | 3103-3  | AT309458 | 1   | 3162-29  |
| AT304761 | 30  | 1060-5  | AT308139 | 3   | 3103-3  | AT309567 | 44  | 3363-21B |
| AT304775 | 27  | 1821-9  | AT308148 | 16  | 1674-3  | AT309568 | 45  | 3363-25  |
| AT304776 | 27  | 1821-9  | AT308148 | 4   | 1674-5  | AT309577 | 38  | 3363-23  |
| AT304824 | 1   | 1674-9  | AT308188 | 1   | 3102-3  | AT309579 | 36  | 3363-27  |

# 9995-14

310G, 310SG AND 315SG BACKHOE LOADERS

## NUMERICAL INDEX - CONTINUED

| PART NO. | KEY | PAGE     | PART NO. | KEY | PAGE    | PART NO. | KEY | PAGE     |
|----------|-----|----------|----------|-----|---------|----------|-----|----------|
| AT309662 | 4   | 3163-13  | AT314538 | 25  | 3162-21 | AT320371 | 1   | 3362-47  |
| AT309663 | 3   | 3163-13  | AT314538 | 33  | 3362-9  | AT320372 | 1   | 3362-45  |
| AT309679 | 15  | 3163-13  | AT314538 | 39  | 3362-11 | AT320378 | 1   | 3362-45  |
| AT309682 | 16  | 3163-13  | AT314538 | 31  | 3362-13 | AT320497 | 9   | 3362-26  |
| AT309683 | 1   | 0210-6   | AT314538 | 38  | 3362-15 | AT320544 | 7   | 1811-5   |
| AT309690 | 18  | 3163-13  | AT314538 | 37  | 3362-17 | AT320544 | 9   | 1811-5   |
| AT309694 | 9   | 3163-13  | AT314538 | 24  | 3362-21 | AT320544 | 19  | 2001-3   |
| AT309696 | 17  | 3163-13  | AT314538 | 36  | 3362-41 | AT320544 | 21  | 2001-3   |
| AT309706 | 44  | 3363-21B | AT314538 | 40  | 3362-45 | AT321004 | 7   | 1811-5   |
| AT309707 | 45  | 3363-25  | AT314538 | 24  | 3362-47 | AT321005 | 7   | 1811-5   |
| AT309710 | 25  | 3363-21  | AT314539 | 20  | 3162-5  | AT321005 | 21  | 2001-3   |
| AT309710 | 26  | 3363-25  | AT314539 | 41  | 3162-9  | AT321040 | 1   | 1747-7   |
| AT309739 | 54  | 3315-9B  | AT314539 | 34  | 3162-11 | AT321280 | 6   | 1672-7   |
| AT309740 | 14  | 3315-17  | AT314539 | 35  | 3162-13 | AT321365 | 13  | 1673-7   |
| AT309746 | 4   | 3104-3   | AT314539 | 29  | 3162-15 | AT322232 | 22  | 0560-3   |
| AT309747 | 5   | 3104-3   | AT314539 | 33  | 3162-17 | AT322232 | 1   | 0560-7   |
| AT309864 | 8   | 3315-3   | AT314539 | 25  | 3162-21 | AT322234 | 1C  | 0520-3   |
| AT309934 | 48  | 3102-21  | AT314539 | 39  | 3362-11 | AT322742 | 9   | 1921-5   |
| AT309934 | 41  | 3163-9   | AT314539 | 31  | 3362-13 | AT322743 | 7   | 1921-5   |
| AT309986 | 48  | 3102-21  | AT314539 | 38  | 3362-15 | AT322950 | 29  | 3346-7   |
| AT309986 | 40  | 3163-9   | AT314539 | 37  | 3362-17 | AT323012 | 7   | 1814-11  |
| AT309994 | 4   | 1674-7   | AT314539 | 24  | 3362-21 | AT323013 | 2   | 1814-15  |
| AT310062 | 1   | 3344-3   | AT314539 | 36  | 3362-41 | AT323014 | 1   | 1814-11  |
| AT310062 | 6   | 3344-3   | AT314539 | 40  | 3362-45 | AT323015 | 4   | 1814-15  |
| AT310257 | 16  | 3363-21  | AT314539 | 24  | 3362-47 | AT323022 | 1   | 1814-11  |
| AT310257 | 19  | 3363-23  | AT314668 | 8   | 3362-39 | AT323022 | 4   | 1814-15  |
| AT310291 | 1   | 0120-1   | AT314672 | 3   | 3315-3B | AT323124 | 6   | 1921-5   |
| AT310630 | 4   | 1674-7   | AT314739 | 8   | 3140-3  | AT323301 | 9   | 1673-7   |
| AT310650 | 1   | 1673-3   | AT314909 | 7   | 0530-7  | AT323348 | 20  | 1740-3   |
| AT310728 | 16  | 1674-3   | AT315189 | 8   | 3140-3  | AT323348 | 37  | 1740-5   |
| AT310728 | 4   | 1674-5   | AT315227 | 6   | 1814-15 | AT323398 | 1   | 3362-26  |
| AT310730 | 16  | 1674-3   | AT315228 | 2   | 1814-11 | AT323398 | 1   | 3362-47  |
| AT310730 | 4   | 1674-5   | AT315263 | 16  | 1740-3  | AT323593 | 4   | 0560-7   |
| AT310818 | 15  | 2160-25  | AT315263 | 33  | 1740-5  | AT323744 | 9   | 1673-7   |
| AT310818 | 14  | 2160-27  | AT316227 | 1   | 1921-5  | AT324138 | 12  | 3345-5   |
| AT310980 | 18  | 1674-3B  | AT316249 | 30  | 0960-9  | AT324237 | 11A | 3345-5   |
| AT311060 | 1   | 3344-3   | AT316249 | 30  | 0960-11 | AT324237 | 11B | 3345-5   |
| AT311060 | 6   | 3344-3   | AT316301 | 8   | 3162-5  | AT324237 | 12  | 3345-5   |
| AT311143 | 41  | 3102-21  | AT316301 | 9   | 3162-5  | AT324533 | 1   | 3346-5   |
| AT311334 | 40  | 1910-5   | AT316301 | 6   | 3162-7  | AT324938 | 11  | 1673-7   |
| AT311598 | 3   | 1674-5D  | AT316302 | 28  | 3362-9  | AT326166 | 13  | 1673-7   |
| AT311651 | 10  | 3163-13  | AT317091 | 20  | 3315-9  | AT326356 | 7   | 1811-5   |
| AT311785 | 42  | 1910-5   | AT317121 | 1   | 1060-11 | AT326356 | 9   | 1811-5   |
| AT311786 | 33  | 1910-5   | AT317350 | 4   | 3362-31 | AT326356 | 12  | 1811-5   |
| AT311787 | 24  | 1910-3   | AT317350 | 20  | 3363-1B | AT326356 | 19  | 2001-3   |
| AT311929 | 7   | 1816-5   | AT317350 | 25B | 3363-1B | AT326356 | 21  | 2001-3   |
| AT311929 | 1   | 3315-17  | AT317385 | 6   | 2160-5  | AT326356 | 22  | 2001-3   |
| AT312121 | 6   | 1816-5   | AT317442 | 8   | 2160-5  | AT326622 | 12  | 1673-7   |
| AT312121 | 49  | 3315-9B  | AT317640 | 13  | 2160-5  | AT326922 | 15  | 3115-5   |
| AT312470 | 49  | 3102-21  | AT317783 | 7   | 3362-5  | AT326932 | 13  | 1673-7   |
| AT312728 | 6   | 1821-3   | AT317784 | 7   | 3362-5  | AT327441 | 16  | 1674-3   |
| AT312730 | 5   | 1821-3   | AT317785 | 7   | 3362-5  | AT327441 | 4   | 1674-5   |
| AT312876 | 47  | 3163-9   | AT317786 | 7   | 3362-5  | AT328231 | 6   | 3162-27  |
| AT312918 | 4   | 3362-29B | AT317805 | 22  | 0560-3  | AT328623 | 25  | 3162-27  |
| AT312918 | 13  | 3362-29B | AT317805 | 1   | 0560-7  | AT329519 | 22  | 3363-21  |
| AT312919 | 3   | 3362-29B | AT318113 | 9   | 1060-9  | AT329519 | 23  | 3363-25  |
| AT312919 | 13  | 3362-29B | AT318271 | 30  | 0960-9  | AT329520 | 21  | 3363-21  |
| AT312944 | 9   | 3362-29B | AT318271 | 30  | 0960-11 | AT329520 | 22  | 3363-25  |
| AT312949 | 13  | 3362-29B | AT318335 | 1   | 3346-5  | AT329524 | 12  | 1673-7   |
| AT313708 | 3   | 3362-31  | AT318374 | 6   | 1672-7  | AT329662 | 44  | 3363-21B |
| AT314127 | 8   | 3362-29B | AT318530 | 6   | 3162-7  | AT329663 | 45  | 3363-25  |
| AT314538 | 20  | 3162-5   | AT318551 | 4   | 0960-13 | AT329694 | 1   | 3343-5   |
| AT314538 | 41  | 3162-9   | AT318647 | 25  | 2160-9B | AT330781 | 14  | 3346-3   |
| AT314538 | 34  | 3162-11  | AT320204 | 1   | 0110-2  | AT330860 | 6   | 3162-27  |
| AT314538 | 35  | 3162-13  | AT320235 | 2   | 0560-7  | AT331223 | 13  | 2160-5   |
| AT314538 | 29  | 3162-15  | AT320369 | 1   | 3362-43 | AT332084 | 2   | 1913-3   |
| AT314538 | 33  | 3162-17  | AT320370 | 1   | 3362-41 | AT332110 | 1   | 1674-9   |



# 9995-15

310G, 310SG AND 315SG BACKHOE LOADERS

## NUMERICAL INDEX - CONTINUED

| PART NO. | KEY | PAGE    | PART NO.  | KEY | PAGE     | PART NO. | KEY | PAGE     |
|----------|-----|---------|-----------|-----|----------|----------|-----|----------|
| AT332114 | 1   | 1674-9  | A3581R    | 15  | 3348-3   | H135156  | 12  | 3102-11  |
| AT332118 | 4   | 1674-7  | A3606R    | 1   | 1369-5   | H135156  | 44  | 3102-21  |
| AT332153 | 4   | 1913-3  | A364R     | 7   | 0417-3   | H140456  | 30  | 3343-3   |
| AT332462 | 8   | 2160-5  | A364R     | 7   | 0417-4   | H140456  | 26  | 3343-5   |
| AT332497 | 3   | 3362-31 | A36518    | 8   | 3163-11  | H140818  | 4   | 3365-3   |
| AT332497 | 4   | 3362-31 | A3917R    | 6   | 0960-6   | H140818  | 4   | 3365-7   |
| AT332597 | 6   | 1913-3  | A3917R    | 1   | 1369-5   | H141836  | 12  | 2160-11  |
| AT333053 | 8   | 2160-5  | A4365R    | 39  | 0515-5   | H142090  | 13  | 3165-11  |
| AT333053 | 13  | 2160-5  | A4365R    | 1   | 1369-5   | H142090  | 13  | 3165-13  |
| AT333053 | 18  | 2160-5  | A4730R    | 1   | 1369-5   | H142090  | 6   | 3365-23  |
| AT333060 | 29  | 0250-7  | A4827R    | 14  | 0402-4A  | H142209  | 20  | 3365-19C |
| AT333453 | 3   | 1913-3  | A4827R    | 14  | 0402-6A  | H144094  | 3   | 1672-3   |
| AT333807 | 17B | 2160-5  | A4827R    | 17  | 0452-5   | H144094  | 3   | 1672-5   |
| AT334603 | 1   | 3343-3  | A48970    | 24  | 1814-3   | H144095  | 3   | 1672-3   |
| AT334604 | 1   | 3343-3  | A49232    | 4   | 3363-13  | H144095  | 3   | 1672-5   |
| AT334606 | 1   | 3343-5  | BP12214   | 1   | 1821-10  | H144342  | 4   | 0960-17  |
| AT334722 | 6   | 1672-7  | B177R     | 12  | 1060-3   | H145175  | 3   | 3365-21B |
| AT337941 | 5   | 3162-27 | B2762R    | 1   | 1369-5   | H145175  | 3   | 3365-22  |
| AT339941 | 3   | 0560-7  | B28851    | 3   | 2160-17  | H145175  | 3   | 3365-22A |
| AT340155 | 2   | 1814-3  | B3690R    | 2   | 0960-6   | H145175  | 3   | 3365-23  |
| AT340856 | 10  | 1814-15 | B3690R    | 1   | 1369-5   | H145175  | 3   | 3365-24A |
| AT34210  | 2   | 1314-3  | CD16284   | 7   | 0409-3   | H145175  | 3   | 3365-24B |
| AT34211  | 1   | 1314-3  | CV08      | 13  | 3362-31  | H145175  | 3   | 3365-25  |
| AT36635  | 8   | 1812-5  | C11884    | 12  | 3365-3   | H145175  | 3   | 3365-26  |
| AT41188  | 5   | 1671-7  | C11884    | 4   | 3365-5   | H145175  | 3   | 3365-26A |
| AT48016  | 32  | 3315-9  | C11884    | 7   | 3365-17  | H145359  | 6   | 3165-3   |
| AT49216  | 4   | 3362-31 | C15104    | 1   | 0960-6   | H145359  | 6   | 3165-7   |
| AT49216  | 14  | 3362-31 | C15107    | 3   | 0960-6   | H145456  | 6   | 3365-25  |
| AT49300  | 7   | 3315-17 | C16054    | 8   | 3163-3   | H146457  | 1   | 2160-23  |
| AT49300  | 1   | 3315-27 | C16054    | 19  | 3163-5   | H150291  | 4   | 3365-30  |
| AT51878  | 1   | 0120-1  | C16054    | 6   | 3363-3   | H150291  | 6   | 3365-31  |
| AT65241  | 15  | 0560-3  | C16054    | 4   | 3363-3B  | H150291  | 13  | 3365-33  |
| AT65241  | 16  | 0560-3  | C16054    | 19  | 3363-9   | H150947  | 5   | 3365-19C |
| AT65241  | 16  | 0560-7  | C16054    | 6   | 3363-11  | H150947  | 1   | 3365-21  |
| AT66805  | 1   | 0110-2  | C16054    | 4   | 3363-13  | H150964  | 22  | 3365-7   |
| AT68978  | 6   | 3363-29 | E12379    | 7   | 0230-5   | H150964  | 2   | 3365-9   |
| AT73296  | 1   | 0505-3  | E12379    | 5   | 1370-2   | H150964  | 21  | 3365-9   |
| AT74940  | 6   | 0505-3  | E49244    | 9   | 3365-15  | H150976  | 5   | 3365-13  |
| AT75311  | 53  | 1814-5  | E64052    | 3   | 1671-8   | H150976  | 3   | 3365-14  |
| AT75769  | 5   | 1674-5  | E67574    | 4   | 1821-10  | H151328  | 9   | 3365-19  |
| AT75769  | 5   | 1674-5B | E71998    | 14  | 2160-27  | H151328  | 18  | 3365-19B |
| AT75769  | 3   | 1674-11 | E87197    | 4   | 0560-3   | H151328  | 9   | 3365-19C |
| AT78527  | 19  | 3162-5  | E87197    | 32  | 0560-7   | H151328  | 5   | 3365-21  |
| AT78527  | 7   | 3162-7  | F1056R    | 1   | 1369-5   | H151542  | 17  | 3165-3   |
| AT78534  | 1   | 2004-4  | F1430R    | 10  | 3165-11  | H151542  | 17  | 3165-4   |
| AT78633  | 17  | 1674-5  | F1430R    | 2   | 3165-13  | H151542  | 17  | 3165-7   |
| AT79754  | 11  | 0230-1  | F1430R    | 7   | 3165-15  | H151542  | 14  | 3165-8   |
| AT79755  | 10  | 0230-1  | F1430R    | 5   | 3365-14  | H151542  | 17  | 3165-9   |
| AT79756  | 9   | 0230-1  | F1430R    | 12  | 3365-21  | H151594  | 3   | 3165-11  |
| AT81867  | 2   | 3363-29 | F1430R    | 4   | 3365-24A | H151594  | 21  | 3165-13  |
| AT82210  | 6   | 1674-11 | F1430R    | 4   | 3365-24B | H151594  | 15  | 3165-15  |
| AT83174  | 16  | 3162-17 | F1870R    | 1   | 1369-5   | H151641  | 8   | 3365-19  |
| AT83174  | 7   | 3162-21 | F2863R    | 20  | 1060-3   | H151641  | 1   | 3365-19B |
| AT83174  | 16  | 3362-19 | F2863R    | 10  | 3115-11  | H151781  | 6   | 3365-18  |
| AT83174  | 16  | 3362-23 | F2863R    | 8   | 3315-19  | H151790  | 6   | 3365-34  |
| AT83174  | 2   | 3362-24 | F3353R    | 1   | 1369-5   | H151790  | 13  | 3365-35  |
| AT83174  | 2   | 3362-25 | F37030242 | 9   | 2160-3   | H151815  | 2   | 3365-13  |
| AT83174  | 3   | 3362-26 | F37030242 | 14  | 2160-5   | H151815  | 2   | 3365-15  |
| AT83174  | 4   | 3362-26 | F950R     | 9   | 3365-10  | H151816  | 6   | 3365-13  |
| AT83174  | 3   | 3362-27 | F950R     | 5   | 3365-16  | H151820  | 15  | 3365-18  |
| AT83174  | 4   | 3362-27 | F950R     | 4   | 3365-26  | H151830  | 10  | 3365-3   |
| AT85174  | 24  | 1674-9B | F950R     | 4   | 3365-26A | H151830  | 18  | 3365-5   |
| AT85174  | 5   | 1674-9F | H104855   | 9   | 1674-17  | H151830  | 10  | 3365-7   |
| AU12450  | 17  | 3163-7  | H113924   | 8   | 0960-3   | H151830  | 18  | 3365-9   |
| AU12450  | 16  | 3163-9  | H121168   | 20  | 3102-11  | H151831  | 5   | 3365-3   |
| AW24539  | 1   | 1814-3  | H121168   | 43  | 3102-21  | H151831  | 17  | 3365-5   |
| A24073   | 3   | 3102-11 | H129201   | 13  | 3315-11  | H151831  | 5   | 3365-7   |

# 9995-16

310G, 310SG AND 315SG BACKHOE LOADERS

## NUMERICAL INDEX - CONTINUED

| PART NO. | KEY | PAGE     | PART NO. | KEY | PAGE     | PART NO. | KEY | PAGE     |
|----------|-----|----------|----------|-----|----------|----------|-----|----------|
| H151831  | 17  | 3365-9   | H152794  | 14  | 3365-11  | H155520  | 6   | 3365-21B |
| H151832  | 3   | 3365-3   | H152794  | 15  | 3365-19C | H155539  | 14  | 3365-3   |
| H151832  | 3   | 3365-7   | H152794  | 14  | 3365-21B | H155539  | 9   | 3365-17  |
| H151833  | 2   | 3365-3   | H152794  | 14  | 3365-23  | H155540  | 13  | 3365-3   |
| H151833  | 2   | 3365-7   | H152794  | 14  | 3365-25  | H155540  | 6   | 3365-5   |
| H151889  | 8   | 3365-13  | H152795  | 16  | 3365-3   | H155540  | 8   | 3365-17  |
| H151891  | 8   | 3365-18  | H152795  | 9   | 3365-5   | H155543  | 6   | 3365-3   |
| H151892  | 6   | 3365-15  | H152795  | 16  | 3365-7   | H155543  | 14  | 3365-5   |
| H151893  | 5   | 3365-15  | H152795  | 9   | 3365-9   | H155543  | 3   | 3365-17  |
| H151893  | 3   | 3365-16  | H152795  | 12  | 3365-13  | H155547  | 9   | 3365-10  |
| H151894  | 2   | 3365-17  | H152795  | 16  | 3365-14  | H155548  | 8   | 3365-10  |
| H152065  | 8   | 3365-15  | H152796  | 12  | 3365-15  | H155548  | 8   | 3365-10  |
| H152140  | 20  | 3365-7   | H152796  | 16  | 3365-16  | H155655  | 14  | 3365-36  |
| H152140  | 19  | 3365-9   | H152796  | 11  | 3365-17  | H155718  | 10  | 3365-13  |
| H152202  | 14  | 3365-19  | H152796  | 11  | 3365-18  | H155738  | 17  | 3365-7   |
| H152202  | 12  | 3365-19B | H154109  | 5   | 3365-30  | H155738  | 5   | 3365-9   |
| H152202  | 8   | 3365-27  | H154109  | 7   | 3365-31  | H155740  | 10  | 3365-15  |
| H152202  | 15  | 3365-29  | H154269  | 15  | 3365-13  | H155769  | 12  | 3365-18  |
| H152202  | 11  | 3365-34  | H154269  | 15  | 3365-15  | H156058  | 9   | 3365-30  |
| H152202  | 6   | 3365-35  | H154269  | 20  | 3365-19  | H156058  | 11  | 3365-31  |
| H152203  | 16  | 3102-13  | H154352  | 7   | 3165-11  | H156058  | 4   | 3365-33  |
| H152203  | 13  | 3165-3   | H154352  | 22  | 3365-19C | H156486  | 1   | 3365-19C |
| H152203  | 13  | 3165-4   | H154352  | 7   | 3365-23  | H156486  | 8   | 3365-21  |
| H152203  | 13  | 3165-7   | H154372  | 8   | 3365-19C | H156586  | 5   | 3365-33  |
| H152203  | 11  | 3165-8   | H154372  | 2   | 3365-21  | H156929  | 12  | 3365-17  |
| H152203  | 13  | 3165-9   | H154373  | 3   | 3365-19C | H157081  | 8   | 3365-3   |
| H152203  | 12  | 3165-11  | H154373  | 7   | 3365-21  | H157081  | 13  | 3365-5   |
| H152203  | 18  | 3165-13  | H154380  | 7   | 3365-13  | H157083  | 8   | 3365-7   |
| H152203  | 5   | 3165-15  | H154381  | 9   | 3365-13  | H157510  | 22  | 3365-19  |
| H152203  | 13  | 3365-10  | H154382  | 7   | 3365-15  | H157662  | 14  | 0960-14  |
| H152203  | 13  | 3365-11  | H154383  | 9   | 3365-15  | H157662  | 14  | 0960-17  |
| H152203  | 12  | 3365-12  | H154385  | 9   | 3365-18  | H157897  | 15  | 3365-36  |
| H152203  | 14  | 3365-19C | H154402  | 15  | 3365-27  | H157898  | 13  | 3365-19B |
| H152203  | 13  | 3365-21  | H154402  | 8   | 3365-34  | H157898  | 8   | 3365-29  |
| H152203  | 11  | 3365-21B | H154402  | 4   | 3365-35  | H157947  | 15  | 3365-36  |
| H152203  | 13  | 3365-22  | H154404  | 17  | 3365-21B | H157978  | 7   | 3365-25  |
| H152203  | 13  | 3365-22A | H154404  | 16  | 3365-22  | H158062  | 22  | 3365-3   |
| H152203  | 11  | 3365-23  | H154404  | 16  | 3365-22A | H158090  | 1   | 3365-19  |
| H152203  | 12  | 3365-24A | H154404  | 17  | 3365-23  | H158090  | 7   | 3365-19B |
| H152203  | 12  | 3365-24B | H154404  | 15  | 3365-24A | H158596  | 3   | 1921-5   |
| H152203  | 11  | 3365-25  | H154404  | 15  | 3365-24B | H158674  | 11  | 0960-17  |
| H152203  | 12  | 3365-26  | H154404  | 17  | 3365-25  | H158675  | 12  | 0960-17  |
| H152203  | 12  | 3365-26A | H154404  | 15  | 3365-26  | H158676  | 12  | 0960-14  |
| H152204  | 18  | 3365-3   | H154404  | 15  | 3365-26A | H158676  | 17  | 0960-17  |
| H152204  | 10  | 3365-5   | H154514  | 3   | 3365-33  | H158676  | 7   | 3104-5   |
| H152204  | 18  | 3365-7   | H154897  | 14  | 3365-7   | H158942  | 8   | 0960-14  |
| H152204  | 10  | 3365-9   | H154898  | 13  | 3365-7   | H158942  | 7   | 0960-17  |
| H152204  | 13  | 3365-13  | H154898  | 6   | 3365-9   | H158947  | 15  | 3365-17  |
| H152204  | 15  | 3365-14  | H154900  | 6   | 3365-7   | H159941  | 2   | 3165-3   |
| H152205  | 13  | 3365-15  | H154900  | 14  | 3365-9   | H159941  | 2   | 3165-4   |
| H152205  | 15  | 3365-16  | H154901  | 11  | 3365-7   | H159941  | 2   | 3165-7   |
| H152205  | 13  | 3365-17  | H155419  | 15  | 3365-10  | H159941  | 2   | 3165-8   |
| H152205  | 13  | 3365-18  | H155419  | 16  | 3365-11  | H159941  | 2   | 3165-9   |
| H152345  | 8   | 3165-3   | H155419  | 15  | 3365-12  | H162312  | 6   | 3104-5   |
| H152345  | 8   | 3165-7   | H155420  | 20  | 3365-3   | H164359  | 9   | 0960-17  |
| H152345  | 8   | 3165-8   | H155420  | 21  | 3365-3   | H164464  | 5   | 3365-17  |
| H152345  | 11  | 3365-11  | H155420  | 19  | 3365-5   | H164925  | 10  | 3104-5   |
| H152345  | 7   | 3365-21B | H155423  | 17  | 3365-3   | H164982  | 6   | 3365-33  |
| H152793  | 15  | 3365-19  | H155423  | 5   | 3365-5   | H168275  | 3   | 3365-19  |
| H152793  | 9   | 3365-27  | H155424  | 10  | 3365-10  | H168275  | 8   | 3365-19B |
| H152793  | 12  | 3365-34  | H155483  | 11  | 3365-3   | H169161  | 9   | 3365-3   |
| H152793  | 7   | 3365-35  | H155483  | 6   | 3365-17  | H169161  | 16  | 3365-5   |
| H152794  | 14  | 3165-3   | H155512  | 6   | 3365-10  | H169161  | 9   | 3365-7   |
| H152794  | 14  | 3165-7   | H155513  | 2   | 3365-10  | H169161  | 16  | 3365-9   |
| H152794  | 12  | 3165-8   | H155513  | 2   | 3365-11  | H170216  | 6   | 3165-9   |
| H152794  | 9   | 3165-11  | H155520  | 5   | 3365-10  | H170216  | 6   | 3365-12  |
| H152794  | 12  | 3365-10  | H155520  | 10  | 3365-11  | H170216  | 14  | 3365-19B |
|          |     |          |          |     |          | H170216  | 6   | 3365-22  |

# 9995-17

310G, 310SG AND 315SG BACKHOE LOADERS

## NUMERICAL INDEX - CONTINUED

| PART NO. | KEY | PAGE     | PART NO. | KEY | PAGE     | PART NO. | KEY | PAGE     |
|----------|-----|----------|----------|-----|----------|----------|-----|----------|
| H170216  | 6   | 3365-22A | H180787  | 7   | 3365-12  | H77698   | 36  | 3163-11  |
| H170371  | 5   | 3365-18  | H180787  | 15  | 3365-19B | H77698   | 37  | 3363-21B |
| H170372  | 2   | 3365-18  | H180787  | 7   | 3365-22  | H77698   | 15  | 3363-25  |
| H170534  | 4   | 0960-14  | H180787  | 7   | 3365-22A | H77698   | 39  | 3363-25  |
| H170534  | 3   | 0960-17  | H180927  | 6   | 3102-13  | H77698   | 15  | 3363-27  |
| H170535  | 1   | 3365-30  | H181114  | 11  | 3165-15  | H77698   | 15  | 3363-47  |
| H170535  | 1   | 3365-31  | H181114  | 15  | 3365-21  | H80753   | 2   | 0429-3   |
| H170535  | 14  | 3365-33  | H181114  | 7   | 3365-24A | H81744   | 23  | 0341-1   |
| H170537  | 1   | 3365-27  | H181114  | 7   | 3365-24B | H81744   | 22  | 0341-3   |
| H170537  | 2   | 3365-29  | H206792  | 4   | 3365-16  | H85092   | 11  | 1830-7   |
| H170537  | 2   | 3365-36  | H206859  | 6   | 3165-13  | JD10063  | 5   | 0230-8   |
| H170538  | 3   | 3165-3   | H206859  | 12  | 3165-15  | JD10249  | 22  | 0250-7   |
| H170538  | 3   | 3165-4   | H206859  | 9   | 3365-14  | JD10250  | 5   | 0250-8   |
| H170538  | 3   | 3165-7   | H206859  | 16  | 3365-21  | JD10250  | 5   | 0250-8B  |
| H170538  | 3   | 3165-8   | H206859  | 8   | 3365-24A | JD10373  | 36  | 1816-15  |
| H170538  | 3   | 3165-9   | H206859  | 8   | 3365-24B | JD10373  | 26  | 1816-17  |
| H170538  | 2   | 3365-19  | H207036  | 18  | 3104-5   | JD126    | 8   | 2008-2   |
| H170538  | 20  | 3365-19B | H208631  | 14  | 3165-13  | JD21     | 3   | 0120-1   |
| H170538  | 12  | 3365-35  | H208631  | 9   | 3165-15  | JD27     | 3   | 0120-1   |
| H170539  | 16  | 3165-11  | H208631  | 21  | 3365-21  | JD3216   | 1   | 0120-1   |
| H170539  | 7   | 3165-13  | H208631  | 10  | 3365-24A | JD5404   | 4   | 2008-2   |
| H170539  | 3   | 3165-15  | H208631  | 10  | 3365-24B | JD5621   | 9A  | 1320-3   |
| H170539  | 2   | 3365-12  | H208987  | 14  | 3165-4   | JD5694   | 10A | 1320-3   |
| H170539  | 2   | 3365-19C | H208987  | 14  | 3165-9   | JD5694   | 19  | 1814-9   |
| H170539  | 0   | 3365-21  | H208987  | 19  | 3165-13  | JD5717   | 10B | 1320-3   |
| H170540  | 2   | 3365-14  | H208987  | 6   | 3165-15  | JD5750   | 9B  | 1320-3   |
| H170540  | 2   | 3365-16  | H208987  | 13  | 3365-12  | JD5750   | 10B | 1320-3   |
| H173199  | 14  | 3104-5   | H208987  | 17  | 3365-21  | JD5750   | 19  | 1814-9   |
| H173205  | 4   | 3104-5   | H208987  | 14  | 3365-22  | JD5750   | 18  | 1814-9B  |
| H173206  | 8   | 3104-5   | H208987  | 14  | 3365-22A | JD5761   | 10B | 1320-3   |
| H173207  | 9   | 3104-5   | H208987  | 13  | 3365-24A | JD5761   | 2   | 1921-5   |
| H173411  | 35  | 1816-15  | H208987  | 13  | 3365-24B | JD5836   | 7   | 1320-3   |
| H173411  | 34  | 1816-17  | H208987  | 13  | 3365-26  | JD5920   | 5   | 1314-3   |
| H177854  | 4   | 3102-13  | H208987  | 13  | 3365-26A | JD5920   | 12  | 1320-3   |
| H178765  | 17  | 3365-29  | H208995  | 10  | 3365-26  | JD5930   | 3   | 2008-2   |
| H178765  | 10  | 3365-36  | H208995  | 10  | 3365-26A | JD5933   | 26  | 0560-3   |
| H179657  | 18  | 3365-29  | H209221  | 11  | 3165-4   | JD5933   | 10  | 0560-7   |
| H179657  | 12  | 3365-36  | H209221  | 11  | 3165-9   | JD5933   | 11  | 1913-3   |
| H179692  | 8   | 3102-13  | H209221  | 3   | 3365-12  | JD7797   | 7   | 0230-1   |
| H180080  | 9   | 3365-16  | H209221  | 11  | 3365-22  | JD7797   | 8   | 0230-5   |
| H180080  | 8   | 3365-26  | H209221  | 11  | 3365-22A | JD7797   | 3   | 0250-2   |
| H180080  | 8   | 3365-26A | H209264  | 4   | 3365-14  | JD7797   | 4   | 3102-9   |
| H180094  | 7   | 3365-16  | H209712  | 1   | 3365-5   | JD7797   | 4   | 3102-11  |
| H180094  | 6   | 3365-26  | H209712  | 1   | 3365-9   | JD7797   | 11  | 3102-12  |
| H180094  | 6   | 3365-26A | H210731  | 21  | 3365-19B | JD7797   | 38  | 3102-21  |
| H180103  | 4   | 3165-13  | H210874  | 7   | 3365-33  | JD7798   | 18  | 3345-5   |
| H180103  | 10  | 3165-15  | H210939  | 7   | 3365-36  | JD7838   | 25  | 0230-3   |
| H180103  | 7   | 3365-14  | H210941  | 11  | 3365-29  | JD7838   | 10  | 0230-5   |
| H180103  | 14  | 3365-21  | H211156  | 11  | 3365-33  | JD7838   | 9   | 0250-1   |
| H180103  | 6   | 3365-24A | H217543  | 12  | 3104-5   | JD7838   | 6   | 0960-14  |
| H180103  | 6   | 3365-24B | H23125   | 1   | 0402-3   | JD7838   | 1   | 1370-2   |
| H180397  | 13  | 3365-9   | H23196   | 9   | 1369-7   | JD7838   | 2   | 1370-2   |
| H180402  | 11  | 3365-14  | H29619   | 2   | 3102-12  | JD7844   | 4   | 3102-11  |
| H180402  | 11  | 3365-16  | H35244   | 1   | 1369-5   | JD7844   | 45  | 3102-21  |
| H180402  | 5   | 3365-19B | H63262   | 8   | 3365-33  | JD8251   | 6   | 0230-4   |
| H180402  | 20  | 3365-19C | H77698   | 23  | 0560-3   | JD8929   | 7   | 0230-4   |
| H180402  | 19  | 3365-21  | H77698   | 34  | 0560-7   | JD9041   | 3   | 0230-4   |
| H180430  | 6   | 3365-15  | H77698   | 11  | 1314-3   | JD9170   | 4   | 0230-4   |
| H180431  | 11  | 3365-3   | H77698   | 4   | 1671-8   | JD9954   | 10  | 3115-5   |
| H180431  | 3   | 3365-5   | H77698   | 21  | 1674-5   | J16931   | 2   | 1313-3   |
| H180431  | 6   | 3365-17  | H77698   | 1   | 1674-5D  | KV11304  | 50  | 3102-21  |
| H180433  | 11  | 3365-7   | H77698   | 54  | 1830-7B  | KV11305  | 49  | 3102-21  |
| H180433  | 3   | 3365-9   | H77698   | 17  | 1830-13  | KV11305  | 44  | 3163-9   |
| H180569  | 6   | 3365-10  | H77698   | 33  | 2160-9   | KV12858  | 10  | 3162-5   |
| H180778  | 1   | 3104-5   | H77698   | 22  | 3163-5   | KV14216  | 50  | 3102-21  |
| H180782  | 2   | 3104-5   | H77698   | 37  | 3163-7   | KV16429  | 14  | 0520-3   |
| H180787  | 7   | 3165-9   | H77698   | 39  | 3163-9   | KV22121  | 36  | 3102-21  |

# 9995-18

310G, 310SG AND 315SG BACKHOE LOADERS

## NUMERICAL INDEX - CONTINUED

| PART NO. | KEY | PAGE    | PART NO. | KEY | PAGE    | PART NO. | KEY | PAGE     |
|----------|-----|---------|----------|-----|---------|----------|-----|----------|
| KV22609  | 11  | 3163-3  | L38730   | 18  | 0315-3  | M40569   | 14  | 3315-19  |
| KV22609  | 1   | 3163-5  | L40014   | 16  | 0250-5  | M40569   | 19  | 3315-19  |
| KV25678  | 4   | 3362-31 | L40276   | 10  | 0250-7  | M41029   | 4   | 0403-2   |
| KV25678  | 8   | 3362-31 | L40306   | 10  | 0250-5  | M41029   | 4   | 0403-2A  |
| K40006   | 14  | 3102-9  | L40317   | 25  | 0250-7  | M41029   | 4   | 0403-2B  |
| K40006   | 39  | 3102-21 | L40982   | 3   | 0250-13 | M41029   | 4   | 0403-3A  |
| L100057  | 4   | 0250-13 | L40985   | 3   | 0250-13 | M41029   | 26  | 1060-5   |
| L100060  | 4   | 0250-13 | L40988   | 3   | 0250-13 | M4125T   | 5   | 3104-5   |
| L100063  | 4   | 0250-13 | L40991   | 3   | 0250-13 | M4237T   | 1   | 1369-5   |
| L100066  | 4   | 0250-13 | L40994   | 3   | 0250-13 | M4237T   | 4   | 3365-19  |
| L100069  | 4   | 0250-13 | L41159   | 4   | 0250-8  | M4237T   | 9   | 3365-19B |
| L100074  | 4   | 0250-13 | L41159   | 4   | 0250-8B | M43835   | 2   | 1674-17  |
| L100077  | 4   | 0250-13 | L4694T   | 4   | 3115-11 | M453T    | 31  | 1821-3B  |
| L100080  | 4   | 0250-13 | L4694T   | 5   | 3115-13 | M47031   | 5   | 1821-7   |
| L100083  | 4   | 0250-13 | L53816   | 14  | 0341-1  | M47031   | 12  | 1821-7   |
| L100086  | 4   | 0250-13 | L55580   | 14  | 0201-3  | M47031   | 24  | 1821-9   |
| L100089  | 4   | 0250-13 | L55580   | 19  | 0250-5  | M47031   | 4   | 1821-13  |
| L100092  | 4   | 0250-13 | L55580   | 9   | 0250-8  | M48534   | 1   | 0515-3   |
| L100096  | 4   | 0250-13 | L55580   | 9   | 0250-8A | M48534   | 4   | 0515-5   |
| L100102  | 16  | 0250-7  | L55580   | 9   | 0250-8B | M63200   | 3   | 1913-3   |
| L100106  | 16  | 0250-7  | L55580   | 12  | 1011-3  | M63200   | 4   | 1913-3   |
| L100109  | 16  | 0250-7  | L55598   | 23  | 0250-7  | M63431   | 16  | 1674-7   |
| L100141  | 11  | 0250-5  | L55605   | 1   | 0250-5  | M68954   | 8   | 3115-7   |
| L100145  | 11  | 0250-5  | L55605   | 4   | 0250-5  | M68954   | 9   | 3115-9   |
| L100150  | 4   | 0250-11 | L55605   | 6   | 0250-5  | M68954   | 7   | 3115-11  |
| L100151  | 4   | 0250-11 | L55606   | 3   | 0250-13 | M68954   | 4   | 3315-7   |
| L100152  | 4   | 0250-11 | L55610   | 3   | 0250-13 | M68954   | 10  | 3315-9   |
| L100153  | 5   | 0250-11 | L56822   | 17  | 0201-3  | M68954   | 10  | 3315-11  |
| L100154  | 6   | 0250-11 | L56822   | 17  | 0250-5  | M68954   | 14  | 3315-13  |
| L100158  | 10  | 0250-9  | L57881   | 58  | 1830-7B | M68954   | 18  | 3315-13B |
| L100158  | 2   | 0250-11 | L57881   | 11  | 1830-9  | M68954   | 17  | 3315-15  |
| L100168  | 7   | 0250-8  | L60103   | 7   | 0250-9  | M68954   | 16  | 3315-15B |
| L100168  | 7   | 0250-8B | L60103   | 8   | 0250-11 | M68954   | 13  | 3315-17  |
| L100169  | 3   | 0250-8A | L60104   | 5   | 0250-9  | M72598   | 13  | 1816-11  |
| L100230  | 7   | 0250-13 | L60104   | 10  | 0250-11 | M84972   | 8   | 1811-5   |
| L100238  | 24  | 0250-7  | L61263   | 11  | 0250-5  | M84972   | 31  | 1816-13  |
| L100239  | 20  | 0250-7  | L61267   | 11  | 0250-5  | M84972   | 44  | 1830-7B  |
| L100240  | 10  | 0250-8  | L61271   | 11  | 0250-5  | M84972   | 18  | 2001-3   |
| L100240  | 10  | 0250-8A | L61275   | 11  | 0250-5  | M85517   | 7   | 1674-3   |
| L100240  | 10  | 0250-8B | L75379   | 2   | 2002-2  | M86533   | 26  | 1830-13  |
| L100241  | 5   | 0250-8A | L78069   | 16  | 0350-8  | M86863   | 19  | 3363-29  |
| L100242  | 7   | 0250-8A | L78069   | 18  | 0350-27 | M86877   | 11  | 0510-3   |
| L100632  | 7   | 0250-7  | L79728   | 6   | 0250-8  | M86877   | 1   | 2004-7   |
| L100633  | 8   | 0250-7  | L79728   | 6   | 0250-8B | M86877   | 3   | 2004-8   |
| L100635  | 5   | 0250-7  | L79729   | 1   | 0250-8A | M86877   | 5B  | 3363-19  |
| L100636  | 4   | 0250-7  | MG272321 | 20  | 3162-25 | M87261   | 9   | 1821-7   |
| L110233  | 18  | 0250-5  | MT2485   | 31  | 0510-3  | M87534   | 62  | 1814-5   |
| L110235  | 1   | 0250-8  | MT2485   | 28  | 1674-9D | M87534   | 20  | 1816-15  |
| L110235  | 1   | 0250-8B | MT2485   | 11  | 1811-5  | M87534   | 6   | 1816-17  |
| L110729  | 7   | 0210-1  | MT2485   | 15  | 1816-15 | M87534   | 26  | 3315-9   |
| L112197  | 1   | 0250-9  | MT2485   | 35  | 1816-17 | M87534   | 7   | 3315-13  |
| L112197  | 11  | 0250-9  | MT2485   | 1   | 1834-3  | M87534   | 12  | 3315-15  |
| L112197  | 11  | 0250-11 | MT2485   | 17  | 2001-3  | M87571   | 1   | 0560-4   |
| L114558  | 14  | 0250-5  | M1036T   | 2   | 3162-27 | M87571   | 3   | 2160-13  |
| L11698   | 3   | 0360-3  | M115279  | 17  | 1673-7  | M87571   | 19  | 2160-13  |
| L11698   | 4   | 0360-3  | M115279  | 3   | 1674-3  | M87571   | 8   | 3363-29  |
| L11698   | 29  | 0360-3  | M132832  | 11  | 1814-13 | M87571   | 20  | 3363-29  |
| L11698   | 30  | 0360-3  | M1340T   | 23  | 1821-9  | M87571   | 10  | 3363-31  |
| L11698   | 6   | 0360-7  | M135646  | 16  | 3363-45 | M87733   | 3   | 0416-3   |
| L11698   | 23  | 0360-7  | M2649DN  | 15  | 3343-3  | M87733   | 3   | 0416-5   |
| L11698   | 11  | 0360-9  | M2649DN  | 6   | 3343-5  | M87733   | 2   | 0416-7   |
| L11698   | 23  | 0360-11 | M2649DN  | 11  | 3343-5  | M87733   | 2   | 0416-9   |
| L2646N   | 17  | 0560-7  | M359T    | 44  | 3315-9B | N105572  | 28  | 3343-3   |
| L33993   | 3   | 1672-3  | M359T    | 12  | 3315-11 | N105572  | 19  | 3343-5   |
| L33993   | 3   | 1672-5  | M40333   | 7   | 1671-3  | N115096  | 11  | 1674-17  |
| L3483N   | 33  | 1830-13 | M40333   | 10  | 1671-5  | N117290  | 3   | 2160-19  |
| L35714   | 9   | 0250-13 | M40569   | 10  | 3315-19 | N117290  | 3   | 2160-23  |

# 9995-19

310G, 310SG AND 315SG BACKHOE LOADERS

## NUMERICAL INDEX - CONTINUED

| PART NO. | KEY | PAGE     | PART NO. | KEY | PAGE     | PART NO. | KEY | PAGE    |
|----------|-----|----------|----------|-----|----------|----------|-----|---------|
| N119316  | 2   | 0250-2   | RE19799  | 9   | 0413-11  | RE48786  | 8   | 0413-1  |
| N119316  | 5   | 0325-2   | RE198074 | 60  | 1830-7B  | RE48786  | 10  | 0413-1  |
| N119479  | 4   | 3315-13  | RE20342  | 3   | 3365-27  | RE48786  | 8   | 0413-3  |
| N119479  | 15  | 3315-15  | RE20342  | 3   | 3365-29  | RE48786  | 10  | 0413-3  |
| N131838  | 1   | 1369-5   | RE20342  | 4   | 3365-34  | RE49778  | 16  | 1673-7  |
| N189220  | 18  | 0520-3   | RE20343  | 4   | 3365-15  | RE500000 | 3   | 0403-2  |
| N189220  | 28  | 2160-9   | RE20343  | 19  | 3365-16  | RE500000 | 3   | 0403-2A |
| N189220  | 20  | 2160-9B  | RE20343  | 5   | 3365-25  | RE500000 | 3   | 0403-2B |
| N198516  | 13  | 2160-17  | RE20344  | 14  | 3165-11  | RE500000 | 3   | 0403-3A |
| N198516  | 13  | 2160-19  | RE20344  | 12  | 3165-13  | RE500002 | 3   | 0403-2  |
| N198516  | 13  | 2160-21  | RE20344  | 4   | 3365-13  | RE500002 | 3   | 0403-2A |
| N198516  | 29  | 3363-5   | RE20344  | 19  | 3365-14  | RE500002 | 3   | 0403-2B |
| N203255  | 15  | 2160-25  | RE20344  | 7   | 3365-19C | RE500002 | 3   | 0403-3A |
| N231749  | 19  | 0201-3   | RE20344  | 3   | 3365-21  | RE500005 | 4   | 0407-2  |
| N275275  | 2   | 2004-4   | RE20344  | 5   | 3365-23  | RE500133 | 4   | 0407-13 |
| N30256   | 2   | 3163-11  | RE20345  | 5   | 3165-3   | RE500133 | 4   | 0407-17 |
| N30405   | 18  | 0560-7   | RE20345  | 5   | 3165-7   | RE500137 | 4   | 0433-2  |
| PML377   | 6   | 1673-3   | RE20345  | 4   | 3365-10  | RE500448 | 11  | 0415-3  |
| PM37465  | 8   | 0520-5   | RE20345  | 3   | 3365-11  | RE500449 | 12  | 0415-3  |
| PM37485  | 16  | 0560-3   | RE20345  | 7   | 3365-19  | RE500539 | 8   | 0429-3  |
| PM37485  | 1   | 1330-2   | RE20345  | 2   | 3365-19B | RE500631 | 15  | 0401-1B |
| PM38655  | 24  | 0404-3   | RE20345  | 5   | 3365-21B | RE500631 | 15  | 0401-5  |
| PM38655  | 1   | 1330-2   | RE20428  | 17  | 3365-27  | RE500737 | 16  | 0417-3  |
| PM797NA  | 57  | 1674-19  | RE20428  | 20  | 3365-34  | RE501260 | 12  | 0416-7  |
| PT11778  | 17  | 1830-7   | RE20809  | 4   | 3365-18  | RE501260 | 12  | 0416-9  |
| P10456   | 23  | 3115-3   | RE21730  | 5   | 1674-22  | RE501298 | 13  | 0422-5  |
| P45750   | 11  | 3104-5   | RE21731  | 5   | 1674-22  | RE501377 | 5   | 0407-2  |
| P46051   | 1   | 1369-5   | RE21732  | 6   | 1674-22  | RE501455 | 12  | 0452-3  |
| P48347   | 33  | 0515-5   | RE21790  | 2   | 0505-5   | RE501767 | 7   | 0422-2  |
| P48403   | 1   | 1369-5   | RE22413  | 3   | 0960-14  | RE501938 | 3   | 0402-4A |
| P48403   | 7   | 3365-10  | RE22415  | 5   | 0960-14  | RE501938 | 3   | 0402-5A |
| P48403   | 4   | 3365-19C | RE22415  | 18  | 0960-17  | RE501938 | 13  | 0402-5A |
| P48403   | 9   | 3365-21  | RE31617  | 13  | 0409-3   | RE501938 | 3   | 0402-6A |
| P50631   | 2   | 0960-3   | RE32173  | 5   | 3365-27  | RE501938 | 3   | 0402-7A |
| P50631   | 2   | 0960-5   | RE32175  | 11  | 3365-27  | RE501938 | 13  | 0402-7A |
| P50631   | 1   | 1369-5   | RE32175  | 12  | 3365-29  | RE502377 | 22  | 0413-9  |
| P50883   | 3   | 3362-30  | RE32530  | 17A | 2160-5   | RE502378 | 22  | 0413-9  |
| RE11154  | 57  | 1674-19  | RE33412  | 18  | 3365-30  | RE502380 | 22  | 0413-5  |
| RE11156  | 36  | 1674-19  | RE33636  | 7   | 0505-5   | RE502903 | 4   | 0414-1  |
| RE11157  | 37  | 1674-19  | RE36133  | 26  | 1830-7   | RE502969 | 5   | 0402-3  |
| RE12330  | 14  | 1674-21  | RE40048  | 5   | 0410-2   | RE504233 | 4   | 0421-2  |
| RE12331  | 12  | 1674-21  | RE40049  | 2   | 1814-11  | RE504244 | 13  | 0422-5  |
| RE12332  | 18  | 1674-21  | RE40049  | 3   | 1814-11  | RE504543 | 10  | 0407-14 |
| RE12333  | 21  | 1674-21  | RE40049  | 5   | 1814-15  | RE504543 | 10  | 0407-18 |
| RE12334  | 8   | 1674-21  | RE40049  | 6   | 1814-15  | RE504564 | 3   | 0407-14 |
| RE12362  | 4   | 1674-21  | RE42139  | 5   | 0505-3   | RE504564 | 3   | 0407-18 |
| RE12363  | 10  | 0315-7   | RE43497  | 20  | 1674-7   | RE504638 | 4   | 0401-1B |
| RE12363  | 3   | 1674-14  | RE43637  | 1   | 1674-13  | RE504638 | 4   | 0401-3  |
| RE12363  | 11  | 1674-21  | RE44574  | 4   | 0433-3   | RE504638 | 4   | 0401-5  |
| RE12363  | 15  | 3115-7   | RE44574  | 4   | 0433-4   | RE504638 | 4   | 0401-7  |
| RE12363  | 20  | 3115-9   | RE44574  | 18  | 0452-5   | RE504741 | 13  | 0415-3  |
| RE12364  | 16  | 1674-21  | RE45896  | 5   | 0230-6   | RE504836 | 4   | 0407-14 |
| RE12365  | 20  | 1674-21  | RE46534  | 5   | 1674-13  | RE504836 | 4   | 0407-18 |
| RE12366  | 25  | 1674-21  | RE46609  | 25  | 1830-13  | RE504914 | 6   | 0407-21 |
| RE14246  | 4   | 1811-3   | RE46684  | 7   | 0418-3   | RE505047 | 4   | 0416-3  |
| RE155938 | 5A  | 1830-7   | RE46684  | 15  | 0418-3   | RE505047 | 4   | 0416-5  |
| RE157329 | 5B  | 1830-7   | RE46685  | 5   | 0407-7   | RE505047 | 3   | 0416-9  |
| RE174764 | 16  | 1830-7   | RE46685  | 5   | 0407-9   | RE505047 | 4   | 0416-9  |
| RE179976 | 19  | 0560-7   | RE46685  | 5   | 0407-11  | RE505047 | 5   | 0416-9  |
| RE190139 | 11  | 2001-3   | RE46685  | 10  | 0417-3   | RE505110 | 10  | 0403-2  |
| RE19797  | 5   | 0413-5   | RE46685  | 10  | 0417-4   | RE505110 | 10  | 0403-2A |
| RE19797  | 3   | 0413-7   | RE46685  | 7   | 0419-3   | RE505111 | 7   | 0403-2B |
| RE19797  | 5   | 0413-9   | RE46686  | 6   | 0419-3   | RE505111 | 8   | 0403-2B |
| RE19797  | 3   | 0413-11  | RE46686  | 5   | 0420-7   | RE505111 | 10  | 0403-2B |
| RE19799  | 15  | 0413-5   | RE46686  | 5   | 0420-13  | RE505264 | 10  | 0429-3  |
| RE19799  | 9   | 0413-7   | RE46742  | 21  | 1674-7   | RE505264 | 40  | 1830-15 |
| RE19799  | 15  | 0413-9   | RE48310  | 6   | 0505-5   | RE505400 | 10  | 0422-2  |

# 9995-20

310G, 310SG AND 315SG BACKHOE LOADERS

## NUMERICAL INDEX - CONTINUED

| PART NO. | KEY | PAGE    | PART NO. | KEY | PAGE    | PART NO. | KEY | PAGE     |
|----------|-----|---------|----------|-----|---------|----------|-----|----------|
| RE505400 | 10  | 0422-3  | RE509794 | 3   | 0420-5  | RE52087  | 2   | 0530-5   |
| RE505400 | 7   | 0422-5  | RE509794 | 5   | 0420-5  | RE521822 | 1   | 0413-12B |
| RE505501 | 14  | 0402-5A | RE509794 | 3   | 0420-11 | RE521822 | 1   | 0413-13B |
| RE505501 | 14  | 0402-7A | RE509794 | 5   | 0420-11 | RE521822 | 3   | 1674-9F  |
| RE505501 | 30  | 0404-3  | RE515372 | 1   | 0450-3  | RE521823 | 2   | 0413-12B |
| RE505515 | 11  | 0402-4A | RE515428 | 2   | 0422-2  | RE521823 | 2   | 0413-13B |
| RE505515 | 11  | 0402-5A | RE515428 | 2   | 0422-3  | RE521824 | 3   | 0413-12B |
| RE505515 | 11  | 0402-6A | RE515464 | 10  | 0413-7  | RE521824 | 3   | 0413-13B |
| RE505515 | 11  | 0402-7A | RE515464 | 10  | 0413-11 | RE521825 | 4   | 0413-12B |
| RE505515 | 19  | 0452-5  | RE515684 | 1   | 0413-3B | RE521825 | 4   | 0413-13B |
| RE505981 | 16  | 0417-3  | RE515688 | 11  | 0422-2  | RE522076 | 3   | 0418-3   |
| RE505981 | 16  | 0417-4  | RE515688 | 11  | 0422-3  | RE522077 | 3   | 0408-5   |
| RE506105 | 7   | 0422-2  | RE515978 | 2   | 0402-4A | RE522078 | 2   | 0407-5   |
| RE506105 | 7   | 0422-3  | RE515978 | 15  | 0402-5A | RE522079 | 4   | 0408-5   |
| RE506105 | 13  | 0422-5  | RE515978 | 2   | 0402-6A | RE522109 | 5   | 0413-12B |
| RE506105 | 2   | 0422-7  | RE515978 | 15  | 0402-7A | RE522109 | 5   | 0413-13B |
| RE50618  | 4   | 0401-1B | RE516099 | 3   | 0404-3  | RE522242 | 2   | 0407-13  |
| RE50618  | 4   | 0401-5  | RE516099 | 1   | 0404-5  | RE52242  | 1   | 0407-14  |
| RE506300 | 3   | 0418-3  | RE516100 | 3   | 0404-3  | RE52242  | 2   | 0407-17  |
| RE506662 | 7   | 0414-1  | RE516100 | 1   | 0404-5  | RE52242  | 1   | 0407-18  |
| RE506949 | 3   | 0414-2  | RE516340 | 4   | 0401-1B | RE522527 | 14  | 0413-7   |
| RE50752  | 9   | 0420-3  | RE516340 | 25  | 0401-1B | RE522527 | 14  | 0413-11  |
| RE50752  | 10  | 0420-5  | RE516340 | 4   | 0401-5  | RE522766 | 3   | 0408-5   |
| RE50752  | 9   | 0420-9  | RE516340 | 25  | 0401-5  | RE522820 | 2   | 0419-3   |
| RE50752  | 10  | 0420-11 | RE516340 | 11  | 0402-4A | RE52346  | 11  | 0402-4A  |
| RE507595 | 1   | 0402-1B | RE516340 | 11  | 0402-5A | RE52346  | 11  | 0402-5A  |
| RE507597 | 7   | 0420-7  | RE516340 | 11  | 0402-6A | RE52346  | 11  | 0402-6A  |
| RE507597 | 7   | 0420-13 | RE516340 | 11  | 0402-7A | RE52346  | 11  | 0402-7A  |
| RE507598 | 1   | 0413-7  | RE516340 | 19  | 0452-5  | RE52346  | 19  | 0452-5   |
| RE507598 | 1   | 0413-11 | RE51648  | 22  | 0420-3  | RE526670 | 12  | 0452-1   |
| RE507637 | 2   | 0422-2  | RE51648  | 1   | 0420-5  | RE526670 | 33  | 0452-5   |
| RE507637 | 2   | 0422-3  | RE51648  | 22  | 0420-9  | RE526671 | 17  | 0452-1   |
| RE507638 | 11  | 0422-2  | RE51648  | 1   | 0420-11 | RE526671 | 34  | 0452-5   |
| RE507638 | 11  | 0422-3  | RE51649  | 19  | 0420-3  | RE527042 | 12  | 0452-3   |
| RE507646 | 4   | 0413-7  | RE51649  | 2   | 0420-5  | RE52722  | 14  | 0418-3   |
| RE507646 | 7   | 0413-11 | RE51649  | 19  | 0420-9  | RE52722  | 20  | 1674-9B  |
| RE507647 | 5   | 0413-7  | RE51649  | 2   | 0420-11 | RE527298 | 12  | 0452-3   |
| RE507647 | 6   | 0413-11 | RE51650  | 11  | 0420-5  | RE527299 | 1   | 0450-3   |
| RE507648 | 6   | 0413-7  | RE51650  | 11  | 0420-11 | RE527299 | 12  | 0452-3   |
| RE507648 | 5   | 0413-11 | RE516512 | 23  | 0420-3  | RE531116 | 1   | 0413-2   |
| RE507649 | 7   | 0413-7  | RE516512 | 4   | 0420-5  | RE531116 | 25  | 0413-7   |
| RE507649 | 4   | 0413-11 | RE516512 | 12  | 0420-5  | RE531116 | 25  | 0413-11  |
| RE507766 | 1   | 0413-2  | RE516512 | 23  | 0420-9  | RE54885  | 8   | 0416-7   |
| RE507766 | 25  | 0413-7  | RE516512 | 4   | 0420-11 | RE54885  | 8   | 0416-9   |
| RE507766 | 25  | 0413-11 | RE516512 | 12  | 0420-11 | RE56165  | 32  | 0515-5   |
| RE507852 | 6   | 0403-3A | RE516513 | 23  | 0420-3  | RE56165  | 8   | 1674-9F  |
| RE507920 | 7   | 0403-3A | RE516513 | 12  | 0420-5  | RE56313  | 15  | 0401-3   |
| RE507920 | 8   | 0403-3A | RE516513 | 23  | 0420-9  | RE56313  | 15  | 0401-7   |
| RE507920 | 10  | 0403-3A | RE516513 | 12  | 0420-11 | RE56323  | 5   | 0420-3   |
| RE508185 | 22  | 0404-3  | RE516553 | 9   | 0420-3  | RE56323  | 5   | 0420-9   |
| RE508185 | 25  | 0404-3  | RE516553 | 10  | 0420-5  | RE56369  | 21  | 0401-1B  |
| RE508195 | 13  | 0402-5A | RE516553 | 9   | 0420-9  | RE56369  | 21  | 0401-3   |
| RE508195 | 13  | 0402-7A | RE516553 | 10  | 0420-11 | RE56369  | 21  | 0401-5   |
| RE508566 | 20  | 0402-5A | RE517370 | 13  | 0402-5A | RE56369  | 21  | 0401-7   |
| RE508566 | 20  | 0402-7A | RE517370 | 13  | 0402-7A | RE56375  | 1   | 0402-1   |
| RE508566 | 16  | 0417-3  | RE518087 | 10  | 0413-7  | RE56375  | 1   | 0402-1A  |
| RE508566 | 17  | 0417-4  | RE518087 | 10  | 0413-11 | RE57234  | 15  | 0409-3   |
| RE508716 | 2   | 0413-2  | RE518097 | 14  | 0429-3  | RE57471  | 15  | 0230-7   |
| RE508716 | 21  | 0413-7  | RE518176 | 14  | 0413-7  | RE57472  | 17  | 0230-7   |
| RE508716 | 21  | 0413-11 | RE518176 | 14  | 0413-11 | RE57619  | 10  | 0407-21  |
| RE509031 | 8   | 0420-5  | RE519144 | 13  | 0402-5A | RE57836  | 29  | 0404-3   |
| RE509031 | 8   | 0420-11 | RE519144 | 13  | 0402-7A | RE57836  | 6   | 0433-3   |
| RE509555 | 4   | 0416-9  | RE519144 | 6   | 1674-9F | RE59296  | 2   | 0419-3   |
| RE509572 | 4   | 0416-5  | RE520023 | 1   | 0404-7  | RE59439  | 2   | 0407-7   |
| RE509572 | 3   | 0416-9  | RE520031 | 1   | 0404-7  | RE59439  | 2   | 0407-9   |
| RE509572 | 4   | 0416-9  | RE520539 | 1   | 0452-3  | RE59447  | 7   | 0413-5   |
| RE509572 | 5   | 0416-9  | RE52087  | 2   | 0530-3  | RE59447  | 7   | 0413-9   |

# 9995-21

310G, 310SG AND 315SG BACKHOE LOADERS

## NUMERICAL INDEX - CONTINUED

| PART NO. | KEY | PAGE    | PART NO. | KEY | PAGE    | PART NO. | KEY | PAGE    |
|----------|-----|---------|----------|-----|---------|----------|-----|---------|
| RE59448  | 8   | 0413-5  | RE65165  | 7   | 0401-7  | RE69243  | 1   | 0407-5  |
| RE59448  | 8   | 0413-9  | RE65168  | 10  | 0401-1B | RE70073  | 10  | 0407-21 |
| RE59449  | 9   | 0413-5  | RE65168  | 10  | 0401-3  | RE70358  | 11  | 0420-3  |
| RE59449  | 9   | 0413-9  | RE65168  | 10  | 0401-5  | RE70358  | 18  | 0420-3  |
| RE59450  | 10  | 0413-5  | RE65168  | 10  | 0401-7  | RE70358  | 11  | 0420-9  |
| RE59450  | 10  | 0413-9  | RE65908  | 11  | 0403-2  | RE70358  | 18  | 0420-9  |
| RE59487  | 17  | 0413-5  | RE65908  | 11  | 0403-2A | RE70486  | 5   | 0422-5  |
| RE59487  | 18  | 0413-5  | RE65908  | 11  | 0403-2B | RE70487  | 3   | 0422-5  |
| RE59487  | 17  | 0413-9  | RE65908  | 11  | 0403-3A | RE70535  | 14  | 0429-3  |
| RE59487  | 18  | 0413-9  | RE65909  | 11  | 0403-2  | RE70756  | 9   | 0422-5  |
| RE59487  | 3   | 0420-3  | RE65909  | 11  | 0403-2A | RE70756  | 12  | 0422-5  |
| RE59487  | 4   | 0420-3  | RE65909  | 11  | 0403-2B | RE70848  | 4   | 0413-5  |
| RE59487  | 3   | 0420-7  | RE65909  | 11  | 0403-3A | RE70848  | 4   | 0413-9  |
| RE59487  | 4   | 0420-7  | RE65911  | 7   | 0401-1B | RE70962  | 15  | 0417-4  |
| RE59487  | 3   | 0420-9  | RE65911  | 7   | 0401-3  | RE71240  | 15  | 0417-3  |
| RE59487  | 4   | 0420-9  | RE65911  | 7   | 0401-5  | RE71256  | 8   | 0422-5  |
| RE59487  | 4   | 0420-13 | RE65911  | 7   | 0401-7  | R100369  | 14  | 0417-3  |
| RE59545  | 2   | 0407-11 | RE65912  | 10  | 0401-1B | R100369  | 14  | 0417-4  |
| RE59547  | 4   | 0416-7  | RE65912  | 10  | 0401-3  | R100377  | 2   | 0423-3  |
| RE59547  | 4   | 0416-9  | RE65912  | 10  | 0401-5  | R10093   | 5   | 0960-6  |
| RE59754  | 7   | 0407-13 | RE65912  | 10  | 0401-7  | R10093   | 1   | 1369-5  |
| RE59754  | 7   | 0407-17 | RE65951  | 1   | 0404-5  | R10093   | 21  | 1830-7  |
| RE59810  | 11  | 0402-4A | RE65953  | 1   | 0404-5  | R10093   | 5   | 1830-13 |
| RE59810  | 11  | 0402-5A | RE65966  | 7   | 0403-2  | R10093   | 9   | 3362-21 |
| RE59810  | 11  | 0402-6A | RE65966  | 8   | 0403-2  | R101225  | 11  | 0401-1B |
| RE59810  | 11  | 0402-7A | RE65966  | 10  | 0403-2  | R101225  | 14  | 0401-1B |
| RE59810  | 19  | 0452-5  | RE65966  | 7   | 0403-2A | R101225  | 14  | 0401-3  |
| RE59811  | 22  | 0401-1B | RE65966  | 8   | 0403-2A | R101225  | 11  | 0401-5  |
| RE59811  | 4   | 0401-3  | RE65966  | 10  | 0403-2A | R101225  | 14  | 0401-5  |
| RE59811  | 22  | 0401-3  | RE65978  | 5   | 0408-5  | R101225  | 14  | 0401-7  |
| RE59811  | 22  | 0401-5  | RE65978  | 6   | 0416-7  | R104592  | 5   | 0404-3  |
| RE59811  | 4   | 0401-7  | RE65978  | 6   | 0416-9  | R104592  | 5   | 0409-3  |
| RE59811  | 22  | 0401-7  | RE65978  | 12  | 1369-7  | R104846  | 15  | 0560-3  |
| RE60005  | 3   | 0409-3  | RE65978  | 7   | 2160-11 | R104846  | 1   | 1674-9  |
| RE60025  | 12  | 0420-3  | RE65978  | 31  | 2160-11 | R105812  | 6   | 0515-3  |
| RE60025  | 12  | 0420-9  | RE65978  | 9   | 2160-17 | R105812  | 7   | 0515-5  |
| RE60029  | 17  | 0413-5  | RE65978  | 19  | 2160-17 | R106466  | 9   | 0515-5  |
| RE60029  | 18  | 0413-5  | RE65978  | 9   | 2160-19 | R106466  | 30  | 3115-3  |
| RE60029  | 17  | 0413-9  | RE65978  | 5   | 2160-21 | R106466  | 5   | 3162-23 |
| RE60029  | 18  | 0413-9  | RE65978  | 7   | 2160-23 | R106466  | 13  | 3315-25 |
| RE60029  | 3   | 0420-3  | RE66082  | 12  | 0452-1  | R106466  | 21  | 3315-25 |
| RE60029  | 4   | 0420-3  | RE66082  | 33  | 0452-5  | R107731  | 11  | 0402-2  |
| RE60029  | 3   | 0420-7  | RE66084  | 17  | 0452-1  | R109863  | 12  | 0401-1B |
| RE60029  | 4   | 0420-7  | RE66084  | 34  | 0452-5  | R109863  | 12  | 0401-5  |
| RE60029  | 3   | 0420-9  | RE66153  | 2   | 0421-2  | R110531  | 1   | 0414-1  |
| RE60029  | 4   | 0420-9  | RE66271  | 6   | 0403-2  | R110531  | 1   | 0414-2  |
| RE60029  | 3   | 0420-13 | RE66271  | 6   | 0403-2A | R111137  | 10  | 0404-3  |
| RE60029  | 4   | 0420-13 | RE66271  | 6   | 0403-2B | R111238  | 22  | 3362-11 |
| RE60037  | 2   | 0420-3  | RE67231  | 1   | 0419-3  | R111238  | 25  | 3362-15 |
| RE60037  | 2   | 0420-7  | RE67238  | 1   | 0407-2  | R111238  | 25  | 3362-41 |
| RE60037  | 2   | 0420-9  | RE67238  | 6   | 0407-13 | R111238  | 26  | 3362-45 |
| RE60037  | 2   | 0420-13 | RE67238  | 8   | 0407-14 | R111493  | 1   | 3162-21 |
| RE60062  | 10  | 0413-3A | RE67238  | 6   | 0407-17 | R11151   | 14  | 3162-27 |
| RE60071  | 4   | 0414-1  | RE67238  | 8   | 0407-18 | R111632  | 12  | 1674-7  |
| RE60071  | 5   | 0414-2  | RE67238  | 14  | 0419-3  | R112857  | 1   | 1369-5  |
| RE60854  | 17  | 0420-3  | RE67239  | 5   | 0402-4A | R113050  | 15  | 1830-7  |
| RE60854  | 9   | 0420-5  | RE67239  | 5   | 0402-5A | R113050  | 30  | 1830-13 |
| RE60854  | 17  | 0420-9  | RE67239  | 5   | 0402-6A | R113562  | 6   | 0420-3  |
| RE60854  | 9   | 0420-11 | RE67239  | 5   | 0402-7A | R113562  | 7   | 0420-3  |
| RE60888  | 6   | 1830-7  | RE67239  | 6   | 0407-2  | R113562  | 6   | 0420-5  |
| RE61812  | 8   | 0414-2  | RE67764  | 7   | 0407-17 | R113562  | 7   | 0420-5  |
| RE61812  | 2   | 1674-9F | RE68695  | 9   | 0402-2  | R113562  | 6   | 0420-9  |
| RE62418  | 10  | 0420-3  | RE68748  | 3   | 0413-5  | R113562  | 7   | 0420-9  |
| RE62418  | 10  | 0420-9  | RE68748  | 26  | 0413-7  | R113562  | 6   | 0420-11 |
| RE65165  | 7   | 0401-1B | RE68748  | 3   | 0413-9  | R113562  | 7   | 0420-11 |
| RE65165  | 7   | 0401-3  | RE68748  | 26  | 0413-11 | R113563  | 7   | 0420-3  |
| RE65165  | 7   | 0401-5  | RE69243  | 1   | 0407-4A | R113563  | 7   | 0420-5  |

# 9995-22

310G, 310SG AND 315SG BACKHOE LOADERS

## NUMERICAL INDEX - CONTINUED

| PART NO. | KEY | PAGE    | PART NO. | KEY | PAGE    | PART NO. | KEY | PAGE    |
|----------|-----|---------|----------|-----|---------|----------|-----|---------|
| R113563  | 7   | 0420-9  | R120638  | 13  | 0407-21 | R123562  | 6   | 0401-7  |
| R113563  | 7   | 0420-11 | R120641  | 12  | 0401-3  | R123563  | 8   | 0401-1B |
| R113565  | 21  | 0420-3  | R120641  | 12  | 0401-7  | R123563  | 8   | 0401-3  |
| R113565  | 21  | 0420-9  | R120653  | 8   | 1814-13 | R123563  | 8   | 0401-5  |
| R113596  | 4   | 0401-1B | R121036  | 1   | 0417-4  | R123563  | 8   | 0401-7  |
| R113596  | 4   | 0401-3  | R121038  | 1   | 0417-2  | R123564  | 9   | 0401-1B |
| R113596  | 4   | 0401-5  | R121039  | 7   | 0433-3  | R123564  | 9   | 0401-3  |
| R113596  | 4   | 0401-7  | R121039  | 5   | 0433-4  | R123564  | 9   | 0401-5  |
| R113780  | 4   | 0230-6  | R121043  | 9   | 0404-3  | R123564  | 9   | 0401-7  |
| R114193  | 20  | 0401-1B | R121079  | 9   | 0230-8  | R123565  | 10  | 0402-2  |
| R114193  | 20  | 0401-3  | R121376  | 7   | 0407-21 | R123569  | 1   | 0414-3  |
| R114193  | 20  | 0401-5  | R121402  | 14  | 0409-3  | R123570  | 3   | 0416-7  |
| R114193  | 20  | 0401-7  | R121402  | 15  | 0409-3  | R123570  | 3   | 0416-9  |
| R114194  | 23  | 0401-1B | R121411  | 8   | 0402-4A | R123570  | 6   | 0452-1  |
| R114194  | 23  | 0401-3  | R121411  | 8   | 0402-5A | R123570  | 6   | 0452-3  |
| R114194  | 23  | 0401-5  | R121411  | 8   | 0402-6A | R123572  | 7   | 0530-3  |
| R114194  | 23  | 0401-7  | R121411  | 8   | 0402-7A | R123574  | 2   | 0402-3  |
| R114241  | 17  | 0404-3  | R121424  | 7   | 0402-4A | R123575  | 3   | 0402-3  |
| R115081  | 3   | 0404-3  | R121424  | 7   | 0402-5A | R123575  | 7   | 0452-1  |
| R115081  | 1   | 0404-5  | R121424  | 7   | 0402-6A | R123575  | 7   | 0452-3  |
| R115119  | 13  | 0250-7  | R121424  | 7   | 0402-7A | R123584  | 18  | 0402-4A |
| R115252  | 10  | 0419-3  | R121593  | 3   | 0230-6  | R123584  | 18  | 0402-5A |
| R115299  | 12  | 0404-3  | R121594  | 6   | 0230-6  | R123584  | 18  | 0402-6A |
| R115299  | 1   | 0415-3  | R121634  | 4   | 0417-2  | R123584  | 18  | 0402-7A |
| R115350  | 43  | 1830-15 | R121897  | 18  | 0429-3  | R123593  | 2   | 0413-5  |
| R115390  | 15  | 0404-3  | R122218  | 15  | 0230-7  | R123593  | 19  | 0413-7  |
| R116031  | 5   | 3162-25 | R123161  | 7   | 0402-2  | R123593  | 2   | 0413-9  |
| R116089  | 6   | 1814-13 | R123174  | 11  | 0401-3  | R123593  | 19  | 0413-11 |
| R116115  | 9   | 0407-13 | R123174  | 11  | 0401-7  | R123616  | 28  | 0404-3  |
| R116115  | 5   | 0407-14 | R123178  | 5   | 0403-2  | R123616  | 28  | 1830-9  |
| R116115  | 9   | 0407-17 | R123178  | 5   | 0403-2A | R123960  | 2   | 0403-2  |
| R116115  | 5   | 0407-18 | R123178  | 5   | 0403-2B | R123960  | 2   | 0403-2A |
| R116116  | 12  | 0413-5  | R123178  | 5   | 0403-3A | R123960  | 2   | 0403-2B |
| R116116  | 12  | 0413-9  | R123226  | 9   | 0417-3  | R123960  | 2   | 0403-3A |
| R116116  | 15  | 0420-3  | R123226  | 9   | 0417-4  | R125223  | 18  | 1830-7  |
| R116116  | 10  | 0420-7  | R123226  | 9   | 0418-3  | R128660  | 5   | 0429-3  |
| R116116  | 15  | 0420-9  | R123226  | 4   | 0452-1  | R128660  | 2   | 0510-3  |
| R116116  | 10  | 0420-13 | R123226  | 4   | 0452-3  | R130574  | 8   | 0401-1B |
| R116296  | 2   | 0407-2  | R123246  | 3   | 0410-2  | R130574  | 8   | 0401-3  |
| R116324  | 4   | 0402-3  | R123271  | 5   | 0402-2  | R130574  | 8   | 0401-5  |
| R116366  | 5   | 0413-1  | R123273  | 3   | 0421-2  | R130574  | 8   | 0401-7  |
| R116366  | 5   | 0413-3  | R123273  | 20  | 0452-5  | R130575  | 9   | 0401-1B |
| R116366  | 5   | 0413-3A | R123323  | 1   | 0418-3  | R130575  | 9   | 0401-3  |
| R116366  | 2   | 0413-3B | R123324  | 11  | 0418-3  | R130575  | 9   | 0401-5  |
| R116386  | 20  | 0413-5  | R123345  | 5   | 0452-1  | R130575  | 9   | 0401-7  |
| R116386  | 17  | 0413-7  | R123345  | 5   | 0452-3  | R130576  | 5   | 0401-1B |
| R116386  | 20  | 0413-9  | R123353  | 13  | 0452-1  | R130576  | 5   | 0401-3  |
| R116386  | 17  | 0413-11 | R123353  | 35  | 0452-5  | R130576  | 5   | 0401-5  |
| R116466  | 2   | 0404-3  | R123417  | 13  | 0417-3  | R130576  | 5   | 0401-7  |
| R116515  | 12  | 0409-3  | R123417  | 13  | 0417-4  | R130577  | 6   | 0401-1B |
| R116515  | 8   | 0452-1  | R123417  | 21  | 0452-5  | R130577  | 6   | 0401-3  |
| R116515  | 8   | 0452-3  | R123471  | 5   | 0419-3  | R130577  | 6   | 0401-5  |
| R117721  | 56  | 1830-7B | R123501  | 3   | 0419-3  | R130577  | 6   | 0401-7  |
| R117721  | 9   | 1830-9  | R123501  | 23  | 0452-5  | R131016  | 5   | 0418-3  |
| R117892  | 3   | 1816-7  | R123513  | 2   | 0402-2  | R131182  | 21  | 0404-3  |
| R117892  | 8   | 2001-3  | R123521  | 2   | 0433-2  | R131206  | 16  | 0401-3  |
| R119874  | 6   | 0404-3  | R123525  | 25  | 0452-5  | R131206  | 16  | 0401-7  |
| R120013  | 7   | 0416-7  | R123542  | 6   | 0402-3  | R131283  | 16  | 0401-1B |
| R120013  | 7   | 0416-9  | R123542  | 1   | 0452-1  | R131283  | 19  | 0401-1B |
| R120160  | 25  | 1816-13 | R123542  | 1   | 0452-3  | R131283  | 19  | 0401-3  |
| R120332  | 5   | 1816-15 | R123561  | 5   | 0401-1B | R131283  | 16  | 0401-5  |
| R120467  | 1   | 0408-3  | R123561  | 5   | 0401-3  | R131283  | 19  | 0401-5  |
| R120467  | 7   | 0408-5  | R123561  | 5   | 0401-5  | R131283  | 19  | 0401-7  |
| R120631  | 3   | 0401-1B | R123561  | 5   | 0401-7  | R131425  | 13  | 0402-4A |
| R120631  | 3   | 0401-3  | R123562  | 6   | 0401-1B | R131425  | 13  | 0402-6A |
| R120631  | 3   | 0401-5  | R123562  | 6   | 0401-3  | R131671  | 18  | 1674-5  |
| R120631  | 3   | 0401-7  | R123562  | 6   | 0401-5  | R131769  | 3   | 0433-3  |



# 9995-23

310G, 310SG AND 315SG BACKHOE LOADERS

## NUMERICAL INDEX - CONTINUED

| PART NO. | KEY | PAGE    | PART NO. | KEY | PAGE     | PART NO. | KEY | PAGE     |
|----------|-----|---------|----------|-----|----------|----------|-----|----------|
| R131769  | 2   | 0433-4  | R26286   | 3   | 0420-9   | R26448   | 14  | 3362-37  |
| R132006  | 2   | 0433-3  | R26286   | 3   | 0420-13  | R26448   | 16  | 3363-1B  |
| R132166  | 4   | 0423-3  | R26286   | 13  | 1060-9   | R26448   | 1   | 3363-3B  |
| R132186  | 20  | 0404-3  | R26286   | 7   | 1060-11  | R26448   | 7   | 3363-3B  |
| R132261  | 1   | 0410-1  | R26286   | 1   | 1369-5   | R26448   | 12  | 3363-3B  |
| R132267  | 23  | 0413-5  | R26286   | 23  | 3363-31  | R26448   | 18  | 3363-5   |
| R132267  | 23  | 0413-9  | R26287   | 1   | 1369-5   | R26448   | 28  | 3363-5   |
| R132518  | 7   | 0404-3  | R26375   | 22  | 0960-9   | R26448   | 1   | 3363-19  |
| R132690  | 21  | 1830-13 | R26375   | 34  | 0960-9   | R26448   | 1   | 3363-29  |
| R132874  | 24  | 0413-5  | R26375   | 19  | 0960-11  | R26448   | 1   | 3363-31  |
| R132874  | 12  | 0413-7  | R26375   | 34  | 0960-11  | R26448   | 19  | 3365-21B |
| R132874  | 24  | 0413-9  | R26375   | 27  | 1060-3   | R26448   | 18  | 3365-22  |
| R132874  | 12  | 0413-11 | R26375   | 28  | 1111-3   | R26448   | 17  | 3365-24A |
| R133187  | 15  | 0505-7  | R26375   | 27  | 1111-5   | R26448   | 19  | 3365-25  |
| R133295  | 16  | 0429-3  | R26375   | 1   | 1369-5   | R26448   | 17  | 3365-26  |
| R133303  | 14  | 0415-3  | R26375   | 26  | 1674-9D  | R26491   | 12  | 1814-3   |
| R133405  | 5   | 0421-2  | R26375   | 17A | 2160-5   | R26493   | 11  | 0404-3   |
| R133893  | 10A | 0452-1  | R26375   | 11  | 2160-7   | R26552   | 17  | 1060-5   |
| R133893  | 10  | 0452-3  | R26375   | 12  | 2160-13  | R26632   | 2   | 0230-4   |
| R133978  | 5   | 0423-3  | R26375   | 15  | 2160-13  | R26650   | 13  | 0404-3   |
| R134518  | 19  | 0402-4A | R26375   | 7   | 2160-15  | R26773   | 1   | 1369-5   |
| R134518  | 19  | 0402-5A | R26375   | 14  | 2160-25  | R26773   | 1   | 3345-6   |
| R134518  | 19  | 0402-6A | R26375   | 10  | 2160-27  | R26863   | 1   | 1369-5   |
| R134518  | 19  | 0402-7A | R26375   | 7   | 3163-5   | R26871   | 38  | 0515-3   |
| R134527  | 2   | 0404-1  | R26375   | 3   | 3163-9   | R26871   | 44  | 1910-5   |
| R134531  | 2   | 0402-4A | R26375   | 12A | 3163-9   | R26871   | 30  | 3115-3   |
| R134531  | 2   | 0402-6A | R26375   | 37  | 3163-9   | R26871   | 5   | 3162-23  |
| R135177  | 11A | 0419-3  | R26375   | 24  | 3163-13  | R26871   | 7   | 3315-21  |
| R135431  | 3   | 0422-2  | R26375   | 2   | 3362-30  | R26871   | 10  | 3315-21  |
| R135431  | 3   | 0422-3  | R26375   | 31  | 3363-1B  | R26871   | 13  | 3315-25  |
| R135431  | 18  | 1674-9B | R26375   | 12  | 3363-3   | R26871   | 21  | 3315-25  |
| R135432  | 4   | 0422-2  | R26375   | 7   | 3363-3B  | R26906   | 21  | 0341-1   |
| R135432  | 4   | 0422-3  | R26375   | 1   | 3363-5   | R26906   | 6   | 0409-3   |
| R135432  | 37  | 1674-9D | R26375   | 1   | 3363-15  | R26906   | 16  | 0409-3   |
| R135439  | 1   | 0402-1  | R26375   | 3   | 3363-17  | R26906   | 4   | 1060-5   |
| R135439  | 1   | 0402-1A | R26375   | 9   | 3363-19  | R26906   | 23  | 1111-3   |
| R135439  | 1   | 0402-1B | R26375   | 15  | 3363-35  | R26906   | 22  | 1111-5   |
| R135509  | 6   | 0422-5  | R26375   | 7   | 3363-37  | R26906   | 1   | 1369-5   |
| R135510  | 4   | 0422-5  | R26375   | 20  | 3363-43  | R26906   | 13  | 1369-7   |
| R135896  | 4   | 0418-3  | R26375   | 15  | 3363-45  | R26906   | 7   | 2160-5   |
| R135896  | 3   | 0452-1  | R26375   | 16  | 3363-45  | R26906   | 42  | 2160-11  |
| R135918  | 3   | 0433-2  | R26375   | 13  | 3363-47  | R26906   | 6   | 2160-17  |
| R135918  | 10  | 0433-3  | R26448   | 6   | 0210-6   | R26906   | 7   | 2160-19  |
| R135918  | 8   | 0433-4  | R26448   | 13  | 0960-9   | R26906   | 9   | 2160-23  |
| R136052  | 2   | 0422-5  | R26448   | 13  | 0960-11  | R26906   | 15  | 3162-11  |
| R136475  | 3   | 0404-1  | R26448   | 28  | 1060-3   | R26906   | 22  | 3162-15  |
| R136495  | 3   | 0407-2  | R26448   | 5   | 1060-7   | R26906   | 11  | 3162-21  |
| R136515  | 22  | 0452-5  | R26448   | 1   | 1369-5   | R26906   | 9   | 3162-27  |
| R136516  | 1   | 0402-4A | R26448   | 11  | 1740-5   | R26906   | 4   | 3163-3   |
| R136516  | 1   | 0402-5A | R26448   | 7   | 2160-7   | R26906   | 13  | 3163-5   |
| R136516  | 1   | 0402-6A | R26448   | 7   | 2160-9B  | R26906   | 14  | 3163-7   |
| R136516  | 1   | 0402-7A | R26448   | 9   | 2160-15  | R26906   | 20  | 3163-7   |
| R136516  | 22  | 0452-5  | R26448   | 22  | 2160-25  | R26906   | 40  | 3163-7   |
| R137851  | 29  | 1830-13 | R26448   | 14  | 3102-11  | R26906   | 28  | 3163-9   |
| R140070  | 13  | 0230-7  | R26448   | 2   | 3102-19  | R26906   | 38  | 3163-9   |
| R151507  | 10  | 1814-13 | R26448   | 19  | 3104-3   | R26906   | 3   | 3362-9   |
| R20255   | 21  | 0230-3  | R26448   | 4   | 3162-7   | R26906   | 21  | 3362-11  |
| R204271  | 4   | 0230-6  | R26448   | 28  | 3162-25  | R26906   | 24  | 3362-15  |
| R206883  | 4   | 0505-3  | R26448   | 10  | 3163-11  | R26906   | 8   | 3362-21  |
| R26081   | 8   | 3315-25 | R26448   | 34  | 3163-11  | R26906   | 18  | 3362-23  |
| R26125   | 4   | 0409-3  | R26448   | 27  | 3163-13  | R26906   | 5   | 3362-30  |
| R26286   | 10  | 0360-4A | R26448   | 30  | 3362-9   | R26906   | 24  | 3362-41  |
| R26286   | 21  | 0360-11 | R26448   | 7   | 3362-29B | R26906   | 25  | 3362-45  |
| R26286   | 17  | 0413-5  | R26448   | 2   | 3362-31  | R26906   | 1   | 3363-3   |
| R26286   | 17  | 0413-9  | R26448   | 14  | 3362-31  | R26906   | 11  | 3363-3   |
| R26286   | 3   | 0420-3  | R26448   | 4   | 3362-33  | R26906   | 1   | 3363-3B  |
| R26286   | 3   | 0420-7  | R26448   | 13  | 3362-35  | R26906   | 2   | 3363-7   |

# 9995-24

310G, 310SG AND 315SG BACKHOE LOADERS

## NUMERICAL INDEX - CONTINUED

| PART NO. | KEY | PAGE    | PART NO. | KEY | PAGE     | PART NO. | KEY | PAGE     |
|----------|-----|---------|----------|-----|----------|----------|-----|----------|
| R26906   | 7   | 3363-9  | R32025   | 4   | 1674-22  | R46919   | 31  | 0960-9   |
| R26906   | 1   | 3363-11 | R32026   | 48  | 1674-19  | R46919   | 31  | 0960-11  |
| R26906   | 2   | 3363-13 | R32247   | 12  | 3363-31  | R46919   | 8   | 1060-7   |
| R26906   | 27  | 3363-19 | R32548   | 8   | 1060-3   | R46919   | 13  | 2160-11  |
| R26906   | 35  | 3363-23 | R33259   | 1   | 1369-5   | R46919   | 24  | 3104-3   |
| R26906   | 29  | 3363-27 | R33259   | 14  | 1830-7   | R46919   | 10  | 3163-3   |
| R26906   | 33  | 3363-27 | R33259   | 7   | 1830-13  | R46919   | 6   | 3163-5   |
| R26906   | 13  | 3363-31 | R33259   | 4   | 3362-30  | R46919   | 4   | 3163-9   |
| R26906   | 9   | 3363-33 | R33976   | 5   | 0515-3   | R46919   | 25  | 3163-11  |
| R26906   | 20  | 3363-35 | R33976   | 6   | 0515-5   | R46919   | 33  | 3163-13  |
| R26906   | 15  | 3363-37 | R36424   | 22  | 0560-7   | R46919   | 12  | 3363-9   |
| R26906   | 3   | 3363-39 | R36636   | 13  | 2160-13  | R46919   | 13  | 3363-19  |
| R26906   | 3   | 3363-41 | R375R    | 1   | 1369-5   | R46919   | 36  | 3363-19  |
| R26906   | 4   | 3363-43 | R39112   | 1   | 0433-3   | R46919   | 40  | 3363-21B |
| R26906   | 22  | 3363-43 | R39112   | 13  | 2160-13  | R46919   | 41  | 3363-25  |
| R27094   | 11  | 0360-4A | R39112   | 14  | 2160-13  | R46919   | 13  | 3363-39  |
| R27094   | 22  | 0360-11 | R394R    | 1   | 1369-5   | R46973   | 5   | 0230-3   |
| R27166   | 1   | 1369-5  | R39554   | 12  | 0505-7   | R46973   | 1   | 0230-5   |
| R27175   | 19  | 3362-23 | R39554   | 18  | 1674-7   | R46973   | 5   | 0250-1   |
| R27175   | 1   | 3363-21 | R39554   | 6   | 3315-23  | R47151   | 14  | 2160-27  |
| R27175   | 1   | 3363-23 | R41440   | 18  | 1673-5   | R47160   | 9   | 0505-5   |
| R27175   | 1   | 3363-25 | R41920   | 11  | 0515-3   | R47693   | 4   | 0505-3   |
| R27175   | 1   | 3363-27 | R41920   | 14  | 0515-5   | R47998   | 1   | 0960-3   |
| R27218   | 26  | 1060-3  | R43409   | 9   | 0409-3   | R47998   | 1   | 0960-5   |
| R27218   | 10  | 2160-15 | R44165   | 17  | 1674-7   | R48000   | 8   | 0413-1   |
| R27218   | 5   | 3162-7  | R44302   | 24  | 0560-3   | R48000   | 8   | 0413-3   |
| R27218   | 29  | 3362-9  | R44302   | 35  | 0560-7   | R48000   | 8   | 0413-3A  |
| R27434   | 6   | 3315-25 | R44302   | 16  | 0960-9   | R48523   | 19  | 1060-5   |
| R27474   | 22A | 0341-1  | R44302   | 16  | 0960-11  | R48568   | 11  | 0520-3   |
| R27474   | 7   | 2160-5  | R44302   | 6   | 1671-7   | R48638   | 1   | 1369-5   |
| R27474   | 43  | 2160-11 | R44302   | 22  | 1673-5   | R48685   | 1   | 0401-1B  |
| R27474   | 19  | 3362-23 | R44302   | 15  | 1673-7   | R48685   | 1   | 0401-3   |
| R27491   | 4   | 0960-9  | R44302   | 20  | 1674-5   | R48685   | 1   | 0401-5   |
| R27491   | 31  | 0960-9  | R44302   | 7   | 1674-5B  | R48685   | 1   | 0401-7   |
| R27491   | 4   | 0960-11 | R44302   | 2   | 1674-5D  | R48685   | 1   | 0404-3   |
| R27491   | 31  | 0960-11 | R44302   | 9   | 1674-9B  | R48808   | 2   | 1672-3   |
| R27928   | 1   | 1369-5  | R44302   | 5   | 1674-14  | R48808   | 2   | 1672-5   |
| R28776   | 1   | 1369-5  | R44302   | 61  | 1814-5   | R48887   | 17  | 1674-17  |
| R28776   | 14  | 2160-27 | R44302   | 4   | 1814-13  | R495R    | 1   | 1369-5   |
| R28776   | 8   | 3362-30 | R44302   | 4   | 1821-19  | R49841   | 5   | 0230-4   |
| R28782   | 5   | 0210-6  | R44302   | 52  | 1830-7B  | R49921   | 13  | 3363-43  |
| R28782   | 25  | 0960-9  | R44302   | 2   | 1830-13  | R500096  | 4   | 0433-2   |
| R28782   | 29  | 0960-11 | R44302   | 11  | 2160-17  | R500265  | 2   | 0415-3   |
| R28782   | 1   | 1369-5  | R44302   | 15  | 2160-19  | R500270  | 1   | 0421-2   |
| R28782   | 13  | 3363-29 | R44302   | 9   | 2160-21  | R500271  | 6   | 0421-2   |
| R28782   | 22  | 3363-31 | R44302   | 20  | 3163-13  | R500304  | 1   | 0429-3   |
| R28811   | 1   | 0433-2  | R44302   | 16  | 3363-37  | R500304  | 8   | 0429-3   |
| R29463   | 1   | 1369-5  | R44302   | 10  | 3363-43  | R500320  | 9   | 0429-3   |
| R29936   | 1   | 1369-5  | R44342   | 22  | 1674-7   | R500320  | 41  | 1830-15  |
| R29936   | 8   | 2160-7  | R44342   | 29  | 1674-7   | R500322  | 10  | 0423-3   |
| R29936   | 32  | 2160-9  | R459R    | 1   | 1369-5   | R50034   | 16  | 1060-3   |
| R29936   | 18  | 2160-9B | R460R    | 1   | 1369-5   | R500363  | 15  | 0401-1B  |
| R29936   | 23  | 2160-9B | R463R    | 20  | 0560-3   | R500363  | 15  | 0401-5   |
| R29936   | 12  | 2160-13 | R46528   | 23  | 3115-5   | R500374  | 1   | 0407-13  |
| R29936   | 8   | 3362-5  | R46528   | 25  | 3115-7   | R500374  | 9   | 0407-14  |
| R29936   | 8   | 3362-7  | R46528   | 2   | 3162-5   | R500374  | 1   | 0407-17  |
| R29936   | 37  | 3363-23 | R46528   | 15  | 3315-7   | R500374  | 9   | 0407-18  |
| R30378   | 43  | 1674-19 | R46528   | 42  | 3315-9B  | R500374  | 32  | 0452-5   |
| R30903   | 1   | 1369-5  | R46528   | 53  | 3315-9B  | R500390  | 8   | 0413-1   |
| R30903   | 25  | 3362-11 | R46528   | 13  | 3315-13  | R500390  | 4   | 0413-2   |
| R30903   | 10  | 3362-15 | R46528   | 12  | 3315-13B | R500390  | 8   | 0413-3   |
| R30903   | 5   | 3362-17 | R46528   | 6   | 3315-15  | R500390  | 8   | 0413-3A  |
| R30903   | 26  | 3362-41 | R46528   | 11  | 3315-15B | R500390  | 4   | 0413-3B  |
| R30903   | 16  | 3362-45 | R46528   | 11  | 3315-19  | R500394  | 2   | 0414-3   |
| R30903   | 16  | 3362-47 | R46528   | 10  | 3315-27  | R500401  | 16  | 0417-3   |
| R30916   | 14  | 3345-5  | R46667   | 21  | 1830-9   | R500531  | 12  | 0423-3   |
| R32024   | 3   | 1674-22 | R46667   | 4   | 2160-11  | R500563  | 15  | 0401-3   |

# 9995-25

310G, 310SG AND 315SG BACKHOE LOADERS

## NUMERICAL INDEX - CONTINUED

| PART NO. | KEY | PAGE    | PART NO. | KEY | PAGE    | PART NO. | KEY | PAGE     |
|----------|-----|---------|----------|-----|---------|----------|-----|----------|
| R500563  | 15  | 0401-7  | R504734  | 18  | 0419-3  | R63548   | 33  | 3362-41  |
| R500596  | 2   | 0414-1  | R504734  | 29  | 0452-5  | R63548   | 6   | 3362-43  |
| R500596  | 2   | 0414-2  | R505462  | 2   | 0402-4A | R63548   | 7   | 3362-45  |
| R500598  | 4   | 0429-3  | R505462  | 2   | 0402-6A | R63548   | 30  | 3362-45  |
| R500649  | 17  | 0429-3  | R505472  | 18  | 0413-7  | R64059   | 4   | 3315-13  |
| R501124  | 1   | 0403-2  | R505472  | 18  | 0413-11 | R64059   | 15  | 3315-15  |
| R501124  | 1   | 0403-2A | R505609  | 2   | 0401-1B | R64525   | 3   | 0423-3   |
| R501124  | 1   | 0403-2B | R505609  | 2   | 0401-3  | R64525   | 13  | 1672-3   |
| R501124  | 1   | 0403-3A | R505609  | 2   | 0401-5  | R64525   | 13  | 1672-5   |
| R501144  | 10  | 0418-3  | R505609  | 2   | 0401-7  | R65563   | 26  | 3115-7   |
| R501373  | 9   | 0452-1  | R50879   | 17  | 1060-3  | R65563   | 16  | 3315-7   |
| R501373  | 9   | 0452-3  | R50992   | 12  | 0230-4  | R65563   | 43  | 3315-9B  |
| R501428  | 8   | 0419-3  | R516623  | 14  | 0429-3  | R65563   | 12  | 3315-13  |
| R501428  | 31  | 0452-5  | R517471  | 24  | 0401-7  | R65563   | 13  | 3315-13B |
| R501472  | 7   | 0414-2  | R519244  | 8   | 0408-5  | R65563   | 7   | 3315-15  |
| R501486  | 7   | 1672-3  | R519273  | 9   | 0408-5  | R65563   | 12  | 3315-15B |
| R501486  | 7   | 1672-5  | R519274  | 10  | 0408-5  | R65563   | 10  | 3315-19  |
| R501489  | 24  | 0401-3  | R519275  | 11  | 0408-5  | R65563   | 19  | 3315-19  |
| R501489  | 24  | 0401-7  | R519286  | 12  | 0408-5  | R65563   | 8   | 3315-27  |
| R502076  | 29  | 0413-5  | R51936   | 3   | 0413-5  | R65602   | 49  | 1674-19  |
| R502076  | 11  | 0413-7  | R51936   | 4   | 0413-5  | R65607   | 46  | 1674-19  |
| R502076  | 29  | 0413-9  | R51936   | 20  | 0413-7  | R66320   | 24  | 1674-17  |
| R502076  | 11  | 0413-11 | R51936   | 3   | 0413-9  | R66321   | 24  | 1674-17  |
| R502079  | 11  | 0429-3  | R51936   | 4   | 0413-9  | R67364   | 26  | 0413-5   |
| R502079  | 39  | 1830-13 | R51936   | 20  | 0413-11 | R67364   | 26  | 0413-9   |
| R502505  | 3   | 0407-14 | R521439  | 2   | 0452-1  | R70210   | 41  | 1674-19  |
| R502505  | 3   | 0407-18 | R521439  | 2   | 0452-3  | R70211   | 40  | 1674-19  |
| R502513  | 4   | 0407-14 | R521493  | 1   | 0407-7  | R70212   | 41  | 1674-19  |
| R502513  | 11  | 0407-14 | R521493  | 1   | 0407-9  | R70213   | 40  | 1674-19  |
| R502513  | 4   | 0407-18 | R521493  | 1   | 0407-11 | R70214   | 41  | 1674-19  |
| R502513  | 11  | 0407-18 | R522030  | 13  | 0452-1  | R70215   | 40  | 1674-19  |
| R502604  | 2   | 0407-4A | R522030  | 13  | 0452-5  | R70216   | 41  | 1674-19  |
| R502725  | 3   | 0407-4A | R52725   | 23  | 1674-7  | R70217   | 40  | 1674-19  |
| R50279   | 8   | 1830-7  | R52921   | 57  | 1814-5  | R70218   | 41  | 1674-19  |
| R50279   | 61  | 1830-7B | R53108   | 1   | 0422-5  | R70219   | 40  | 1674-19  |
| R502811  | 11A | 0419-3  | R53108   | 26  | 0452-5  | R70220   | 50  | 1674-19  |
| R502811  | 11B | 0419-3  | R53543   | 1   | 1369-5  | R70221   | 39  | 1674-19  |
| R502814  | 4   | 0418-3  | R54123   | 2   | 0505-3  | R70222   | 38  | 1674-19  |
| R502814  | 3   | 0452-1  | R54124   | 3   | 0110-2  | R71732   | 1   | 1369-5   |
| R502814  | 3   | 0452-3  | R54565   | 1   | 0402-2  | R71963   | 2   | 0413-1   |
| R502864  | 24  | 0452-5  | R54701   | 8   | 3363-19 | R71963   | 2   | 0413-3   |
| R502867  | 6   | 0407-21 | R55326   | 5   | 1811-3  | R71963   | 2   | 0413-3A  |
| R502902  | 7   | 0407-2  | R56101   | 17  | 0510-3  | R72328   | 2   | 0408-3   |
| R503419  | 9   | 0422-2  | R56461   | 1   | 1369-5  | R72328   | 13  | 0408-5   |
| R503419  | 9   | 0422-3  | R56463   | 1   | 1369-5  | R72328   | 27  | 0452-5   |
| R503419  | 16  | 0422-5  | R56464   | 10  | 3162-25 | R72328   | 7   | 3162-25  |
| R503449  | 1   | 0433-4  | R56751   | 1   | 1369-5  | R72655   | 13  | 0520-5   |
| R503451  | 2   | 0433-3  | R60332   | 1   | 1369-5  | R72655   | 13  | 1821-5   |
| R503509  | 2   | 0417-4  | R60746   | 3   | 0413-3B | R72655   | 21  | 1821-5   |
| R503509  | 16  | 0417-4  | R61105   | 9   | 0419-3  | R72655   | 5   | 1821-7   |
| R503520  | 28  | 0413-7  | R61467   | 2   | 0433-3  | R72659   | 3   | 0408-3   |
| R503520  | 28  | 0413-11 | R61467   | 11  | 0433-3  | R72700   | 2   | 0960-14  |
| R503891  | 3   | 0416-9  | R61467   | 3   | 0433-4  | R72700   | 19  | 0960-17  |
| R503891  | 6   | 0452-1  | R61871   | 9   | 0407-21 | R72855   | 3   | 3115-3   |
| R503891  | 6   | 0452-3  | R61871   | 16  | 0452-1  | R72855   | 4   | 3115-5   |
| R504022  | 13  | 0429-3  | R61871   | 16  | 0452-5  | R73530   | 23  | 3162-25  |
| R504022  | 1   | 0510-3  | R63548   | 2   | 0416-3  | R74012   | 1   | 0420-3   |
| R504023  | 13  | 0429-3  | R63548   | 2   | 0416-5  | R74012   | 1   | 0420-7   |
| R504023  | 1   | 0510-3  | R63548   | 1   | 0416-7  | R74012   | 1   | 0420-9   |
| R504023  | 31  | 1830-13 | R63548   | 1   | 0416-9  | R74012   | 1   | 0420-13  |
| R504191  | 21  | 1830-13 | R63548   | 10  | 0416-9  | R74657   | 9   | 3365-13  |
| R504191  | 23  | 1830-13 | R63548   | 9   | 3162-11 | R75382   | 2   | 0201-3   |
| R504192  | 23  | 1830-13 | R63548   | 16  | 3162-15 | R75383   | 2   | 0201-3   |
| R504725  | 2   | 0402-4A | R63548   | 34  | 3362-11 | R75384   | 2   | 0201-3   |
| R504725  | 2   | 0402-5A | R63548   | 24  | 3362-13 | R75385   | 2   | 0201-3   |
| R504725  | 2   | 0402-6A | R63548   | 32  | 3362-15 | R75892   | 16  | 0404-3   |
| R504725  | 2   | 0402-7A | R63548   | 21  | 3362-21 | R75892   | 14  | 0452-1   |

# 9995-26

310G, 310SG AND 315SG BACKHOE LOADERS

## NUMERICAL INDEX - CONTINUED

| PART NO. | KEY | PAGE    | PART NO. | KEY | PAGE     | PART NO. | KEY | PAGE     |
|----------|-----|---------|----------|-----|----------|----------|-----|----------|
| R75892   | 14  | 0452-5  | R78060   | 9   | 1674-21  | R81777   | 4   | 3365-21B |
| R76477   | 4   | 3363-13 | R78061   | 6   | 1674-21  | R81786   | 13  | 3365-27  |
| R77175   | 22  | 3363-1B | R78061   | 23  | 1674-21  | R81786   | 13  | 3365-34  |
| R77456   | 27  | 1674-17 | R78062   | 1   | 1674-21  | R81786   | 3   | 3365-35  |
| R77457   | 29  | 1674-17 | R78063   | 1   | 1674-21  | R81787   | 12  | 3365-25  |
| R77458   | 28  | 1674-17 | R78063   | 7   | 1674-21  | R81788   | 5   | 3165-11  |
| R77459   | 28  | 1674-17 | R78064   | 27  | 1674-21  | R81788   | 16  | 3365-19C |
| R77460   | 28  | 1674-17 | R78065   | 1   | 1674-5B  | R81788   | 12  | 3365-23  |
| R77461   | 28  | 1674-17 | R78065   | 1B  | 1674-5B  | R81789   | 11  | 3165-3   |
| R77462   | 25  | 1674-17 | R78065   | 3   | 1674-23  | R81789   | 11  | 3165-7   |
| R77463   | 30  | 1674-17 | R78066   | 1   | 1674-5B  | R81789   | 6   | 3165-8   |
| R77464   | 26  | 1674-17 | R78066   | 2   | 1674-23  | R81789   | 6   | 3365-11  |
| R77465   | 31  | 1674-17 | R78067   | 3   | 1674-23  | R81789   | 16  | 3365-19  |
| R77466   | 33  | 1674-17 | R78068   | 2   | 1674-23  | R81789   | 12  | 3365-21B |
| R77467   | 34  | 1674-17 | R78069   | 1   | 1674-23  | R81792   | 12  | 3365-27  |
| R77468   | 32  | 1674-17 | R79033   | 3   | 1811-3   | R81792   | 15  | 3365-34  |
| R77469   | 35  | 1674-19 | R79060   | 15  | 3162-5   | R81792   | 11  | 3365-35  |
| R77470   | 45  | 1674-19 | R79101   | 8   | 3165-11  | R81793   | 16  | 3365-25  |
| R77471   | 45  | 1674-19 | R79101   | 3   | 3165-13  | R81794   | 4   | 3165-11  |
| R77472   | 45  | 1674-19 | R79101   | 8   | 3165-15  | R81794   | 19  | 3365-19C |
| R77473   | 45  | 1674-19 | R79101   | 6   | 3365-14  | R81794   | 16  | 3365-23  |
| R77474   | 44  | 1674-19 | R79101   | 13  | 3365-19C | R81795   | 16  | 3165-3   |
| R77475   | 13  | 1674-17 | R79101   | 18  | 3365-21  | R81795   | 16  | 3165-7   |
| R77476   | 3   | 1674-17 | R79101   | 9   | 3365-23  | R81795   | 7   | 3165-8   |
| R77477   | 4   | 1674-17 | R79101   | 5   | 3365-24A | R81795   | 7   | 3365-11  |
| R77478   | 15  | 1674-17 | R79101   | 5   | 3365-24B | R81795   | 19  | 3365-19  |
| R77479   | 5   | 1674-17 | R79117   | 9   | 0960-14  | R81795   | 16  | 3365-21B |
| R77480   | 6   | 1674-17 | R79117   | 8   | 0960-17  | R81797   | 5   | 3365-19  |
| R77481   | 7   | 1674-17 | R79132   | 3   | 0201-3   | R81797   | 4   | 3365-19B |
| R77482   | 8   | 1674-17 | R79604   | 4   | 0413-1   | R81854   | 1   | 0960-14  |
| R77483   | 16  | 1674-17 | R79604   | 4   | 0413-3   | R81854   | 2   | 0960-17  |
| R77484   | 19  | 1674-17 | R79604   | 4   | 0413-3A  | R81862   | 6   | 3365-16  |
| R77485   | 21  | 1674-17 | R79605   | 3   | 0413-1   | R81862   | 9   | 3365-25  |
| R77486   | 22  | 1674-17 | R79605   | 3   | 0413-3   | R81862   | 5   | 3365-26  |
| R77487   | 23  | 1674-17 | R79605   | 3   | 0413-3A  | R81862   | 5   | 3365-26A |
| R77488   | 51  | 1674-19 | R80632   | 1   | 1369-5   | R81864   | 10  | 3165-3   |
| R77489   | 51  | 1674-19 | R81195   | 7   | 3365-27  | R81864   | 5   | 3165-4   |
| R77490   | 51  | 1674-19 | R81195   | 9   | 3365-29  | R81864   | 10  | 3165-7   |
| R77491   | 54  | 1674-19 | R81195   | 10  | 3365-34  | R81864   | 10  | 3165-8   |
| R77492   | 54  | 1674-19 | R81195   | 9   | 3365-35  | R81864   | 5   | 3165-9   |
| R77493   | 51  | 1674-19 | R81195   | 9   | 3365-36  | R81864   | 5   | 3365-11  |
| R77494   | 55  | 1674-19 | R81275   | 6   | 0414-1   | R81864   | 5   | 3365-12  |
| R77495   | 52  | 1674-19 | R81275   | 6   | 0414-2   | R81864   | 13  | 3365-19  |
| R77496   | 52  | 1674-19 | R81275   | 7   | 0414-2   | R81864   | 16  | 3365-19B |
| R77497   | 53  | 1674-19 | R81275   | 11  | 0414-2   | R81864   | 9   | 3365-21B |
| R77498   | 24  | 1674-17 | R81275   | 3   | 0414-3   | R81864   | 5   | 3365-22  |
| R77499   | 24  | 1674-17 | R81275   | 10  | 0452-1   | R81864   | 5   | 3365-22A |
| R77500   | 24  | 1674-17 | R81275   | 10  | 0452-3   | R81866   | 2   | 3365-34  |
| R77501   | 24  | 1674-17 | R81774   | 2   | 3365-27  | R82095   | 3   | 3365-18  |
| R77502   | 56  | 1674-19 | R81774   | 13  | 3365-29  | R82571   | 10  | 0960-14  |
| R77503   | 56  | 1674-19 | R81774   | 3   | 3365-34  | R82571   | 15  | 0960-17  |
| R77857   | 14  | 3365-7  | R81775   | 3   | 3365-15  | R83169   | 12  | 0402-4A  |
| R77857   | 7   | 3365-9  | R81775   | 18  | 3365-16  | R83169   | 12  | 0402-6A  |
| R78047   | 3   | 1674-21 | R81775   | 4   | 3365-25  | R83469   | 6   | 3365-27  |
| R78048   | 10  | 1674-21 | R81776   | 15  | 3165-11  | R83469   | 16  | 3365-29  |
| R78049   | 15  | 1674-21 | R81776   | 8   | 3165-13  | R83469   | 9   | 3365-34  |
| R78050   | 19  | 1674-21 | R81776   | 3   | 3365-13  | R83469   | 8   | 3365-36  |
| R78051   | 24  | 1674-21 | R81776   | 18  | 3365-14  | R83576   | 12  | 3365-19C |
| R78052   | 5   | 1674-21 | R81776   | 6   | 3365-19C | R83576   | 8   | 3365-23  |
| R78053   | 13  | 1674-21 | R81776   | 4   | 3365-21  | R83577   | 8   | 3365-25  |
| R78054   | 17  | 1674-21 | R81776   | 4   | 3365-23  | R85363   | 1   | 0409-3   |
| R78055   | 22  | 1674-21 | R81777   | 4   | 3165-3   | R85687   | 8   | 0409-3   |
| R78056   | 26  | 1674-21 | R81777   | 4   | 3165-7   | R86085   | 5   | 3365-34  |
| R78057   | 2   | 1674-21 | R81777   | 3   | 3365-10  | R86380   | 4   | 3365-27  |
| R78058   | 23  | 1674-21 | R81777   | 9   | 3365-11  | R86380   | 14  | 3365-29  |
| R78059   | 1   | 1674-21 | R81777   | 6   | 3365-19  | R86387   | 10  | 3365-30  |
| R78060   | 2   | 1674-21 | R81777   | 3   | 3365-19B | R86457   | 36  | 0515-5   |

# 9995-27

310G, 310SG AND 315SG BACKHOE LOADERS

## NUMERICAL INDEX - CONTINUED

| PART NO. | KEY | PAGE     | PART NO. | KEY | PAGE    | PART NO. | KEY | PAGE     |
|----------|-----|----------|----------|-----|---------|----------|-----|----------|
| R87732   | 4   | 0410-2   | SE500769 | 22  | 0413-9  | T101763  | 7   | 3362-30  |
| R89944   | 5   | 0417-2   | SE500826 | 10  | 0413-1  | T101764  | 6   | 3362-30  |
| R89944   | 28  | 0452-5   | SE500826 | 10  | 0413-3  | T101807  | 16  | 1811-3   |
| R90237   | 14  | 3365-30  | SE500828 | 10  | 0413-3A | T101807  | 5   | 1811-5   |
| R90237   | 3   | 3365-31  | SE500830 | 1   | 0413-2  | T101807  | 3   | 3344-2   |
| R90265   | 11  | 3365-30  | SE500830 | 25  | 0413-7  | T101975  | 20  | 1830-9   |
| R90265   | 13  | 3365-31  | SE500830 | 25  | 0413-11 | T102780  | 27  | 1674-3B  |
| R90565   | 16  | 0960-14  | SE501101 | 10  | 0413-1  | T102934  | 5   | 0341-5   |
| R90658   | 2   | 0410-1   | SE501101 | 10  | 0413-3  | T102934  | 7   | 1674-5   |
| R90658   | 2   | 0452-1   | SE501103 | 1   | 0413-2  | T102934  | 19  | 2160-11  |
| R90658   | 2   | 0452-3   | SE501103 | 25  | 0413-7  | T102934  | 44  | 3363-25  |
| R90692   | 10  | 0409-3   | SE501103 | 25  | 0413-11 | T103461  | 11  | 0560-3   |
| R91360   | 25  | 0413-5   | SE501155 | 4   | 0416-5  | T103834  | 23  | 1674-3B  |
| R91360   | 13  | 0413-7   | SE501177 | 1   | 0413-3B | T105368  | 4   | 3362-31  |
| R91360   | 25  | 0413-9   | SE501178 | 1   | 0413-3B | T105368  | 15  | 3362-31  |
| R91360   | 13  | 0413-11  | SE501235 | 10  | 0413-7  | T105469  | 12  | 3365-7   |
| R91692   | 15  | 0402-4A  | SE501235 | 10  | 0413-11 | T105469  | 4   | 3365-9   |
| R91692   | 15  | 0402-6A  | SE501342 | 3   | 1672-3  | T105720  | 27  | 3163-7   |
| R91728   | 14  | 3365-34  | SE501342 | 3   | 1672-5  | T105720  | 26  | 3163-9   |
| R91731   | 13  | 3365-25  | SE501387 | 3   | 1672-3  | T105740  | 20  | 0520-3   |
| R91889   | 2   | 0409-3   | SE501387 | 3   | 1672-5  | T105740  | 16  | 1814-3   |
| R92097   | 6   | 0416-3   | TF23D    | 11  | 3302-15 | T105740  | 21  | 1821-3B  |
| R92097   | 6   | 0416-5   | TF23P    | 8   | 3302-15 | T105740  | 22  | 1821-3B  |
| R92097   | 11  | 0452-1   | TY15969  | 16  | 0560-3  | T105740  | 20  | 1910-3   |
| R92097   | 11  | 0452-3   | TY15969  | 1   | 1330-2  | T105773  | 7   | 3163-3   |
| R92097   | 7   | 0530-3   | TY16285  | 1   | 1330-2  | T105773  | 24  | 3163-5   |
| R92352   | 7   | 0413-1   | TY21766  | 13  | 1671-3  | T105773  | 16  | 3163-7   |
| R92352   | 3   | 0413-2   | TY21766  | 13  | 1671-5  | T105773  | 15  | 3163-9   |
| R92352   | 7   | 0413-3   | TY22388  | 6   | 1369-7  | T105773  | 18  | 3363-9   |
| R92352   | 7   | 0413-3A  | TY22388  | 11  | 1369-7  | T105773  | 5   | 3363-11  |
| R93219   | 6   | 1674-22  | TY22462  | 2   | 0560-3  | T105774  | 5   | 3363-3   |
| R93220   | 6   | 1674-22  | TY22462  | 29  | 0560-7  | T105774  | 5   | 3363-3B  |
| R93221   | 6   | 1674-22  | TY22462  | 14  | 1060-9  | T105774  | 3   | 3363-19  |
| R93222   | 6   | 1674-22  | TY22462  | 8   | 1060-11 | T105774  | 16  | 3363-43  |
| R93633   | 7   | 3365-30  | TY22462  | 8   | 2160-11 | T105988  | 12  | 3345-3   |
| R93633   | 8   | 3365-31  | TY22462  | 7   | 3363-29 | T106066  | 2   | 3342-3   |
| R93910   | 8   | 0409-3   | TY22462  | 9   | 3363-31 | T106398  | 4   | 3342-3   |
| R96703   | 10  | 0422-5   | TY22464  | 1   | 0408-5  | T106399  | 3   | 3342-3   |
| R97021   | 4   | 0560-4   | TY22464  | 2   | 0960-9  | T107029  | 10  | 3363-21  |
| R97185   | 8   | 0407-21  | TY22464  | 2   | 0960-11 | T107029  | 38  | 3363-21B |
| R97185   | 15  | 0452-1   | TY22487  | 7   | 0520-3  | T107029  | 38  | 3363-25  |
| R97185   | 15  | 0452-5   | TY22489  | 9   | 0520-3  | T107116  | 7   | 1671-5   |
| R98062   | 11  | 0409-3   | TY22490  | 18  | 1830-3  | T107117  | 3   | 1671-3   |
| R98063   | 8   | 0409-3   | TY22493  | 23  | 3363-35 | T107117  | 6   | 1671-5   |
| R98322   | 6   | 3165-3   | TY22493  | 19  | 3363-37 | T10745   | 4   | 1672-3   |
| R98322   | 9   | 3165-4   | TY22556  | 31  | 2160-9B | T10745   | 4   | 1672-5   |
| R98322   | 16  | 3165-8   | TY22556  | 16  | 2160-13 | T107887  | 12  | 3162-11  |
| R98322   | 9   | 3165-9   | TY22559  | 3   | 0560-3  | T107887  | 19  | 3162-15  |
| R98322   | 9   | 3365-12  | TY22559  | 5   | 0560-7  | T107887  | 31  | 3362-11  |
| R98322   | 5   | 3365-21B | TY22559  | 33  | 0560-7  | T107887  | 27  | 3362-13  |
| R98322   | 9   | 3365-22  | TY24401  | 5   | 0408-3  | T107887  | 33  | 3362-15  |
| R98322   | 9   | 3365-22A | TY24485  | 3   | 1672-3  | T107887  | 30  | 3362-41  |
| R98323   | 6   | 3165-3   | TY24485  | 3   | 1672-5  | T107887  | 9   | 3362-43  |
| R98323   | 8   | 3165-4   | TY24867  | 4   | 0520-5  | T107887  | 27  | 3362-45  |
| R98323   | 17  | 3165-8   | TY26194  | 57  | 1674-19 | T108357  | 24  | 1674-3B  |
| R98323   | 8   | 3165-9   | TY6128   | 13  | 1671-3  | T11234   | 16  | 0230-3   |
| R98323   | 8   | 3365-12  | TY6128   | 13  | 1671-5  | T11234   | 4   | 2002-3   |
| R98323   | 5   | 3365-21B | TY6304   | 24  | 0404-3  | T113128  | 7   | 0250-2   |
| R98323   | 8   | 3365-22  | TY6750   | 3   | 1672-3  | T113128  | 4   | 0325-2   |
| R98323   | 8   | 3365-22A | TY6750   | 3   | 1672-5  | T114774  | 11  | 1830-10  |
| R98324   | 4   | 3365-36  | TY6764   | 25  | 1830-13 | T114774  | 12  | 1830-10  |
| R98325   | 3   | 3365-36  | TY6799   | 3   | 1672-3  | T115030  | 5   | 2002-3   |
| R98335   | 8   | 0409-3   | TY6799   | 3   | 1672-5  | T116290  | 7   | 0230-7   |
| SE500683 | 22  | 0413-9   | T100787  | 2   | 1812-5  | T116400  | 29  | 3343-3   |
| SE500685 | 22  | 0413-5   | T100813  | 10  | 0230-3  | T116400  | 30  | 3343-5   |
| SE500711 | 1   | 0404-5   | T101624  | 17  | 1740-5  | T116851  | 6   | 0250-9   |
| SE500716 | 1   | 0404-5   | T101624  | 23  | 3363-5  | T116851  | 9   | 0250-11  |

# 9995-28

310G, 310SG AND 315SG BACKHOE LOADERS

## NUMERICAL INDEX - CONTINUED

| PART NO. | KEY | PAGE    | PART NO. | KEY | PAGE    | PART NO. | KEY | PAGE     |
|----------|-----|---------|----------|-----|---------|----------|-----|----------|
| T116918  | 4   | 0341-1  | T118799  | 19  | 3162-9  | T12582   | 4   | 3365-11  |
| T116918  | 10  | 0341-3  | T118799  | 28  | 3162-11 | T12582   | 4   | 3365-12  |
| T118679  | 4   | 3362-7  | T118799  | 14  | 3162-17 | T12582   | 12  | 3365-19  |
| T118681  | 38  | 3162-9  | T118799  | 17  | 3362-13 | T12582   | 17  | 3365-19B |
| T118681  | 10  | 3162-11 | T118799  | 21  | 3362-15 | T12582   | 8   | 3365-21B |
| T118681  | 27  | 3162-13 | T118799  | 17  | 3362-17 | T12582   | 4   | 3365-22  |
| T118681  | 17  | 3162-15 | T118799  | 12  | 3362-19 | T12582   | 4   | 3365-22A |
| T118681  | 26  | 3162-17 | T118799  | 12  | 3362-23 | T126013  | 20  | 1740-5   |
| T118681  | 18  | 3162-21 | T118808  | 13  | 3162-17 | T126052  | 14  | 2160-11  |
| T118681  | 11  | 3362-11 | T118808  | 16  | 3162-21 | T126052  | 11  | 3163-7   |
| T118681  | 33  | 3362-11 | T118808  | 21  | 3162-27 | T126052  | 14  | 3363-19  |
| T118681  | 25  | 3362-13 | T118808  | 27  | 3362-11 | T126052  | 17  | 3363-21  |
| T118681  | 35  | 3362-15 | T118808  | 15  | 3362-13 | T126052  | 18  | 3363-23  |
| T118681  | 19  | 3362-17 | T118808  | 19  | 3362-15 | T126867  | 23  | 3348-3   |
| T118681  | 27  | 3362-17 | T118808  | 16  | 3362-17 | T127257  | 14  | 3162-25  |
| T118681  | 10  | 3362-41 | T118808  | 11  | 3362-19 | T127260  | 22  | 3162-25  |
| T118681  | 32  | 3362-41 | T118808  | 11  | 3362-23 | T127261  | 19  | 3162-25  |
| T118681  | 7   | 3362-43 | T118866  | 30  | 3162-17 | T127263  | 18  | 3162-25  |
| T118681  | 29  | 3362-45 | T118866  | 23  | 3162-21 | T127264  | 21  | 3162-25  |
| T118681  | 2   | 3362-47 | T118866  | 6   | 3362-11 | T127265  | 1   | 3162-25  |
| T118681  | 8   | 3362-47 | T118866  | 19  | 3362-17 | T127268  | 2   | 3162-25  |
| T118683  | 19  | 3162-27 | T118866  | 20  | 3362-17 | T127437  | 6   | 3348-5   |
| T118685  | 3   | 3162-7  | T118866  | 5   | 3362-41 | T128437  | 2   | 2002-3   |
| T118685  | 23  | 3162-9  | T118866  | 2   | 3362-47 | T128533  | 5   | 3102-9   |
| T118685  | 11  | 3162-13 | T118866  | 3   | 3362-47 | T128533  | 28  | 3102-19  |
| T118685  | 7   | 3162-19 | T118867  | 19  | 3162-17 | T128538  | 10  | 3102-9   |
| T118685  | 5   | 3362-9  | T118867  | 22  | 3162-21 | T128538  | 27  | 3102-19  |
| T118685  | 18  | 3362-11 | T118867  | 7   | 3362-11 | T129165  | 1   | 0422-7   |
| T118685  | 11  | 3362-13 | T118867  | 19  | 3362-17 | T129165  | 2   | 1671-3   |
| T118685  | 15  | 3362-15 | T118867  | 21  | 3362-17 | T129165  | 5   | 1671-5   |
| T118685  | 10  | 3362-17 | T118867  | 6   | 3362-41 | T129732  | 20  | 0515-3   |
| T118685  | 10  | 3362-21 | T118867  | 2   | 3362-47 | T129732  | 16  | 0515-5   |
| T118685  | 21  | 3362-41 | T118867  | 4   | 3362-47 | T13119   | 1   | 1369-5   |
| T118685  | 20  | 3362-43 | T118879  | 11  | 3162-17 | T131938  | 13  | 1320-3   |
| T118685  | 20  | 3362-45 | T118879  | 14  | 3162-21 | T13254   | 7   | 1369-7   |
| T118685  | 20  | 3362-47 | T118884  | 15  | 3162-9  | T133291  | 2   | 3115-11  |
| T118692  | 16  | 3162-11 | T118884  | 24  | 3162-11 | T133291  | 2   | 3115-13  |
| T118692  | 23  | 3162-15 | T119153  | 23  | 1814-3  | T133291  | 1   | 3315-7   |
| T118692  | 12  | 3162-21 | T119912  | 2   | 0230-3  | T133291  | 1   | 3315-19  |
| T118693  | 14  | 3162-11 | T119912  | 5   | 0230-5  | T133487  | 9   | 1814-3   |
| T118693  | 21  | 3162-15 | T119912  | 2   | 0250-1  | T133487  | 8   | 1910-3   |
| T118693  | 10  | 3162-21 | T119912  | 2   | 1749-3  | T133674  | 6   | 1812-3   |
| T118694  | 13  | 3162-11 | T120543  | 12  | 1821-3  | T133674  | 6   | 1814-3   |
| T118694  | 20  | 3162-15 | T120544  | 36  | 1821-3B | T133674  | 66  | 1814-5   |
| T118694  | 9   | 3162-21 | T120545  | 9   | 1821-3  | T133674  | 3   | 1816-9   |
| T118695  | 4   | 3362-5  | T121238  | 5   | 3162-3  | T133674  | 5   | 1816-11  |
| T118695  | 4   | 3362-7  | T121238  | 5   | 3162-19 | T133674  | 5   | 1816-13  |
| T118695  | 4   | 3362-24 | T121288  | 6   | 1671-3  | T133674  | 21  | 1830-5   |
| T118695  | 4   | 3362-25 | T121288  | 12  | 1671-5  | T133674  | 32  | 3315-11  |
| T118695  | 5   | 3362-26 | T121474  | 2   | 3315-21 | T134104  | 2   | 1671-8   |
| T118695  | 5   | 3362-27 | T121474  | 29  | 3315-23 | T134586  | 13  | 1816-9   |
| T118697  | 4   | 3362-5  | T122075  | 4   | 0419-3  | T134874  | 6   | 1816-9   |
| T118697  | 4   | 3362-7  | T122075  | 30  | 0452-5  | T134874  | 1   | 1816-11  |
| T118697  | 5   | 3362-26 | T12275   | 1   | 1369-5  | T134874  | 15  | 1816-11  |
| T118697  | 5   | 3362-27 | T12275   | 7   | 3365-18 | T134874  | 3   | 1816-13  |
| T118708  | 14  | 3162-9  | T125615  | 7   | 0230-3  | T134874  | 9   | 1816-13  |
| T118708  | 23  | 3162-11 | T125615  | 2   | 0230-5  | T134874  | 11  | 1816-13  |
| T118709  | 16  | 3162-9  | T125615  | 7   | 0230-6  | T134874  | 2   | 1816-15  |
| T118709  | 25  | 3162-11 | T125615  | 18  | 0230-7  | T134874  | 2   | 1816-17  |
| T118711  | 17  | 3162-9  | T125615  | 10  | 0230-8  | T134874  | 13  | 1830-5   |
| T118711  | 26  | 3162-11 | T125615  | 8   | 0250-1  | T134881  | 37  | 3162-13  |
| T118712  | 20  | 3162-9  | T125808  | 4   | 3315-11 | T134881  | 11  | 3162-15  |
| T118712  | 27  | 3162-11 | T12582   | 9   | 3165-3  | T134895  | 24  | 1811-3   |
| T118715  | 12  | 3162-9  | T12582   | 4   | 3165-4  | T134895  | 10  | 1811-5   |
| T118715  | 21  | 3162-11 | T12582   | 9   | 3165-7  | T134895  | 30  | 1814-3   |
| T118768  | 1   | 3102-5  | T12582   | 9   | 3165-8  | T134895  | 17  | 1816-11  |
| T118768  | 1   | 3102-17 | T12582   | 4   | 3165-9  | T134895  | 7   | 1816-13  |

# 9995-29

310G, 310SG AND 315SG BACKHOE LOADERS

## NUMERICAL INDEX - CONTINUED

| PART NO. | KEY | PAGE     | PART NO. | KEY | PAGE    | PART NO.  | KEY | PAGE    |
|----------|-----|----------|----------|-----|---------|-----------|-----|---------|
| T134895  | 30  | 1816-15  | T141093  | 2   | 1320-7  | T148410   | 8   | 3346-3  |
| T134895  | 4   | 1816-17  | T141096  | 3   | 1320-7  | T148410   | 5   | 3346-5  |
| T134895  | 8   | 1830-5   | T141126  | 30  | 3315-11 | T148410   | 7   | 3362-31 |
| T134895  | 21  | 1830-5   | T141234  | 22  | 1811-3  | T148411   | 2   | 1740-3  |
| T134895  | 20  | 2001-3   | T141689  | 5   | 0360-5  | T148411   | 2   | 1740-5  |
| T134895  | 1   | 2007-3   | T142748  | 16  | 0515-3  | T148411   | 2   | 3140-3  |
| T134896  | 12  | 1816-11  | T143169  | 20  | 1830-7  | T148467   | 22  | 0230-3  |
| T13518   | 5   | 0433-3   | T143169  | 6   | 1830-13 | T148468   | 29  | 0230-3  |
| T135342  | 36  | 0515-3   | T143802  | 15  | 3102-9  | T148741   | 16  | 3315-11 |
| T135342  | 49  | 0515-5   | T143804  | 37  | 3102-21 | T148817   | 3   | 2002-3  |
| T135583  | 14  | 1814-3   | T144486  | 20  | 0360-3  | T149199   | 21  | 1320-3  |
| T135675  | 21  | 1814-3   | T144486  | 11  | 0360-7  | T149199   | 7   | 1674-11 |
| T135675  | 2   | 1814-7   | T144486  | 7   | 0360-9  | T150487   | 2   | 3102-3  |
| T135675  | 26  | 1814-9   | T144487  | 19  | 0360-3  | T150487   | 1   | 3102-5  |
| T135675  | 16  | 1814-9B  | T144487  | 12  | 0360-7  | T150487   | 2   | 3102-15 |
| T13630   | 3   | 0960-3   | T144493  | 19  | 0360-11 | T150487   | 1   | 3102-17 |
| T13630   | 3   | 0960-5   | T144494  | 18  | 0360-11 | T150517   | 6   | 3102-5  |
| T137318  | 25  | 0515-3   | T145560  | 16  | 1320-3  | T150517   | 9   | 3102-9  |
| T137318  | 24  | 0515-5   | T145560  | 18  | 1830-13 | T150517   | 6   | 3102-17 |
| T137321  | 21  | 0515-3   | T146080  | 17  | 1320-3  | T150517   | 27  | 3102-19 |
| T137321  | 17  | 0515-5   | T146089  | 4   | 1320-7  | T150517HD | 6   | 3102-5  |
| T137322  | 22  | 0515-3   | T146095  | 4   | 1320-7  | T150517HD | 9   | 3102-9  |
| T137322  | 18  | 0515-5   | T146097  | 18  | 1320-3  | T150517HD | 6   | 3102-17 |
| T13814   | 36  | 1830-7   | T146098  | 5   | 1320-7  | T150958   | 24  | 3162-15 |
| T139165  | 1   | 1320-7   | T146099  | 5   | 1320-7  | T150961   | 2   | 3363-43 |
| T139167  | 1   | 1320-7   | T146102  | 6   | 0422-2  | T151065   | 2   | 0250-8  |
| T140207  | 11  | 0230-3   | T146102  | 6   | 0422-3  | T151065   | 2   | 0250-8B |
| T140211  | 6   | 0230-3   | T146102  | 11  | 0422-5  | T151072   | 8   | 0250-13 |
| T140211  | 2   | 0230-6   | T146102  | 19  | 1320-3  | T151074   | 17  | 0250-7  |
| T140211  | 7   | 0250-1   | T146102  | 8   | 1740-3  | T151075   | 4   | 0250-9  |
| T140283  | 14  | 1320-3   | T146102  | 15  | 1740-3  | T151075   | 7   | 0250-11 |
| T140311  | 15  | 1320-3   | T146102  | 24  | 1740-5  | T151077   | 8   | 0250-9  |
| T140328  | 31  | 3115-7   | T146102  | 32  | 1740-5  | T151077   | 3   | 0250-11 |
| T140328  | 26  | 3115-9   | T146104  | 6   | 1320-7  | T151080   | 1   | 0250-9  |
| T140328  | 23  | 3115-11  | T146106  | 6   | 1320-7  | T151080   | 11  | 0250-9  |
| T140328  | 10  | 3115-13  | T146481  | 1   | 2160-25 | T151080   | 11  | 0250-11 |
| T140328  | 14  | 3315-7   | T146757  | 4   | 3115-3  | T151085   | 2   | 0250-8A |
| T140328  | 6   | 3315-9   | T146757  | 2   | 3115-5  | T151087   | 15  | 0250-7  |
| T140328  | 18  | 3315-11  | T147070  | 5   | 1740-3  | T151088   | 15  | 0250-7  |
| T140328  | 22  | 3315-11  | T147070  | 10  | 3342-3  | T151089   | 13  | 0250-5  |
| T140328  | 15  | 3315-13  | T147187  | 41  | 3363-19 | T151261   | 15  | 0250-5  |
| T140328  | 15  | 3315-13B | T147269  | 20  | 0201-3  | T151262   | 9   | 0250-5  |
| T140328  | 5   | 3315-15  | T147296  | 3   | 3102-5  | T151264   | 14  | 0250-7  |
| T140328  | 13  | 3315-15B | T147296  | 3   | 3102-17 | T151797   | 5   | 1749-3  |
| T140328  | 12  | 3315-17  | T148182  | 5   | 3115-3  | T152288   | 4   | 0960-6  |
| T140328  | 7   | 3315-27  | T148182  | 3   | 3115-5  | T152374   | 7   | 3362-9  |
| T14050   | 13  | 0413-5   | T148313  | 6   | 1740-3  | T152398   | 18  | 3162-9  |
| T14050   | 13  | 0413-9   | T148313  | 7   | 1740-3  | T152401   | 10  | 3162-9  |
| T14050   | 14  | 0420-3   | T148387  | 14  | 1740-3  | T152401   | 20  | 3162-11 |
| T14050   | 9   | 0420-7   | T148387  | 22  | 3342-3  | T152404   | 9   | 3162-9  |
| T14050   | 14  | 0420-9   | T148409  | 4   | 1740-3  | T152404   | 19  | 3162-11 |
| T14050   | 9   | 0420-13  | T148409  | 3   | 1740-5  | T152406   | 21  | 3162-9  |
| T14065   | 2   | 3102-13  | T148409  | 2   | 1747-3  | T152406   | 9   | 3162-17 |
| T140650  | 7   | 3315-11  | T148409  | 6   | 2160-25 | T152406   | 13  | 3362-15 |
| T140699  | 3   | 3362-5   | T148409  | 17  | 2160-27 | T152406   | 14  | 3362-19 |
| T140699  | 3   | 3362-7   | T148409  | 16  | 3162-29 | T152406   | 14  | 3362-23 |
| T140699  | 6   | 3362-24  | T148409  | 1   | 3344-2  | T152406   | 18  | 3362-45 |
| T140699  | 6   | 3362-25  | T148409  | 14  | 3344-2  | T152407   | 22  | 3162-9  |
| T140699  | 7   | 3362-26  | T148409  | 2   | 3344-3  | T152407   | 8   | 3162-17 |
| T140699  | 7   | 3362-27  | T148409  | 8   | 3346-3  | T152407   | 14  | 3362-15 |
| T140700  | 3   | 3362-5   | T148410  | 1   | 1740-3  | T152407   | 15  | 3362-19 |
| T140700  | 3   | 3362-7   | T148410  | 17  | 1740-3  | T152407   | 15  | 3362-23 |
| T140700  | 7   | 3362-26  | T148410  | 1   | 1740-5  | T152407   | 19  | 3362-45 |
| T140700  | 7   | 3362-27  | T148410  | 34  | 1740-5  | T152648   | 5   | 1313-3  |
| T14083   | 3   | 1313-3   | T148410  | 34  | 1816-15 | T152996   | 8   | 1320-7  |
| T141075  | 2   | 1320-7   | T148410  | 1   | 3344-2  | T152997   | 8   | 1320-7  |
| T141078  | 3   | 1320-7   | T148410  | 14  | 3344-2  | T153193   | 10  | 3363-25 |

# 9995-30

310G, 310SG AND 315SG BACKHOE LOADERS

## NUMERICAL INDEX - CONTINUED

| PART NO. | KEY | PAGE    | PART NO. | KEY | PAGE    | PART NO. | KEY | PAGE    |
|----------|-----|---------|----------|-----|---------|----------|-----|---------|
| T153303  | 13  | 1740-3  | T158437  | 22  | 1111-3  | T158762  | 9   | 0350-27 |
| T153303  | 21  | 3342-3  | T158476  | 18  | 2160-11 | T158775  | 12  | 0350-3  |
| T153322  | 21  | 3346-5  | T158481  | 14  | 1821-9  | T158775  | 12  | 0350-5  |
| T153531  | 2   | 3343-3  | T158579  | 2   | 3140-5  | T158775  | 7   | 0350-15 |
| T153531  | 13  | 3343-5  | T158584  | 6   | 1672-3  | T158775  | 7   | 0350-17 |
| T153567  | 4   | 3346-3  | T158584  | 6   | 1672-5  | T158775  | 7   | 0350-19 |
| T153567  | 18  | 3346-5  | T158648  | 11  | 0540-3  | T158775  | 7   | 0350-21 |
| T153608  | 11  | 3344-2  | T158714  | 2   | 0350-7  | T158775  | 7   | 0350-23 |
| T153680  | 22  | 1320-3  | T158717  | 8   | 0350-6  | T158775  | 7   | 0350-25 |
| T153720  | 9   | 0250-7  | T158717  | 8   | 0350-13 | T158777  | 6   | 0350-9  |
| T153721  | 6   | 0250-7  | T158718  | 9   | 0350-6  | T158777  | 13  | 0350-10 |
| T153722  | 6   | 0250-7  | T158718  | 2   | 0350-9  | T158778  | 19  | 0350-3  |
| T153723  | 2   | 0960-13 | T158718  | 17  | 0350-10 | T158778  | 19  | 0350-5  |
| T153742  | 3   | 0960-13 | T158718  | 9   | 0350-13 | T158778  | 13  | 0350-15 |
| T153743  | 4   | 0960-13 | T158720  | 2   | 0350-6  | T158778  | 13  | 0350-17 |
| T153744  | 14  | 0960-13 | T158720  | 2   | 0350-13 | T158778  | 8   | 0350-19 |
| T154058  | 9   | 3140-3  | T158722  | 7   | 0350-8  | T158778  | 13  | 0350-21 |
| T154128  | 10  | 0341-1  | T158722  | 7   | 0350-27 | T158778  | 11  | 0350-23 |
| T154129  | 5   | 0341-1  | T158732  | 2   | 0360-5  | T158778  | 11  | 0350-25 |
| T154130  | 16  | 0341-1  | T158734  | 17  | 0315-3  | T158784  | 3   | 0315-3  |
| T154165  | 1   | 3140-3  | T158735  | 12  | 0315-3  | T158785  | 2   | 0315-3  |
| T154166  | 3   | 3140-3  | T158739  | 9   | 0350-3  | T158786  | 5   | 0315-3  |
| T154187  | 6   | 3162-25 | T158739  | 9   | 0350-5  | T158789  | 11  | 0350-3  |
| T154273  | 13  | 3345-5  | T158739  | 4   | 0350-15 | T158789  | 11  | 0350-5  |
| T154352  | 4   | 3140-3  | T158739  | 4   | 0350-17 | T158789  | 6   | 0350-15 |
| T154360  | 6A  | 3102-7  | T158739  | 14  | 0350-19 | T158789  | 6   | 0350-17 |
| T154361  | 19  | 1674-7  | T158739  | 4   | 0350-21 | T158789  | 12  | 0350-19 |
| T154449  | 9   | 0540-3  | T158739  | 4   | 0350-23 | T158789  | 6   | 0350-21 |
| T154621  | 6   | 1740-3  | T158739  | 4   | 0350-25 | T158789  | 6   | 0350-23 |
| T154621  | 7   | 1740-3  | T158740  | 10  | 0350-6  | T158789  | 6   | 0350-25 |
| T154621  | 1   | 3342-3  | T158740  | 10  | 0350-13 | T158801  | 16  | 0350-3  |
| T154708  | 7A  | 3343-5  | T158742  | 1   | 0350-3  | T158801  | 16  | 0350-5  |
| T154712  | 22  | 3343-3  | T158742  | 1   | 0350-5  | T158801  | 10  | 0350-15 |
| T154712  | 22  | 3343-5  | T158742  | 19  | 0350-8  | T158801  | 10  | 0350-17 |
| T154764  | 3   | 3140-3  | T158742  | 2   | 0350-15 | T158801  | 11  | 0350-19 |
| T154769  | 4   | 3140-3  | T158742  | 2   | 0350-17 | T158801  | 10  | 0350-21 |
| T154821  | 18  | 3343-3  | T158742  | 15  | 0350-19 | T158801  | 8   | 0350-23 |
| T154821  | 8A  | 3343-5  | T158742  | 2   | 0350-21 | T158801  | 8   | 0350-25 |
| T154828  | 6   | 0315-3  | T158742  | 2   | 0350-23 | T158802  | 20  | 0350-3  |
| T154951  | 1   | 0201-3  | T158742  | 2   | 0350-25 | T158802  | 20  | 0350-5  |
| T154952  | 12  | 0210-1  | T158742  | 14  | 0350-27 | T158805  | 2   | 0350-10 |
| T155259  | 11  | 0350-6  | T158743  | 10  | 0350-3  | T158806  | 3   | 0350-10 |
| T155259  | 11  | 0350-13 | T158743  | 10  | 0350-5  | T158810  | 25  | 3315-11 |
| T155324  | 2   | 0350-1  | T158743  | 5   | 0350-15 | T158811  | 15  | 0350-9  |
| T155826  | 13  | 0510-3  | T158743  | 5   | 0350-17 | T158812  | 23  | 3315-11 |
| T155827  | 20  | 0510-3  | T158743  | 13  | 0350-19 | T158815  | 3   | 0315-1  |
| T155858  | 10  | 0505-5  | T158743  | 5   | 0350-21 | T158816  | 5   | 0315-1  |
| T157277  | 9   | 3342-3  | T158743  | 5   | 0350-23 | T158817  | 1   | 0315-1  |
| T157762  | 4   | 3315-21 | T158743  | 5   | 0350-25 | T158818  | 4   | 0315-1  |
| T157785  | 16  | 3315-19 | T158744  | 12  | 0350-8  | T158819  | 13  | 0315-3  |
| T157792  | 8   | 3346-5  | T158744  | 11  | 0350-27 | T158820  | 7   | 0315-3  |
| T157796  | 9   | 3346-5  | T158745  | 11  | 0350-8  | T158828  | 7   | 0230-3  |
| T157922  | 5   | 3344-2  | T158745  | 12  | 0350-27 | T158855  | 8   | 0350-8  |
| T157922  | 2   | 3346-8  | T158747  | 4   | 0350-10 | T158855  | 8   | 0350-27 |
| T158081  | 41  | 1814-5  | T158748  | 3   | 0350-9  | T158858  | 13  | 0350-8  |
| T158132  | 25  | 3165-3  | T158748  | 16  | 0350-10 | T158859  | 10  | 0350-8  |
| T158132  | 25  | 3165-7  | T158749  | 4   | 0360-5  | T158859  | 10  | 0350-27 |
| T158181  | 7   | 3140-3  | T158754  | 10  | 0360-5  | T158860  | 14  | 0350-8  |
| T158245  | 11  | 1060-7  | T158756  | 13  | 0350-3  | T158861  | 6   | 0350-8  |
| T158358  | 44  | 1814-5  | T158756  | 13  | 0350-5  | T158864  | 17  | 0350-8  |
| T158397  | 10  | 3315-21 | T158756  | 6   | 0350-19 | T159028  | 23  | 1320-3  |
| T158424  | 32  | 1830-13 | T158756  | 12  | 0350-23 | T159089  | 11  | 3344-2  |
| T158424  | 1   | 2160-17 | T158756  | 12  | 0350-25 | T159118  | 2   | 3343-3  |
| T158424  | 1   | 2160-19 | T158758  | 4   | 0315-3  | T159119  | 22  | 3343-3  |
| T158424  | 2   | 2160-23 | T158760  | 15  | 0350-8  | T159188  | 22  | 3343-5  |
| T158428  | 10  | 1812-5  | T158760  | 17  | 0350-27 | T159197  | 12  | 3302-15 |
| T158437  | 7   | 0210-5  | T158762  | 9   | 0350-8  | T159197  | 15  | 3302-15 |



# 9995-31

310G, 310SG AND 315SG BACKHOE LOADERS

## NUMERICAL INDEX - CONTINUED

| PART NO. | KEY | PAGE    | PART NO. | KEY | PAGE   | PART NO.     | KEY | PAGE    |
|----------|-----|---------|----------|-----|--------|--------------|-----|---------|
| T159197  | 15  | 3302-17 | T159440  | 22  | 1011-3 | T159502      | 18  | 1111-5  |
| T159263  | 10  | 1674-11 | T159441  | 18  | 0210-3 | T159518      | 8   | 0210-1  |
| T159263  | 4   | 3362-5  | T159441  | 22  | 1011-3 | T159519      | 10  | 0210-1  |
| T159263  | 4   | 3362-7  | T159442  | 18  | 0210-3 | T159522      | 9   | 0210-1  |
| T159264  | 3   | 3362-5  | T159442  | 22  | 1011-3 | T159523      | 9   | 0210-1  |
| T159264  | 3   | 3362-7  | T159443  | 18  | 0210-3 | T159525      | 9   | 0210-1  |
| T159281  | 4   | 3346-3  | T159443  | 22  | 1011-3 | T159564      | 9   | 0341-1  |
| T159281  | 18  | 3346-5  | T159444  | 18  | 0210-3 | T159565      | 15  | 0341-1  |
| T159307  | 3   | 0210-5  | T159444  | 22  | 1011-3 | T159565      | 22B | 0341-1  |
| T159308  | 3   | 0210-5  | T159445  | 18  | 0210-3 | T159565      | 23  | 0341-3  |
| T159309  | 3   | 0210-5  | T159445  | 22  | 1011-3 | T159567      | 11  | 0341-1  |
| T159310  | 3   | 0210-5  | T159446  | 18  | 0210-3 | T159567      | 19  | 0341-3  |
| T159311  | 3   | 0210-5  | T159446  | 22  | 1011-3 | T159568      | 19  | 0350-3  |
| T159313  | 3   | 0210-5  | T159447  | 18  | 0210-3 | T159568      | 19  | 0350-5  |
| T159314  | 3   | 0210-5  | T159447  | 22  | 1011-3 | T159568      | 13  | 0350-15 |
| T159315  | 3   | 0210-5  | T159448  | 18  | 0210-3 | T159568      | 13  | 0350-17 |
| T159316  | 8   | 0210-5  | T159448  | 22  | 1011-3 | T159568      | 8   | 0350-19 |
| T159317  | 9   | 0210-5  | T159449  | 18  | 0210-3 | T159568      | 13  | 0350-21 |
| T159322  | 4   | 0210-5  | T159449  | 22  | 1011-3 | T159568      | 11  | 0350-23 |
| T159323  | 4   | 0210-5  | T159450  | 18  | 0210-3 | T159568      | 11  | 0350-25 |
| T159324  | 4   | 0210-5  | T159450  | 22  | 1011-3 | T159569      | 19  | 0350-3  |
| T159325  | 4   | 0210-5  | T159451  | 18  | 0210-3 | T159569      | 19  | 0350-5  |
| T159326  | 4   | 0210-5  | T159451  | 22  | 1011-3 | T159569      | 13  | 0350-15 |
| T159327  | 4   | 0210-5  | T159452  | 18  | 0210-3 | T159569      | 13  | 0350-17 |
| T159329  | 4   | 0210-5  | T159452  | 22  | 1011-3 | T159569      | 8   | 0350-19 |
| T159330  | 4   | 0210-5  | T159453  | 18  | 0210-3 | T159569      | 13  | 0350-21 |
| T159331  | 4   | 0210-5  | T159453  | 22  | 1011-3 | T159569      | 11  | 0350-23 |
| T159332  | 4   | 0210-5  | T159457  | 18  | 0210-3 | T159569      | 11  | 0350-25 |
| T159334  | 4   | 0210-5  | T159457  | 22  | 1011-3 | T159570      | 19  | 0350-3  |
| T159337  | 4   | 0210-5  | T159459  | 18  | 0210-3 | T159570      | 19  | 0350-5  |
| T159338  | 4   | 0210-5  | T159459  | 22  | 1011-3 | T159570      | 13  | 0350-15 |
| T159341  | 11  | 0210-3  | T159461  | 18  | 0210-3 | T159570      | 13  | 0350-17 |
| T159343  | 16  | 0210-3  | T159461  | 22  | 1011-3 | T159570      | 8   | 0350-19 |
| T159344  | 15  | 0210-3  | T159463  | 18  | 0210-3 | T159570      | 13  | 0350-21 |
| T159346  | 17  | 0210-3  | T159463  | 22  | 1011-3 | T159570      | 11  | 0350-23 |
| T159348  | 5   | 0210-3  | T159471  | 13  | 1111-3 | T159570      | 11  | 0350-25 |
| T159350  | 7   | 0210-3  | T159472  | 10  | 1111-3 | T159571      | 4   | 0350-8  |
| T159351  | 6   | 0210-3  | T159473  | 6   | 1111-3 | T159572      | 1   | 0350-8  |
| T159358  | 2   | 0210-3  | T159474  | 9   | 1111-3 | T159572      | 1   | 0350-27 |
| T159359  | 1   | 0210-3  | T159474  | 10  | 1111-5 | T159574      | 6   | 0350-9  |
| T159359  | 6   | 1111-5  | T159475  | 8   | 1111-3 | T159574      | 13  | 0350-10 |
| T159362  | 12  | 0201-3  | T159475  | 9   | 1111-5 | T159575      | 6   | 0350-9  |
| T159362  | 25  | 1011-3  | T159476  | 5   | 1111-3 | T159575      | 13  | 0350-10 |
| T159371  | 11  | 0201-3  | T159477  | 7   | 1111-3 | T159576      | 6   | 0350-9  |
| T159373  | 8   | 0201-3  | T159477  | 4   | 1111-5 | T159576      | 13  | 0350-10 |
| T159373  | 24  | 1011-3  | T159478  | 4   | 1111-3 | T159577      | 6   | 0350-9  |
| T159386  | 23  | 0201-3  | T159478  | 8   | 1111-5 | T159577      | 13  | 0350-10 |
| T159388  | 22  | 0201-3  | T159479  | 1   | 1111-3 | T159578      | 2   | 0315-1  |
| T159389  | 24  | 0201-3  | T159480  | 1   | 1111-3 | T159582      | 28  | 0360-3  |
| T159396  | 9   | 1011-3  | T159481  | 1   | 1111-3 | T159582      | 22  | 0360-7  |
| T159397  | 10  | 1011-3  | T159482  | 1   | 1111-3 | T159583      | 34  | 0360-7  |
| T159398  | 17  | 1011-3  | T159483  | 1   | 1111-3 | T159583 #T16 | 12  | 0360-3  |
| T159399  | 6   | 1011-3  | T159484  | 2   | 1111-3 | T159584      | 10  | 0360-3  |
| T159400  | 7   | 1011-3  | T159485  | 3   | 1111-3 | T159584      | 36  | 0360-7  |
| T159401  | 8   | 1011-3  | T159486  | 11  | 1111-3 | T159586      | 36  | 0360-3  |
| T159402  | 4   | 1011-3  | T159487  | 12  | 1111-3 | T159586      | 31  | 0360-7  |
| T159403  | 23  | 1011-3  | T159487  | 17  | 1111-5 | T159587      | 32  | 0360-3  |
| T159406  | 16  | 1011-3  | T159490  | 17  | 1111-3 | T159587      | 26  | 0360-7  |
| T159407  | 14  | 1011-3  | T159491  | 15  | 1111-3 | T159588      | 33  | 0360-3  |
| T159408  | 15  | 1011-3  | T159492  | 16  | 1111-3 | T159588      | 27  | 0360-7  |
| T159409  | 1   | 1011-3  | T159493  | 16  | 1111-3 | T159589      | 31  | 0360-3  |
| T159425  | 20  | 1011-3  | T159494  | 16  | 1111-3 | T159589      | 25  | 0360-7  |
| T159427  | 20  | 1011-3  | T159495  | 16  | 1111-3 | T159591      | 37  | 0360-3  |
| T159429  | 20  | 1011-3  | T159496  | 16  | 1111-3 | T159591      | 30  | 0360-7  |
| T159431  | 20  | 1011-3  | T159497  | 16  | 1111-3 | T159592      | 38  | 0360-3  |
| T159435  | 20  | 1011-3  | T159499  | 21  | 1111-3 | T159592      | 29  | 0360-7  |
| T159440  | 18  | 0210-3  | T159502  | 20  | 1111-3 | T159593      | 1   | 0360-3  |

# 9995-32

310G, 310SG AND 315SG BACKHOE LOADERS

## NUMERICAL INDEX - CONTINUED

| PART NO. | KEY | PAGE    | PART NO. | KEY | PAGE    | PART NO. | KEY | PAGE    |
|----------|-----|---------|----------|-----|---------|----------|-----|---------|
| T159593  | 40  | 0360-3  | T160067  | 12  | 3343-3  | T161013  | 28  | 3315-23 |
| T159593  | 1   | 0360-7  | T160218  | 1   | 3343-5  | T161027  | 3   | 3348-5  |
| T159593  | 28  | 0360-7  | T160299  | 10  | 3346-3  | T161036  | 2   | 3102-7  |
| T159595  | 22  | 0360-3  | T160300  | 1   | 3346-3  | T161036  | 4   | 3302-3  |
| T159596  | 23  | 0360-3  | T160300  | 17  | 3346-5  | T161036  | 4   | 3302-7  |
| T159596  | 16  | 0360-7  | T160302  | 10  | 3346-3  | T161036  | 2   | 3302-15 |
| T159596  | 9   | 0360-9  | T160303  | 10  | 3346-3  | T161036  | 1   | 3343-3  |
| T159597  | 26  | 0360-3  | T160303  | 8   | 3348-5  | T161036  | 23  | 3343-3  |
| T159597  | 21  | 0360-7  | T160304  | 1   | 3346-3  | T161036  | 31  | 3343-3  |
| T159598  | 25  | 0360-3  | T160304  | 17  | 3346-5  | T161036  | 1   | 3343-5  |
| T159598  | 20  | 0360-7  | T160315  | 2   | 1821-9  | T161036  | 27  | 3343-5  |
| T159599  | 24  | 0360-3  | T160376  | 16  | 3363-9  | T161036  | 12  | 3344-2  |
| T159599  | 17  | 0360-7  | T160376  | 13  | 3363-21 | T161036  | 12  | 3345-5  |
| T159600  | 27  | 0360-3  | T160376  | 13  | 3363-23 | T161036  | 21  | 3345-5  |
| T159600  | 18  | 0360-7  | T160376  | 13  | 3363-25 | T161036  | 1   | 3346-3  |
| T159604  | 9   | 0360-3  | T160376  | 13  | 3363-27 | T161036  | 7   | 3346-3  |
| T159604  | 3   | 0360-7  | T160376  | 3   | 3363-35 | T161036  | 6   | 3348-3  |
| T159607  | 6   | 0360-3  | T160384  | 15  | 3346-5  | T161036  | 2   | 3348-5  |
| T159607  | 12  | 0360-4A | T160492  | 55  | 1830-7B | T161093  | 8   | 1369-7  |
| T159607  | 7   | 0360-7  | T160492  | 23  | 1830-9  | T161144  | 5   | 0350-7  |
| T159607  | 3   | 0360-11 | T160508  | 3   | 0510-3  | T161144  | 4   | 0360-4A |
| T159607  | 4   | 0360-11 | T160515  | 6   | 3315-21 | T161144  | 10  | 0360-11 |
| T159607  | 5   | 0360-11 | T160518  | 24  | 3362-11 | T161147  | 18  | 0350-3  |
| T159607  | 6   | 0360-11 | T160518  | 13  | 3362-13 | T161147  | 18  | 0350-5  |
| T159607  | 9   | 0360-11 | T160518  | 17  | 3362-15 | T161147  | 12  | 0350-15 |
| T159607  | 13  | 0360-11 | T160518  | 14  | 3362-17 | T161147  | 12  | 0350-17 |
| T159607  | 14  | 0360-11 | T160518  | 9   | 3362-19 | T161147  | 9   | 0350-19 |
| T159607  | 15  | 0360-11 | T160518  | 9   | 3362-23 | T161147  | 12  | 0350-21 |
| T159607  | 16  | 0360-11 | T160519  | 26  | 3362-11 | T161147  | 10  | 0350-23 |
| T159611  | 7   | 0360-4A | T160519  | 15  | 3362-17 | T161147  | 10  | 0350-25 |
| T159611  | 9   | 0360-4A | T160520  | 15  | 3362-21 | T161181  | 19  | 0341-1  |
| T159612  | 3   | 0360-11 | T160548  | 4   | 3163-7  | T161181  | 16  | 0341-3  |
| T159612  | 6   | 0360-11 | T160548  | 43  | 3163-7  | T161182  | 15  | 0341-3  |
| T159613  | 13  | 0360-4A | T160548  | 13  | 3363-1B | T161183  | 19  | 0350-3  |
| T159613  | 7   | 0360-11 | T160549  | 33  | 3163-7  | T161183  | 13  | 0350-15 |
| T159683  | 20  | 0341-1  | T160550  | 11  | 3163-3  | T161183  | 13  | 0350-17 |
| T159683  | 12  | 0341-3  | T160550  | 1   | 3163-5  | T161183  | 8   | 0350-19 |
| T159683  | 26  | 0341-3  | T160554  | 35  | 3363-11 | T161183  | 13  | 0350-21 |
| T159684  | 2   | 0360-4A | T160554  | 31  | 3363-19 | T161183  | 11  | 0350-23 |
| T159684  | 5   | 0360-4A | T160567  | 7A  | 3343-3  | T161183  | 11  | 0350-25 |
| T159684  | 11  | 0360-11 | T160568  | 11A | 3343-3  | T161186  | 15  | 0350-3  |
| T159800  | 21  | 3343-3  | T160589  | 3   | 3315-21 | T161186  | 15  | 0350-5  |
| T159800  | 21  | 3343-5  | T160590  | 25  | 3315-23 | T161186  | 2   | 0350-19 |
| T159815  | 8   | 1320-3  | T160613  | 8   | 3362-9  | T161186  | 16  | 0350-23 |
| T159829  | 11  | 3363-9  | T160613  | 16  | 3362-21 | T161186  | 16  | 0350-25 |
| T159829  | 21  | 3363-11 | T160628  | 3   | 3362-5  | T161187  | 15  | 0350-3  |
| T159829  | 22  | 3363-11 | T160628  | 3   | 3362-7  | T161187  | 15  | 0350-5  |
| T159829  | 33  | 3363-19 | T160629  | 4   | 3362-5  | T161187  | 2   | 0350-19 |
| T159832  | 7   | 1740-3  | T160629  | 4   | 3362-7  | T161187  | 16  | 0350-23 |
| T159853  | 15  | 3346-3  | T160638  | 8   | 3315-21 | T161187  | 16  | 0350-25 |
| T159950  | 30  | 3163-7  | T160639  | 9   | 3315-21 | T161188  | 15  | 0350-3  |
| T159952  | 10  | 3163-7  | T160663  | 5   | 3362-21 | T161188  | 15  | 0350-5  |
| T159952  | 21  | 3163-9  | T160702  | 9   | 3362-15 | T161188  | 2   | 0350-19 |
| T159954  | 14  | 3163-3  | T160702  | 4   | 3362-17 | T161188  | 16  | 0350-23 |
| T159954  | 36  | 3163-9  | T160720  | 14  | 3115-3  | T161188  | 16  | 0350-25 |
| T159954  | 9   | 3363-7  | T160720  | 24  | 3115-5  | T161189  | 15  | 0350-3  |
| T159954  | 23  | 3363-11 | T160759  | 24  | 1320-3  | T161189  | 15  | 0350-5  |
| T159954  | 14  | 3363-13 | T160759  | 29  | 3102-11 | T161189  | 2   | 0350-19 |
| T159954  | 31  | 3363-19 | T160761  | 9   | 1320-7  | T161189  | 16  | 0350-23 |
| T159956  | 10  | 3363-7  | T160762  | 10  | 1320-7  | T161189  | 16  | 0350-25 |
| T159976  | 18  | 3363-43 | T160763  | 9   | 1320-7  | T161190  | 15  | 0350-3  |
| T159980  | 9   | 3115-3  | T160769  | 10  | 1320-7  | T161190  | 15  | 0350-5  |
| T159980  | 7   | 3115-5  | T160895  | 25  | 1821-3B | T161190  | 2   | 0350-19 |
| T159981  | 7   | 3115-3  | T160896  | 24  | 1821-3B | T161190  | 16  | 0350-23 |
| T159981  | 5   | 3115-5  | T161002  | 2   | 1369-7  | T161190  | 16  | 0350-25 |
| T159986  | 8   | 3343-3  | T161011  | 4   | 3315-23 | T161191  | 15  | 0350-3  |
| T159986  | 18  | 3343-5  | T161012  | 2   | 3315-23 | T161191  | 15  | 0350-5  |

# 9995-33

310G, 310SG AND 315SG BACKHOE LOADERS

## NUMERICAL INDEX - CONTINUED

| PART NO. | KEY | PAGE    | PART NO. | KEY | PAGE     | PART NO. | KEY | PAGE     |
|----------|-----|---------|----------|-----|----------|----------|-----|----------|
| T161191  | 2   | 0350-19 | T161249  | 9   | 0210-1   | T162396  | 11  | 3115-3   |
| T161191  | 16  | 0350-23 | T161279  | 9   | 3302-15  | T162396  | 27  | 3115-5   |
| T161191  | 16  | 0350-25 | T161319  | 9   | 3302-15  | T162396  | 10  | 3140-3   |
| T161192  | 15  | 0350-3  | T161342  | 17  | 3363-11  | T162396  | 5   | 3140-5   |
| T161192  | 15  | 0350-5  | T161365  | 16  | 3363-25  | T162396  | 20  | 3165-3   |
| T161192  | 2   | 0350-19 | T161365  | 16  | 3363-27  | T162396  | 23  | 3165-3   |
| T161192  | 16  | 0350-23 | T161368  | 5   | 2004-3   | T162396  | 20  | 3165-7   |
| T161192  | 16  | 0350-25 | T161373  | 11  | 1814-3   | T162396  | 23  | 3165-7   |
| T161193  | 15  | 0350-3  | T161373  | 9   | 1910-3   | T162396  | 19  | 3165-8   |
| T161193  | 15  | 0350-5  | T161380  | 31  | 0510-3   | T162396  | 1   | 3165-11  |
| T161193  | 2   | 0350-19 | T161380  | 28  | 1674-9D  | T162396  | 26  | 3165-13  |
| T161193  | 16  | 0350-23 | T161380  | 15  | 1816-15  | T162396  | 29  | 3315-9   |
| T161193  | 16  | 0350-25 | T161380  | 35  | 1816-17  | T162396  | 15  | 3342-3   |
| T161194  | 3   | 0360-3  | T161380  | 1   | 1834-3   | T162396  | 3   | 3343-3   |
| T161194  | 29  | 0360-3  | T161380  | 17  | 2001-3   | T162396  | 3   | 3343-5   |
| T161194  | 5   | 0360-7  | T161463  | 14  | 2160-17  | T162396  | 8   | 3344-2   |
| T161194  | 24  | 0360-7  | T161463  | 20  | 2160-17  | T162396  | 15  | 3345-3   |
| T161194  | 12  | 0360-9  | T161463  | 12  | 2160-19  | T162396  | 2   | 3345-5   |
| T161194  | 24  | 0360-11 | T161463  | 14  | 2160-21  | T162396  | 2   | 3345-6   |
| T161196  | 35  | 0360-7  | T161463  | 30  | 3363-5   | T162396  | 13  | 3346-3   |
| T161197  | 35  | 0360-3  | T161464  | 17  | 2160-17  | T162396  | 28  | 3346-7   |
| T161197  | 32  | 0360-7  | T161464  | 19  | 2160-19  | T162396  | 8   | 3348-3   |
| T161198  | 35  | 0360-3  | T161464  | 15  | 2160-21  | T162396  | 24  | 3365-3   |
| T161198  | 32  | 0360-7  | T161497  | 1   | 3115-3   | T162396  | 22  | 3365-5   |
| T161199  | 35  | 0360-3  | T161497  | 13  | 3115-5   | T162396  | 24  | 3365-7   |
| T161199  | 32  | 0360-7  | T161497  | 6   | 3140-5   | T162396  | 18  | 3365-10  |
| T161200  | 35  | 0360-3  | T161497  | 37  | 3343-3   | T162396  | 20  | 3365-11  |
| T161200  | 32  | 0360-7  | T161497  | 31  | 3343-5   | T162396  | 18  | 3365-13  |
| T161202  | 15  | 0360-3  | T161583  | 5   | 3345-3   | T162396  | 18  | 3365-15  |
| T161202  | 37  | 0360-7  | T161593  | 1   | 3343-3   | T162396  | 18  | 3365-17  |
| T161203  | 14  | 0360-3  | T161594  | 1   | 3343-3   | T162396  | 18  | 3365-18  |
| T161203  | 38  | 0360-7  | T161598  | 7   | 3315-21  | T162396  | 24  | 3365-19  |
| T161204  | 2   | 0360-3  | T161598  | 27  | 3315-23  | T162396  | 24  | 3365-19C |
| T161204  | 39  | 0360-3  | T161608  | 13  | 3343-3   | T162396  | 20  | 3365-21B |
| T161204  | 2   | 0360-7  | T161615  | 4   | 1369-7   | T162396  | 20  | 3365-23  |
| T161204  | 8   | 0360-11 | T161665  | 25  | 1320-3   | T162396  | 20  | 3365-25  |
| T161204  | 25  | 0360-11 | T161665  | 37  | 3363-35  | T162396  | 17  | 3365-35  |
| T161204  | 26  | 0360-11 | T161665  | 28  | 3363-37  | T162404  | 27  | 1320-5   |
| T161207  | 7   | 0360-3  | T161678  | 26  | 1320-5   | T162404  | 18  | 3363-45  |
| T161207  | 8   | 0360-7  | T161759  | 9   | 3302-15  | T162404  | 16  | 3363-47  |
| T161207  | 13  | 0360-9  | T161769  | 24  | 3363-35  | T162439  | 28  | 3163-11  |
| T161208  | 3   | 0360-4A | T161769  | 18  | 3363-37  | T162446  | 7   | 0360-5   |
| T161208  | 12  | 0360-11 | T161770  | 11  | 3342-3   | T162517  | 19  | 1011-3   |
| T161218  | 3   | 0341-3  | T161813  | 6   | 3342-3   | T162535  | 12  | 3302-15  |
| T161218  | 4   | 0350-7  | T162003  | 9   | 3363-9   | T162535  | 15  | 3302-15  |
| T161233  | 3   | 1011-3  | T162004  | 3   | 3363-9   | T162535  | 15  | 3302-17  |
| T161238  | 20  | 0210-3  | T162004  | 12  | 3363-11  | T162553  | 12  | 3302-15  |
| T161238  | 20  | 1011-3  | T162004  | 15  | 3363-21  | T162553  | 15  | 3302-15  |
| T161239  | 20  | 0210-3  | T162004  | 15  | 3363-23  | T162553  | 15  | 3302-17  |
| T161239  | 20  | 1011-3  | T162004  | 19  | 3363-25  | T162557  | 4   | 1830-13  |
| T161240  | 20  | 0210-3  | T162004  | 19  | 3363-27  | T162569  | 12  | 3302-15  |
| T161240  | 20  | 1011-3  | T162005  | 8   | 3363-9   | T162569  | 15  | 3302-17  |
| T161241  | 20  | 0210-3  | T162005  | 14  | 3363-11  | T162581  | 9   | 3346-3   |
| T161241  | 20  | 1011-3  | T162005  | 43  | 3363-21B | T162581  | 6   | 3346-5   |
| T161242  | 20  | 0210-3  | T162043  | 2   | 0250-9   | T162582  | 9   | 3346-3   |
| T161242  | 20  | 1011-3  | T162044  | 2   | 0250-9   | T162582  | 6   | 3346-5   |
| T161243  | 20  | 0210-3  | T162045  | 2   | 0250-9   | T162675  | 7   | 1674-5   |
| T161243  | 20  | 1011-3  | T162046  | 3   | 0250-9   | T162681  | 7A  | 3363-21  |
| T161244  | 20  | 0210-3  | T162238  | 27  | 2160-25  | T162681  | 7A  | 3363-23  |
| T161244  | 20  | 1011-3  | T162380  | 1   | 1674-3   | T162682  | 6A  | 3363-21  |
| T161245  | 20  | 0210-3  | T162396  | 12  | 0230-3   | T162682  | 6A  | 3363-23  |
| T161245  | 20  | 1011-3  | T162396  | 24  | 0230-3   | T162847  | 28  | 1320-5   |
| T161246  | 20  | 0210-3  | T162396  | 15  | 0960-14  | T162847  | 6   | 3302-3   |
| T161246  | 20  | 1011-3  | T162396  | 11  | 1740-3   | T162848  | 29  | 1320-5   |
| T161247  | 20  | 0210-3  | T162396  | 5   | 3102-7   | T162848  | 6   | 3302-5   |
| T161247  | 20  | 1011-3  | T162396  | 13  | 3102-19  | T162935  | 8   | 0360-5   |
| T161248  | 9   | 0210-1  | T162396  | 6   | 3104-3   | T162947  | 13  | 0360-3   |

# 9995-34

310G, 310SG AND 315SG BACKHOE LOADERS

## NUMERICAL INDEX - CONTINUED

| PART NO. | KEY | PAGE    | PART NO. | KEY | PAGE    | PART NO. | KEY | PAGE    |
|----------|-----|---------|----------|-----|---------|----------|-----|---------|
| T162947  | 39  | 0360-7  | T164595  | 6   | 0360-11 | T164695  | 4   | 1814-7  |
| T163109  | 2A  | 3348-3  | T164596  | 5   | 0360-11 | T164696  | 5   | 1814-7  |
| T163109  | 3   | 3348-5  | T164596  | 6   | 0360-11 | T164697  | 3   | 1814-7  |
| T163116  | 7   | 3102-12 | T164597  | 13  | 0360-11 | T164698  | 2   | 1814-9  |
| T163117  | 5   | 3102-12 | T164597  | 16  | 0360-11 | T164701  | 29  | 0510-3  |
| T163118  | 12  | 3102-12 | T164598  | 14  | 0360-11 | T164702  | 2   | 0360-9  |
| T16318   | 29  | 0413-5  | T164598  | 16  | 0360-11 | T164703  | 27  | 0341-3  |
| T16318   | 29  | 0413-9  | T164599  | 15  | 0360-11 | T164704  | 28  | 0341-3  |
| T163225  | 30  | 3363-23 | T164599  | 16  | 0360-11 | T164705  | 27  | 1814-9  |
| T163225  | 17  | 3363-33 | T164609  | 10  | 0360-9  | T164705  | 14  | 1814-9B |
| T163309  | 3   | 1674-3  | T164610  | 8   | 0360-9  | T164706  | 54  | 1814-5  |
| T163309  | 9   | 1674-7  | T164611  | 3   | 0360-9  | T164707  | 45  | 1814-5  |
| T163309  | 2   | 1816-13 | T164612  | 4   | 0360-9  | T164708  | 28  | 1814-9  |
| T163374  | 4   | 0210-3  | T164618  | 45  | 1830-7B | T164708  | 15  | 1814-9B |
| T163375  | 10  | 0210-3  | T164619  | 4   | 1830-7  | T164709  | 55  | 1814-5  |
| T163455  | 7   | 3363-17 | T164620  | 23  | 1816-13 | T164710  | 55  | 1814-5  |
| T163702  | 3   | 3363-21 | T164621  | 26  | 1816-13 | T164711  | 14  | 0350-23 |
| T163702  | 3   | 3363-23 | T164626  | 11  | 0350-15 | T164711  | 14  | 0350-25 |
| T163702  | 3   | 3363-25 | T164626  | 11  | 0350-17 | T164712  | 8   | 0350-15 |
| T163702  | 3   | 3363-27 | T164626  | 10  | 0350-19 | T164712  | 8   | 0350-17 |
| T163810  | 9   | 0210-3  | T164626  | 11  | 0350-21 | T164712  | 8   | 0350-21 |
| T163867  | 14  | 0315-3  | T164628  | 2   | 0350-19 | T164714  | 16  | 1821-17 |
| T163868  | 11  | 0315-3  | T164628  | 16  | 0350-23 | T164844  | 10  | 0201-3  |
| T163869  | 10  | 0315-3  | T164628  | 16  | 0350-25 | T164844  | 13  | 0210-1  |
| T163870  | 21  | 0315-3  | T164629  | 2   | 0350-19 | T164909  | 11  | 1111-5  |
| T163962  | 25  | 1821-3B | T164629  | 16  | 0350-23 | T164911  | 5   | 1111-5  |
| T164034  | 8   | 0520-3  | T164629  | 16  | 0350-25 | T164912  | 14  | 1111-5  |
| T164075  | 6   | 2160-5  | T164630  | 2   | 0350-19 | T164913  | 15  | 1111-5  |
| T164086  | 5   | 3348-5  | T164630  | 16  | 0350-23 | T164914  | 7   | 1111-5  |
| T164087  | 5   | 3348-5  | T164630  | 16  | 0350-25 | T164915  | 3   | 1111-5  |
| T164088  | 6   | 3162-3  | T164640  | 16  | 0350-15 | T164916  | 2   | 1111-5  |
| T164124  | 30  | 1320-5  | T164643  | 16  | 0350-17 | T164917  | 1   | 1111-5  |
| T164124  | 2   | 2160-25 | T164646  | 17  | 0350-19 | T164918  | 16  | 1111-5  |
| T164124  | 20  | 2160-27 | T164647  | 16  | 0350-21 | T164922  | 19  | 1111-5  |
| T164128  | 11  | 1320-7  | T164648  | 1   | 0341-3  | T164953  | 35  | 3115-3  |
| T164129  | 11  | 1320-7  | T164648  | 30  | 0341-3  | T164998  | 15  | 0201-3  |
| T164182  | 15  | 3344-2  | T164654  | 3   | 0350-6  | T164999  | 31  | 1320-5  |
| T164183  | 15  | 3344-2  | T164654  | 3   | 0350-13 | T165095  | 8   | 1814-3  |
| T164257  | 21  | 3115-7  | T164655  | 4   | 0350-6  | T165096  | 8   | 1814-3  |
| T164259  | 21  | 3115-11 | T164655  | 4   | 0350-13 | T165158  | 34  | 1814-3  |
| T164387  | 16  | 3362-9  | T164657  | 12  | 0341-3  | T165169  | 1   | 1830-7  |
| T164387  | 31  | 3362-9  | T164658  | 18  | 0341-3  | T165188  | 11  | 0960-5  |
| T164420  | 31  | 1320-5  | T164659  | 9   | 0341-3  | T165256  | 13  | 0960-5  |
| T164431  | 8   | 0210-3  | T164660  | 7   | 0341-3  | T165282  | 19  | 1060-3  |
| T164572  | 5   | 0350-27 | T164660  | 21  | 0341-3  | T165290  | 1   | 1913-3  |
| T164573  | 2   | 0341-3  | T164661  | 20  | 0341-3  | T165292  | 14  | 0560-3  |
| T164574  | 13  | 0350-27 | T164662  | 17  | 0341-3  | T165292  | 3   | 0560-7  |
| T164575  | 15  | 0350-27 | T164665  | 3   | 0341-1  | T165292  | 20  | 0560-7  |
| T164576  | 6   | 0350-27 | T164665  | 11  | 0341-3  | T165295  | 17  | 0560-3  |
| T164577  | 16  | 0360-3  | T164666  | 13  | 0341-3  | T165299  | 14  | 3115-7  |
| T164577  | 40  | 0360-7  | T164669  | 18  | 3343-3  | T165314  | 12  | 3140-5  |
| T164577  | 20  | 0360-11 | T164671  | 35  | 0341-3  | T165332  | 10  | 3102-7  |
| T164578  | 15  | 0360-7  | T164682  | 6   | 0360-4A | T165333  | 3   | 3102-7  |
| T164579  | 34  | 0360-3  | T164682  | 7   | 0360-4A | T165336  | 34  | 1814-3  |
| T164579  | 33  | 0360-7  | T164682  | 8   | 0360-4A | T165357  | 58  | 1814-5  |
| T164581  | 14  | 0360-3  | T164682  | 9   | 0360-4A | T165399  | 5   | 0350-9  |
| T164581  | 38  | 0360-7  | T164682  | 3   | 0360-11 | T165400  | 14  | 0350-9  |
| T164582  | 14  | 0360-3  | T164682  | 4   | 0360-11 | T165401  | 14  | 0350-10 |
| T164582  | 38  | 0360-7  | T164682  | 5   | 0360-11 | T165423  | 8   | 0520-3  |
| T164583  | 14  | 0360-3  | T164682  | 13  | 0360-11 | T165431  | 8   | 3115-11 |
| T164583  | 38  | 0360-7  | T164682  | 14  | 0360-11 | T165525  | 1   | 1749-3  |
| T164584  | 14  | 0360-3  | T164682  | 15  | 0360-11 | T165533  | 10  | 0960-5  |
| T164584  | 38  | 0360-7  | T164686  | 17  | 0360-11 | T165542  | 3   | 1673-5  |
| T164585  | 19  | 0360-7  | T164693  | 18  | 0360-3  | T165543  | 6   | 1673-5  |
| T164591  | 2   | 0360-11 | T164693  | 13  | 0360-7  | T165561  | 7   | 1814-9  |
| T164592  | 1   | 0360-11 | T164693  | 6   | 0360-9  | T165563  | 2   | 3343-3  |
| T164595  | 4   | 0360-11 | T164694  | 1   | 1814-7  | T165584  | 33  | 1320-5  |

# 9995-35

310G, 310SG AND 315SG BACKHOE LOADERS

## NUMERICAL INDEX - CONTINUED

| PART NO. | KEY | PAGE    | PART NO. | KEY | PAGE    | PART NO. | KEY | PAGE    |
|----------|-----|---------|----------|-----|---------|----------|-----|---------|
| T165584  | 2   | 1816-3  | T166065  | 4   | 0350-19 | T166714  | 26  | 3346-7  |
| T165584  | 23  | 3315-7  | T166066  | 1   | 0360-9  | T166715  | 7   | 3345-5  |
| T165584  | 6   | 3315-13 | T166077  | 1   | 0360-5  | T166715  | 17  | 3345-5  |
| T165584  | 21  | 3315-15 | T166078  | 3   | 0350-27 | T166715  | 11  | 3346-3  |
| T165585  | 34  | 1320-5  | T166084  | 1   | 0210-1  | T166715  | 26  | 3346-7  |
| T165585  | 3   | 1816-5  | T166085  | 11  | 0210-1  | T166716  | 12  | 3346-3  |
| T165585  | 50  | 3315-9B | T166091  | 19  | 0520-3  | T166716  | 27  | 3346-7  |
| T165586  | 35  | 1320-5  | T166097  | 10  | 3115-5  | T166749  | 8   | 3315-7  |
| T165586  | 4   | 1816-5  | T166097  | 9   | 3315-9  | T166761  | 3   | 2160-25 |
| T165586  | 6   | 3315-17 | T166097  | 7   | 3315-25 | T166761  | 13  | 2160-27 |
| T165590  | 5   | 3315-7  | T166102  | 19A | 3315-25 | T166772  | 9   | 3315-7  |
| T165591  | 45  | 3315-9B | T166145  | 16  | 0250-7  | T166773  | 32  | 0960-9  |
| T165591  | 38  | 3315-11 | T166146  | 16  | 0250-7  | T166773  | 32  | 0960-11 |
| T165591  | 2   | 3315-17 | T166147  | 16  | 0250-7  | T166773  | 21  | 3315-7  |
| T165595  | 36  | 1320-5  | T166148  | 16  | 0250-7  | T166780  | 7A  | 3363-25 |
| T165595  | 5   | 3315-27 | T166149  | 16  | 0250-7  | T166780  | 7A  | 3363-27 |
| T165604  | 34  | 1320-5  | T166150  | 16  | 0250-7  | T166781  | 6A  | 3363-25 |
| T165604  | 35  | 3315-11 | T166157  | 14  | 0515-3  | T166781  | 6A  | 3363-27 |
| T165697  | 12  | 3315-7  | T166171  | 18  | 1060-3  | T166874  | 6   | 1816-13 |
| T165697  | 4   | 3315-9  | T166174  | 28  | 0515-3  | T166875  | 4   | 1816-11 |
| T165697  | 25  | 3315-11 | T166174  | 42  | 0515-5  | T166881  | 22  | 1814-9  |
| T165697  | 9   | 3315-17 | T166211  | 4   | 1816-7  | T166881  | 23  | 1814-9  |
| T165739  | 6   | 1749-3  | T166213  | 2   | 1816-7  | T166896  | 37  | 1320-5  |
| T165739  | 7   | 1749-3  | T166215  | 2   | 1816-7  | T166896  | 12  | 1811-3  |
| T165740  | 13  | 3363-7  | T166223  | 3   | 3315-3  | T166898  | 10  | 2002-3  |
| T165740  | 16  | 3363-13 | T166223  | 6   | 3315-3B | T166899  | 3   | 3115-7  |
| T165742  | 7   | 0560-4  | T166224  | 31  | 3315-9  | T166899  | 3   | 3115-9  |
| T165742  | 12  | 3363-7  | T166224  | 5   | 3315-13 | T166900  | 1   | 3115-11 |
| T165742  | 7   | 3363-13 | T166224  | 19  | 3315-15 | T166900  | 1   | 3115-13 |
| T165785  | 35  | 3315-9  | T166226  | 10  | 1821-3  | T166901  | 2   | 1320-3  |
| T165787  | 17  | 3315-9  | T166227  | 11  | 1821-3  | T166904  | 1   | 1320-3  |
| T165788  | 16  | 3315-9  | T166237  | 7   | 3315-19 | T166958  | 3   | 1320-3  |
| T165788  | 16  | 3315-11 | T166244  | 8   | 1674-3  | T166997  | 1   | 1812-5  |
| T165808  | 18  | 1816-13 | T166245  | 3   | 3163-7  | T167059  | 12  | 3102-9  |
| T165864  | 19  | 3163-3  | T166258  | 11  | 3348-3  | T167059  | 40  | 3102-21 |
| T165864  | 17  | 3163-5  | T166297  | 29  | 1830-7  | T167065  | 14  | 1674-7  |
| T165870  | 5   | 1927-3  | T166300  | 38  | 1320-5  | T167082  | 10  | 1816-9  |
| T165889  | 8   | 3363-11 | T166300  | 15  | 1674-7  | T167083  | 2   | 1816-9  |
| T165896  | 6   | 1921-3  | T166322  | 30  | 1816-13 | T167104  | 10  | 3115-7  |
| T165911  | 35  | 1910-5  | T166329  | 1   | 1747-3  | T167119  | 10  | 1816-9  |
| T165915  | 53  | 1910-5  | T166331  | 6   | 1927-3  | T167142  | 29  | 2160-9  |
| T165916  | 31  | 1910-3  | T166332  | 7   | 1927-3  | T167142  | 21  | 2160-9B |
| T165940  | 29  | 2160-9  | T166336  | 13  | 0210-3  | T167149  | 9   | 1816-9  |
| T165948  | 15  | 1812-3  | T166344  | 10  | 1674-5  | T167150  | 8   | 1816-9  |
| T165950  | 1   | 1749-3  | T166360  | 18  | 0315-7  | T167192  | 11  | 3115-7  |
| T165951  | 14  | 2001-3  | T166368  | 5   | 1814-9  | T167192  | 12  | 3115-9  |
| T165969  | 5   | 1812-3  | T166369  | 16  | 1814-9  | T167192  | 28  | 3115-11 |
| T165973  | 10  | 1910-3  | T166370  | 9   | 1814-9  | T167214  | 3   | 1673-3  |
| T165975  | 52  | 1910-5  | T166371  | 8   | 1814-9  | T167232  | 2A  | 2001-3  |
| T165976  | 15  | 1910-3  | T166371  | 9   | 1814-9B | T167247  | 19  | 3315-9  |
| T165977  | 41  | 1910-5  | T166419  | 10  | 3102-9  | T167248  | 37  | 3315-9B |
| T165978  | 46  | 1910-5  | T166433  | 3   | 3102-9  | T167319  | 10  | 0960-3  |
| T165981  | 43  | 1910-5  | T166433  | 2   | 3102-11 | T167324  | 16  | 1830-3  |
| T165982  | 4   | 1910-3  | T166433  | 29  | 3102-19 | T167325  | 7   | 1830-3  |
| T165985  | 23  | 1910-3  | T166437  | 9   | 3102-9  | T167328  | 10  | 2160-23 |
| T165997  | 37  | 1910-5  | T166454  | 15  | 3102-9  | T167328  | 11  | 2160-23 |
| T165999  | 4   | 1320-3  | T166454  | 37  | 3102-21 | T167416  | 9   | 0960-3  |
| T166000  | 4   | 1812-3  | T166455  | 10  | 3102-9  | T16752   | 1   | 1369-5  |
| T166001  | 5   | 1320-3  | T166455  | 27  | 3102-19 | T168383  | 8   | 3363-29 |
| T166002  | 6   | 1320-3  | T166531  | 1   | 1913-5  | T170783  | 1   | 0540-3  |
| T166031  | 14  | 3315-9  | T166535  | 7   | 3342-3  | T170784  | 4   | 0540-3  |
| T166035  | 37  | 1814-5  | T166538  | 39  | 1320-5  | T17148   | 4   | 0960-3  |
| T166051  | 37  | 1320-5  | T166538  | 8   | 1674-11 | T17148   | 4   | 0960-5  |
| T166060  | 54  | 1814-5  | T166686  | 12  | 3346-3  | T171686  | 1   | 1821-3  |
| T166062  | 18  | 0350-15 | T166686  | 27  | 3346-7  | T172353  | 1   | 1671-8  |
| T166062  | 18  | 0350-17 | T166714  | 4   | 3345-3  | T174398  | 15  | 1111-3  |
| T166062  | 18  | 0350-21 | T166714  | 11  | 3346-3  | T174530  | 3   | 1671-8  |

# 9995-36

310G, 310SG AND 315SG BACKHOE LOADERS

## NUMERICAL INDEX - CONTINUED

| PART NO. | KEY | PAGE    | PART NO. | KEY | PAGE    | PART NO. | KEY | PAGE     |
|----------|-----|---------|----------|-----|---------|----------|-----|----------|
| T175641  | 29  | 1814-3  | T183516  | 4   | 0250-13 | T184271  | 14  | 3362-21  |
| T175642  | 28  | 1814-3  | T183517  | 4   | 0250-13 | T184319  | 18  | 0960-9   |
| T175643  | 32  | 1814-3  | T183518  | 11  | 0250-5  | T184319  | 18  | 0960-11  |
| T175644  | 31  | 1814-3  | T183519  | 11  | 0250-5  | T184320  | 19  | 0960-9   |
| T175645  | 27  | 1814-3  | T183520  | 11  | 0250-5  | T184320  | 24  | 0960-11  |
| T175646  | 33  | 1814-3  | T183521  | 11  | 0250-5  | T184328  | 6   | 0960-9   |
| T176553  | 6   | 0520-5  | T183522  | 11  | 0250-5  | T184328  | 6   | 0960-11  |
| T177187  | 1   | 1927-3  | T183523  | 11  | 0250-5  | T184345  | 6   | 1674-5   |
| T177623  | 6   | 3315-19 | T183524  | 11  | 0250-5  | T184345  | 13  | 1674-5   |
| T178251  | 43  | 1830-7B | T183525  | 11  | 0250-5  | T184345  | 4   | 1674-5B  |
| T178971  | 62  | 1830-7B | T183526  | 11  | 0250-5  | T184345  | 2   | 1674-11  |
| T179055  | 3   | 1814-13 | T183527  | 11  | 0250-5  | T184345  | 12  | 1816-9   |
| T181306  | 3   | 3162-29 | T183528  | 11  | 0250-5  | T184345  | 20  | 1816-9   |
| T181306  | 9B  | 3163-11 | T183548  | 9   | 3315-13 | T184345  | 8   | 1816-11  |
| T18145   | 3   | 0230-3  | T183560  | 7   | 1830-5  | T184345  | 38  | 1816-13  |
| T18145   | 4   | 0230-5  | T183600  | 14  | 1674-3  | T184356  | 11  | 3362-21  |
| T18145   | 3   | 0250-1  | T183617  | 30  | 3115-7  | T184368  | 41  | 1830-7B  |
| T181522  | 13  | 1830-7  | T183617  | 27  | 3115-9  | T184369  | 10  | 1830-7   |
| T181801  | 17  | 1740-5  | T183617  | 24  | 3115-11 | T184370  | 32  | 1816-13  |
| T181801  | 23  | 3363-5  | T183617  | 11  | 3115-13 | T184393  | 25  | 1910-3   |
| T183149  | 46  | 3315-9B | T183617  | 7   | 3315-9  | T184401  | 10  | 0201-3   |
| T183149  | 37  | 3315-11 | T183617  | 36  | 3315-11 | T184401  | 13  | 0210-1   |
| T183149  | 3   | 3315-17 | T183617  | 11  | 3315-17 | T184414  | 50  | 1830-7B  |
| T183151  | 14  | 1816-11 | T183617  | 20  | 3315-25 | T184415  | 51  | 1830-7B  |
| T183217  | 37  | 0515-3  | T183664  | 6   | 1814-11 | T184502  | 13  | 1320-7   |
| T183217  | 11  | 0515-5  | T183664  | 3   | 1814-15 | T184506  | 13  | 1320-7   |
| T183268  | 1   | 1060-5  | T183669  | 26  | 0510-3  | T184514  | 42  | 1320-5   |
| T183268  | 2   | 1060-5  | T183706  | 1   | 1816-9  | T184519  | 11  | 1320-3   |
| T183269  | 21  | 1060-5  | T183756  | 16  | 3162-5  | T184528  | 7   | 1812-5   |
| T183270  | 13  | 1060-5  | T183756  | 28  | 3162-9  | T184579  | 30  | 3363-21B |
| T183271  | 11  | 1060-5  | T183756  | 17  | 3162-13 | T184579  | 31  | 3363-25  |
| T183272  | 9   | 1060-5  | T183756  | 29  | 3362-11 | T184586  | 1   | 0360-4A  |
| T183273  | 7   | 1060-5  | T183756  | 21  | 3362-13 | T184620  | 22  | 1816-13  |
| T183274  | 6   | 1060-5  | T183756  | 29  | 3362-15 | T184620  | 2   | 1830-7   |
| T183276  | 16  | 1060-5  | T183756  | 17  | 3362-21 | T184620  | 3   | 1830-7   |
| T183310  | 28  | 1060-5  | T183756  | 8   | 3362-45 | T184657  | 9   | 2160-13  |
| T183344  | 5   | 1814-13 | T183757  | 17  | 3162-17 | T184676  | 2   | 1674-9B  |
| T183356  | 10  | 3140-5  | T183757  | 8   | 3162-21 | T184759  | 7   | 1320-3   |
| T183357  | 24  | 1060-5  | T183757  | 17  | 3362-19 | T184787  | 54  | 1910-5   |
| T183362  | 20  | 1060-5  | T183757  | 17  | 3362-23 | T184788  | 38  | 1910-5   |
| T183482  | 4   | 0210-5  | T183757  | 2   | 3362-24 | T184789  | 43  | 1320-5   |
| T183483  | 4   | 0210-5  | T183757  | 2   | 3362-25 | T184816  | 15  | 0230-3   |
| T183484  | 4   | 0210-5  | T183757  | 3   | 3362-26 | T184821  | 24  | 3115-7   |
| T183485  | 4   | 0210-5  | T183757  | 4   | 3362-27 | T184870  | 22  | 3115-3   |
| T183486  | 4   | 0210-5  | T183757  | 1   | 3363-43 | T184873  | 19  | 3115-3   |
| T183487  | 4   | 0210-5  | T183768  | 40  | 1320-5  | T184892  | 11  | 1811-5   |
| T183489  | 4   | 0210-5  | T183768  | 20  | 1814-9  | T184892  | 17  | 2001-3   |
| T183490  | 4   | 0210-5  | T183768  | 19  | 1814-9B | T184918  | 19  | 0350-27  |
| T183491  | 4   | 0210-5  | T183773  | 29  | 1910-3  | T184924  | 23  | 1830-7   |
| T183492  | 4   | 0210-5  | T183780  | 50  | 1910-5  | T184957  | 20  | 3315-23  |
| T183493  | 4   | 0210-5  | T183781  | 36  | 1910-5  | T184988  | 10  | 3348-3   |
| T183494  | 4   | 0210-5  | T183884  | 3   | 3315-27 | T185004  | 27  | 3115-7   |
| T183495  | 4   | 0210-5  | T183885  | 4   | 3315-27 | T185019  | 44  | 1320-5   |
| T183496  | 2   | 0201-3  | T183905  | 15  | 3315-25 | T185041  | 17  | 3102-11  |
| T183500  | 22  | 1011-3  | T183913  | 15  | 2160-11 | T185078  | 18  | 1060-5   |
| T183502  | 22  | 1011-3  | T183921  | 6   | 0210-1  | T185085  | 6   | 3315-7   |
| T183505  | 22  | 1011-3  | T183922  | 3   | 0210-1  | T185089  | 3   | 0560-4   |
| T183506  | 22  | 1011-3  | T183923  | 5   | 0210-1  | T185089  | 17  | 2160-19  |
| T183507  | 22  | 1011-3  | T184008  | 4   | 1816-9  | T185089  | 12  | 2160-21  |
| T183508  | 4   | 0250-13 | T184009  | 5   | 1816-9  | T185089  | 12  | 3163-13  |
| T183509  | 4   | 0250-13 | T184116  | 41  | 1320-5  | T185090  | 16  | 2160-19  |
| T183510  | 4   | 0250-13 | T184116  | 39  | 1910-5  | T185145  | 45  | 1320-5   |
| T183511  | 4   | 0250-13 | T184129  | 17  | 3315-13 | T185145  | 26  | 2160-25  |
| T183512  | 4   | 0250-13 | T184129  | 3   | 3315-15 | T185146  | 46  | 1320-5   |
| T183513  | 4   | 0250-13 | T184133  | 9   | 3315-15 | T185154  | 2   | 2160-21  |
| T183514  | 4   | 0250-13 | T184164  | 21  | 1816-13 | T185189  | 12  | 2160-17  |
| T183515  | 4   | 0250-13 | T184214  | 35  | 1816-13 | T185189  | 20  | 2160-17  |

# 9995-37

310G, 310SG AND 315SG BACKHOE LOADERS

## NUMERICAL INDEX - CONTINUED

| PART NO. | KEY | PAGE    | PART NO. | KEY | PAGE     | PART NO. | KEY | PAGE    |
|----------|-----|---------|----------|-----|----------|----------|-----|---------|
| T185309  | 1   | 3315-19 | T185691  | 1   | 3315-13B | T185904  | 15  | 3345-5  |
| T185328  | 1   | 1811-7  | T185692  | 55  | 1320-5B  | T185905  | 11  | 1816-11 |
| T185329  | 1   | 1811-7  | T185692  | 22  | 3315-13  | T185926  | 5   | 1060-5  |
| T185330  | 47  | 1320-5  | T185692  | 2   | 3315-13B | T185933  | 3   | 0505-7  |
| T185338  | 17  | 3115-11 | T185692  | 18  | 3315-15  | T185949  | 50  | 1830-15 |
| T185360  | 4   | 1913-3  | T185692  | 4   | 3315-15B | T185982  | 2   | 3162-3  |
| T185377  | 25  | 1814-9  | T185695  | 21  | 1320-9   | T185985  | 5   | 3162-3  |
| T185378  | 24  | 1814-9  | T185696  | 21  | 1320-9   | T185989  | 1   | 1746-2  |
| T185387  | 1   | 0505-5  | T185699  | 4   | 2004-7   | T185990  | 1   | 1746-2  |
| T185443  | 5   | 1011-3  | T185700  | 31  | 3115-3   | T186000  | 10  | 3315-21 |
| T185444  | 11  | 0201-3  | T185710  | 22  | 3115-7   | T186001  | 11B | 3343-3  |
| T185465  | 14  | 1812-5  | T185710  | 24  | 3115-9   | T186005  | 8   | 3315-21 |
| T185466  | 13  | 1812-5  | T185710  | 20  | 3115-11  | T186006  | 9   | 3315-21 |
| T185469  | 48  | 1320-5  | T185710  | 8   | 3115-13  | T186016  | 47  | 1814-5  |
| T185469  | 5   | 1913-3  | T185711  | 20  | 3115-7   | T186017  | 46  | 1814-5  |
| T185478  | 16  | 1830-5  | T185713  | 20  | 1673-5   | T186018  | 56  | 1814-5  |
| T185479  | 15  | 1830-5  | T185714  | 20  | 1673-5   | T186022  | 23  | 1816-9  |
| T185480  | 19  | 1830-5  | T185742  | 16  | 1816-9   | T186024  | 2   | 1674-13 |
| T185481  | 20  | 1830-5  | T185743  | 25  | 1816-9   | T186029  | 1   | 1811-3  |
| T185482  | 18  | 1830-5  | T185743  | 26  | 1830-5   | T186030  | 2   | 1811-3  |
| T185485  | 22  | 1816-9  | T185744  | 1   | 1830-5   | T186041  | 2   | 0360-4A |
| T185491  | 7   | 0515-3  | T185748  | 35  | 3115-7   | T186062  | 9   | 1314-3  |
| T185491  | 8   | 0515-5  | T185757  | 6   | 1812-5   | T186082  | 27  | 3115-3  |
| T185493  | 8   | 1816-13 | T185762  | 5   | 1830-9   | T186083  | 28  | 3115-3  |
| T185494  | 2   | 1816-13 | T185763  | 1   | 1830-9   | T186123  | 57  | 1320-5B |
| T185495  | 10  | 1816-13 | T185766  | 1   | 3315-25  | T186124  | 58  | 1320-5B |
| T185496  | 3   | 3315-25 | T185769  | 21  | 1673-5   | T186125  | 23  | 1320-9  |
| T185524  | 3   | 1812-3  | T185769  | 26  | 1816-9   | T186128  | 23  | 1320-9  |
| T185540  | 1   | 1830-5  | T185769  | 6   | 1830-5   | T186154  | 4   | 2160-15 |
| T185545  | 14  | 1320-7B | T185770  | 15  | 1816-13  | T186238  | 6   | 1060-11 |
| T185546  | 15  | 1320-7B | T185773  | 7   | 1812-3   | T186282  | 19  | 3363-45 |
| T185547  | 16  | 1320-7B | T185774  | 8   | 1812-3   | T186282  | 17  | 3363-47 |
| T185548  | 17  | 1320-7B | T185775  | 14  | 1812-3   | T186319  | 2   | 3162-3  |
| T185549  | 18  | 1320-7B | T185779  | 13  | 1830-3   | T186319  | 3   | 3162-19 |
| T185552  | 19  | 1320-7B | T185780  | 14  | 1830-3   | T186354  | 21  | 3165-3  |
| T185553  | 20  | 1320-7B | T185782  | 20  | 1811-3   | T186354  | 21  | 3165-7  |
| T185556  | 49  | 1320-5  | T185783  | 21  | 1811-3   | T186360  | 59  | 1320-5B |
| T185567  | 14  | 1320-7B | T185784  | 19  | 1811-3   | T186391  | 61  | 1320-5B |
| T185568  | 15  | 1320-7B | T185785  | 18  | 1811-3   | T186392  | 24  | 1320-9  |
| T185569  | 16  | 1320-7B | T185789  | 22  | 1830-7   | T186393  | 24  | 1320-9  |
| T185570  | 17  | 1320-7B | T185826  | 33  | 2160-11  | T186400  | 62  | 1320-5B |
| T185571  | 18  | 1320-7B | T185826  | 40  | 2160-11  | T186400  | 1   | 1674-7  |
| T185573  | 19  | 1320-7B | T185829  | 3   | 3302-15  | T186401  | 63  | 1320-5B |
| T185577  | 20  | 1320-7B | T185830  | 10  | 3302-5   | T186401  | 2   | 1674-7  |
| T185606  | 5   | 0360-3  | T185830  | 9   | 3302-9   | T186402  | 64  | 1320-5B |
| T185606  | 4   | 0360-7  | T185830  | 4   | 3302-15  | T186439  | 25  | 1320-9  |
| T185619  | 3   | 1816-11 | T185831  | 3   | 3302-15  | T186440  | 25  | 1320-9  |
| T185640  | 50  | 1320-5  | T185831  | 24  | 3345-5   | T186441  | 26  | 1320-9  |
| T185646  | 51  | 1320-5B | T185832  | 10  | 3302-3   | T186442  | 26  | 1320-9  |
| T185648  | 18  | 3315-9  | T185832  | 9   | 3302-7   | T186443  | 7   | 2001-3  |
| T185651  | 36  | 1816-13 | T185832  | 4   | 3302-15  | T186444  | 15  | 2001-3  |
| T185652  | 37  | 1816-13 | T185840  | 6   | 1830-3   | T186474  | 22  | 3363-45 |
| T185653  | 16  | 1816-11 | T185841  | 2   | 1830-3   | T186474  | 18  | 3363-47 |
| T185654  | 10  | 1816-11 | T185842  | 8   | 1830-3   | T186552  | 65  | 1320-5B |
| T185663  | 3   | 1834-3  | T185843  | 9   | 1830-3   | T186552  | 18  | 1816-11 |
| T185664  | 18  | 1673-7  | T185844  | 27  | 1816-13  | T186560  | 2   | 0360-11 |
| T185664  | 3   | 1811-7  | T185845  | 48  | 1830-7B  | T186760  | 13  | 1830-7  |
| T185666  | 13  | 1812-3  | T185846  | 25  | 1830-5   | T186766  | 53  | 1830-7B |
| T185673  | 19  | 1830-3  | T185847  | 23  | 1830-5   | T186793  | 30  | 0515-5  |
| T185675  | 52  | 1320-5B | T185848  | 11  | 1830-5   | T186793  | 68  | 1320-5B |
| T185676  | 53  | 1320-5B | T185849  | 12  | 1830-5   | T186793  | 14  | 1674-3  |
| T185678  | 43  | 1814-5  | T185850  | 10  | 1830-3   | T186793  | 1   | 1674-5D |
| T185681  | 28  | 3363-33 | T185866  | 15  | 1830-3   | T186859  | 9   | 1060-7  |
| T185682  | 31  | 3363-33 | T185867  | 12  | 1830-3   | T186873  | 4   | 1830-5  |
| T185683  | 6   | 2160-13 | T185896  | 14  | 1816-13  | T187044  | 5   | 3315-3  |
| T185691  | 54  | 1320-5B | T185902  | 4   | 1313-3   | T187044  | 4   | 3315-3B |
| T185691  | 21  | 3315-13 | T185902  | 56  | 1320-5B  | T187072  | 10  | 3115-7  |

# 9995-38

310G, 310SG AND 315SG BACKHOE LOADERS

## NUMERICAL INDEX - CONTINUED

| PART NO. | KEY | PAGE    | PART NO. | KEY | PAGE    | PART NO. | KEY | PAGE     |
|----------|-----|---------|----------|-----|---------|----------|-----|----------|
| T187072  | 11  | 3115-9  | T188642  | 63  | 1910-5  | T191142  | 8   | 1812-3   |
| T187072  | 27  | 3115-11 | T188707  | 4   | 1910-3  | T191226  | 22  | 3115-5   |
| T187110  | 33  | 1816-13 | T188726  | 4   | 1812-3  | T191245  | 19B | 3315-25  |
| T187114  | 3   | 3302-5  | T188777  | 5   | 3348-5  | T191285  | 12  | 3115-5   |
| T187114  | 3   | 3302-9  | T188806  | 6   | 1814-3  | T191313  | 18  | 2160-7   |
| T187114  | 3   | 3302-11 | T188806  | 22  | 1814-3  | T191313  | 41  | 2160-9   |
| T187114  | 3   | 3302-13 | T188817  | 60  | 1320-5B | T191313  | 15  | 2160-9B  |
| T187114  | 6   | 3302-15 | T188818  | 25  | 1320-9  | T191318  | 17  | 3102-11  |
| T187115  | 2   | 3302-5  | T188819  | 25  | 1320-9  | T191318  | 14  | 3102-12  |
| T187115  | 2   | 3302-9  | T188879  | 15  | 3102-19 | T191318  | 46  | 3102-21  |
| T187115  | 2   | 3302-11 | T188879  | 42  | 3163-9  | T191334  | 29  | 3362-41  |
| T187115  | 2   | 3302-13 | T188880  | 18  | 3102-19 | T191334  | 22  | 3362-43  |
| T187115  | 7   | 3302-15 | T188880  | 43  | 3163-9  | T191334  | 22  | 3362-45  |
| T187116  | 3   | 3302-3  | T18891   | 26  | 0404-3  | T191334  | 23  | 3362-47  |
| T187116  | 3   | 3302-7  | T188976  | 21  | 3115-9  | T191335  | 11  | 3362-41  |
| T187116  | 3   | 3302-11 | T188976  | 22  | 3115-9  | T191335  | 10  | 3362-43  |
| T187116  | 6   | 3302-15 | T188976  | 7   | 3115-13 | T191335  | 9   | 3362-45  |
| T187117  | 2   | 3302-3  | T189065  | 10  | 3363-25 | T191335  | 9   | 3362-47  |
| T187117  | 2   | 3302-7  | T189080  | 5   | 3348-5  | T191336  | 27  | 3362-41  |
| T187117  | 2   | 3302-11 | T190177  | 29  | 1830-13 | T191336  | 21  | 3362-47  |
| T187117  | 7   | 3302-15 | T190197  | 29  | 1674-3B | T191337  | 11  | 3362-45  |
| T187184  | 15  | 3345-5  | T190198  | 30  | 1674-3B | T191337  | 11  | 3362-47  |
| T187272  | 23  | 1910-3  | T190199  | 31  | 1674-3B | T191338  | 13  | 3362-45  |
| T187275  | 8   | 3140-3  | T190296  | 7   | 3162-5  | T191338  | 13  | 3362-47  |
| T187275  | 21  | 3165-3  | T190300  | 3   | 3162-5  | T191346  | 16  | 3362-41  |
| T187275  | 21  | 3165-7  | T190311  | 10  | 3363-1B | T191346  | 15  | 3362-43  |
| T187276  | 8   | 3140-3  | T190357  | 21  | 3115-5  | T191346  | 14  | 3362-45  |
| T187276  | 30  | 3165-3  | T190438  | 45A | 1830-15 | T191346  | 14  | 3362-47  |
| T187276  | 30  | 3165-7  | T190438  | 56  | 1830-15 | T191425  | 18  | 0960-9   |
| T187394  | 20  | 1673-5  | T190473  | 23  | 3115-9  | T191425  | 18  | 0960-11  |
| T187505  | 34  | 3315-11 | T190658  | 2   | 1671-7  | T191427  | 6   | 0230-7   |
| T187530  | 23  | 3315-11 | T190669  | 29  | 2160-9  | T191428  | 4   | 0230-7   |
| T187571  | 1   | 0540-3  | T190669  | 21  | 2160-9B | T191430  | 10  | 0230-7   |
| T187606  | 55  | 1830-15 | T190745  | 1   | 0230-7  | T191445  | 3   | 3315-27  |
| T187765  | 9   | 1814-9  | T190746  | 16  | 0230-7  | T191469  | 10  | 2160-17  |
| T187780  | 23  | 1814-9  | T190749  | 3   | 0230-8  | T19687   | 1   | 1369-5   |
| T187815  | 17B | 2160-5  | T190750  | 1   | 0230-6  | T19854   | 6   | 0360-5   |
| T187815  | 1   | 3162-29 | T190795  | 7   | 3162-15 | T19935   | 11  | 1674-9B  |
| T187920  | 34  | 0515-5  | T190819  | 11  | 3362-35 | T19935   | 14  | 1830-13  |
| T188018  | 20  | 1320-7B | T190819  | 11  | 3362-37 | T200078  | 10  | 3315-13B |
| T188019  | 20  | 1320-7B | T190820  | 12  | 3362-35 | T200078  | 9   | 3315-15B |
| T188172  | 12  | 0360-3  | T190820  | 12  | 3362-37 | T200093  | 7   | 3315-13B |
| T188172  | 34  | 0360-7  | T190824  | 4   | 3362-35 | T200094  | 6   | 3315-15B |
| T188172  | 35  | 0360-7  | T190824  | 4   | 3362-37 | T200095  | 6   | 3315-13B |
| T188173  | 11  | 0360-3  | T190825  | 1   | 3362-35 | T200095  | 5   | 3315-15B |
| T188173  | 34  | 0360-7  | T190825  | 1   | 3362-37 | T200240  | 18  | 3343-3   |
| T188173  | 35  | 0360-7  | T190868  | 17  | 1816-15 | T200240  | 8A  | 3343-5   |
| T188173  | 41  | 0360-7  | T190868  | 25  | 1816-17 | T20034   | 24  | 0401-1B  |
| T188229  | 7   | 0210-5  | T190892  | 41  | 2160-11 | T20034   | 24  | 0401-5   |
| T188229  | 21  | 1111-5  | T190912  | 24  | 1816-15 | T200362  | 8   | 3363-3B  |
| T188234  | 12  | 1111-5  | T190925  | 27  | 3343-3  | T200424  | 2   | 1674-5B  |
| T188268  | 7   | 3315-11 | T190925  | 25  | 3343-5  | T200540  | 8   | 3163-11  |
| T188279  | 15  | 0201-3  | T190956  | 21  | 1816-15 | T200658  | 38  | 1816-17  |
| T188356  | 14  | 3315-19 | T190956  | 12  | 1816-17 | T200659  | 27  | 1320-9   |
| T188360  | 1   | 1747-3  | T190960  | 29  | 1816-15 | T200660  | 27  | 1320-9   |
| T188360  | 1A  | 1747-5  | T190964  | 36  | 1816-17 | T200781  | 39  | 1816-17  |
| T188397  | 17  | 0250-7  | T190979  | 14  | 3163-13 | T200853  | 18  | 3343-3   |
| T188441  | 4   | 0230-8  | T190992  | 16  | 3115-5  | T200895  | 28  | 1320-9   |
| T188442  | 6   | 0230-8  | T190993  | 14  | 3363-1B | T200896  | 28  | 1320-9   |
| T188448  | 8   | 0230-8  | T190998  | 6   | 1816-15 | T200956  | 17  | 3362-35  |
| T188565  | 13  | 1812-3  | T190999  | 7   | 1816-15 | T200956  | 13  | 3362-37  |
| T188568  | 5   | 3344-2  | T190999  | 30  | 1816-17 | T200990  | 47  | 1320-5   |
| T188568  | 2   | 3346-8  | T191000  | 5   | 1816-17 | T201069  | 28  | 3362-41  |
| T188573  | 36  | 2160-11 | T191071  | 1   | 1814-7  | T201069  | 21  | 3362-43  |
| T188639  | 8   | 3315-7  | T191072  | 4   | 1814-7  | T201069  | 21  | 3362-45  |
| T188642  | 24  | 1910-3  | T191073  | 5   | 1814-7  | T201069  | 22  | 3362-47  |
| T188642  | 60  | 1910-5  | T191101  | 3   | 1834-3  | T201071  | 15  | 3362-41  |



# 9995-39

310G, 310SG AND 315SG BACKHOE LOADERS

## NUMERICAL INDEX - CONTINUED

| PART NO. | KEY | PAGE     | PART NO. | KEY | PAGE    | PART NO. | KEY | PAGE    |
|----------|-----|----------|----------|-----|---------|----------|-----|---------|
| T201071  | 14  | 3362-43  | T204869  | 2B  | 3348-3  | T213059  | 17  | 3362-47 |
| T201071  | 13  | 3362-45  | T204908  | 1   | 3102-3  | T213143  | 36  | 3102-21 |
| T201071  | 13  | 3362-47  | T204908  | 8   | 3102-5  | T213143  | 11  | 3104-3  |
| T201072  | 12  | 3362-41  | T204908  | 6B  | 3102-7  | T213225  | 27  | 0515-3  |
| T201072  | 11  | 3362-43  | T204908  | 1   | 3102-9  | T213225  | 21  | 0515-5  |
| T201072  | 10  | 3362-45  | T204908  | 1   | 3102-11 | T213244  | 12  | 1816-15 |
| T201072  | 10  | 3362-47  | T204992  | 29  | 2160-9B | T213288  | 21  | 3104-3  |
| T201285  | 22  | 1320-9   | T205017  | 10  | 3104-3  | T213333  | 61  | 1320-5B |
| T201286  | 22  | 1320-9   | T205636  | 6B  | 3363-21 | T213334  | 24  | 1320-9  |
| T201293  | 61  | 1320-5B  | T205636  | 6B  | 3363-23 | T213335  | 24  | 1320-9  |
| T201294  | 24  | 1320-9   | T205636  | 6B  | 3363-25 | T213705  | 33  | 3346-7  |
| T201295  | 24  | 1320-9   | T205636  | 6B  | 3363-27 | T213799  | 2   | 0960-13 |
| T201306  | 14  | 3362-41  | T205637  | 7B  | 3363-21 | T213800  | 3   | 0960-13 |
| T201306  | 13  | 3362-43  | T205637  | 7B  | 3363-23 | T213801  | 14  | 0960-13 |
| T201306  | 12  | 3362-45  | T205637  | 7B  | 3363-25 | T214270  | 37  | 0560-7  |
| T201306  | 12  | 3362-47  | T205637  | 7B  | 3363-27 | T214321  | 42  | 1320-5  |
| T201361  | 1   | 3343-3   | T205810  | 2   | 3343-3  | T214322  | 13  | 1320-7  |
| T201361  | 32  | 3343-3   | T205810  | 13  | 3343-5  | T214323  | 13  | 1320-7  |
| T201361  | 1   | 3343-5   | T205873  | 22  | 3343-3  | T214677  | 1A  | 1747-5  |
| T201361  | 28  | 3343-5   | T205875  | 22  | 3343-3  | T214677  | 1B  | 1747-5  |
| T201362  | 1   | 3343-3   | T205875  | 22  | 3343-5  | T215257  | 34  | 3346-7  |
| T201362  | 33  | 3343-3   | T205897  | 4   | 3348-3  | T215293  | 19  | 1674-3B |
| T201362  | 1   | 3343-5   | T205969  | 4   | 1830-7  | T215364  | 1C  | 0520-3  |
| T201362  | 29  | 3343-5   | T206432  | 9   | 0250-5  | T215367  | 11  | 0560-7  |
| T201424  | 20  | 3362-11  | T206457  | 8   | 1816-9  | T215487  | 19  | 1673-7  |
| T201424  | 23  | 3362-15  | T206457  | 9   | 1816-9  | T215487  | 1   | 1811-7  |
| T201424  | 23  | 3362-41  | T206491  | 14  | 1674-3  | T215678  | 15  | 3343-3  |
| T201424  | 24  | 3362-45  | T206520  | 1   | 0230-6  | T215678  | 6   | 3343-5  |
| T201591  | 21  | 1910-3   | T206525  | 1   | 1913-5  | T215678  | 15  | 3343-5  |
| T201656  | 14  | 3363-1D  | T206569  | 11  | 3348-3  | T216397  | 3   | 3140-5  |
| T20168   | 18  | 0404-3   | T206695  | 1   | 1674-5D | T216812  | 32  | 3346-7  |
| T201909  | 2A  | 3348-3   | T206908  | 1   | 1913-5  | T216970  | 9   | 3346-5  |
| T201952  | 4   | 1814-9B  | T206951  | 2   | 1320-3  | T217001  | 6   | 1921-3  |
| T201953  | 3   | 1814-9B  | T206952  | 1   | 1320-3  | T217548  | 7A  | 3343-3  |
| T201954  | 2   | 1814-9B  | T206954  | 3   | 1320-3  | T217548  | 7B  | 3343-3  |
| T201955  | 1   | 1814-9B  | T207040  | 60  | 1320-5B | T221X230 | 23  | 3102-9  |
| T201956  | 6   | 1814-9B  | T207041  | 25  | 1320-9  | T22150   | 34  | 0515-3  |
| T201957  | 5   | 1814-9B  | T207042  | 25  | 1320-9  | T22150   | 48  | 0515-5  |
| T201957  | 21  | 1814-9B  | T207060  | 3   | 1674-3  | T22240   | 32  | 0515-3  |
| T201958  | 7   | 1814-9B  | T207060  | 9   | 1674-7  | T22240   | 45  | 0515-5  |
| T201968  | 8   | 1814-9B  | T207060  | 2   | 1816-13 | T22241   | 29  | 0515-3  |
| T201971  | 1   | 3343-3   | T207191  | 20  | 1320-3  | T222442  | 15  | 3346-3  |
| T201971  | 19  | 3343-3   | T207309  | 37  | 3315-9B | T223008  | 10  | 2002-3  |
| T201971  | 1   | 3343-5   | T207484  | 18  | 3315-9  | T223009  | 10  | 2002-3  |
| T201971  | 8B  | 3343-5   | T207885  | 35  | 2160-9  | T223076  | 1   | 3343-5  |
| T202050  | 3   | 3163-7   | T208007  | 29  | 1320-9  | T223076  | 7A  | 3343-5  |
| T202050  | 11  | 3363-9   | T208008  | 29  | 1320-9  | T223076  | 7B  | 3343-5  |
| T202050  | 21  | 3363-11  | T208077  | 21  | 1814-9B | T223289  | 9   | 1814-9B |
| T202050  | 22  | 3363-11  | T208077  | 22  | 1814-9B | T224200  | 21  | 0560-7  |
| T202050  | 33  | 3363-19  | T208467  | 29  | 2160-9B | T224227  | 7   | 1672-7  |
| T202499  | 2   | 0230-6   | T208467  | 16  | 2160-13 | T224283  | 42  | 1320-5  |
| T202720  | 14  | 1816-17  | T208510  | 20  | 3344-2  | T224284  | 13  | 1320-7  |
| T202956  | 15  | 3315-7   | T209212  | 5   | 1674-5D | T224285  | 13  | 1320-7  |
| T202956  | 53  | 3315-9B  | T209334  | 4   | 1910-3  | T224750  | 3   | 0360-11 |
| T202956  | 13  | 3315-13  | T209529  | 61  | 1320-5B | T224751  | 8   | 0360-4A |
| T202956  | 12  | 3315-13B | T209530  | 24  | 1320-9  | T224751  | 9   | 0360-4A |
| T202956  | 6   | 3315-15  | T209531  | 24  | 1320-9  | T224751  | 5   | 0360-11 |
| T202956  | 10  | 3315-27  | T209588  | 46  | 3315-9B | T224776  | 13  | 0360-11 |
| T20314   | 4   | 0402-2   | T209588  | 3   | 3315-17 | T224777  | 15  | 0360-11 |
| T20316   | 3   | 0402-2   | T209627  | 14  | 1673-7  | T224778  | 6   | 0360-4A |
| T203361  | 1   | 1746-2   | T210077  | 6   | 0210-3  | T224778  | 9   | 0360-4A |
| T203362  | 1   | 1746-2   | T210078  | 8   | 0210-3  | T224857  | 13  | 3140-5  |
| T203374  | 2   | 1060-5   | T210544  | 2   | 1921-5  | T225291  | 17B | 2160-5  |
| T203385  | 1   | 1060-5   | T212039  | 4B  | 1060-9  | T225374  | 30  | 1320-5  |
| T203458  | 3   | 1812-3   | T212304  | 12  | 1913-3  | T225374  | 1   | 2160-25 |
| T203949  | 39  | 2160-11  | T212352  | 56  | 1830-15 | T225374  | 2   | 2160-25 |
| T204635  | 2B  | 2001-3   | T213059  | 18  | 3362-41 | T225374  | 18  | 2160-27 |

# 9995-40

310G, 310SG AND 315SG BACKHOE LOADERS

## NUMERICAL INDEX - CONTINUED

| PART NO. | KEY | PAGE    | PART NO. | KEY | PAGE     | PART NO. | KEY | PAGE     |
|----------|-----|---------|----------|-----|----------|----------|-----|----------|
| T225374  | 20  | 2160-27 | T55224   | 20  | 1821-17  | T74553   | 19  | 0315-3   |
| T225375  | 11  | 1320-7  | T55501   | 11  | 1674-7   | T74952   | 4   | 1673-3   |
| T225375  | 1   | 2160-25 | T55585   | 13  | 0505-7   | T74952   | 5   | 2001-3   |
| T225375  | 18  | 2160-27 | T55585   | 13  | 1674-7   | T75197   | 22  | 1674-9B  |
| T225376  | 11  | 1320-7  | T57374   | 17A | 2160-5   | T75506   | 10  | 0230-4   |
| T225376  | 1   | 2160-25 | T58056   | 1   | 1816-13  | T75815   | 3   | 1746-2   |
| T225376  | 18  | 2160-27 | T58056   | 2   | 1830-9   | T75815   | 6   | 3140-3   |
| T225494  | 13  | 0429-3  | T58056   | 10  | 1921-3   | T75815   | 26  | 3165-3   |
| T225494  | 1   | 0510-3  | T58056   | 8   | 1921-5   | T75815   | 26  | 3165-7   |
| T225495  | 13  | 0429-3  | T58109   | 27  | 3315-9   | T75816   | 6   | 3140-3   |
| T225495  | 1   | 0510-3  | T58109   | 2   | 3315-13  | T76252   | 7   | 0560-3   |
| T227945  | 5   | 1913-3  | T58109   | 16  | 3315-13B | T76252   | 15  | 1674-9B  |
| T22826   | 4   | 3344-2  | T58109   | 13  | 3315-15  | T76502   | 2   | 3362-9   |
| T22828   | 10  | 0960-17 | T58109   | 15  | 3315-15B | T76502   | 32  | 3362-9   |
| T23P     | 25  | 3102-9  | T58477   | 6   | 0409-3   | T76502   | 12  | 3362-21  |
| T230SP   | 24  | 3102-9  | T58739   | 14  | 1830-9   | T76830   | 52  | 1814-5   |
| T23474   | 19  | 0404-3  | T60811   | 30  | 1830-7   | T76832   | 42  | 1814-5   |
| T24472   | 9   | 0413-1  | T60811   | 31  | 1830-7   | T76833   | 57  | 1814-5   |
| T24472   | 5   | 0413-2  | T60811   | 10  | 1830-9   | T76833   | 59  | 1814-5   |
| T24472   | 9   | 0413-3  | T60811   | 15  | 1830-9   | T76938   | 6   | 0341-5   |
| T24472   | 9   | 0413-3A | T60811   | 17  | 1830-9   | T76938   | 10  | 2160-7   |
| T24472   | 5   | 0413-3B | T60811   | 24  | 1830-9   | T76938   | 18  | 2160-7   |
| T24509   | 15  | 3315-19 | T60811   | 25  | 1830-9   | T76938   | 38  | 2160-9   |
| T24959   | 7   | 3363-19 | T60811   | 30  | 3163-11  | T76938   | 42  | 2160-9   |
| T24959   | 8   | 3363-43 | T60920   | 6   | 2002-3   | T76938   | 10  | 2160-9B  |
| T25335   | 1   | 1369-5  | T61226   | 7   | 3140-3   | T76938   | 12  | 2160-9B  |
| T25838   | 3   | 1812-5  | T61226   | 24  | 3165-3   | T76938   | 10  | 3362-5   |
| T26955   | 5   | 0341-5  | T61226   | 24  | 3165-7   | T76938   | 10  | 3362-7   |
| T27022   | 23  | 3102-11 | T61861   | 27  | 2160-11  | T76938   | 33  | 3363-21B |
| T27860   | 28  | 0413-5  | T61861   | 15  | 3115-3   | T76938   | 34  | 3363-25  |
| T27860   | 28  | 0413-9  | T63798   | 12  | 1821-9   | T76938   | 35  | 3363-27  |
| T28583   | 1   | 1674-17 | T65295   | 11  | 3363-31  | T76938   | 21  | 3363-47  |
| T28585   | 12  | 1674-17 | T66701   | 1   | 0560-3   | T77165   | 33  | 0515-3   |
| T28586   | 14  | 1674-17 | T66701   | 36  | 0560-7   | T77165   | 46  | 0515-5   |
| T29342   | 6   | 0540-3  | T66860   | 5   | 0110-2   | T77613   | 11  | 0416-7   |
| T29342   | 28  | 1740-5  | T67424   | 26  | 3162-9   | T77613   | 11  | 0416-9   |
| T29342   | 8   | 1921-3  | T67424   | 14  | 3162-13  | T77613   | 7   | 0960-9   |
| T29342   | 9   | 3344-2  | T67424   | 37  | 3362-11  | T77613   | 8   | 0960-9   |
| T29342   | 10  | 3345-3  | T67424   | 20  | 3362-13  | T77613   | 14  | 0960-9   |
| T29342   | 9   | 3345-5  | T67424   | 28  | 3362-15  | T77613   | 7   | 0960-11  |
| T29342   | 13  | 3348-3  | T67424   | 19  | 3362-21  | T77613   | 8   | 0960-11  |
| T29342   | 40  | 3363-19 | T67424   | 35  | 3362-45  | T77613   | 14  | 0960-11  |
| T34067   | 18  | 1674-17 | T67425   | 35  | 3162-9   | T77613   | 1   | 1060-7   |
| T34248   | 1   | 1369-5  | T67425   | 23  | 3162-13  | T77613   | 2   | 1060-7   |
| T35233   | 1   | 3315-11 | T67425   | 38  | 3362-11  | T77613   | 3   | 1060-7   |
| T35887   | 27  | 0515-3  | T67425   | 18  | 3362-13  | T77613   | 3   | 1060-9   |
| T35887   | 21  | 0515-5  | T67425   | 26  | 3362-15  | T77613   | 6   | 1060-9   |
| T38485   | 9   | 3365-18 | T67425   | 20  | 3362-21  | T77613   | 9   | 1060-9   |
| T38545   | 19  | 3363-5  | T67425   | 33  | 3362-45  | T77613   | 10  | 1060-9   |
| T39155   | 12  | 0560-3  | T68098   | 7   | 0416-5   | T77613   | 1   | 1060-11  |
| T40308   | 17A | 2160-5  | T69027   | 13  | 0230-3   | T77613   | 2   | 1060-11  |
| T41356   | 14  | 3365-3  | T69354   | 30  | 0230-3   | T77613   | 3   | 1060-11  |
| T41356   | 7   | 3365-5  | T69355   | 17  | 0230-3   | T77613   | 4   | 1060-11  |
| T41356   | 9   | 3365-17 | T69360   | 3   | 0230-1   | T77613   | 13  | 1740-5   |
| T42199   | 67  | 1320-5B | T69363   | 19  | 0230-3   | T77613   | 2   | 2160-7   |
| T42199   | 1   | 1671-7  | T69364   | 18  | 0230-3   | T77613   | 5   | 2160-7   |
| T43512   | 1   | 1330-2  | T69472   | 21  | 3348-3   | T77613   | 5   | 2160-9B  |
| T43513   | 1   | 1330-2  | T69938   | 6   | 0250-2   | T77613   | 6   | 2160-11  |
| T43514   | 1   | 1330-2  | T69938   | 3   | 0325-2   | T77613   | 11  | 2160-11  |
| T48613   | 6   | 3344-2  | T70177   | 2   | 3162-21  | T77613   | 20  | 3104-3   |
| T54568   | 8   | 3102-11 | T70177   | 7   | 3162-27  | T77613   | 18  | 3163-7   |
| T54568   | 47  | 3102-21 | T70341   | 27  | 2160-25  | T77613   | 28  | 3163-9   |
| T54967   | 29  | 3162-25 | T70341   | 2   | 3163-11  | T77613   | 32  | 3163-9   |
| T55208   | 1   | 1821-9  | T70659   | 37  | 1830-7   | T77613   | 24  | 3163-11  |
| T55214   | 17  | 1821-9  | T74416   | 25  | 1674-9B  | T77613   | 32  | 3163-11  |
| T55222   | 5   | 1821-9  | T74416   | 12  | 3363-29  | T77613   | 25  | 3163-13  |
| T55224   | 15  | 1821-9  | T74553   | 9   | 0315-3   | T77613   | 28  | 3163-13  |

# 9995-41

310G, 310SG AND 315SG BACKHOE LOADERS

## NUMERICAL INDEX - CONTINUED

| PART NO. | KEY | PAGE     | PART NO. | KEY | PAGE     | PART NO. | KEY | PAGE     |
|----------|-----|----------|----------|-----|----------|----------|-----|----------|
| T77613   | 5   | 3362-29B | T77857   | 17  | 3362-9   | T77932   | 23  | 3363-47  |
| T77613   | 6   | 3362-33  | T77857   | 1   | 3362-29B | T78313   | 1   | 1369-5   |
| T77613   | 16  | 3362-35  | T77857   | 27  | 3363-1B  | T78497   | 1   | 2160-11  |
| T77613   | 16  | 3362-37  | T77857   | 15  | 3363-7   | T78497   | 29  | 2160-11  |
| T77613   | 4   | 3363-1B  | T77857   | 18  | 3363-13  | T78497   | 39  | 2160-11  |
| T77613   | 11  | 3363-1B  | T77857   | 3   | 3363-15  | T78497   | 8   | 2160-17  |
| T77613   | 12  | 3363-1B  | T77857   | 11  | 3363-19  | T78497   | 15  | 2160-17  |
| T77613   | 20  | 3363-1B  | T77857   | 32  | 3363-19  | T78497   | 16  | 2160-17  |
| T77613   | 23  | 3363-1B  | T77857   | 5   | 3363-33  | T78497   | 10  | 2160-19  |
| T77613   | 1   | 3363-1D  | T77857   | 12  | 3363-35  | T78497   | 11  | 2160-19  |
| T77613   | 2   | 3363-1D  | T77857   | 5   | 3363-37  | T78497   | 14  | 2160-19  |
| T77613   | 4   | 3363-1D  | T77857   | 2   | 3363-45  | T78497   | 18  | 2160-19  |
| T77613   | 5   | 3363-1D  | T77857   | 16  | 3363-45  | T78497   | 19  | 2160-19  |
| T77613   | 6   | 3363-1D  | T77857   | 14  | 3363-47  | T78497   | 4   | 2160-21  |
| T77613   | 7   | 3363-1D  | T77858   | 10  | 2160-7   | T78497   | 6   | 2160-21  |
| T77613   | 8   | 3363-1D  | T77858   | 27  | 2160-9   | T78497   | 7   | 2160-21  |
| T77613   | 9   | 3363-1D  | T77858   | 10  | 2160-9B  | T78497   | 8   | 2160-21  |
| T77613   | 10  | 3363-1D  | T77858   | 34  | 2160-11  | T78593   | 8   | 0505-5   |
| T77613   | 11  | 3363-1D  | T77858   | 17  | 3363-9   | T78593   | 10  | 0505-7   |
| T77613   | 12  | 3363-1D  | T77858   | 29  | 3363-11  | T78606   | 17  | 0960-9   |
| T77613   | 13  | 3363-1D  | T77858   | 5   | 3363-21  | T78606   | 17  | 0960-11  |
| T77613   | 3   | 3363-3   | T77858   | 5   | 3363-23  | T78606   | 17  | 2160-17  |
| T77613   | 3   | 3363-3B  | T77858   | 5   | 3363-25  | T78606   | 15  | 2160-21  |
| T77613   | 4   | 3363-5   | T77858   | 5   | 3363-27  | T78606   | 20  | 3163-5   |
| T77613   | 14  | 3363-5   | T77858   | 26  | 3363-33  | T78606   | 28  | 3163-7   |
| T77613   | 26  | 3363-5   | T77858   | 7   | 3363-35  | T78606   | 35  | 3163-7   |
| T77613   | 1   | 3363-17  | T77858   | 4   | 3363-37  | T78606   | 17  | 3163-9   |
| T77613   | 4   | 3363-29  | T77858   | 21  | 3363-47  | T78606   | 13  | 3163-13  |
| T77613   | 3   | 3363-31  | T77932   | 25  | 1111-3   | T78606   | 30  | 3363-5   |
| T77613   | 6   | 3363-43  | T77932   | 24  | 1111-5   | T78612   | 6   | 0341-5   |
| T77613   | 19  | 3365-21B | T77932   | 13  | 2160-7   | T78707   | 4   | 3363-21  |
| T77613   | 18  | 3365-22  | T77932   | 27  | 2160-9   | T78707   | 31  | 3363-21B |
| T77613   | 17  | 3365-24A | T77932   | 21  | 2160-11  | T78707   | 4   | 3363-23  |
| T77613   | 19  | 3365-25  | T77932   | 34  | 2160-11  | T78707   | 4   | 3363-25  |
| T77613   | 17  | 3365-26  | T77932   | 7   | 2160-25  | T78707   | 32  | 3363-25  |
| T77814   | 2   | 0210-6   | T77932   | 9   | 2160-25  | T78707   | 4   | 3363-27  |
| T77814   | 12  | 3163-11  | T77932   | 48  | 3102-21  | T78716   | 20  | 3363-19  |
| T77814   | 3   | 3363-5   | T77932   | 49  | 3102-21  | T78716   | 22  | 3363-33  |
| T77814   | 13  | 3363-5   | T77932   | 2   | 3163-3   | T78716   | 17  | 3363-45  |
| T77814   | 10  | 3363-29  | T77932   | 12  | 3163-7   | T78716   | 24  | 3363-47  |
| T77814   | 15  | 3363-31  | T77932   | 41  | 3163-7   | T78787   | 11  | 1830-13  |
| T77857   | 1   | 0960-9   | T77932   | 9   | 3163-9   | T79786   | 5   | 0230-1   |
| T77857   | 28  | 0960-9   | T77932   | 45  | 3163-9   | T80027   | 6   | 0250-1   |
| T77857   | 34  | 0960-9   | T77932   | 17  | 3163-11  | T80306   | 49  | 3102-21  |
| T77857   | 1   | 0960-11  | T77932   | 22  | 3163-11  | T80306   | 46  | 3163-9   |
| T77857   | 22  | 0960-11  | T77932   | 3   | 3363-7   | T80306   | 27  | 3363-23  |
| T77857   | 34  | 0960-11  | T77932   | 15  | 3363-7   | T80306   | 27  | 3363-27  |
| T77857   | 23  | 1060-3   | T77932   | 4   | 3363-9   | T80306   | 23  | 3363-33  |
| T77857   | 27  | 1060-3   | T77932   | 5   | 3363-9   | T81029   | 9   | 3363-1B  |
| T77857   | 1   | 2160-7   | T77932   | 3   | 3363-11  | T81029   | 9   | 3363-17  |
| T77857   | 3   | 2160-7   | T77932   | 13  | 3363-11  | T81524   | 3   | 3162-9   |
| T77857   | 1   | 2160-9B  | T77932   | 3   | 3363-13  | T81524   | 4   | 3162-11  |
| T77857   | 12  | 2160-25  | T77932   | 18  | 3363-13  | T81524   | 3   | 3162-13  |
| T77857   | 3   | 2160-27  | T77932   | 22  | 3363-19  | T81524   | 5   | 3162-15  |
| T77857   | 10  | 3102-11  | T77932   | 32  | 3363-19  | T81524   | 3   | 3162-17  |
| T77857   | 28  | 3102-11  | T77932   | 26  | 3363-21B | T81524   | 4   | 3162-21  |
| T77857   | 1   | 3102-19  | T77932   | 26  | 3363-23  | T81524   | 13  | 3162-27  |
| T77857   | 8   | 3163-5   | T77932   | 27  | 3363-25  | T81524   | 13  | 3362-11  |
| T77857   | 7   | 3163-7   | T77932   | 26  | 3363-27  | T81524   | 29  | 3362-13  |
| T77857   | 45  | 3163-7   | T77932   | 3   | 3363-33  | T81524   | 8   | 3362-15  |
| T77857   | 1   | 3163-9   | T77932   | 12  | 3363-33  | T81524   | 3   | 3362-17  |
| T77857   | 12A | 3163-9   | T77932   | 27  | 3363-33  | T81524   | 3   | 3362-19  |
| T77857   | 13  | 3163-9   | T77932   | 9   | 3363-35  | T81524   | 3   | 3362-23  |
| T77857   | 35  | 3163-9   | T77932   | 2   | 3363-37  | T81535   | 13  | 3162-9   |
| T77857   | 48  | 3163-9   | T77932   | 1   | 3363-39  | T81535   | 22  | 3162-11  |
| T77857   | 19  | 3163-11  | T77932   | 1   | 3363-41  | T81538   | 21  | 3162-9   |
| T77857   | 21  | 3163-13  | T77932   | 4   | 3363-45  | T81538   | 9   | 3162-13  |

# 9995-42

310G, 310SG AND 315SG BACKHOE LOADERS

## NUMERICAL INDEX - CONTINUED

| PART NO. | KEY | PAGE    | PART NO.   | KEY | PAGE     | PART NO.  | KEY | PAGE    |
|----------|-----|---------|------------|-----|----------|-----------|-----|---------|
| T81538   | 16  | 3362-11 | U12547     | 32  | 2160-11  | 790106800 | 15  | 3362-47 |
| T81538   | 9   | 3362-13 | U12547     | 38  | 2160-11  | 790107100 | 13  | 3362-41 |
| T81538   | 13  | 3362-15 | U12547     | 6   | 3102-19  | 790107100 | 12  | 3362-43 |
| T81538   | 11  | 3362-17 | U12547     | 7   | 3363-9   |           |     |         |
| T81538   | 19  | 3362-41 | U12547     | 8   | 3363-13  |           |     |         |
| T81538   | 18  | 3362-43 | U12547     | 2   | 3363-21  |           |     |         |
| T81538   | 18  | 3362-45 | U12547     | 28  | 3363-21B |           |     |         |
| T81538   | 18  | 3362-47 | U12547     | 2   | 3363-23  |           |     |         |
| T81539   | 22  | 3162-9  | U12547     | 2   | 3363-25  |           |     |         |
| T81539   | 10  | 3162-13 | U12547     | 29  | 3363-25  |           |     |         |
| T81539   | 17  | 3362-11 | U12547     | 2   | 3363-27  |           |     |         |
| T81539   | 10  | 3362-13 | U12547     | 29  | 3363-35  |           |     |         |
| T81539   | 14  | 3362-15 | U12547     | 9   | 3363-37  |           |     |         |
| T81539   | 9   | 3362-17 | U12547     | 6   | 3363-45  |           |     |         |
| T81539   | 20  | 3362-41 | U12547     | 25  | 3363-47  |           |     |         |
| T81539   | 19  | 3362-43 | U12857     | 12  | 3115-11  |           |     |         |
| T81539   | 19  | 3362-45 | U13461     | 8   | 3365-30  |           |     |         |
| T81539   | 19  | 3362-47 | U13461     | 9   | 3365-31  |           |     |         |
| T81540   | 10  | 3162-17 | U13461     | 9   | 3365-33  |           |     |         |
| T81540   | 13  | 3162-21 | U13639     | 18  | 0341-3   |           |     |         |
| T81540   | 18  | 3162-27 | U13639     | 24  | 0341-3   |           |     |         |
| T81540   | 23  | 3362-11 | U13639     | 8   | 0341-5   |           |     |         |
| T81540   | 12  | 3362-13 | U13639     | 23  | 0404-3   |           |     |         |
| T81540   | 16  | 3362-15 | U13639     | 3   | 0505-3   |           |     |         |
| T81540   | 13  | 3362-17 | U13639     | 29  | 1060-5   |           |     |         |
| T81540   | 8   | 3362-19 | U13639     | 1   | 1369-5   |           |     |         |
| T81540   | 8   | 3362-23 | U13639     | 29  | 1830-9   |           |     |         |
| T81541   | 12  | 3162-17 | U13639     | 17  | 2160-7   |           |     |         |
| T81541   | 15  | 3162-21 | U13639     | 18  | 2160-7   |           |     |         |
| T81541   | 20  | 3162-27 | U13639     | 36  | 2160-9   |           |     |         |
| T81541   | 14  | 3362-13 | U13639     | 40  | 2160-9   |           |     |         |
| T81541   | 18  | 3362-15 | U13639     | 14  | 2160-9B  |           |     |         |
| T81541   | 10  | 3362-19 | U14555     | 8   | 0230-1   |           |     |         |
| T81541   | 10  | 3362-23 | U14555     | 22  | 3315-9   |           |     |         |
| T81963   | 4   | 0230-1  | U14555     | 20  | 3315-13B |           |     |         |
| T82791   | 3   | 1674-7  | U14555     | 20  | 3315-15B |           |     |         |
| T83061   | 2   | 3115-7  | U15192     | 4   | 3362-29  |           |     |         |
| T83061   | 2   | 3115-9  | U15415     | 1   | 1369-5   |           |     |         |
| T83061   | 26  | 3115-11 | U15973     | 5   | 0960-17  |           |     |         |
| T83426   | 10  | 1740-3  | U15973     | 1   | 1369-5   |           |     |         |
| T83426   | 18  | 3342-3  | U17408     | 36  | 3315-9B  |           |     |         |
| T84194   | 6   | 3102-5  | U17409     | 1   | 1369-5   |           |     |         |
| T84194   | 9   | 3102-9  | U17409     | 22  | 2160-7   |           |     |         |
| T84194   | 6   | 3102-17 | U17409     | 8   | 2160-9B  |           |     |         |
| T84194   | 27  | 3102-19 | U40398     | 23  | 3102-11  |           |     |         |
| T84194HD | 6   | 3102-5  | U40708     | 15  | 3365-30  |           |     |         |
| T84194HD | 9   | 3102-9  | U40708     | 2   | 3365-31  |           |     |         |
| T84194HD | 6   | 3102-17 | U42111     | 1   | 1369-5   |           |     |         |
| U10289   | 1   | 1369-5  | U42208     | 11  | 0315-7   |           |     |         |
| U10516   | 24  | 3163-7  | U42208     | 15  | 0315-7   |           |     |         |
| U10516   | 29  | 3163-9  | U43792     | 10  | 3302-15  |           |     |         |
| U10516   | 6   | 3163-13 | U46370     | 20  | 1674-17  |           |     |         |
| U10746   | 1   | 1369-5  | U46662     | 10  | 1674-17  |           |     |         |
| U10776   | 1   | 1369-5  | U46664     | 47  | 1674-19  |           |     |         |
| U11326   | 1   | 1369-5  | W23122     | 23  | 1816-17  |           |     |         |
| U11343   | 1   | 1369-5  | XH4-62-T10 | 5   | 3363-39  |           |     |         |
| U12037   | 1   | 1369-5  | XH4-62-T10 | 5   | 3363-41  |           |     |         |
| U12167   | 7   | 1740-5  | XH4-63-T10 | 4   | 3363-39  |           |     |         |
| U12198   | 1   | 1369-5  | XH4-63-T10 | 4   | 3363-41  |           |     |         |
| U12198   | 10  | 3365-29 | XN8TUB8    | 19  | 3363-29  |           |     |         |
| U12198   | 11  | 3365-36 | 0344046    | 4   | 3362-31  |           |     |         |
| U12288   | 12  | 3363-9  | 0344046    | 9   | 3362-31  |           |     |         |
| U12331   | 1   | 1369-5  | 5787YT     | 12  | 3115-3   |           |     |         |
| U12547   | 1   | 1369-5  | 5787YT     | 26  | 3115-5   |           |     |         |
| U12547   | 32  | 2160-9  | 790106800  | 17  | 3362-41  |           |     |         |
| U12547   | 23  | 2160-9B | 790106800  | 16  | 3362-43  |           |     |         |
| U12547   | 9   | 2160-11 | 790106800  | 15  | 3362-45  |           |     |         |

