



TEREX®

Parts Manual

RL4000
TML-4000

First Edition
First Printing
Part No. 116693
May 2009

Introduction

REV A

Important

Read, understand and obey the safety rules and operating instructions in the appropriate Operator's Manual on your machine before attempting any maintenance procedure.

Basic mechanical, hydraulic and electrical skills are required to perform most procedures. However, several procedures require specialized skills, tools, lifting equipment and a suitable workshop. In these instances, we strongly recommend that maintenance and repair be performed at an authorized TEREX dealer service center.

Technical Publications

TEREX Corporation has endeavored to deliver the highest degree of accuracy possible. However, continuous improvement of our products is a TEREX policy. Therefore, product specifications are subject to change without notice.

Readers are encouraged to notify TEREX of errors and send in suggestions for improvement. All communications will be carefully considered for future printings of this and all other manuals.

Contact Us:

www.TEREX.com

Serial Number Information

TEREX Corporation offers the following manuals for these models:

Title	Part No.
TEREX RL4000/TML-4000 Operator's Manual First Edition	116692
TEREX RL4000/TML-4000 Service Manual First Edition	116694
TEREX RL4000/TML-4000 Part's Manual First Edition	116693
Perkins Operations Manual	131661
Kubota Engine Manual	893020
Axis Manual	116117
Marathon Manual	116188

Copyright © 2009 by TEREX Corporation

116693 Rev A May 2009
First Edition, First Printing

"TEREX" is a registered trademark of TEREX Corporation in the USA and many other countries. "Super Quiet" is a trademark of TEREX Corporation.

 Printed on recycled paper

Printed in U.S.A.


How to Read Your Serial Number

REV A

Serial Number Legend

The serial number plate on your RL4000 or TML-4000 is located on the cabinet next to the light tower mast.

MANUFACTURED BY/FABRIQUE PAR:
 TEREX ROCK HILL
 590 Huey Road
 Rock Hill, SC 29732



DATE: FEBRUARY 2008

GVWR / PNBV	1,244 KG (2,743 LBS)
GAWR / PNBE	1,244 KG (2,743 LBS)
TIRES / PNEU	ST205/75D13 LOAD RANGE C
RIMS / JANTE	15.0 X 4.5 5H
COLD TIRES INFL/	35 PSI / 250 KPA

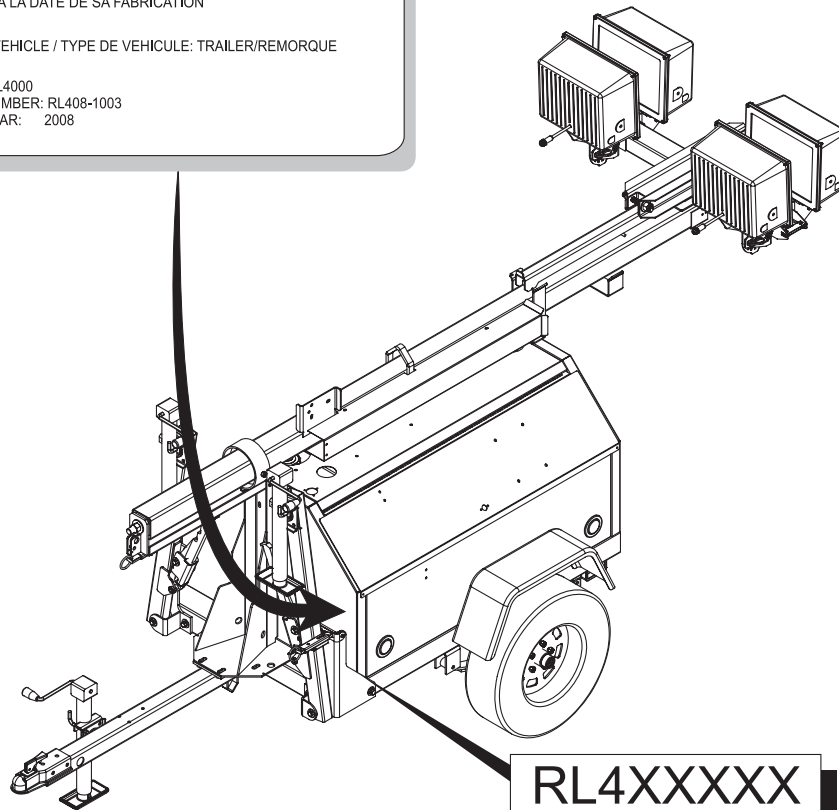
PRESS,DE GONFL. A FROID 'SINGLE'

THIS VEHICLE CONFORMS TO ALL APPLICABLE U.S. FEDERAL MOTOR VEHICLE SAFETY STANDARDS IN EFFECT ON THE DATE OF MANUFACTURE SHOWN ABOVE.

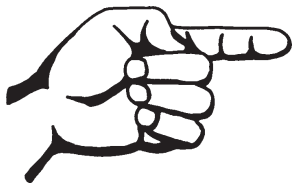
THIS VEHICLE CONFORMS TO ALL APPLICABLE STANDARDS PRESCRIBED UNDER THE CANADIAN MOTOR VEHICLE SAFETY REGULATIONS IN EFFECT ON THE DATE MANUFACTURE/
 CE VEHICULE EST CONFORME A TOUTES LES NORMES QUI LUI SONT APPLICABLES EN VERTU DU REGLEMENT SUR LA SECURITE DES VEHICULES AUTOMOBILES DU CANADA EN VIGUEUR A LA DATE DE SA FABRICATION

TYPE OF VEHICLE / TYPE DE VEHICULE: TRAILER/REMORQUE

MODEL: RL4000
 SERIAL NUMBER: RL408-1003
 MODEL YEAR: 2008



RL4XXXXX
 Serial number is stamped into frame.



This page intentionally left blank.



Safety Rules

REV A



Danger

Failure to obey the instructions and safety rules in this manual and the appropriate Operator's Manual on your machine will result in death or serious injury.

Many of the hazards identified in the operator's manual are also safety hazards when maintenance and repair procedures are performed.

Do Not Perform Maintenance Unless:

- You are trained and qualified to perform maintenance on this machine.
- You read, understand and obey:
 - manufacturer's instructions and safety rules
 - employer's safety rules and worksite regulations
 - applicable governmental regulations
- You have the appropriate tools, lifting equipment and a suitable workshop.

SAFETY RULES

REV A

Personal Safety

Any person working on or around a machine must be aware of all known safety hazards. Personal safety and the continued safe operation of the machine should be your top priority.



Read each procedure thoroughly. This manual and the decals on the machine, use signal words to identify the following:



Safety alert symbol—used to alert personnel to potential personal injury hazards. Obey all safety messages that follow this symbol to avoid possible injury or death.

▲ DANGER

Red—used to indicate the presence of an imminently hazardous situation which, if not avoided, will result in death or serious injury.

▲ WARNING

Orange—used to indicate the presence of a potentially hazardous situation which, if not avoided, could result in death or serious injury.

▲ CAUTION

Yellow with safety alert symbol—used to indicate the presence of a potentially hazardous situation which, if not avoided, may cause minor or moderate injury.

CAUTION

Yellow without safety alert symbol—used to indicate the presence of a potentially hazardous situation which, if not avoided, may result in property damage.

NOTICE

Green—used to indicate operation or maintenance information.



Be sure to wear protective eye wear and other protective clothing if the situation warrants it.



Be aware of potential crushing hazards such as moving parts, free swinging or unsecured components when lifting or placing loads. Always wear approved steel-toed shoes.

Workplace Safety



Be sure to keep sparks, flames and lighted tobacco away from flammable and combustible materials like battery gases and engine fuels. Always have an approved fire extinguisher within easy reach.



Be sure that all tools and working areas are properly maintained and ready for use. Keep work surfaces clean and free of debris that could get into machine components and cause damage.



Be sure that your workshop or work area is properly ventilated and well lit.



Be sure any forklift, overhead crane or other lifting or supporting device is fully capable of supporting and stabilizing the weight to be lifted. Use only chains or straps that are in good condition and of ample capacity.



Be sure that fasteners intended for one time use (i.e., cotter pins and self-locking nuts) are not reused. These components may fail if they are used a second time.



Be sure to properly dispose of old oil or other fluids. Use an approved container. Please be environmentally safe .

Table of Contents

REV A

Introduction

Important Information - Introduction	<i>ii</i>
How to Read Your Serial Number	<i>iii</i>
Parts Stocking List	<i>ix</i>
How to Order Parts	<i>xi</i>
Service Parts Fax Order Form	<i>xii</i>

Section 1

Safety Rules

General Safety Rules	<i>v</i>
----------------------------	----------

Section 100

Rev

Decals

A	Figure 101.1	Decals	100 - 2
---	--------------	--------------	---------

Section 200

Rev

Chassis Components

A	Figure 201.1	Light Tower Chassis	200 - 2
A	Figure 202.1	Quick Deploy Outriggers - TML-4000	200 - 6
A	Figure 203.1	Fuel Tank Assembly	200 - 8

Section 300

Rev

Cabinet Components

A	Figure 301.1	Cabinet Components	300 - 2
---	--------------	--------------------------	---------

Section 400

Rev

Electrical Components

A	Figure 401.1	Electrical Control Box	400 - 2
A	Figure 402.1	Ballast Box Assembly	400 - 4
A	Figure 403.1	Light Fixture - Round	400 - 6
A	Figure 404.1	Light Fixture - Rectangle	400 - 8
A	Figure 405.1	Coil Cord & Junction Box	400 - 10

TABLE OF CONTENTS

REV A

Section 500	Rev	Engine & Generator	
	A	Figure 501.1 Engine - Kubota	500 - 2
	A	Figure 502.1 Engine - Perkins	500 - 4
	A	Figure 503.1 Marathon Generator - 6 kW	500 - 6

Section 600	Rev	Mast Components	
	A	Figure 601.1 Lower Mast Assembly	600 - 2
	A	Figure 602.1 Middle Mast Assembly	600 - 4
	A	Figure 603.1 Upper Mast Assembly - RL4000	600 - 6
	A	Figure 603.2 Upper Mast Assembly - TML-4000	600 - 8

Section 700	Rev	Options	
	A	Figure 701.1 Options	700 - 2



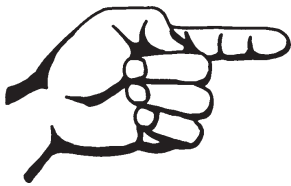
Parts Stocking List

REV A

Required Parts

The following parts are required to perform maintenance procedures as outlined in the *TEREX RL4000/TML-4000 Parts and Service Manuals*.

Description	Part No.
Kubota Models	
Oil Filter	866050
Air Filter	866127
Fuel Filter	839200
V-belt	839209
Perkins Models	
Oil Filter	94762
Air Filter	97474
Fuel Filter	62421
V-belt	85071



This page intentionally left blank.

How To Order Parts

REV A

Please be prepared with the following information when ordering replacement parts for your TEREX product:

- Machine model number
- Machine serial number
- Terex part number
- Part description and quantity
- Purchase order number
- "Ship to" address
- Desired method of shipment
- Name and telephone number of the authorized TEREX Distributor in your area

Genie Industries

18340 NE 76th Street
P.O. Box 97030
Redmond, WA 98073-9730
Telephone (877) 367-5606
Fax (888) 274-6192
genieindustries.com

Use the Service Parts Fax Order Form on the next page and fax your order to our Parts Department.

If you don't know the name of your authorized distributor, or if your area is not currently serviced by an authorized distributor, please call TEREX Corporation.

Machine Information

Model

Serial Number

Date of Purchase

Authorized TEREX Distributor

Phone Number



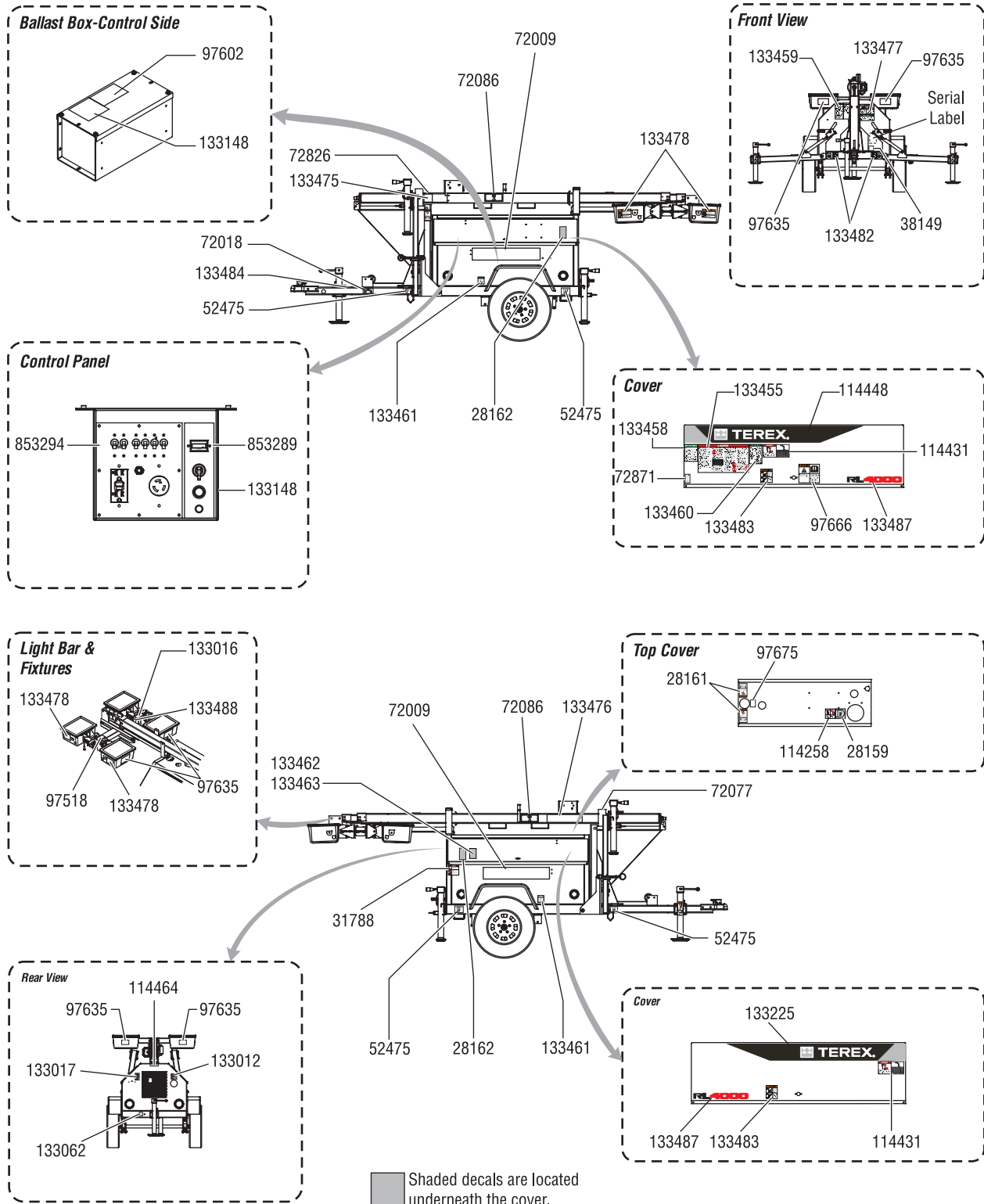
Decals



Figure 101.1

REV A

Decals



REV A

FIGURE 101.1

114431

Minimum required clearance	Required Clearance
10 to 2000V	100 2.00 m
20 to 2500V	150 4.00 m
250 to 10000V	200 6.1 m
500 to 15000V	300 7.6 m
750 to 10000V	450 10.7 m

97675

133016

133478

28161

133455

133483

133484

133482

97635

133482

133459

133477

133482

97666

97602

133148

133482

Shaded decals are located underneath the cover.

WARNING
Electrocution Hazard
Death or injury can result from contacting electric power lines. Always contact the electric power line owner. This electric power shall be disconnected or the power lines moved or insulated before machine operators begin.

WARNING
Burn Hazard
Hot fluid under pressure can scald.

WARNING
Crush Hazard
Contact with moving parts can result in death or serious injury.

DANGER
Electrocution hazard, Contact with voltage will result in death or serious injury.

WARNING
Burn Hazard
Contact with hot components could result in death or serious injury.

DANGER
Failure to read, understand and obey the operator's manual and the following safety rules could result in death or serious injury.

WARNING
Bodily injury hazard. Contact with moving parts may cause serious injury.

WARNING
Stay clear of belts and fan when engine is running.

WARNING
Explosion hazard. Do not use either or other high energy starting equipment on machines equipped with glow plugs.

WARNING
Explosion Hazard
Death or serious injury can result from the use of either or other high energy starting

DANGER
Electrocution hazard, Contact with voltage will result in death or serious injury.

WARNING
Tip-over Hazard
Raising tower without correctly securing outriggers could result in machine tipping over, which could result in death or serious injury.

WARNING
Bodily Injury Hazard
Shattering glass could result in death or serious injury.

WARNING
Tip-over Hazard
Raising tower without correctly securing outriggers could result in machine tipping over, which could result in death or serious injury.

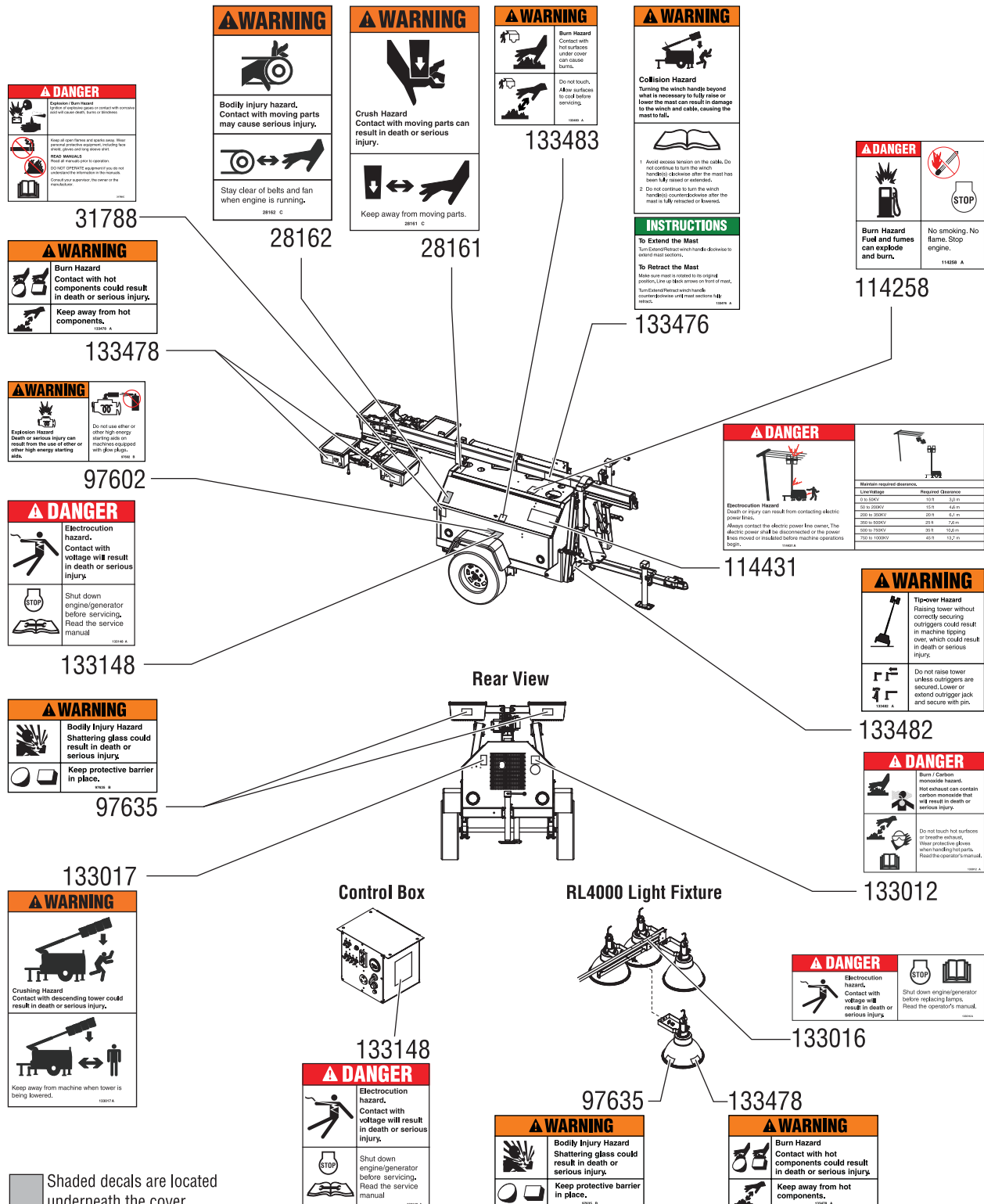
WARNING
Collision Hazard
Turning the switch handle beyond what is necessary to fully raise or lower the mast can result in damage to the switch and cable, causing the mast to fall.

INSTRUCTIONS
To Raise Mast
To Lower Mast



Figure 101.1

Decals



Shaded decals are located underneath the cover.

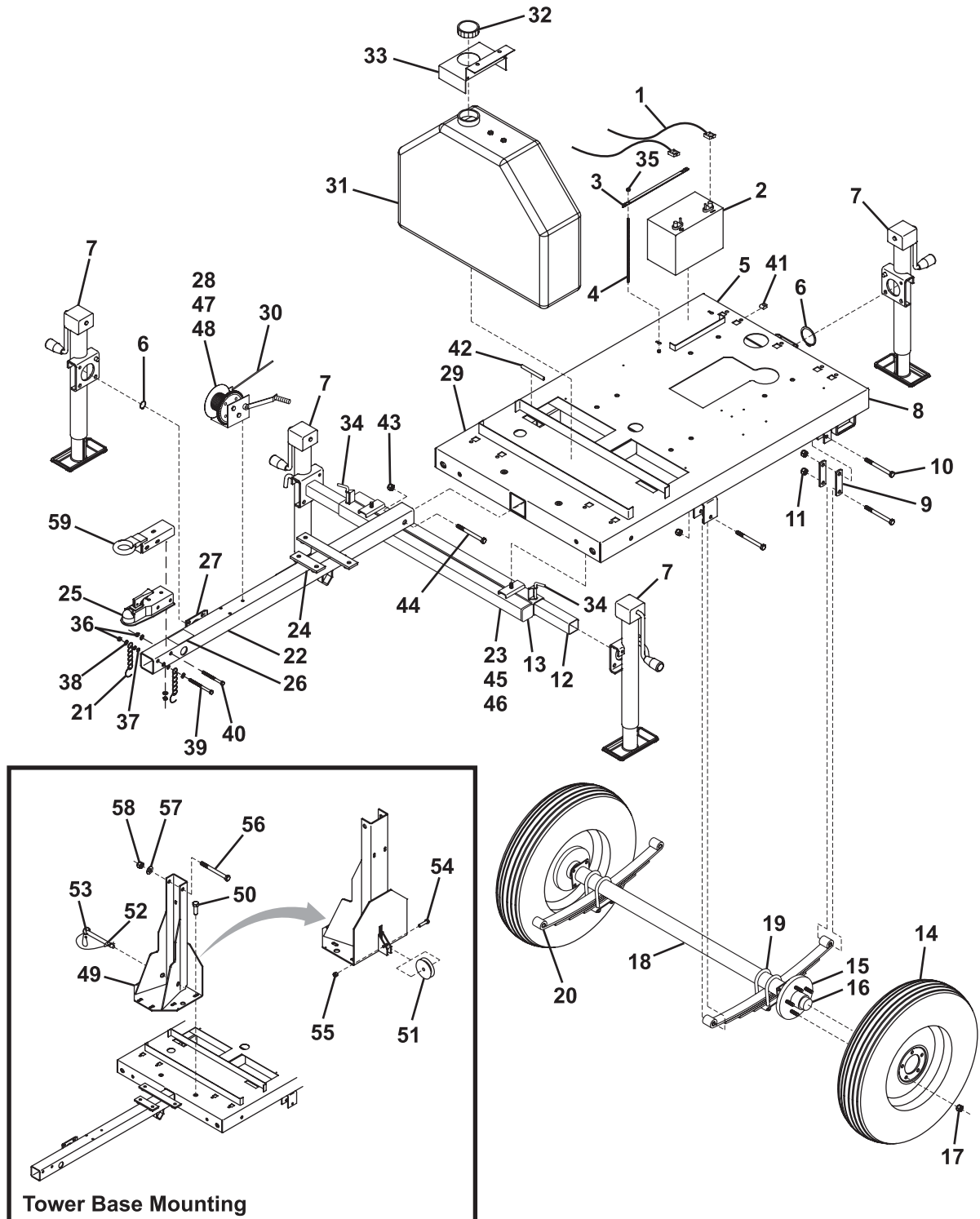


Chassis Components

Figure 201.1

REV A

Light Tower Chassis - RL4000





REV A

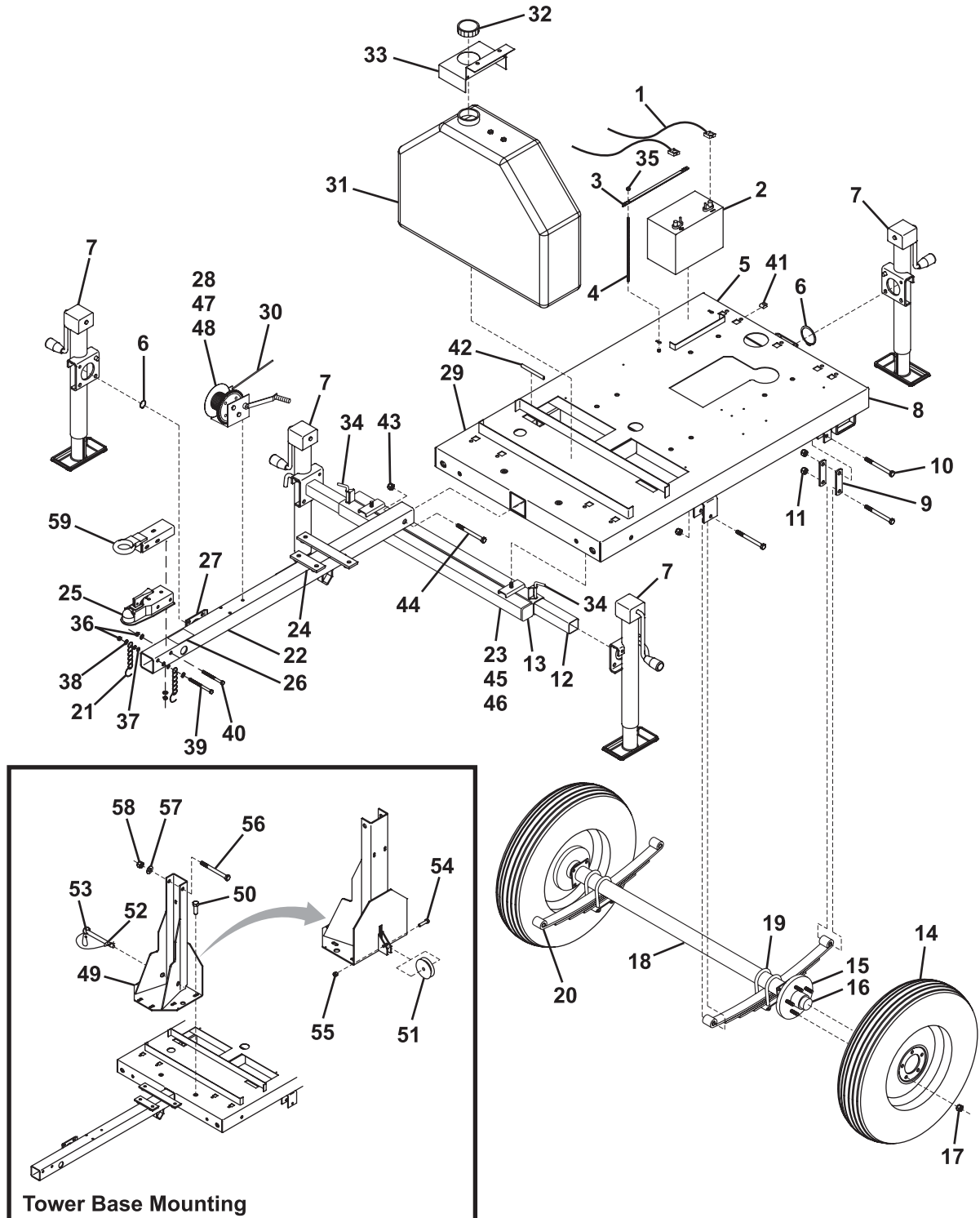
FIGURE 201.1

ITEM #	PART #	DESCRIPTION	QTY.
1	160276	BATTERY CABLE SET 24 4GA R&B-3/8 RING TERMINAL	1
2	112300	BATTERY WET 12V GR24 460 CCA STD-DUTY L/A	1
3	174170	BATTERY HOLD DOWN	1
4	182330	BATTERY HOLD DOWN ROD 1/4" X 10-1/4"	2
5	851820	DECAL, SYMBOL FOR GROUND	1
6	840222	JACK SNAP RING	4
7	841430	JACK SIDEWIND LONG 3KLB	4
8	CR82C000	TRAILER BASE	1
9	841473	AXLE SHACKLE 4-5/8" LG 2000LB/3500LB	4
10	840394	AXLE SPRING BOLT 2000LB/3500LB	6
11	840395	AXLE SPRING NUT 2000LB/3500LB	6
12	CS62C012	OUTRIGGER LEG	2
13	721051	CAPLUG, TUBE PLUG 2-1/2" X 2-1/2"	2
14	C83100900	TIRE, ST175/80-13 LOAD B W/13" BLACK RIM	2
15	CTRD-111A	HUB W/RACE/BEARINGS/NUTS/STUDS/CAP/WASHER	2
16	C2201-DC	DUST CAP FOR 2000LB AXLE	2
17	840376	AXLE WHEEL NUT 2000LB/3500LB	10
18	C82100600	AXLE 2000LB, 36" SC	1
19	C82200104	U-BOLT, AXLE 2000LB	4
20	C33612	SPRING-LEAF SPRING-2000LB	2
21	111936	CHAIN SAFETY 3000LB 3/8" X 30" W/S-HOOK	2
22	CS82A020	TONGUE, B-O-H W/JACK BRACKET	1
23	CS62A011	OUTRIGGER HOUSING	1
24	CR51A102	DECAL, WARNING ALL OUTRIGGER	1
25	840120	COUPLER, 2", BOLT ON	1
26	851310	DECAL, WARNING ALL JACKS MUST BE SWIVELED	3
27	840221	JACK BRACKET SWIVEL WELD-ON	1
28	C61100200	WINCH, BRAKE, 1500LB W/HANDLE	1
29	930950	WEATHERSTRIP ADHESIVE 1/4" THK X 1/2" WIDE	8FT
30	CU63B054	CABLE, TOWER TILT	1
31	CR21A000	TANK FUEL 30GAL	1
32	C42200220	RL FUEL CAP	1
33	CR59B035	FUEL TANK SUPPORT BRACKET	1
34	51600200	LATCH, OUTRIGGER	2
35	990150	NUT	4
36	990200	NUT, LOCK, NYLON INSERT	2
37	991650	WASHER, LOCK 1/2"	4
38	993860	WASHER, FLAT 1/2"	2
39	994200	SCREW, 1/2-13NC X 5-1/2"	1
40	995310	SCREW, 1/2-13NC X 4"	1

Figure 201.1

Light Tower Chassis - RL4000

REV A



REV A

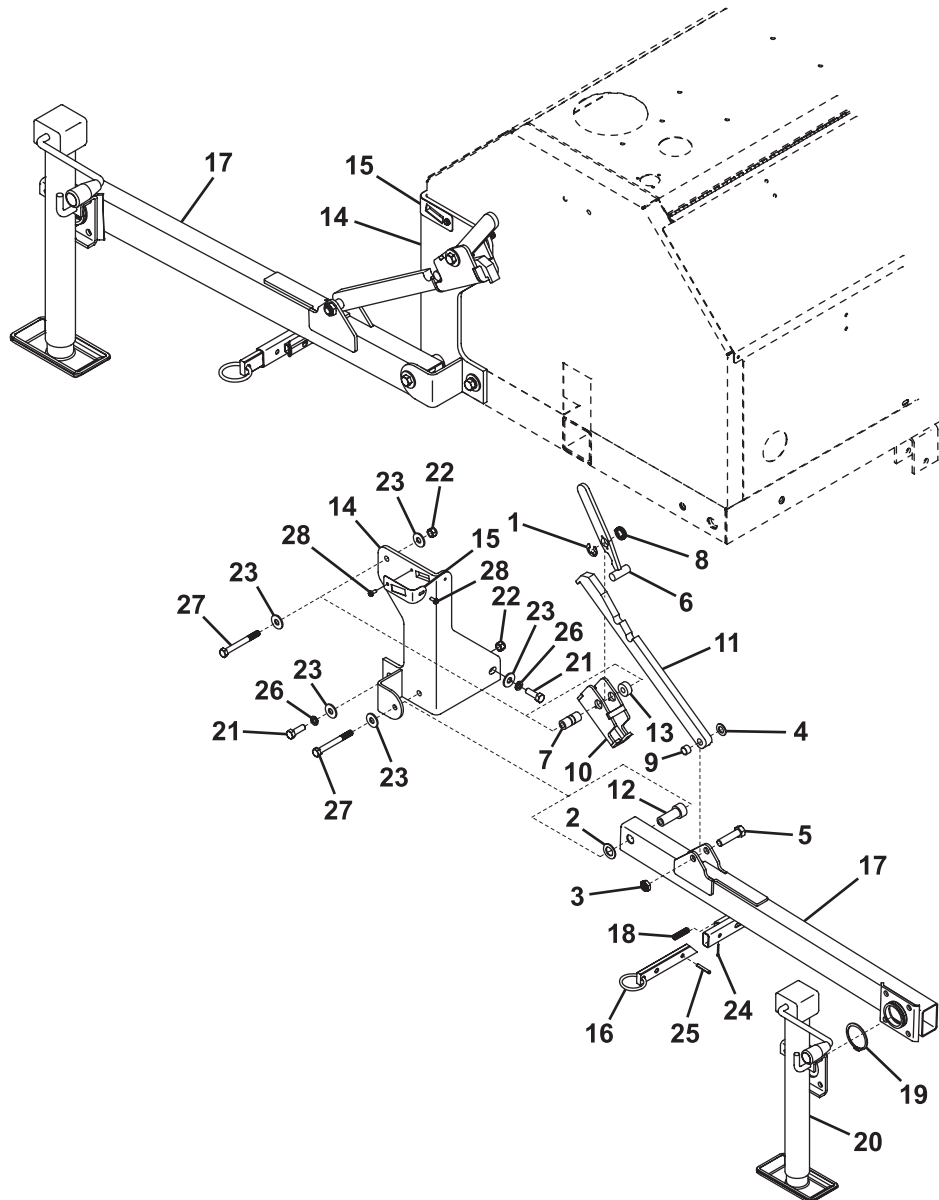
FIGURE 201.1

ITEM #	PART #	DESCRIPTION	QTY.
41	C51600600	NUT, CLIP, 3/8"-16 X 3/4"	9
42	930950	WEATHERSTRIP, ADHESIVE, 1/4" THICK X 1/2" WIDE	8
43	993180	NUT, LOCK, NYLON INSERT, 3/4-10NC, GR 2, ZP	1
44	C54200800	BOLT, 3/4"-10 X 5", Z, G5	1
45	993860	WASHER, FLAT, 1/2, S/S, ST, 18-8	2
46	990200	NUT, LOCK, NYLON INSERT, 1/2-13NC, GR 2, ZPIN	2
47	990160	SCREW, 3/8-16NC X 3-3/4, HHC, GRADE 2, ZP	3
48	C51601462	NUT, FLANGE, 3/8"-16, Z	3
49	CS63C080	TOWER BASE	1
50	C54201300	SCREW, FLANGE, 1/2"-13 X 1.5", PATCH	6
51	C61400100	PULLEY, 3" CABLE	1
52	C61300501	PIN, 3/4" X 7", ZINC	1
53	C61300502	CLIP, HITCH PIN	1
54	990820	SCREW, 1/2-13NC X 2HHC, GR 8, Y-ZINC	1
55	990200	NUT, LOCK, NYLON INSERT, 1/2-13NC, GR 2, ZPIN	1
56	C54200300	BOLT, HEX, 7/8"-9 X 7", Z, G5	1
57	C54300400	WASHER, FLAT, 7/8", Z	1
58	C54100200	NUT, NYLOCK, 7/8"-9 Z	1
59	213770	RING HITCH, BOLT-ON, 2-1/2 ID	1

Figure 202.1

Quick Deploy Outriggers - TML-4000

REV A



REV A

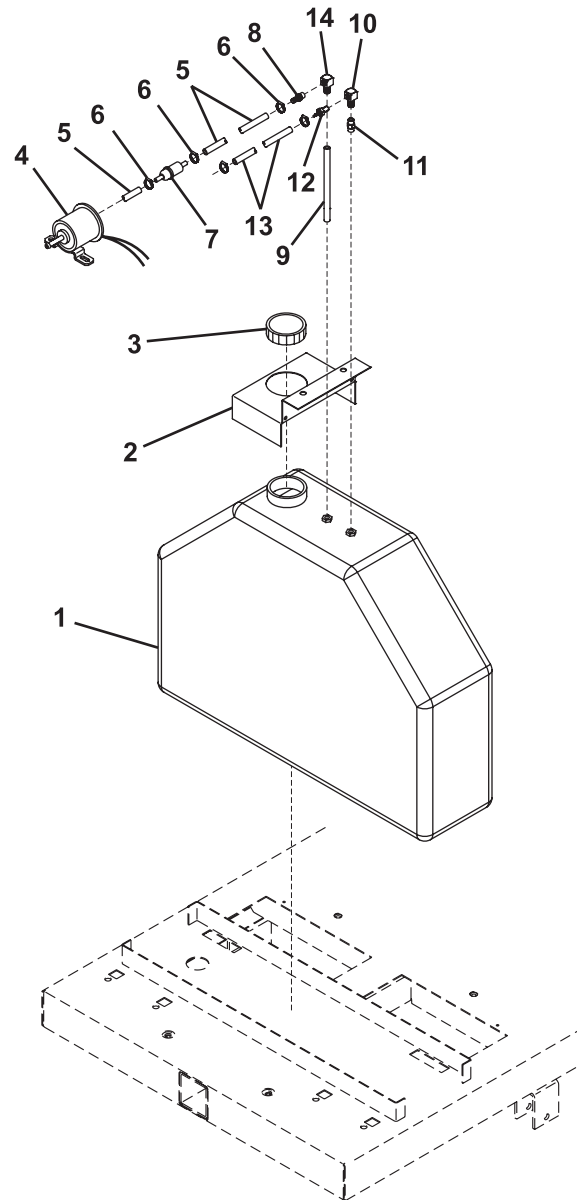
FIGURE 202.1

ITEM #	PART #	DESCRIPTION	QTY.
1	32499	E CLIP, .875 IN., SL LEG	1
2	33373	WASHER, SHIM, 1.50 X .890 X .09	1
3	38028	NUT, LP NYLOCK, 5/8-11	1
4	42191	WASHER, FLAT, .640 X 1.160 X .09	1
5	51131	SCREW, HHC, 5/8-11 X 2.5	1
6	69800	WELDMENT, OUTRIGGER HANDLE	1
7	69813	BUSHING, .875 X .507 X 2.04	1
8	69814	SPRING, TORSION, .875 ID X .50	1
9	69815	SPACER, SLEEVE, .63 X .75 X .50	1
10	80000	WELDMENT, STRUT GUIDE	1
11	80003	STRUT BAR, OUTRIGGER	1
12	80203	BUSHING, OUTRIGGER, MAIN	1
13	80323	SPACER, STRUT	1
14	116563	BRACKET, ROADSIDE, OUTRIGGER MOUNT	1
14	116564	BRACKET, CURBSIDE, OUTRIGGER MOUNT	1
15	116674	STRIKER PLATE, ROADSIDE	1
15	116686	STRIKER PLATE, CURBSIDE	1
16	120222	PIN, 1/2 X 1-1/4 X 7-1/4, SLIDE LOCK	1
17	166667	WELDMENT, OUTRIGGER, CURBSIDE	1
17	166668	WELDMENT, OUTRIGGER, ROADSIDE	1
18	790710	SPRING, COIL, 1/2 X 2.25 X .060 WIRE	1
19	840222	JACK SNAP RING	1
20	841430	JACK, SIDEWIND, LONG, 3K LB FT, L-PIN ZP	1
21	981660	SCREW, 1/2-13NC X 1-1/2 HHC, GRADE 5, ZP	2
22	990200	NUT, LOCK, NYLON INSERT, 1/2-13NC, GR 2, ZPIN	2
23	990210	WASHER, FLAT, 1/2	5
24	990650	COTTER PIN, 1/8 X 1, SS	1
25	990660	ROLL PIN, 1/4 X 1-5/8, EXPANDING, ZP	1
26	991650	WASHER, LOCK, 1/2	2
27	995320	SCREW, 1/2-13NC X 4-1/2, HHC, GRADE 8, Y-ZINC	2
28	995810	SCREW, 1/4-20NC X 5/8, HWH, ROLLOK, ULTRA SEALN	2

Figure 203.1

Fuel Tank Assembly

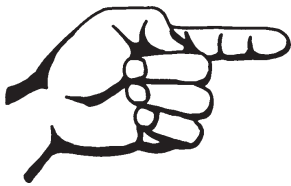
REV A



REV A

FIGURE 203.1

ITEM #	PARTS #	DESCRIPTION	QTY.
1	CR21A000	FUEL TANK, 30 GALLON	1
2	CR59B035	BRACKET, FUEL TANK SUPPORT	1
3	C42200220	CAP, FUEL TANK	1
4	660320	FUEL PUMP	1
5	890795	HOSE, FUEL 5/16"	7
6	792750	CLAMP, HOSE	5
7	740620	FILTER, IN-LINE FUEL	1
8	898590	FITTING, STRAIGHT TO BARB 5/16"	1
9	C91100300	HOSE, NYLON FUEL	AR
10	891520	FITTING, 90 DEGREE ELBOW, RETURN	1
11	891550	ADAPTOR, STRAIGHT	1
12	891560	FITTING, STRAIGHT TO BARB 1/8"	1
13	890785	HOSE, FUEL 1/8"	AR
14	C90200400	FITTING, 90 DEGREE ELBOW, PICKUP	1



This page intentionally left blank.

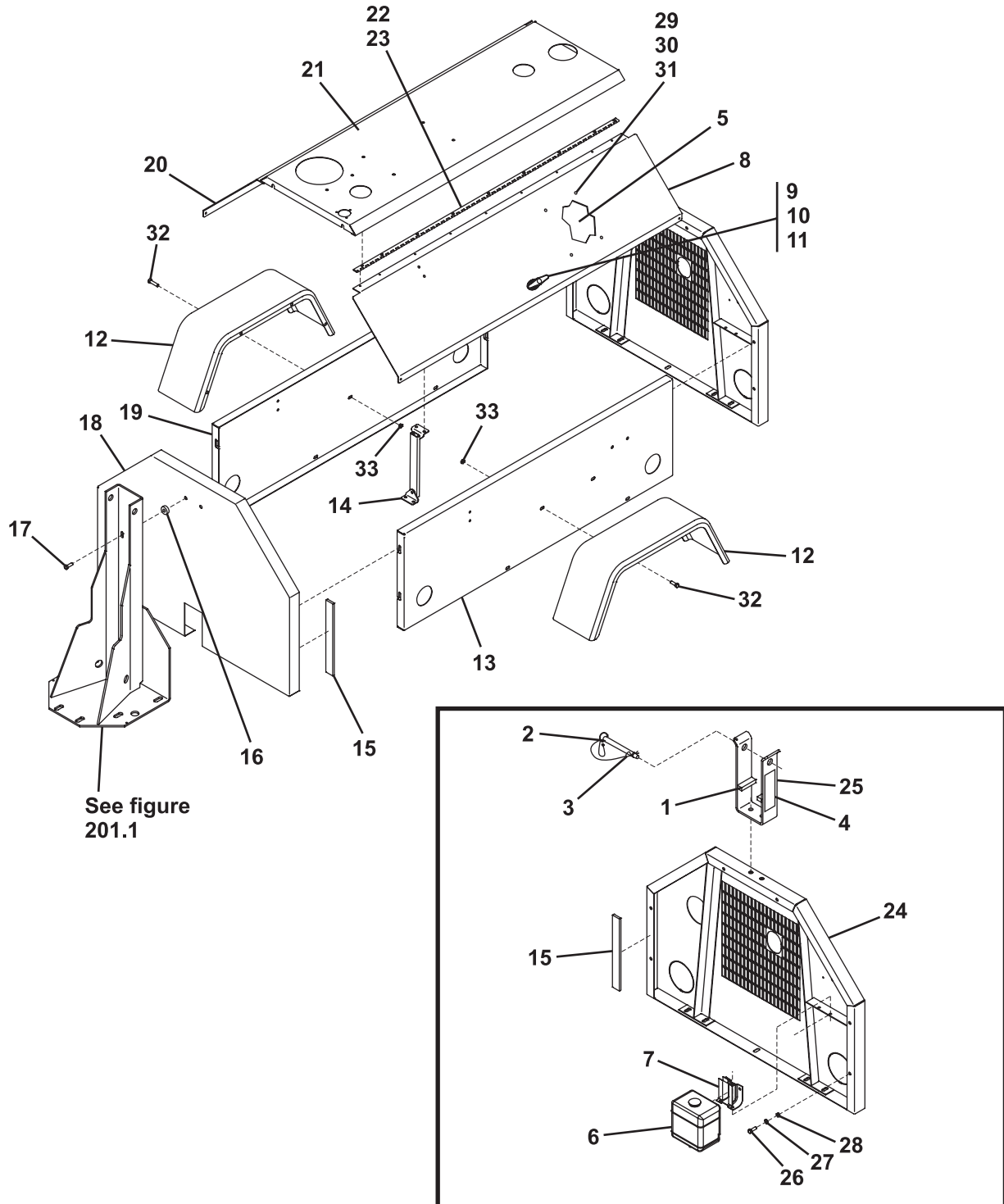


Cabinet Components

Figure 301.1

Cabinet Components

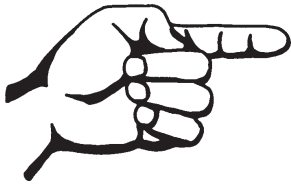
REV A



REV A

FIGURE 301.1

ITEM #	PART #	DESCRIPTION	QTY.
1	CU63A040	SUPPORT, PLASTIC, 2 HOLE, 3.5" X 2.5" X 1"	1
2	C61300501	PIN, 3/4" X 7" ZINC	1
3	C61300502	CLIP, HITCH PIN	1
4	CU51A118	DECAL, PIN WITH ARROW	1
5	24514	LITERATURE BOX, BLACK, PLASTIC	1
6	865307	COOLANT RECOVERY TANK, INCLUDES ITEM 7	1
7	NPN	INCLUDED IN ITEM 6	1
8	CR54B050	DOOR, ROADSIDE	1
9	C51100200	CAM, DOOR HANDLE	2
10	C51100300	T-HANDLE, BLACK W/ KEYS	2
11	C42200203	DOOR HANDLE KEYS	2
12	C83400100	FENDER	2
13	CR56C050	CABINET, UNDERDOOR PANEL, ROADSIDE	1
14	C51500200	PROP, DOOR, 10" TELESCOPIC	2
15	930950	WEATHERSTRIP, ADHESIVE, 1/4" THICK X 1/2" WIDE	14
16	C51400301	CUSHION	2
17	C51601520	SCREW, FLANGE, 3/8"-16 X 1.25", PATCH	2
18	CR58C011	CABINET, FRONT PANEL	1
19	CR56C040	CABINET, UNDERDOOR PANEL, CURBSIDE	1
20	CR54B040	DOOR, CURBSIDE	1
21	CR59C010	PANEL, TOP	1
22	796610	HINGE, PIANO, 1.5" X 51.75"	2
23	990670	RIVET, POP, 3/16" X 1/2"	36
24	116215	CABINET, REAR PANEL	1
25	CR63A040	REAR TOWER SUPPORT	1
26	C51601442	SCREW, FLANGE, 1/4"-20	14
27	993850	WASHER, FLAT, 1/4	14
28	C51600800	NUT, CLIP, 1/4"-20 X 3/4"	14
29	C54201200	SCREW, CARRIAGE, 1/4"-20 X 3/4"	43
30	993850	WASHER, FLAT, 1/4	4
31	C51601441	NUT, FLANGE, 1/4"-20	4
32	C51601450	SCREW, FLANGE, 5/16"-18 X 1", PATCH	4
33	C51601451	NUT, FLANGE, 5/16"-18	4



This page intentionally left blank.

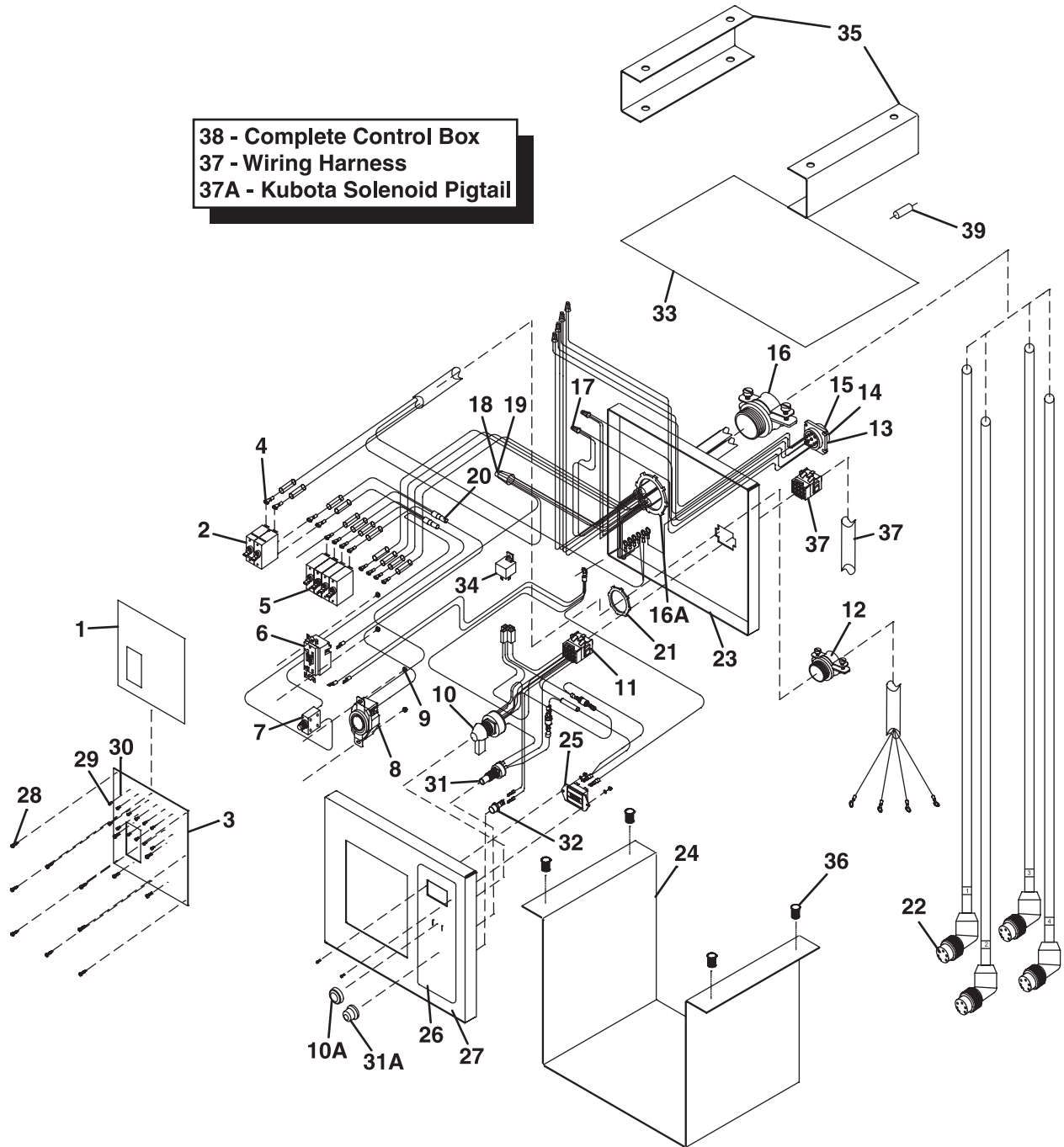


Electrical Components

Figure 401.1

Electrical Control Box

REV A



REV A

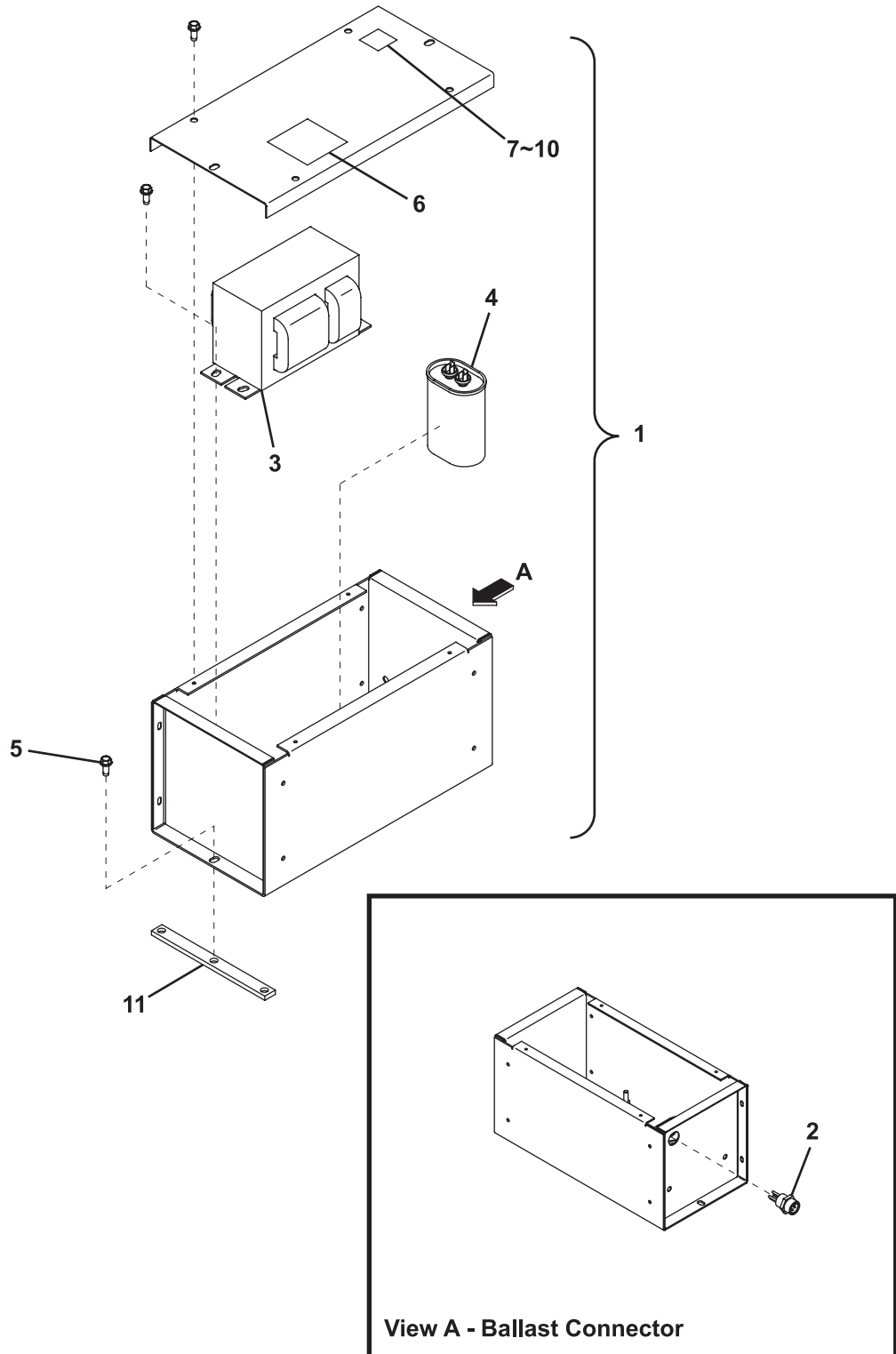
FIGURE 401.1

ITEM #	PART #	DESCRIPTION	QTY.
1	853294	DECAL: AL/RL CONTROL BOX AC "POWER & LIGHT"	1
2	683680	BREAKER 2P 30A 240V	1
3	186546	CONTROL BOX,FACE PLATE	1
4	709133	TERMINAL,RING	2
5	683870	BREAKER 1P 15A 277VAC	4
6	684640	RECEPTACLE 20A 120V DUPLEX W/GFI	1
7	683970	BREAKER MINI 1P 20A	1
8	684450	RECEPTACLE 30A 240V	1
9	C54100600	NUT, NYLOCK, 8-32 ZINC	5
10	684380	SWITCH, IGNITION LEVER OPERATED	1
10A		included with item 10	
11	116815	WIRE HARNESS,DC ENGINE, INSIDE CONTROL BOX	1
12	680030	CONNECTOR,2 SCREW,3/4"	1
13	685672	CONNECTOR 9P,FEMALE	1
14	685674	SOCKETS, FEMALE	9
15	800003	CONNECTOR WITH WIRES (includes 13 and 14)	1
16	686220	CONNECTOR,2 SCREW,1.25	1
16A		included with item 16	
17	709032	TERMINAL,CLOSED END	2
18	680060	WRAP CAP	1
19	680290	CRIMP SLEEVE	1
20	116770	WIRE HARNESS, AC	1
21	680250	LOCKNUT, CONDUIT 3/4"	1
22	663890	CORD SET FEMALE 6FT 5P	4
23	186542	CONTROL BOX,REAR PANEL	1
24	186540	CONTROL BOX BODY	1
25	260361	HOURMETER, DIGITAL	1
26	853289	DECAL: AL/RL CONTROL BOX DC "ENGINE CONTROLS"	1
27	186544	CONTROL BOX,FRONT PANEL	1
28	996340	SCREW,#10-16X3/4 PH ZP	12
29	995300	SCREW,#6-32X1/4 PAN HD	12
30	994420	WASHER,LOCK,#6	12
31	R660010	SWITCH PUSH-BUTTON	1
31A		included with item 31	
32	682715	LIGHT INDICATOR 12V RED	1
33	186543	CONTROL BOX,TOP PANEL	1
34	R661490	RELAY 12V DC 30A	1
35	116121	BRACKET, E-BOX HANGER	2
36	993310	NUTSERT,1/4-20UNC	8
37	116820	WIRING HARNESS, FROM ENGINE, DC WIRING	1
37A	800004	KUBOTA SOLENOID PIGTAIL	1
38	116808	COMPLETE ELECTRICAL CONTROL BOX, includes 1-36	1
39	R660715	DIODE, 6 AMP-50 PIV, 2 WIRE	1

Figure 402.1

Ballast Box Assembly

REV A





REV A

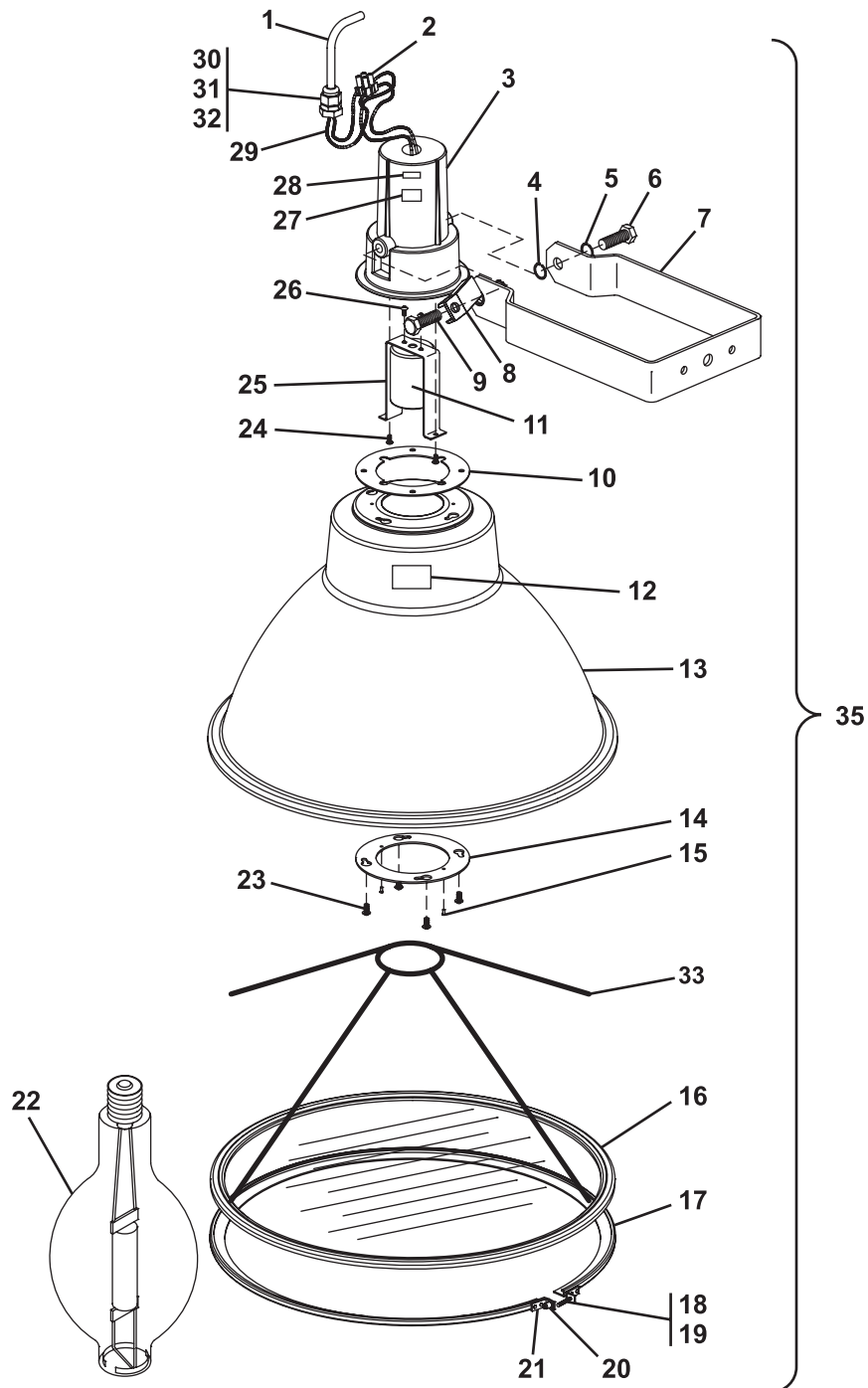
FIGURE 402.1

ITEM #	PART #	DESCRIPTION	QTY.
1	114355	BALLAST BOX, MH	1
2	663860	CONNECTOR, 5P, MALE	1
3	160030	MH TRANSFORMER AND CAPACITOR	1
4	160032	CAPACITOR, 24uF, MH, 60Hz, 480V	1
5	995490	SCREW, 1/4-20NC X 5/8	8
6	850130	DECAL: DANGER HIGH VOLTAGE	1
7	851691	DECAL: 1	1
8	851692	DECAL: 2	1
9	851693	DECAL: 3	1
10	851694	DECAL: 4	1
11	189346	SPACER	4

Figure 403.1

Light Fixture - Round

REV A



NOTE:
FOR COMPLETE MH ASSEMBLY
ORDER PART# C41100720

REV A

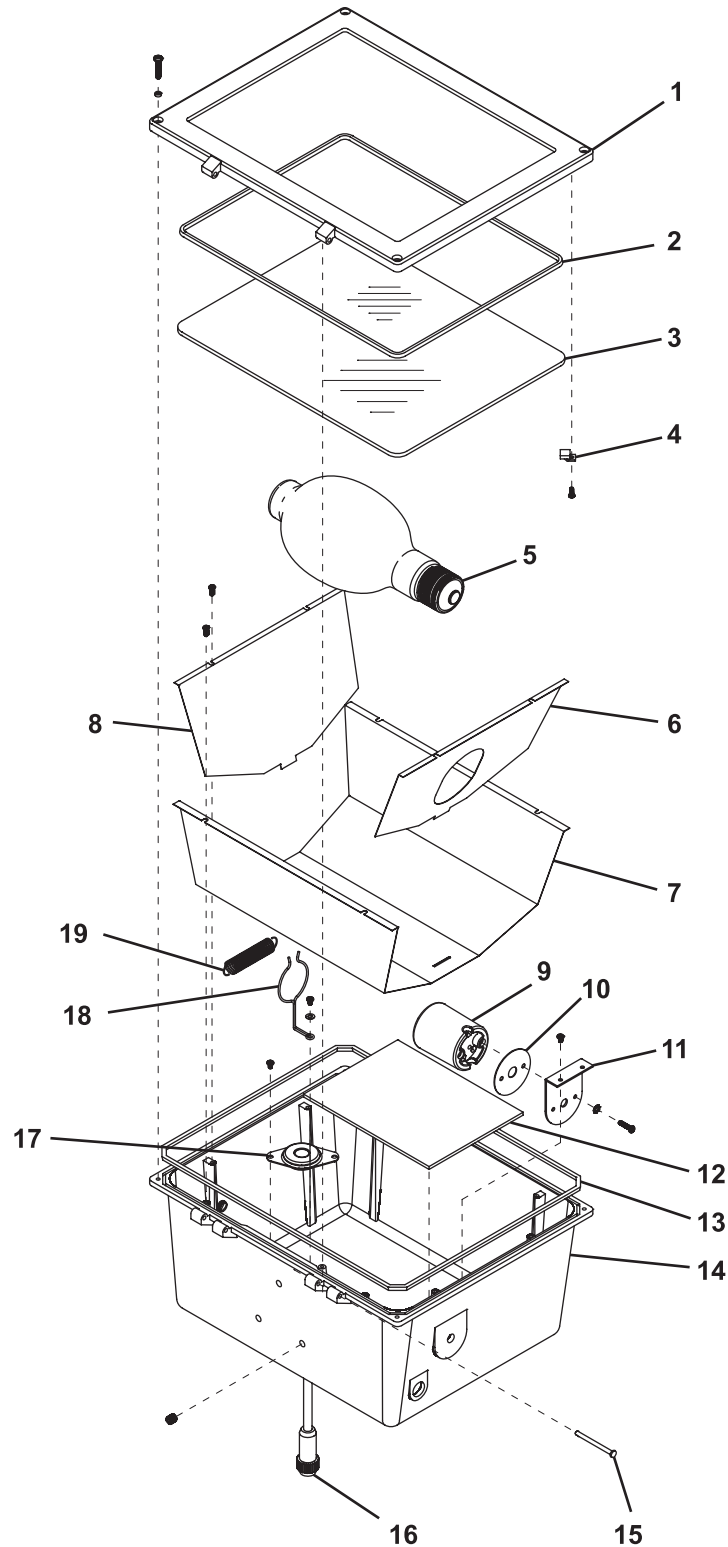
FIGURE 403.1

ITEM #	PART #	DESCRIPTION	QTY.
1	663850	CORD SET MALE 5FT. 3P	1
2	709034	TERMINAL STRIP, 2P	2
3	833567	CASTING FOR NEW FIXTURE	1
4	995970	WASHER LOCK STAR 1/2	2
5	991650	WASHER LOCK 1/2	2
6	990810	SCREW 1/2-13NCX1-1/2 HHC GR 2 ZP	2
7	833566	TRUNION	1
8	833573	T-HANDLE	1
9	981640	SCREW 1/2-13NCX1-1/4 HHC GRADE 5	1
10	833569	GASKET FOR REFLECTOR	1
11	833564	SOCKET BASE-MOGUL	1
12	833585	LABEL, FIXTURE CSA APPROVED	1
13	833568	REFLECTOR	1
14	833570	RING,REINFORCING FOR REFLECTOR	1
15	990675	RIVET POP 1/8X.390 GR-1/4-5/16	2
16	833524	LENS W/ GASKET	1
17	833543	CLAMP;LENS TO REFLECTOR	1
18	833574	SCREW,8-32X1" HH SLOT	1
19	833581	WASHER, FIBER FOR BAND	1
20	833578	NUTSERT FOR BAND,8-32 X 1/4	1
21	NPN	included with item 17	1
22	160071	LAMP MH 1000W	1
23	833571	SCREW,10-24X5/8	4
24	833565	SCREW 8-32X3/8 PH	2
25	833563	SOCKET BRACKET	1
26	833577	SCREW,8-32X5/8	2
27	833584	LABEL,105C CORD RATING	1
28	833583	LABEL,WET LOCATION	1
29	833582	FIBERGLASS WIRE SLEEVE	1
30	683950	GASKET 1/2 S/R CONN	1
31	680020	LOCKNUT CONDUIT 1/2	1
32	682470	CONNECTOR STRAINRELIEF	1
33	120102	LAMP SUPPORT	2
34	C41100720	COMPLETE FIXTURE ASSEMBLY (Includes items 1-34)	1

Figure 404.1

Light Fixture - Rectangle

REV A



REV A

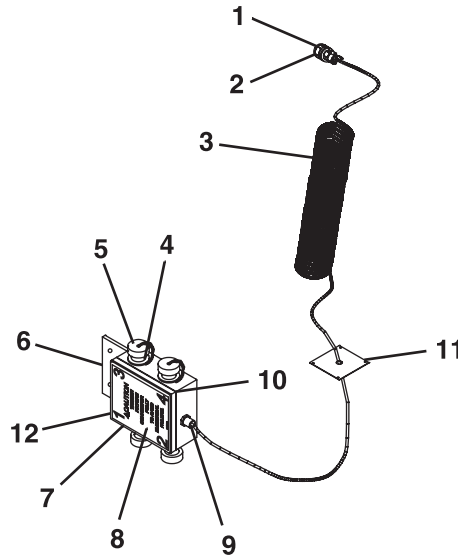
FIGURE 403.1

ITEM #	PART #	DESCRIPTION	QTY.
1	116107	TOP FRAME, HOUSING BASE	1
2	116049	GASKET, RECTANGULAR GLASS/LENS	1
3	116048	GLASS/LENS, RECTANGULAR PSI	1
4	116051	RETAINER CLIP, GLASS/LENS	8
4	116052	COVER, GLASS/LENS RETAINER CLIP	8
5	80101	LAMP, 1000W (CONTAINS MERCURY)	1
6	116047	REFLECTOR, LAMP SIDE	1
7	116045	REFLECTOR, BASE	1
8	116046	REFLECTOR, SIDE	1
9	116057	LIGHT SOCKET, PSI RECT 5 KV	1
10	116056	LIGHT SOCKET, PSI RECT 5 KV	1
11	116044	BRACKET, SOCKET MOUNT	1
12	116059	FIBERGLASS PAD, RECT LAMP FIXTURE	1
13	116053	GASKET, HOUSING BASE, TOP FRAME	1
14	116108	FIXTURE HOUSING BASE, 1KW RECT	1
15	116043	CLEVIS PIN, 4.6 X 60MM	2
16	116112	CORD, 16/3, STW 60", QUICK CONNECT	1
17	116109	GROMMET ASSEMBLY	1
18	116058	LAMP CLIP, PSI RECT HOUSING	1
19	116061	SPRING, LAMP RETAINER	1

Figure 405.1

Coil Cord & Junction Box

REV A



**13 - Junction Box,
 Complete with Coil Cord
 Includes items 1 - 12.
 14 - Coil Cord Assembly
 Includes items 1, 2 & 3.**

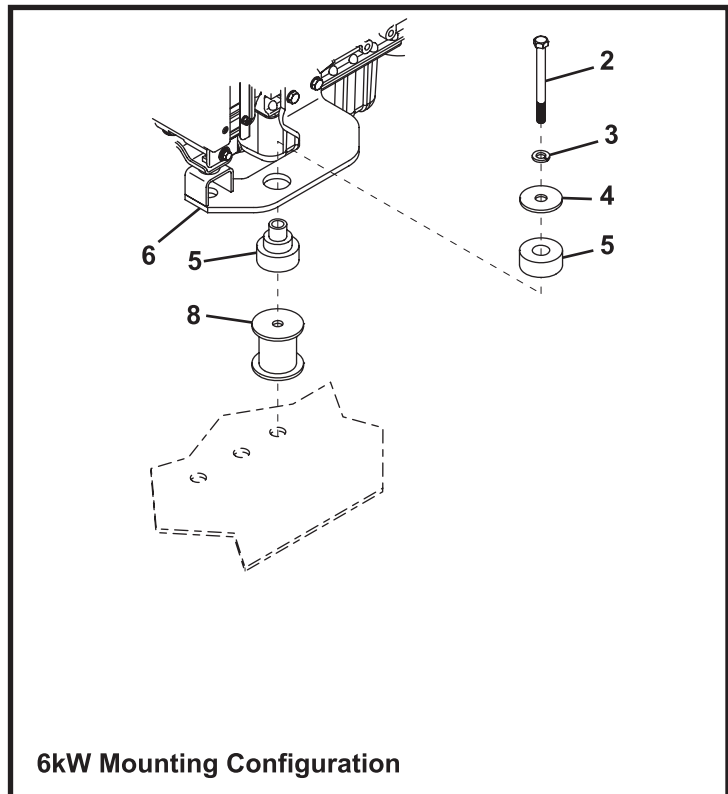
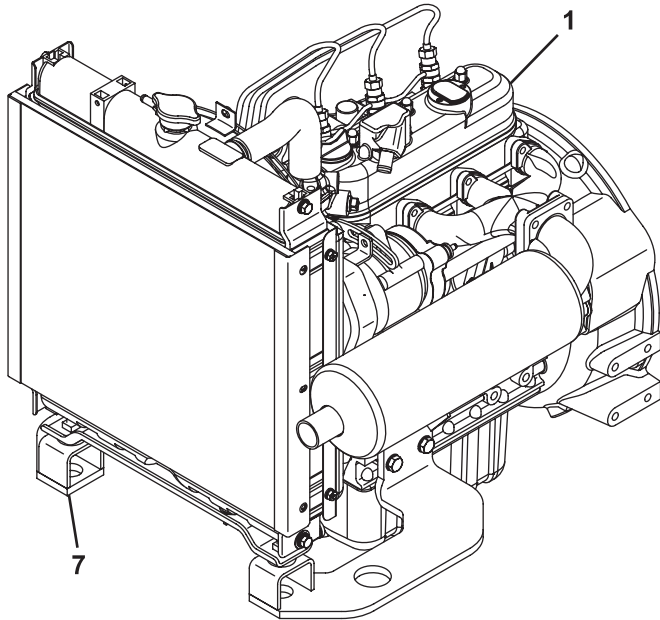
ITEM #	PART #	DESCRIPTION	QTY.
1	685674	SOCKET	9
2	685671	CONNECTOR 9P, PLUG	1
3	660287	COIL CORD, RETRACT, 14/7	1
4	663870	CONNECTOR, 3P, FEMALE	4
5	663880	DUST CAP W/CHAIN	4
6	C48300108	JUNCTION BOX	1
7	680190	BOX COVER, 2GANG W/GASKET	1
8	133488	DECAL: CAUTION TIGHTEN FIXTURE CONNECTOR	1
9	680080	GRIP, HUBBLE	1
10	720440	WEATHERSTRIP ADHESIVE	AR
11	186280	PLATE, COIL CORD, CABINET MOUNT	1
12	994380	SCREW, #6-32 X 5/8", RD HD, SLOT, S/S	4
13	22112580	JUNCTION BOX, COMPLETE WITH COIL CORD includes 1-12	1
14	22112575	COIL CORD ASSEMBLY includes 1, 2 and 3	1

Engine & Generator

Figure 501.1

Engine- Kubota D1105

REV A





REV A

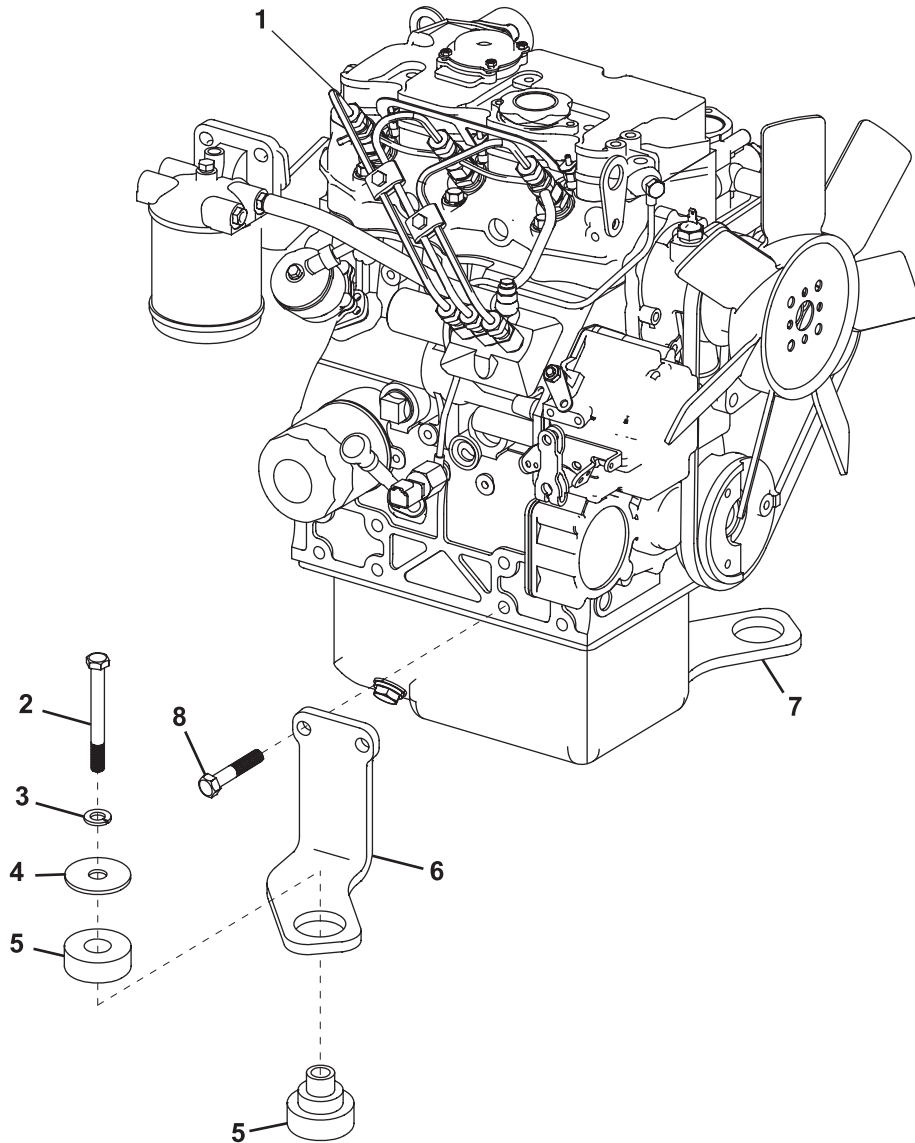
FIGURE 501.1

ITEM #	PART #	DESCRIPTION	QTY.
1	732205PP	KUBOTA D1105 ENGINE, POWERPACK, BUILD EBG2	1
2	995380	SCREW, 1/2-13NC X 4HHC, GR 2, ZP	2
3	991650	WASHER, LOCK 1/2"	2
4	990415	WASHER, FLAT, SNUBBER, 1/2 X 2-3/4", ZP	2
5	80379	VIBRATION MOUNT, 40 DUROMETER	2
6	124016	ENGINE MOUNT, L-BRACKET - CURBSIDE	1
7	124017	ENGINE MOUNT, L-BRACKET - ROADSIDE	1
8	124025	GENSET RISER, 6KW ONLY	2
	839190	LOW OIL PRESSURE SWITCH	1
	741140	HIGH TEMPERATURE SWITCH	1
	866125	AIR CLEANER ASSEMBLY	1
	866126	AIR CLEANER BODY	1
	866127	AIR CLEANER ELEMENT	1
	866128	AIR CLEANER COVER	1
	866129	AIR CLEANER VALVE	1
	866050	OIL FILTER	1
	740620	FUEL FILTER, IN-LINE, 5/16	1
	839107	FUEL FILTER ASSEMBLY	1
	839200	FUEL FILTER ELEMENT	1
	660320	FUEL PUMP	1
	866101	STARTER	1
	866090	ALTERNATOR	1
	866044	2 WIRE STOP SOLENOID	1
	866040	GASKET, SOLENOID	1
	839209	V-BELT	1
	839261	WATER PUMP	1
	839134	FAN, PUSHER	1
	866113	FAN GUARD	1
	839154	OIL DIPSTICK	1
	865276	MUFFLER, D1105	1
	190150	SPACER, MUFFLER	2
	832128	MUFFLER GASKET	3
	996330	SCREW, M8 X 1.25 X 45MM, HHC, ZP, MUFFLER	4
	990460	WASHER, LOCK, 5/16, MUFFLER	4
	125395	MUFFLER TAILPIPE, D1105	1
	741970	OIL DRAIN VALVE	1
	897110	HOSE, OIL, 3/8, 0-250PSI	3
	866110	RADIATOR	1
	866120	CAP FOR RADIATOR, TO SN RL408-000100	1
	116638	CAP FOR RADIATOR, FROM SN RL408-000101	1
	839109	HOSE, TOP	1
	839110	HOSE, BOTTOM	1
	865307	COOLANT RECOVERY TANK	1
	893020	OPERATION MANUAL D1105	1

Figure 502.1

Engine- Perkins 403D-11G

REV A





REV A

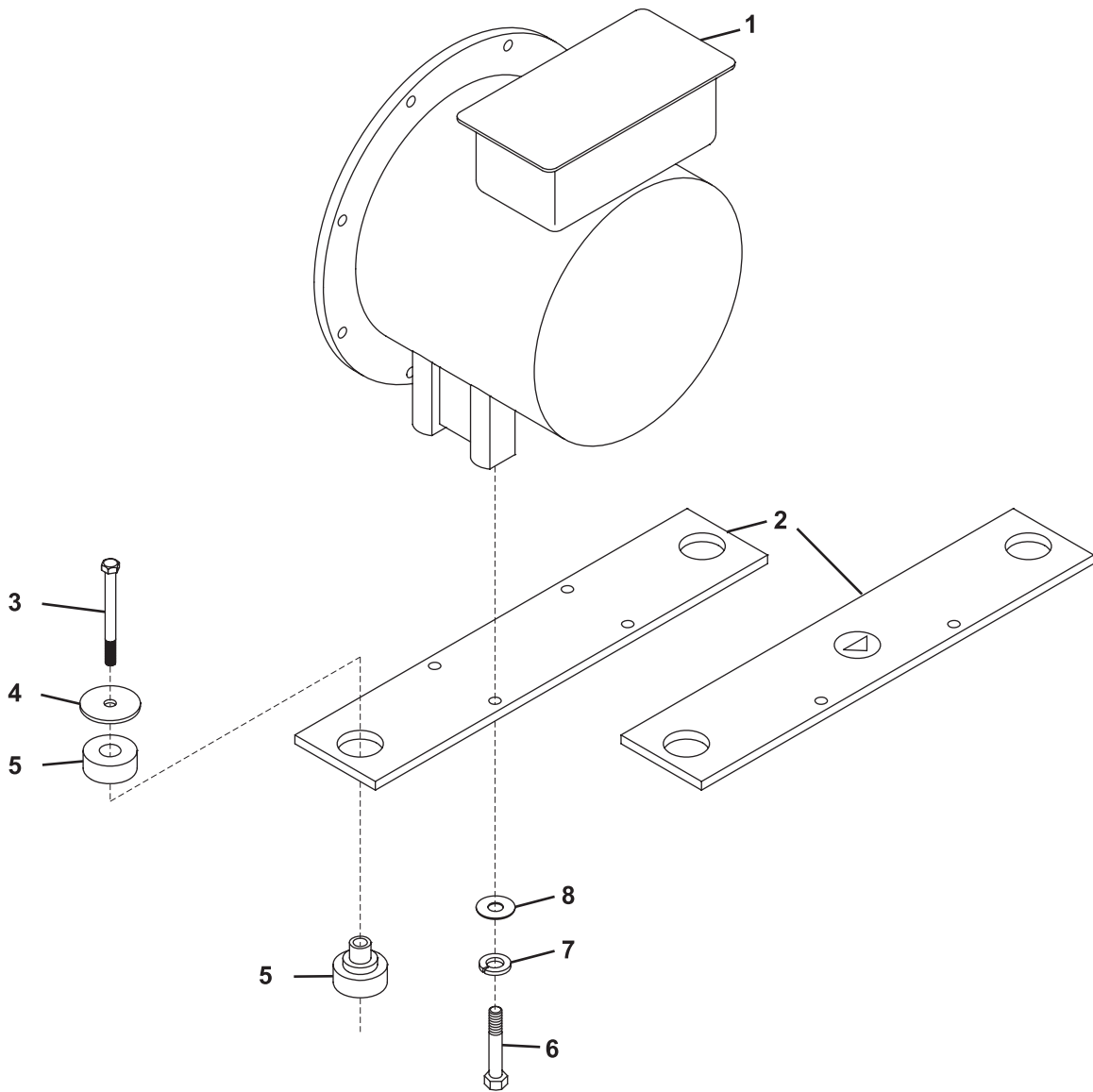
FIGURE 502.1

ITEM #	PART #	DESCRIPTION	QTY.
1	116541	ENGINE, PERKINS, GJ65598-1, 403D-11G	1
2	990270	SCREW, 1/2-13NC X 3-1/2 HHC, GR 8, ZP	2
3	991650	WASHER, LOCK 1/2"	2
4	990415	WASHER, FLAT, SNUBBER, 1/2 X 2-3/4", ZP	2
5	80379	VIBRATION MOUNT, 40 DUROMETER	2
6	116518	ENGINE MOUNT, L-BRACKET - ROADSIDE	1
7	116519	ENGINE MOUNT, L-BRACKET - CURBSIDE	1
8	R981095	SCREW, M12 X 1.25 X 30MM, HHCS, GR.9.8, CAD&YELLOW	4
	116756-1	DC WIRING HARNESS	1
	189292	BRACKET, REGULATOR MOUNTING, PERKINS	1
	101321	LOW OIL PRESSURE SWITCH	1
	97473	HIGH TEMPERATURE SWITCH, 2 TERMINAL	1
	134456	HIGH TEMPERATURE SWITCH, 1 TERMINAL	1
	97407	AIR CLEANER ASSEMBLY	1
	97474	AIR CLEANER ELEMENT	1
	94762	OIL FILTER	1
	740620	FUEL FILTER, IN-LINE, 5/16	1
	94889	FUEL FILTER ASSEMBLY	1
	62421	FUEL FILTER ELEMENT	1
	72348	FUEL PUMP	1
	85103	STARTER	1
	85089	ALTERNATOR	1
	97404	STOP SOLENOID	1
	95071	V-BELT	1
	101322	WATER PUMP	1
	97476	FAN	1
	101320	OIL DIPSTICK	1
	112291	MUFFLER	1
	58291	RADIATOR	1
	97428	HOSE, TOP	1
	58292	HOSE, BOTTOM	1
	131661	OPERATION MANUAL 403D	1
	131662	WORKSHOP MANUAL 403D	1

Figure 503.1

Marathon Generator - 6 kW - 201CSA5411

REV A

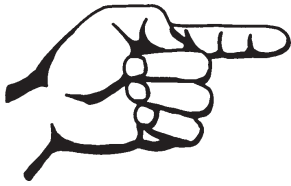




REV A

FIGURE 503.1

ITEM #	PART #	DESCRIPTION	QTY.
1	85206	GENERATOR, MARATHON, PANCAKE, 6KW	1
2	189347	GENERATOR MOUNT BAR, KUBOTA	1
2	116517	GEN MOUNT BAR FOR PERKINS 403D-11G T4	
3	990270	SCREW, 1/2-13NC X 3-1/2 HHC, GR 8, ZP	2
4	990415	WASHER, FLAT SNUBBER, 1/2 X 2-3/4 X 7GA, ZINC	2
5	80379	ISOLATOR, ENGINE MOUNT, 40 DURO	2
6	991761	SCREW, 3/8-16NC X 1-1/4 HHC, GRADE 5, ZP	4
7	990470	WASHER, LOCK, 3/8	4
8	981120	WASHER, FLAT, 3/8	4
	116167	FAN, 8LHD435044	1
	116168	BEARING, ODE, A-90006R-30	1
	116169	BEARING, BRACKET, ODE(5412), 8LHD013096	1
	116172	O-RING, 8LHD766012	1
	116174	POT COVER, 8LHD310316	1
	116176	SCREEN ASY W/SPGS, 8LHD336030	1
	116177	DRIVE DISC (C-107), 702326-01	1
	116178	HUB SPACER, 725334-01	1
	116179	CONN. BOX BASE, 8LHD354045	1
	116182	CONN. BOX COVER, 8LHD354044	1
	116183	CAPACITOR 25MF, 8LHD5990012	1
	116184	CLAMP, CAPACITOR, 8LHD086034	1
	116187	TERMINAL BLOCK, TS-6005	1
	836853	DIODE	1
	836856	SURGE PROTECTOR, SUPPRESSOR/VARISITOR	1
	116188	MANUAL, MARATHON PANCAKE GENERATOR	1



This page intentionally left blank.

Mast Components

REV A

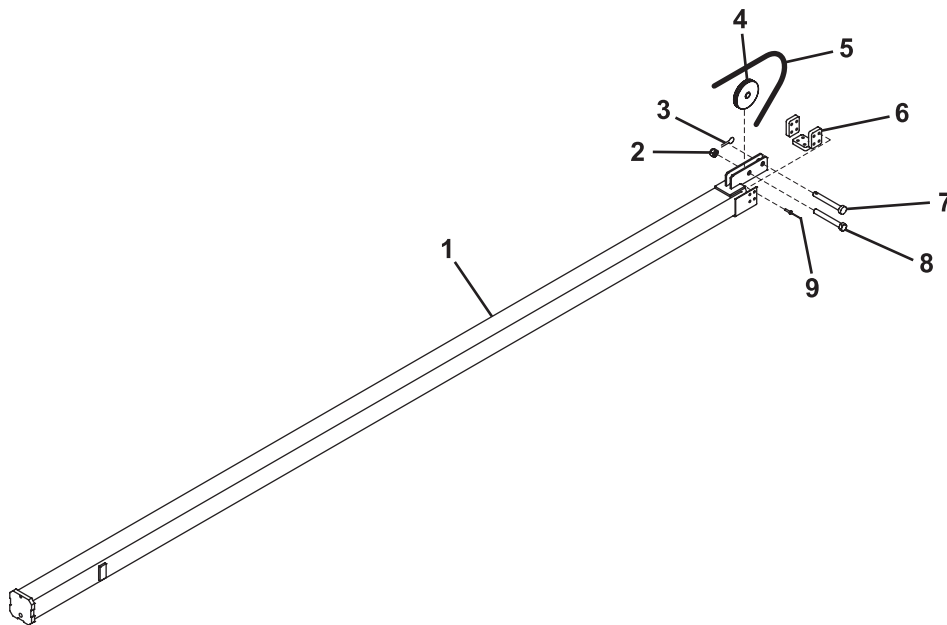
FIGURE 601.1

ITEM #	PART #	DESCRIPTION	QTY.
1	CR61C010	TOWER, 4" SECTION	1
2	990200	NUT, LOCK, NYLON INSERT, 1/2-13NC, GR 2, ZP	1
3	990650	COTTER PIN, 1/8 X 1, SS	1
4	CU61A025	CABLE, UPPER, EXTEND, 19'	1
5	C61400100	PULLEY, 3"	1
6	CS61A053	SLIDE BLOCK, TOWER GUIDE	3
7	992760	CLEVIS PIN, 1/2 X 1.5, SS	1
8	C54200200	SCREW, 1/2"-13 X 2"	1
9	C41135000	RIVET, POP, 1/4" X 1/2"	12
10	CR61C018	COIL CORD COVER SLEEVE	1
11	CR61A017	WIRE GUIDE BRACKET	1
12	C51600800	NUT, CLIP, 1/4"-20 X 3/4"	4
13	990610	BOLT, TEE, 1/2-20NF	1
14	CU61A090	SPRING, KICKOUT	1
15	CS61C060	SWIVEL, BOOM (TOWER)	1
16	C61100200	WINCH, BRAKE, 1500LB, W/HANDLE	1

Figure 602.1

Middle Mast Assembly

REV A



REV A

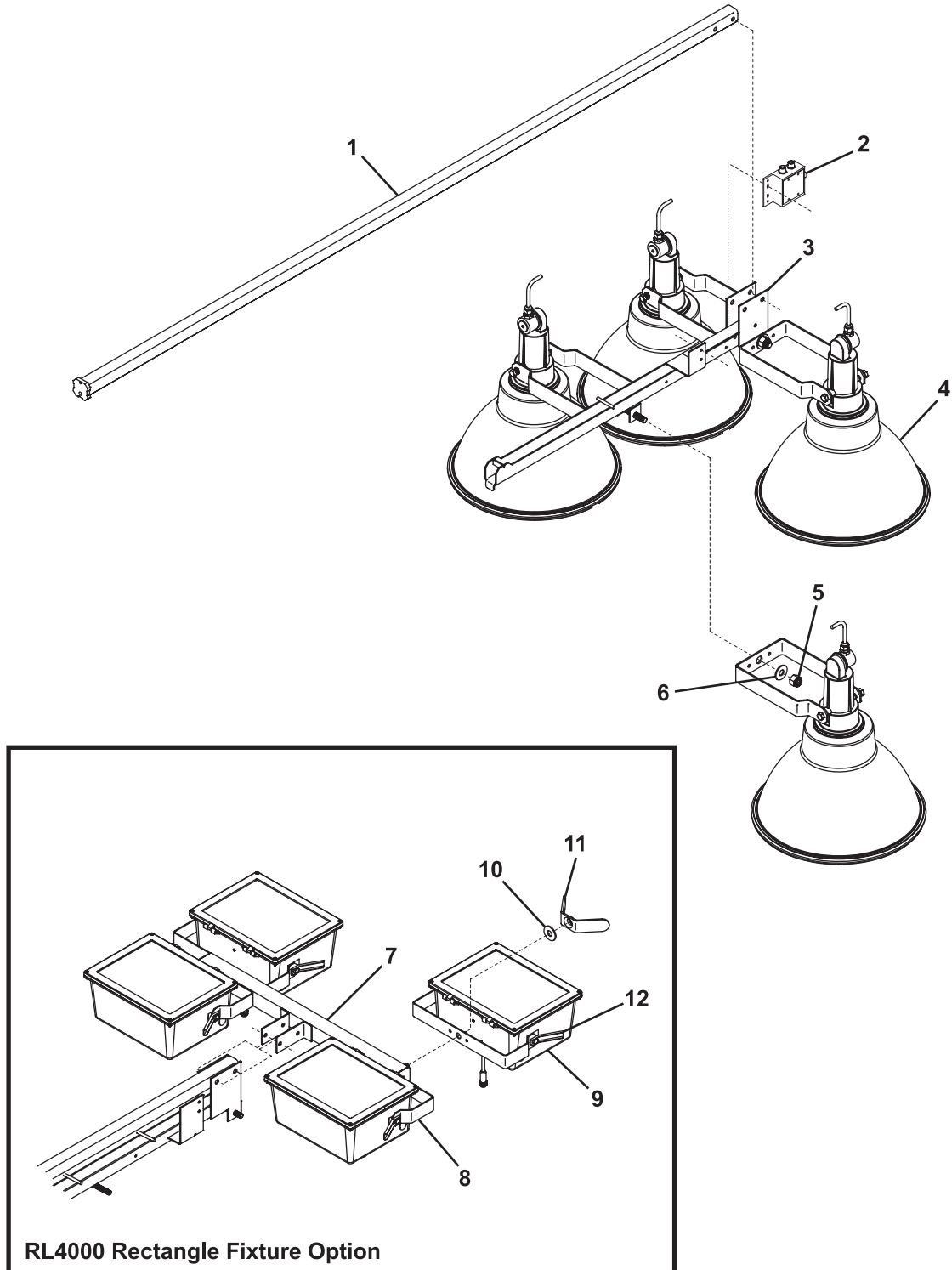
FIGURE 602.1

ITEM #	PART #	DESCRIPTION	QTY.
1	CR61C020	TOWER, 3" SECTION	1
2	990200	NUT, LOCK, NYLON INSERT, 1/2-13NC, GR 2, ZP	1
3	990650	COTTER PIN, 1/8 X 1, SS	1
4	C61400100	PULLEY, 3"	1
5	CU61A035	CABLE, UPPER, EXTEND, 11'	1
6	CS61A053	SLIDE BLOCK, TOWER GUIDE	3
7	992760	CLEVIS PIN, 1/2 X 1.5, SS	1
8	C54200200	SCREW, 1/2"-13 X 2"	1
9	C41135000	RIVET, POP, 1/4" X 1/2"	12

Figure 603.1

Upper Mast Assembly - RL4000

REV A



REV A

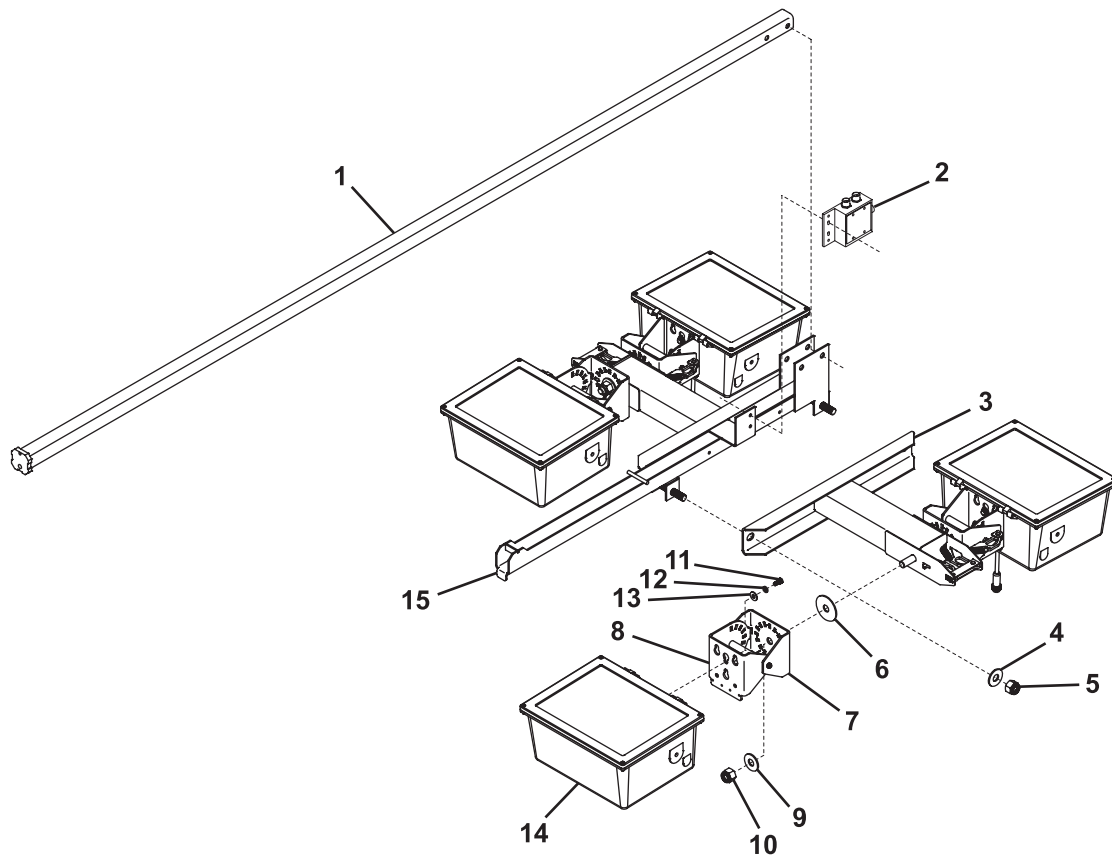
FIGURE 603.1

ITEM #	PART #	DESCRIPTION	QTY.
1	CR61C030	TOWER, 2" SECTION	1
2	C48300108	JUNCTION BOX WITH QUICK CONNECTIONS	1
3	CR64C010	CROSSHEAD	1
4	C41100720	FIXTURE ASSY, 1000W, MH, QUICK CONNECT	4
5	993180	NUT, LOCK, NYLON INSERT, 3/4-10NC, GR 2, ZP	4
6	990230	WASHER, FLAT, 3/4	4
7	116073	CROSSARM ASSY, RECTLIGHT FIXTURE	1
8	116055	YOKE, PSI RECTANGULAR LIGHT FIXTURE	4
9	161095	FIXTURE, MH, 1000W, NEMA 7, W/YOKE, W/QUICK CONN	4
10	990880	WASHER, LOCK STAR, 3/4 EXT.TOOTH, ZP	4
11	123080	FIXTURE MOUNTING WING NUT	4
12	116064	HANDLE, ADJUSTMENT	4

Figure 603.2

Upper Mast Assembly - TML-4000

REV A

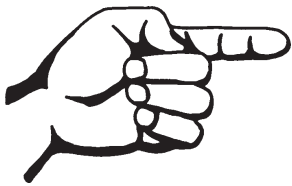




REV A

FIGURE 603.2

ITEM #	PART #	DESCRIPTION	QTY.
1	CR61C030	TOWER, 2" SECTION	1
2	C48300108	JUNCTION BOX, QUICK CONNECT	1
3	116591	HALF CROSSARM	2
4	990230	WASHER, FLAT, 3/4	4
5	993180	NUT, LOCK, NYLON INSERT, 3/4-10NC, GR 2, ZP	4
6	720495	WASHER, UHMW, BLACK, 13/16 ID X 3.0 OD X 1/8	4
7	124461	BRACKET, FIXTURE, YAW ADJUSTMENT, 3/4 HOLE	4
8	80409	BRACKET, LIGHT PITCH ADJUSTMENT	4
9	990230	WASHER, FLAT, 3/4	4
10	993180	NUT, LOCK, NYLON INSERT, 3/4-10NC, GR 2, ZP	4
11	134415	SCREW, 3/8-16 X 3/4, S/S, HEX	12
12	6021	WASHER, LOCK, 3/8	12
13	6097	WASHER, FLAT, 3/8	12
14	161075	FIXTURE, MH, 1000W, NEMA 7, NO YOKE, W/QUICK CONN	4
15	CR64C010	CROSSHEAD	1



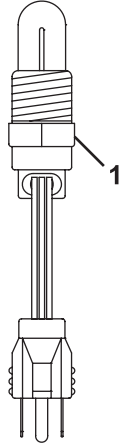
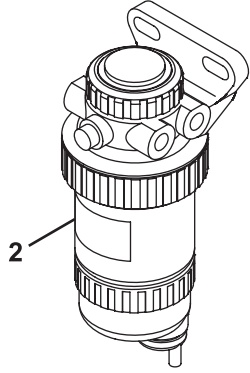
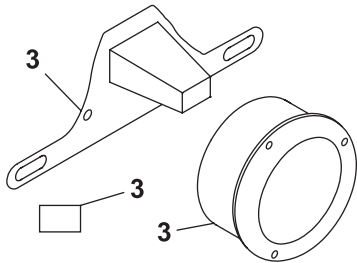
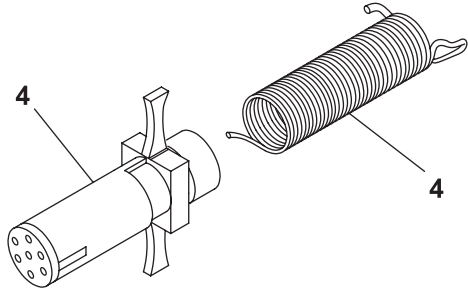
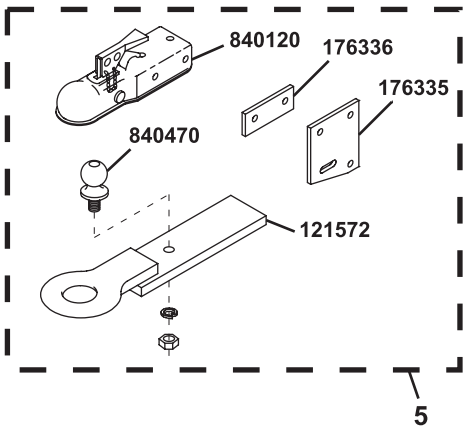
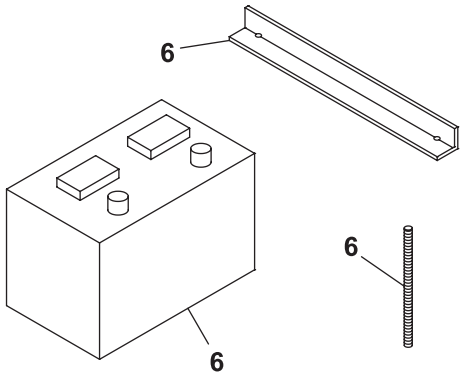
This page intentionally left blank.

Options

Figure 701.1

Options

REV A

 <p>1</p>	 <p>2</p>
<p>Engine Coolant Heater Option</p>	<p>Fuel Water Separator Option</p>
 <p>3</p>	 <p>4</p>
<p>Tail Light Option</p>	<p>7 Pin Plug Option</p>
 <p>5</p>	 <p>6</p>
<p>Combo Hitch Kit Option</p>	<p>Battery 700 Amp Option</p>

REV A

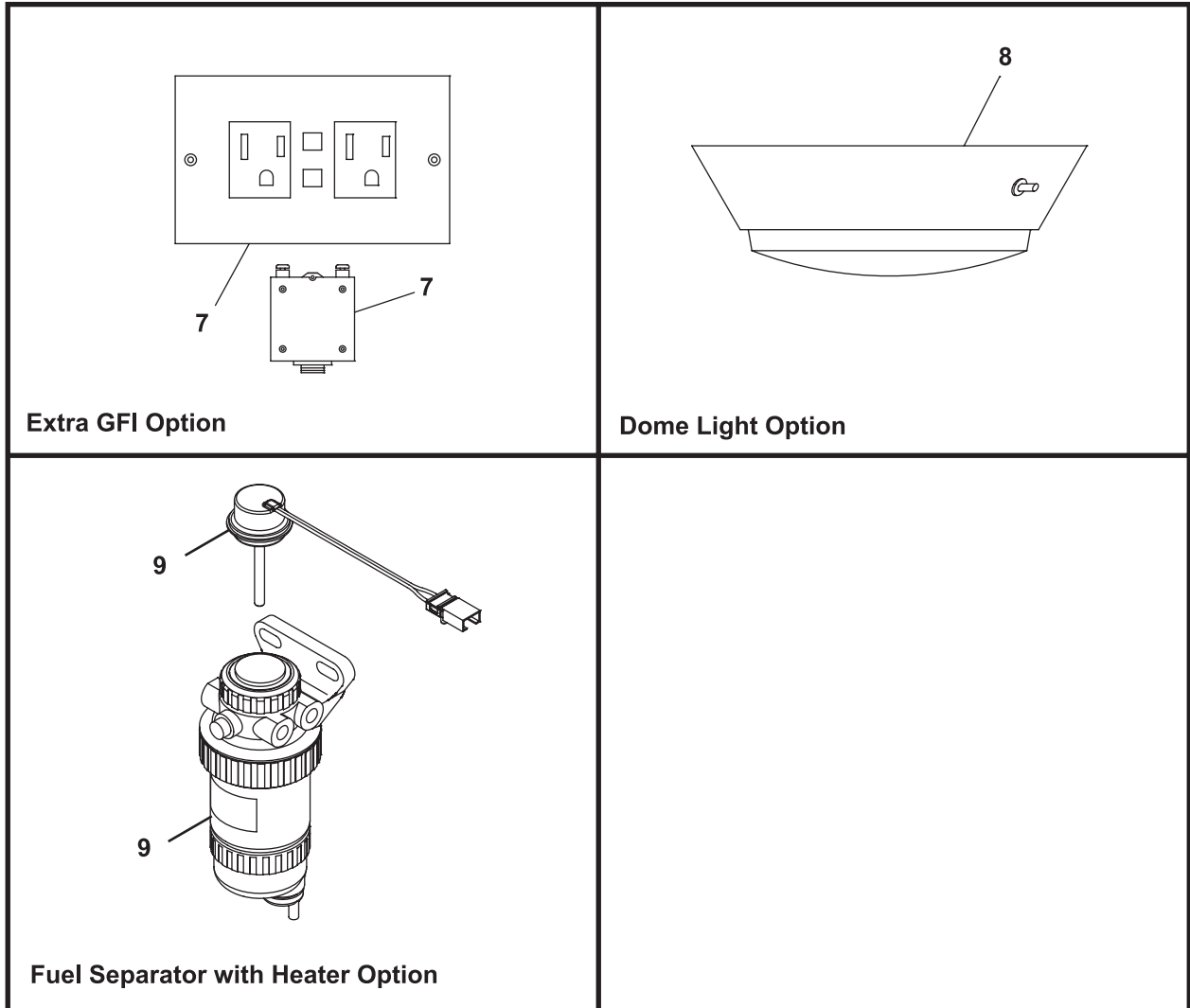
FIGURE 701.1

ITEM #	PART #	DESCRIPTION	QTY.
1	TR-0LTY0422 741993	OPTION LT: ENGINE BLOCK HEATER, KUBOTA HEATER, ENGINE BLOCK, 3100003, ZERO START	1
2	116216 116154 116151	OPTION LT: FUEL/WATER SEPARATOR, RACOR, KUBOTA FILTER, WATER SEPARATOR, DIESEL FUEL, STANADYNE ELEMENT, 30 MICRON, FUEL WATER	1 1
3	TR0LTX0481R 663515 663520 663527 663528 663529 663843 663840	OPTION LT: TAIL LIGHTS, RECESSED LIGHT WIRING HARNESS, RECESSED LIGHTS LIGHT, LICENSE TAG W/BACKET LIGHT, SIDE MARKER, AMBER, 2.5" DIAMETER, RECESSED LIGHT, SIDE MARKER, RED, 2.5" DIAMETER, RECESSED GROMMET, RECESSED LIGHT KIT, W/PLUG AND WIRES TRAILER HARNESS, 4 POLE, RUN/BRAKE LIGHTS LIGHT, TRAILER, RECESSED, STOP, TURN, TAIL LIGHTS	1 1 2 2 4 1 1
4	TR-0LTX0180 663400 663405	OPTION LT: CONNECTOR 7-POLE, RUN LIGHTS, ROUND CONNECTOR, TAIL LIGHT CONNECTOR, TAIL LIGHT, 7POLE CABLE GUARD	1 1
5	TR-0LTX0040 940000 840120 176336 176335 121572 840470	OPTION LT: HITCH, COMBO, BALL & RING, BOLT-ON KIT: COMBINATION HITCH, BALL & RING, COMPLETE COUPLER FOR 2" BALL COMBO HITCH SIDE SPACER, BOLT-ON COMBO HITCH SIDE PLATE, BOLT-ON COMBO HITCH RING, 16" LONG, BOLT-ON BALL, 2"	1 1 2 2 1 1
6	TR-0LTX0222 161085 174170 182331	OPTION LT: BATTERY, 700A, HEAVY DUTY BATTERY, 700AMP, GP24, 12V, POST/TERMINAL BATTERY, HOLDOWN ANGLE, 14.50 BATTERY, HOLD-DOWN ROD, 1/4 X 11-1/4	1 1 2

Figure 701.1

Options

REV A



Extra GFI Option

Dome Light Option

Fuel Separator with Heater Option

REV A

FIGURE 701.1

ITEM #	PART #	DESCRIPTION	QTY.
7	TR-OLTX0210	OPTION LT: RECEPTACLE, EXTRA GFI, DUPLEX	
	684640	RECEPTACLE, 20A, 120V, DUPLEX W/GFI	1
	683970	BREAKER, MINI, 1P, 20A	1
8	TR-OLTX0271	LIGHT DOME WITH SWITCH	1
	C41101100	DOMELIGHT WITH SWITCH	1
9	116217	OPTION LT: INLINE FUEL HEATER W/SEPARATOR	
	116154	AY, DSL FUEL/WATER SEPARATOR, STANADYNE	1
	116144	HEATER, TOPLOAD, FUEL, 100W/12V, STANADYNE	1
<p>NOTE: OPTION NUMBERS CANNOT BE SOLD AS SPARE PARTS.</p>			

California Proposition 65

Warning

Battery post terminals and related accessories contain lead compounds, chemicals known to the State of California to cause cancer and other reproductive harm.

California Proposition 65

Warning

The exhaust from this product contains chemicals known to the State of California to cause cancer, birth defects or other reproductive harm.

Towing Checklist

(Use at each stop)

Before Towing

- Towing hitch is properly secured to tow vehicle
- Safety chains (if required) are properly attached and secure (chains are crossed below hitch)
- All lights are connected and working
- Tires are properly inflated

Before Driving

- Fasten safety restraints
- Properly adjust mirrors

On The Road

- Do not exceed 60 mph / 97 km/h. Obey all local and national towing speed laws
- Check connections and tire pressure at each stop
- Slow down for hazardous conditions
- Allow extra distance for following and passing other vehicles

Genie North America
 Phone 425.881.1800
 Toll Free USA and Canada
 800.536.1800
 Fax 425.883.3475

Genie Australia Pty Ltd.
 Phone +61 7 3375 1660
 Fax +61 7 3375 1002

Genie China
 Phone +86 21 53852570
 Fax +86 21 53852569

Genie Malaysia
 Phone +65 98 480 775
 Fax +65 67 533 544

Genie Japan
 Phone +81 3 3453 6082
 Fax +81 3 3453 6083

Genie Korea
 Phone +82 25 587 267
 Fax +82 25 583 910

Genie Brasil
 Phone +55 11 41 665 755
 Fax +55 11 41 665 754

Genie Holland
 Phone +31 183 581 102
 Fax +31 183 581 566

Genie Scandinavia
 Phone +46 31 575100
 Fax +46 31 579020

Genie France
 Phone +33 (0)2 37 26 09 99
 Fax +33 (0)2 37 26 09 98

Genie Iberica
 Phone +34 93 579 5042
 Fax +34 93 579 5059

Genie Germany
 Phone +49 (0)4202 88520
 Fax +49 (0)4202 8852-20

Genie U.K.
 Phone +44 (0)1476 584333
 Fax +44 (0)1476 584334

Genie Mexico City
 Phone +52 55 5666 5242
 Fax +52 55 5666 3241

Distributed By: