

1. This Parts Catalog carries Yanmar crawler back-hoe Vio30-2.

2. Parts catalog history

	Parts catalog NO.	Published	Remarks
1st edition	000Y00K3670	2000/9	Disuse old edition
1st revised	000Y00K3671	2001/11	Disuse old edition
2nd revised	000Y00K3672	2003/8	

3. Model name

SECTION	Column	Model name	M/#	Manufactured	Notes
I (Vehicle)	(A)	Vio30-2 C(R) (JP)	20501~	2000/5~	FOR JAPAN
	(B)	Vio30-2 P(R) (JP)			
	(C)	Vio30-2 C(R) (EX)	22139~	2001/7~	
	(D)	Vio30-2 P(R) (EX)			
II (Engine)	(A)	3TNE82A-EBVB	56889~78463	2000/4~2003/3	BREATHE IN SPEC. (RADIATOR SIDE)
	(B)	3TNE82A-EBVC	64110~	2000/12~	BREATHE OUT SPEC. (RADIATOR SIDE)

(Note1) C:Cabin spec. P:Canopy spec. R:Rubber crawler spec. JP:Japan AS:Australia
 EX:export except Europe, U. S. A. & australia

∴ (Note2) Vio30-2 Radiator exhaust direction changed from following machine number (Vehicle no.)
 (Draw in spec.) M/#20501~22000
 (Emit spec.) M/#22001~ & Following machine (Remodeled for emit spec. when sent from factory.)

M/#20633	M/#20719	M/#20728	M/#20742	M/#20841
M/#20846	M/#20940	M/#20969	M/#20996	M/#21075
M/#21076	M/#21077	M/#21079		

4. Your understanding is asking that this parts catalog is not a technical data manual setting forth as servicing procedures. This parts catalog is using simplified illustration. Be sure to use Yanmar Genuine Parts in your maintenance servicing of Yanmar products. Be careful not to use the simple parts available in the market, otherwise their use in repairing causes such as an early breakage, for instance.

∴印が今回変更(追記)した個所です。
 ∴.MARKED PART HAS BEEN CHANGED (ADDED).

How to read this Parts Catalog.

1. Parts mentioned in Parts Catalog may not necessarily be standard equipping parts
2. Parts change may be made without prior notice.
3. Form of this Parts Catalog.

Y00F2161 29. FUEL INJECTION PUMP (W/BOOST)											
REF.	LEV.	PARTS No.	DESCRIPTION	QTY						I	R
				(A)	(B)	(C)	(D)	(E)	(F)		
1		729595-51390	FUEL INJECTION PUMP	1	1	1	1	1	1		
1-1	1	729595-51391	FUEL INJECTION PUMP	1	1	1	1	1	1	N	1
		(A=E00185) (B=E00200)									
3	2	26022-060162	SCREW M 6X16	9	9	9	9	9			
1 3-1	2	26022-060162	SCREW M 6X16	4	4	4	4	4		K	
		(A=E00156) (B=E00156) (C=E00156) (D=E00156) (E=E00156)									
4	2	129470-51040	CAMSHFT	9	9	9	9	9			
5	2	122710-51050	BEARING. ROLLER	9	9	9	9	9			
6	2	129470-51060	RETAINER	9	9	9	9	9			

Remarks	(1) BOOST COMPENSATOR TYPE. OPTIONAL PART. TO E#00155 (4JH-DT, 4JH-DTZ)
---------	---

① Ref. No.

The Ref. No. in the list may not be in accordance with the Ref. No. on illustration.

(Ex.) illustration No. List head No.

1 1 (Before change) → 1-1 (After change)

When interchangeable symbol N, and k, illustrations for the new parts are sometimes omitted.

② Lev. (Level)

Indication and Meaning of Level

Level Hereunder is given the relation among the number of number (1,2,3) the level and the nominal parent-child relationship.

1 ---- Parent parts (Assembly parts)

2 ---- Child parts included in " 1 " (Semi-Assembly parts, component parts of Assembly parts.)

3 ---- Child parts included in " 2 ", Grand-child parts in terms of " 1 ".

(Component parts of Semi-Assembly parts.)

Note) A parts of non-sale parts are illustrated but not listed.

③ Change Mark

Change Mark " I " is given to the part for which a design change was made at this time.

The design change was not shown in the last published Parts Catalog.

④ Interchangeability Mark

In the case where a part change took place, one of the following interchangeability marks is indicated for that part

Symbol	Interchangeability	Contents note
N	Old ← → New	New Part is interchangeable for Old Part but not interchangeable conversely.
Q	Old ← → New	New Part is not interchangeable for Old Part but interchangeable conversely.
R	Old ← → New	New Part is interchangeable for Old Part and vice versa.
S	Old ← → New	New Part is not interchangeable for Old Part and vice versa.
W		Part newly added.
Z		Part discontinued.
F		Not interchangeable single part but interchangeable by set of the related parts.
K		Changed only in quantity used.

⑤ Effective Machine No.

When a part is changed, Effective Machine No. of a Model for which the part is applicable is indication

In each column of (A)-(F).

Product Symbol	Product No.	Product Symbol	Product No.
C	Clutch No, Compressor No,	M	Machine No,
D	Drive No,	T	Tractor No,
E	Engine No,	Note 1)※	Date

Note 1) Date may follow the symbol in some cases. (Ex.) ※1996.01

Note 2) As far as engine models shown by " XXX " are concerned, the modification of the parts could not be Predicted or the engine models themselves could not be identified.

Note 3) (A=E/#00185) means that the design change on the part has been effective for the model at the, column (A) (in the case, for 4JH-DT) on and from E/#(Engine Serial Number) 00185

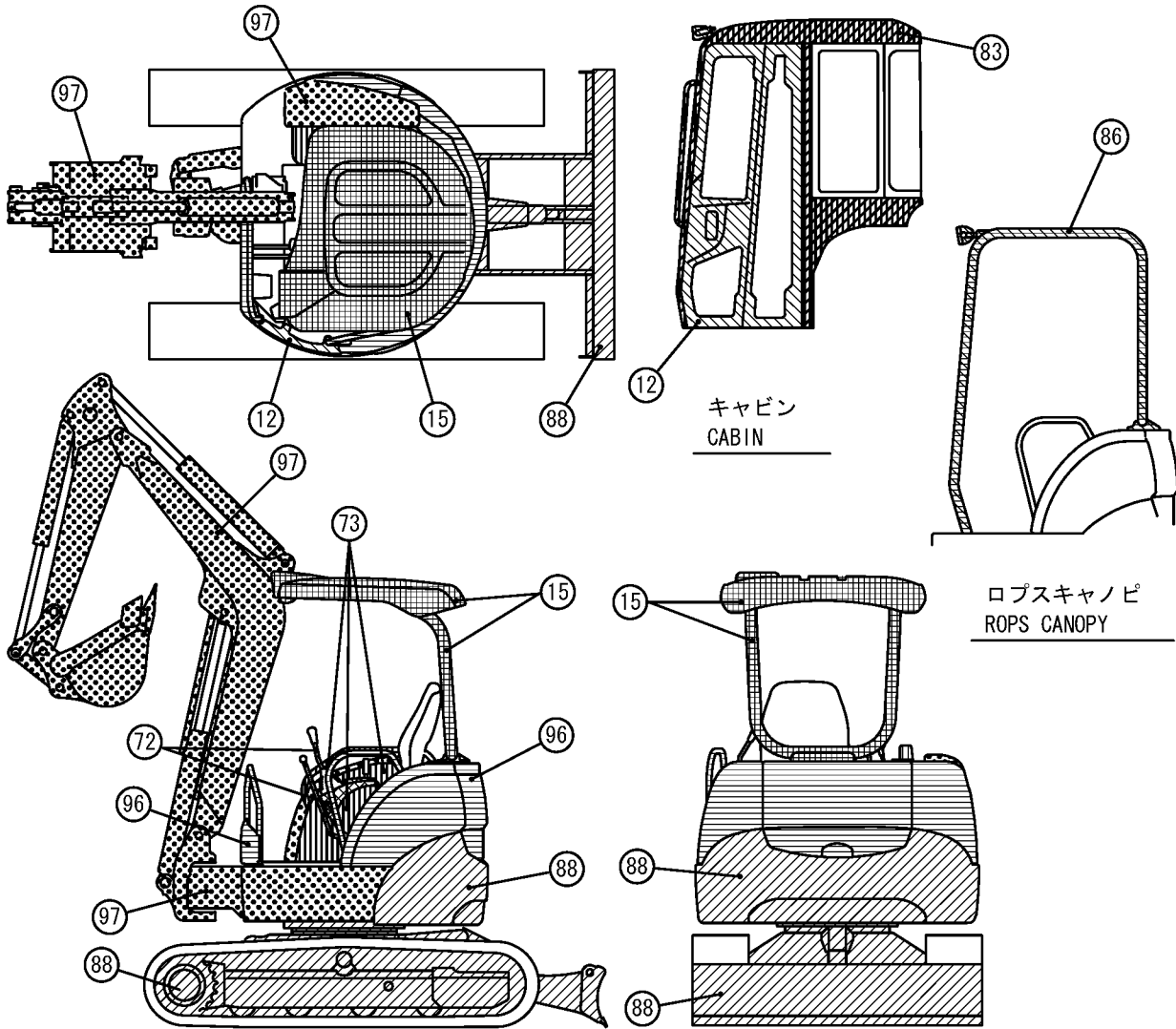
⑥ Remarks Mark

Figures or alphabets (Symbols) are entered in the remark column.

The comments (remarks) on the pertinent parts are indicated in the lower part of the list by the same symbols a those stated above.

SPECIFICATION

Name		YANMAR CRAWLER BACKHOE					
Model		Vio30-2					
Specofocation		IRON CRAWLER			RUBBER CRAWLER		
		CANOPY	CABIN	CANOPY	CABIN		
Engine	Model	3TNE82A-EBVB, EBVC					
	Bore × Stroke	82 × 84					
Dimensions	Transport length	mm	4325				
	Transport width	mm	1550				
	Transport height	mm	2440	2510	2440	2510	
Std. bucket capacity		m ³	0.10				
Std. bucket width (outside)		mm	540				
Max. digging depth		mm	2800 (W/BLADF)				
Max. cutting height		mm	4800	4560	4800	4560	
Max. dump height		mm	3400	3150	3400	3150	
Max. reach at ground level		mm	4650				
Min. swing radius (Swing)		mm	1750 (1450)	1880 (1550)	1750 (1450)	1880 (1550)	
Boom swing angle		degree	Left 50 · Right 75				
Max. digging force (Std. bucket)		kN (kgf)	27.5 (2800)				
Travel speed (High/Low)		km/h	4.6/2.7				
Swing speed		min ⁻¹ (rpm)	10				
Average ground pressure		kPa (kgf/cm ²)	27.5 (0.28)	29.4 (0.30)	26.5 (0.27)	28.4 (0.29)	
Track shoe width (Std.)		mm	300				
Blade	Width × height	mm	1550 × 350				
	Raise (Up/Down)	mm	350/320				
Machine mass		kg	3030	3210	2950	3130	
Battery		65B24L/12V, 40Ah (5Hr)					

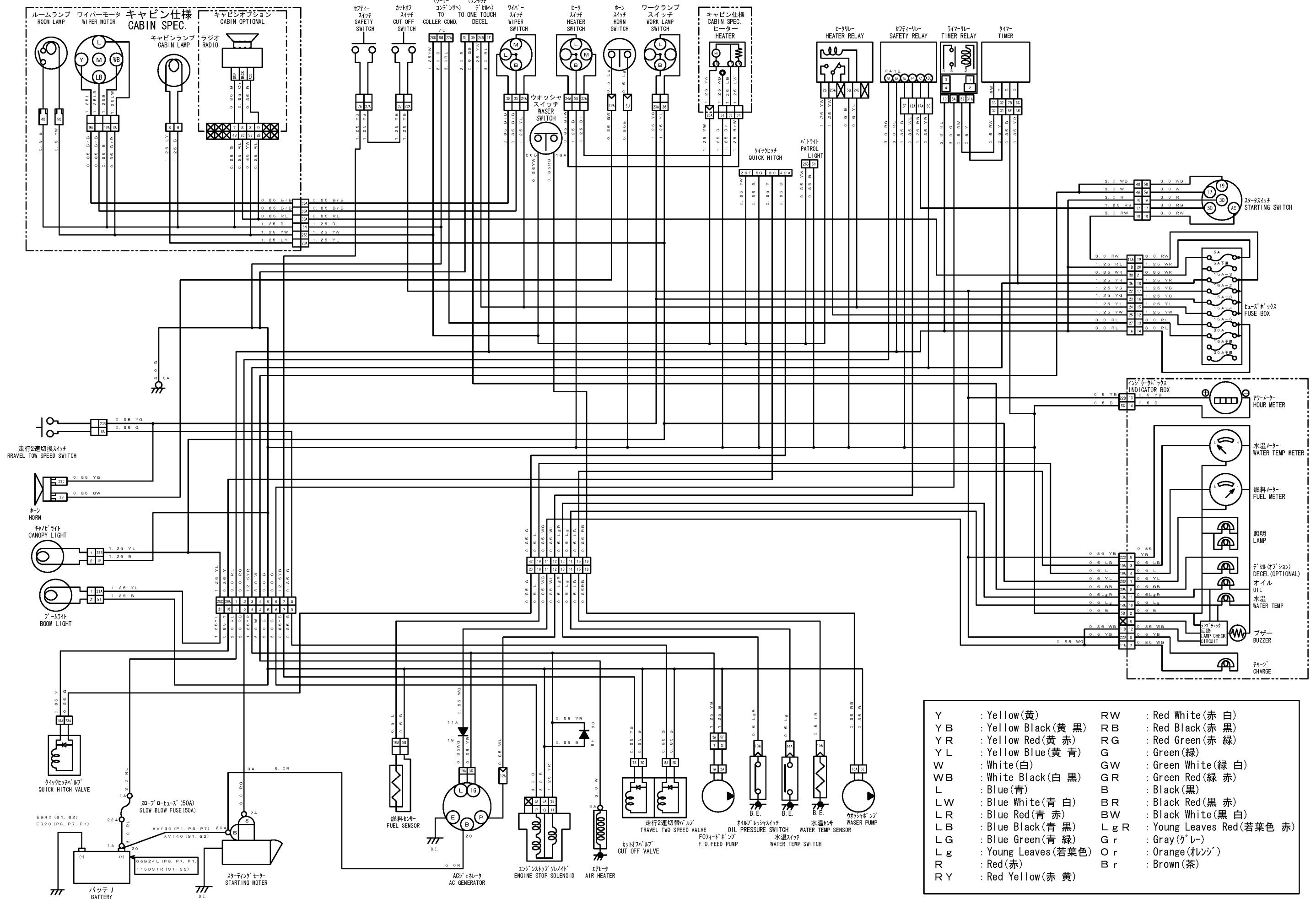


キャビン
CABIN

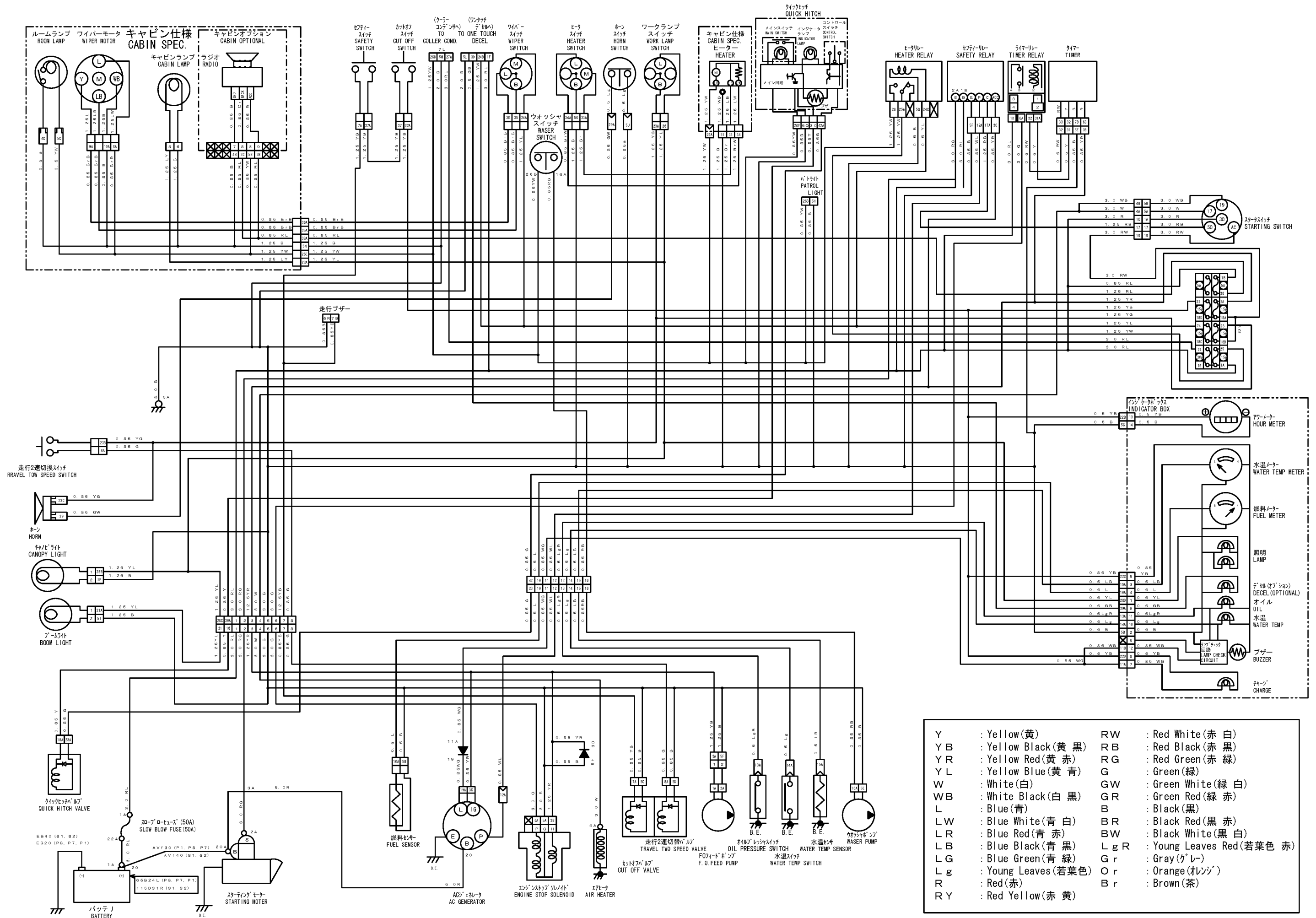
ロプスカノピ
ROPS CANOPY

色区分 Color Code	表示 Desc- ription	塗装色 Painted Color	マンセル記号 Munsel No.	塗料部品番号 (Paint Part No.)		
				16L缶 (16L Can)	4L缶 (4L Can)	スプレー (SPRAY)
88		ヤンマー新ディープグリーン YANMAR New Deep Green	0. 6B2. 2/4. 2	981101-09588	977620-40880	977620-30881
97		ヤンマーピーコックグリーン YANMAR Peacock Green	2. 99B65. 27/9. 28	981101-09597	977620-40970	977620-30971
96		ヤンマーシトラスグリーン YANMAR Citrus Green	4. 97GY8. 35/6. 87	981101-09599	977620-40990	977620-30991
72		ヤンマーダークオリーブグレー YANMAR Dark Olive Gray	7. 21Y2. 92/0. 79	-----	977620-40720	TOR-90460003
15		ナチュラルホワイト Natural White	1. 38GY7. 15/0. 48	-----	-----	977620-30301
73		ヤンマーワームグレー YANMAR Warm Gray	5. 52Y4. 91/1. 09	-----	-----	TOR-90450003
12		ヤンマーブラック YANMAR Black	4. 90PB0. 08/0. 41	-----	TOR-91220001	TOR-90220003
83		ヤンマーグレッッシュグリーン YANMAR Grayish Green	2. 14G4. 87/1. 52	981101-09615	977620-40830	977620-30N41
86		ヤンマー新グレッッシュグリーン YANMAR New Grayish Green	2. 9BG4. 8/3. 0	981101-09616	977620-40860	977620-30861

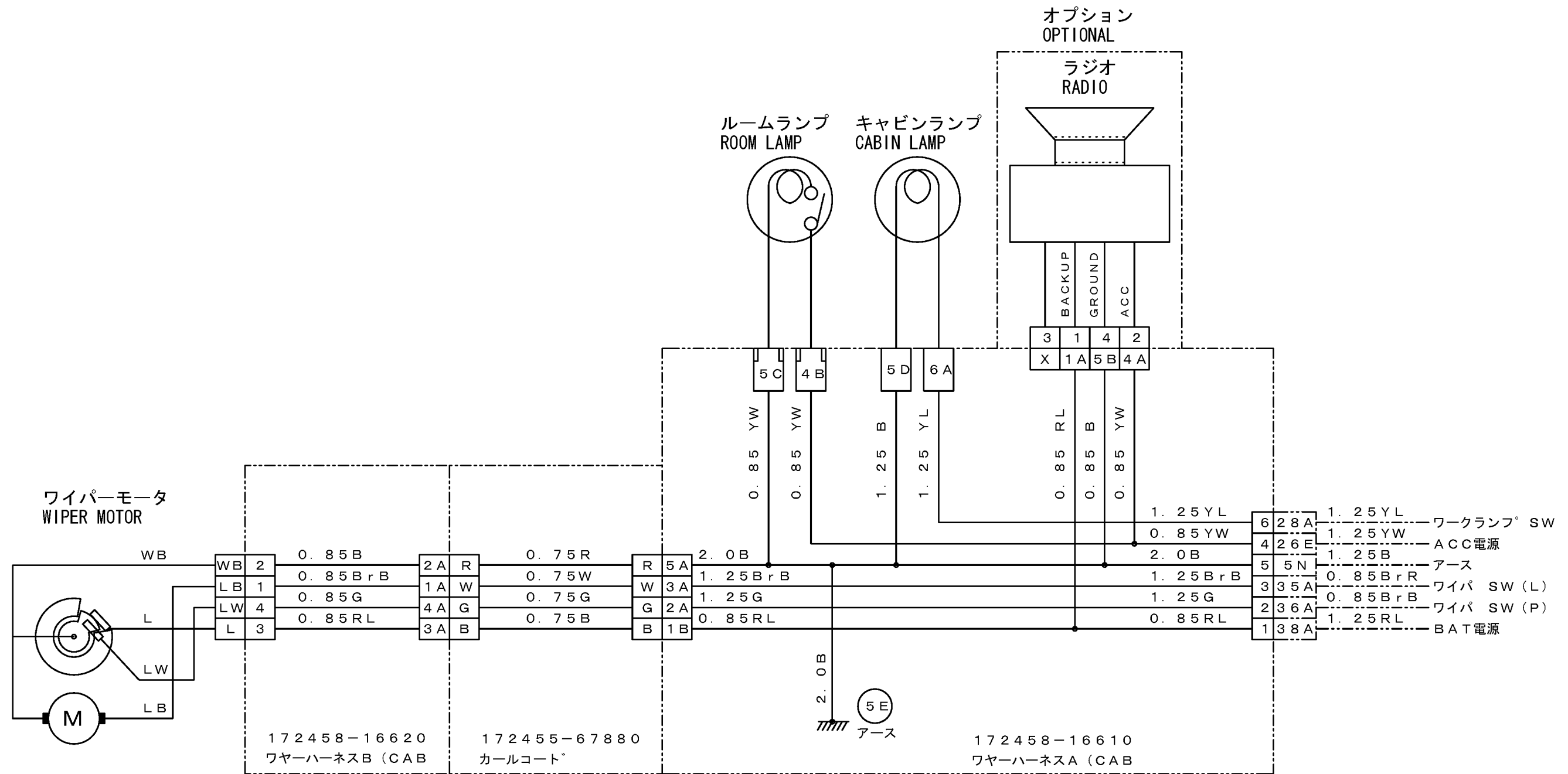
配線図 (旧形) WIRING DIAGRAM (PREVIOUS)



配線図 (新形) WIRING DIAGRAM (NEW)

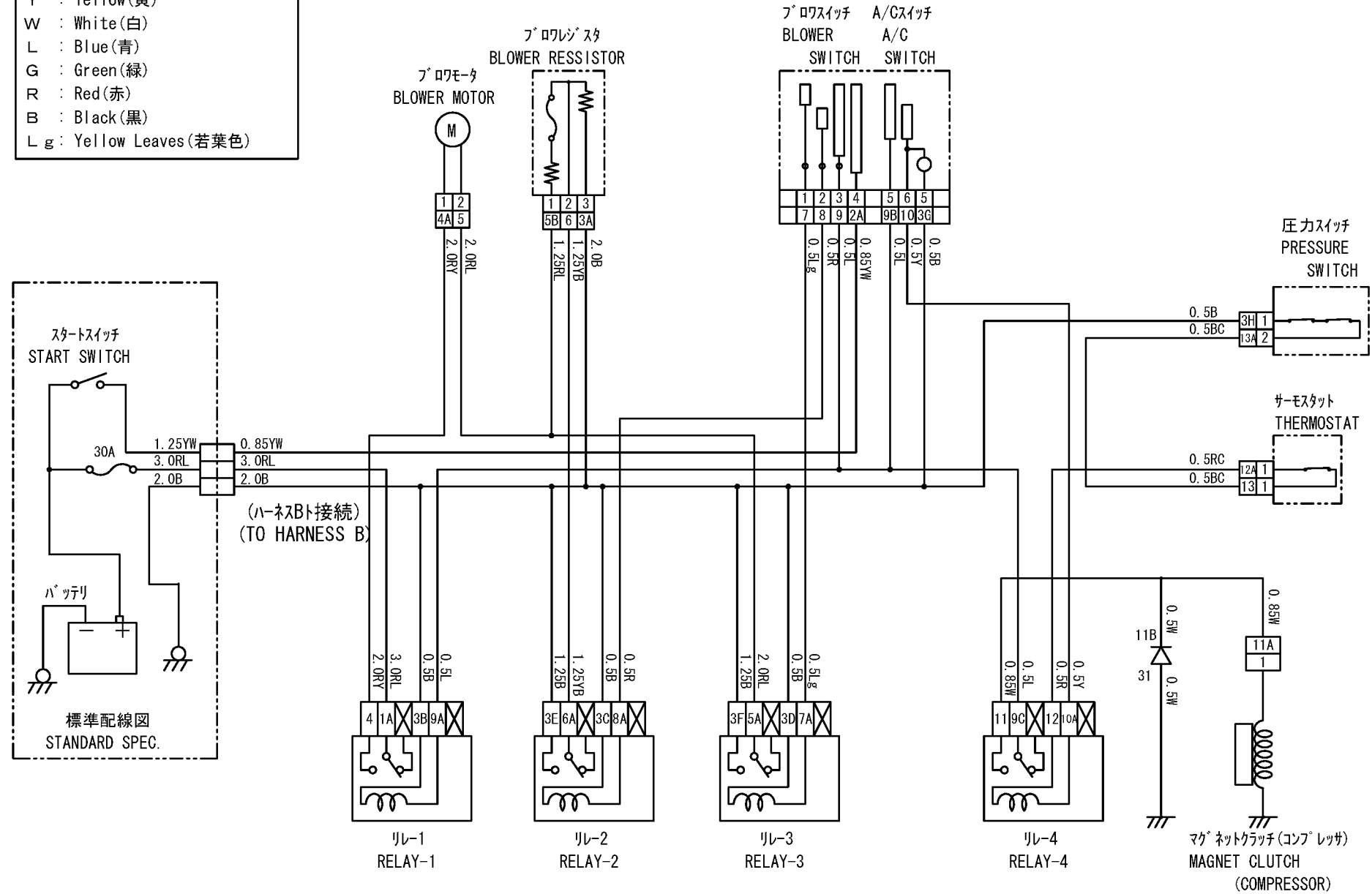


配線図 (CAB本体)
WIRING DIAGRAM (CABIN)

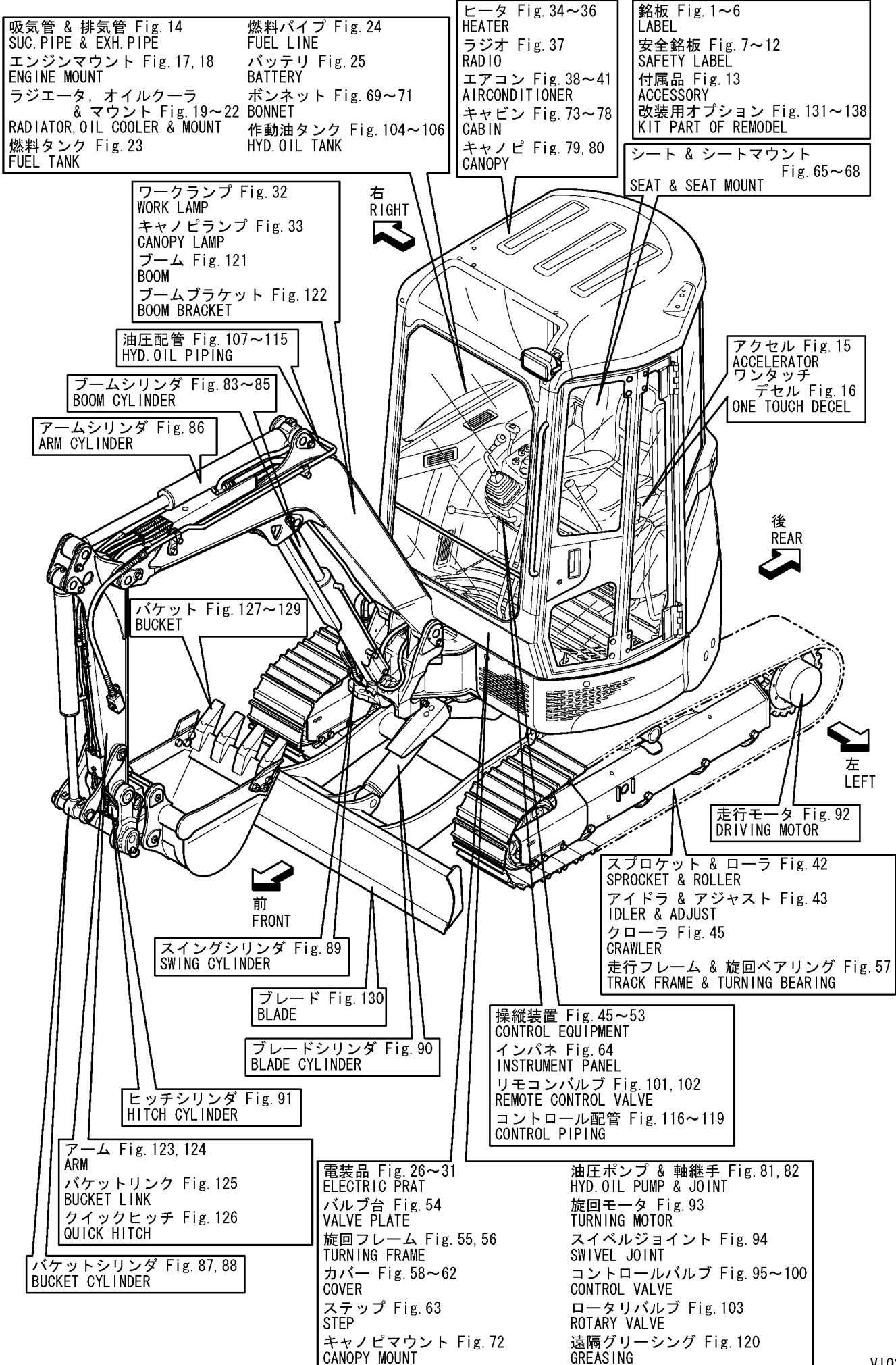


配線図 (エアコン仕様)
 WIRING DIAGRAM (A/C SPEC.)

- Y : Yellow(黄)
 W : White(白)
 L : Blue(青)
 G : Green(緑)
 R : Red(赤)
 B : Black(黒)
 Lg : Yellow Leaves(若葉色)



絵目次 (1) 主要部分 PICTURESQUE INDEX (1) MAIN PARTS



吸気管 & 排気管 Fig. 14
SUC. PIPE & EXH. PIPE
エンジンマウント Fig. 17, 18
ENGINE MOUNT
ラジエータ, オイルクーラ
& マウント Fig. 19~22
RADIATOR, OIL COOLER & MOUNT
燃料タンク Fig. 23
FUEL TANK

燃料パイプ Fig. 24
FUEL LINE
バッテリー Fig. 25
BATTERY
ボンネット Fig. 69~71
BONNET
作動油タンク Fig. 104~106
HYD. OIL TANK

ヒータ Fig. 34~36
HEATER
ラジオ Fig. 37
RADIO
エアコン Fig. 38~41
AIRCONDITIONER
キャビン Fig. 73~78
CABIN
キャノピ Fig. 79, 80
CANOPY

銘板 Fig. 1~6
LABEL
安全銘板 Fig. 7~12
SAFETY LABEL
付属品 Fig. 13
ACCESSORY
改装用オプション Fig. 131~138
KIT PART OF REMODEL

シート & シートマウント
SEAT & SEAT MOUNT
Fig. 65~68

ワークランプ Fig. 32
WORK LAMP
キャノピランプ Fig. 33
CANOPY LAMP
ブーム Fig. 121
BOOM
ブームブラケット Fig. 122
BOOM BRACKET

油圧配管 Fig. 107~115
HYD. OIL PIPING

ブームシリンダ Fig. 83~85
BOOM CYLINDER

アームシリンダ Fig. 86
ARM CYLINDER

アクセル Fig. 15
ACCELERATOR
ワンタッチ
デセル Fig. 16
ONE TOUCH DECEL

バケット Fig. 127~129
BUCKET

走行モータ Fig. 92
DRIVING MOTOR

スプロケット & ローラ Fig. 42
SPROCKET & ROLLER
アイドル & アジャスト Fig. 43
IDLER & ADJUST
クローラ Fig. 45
CRAWLER
走行フレーム & 旋回ベアリング Fig. 57
TRACK FRAME & TURNING BEARING

スイングシリンダ Fig. 89
SWING CYLINDER

ブレード Fig. 130
BLADE

ブレードシリンダ Fig. 90
BLADE CYLINDER

ヒッチシリンダ Fig. 91
HITCH CYLINDER

操縦装置 Fig. 45~53
CONTROL EQUIPMENT
インパネ Fig. 64
INSTRUMENT PANEL
リモコンバルブ Fig. 101, 102
REMOTE CONTROL VALVE
コントロール配管 Fig. 116~119
CONTROL PIPING

アーム Fig. 123, 124
ARM
バケットリンク Fig. 125
BUCKET LINK
クイックヒッチ Fig. 126
QUICK HITCH

電装品 Fig. 26~31
ELECTRIC PART
バルブ台 Fig. 54
VALVE PLATE
旋回フレーム Fig. 55, 56
TURNING FRAME
カバー Fig. 58~62
COVER
ステップ Fig. 63
STEP
キャノピマウント Fig. 72
CANOPY MOUNT

油圧ポンプ & 軸継手 Fig. 81, 82
HYD. OIL PUMP & JOINT
旋回モータ Fig. 93
TURNING MOTOR
スイベルジョイント Fig. 94
SWIVEL JOINT
コントロールバルブ Fig. 95~100
CONTROL VALVE
ロータリバルブ Fig. 103
ROTARY VALVE
遠隔グリース Fig. 120
GREASING

バケットシリンダ Fig. 87, 88
BUCKET CYLINDER

絵目次 (2) 油圧関係 PICTURESQUE INDEX (2) HYDRAULIC SECTION

油圧配管 Fig. 107~115
HYD. OIL PIPING

コントロール配管 Fig. 116~119
CONTROL PIPING

油圧ポンプ & 軸継手 Fig. 81, 82
HYD. OIL PUMP & JOINT

ラジエータ, オイルクーラ & マウント Fig. 19~22
RADIATOR, OIL COOLER & MOUNT

リモコンバルブ Fig. 101, 102
REMOTE CONTROL VALVE

作動油タンク Fig. 104~106
HYD. OIL TANK

スイングシリンダ Fig. 89
SWING CYLINDER

ブームシリンダ Fig. 83~85
BOOM CYLINDER

アームシリンダ Fig. 86
ARM CYLINDER

右
RIGHT

後
REAR

左
LEFT

前
FRONT

走行モータ Fig. 92
DRIVING MOTOR

ロータリバルブ Fig. 103
ROTARY VALVE

コントロールバルブ Fig. 95~100
CONTROL VALVE

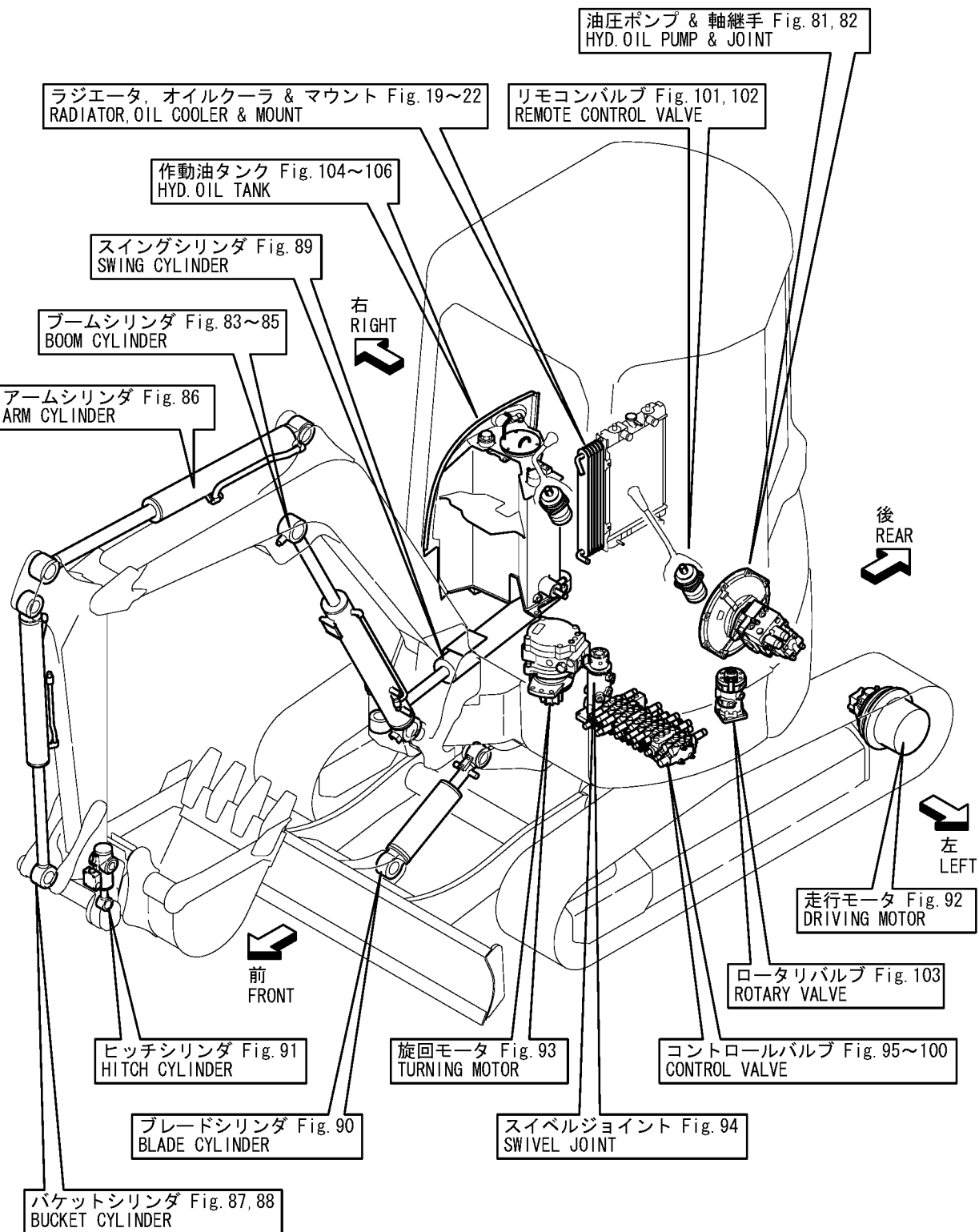
旋回モータ Fig. 93
TURNING MOTOR

スイベルジョイント Fig. 94
SWIVEL JOINT

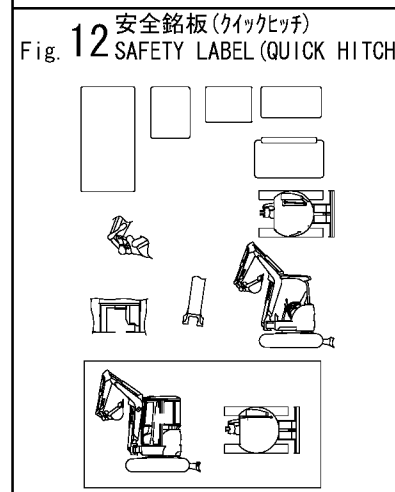
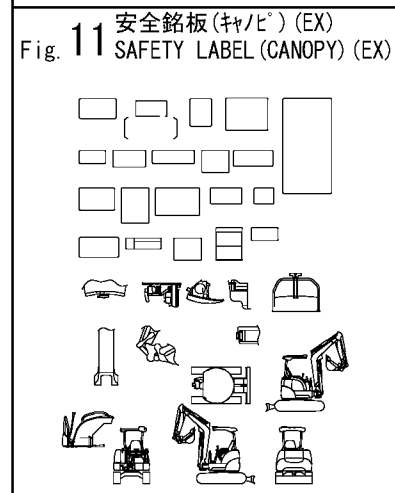
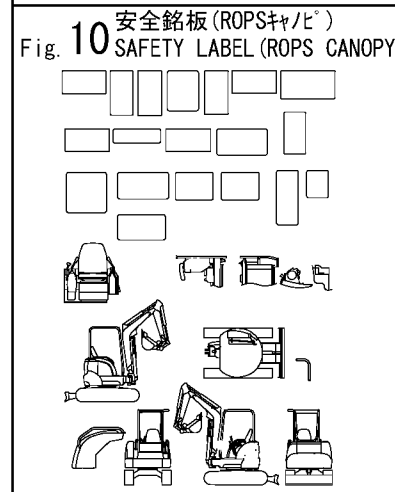
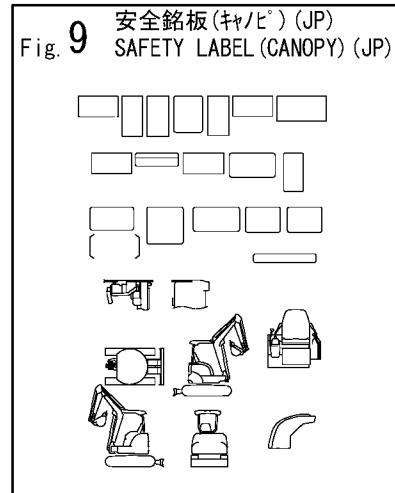
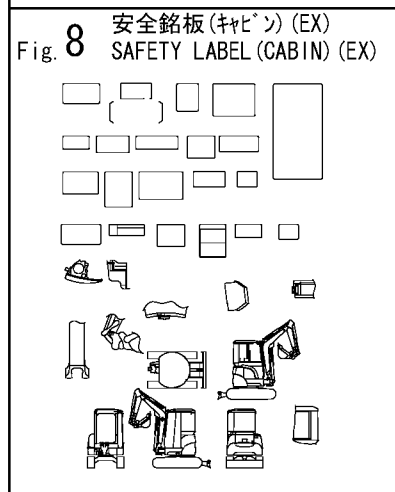
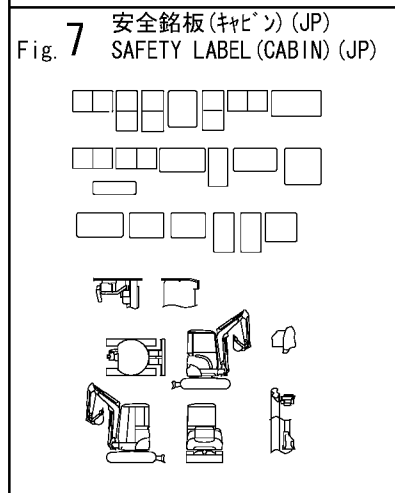
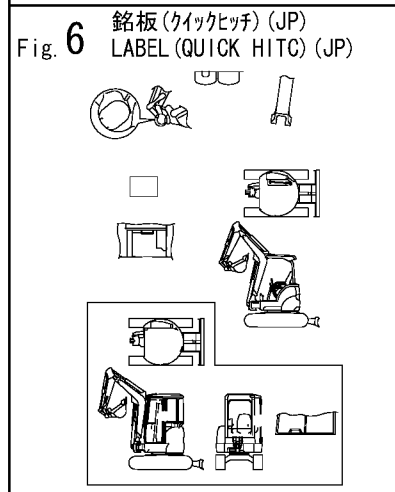
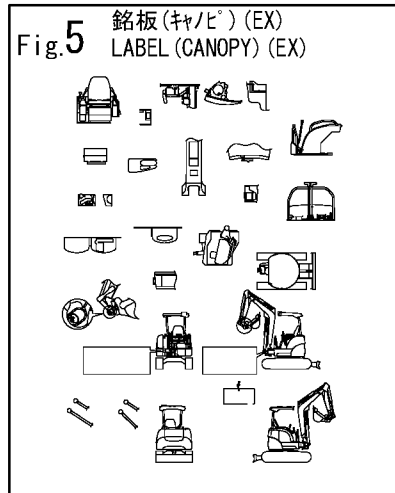
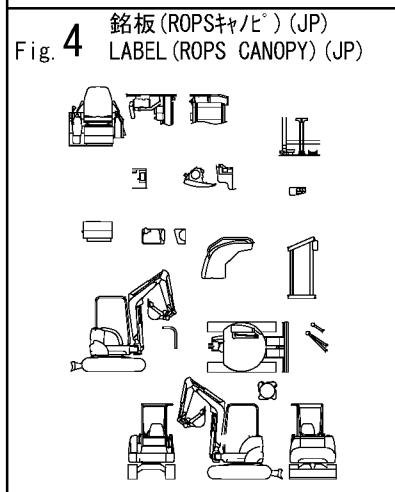
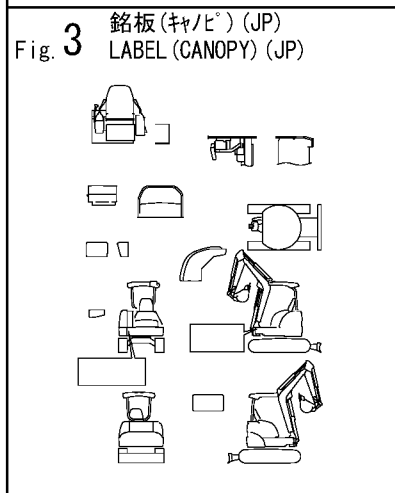
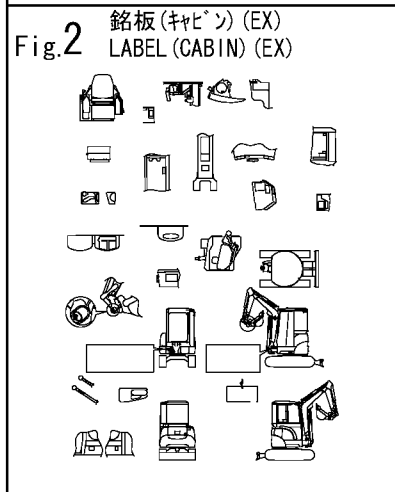
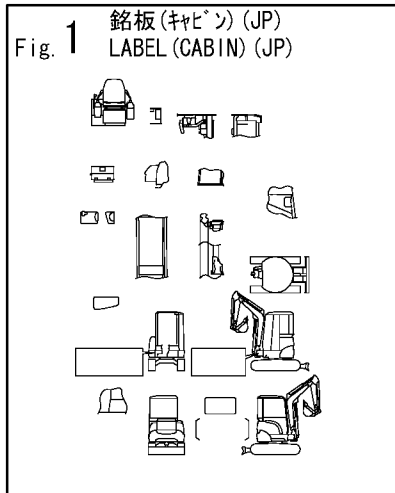
ヒッチシリンダ Fig. 91
HITCH CYLINDER

ブレードシリンダ Fig. 90
BLADE CYLINDER

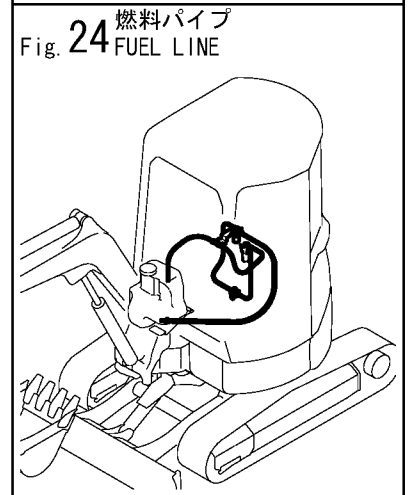
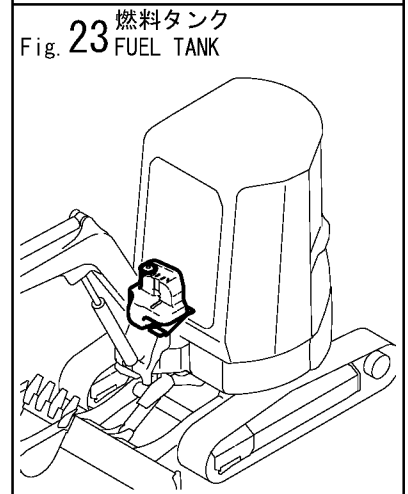
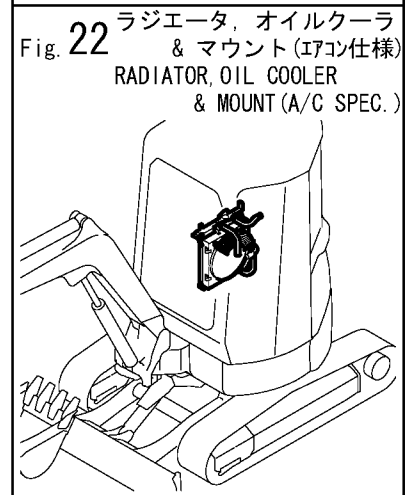
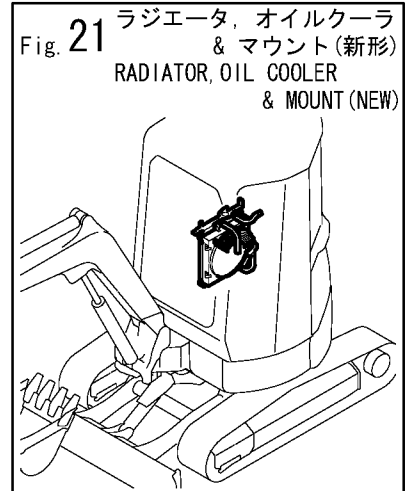
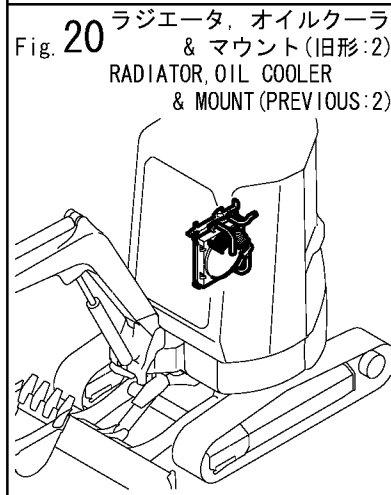
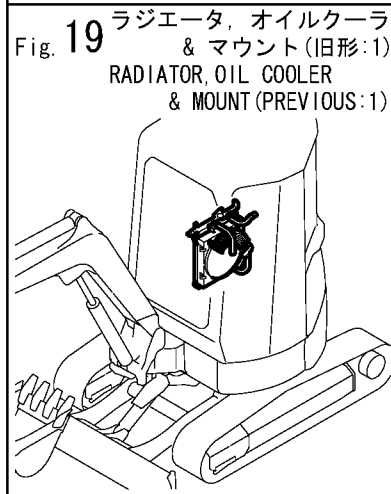
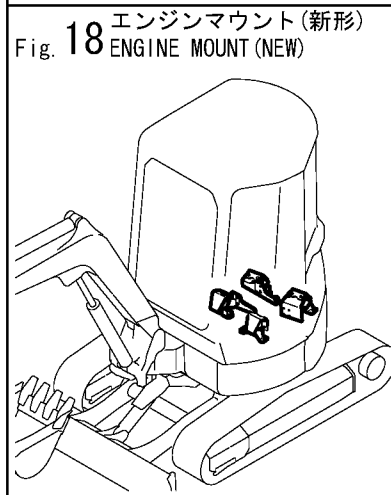
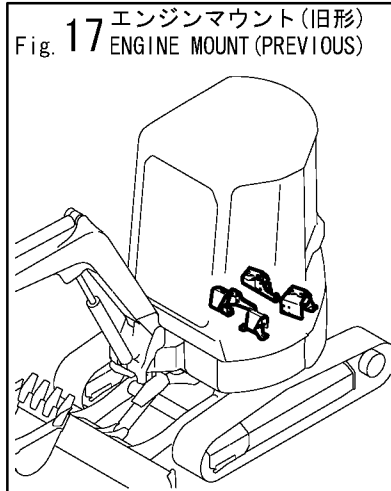
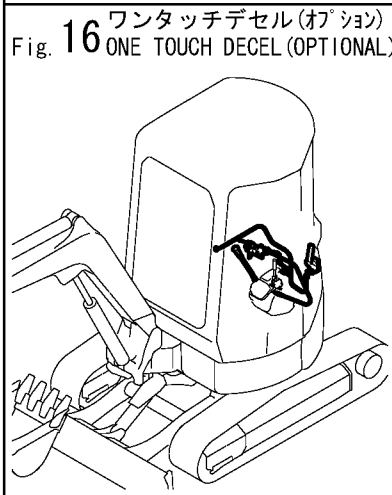
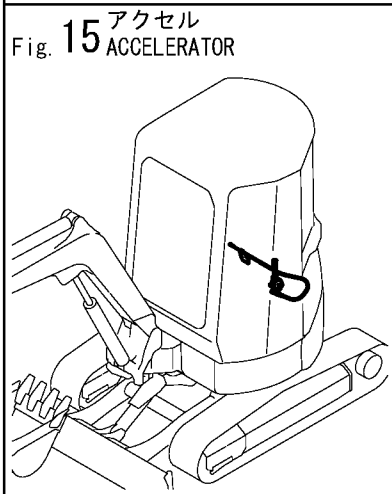
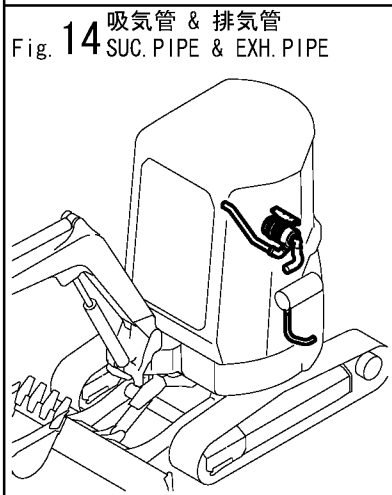
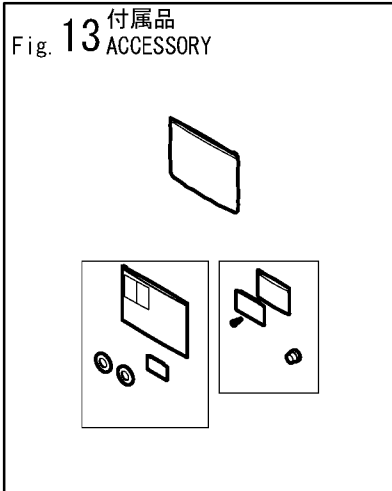
バケットシリンダ Fig. 87, 88
BUCKET CYLINDER



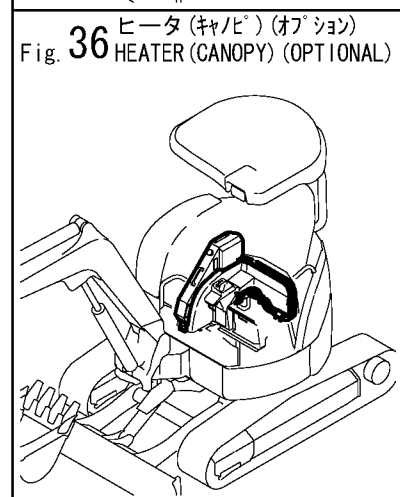
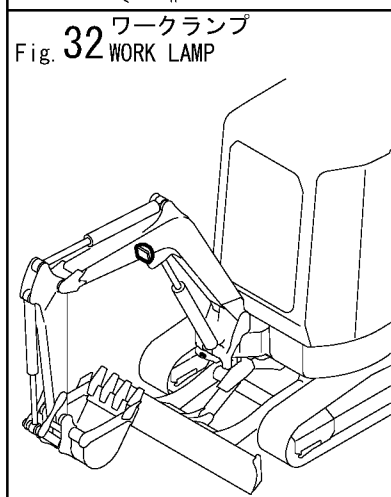
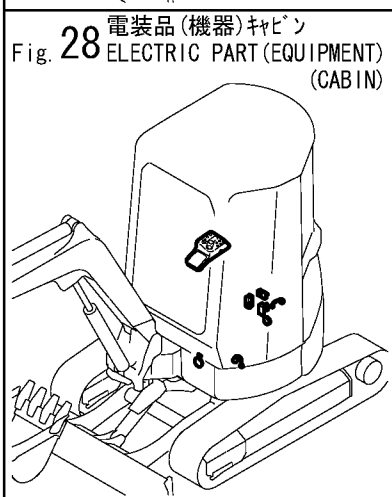
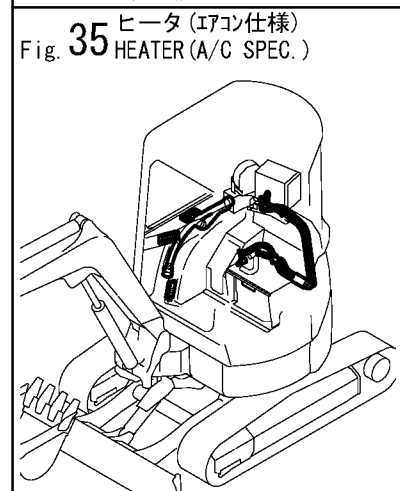
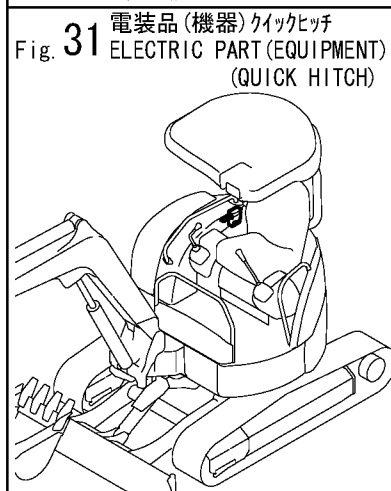
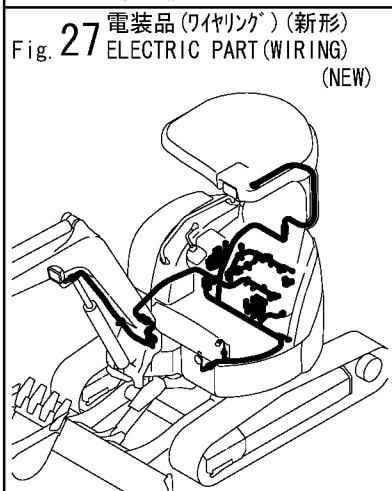
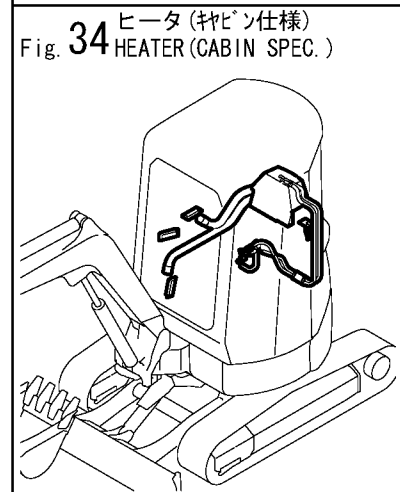
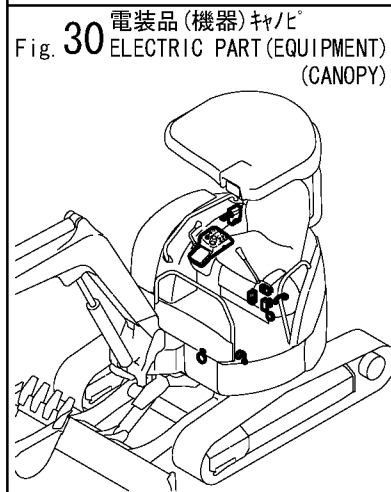
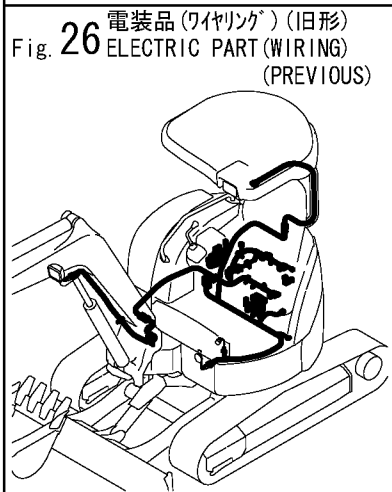
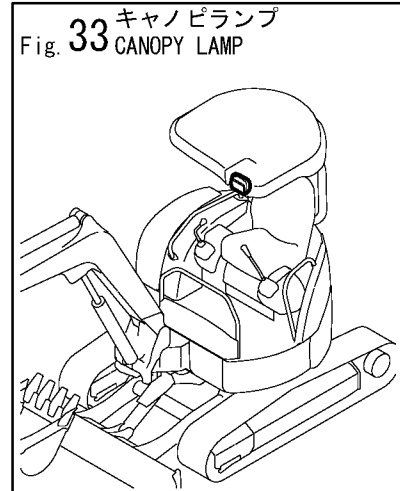
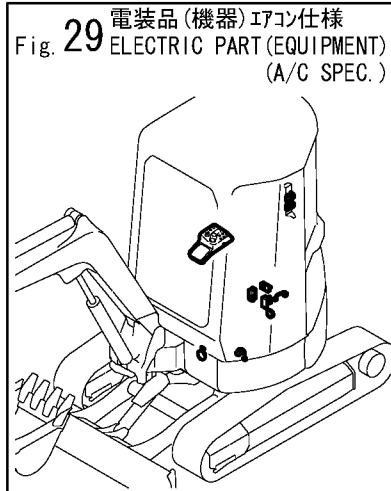
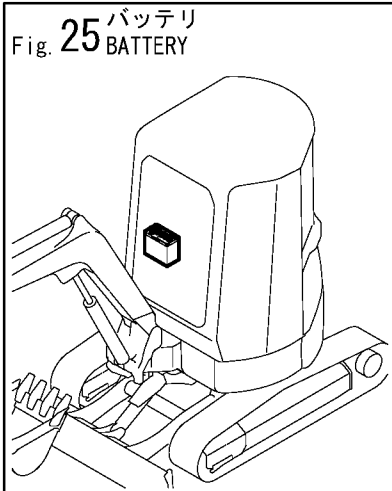
絵目次 (3) 項目別 PICTURESQUE INDEX (3) . . . FIGURE



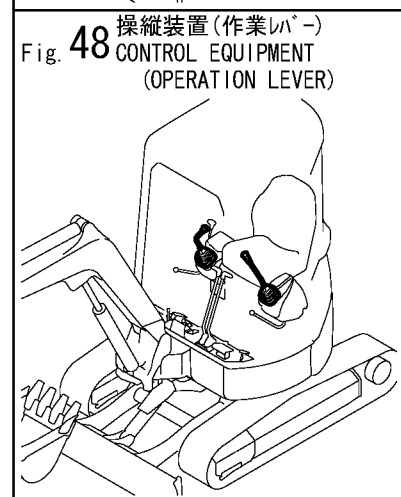
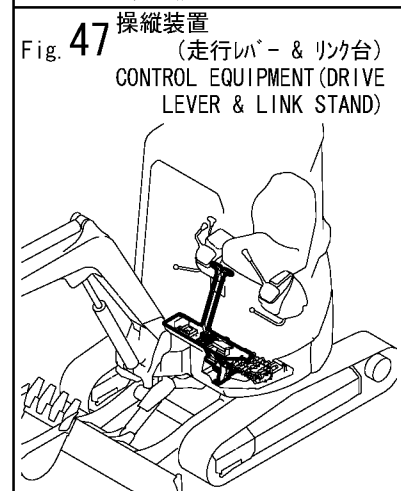
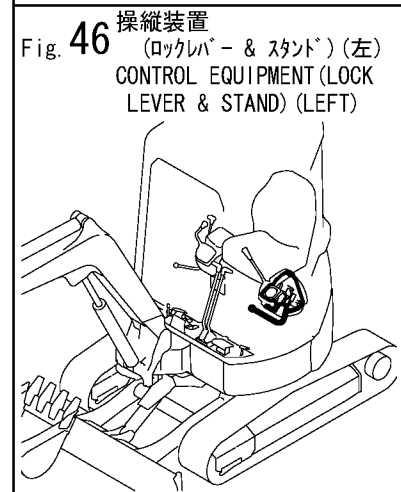
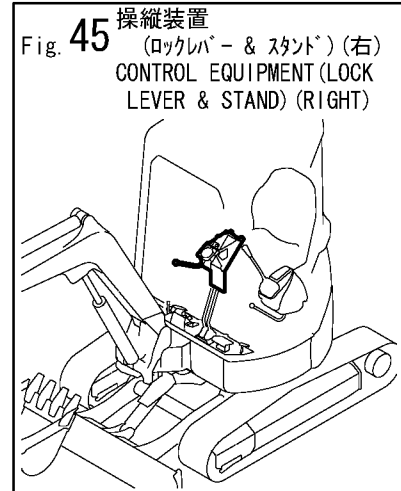
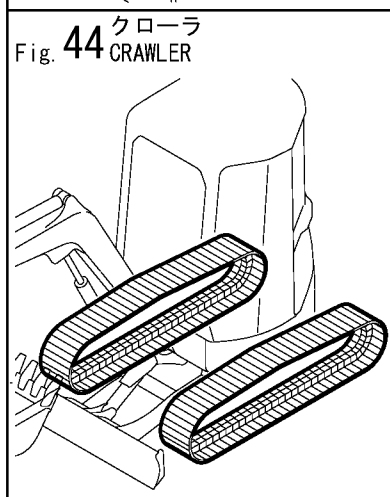
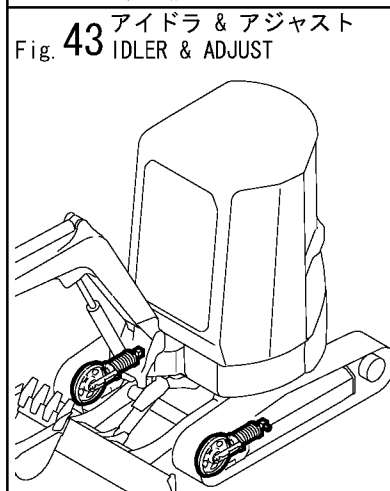
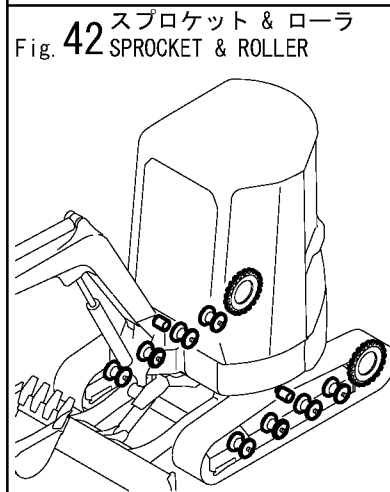
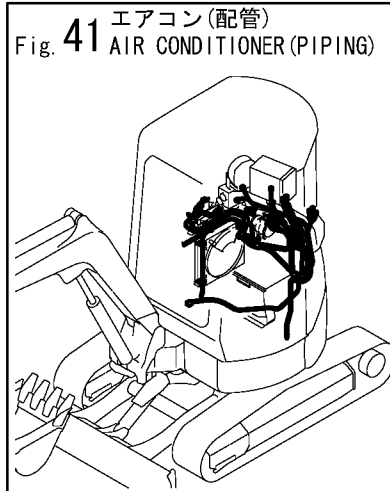
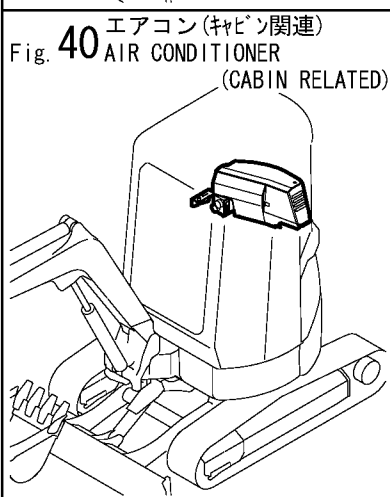
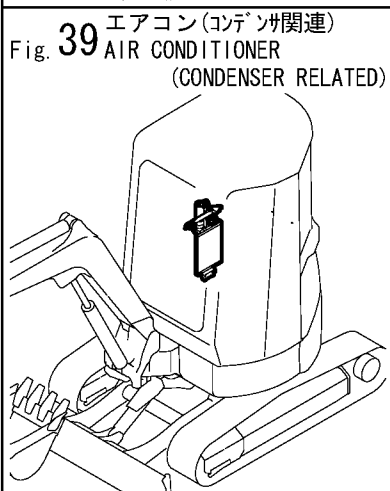
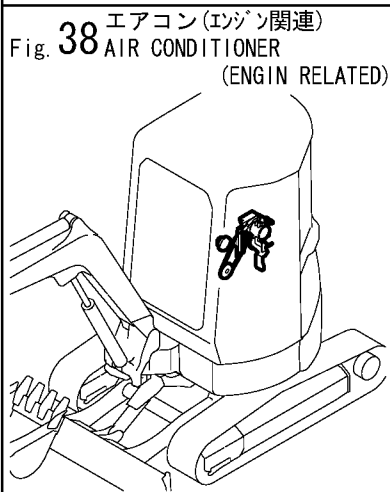
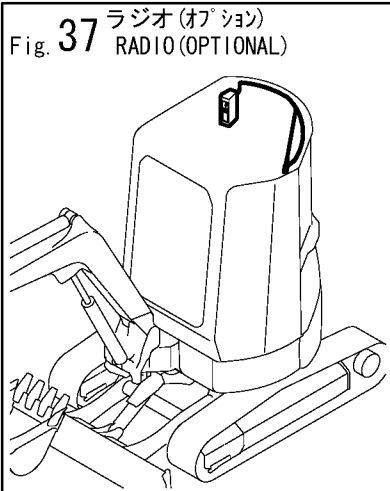
絵目次 (3) 項目別
PICTURESQUE INDEX (3) . . . FIGURE



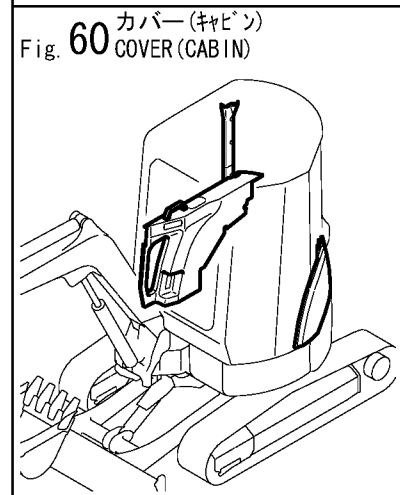
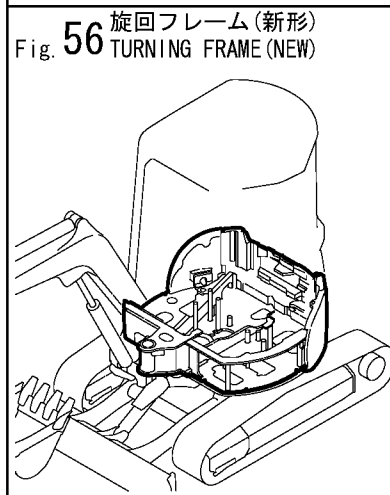
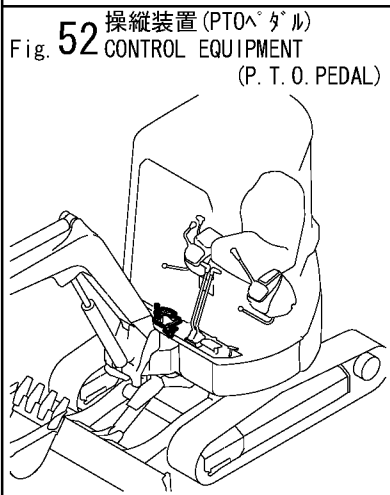
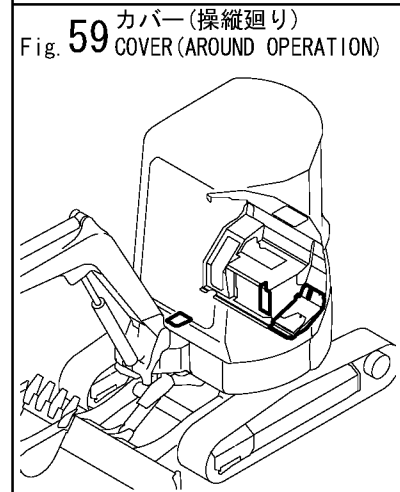
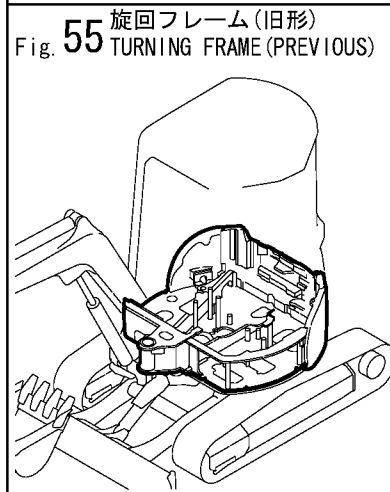
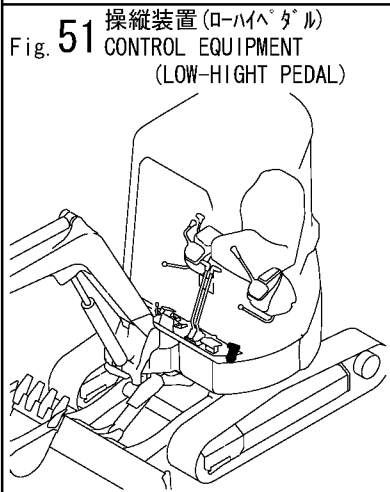
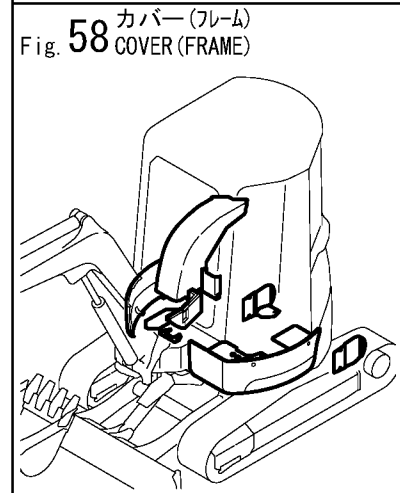
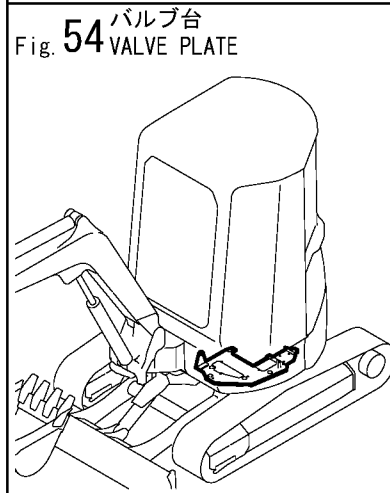
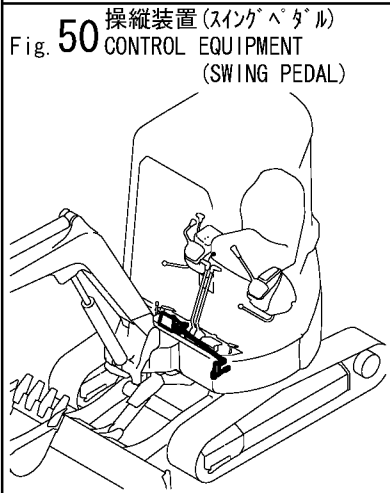
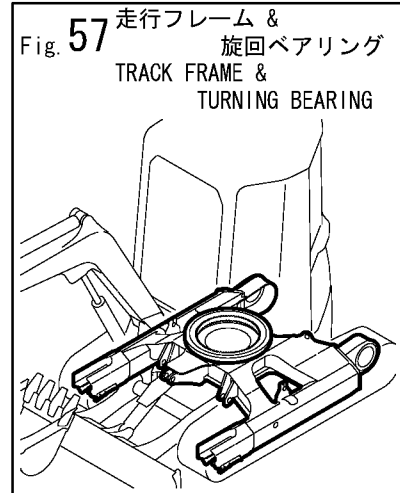
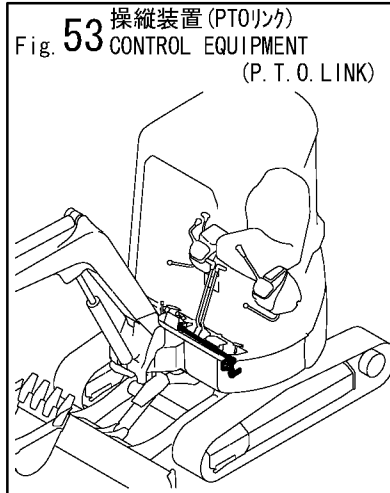
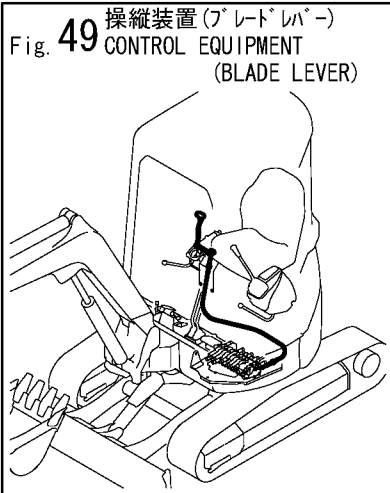
絵目次 (3) 項目別
PICTURESQUE INDEX (3) . . . FIGURE



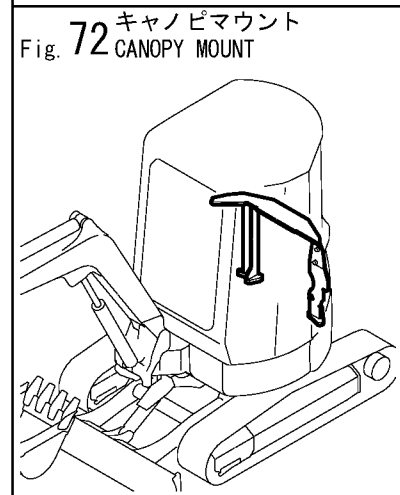
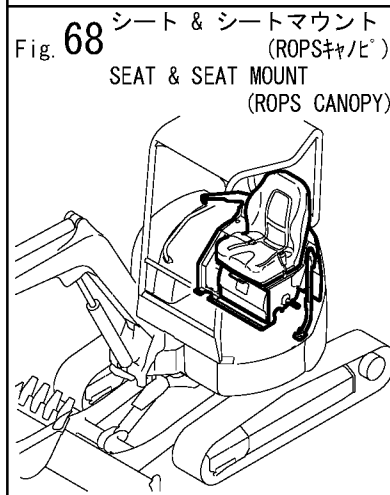
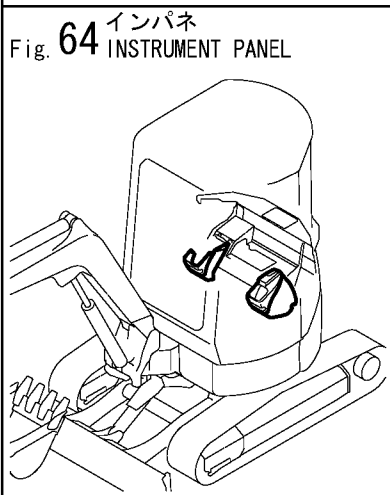
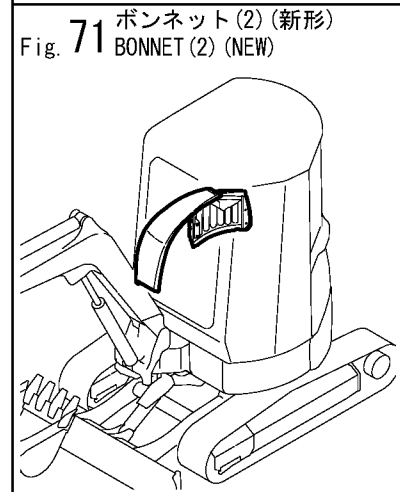
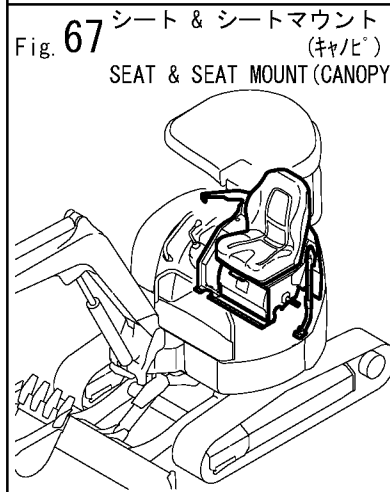
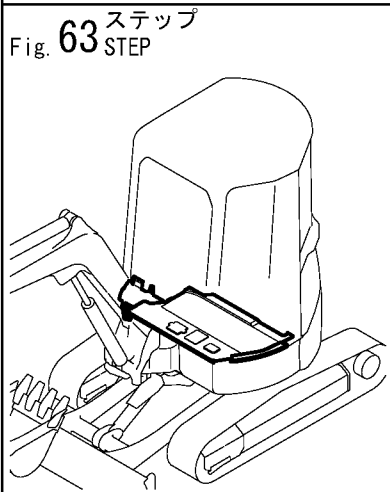
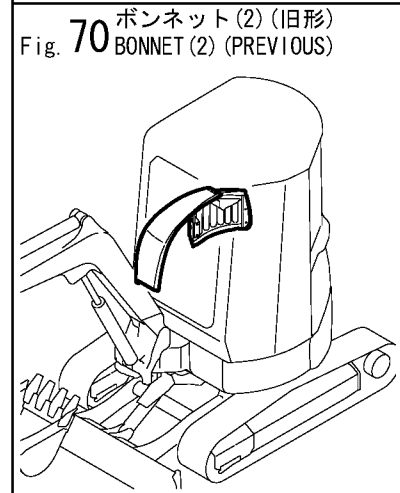
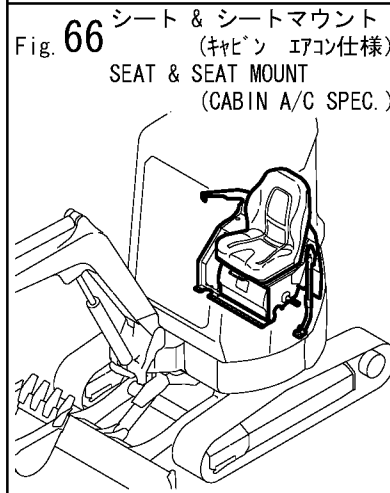
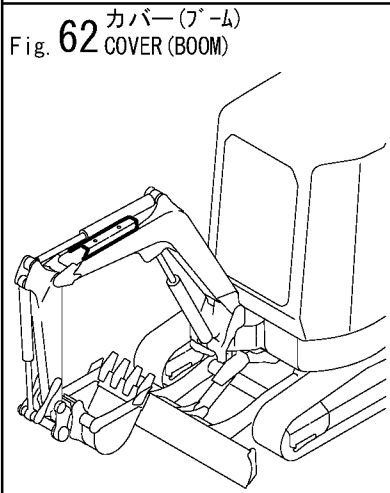
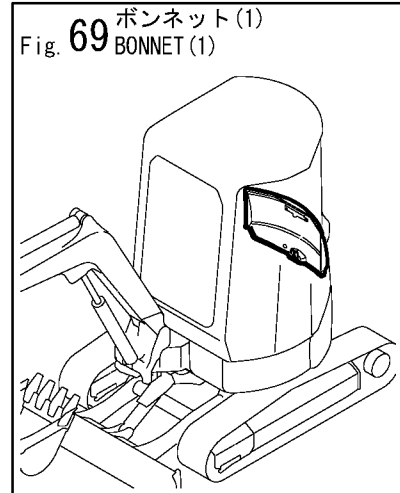
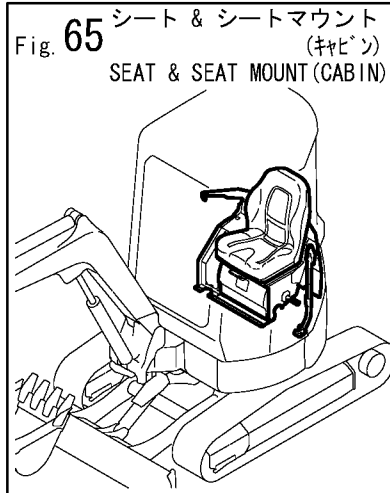
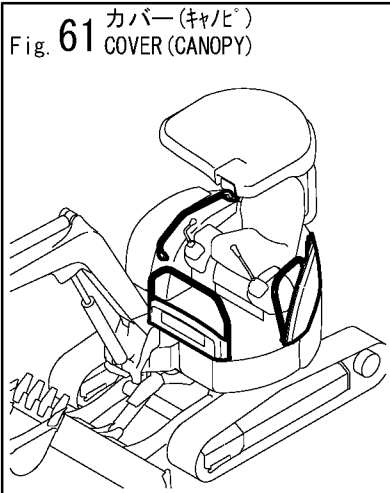
絵目次 (3) 項目別
PICTURESQUE INDEX (3) . . . FIGURE



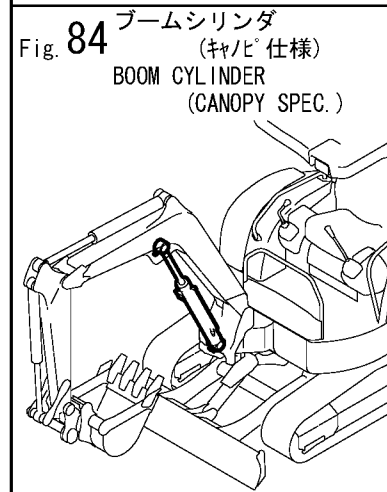
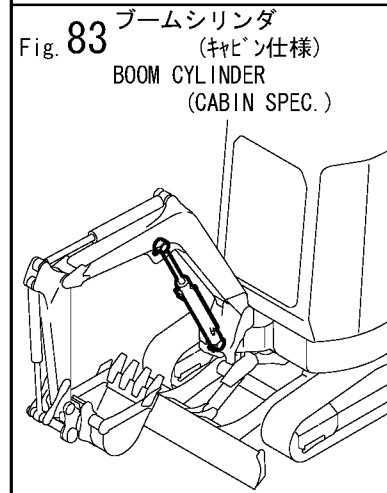
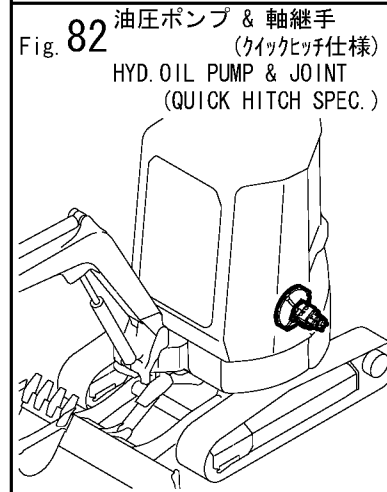
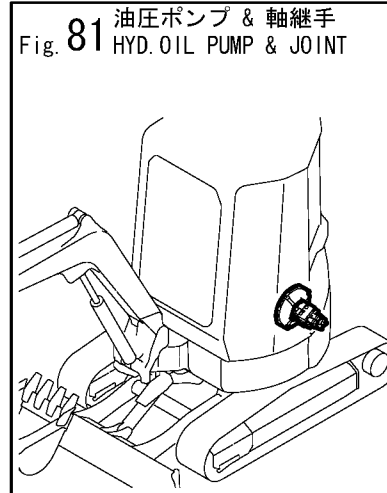
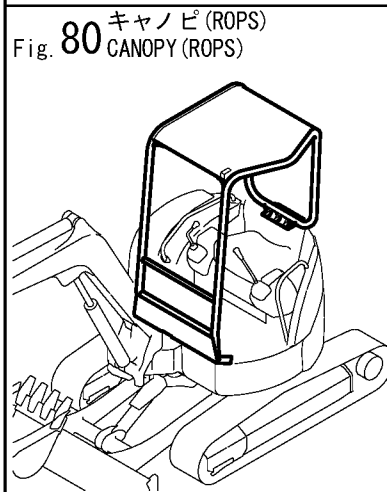
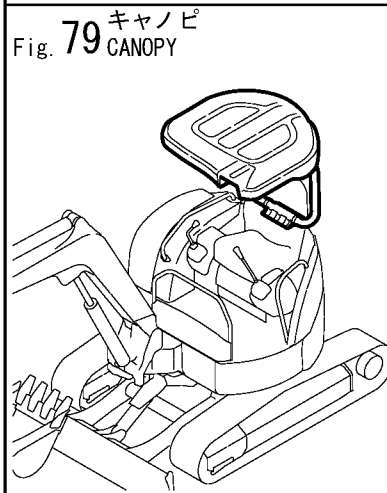
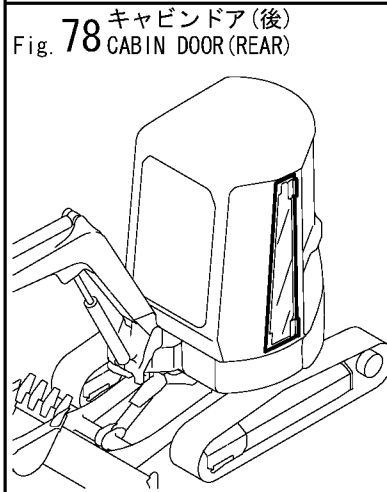
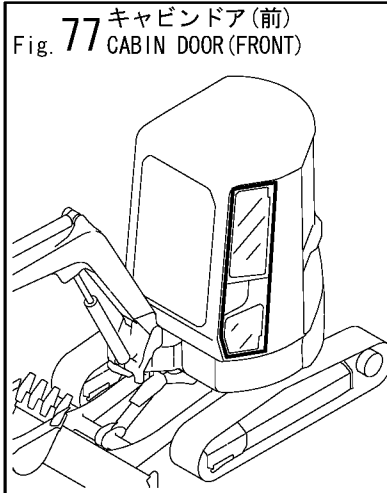
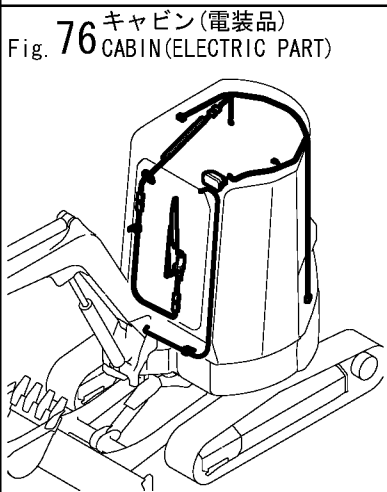
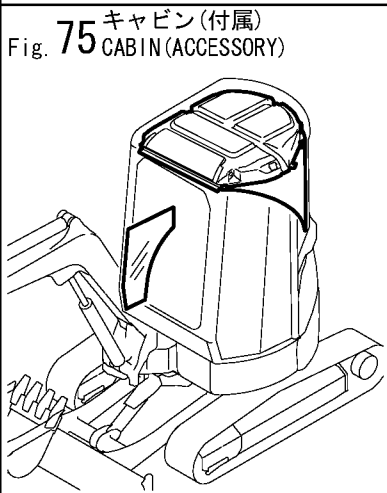
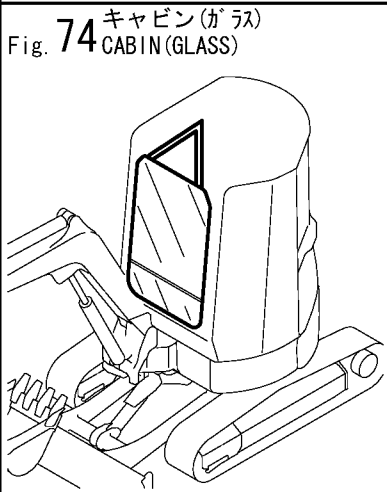
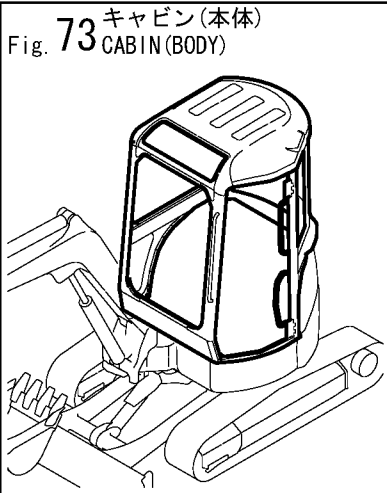
絵目次 (3) 項目別
PICTURESQUE INDEX (3) . . . FIGURE



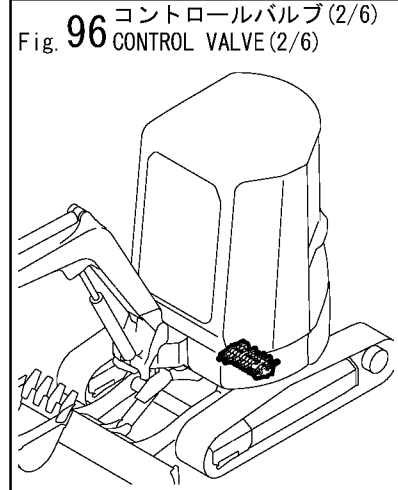
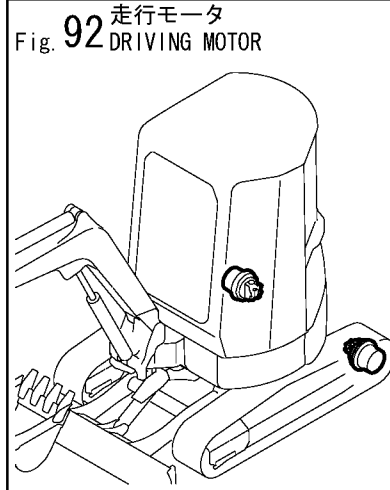
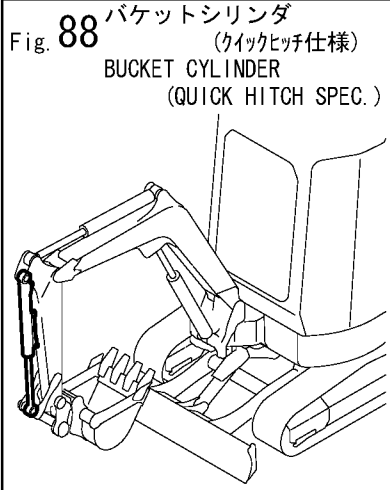
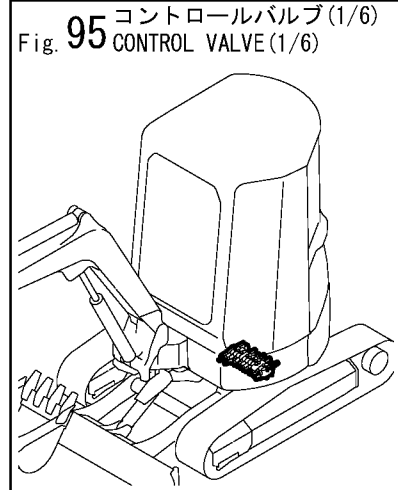
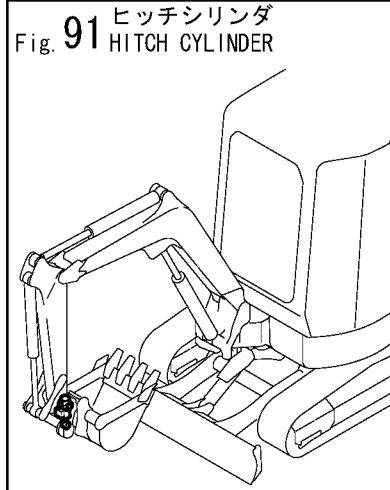
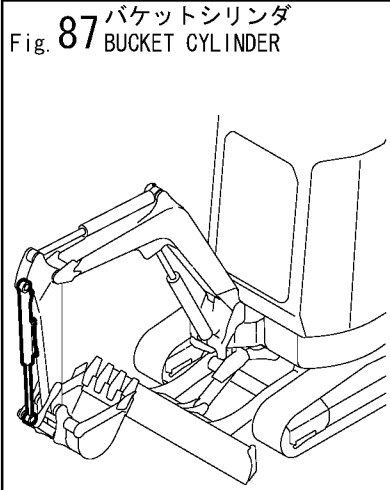
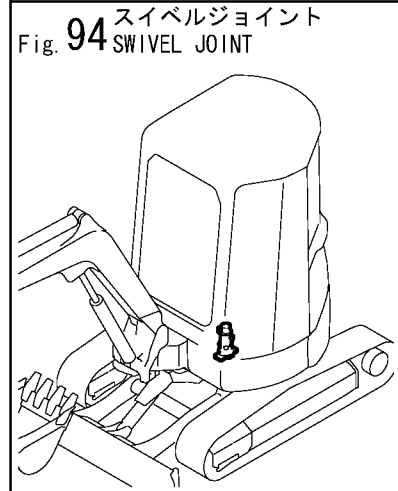
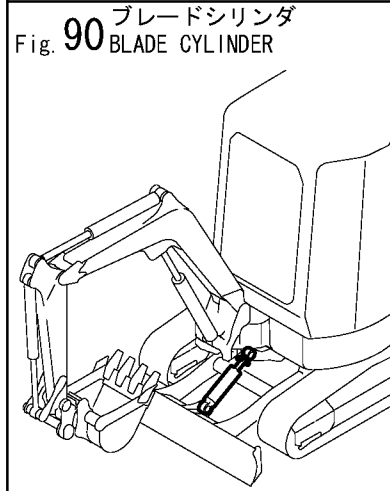
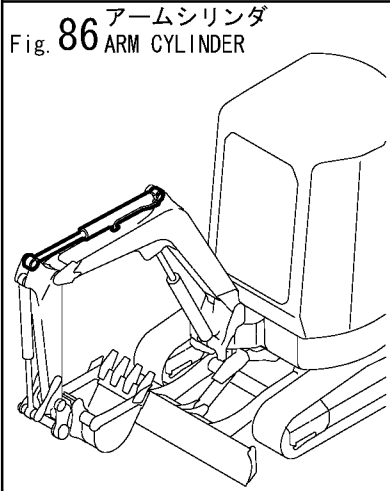
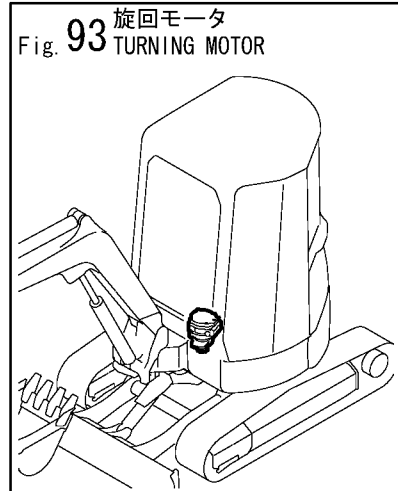
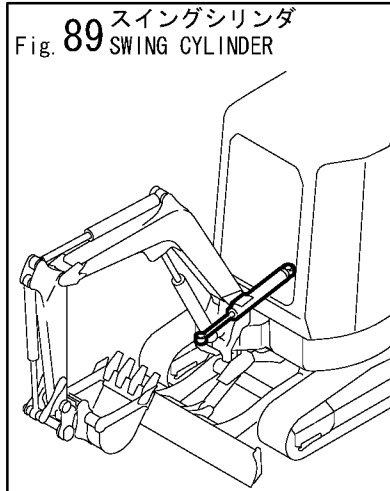
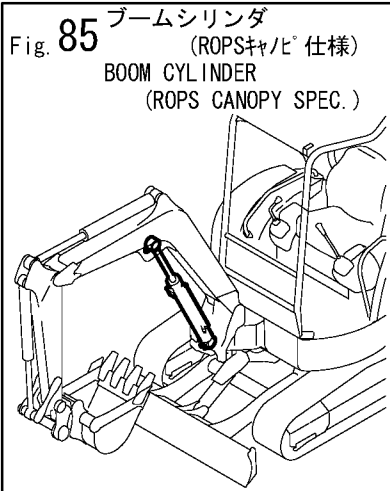
絵目次 (3) 項目別
PICTURESQUE INDEX (3) . . . FIGURE



絵目次 (3) 項目別
PICTURESQUE INDEX (3) . . . FIGURE



絵目次 (3) 項目別
PICTURESQUE INDEX (3) . . . FIGURE



絵目次 (3) 項目別
PICTURESQUE INDEX (3) . . . FIGURE

Fig. 97 コントロールバルブ (3/6)
CONTROL VALVE (3/6)

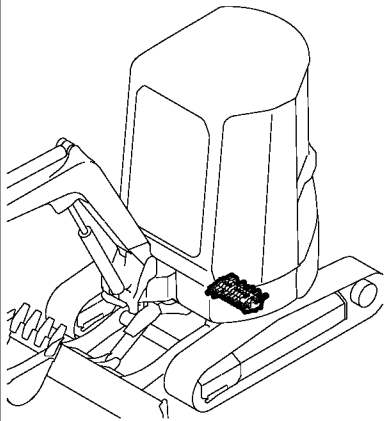


Fig. 98 コントロールバルブ (4/6)
CONTROL VALVE (4/6)

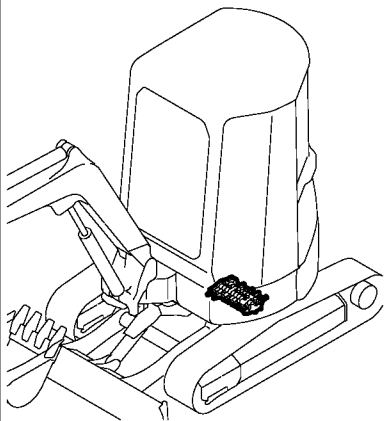


Fig. 99 コントロールバルブ (5/6)
CONTROL VALVE (5/6)

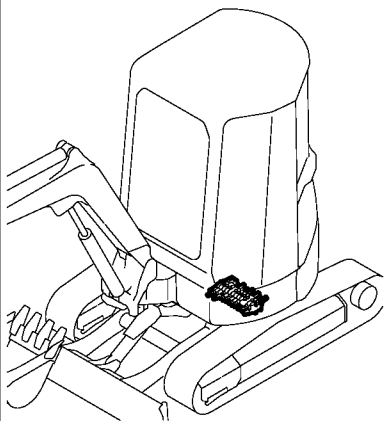


Fig. 100 コントロールバルブ (6/6)
CONTROL VALVE (6/6)

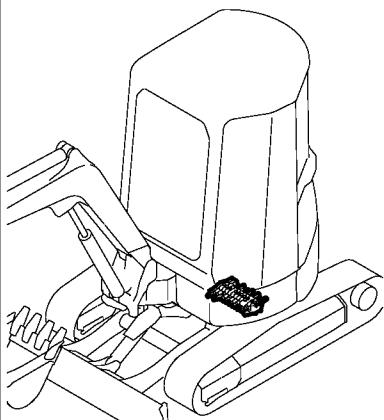


Fig. 101 リモコンバルブ (標準)
REMOTE CONTROL VALVE
(STANDARD)

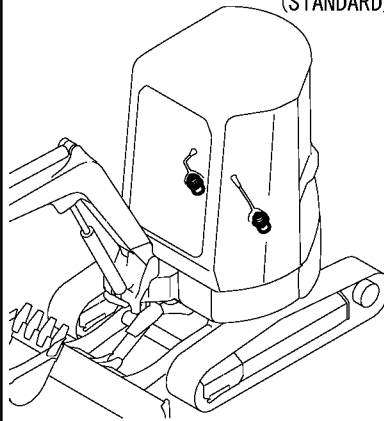


Fig. 102 リモコンバルブ
(2ウェイ仕様)
REMOTE CONTROL VALVE
(2-WAY SPEC.)

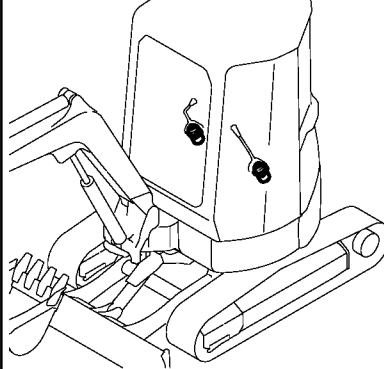


Fig. 103 ロータリーバルブ
(4ウェイ仕様)
ROTARY VALVE
(4-WAY SPEC.)

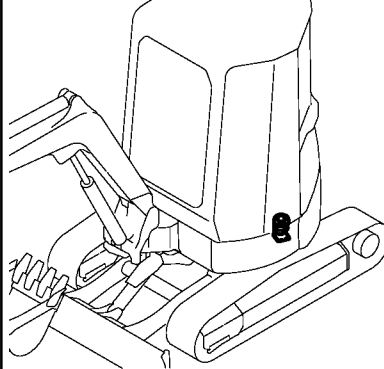


Fig. 104 作動油タンク (旧形)
HYD. OIL TANK (PREVIOUS)

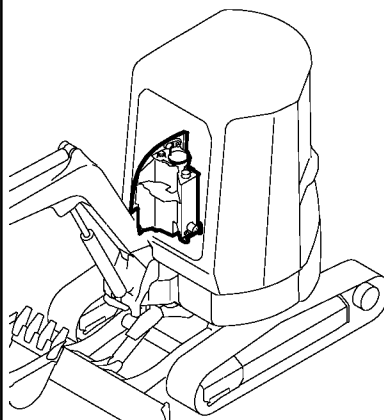


Fig. 105 作動油タンク (新形)
HYD. OIL TANK (NEW)

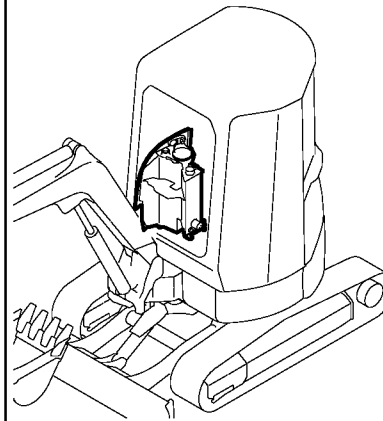


Fig. 106 作動油タンク (エアコン仕様)
HYD. OIL TANK (A/C SPEC.)

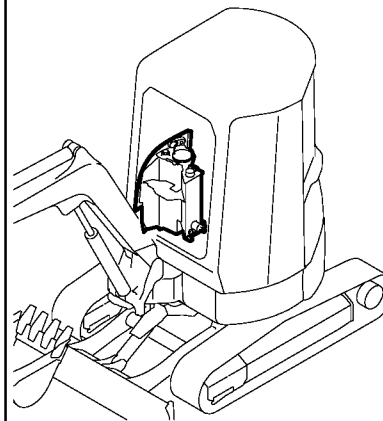


Fig. 107 油圧配管
(タンク～ポンプ～バルブ)
HYD. OIL PIPING
(TANK～PUMP～VALVE)

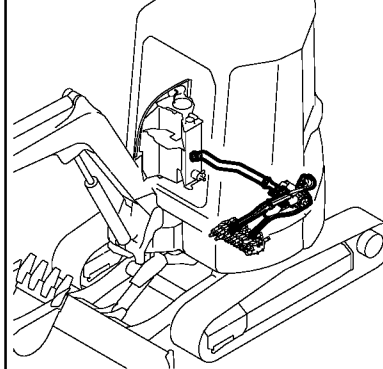
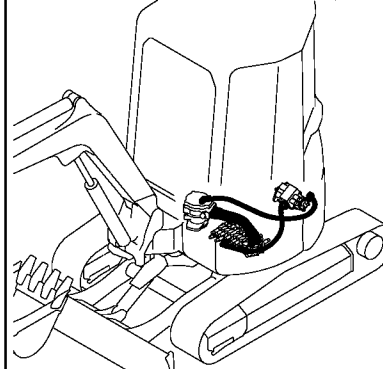
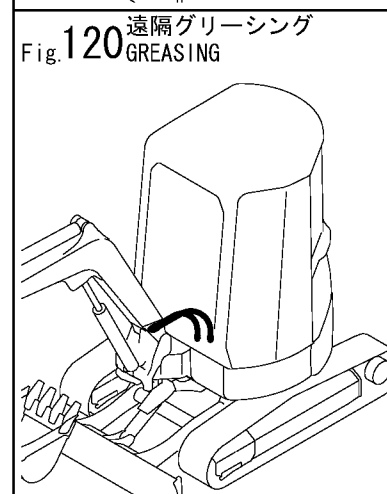
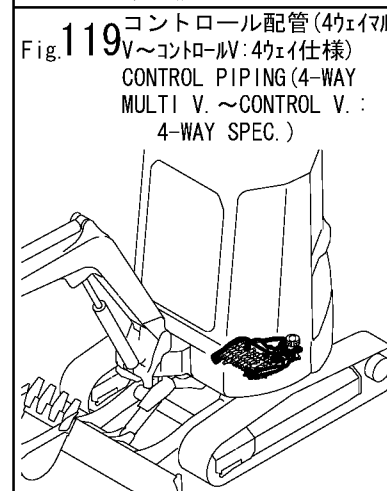
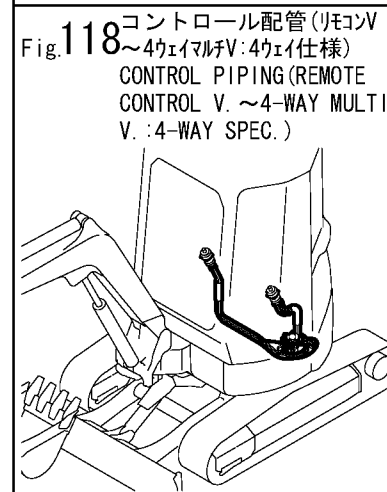
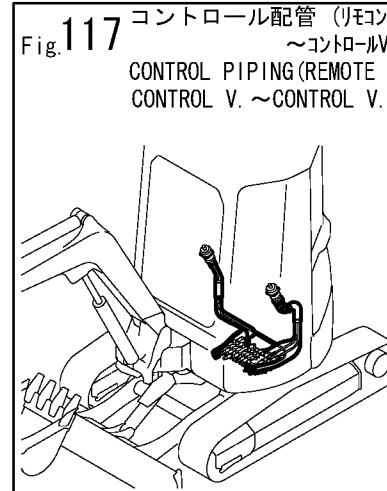
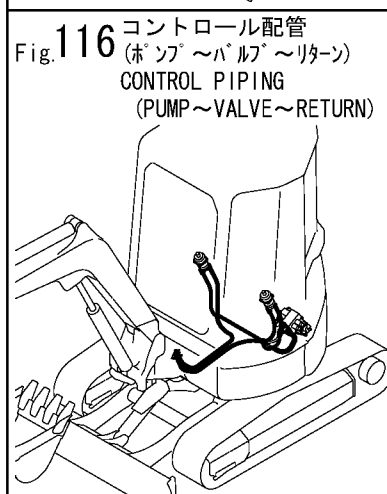
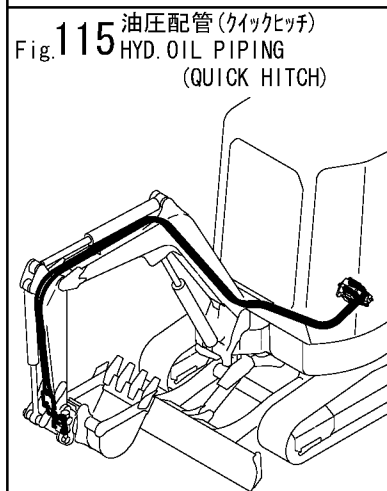
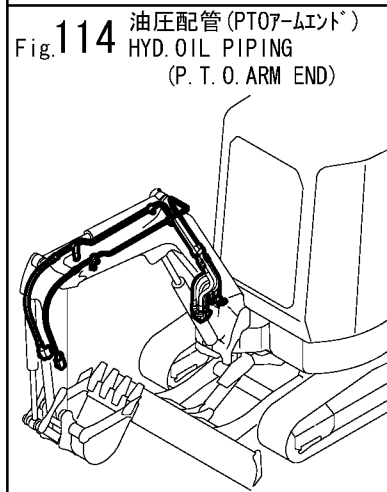
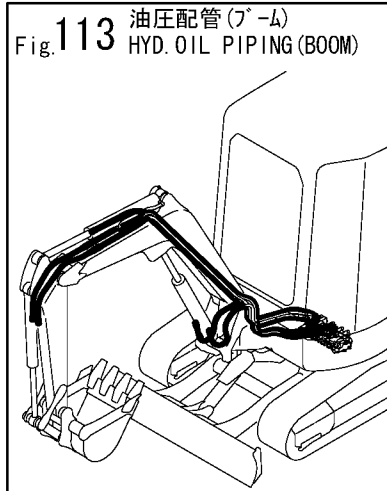
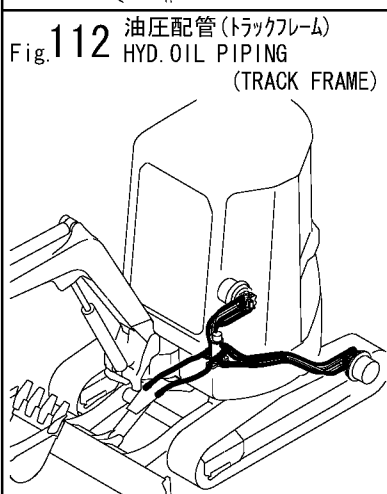
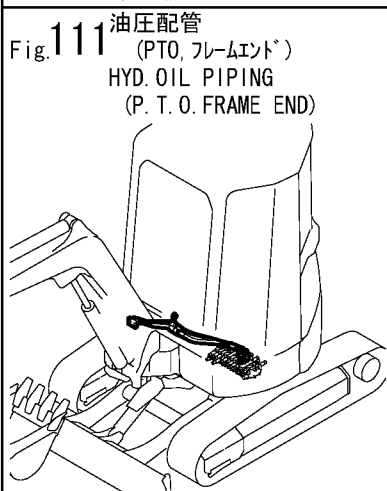
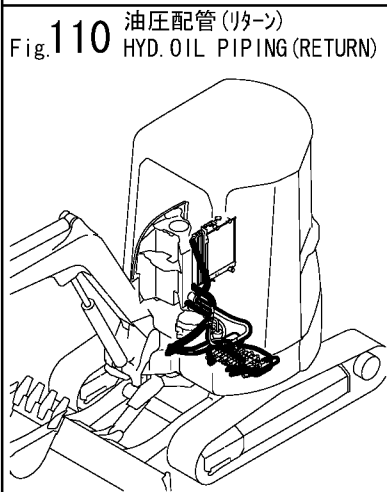
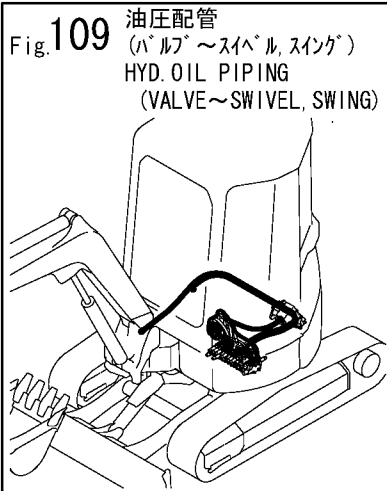


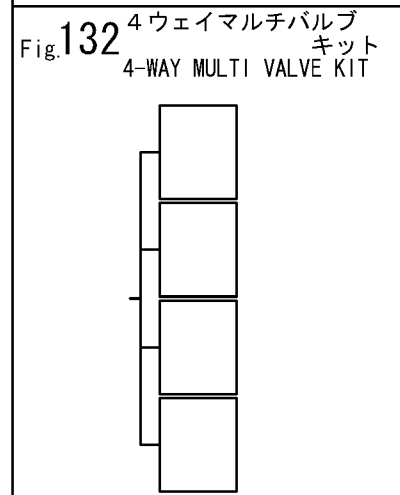
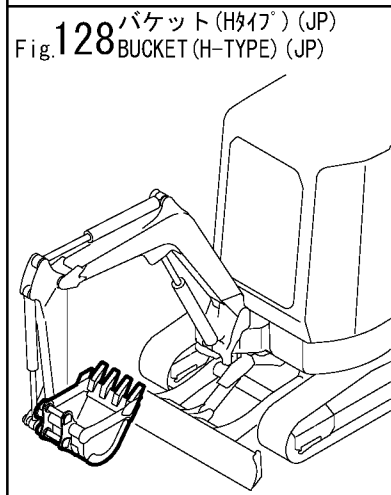
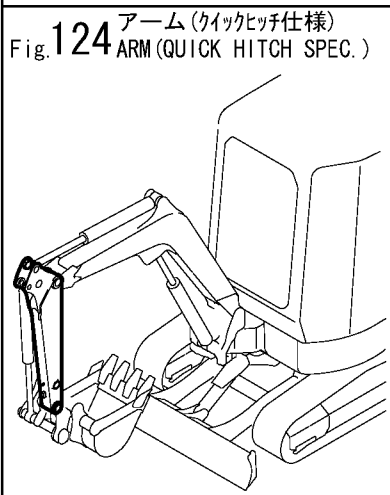
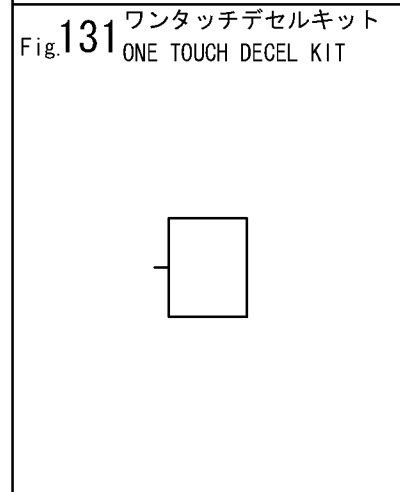
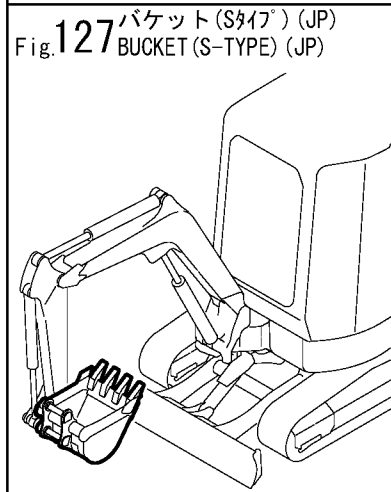
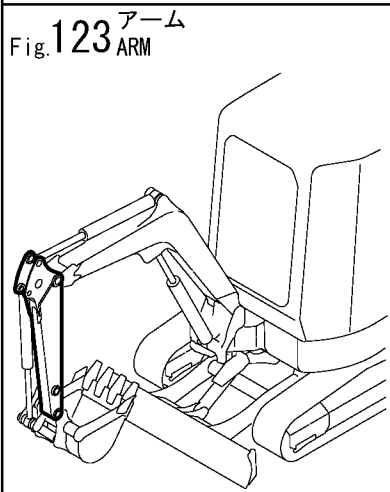
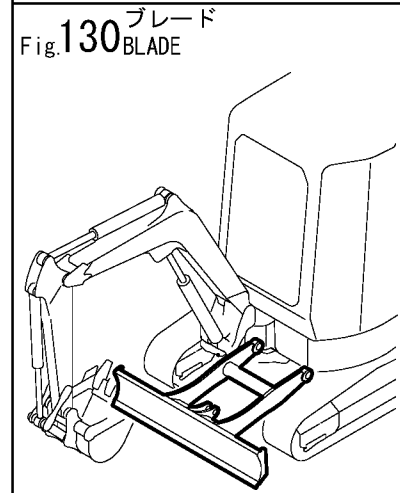
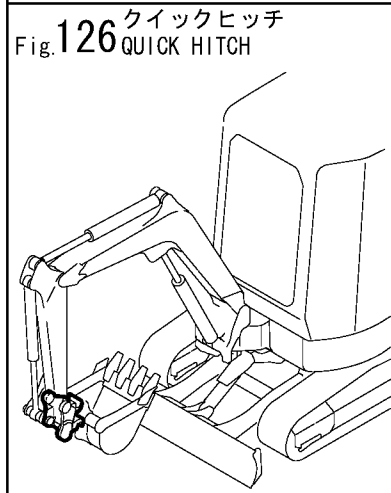
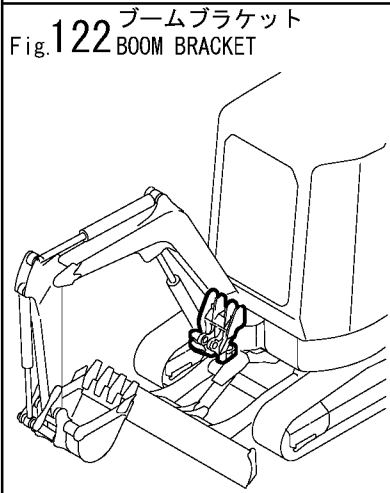
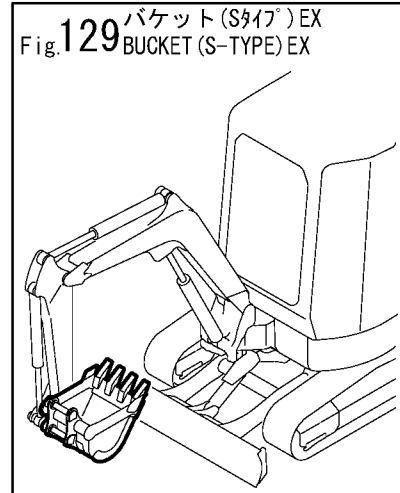
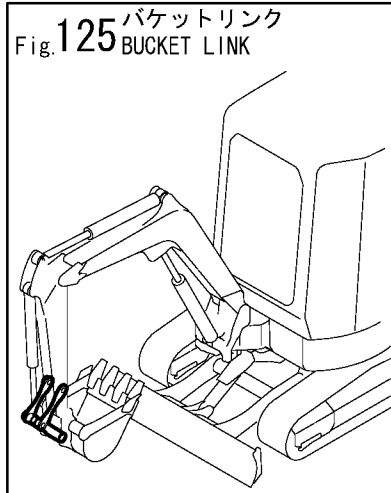
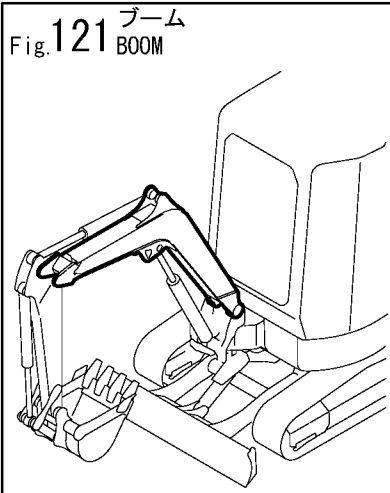
Fig. 108 油圧配管
(ポンプ、バルブ～旋回モータ)
HYD. OIL PIPING (PUMP,
VALVE～TURNING MOTOR)



絵目次 (3) 項目別 PICTURESQUE INDEX (3) . . . FIGURE



絵目次 (3) 項目別
PICTURESQUE INDEX (3) . . . FIGURE



絵目次 (3) 項目別
PICTURESQUE INDEX (3) . . . FIGURE

Fig.133 2ウェイマルチバルブ
キット
2-WAY MULTI VALVE KIT

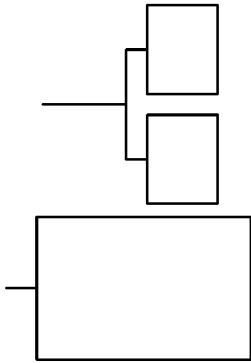


Fig.134 C&Dパターンキット
C&D PATTERN KIT

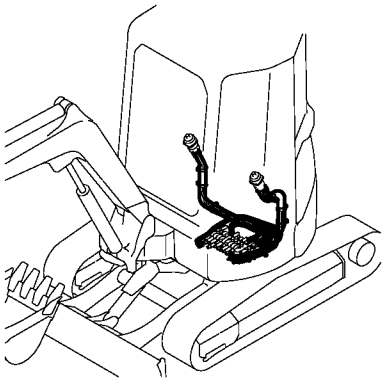


Fig.137 ラジオキット
RADIO KIT

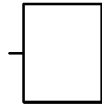


Fig.138 ヒータキット (キャノピー仕様)
HEATER KIT (CANOPY SPEC.)

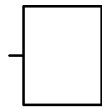


Fig.135 PTOキット
(アームエンド仕様)
P. T. O. KIT (ARM END SPEC.)

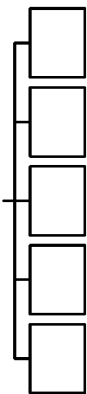
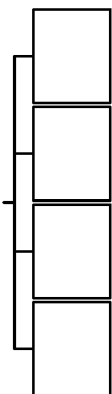
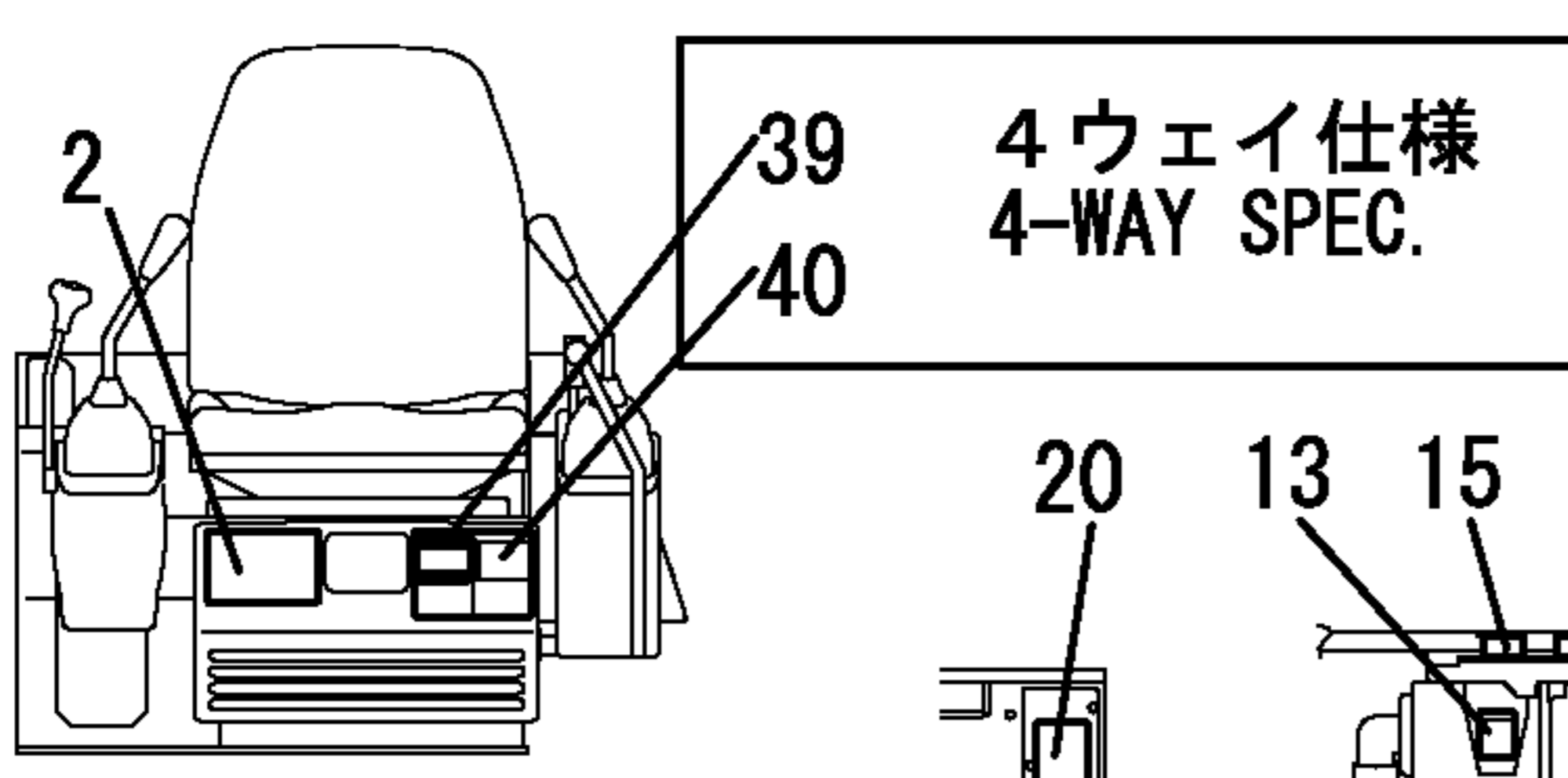
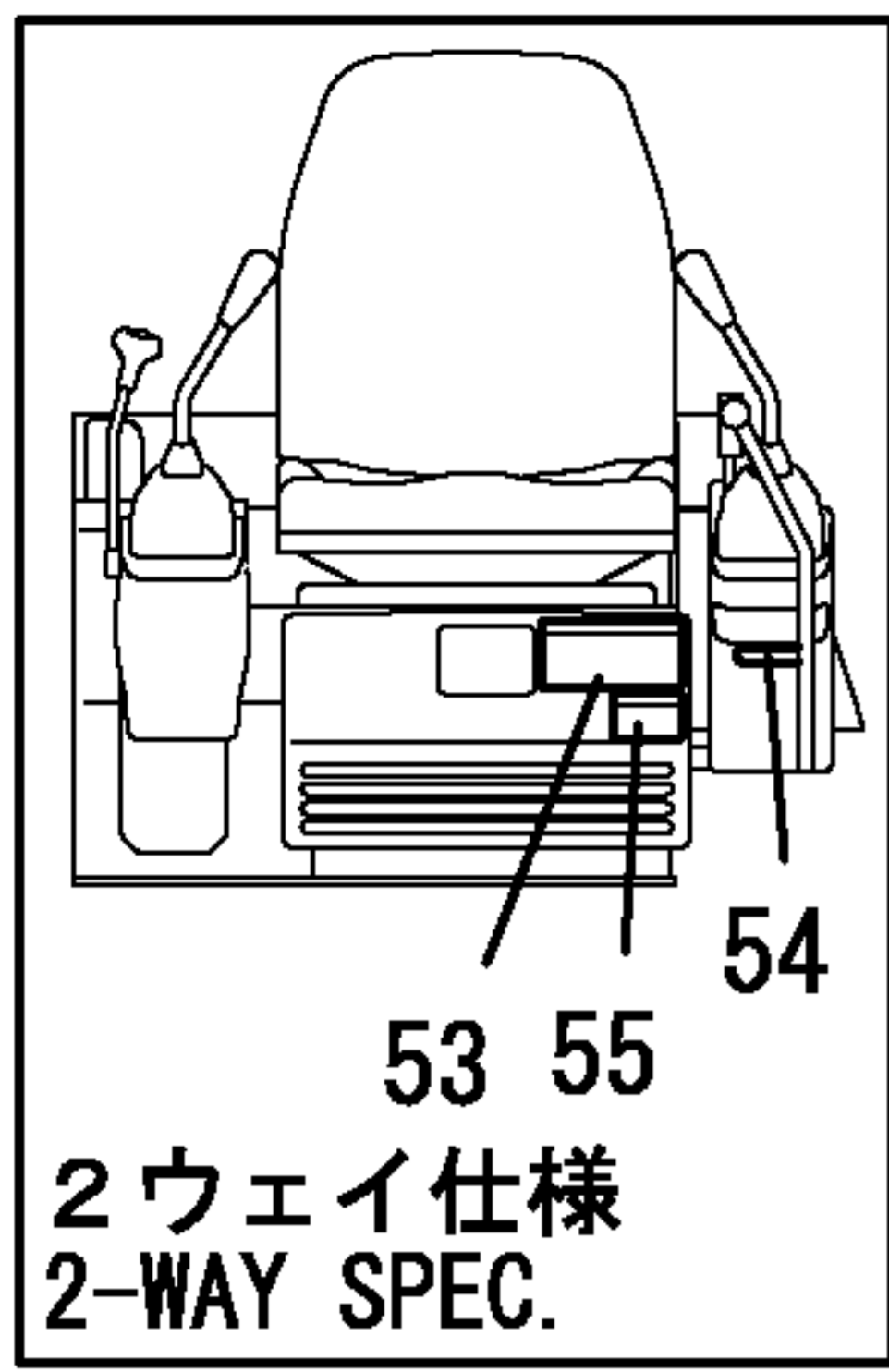


Fig.136 PTOキット
(フレームエンド仕様)
P. T. O. KIT (FRAME END
SPEC.)



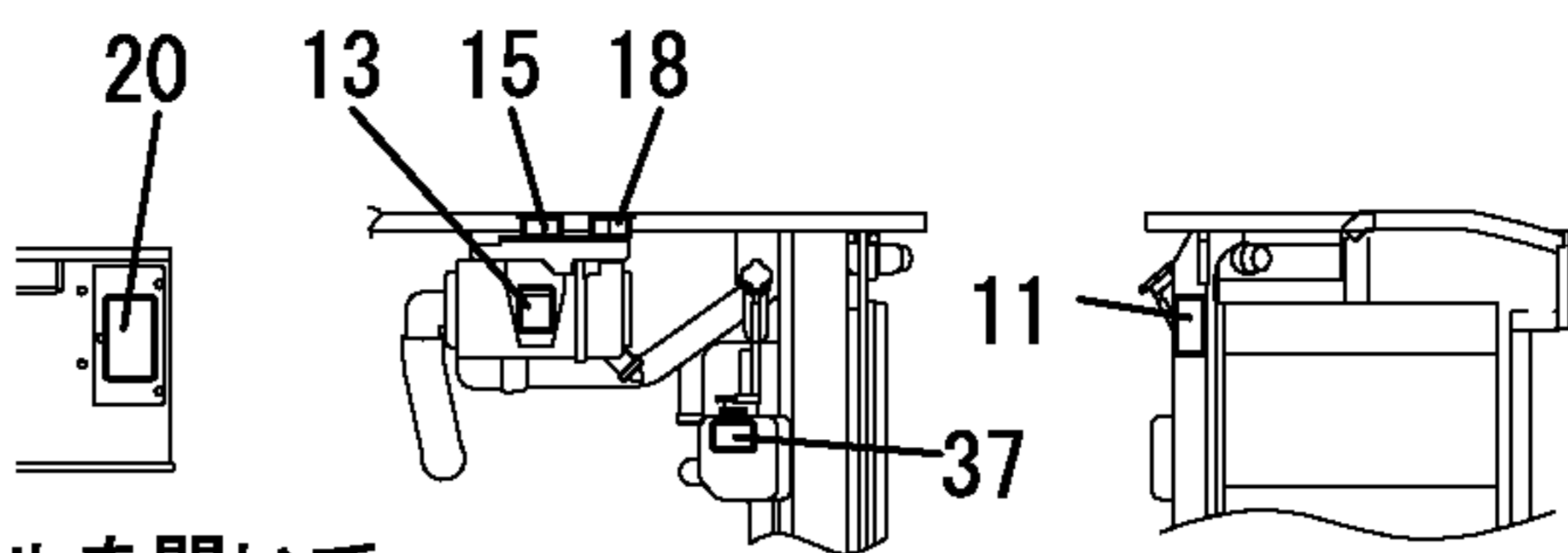
1,1,,772458-03120,, "LAVEL SET,VIO30-2(C)",1,,,,,,,,,,,,,
1-1,1,,772458-03121,, "LAVEL SET,VIO30-2(C)",1,,,,,,N,,72458331,M/#20655,,,,,,,,,,
2,2,,172458-03110,, "LABEL,SPECIFICATION",1,,,,,,,,,,,,,
2-1,2,,172458-03111,, LABEL,1,,,,,,N,,72457041,M/#22644,,,,,,,,,,I
3,2,,172458-03120,, "LABEL,OIL & WATER",1,,,,,,,,,,,,,
4,2,,172157-03130,, "LABEL, GREASE",1,,,,,,,,,,,,,
5,2,,172458-03130,, "LABEL,GREASE FEED",1,,,,,,,,,,,,,
6,2,,172458-03150,, "LABEL,MODEL",2,,,,,,,,,,,,,
7,2,,172458-03160,, "LABEL, REAR",1,,,,,,,,,,,,,
8,2,,172444-03170,, LABEL,1,,,,,,,,,,,,,
9,2,,172444-03180,, LABEL,2,,,,,,,,,,,,,
10,2,,172458-03180,, "LABEL,LIFT POSITION",1,,,,,,,,,,,,,
10-1,2,,172458-03181,, "LABEL, LIFTING",1,,,,,,N,,72458417,M/#21010,,,,,,,,,,
11,2,,172444-03190,, LABEL,1,,,,,,,,,,,,,
12,2,,172458-03190,, "LABEL,OILING",1,,,,,,,,,,,,,
13,2,,172141-03202,, "LABEL,CAUTION",1,,,,,,,,,,,,,
14,2,,172450-03200,, "LABEL,BATTERY",1,,,,,,,,,,,,,
15,2,,172458-03200,, "LABEL,FAN",1,,,,,,,,,,,,,
16,2,,172147-03210,, "LABEL,2 SPEED",1,,,,,,Z,,24600328,M/#25501,,,,,,,,,,I
17,2,,172444-03210,, LABEL,1,,,,,,,,,,,,,
18,2,,172458-03210,, "LABEL,BELT",1,,,,,,,,,,,,,
19,2,,172458-03220,, "LABEL,ACCELERATOR",1,,,,,,,,,,,,,
20,2,,172458-03230,, "LABEL,FUSE",1,,,,,,,,,,,,,
20-1,2,,172458-03231,, "LABEL, HUSE",1,,,,,,N,,72458509,M/#22628,,,,,,,,,,I
21,2,,172444-03240,, LABEL,1,,,,,,,,,,,,,
22,2,,172183-03250,, "LABEL,FUEL",1,,,,,,,,,,,,,
23,2,,172171-03261,, "LABEL,BOOM",1,,,,,,,,,,,,,
24,2,,172444-03280,, LABEL,2,,,,,,,,,,,,,
25,2,,172142-03302,, "LABEL,CAUTION",1,,,,,,,,,,,,,
26,2,,172455-03340,, LABEL,1,,,,,,,,,,,,,
27,2,,172141-03360,, "LABEL, START SWITCH",1,,,,,,,,,,,,,
28,2,,172964-03370,, LABEL,1,,,,,,,,,,,,,
29,2,,172964-03481,, "LABEL,DANGER",1,,,,,,,,,,,,,
32,2,,172164-03510,, "LABEL,LOADING",1,,,,,,,,,,,,,
33,2,,172437-03510,, "LABEL,HOOK",3,,,,,,,,,,,,,
34,2,,172164-03540,, LABEL,1,,,,,,,,,,,,,
35,2,,172519-04180,, "LABEL,WARNING",1,,,,,,,,,,,,,
36,2,,172519-04290,, "LABEL,WARNING",1,,,,,,,,,,,,,
37,2,,121470-44540,, "LABEL, SUB-TANK",1,,,,,,,,,,,,,
38,2,,172183-03280,, "LABEL,LOCK",1,,,,,,,,,,,,,
39,2,,172444-03290,, MAGNET,1,,,,,,1,,,,,,,,,,,,,
40,2,,172151-03551,, LABEL,1,,,,,,1,,,,,,,,,,,,,
41,2,,172445-03180,, LABEL,3,,,,,,,,,,,,,
42,2,,172458-03260,, LABEL,1,,,,,,,,,,,,,
43,2,,172445-03220,, LABEL,1,,,,,,,,,,,,,
44,2,,172445-03230,, LABEL,1,,,,,,,,,,,,,
45,2,,172455-03520,, LABEL,1,,,,,,,,,,,,,
46,2,,172151-03540,, "LABEL,PATTERN A",1,,,,,,M,,,,,,,,,,,,,
46-1,2,,172165-03460,, "LABEL, PATERN A",1,,,,,,,,,,,,,
46-2,2,,172496-03200,, "LABEL, OPERATION",1,,,,,,N,,24600328,M/#25501,,,,,,,,,,I
47,2,,172165-03240,, LABEL,1,,,,,,2,,,,,,,,,,,,,
48,2,,172173-03250,, LABEL,1,,,,,,W,1,72456158,M/#20501,,,,,,,,,,
49,2,,172458-03280,, LABEL,1,,,,,,W,,72458344,M/#20501,,,,,,,,,,
50,2,,172455-03320,, LABEL,1,,,,,,W,,72458321,M/#20501,,,,,,,,,,
51,2,,172458-03240,, "LABEL,LOCK",1,,,,,,W,3,72458352,M/#20655,,,,,,,,,,
52,2,,172458-03270,, LABEL,1,,,,,,W,3,72458331,M/#20655,,,,,,,,,,
52-1,2,,172496-03210,, "LABEL, P.T.O.",1,,,,,,S,,24600328,M/#25501,,,,,,,,,,I
53,2,,172458-03550,, LABEL,1,,,,,,W,4,72458340,M/#20745,,,,,,,,,,
54,2,,172458-03560,, LABEL,1,,,,,,W,4,72458340,M/#20745,,,,,,,,,,
55,2,,172458-03570,, LABEL,1,,,,,,W,4,72458340,M/#20745,,,,,,,,,,
56,1,,172458-03900,, "LABEL (FRON GAS",1,,,,,,W,,72458488,M/#22451,,,,,,,,,,I

見出しNo. 1は
見出しNo. 2から55を含みます。
1 INC. 2~55.

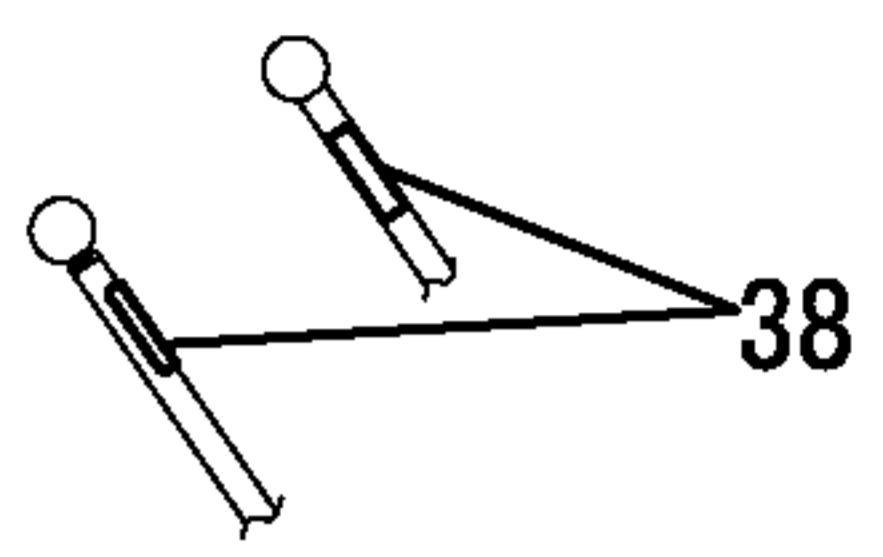


(A) カラ見ル
VIEWED FROM (A)

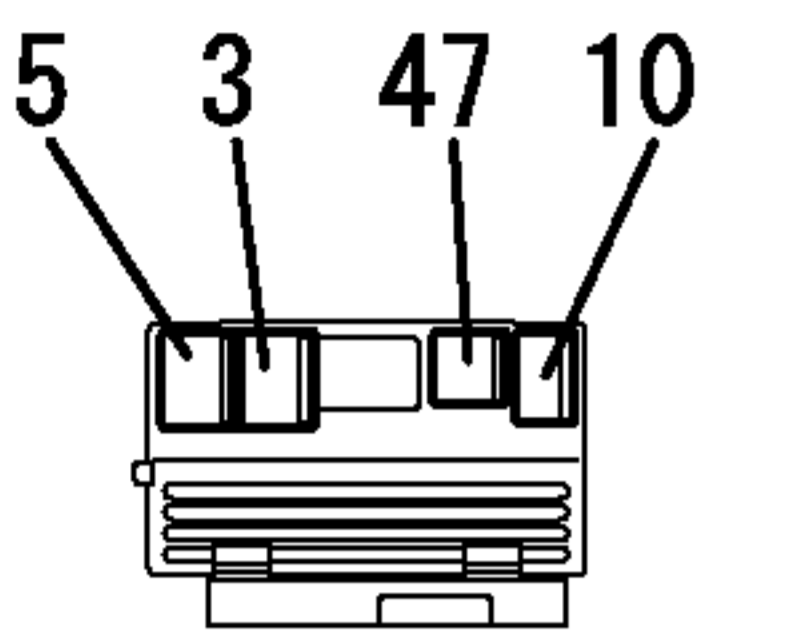
グリルを開いて
OPEN THE GRILLE



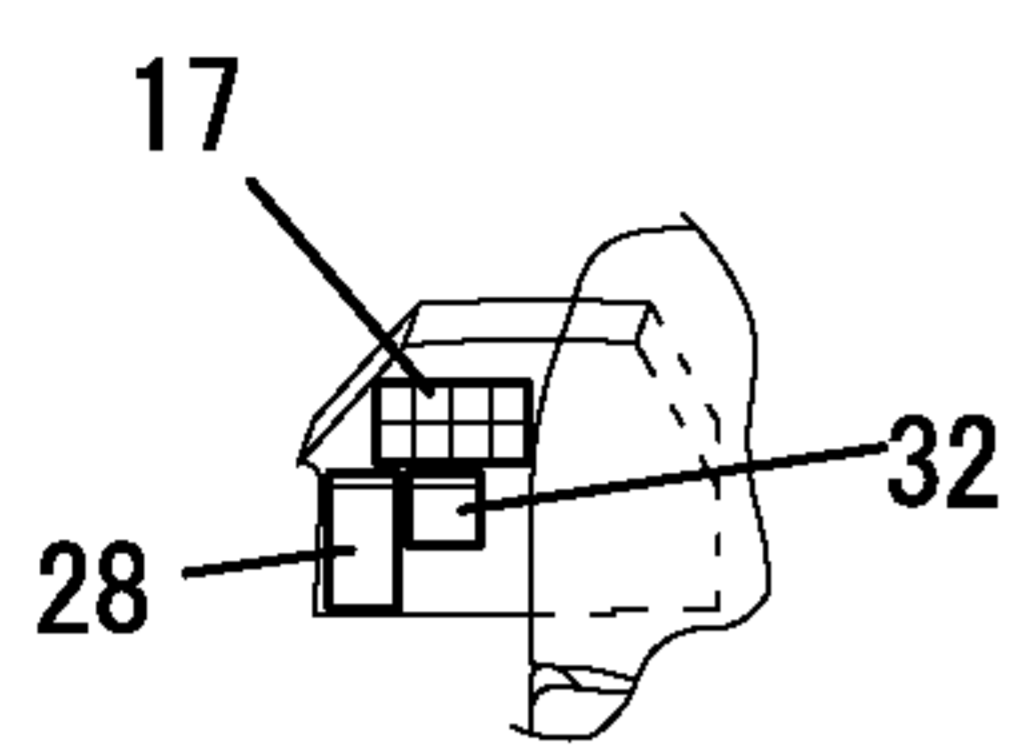
ボンネット内部詳細
DETAILS OF
BONNET INSIDE



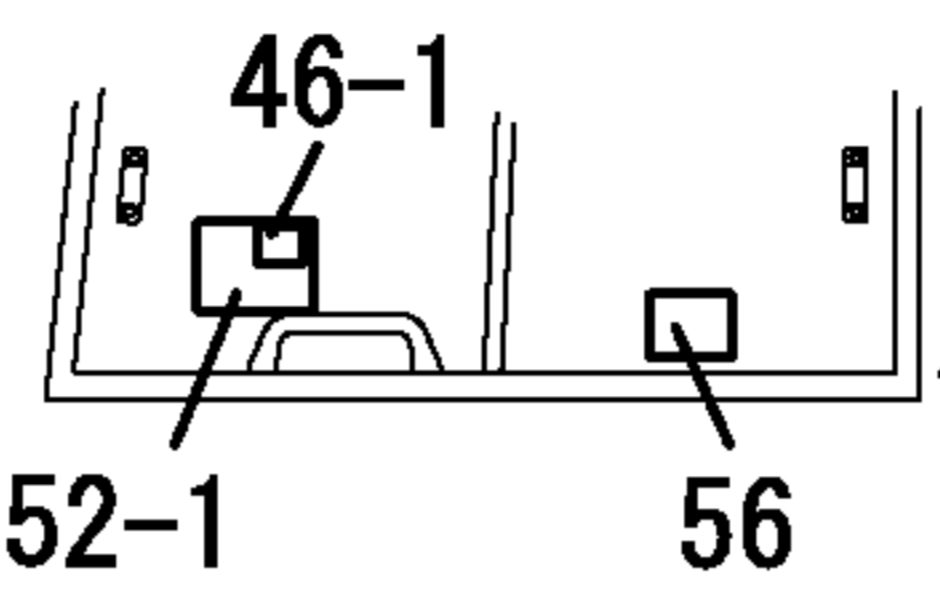
左レバー詳細
DETAILS OF
LEFT LEVER



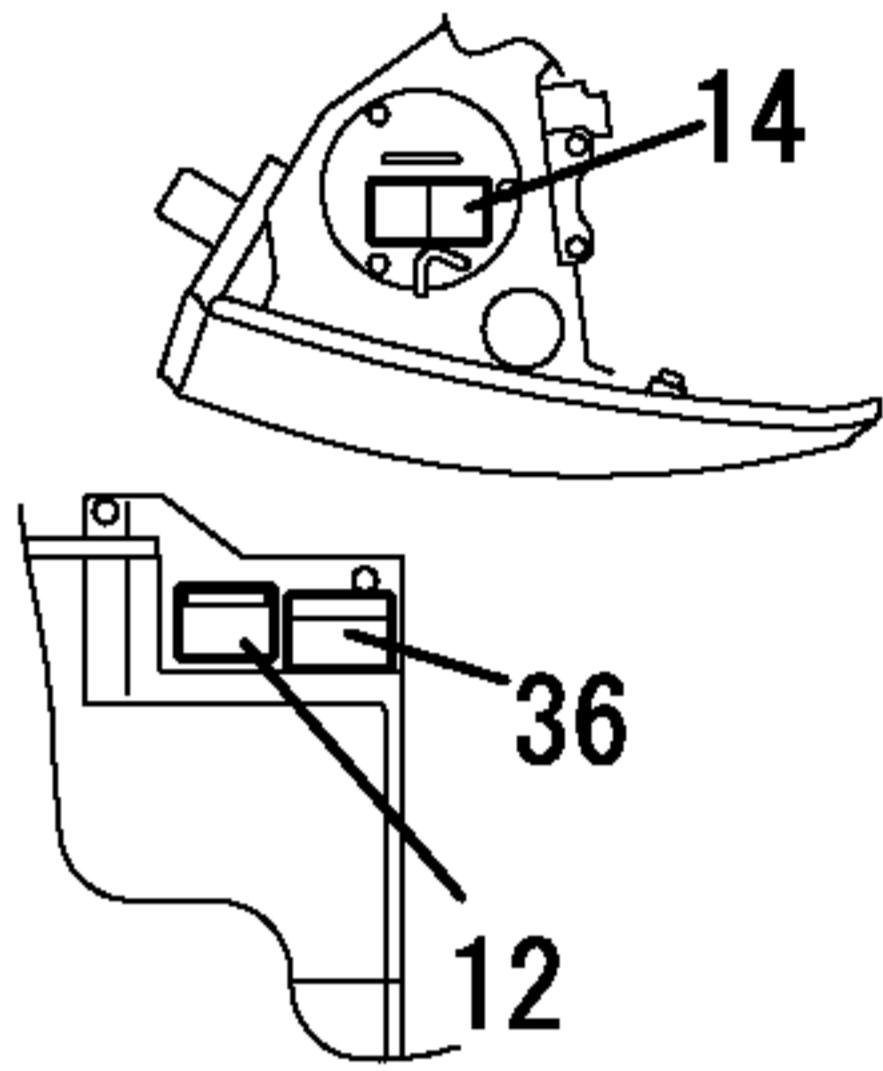
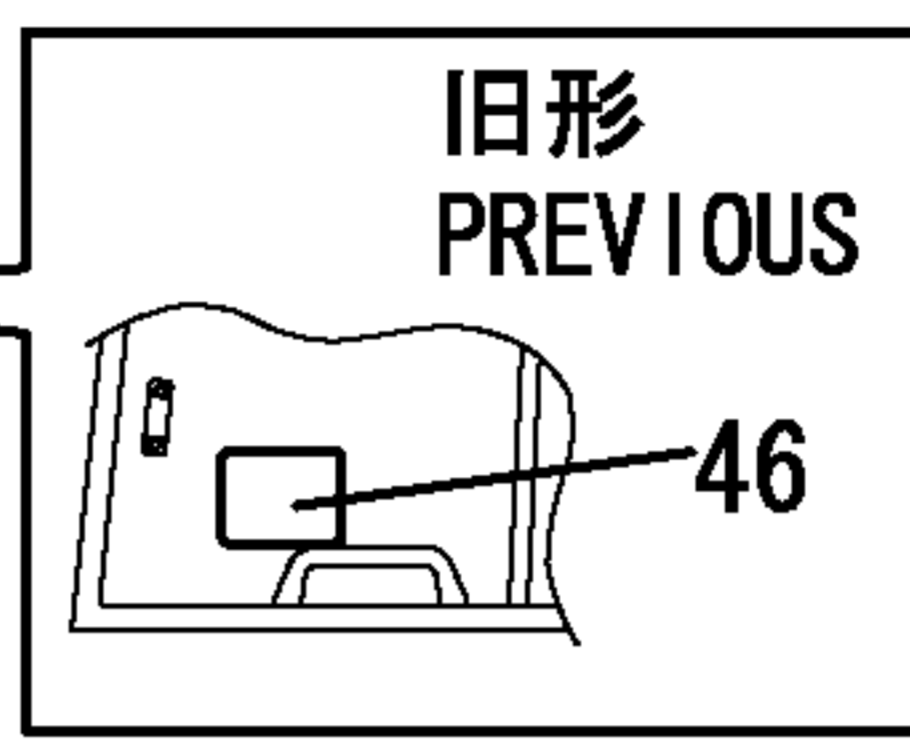
グリル内側詳細
DETAILS OF
GRILLE INSIDE



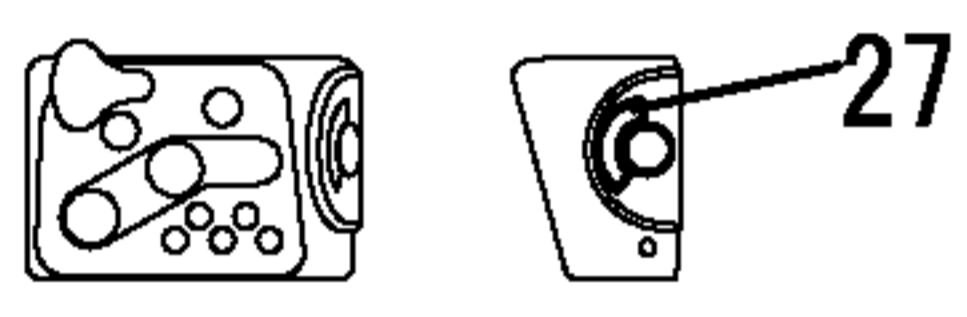
(B) カラ見ル
VIEWED FROM (B)



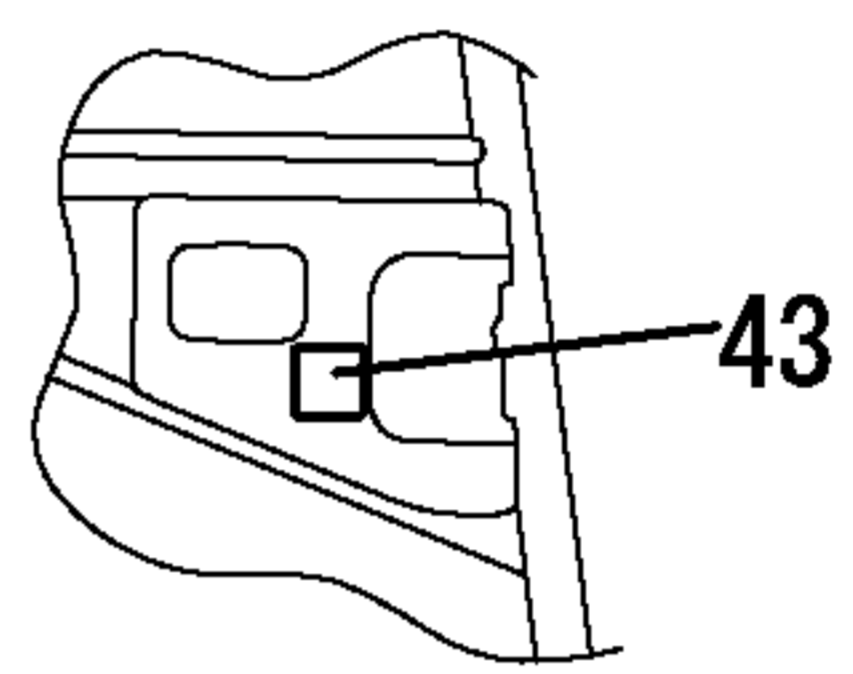
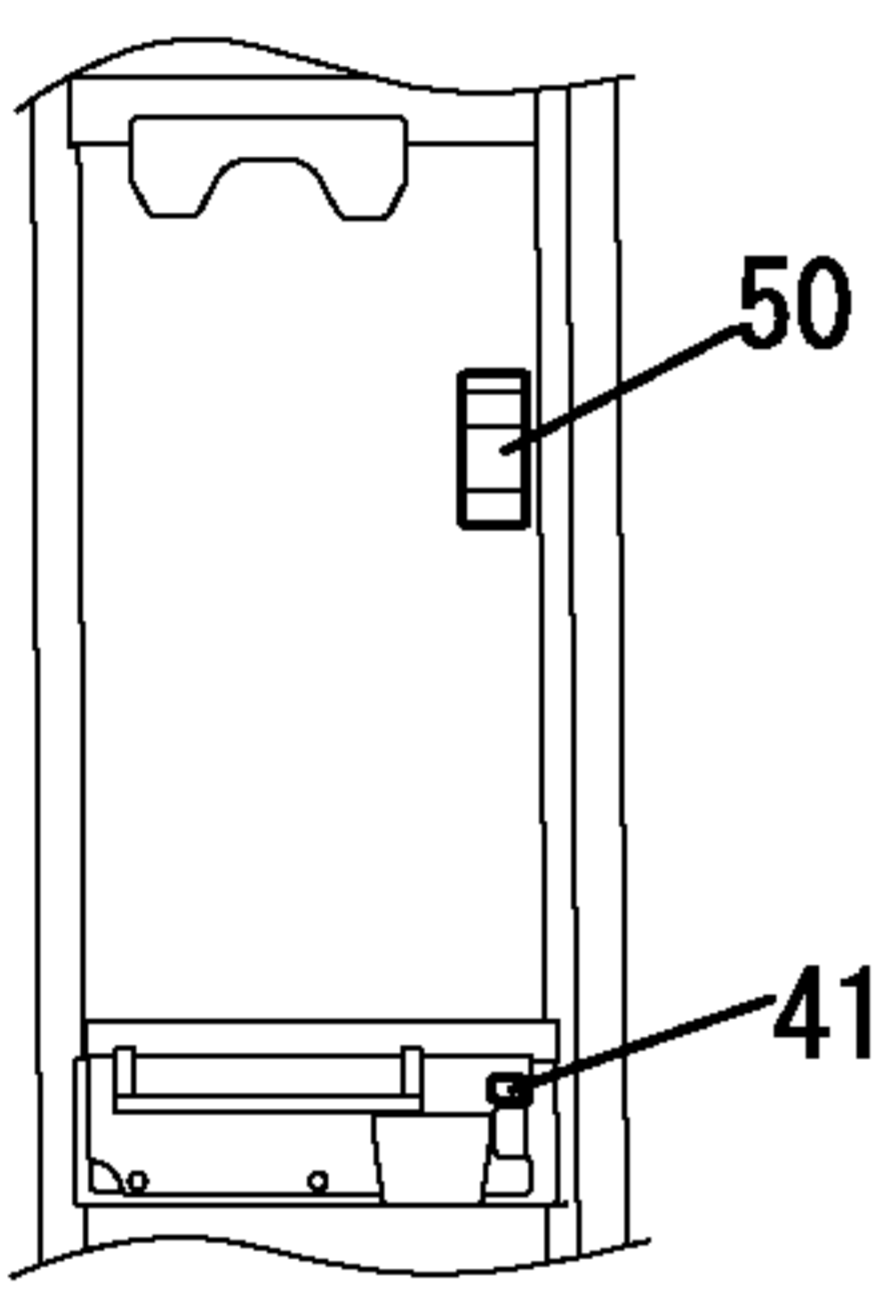
(C) カラ見ル
VIEWED FROM (C)



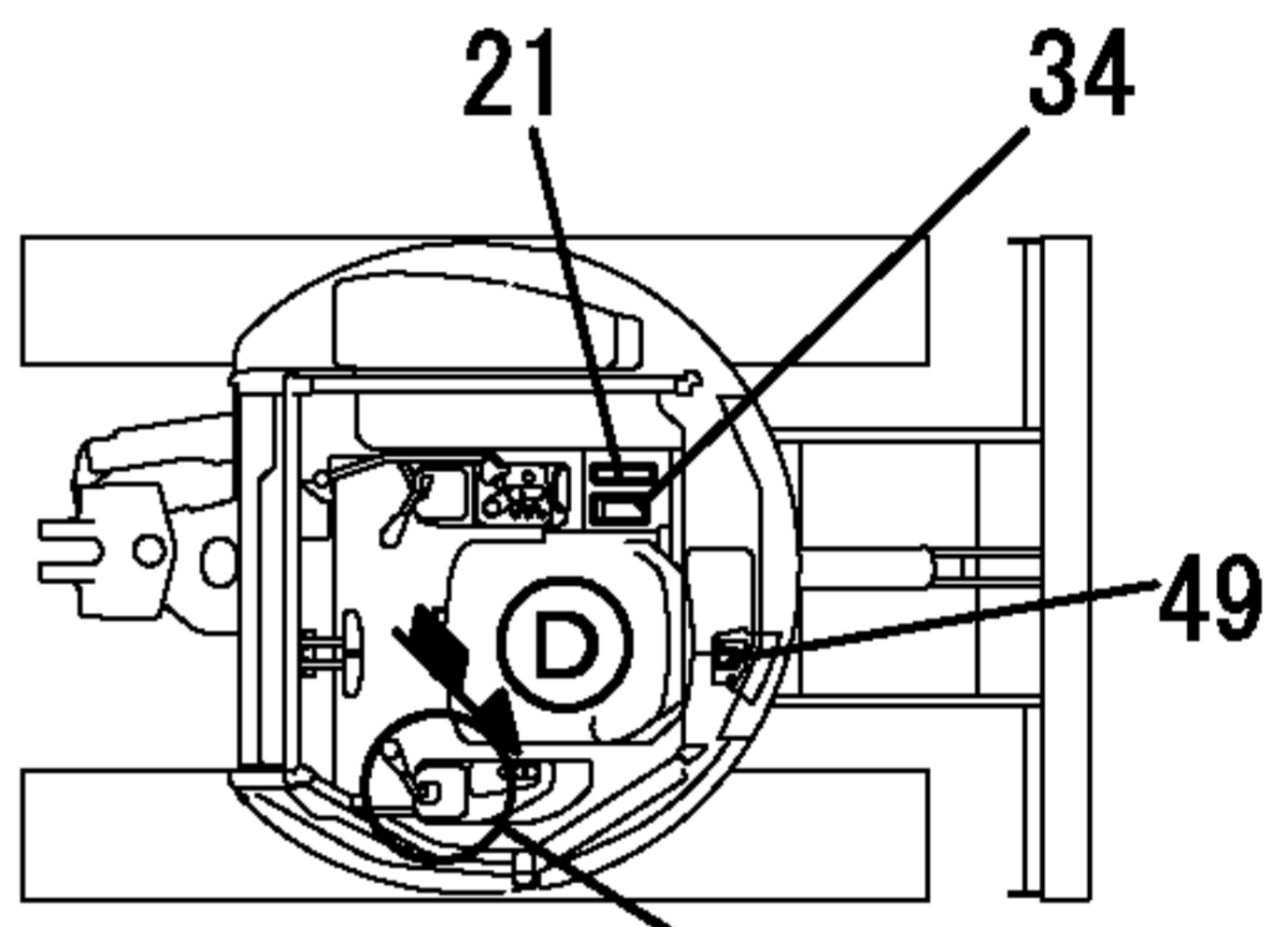
ボンネット内部詳細
DETAILS OF
BONNET INSIDE



パネルR部詳細
DETAILS OF
PANEL R

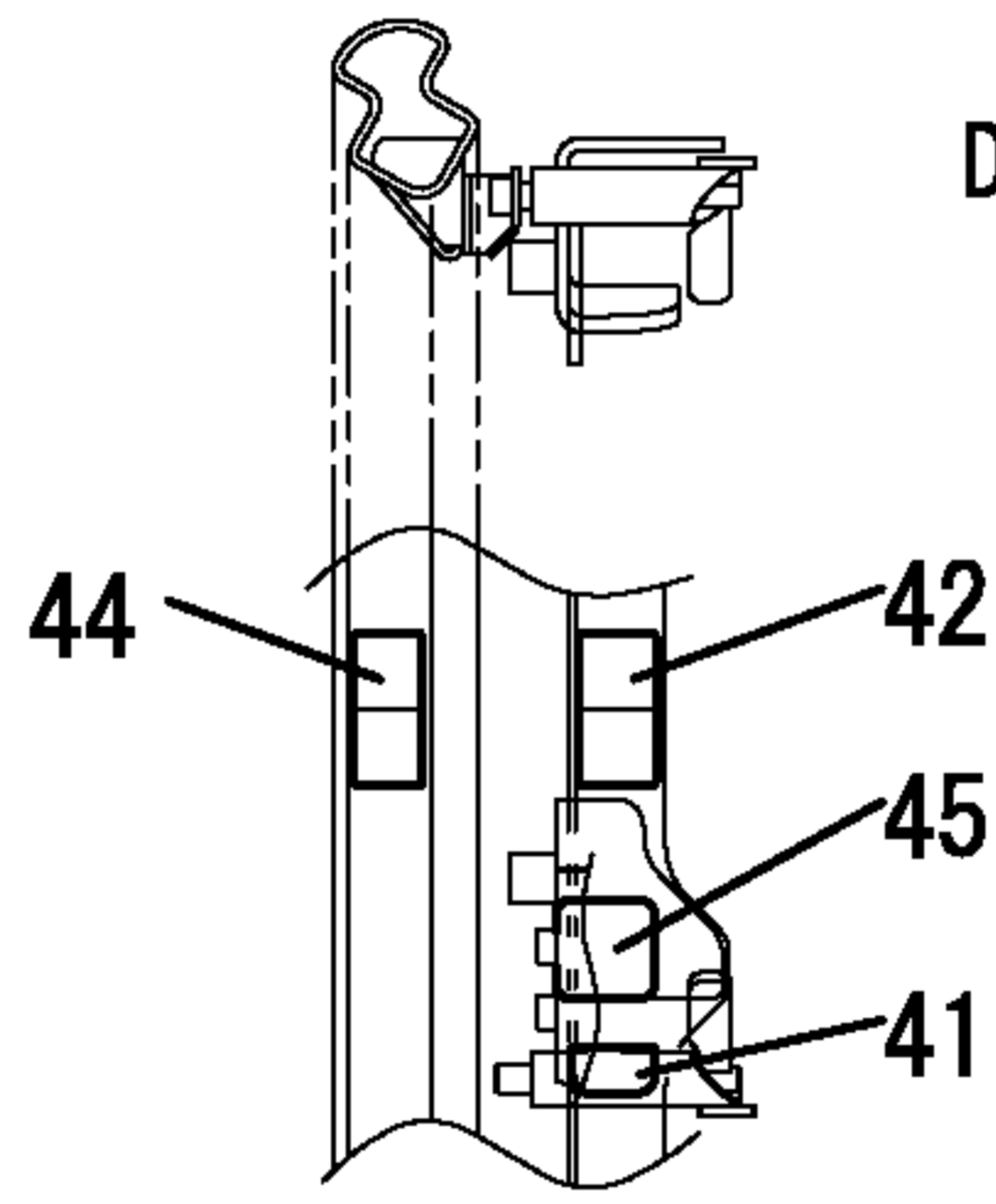


ドア内部詳細
DETAILS OF
DOOR INSIDE

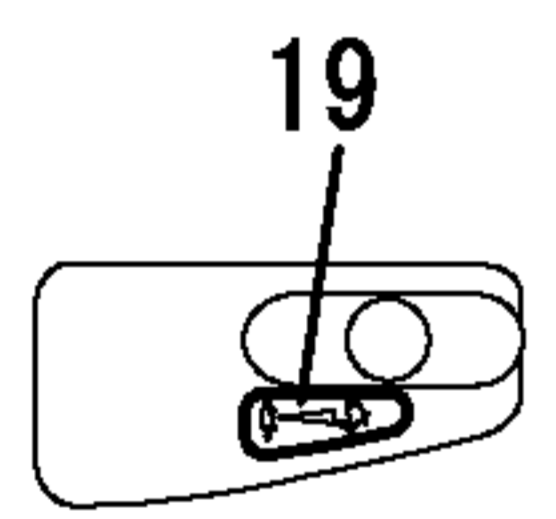
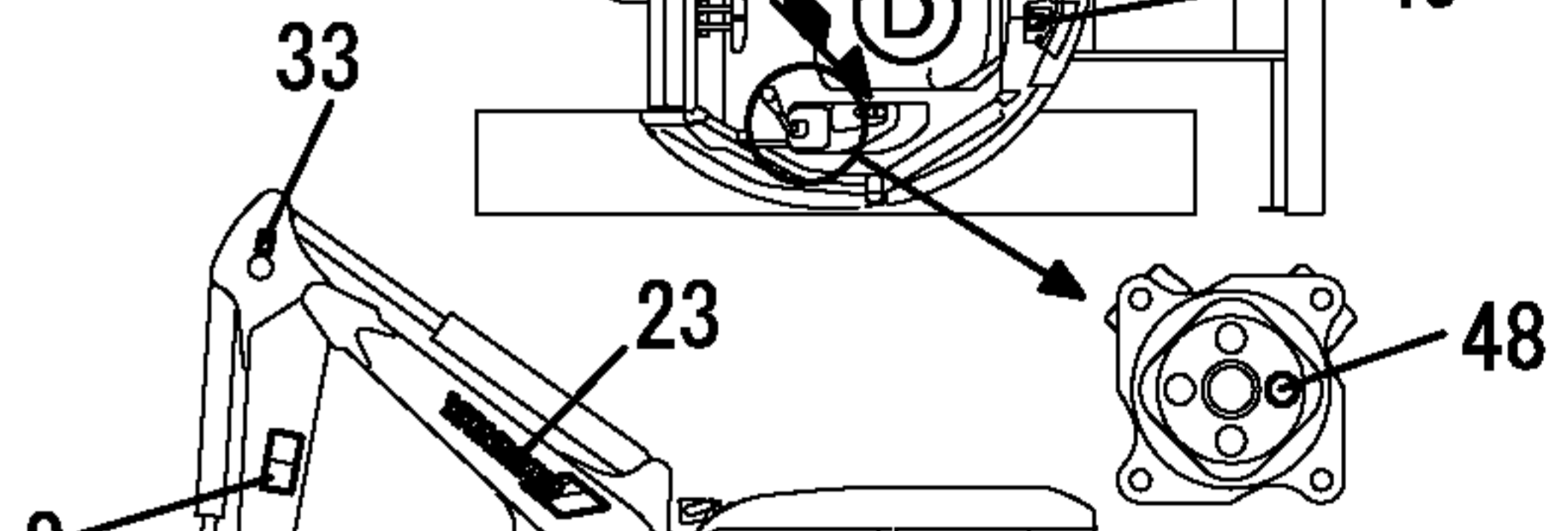


P.T.O.ペダル詳細
DETAILS OF
P. T. O. PEDAL

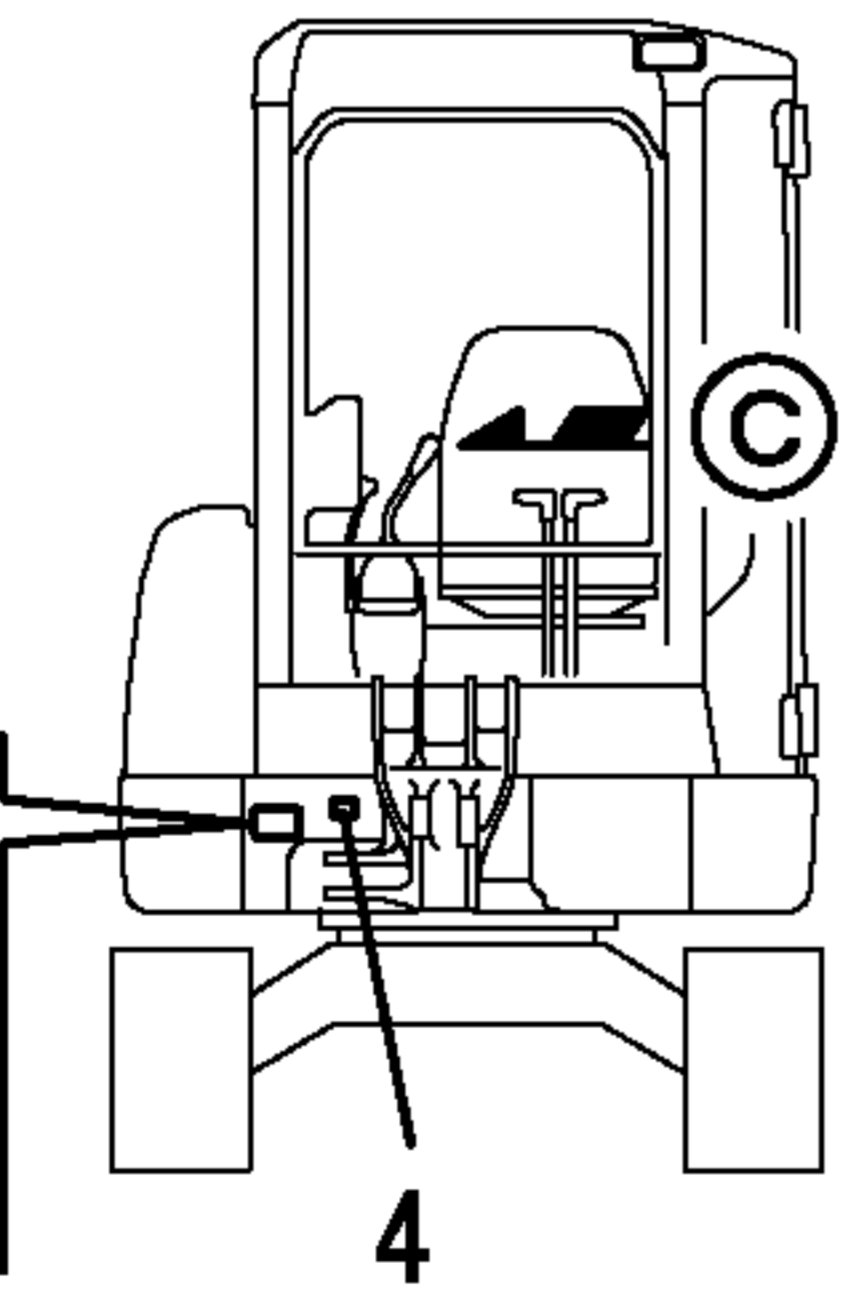
(D) カラ見ル
VIEWED FROM (D)



(E) カラ見ル
VIEWED FROM (E)

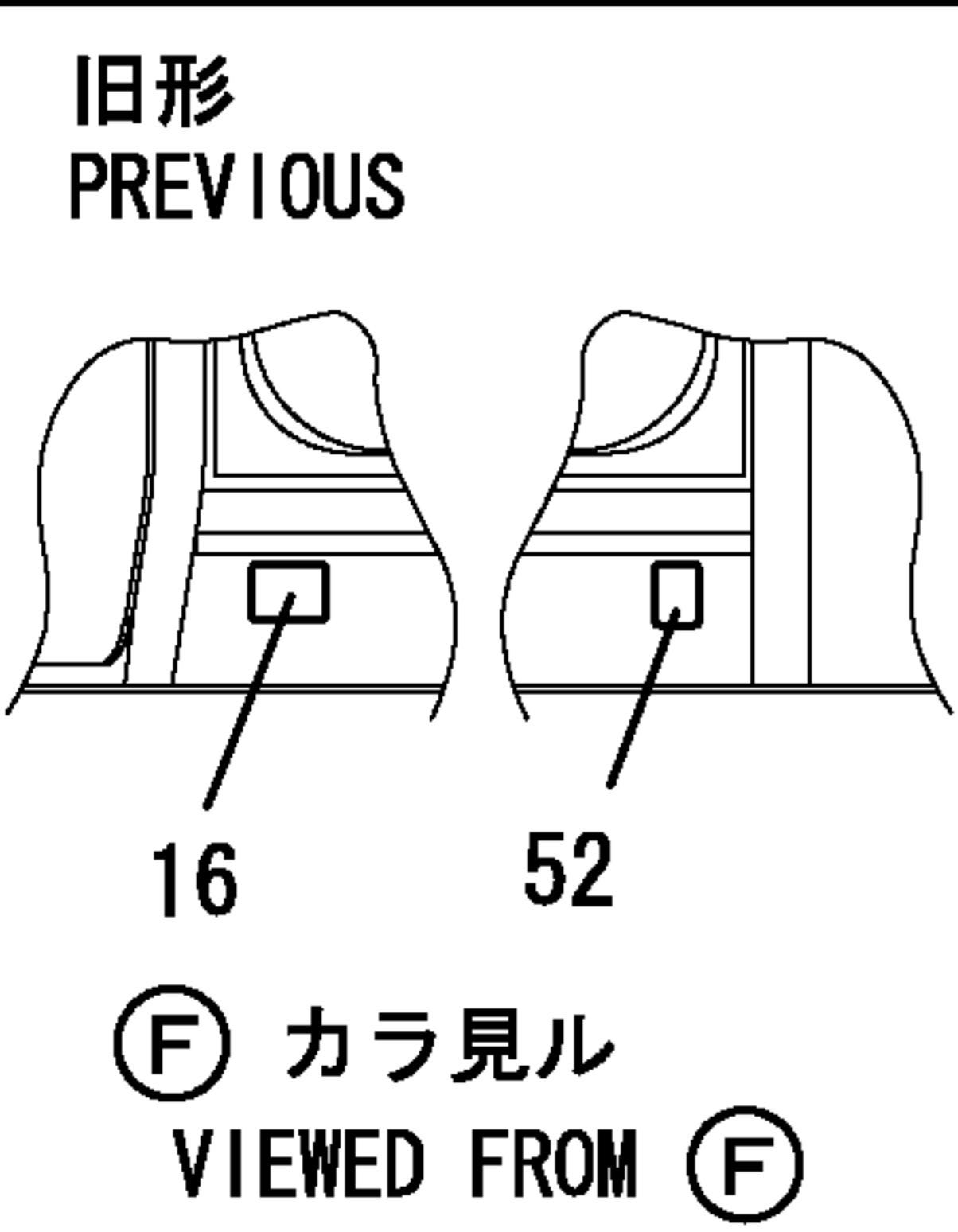


パネルL部詳細
DETAILS OF
PANEL L

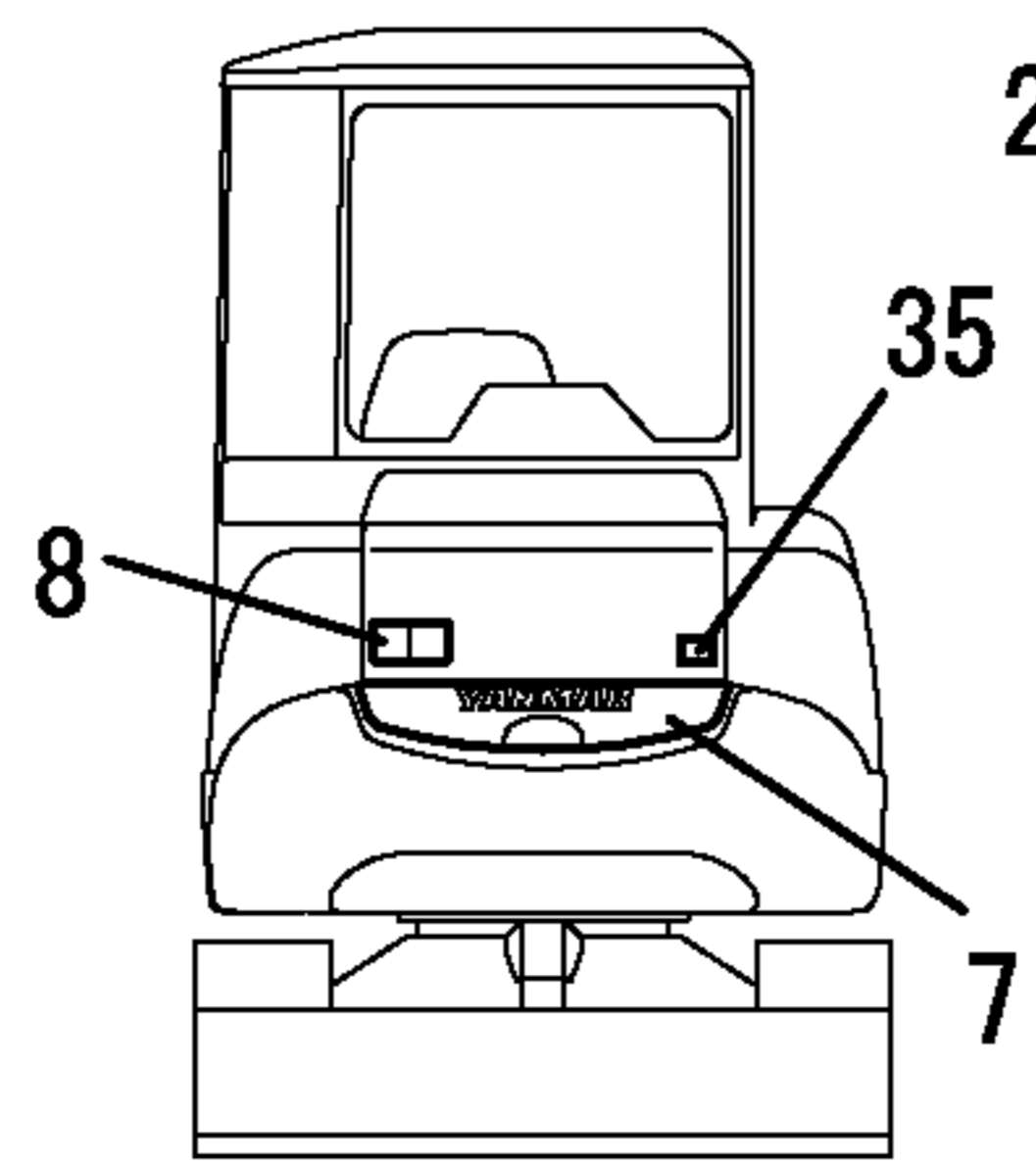


機体No. 機関No. 打刻位置
MACHINE SERIAL No.
ENGINE No. IS STAMPED
INTO THIS LOCATION.

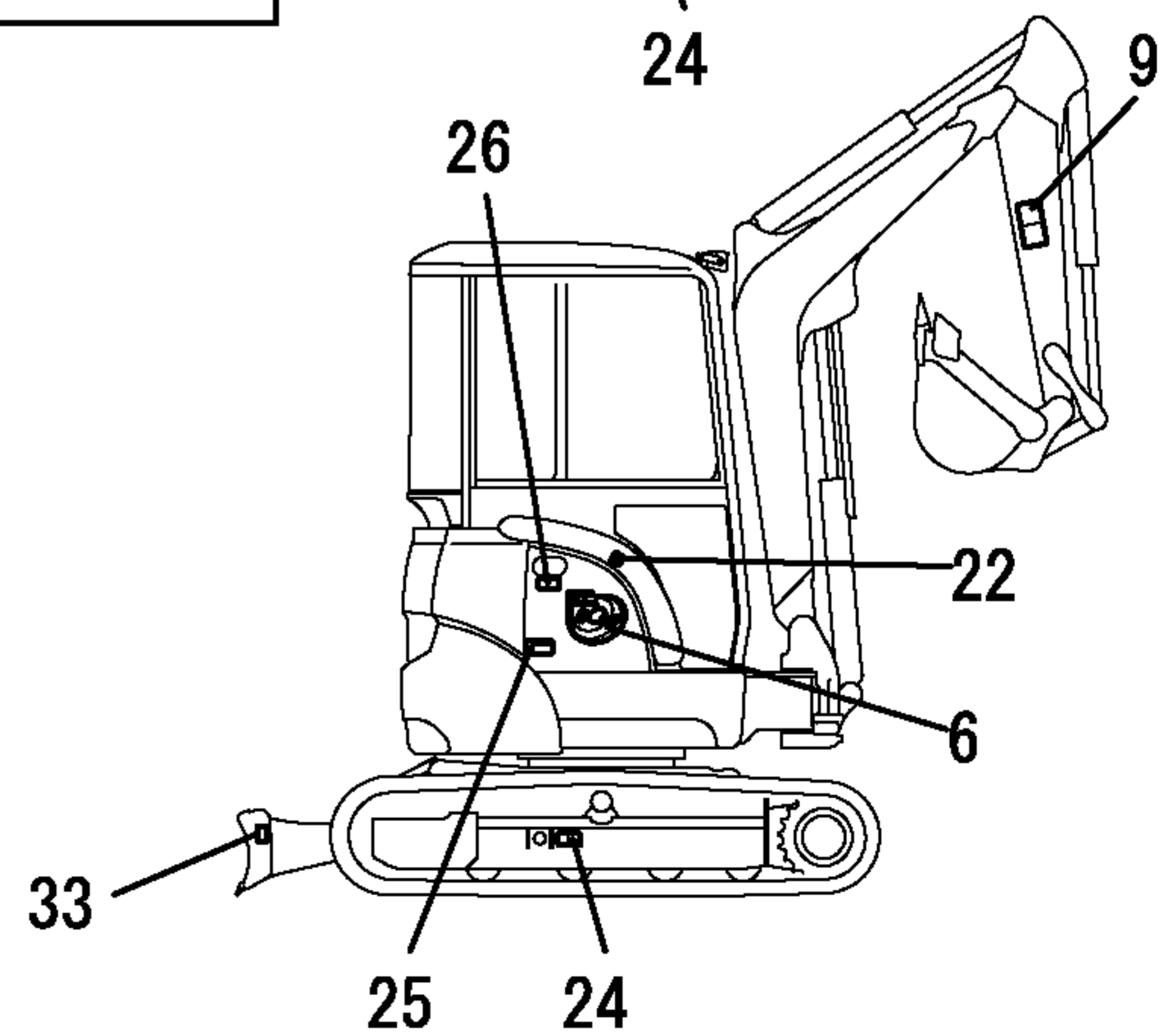
機体No. 打刻位置
MACHINE SERIAL No.
IS STAMPED INTO
THIS LOCATION.



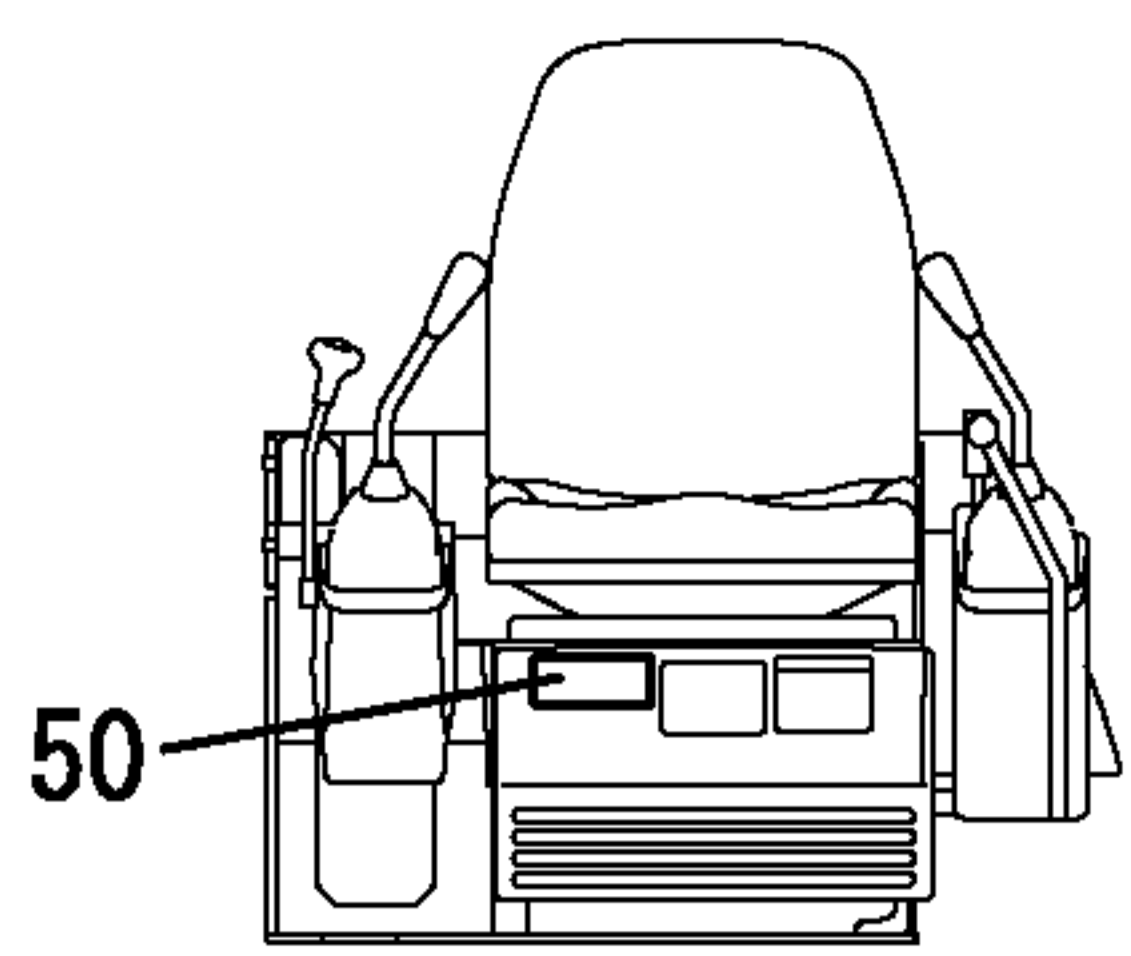
(F) カラ見ル
VIEWED FROM (F)



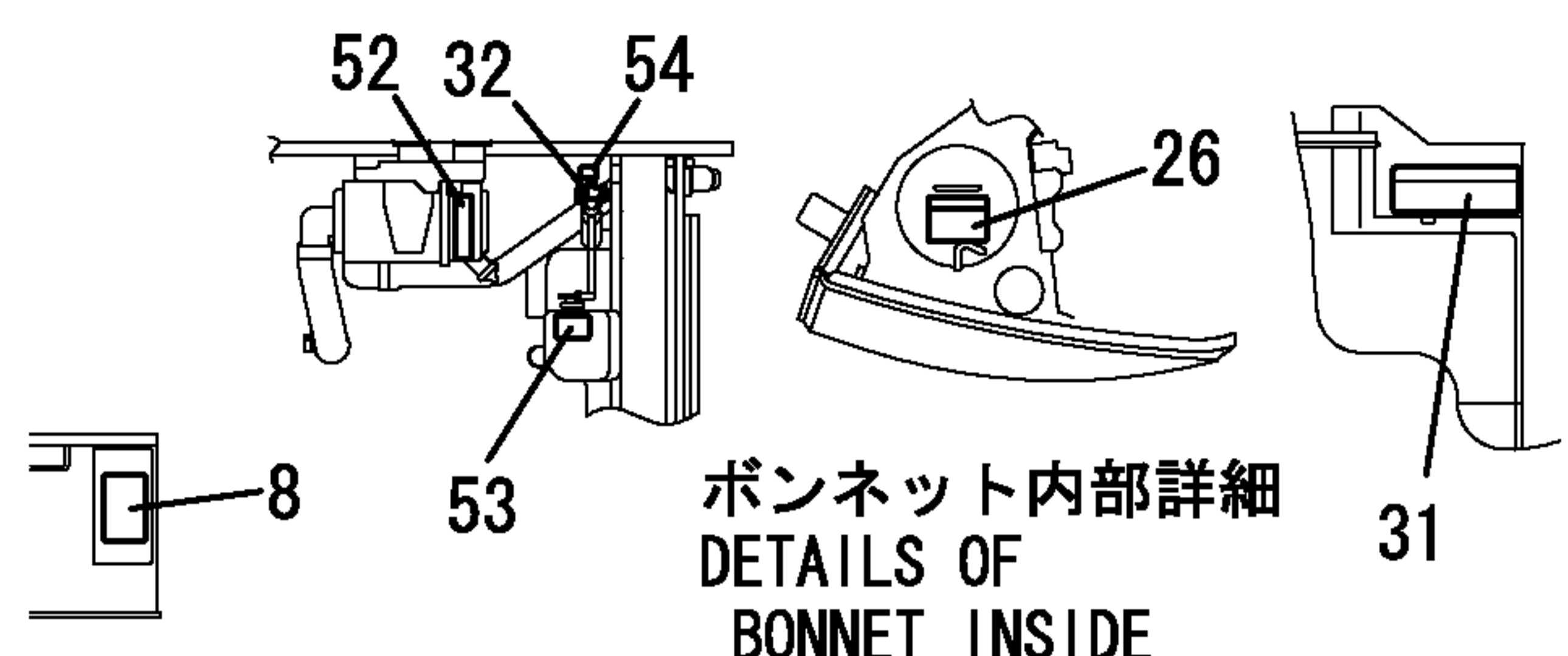
取説収納庫在中
IN THE OPERATION
MANUAL CASE



1,1,,772458-03150,, "LABELSET VIO30-2C)EX",,,1,,,,,,,,,,,,,,,,,,,,,I
2,2,,172463-03320,, "LABEL,F/W LOWER US",,,1,,,,,,,,,,,,,,,,,,,,,
3,2,,172458-03150,, "LABEL,MODEL",,,2,,,,,,,,,,,,,,,,,,,,,
4,2,,172472-03150,, "LABEL,OIL&WATER",,,1,,,,,,,,,,,,,,,,,,,,,
5,2,,172458-03160,, "LABEL, REAR",,,1,,,,,,,,,,,,,,,,,,,,,
6,2,,172472-03160,, "LABEL,GREASE",,,1,,,,,,,,,,,,,,,,,,,,,
7,2,,172958-03160,, LABEL,,,1,,,,,,,,,,,,,,,,,,,,,
8,2,,172472-03170,, "LABEL,FUSE",,,1,,,,,,,,,,,,,,,,,,,,,
9,2,,172490-03200,, LABEL,,,1,,,,,,,,,,,,,,,,,,,,,
10,2,,172490-03210,, "LABEL, P.T.O.",,,1,,,,,,,,,,,,,,,,,,,,,
11,2,,172458-03220,, "LABEL,ACCELERATOR",,,1,,,,,,,,,,,,,,,,,,,,,
12,2,,172472-03230,, "LABEL,OPERATION PIN",,,1,,,,,,,,,,,,,,,,,,,,,
13,2,,172437-03241,, "LABEL,CRAWLER",,,1,,,,,,,,,,,,,,,,,,,,,
14,2,,172458-03240,, "LABEL,LOCK",,,2,,,,,,,,,,,,,,,,,,,,,
15,2,,172472-03240,, "LABEL,PIN US",,,1,,,,,,,,,,,,,,,,,,,,,
16,2,,172437-03250,, "TAG,SERVICING ASSY",,,1,,,,,,,,,,,,,,,,,,,,,
19,2,,172472-03250,, "LABEL,OPERATION Q US",,,1,,,,,,,,,,,,,,,,,,,,,
20,2,,172171-03261,, "LABEL,BOOM",,,2,,,,,,,,,,,,,,,,,,,,,
21,2,,172472-03260,, "LABEL,FINGER",,,1,,,,,,,,,,,,,,,,,,,,,
22,2,,172472-03270,, "LABEL,SAND US",,,1,,,,,,,,,,,,,,,,,,,,,
23,2,,172437-03550,, "LABEL,WINDOW",,,1,,,,,,,,,,,,,,,,,,,,,
24,2,,172183-03280,, "LABEL,LOCK",,,2,,,,,,,,,,,,,,,,,,,,,
25,2,,172472-03280,, LABEL,,,1,,,,,,,,,,,,,,,,,,,,,
26,2,,172463-03290,, "LABEL,HYD.OIL US",,,1,,,,,,,,,,,,,,,,,,,,,
27,2,,172472-03290,, "LABEL,SWITCH",,,1,,,,,,,,,,,,,,,,,,,,,
28,2,,172437-03300,, "LABEL,MANUAL",,,1,,,,,,,,,,,,,,,,,,,,,
29,2,,172472-03300,, "LABEL,COVER",,,1,,,,,,,,,,,,,,,,,,,,,
30,2,,172437-03310,, "LABEL,SLOPE",,,1,,,,,,,,,,,,,,,,,,,,,
31,2,,172437-03321,, "LABEL,HYD.OIL TANK",,,1,,,,,,,,,,,,,,,,,,,,,
32,2,,172462-03320,, LABEL,,,1,,,,,,,,,,,,,,,,,,,,,
33,2,,172463-03330,, "LABEL,COVER",,,1,,,,,,,,,,,,,,,,,,,,,
34,2,,172437-03341,, "LABEL,TRANSPORT",,,1,,,,,,,,,,,,,,,,,,,,,
35,2,,172437-03351,, "LABEL,GREASE CYL.",,,2,,,,,,,,,,,,,,,,,,,,,
36,2,,172141-03360,, "LABEL, START SWITCH",,,1,,,,,,,,,,,,,,,,,,,,,
37,2,,172437-03360,, "LABEL,BATTERY",,,1,,,,,,,,,,,,,,,,,,,,,
38,2,,172437-03371,, LABEL,,,1,,,,,,,,,,,,,,,,,,,,,
39,2,,172437-03380,, "LABEL,SWING AREA",,,1,,,,,,,,,,,,,,,,,,,,,
40,2,,172437-03390,, "LABEL,RADIATOR",,,1,,,,,,,,,,,,,,,,,,,,,
41,2,,172437-03401,, "LABEL (ENG COVER US",,,1,,,,,,,,,,,,,,,,,,,,,
42,2,,172437-03411,, "LABEL (ENG ROOM US",,,1,,,,,,,,,,,,,,,,,,,,,
43,2,,172437-03421,, "LABEL,MUFFLER",,,1,,,,,,,,,,,,,,,,,,,,,
44,2,,172437-03431,, "LABEL,STEERING",,,1,,,,,,,,,,,,,,,,,,,,,
45,2,,172437-03460,, "LABEL,BOOM",,,2,,,,,,,,,,,,,,,,,,,,,
46,2,,172437-03470,, "LABEL,LEVER LOCK",,,1,,,,,,,,,,,,,,,,,,,,,
47,2,,172437-03500,, "LABEL,FUEL",,,1,,,,,,,,,,,,,,,,,,,,,
48,2,,172437-03510,, "LABEL,HOOK",,,4,,,,,,,,,,,,,,,,,,,,,
49,2,,172437-03530,, "LABEL,RE-START",,,1,,,,,,,,,,,,,,,,,,,,,
50,2,,172458-03701,, "LABEL,SPECIFICATION",,,1,,,,,,,,,,,,,,,,,,,,,
51,2,,172157-03740,, LABEL,,,1,,,,,,,,,,,,,,,,,,,,,
52,2,,172125-03950,, "LABEL, AIR CLEANER",,,1,,,,,,,,,,,,,,,,,,,,,
53,2,,124764-44810,, "LABEL, SUB-TANK",,,1,,,,,,,,,,,,,,,,,,,,,
54,2,,124764-44920,, "LABEL, ANTI-FREEZING",,,1,,,,,,,,,,,,,,,,,,,,,
55,2,,172472-03180,, "LABEL,VENTILATION",,,1,,,,,,,,,,,,,,,,,,,,,

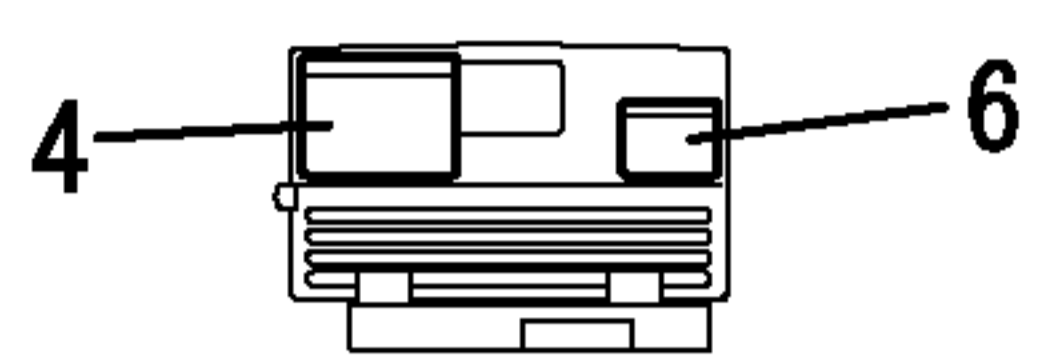


①から見る
VIEWED FROM ①



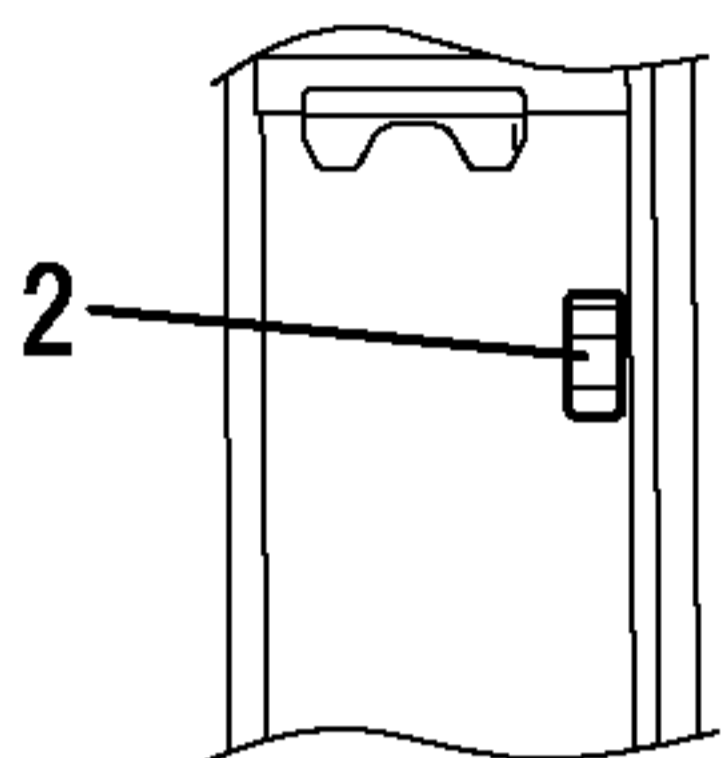
ボンネット内部詳細
DETAILS OF
BONNET INSIDE

見出しNo. 1は
見出しNo. 2から55を含みます
1 INC. 2~55

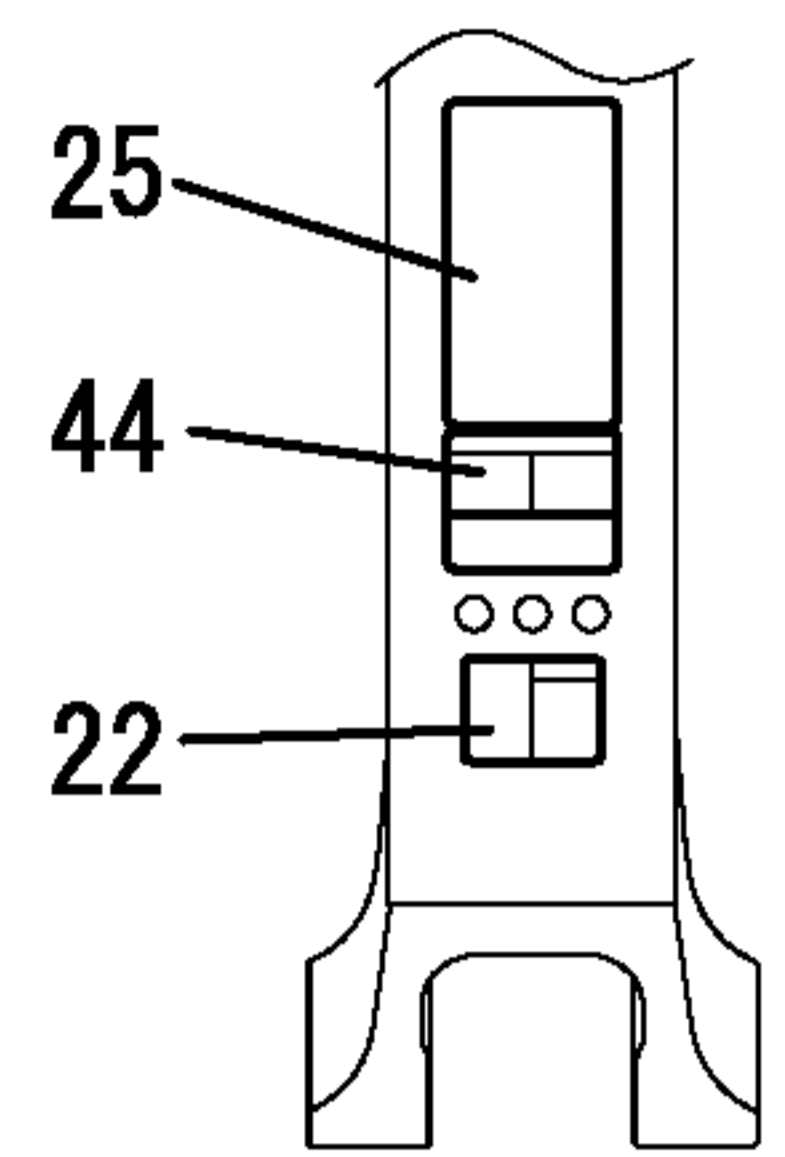


グリル内側詳細
DETAILS OF
GRILLE INSIDE

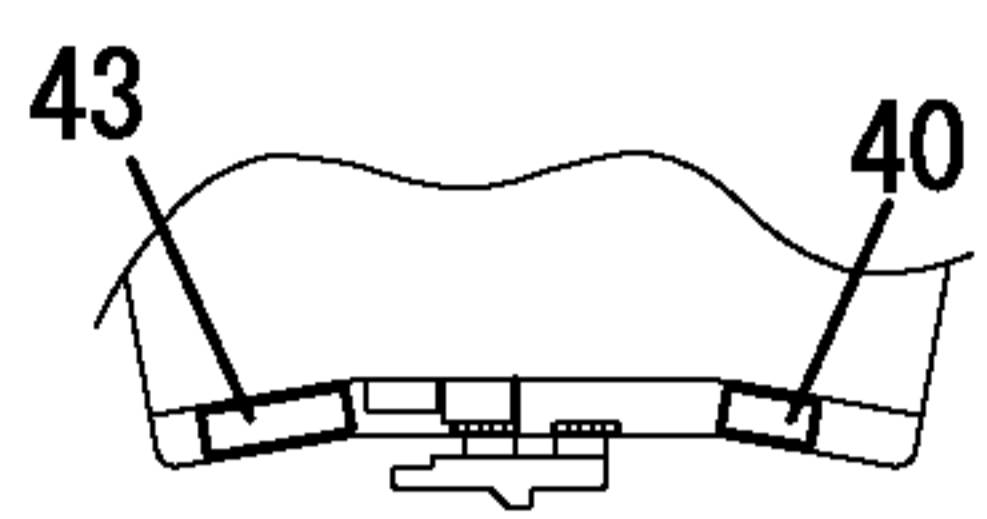
グリルを開いて
OPEN THE GRILLE



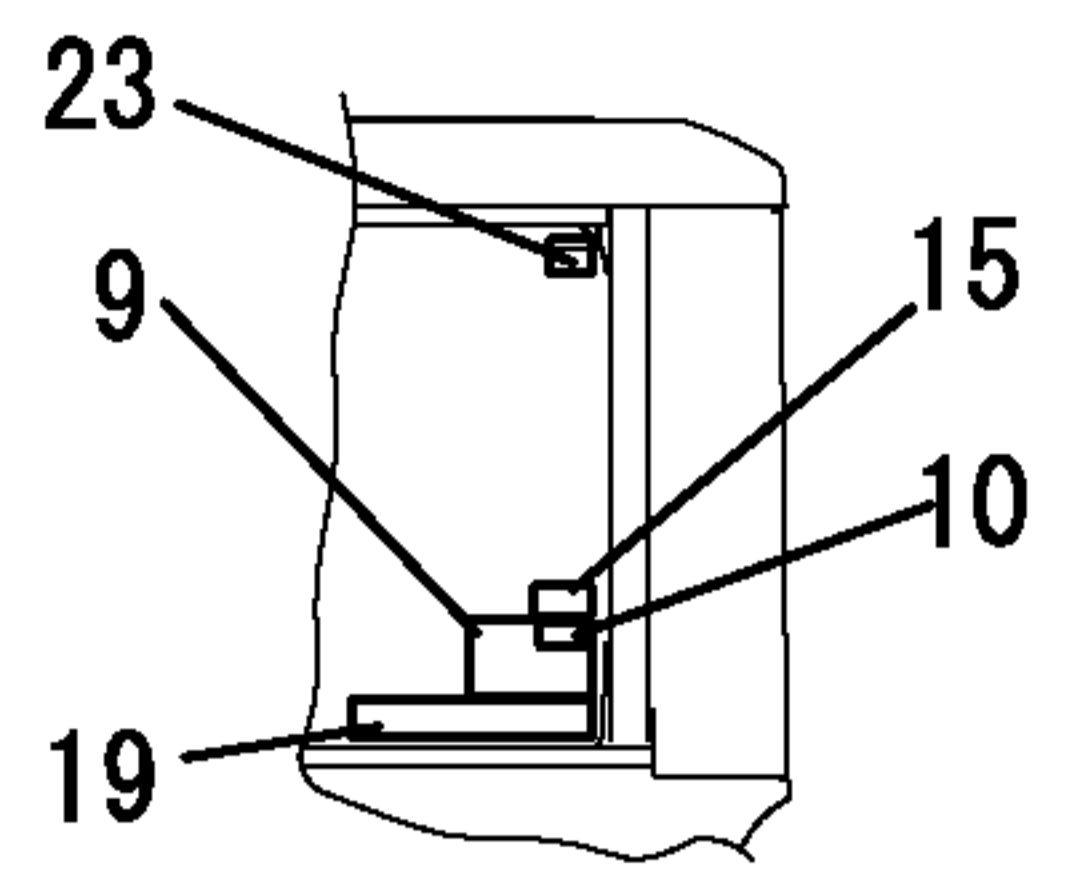
②から見る
VIEWED FROM ②



③から見る
VIEWED FROM ③

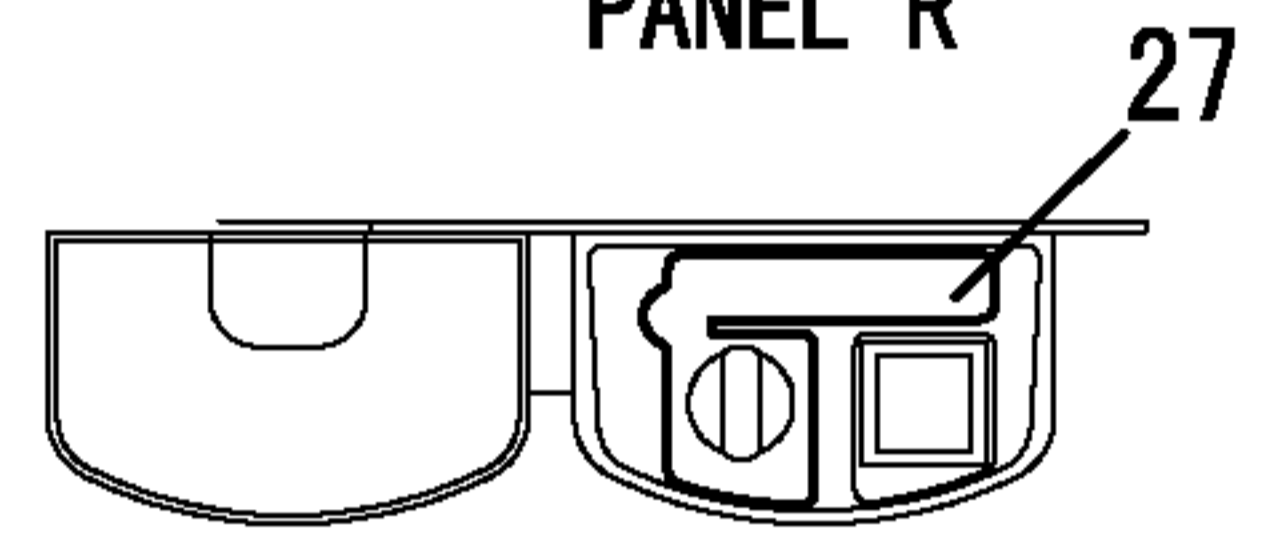
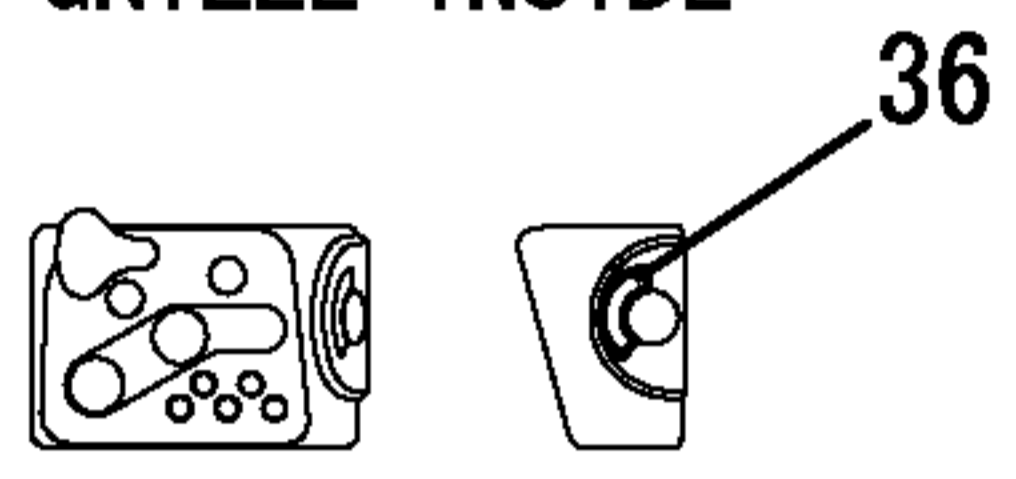


ボンネットカバー内側
BONNET COVER INSIDE

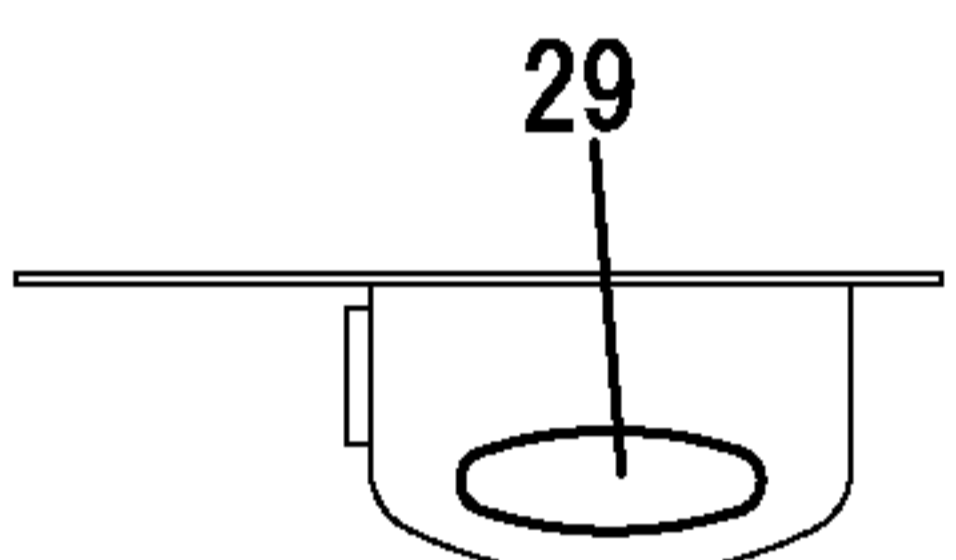


⑤から見る
VIEWED FROM ⑤

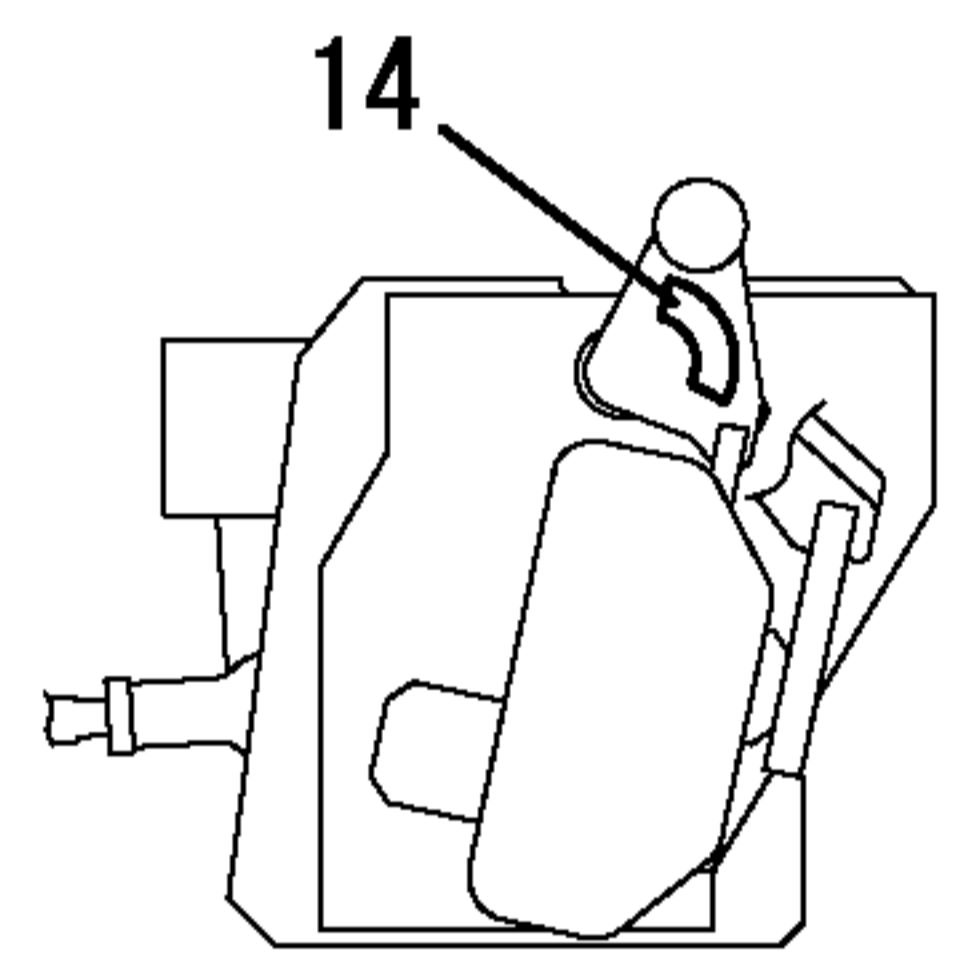
パネルR部詳細
DETAILS OF
PANEL R



スイッチBOX内部詳細
DETAILS OF
SWITCH BOX INSIDE

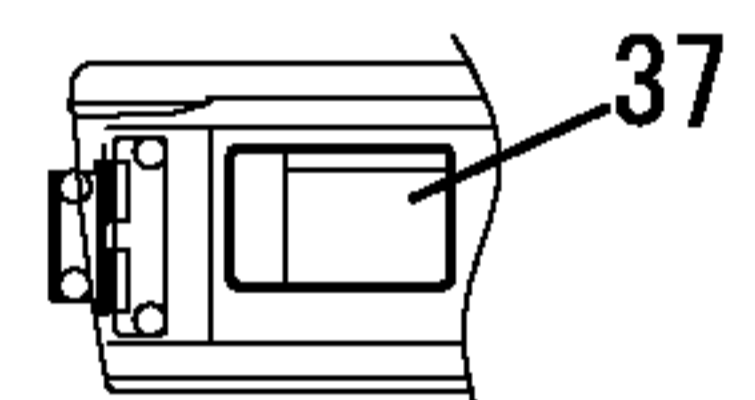


スイッチBOX詳細
DETAILS OF
SWITCH BOX



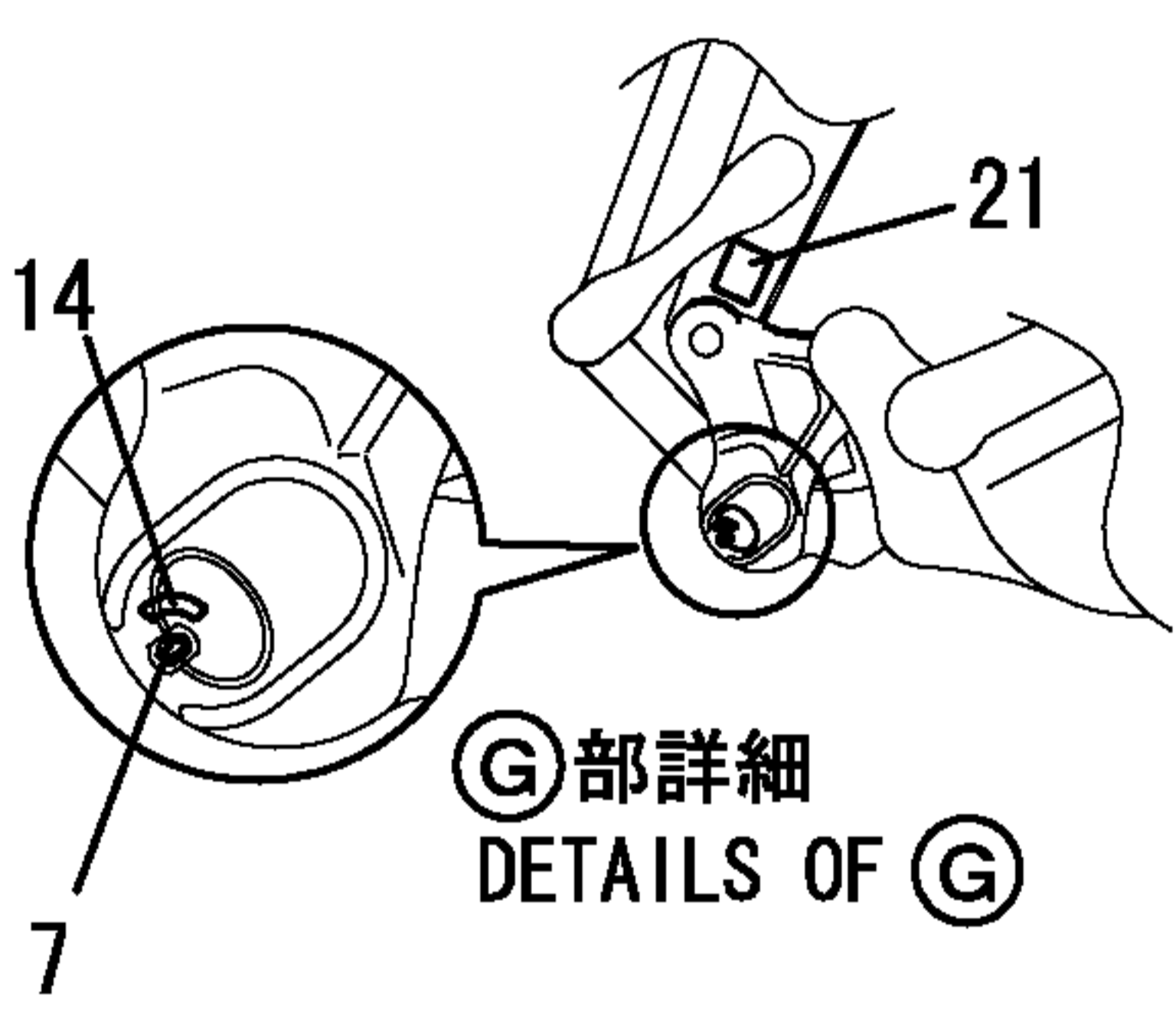
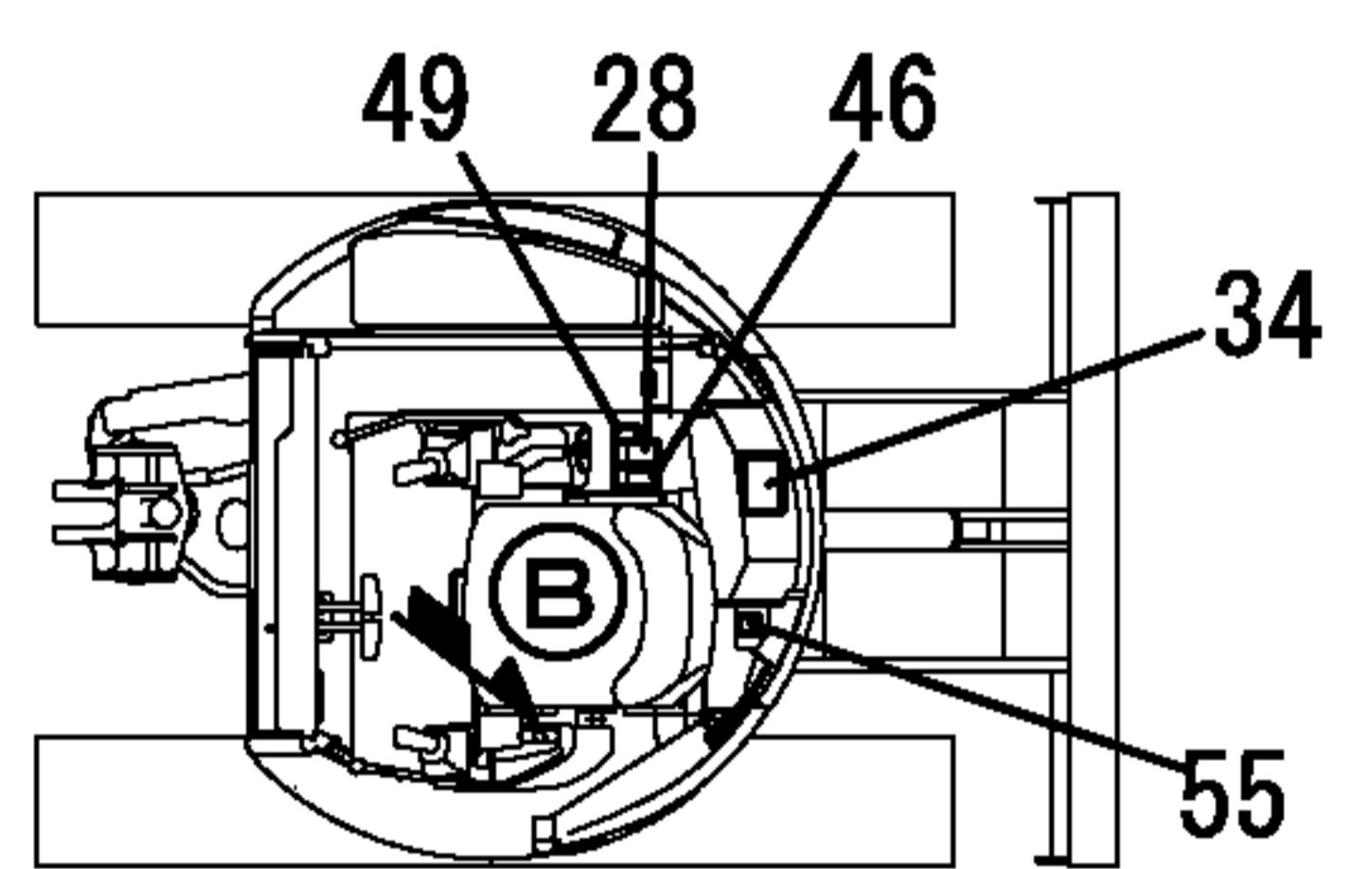
ヒータカバー詳細
DETAILS OF
HEATER COVER

マルチカバー部詳細
DETAILS OF
MULTI COVER

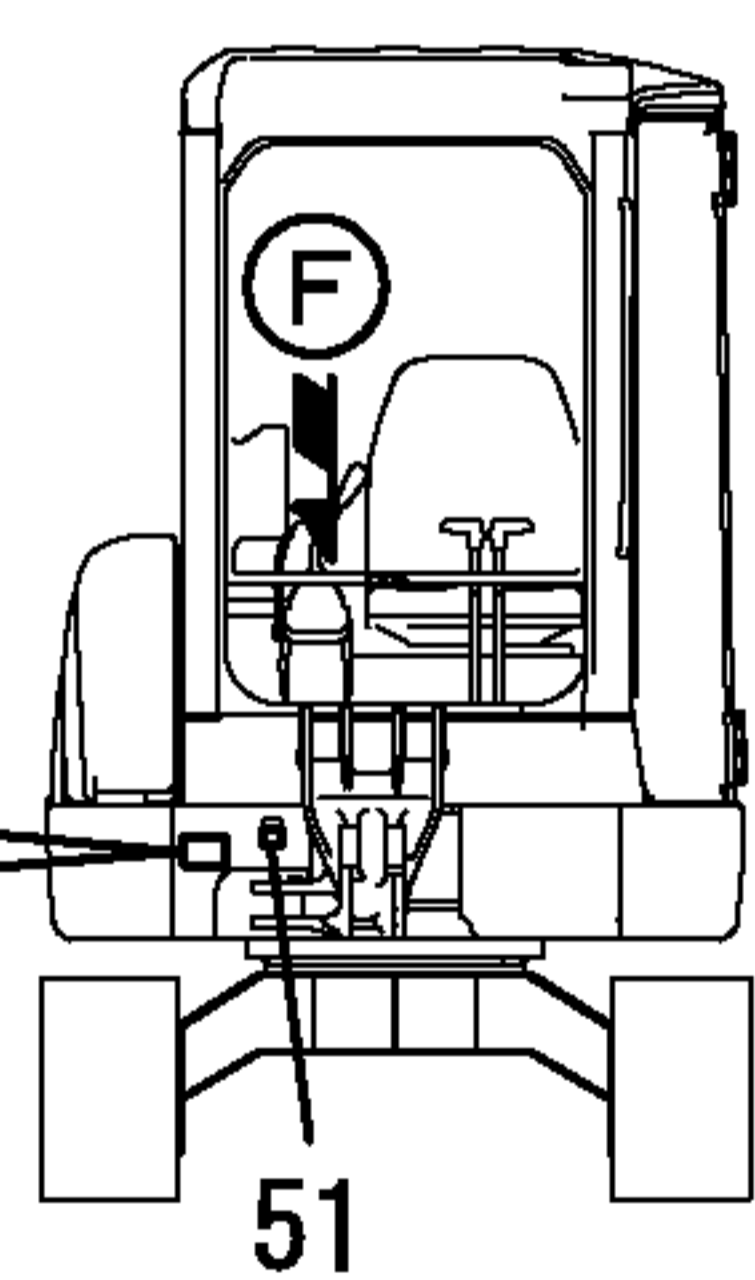


④から見る
VIEWED FROM ④

⑥から見る
VIEWED FROM ⑥

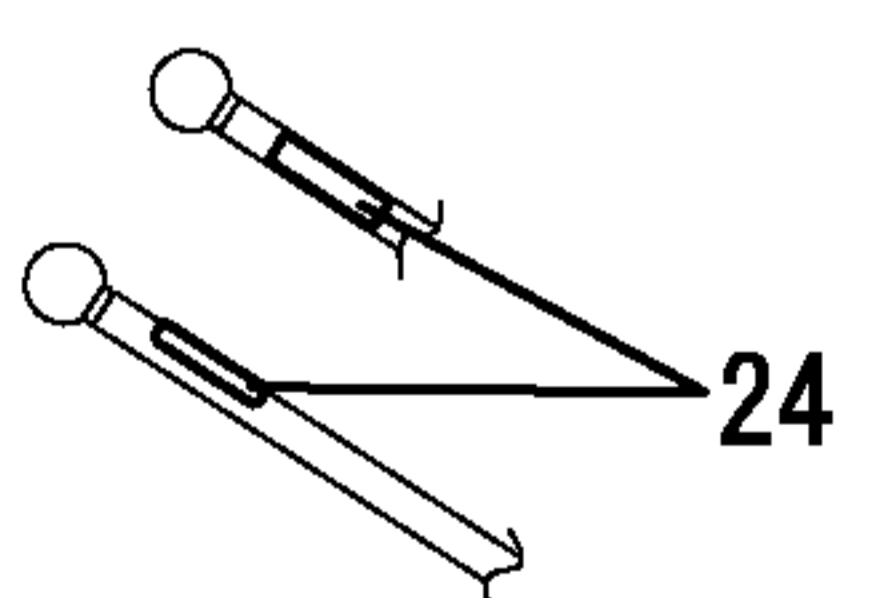
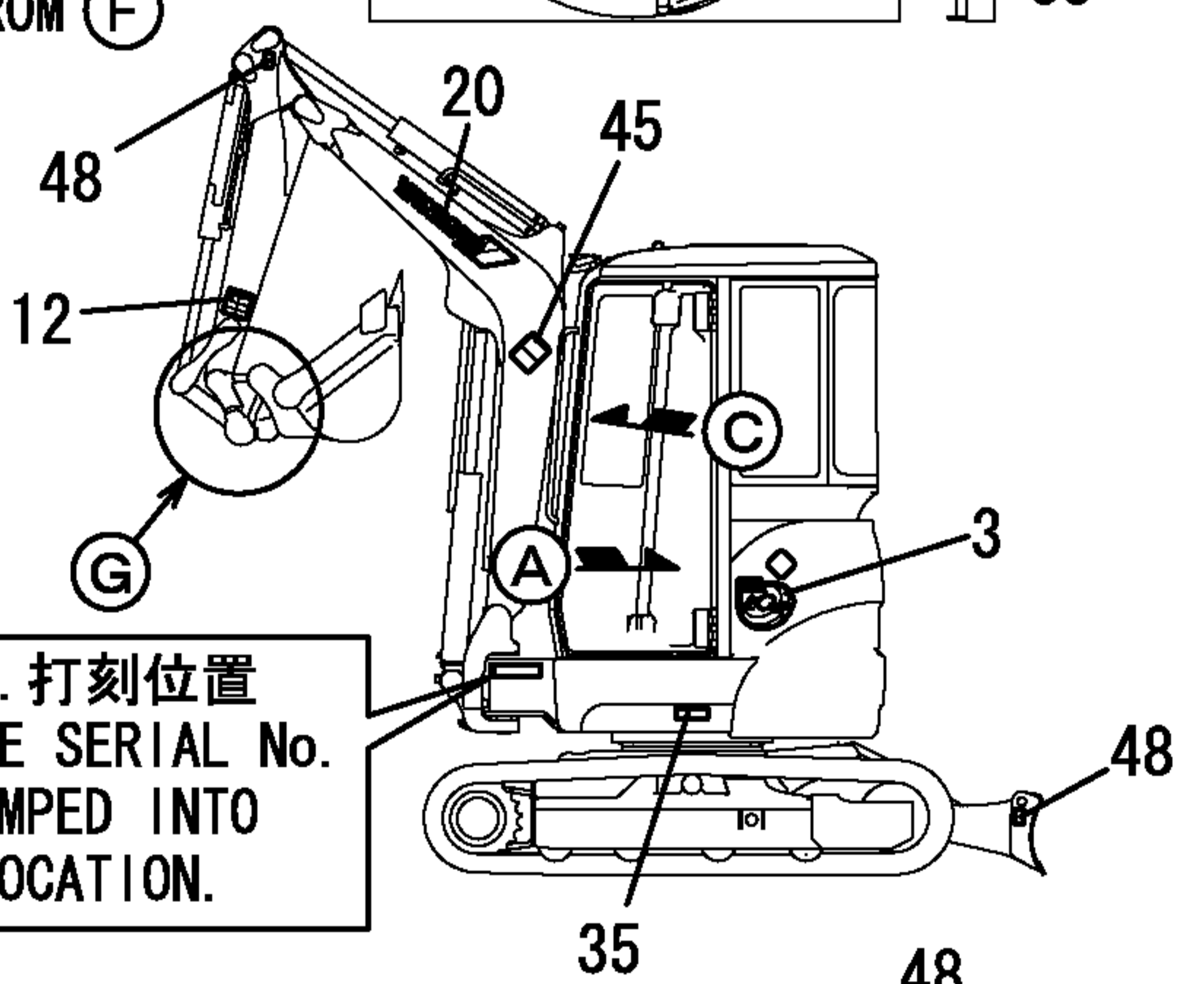


⑦部詳細
DETAILS OF ⑦

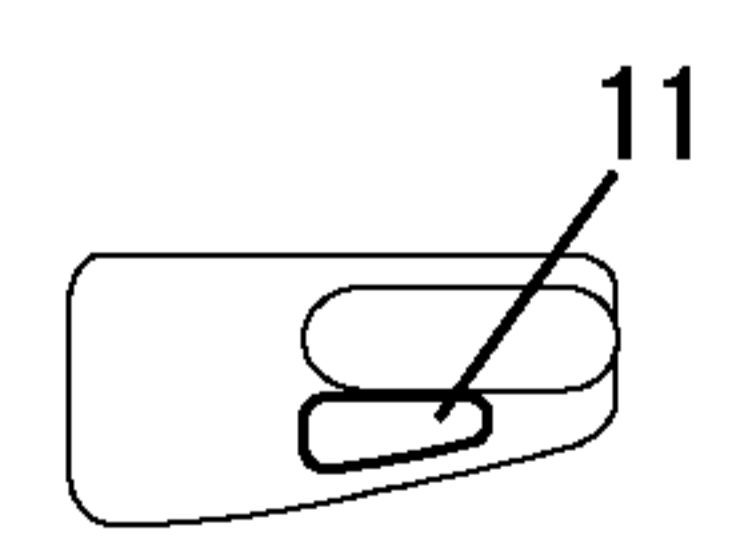


機体No. 機関No. 打刻位置
MACHINE SERIAL No.
ENGINE No. IS STAMPED
INTO THIS LOCATION.

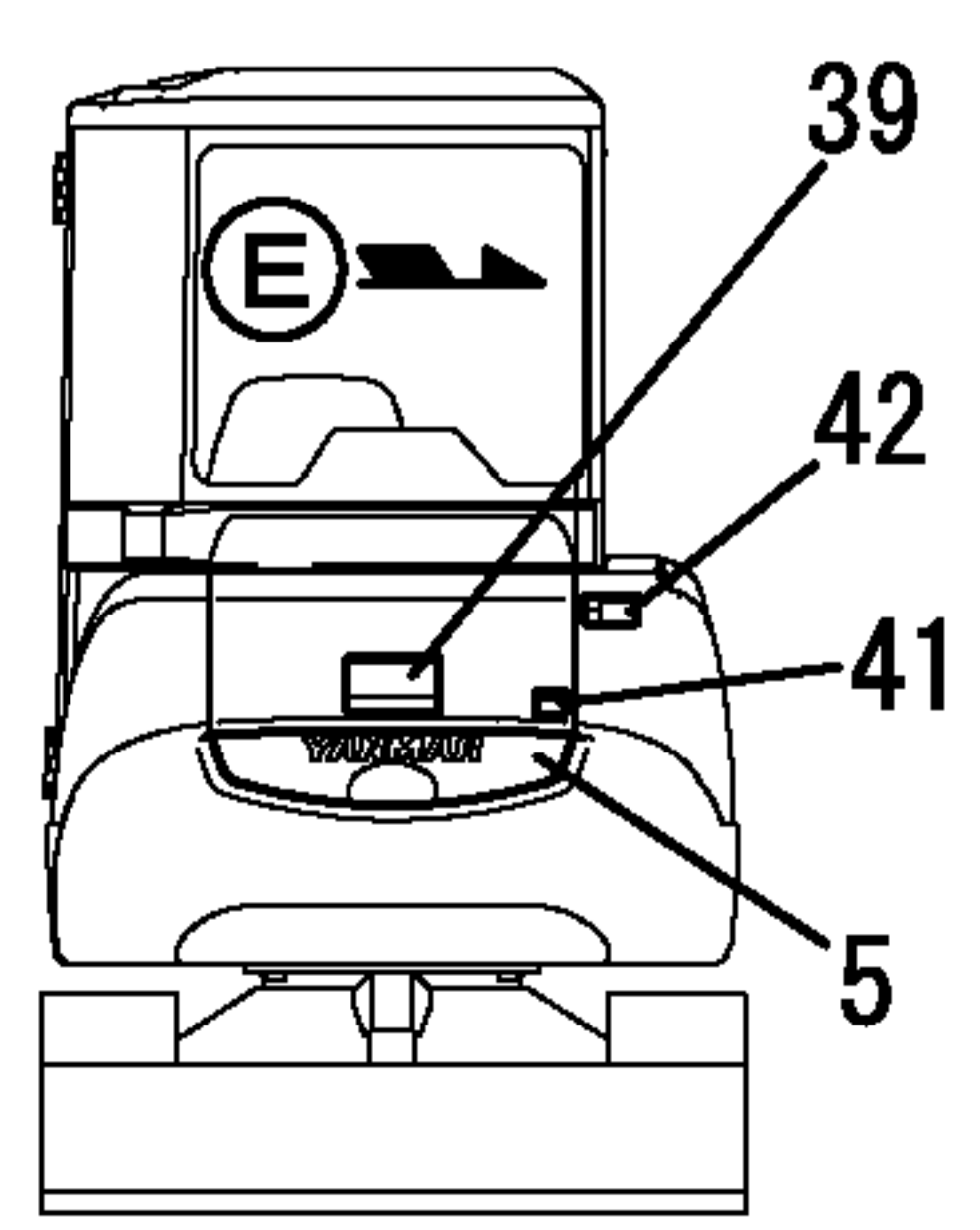
機体No. 打刻位置
MACHINE SERIAL No.
IS STAMPED INTO
THIS LOCATION.



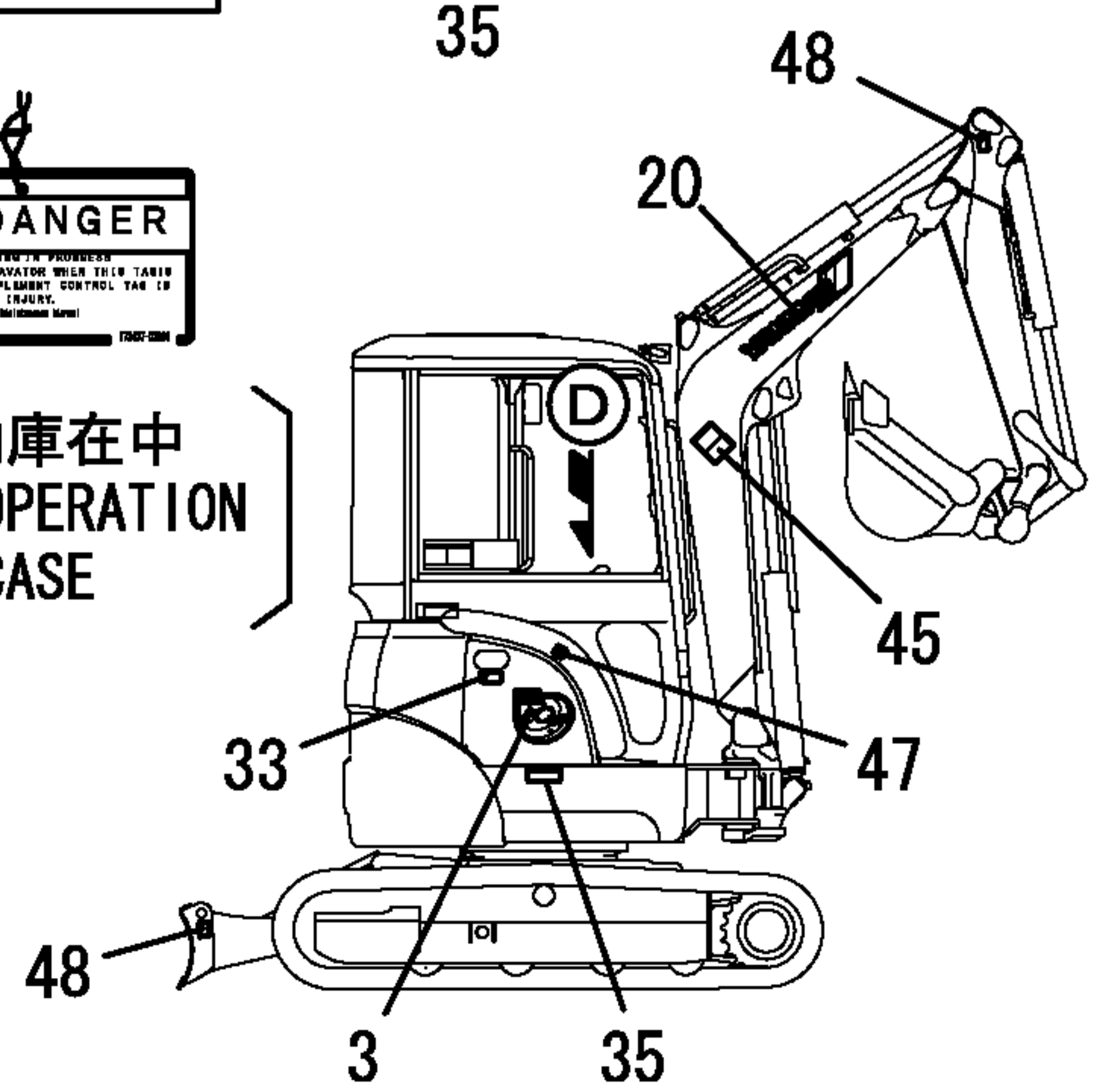
左レバー詳細
DETAILS OF
LEFT LEVER



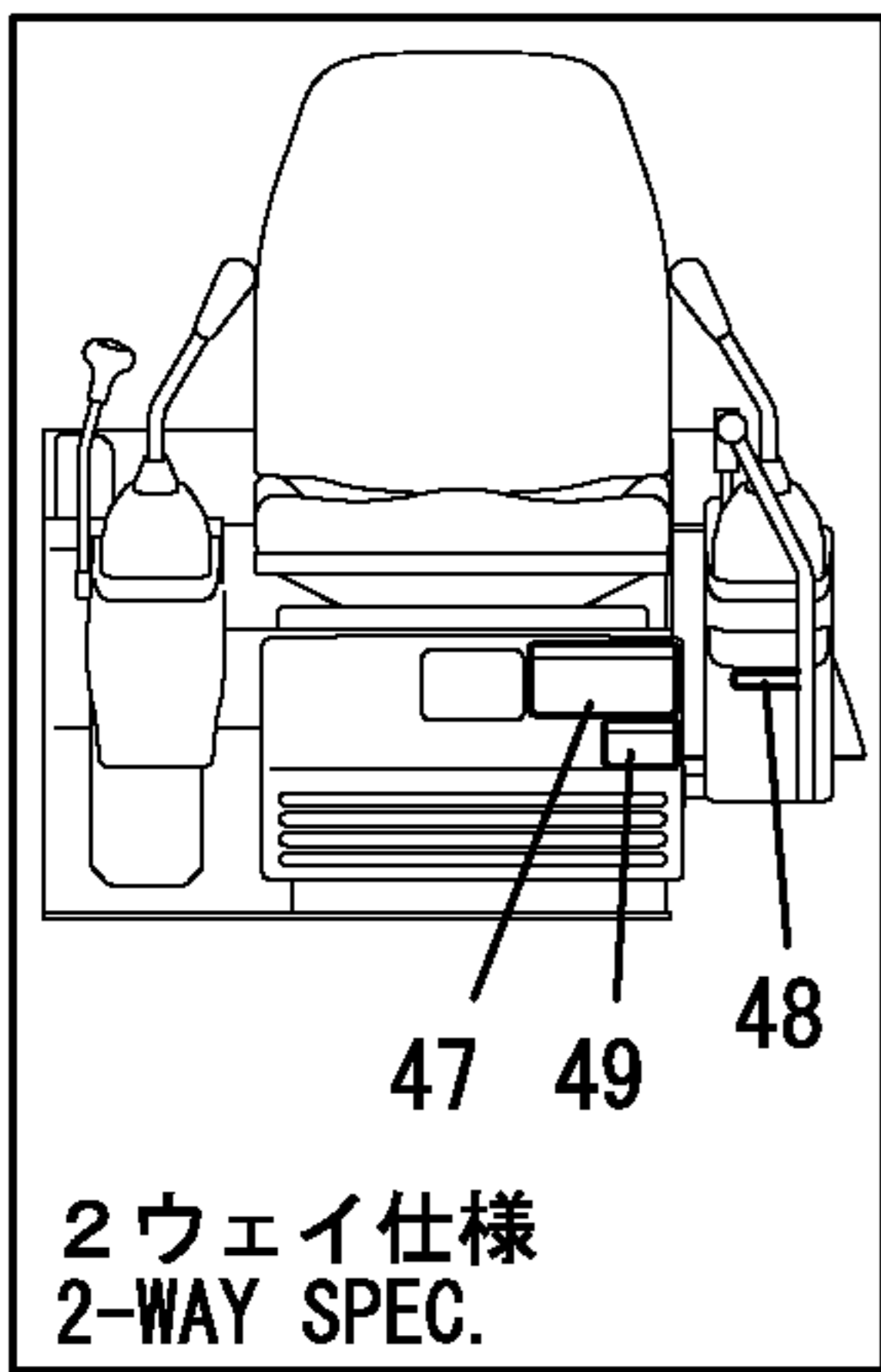
パネルL部詳細
DETAILS OF
PANEL L



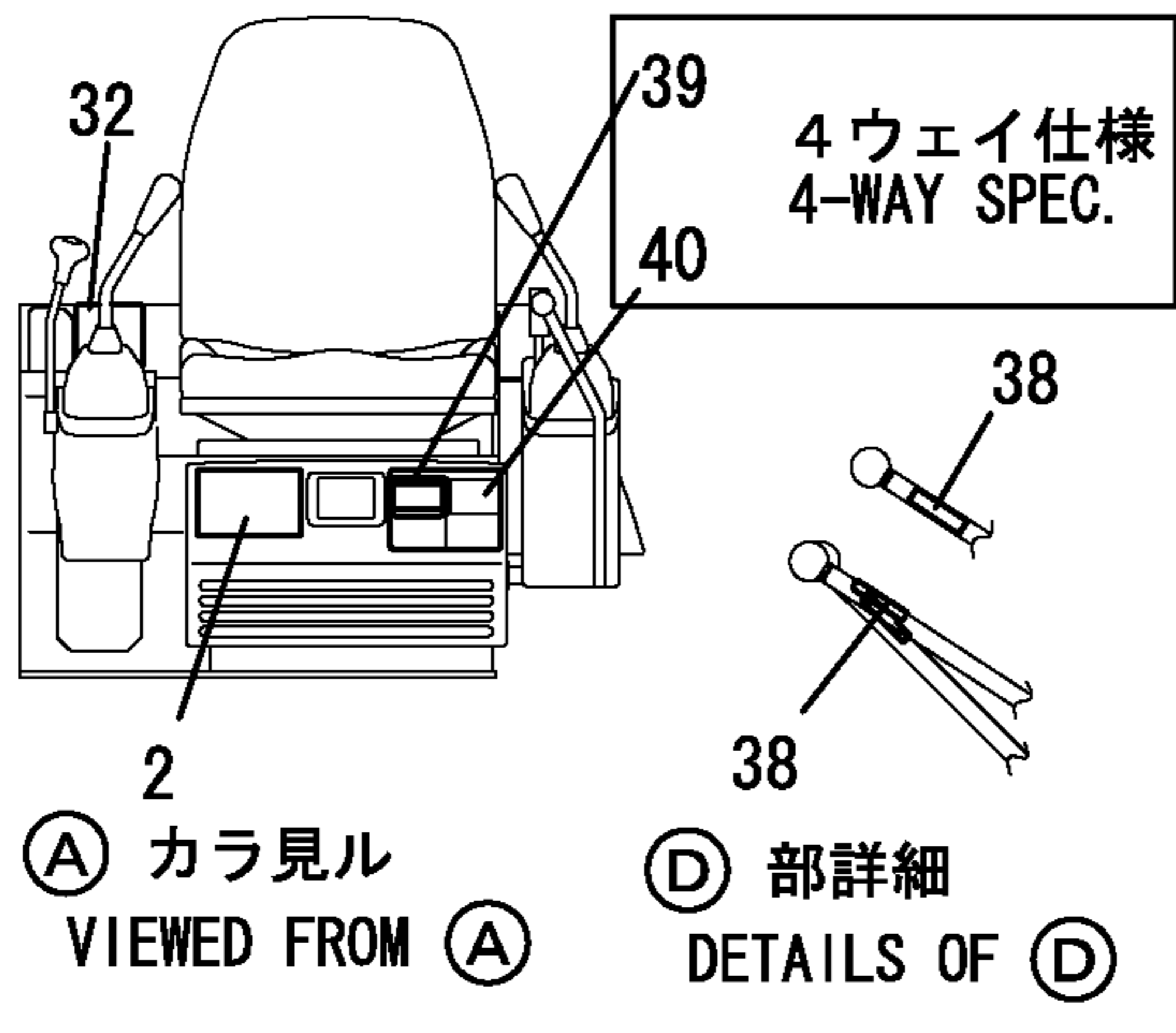
取説収納庫在中
IN THE OPERATION
MANUAL CASE



1,1,,772458-03110,, "LABEL SET,VIO30-2(P)",,1,,,,,,,,,,,,,,,,,
1-1,1,,772458-03111,, "LABEL SET,VIO30-2(P)",,1,,,,,N,,,,,72458331,M/#20655,,,,,,
2,2,,172458-03110,, "LABEL,SPECIFICATION",,1,,,,,,,,,,,,,,,,,
2-1,2,,172458-03111,, LABEL,,1,,,,,N,,,,,72457041,M/#22644,,,,,,I
3,2,,172458-03120,, "LABEL,OIL & WATER",,1,,,,,,,,,,,,,,,,,
4,2,,172157-03130,, "LABEL, GREASE",,1,,,,,,,,,,,,,,,,,
5,2,,172458-03130,, "LABEL,GREASE FEED",,1,,,,,,,,,,,,,,,,,
6,2,,172458-03150,, "LABEL,MODEL",,2,,,,,,,,,,,,,,,,,
7,2,,172458-03160,, "LABEL, REAR",,1,,,,,,,,,,,,,,,,,
8,2,,172444-03170,, LABEL,,1,,,,,,,,,,,,,,,,,
9,2,,172444-03180,, LABEL,,2,,,,,,,,,,,,,,,,,
10,2,,172458-03180,, "LABEL,LIFT POSITION",,1,,,,,,,,,,,,,,,,,
10-1,2,,172458-03181,, "LABEL, LIFTING",,1,,,,,N,,,,,72458417,M/#21010,,,,,,
11,2,,172444-03190,, LABEL,,1,,,,,,,,,,,,,,,,,
12,2,,172458-03190,, "LABEL,OILING",,1,,,,,,,,,,,,,,,,,
13,2,,172141-03202,, "LABEL,CAUTION",,1,,,,,,,,,,,,,,,,,
14,2,,172450-03200,, "LABEL,BATTERY",,1,,,,,,,,,,,,,,,,,
15,2,,172458-03200,, "LABEL,FAN",,1,,,,,,,,,,,,,,,,,
16,2,,172147-03210,, "LABEL,2 SPEED",,1,,,,,Z,,,,,24600328,M/#25501,,,,,,I
17,2,,172444-03210,, LABEL,,1,,,,,,,,,,,,,,,,,
18,2,,172458-03210,, "LABEL,BELT",,1,,,,,,,,,,,,,,,,,
19,2,,172458-03220,, "LABEL,ACCELERATOR",,1,,,,,,,,,,,,,,,,,
20,2,,172458-03230,, "LABEL,FUSE",,1,,,,,,,,,,,,,,,,,
20-1,2,,172458-03231,, "LABEL, HUSE",,1,,,,,N,,,,,72458509,M/#22628,,,,,,I
21,2,,172444-03240,, LABEL,,1,,,,,,,,,,,,,,,,,
22,2,,172183-03250,, "LABEL,FUEL",,1,,,,,,,,,,,,,,,,,
23,2,,172171-03261,, "LABEL,BOOM",,1,,,,,,,,,,,,,,,,,
24,2,,172444-03280,, LABEL,,2,,,,,,,,,,,,,,,,,
25,2,,172142-03302,, "LABEL,CAUTION",,1,,,,,,,,,,,,,,,,,
26,2,,172455-03340,, LABEL,,1,,,,,,,,,,,,,,,,,
27,2,,172141-03360,, "LABEL, START SWITCH",,1,,,,,,,,,,,,,,,,,
28,2,,172964-03370,, LABEL,,1,,,,,,,,,,,,,,,,,
29,2,,172964-03481,, "LABEL,DANGER",,1,,,,,,,,,,,,,,,,,
32,2,,172164-03510,, "LABEL,LOADING",,1,,,,,,,,,,,,,,,,,
33,2,,172437-03510,, "LABEL,HOOK",,3,,,,,,,,,,,,,,,,,
34,2,,172164-03540,, LABEL,,1,,,,,,,,,,,,,,,,,
35,2,,172519-04180,, "LABEL,WARNING",,1,,,,,,,,,,,,,,,,,
36,2,,172519-04290,, "LABEL,WARNING",,1,,,,,,,,,,,,,,,,,
37,2,,121470-44540,, "LABEL, SUB-TANK",,1,,,,,,,,,,,,,,,,,
38,2,,172183-03280,, "LABEL,LOCK",,2,,,,,,,,,,,,,,,,,
39,2,,172444-03290,, MAGNET,,1,,,,,1,,,,,,,,,,,,,,,,,
40,2,,172151-03551,, LABEL,,1,,,,,1,,,,,,,,,,,,,,,,,
41,2,,172458-03140,, "LABEL, FRONT",,1,,,,,,,,,,,,,,,,,
42,2,,172444-03330,, LABEL,,1,,,,,,,,,,,,,,,,,
43,2,,172151-03540,, "LABEL,PATTERN A",,1,,,,,,,,,,,,,,,,,
43-1,2,,172490-03200,, LABEL,,1,,,,,N,,,,,24600328,M/#25501,,,,,,I
44,2,,172165-03240,, LABEL,,1,,,,,2,,,,,,,,,,,,,,,,,
45,2,,172173-03250,, LABEL,,1,,,,,W,1,,72456158,M/#20501,,,,,,
46,2,,172458-03270,, LABEL,,1,,,,,W,3,,72458331,M/#20655,,,,,,
46-1,2,,172490-03210,, "LABEL, P.T.O.",,1,,,,,R,,,,,24600328,M/#25501,,,,,,I
47,2,,172458-03550,, LABEL,,1,,,,,W,4,,72458340,M/#20745,,,,,,
48,2,,172458-03560,, LABEL,,1,,,,,W,4,,72458340,M/#20745,,,,,,
49,2,,172458-03570,, LABEL,,1,,,,,W,4,,72458340,M/#20745,,,,,,
50,2,,172458-03240,, "LABEL,LOCK",,1,,,,,W,3,,72458352,M/#20655,,,,,,



2ウェイ仕様
2-WAY SPEC.

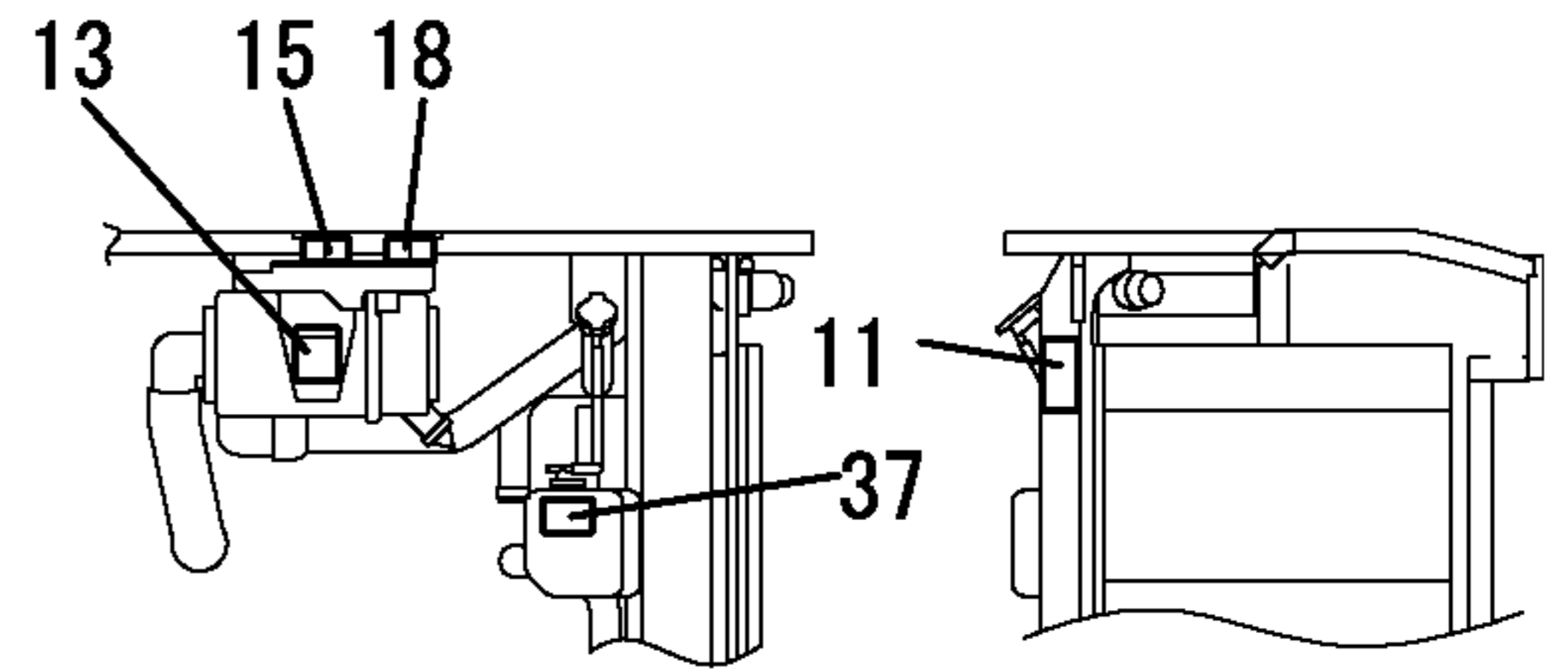


4ウェイ仕様
4-WAY SPEC.

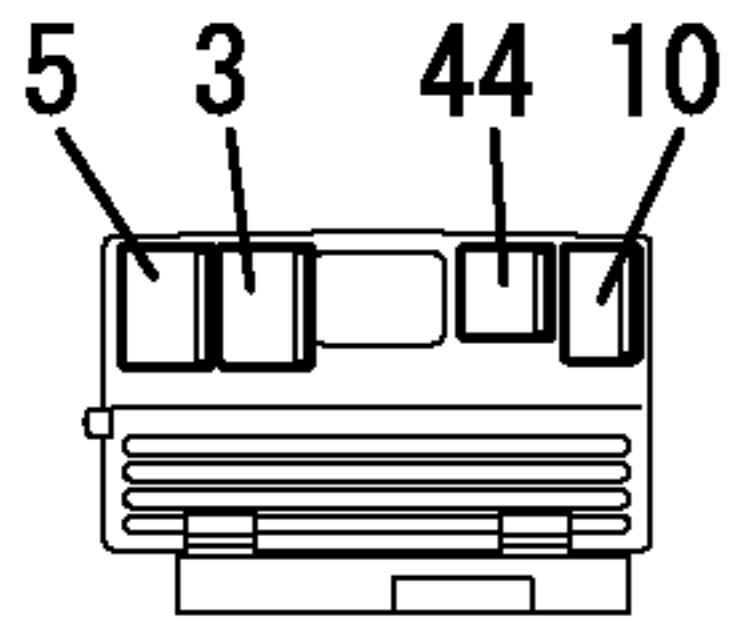
(A) カラ見ル
VIEWED FROM (A)

(D) 部詳細
DETAILS OF (D)

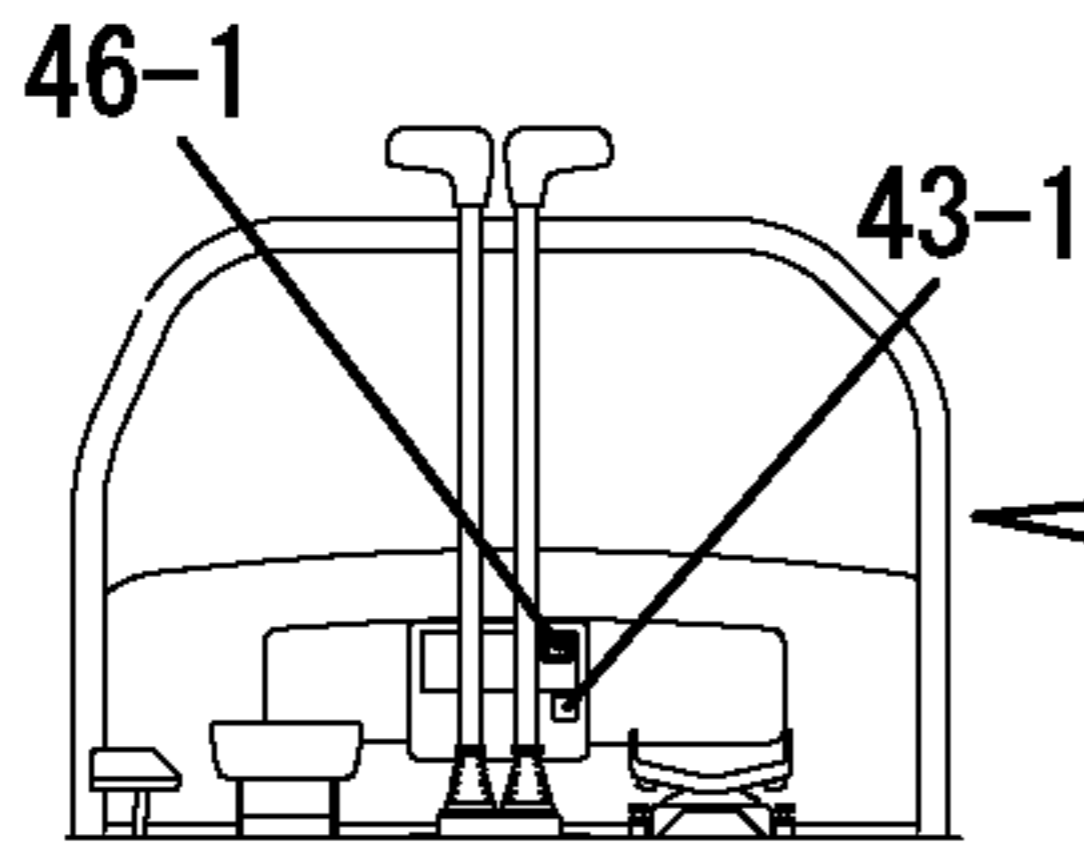
見出しNo. 1は
見出しNo. 2から50を含みます。
1 INC. 2~50.



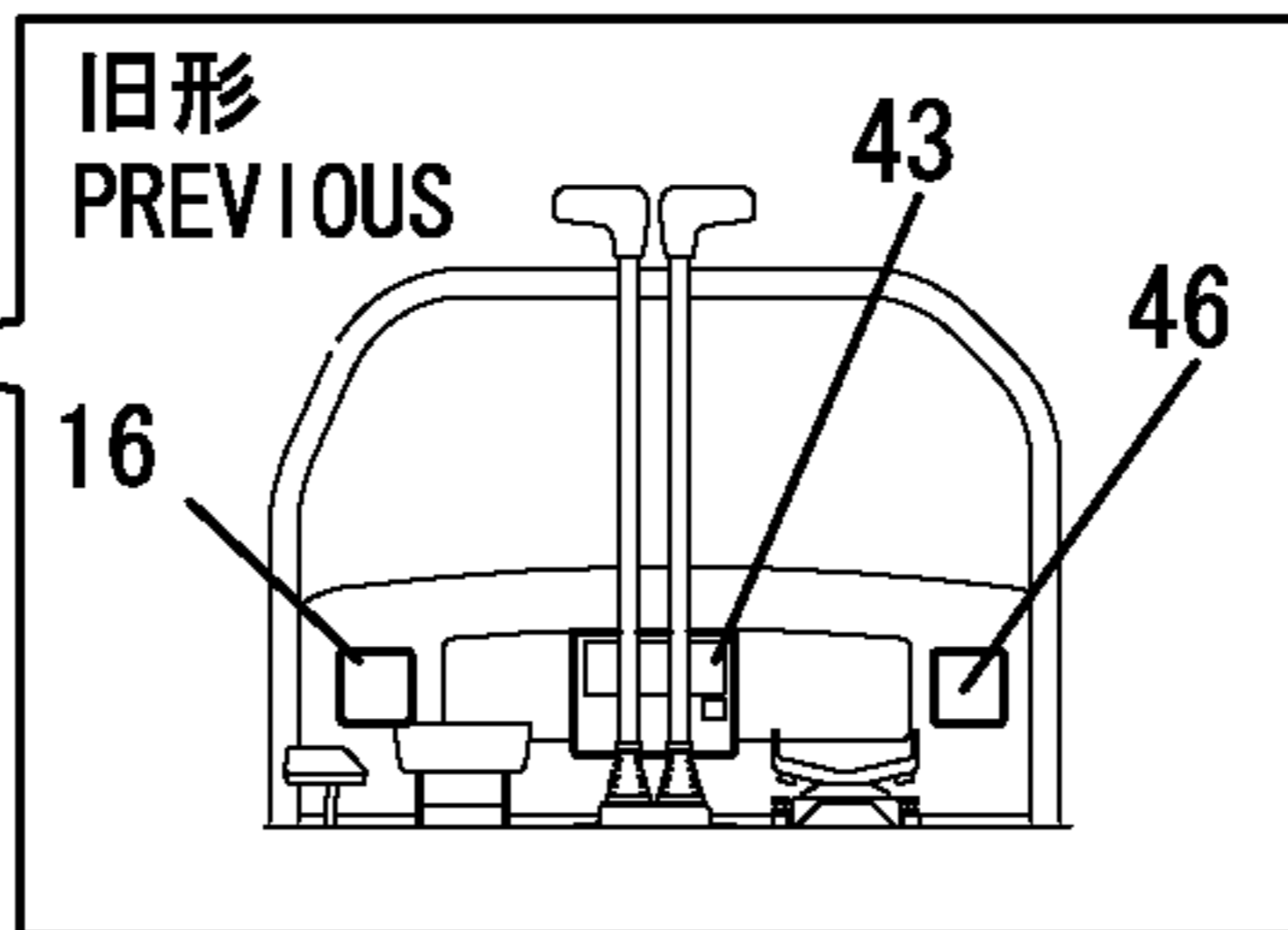
ボンネット内部詳細
DETAILS OF
BONNET INSIDE



グリル内側詳細
DETAILS OF
GRILLE INSIDE

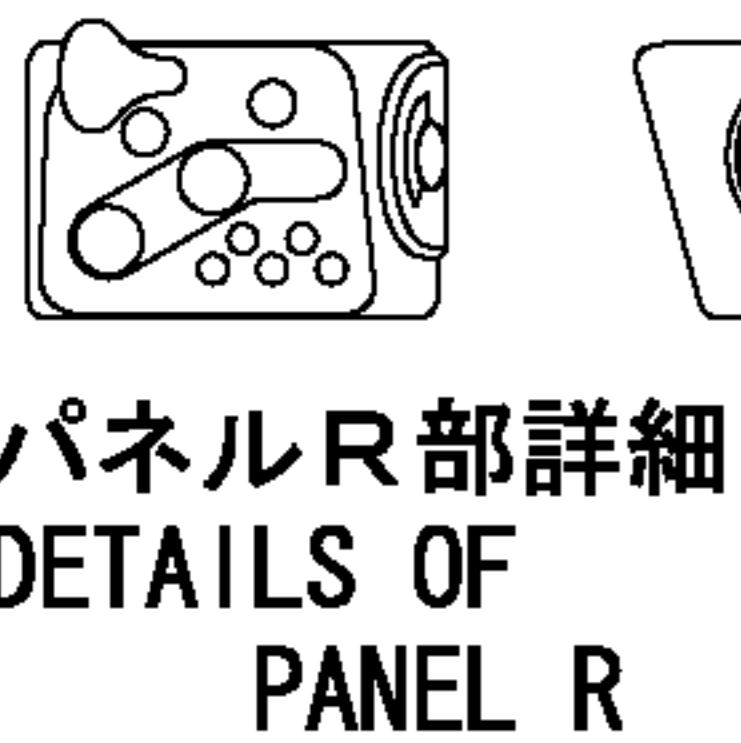
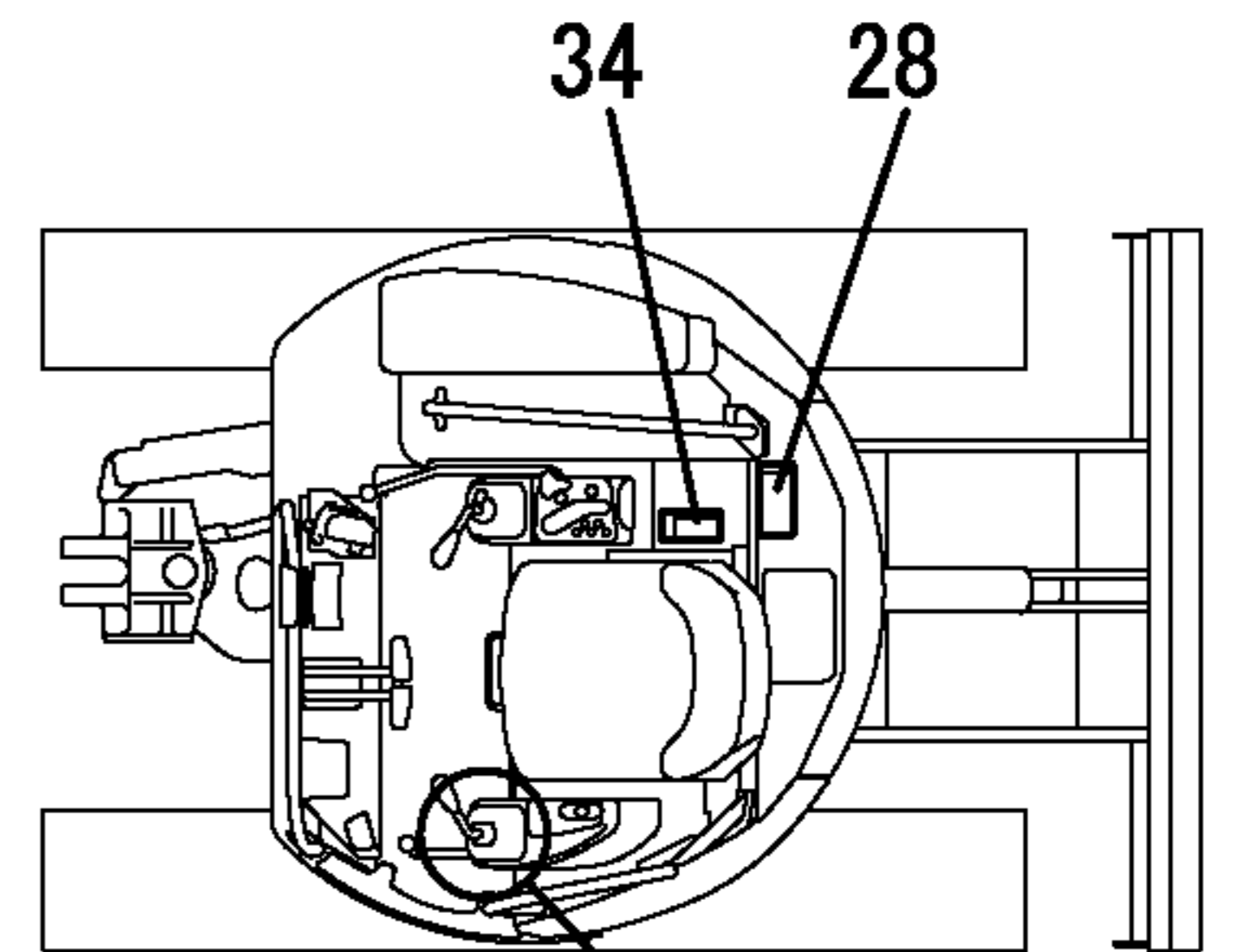


(B) カラ見ル
VIEWED FROM (B)



旧形
PREVIOUS

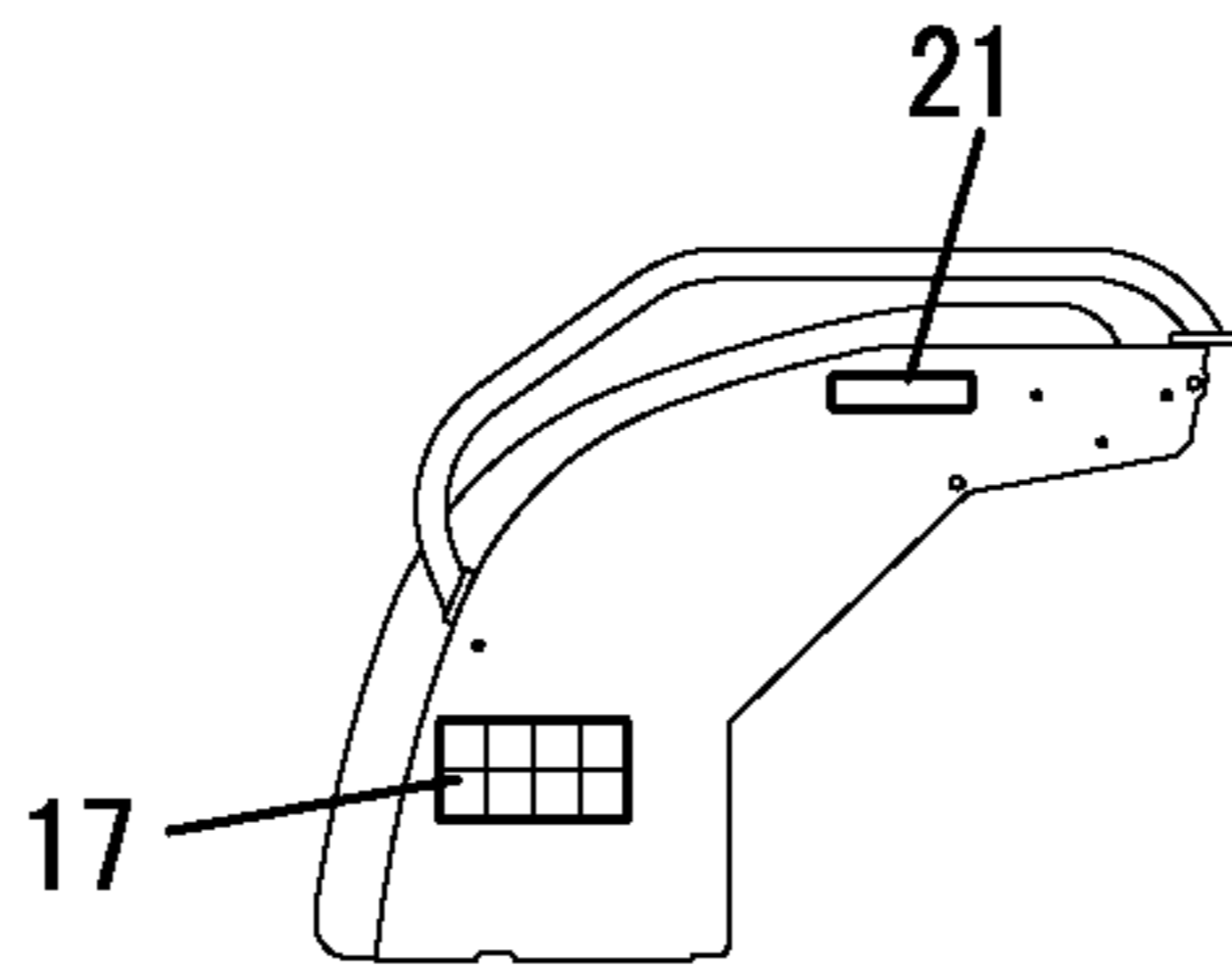
グリルを開いて
OPEN THE GRILLE



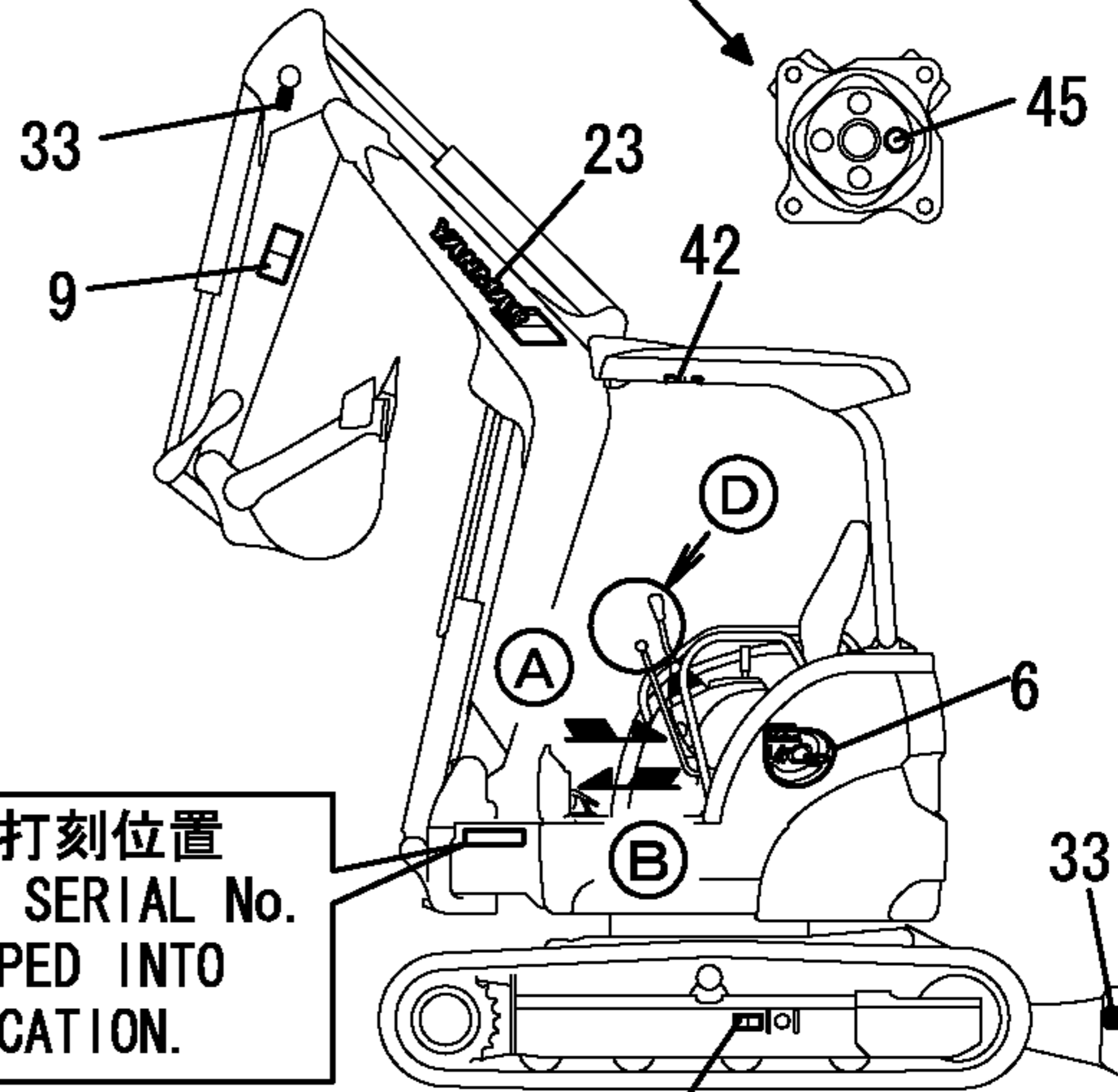
パネルR部詳細
DETAILS OF
PANEL R



パネルL部詳細
DETAILS OF
PANEL L



(C) カラ見ル
VIEWED FROM (C)

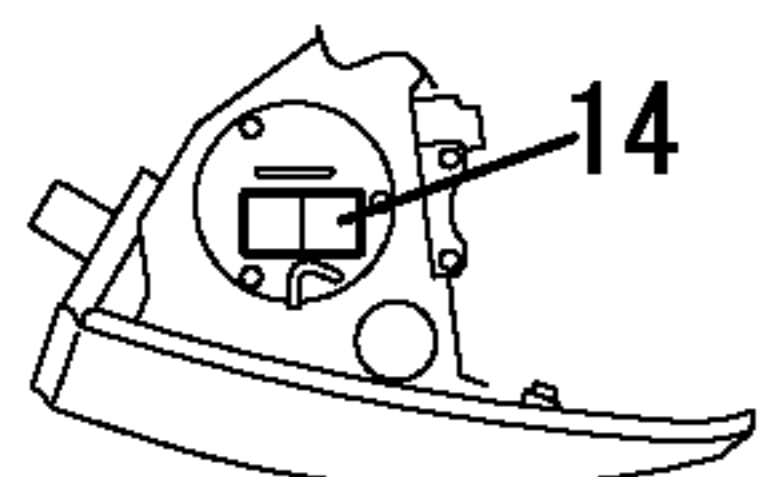


機体No. 打刻位置
MACHINE SERIAL No.
IS STAMPED INTO
THIS LOCATION.

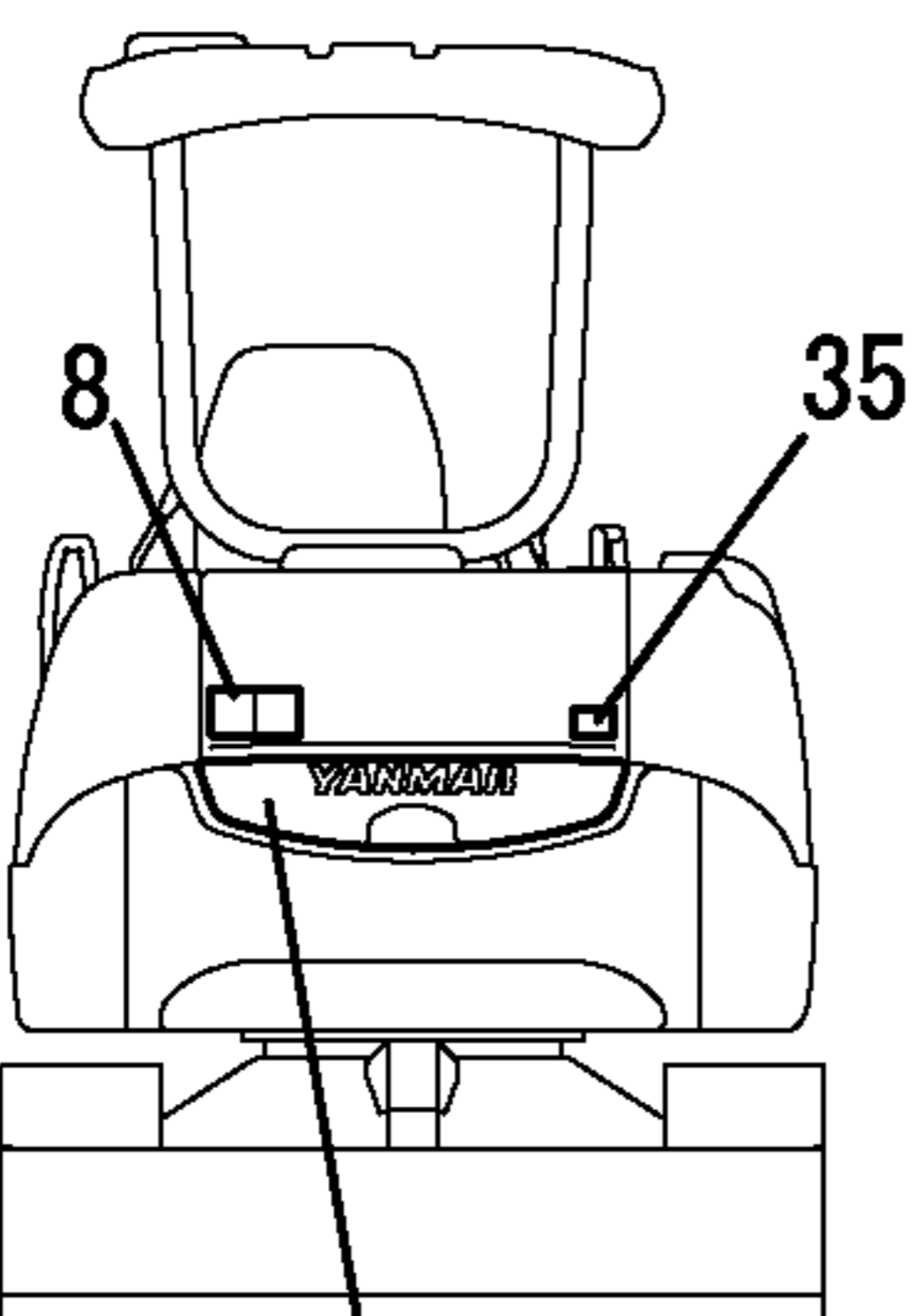


P.T.O.ペダル詳細
DETAILS OF
P. T. O. PEDAL

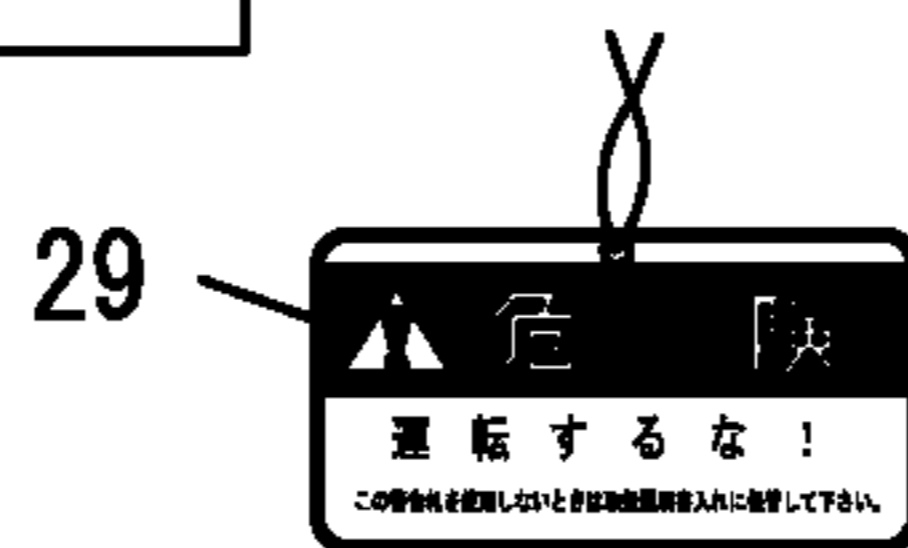
機体No. 機関No. 打刻位置
MACHINE SERIAL No.
ENGINE No. IS STAMPED
INTO THIS LOCATION.



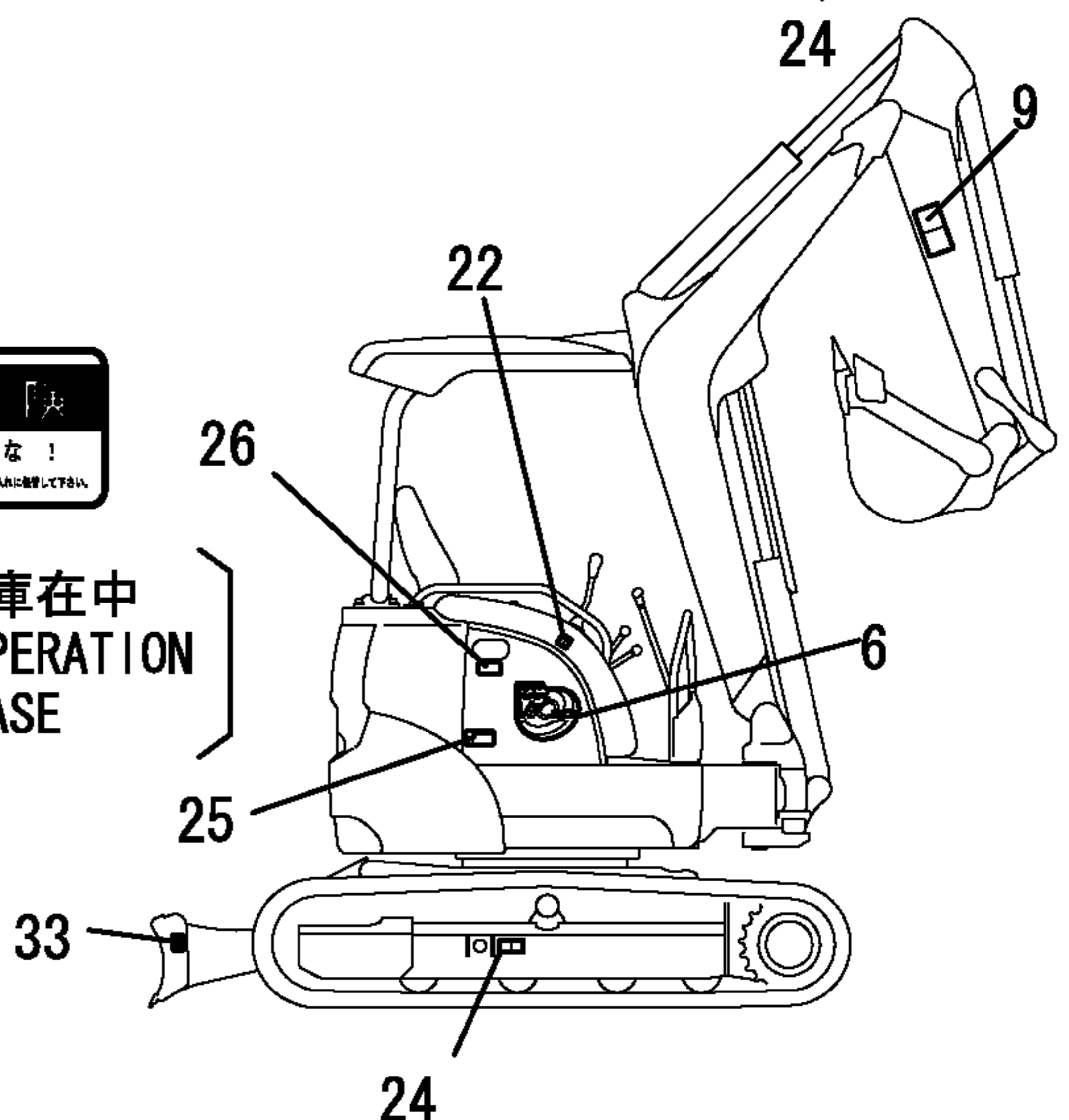
ボンネット内部詳細
DETAILS OF
BONNET INSIDE



7

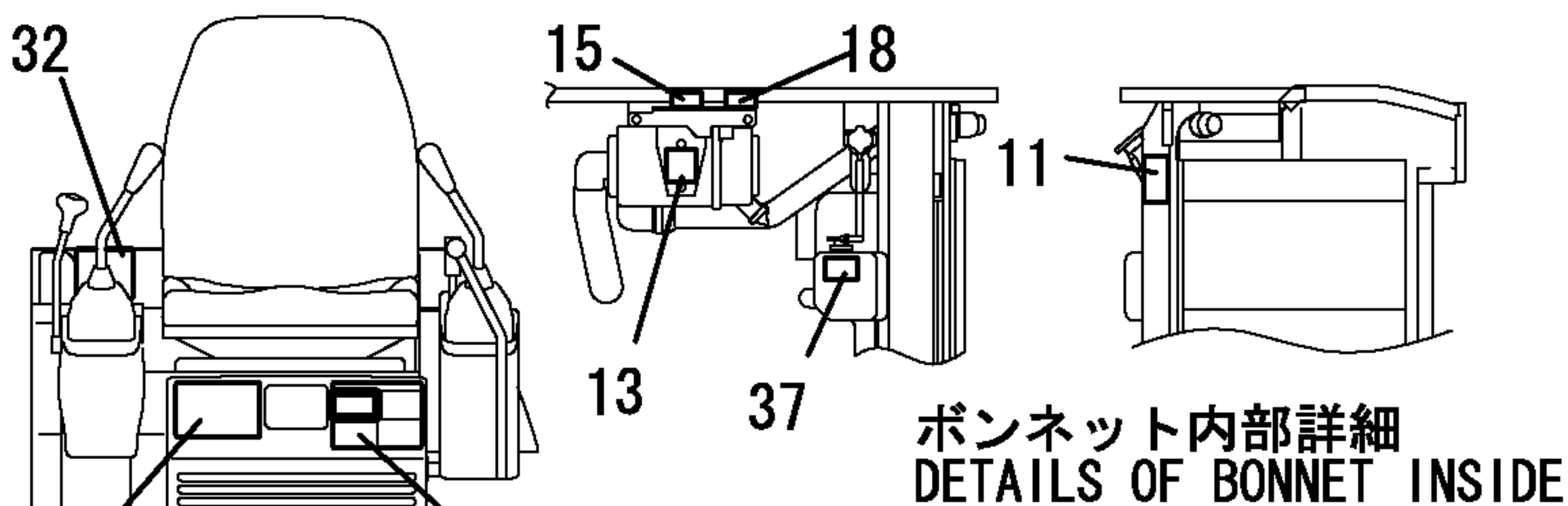


取説収納庫在中
IN THE OPERATION
MANUAL CASE

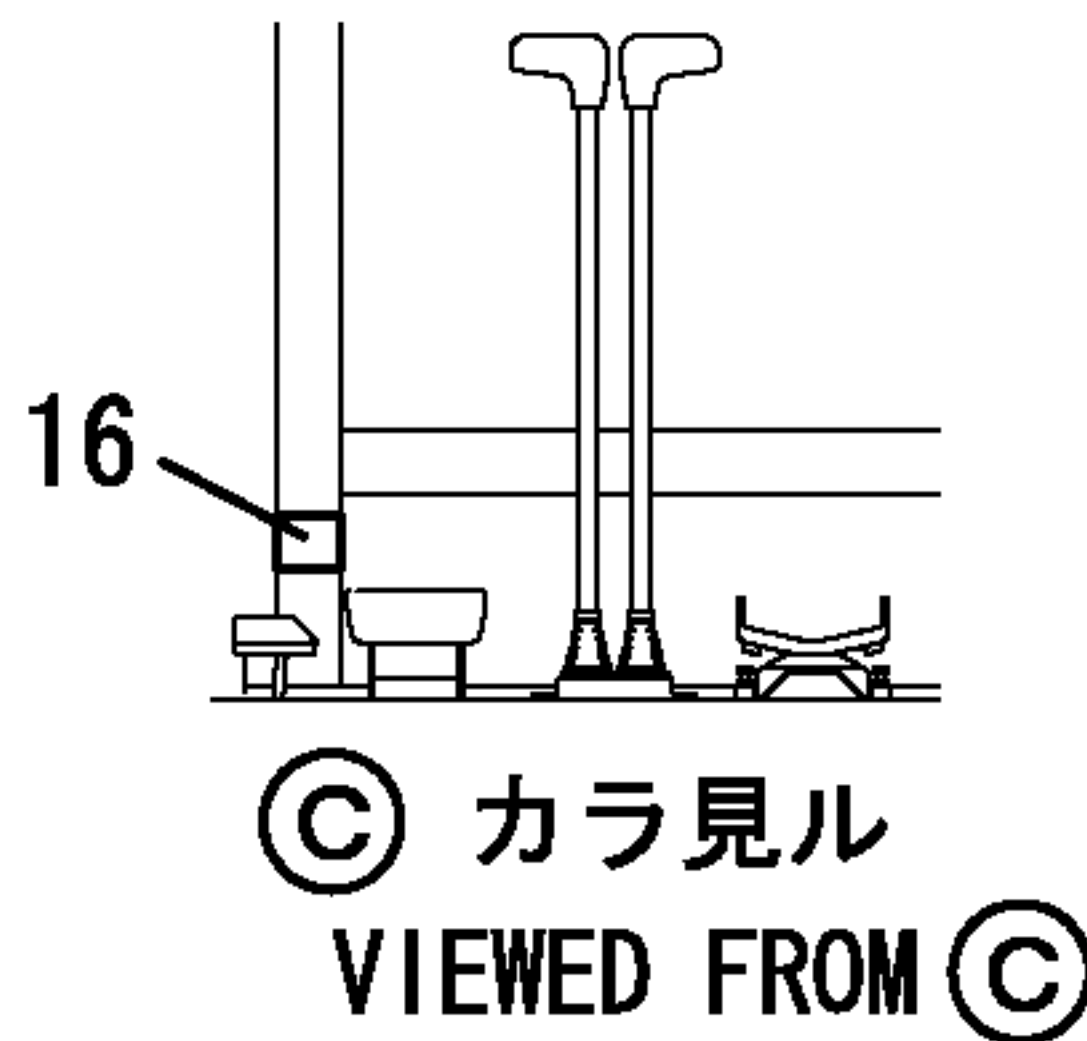


1,1,,772458-03130,, "LABEL SET,VIO30-2(RP",,1,,,,,,,,,,,,,
1-1,1,,772458-03131,, "LABEL SET (VIO30-2PR",,1,,,,,S,,,,,24600328,M/#25501,,,,,,
2,2,,172458-03110,, "LABEL,SPECIFICATION",,1,,,,,,,,,,,,,
2-1,2,,172458-03111,, LABEL,,1,,,,,N,,,,,72457041,M/#22644,,,,,,
3,2,,172458-03120,, "LABEL,OIL & WATER",,1,,,,,,,,,,,,,
4,2,,172157-03130,, "LABEL, GREASE",,1,,,,,,,,,,,,,
5,2,,172458-03130,, "LABEL,GREASE FEED",,1,,,,,,,,,,,,,
6,2,,172458-03150,, "LABEL,MODEL",,2,,,,,,,,,,,,,
7,2,,172458-03160,, "LABEL, REAR",,1,,,,,,,,,,,,,
8,2,,172444-03170,, LABEL,,1,,,,,,,,,,,,,
9,2,,172444-03180,, LABEL,,2,,,,,,,,,,,,,
10,1,,172458-03181,, "LABEL, LIFTING",,1,,,,,,,,,,,,,
11,2,,172444-03190,, LABEL,,1,,,,,,,,,,,,,
12,2,,172458-03190,, "LABEL,OILING",,1,,,,,,,,,,,,,
13,2,,172141-03202,, "LABEL,CAUTION",,1,,,,,,,,,,,,,
14,2,,172450-03200,, "LABEL,BATTERY",,1,,,,,,,,,,,,,
15,2,,172458-03200,, "LABEL,FAN",,1,,,,,,,,,,,,,
16,2,,172147-03210,, "LABEL,2 SPEED",,1,,,,,Z,,,,,24600328,M/#25501,,,,,,
17,2,,172444-03210,, LABEL,,1,,,,,,,,,,,,,
18,2,,172458-03210,, "LABEL,BELT",,1,,,,,,,,,,,,,
19,2,,172458-03220,, "LABEL,ACCELERATOR",,1,,,,,,,,,,,,,
20,2,,172458-03230,, "LABEL,FUSE",,1,,,,,,,,,,,,,
20-1,2,,172458-03231,, "LABEL, HUSE",,1,,,,,N,,,,,72458509,M/#22628,,,,,,
21,2,,172444-03240,, LABEL,,1,,,,,,,,,,,,,
22,2,,172183-03250,, "LABEL,FUEL",,1,,,,,,,,,,,,,
23,2,,172171-03261,, "LABEL,BOOM",,1,,,,,,,,,,,,,
24,2,,172444-03280,, LABEL,,2,,,,,,,,,,,,,
25,2,,172142-03302,, "LABEL,CAUTION",,1,,,,,,,,,,,,,
26,2,,172455-03340,, LABEL,,1,,,,,,,,,,,,,
27,2,,172141-03360,, "LABEL, START SWITCH",,1,,,,,,,,,,,,,
28,2,,172964-03370,, LABEL,,1,,,,,,,,,,,,,
29,2,,172964-03481,, "LABEL,DANGER",,1,,,,,,,,,,,,,
32,2,,172164-03510,, "LABEL,LOADING",,1,,,,,,,,,,,,,
33,2,,172437-03510,, "LABEL,HOOK",,3,,,,,,,,,,,,,
34,2,,172164-03540,, LABEL,,1,,,,,,,,,,,,,
35,2,,172519-04180,, "LABEL,WARNING",,1,,,,,,,,,,,,,
36,2,,172519-04290,, "LABEL,WARNING",,1,,,,,,,,,,,,,
37,2,,121470-44540,, "LABEL, SUB-TANK",,1,,,,,,,,,,,,,
38,2,,172183-03280,, "LABEL,LOCK",,2,,,,,,,,,,,,,
39,2,,172444-03290,, MAGNET,,1,,,,,1,,,,,,,,,,,,,
40,2,,172151-03551,, LABEL,,1,,,,,1,,,,,,,,,,,,,
41,2,,172460-03140,, "LABEL,FRONT",,1,,,,,,,,,,,,,
42,2,,172151-03540,, "LABEL,PATTERN A",,1,,,,,,,,,,,,,
42-1,1,,172490-03200,, LABEL,,1,,,,,N,,,,,24600328,M/#25501,,,,,,
43,2,,172165-03240,, LABEL,,1,,,,,2,,,,,,,,,,,,,
44,2,,172173-03250,, LABEL,,1,,,,,,,,,,,,,
45,2,,172460-03230,, "LABEL,SEAT BELT",,1,,,,,,,,,,,,,
46,2,,172460-03240,, "LABEL,ROPS",,1,,,,,,,,,,,,,

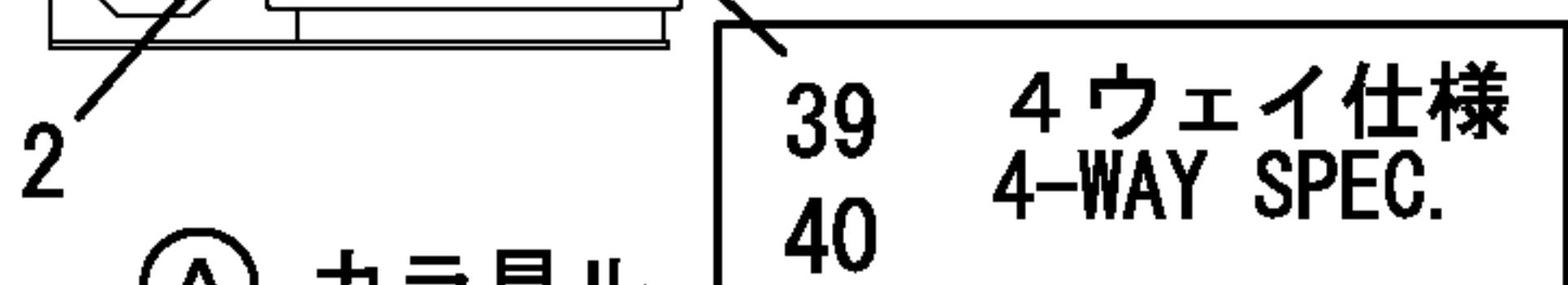
見出しNo. 1は
見出しNo. 2から46を含みます。
1 INC. 2~46.



ボンネット内部詳細
DETAILS OF BONNET INSIDE

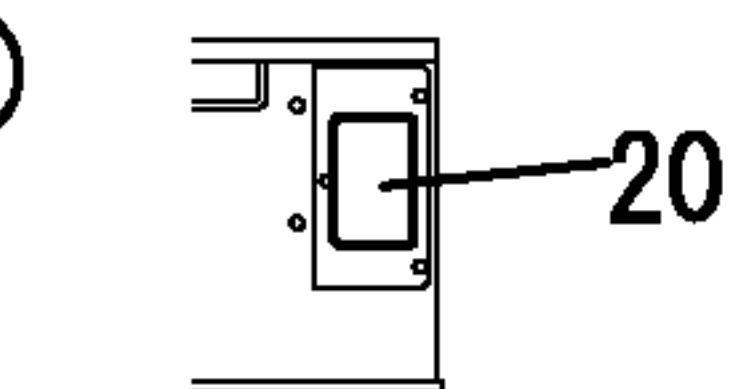


③ カラ見ル
VIEWED FROM ③

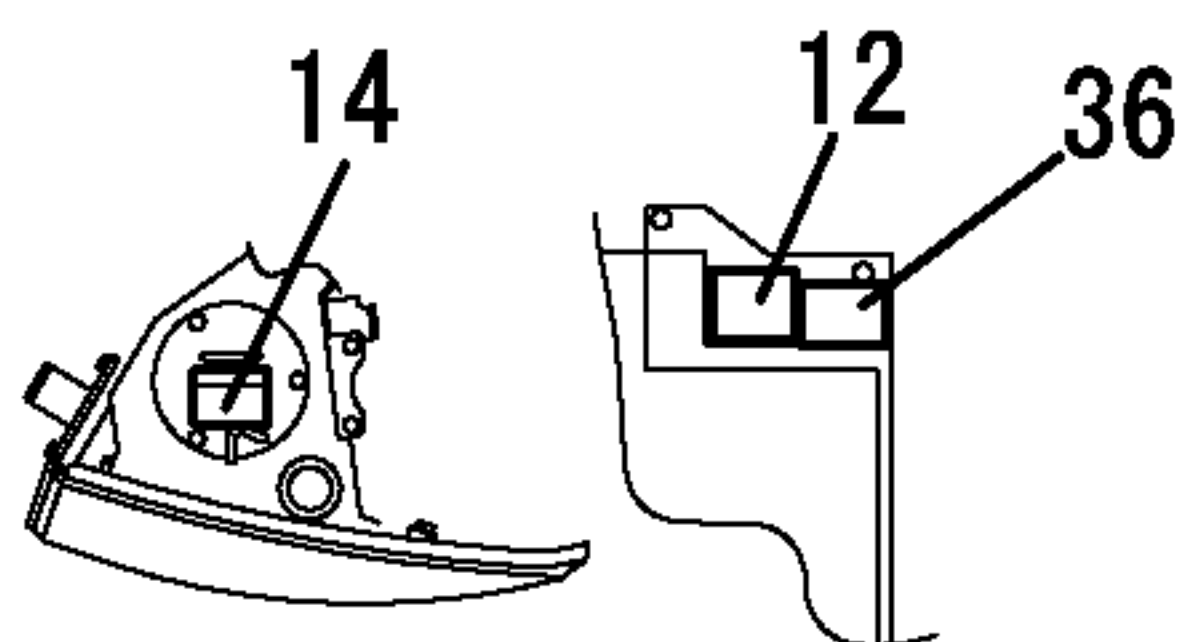


① カラ見ル
VIEWED FROM ①

39 4ウェイ仕様
40 4-WAY SPEC.

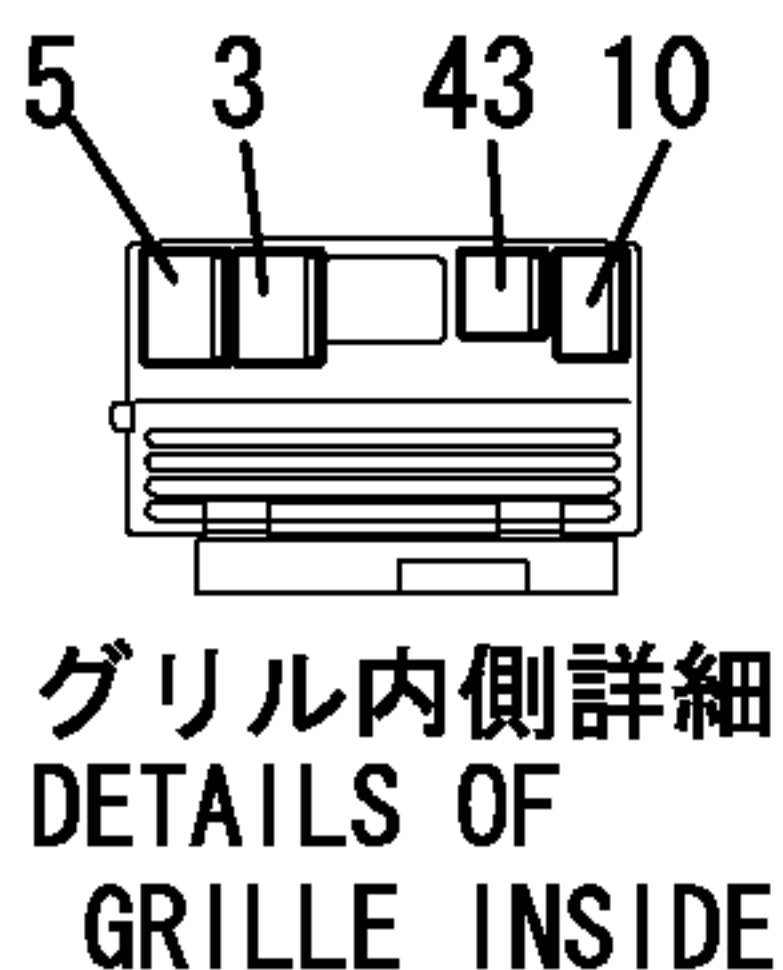


グリルを開いて
OPEN THE GRILLE

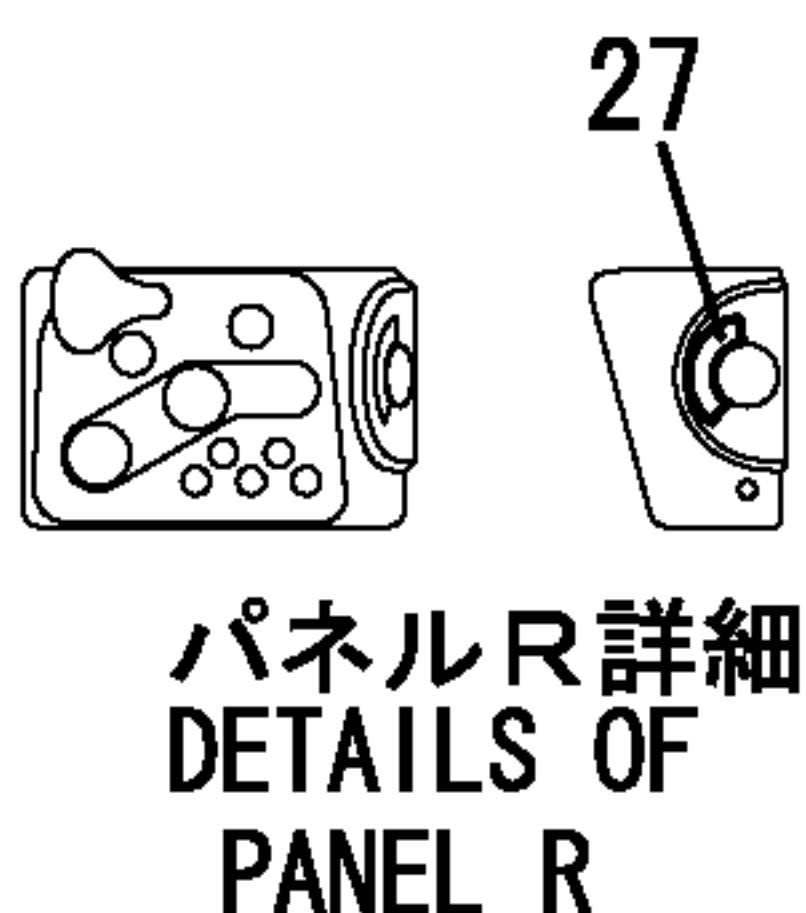


ボンネット内部詳細
DETAILS OF BONNET INSIDE

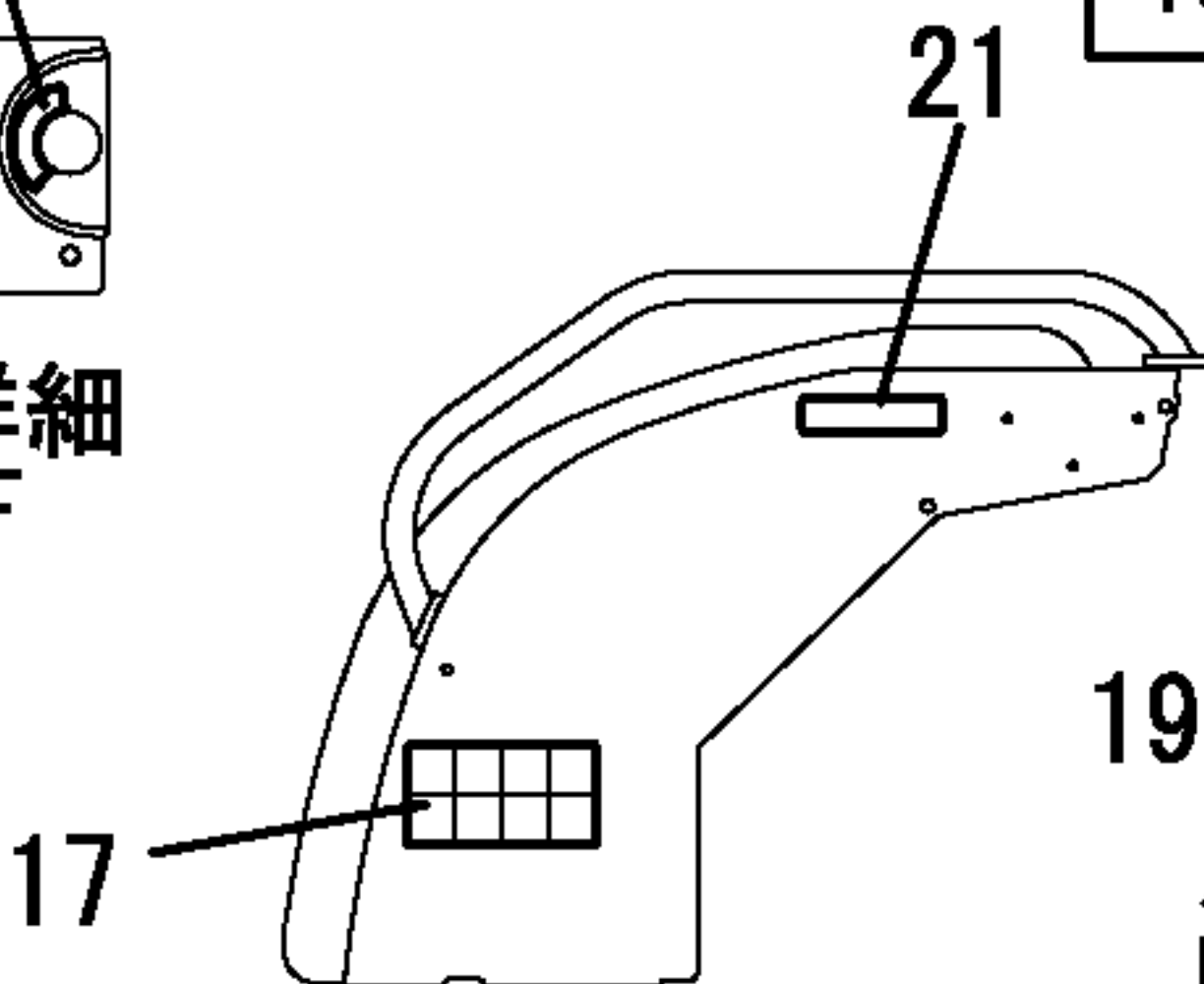
ROPSキャノピNo. 打刻位置
ROPS CANOPY SERIAL No.
IS STAMPED INTO THIS LOCATION



グリル内側詳細
DETAILS OF
GRILLE INSIDE

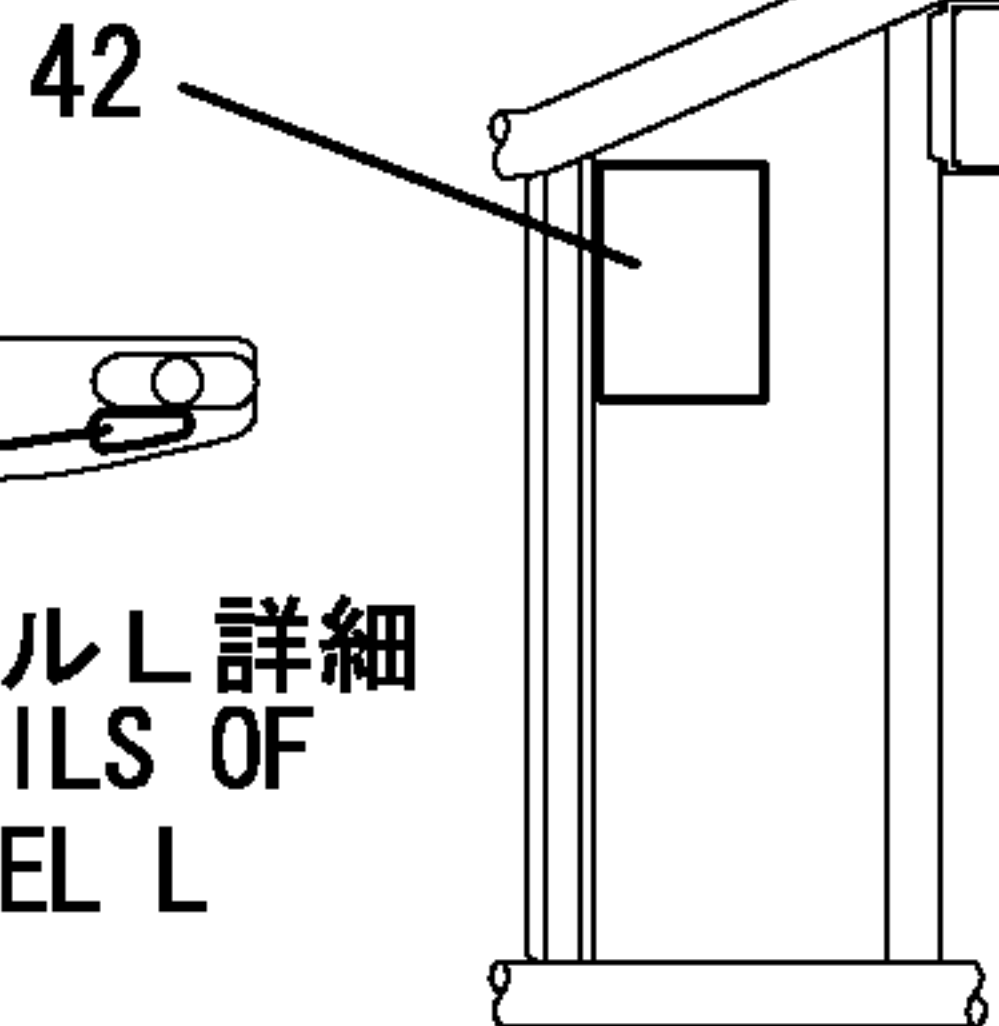


パネルR詳細
DETAILS OF
PANEL R

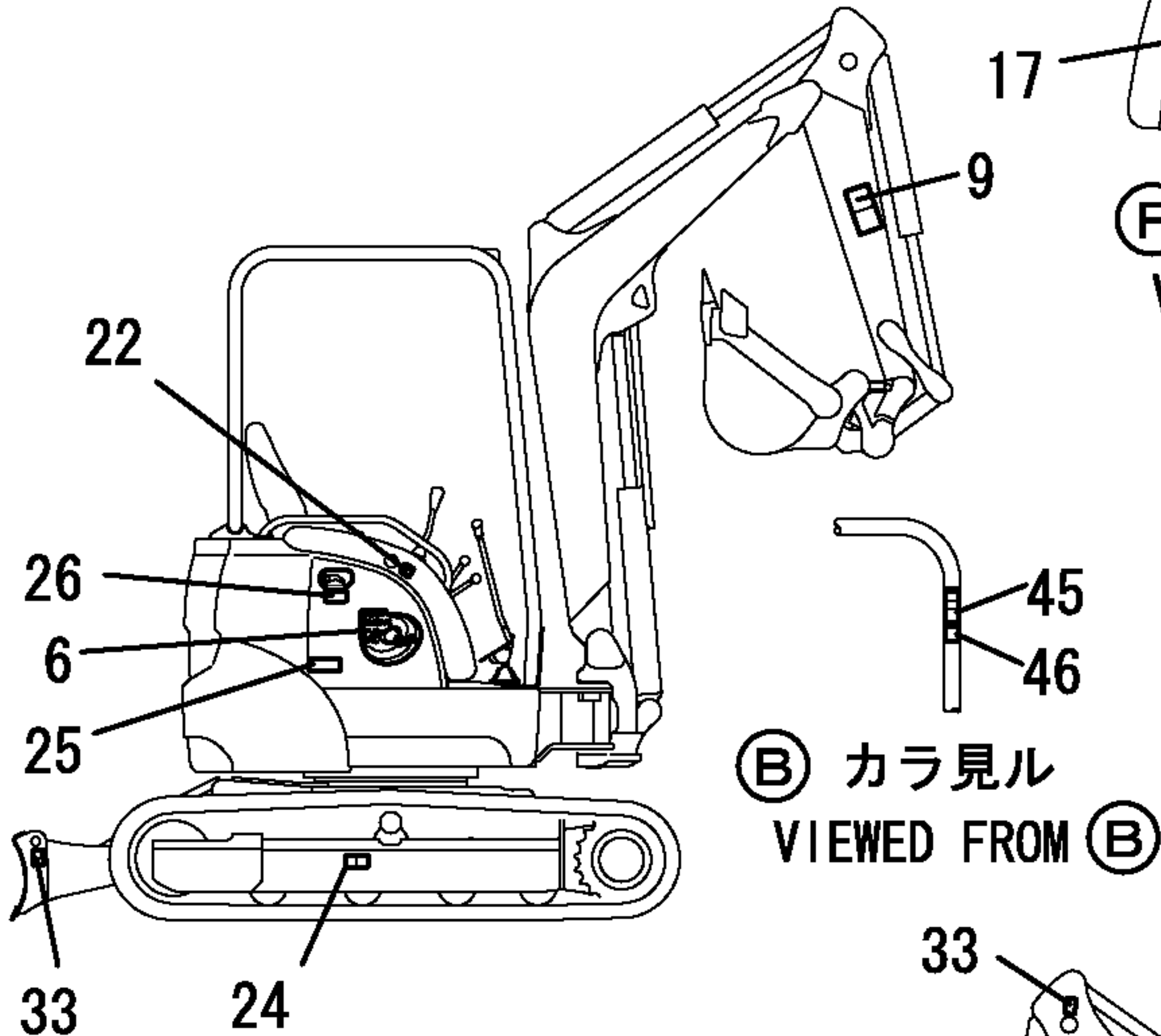


④ カラ見ル
VIEWED FROM ④

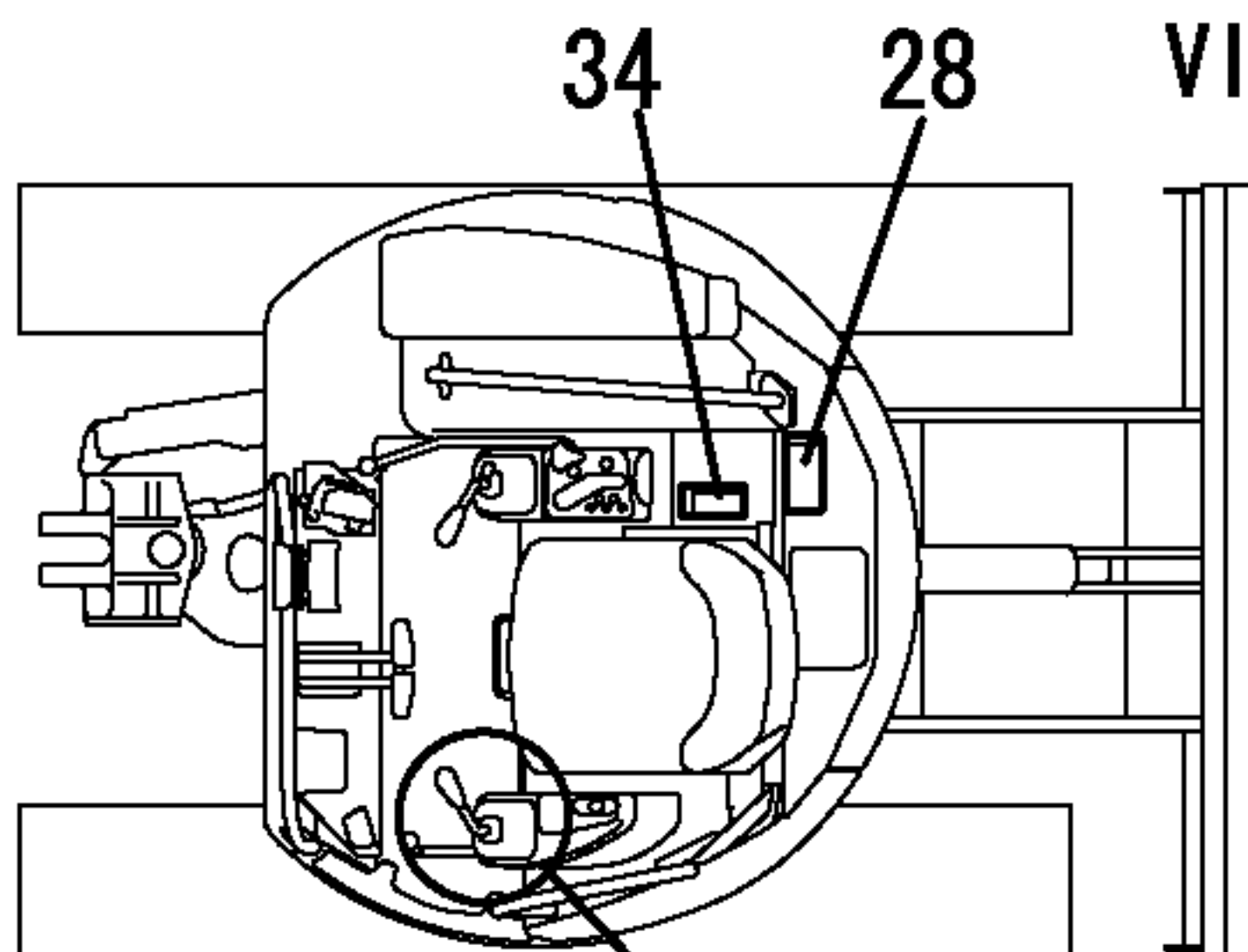
パネルL詳細
DETAILS OF
PANEL L



⑤ カラ見ル
VIEWED FROM ⑤



② カラ見ル
VIEWED FROM ②

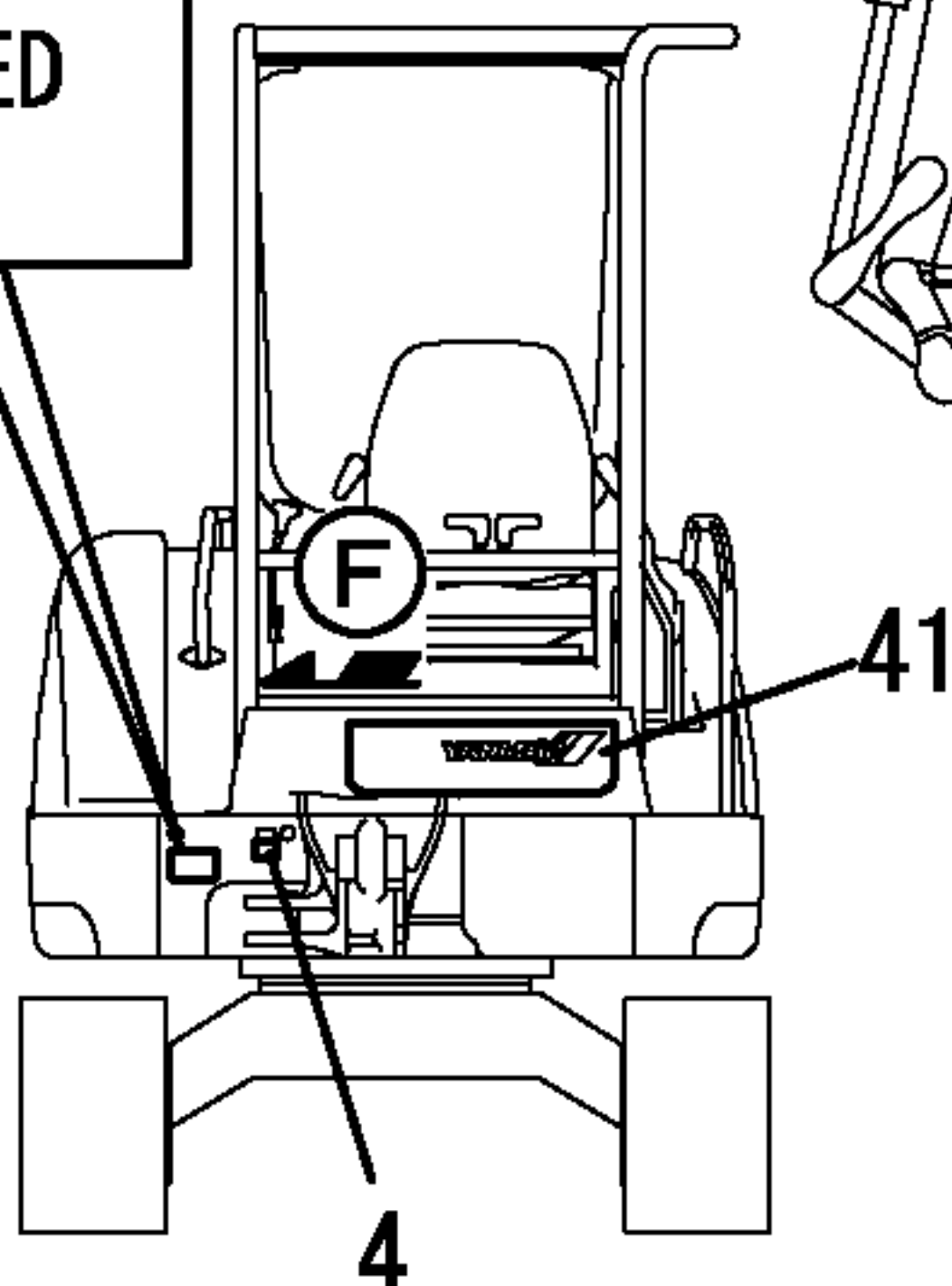


⑥ 部詳細
DETAILS OF ⑥

機体No. 機関No. 打刻位置
MACHINE SERIAL No.
ENGINE No. IS STAMPED
INTO THIS LOCATION.



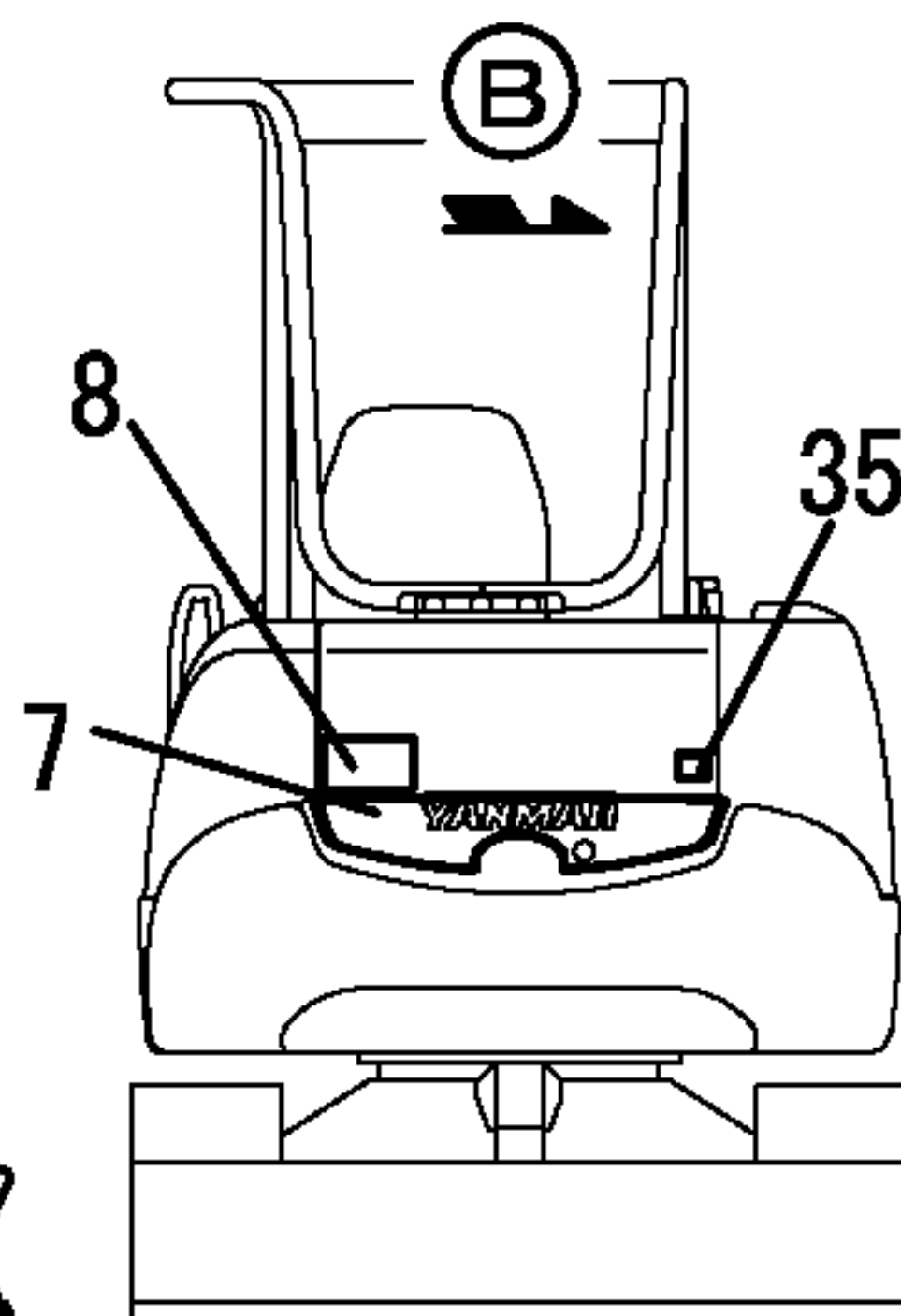
取説収納庫在中
IN THE OPERATION
MANUAL CASE



④

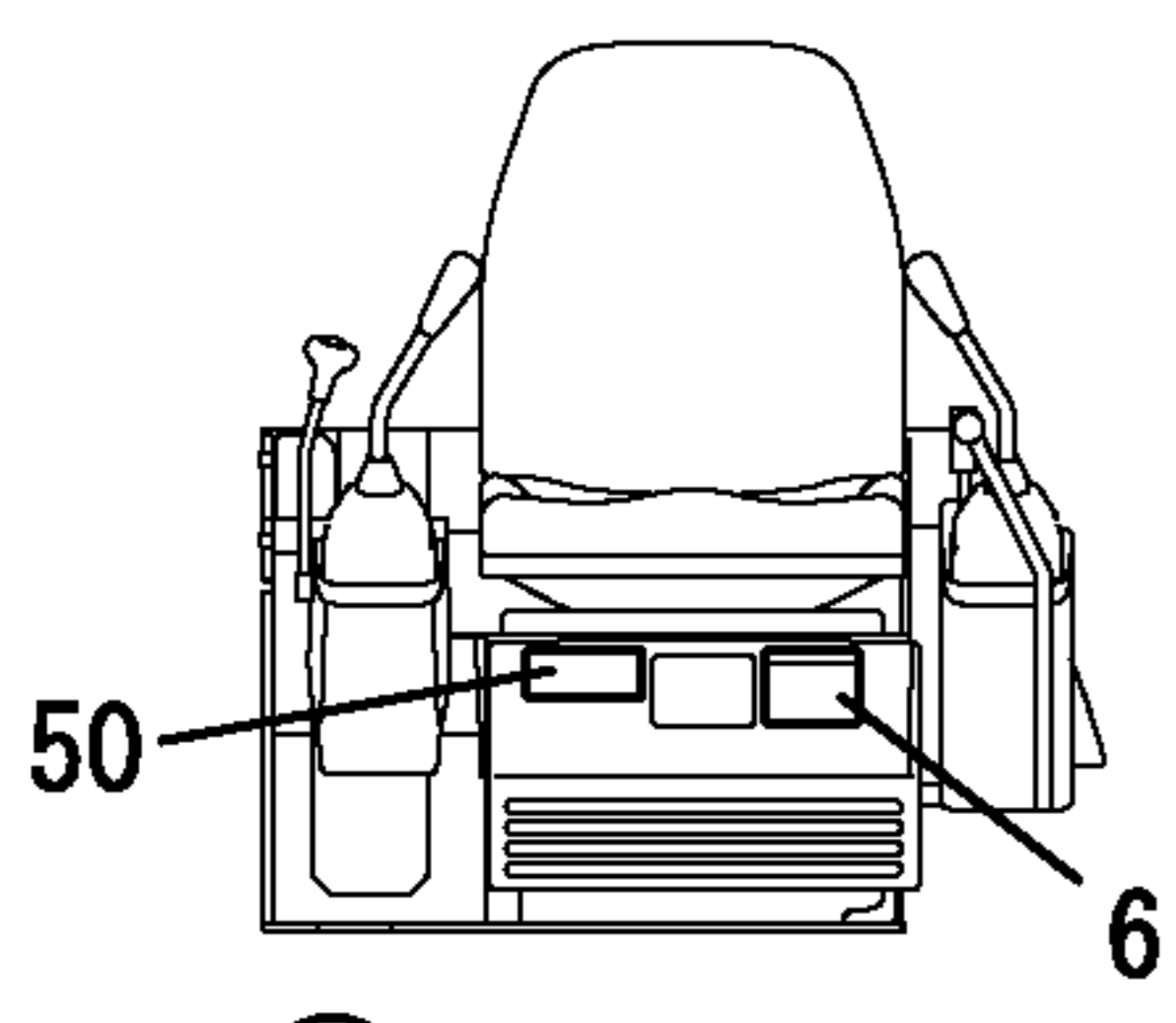


機体No. 機関No. 打刻位置
MACHINE SERIAL No.
ENGINE No. IS STAMPED
INTO THIS LOCATION.

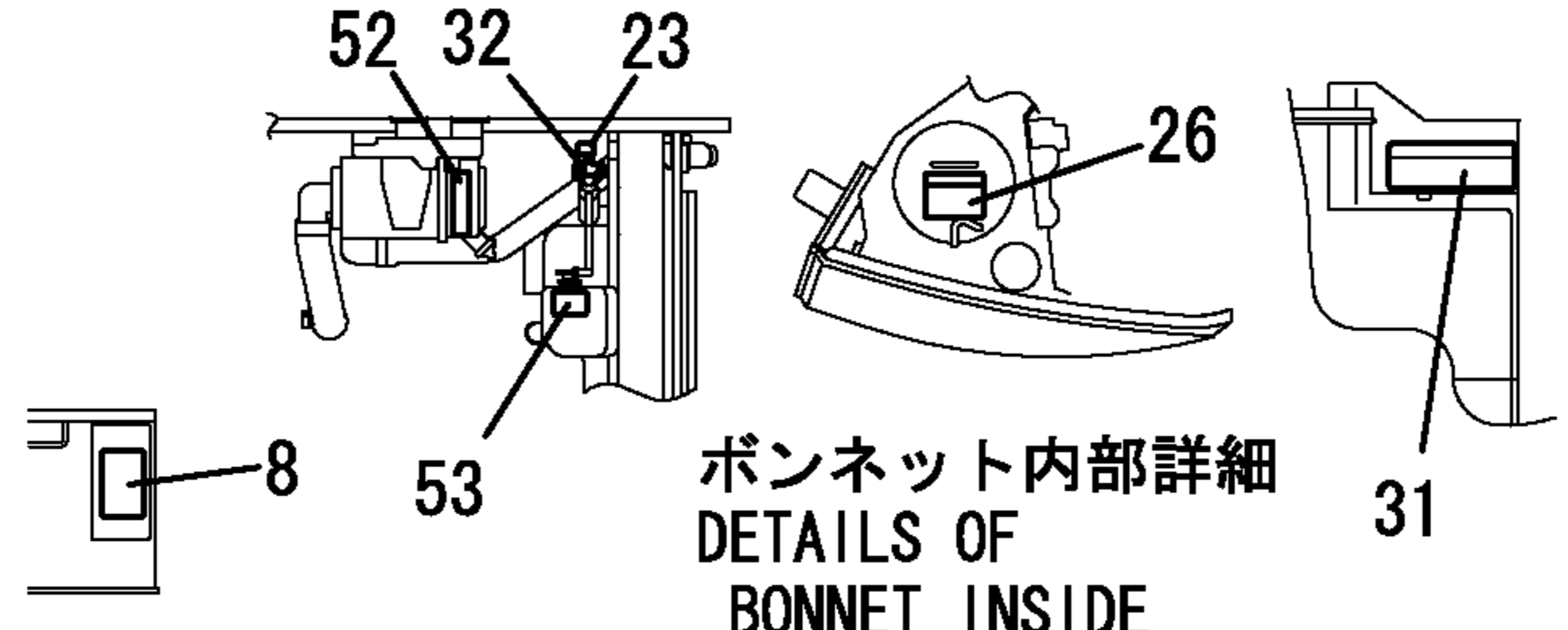


②

1,1,,772458-03140,, "LABELSET VIO30-2P)EX",,,,1,,,,,,,,,,,,,I
2,2,,172458-03140,, "LABEL, FRONT",,,,1,,,,,,,,,,,,,I
3,2,,172458-03150,, "LABEL,MODEL",,,,2,,,,,,,,,,,,,I
4,2,,172472-03150,, "LABEL,OIL&WATER",,,,1,,,,,,,,,,,,,I
5,2,,172458-03160,, "LABEL, REAR",,,,1,,,,,,,,,,,,,I
6,2,,172472-03160,, "LABEL,GREASE",,,,1,,,,,,,,,,,,,I
7,2,,172958-03160,, LABEL,,,,,1,,,,,,,,,,,,,I
8,2,,172472-03170,, "LABEL,FUSE",,,,1,,,,,,,,,,,,,I
9,2,,172490-03200,, LABEL,,,,,1,,,,,,,,,,,,,I
10,2,,172490-03210,, "LABEL, P.T.O.",,,,1,,1,,,,,,,,,,,,,I
11,2,,172458-03220,, "LABEL,ACCELERATOR",,,,1,,,,,,,,,,,,,I
12,2,,172472-03230,, "LABEL,OPERATION PIN",,,,1,,,,,,,,,,,,,I
13,2,,172437-03241,, "LABEL,CRAWLER",,,,1,,,,,,,,,,,,,I
14,2,,172458-03240,, "LABEL,LOCK",,,,2,,2,,,,,,,,,,,,,I
15,2,,172472-03240,, "LABEL,PIN US",,,,1,,,,,,,,,,,,,I
16,2,,172437-03250,, "TAG,SERVICING ASSY",,,,1,,,,,,,,,,,,,I
19,2,,172472-03250,, "LABEL,OPERATION Q US",,,,1,,,,,,,,,,,,,I
20,2,,172171-03261,, "LABEL,BOOM",,,,2,,,,,,,,,,,,,I
21,2,,172472-03260,, "LABEL,FINGER",,,,1,,,,,,,,,,,,,I
22,2,,172472-03270,, "LABEL,SAND US",,,,1,,,,,,,,,,,,,I
23,2,,124764-44920,, "LABEL, ANTI-FREEZING",,,,1,,,,,,,,,,,,,I
24,2,,172183-03280,, "LABEL,LOCK",,,,2,,,,,,,,,,,,,I
25,2,,172472-03280,, LABEL,,,,,1,,,,,,,,,,,,,I
26,2,,172463-03290,, "LABEL,HYD.OIL US",,,,1,,,,,,,,,,,,,I
27,2,,172472-03290,, "LABEL,SWITCH",,,,1,,,,,,,,,,,,,I
28,2,,172437-03300,, "LABEL,MANUAL",,,,1,,,,,,,,,,,,,I
29,2,,172472-03300,, "LABEL,COVER",,,,1,,,,,,,,,,,,,I
30,2,,172437-03310,, "LABEL,SLOPE",,,,1,,,,,,,,,,,,,I
31,2,,172437-03321,, "LABEL,HYD.OIL TANK",,,,1,,,,,,,,,,,,,I
32,2,,172462-03320,, LABEL,,,,,1,,,,,,,,,,,,,I
33,2,,172463-03330,, "LABEL,COVER",,,,1,,,,,,,,,,,,,I
34,2,,172437-03341,, "LABEL,TRANSPORT",,,,1,,,,,,,,,,,,,I
35,2,,172437-03351,, "LABEL,GREASE CYL.",,,,2,,,,,,,,,,,,,I
36,2,,172141-03360,, "LABEL, START SWITCH",,,,1,,,,,,,,,,,,,I
37,2,,172437-03360,, "LABEL,BATTERY",,,,1,,,,,,,,,,,,,I
38,2,,172437-03371,, LABEL,,,,,1,,,,,,,,,,,,,I
39,2,,172437-03380,, "LABEL,SWING AREA",,,,1,,,,,,,,,,,,,I
40,2,,172437-03390,, "LABEL,RADIATOR",,,,1,,,,,,,,,,,,,I
41,2,,172437-03401,, "LABEL (ENG COVER US",,,,1,,,,,,,,,,,,,I
42,2,,172437-03411,, "LABEL (ENG ROOM US",,,,1,,,,,,,,,,,,,I
43,2,,172437-03421,, "LABEL,MUFFLER",,,,1,,,,,,,,,,,,,I
44,2,,172437-03431,, "LABEL,STEERING",,,,1,,,,,,,,,,,,,I
45,2,,172437-03460,, "LABEL, BOOM",,,,2,,,,,,,,,,,,,I
46,2,,172437-03470,, "LABEL,LEVER LOCK",,,,1,,,,,,,,,,,,,I
47,2,,172437-03500,, "LABEL,FUEL",,,,1,,,,,,,,,,,,,I
48,2,,172437-03510,, "LABEL,HOOK",,,,4,,,,,,,,,,,,,I
49,2,,172437-03530,, "LABEL,RE-START",,,,1,,,,,,,,,,,,,I
50,2,,172458-03701,, "LABEL,SPECIFICATION",,,,1,,,,,,,,,,,,,I
51,2,,172157-03740,, LABEL,,,,,1,,,,,,,,,,,,,I
52,2,,172125-03950,, "LABEL, AIR CLEANER",,,,1,,,,,,,,,,,,,I
53,2,,124764-44810,, "LABEL, SUB-TANK",,,,1,,,,,,,,,,,,,I

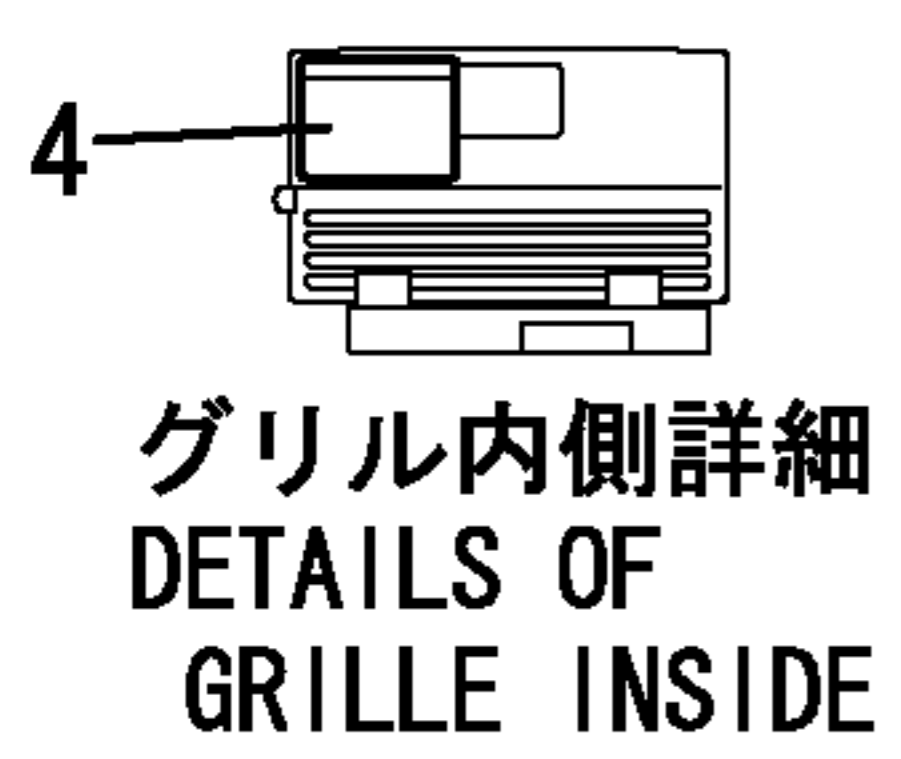


①から見る
VIEWED FROM ①



ボンネット内部詳細
DETAILS OF
BONNET INSIDE

見出しNo. 1は
見出しNo. 2から53を含みます
1 INC. 2~53

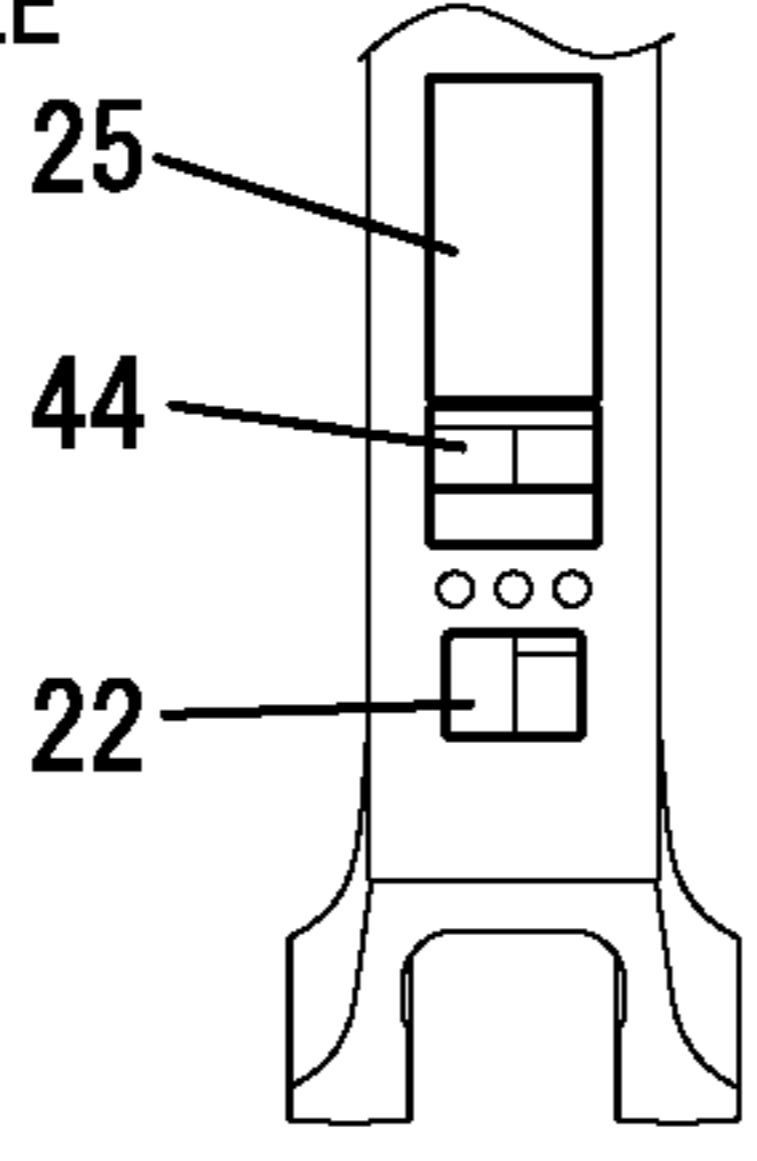


グリル内側詳細
DETAILS OF
GRILLE INSIDE

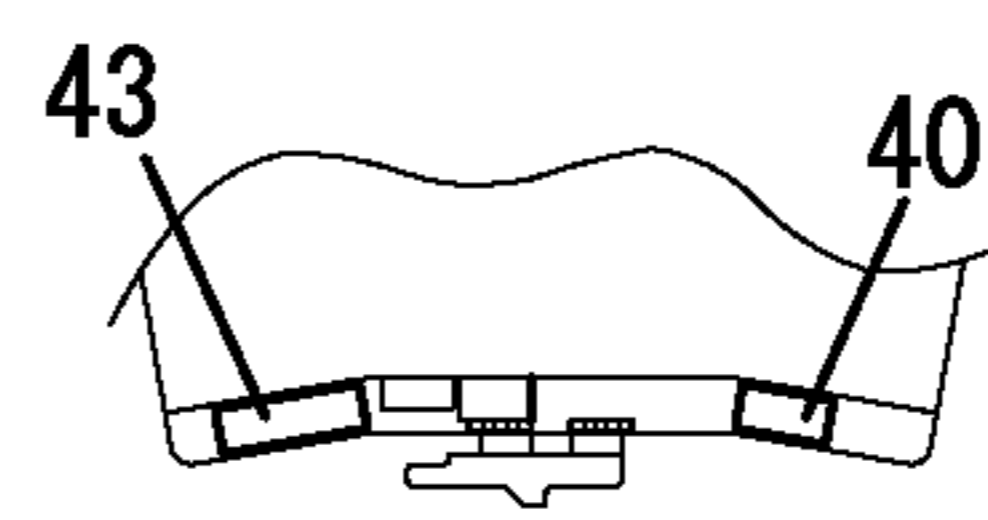
グリルを開いて
OPEN THE GRILLE



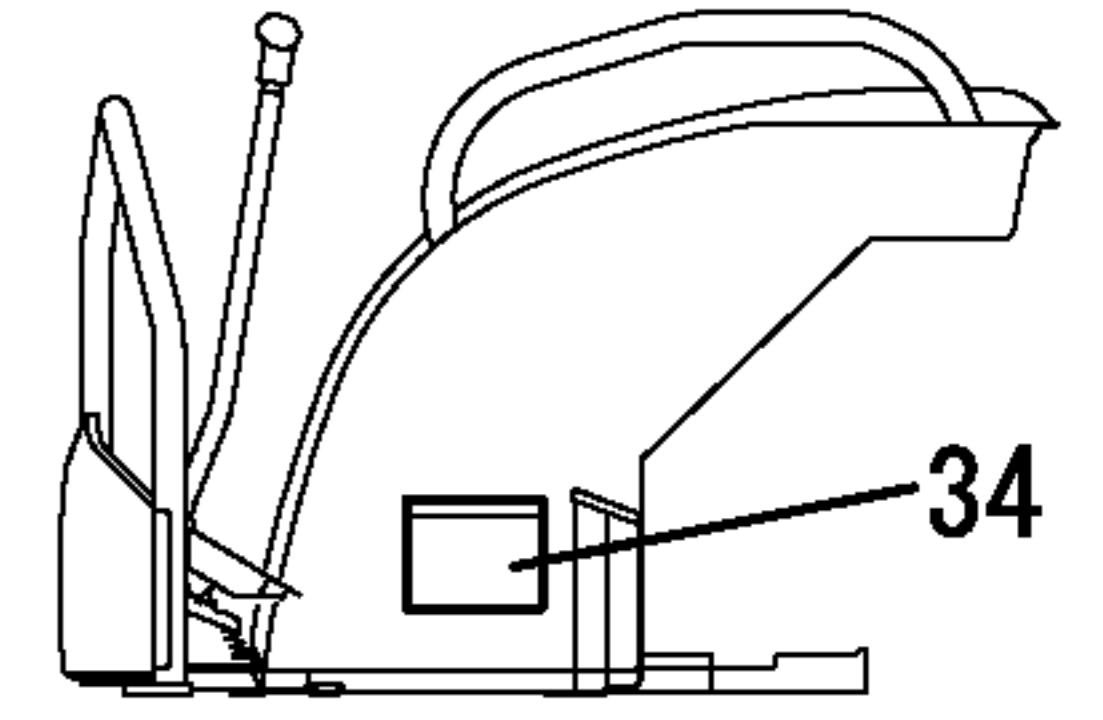
パネルL部詳細
DETAILS OF
PANEL L



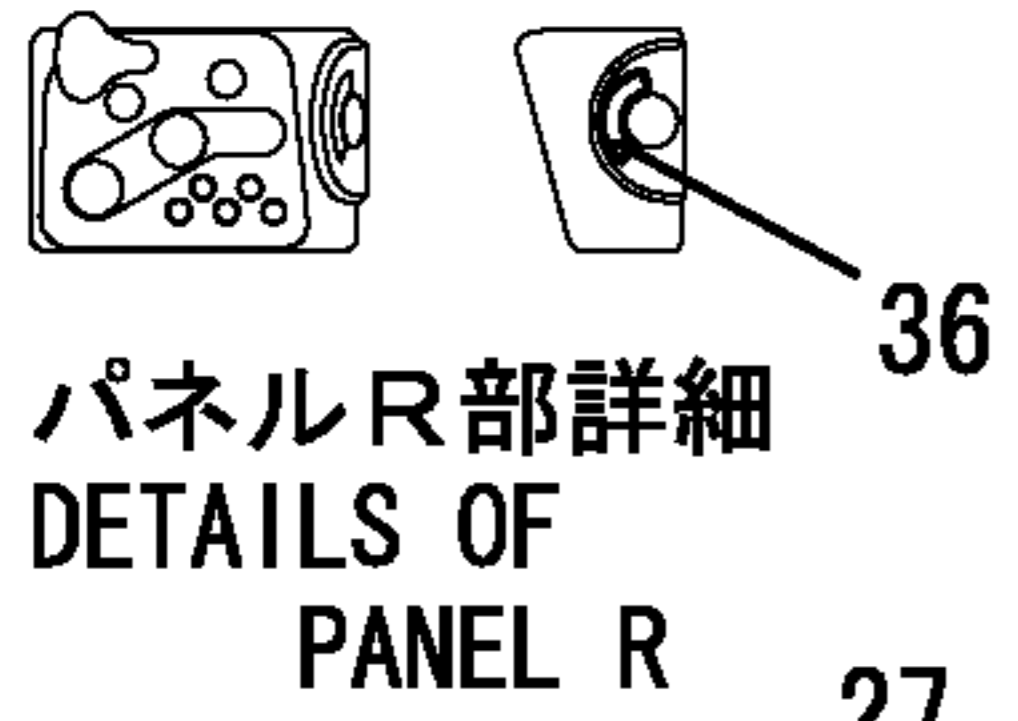
②から見る
VIEWED FROM ②



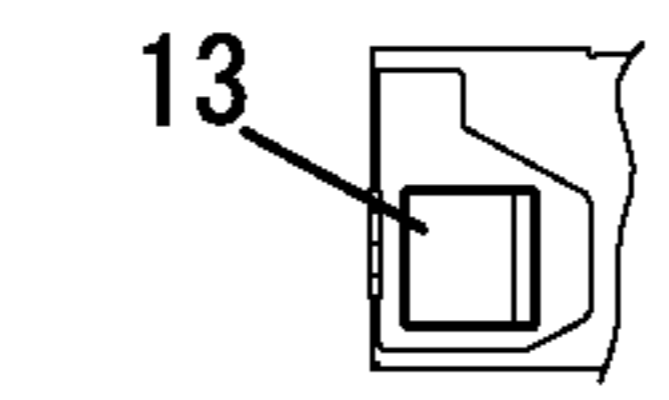
ボンネットカバー内側
BONNET COVER INSIDE



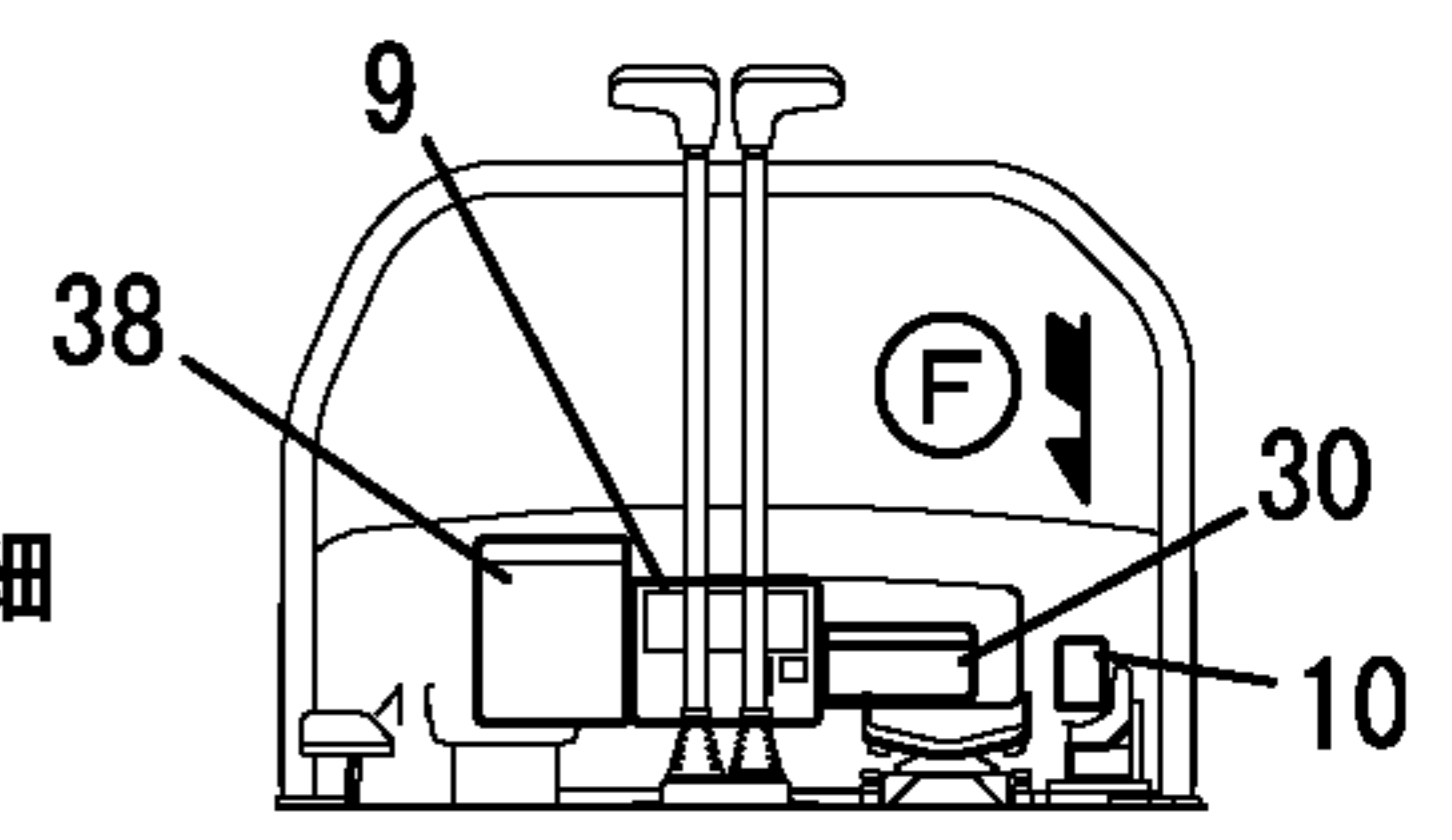
③から見る
VIEWED FROM ③



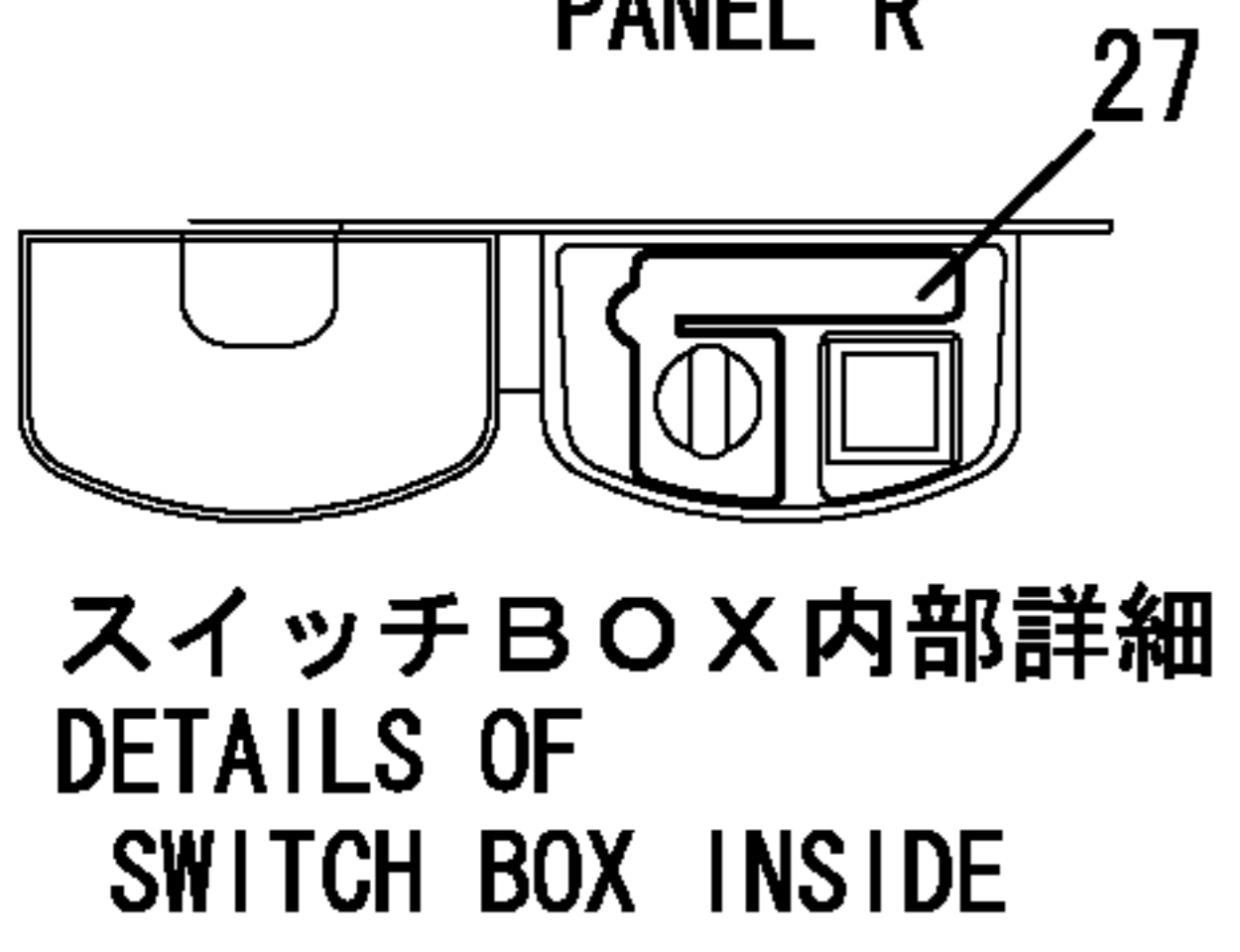
パネルR部詳細
DETAILS OF
PANEL R



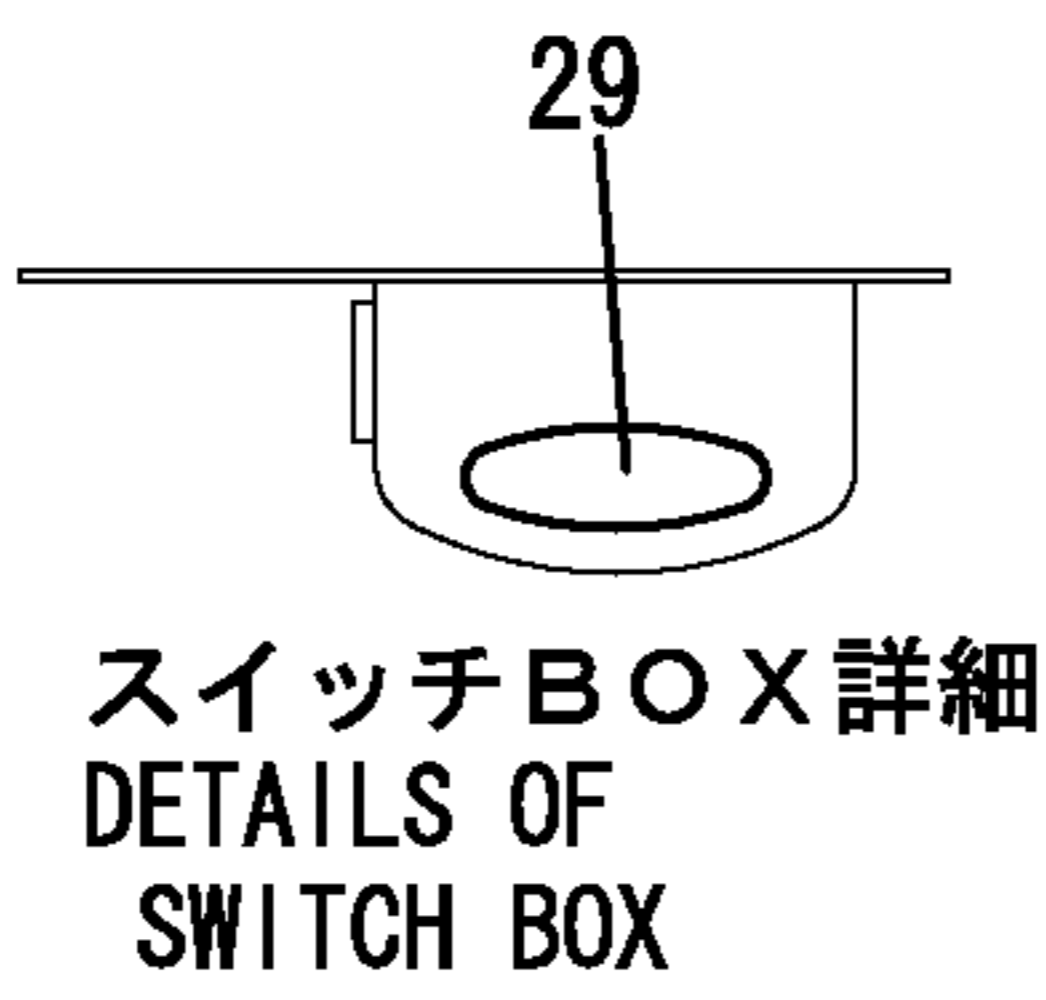
マルチカバー部詳細
DETAILS OF
MULTI COVER



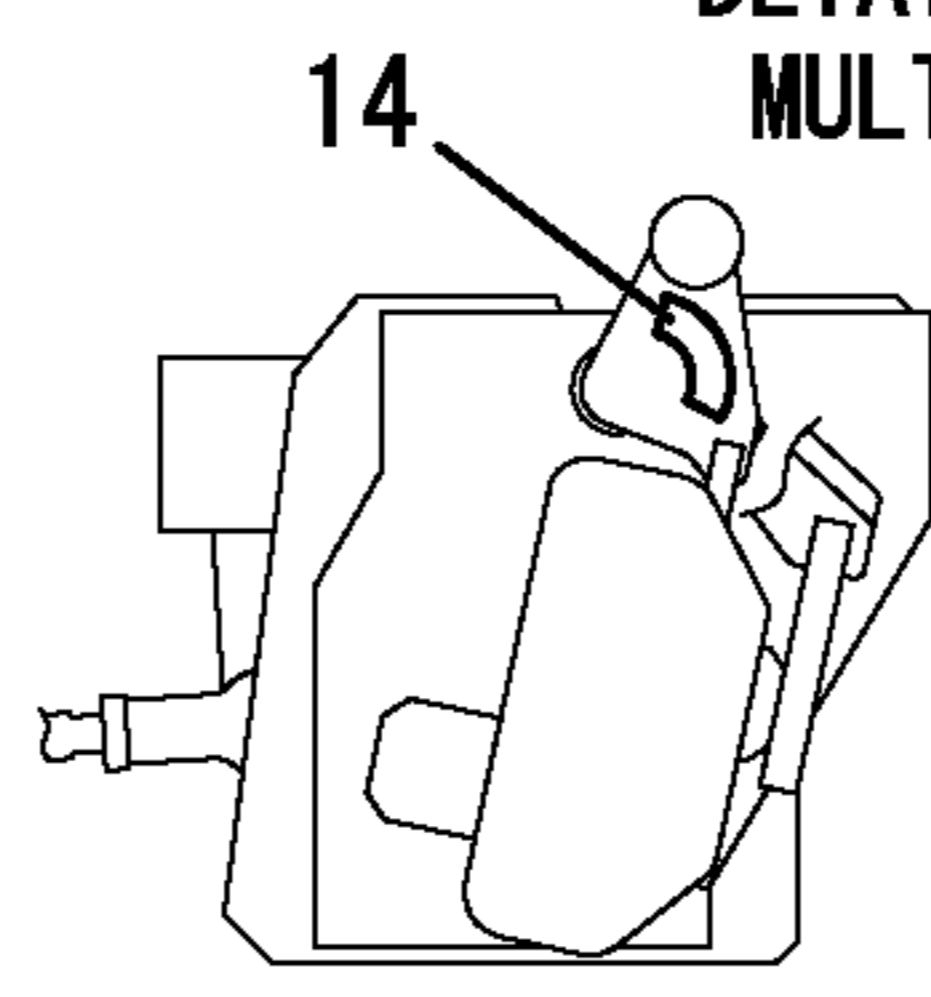
④から見る
VIEWED FROM ④



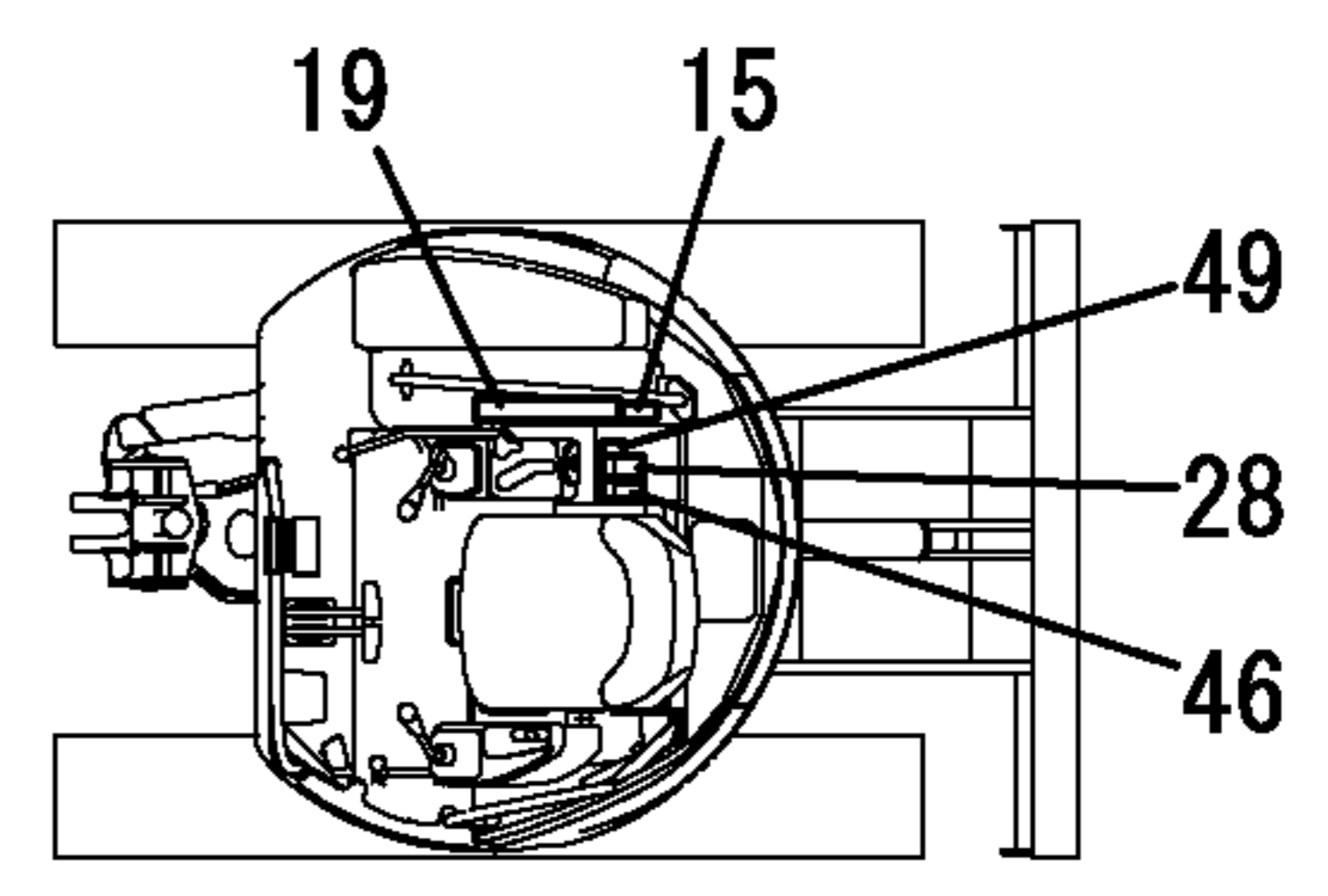
スイッチBOX内部詳細
DETAILS OF
SWITCH BOX INSIDE



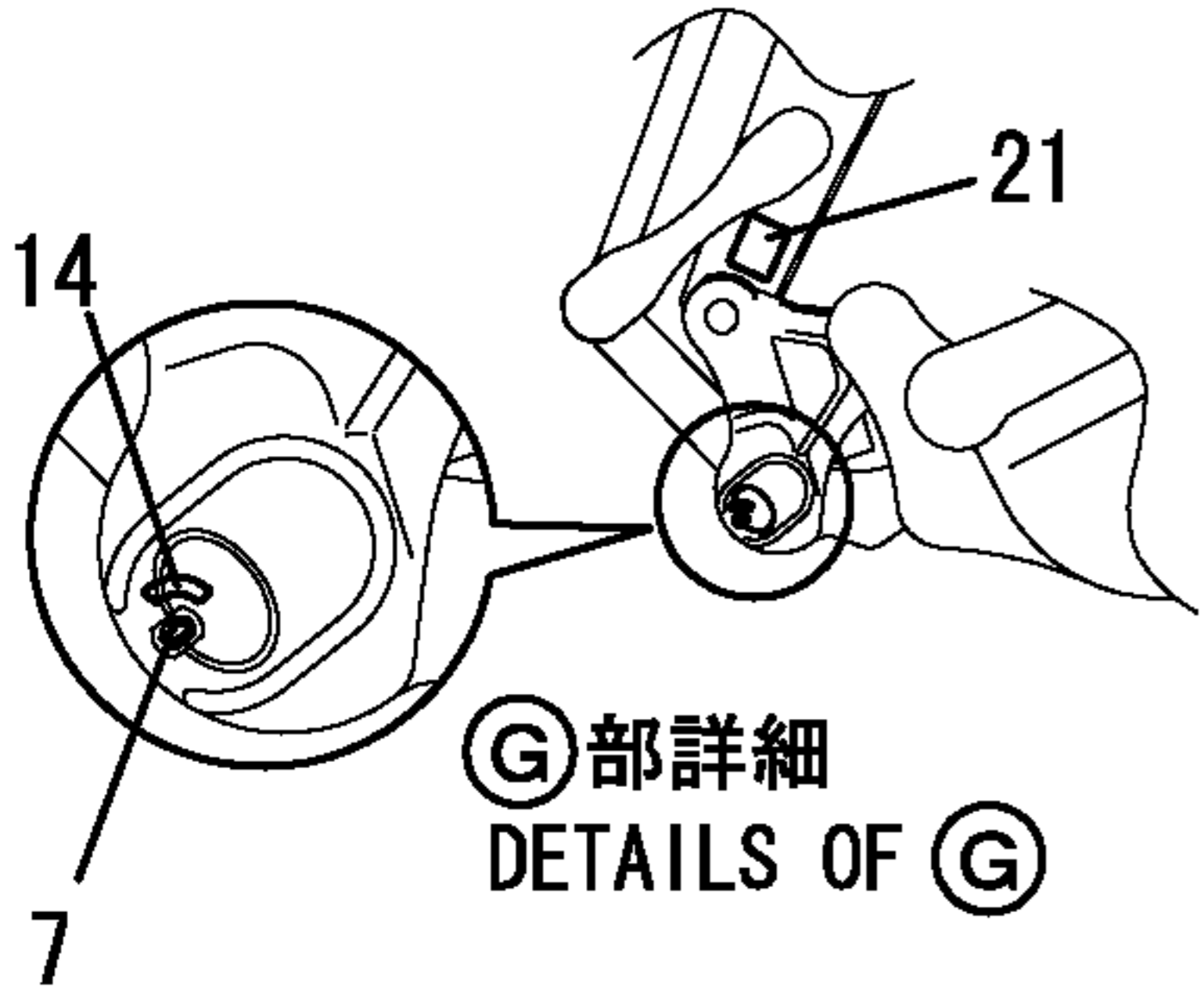
スイッチBOX詳細
DETAILS OF
SWITCH BOX



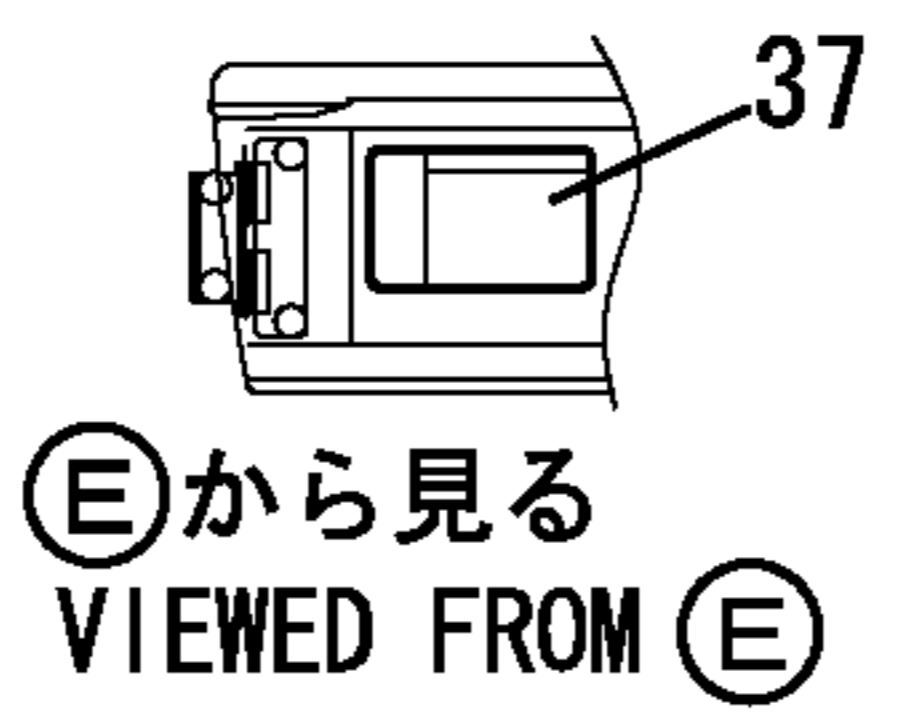
⑤から見る
VIEWED FROM ⑤



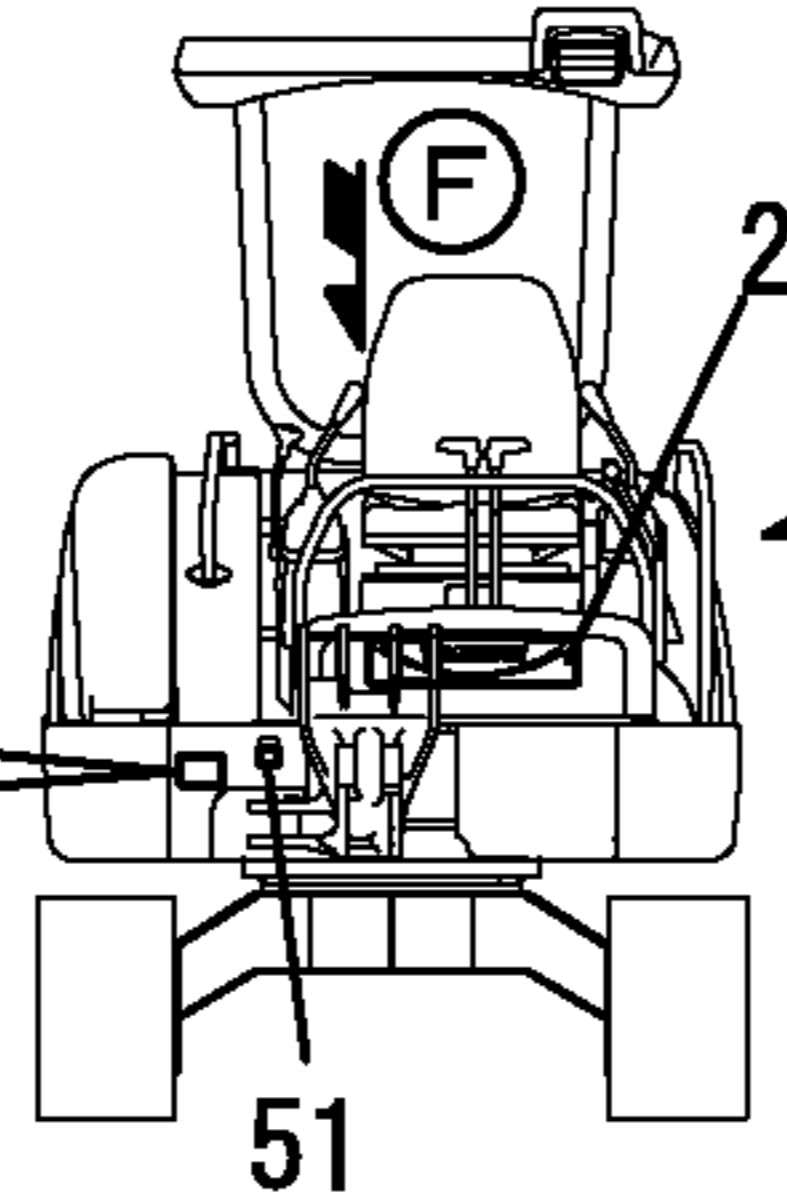
⑥から見る
VIEWED FROM ⑥



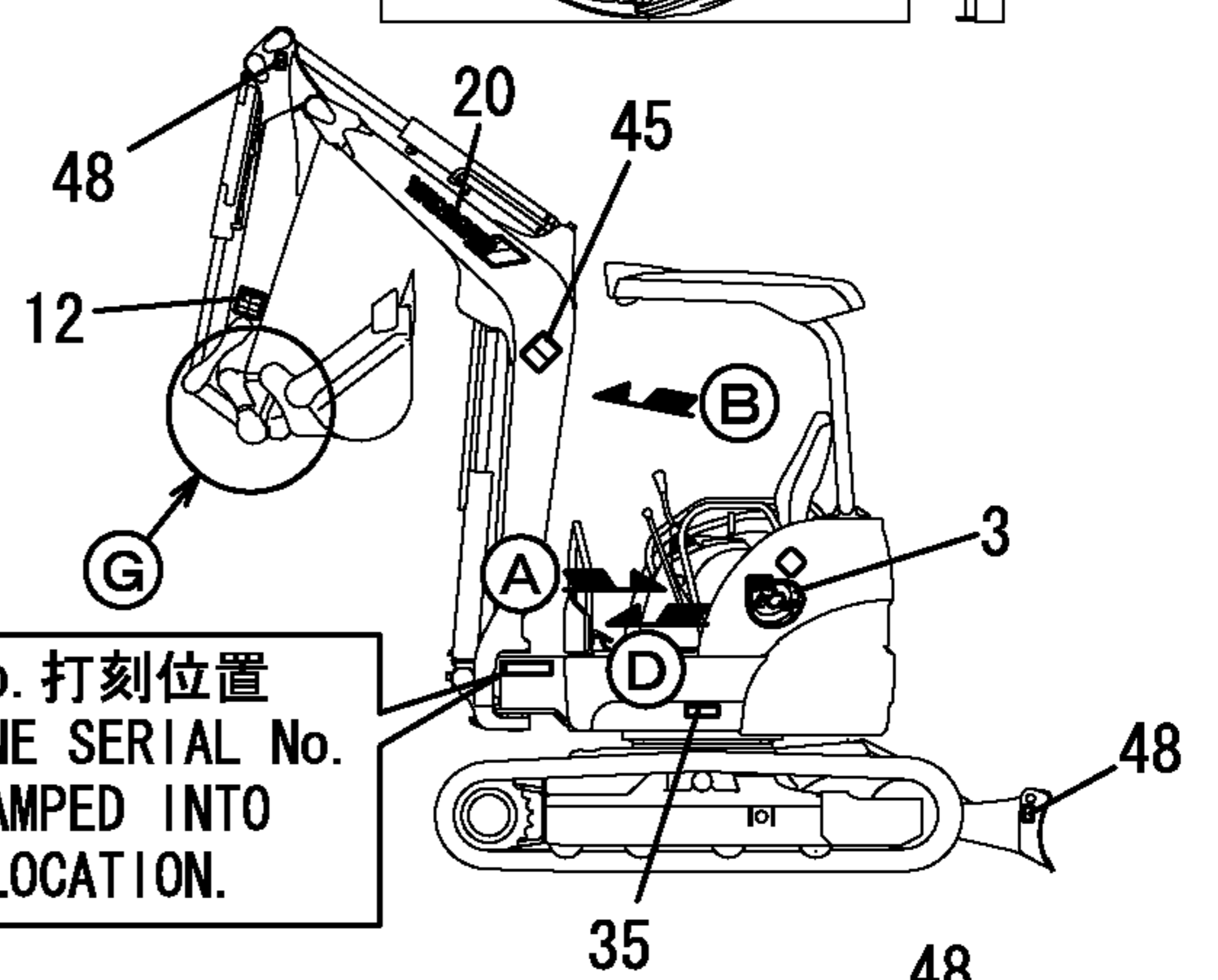
⑦部詳細
DETAILS OF ⑦



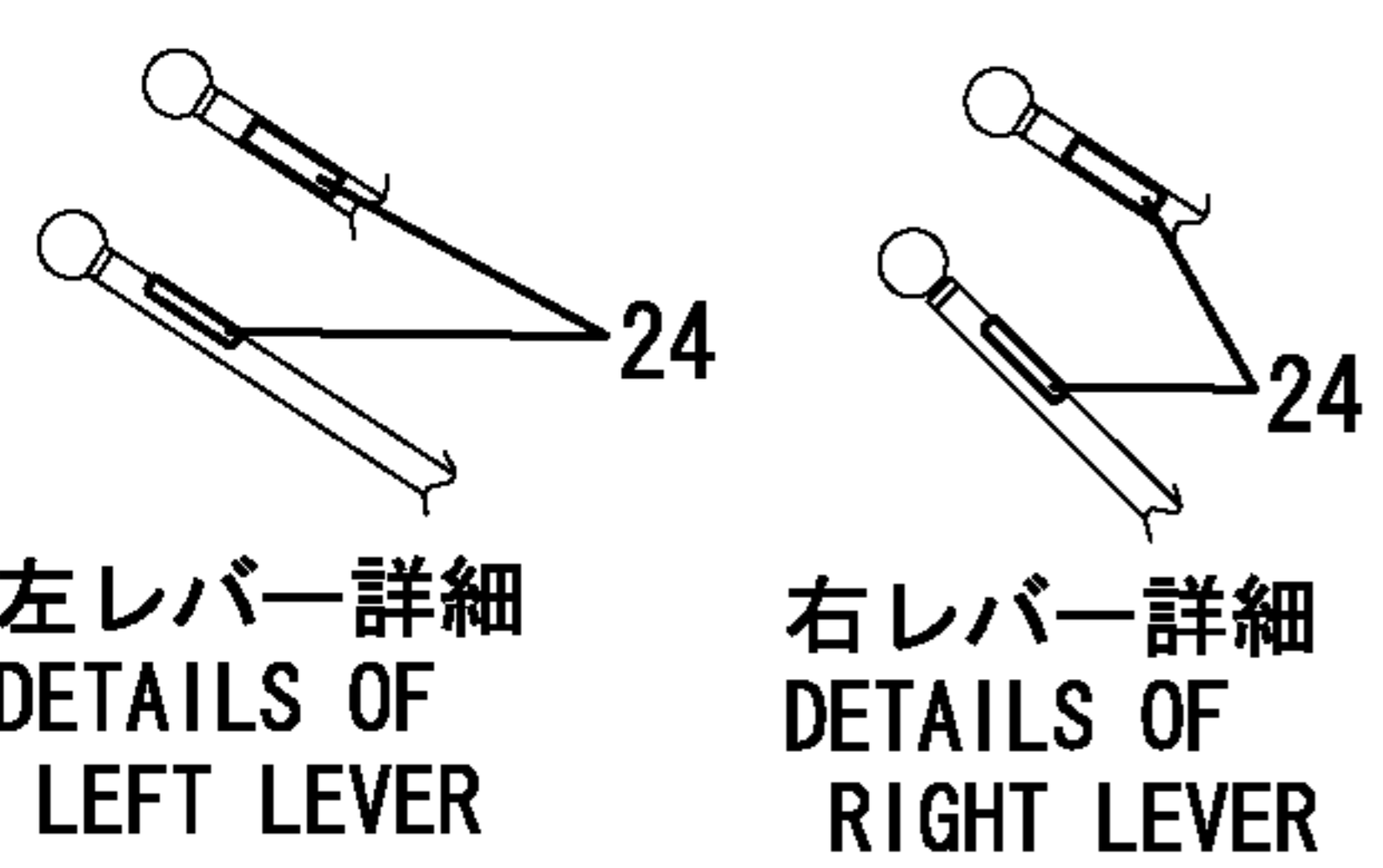
⑧から見る
VIEWED FROM ⑧



機体No. 機関No. 打刻位置
MACHINE SERIAL No.
ENGINE No. IS STAMPED
INTO THIS LOCATION.

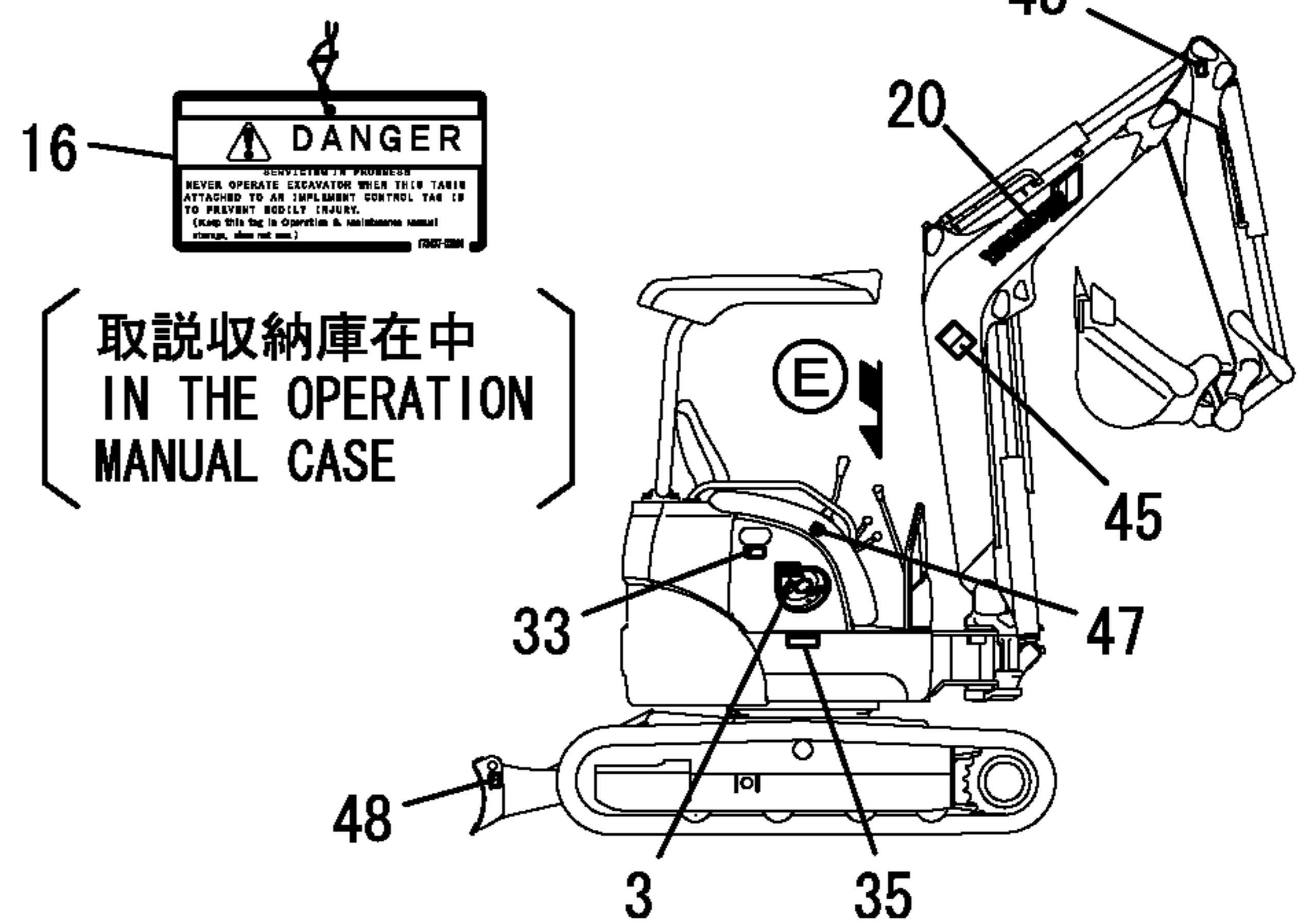
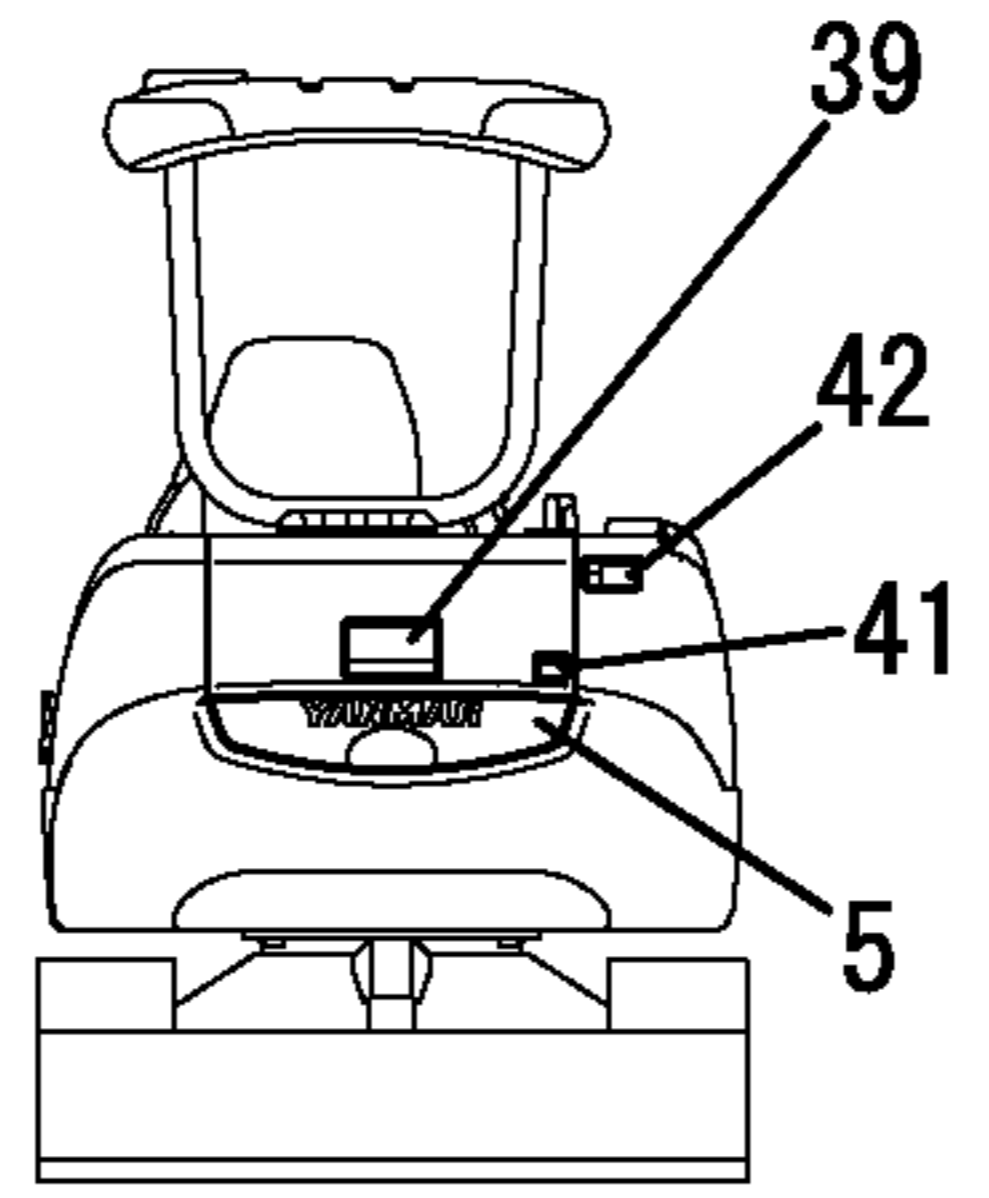


機体No. 打刻位置
MACHINE SERIAL No.
IS STAMPED INTO
THIS LOCATION.



左レバー詳細
DETAILS OF
LEFT LEVER

右レバー詳細
DETAILS OF
RIGHT LEVER

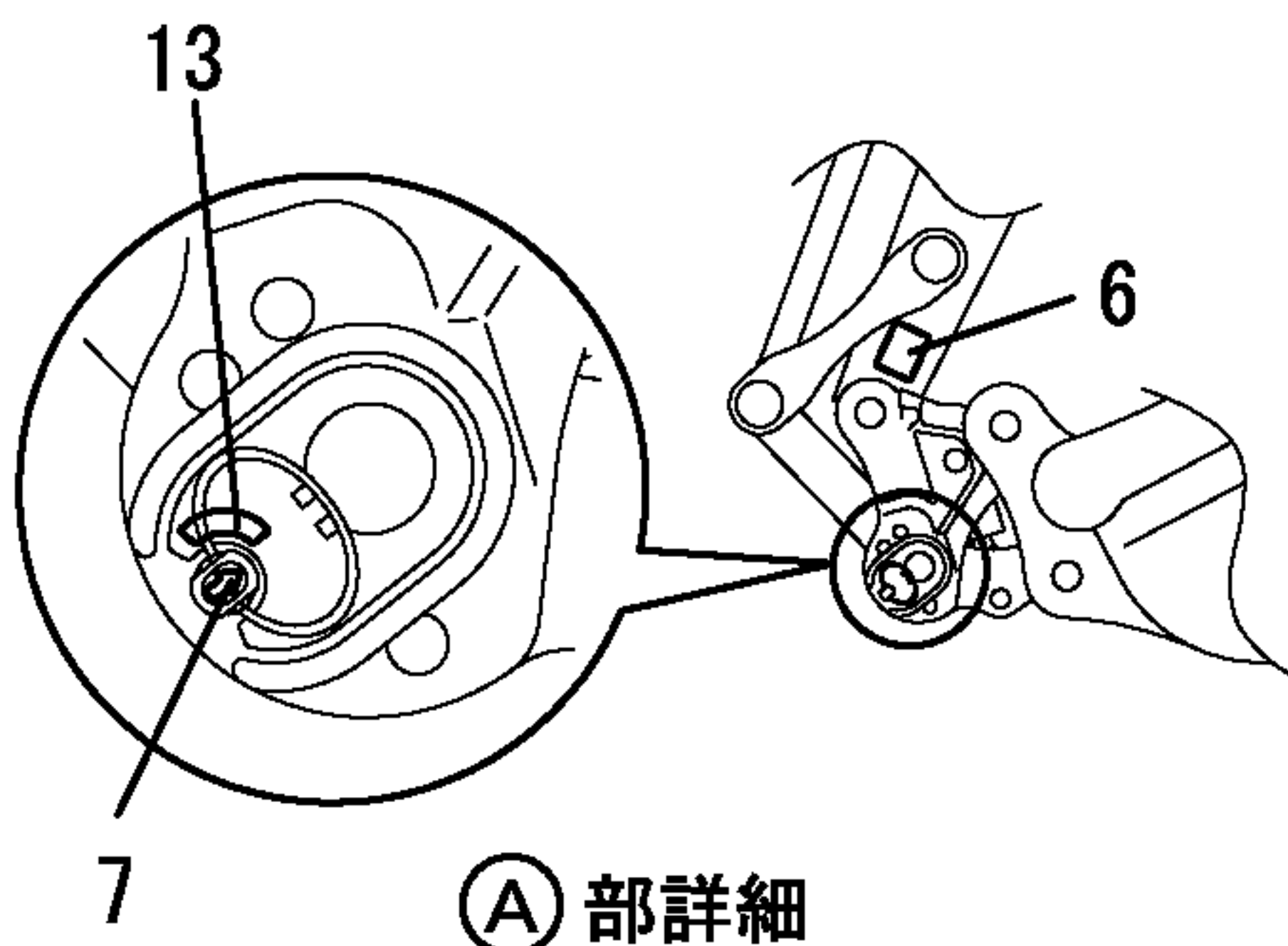


取説収納庫在中
IN THE OPERATION
MANUAL CASE

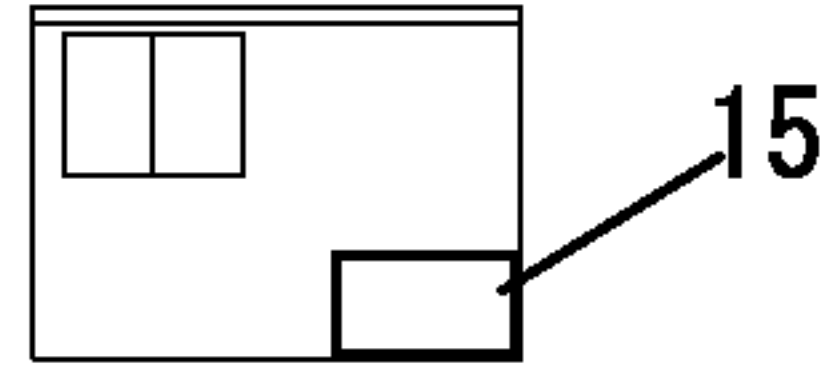
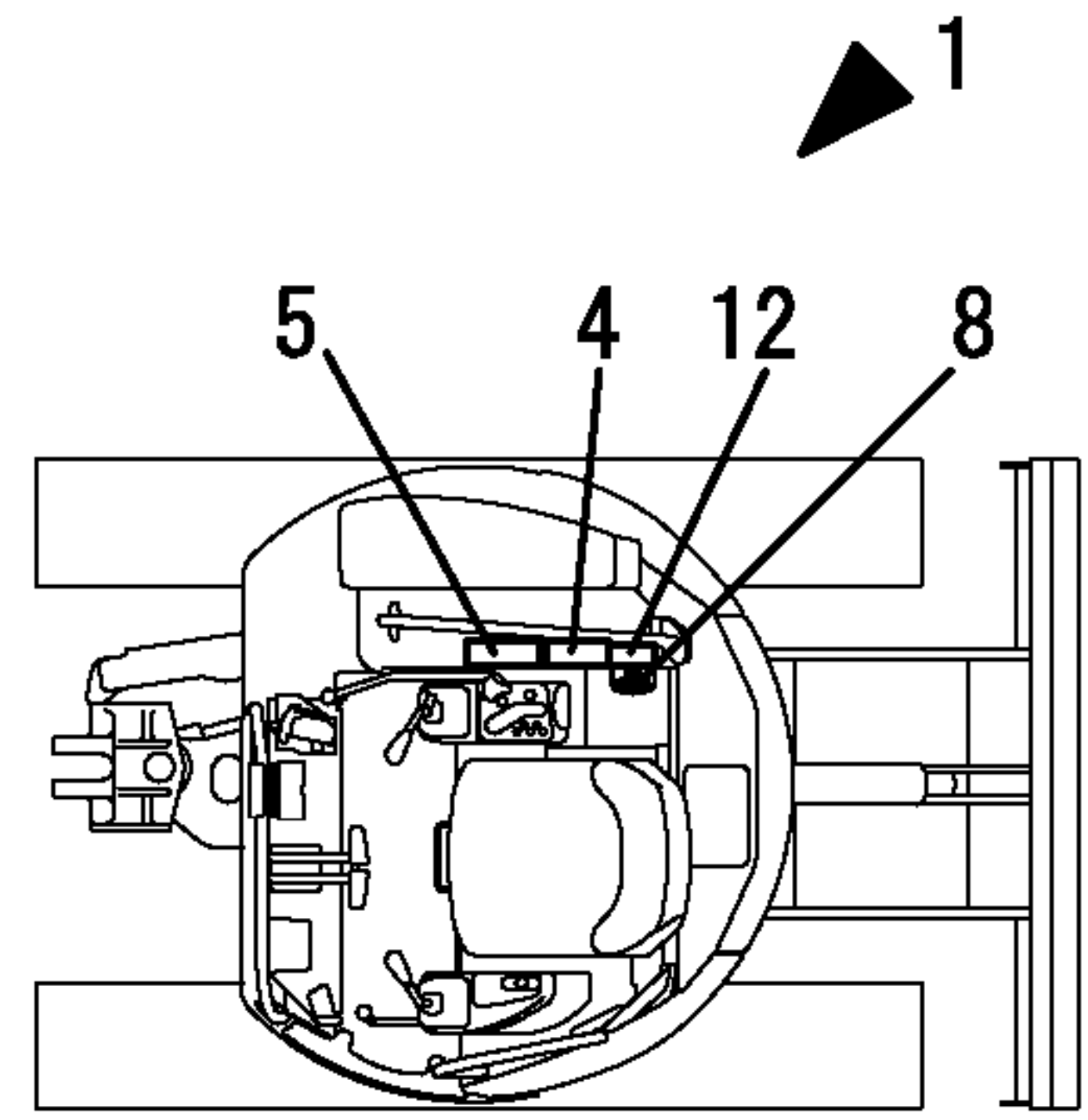


1,1,,772958-03100,, "LABEL SET,VIO(QUICK",1,1,,,,,,,,,,,,,
2,2,,172958-03100,, LABEL,1,1,,,,,,,,,,,,,
3,2,,172958-03110,, LABEL,1,1,,,,,,,,,,,,,
4,2,,172958-03120,, LABEL,1,1,,,,,2,,,,,,,,,,,,,
5,2,,172958-03130,, LABEL,1,1,,,,,2,,,,,,,,,,,,,
6,2,,172958-03140,, LABEL,1,1,,,,,,,,,,,,,
7,2,,172958-03160,, LABEL,1,1,,,,,,,,,,,,,
8,2,,172958-03180,, LABEL,1,1,,,,,,,,,,,,,
9,2,,172958-03190,, LABEL,1,1,,,,,,,,,,,,,
10,2,,172958-03200,, LABEL,2,2,,,,,,,,,,,,,
11,2,,172958-03220,, LABEL,1,1,,,,,,,,,,,,,
12,2,,172958-03230,, "LABEL,PIN",1,1,,,,,,,,,,,,,
13,2,,172458-03240,, "LABEL,LOCK",1,1,,,,,,,,,,,,,
14,2,,172958-03170,, LABEL,1,1,,,,,1,,,,,,,,,,,,,
15,2,,172958-03310,, "LABEL,COLLAR",1,1,,,,,,,,,,,,,
16,2,,172958-03300,, "LABEL,PLUG",1,1,,,,,,,,,,,,,
17,1,,172958-17120,, "COLLER 9X4",3,,,,,,,,,,,,,
17-1,1,,172958-17130,, "COLLAR 9X7",3,,,,,N,,72958036,M/#20501,,,,,,,,,

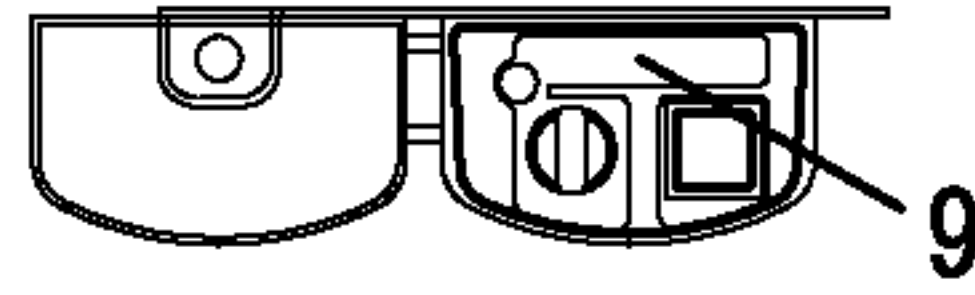
見出しNo. 1は
見出しNo. 2から16を含みます。
1 INC. 2~16.



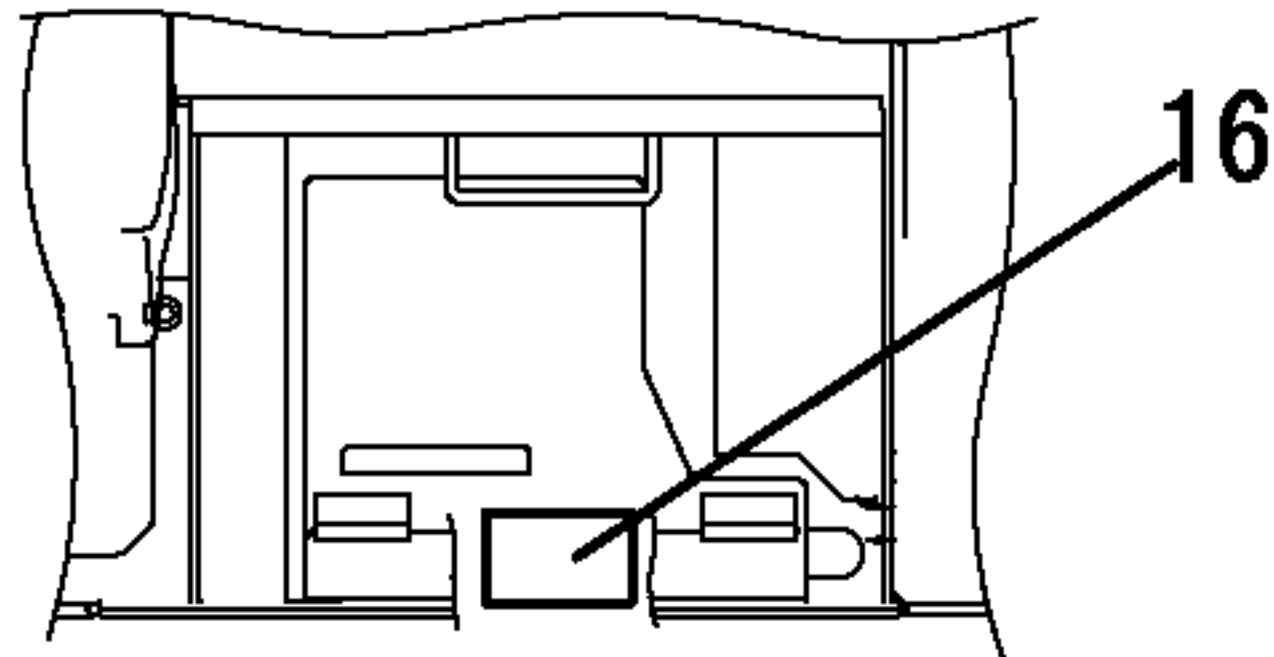
Ⓐ 部詳細
DETAILS OF Ⓐ



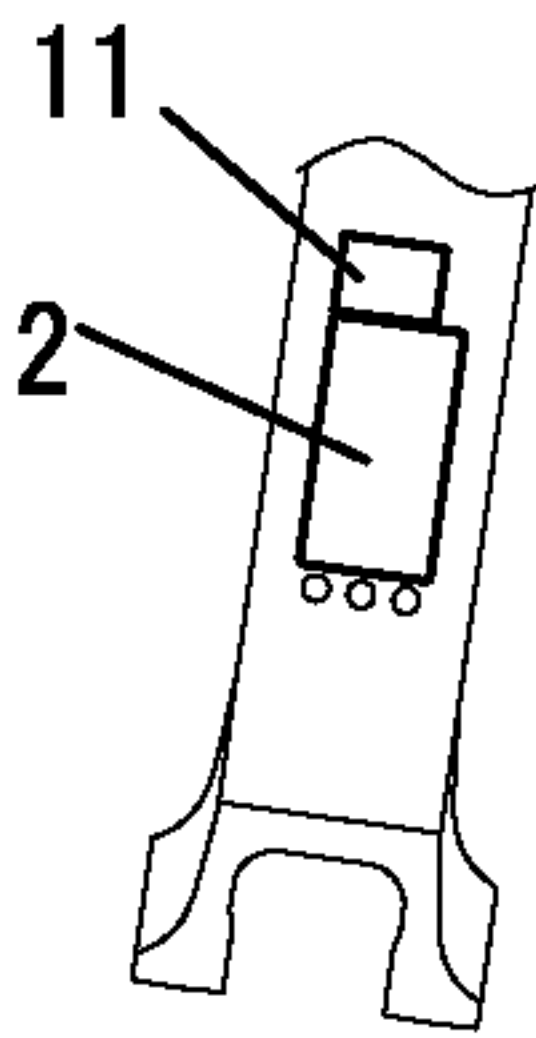
取説入れ詳細
DETAILS OF MANUAL CASE



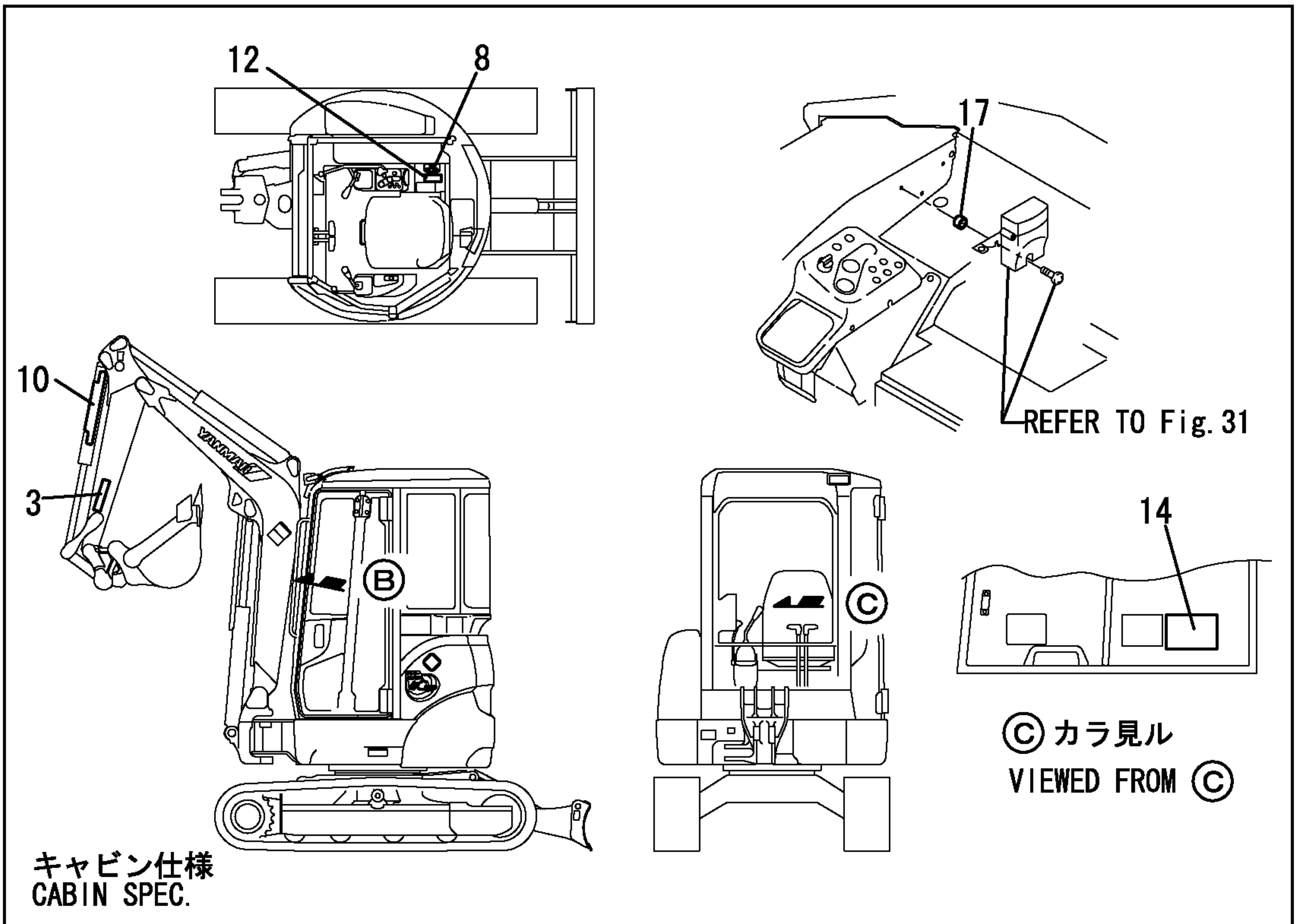
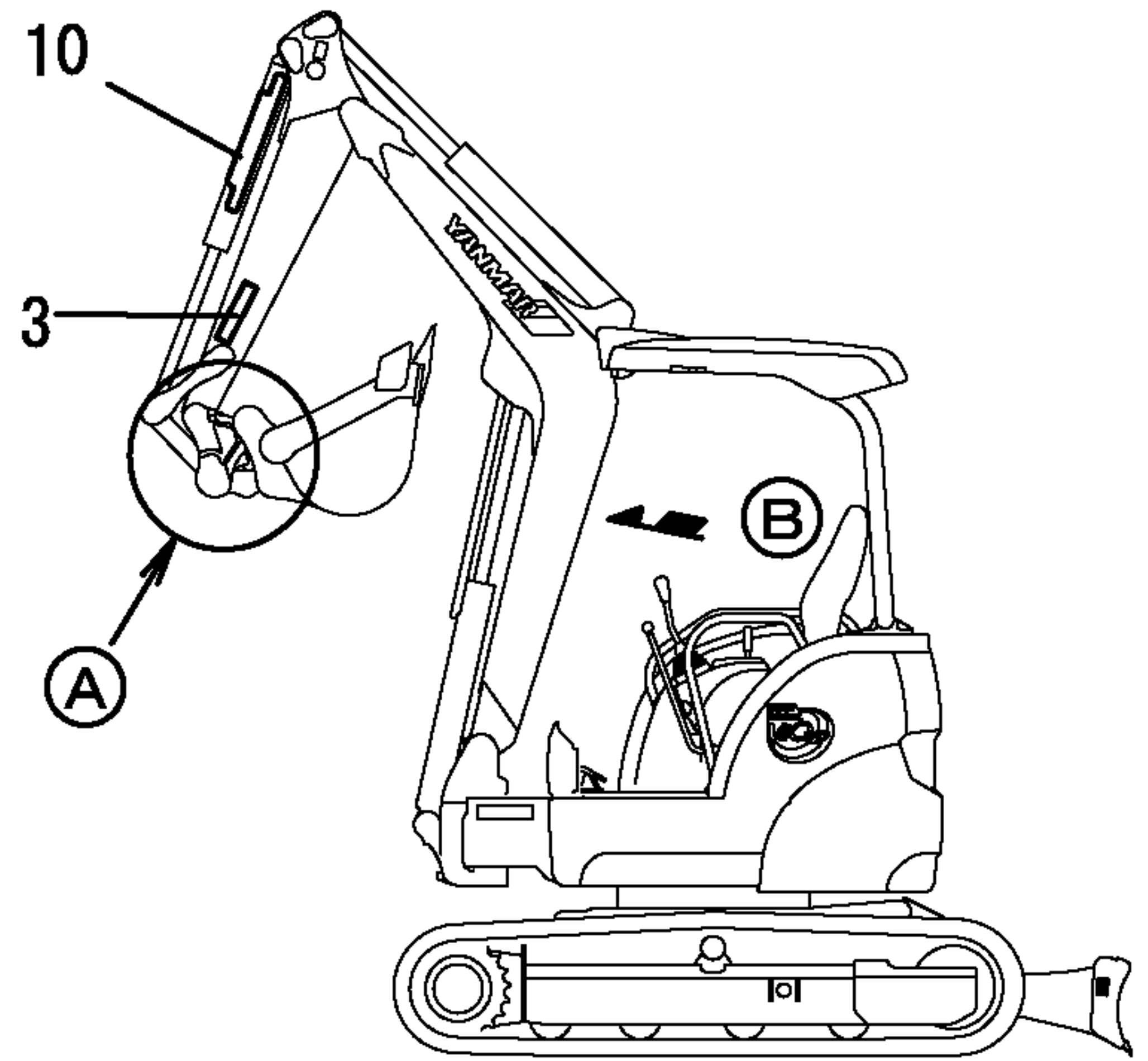
スイッチBOX内側詳細
DETAILS OF SWITCH BOX INSIDE



グリルを開いて
OPEN THE GRILLE



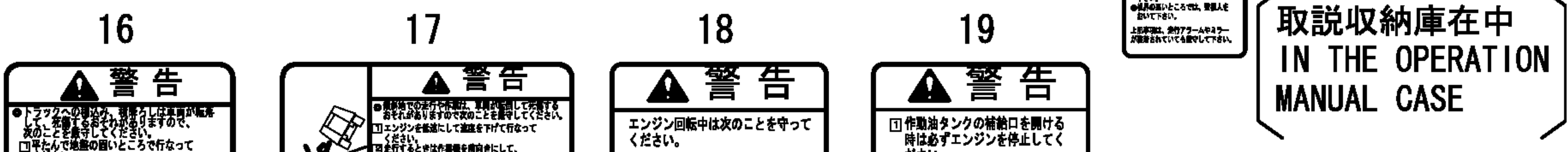
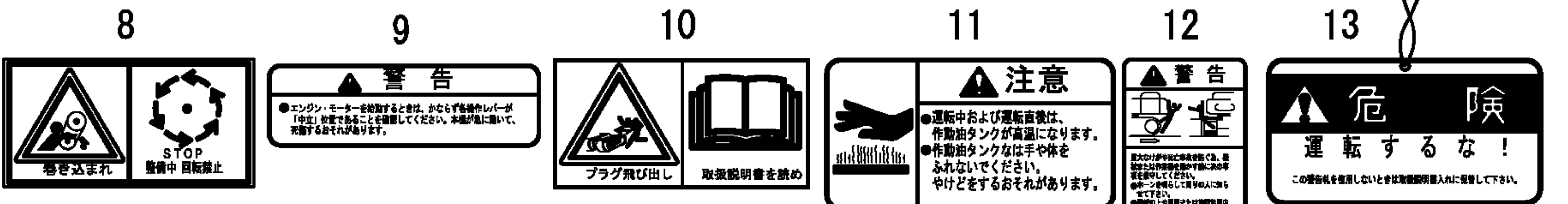
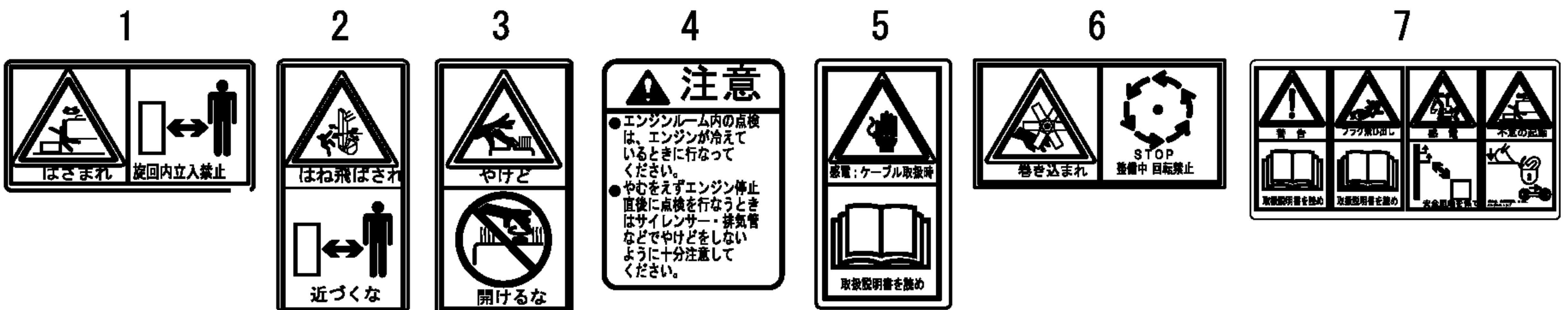
Ⓑ カラ見ル
VIEWED FROM Ⓑ



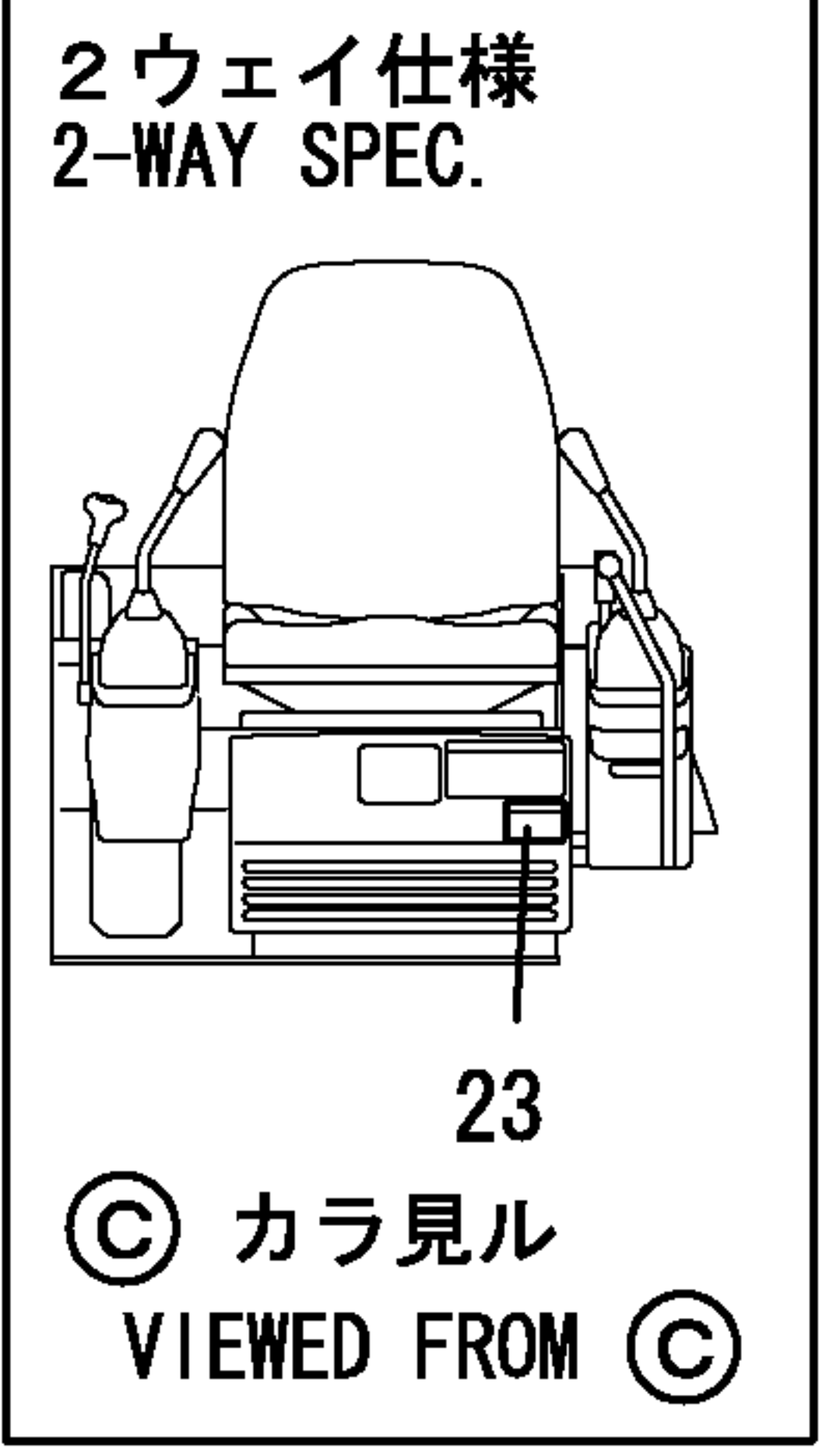
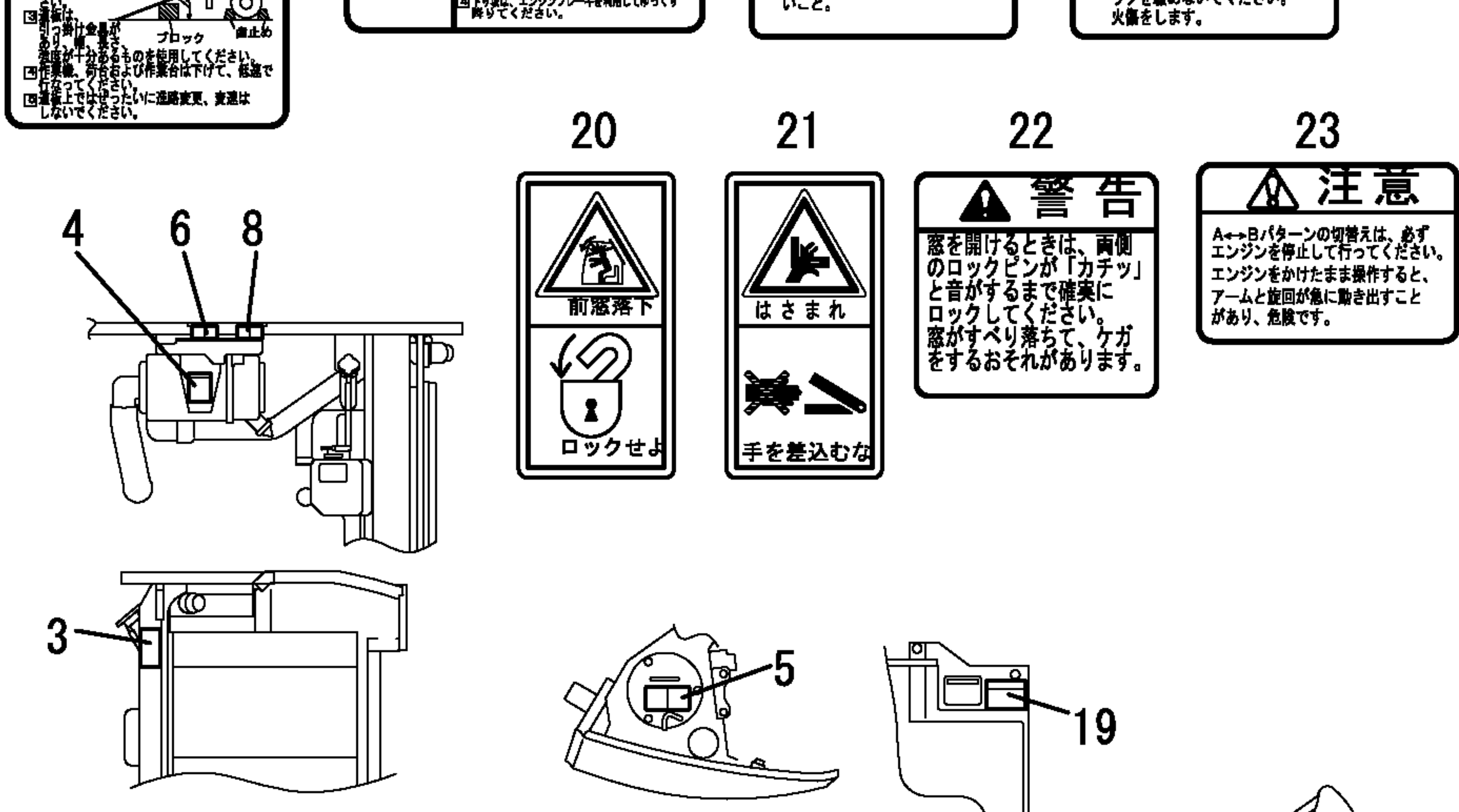
Ⓒ カラ見ル
VIEWED FROM Ⓒ

キャビン仕様
CABIN SPEC.

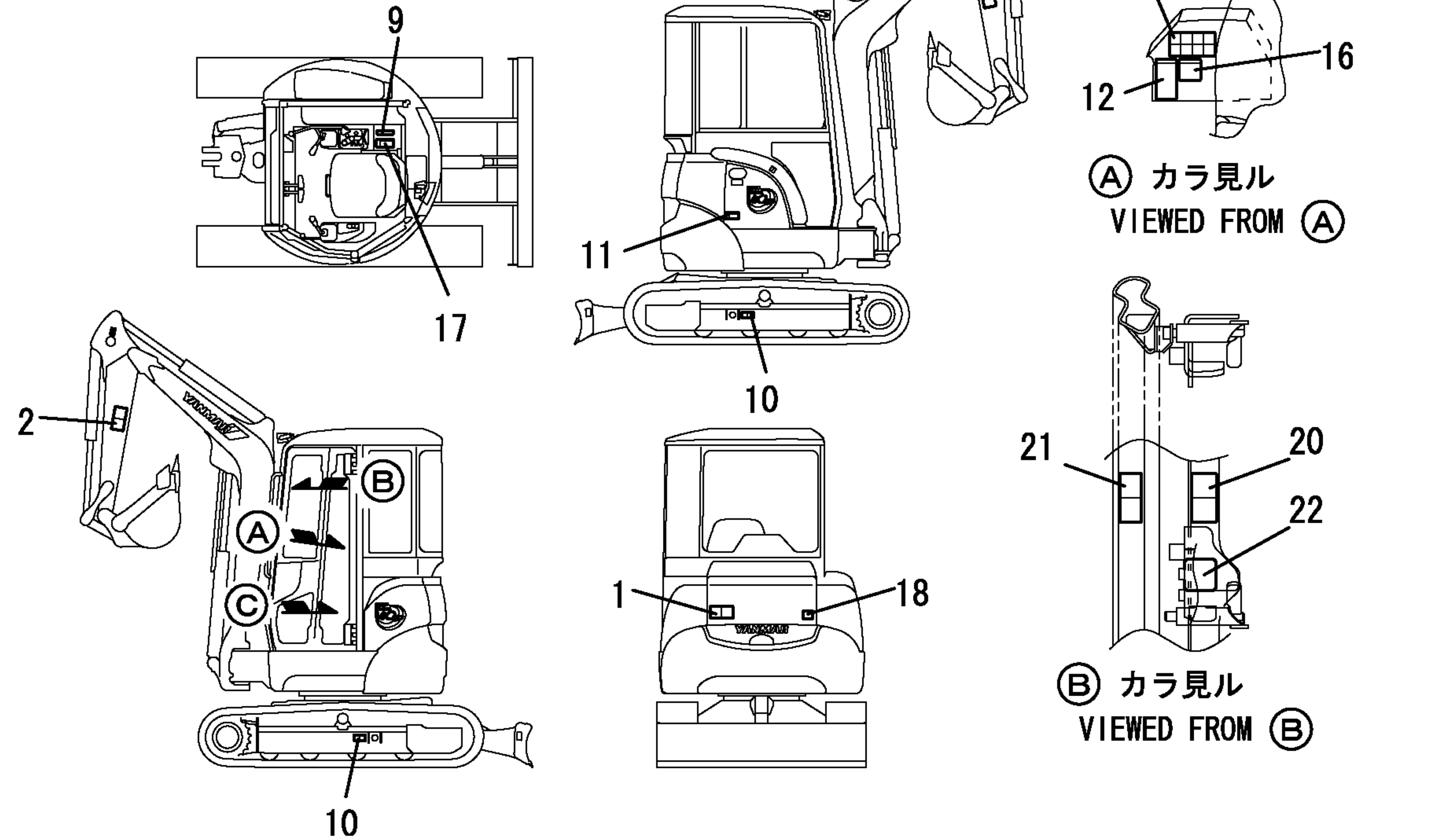
1,1,,172444-03170,,LABEL,1,,,,,,,,,,,,,
2,1,,172444-03180,,LABEL,2,,,,,,,,,,,,,
3,1,,172444-03190,,LABEL,1,,,,,,,,,,,,,
4,1,,172141-03202,, "LABEL,CAUTION",1,,,,,,,,,,,,,
5,1,,172450-03200,, "LABEL,BATTERY",1,,,,,,,,,,,,,
6,1,,172458-03200,, "LABEL,FAN",1,,,,,,,,,,,,,
7,1,,172444-03210,,LABEL,1,,,,,,,,,,,,,
8,1,,172458-03210,, "LABEL,BELT",1,,,,,,,,,,,,,
9,1,,172444-03240,,LABEL,1,,,,,,,,,,,,,
10,1,,172444-03280,,LABEL,2,,,,,,,,,,,,,
11,1,,172142-03302,, "LABEL,CAUTION",1,,,,,,,,,,,,,
12,1,,172964-03370,,LABEL,1,,,,,,,,,,,,,
13,1,,172964-03481,, "LABEL,DANGER",1,,,,,,,,,,,,,
16,1,,172164-03510,, "LABEL,LOADING",1,,,,,,,,,,,,,
17,1,,172164-03540,,LABEL,1,,,,,,,,,,,,,
18,1,,172519-04180,, "LABEL,WARNING",1,,,,,,,,,,,,,
19,1,,172519-04290,, "LABEL,WARNING",1,,,,,,,,,,,,,
20,1,,172458-03260,,LABEL,1,,,,,,,,,,,,,
21,1,,172445-03230,,LABEL,1,,,,,,,,,,,,,
22,1,,172455-03520,,LABEL,1,,,,,,,,,,,,,
23,1,,172458-03570,,LABEL,1,,,,,W,1,72458340,M/#20745,,,,,,,,,



**取説収納庫在中
IN THE OPERATION
MANUAL CASE**



**ボンネット内部詳細
DETAILS OF BONNET INSIDE**



1,1,,172472-03240,, "LABEL,PIN US" ,,,1,,,,,,,,,,,,,,,,,,,,,I
2,1,,172437-03250,, "TAG,SERVICING ASSY" ,,,1,,,,,,,,,,,,,,,,,,,,,I
3,1,,172472-03260,, "LABEL,FINGER" ,,,1,,,,,,,,,,,,,,,,,,,,,I
4,1,,172472-03270,, "LABEL,SAND US" ,,,1,,,,,,,,,,,,,,,,,,,,,I
5,1,,172472-03280,, LABEL,,,1,,,,,,,,,,,,,,,,,,,,,I
6,1,,172437-03300,, "LABEL,MANUAL" ,,,1,,,,,,,,,,,,,,,,,,,,,I
7,1,,172437-03310,, "LABEL,SLOPE" ,,,1,,,,,,,,,,,,,,,,,,,,,I
8,1,,172437-03321,, "LABEL,HYD.OIL TANK" ,,,1,,,,,,,,,,,,,,,,,,,,,I
9,1,,172437-03341,, "LABEL,TRANSPORT" ,,,1,,,,,,,,,,,,,,,,,,,,,I
10,1,,172437-03351,, "LABEL,GREASE CYL." ,,,2,,,,,,,,,,,,,,,,,,,,,I
11,1,,172437-03360,, "LABEL,BATTERY" ,,,1,,,,,,,,,,,,,,,,,,,,,I
12,1,,172437-03371,, LABEL,,,1,,,,,,,,,,,,,,,,,,,,,I
13,1,,172437-03380,, "LABEL,SWING AREA" ,,,1,,,,,,,,,,,,,,,,,,,,,I
14,1,,172437-03390,, "LABEL,RADIATOR" ,,,1,,,,,,,,,,,,,,,,,,,,,I
15,1,,172437-03401,, "LABEL (ENG COVER US" ,,,1,,,,,,,,,,,,,,,,,,,,,I
16,1,,172437-03411,, "LABEL (ENG ROOM US" ,,,1,,,,,,,,,,,,,,,,,,,,,I
17,1,,172437-03421,, "LABEL,MUFFLER" ,,,1,,,,,,,,,,,,,,,,,,,,,I
18,1,,172437-03431,, "LABEL,STEERING" ,,,1,,,,,,,,,,,,,,,,,,,,,I
19,1,,172437-03460,, "LABEL, BOOM" ,,,2,,,,,,,,,,,,,,,,,,,,,I
20,1,,172437-03470,, "LABEL,LEVER LOCK" ,,,1,,,,,,,,,,,,,,,,,,,,,I
21,1,,172437-03550,, "LABEL,WINDOW" ,,,1,,,,,,,,,,,,,,,,,,,,,I

**取説収納庫在中
IN THE OPERATION
MANUAL CASE**

1

2

3

4

5

6

7

8

9

10

11

12

13

14

15

16

17

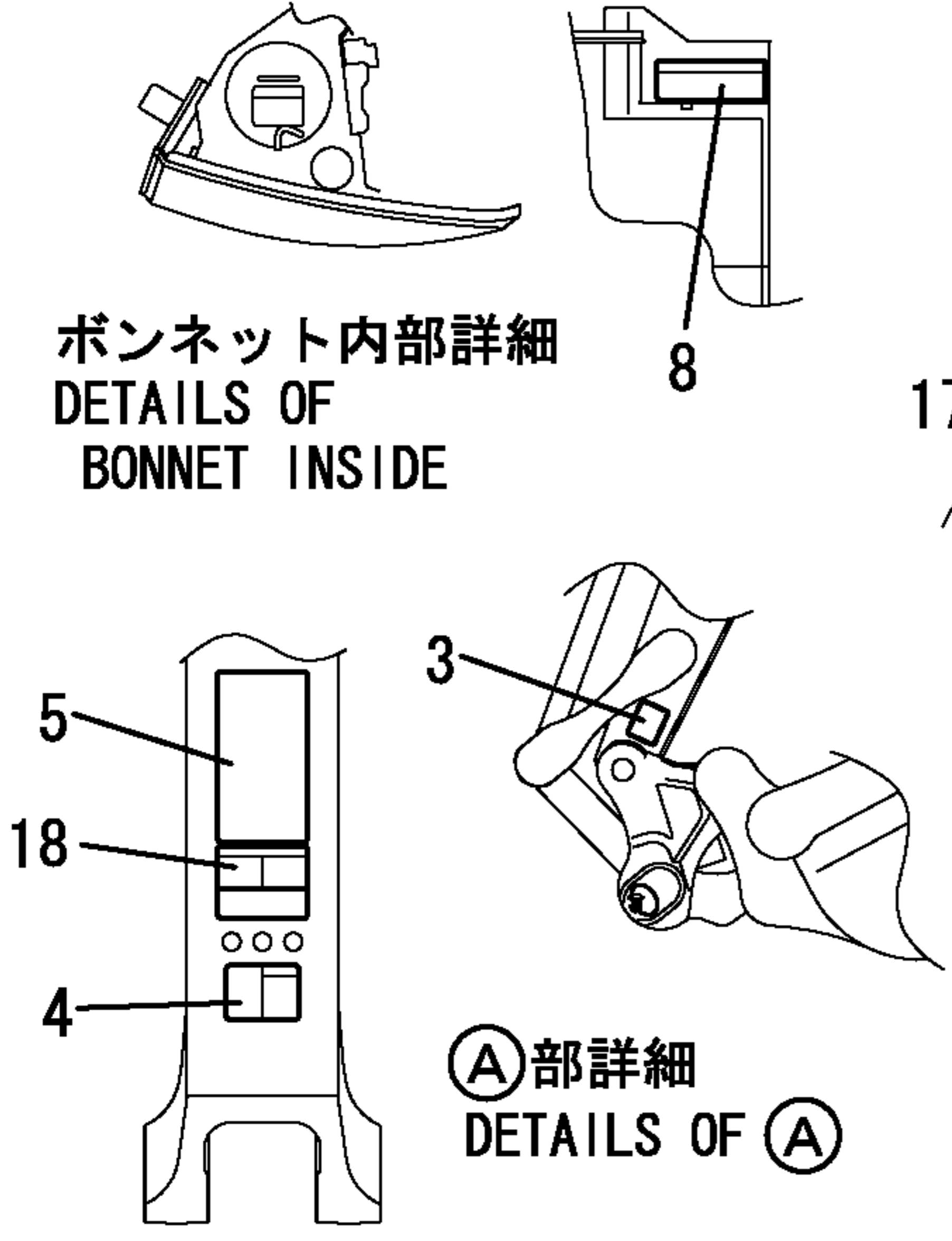
18

19

20

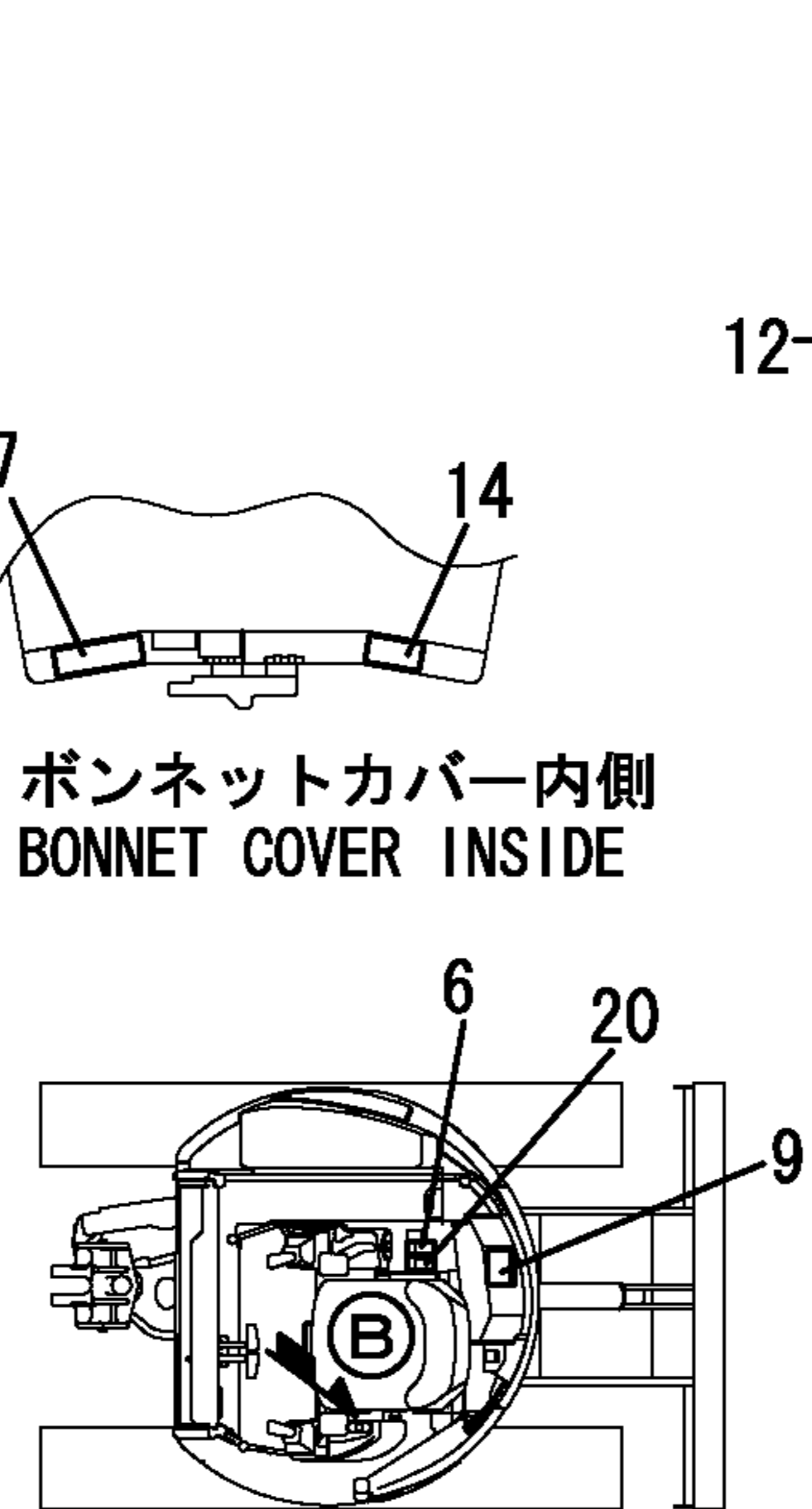
21

**ボンネット内部詳細
DETAILS OF
BONNET INSIDE**

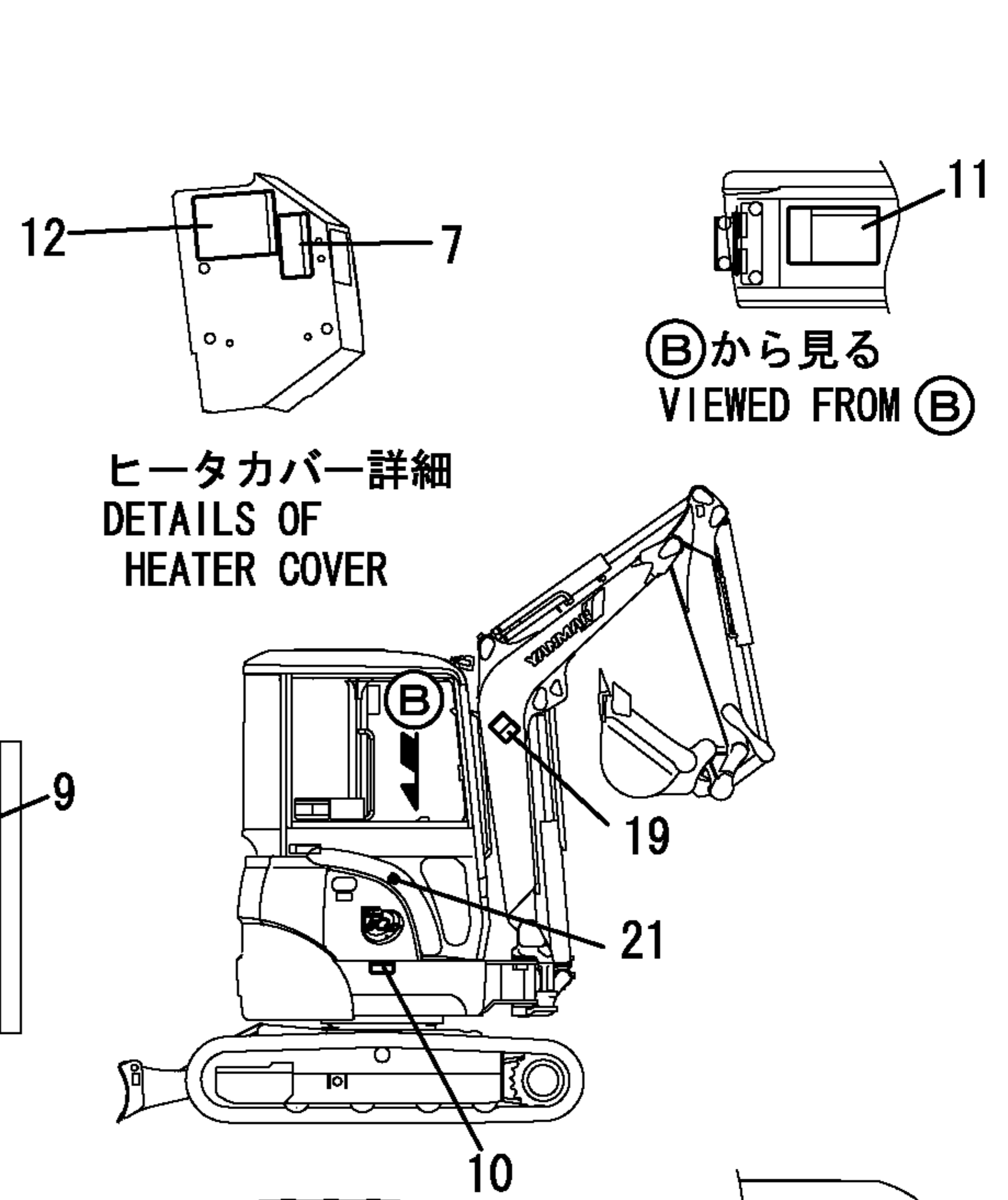


**(A)部詳細
DETAILS OF (A)**

**ボンネットカバー内側
BONNET COVER INSIDE**

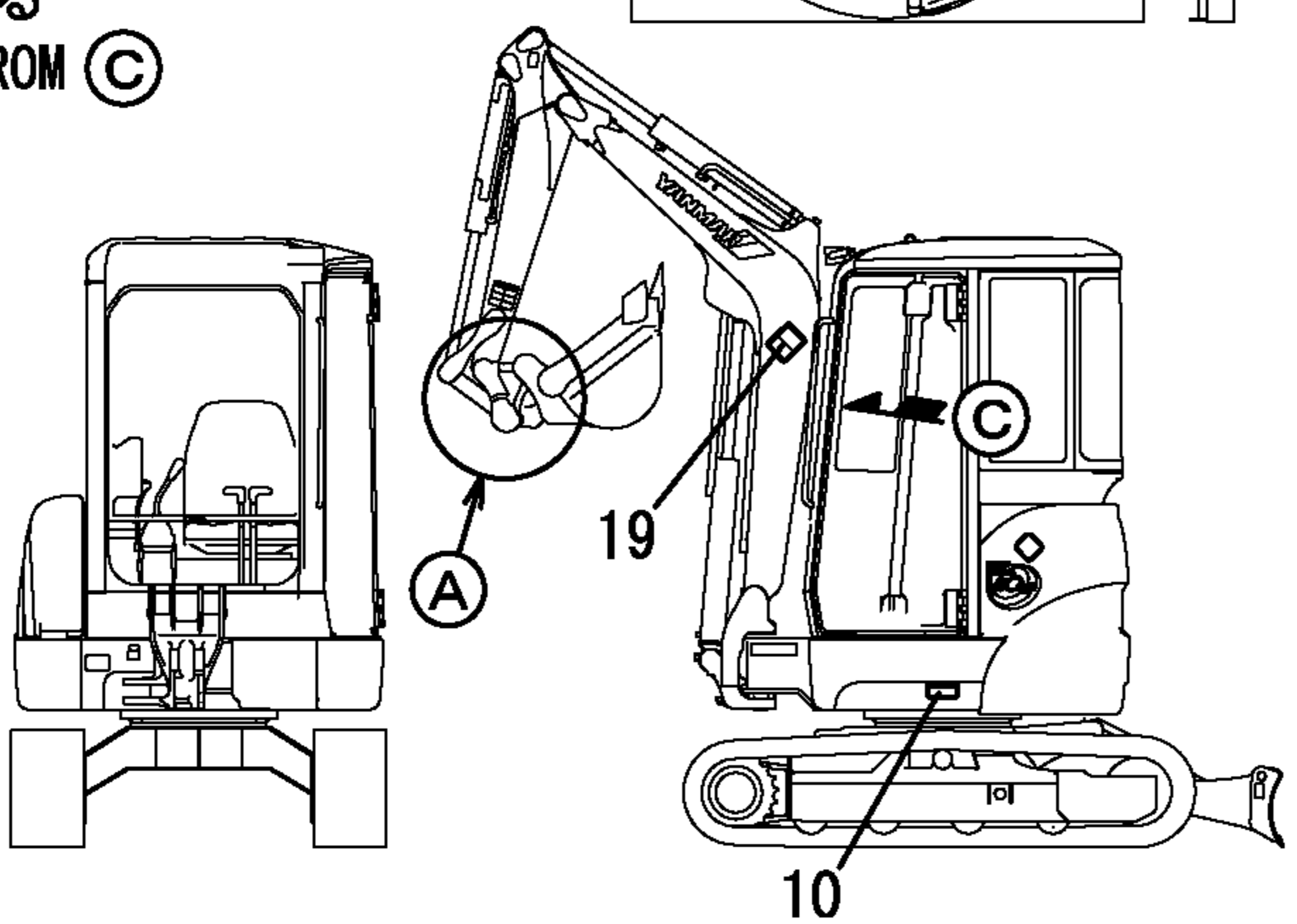


**ヒータカバー詳細
DETAILS OF
HEATER COVER**

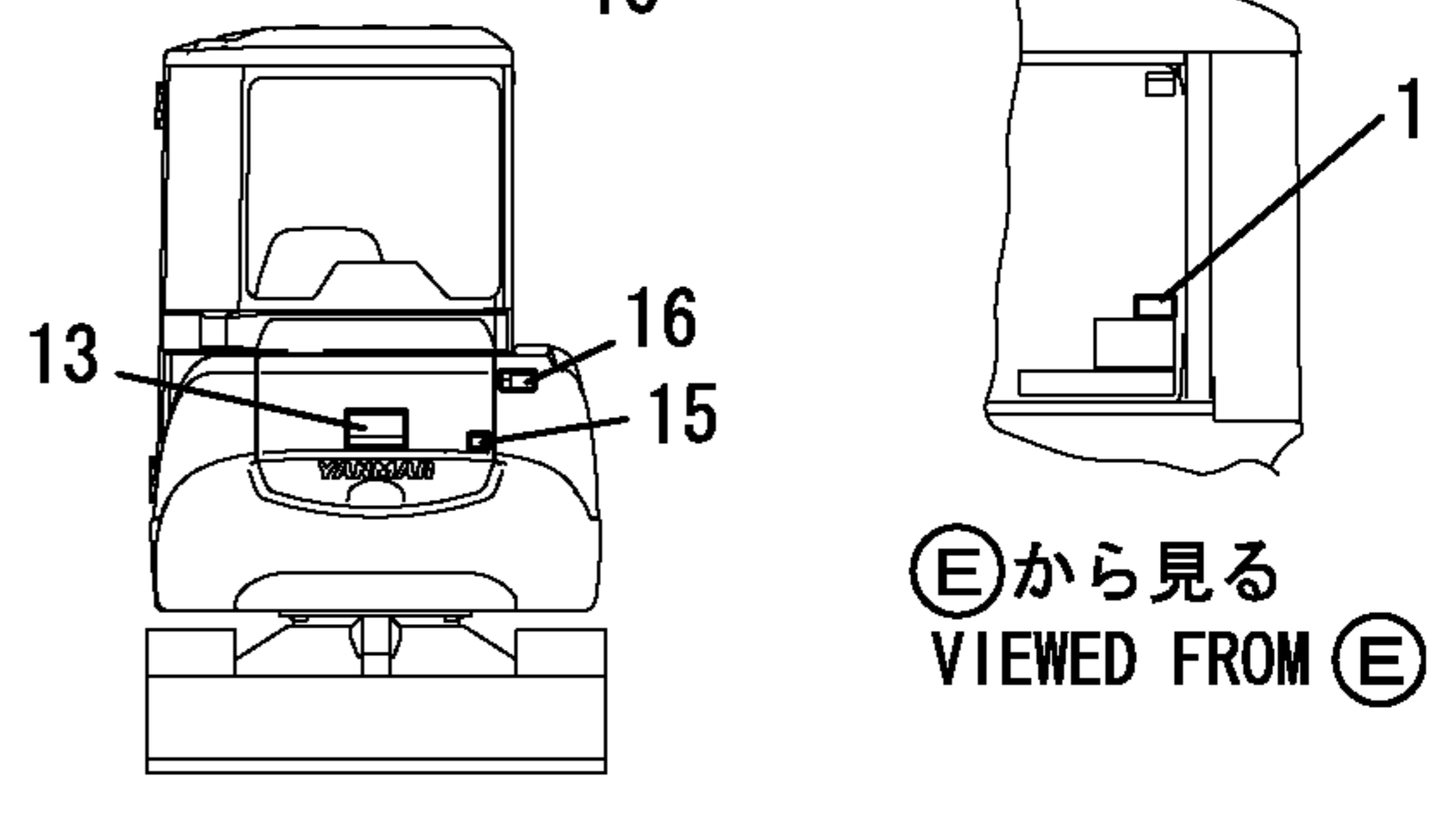


**(B)から見る
VIEWED FROM (B)**

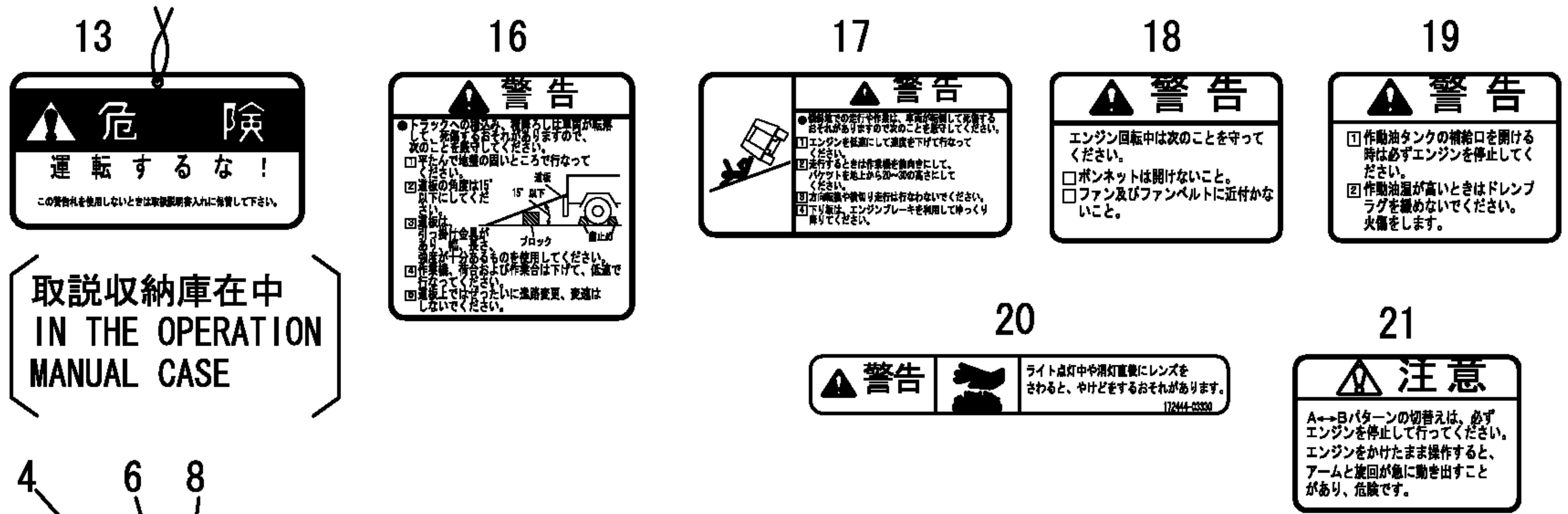
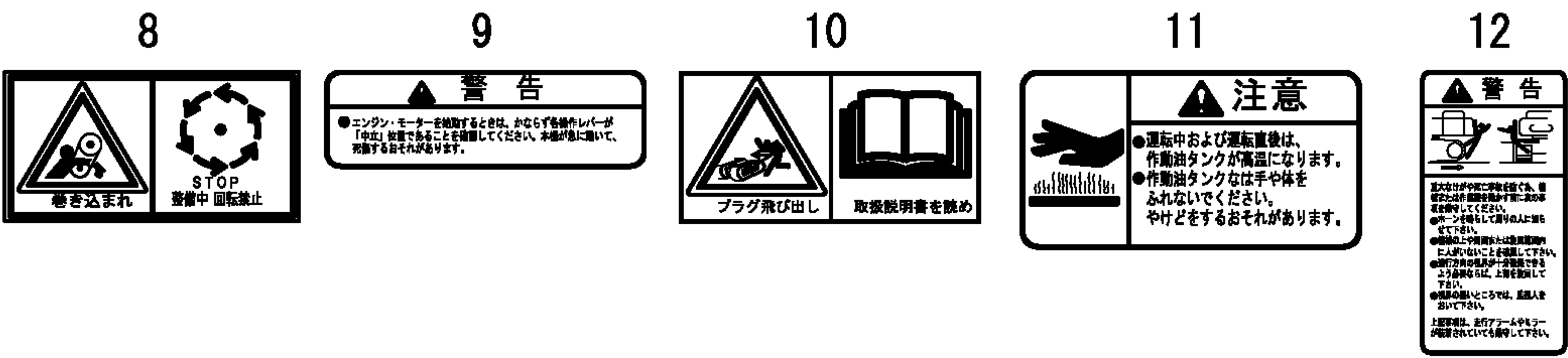
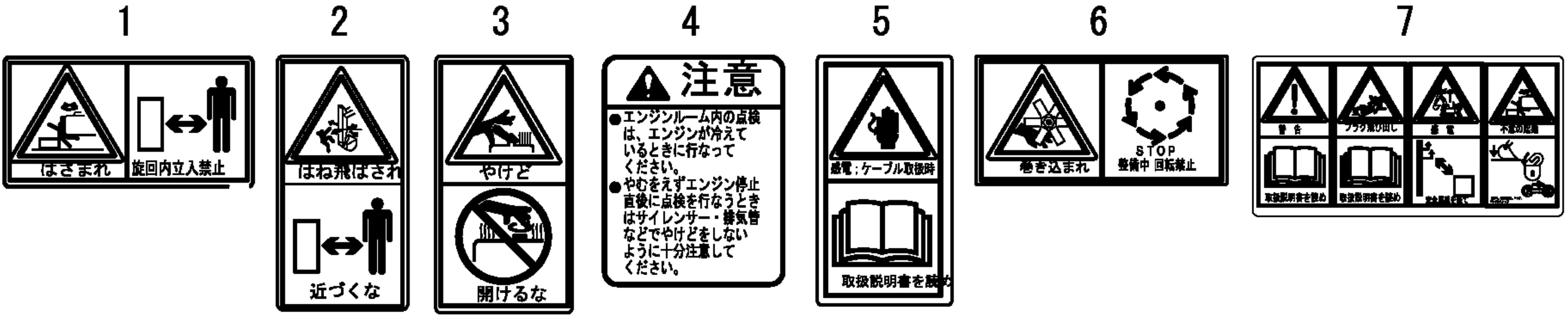
**(C)から見る
VIEWED FROM (C)**



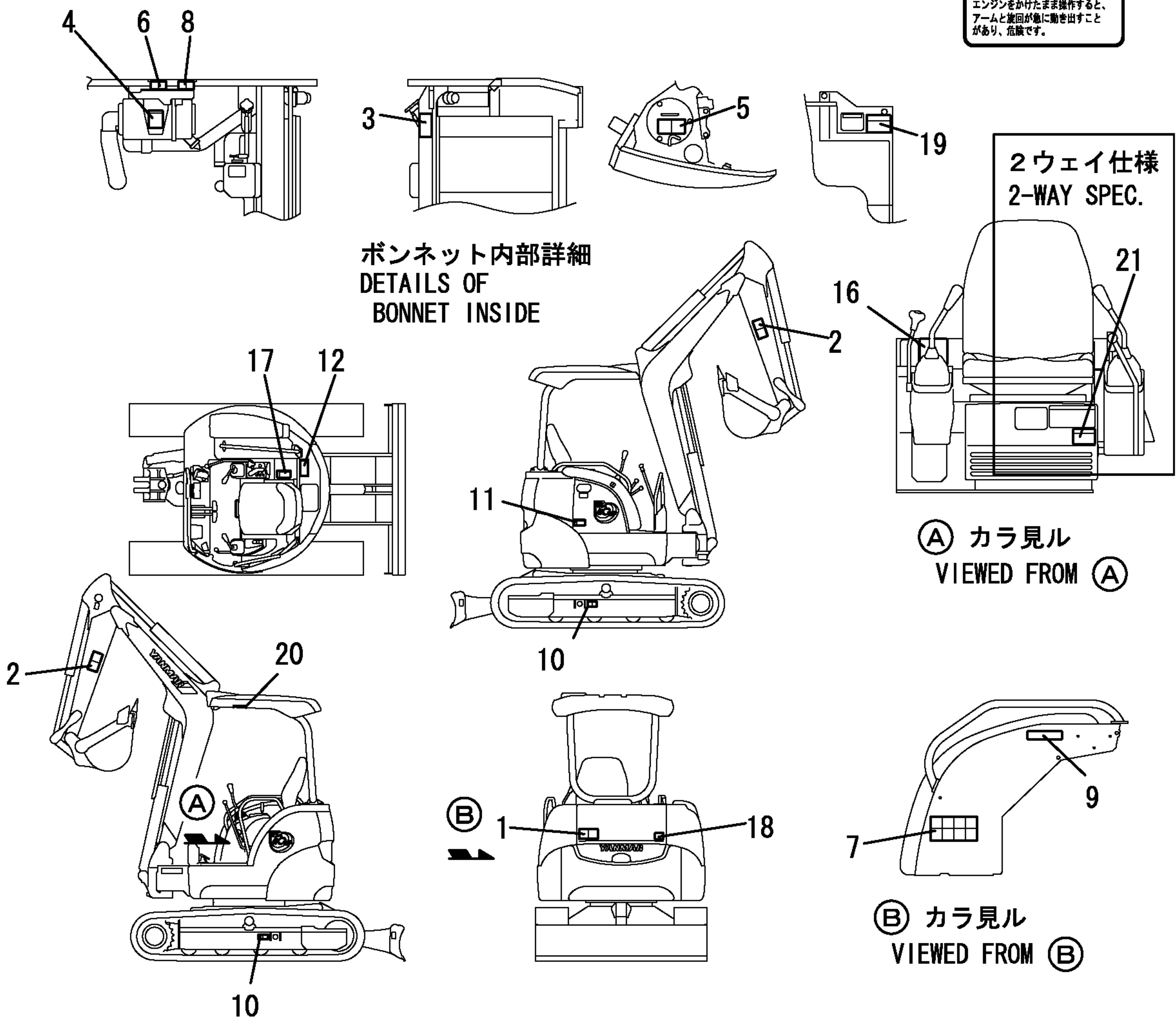
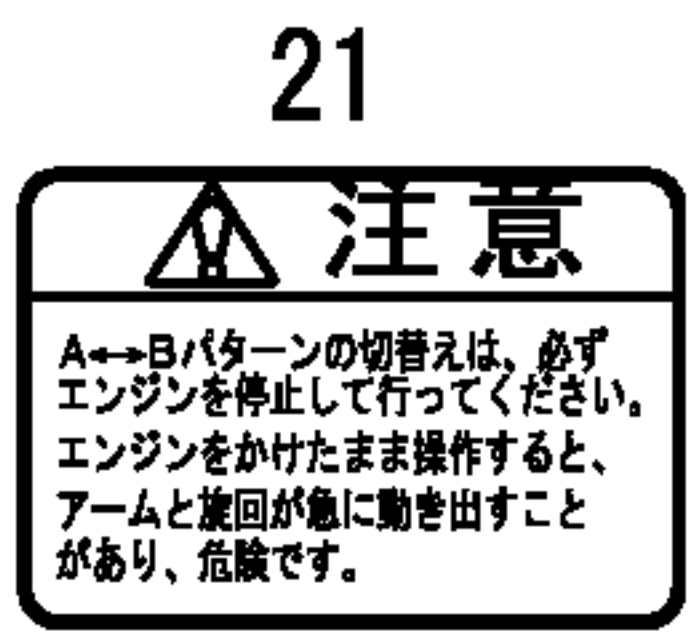
**(E)から見る
VIEWED FROM (E)**



1,1,,172444-03170,,LABEL,,1,,,,,,,,,,,,,,,,,,,,,
2,1,,172444-03180,,LABEL,,2,,,,,,,,,,,,,,,,,,,,,
3,1,,172444-03190,,LABEL,,1,,,,,,,,,,,,,,,,,,,,,
4,1,,172141-03202,, "LABEL,CAUTION" ,,1,,,,,,,,,,,,,,,,,,,,,
5,1,,172450-03200,, "LABEL,BATTERY" ,,1,,,,,,,,,,,,,,,,,,,,,
6,1,,172458-03200,, "LABEL,FAN" ,,1,,,,,,,,,,,,,,,,,,,,,
7,1,,172444-03210,,LABEL,,1,,,,,,,,,,,,,,,,,,,,,
8,1,,172458-03210,, "LABEL,BELT" ,,1,,,,,,,,,,,,,,,,,,,,,
9,1,,172444-03240,,LABEL,,1,,,,,,,,,,,,,,,,,,,,,
10,1,,172444-03280,,LABEL,,2,,,,,,,,,,,,,,,,,,,,,
11,1,,172142-03302,, "LABEL,CAUTION" ,,1,,,,,,,,,,,,,,,,,,,,,
12,1,,172964-03370,,LABEL,,1,,,,,,,,,,,,,,,,,,,,,
13,1,,172964-03481,, "LABEL,DANGER" ,,1,,,,,,,,,,,,,,,,,,,,,
16,1,,172164-03510,, "LABEL,LOADING" ,,1,,,,,,,,,,,,,,,,,,,,,
17,1,,172164-03540,,LABEL,,1,,,,,,,,,,,,,,,,,,,,,
18,1,,172519-04180,, "LABEL,WARNING" ,,1,,,,,,,,,,,,,,,,,,,,,
19,1,,172519-04290,, "LABEL,WARNING" ,,1,,,,,,,,,,,,,,,,,,,,,
20,1,,172444-03330,,LABEL,,1,,,,,,,,,,,,,,,,,,,,,
21,1,,172458-03570,,LABEL,,1,,,,,W,,,,,72458340,M/#20745,,,,,,,,,



取説収納庫在中
IN THE OPERATION
MANUAL CASE

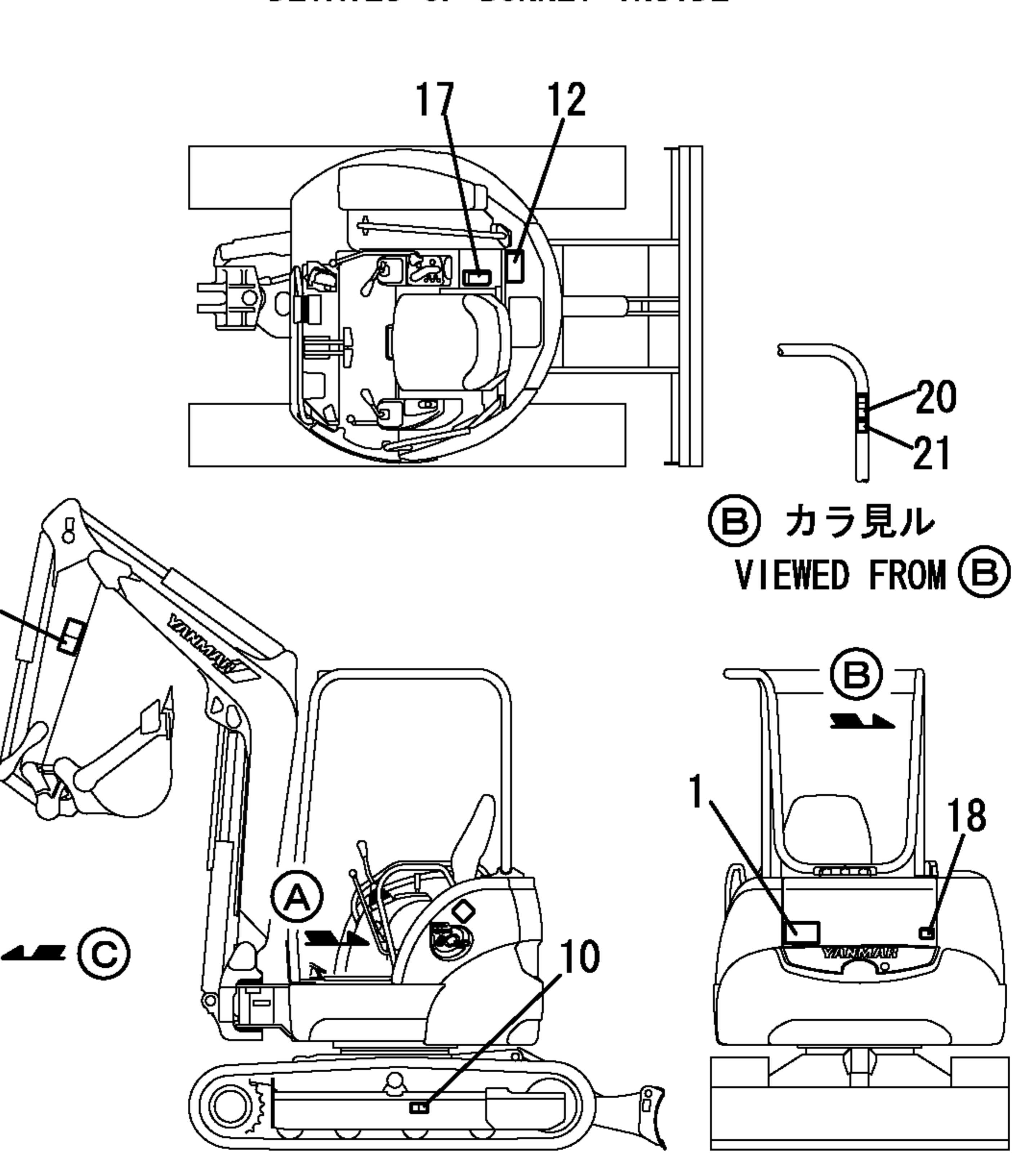
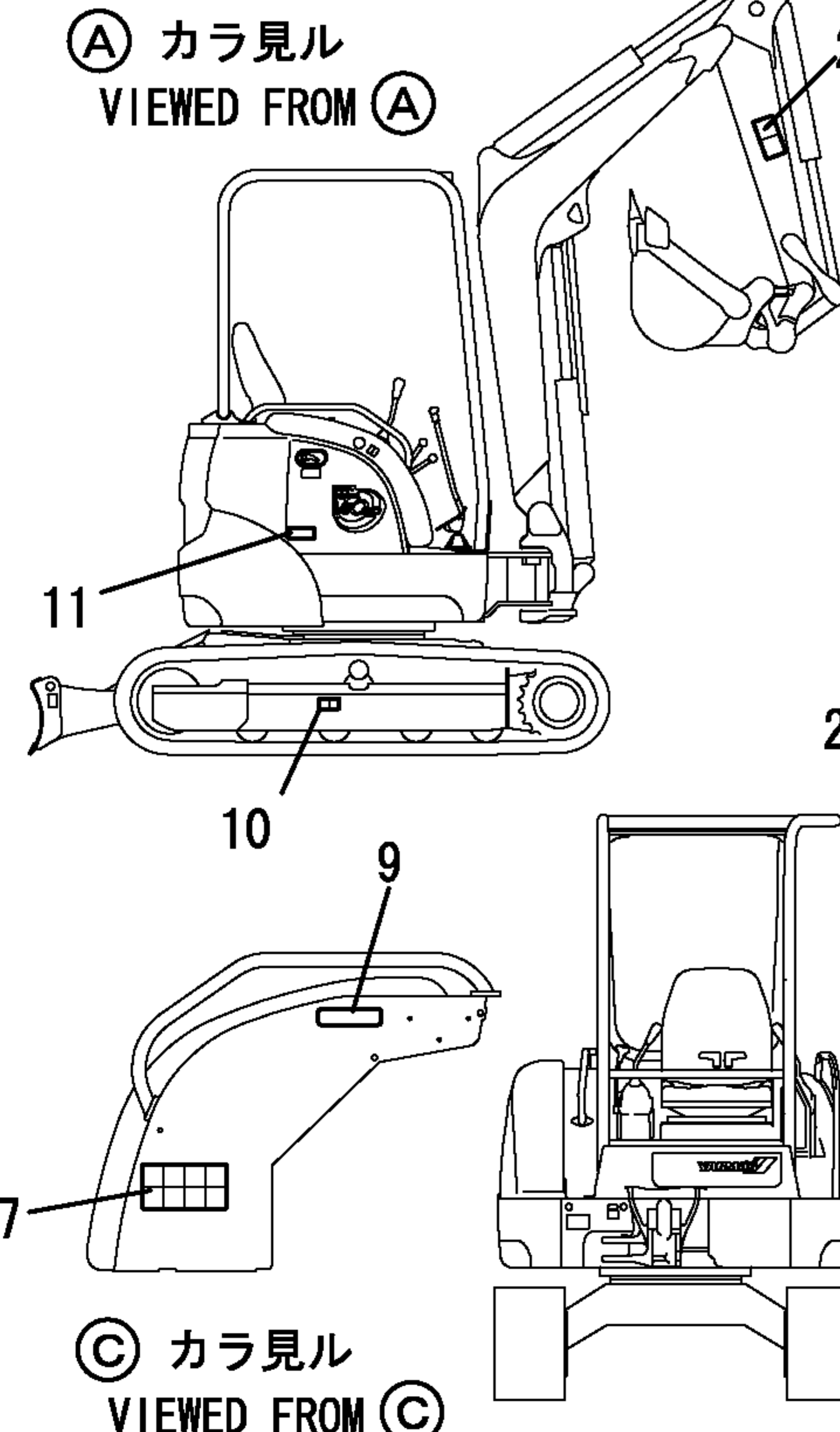
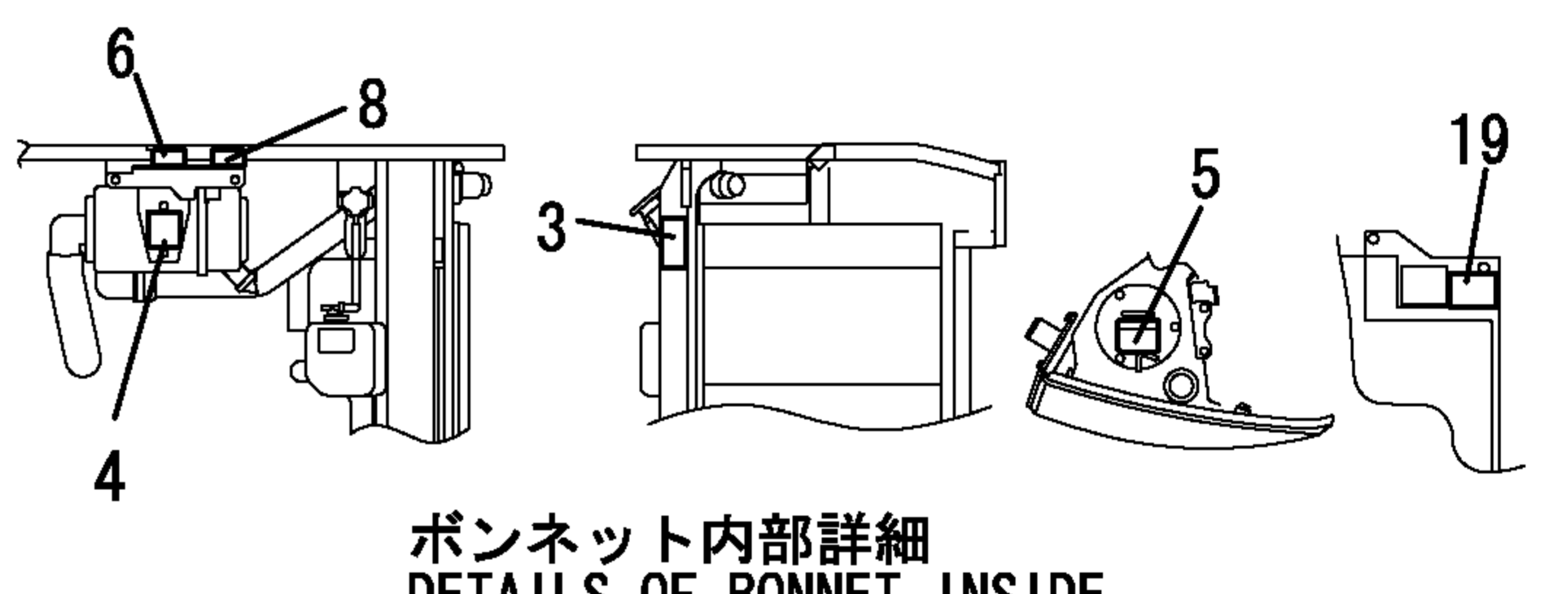
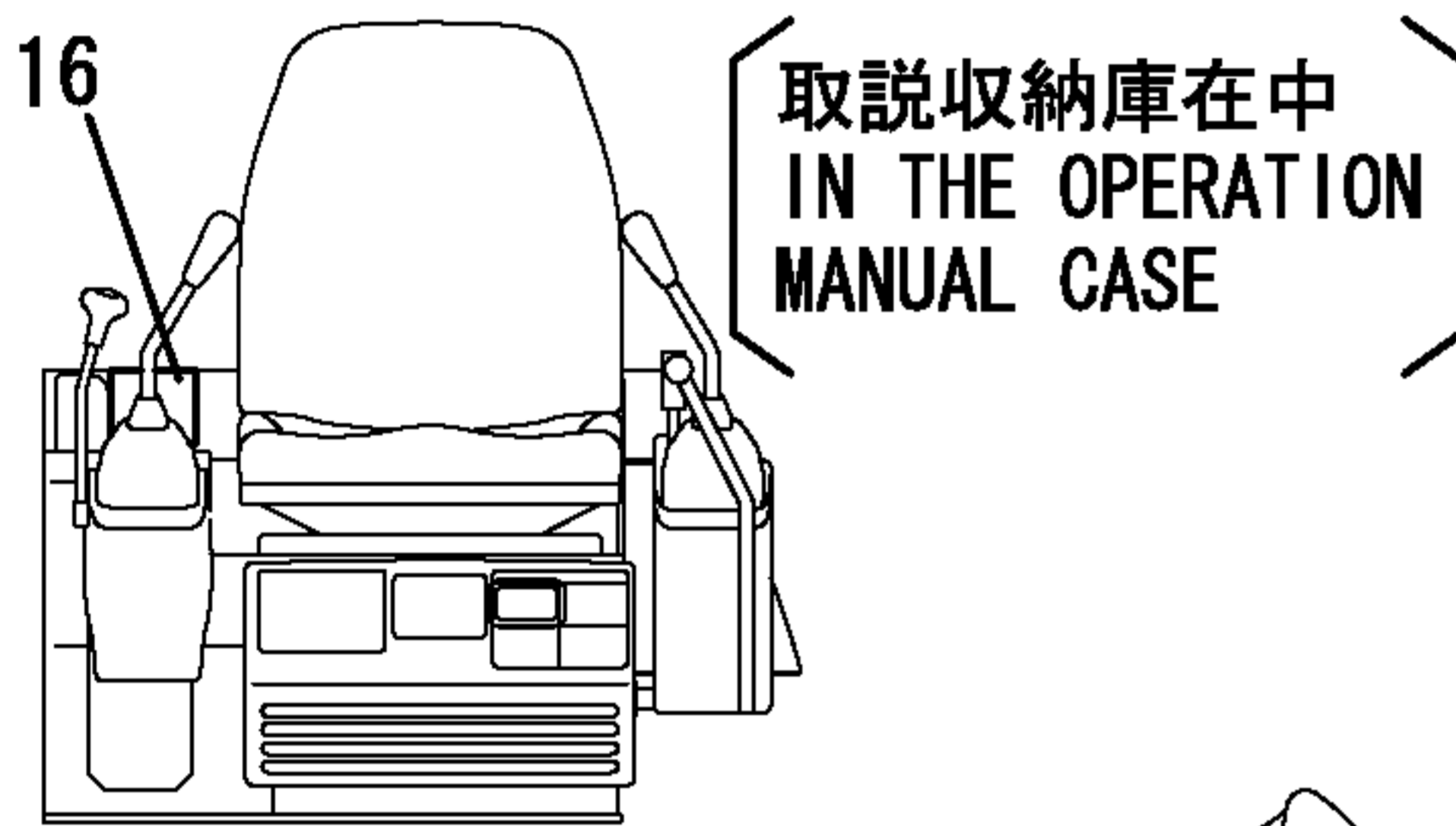
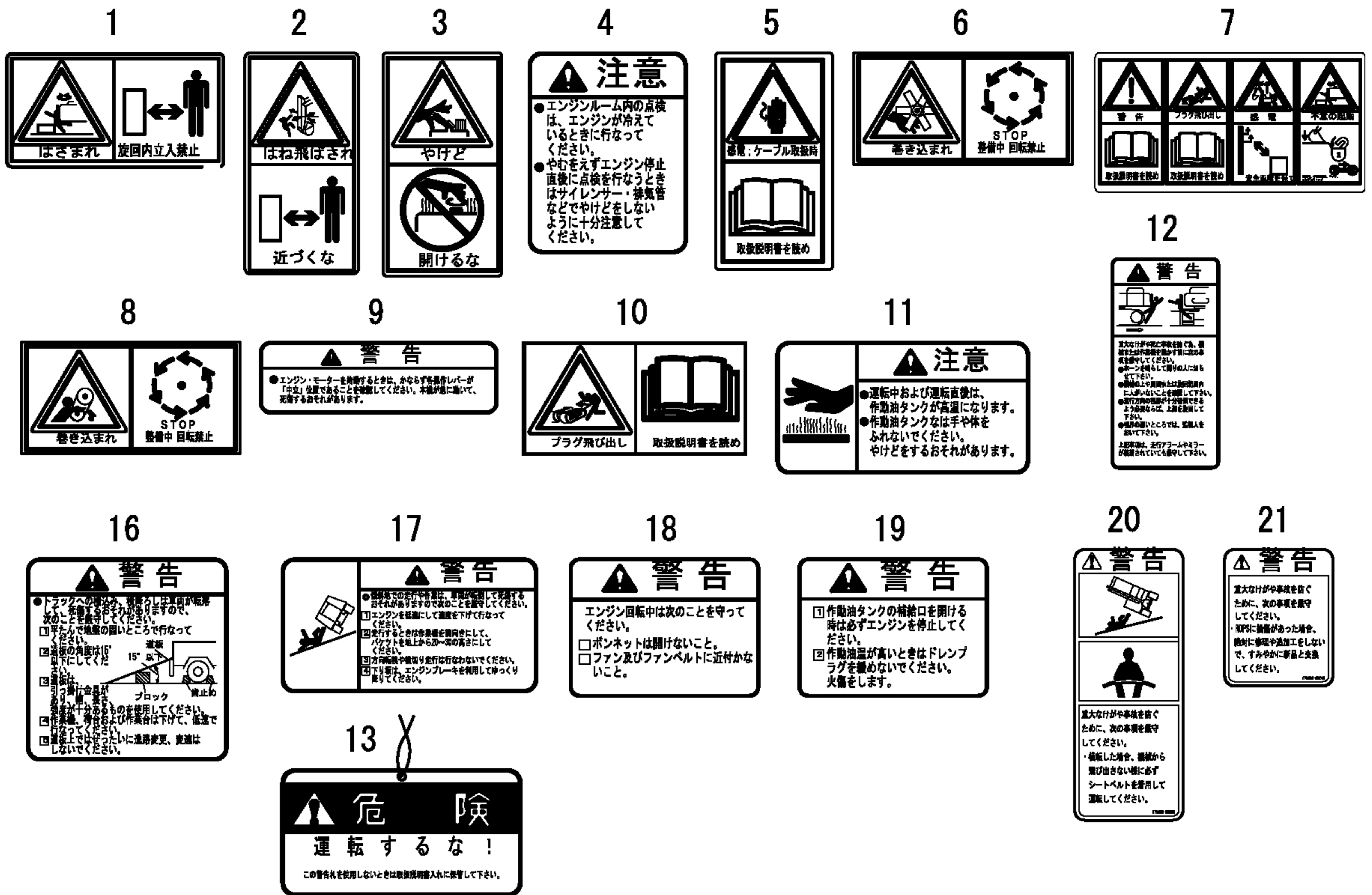


ボンネット内部詳細
DETAILS OF
BONNET INSIDE

Ⓐ カラ見ル
VIEWED FROM Ⓐ

Ⓑ カラ見ル
VIEWED FROM Ⓑ

1,1,,172444-03170,,LABEL,,1,,,,,,,,,,,,,,,,,,,,,
2,1,,172444-03180,,LABEL,,2,,,,,,,,,,,,,,,,,,,,,
3,1,,172444-03190,,LABEL,,1,,,,,,,,,,,,,,,,,,,,,
4,1,,172141-03202,, "LABEL,CAUTION" ,,1,,,,,,,,,,,,,,,,,,,,,
5,1,,172450-03200,, "LABEL,BATTERY" ,,1,,,,,,,,,,,,,,,,,,,,,
6,1,,172458-03200,, "LABEL,FAN" ,,1,,,,,,,,,,,,,,,,,,,,,
7,1,,172444-03210,,LABEL,,1,,,,,,,,,,,,,,,,,,,,,
8,1,,172458-03210,, "LABEL,BELT" ,,1,,,,,,,,,,,,,,,,,,,,,
9,1,,172444-03240,,LABEL,,1,,,,,,,,,,,,,,,,,,,,,
10,1,,172444-03280,,LABEL,,2,,,,,,,,,,,,,,,,,,,,,
11,1,,172142-03302,, "LABEL,CAUTION" ,,1,,,,,,,,,,,,,,,,,,,,,
12,1,,172964-03370,,LABEL,,1,,,,,,,,,,,,,,,,,,,,,
13,1,,172964-03481,, "LABEL,DANGER" ,,1,,,,,,,,,,,,,,,,,,,,,
16,1,,172164-03510,, "LABEL,LOADING" ,,1,,,,,,,,,,,,,,,,,,,,,
17,1,,172164-03540,,LABEL,,1,,,,,,,,,,,,,,,,,,,,,
18,1,,172519-04180,, "LABEL,WARNING" ,,1,,,,,,,,,,,,,,,,,,,,,
19,1,,172519-04290,, "LABEL,WARNING" ,,1,,,,,,,,,,,,,,,,,,,,,
20,1,,172460-03230,, "LABEL,SEAT BELT" ,,1,,,,,,,,,,,,,,,,,,,,,
21,1,,172460-03240,, "LABEL,ROPS" ,,1,,,,,,,,,,,,,,,,,,,,,



1,1,,172472-03240,, "LABEL,PIN US",,,,1,,,,,,,,,,,,,,,,,,,,,I
2,1,,172437-03250,, "TAG,SERVICING ASSY",,,,1,,,,,,,,,,,,,,,,,,,,,I
3,1,,172472-03260,, "LABEL,FINGER",,,,1,,,,,,,,,,,,,,,,,,,,,I
4,1,,172472-03270,, "LABEL,SAND US",,,,1,,,,,,,,,,,,,,,,,,,,,I
5,1,,172472-03280,, LABEL,,,,,1,,,,,,,,,,,,,,,,,,,,,I
6,1,,172437-03300,, "LABEL,MANUAL",,,,1,,,,,,,,,,,,,,,,,,,,,I
7,1,,172437-03310,, "LABEL,SLOPE",,,,1,,,,,,,,,,,,,,,,,,,,,I
8,1,,172437-03321,, "LABEL,HYD.OIL TANK",,,,1,,,,,,,,,,,,,,,,,,,,,I
9,1,,172437-03341,, "LABEL,TRANSPORT",,,,1,,,,,,,,,,,,,,,,,,,,,I
10,1,,172437-03351,, "LABEL,GREASE CYL.",,,,2,,,,,,,,,,,,,,,,,,,,,I
11,1,,172437-03360,, "LABEL,BATTERY",,,,1,,,,,,,,,,,,,,,,,,,,,I
12,1,,172437-03371,, LABEL,,,,,1,,,,,,,,,,,,,,,,,,,,,I
13,1,,172437-03380,, "LABEL,SWING AREA",,,,1,,,,,,,,,,,,,,,,,,,,,I
14,1,,172437-03390,, "LABEL,RADIATOR",,,,1,,,,,,,,,,,,,,,,,,,,,I
15,1,,172437-03401,, "LABEL (ENG COVER US",,,,1,,,,,,,,,,,,,,,,,,,,,I
16,1,,172437-03411,, "LABEL (ENG ROOM US",,,,1,,,,,,,,,,,,,,,,,,,,,I
17,1,,172437-03421,, "LABEL,MUFFLER",,,,1,,,,,,,,,,,,,,,,,,,,,I
18,1,,172437-03431,, "LABEL,STEERING",,,,1,,,,,,,,,,,,,,,,,,,,,I
19,1,,172437-03460,, "LABEL, BOOM",,,,2,,,,,,,,,,,,,,,,,,,,,I
20,1,,172437-03470,, "LABEL,LEVER LOCK",,,,1,,,,,,,,,,,,,,,,,,,,,I

1 **Pull out** **WARNING**
To prevent damage on lock pin, be sure to pull the lock pin out when changing the attachment.

2 **DANGER**
NEVER OPERATE EXCAVATOR WHEN THIS TAG IS ATTACHED TO AN EMERGENCY CONTROL TAG. IT IS TO PREVENT ACCIDENTAL STARTUP.
(Always, use tag out)

3 **DANGER**
Never insert your fingers. This may cause serious bodily injury.

4 **WARNING**
Be sure to remove earth and sand piled in quick coupler. This may damage hydraulic hoses.

5 **WARNING**
IMPORTANT RULES FOR SAFE USE
Be sure to park machine on solid, level ground and place attachment on ground before operating quick coupler.
Lock Pin
- To prevent attachment from falling off, be sure to install lock pin. Make sure quick coupler securely holds attachment. Operating speed of quick coupler becomes slow in cold season.
- Never suspend load with hook of quick coupler. Load may fall off, causing serious accident.
- To prevent breakdown or sudden operation of attachment, never open switch box cover except to dimount or mount attachment.

6 **WARNING**
Always refer to the instructions in Operation & Maintenance Manual before operating or servicing Excavator, to prevent bodily injury.

7 **WARNING**
When driving Excavator on a slope, avoid rollovers or slides as follows:
- Never go up or down a slope greater than 25 degrees.
- Never turn on a slope, or if the ground is uneven.
- Stop driving with tracks & do not go on snow ground.
- Always descend at low speed, using travel levers and simulator for control.

8 **WARNING**
- Never loose Excavator hydraulic oil tank filler cap or drain plug while engine running, as scorching oil could cause scalding.
- Always stop engine and allow hydraulic oil tank to cool before handling surface.

9 **WARNING**
Avoid Excavator entry for any attachment vehicle with safety as follows:
- Always engage travel levers & parking brake, and lock the track.
- Always stop engine and allow hydraulic oil tank to cool before handling surface.
- Always use proper tie-down technique to load & secure attachment to vehicle.
- Always use proper tie-down technique to load & secure attachment to vehicle.
- Never allow any one to ride on attachment.
- Never load or unload attachment unless ground is solid and level.

10 **WARNING**
- Always relieve high pressure in grease cylinder before servicing crawler, to prevent bodily injury.
- Never open nipple valve more than one turn, maximum.

11 **DANGER**
Battery electrolyte contains sulfuric acid, which can severely burn eyes or skin.
- Always wear goggles and protective clothing when servicing battery.
- If splash occurs, flush with water and obtain proper medical treatment.
Batteries generate hydrogen gas, which could explode if ignited.
- Never smoke or use open flame or sparks in battery area.
- Never attempt to repair or disconnection of battery cables or open an explosion.
- Never allow sparks in vicinity of a battery when using battery, battery cables.

12 **WARNING**
IMPORTANT RULES FOR SAFE USE
- Never start Excavator unless all safety guards are in place, all lockout devices are in correct and no other persons are on or near machine.
- Never start engine while on ground, track only the operator's seat.
- Never begin operation without first reading work area for overhead power lines, obstructions, holes and drop-offs, and noting location of unexpected utility lines.
- Never leave operator's seat until all levers are grounded, hydraulic pressure is released for all hydraulic lines and all labeled position out starter switch key is removed.
- Never perform maintenance unless engine is stopped and machine is parked on level ground. Never attempt to raise the boom off the ground with track out in attachment.

13 **DANGER**
Always stay clear of swing range of Excavator implements and machine tail, to avoid serious bodily injury.

14 **WARNING**
Always stop engine and allow radiator to cool before removing cap, to prevent scalding.

15 **WARNING**
Never open Excavator hood while engine is running, to protect hands from moving fan and fan belts, or contact with hot surfaces.

16 **WARNING**
Always stop Excavator engine before servicing it, to protect hands from moving fan and fan belt.

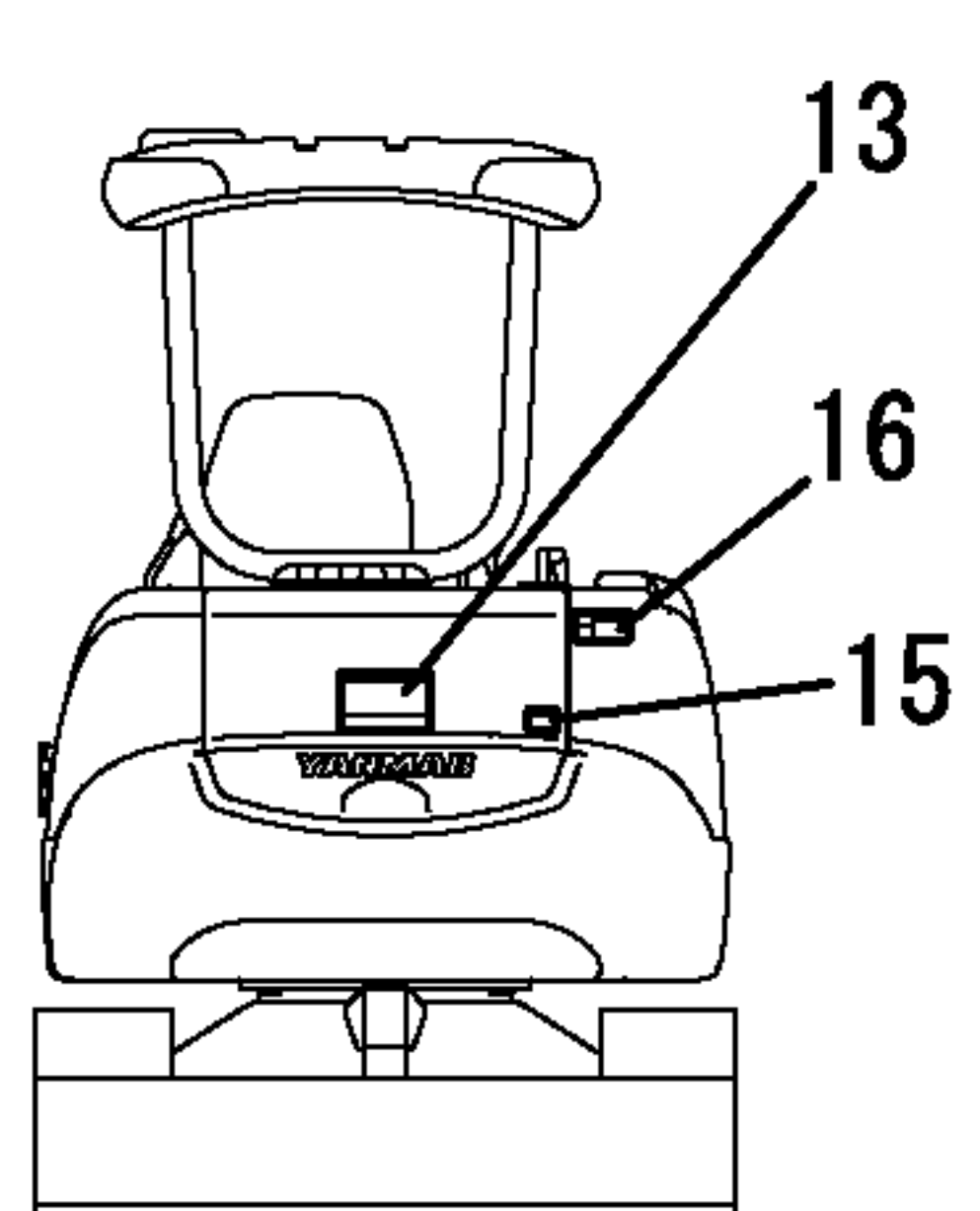
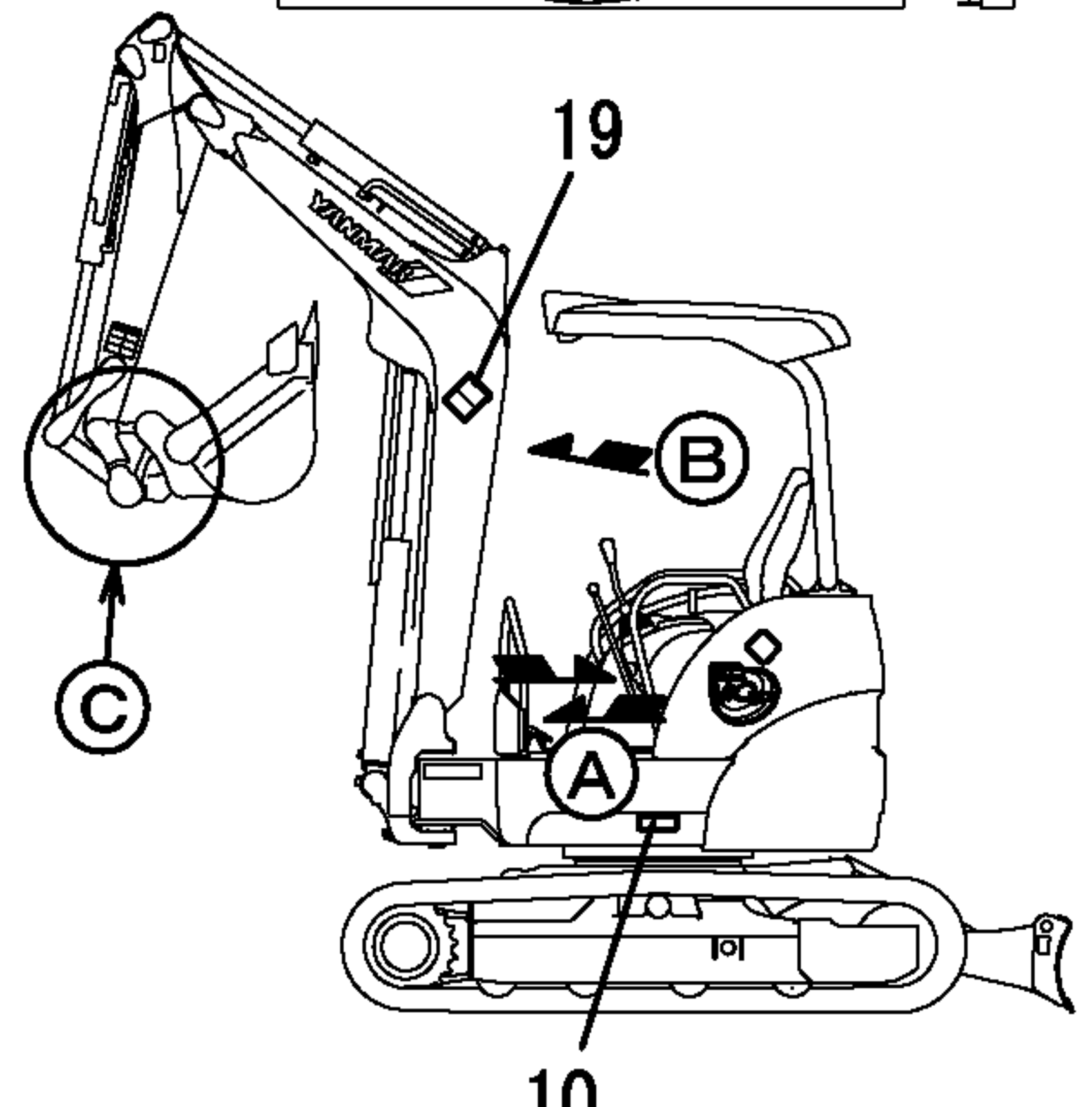
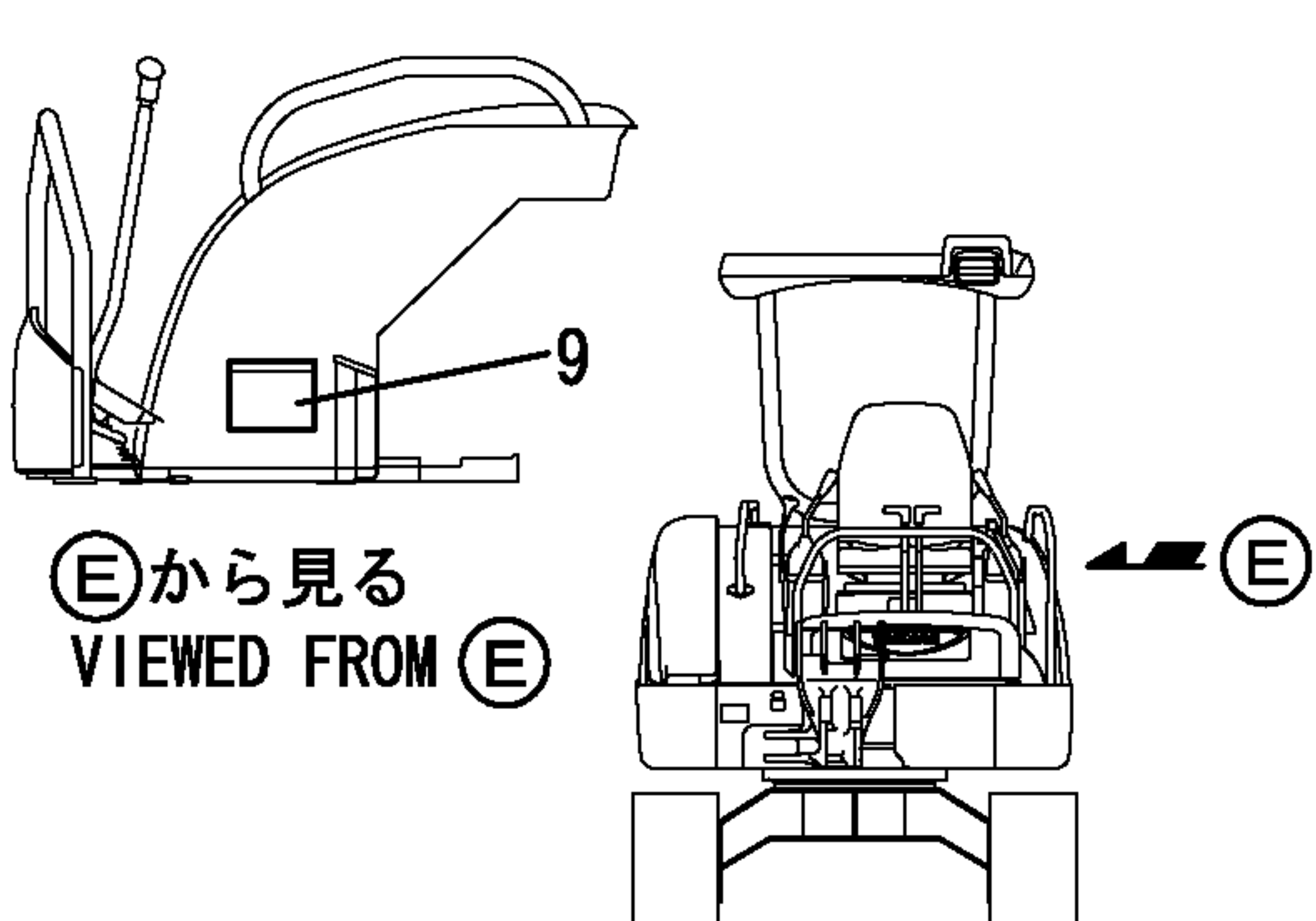
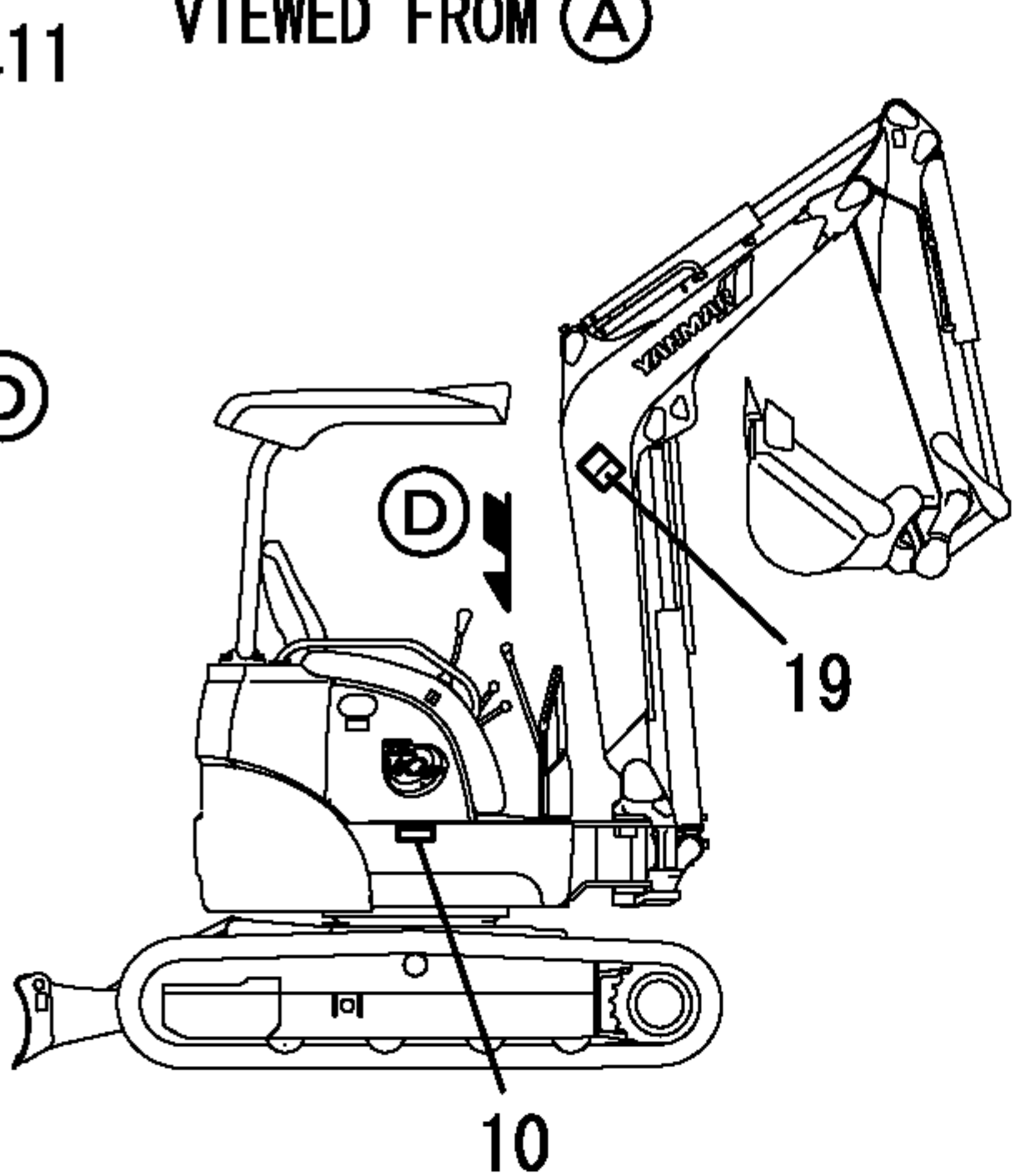
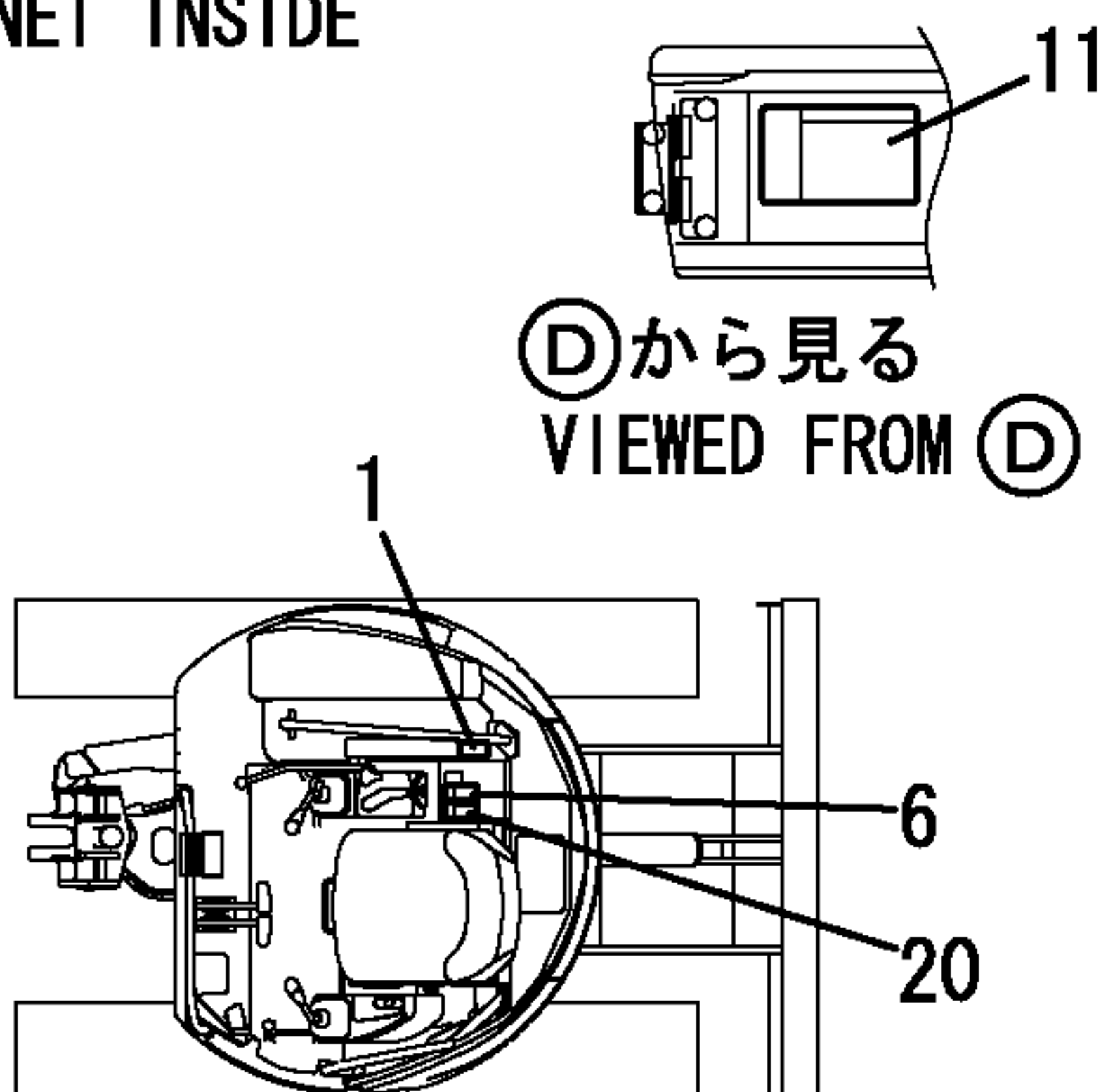
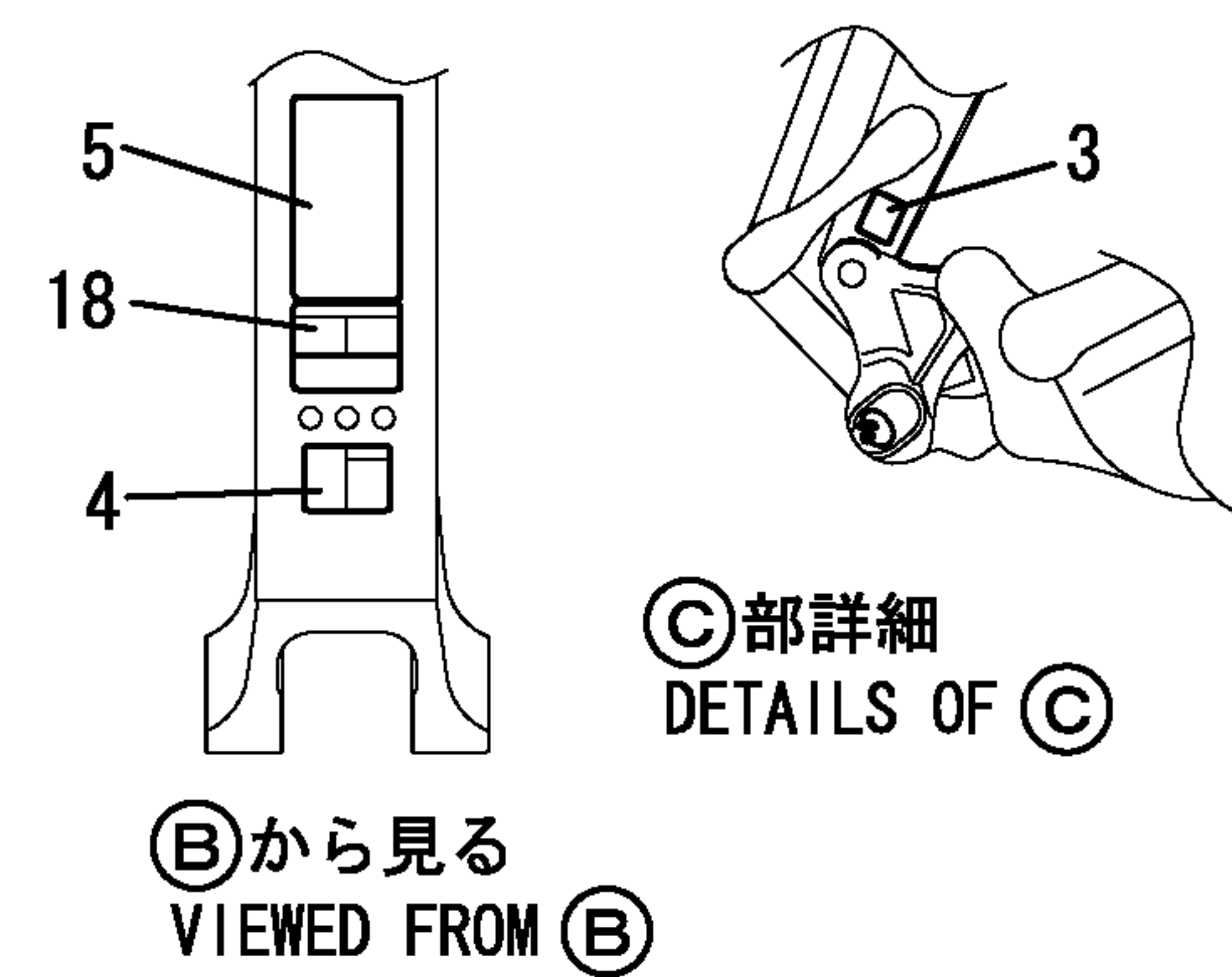
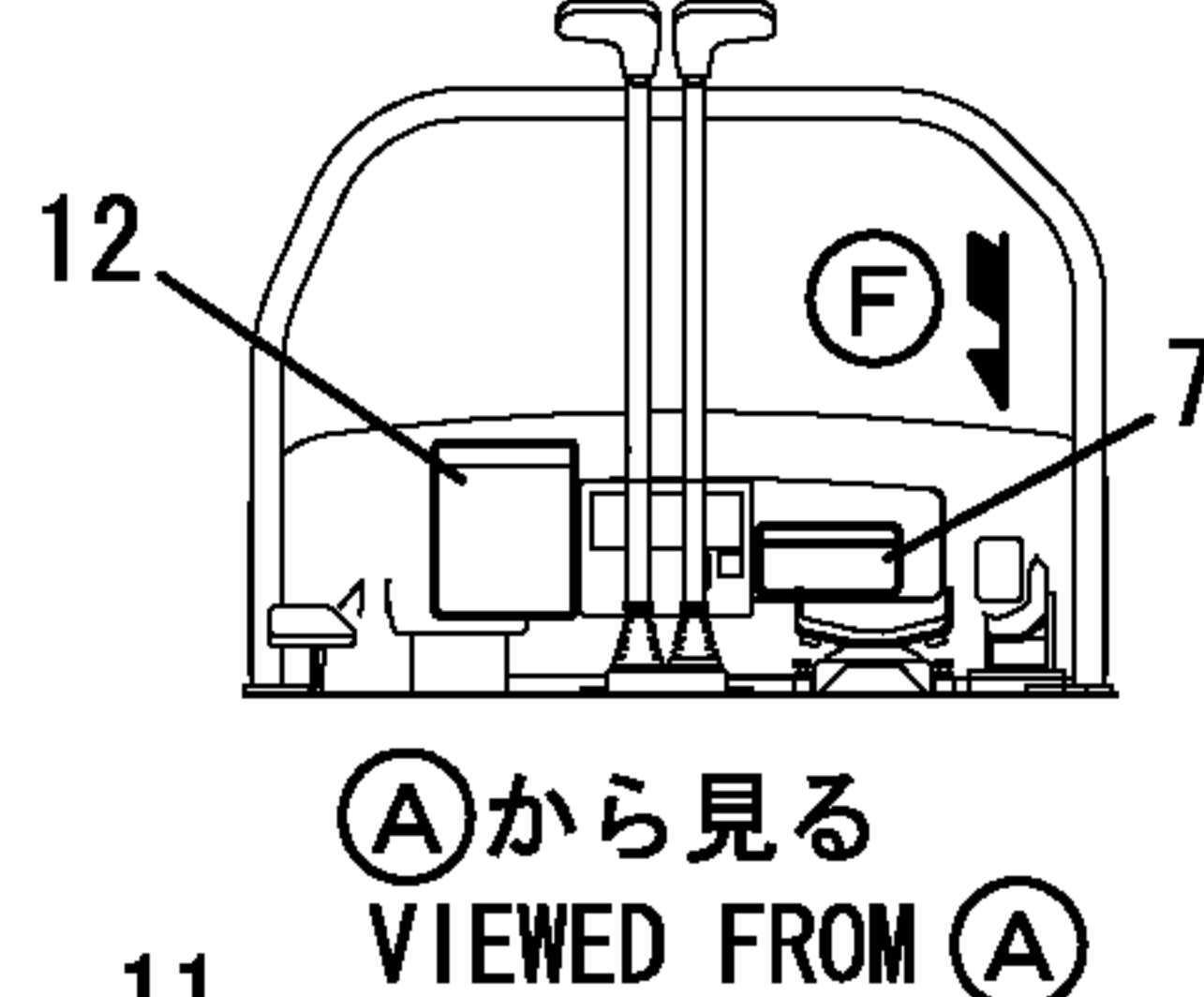
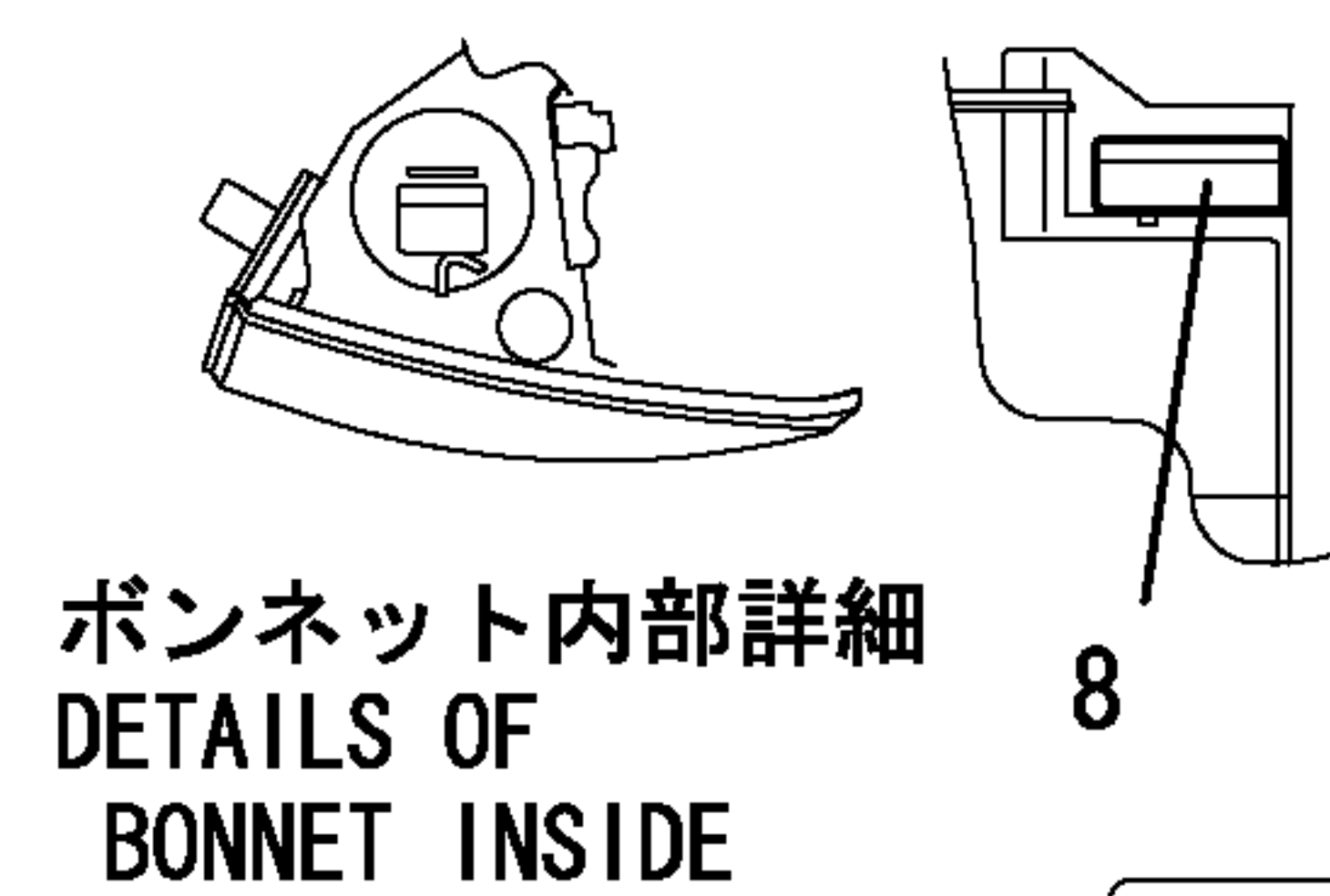
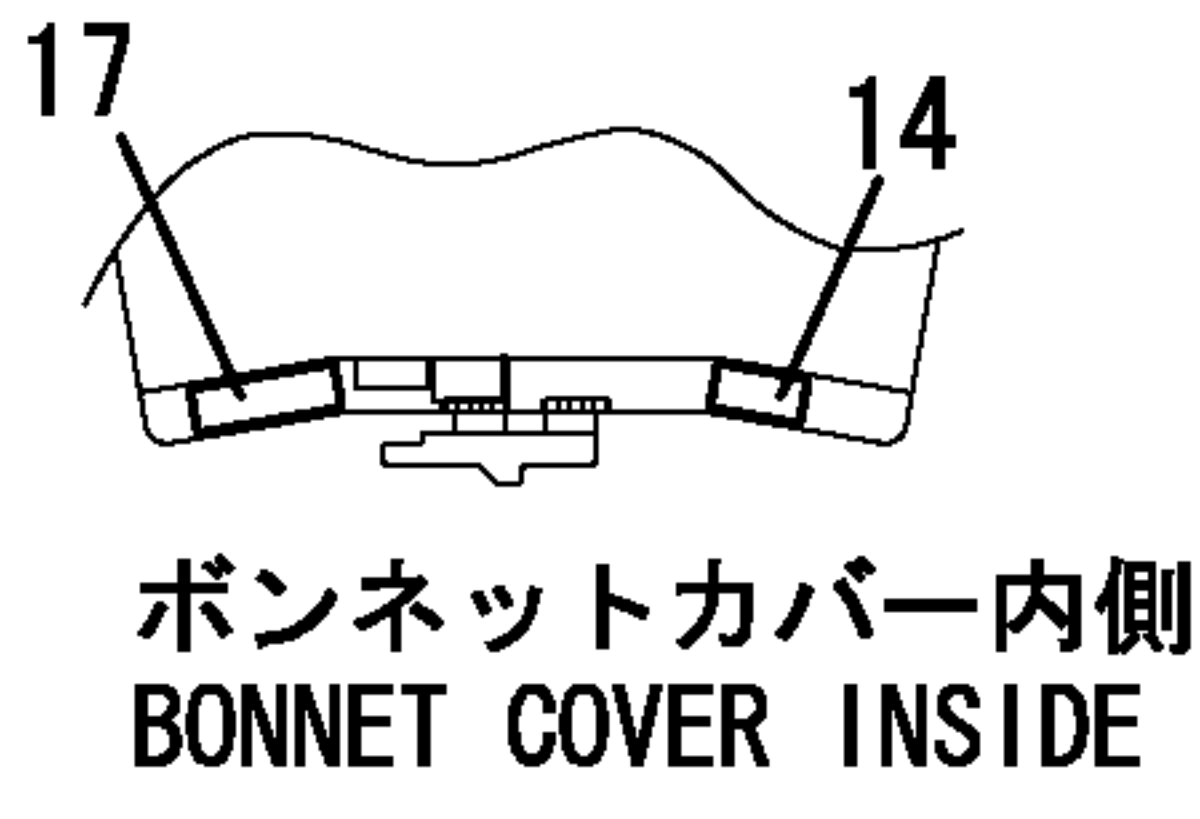
17 **WARNING**
To prevent burns, never service muffler or exhaust pipe too soon after engine is stopped. Temperature of exhaust system reduces slowly.

18 **WARNING**
To prevent accidental injury, never use Excavator before confirming load on of blade. Machine always travels in direction of blade. Star travel levers and avoid any free operator.

19 **WARNING**
BOOM PINCH POINTS
Always stay clear of this area, to avoid bodily injury.

20 **WARNING**
Never open Excavator's seat unless all lock levers are in locked position and starter switch key has been removed, to prevent accidental bodily injury.

取説収納庫在中
IN THE OPERATION
MANUAL CASE



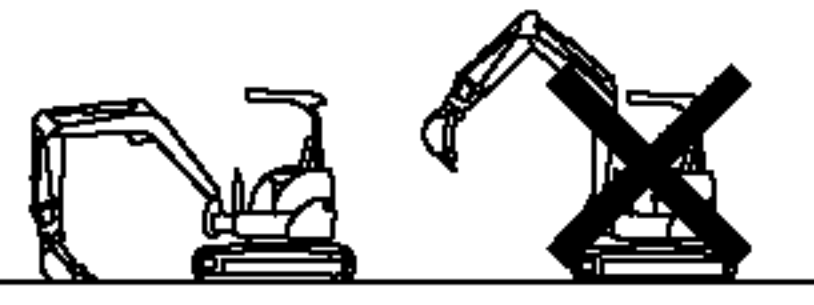
1,1,,172958-03100,,LABEL,1,1,,,,,,,,,,,,,
2,1,,172958-03140,,LABEL,1,1,,,,,,,,,,,,,
3,1,,172958-03220,,LABEL,1,1,,,,,,,,,,,,,
4,1,,172958-03230,, "LABEL,PIN",1,1,,,,,,,,,,,,,
5,1,,172958-
03300,, "LABEL,PLUG",1,1,,,,,W,,72958055,M/#21080,72958055,M/#21080,,,,,,,,,

1

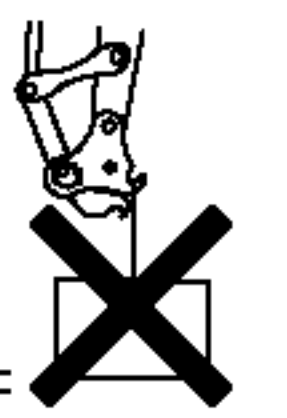
警告

重大なケガや事故を防ぐために次の事項を厳守してください。

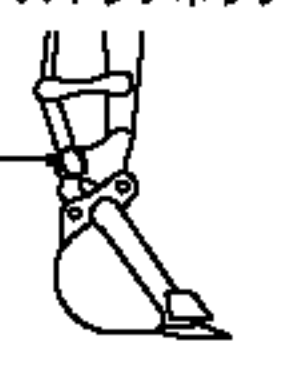
- クイックヒッチを操作するときは必ずアタッチメントを接地させてから行ってください。



- クイックヒッチのフックでの吊り作業は絶対に行わないでください。吊り荷が落下して重大事故につながる恐れがあります。



- アタッチメント脱着防止のために安全ピンを必ず脱着してください。
- 安全ピンを装着する時に、クイックヒッチが確実にアタッチメントをつかんでいる事を確認してください。
- アタッチメント脱着時以外は、スイッチボックスのフタを閉めてください。故障・不意の作動につながる恐れがあります。



2

危険

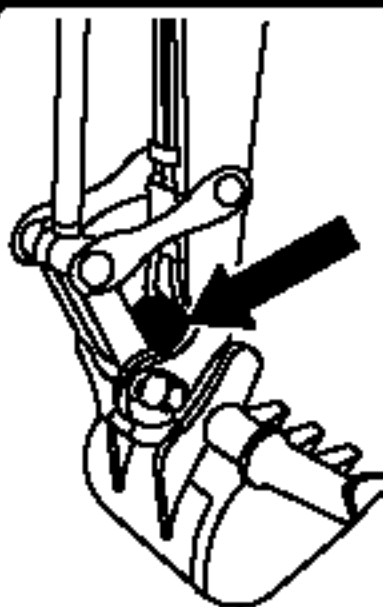
指は絶対に入れないでください。重大なケガをするおそれがあります。



3

注意

クイックヒッチ部にたまった土砂は必ず取り除いて下さい。油圧ホースが損傷するおそれがあります。



4

注意

アタッチメントを交換する時は必ず安全ピンを抜いて下さい。安全ピンの変形の原因になります。



5

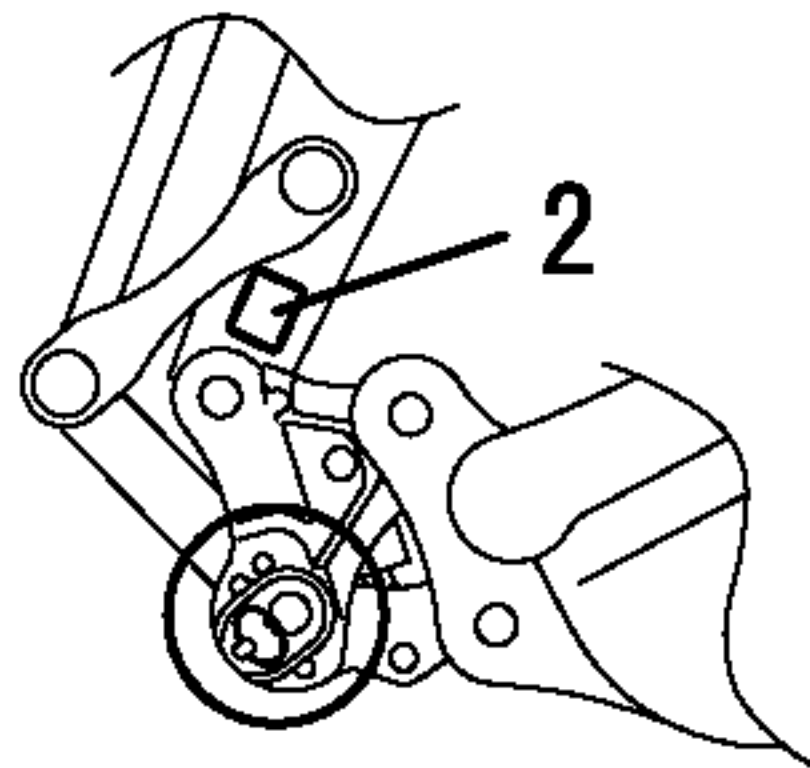
クイックヒッチ配管用プラグ

万が一、クイックヒッチ・ホースに油もれが発生した場合、ホースを取外してこの応急用プラグを取付け油もれをとめてください。

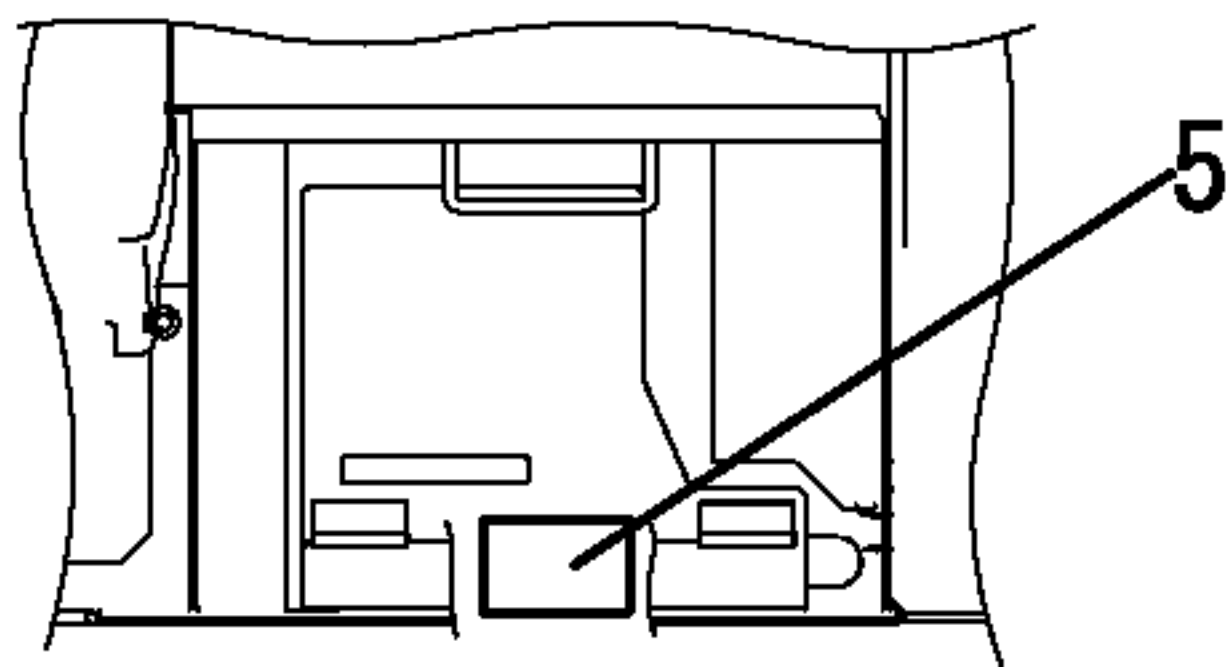


注意

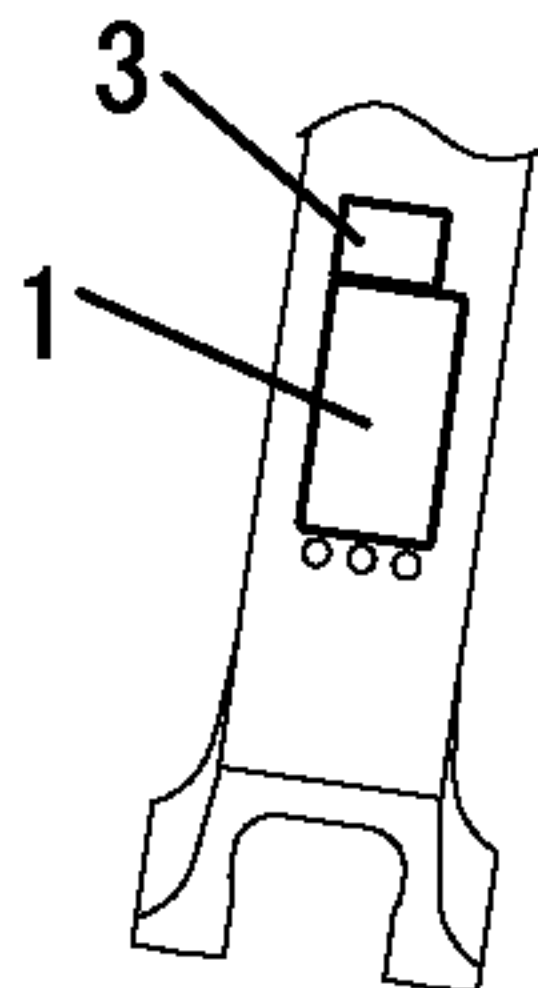
このプラグを装着しての長時間の作業は行わないでください。速やかに油圧ホースを交換して下さい。



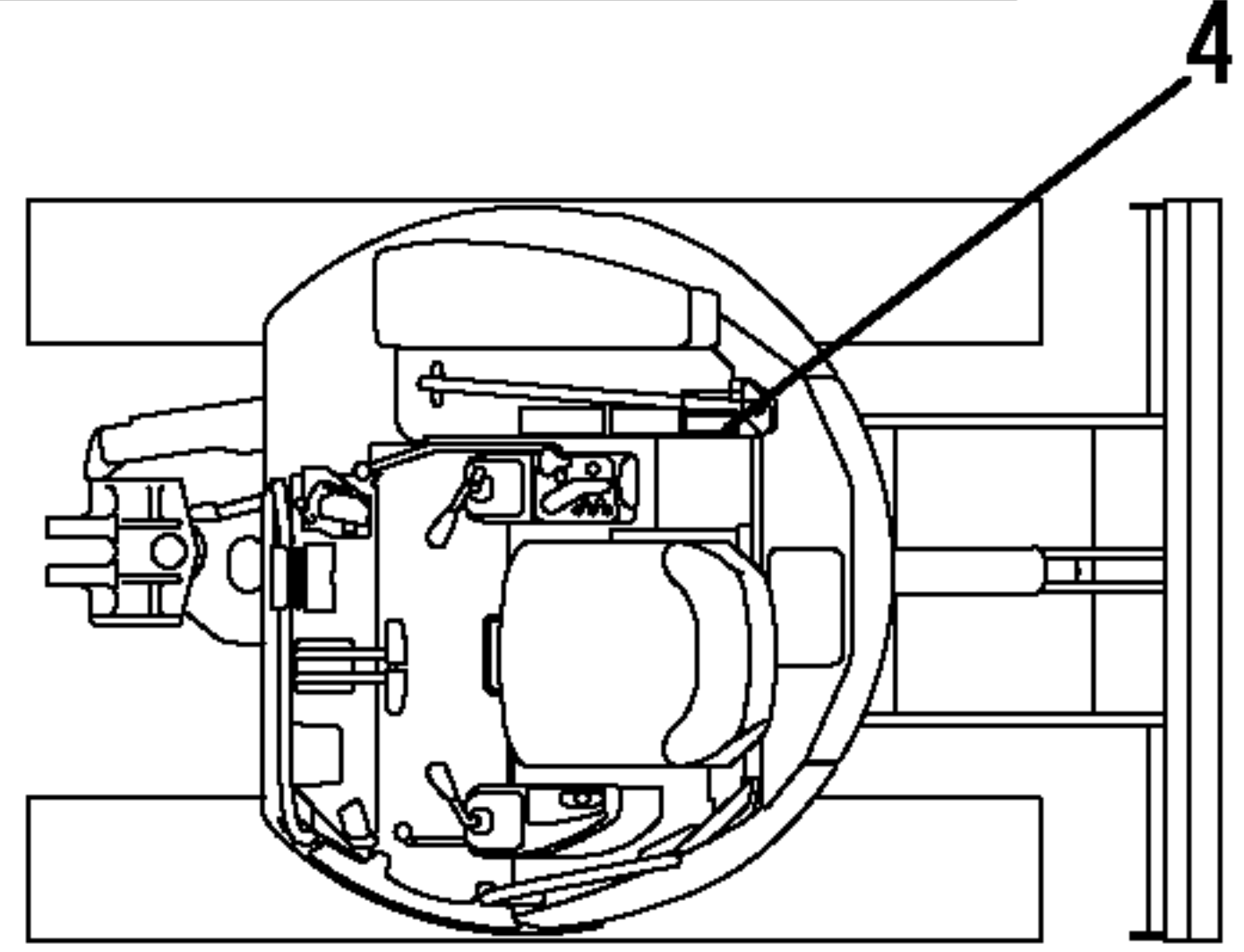
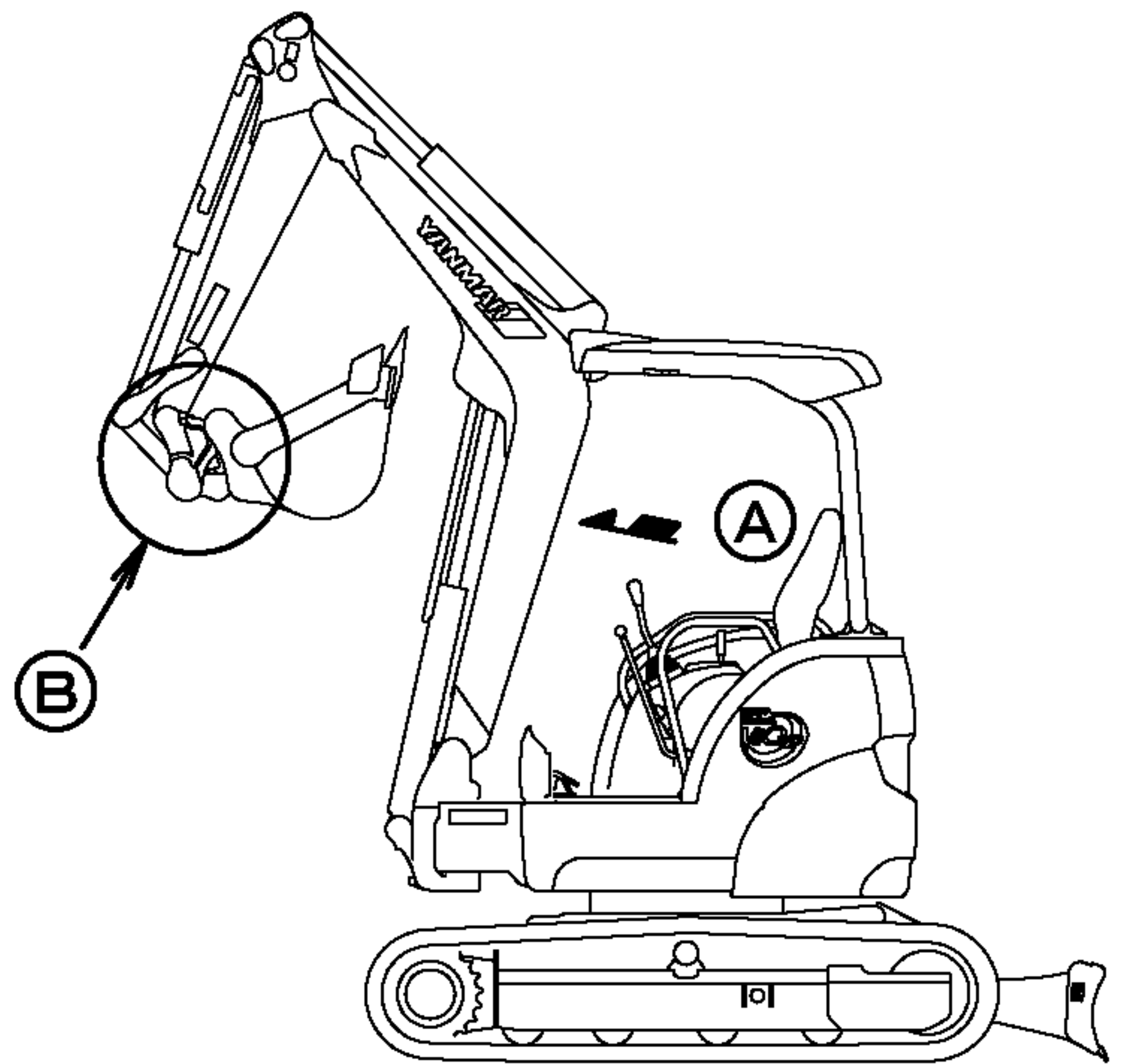
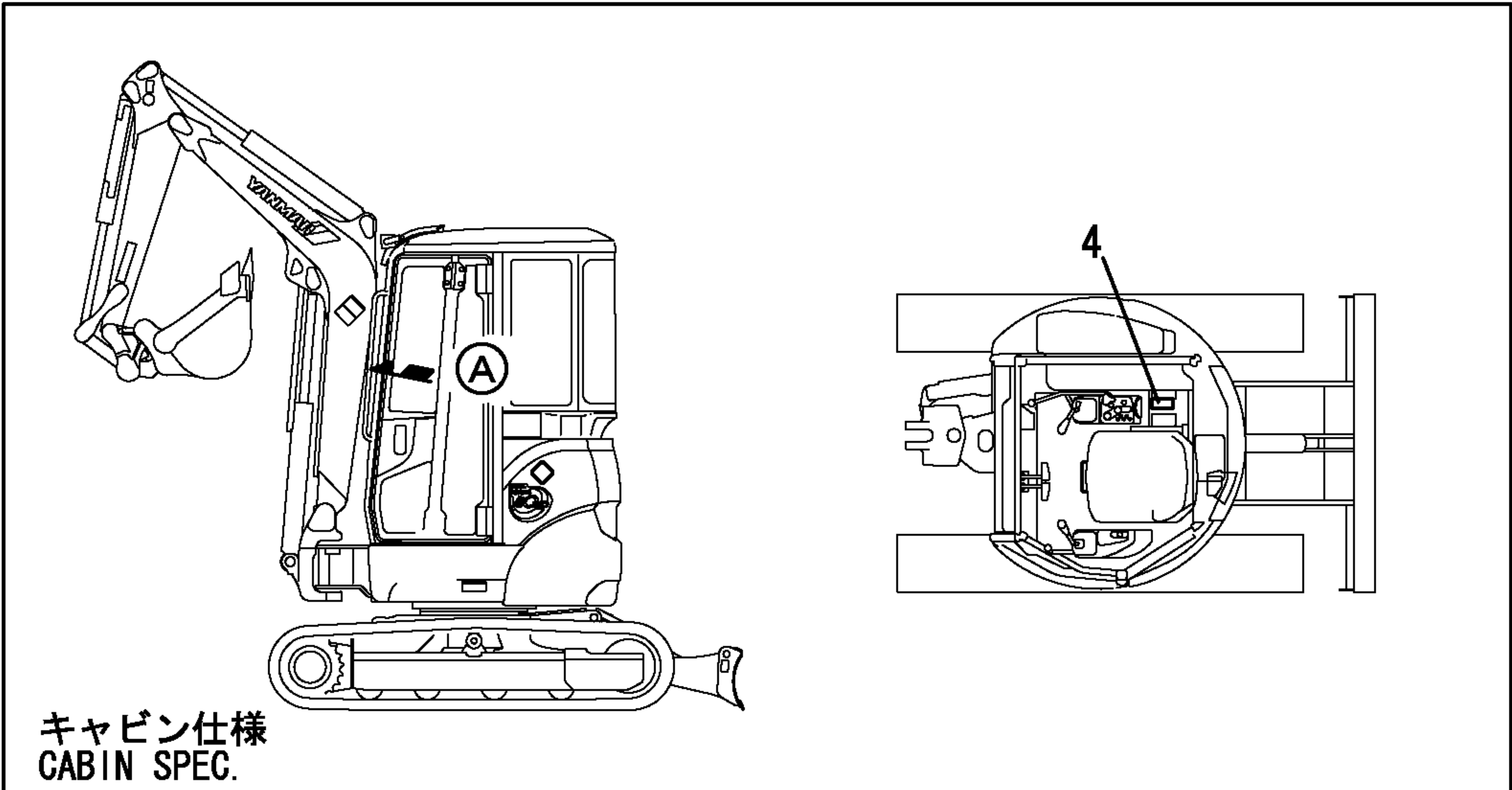
Ⓑ 部詳細
DETAILS OF Ⓑ



グリルを開いて
OPEN THE GRILLE

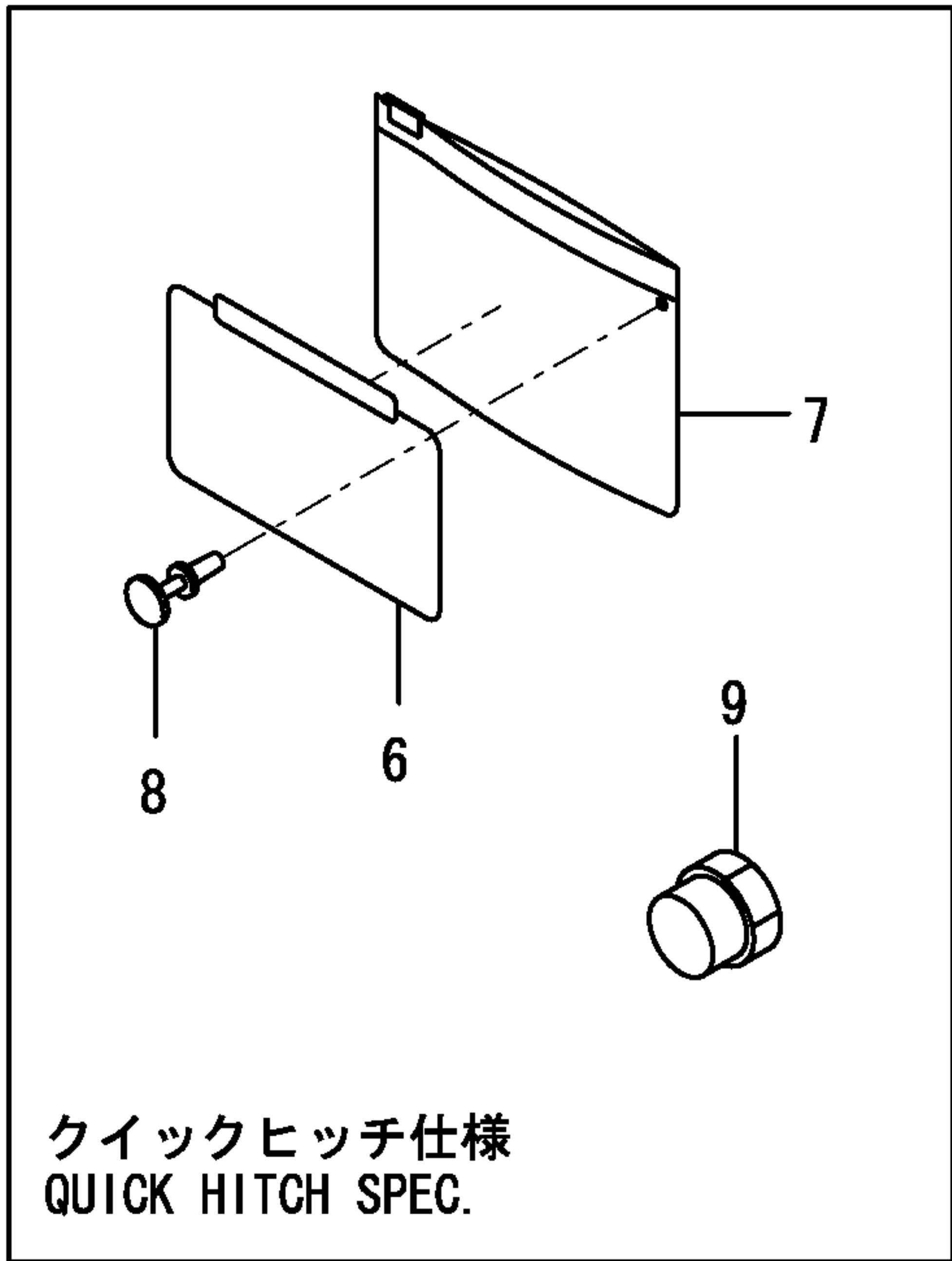
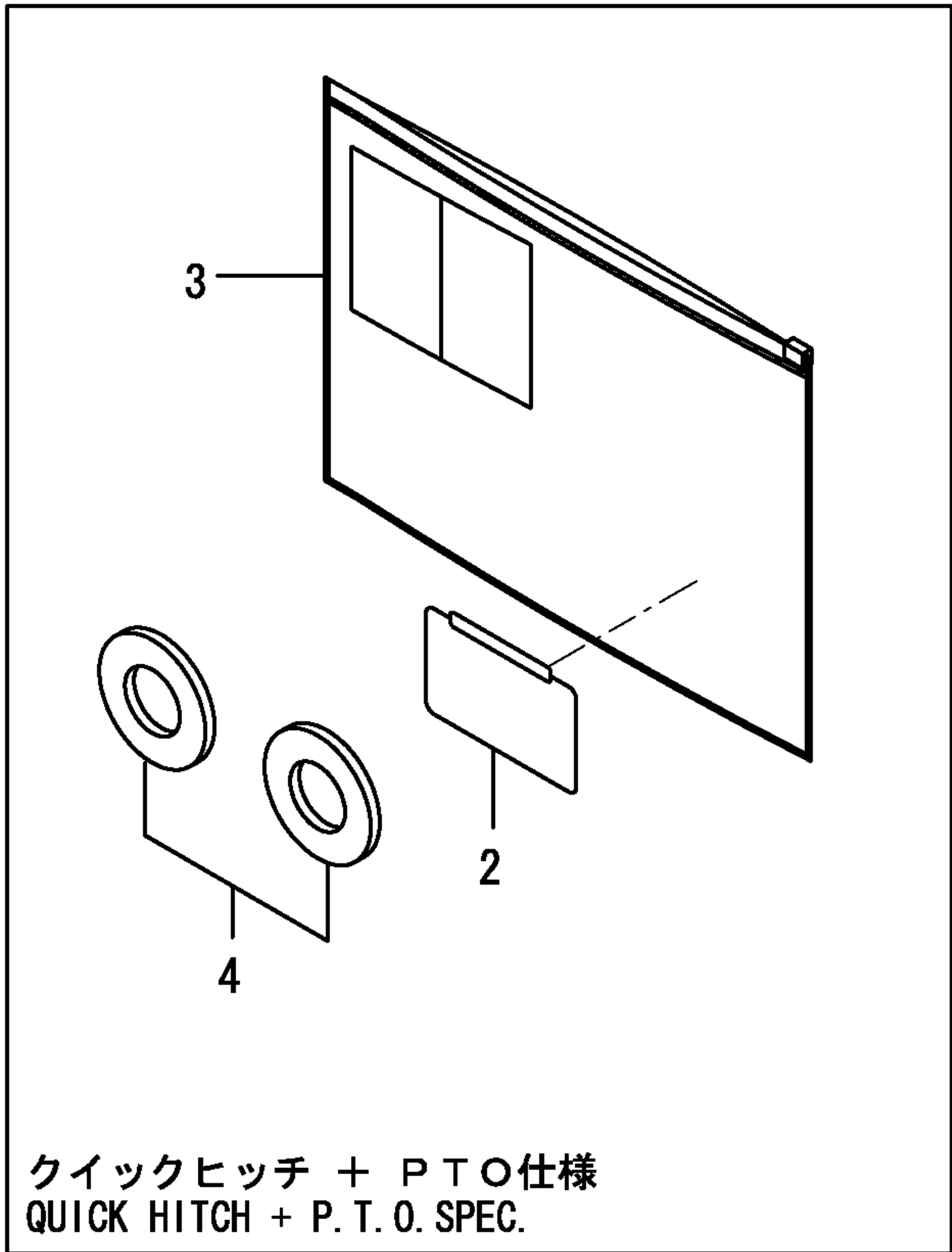
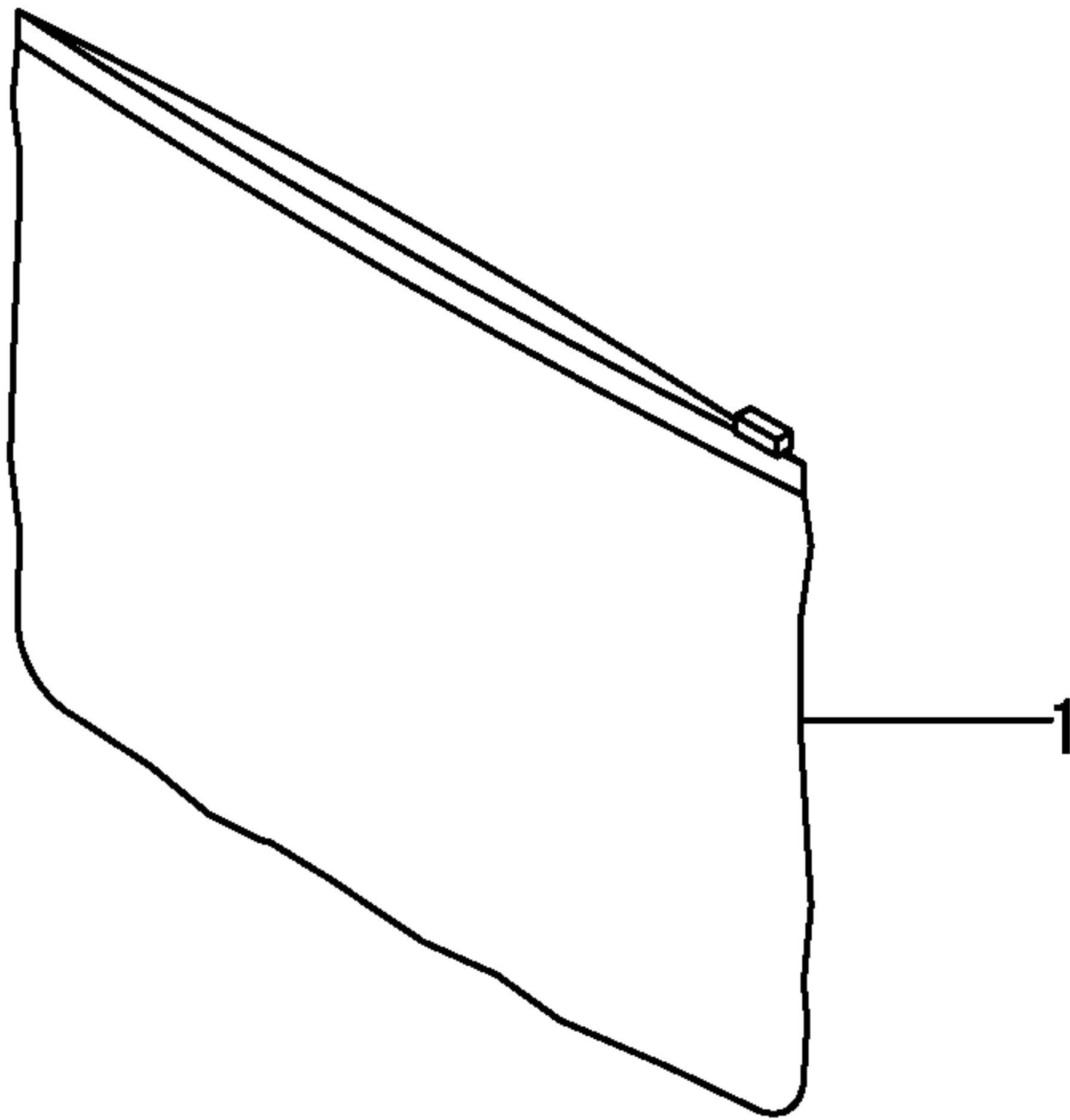


Ⓐ カラ見ル
VIEWED FROM Ⓐ

**キャビン仕様
CABIN SPEC.**

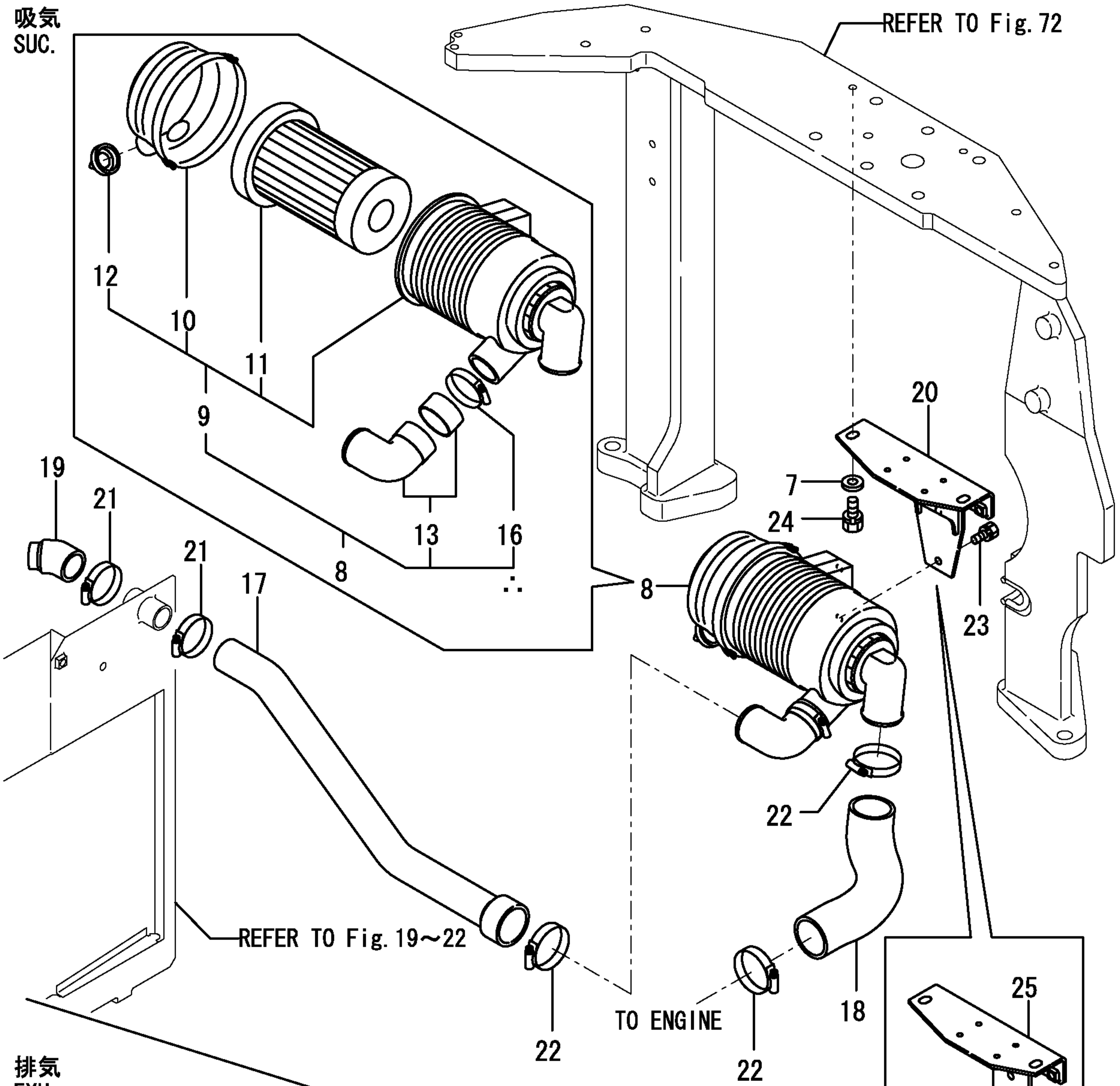
1,1,,172176-07330,, "BAG, MANUAL",1,1,,,,,,,,,,,,,
2,1,,172958-
03310,, "LABEL,COLLAR",1,1,,,,,W,2,72958056,M/#21080,72958056,M/#21080,,,,,,
3,1,,172958-
07330,, "CASE,MANUAL",1,1,,,,,W,2,72958056,M/#21080,72958056,M/#21080,,,,,,
4,1,,172958-08100,, "KIT,COLLAR
40",3,3,,,,,W,2,72958056,M/#21080,72958056,M/#21080,,,,,,
6,1,,172958-
03300,, "LABEL,PLUG",1,1,,,,,W,1,72958055,M/#21080,72958055,M/#21080,,,,,,
7,1,,172958-
05100,, "CASE,PLUG",1,1,,,,,W,1,72958055,M/#21080,72958055,M/#21080,,,,,,
8,1,,172958-05110,, RIVET,1,1,,,,,W,1,72958055,M/#21080,72958055,M/#21080,,,,,,
9,1,,1E3030-78370,, "CAP
PF1/4",4,4,,,,,W,1,72958055,M/#21080,72958055,M/#21080,,,,,,



1,1,,172168-11310,,CLAMP,1,1,1,1,,,,,,,,,,,,,
2,1,,172458-11310,, "PIPE,EXH.EXTENSION",1,1,1,1,,,,,,,,,,,,,
3,1,,22117-080000,, "WASHER 8",1,1,1,1,,,,,,,,,,,,,
4,1,,22217-080000,, "SPRING WASHER 8",1,1,1,1,,,,,,,,,,,,,
5,1,,26106-080552,, "BOLT M 8X 55 PLATED",1,1,1,1,,,,,,,,,,,,,
6,1,,26706-080002,, "NUT M 8",1,1,1,1,,,,,,,,,,,,,
7,1,,194145-04810,, "WASHER 10",2,2,2,2,,,,,,,,,,,,,
8,1,,172458-11500,, "CLEANER ASSY,AIR",1,1,1,1,,,,,,,,,,,,,
9,2,,172458-11530,, "CLEANER,AIR",1,1,1,1,,,,,,,,,,,,,
10,3,,172458-11650,, "COVER ASSY",1,1,1,1,,,,,,,,,,,,,
11,3,,119808-12520,, "ELEMENT, OUTER",1,1,1,1,,,,,,,,,,,,,
12,3,,119808-12540,, "VALVE, UNLOADER",1,1,1,1,,,,,,,,,,,,,
13,2,,129612-12560,, "ELBOW, AIR INTAKE",1,1,1,1,,,,,,,,,,,,,
16,2,,23000-060000,, "CLAMP 60",1,1,1,1,,,,,,,,,,,,,
17,1,,172458-11510,, "HOSE,SUC. A",1,1,1,1,,,,,,,,,,,,,
18,1,,172458-11520,, "HOSE,SUC. B",1,1,1,1,,,,,,,,,,,,,
19,1,,172458-11540,, "HOSE,SUC. C",1,1,1,1,,,,,,,,,,,,,
20,1,,172458-11550,, "BRACKET,AIR CLEANER",1,1,1,1,,,,,2,,,,,,,,,,,,,
21,1,,23000-048000,, "CLAMP 48",2,2,2,2,,,,,,,,,,,,,
22,1,,23000-070000,, "CLAMP 70",3,3,3,3,,,,,,,,,,,,,
23,1,,26013-080162,, "BOLT W/WASHER M8X16",2,2,2,2,,,,,,,,,,,,,
24,1,,26013-100252,, "BOLT W/WASHER M10X25",2,2,2,2,,,,,,,,,,,,,
25,1,,172458-11580,, "BRACKET,AIR CLEANER",1,1,,,,,1,,,,,,,,,,,,,

吸気
SUC.

REFER TO Fig. 72

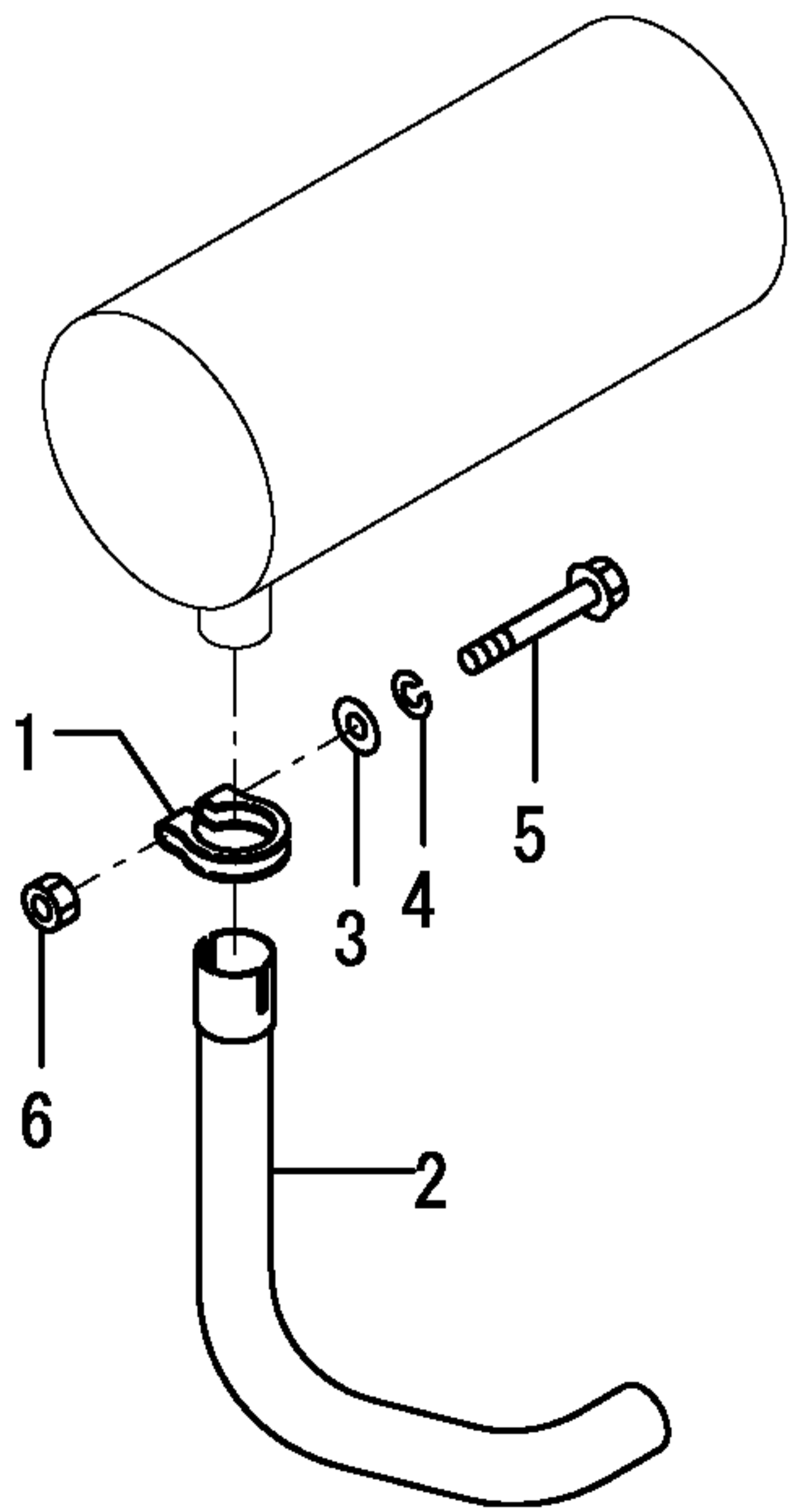


REFER TO Fig. 19~22

TO ENGINE

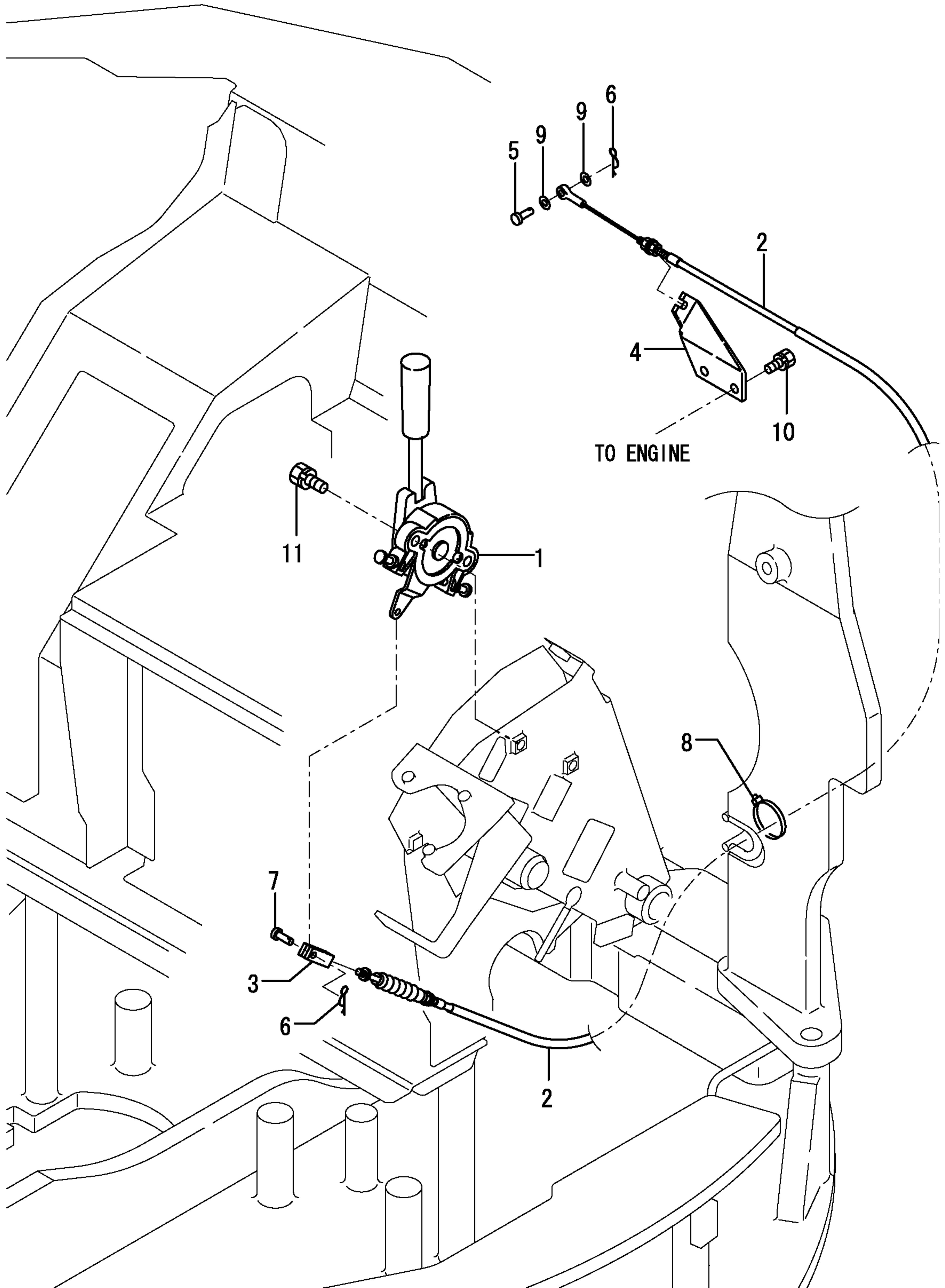
排気
EXH.

エアコン仕様
A/C SPEC.



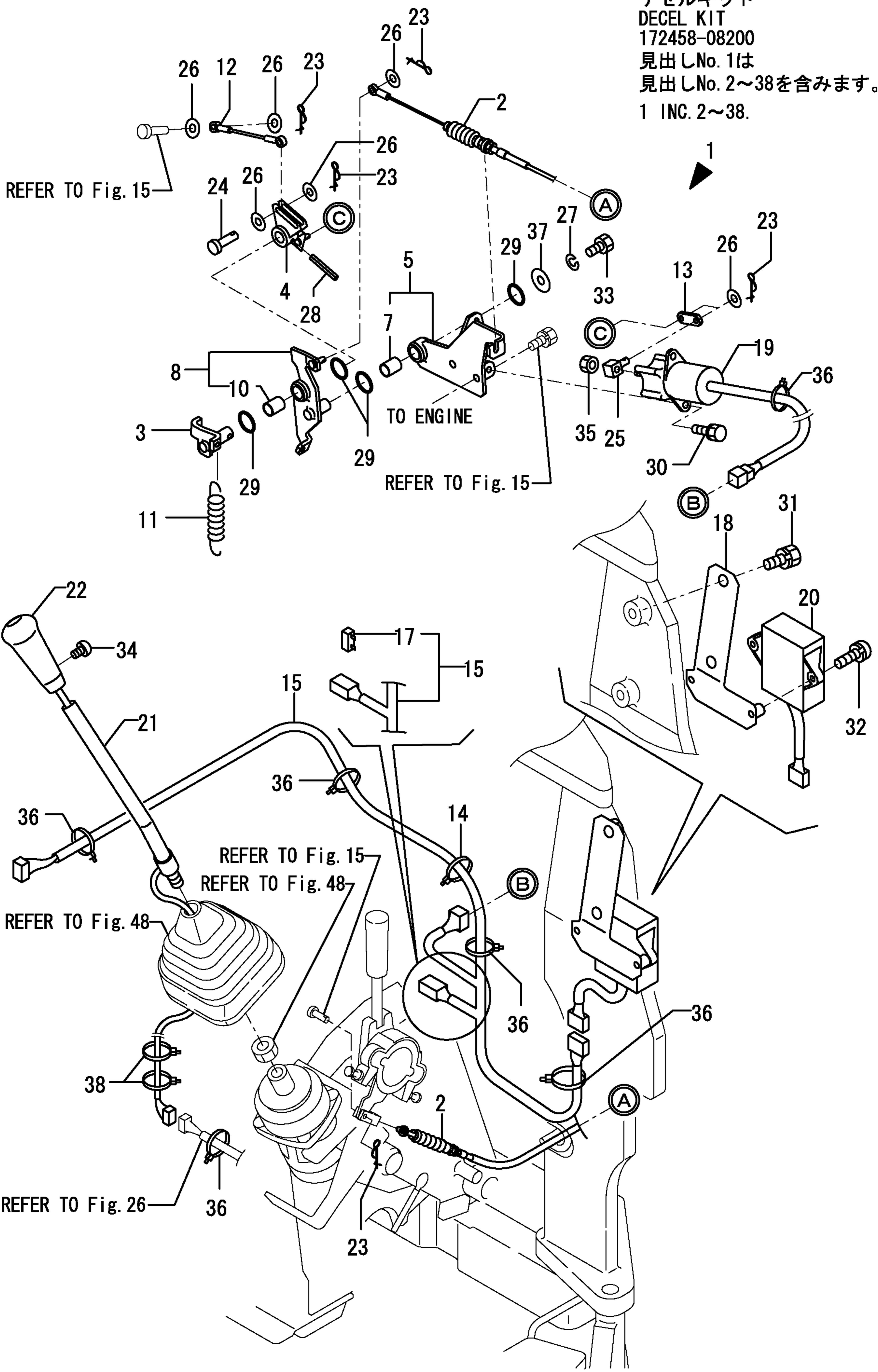
∴印が今回変更(追記)した個所です。
 ∴MARKED PART HAS BEEN CHANGED (ADDED).

1,1,,172458-12100,, "LEVER,ACCELERATOR",1,1,1,1,,,,,,,,,,,,,
2,1,,172458-12110,, "CABLE,ACCELERATOR",1,1,1,1,,,,,,,,,,,,,
3,1,,172137-12270,, "JOINT, CABLE",1,1,1,1,,,,,,,,,,,,,
4,1,,172141-12280,, "CLAMP, ACCEL WIRE",1,1,1,1,,,,,,,,,,,,,
5,1,,172113-12522,, PIN,1,1,1,1,,,,,,,,,,,,,
6,1,,1C6281-52310,, "PIN 6,COME-OFF SNAP",2,2,2,2,,,,,,,,,,,,,
7,1,,1A1040-56900,, "PIN 6X 17",1,1,1,1,,,,,,,,,,,,,
8,1,,172122-79930,, "CLAMP B",1,1,1,1,,,,,,,,,,,,,
9,1,,22137-060000,, "WASHER 6, POLISHED",2,2,2,2,,,,,,,,,,,,,
10,1,,26013-080162,, "BOLT W/WASHER M8X16",2,2,2,2,,,,,,,,,,,,,
11,1,,26013-100252,, "BOLT W/WASHER M10X25",2,2,2,2,,,,,,,,,,,,,



1,1,,172458-08200,, "DECEL. KIT",1,1,,,,,,,,,,,,,,,,,,,,,
2,2,,172458-12120,, "CABEL,ACCELERATOR OD",1,1,,,,,,,,,,,,,,,,,,,,,
3,2,,172175-12200,, SHAFT,1,1,,,,,,,,,,,,,,,,,,,,,
4,2,,172175-12230,, "LINK A",1,1,,,,,,,,,,,,,,,,,,,,,
5,2,,172175-12260,, "BASE CMP",1,1,,,,,,,,,,,,,,,,,,,,,
7,3,,24550-014200,, "BUSH 14X20",1,1,,,,,,,,,,,,,,,,,,,,,
8,2,,172175-12310,, "LINK B",1,1,,,,,,,,,,,,,,,,,,,,,
10,3,,24550-014200,, "BUSH 14X20",1,1,,,,,,,,,,,,,,,,,,,,,
11,2,,172175-12350,, "SPRING, RETURN",1,1,,,,,,,,,,,,,,,,,,,,,
12,2,,172175-12360,, "CABLE, ACCELERATOR",1,1,,,,,,,,,,,,,,,,,,,,,
13,2,,172175-12370,, PLATE,1,1,,,,,,,,,,,,,,,,,,,,,
14,2,,172137-16560,, BAND,1,1,,,,,,,,,,,,,,,,,,,,,
15,2,,172460-16570,, "HARNNESS DECEL ASSY",1,1,,,,,,,,,,,,,,,,,,,,,
17,3,,29420-200000,, HUSE,2,2,,,,,,,,,,,,,,,,,,,,,
18,2,,172458-17110,, "BRACKET, TIMER",1,1,,,,,,,,,,,,,,,,,,,,,
19,2,,172162-17180,, SOLENOID,1,1,,,,,,,,,,,,,,,,,,,,,
20,2,,172190-17220,, "RELEY, TIMER",1,1,,,,,,,,,,,,,,,,,,,,,
21,2,,172458-45070,, "LEVER L, DECEL.",1,1,,,,,,,,,,,,,,,,,,,,,
22,2,,172176-47870,, KNOB,1,1,,,,,,,,,,,,,,,,,,,,,
23,2,,1C6281-52310,, "PIN 6,COME-OFF SNAP",6,6,,,,,,,,,,,,,,,,,,,,,
24,2,,1A3809-56915,, "PIN 6X 20",1,1,,,,,,,,,,,,,,,,,,,,,
25,2,,119620-66820,, JOINT,1,1,,,,,,,,,,,,,,,,,,,,,
26,2,,22137-060000,, "WASHER 6, POLISHED",7,7,,,,,,,,,,,,,,,,,,,,,
27,2,,22217-100000,, "SPRING WASHER 10",1,1,,,,,,,,,,,,,,,,,,,,,
28,2,,22351-040025,, "PIN 4X25,SPRING",1,1,,,,,,,,,,,,,,,,,,,,,
29,2,,24311-000210,, "O-RING 1A P-21.0",4,4,,,,,,,,,,,,,,,,,,,,,
30,2,,26013-060162,, "BOLT M 6X 16",2,2,,,,,,,,,,,,,,,,,,,,,
31,2,,26013-120252,, "BOLT M12X 25",2,2,,,,,,,,,,,,,,,,,,,,,
32,2,,26022-060252,, "SCREW M 6X 25",2,2,,,,,,,,,,,,,,,,,,,,,
33,2,,26116-100162,, "BOLT M10X 16 PLATED",1,1,,,,,,,,,,,,,,,,,,,,,
34,2,,26587-040062,, "SCREW M 4X 6",1,1,,,,,,,,,,,,,,,,,,,,,
35,2,,26716-060002,, "NUT 6",1,1,,,,,,,,,,,,,,,,,,,,,
36,2,,933152-09280,, "BAND 170",6,6,,,,,,,,,,,,,,,,,,,,,
37,2,,933166-17730,, "WASHER 10.5X30",1,1,,,,,,,,,,,,,,,,,,,,,
38,2,,933168-55770,, "BAND 146",2,2,,,,,,,,,,,,,,,,,,,,,

デセルキット
DECEL KIT
172458-08200
見出しNo. 1は
見出しNo. 2~38を含みます。
1 INC. 2~38.



REFER TO Fig. 15

TO ENGINE

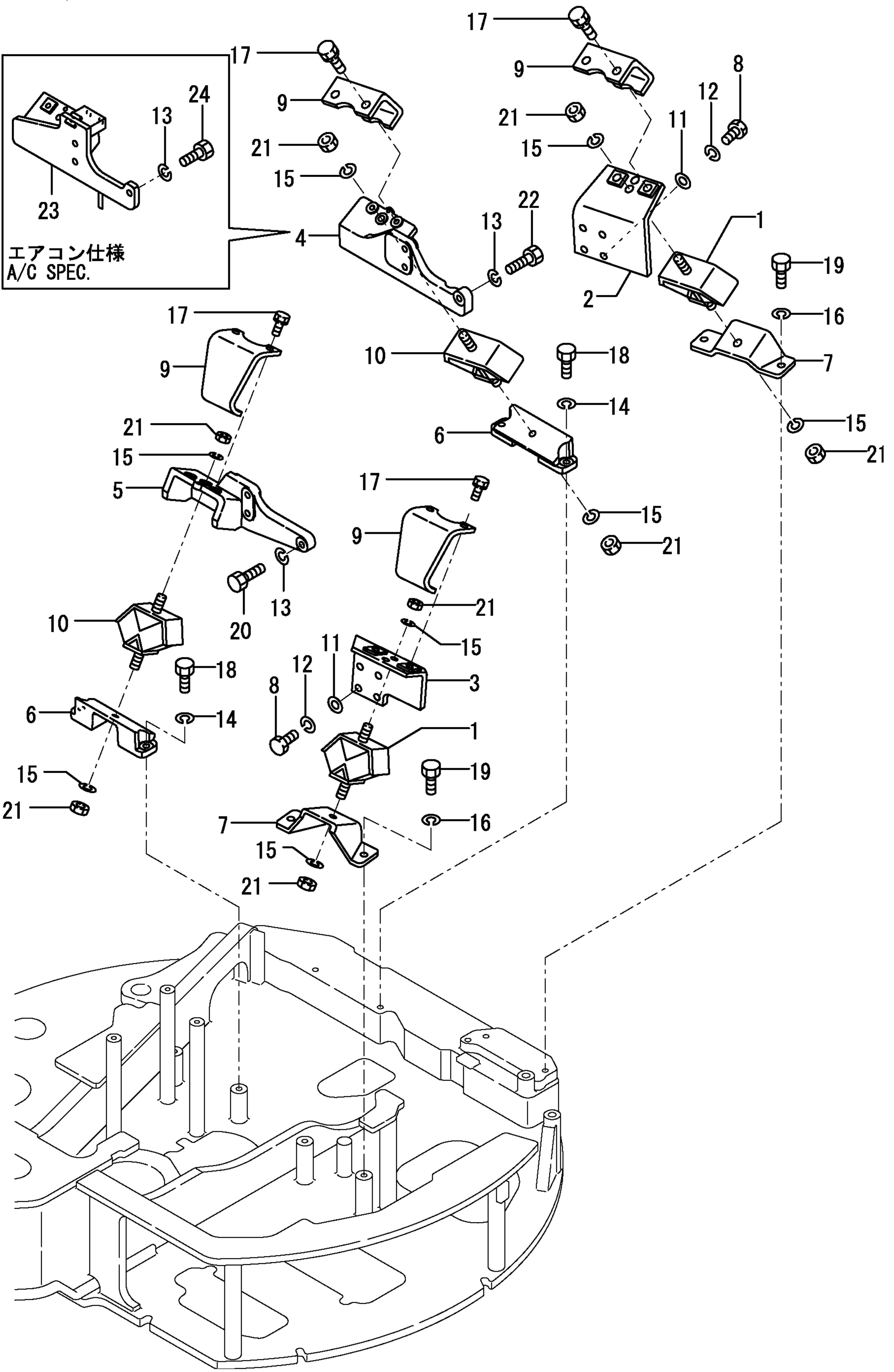
REFER TO Fig. 15

REFER TO Fig. 15
REFER TO Fig. 48

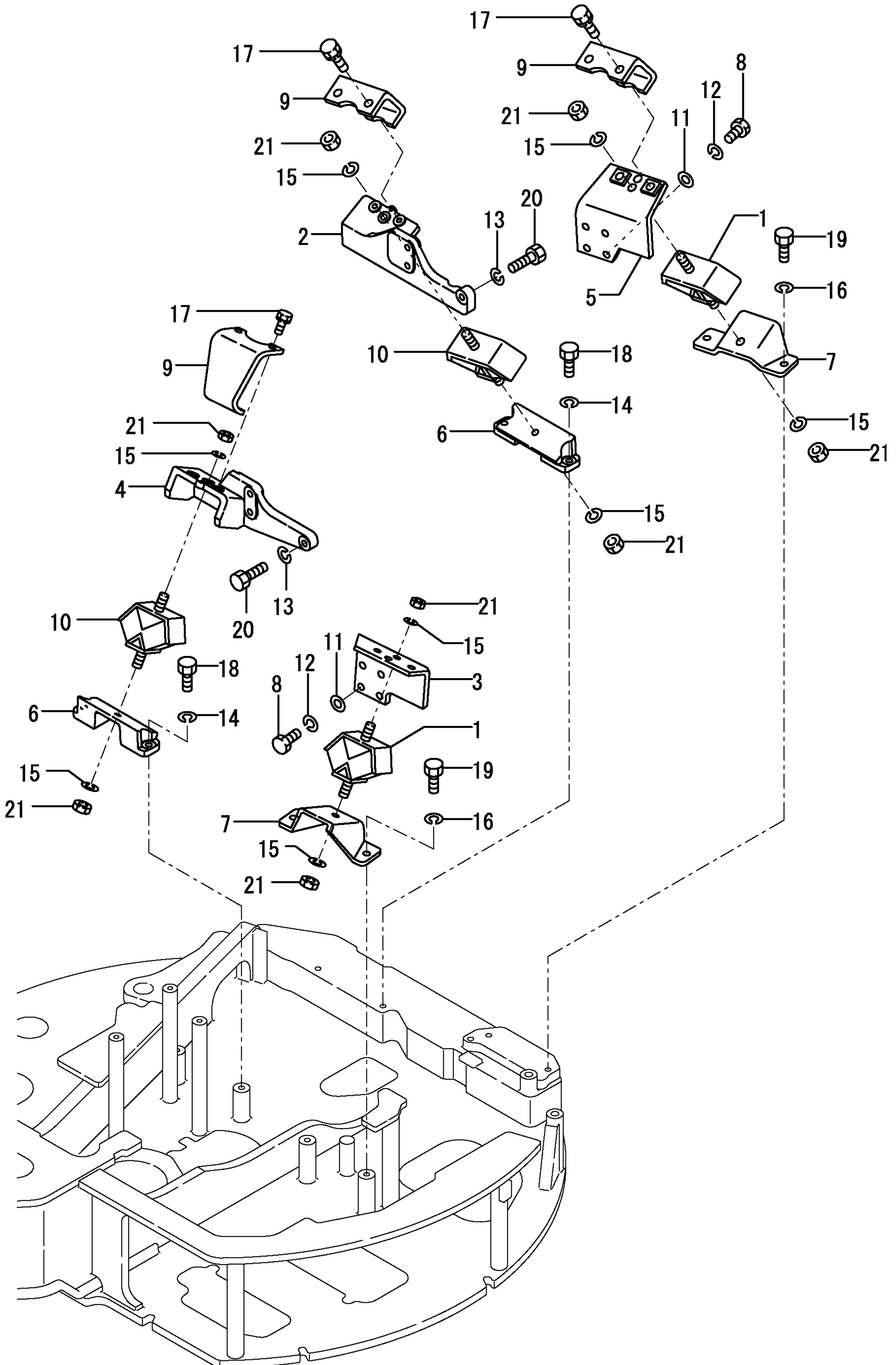
REFER TO Fig. 48

REFER TO Fig. 26

1,1,,196420-02310,, "ABSORBER, SHOCK",2,2,2,2,,,,,,,,,,,,,
2,1,,172146-13101,, "BRACKET (73)",1,1,1,1,,,,,,,,,,,,,
3,1,,172175-13100,, "BRACKET",1,1,1,1,,,,,,,,,,,,,
4,1,,172458-13100,, "MOUNT,ENGINE",1,1,1,1,,,,,2,,,,,,,,,,,,,
5,1,,172458-13110,, "MOUNT,ENGINE",1,1,1,1,,,,,,,,,,,,,
6,1,,172458-13120,, "BRACKET,ENGINE (73)",2,2,2,2,,,,,,,,,,,,,
7,1,,172168-13150,, "BRACKET,ENGINE (73)",2,2,2,2,,,,,,,,,,,,,
8,1,,172162-13200,, "BOLT M10X30",8,8,8,8,,,,,,,,,,,,,
9,1,,172124-13230,, "STOPPER, ENGINE",4,4,4,4,,,,,,,,,,,,,
10,1,,172168-13250,, "ABSORBER,SHOCK 180",2,2,2,2,,,,,,,,,,,,,
11,1,,172137-46040,, "SEAT, SPRING",8,8,8,8,,,,,,,,,,,,,
12,1,,22217-100000,, "SPRING WASHER 10",8,8,8,8,,,,,,,,,,,,,
13,1,,22217-120000,, "SPRING WASHER 12",6,6,6,6,,,,,,,,,,,,,
14,1,,22217-120000,, "SPRING WASHER 12",4,4,4,4,,,,,,,,,,,,,
15,1,,22217-120000,, "SPRING WASHER 12",8,8,8,8,,,,,,,,,,,,,
16,1,,22217-120000,, "SPRING WASHER 12",4,4,4,4,,,,,,,,,,,,,
17,1,,26013-100252,, "BOLT W/WASHER M10X25",8,8,8,8,,,,,,,,,,,,,
18,1,,26076-120352,, "BOLT M12X 35",4,4,4,4,,,,,,,,,,,,,
19,1,,26076-120352,, "BOLT M12X 35",4,4,4,4,,,,,,,,,,,,,
20,1,,26076-120402,, "BOLT 10.9 12X 4",3,3,3,3,,,,,,,,,,,,,
21,1,,26716-120002,, "NUT 12",8,8,8,8,,,,,,,,,,,,,
22,1,,26076-120402,, "BOLT 10.9 12X 4",3,3,3,3,,,,,2,,,,,,,,,,,,,
23,1,,172458-13170,, "MOUNT R ASSY",1,1,,,,,1,,,,,,,,,,,,,
24,1,,26076-120302,, "BOLT M12X 30",3,3,,,,,1,,,,,,,,,,,,,



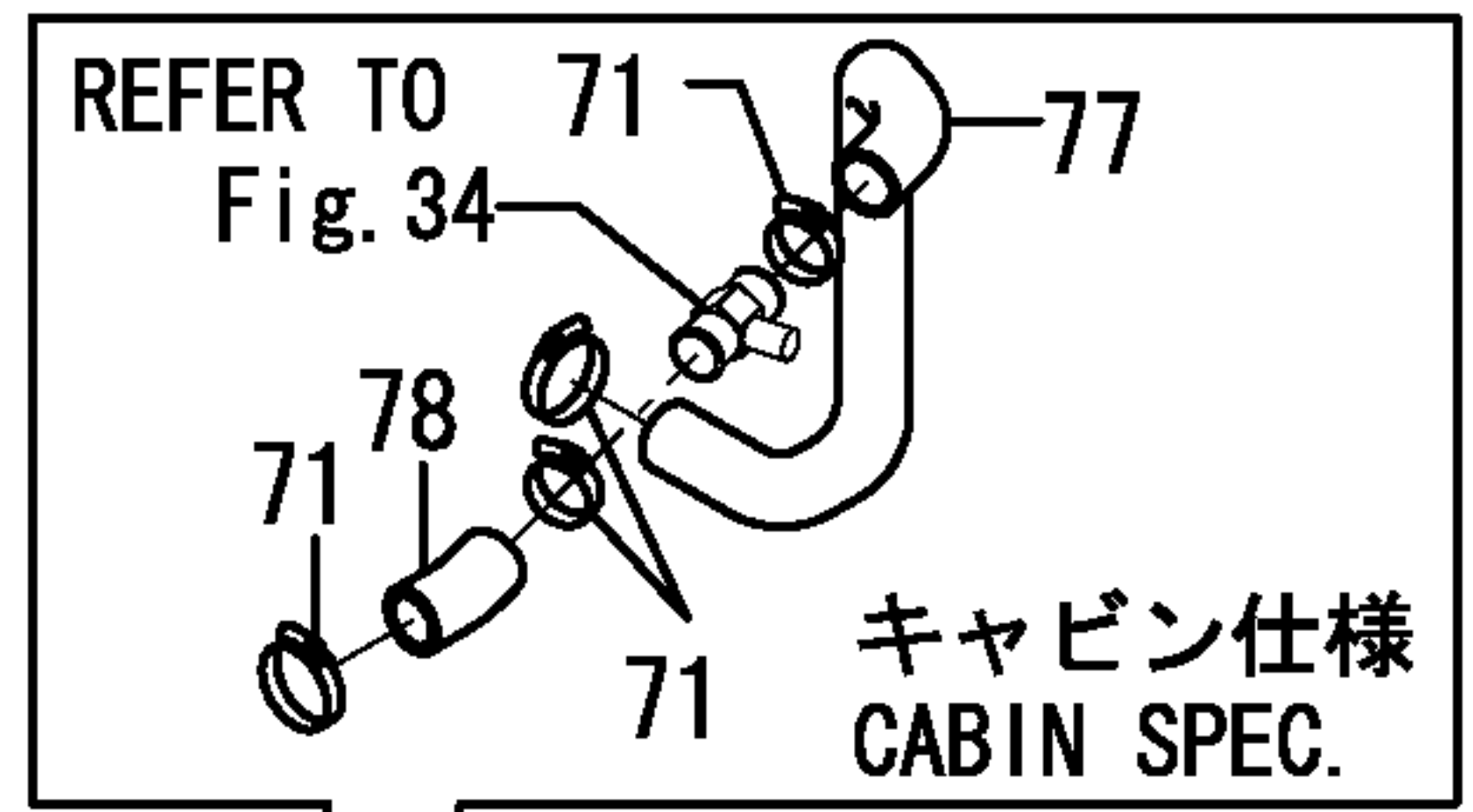
1,1,,196420-02310,, "ABSORBER, SHOCK",2,2,2,2,,,,,,,,,,,,,I
2,1,,172458-13100,, "MOUNT,ENGINE",1,1,1,1,,,,,,,,,,,,,I
3,1,,172175-13110,, "PLATE, L (GRAY:73)",1,1,1,1,,,,,,,,,,,,,I
4,1,,172458-13110,, "MOUNT,ENGINE",1,1,1,1,,,,,,,,,,,,,I
5,1,,172490-13110,, "BRACKET,EN BR (73)",1,1,1,1,,,,,,,,,,,,,I
6,1,,172458-13120,, "BRACKET,ENGINE (73)",2,2,2,2,,,,,,,,,,,,,I
7,1,,172490-13150,, "BRACKET,ENGINE (73)",2,2,2,2,,,,,,,,,,,,,I
8,1,,172162-13200,, "BOLT M10X30",8,8,8,8,,,,,,,,,,,,,I
9,1,,172124-13230,, "STOPPER, ENGINE",3,3,3,3,,,,,,,,,,,,,I
10,1,,172168-13250,, "ABSORBER,SHOCK 180",2,2,2,2,,,,,,,,,,,,,I
11,1,,172137-46040,, "SEAT, SPRING",8,8,8,8,,,,,,,,,,,,,I
12,1,,22217-100000,, "SPRING WASHER 10",8,8,8,8,,,,,,,,,,,,,I
13,1,,22217-120000,, "SPRING WASHER 12",6,6,6,6,,,,,,,,,,,,,I
14,1,,22217-120000,, "SPRING WASHER 12",4,4,4,4,,,,,,,,,,,,,I
15,1,,22217-120000,, "SPRING WASHER 12",8,8,8,8,,,,,,,,,,,,,I
16,1,,22217-120000,, "SPRING WASHER 12",4,4,4,4,,,,,,,,,,,,,I
17,1,,26013-100252,, "BOLT W/WASHER M10X25",6,6,6,6,,,,,,,,,,,,,I
18,1,,26076-120352,, "BOLT M12X 35",4,4,4,4,,,,,,,,,,,,,I
19,1,,26076-120352,, "BOLT M12X 35",4,4,4,4,,,,,,,,,,,,,I
20,1,,26076-120402,, "BOLT 10.9 12X 4",6,6,6,6,,,,,,,,,,,,,I
21,1,,26716-120002,, "NUT 12",8,8,8,8,,,,,,,,,,,,,I



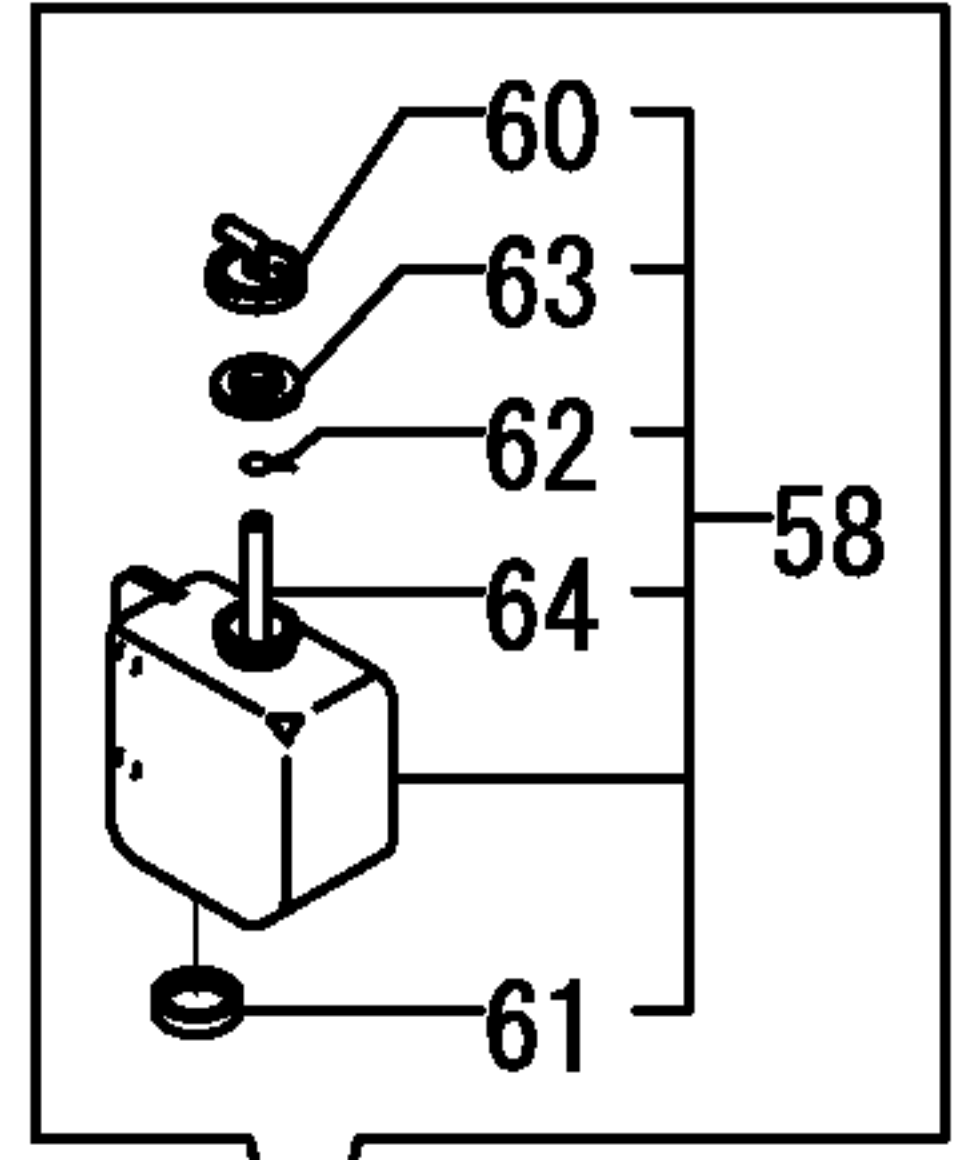
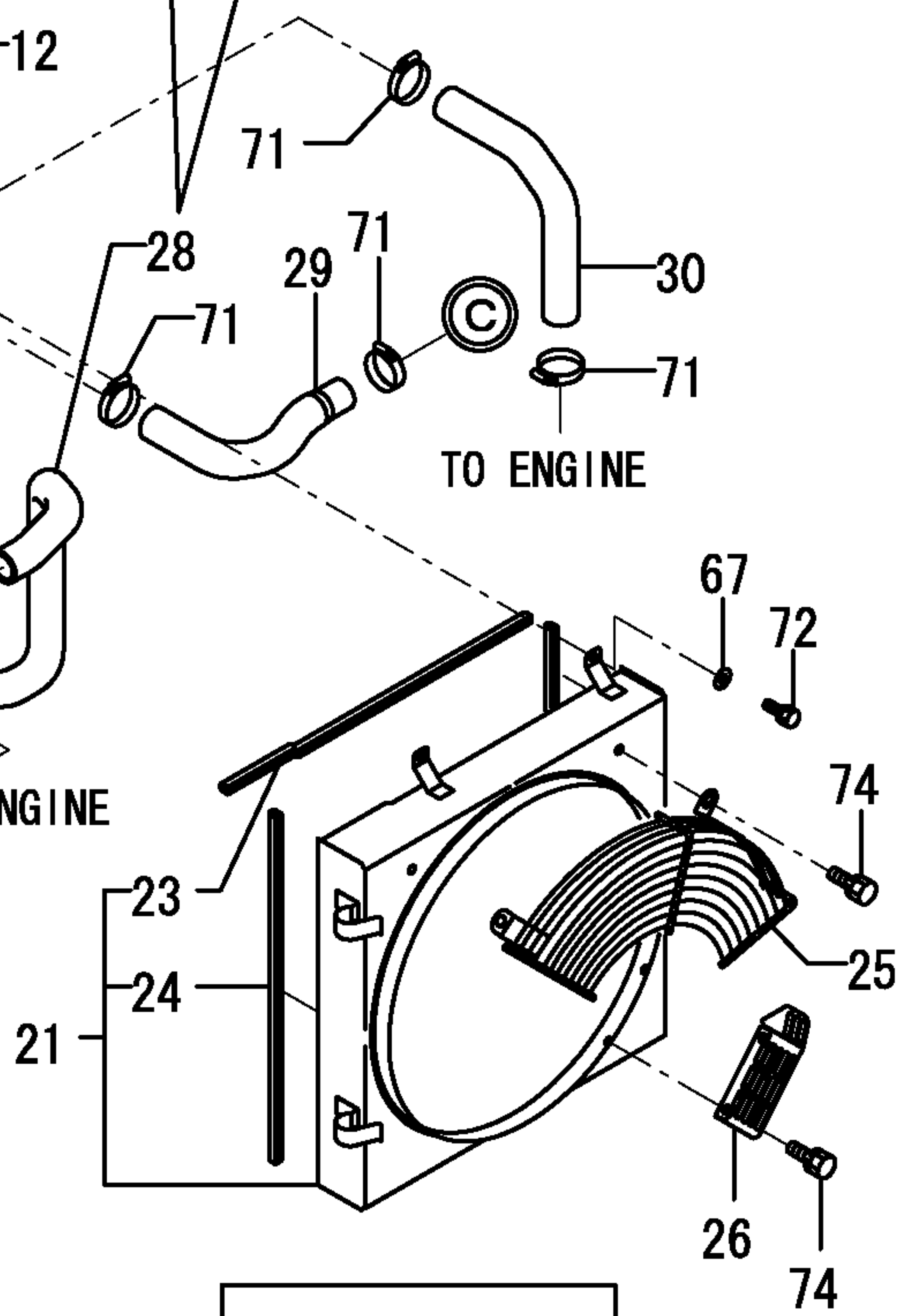
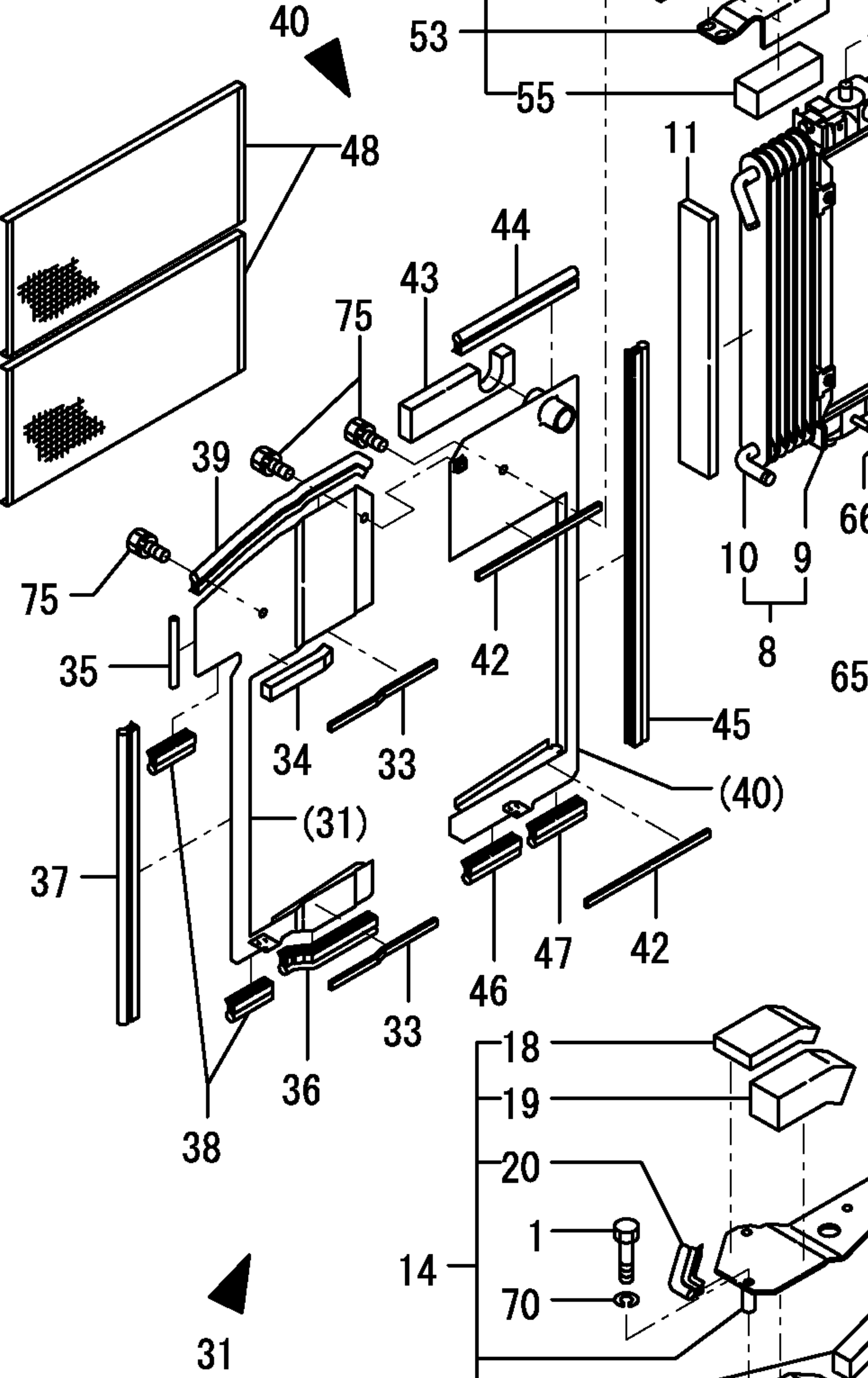
1,1,,26116-100452,, "BOLT M10X 45 PLATED",1,1,,,,,,,,,,,,,
2,1,,1D4105-11950,, "CAP CMP",1,1,,,,,,,,,,,,,
3,1,,172444-13210,, "COCK ASSY,2-WAY",1,1,,,,,,,,,,,,,
4,2,,172444-13220,, BODY,1,1,,,,,,,,,,,,,
5,2,,121250-49121,, PLUG,1,1,,,,,,,,,,,,,
6,2,,24311-000160,, "O-RING 1A P-16.0",1,1,,,,,,,,,,,,,
7,1,,172458-13290,, "RADIATOR ASSY",1,1,,,,,,,,,,,,,
8,2,,172458-13300,, RADIATOR,1,1,,,,,,,,,,,,,
9,3,,172458-13950,, RADIATOR,1,1,,,,,,,,,,,,,
10,3,,172458-13960,, "OIL COOLER",1,1,,,,,,,,,,,,,
11,2,,172458-13310,, "SEAL A,RADIATOR",1,1,,,,,,,,,,,,,
12,2,,172458-13320,, "SEAL B,RADIATOR",1,1,,,,,,,,,,,,,
13,2,,172458-13390,, "SEAL C,RADIATOR",1,1,,,,,,,,,,,,,
14,1,,172458-13330,, "MOUNT ASSY,RADIATOR",1,1,,,,,,,,,,,,,
18,2,,172458-13890,, "SEAL I",1,1,,,,,,,,,,,,,
19,2,,172458-13900,, "SEAL J",1,1,,,,,,,,,,,,,
20,2,,172434-61350,, "RUBBER, SEAL 140",1,1,,,,,,,,,,,,,
21,1,,172458-13400,, "SHURAUD ASSY",1,1,,,,,,,,,,,,,
23,2,,172458-13450,, "SEAL 420",2,2,,,,,,,,,,,,,
24,2,,172458-13460,, "SEAL 400",2,2,,,,,,,,,,,,,
25,1,,172458-13470,, "NET,WIRE",1,1,,,,,,,,,,,,,
26,1,,172458-13480,, "PLATE,GUARD",1,1,,,,,,,,,,,,,
27,1,,172458-13530,, "HOSE 140",1,1,,,,,,,,,,,,,
28,1,,172458-13550,, CW-T(A,,1,,,,,,,,,,,,,
29,1,,172458-13560,, CW-T(B,1,1,,,,,,,,,,,,,
30,1,,172458-13570,, CW-T(C,1,1,,,,,,,,,,,,,
31,1,,172458-13600,, "COVER L ASSY",1,1,,,,,,,,,,,,,
33,2,,172458-13750,, "SEAL A",2,2,,,,,,,,,,,,,
34,2,,172458-13880,, "SEAL H",1,1,,,,,,,,,,,,,
35,2,,172434-61170,, "TRIM 90",1,1,,,,,,,,,,,,,
36,2,,172164-61250,, "RUBBER, SEAL",1,1,,,,,,,,,,,,,
37,2,,172162-61380,, "SEAL,COVER B",1,1,,,,,,,,,,,,,
38,2,,172168-65800,, "RUBBER,SEALE E 75",2,2,,,,,,,,,,,,,
39,2,,172164-66620,, "RUBBER, SEAL 320",1,1,,,,,,,,,,,,,
40,1,,172458-13610,, "COVER R ASSY",1,1,,,,,,,,,,,,,
42,2,,172458-13780,, "SEAL D",2,2,,,,,,,,,,,,,
43,2,,172458-13850,, "SEAL F",1,1,,,,,,,,,,,,,
44,2,,172168-65790,, RUBBER,1,1,,,,,,,,,,,,,
45,2,,172165-66220,, "RUBBER,SEAL B",1,1,,,,,,,,,,,,,
46,2,,172164-66650,, "RUBBER, SEAL 95",1,1,,,,,,,,,,,,,
47,2,,172164-66650,, "RUBBER, SEAL 95",1,1,,,,,,,,,,,,,
48,1,,172458-13790,, NET,2,2,,,,,,,,,,,,,
49,1,,172458-13800,, "COVER-F ASSY",1,1,,,,,,,,,,,,,
52,2,,172458-13910,, "SEAL K",1,1,,,,,,,,,,,,,
53,1,,172458-13860,, "MOUNT-U,RADIATOR",1,1,,,,,,,,,,,,,
53-1,1,,172458-13861,, "MOUNT U
ASSY",1,1,,,,,N,,72458402,M/#20863,72458402,M/#20863,,,,,
55,2,,172458-13870,, "SEAL G",1,1,,,,,,,,,,,,,
56,2,,172458-13890,, "SEAL I",1,1,,,,,,,,,,,,,
57,1,,172734-14620,, "PIPE L=300, FUEL",1,1,,,,,,,,,,,,,
57-1,1,,172171-14610,, "HOSE 260,FUEL",1,,,,,N,,,,72458397,M/#20501,,,,,
58,1,,121468-44510,, "SUB-TANK ASSY",1,1,,,,,,,,,,,,,
60,2,,121450-44531,, CAP,1,1,,,,,,,,,,,,,
61,2,,121468-44540,, "PLUG, SUB-TANK",1,1,,,,,,,,,,,,,
62,2,,124450-44560,, CLAMP,1,1,,,,,,,,,,,,,
63,2,,121470-44581,, GASKET,1,1,,,,,,,,,,,,,
64,2,,23065-070130,, "PIPE 7X 130",1,1,,,,,,,,,,,,,
65,1,,119255-44660,, RUBBER,4,4,,,,,,,,,,,,,
66,1,,124766-59050,, "CLAMP 12",4,4,,,,,,,,,,,,,
67,1,,22137-060000,, "WASHER 6, POLISHED",5,5,,,,,,,,,,,,,
68,1,,22137-060000,, "WASHER 6, POLISHED",2,2,,,,,,,,,,,,,
69,1,,22137-100000,, "WASHER 10,POLISHED",2,2,,,,,,,,,,,,,
70,1,,22217-100000,, "SPRING WASHER 10",3,3,,,,,,,,,,,,,

71,1,,23000-041000,, "CLAMP 41",8,6,,,,,,,,,,,,,,,,,,,,,
72,1,,26013-060162,, "BOLT M 6X 16",5,5,,,,,,,,,,,,,,,,,,,,,
73,1,,26013-060202,, "BOLT M 6X 20",2,2,,,,,,,,,,,,,,,,,,,,,
74,1,,26013-080162,, "BOLT W/WASHER M8X16",6,6,,,,,,,,,,,,,,,,,,,,,
75,1,,26013-100202,, "BOLT W/WASHER M10X20",9,9,,,,,,,,,,,,,,,,,,,,,
76,1,,26116-100552,, "BOLT M10X 55 PLATED",2,2,,,,,,,,,,,,,,,,,,,,,
77,1,,172458-13580,, CW-T(A-1,1,,,,,,,,,,,,,,,,,,,,,
78,1,,172458-13590,, CW-T(A-2,1,,,,,,,,,,,,,,,,,,,,,

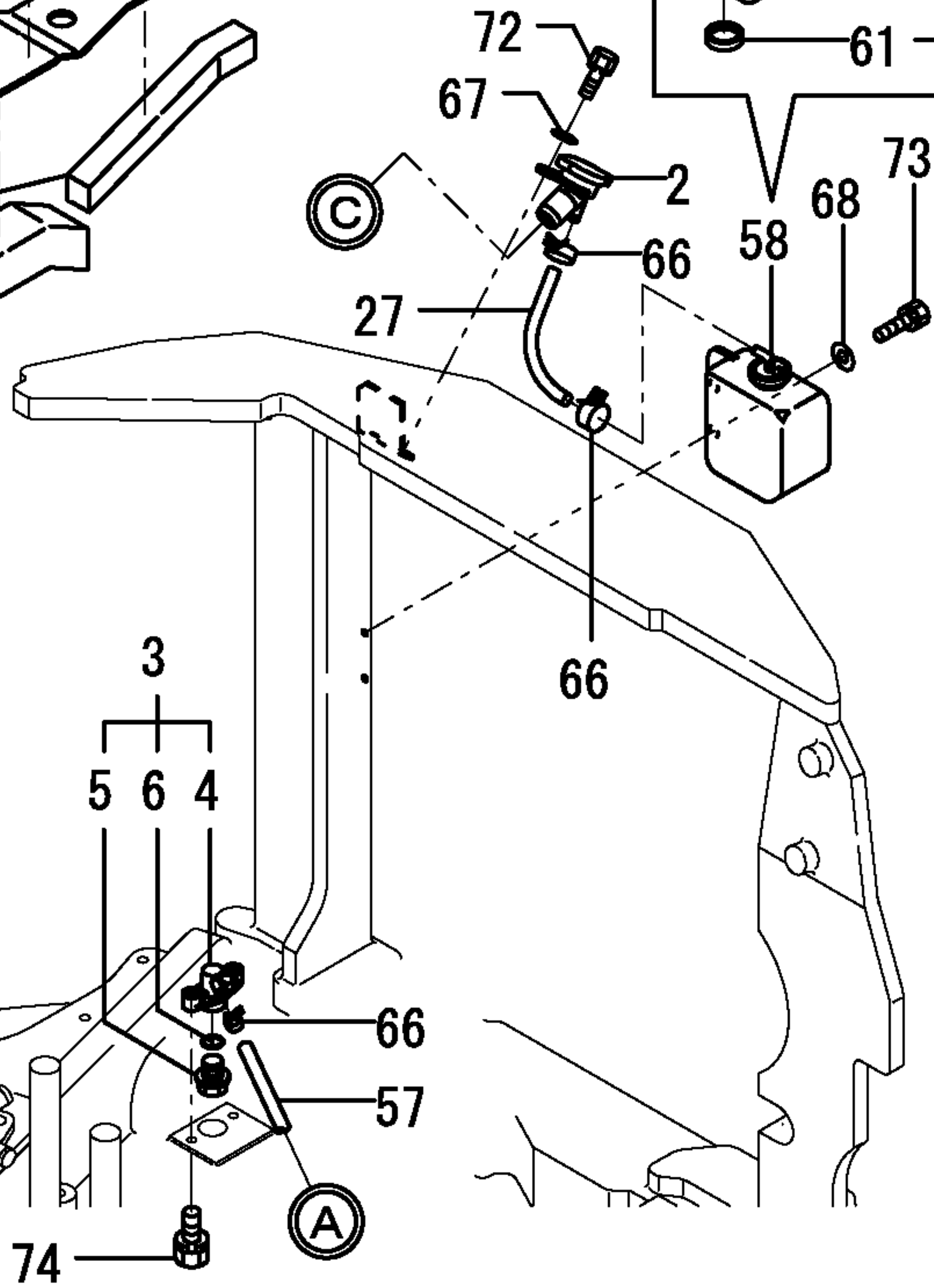
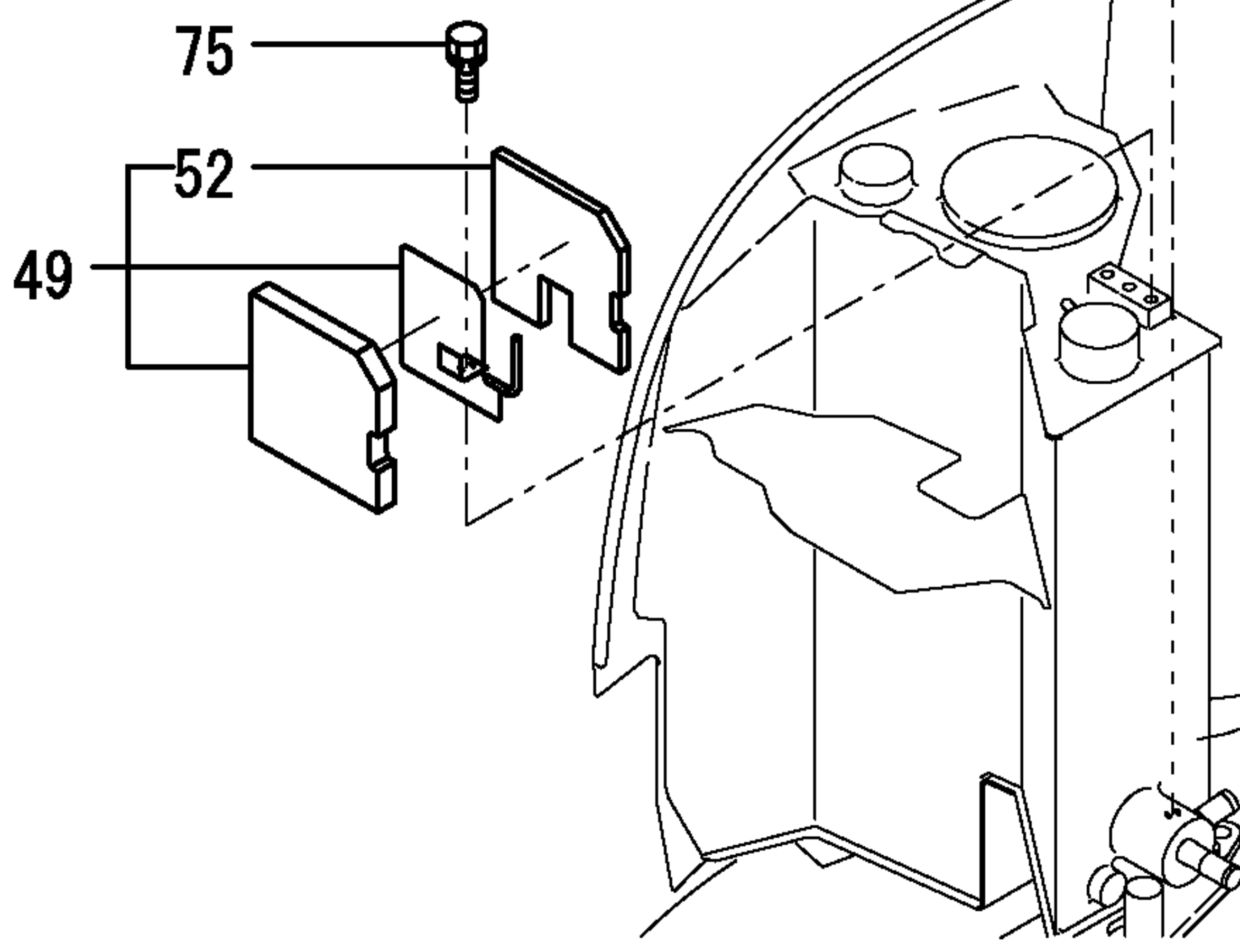
見出しNo. 7は、
見出しNo. 8~13を含みます。
7 INC. 8~13.



見出しNo. 40は、
見出しNo. (40)~47を含みます。
40 INC. (40)~47.



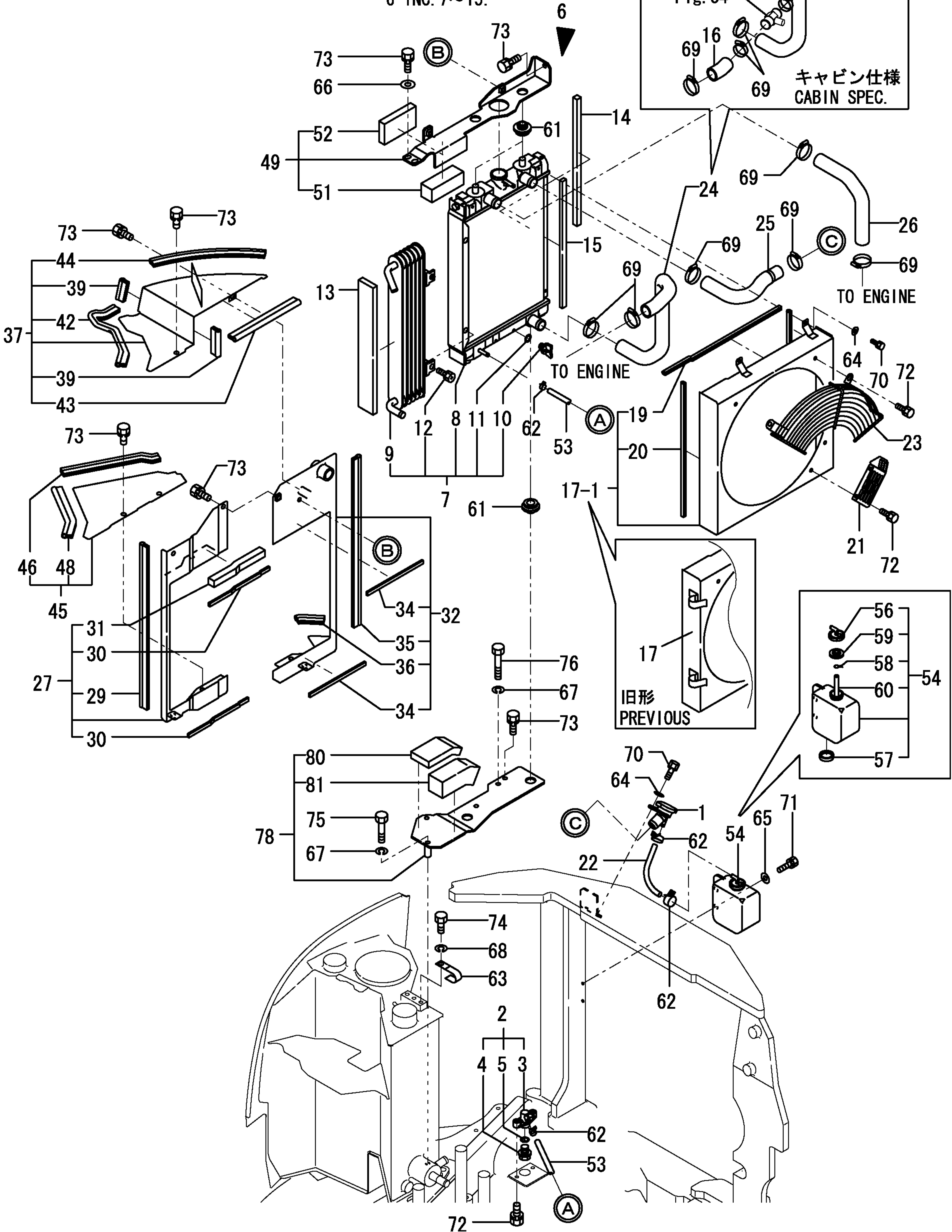
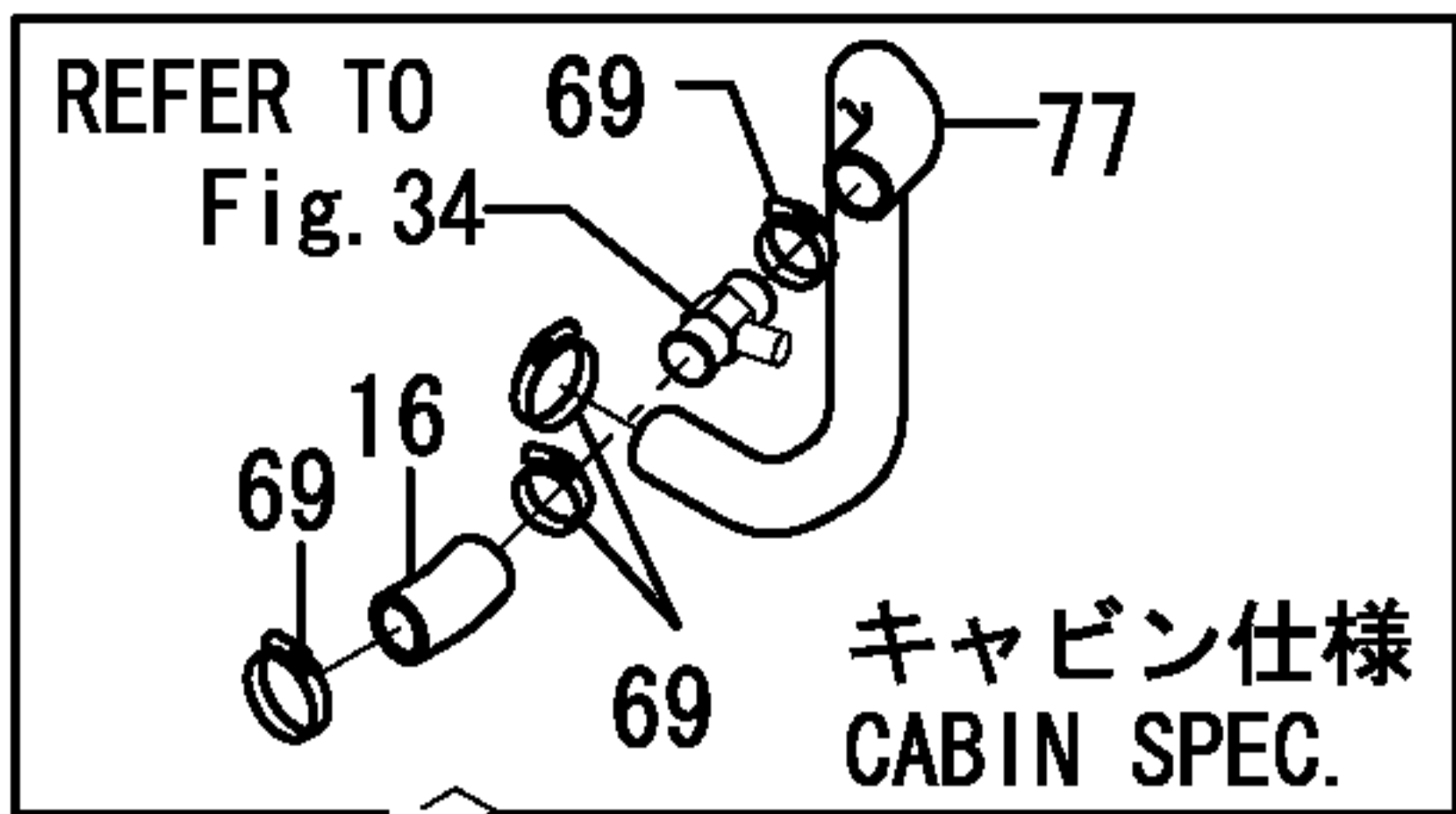
見出しNo. 31は、
見出しNo. (31)~39を含みます。
31 INC. (31)~39.



1,1,,1D4105-11950,, "CAP CMP",1,1,1,1,,,,,,,,,,,,,
2,1,,172444-13210,, "COCK ASSY,2-WAY",1,1,1,1,,,,,,,,,,,,,
3,2,,172444-13220,, BODY,1,1,1,1,,,,,,,,,,,,,
4,2,,121250-49121,, PLUG,1,1,1,1,,,,,,,,,,,,,
5,2,,24311-000160,, "O-RING 1A P-16.0",1,1,1,1,,,,,,,,,,,,,
6,1,,172458-13290,, "RADIATOR ASSY",1,1,1,1,,,,,,,,,,,,,
7,2,,172458-13300,, RADIATOR,1,1,1,1,,,,,,,,,,,,,
8,3,,172458-13950,, RADIATOR,1,1,1,1,,,,,,,,,,,,,
9,3,,172458-13960,, "OIL COOLER",1,1,1,1,,,,,,,,,,,,,
10,3,,172456-
13320,, "VALVE,STOP",1,1,1,1,, ,W,,72458532,M/#22929,72458532,M/#22929,,,,,,,,,,,,,I
11,3,,172456-13330,, O-
RING,1,1,1,1,, ,W,,72458532,M/#22929,72458532,M/#22929,,,,,,,,,,,,,I
12,3,,172458-
13970,, BOLT,2,2,2,2,, ,W,,72458532,M/#22929,72458532,M/#22929,,,,,,,,,,,,,I
13,2,,172458-13310,, "SEAL A,RADIATOR",1,1,1,1,,,,,,,,,,,,,
14,2,,172458-13320,, "SEAL B,RADIATOR",1,1,1,1,,,,,,,,,,,,,
15,2,,172458-13390,, "SEAL C,RADIATOR",1,1,1,1,,,,,,,,,,,,,
16,1,,172458-13590,, CW-T(A-2,1,,1,,,,,,,,,,,,,
17,1,,172457-13400,, "SHURAUD ASSY",1,1,,,,,,,,,,,,,
17-1,1,,172457-13401,, "SHROUD
ASSY",1,1,1,1,, ,S,,72458515,M/#22743,72458515,M/#22743,,,,,,,,,,,,,I
19,2,,172458-13450,, "SEAL 420",2,2,2,2,,,,,,,,,,,,,
20,2,,172458-13460,, "SEAL 400",2,2,2,2,,,,,,,,,,,,,
21,1,,172458-13480,, "PLATE,GUARD",1,1,1,1,,,,,,,,,,,,,
22,1,,172458-13530,, "HOSE 140",1,1,1,1,,,,,,,,,,,,,
23,1,,172423-13550,, "NET,WIRE",1,1,1,1,,,,,,,,,,,,,
24,1,,172458-13550,, CW-T(A,,1,,1,,,,,,,,,,,,,
25,1,,172458-13560,, CW-T(B,1,1,1,1,,,,,,,,,,,,,
26,1,,172458-13570,, CW-T(C,1,1,1,1,,,,,,,,,,,,,
27,1,,172457-13600,, "DUCT L ASSY,RADIATOR",1,1,1,1,,,,,,,,,,,,,
29,2,,172457-13670,, "SEAL A",1,1,1,1,,,,,,,,,,,,,
30,2,,172458-13750,, "SEAL A",2,2,2,2,,,,,,,,,,,,,
31,2,,172458-13880,, "SEAL H",1,1,1,1,,,,,,,,,,,,,
32,1,,172457-13700,, "DUCT R ASSY,RADIATOR",1,1,1,1,,,,,,,,,,,,,
34,2,,172458-13780,, "SEAL D",2,2,2,2,,,,,,,,,,,,,
35,2,,172164-66630,, "RUBBER, SEAL 530",1,1,1,1,,,,,,,,,,,,,
36,2,,172164-66800,, "RUBBER, SEAL 60",1,1,1,1,,,,,,,,,,,,,
37,1,,172457-13751,, "DUCT ASSY (UP",1,1,1,1,,,,,,,,,,,,,
39,2,,172457-13780,, "RUBBER,SEAL 80",2,2,2,2,,,,,,,,,,,,,
42,2,,172162-15310,, SEAL,1,1,1,1,,,,,,,,,,,,,
43,2,,172422-66150,, SEAL,1,1,1,1,,,,,,,,,,,,,
44,2,,172164-66620,, "RUBBER, SEAL 320",1,1,1,1,,,,,,,,,,,,,
45,1,,172457-13800,, "DUCT ASSY,LOW",1,1,1,1,,,,,,,,,,,,,
46,2,,172183-13480,, "RUBBER,SEAL",1,1,1,1,,,,,,,,,,,,,
48,2,,172168-65790,, RUBBER,1,1,1,1,,,,,,,,,,,,,
49,1,,172458-13861,, "MOUNT U ASSY",1,1,1,1,,,,,,,,,,,,,
51,2,,172458-13870,, "SEAL G",1,1,1,1,,,,,,,,,,,,,
52,2,,172458-13890,, "SEAL I",1,1,1,1,,,,,,,,,,,,,
53,1,,172171-14610,, "HOSE 260,FUEL",1,1,1,1,,,,,,,,,,,,,
54,1,,121468-44510,, "SUB-TANK ASSY",1,1,1,1,,,,,,,,,,,,,
56,2,,121450-44531,, CAP,1,1,1,1,,,,,,,,,,,,,
57,2,,121468-44540,, "PLUG, SUB-TANK",1,1,1,1,,,,,,,,,,,,,
58,2,,124450-44560,, CLAMP,1,1,1,1,,,,,,,,,,,,,
59,2,,121470-44581,, GASKET,1,1,1,1,,,,,,,,,,,,,
60,2,,23065-070130,, "PIPE 7X 130",1,1,1,1,,,,,,,,,,,,,
61,1,,119255-44660,, RUBBER,4,4,4,4,,,,,,,,,,,,,
62,1,,124766-59050,, "CLAMP 12",4,4,4,4,,,,,,,,,,,,,
63,1,,1A1380-59480,, "CLAMP A,SM.&DYN.CORD",1,1,1,1,,,,,,,,,,,,,
64,1,,22137-060000,, "WASHER 6, POLISHED",5,5,5,5,,,,,,,,,,,,,
65,1,,22137-060000,, "WASHER 6, POLISHED",2,2,2,2,,,,,,,,,,,,,
66,1,,22137-100000,, "WASHER 10, POLISHED",2,2,2,2,,,,,,,,,,,,,
67,1,,22217-100000,, "SPRING WASHER 10",3,3,3,3,,,,,,,,,,,,,

68,1,,22217-100000,, "SPRING WASHER 10",1,1,1,1,,,,,,,,,,,,,
69,1,,23000-041000,, "CLAMP 41",6,6,,,,,,,,,,,,,
69-1,1,,23001-041000,, "CLIP
41,HOSE",8,6,8,6,,N,,72446124,M/#22562,72446124,M/#22562,,,,,,,,,I
70,1,,26013-060162,, "BOLT M 6X 16",5,5,5,5,,,,,,,,,,,,,
71,1,,26013-060202,, "BOLT M 6X 20",2,2,2,2,,,,,,,,,,,,,
72,1,,26013-080162,, "BOLT W/WASHER M8X16",6,6,6,6,,,,,,,,,,,,,
73,1,,26013-100202,, "BOLT W/WASHER M10X20",9,9,9,9,,,,,,,,,,,,,
74,1,,26116-100162,, "BOLT M10X 16 PLATED",1,1,1,1,,,,,,,,,,,,,
75,1,,26116-100452,, "BOLT M10X 45 PLATED",1,1,1,1,,,,,,,,,,,,,
76,1,,26116-100552,, "BOLT M10X 55 PLATED",2,2,2,2,,,,,,,,,,,,,
77,1,,172458-13580,,CW-T(A-1,1,,1,,,,,,,,,,,,,
78,1,,172457-13330,, "MOUNT ASSY,RADIATOR",1,1,1,1,,,,,,,,,,,,,
80,2,,172458-13890,, "SEAL I",1,1,1,1,,,,,,,,,,,,,
81,2,,172458-13900,, "SEAL J",1,1,1,1,,,,,,,,,,,,,

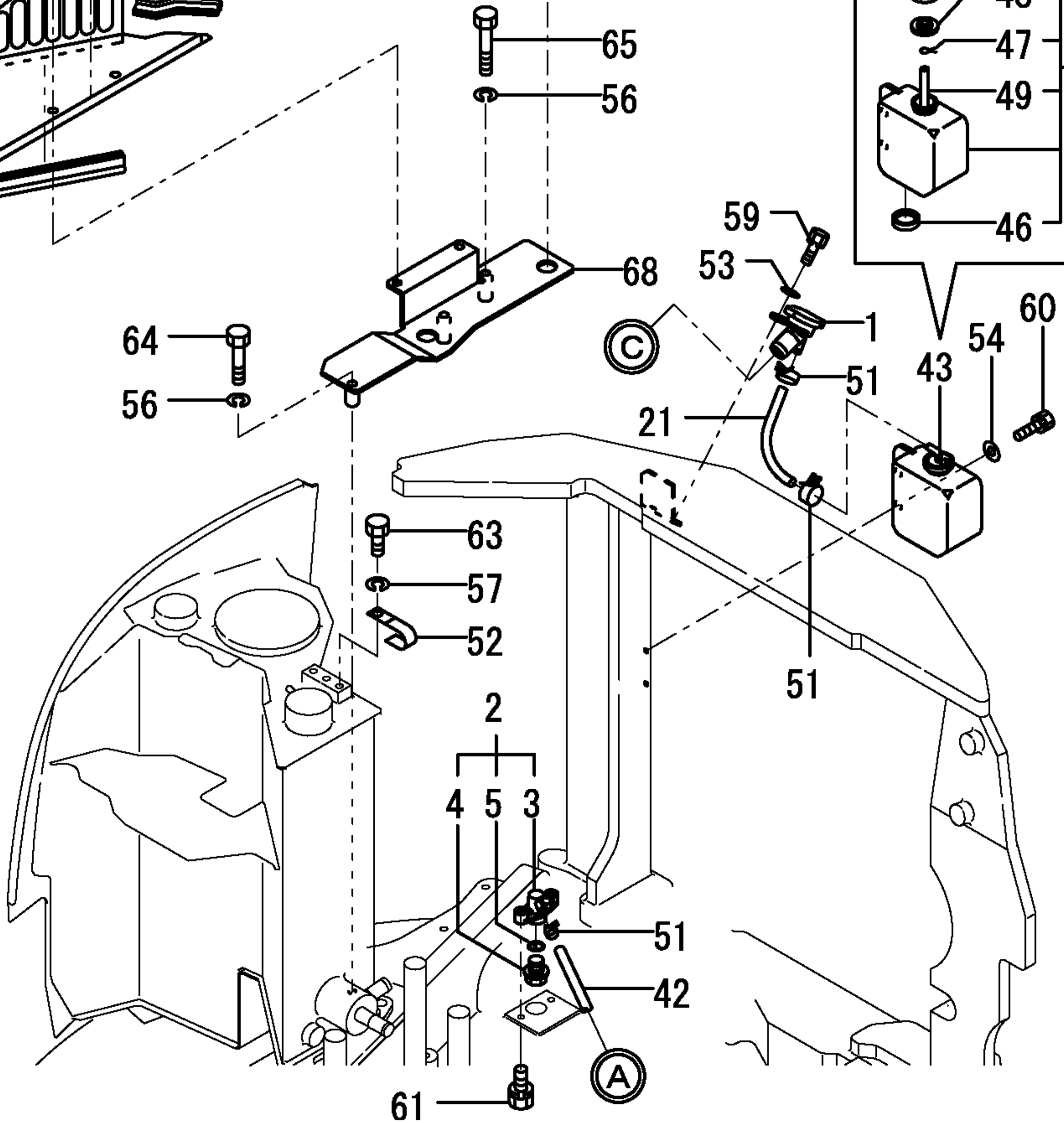
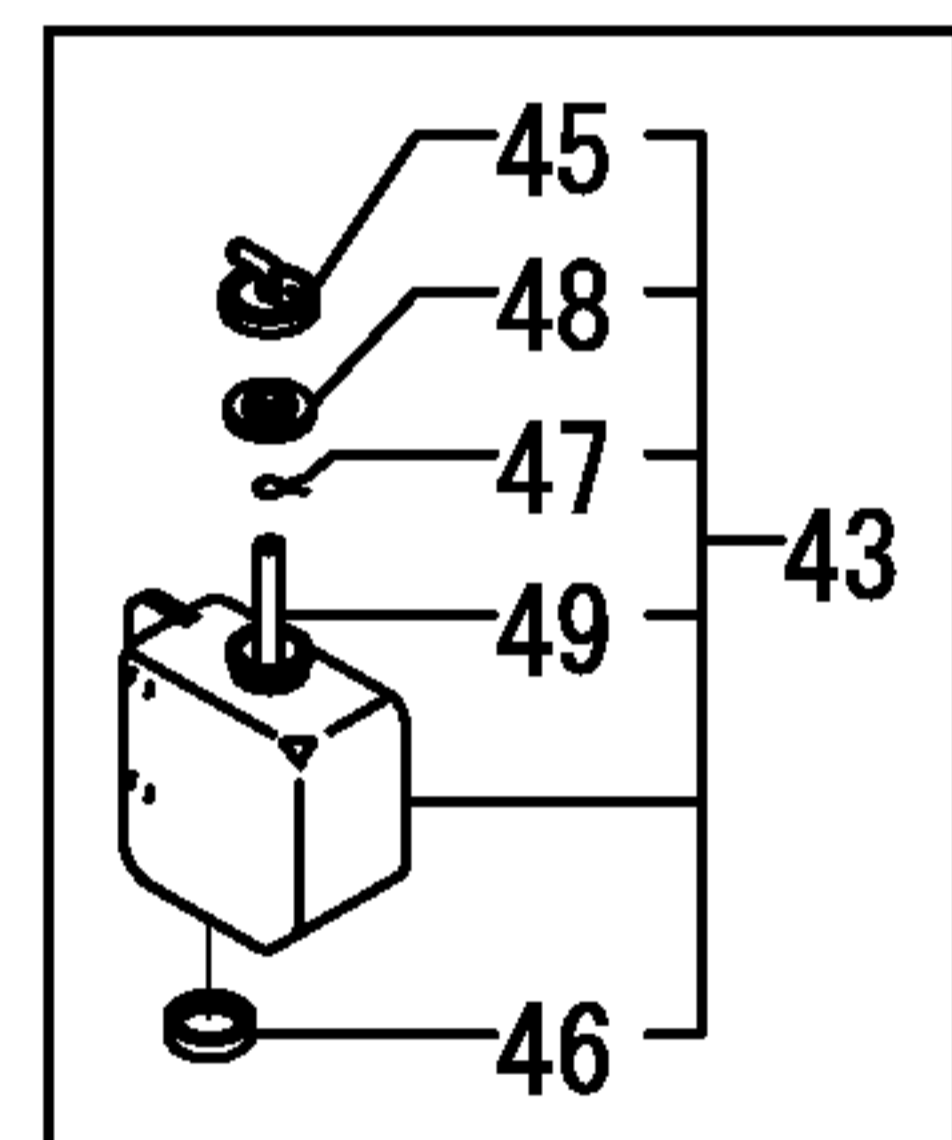
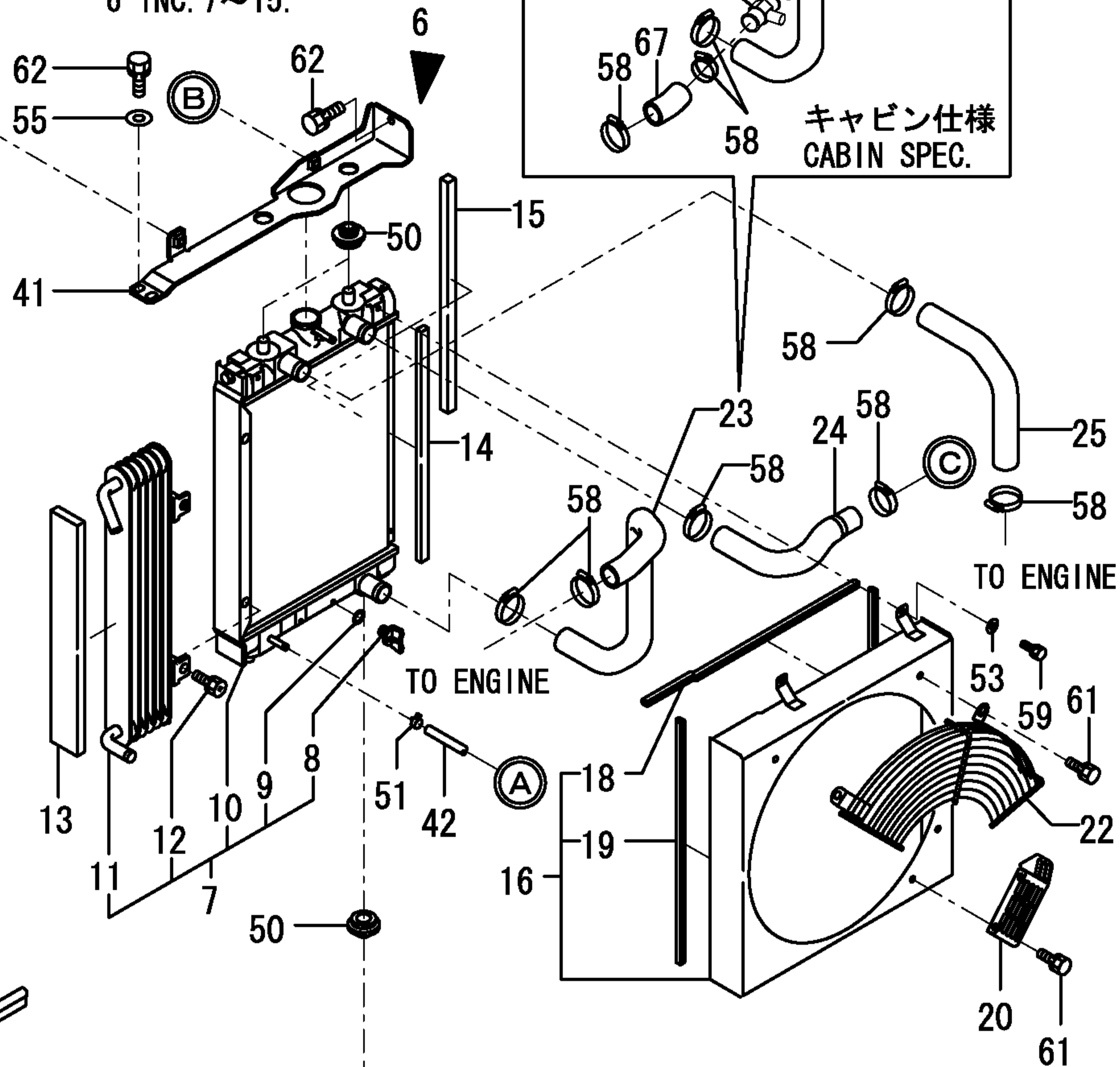
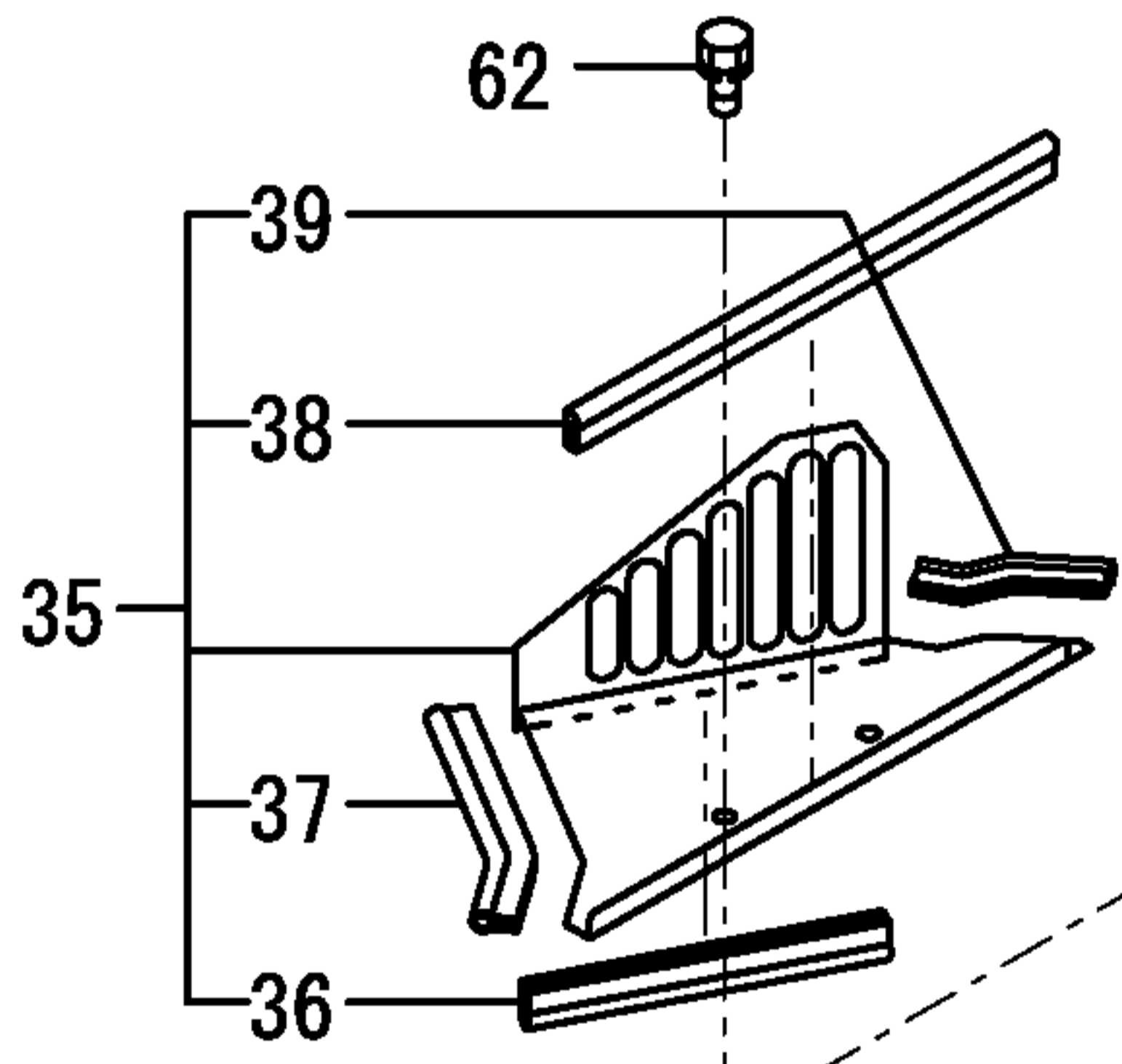
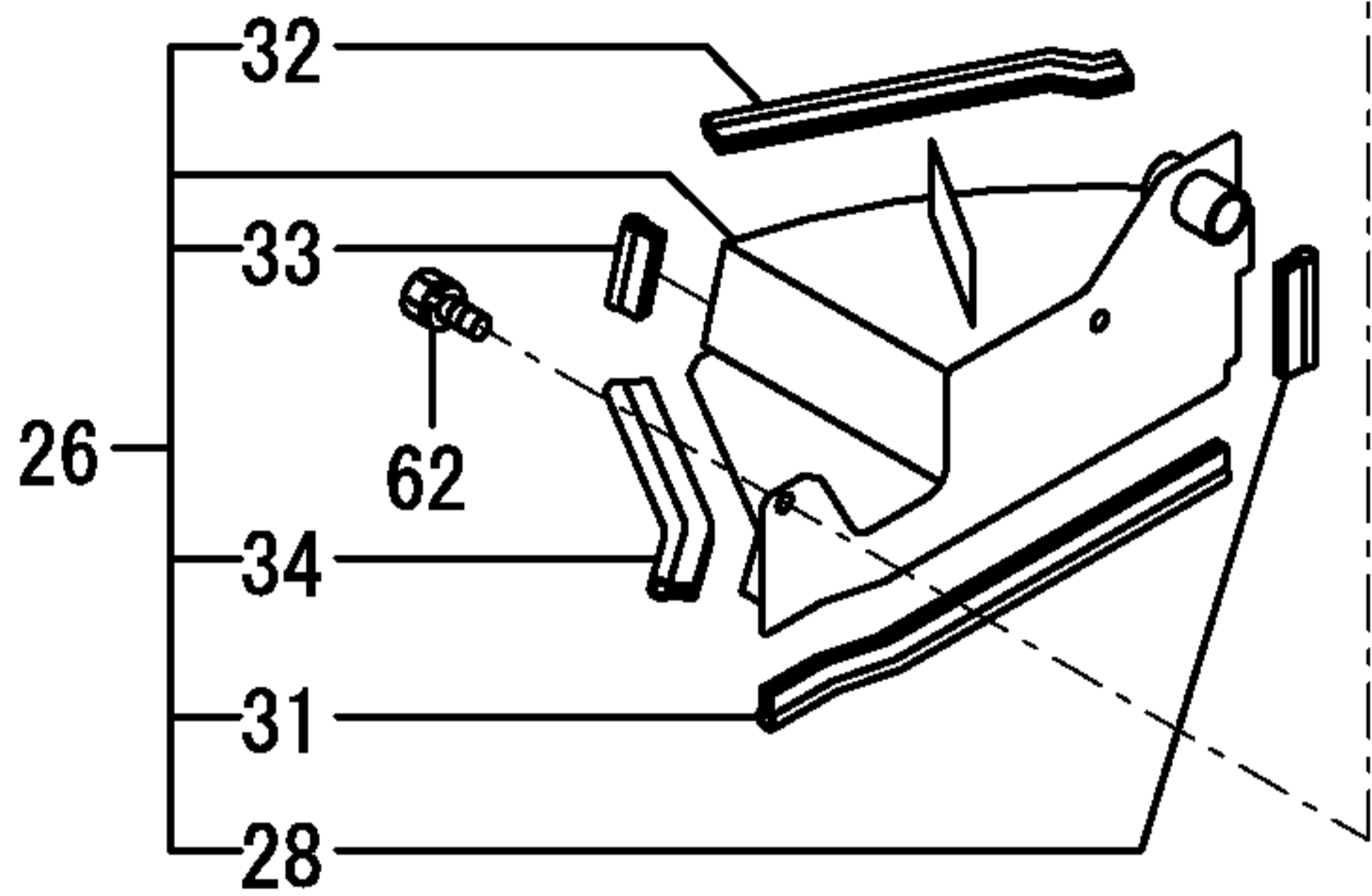
見出しNo. 6は、
見出しNo. 7~15を含みます。
6 INC. 7~15.



1,1,,1D4105-11950,, "CAP CMP",1,1,,,,,,,,,,,,,,,,,,,,,I
2,1,,172444-13210,, "COCK ASSY,2-WAY",1,1,,,,,,,,,,,,,,,,,,,,,I
3,2,,172444-13220,, BODY,1,1,,,,,,,,,,,,,,,,,,,,,I
4,2,,121250-49121,, PLUG,1,1,,,,,,,,,,,,,,,,,,,,,I
5,2,,24311-000160,, "O-RING 1A P-16.0",1,1,,,,,,,,,,,,,,,,,,,,,I
6,1,,172458-13291,, "RADIATOR ASSY",1,1,,,,,,,,,,,,,,,,,,,,,I
7,2,,172458-13300,, RADIATOR,1,1,,,,,,,,,,,,,,,,,,,,,I
8,3,,172456-13320,, "VALVE,STOP",1,1,,,,,,,,,,,,,,,,,,,,,I
9,3,,172456-13330,, O-RING,1,1,,,,,,,,,,,,,,,,,,,,,I
10,3,,172458-13950,, RADIATOR,1,1,,,,,,,,,,,,,,,,,,,,,I
11,3,,172458-13960,, "OIL COOLER",1,1,,,,,,,,,,,,,,,,,,,,,I
12,3,,172458-13970,, BOLT,2,2,,,,,,,,,,,,,,,,,,,,,I
13,2,,172458-13310,, "SEAL A,RADIATOR",1,1,,,,,,,,,,,,,,,,,,,,,I
14,2,,172458-13390,, "SEAL C,RADIATOR",1,1,,,,,,,,,,,,,,,,,,,,,I
15,2,,172487-13500,, "SEAL B (RADIATOR",1,1,,,,,,,,,,,,,,,,,,,,,I
16,1,,172457-13401,, "SHROUD ASSY",1,1,,,,,,,,,,,,,,,,,,,,,I
18,2,,172458-13450,, "SEAL 420",2,2,,,,,,,,,,,,,,,,,,,,,I
19,2,,172458-13460,, "SEAL 400",2,2,,,,,,,,,,,,,,,,,,,,,I
20,1,,172458-13480,, "PLATE,GUARD",1,1,,,,,,,,,,,,,,,,,,,,,I
21,1,,172458-13530,, "HOSE 140",1,1,,,,,,,,,,,,,,,,,,,,,I
22,1,,172423-13550,, "NET,WIRE",1,1,,,,,,,,,,,,,,,,,,,,,I
23,1,,172458-13550,, CW-T(A,,1,,,,,,,,,,,,,,,,,,,,,I
24,1,,172458-13560,, CW-T(B,1,1,,,,,,,,,,,,,,,,,,,,,I
25,1,,172458-13570,, CW-T(C,1,1,,,,,,,,,,,,,,,,,,,,,I
26,1,,172457-13701,, "DUCT R ASSY,RADIATOR",1,1,,,,,,,,,,,,,,,,,,,,,I
28,2,,172457-13780,, "RUBBER,SEAL 80",1,1,,,,,,,,,,,,,,,,,,,,,I
31,2,,172456-65850,, "SEAL,DUCT 385",1,1,,,,,,,,,,,,,,,,,,,,,I
32,2,,172444-65680,, "SEAL 320",1,1,,,,,,,,,,,,,,,,,,,,,I
33,2,,172456-65790,, "RUBBER,SEAL 85",1,1,,,,,,,,,,,,,,,,,,,,,I
34,2,,172183-
13480,, "RUBBER,SEAL",1,1,,,,,,724580535,,724580535,,,,,724580535,,,,,,I
35,1,,172457-13801,, "DUCT ASSY,LOW",1,1,,,,,,,,,,,,,,,,,,,,,I
36,2,,172444-54910,, "SEAL,WEIGHT B",1,1,,,,,,,,,,,,,,,,,,,,,I
37,2,,172168-65790,, RUBBER,1,1,,,,,,,,,,,,,,,,,,,,,I
38,2,,172456-65850,, "SEAL,DUCT 385",1,1,,,,,,,,,,,,,,,,,,,,,I
39,2,,172456-65860,, "RUBBER,SEAL 130",1,1,,,,,,,,,,,,,,,,,,,,,I
40,1,,172457-13890,, "MOUNT,RADIATOR",1,1,,,,,,,,,,,,,,,,,,,,,I
41,1,,172457-13910,, "MOUNT U ASSY, RAD",1,1,,,,,,,,,,,,,,,,,,,,,I
42,1,,172171-14610,, "HOSE 260,FUEL",1,1,,,,,,,,,,,,,,,,,,,,,I
43,1,,121468-44510,, "SUB-TANK ASSY",1,1,,,,,,,,,,,,,,,,,,,,,I
45,2,,121450-44531,, CAP,1,1,,,,,,,,,,,,,,,,,,,,,I
46,2,,121468-44540,, "PLUG, SUB-TANK",1,1,,,,,,,,,,,,,,,,,,,,,I
47,2,,124450-44560,, CLAMP,1,1,,,,,,,,,,,,,,,,,,,,,I
48,2,,121470-44581,, GASKET,1,1,,,,,,,,,,,,,,,,,,,,,I
49,2,,23065-070130,, "PIPE 7X 130",1,1,,,,,,,,,,,,,,,,,,,,,I
50,1,,119255-44660,, RUBBER,4,4,,,,,,,,,,,,,,,,,,,,,I
51,1,,124766-59050,, "CLAMP 12",4,4,,,,,,,,,,,,,,,,,,,,,I
52,1,,1A1380-59480,, "CLAMP A,SM.&DYN.CORD",1,1,,,,,,,,,,,,,,,,,,,,,I
53,1,,22137-060000,, "WASHER 6, POLISHED",5,5,,,,,,,,,,,,,,,,,,,,,I
54,1,,22137-060000,, "WASHER 6, POLISHED",2,2,,,,,,,,,,,,,,,,,,,,,I
55,1,,22137-100000,, "WASHER 10,POLISHED",2,2,,,,,,,,,,,,,,,,,,,,,I
56,1,,22217-100000,, "SPRING WASHER 10",3,3,,,,,,,,,,,,,,,,,,,,,I
57,1,,22217-100000,, "SPRING WASHER 10",1,1,,,,,,,,,,,,,,,,,,,,,I
58,1,,23001-041000,, "CLIP 41,HOSE",8,6,,,,,,,,,,,,,,,,,,,,,I
59,1,,26013-060162,, "BOLT M 6X 16",5,5,,,,,,,,,,,,,,,,,,,,,I
60,1,,26013-060202,, "BOLT M 6X 20",2,2,,,,,,,,,,,,,,,,,,,,,I
61,1,,26013-080162,, "BOLT W/WASHER M8X16",6,6,,,,,,,,,,,,,,,,,,,,,I
62,1,,26013-100202,, "BOLT W/WASHER M10X20",7,7,,,,,,,,,,,,,,,,,,,,,I
63,1,,26116-100162,, "BOLT M10X 16 PLATED",1,1,,,,,,,,,,,,,,,,,,,,,I
64,1,,26116-100452,, "BOLT M10X 45 PLATED",1,1,,,,,,,,,,,,,,,,,,,,,I
65,1,,26116-100552,, "BOLT M10X 55 PLATED",2,2,,,,,,,,,,,,,,,,,,,,,I
66,1,,172458-13580,, CW-T(A-1,1,,,,,,,,,,,,,,,,,,,,,I
67,1,,172458-13590,, CW-T(A-2,1,,,,,,,,,,,,,,,,,,,,,I

見出しNo. 6は、
見出しNo. 7~15を含みます。
6 INC. 7~15.

REFER TO 58 66
Fig. 24
58 67 58
キャビン仕様
CABIN SPEC.

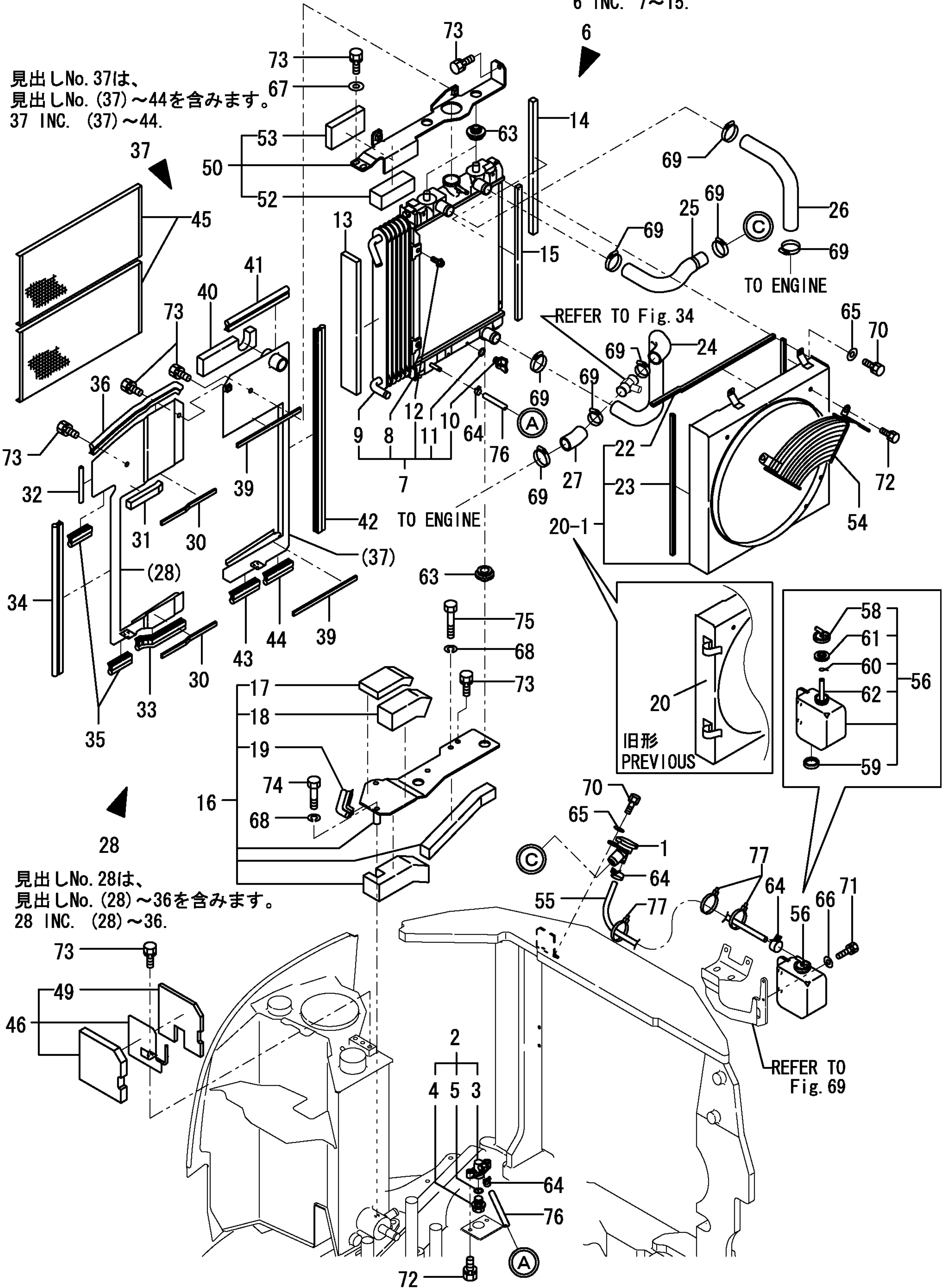


1,1,,1D4105-11950,, "CAP CMP",1,,,,,,,,,,,,,,,,,,,,,
2,1,,172444-13210,, "COCK ASSY,2-WAY",1,,,,,,,,,,,,,,,,,,,,,
3,2,,172444-13220,, BODY,1,,,,,,,,,,,,,,,,,,,,,
4,2,,121250-49121,, PLUG,1,,,,,,,,,,,,,,,,,,,,,
5,2,,24311-000160,, "O-RING 1A P-16.0",1,,,,,,,,,,,,,,,,,,,,,
6,1,,172458-13290,, "RADIATOR ASSY",1,,,,,,,,,,,,,,,,,,,,,
7,2,,172458-13300,, RADIATOR,1,,,,,,,,,,,,,,,,,,,,,
8,3,,172458-13950,, RADIATOR,1,,,,,,,,,,,,,,,,,,,,,
9,3,,172458-13960,, "OIL COOLER",1,,,,,,,,,,,,,,,,,,,,,
10,3,,172456-13320,, "VALVE,STOP",1,,,,,W,,72458532,M/#22929,,,,,,I
11,3,,172456-13330,, O-RING,1,,,,,W,,72458532,M/#22929,,,,,,I
12,3,,172458-13970,, BOLT,2,,,,,W,,72458532,M/#22929,,,,,,I
13,2,,172458-13310,, "SEAL A,RADIATOR",1,,,,,,,,,,,,,,,,,,,,,
14,2,,172458-13320,, "SEAL B,RADIATOR",1,,,,,,,,,,,,,,,,,,,,,
15,2,,172458-13390,, "SEAL C,RADIATOR",1,,,,,,,,,,,,,,,,,,,,,
16,1,,172458-13330,, "MOUNT ASSY,RADIATOR",1,,,,,,,,,,,,,,,,,,,,,
17,2,,172458-13890,, "SEAL I",1,,,,,,,,,,,,,,,,,,,,,
18,2,,172458-13900,, "SEAL J",1,,,,,,,,,,,,,,,,,,,,,
19,2,,172434-61350,, "RUBBER, SEAL 140",1,,,,,,,,,,,,,,,,,,,,,
20,1,,172458-13400,, "SHURAUD ASSY",1,,,,,,,,,,,,,,,,,,,,,
20-1,1,,172458-13401,, "SHROUD ASSY",1,,,,,S,,72458515,M/#22743,,,,,,I
22,2,,172458-13450,, "SEAL 420",2,,,,,,,,,,,,,,,,,,,,,
23,2,,172458-13460,, "SEAL 400",2,,,,,,,,,,,,,,,,,,,,,
24,1,,172458-13540,, "CW-T(A/C A-2",1,,,,,,,,,,,,,,,,,,,,,
25,1,,172458-13560,, CW-T(B,1,,,,,,,,,,,,,,,,,,,,,
26,1,,172458-13570,, CW-T(C,1,,,,,,,,,,,,,,,,,,,,,
27,1,,172458-13590,, CW-T(A-2,1,,,,,,,,,,,,,,,,,,,,,
28,1,,172458-13600,, "COVER L ASSY",1,,,,,,,,,,,,,,,,,,,,,
30,2,,172458-13750,, "SEAL A",2,,,,,,,,,,,,,,,,,,,,,
31,2,,172458-13880,, "SEAL H",1,,,,,,,,,,,,,,,,,,,,,
32,2,,172434-61170,, "TRIM 90",1,,,,,,,,,,,,,,,,,,,,,
33,2,,172164-61250,, "RUBBER, SEAL",1,,,,,,,,,,,,,,,,,,,,,
34,2,,172162-61380,, "SEAL,COVER B",1,,,,,,,,,,,,,,,,,,,,,
35,2,,172168-65800,, "RUBBER,SEALE E 75",2,,,,,,,,,,,,,,,,,,,,,
36,2,,172164-66620,, "RUBBER, SEAL 320",1,,,,,,,,,,,,,,,,,,,,,
37,1,,172458-13610,, "COVER R ASSY",1,,,,,,,,,,,,,,,,,,,,,
39,2,,172458-13780,, "SEAL D",2,,,,,,,,,,,,,,,,,,,,,
40,2,,172458-13850,, "SEAL F",1,,,,,,,,,,,,,,,,,,,,,
41,2,,172168-65790,, RUBBER,1,,,,,,,,,,,,,,,,,,,,,
42,2,,172165-66220,, "RUBBER,SEAL B",1,,,,,,,,,,,,,,,,,,,,,
43,2,,172164-66650,, "RUBBER, SEAL 95",1,,,,,,,,,,,,,,,,,,,,,
44,2,,172164-66650,, "RUBBER, SEAL 95",1,,,,,,,,,,,,,,,,,,,,,
45,1,,172458-13790,, NET,2,,,,,,,,,,,,,,,,,,,,,
46,1,,172458-13800,, "COVER-F ASSY",1,,,,,,,,,,,,,,,,,,,,,
49,2,,172458-13910,, "SEAL K",1,,,,,,,,,,,,,,,,,,,,,
50,1,,172458-13861,, "MOUNT U ASSY",1,,,,,,,,,,,,,,,,,,,,,
52,2,,172458-13870,, "SEAL G",1,,,,,,,,,,,,,,,,,,,,,
53,2,,172458-13890,, "SEAL I",1,,,,,,,,,,,,,,,,,,,,,
54,1,,172458-13920,, "NET,EIRE(A/C",1,,,,,,,,,,,,,,,,,,,,,
55,1,,172141-14610,, "HOSE, FUEL",1,,,,,,,,,,,,,,,,,,,,,
56,1,,121468-44510,, "SUB-TANK ASSY",1,,,,,,,,,,,,,,,,,,,,,
58,2,,121450-44531,, CAP,1,,,,,,,,,,,,,,,,,,,,,
59,2,,121468-44540,, "PLUG, SUB-TANK",1,,,,,,,,,,,,,,,,,,,,,
60,2,,124450-44560,, CLAMP,1,,,,,,,,,,,,,,,,,,,,,
61,2,,121470-44581,, GASKET,1,,,,,,,,,,,,,,,,,,,,,
62,2,,23065-070130,, "PIPE 7X 130",1,,,,,,,,,,,,,,,,,,,,,
63,1,,119255-44660,, RUBBER,4,,,,,,,,,,,,,,,,,,,,,
64,1,,124766-59050,, "CLAMP 12",4,,,,,,,,,,,,,,,,,,,,,
65,1,,22137-060000,, "WASHER 6, POLISHED",5,,,,,,,,,,,,,,,,,,,,,
66,1,,22137-060000,, "WASHER 6, POLISHED",2,,,,,,,,,,,,,,,,,,,,,
67,1,,22137-100000,, "WASHER 10,POLISHED",2,,,,,,,,,,,,,,,,,,,,,
68,1,,22217-100000,, "SPRING WASHER 10",3,,,,,,,,,,,,,,,,,,,,,
69,1,,23000-041000,, "CLAMP 41",8,,,,,,,,,,,,,,,,,,,,,

69-1,1,,23001-041000,, "CLIP 41,HOSE",8,,,,,N,,72446124,M/#22562,,,,,,I
70,1,,26013-060162,, "BOLT M 6X 16",5,,,,,
71,1,,26013-060162,, "BOLT M 6X 16",2,,,,,
72,1,,26013-080162,, "BOLT W/WASHER M8X16",4,,,,,
73,1,,26013-100202,, "BOLT W/WASHER M10X20",9,,,,,I
74,1,,26116-100452,, "BOLT M10X 45 PLATED",1,,,,,
75,1,,26116-100552,, "BOLT M10X 55 PLATED",2,,,,,
76,1,,172171-14610,, "HOSE 260,FUEL",1,,,,,
77,1,,172122-79930,, "CLAMP B",3,,,,,

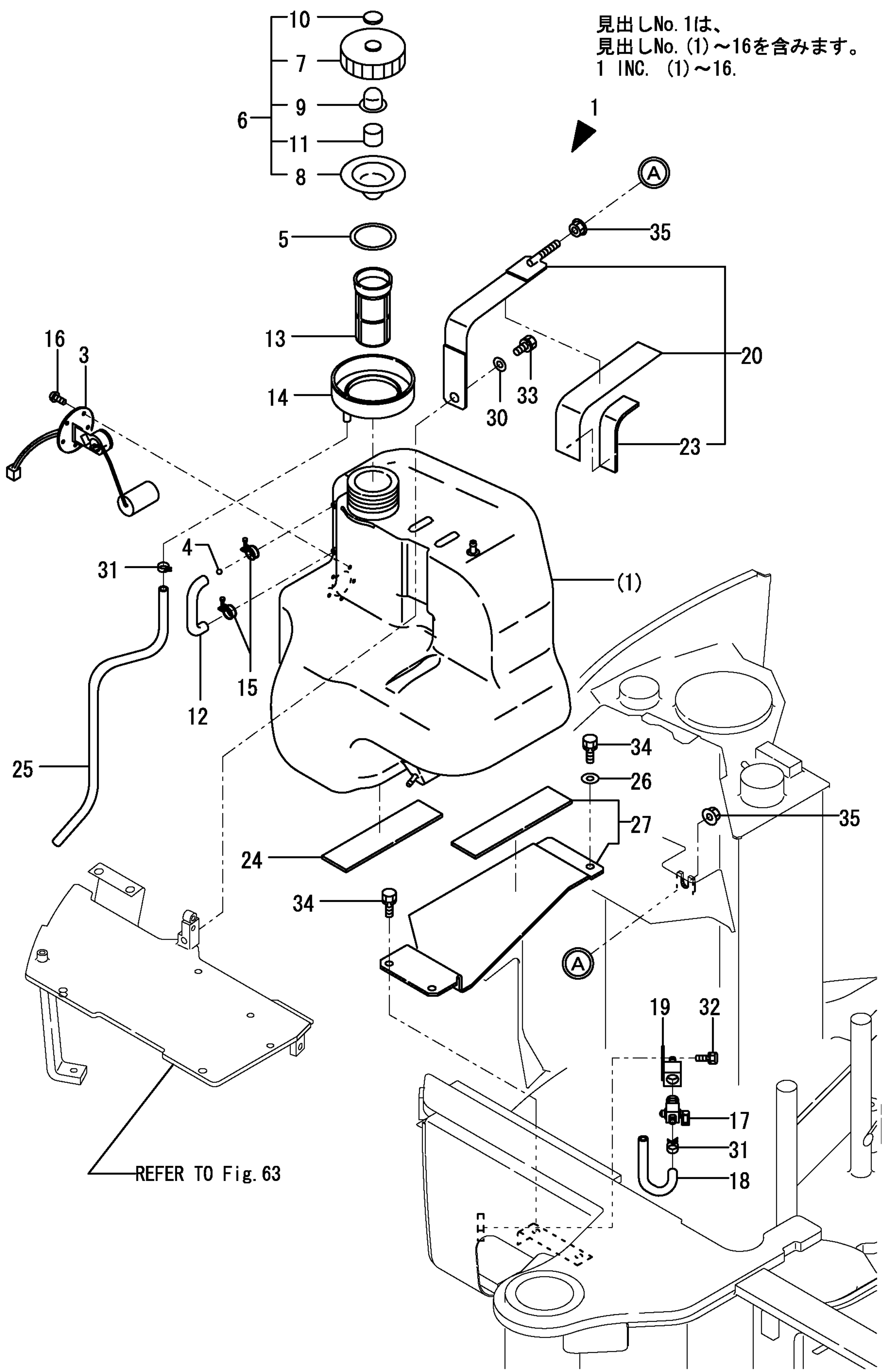
見出しNo. 6は、
見出しNo. 7~15を含みます。
6 INC. 7~15.

見出しNo. 37は、
見出しNo. (37)~44を含みます。
37 INC. (37)~44.



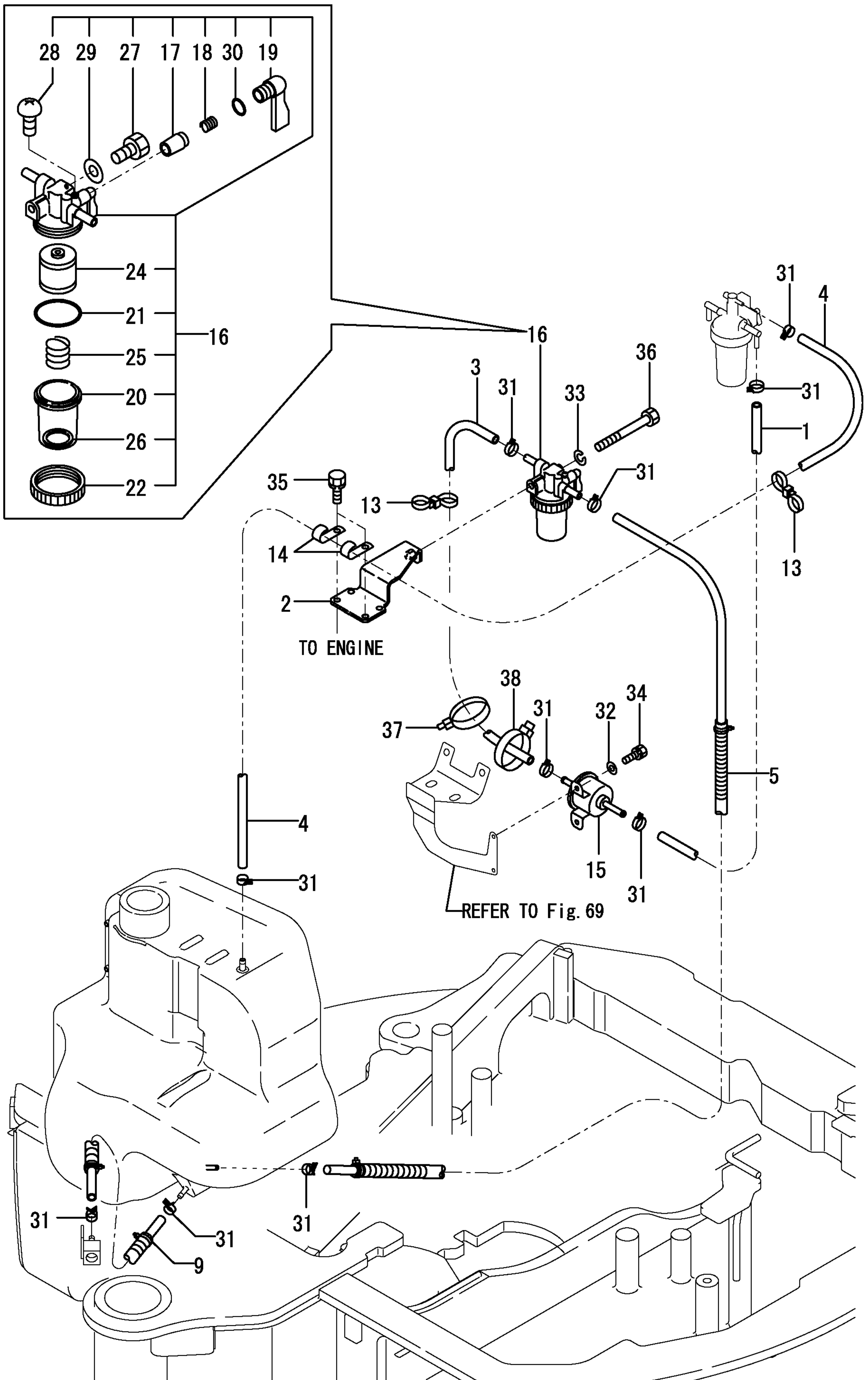
1,1,,772458-14100,, "TANK ASSY,FUEL OIL",1,1,,,,,,,,,,,,,
1-1,1,,772458-14101,, "TANK ASSY,
FUEL",1,1,1,1,, ,N,,72458445,M/#22062,72458445,M/#22062,,,,,,,,,
3,2,,172458-14150,, "GAUGE,FUEL OIL",1,1,1,1,,,,,,,,,,,,,
4,2,,172447-14160,, FLOAT,1,1,1,1,,,,,,,,,,,,,
5,2,,172162-14200,, GASKET,1,1,1,1,,,,,,,,,,,,,
6,2,,172444-14200,, "FUEL CAP",1,1,1,1,,,,,,,,,,,,,
7,3,,172444-14450,, CAP,1,1,1,1,,,,,,,,,,,,,
8,3,,172444-14460,, GASKET,1,1,1,1,,,,,,,,,,,,,
9,3,,172444-14470,, GASKET,1,1,1,1,,,,,,,,,,,,,
10,3,,172444-14480,, WASHER,1,1,1,1,,,,,,,,,,,,,
11,3,,172444-14490,, SPONGE,1,1,1,1,,,,,,,,,,,,,
12,2,,172458-14201,, "HOSE,FUEL GAUGE",1,1,,,,,,,,,,,,,
12-1,2,,172458-14202,, "HOSE, FUEL
GAUGE",1,1,1,1,, ,N,,72458445,M/#22062,72458445,M/#22062,,,,,,,,,
13,2,,172183-14250,, "FILTER (FUEL",1,1,1,1,,,,,,,,,,,,,
14,2,,172458-14370,, "SOUCER,FUEL OIL",1,1,1,1,,,,,,,,,,,,,
15,2,,23000-013000,, "CLAMP 13",2,2,2,2,,,,,,,,,,,,,
16,2,,26557-050122,, "SCREW M 5X 12",5,5,,,,,,,,,,,,,
16-1,2,,26022-050122,, "SCREW M 5X
12",5,5,5,5,, ,N,,72460255,M/#22208,72460255,M/#22208,,,,,,,,,I
17,1,,104200-11920,, COCK,1,1,1,1,,,,,,,,,,,,,
18,1,,172165-14170,, PIPE,1,1,1,1,,,,,,,,,,,,,
19,1,,172444-14270,, JOINT,1,1,1,1,,,,,,,,,,,,,
20,1,,172458-14300,, "CLAMP ASSY,FUEL OIL",1,1,1,1,,,,,,,,,,,,,
23,2,,172458-14380,, "RUBBER PLATE D,FO",1,1,1,1,,,,,,,,,,,,,
24,1,,172458-14340,, "RUBBER PLATE A,FO",1,1,1,1,,,,,,,,,,,,,
25,1,,172458-14510,, "HOSE 9.5 X 750",1,1,1,1,,,,,,,,,,,,,
26,1,,22137-100000,, "WASHER 10,POLISHED",1,1,1,1,,,,,,,,,,,,,
27,1,,172458-62240,, "STEP ASSY,FUEL OIL",1,1,1,1,,,,,,,,,,,,,
30,1,,22137-100000,, "WASHER 10,POLISHED",1,1,1,1,,,,,,,,,,,,,
31,1,,23080-013000,, "CLAMP 13,HOSE",2,2,2,2,,,,,,,,,,,,,
32,1,,26013-080202,, "BOLT W/WASHER M8X20",1,1,1,1,,,,,,,,,,,,,
33,1,,26013-100202,, "BOLT W/WASHER M10X20",1,1,1,1,,,,,,,,,,,,,
34,1,,26013-100202,, "BOLT W/WASHER M10X20",3,3,3,3,,,,,,,,,,,,,
35,1,,26367-100002,, "NUT 10",2,2,2,2,,,,,,,,,,,,,

見出しNo. 1は、
見出しNo. (1)~16を含みます。
1 INC. (1)~16.

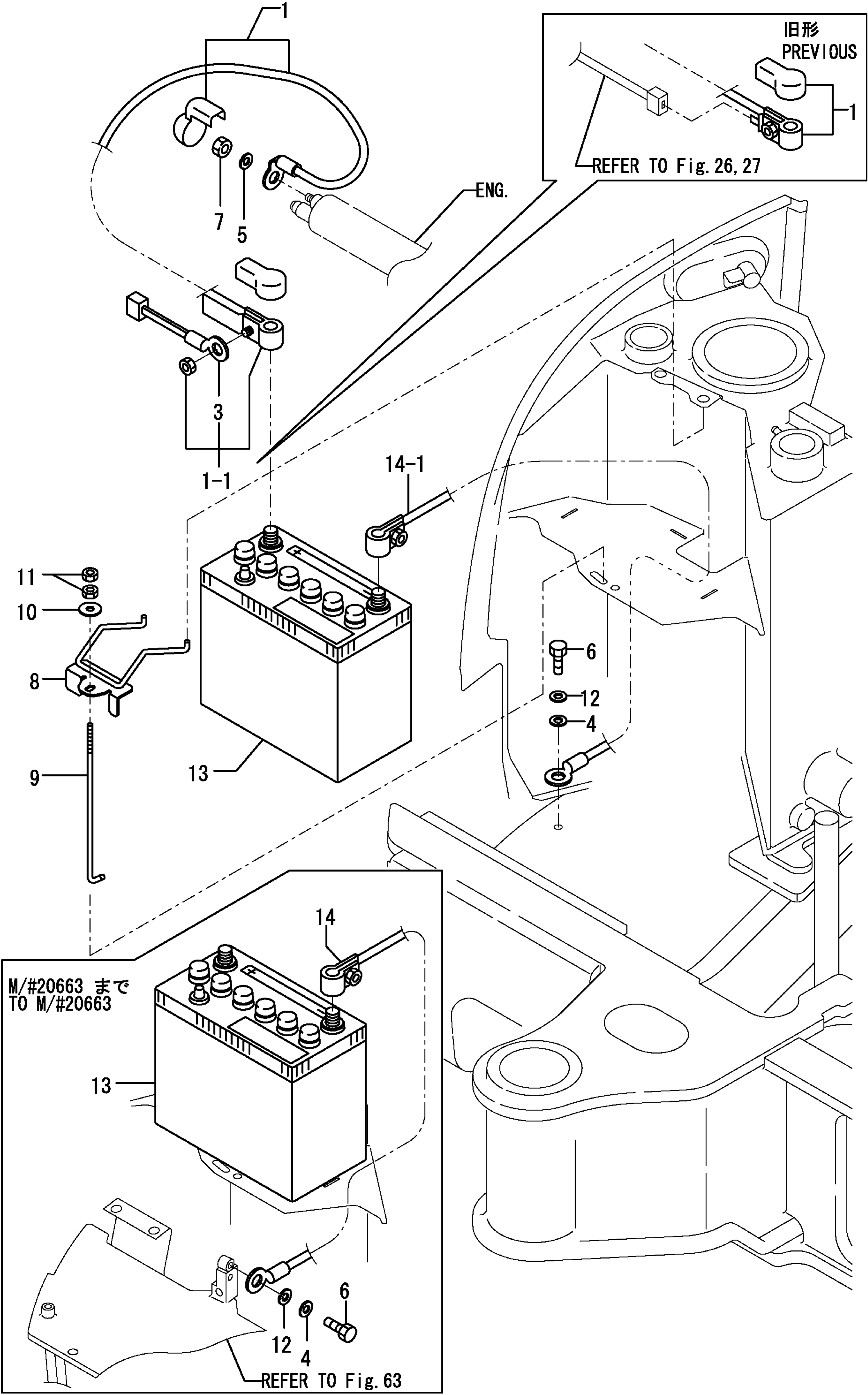


REFER TO Fig. 63

1,1,,172171-13461,, "HOSE 7.5X13",1,1,1,1,,,,,,,,,,,,,
2,1,,172458-14600,, "STAY,WATER SEPARATOR",1,1,1,1,,,,,,,,,,,,,
3,1,,172141-14610,, "HOSE, FUEL",1,1,,,,,,,,,,,,,
3-1,1,,172141-14620,, "HOSE,
FUEL",1,1,,,,,N,,72458283,M/#20501,72458283,M/#20501,,,,,,
3-2,1,,1E6511-03220,, "HOSE B,
FUEL",1,1,1,1,,,,,N,,72458436,M/#20501,72458436,M/#20501,,,,,,
4,1,,172176-14620,, "HOSE 1360",1,1,1,1,,,,,,,,,,,,,
5,1,,172458-14630,, "HOSE 1700 ASSY",1,1,1,1,,,,,,,,,,,,,
9,1,,172458-14660,, "HOSE 210 ASSY",1,1,1,1,,,,,,,,,,,,,
13,1,,172137-16560,, "BAND,2,2,2,2,,,,,,,,,,,,,
14,1,,194440-51620,, "CLAMP, WIRE HARNESS",2,2,2,2,,,,,,,,,,,,,
15,1,,129612-52100,, "FUEL PUMP",1,1,1,1,,,,,,,,,,,,,
16,1,,121850-55800,, "SEPARATOR ASSY,WATER",1,1,1,1,,,,,,,,,,,,,
17,2,,104200-55321,, "VALVE, TAPER",1,1,1,1,,,,,,,,,,,,,
18,2,,104200-55330,, "SPRING, TAPER VALVE",1,1,1,1,,,,,,,,,,,,,
19,2,,104200-55341,, "HANDLE, COCK",1,1,1,1,,,,,,,,,,,,,
20,2,,121254-55510,, "CUP, STRAINER",1,1,1,1,,,,,,,,,,,,,
21,2,,102103-55520,, "O-RING,1,1,1,1,,,,,,,,,,,,,
22,2,,110250-55610,, "RING, RETAINING",1,1,1,1,,,,,,,,,,,,,
24,2,,121850-55710,, "SCREEN,1,1,1,1,,,,,,,,,,,,,
25,2,,121257-55720,, "SPRING, SCREEN",1,1,1,1,,,,,,,,,,,,,
26,2,,121257-55731,, "FLOAT,1,1,1,1,,,,,,,,,,,,,
27,2,,101720-55750,, "PLUG,2,2,2,2,,,,,,,,,,,,,
28,2,,104200-55750,, "SCREW M 4",1,1,1,1,,,,,,,,,,,,,
29,2,,23418-060000,, "GASKET 6, NYLON",2,2,2,2,,,,,,,,,,,,,
30,2,,24311-240100,, "O-RING 1A P-10A",1,1,1,1,,,,,,,,,,,,,
31,1,,124766-59050,, "CLAMP 12",10,10,10,10,,,,,,,,,,,,,
32,1,,22137-060000,, "WASHER 6, POLISHED",2,2,2,2,,,,,,,,,,,,,
33,1,,22217-080000,, "SPRING WASHER 8",1,1,1,1,,,,,,,,,,,,,
34,1,,26013-060162,, "BOLT M 6X 16",2,2,2,2,,,,,,,,,,,,,
35,1,,26013-080202,, "BOLT W/WASHER M8X20",4,4,4,4,,,,,,,,,,,,,
36,1,,26116-080702,, "BOLT M 8X 70 PLATED",1,1,1,1,,,,,,,,,,,,,
37,1,,172122-79930,, "CLAMP
B",1,1,1,1,, ,W,,72456055,M/#20609,72456055,M/#20609,,,,,,
38,1,,194202-
56460,, "BAND,1,1,1,1,, ,W,,72460284,M/#22474,72460284,M/#22474,,,,,,,,,I

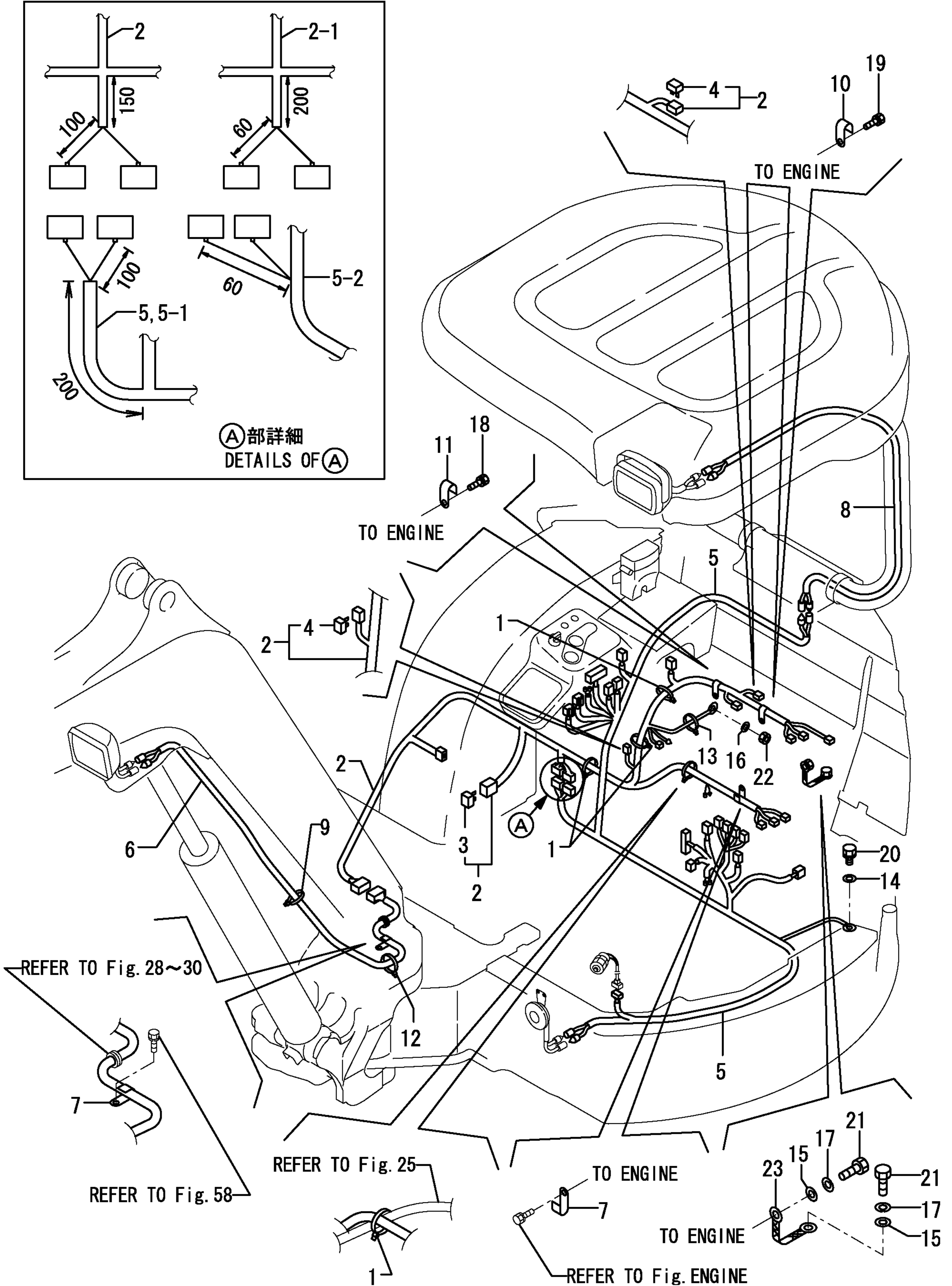
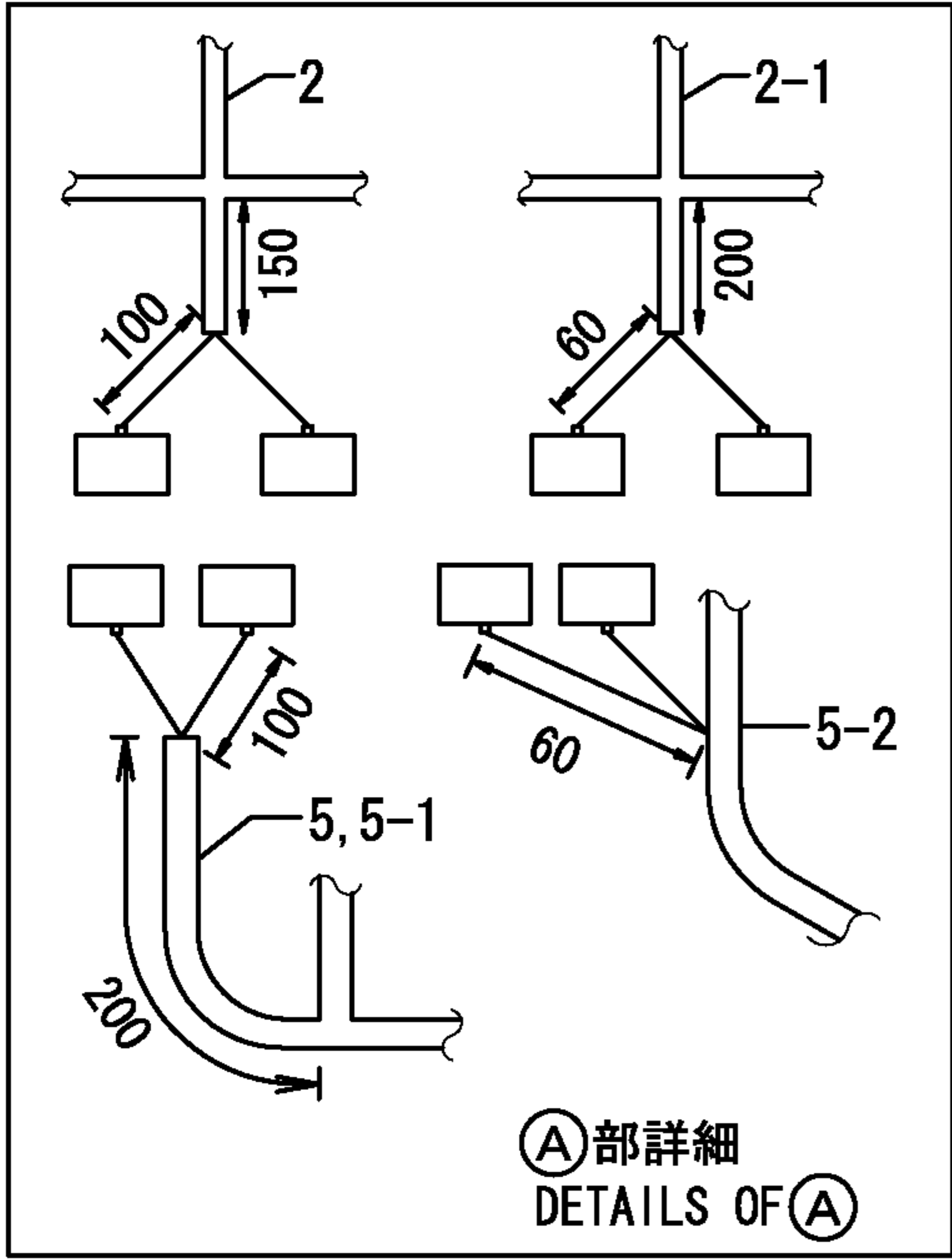


1,1,,172458-16100,, "CODE(+), BATTERY",1,1,,,,,,,,,,,,,
1-1,1,,172458-
16101,, "CORD(+), BATTERY",1,1,1,1,,,S,,72458515,M/#22743,72458515,M/#22743,,,,,,
,,I
3,2,,172458-16140,, "HARNESS
C",1,1,1,1,,,W,,72458515,M/#22743,72458515,M/#22743,,,,,,
4,1,,22217-080000,, "SPRING WASHER 8",1,1,1,1,,,,,,,,,,,,,
5,1,,22217-080000,, "SPRING WASHER 8",1,1,1,1,,,,,,,,,,,,,
6,1,,26116-080162,, "BOLT 8X16",1,1,1,1,,,,,,,,,,,,,
7,1,,26716-080002,, "NUT M 8",1,1,1,1,,,,,,,,,,,,,
8,1,,172458-16300,, "CLAMP, BATTERY",1,1,1,1,,,,,,,,,,,,,
9,1,,172725-16160,, "ROD, CLAMP",1,1,1,1,,,,,,,,,,,,,
10,1,,22157-060000,, "WASHER 6",1,1,1,1,,,,,,,,,,,,,
11,1,,26716-060002,, "NUT 6",2,2,2,2,,,,,,,,,,,,,
12,1,,22137-080000,, "WASHER 8, POLISHED",1,1,1,1,,,,,,,,,,,,,
13,1,,172458-16110,, "BATTERY",1,1,1,1,,,,,,,,,,,,,
14,1,,172458-16120,, "CODE(-), BATTERY",1,1,1,1,,,,,,,,,,,,,
14-1,1,,172458-16121,, "CODE(-),
BATTERY",1,1,1,1,,,S,1,72458287,M/#20664,72458287,M/#20664,72458287,M/#20664,724
58287,M/#20664,,,

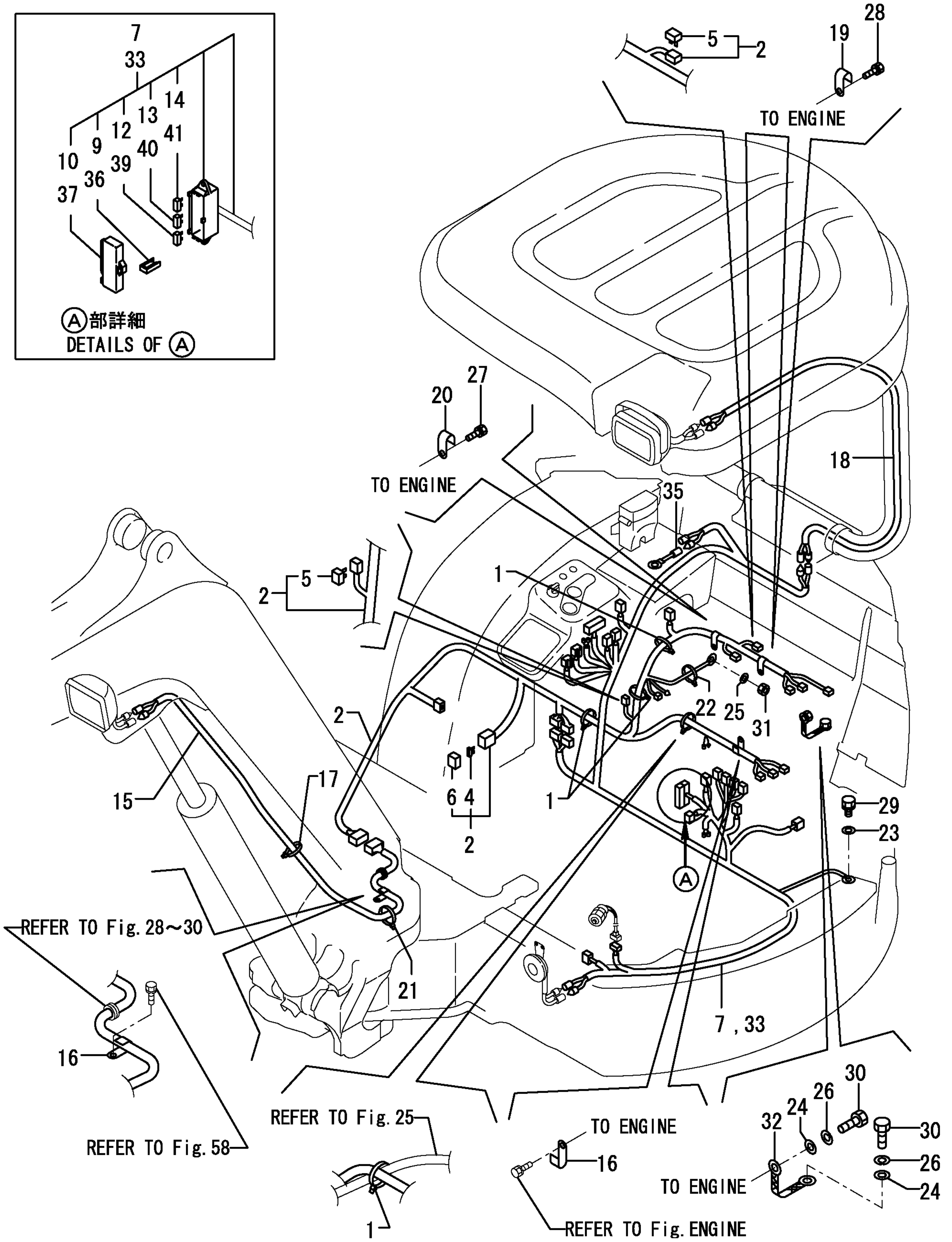
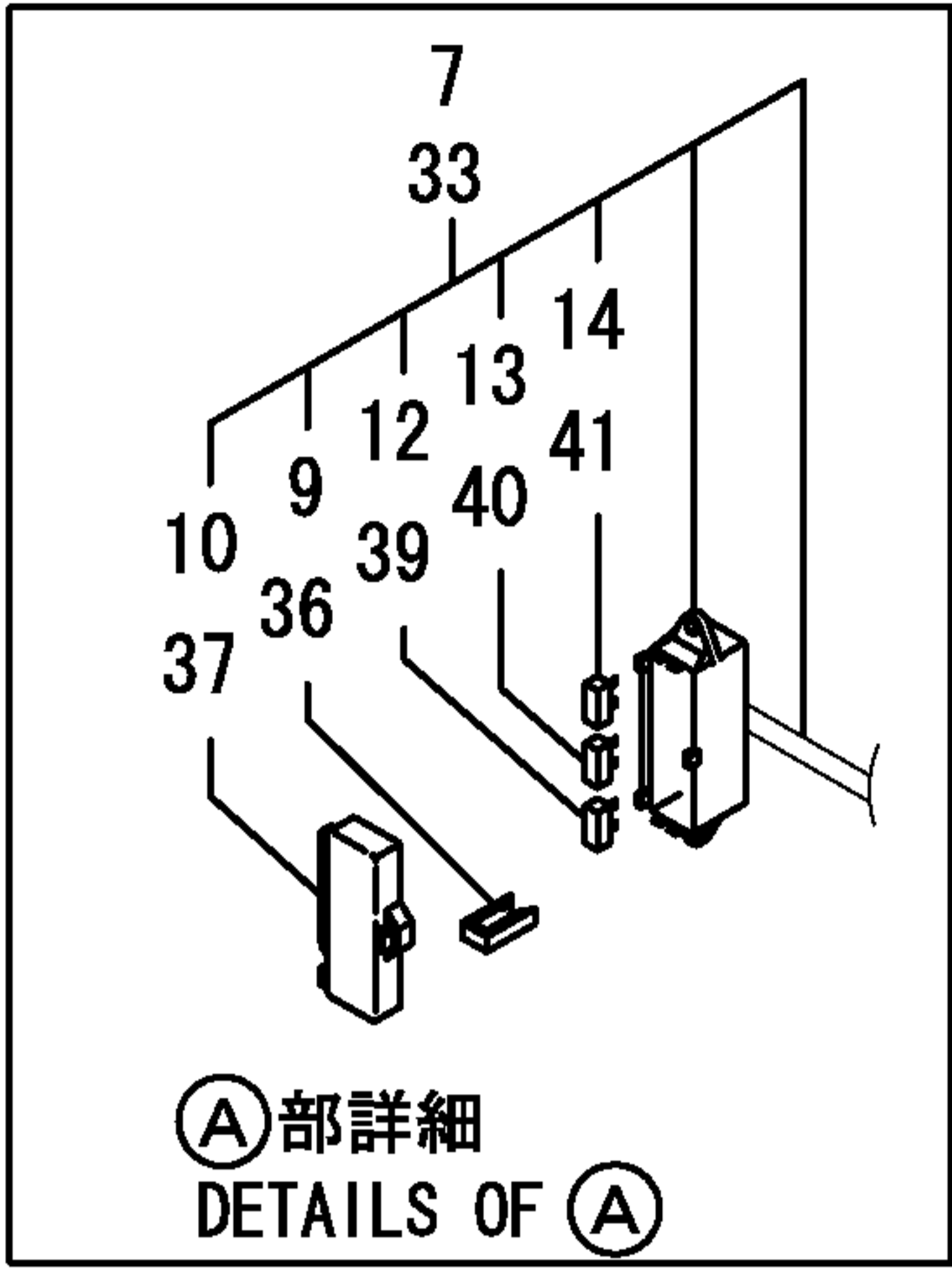


1,1,,172126-11510,, "BAND 300",4,4,,,,,,,,,,,,,,,,,,,,,
2,1,,172458-16500,, "HARNESS A ASSY",1,1,,,,,,,,,,,,,,,,,,,,,
2-1,1,,172458-16501,, "HARNESS ASSY
,A",1,1,,,,,S,,72458515,M/#22743,72458515,M/#22743,,,,,,,,,,,,,I
3,2,,172458-16550,, "HUSE,SLOW BLOW (50A",1,1,,,,,,,,,,,,,,,,,,,,,
4,2,,172648-16600,, DIODE,2,2,,,,,,,,,,,,,,,,,,,,,
5,1,,172458-16520,, "HARNESS B",1,1,,,,,,,,,,,,,,,,,,,,,
5-1,1,,172458-16521,, "HANESS
B",1,1,,,,,N,,72458308,M/#20501,72458308,M/#20501,,,,,,,,,,,,,
5-2,1,,172458-16522,, "HARNESS
(B)",1,1,,,,,S,,72458515,M/#22743,72458515,M/#22743,,,,,,,,,,,,,I
6,1,,172458-16530,, "HARNESS,BOOM LAMP",1,1,,,,,,,,,,,,,,,,,,,,,
6-1,1,,172458-16531,, "HARNESS, BOOM
LAMP",1,1,,,,,N,,72456157,M/#20863,72456157,M/#20863,,,,,,,,,,,,,
7,1,,172126-16540,, "CLAMP 10X70",2,2,,,,,,,,,,,,,,,,,,,,,
8,1,,172458-16560,, "HARNESS,CANOPY LAMP",,1,,,,,,,,,,,,,,,,,,,,,I
8-1,1,,172458-16561,, "HARNESS,CANOPY
LAMP",1,1,,,,,N,,72456189,M/#22124,72456189,M/#22124,,,,,,,,,,,,,I
9,1,,172137-16560,, BAND,,1,,,,,,,,,,,,,,,,,,,,,
10,1,,194440-51620,, "CLAMP, WIRE HARNESS",1,1,,,,,,,,,,,,,,,,,,,,,
11,1,,194440-51620,, "CLAMP, WIRE HARNESS",1,1,,,,,,,,,,,,,,,,,,,,,
12,1,,172187-78580,, "BAND W 397",2,2,,,,,,,,,,,,,,,,,,,,,I
13,1,,172187-78580,, "BAND W 397",1,1,,,,,,,,,,,,,,,,,,,,,
14,1,,22137-100000,, "WASHER 10,POLISHED",1,1,,,,,,,,,,,,,,,,,,,,,
15,1,,22137-120000,, "WASHER 12,POLISHED",2,2,,,,,,,,,,,,,,,,,,,,,
16,1,,22217-050000,, "SPRING WASHER 5",1,1,,,,,,,,,,,,,,,,,,,,,
17,1,,22217-120000,, "SPRING WASHER 12",2,2,,,,,,,,,,,,,,,,,,,,,
18,1,,26013-080162,, "BOLT W/WASHER M8X16",1,1,,,,,,,,,,,,,,,,,,,,,
19,1,,26013-080162,, "BOLT W/WASHER M8X16",1,1,,,,,,,,,,,,,,,,,,,,,
20,1,,26013-100202,, "BOLT W/WASHER M10X20",1,1,,,,,,,,,,,,,,,,,,,,,
21,1,,26116-120162,, "BOLT M12X 16 PLATED",2,2,,,,,,,,,,,,,,,,,,,,,
22,1,,26716-050002,, "NUT M 5",1,1,,,,,,,,,,,,,,,,,,,,,
23,1,,933171-15801,, "WIRE, EARTH",1,1,,,,,,,,,,,,,,,,,,,,,

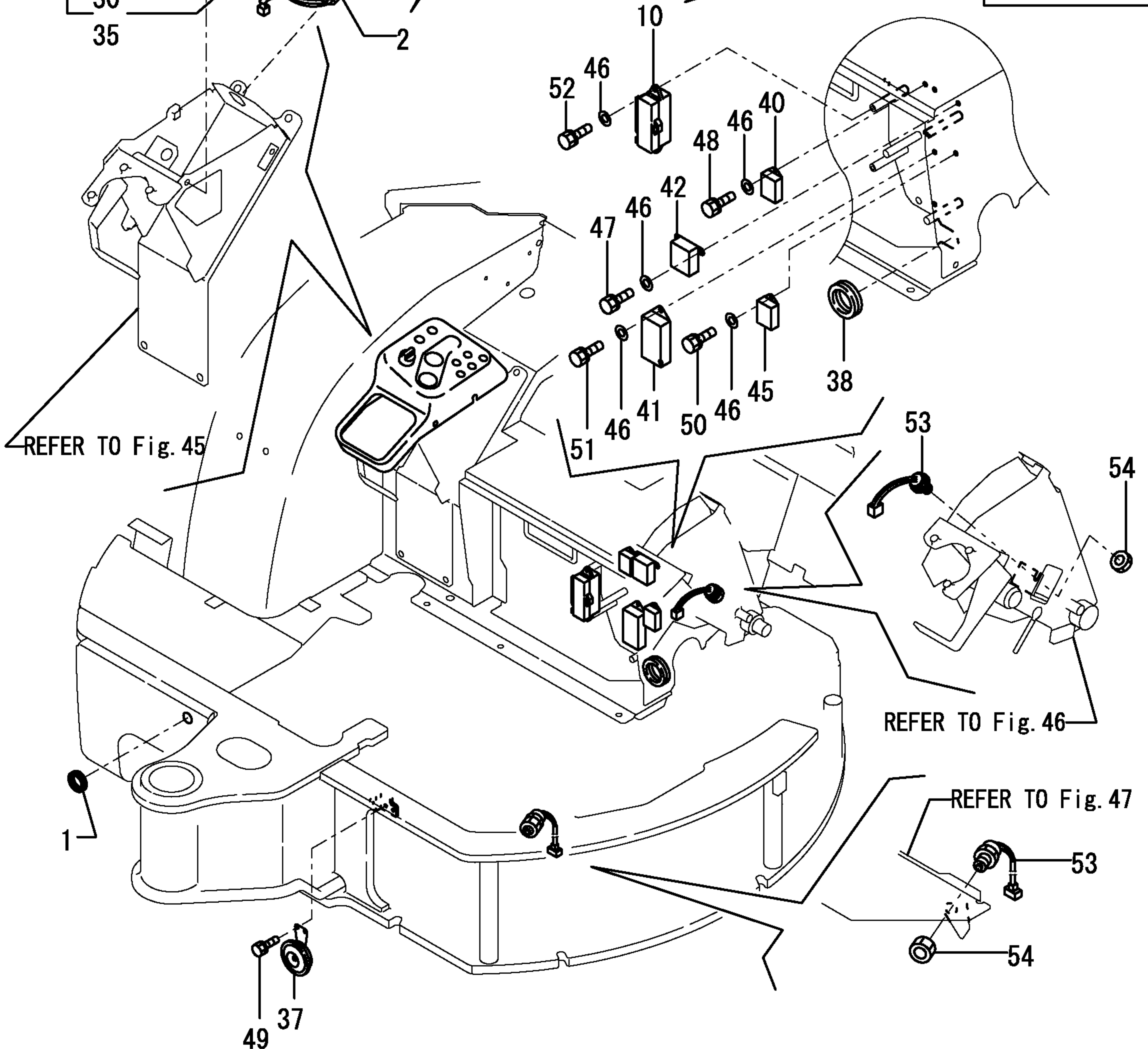
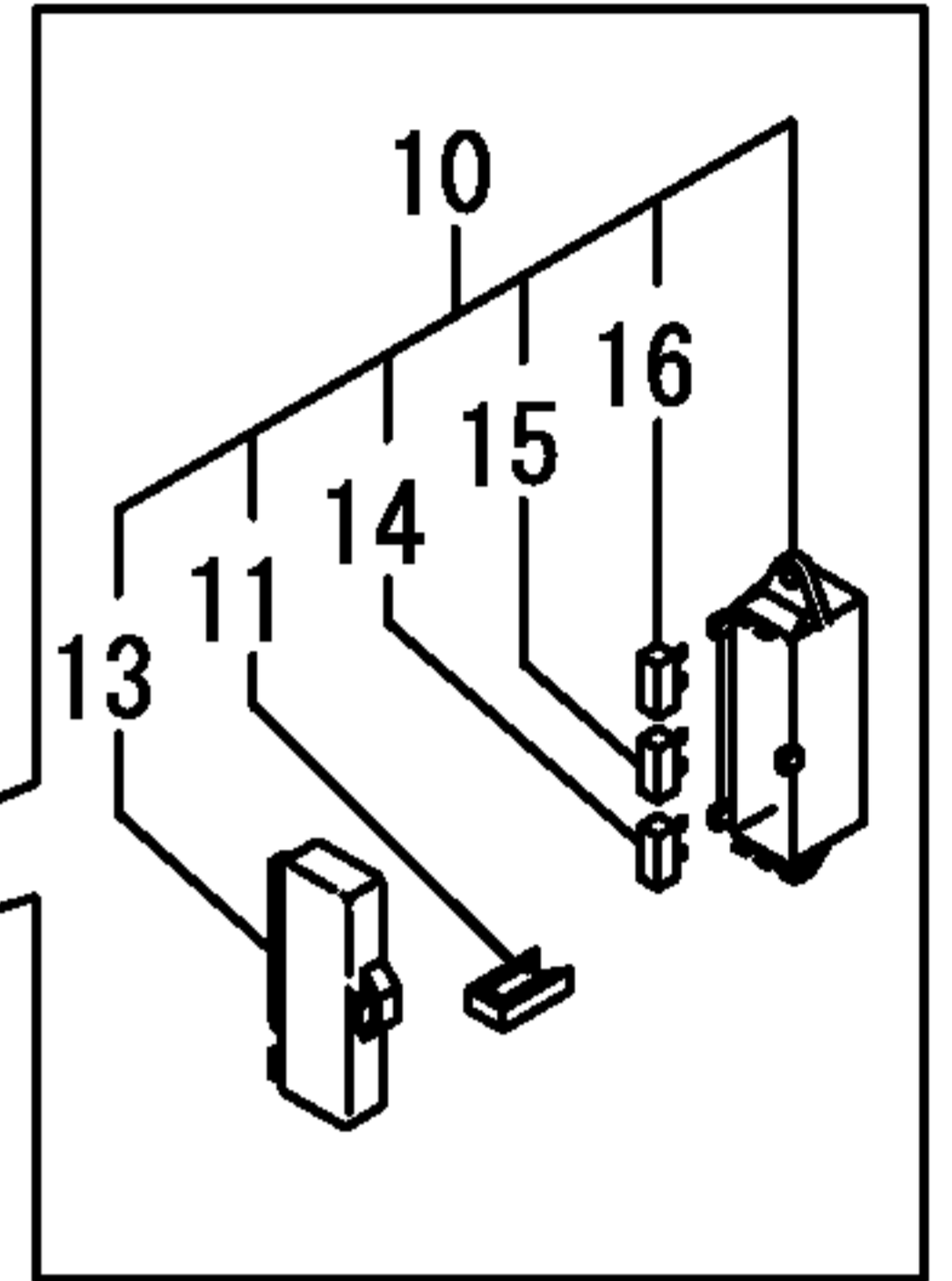
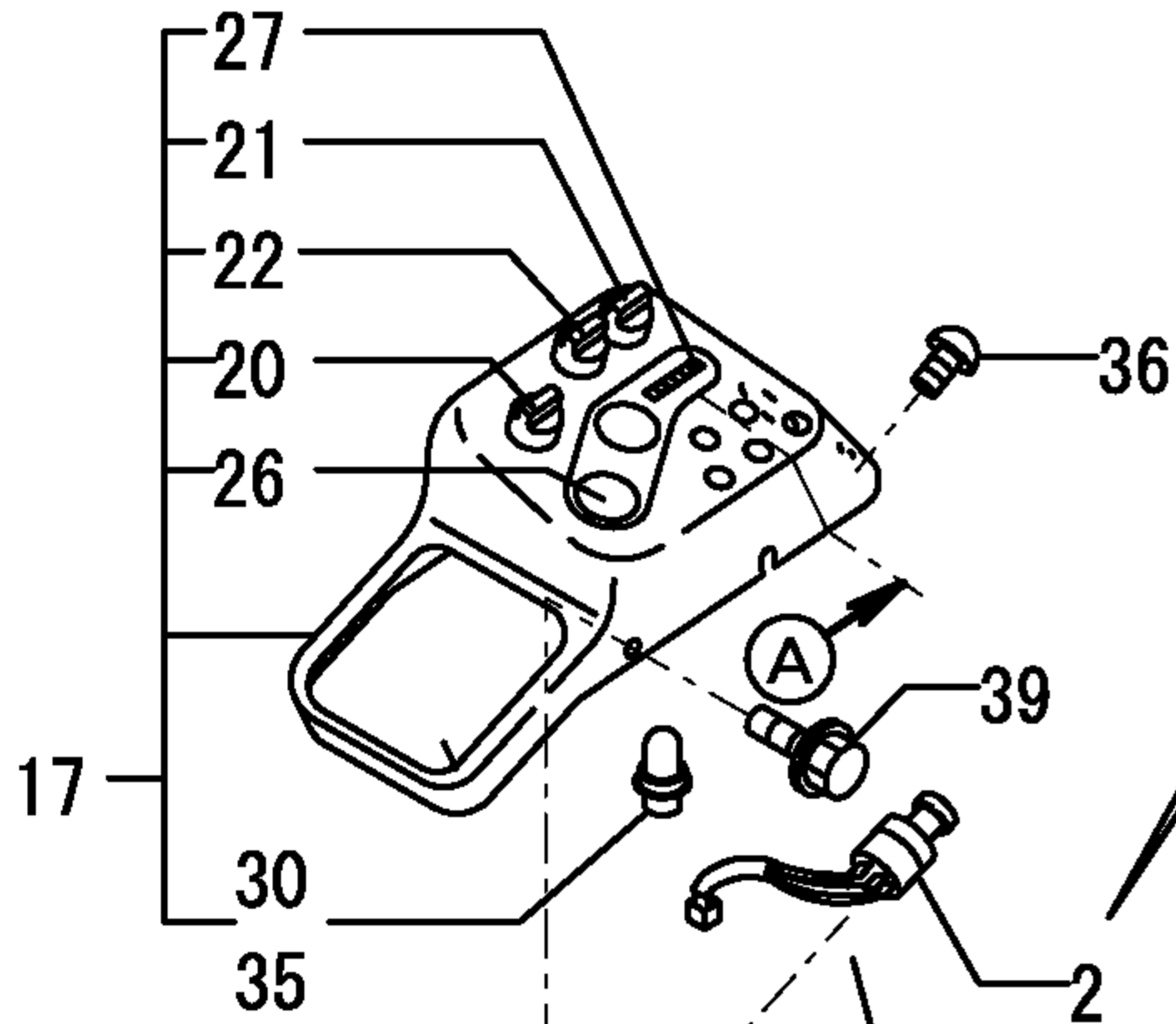
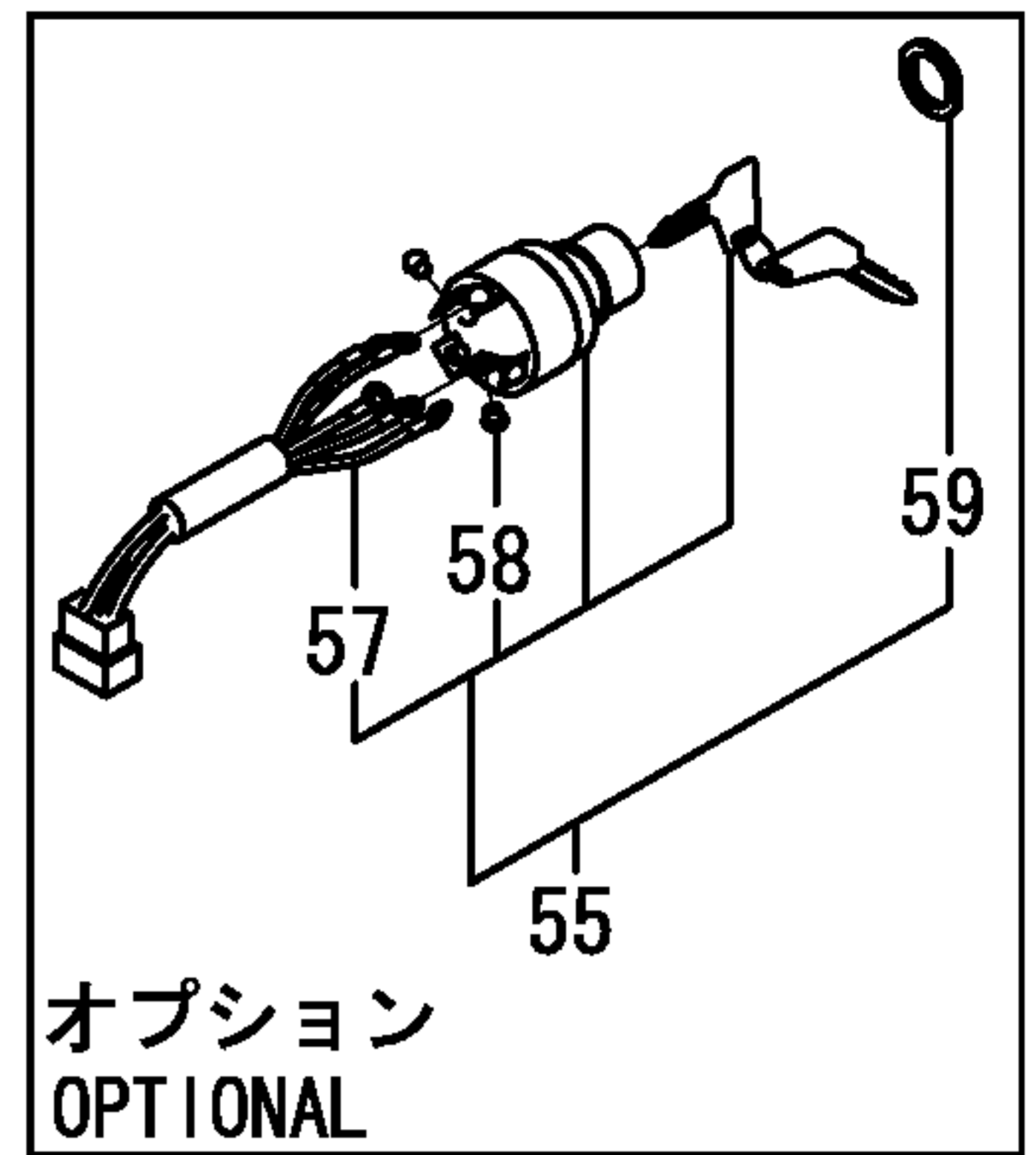
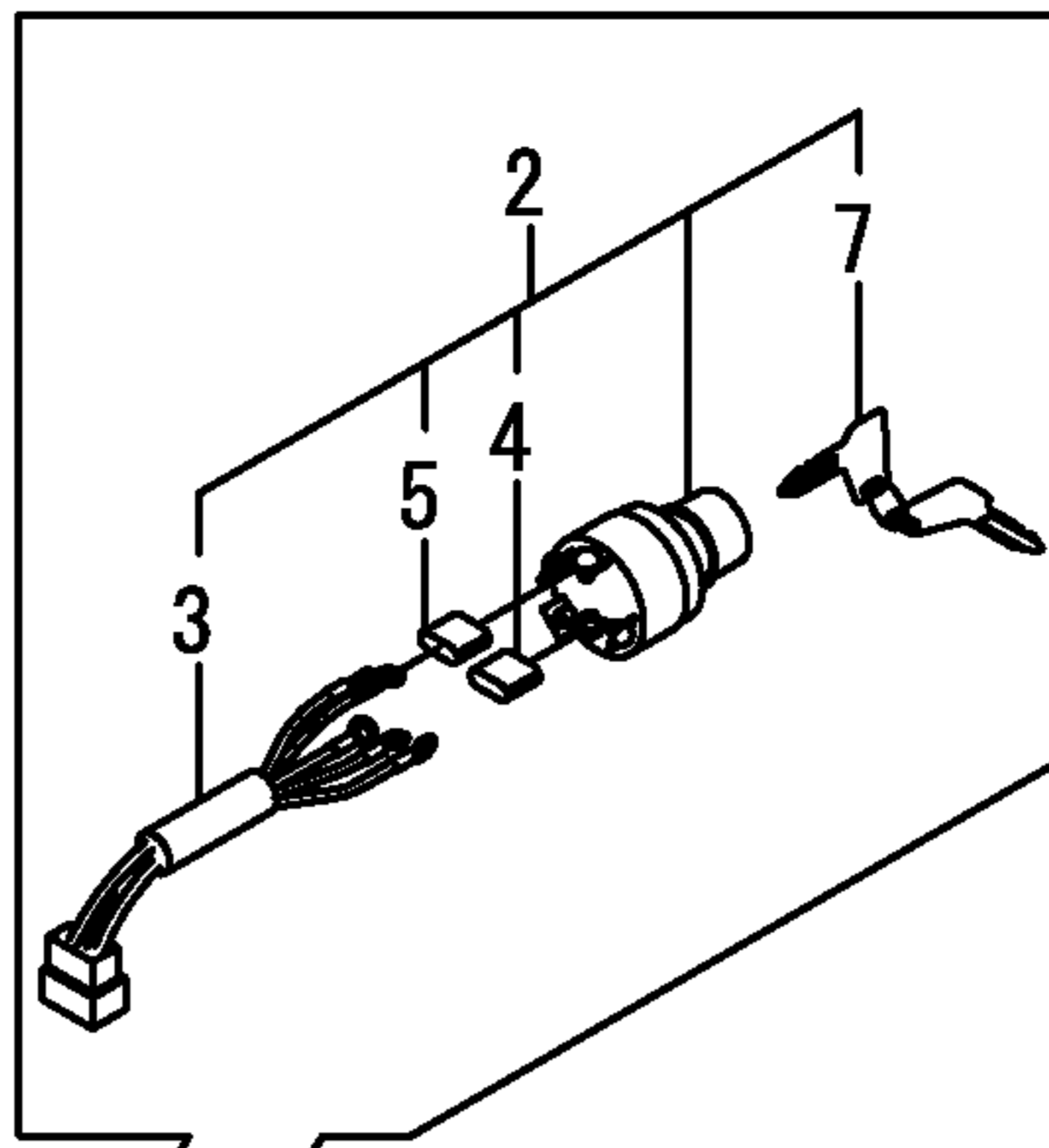
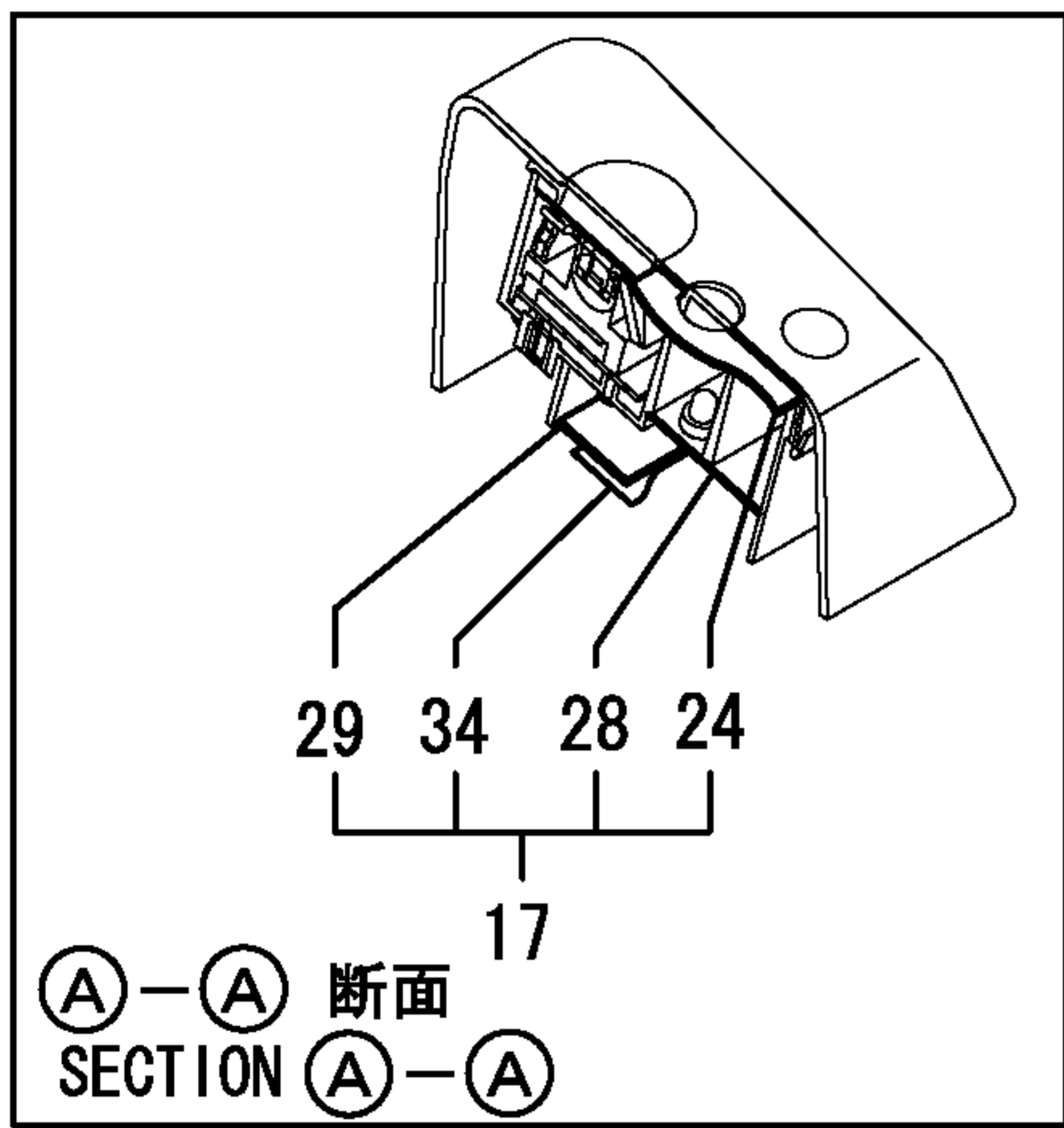
~M/#25500



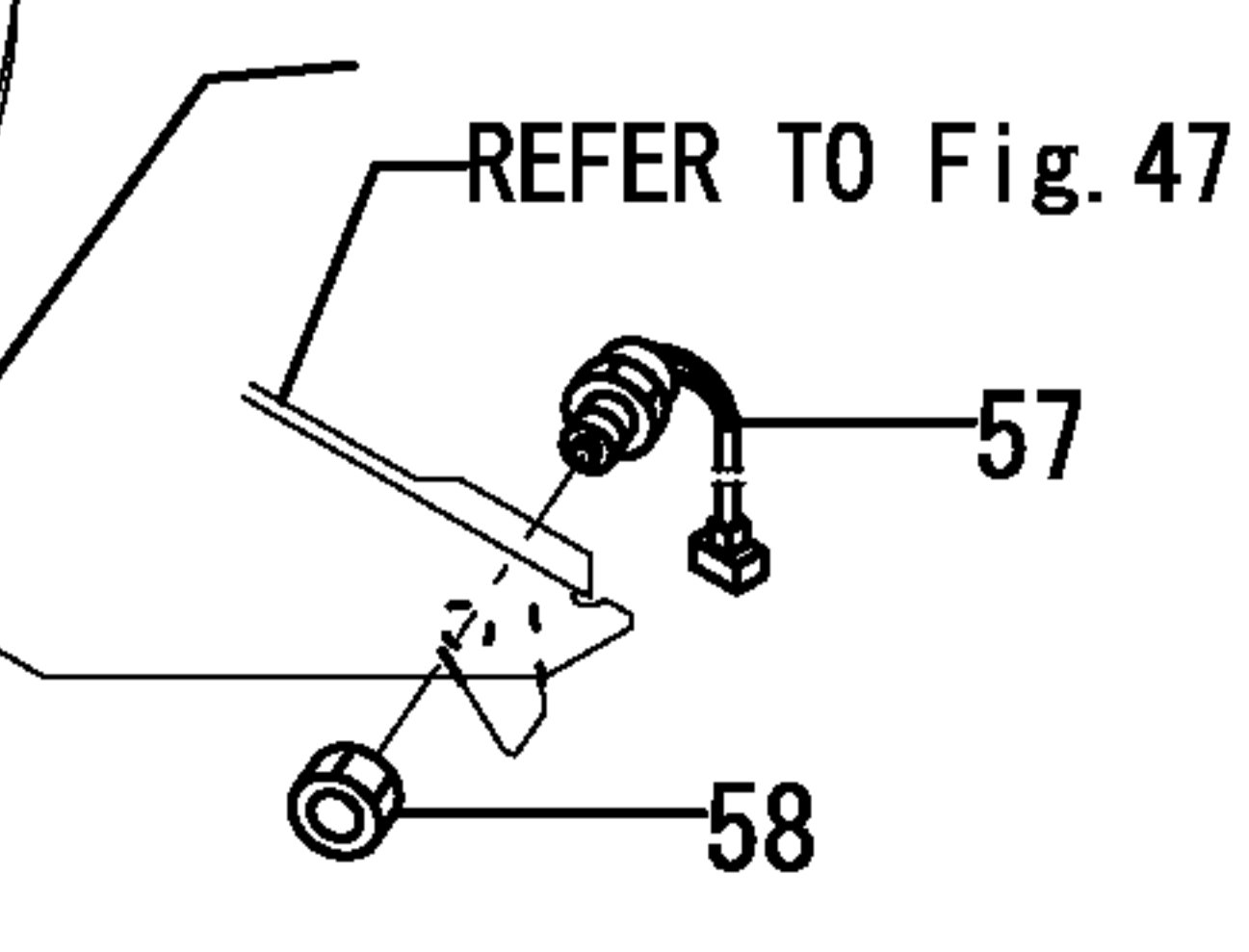
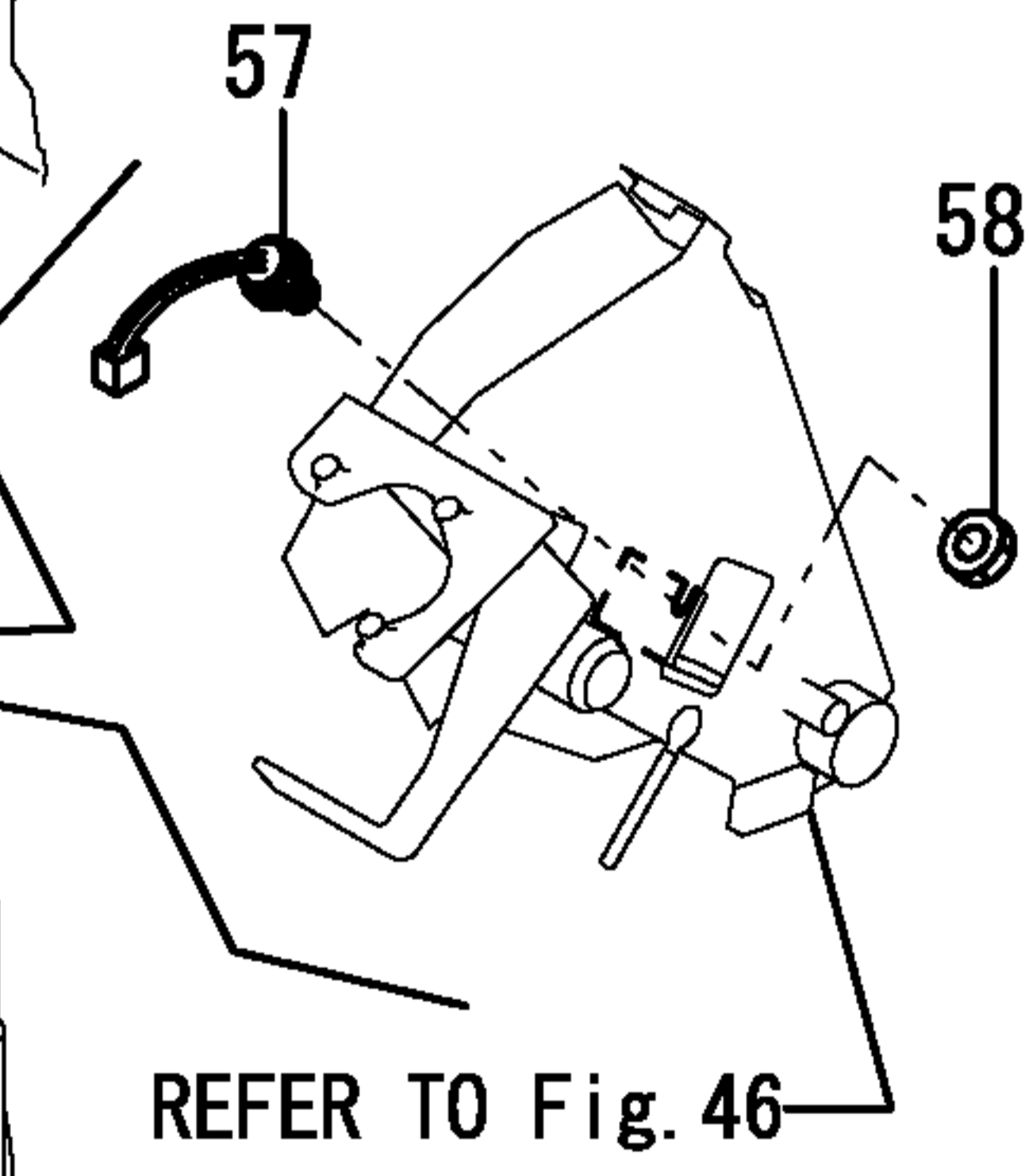
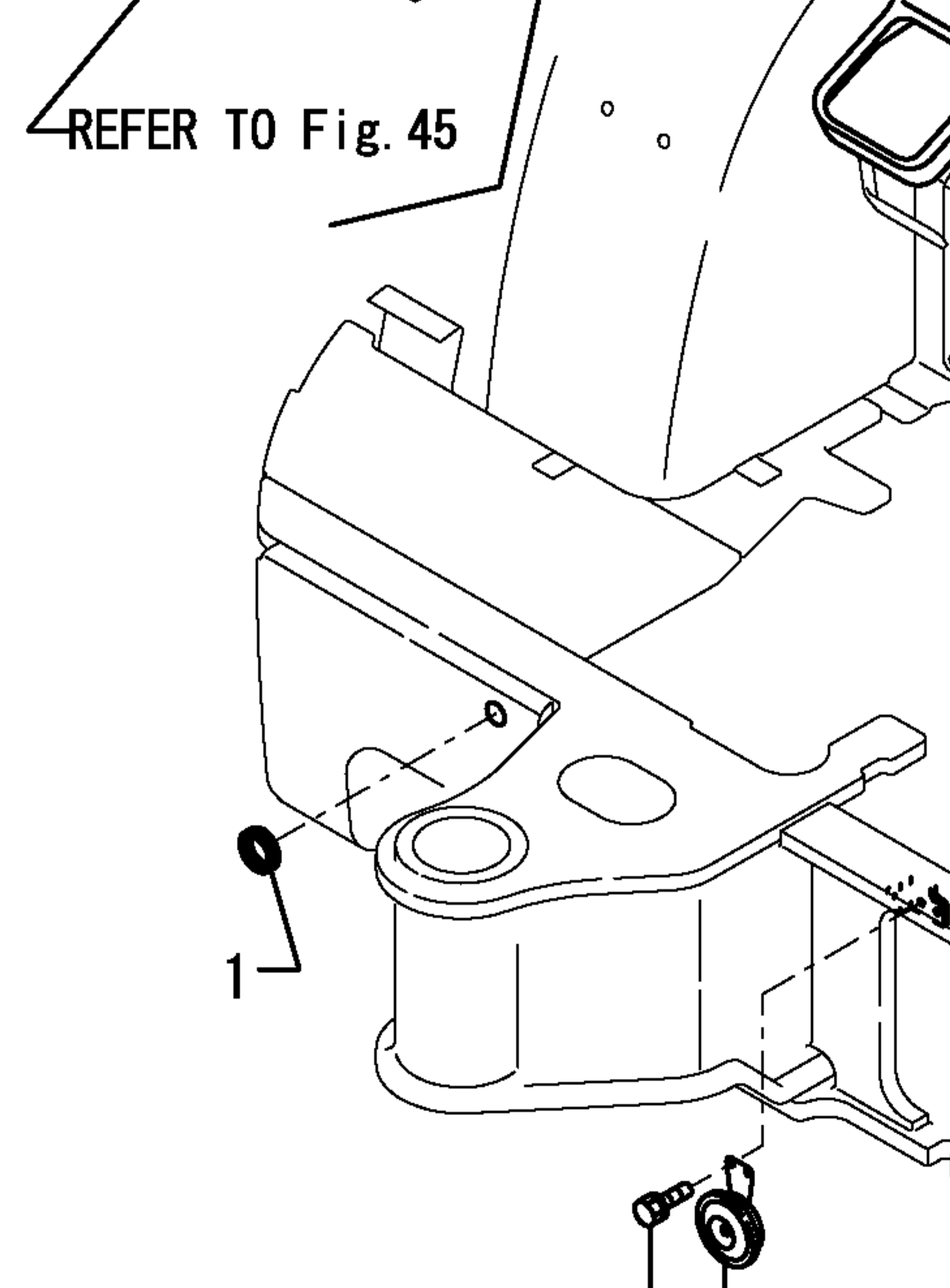
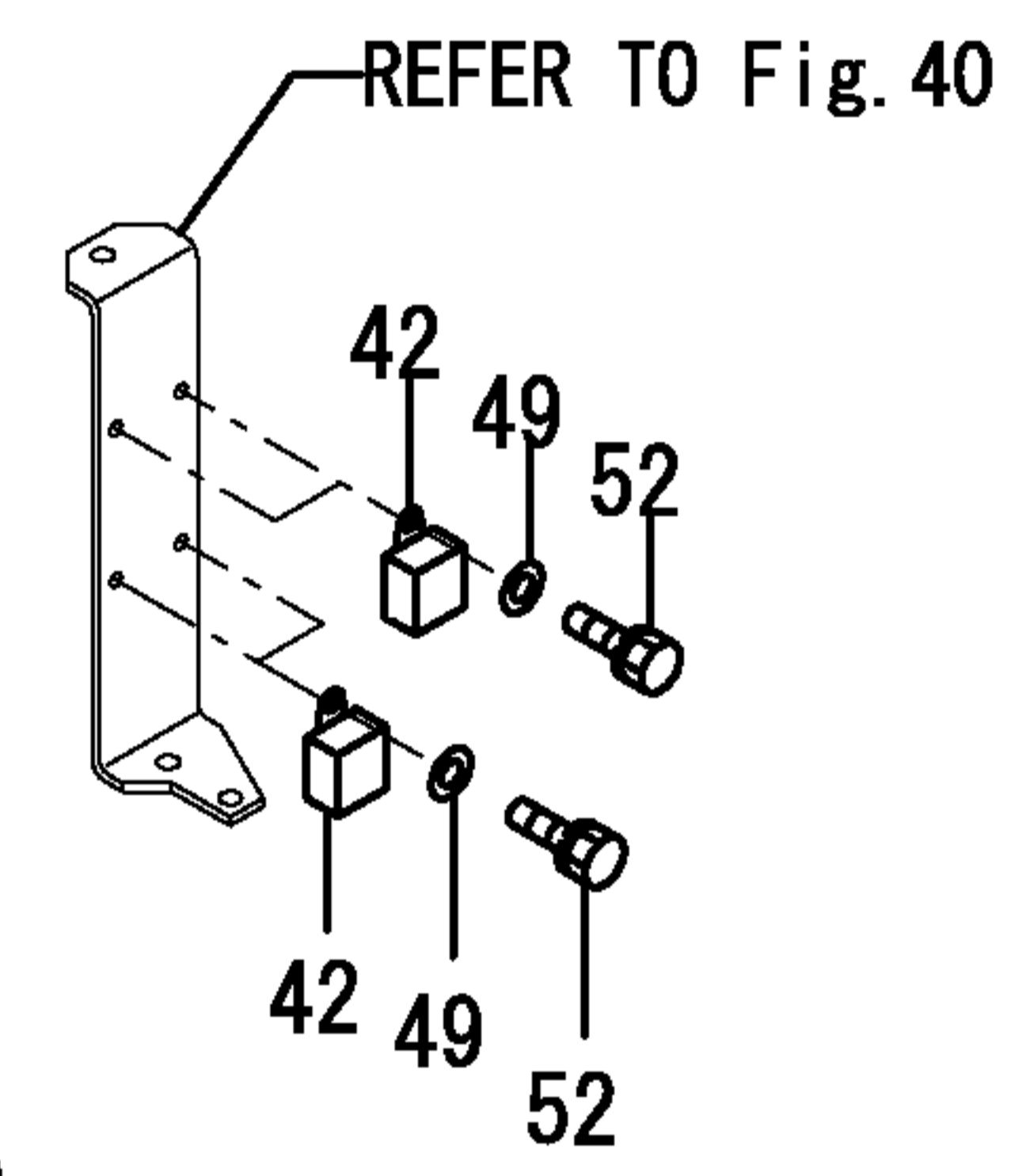
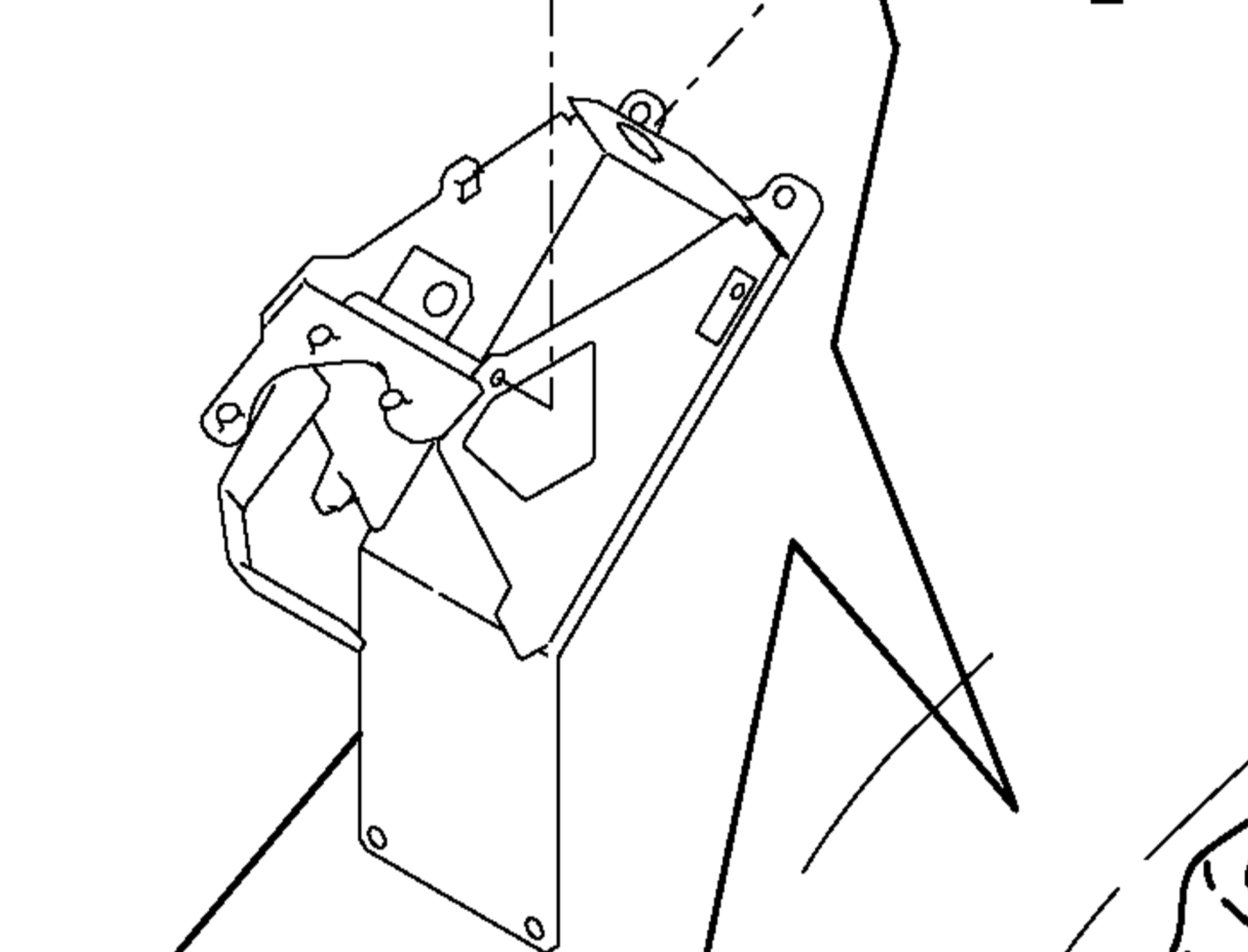
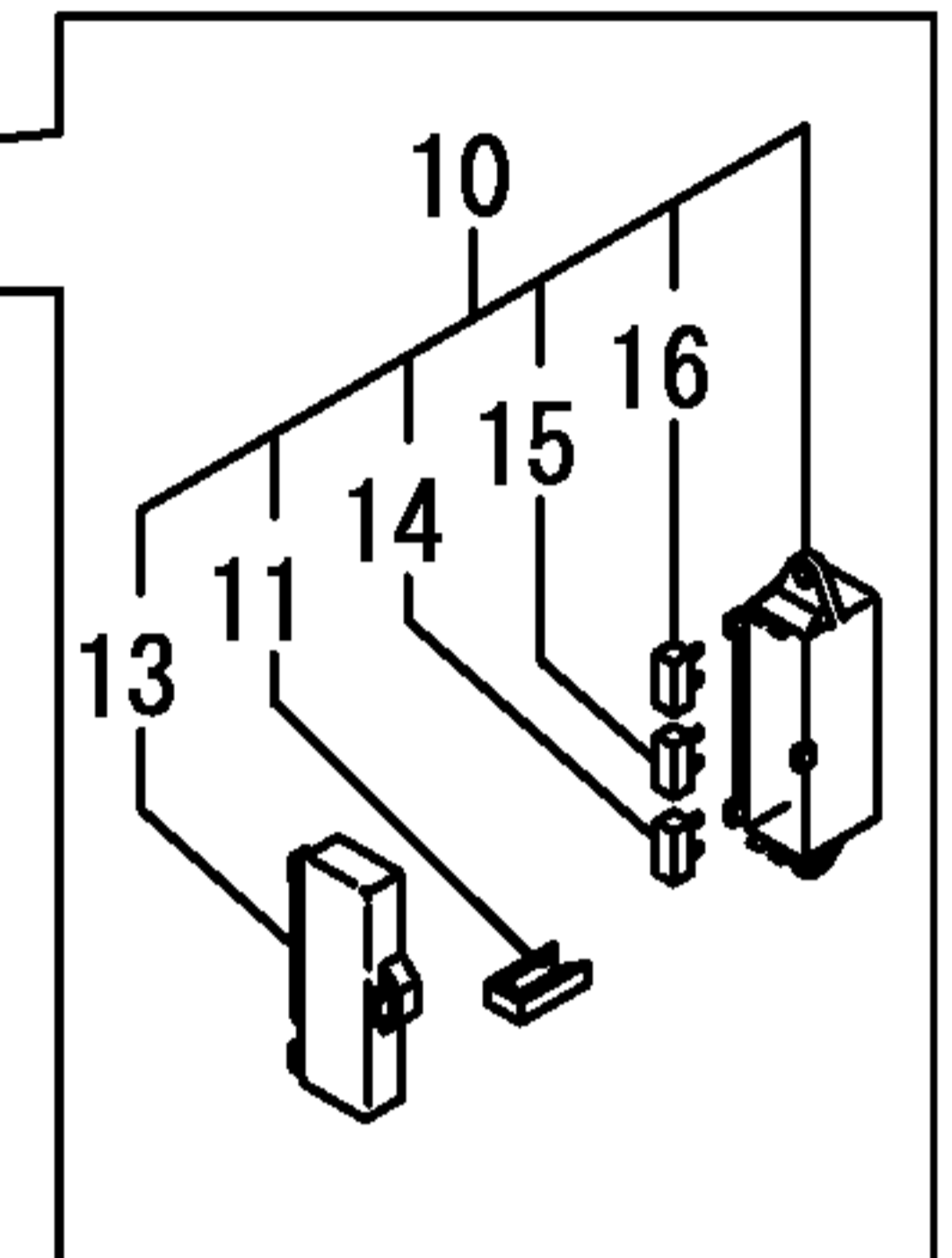
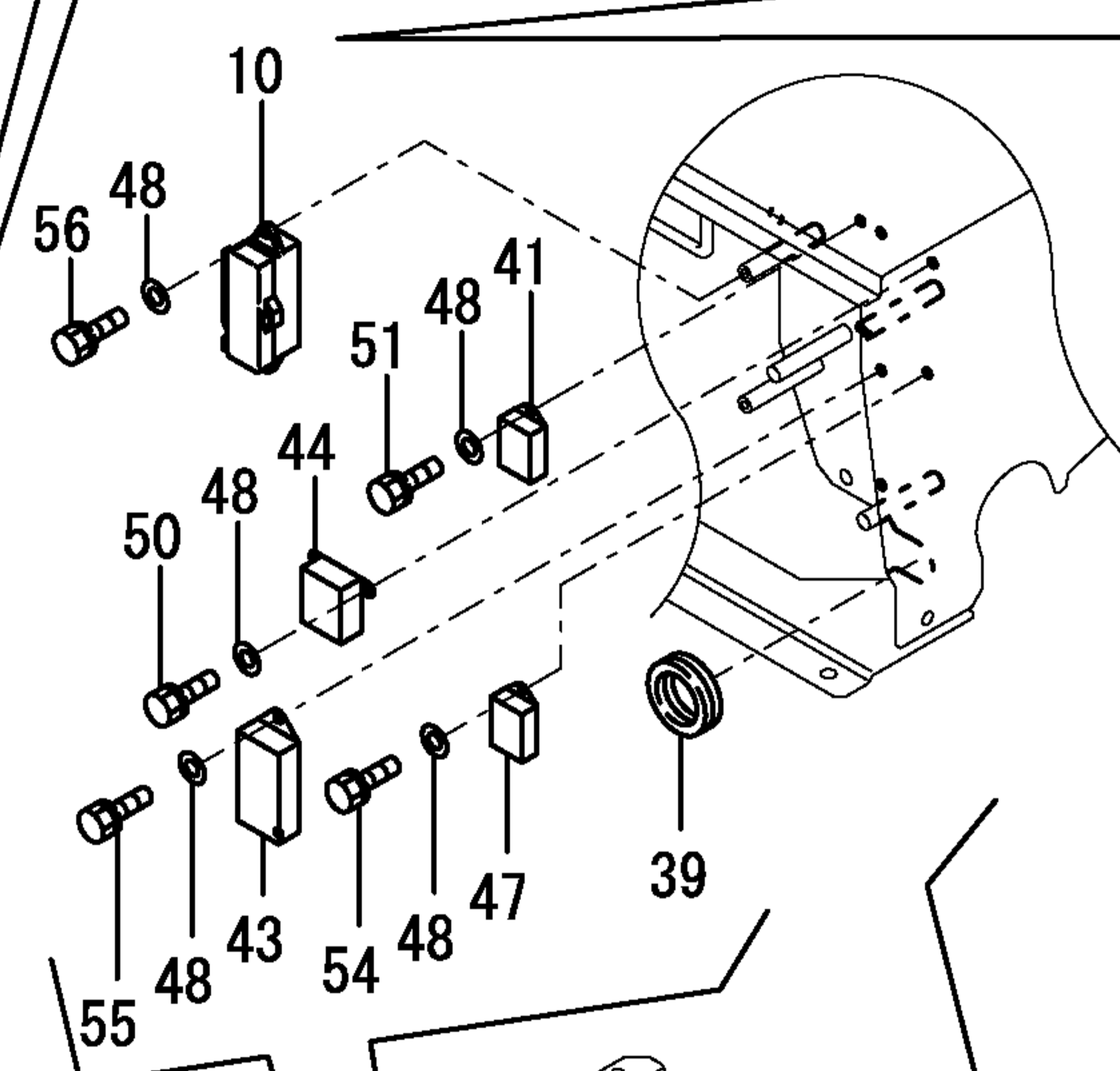
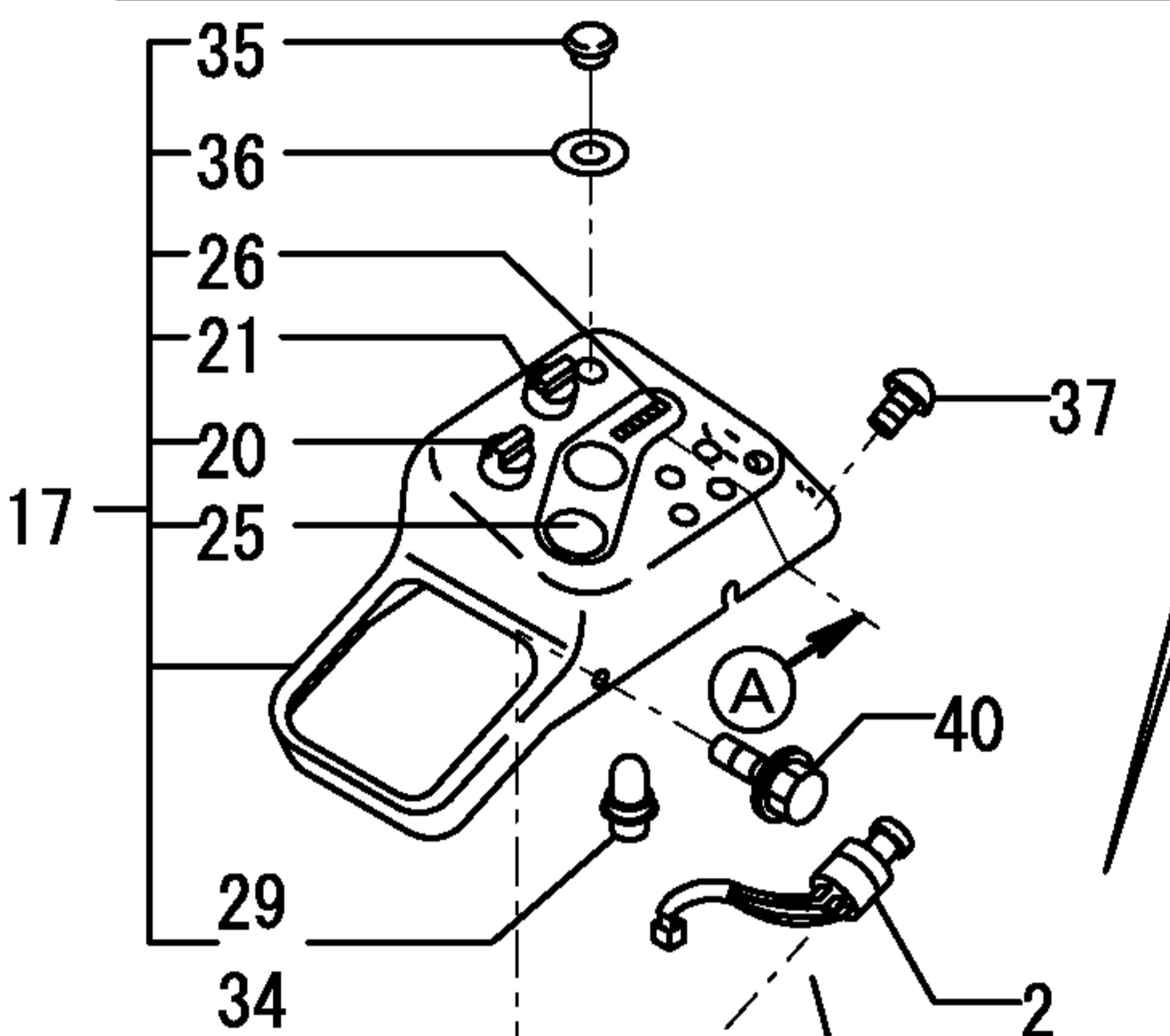
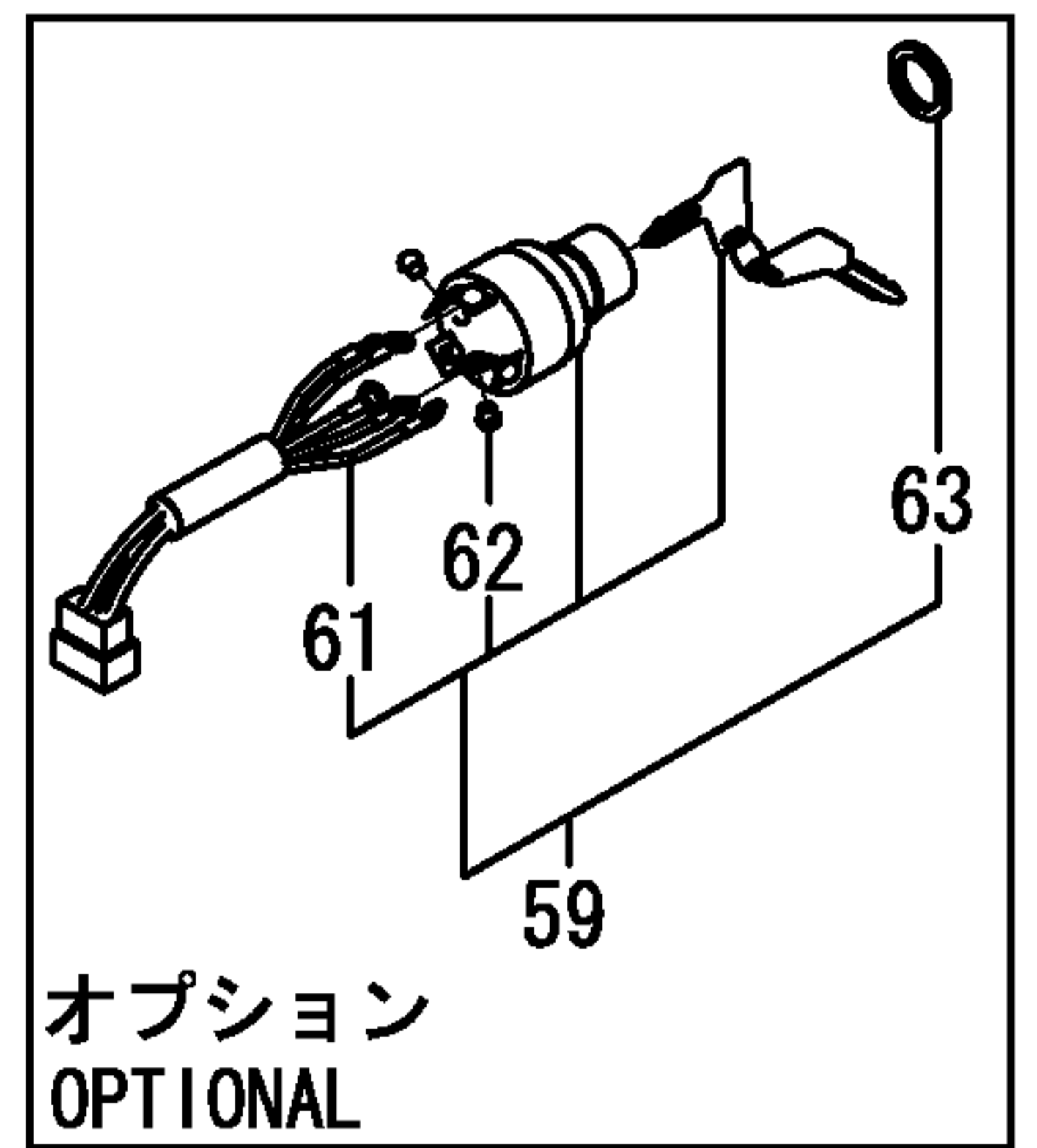
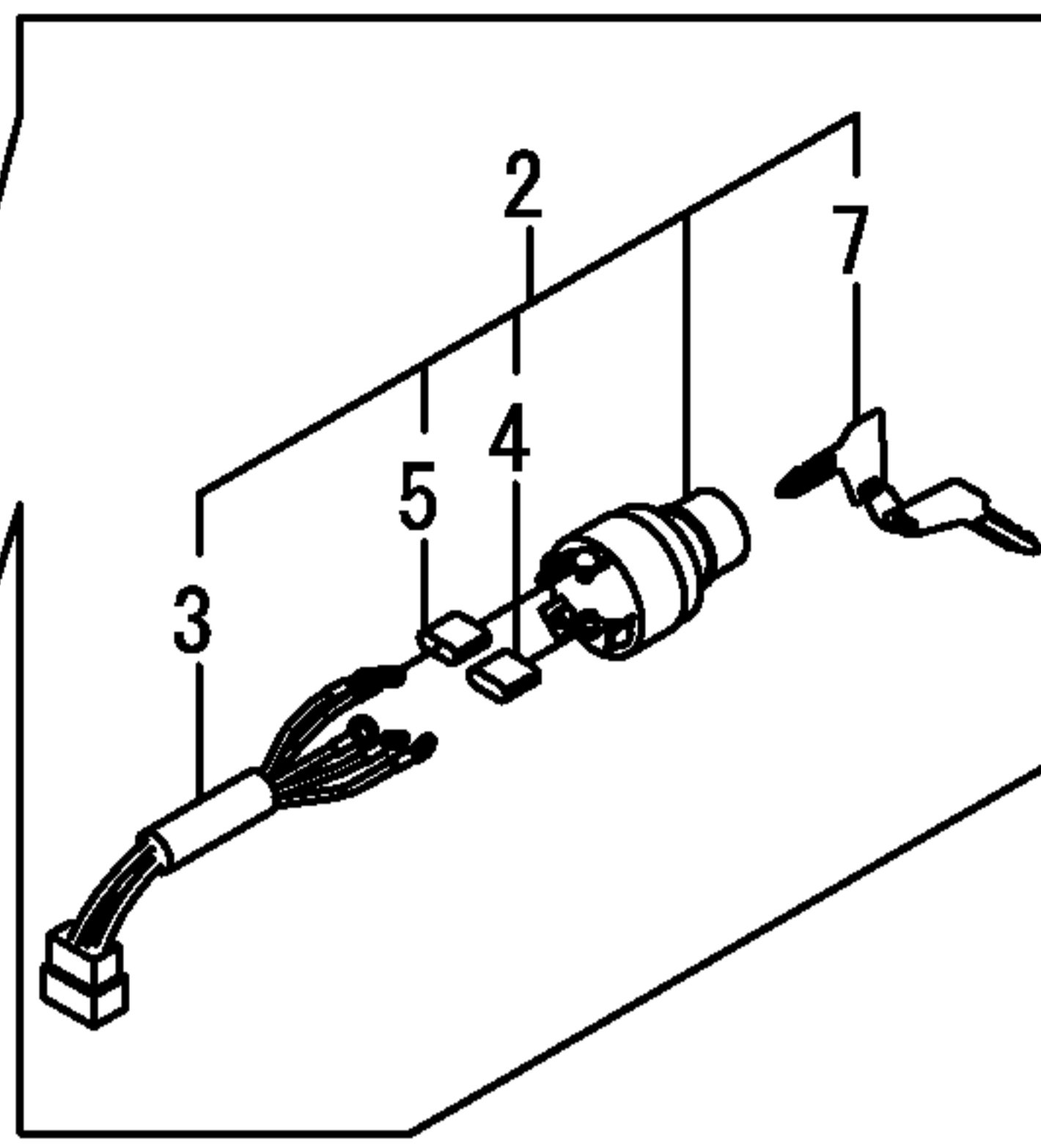
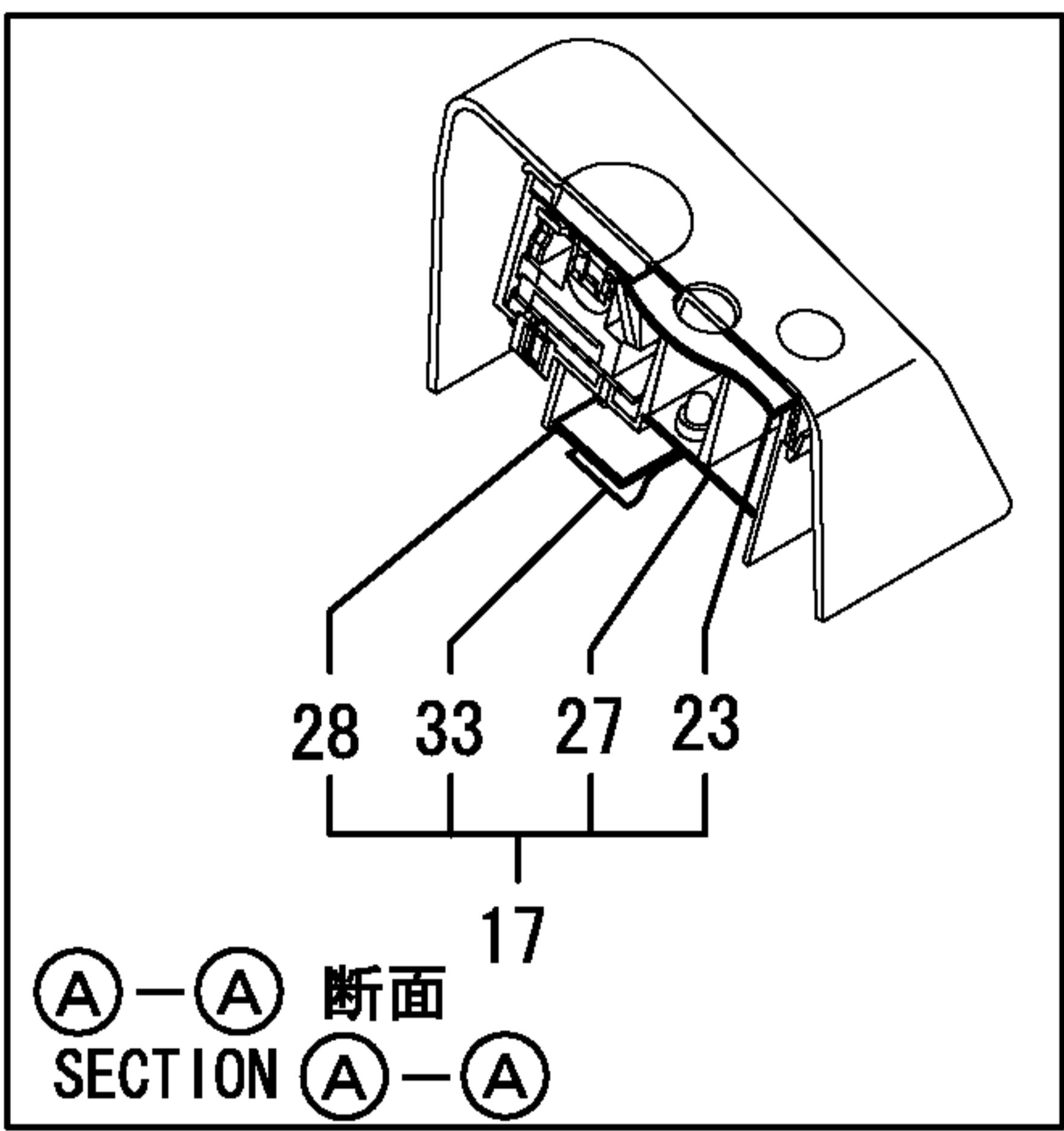
1,1,,172126-11510,, "BAND 300",4,4,4,4,,,,,,,,,,,,,
2,1,,172458-16501,, "HARNESS ASSY ,A",1,1,1,1,,,,,,,,,,,,,
4,2,,172458-16550,, "HUSE,SLOW BLOW (50A",1,1,1,1,,,,,,,,,,,,,
5,2,,172648-16600,, DIODE,2,2,2,2,,,,,,,,,,,,,
6,2,,172447-17140,, HOUSING,1,1,1,1,,,,,,,,,,,,,
7,1,,172458-16523,, "HARNESS, B ASSY",1,1,1,1,,,,,,,,,,,,,
9,2,,172175-17120,, PULLER,1,1,1,1,,,,,,,,,,,,,
10,2,,172187-17220,, COVER,1,1,1,1,,,,,,,,,,,,,
12,2,,29420-050000,, HUSE,2,2,2,2,,,,,,,,,,,,,
13,2,,29420-150000,, HUSE,6,6,6,6,,,,,,,,,,,,,
14,2,,29420-300000,, "FUSE B30",2,2,2,2,,,,,,,,,,,,,
15,1,,172458-16531,, "HARNESS, BOOM LAMP",1,1,1,1,,,,,,,,,,,,,
16,1,,172126-16540,, "CLAMP 10X70",2,2,2,2,,,,,,,,,,,,,
17,1,,172137-16560,, BAND,1,1,1,1,,,,,,,,,,,,,
18,1,,172458-16561,, "HARNESS,CANOPY LAMP",,1,,1,,,,,,,,,,,,,
19,1,,194440-51620,, "CLAMP, WIRE HARNESS",1,1,1,1,,,,,,,,,,,,,
20,1,,194440-51620,, "CLAMP, WIRE HARNESS",1,1,1,1,,,,,,,,,,,,,
21,1,,172187-78580,, "BAND W 397",2,2,2,2,,,,,,,,,,,,,
22,1,,172187-78580,, "BAND W 397",1,1,1,1,,,,,,,,,,,,,
23,1,,22137-100000,, "WASHER 10,POLISHED",1,1,1,1,,,,,,,,,,,,,
24,1,,22137-120000,, "WASHER 12,POLISHED",2,2,2,2,,,,,,,,,,,,,
25,1,,22217-050000,, "SPRING WASHER 5",1,1,1,1,,,,,,,,,,,,,
26,1,,22217-120000,, "SPRING WASHER 12",2,2,2,2,,,,,,,,,,,,,
27,1,,26013-080162,, "BOLT W/WASHER M8X16",1,1,1,1,,,,,,,,,,,,,
28,1,,26013-080162,, "BOLT W/WASHER M8X16",1,1,1,1,,,,,,,,,,,,,
29,1,,26013-100202,, "BOLT W/WASHER M10X20",1,1,1,1,,,,,,,,,,,,,
30,1,,26116-120162,, "BOLT M12X 16 PLATED",2,2,2,2,,,,,,,,,,,,,
31,1,,26716-050002,, "NUT M 5",1,1,1,1,,,,,,,,,,,,,
32,1,,933171-15801,, "WIRE, EARTH",1,1,1,1,,,,,,,,,,,,,
33,1,,172472-16523,, "HARNESS B ASSY (US)",,1,,,,,1,,24720054,M/#25837,,,,,
35,2,,172469-16540,, "HARNESS, ALARM",,1,,,,,,,,,,,,,
36,2,,172175-17120,, PULLER,,1,,,,,,,,,,,,,
37,2,,172187-17220,, COVER,,1,,,,,,,,,,,,,
39,2,,29420-050000,, HUSE,,2,,,,,,,,,,,,,
40,2,,29420-150000,, HUSE,,6,,,,,,,,,,,,,
41,2,,29420-300000,, "FUSE B30",,2,,,,,,,,,,,,,



1,1,,172187-16560,,GROMMET,1,,1,,,,,,,,,,,,,,,,,,,,,
2,1,,172187-17100,,,"SWITCH, START",1,,,,,,,,,,,,,,,,,,,,,
2-1,1,,172458-17100,,,"SWITCH,STARTING",1,,,,,,N,,72460088,M/#20847,,,,,,,,,,,,,
2-2,1,,172187-17100,,,"SWITCH, START",1,1,,,,,R,,72458519,M/#22743,,,,,,,,,,,,,
3,2,,172187-17070,,CODE,1,,1,,,,,,,,,,,,,,,,,,,,,
4,2,,172187-17080,,,"COVER M5",3,3,,,,,,,,,,,,,,,,,,,,,
5,2,,172187-17090,,,"COVER M4",2,2,,,,,,,,,,,,,,,,,,,,,
7,2,,933110-00301,,,"KEY ASSY",1,,,,,,,,,,,,,,,,,,,,,
7-1,2,,172524-17330,,,"KEY ASSY",1,,,,,,N,,72458338,M/#20955,,,,,,,,,,,,,
7-2,2,,933110-00301,,,"KEY ASSY",1,1,,,,,R,,72458519,M/#22743,,,,,,,,,,,,,
10,1,,172187-17200,,,"BOX,
FUSE",1,1,,,,,Z,,72458585,M/#25501,,,,,72458585,M/#25501,,,,,,,,,I
11,2,,172175-
17120,,PULLER,1,1,,,,,Z,,72458585,M/#25501,,,,,72458585,M/#25501,,,,,,,,,I
13,2,,172187-
17220,,COVER,1,1,,,,,Z,,72458585,M/#25501,,,,,72458585,M/#25501,,,,,,,,,I
14,2,,29420-
050000,,HUSE,2,2,,,,,Z,,72458585,M/#25501,,,,,72458585,M/#25501,,,,,,,,,I
15,2,,29420-
150000,,HUSE,6,6,,,,,Z,,72458585,M/#25501,,,,,72458585,M/#25501,,,,,,,,,I
16,2,,29420-300000,,,"FUSE
B30",2,2,,,,,Z,,72458585,M/#25501,,,,,72458585,M/#25501,,,,,,,,,I
17,1,,172458-17250,,,"BOX,INDICATOR(CABIN)",1,1,,,,,,,,,,,,,,,,,,,,,
20,2,,172187-17280,,,"SWITCH ASSY, LIGHT",1,1,,,,,,,,,,,,,,,,,,,,,
21,2,,172187-17290,,,"SWITCH, HEATER",1,1,,,,,,,,,,,,,,,,,,,,,
22,2,,172187-17301,,,"SWITCH ASSY, WIPER",1,1,,,,,,,,,,,,,,,,,,,,,
24,2,,172187-17320,,,"PACKING,1,1,,,,,,,,,,,,,,,,,,,,,
26,2,,172187-17341,,,"GAUGE ASSY",1,1,,,,,,,,,,,,,,,,,,,,,
27,2,,172187-17350,,,"METER ASSY, HOUR",1,1,,,,,,,,,,,,,,,,,,,,,I
28,2,,172187-17360,,,"PRINT,CIRCUIT",1,1,,,,,,,,,,,,,,,,,,,,,
29,2,,172187-17371,,,"CIRCUIT ASSY",1,1,,,,,,,,,,,,,,,,,,,,,
30,2,,172187-17380,,,"BULB,T6.5-13.5V-2W",4,4,,,,,,,,,,,,,,,,,,,,,
34,2,,172187-17470,,,"PLATE,1,1,,,,,,,,,,,,,,,,,,,,,
35,2,,172187-17480,,,"BULB,T5-14V-2W",2,2,,,,,,,,,,,,,,,,,,,,,
36,1,,172458-46720,,,"BOLT 8X20",1,1,,,,,,,,,,,,,,,,,,,,,
37,1,,194151-57100,,,"HORN,1,1,,,,,,,,,,,,,,,,,,,,,
38,1,,172165-62800,,,"GROMMET 26",1,1,,,,,,,,,,,,,,,,,,,,,
39,1,,172519-63240,,,"BOLT 8X 16",3,3,,,,,,,,,,,,,,,,,,,,,
40,1,,119247-77100,,,"RELAY, SAFETY",1,1,,,,,,,,,,,,,,,,,,,,,
41,1,,129136-77200,,,"RELAY, SAFETY",1,1,,,,,,,,,,,,,,,,,,,,,
42,1,,119650-77910,,,"RELAY, GROW",1,1,,,,,,,,,,,,,,,,,,,,,
45,1,,129211-77920,,,"TIMER,1,1,,,,,,,,,,,,,,,,,,,,,
46,1,,22137-060000,,,"WASHER 6, POLISHED",8,8,,,,,,,,,,,,,,,,,,,,,
47,1,,26013-060122,,,"BOLT M 6X 12",2,2,,,,,,,,,,,,,,,,,,,,,
48,1,,26013-060122,,,"BOLT M 6X 12",1,1,,,,,,,,,,,,,,,,,,,,,
49,1,,26013-060162,,,"BOLT M 6X 16",2,2,,,,,,,,,,,,,,,,,,,,,
50,1,,26013-060162,,,"BOLT M 6X 16",1,1,,,,,,,,,,,,,,,,,,,,,
51,1,,26013-060202,,,"BOLT M 6X 20",2,2,,,,,,,,,,,,,,,,,,,,,
52,1,,26013-060202,,,"BOLT M 6X
20",2,2,,,,,Z,,72458585,M/#25501,,,,,72458585,M/#25501,,,,,,,,,I
53,1,,194464-52190,,,"SWITCH, SAFETY START",2,2,,,,,,,,,,,,,,,,,,,,,
54,1,,26776-180002,,,"NUT M18,LOCK",2,2,,,,,,,,,,,,,,,,,,,,,
55,1,,172458-17170,,,"KEY ASSY",1,,,,,,1,,,,,,,,,,,,,,,,,,,,,
55-1,1,,172458-17171,,,"KEY ASSY",1,,,,,,N,1,24580565,M/#25837,,,,,,,,,,,,,
57,3,,172458-17150,,,"HARNES,1,,,,,,,,,,,,,,,,,,,,,
58,3,,26022-050102,,,"SCREW M 5X 10",5,,,,,,,,,,,,,,,,,,,,,
59,2,,172458-17160,,,"PLATE,1,,,,,,,,,,,,,,,,,,,,,
59-1,2,,172458-17161,,,"PLATE,1,,,,,,N,,24580565,M/#25837,,,,,,,,,,,,,



1,1,,172187-16560,,GROMMET,1,,,,,,,,,,,,,,,,,,,,,
2,1,,172187-17100,,,"SWITCH, START",1,,,,,,,,,,,,,,,,,,,,,
2-1,1,,172458-17100,,,"SWITCH,STARTING",1,,,,,,N,,72460088,M/#20847,,,,,,,,,,,,,
2-2,1,,172187-17100,,,"SWITCH, START",1,,,,,,R,,72458519,M/#22743,,,,,,,,,,,,,I
3,2,,172187-17070,,CODE,1,,,,,,,,,,,,,,,,,,,,,
4,2,,172187-17080,,,"COVER M5",3,,,,,,,,,,,,,,,,,,,,,
5,2,,172187-17090,,,"COVER M4",2,,,,,,,,,,,,,,,,,,,,,
7,2,,933110-00301,,,"KEY ASSY",1,,,,,,,,,,,,,,,,,,,,,
7-1,2,,172524-17330,,,"KEY ASSY",1,,,,,,N,,72458338,M/#20955,,,,,,,,,,,,,
7-2,2,,933110-00301,,,"KEY ASSY",1,,,,,,R,,72458519,M/#22743,,,,,,,,,,,,,I
10,1,,172187-17200,,,"BOX, FUSE",1,,,,,,,,,,,,,,,,,,,,,
11,2,,172175-17120,,PULLER,1,,,,,,,,,,,,,,,,,,,,,
13,2,,172187-17220,,COVER,1,,,,,,,,,,,,,,,,,,,,,
14,2,,29420-050000,,HUSE,2,,,,,,,,,,,,,,,,,,,,,
15,2,,29420-150000,,HUSE,6,,,,,,,,,,,,,,,,,,,,,
16,2,,29420-300000,,,"FUSE B30",2,,,,,,,,,,,,,,,,,,,,,
17,1,,172460-17200,,,"BOX,INDICATOR(A/C)",1,,,,,,,,,,,,,,,,,,,,,
20,2,,172187-17280,,,"SWITCH ASSY, LIGHT",1,,,,,,,,,,,,,,,,,,,,,I
21,2,,172187-17301,,,"SWITCH ASSY, WIPER",1,,,,,,,,,,,,,,,,,,,,,I
23,2,,172187-17320,,PACKING,1,,,,,,,,,,,,,,,,,,,,,I
25,2,,172187-17341,,,"GAUGE ASSY",1,,,,,,,,,,,,,,,,,,,,,I
26,2,,172187-17350,,,"METER ASSY, HOUR",1,,,,,,,,,,,,,,,,,,,,,I
27,2,,172187-17360,,,"PRINT,CIRCUIT",1,,,,,,,,,,,,,,,,,,,,,I
28,2,,172187-17371,,,"CIRCUIT ASSY",1,,,,,,,,,,,,,,,,,,,,,I
29,2,,172187-17380,,,"BULB,T6.5-13.5V-2W",4,,,,,,,,,,,,,,,,,,,,,I
33,2,,172187-17470,,PLATE,1,,,,,,,,,,,,,,,,,,,,,I
34,2,,172187-17480,,,"BULB,T5-14V-2W",2,,,,,,,,,,,,,,,,,,,,,I
35,2,,172187-17560,,CAP,1,,,,,,,,,,,,,,,,,,,,,I
36,2,,172187-17570,,GASKET,1,,,,,,,,,,,,,,,,,,,,,I
37,1,,172458-46720,,,"BOLT 8X20",1,,,,,,,,,,,,,,,,,,,,,
38,1,,194151-57100,,HORN,1,,,,,,,,,,,,,,,,,,,,,
39,1,,172165-62800,,,"GROMMET 26",1,,,,,,,,,,,,,,,,,,,,,
40,1,,172519-63240,,,"BOLT 8X 16",3,,,,,,,,,,,,,,,,,,,,,
41,1,,119247-77100,,,"RELAY, SAFETY",1,,,,,,,,,,,,,,,,,,,,,
42,1,,119247-77100,,,"RELAY, SAFETY",4,,,,,,,,,,,,,,,,,,,,,
43,1,,129136-77200,,,"RELAY, SAFETY",1,,,,,,,,,,,,,,,,,,,,,
44,1,,119650-77910,,,"RELAY, GROW",1,,,,,,,,,,,,,,,,,,,,,
47,1,,129211-77920,,TIMER,1,,,,,,,,,,,,,,,,,,,,,
48,1,,22137-060000,,,"WASHER 6, POLISHED",8,,,,,,,,,,,,,,,,,,,,,
49,1,,22137-060000,,,"WASHER 6, POLISHED",4,,,,,,,,,,,,,,,,,,,,,
50,1,,26013-060122,,,"BOLT M 6X 12",2,,,,,,,,,,,,,,,,,,,,,
51,1,,26013-060122,,,"BOLT M 6X 12",1,,,,,,,,,,,,,,,,,,,,,
52,1,,26013-060122,,,"BOLT M 6X 12",4,,,,,,,,,,,,,,,,,,,,,
53,1,,26013-060162,,,"BOLT M 6X 16",2,,,,,,,,,,,,,,,,,,,,,
54,1,,26013-060162,,,"BOLT M 6X 16",1,,,,,,,,,,,,,,,,,,,,,
55,1,,26013-060202,,,"BOLT M 6X 20",2,,,,,,,,,,,,,,,,,,,,,
56,1,,26013-060202,,,"BOLT M 6X 20",2,,,,,,,,,,,,,,,,,,,,,
57,1,,194464-52190,,,"SWITCH, SAFETY START",2,,,,,,,,,,,,,,,,,,,,,
58,1,,26776-180002,,,"NUT M18,LOCK",2,,,,,,,,,,,,,,,,,,,,,
59,1,,172458-17170,,,"KEY ASSY",1,,,,,,1,,,,,,,,,,,,,,,,,,,,,I
61,3,,172458-17150,,HARNESS,1,,,,,,,,,,,,,,,,,,,,,I
62,3,,26022-050102,,,"SCREW M 5X 10",5,,,,,,,,,,,,,,,,,,,,,I
63,2,,172458-17160,,PLATE,1,,,,,,,,,,,,,,,,,,,,,I

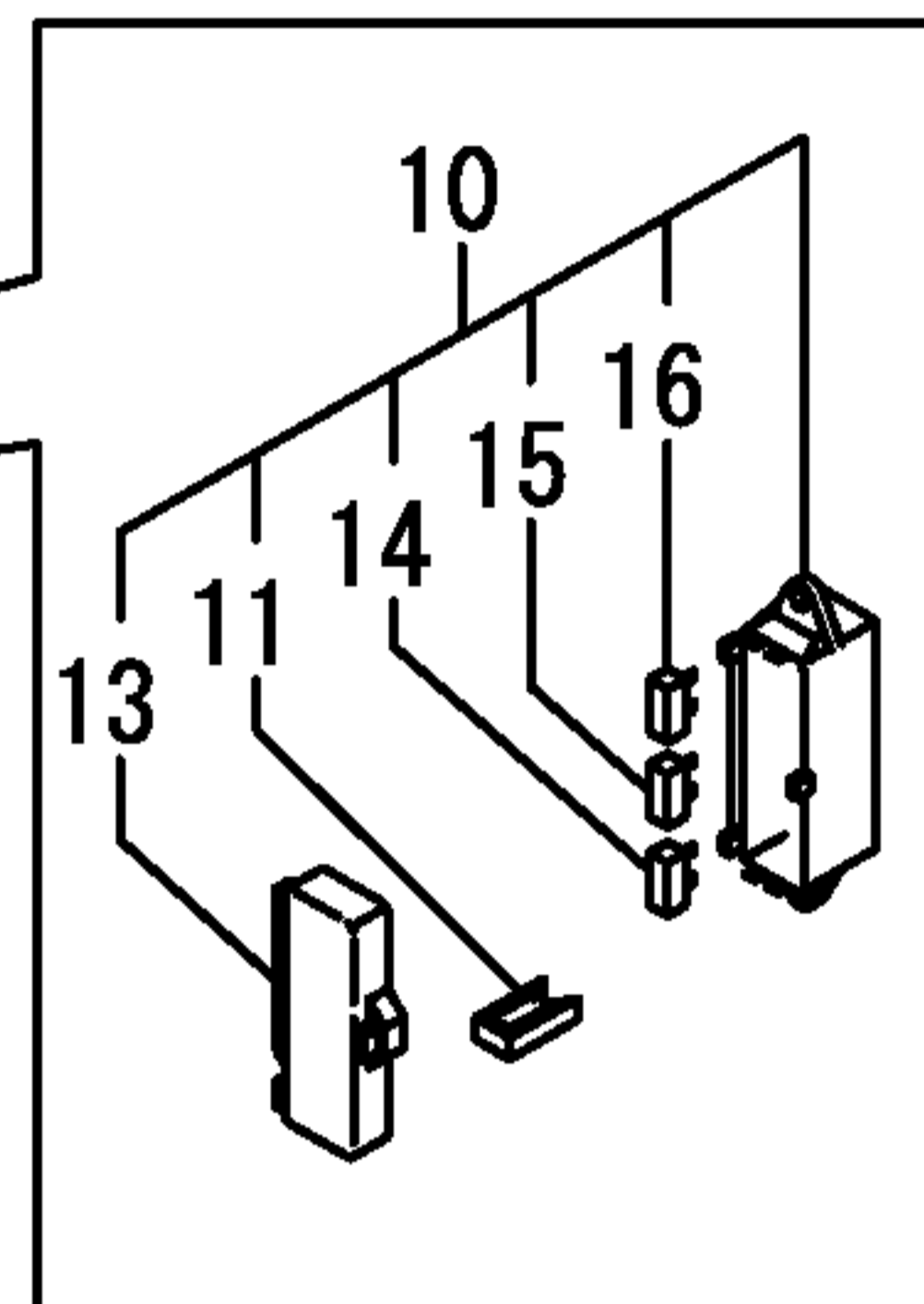
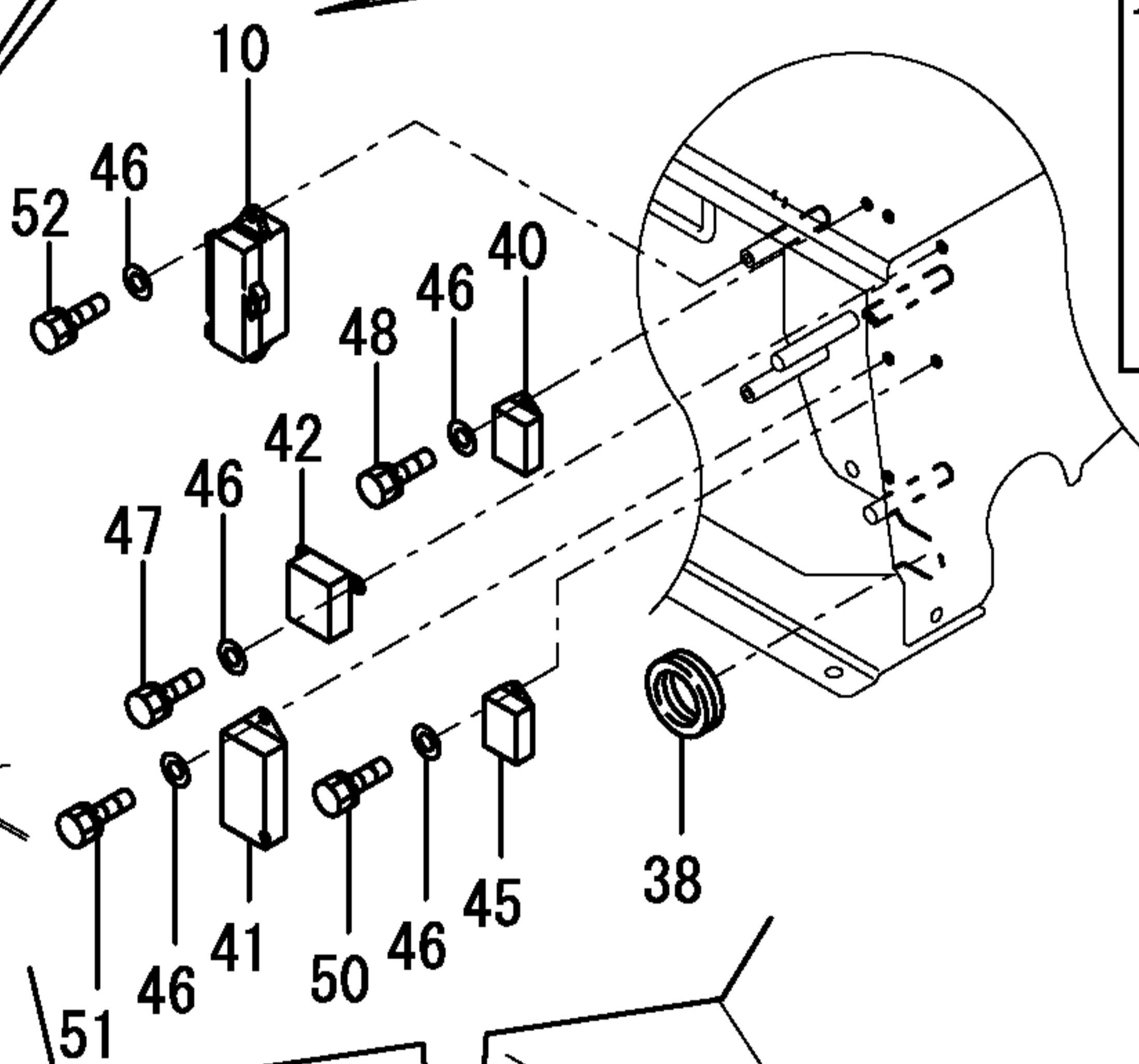
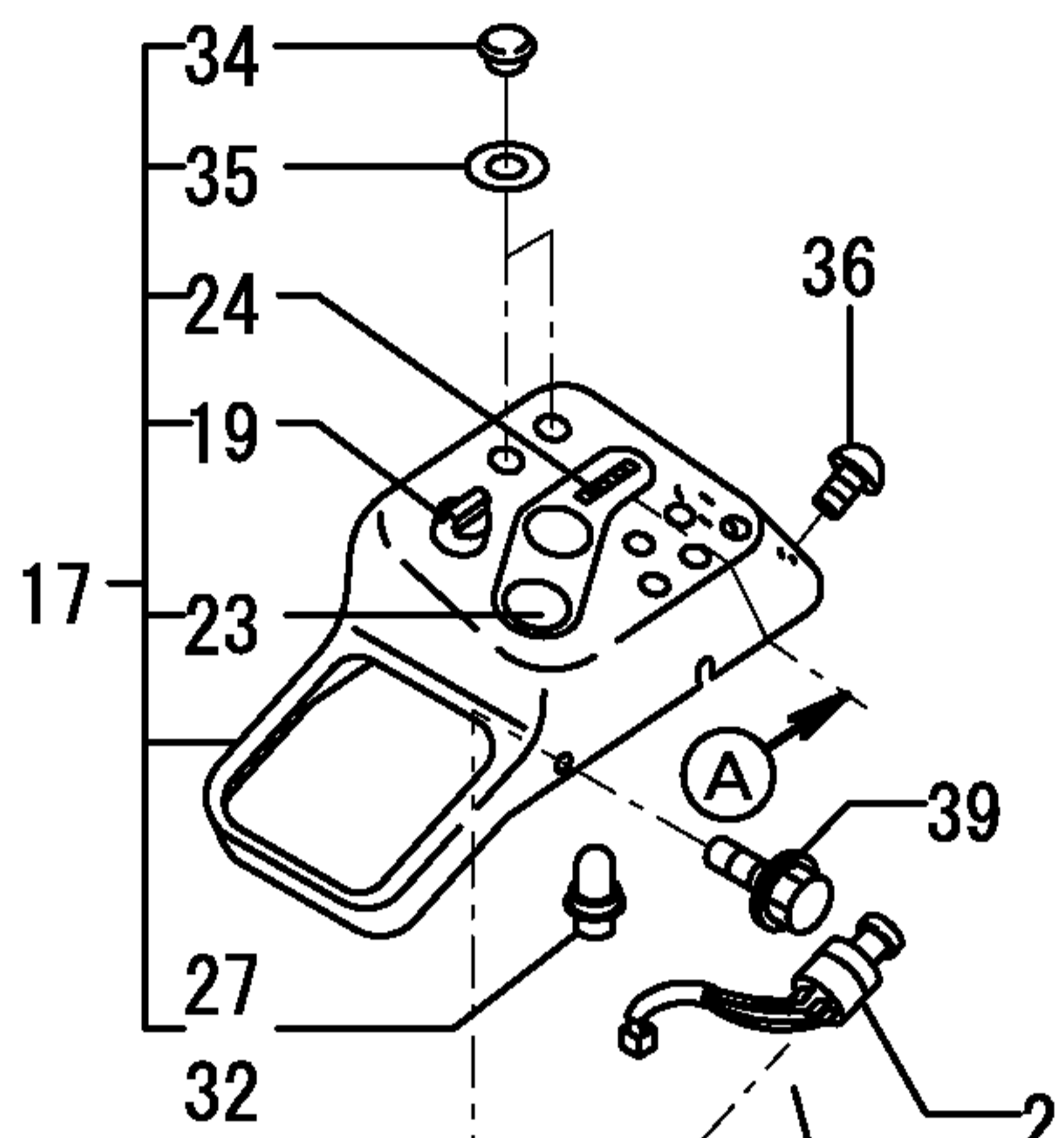
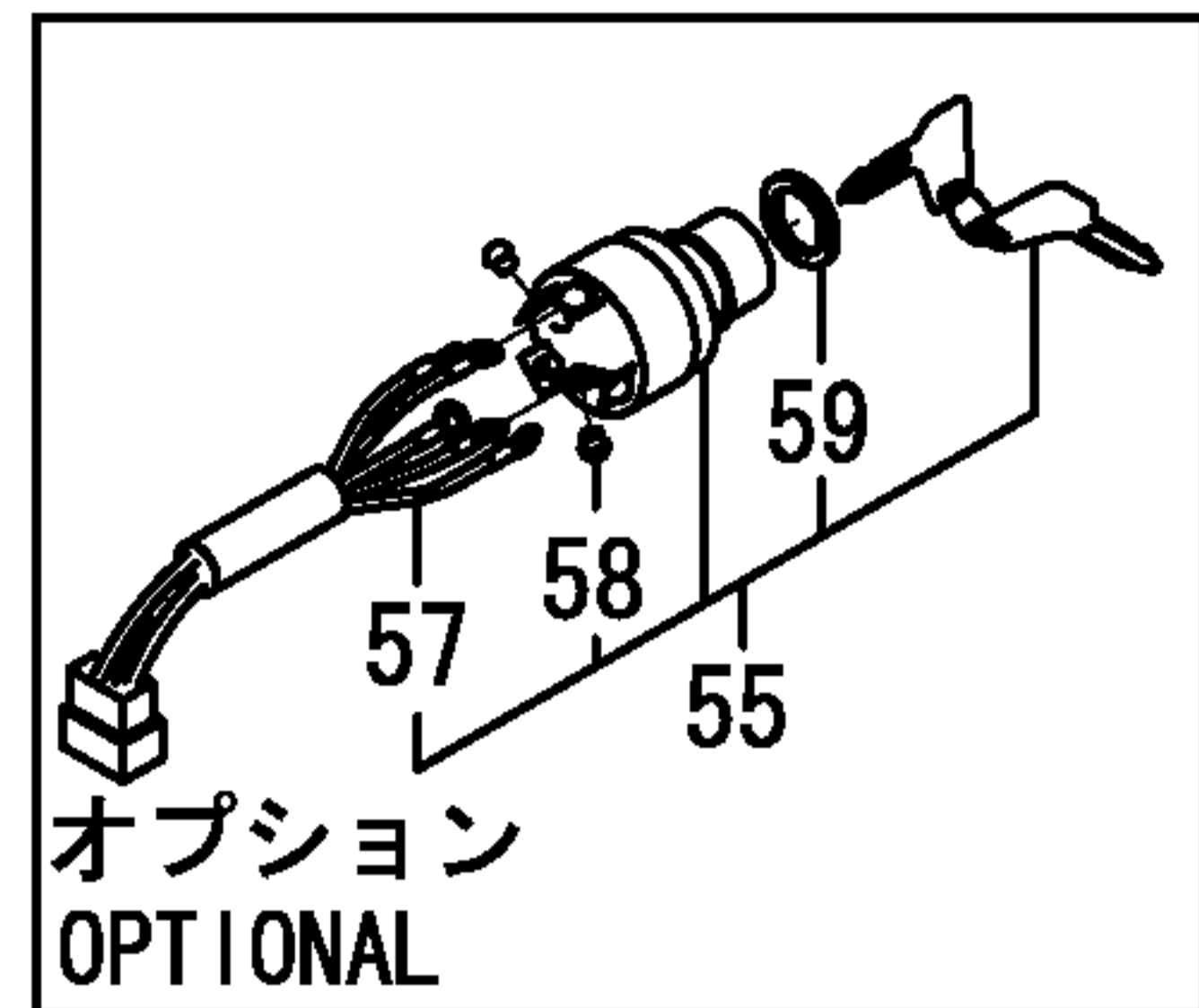
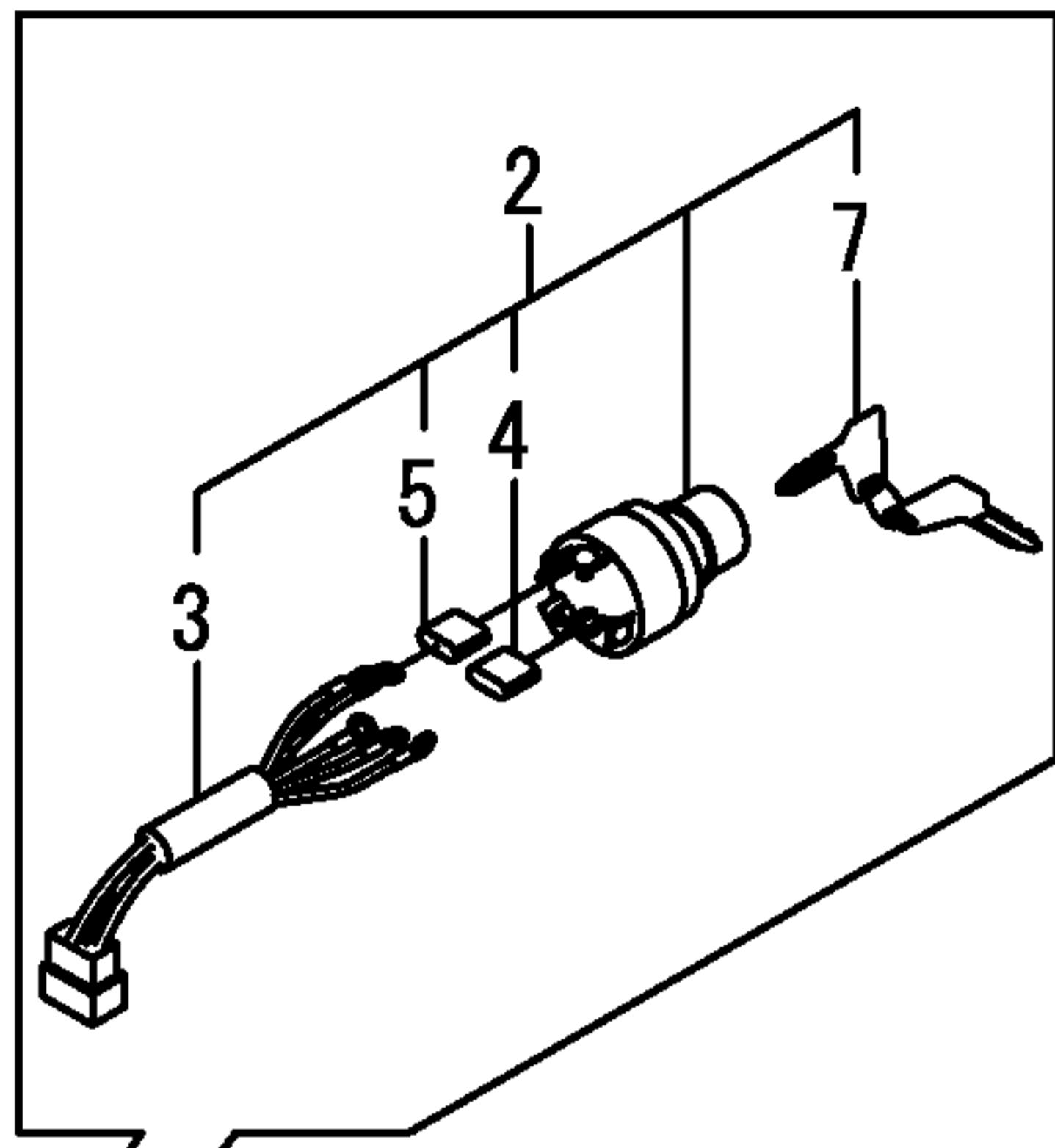
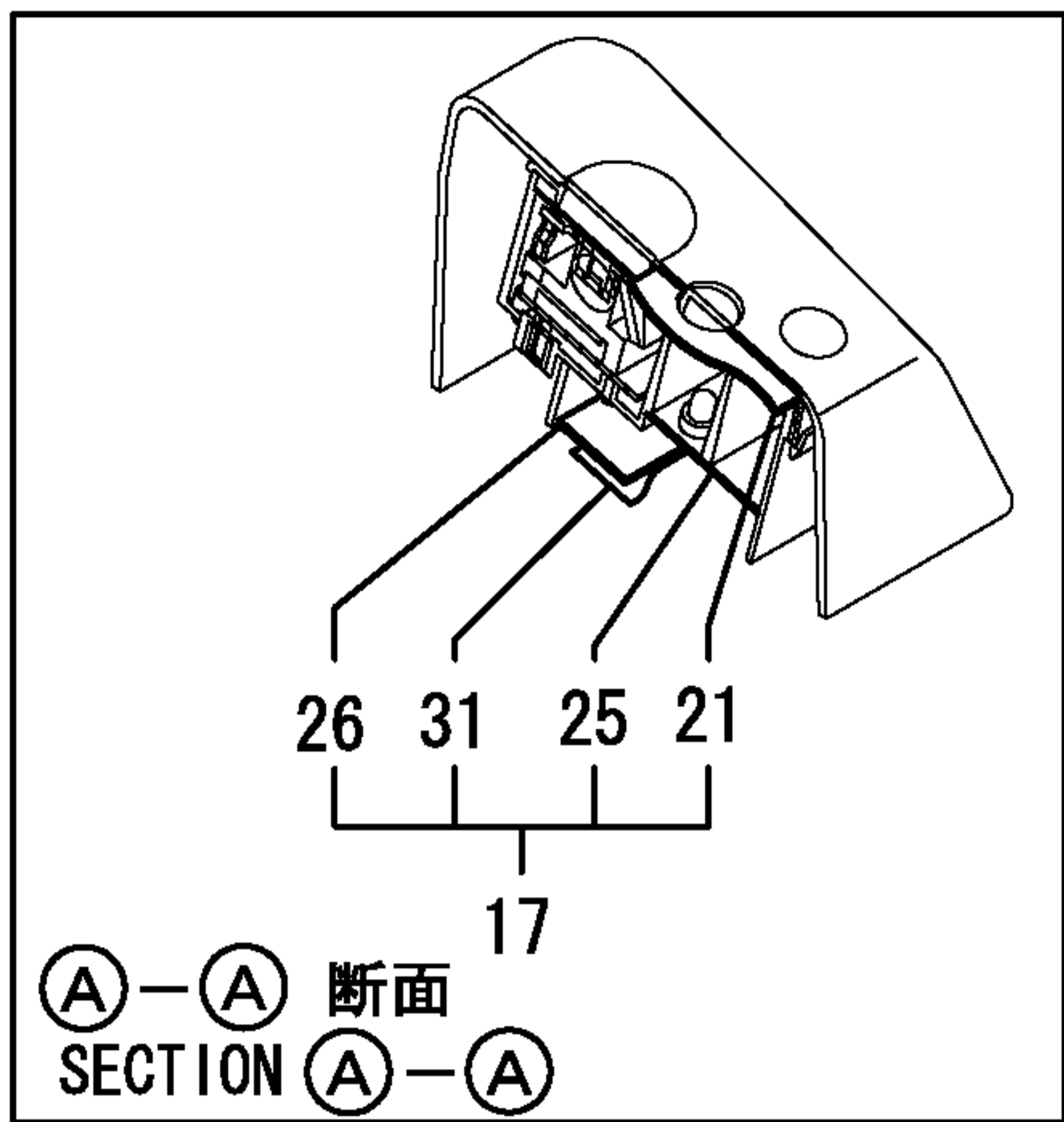


REFER TO Fig. 45

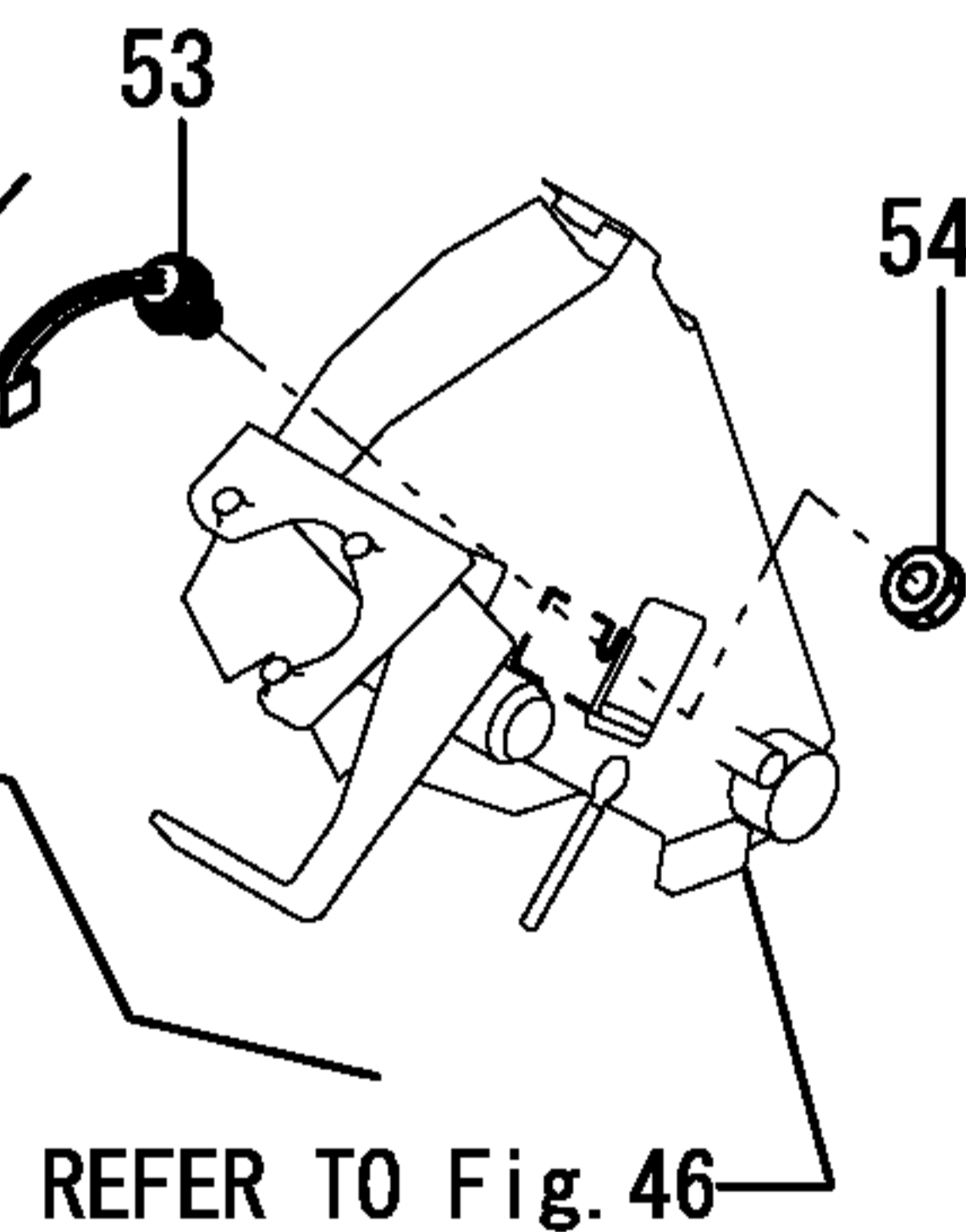
REFER TO Fig. 46

REFER TO Fig. 47

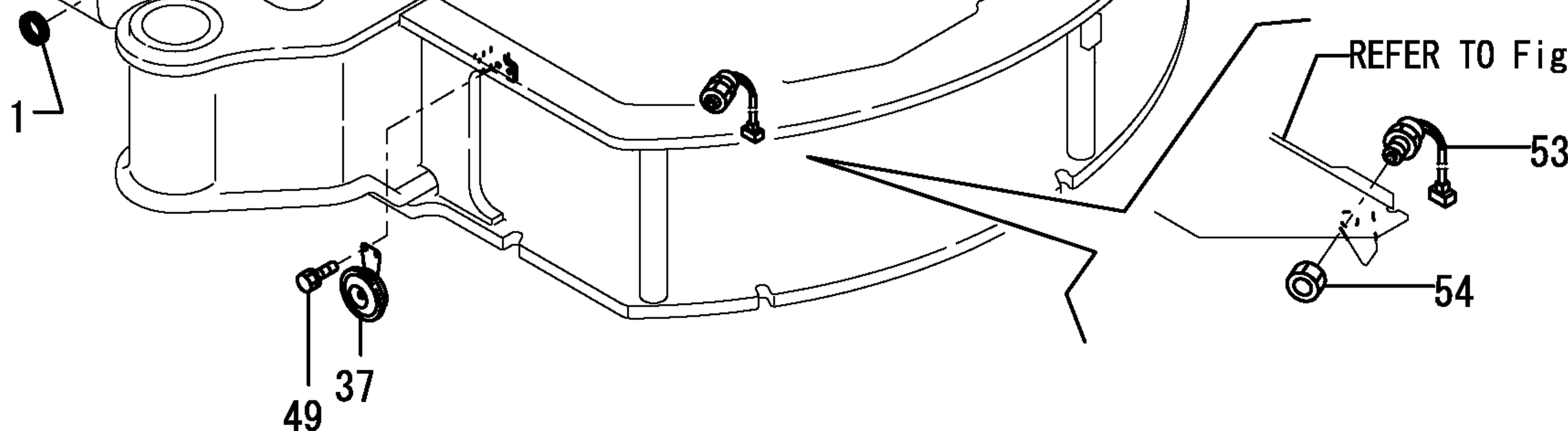
1,1,,172187-16560,,GROMMET,,1,,1,,,,,,,,,,,,,
2,1,,172187-17100,,,"SWITCH, START",,1,,,,,,,,,,,,,
2-1,1,,172458-17100,,,"SWITCH, STARTING",,1,,,,,N,,,,,72458338,M/#20955,,,,,,
2-2,1,,172187-17100,,,"SWITCH, START",,1,,1,,,R,,,,,72458519,M/#22743,,,,,,
3,2,,172187-17070,,CODE,,1,,1,,,,,,,,,,,,,
4,2,,172187-17080,,,"COVER M5",,3,,3,,,,,,,,,,,,,
5,2,,172187-17090,,,"COVER M4",,2,,2,,,,,,,,,,,,,
7,2,,933110-00301,,,"KEY ASSY",,1,,,,,,,,,,,,,
7-1,2,,172524-17330,,,"KEY ASSY",,1,,,,,N,,,,,72458338,M/#20955,,,,,,
7-2,2,,933110-00301,,,"KEY ASSY",,1,,1,,,R,,,,,72458519,M/#22743,,,,,,
10,1,,172187-17200,,,"BOX,
FUSE",,1,,1,,,Z,,72458585,M/#25501,,,72458585,M/#25501,,,,,,I
11,2,,172175-
17120,,PULLER,,1,,1,,,Z,,72458585,M/#25501,,,72458585,M/#25501,,,,,,I
13,2,,172187-
17220,,COVER,,1,,1,,,Z,,72458585,M/#25501,,,72458585,M/#25501,,,,,,I
14,2,,29420-
050000,,HUSE,,2,,2,,,Z,,72458585,M/#25501,,,72458585,M/#25501,,,,,,I
15,2,,29420-
150000,,HUSE,,6,,6,,,Z,,72458585,M/#25501,,,72458585,M/#25501,,,,,,I
16,2,,29420-300000,,,"FUSE
B30",,2,,2,,,Z,,72458585,M/#25501,,,72458585,M/#25501,,,,,,I
17,1,,172458-17500,,,"BOX, INDICATOR(CANOPY",,1,,1,,,,,,,,,,,,,
19,2,,172187-17280,,,"SWITCH ASSY, LIGHT",,1,,1,,,,,,,,,,,,,
21,2,,172187-17320,,PACKING,,1,,1,,,,,,,,,,,,,
23,2,,172187-17341,,,"GAUGE ASSY",,1,,1,,,,,,,,,,,,,
24,2,,172187-17350,,,"METER ASSY, HOUR",,1,,1,,,,,,,,,,,,,
25,2,,172187-17360,,,"PRINT, CIRCUIT",,1,,1,,,,,,,,,,,,,
26,2,,172187-17371,,,"CIRCUIT ASSY",,1,,1,,,,,,,,,,,,,
27,2,,172187-17380,,,"BULB, T6.5-13.5V-2W",,4,,4,,,,,,,,,,,,,
31,2,,172187-17470,,PLATE,,1,,1,,,,,,,,,,,,,
32,2,,172187-17480,,,"BULB, T5-14V-2W",,2,,2,,,,,,,,,,,,,
34,2,,172187-17560,,CAP,,2,,2,,,,,,,,,,,,,
35,2,,172187-17570,,GASKET,,2,,2,,,,,,,,,,,,,
36,1,,172458-46720,,,"BOLT 8X20",,1,,1,,,,,,,,,,,,,
37,1,,194151-57100,,HORN,,1,,1,,,,,,,,,,,,,
38,1,,172165-62800,,,"GROMMET 26",,1,,1,,,,,,,,,,,,,
39,1,,172519-63240,,,"BOLT 8X 16",,3,,3,,,,,,,,,,,,,
40,1,,119247-77100,,,"RELAY, SAFETY",,1,,1,,,,,,,,,,,,,
41,1,,129136-77200,,,"RELAY, SAFETY",,1,,1,,,,,,,,,,,,,
42,1,,119650-77910,,,"RELAY, GROW",,1,,1,,,,,,,,,,,,,
45,1,,129211-77920,,TIMER,,1,,1,,,,,,,,,,,,,
46,1,,22137-060000,,,"WASHER 6, POLISHED",,8,,8,,,,,,,,,,,,,
47,1,,26013-060122,,,"BOLT M 6X 12",,2,,2,,,,,,,,,,,,,
48,1,,26013-060122,,,"BOLT M 6X 12",,1,,1,,,,,,,,,,,,,
49,1,,26013-060162,,,"BOLT M 6X 16",,2,,2,,,,,,,,,,,,,
50,1,,26013-060162,,,"BOLT M 6X 16",,1,,1,,,,,,,,,,,,,
51,1,,26013-060202,,,"BOLT M 6X 20",,2,,2,,,,,,,,,,,,,
52,1,,26013-060202,,,"BOLT M 6X
20",,2,,2,,,Z,,72458585,M/#25501,,,72458585,M/#25501,,,,,,I
53,1,,194464-52190,,,"SWITCH, SAFETY START",,2,,2,,,,,,,,,,,,,
54,1,,26776-180002,,,"NUT M18, LOCK",,2,,2,,,,,,,,,,,,,
55,1,,172458-17170,,,"KEY ASSY",,1,,,,,,,,,,,,,
57,3,,172458-17150,,HARNESS,,1,,,,,,,,,,,,,
58,3,,26022-050102,,,"SCREW M 5X 10",,5,,,,,,,,,,,,,
59,2,,172458-17160,,PLATE,,1,,,,,,,,,,,,,



REFER TO Fig. 45

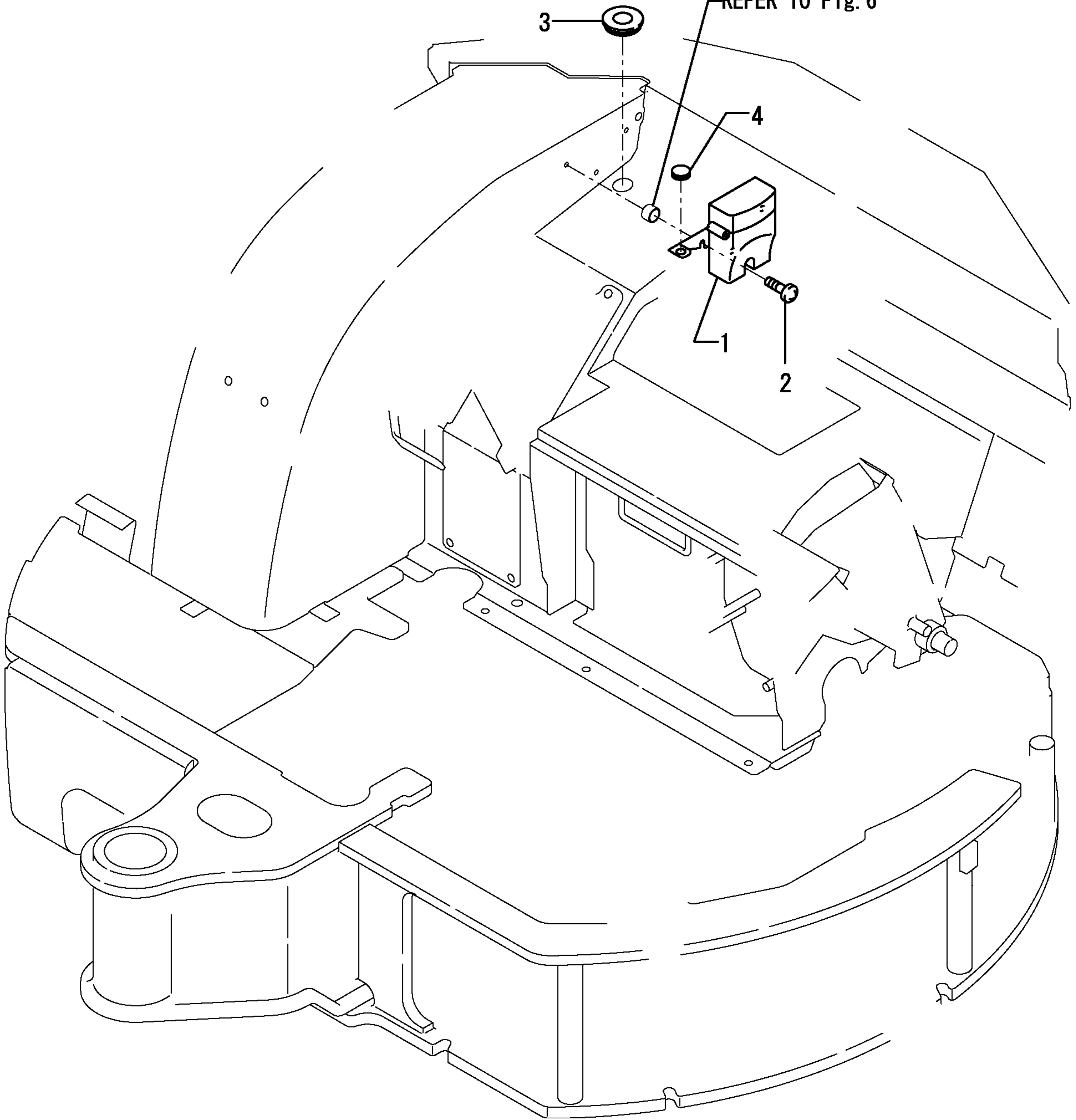


REFER TO Fig. 47

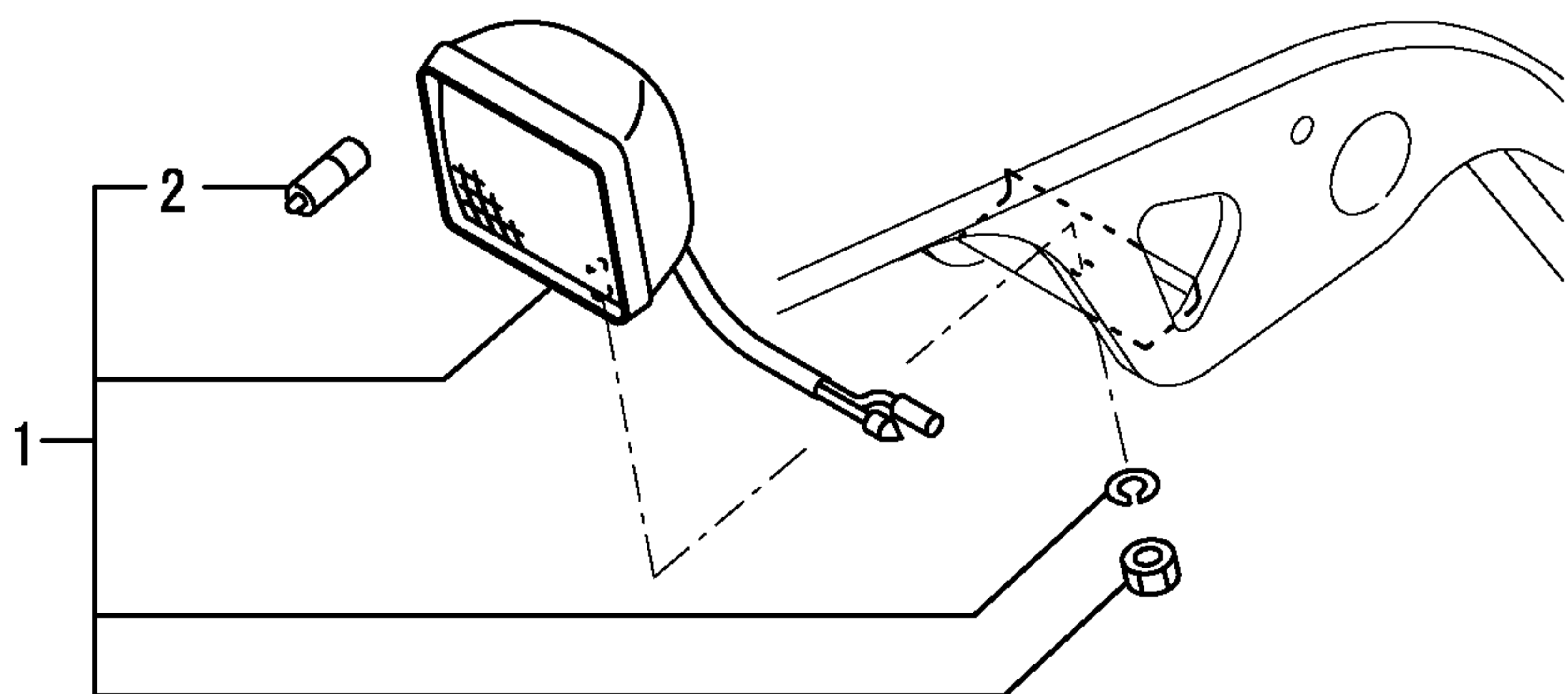
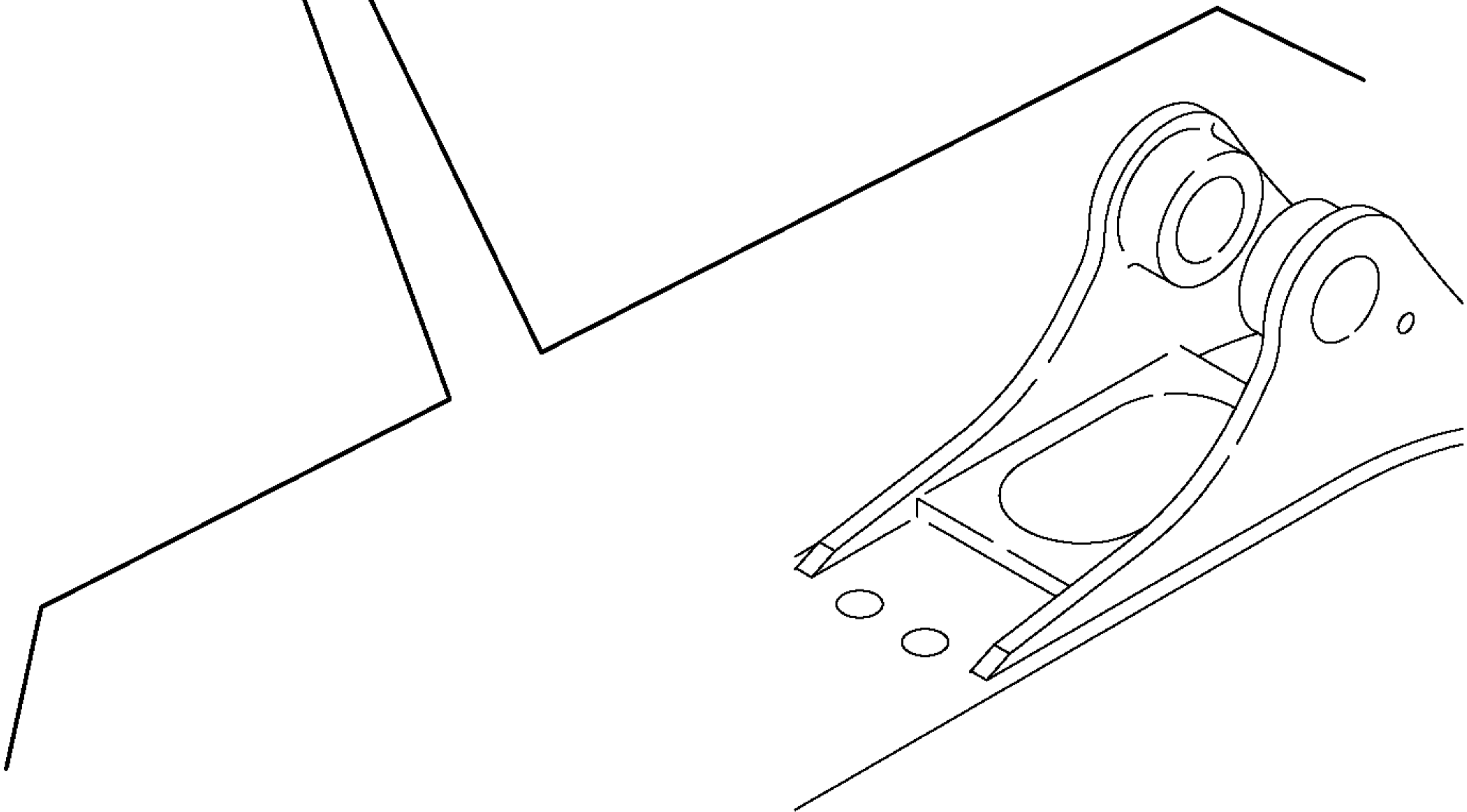
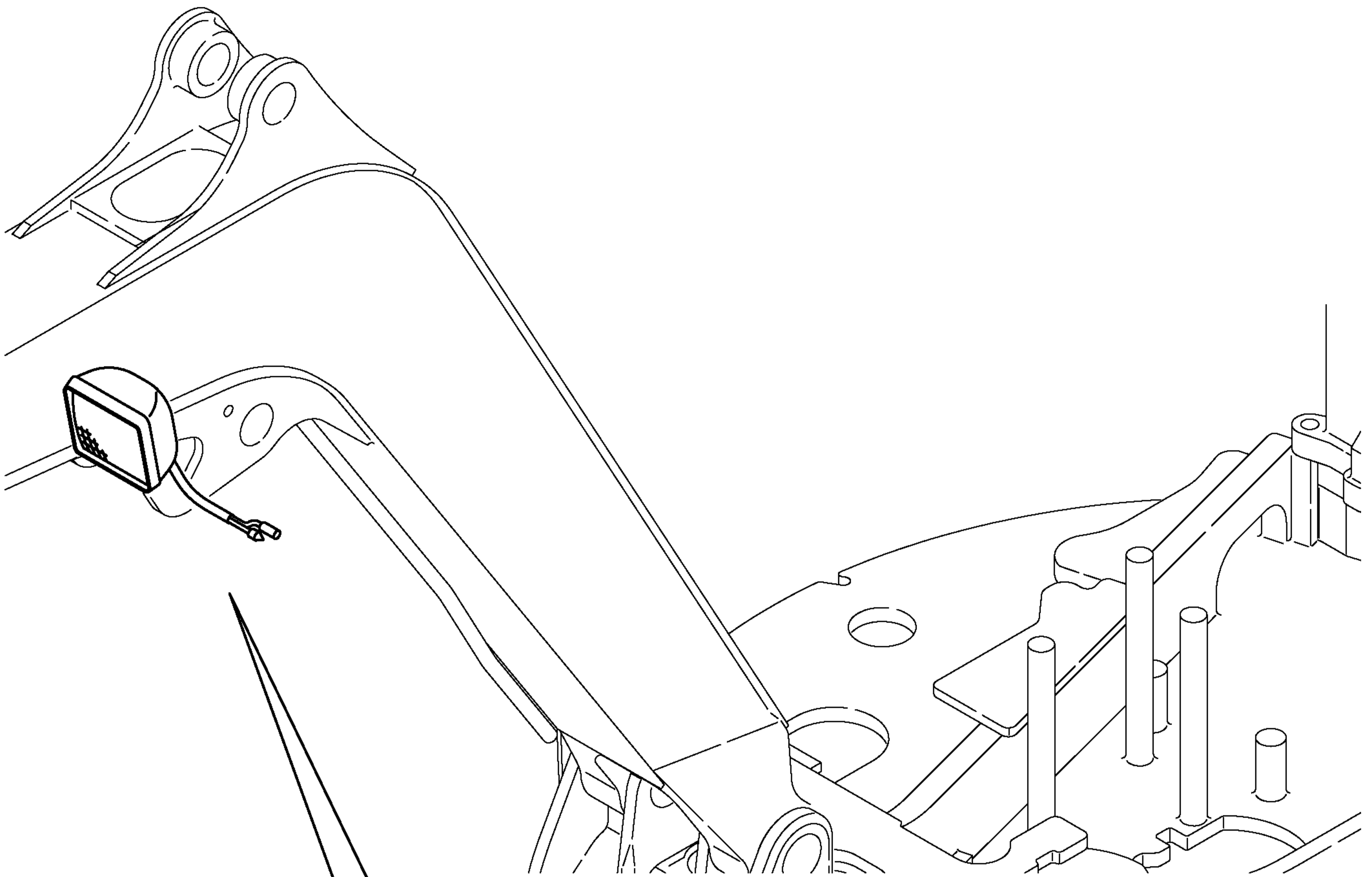


1,1,,172958-17100,, "BOX, SWITCH", 1,1,1,1,,,,,,,,,,,,,
2,1,,172137-46210,, SCREW, 3,3,3,3,,,,,,,,,,,,,
3,1,,172958-64500,, "PLUGE 28X302 Q", 1,1,1,1,,,,,,,,,,,,,
4,1,,172187-64900,, PLUG, 1,1,1,1,,,,,,,,,,,,,

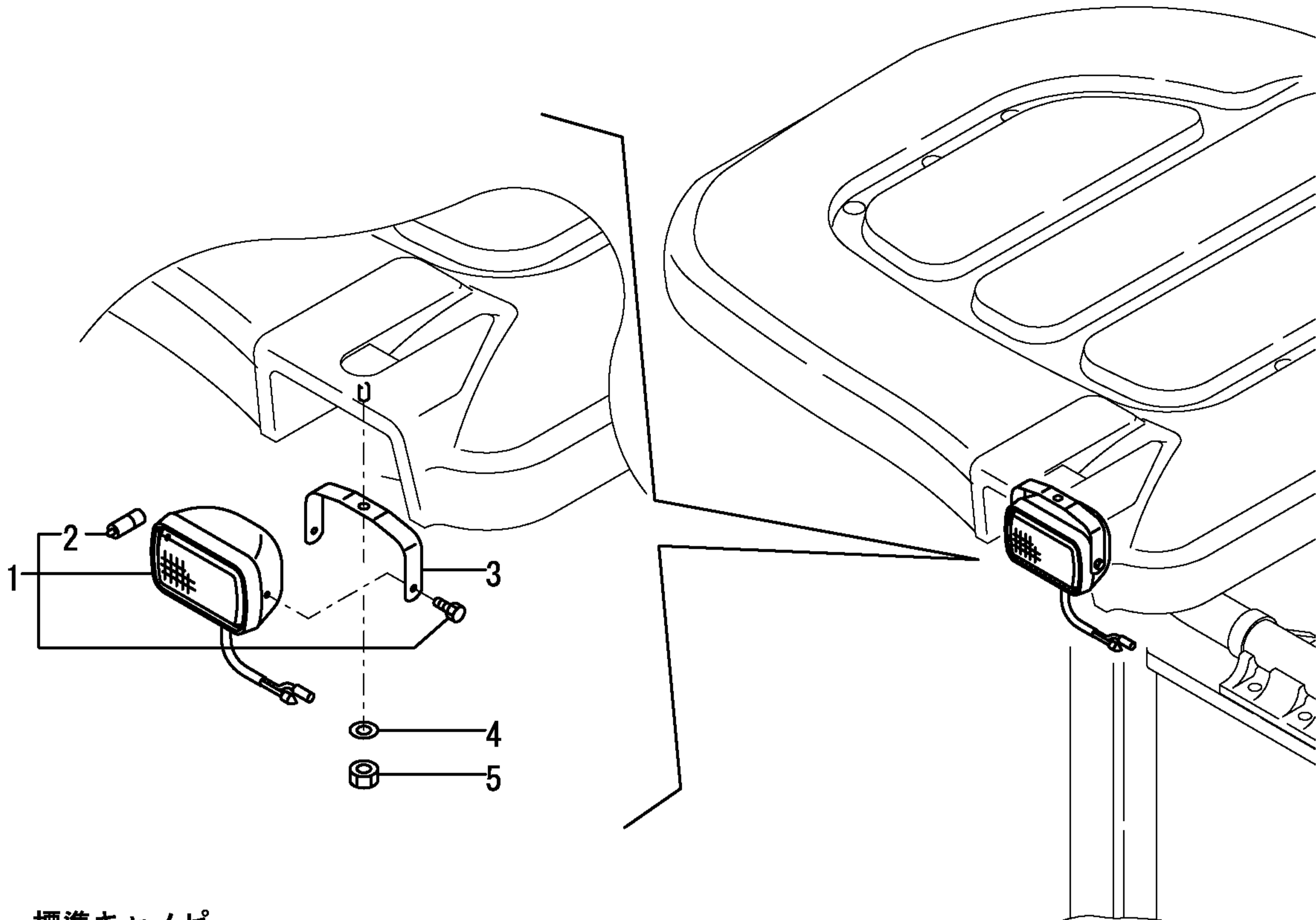
REFER TO Fig. 6



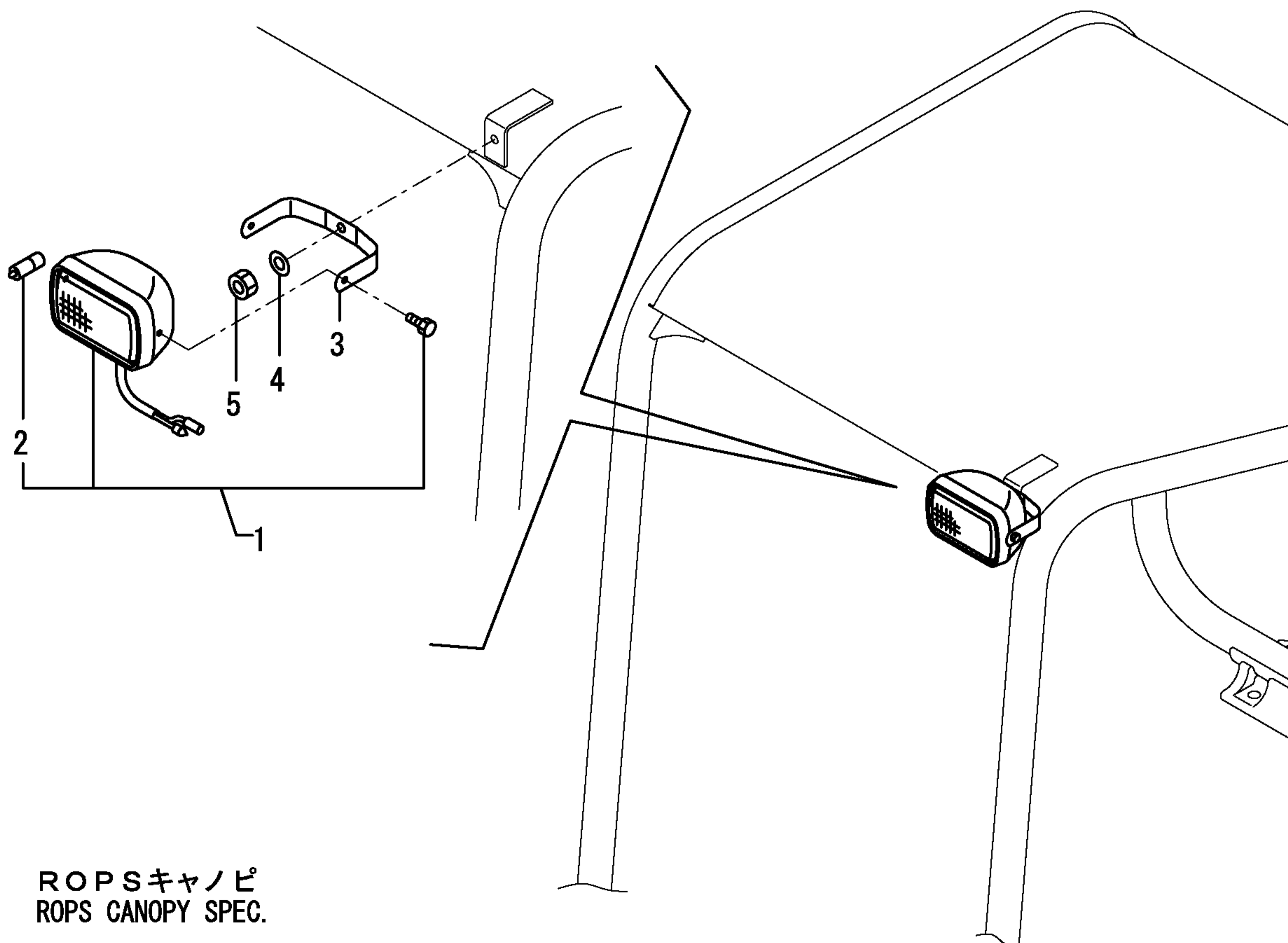
1,1,,172458-17450,, "LAMP,WORK",1,1,1,1,,,,,,,,,,,,,
2,2,,172187-17540,, "BULB (12V 55W",1,1,1,1,,,,,,,,,,,,,



```
1,1,,172458-17400,, "LAMP 150X95" ,,1,,1,,,,,,,,,,,,,  
2,2,,172458-17420,, "BULB,12V 55W" ,,1,,1,,,,,,,,,,,,,  
3,1,,172458-17410,, "STAY          (GRAY:73)" ,,1,,1,,,,,,,,,,,,,  
4,1,,22137-100000,, "WASHER 10,POLISHED" ,,1,,1,,,,,,,,,,,,,  
5,1,,26346-100002,, "U-NUT M10 PLATED" ,,1,,1,,,,,,,,,,,,,
```

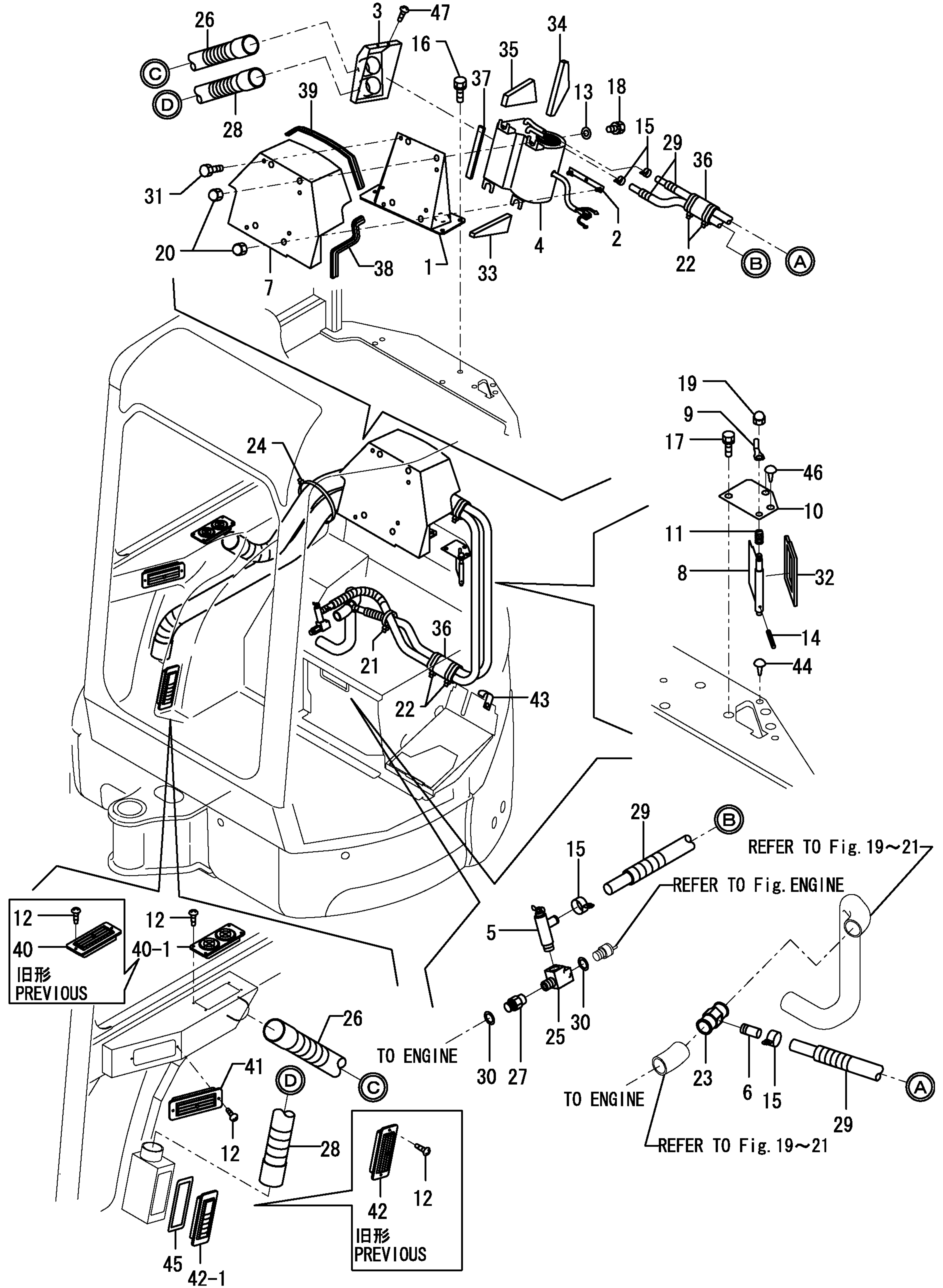


標準キャノピ
CANOPY SPEC.



ROPSキャノピ
ROPS CANOPY SPEC.

1,1,,172458-16650,, "HEATER FRAME",1,1,,,,,,,,,,,,,,,,,,,,,
2,1,,172458-16690,, "SEAT,SCREW",1,1,,,,,,,,,,,,,,,,,,,,,
3,1,,172458-16700,, "DUCT A,HEATER",1,1,,,,,,,,,,,,,,,,,,,,,
4,1,,172458-17550,, "HEATER 33RB,COVER LE",1,,,,,,,,,,,,,,,,,,,,,
4-1,1,,172458-17551,, HEATER,1,1,,,,,N,,72458449,M/#21080,,,,,,,,,,,,,I
5,1,,172425-17630,, "VALVE ASSY, HEATER",1,1,,,,,,,,,,,,,,,,,,,,,
6,1,,172124-17640,, "JOINT 3/8",1,1,,,,,,,,,,,,,,,,,,,,,
7,1,,172458-63410,, "COVER,HEATER",1,1,,,,,,,,,,,,,,,,,,,,,
8,1,,172458-63420,, "SHAFT ASSY",1,1,,,,,,,,,,,,,,,,,,,,,
9,1,,172458-63450,, LEVER,1,1,,,,,,,,,,,,,,,,,,,,,
10,1,,172458-63460,, PLATE,1,1,,,,,,,,,,,,,,,,,,,,,
11,1,,172157-76441,, SPRING,1,1,,,,,,,,,,,,,,,,,,,,,
12,1,,22869-400160,, SCREW,6,,6,,,,,,,,,,,,,,,,,,,,,
13,1,,22137-100000,, "WASHER 10,POLISHED",2,2,,,,,,,,,,,,,,,,,,,,,
14,1,,22351-030025,, "SPRING PIN 3X25",1,1,,,,,,,,,,,,,,,,,,,,,
15,1,,23000-022000,, "CLAMP 22",4,,,,,,,,,,,,,,,,,,,,,
15-1,1,,23001-022000,, "HOSE CLAMP 22",4,4,,,,,N,,72446124,M/#22562,,,,,,,,,,,,,I
16,1,,26013-100162,, "BOLT M10X 16",4,4,,,,,,,,,,,,,,,,,,,,,
17,1,,26013-100162,, "BOLT M10X 16",3,3,,,,,,,,,,,,,,,,,,,,,
17-1,1,,26013-100162,, "BOLT M10X 16",2,2,,,,,K,,72460083,M/#20501,,,,,,,,,,,,,
18,1,,26013-100202,, "BOLT W/WASHER M10X20",2,2,,,,,,,,,,,,,,,,,,,,,
19,1,,26657-080002,, "CUP NUT M8",1,1,,,,,,,,,,,,,,,,,,,,,
20,1,,172458-63470,, "CUP NUT M10",4,4,,,,,,,,,,,,,,,,,,,,,
21,1,,172126-11510,, "BAND 300",1,1,,,,,,,,,,,,,,,,,,,,,
22,1,,172126-11510,, "BAND 300",4,4,,,,,,,,,,,,,,,,,,,,,
22-1,1,,172126-11510,, "BAND 300",2,2,,,,,K,,72458424,M/#21010,,,,,,,,,,,,,
23,1,,172141-13490,, JOINT,1,1,,,,,,,,,,,,,,,,,,,,,
24,1,,172183-16560,, "CLIP 400,HOSE",1,1,,,,,,,,,,,,,,,,,,,,,
25,1,,172168-17600,, "CONNECTOR PT3/8-M16",1,1,,,,,,,,,,,,,,,,,,,,,
26,1,,172458-17620,, "HOSE,DEFROSTER",1,1,,,,,,,,,,,,,,,,,,,,,
27,1,,172137-17630,, "JOINT, HEATER",1,,,,,,,,,,,,,,,,,,,,,
27-1,1,,172137-17631,, "JOINT, HEATER",1,1,,,,,R,,24900024,M/#25501,,,,,,,,,,,,,I
28,1,,172458-17640,, "HOSE,HEATER",1,1,,,,,,,,,,,,,,,,,,,,,
29,1,,172458-17660,, "HOSE,HEATER",2,2,,,,,,,,,,,,,,,,,,,,,
30,1,,124465-44950,, "GASKET 16",2,2,,,,,,,,,,,,,,,,,,,,,
31,1,,172168-46760,, "BOLT M10X20",4,4,,,,,,,,,,,,,,,,,,,,,
32,1,,172458-63600,, "SEAL A,SPONGE",2,2,,,,,,,,,,,,,,,,,,,,,
33,1,,172458-63610,, "SEAL B,SPONGE",1,1,,,,,,,,,,,,,,,,,,,,,
34,1,,172458-63620,, "SEAL C,SPONGE",1,1,,,,,,,,,,,,,,,,,,,,,
35,1,,172458-63630,, "SEAL D,SPONGE",1,1,,,,,,,,,,,,,,,,,,,,,
36,1,,172458-63640,, "HOSE 150,SPONGE",2,2,,,,,,,,,,,,,,,,,,,,,
37,1,,172458-63650,, "SEAL E,SPONGE",1,1,,,,,,,,,,,,,,,,,,,,,
38,1,,172455-65970,, "SEAL, RUBBER 310",1,,,,,,,,,,,,,,,,,,,,,
38-1,1,,172422-65750,, "SEAL (A)",1,1,,,,,N,,72458391,M/#20728,,,,,,,,,,,,,
39,1,,172989-68640,, "RUBBER,SEAL 880",1,1,,,,,,,,,,,,,,,,,,,,,
40,1,,197830-88611,, GRILLE,1,,,,,,,,,,,,,,,,,,,,,
40-1,1,,1E8545-80940,, GRILLE,1,1,,,,,S,,72458368,M/#20904,,,,,,,,,,,,,
41,1,,197830-88611,, GRILLE,1,1,,,,,,,,,,,,,,,,,,,,,
42,1,,197830-88611,, GRILLE,1,,,,,,,,,,,,,,,,,,,,,
42-1,1,,172458-17700,, GRILLE,1,1,,,,,S,,72458368,M/#20904,,,,,,,,,,,,,
43,1,,172126-16540,, "CLAMP 10X70",1,1,,,,,W,,72458424,M/#21010,,,,,,,,,,,,,
44,1,,172444-17660,, CLIP,1,1,,,,,,,,,,,,,,,,,,,,,
45,1,,172458-63400,, "SPONGE,GRILLE",1,1,,,,,W,,72458405,M/#21010,,,,,,,,,,,,,
46,1,,172444-68650,, CLIP,1,1,,,,,W,,72458431,M/#21033,,,,,,,,,,,,,
47,1,,26587-040122,, "SCREW M 4X 12",4,4,,,,,W,,72458479,"FROM 1ST",,,,,,,,,,,,,,I



12
40
旧形
PREVIOUS

42
12
旧形
PREVIOUS

REFER TO Fig. 19~21

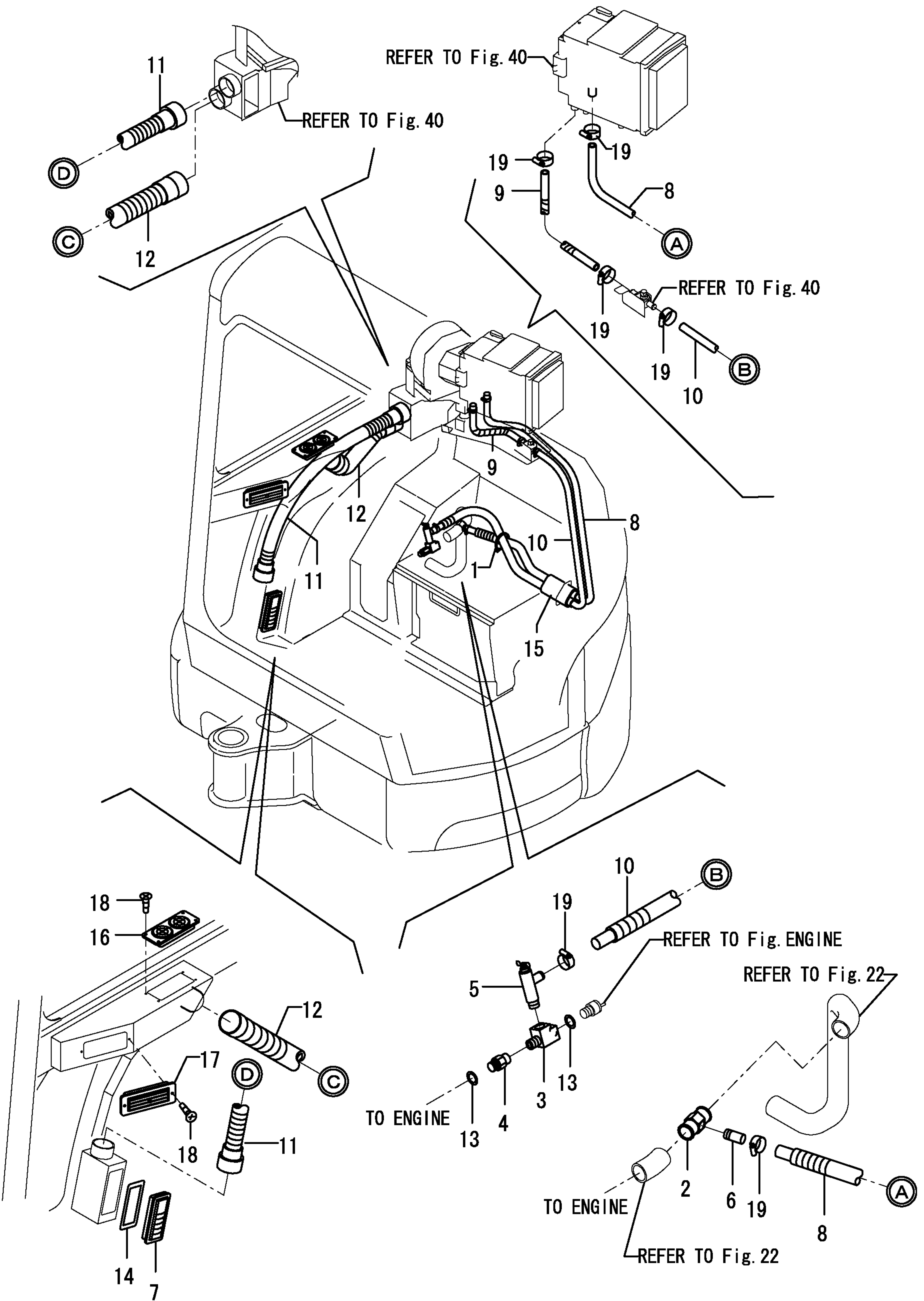
REFER TO Fig. ENGINE

TO ENGINE

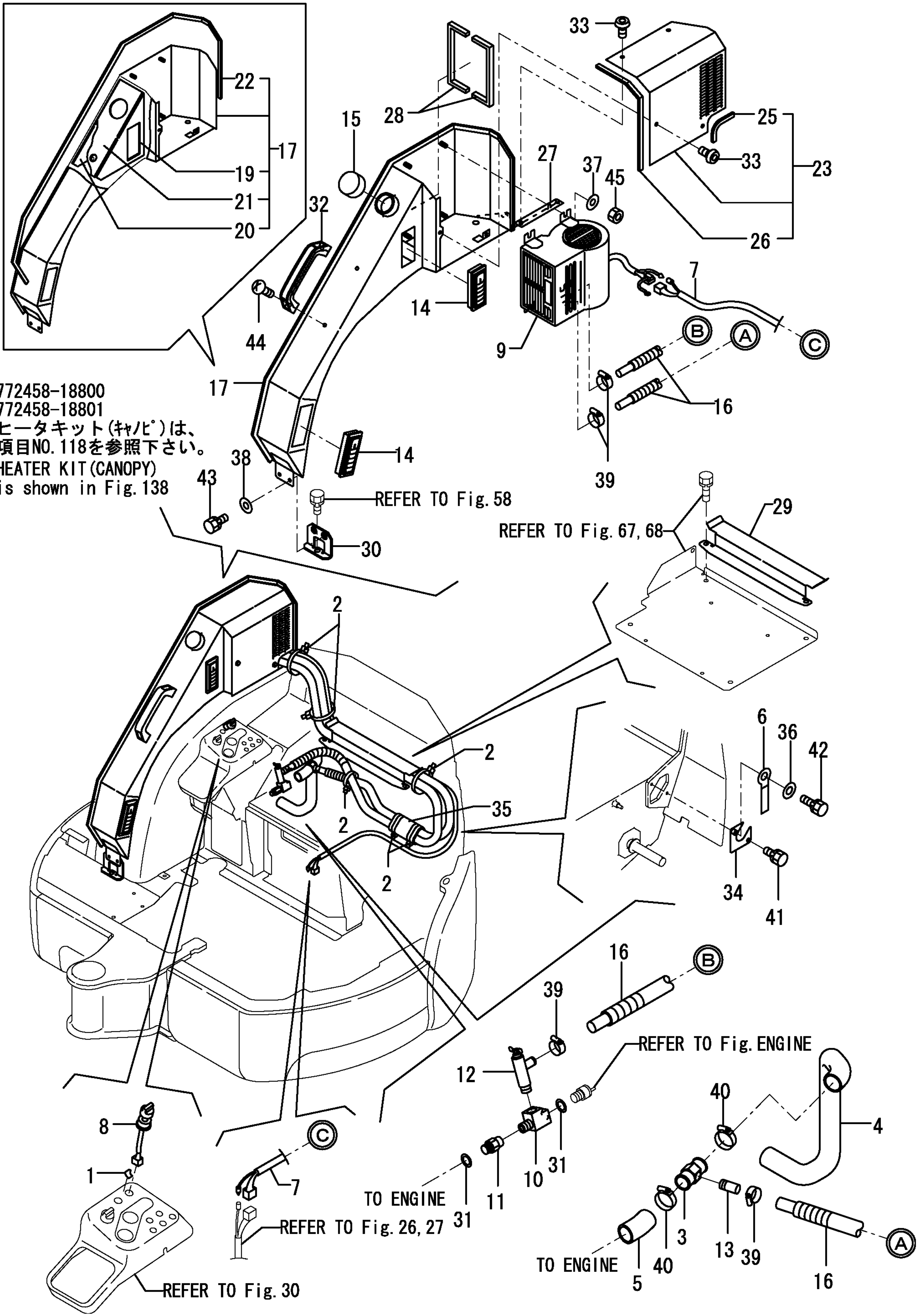
REFER TO Fig. 19~21

TO ENGINE

1,1,,172126-11510,, "BAND 300",1,,,,,,,,,,,,,
2,1,,172141-13490,, JOINT,1,,,,,,,,,,,,,
3,1,,172168-17600,, "CONNECTOR PT3/8-M16",1,,,,,,,,,,,,,
4,1,,172137-17630,, "JOINT, HEATER",1,,,,,,,,,,,,,
4-1,1,,172137-17631,, "JOINT, HEATER",1,,,,,R,,24900024,M/#25501,,,,,,,,,I
5,1,,172425-17630,, "VALVE ASSY, HEATER",1,,,,,,,,,,,,,
6,1,,172124-17640,, "JOINT 3/8",1,,,,,,,,,,,,,
7,1,,172458-17700,, GRILLE,1,,,,,,,,,,,,,
8,1,,172458-17710,, "HOSE,HEATER A",1,,,,,,,,,,,,,
9,1,,172460-17710,, "HOSE 270,HEATER",1,,,,,,,,,,,,,
10,1,,172458-17720,, "HOSE,HEATER B",1,,,,,,,,,,,,,
11,1,,172460-17780,, "HOSE CMP C",1,,,,,,,,,,,,,
12,1,,172460-17800,, "HOSE CMP D",1,,,,,,,,,,,,,
13,1,,124465-44950,, "GASKET 16",2,,,,,,,,,,,,,
14,1,,172458-63400,, "SPONGE,GRILLE",1,,,,,,,,,,,,,
15,1,,172458-63640,, "HOSE 150,SPONGE",1,,,,,,,,,,,,,
16,1,,1E8545-80940,, GRILLE,1,,,,,,,,,,,,,
17,1,,197830-88611,, GRILLE,1,,,,,,,,,,,,,
18,1,,22869-400160,, SCREW,6,,,,,,,,,,,,,
19,1,,23000-022000,, "CLAMP 22",6,,,,,,,,,,,,,
19-1,1,,23001-022000,, "HOSE CLAMP 22",6,,,,,N,,72446124,M/#22562,,,,,,,,,I



1,1,,172187-03690,, "LABEL(HEATER SWITCH" ,,1,,,,,,,,,,,,,
2,1,,172126-11510,, "BAND 300" ,,6,,,,,,,,,,,,,
3,1,,172141-13490,, JOINT ,,1,,,,,,,,,,,,,
4,1,,172458-13580,, CW-T(A-1,,1,,,,,,,,,,,,,
5,1,,172458-13590,, CW-T(A-2,,1,,,,,,,,,,,,,
6,1,,172126-16540,, "CLAMP 10X70" ,,1,,,,,,,,,,,,,
7,1,,172458-16580,, HARNESS ,,1,,,,,,,,,,,,,
8,1,,172187-17290,, "SWITCH, HEATER" ,,1,,,,,,,,,,,,,
9,1,,172162-17601,, HEATER ,,1,,,,,,,,,,,,,
9-1,1,,172162-17602,, HEATER ,,1,,,,,N,,,,,72458449,M/#21080,,,,,,I
10,1,,172168-17600,, "CONNECTOR PT3/8-M16" ,,1,,,,,,,,,,,,,
11,1,,172137-17630,, "JOINT, HEATER" ,,1,,,,,,,,,,,,,
11-1,1,,172137-17631,, "JOINT, HEATER" ,,1,,,,,R,,,,,24900024,M/#25501,,,,,,I
12,1,,172425-17630,, "VALVE ASSY, HEATER" ,,1,,,,,,,,,,,,,
13,1,,172124-17640,, "JOINT 3/8" ,,1,,,,,,,,,,,,,
14,1,,172458-17700,, GRILLE ,,2,,,,,,,,,,,,,
15,1,,172122-17730,, "COVER, DEFROSTER" ,,1,,,,,,,,,,,,,
16,1,,172458-18660,, "HOSE ASSY, HEATER" ,,2,,,,,,,,,,,,,
17,1,,172458-18700,, "DUCT (GRAY:73)" ,,1,,,,,,,,,,,,,
19,2,,172458-18930,, SEAT ,,1,,,,,,,,,,,,,
20,2,,172458-18940,, SEAT ,,1,,,,,,,,,,,,,
21,2,,172458-18950,, SEAT ,,1,,,,,,,,,,,,,
22,2,,172176-67110,, "TRIM, ROOF" ,,1,,,,,,,,,,,,,
23,1,,172458-18800,, "COVER (GRAY:73)" ,,1,,,,,,,,,,,,,
25,2,,172458-18850,, MOLDING ,,1,,,,,,,,,,,,,
26,2,,172458-18860,, MOLDING ,,1,,,,,,,,,,,,,
27,1,,172458-18820,, "BRACKET ASSY" ,,1,,,,,,,,,,,,,
28,1,,172458-18870,, "SEAL, SPONGE" ,,2,,,,,,,,,,,,,
29,1,,172458-18880,, COVER ,,1,,,,,,,,,,,,,
30,1,,172458-18910,, "BRACKET (GRAY:73)" ,,1,,,,,,,,,,,,,
31,1,,124465-44950,, "GASKET 16" ,,2,,,,,,,,,,,,,
32,1,,172164-45980,, "GRIP, BONNET" ,,1,,,,,,,,,,,,,
33,1,,172458-46720,, "BOLT 8X20" ,,4,,,,,,,,,,,,,
34,1,,172458-63570,, "COVER, SEAT MOUNT(73)" ,,1,,,,,,,,,,,,,
35,1,,172458-63640,, "HOSE 150, SPONGE" ,,1,,,,,,,,,,,,,
36,1,,22137-080000,, "WASHER 8, POLISHED" ,,1,,,,,,,,,,,,,
37,1,,22137-100000,, "WASHER 10, POLISHED" ,,3,,,,,,,,,,,,,
38,1,,22137-100000,, "WASHER 10, POLISHED" ,,2,,,,,,,,,,,,,
39,1,,23000-022000,, "CLAMP 22" ,,4,,,,,,,,,,,,,
39-1,1,,23001-022000,, "HOSE CLAMP 22" ,,4,,,,,N,,,,,72446124,M/#22562,,,,,,I
40,1,,23000-041000,, "CLAMP 41" ,,2,,,,,,,,,,,,,
40-1,1,,23001-041000,, "CLIP 41, HOSE" ,,2,,,,,N,,,,,72446124,M/#22562,,,,,,I
41,1,,26013-080162,, "BOLT W/WASHER M8X16" ,,1,,,,,,,,,,,,,
42,1,,26013-080252,, "BOLT M 8X 25" ,,1,,,,,,,,,,,,,
43,1,,26013-100202,, "BOLT W/WASHER M10X20" ,,2,,,,,,,,,,,,,
44,1,,26557-080162,, "SCREW M 8X 16" ,,2,,,,,,,,,,,,,
45,1,,26716-100002,, "NUT 10" ,,3,,,,,,,,,,,,,



772458-18800
 772458-18801
 ヒータキット(キャブ)は、
 項目NO. 118を参照下さい。
 HEATER KIT (CANOPY)
 is shown in Fig. 138

REFER TO Fig. 58

REFER TO Fig. 67, 68

REFER TO Fig. 26, 27

REFER TO Fig. 30

REFER TO Fig. ENGINE

TO ENGINE

TO ENGINE

TO ENGINE

TO ENGINE

TO ENGINE

TO ENGINE

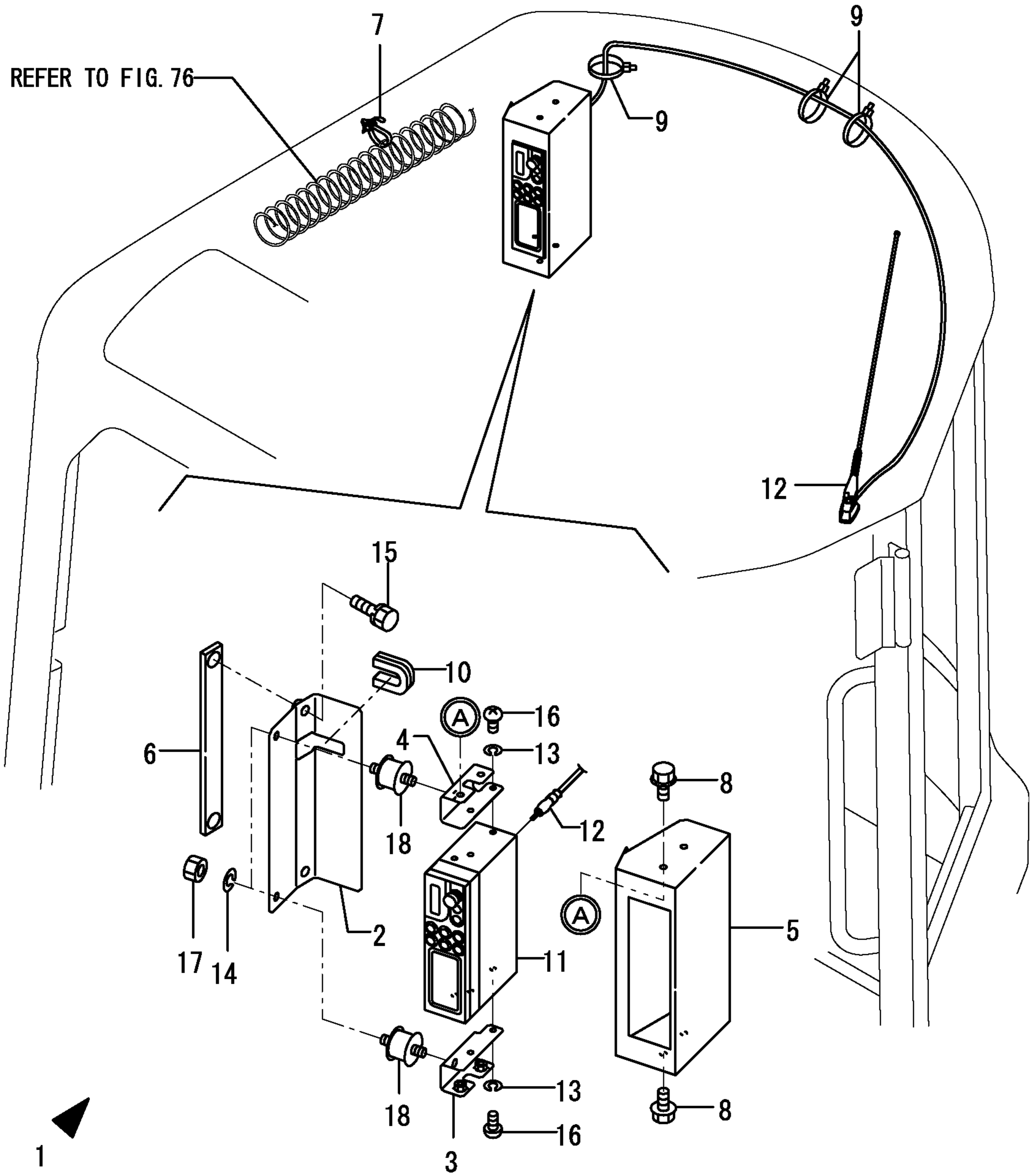
TO ENGINE

TO ENGINE

TO ENGINE

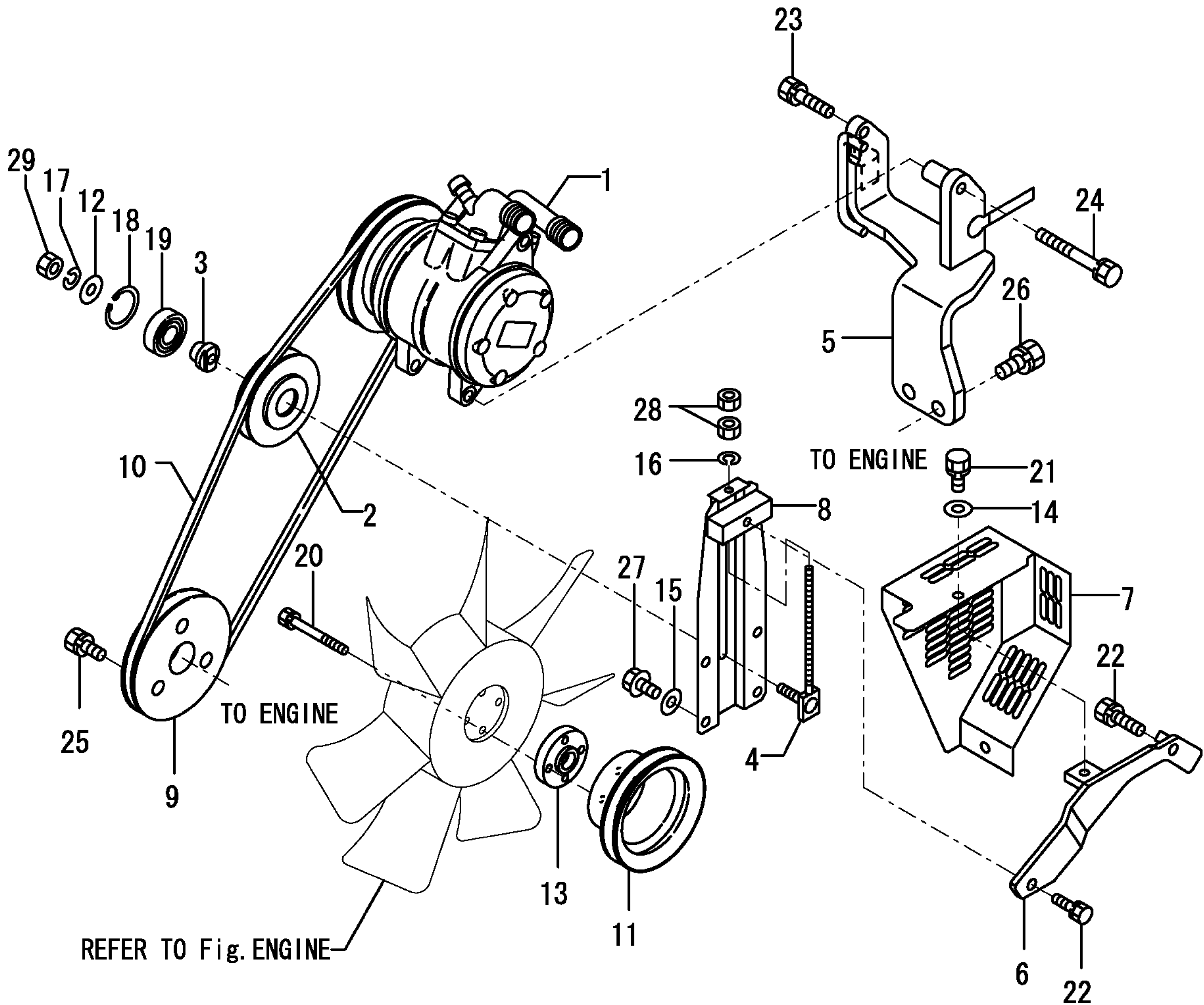
1,1,,172458-17790,, "RADIO KIT",1,,,,,,,,,,,,,,,,,,,,,I
2,2,,172458-17800,, "BRACKET ASSY, RADIO",1,,,,,,,,,,,,,,,,,,,,,
3,2,,172458-17820,, "PLATE L ASSY, RADIO",1,,,,,,,,,,,,,,,,,,,,,
4,2,,172458-17840,, "PLATE R ASSY, RADIO",1,,,,,,,,,,,,,,,,,,,,,
5,2,,172458-17860,, "COVER, RADIO",1,,,,,,,,,,,,,,,,,,,,,
6,2,,172458-17870,, SEAL,1,,,,,,,,,,,,,,,,,,,,,
7,2,,172458-17880,, BAND,1,,,,,,,,,,,,,,,,,,,,,
8,2,,172164-45880,, "BOLT 6X 16",4,,,,,,,,,,,,,,,,,,,,,
9,2,,194202-56460,, BAND,3,,,,,,,,,,,,,,,,,,,,,
10,2,,172175-65641,, MOLDING,1,,,,,,,,,,,,,,,,,,,,,
11,2,,172455-67950,, RADIO,1,,,,,,,,,,,,,,,,,,,,,
12,2,,172455-67990,, ANT-ASSY,1,,,,,,,,,,,,,,,,,,,,,
13,2,,22217-050000,, "SPRING WASHER 5",4,,,,,,,,,,,,,,,,,,,,,
14,2,,22217-080000,, "SPRING WASHER 8",4,,,,,,,,,,,,,,,,,,,,,
15,2,,26013-100302,, "BOLT M10X 30",2,,,,,,,,,,,,,,,,,,,,,
16,2,,26557-050082,, "SCREW M 5X 8",4,,,,,,,,,,,,,,,,,,,,,
17,2,,26712-080002,, "NUT M 8",4,,,,,,,,,,,,,,,,,,,,,
18,2,,172447-13550,, MOUNT,2,,,,,,,,,,,,,,,,,,,,,

REFER TO FIG. 76

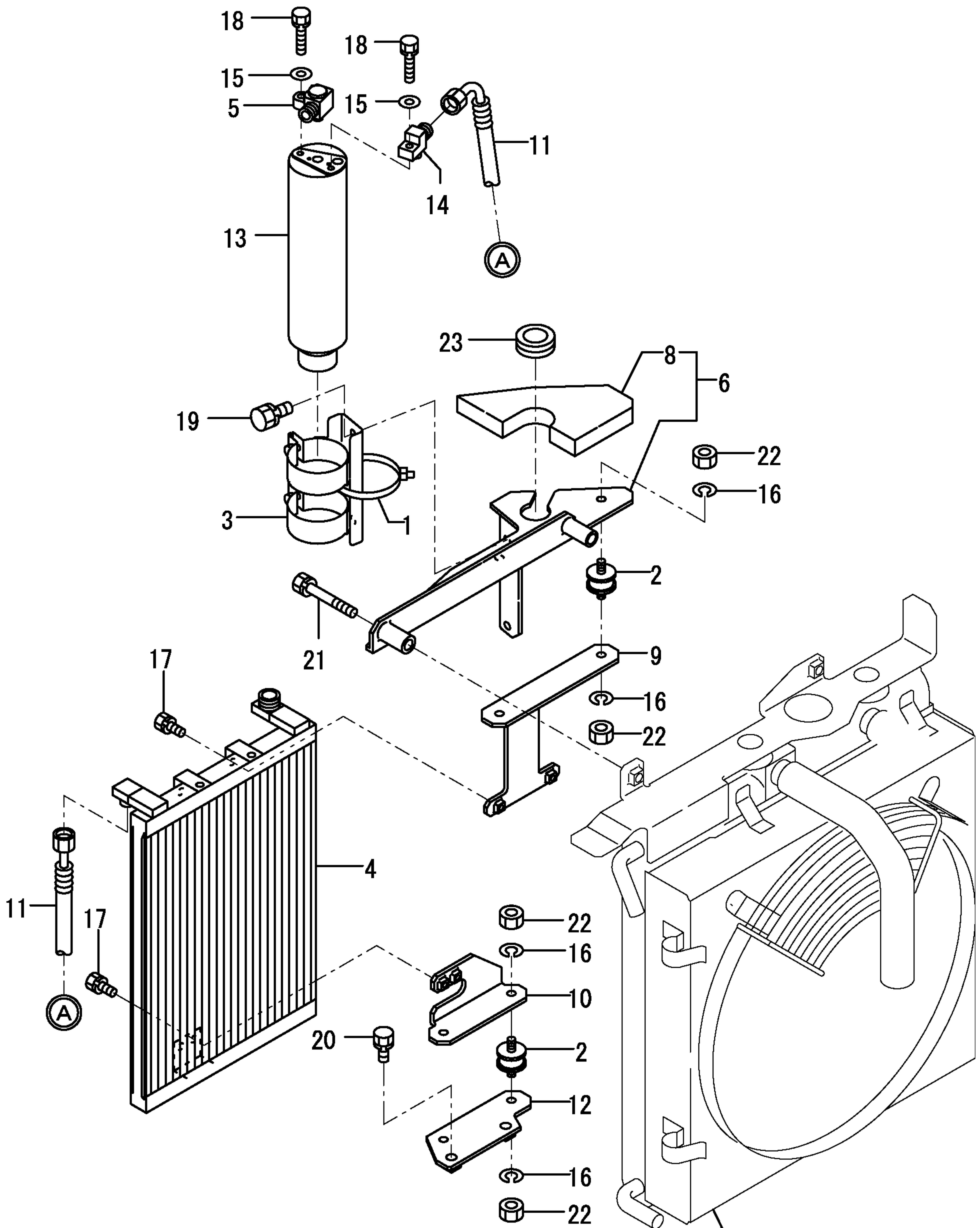


1
見出しNo. 1は
見出しNo. 2から18を含みます。
1 INC. 2~18

1,1,,172460-18100,,COMPRESSOR,1,,,,,,,,,,,,,,,,,,,,,
2,1,,172445-18130,,PULLEY,1,,,,,,,,,,,,,,,,,,,,,
3,1,,172165-18670,,BOSS,1,,,,,,,,,,,,,,,,,,,,,
4,1,,172175-18730,,ADJUSTER,1,,,,,,,,,,,,,,,,,,,,,
5,1,,172458-19300,, "BRACKET COMP." ,1,,,,,,,,,,,,,,,,,,,,,
6,1,,172458-19350,, "BRACKET COMP" ,1,,,,,,,,,,,,,,,,,,,,,
7,1,,172458-19370,, "RRACKET,BELT" ,1,,,,,,,,,,,,,,,,,,,,,
8,1,,172458-19400,, "BRACKET,PULLEY" ,1,,,,,,,,,,,,,,,,,,,,,
9,1,,172458-19430,,PULLEY,1,,,,,,,,,,,,,,,,,,,,,
10,1,,172458-19560,,V-BELT,1,,,,,,,,,,,,,,,,,,,,,
11,1,,129403-42380,,V-PULLEY(D=110),1,,,,,,,,,,,,,,,,,,,,,
12,1,,1A1040-43900,, "SPRING WASHER" ,1,,,,,,,,,,,,,,,,,,,,,
13,1,,171009-44760,,SPACER,1,,,,,,,,,,,,,,,,,,,,,
14,1,,22137-080000,, "WASHER 8, POLISHED" ,3,,,,,,,,,,,,,,,,,,,,,
15,1,,22190-080002,, "SEAL WASHER 8S" ,4,,,,,,,,,,,,,,,,,,,,,
16,1,,22217-060000,, "SPRING WASHER 6" ,1,,,,,,,,,,,,,,,,,,,,,
17,1,,22217-080000,, "SPRING WASHER 8" ,1,,,,,,,,,,,,,,,,,,,,,
18,1,,22252-000400,, "CIRCLIP 40(H)" ,1,,,,,,,,,,,,,,,,,,,,,
19,1,,24104-062034,, "BALL BEARING" ,1,,,,,,,,,,,,,,,,,,,,,
20,1,,26013-060502,, "BOLT M 6X 50" ,4,,,,,,,,,,,,,,,,,,,,,
21,1,,26013-080162,, "BOLT W/WASHER M8X16" ,3,,,,,,,,,,,,,,,,,,,,,
22,1,,26013-080252,, "BOLT M 8X 25" ,2,,,,,,,,,,,,,,,,,,,,,
23,1,,26013-080302,, "BOLT M 8X 30" ,1,,,,,,,,,,,,,,,,,,,,,
24,1,,26013-080602,, "BOLT M8X60" ,1,,,,,,,,,,,,,,,,,,,,,
25,1,,26013-100252,, "BOLT W/WASHER M10X25" ,3,,,,,,,,,,,,,,,,,,,,,
26,1,,26013-120302,, "BOLT W/WASHER M12X30" ,2,,,,,,,,,,,,,,,,,,,,,
27,1,,26106-080202,, "BOLT M 8X 20 PLATED" ,4,,,,,,,,,,,,,,,,,,,,,
28,1,,26716-060002,, "NUT 6" ,2,,,,,,,,,,,,,,,,,,,,,
29,1,,26716-080002,, "NUT M 8" ,1,,,,,,,,,,,,,,,,,,,,,

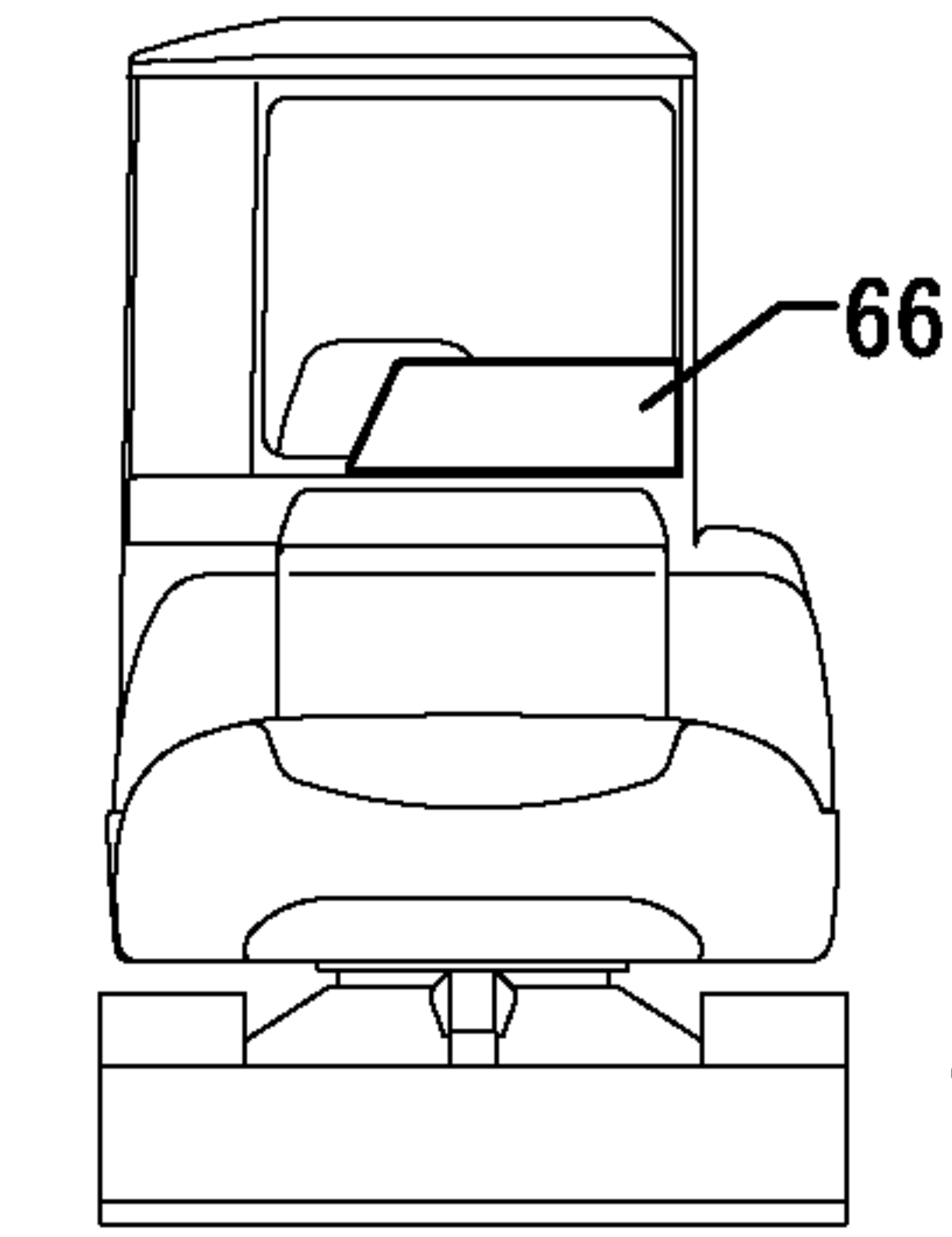
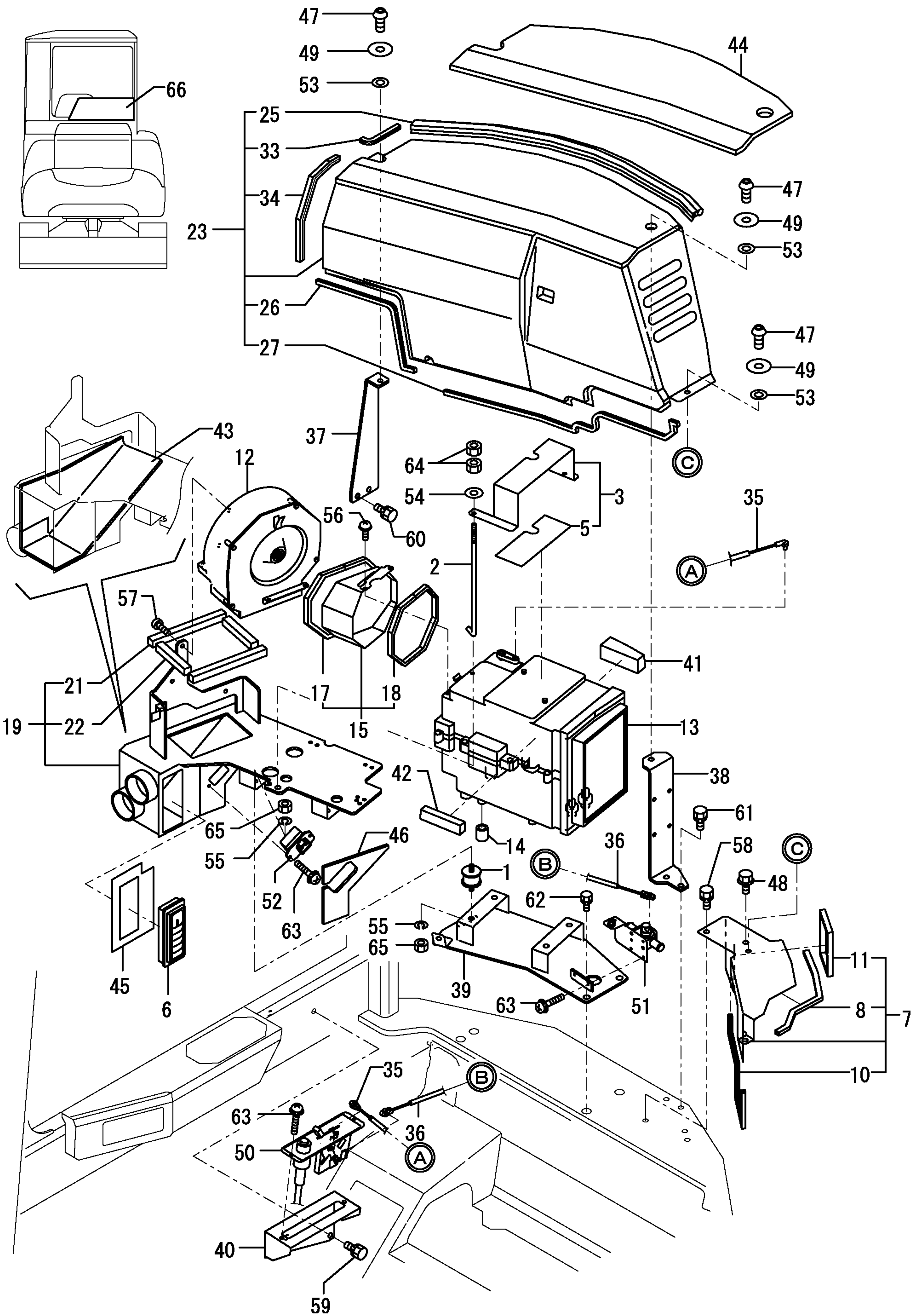


1,1,,172126-11510,, "BAND 300",1,,,,,,,,,,,,,,,,,,,,,
2,1,,172447-13550,, MOUNT,4,,,,,,,,,,,,,,,,,,,,,
3,1,,172162-18040,, BRACKET,1,,,,,,,,,,,,,,,,,,,,,
4,1,,172460-18200,, CONDENSER,1,,,,,,,,,,,,,,,,,,,,,
5,1,,172460-18250,, CONNECTOR,1,,,,,,,,,,,,,,,,,,,,,
6,1,,172458-19440,, "BRACKET,R/D",1,,,,,,,,,,,,,,,,,,,,,
8,2,,172458-19490,, SPONGE,1,,,,,,,,,,,,,,,,,,,,,
9,1,,172458-19500,, "BRACKET-A,CONDENSER",1,,,,,,,,,,,,,,,,,,,,,
10,1,,172458-19540,, "BRACKET-B,CONDENSER",1,,,,,,,,,,,,,,,,,,,,,
11,1,,172458-19580,, "HOSE,CONDENSER-R/D",1,,,,,,,,,,,,,,,,,,,,,
12,1,,172458-19610,, "MOUNT,A/C CONDENSER",1,,,,,,,,,,,,,,,,,,,,,
13,1,,1E8545-80210,, "RECEIVER DRYER",1,,,,,,,,,,,,,,,,,,,,,
14,1,,1E8545-80250,, "JOINT (RECEIVER",1,,,,,,,,,,,,,,,,,,,,,
15,1,,22137-060000,, "WASHER 6, POLISHED",2,,,,,,,,,,,,,,,,,,,,,
16,1,,22217-080000,, "SPRING WASHER 8",8,,,,,,,,,,,,,,,,,,,,,
17,1,,26013-060122,, "BOLT M 6X 12",4,,,,,,,,,,,,,,,,,,,,,
18,1,,26013-060252,, "BOLT M 6X 25",2,,,,,,,,,,,,,,,,,,,,,
19,1,,26013-080162,, "BOLT W/WASHER M8X16",2,,,,,,,,,,,,,,,,,,,,,
20,1,,26013-100202,, "BOLT W/WASHER M10X20",2,,,,,,,,,,,,,,,,,,,,,
21,1,,26013-100652,, "BOLT 10X65 W/SP.WSHR",2,,,,,,,,,,,,,,,,,,,,,
22,1,,26716-080002,, "NUT M 8",8,,,,,,,,,,,,,,,,,,,,,
23,1,,933171-15680,, "GROMMET 40X13",1,,,,,,,,,,,,,,,,,,,,,



REFER TO Fig. 22

1,1,,172122-13310,, "MOUNT, RADIATOR",4,,,,,,,,,,,,,,,,,,,,,
2,1,,172631-16350,, "ROD,BATTERY CLAMP",2,,,,,,,,,,,,,,,,,,,,,
3,1,,172460-17650,, CLAMP,1,,,,,,,,,,,,,,,,,,,,,
5,2,,172460-17670,, "CLAMP,RUBBER",1,,,,,,,,,,,,,,,,,,,,,
6,1,,172458-17700,, GRILLE,1,,,,,,,,,,,,,,,,,,,,,
7,1,,172460-18010,, COVER,1,,,,,,,,,,,,,,,,,,,,,
8,2,,172183-05330,, "RUBBER 280,EDGE",1,,,,,,,,,,,,,,,,,,,,,
10,2,,172460-18110,, MOLDING,1,,,,,,,,,,,,,,,,,,,,,
11,2,,172458-63600,, "SEAL A,SPONGE",1,,,,,,,,,,,,,,,,,,,,,
12,1,,172460-18130,, UNIT,1,,,,,,,,,,,,,,,,,,,,,
13,1,,172460-18140,, UNIT,1,,,,,,,,,,,,,,,,,,,,,
14,1,,172460-18150,, PLUG,1,,,,,,,,,,,,,,,,,,,,,
15,1,,172460-18170,, DUCT,1,,,,,,,,,,,,,,,,,,,,,
17,2,,172519-61540,, "CUSHION A,BONNET",1,,,,,,,,,,,,,,,,,,,,,
18,2,,172162-62540,, "SEAL,STEP L",1,,,,,,,,,,,,,,,,,,,,,
19,1,,172460-18180,, "BRACKET F",1,,,,,,,,,,,,,,,,,,,,,
21,2,,172460-19130,, "SEAL C,A/C UNIT",2,,,,,,,,,,,,,,,,,,,,,
22,2,,172460-19140,, "SEAL D,A/C UNIT",2,,,,,,,,,,,,,,,,,,,,,
23,1,,172460-18240,, "PLATE R ASSY",1,,,,,,,,,,,,,,,,,,,,,
25,2,,172460-19060,, "RUBBER,SEAL 870",1,,,,,,,,,,,,,,,,,,,,,
26,2,,172460-19170,, MOLDING,1,,,,,,,,,,,,,,,,,,,,,
27,2,,172460-19180,, MOLDING,1,,,,,,,,,,,,,,,,,,,,,
33,2,,172434-61170,, "TRIM 90",1,,,,,,,,,,,,,,,,,,,,,
34,2,,172175-61430,, MOLE,1,,,,,,,,,,,,,,,,,,,,,
35,1,,172460-18260,, CABLE,1,,,,,,,,,,,,,,,,,,,,,
36,1,,172460-18270,, CABLE,1,,,,,,,,,,,,,,,,,,,,,
37,1,,172460-18530,, "BRACKET G",1,,,,,,,,,,,,,,,,,,,,,
38,1,,172460-18650,, BRACKET,1,,,,,,,,,,,,,,,,,,,,,
38-1,1,,172460-18651,, "BRACKET J ASSY",1,,,,,N,,24960014,M/#25796,,,,,,I
39,1,,172460-18670,, "PLATE P",1,,,,,,,,,,,,,,,,,,,,,
40,1,,172460-18800,, "PLATE B",1,,,,,,,,,,,,,,,,,,,,,
41,1,,172460-19110,, "SEAL A",1,,,,,,,,,,,,,,,,,,,,,
42,1,,172460-19120,, "SEAL B",1,,,,,,,,,,,,,,,,,,,,,
43,1,,172460-19190,, SEAT,1,,,,,,,,,,,,,,,,,,,,,
44,1,,172460-19210,, EVA,1,,,,,,,,,,,,,,,,,,,,,
45,1,,172460-19320,, "SPONGE,GRILLE-A",1,,,,,,,,,,,,,,,,,,,,,
46,1,,172460-19330,, "SEAT,INSULATOR",1,,,,,,,,,,,,,,,,,,,,,
47,1,,172186-45840,, "BOLT, BUTTON",4,,,,,,,,,,,,,,,,,,,,,
48,1,,172519-63240,, "BOLT 8X 16",3,,,,,,,,,,,,,,,,,,,,,
49,1,,1E8385-79310,, "WASHER 8",3,,,,,,,,,,,,,,,,,,,,,
50,1,,1E8685-79910,, "PANEL(AC CONTROL",1,,,,,,,,,,,,,,,,,,,,,
50-1,1,,1E8685-79911,, "PANEL, AC CONTROL",1,,,,,N,,XXX,M/#25501,,,,,,I
51,1,,1E8685-79920,, "VALVE,WATER",1,,,,,,,,,,,,,,,,,,,,,
52,1,,1E8685-79940,, "RESISTOR 100-40",1,,,,,,,,,,,,,,,,,,,,,
53,1,,22117-080000,, "WASHER 8",3,,,,,,,,,,,,,,,,,,,,,
54,1,,22137-060000,, "WASHER 6, POLISHED",2,,,,,,,,,,,,,,,,,,,,,
55,1,,22217-080000,, "SPRING WASHER 8",8,,,,,,,,,,,,,,,,,,,,,
56,1,,22857-400161,, "SCREW M4X16,TAPPING",2,,,,,,,,,,,,,,,,,,,,,
57,1,,22877-500161,, "SCREW, TAPPING 5X16",8,,,,,,,,,,,,,,,,,,,,,
58,1,,26013-080162,, "BOLT W/WASHER M8X16",2,,,,,,,,,,,,,,,,,,,,,
59,1,,26013-080162,, "BOLT W/WASHER M8X16",2,,,,,,,,,,,,,,,,,,,,,
60,1,,26013-080162,, "BOLT W/WASHER M8X16",2,,,,,,,,,,,,,,,,,,,,,
61,1,,26013-080202,, "BOLT W/WASHER M8X20",2,,,,,,,,,,,,,,,,,,,,,
62,1,,26013-100162,, "BOLT M10X 16",4,,,,,,,,,,,,,,,,,,,,,
63,1,,26033-040202,, "SCREW M 4X20",6,,,,,,,,,,,,,,,,,,,,,
64,1,,26716-060002,, "NUT 6",4,,,,,,,,,,,,,,,,,,,,,
65,1,,26716-080002,, "NUT M 8",8,,,,,,,,,,,,,,,,,,,,,
66,1,,172460-03180,, LABEL,1,,,,,,,,,,,,,,,,,,,,,



- 47 — [Screw]
- 49 — [Washer]
- 53 — [Nut]

- 44 — [Panel]
- 47 — [Screw]
- 49 — [Washer]
- 53 — [Nut]

- 47 — [Screw]
- 49 — [Washer]
- 53 — [Nut]

(C)

(A)

(B)

(C)

(B)

(A)

1,1,,172126-11510,, "BAND 300",7,,,,,,,,,,,,,,,,,,,,,
2,1,,172126-16540,, "CLAMP 10X70",2,,,,,,,,,,,,,,,,,,,,,
3,1,,172460-16540,, HARNES,1,,,,,,,,,,,,,,,,,,,,,
4,2,,172648-16600,, DIODE,1,,,,,,,,,,,,,,,,,,,,,
5,1,,172460-18060,, "HOSE,DRAIN",1,,,,,,,,,,,,,,,,,,,,,
6,1,,172460-18070,, "HOSE,DRAIN",1,,,,,,,,,,,,,,,,,,,,,
7,1,,172460-18080,, "HOSE,DRAIN",1,,,,,,,,,,,,,,,,,,,,,
8,1,,172458-19570,, "HOSE,COMP-CONDENSER",1,,,,,,,,,,,,,,,,,,,,,
9,1,,172458-19590,, "HOSE,R/D-UNIT",1,,,,,,,,,,,,,,,,,,,,,
10,1,,172458-19600,, "HOSE,UNIT-COMP",1,,,,,,,,,,,,,,,,,,,,,
11,1,,1E8545-80030,, "JOINT Y,DRAIN",1,,,,,,,,,,,,,,,,,,,,,
12,1,,1E6722-84550,, "CLIP COD-2223",2,,,,,,,,,,,,,,,,,,,,,
13,1,,22137-080000,, "WASHER 8, POLISHED",2,,,,,,,,,,,,,,,,,,,,,
14,1,,22137-080000,, "WASHER 8, POLISHED",1,,,,,,,,,,,,,,,,,,,,,
15,1,,26013-080162,, "BOLT W/WASHER M8X16",2,,,,,,,,,,,,,,,,,,,,,
16,1,,26013-080162,, "BOLT W/WASHER M8X16",1,,,,,,,,,,,,,,,,,,,,,
17,1,,23000-022000,, "CLAMP 22",3,,,,,,,,,,,,,,,,,,,,,
17-1,1,,23001-022000,, "HOSE CLAMP 22",3,,,,,N,,72446124,M/#22562,,,,,,,,,,,,,I

REFER TO Fig. 40

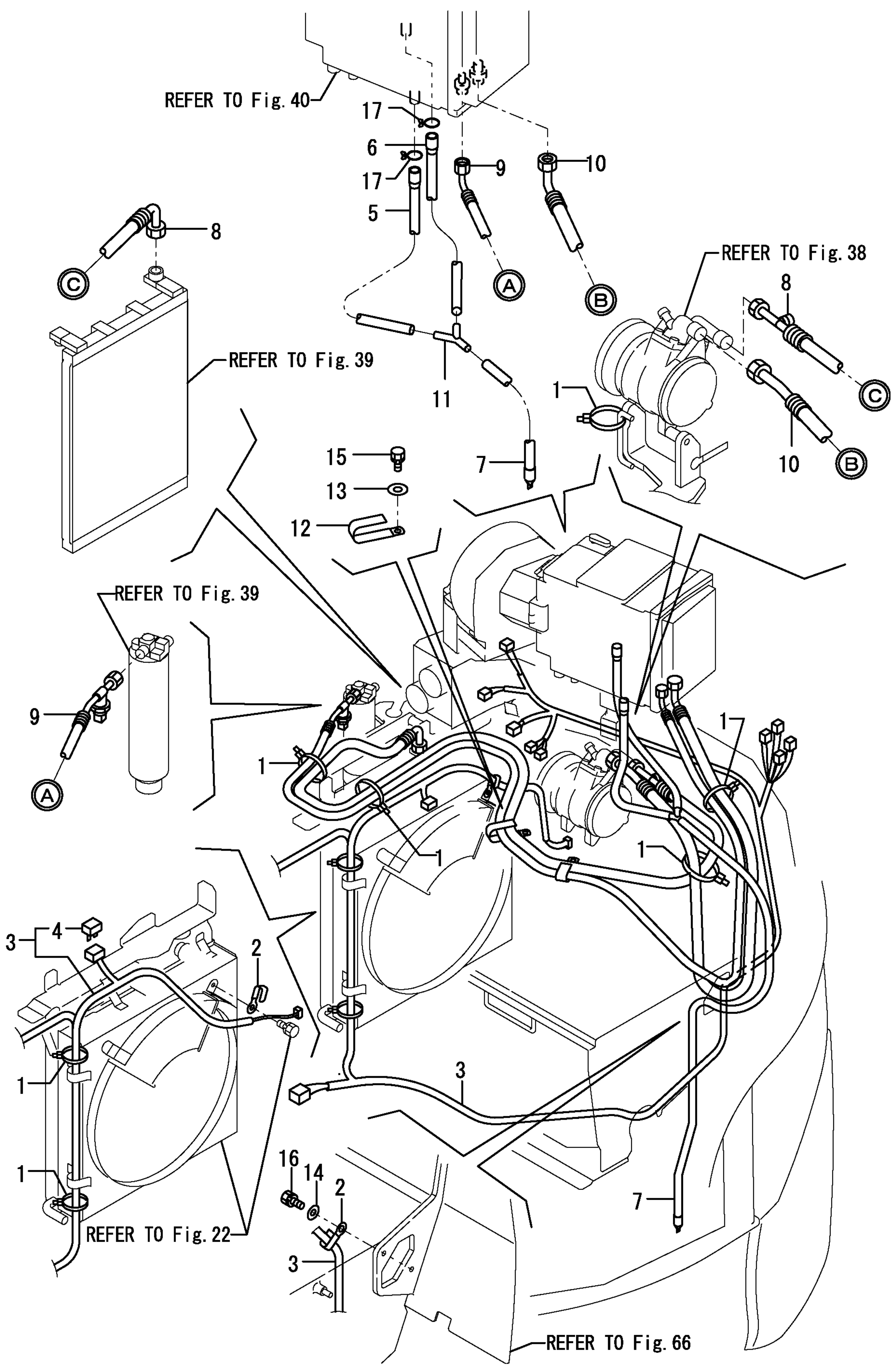
REFER TO Fig. 38

REFER TO Fig. 39

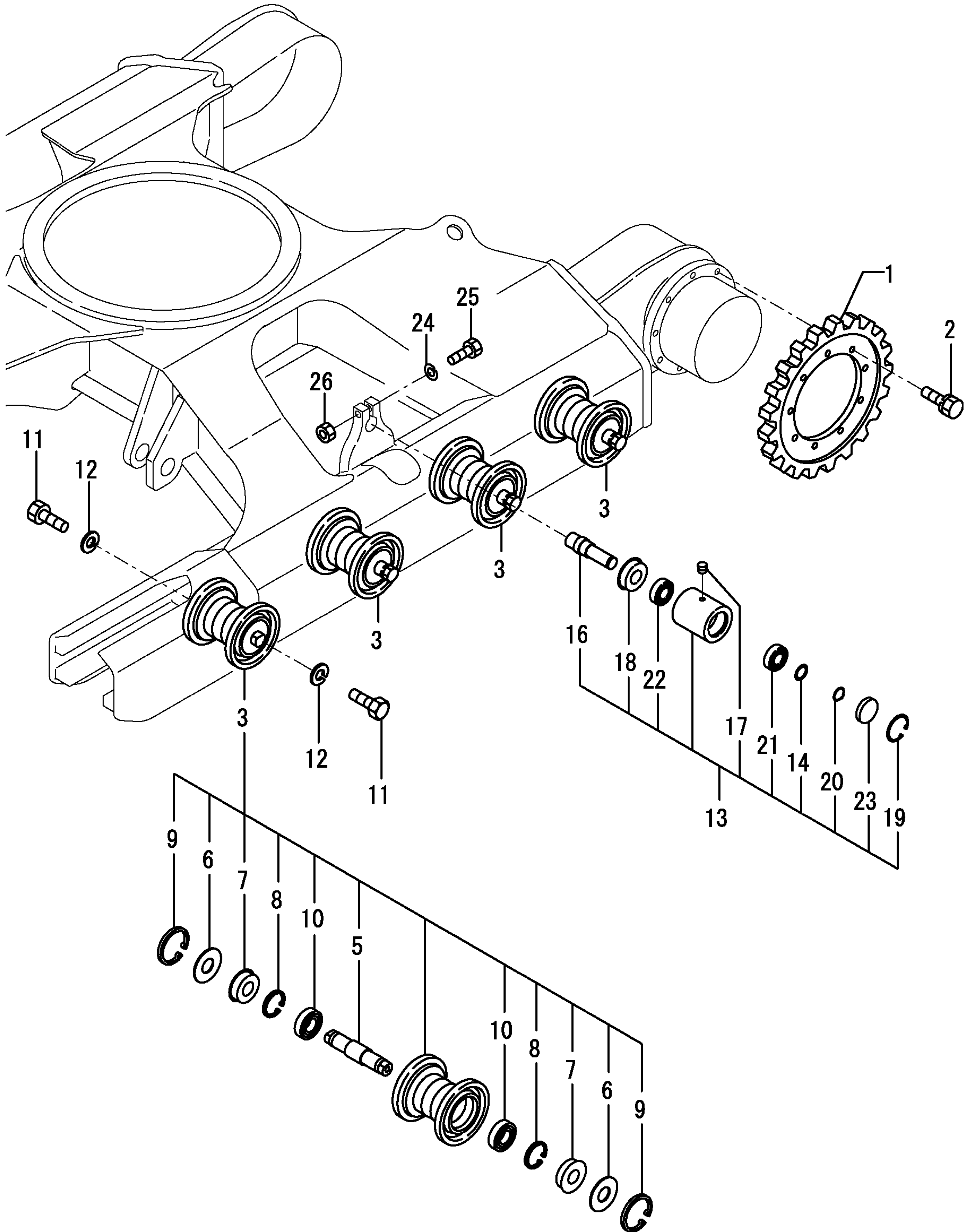
REFER TO Fig. 39

REFER TO Fig. 22

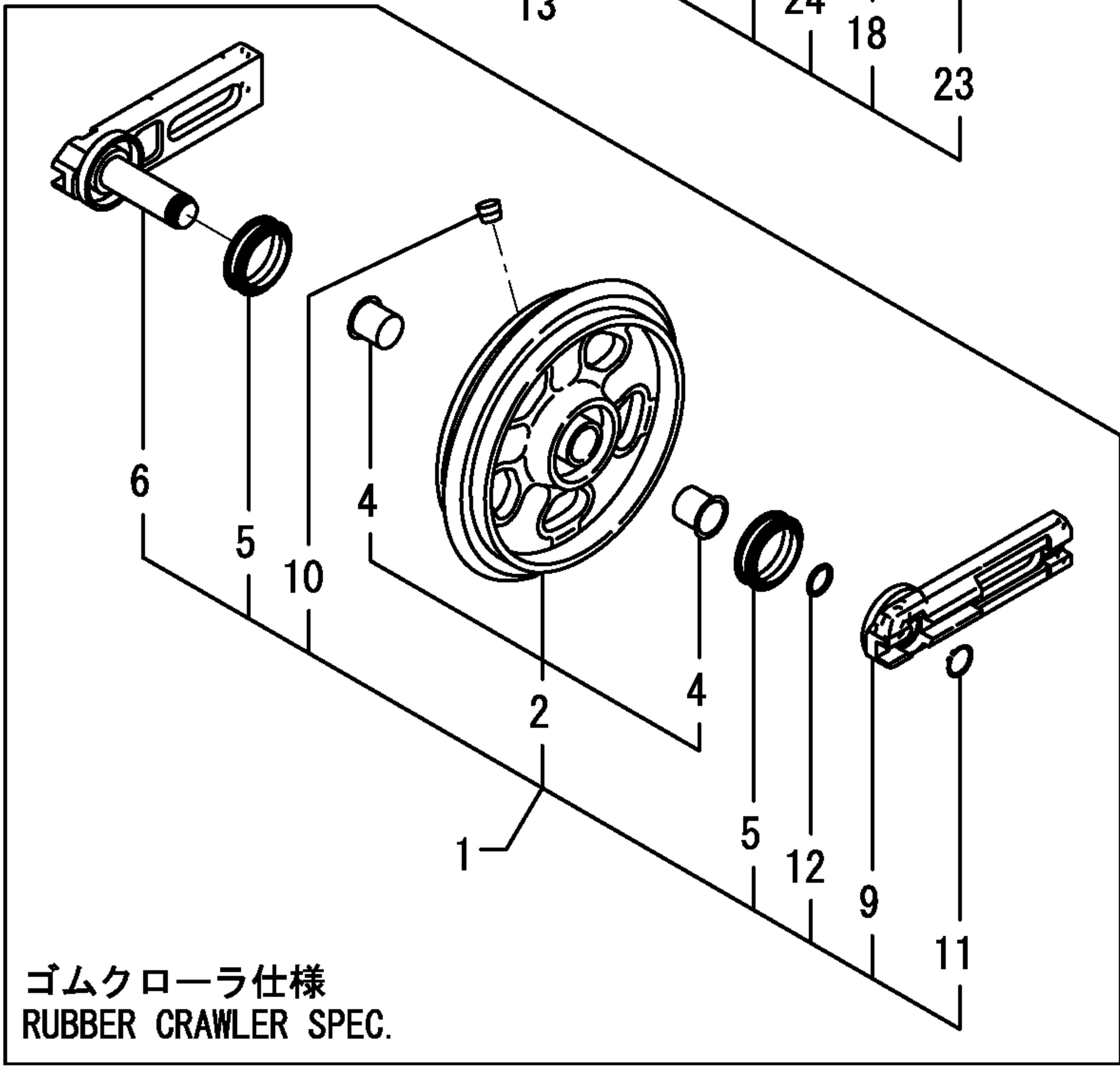
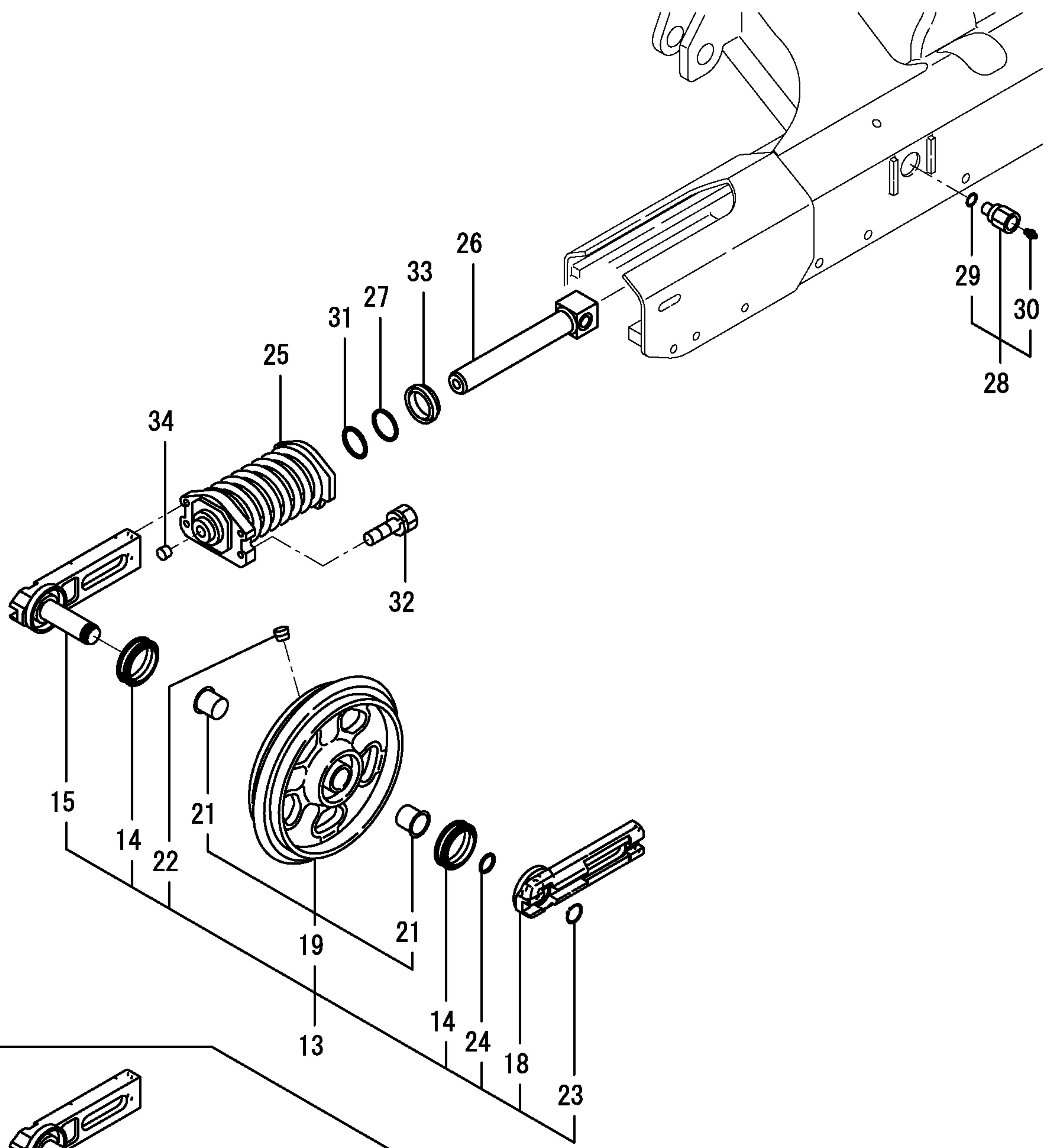
REFER TO Fig. 66



1,1,,172141-29110,, "SPROCKET (GREEN:88)",2,2,2,2,,,,,,,,,,,,,
2,1,,26013-120352,, "BOLT M12X 35",18,18,18,18,,,,,,,,,,,,,
3,1,,772450-37300,, "ROLLER,TRACK(GREEN88",8,8,8,8,,,,,,,,,,,,,
3-1,1,,172441-37301,, "ROLLER,TRACK
(88)",8,8,,,,,R,,24580545,M/#25501,24580545,M/#25501,,,,,
5,2,,172422-37310,, "SHAFT",8,8,8,8,,,,,,,,,,,,,
6,2,,172141-37320,, "SPACER 75X2.6",16,16,16,16,,,,,,,,,,,,,
7,2,,1A1030-48250,, "SEAL QLF30621218,OIL",16,16,16,16,,,,,,,,,,,,,
8,2,,22252-000620,, "CIRCLIP 62(H)",16,16,16,16,,,,,,,,,,,,,
9,2,,22252-000750,, "CIRCLIP 75",16,16,16,16,,,,,,,,,,,,,
10,2,,933111-73800,, "BEARING",16,16,16,16,,,,,,,,,,,,,
11,1,,172162-82980,, "BOLT M16X 35",16,16,,,,,,,,,,,,,
11-1,1,,172490-37310,, "BOLT
M16X30",16,16,16,16,,,,,N,,72423135,M/#23028,72423135,M/#23028,,,,,
12,1,,22217-160000,, "SPRING WASHER
16",16,16,,,,,Z,,72423135,M/#23028,72423135,M/#23028,,,,,
13,1,,772458-37500,, "ROLLER.CARRIER (88)",2,2,,,,,,,,,,,,,
13-1,1,,172458-37500,, "ROLLER,CARRIER
(88)",2,2,2,2,,,,,R,,72458531,M/#22856,72458531,M/#22856,,,,,
14,2,,172614-23190,, "COLLAR 25X34X2",2,2,,,,,,,,,,,,,
14-1,2,,172458-
37590,, "COLLAR",2,2,2,2,,,,,R,,72458531,M/#22856,72458531,M/#22856,,,,,
16,2,,172458-37520,, "SHAFT, CARIA ROLLER",2,2,,,,,,,,,,,,,
16-1,2,,172458-
37570,, "SHAFT",2,2,2,2,,,,,R,,72458531,M/#22856,72458531,M/#22856,,,,,
17,2,,194630-42120,, "PLUG PT1/8",2,2,2,2,,,,,,,,,,,,,
18,2,,1A1030-48250,, "SEAL QLF30621218,OIL",2,2,,,,,,,,,,,,,
18-1,2,,172458-37580,, "OIL
SEAL",2,2,2,2,,,,,R,,72458531,M/#22856,72458531,M/#22856,,,,,
19,2,,22252-000521,, "CIRCLIP 52",2,2,2,2,,,,,,,,,,,,,
20,2,,22242-000250,, "CIRCLIP 25S",2,2,2,2,,,,,,,,,,,,,
21,2,,24101-062054,, "BEARING #6205",2,2,2,2,,,,,,,,,,,,,
22,2,,24102-062054,, "BALL BEARING",2,2,2,2,,,,,,,,,,,,,
23,2,,27260-520000,, "COVER 52, BLIND",2,2,2,2,,,,,,,,,,,,,
24,1,,22217-140000,, "SPRING WASHER 14",2,2,2,2,,,,,,,,,,,,,
25,1,,26116-140652,, "BOLT M14X 65 PLATED",2,2,2,2,,,,,,,,,,,,,
26,1,,26716-140002,, "NUT M14",2,2,2,2,,,,,,,,,,,,,



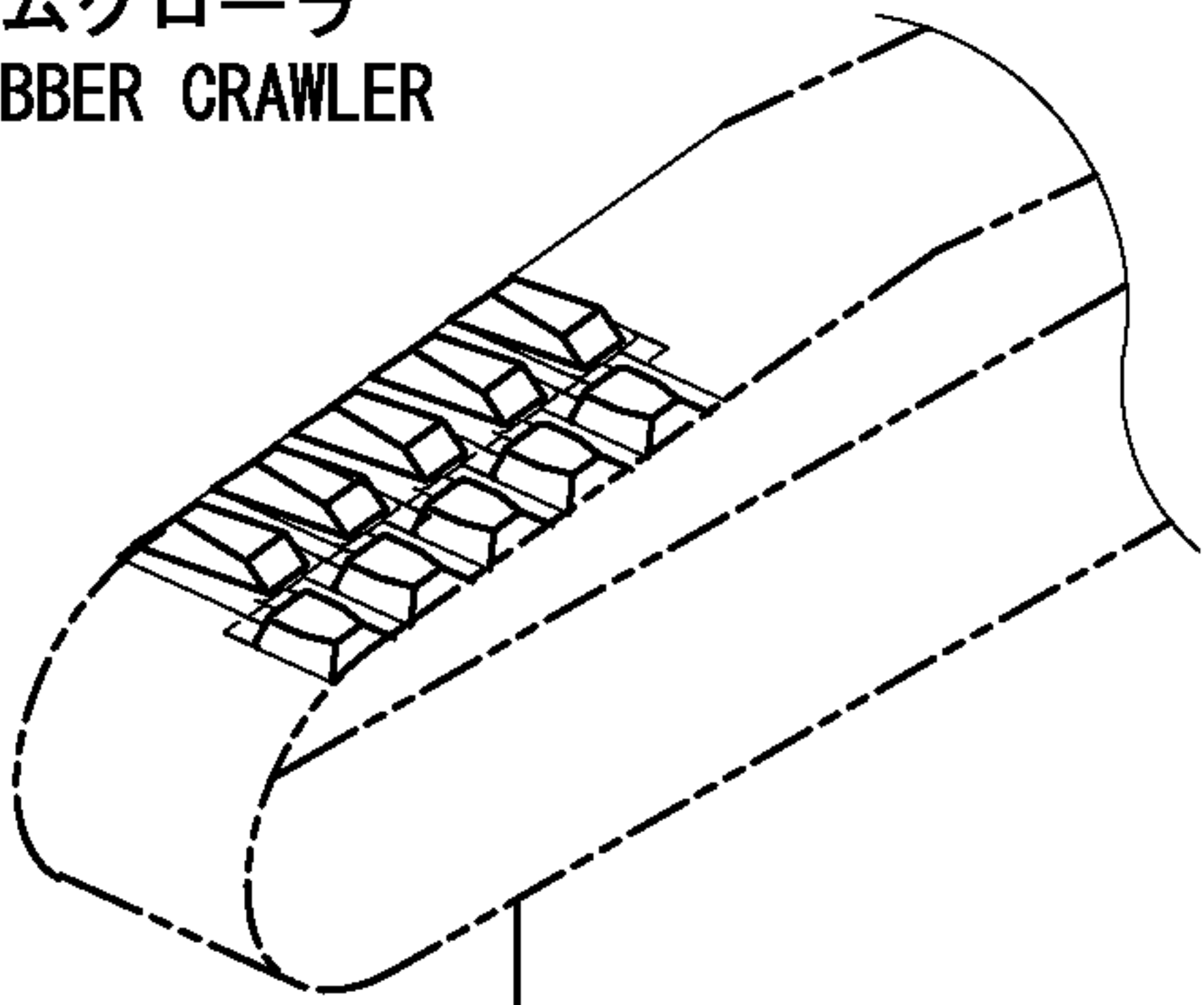
1,1,,772458-37100,, "IDLER 295 ASSY (88)",2,2,2,2,,,,,1,,,,,,,,,,,,,I
2,2,,172458-37100,, "IDLER 295 (GREEN:88)",2,2,2,2,,,,,,,,,,,,,
4,3,,172423-37370,, BUSH,4,4,4,4,,,,,,,,,,,,,
5,2,,172458-37120,, "FLOATING SEAL",4,4,4,4,,,,,,,,,,,,,
6,2,,172458-37130,, SHAFT,2,2,2,2,,,,,,,,,,,,,
9,2,,172458-37150,, COVER,2,2,2,2,,,,,,,,,,,,,
10,2,,194630-42120,, "PLUG PT1/8",2,2,2,2,,,,,,,,,,,,,
11,2,,22242-000300,, "CIRCLIP 30",2,2,2,2,,,,,,,,,,,,,
12,2,,24321-000300,, "O-RING G30",2,2,2,2,,,,,,,,,,,,,
13,1,,772458-37110,, "IDLER 280 ASSY (88)",2,2,2,2,,,,,2,,,,,,,,,,,,,I
14,2,,172458-37120,, "FLOATING SEAL",4,4,4,4,,,,,,,,,,,,,
15,2,,172458-37130,, SHAFT,2,2,2,2,,,,,,,,,,,,,
18,2,,172458-37150,, COVER,2,2,2,2,,,,,,,,,,,,,
19,2,,172458-37170,, "IDLER 280 (GREEN:88)",2,2,2,2,,,,,,,,,,,,,
21,3,,172423-37370,, BUSH,4,4,4,4,,,,,,,,,,,,,
22,2,,194630-42120,, "PLUG PT1/8",2,2,2,2,,,,,,,,,,,,,
23,2,,22242-000300,, "CIRCLIP 30",2,2,2,2,,,,,,,,,,,,,
24,2,,24321-000300,, "O-RING G30",2,2,2,2,,,,,,,,,,,,,
25,1,,172458-37700,, "SPRING, CRAWLER",2,2,2,2,,,,,,,,,,,,,
26,1,,172422-37780,, "PISTON ASSY, ADJUST",2,2,2,2,,,,,,,,,,,,,
27,1,,172122-37830,, "RING, BUCK UP",2,2,2,2,,,,,,,,,,,,,
28,1,,172122-37843,, "VALVE ASSY, NIPPLE",2,2,,,,,,,,,,,,,
28-1,1,,172122-37844,, "VALVE ASSY,
NIPPLE",2,2,2,2,,N,,72460073,M/#20863,72460073,M/#20863,,,,,
29,2,,24315-000140,, "O-RING 1B P-14.0",2,2,2,2,,,,,,,,,,,,,
30,2,,24761-020000,, "NIPPLE PT1/8,GREASE",2,2,2,2,,,,,,,,,,,,,
31,1,,24325-000400,, "O-RING 1B G 40",2,2,2,2,,,,,,,,,,,,,
32,1,,26013-100402,, "BOLT M10X 40",8,8,8,8,,,,,,,,,,,,,
33,1,,933111-23600,, "SEAL 4052710",2,2,2,2,,,,,,,,,,,,,
34,1,,933171-13691,, "PLUG PT1/8",2,2,2,2,,,,,,,,,,,,,



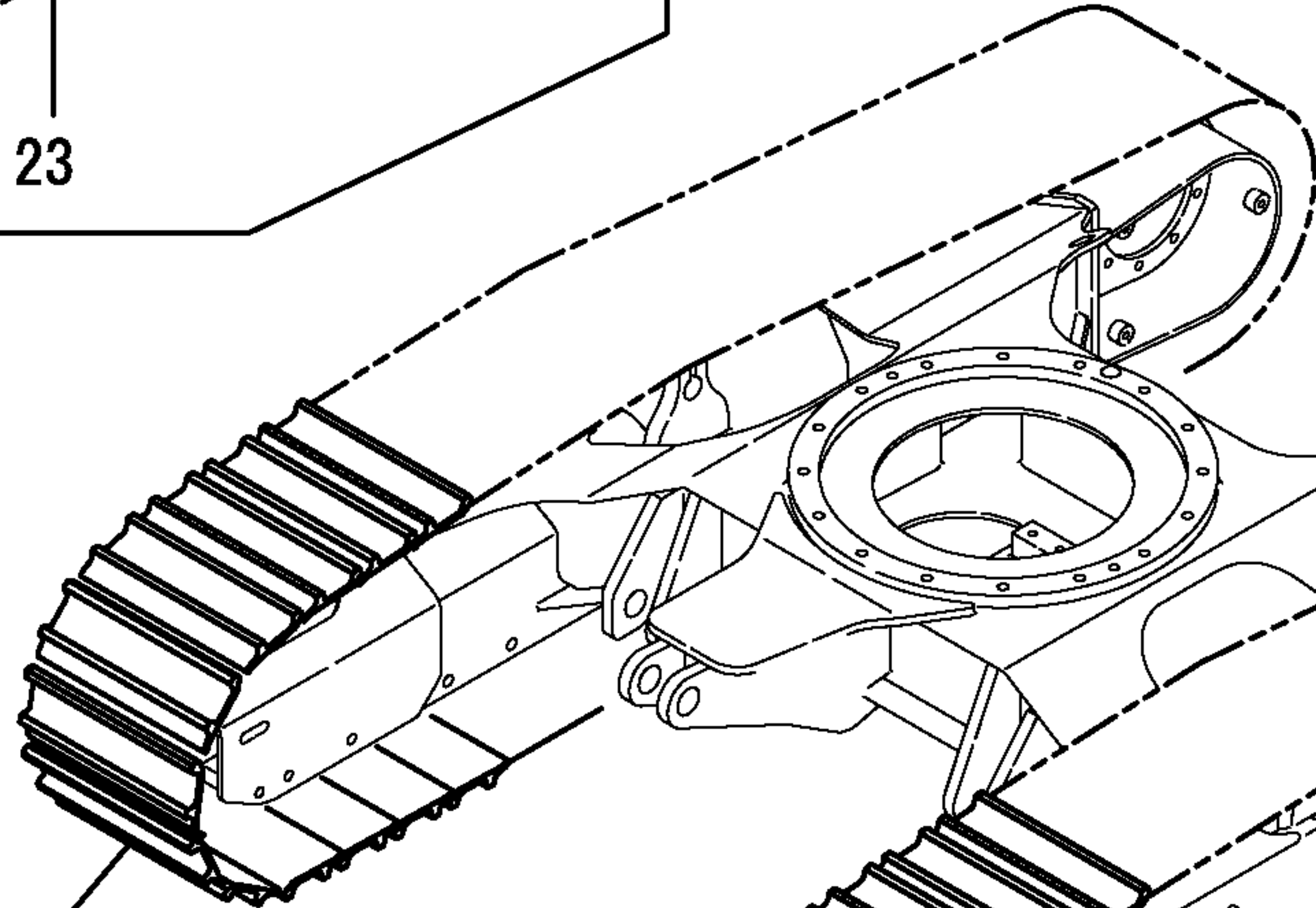
ゴムクローラ仕様
RUBBER CRAWLER SPEC.

1,1,,172458-38100,, "SHOE L,TRACK(GREEN88",1,1,1,1,,,,,,,,,,,,,
2,2,,172458-38110,, "PLATE,SHEW 300L (88)",43,43,43,43,,,,,,,,,,,,,
3,2,,172458-38140,, "LINK,TRACK(GREEN:88)",1,1,1,1,,,,,,,,,,,,,
8,3,,172458-38200,, "BUSH,TRUCK",43,43,43,43,,,,,,,,,,,,,
9,3,,172458-38210,, "PIN,TRUCK",42,42,42,42,,,,,,,,,,,,,
10,3,,172458-38220,, "PIN,MASTER",1,1,1,1,,,,,,,,,,,,,
11,3,,172458-38230,, "STOP PIN",1,1,1,1,,,,,,,,,,,,,
12,1,,172458-38120,, "SHOE R,TRACK(GREEN88",1,1,1,1,,,,,,,,,,,,,
13,2,,172458-38130,, "PLATE,SHEW 300R (88)",43,43,43,43,,,,,,,,,,,,,
14,2,,172458-38140,, "LINK,TRACK(GREEN:88)",1,1,1,1,,,,,,,,,,,,,
19,3,,172458-38200,, "BUSH,TRUCK",43,43,43,43,,,,,,,,,,,,,
20,3,,172458-38210,, "PIN,TRUCK",42,42,42,42,,,,,,,,,,,,,
21,3,,172458-38220,, "PIN,MASTER",1,1,1,1,,,,,,,,,,,,,
22,3,,172458-38230,, "STOP PIN",1,1,1,1,,,,,,,,,,,,,
23,1,,172422-38600,, "CRAWLER, RUBBER",2,2,,,,,,,,,,,,,
23-1,1,,172422-38601,, "CRAWLER,
RUBBER",2,2,,,,,N,,72422140,M/#20874,72422140,M/#20874,,,,,,I
23-2,1,,172422-38603,, "CRAWLER,
RUBBER",2,2,2,2,,,,,N,,72458516,M/#22680,72458516,M/#22680,,,,,,I
24,1,,172458-38300,, "TRUCK,MASTER 300L(88",1,1,1,1,,,,,,,,,,,,,
25,2,,172458-38200,, "BUSH,TRUCK",1,1,1,1,,,,,,,,,,,,,
26,1,,172458-38310,, "TRUCK,MASTER 300R(88",1,1,1,1,,,,,,,,,,,,,
27,2,,172458-38200,, "BUSH,TRUCK",1,1,1,1,,,,,,,,,,,,,

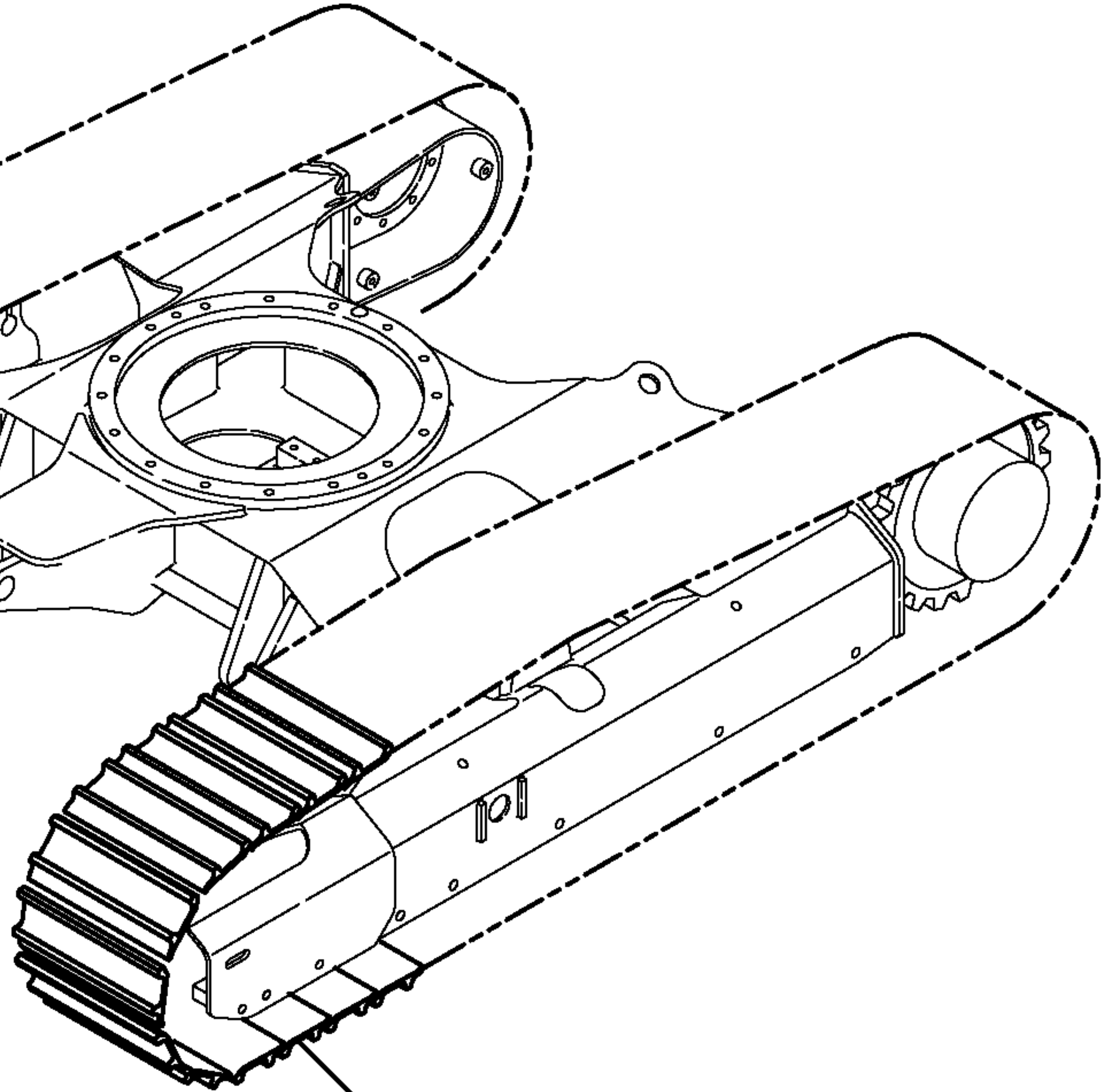
ゴムクローラ
RUBBER CRAWLER



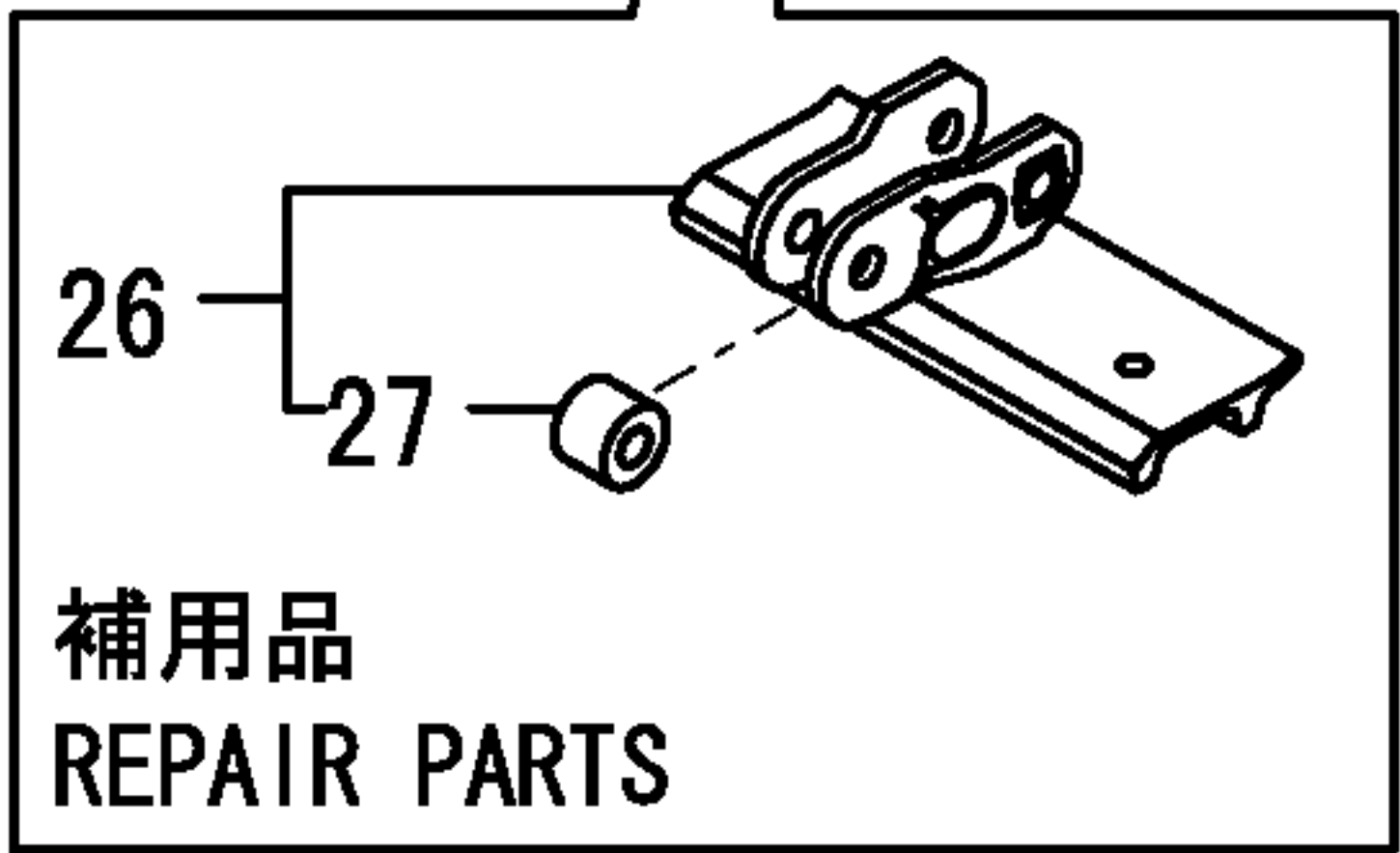
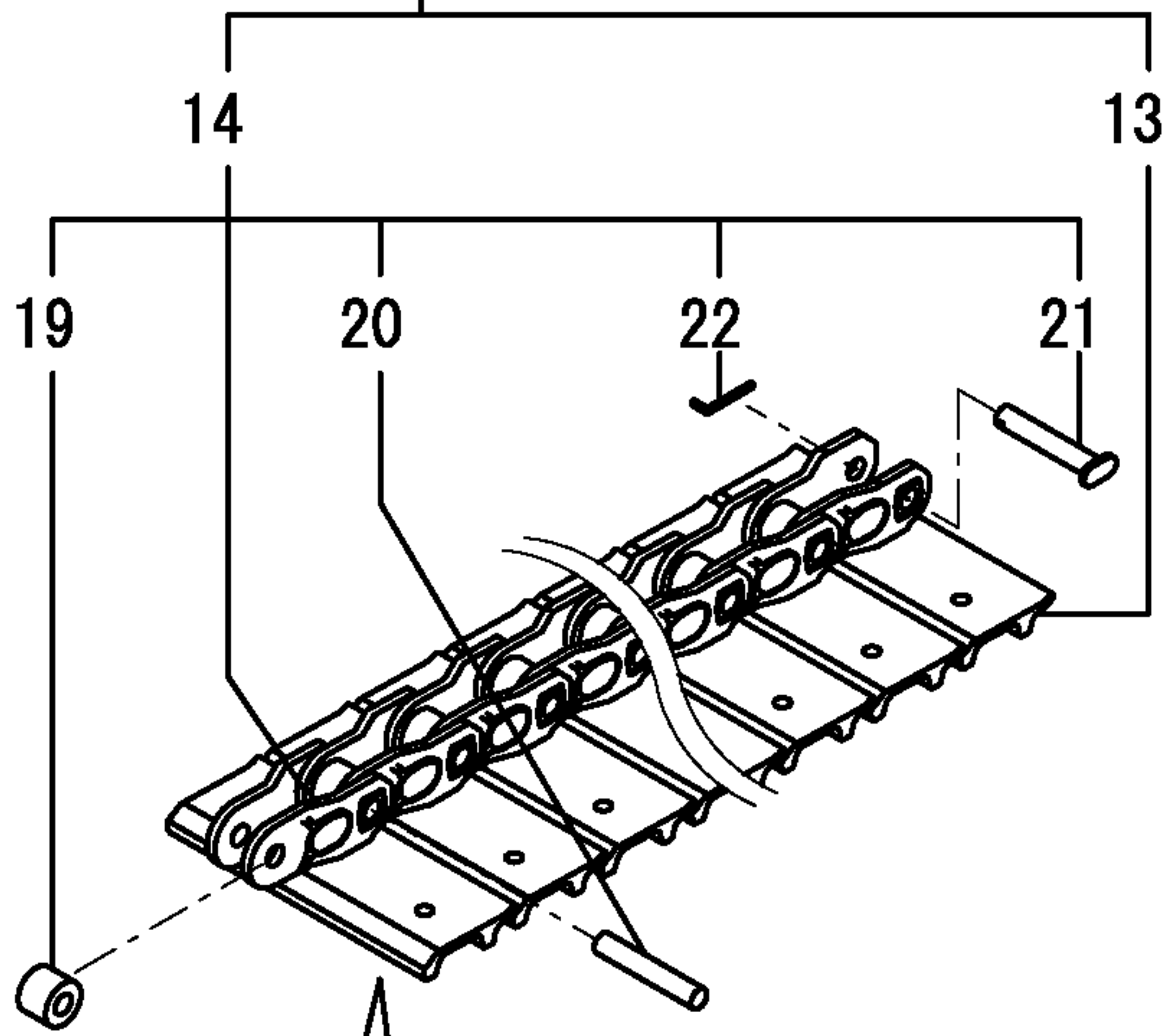
23



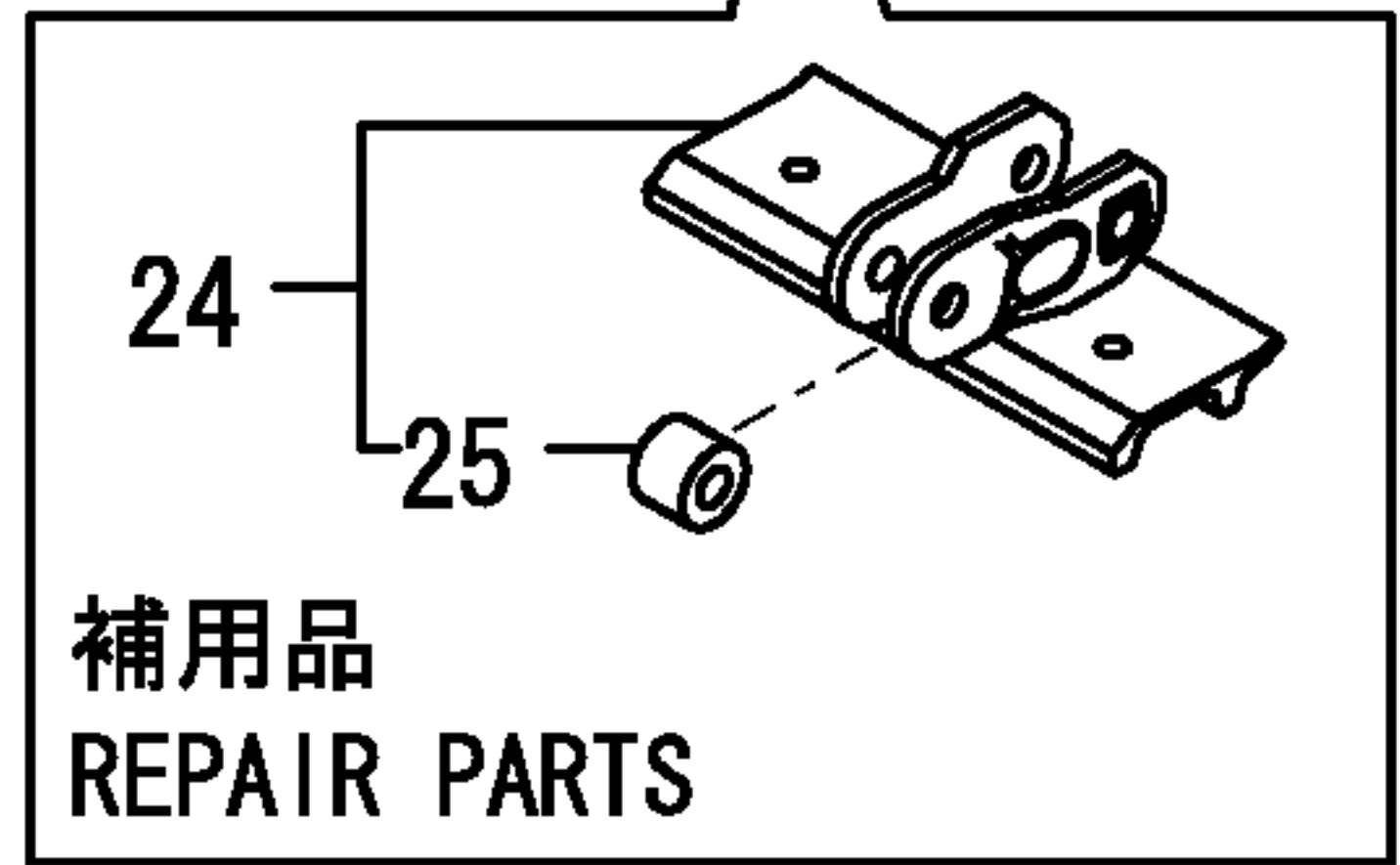
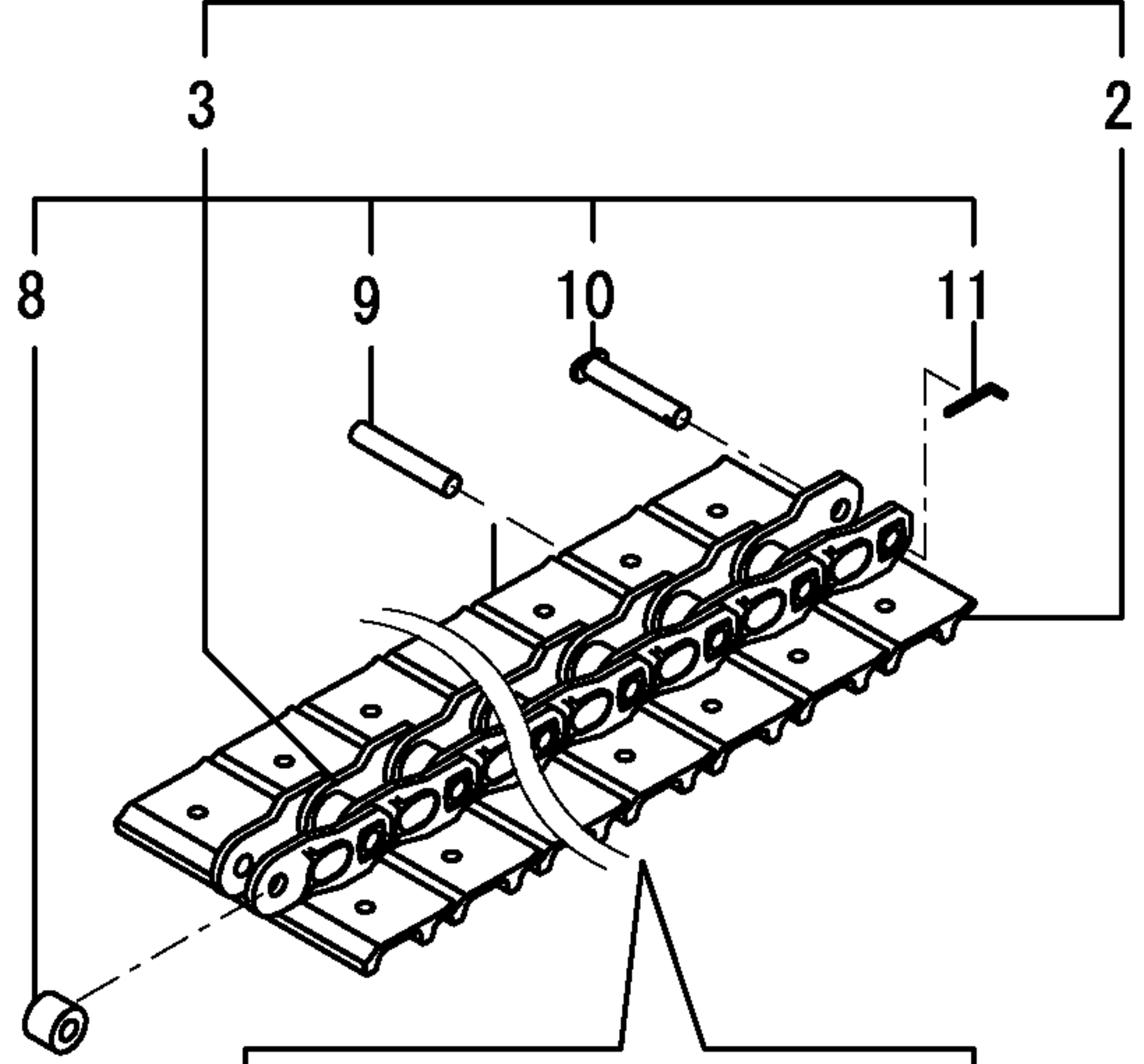
12



1

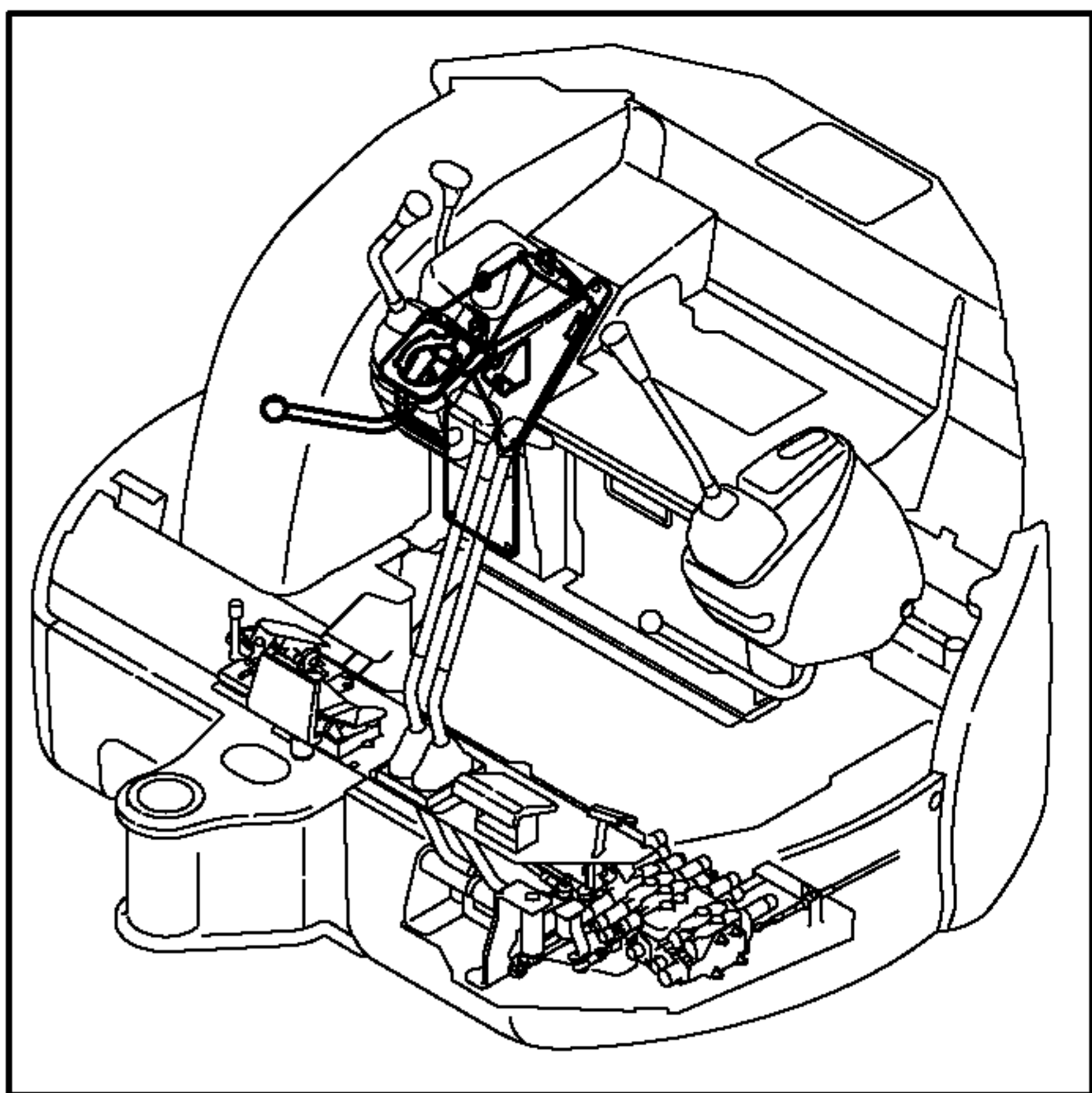


補用品
REPAIR PARTS



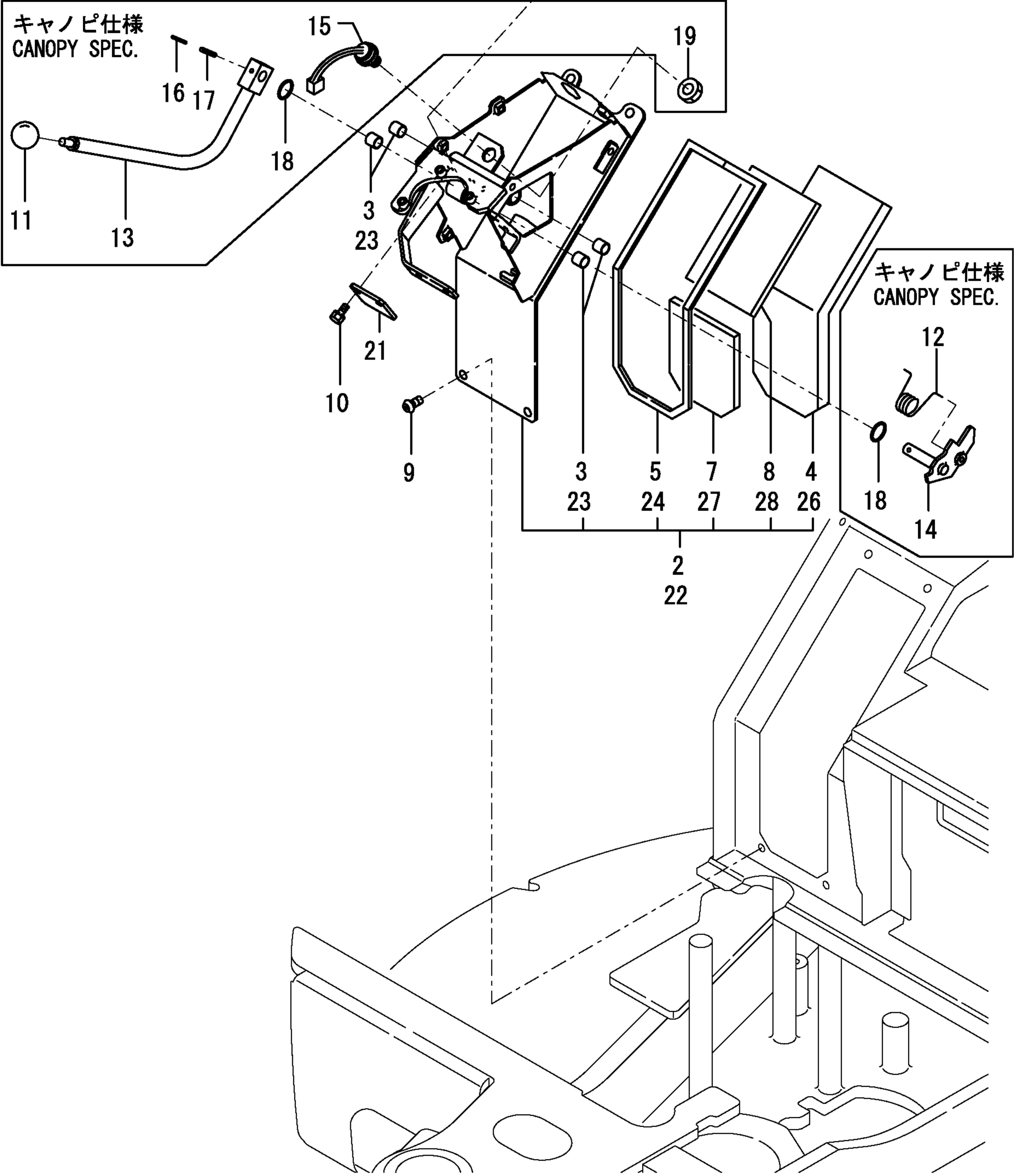
補用品
REPAIR PARTS

1,1,,172458-46730,, "BOLT N6X30",3,3,3,3,,,,,,,,,,,,,
2,1,,172458-46801,, "STAND R,LEVER(GRAY73",1,1,,,,,,,,,,,,,
2-1,1,,172457-46801,, "STAND
R,LEVER(GRAY73",1,1,,,,,N,,72457037,M/#21080,72457037,M/#21080,,,,,,,,,
3,2,,172141-41360,, "BUSH 1415",4,4,4,4,,,,,,,,,,,,,
4,2,,172458-47010,, "NY
SEAT,STAND",1,1,,,,,Z,,72457037,M/#21080,72457037,M/#21080,,,,,,,,,
5,2,,172458-46790,, "SEAL,LEVER
STAND",1,1,,,,,Z,,72457037,M/#21080,72457037,M/#21080,,,,,,,,,
7,2,,172458-47020,, "SPONGE,STAND-
A",1,1,,,,,Z,,72457037,M/#21080,72457037,M/#21080,,,,,,,,,
8,2,,172458-47030,, "SPONGE,STAND-
B",1,1,,,,,Z,,72457037,M/#21080,72457037,M/#21080,,,,,,,,,
9,1,,172455-61720,, "BOLT M 10X20",4,4,4,4,,,,,,,,,,,,,
10,1,,26013-080162,, "BOLT W/WASHER M8X16",2,2,2,2,,,,,,,,,,,,,
11,1,,1D4070-23580,, "GRIP,RED ROUND",,1,,1,,,,,,,,,,,,,
12,1,,172165-45970,, "SPRING,,1,,1,,,,,,,,,,,,,
13,1,,172458-47680,, "LEVER R (GRAY:72)",,1,,1,,,,,,,,,,,,,
14,1,,172458-47710,, "SHAFT (GRAY:73)",,1,,1,,,,,,,,,,,,,
15,1,,194464-52190,, "SWITCH, SAFETY START",,1,,1,,,,,,,,,,,,,
16,1,,22351-030032,, "SPRING PIN 3X32",,1,,1,,,,,,,,,,,,,
17,1,,22351-050032,, "SPRING PIN 5X32",,1,,1,,,,,,,,,,,,,
18,1,,24311-000210,, "O-RING 1A P-21.0",,2,,2,,,,,,,,,,,,,
19,1,,26776-180002,, "NUT M18,LOCK",,1,,1,,,,,,,,,,,,,
20,1,,172455-46940,, "PLATE R,BOOTS (73)",1,1,,,,,,,,,,,,,
20-1,1,,172455-46941,, "PLATE R,BOOTS
(73)",1,1,1,1,,N,,72455316,M/#22062,72455316,M/#22062,,,,,,,,,
21,1,,172458-46950,, "PLATE (GRAY:73)",1,1,1,1,,,,,,,,,,,,,
22,1,,172458-46801,, "STAND R,LEVER(GRAY73",1,,1,,1,,,,,,,,,,,,,
23,2,,172141-41360,, "BUSH 1415",4,,4,,1,,,,,,,,,,,,,
24,2,,172458-46790,, "SEAL,LEVER STAND",1,,1,,1,,,,,,,,,,,,,
26,2,,172458-47010,, "NY SEAT,STAND",1,,1,,,,,,,,,,,,,
27,2,,172458-47020,, "SPONGE,STAND-A",1,,1,,1,,,,,,,,,,,,,
28,2,,172458-47030,, "SPONGE,STAND-B",1,,1,,1,,,,,,,,,,,,,



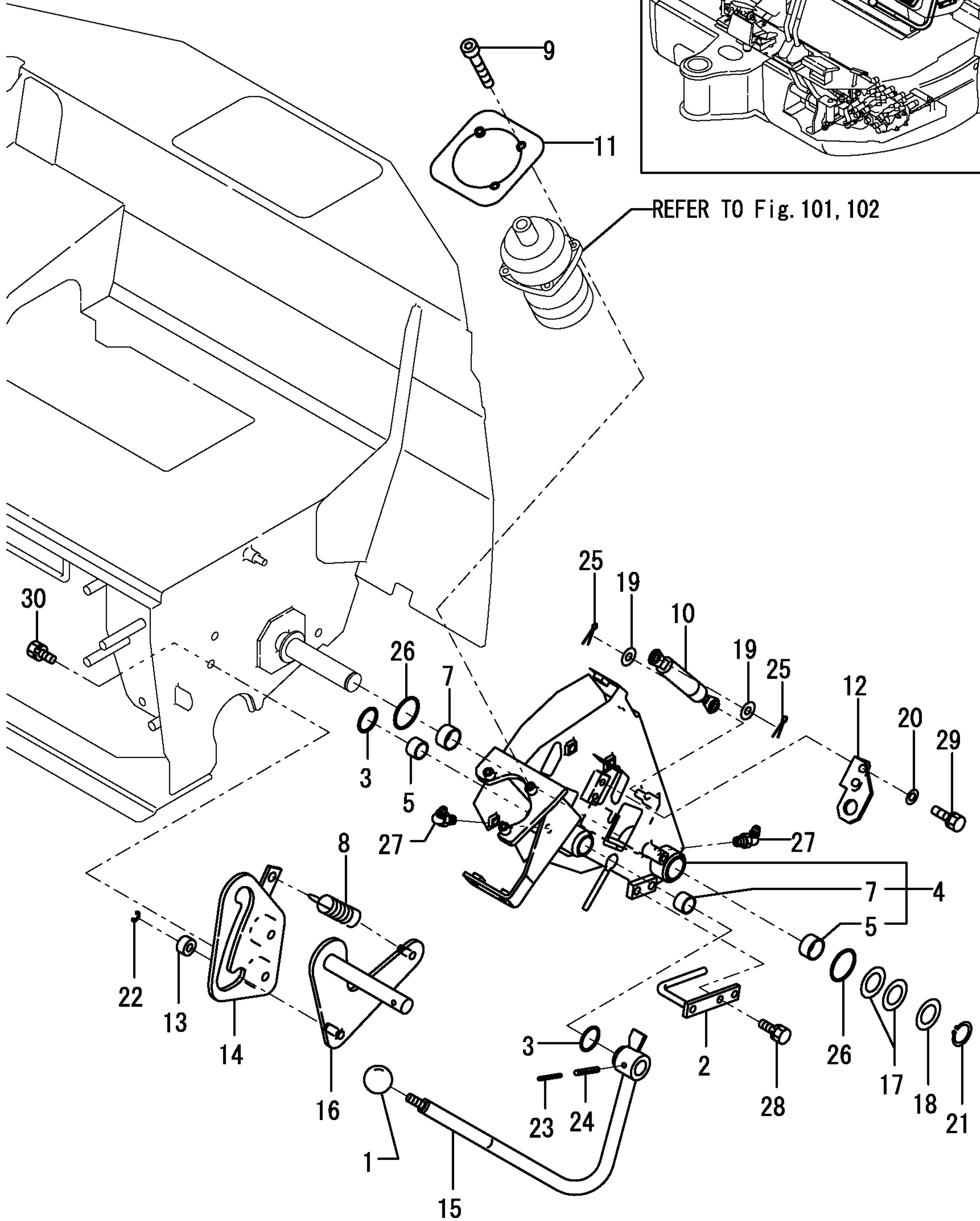
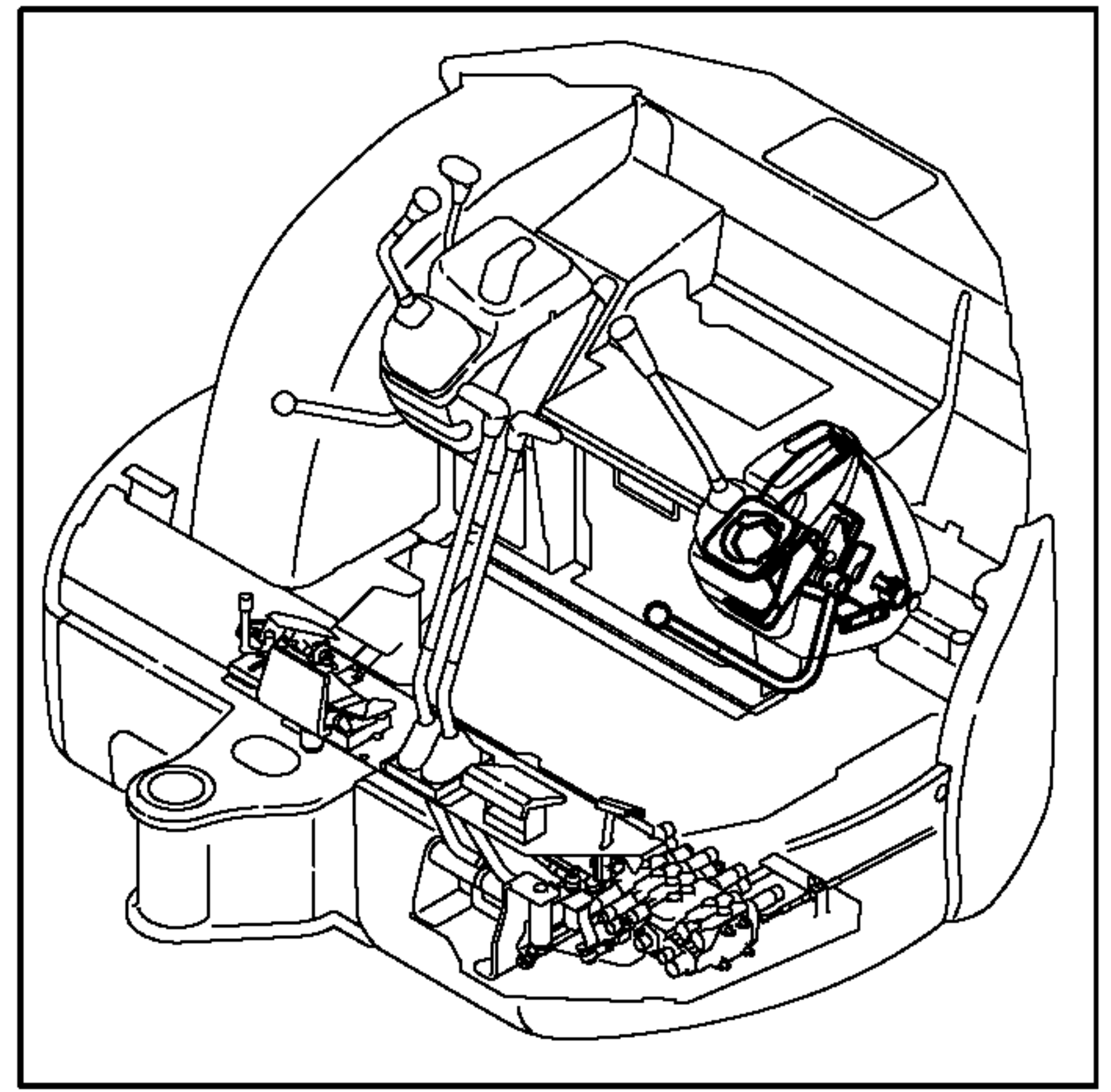
REFER TO Fig. 101

キャノピ仕様
CANOPY SPEC.

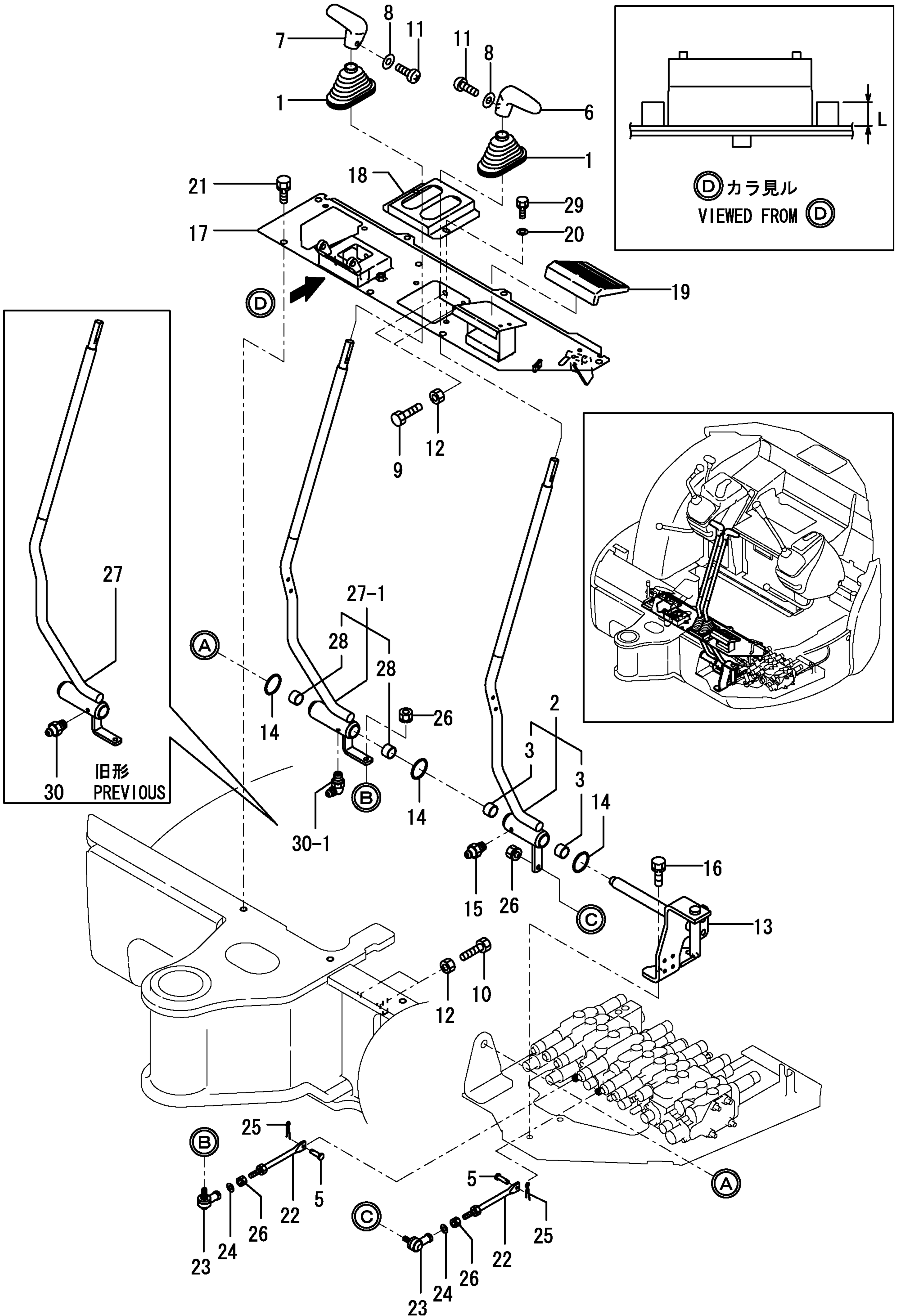


キャノピ仕様
CANOPY SPEC.

1,1,,1D4070-23580,, "GRIP,RED ROUND",1,1,1,1,,,,,,,,,,,,,
2,1,,172458-45850,, "GUIDE L,HOSE(GRAY:73",1,1,1,1,,,,,,,,,,,,,
3,1,,172124-46200,, "O-RING 27X5.7",2,2,2,2,,,,,,,,,,,,,
4,1,,172458-46600,, "STAND L,LEVER(GRAY73",1,1,1,1,,,,,,,,,,,,,
5,2,,172141-41370,, "BUSH 2015",2,2,2,2,,,,,,,,,,,,,
7,2,,24550-025150,, "BUSH 25X15",2,2,2,2,,,,,,,,,,,,,
8,1,,172162-46690,, SPRING,1,1,1,1,,,,,,,,,,,,,
9,1,,172458-46730,, "BOLT N6X30",3,3,3,3,,,,,,,,,,,,,
10,1,,172455-46890,, "SPRING,GAS",1,1,1,1,,,,,,,,,,,,,
11,1,,172455-46900,, PLATE,1,1,,,,,,,,,,,,,
11-1,1,,172455-46901,, "PLATE L,
BOOTS",1,1,1,1,,R,,72455316,M/#22062,72455316,M/#22062,,,,,,,,,I
12,1,,172455-46950,, "BRACKET, SWITCH",1,1,1,1,,,,,,,,,,,,,
13,1,,172165-47550,, BUSH,1,1,1,1,,,,,,,,,,,,,
14,1,,172458-47601,, "GUIDE L,LOCK(GRAY:73",1,1,1,1,,,,,,,,,,,,,
15,1,,172458-47620,, "LEVER L,LOCK(GRAY:72",1,1,,,,,,,,,,,,,
15-1,1,,172458-47621,, "LEVER
L,LOCK(GRAY:72",1,1,1,1,,N,,72458340,M/#20745,72458340,M/#20745,,,,,,,,,
16,1,,172458-47640,, "ROD,SPRING (GRAY:73)",1,1,1,1,,,,,,,,,,,,,
17,1,,172165-47980,, "SHIM 42X25.5X0.5",2,2,2,2,,,,,,,,,,,,,
18,1,,172165-47990,, "WASHER 25.5X42",1,1,1,1,,,,,,,,,,,,,
19,1,,22137-080000,, "WASHER 8, POLISHED",2,2,2,2,,,,,,,,,,,,,
20,1,,22137-080000,, "WASHER 8, POLISHED",2,2,2,2,,,,,,,,,,,,,
21,1,,22242-000250,, "CIRCLIP 25S",1,1,1,1,,,,,,,,,,,,,
22,1,,22272-000070,, "CIRCLIP E- 7",1,1,1,1,,,,,,,,,,,,,
23,1,,22351-035040,, "SPRING PIN 3.5X40",1,1,1,1,,,,,,,,,,,,,
24,1,,22351-060040,, "SPRING PIN 6X40",1,1,1,1,,,,,,,,,,,,,
25,1,,22417-200200,, "COTTER PIN 2.0X20",2,2,2,2,,,,,,,,,,,,,
26,1,,24311-000340,, "O-RING 1A P-34.0",2,2,2,2,,,,,,,,,,,,,
27,1,,24761-050000,, "NIPPLE C,GREASE",2,2,2,2,,,,,,,,,,,,,
28,1,,26013-080162,, "BOLT W/WASHER M8X16",2,2,2,2,,,,,,,,,,,,,
29,1,,26013-080202,, "BOLT W/WASHER M8X20",2,2,2,2,,,,,,,,,,,,,
30,1,,26013-100202,, "BOLT W/WASHER M10X20",2,2,2,2,,,,,,,,,,,,,



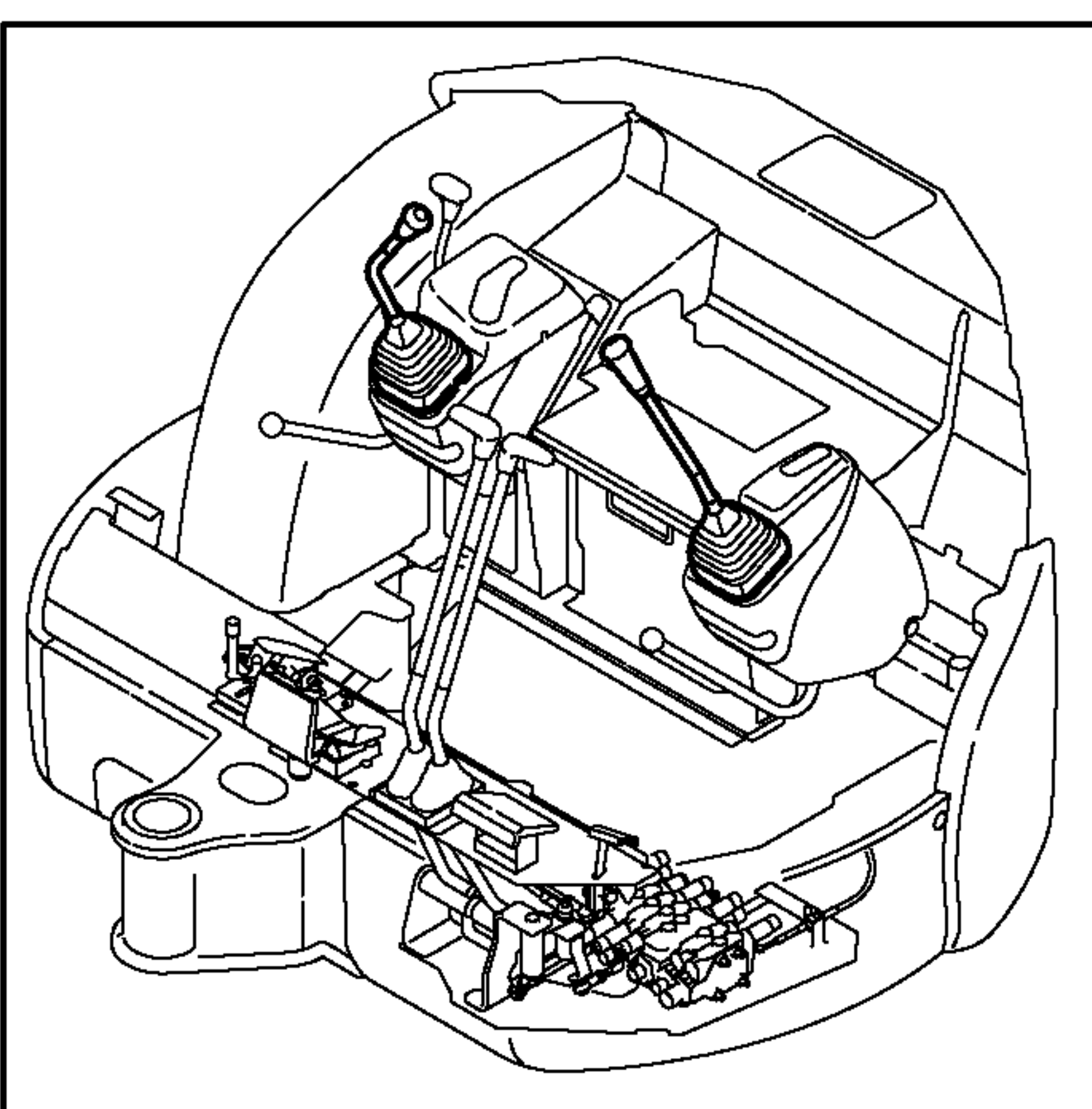
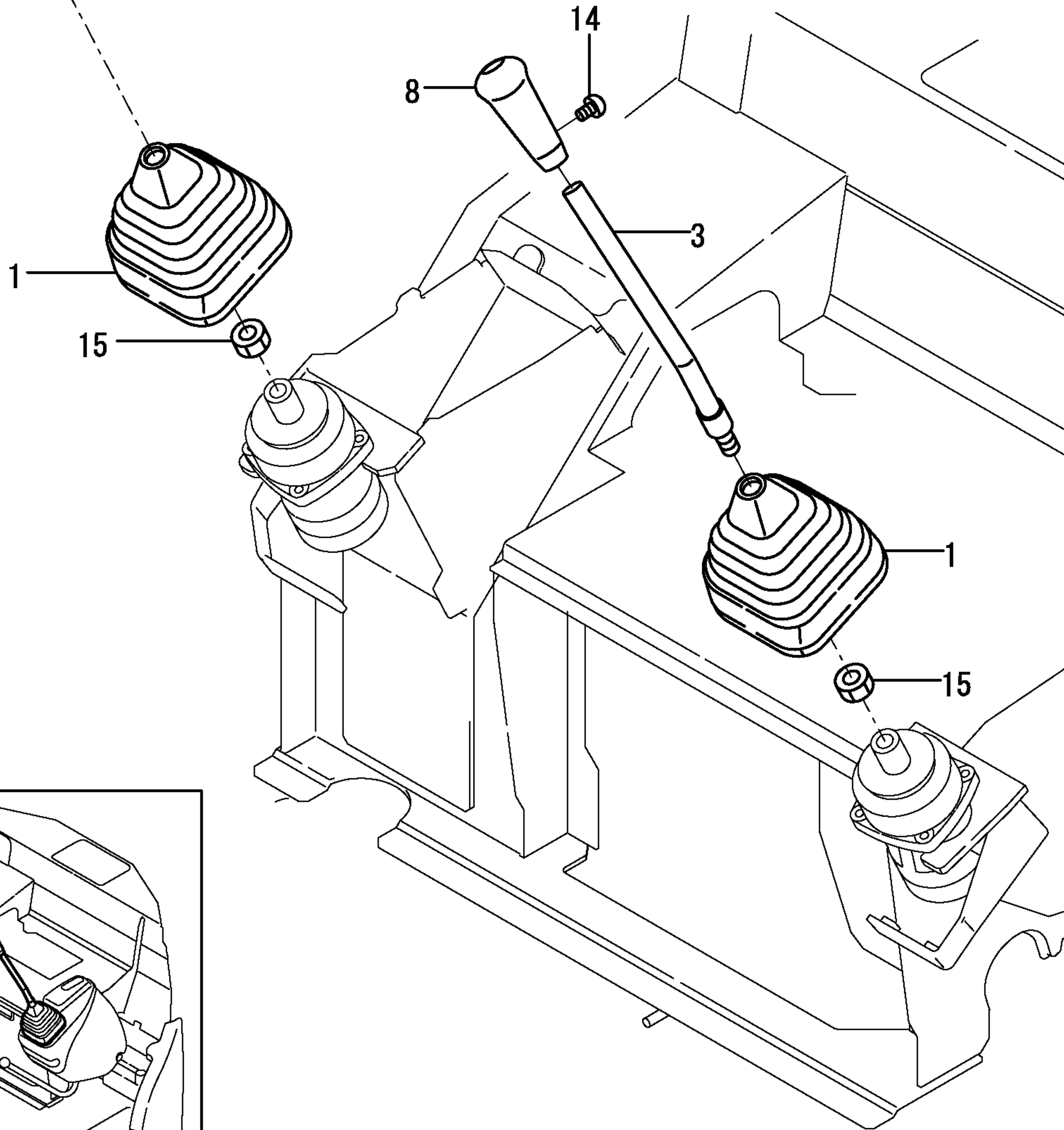
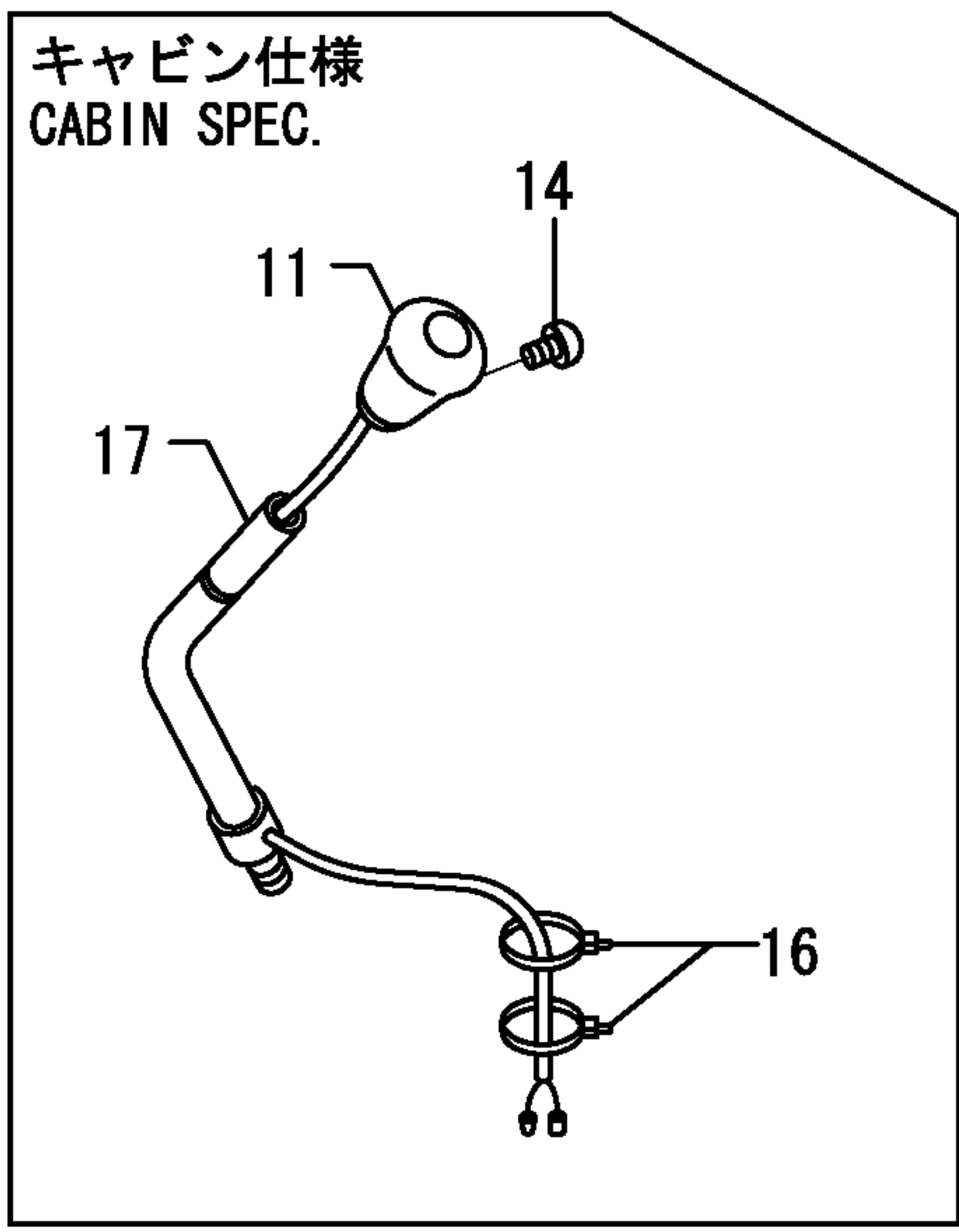
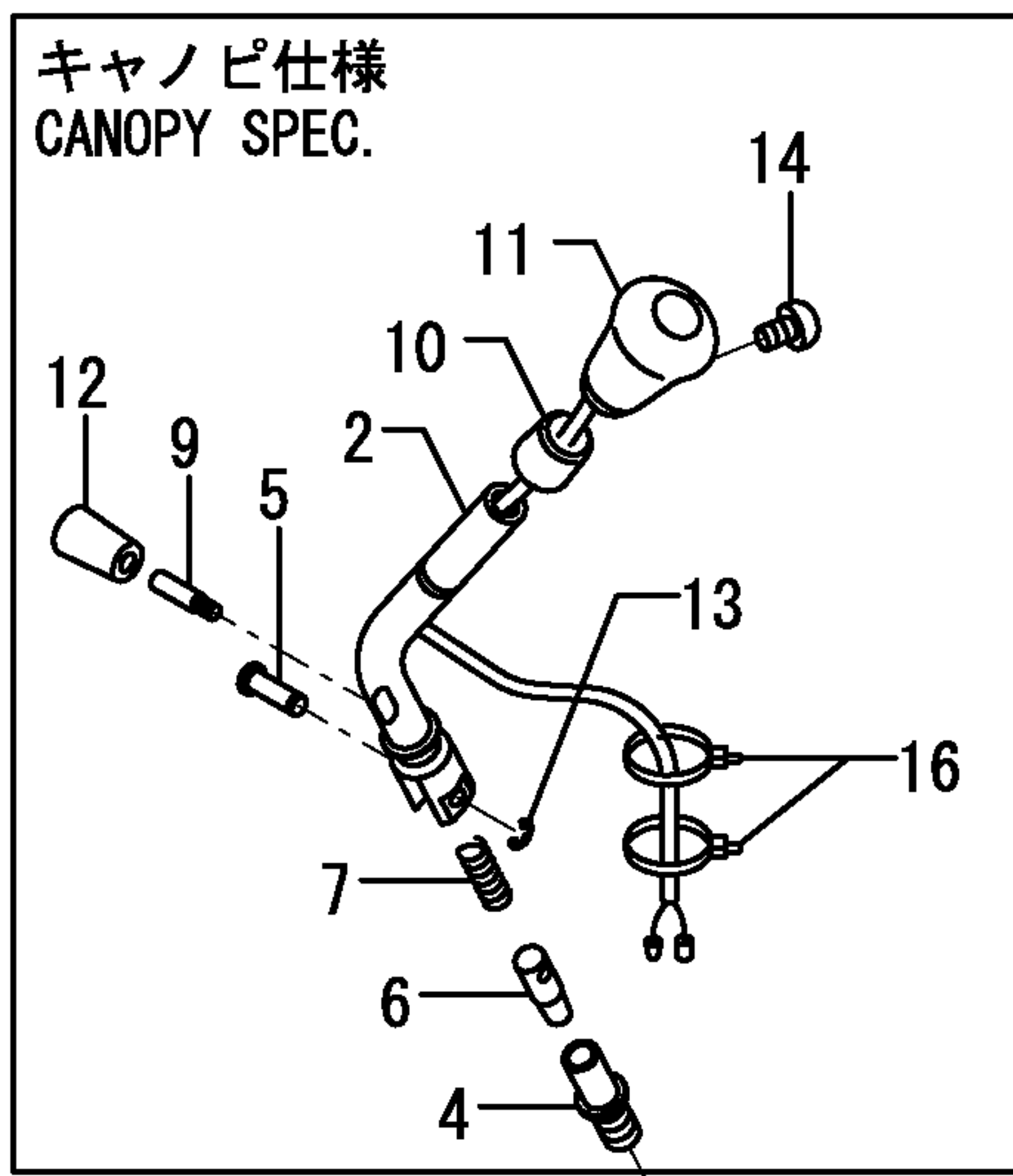
1,1,,172141-41340,,BOOTS,2,2,2,2,,,,,,,,,,,,,
2,1,,172458-45100,, "LEVER L,TRACK(GRAY72",1,1,,,,,,,,,,,,,
2-1,1,,172472-45100,, "LEVER
L,TRACK(GRAY72",1,1,1,1,,N,,24580555,M/#25501,24580555,M/#25501,,,,,,,,,I
3,2,,172141-41370,, "BUSH 2015",2,2,2,2,,,,,,,,,,,,,
5,1,,933110-54100,, "PIN 4.75X14",2,2,2,2,,,,,,,,,,,,,
6,1,,172187-45870,, "GRIP L, DRIVE",1,1,1,1,,,,,,,,,,,,,
7,1,,172187-45880,, "GRIP R, DRIVE",1,1,1,1,,,,,,,,,,,,,
8,1,,22117-040000,, "WASHER 4",2,2,2,2,,,,,,,,,,,,,
9,1,,26116-100404,, "BOLT M10X 40 PLATED",2,2,2,2,,,,,,,,,,,,,
10,1,,26116-100604,, "BOLT M10X 60 PLATED",2,2,2,2,,,,,,,,,,,,,
11,1,,26587-040122,, "SCREW M 4X 12",2,2,2,2,,,,,,,,,,,,,
12,1,,26716-100002,, "NUT 10",4,4,4,4,,,,,,,,,,,,,
13,1,,172458-45660,, "BRACKET,TRUCK(GRAY72",1,1,,,,,,,,,,,,,
13-1,1,,172472-45660,, "BRACKET ASSY
(TRUCK",1,1,1,1,,N,,72456284,M/#23060,72456284,M/#23060,,,,,,,,,I
14,1,,172124-46200,, "O-RING 27X5.7",3,3,3,3,,,,,,,,,,,,,
15,1,,24761-020000,, "NIPPLE PT1/8,GREASE",1,1,1,1,,,,,,,,,,,,,I
16,1,,26013-100252,, "BOLT W/WASHER M10X25",2,2,2,2,,,,,,,,,,,,,
17,1,,172458-45400,, "STAND,LINK(BLACK:12)",1,1,,,,,,,,,,,,,
17-1,1,,172458-
45401,, "STAND,LINK(BLACK:12)",1,1,1,1,,S,1,72456123,M/#20609,72456123,M/#20609,
,,,,,
18,1,,172458-45510,, "BRACKET,BOOT(BLACK12",1,1,1,1,,,,,,,,,,,,,
19,1,,172187-45760,, "COVER PAD",1,1,1,1,,,,,,,,,,,,,
20,1,,22137-080000,, "WASHER 8, POLISHED",2,2,2,2,,,,,,,,,,,,,
21,1,,26013-100202,, "BOLT W/WASHER M10X20",6,6,6,6,,,,,,,,,,,,,
22,1,,172458-45250,, "ROD 91 ASSY",2,2,2,2,,,,,,,,,,,,,
23,1,,172122-46590,, "ELBALL 8",2,2,2,2,,,,,,,,,,,,,
24,1,,22117-080000,, "WASHER 8",2,2,2,2,,,,,,,,,,,,,
25,1,,22417-160160,, "COTTER PIN 1.6X16",2,2,2,2,,,,,,,,,,,,,
26,1,,26051-080002,, "NUT M 8",4,4,4,4,,,,,,,,,,,,,
27,1,,172458-45140,, "LEVER R,TRACK(GRAY72",1,1,,,,,,,,,,,,,
27-1,1,,172472-45140,, "LEVER
R,TRACK(GRAY72",1,1,1,1,,N,,24580555,M/#25501,24580555,M/#25501,,,,,,,,,I
28,2,,172141-41370,, "BUSH 2015",2,2,2,2,,,,,,,,,,,,,
29,1,,26013-080162,, "BOLT W/WASHER M8X16",2,2,2,2,,,,,,,,,,,,,
30,1,,24761-020000,, "NIPPLE PT1/8,GREASE",1,1,,,,,,,,,,,,,
30-1,1,,24761-050000,, "NIPPLE
C,GREASE",1,1,1,1,,S,,72456284,M/#23060,72456284,M/#23060,,,,,,,,,I



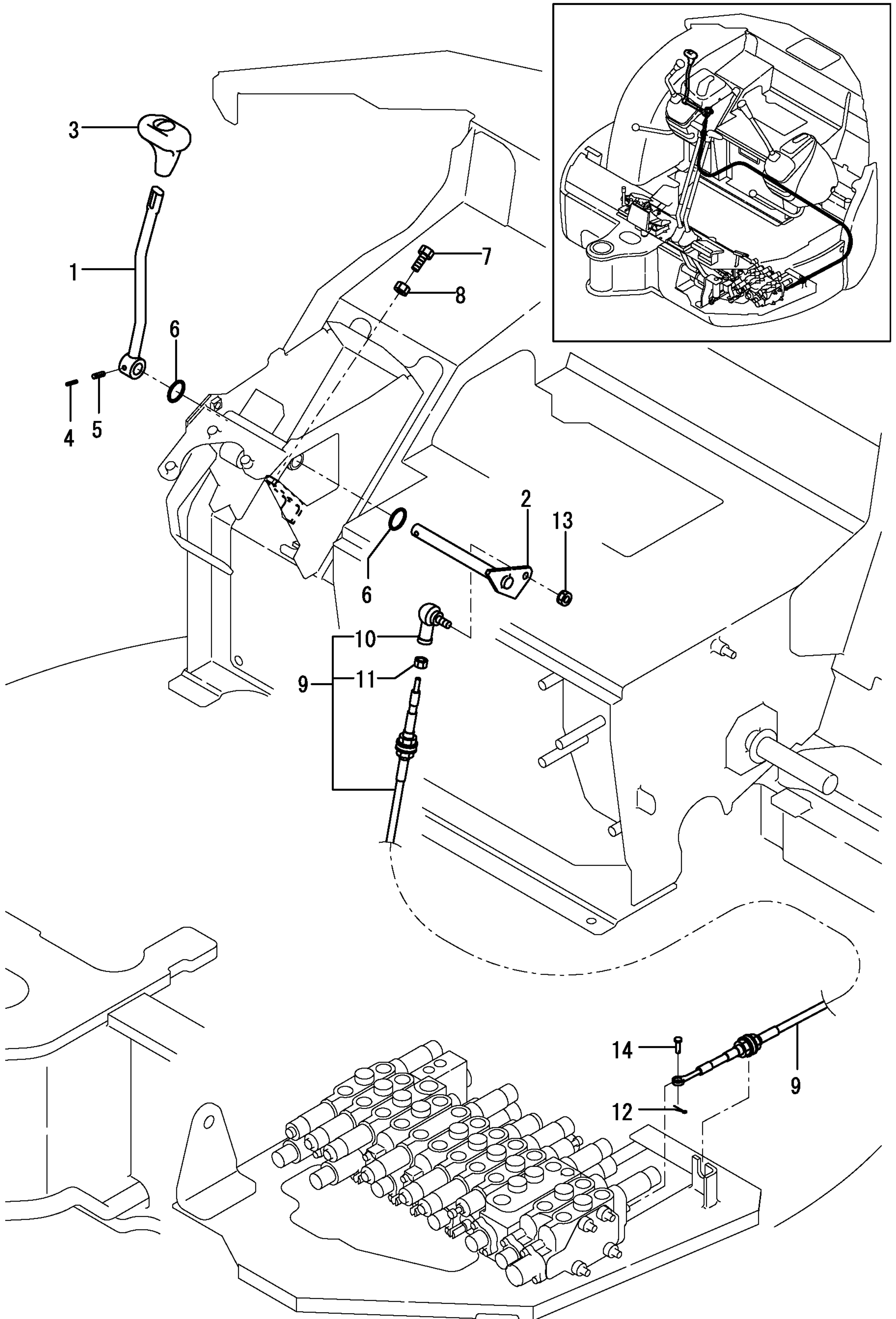
1,1,,172151-45010,, "BOOT P,LEVER",2,2,2,2,,,,,,,,,,,,,
2,1,,172458-45011,, "LEVER R (GRAY:72)",,1,,1,,,,,,,,,,,,,
3,1,,172458-45030,, "LEVER L (GRAY:72)",,1,1,1,1,,,,,,,,,,,,,
4,1,,172164-45041,, HINGE,,1,,1,,,,,,,,,,,,,
5,1,,172164-45050,, "PIN 8X 22",,1,,1,,,,,,,,,,,,,
6,1,,172164-45061,, PIN,,1,,1,,,,,,,,,,,,,
7,1,,172164-45070,, SPRING,,1,,1,,,,,,,,,,,,,
8,1,,172165-45071,, "KNOB (L) ASSY",,1,1,1,1,,,,,,,,,,,,,
9,1,,172164-45080,, "SCREW M6",,1,,1,,,,,,,,,,,,,
10,1,,172164-45090,, CAP,,1,,1,,,,,,,,,,,,,
11,1,,172165-47871,, "KNOB (A) ASSY",,1,1,1,1,,,,,,,,,,,,,
12,1,,172157-58830,, "KNOB 6.5X18X35",,1,,1,,,,,,,,,,,,,
13,1,,22272-000060,, "CIRCLIP E- 6",,1,,1,,,,,,,,,,,,,
14,1,,26587-040062,, "SCREW M 4X 6",,2,2,2,2,,,,,,,,,,,,,
15,1,,26776-140002,, "LOCK NUT M14 PLATED",,2,2,2,2,,,,,,,,,,,,,
16,1,,933168-55770,, "BAND 146",,2,2,2,2,,,,,,,,,,,,,
17,1,,172458-45050,, "LEVER R,CAB(GRAY:72)",,1,,,,,,,,,,,,,
17-1,1,,172458-45051,, "LEVER
R(CAB(GRAY:72)",,1,,1,,,,,R,,72458491,M/#22474,,,,,,,,,I

キャビン仕様
CABIN SPEC.

キャノピ仕様
CANOPY SPEC.

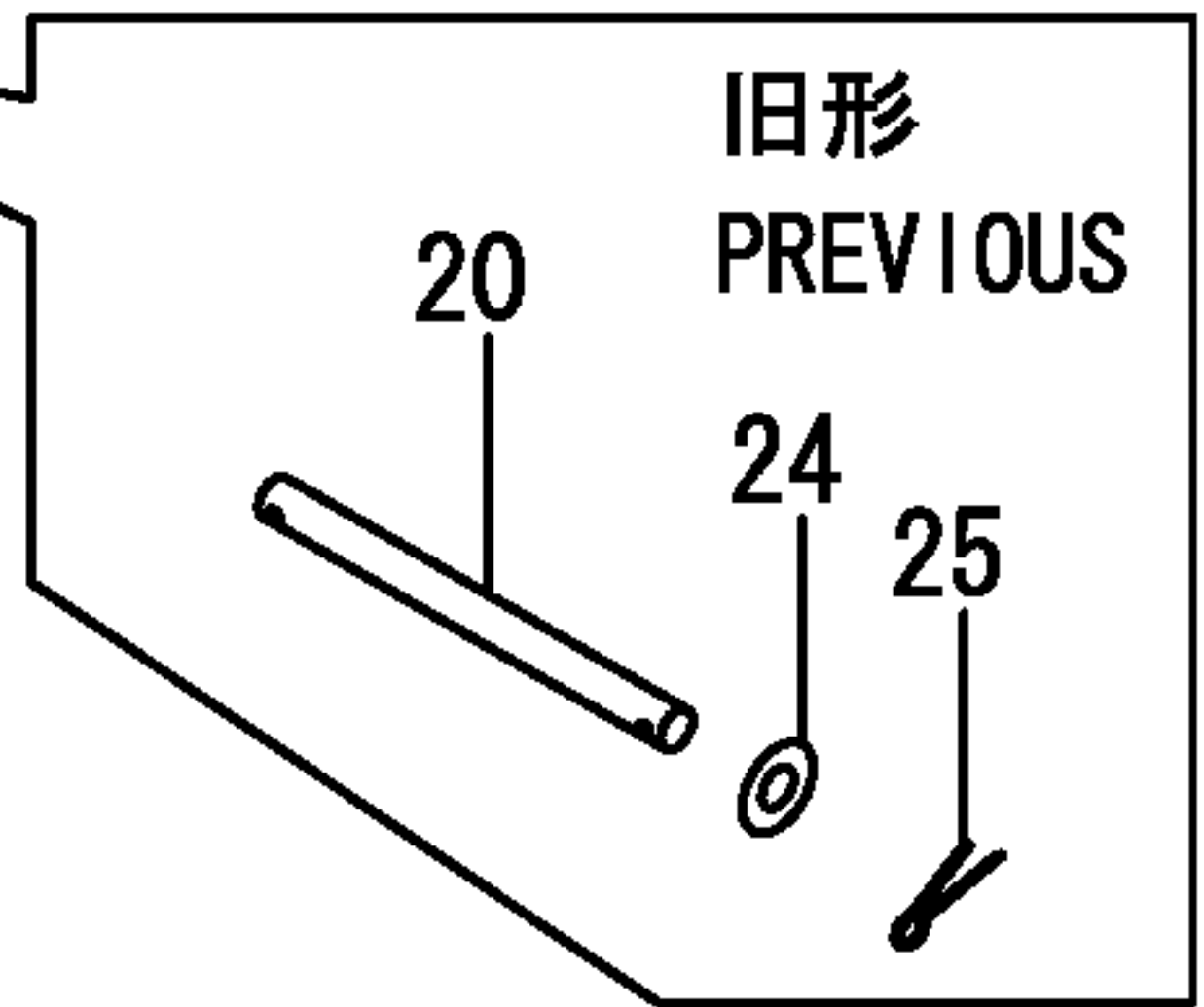
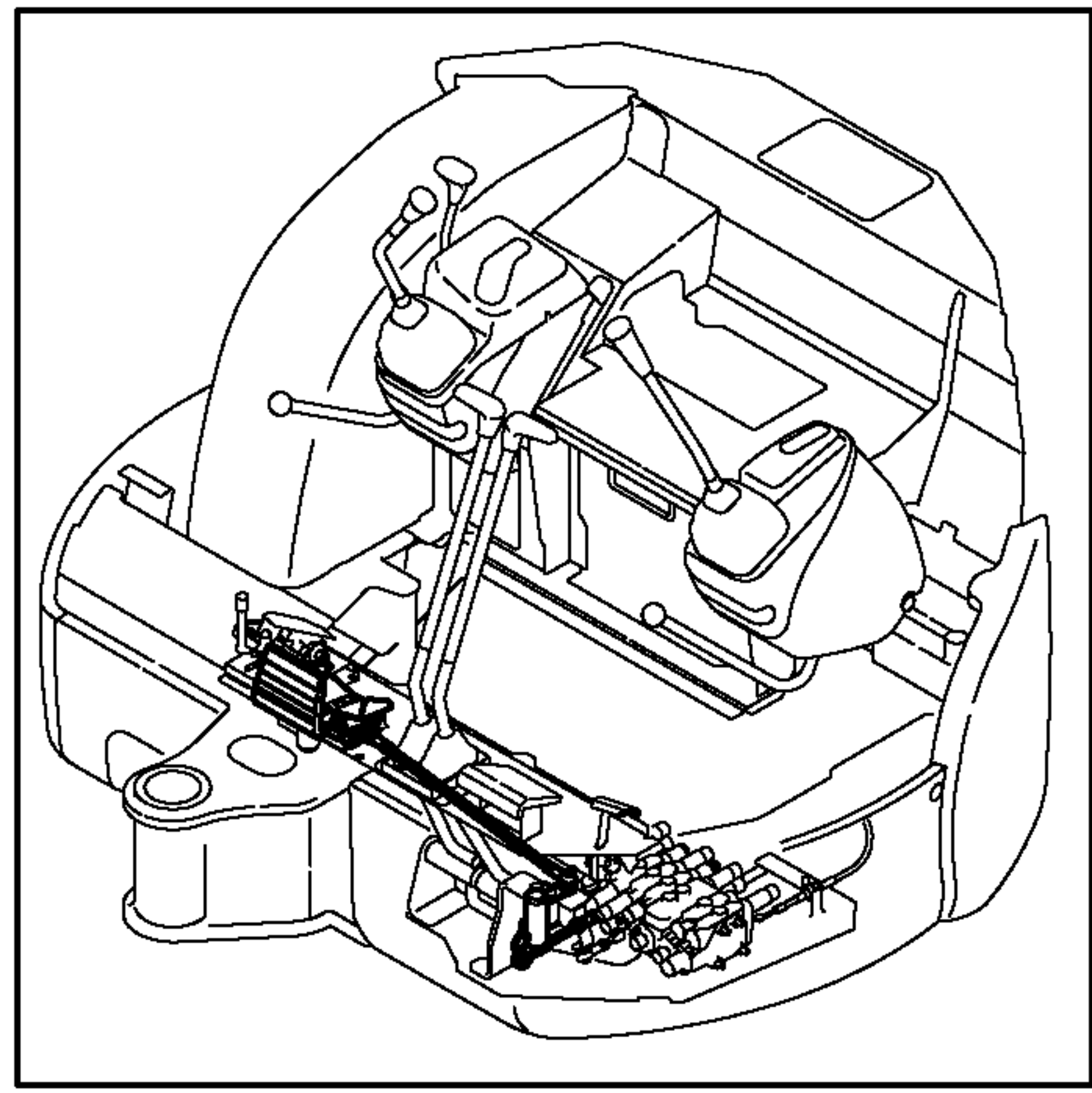
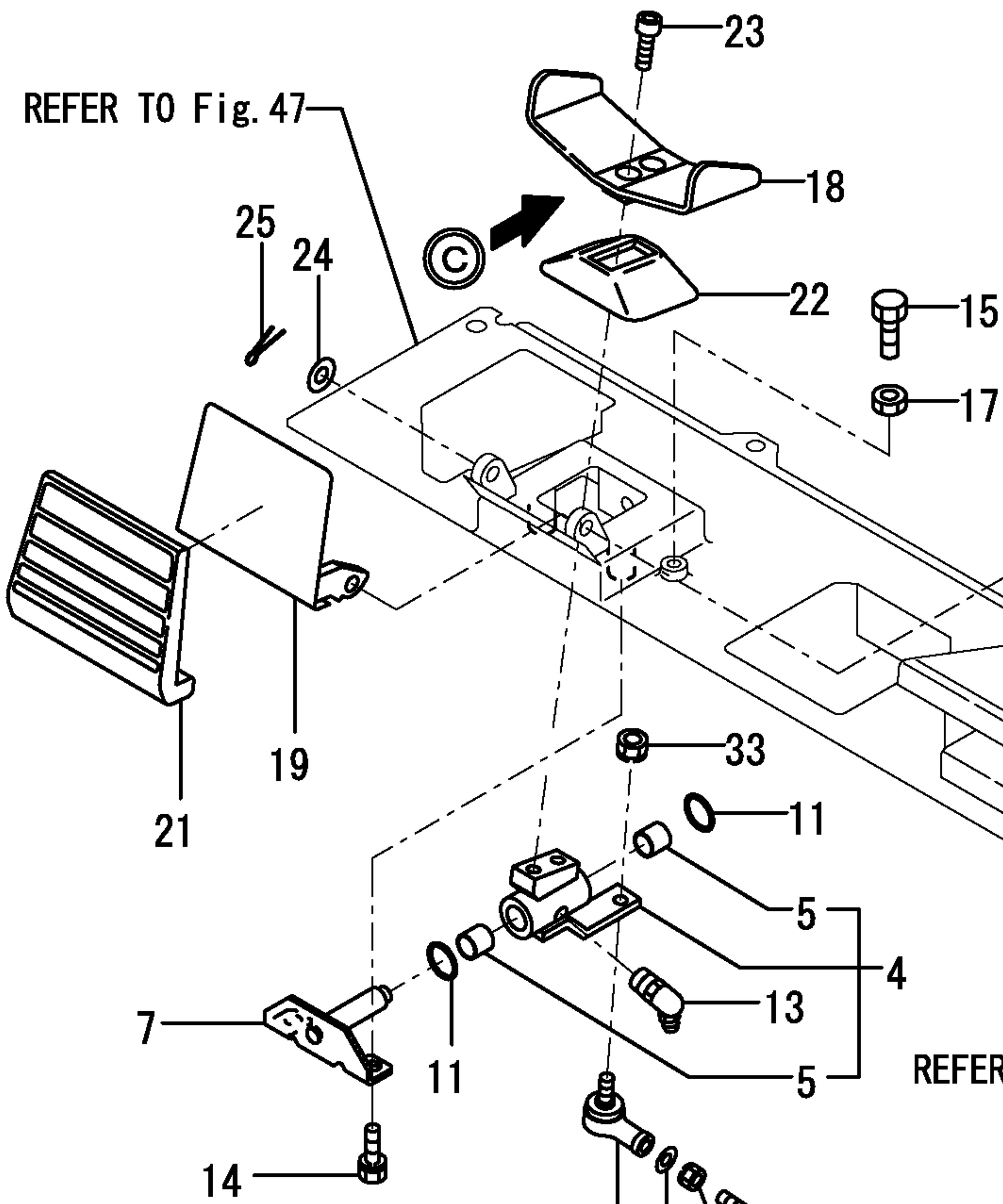


1,1,,172458-45700,, "LEVER, BLADE (GRAY:72)",1,1,1,1,,,,,,,,,,,,,
2,1,,172458-45720,, "SHAFT ASSY (GRAY:72)",1,1,1,1,,,,,,,,,,,,,
3,1,,172164-45970,, "GRIP, BLADE",1,1,1,1,,,,,,,,,,,,,
4,1,,22351-030032,, "SPRING PIN 3X32",1,1,1,1,,,,,,,,,,,,,
5,1,,22351-050032,, "SPRING PIN 5X32",1,1,1,1,,,,,,,,,,,,,
6,1,,24311-000210,, "O-RING 1A P-21.0",2,2,2,2,,,,,,,,,,,,,
7,1,,26116-080202,, "BOLT M 8X 20 PLATED",2,2,,,,,,,,,,,,,
7-1,1,,26116-080254,, "BOLT M 8X 25
PLATED",2,2,2,2,,N,,72458513,M/#22680,,,,,,,,,,,,,I
8,1,,26716-080002,, "NUT M 8",2,2,2,2,,,,,,,,,,,,,
9,1,,172458-45800,, "CABLE, BLADE",1,1,1,1,,,,,,,,,,,,,
10,2,,172458-45810,, "BALL
JOINT",1,1,1,1,,W,,72458523,M/#22743,72458523,M/#22743,,,,,,,,,,,,,I
11,2,,26757-050002,, "NUT
M8",1,1,1,1,,W,,72458523,M/#22743,72458523,M/#22743,,,,,,,,,,,,,I
12,1,,22417-160160,, "COTTER PIN 1.6X16",1,1,1,1,,,,,,,,,,,,,
13,1,,26051-080002,, "NUT M 8",1,1,1,1,,,,,,,,,,,,,
14,1,,933110-54100,, "PIN 4.75X14",1,1,1,1,,,,,,,,,,,,,

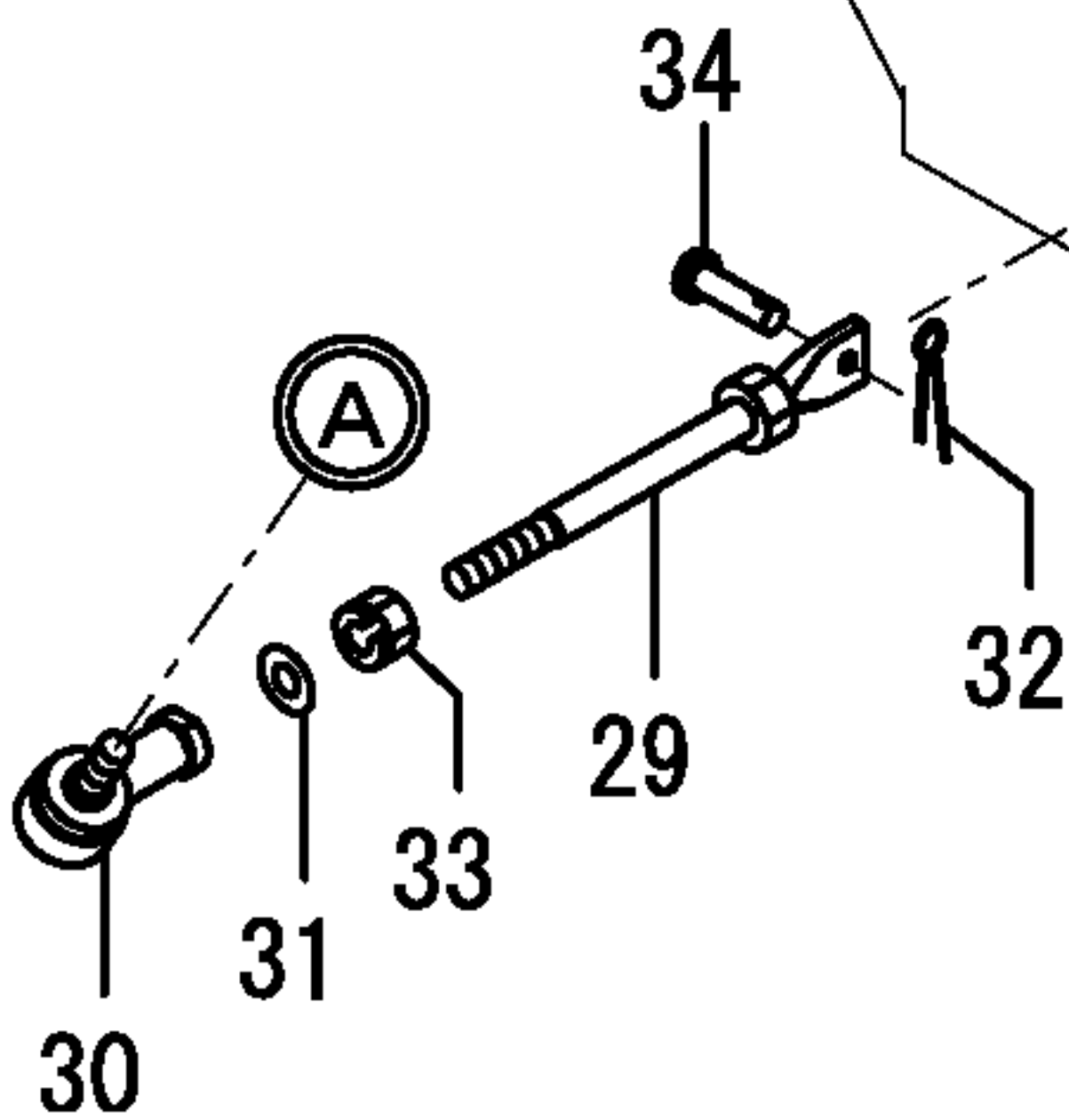
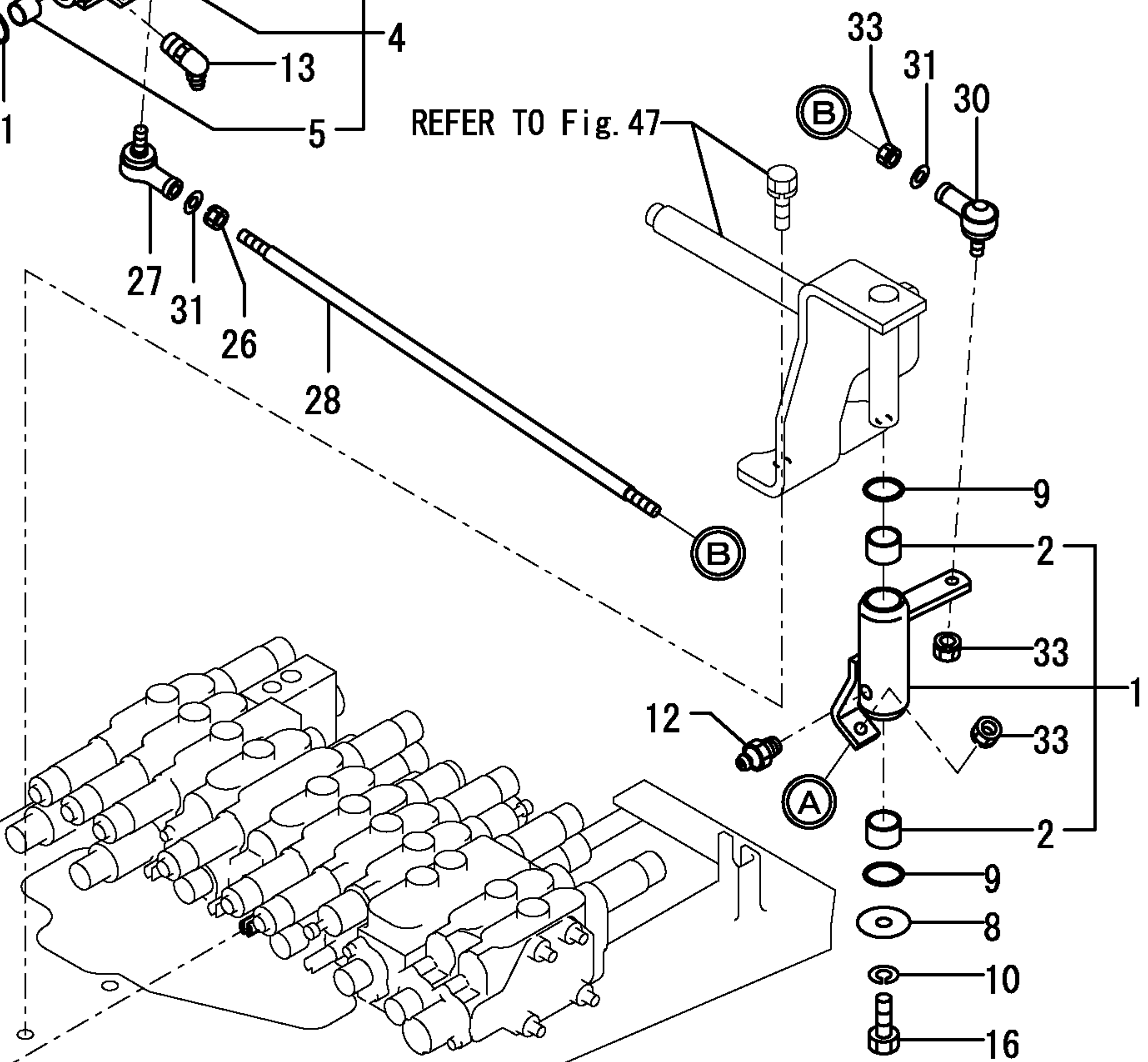
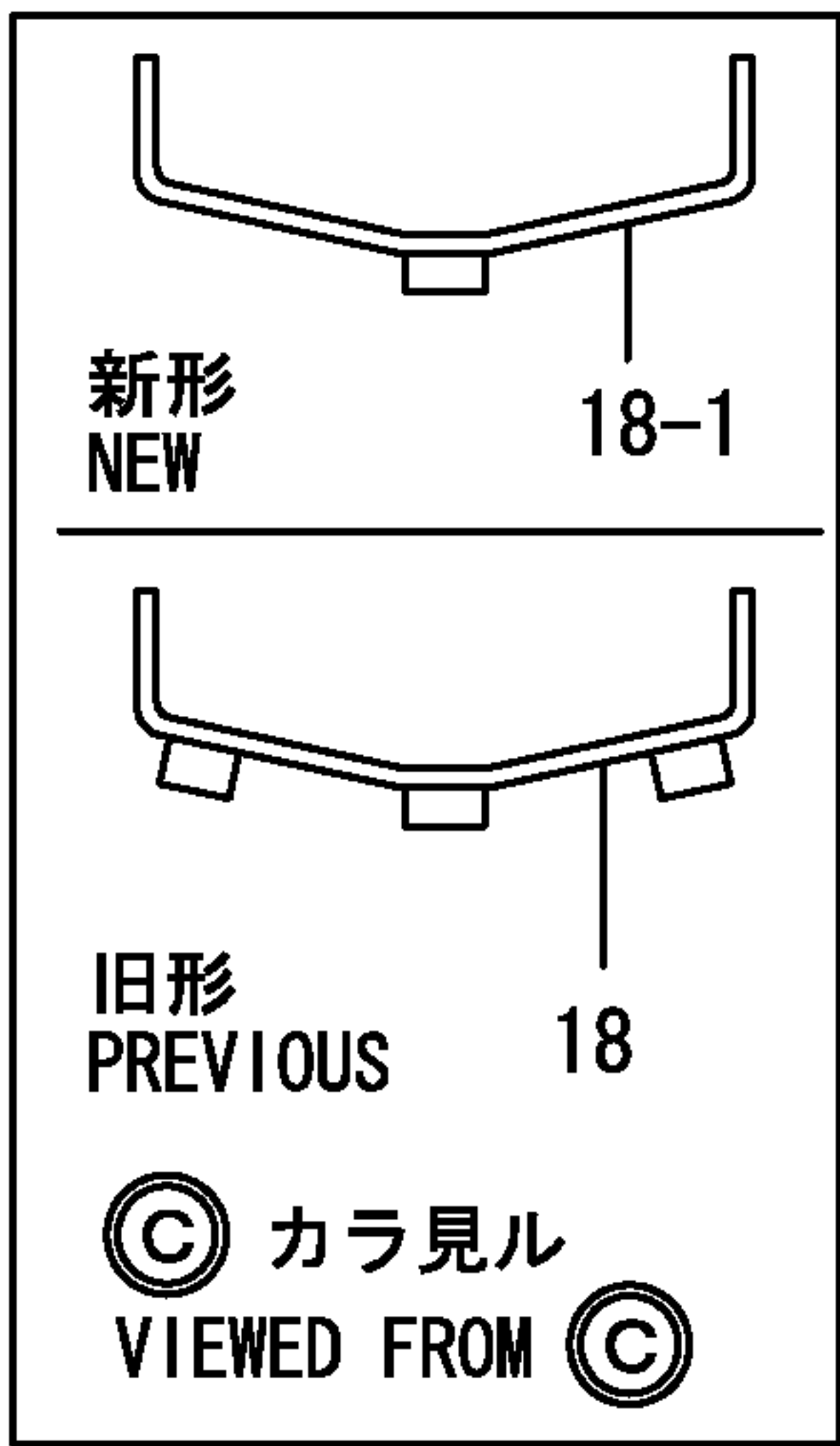


1,1,,172458-45180,, "LINK, SWING (GRAY:72)",1,1,1,1,,,,,,,,,,,,,
2,2,,172141-41370,, "BUSH 2015",2,2,2,2,,,,,,,,,,,,,
4,1,,172458-45200,, "LINK, PEDAL (GRAY:72)",1,1,1,1,,,,,,,,,,,,,
5,2,,172141-41360,, "BUSH 1415",2,2,2,2,,,,,,,,,,,,,
7,1,,172458-45230,, "SHAFT, PEDAL (GRAY:72)",1,1,1,1,,,,,,,,,,,,,
8,1,,1A1040-45890,, "WASHER 10 36 4.5",1,1,1,1,,,,,,,,,,,,,
9,1,,172124-46200,, "O-RING 27X5.7",2,2,2,2,,,,,,,,,,,,,
10,1,,22217-100000,, "SPRING WASHER 10",1,1,1,1,,,,,,,,,,,,,
11,1,,24311-000210,, "O-RING 1A P-21.0",2,2,2,2,,,,,,,,,,,,,
12,1,,24761-020000,, "NIPPLE PT1/8, GREASE",1,1,1,1,,,,,,,,,,,,,
13,1,,24761-040000,, "NIPPLE B, GREASE",1,1,1,1,,,,,,,,,,,,,
14,1,,26013-080162,, "BOLT W/WASHER M8X16",2,2,2,2,,,,,,,,,,,,,
15,1,,26116-080254,, "BOLT M 8X 25 PLATED",2,2,2,2,,,,,,,,,,,,,
16,1,,26116-100202,, "BOLT M10X 20 PLATED",1,1,1,1,,,,,,,,,,,,,
17,1,,26716-080002,, "NUT M 8",2,2,2,2,,,,,,,,,,,,,
18,1,,172458-45520,, "PEDAL, SWING (GRAY:72)",1,1,,,,,,,,,,,,,
18-1,1,,172458-
45521,, "PEDAL, SWING (GRAY:72)",1,1,1,1,,,S,,72456123,M/#20609,72456123,M/#20609,,
,,,,,
19,1,,172458-45540,, "COVER, PEDAL (GRAY:72)",1,1,1,1,,,,,,,,,,,,,
20,1,,172187-45650,, "SHAFT, PEDAL COVER",1,1,,,,,,,,,,,,,
20-1,1,,172187-45651,, "SHAFT, PEDAL
COVER",1,1,1,1,,,N,,72458521,M/#22743,72458521,M/#22743,,,,,,,,,I
21,1,,172187-45760,, "COVER PAD",1,1,1,1,,,,,,,,,,,,,
22,1,,172157-45990,, "BOOTS, PEDAL",1,1,1,1,,,,,,,,,,,,,
23,1,,172165-46340,, "BOLT",2,2,2,2,,,,,,,,,,,,,
24,1,,22137-100000,, "WASHER 10, POLISHED",2,2,,,,,,,,,,,,,
24-1,1,,22137-100000,, "WASHER
10, POLISHED",1,1,1,1,,,K,,72458521,M/#22743,72458521,M/#22743,,,,,,,,,I
25,1,,22417-250200,, "COTTER PIN 2.5X20",2,2,,,,,,,,,,,,,
25-1,1,,22417-250200,, "COTTER PIN
2.5X20",1,1,1,1,,,K,,72458521,M/#22743,72458521,M/#22743,,,,,,,,,I
26,1,,194200-37780,, "LS-NUT 8",1,1,1,1,,,,,,,,,,,,,
27,1,,172734-41300,, "LINK BALL 8L",1,1,1,1,,,,,,,,,,,,,
28,1,,172146-45610,, "ROD (R), LINK",1,1,1,1,,,,,,,,,,,,,
29,1,,172823-45940,, "ROD 130 COMP.",1,1,1,1,,,,,,,,,,,,,
30,1,,172122-46590,, "ELBALL 8",2,2,2,2,,,,,,,,,,,,,
31,1,,22117-080000,, "WASHER 8",3,3,3,3,,,,,,,,,,,,,
32,1,,22417-160160,, "COTTER PIN 1.6X16",1,1,1,1,,,,,,,,,,,,,
33,1,,26051-080002,, "NUT M 8",5,5,5,5,,,,,,,,,,,,,
34,1,,933110-54100,, "PIN 4.75X14",1,1,1,1,,,,,,,,,,,,,

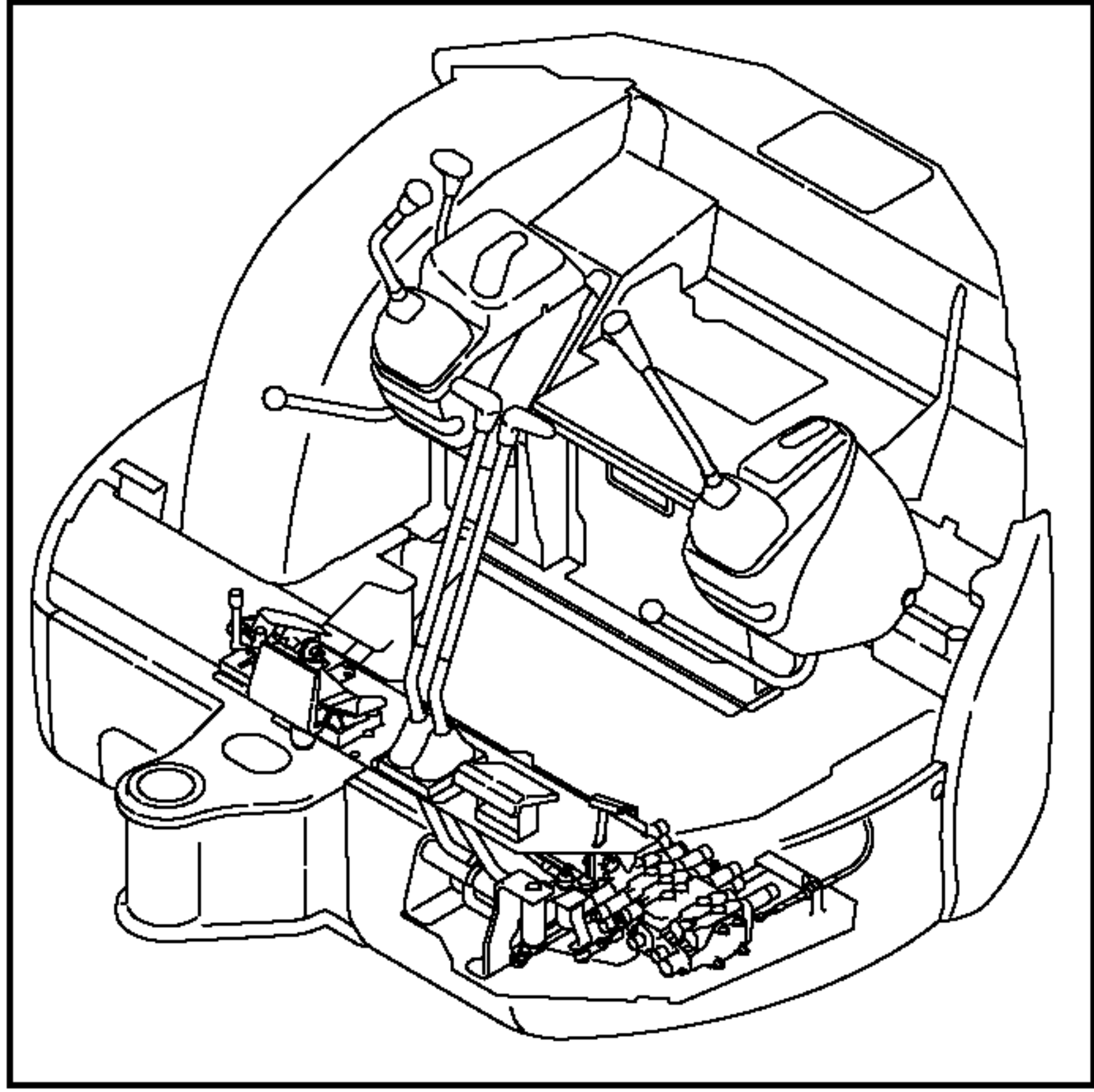
REFER TO Fig. 47



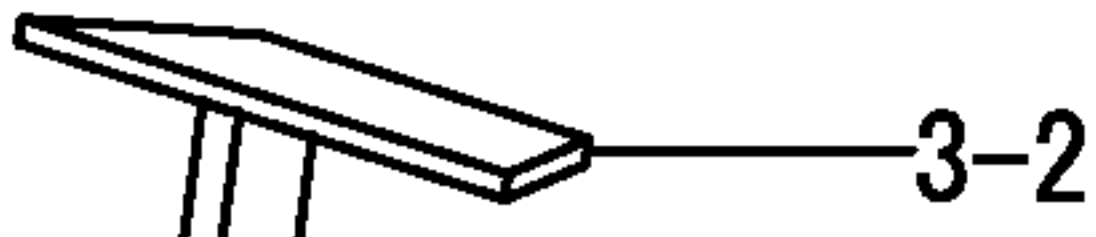
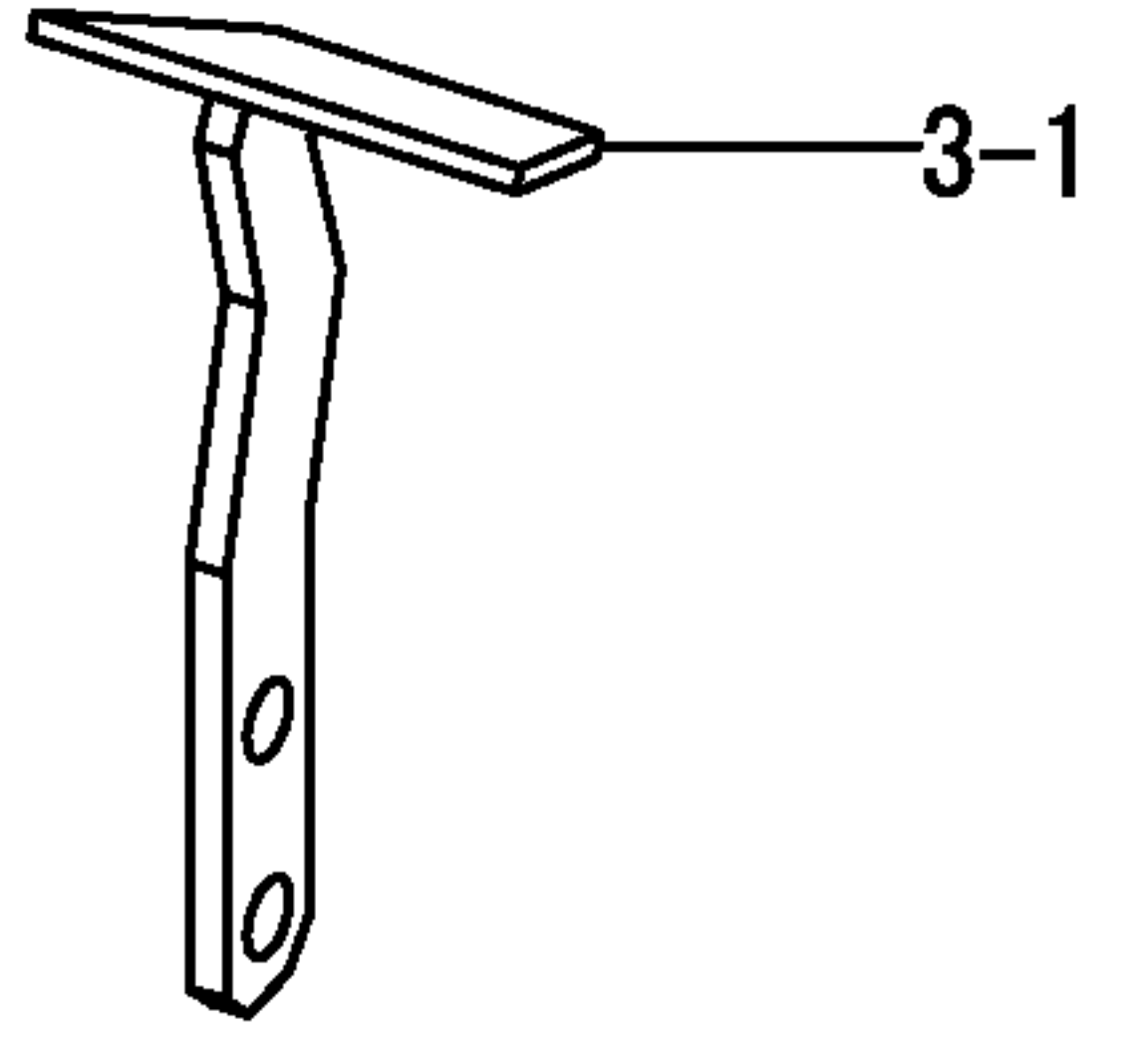
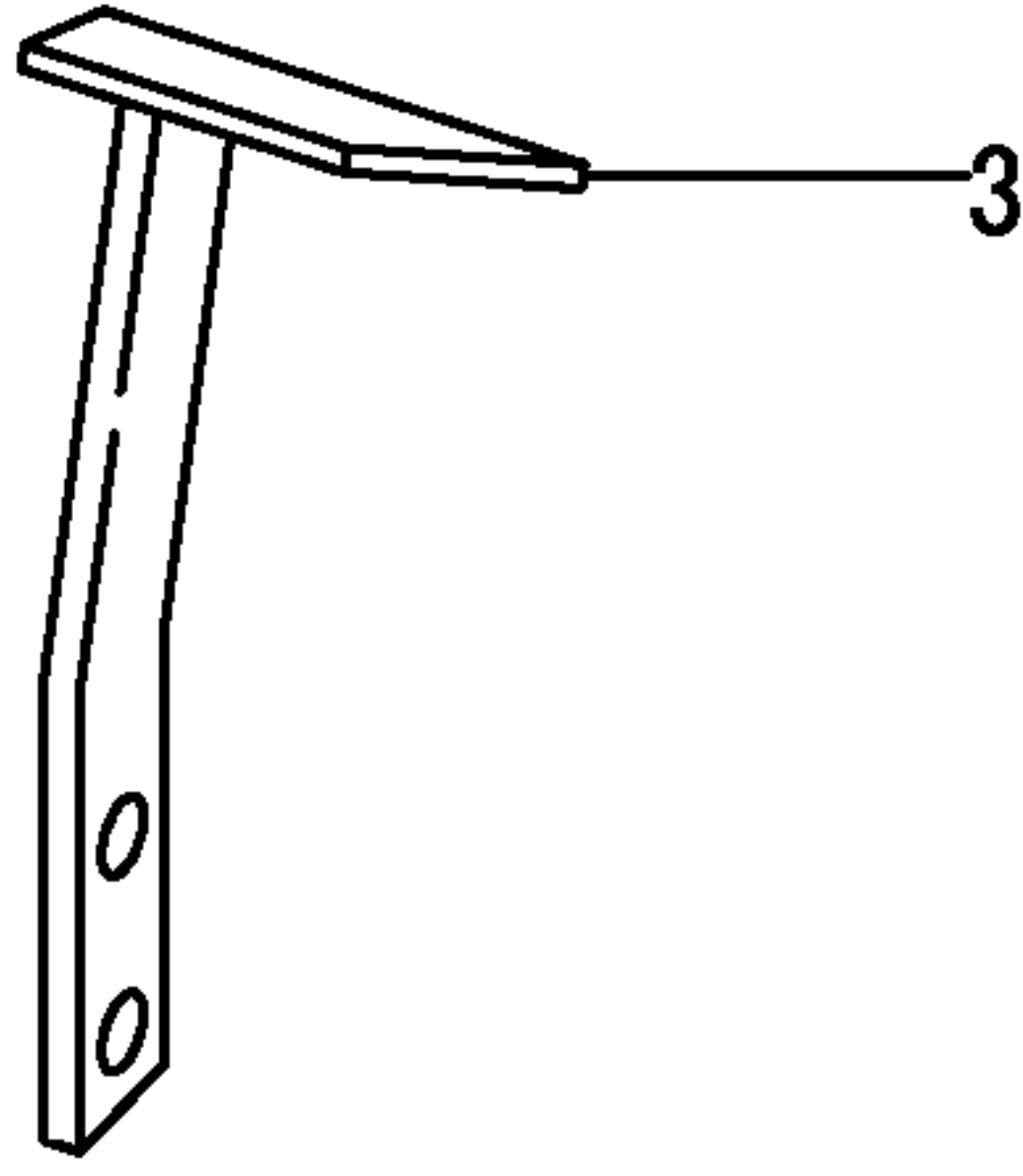
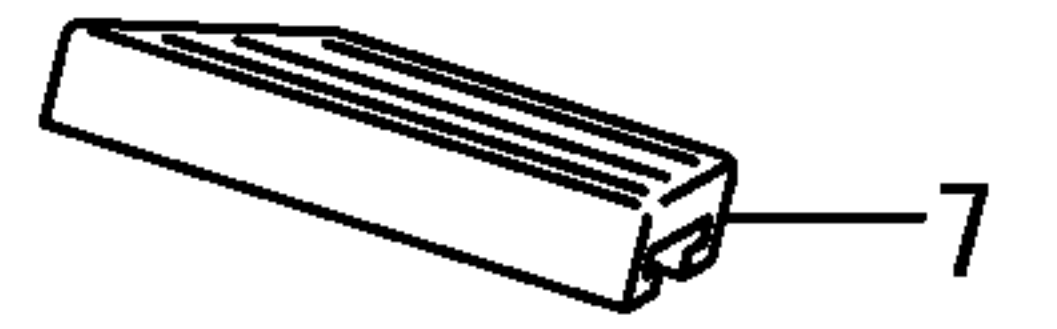
REFER TO Fig. 47



1,1,,172162-12480,, "SPRING,RETURN",1,1,1,1,,,,,,,,,,,,,
2,1,,1A1040-43900,, "SPRING WASHER",1,1,1,1,,,,,,,,,,,,,
3,1,,172458-45900,, "PEDAL (GRAY:72)",1,1,,,,,,,,,,,,,
3-1,1,,172472-45900,, "PEDAL,LO-
HI(GRAY:72)",1,1,,,,,S,,72458498,M/#22562,72458498,M/#22562,,,,,,I
3-2,1,,172487-45900,, "PEDAL,LO-
HI(GRAY:72)",1,1,1,1,,,,,S,,72487124,M/#22979,72487124,M/#22979,,,,,,I
4,1,,172458-45920,, "BRACKET,PEDAL(GRAY72)",1,1,1,1,,,,,,,,,,,,,
5,2,,172141-41360,, "BUSH 1415",2,2,2,2,,,,,,,,,,,,,
7,1,,172458-45950,, "PAD,PEDAL",1,1,1,1,,,,,,,,,,,,,
8,1,,24311-000210,, "O-RING 1A P-21.0",2,2,2,2,,,,,,,,,,,,,
9,1,,26013-080162,, "BOLT W/WASHER M8X16",2,2,2,2,,,,,,,,,,,,,
10,1,,26013-080202,, "BOLT W/WASHER M8X20",1,1,1,1,,,,,,,,,,,,,



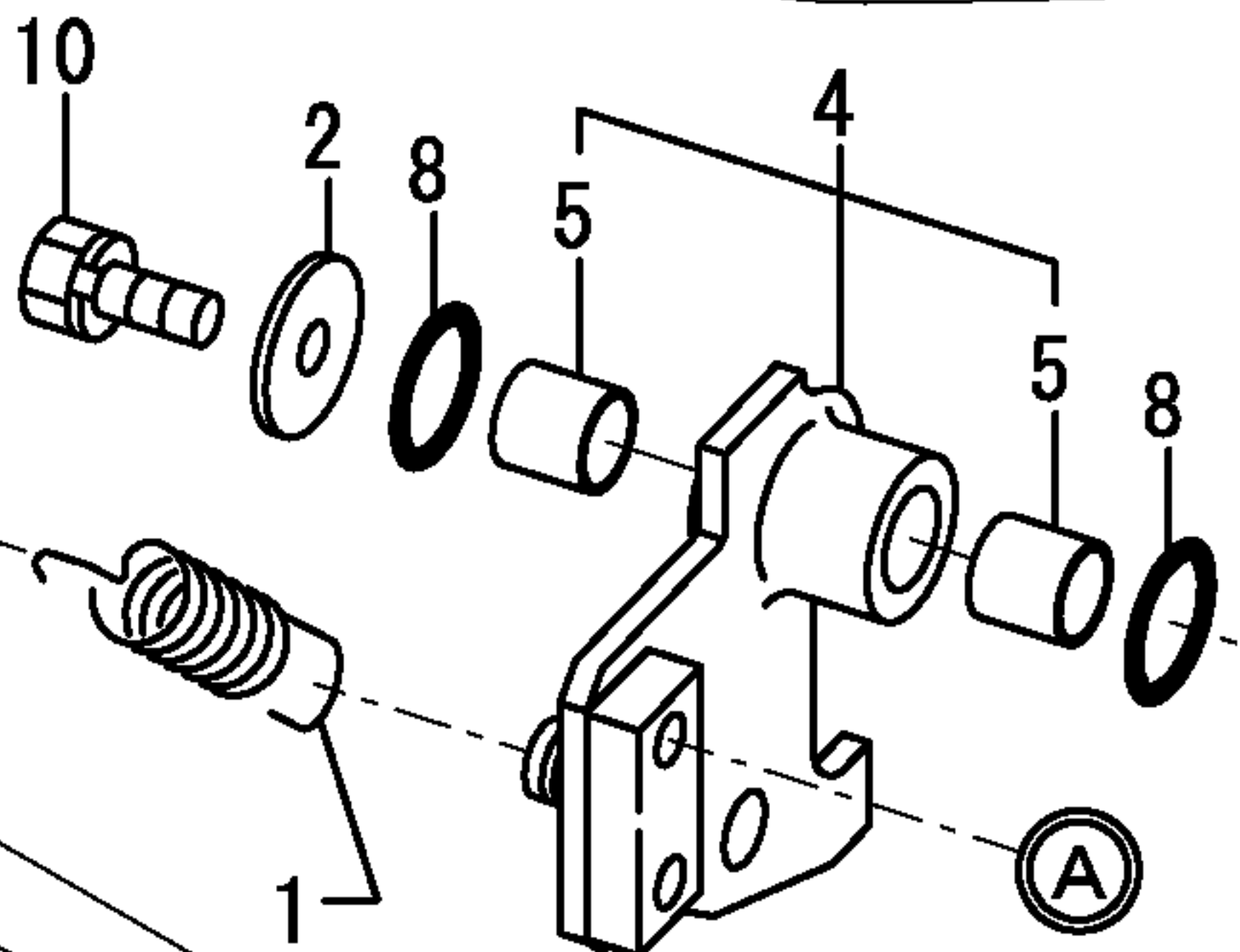
旧形
PREVIOUS



(A)



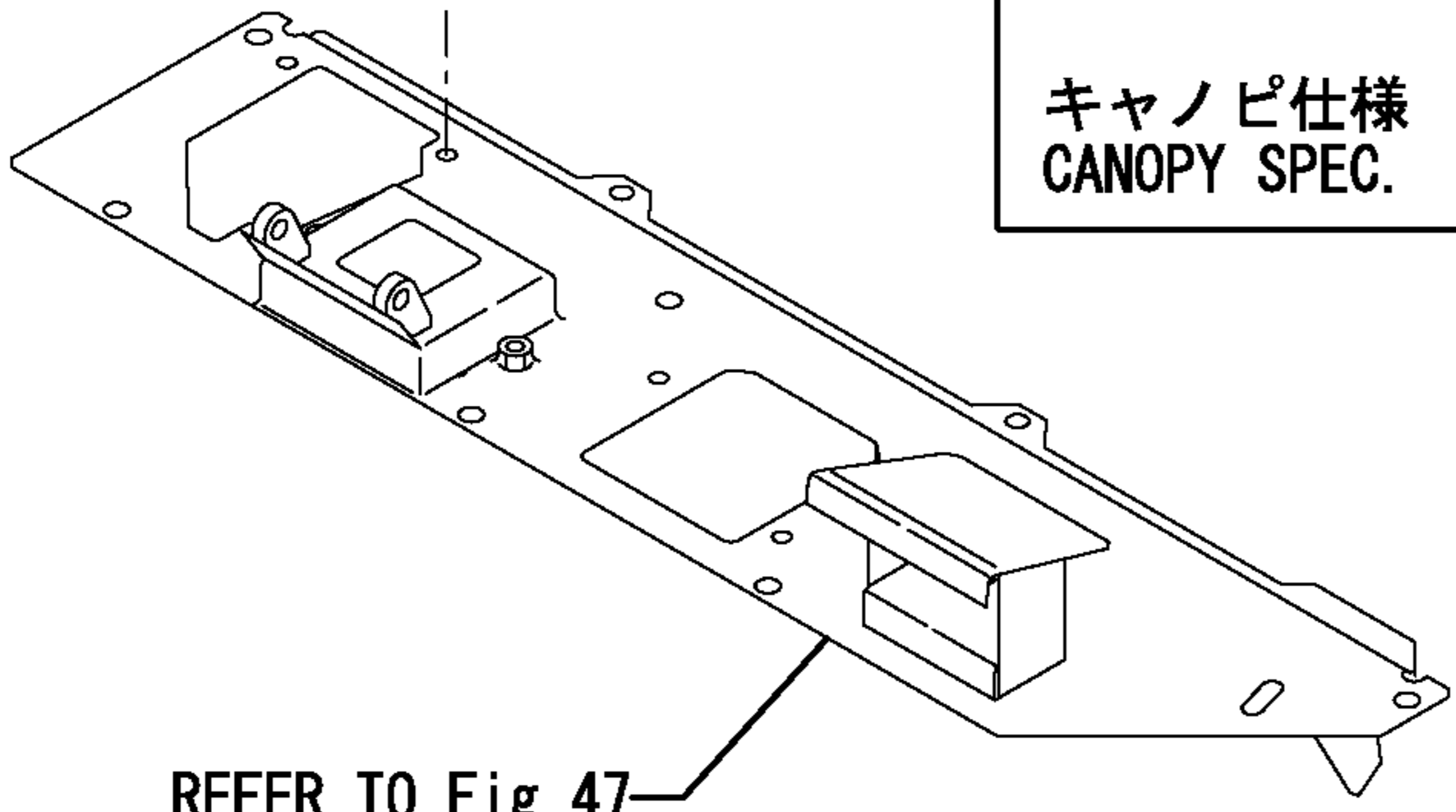
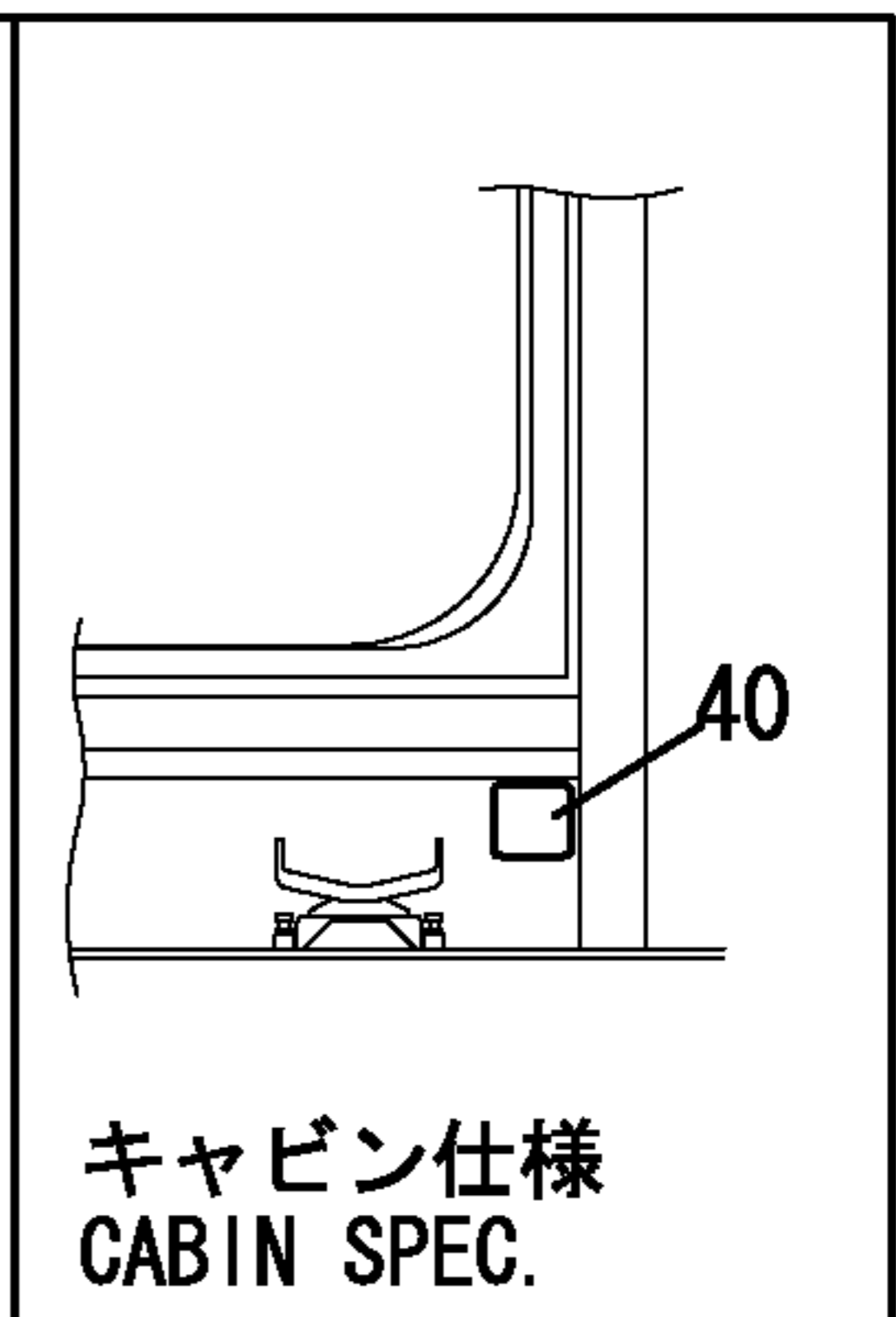
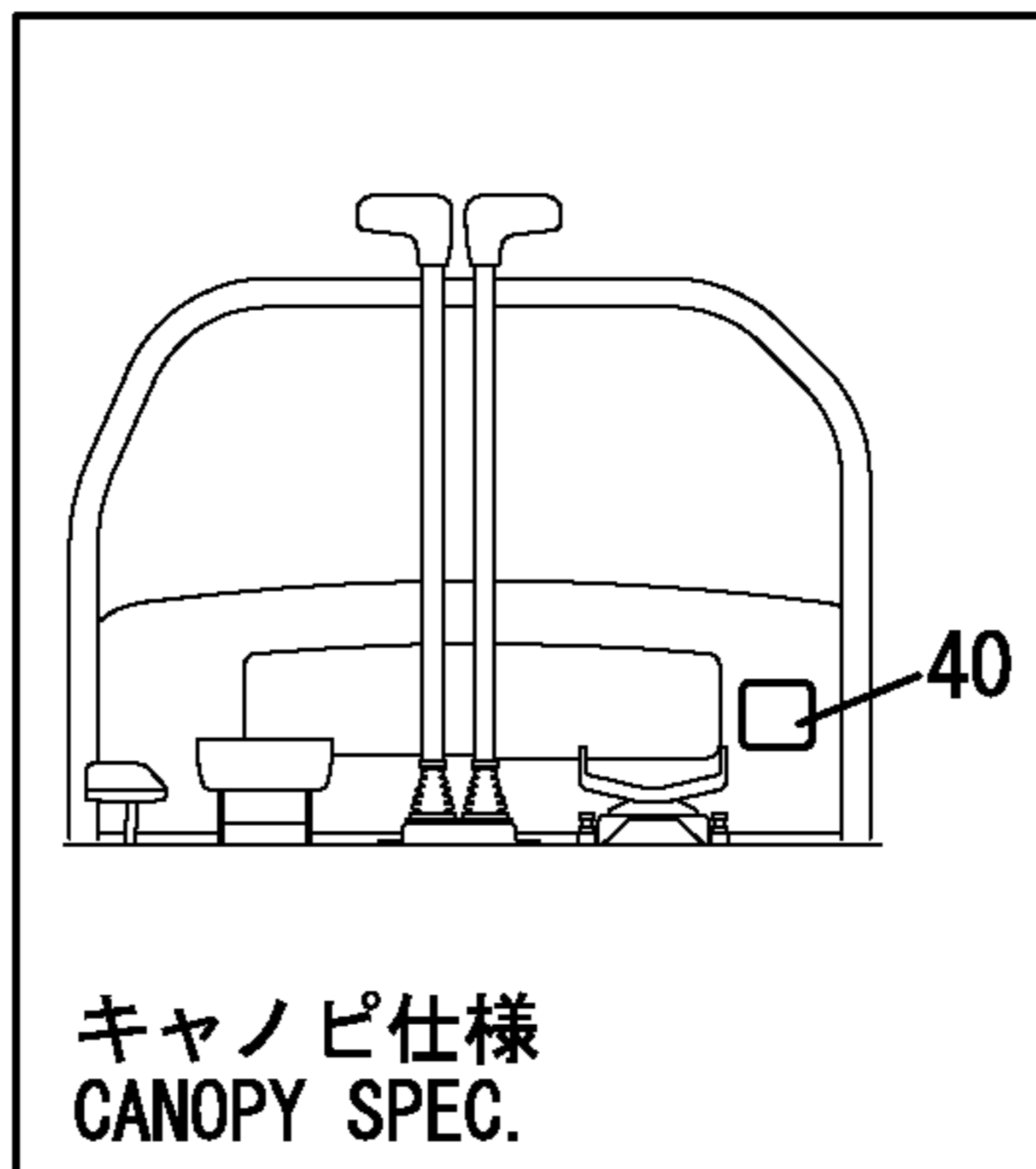
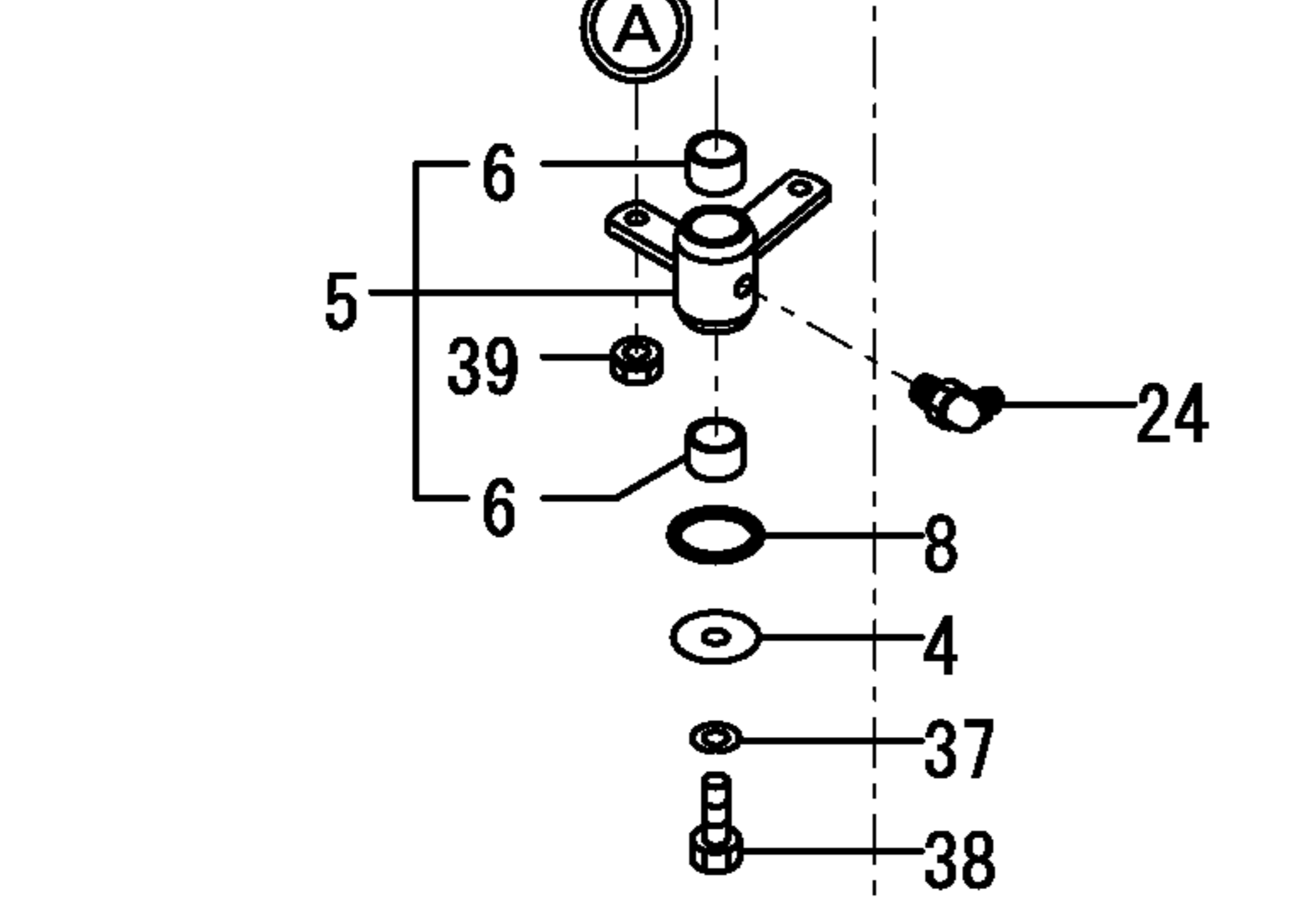
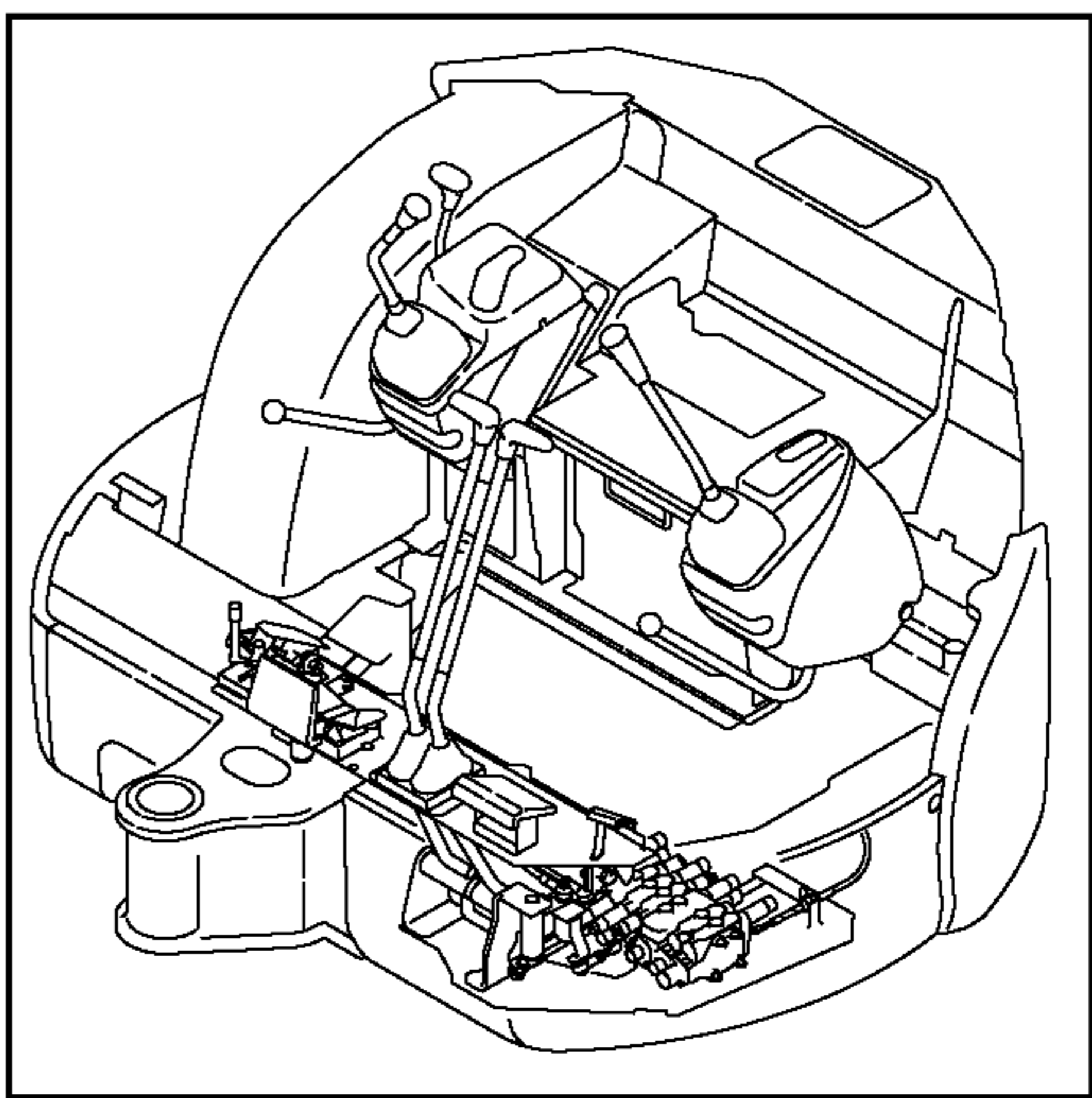
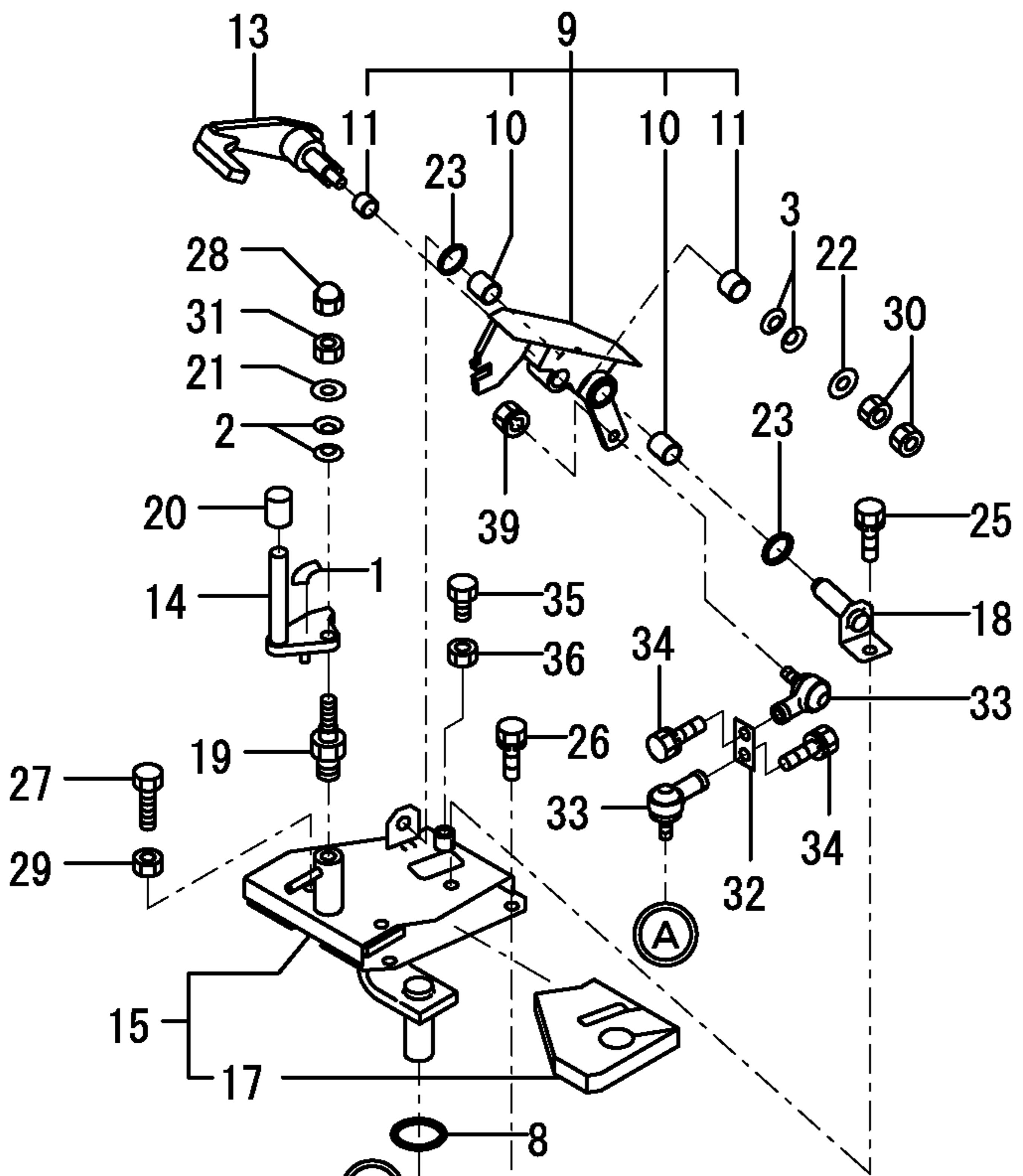
(B)



(B)

(A)

1,1,,172458-03240,, "LABEL, LOCK",1,1,1,1,,,,,,,,,,,,,
2,1,,172068-28490,, "SPRING 8",2,2,2,2,,,,,,,,,,,,,
3,1,,172068-28490,, "SPRING 8",2,2,2,2,,,,,,,,,,,,,
4,1,,1A1040-45890,, "WASHER 10 36 4.5",1,1,1,1,,,,,,,,,,,,,
5,1,,172458-46120,, "LINK B ASSY, P.T.O.",1,1,,,,,,,,,,,,,
5-1,1,,172458-46121,, "LINK B ASSY,
P.T.O.",1,1,1,1,,N,,72458400,M/#20863,72458400,M/#20863,,,,,
6,2,,172141-41370,, "BUSH 2015",2,2,2,2,,,,,,,,,,,,,
8,1,,172124-46200,, "O-RING 27X5.7",2,2,2,2,,,,,,,,,,,,,
9,1,,172458-46230,, "PEDAL A (GRAY:72)",1,1,1,1,,,,,,,,,,,,,
10,2,,172141-41360,, "BUSH 1415",2,2,2,2,,,,,,,,,,,,,
11,2,,172110-45050,, "BUSH 12X12",2,2,2,2,,,,,,,,,,,,,
13,1,,172458-46280,, "PEDAL B (72)",1,1,1,1,,,,,,,,,,,,,
14,1,,172458-46350,, "PLATE, LOCK (GRAY:72)",1,1,1,1,,,,,,,,,,,,,
15,1,,172458-46370,, "BASE, PEDAL (BLACK:12)",1,1,,,,,,,,,,,,,
15-1,1,,172458-
46371,, "BASE, PEDAL (BLACK:12)",1,1,1,1,,N,,72458400,M/#20863,72458400,M/#20863,,
,,,,,
17,2,,172458-46380,, "RUBBER",1,1,1,1,,,,,,,,,,,,,
18,1,,172187-46400-4,, "BRACKET (GRAY:72)",1,1,1,1,,,,,,,,,,,,,
19,1,,172187-46430,, "SHAFT",1,1,1,1,,,,,,,,,,,,,
20,1,,172116-46630,, "KNOB, LOCK LEVER",1,1,1,1,,,,,,,,,,,,,
21,1,,22137-080000,, "WASHER 8, POLISHED",1,1,1,1,,,,,,,,,,,,,
22,1,,22137-080000,, "WASHER 8, POLISHED",1,1,1,1,,,,,,,,,,,,,
23,1,,24311-000210,, "O-RING 1A P-21.0",2,2,2,2,,,,,,,,,,,,,
24,1,,24761-050000,, "NIPPLE C, GREASE",1,1,1,1,,,,,,,,,,,,,
25,1,,26013-080162,, "BOLT W/WASHER M8X16",1,1,1,1,,,,,,,,,,,,,
26,1,,26013-080162,, "BOLT W/WASHER M8X16",3,3,3,3,,,,,,,,,,,,,
27,1,,26116-080304,, "BOLT M8 X 30 PLATED",1,1,1,1,,,,,,,,,,,,,
28,1,,26658-080002,, "CAP NUT M 8",1,1,1,1,,,,,,,,,,,,,
29,1,,26716-080002,, "NUT M 8",1,1,1,1,,,,,,,,,,,,,
30,1,,26756-080002,, "LOCK NUT M 8 PLATED",2,2,2,2,,,,,,,,,,,,,
31,1,,26756-080002,, "LOCK NUT M 8 PLATED",1,1,1,1,,,,,,,,,,,,,
32,1,,172458-46290,, "PLATE",1,1,1,1,,,,,,,,,,,,,
33,1,,172122-46590,, "ELBALL 8",2,2,2,2,,,,,,,,,,,,,
34,1,,26013-080252,, "BOLT M 8X 25",2,2,2,2,,,,,,,,,,,,,
35,1,,26116-080162,, "BOLT 8X16",1,1,,,,,,,,,,,,,
35-1,1,,26116-080202,, "BOLT M 8X 20
PLATED",1,1,,,,,N,,72458400,M/#20863,72458400,M/#20863,,,,,
35-2,1,,26116-080254,, "BOLT M 8X 25
PLATED",1,1,1,1,,N,,72458513,M/#22680,72458513,M/#22680,,,,,I
36,1,,26756-080000,, "NUT M 8",1,1,,,,,M,,,,,I
36-1,1,,26756-080002,, "LOCK NUT M 8 PLATED",1,1,1,1,,,,,I
37,1,,22217-100000,, "SPRING WASHER 10",1,1,1,1,,,,,,,,,,,,,
38,1,,26116-100202,, "BOLT M10X 20 PLATED",1,1,1,1,,,,,,,,,,,,,
39,1,,26051-080002,, "NUT M 8",2,2,2,2,,,,,,,,,,,,,
40,1,,172458-03270,, "LABEL",1,1,1,1,,,,,,,,,,,,,



REFER TO Fig. 47

172458-08700 (TO M/#20654)
172458-08701 (FROM M/#20655)

P.T.O.キット (アームエンド) は、
項目NO. 135を参照下さい。

P. T. O. KIT (ARM END)
is shown in Fig. 135.

172458-08720

P.T.O.キット (フレームエンド) は、
項目NO. 136を参照下さい。

P. T. O. KIT (FRAME END)
is shown in Fig. 136.

1,1,,194200-37780,, "LS-NUT 8",1,1,1,1,,,,,,,,,,,,,
2,1,,172734-41300,, "LINK BALL 8L",1,1,1,1,,,,,,,,,,,,,
3,1,,172142-43591,, "ROD,465",1,1,1,1,,,,,,,,,,,,,
4,1,,172823-45000,, "ROD 54, SPOOL",1,1,1,1,,,,,,,,,,,,,
5,1,,1A1040-45890,, "WASHER 10 36 4.5",1,1,1,1,,,,,,,,,,,,,
6,1,,172458-46100,, "LINK A ASSY, P.T.O.",1,1,1,1,,,,,,,,,,,,,
7,2,,172141-41370,, "BUSH 2015",2,2,2,2,,,,,,,,,,,,,
9,1,,172458-46150,, "BRACKET,P.T.O. (72)",1,1,1,1,,,,,,,,,,,,,
10,1,,172124-46200,, "O-RING 27X5.7",2,2,2,2,,,,,,,,,,,,,
11,1,,172122-46590,, "ELBALL 8",2,2,2,2,,,,,,,,,,,,,
12,1,,22117-080000,, "WASHER 8",3,3,3,3,,,,,,,,,,,,,
13,1,,22217-100000,, "SPRING WASHER 10",1,1,1,1,,,,,,,,,,,,,
14,1,,22417-160160,, "COTTER PIN 1.6X16",1,1,1,1,,,,,,,,,,,,,
15,1,,24761-050000,, "NIPPLE C,GREASE",1,1,1,1,,,,,,,,,,,,,
16,1,,26013-100202,, "BOLT W/WASHER M10X20",2,2,2,2,,,,,,,,,,,,,
17,1,,26051-080002,, "NUT M 8",5,5,5,5,,,,,,,,,,,,,
18,1,,26116-100202,, "BOLT M10X 20 PLATED",1,1,1,1,,,,,,,,,,,,,
19,1,,933110-54100,, "PIN 4.75X14",1,1,1,1,,,,,,,,,,,,,

172458-08700 (TO M/#20654)
172458-08701 (FROM M/#20655)

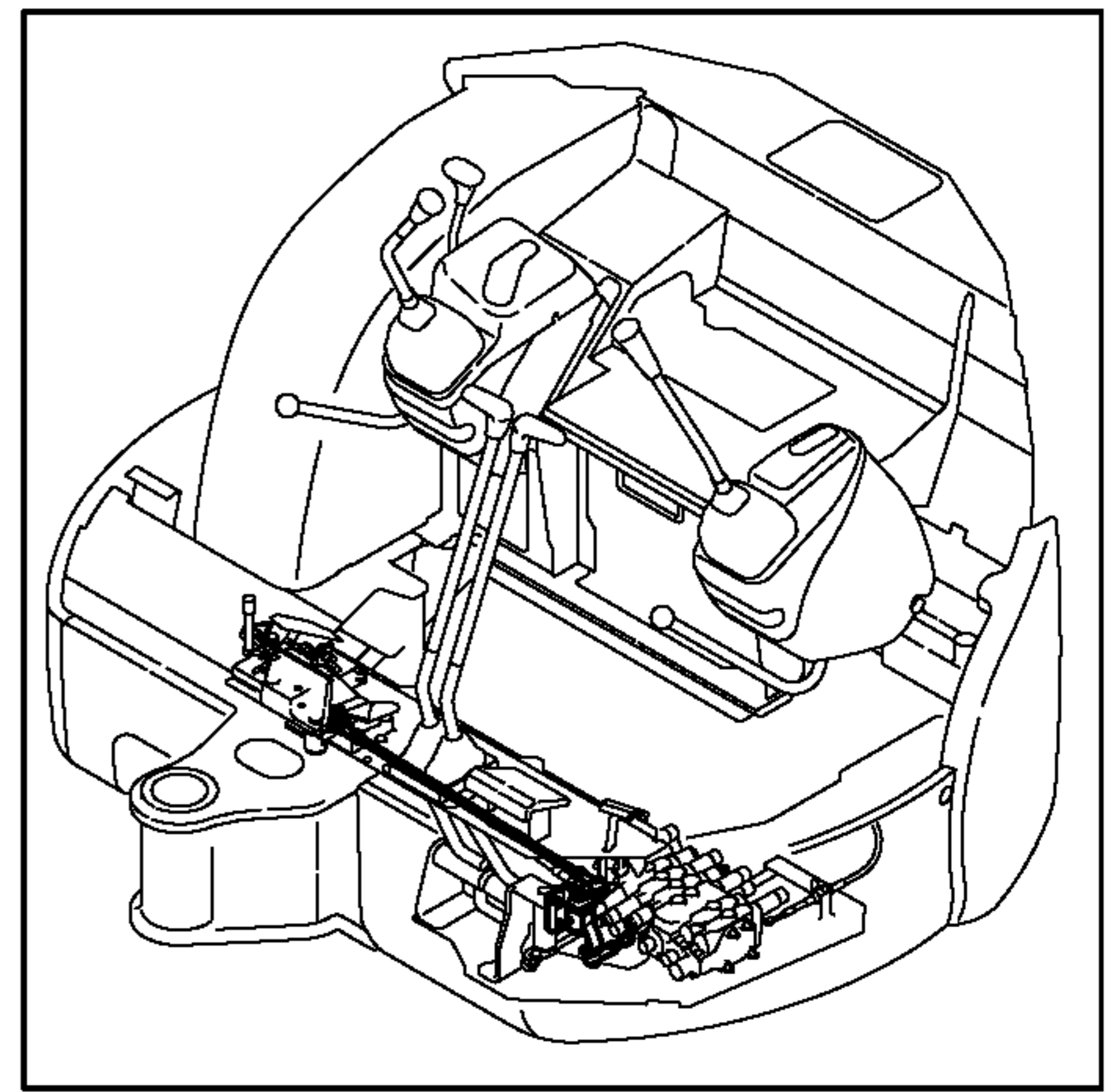
172458-08720

P.T.O. KIT (ARM END) は、
項目NO. 135を参照下さい。

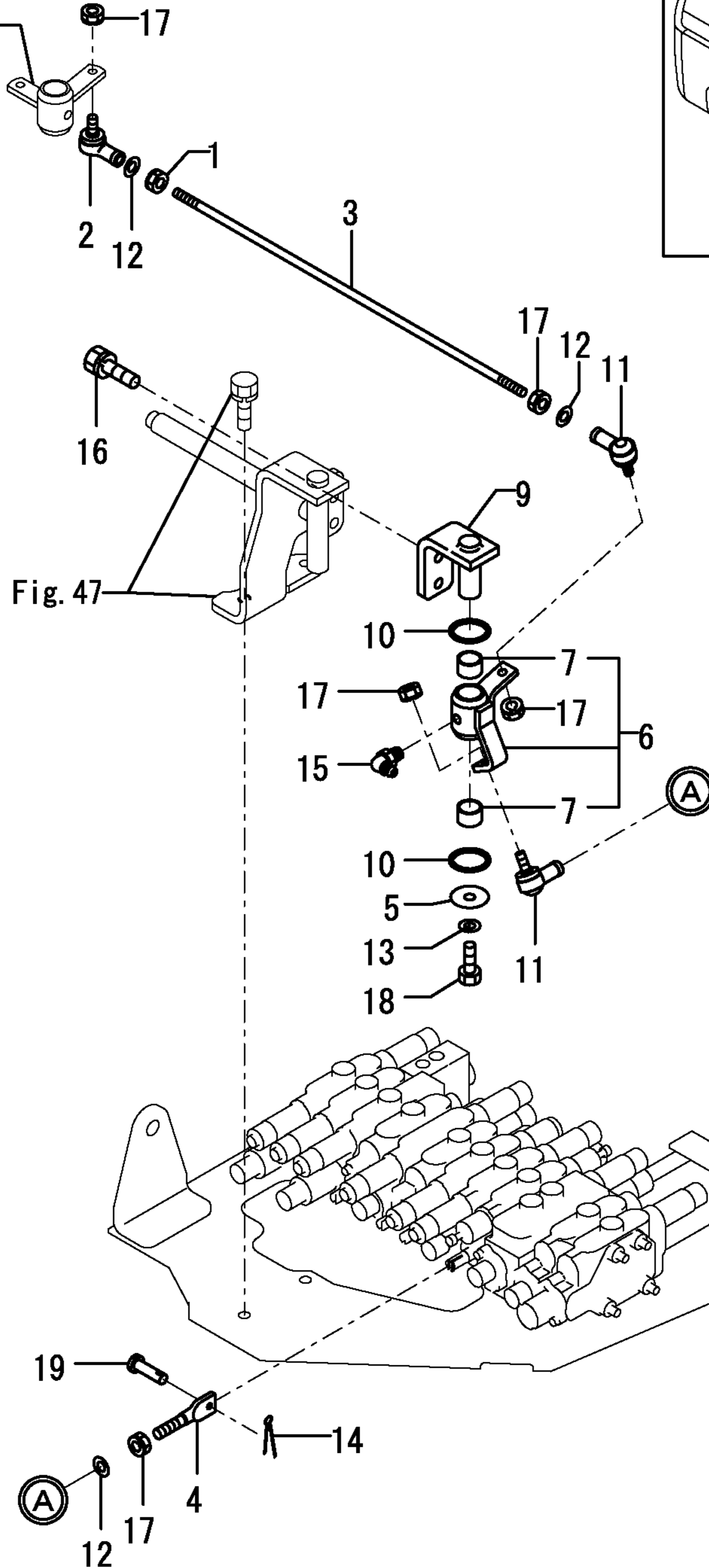
P.T.O. KIT (フレームエンド) は、
項目NO. 136を参照下さい。

P.T.O. KIT (ARM END)
is shown in Fig. 135.

P.T.O. KIT (FRAME END)
is shown in Fig. 136.



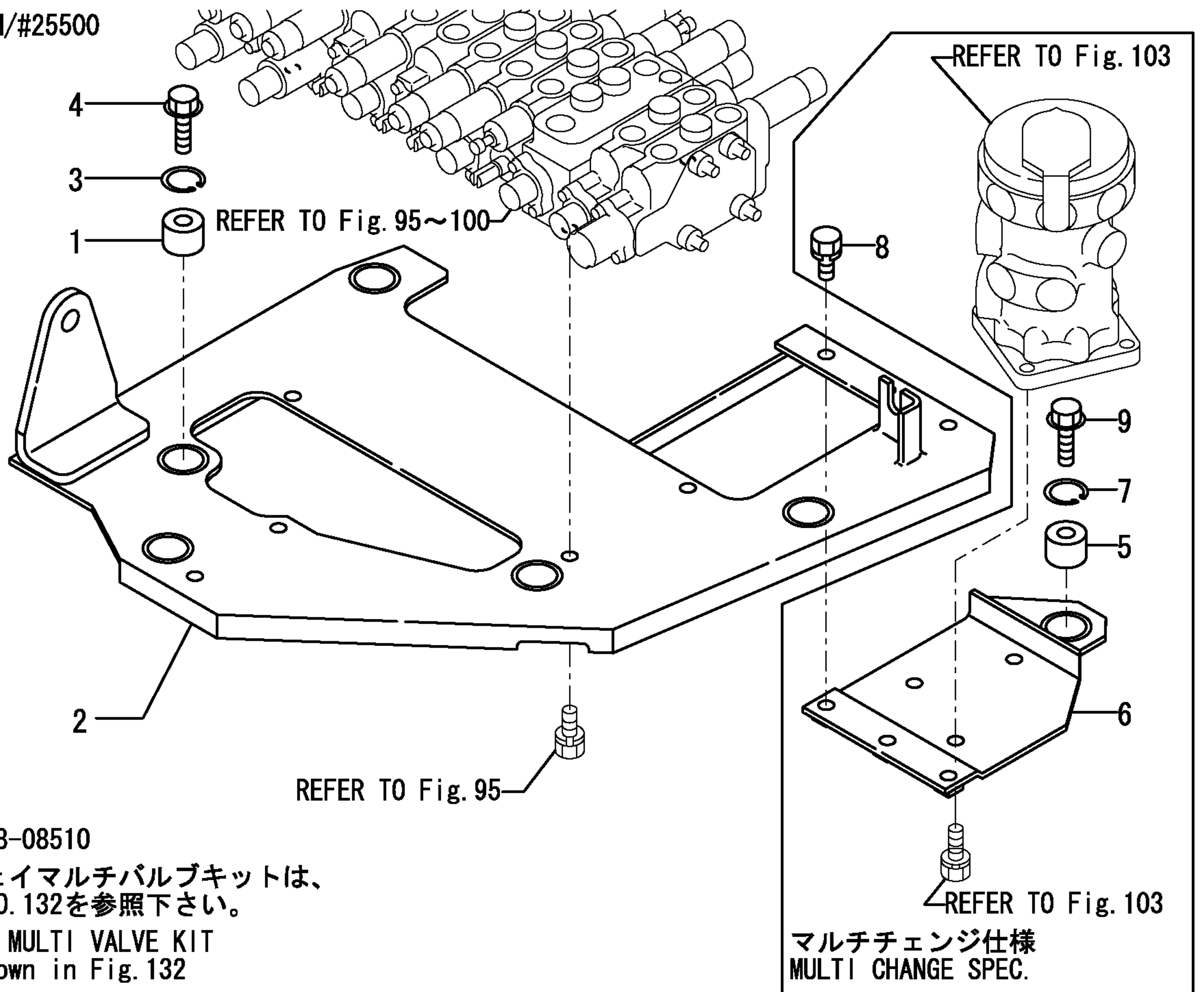
REFER TO Fig. 52



REFER TO Fig. 47

1,1,,172165-45490,,CUSHION,5,5,,,,,,,,,,,,,,,,,,,,,
2,1,,172458-45600,, "PLATE ASSY,VALVE",1,1,,,,,,,,,,,,,
3,1,,22252-000280,, "CIRCLIP 28",5,5,,,,,,,,,,,,,
4,1,,26106-100352,, "BOLT M10X 35 PLATED",5,5,,,,,,,,,,,,,
5,1,,172165-45490,,CUSHION,1,1,,,,,,,,,,,,,,,,,,,,,
6,1,,172458-74200,, "BRACKET ASSY",1,1,,,,,,,,,,,,,
7,1,,22252-000280,, "CIRCLIP 28",1,1,,,,,,,,,,,,,
8,1,,26013-100202,, "BOLT W/WASHER M10X20",3,3,,,,,,,,,,,,,
9,1,,26106-100352,, "BOLT M10X 35 PLATED",1,1,,,,,,,,,,,,,
10,1,,172487-45600,, "PLATE,VALVE(GRAY:72)",1,1,1,1,,,,,,,,,,,,,I
11,1,,26013-100402,, "BOLT M10X 40",5,5,5,5,,,,,,,,,,,,,I
12,1,,172487-74200,, "BRACKET,MULTI",1,1,1,1,,,,,,,,,,,,,I
13,1,,26013-100202,, "BOLT W/WASHER M10X20",3,3,3,3,,,,,,,,,,,,,I
14,1,,26013-100352,, "BOLT M10X 35",1,1,1,1,,,,,,,,,,,,,I

旧形 ~M/#25500



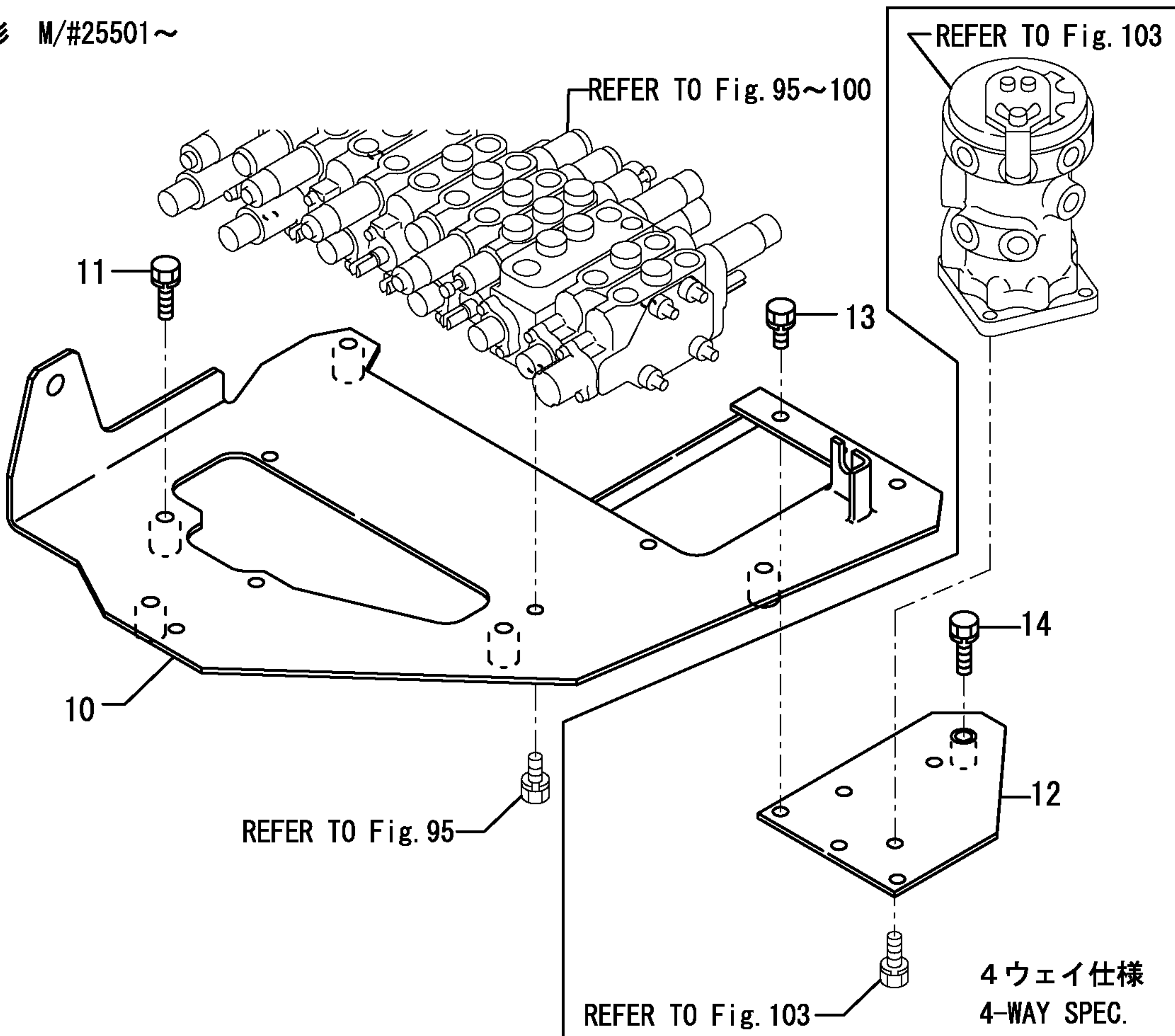
172458-08510

4ウェイマルチバルブキットは、
項目NO. 132を参照下さい。

4-WAY MULTI VALVE KIT
is shown in Fig. 132

マルチチェンジ仕様
MULTI CHANGE SPEC.

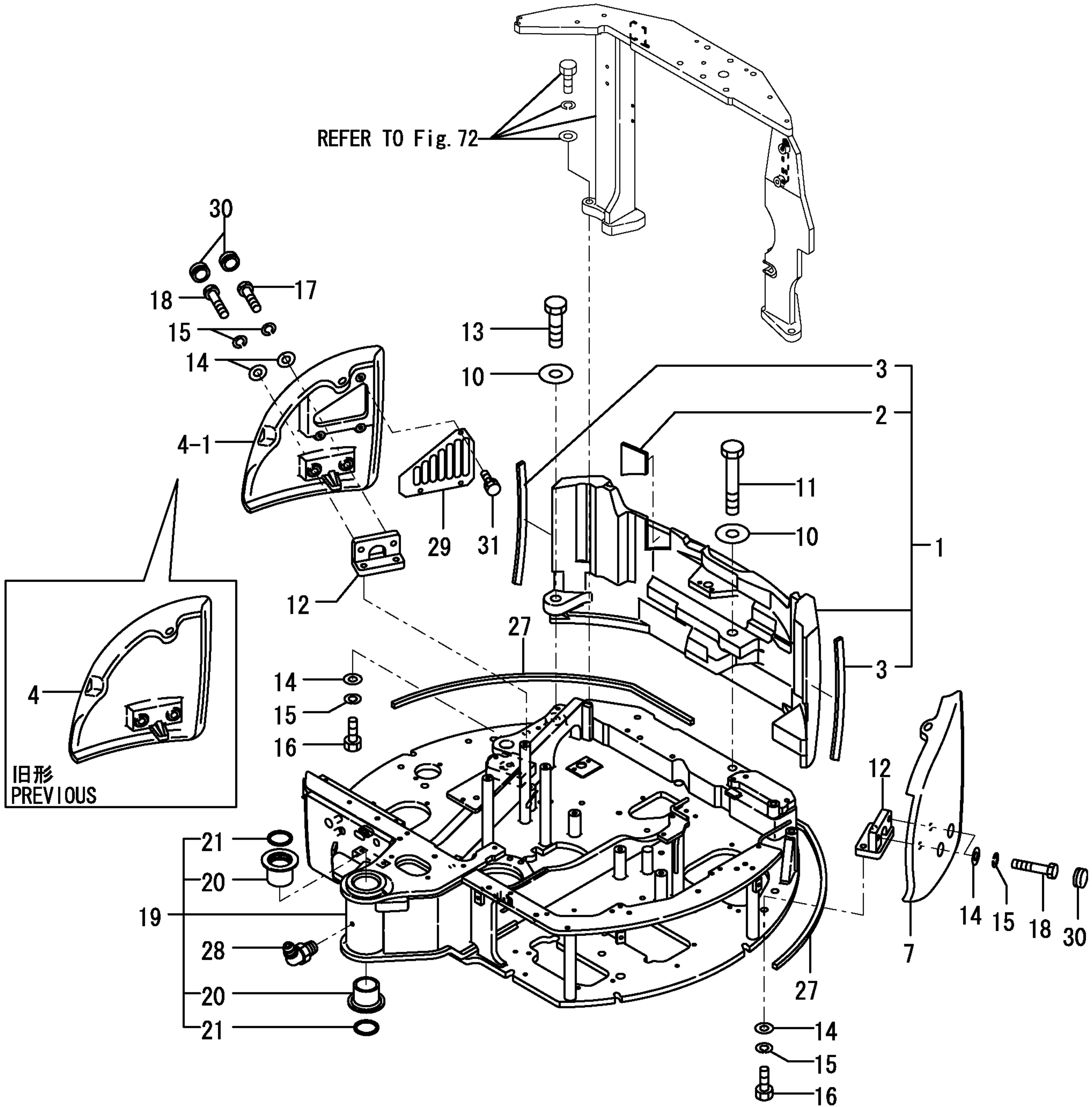
新形 M/#25501~



4ウェイ仕様
4-WAY SPEC.

1,1,,172458-53240,, "WEIGHT,COUNTER (88)",1,1,,,,,,,,,,,,,
2,2,,172458-53250,, "SEAL,COUNTER",1,1,,,,,,,,,,,,,I
3,2,,172458-53370,, "SEAL,COUNTER",2,2,2,2,,,,,,,,,,,,,
4,1,,172458-53260,, "WEIGHT R (GREEN:88)",1,1,,,,,,,,,,,,,
4-1,1,,172457-53310,, "WEIGHT R
(GREEN:88)",1,1,1,1,,,F,1,72457037,M/#21080,72457037,M/#21080,,,,,,
7,1,,172458-53280,, "WEIGHT L (GREEN:88)",1,1,,,,,,,,,,,,,
7-1,1,,172458-53281,, "WEIGHT L
(GREEN:88)",1,1,1,1,,,N,,72457037,M/#21080,72457037,M/#21080,,,,,,
10,1,,172187-53320,, "WASHER 24.5X65X8",2,2,2,2,,,,,,,,,,,,,
11,1,,172455-53330,, "BOLT 24X140",1,1,1,1,,,,,,,,,,,,,
12,1,,172458-53330,, "BRACKET ASSY",2,2,2,2,,,,,,,,,,,,,
13,1,,172458-53360,, "BOLT",1,1,1,1,,,,,,,,,,,,,
14,1,,172165-53500,, "WASHER,8,8,8,8",,,,,,,,,,,,,,
15,1,,22217-160000,, "SPRING WASHER 16",8,8,8,8,,,,,,,,,,,,,
16,1,,26116-160452,, "BOLT M16X 45 PLATED",4,4,4,4,,,,,,,,,,,,,
17,1,,26116-160652,, "BOLT M16X 65 PLATED",1,1,1,1,,,,,,,,,,,,,
18,1,,26116-160752,, "BOLT M16X 75 PLATED",3,3,3,3,,,,,,,,,,,,,
19,1,,172458-54100,, "FRAME,TURNING (97)",1,1,1,1,,,,,,,,,,,,,
20,2,,172168-54750,, "BUSH 60X70",2,2,2,2,,,,,,,,,,,,,
21,2,,172168-54760,, "SEAL 60X70X4 DUST",2,2,2,2,,,,,,,,,,,,,
27,1,,172458-54750,, "SEAL 960",2,2,2,2,,,,,,,,,,,,,
28,1,,24761-040000,, "NIPPLE B,GREASE",1,1,1,1,,,,,,,,,,,,,
29,1,,172457-
53320,, "COVER,WEIGHT",1,1,1,1,,,W,,72457037,M/#21080,72457037,M/#21080,,,,,,
30,1,,172151-53430,, "GROMMET,4,4,4,4",,,,,,,,,,,,,,
30-1,1,,172456-53700,, "GROMMET
30",4,4,4,4,,,N,,72456276,M/#22979,72456276,M/#22979,,,,,,I
31,1,,26013-100202,, "BOLT W/WASHER
M10X20",3,3,3,3,,,W,,72457037,M/#21080,72457037,M/#21080,,,,,,

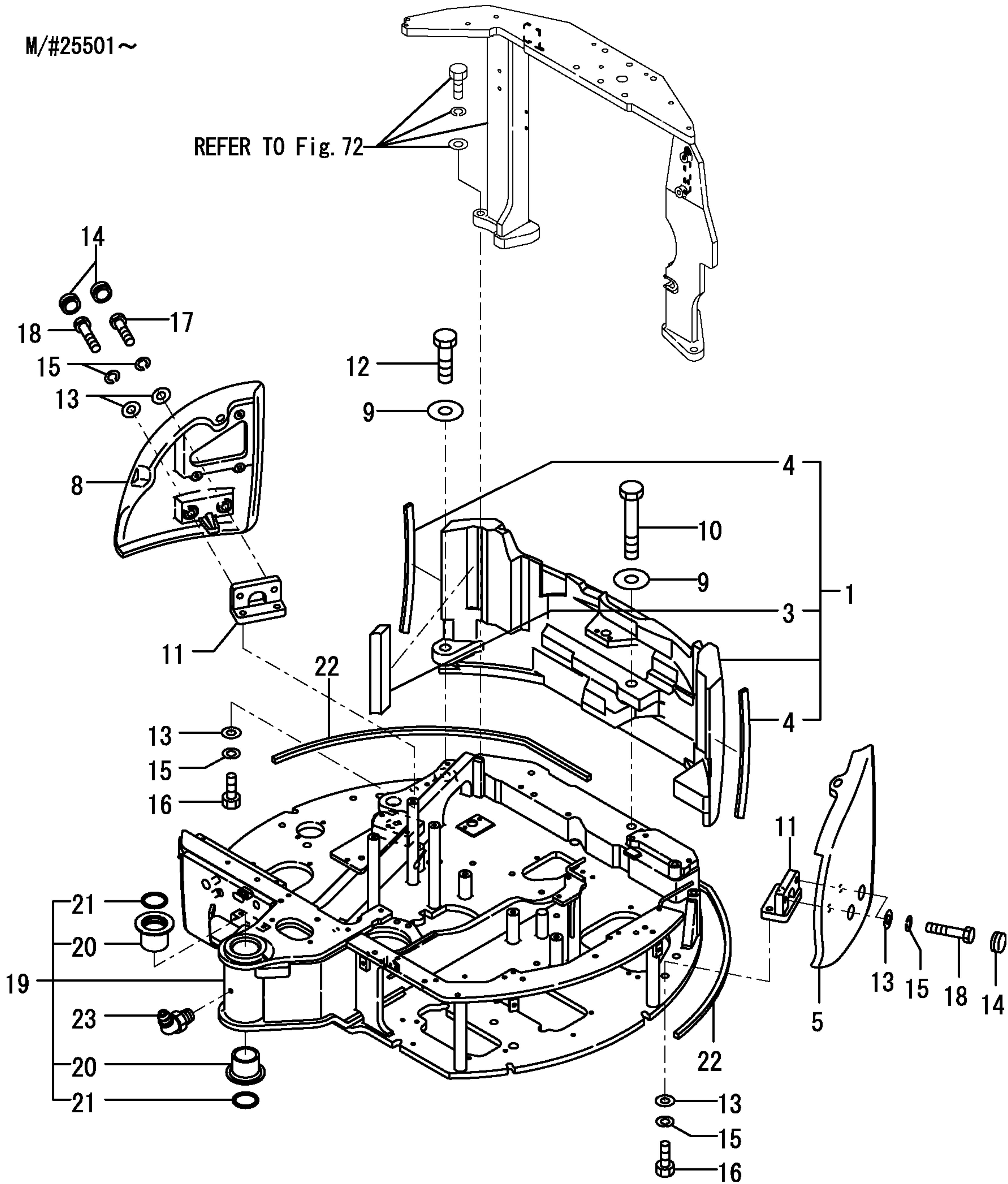
REFER TO Fig. 72



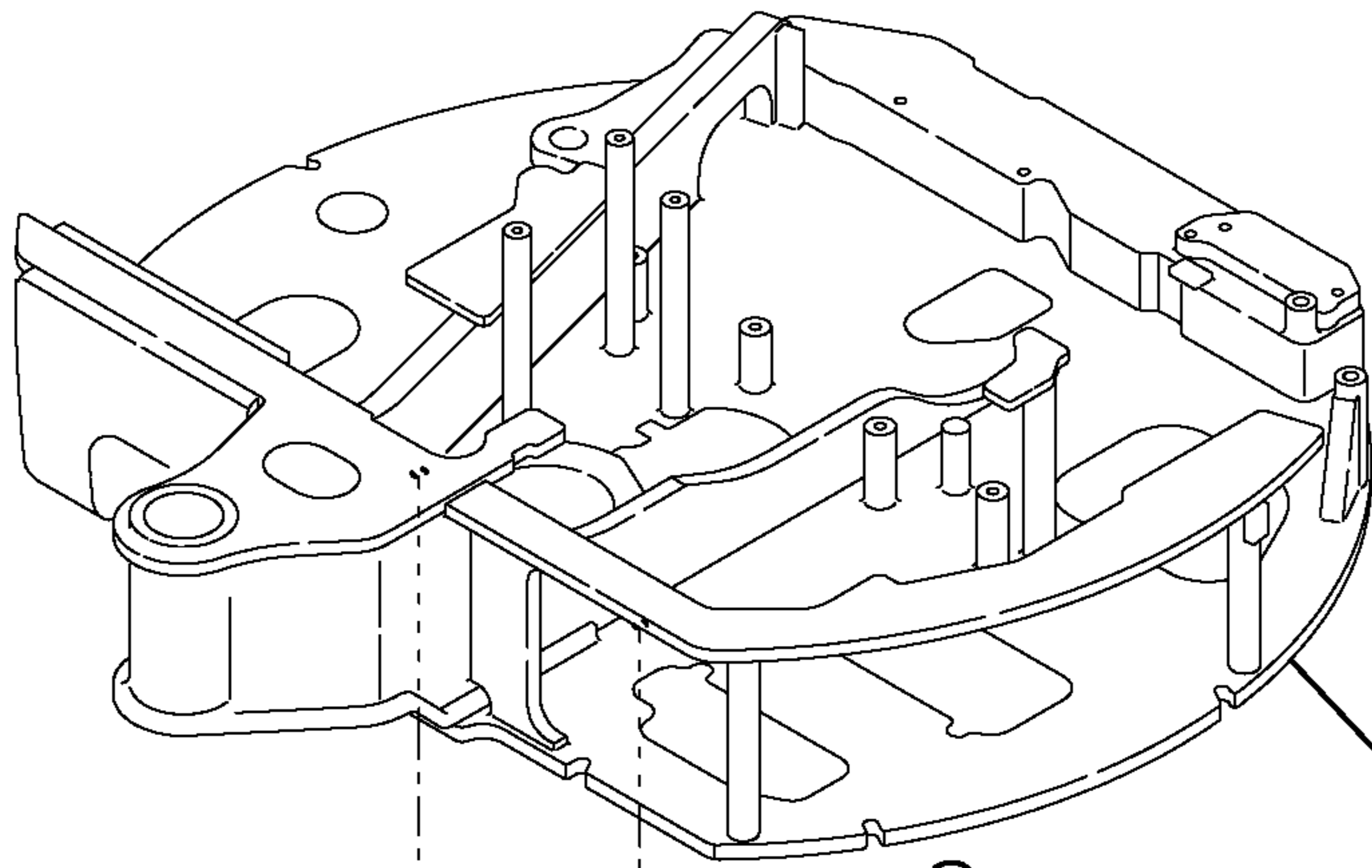
1,1,,172458-53241,, "WEIGHT,COUNTER(88)",1,1,1,2,,,,,,,,,,,,,,,,,,,,,I
3,2,,172487-53330,, "SEAL B",1,1,1,1,,,,,,,,,,,,,,,,,,,,,I
4,2,,172458-53370,, "SEAL,COUNTER",2,2,2,2,,,,,,,,,,,,,,,,,,,,,I
5,1,,172458-53281,, "WEIGHT L (GREEN:88)",1,1,1,1,,,,,,,,,,,,,,,,,,,,,I
8,1,,172457-53310,, "WEIGHT R (GREEN:88)",1,1,1,1,,,,,,,,,,,,,,,,,,,,,I
9,1,,172187-53320,, "WASHER 24.5X65X8",2,2,2,2,,,,,,,,,,,,,,,,,,,,,I
10,1,,172455-53330,, "BOLT 24X140",1,1,1,1,,,,,,,,,,,,,,,,,,,,,I
11,1,,172458-53330,, "BRACKET ASSY",2,2,2,2,,,,,,,,,,,,,,,,,,,,,I
12,1,,172458-53360,, "BOLT",1,1,1,1,,,,,,,,,,,,,,,,,,,,,I
13,1,,172165-53500,, "WASHER",8,8,8,8,,,,,,,,,,,,,,,,,,,,,I
14,1,,172456-53700,, "GROMMET 30",4,4,4,4,,,,,,,,,,,,,,,,,,,,,I
15,1,,22217-160000,, "SPRING WASHER 16",8,8,8,8,,,,,,,,,,,,,,,,,,,,,I
16,1,,26116-160452,, "BOLT M16X 45 PLATED",4,4,4,4,,,,,,,,,,,,,,,,,,,,,I
17,1,,26116-160652,, "BOLT M16X 65 PLATED",1,1,1,1,,,,,,,,,,,,,,,,,,,,,I
18,1,,26116-160752,, "BOLT M16X 75 PLATED",3,3,3,3,,,,,,,,,,,,,,,,,,,,,I
19,1,,172458-54102,, "FRAME,TURNING (97)",1,1,1,1,,,,,,,,,,,,,,,,,,,,,I
20,2,,172168-54750,, "BUSH 60X70",2,2,2,2,,,,,,,,,,,,,,,,,,,,,I
21,2,,172168-54760,, "SEAL 60X70X4 DUST",2,2,2,2,,,,,,,,,,,,,,,,,,,,,I
22,1,,172458-54750,, "SEAL 960",2,2,2,2,,,,,,,,,,,,,,,,,,,,,I
23,1,,24761-040000,, "NIPPLE B,GREASE",1,1,1,1,,,,,,,,,,,,,,,,,,,,,I

M/#25501~

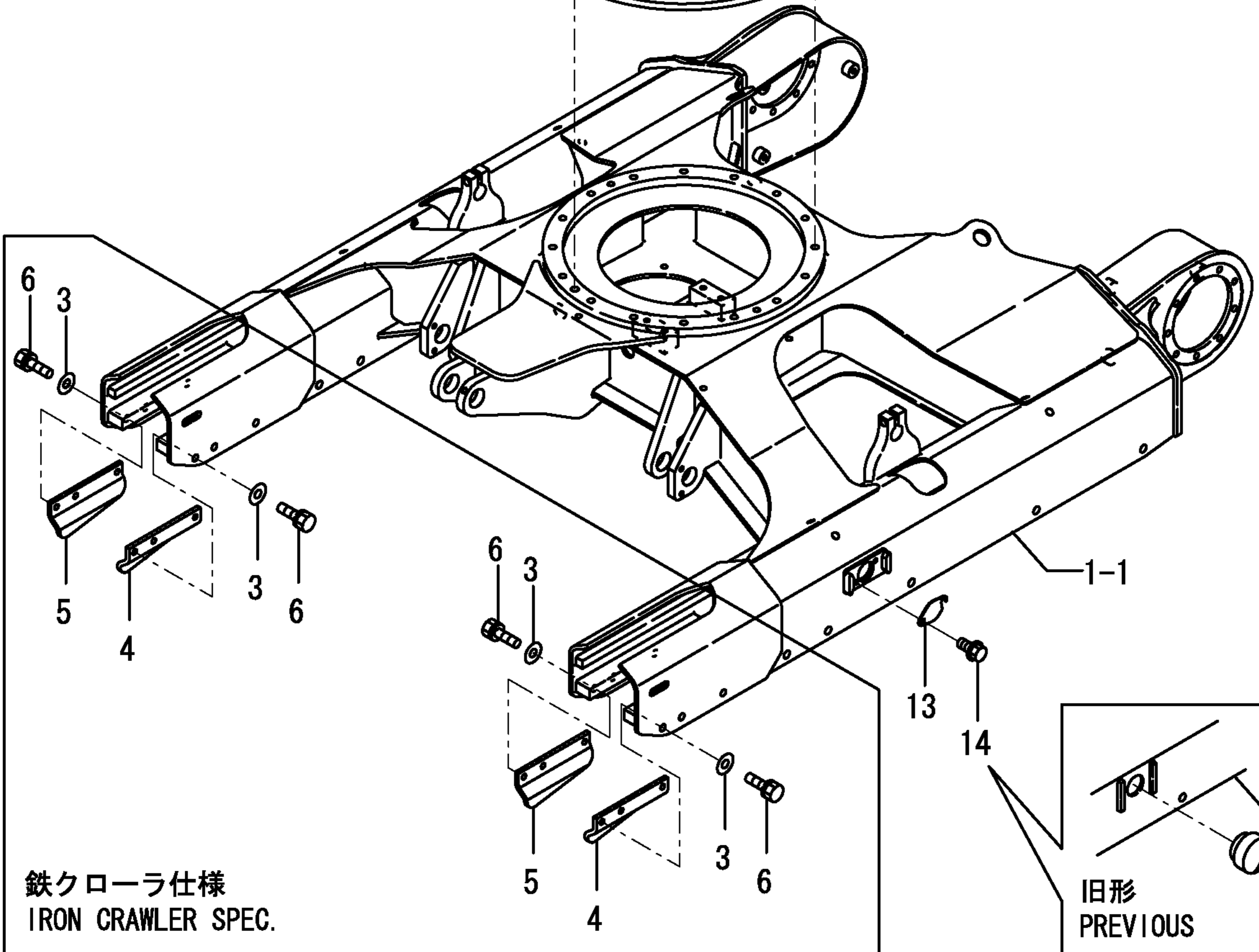
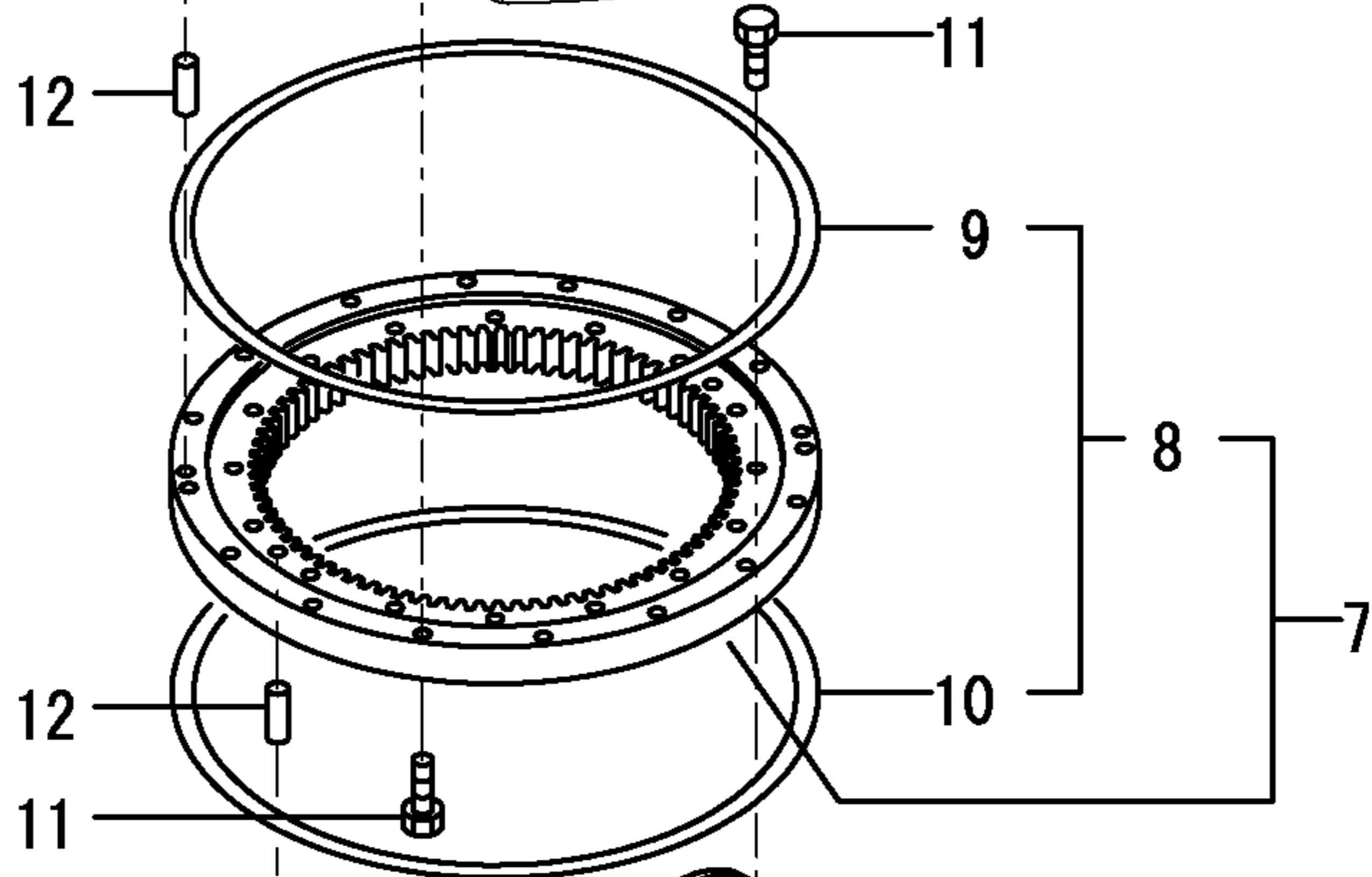
REFER TO Fig. 72



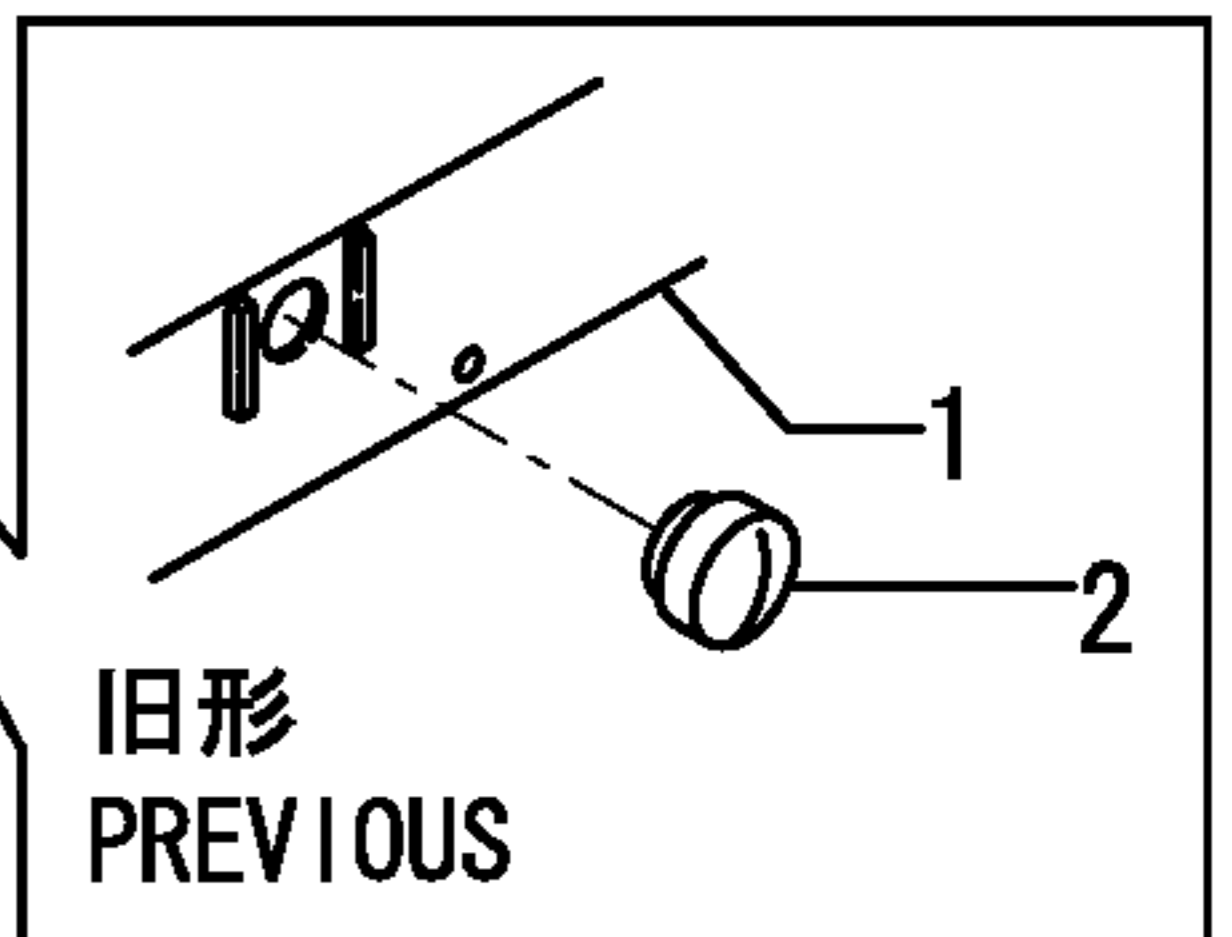
1,1,,172458-50100,, "FRAME,LOWER(GREEN:88",1,1,,,,,,,,,,,,,
1-1,1,,172458-
50101,, "FRAME,LOWER(GREEN:88",1,1,,,,,N,,72457038,M/#21080,72457038,M/#21080,,,,,
,,,
1-2,1,,172458-
50102,, "FRAME,LOWER(GREEN:88",1,1,1,1,,,,,S,,72458533,M/#25501,72458533,M/#25501,,
,,,,,,I
2,1,,172141-
50890,,GROMMET,2,2,,,,,Z,,72458533,M/#25501,72458533,M/#25501,,,,,,I
3,1,,172730-05250,, "WASHER 12",12,12,12,12,,,,,,,,,,,,,
4,1,,172458-50800,, "PLATE,GUARD L (88)",2,2,2,2,,,,,,,,,,,,,
5,1,,172458-50810,, "PLATE,GUARD R (88)",2,2,2,2,,,,,,,,,,,,,
6,1,,26013-120252,, "BOLT M12X 25",12,12,12,12,,,,,,,,,,,,,
7,1,,172458-57600,, "BEARING,TURNING (88)",1,1,1,1,,,,,,,,,,,,,
8,2,,172142-57610,, "SEAL KIT",1,1,1,1,,,,,,,,,,,,,
9,3,,172122-57630,, "SEAL, UPPER",1,1,1,1,,,,,,,,,,,,,
10,3,,172122-57640,, "SEAL, LOWER",1,1,1,1,,,,,,,,,,,,,
11,1,,172122-57610,,BOLT,32,32,32,32,,,,,,,,,,,,,
12,1,,172122-57620,, "PARALLEL PIN 13X36",4,4,4,4,,,,,,,,,,,,,
13,1,,172458-
50480,, "COVER,FRAME(GREEN:88",2,2,2,2,,,,,W,,72458533,M/#25501,72458533,M/#25501,,
,,,,,,I
14,1,,26106-100122,, "BOLT M10X 12
PLATED",4,4,4,4,,,,,W,,72458533,M/#25501,72458533,M/#25501,,,,,,I



REFER TO Fig. 55, 56



鉄クローラ仕様
IRON CRAWLER SPEC.



1,1,,172141-50762-1,, "COVER,UNDER(GREEN:88",1,1,1,1,,,,,,,,,,,,,
2,1,,172458-61080,, "COVER,FRAME L (97)",1,1,,,,,,,,,,,,,
2-1,1,,172457-61080,, "COVER,FRAME L
(97)",1,1,,,,,F,3,72458329,M/#20737,72458329,M/#20737,,,,,,,,,
2-2,1,,172457-61081,, "COVER,FRAME L
(97)",1,1,1,1,,,,,N,,72457037,M/#21080,72457037,M/#21080,,,,,,,,,
2-3,1,,172457-61082,, "COVER, FRAME
(97)",1,1,1,1,,,,,R,,724580591,M/#26326,724580591,M/#26326,724580591,M/#26326,7245
80591,M/#26326,,,,,I
5,1,,172458-61100,, "COVER,TRAVEL(GREEN88",2,2,2,2,,,,,,,,,,,,,
6,1,,172458-61120,, "COVER,ENG-OIL
(97)",1,1,,,,,Z,,72457037,M/#21080,72457037,M/#21080,,,,,,,,,
7,1,,172458-61130,, "COVER A,VALVE (97)",1,1,,,,,,,,,,,,,
7-1,1,,172458-61131,, "COVER A,VALVE
(97)",1,1,,,,,N,,72458329,M/#20737,72458329,M/#20737,,,,,,,,,
7-2,1,,172458-
61110,, "COVER,VALVE(GREEN:97",1,1,1,1,,,,,S,,72457037,M/#21080,72457037,M/#21080,,
,,,,,
8,1,,172458-61140,, "COVER,PUMP(GREEN:97)",1,1,,,,,,,,,,,,,
8-1,1,,172458-61141-
4,, "COVER,PUMP(GREEN:97)",1,1,,,,,N,,72458279,M/#20501,72458279,M/#20501,,,,,,,,,
8-2,1,,172457-61140-
4,, "COVER,PUMP(GREEN:97)",1,1,1,1,,,,,N,,72457037,M/#21080,72457037,M/#21080,,,,,,,,,
,
9,1,,172458-61150,, "COVER,FUEL OIL (97)",1,1,1,1,,,,,,,,,,,,,
10,1,,172458-61260,, WASHER,5,5,,,,,,,,,,,,,
10-1,1,,172458-
61261,, WASHER,5,5,5,5,,,,,N,,72458474,M/#22277,72458474,M/#22277,,,,,,,,,
11,1,,172458-61270,, "COVER,FRAME R (97)",1,1,,,,,,,,,,,,,
11-1,1,,172458-61271,, "COVER,FRAME R
(97)",1,1,1,1,,,,,S,1,72458287,M/#20664,72458287,M/#20664,,,,,,,,,
12,1,,172458-61350,, "PLATE (GRAY:73)",1,1,,,,,,,,,,,,,
12-1,1,,172458-61351,, "PLATE
(GRAY:73)",1,1,1,1,,,,,N,,72456122,M/#20664,72456122,M/#20664,,,,,,,,,
13,2,,172186-13590,, MOGOL,1,1,1,1,,,,,,,,,,,,,
15,1,,172168-61560-4,, "PLATE G (GREEN:97)",1,1,1,1,,,,,,,,,,,,,
16,1,,172455-61600,, "PLUG 28X3.2",5,5,5,5,,,,,,,,,,,,,
17,1,,172458-61690,, "COVER,SIDE (GRAY:73)",1,1,1,1,,,,,,,,,,,,,
17-1,1,,172458-61691,, "COVER,
SIDE(GRAY:73)",1,1,1,1,,,,,R,,724580591,M/#26326,724580591,M/#26326,724580591,M/#2
6326,724580591,M/#26326,,,,,I
18,2,,172458-61650,, "SEAL,SIDE COVER",1,1,1,1,,,,,,,,,,,,,
19,2,,172458-61660,, "SEAL,RUBBER 930",1,1,1,1,,,,,,,,,,,,,
19-1,2,,172445-68850,, "RUBBER,SEAL
850",1,1,1,1,,,,,R,,724580604,M/#26326,724580604,M/#26326,724580604,M/#26326,72458
0604,M/#26326,,,,,I
23,1,,172458-61870,, "COVER,HOSE(GREEN:97)",1,1,1,1,,,,,,,,,,,,,
24,1,,22137-100000,, "WASHER 10,POLISHED",5,5,5,5,,,,,,,,,,,,,
25,1,,22137-100000,, "WASHER 10,POLISHED",1,1,1,1,,,,,,,,,,,,,
26,1,,22137-120000,, "WASHER 12,POLISHED",4,4,4,4,,,,,,,,,,,,,
27,1,,26013-100202,, "BOLT W/WASHER M10X20",6,6,6,6,,,,,,,,,,,,,
28,1,,26013-100202,, "BOLT W/WASHER M10X20",2,2,2,2,,,,,,,,,,,,,
28-1,1,,26106-100202,, "BOLT M10X 20
PLATED",2,2,2,2,,,,,N,,72458425,M/#21010,72458425,M/#21010,72458425,M/#21010,72458
425,M/#21010,,,,,
29,1,,26013-100202,, "BOLT W/WASHER M10X20",5,5,5,5,,,,,,,,,,,,,
30,1,,26013-100202,, "BOLT W/WASHER M10X20",5,5,,,,,,,,,,,,,
30-1,1,,26013-100202,, "BOLT W/WASHER
M10X20",4,4,4,4,,,,,K,,72458520,M/#22743,72458520,M/#22743,,,,,,,,,
31,1,,26013-100352,, "BOLT M10X 35",5,5,5,5,,,,,,,,,,,,,
32,1,,26013-120252,, "BOLT M12X 25",4,4,4,4,,,,,,,,,,,,,
33,1,,26106-100162,, "BOLT M10X 16 PLATED",4,4,4,4,,,,,,,,,,,,,

34,1,,26106-100162,, "BOLT M10X 16
PLATED",2,2,,,,,Z,,72457037,M/#21080,72457037,M/#21080,,,,,
35,1,,26106-100162,, "BOLT M10X 16 PLATED",4,4,4,4,,,,,
36,1,,26106-100162,, "BOLT M10X 16 PLATED",2,2,2,2,,,,,
37,1,,26106-100162,, "BOLT M10X 16 PLATED",2,2,2,2,,,,,
38,1,,172458-62301,, "COVER
ASSY",1,1,1,1,,,,,Z,,72457037,M/#21080,72457037,M/#21080,72457037,M/#21080,7245703
7,M/#21080,,,
42,1,,26014-100202,, "BOLT M10X
20",2,2,2,2,,,,,Z,,72457037,M/#21080,72457037,M/#21080,72457037,M/#21080,72457037,
M/#21080,,,
43,1,,26013-100202,, "BOLT W/WASHER M10X20",1,1,1,1,,,,,
44,1,,26116-100302,, "BOLT 10X30",1,1,1,1,,,,,
45,1,,172457-61080,, "COVER,FRAME L (97)",1,1,,,,,2,,,,,
48,1,,172458-61120,, "COVER,ENG-OIL (97)",1,1,,,,,2,,,,,
49,1,,172458-61141-4,, "COVER,PUMP(GREEN:97)",1,1,,,,,2,,,,,
50,1,,172458-61830,, "COVER,A(A/C VALVE",1,1,,,,,2,,,,,
51,1,,26106-100162,, "BOLT M10X 16 PLATED",2,2,,,,,2,,,,,
52,1,,172458-62301,, "COVER ASSY",1,1,,,,,2,,,,,
56,1,,26014-100202,, "BOLT M10X 20",2,2,,,,,2,,,,,
57,1,,22137-100000,, "WASHER 10,POLISHED",5,5,,,,,
57-1,1,,22137-100000,, "WASHER
10,POLISHED",4,4,4,4,,,,,K,,72458520,M/#22743,72458520,M/#22743,,,,,

172458-08700 (TO M/#20654)
 172458-08701 (FROM M/#20655)

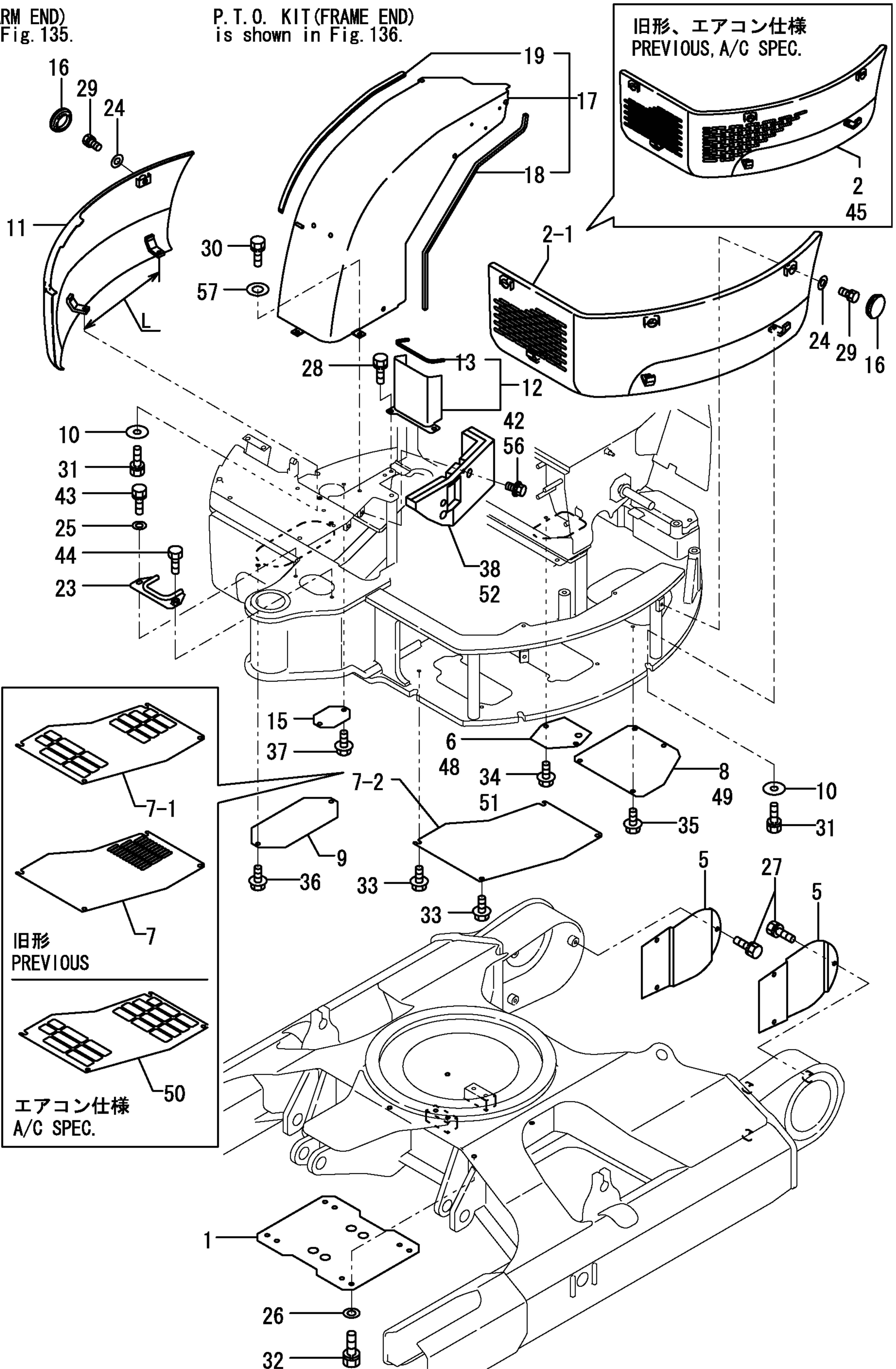
P.T.O.キット (アームエンド) は、
 項目NO. 135を参照下さい。

P.T.O. KIT (ARM END)
 is shown in Fig. 135.

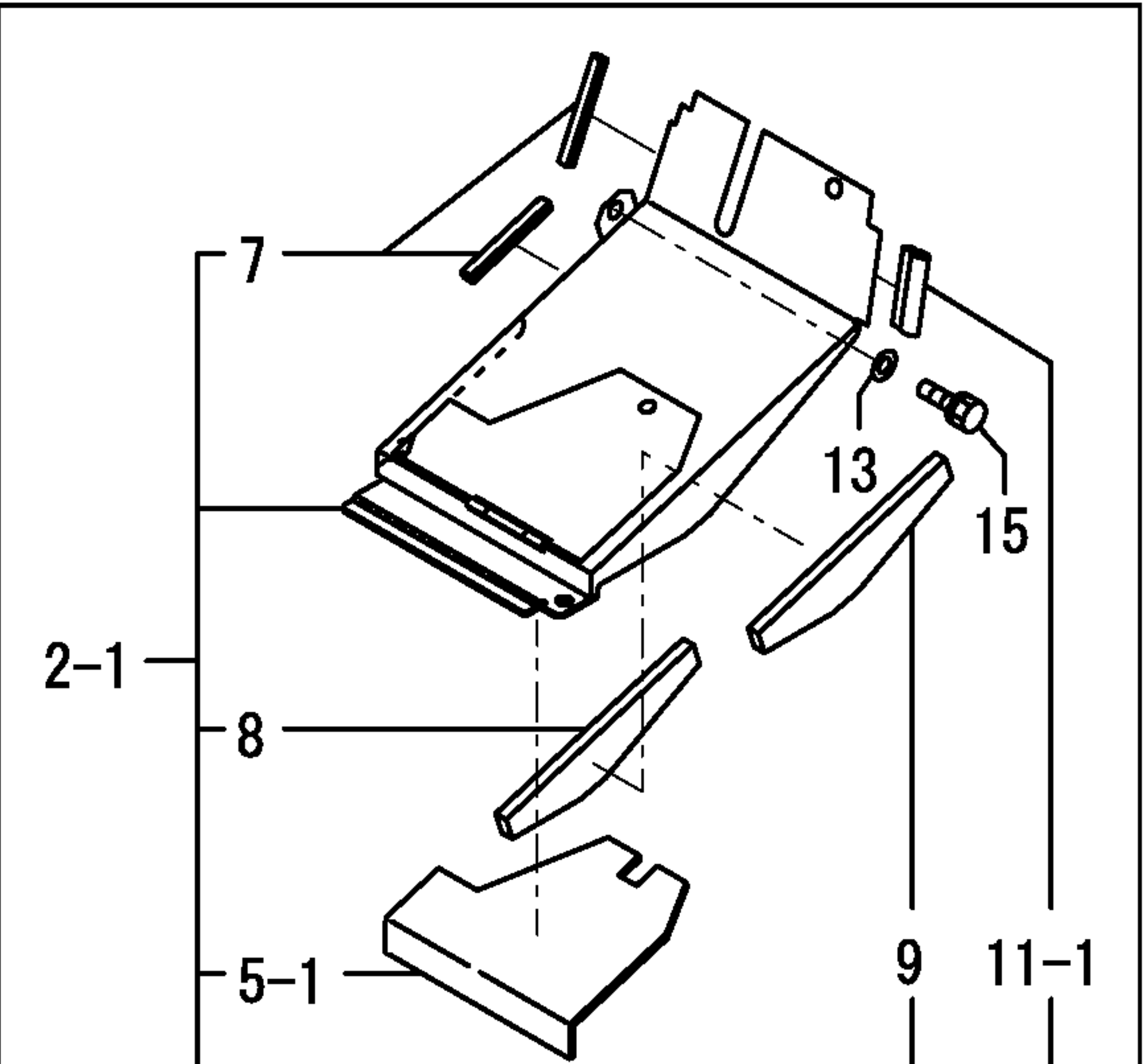
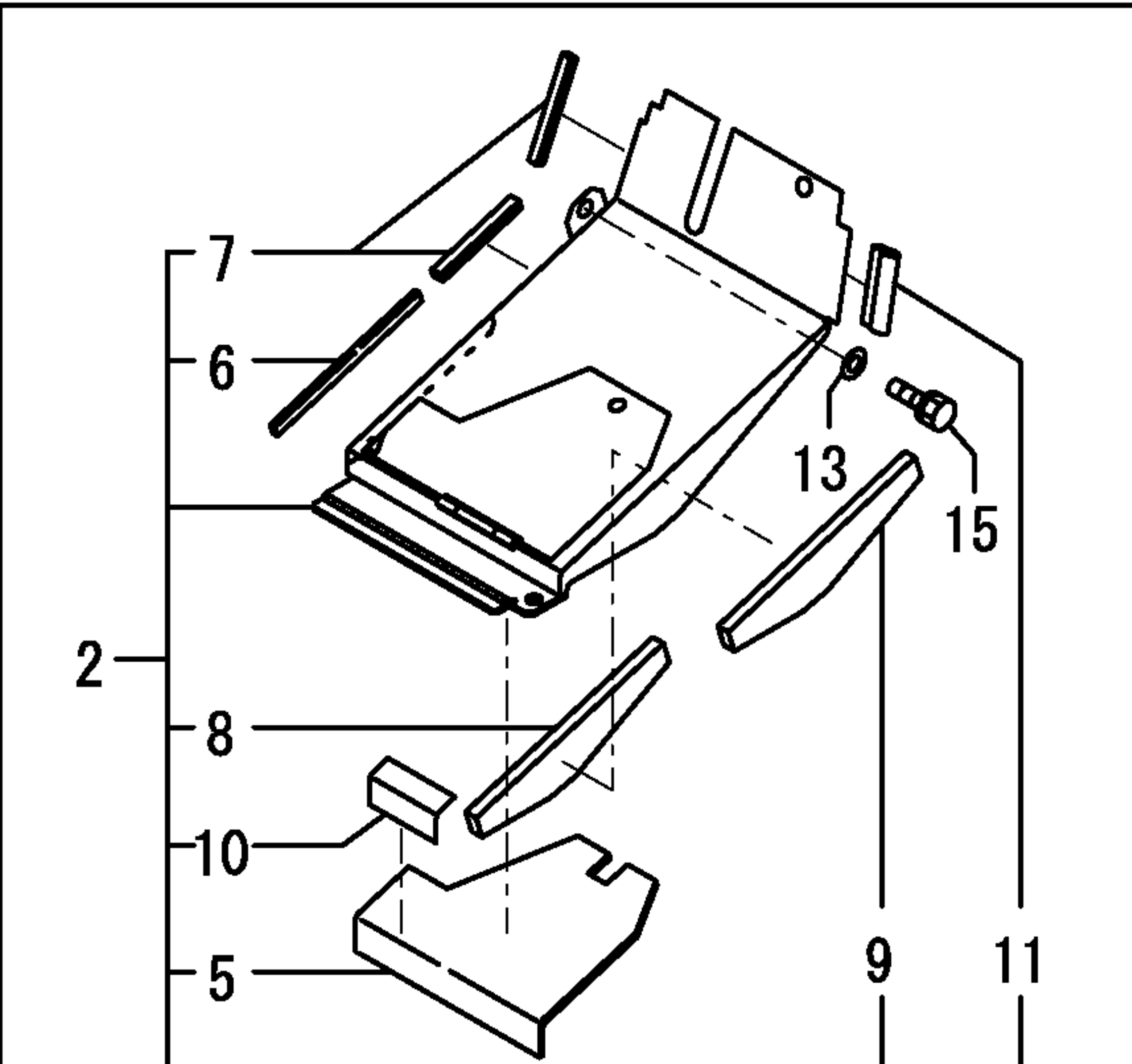
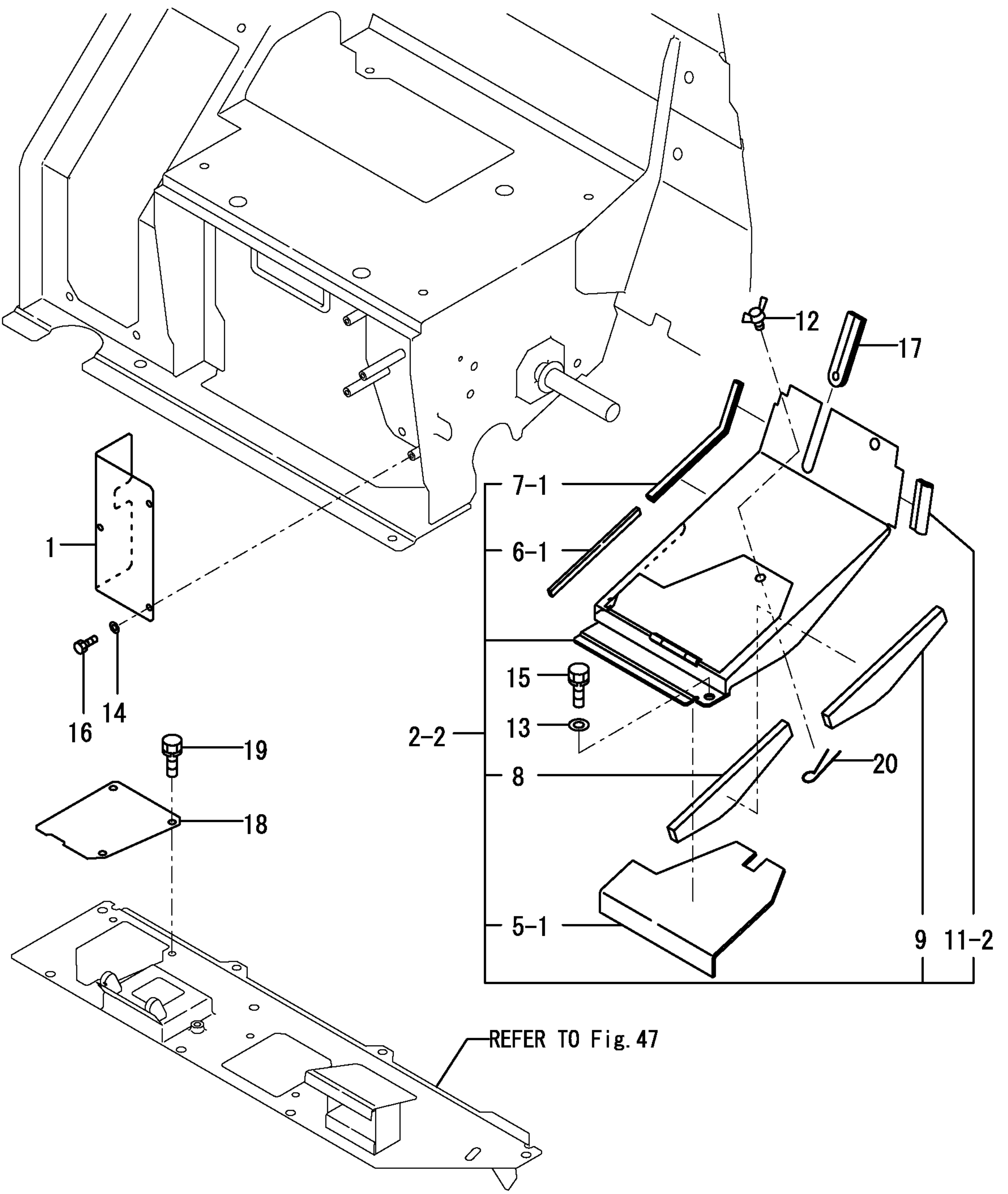
172458-08720

P.T.O.キット (フレームエンド) は、
 項目NO. 136を参照下さい。

P.T.O. KIT (FRAME END)
 is shown in Fig. 136.



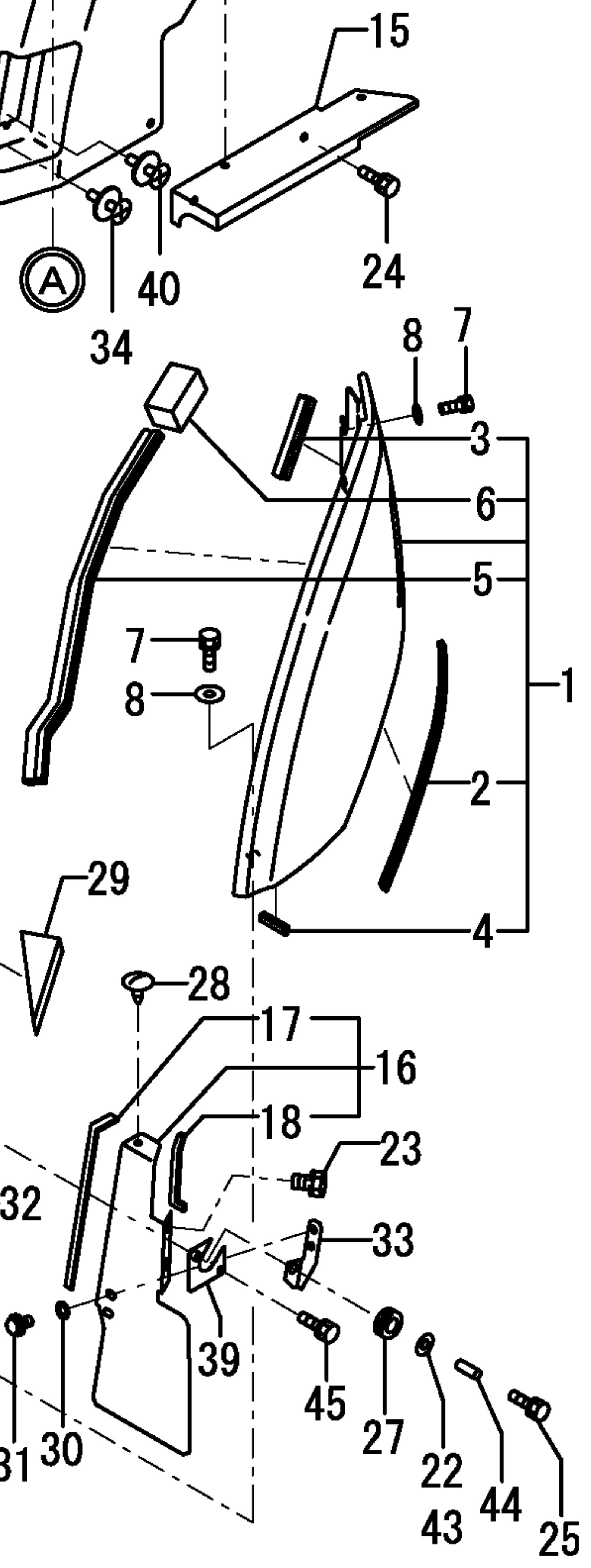
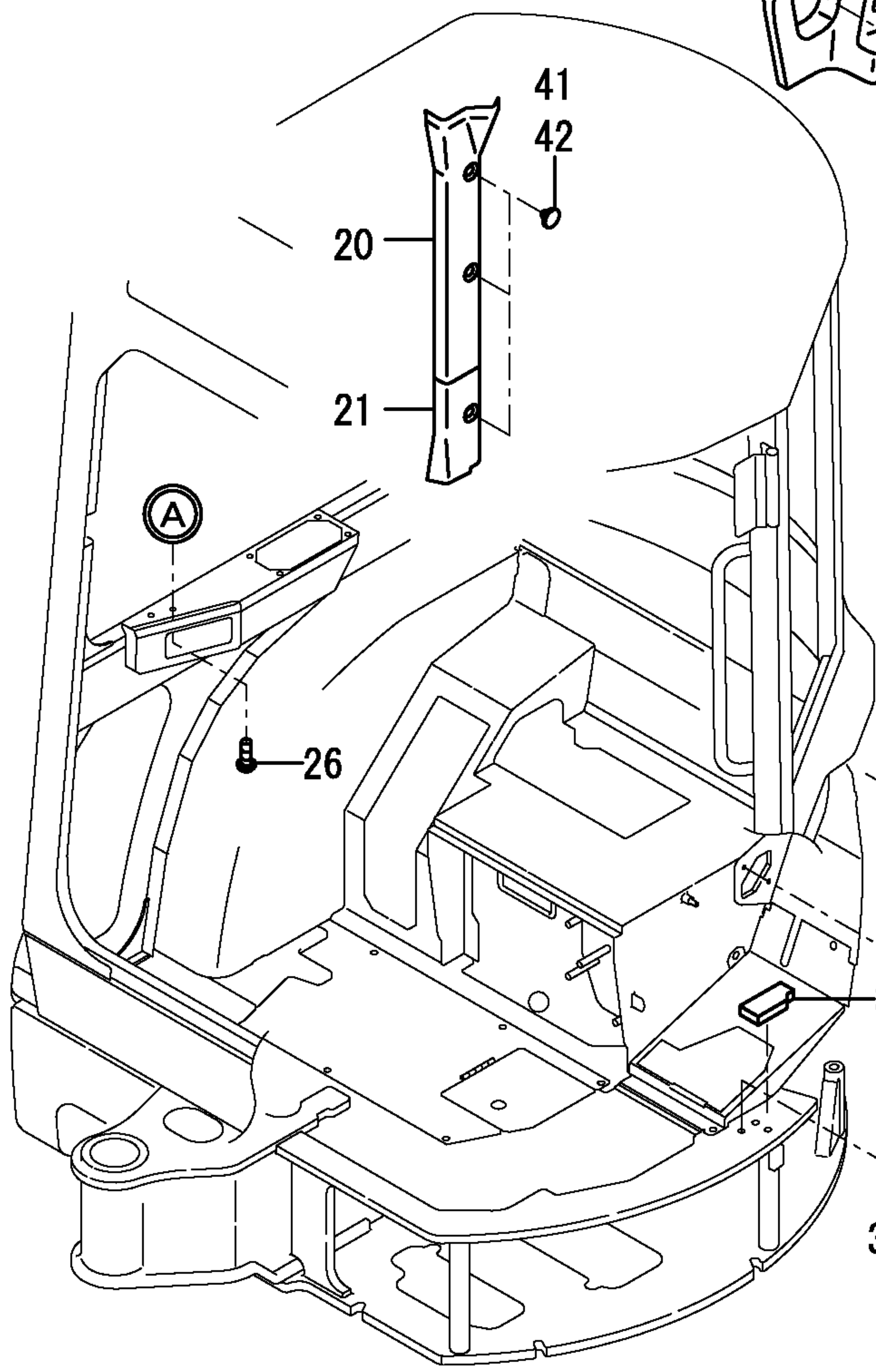
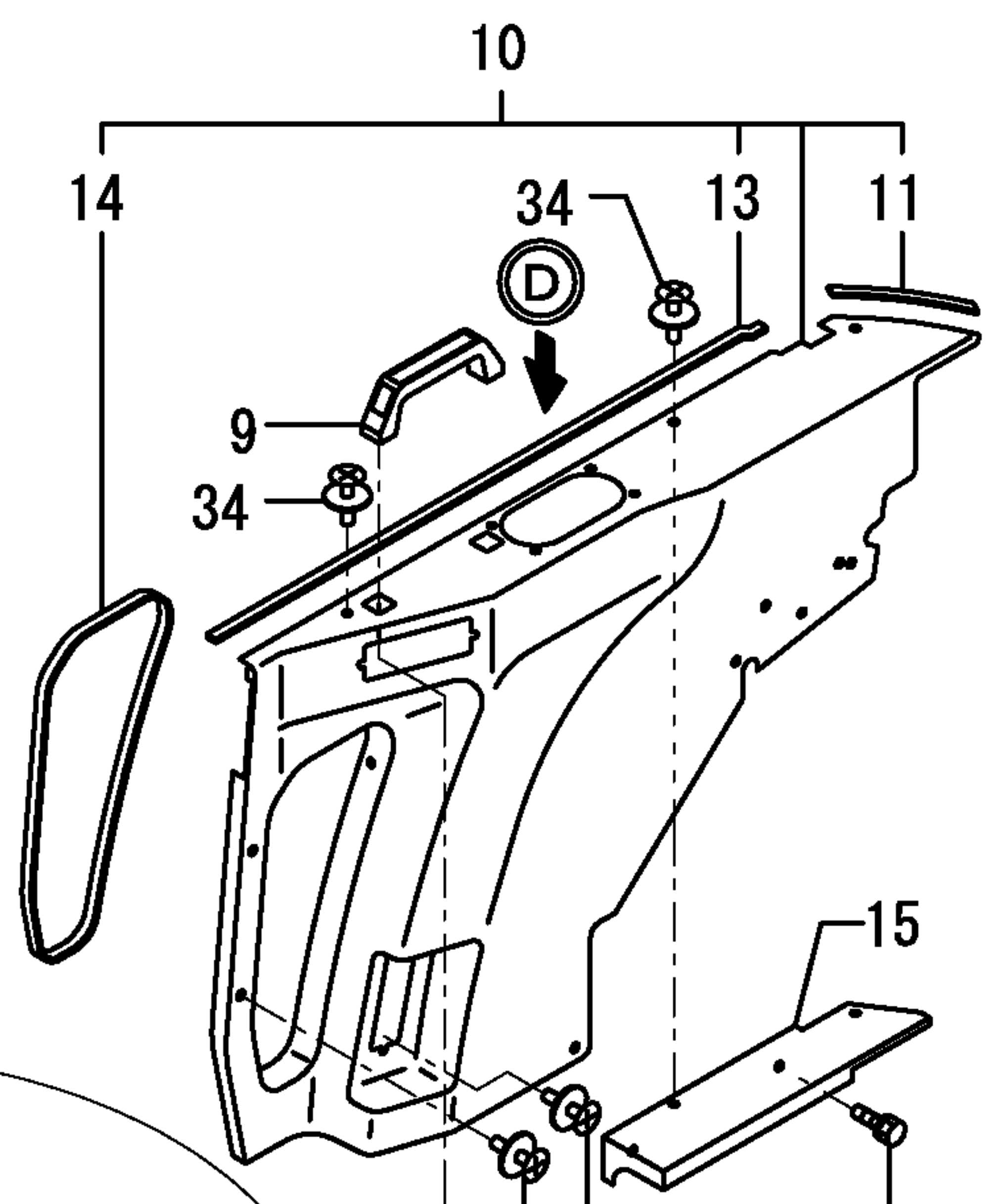
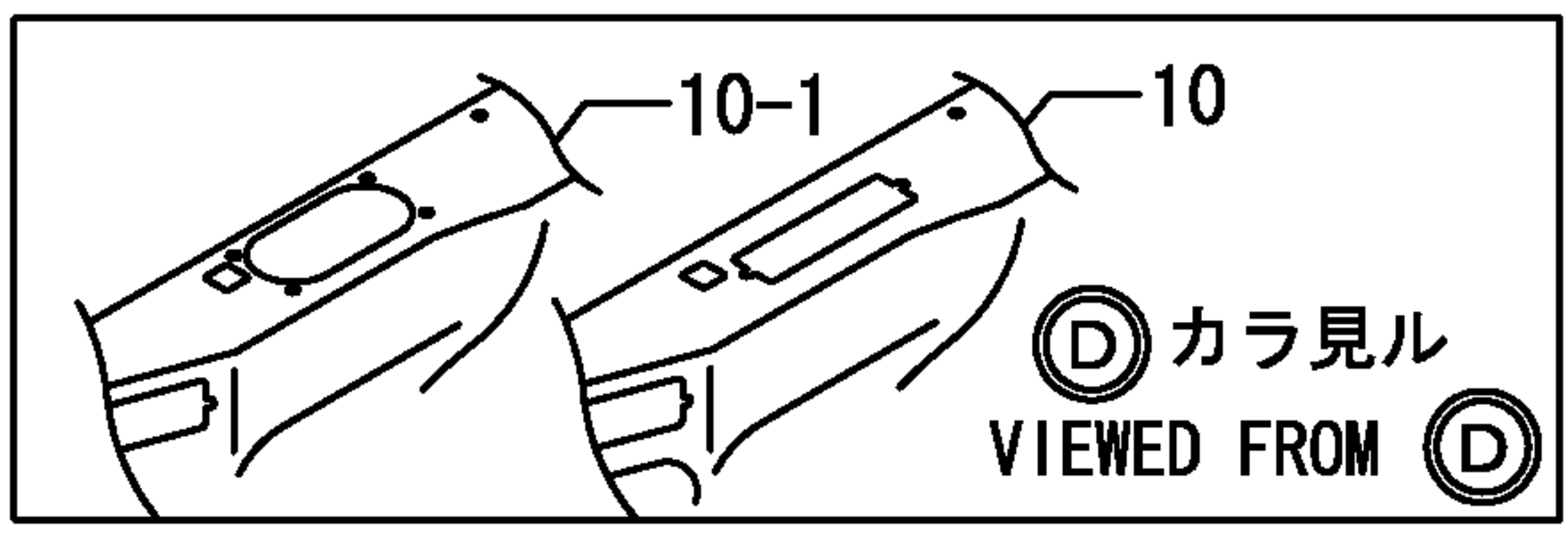
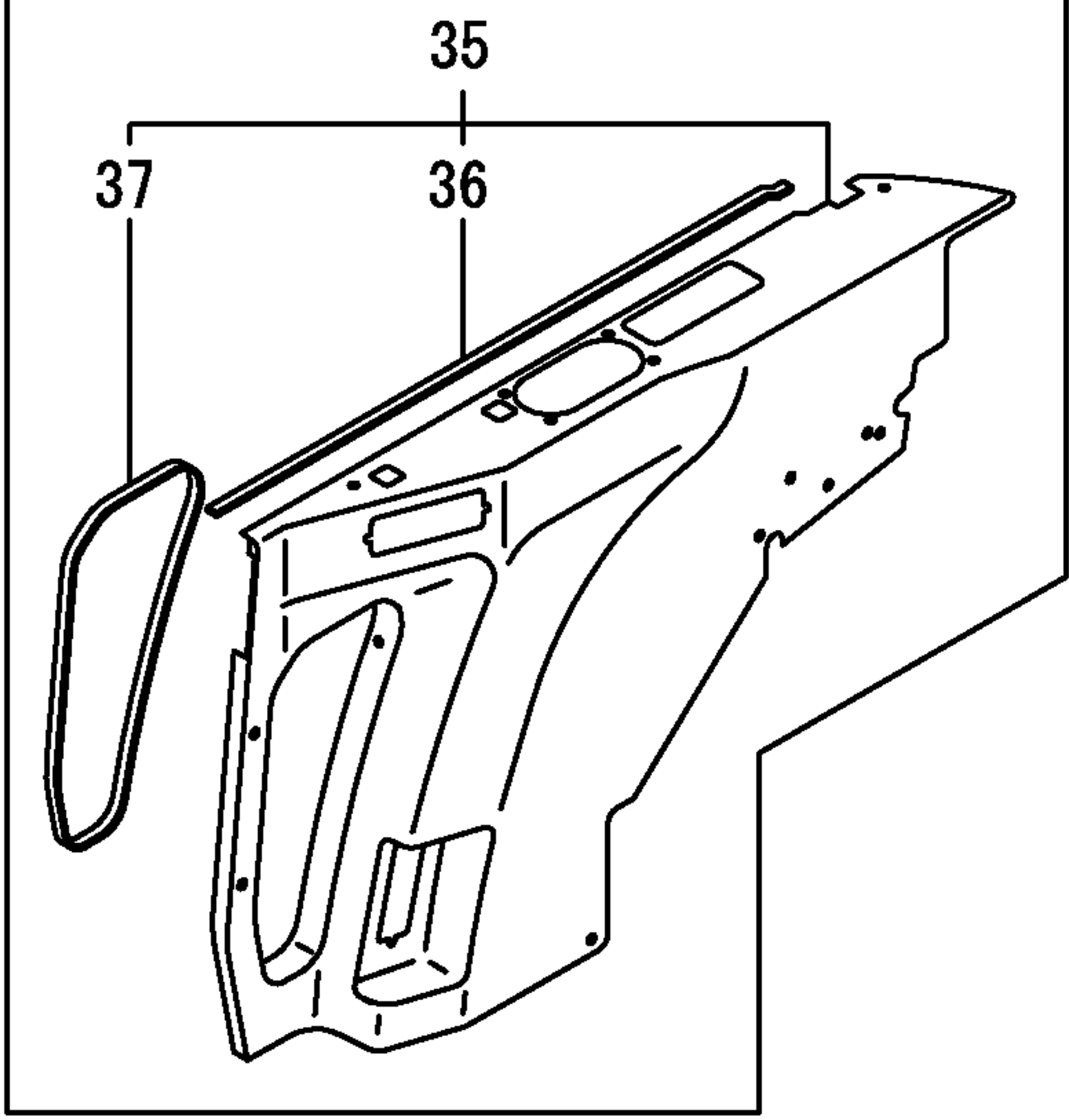
1,1,,172458-61200,, "COVER,ELECTRIC (73)",1,1,1,1,,,,,,,,,,,,,
2,1,,172458-61290,, "COVER,MULTI(BLACK:12",1,1,,,,,,,,,,,,,
2-1,1,,172458-
61291,, "COVER,MULTI(BLACK:12",1,1,,,,,N,,72457037,M/#21080,72457037,M/#21080,,,,,
',',
2-2,1,,172460-
61321,, "COVER,MULTI(BLACK:12",1,1,1,1,,,,,N,,72460288,M/#22628,72460288,M/#22628,,
,,,,,,I
5,2,,172458-61530,, "SEAL,MULTI COVER A",1,1,,,,,,,,,,,,,
5-1,2,,172458-61531,, "EV, MULTI
COVER",1,1,,,,,N,,72457037,M/#21080,72457037,M/#21080,,,,,,
6,2,,172458-61540,, "SEAL,MULTI COVER
B",1,1,,,,,Z,,72457037,M/#21080,72457037,M/#21080,,,,,,
6-1,2,,172458-61540,, "SEAL,MULTI COVER
B",1,1,1,1,,W,,72460288,M/#22628,72460288,M/#22628,,,,,,I
7,2,,172458-61560,, "RUBBER 90",2,2,,,,,,,,,,,,,
7-1,2,,172146-61370,, "RUBBER,
SEAL",1,1,1,1,,S,,72460288,M/#22628,72460288,M/#22628,,,,,,I
8,2,,172458-61580,, "SEAL E",1,1,1,1,,,,,,,,,,,,,
9,2,,172458-61590,, "SEAL F",1,1,1,1,,,,,,,,,,,,,
10,2,,172458-61640,, "SEAL
G",1,1,,,,,Z,,72457037,M/#21080,72457037,M/#21080,,,,,,
11,2,,172168-65800,, "RUBBER,SEALE E 75",1,1,,,,,,,,,,,,,
11-1,2,,172457-13780,, "RUBBER,SEAL
80",1,1,,,,,N,,72457037,M/#21080,72457037,M/#21080,,,,,,
11-2,2,,172168-65800,, "RUBBER,SEALE E
75",1,1,1,1,,S,,72460288,M/#22628,72460288,M/#22628,,,,,,I
12,1,,172142-62300,, "WING BOLT M10X15",1,1,1,1,,,,,,,,,,,,,
13,1,,22137-100000,, "WASHER 10,POLISHED",3,3,,,,,,,,,,,,,
13-1,1,,22137-100000,, "WASHER
10,POLISHED",2,2,2,2,,K,,72460288,M/#22628,72460288,M/#22628,,,,,,I
14,1,,22217-060000,, "SPRING WASHER 6",3,3,3,3,,,,,,,,,,,,,
15,1,,26013-100202,, "BOLT W/WASHER M10X20",4,4,,,,,,,,,,,,,
15-1,1,,26013-100202,, "BOLT W/WASHER
M10X20",2,2,2,2,,K,,72460288,M/#22628,72460288,M/#22628,,,,,,I
16,1,,26116-060122,, "BOLT 6X12",3,3,3,3,,,,,,,,,,,,,
17,1,,172458-61300,, "GROMMET,MULTI",1,1,1,1,,,,,,,,,,,,,
18,1,,172458-45500,, "PLATE (BLACK:12)",1,1,1,1,1,,,,,,,,,,,,,
19,1,,26013-080162,, "BOLT W/WASHER M8X16",3,3,3,3,1,,,,,,,,,,,,,
20,1,,22417-320200,, "COTTER PIN 3.2X20",1,1,1,1,,,,,,,,,,,,,



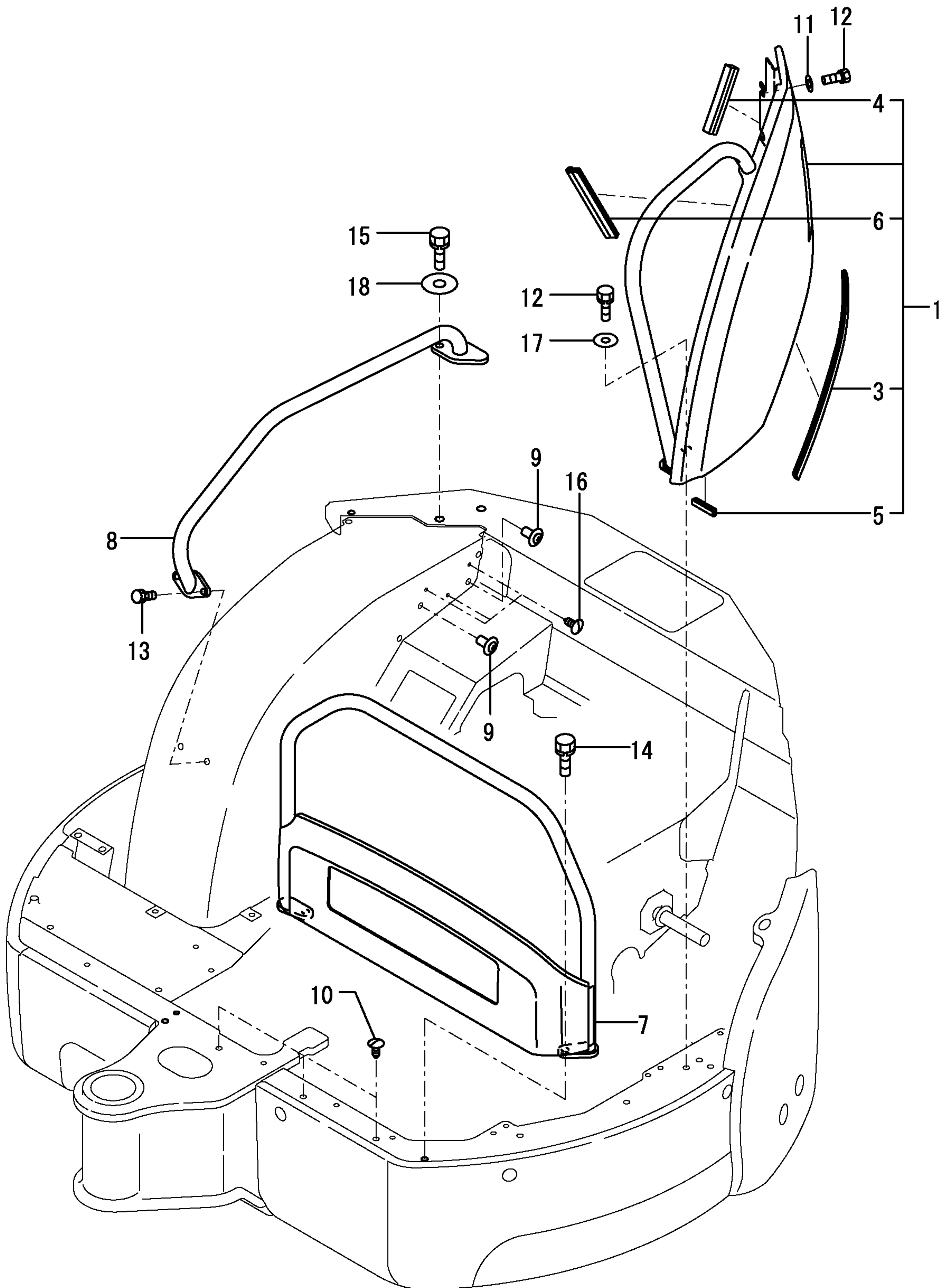
旧形
PREVIOUS

1,1,,172458-61900,, "BONNET L,CAB(GREEN96",1,,,,,,,,,,,,,
1-1,1,,172457-61900,, "BONNET
L,CAB(GREEN96",1,,1,,,,,N,,72458306,M/#20745,,,,,,,,,
2,2,,172458-61490,, "RUBBER,SEAL 510",1,,,,,,,,,,,,,
2-1,2,,172458-63910,, "SPONGE SEAL",1,,1,,,,,N,,72458376,M/#20728,,,,,,,,,
3,2,,172458-61500,, "RUBBER,SEAL 120",1,,1,,,,,,,,,,,,,
4,2,,172458-61510,, "RUBBER,SEAL 55",1,,1,,,,,,,,,,,,,
5,2,,172989-68630,, "RUBBER,SEAL 630",1,,1,,,,,,,,,,,,,
6,2,,172458-63900,, STOPPER,1,,1,,,,,W,,72458376,M/#20728,,,,,,,,,
7,1,,26013-100252,, "BOLT W/WASHER M10X25",4,,4,,,,,,,,,,,,,
8,1,,22137-100000,, "WASHER 10,POLISHED",4,,,,,,,,,,,,,
8-1,1,,22151-100000,, "WASHER 10",4,,4,,,,,N,,72458306,M/#20745,,,,,,,,,
9,1,,172164-45980,, "GRIP, BONNET",1,,1,,,,,,,,,,,,,
10,1,,172458-61790,, "COVER ASSY, DUCT",1,,,,,2,,,,,,,,,,,,,
10-1,1,,172458-61791,, "COVER ASSY, DUCT",1,,1,,,,,S,2,72458368,M/#20728,,,,,,,,,
11,2,,172146-61370,, "RUBBER, SEAL",1,,1,,,,,2,,,,,,,,,,,,,
13,2,,172458-61820,, "RUBBER 1150",1,,1,,,,,2,,,,,,,,,,,,,
14,2,,172444-68810,, "RUBBER,SEAL",1,,1,,,,,2,,,,,,,,,,,,,
15,1,,172458-63300,, PLATE,1,,1,,,,,2,,,,,,,,,,,,,
16,1,,172458-63540,, "COVER ASSY (GRAY:73)",1,,1,,,,,,,,,,,,,
17,2,,172823-61520,, "RUBBER 325, FRAME",1,,1,,,,,,,,,,,,,
18,2,,172162-61870,, "RUBBER 200,EDGE",1,,1,,,,,,,,,,,,,
20,1,,172458-68990,, "COVER A RB PILLER",1,,1,,,,,,,,,,,,,
21,1,,172458-69000,, "COVER B RB PILLER",1,,1,,,,,2,,,,,,,,,,,,,
22,1,,22137-080000,, "WASHER 8, POLISHED",1,,1,,,,,,,,,,,,,
23,1,,26013-080162,, "BOLT W/WASHER M8X16",2,,2,,,,,,,,,,,,,
24,1,,26013-080162,, "BOLT W/WASHER M8X16",2,,2,,,,,,,,,,,,,
25,1,,26013-080252,, "BOLT M 8X 25",1,,1,,,,,,,,,,,,,
26,1,,26557-080202,, "SCREW M 8X 20",2,,2,,,,,,,,,,,,,
27,1,,933160-09220,, GROMMET,1,,1,,,,,,,,,,,,,
28,1,,172444-17660,, CLIP,1,,1,,,,,2,,,,,,,,,,,,,
29,1,,172460-61960,, "SEAL,CAB-COVER",1,,1,,,,,,,,,,,,,
30,1,,172458-62430,, "WASHER M8",2,,2,,,,,,,,,,,,,
31,1,,172519-63240,, "BOLT 8X 16",2,,2,,,,,,,,,,,,,
32,1,,172458-63350,, SPOGE,1,,1,,,,,,,,,,,,,
33,1,,172458-63520,, "PLATE (GRAY:73)",1,,1,,,,,,,,,,,,,
34,1,,1A6260-64200,, CLIP,3,,3,,,,,,,,,,,,,
35,1,,172460-61810,, "COVER ASSY, DUCT",1,,1,,,,,1,,,,,,,,,,,,,
36,2,,172519-61550,, "CUSHION B,BONNET",1,,1,,,,,1,,,,,,,,,,,,,
37,2,,172458-61820,, "RUBBER 1150",1,,1,,,,,1,,,,,,,,,,,,,
39,1,,172458-63570,, "COVER,SEAT MOUNT(73)",1,,1,,,,,2,,,,,,,,,,,,,
40,1,,1A6260-64200,, CLIP,9,,9,,,,,2,,,,,,,,,,,,,
41,1,,172458-64600,, "CLIP 11",3,,3,,,,,2,,,,,,,,,,,,,
42,1,,172458-64600,, "CLIP 11",2,,2,,,,,1,,,,,,,,,,,,,
43,1,,172176-68030,, WASHER,1,,1,,,,,1,,,,,,,,,,,,,
44,1,,172137-76580,, "COLLER 9X11",1,,1,,,,,1,,,,,,,,,,,,,
45,1,,26013-080162,, "BOLT W/WASHER M8X16",1,,1,,,,,,,,,,,,,

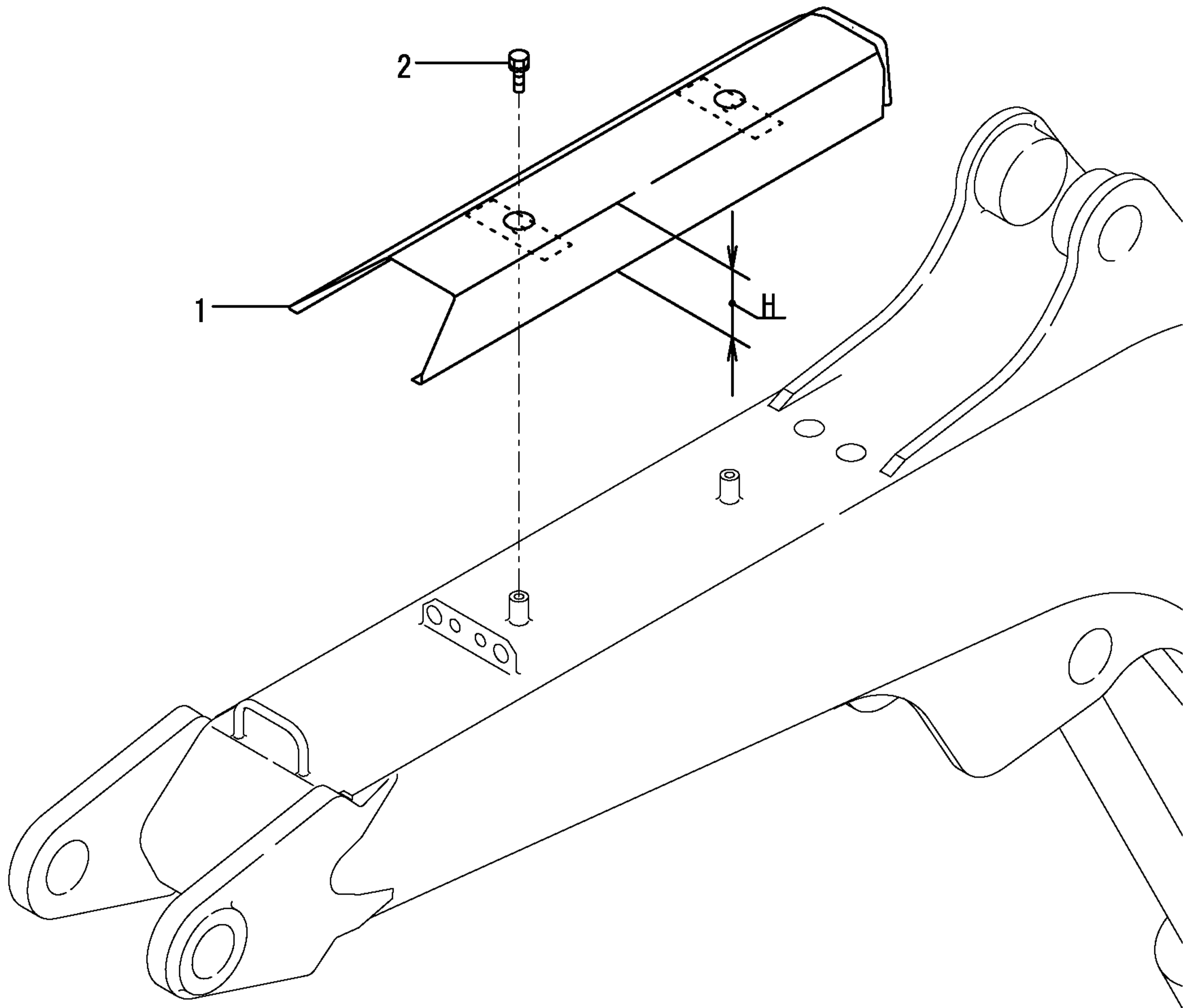
エアコン仕様
AIR CONDITIONER SPEC.



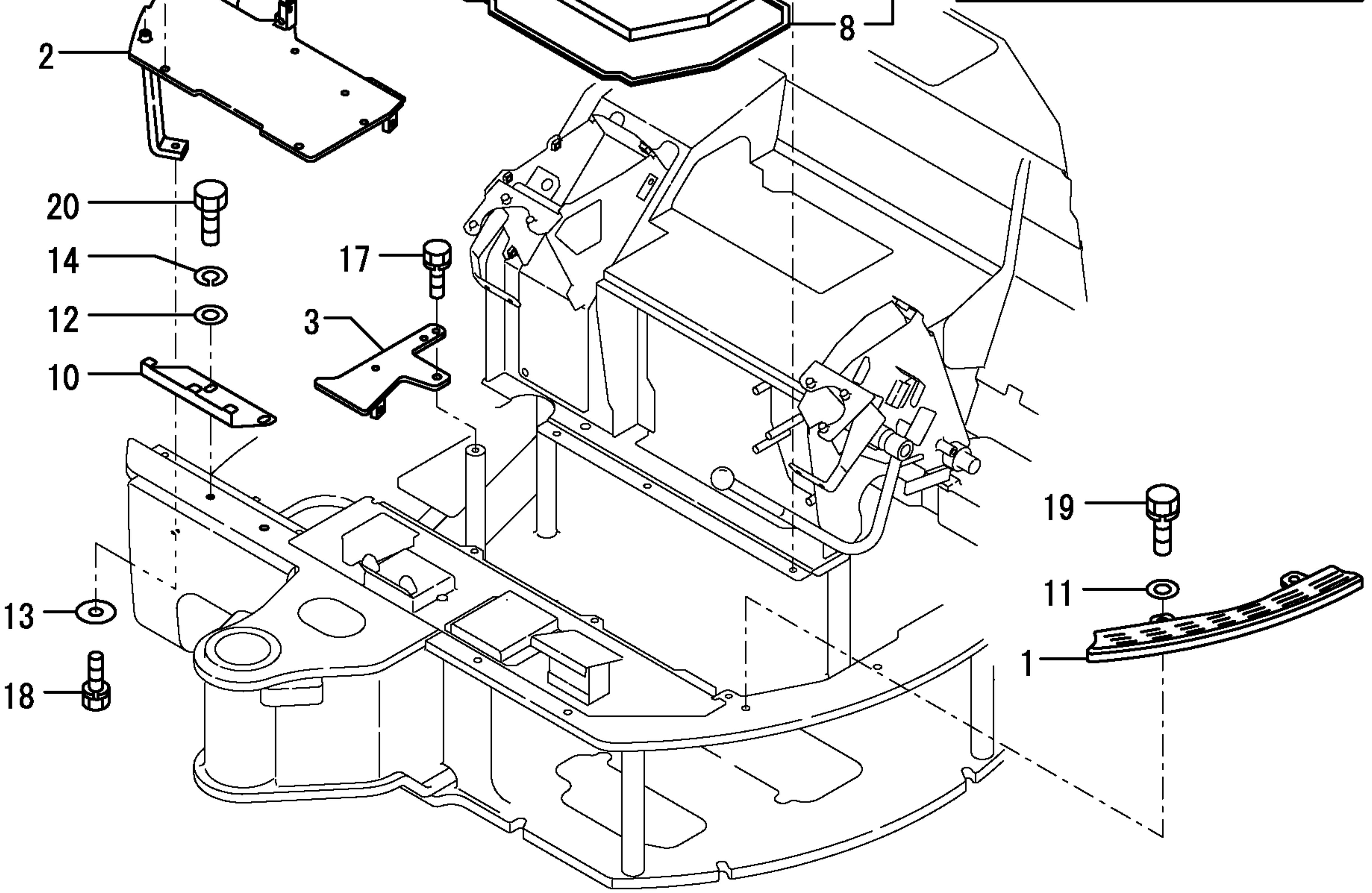
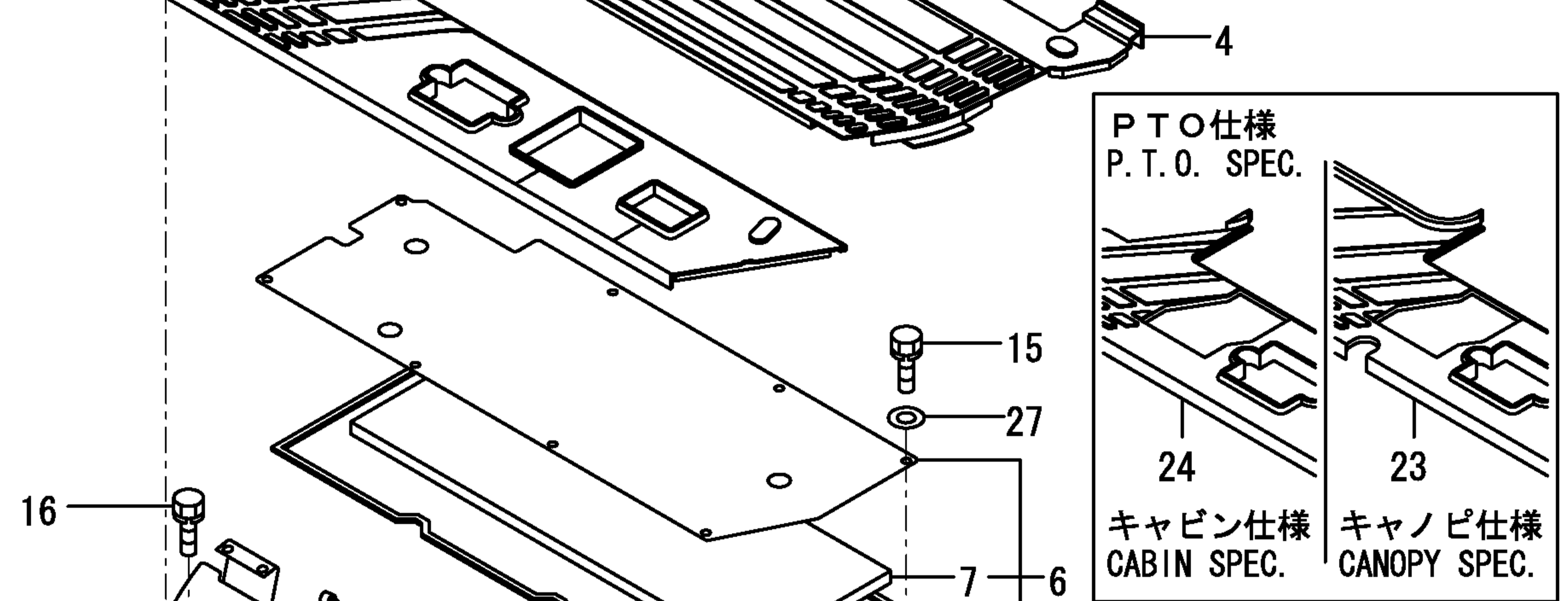
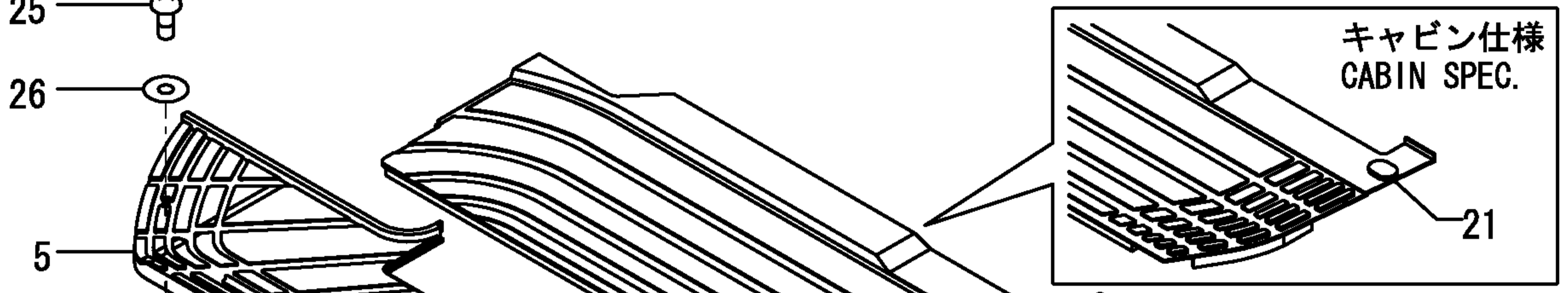
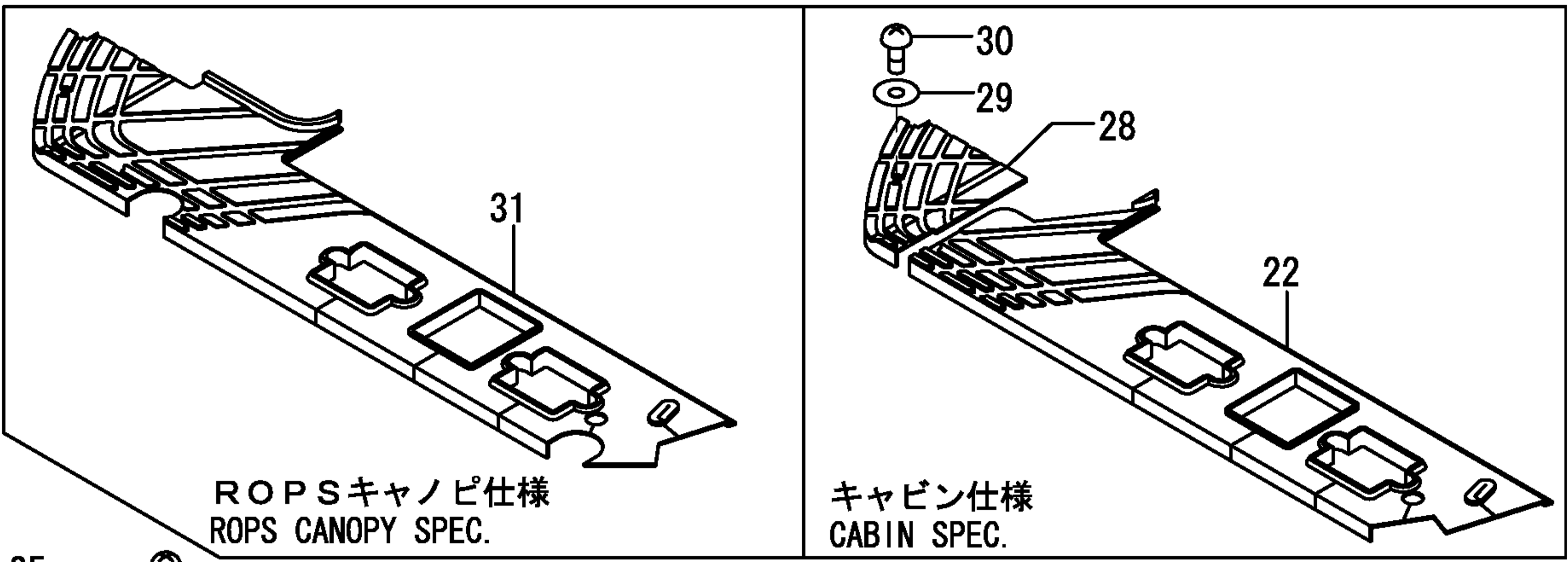
1,1,,172458-61400,, "BONNET ,CAN(GREEN96" ,1,,,,,,,,,,,,,
1-1,1,,172457-61400,, "BONNET
,CAN(GREEN96" ,1,1,,,N,,,,,72458339,M/#20737,,,,,,,,,
3,2,,172458-61490,, "RUBBER,SEAL 510" ,1,1,,,,,,,,,,,,,
4,2,,172458-61500,, "RUBBER,SEAL 120" ,1,1,,,,,,,,,,,,,
5,2,,172458-61510,, "RUBBER,SEAL 55" ,1,1,,,,,,,,,,,,,
6,2,,172519-65300,, RUBBER,,1,,,,,Z,,,,,72458277,M/#20745,,,,,,,,,
7,1,,172458-61600,, "COVER,FRONT(GREEN:96" ,1,1,,,,,1,,,,,,,,,,,,,
8,1,,172458-61750,, "HANDRAIL,SIDE (73)" ,1,1,,,,,,,,,,,,,
9,1,,1A6260-64200,, CLIP,,3,,3,,,,,,,,,,,,,
10,1,,172176-68210,, TREE-CLIP,,3,,,,,Z,,,,,XXXXXXXX,M/#20501,,,,,,,,,
11,1,,22137-100000,, "WASHER 10,POLISHED" ,2,,2,,,,,,,,,,,,,
12,1,,26013-100252,, "BOLT W/WASHER M10X25" ,3,,3,,,,,,,,,,,,,
13,1,,26013-100252,, "BOLT W/WASHER M10X25" ,2,,2,,,,,,,,,,,,,
14,1,,26013-120302,, "BOLT W/WASHER M12X30" ,2,,2,,,,,1,,,,,,,,,,,,,I
15,1,,26013-120302,, "BOLT W/WASHER M12X30" ,1,,1,,,,,,,,,,,,,I
16,1,,172458-64610,, "CLIP 5" ,3,,3,,,,,,,,,,,,,
17,1,,22157-100000,, "WASHER 10" ,1,,1,,,,,,,,,,,,,
18,1,,22137-120000,, "WASHER
12,POLISHED" ,1,1,,,W,,,,,72458499,M/#22562,,,,,,,,,,,,,I



1,1,,172458-61960,, "COVER,BOOM(GREEN:97)",1,1,,,,,,,,,,,,,
1-1,1,,172458-
61961,, "COVER,BOOM(GREEN:97)",1,1,,,,,N,,72458312,M/#20664,72458312,M/#20664,,,,,
',',
1-2,1,,172456-61963,, "COVER,
BOOM(GREEN:97)",1,1,1,1,,S,1,24580539,M/#25501,24580539,M/#25501,,,,,,
2,1,,26013-080202,, "BOLT W/WASHER M8X20",2,2,,,,,,,,,,,,,
2-1,1,,26013-080162,, "BOLT W/WASHER
M8X16",2,2,2,2,,N,,72458312,M/#20664,72458312,M/#20664,,,,,,



1,1,,172458-62110,, "STEP,SIDE L(BLACK:12",,1,,1,,,,,,,,,,,,,
2,1,,172458-62120,, "STEP,FRONT R(GREEN97",,1,1,,,,,,,,,,,,,
2-1,1,,172458-62121-4,, "STEP,FRONT
R(GREEN97",,1,1,1,1,, ,Q,,72458287,M/#20664,72458287,M/#20664,,,,,,,,,
3,1,,172458-62180,, "PLATE,SUB (GREEN:97)",,1,1,1,1,,,,,,,,,,,,,
4,1,,172458-62200,, "MAT,FLOOR A",,1,,1,,,,,,,,,,,,,
5,1,,172458-62210,, "MAT,FLOOR B",,1,,1,,,,,,,,,,,,,
6,1,,172458-62270,, "STEP ASSY",,1,1,,,,,,,,,,,,,
6-1,1,,172457-62270,, "STEP
(GRAY:73)",,1,1,1,1,, ,N,,72457037,M/#21080,72457037,M/#21080,,,,,,,,,
7,2,,172458-
62280,, "SEAL,STEP",,1,1,,,,,Z,,72457037,M/#21080,72457037,M/#21080,,,,,,,,,
8,2,,172458-62290,, "SEAL
820",,3,3,,,,,Z,,72457037,M/#21080,72457037,M/#21080,,,,,,,,,
10,1,,172458-62500,, "HOOK,FLOOR MAT (12)",,1,1,1,1,,,,,,,,,,,,,
11,1,,22137-120000,, "WASHER 12,POLISHED",,2,,2,,,,,,,,,,,,,
12,1,,22137-120000,, "WASHER 12,POLISHED",,2,2,2,2,,,,,,,,,,,,,
13,1,,22157-100000,, "WASHER 10",,1,1,1,1,,,,,,,,,,,,,
14,1,,22217-120000,, "SPRING WASHER 12",,2,2,2,2,,,,,,,,,,,,,
15,1,,26013-100202,, "BOLT W/WASHER M10X20",,8,8,8,8,,,,,,,,,,,,,
16,1,,26013-100252,, "BOLT W/WASHER M10X25",,2,2,2,2,,,,,,,,,,,,,
17,1,,26013-100252,, "BOLT W/WASHER M10X25",,1,1,1,1,,,,,,,,,,,,,
18,1,,26013-100402,, "BOLT M10X 40",,1,1,1,1,,,,,,,,,,,,,
19,1,,26013-120302,, "BOLT W/WASHER M12X30",,2,,2,,,,,,,,,,,,,
20,1,,26116-120202,, "BOLT M12X 20 PLATED",,2,2,2,2,,,,,,,,,,,,,
21,1,,172458-62400,, "MAT,FLOOR A(CABIN",,1,,1,,,,,,,,,,,,,
22,1,,172458-62410,, "MAT,FLOOR B(CABIN",,1,,1,,,,,,,,,,,,,
23,1,,172458-62510,, "MAT,FLOOR B-P.T.O.",,1,,1,,,,,,,,,,,,,
24,1,,172458-62520,, "MAT,FLOOR B-P.T.O.(C",,1,,1,,,,,,,,,,,,,
25,1,,172137-69850,, "SCREW",,1,,1,,,,,,,,,,,,,
26,1,,172458-62430,, "WASHER M8",,1,,1,,,,,,,,,,,,,
27,1,,22137-100000,, "WASHER
10,POLISHED",,8,8,8,8,, ,W,,72458304,M/#20745,72458304,M/#20745,,,,,,,,,
28,1,,172458-62420,, "FLOOR MAT C (CABIN",,1,,1,, ,W,,72458318,M/#20745,,,,,,,,,
29,1,,172458-62430,, "WASHER M8",,2,,2,, ,W,,72458306,M/#20745,,,,,,,,,
30,1,,172137-69850,, "SCREW",,2,,2,, ,W,,72458306,M/#20745,,,,,,,,,
31,1,,172472-62500,, "FLOOR MAT B (CANOPY",,1,,,,,1,,,,,,,,,,,,,
31-1,1,,172458-62230,, "MAT, FLOOR",,1,,,,,N,1,, ,72460245,M/#22124,,,,,,,,,I

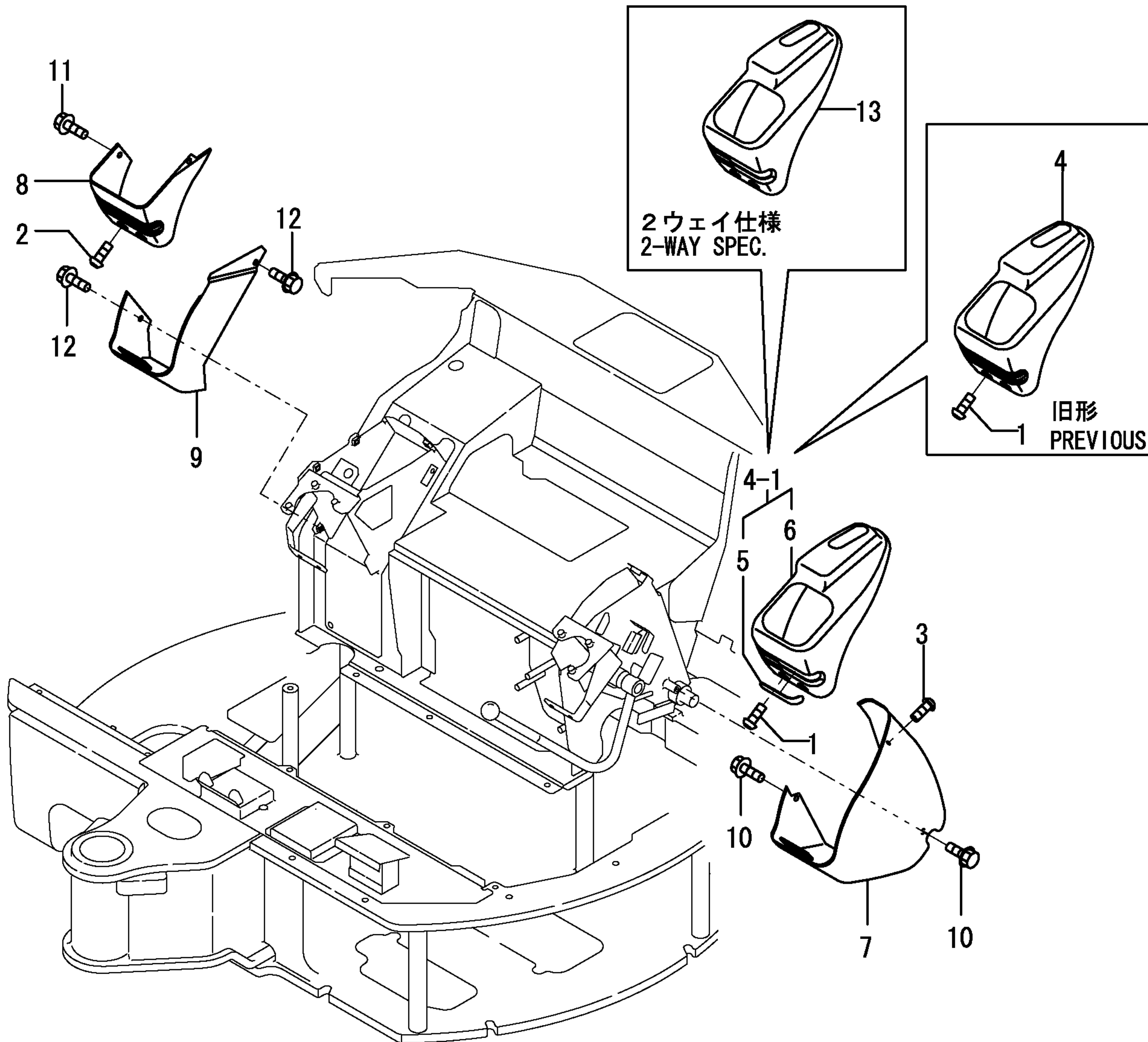


1,1,,172458-46720,, "BOLT 8X20",3,3,3,3,,,,,,,,,,,,,
2,1,,172458-46720,, "BOLT 8X20",2,2,2,2,,,,,,,,,,,,,
3,1,,172458-46720,, "BOLT 8X20",1,1,1,1,,,,,,,,,,,,,
4,1,,172458-63100,, "INSTRUMENT PANEL L",1,1,,,,,,,,,,,,,
4-1,1,,172490-61920,, "INSTRUMENT PANEL
ASY",1,1,1,1,,N,,24900021,M/#25501,24900021,M/#25501,,,,,,,,,I
5,2,,172490-
61950,,COVER(2WAY,1,1,1,1,,W,,24900021,M/#25501,24900021,M/#25501,,,,,,,,,
6,2,,172458-63110,, "INSTRUMENT PANEL
L,2",1,1,1,1,,W,,24900021,M/#25501,24900021,M/#25501,,,,,,,,,
7,1,,172458-63120,, "INSTRUMENT PANEL L",1,1,1,1,,,,,,,,,,,,,
8,1,,172458-63130,, "INSTRUMENT PANEL R",1,1,1,1,,,,,,,,,,,,,
9,1,,172458-63140,, "INSTRUMENT PANEL R",1,1,1,1,,,,,,,,,,,,,
10,1,,172519-63240,, "BOLT 8X 16",2,2,2,2,,,,,,,,,,,,,
11,1,,172519-63240,, "BOLT 8X 16",1,1,1,1,,,,,,,,,,,,,
12,1,,172519-63240,, "BOLT 8X 16",2,2,2,2,,,,,,,,,,,,,
13,1,,172458-63110,, "INSTRUMENT PANEL L,2",1,1,1,1,,,,,1,,,,,,,,,,,,,

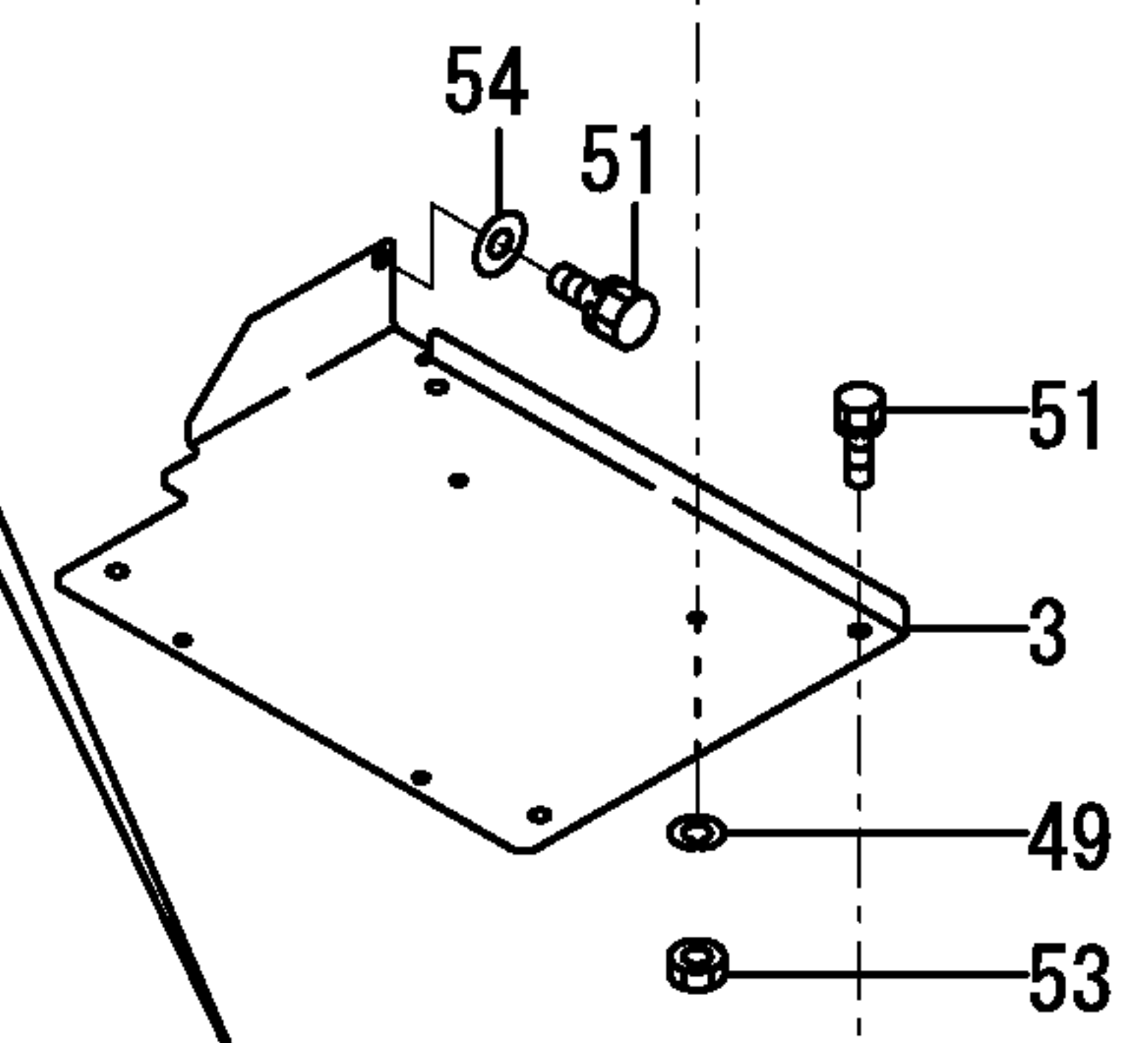
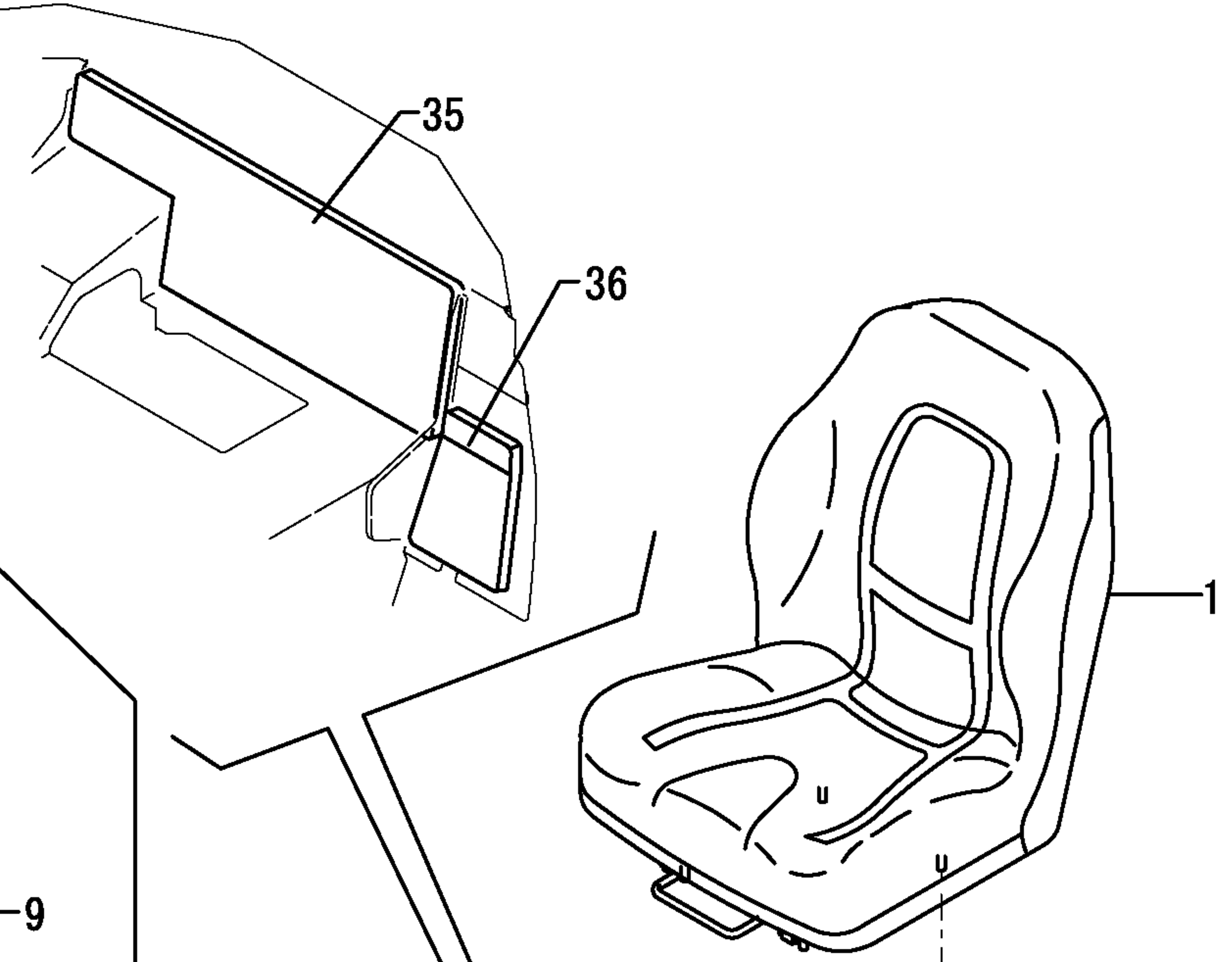
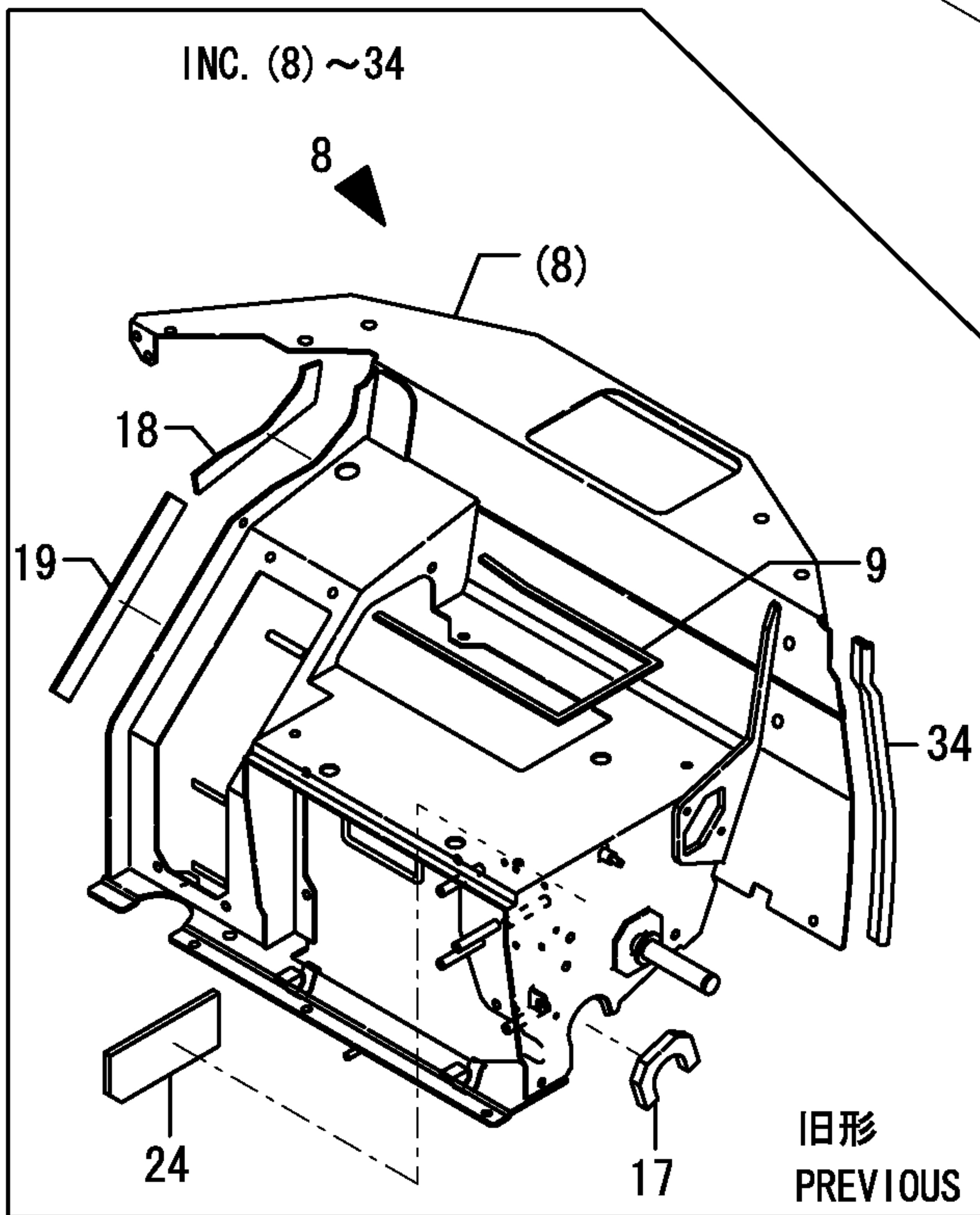
172458-08520

2ウェイマルチバルブキットは、
項目NO. 133を参照下さい。

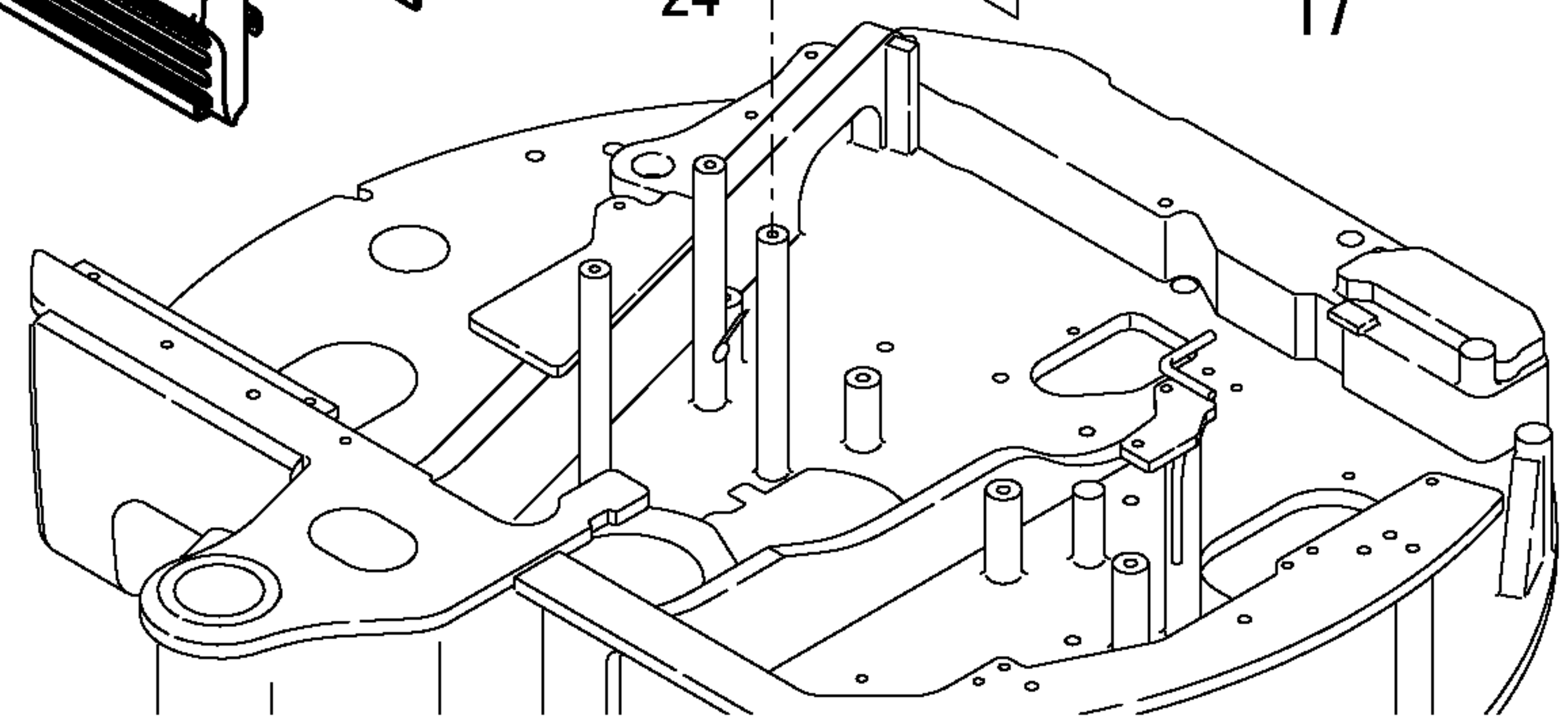
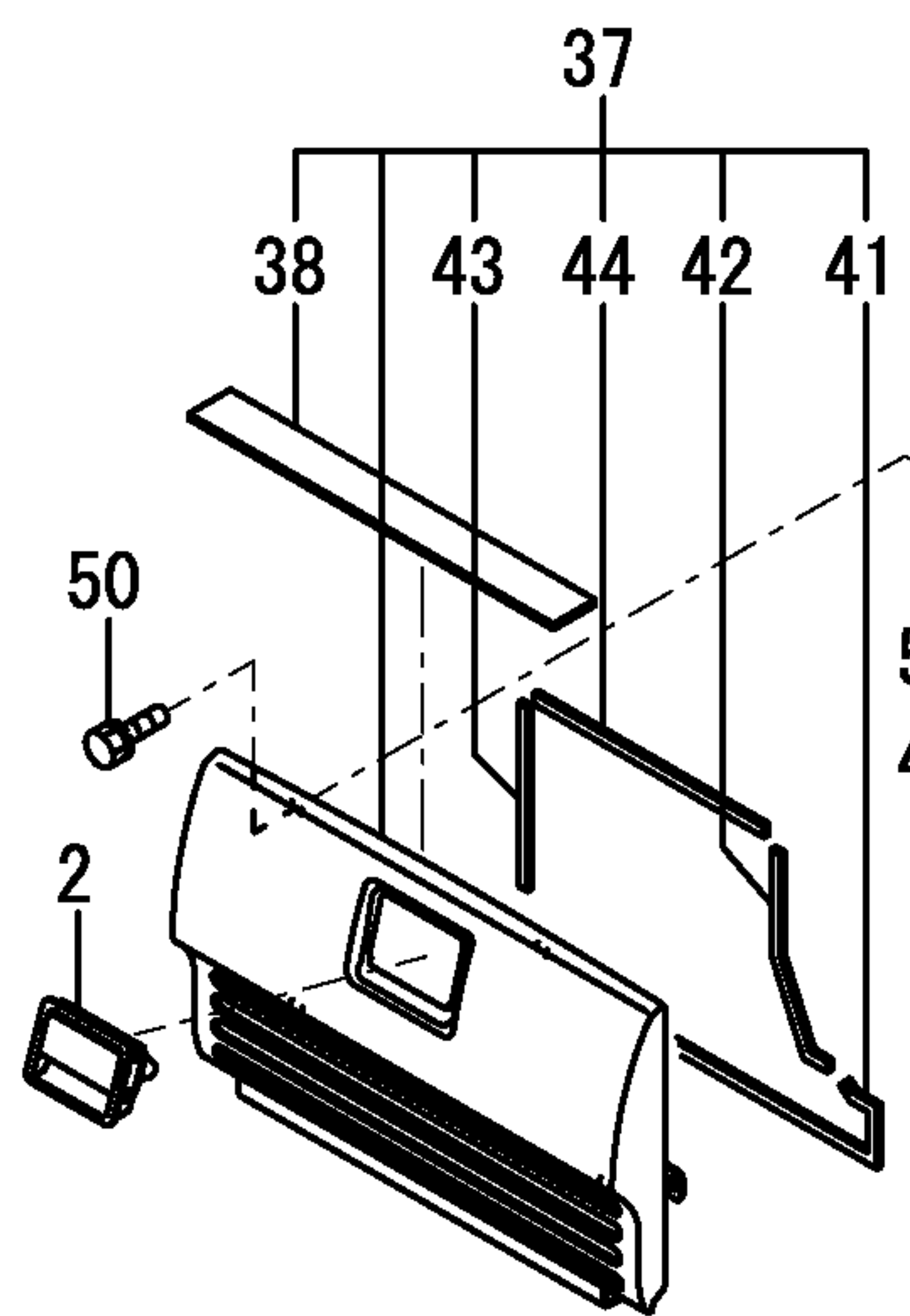
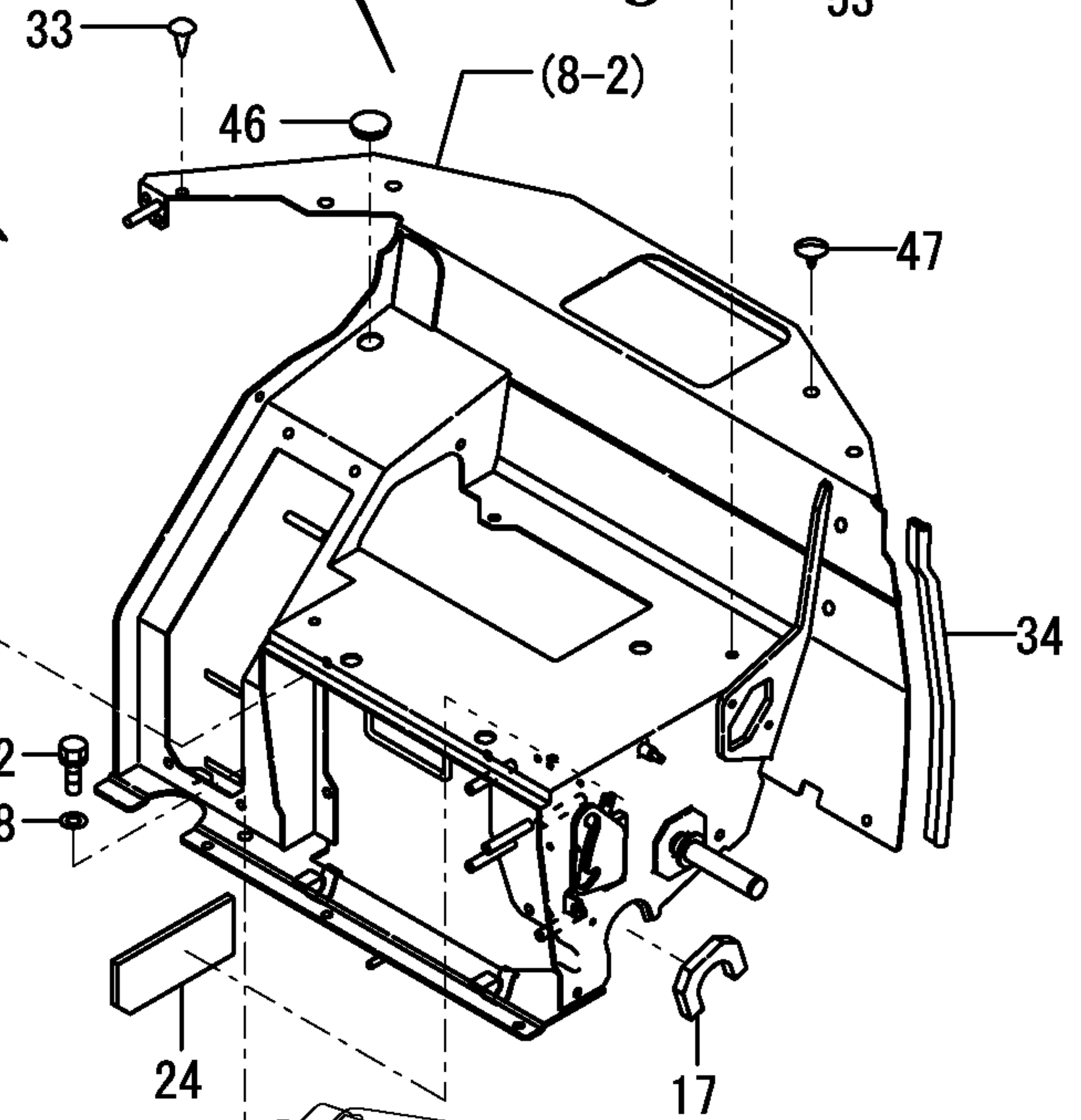
2-WAY MULTI VALVE KIT
is shown in Fig. 133.



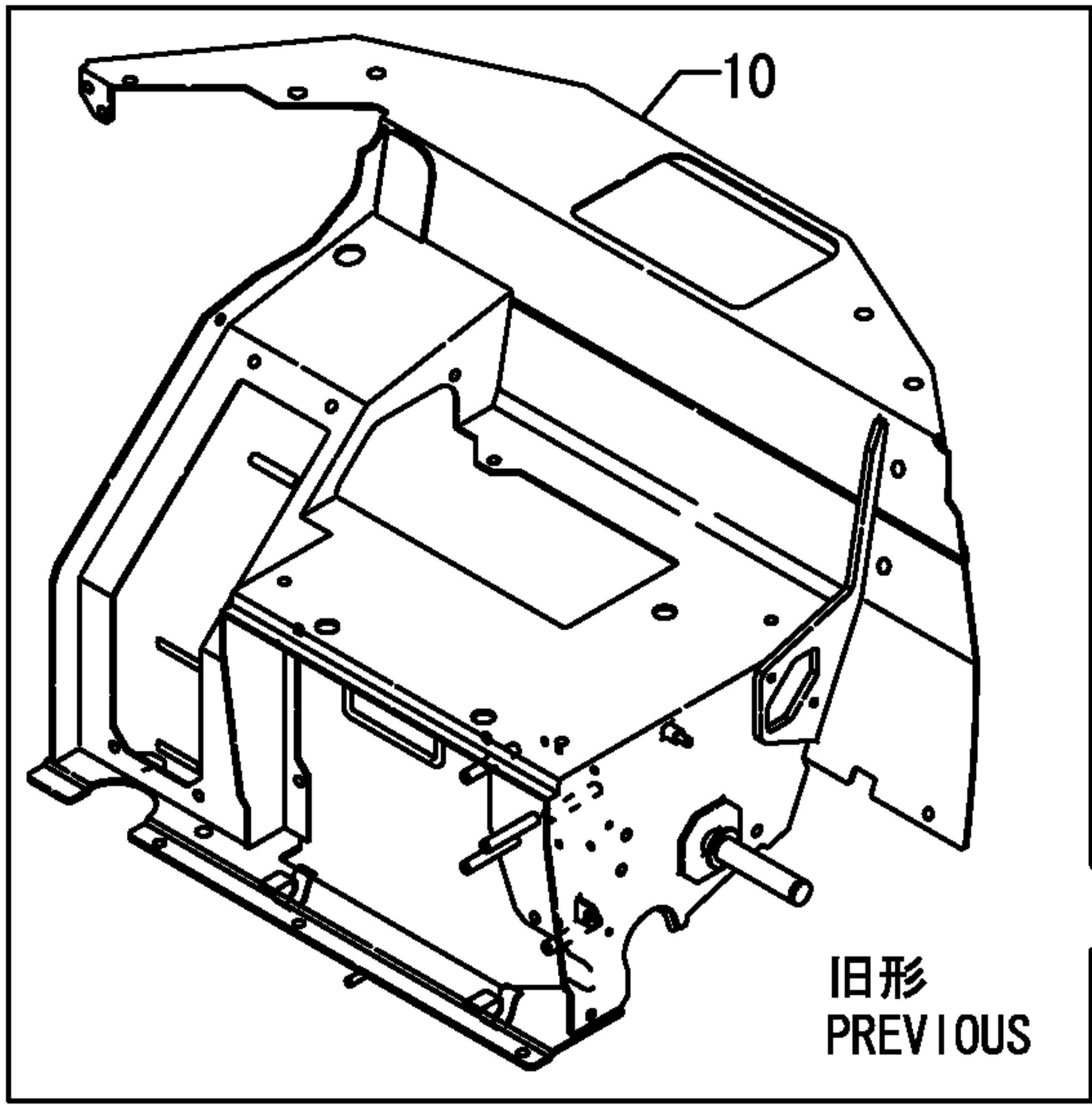
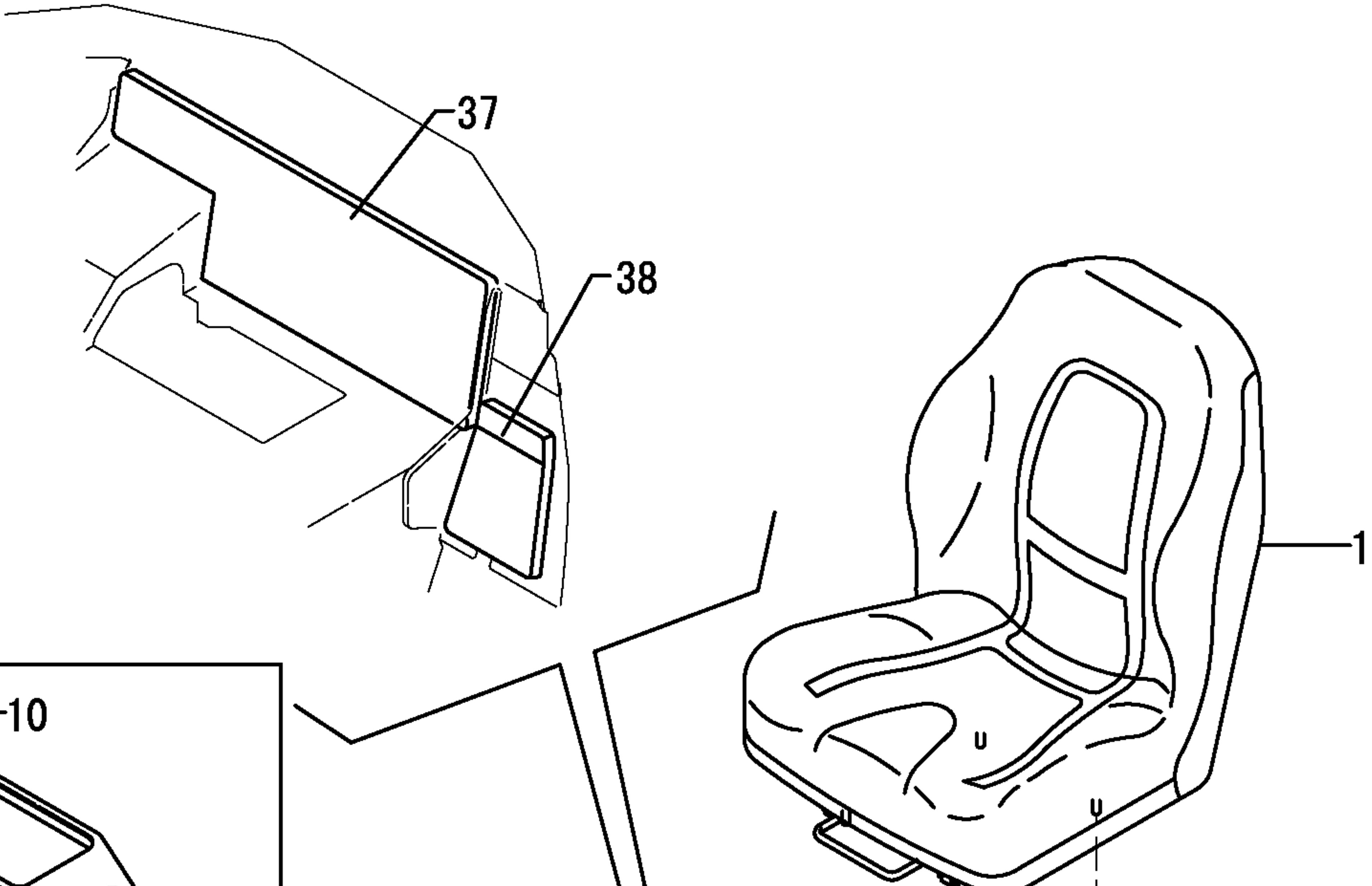
1,1,,172455-64200,, "SEAT, OPERATOR",1,,1,,,,,,,,,,,,,
2,1,,172187-61421,, "HANDLE, LOCK",1,,1,,,,,,,,,,,,,
3,1,,172458-64120,, "PLATE,SEAT (GRAY:73)",1,,,,,,,,,,,,,
3-1,1,,172458-64121,, "PLATE,SEAT (GRAY:73)",1,,,,,N,,72458307,M/#20501,,,,,,
3-2,1,,172457-64121,, "PLATE,SEAT
(GRAY:73)",1,,1,,,,,N,,72457037,M/#21080,,,,,,
8,1,,772458-64210,, "MOUNT,SEAT (GRAY:73)",1,,,,,,,,,,,,,
8-1,1,,772457-64211,, "MOUNT,SEAT (GRAY:73)",1,,,,,N,,72457037,M/#21080,,,,,,
8-2,1,,772457-64212,, "MOUNT,
SEAT(GRAY:73)",1,,1,,,,,S,,24580536,M/#25501,,,,,,I
9,2,,172458-64140,, "SEAL 560",2,,,,,Z,,72457037,M/#21080,,,,,,
17,2,,172458-64660,, "SEAL 95",1,,1,,,,,,,,,,,,,
18,2,,172458-64680,, "SEAL A,SEAT MOUNT",1,,,,,Z,,72457037,M/#21080,,,,,,
19,2,,172458-64690,, "SEAL B,SEAT MOUNT",1,,,,,Z,,72457037,M/#21080,,,,,,
24,2,,172458-64750,, "SEAL,SEAL MOUNT E",1,,1,,,,,,,,,,,,,
33,2,,172187-64900,, "PLUG",1,,1,,,,,W,,24560289,M/#25501,,,,,,I
34,2,,172164-65730,, "RUBBER,SEAL D",1,,1,,,,,,,,,,,,,
35,1,,172458-67810,, "SEAT,A",1,,1,,,,,W,,72458346,M/#20728,,,,,,
36,1,,172458-67820,, "SEAT,B",1,,1,,,,,W,,72458346,M/#20728,,,,,,
37,1,,172458-64440,, "GRILLE (GRAY:73)",1,,,,,,,,,,,,,
37-1,1,,172458-64441,, "GRILLE
(GRAY:73)",1,,1,,,,,N,,72457037,M/#21080,,,,,,
38,2,,172458-64050,, "RUBBER",1,,,,,Z,,72460286,M/#21080,,,,,,I
41,2,,172458-64080,, "SEAL 642",1,,,,,Z,,72457037,M/#21080,,,,,,
42,2,,172458-64090,, "SEAL 185",1,,,,,Z,,72457037,M/#21080,,,,,,
43,2,,172458-64100,, "SEAL 170",1,,,,,Z,,72457037,M/#21080,,,,,,
44,2,,172458-64110,, "SEAL 250",1,,,,,Z,,72457037,M/#21080,,,,,,
46,1,,172458-64590,, "PLUG 28X3.2",1,,1,,,,,,,,,,,,,
47,1,,172458-64600,, "CLIP 11",3,,3,,,,,,,,,,,,,I
48,1,,22137-100000,, "WASHER 10,POLISHED",3,,3,,,,,,,,,,,,,
49,1,,22217-080000,, "SPRING WASHER 8",4,,4,,,,,,,,,,,,,
50,1,,26013-100202,, "BOLT W/WASHER M10X20",4,,4,,,,,,,,,,,,,
51,1,,26013-100202,, "BOLT W/WASHER M10X20",5,,5,,,,,,,,,,,,,
52,1,,26013-100252,, "BOLT W/WASHER M10X25",3,,3,,,,,,,,,,,,,
53,1,,26716-080002,, "NUT M 8",4,,4,,,,,,,,,,,,,
54,1,,22137-100000,, "WASHER 10,POLISHED",1,,1,,,,,W,,72465178,M/#21024,,,,,,



見出しNo. 8-2は、
見出しNo. (8-2) ~ 34を含みます。 8-2
8-2 INC. (8-2) ~ 34.

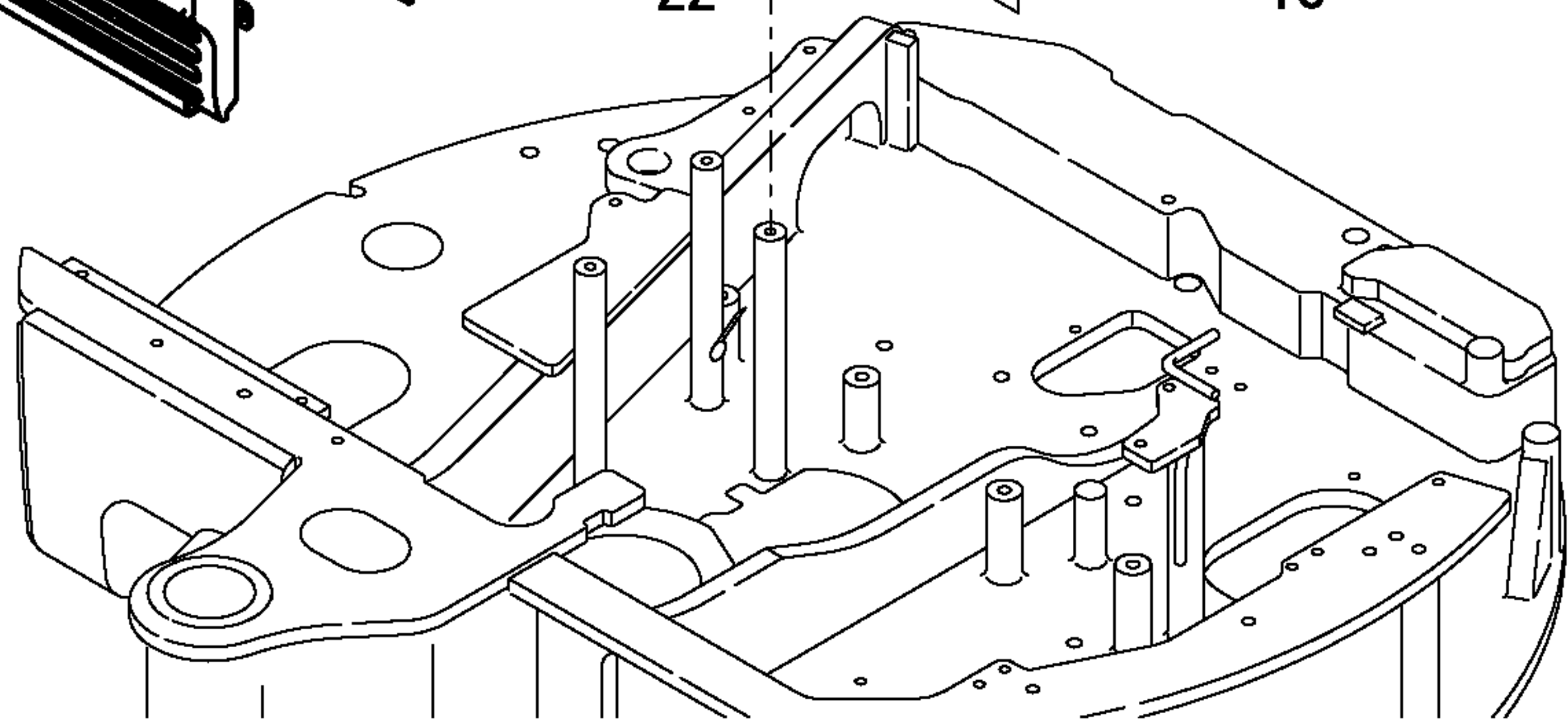
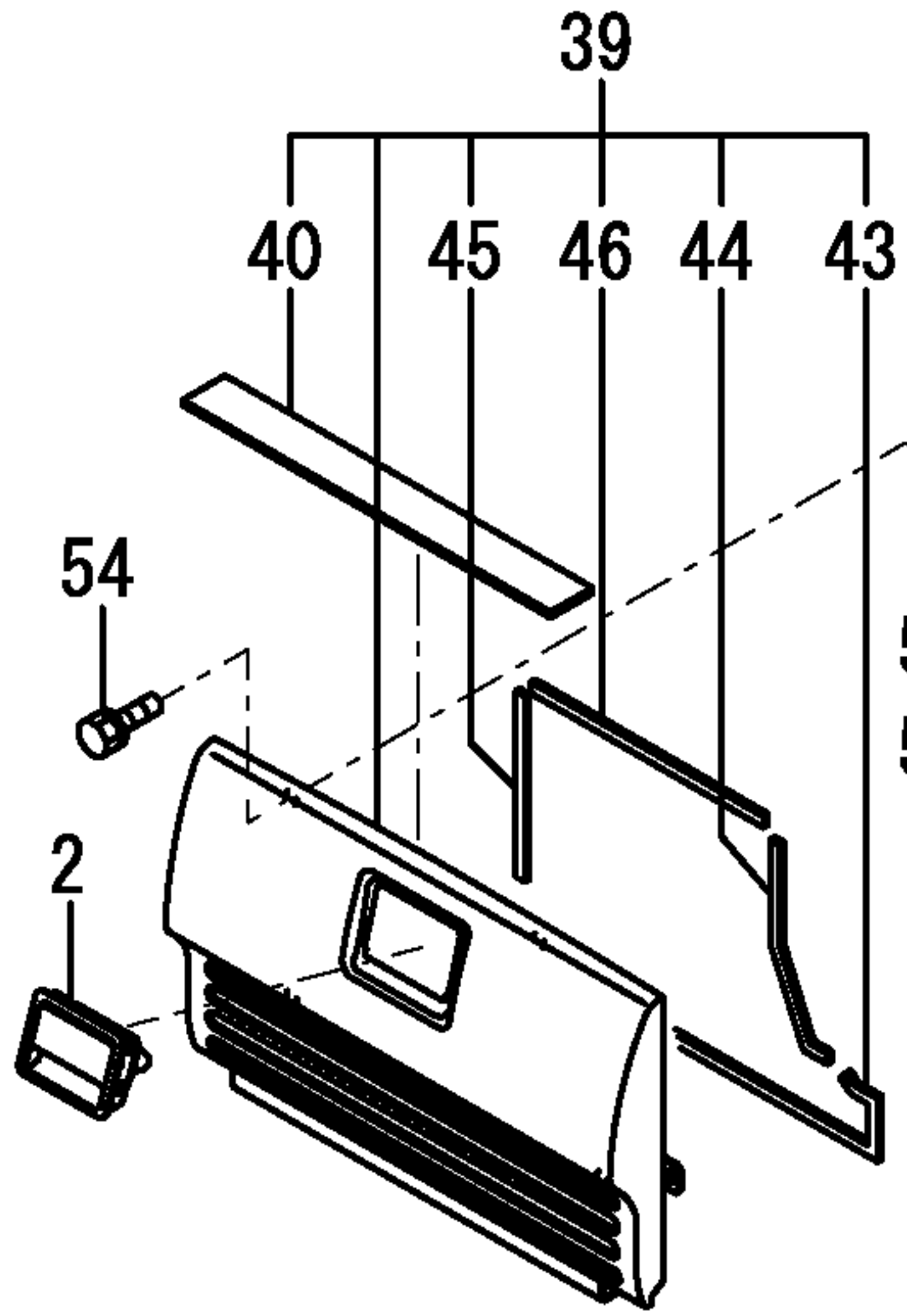
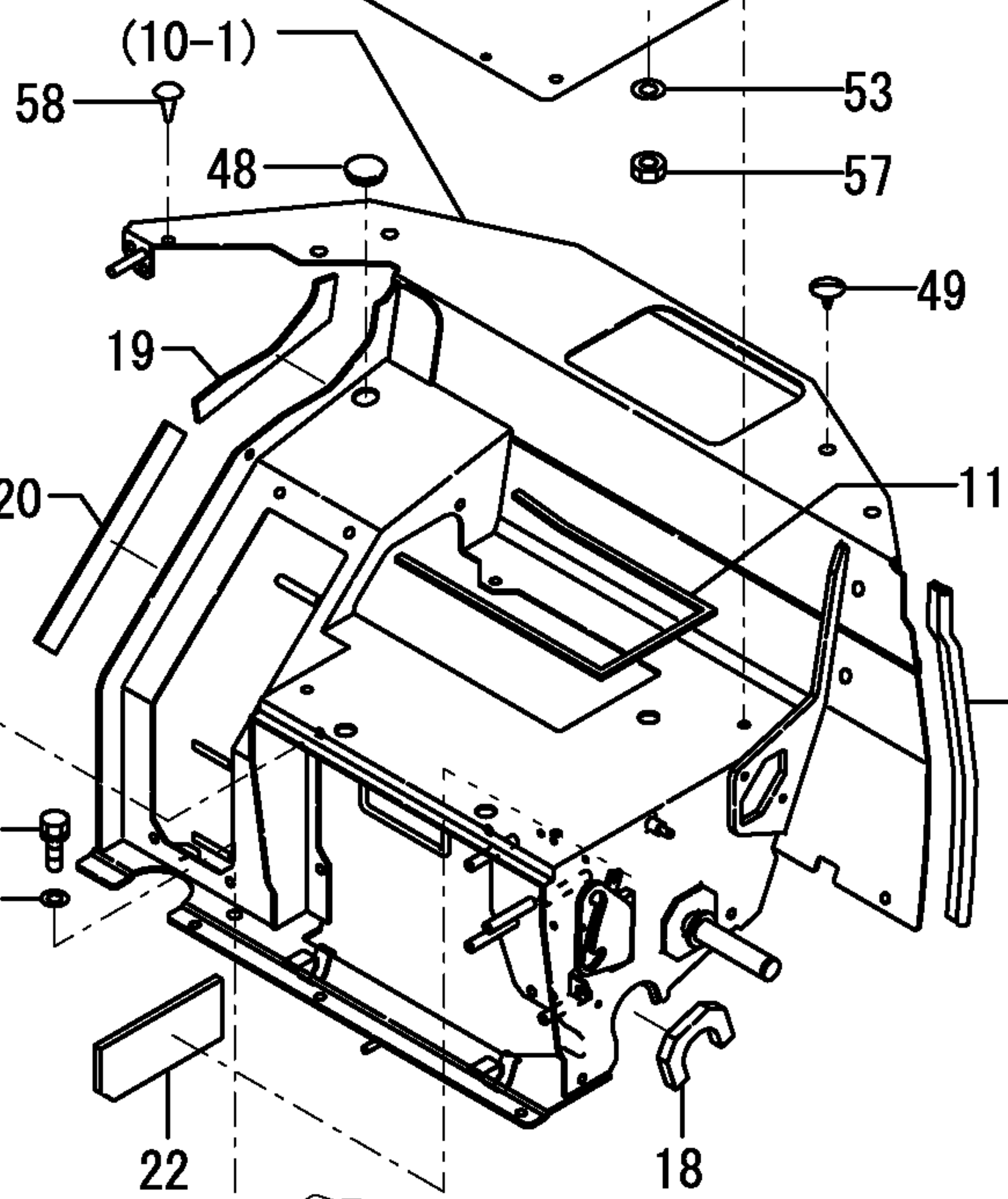
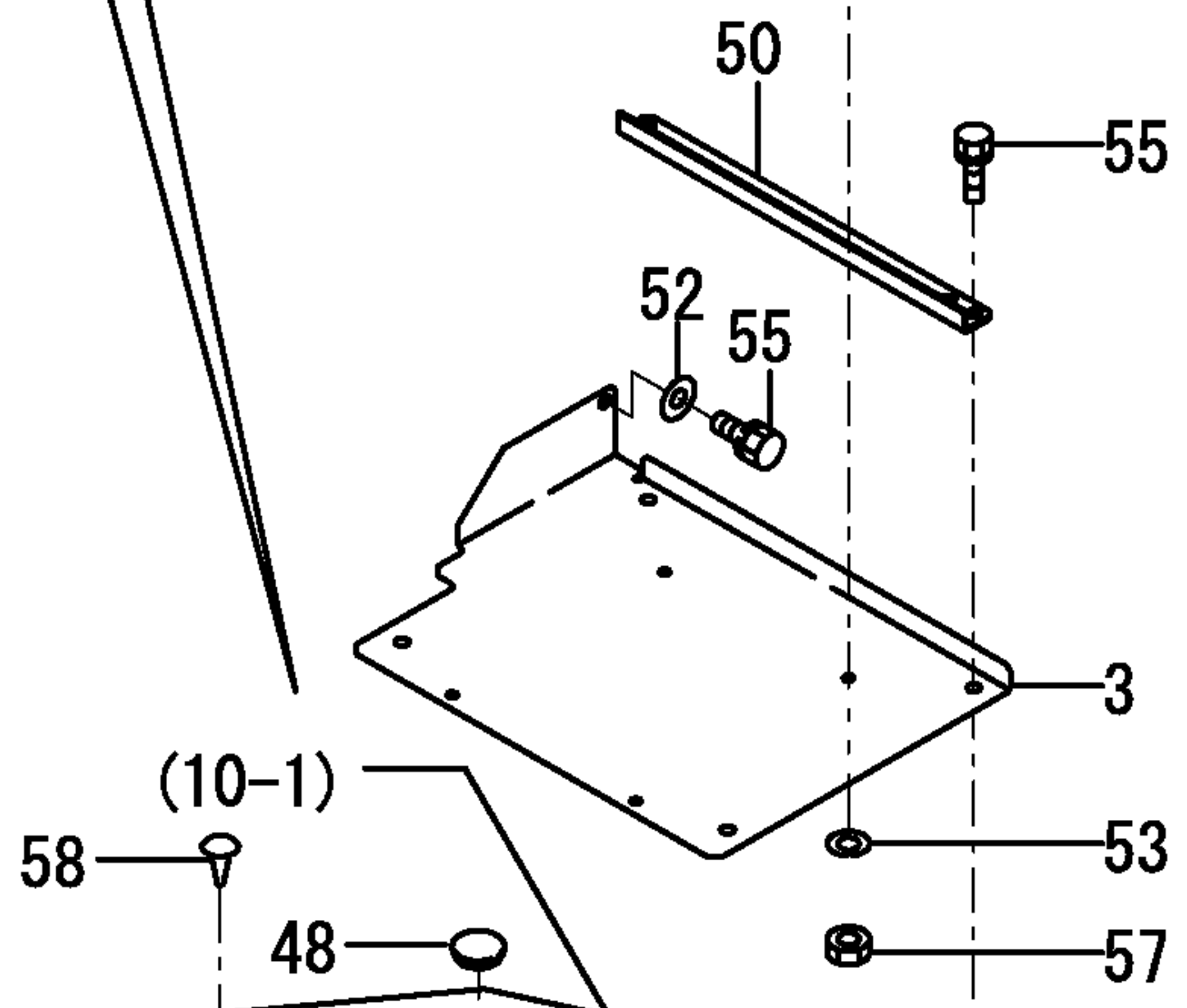


1,1,,172455-64200,, "SEAT, OPERATOR",1,,,,,,,,,,,,,
2,1,,172187-61421,, "HANDLE, LOCK",1,,,,,,,,,,,,,
3,1,,172458-64920,, "PLATE,A/C SEAT (73)",1,,,,,,,,,,,,,
10,1,,772458-64210,, "MOUNT,SEAT (GRAY:73)",1,,,,,,,,,,,,,
10-1,1,,772458-64211,, "MOUNT,SEAT
(GRAY:73)",1,,,,,S,,24600324,M/#25501,,,,,,,,,I
11,2,,172458-64140,, "SEAL 560",2,,,,,,,,,,,,,
18,2,,172458-64660,, "SEAL 95",1,,,,,,,,,,,,,
19,2,,172458-64680,, "SEAL A,SEAT MOUNT",1,,,,,,,,,,,,,
20,2,,172458-64690,, "SEAL B,SEAT MOUNT",1,,,,,,,,,,,,,
22,2,,172458-64750,, "SEAL,SEAL MOUNT E",1,,,,,,,,,,,,,
36,2,,172164-65730,, "RUBBER,SEAL D",1,,,,,,,,,,,,,
37,1,,172458-67810,, "SEAT,A",1,,,,,,,,,,,,,
38,1,,172458-67820,, "SEAT,B",1,,,,,,,,,,,,,
39,1,,172458-64440,, "GRILLE (GRAY:73)",1,,,,,,,,,,,,,
40,2,,172458-64050,, RUBBER,1,,,,,,,,,,,,,
43,2,,172458-64080,, "SEAL 642",1,,,,,,,,,,,,,
44,2,,172458-64090,, "SEAL 185",1,,,,,,,,,,,,,
45,2,,172458-64100,, "SEAL 170",1,,,,,,,,,,,,,
46,2,,172458-64110,, "SEAL 250",1,,,,,,,,,,,,,
48,1,,172458-64590,, "PLUG 28X3.2",1,,,,,,,,,,,,,
49,1,,172458-64600,, "CLIP 11",3,,,,,,,,,,,,,
50,1,,172458-64950,, STOPPER,1,,,,,,,,,,,,,
51,1,,22137-100000,, "WASHER 10,POLISHED",3,,,,,,,,,,,,,
52,1,,22137-100000,, "WASHER 10,POLISHED",1,,,,,,,,,,,,,
53,1,,22217-080000,, "SPRING WASHER 8",4,,,,,,,,,,,,,
54,1,,26013-100202,, "BOLT W/WASHER M10X20",4,,,,,,,,,,,,,
55,1,,26013-100202,, "BOLT W/WASHER M10X20",5,,,,,,,,,,,,,
56,1,,26013-100252,, "BOLT W/WASHER M10X25",3,,,,,,,,,,,,,
57,1,,26716-080002,, "NUT M 8",4,,,,,,,,,,,,,
58,1,,172187-64900,, PLUG,1,,,,,24560289,M/#25501,,,,,,,,,I

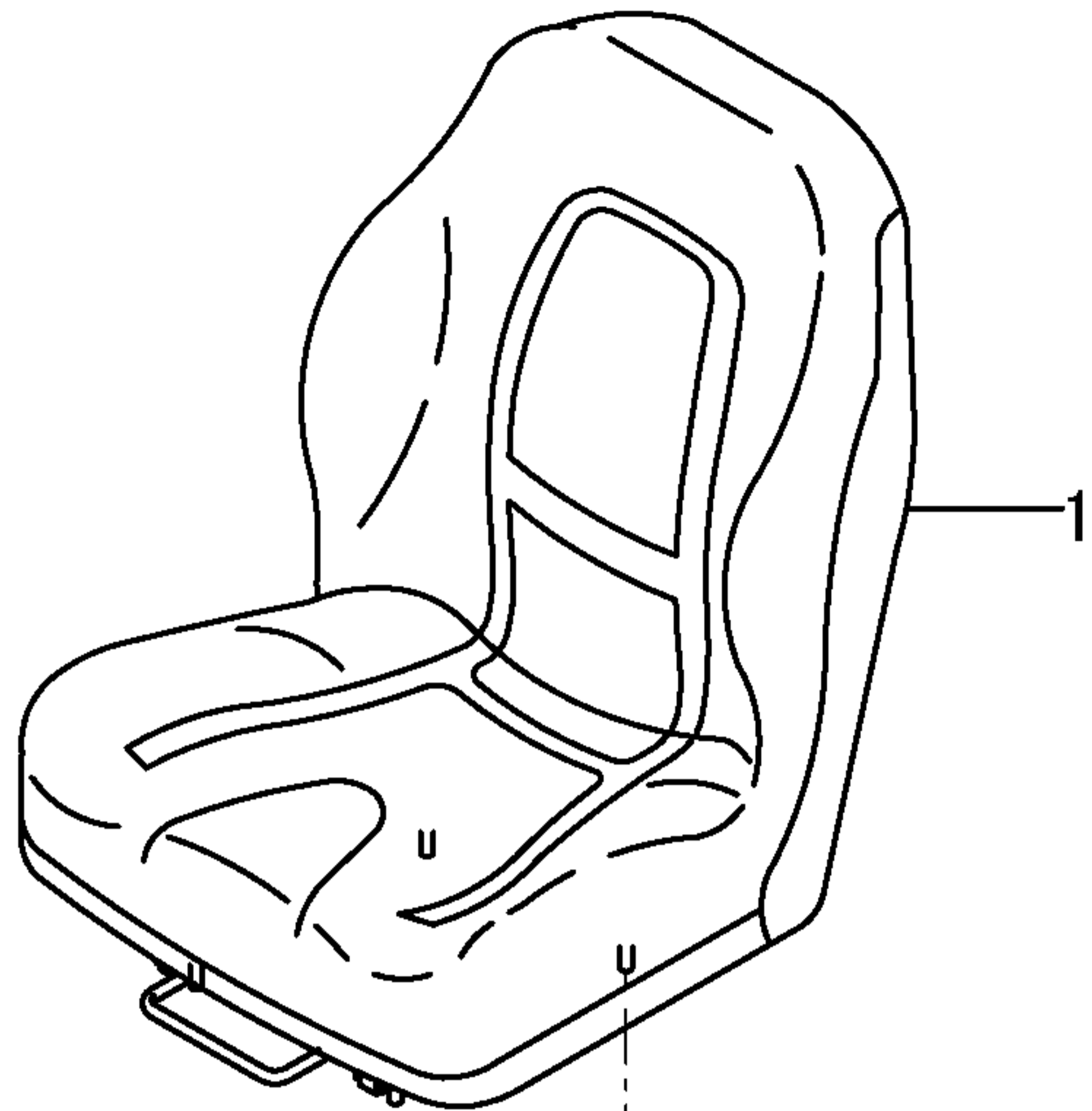
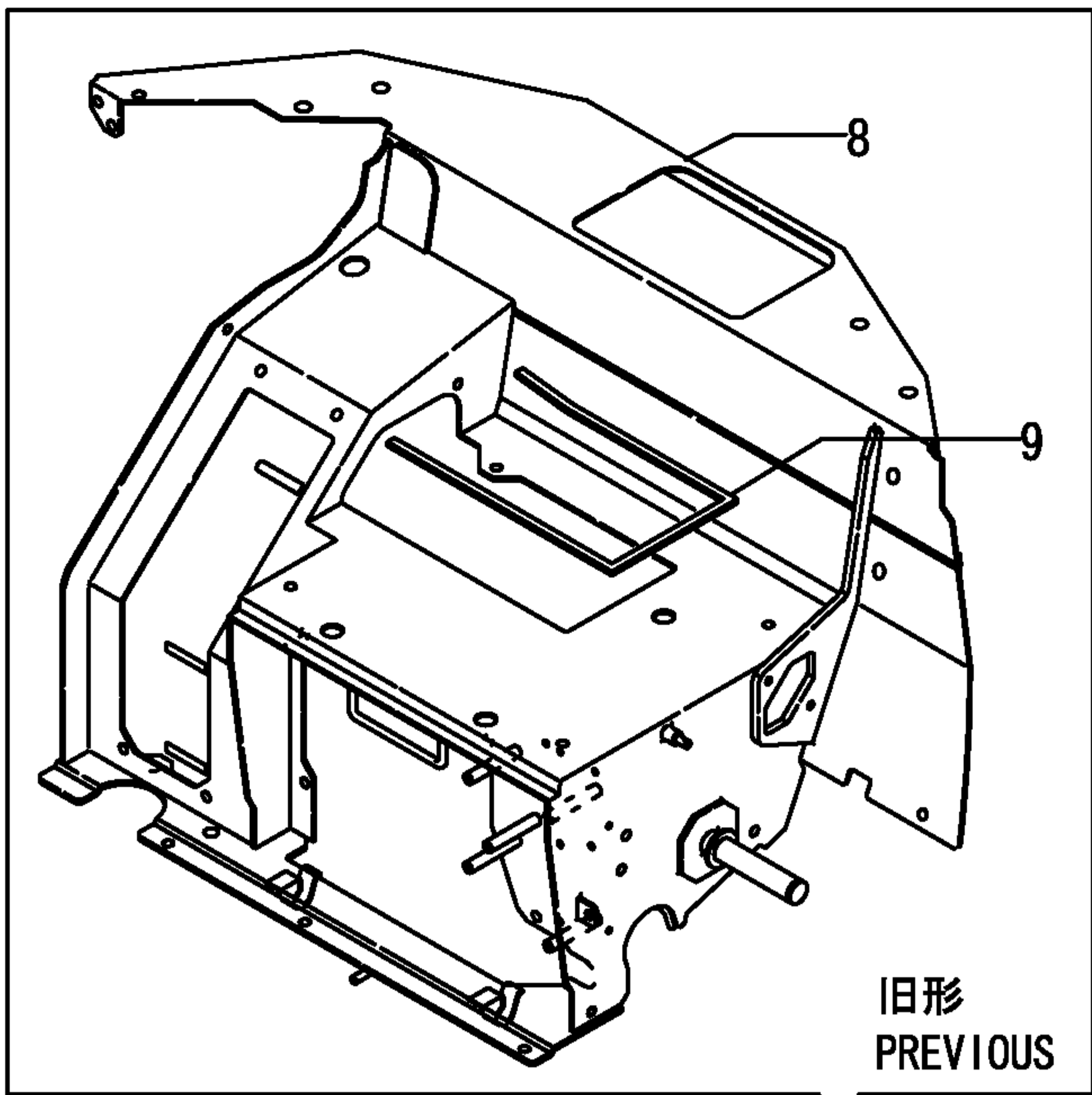


見出しNo. 10-1は、
見出しNo. (10-1)~36を含みます。
10-1 INC. (10-1)~36.

10-1

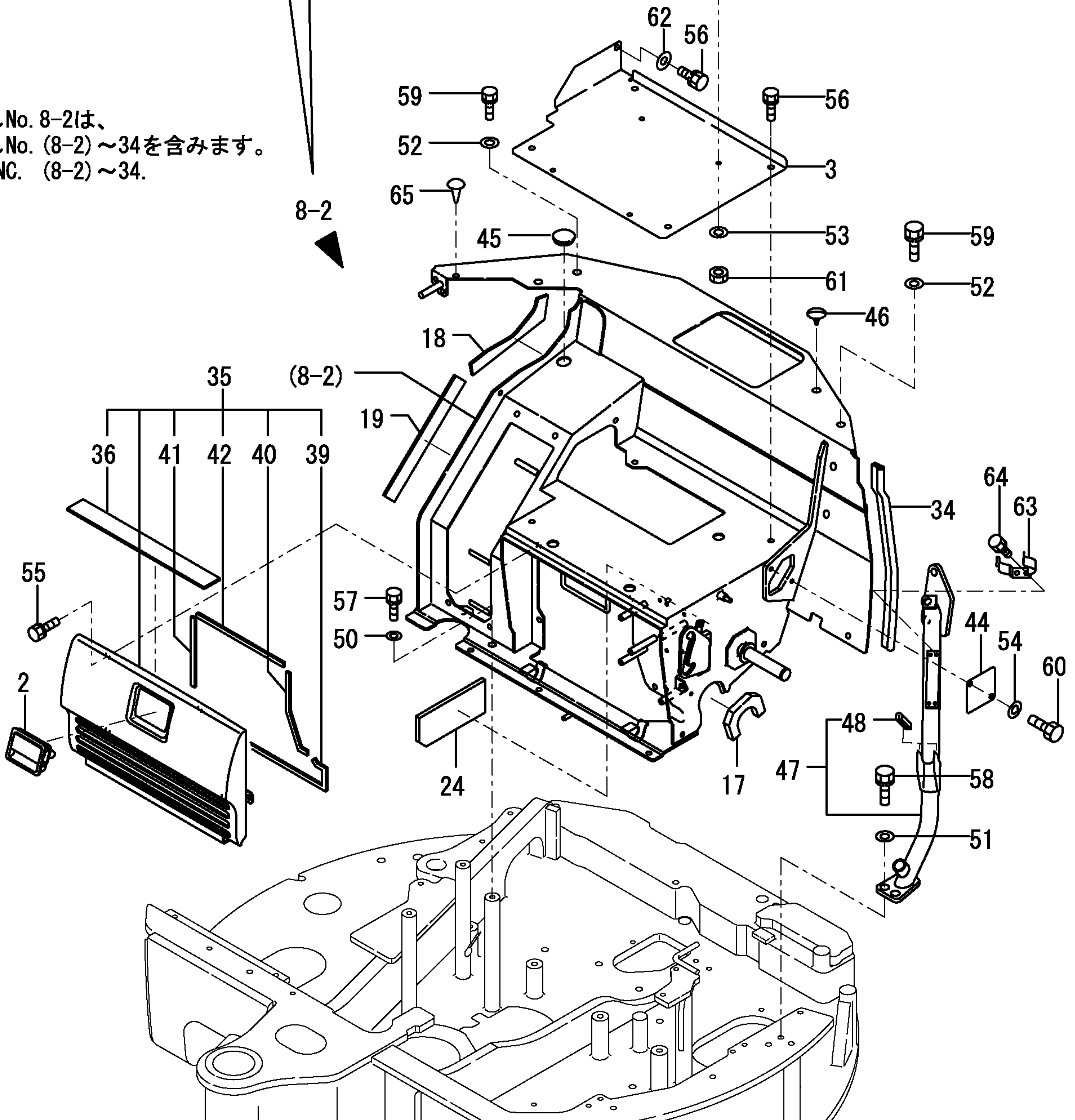


1,1,,172455-64200,, "SEAT, OPERATOR",,1,,,,,,,,,,,,,
2,1,,172187-61421,, "HANDLE, LOCK",,1,1,,,,,,,,,,,,,
3,1,,172458-64120,, "PLATE,SEAT (GRAY:73)",,1,,,,,,,,,,,,,
3-1,1,,172458-64121,, "PLATE,SEAT (GRAY:73)",,1,,,,,N,,,,,72458307,M/#20501,,,,,,
3-2,1,,172457-64121,, "PLATE,SEAT
(GRAY:73)",,1,1,,,N,,,,,72457037,M/#21080,,,,,,
8,1,,772458-64210,, "MOUNT,SEAT (GRAY:73)",,1,,,,,,,,,,,,,
8-1,1,,772457-64211,, "MOUNT,SEAT (GRAY:73)",,1,,,,,N,,,,,72457037,M/#21080,,,,,,
8-2,1,,772457-64212,, "MOUNT,
SEAT(GRAY:73)",,1,1,,,S,,,,,24600324,M/#25501,,,,,,I
9,2,,172458-64140,, "SEAL 560",,2,,,,,Z,,,,,72457037,M/#21080,,,,,,
17,2,,172458-64660,, "SEAL 95",,1,1,,,,,,,,,,,,,
18,2,,172458-64680,, "SEAL A,SEAT MOUNT",,1,1,,,,,,,,,,,,,
19,2,,172458-64690,, "SEAL B,SEAT MOUNT",,1,1,,,,,,,,,,,,,
24,2,,172458-64750,, "SEAL,SEAL MOUNT E",,1,1,,,,,,,,,,,,,
34,2,,172164-65730,, "RUBBER,SEAL D",,1,1,,,,,,,,,,,,,
35,1,,172458-64440,, "GRILLE (GRAY:73)",,1,,,,,,,,,,,,,
35-1,1,,172458-64441,, "GRILLE
(GRAY:73)",,1,1,,,N,,,,,72457037,M/#21080,,,,,,
36,2,,172458-64050,, "RUBBER",,1,1,,,Z,,,,,72460286,M/#21080,,,,,,I
39,2,,172458-64080,, "SEAL 642",,1,1,,,Z,,,,,72457037,M/#21080,,,,,,I
40,2,,172458-64090,, "SEAL 185",,1,1,,,Z,,,,,72457037,M/#21080,,,,,,I
41,2,,172458-64100,, "SEAL 170",,1,1,,,Z,,,,,72457037,M/#21080,,,,,,I
42,2,,172458-64110,, "SEAL 250",,1,1,,,Z,,,,,72457037,M/#21080,,,,,,I
44,1,,172458-64510,, "COVER,SEAT MOUNT(73)",,1,1,,,,,,,,,,,,,
45,1,,172458-64590,, "PLUG 28X3.2",,1,1,,,,,,,,,,,,,
46,1,,172458-64600,, "CLIP 11",,1,1,,,,,,,,,,,,,
47,1,,172458-64700,, "PIPE (GRAY:73)",,1,1,,,,,,,,,,,,,
48,2,,172445-62010,, "RUBBER 45, EDGE",,1,1,,,,,,,,,,,,,
50,1,,22137-100000,, "WASHER 10,POLISHED",,3,3,,,,,,,,,,,,,
51,1,,22137-120000,, "WASHER 12,POLISHED",,4,4,,,,,,,,,,,,,
52,1,,22137-120000,, "WASHER 12,POLISHED",,2,2,,,,,,,,,,,,,
53,1,,22217-080000,, "SPRING WASHER 8",,4,4,,,,,,,,,,,,,
54,1,,22217-080000,, "SPRING WASHER 8",,2,2,,,,,,,,,,,,,
55,1,,26013-100202,, "BOLT W/WASHER M10X20",,4,4,,,,,,,,,,,,,
56,1,,26013-100202,, "BOLT W/WASHER M10X20",,5,5,,,,,,,,,,,,,
57,1,,26013-100252,, "BOLT W/WASHER M10X25",,3,3,,,,,,,,,,,,,
58,1,,26013-120302,, "BOLT W/WASHER M12X30",,4,4,,,,,,,,,,,,,
59,1,,26013-120252,, "BOLT M12X 25",,2,2,,,,,,,,,,,,,
60,1,,26116-080162,, "BOLT 8X16",,2,2,,,,,,,,,,,,,
61,1,,26716-080002,, "NUT M 8",,4,4,,,,,,,,,,,,,
62,1,,22137-100000,, "WASHER 10,POLISHED",,1,1,,,W,,,,,72456178,M/#21024,,,,,,
63,1,,172122-55061,, "BRACKET, GREASE PUMP",,2,2,,,W,,,,,72458283,M/#20501,,,,,,
64,1,,26013-060102,, "BOLT M 6X 10",,4,4,,,W,,,,,72458283,M/#20501,,,,,,
65,1,,172187-64900,, "PLUG",,1,1,,,W,,,,,24580536,M/#25501,,,,,,I

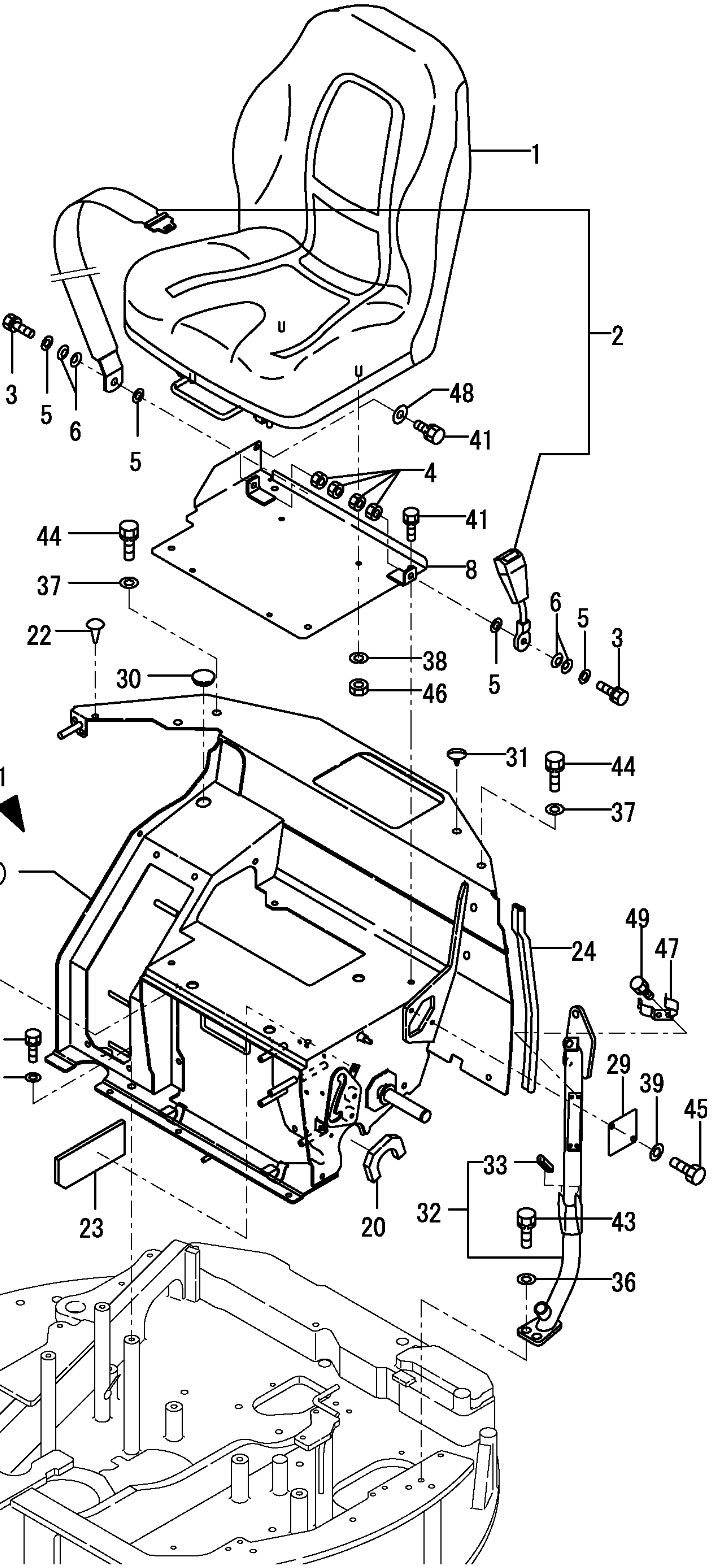
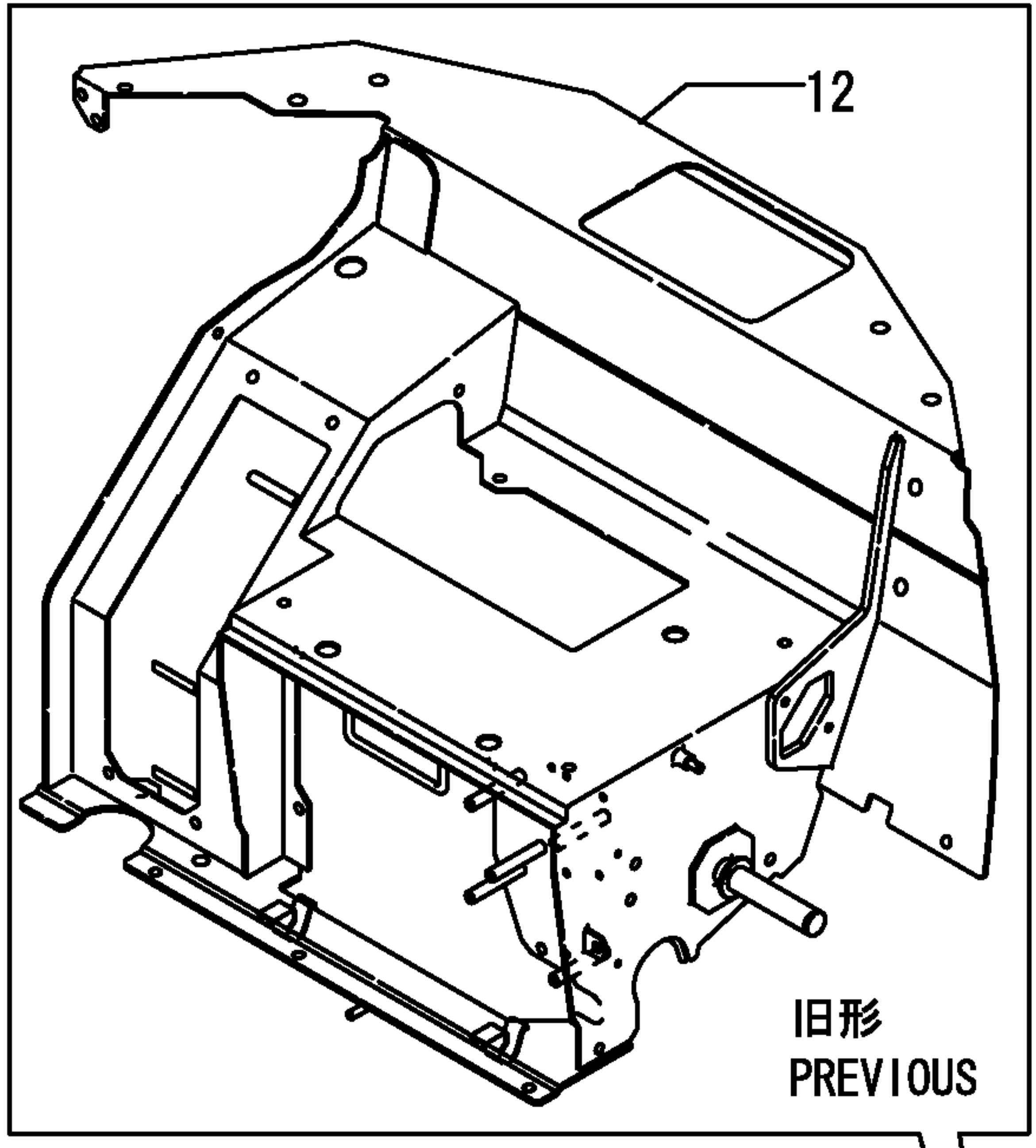


見出しNo. 8-2は、
見出しNo. (8-2) ~34を含みます。
8-2 INC. (8-2) ~34.

8-2



1,1,,172455-64200,, "SEAT, OPERATOR",,1,,,,,,,,,,,,,,,,,,,,,
2,1,,172989-64450,, "SEAT BELT",,1,,,,,,,,,,,,,,,,,,,,,
2-1,1,,172989-64451,, "BELT, SEAT",,1,,,,,R,,,,,72469017,M/#22449,,,,,,
3,1,,172433-64510,, "BOLT 7/16-20-UNF",,2,,,,,,,,,,,,,,,,,,,,,
4,1,,172187-64830,, "NUT 7/16-20UNF",,4,,,,,,,,,,,,,,,,,,,,,
5,1,,22137-120000,, "WASHER 12,POLISHED",,4,,,,,,,,,,,,,,,,,,,,,
6,1,,933170-01490,, "SPRING 12",,4,,,,,,,,,,,,,,,,,,,,,
7,1,,172187-61421,, "HANDLE, LOCK",,1,,,,,,,,,,,,,,,,,,,,,
8,1,,172458-64960,, "PLATE,SEAT ROPS (73)",,1,,,,,,,,,,,,,,,,,,,,,
12,1,,772457-64211,, "MOUNT,SEAT (GRAY:73)",,1,,,,,,,,,,,,,,,,,,,,,
12-1,1,,772457-64212,, "MOUNT,
SEAT(GRAY:73)",,1,,,,,S,,,,,24600324,M/#25501,,,,,,
20,2,,172458-64660,, "SEAL 95",,1,,,,,,,,,,,,,,,,,,,,,
22,2,,172187-64900,, "PLUG,,1,,,,,W,,,,,24560289,M/#25501,,,,,,
23,2,,172458-64750,, "SEAL,SEAL MOUNT E",,1,,,,,,,,,,,,,,,,,,,,,
24,2,,172164-65730,, "RUBBER,SEAL D",,1,,,,,,,,,,,,,,,,,,,,,
25,1,,172458-64441,, "GRILLE (GRAY:73)",,1,,,,,,,,,,,,,,,,,,,,,
29,1,,172458-64510,, "COVER,SEAT MOUNT(73)",,1,,,,,,,,,,,,,,,,,,,,,
30,1,,172458-64590,, "PLUG 28X3.2",,1,,,,,,,,,,,,,,,,,,,,,
31,1,,172458-64600,, "CLIP 11",,1,,,,,,,,,,,,,,,,,,,,,
32,1,,172458-64700,, "PIPE (GRAY:73)",,1,,,,,,,,,,,,,,,,,,,,,
33,2,,172445-62010,, "RUBBER 45, EDGE",,2,,,,,,,,,,,,,,,,,,,,,
35,1,,22137-100000,, "WASHER 10,POLISHED",,3,,,,,,,,,,,,,,,,,,,,,
36,1,,22137-120000,, "WASHER 12,POLISHED",,4,,,,,,,,,,,,,,,,,,,,,
37,1,,22137-120000,, "WASHER 12,POLISHED",,2,,,,,,,,,,,,,,,,,,,,,
38,1,,22217-080000,, "SPRING WASHER 8",,4,,,,,,,,,,,,,,,,,,,,,
39,1,,22217-080000,, "SPRING WASHER 8",,2,,,,,,,,,,,,,,,,,,,,,
40,1,,26013-100202,, "BOLT W/WASHER M10X20",,4,,,,,,,,,,,,,,,,,,,,,
41,1,,26013-100202,, "BOLT W/WASHER M10X20",,5,,,,,,,,,,,,,,,,,,,,,
42,1,,26013-100252,, "BOLT W/WASHER M10X25",,3,,,,,,,,,,,,,,,,,,,,,
43,1,,26013-120302,, "BOLT W/WASHER M12X30",,4,,,,,,,,,,,,,,,,,,,,,
44,1,,26013-120252,, "BOLT M12X 25",,2,,,,,,,,,,,,,,,,,,,,,
45,1,,26116-080162,, "BOLT 8X16",,2,,,,,,,,,,,,,,,,,,,,,
46,1,,26716-080002,, "NUT M 8",,4,,,,,,,,,,,,,,,,,,,,,
47,1,,172122-55061,, "BRACKET, GREASE PUMP",,2,,,,,,,,,,,,,,,,,,,,,
48,1,,22137-100000,, "WASHER 10,POLISHED",,1,,,,,,,,,,,,,,,,,,,,,
49,1,,26013-060102,, "BOLT M 6X 10",,4,,,,,,,,,,,,,,,,,,,,,

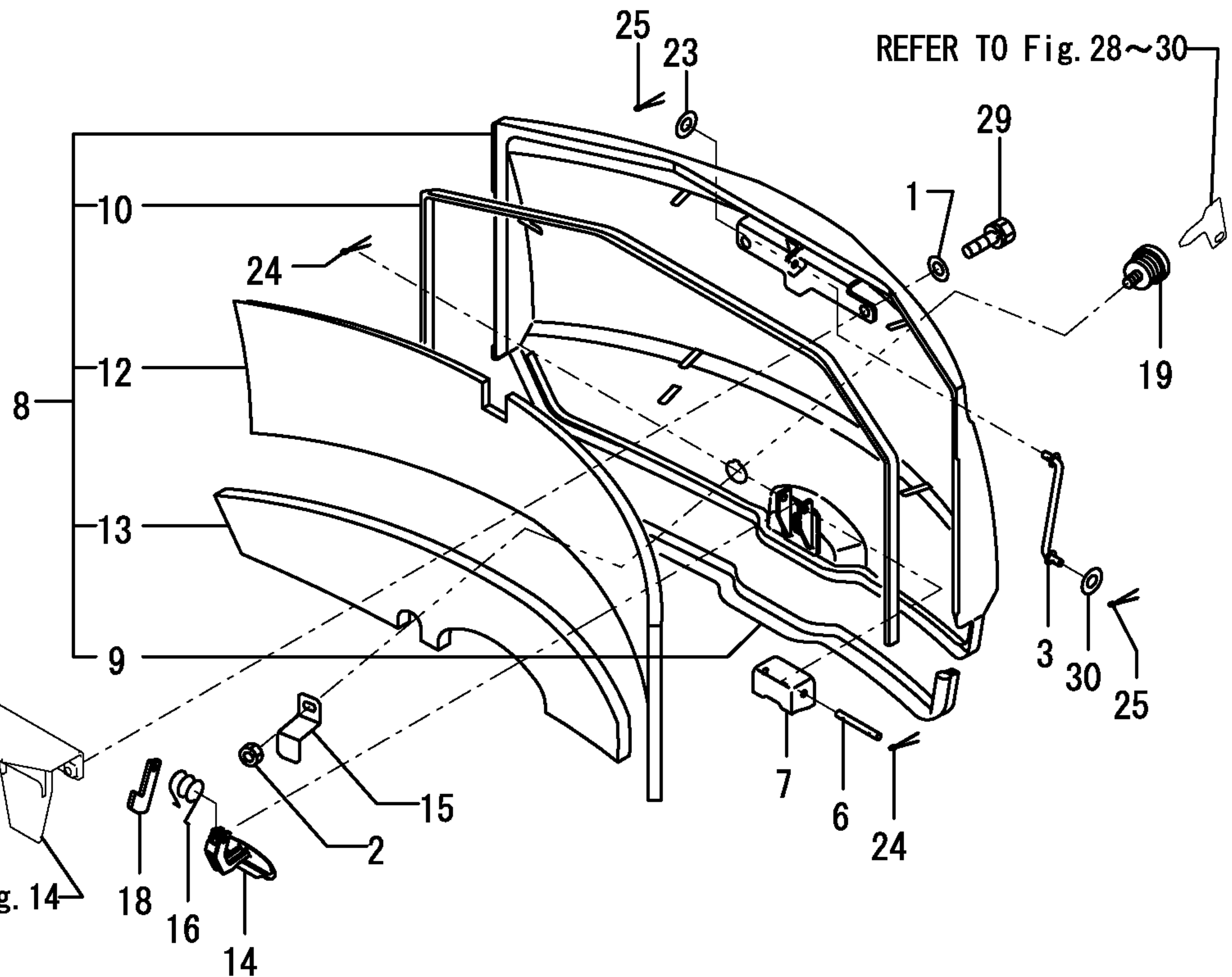


見出しNo. 12-1は、
見出しNo. (12-1)~24を含みます。
12-1 INC. (12-1)~24.

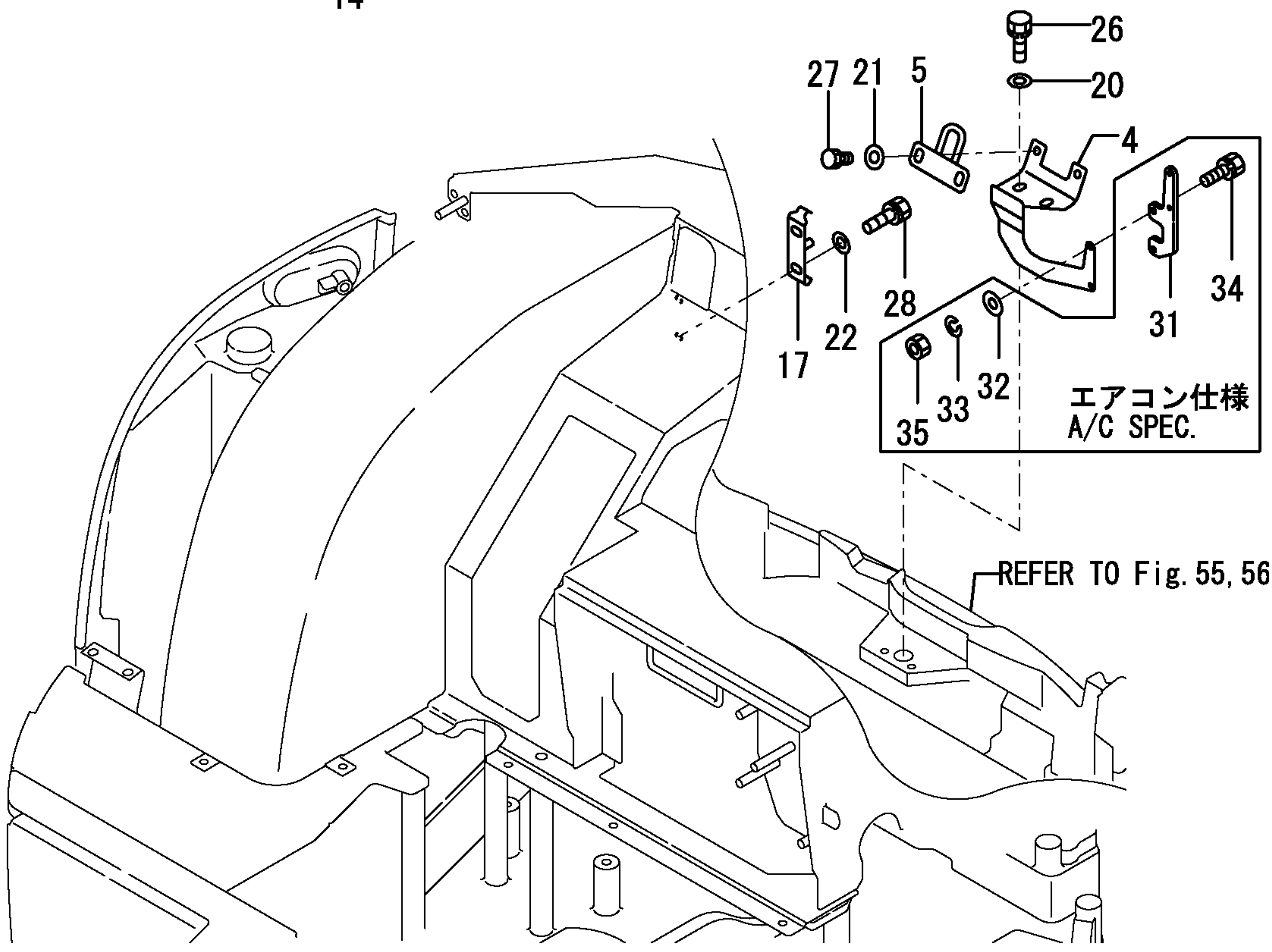
12-1
(12-1)

1,1,,194145-04810,, "WASHER 10",2,2,2,2,,,,,,,,,,,,,
2,1,,26347-100002,, "U-NUT 10",1,1,1,1,,,,,,,,,,,,,
3,1,,172444-64730,, "ROD,STOPPER",1,1,1,1,,,,,,,,,,,,,
4,1,,172458-65000,, "BRACKET A ASSY,LOCK",1,1,1,1,,,,,,,,,,,,,
5,1,,172458-65020,, "BRACKET B ASSY,LOCK",1,1,,,,,,,,,,,,,
5-1,1,,172458-65021,, "BRACKET B,
LOCK",1,1,1,1,,N,,72458442,M/#22208,72458442,M/#22208,,,,,,,,,I
6,1,,172458-65050,,SHAFT,1,1,1,1,,,,,,,,,,,,,
7,1,,172458-65060,, "COVER,BONNET LOCK",1,1,1,1,,,,,,,,,,,,,
8,1,,172458-65100,, "BONNET A (GREEN:96)",1,1,,,,,,,,,,,,,
8-1,1,,172457-65100,, "BONNET A
(GREEN:96)",1,1,1,1,,N,,72457037,M/#21080,72457037,M/#21080,,,,,,,,,
9,2,,172458-65070,, "SEAL 945",1,1,1,1,,,,,,,,,,,,,
10,2,,172458-65080,, "RUBBER,SEAL 1450",1,1,1,1,,,,,,,,,,,,,
12,2,,172458-65880,, "SEAL A",1,1,,,,,,,,,,,,,
12-1,2,,172457-65110,, "SEAL
A",1,1,1,1,,N,,72457037,M/#21080,72457037,M/#21080,,,,,,,,,
13,2,,172458-65890,, "SEAL B",1,1,,,,,,,,,,,,,
13-1,2,,172457-65120,, "SEAL
B",1,1,1,1,,N,,72457037,M/#21080,72457037,M/#21080,,,,,,,,,
14,1,,172187-65210,, "LEVER ASSY, LOCK",1,1,1,1,,,,,,,,,,,,,
15,1,,172458-65270,, "PLATE,LOCK",1,1,,,,,,,,,,,,,
15-1,1,,172458-
65271,, "PLATE,ROCK",1,1,1,1,,R,,72460107,M/#20955,72460107,M/#20955,,,,,,,,,
16,1,,172734-65270,, "SPRING, CATCH",1,1,1,1,,,,,,,,,,,,,
17,1,,172458-65450,, "HOOK
ASSY",1,1,,,,,Z,,72457037,M/#21080,72457037,M/#21080,,,,,,,,,
18,1,,172124-65480,,CATCHER,1,1,1,1,,,,,,,,,,,,,
19,1,,172164-66170,, "KEY ASSY, CYLINDER",1,1,1,1,,,,,,,,,,,,,
20,1,,22137-100000,, "WASHER 10,POLISHED",2,2,2,2,,,,,,,,,,,,,
21,1,,22137-100000,, "WASHER 10,POLISHED",2,2,2,2,,,,,,,,,,,,,
22,1,,22137-100000,, "WASHER
10,POLISHED",2,2,,,,,Z,,72458037,M/#21080,72457037,M/#21080,,,,,,,,,
23,1,,22157-080000,, "WASHER 8",1,1,,,,,,,,,,,,,
23-1,1,,22137-080000,, "WASHER 8,
POLISHED",1,1,1,1,,N,,72458379,M/#20863,72458379,M/#20863,,,,,,,,,
24,1,,22417-200200,, "COTTER PIN 2.0X20",2,2,2,2,,,,,,,,,,,,,
25,1,,22417-200200,, "COTTER PIN 2.0X20",2,2,2,2,,,,,,,,,,,,,
26,1,,26013-100202,, "BOLT W/WASHER M10X20",2,2,2,2,,,,,,,,,,,,,
27,1,,26013-100202,, "BOLT W/WASHER M10X20",2,2,2,2,,,,,,,,,,,,,
28,1,,26013-100202,, "BOLT W/WASHER
M10X20",2,2,,,,,Z,,72457037,M/#21080,72457037,M/#21080,,,,,,,,,
29,1,,26013-100252,, "BOLT W/WASHER M10X25",2,2,2,2,,,,,,,,,,,,,
30,1,,22157-080000,, "WASHER 8",1,1,,,,,,,,,,,,,
30-1,1,,1A1380-
62160,, WASHER,1,1,1,1,,N,,72458487,M/#22474,72458487,M/#22474,,,,,,,,,
31,1,,172458-65900,, "STAY,A/C SUB-TANK",1,,,,,1,,,,,,,,,,,,,
32,1,,22137-060000,, "WASHER 6, POLISHED",2,,,,,1,,,,,,,,,,,,,
33,1,,22217-060000,, "SPRING WASHER 6",2,,,,,1,,,,,,,,,,,,,
34,1,,26013-060302,, "BOLT M 6X 30",2,,,,,1,,,,,,,,,,,,,
35,1,,26716-060002,, "NUT 6",2,,,,,1,,,,,,,,,,,,,

REFER TO Fig. 28~30

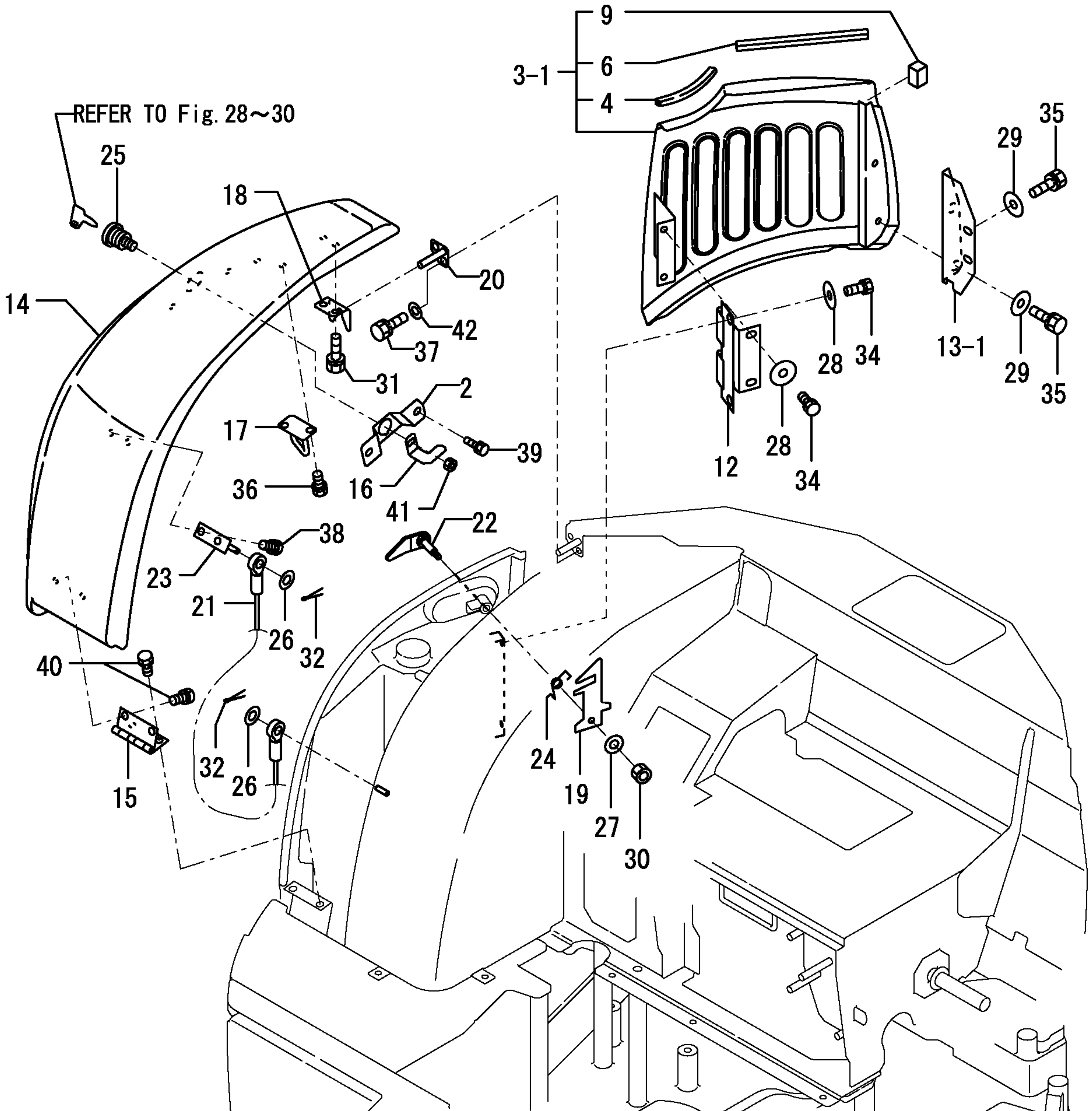
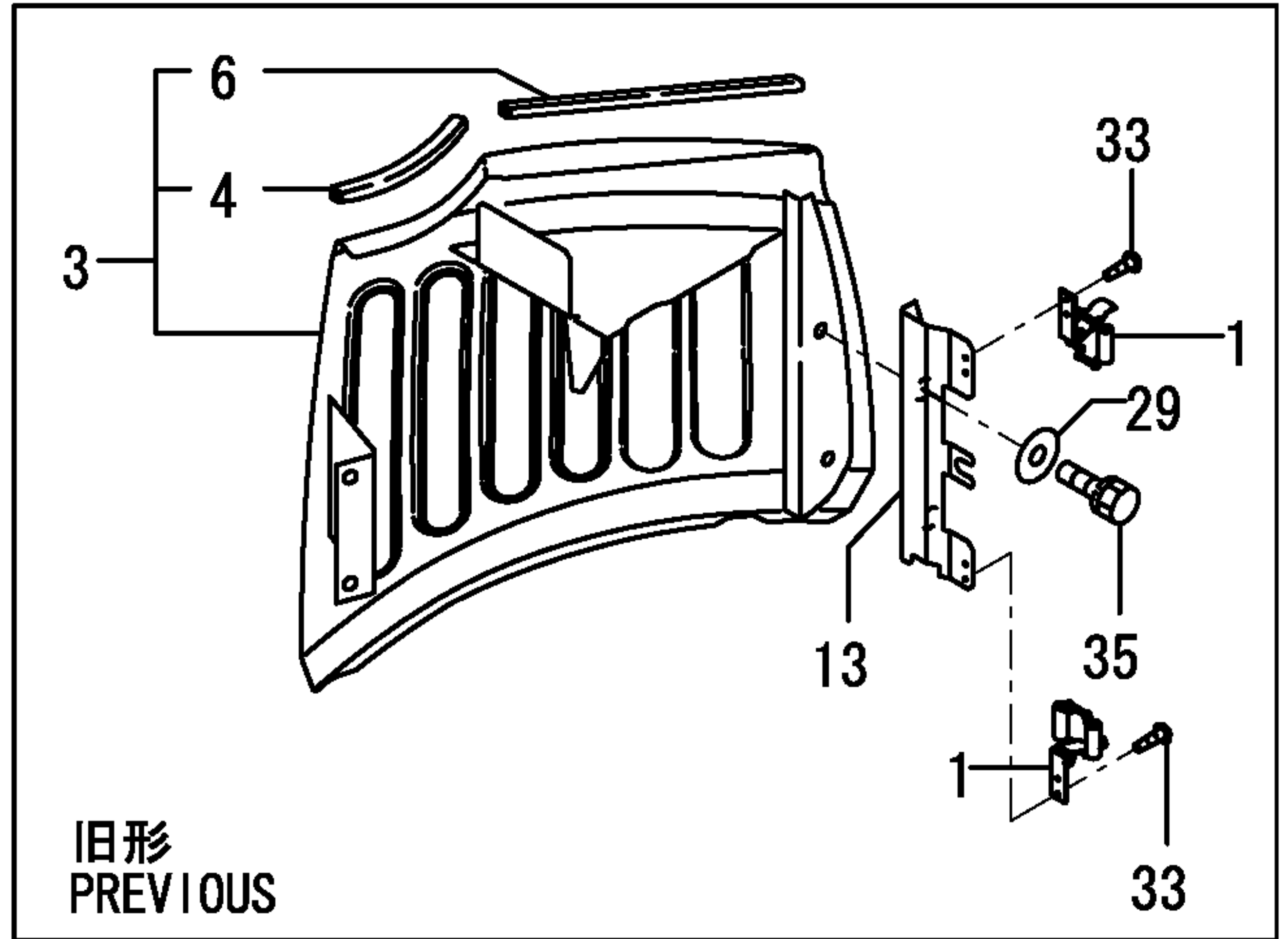
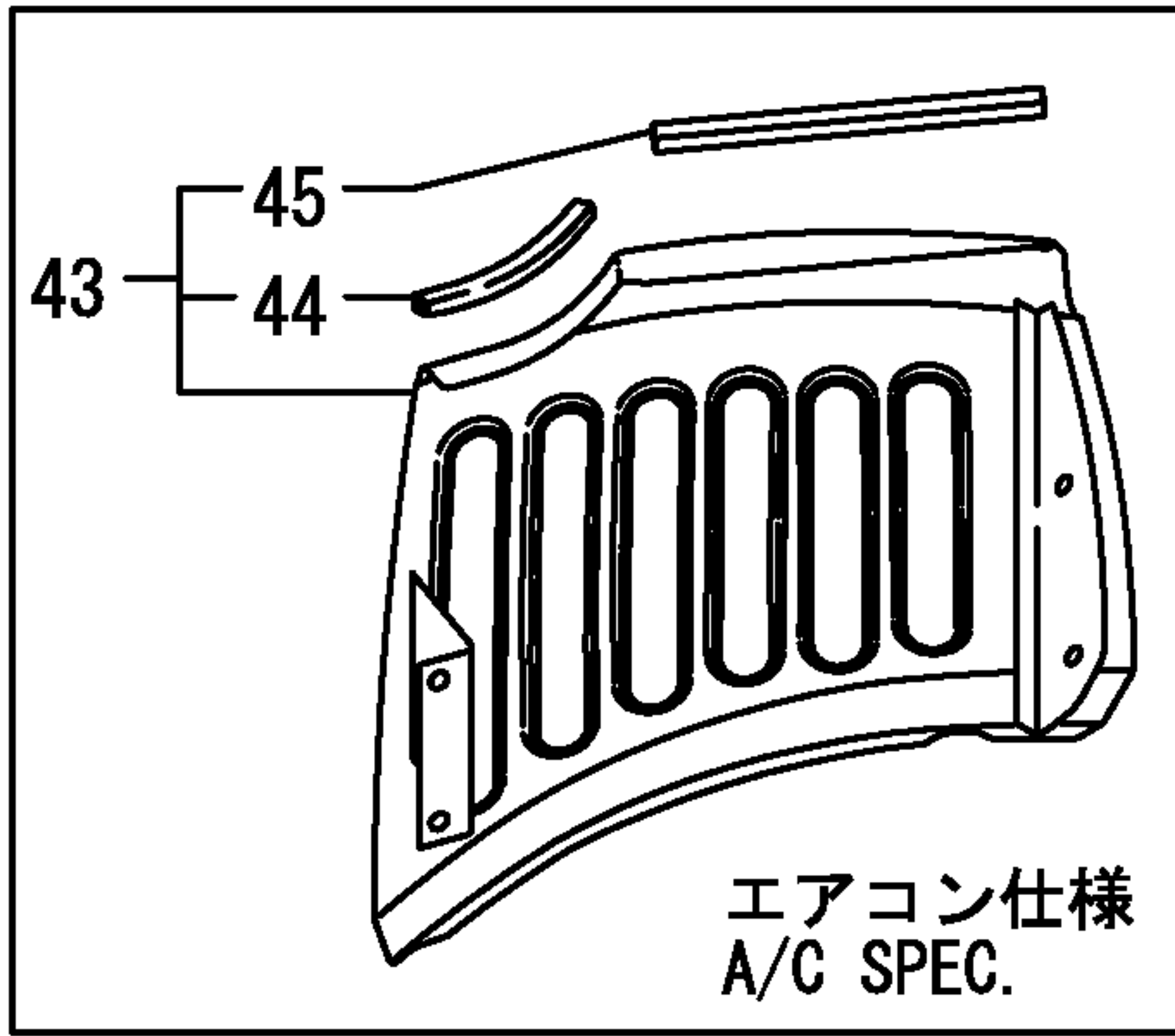


REFER TO Fig. 14



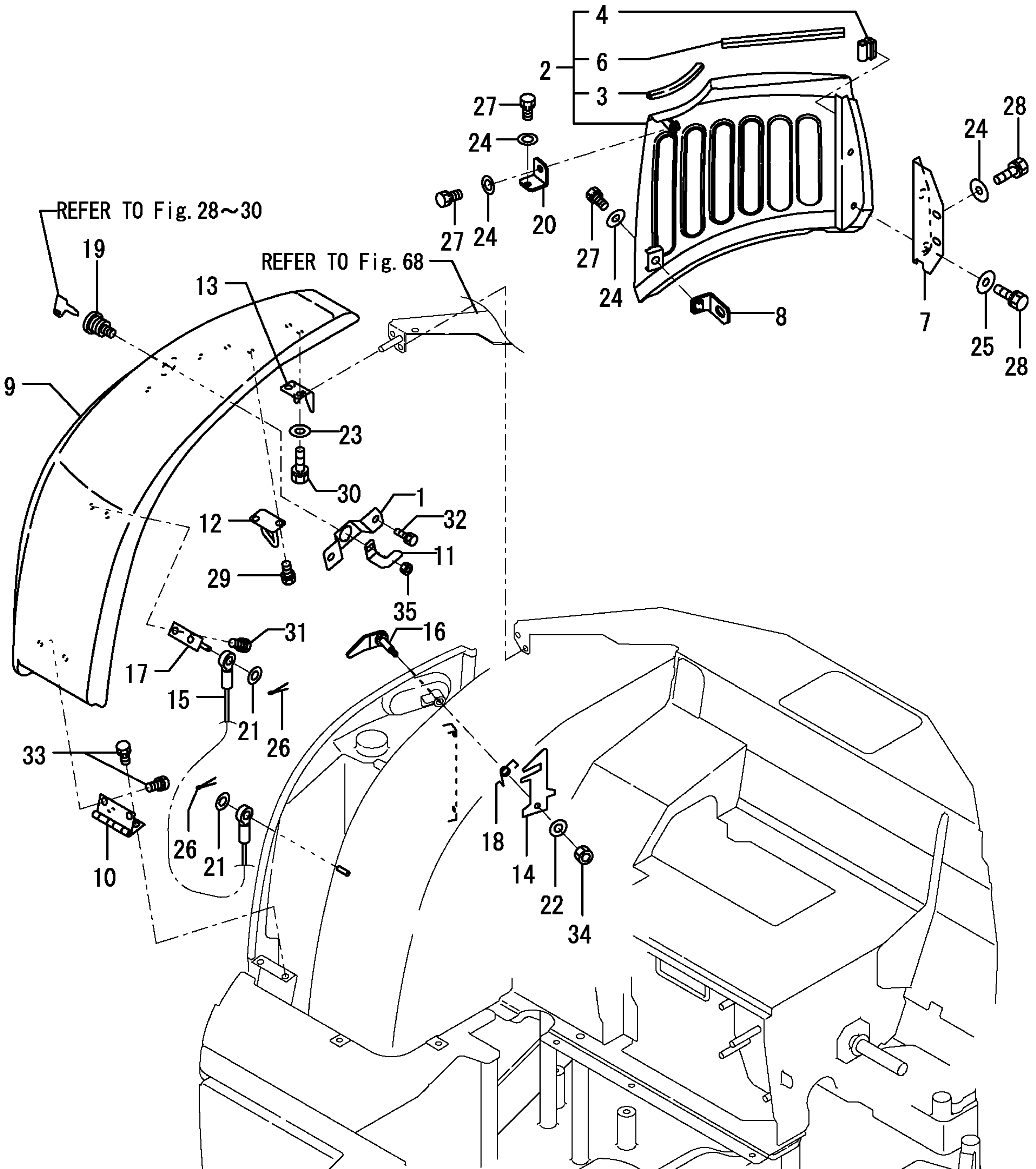
REFER TO Fig. 55, 56

1,1,,172644-61560,, "CLIP C7-2,CATCH",2,2,2,2,,,,,,,,,,,,,
2,1,,172455-65230-1,, "PLATE,KEY (GREEN:96)",1,1,1,1,,,,,,,,,,,,,I
3,1,,172458-65300,, "BONNET R (GREEN:96)",1,1,,,,,,,,,,,,,
3-1,1,,172457-65300,, "BONNET R
(GREEN:96)",1,1,1,1,,,S,,72457037,M/#21080,72457037,M/#21080,,,,,
4,2,,172435-61660,, "TRIM 130",1,1,1,1,,,,,,,,,,,,,
6,2,,172458-65390,, "RUBBER,SEAL 210",1,1,1,1,,,,,,,,,,,,,
9,2,,172457-65330,, "SEAL,BONNET
R",1,1,1,1,,,W,,72457037,M/#21080,72457037,M/#21080,,,,,
12,1,,172458-65400,, "HINGE,BONNET R (96)",1,1,1,1,,,,,,,,,,,,,
13,1,,172458-65440,, "BRACKET,BONNET R(96)",1,1,,,,,,,,,,,,,
13-1,1,,172457-65440,, "BRACKET
(GREEN:96)",1,1,1,1,,,N,,72457037,M/#21080,72457037,M/#21080,,,,,
14,1,,172458-65500,, "BONNET B",1,1,1,1,,,,,,,,,,,,,
15,1,,172458-65510,, "HINGE,BONNET B (97)",1,1,1,1,,,,,,,,,,,,,
16,1,,172458-65530,, "PLATE,LOCK",1,1,,,,,,,,,,,,,
16-1,1,,172458-
65531,, "PLATE,LOCK",1,1,,,,,N,,72458493,M/#22474,72458493,M/#22474,,,,,
17,1,,172458-65540,, "PLATE ASSY,STOPPER",1,1,1,1,,,,,,,,,,,,,
18,1,,172458-65560,, "PLATE,GUIDE",1,1,1,1,,,,,,,,,,,,,
19,1,,172458-65570,, "PLATE,HOOK",1,1,1,1,,,,,,,,,,,,,
20,1,,172458-65580,, "BRACKET ASSY,GUIDE",1,1,1,1,,,,,,,,,,,,,
21,1,,172458-65600,, "CABLE",1,1,1,1,,,,,,,,,,,,,
22,1,,172458-65610,, "HOOK ASSY",1,1,1,1,,,,,,,,,,,,,
23,1,,172458-65640,, "STAY ASSY,WIRE",1,1,1,1,,,,,,,,,,,,,
24,1,,172156-65690,, "TORSION SPRING,STOPR",1,1,1,1,,,,,,,,,,,,,
25,1,,172164-66170,, "KEY ASSY, CYLINDER",1,1,1,1,,,,,,,,,,,,,
26,1,,22137-080000,, "WASHER 8, POLISHED",2,2,2,2,,,,,,,,,,,,,
27,1,,22137-080000,, "WASHER 8, POLISHED",1,1,1,1,,,,,,,,,,,,,
28,1,,22157-100000,, "WASHER 10",4,4,4,4,,,,,,,,,,,,,
29,1,,22157-100000,, "WASHER 10",2,2,,,,,,,,,,,,,
29-1,1,,22157-100000,, "WASHER
10",4,4,4,4,,,K,,72457037,M/#21080,72457037,M/#21080,,,,,
30,1,,26347-080002,, "U-NUT",1,1,1,1,,,,,,,,,,,,,
31,1,,26013-100202,, "BOLT W/WASHER M10X20",2,2,2,2,,,,,,,,,,,,,
32,1,,22417-200200,, "COTTER PIN 2.0X20",2,2,2,2,,,,,,,,,,,,,
33,1,,22857-300060,, "SCREW 3X6",4,4,4,4,,,,,,,,,,,,,
34,1,,26013-100202,, "BOLT W/WASHER M10X20",4,4,4,4,,,,,,,,,,,,,
35,1,,26013-100202,, "BOLT W/WASHER M10X20",2,2,,,,,,,,,,,,,
35-1,1,,26013-100202,, "BOLT W/WASHER
M10X20",4,4,4,4,,,K,,72457037,M/#21080,72457037,M/#21080,,,,,
36,1,,26013-100202,, "BOLT W/WASHER M10X20",2,2,2,2,,,,,,,,,,,,,
37,1,,26013-100202,, "BOLT W/WASHER M10X20",2,2,2,2,,,,,,,,,,,,,
38,1,,26013-100202,, "BOLT W/WASHER M10X20",2,2,2,2,,,,,,,,,,,,,
39,1,,26013-100202,, "BOLT W/WASHER M10X20",2,2,2,2,,,,,,,,,,,,,
40,1,,26106-100162,, "BOLT M10X 16 PLATED",4,4,4,4,,,,,,,,,,,,,
41,1,,26347-100002,, "U-NUT 10",1,1,1,1,,,,,,,,,,,,,
42,1,,22137-100000,, "WASHER 10,POLISHED",2,2,2,2,,,,,,,,,,,,,
43,1,,172458-65470,, "BONNET R,A/C (96)",1,1,,,,,1,,,,,,,,,,,,,
44,2,,172435-61660,, "TRIM 130",1,,1,,,,,1,,,,,,,,,,,,,
45,2,,172458-65390,, "RUBBER,SEAL 210",1,1,,,,,1,,,,,,,,,,,,,

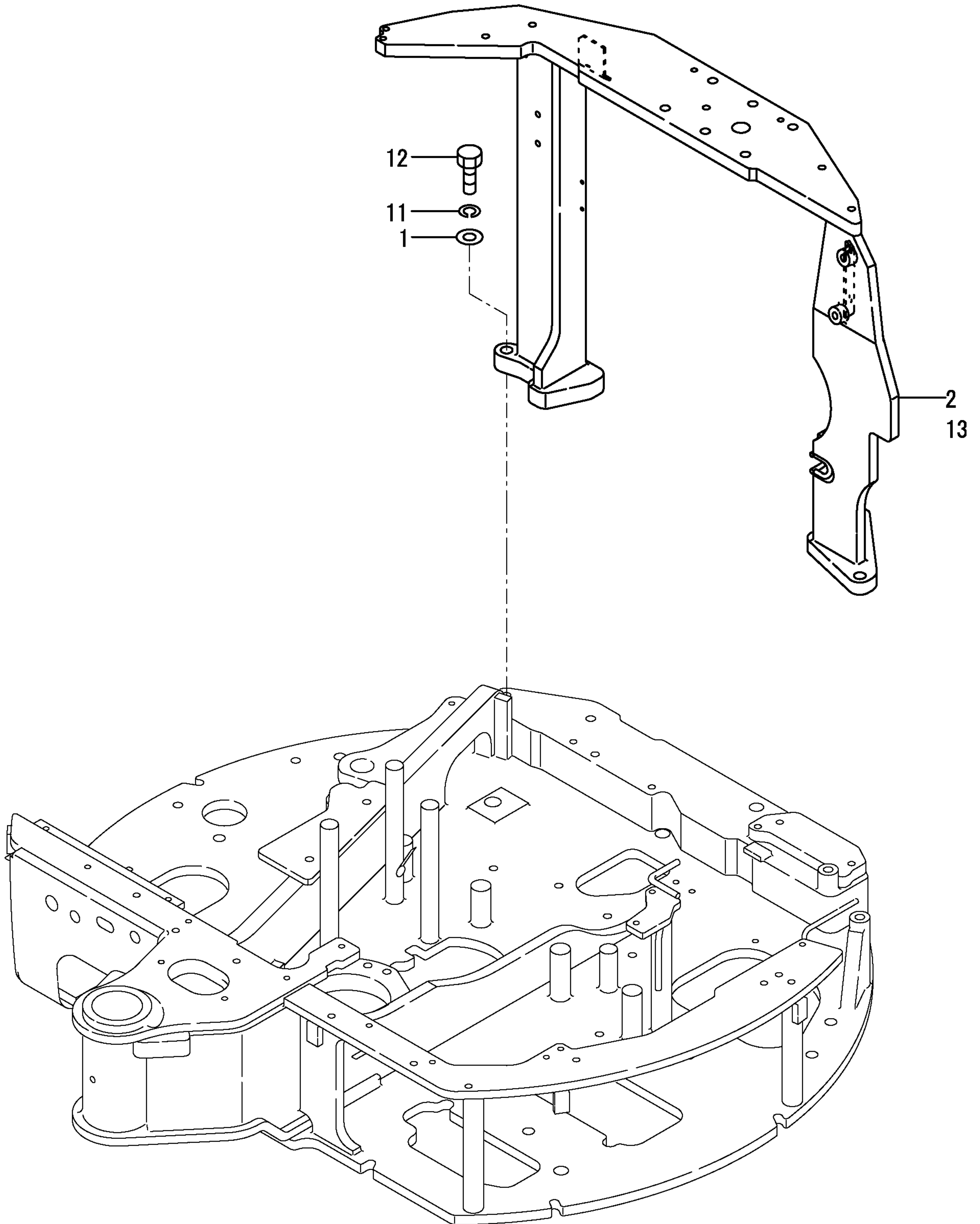


1,1,,172455-65230-1,, "PLATE,KEY (GREEN:96)",1,1,1,1,,,,,,,,,,,,,I
2,1,,172457-65301,, "BONNET R ASSY (96)",1,1,1,1,,,,,,,,,,,,,
3,2,,172444-17620,, "SEAL 125",1,1,1,1,,,,,,,,,,,,,
4,2,,172444-54920,, "SEAL,WEIGHT C",1,1,1,1,,,,,,,,,,,,,
6,2,,172458-65390,, "RUBBER,SEAL 210",1,1,1,1,,,,,,,,,,,,,
7,1,,172457-65440,, "BRACKET (GREEN:96)",1,1,1,1,,,,,,,,,,,,,
8,1,,172456-65461,, "BRACKET C",1,1,1,1,,,,,,,,,,,,,
9,1,,172458-65500,, "BONNET B",1,1,1,1,,,,,,,,,,,,,
10,1,,172458-65510,, "HINGE,BONNET B (97)",1,1,1,1,,,,,,,,,,,,,
11,1,,172458-65531,, "PLATE,LOCK",1,1,1,1,,,,,,,,,,,,,
12,1,,172458-65540,, "PLATE ASSY,STOPPER",1,1,1,1,,,,,,,,,,,,,
13,1,,172458-65560,, "PLATE,GUIDE",1,1,1,1,,,,,,,,,,,,,
14,1,,172458-65570,, "PLATE,HOOK",1,1,1,1,,,,,,,,,,,,,
15,1,,172458-65600,, "CABLE",1,1,1,1,,,,,,,,,,,,,
16,1,,172458-65610,, "HOOK ASSY",1,1,1,1,,,,,,,,,,,,,
17,1,,172458-65640,, "STAY ASSY,WIRE",1,1,1,1,,,,,,,,,,,,,
18,1,,172156-65690,, "TORSION SPRING,STOPR",1,1,1,1,,,,,,,,,,,,,
19,1,,172164-66170,, "KEY ASSY, CYLINDER",1,1,1,1,,,,,,,,,,,,,
20,1,,172164-66490,, "BRACKET, RESERVOIR",1,1,1,1,,,,,,,,,,,,,
21,1,,22137-080000,, "WASHER 8, POLISHED",2,2,2,2,,,,,,,,,,,,,
22,1,,22137-080000,, "WASHER 8, POLISHED",1,1,1,1,,,,,,,,,,,,,
23,1,,22137-100000,, "WASHER 10,POLISHED",2,2,2,2,,,,,,,,,,,,,
24,1,,22157-100000,, "WASHER 10",4,4,4,4,,,,,,,,,,,,,
25,1,,22157-100000,, "WASHER 10",4,4,4,4,,,,,,,,,,,,,
26,1,,22417-200200,, "COTTER PIN 2.0X20",2,2,2,2,,,,,,,,,,,,,
27,1,,26013-100202,, "BOLT W/WASHER M10X20",4,4,4,4,,,,,,,,,,,,,
28,1,,26013-100202,, "BOLT W/WASHER M10X20",4,4,4,4,,,,,,,,,,,,,
29,1,,26013-100202,, "BOLT W/WASHER M10X20",2,2,2,2,,,,,,,,,,,,,
30,1,,26013-100202,, "BOLT W/WASHER M10X20",2,2,2,2,,,,,,,,,,,,,
31,1,,26013-100202,, "BOLT W/WASHER M10X20",2,2,2,2,,,,,,,,,,,,,
32,1,,26013-100202,, "BOLT W/WASHER M10X20",2,2,2,2,,,,,,,,,,,,,
33,1,,26106-100162,, "BOLT M10X 16 PLATED",4,4,4,4,,,,,,,,,,,,,
34,1,,26347-080002,, "U-NUT, 8",1,1,1,1,,,,,,,,,,,,,
35,1,,26347-100002,, "U-NUT, 10",1,1,1,1,,,,,,,,,,,,,

M/#25501~



1,1,,172165-53500,,WASHER,4,4,4,4,,,,,,,,,,,,,
2,1,,172458-67200,,,"MOUNT,CANOPY(GRAY:72",1,1,,,,,,,,,,,,,
2-1,1,,172458-
67201,,,"MOUNT,CANOPY(GRAY:72",1,1,,,,,N,,72457037,M/#21080,72457037,M/#21080,,,,,
,,
2-2,1,,172458-
67202,,,"MOUNT,CANOPY(GRAY:72",1,1,1,1,,,,,N,,24580557,M/#25501,24580557,M/#25501,,
,,,,,,I
11,1,,22217-160000,,,"SPRING WASHER 16",4,4,4,4,,,,,,,,,,,,,
12,1,,26116-160652,,,"BOLT M16X 65 PLATED",4,4,4,4,,,,,,,,,,,,,
13,1,,172458-67200,,,"MOUNT,CANOPY(GRAY:72",1,,,,,,1,,,,,,,,,,,,,



1,1,,172165-13220,,WASHER,13,,13,,,,,,,,,,,,,,,,,,,,,
2,1,,172312-17250,,ASHTRAY,1,,1,,,,,,,,,,,,,,,,,,,,,
3,1,,172458-63360,,SEAT,1,,1,,,,,,,,,,,,,,,,,,,,,
4,1,,172458-63480,,SEAL,1,,1,,,,,,,,,,,,,,,,,,,,,
5,1,,172458-67800,, "CABIN (GREEN:83)",1,,,,,,,,,,,,,
5-1,1,,172458-67801,, "CABIN
(GREEN:83)",1,,,,,S,1,72458368,M/#20904,,,,,
5-2,1,,172458-67802,, "CABIN
ASSY(GREEN:83)",1,1,,,,,N,,72458507,M/#22680,,,,,
6,2,,172459-67800,, "CABIN BODY ASSY (83)",1,,,,,,,,,,,,,
7,3,,172458-03310,, LABEL,1,,1,,,,,,,,,,,,,,,,,,,,,
8,3,,172458-03320,, LABEL,1,,1,,,,,,,,,,,,,,,,,,,,,
9,3,,172458-03330,, LABEL,1,,1,,,,,,,,,,,,,,,,,,,,,
10,3,,1E5100-51430,, "KNOB CLUTCH(RED",1,,1,,,,,,,,,,,,,
11,3,,172519-63240,, "BOLT 8X 16",6,,6,,,,,,,,,,,,,
12,3,,172455-67310,, "GLASS RUN",2,,2,,,,,,,,,,,,,
13,3,,172455-67320,, CAP;CHANNEL,2,,2,,,,,,,,,,,,,
14,3,,172455-67330,, "PLATE ASSY LOW GLASS",2,,2,,,,,,,,,,,,,
15,3,,172455-67340,, "HOLDER GLASS UP",2,,2,,,,,,,,,,,,,
16,3,,172455-67350,, SCREW(TORX),4,,4,,,,,,,,,,,,,
17,3,,172455-67360,, SCREW(TORX),2,,2,,,,,,,,,,,,,
18,3,,172455-67440,, "XMAS TREE CLIP",4,,4,,,,,,,,,,,,,
19,3,,172458-67840,, "GLASS RUN",1,,1,,,,,,,,,,,,,
20,3,,172458-67960,, "SEAL A",1,,1,,,,,,,,,,,,,
21,3,,172458-67970,, "SEAL B",1,,1,,,,,,,,,,,,,
22,3,,172458-67980,, SEAL,1,,1,,,,,,,,,,,,,
23,3,,26716-100002,, "NUT 10",1,,1,,,,,,,,,,,,,
24,3,,172162-69050,, "LOCK ASSY",1,,1,,,,,,,,,,,,,
25,3,,172165-69190,, RUBBER,1,,1,,,,,,,,,,,,,
26,3,,172458-69790,, COVER,1,,1,,,,,,,,,,,,,
27,3,,172458-69830,, LEVER,1,,1,,,,,,,,,,,,,
28,3,,172458-69930,, SEAL,1,,1,,,,,,,,,,,,,
29,3,,22117-100000,, "WASHER 10",1,,1,,,,,,,,,,,,,
30,3,,22117-120000,, "WASHER 12",2,,2,,,,,,,,,,,,,
31,3,,22272-000100,, "CIRCLIP E-10",1,,1,,,,,,,,,,,,,
32,3,,24550-012200,, "BUSH 12X20",1,,1,,,,,,,,,,,,,
33,3,,26366-080002,, "NUT M 8",4,,4,,,,,,,,,,,,,
34,1,,22217-120000,, "SPRING WASHER 12",13,,13,,,,,,,,,,,,,
35,1,,22867-400100,, "SCREW 4X10",3,,3,,,,,,,,,,,,,
36,1,,26076-120402,, "BOLT 10.9 12X 4",13,,13,,,,,,,,,,,,,
37,1,,172458-63580,, "SPACER (GRAY:73)",1,,1,,,,,,,,,,,,,
38,1,,172478-68600,, "DAM SEAL
1000",1,,1,,,,,W,2,724780192,M/#XXX,,,,,I
39,1,,172478-68610,, "DAM SEAL
2000",1,,1,,,,,W,2,724780192,M/#XXX,,,,,I
40,1,,172478-68620,, "DAM SEAL
3000",1,,1,,,,,W,2,724780192,M/#XXX,,,,,I

キャビンASSY
 CABIN ASSY

172458-67800
 172458-67801
 172458-67802

項目NO. 73の見出しNO. 5, 5-1, 5-2は、
 項目NO. 73の見出しNO. (5)~33と
 項目NO. 74の見出しNO. 1~44と
 項目NO. 75の見出しNO. 1~18と
 項目NO. 76の見出しNO. 1~21と
 項目NO. 77の見出しNO. 1, 1-1を含みます。

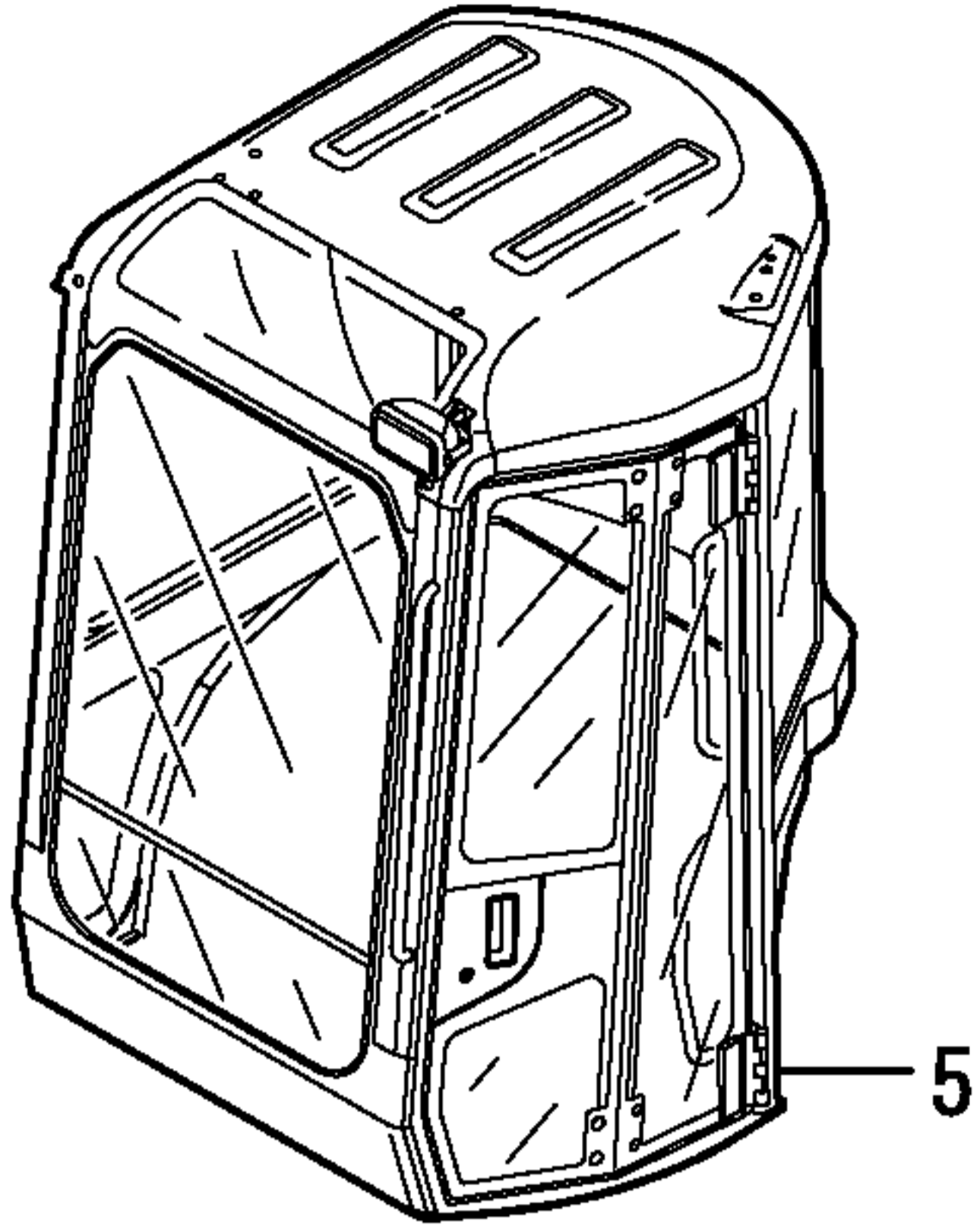
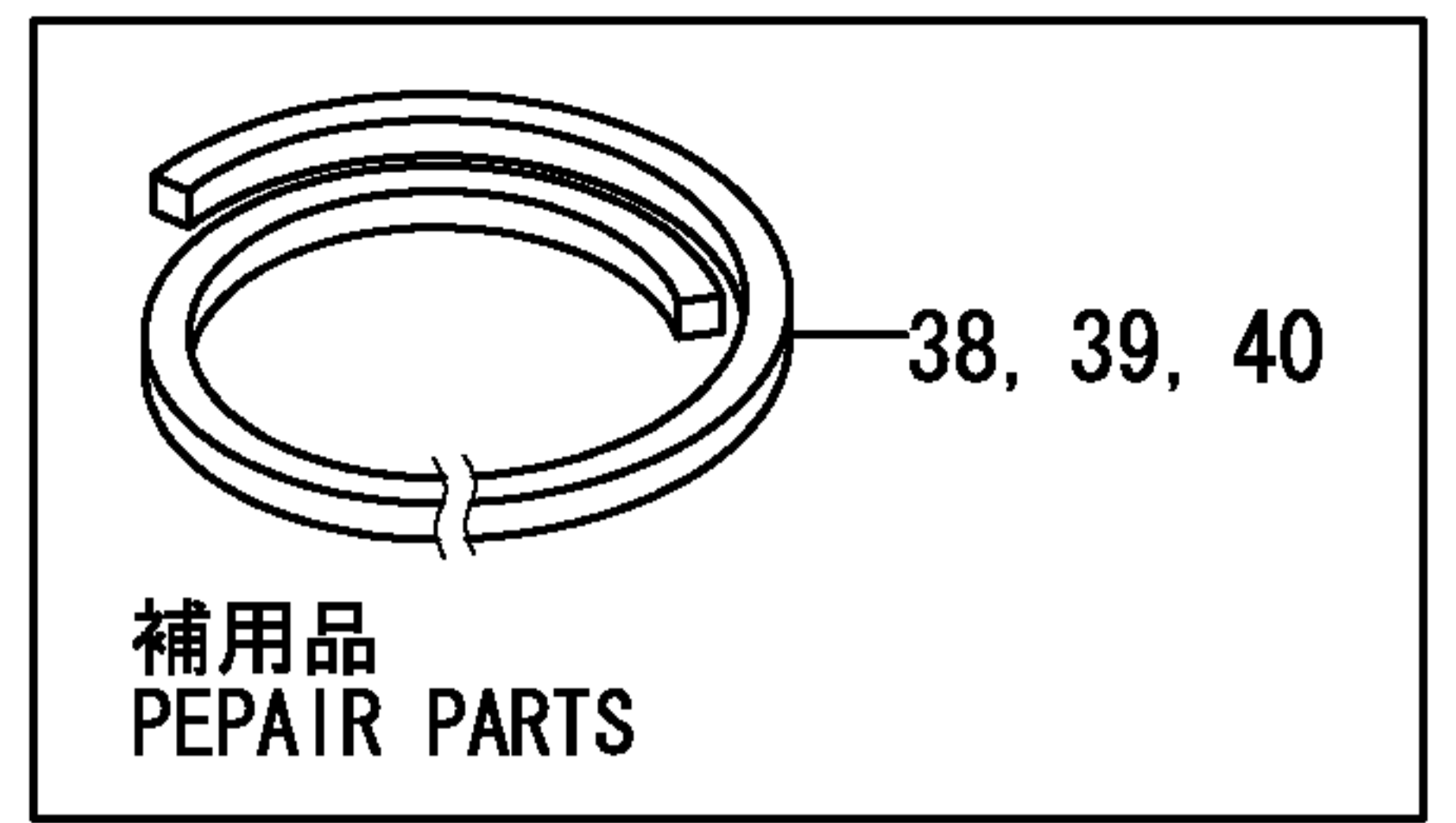
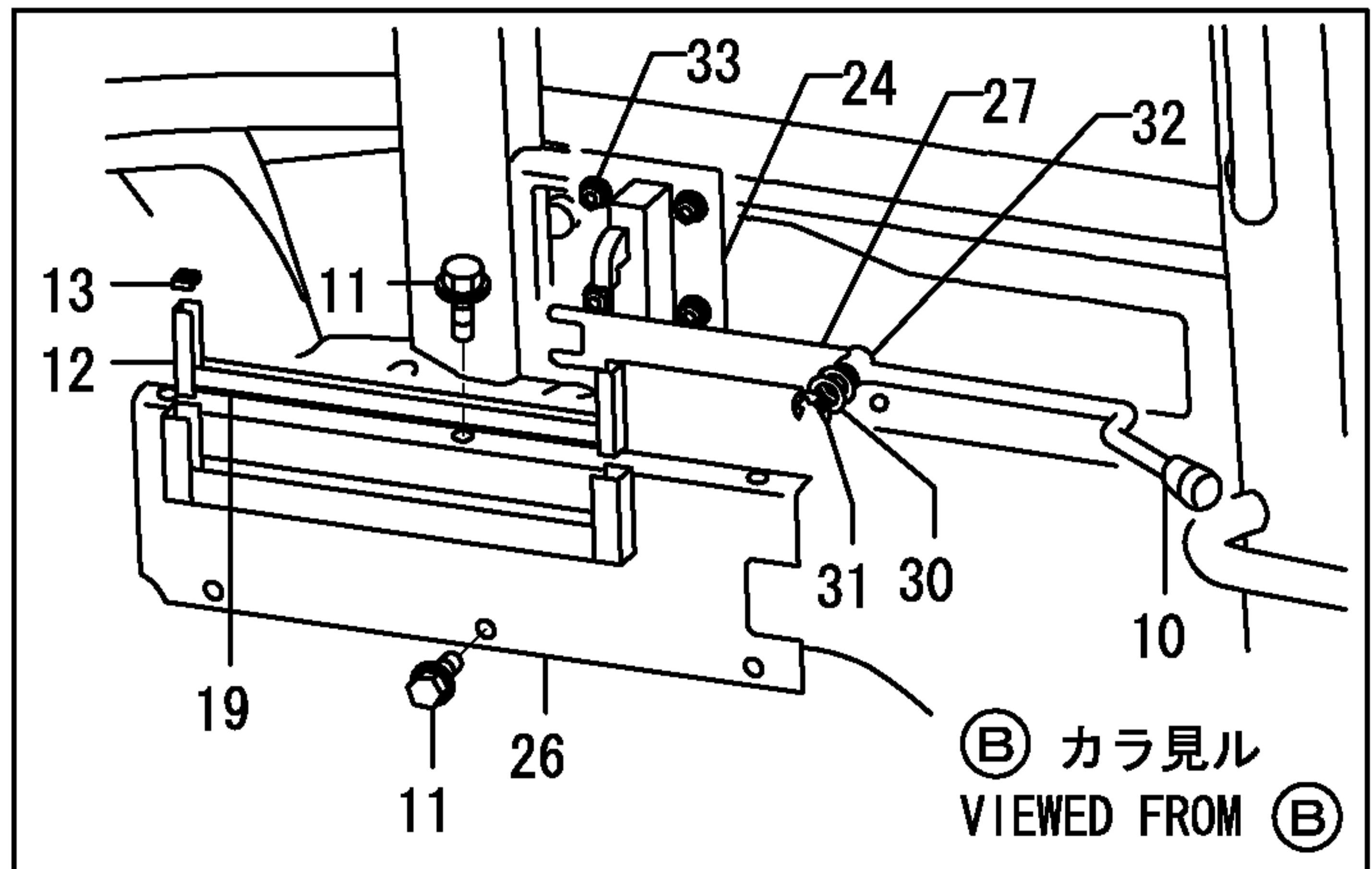
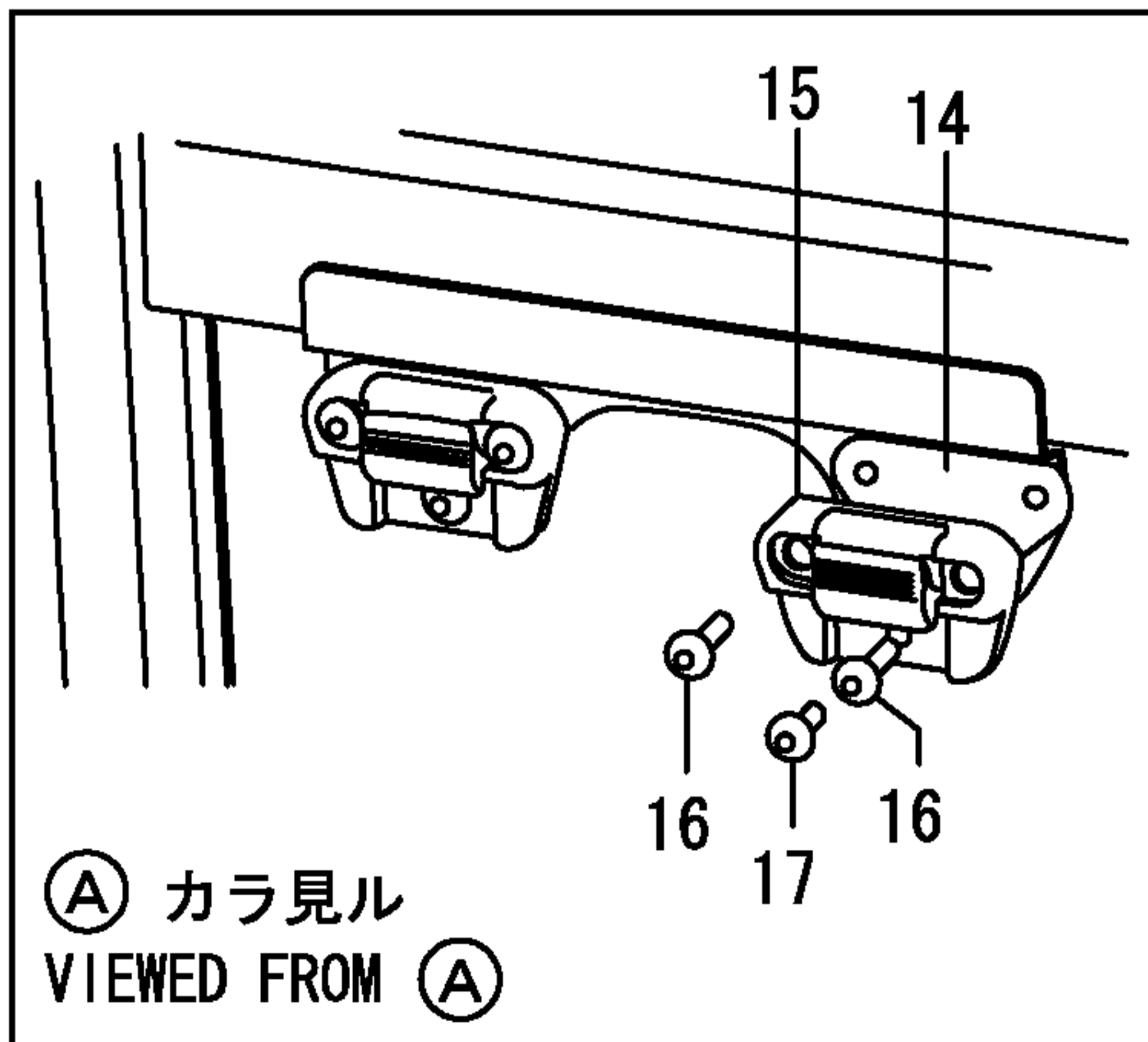
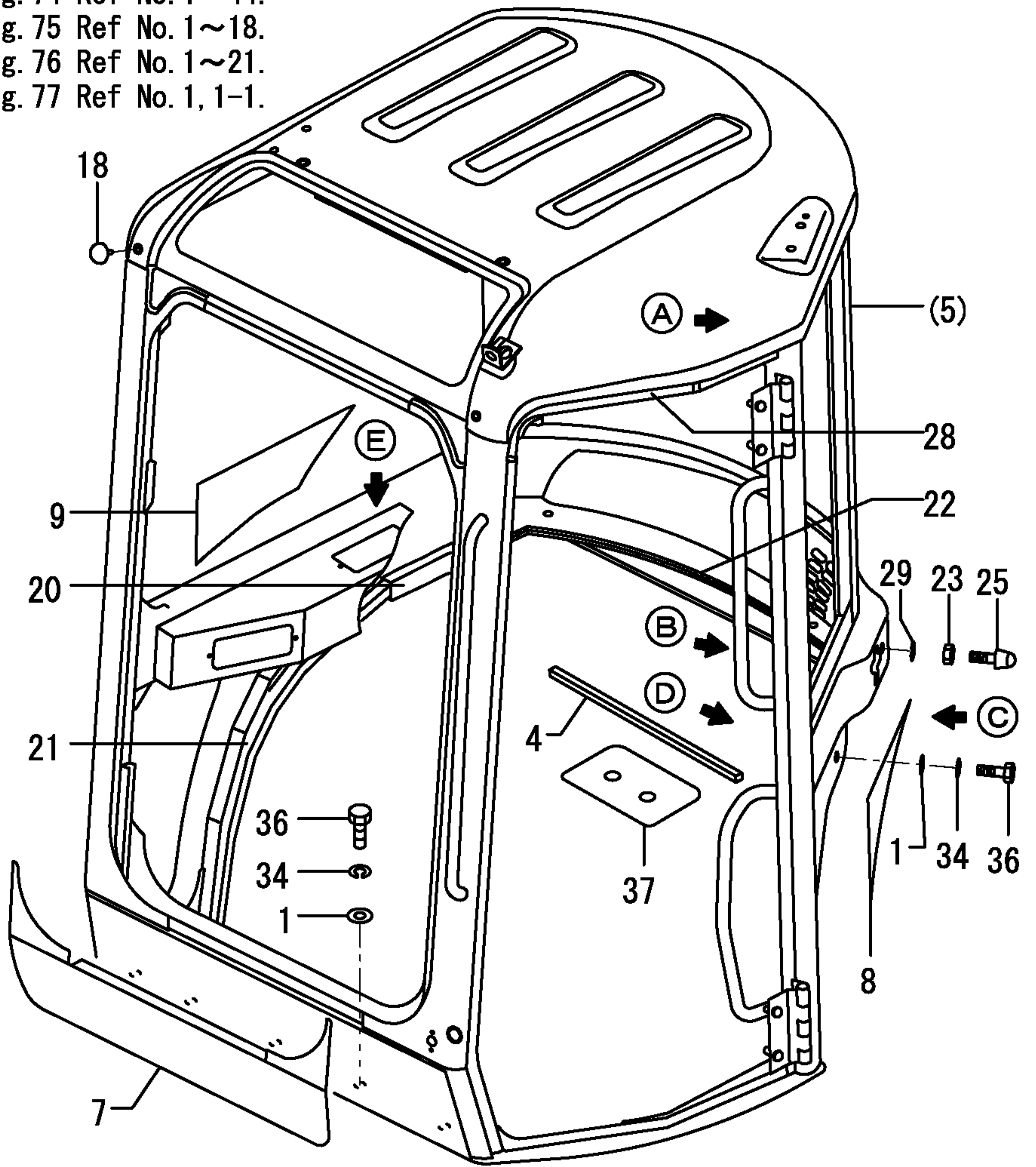
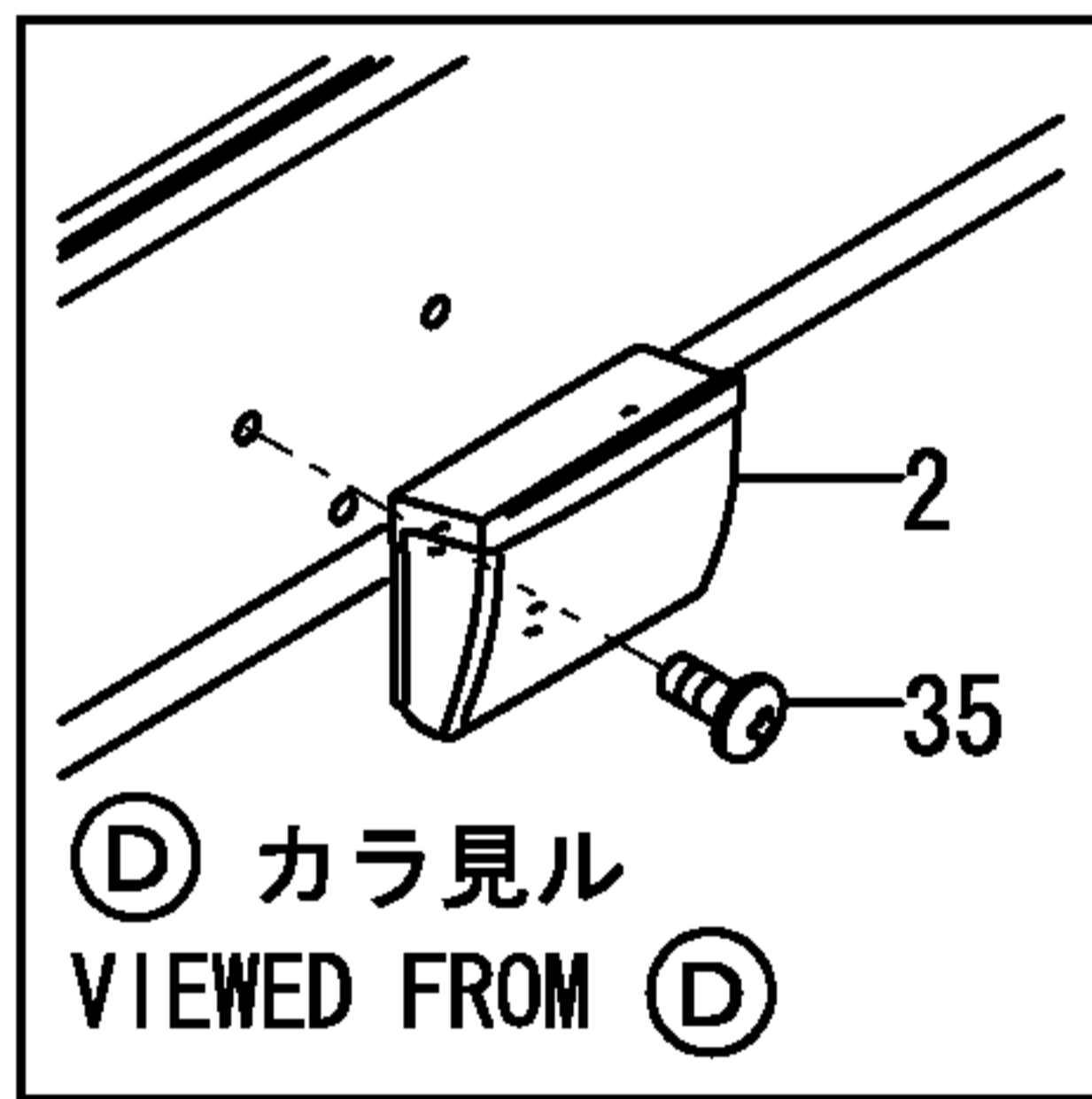
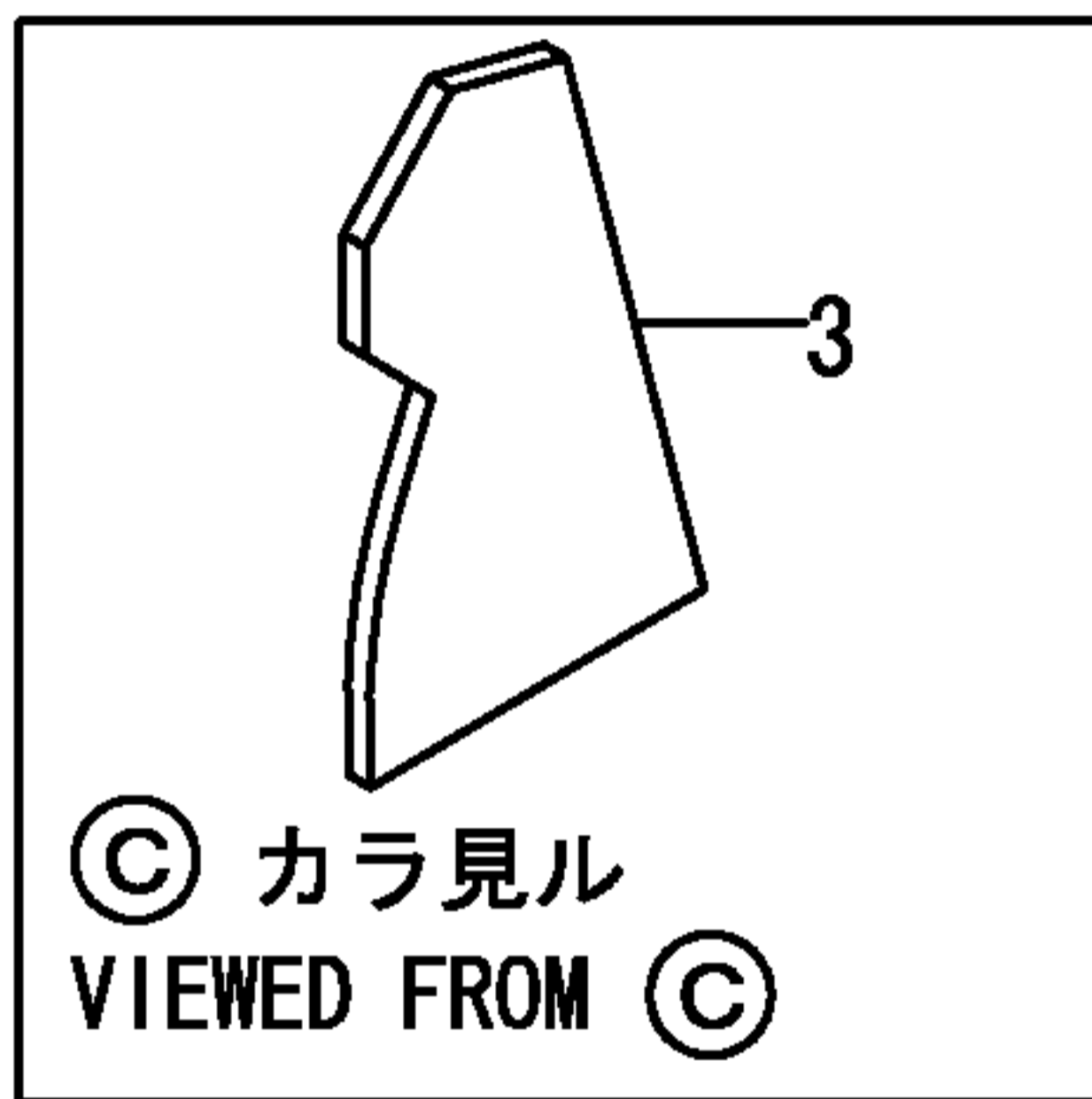
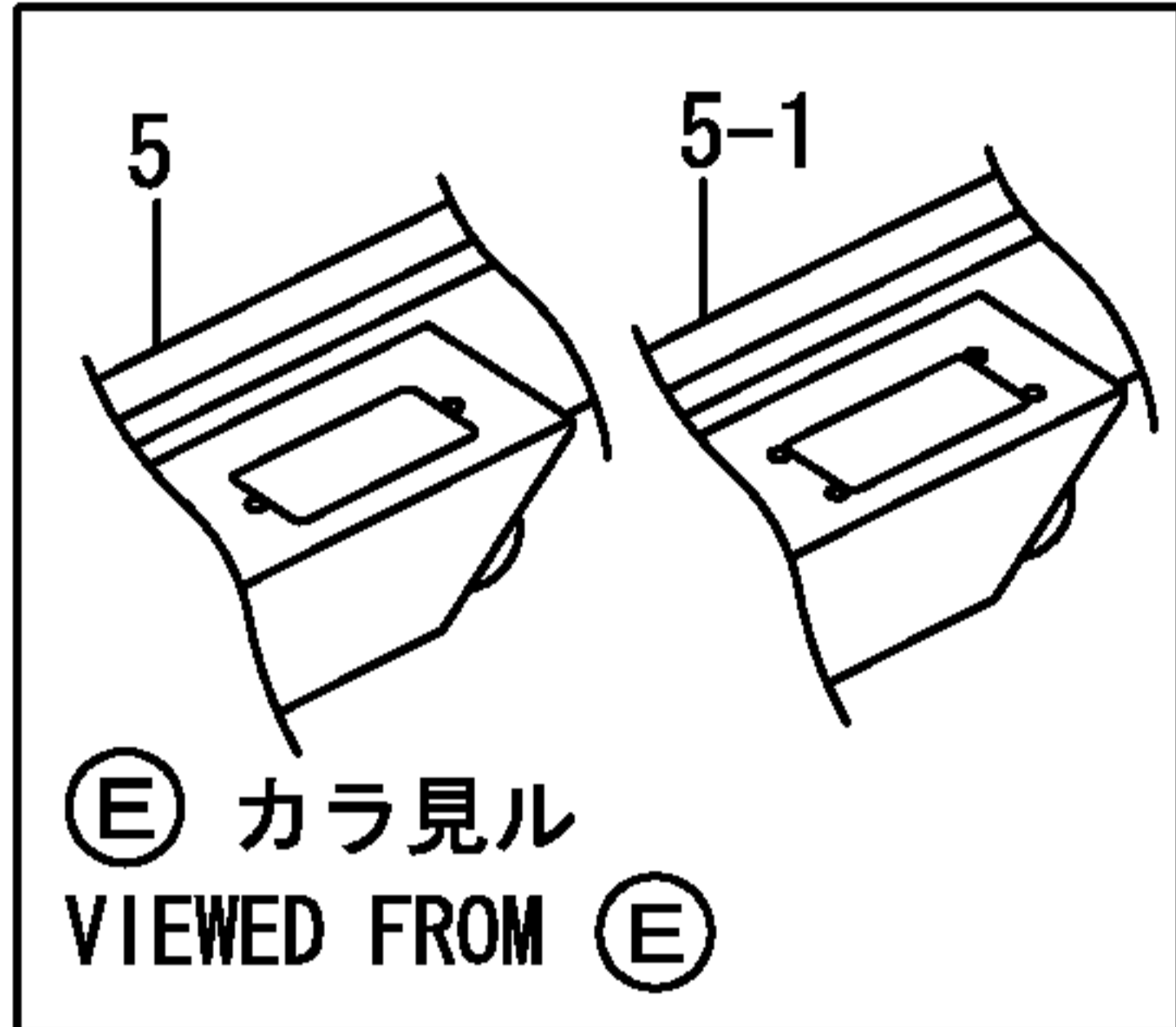


Fig. 73 Ref No. 5, 5-1, 5-2
 INC Fig. 73 Ref No. (5)~33.
 Fig. 74 Ref No. 1~44.
 Fig. 75 Ref No. 1~18.
 Fig. 76 Ref No. 1~21.
 Fig. 77 Ref No. 1, 1-1.

見出しNO. 6は
 見出しNO. 7~33を含みます。
 1 INC. 7~33.



∴印が今回変更(追記)した個所です。
 ∴MARKED PART HAS BEEN CHANGED (ADDED).

1,2,,172459-67810,, "SASH,FRONT UPPER",1,,1,,,,,,,,,,,,,,,,,,,,,
2,3,,172458-63670,, "HD WASHER",8,,8,,,,,,,,,,,,,,,,,,,,,
3,3,,172458-63680,, "BOLT 8X16",8,,8,,,,,,,,,,,,,,,,,,,,,
4,3,,172458-63730,, "SCREW TORX",4,,4,,,,,,,,,,,,,,,,,,,,,
5,3,,172458-63790,, SEAL,3,,3,,,,,,,,,,,,,,,,,,,,,
6,3,,172445-66750,, GRIP,2,,2,,,,,,,,,,,,,,,,,,,,,
7,3,,172458-67340,, "FRAME,FRONT W (12)",1,,1,,,,,,,,,,,,,,,,,,,,,
8,3,,172458-67440,, "LINK L,FW (12)",1,,1,,,,,,,,,,,,,,,,,,,,,
9,3,,172458-67510,, "LINK R,FW (12)",1,,1,,,,,,,,,,,,,,,,,,,,,
10,3,,172458-67520,, "HANDLE L",1,,1,,,,,,,,,,,,,,,,,,,,,
11,3,,172458-67550,, "HANDLE R",1,,1,,,,,,,,,,,,,,,,,,,,,
12,3,,172458-67570,, RUCHE,1,,1,,,,,,,,,,,,,,,,,,,,,
13,3,,172458-67610,, RUCHE,1,,1,,,,,,,,,,,,,,,,,,,,,
14,3,,172458-67670,, "ROLLER SHAFT L",1,,1,,,,,,,,,,,,,,,,,,,,,
15,3,,172458-67680,, "ROLLER SHAFT R",1,,1,,,,,,,,,,,,,,,,,,,,,
16,3,,172458-67870,, RUBBER,1,,1,,,,,,,,,,,,,,,,,,,,,
17,3,,172458-67900,, "GLASS UP(F/W",1,,1,,,,,,,,,,,,,,,,,,,,,
18,3,,172458-67920,, SPRING,2,,2,,,,,,,,,,,,,,,,,,,,,
19,3,,172463-69150,, SCREW-TORX,4,,4,,,,,,,,,,,,,,,,,,,,,
20,3,,172463-69160,, "HOLDER ASSY,F/W",2,,2,,,,,,,,,,,,,,,,,,,,,
21,3,,172463-69190,, "LATCH PIN",2,,2,,,,,,,,,,,,,,,,,,,,,
22,3,,172463-69200,, SPRING,2,,2,,,,,,,,,,,,,,,,,,,,,
23,3,,172463-69210,, "LEVER ASSY,F/W",2,,2,,,,,,,,,,,,,,,,,,,,,
24,3,,172445-69740,, ROLLER,2,,2,,,,,,,,,,,,,,,,,,,,,
25,3,,22117-120000,, "WASHER 12",4,,4,,,,,,,,,,,,,,,,,,,,,
26,3,,22137-060000,, "WASHER 6, POLISHED",2,,2,,,,,,,,,,,,,,,,,,,,,
27,3,,22272-000060,, "CIRCLIP E- 6",4,,4,,,,,,,,,,,,,,,,,,,,,
28,3,,22272-000080,, "CIRCLIP E- 8",4,,4,,,,,,,,,,,,,,,,,,,,,
29,3,,22351-030012,, "SPRING PIN 3X12",2,,2,,,,,,,,,,,,,,,,,,,,,
30,3,,24550-012200,, "BUSH 12X20",4,,4,,,,,,,,,,,,,,,,,,,,,
31,3,,26450-060102,, "BOLT M 6X 10",2,,2,,,,,,,,,,,,,,,,,,,,,
32,3,,172458-67850,, RUBBER,2,,2,,,,,,,,,,,,,,,,,,,,,
33,2,,172455-67610,, SPACER,2,,2,,,,,,,,,,,,,,,,,,,,,
34,2,,172455-67710,, "STOPPER RUBBER",2,,2,,,,,,,,,,,,,,,,,,,,,
35,2,,172458-67830,, "GLASS RUN 270",2,,2,,,,,,,,,,,,,,,,,,,,,
36,2,,172458-63760,, SEAL,1,,1,,,,,,,,,,,,,,,,,,,,,
37,2,,172458-67860,, RUBBER,1,,1,,,,,,,,,,,,,,,,,,,,,
38,2,,172458-67880,, RUBBER,1,,1,,,,,,,,,,,,,,,,,,,,,
39,2,,172458-67910,, "GLASS LOW(F/W",1,,1,,,,,,,,,,,,,,,,,,,,,
40,2,,172458-69250,, "SASH ASSY (W/GLASS)",1,,1,,,,,,,,,,,,,,,,,,,,,
41,3,,172455-67770,, "LOCK ASSY, SASH",2,,2,,,,,,,,,,,,,,,,,,,,,I
42,3,,172458-69260,, "SASH GLASS, REAR",1,,1,,,,,,,,,,,,,,,,,,,,,I
43,3,,172458-69270,, "SASH GLASS, FRONT",1,,1,,,,,,,,,,,,,,,,,,,,,I
44,3,,172458-69280,, "FRAME, SASH",1,,1,,,,,,,,,,,,,,,,,,,,,I

キャビンASSY CABIN ASSY

172458-67800

172458-67801

172458-67802

項目NO. 73の見出しNO. 5, 5-1, 5-2は、
項目NO. 73の見出しNO. (5) ~ 33と
項目NO. 74の見出しNO. 1 ~ 44と
項目NO. 75の見出しNO. 1 ~ 18と
項目NO. 76の見出しNO. 1 ~ 21と
項目NO. 77の見出しNO. 1, 1-1を含みます。

Fig. 73 Ref No. 5, 5-1, 5-2

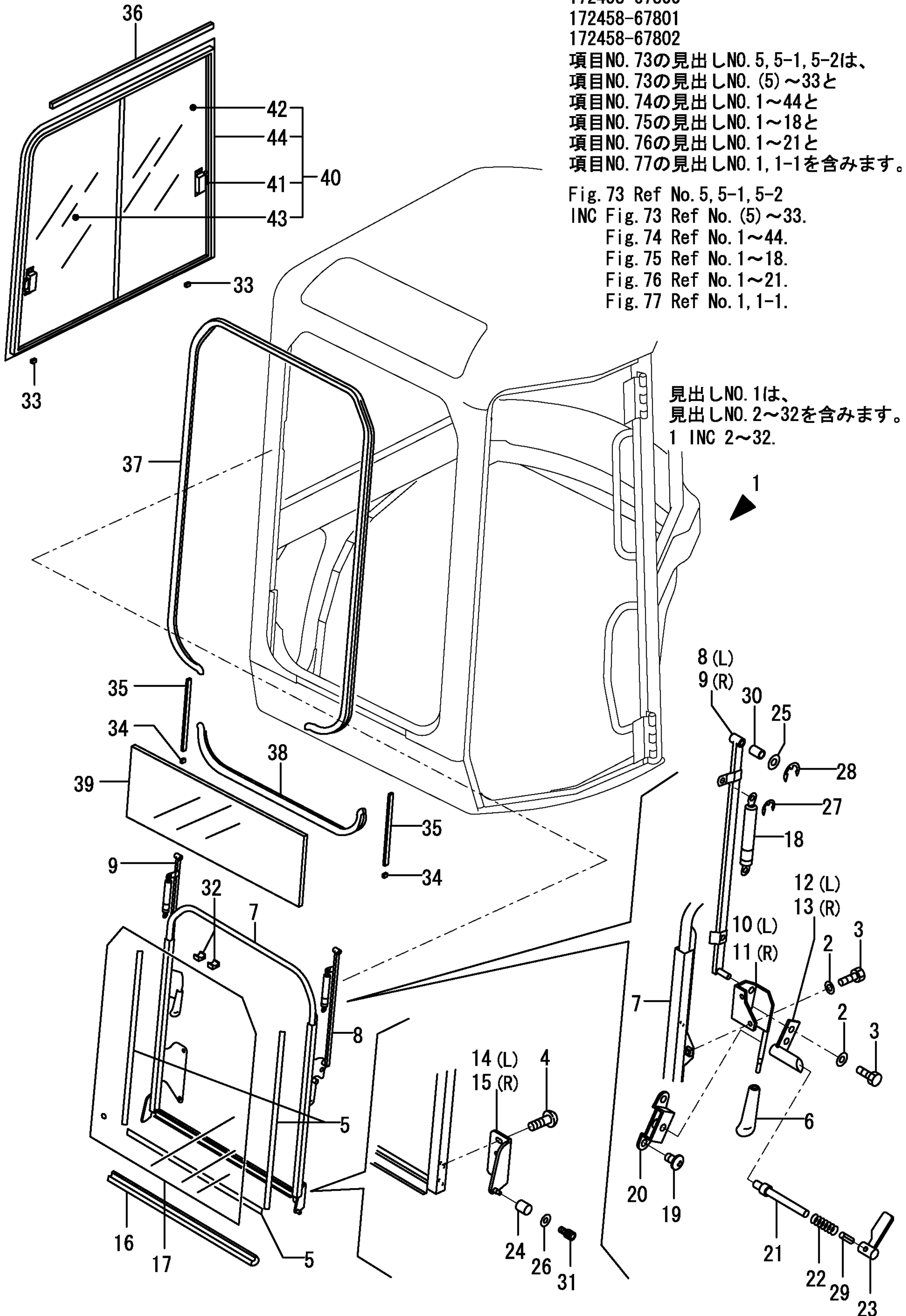
INC Fig. 73 Ref No. (5) ~ 33.

Fig. 74 Ref No. 1 ~ 44.

Fig. 75 Ref No. 1 ~ 18.

Fig. 76 Ref No. 1 ~ 21.

Fig. 77 Ref No. 1, 1-1.



見出しNO. 1は、
見出しNO. 2~32を含みます。
1 INC 2~32.

1,2,,172458-63700,,PLATE,1,,1,,,,,,,,,,,,,,,,,,,,,
2,2,,172458-63730,, "SCREW TORX",4,,4,,,,,,,,,,,,,,,,,,,,,
3,2,,172458-63770,,MOLD,1,,1,,,,,,,,,,,,,,,,,,,,,
4,2,,172458-63800,,RUBBER,1,,1,,,,,,,,,,,,,,,,,,,,,
5,2,,172458-63950,,SPACER,6,,6,,,,,,,,,,,,,,,,,,,,,
6,2,,172458-63960,,SPACER,6,,6,,,,,,,,,,,,,,,,,,,,,
7,2,,172458-63970,,SEAL,1,,1,,,,,,,,,,,,,,,,,,,,,
8,2,,172458-63980,,SEAL,1,,1,,,,,,,,,,,,,,,,,,,,,
9,2,,172458-63990,,SEAL,1,,1,,,,,,,,,,,,,,,,,,,,,
10,2,,172455-67550,,FASTERNER,15,,15,,,,,,,,,,,,,,,,,,,,,
11,2,,172458-68850,, "INNER ROOF",1,,,,,,,,,,,,,,,,,,,,,
11-1,2,,172458-68851,, "INNER ROOF",1,,1,,,,,S,,24580560,XXX,,,,,,,,,,,,,I
12,2,,172458-69090,,MOLD,1,,1,,,,,,,,,,,,,,,,,,,,,
13,2,,172458-69200,, "GLASS LOW(R",1,,1,,,,,,,,,,,,,,,,,,,,,
14,2,,172458-69210,, "SUN ROOF",1,,1,,,,,,,,,,,,,,,,,,,,,
15,2,,172458-69220,, "INNER FRONT",1,,1,,,,,,,,,,,,,,,,,,,,,
16,2,,172458-69230,, "GLASS L",1,,1,,,,,,,,,,,,,,,,,,,,,
17,2,,172458-69240,, "GLASS REAR",1,,1,,,,,,,,,,,,,,,,,,,,,
18,2,,26716-100002,, "NUT 10",2,,2,,,,,,,,,,,,,,,,,,,,,

キャビンASSY

CABIN ASSY

172458-67800

172458-67801

172458-67802

項目NO. 73の見出しNO. 5, 5-1, 5-2は、
項目NO. 73の見出しNO. (5) ~ 33と
項目NO. 74の見出しNO. 1 ~ 44と
項目NO. 75の見出しNO. 1 ~ 18と
項目NO. 76の見出しNO. 1 ~ 21と
項目NO. 77の見出しNO. 1, 1-1を含みます。

Fig. 73 Ref No. 5, 5-1, 5-2

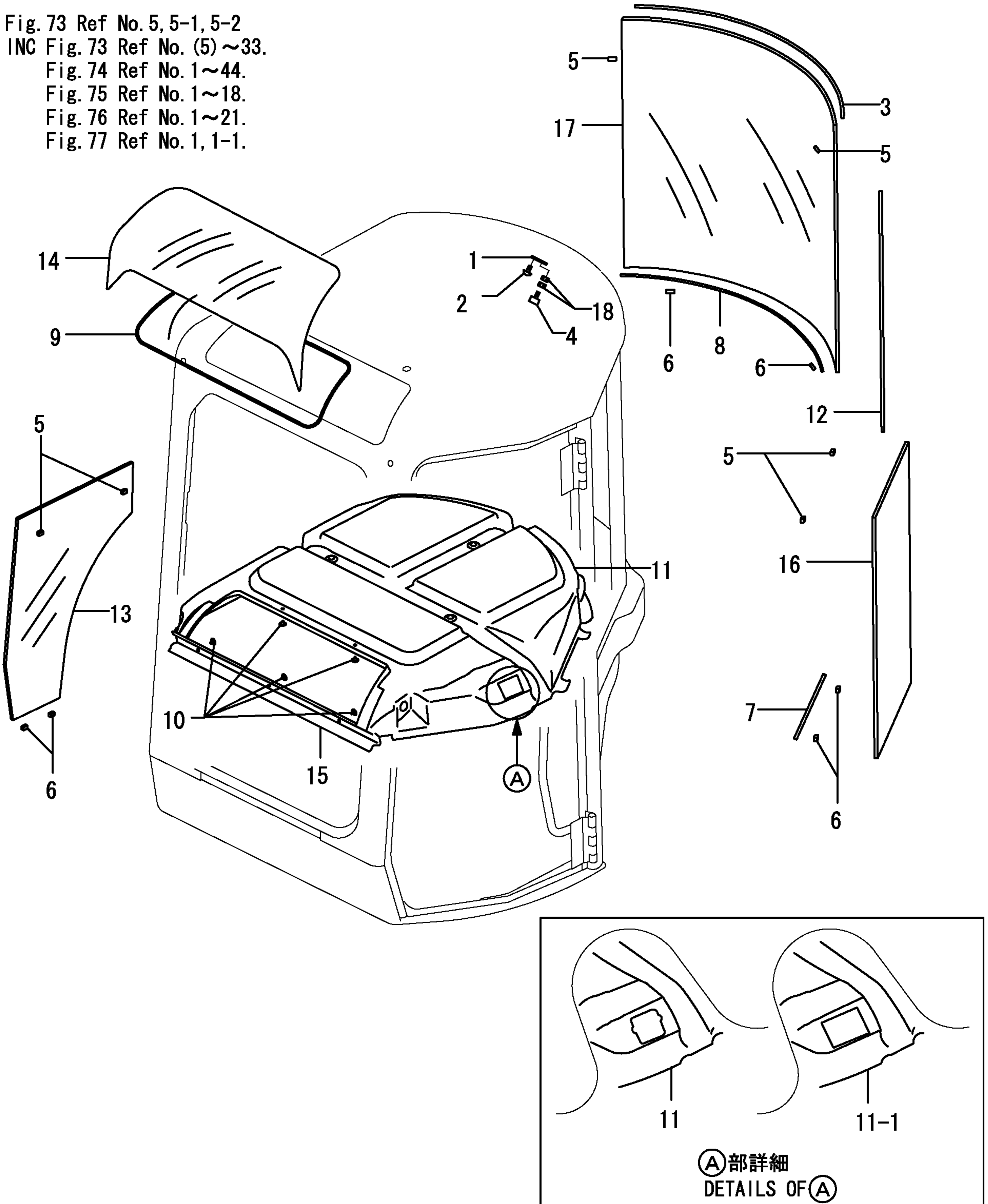
INC Fig. 73 Ref No. (5) ~ 33.

Fig. 74 Ref No. 1 ~ 44.

Fig. 75 Ref No. 1 ~ 18.

Fig. 76 Ref No. 1 ~ 21.

Fig. 77 Ref No. 1, 1-1.



1,2,,172458-16610,, "WIRE HARNESS A",1,,,,,,,,,,,,,
1-1,2,,172458-16611,, "WIRE HARNESS
A(CABIN",1,,,,,S,,24600331,M/#25501,,,,,,,,,,,,,I
1-2,2,,172458-16612,, "HARNESS A,WIRE(CABIN",1,1,,,,,S,,24580560,XXX,,,,,,,,,,,,,I
2,2,,172458-16620,, "WIRE HARNESS B",1,1,,,,,,,,,,,,,
3,2,,172458-17210,, "WIPER MOTOR",1,1,,,,,,,,,,,,,
4,2,,172458-17220,, "WIPER ARM",1,1,,,,,,,,,,,,,
5,2,,172458-17230,, "WIPER BLADE",1,1,,,,,,,,,,,,,
6,2,,172455-67870,, GROMMET,2,2,,,,,,,,,,,,,
7,2,,172455-67880,, HARNESS-CURL,1,1,,,,,,,,,,,,,
8,2,,172455-67910,, "CLAMP HARNESS",3,3,,,,,,,,,,,,,
9,2,,172455-67970,, "WORKING LAMP",1,1,,,,,,,,,,,,,
10,2,,172458-17420,, "BULB,12V 55W",1,1,,,,,,,,,,,,,
11,2,,172458-69320,, GROMMET,1,1,,,,,,,,,,,,,
12,2,,172455-69410,, "SET SCREW",2,2,,,,,,,,,,,,,
13,2,,172455-69490,, "COVER WIPER-MOTOR",1,1,,,,,,,,,,,,,
14,2,,22137-080000,, "WASHER 8, POLISHED",1,1,,,,,,,,,,,,,
15,2,,22857-400100,, "SCREW 4X10",2,2,,,,,Z,,24580560,XXX,,,,,,,,,,,,,I
16,2,,26013-080162,, "BOLT W/WASHER M8X16",1,1,,,,,,,,,,,,,
17,2,,26116-080202,, "BOLT M 8X 20 PLATED",1,1,,,,,,,,,,,,,
18,2,,26366-080002,, "NUT M 8",1,1,,,,,,,,,,,,,
19,2,,933113-05150,, "LAMP, ROOM",1,,,,,,,,,,,,,
19-1,2,,172455-67900,, "ROOM LAMP",1,1,,,,,S,,24580560,XXX,,,,,,,,,,,,,I
20,3,,933113-05160,, "BULB (12V5W)",1,,,,,,,,,,,,,
20-1,3,,172455-67930,, BULB,1,1,,,,,S,,24580560,XXX,,,,,,,,,,,,,I
21,2,,933168-55770,, "BAND 146",1,1,,,,,,,,,,,,,
22,1,,172190-16500,, HARNESS,1,1,,,,,,,,,,,,,

キャビンASSY CABIN ASSY

172458-67800

172458-67801

172458-67802

項目NO. 73の見出しNO. 5, 5-1, 5-2は、
項目NO. 73の見出しNO. (5)~33と
項目NO. 74の見出しNO. 1~44と
項目NO. 75の見出しNO. 1~18と
項目NO. 76の見出しNO. 1~21と
項目NO. 77の見出しNO. 1, 1-1を含みます。

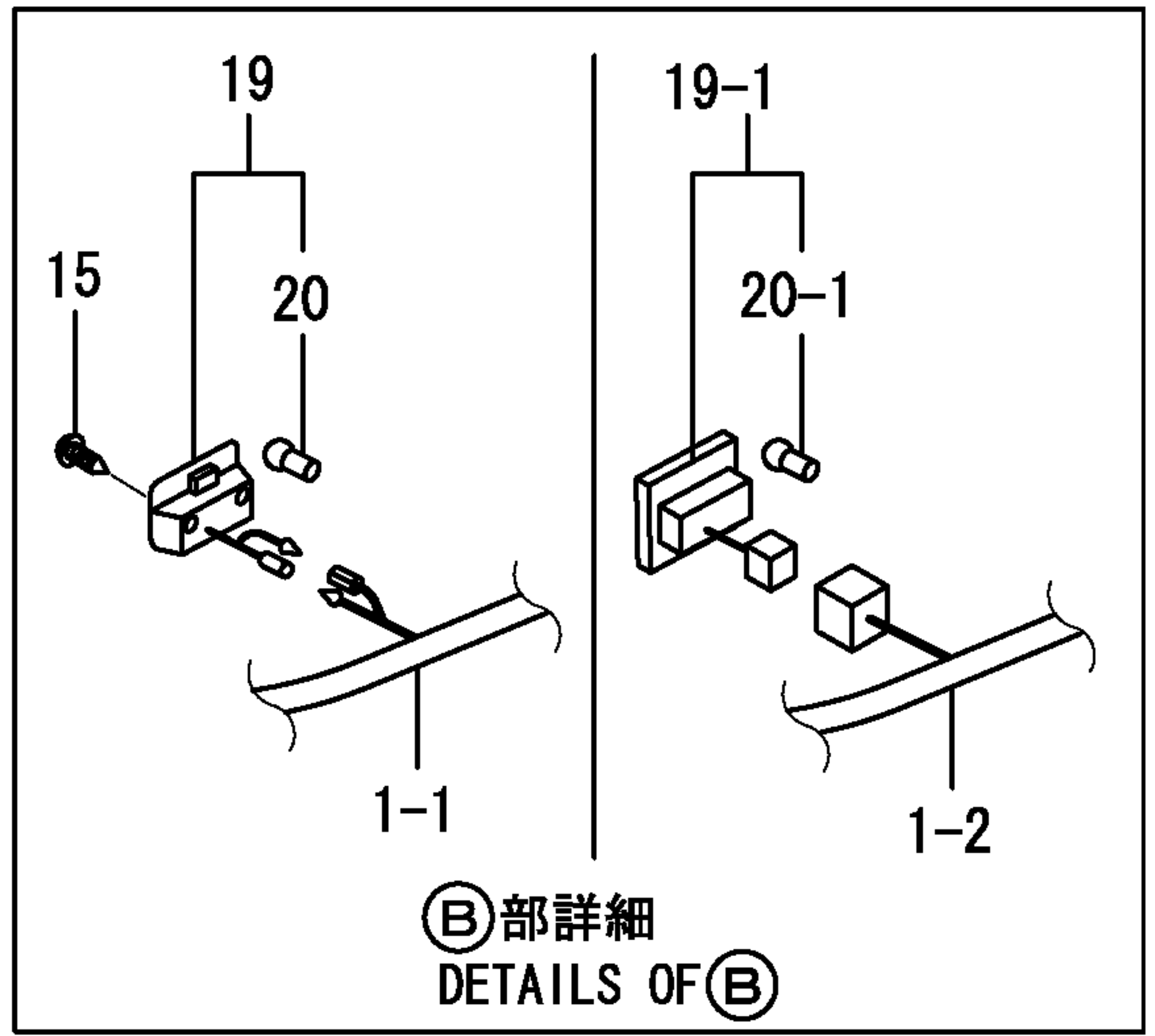
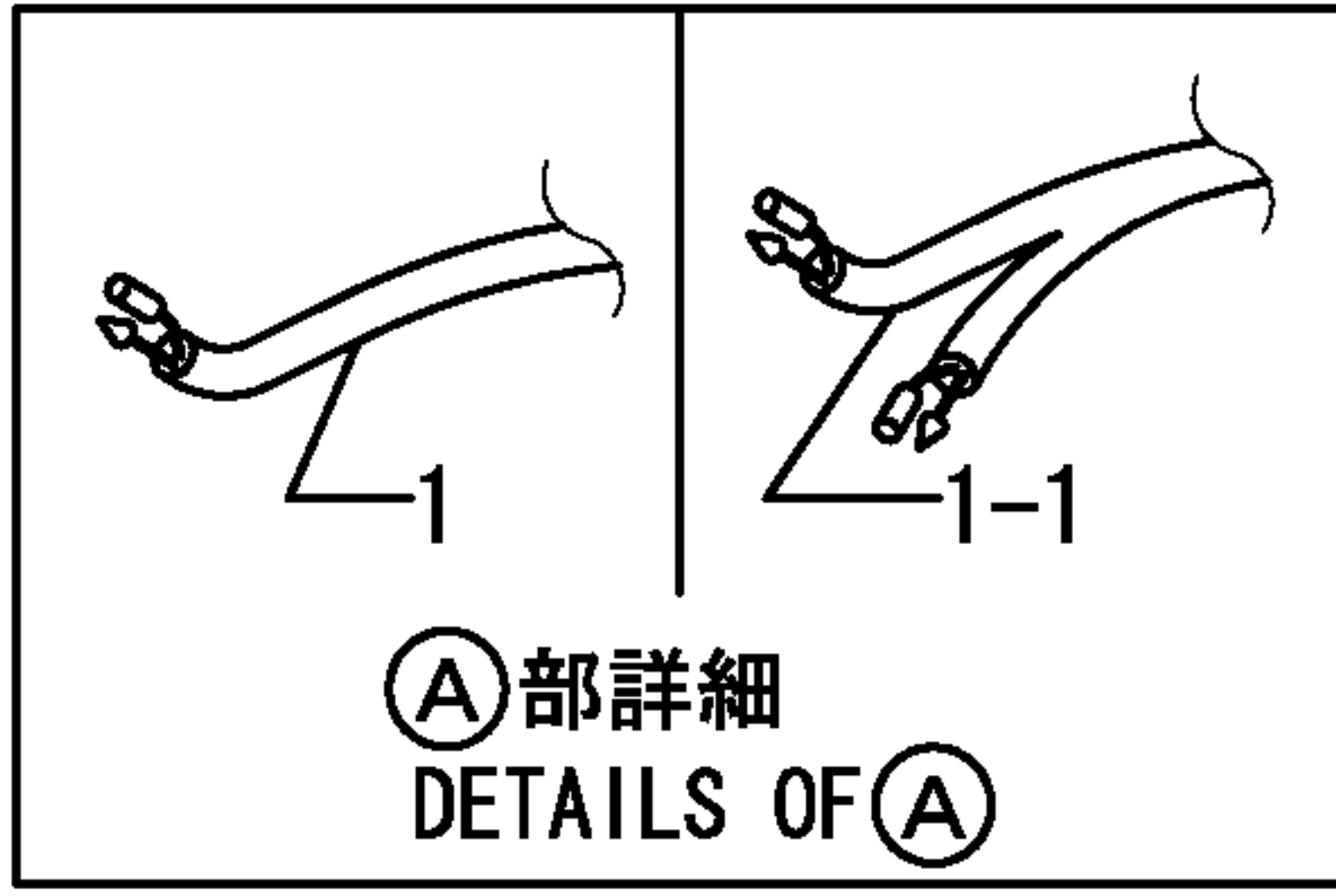
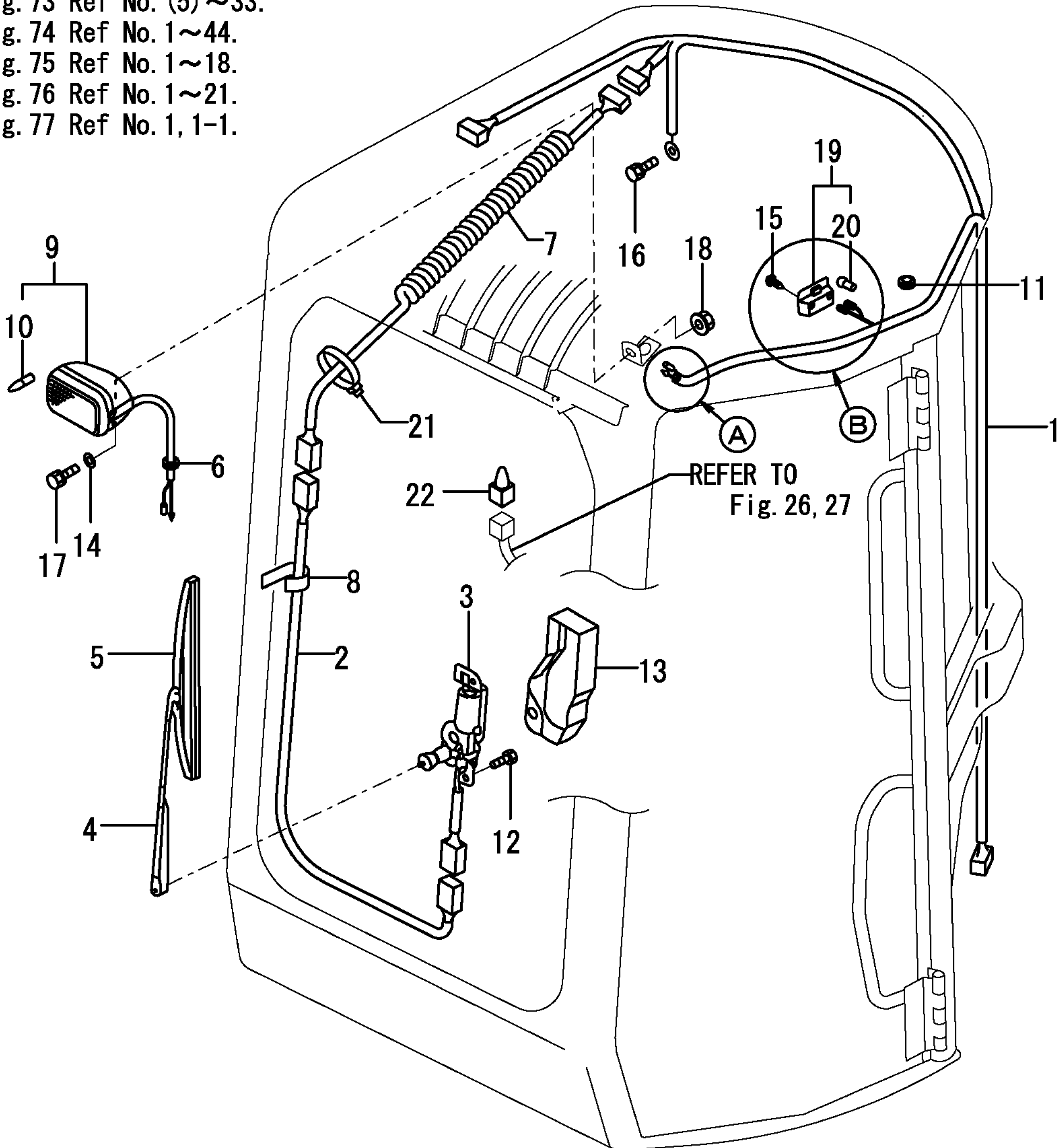


Fig. 73 Ref No. 5, 5-1, 5-2
INC Fig. 73 Ref No. (5)~33.
Fig. 74 Ref No. 1~44.
Fig. 75 Ref No. 1~18.
Fig. 76 Ref No. 1~21.
Fig. 77 Ref No. 1, 1-1.



1,2,,172459-67820,, "CABIN,DOOR",1,,,,,,,,,,,,,,,,,,,,,
1-1,2,,172459-67821,, "CABIN,DOOR",1,1,,,,,N,,72458507,M/#22680,,,,,,,,,,,,,
2,3,,172459-67830,, "DOOR,FRONT",1,,,,,,,,,,,,,,,,,,,,,
2-1,3,,172459-67831,, "DOOR ASSY, FRONT",1,1,,,,,S,,72458507,M/#22680,,,,,,,,,,,,,
3,4,,172458-63670,, "HD WASHER",2,,2,,,,,,,,,,,,,,,,,,,,,
4,4,,172458-63930,, STOPPER,1,,1,,,,,,,,,,,,,,,,,,,,,
5,4,,172164-66170,, "KEY ASSY, CYLINDER",1,1,,,,,,,,,,,,,,,,,,,,,
6,4,,172458-67020,, STRIKER,1,,1,,,,,,,,,,,,,,,,,,,,,
7,4,,172458-63950,, SPACER,3,,3,,,,,,,,,,,,,,,,,,,,,
8,4,,172458-67650,, DUM,1,,1,,,,,,,,,,,,,,,,,,,,,
9,4,,172458-67940,, PLATE,1,,1,,,,,,724580588,,,,,724580588,,,,,,
10,4,,172458-69100,, MOLD,1,,1,,,,,,,,,,,,,,,,,,,,,
11,4,,172455-69170,, "COVER-DOOR IN",1,1,,,,,,,,,,,,,,,,,,,,,
12,4,,172455-69300,, SCREW,3,,3,,,,,,,,,,,,,,,,,,,,,
13,4,,172445-69320,, NUT,4,,4,,,,,,,,,,,,,,,,,,,,,
14,4,,172445-69400,, ROD,1,,1,,,,,,,,,,,,,,,,,,,,,
15,4,,172458-69400,, "FRAME,DOOR F (12)",1,1,,,,,,,,,,,,,,,,,,,,,
16,4,,172445-69420,, "DOOR HOOK",1,,1,,,,,,,,,,,,,,,,,,,,,
17,4,,172162-69470,, "LOCK PLATE",1,,1,,,,,,,,,,,,,,,,,,,,,
18,4,,172162-69480,, "LOCK ASSY",1,1,,,,,,,,,,,,,,,,,,,,,
19,4,,172162-69490,, PIN,1,,1,,,,,,,,,,,,,,,,,,,,,
20,4,,172162-69500,, SPRING,1,,1,,,,,,,,,,,,,,,,,,,,,
21,4,,172162-69510,, "HANDLE ASSY",1,1,,,,,,,,,,,,,,,,,,,,,
22,4,,172162-69520,, COVER,1,,1,,,,,,,,,,,,,,,,,,,,,
23,4,,172455-69520,, SCREW,2,,2,,,,,,,,,,,,,,,,,,,,,
24,4,,172162-69541,, "HANDLE,OUTER",1,1,,,,,,724580588,,,,,724580588,,,,,,
25,4,,172458-69580,, "RUBBER A",1,,1,,,,,,,,,,,,,,,,,,,,,
26,4,,172458-69900,, "GLASS FU",1,,1,,,,,,,,,,,,,,,,,,,,,
27,4,,172458-69910,, "GLASS FU",1,,1,,,,,,,,,,,,,,,,,,,,,
28,4,,22137-080000,, "WASHER 8, POLISHED",1,1,,,,,,,,,,,,,,,,,,,,,
29,4,,26013-060162,, "BOLT M 6X 16",3,,3,,,,,,,,,,,,,,,,,,,,,
30,4,,26023-060122,, "SCREW M 6X 12",2,,2,,,,,,,,,,,,,,,,,,,,,
31,4,,26023-060162,, "SCREW M 6X 16",4,,4,,,,,,,,,,,,,,,,,,,,,
32,4,,26051-080002,, "NUT M 8",1,1,,,,,,724580588,,,,,724580588,,,,,,
33,4,,26116-080202,, "BOLT M 8X 20 PLATED",1,1,,,,,,724580588,,,,,724580588,,,,,,
34,4,,26116-100304,, "BOLT M10X 30 PLATED",1,1,,,,,,,,,,,,,,,,,,,,,
35,4,,26716-100002,, "NUT 10",1,,1,,,,,,,,,,,,,,,,,,,,,
36,4,,26716-100002,, "NUT 10",1,,1,,,,,,,,,,,,,,,,,,,,,
37,4,,172458-66720,, "COVER, RUBBER",1,1,,,,,W,,72458507,M/#22680,,,,,,,,,,,,,

キャビンドアASSY
 CABIN DOOR ASSY

172459-67820

172459-67821

項目NO. 77の見出しNO. 1, 1-1は、

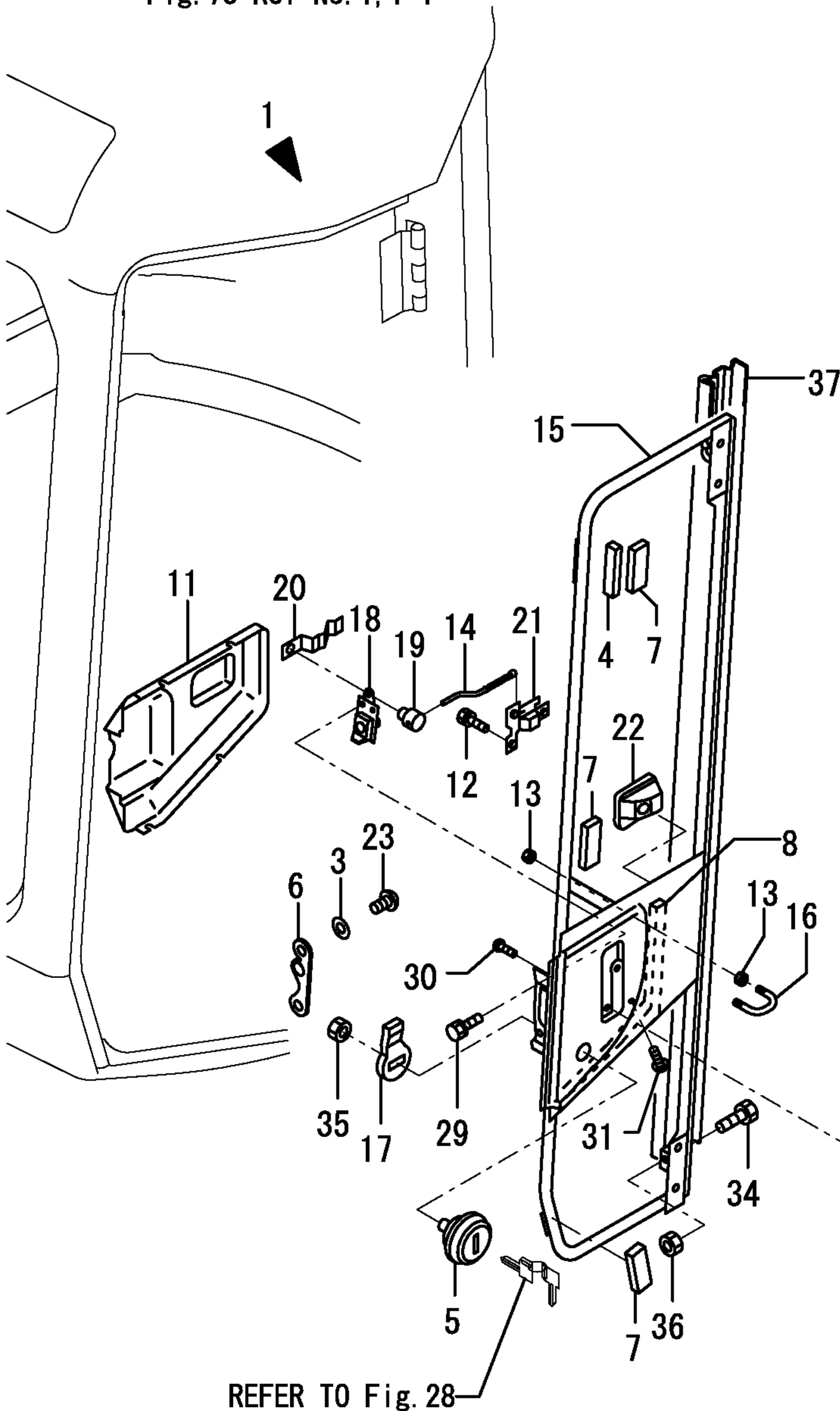
項目NO. 77の見出しNO. 2, 2-1と

∴ 項目NO. 78の見出しNO. 1, 1-1を含みます。

Fig. 77 Ref No. 1, 1-1

INC Fig. 77 Ref No. 2, 2-1

Fig. 78 Ref No. 1, 1-1



REFER TO Fig. 28

キャビンASSY
 CABIN ASSY

172458-67800

172458-67801

172458-67802

項目NO. 73の見出しNO. 5, 5-1, 5-2は、

項目NO. 74の見出しNO. (5)~33と

項目NO. 75の見出しNO. 1~44と

項目NO. 76の見出しNO. 1~18と

項目NO. 77の見出しNO. 1~21と

項目NO. 78の見出しNO. 1を含みます。

Fig. 60 Ref No. 5, 5-1, 5-2

INC Fig. 73 Ref No. (5)~33.

Fig. 74 Ref No. 1~44.

Fig. 75 Ref No. 1~18.

Fig. 76 Ref No. 1~21.

Fig. 77 Ref No. 1.

見出しNO. 2は、

見出しNO. 3~36を含みます。

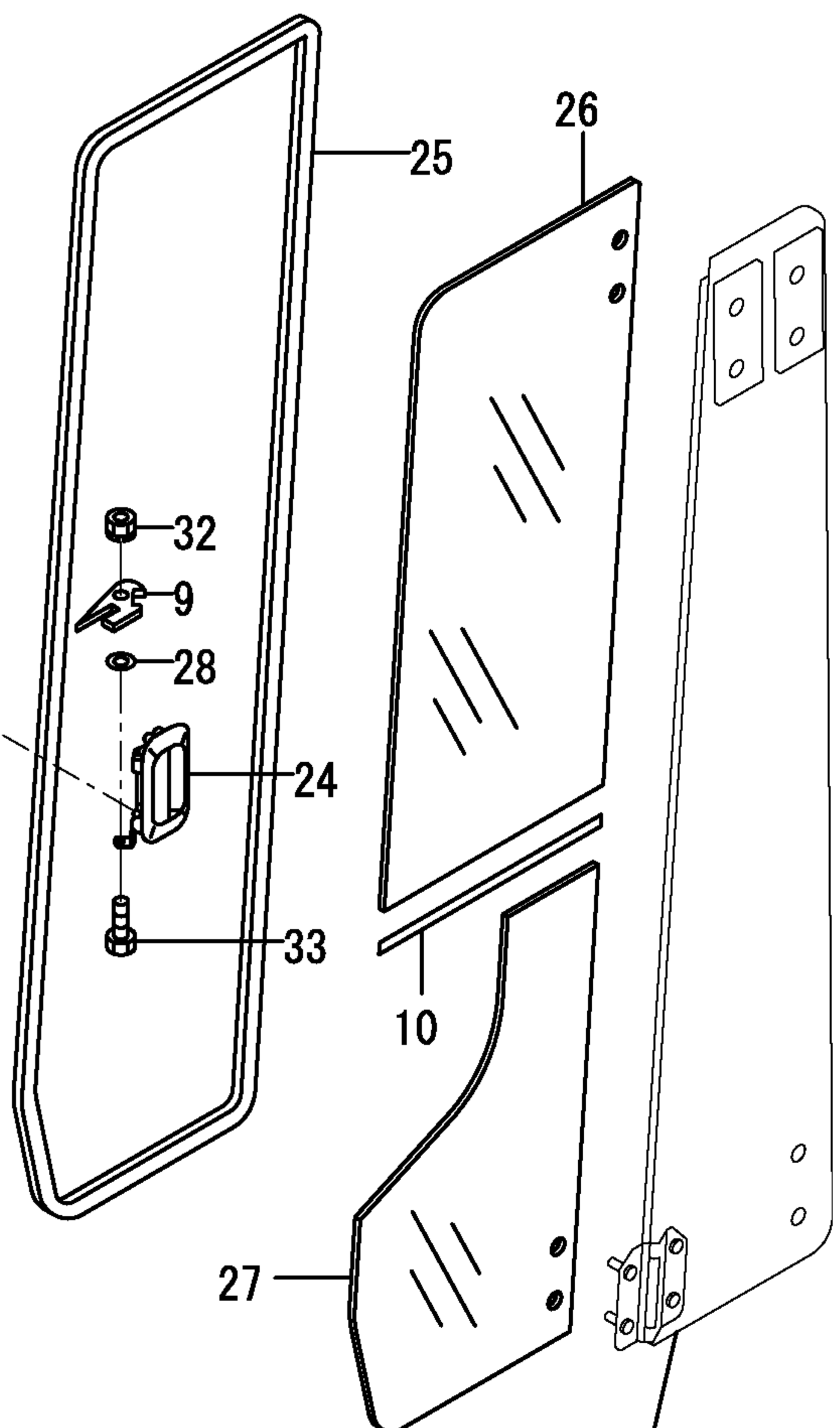
2 INC 3~36.

2, 2-1

見出しNO. 2-1は、

見出しNO. 3~37を含みます。

2-1 INC 3~37.



REFER TO Fig. 78

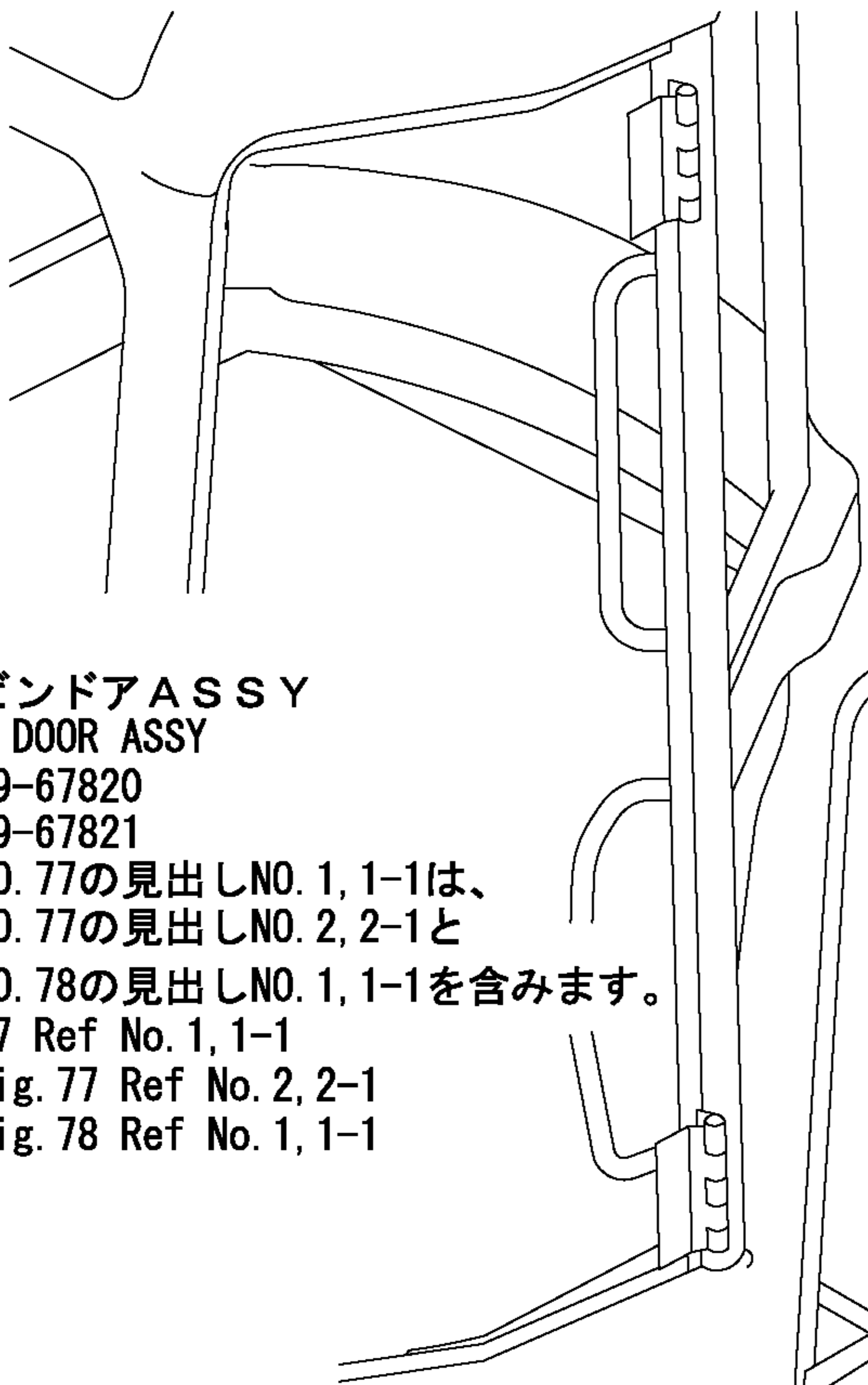
∴ 印が今回変更(追記)した個所です。

∴ MARKED PART HAS BEEN CHANGED (ADDED).

1,3,,172459-67840,, "DOOR,REAR",1,,,,,,,,,,,,,,,,,,,,,
1-1,3,,172459-67841,, "DOOR ASSY,
REAR",1,1,,,,,S,,72458507,M/#22680,,,,,,,,,72458507,,I
2,4,,172458-69590,, "RUBBER, FRAME B ASSY",1,1,,,,,,,,,,,,,
3,4,,172458-69600,, "FRAME ASSY,DOOR REAR",1,,,,,,,,,,,,,
3-1,2,,172458-69601,, "FRAME,DOOR REAR
(12)",1,1,,,,,S,,72458507,M/#22680,,,,,,,,,I
4,4,,172458-69920,, "GLASS R, DOOR",1,1,,,,,,,,,,,,,
5,3,,172519-63240,, "BOLT 8X 16",2,2,,,,,,,,,,,,,
6,3,,172455-69140,, "NUT,12,,12,,,,,,,,,,,,,
7,3,,172455-69200,, "TUBE,12,,12,,,,,,,,,,,,,
8,3,,172455-69250,, "PIPE,12,,12,,,,,,,,,,,,,
9,3,,172455-69290,, "PACKING,4,,4,,,,,,,,,,,,,
10,3,,172458-69730,, "PLATE,1,,1,,,,,,,,,,,,,
11,3,,172458-69760,, "GUIDE, STOPPER",1,1,,,,,,,,,,,,,
12,3,,172458-69770,, "HINGE,2,,2,,,,,,,,,,,,,
13,3,,172458-69960,, "GASKET,8,,8,,,,,,,,,,,,,
14,3,,172458-69990,, "COVER,HINGE",2,2,,,,,,,,,,,,,
15,3,,22137-080000,, "WASHER 8, POLISHED",2,2,,,,,,,,,,,,,
16,3,,22372-080000,, "SNAP PIN (JASO 8)",2,,,,,,,,,,,,,
16-1,3,,22417-200160,, "COTTER PIN 2.0X16",2,2,,,,,N,,72458486,M/#22430,,,,,,,,,
17,2,,172458-66780,, "UPPER PLATE,DOOR
REA",1,1,,,,,W,,72458507,M/#22680,,,,,,,,,I
18,2,,172458-66790,, "LOWER PLATE,DOOR
REA",1,1,,,,,W,,72458507,M/#22680,,,,,,,,,I
19,2,,172458-66800,, "TORQUES 6X16",4,4,,,,,W,,72458507,M/#22680,,,,,,,,,I
20,2,,172458-66800,, "TORQUES 6X16",3,3,,,,,W,,72458507,M/#22680,,,,,,,,,I

見出しNO. 1は、
見出しNO. 2~16を含みます。
1 INC 2~16.

見出しNO. 1-1は、
見出しNO. 2~20を含みます。
1-1 INC 2~20.



キャビンドアASSY
CABIN DOOR ASSY

172459-67820
172459-67821

項目NO. 77の見出しNO. 1, 1-1は、
項目NO. 77の見出しNO. 2, 2-1と
項目NO. 78の見出しNO. 1, 1-1を含みます。

Fig. 77 Ref No. 1, 1-1
INC Fig. 77 Ref No. 2, 2-1
Fig. 78 Ref No. 1, 1-1

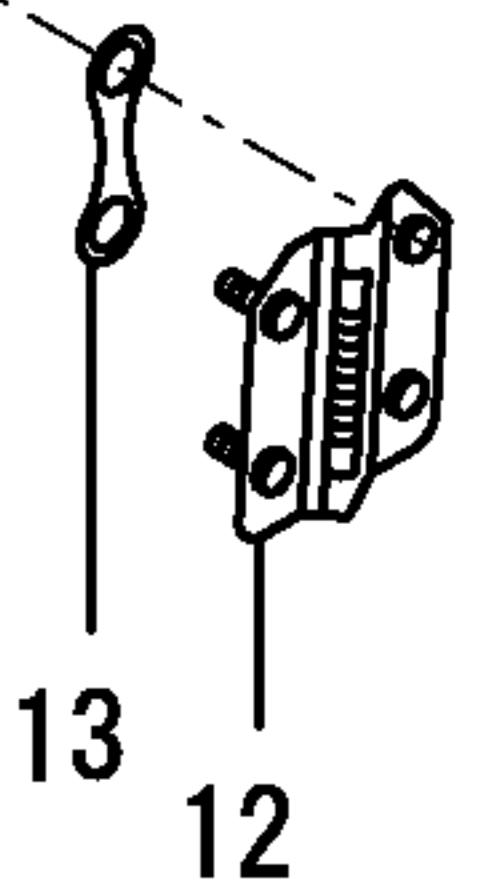
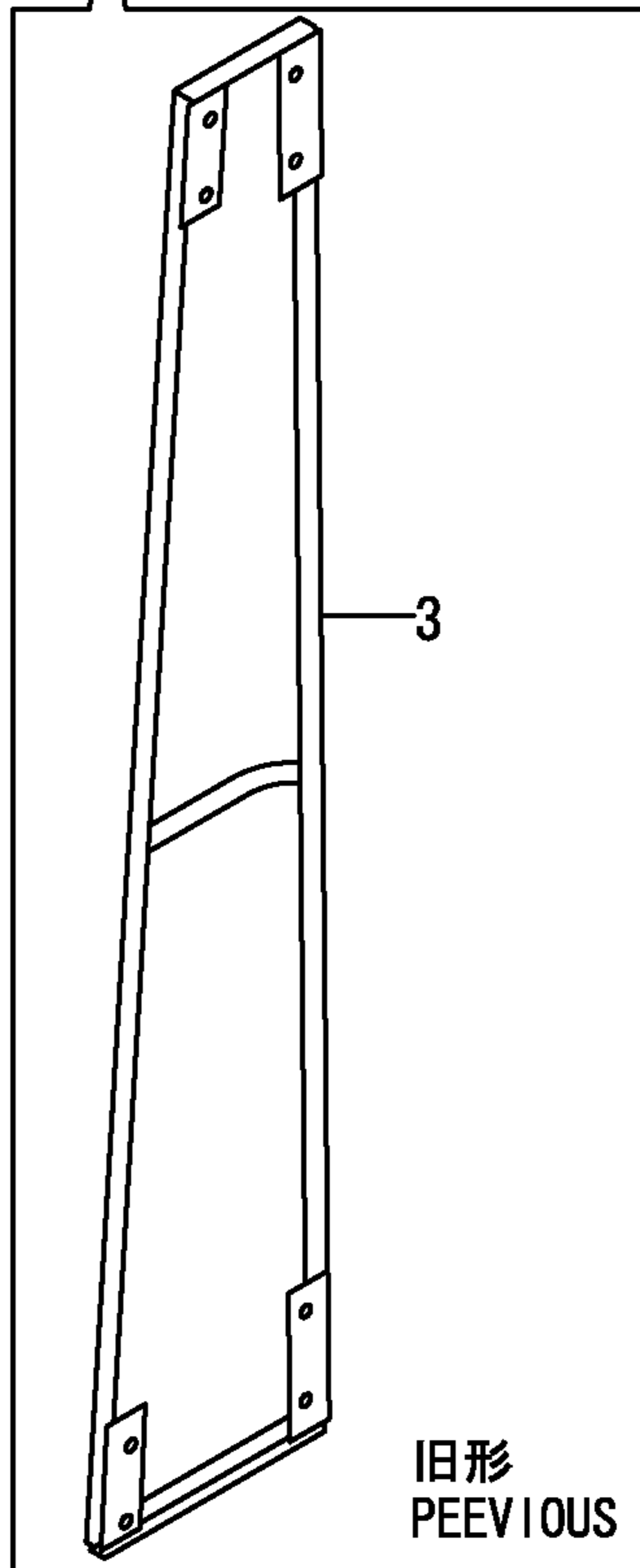
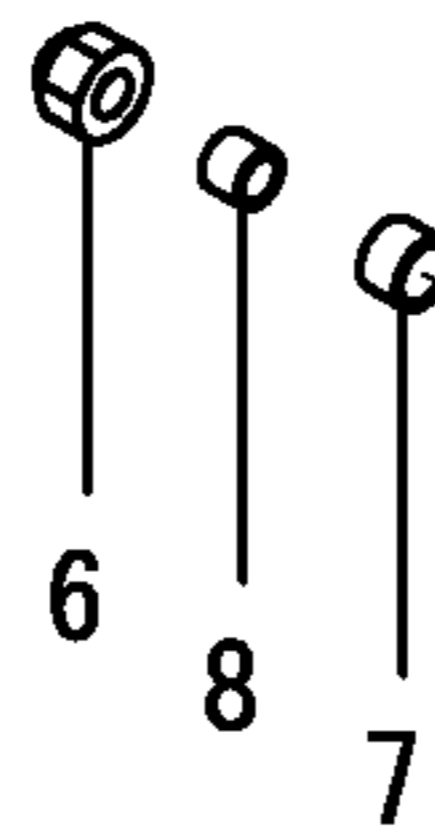
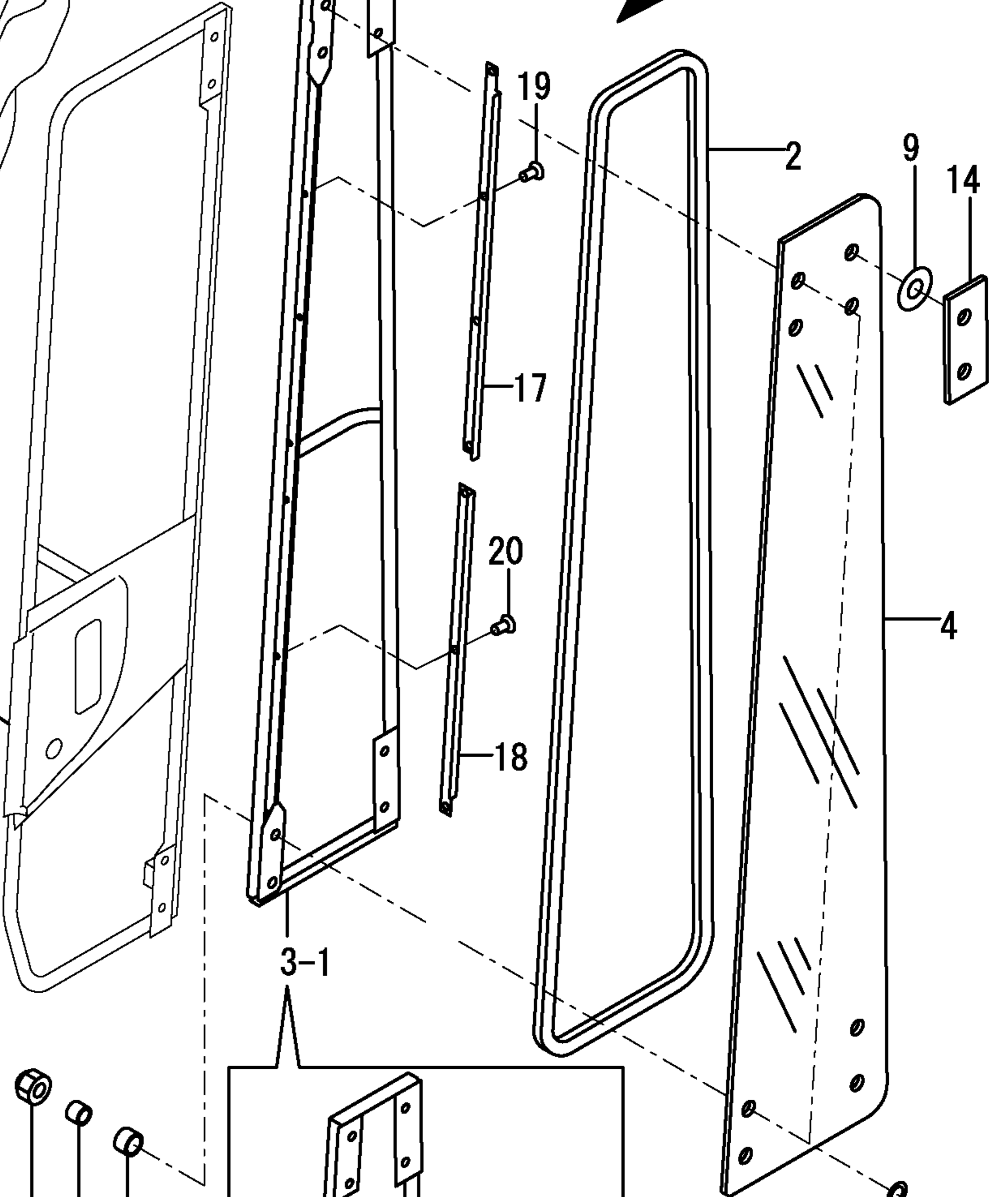
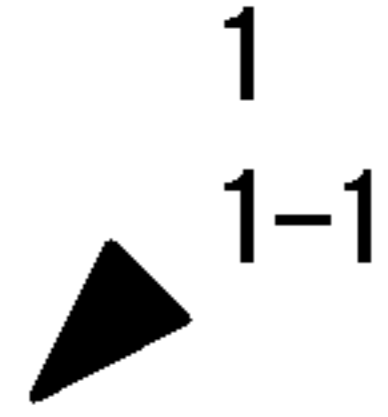
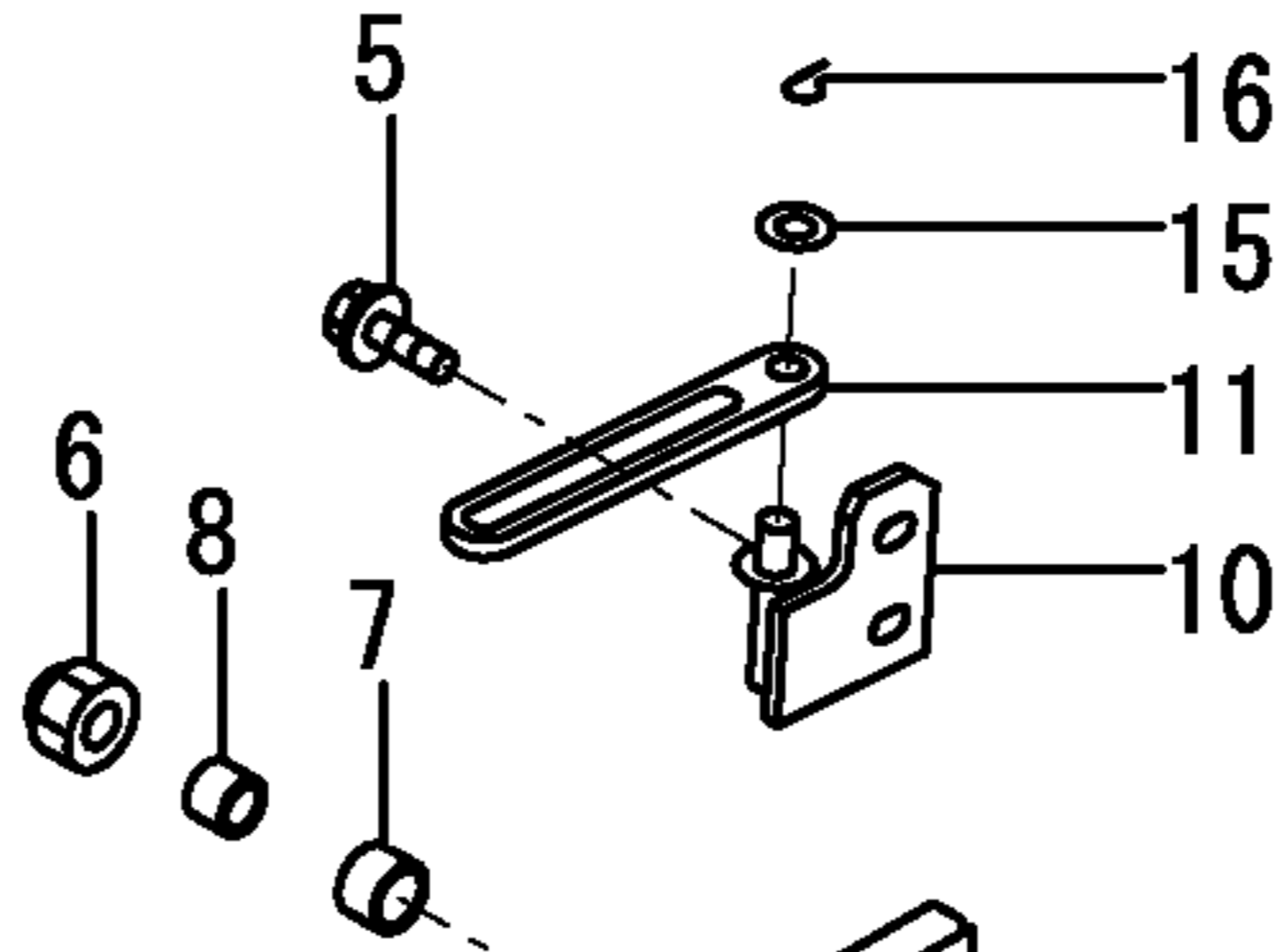
キャビンASSY
CABIN ASSY

172458-67800
172458-67801
172458-67802

項目NO. 73の見出しNO. 5, 5-1, 5-2は、
項目NO. 73の見出しNO. (5)~33と
項目NO. 74の見出しNO. 1~44と
項目NO. 75の見出しNO. 1~18と
項目NO. 76の見出しNO. 1~21と
項目NO. 77の見出しNO. 1, 1-1を含みます。

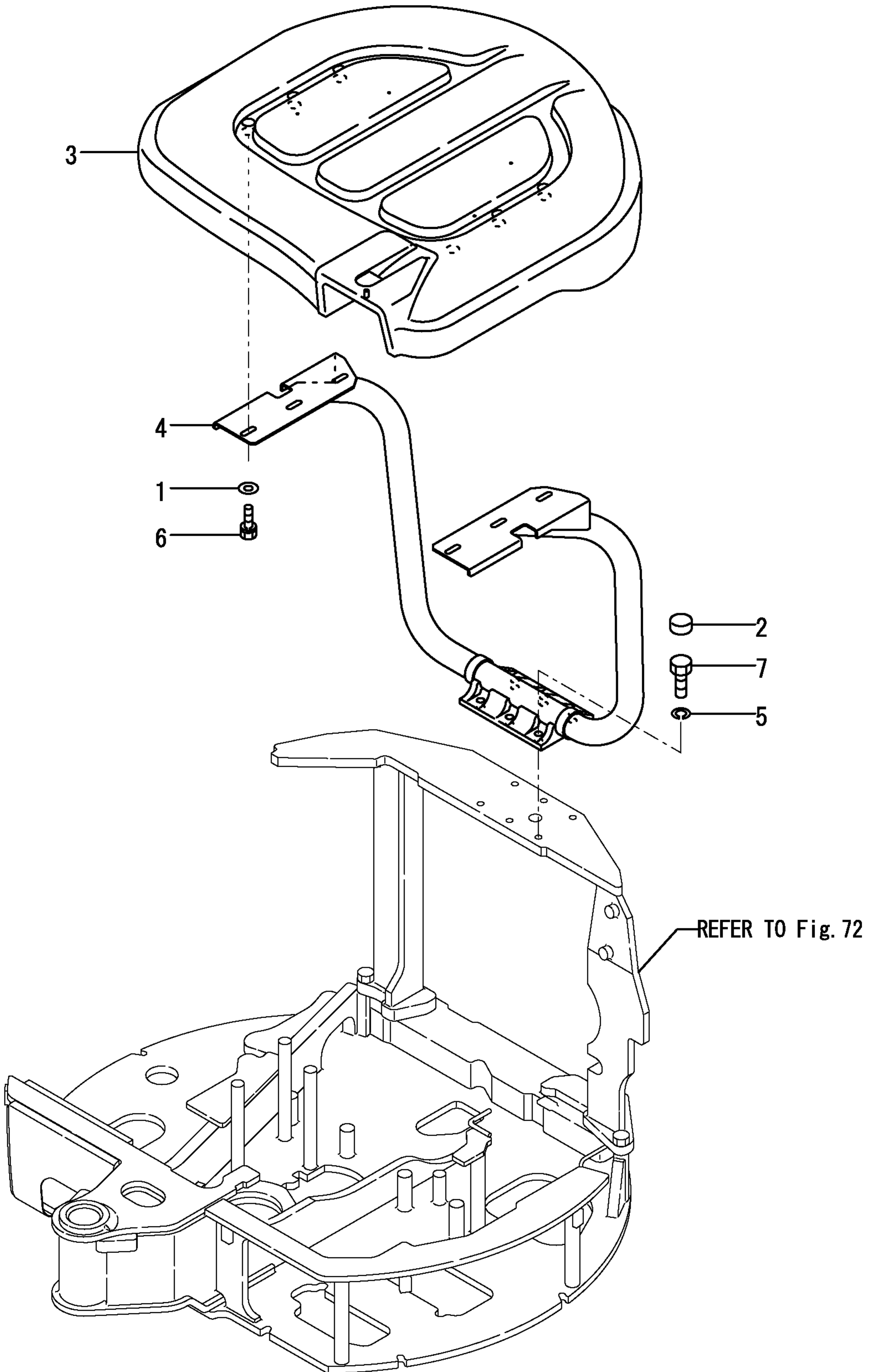
Fig. 73 Ref No. 5, 5-1, 5-2
INC Fig. 73 Ref No. (5)~33.
Fig. 74 Ref No. 1~44.
Fig. 75 Ref No. 1~18.
Fig. 76 Ref No. 1~21.
Fig. 77 Ref No. 1, 1-1.

REFER TO Fig. 77

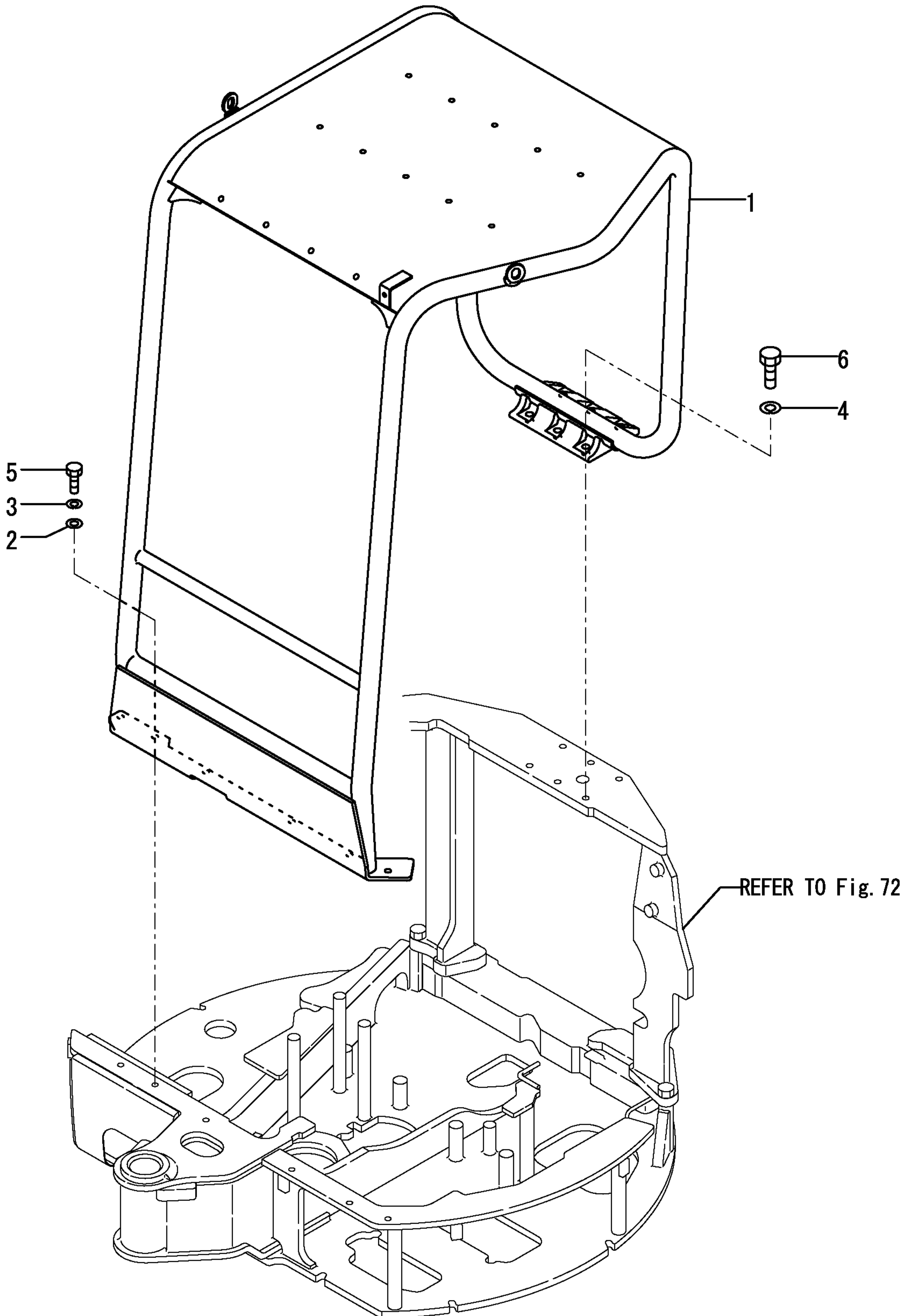


旧形
PEEVIOUS

1,1,,172730-05250,, "WASHER 12" ,,6,,6,,,,,,,,,,,,,,,,,,,,,
2,1,,172458-67090,, CAP,,6,,6,,,,,,,,,,,,,,,,,,,,,
3,1,,172458-67100,, "ROOF ASSY,CANOPY" ,,1,,1,,,,,,,,,,,,,,,,,,,,,
4,1,,172458-67110,, "POLE (WHITE:15)" ,,1,,1,,,,,,,,,,,,,,,,,,,,,
5,1,,22217-160000,, "SPRING WASHER 16" ,,6,,6,,,,,,,,,,,,,,,,,,,,,
6,1,,26013-120302,, "BOLT W/WASHER M12X30" ,,6,,6,,,,,,,,,,,,,,,,,,,,,
7,1,,26076-160402,, "BOLT 10.9 16X40" ,,6,,6,,,,,,,,,,,,,,,,,,,,,

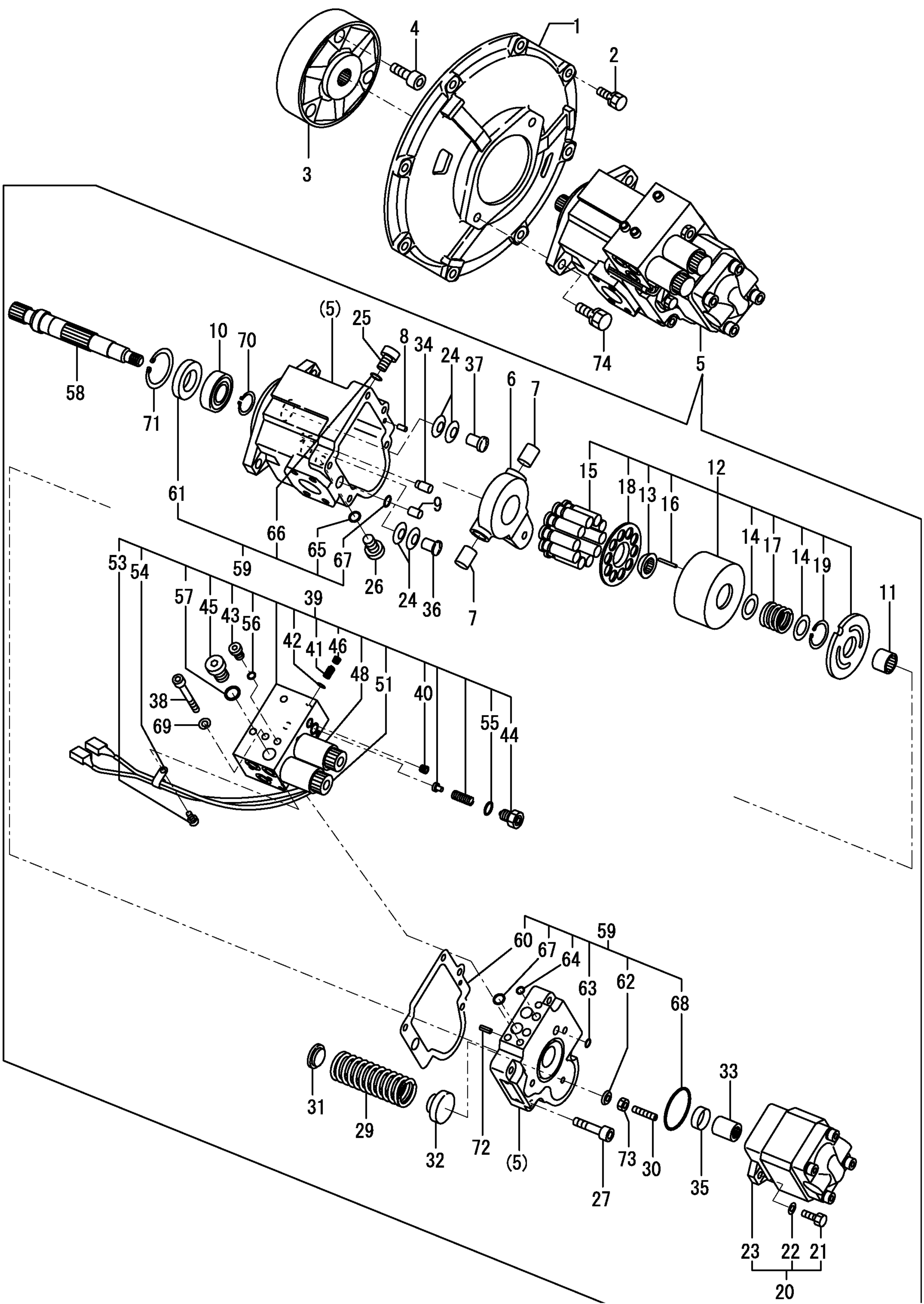


1,1,,172472-66300,, "CANOPY,ROPS(GREEN:86" ,,1,,,,,,,,,,,,,
2,1,,172149-66550,, WASHER,,6,,,,,,,,,,,,,
3,1,,22217-120000,, "SPRING WASHER 12" ,,6,,,,,,,,,,,,,
4,1,,22217-160000,, "SPRING WASHER 16" ,,6,,,,,,,,,,,,,
5,1,,26076-120402,, "BOLT 10.9 12X 4" ,,6,,,,,,,,,,,,,
6,1,,26076-160402,, "BOLT 10.9 16X40" ,,6,,,,,,,,,,,,,



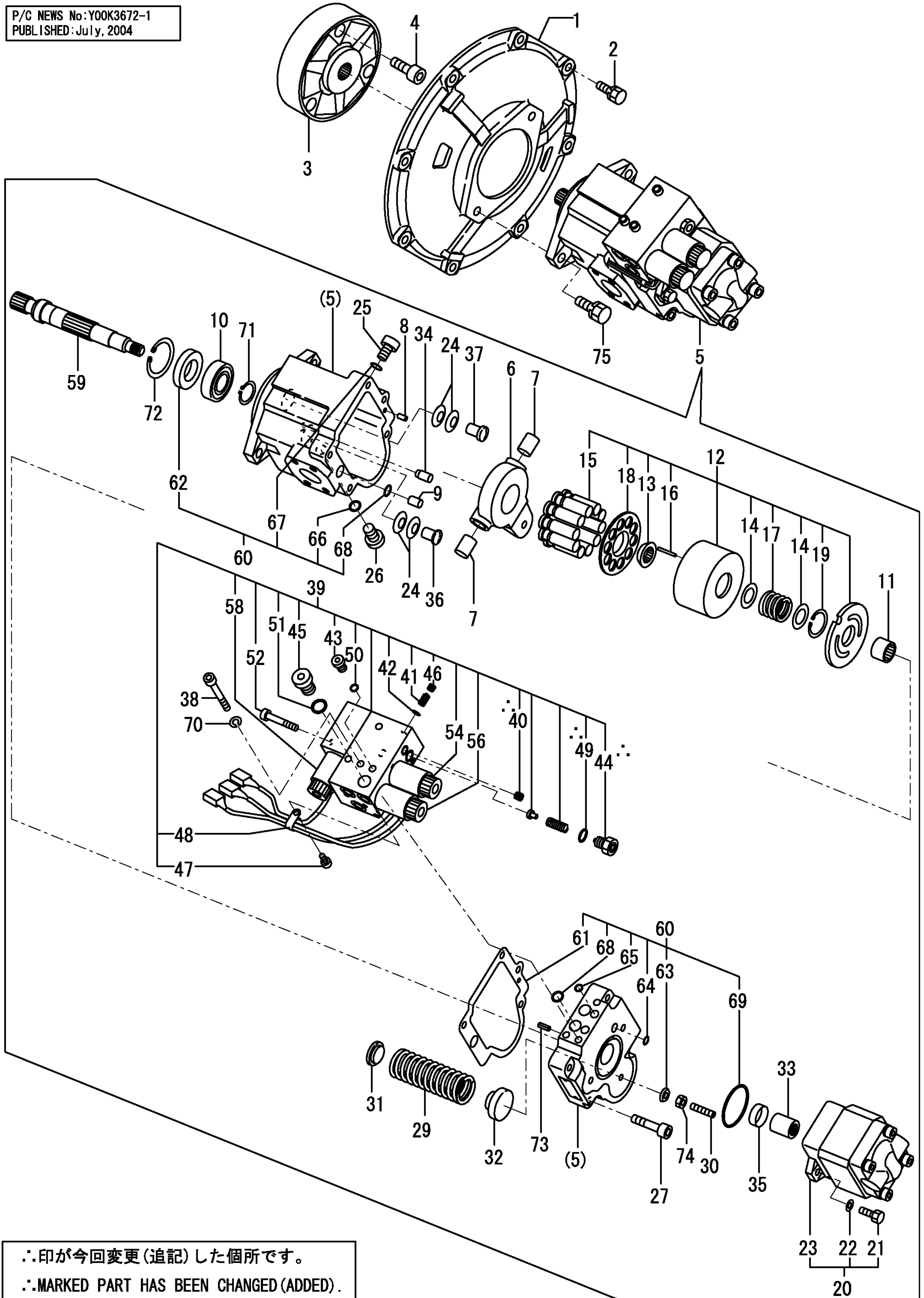
1,1,,172168-71101,, "COVER, FLYWHEEL (88)",1,1,,,,,,,,,,,,,,,,,,,,,
2,1,,26013-100302,, "BOLT M10X 30",8,8,,,,,,,,,,,,,,,,,,,,,
3,1,,172165-71200,, COUPLING,1,1,,,,,,,,,,,,,,,,,,,,,
4,1,,26450-120402,, "BOLT M12X 40",3,3,,,,,,,,,,,,,,,,,,,,,
5,1,,172458-73500,, "PUMP ASSY",1,1,,,,,,,,,,,,,,,,,,,,,
6,2,,172422-73140,, PLATE,1,1,,,,,,,,,,,,,,,,,,,,,I
7,2,,172422-73160,, PIN,2,2,,,,,,,,,,,,,,,,,,,,,I
8,2,,172422-73220,, PIN,1,1,,,,,,,,,,,,,,,,,,,,,I
9,2,,172422-73280,, PIN,1,1,,,,,,,,,,,,,,,,,,,,,I
10,2,,172422-73290,, BEARING,1,1,,,,,,,,,,,,,,,,,,,,,I
11,2,,172422-73500,, BEARING,1,1,,,,,,,,,,,,,,,,,,,,,I
12,2,,172458-73510,, "BARREL KIT, CYLINDER",1,1,,,,,,,,,,,,,,,,,,,,,
13,3,,172422-73130,, HOLDER,1,1,,,,,,,,,,,,,,,,,,,,,I
14,3,,172422-73250,, RETAINER,2,2,,,,,,,,,,,,,,,,,,,,,I
15,3,,172458-73520,, "PISTON ASSY, PUMP",1,1,,,,,,,,,,,,,,,,,,,,,I
16,3,,172458-73530,, NEEDLE,3,3,,,,,,,,,,,,,,,,,,,,,I
17,3,,172458-73540,, "SPRING C",1,1,,,,,,,,,,,,,,,,,,,,,I
18,3,,172458-73670,, "HOLDER, SHOE",1,1,,,,,,,,,,,,,,,,,,,,,I
19,3,,22252-000350,, "CIRCLIP 35",1,1,,,,,,,,,,,,,,,,,,,,,I
20,2,,172458-73610,, "PUMP ASSY, GEAR",1,1,,,,,,,,,,,,,,,,,,,,,
21,3,,172450-73120,, BOLT,2,2,,,,,,,,,,,,,,,,,,,,,I
22,3,,172450-73130,, WASHER,2,2,,,,,,,,,,,,,,,,,,,,,I
23,3,,172458-73650,, "GEAR PUMP",1,1,,,,,,,,,,,,,,,,,,,,,I
24,2,,172422-73520,, WASHER,4,4,,,,,,,,,,,,,,,,,,,,,I
25,2,,172422-73530,, PLUG,1,1,,,,,,,,,,,,,,,,,,,,,I
26,2,,172422-73530,, PLUG,1,1,,,,,,,,,,,,,,,,,,,,,I
27,2,,172422-73540,, BOLT,5,5,,,,,,,,,,,,,,,,,,,,,I
29,2,,172458-73550,, "SPRING, T1",1,1,,,,,,,,,,,,,,,,,,,,,I
30,2,,172422-73560,, SCREW,1,1,,,,,,,,,,,,,,,,,,,,,I
31,2,,172458-73560,, "HOLDER, SPRING",1,1,,,,,,,,,,,,,,,,,,,,,I
32,2,,172458-73570,, "GUIDE, SPRING",1,1,,,,,,,,,,,,,,,,,,,,,I
33,2,,172422-73580,, COUPLING,1,1,,,,,,,,,,,,,,,,,,,,,I
34,2,,172458-73580,, "ROD G",1,1,,,,,,,,,,,,,,,,,,,,,I
35,2,,172422-73590,, COLLER,1,1,,,,,,,,,,,,,,,,,,,,,I
36,2,,172458-73590,, "PIN A, STOPPER",1,1,,,,,,,,,,,,,,,,,,,,,I
37,2,,172458-73600,, "PIN B, STOPPER",1,1,,,,,,,,,,,,,,,,,,,,,I
38,2,,172422-73610,, BOLT,3,3,,,,,,,,,,,,,,,,,,,,,I
39,2,,172458-73620,, "VALVE BLOCK ASSY",1,1,,,,,,,,,,,,,,,,,,,,,
40,3,,172422-73550,, PLUG,7,7,,,,,,,,,,,,,,,,,,,,,I
41,3,,172422-73620,, SPRING,1,1,,,,,,,,,,,,,,,,,,,,,I
42,3,,172422-73630,, STRAINER,1,1,,,,,,,,,,,,,,,,,,,,,I
43,3,,172458-73630,, PLUG,1,1,,,,,,,,,,,,,,,,,,,,,I
44,3,,172422-73640,, "AJUSTER KIT",1,1,,,,,,,,,,,,,,,,,,,,,I
45,3,,172458-73640,, PLUG,1,1,,,,,,,,,,,,,,,,,,,,,I
46,3,,172422-73650,, PLUG,2,2,,,,,,,,,,,,,,,,,,,,,I
48,4,,172458-73680,, "SC VALVE",1,1,,,,,,,,,,,,,,,,,,,,,I
51,4,,172458-73690,, "SC VALVE",1,1,,,,,,,,,,,,,,,,,,,,,I
53,3,,172422-73660,, BOLT,1,1,,,,,,,,,,,,,,,,,,,,,I
54,3,,172422-73670,, "ROCK PLATE",1,1,,,,,,,,,,,,,,,,,,,,,I
55,3,,24311-000100,, "O-RING 1A P-10.0",1,1,,,,,,,,,,,,,,,,,,,,,
56,3,,24315-000080,, "O-RING 1B P-8.0",1,1,,,,,,,,,,,,,,,,,,,,,
57,3,,24315-000140,, "O-RING 1B P-14.0",1,1,,,,,,,,,,,,,,,,,,,,,
58,2,,172458-73660,, SHAFT,1,1,,,,,,,,,,,,,,,,,,,,,I
59,2,,172422-73700,, "SEAL KIT",1,1,,,,,,,,,,,,,,,,,,,,,
60,3,,172422-73170,, GASKET,1,1,,,,,,,,,,,,,,,,,,,,,
61,3,,172422-73510,, OILSEAL,1,1,,,,,,,,,,,,,,,,,,,,,
62,3,,172422-73570,, WASHER,1,1,,,,,,,,,,,,,,,,,,,,,
63,3,,24315-000070,, "O-RING 1B P-7.0",1,1,,,,,,,,,,,,,,,,,,,,,
64,3,,24315-000080,, "O-RING 1B P-8.0",2,2,,,,,,,,,,,,,,,,,,,,,
65,3,,24315-000110,, "O-RING 1B P-11.0",1,1,,,,,,,,,,,,,,,,,,,,,
66,3,,24315-000110,, "O-RING 1B P-11.0",1,1,,,,,,,,,,,,,,,,,,,,,
67,3,,24315-000120,, "O-RING 1B P-12.0",3,3,,,,,,,,,,,,,,,,,,,,,
68,3,,24325-000550,, "O-RING 1B G-55.0",1,1,,,,,,,,,,,,,,,,,,,,,

69,2,,22212-080000,, "WASHER 8",3,3,,,,,,,,,,,,,,,,,,,,,I
70,2,,22252-000250,, "CIRCLIP 25",1,1,,,,,,,,,,,,,,,,,,,,,I
71,2,,22252-000520,, "CIRCLIP 52",1,1,,,,,,,,,,,,,,,,,,,,,I
72,2,,22351-060016,, "SPRING PIN 6X16",1,1,,,,,,,,,,,,,,,,,,,,,I
73,2,,26711-080002,, "NUT M 8",1,1,,,,,,,,,,,,,,,,,,,,,I
74,1,,26013-120352,, "BOLT M12X 35",2,2,,,,,,,,,,,,,,,,,,,,,



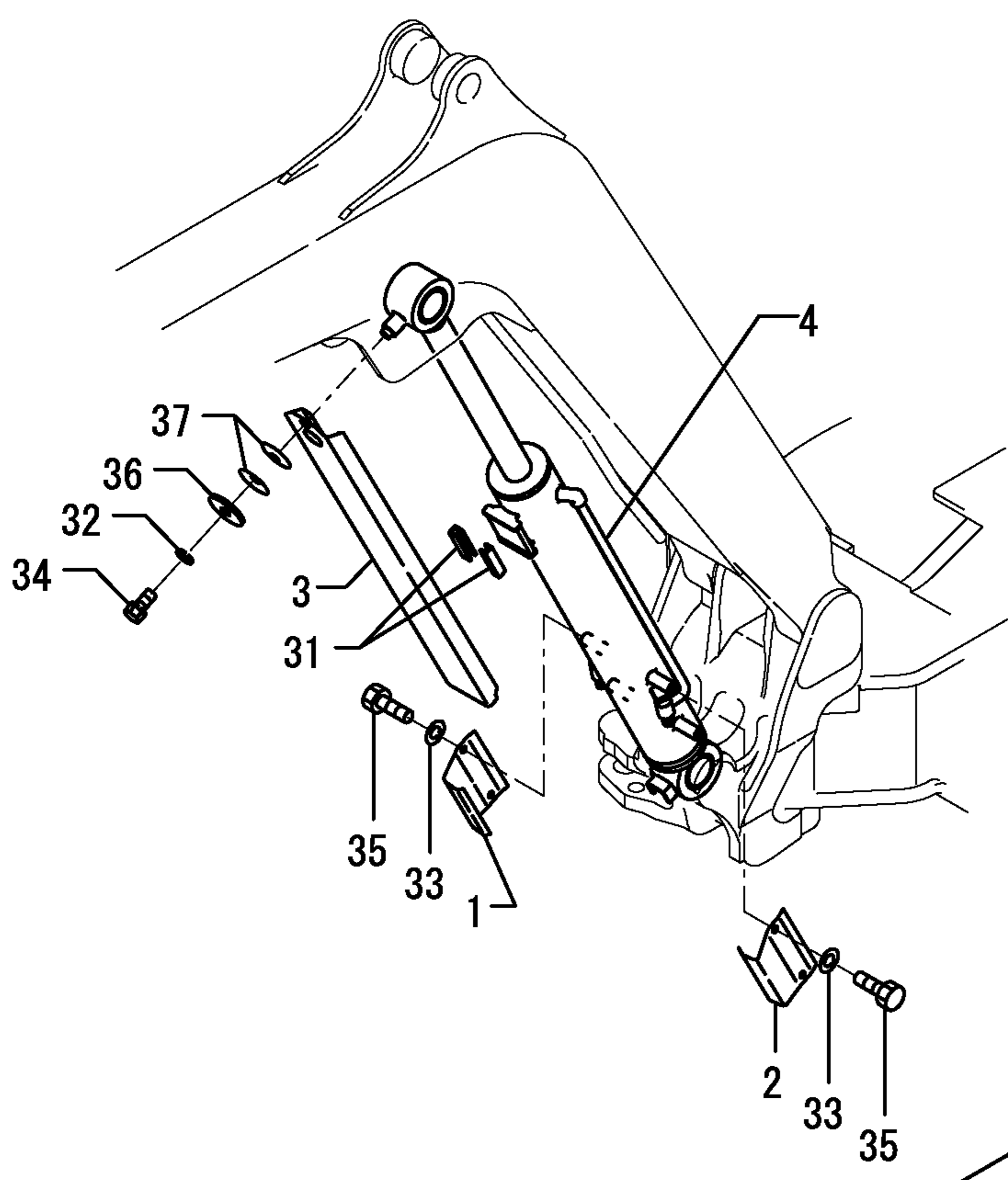
1,1,,172168-71101,, "COVER, FLYWHEEL (88)",1,1,1,1,,,,,,,,,,,,,
2,1,,26013-100302,, "BOLT M10X 30",8,8,8,8,,,,,,,,,,,,,
3,1,,172165-71200,, COUPLING,1,1,1,1,,,,,,,,,,,,,
4,1,,26450-120402,, "BOLT M12X 40",3,3,3,3,,,,,,,,,,,,,
5,1,,172958-73500,, "PUMP Q ASSY",1,1,1,1,,,,,,,,,,,,,
6,2,,172422-73140,, PLATE,1,1,1,1,,,,,,,,,,,,,
7,2,,172422-73160,, PIN,2,2,2,2,,,,,,,,,,,,,
8,2,,172422-73220,, PIN,1,1,1,1,,,,,,,,,,,,,
9,2,,172422-73280,, PIN,1,1,1,1,,,,,,,,,,,,,
10,2,,172422-73290,, BEARING,1,1,1,1,,,,,,,,,,,,,
11,2,,172422-73500,, BEARING,1,1,1,1,,,,,,,,,,,,,
12,2,,172458-73510,, "BARREL KIT, CYLINDER",1,1,1,1,,,,,,,,,,,,,
13,3,,172422-73130,, HOLDER,1,1,1,1,,,,,,,,,,,,,
14,3,,172422-73250,, RETAINER,2,2,2,2,,,,,,,,,,,,,
15,3,,172458-73520,, "PISTON ASSY, PUMP",1,1,1,1,,,,,,,,,,,,,
16,3,,172458-73530,, NEEDLE,3,3,3,3,,,,,,,,,,,,,
17,3,,172458-73540,, "SPRING C",1,1,1,1,,,,,,,,,,,,,
18,3,,172458-73670,, "HOLDER, SHOE",1,1,1,1,,,,,,,,,,,,,
19,3,,22252-000350,, "CIRCLIP 35",1,1,1,1,,,,,,,,,,,,,
20,2,,172458-73610,, "PUMP ASSY, GEAR",1,1,1,1,,,,,,,,,,,,,
21,3,,172450-73120,, BOLT,2,2,2,2,,,,,,,,,,,,,
22,3,,172450-73130,, WASHER,2,2,2,2,,,,,,,,,,,,,
23,3,,172458-73650,, "GEAR PUMP",1,1,1,1,,,,,,,,,,,,,
24,2,,172422-73520,, WASHER,4,4,4,4,,,,,,,,,,,,,
25,2,,172422-73530,, PLUG,1,1,1,1,,,,,,,,,,,,,
26,2,,172422-73530,, PLUG,1,1,1,1,,,,,,,,,,,,,
27,2,,172422-73540,, BOLT,5,5,5,5,,,,,,,,,,,,,
29,2,,172458-73550,, "SPRING, T1",1,1,1,1,,,,,,,,,,,,,
30,2,,172422-73560,, SCREW,1,1,1,1,,,,,,,,,,,,,
31,2,,172458-73560,, "HOLDER, SPRING",1,1,1,1,,,,,,,,,,,,,
32,2,,172458-73570,, "GUIDE, SPRING",1,1,1,1,,,,,,,,,,,,,
33,2,,172422-73580,, COUPLING,1,1,1,1,,,,,,,,,,,,,
34,2,,172458-73580,, "ROD G",1,1,1,1,,,,,,,,,,,,,
35,2,,172422-73590,, COLLER,1,1,1,1,,,,,,,,,,,,,
36,2,,172458-73590,, "PIN A, STOPPER",1,1,1,1,,,,,,,,,,,,,
37,2,,172458-73600,, "PIN B, STOPPER",1,1,1,1,,,,,,,,,,,,,
38,2,,172422-73610,, BOLT,3,3,3,3,,,,,,,,,,,,,
39,2,,172958-73510,, "BLOCK ASSY, VALVE",1,1,1,1,,,,,,,,,,,,,
40,3,,172422-73550,, PLUG,8,8,8,8,,,,,,,,,,,,,
41,3,,172422-73620,, SPRING,1,1,1,1,,,,,,,,,,,,,
42,3,,172422-73630,, STRAINER,1,1,1,1,,,,,,,,,,,,,
43,3,,172458-73630,, PLUG,1,1,1,1,,,,,,,,,,,,,
44,3,,172422-73640,, "AJUSTER KIT",1,1,1,1,,,,,,,,,,,,,
45,3,,172458-73640,, PLUG,1,1,1,1,,,,,,,,,,,,,
46,3,,172422-73650,, PLUG,2,2,2,2,,,,,,,,,,,,,
47,3,,172422-73660,, BOLT,1,1,1,1,,,,,,,,,,,,,
48,3,,172422-73670,, "ROCK PLATE",1,1,1,1,,,,,,,,,,,,,
49,3,,24311-000110,, "O-RING 1A P-11.0",1,1,1,1,,M,,,,,,,,,,,,,
49-1,3,,24311-000100,, "O-RING 1A P-10.0",1,1,1,1,,,,,,,,,,,,,
50,3,,24315-000080,, "O-RING 1B P-8.0",1,1,1,1,,,,,,,,,,,,,
51,3,,24315-000140,, "O-RING 1B P-14.0",1,1,1,1,,,,,,,,,,,,,
52,3,,26450-050452,, "BOLT M 5X 45",4,4,4,4,,,,,,,,,,,,,
54,3,,172458-73680,, "SC VALVE",1,1,1,1,,,,,,,,,,,,,I
56,3,,172458-73690,, "SC VALVE",1,1,1,1,,,,,,,,,,,,,I
58,3,,172458-73790,, "VALVE, SOLENOID",1,1,1,1,,,,,,,,,,,,,I
59,2,,172458-73660,, SHAFT,1,1,1,1,,,,,,,,,,,,,
60,2,,172422-73700,, "SEAL KIT",1,1,1,1,,,,,,,,,,,,,
61,3,,172422-73170,, GASKET,1,1,1,1,,,,,,,,,,,,,
62,3,,172422-73510,, OILSEAL,1,1,1,1,,,,,,,,,,,,,
63,3,,172422-73570,, WASHER,1,1,1,1,,,,,,,,,,,,,
64,3,,24315-000070,, "O-RING 1B P-7.0",1,1,1,1,,,,,,,,,,,,,
65,3,,24315-000080,, "O-RING 1B P-8.0",2,2,2,2,,,,,,,,,,,,,
66,3,,24315-000110,, "O-RING 1B P-11.0",1,1,1,1,,,,,,,,,,,,,

67,3,,24315-000110,, "O-RING 1B P-11.0",1,1,1,1,,,,,,,,,,,,,
68,3,,24315-000120,, "O-RING 1B P-12.0",3,3,3,3,,,,,,,,,,,,,
69,3,,24325-000550,, "O-RING 1B G-55.0",1,1,1,1,,,,,,,,,,,,,
70,2,,22212-080000,, "WASHER 8",3,3,3,3,,,,,,,,,,,,,
71,2,,22252-000250,, "CIRCLIP 25",1,1,1,1,,,,,,,,,,,,,I
72,2,,22252-000520,, "CIRCLIP 52",1,1,1,1,,,,,,,,,,,,,I
73,2,,22351-060016,, "SPRING PIN 6X16",1,1,1,1,,,,,,,,,,,,,I
74,2,,26711-080002,, "NUT M 8",1,1,1,1,,,,,,,,,,,,,I
75,1,,26013-120352,, "BOLT M12X 35",2,2,2,2,,,,,,,,,,,,,

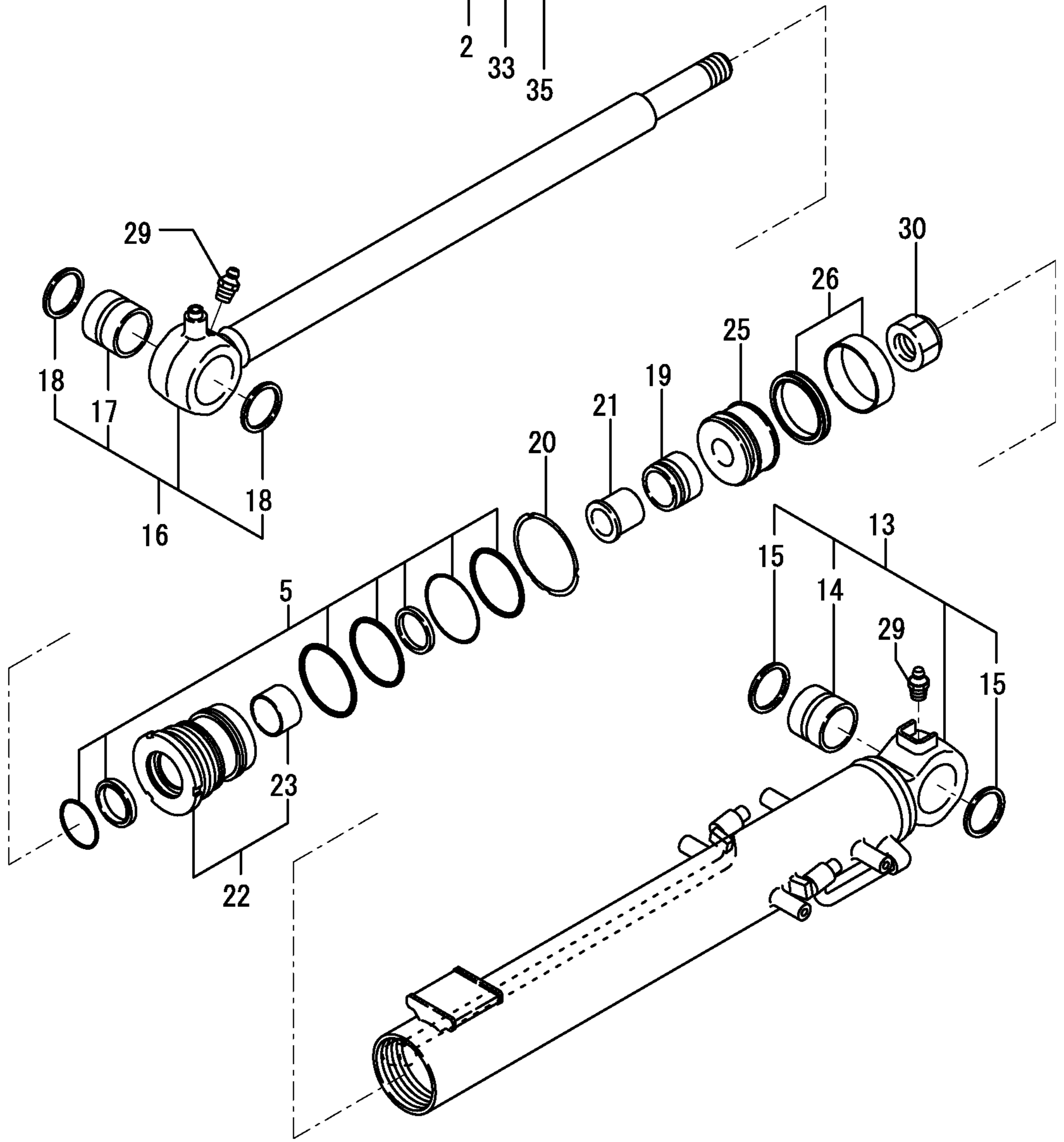


∴印が今回変更(追記)した個所です。
 ∴MARKED PART HAS BEEN CHANGED (ADDED).

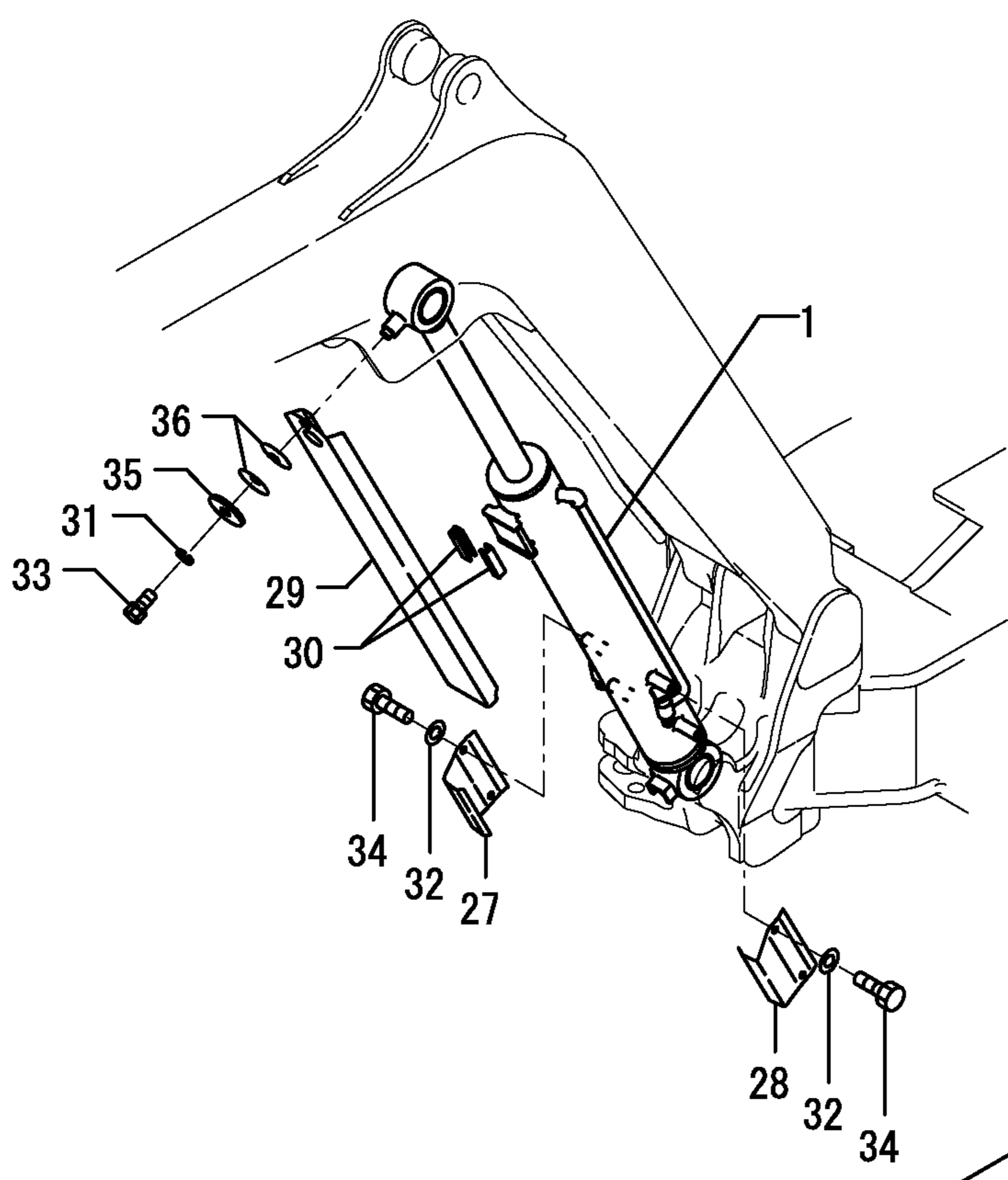
1,1,,172457-72230,, "COVER R,BOOM-CYL(97)",1,,1,,,,,,,,,,,,,,,,,
2,1,,172457-72240,, "COVER L BOOM-CYL(97)",1,,1,,,,,,,,,,,,,,,,,
3,1,,172458-72270,, "COVER,SLIDE(GREEN:97)",1,,1,,,,,,,,,,,,,,,,,
4,1,,172458-72400,, "CYLINDER,BOOM C (97)",1,,1,,,,,,,,,,,,,,,,,
5,2,,172458-72061,, "SEAL SET,85X45 HEAD",1,,1,,,,,,,,,,,,,,,,,
13,2,,172458-72110,, "TUBE, BOOM",1,,1,,,,,,,,,,,,,,,,,
14,3,,172458-72130,, "BUSH 50-60",1,,1,,,,,,,,,,,,,,,,,
15,3,,172165-81760,, "SEAL 50X60X4, DUST",2,,,,,,,,,,,,,,,,,
15-1,3,,172448-54120,, "SEAL 50X60X4,DUST",2,2,,,,,R,,72449038,M/#22628,,,,,,,,,
16,2,,172458-72220,, "ROD 45,BOOM",1,,1,,,,,,,,,,,,,,,,,
17,3,,172458-72130,, "BUSH 50-60",1,,1,,,,,,,,,,,,,,,,,
18,3,,172165-81760,, "SEAL 50X60X4, DUST",2,,,,,,,,,,,,,,,,,
18-1,3,,172448-54120,, "SEAL 50X60X4,DUST",2,2,,,,,R,,72449038,M/#22628,,,,,,,,,
19,2,,172458-72260,, "PLUNGER 56,CUSHON",1,,1,,,,,,,,,,,,,,,,,
20,2,,172146-72270,, "LOCK WASHER 85",1,,1,,,,,,,,,,,,,,,,,
21,2,,172458-72290,, "COLLAR 33 44,CUSHON",1,,1,,,,,,,,,,,,,,,,,
22,2,,172458-72410,, "HEAD 85 45",1,,,,,M,,,,,,,,,,,,,
22-1,2,,172458-72411,, "HEAD 85 45",1,,1,,,,,S,,24580569,M/#20609,,,,,,,,,
23,3,,194300-24130,, "BUSH 45X50X30",1,,,,,,,,,,,,,,,,,
23-1,3,,24550-045300,, "BUSH",1,,1,,,,,R,,A1686116,M/#22439,,,,,,,,,
25,2,,172444-72440,, "PISTON 85 48",1,,,,,,,,,,,,,,,,,
25-1,2,,172444-72441,, "PISTON 85 48",1,,1,,,,,N,,72444400,M/#22979,,,,,,,,,
26,2,,172444-72950,, "PISTON SEAL SET",1,,,,,,,,,,,,,,,,,
26-1,2,,172444-72951,, "PISTON SEAL SET",1,,1,,,,,N,,72458500,M/#22680,,,,,,,,,
29,2,,24761-020000,, "NIPPLE PT1/8,GREASE",2,2,,,,,,,,,,,,,,,,,
30,2,,933111-20200,, "U-NUT M33",1,,1,,,,,,,,,,,,,,,,,
31,1,,172186-72480,, "GUIDE,SLIDE",2,,2,,,,,,,,,,,,,,,,,
32,1,,22217-100000,, "SPRING WASHER 10",1,,1,,,,,,,,,,,,,,,,,
33,1,,22217-100000,, "SPRING WASHER 10",4,,4,,,,,,,,,,,,,,,,,
34,1,,26116-100162,, "BOLT M10X 16 PLATED",1,,1,,,,,,,,,,,,,,,,,
35,1,,26116-100162,, "BOLT M10X 16 PLATED",4,,4,,,,,,,,,,,,,,,,,
36,1,,933147-03400,, "WASHER, BRAKE ARM",1,,1,,,,,,,,,,,,,,,,,
37,1,,933168-14170,, "SPRING 16",2,,2,,,,,,,,,,,,,,,,,



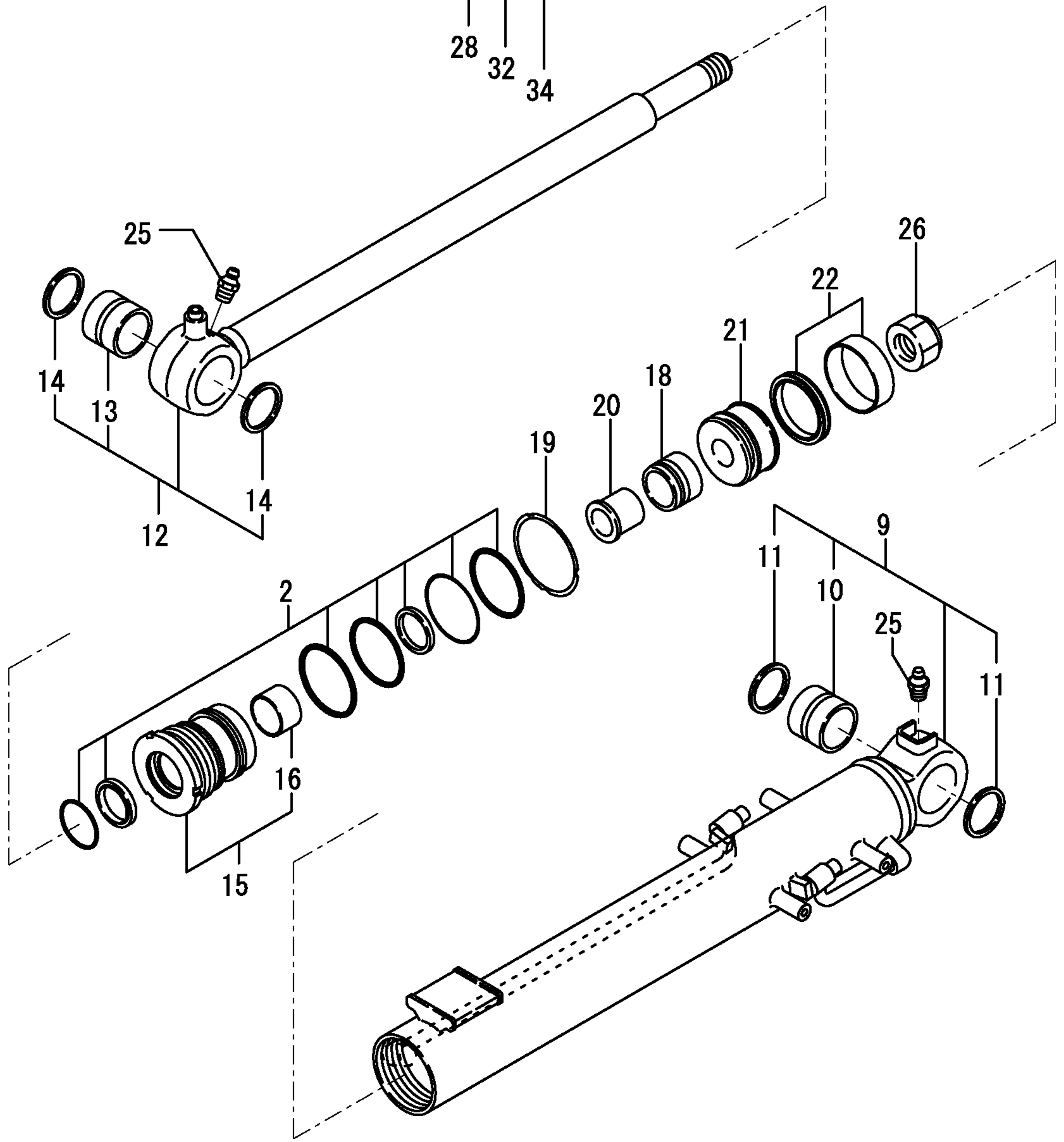
見出しNo. 4は、
見出しNo. 5~30を含みます。
4 INC. 5~30.



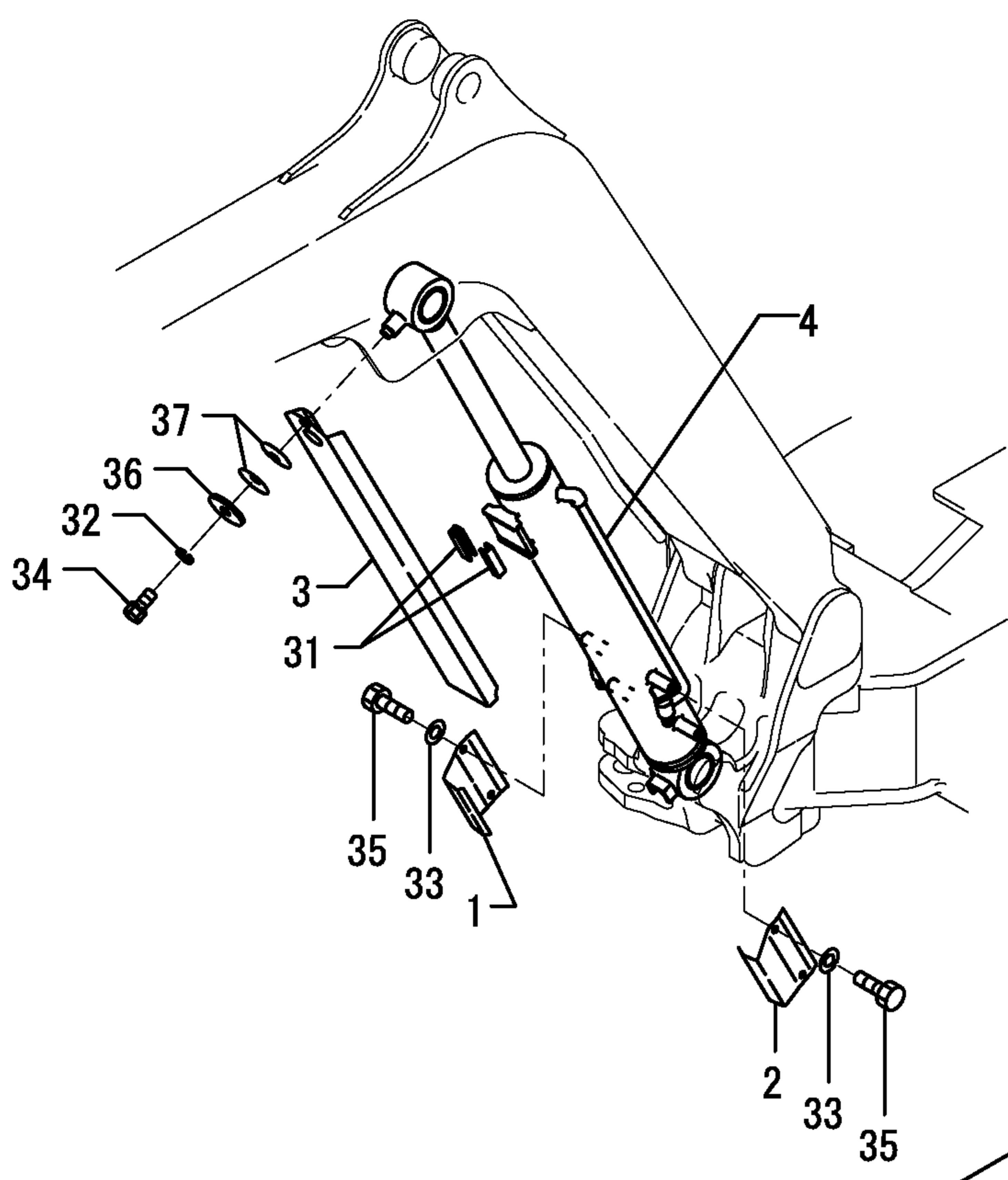
1,1,,172458-72100,, "CYLINDER, BOOM P",,1,,1,,,,,,,,,,,,,
2,2,,172458-72061,, "SEAL SET,85X45 HEAD",,1,,1,,,,,,,,,,,,,
9,2,,172458-72110,, "TUBE, BOOM",,1,,1,,,,,,,,,,,,,
10,3,,172458-72130,, "BUSH 50-60",,1,,1,,,,,,,,,,,,,
11,3,,172165-81760,, "SEAL 50X60X4, DUST",,2,,,,,,,,,,,,,
11-1,3,,172448-54120,, "SEAL
50X60X4,DUST",,2,,2,,,R,,,,72449038,M/#22628,,,,,,,,,I
12,2,,172458-72220,, "ROD 45,BOOM",,1,,1,,,,,,,,,,,,,
13,3,,172458-72130,, "BUSH 50-60",,1,,1,,,,,,,,,,,,,
14,3,,172165-81760,, "SEAL 50X60X4, DUST",,2,,,,,,,,,,,,,
14-1,3,,172448-54120,, "SEAL
50X60X4,DUST",,2,,2,,,R,,,,72449038,M/#22628,,,,,,,,,I
15,2,,172458-72240,, "HEAD 85 45",,1,,,,,M,,,,,,,,,,,,,I
15-1,2,,172458-72241,, "HEAD ASSY 85 45",,1,,1,,,S,,,,24580569,M/#20609,,,,,,,,,I
16,3,,194300-24130,, "BUSH 45X50X30",,1,,,,,,,,,,,,,
16-1,3,,24550-045300,, "BUSH",,1,,1,,,R,,,,A1686116,M/#22439,,,,,,,,,I
18,2,,172458-72260,, "PLUNGER 56,CUSHON",,1,,1,,,,,,,,,,,,,
19,2,,172146-72270,, "LOCK WASHER 85",,1,,1,,,,,,,,,,,,,
20,2,,172458-72290,, "COLLAR 33 44,CUSHON",,1,,1,,,,,,,,,,,,,
21,2,,172444-72440,, "PISTON 85 48",,1,,,,,,,,,,,,,
21-1,2,,172444-72441,, "PISTON 85 48",,1,,1,,,N,,,,72444400,M/#22979,,,,,,,,,I
22,2,,172444-72950,, "PISTON SEAL SET",,1,,,,,,,,,,,,,
22-1,2,,172444-72951,, "PISTON SEAL SET",,1,,1,,,N,,,,72458500,M/#22680,,,,,,,,,I
25,2,,24761-020000,, "NIPPLE PT1/8,GREASE",,2,,2,,,,,,,,,,,,,
26,2,,933111-20200,, "U-NUT M33",,1,,1,,,,,,,,,,,,,
27,1,,172457-72230,, "COVER R,BOOM-CYL(97)",,1,,1,,,,,,,,,,,,,
28,1,,172457-72240,, "COVER L BOOM-CYL(97)",,1,,1,,,,,,,,,,,,,
29,1,,172458-72270,, "COVER,SLIDE(GREEN:97)",,1,,1,,,,,,,,,,,,,
30,1,,172186-72480,, "GUIDE,SLIDE",,2,,2,,,,,,,,,,,,,
31,1,,22217-100000,, "SPRING WASHER 10",,1,,1,,,,,,,,,,,,,
32,1,,22217-100000,, "SPRING WASHER 10",,4,,4,,,,,,,,,,,,,
33,1,,26116-100162,, "BOLT M10X 16 PLATED",,1,,1,,,,,,,,,,,,,
34,1,,26116-100162,, "BOLT M10X 16 PLATED",,4,,4,,,,,,,,,,,,,
35,1,,933147-03400,, "WASHER, BRAKE ARM",,1,,1,,,,,,,,,,,,,
36,1,,933168-14170,, "SPRING 16",,2,,2,,,,,,,,,,,,,



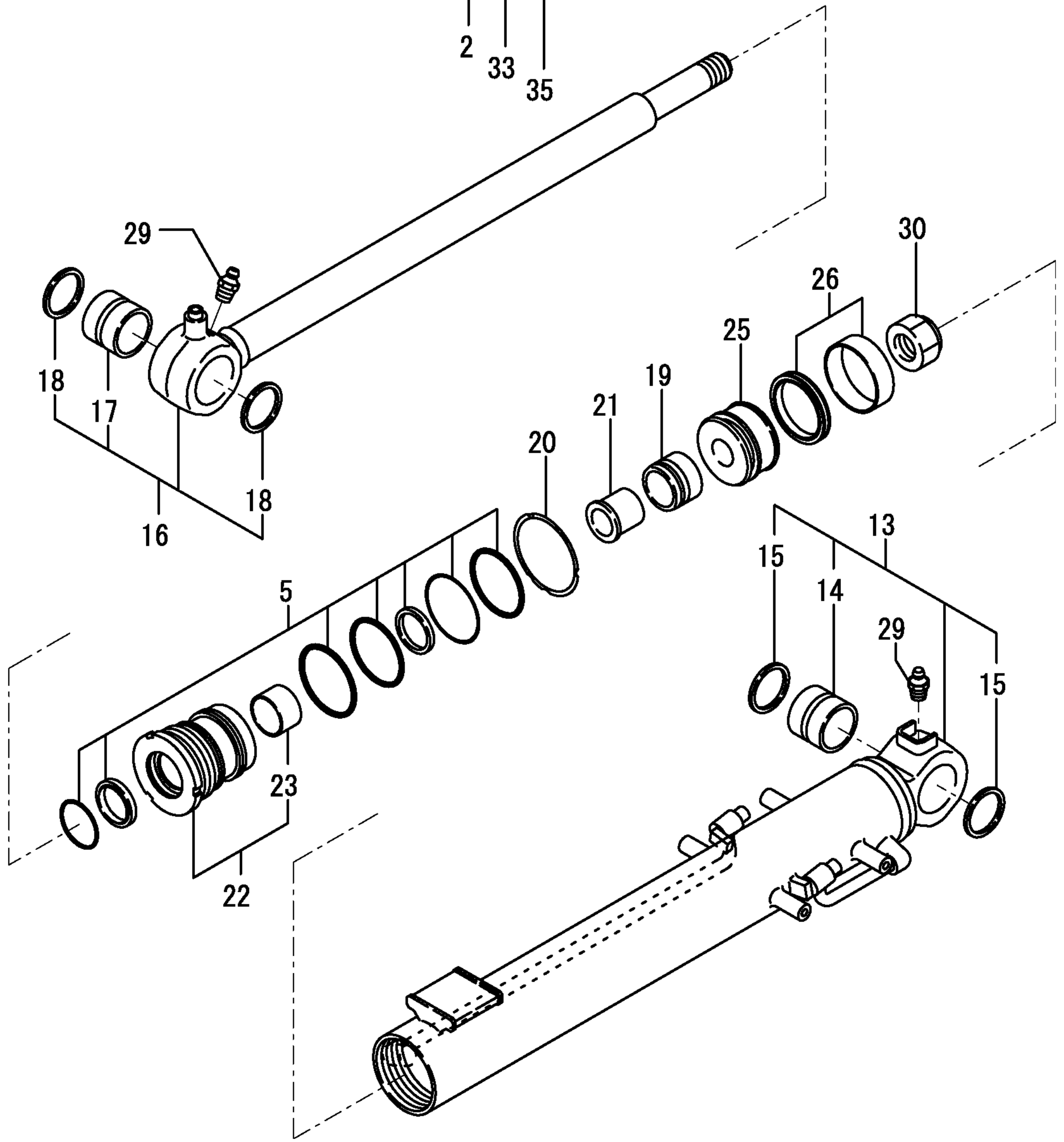
見出しNo. 1は、
見出しNo. 2~26を含みます。
1 INC. 2~26.



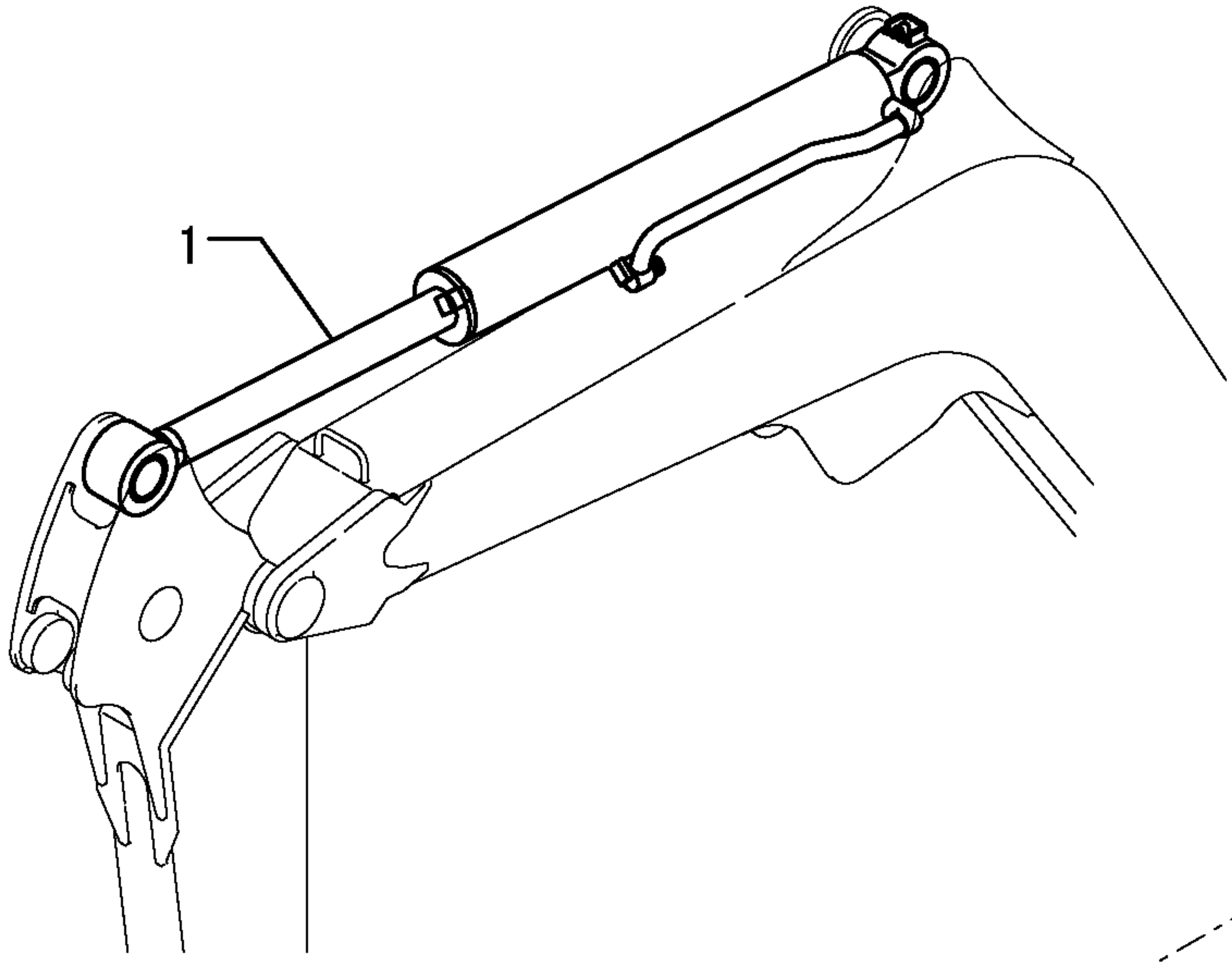
1,1,,172457-72230,, "COVER R,BOOM-CYL(97)",,1,,,,,,,,,,,,,
2,1,,172457-72240,, "COVER L BOOM-CYL(97)",,1,,,,,,,,,,,,,
3,1,,172458-72270,, "COVER,SLIDE(GREEN:97)",,1,,,,,,,,,,,,,
4,1,,172458-72400,, "CYLINDER,BOOM C (97)",,1,,,,,,,,,,,,,
5,2,,172458-72061,, "SEAL SET,85X45 HEAD",,1,,,,,,,,,,,,,
13,2,,172458-72110,, "TUBE, BOOM",,1,,,,,,,,,,,,,
14,3,,172458-72130,, "BUSH 50-60",,1,,,,,,,,,,,,,
15,3,,172165-81760,, "SEAL 50X60X4, DUST",,2,,,,,,,,,,,,,
15-1,3,,172448-54120,, "SEAL
50X60X4,DUST",,2,,,,,R,,,,72449038,M/#22628,,,,,,I
16,2,,172458-72220,, "ROD 45,BOOM",,1,,,,,,,,,,,,,
17,3,,172458-72130,, "BUSH 50-60",,1,,,,,,,,,,,,,
18,3,,172165-81760,, "SEAL 50X60X4, DUST",,2,,,,,,,,,,,,,
18-1,3,,172448-54120,, "SEAL
50X60X4,DUST",,2,,,,,R,,,,72449038,M/#22628,,,,,,I
19,2,,172458-72260,, "PLUNGER 56,CUSHON",,1,,,,,,,,,,,,,
20,2,,172146-72270,, "LOCK WASHER 85",,1,,,,,,,,,,,,,
21,2,,172458-72290,, "COLLAR 33 44,CUSHON",,1,,,,,,,,,,,,,
22,2,,172458-72410,, "HEAD 85 45",,1,,,,,,,,,,,,,
23,3,,194300-24130,, "BUSH 45X50X30",,1,,,,,,,,,,,,,
23-1,3,,24550-045300,, "BUSH",,1,,,,,R,,,,A1686116,M/#22439,,,,,,I
25,2,,172444-72440,, "PISTON 85 48",,1,,,,,,,,,,,,,
25-1,2,,172444-72441,, "PISTON 85 48",,1,,,,,N,,,,72444400,M/#22979,,,,,,I
26,2,,172444-72950,, "PISTON SEAL SET",,1,,,,,,,,,,,,,
26-1,2,,172444-72951,, "PISTON SEAL SET",,1,,,,,N,,,,72458500,M/#22680,,,,,,I
29,2,,24761-020000,, "NIPPLE PT1/8,GREASE",,2,,,,,,,,,,,,,
30,2,,933111-20200,, "U-NUT M33",,1,,,,,,,,,,,,,
31,1,,172186-72480,, "GUIDE,SLIDE",,2,,,,,,,,,,,,,
32,1,,22217-100000,, "SPRING WASHER 10",,1,,,,,,,,,,,,,
33,1,,22217-100000,, "SPRING WASHER 10",,4,,,,,,,,,,,,,
34,1,,26116-100162,, "BOLT M10X 16 PLATED",,1,,,,,,,,,,,,,
35,1,,26116-100162,, "BOLT M10X 16 PLATED",,4,,,,,,,,,,,,,
36,1,,933147-03400,, "WASHER, BRAKE ARM",,1,,,,,,,,,,,,,
37,1,,933168-14170,, "SPRING 16",,2,,,,,,,,,,,,,



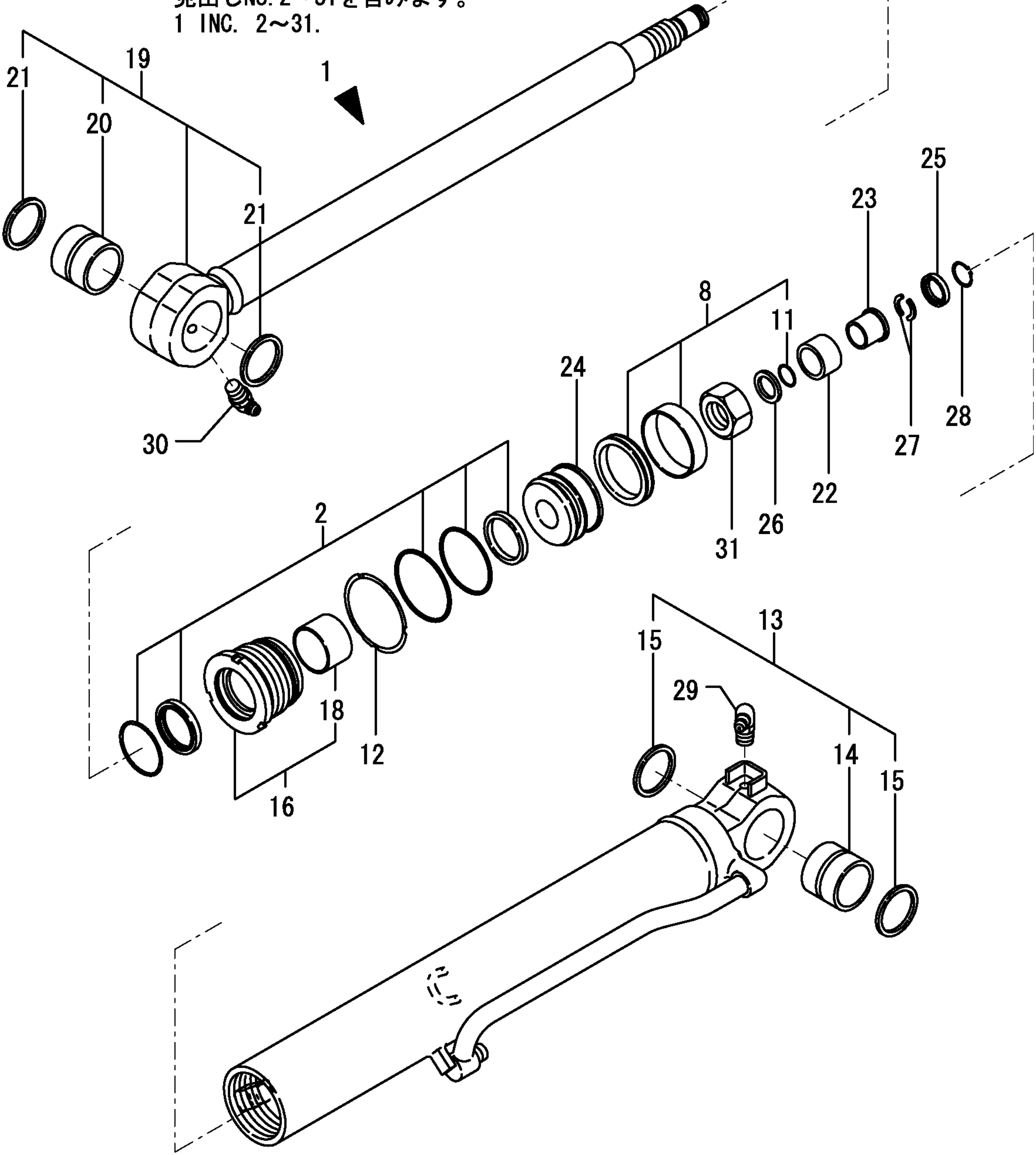
見出しNo. 4は、
見出しNo. 5~30を含みます。
4 INC. 5~30.



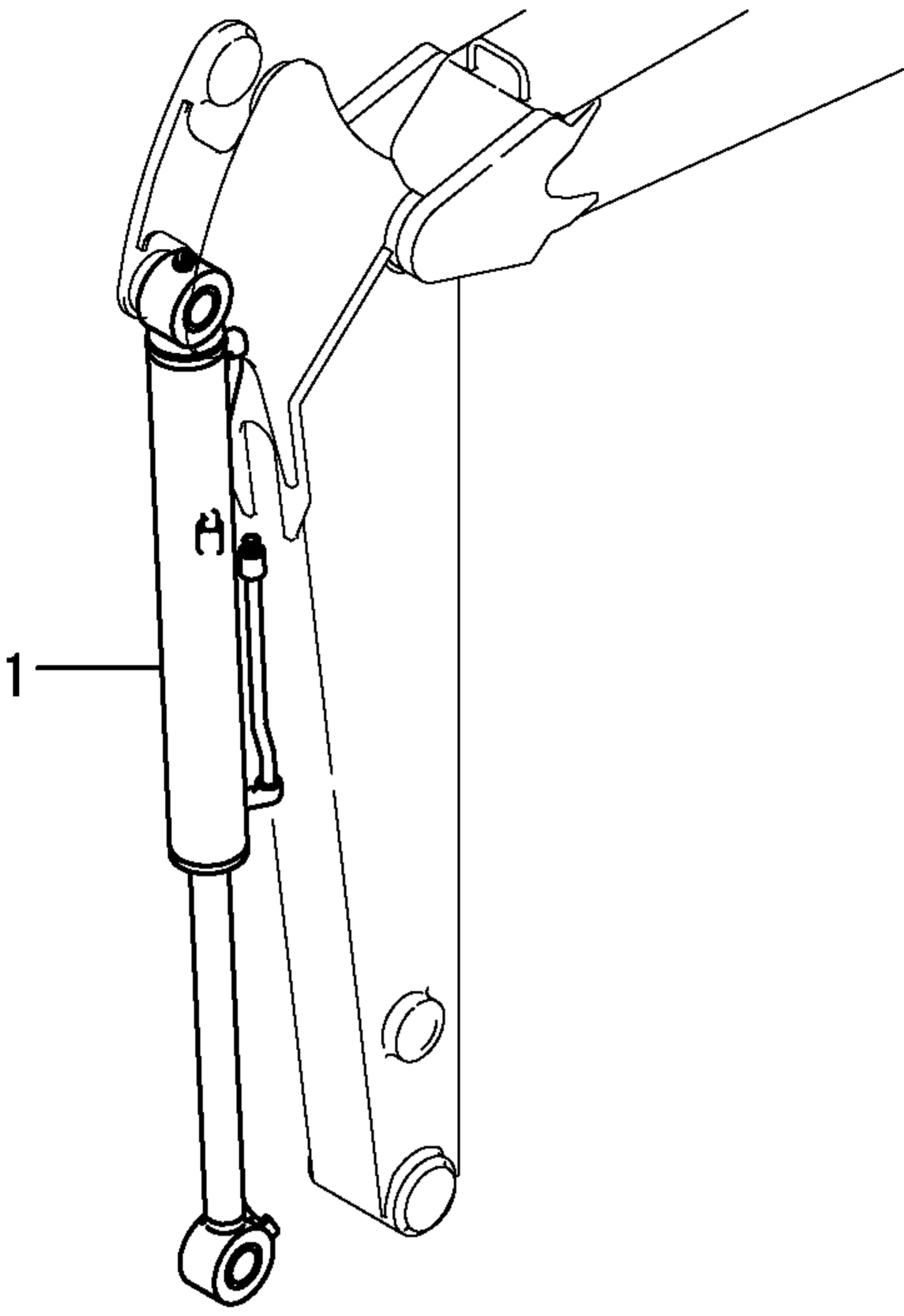
1,1,,172458-72300,, "CYLINDER, ARM",1,1,1,1,,,,,,,,,,,,,
2,2,,172458-72010,, "SEAL SET 80X50,HEAD",1,1,1,1,,,,,,,,,,,,,
8,2,,172458-72020,, "SEAL SET 80,PISTON",1,1,,,,,,,,,,,,,
8-1,2,,172458-72021,, "SEAL
SET",1,1,1,1,,N,,72458500,M/#22680,72458500,M/#22680,,,,,,,,,I
11,3,,24315-000220,, "O-RING 1B P-22.0",1,1,1,1,,,,,,,,,,,,,
12,2,,172142-72260,, "WASHER 80 B",1,1,1,1,,,,,,,,,,,,,
13,2,,172458-72310,, "TUBE, ARM",1,1,1,1,,,,,,,,,,,,,
14,3,,172151-72591,, "BUSH 50X60",1,1,1,1,,,,,,,,,,,,,
15,3,,172165-81760,, "SEAL 50X60X4, DUST",2,2,,,,,,,,,,,,,
15-1,3,,172448-54120,, "SEAL
50X60X4,DUST",2,2,2,2,,R,,72449038,M/#22628,72449038,M/#22628,,,,,,,,,I
16,2,,172450-72350,, "HEAD 80 50 W/BUSH",1,1,1,1,,,,,,,,,,,,,
18,3,,172151-72540,, "BUSH 50 35, ROD",1,1,1,1,,,,,,,,,,,,,
19,2,,172458-72360,, "ROD,ARM",1,1,1,1,,,,,,,,,,,,,
20,3,,172151-72591,, "BUSH 50X60",1,1,1,1,,,,,,,,,,,,,
21,3,,172165-81760,, "SEAL 50X60X4, DUST",2,2,,,,,,,,,,,,,
21-1,3,,172448-54120,, "SEAL
50X60X4,DUST",2,2,2,2,,R,,72449038,M/#22628,72449038,M/#22628,,,,,,,,,I
22,2,,172458-72450,, "PLUNGER 42,CUSHON",1,1,1,1,,,,,,,,,,,,,
23,2,,172458-72460,, "COLLAR 26 32,CUSHION",1,1,1,1,,,,,,,,,,,,,
24,2,,172422-72470,, "PISTON",1,1,1,1,,,,,,,,,,,,,
25,2,,172458-72470,, "COVER,STOPPER",1,1,1,1,,,,,,,,,,,,,
26,2,,172423-72530,, "SPACER",1,1,1,1,,,,,,,,,,,,,
27,2,,172423-72540,, "STOPPER",2,2,2,2,,,,,,,,,,,,,
28,2,,22242-000260,, "CIRCLIP 26",1,1,1,1,,,,,,,,,,,,,
29,2,,24761-040000,, "NIPPLE B,GREASE",1,1,1,1,,,,,,,,,,,,,
30,2,,24761-050000,, "NIPPLE C,GREASE",1,1,1,1,,,,,,,,,,,,,
31,2,,933111-20200,, "U-NUT M33",1,1,1,1,,,,,,,,,,,,,



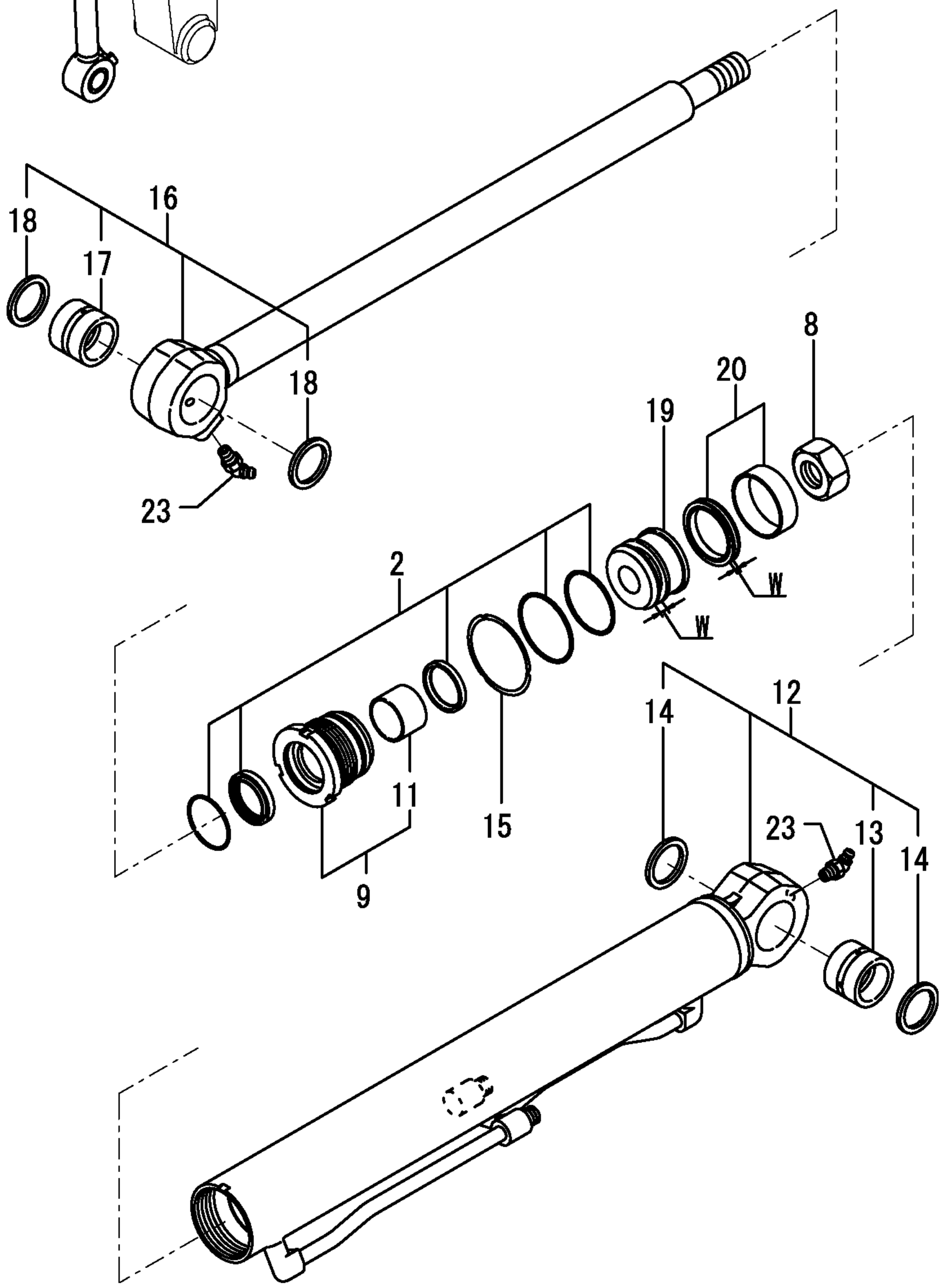
見出しNo. 1は、
見出しNo. 2~31を含みます。
1 INC. 2~31.



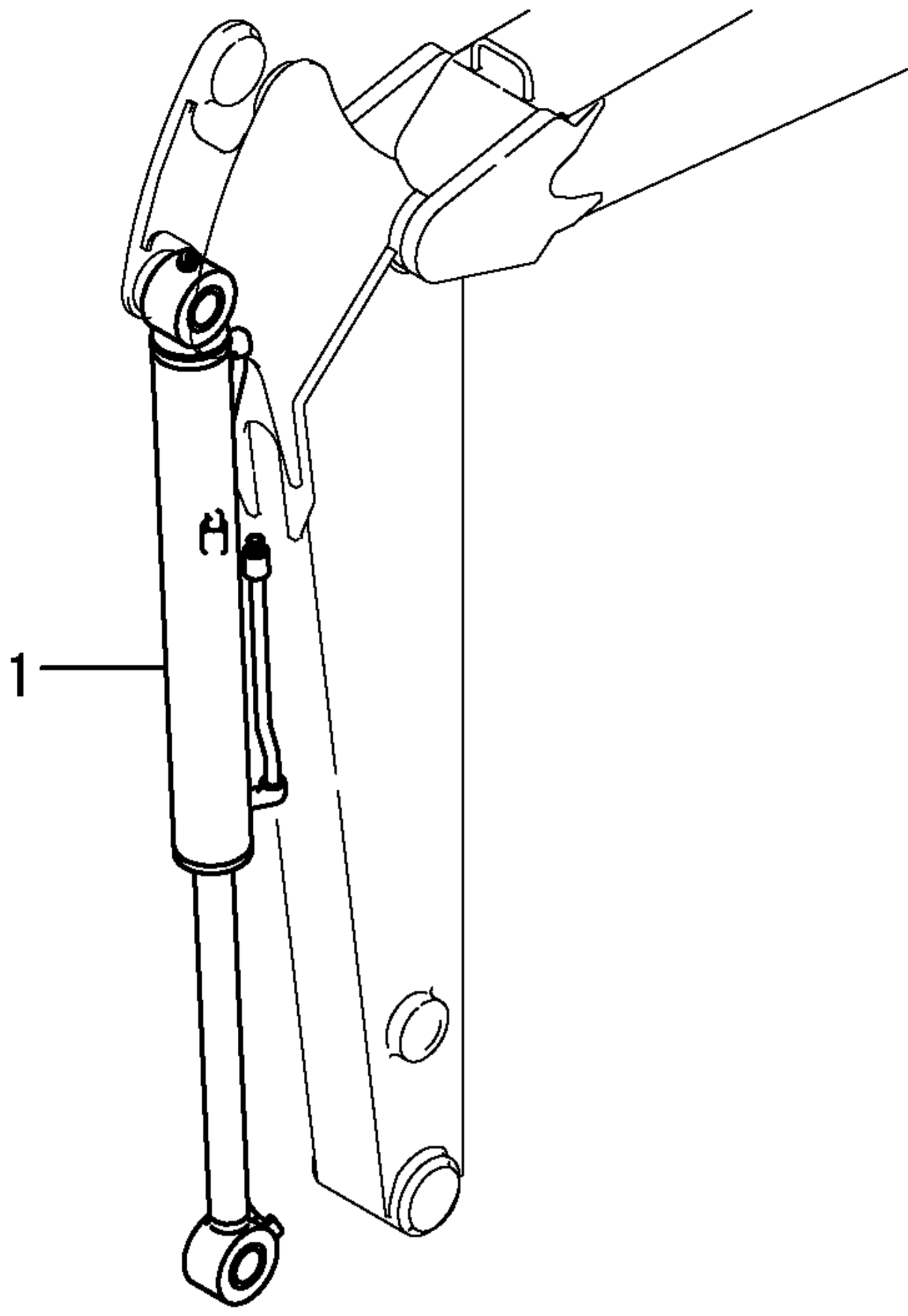
1,1,,172458-72500,, "CYLINDER, BUCKET (97)",1,1,,,,,,,,,,,,,
2,2,,172458-72030,, "SEAL SET 65X40, HEAD",1,1,,,,,,,,,,,,,
8,2,,172141-72250,, "U-NUT M27",1,1,,,,,,,,,,,,,
9,2,,172142-72510,, "HEAD 65 40 W/BUSH",1,1,,,,,,,,,,,,,
11,3,,933135-14600,, "BUSH 40 30, ROD",1,1,,,,,,,,,,,,,
11-1,3,,24550-040300,, "BUSH
40X30",1,1,,,,,R,,A1686116,M/#22439,A1686116,M/#22439,,,,,,I
12,2,,172458-72510,, "TUBE, BUCKET(GREEN:97)",1,1,,,,,,,,,,,,,
13,3,,172168-72240,, "BUSH 38X50X40",1,1,,,,,,,,,,,,,
14,3,,172168-81270,, "SEAL, DUST 38X50X4",2,2,,,,,,,,,,,,,
15,2,,172142-72560,, "WASHER 65, LOCK",1,1,,,,,,,,,,,,,
16,2,,172458-72570,, "ROD, BUCKET",1,1,,,,,,,,,,,,,
17,3,,172168-72240,, "BUSH 38X50X40",1,1,,,,,,,,,,,,,
18,3,,172168-81270,, "SEAL, DUST 38X50X4",2,2,,,,,,,,,,,,,
19,2,,172148-72790,, "PISTON 65",1,1,,,,,,,,,,,,,
19-1,2,,172148-72791,, "PISTON 65
27",1,1,,,,,S,1,72458500,M/#22680,72458500,M/#22680,,,,,,I
20,2,,172148-72940,, "SEAL SET, PISTON",1,1,,,,,,,,,,,,,
20-1,2,,172148-72941,, "PISTON SEAL
SET, BUCK",1,1,,,,,S,1,72458500,M/#22680,72458500,M/#22680,72458500,M/#22680,7245
8500,M/#22680,,,,,I
23,2,,24761-040000,, "NIPPLE B, GREASE",2,2,,,,,,,,,,,,,



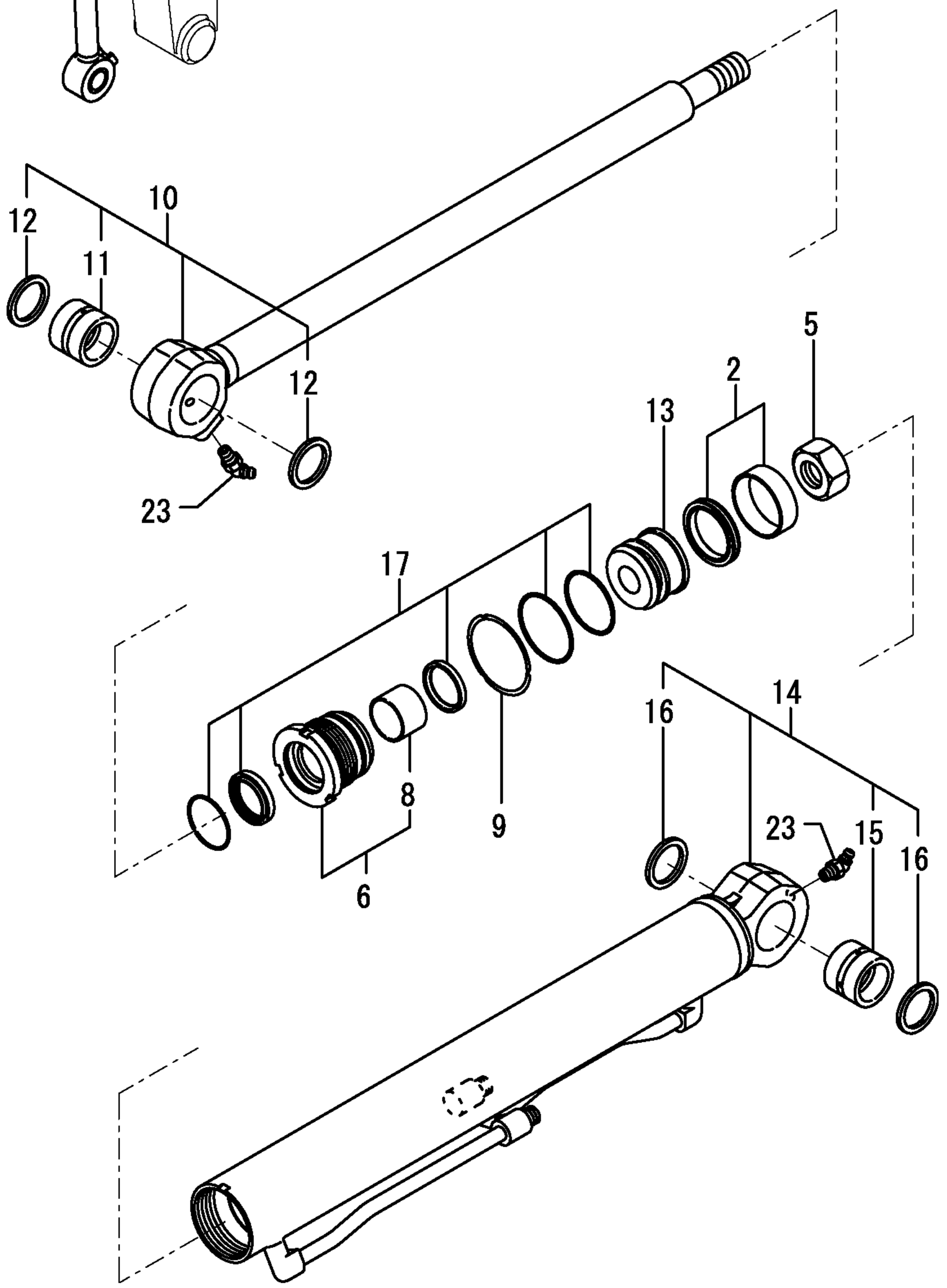
見出しNo. 1は、
見出しNo. 2~23を含みます。
1 INC. 2~23.



1,1,,172958-72900,, "CYLINDER, BUCKET-Q(97)",1,1,1,1,,,,,,,,,,,,,
2,2,,172143-72010,, "SEAL SET, PISTON 70",1,1,,,,,,,,,,,,,
2-1,2,,172460-72070,, "SEAL
SET",1,1,1,1,,,N,,72958068,M/#22743,72958068,M/#22743,,,,,,,,,I
5,2,,172141-72250,, "U-NUT M27",1,1,1,1,,,,,,,,,,,,,
6,2,,172143-72400,, "HEAD 70 40",1,1,1,1,,,,,,,,,,,,,
8,3,,933135-14600,, "BUSH 40 30, ROD",1,1,,,,,,,,,,,,,
8-1,3,,24550-040300,, "BUSH
40X30",1,1,1,1,,,R,,A1686116,M/#22439,A1686116,M/#22439,,,,,,,,,I
9,2,,172141-72420,, "WASHER 70, LOCK",1,1,1,1,,,,,,,,,,,,,
10,2,,172458-72570,, "ROD, BUCKET",1,1,1,1,,,,,,,,,,,,,
11,3,,172168-72240,, "BUSH 38X50X40",1,1,1,1,,,,,,,,,,,,,
12,3,,172168-81270,, "SEAL, DUST 38X50X4",2,2,2,2,,,,,,,,,,,,,
13,2,,172456-72770,, "PISTON 70 27",1,1,,,,,,,,,,,,,
13-1,2,,172456-72190,, "PISTON 70
27",1,1,1,1,,,R,,72456104,M/#20501,72456104,M/#20501,,,,,,,,,
14,2,,172958-72910,, "TUBE, BUCKET-Q (97)",1,1,1,1,,,,,,,,,,,,,
15,3,,172168-72240,, "BUSH 38X50X40",1,1,1,1,,,,,,,,,,,,,
16,3,,172168-81270,, "SEAL, DUST 38X50X4",2,2,2,2,,,,,,,,,,,,,
17,2,,172456-72050,, "SEAL SET, HEAD",1,1,1,1,,,,,,,,,,,,,
23,2,,24761-040000,, "NIPPLE B, GREASE",2,2,2,2,,,,,,,,,,,,,



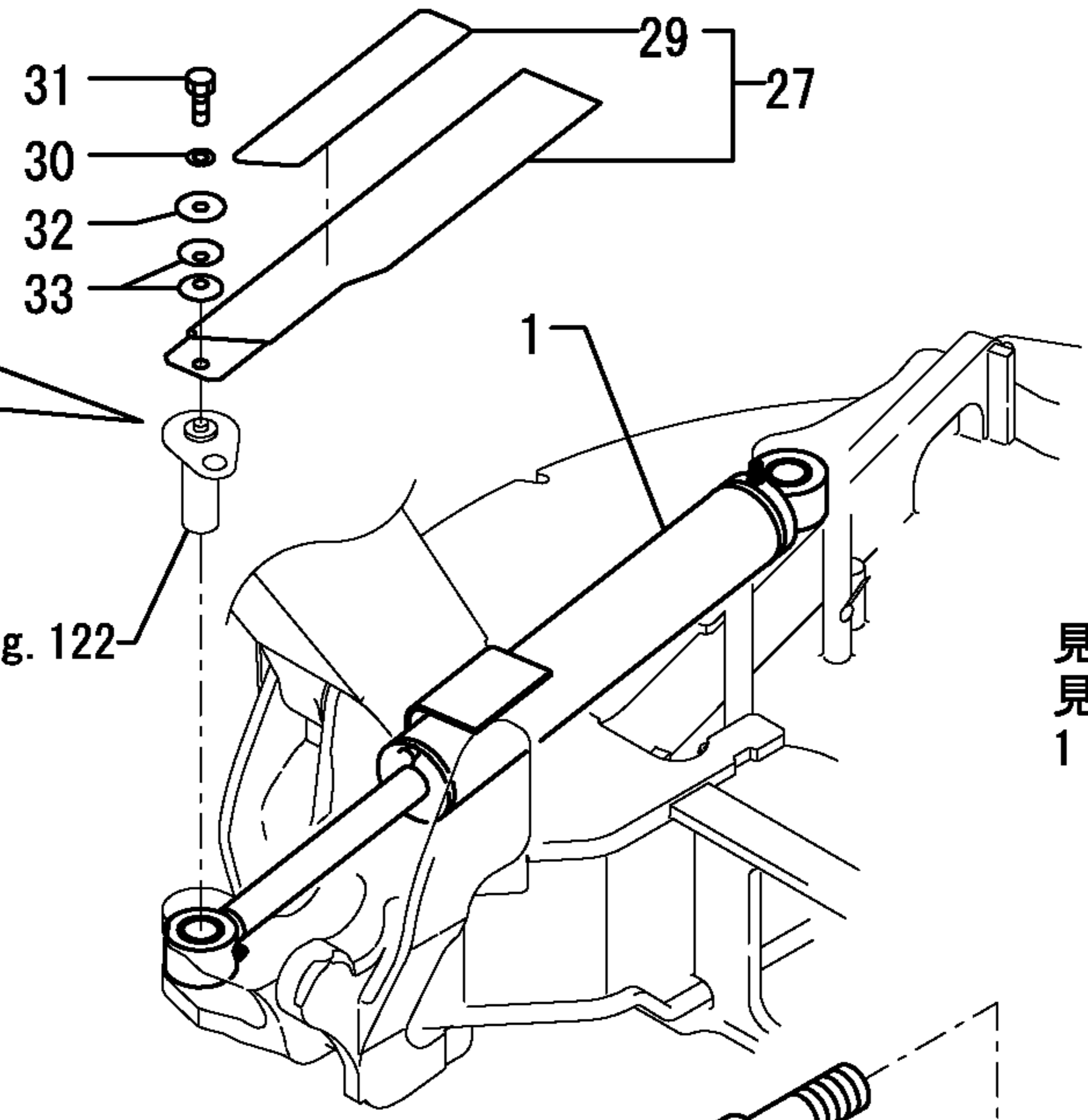
見出しNo. 1は、
見出しNo. 2~23を含みます。
1 INC. 2~23.



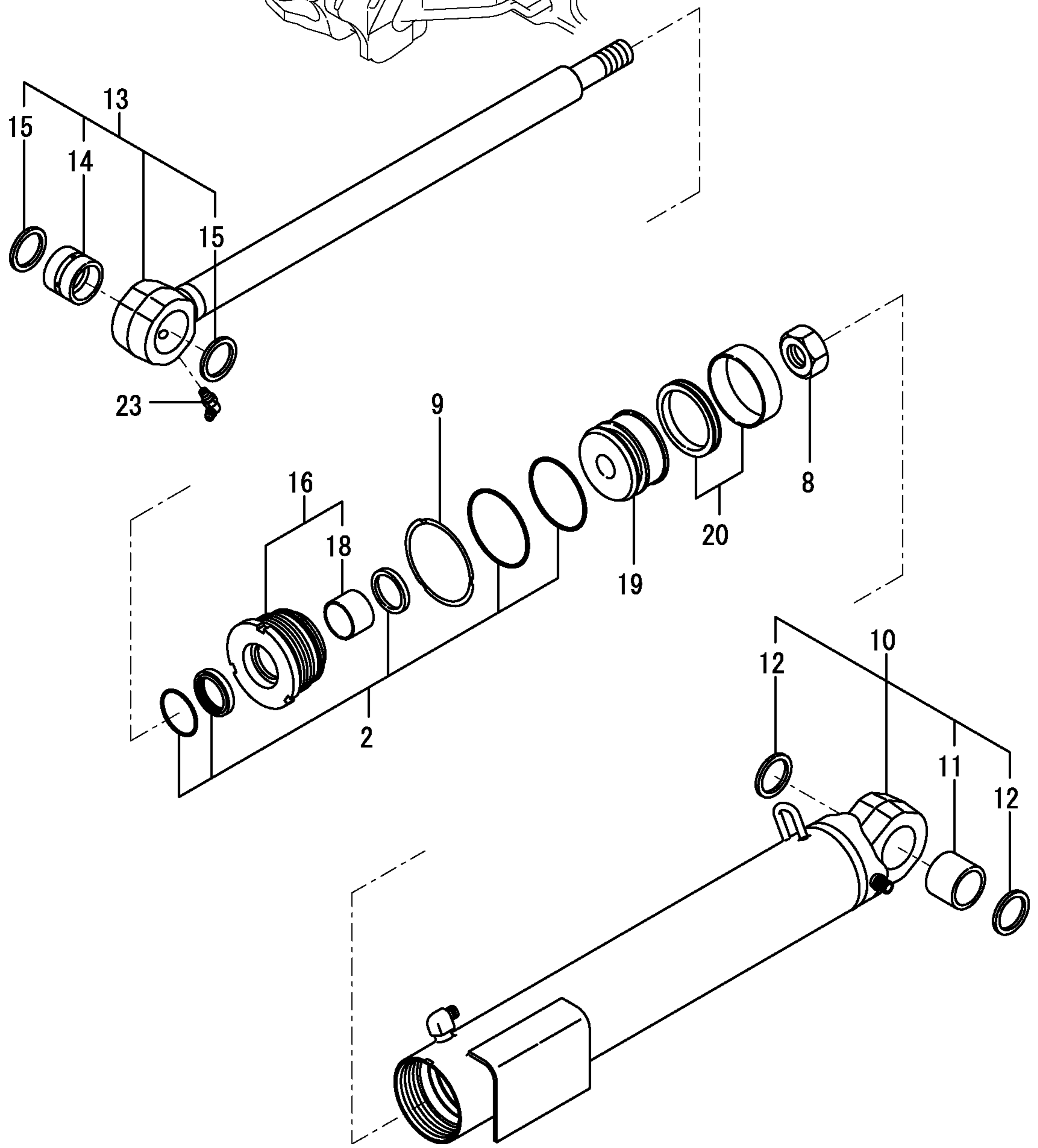
1,1,,172458-72700,, "CYLINDER, SWING",1,1,1,1,,,,,,,,,,,,,
2,2,,172458-72040,, "SEAL SET,PISTON 85X4",1,1,1,1,,,,,,,,,,,,,
8,2,,172141-72250,, "U-NUT M27",1,1,1,1,,,,,,,,,,,,,
9,2,,172146-72270,, "LOCK WASHER 85",1,1,1,1,,,,,,,,,,,,,
10,2,,172458-72710,, "TUBE, SWING",1,1,1,1,,,,,,,,,,,,,
11,3,,172458-72740,, "BUSH 40X40,SO",1,1,1,1,,,,,,,,,,,,,
12,3,,172165-81750,, "SEAL 40X50X5, DUST",2,2,,,,,,,,,,,,,
12-1,3,,172448-72650,, "SEAL
40X50X4,DUST",2,2,2,2,,,R,,72449038,M/#22628,72449038,M/#22628,,,,,,,,,I
13,2,,172458-72770,, "ROD ASSY,SWING",1,1,1,1,,,,,,,,,,,,,
14,3,,172165-72310,, "BUSH 40X40",1,1,1,1,,,,,,,,,,,,,
15,3,,172165-81750,, "SEAL 40X50X5, DUST",2,2,,,,,,,,,,,,,
15-1,3,,172448-72650,, "SEAL
40X50X4,DUST",2,2,2,2,,,R,,72449038,M/#22628,72449038,M/#22628,,,,,,,,,I
16,2,,172458-72790,, "HEAD ASSY 85 40",1,1,1,1,,,,,,,,,,,,,
18,3,,933135-14600,, "BUSH 40 30, ROD",1,1,,,,,,,,,,,,,
18-1,3,,24550-040300,, "BUSH
40X30",1,1,1,1,,,R,,A1686116,M/#22439,A1686116,M/#22439,,,,,,,,,I
19,2,,172458-72810,, "PISTON 85 27",1,1,1,1,,,,,,,,,,,,,
20,2,,172444-72950,, "PISTON SEAL SET",1,1,,,,,,,,,,,,,
20-1,2,,172444-72951,, "PISTON SEAL
SET",1,1,1,1,,,N,,72458500,M/#22680,72458500,M/#22680,,,,,,,,,I
23,2,,24761-050000,, "NIPPLE C,GREASE",1,1,1,1,,,,,,,,,,,,,
24,1,,22217-100000,, "SPRING WASHER 10",1,,1,,,,,,,,,,,,,
25,1,,26116-100162,, "BOLT M10X 16 PLATED",1,,1,,,,,,,,,,,,,
26,1,,933147-03400,, "WASHER, BRAKE ARM",1,,,,,,,,,,,,,
26-1,1,,22157-100000,, "WASHER 10",1,,1,,,N,,72458370,M/#20955,,,,,,,,,
27,1,,172458-72860,, "COVER,SWING(GREEN:97",,,1,,1,,,,,,,,,,,,,
29,2,,172458-72850,, "SHEET,SWING",,,1,,1,,,,,,,,,,,,,
30,1,,22217-100000,, "SPRING WASHER 10",,,1,,1,,,,,,,,,,,,,
31,1,,26116-100162,, "BOLT M10X 16 PLATED",,,1,,1,,,,,,,,,,,,,
32,1,,933147-03400,, "WASHER, BRAKE ARM",,,1,,1,,,,,,,,,,,,,
33,1,,933168-14170,, "SPRING 16",,,2,,2,,,,,,,,,,,,,

キャビン仕様
CABIN SPEC.

REFER TO Fig. 122

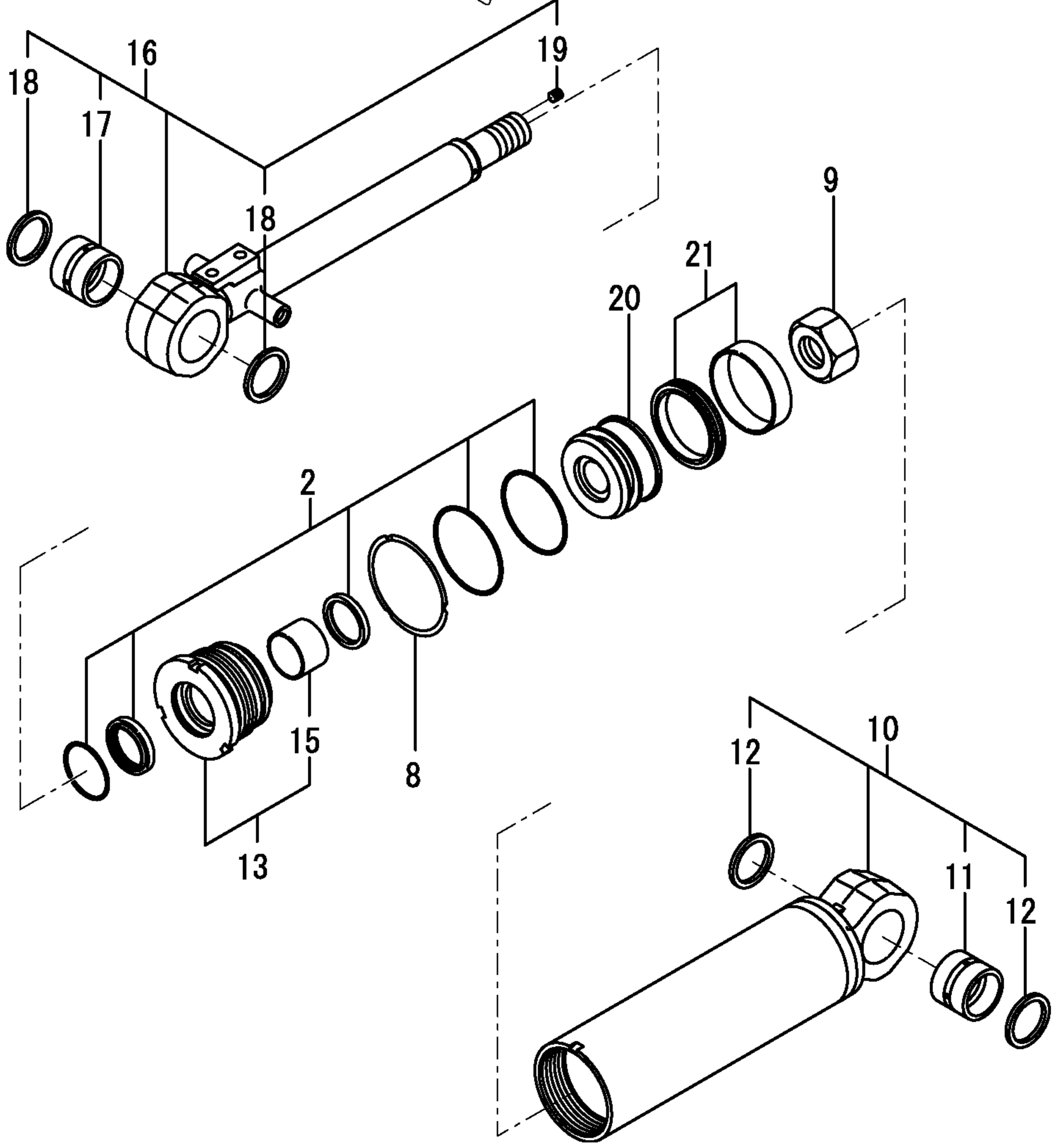
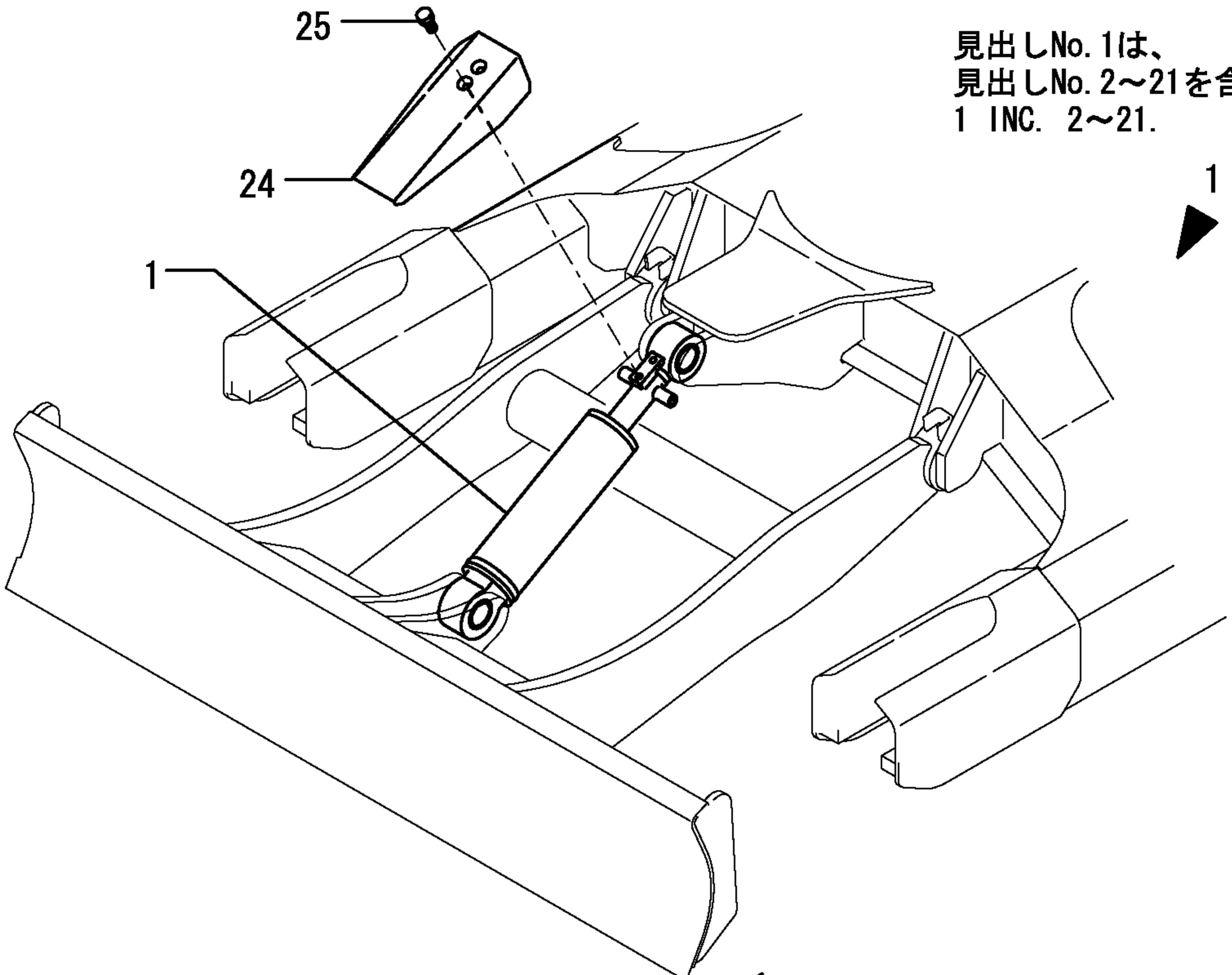


見出しNo. 1は、
見出しNo. 2~23を含みます。
1 INC. 2~23.



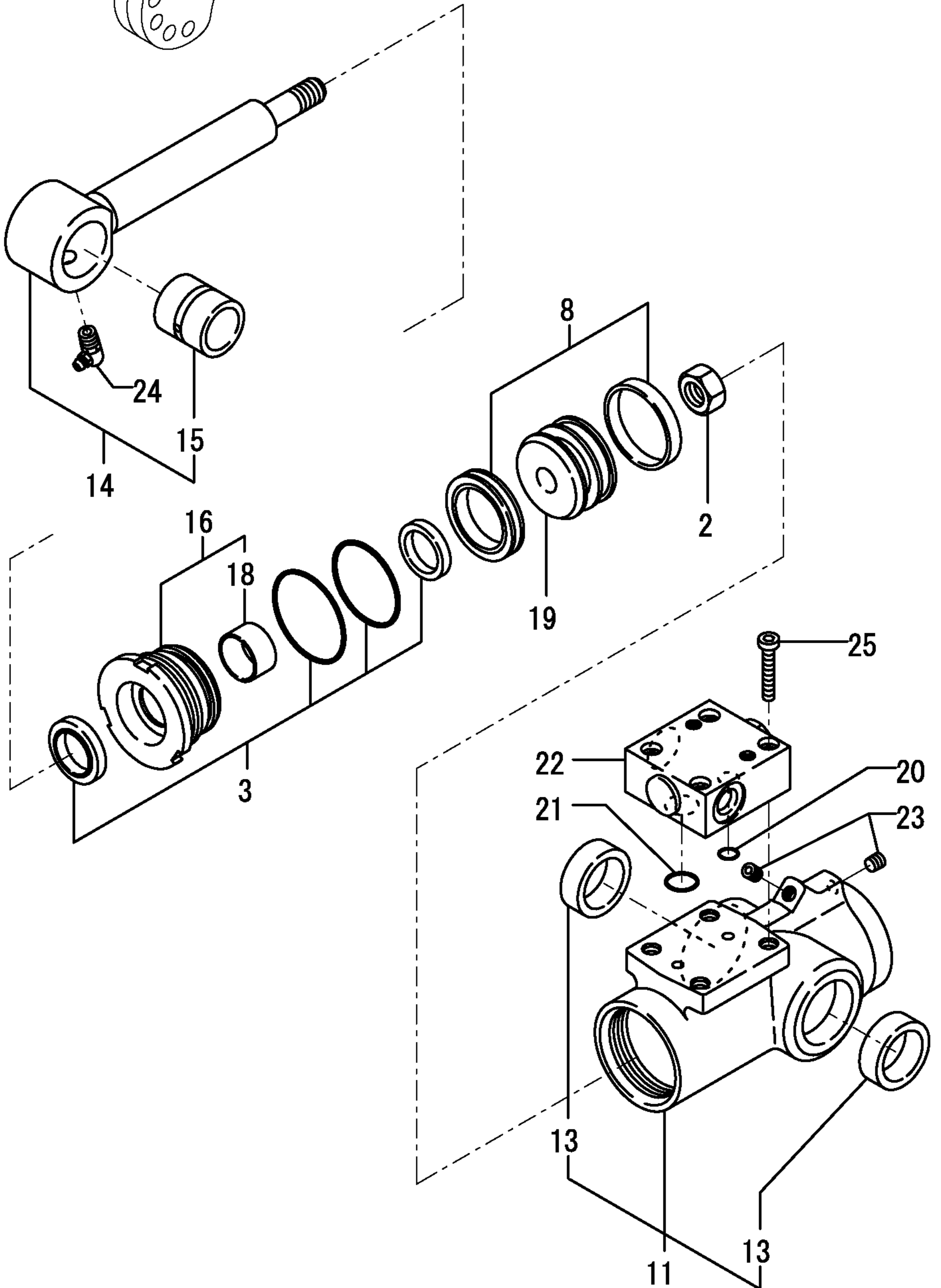
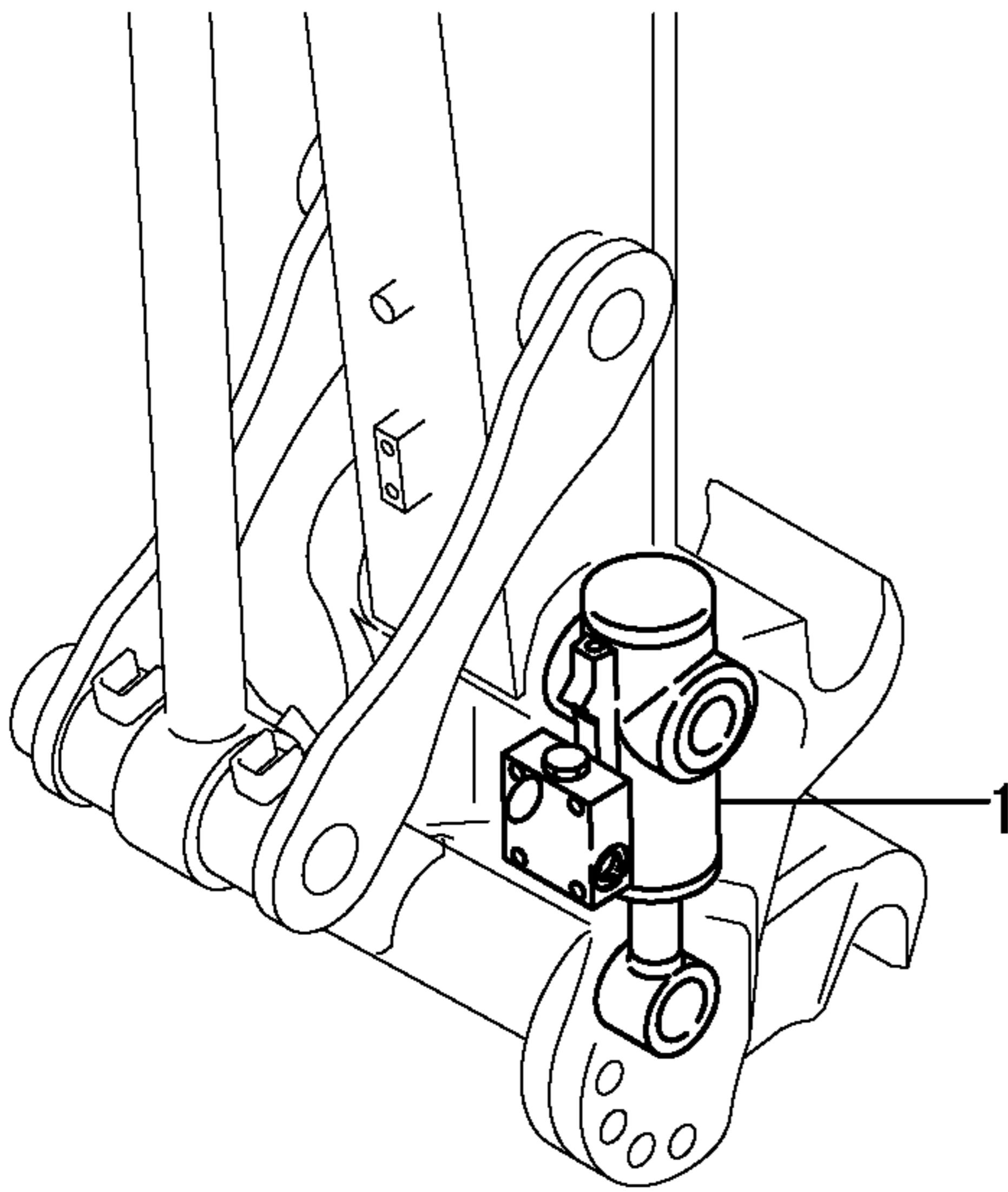
1,1,,172458-72610,, "CYLINDER, BLADE",1,1,1,1,,,,,,,,,,,,,
2,2,,172458-72050,, "SEAL SET,HEAD 80X40",1,1,1,1,,,,,,,,,,,,,
8,2,,172142-72260,, "WASHER 80 B",1,1,1,1,,,,,,,,,,,,,
9,2,,172175-72550,, U-NUT,1,1,1,1,,,,,,,,,,,,,
10,2,,172458-72620,, "TUBE, BLADE",1,1,1,1,,,,,,,,,,,,,
11,3,,172168-72410,, "BUSH 40X50X40",1,1,1,1,,,,,,,,,,,,,
12,3,,172165-81750,, "SEAL 40X50X5, DUST",2,2,,,,,,,,,,,,,
12-1,3,,172448-72650,, "SEAL
40X50X4,DUST",2,2,2,2,, ,R,,72449038,M/#22628,72449038,M/#22628,,,,,,,,,I
13,2,,172142-72640,, "HEAD 80 40 W/BUSH",1,1,1,1,,,,,,,,,,,,,
15,3,,933135-14600,, "BUSH 40 30, ROD",1,1,,,,,,,,,,,,,
15-1,3,,24550-040300,, "BUSH
40X30",1,1,1,1,, ,R,,A1686116,M/#22439,A1686116,M/#22439,,,,,,,,,I
16,2,,172458-72650,, "ROD ASSY,BLADE",1,1,1,1,,,,,,,,,,,,,
17,3,,172168-72410,, "BUSH 40X50X40",1,1,1,1,,,,,,,,,,,,,
18,3,,172165-81750,, "SEAL 40X50X5, DUST",2,2,,,,,,,,,,,,,
18-1,3,,172448-72650,, "SEAL
40X50X4,DUST",2,2,2,2,, ,R,,72449038,M/#22628,72449038,M/#22628,,,,,,,,,I
19,3,,23871-005000,, "PLUG PT 1/16",1,1,1,1,,,,,,,,,,,,,
20,2,,172458-72670,, PISTON,1,1,1,1,,,,,,,,,,,,,
21,2,,172142-72950,, "SEAL SET, PISTON",1,1,,,,,,,,,,,,,
21-1,2,,172142-72951,, "SEAL SET,
PISTON",1,1,1,1,, ,N,,72458500,M/#22680,72458500,M/#22680,,,,,,,,,I
24,1,,172422-72790,, "COVER,BLADE(GREEN:88",1,1,1,1,,,,,,,,,,,,,
25,1,,26013-100202,, "BOLT W/WASHER M10X20",2,2,,,,,,,,,,,,,
25-1,1,,26013-100162,, "BOLT M10X
16",2,2,2,2,, ,N,,72458379,M/#20863,72458379,M/#20863,,,,,,,,,

見出しNo. 1は、
見出しNo. 2~21を含みます。
1 INC. 2~21.

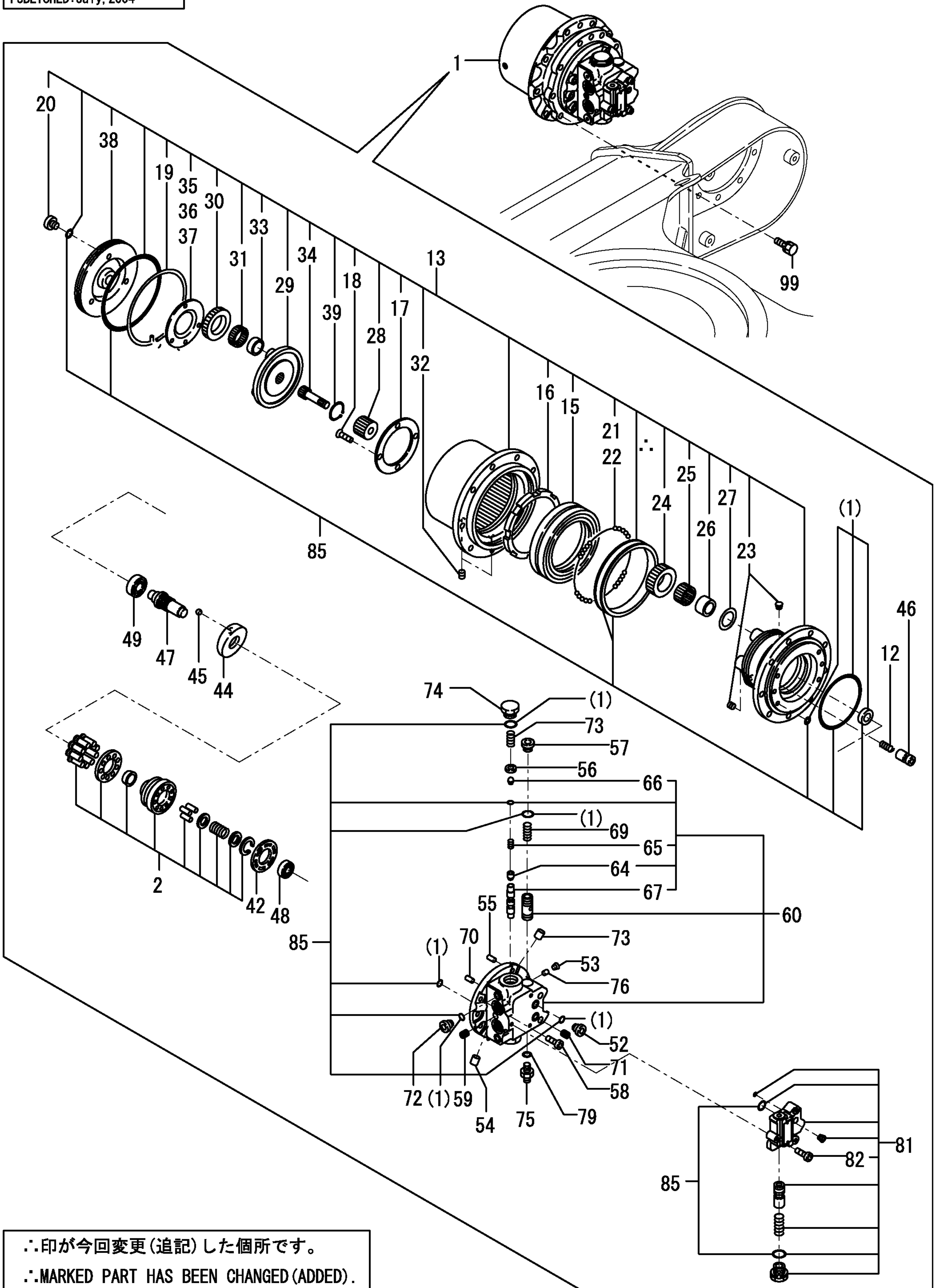


1,1,,172958-72800,, "CYLINDER,HITCH (97)",1,1,,,,,,,,,,,,,
1-1,1,,172958-72801,, "CYLINDER,HITCH
(97)",1,1,1,1,,N,,72958053,M/#21062,72958053,M/#21062,,,,,
2,2,,172156-72400,, "U-NUT M 14",1,1,1,1,,,,,,,,,,,,,
3,2,,172958-72760,, "SEAL SET 50X25,HEAD",1,1,1,1,,,,,,,,,,,,,
8,2,,172958-72770,, "SEAL SET,PISTON(50-2",1,1,1,1,,,,,,,,,,,,,
11,2,,172958-72810,, "TUBE,HITCH(GREEN:97)",1,1,,,,,,,,,,,,,
11-1,2,,172958-
72811,, "TUBE,HITCH(YELLOW:87",1,1,1,1,,N,,72958053,M/#21062,72958053,M/#21062,,
,,,,,
13,3,,172958-72970,, "BUSH 30-40-13",2,2,2,2,,,,,,,,,,,,,
14,2,,172958-72830,, "ROD ASSY,HITCH",1,1,1,1,,,,,,,,,,,,,
15,3,,172156-72770,, "BUSH, PIN 25 35 B",1,1,1,1,,,,,,,,,,,,,
16,2,,172958-72860,, "HEAD ASSY 50 25",1,1,1,1,,,,,,,,,,,,,
18,3,,172958-72880,, "BUSH,ROD 25-15",1,1,,,,,,,,,,,,,
18-1,3,,24550-025150,, "BUSH
25X15",1,1,1,1,,R,,A1686116,M/#22439,A1686116,M/#22439,,,,,,,,,I
19,2,,172958-72890,, "PISTON 50 25",1,1,1,1,,,,,,,,,,,,,
20,2,,172958-72950,, "O-RING P8",1,1,1,1,,,,,,,,,,,,,
21,2,,172958-72960,, "O-RING P14",1,1,1,1,,,,,,,,,,,,,
22,2,,172958-72980,, "CHECK VALVE(GREEN:97",1,1,,,,,,,,,,,,,
22-1,2,,172958-72981,, "CHECK
VALVE(GREEN:97",1,1,,,,,N,,72958053,M/#21062,72958053,M/#21062,,,,,
22-2,2,,172958-72982,, "CHECK
VALVE(GREEN:97",1,1,1,1,,N,,72958069,M/#22743,72958069,M/#22743,,,,,,,,,I
23,2,,23871-005000,, "PLUG PT 1/16",2,2,2,2,,,,,,,,,,,,,
24,2,,24761-050000,, "NIPPLE C,GREASE",1,1,1,1,,,,,,,,,,,,,
25,2,,26450-060352,, "BOLT M 6X 35",4,4,4,4,,,,,,,,,,,,,

見出しNo. 1は、
見出しNo. 2~25を含みます。
1 INC. 2~25.

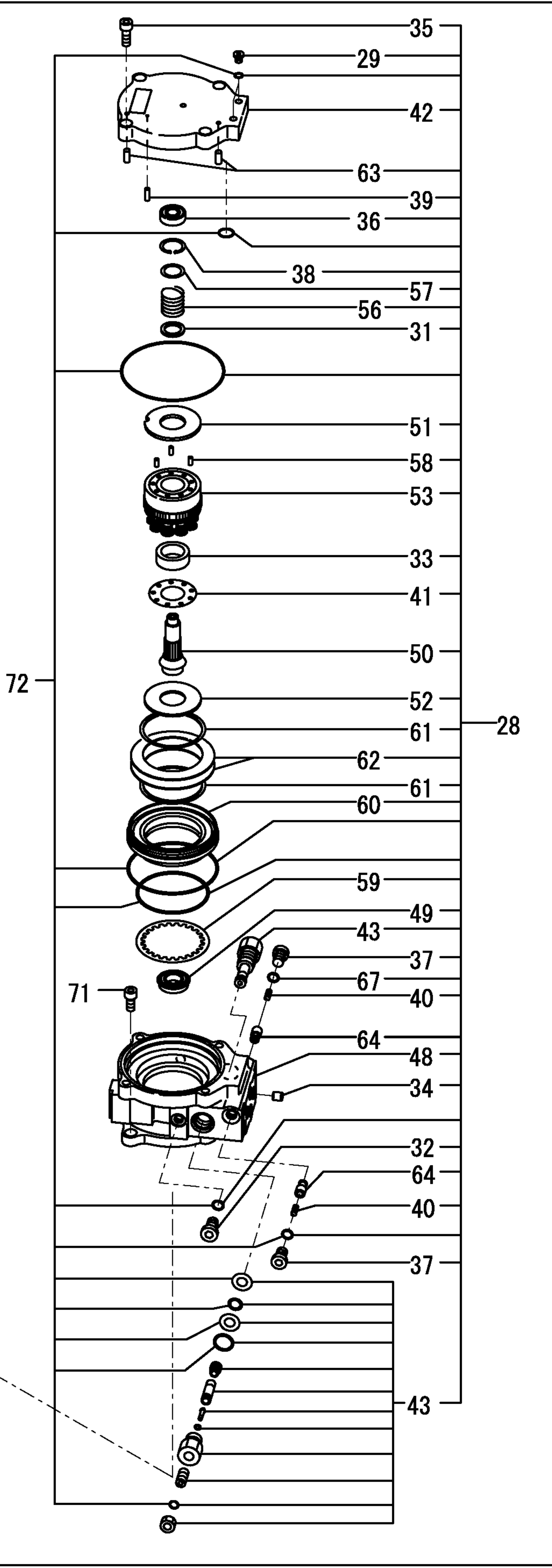
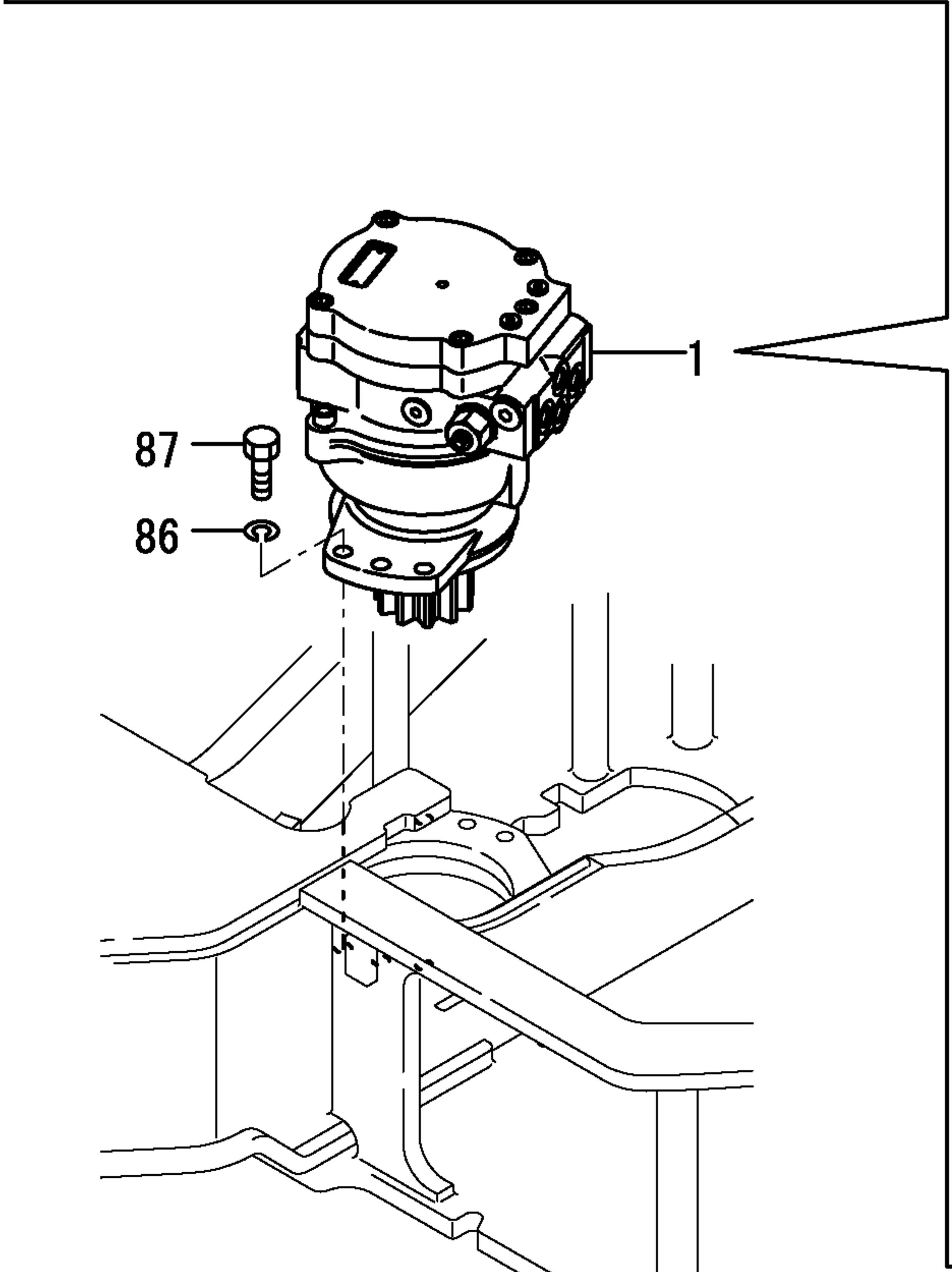
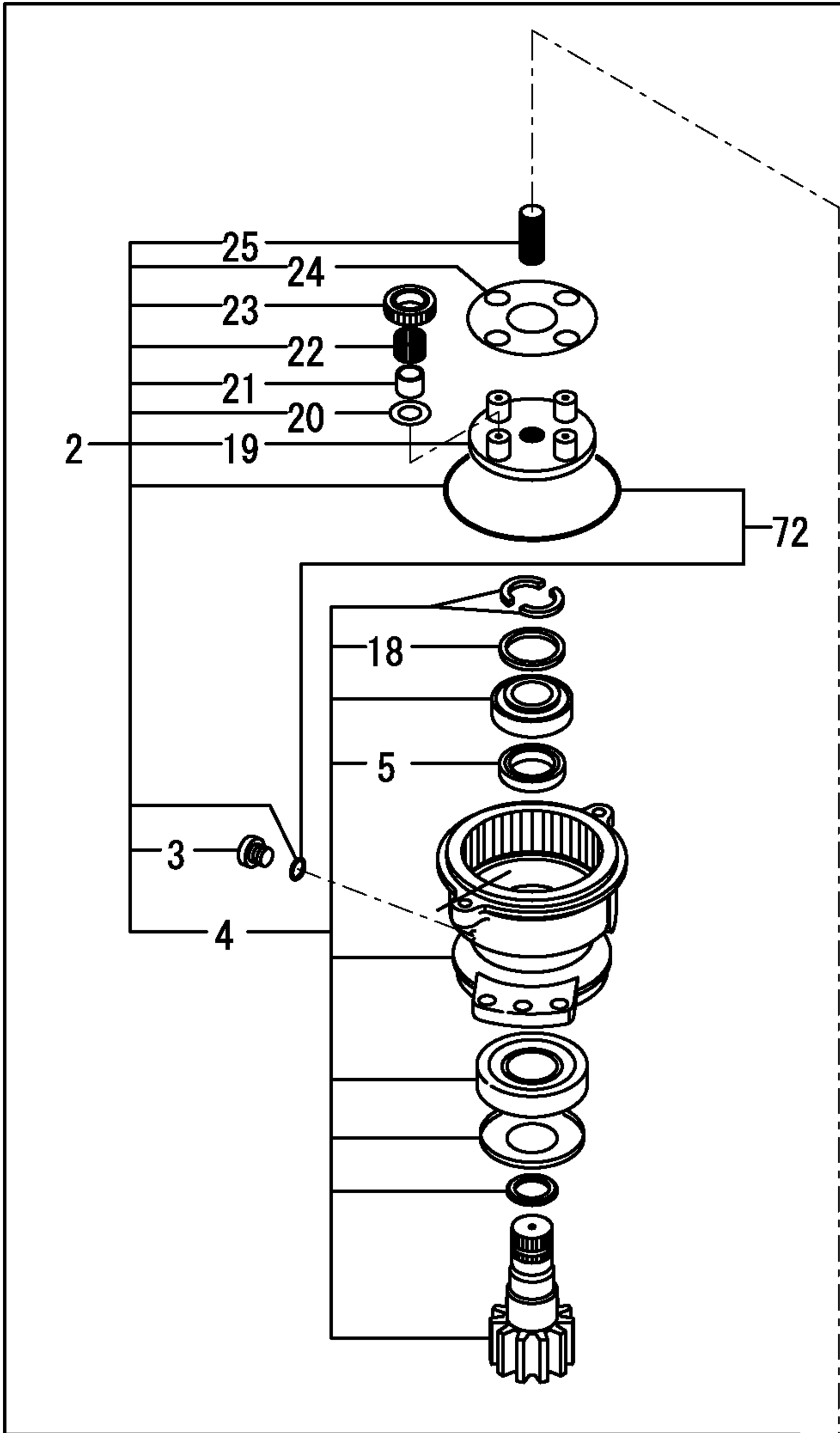


1,1,,172458-73700,, "MOTOR, TRAVEL (88)",2,2,2,2,,,,,,,,,,,,,
2,2,,172450-73620,, "CYLINDER BLOCK KIT",2,2,2,2,,,,,,,,,,,,,
12,2,,172168-71950,, "SPRING, 4,4,4,4",,,,,,,,,,,,,,
13,2,,172450-73320,, "REDUCTION GEAR",2,2,2,2,,,,,,,,,,,,,
15,3,,172141-70030,, "BEARING, ANGULAR",2,2,2,2,,,,,,,,,,,,,
16,3,,172141-70040,, "NUT, RING",2,2,2,2,,,,,,,,,,,,,
17,3,,172141-70100,, "PLATE, THRUST",2,2,2,2,,,,,,,,,,,,,
18,3,,172141-70110,, "SCREW, 8,8,8,8",,,,,,,,,,,,,,
19,3,,172141-70230,, "WIRE, 2,2,2,2",,,,,,,,,,,,,,
20,3,,172148-70301,, "PLUG, 4,4,4,4",,,,,,,,,,,,,,
21,3,,172122-70350,, "BALL, 132,132,132,132",,,,,,,,,,,,,,
22,3,,172122-70350,, "BALL, 132,132,132,132",,,,,,,,,,,,,,
23,3,,172450-73330,, "PLUG, 4,4,4,4",,,,,,,,,,,,,,
24,3,,172450-73350,, "PLANETARY, GEAR B",8,8,8,8,,,,,,,,,,,,,
25,3,,172450-73360,, "NEEDLE BEARING",8,8,8,8,,,,,,,,,,,,,
26,3,,172450-73370,, "INNER RACE",8,8,8,8,,,,,,,,,,,,,
27,3,,172450-73380,, "WASHER, THRUST",8,8,8,8,,,,,,,,,,,,,
28,3,,172450-73390,, "SUN GEAR",2,2,2,2,,,,,,,,,,,,,
29,3,,172450-73400,, "HOLDER, 2,2,2,2",,,,,,,,,,,,,,
30,3,,172450-73410,, "PLANETARY, GEAR A",6,6,6,6,,,,,,,,,,,,,
31,3,,172450-73420,, "NEEDLE BEARING",6,6,6,6,,,,,,,,,,,,,
32,3,,172122-73430,, "PLUG, 4,4,4,4",,,,,,,,,,,,,,
33,3,,172450-73430,, "INNER RACE",6,6,6,6,,,,,,,,,,,,,
34,3,,172450-73440,, "GEAR, DRIVE",2,2,2,2,,,,,,,,,,,,,
35,3,,172450-73450,, "PLATE, THRUST",2,2,2,2,,,,,,,,,,,,,
36,3,,172450-73460,, "PLATE, THRUST",2,2,2,2,,,,,,,,,,,,,
37,3,,172450-73470,, "PLATE, THRUST",2,2,2,2,,,,,,,,,,,,,
38,3,,172450-73480,, "PLATE, 2,2,2,2",,,,,,,,,,,,,,
39,3,,22242-000350,, "CIRCLIP 35",2,2,2,2,,,,,,,,,,,,,
42,2,,172638-73330,, "PLATE, 2,2,2,2",,,,,,,,,,,,,,
44,2,,172450-73500,, "PLATE, SWASH",2,2,2,2,,,,,,,,,,,,,
45,2,,172450-73510,, "BALL, STEEL",4,4,4,4,,,,,,,,,,,,,
46,2,,172450-73550,, "PISTON ASSY",4,4,4,4,,,,,,,,,,,,,
47,2,,172183-73670,, "SHAFT, 2,2,2,2",,,,,,,,,,,,,,
48,2,,24101-060024,, "BALL BEARING",2,2,2,2,,,,,,,,,,,,,
49,2,,24101-060044,, "BALL BEARING #6004",2,2,2,2,,,,,,,,,,,,,
52,2,,1A6240-37360,, "PLUG, 4,4,4,4",,,,,,,,,,,,,,
53,2,,172147-70220,, "PLUG, 4,4,4,4",,,,,,,,,,,,,,
54,2,,172148-70340,, "ORIFICE, 8,8,8,8",,,,,,,,,,,,,,
55,2,,172122-70410,, "PIN, 4,4,4,4",,,,,,,,,,,,,,
56,2,,172122-70460,, "SPRING SEAT",4,4,4,4,,,,,,,,,,,,,
57,2,,172147-70500,, "PLUG, 2,2,2,2",,,,,,,,,,,,,,
58,2,,172122-70540,, "BOLT, SOCKET",12,12,12,12,,,,,,,,,,,,,
59,2,,172162-70780,, "PLUG, 2,2,2,2",,,,,,,,,,,,,,
60,2,,172458-73730,, "BASE PLATE",2,2,2,2,,,,,,,,,,,,,
64,4,,172122-70430,, "VALVE, CHECK",4,4,4,4,,,,,,,,,,,,,
65,4,,172122-70440,, "SPRING, 4,4,4,4",,,,,,,,,,,,,,
66,4,,172422-73340,, "PLUG, 4,4,4,4",,,,,,,,,,,,,,
67,4,,172458-73760,, "SPOOL, 2,2,2,2",,,,,,,,,,,,,,
69,2,,172422-73360,, "SPRING, 2,2,2,2",,,,,,,,,,,,,,
70,2,,172122-73470,, "PIN, 2,2,2,2",,,,,,,,,,,,,,
71,2,,172452-73480,, "PLUG, 4,4,4,4",,,,,,,,,,,,,,
72,2,,172183-73770,, "PLUG, 4,4,4,4",,,,,,,,,,,,,,
73,2,,172458-73770,, "SPRING, 4,4,4,4",,,,,,,,,,,,,,
74,2,,172458-73780,, "CAP, STEERING WHEEL",4,4,4,4,,,,,,,,,,,,,
75,2,,172458-73830,, "PLUG, 2,2,2,2",,,,,,,,,,,,,, I
76,2,,172312-74790,, "ORIFICE, 8,8,8,8",,,,,,,,,,,,,,
79,2,,24315-000140,, "O-RING 1B P-14.0",4,4,4,4,,,,,,,,,,,,, I
81,2,,172460-73580,, "VALVE, 2,2,2,2",,,,,,,,,,,,,,
82,3,,172460-73520,, "HEAD BOLT",6,6,6,6,,,,,,,,,,,,,
85,1,,172458-73720,, "SEAL KIT",2,2,2,2,,,,,,,,,,,,,
99,1,,26013-120302,, "BOLT W/WASHER M12X30",18,18,18,18,,,,,,,,,,,,,

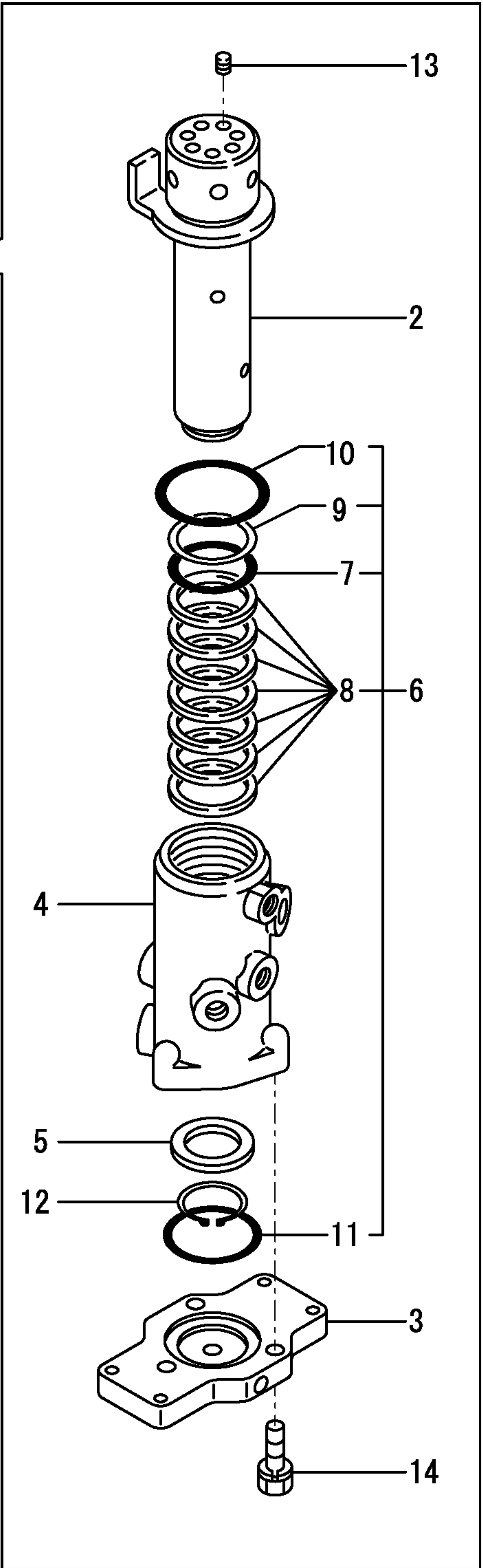
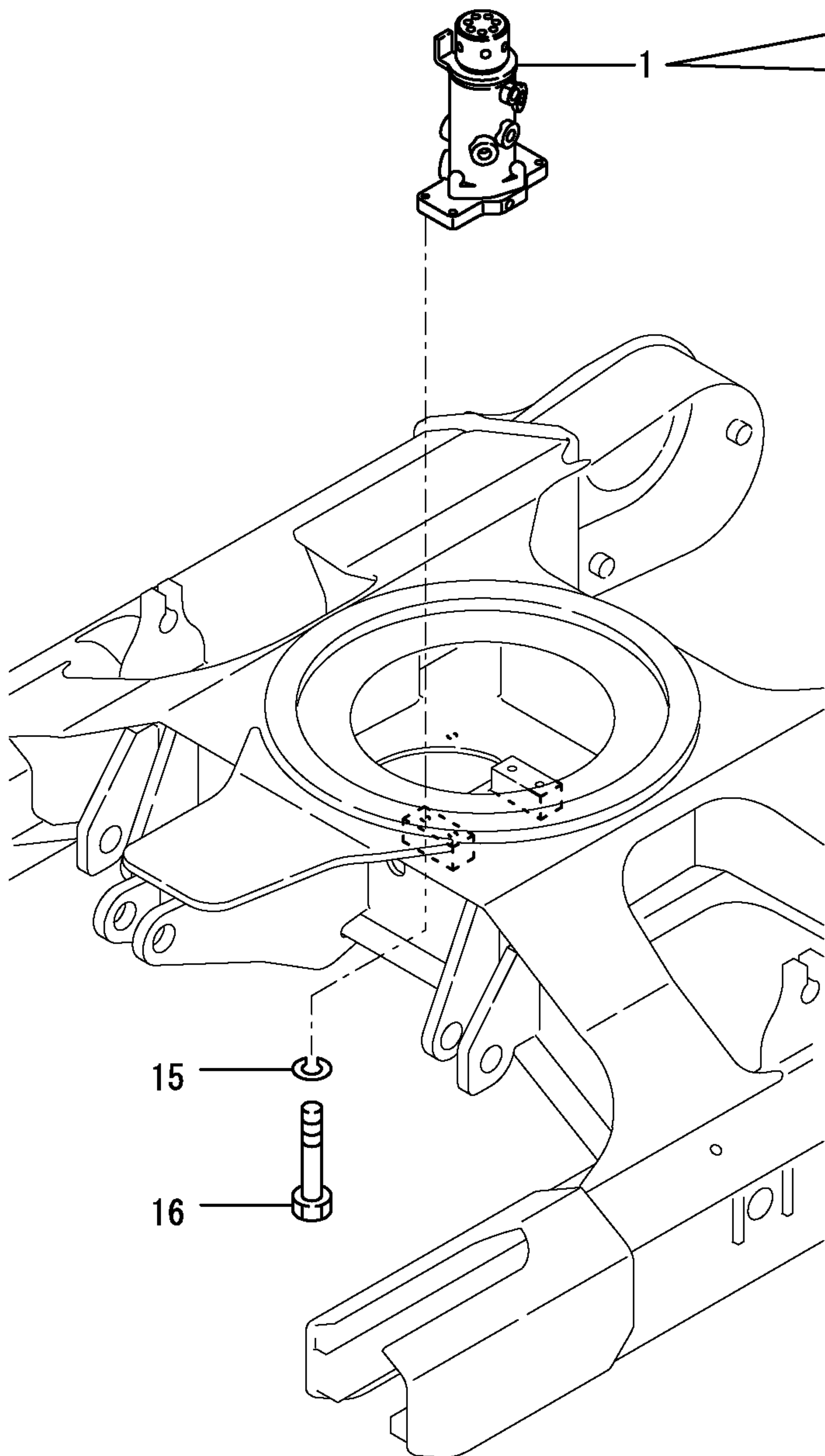


∴印が今回変更(追記)した個所です。
 ∴.MARKED PART HAS BEEN CHANGED (ADDED).

1,1,,172458-73710,, "MOTOR ASSY, TURNING",1,1,,,,,,,,,,,,,
1-1,1,,172458-73711,, "MOTOR ASSY,
TURNING",1,1,1,1,, ,N,,72458375,M/#20863,72458375,M/#20863,,,,,
2,2,,172458-73400,, "REDUCTION GEAR",1,1,1,1,,,,,,,,,,,,,
3,3,,1A6240-37360,, PLUG,1,1,1,1,,,,,,,,,,,,,I
4,3,,172458-74350,, "HOUSING ASSY",1,1,1,1,,,,,,,,,,,,,I
5,4,,172450-73750,, "SEAL, OIL",1,1,1,1,,,,,,,,,,,,,I
18,4,,172458-73960,, COLLAR,1,1,1,1,,,,,,,,,,,,,I
19,3,,172450-73830,, COLLAR,1,1,1,1,,,,,,,,,,,,,I
20,3,,172450-73850,, "WASHER, THRUST",3,3,3,3,,,,,,,,,,,,,I
21,3,,172450-73860,, "INNER RACE",3,3,3,3,,,,,,,,,,,,,I
22,3,,172450-73870,, "NEEDLE BEARING",3,3,3,3,,,,,,,,,,,,,I
23,3,,172458-73970,, "PLANETARY, GEAR",3,3,3,3,,,,,,,,,,,,,I
24,3,,172458-73980,, "PLATE, THRUST",1,1,1,1,,,,,,,,,,,,,I
25,3,,172458-73990,, "GEAR, DRIVE",1,1,1,1,,,,,,,,,,,,,I
28,2,,172458-73410,, "PISTON MOTOR",1,1,1,1,,,,,,,,,,,,,
29,3,,1A6240-37360,, PLUG,2,2,2,2,,,,,,,,,,,,,I
31,3,,172147-70280,, COLLAR,1,1,1,1,,,,,,,,,,,,,I
32,3,,172148-70301,, PLUG,1,1,1,1,,,,,,,,,,,,,I
33,3,,172147-70330,, "HOLDER, RETAINER",1,1,1,1,,,,,,,,,,,,,I
34,3,,172124-70380,, ORIFICE,1,1,1,1,,,,,,,,,,,,,I
35,3,,172124-70390,, "BOLT, SOCKET",5,5,5,5,,,,,,,,,,,,,I
36,3,,172147-70390,, "BALL BEARING",1,1,1,1,,,,,,,,,,,,,I
37,3,,172147-70500,, PLUG,2,2,2,2,,,,,,,,,,,,,I
38,3,,172122-70630,, "SNAP RING",1,1,1,1,,,,,,,,,,,,,I
39,3,,172122-73470,, PIN,1,1,1,1,,,,,,,,,,,,,I
40,3,,172638-73470,, SPRING,2,2,2,2,,,,,,,,,,,,,I
41,3,,172423-73530,, "RETAINER PLATE",1,1,1,1,,,,,,,,,,,,,I
42,3,,172459-73740,, PLATE,1,1,1,1,,,,,,,,,,,,,I
43,3,,172458-74340,, "RELIEF VALVE",2,2,2,2,,,,,,,,,,,,,
48,3,,172458-74300,, CASE,1,1,1,1,,,,,,,,,,,,,I
49,3,,172458-74310,, "BALL BEARING",1,1,1,1,,,,,,,,,,,,,I
50,3,,172458-74320,, SHAFT,1,1,1,1,,,,,,,,,,,,,I
51,3,,172458-74330,, "PLATE, VALVE",1,1,1,1,,,,,,,,,,,,,I
52,3,,172450-77050,, "PLATE, THRUST",1,1,1,1,,,,,,,,,,,,,I
53,3,,172450-77220,, "KIT, CYLINDER BLOCK",1,1,1,1,,,,,,,,,,,,,
56,3,,172450-77070,, SPRING,1,1,1,1,,,,,,,,,,,,,I
57,3,,172450-77080,, WASHER,1,1,1,1,,,,,,,,,,,,,I
58,3,,172450-77090,, PIN,3,3,3,3,,,,,,,,,,,,,I
59,3,,172450-77110,, DISK,1,1,1,1,,,,,,,,,,,,,I
60,3,,172450-77120,, "PISTON, BRAKE",1,1,1,1,,,,,,,,,,,,,I
61,3,,172450-77130,, "SEAT, SPRING",2,2,2,2,,,,,,,,,,,,,I
62,3,,172450-77140,, "SPRING ASSY, DISK",1,1,1,1,,,,,,,,,,,,,I
63,3,,172450-77170,, PIN,2,2,2,2,,,,,,,,,,,,,I
64,3,,172450-77190,, "CHECK VALVE",2,2,2,2,,,,,,,,,,,,,I
71,2,,172124-70390,, "BOLT, SOCKET",2,2,2,2,,,,,,,,,,,,,
72,1,,172458-74910,, "REPAIR KIT",1,1,1,1,,,,,,,,,,,,,
86,1,,22217-140000,, "SPRING WASHER 14",6,6,6,6,,,,,,,,,,,,,
87,1,,26116-140452,, "BOLT M14X 45 PLATED",6,6,6,6,,,,,,,,,,,,,



1,1,,172444-73802,, "JOINT ASSY, SWIVEL",1,1,1,1,,,,,,,,,,,,,
2,2,,172444-73810,, "SHAFT, SWIVEL",1,1,1,1,,,,,,,,,,,,,
3,2,,172444-73840,, "FLANGE, SWIVEL",1,1,1,1,,,,,,,,,,,,,
4,2,,172444-73831,, "HUB, SWIVEL",1,1,1,1,,,,,,,,,,,,,
5,2,,172137-73860,, "SPACER, SWIVEL",1,1,1,1,,,,,,,,,,,,,
6,2,,172444-73880,, "SEAL KIT,SWIVEL",1,1,1,1,,,,,,,,,,,,,
7,3,,172142-73800,, "O-RING 55.76X5.7",1,1,1,1,,,,,,,,,,,,,
8,3,,172458-73820,, "SEAL, SWIVEL",7,7,7,7,,,,,,,,,,,,,
9,3,,172148-73870,, "RING EL, BACK UP",1,1,1,1,,,,,,,,,,,,,
10,3,,24311-000750,, "O-RING 1A P-75.0",1,1,1,1,,,,,,,,,,,,,
11,3,,24321-000700,, "O-RING 1A G70.0,NBR",1,1,1,1,,,,,,,,,,,,,
12,2,,22242-000451,, "CIRCLIP 45",1,1,1,1,,,,,,,,,,,,,
13,2,,23871-020000,, "PLUG PT1/4,SCREW",7,7,7,7,,,,,,,,,,,,,
14,2,,26013-100352,, "BOLT M10X 35",3,3,3,3,,,,,,,,,,,,,
15,1,,22217-100000,, "SPRING WASHER 10",4,4,4,4,,,,,,,,,,,,,
16,1,,26116-100652,, "BOLT M10X 65 PLATED",4,4,4,4,,,,,,,,,,,,,



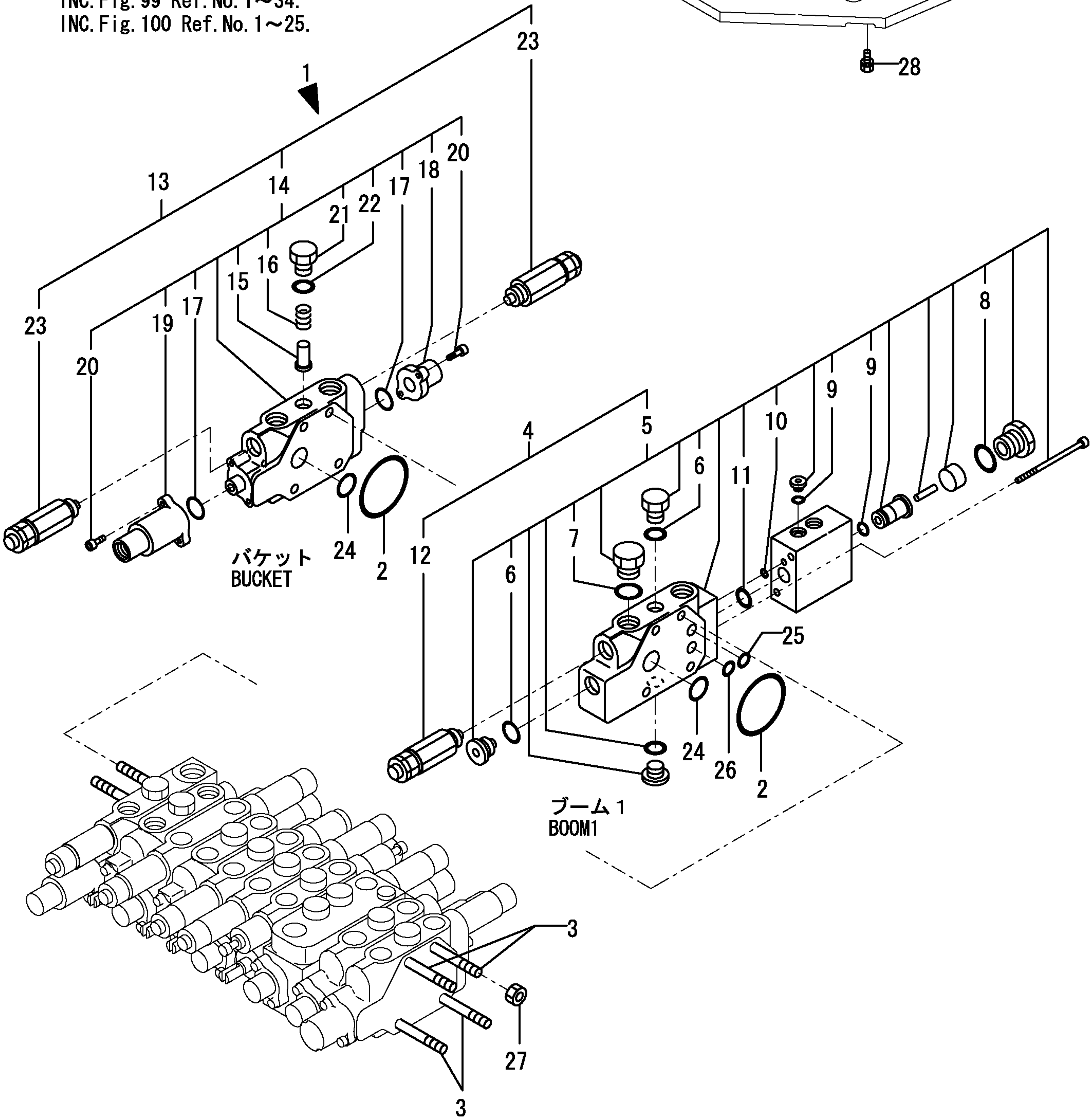
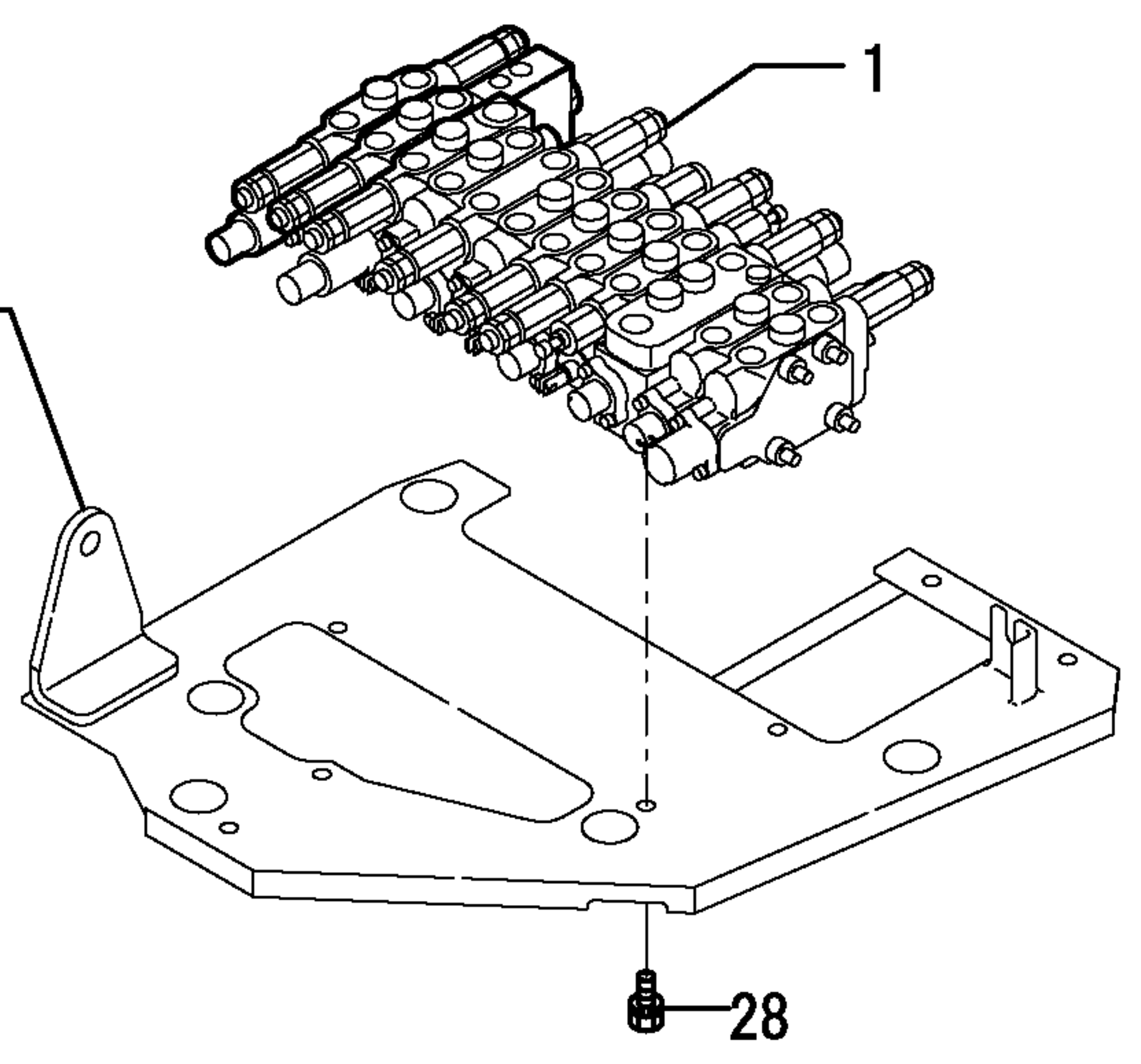
1,1,,172458-74100,, "VALVE ASSY,CONTROL",1,1,1,1,,,,,,,,,,,,,
2,2,,172458-74720,, "PACKING G 4",2,2,2,2,,,,,,,,,,,,,
3,2,,172458-74730,, "BOLT L380",4,4,4,4,,,,,,,,,,,,,
4,2,,172458-74850,, "PART,BOOM
LOCK",1,1,1,1,,,,,724580605,,724580605,,724580605,,724580605,,,,,,I
5,3,,172458-74600,, "SECTION,BOOM LOCK",1,1,1,1,,,,,,,,,,,,,
6,4,,24315-000110,, "O-RING 1B P-11.0",2,2,2,2,,,,,,,,,,,,,
7,4,,24315-000140,, "O-RING 1B P-14.0",1,1,1,1,,,,,,,,,,,,,
8,4,,26315-000180,, "O-RING 1B P-18.0",1,1,1,1,,,,,,,,,,,,,
9,4,,26315-000080,, "O-RING 1B P-8.0",2,2,2,2,,,,,,,,,,,,,
10,4,,24311-000060,, "O-RING 1A P-6.0",1,1,1,1,,,,,,,,,,,,,
11,4,,172456-74420,, "PACKING P 17",1,1,1,1,,,,,,,,,,,,,I
12,3,,172458-74710,, "OVERLOAD 260/5",1,1,1,1,,,,,,,,,,,,,
13,2,,172458-74860,, "CHANGEOVER,BUCKET",1,1,1,1,,,,,,,,,,,,,
14,3,,172458-74610,, "BUCKET SEC. ASSY",1,1,1,1,,,,,,,,,,,,,
15,4,,172458-74150,, "CHECK VALVE",1,1,1,1,,,,,,,,,,,,,I
16,4,,172458-74160,, "SPRING, CHECK VALVE",1,1,1,1,,,,,,,,,,,,,I
17,4,,172458-74230,, "PACKING S 22",2,2,2,2,,,,,,,,,,,,,
18,4,,172458-74240,, "COVER B1, PILOT",1,1,1,1,,,,,,,,,,,,,I
19,4,,172458-74250,, "COVER A1, PILOT",1,1,1,1,,,,,,,,,,,,,I
20,4,,172458-74260,, "SWP HEX.BOLT 5X20",4,4,4,4,,,,,,,,,,,,,I
21,4,,172458-74630,, "STAY, CHECK VALVE",1,1,1,1,,,,,,,,,,,,,I
22,4,,24315-000110,, "O-RING 1B P-11.0",1,1,1,1,,,,,,,,,,,,,
23,3,,172458-74710,, "OVERLOAD 260/5",2,2,2,2,,,,,,,,,,,,,
24,2,,24311-000180,, "O-RING 1A P-18.0",2,2,2,2,,,,,,,,,,,,,
25,2,,24315-000090,, "O-RING 1B P- 9.0",1,1,1,1,,,,,,,,,,,,,
26,2,,24315-000100,, "O-RING 1B P-10.0",1,1,1,1,,,,,,,,,,,,,
27,2,,26716-080002,, "NUT M 8",4,4,4,4,,,,,,,,,,,,,
28,1,,26013-100162,, "BOLT M10X 16",3,3,3,3,,,,,,,,,,,,,

コントロールバルブASSY CONTROL VALVE ASSY 172458-74100

項目NO. 95の見出しNO. 1は、
項目NO. 95の見出しNO. 2~27と
項目NO. 96の見出しNO. 1~28と
項目NO. 97の見出しNO. 1~25と
項目NO. 98の見出しNO. 1~30と
項目NO. 99の見出しNO. 1~34と
項目NO. 100の見出しNO. 1~25とを含みます。

Fig. 95 Ref. No. 1
INC. Fig. 95 Ref. No. 2~27.
INC. Fig. 96 Ref. No. 1~28.
INC. Fig. 97 Ref. No. 1~25.
INC. Fig. 98 Ref. No. 1~30.
INC. Fig. 99 Ref. No. 1~34.
INC. Fig. 100 Ref. No. 1~25.

REFER TO Fig. 54



バケット
BUCKET

ブーム1
BOOM1

1,2,,172458-74720,, "PACKING G 4",2,2,2,2,,,,,,,,,,,,,
2,2,,172458-74560,, "SECTION,DRIVE-R",1,1,1,1,,,,,,,,,,,,,
3,3,,172458-74130,, "DUST WIPER",1,1,1,1,,,,,,,,,,,,,
4,3,,172458-74140,, "BRACKET, OIL SEAL",1,1,1,1,,,,,,,,,,,,,I
5,3,,172458-74170,, "CAP,SPRING",1,1,1,1,,,,,,,,,,,,,I
6,3,,172458-74290,, "CHECK VALVE",1,1,1,1,,,,,,,,,,,,,I
7,3,,172458-74360,, "SPRING, CHECK VALVE",1,1,1,1,,,,,,,,,,,,,I
8,3,,172458-74460,, "PLUG GPM1/32",2,2,2,2,,,,,,,,,,,,,I
10,3,,172458-74640,, "STAY, CHECK VALVE",1,1,1,1,,,,,,,,,,,,,I
11,3,,24311-000120,, "O-RING 1A P 12.0",1,1,1,1,,,,,,,,,,,,,
12,3,,24315-000110,, "O-RING 1B P-11.0",1,1,1,1,,,,,,,,,,,,,
13,3,,26450-050102,, "BOLT M 5X 10",2,2,2,2,,,,,,,,,,,,,I
14,3,,26450-050182,, "BOLT 5* 18",2,2,2,2,,,,,,,,,,,,,I
15,2,,172458-74840,, "CHANGEOVER,BOOM",1,1,1,1,,,,,,,,,,,,,
16,3,,172447-74221,, "PORT RELIFE VALVE",1,1,1,1,,,,,,,,,,,,,
17,3,,172458-74580,, "BOOM SECTION ASSY",1,1,1,1,,,,,,,,,,,,,
18,4,,172458-74150,, "CHECK VALVE",1,1,1,1,,,,,,,,,,,,,I
19,4,,172458-74160,, "SPRING, CHECK VALVE",1,1,1,1,,,,,,,,,,,,,I
20,4,,172458-74230,, "PACKING S 22",2,2,2,2,,,,,,,,,,,,,
21,4,,172458-74240,, "COVER B1, PILOT",1,1,1,1,,,,,,,,,,,,,I
22,4,,172458-74250,, "COVER A1, PILOT",1,1,1,1,,,,,,,,,,,,,I
23,4,,172458-74260,, "SWP HEX.BOLT 5X20",4,4,4,4,,,,,,,,,,,,,I
25,4,,172458-74630,, "STAY, CHECK VALVE",1,1,1,1,,,,,,,,,,,,,I
26,4,,24315-000110,, "O-RING 1B P-11.0",1,1,1,1,,,,,,,,,,,,,
27,2,,24311-000060,, "O-RING 1A P-6.0",1,1,1,1,,,,,,,,,,,,,
28,2,,24311-000180,, "O-RING 1A P-18.0",1,1,1,1,,,,,,,,,,,,,

コントロールバルブASSY
CONTROL VALVE ASSY
172458-74100

項目NO. 95の見出しNO. 1は、
項目NO. 95の見出しNO. 2~27と
項目NO. 96の見出しNO. 1~28と
項目NO. 97の見出しNO. 1~25と
項目NO. 98の見出しNO. 1~30と
項目NO. 99の見出しNO. 1~34と
項目NO. 100の見出しNO. 1~25とを含みます。

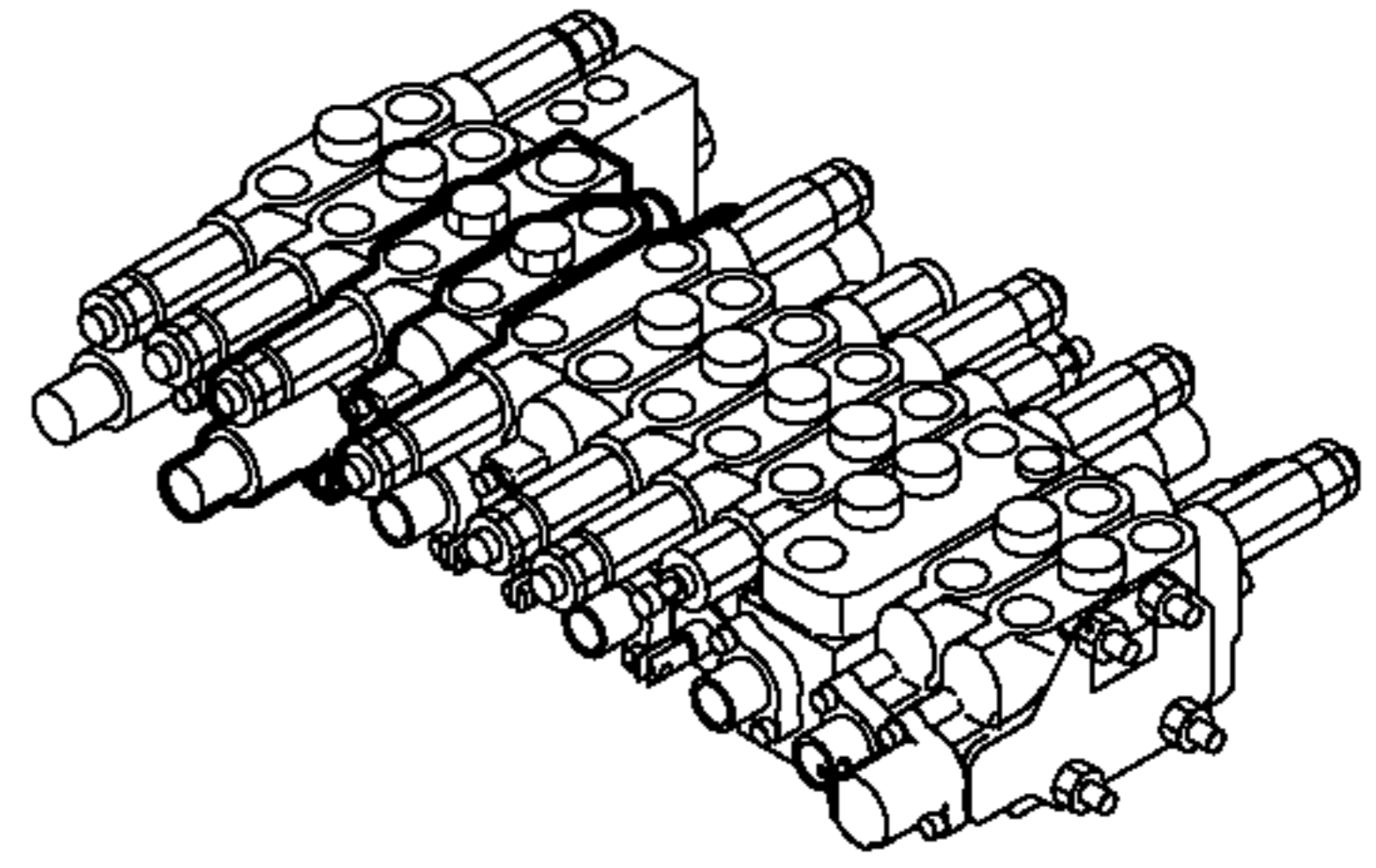
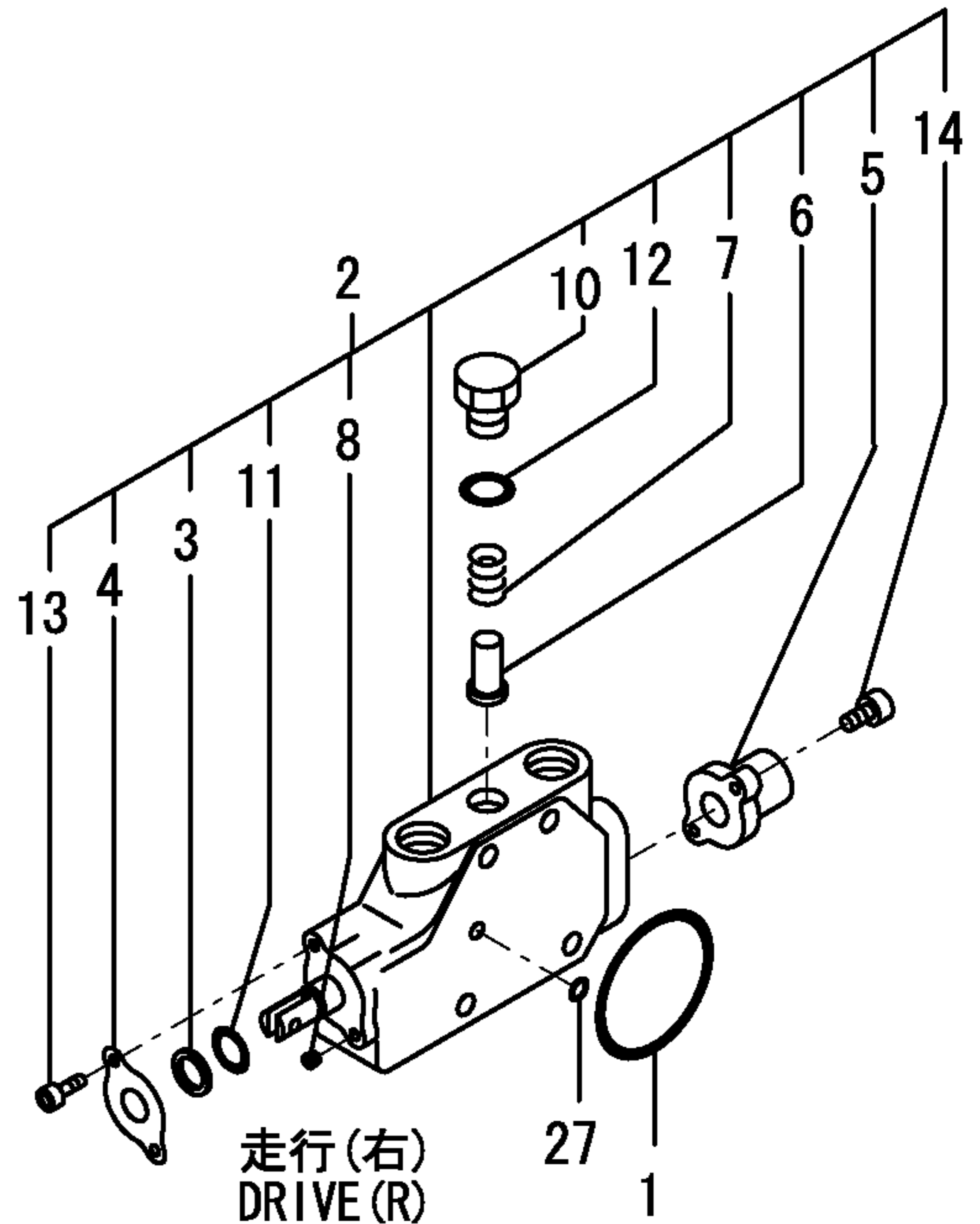
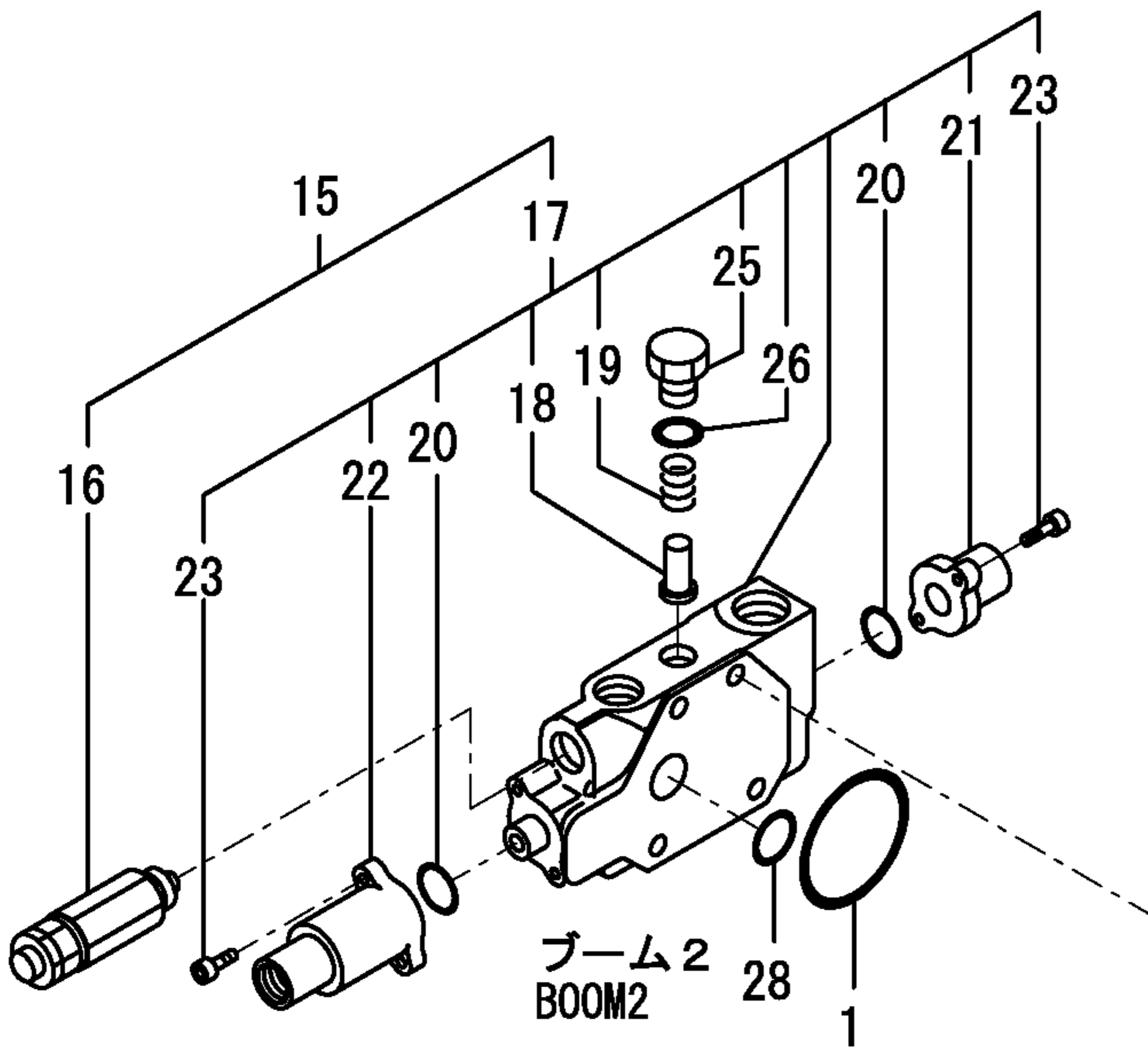


Fig. 95 Ref. No. 1

- INC. Fig. 95 Ref. No. 2~27.
- INC. Fig. 96 Ref. No. 1~28.
- INC. Fig. 97 Ref. No. 1~25.
- INC. Fig. 98 Ref. No. 1~30.
- INC. Fig. 99 Ref. No. 1~34.
- INC. Fig. 100 Ref. No. 1~25.



1,2,,172458-74720,, "PACKING G 4",2,2,2,2,,,,,,,,,,,,,
2,2,,172458-74440,, "SECTION,DRIVE",1,1,1,1,,,,,,,,,,,,,
3,3,,172458-74130,, "DUST WIPER",1,1,1,1,,,,,,,,,,,,,
4,3,,172458-74140,, "BRACKET, OIL SEAL",1,1,1,1,,,,,,,,,,,,,I
5,3,,172458-74170,, "CAP,SPRING",1,1,1,1,,,,,,,,,,,,,I
6,3,,172458-74290,, "CHECK VALVE",1,1,1,1,,,,,,,,,,,,,I
7,3,,172458-74360,, "SPRING, CHECK VALVE",1,1,1,1,,,,,,,,,,,,,I
9,3,,172458-74460,, "PLUG GPM1/32",2,2,2,2,,,,,,,,,,,,,I
10,3,,172458-74640,, "STAY, CHECK VALVE",1,1,1,1,,,,,,,,,,,,,I
11,3,,24311-000120,, "O-RING 1A P 12.0",1,1,1,1,,,,,,,,,,,,,
12,3,,24315-000110,, "O-RING 1B P-11.0",1,1,1,1,,,,,,,,,,,,,
13,3,,26450-050102,, "BOLT M 5X 10",2,2,2,2,,,,,,,,,,,,,I
14,3,,26450-050182,, "BOLT 5* 18",2,2,2,2,,,,,,,,,,,,,I
15,2,,172458-74820,, "PART,SUPPLY",1,1,1,1,,,,,,,,,,,,,
16,3,,172458-74520,, "INLET SEC. ASSY",1,1,1,1,,,,,,,,,,,,,
17,4,,172458-74230,, "PACKING S 22",2,2,2,2,,,,,,,,,,,,,
18,4,,172458-74240,, "COVER B1, PILOT",1,1,1,1,,,,,,,,,,,,,I
19,4,,172458-74260,, "SWP HEX.BOLT 5X20",4,4,4,4,,,,,,,,,,,,,I
20,4,,172458-74530,, "SEAT, SPRING",1,1,1,1,,,,,,,,,,,,,I
21,4,,172458-74540,, "SPRING,RETURN",1,1,1,1,,,,,,,,,,,,,I
22,4,,172458-74550,, "COVER A2, PILOT",1,1,1,1,,,,,,,,,,,,,I
23,3,,172458-74680,, "RELIEF 210/30",2,2,2,2,,,,,,,,,,,,,
24,2,,24311-000060,, "O-RING 1A P-6.0",1,1,1,1,,,,,,,,,,,,,
25,2,,24311-000180,, "O-RING 1A P-18.0",1,1,1,1,,,,,,,,,,,,,

コントロールバルブASSY CONTROL VALVE ASSY 172458-74100

項目NO. 95の見出しNO. 1は、
項目NO. 95の見出しNO. 2~27と
項目NO. 96の見出しNO. 1~28と
項目NO. 97の見出しNO. 1~25と
項目NO. 98の見出しNO. 1~30と
項目NO. 99の見出しNO. 1~34と
項目NO. 100の見出しNO. 1~25とを含みます。

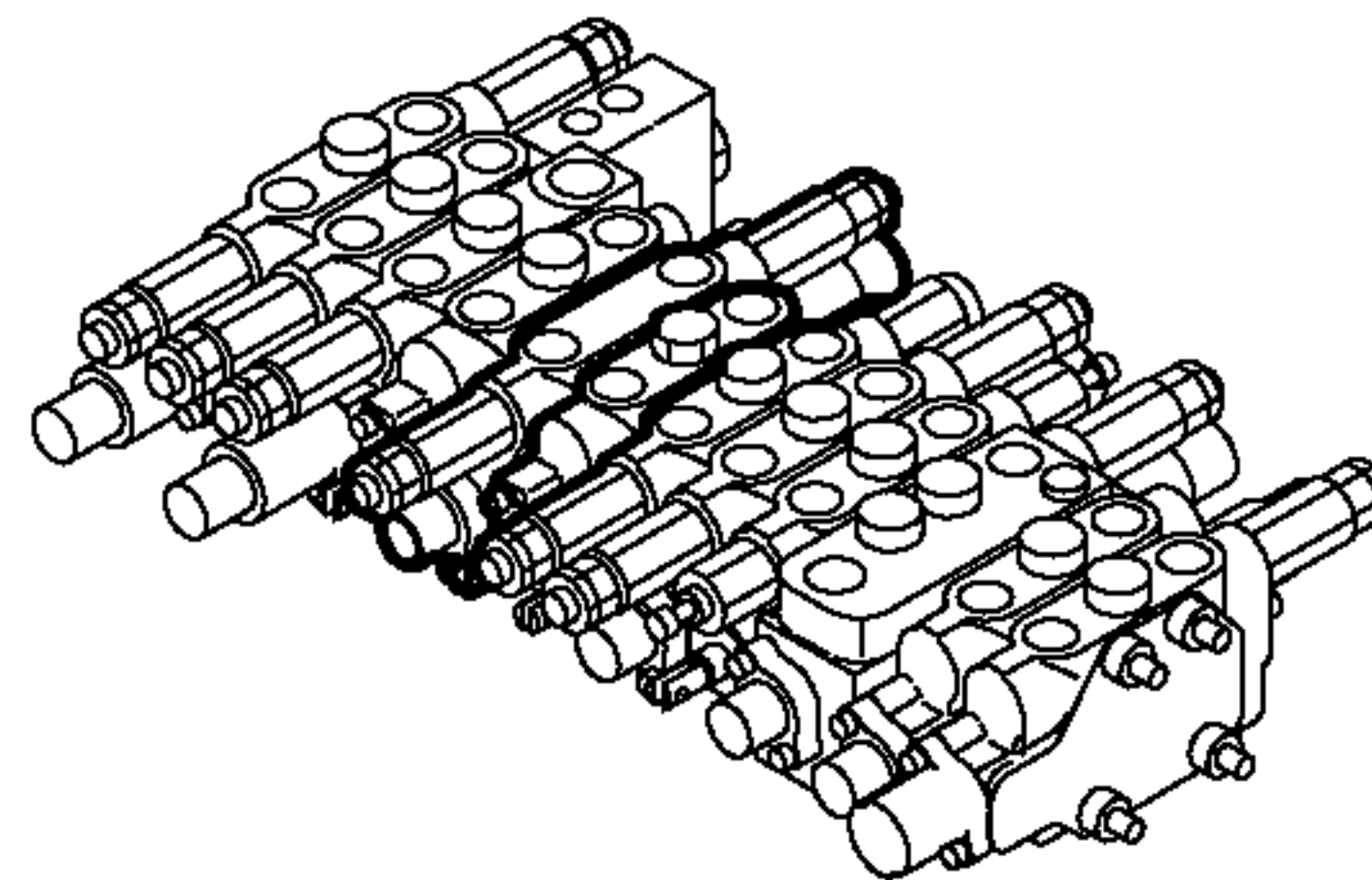


Fig. 95 Ref. No. 1

INC. Fig. 95 Ref. No. 2~27.

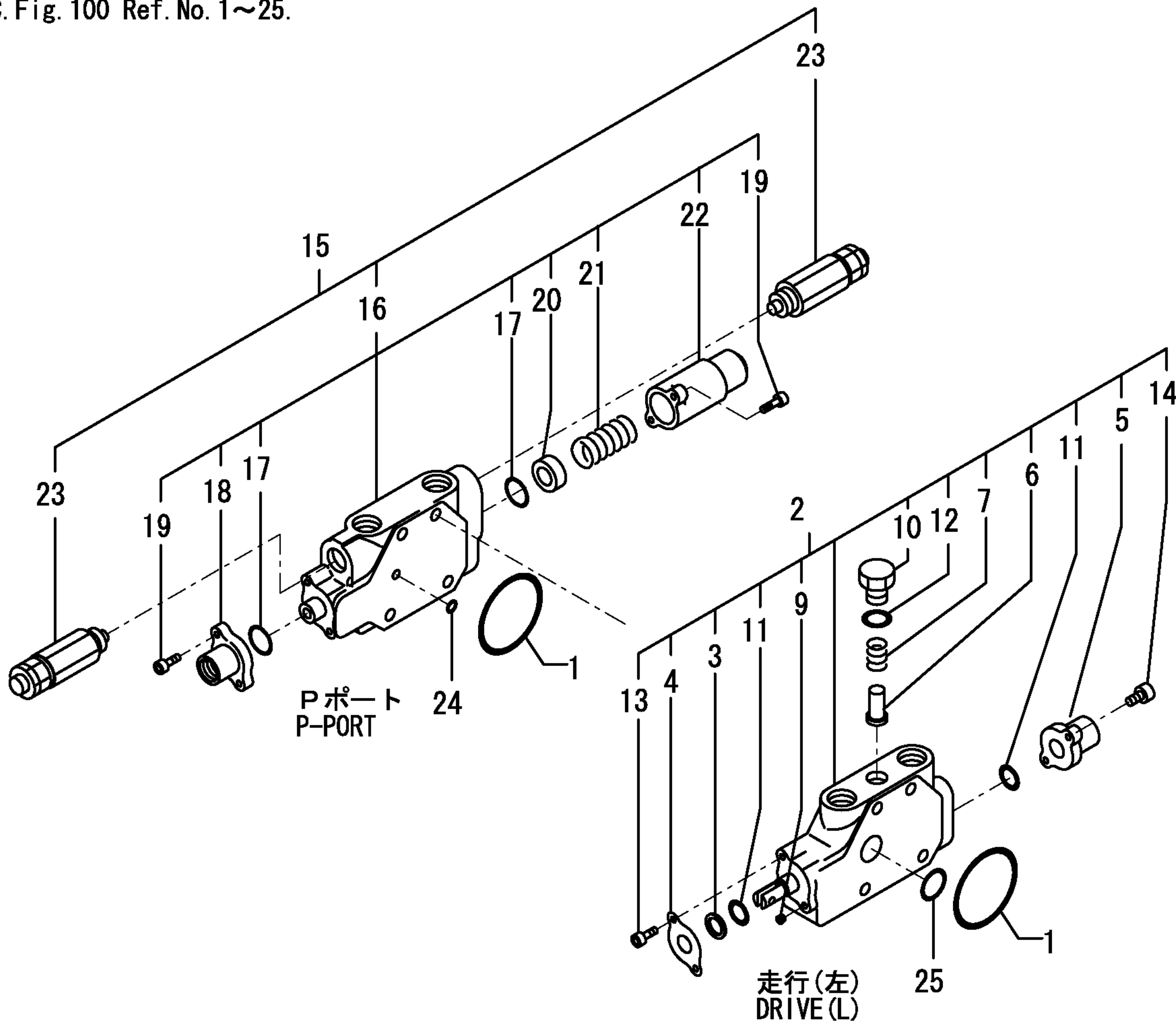
INC. Fig. 96 Ref. No. 1~28.

INC. Fig. 97 Ref. No. 1~25.

INC. Fig. 98 Ref. No. 1~30.

INC. Fig. 99 Ref. No. 1~34.

INC. Fig. 100 Ref. No. 1~25.



1,2,,172458-74720,, "PACKING G 4",2,2,2,2,,,,,,,,,,,,,
2,2,,172458-74790,, "CHANGEOVER,ARM",1,1,1,1,,,,,,,,,,,,,
3,3,,172447-74221,, "PORT RELIFE VALVE",1,1,1,1,,,,,,,,,,,,,
4,3,,172458-74400,, "SECTION,ARM",1,1,1,1,,,,,,,,,,,,,
5,4,,172458-74150,, "CHECK VALVE",1,1,1,1,,,,,,,,,,,,,I
6,4,,172458-74160,, "SPRING, CHECK VALVE",1,1,1,1,,,,,,,,,,,,,I
7,4,,172458-74230,, "PACKING S 22",2,2,2,2,,,,,,,,,,,,,
8,4,,172458-74240,, "COVER B1, PILOT",1,1,1,1,,,,,,,,,,,,,I
9,4,,172458-74250,, "COVER A1, PILOT",1,1,1,1,,,,,,,,,,,,,I
10,4,,172458-74260,, "SWP HEX.BOLT 5X20",4,4,4,4,,,,,,,,,,,,,I
12,4,,172458-74630,, "STAY, CHECK VALVE",1,1,1,1,,,,,,,,,,,,,I
13,4,,24315-000110,, "O-RING 1B P-11.0",1,1,1,1,,,,,,,,,,,,,
14,3,,172458-74710,, "OVERLOAD 260/5",1,1,1,1,,,,,,,,,,,,,
15,2,,172458-74800,, "CHANGEOVER,SWING",1,1,1,1,,,,,,,,,,,,,
16,3,,172447-74230,, "ANTI-CAVITATION",1,1,1,1,,,,,,,,,,,,,
17,3,,172458-74420,, "SWING SEC. ASSY",1,1,1,1,,,,,,,,,,,,,
18,4,,172458-74130,, "DUST WIPER",1,1,1,1,,,,,,,,,,,,,
19,4,,172458-74140,, "BRACKET, OIL SEAL",1,1,1,1,,,,,,,,,,,,,I
20,4,,172458-74150,, "CHECK VALVE",1,1,1,1,,,,,,,,,,,,,I
21,4,,172458-74160,, "SPRING, CHECK VALVE",1,1,1,1,,,,,,,,,,,,,I
23,4,,172458-74630,, "STAY, CHECK VALVE",1,1,1,1,,,,,,,,,,,,,I
24,4,,24311-000120,, "O-RING 1A P 12.0",1,1,1,1,,,,,,,,,,,,,
25,4,,24315-000110,, "O-RING 1B P-11.0",1,1,1,1,,,,,,,,,,,,,
26,4,,26450-050102,, "BOLT M 5X 10",2,2,2,2,,,,,,,,,,,,,I
27,4,,26450-050182,, "BOLT 5* 18",2,2,2,2,,,,,,,,,,,,,I
28,4,,172458-74170,, "CAP,SPRING",1,1,1,1,,,,,,,,,,,,,I
29,3,,172458-74710,, "OVERLOAD 260/5",1,1,1,1,,,,,,,,,,,,,I
30,2,,24311-000180,, "O-RING 1A P-18.0",2,2,2,2,,,,,,,,,,,,,I

コントロールバルブASSY

CONTROL VALVE ASSY

172458-74100

項目NO. 95の見出しNO. 1は、
 項目NO. 95の見出しNO. 2~27と
 項目NO. 96の見出しNO. 1~28と
 項目NO. 97の見出しNO. 1~25と
 項目NO. 98の見出しNO. 1~30と
 項目NO. 99の見出しNO. 1~34と
 項目NO. 100の見出しNO. 1~25とを含みます。

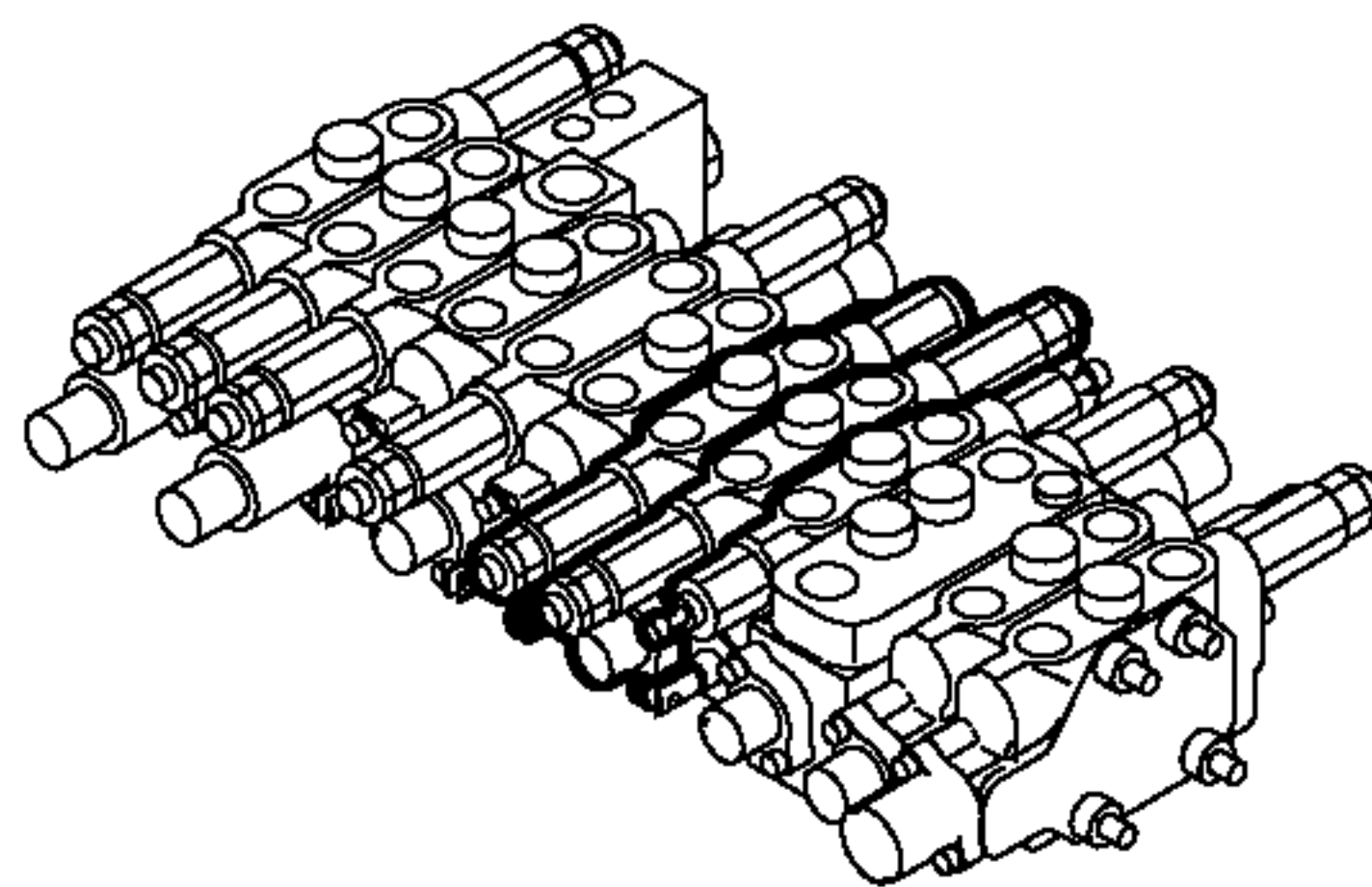


Fig. 95 Ref. No. 1

INC. Fig. 95 Ref. No. 2~27.

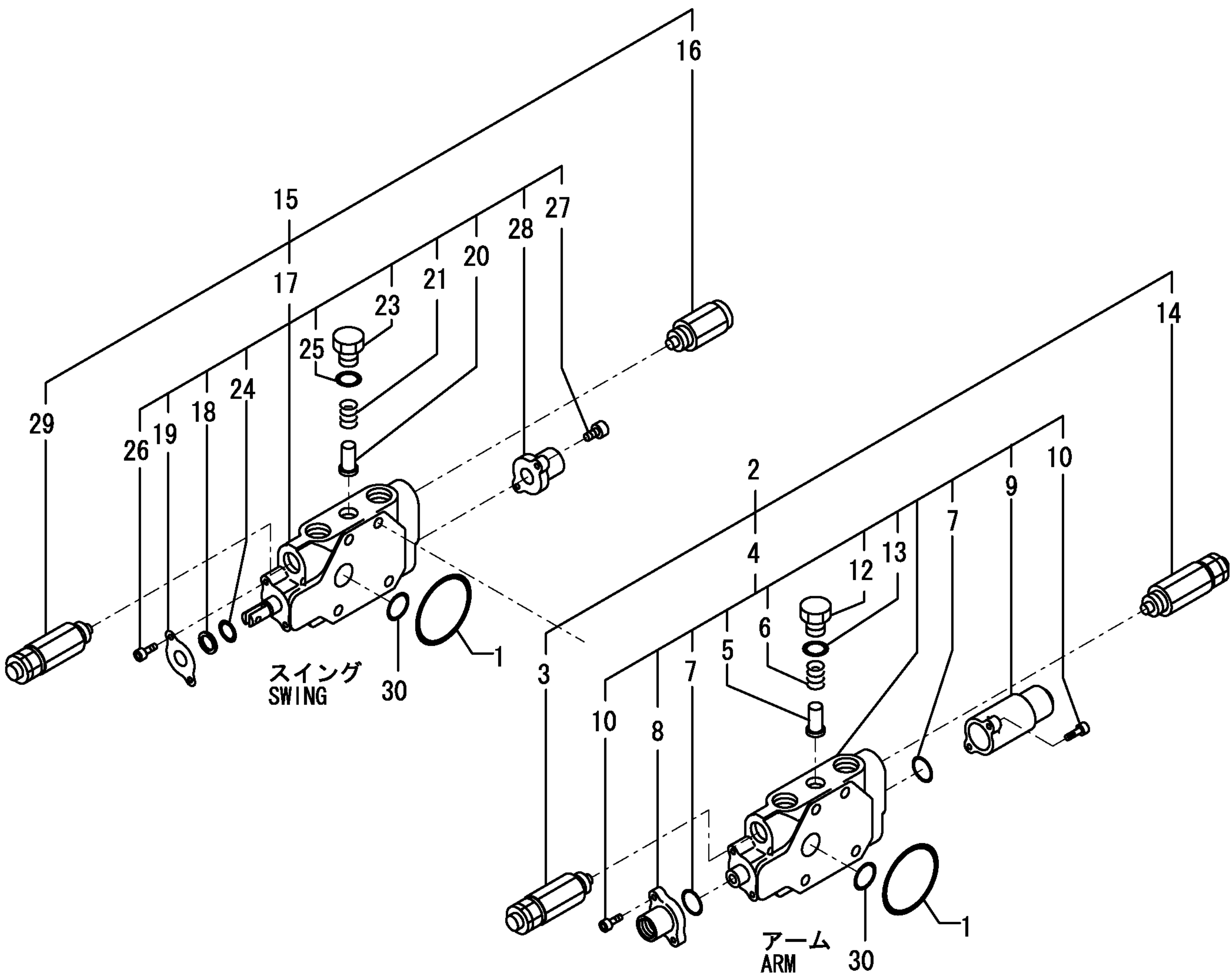
INC. Fig. 96 Ref. No. 1~28.

INC. Fig. 97 Ref. No. 1~25.

INC. Fig. 98 Ref. No. 1~30.

INC. Fig. 99 Ref. No. 1~34.

INC. Fig. 100 Ref. No. 1~25.



1,2,,172458-74720,, "PACKING G 4",2,2,2,2,,,,,,,,,,,,,
2,2,,172458-74770,, "CHANGEOVER, CONFLUENC",1,1,1,1,,,,,,,,,,,,,
3,3,,172458-74270,, "SECTION, CONFLUENCE",1,1,1,1,,,,,,,,,,,,,
4,4,,172458-74230,, "PACKING S 22",2,2,2,2,,,,,,,,,,,,,
5,4,,172458-74240,, "COVER B1, PILOT",1,1,1,1,,,,,,,,,,,,,I
6,4,,172458-74250,, "COVER A1, PILOT",1,1,1,1,,,,,,,,,,,,,I
7,4,,172458-74260,, "SWP HEX.BOLT 5X20",4,4,4,4,,,,,,,,,,,,,I
9,4,,172458-74290,, "CHECK VALVE",2,2,2,2,,,,,,,,,,,,,I
10,4,,172458-74360,, "SPRING, CHECK VALVE",2,2,2,2,,,,,,,,,,,,,I
11,4,,172458-74370,, "RESTRICTION, M6-1.5",1,1,1,1,,,,,,,,,,,,,I
12,4,,172458-74640,, "STAY, CHECK VALVE",2,2,2,2,,,,,,,,,,,,,I
13,4,,172458-74660,, "PLUG NPT1/16, SCREW",2,2,2,2,,,,,,,,,,,,,I
14,4,,172458-74670,, "PLUG, PF1/8",2,2,2,2,,,,,,,,,,,,,I
15,4,,24315-000080,, "O-RING 1B P-8.0",2,2,2,2,,,,,,,,,,,,,
16,4,,24315-000110,, "O-RING 1B P-11.0",2,2,2,2,,,,,,,,,,,,,
17,3,,172458-74690,, "RELIEF 210/19",1,1,1,1,,,,,,,,,,,,,
18,2,,172458-74780,, "PTO CHANGE-
OVER",1,1,1,1,,,,,724580605,,724580605,,724580605,,724580605,,,,,,I
19,3,,172458-74380,, "PTO SEC. ASSY",1,1,1,1,,,,,,,,,,,,,
20,4,,172458-74130,, "DUST WIPER",1,1,1,1,,,,,,,,,,,,,
21,4,,172458-74140,, "BRACKET, OIL SEAL",1,1,1,1,,,,,,,,,,,,,I
22,4,,172458-74150,, "CHECK VALVE",1,1,1,1,,,,,,,,,,,,,I
23,4,,172458-74160,, "SPRING, CHECK VALVE",1,1,1,1,,,,,,,,,,,,,I
24,4,,172458-74170,, "CAP, SPRING",1,1,1,1,,,,,,,,,,,,,I
26,4,,172458-74630,, "STAY, CHECK VALVE",1,1,1,1,,,,,,,,,,,,,I
27,4,,172458-74650,, "STAY, CHECK VALVE",2,2,2,2,,,,,,,,,,,,,I
28,4,,24311-000120,, "O-RING 1A P 12.0",1,1,1,1,,,,,,,,,,,,,
29,4,,24315-000110,, "O-RING 1B P-11.0",1,1,1,1,,,,,,,,,,,,,
30,4,,24315-000140,, "O-RING 1B P-14.0",2,2,2,2,,,,,,,,,,,,,
31,4,,26450-050102,, "BOLT M 5X 10",2,2,2,2,,,,,,,,,,,,,I
32,4,,26450-050182,, "BOLT 5* 18",2,2,2,2,,,,,,,,,,,,,I
33,3,,172458-74740,, "SHUT OFF VALVE",2,2,2,2,,,,,,,,,,,,,
34,2,,24311-000180,, "O-RING 1A P-18.0",1,1,1,1,,,,,,,,,,,,,
35,1,,172458-74510,, "VALVE, RELIEF(180/40",1,1,1,1,,,,,1,,,,,,,,,,,,,
36,2,,24315-000140,, "O-RING 1B P-14.0",1,1,1,1,,,,,1,,,,,,,,,,,,,

コントロールバルブASSY

CONTROL VALVE ASSY

172458-74100

項目NO. 95の見出しNO. 1は、
 項目NO. 95の見出しNO. 2~27と
 項目NO. 96の見出しNO. 1~28と
 項目NO. 97の見出しNO. 1~25と
 項目NO. 98の見出しNO. 1~30と
 項目NO. 99の見出しNO. 1~34と
 項目NO. 100の見出しNO. 1~25とを含みます。

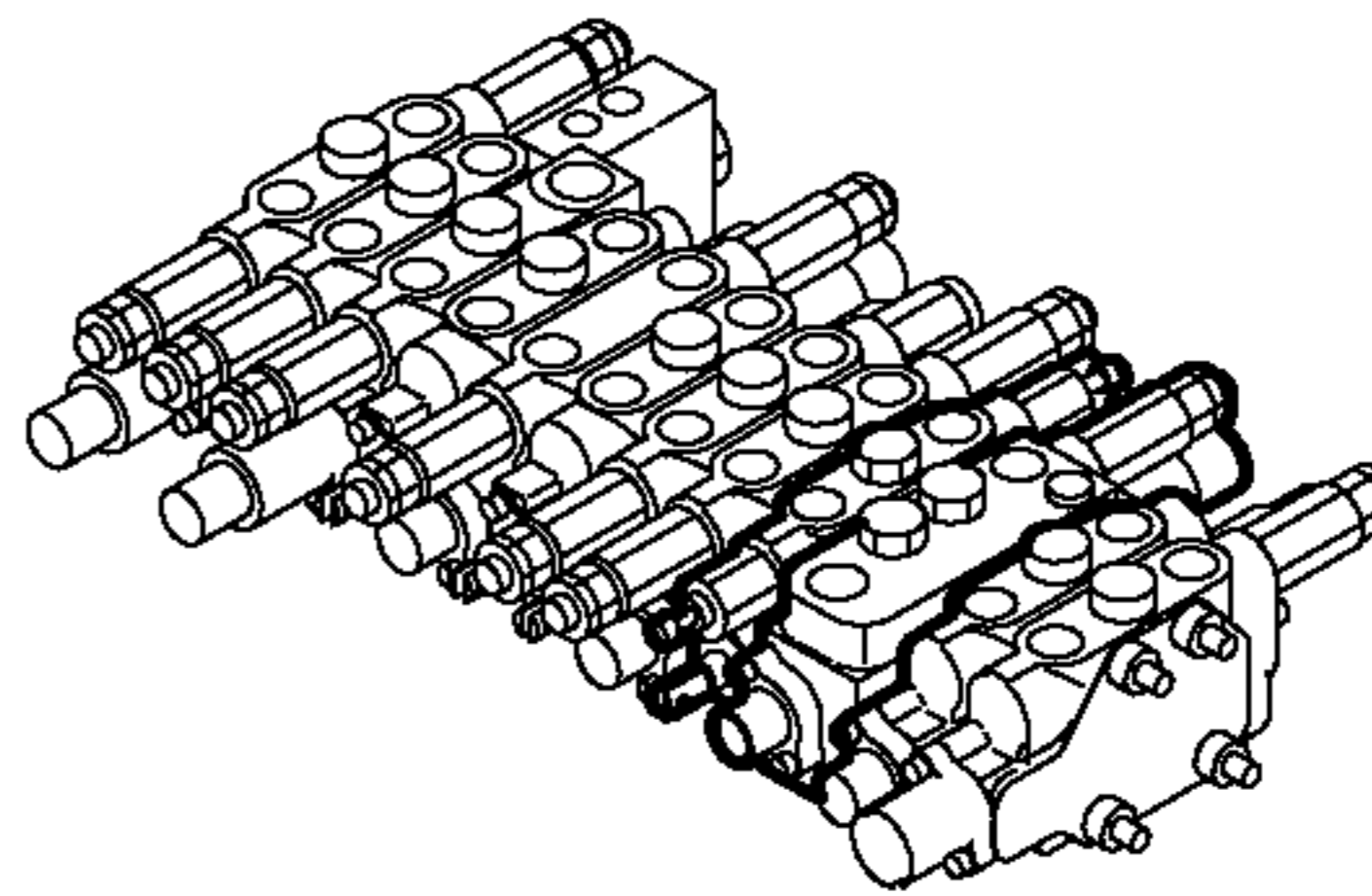


Fig. 95 Ref. No. 1

INC. Fig. 95 Ref. No. 2~27.

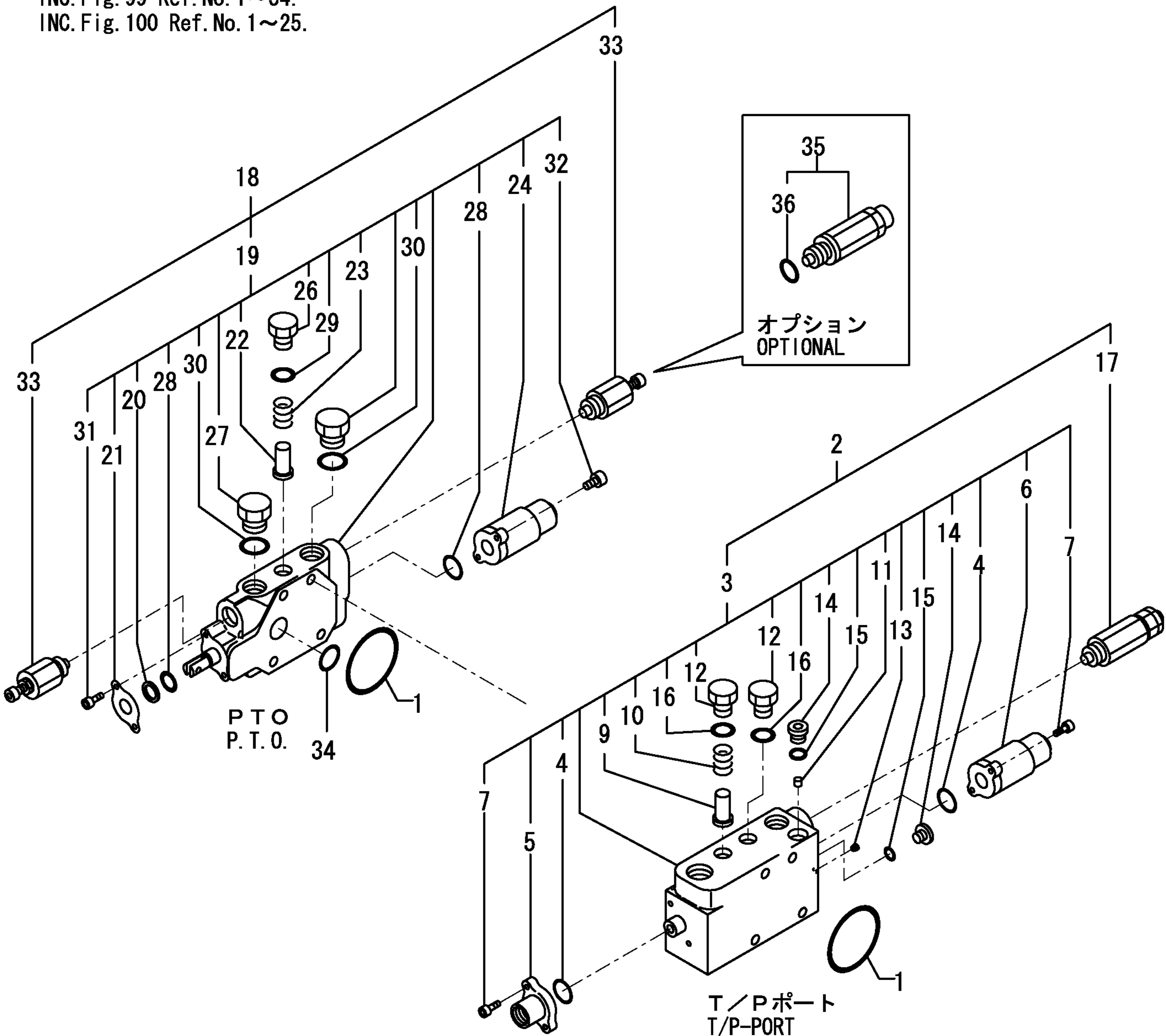
INC. Fig. 96 Ref. No. 1~28.

INC. Fig. 97 Ref. No. 1~25.

INC. Fig. 98 Ref. No. 1~30.

INC. Fig. 99 Ref. No. 1~34.

INC. Fig. 100 Ref. No. 1~25.



1,2,,172458-74720,, "PACKING G 4",1,1,1,1,,,,,,,,,,,,,
2,2,,172458-74750,, "BLADE CHANGE-
OVER",1,1,1,1,,,,,724580605,,724580605,,724580605,,724580605,,,,,,I
3,3,,172458-74110,, "BLADE SEC. ASSY",1,1,1,1,,,,,,,,,,,,,
5,4,,172458-74130,, "DUST WIPER",1,1,1,1,,,,,,,,,,,,,
6,4,,172458-74140,, "BRACKET, OIL SEAL",1,1,1,1,,,,,,,,,,,,,I
7,4,,172458-74150,, "CHECK VALVE",1,1,1,1,,,,,,,,,,,,,I
8,4,,172458-74160,, "SPRING, CHECK VALVE",1,1,1,1,,,,,,,,,,,,,I
9,4,,172458-74170,, "CAP,SPRING",1,1,1,1,,,,,,,,,,,,,I
10,4,,172458-74630,, "STAY, CHECK VALVE",1,1,1,1,,,,,,,,,,,,,I
11,4,,24311-000120,, "O-RING 1A P 12.0",1,1,1,1,,,,,,,,,,,,,
12,4,,24315-000110,, "O-RING 1B P-11.0",1,1,1,1,,,,,,,,,,,,,
13,4,,26450-050102,, "BOLT M 5X 10",2,2,2,2,,,,,,,,,,,,,I
14,4,,26450-050182,, "BOLT 5* 18",2,2,2,2,,,,,,,,,,,,,I
15,3,,172458-74700,, "OVERLOAD 100",1,1,1,1,,,,,,,,,,,,,
16,2,,172458-74180,, "SECTION,TURNING",1,1,1,1,,,,,,,,,,,,,
17,3,,172458-74150,, "CHECK VALVE",1,1,1,1,,,,,,,,,,,,,I
18,3,,172458-74160,, "SPRING, CHECK VALVE",1,1,1,1,,,,,,,,,,,,,I
20,3,,172458-74230,, "PACKING S 22",2,2,2,2,,,,,,,,,,,,,
21,3,,172458-74240,, "COVER B1, PILOT",1,1,1,1,,,,,,,,,,,,,I
22,3,,172458-74250,, "COVER A1, PILOT",1,1,1,1,,,,,,,,,,,,,I
23,3,,172458-74260,, "SWP HEX.BOLT 5X20",4,4,4,4,,,,,,,,,,,,,I
24,3,,172458-74630,, "STAY, CHECK VALVE",1,1,1,1,,,,,,,,,,,,,I
25,3,,24315-000110,, "O-RING 1B P-11.0",1,1,1,1,,,,,,,,,,,,,

コントロールバルブASSY CONTROL VALVE ASSY 172458-74100

項目NO. 95の見出しNO. 1は、
項目NO. 95の見出しNO. 2~27と
項目NO. 96の見出しNO. 1~28と
項目NO. 97の見出しNO. 1~25と
項目NO. 98の見出しNO. 1~30と
項目NO. 99の見出しNO. 1~34と
項目NO. 100の見出しNO. 1~25とを含みます。

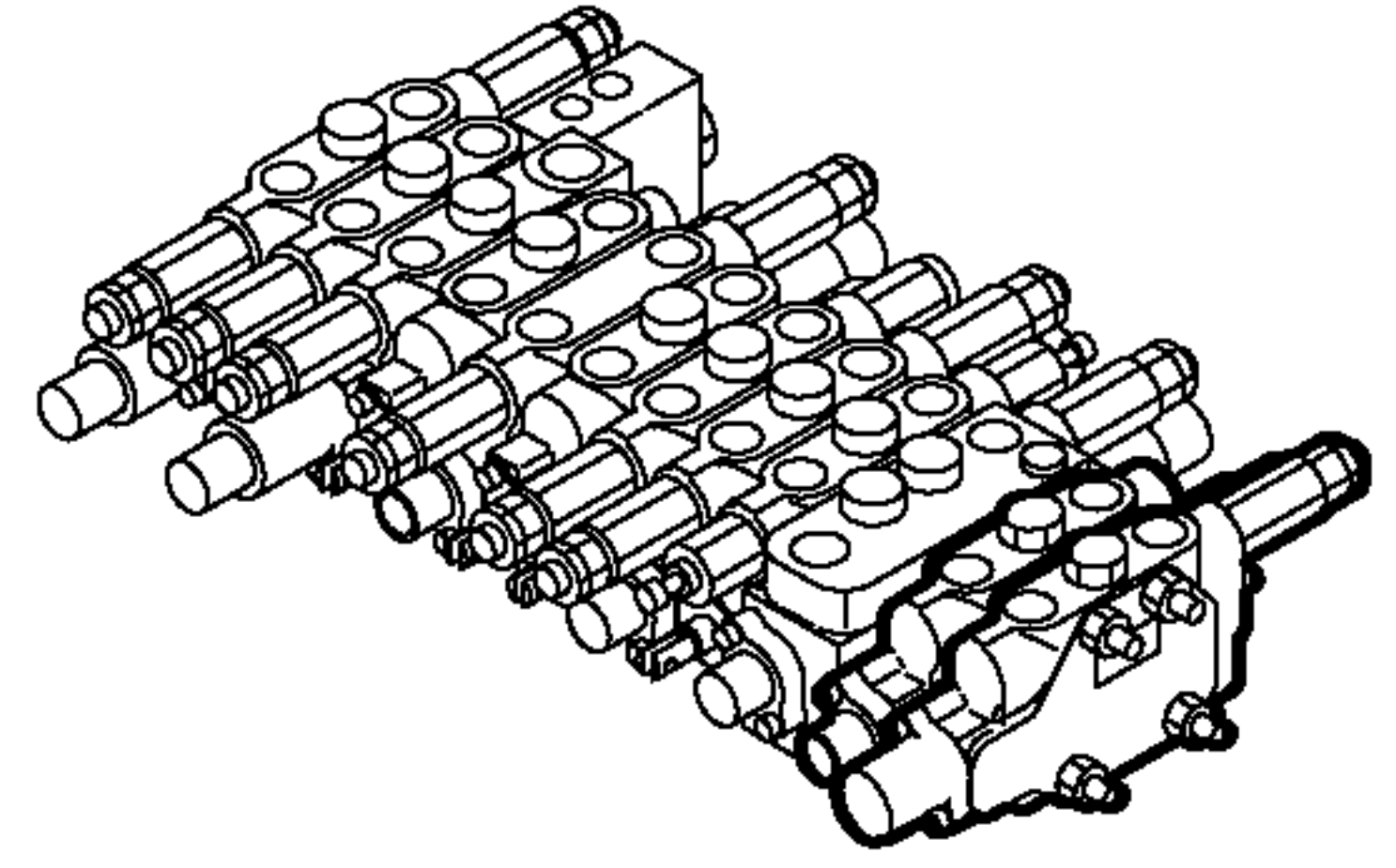


Fig. 95 Ref. No. 1

INC. Fig. 95 Ref. No. 2~27.

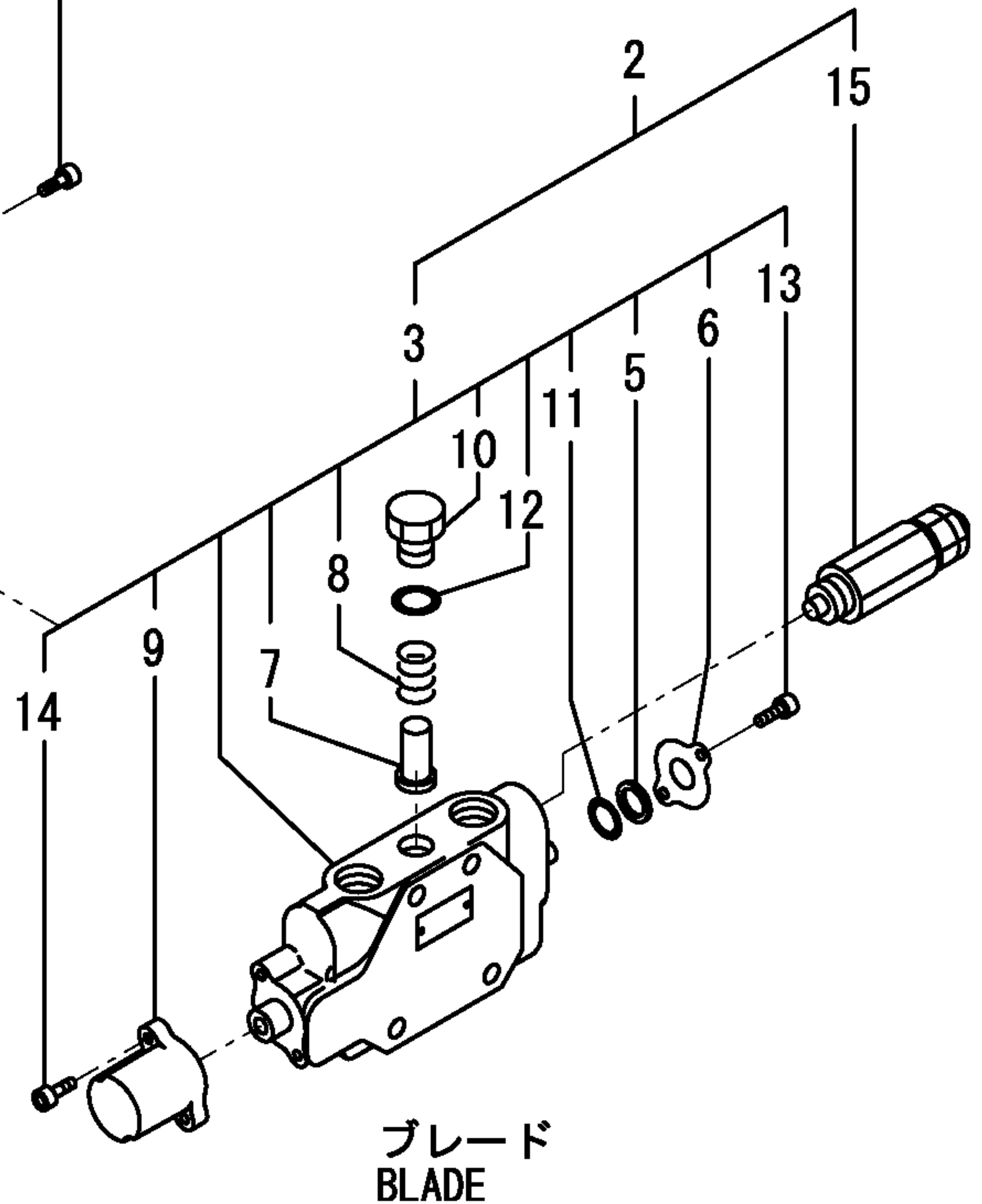
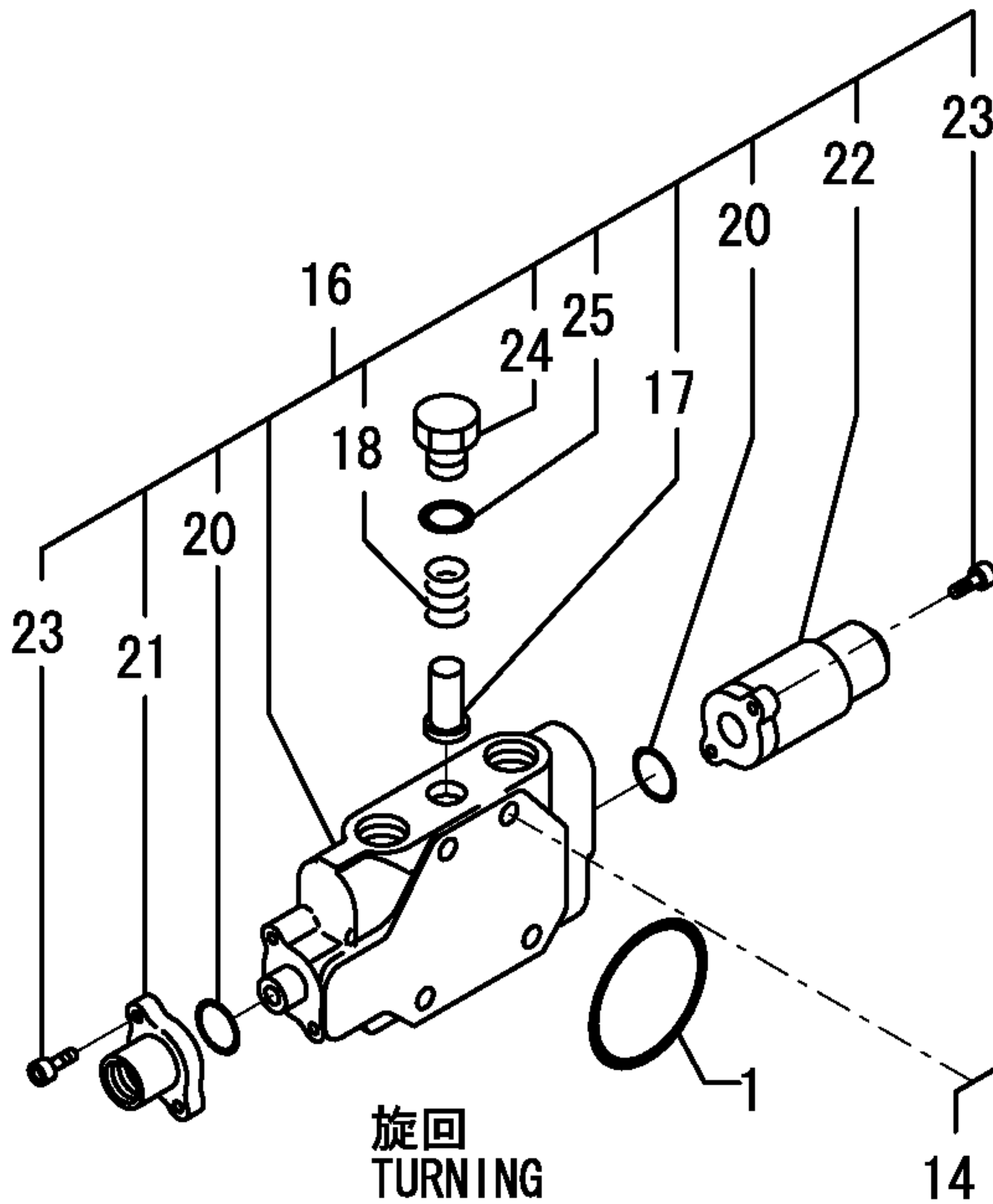
INC. Fig. 96 Ref. No. 1~28.

INC. Fig. 97 Ref. No. 1~25.

INC. Fig. 98 Ref. No. 1~30.

INC. Fig. 99 Ref. No. 1~34.

INC. Fig. 100 Ref. No. 1~25.



1,1,,172455-74700,, "VALVE ASSY, REM-CON.",2,2,,,,,,,,,,,,,
1-1,1,,172455-74701,, "VALVE ASSY,
REMO.CON",2,2,1,1,,,R,,72455395,M/#22772,72455395,M/#22772,,,,,,,,,I
2,2,,172455-74710,,BELLOWS,2,2,1,1,,,,,,,,,,,,,
3,2,,172448-74760,,PLATE,2,2,1,1,,,,,,,,,,,,,I
4,2,,172448-74770,,PLUG,4,4,8,8,,,,,,,,,,,,,I
5,2,,172448-74780,, "ROD Q,PUSH",8,8,4,4,,,,,,,,,,,,,I
6,2,,172448-74790,,SEAL,8,8,4,4,,,,,,,,,,,,,I
7,2,,172448-74910,, "SEAT, SPRING",8,8,4,4,,,,,,,,,,,,,I
8,2,,172448-74920,,WASHER,8,8,4,4,,,,,,,,,,,,,I
9,2,,172448-74930,,SPRING,8,8,4,4,,,,,,,,,,,,,I
10,2,,172448-74950,, "JOINT ASSY",2,2,1,1,,,,,,,,,,,,,I
11,2,,172448-74960,, "PLATE, CIRCLE",2,2,1,1,,,,,,,,,,,,,I
12,2,,172448-74970,, "NUT, ADJUST",2,2,1,1,,,,,,,,,,,,,I
13,2,,172455-74240,,SPRING,8,8,4,4,,,,,,,,,,,,,I
14,2,,24315-000200,, "O-RING 1B P-20.0",8,8,4,4,,,,,,,,,,,,,I
15,3,,172447-74820,, "SEAL
WASHER",4,4,,,,,Z,,72455395,M/#22772,72455395,M/#22772,,,,,,,,,I
16,3,,172448-
74830,,ORING,2,2,,,,,Z,,72455395,M/#22772,72455395,M/#22772,,,,,,,,,I
17,2,,172448-74740,, "PLATE,
RORT",2,2,,,,,Z,,72455395,M/#22772,72455395,M/#22772,,,,,,,,,I
18,2,,172448-
74750,,BUSH,2,2,,,,,Z,,72455395,M/#22772,72455395,M/#22772,,,,,,,,,I
19,2,,22351-050010,, "SPRING PIN
5X10",2,2,,,,,Z,,72455395,M/#22772,72455395,M/#22772,,,,,,,,,I
20,2,,26450-080352,, "BOLT M 8X
35",4,4,,,,,Z,,72455395,M/#22772,72455395,M/#22772,,,,,,,,,I

REFER TO Fig. 45

REFER TO Fig. 46

1

1

12

2

11

10

3

6

4

14

5

7

8

9

13

15

20

12

2

11

10

3

6

4

14

5

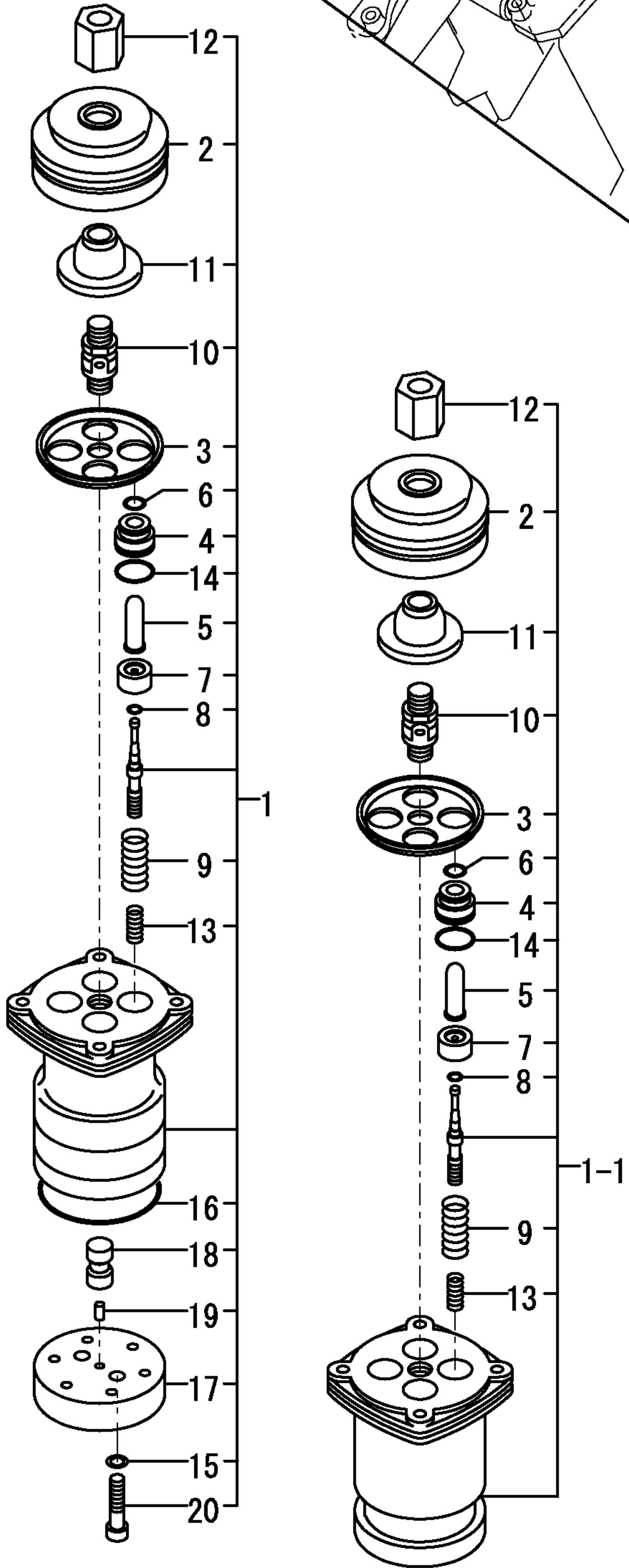
7

8

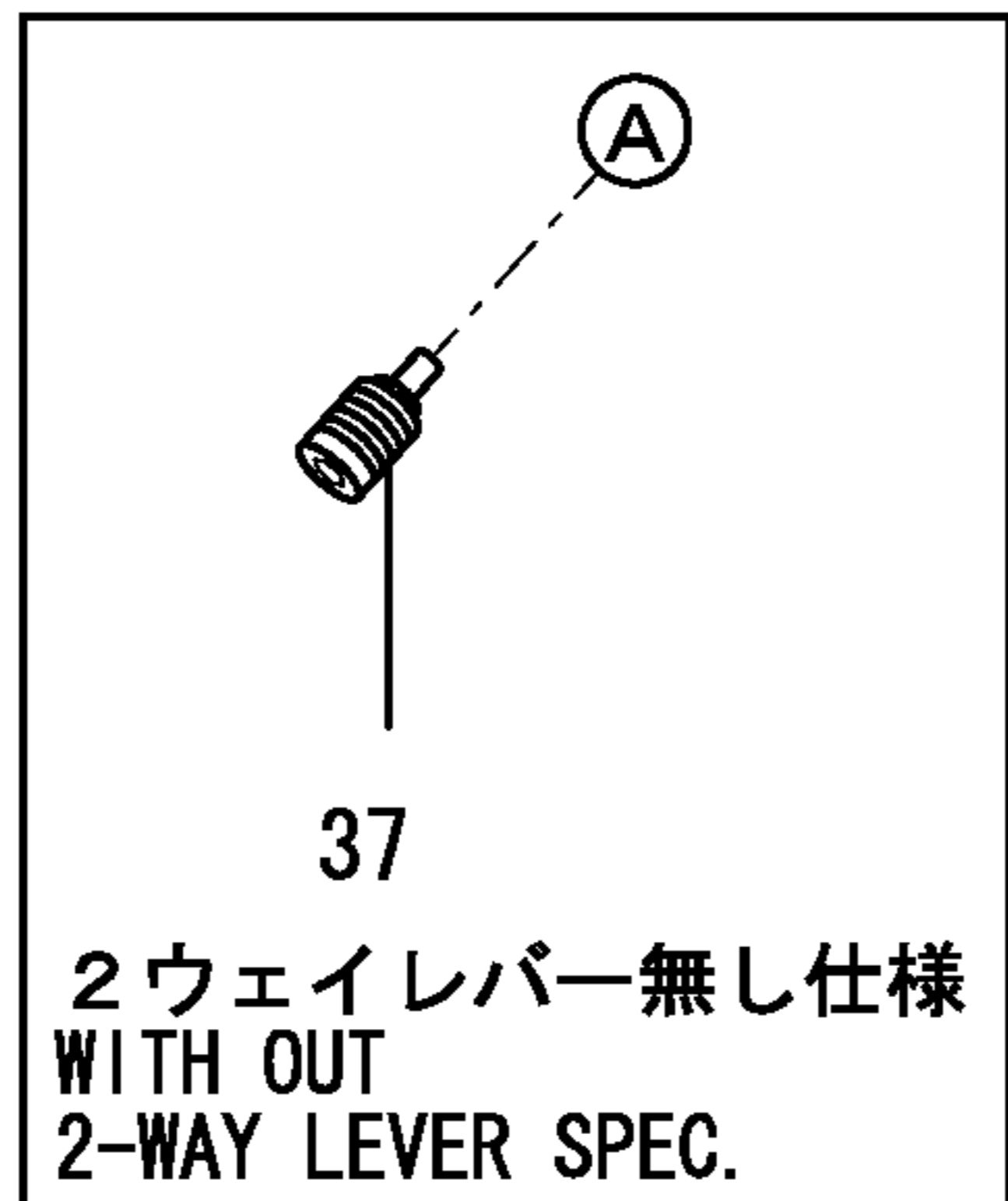
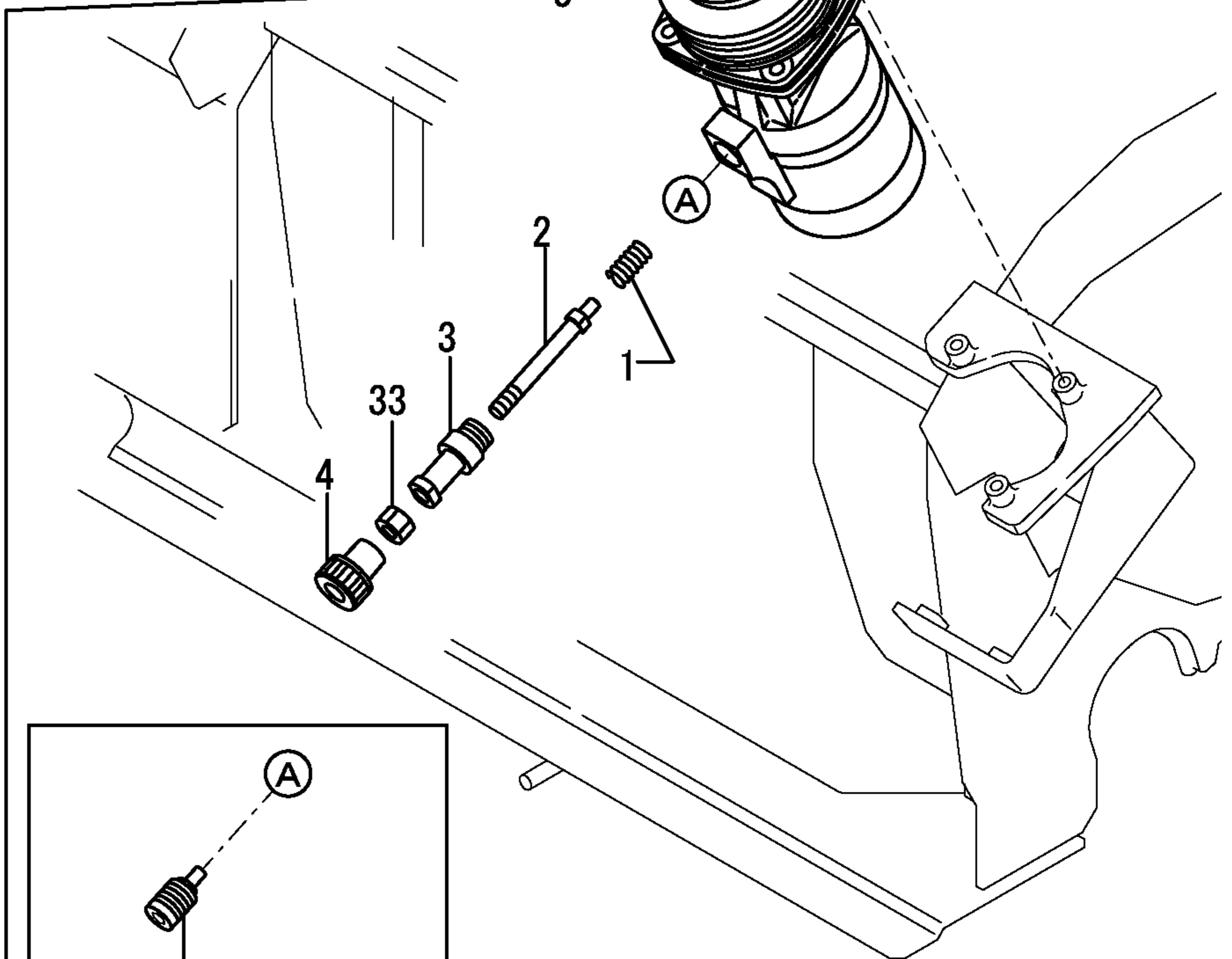
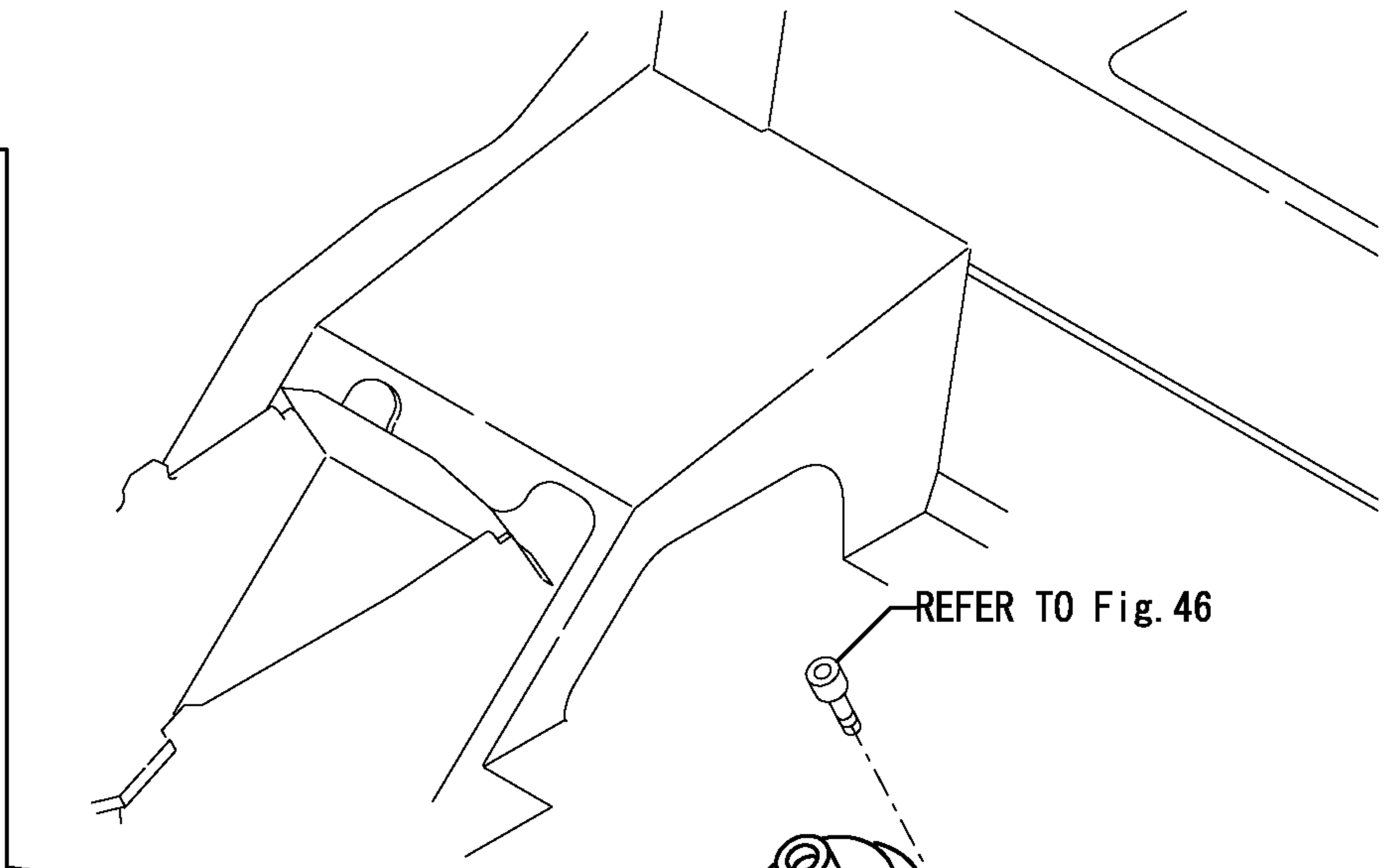
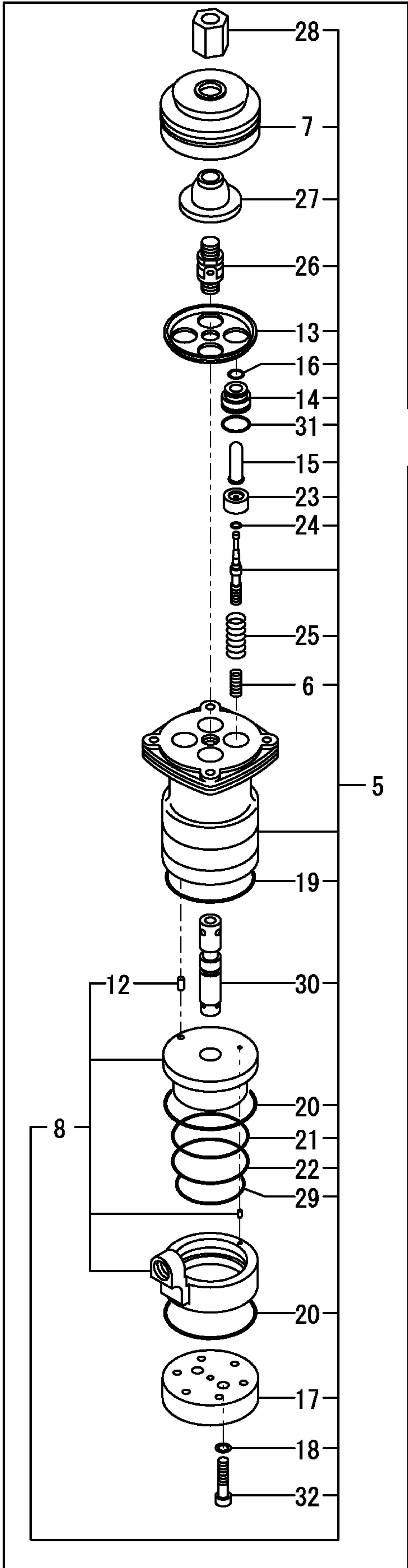
9

13

1-1

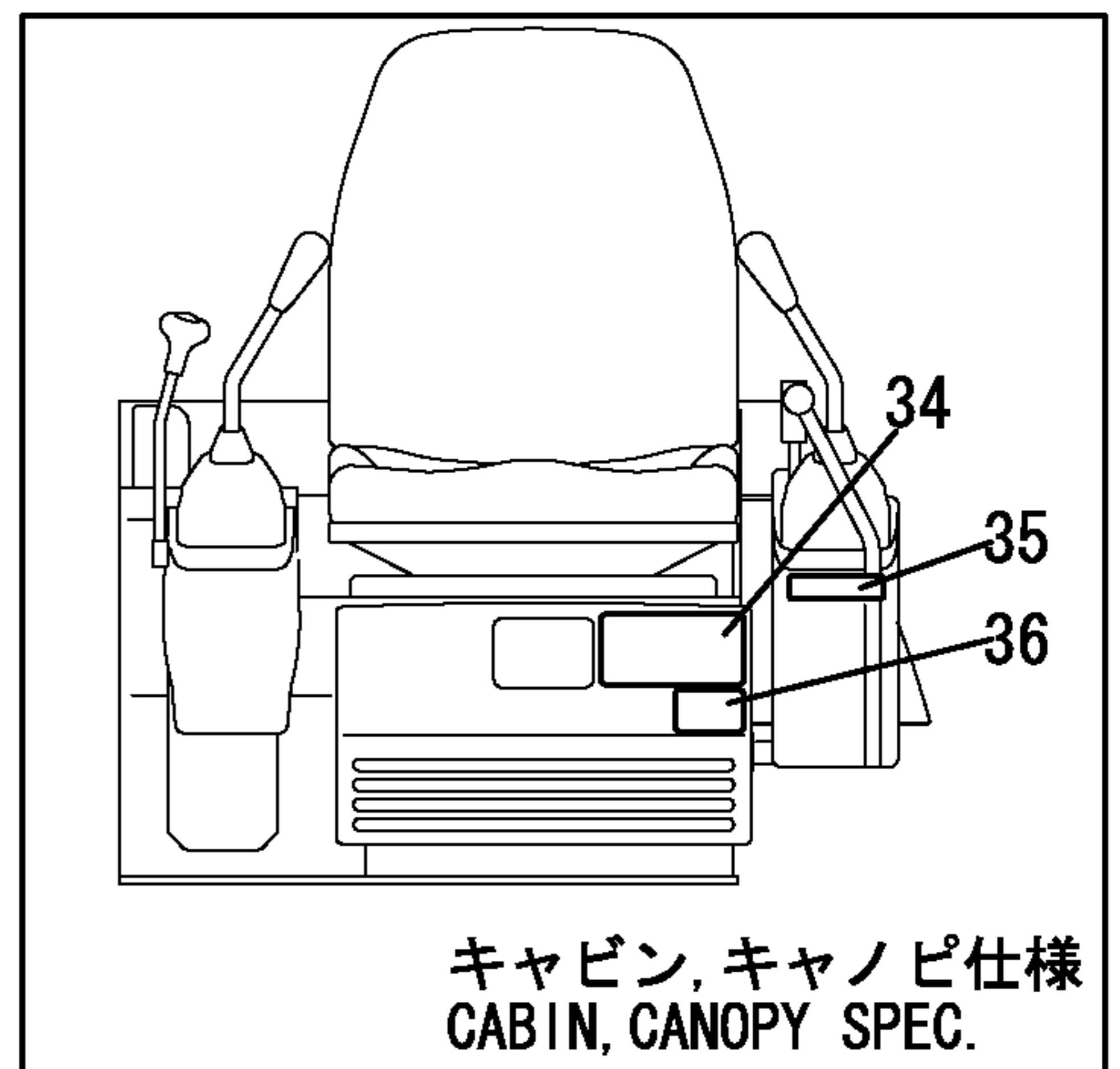


1,1,,1C6141-35370,, "SPRING, LOCK", 1,1,1,1,,,,,,,,,,,,,
2,1,,172458-74470,, SHAFT, 1,1,1,1,,,,,,,,,,,,,
3,1,,172458-74480,, SLEEVE, 1,1,1,1,,,,,,,,,,,,,
4,1,,172458-74490,, "LEVER KNOB BL", 1,1,1,1,,,,,,,,,,,,,
5,1,,172458-74500,, "REMO-CON. VALVE M2", 1,1,1,1,,,,,,,,,,,,,
6,2,,172455-74240,, SPRING, 4,4,4,4,,,,,,,,,,,,,I
7,2,,172455-74710,, BELLOWS, 1,1,1,1,,,,,,,,,,,,,
8,2,,172448-74720,, "SPOOL SLEEVE SUB", 1,1,1,1,,,,,,,,,,,,,I
12,3,,22351-050010,, "SPRING PIN 5X10", 1,1,1,1,,,,,,,,,,,,,I
13,2,,172448-74760,, PLATE, 1,1,1,1,,,,,,,,,,,,,I
14,2,,172448-74770,, PLUG, 4,4,4,4,,,,,,,,,,,,,I
15,2,,172448-74780,, "ROD Q, PUSH", 4,4,4,4,,,,,,,,,,,,,I
16,2,,172448-74790,, SEAL, 4,4,4,4,,,,,,,,,,,,,I
17,2,,172448-74810,, "PLATE, PORT", 1,1,1,1,,,,,,,,,,,,,I
18,2,,172448-74820,, PACKING, 2,2,2,2,,,,,,,,,,,,,I
19,2,,172448-74830,, ORING, 1,1,1,1,,,,,,,,,,,,,I
20,2,,172448-74860,, ORING, 2,2,2,2,,,,,,,,,,,,,I
21,2,,172448-74870,, ORING, 1,1,1,1,,,,,,,,,,,,,I
22,2,,172448-74880,, ORING, 1,1,1,1,,,,,,,,,,,,,I
23,2,,172448-74910,, "SEAT, SPRING", 4,4,4,4,,,,,,,,,,,,,I
24,2,,172448-74920,, WASHER, 4,4,4,4,,,,,,,,,,,,,I
25,2,,172448-74930,, SPRING, 4,4,4,4,,,,,,,,,,,,,I
26,2,,172448-74950,, "JOINT ASSY", 1,1,1,1,,,,,,,,,,,,,I
27,2,,172448-74960,, "PLATE, CIRCLE", 1,1,1,1,,,,,,,,,,,,,I
28,2,,172448-74970,, "NUT, ADJUST", 1,1,1,1,,,,,,,,,,,,,I
29,2,,172448-74980,, ORING, 1,1,1,1,,,,,,,,,,,,,I
30,2,,172448-74990,, DISTANZBUCHSE, 1,1,1,1,,,,,,,,,,,,,I
31,2,,24315-000200,, "O-RING 1B P-20.0", 4,4,4,4,,,,,,,,,,,,,I
32,2,,26450-080652,, "BOLT M 8X 65", 2,2,2,2,,,,,,,,,,,,,I
33,1,,26712-080002,, "NUT M 8", 1,1,1,1,,,,,,,,,,,,,
34,1,,172458-03550,, LABEL, 1,1,1,1,,,,,,,,,,,,,
35,1,,172458-03560,, LABEL, 1,1,1,1,,,,,,,,,,,,,
36,1,,172458-03570,, LABEL, 1,1,1,1,,,,,,,,,,,,,
37,1,,172448-74730,, PLUG, 1,1,1,1,,,,,1,,,,,,,,,,,,,I



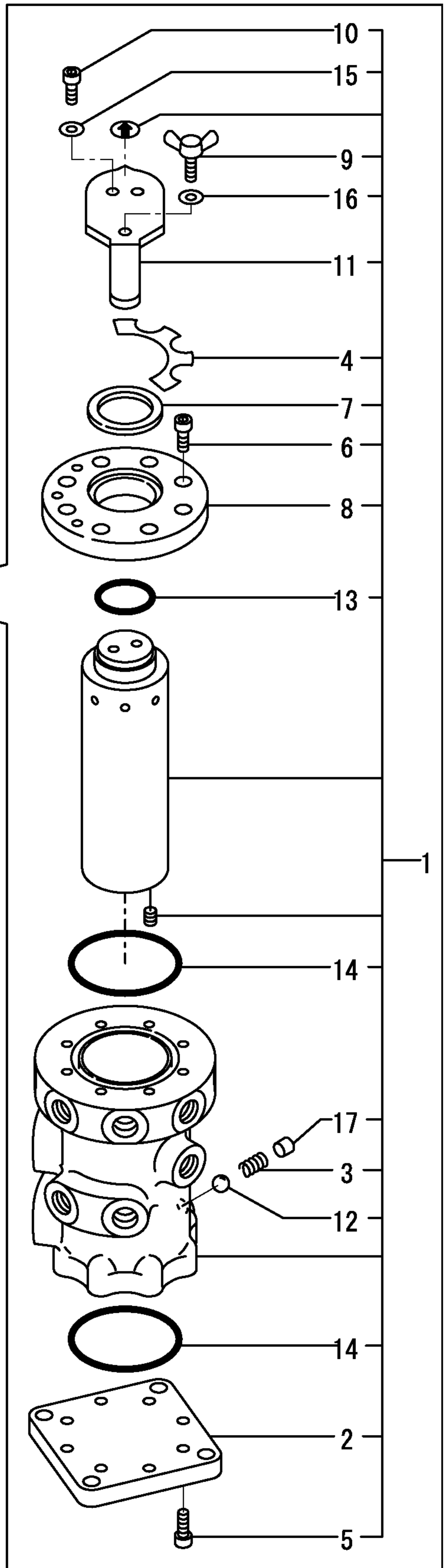
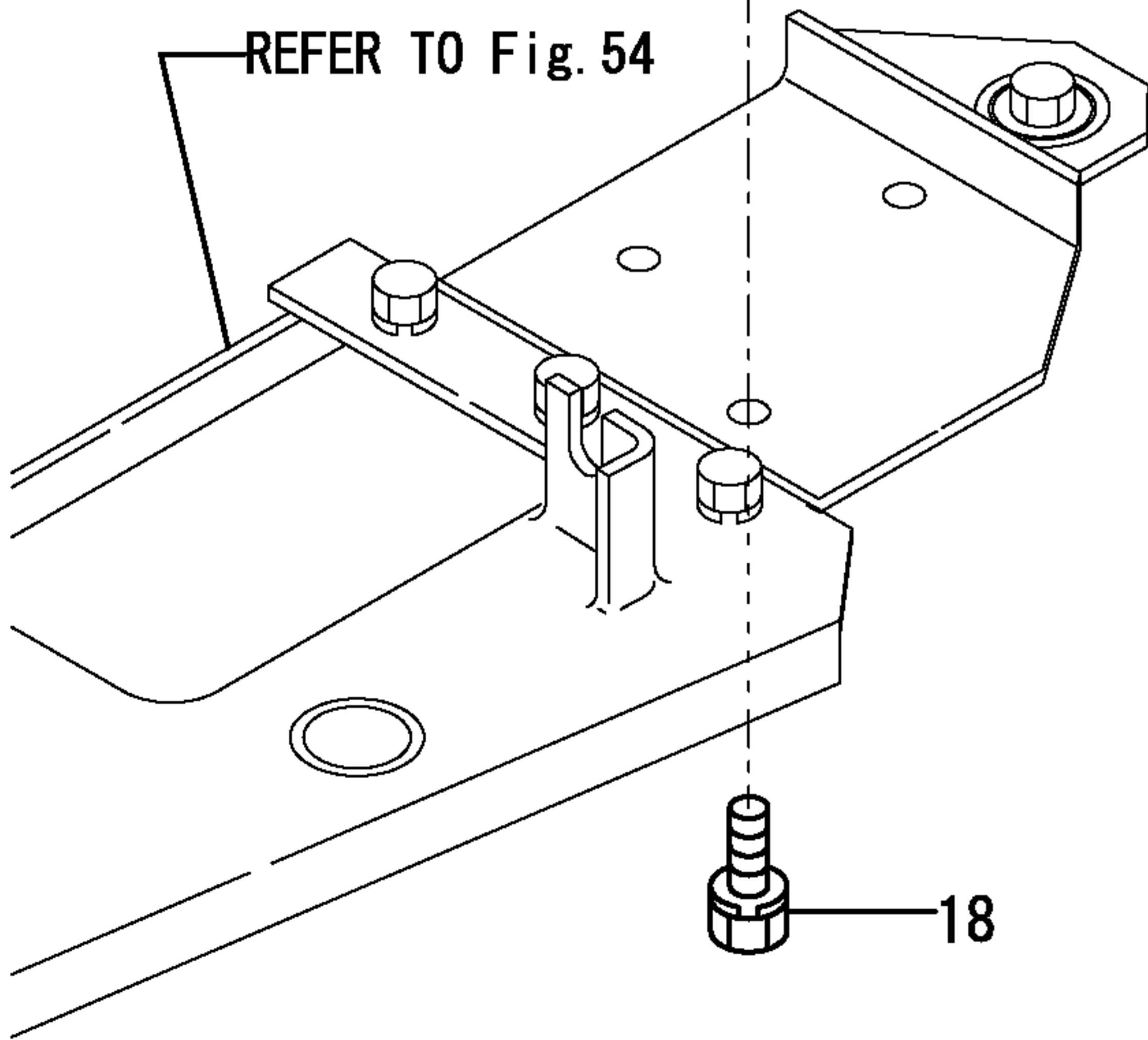
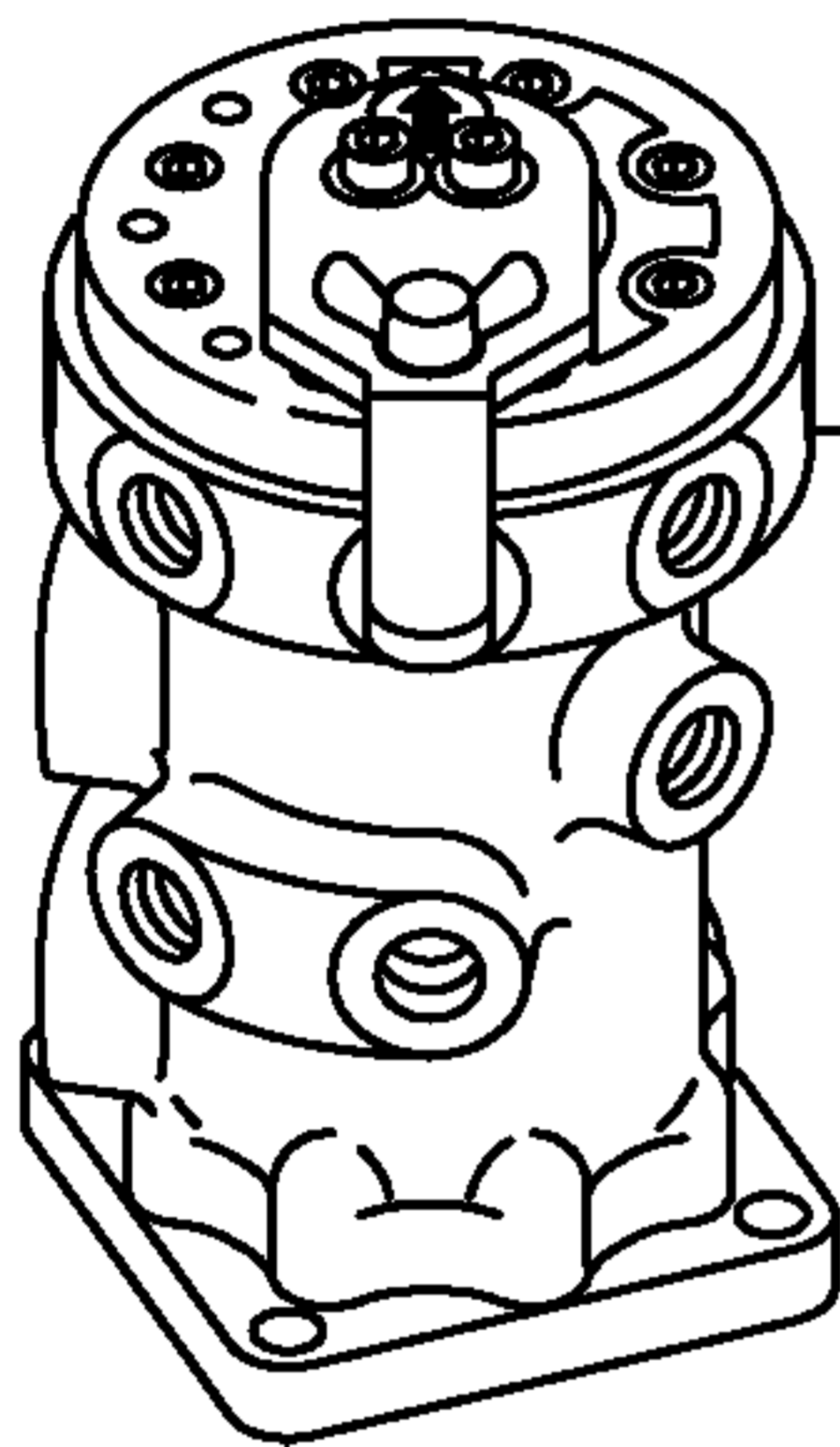
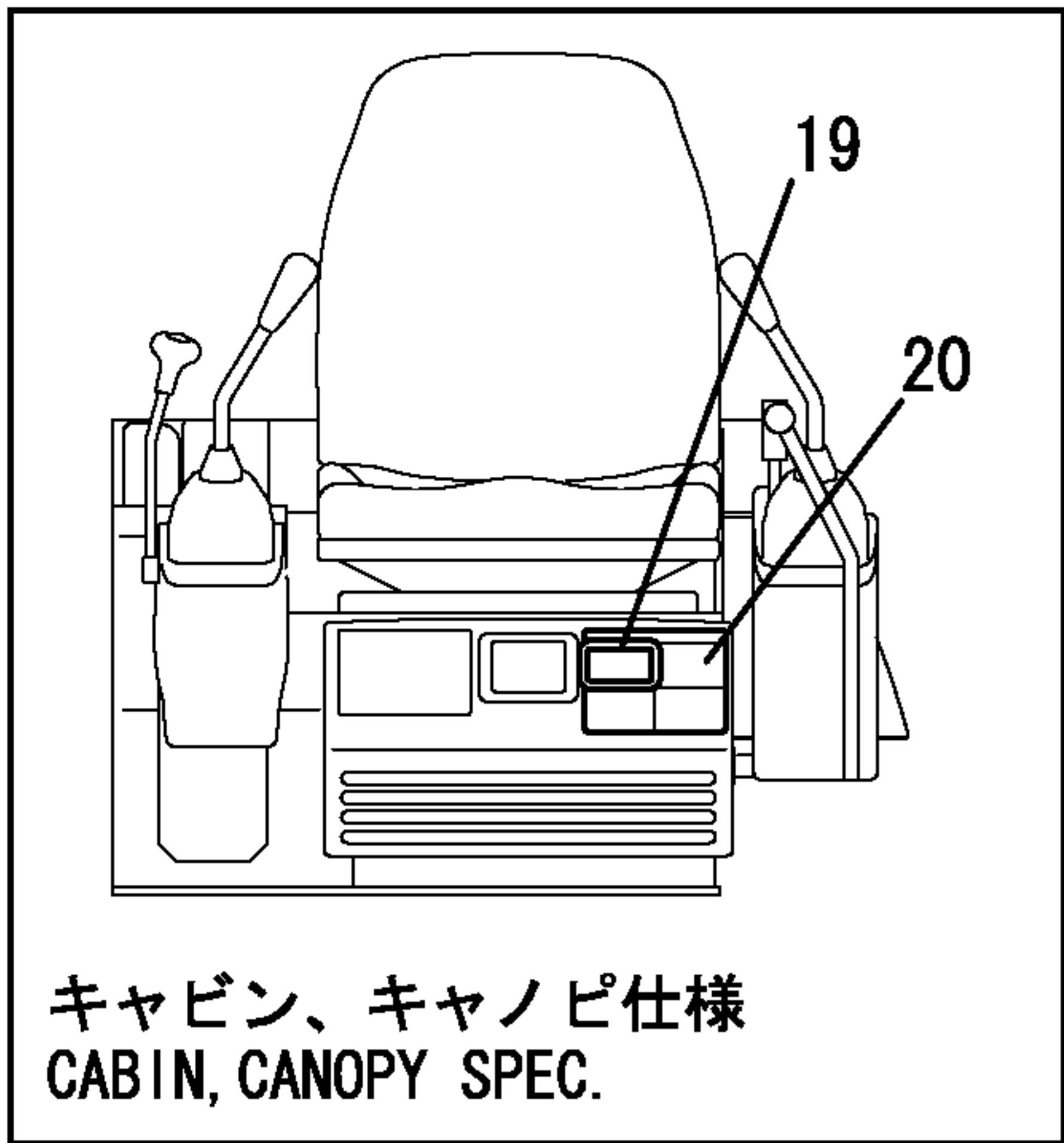
2ウェイレバー無し仕様
WITH OUT
2-WAY LEVER SPEC.

172458-08520
2ウェイマルチバルブキットは、
項目NO. 133を参照下さい。
2-WAY MULTI VALVE KIT
is shown in Fig. 133.



キャビン、キャノピ仕様
CABIN, CANOPY SPEC.

1,1,,172151-74601,,VALVE,1,1,1,1,,,,,,,,,,,,,
2,2,,182900-16530,, "COVER, UNDER",1,1,1,1,,,,,,,,,,,,,
3,2,,182900-22300,, SPRING,1,1,1,1,,,,,,,,,,,,,
4,2,,172151-74740,, "PLATE, MARK",1,1,1,1,,,,,,,,,,,,,
5,2,,182900-77190,, BOLT,8,8,8,8,,,,,,,,,,,,,
6,2,,182900-77200,, BOLT,8,8,8,8,,,,,,,,,,,,,
7,2,,182900-77210,, "DUST SEAL",1,1,1,1,,,,,,,,,,,,,
8,2,,182900-77220,, COVER,1,1,1,1,,,,,,,,,,,,,
9,2,,182900-77230,, "WING BOLT",1,1,1,1,,,,,,,,,,,,,
10,2,,182900-77240,, BOLT,2,2,2,2,,,,,,,,,,,,,
11,2,,182900-77250,, LEVER,1,1,1,1,,,,,,,,,,,,,
12,2,,24190-100001,, "BALL 5/16, STEEL",1,1,1,1,,,,,,,,,,,,,
13,2,,24311-000280,, "O-RING 1A P-28.0",1,1,1,1,,,,,,,,,,,,,
14,2,,24321-000600,, "O-RING 1A G-60.0",2,2,2,2,,,,,,,,,,,,,
15,2,,953KM0-00220,, WASHER,2,2,2,2,,,,,,,,,,,,,
16,2,,953KM0-00220,, WASHER,1,1,1,1,,,,,,,,,,,,,
17,2,,953KM0-10894,, "PLUGE PT1/8",1,1,1,1,,,,,,,,,,,,,
18,1,,26013-100202,, "BOLT W/WASHER M10X20",3,3,3,3,,,,,,,,,,,,,
19,1,,172444-03290,, MAGNET,1,1,1,1,,,,,,,,,,,,,
20,1,,172151-03551,, LABEL,1,1,1,1,,,,,,,,,,,,,



172458-08510

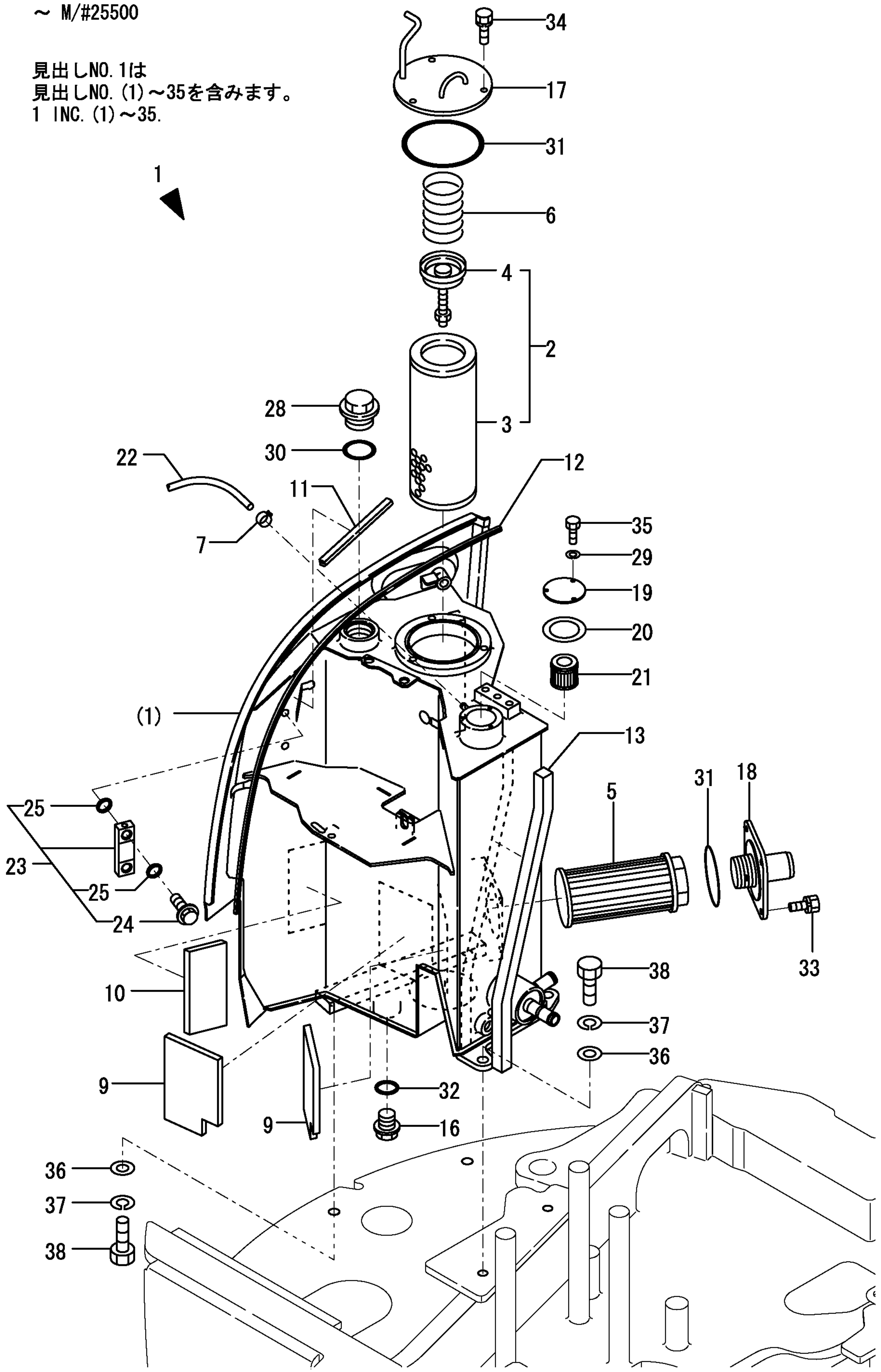
4ウェイマルチバルブキットは、
項目NO. 132を参照下さい。

4-WAY MULTI VALVE KIT
is shown in Fig. 132.

1,1,,772458-75100,, "RESERVER ASSY (96)",1,1,,,,,,,,,,,,,
1-1,1,,772457-75100,, "RESERVER
(GREEN:96)",1,1,,,,,N,,72457037,M/#21080,72457037,M/#21080,,,,,
2,2,,172175-73700,, "FILTER ASSY, RETURN",1,1,,,,,,,,,,,,,
3,3,,172175-73710,, ELEMENT,1,1,,,,,,,,,,,,,
4,3,,172141-73770,, "VALVE ASSY, BYPASS",1,1,,,,,,,,,,,,,
5,2,,172146-73730,, "FILTER, SUCTION",1,1,,,,,,,,,,,,,
6,2,,933152-02710,, "SPRING, SIDE CLUTCH",1,1,,,,,,,,,,,,,
7,2,,124766-59050,, "CLAMP 12",1,1,,,,,,,,,,,,,
9,3,,172458-14351,, "RUBBER PLATE-B,FO",2,2,,,,,,,,,,,,,
10,3,,172458-14361,, "RUBBER PLATE-C,FO",1,1,,,,,,,,,,,,,
11,3,,172434-61170,, "TRIM
90",1,1,,,,,W,,72458426,M/#20955,72458426,M/#20955,,,,,
12,3,,172444-65610,, "SEAL B",1,1,,,,,,,,,,,,,
13,3,,172458-
75070,, "SEAL,525",1,1,,,,,Z,,72457037,M/#21080,72457037,M/#21080,,,,,
16,2,,172455-75330,, "DRAIN PLIG 24",1,1,,,,,,,,,,,,,
17,2,,172458-75350,, "COVER (GREEN:96)",1,1,,,,,,,,,,,,,
18,2,,172183-75410,, "FLANGE,SUCTION (ZN)",1,1,,,,,,,,,,,,,
19,2,,172165-75450-5,, "PLATE (GREEN:96)",1,1,,,,,,,,,,,,,
20,2,,172165-75460,, GASKET,1,1,,,,,,,,,,,,,
21,2,,172165-75481,, ELEMENT,1,1,,,,,,,,,,,,,
22,2,,172187-75510,, HOSE,1,1,,,,,,,,,,,,,
23,2,,172447-75600,, GAUGE,1,1,,,,,,,,,,,,,
24,3,,172455-75290,, "BOLT M10",2,2,,,,,,,,,,,,,
25,3,,172455-75300,, O-RING,4,4,,,,,,,,,,,,,
28,2,,172116-75850-5,, "PLUG,OIL FEED (96)",1,1,,,,,,,,,,,,,
29,2,,22217-050000,, "SPRING WASHER 5",3,3,,,,,,,,,,,,,
30,2,,24311-000380,, "O-RING 1A P-38.0",1,1,,,,,,,,,,,,,
31,2,,24321-001050,, "O-RING 1A G-105.0",2,2,,,,,,,,,,,,,
32,2,,24341-000300,, "O-RING 1A S-30.0",1,1,,,,,,,,,,,,,
33,2,,26013-080162,, "BOLT W/WASHER M8X16",4,4,,,,,,,,,,,,,
34,2,,26013-080202,, "BOLT W/WASHER M8X20",3,3,,,,,,,,,,,,,
35,2,,26116-050102,, "BOLT M 5X 10 PLATED",3,3,,,,,,,,,,,,,
36,1,,22137-140000,, "WASHER 14,POLISHED",4,4,,,,,,,,,,,,,
37,1,,22217-140000,, "SPRING WASHER 14",4,4,,,,,,,,,,,,,
38,1,,26116-140402,, "BOLT M14X 40 PLATED",4,4,,,,,,,,,,,,,

~ M/#25500

見出しNO. 1は
見出しNO. (1)~35を含みます。
1 INC. (1)~35.



34

17

31

6

4

2

3

28

30

22

7

11

35

29

19

20

21

(1)

12

5

31

18

25

23

25

24

13

33

10

38

9

9

32

16

37

36

36

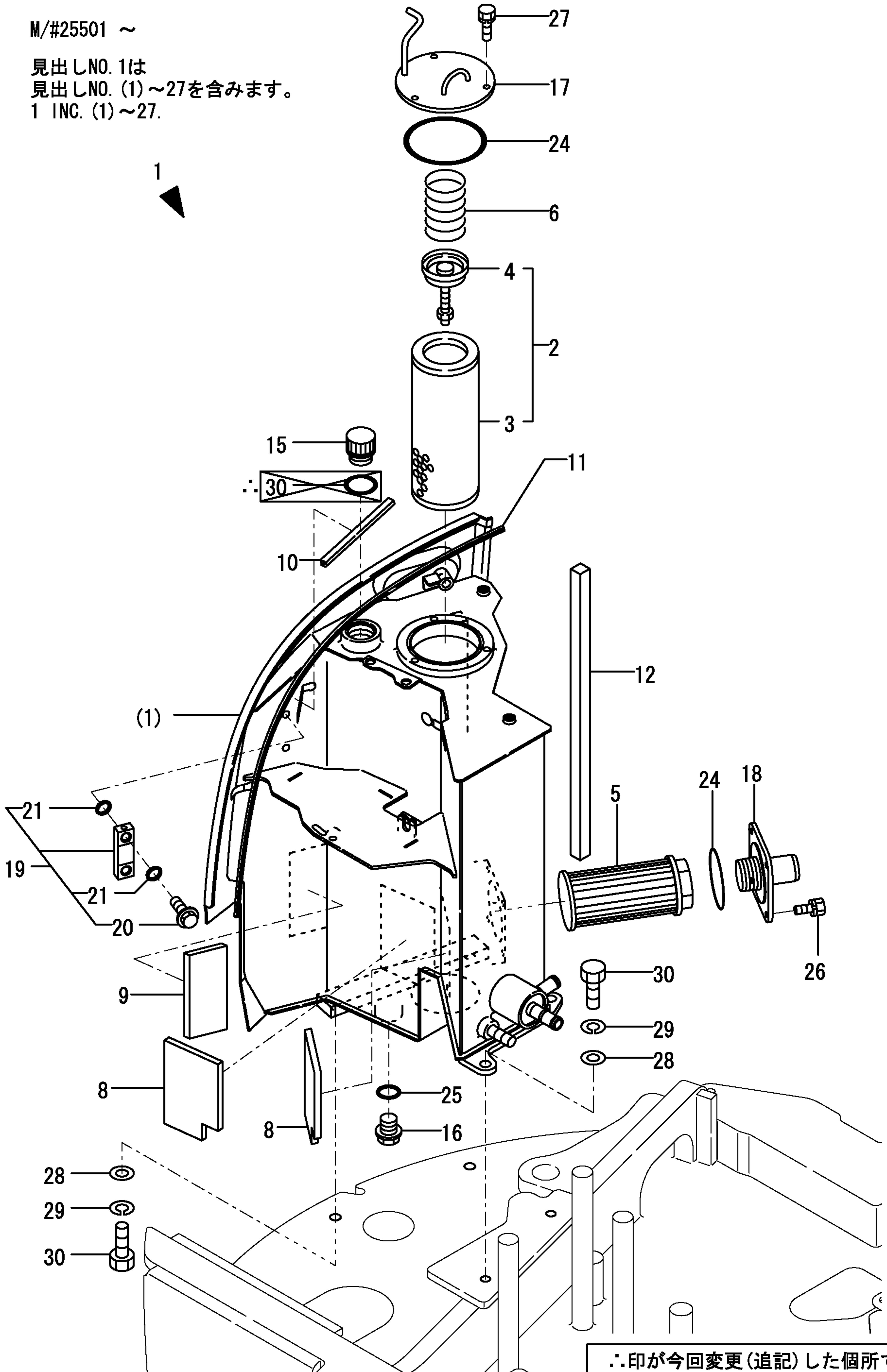
37

38

1,1,,772457-75101,, "RESERVER (GREEN:96)",1,1,1,1,,,,,,,,,,,,,
2,2,,172175-73700,, "FILTER ASSY, RETURN",1,1,1,1,,,,,,,,,,,,,
3,3,,172175-73710,, "ELEMENT",1,1,1,1,,,,,,,,,,,,,
4,3,,172141-73770,, "VALVE ASSY, BYPASS",1,1,1,1,,,,,,,,,,,,,
5,2,,172146-73730,, "FILTER, SUCTION",1,1,1,1,,,,,,,,,,,,,
6,2,,933152-02710,, "SPRING, SIDE CLUTCH",1,1,1,1,,,,,,,,,,,,,
8,3,,172458-14351,, "RUBBER PLATE-B,FO",2,2,2,1,,,,,,,,,,,,,
9,3,,172458-14361,, "RUBBER PLATE-C,FO",1,1,1,1,,,,,,,,,,,,,
10,3,,172434-61170,, "TRIM 90",1,1,1,1,,,,,,,,,,,,,
11,3,,172444-65610,, "SEAL B",1,1,1,1,,,,,,,,,,,,,
12,3,,172458-75050,, "SEAL",1,1,1,1,,,,,,,,,,,,,
15,2,,172446-75250,, "CAP",1,1,1,1,,,,,,,,,,,,,
16,2,,172455-75330,, "DRAIN PLIG 24",1,1,1,1,,,,,,,,,,,,,
17,2,,172458-75350,, "COVER (GREEN:96)",1,1,1,1,,,,,,,,,,,,,
18,2,,172183-75410,, "FLANGE, SUCTION (ZN)",1,1,1,1,,,,,,,,,,,,,
19,2,,172447-75600,, "GAUGE",1,1,1,1,,,,,,,,,,,,,
20,3,,172455-75290,, "BOLT M10",2,2,2,2,,,,,,,,,,,,,
21,3,,172455-75300,, "O-RING",4,4,4,4,,,,,,,,,,,,,
24,2,,24321-001050,, "O-RING 1A G-105.0",2,2,2,2,,,,,,,,,,,,,
25,2,,24341-000300,, "O-RING 1A S-30.0",1,1,1,1,,,,,,,,,,,,,
26,2,,26013-080162,, "BOLT W/WASHER M8X16",4,4,4,4,,,,,,,,,,,,,
27,2,,26013-080202,, "BOLT W/WASHER M8X20",3,3,3,3,,,,,,,,,,,,,
28,1,,22137-140000,, "WASHER 14,POLISHED",4,4,4,4,,,,,,,,,,,,,
29,1,,22217-140000,, "SPRING WASHER 14",4,4,2,2,,,,,,,,,,,,,
30,1,,26116-140402,, "BOLT M14X 40 PLATED",4,4,4,4,,,,,,,,,,,,,

M/#25501 ~

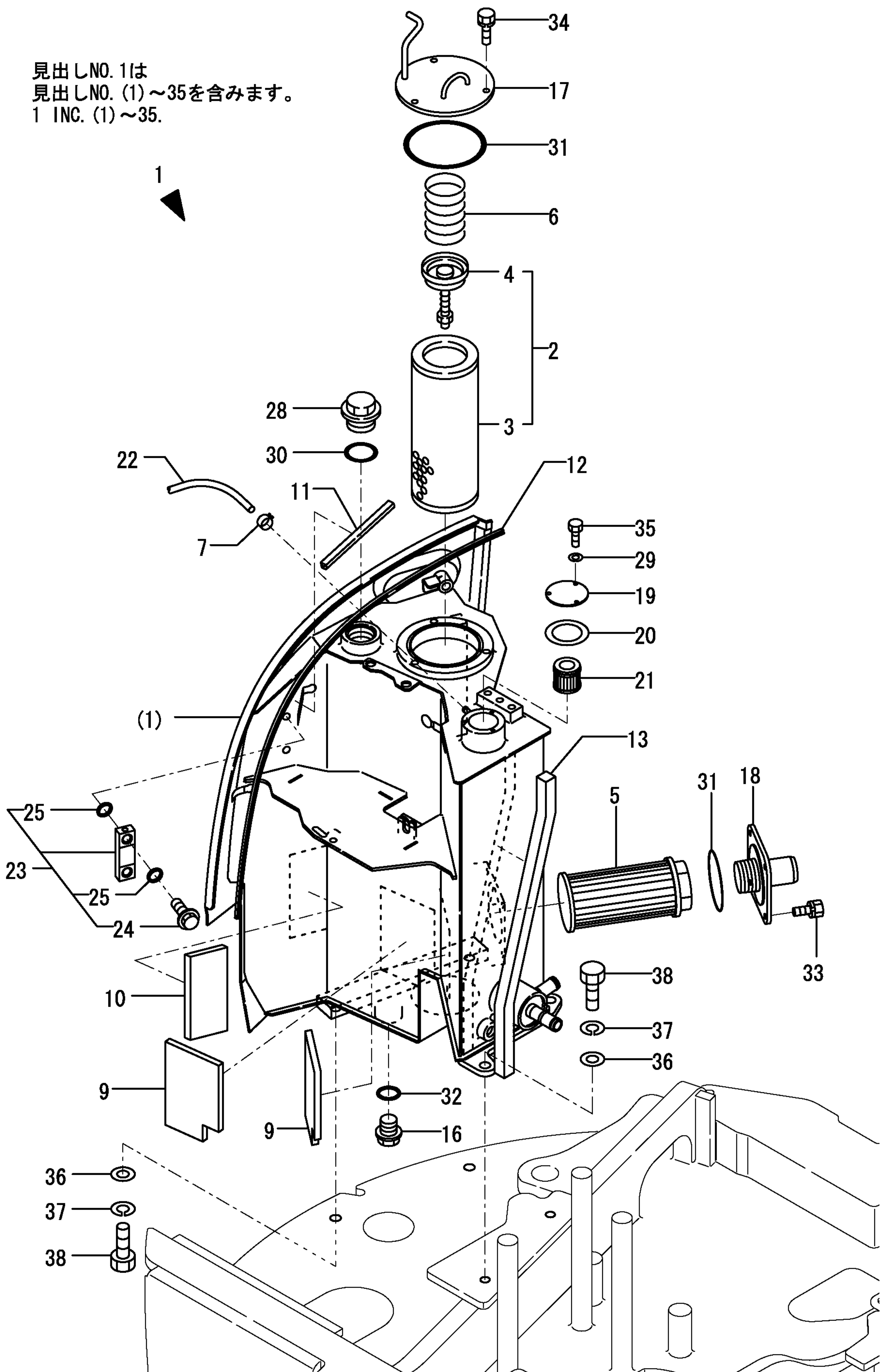
見出しNO. 1は
見出しNO. (1)~27を含みます。
1 INC. (1)~27.



∴印が今回変更(追記)した個所です。
∴MARKED PART HAS BEEN CHANGED (ADDED).

1,1,,772458-75100,, "RESERVER ASSY (96)",1,,,,,,,,,,,,,,,,,,,,,
2,2,,172175-73700,, "FILTER ASSY, RETURN",1,,,,,,,,,,,,,,,,,,,,,
3,3,,172175-73710,, "ELEMENT",1,,,,,,,,,,,,,,,,,,,,,
4,3,,172141-73770,, "VALVE ASSY, BYPASS",1,,,,,,,,,,,,,,,,,,,,,
5,2,,172146-73730,, "FILTER, SUCTION",1,,,,,,,,,,,,,,,,,,,,,
6,2,,933152-02710,, "SPRING, SIDE CLUTCH",1,,,,,,,,,,,,,,,,,,,,,
7,2,,124766-59050,, "CLAMP 12",1,,,,,,,,,,,,,,,,,,,,,
9,3,,172458-14351,, "RUBBER PLATE-B,FO",2,,,,,,,,,,,,,,,,,,,,,
10,3,,172458-14361,, "RUBBER PLATE-C,FO",1,,,,,,,,,,,,,,,,,,,,,
11,3,,172434-61170,, "TRIM 90",1,,,,,,,,,,,,,,,,,,,,,
12,3,,172444-65610,, "SEAL B",1,,,,,,,,,,,,,,,,,,,,,
13,3,,172458-75070,, "SEAL,525",1,,,,,,,,,,,,,,,,,,,,,
16,2,,172455-75330,, "DRAIN PLIG 24",1,,,,,,,,,,,,,,,,,,,,,
17,2,,172458-75350,, "COVER (GREEN:96)",1,,,,,,,,,,,,,,,,,,,,,
18,2,,172183-75410,, "FLANGE,SUCTION (ZN)",1,,,,,,,,,,,,,,,,,,,,,
19,2,,172165-75450-5,, "PLATE (GREEN:96)",1,,,,,,,,,,,,,,,,,,,,,
20,2,,172165-75460,, "GASKET",1,,,,,,,,,,,,,,,,,,,,,
21,2,,172165-75481,, "ELEMENT",1,,,,,,,,,,,,,,,,,,,,,
22,2,,172187-75510,, "HOSE",1,,,,,,,,,,,,,,,,,,,,,
23,2,,172447-75600,, "GAUGE",1,,,,,,,,,,,,,,,,,,,,,
24,3,,172455-75290,, "BOLT M10",2,,,,,,,,,,,,,,,,,,,,,
25,3,,172455-75300,, "O-RING",4,,,,,,,,,,,,,,,,,,,,,
28,2,,172116-75850-5,, "PLUG,OIL FEED (96)",1,,,,,,,,,,,,,,,,,,,,,
29,2,,22217-050000,, "SPRING WASHER 5",3,,,,,,,,,,,,,,,,,,,,,
30,2,,24311-000380,, "O-RING 1A P-38.0",1,,,,,,,,,,,,,,,,,,,,,
31,2,,24321-001050,, "O-RING 1A G-105.0",2,,,,,,,,,,,,,,,,,,,,,
32,2,,24341-000300,, "O-RING 1A S-30.0",1,,,,,,,,,,,,,,,,,,,,,
33,2,,26013-080162,, "BOLT W/WASHER M8X16",4,,,,,,,,,,,,,,,,,,,,,
34,2,,26013-080202,, "BOLT W/WASHER M8X20",3,,,,,,,,,,,,,,,,,,,,,
35,2,,26116-050102,, "BOLT M 5X 10 PLATED",3,,,,,,,,,,,,,,,,,,,,,
36,1,,22137-140000,, "WASHER 14,POLISHED",4,,,,,,,,,,,,,,,,,,,,,
37,1,,22217-140000,, "SPRING WASHER 14",4,,,,,,,,,,,,,,,,,,,,,
38,1,,26116-140402,, "BOLT M14X 40 PLATED",4,,,,,,,,,,,,,,,,,,,,,

見出しNO. 1は
見出しNO. (1)~35を含みます。
1 INC. (1)~35.



1

34

17

31

6

4

2

3

28

30

22

11

7

12

35

29

19

20

21

(1)

13

25

23

25

24

10

9

9

32

16

5

31

18

33

36

37

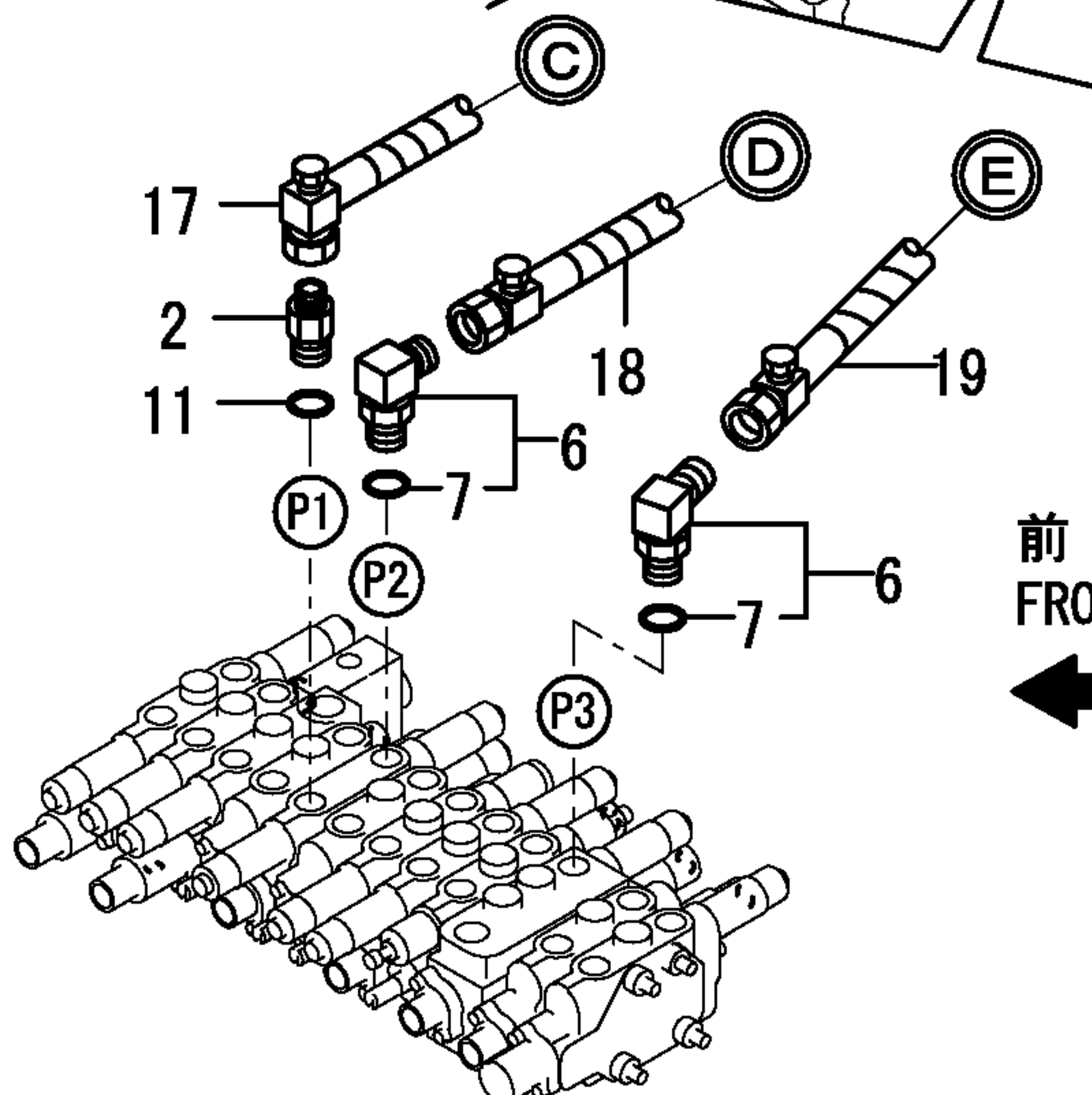
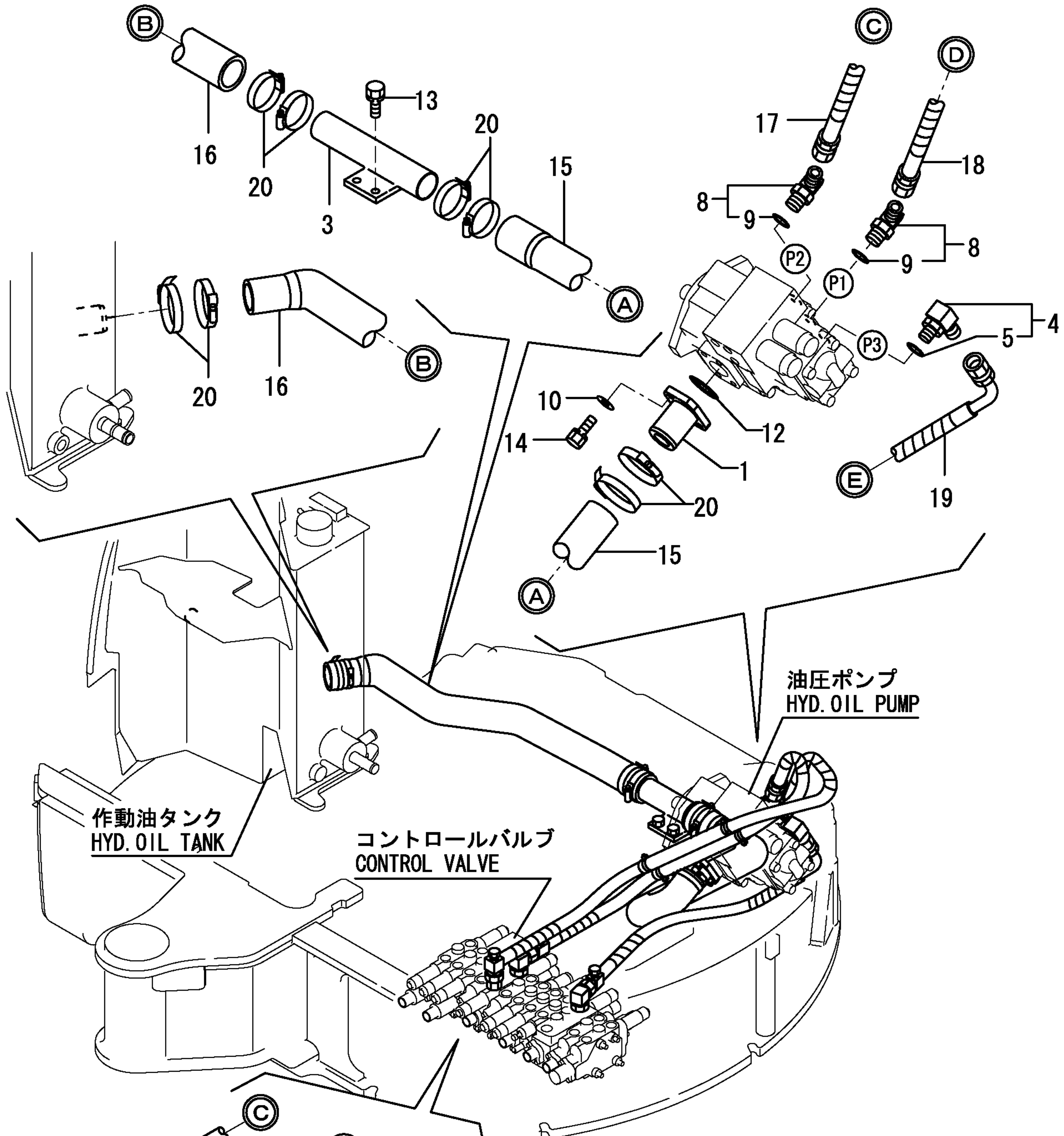
38

38

37

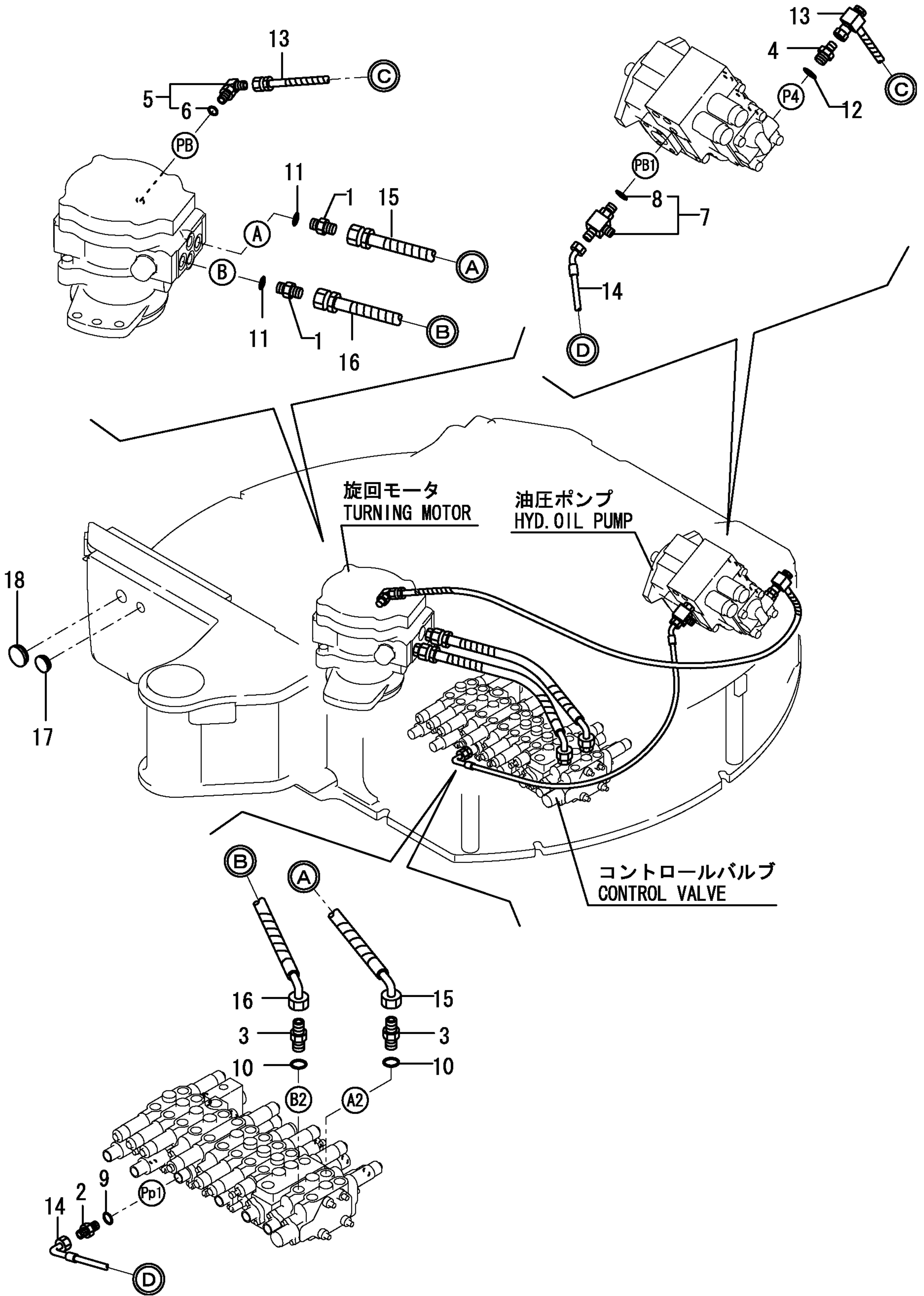
36

1,1,,172422-76100,,FLANGE,1,1,1,1,,,,,,,,,,,,,
2,1,,172458-76170,, "CONNECTOR PF3/6PT1/2",1,1,1,1,,,,,,,,,,,,,
3,1,,172444-76400,,TUBE,1,1,1,1,,,,,,,,,,,,,
4,1,,172645-76570,, "CONNECTOR 3/8X1/2",1,1,1,1,,,,,,,,,,,,,
5,2,,24315-000140,, "O-RING 1B P-14.0",1,1,1,1,,,,,,,,,,,,,
6,1,,172645-76570,, "CONNECTOR 3/8X1/2",2,2,2,2,,,,,,,,,,,,,
7,2,,24315-000140,, "O-RING 1B P-14.0",2,2,2,2,,,,,,,,,,,,,
8,1,,172141-76900,, "CONNECTOR 1/2L",2,2,2,2,,,,,,,,,,,,,
9,2,,24315-000180,, "O-RING 1B P-18.0",2,2,2,2,,,,,,,,,,,,,
10,1,,22117-100000,, "WASHER 10",4,4,4,4,,,,,,,,,,,,,
11,1,,24315-000140,, "O-RING 1B P-14.0",1,1,1,1,,,,,,,,,,,,,
12,1,,24321-000400,, "O-RING 1A G-40.0",1,1,1,1,,,,,,,,,,,,,
13,1,,26013-100202,, "BOLT W/WASHER M10X20",2,2,2,2,,,,,,,,,,,,,
14,1,,26013-100302,, "BOLT M10X 30",4,4,4,4,,,,,,,,,,,,,
15,1,,172458-78091,, "HOSE 39.5 X 52.5",1,1,1,1,,,,,,,,,,,,,
16,1,,172458-78100,, "HOSE 42.5 X 55.2",1,1,1,1,,,,,,,,,,,,,
17,1,,172458-78110,, "HOSE H208BZ079S",1,1,1,1,,,,,,,,,,,,,
18,1,,172458-78120,, "HOSE H208BB076S",1,1,1,1,,,,,,,,,,,,,
19,1,,172458-78130,, "HOSE H208CZ062S",1,1,1,1,,,,,,,,,,,,,
20,1,,23000-060000,, "CLAMP 60",8,8,,,,,,,,,,,,,
20-1,1,,23001-060000,, "CLIP,HOLELESS
HOSE",8,8,8,8,, ,N,,72446124,M/#22562,72446124,M/#22562,,,,,,,,,

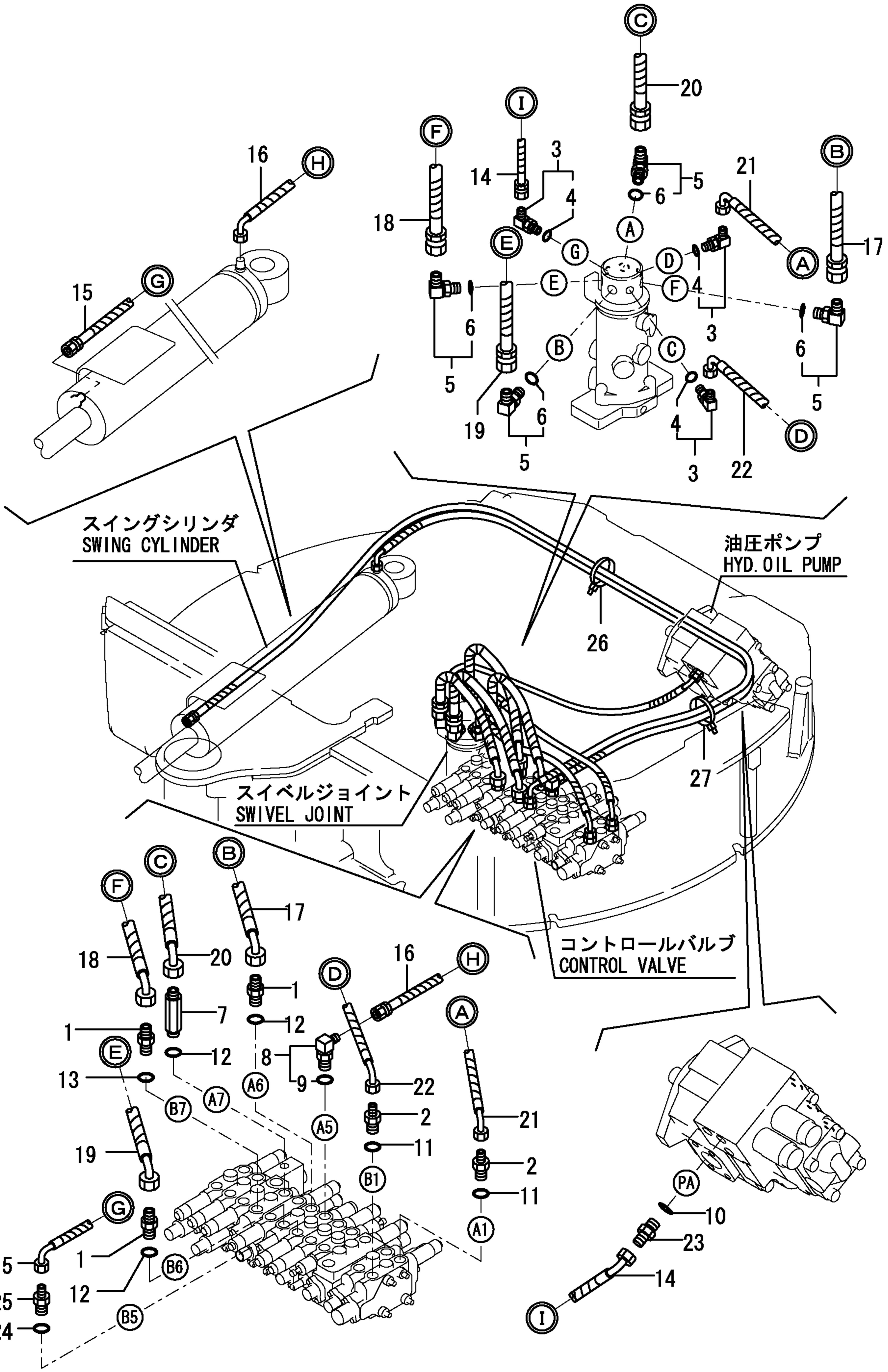


- 前 FRONT ←
- バケツ (BUCKET)
 - ブーム1 (BOOM 1)
 - ブーム2 (BOOM 2), T
 - 走行: 右 (DRIVE: RIGHT)
 - P
 - 走行: 左 (DRIVE: LEFT)
 - スイング (SWING)
 - アーム (ARM)
 - P. T. O.
 - T, P
 - 旋回 (TURNING)
 - ブレード (BLADE)
- B A

1,1,,172730-75141,,JOINT,2,2,2,2,,,,,,,,,,,,,
2,1,,172123-76121,, "JOINT PF1/4",1,1,1,1,,,,,,,,,,,,,
3,1,,172162-76131,,ADAPTER,2,2,2,2,,,,,,,,,,,,,
4,1,,172157-76150,, "CONNECTOR 3/8-1/4",1,1,1,1,,,,,,,,,,,,,
5,1,,172141-76180,,CONNECTOR,1,1,1,1,,,,,,,,,,,,,
6,2,,24315-000110,, "O-RING 1B P-11.0",1,1,1,1,,,,,,,,,,,,,
7,1,,172162-76180,, "JOINT 3-1/4 COMPL.",1,1,1,1,,,,,,,,,,,,,
8,2,,24315-000110,, "O-RING 1B P-11.0",1,1,1,1,,,,,,,,,,,,,
9,1,,24315-000110,, "O-RING 1B P-11.0",1,1,1,1,,,,,,,,,,,,,
10,1,,24315-000140,, "O-RING 1B P-14.0",2,2,2,2,,,,,,,,,,,,,
11,1,,24315-000140,, "O-RING 1B P-14.0",2,2,2,2,,,,,,,,,,,,,
12,1,,24315-000140,, "O-RING 1B P-14.0",1,1,1,1,,,,,,,,,,,,,
13,1,,172458-78140,, "HOSE F404BZ100S",1,1,1,1,,,,,,,,,,,,,
14,1,,172458-78160,, "HOSE F403CC094",1,1,1,1,,,,,,,,,,,,,
15,1,,172458-78270,, "HOSE F206BC052S",1,1,1,1,,,,,,,,,,,,,
16,1,,172458-78270,, "HOSE F206BC052S",1,1,1,1,,,,,,,,,,,,,
17,1,,172312-17260,, "GROMMET 22X2.3",1,1,1,1,,,,,,,,,,,,,
18,1,,172142-76290,, "GROMMET 28X2.3",1,1,1,1,,,,,,,,,,,,,



1,1,,172162-76131,,ADAPTER,3,3,3,3,,,,,,,,,,,,,
2,1,,172422-76130,,CONNECTOR,2,2,2,2,,,,,,,,,,,,,
3,1,,172141-76180,,CONNECTOR,3,3,3,3,,,,,,,,,,,,,
4,2,,24315-000110,, "O-RING 1B P-11.0",3,3,3,3,,,,,,,,,,,,,
5,1,,172142-76181,, "JOINT 90-3/8 ASSY",4,4,4,4,,,,,,,,,,,,,
6,2,,24315-000140,, "O-RING 1B P-14.0",4,4,4,4,,,,,,,,,,,,,
7,1,,172116-76381,, "ADAPTER 64",1,1,1,1,,,,,,,,,,,,,
8,1,,172141-76920,, "CONNECTOR 3/8-1/4L",1,1,1,1,,,,,,,,,,,,,
9,2,,24315-000140,, "O-RING 1B P-14.0",1,1,1,1,,,,,,,,,,,,,
10,1,,24315-000110,, "O-RING 1B P-11.0",1,1,1,1,,,,,,,,,,,,,
11,1,,24315-000140,, "O-RING 1B P-14.0",2,2,2,2,,,,,,,,,,,,,
12,1,,24315-000140,, "O-RING 1B P-14.0",3,3,3,3,,,,,,,,,,,,,
13,1,,24315-000140,, "O-RING 1B P-14.0",1,1,1,1,,,,,,,,,,,,,
14,1,,172458-78150,, "HOSE F403BE088S",1,1,1,1,,,,,,,,,,,,,
15,1,,172458-78220,, "HOSE F204BC241S",1,1,1,1,,,,,,,,,,,,,
16,1,,172458-78230,, "HOSE F204BC183S",1,1,1,1,,,,,,,,,,,,,
17,1,,172458-78270,, "HOSE F206BC052S",1,1,1,1,,,,,,,,,,,,,
18,1,,172458-78270,, "HOSE F206BC052S",1,1,1,1,,,,,,,,,,,,,
19,1,,172458-78270,, "HOSE F206BC052S",1,1,1,1,,,,,,,,,,,,,
20,1,,172458-78270,, "HOSE F206BC052S",1,1,1,1,,,,,,,,,,,,,
21,1,,172422-78290,, "HOSE F204BC072S",1,1,1,1,,,,,,,,,,,,,
22,1,,172422-78290,, "HOSE F204BC072S",1,1,1,1,,,,,,,,,,,,,
23,1,,172123-76121,, "JOINT PF1/4",1,1,1,1,,,,,,,,,,,,,
24,1,,24315-000140,, "O-RING 1B P-14.0",1,1,1,1,,,,,,,,,,,,,
25,1,,172147-76260,,CONNECTOR,1,1,1,1,,,,,,,,,,,,,
26,1,,172126-11510,, "BAND
300",1,1,1,1,, ,W,,72458295,M/#20501,72458295,M/#20501,,,,,,,,,
27,1,,172126-11510,, "BAND
300",1,1,1,1,, ,W,,72458406,M/#20745,72458406,M/#20745,,,,,,,,,

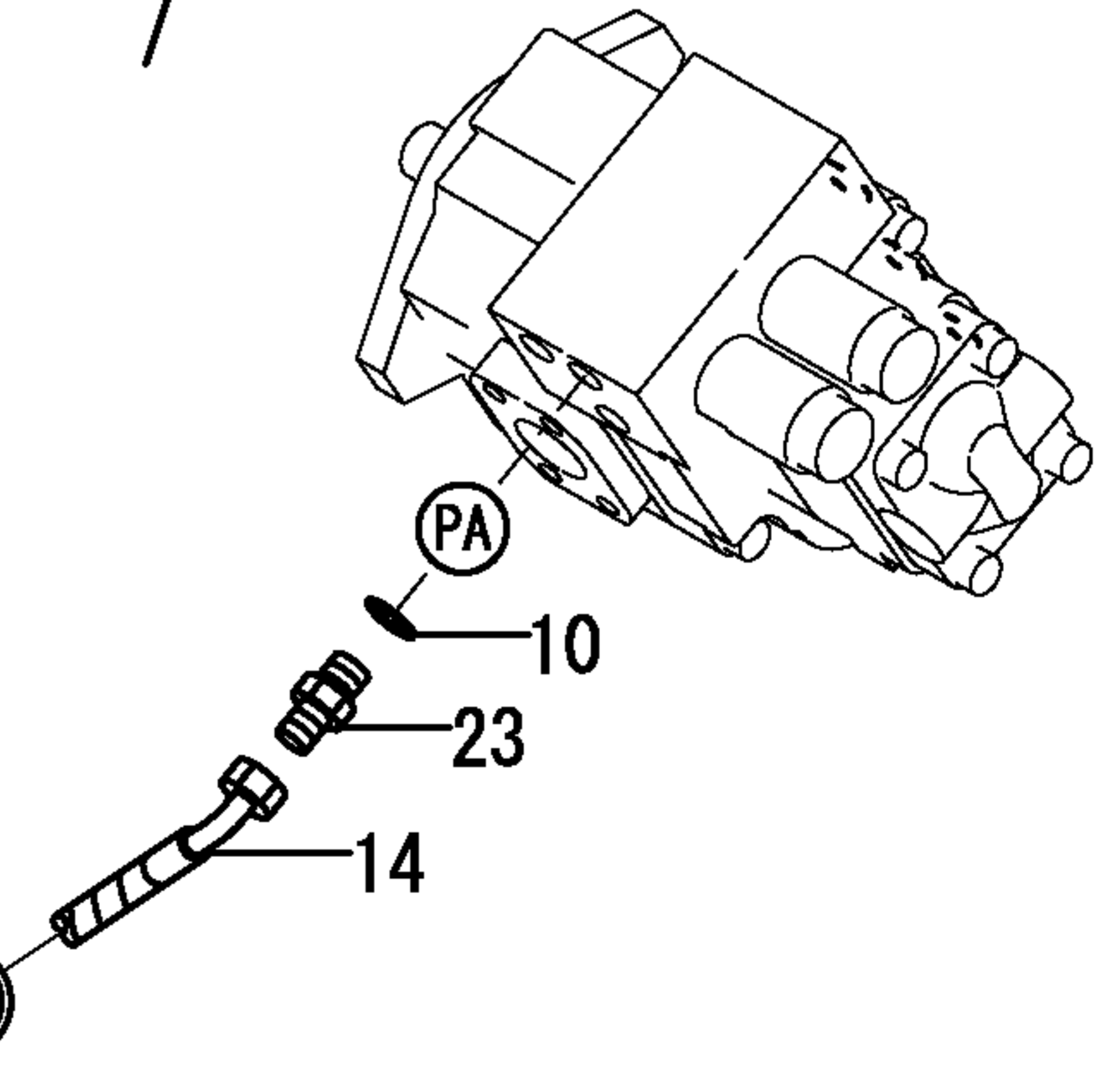
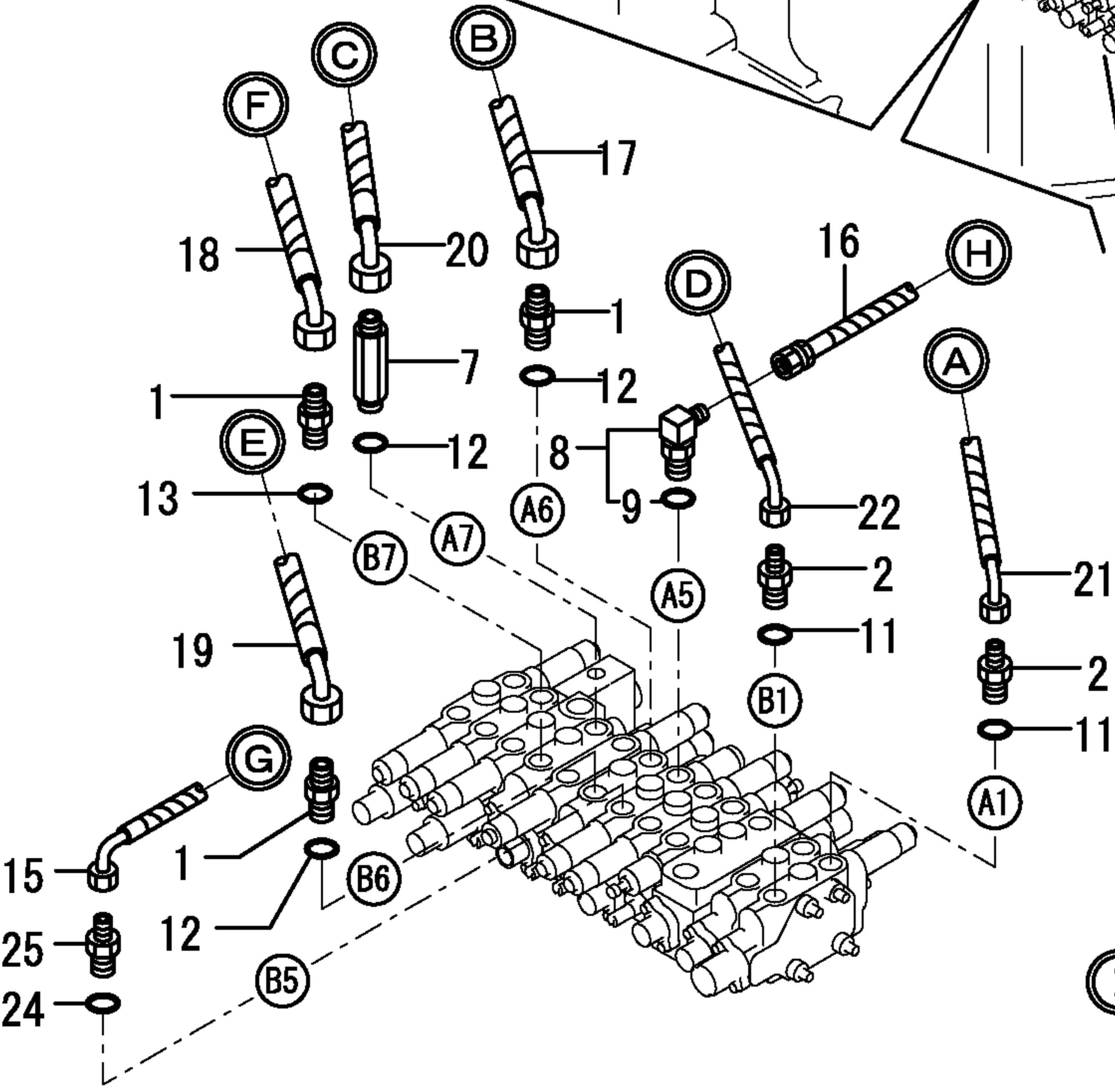


スイングシリンダ
SWING CYLINDER

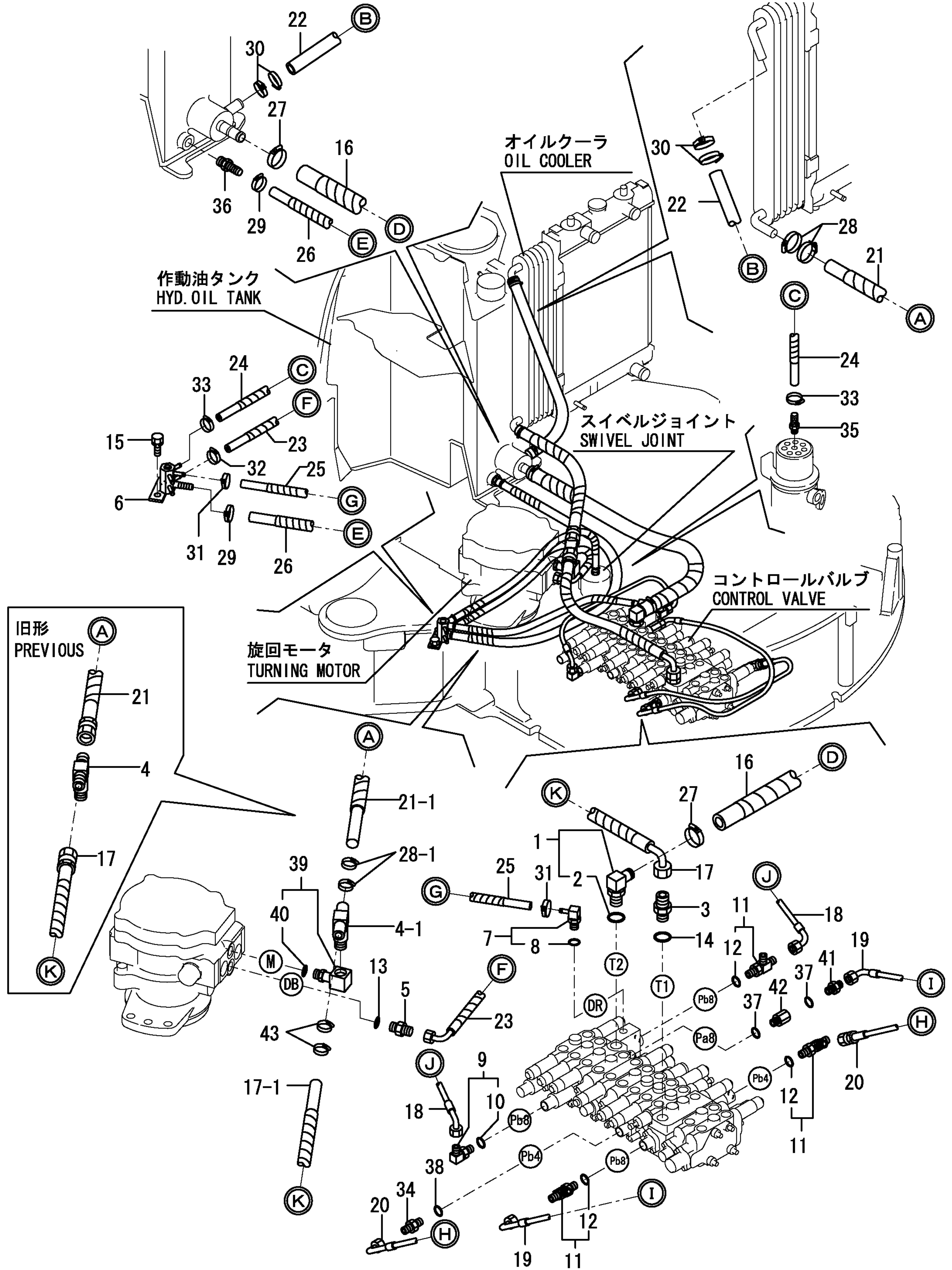
油圧ポンプ
HYD. OIL PUMP

スィベルジョイント
SWIVEL JOINT

コントロールバルブ
CONTROL VALVE

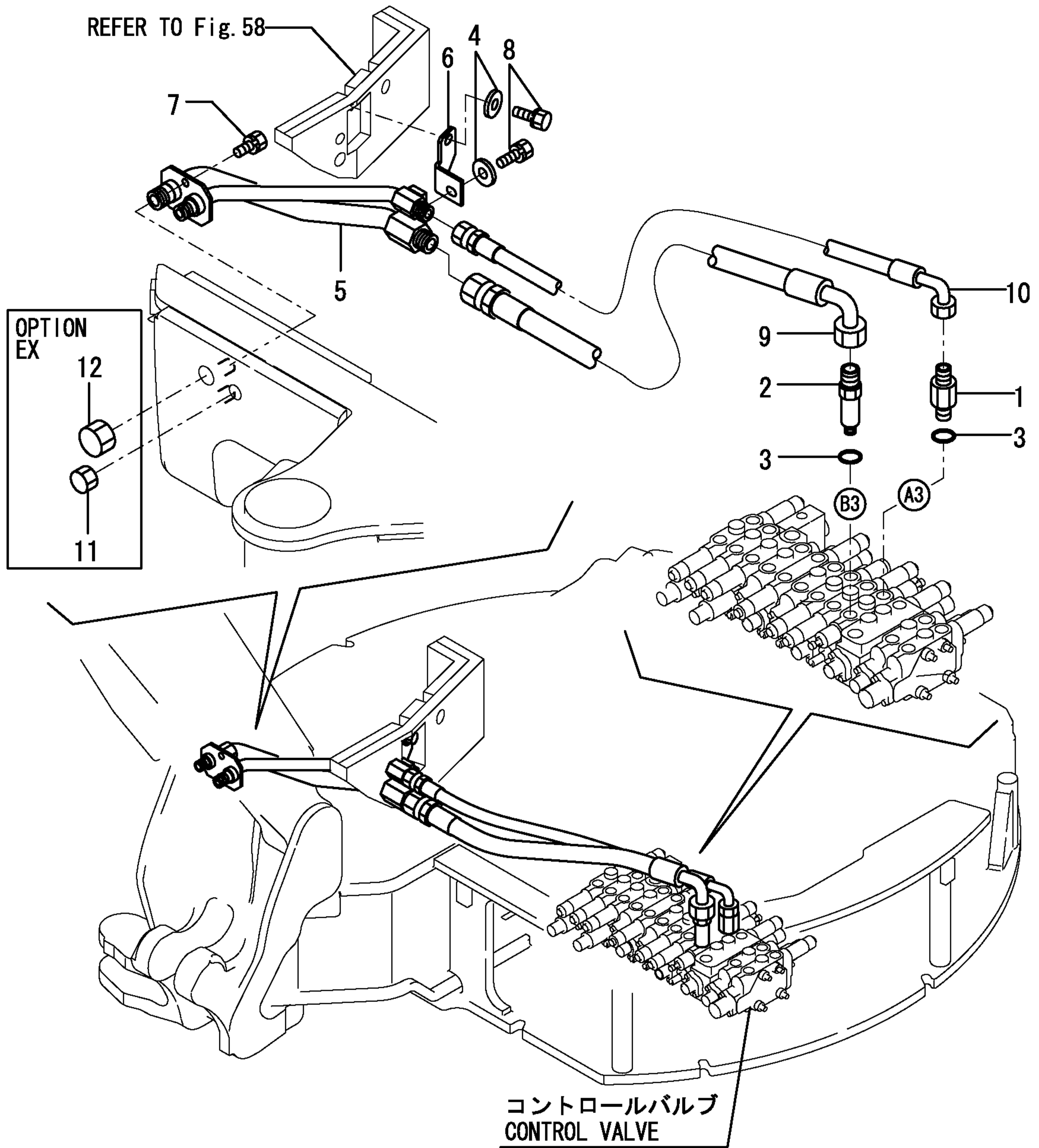


1,1,,172164-76131,,ELBOW,1,1,1,1,,,,,,,,,,,,,
2,2,,24315-000180,,,"O-RING 1B P-18.0",1,1,1,1,,,,,,,,,,,,,
3,1,,172458-76130,,,"CONNECTOR PF1/2-1/2",1,1,1,1,,,,,,,,,,,,,
4,1,,172458-76140,,,"T-JOINT PT1/2-PF1/2",1,1,,,,,,,,,,,,,
4-1,1,,172458-76230,,,"CONNECTOR, T-
TYPE",1,1,1,1,,,S,,24570048,M/#25501,24570048,M/#25501,,,,,,,,,I
5,1,,172157-76150,,,"CONNECTOR 3/8-1/4",1,1,1,1,,,,,,,,,,,,,
6,1,,172445-76150,,,"BLOCK,DRAIN",1,1,,,,,,,,,,,,,
6-1,1,,172445-76151,,,"BLOCK,
DRAIN",1,1,,,,,N,,24960013,M/#25549,24960013,M/#25549,,,,,,,,,I
6-2,1,,172445-
76152,,,"BLOCK,DRAIN",1,1,1,1,,,N,,24960023,M/#25666,24960023,M/#25666,,,,,,,,,I
7,1,,172458-76150,,,"NIPPLE PF1/4,ELBOW",1,1,1,1,,,,,,,,,,,,,
8,2,,24315-000110,,,"O-RING 1B P-11.0",1,1,1,1,,,,,,,,,,,,,
9,1,,172141-76180,,CONNECTOR,1,1,1,1,,,,,,,,,,,,,
10,2,,24315-000110,,,"O-RING 1B P-11.0",1,1,1,1,,,,,,,,,,,,,
11,1,,172162-76180,,,"JOINT 3-1/4 COMPL.",3,3,3,3,,,,,,,,,,,,,
12,2,,24315-000110,,,"O-RING 1B P-11.0",3,3,3,3,,,,,,,,,,,,,
13,1,,24315-000140,,,"O-RING 1B P-14.0",1,1,1,1,,,,,,,,,,,,,
14,1,,24315-000180,,,"O-RING 1B P-18.0",1,1,1,1,,,,,,,,,,,,,
15,1,,26013-100202,,,"BOLT W/WASHER M10X20",2,2,2,2,,,,,,,,,,,,,
16,1,,172458-78170,,,"HOSE G612YY064S",1,1,1,1,,,,,,,,,,,,,
17,1,,172458-78260,,,"HOSE G608BC045S",1,1,,,,,,,,,,,,,
17-1,1,,172458-78261,,,"HOSE
G608CY045S",1,1,1,1,,,S,,24570048,M/#25501,24570048,M/#25501,,,,,,,,,I
18,1,,172458-78290,,,"HOSE F403CC042",1,1,1,1,,,,,,,,,,,,,
19,1,,172458-78300,,,"HOSE F403CC074",1,1,1,1,,,,,,,,,,,,,
20,1,,172458-78310,,,"HOSE F403BC053",1,1,1,1,,,,,,,,,,,,,
21,1,,172458-78320,,,"HOSE G608BY055S",1,1,,,,,,,,,,,,,
21-1,1,,172458-78321,,,"HOSE
G608BY055S",1,1,1,1,,,S,,24570048,M/#25501,24570048,M/#25501,,,,,,,,,I
22,1,,172458-78510,,,"HOSE 15.9 X 23.5",1,1,1,1,,,,,,,,,,,,,
23,1,,172458-78520,,,"HOSE G604CY060S",1,1,1,1,,,,,,,,,,,,,
24,1,,172458-78530,,,"HOSE G604YY054S",1,1,1,1,,,,,,,,,,,,,
25,1,,172458-78540,,,"HOSE G604YY047S",1,1,1,1,,,,,,,,,,,,,
26,1,,172458-78550,,,"HOSE G606YY093S",1,1,1,1,,,,,,,,,,,,,
27,1,,23000-035000,,,"CLAMP 35",2,2,,,,,,,,,,,,,
27-1,1,,23001-035000,,,"HOSE CLAMP
35",2,2,2,2,,,N,,72446124,M/#22562,72446124,M/#22562,,,,,,,,,I
28,1,,23001-025000,,,"HOSE CLAMP 25",2,2,,,,,,,,,,,,,
28-1,1,,23001-025000,,,"HOSE CLAMP
25",4,4,4,4,,,K,,24570048,M/#25501,24570048,M/#25501,,,,,,,,,I
29,1,,23001-016000,,,"HOSE CLAMP 16",2,2,2,2,,,,,,,,,,,,,
30,1,,23001-025000,,,"HOSE CLAMP 25",4,4,4,4,,,,,,,,,,,,,
31,1,,23010-014000,,,"CLAMP 14",2,2,2,2,,,,,,,,,,,,,
32,1,,23010-014000,,,"CLAMP 14",1,1,1,1,,,,,,,,,,,,,
33,1,,23010-014000,,,"CLAMP 14",2,2,2,2,,,,,,,,,,,,,
34,1,,172164-76330,,,"JOINT PF1/4-0.7",1,1,1,1,,,,,,,,,,,,,
35,1,,172141-76220,,NIPPLE,1,1,1,1,,,,,,,,,,,,,
36,1,,172137-76110,,,"NIPPLE 3/8",1,1,1,1,,,,,,,,,,,,,
37,1,,24315-000110,,,"O-RING 1B P-11.0",2,2,2,2,,,,,,,,,,,,,
38,1,,24315-000110,,,"O-RING 1B P-11.0",1,1,1,1,,,,,,,,,,,,,
39,1,,172458-76160,,,"ELBOW PF3/8-PT1/2",1,1,1,1,,,,,,,,,,,,,
40,2,,24315-000140,,,"O-RING 1B P-14.0",1,1,1,1,,,,,,,,,,,,,
41,1,,172164-76330,,,"JOINT PF1/4-0.7",1,1,1,1,,,,,,,,,,,,,
42,1,,172422-76140,,CONNECTOR,1,1,1,1,,,,,,,,,,,,,
43,1,,23001-025000,,,"HOSE CLAMP
25",2,2,2,2,,,W,,24570048,M/#25501,24570048,M/#25501,,,,,,,,,I



1,1,,172422-76180,,CONNECTOR,1,1,1,1,,,,,,,,,,,,,
2,1,,172422-76190,,CONNECTOR,1,1,1,1,,,,,,,,,,,,,
3,1,,24315-000140,, "O-RING 1B P-14.0",2,2,2,2,,,,,,,,,,,,,
4,1,,172110-36010,,COLLAR,2,2,2,2,,,,,,,,,,,,,
5,1,,172458-76800,, "TUBE,FRAME-END",1,1,1,1,,,,,,,,,,,,,
6,1,,172458-76880,,PLATE,1,1,1,1,,,,,,,,,,,,,
7,1,,26013-100202,, "BOLT W/WASHER M10X20",2,2,2,2,,,,,,,,,,,,,
8,1,,26013-100252,, "BOLT W/WASHER M10X25",2,2,2,2,,,,,,,,,,,,,
9,1,,172458-78960,, "HOSE H212CD093",1,1,1,1,,,,,,,,,,,,,
10,1,,172458-78970,, "HOSE H208CD095",1,1,1,1,,,,,,,,,,,,,
11,1,,172137-75570,, "ADAPTER PF1/2",1,1,1,1,,,,,1,,,,,,,,,,,,,I
12,1,,172151-76600,, "ADAPTER PF3/4,BLIND",1,1,1,1,,,,,1,,,,,,,,,,,,,I

REFER TO Fig. 58



172458-08700 (TO M/#20654)
172548-08701 (FROM M/#20655)

P.T.O.キット (アームエンド) は、
項目NO. 135を参照下さい。

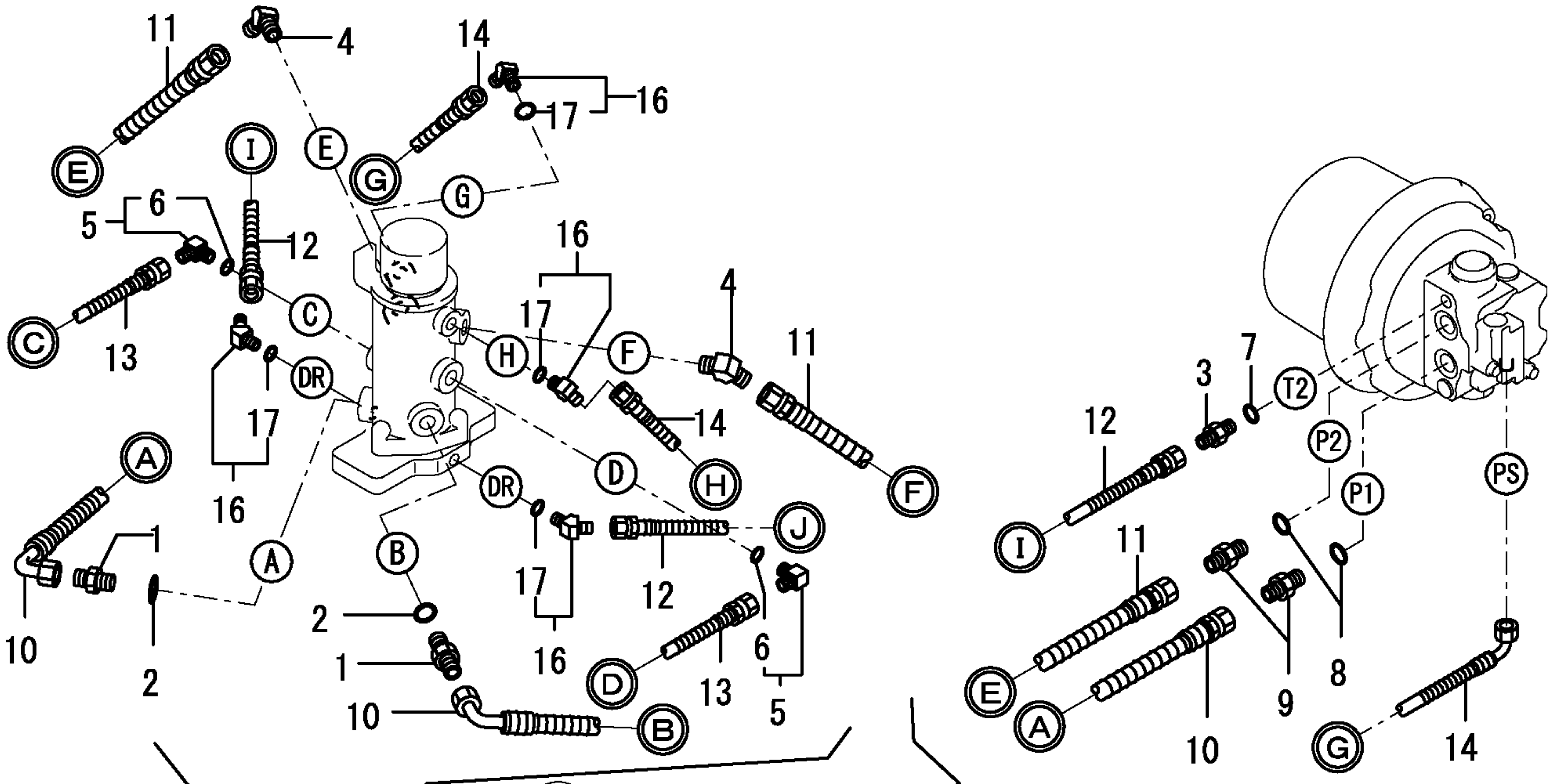
P.T.O. KIT (ARM END)
is shown in Fig. 135.

172548-08720

P.T.O.キット (フレームエンド) は、
項目NO. 136を参照下さい。

P.T.O. KIT (FRAME END)
is shown in Fig. 136.

1,1,,172730-75141,,JOINT,2,2,2,2,,,,,,,,,,,,,
2,1,,24315-000140,, "O-RING 1B P-14.0",2,2,2,2,,,,,,,,,,,,,
3,1,,172123-76120,, "CONNECTOR PF1/4",2,2,2,2,,,,,,,,,,,,,
4,1,,172644-76161,, "ADJUST ELBOW 45°",2,2,2,2,,,,,,,,,,,,,
5,1,,172141-76180,,CONNECTOR,2,2,2,2,,,,,,,,,,,,,
6,2,,24315-000110,, "O-RING 1B P-11.0",2,2,2,2,,,,,,,,,,,,,
7,1,,24315-000110,, "O-RING 1B P-11.0",2,2,2,2,,,,,,,,,,,,,
8,1,,24315-000180,, "O-RING 1B P-18.0",4,4,4,4,,,,,,,,,,,,,
9,1,,933160-01370,, "CONNECTOR PF1/2-3/8",4,4,4,4,,,,,,,,,,,,,
10,1,,172422-78360,, "HOSE F206BC108W",2,2,,,,,,,,,,,,,
10-1,1,,172422-78361,, "HOSE
F206BC108S",2,2,,,,,N,,72458534,M/#22994,72458534,M/#22994,,,,,,,,,I
10-2,1,,172422-78362,, "HOSE
F206BC108W",2,2,2,2,,,,,N,,24560294,M/#25666,24560294,M/#25666,,,,,,,,,I
11,1,,172422-78370,, "HOSE F206BB105W",2,2,,,,,,,,,,,,,
11-1,1,,172422-78371,, "HOSE
F206BB105S",2,2,,,,,N,,72458534,M/#22994,72458534,M/#22994,,,,,,,,,I
11-2,1,,172422-78372,, "HOSE
F206BB105W",2,2,2,2,,,,,N,,24560294,M/#25666,24560294,M/#25666,,,,,,,,,I
12,1,,172422-78381,, "HOSE G704BB100W",2,2,,,,,,,,,,,,,
12-1,1,,172422-78382,, "HOSE
G704BB100S",2,2,,,,,N,,72458534,M/#22994,72458534,M/#22994,,,,,,,,,
12-2,1,,172422-78383,, "HOSE
F204BB100W",2,2,2,2,,,,,N,,24560294,M/#25666,24560294,M/#25666,,,,,,,,,
13,1,,172422-78390,, "HOSE F204BB068W",2,2,2,2,,,,,,,,,,,,,
14,1,,172458-78560,, "HOSE F204BC119W",2,2,,,,,,,,,,,,,
14-1,1,,172460-78560,, "HOSE
F403BC115S",2,2,,,,,N,,72458534,M/#22994,72458534,M/#22994,,,,,,,,,
14-2,1,,172458-78562,, "HOSE
F204BC119W",2,2,2,2,,,,,N,,24560294,M/#25666,24560294,M/#25666,,,,,,,,,
15,1,,23393-020000,, "JOINT 90°RG11/4",2,2,2,2,,,,,,,,,,,,,
16,1,,172173-76101,, "CONNECTOR PF1/4-45",4,4,4,4,,,,,,,,,,,,,
17,2,,24315-000110,, "O-RING 1B P-11.0",4,4,4,4,,,,,,,,,,,,,
18,1,,172422-
78760,,GROMMET,2,2,2,2,,,,,Z,,24570048,M/#25501,24570048,M/#25501,,,,,,,,,

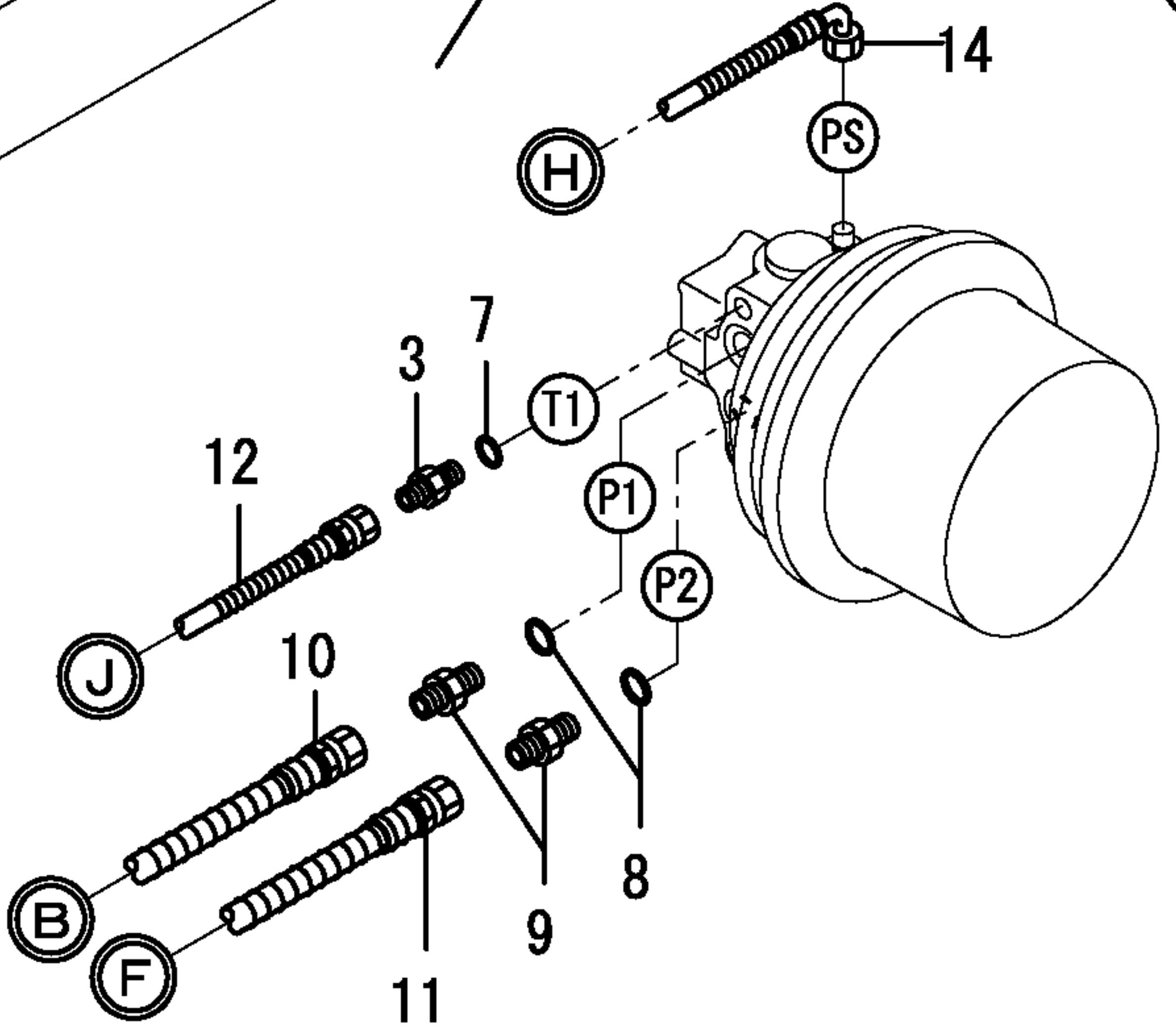
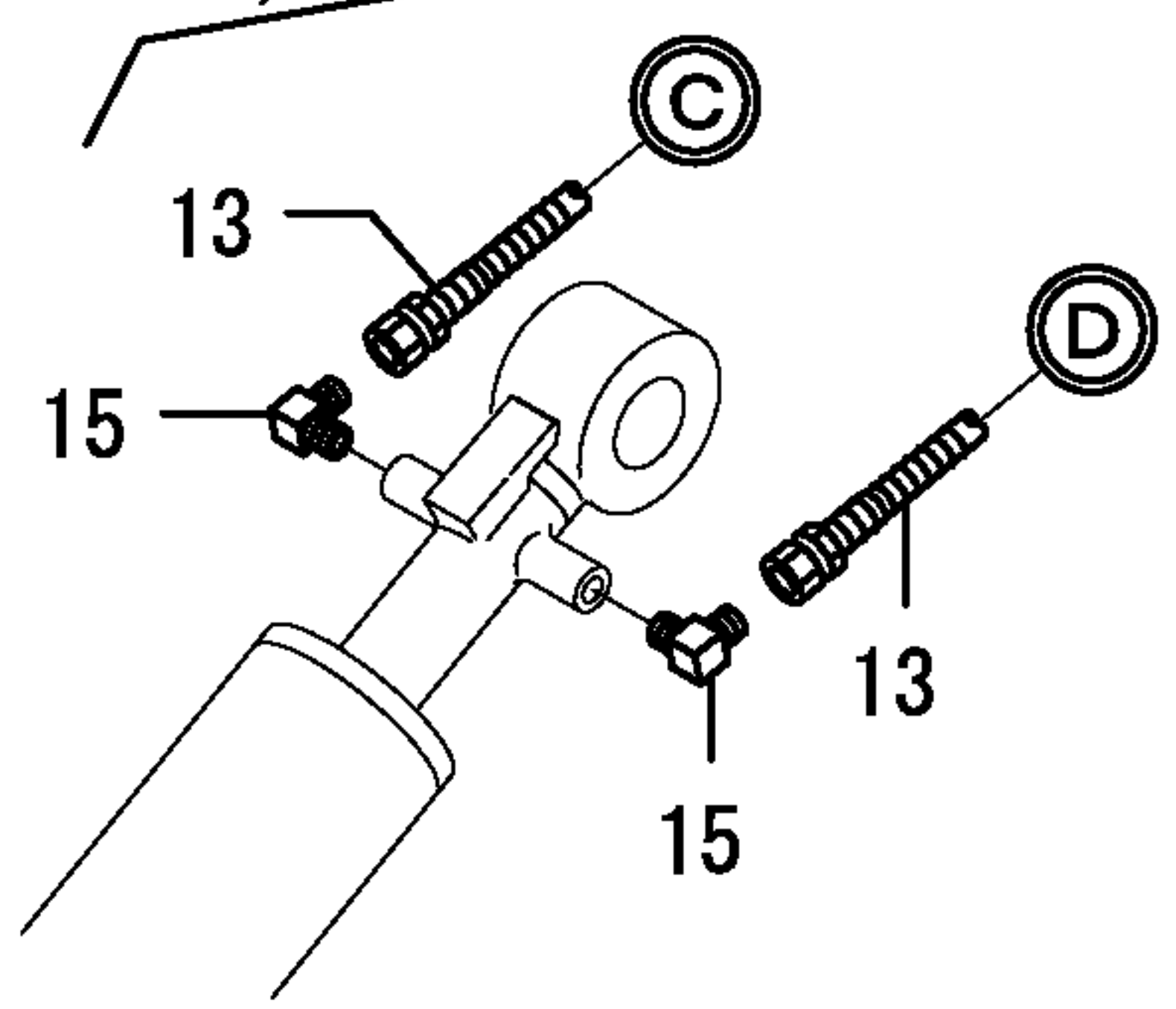
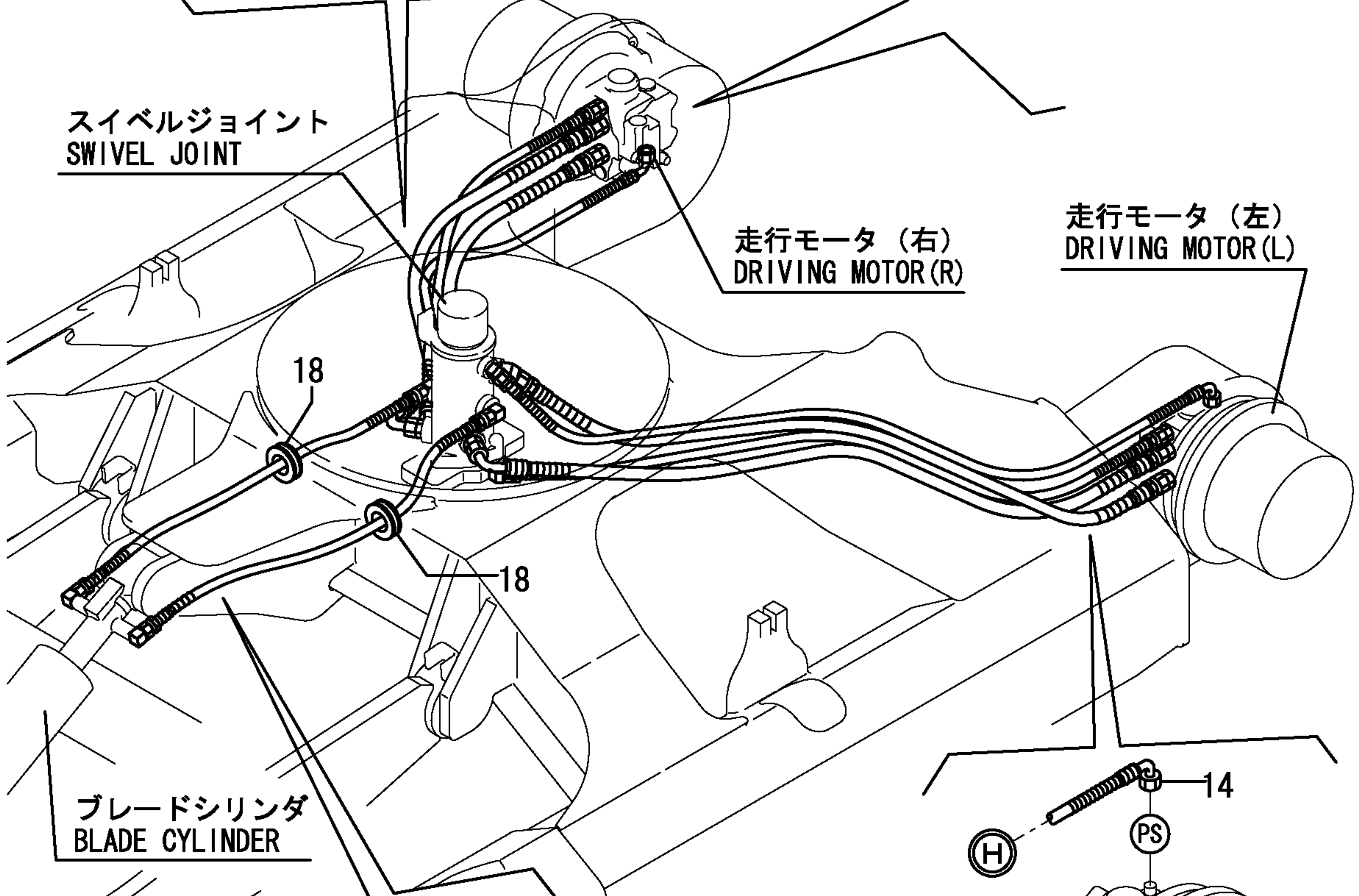


スィベルジョイント
SWIVEL JOINT

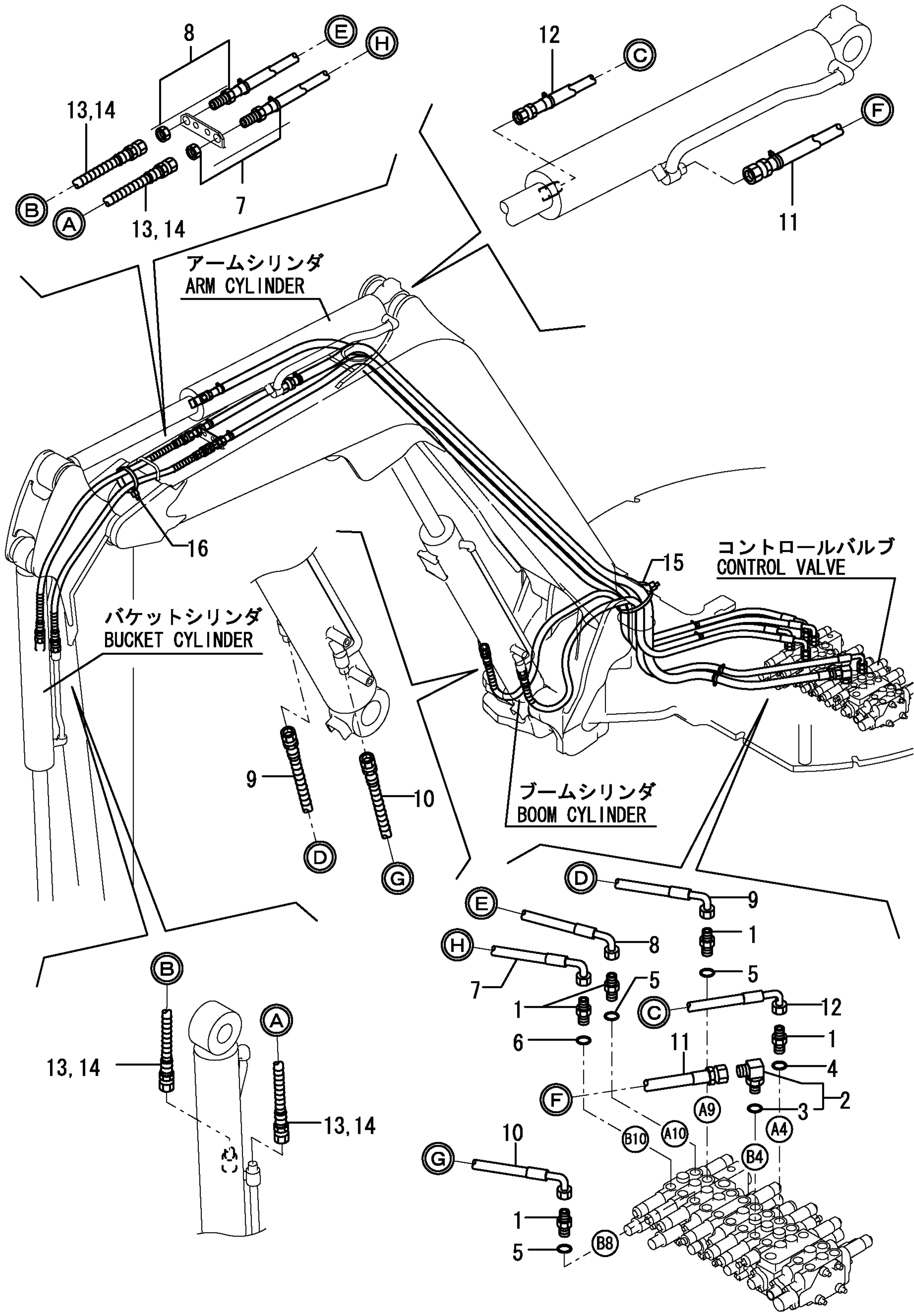
走行モータ (右)
DRIVING MOTOR (R)

走行モータ (左)
DRIVING MOTOR (L)

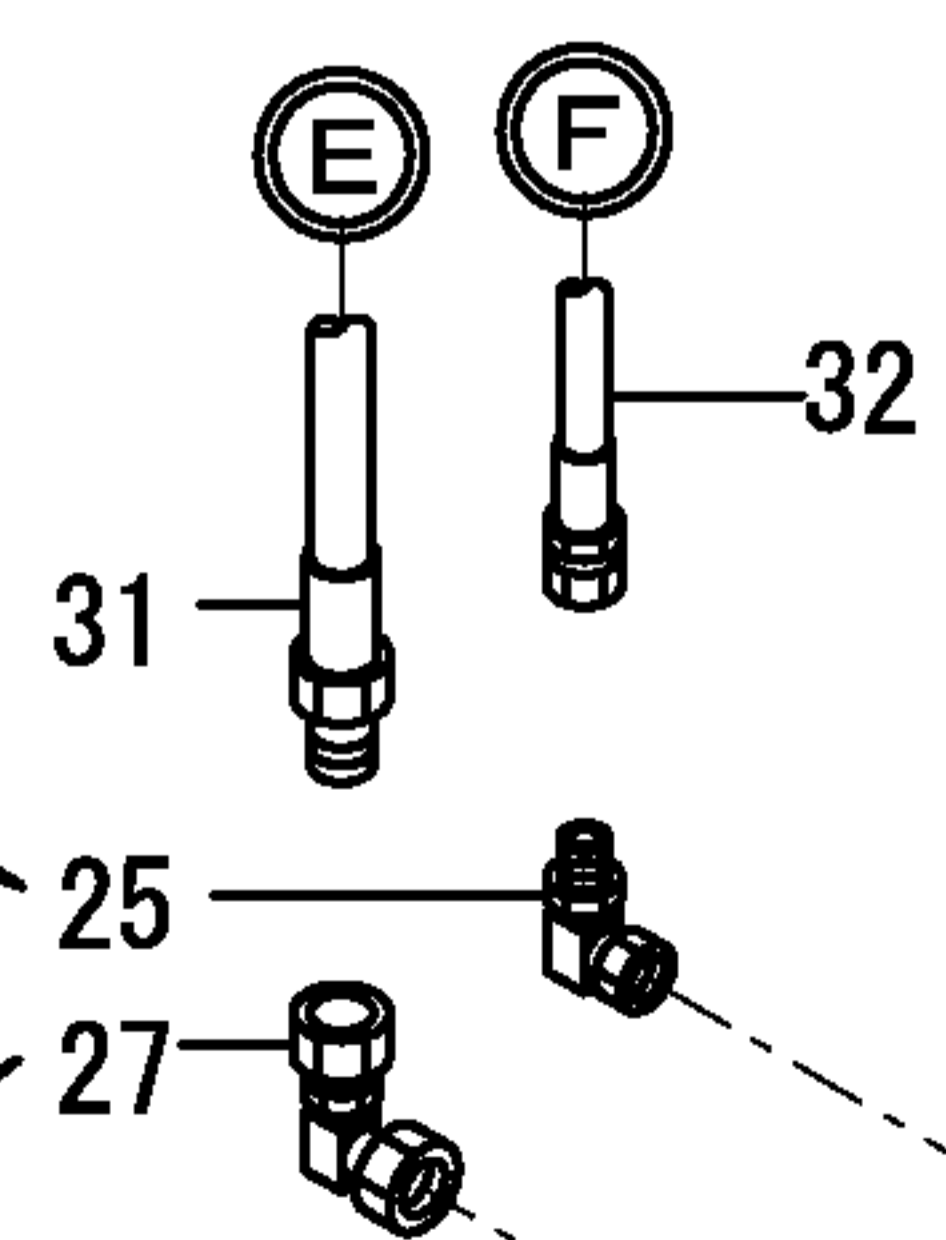
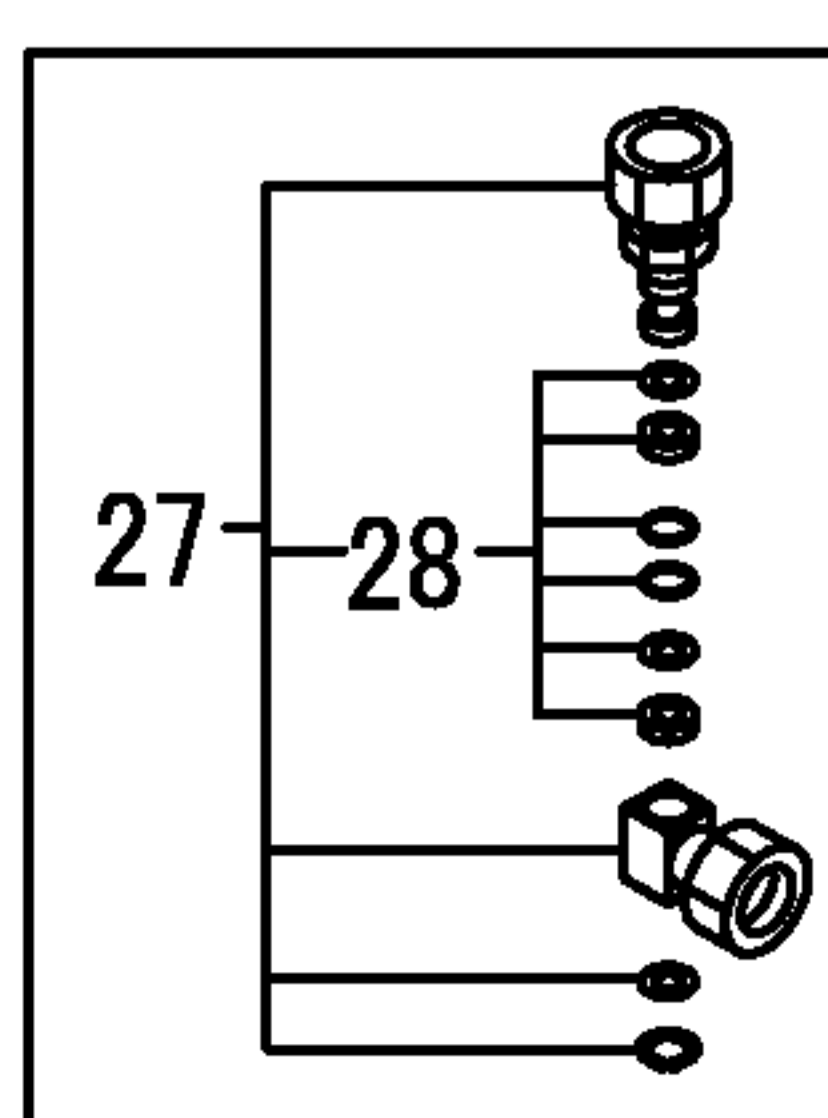
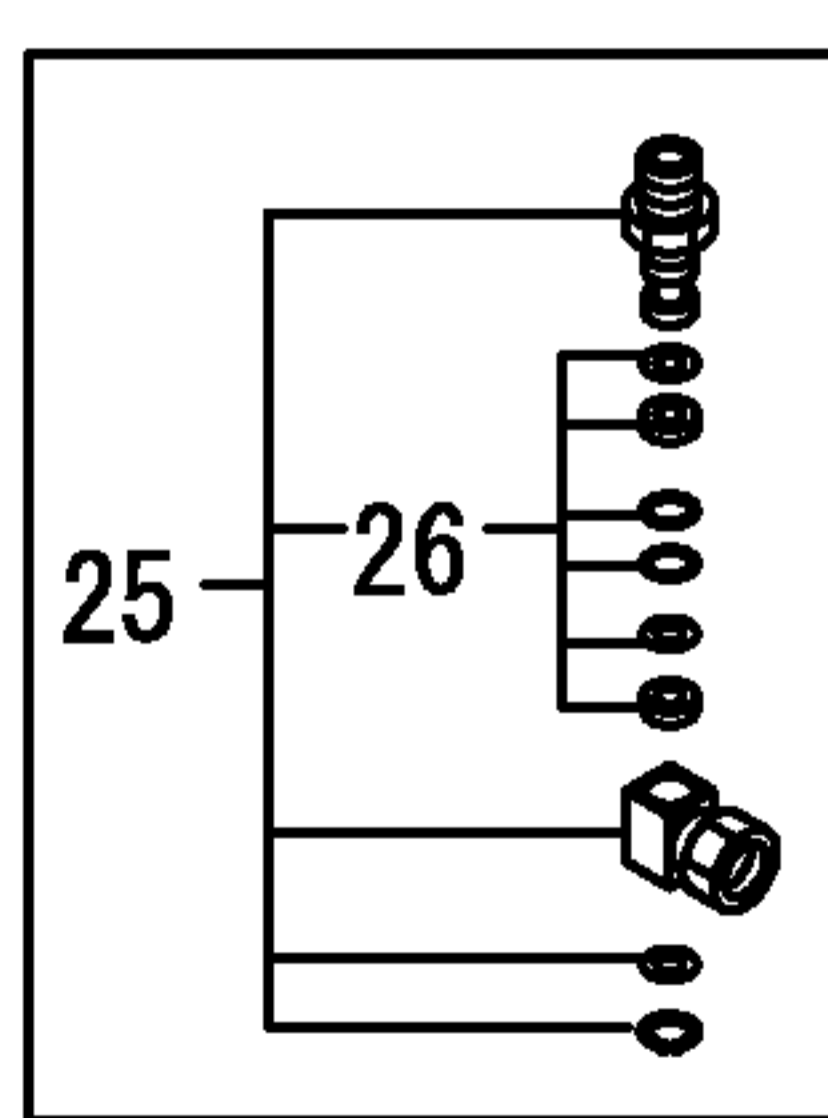
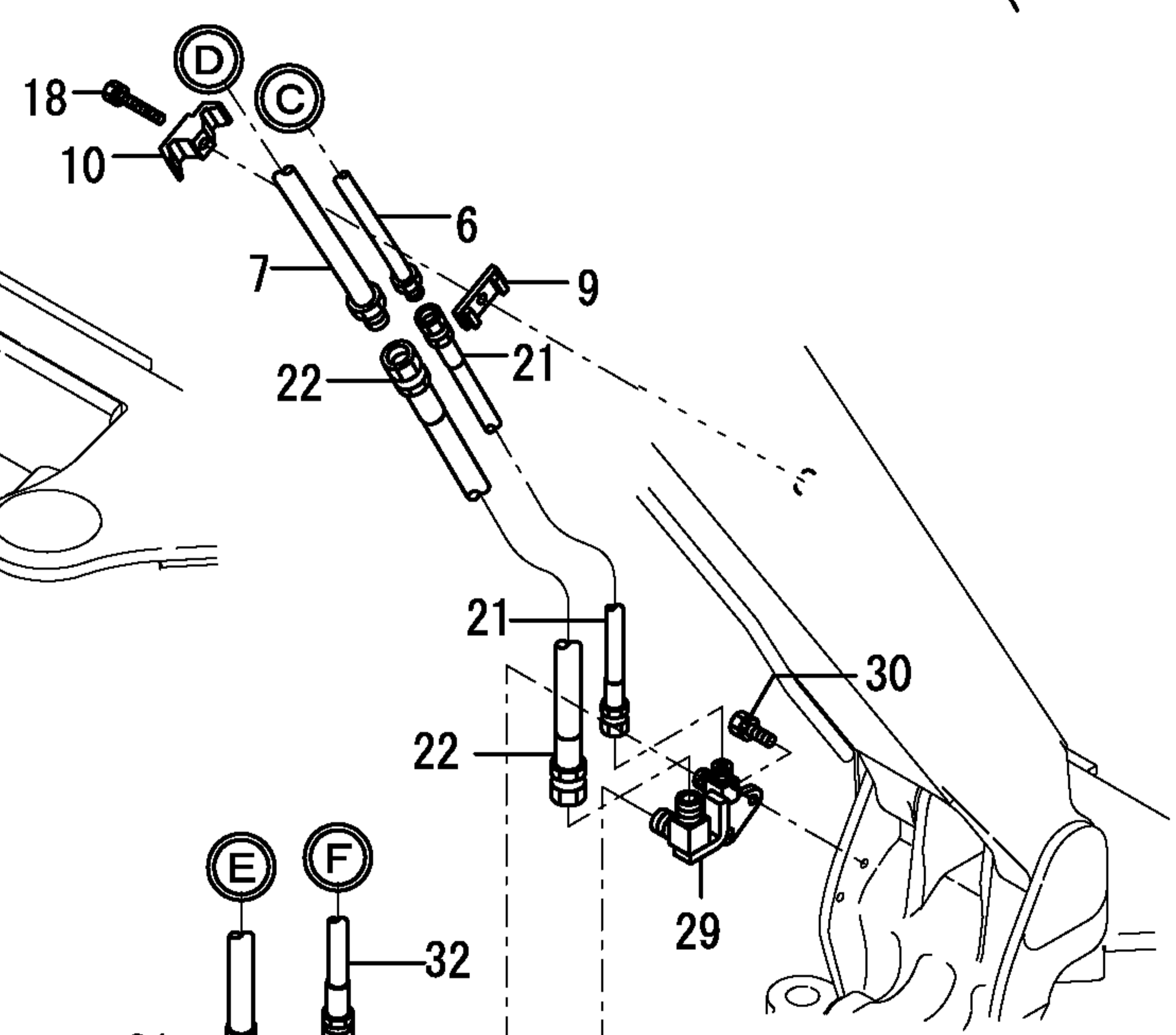
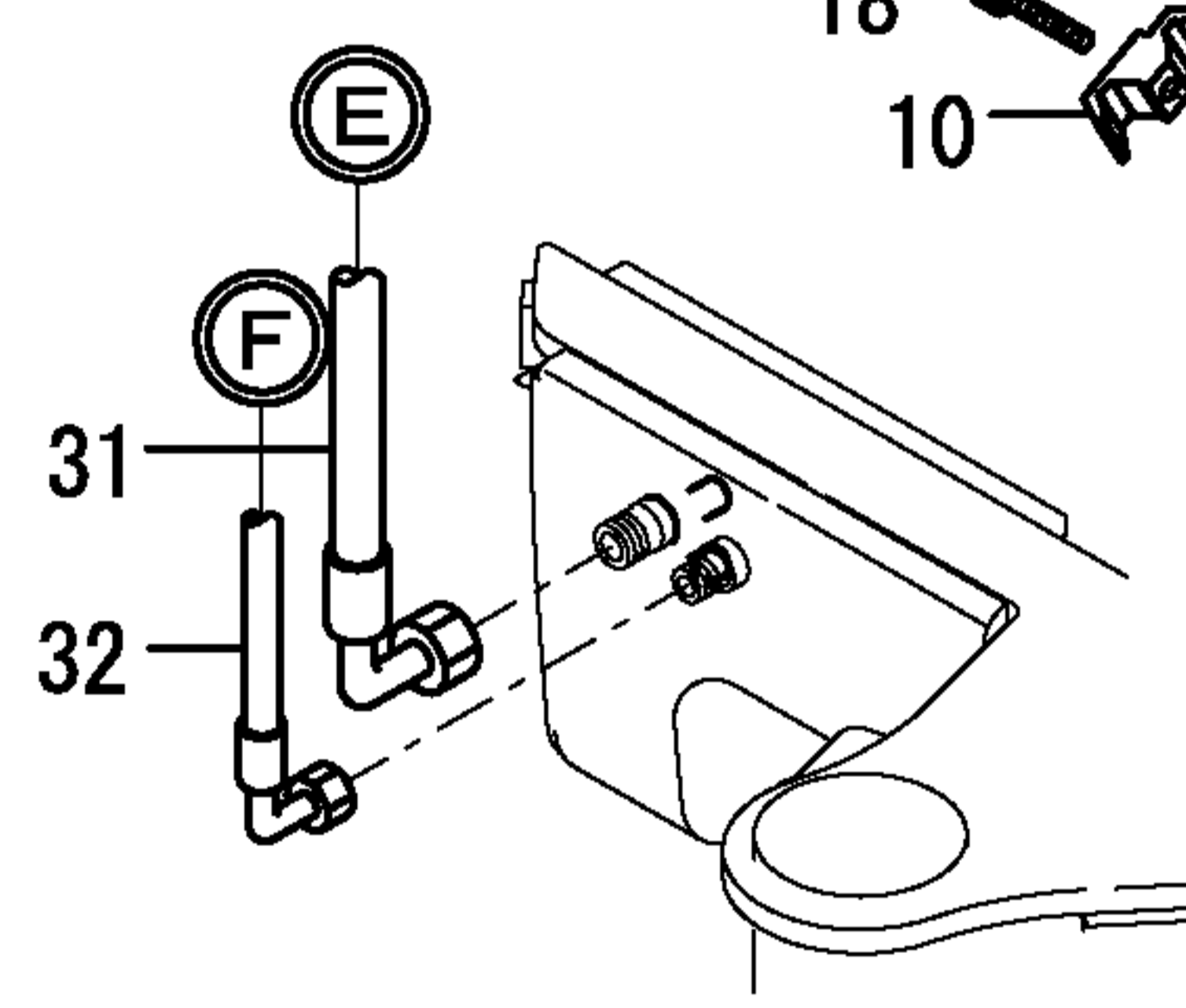
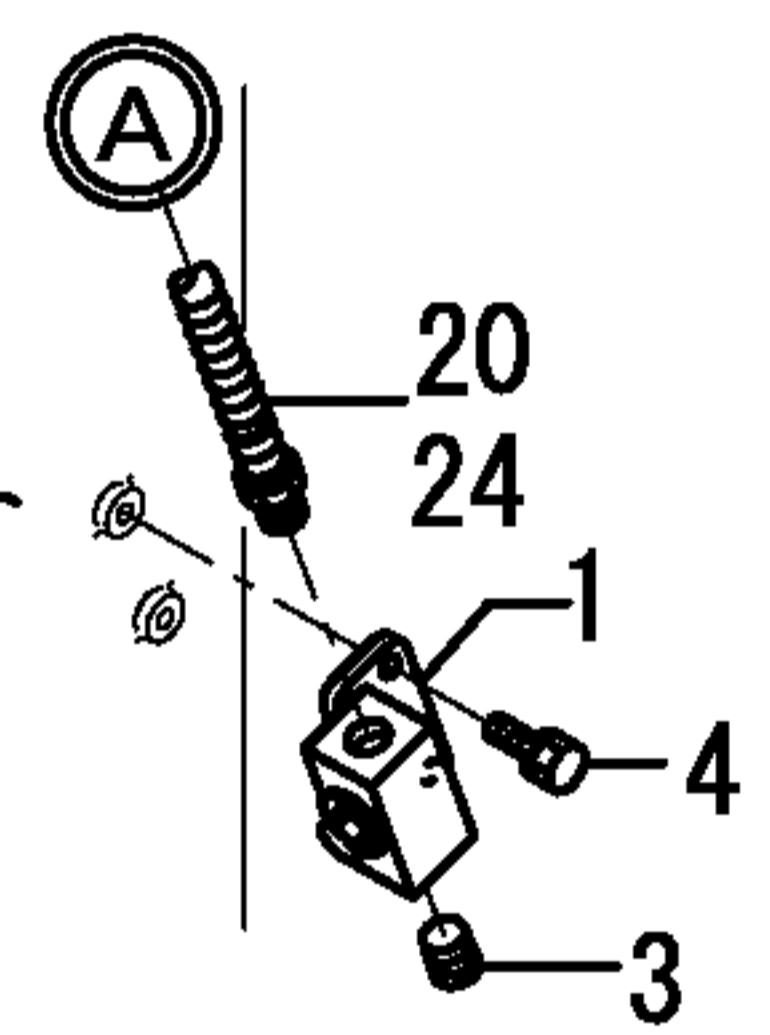
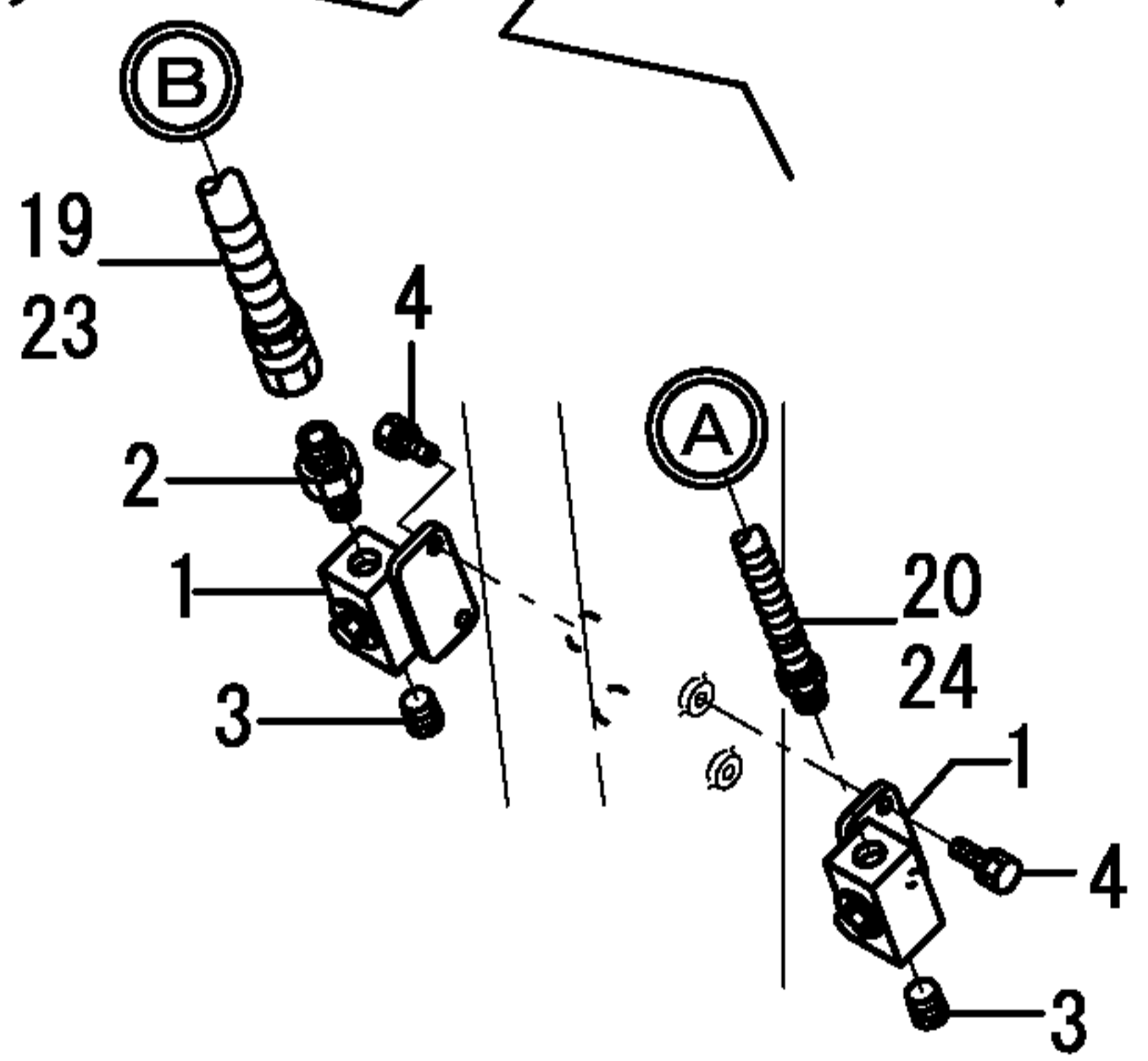
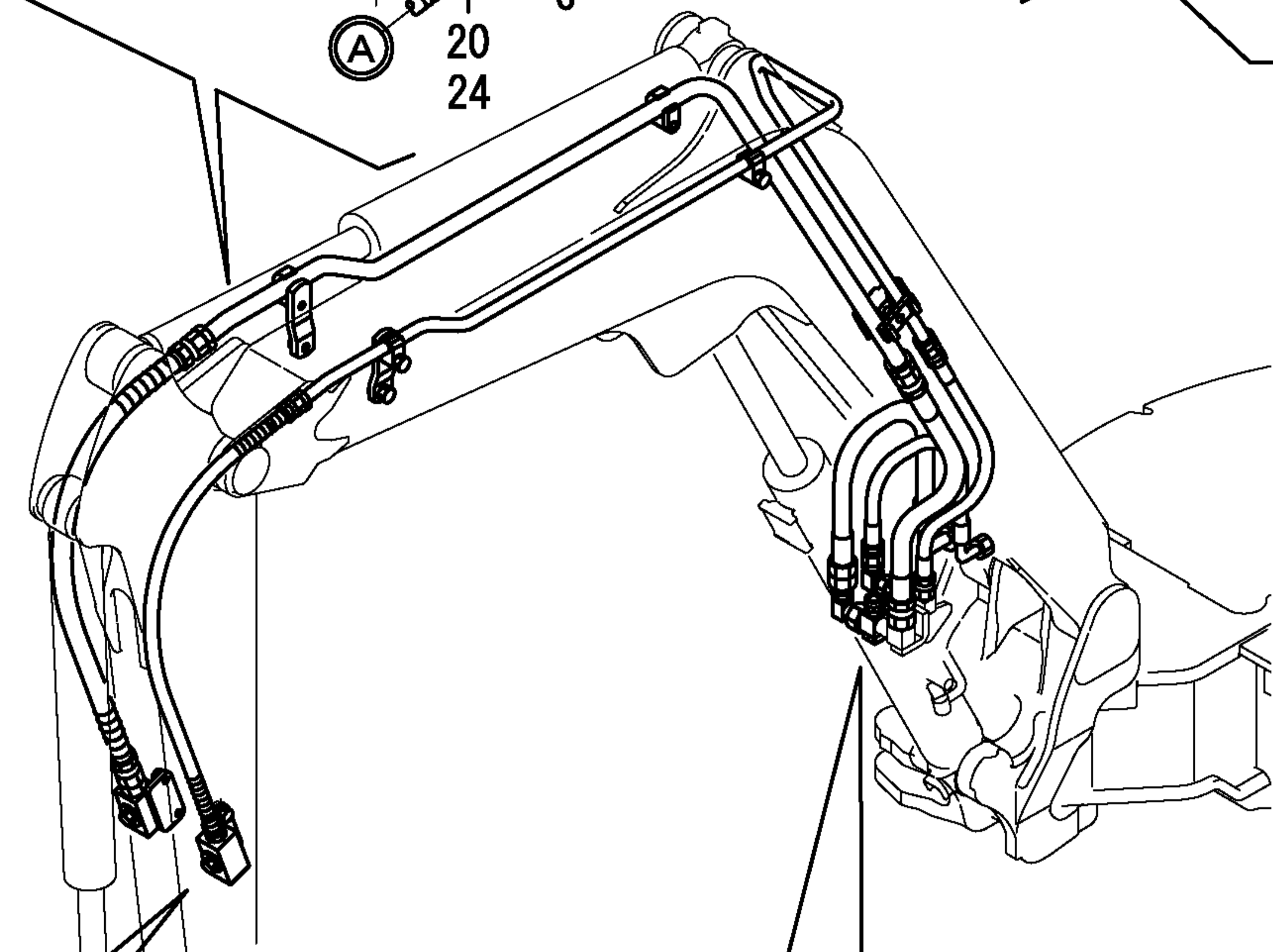
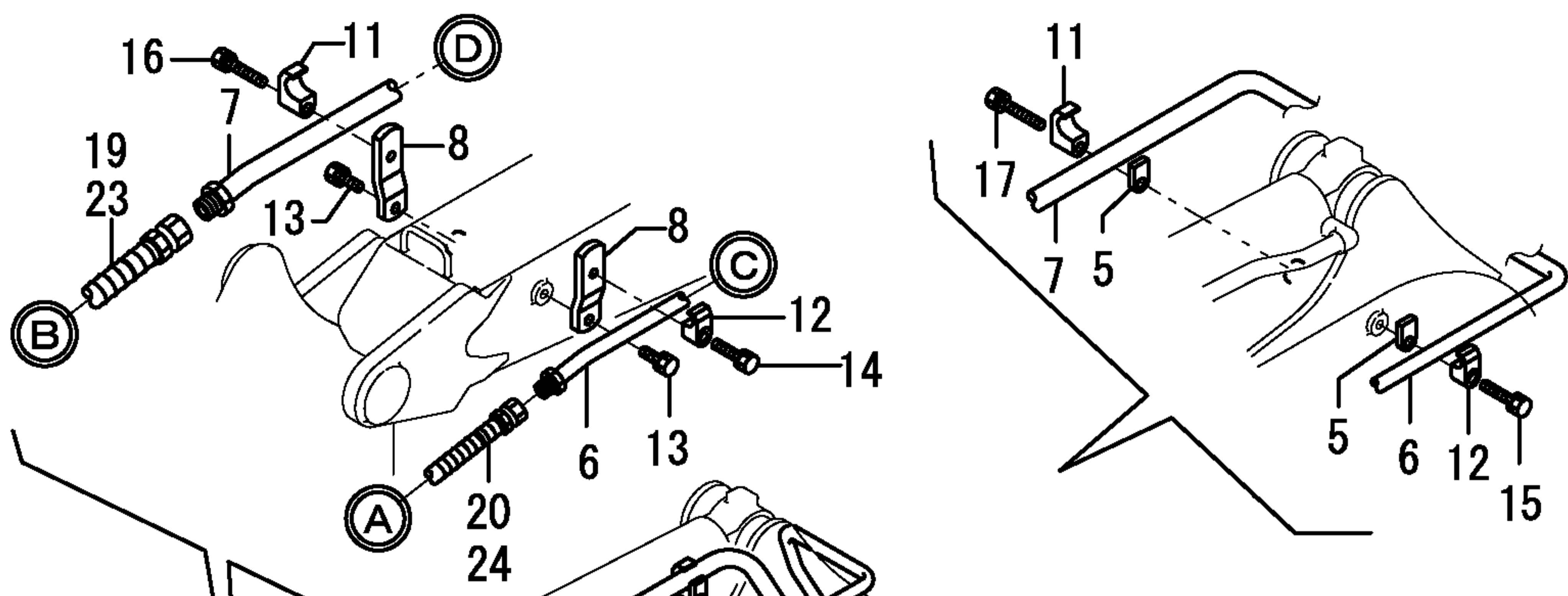
ブレードシリンダ
BLADE CYLINDER



1,1,,172730-75141,,JOINT,5,5,5,5,,,,,,,,,,,,,
2,1,,172645-76570,, "CONNECTOR 3/8X1/2",1,1,1,1,,,,,,,,,,,,,
3,2,,24315-000140,, "O-RING 1B P-14.0",1,1,1,1,,,,,,,,,,,,,
4,1,,24315-000140,, "O-RING 1B P-14.0",1,1,1,1,,,,,,,,,,,,,
5,1,,24315-000140,, "O-RING 1B P-14.0",3,3,3,3,,,,,,,,,,,,,
6,1,,24315-000140,, "O-RING 1B P-14.0",1,1,1,1,,,,,,,,,,,,,
7,1,,172458-78180,, "HOSE H206CX293K",1,1,1,1,,,,,,,,,,,,,
8,1,,172458-78190,, "HOSE H206CX302K",1,1,1,1,,,,,,,,,,,,,
9,1,,172458-78200,, "HOSE H206BC136W",1,1,1,1,,,,,,,,,,,,,
10,1,,172458-78210,, "HOSE H206BC130W",1,1,1,1,,,,,,,,,,,,,
11,1,,172458-78240,, "HOSE H208BB287K",1,1,1,1,,,,,,,,,,,,,
12,1,,172458-78250,, "HOSE H206BC315K",1,1,1,1,,,,,,,,,,,,,
13,1,,172458-78460,, "HOSE H206BB087W",2,2,2,2,,,,,2,,,,,,,,,,,,,
14,1,,172958-78150,, "HOSE H206BB079",2,2,2,2,,,,,1,,,,,,,,,,,,,
15,1,,172183-16560,, "CLIP
400,HOSE",1,1,1,1,,W,,72458283,M/#20501,72458283,M/#20501,,,,,,,,,
16,1,,172122-79930,, "CLAMP
B",2,2,2,2,,W,2,72957002,M/#20501,72957002,M/#20501,,,,,,,,,

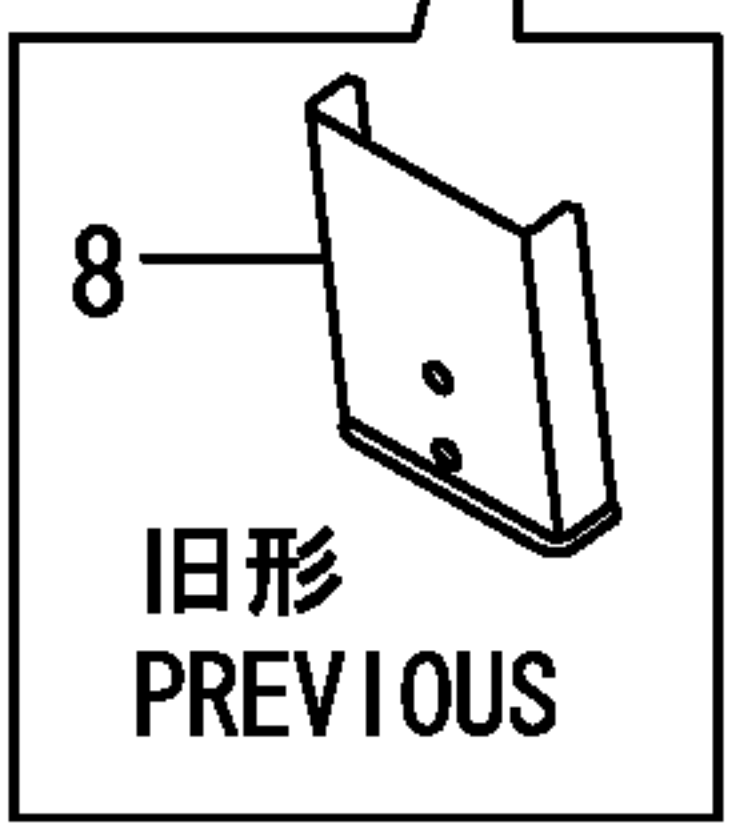
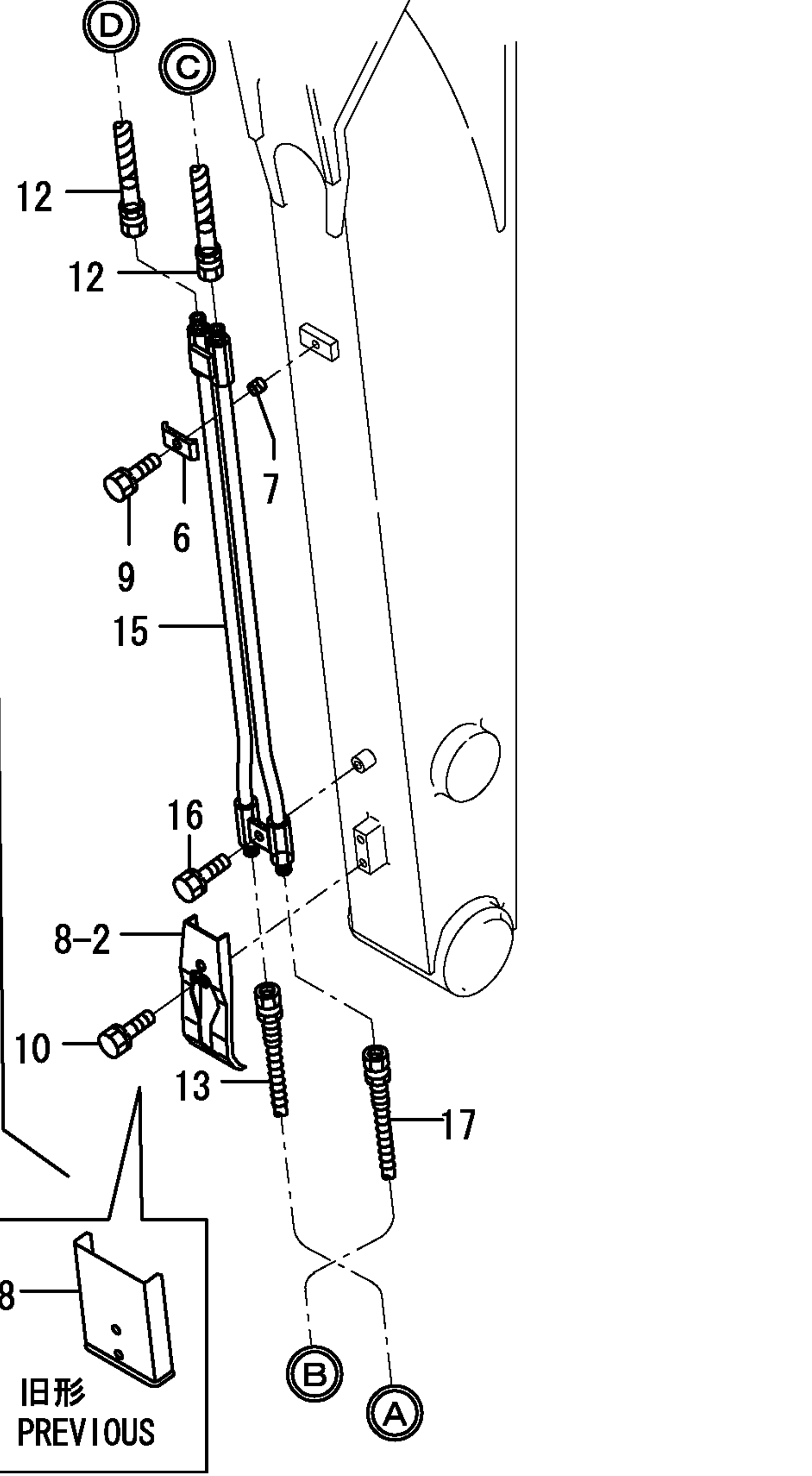
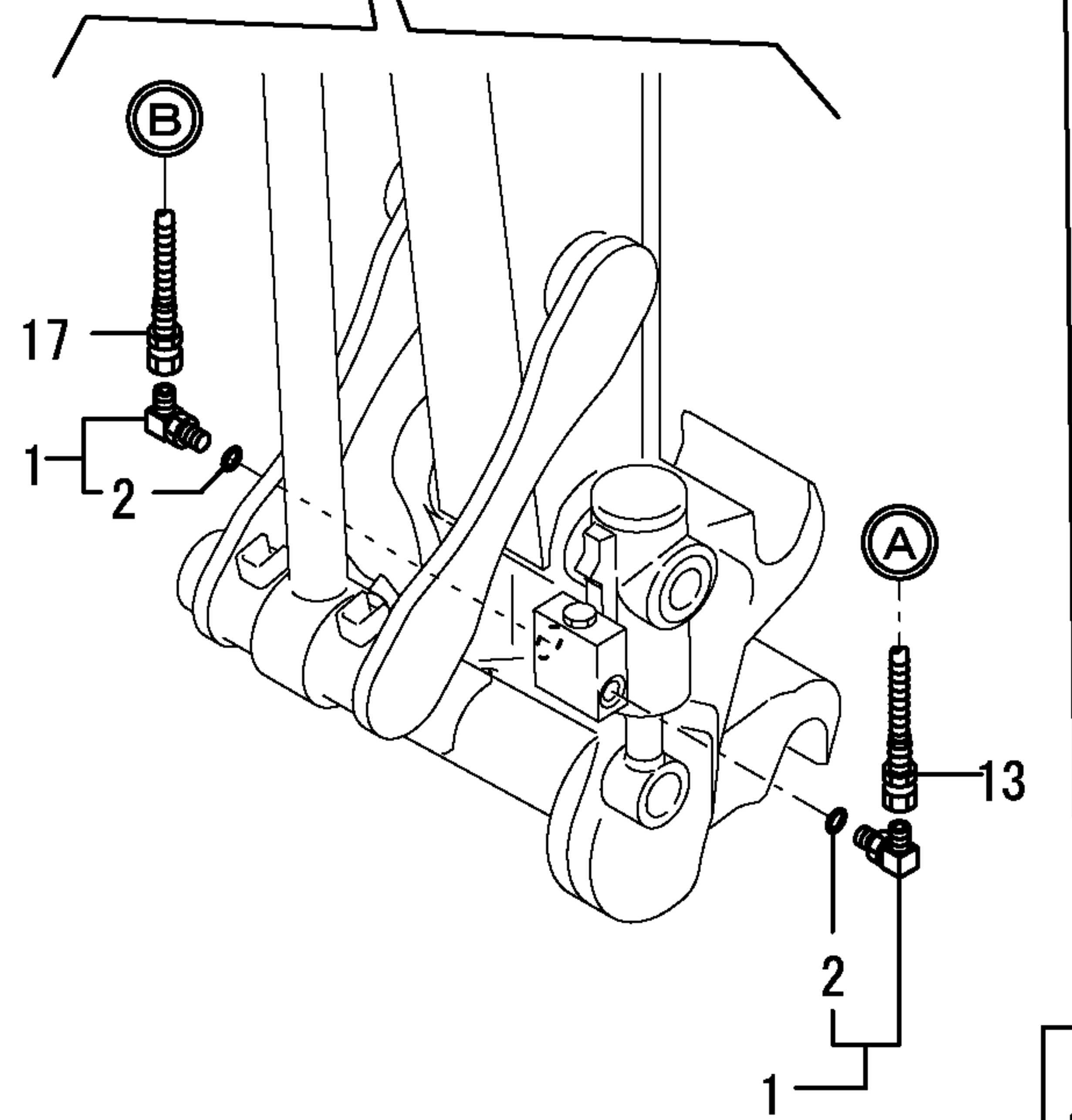
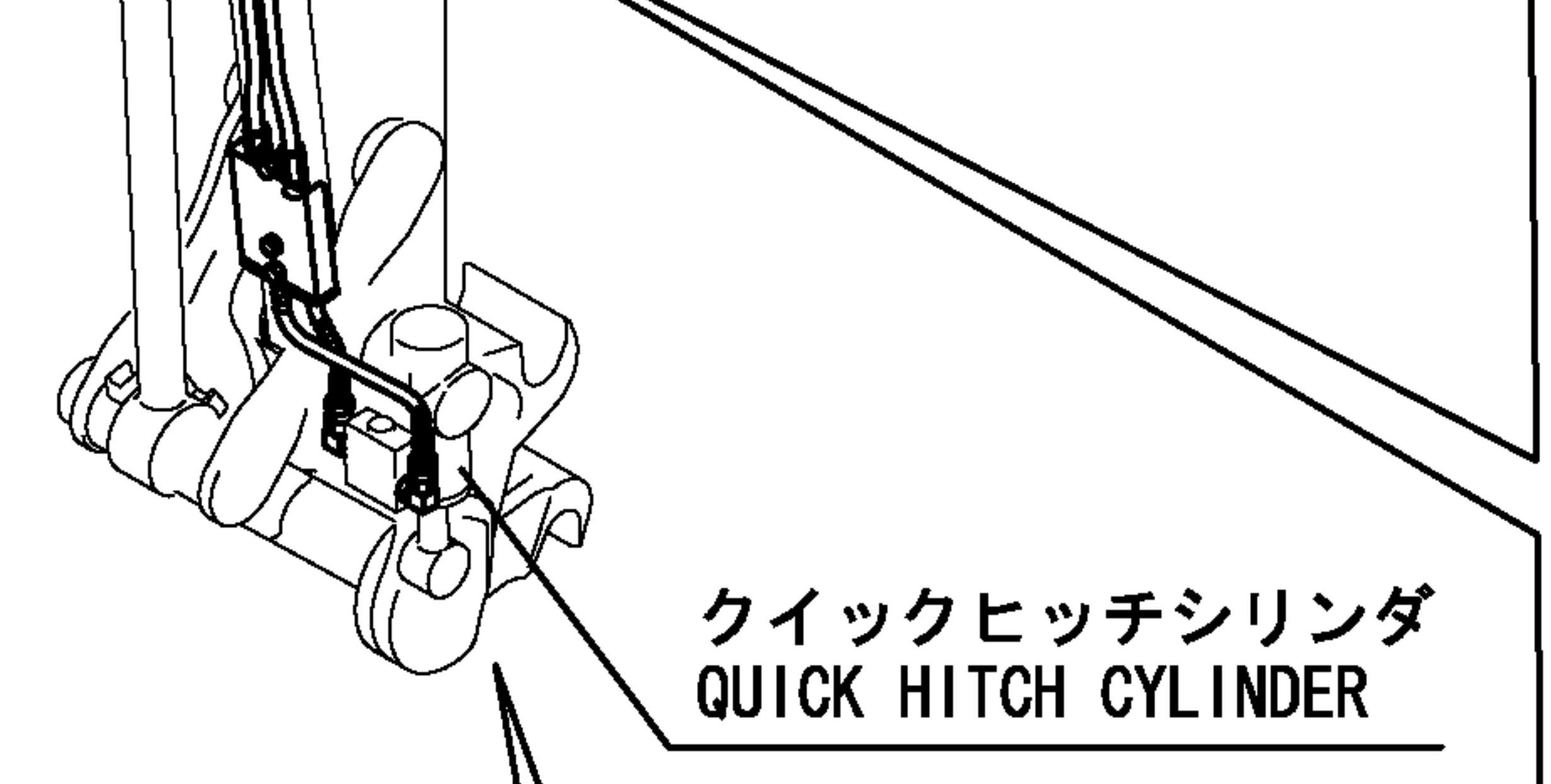
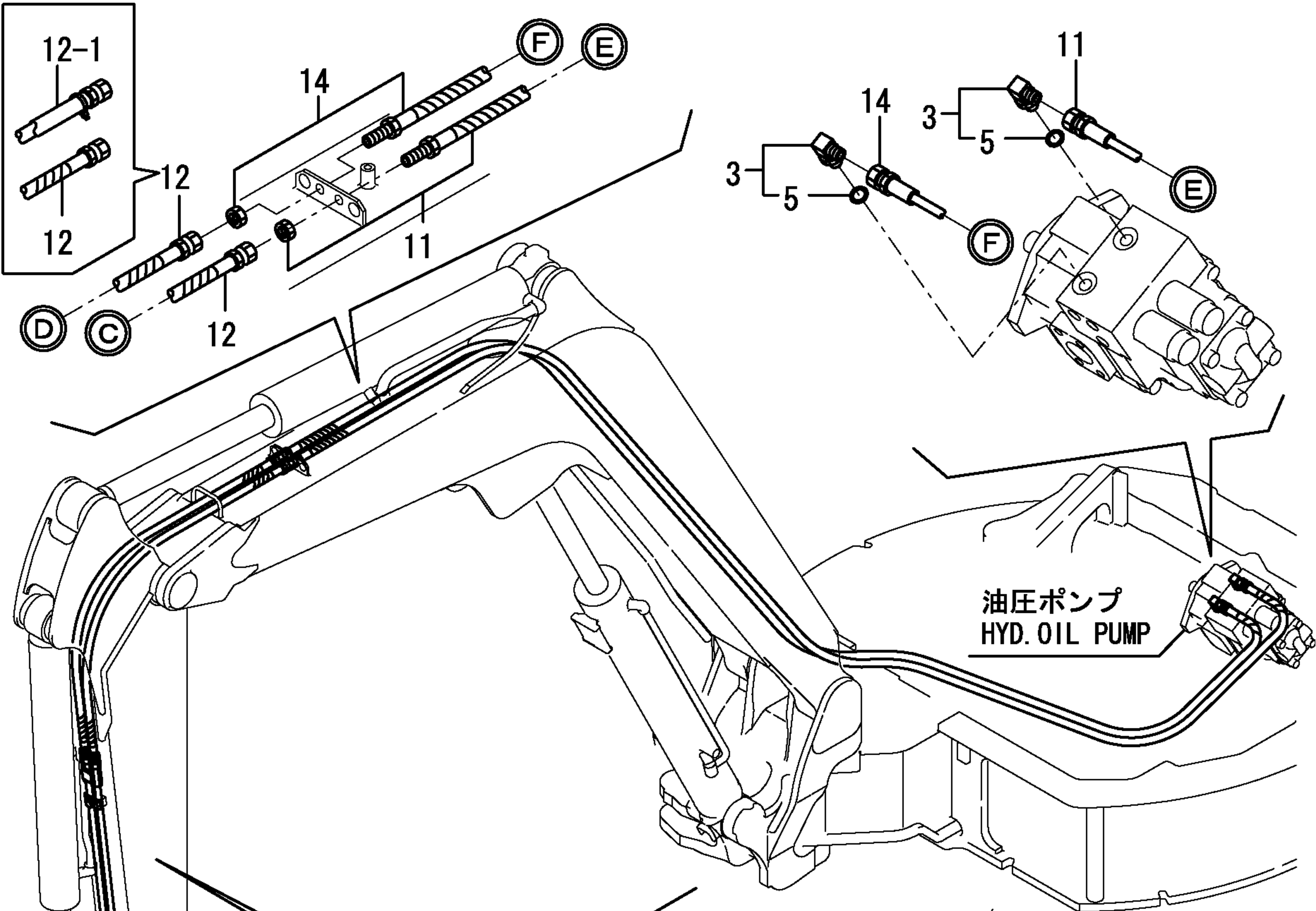


1,1,,172183-74820,, "STOP VALVE",2,2,,2,,,,,,,,,,,,,,,,,,,,,
2,1,,172633-76160,, "ADAPTER 1/2-3/4",1,1,,1,,,,,,,,,,,,,,,,,,,,,
3,1,,23871-040000,, "PLUG PT1/2,SCREW",2,2,,2,,,,,,,,,,,,,,,,,,,,,
4,1,,26013-100252,, "BOLT W/WASHER M10X25",4,4,,4,,,,,,,,,,,,,,,,,,,,,
5,1,,172183-76250,, "PLATE (GREEN:97)",2,2,,2,,,,,,,,,,,,,,,,,,,,,
6,1,,172458-76600,, "TUBE L,P.T.O(GREEN97",1,1,,,,,,,,,,,,,,,,,,,,,
6-1,1,,172458-76601,, "TUBE L, P.T.O.
(97)",1,1,,1,,N,,72458404,M/#21010,72458404,M/#21010,,,,,,,,,,,,,
7,1,,172458-76650,, "TUBE R,P.T.O(GREEN97",1,1,,1,,,,,,,,,,,,,,,,,,,,,
8,1,,172458-76680,, "STAY (GREEN:97)",2,2,,2,,,,,,,,,,,,,,,,,,,,,
9,1,,172458-76750,, "PLATE,PIPE(GREEN:97)",1,1,,1,,,,,,,,,,,,,,,,,,,,,
10,1,,172125-76900-4,, "CLAMP (GREEN:97)",1,1,,1,,,,,,,,,,,,,,,,,,,,,
11,1,,172142-76940-4,, "CLAMP 3/4 (GREEN:97)",2,2,,2,,,,,,,,,,,,,,,,,,,,,
12,1,,172142-76950-4,, "CLAMP 1/2 (GREEN:97)",2,2,,2,,,,,,,,,,,,,,,,,,,,,
13,1,,26013-120302,, "BOLT W/WASHER M12X30",2,2,,2,,,,,,,,,,,,,,,,,,,,,
14,1,,26013-120452,, "BOLT M12X 45",1,1,,,,,,,,,,,,,,,,,,,,,
14-1,1,,26013-120402,, "BOLT M12X
40",1,1,,1,,N,,72458381,M/#20745,72458381,M/#20745,,,,,,,,,,,,,
15,1,,26013-120502,, "BOLT M12X 50",1,1,,1,,,,,,,,,,,,,,,,,,,,,
16,1,,26013-120552,, "BOLT M12X55",1,1,,1,,,,,,,,,,,,,,,,,,,,,
17,1,,26013-120652,, "BOLT M12X 65",1,1,,1,,,,,,,,,,,,,,,,,,,,,
18,1,,26013-120652,, "BOLT M12X 65",1,1,,1,,,,,,,,,,,,,,,,,,,,,
19,1,,172458-78900,, "HOSE W212BB090W",1,1,,1,,2,,,,,,,,,,,,,,,,,,,,,
20,1,,172458-78910,, "HOSE H208AB090W",1,1,,1,,2,,,,,,,,,,,,,,,,,,,,,
21,1,,172458-78920,, "HOSE H208BB068",1,1,,1,,,,,,,,,,,,,,,,,,,,,
22,1,,172458-78930,, "HOSE G212BB065",1,1,,1,,,,,,,,,,,,,,,,,,,,,
23,1,,172457-78900,, "HOSE G212BB083W",1,1,,1,,1,,,,,,,,,,,,,,,,,,,,,
24,1,,172457-78910,, "HOSE H208AB081W",1,1,,1,,1,,,,,,,,,,,,,,,,,,,,,
25,1,,172142-76270,, "JOINT 1/2, SWIVEL",1,1,,1,,,,,,,,,,,,,,,,,,,,,
26,2,,172142-77040,, "SEAL SET",1,1,,1,,,,,,,,,,,,,,,,,,,,,
27,1,,172142-76280,, "JOINT 3/4, SWIVEL",1,1,,1,,,,,,,,,,,,,,,,,,,,,
28,2,,172142-77050,, "SEAL SET",1,1,,1,,,,,,,,,,,,,,,,,,,,,
29,1,,172458-76700,, "JOINT ASSY, P.T.O.",1,1,,1,,,,,,,,,,,,,,,,,,,,,
30,1,,26013-100252,, "BOLT W/WASHER M10X25",2,2,,2,,,,,,,,,,,,,,,,,,,,,
31,1,,172458-78940,, "HOSE G212AC092",1,1,,,,,,,,,,,,,,,,,,,,,
31-1,1,,172458-78941,, "HOSE
G212AC092K",1,1,,1,,N,,72458399,M/#20728,72458399,M/#20728,,,,,,,,,,,,,
32,1,,172458-78950,, "HOSE H208BC079",1,1,,,,,,,,,,,,,,,,,,,,,
32-1,1,,172458-78951,, "HOSE
H208BC079K",1,1,,1,,N,,72458399,M/#20728,72458399,M/#20728,,,,,,,,,,,,,



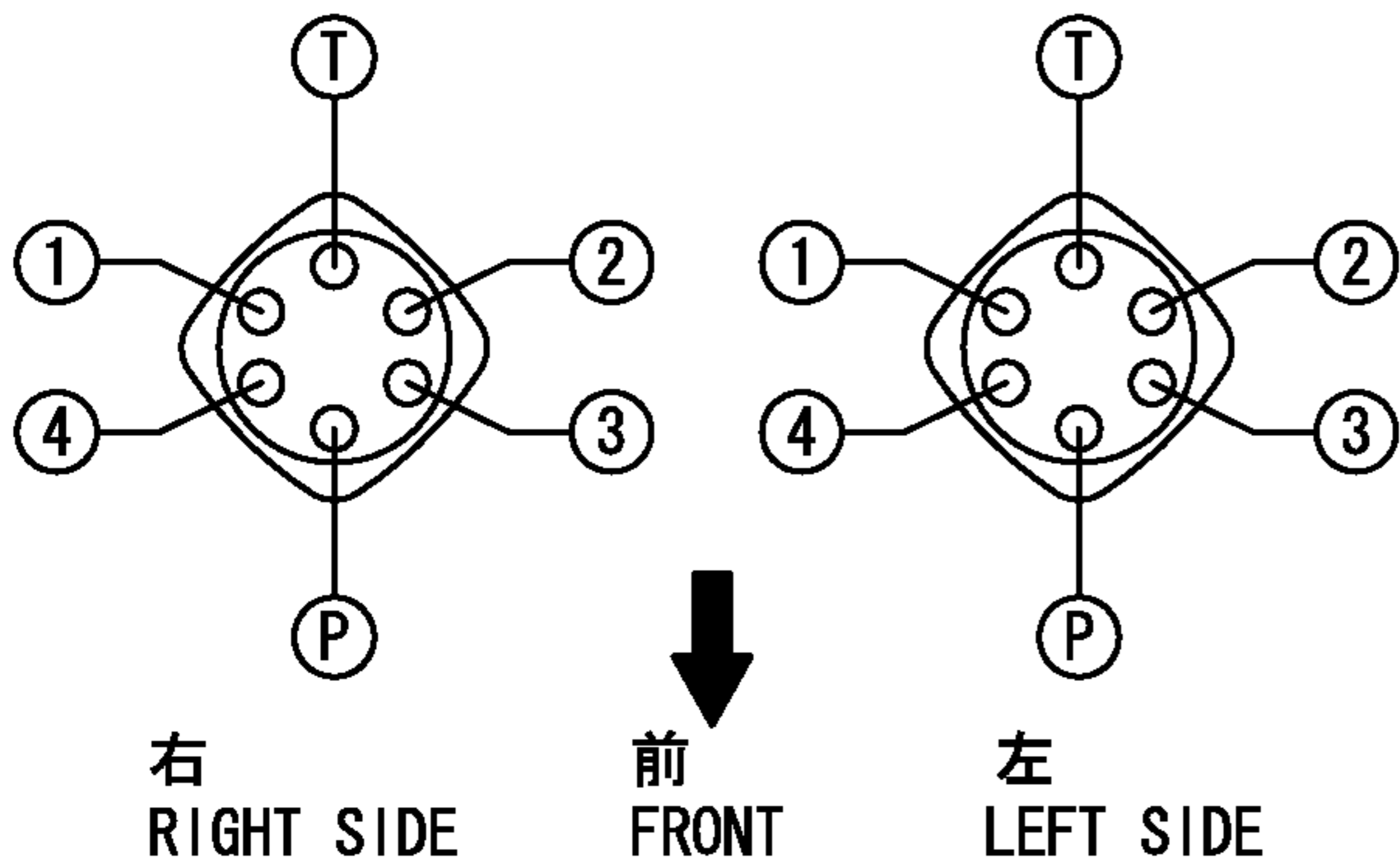
172458-08700 (TO M/#20654)
 172458-08701 (FROM M/#20655)
 P.T.O.キット (アームエンド) は、
 項目NO. 135を参照下さい。
 P.T.O. KIT (ARM END)
 is shown in Fig. 135.

1,1,,172958-76130,, "ELBOW PF1/4-PF1/4",2,2,2,2,,,,,,,,,,,,,
2,2,,24315-000110,, "O-RING 1B P-11.0",2,2,2,2,,,,,,,,,,,,,
3,1,,172141-76180,,CONNECTOR,2,2,2,2,,,,,,,,,,,,,
5,2,,24315-000110,, "O-RING 1B P-11.0",2,2,2,2,,,,,,,,,,,,,
6,1,,172110-76170-4,, "PLATE (GREEN:97)",1,1,1,1,,,,,,,,,,,,,
7,1,,172137-76580,, "COLLER 9X11",1,1,1,1,,,,,,,,,,,,,
8,1,,172958-81900,, "COVER,ARM (GREEN:97)",1,1,1,1,,,,,,,,,,,,,
8-1,1,,172958-81901,, "COVER,ARM
(GREEN:97)",1,1,,,,,N,,72958048,M/#20955,72958048,M/#20955,,,,,
8-2,1,,172958-81902,, "COVER,ARM
(GREEN:97)",1,1,,,,,N,,72958053,M/#21062,72958053,M/#21062,,,,,,I
8-3,1,,172958-81903,, "COVER,ARM
(GREEN:97)",1,1,1,1,,,,,N,,29580073,M/#25501,29580073,M/#25501,,,,,,I
9,1,,26013-080252,, "BOLT M 8X 25",2,2,,,,,,,,,,,,,
9-1,1,,26013-080252,, "BOLT M 8X
25",1,1,1,1,,,,,N,,72958042,M/#20745,72958042,M/#20745,,,,,
10,1,,26013-080252,, "BOLT M 8X 25",2,2,,,,,,,,,,,,,
10-1,1,,26013-080162,, "BOLT W/WASHER
M8X16",2,2,2,2,,,,,N,,72958042,M/#20745,72958042,M/#20745,,,,,,I
11,1,,172958-78100,, "HOSE G205BX370K",1,1,1,1,,,,,,,,,,,,,
12,1,,172958-78110,, "HOSE H204BB086S",2,2,,,,,,,,,,,,,
12-1,1,,172958-78111,, "HOSE
H204BB085K",2,2,2,2,,,,,S,,72958045,M/#20655,72958045,M/#20655,,,,,
13,1,,172958-78120,, "HOSE G604BB048W",1,1,,,,,,,,,,,,,
13-1,1,,172958-78200,, "HOSE
F102BB050W",1,1,1,1,,,,,N,,72958053,M/#21062,72958053,M/#21062,,,,,
14,1,,172958-78130,, "HOSE G205BX370K",1,1,1,1,,,,,,,,,,,,,
15,1,,172958-76100,, "TUBE,HITCH(GREEN:97)",1,1,,,,,,,,,,,,,
15-1,1,,172958-76101,, "TUBE
(GREEN:97)",1,1,1,1,,,,,N,,72958029,M/#20664,72958029,M/#20664,,,,,
16,1,,26013-080162,, "BOLT W/WASHER
M8X16",1,1,1,1,,,,,W,,72958042,M/#20745,72958042,M/#20745,,,,,
17,1,,172958-78160,, "HOSE G604BB049W",1,1,,,,,,,,,,,,,
17-1,1,,172958-78210,, "HOSE
F102BB052W",1,1,1,1,,,,,N,,72958053,M/#21062,72958053,M/#21062,,,,,

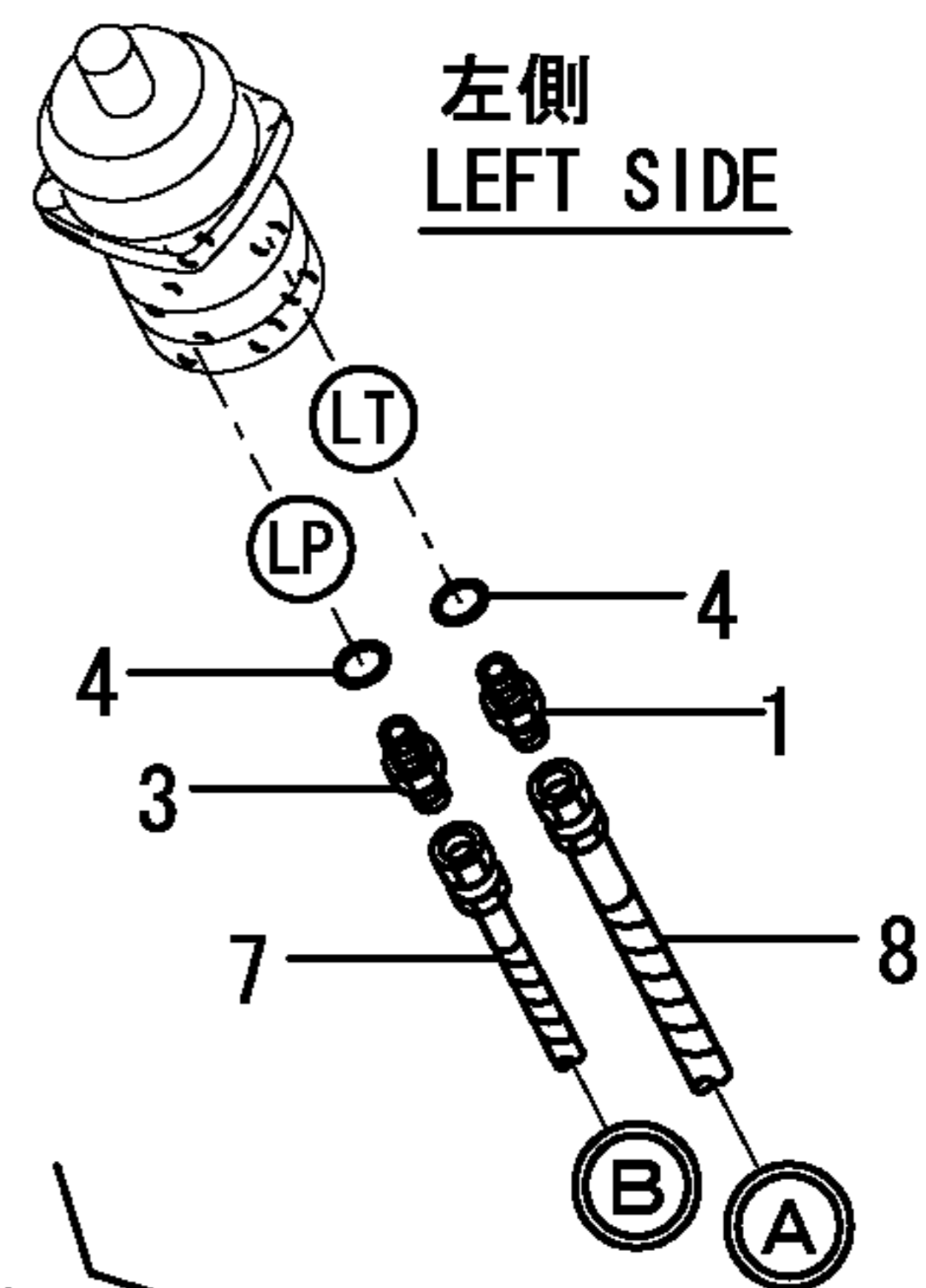


1,1,,172123-76121,, "JOINT PF1/4",2,2,2,2,,,,,,,,,,,,,
2,1,,172123-76121,, "JOINT PF1/4",1,1,1,1,,,,,,,,,,,,,
3,1,,172455-76220,, "CONNECTOR PF1/4",2,2,2,2,,,,,,,,,,,,,
4,1,,24315-000110,, "O-RING 1B P-11.0",4,4,4,4,,,,,,,,,,,,,
5,1,,172458-78750,, "HOSE F403BB117S",1,1,1,1,,,,,,,,,,,,,
6,1,,172458-78760,, "HOSE G804BY130S",1,1,1,1,,,,,,,,,,,,,
7,1,,172458-78810,, "HOSE F403BB115",1,1,1,1,,,,,,,,,,,,,
8,1,,172458-78820,, "HOSE G804BY165S",1,1,1,1,,,,,,,,,,,,,
9,1,,23000-013000,, "CLAMP 13",2,2,2,2,,,,,,,,,,,,,
10,1,,24315-000110,, "O-RING 1B P-11.0",1,1,1,1,,,,,,,,,,,,,

上から見
VIEWED FROM UPPER



左側
LEFT SIDE

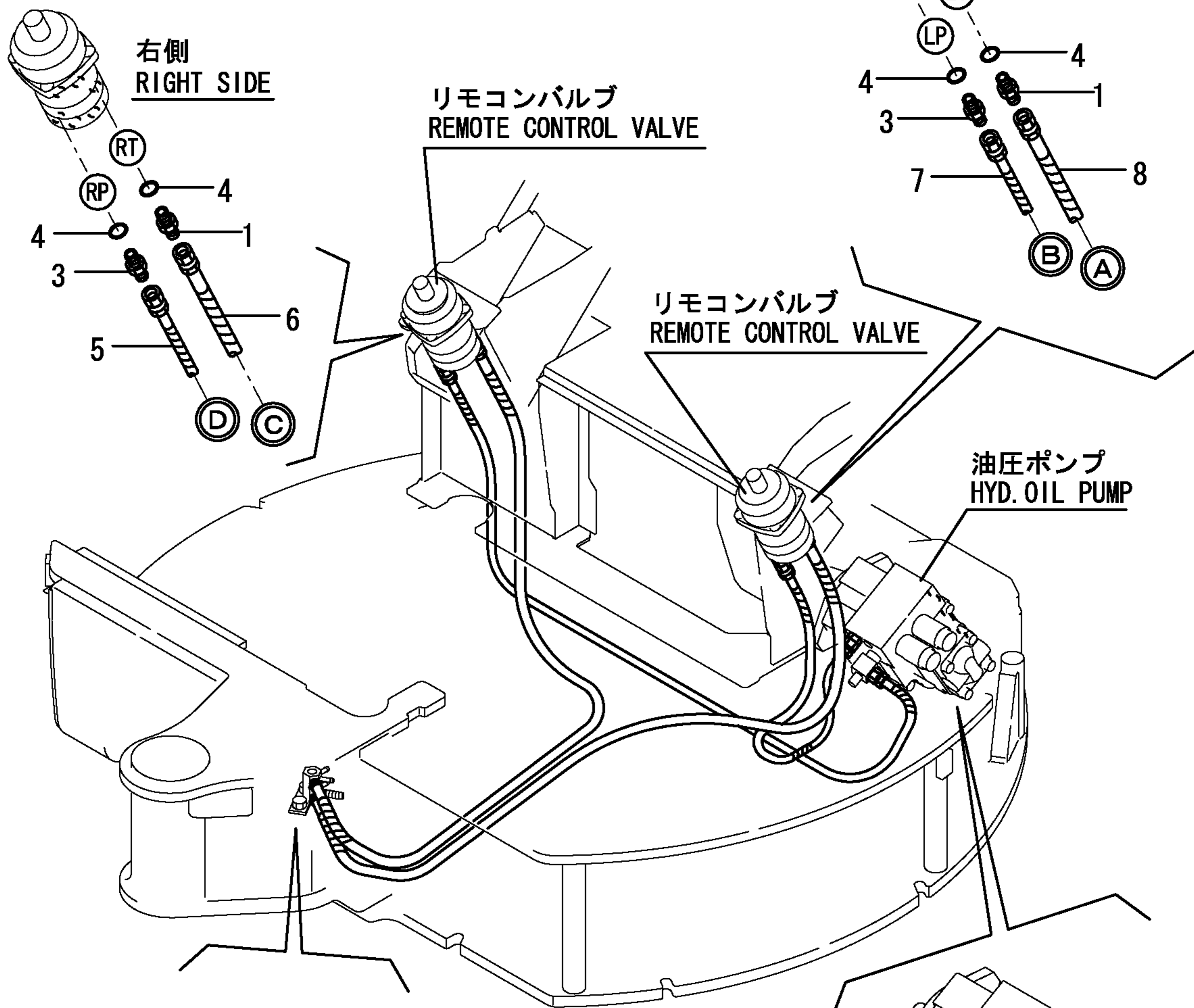


右側
RIGHT SIDE

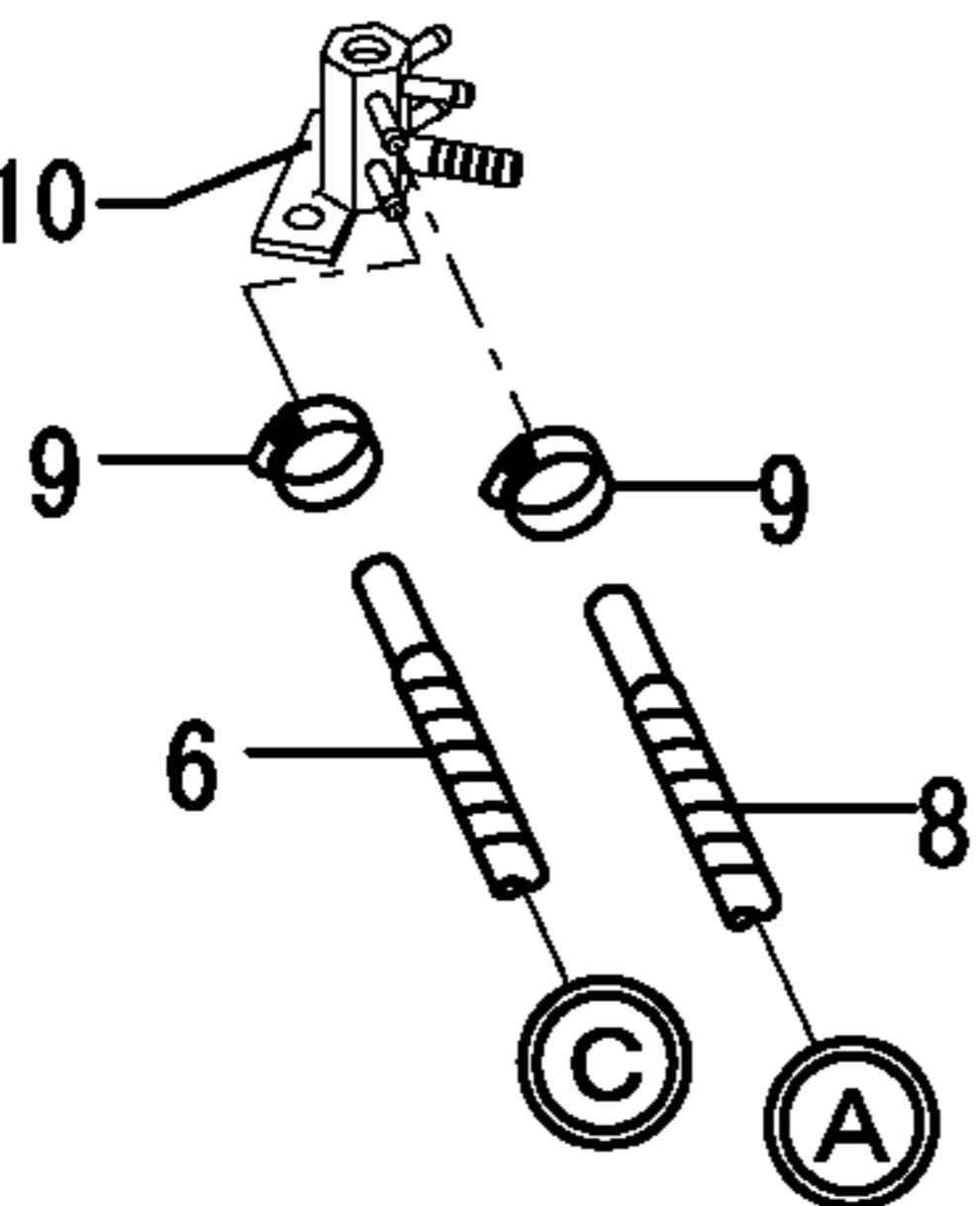
リモコンバルブ
REMOTE CONTROL VALVE

リモコンバルブ
REMOTE CONTROL VALVE

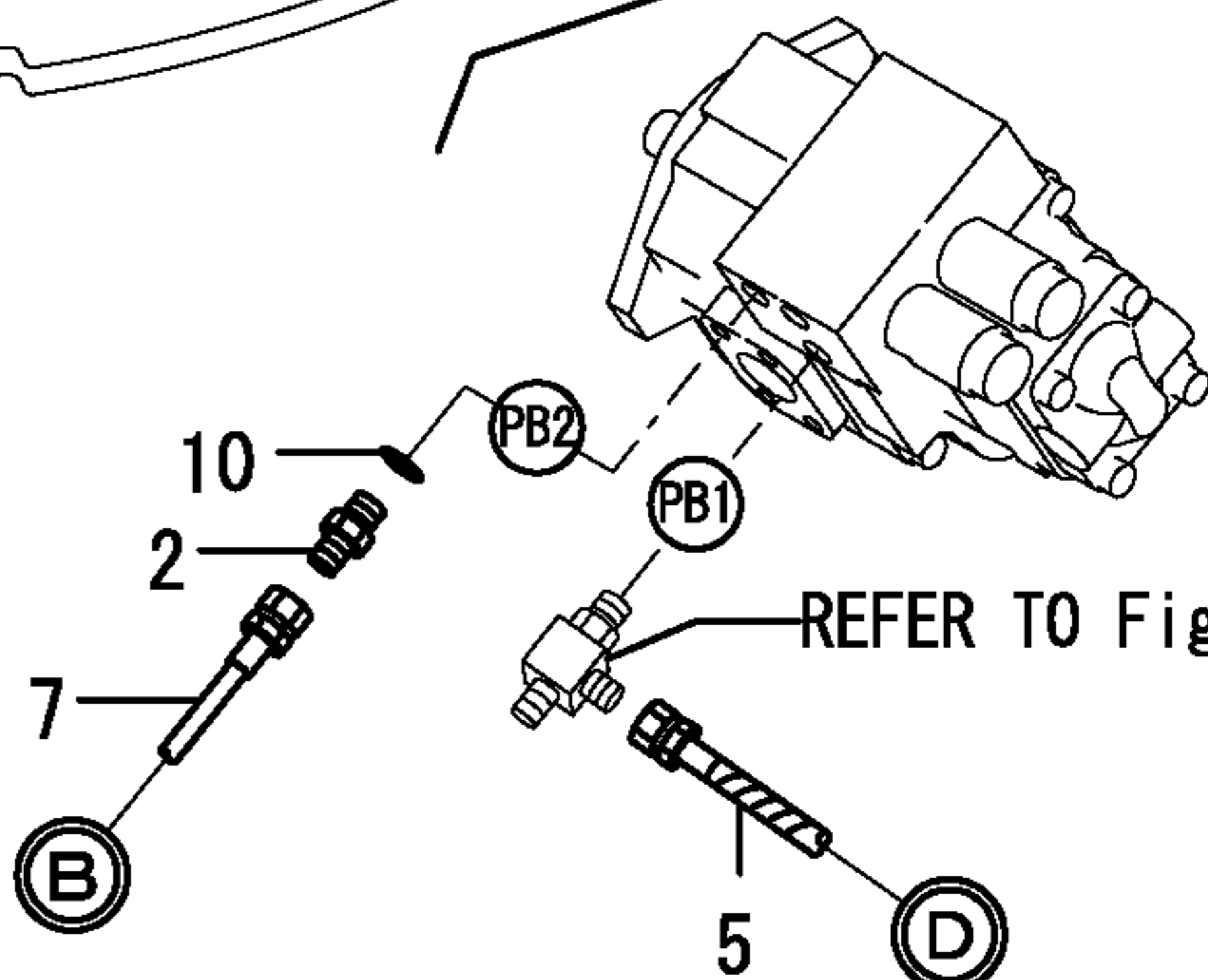
油圧ポンプ
HYD. OIL PUMP



REFER TO Fig. 110

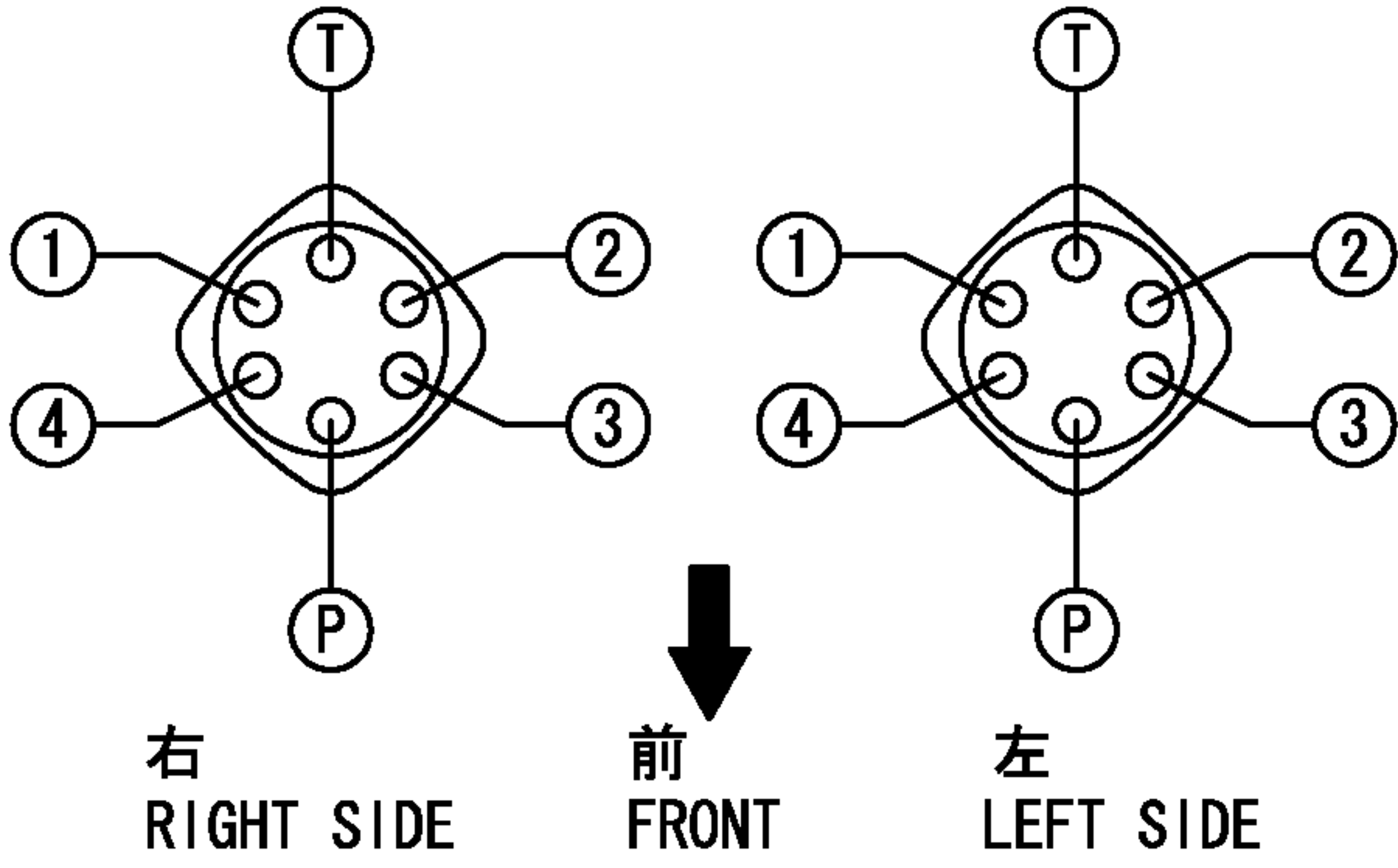


REFER TO Fig. 108

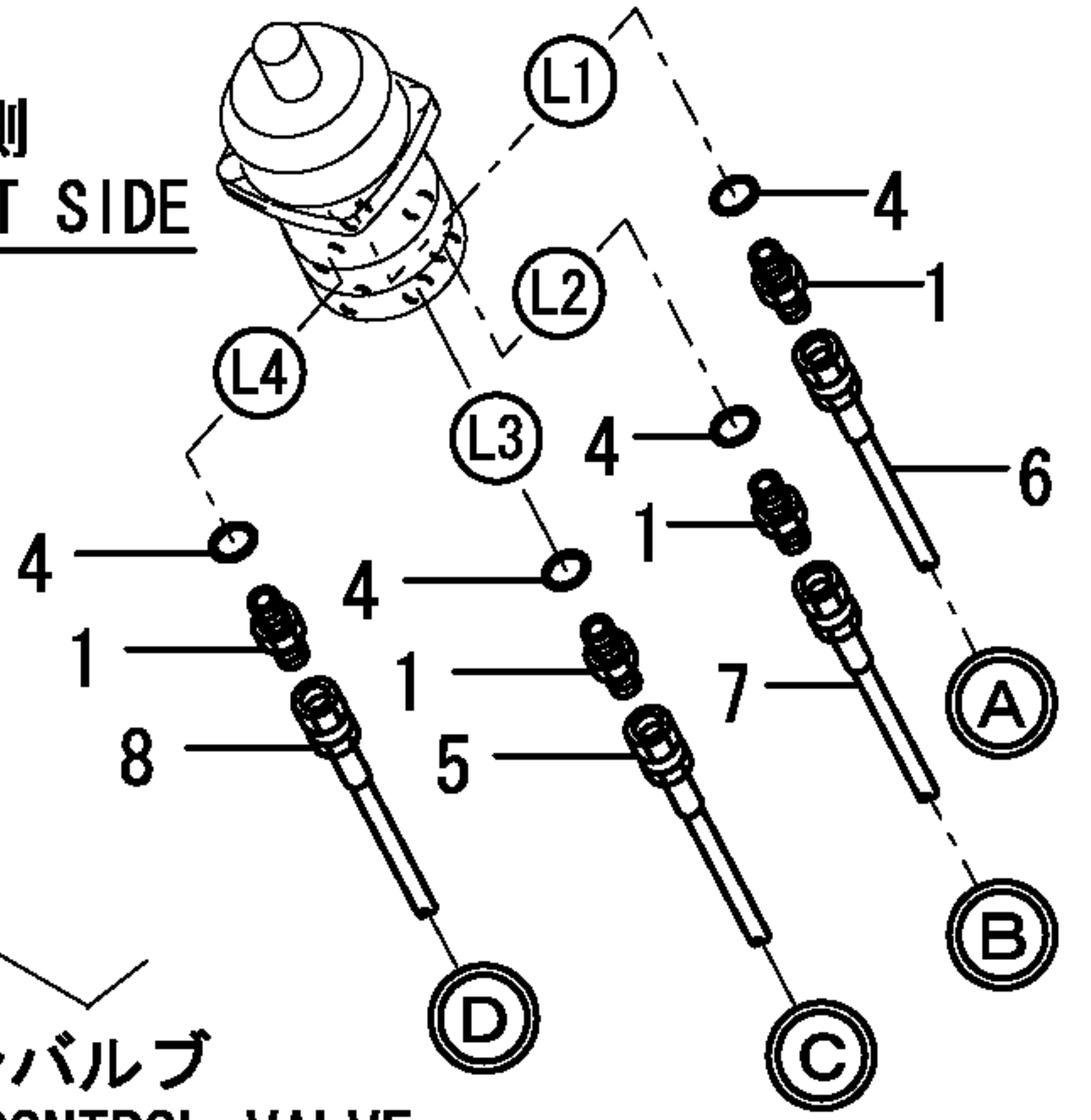


1,1,,172123-76121,, "JOINT PF1/4",8,8,8,8,,,,,,,,,,,,,
2,1,,172141-76180,,CONNECTOR,2,2,2,2,,,,,,,,,,,,,
3,2,,24315-000110,, "O-RING 1B P-11.0",2,2,2,2,,,,,,,,,,,,,
4,1,,24315-000110,, "O-RING 1B P-11.0",8,8,8,8,,,,,,,,,,,,,
5,1,,172458-78330,, "HOSE F403BB162",1,1,1,1,,,,,,,,,,,,,
6,1,,172458-78340,, "HOSE F403BB120",1,1,1,1,,,,,,,,,,,,,
7,1,,172458-78350,, "HOSE F403BB120S",1,1,1,1,,,,,,,,,,,,,
8,1,,172458-78360,, "HOSE F403BB120S",1,1,1,1,,,,,,,,,,,,,
9,1,,172458-78390,, "HOSE F403BB097S",1,1,1,1,,,,,,,,,,,,,
10,1,,172458-78400,, "HOSE F403BC127S",1,1,1,1,,,,,,,,,,,,,
11,1,,172458-78410,, "HOSE F403BB152S",1,1,1,1,,,,,,,,,,,,,
12,1,,172458-78420,, "HOSE F403BB097S",1,1,1,1,,,,,,,,,,,,,
13,1,,172458-78570,, "SPONGE,HOSE",1,1,1,1,,,,,,,,,,,,,
14,1,,172444-78800,, "SPONGE, HOSE",1,1,1,1,,,,,,,,,,,,,
15,1,,172122-79930,, "CLAMP B",4,4,,,,,M,,,,,,,,,,,,,
15-1,1,,172126-11510,, "BAND 300",3,3,3,3,,,,,,,,,,,,,I
16,1,,172123-76121,, "JOINT PF1/4",1,1,1,1,,,,,,,,,,,,,
17,1,,24315-000110,, "O-RING 1B P-11.0",1,1,1,1,,,,,,,,,,,,,
18,1,,172164-76121,,ADAPTER,1,1,,,,,M,,,,,,,,,,,,,I
18-1,1,,172123-76121,, "JOINT PF1/4",1,1,1,1,,,,,,,,,,,,,I
19,1,,24315-000110,, "O-RING 1B P-11.0",1,1,1,1,,,,,,,,,,,,,
20,1,,24315-000110,, "O-RING 1B P-11.0",1,1,1,1,,,,,,,,,,,,,
21,1,,172183-76200,, "CONNECTOR 1/4-1/4",1,1,1,1,,,,,,,,,,,,,
22,1,,172126-11510,, "BAND 300",4,4,4,4,,,,,M,,,,,,,,,,,,,
22-1,1,,172122-79930,, "CLAMP B",4,4,4,4,,,,,,,,,,,,,I

上から見
VIEWED FROM UPPER



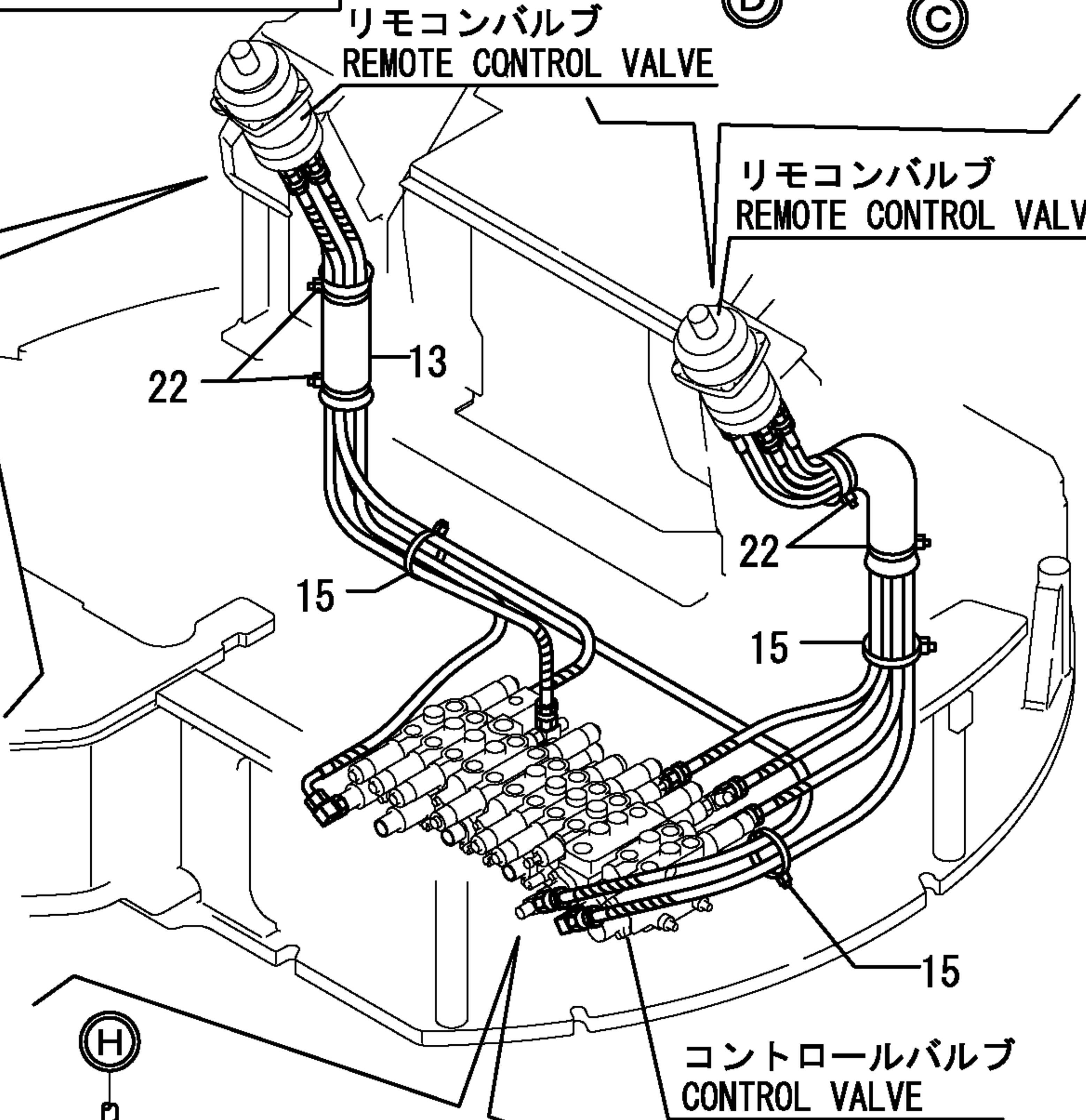
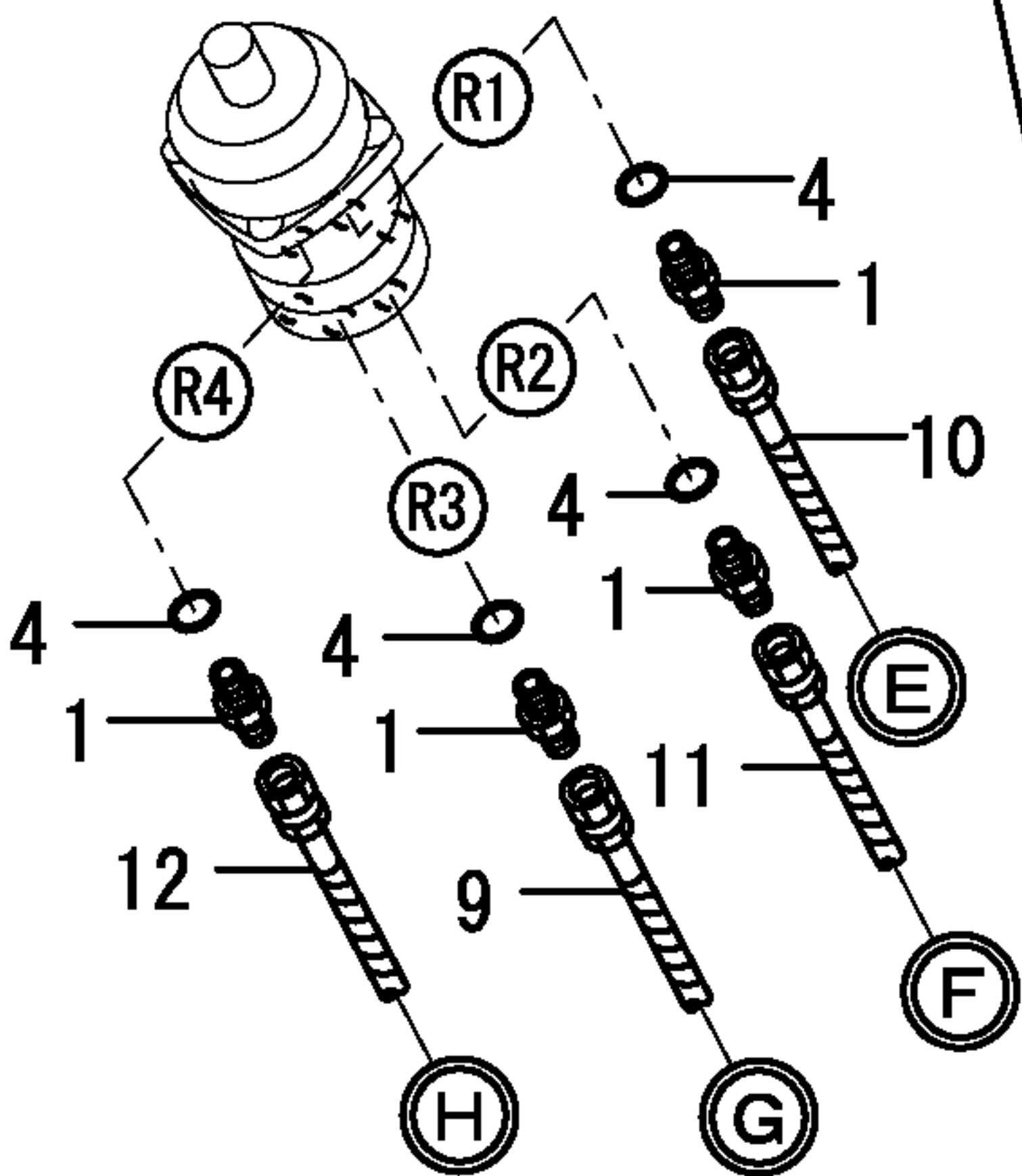
左側
LEFT SIDE



リモコンバルブ
REMOTE CONTROL VALVE

リモコンバルブ
REMOTE CONTROL VALVE

右側
RIGHT SIDE

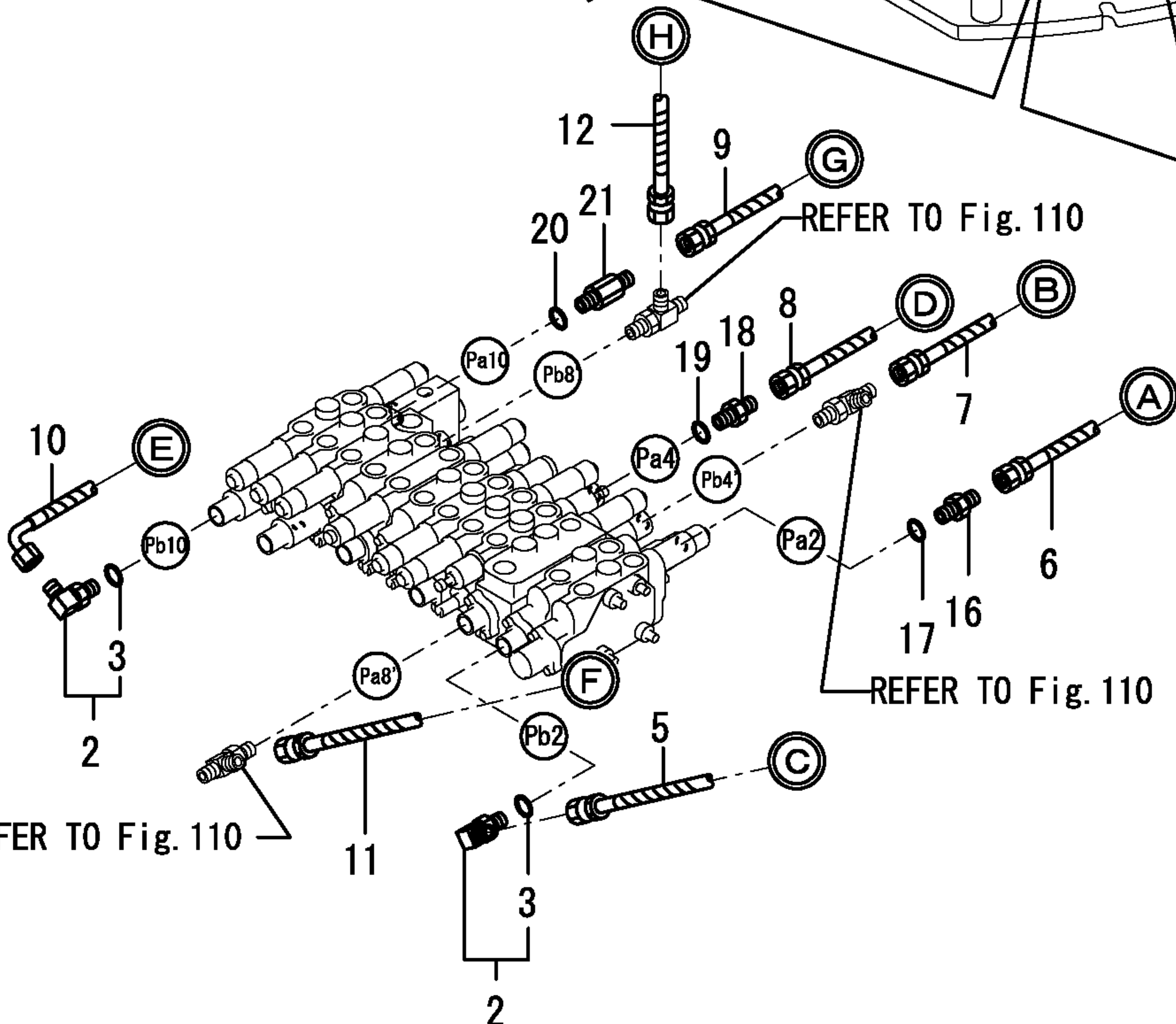


コントロールバルブ
CONTROL VALVE

REFER TO Fig. 110

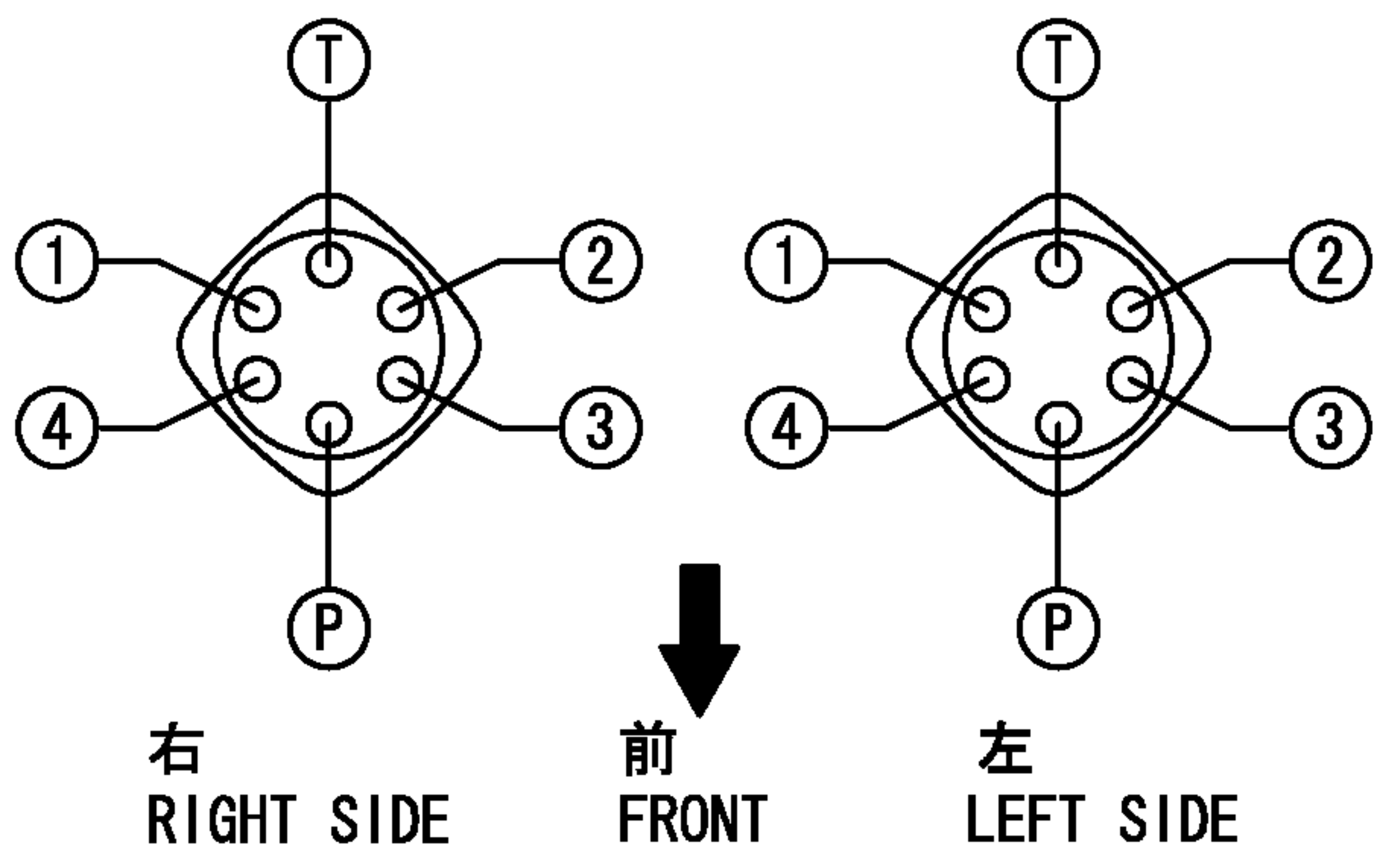
REFER TO Fig. 110

REFER TO Fig. 110

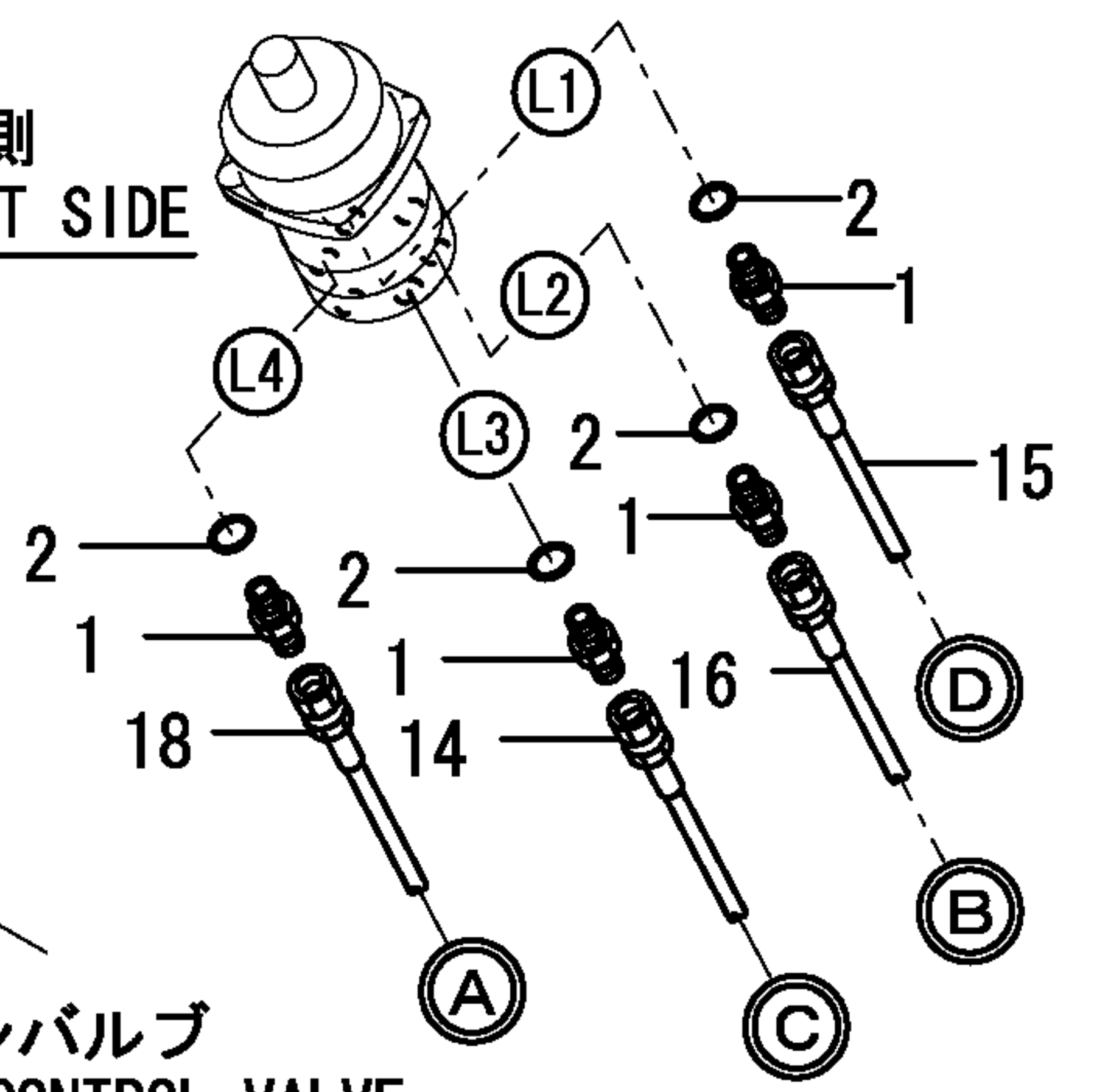


1,1,,172123-76121,, "JOINT PF1/4",8,8,8,8,,,,,,,,,,,,,
2,1,,24315-000110,, "O-RING 1B P-11.0",8,8,8,8,,,,,,,,,,,,,
3,1,,172173-76101,, "CONNECTOR PF1/4-45",1,1,1,1,,,,,,,,,,,,,
4,2,,24315-000110,, "O-RING 1B P-11.0",1,1,1,1,,,,,,,,,,,,,
5,1,,172123-76121,, "JOINT PF1/4",2,2,2,2,,,,,,,,,,,,,
6,1,,172141-76180,, CONNECTOR,5,5,5,5,,,,,,,,,,,,,
7,2,,24315-000110,, "O-RING 1B P-11.0",5,5,5,5,,,,,,,,,,,,,
8,1,,24315-000110,, "O-RING 1B P-11.0",2,2,2,2,,,,,,,,,,,,,
9,1,,172458-78570,, "SPONGE,HOSE",1,1,1,1,,,,,,,,,,,,,
10,1,,172458-78710,, "HOSE F403BB155S",1,1,1,1,,,,,,,,,,,,,
11,1,,172458-78720,, "HOSE F403BB112S",1,1,1,1,,,,,,,,,,,,,
12,1,,172458-78730,, "HOSE F403BB149S",1,1,1,1,,,,,,,,,,,,,
13,1,,172458-78740,, "HOSE F403BB114S",1,1,1,1,,,,,,,,,,,,,
14,1,,172458-78770,, "HOSE F403BB109",1,1,1,1,,,,,,,,,,,,,
15,1,,172458-78780,, "HOSE F403BB110",1,1,1,1,,,,,,,,,,,,,
16,1,,172458-78790,, "HOSE F403BB116S",1,1,1,1,,,,,,,,,,,,,
17,1,,172444-78800,, "SPONGE, HOSE",1,1,1,1,,,,,,,,,,,,,
18,1,,172458-78800,, "HOSE F403BB135S",1,1,1,1,,,,,,,,,,,,,
19,1,,172122-79930,, "CLAMP B",2,2,,,,,M,,,,,,,,,,,,,
19-1,1,,172126-11510,, "BAND 300",4,4,4,4,,,,,,,,,,,,,
20,1,,172126-11510,, "BAND 300",4,4,,,,,M,,,,,,,,,,,,,
20-1,1,,172122-79930,, "CLAMP B",4,4,4,4,,,,,,,,,,,,,

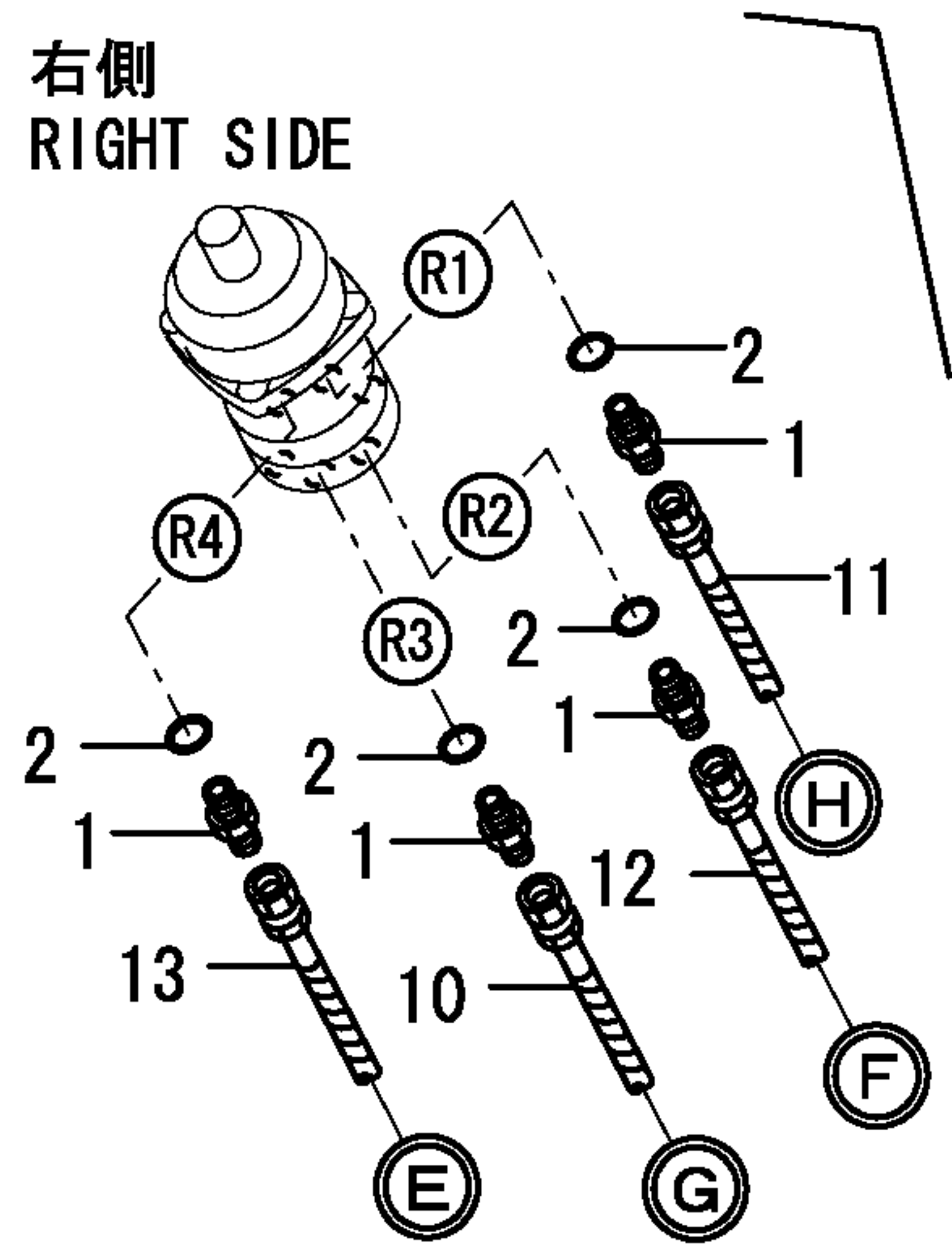
上から見
VIEWED FROM UPPER



左側
LEFT SIDE

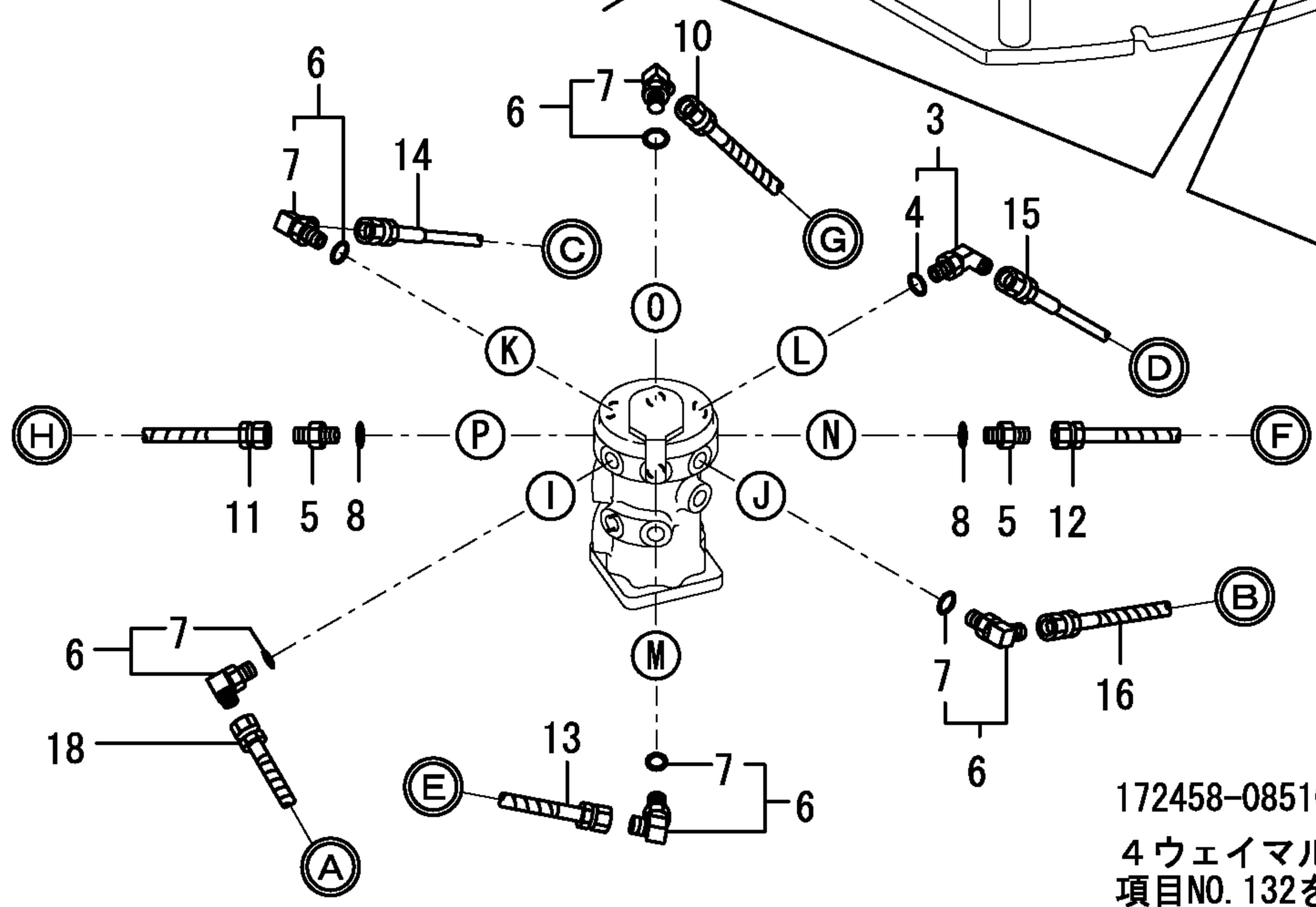
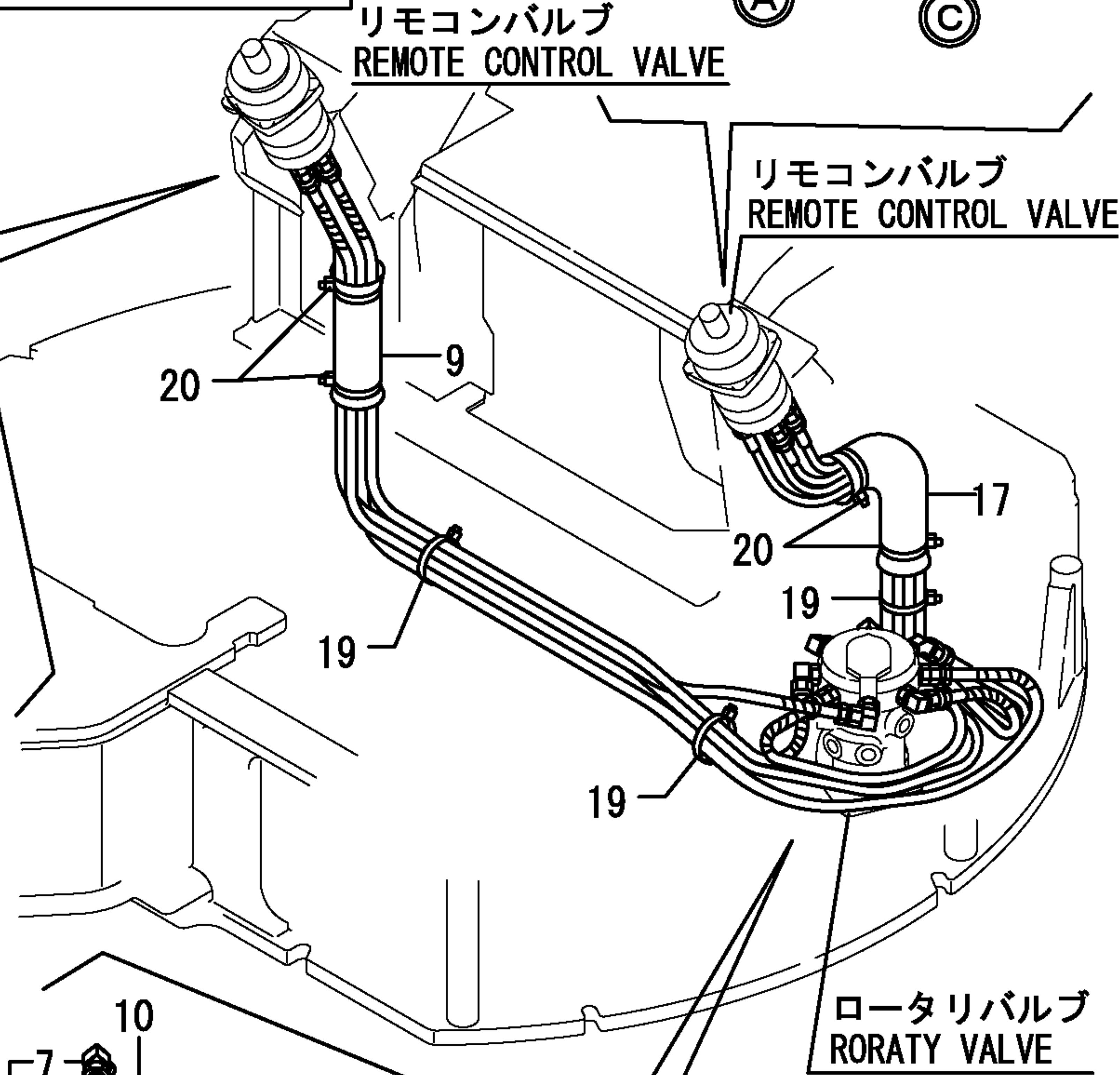


右側
RIGHT SIDE



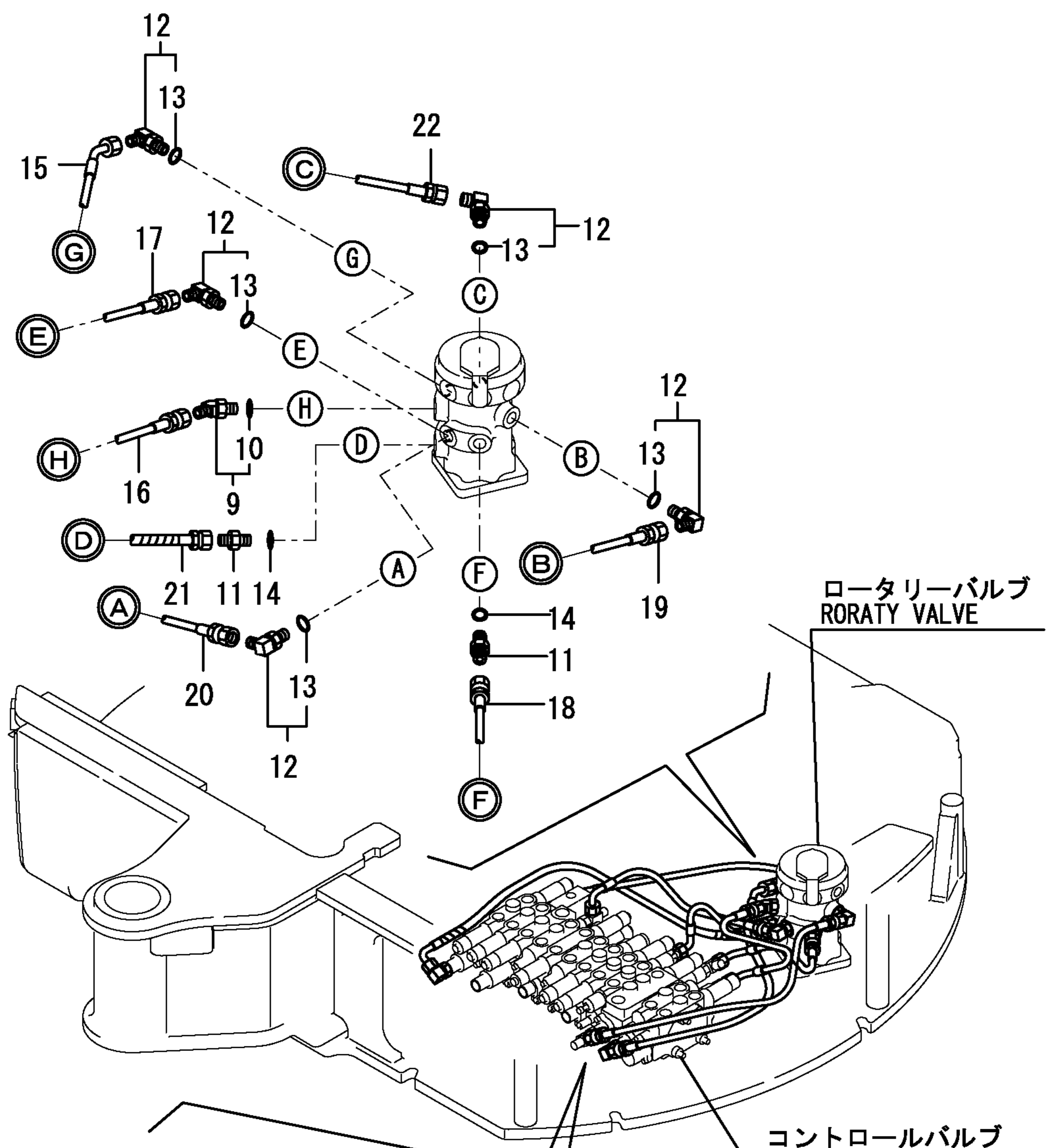
リモコンバルブ
REMOTE CONTROL VALVE

リモコンバルブ
REMOTE CONTROL VALVE



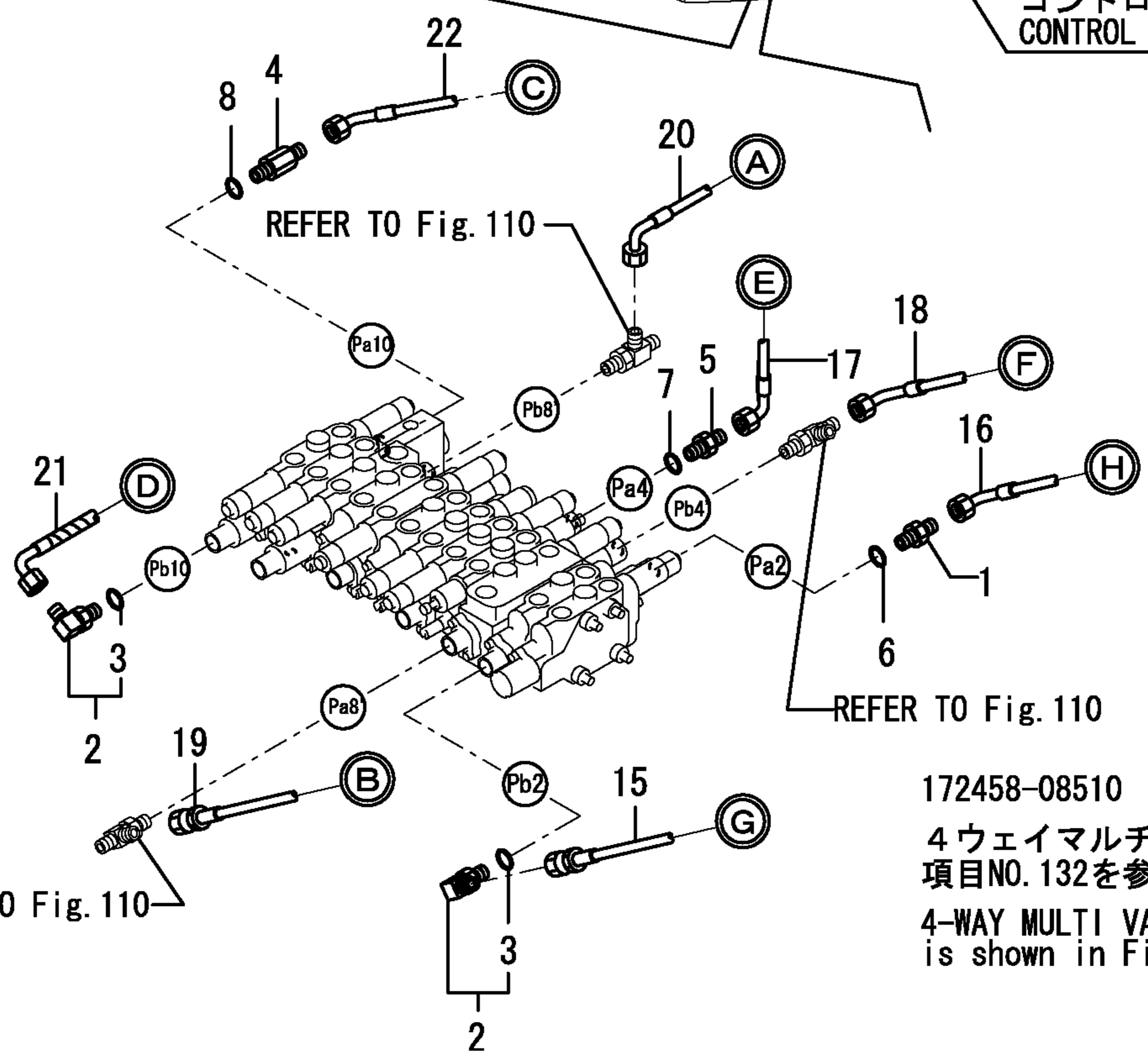
172458-08510
 4ウェイマルチバルブキットは、
 項目NO. 132を参照下さい。
 4-WAY MULTI VALVE KIT
 is shown in Fig. 132.

1,1,,172123-76121,, "JOINT PF1/4",1,1,1,1,,,,,,,,,,,,,
2,1,,172141-76180,,CONNECTOR,2,2,2,2,,,,,,,,,,,,,
3,2,,24315-000110,, "O-RING 1B P-11.0",2,2,2,2,,,,,,,,,,,,,
4,1,,172183-76200,, "CONNECTOR 1/4-1/4",1,1,1,1,,,,,,,,,,,,,
5,1,,172164-76330,, "JOINT PF1/4-0.7",1,1,,,,,M,,,,,,,,,,,,,I
5-1,1,,172123-76121,, "JOINT PF1/4",1,1,1,1,,,,,,,,,,,,,I
6,1,,24315-000110,, "O-RING 1B P-11.0",1,1,1,1,,,,,,,,,,,,,
7,1,,24315-000110,, "O-RING 1B P-11.0",1,1,1,1,,,,,,,,,,,,,
8,1,,24315-000110,, "O-RING 1B P-11.0",1,1,1,1,,,,,,,,,,,,,
9,1,,172173-76101,, "CONNECTOR PF1/4-45",1,1,1,1,,,,,,,,,,,,,
10,2,,24315-000110,, "O-RING 1B P-11.0",1,1,1,1,,,,,,,,,,,,,
11,1,,172123-76121,, "JOINT PF1/4",2,2,2,2,,,,,,,,,,,,,
12,1,,172141-76180,,CONNECTOR,5,5,5,5,,,,,,,,,,,,,
13,2,,24315-000110,, "O-RING 1B P-11.0",5,5,5,5,,,,,,,,,,,,,
14,1,,24315-000110,, "O-RING 1B P-11.0",2,2,2,2,,,,,,,,,,,,,
15,1,,172458-78610,, "HOSE F403BE057",1,1,1,1,,,,,,,,,,,,,
16,1,,172458-78620,, "HOSE F403BC030",1,1,1,1,,,,,,,,,,,,,
17,1,,172458-78630,, "HOSE F403BC027",1,1,1,1,,,,,,,,,,,,,
18,1,,172458-78640,, "HOSE F403BC027",1,1,1,1,,,,,,,,,,,,,
19,1,,172458-78650,, "HOSE F403BB055",1,1,1,1,,,,,,,,,,,,,
20,1,,172458-78660,, "HOSE F403BC030",1,1,1,1,,,,,,,,,,,,,
21,1,,172458-78670,, "HOSE F403BC065S",1,1,1,1,,,,,,,,,,,,,
22,1,,172458-78680,, "HOSE F403BE038",1,1,1,1,,,,,,,,,,,,,



ロータリーバルブ
ROTARY VALVE

コントロールバルブ
CONTROL VALVE



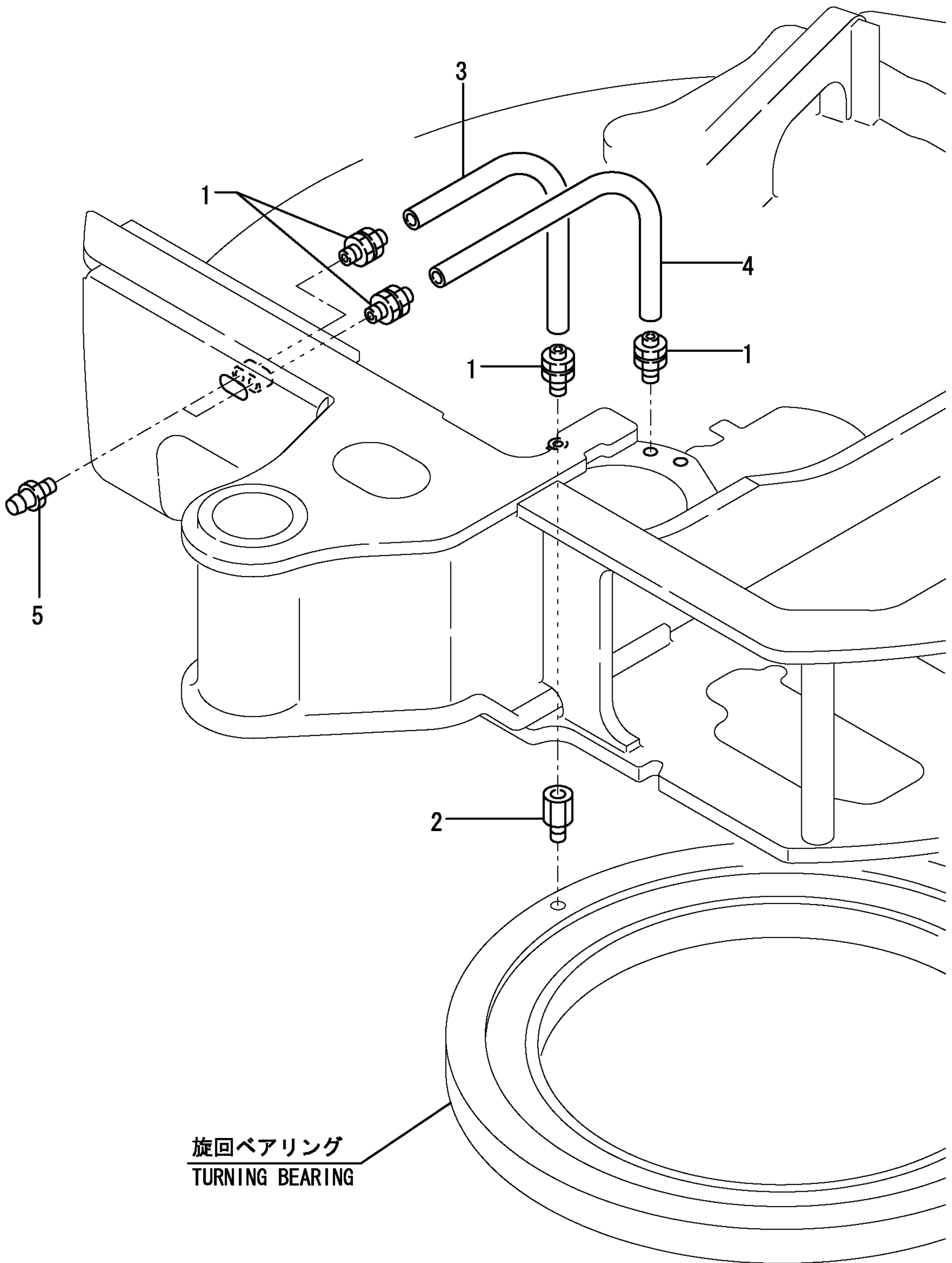
REFER TO Fig. 110

REFER TO Fig. 110

REFER TO Fig. 110

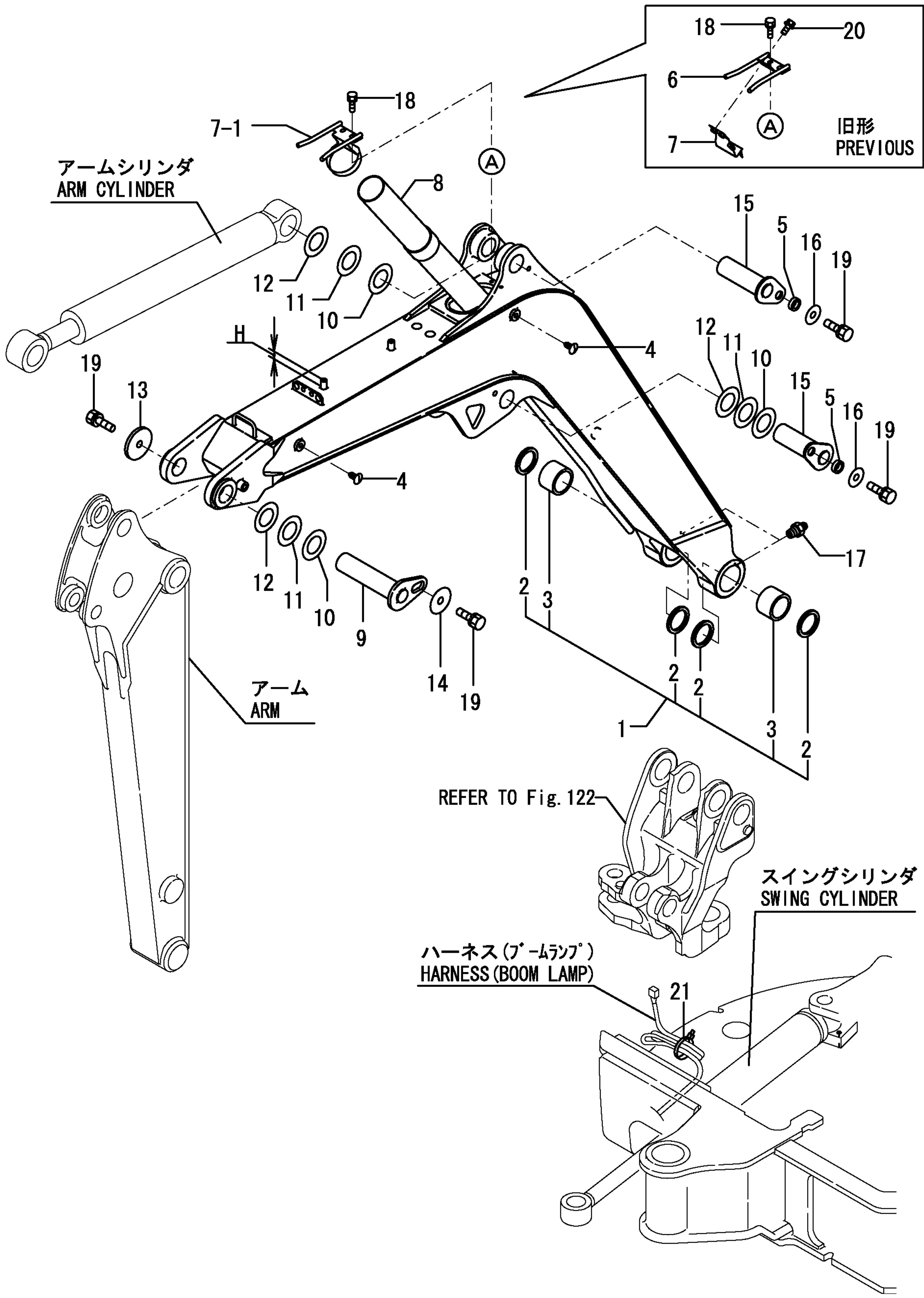
172458-08510
 4ウェイマルチバルブキットは、
 項目NO. 132を参照下さい。
 4-WAY MULTI VALVE KIT
 is shown in Fig. 132.

1,1,,172141-77800,, "JOINT, GREASE",4,4,4,4,,,,,,,,,,,,,
2,1,,172312-77820,, "FITTING,
GREASE",1,1,1,1,,,Z,,724570048,M/#25501,724570048,M/#25501,72
4570048,M/#25501,,,,,I
3,1,,172151-77801,, "HOSE P602YY045",1,1,1,1,,,,,,,,,,,,,
4,1,,172164-77800,, "HOSE P602YY050",1,1,1,1,,,,,,,,,,,,,
5,1,,24761-020000,, "NIPPLE PT1/8,GREASE",2,2,2,2,,,,,,,,,,,,,



旋回ベアリング
TURNING BEARING

1,1,,172458-81100,, "BOOM ASSY (GREEN:97)",1,1,,,,,,,,,,,,,
1-1,1,,172458-81101,, "BOOM ASSY
(GREEN:97)",1,1,,,,,N,,72458312,M/#20501,72458312,M/#20501,,,,,
1-2,1,,172458-81102,, "BOOM ASSY
(GREEN:97)",1,1,,,,,N,,72458312,M/#20501,72458312,M/#20501,,,,,
1-3,1,,172458-81103,, "BOOM ASSY
(GREEN:97)",1,1,,,,,R,,72458334,M/#21010,72458334,M/#21010,,,,,
1-4,1,,172458-81104,, "BOOM ASSY
(GREEN:97)",1,1,1,1,1,,,,,S,1,24580539,M/#25501,24580539,M/#25501,,,,,,I
2,2,,172162-81050,, "SEAL 60X75X6,DUST",4,4,,,,,,,,,,,,,
2-1,2,,172020-10620,, "SEAL 60 X 75 X
5",4,4,4,4,,,,,R,,72478145,M/#25501,72478145,M/#25501,,,,,,I
3,2,,172458-81400,, "BUSH 60X75X50",2,2,2,2,,,,,,,,,,,,,
4,1,,172183-81170,, "TREE CLIP",5,5,5,5,,,,,,,,,,,,,
5,1,,172164-81670,, "SPACER",2,2,2,2,,,,,,,,,,,,,
6,1,,172458-
81700,, "GUIDE,HOSE(GREEN:97)",1,1,,,,,Z,,72458334,M/#20664,72458334,M/#20664,,,,,
,,,
7,1,,172458-81750,, "CLAMP,PIPE(GREEN:97)",1,1,1,1,,,,,,,,,,,,,
7-1,1,,172458-
81751,, "CLAMP,PIPE(GREEN:97)",1,1,,,,,N,,72458334,M/#20664,72458334,M/#20664,,,,,
,,,
8,1,,172458-81770,, "PIPE,PROTECT HOSE",1,1,1,1,,,,,,,,,,,,,
9,1,,172458-81840,, "PIN 50X209 ASSY",1,1,1,1,,,,,,,,,,,,,
10,1,,172165-82520,, "SHIM 50X85X0.5",3,3,3,3,,,,,,,,,,,,,
11,1,,172165-82530,, "SHIM 50X85X1.2",3,3,3,3,,,,,,,,,,,,,
12,1,,172165-82540,, "SHIM
50X85X1.6",3,3,,,,,Z,,XXX,M/#25501,XXX,M/#25501,,,,,,I
13,1,,172146-82910,, "SPACER",1,1,1,1,,,,,,,,,,,,,
14,1,,172444-82990,, "WASHER",1,1,1,1,,,,,,,,,,,,,
15,1,,172458-83650,, "PIN 50X153 ASSY",2,2,2,2,,,,,,,,,,,,,
16,1,,22157-120000,, "WASHER 12",2,2,2,2,,,,,,,,,,,,,
17,1,,24761-050000,, "NIPPLE C,GREASE",2,2,2,2,,,,,,,,,,,,,
18,1,,26013-080162,, "BOLT W/WASHER M8X16",2,2,,,,,,,,,,,,,
18-1,1,,26014-080162,, "BOLT M 8X
16",2,2,2,2,,,,,N,,72457027,M/#20664,72457027,M/#20664,,,,,
19,1,,26013-120252,, "BOLT M12X 25",4,4,4,4,,,,,,,,,,,,,
20,1,,26014-080202,, "BOLT M 8X
20",2,2,,,,,Z,,72458334,M/#20664,72458334,M/#20664,,,,,
21,1,,172126-11510,, "BAND
300",1,1,1,1,,,,,W,,72456157,M/#20863,72456157,M/#20863,,,,,



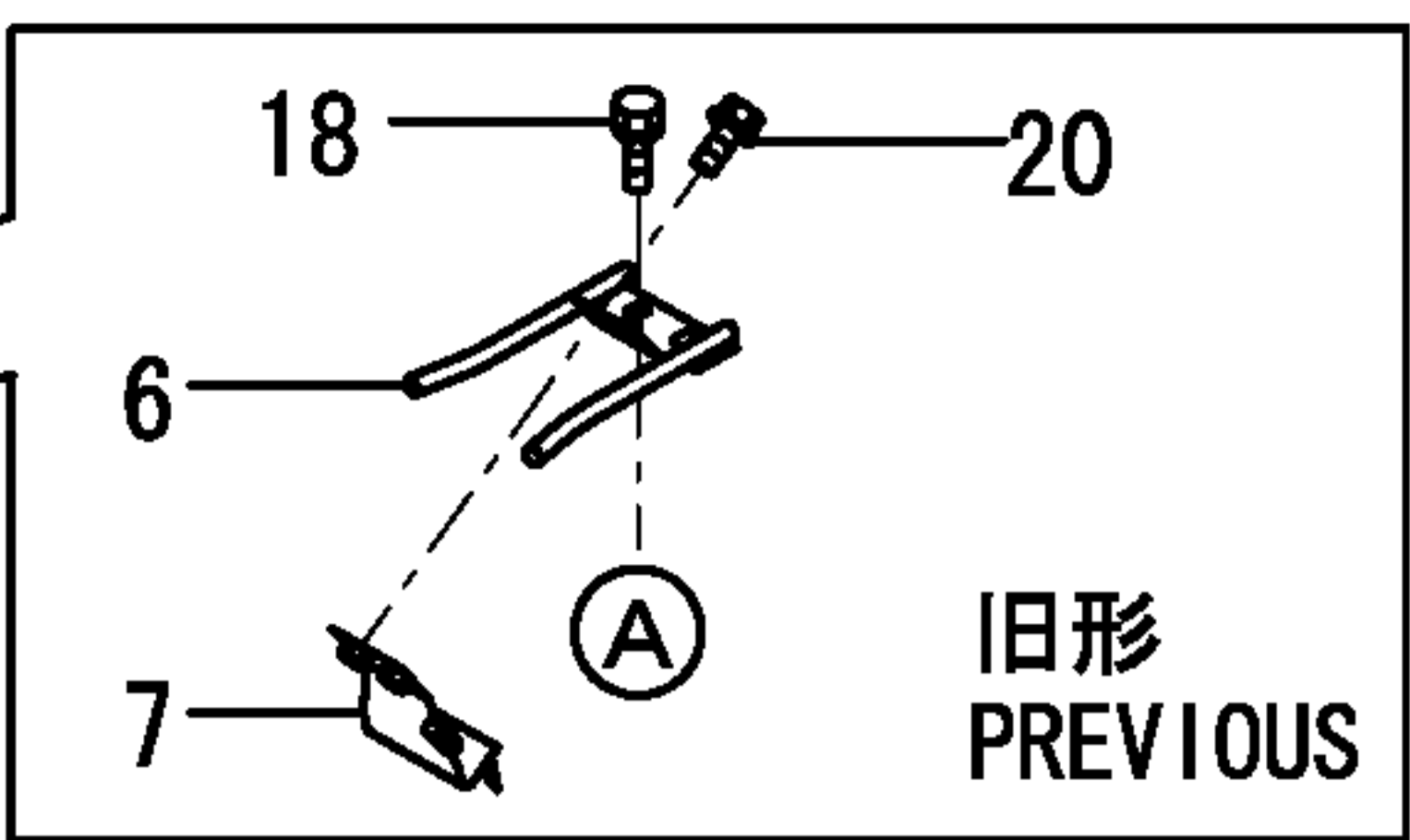
アームシリンダ
ARM CYLINDER

アーム
ARM

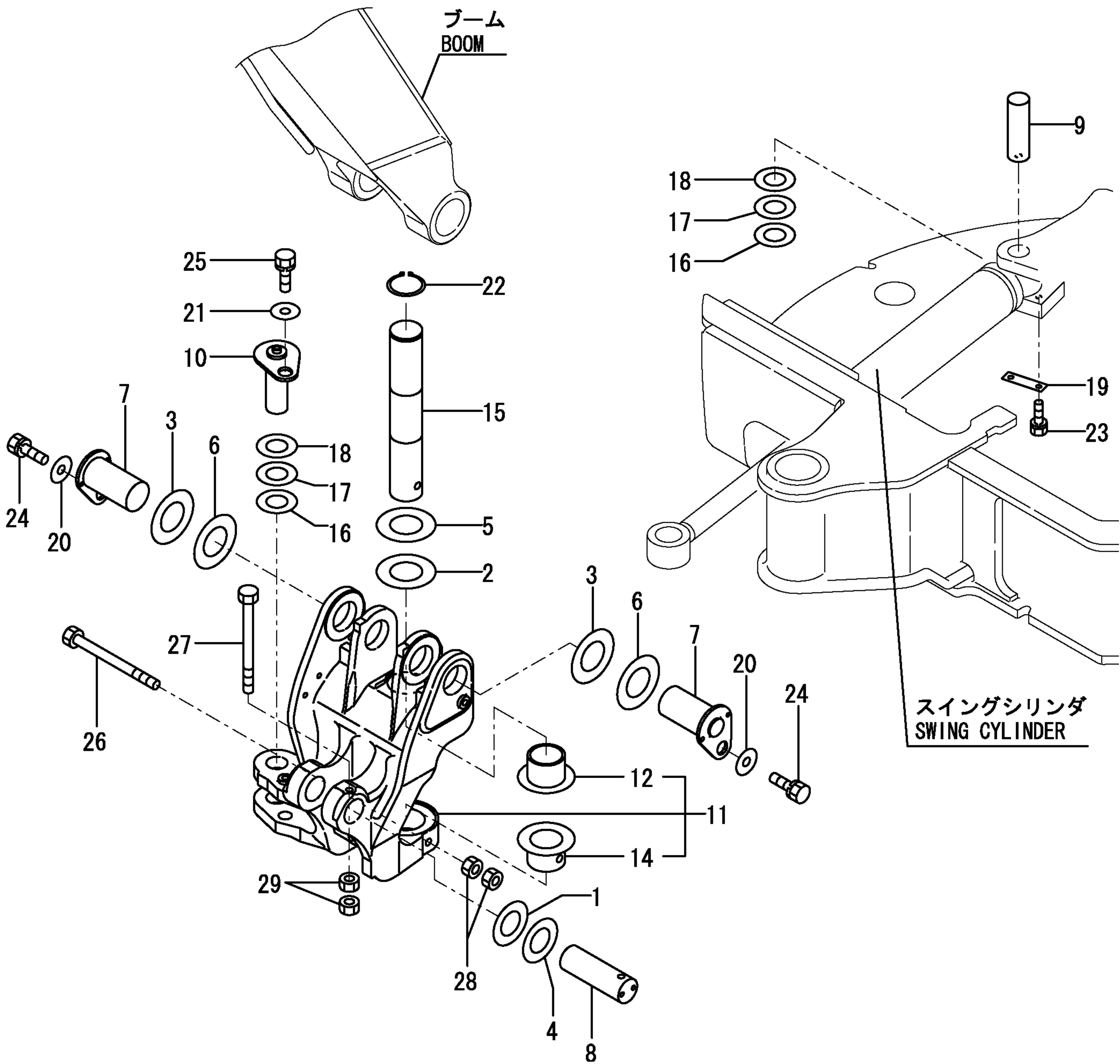
スイングシリンダ
SWING CYLINDER

ハーネス (ブームランプ)
HARNESS (BOOM LAMP)

REFER TO Fig. 122



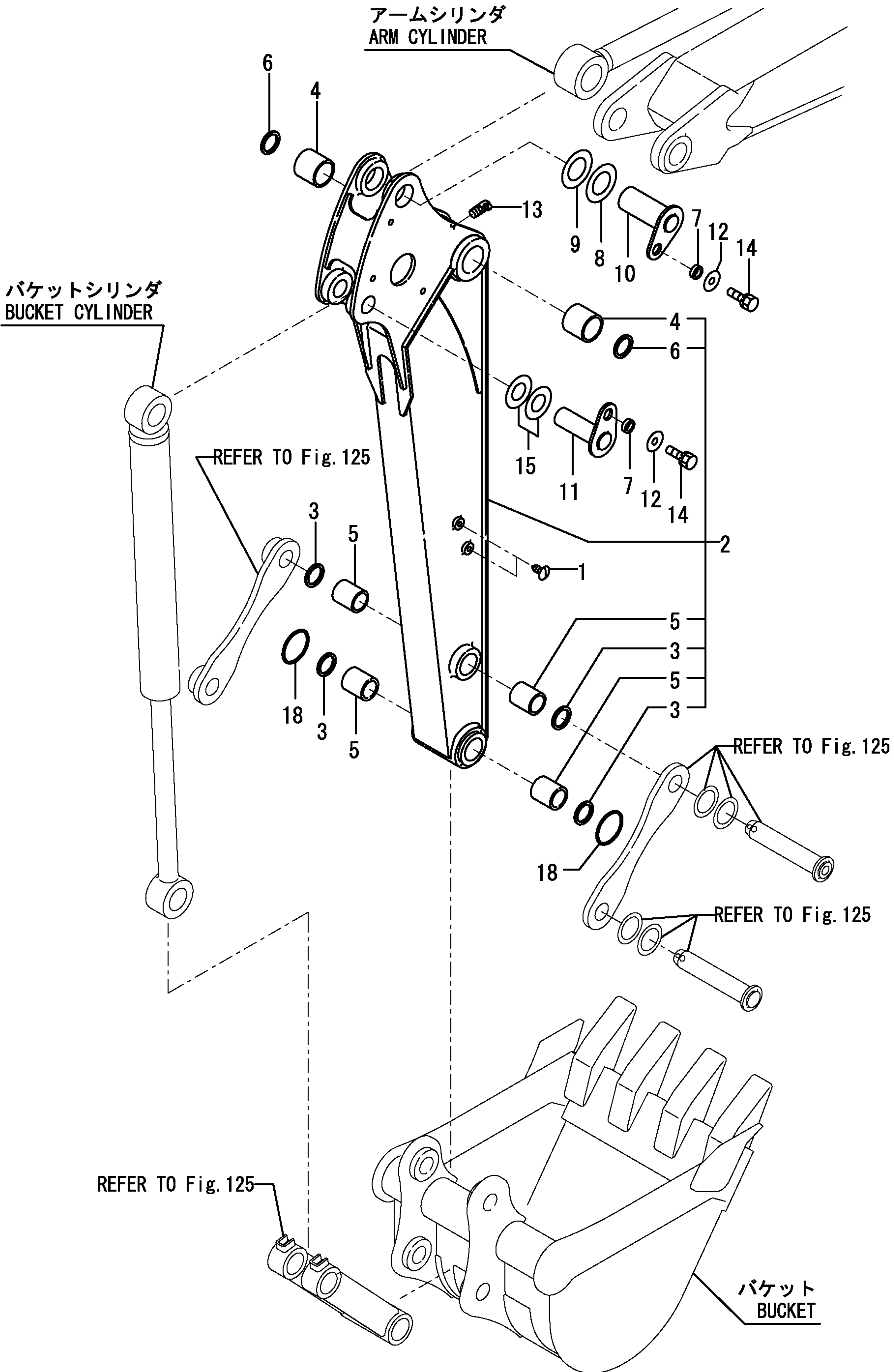
1,1,,172173-81700,,SHIM,1,1,,,,,,,,,,,,,
1-1,1,,172165-82530,,,"SHIM
50X85X1.2",1,1,1,1,,R,,24580547,M/#25501,24580547,M/#25501,,,,,,,,,I
2,1,,172175-81700,,,"SHIM 60X110X0.8",1,1,1,1,,,,,,,,,,,,,
3,1,,172175-81700,,,"SHIM 60X110X0.8",2,2,2,2,,,,,,,,,,,,,
4,1,,172173-81710,,SHIM,1,1,,,,,,,,,,,,,
4-1,1,,172165-82520,,,"SHIM
50X85X0.5",1,1,1,1,,R,,24580547,M/#25501,24580547,M/#25501,,,,,,,,,I
5,1,,172175-81710,,SHIM,1,1,1,1,,,,,,,,,,,,,
6,1,,172175-81710,,SHIM,2,2,2,2,,,,,,,,,,,,,
7,1,,172458-81800,,,"PIN 60X113",2,2,2,2,,,,,,,,,,,,,
8,1,,172458-81830,,,"PIN 50X136",1,1,1,1,,,,,,,,,,,,,
9,1,,172458-81920,,,"PIN 40X115",1,1,1,1,,,,,,,,,,,,,
10,1,,172458-81930,,,"PIN 40X111",1,1,1,1,,,,,,,,,,,,,
11,1,,172458-82300,,,"BRACKET,BOOM(GREEN97",1,1,1,1,,,,,,,,,,,,,
12,2,,172142-82310,,,"BUSH 60X50",1,1,1,1,,,,,,,,,,,,,
14,2,,172458-82320,,,"BUSH 60X50",1,1,1,1,,,,,,,,,,,,,
15,1,,172458-82330,,,"PIN 60X334.5",1,1,1,1,,,,,,,,,,,,,
16,1,,172165-82580,,,"SHIM 40X75X0.5",2,2,2,2,,,,,,,,,,,,,
17,1,,172165-82590,,,"SHIM 40X75X1.2",2,2,2,2,,,,,,,,,,,,,
18,1,,172165-82600,,,"SHIM 40X75X1.6",2,2,2,2,,,,,,,,,,,,,
19,1,,172117-83970-2,,,"PLATE(C),LOCK",1,1,1,1,,,,,,,,,,,,,
20,1,,22157-120000,,,"WASHER 12",2,2,2,2,,,,,,,,,,,,,
21,1,,22157-120000,,,"WASHER 12",1,1,1,1,,,,,,,,,,,,,
22,1,,22242-000600,,,"CIRCLIP 60",1,1,1,1,,,,,,,,,,,,,
23,1,,26013-100202,,,"BOLT W/WASHER M10X20",2,2,2,2,,,,,,,,,,,,,
24,1,,26013-120302,,,"BOLT W/WASHER M12X30",2,2,2,2,,,,,,,,,,,,,
25,1,,26013-120302,,,"BOLT W/WASHER M12X30",1,1,1,1,,,,,,,,,,,,,
26,1,,26206-141502,,,"BOLT M14X150 PLATED",1,1,1,1,,,,,,,,,,,,,
27,1,,26116-121402,,,"BOLT M12X140 PLATED",1,1,1,1,,,,,,,,,,,,,
28,1,,26716-140002,,,"NUT M14",2,2,2,2,,,,,,,,,,,,,
29,1,,26716-120002,,,"NUT 12",2,2,2,2,,,,,,,,,,,,,



1,1,,172183-81160,, "TREE CLIP",4,4,4,4,,,,,,,,,,,,,
2,1,,172458-81500,, "ARM,1220 (GREEN:97)",1,1,1,1,,,,,,,,,,,,,
3,2,,172168-81270,, "SEAL,DUST 38X50X4",4,4,4,4,,,,,,,,,,,,,
4,2,,172444-81310,, BUSH,2,2,2,2,,,,,,,,,,,,,
5,2,,172458-81630,, "BUSH 38-55",4,4,4,4,,,,,,,,,,,,,
6,2,,172165-81760,, "SEAL 50X60X4, DUST",2,2,,,,,,,,,,,,,
6-1,2,,172448-54120,, "SEAL
50X60X4,DUST",2,2,2,2,,,R,,72449038,M/#22628,72449038,M/#22628,,,,,,,,,I
7,1,,172164-81670,, SPACER,2,2,2,2,,,,,,,,,,,,,
8,1,,172165-82520,, "SHIM 50X85X0.5",1,1,1,1,,,,,,,,,,,,,
9,1,,172165-82530,, "SHIM 50X85X1.2",1,1,1,1,,,,,,,,,,,,,
10,1,,172458-83690,, "PIN 50X118 ASSY",1,1,1,1,,,,,,,,,,,,,
11,1,,172458-83710,, "PIN 38X116 ASSY",1,1,1,1,,,,,,,,,,,,,
12,1,,22157-120000,, "WASHER 12",2,2,2,2,,,,,,,,,,,,,
13,1,,24761-040000,, "NIPPLE B,GREASE",1,1,1,1,,,,,,,,,,,,,
14,1,,26013-120252,, "BOLT M12X 25",2,2,2,2,,,,,,,,,,,,,
15,1,,933171-29751,, "SHIM SET,38X(0.8,1.2)",1,1,1,1,,,,,,,,,,,,,
18,1,,172142-81620,, O-RING,2,2,2,2,,,,,,,,,,,,,

アームシリンダ
ARM CYLINDER

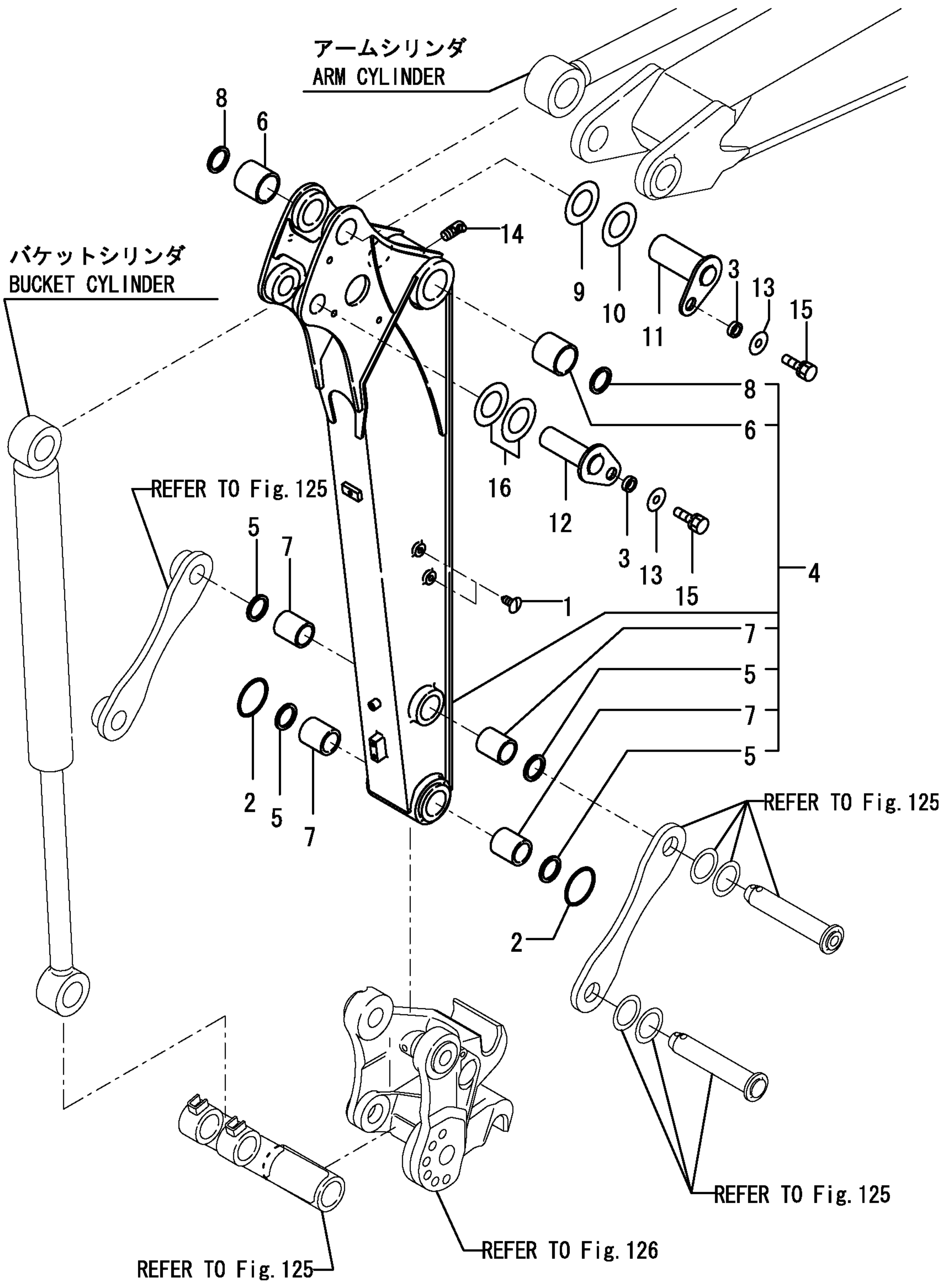
バケットシリンダ
BUCKET CYLINDER



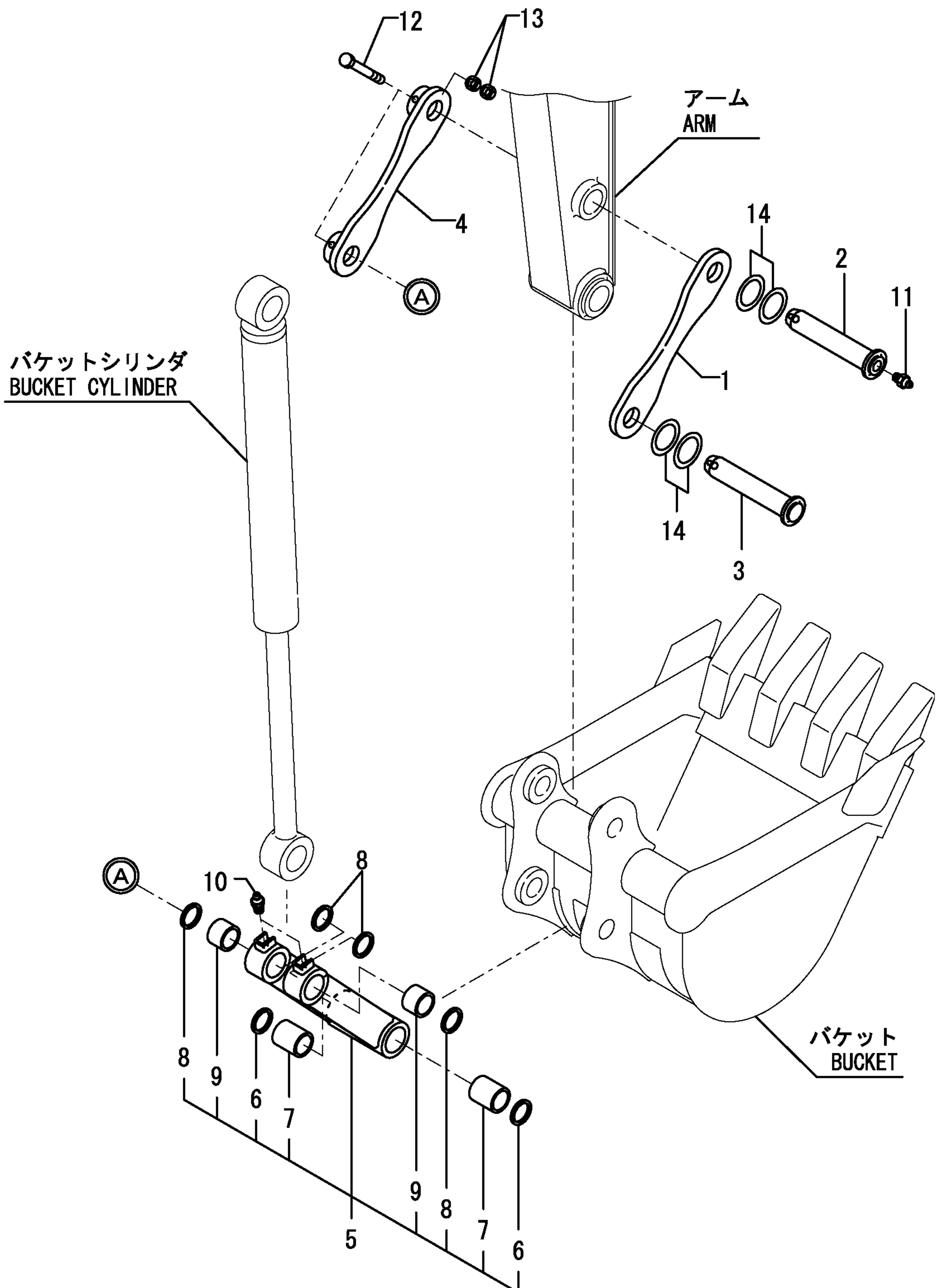
1,1,,172183-81160,, "TREE CLIP",4,4,4,4,,,,,,,,,,,,,
2,1,,172142-81620,, O-RING,2,2,2,2,,,,,,,,,,,,,
3,1,,172164-81670,, SPACER,2,2,2,2,,,,,,,,,,,,,
4,1,,172958-81800,, "ARM 1150 Q(GREEN:97)",1,1,1,1,,,,,,,,,,,,,
5,2,,172168-81270,, "SEAL,DUST 38X50X4",4,4,4,4,,,,,,,,,,,,,
6,2,,172444-81310,, BUSH,2,2,2,2,,,,,,,,,,,,,
7,2,,172458-81630,, "BUSH 38-55",4,4,4,4,,,,,,,,,,,,,
8,2,,172165-81760,, "SEAL 50X60X4, DUST",2,2,,,,,,,,,,,,,
8-1,2,,172448-54120,, "SEAL
50X60X4,DUST",2,2,2,2,,,R,,72449038,M/#22628,72449038,M/#22628,,,,,,,,,I
9,1,,172165-82520,, "SHIM 50X85X0.5",1,1,1,1,,,,,,,,,,,,,
10,1,,172165-82530,, "SHIM 50X85X1.2",1,1,1,1,,,,,,,,,,,,,
11,1,,172458-83690,, "PIN 50X118 ASSY",1,1,1,1,,,,,,,,,,,,,
12,1,,172458-83710,, "PIN 38X116 ASSY",1,1,1,1,,,,,,,,,,,,,
13,1,,22157-120000,, "WASHER 12",2,2,2,2,,,,,,,,,,,,,
14,1,,24761-040000,, "NIPPLE B,GREASE",1,1,1,1,,,,,,,,,,,,,
15,1,,26013-120302,, "BOLT W/WASHER M12X30",2,2,2,2,,,,,,,,,,,,,
16,1,,933171-29751,, "SHIM SET,38X(0.8,1.2)",1,1,1,1,,,,,,,,,,,,,

アームシリンダ
ARM CYLINDER

バケットシリンダ
BUCKET CYLINDER

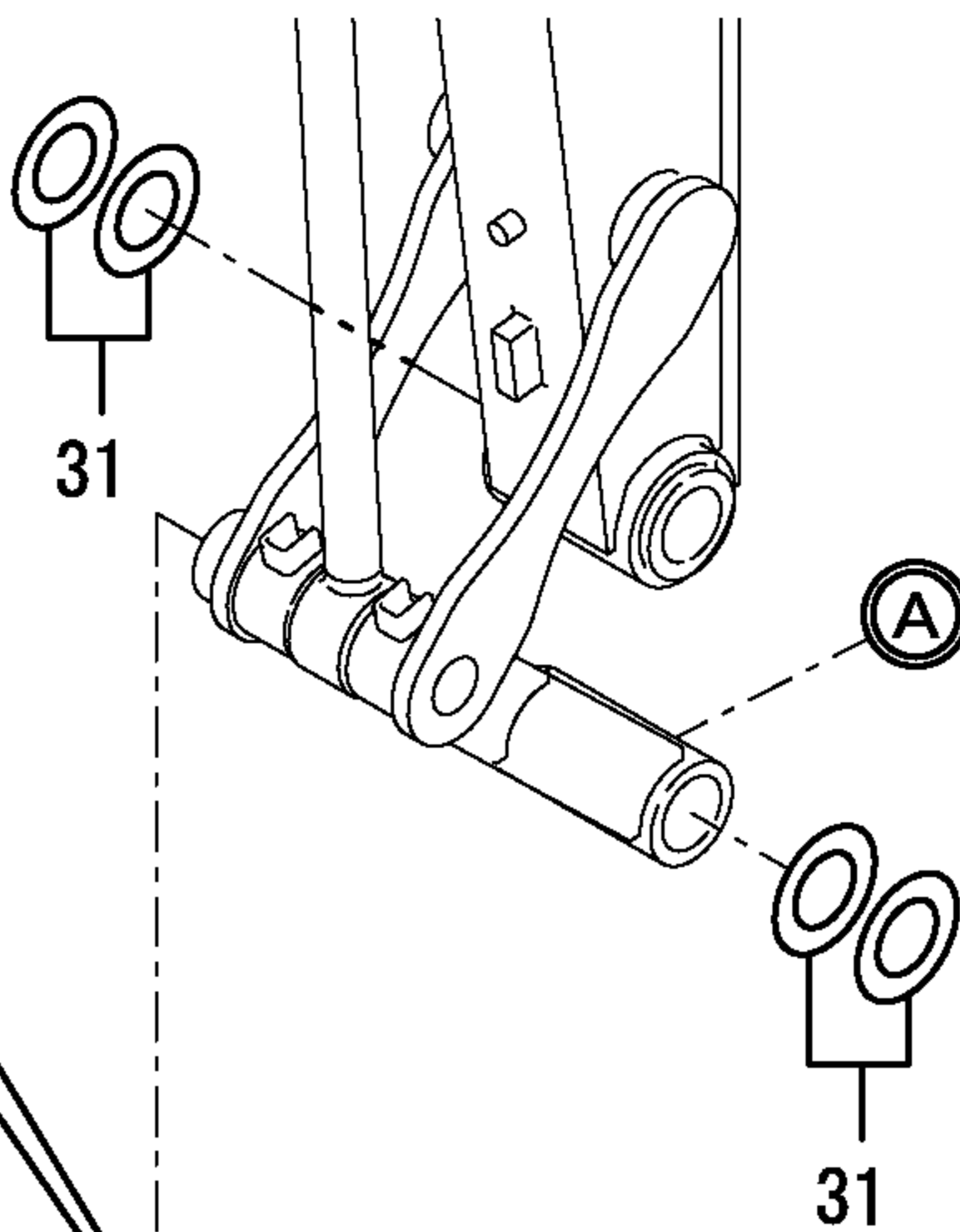
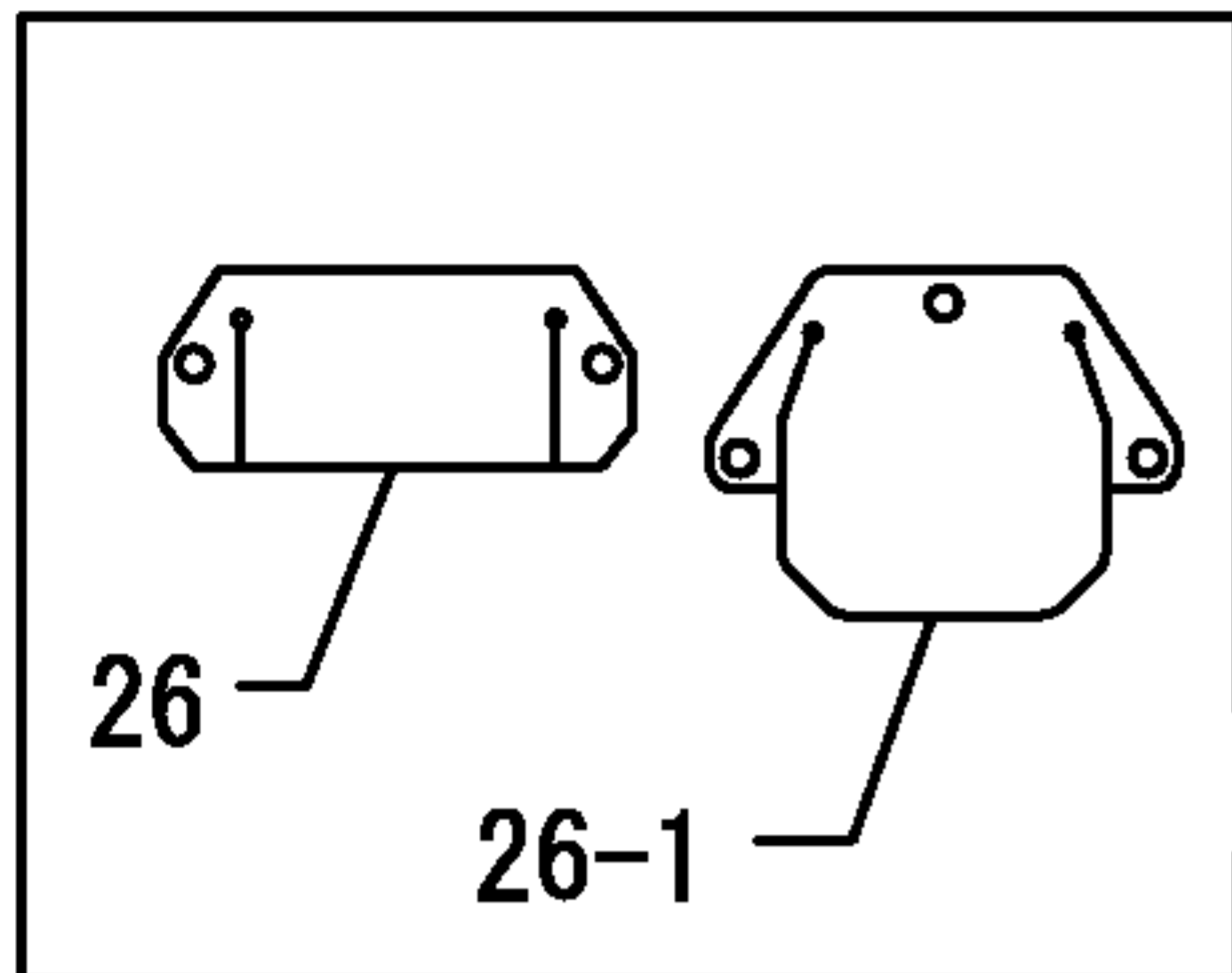
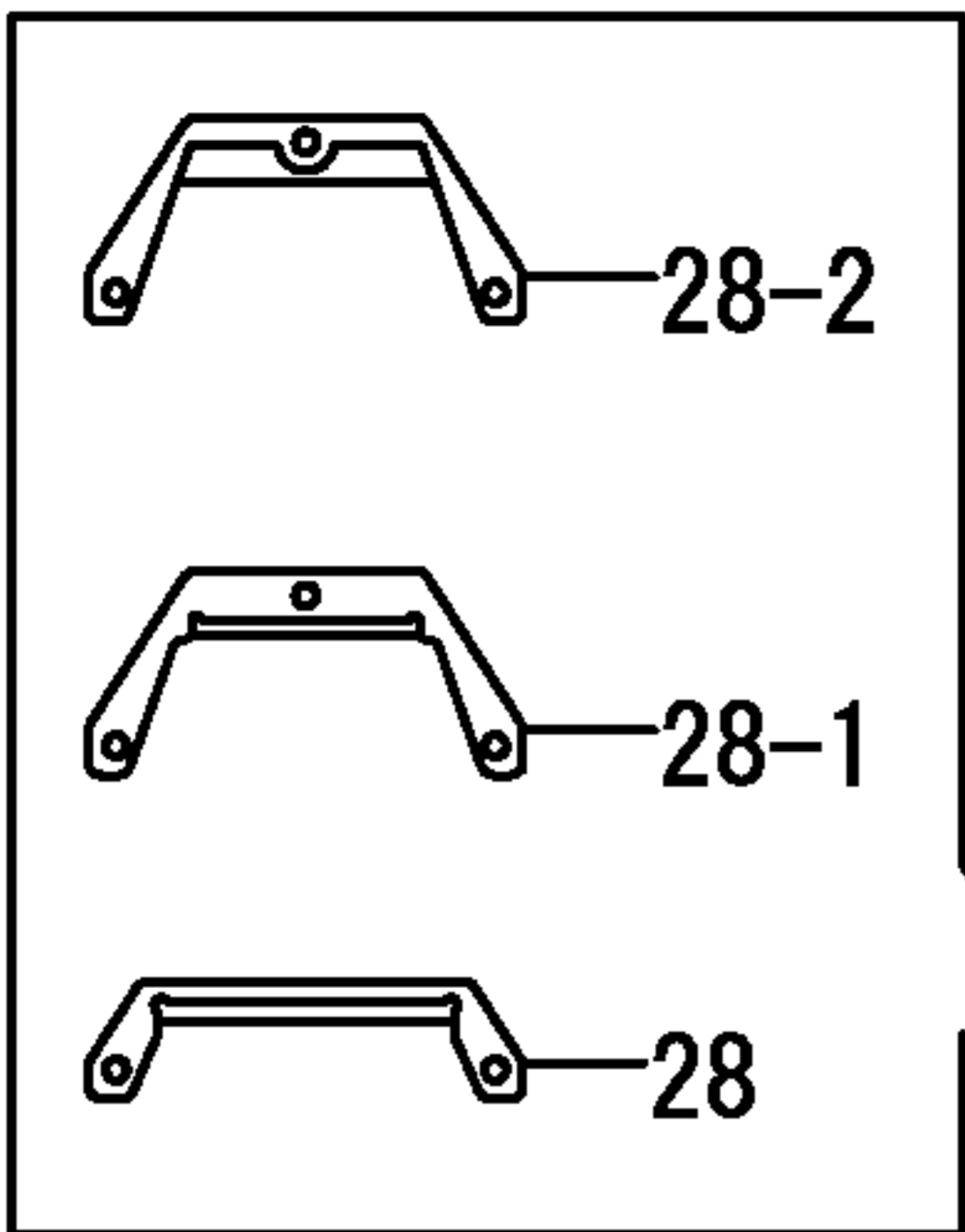


1,1,,172164-81820,, "ARM, BUCKET (GREEN:97)",1,1,1,1,,,,,,,,,,,,,
2,1,,172458-81860,, "PIN 38X182 ASSY",1,1,1,1,,,,,,,,,,,,,
3,1,,172458-81890,, "PIN 38X182 ASSY",1,1,1,1,,,,,,,,,,,,,
4,1,,172458-82600,, "ARM R, BUCKET (GREEN:97)",1,1,1,1,,,,,,,,,,,,,
5,1,,172458-82650,, "LINK, BUCKET (GREEN:97)",1,1,,,,,,,,,,,,,
5-1,1,,172458-82651,, "LINK, BUCKET
(97)",1,1,1,1,,R,,72458526,M/#22743,72458526,M/#22743,,,,,,,,,I
6,2,,172168-81270,, "SEAL, DUST 38X50X4",2,2,2,2,,,,,,,,,,,,,
7,2,,172458-81630,, "BUSH 38-55",2,2,2,2,,,,,,,,,,,,,
8,2,,172122-82290,, "SEAL, DUST",4,4,4,4,,,,,,,,,,,,,
9,2,,172168-84411,, "BUSH 38-48-33.5",2,2,2,2,,,,,,,,,,,,,
10,1,,24761-020000,, "NIPPLE PT1/8, GREASE",2,2,2,2,,,,,,,,,,,,,
11,1,,24761-020000,, "NIPPLE PT1/8, GREASE",1,1,1,1,,,,,,,,,,,,,
12,1,,26116-100752,, "BOLT M10X 75 PLATED",2,2,2,2,,,,,,,,,,,,,
13,1,,26716-100002,, "NUT 10",4,4,4,4,,,,,,,,,,,,,
14,1,,933171-29751,, "SHIM SET, 38X(0.8, 1.2)",2,2,2,2,,,,,,,,,,,,,

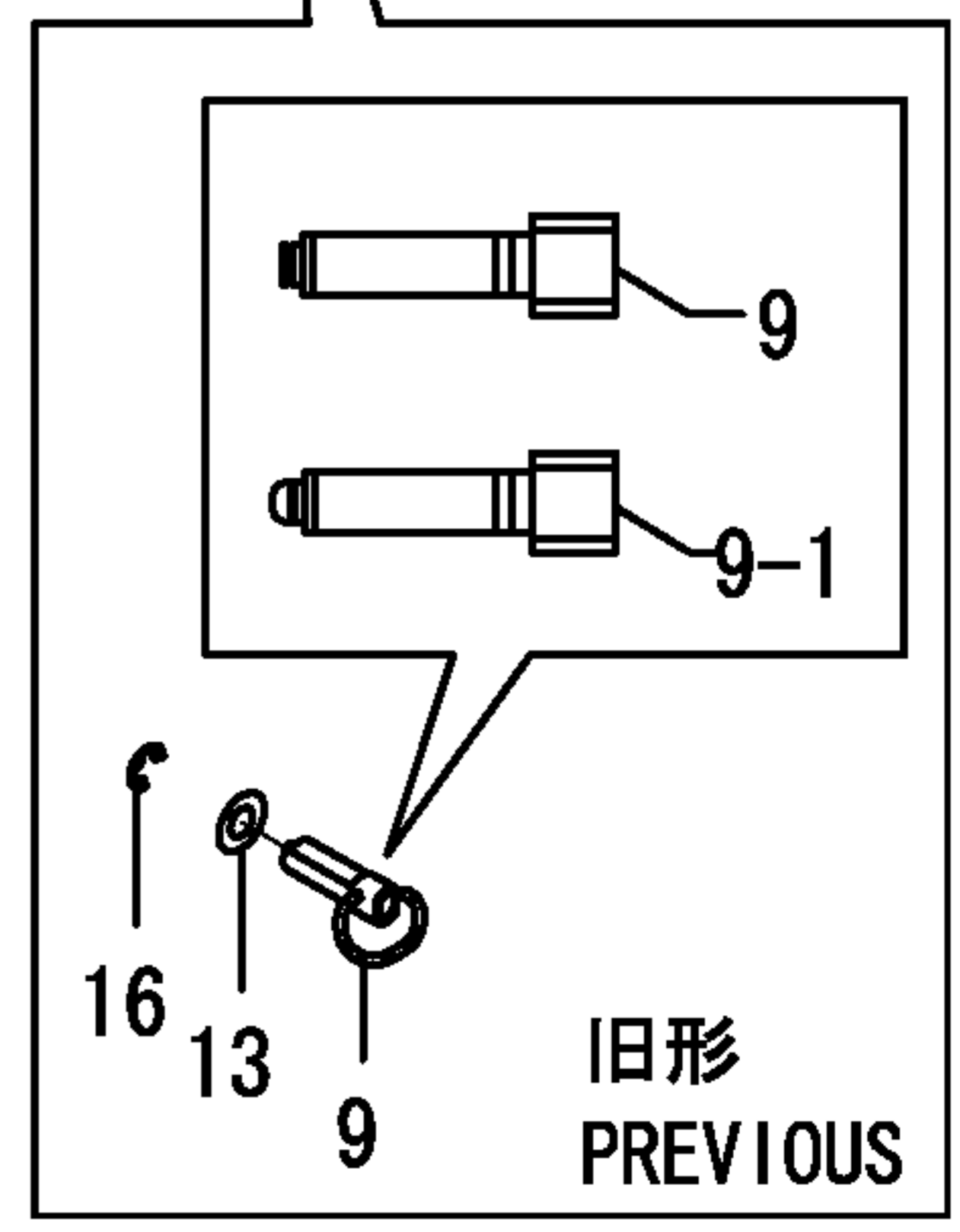
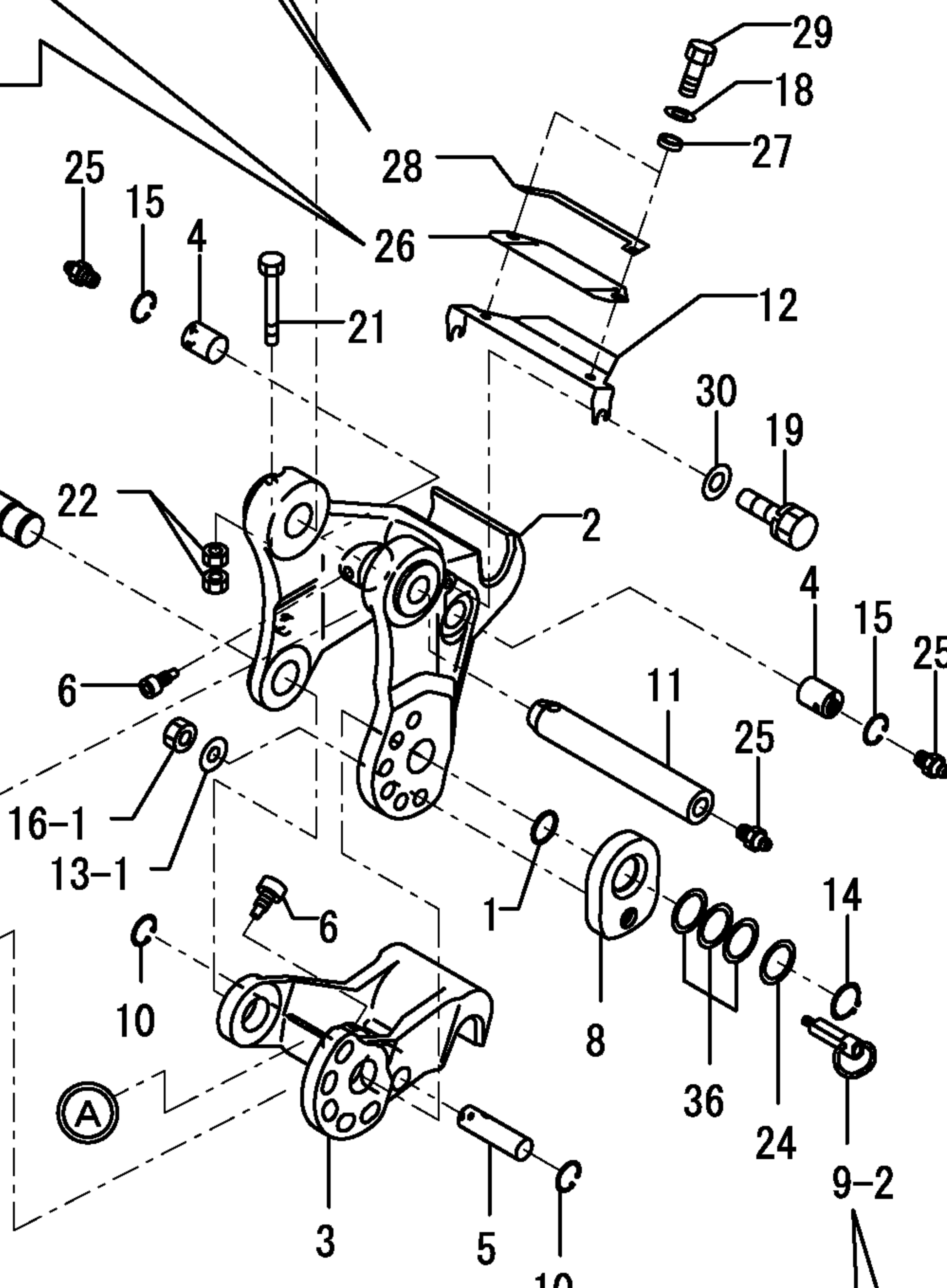
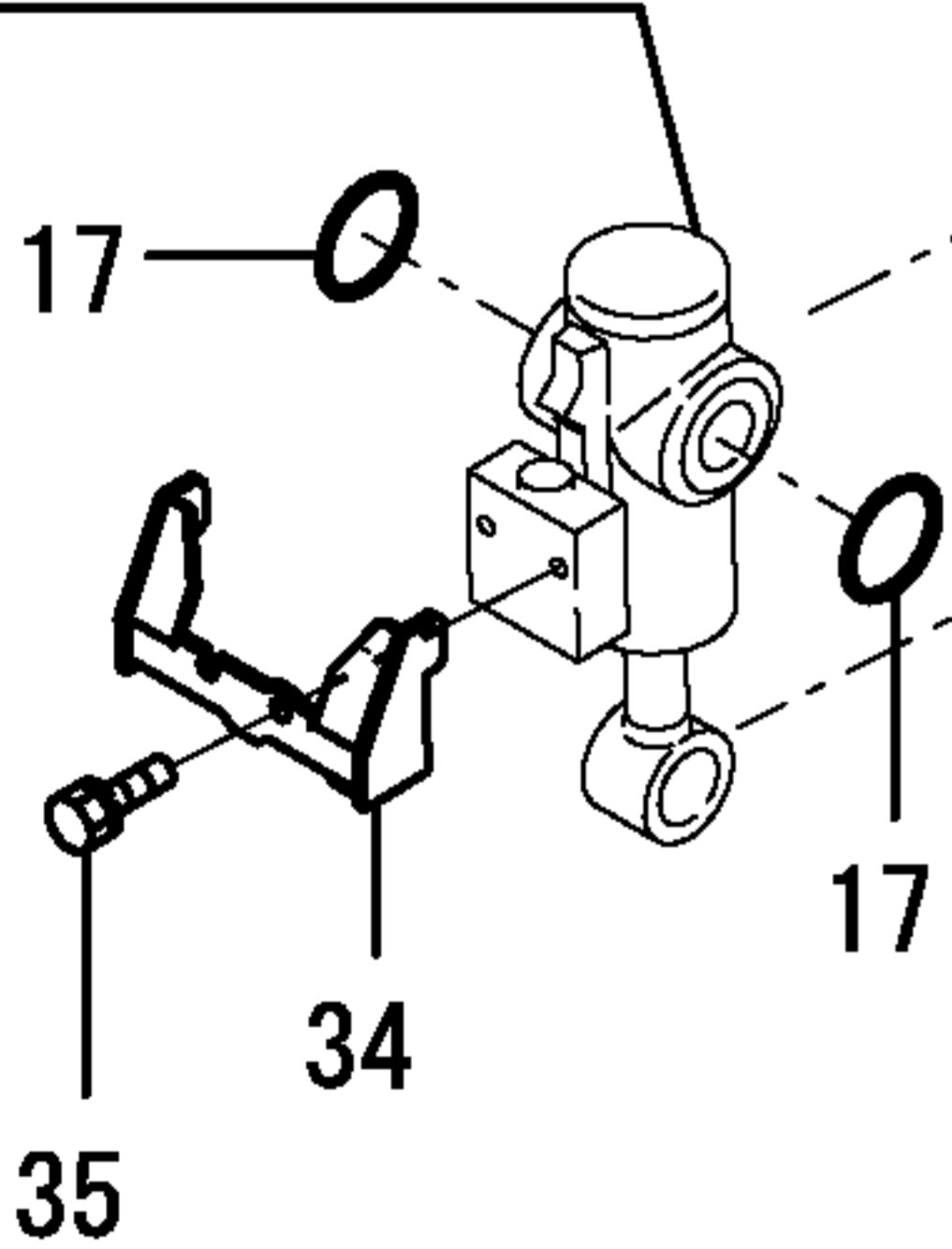


1,1,,172124-46200,, "O-RING 27X5.7",1,1,1,1,,,,,,,,,,,,,
2,1,,172958-83101,, "BRACKET A (GREEN:97)",1,1,,,,,,,,,,,,,
2-1,1,,172958-83102,, "BRACKET A
(GREEN:97)",1,1,1,1,,N,,29580072,M/#23060,29580072,M/#23060,,,,,,,,,I
3,1,,172958-83110,, "BRACKET B (GREEN:97)",1,1,,,,,,,,,,,,,
3-1,1,,172958-83111,, "BRACKET B
(GREEN:97)",1,1,1,1,,N,,29580072,M/#23060,29580072,M/#23060,,,,,,,,,I
4,1,,172958-83120,, "PIN 30X37",2,2,2,2,,,,,,,,,,,,,
5,1,,172958-83130,, "PIN 25X86",1,1,1,1,,,,,,,,,,,,,
6,1,,172958-83140,, "BOLT,3,3,3,3",,,,,,,,,,,,,,
7,1,,172958-83150,, "PIN 38X237",1,1,1,1,,,,,,,,,,,,,
8,1,,172958-83170,, "PLATE,LOCK(GREEN:97)",1,1,,,,,,,,,,,,,
8-1,1,,172958-
83171,, "PLATE,LOCK(GREEN:97)",1,1,1,1,,N,,72958050,M/#20863,72958050,M/#20863,,
,,,,,
9,1,,172958-83180,, "PIN,LOCK",1,1,,,,,,,,,,,,,
9-1,1,,172958-83181,, "PIN ASSY,
LOCK",1,1,,,,,N,,72958050,M/#20863,72958050,M/#20863,,,,,,,,,
9-2,1,,172958-83182,, "PIN ASSY,
LOCK",1,1,1,1,,S,1,72960025,M/#21015,72960025,M/#21015,,,,,,,,,
10,1,,22252-000250,, "CIRCLIP 25",2,2,2,2,,,,,,,,,,,,,
11,1,,172958-83220,, "PIN 38X242",1,1,1,1,,,,,,,,,,,,,
12,1,,172958-83270,, "GUADE (GREEN:97)",1,1,,,,,,,,,,,,,
12-1,1,,172958-83271,, "GUADE
(GREEN:97)",1,1,1,1,,N,,72958053,M/#21062,72958053,M/#21062,,,,,,,,,
13,1,,22113-080000,, "WASHER 8",1,1,,,,,,,,,,,,,
13-1,1,,172958-83330,, "WASHER
6.4X15.5X1.5",1,1,1,1,,S,1,72960025,M/#21015,72960025,M/#21015,,,,,,,,,
14,1,,22242-000350,, "CIRCLIP 35",1,1,1,1,,,,,,,,,,,,,
15,1,,22252-000300,, "CIRCLIP 30",2,2,2,2,,,,,,,,,,,,,
16,1,,22273-000060,, "CIRCLIP E- 6",1,1,,,,,,,,,,,,,
16-1,1,,26756-060002,, "LOCK NUT
6",1,1,1,1,,S,1,72960025,M/#21015,72960025,M/#21015,,,,,,,,,
17,1,,24311-000480,, "O-RING 1A P-48.0",2,2,2,2,,,,,,,,,,,,,
18,1,,22137-080000,, "WASHER 8, POLISHED",2,2,,,,,,,,,,,,,
18-1,1,,22137-080000,, "WASHER 8,
POLISHED",3,3,3,3,,K,,72958061,M/#20655,72958061,M/#20655,,,,,,,,,
19,1,,26013-100162,, "BOLT M10X 16",2,2,,,,,,,,,,,,,
19-1,1,,26013-100202,, "BOLT W/WASHER
M10X20",2,2,2,2,,N,,72958042,M/#20745,72958042,M/#20745,,,,,,,,,
20,1,,26013-120302,, "BOLT W/WASHER M12X30",1,1,1,1,,,,,,,,,,,,,
21,1,,26116-100802,, "BOLT M10X 80 PLATED",1,1,1,1,,,,,,,,,,,,,
22,1,,26716-100002,, "NUT 10",2,2,2,2,,,,,,,,,,,,,
23,1,,22157-120000,, "WASHER 12",1,1,1,1,,,,,,,,,,,,,
24,1,,172141-99320,, "SHIM 35X2.3",1,1,,,,,,,,,,,,,
24-1,1,,172960-83210,, "COLLAR
35.5X55X1.2",1,1,1,1,,N,,72960024,M/#21068,72960024,M/#21068,,,,,,,,,
25,1,,24761-020000,, "NIPPLE PT1/8,GREASE",4,4,4,4,,,,,,,,,,,,,
26,1,,172958-83250,, "PLATE,RUBBER",1,1,,,,,,,,,,,,,
26-1,1,,172958-83251,, "PLATE,
RUBBER",1,1,1,1,,S,,72958053,M/#21062,72958053,M/#21062,,,,,,,,,
27,1,,172958-17120,, "COLLER 9X4",2,2,,,,,,,,,,,,,
27-1,1,,172958-17120,, "COLLER
9X4",3,3,3,3,,K,,72958061,M/#20655,72958061,M/#20655,,,,,,,,,
28,1,,172958-83280,, "PLATE (GREEN:97)",1,1,,,,,,,,,,,,,
28-1,1,,172958-83281,, "GUADE
(GREEN:97)",1,1,,,,,S,,72958053,M/#21062,72958053,M/#21062,,,,,,,,,
28-2,1,,172958-83261,, "GUARD
(GREEN:97)",1,1,1,1,,R,,72956029,M/#22474,72956029,M/#22474,,,,,,,,,I
29,1,,26116-080204,, "BOLT M 8X 20 PLATED",2,2,,,,,,,,,,,,,
29-1,1,,26116-080202,, "BOLT M 8X 20
PLATED",3,3,3,3,,K,,72958061,M/#20655,72958061,M/#20655,,,,,,,,,
30,1,,22137-100000,, "WASHER 10,POLISHED",2,2,2,2,,,,,,,,,,,,,

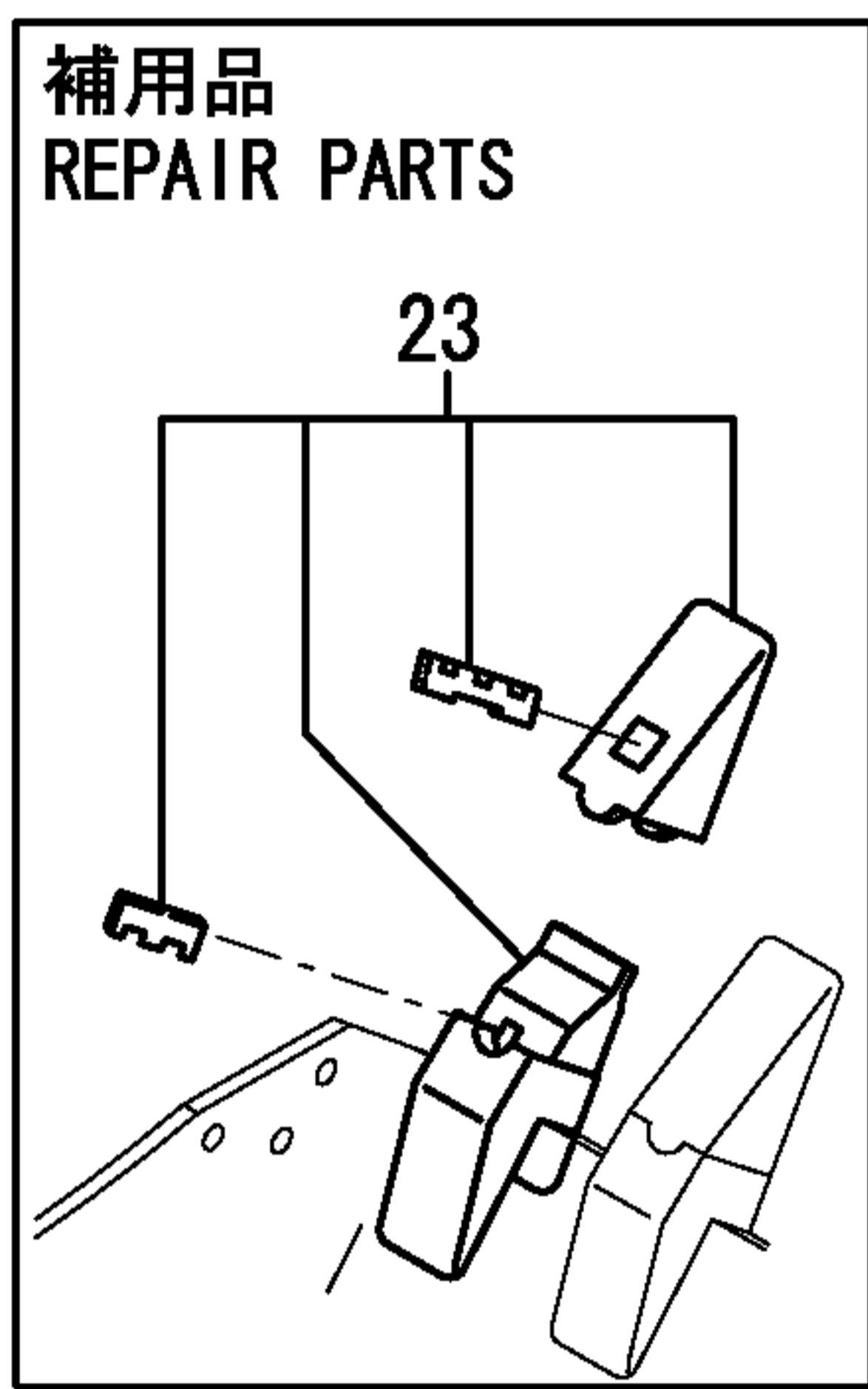
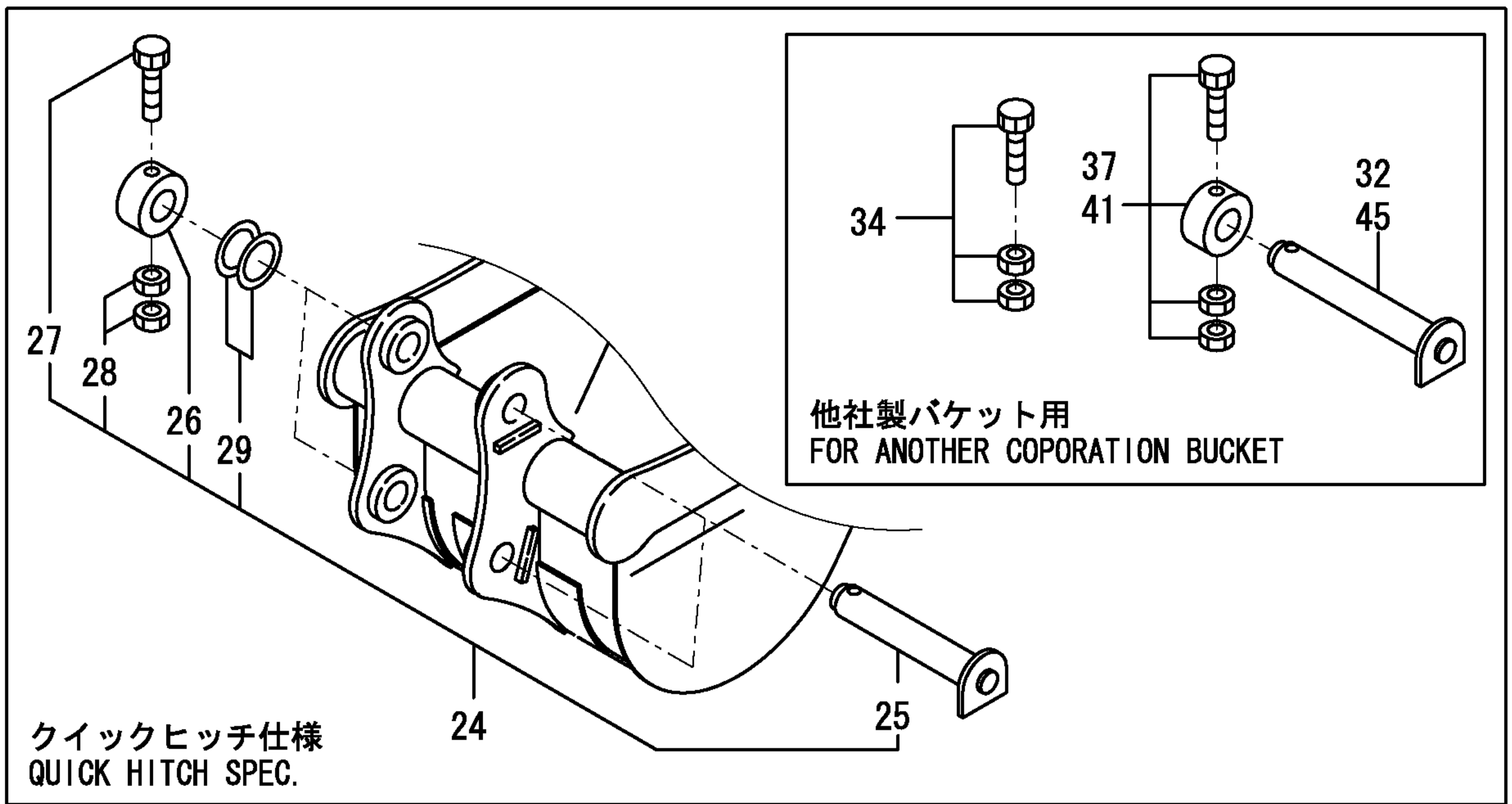
31,1,,933171-29751,, "SHIM SET,38X(0.8,1.2",2,2,2,2,,,,,,,,,,,,,
34,1,,172958-83290,, "PLATE, GUARD(GREEN:97",1,1,,,,,,,,,,,,,
34-1,1,,172958-
83291,, "PLATE, GUADE(GREEN:97",1,1,1,1,,,N,,72958053,M/#21062,72958053,M/#21062,,
,,,,,
35,1,,172958-83320,, "BOLT, BUTTON",2,2,,,,,,,,,,,,,
35-1,1,,26013-080162,, "BOLT W/WASHER
M8X16",2,2,2,2,,,N,,72956024,M/#21080,72956024,M/#21080,,,,,
36,1,,172141-84601,, "SHIM
35",1,1,1,1,,,W,,72956014,M/#20863,72956014,M/#20863,,,,,



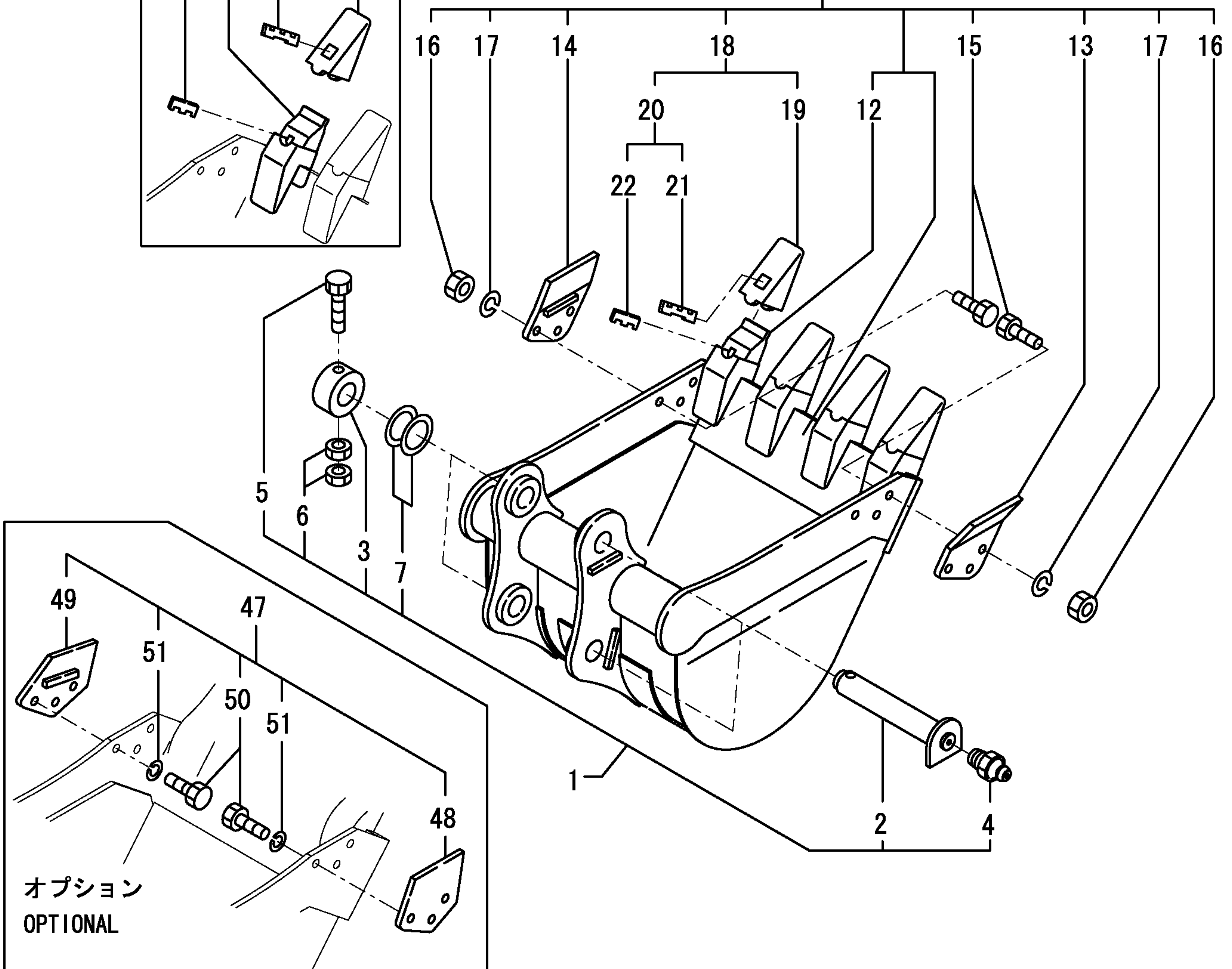
ヒッチシリンダ
HITCH CYLINDER



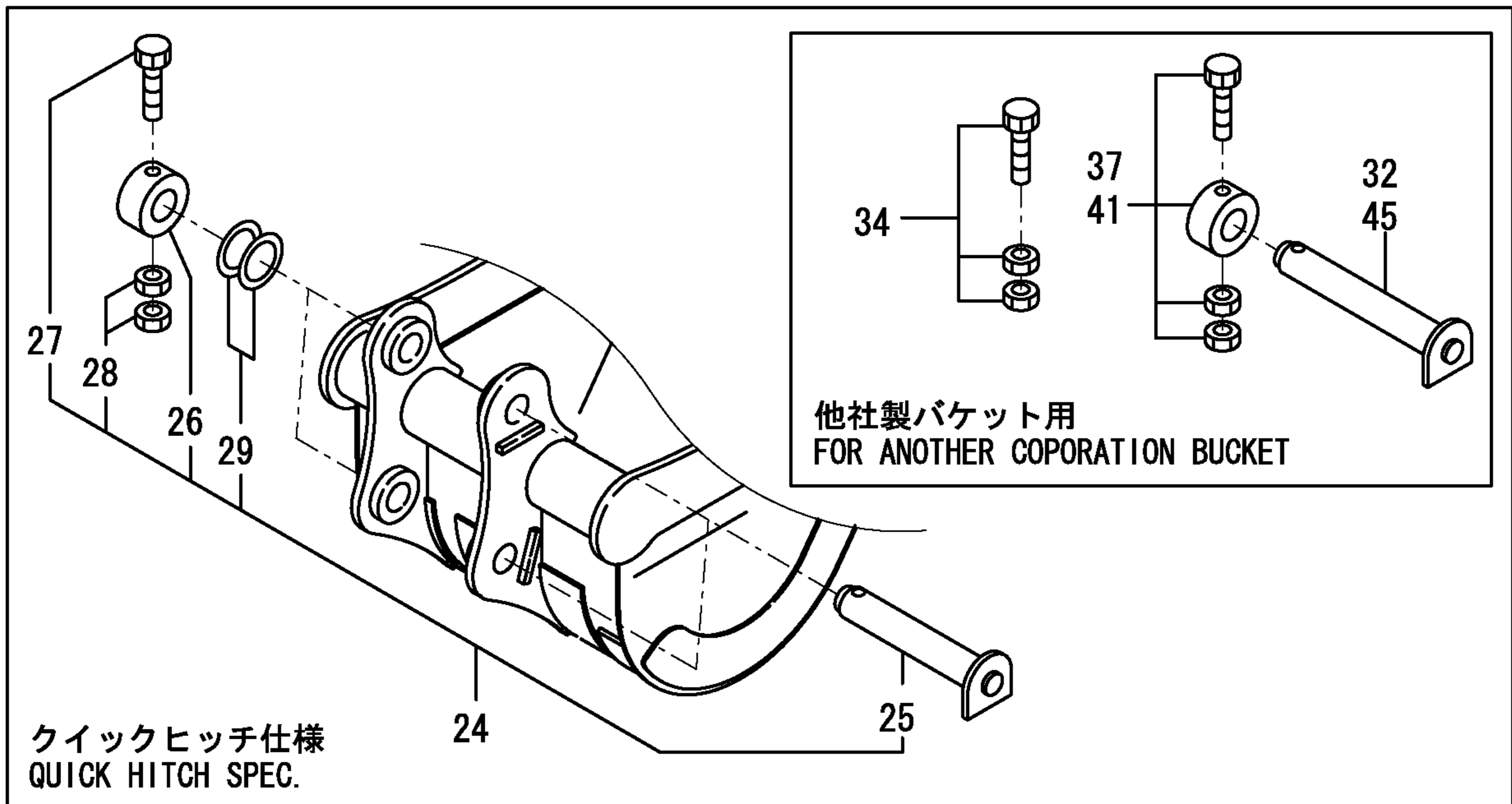
1,1,,172164-81950,, "PIN KIT, BUCKET",2,2,2,2,2,,,1,,,,,,,,,,,,,
2,2,,172164-81630,, PIN,2,2,2,2,2,,,,,,,,,,,,,
3,2,,172164-81700,, "COLLAR 38X50.8X22",2,2,2,2,2,,,,,,,,,,,,,
4,2,,24761-020000,, "NIPPLE PT1/8,GREASE",2,2,2,2,2,,,,,,,,,,,,,
5,2,,26116-100652,, "BOLT M10X 65 PLATED",2,2,2,2,2,,,,,,,,,,,,,
6,2,,26716-100002,, "NUT 10",4,4,4,4,4,,,,,,,,,,,,,
7,2,,933171-29751,, "SHIM SET,38X(0.8,1.2)",2,2,2,2,2,,,,,,,,,,,,,
10A,1,,172458-82850,, "BUCKET,340S(GREEN:97",1,,,,,,,,,,,,,
10B,1,,172458-82500,, "BUCKET,490S(GREEN:97",,1,,,,,2,,,,,,,,,,,,,
10C,1,,172458-82100,, "BUCKET,540S(GREEN:97",,1,,,,,1,,,,,,,,,,,,,
10D,1,,172458-82400,, "BUCKET,590S(GREEN:97",,1,,,,,2,,,,,,,,,,,,,
10E,1,,172458-82700,, "BUCKET,640S(GREEN:97",,1,,,,,2,,,,,,,,,,,,,
12,3,,172458-82230,, ADAPTER,2,3,4,4,4,,,,,,,,,,,,,
13,2,,172458-82240,, "CUTTER L (GREEN:97)",1,1,1,1,1,,,,,,,,,,,,,
14,2,,172458-82260,, "CUTTER R (GREEN:97)",1,1,1,1,1,,,,,,,,,,,,,
15,2,,172458-82280,, "BOLT M14X 40",6,6,6,6,6,,,,,,,,,,,,,
16,2,,172458-82290,, "NUT 14",6,6,6,6,6,,,,,,,,,,,,,
17,2,,22217-140000,, "SPRING WASHER 14",6,6,6,6,6,,,,,,,,,,,,,
18,2,,172165-86500,, "TOOTH KIT, POINT",2,3,4,4,4,,,,,,,,,,,,,
18-1,2,,172165-86501,, "TOOTH KIT,
POINT",2,3,4,4,4,,R,,72458527,M/#22743,72458527,M/#22743,72458527,M/#22743,72458
527,M/#22743,72458527,M/#22743,,,I
19,3,,172151-81600-4,, "POINT,TOOTH 18S (97)",2,3,4,4,4,,,,,,,,,,,,,
19-1,2,,172448-82570,, "POINT,TOOTH 18S
(97)",2,3,4,4,4,,R,,72458527,M/#22743,72458527,M/#22743,72458527,M/#22743,724585
27,M/#22743,72458527,M/#22743,,,I
20,3,,172151-81620,, "PIN ASSY, LOCK",2,3,4,4,4,,,,,,,,,,,,,
20-1,3,,172151-81621,, "PIN ASSY,LOCK",2,3,4,4,4,,R,,,,,,,,,,,,,I
21,4,,172151-
81630,, PIN,2,3,4,4,4,,,72458527,M/#22743,72458527,M/#22743,72458527,M/#22743,72
458527,M/#22743,72458527,M/#22743,
21-1,2,,172448-
82580,, "PIN,LOCK",2,3,4,4,4,,R,,72458527,M/#22743,72458527,M/#22743,72458527,M/#
22743,72458527,M/#22743,72458527,M/#22743,,,I
22,4,,172151-81640,, "LOCK,RUBBER BIN",2,3,4,4,4,,,,,,,,,,,,,
22-1,2,,172448-
82590,, "RUBBER,PIN",2,3,4,4,4,,R,,72458527,M/#22743,72458527,M/#22743,72458527,M/
/#22743,72458527,M/#22743,72458527,M/#22743,,,I
23,1,,772458-82230,, "TOOH ASSY (GREEN:97)",2,3,4,4,4,,,3,,,,,,,,,,,,,
23-1,1,,772458-82231,, "TOOTH
ASSY(GREEN:97)",2,3,4,4,4,,R,,72458527,M/#22743,72458527,M/#22743,72458527,M/#22
743,72458527,M/#22743,72458527,M/#22743,,,I
24,1,,172958-81590,, "PIN KIT Q,BUCKET",2,2,2,2,2,,,4,,,,,,,,,,,,,
25,2,,172958-81600,, "PIN 38X229 ASSY",2,2,2,2,2,,,,,,,,,,,,,
26,2,,172164-81700,, "COLLAR 38X50.8X22",2,2,2,2,2,,,,,,,,,,,,,
27,2,,26116-100652,, "BOLT M10X 65 PLATED",2,2,2,2,2,,,,,,,,,,,,,
28,2,,26716-100002,, "NUT 10",4,4,4,4,4,,,,,,,,,,,,,
29,2,,933171-29751,, "SHIM SET,38X(0.8,1.2)",2,2,2,2,2,,,,,,,,,,,,,
32,1,,172958-08120,, "PIN KIT Q35,BUCKET",1,1,1,1,1,,,4,,,,,,,,,,,,,
34,1,,172958-08130,, "BOLT KIT 10X115",1,1,1,1,1,,,4,,,,,,,,,,,,,
37,1,,172956-08140,, "BOLT KIT 10X60",1,1,1,1,1,,,4,,,,,,,,,,,,,
41,1,,172958-08140,, "BOLT KIT 10X65",1,1,1,1,1,,,4,,,,,,,,,,,,,
45,1,,172958-08150,, "PIN KIT Q40,BUCKET",1,1,1,1,1,,,4,,,,,,,,,,,,,
47,1,,172142-86500,, "KIT,SIDE CUTTER (97)",1,1,1,1,1,,,5,,,,,,,,,,,,,I
48,2,,172142-86510,, "CUTTER (L) ASSY,SIDE",1,1,1,1,1,,,,,,,,,,,,,I
49,2,,172142-86520,, "CUTTER (R) ASSY,SIDE",1,1,1,1,1,,,,,,,,,,,,,I
50,2,,172142-86540,, "BOLT M14X 30",6,6,6,6,6,,,,,,,,,,,,,I
51,2,,22217-140000,, "SPRING WASHER 14",6,6,6,6,6,,,,,,,,,,,,,I



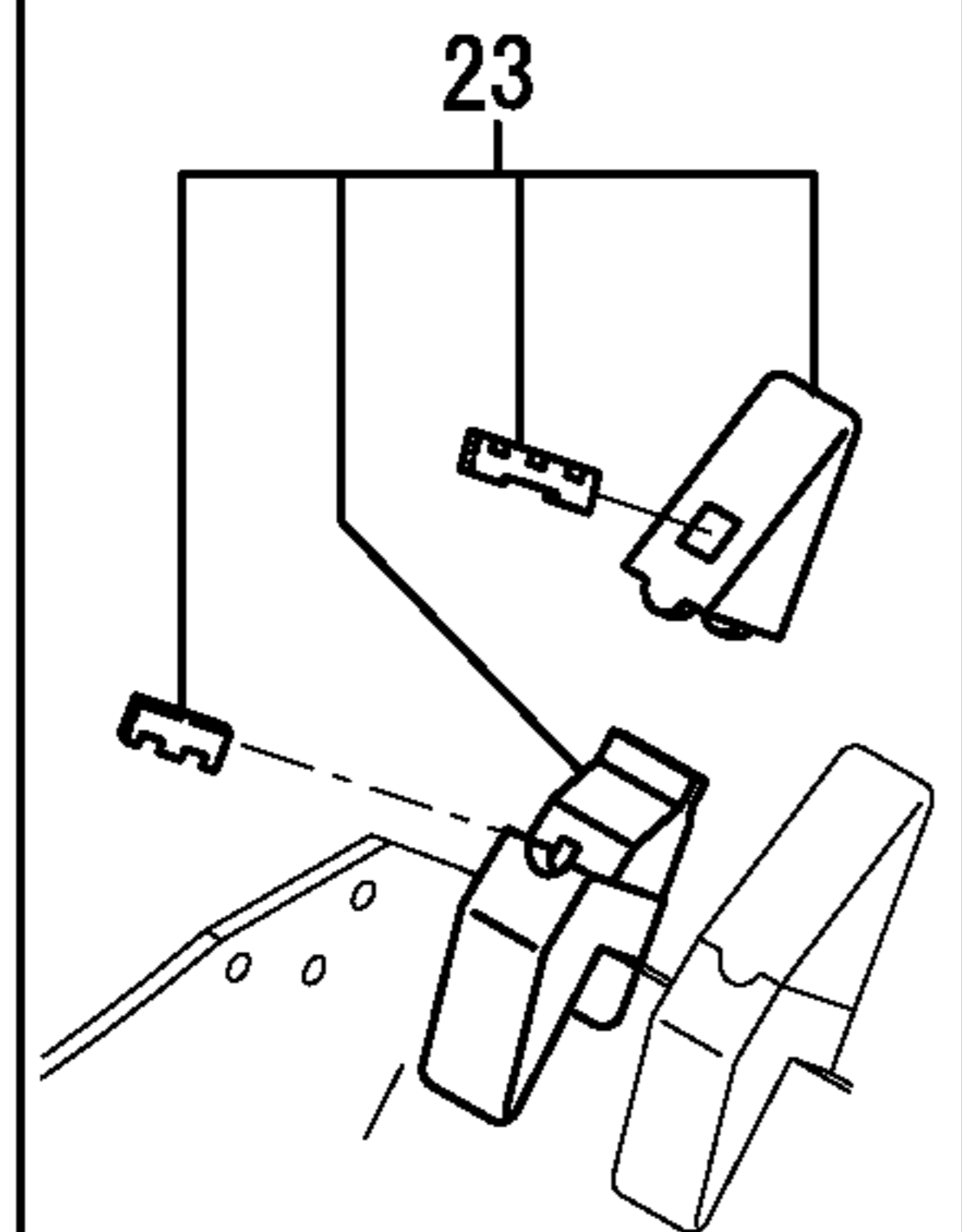
- 10A (340S)
- 10B (490S)
- 10C (540S) 標準
- 10D (590S)
- 10E (640S)



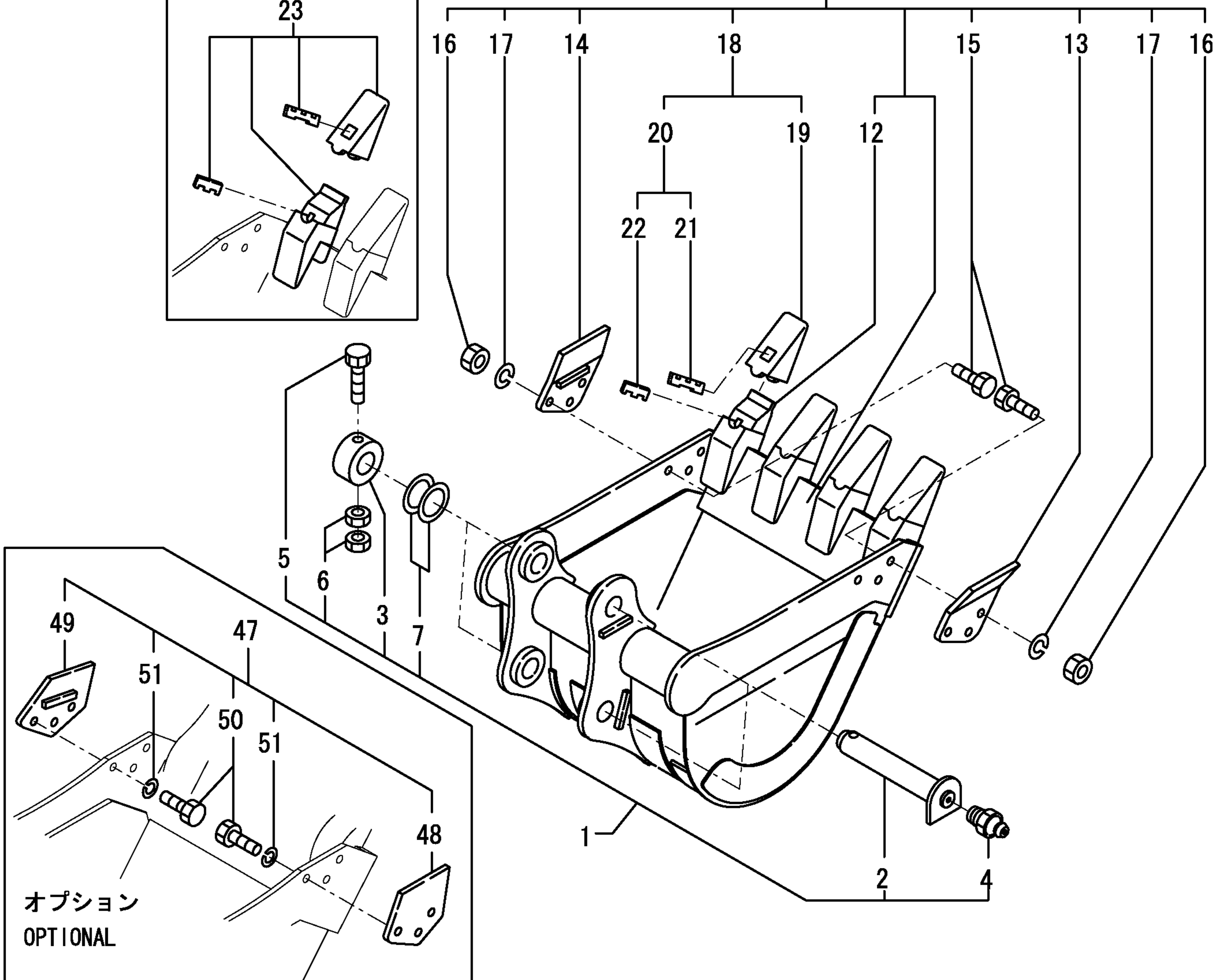
1,1,,172164-81950,, "PIN KIT, BUCKET",2,2,2,2,,,,,,,,,,,,,
2,2,,172164-81630,, PIN,2,2,2,2,,,,,1,,,,,,,,,,,,,
3,2,,172164-81700,, "COLLAR 38X50.8X22",2,2,2,2,,,,,,,,,,,,,
4,2,,24761-020000,, "NIPPLE PT1/8,GREASE",2,2,2,2,,,,,,,,,,,,,
5,2,,26116-100652,, "BOLT M10X 65 PLATED",2,2,2,2,,,,,,,,,,,,,
6,2,,26716-100002,, "NUT 10",4,4,4,4,,,,,,,,,,,,,
7,2,,933171-29751,, "SHIM SET,38X(0.8,1.2)",2,2,2,2,,,,,,,,,,,,,
10A,1,,172458-82550,, "BUCKET H,490S (97)",1,,,,,2,,,,,,,,,,,,,
10B,1,,172458-82350,, "BUCKET H,540S (97)",,1,,,,,2,,,,,,,,,,,,,
10C,1,,172458-82450,, "BUCKET H,590S (97)",,1,,,,,2,,,,,,,,,,,,,
10D,1,,172458-82750,, "BUCKET H,640S (97)",,1,,,,,2,,,,,,,,,,,,,
12,3,,172458-82230,, ADAPTER,3,4,4,4,,,,,,,,,,,,,
12-1,3,,172458-
82231,, ADAPTER,3,4,4,4,, ,R,,72458527,M/#22743,72458527,M/#22743,72458527,M/#2274
3,72458527,M/#22743,,,,,I
13,2,,172458-82240,, "CUTTER L (GREEN:97)",1,1,1,1,,,,,,,,,,,,,
14,2,,172458-82260,, "CUTTER R (GREEN:97)",1,1,1,1,,,,,,,,,,,,,
15,2,,172458-82280,, "BOLT M14X 40",6,6,6,6,,,,,,,,,,,,,
16,2,,172458-82290,, "NUT 14",6,6,6,6,,,,,,,,,,,,,
17,2,,22217-140000,, "SPRING WASHER 14",6,6,6,6,,,,,,,,,,,,,
18,2,,172165-86500,, "TOOTH KIT, POINT",3,4,4,4,,,,,,,,,,,,,
18-1,2,,172165-86501,, "TOOTH KIT,
POINT",3,4,4,4,, ,R,,72458527,M/#22743,72458527,M/#22743,72458527,M/#22743,724585
27,M/#22743,,,,,I
19,3,,172151-81600-4,, "POINT,TOOTH 18S (97)",3,4,4,4,,,,,,,,,,,,,
19-1,2,,172448-82570,, "POINT,TOOTH 18S
(97)",3,4,4,4,, ,72458527,M/#22743,72458527,M/#22743,72458527,M/#22743,72458527
,M/#22743,,,,,I
20,3,,172151-81620,, "PIN ASSY, LOCK",3,4,4,4,,,,,,,,,,,,,
20-1,3,,172151-81621,, "PIN
ASSY,LOCK",3,4,4,4,, ,R,72458527,M/#22743,72458527,M/#22743,72458527,M/#22743,72
458527,M/#22743,,,,,I
21,4,,172151-81630,, PIN,3,4,4,4,,,,,,,,,,,,,
21-1,2,,172448-
82580,, "PIN,LOCK",3,4,4,4,, ,72458527,M/#22743,72458527,M/#22743,72458527,M/#22
743,72458527,M/#22743,,,,,I
22,4,,172151-81640,, "LOCK,RUBBER BIN",3,4,4,4,,,,,,,,,,,,,
22-1,2,,172448-
82590,, "RUBBER,PIN",3,4,4,4,, ,72458527,M/#22743,72458527,M/#22743,72458527,M/#
22743,72458527,M/#22743,,,,,I
23,1,,772458-82230,, "TOOH ASSY (GREEN:97)",3,4,4,4,,,,,3,,,,,,,,,,,,,
23-1,1,,772458-82231,, "TOOTH
ASSY(GREEN:97)",3,4,4,4,, ,R,,72458527,M/#22743,72458527,M/#22743,72458527,M/#227
43,72458527,M/#22743,,,,,I
24,1,,172958-81590,, "PIN KIT Q,BUCKET",2,2,2,2,,,,,4,,,,,,,,,,,,,
25,2,,172958-81600,, "PIN 38X229 ASSY",2,2,2,2,,,,,,,,,,,,,
26,2,,172164-81700,, "COLLAR 38X50.8X22",2,2,2,2,,,,,,,,,,,,,
27,2,,26116-100652,, "BOLT M10X 65 PLATED",2,2,2,2,,,,,,,,,,,,,
28,2,,26716-100002,, "NUT 10",4,4,4,4,,,,,,,,,,,,,
29,2,,933171-29751,, "SHIM SET,38X(0.8,1.2)",2,2,2,2,,,,,,,,,,,,,
32,1,,172958-08120,, "PIN KIT Q35,BUCKET",1,1,1,1,,,,,,,,,,,,,
34,1,,172958-08130,, "BOLT KIT 10X115",1,1,1,1,,,,,,,,,,,,,
37,1,,172956-08140,, "BOLT KIT 10X60",1,1,1,1,,,,,,,,,,,,,
41,1,,172958-08140,, "BOLT KIT 10X65",1,1,1,1,,,,,,,,,,,,,
45,1,,172958-08150,, "PIN KIT Q40,BUCKET",1,1,1,1,,,,,,,,,,,,,
47,1,,172142-86500,, "KIT,SIDE CUTTER (97)",1,1,1,1,,,,,5,,,,,,,,,,,,,I
48,2,,172142-86510,, "CUTTER (L) ASSY,SIDE",1,1,1,1,,,,,,,,,,,,,I
49,2,,172142-86520,, "CUTTER (R) ASSY,SIDE",1,1,1,1,,,,,,,,,,,,,I
50,2,,172142-86540,, "BOLT M14X 30",6,6,6,6,,,,,,,,,,,,,I
51,2,,22217-140000,, "SPRING WASHER 14",6,6,6,6,,,,,,,,,,,,,I



補用品
REPAIR PARTS

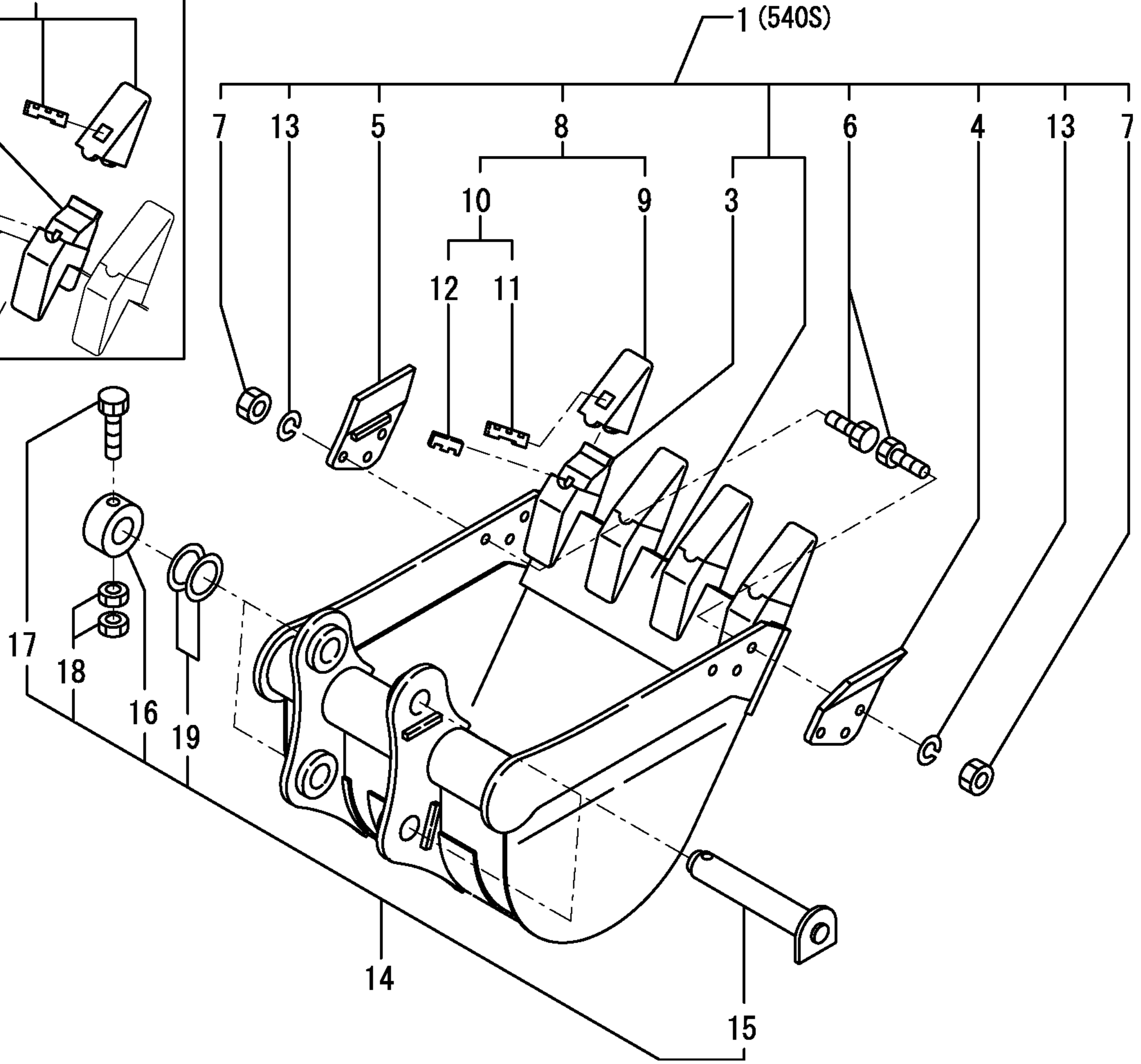
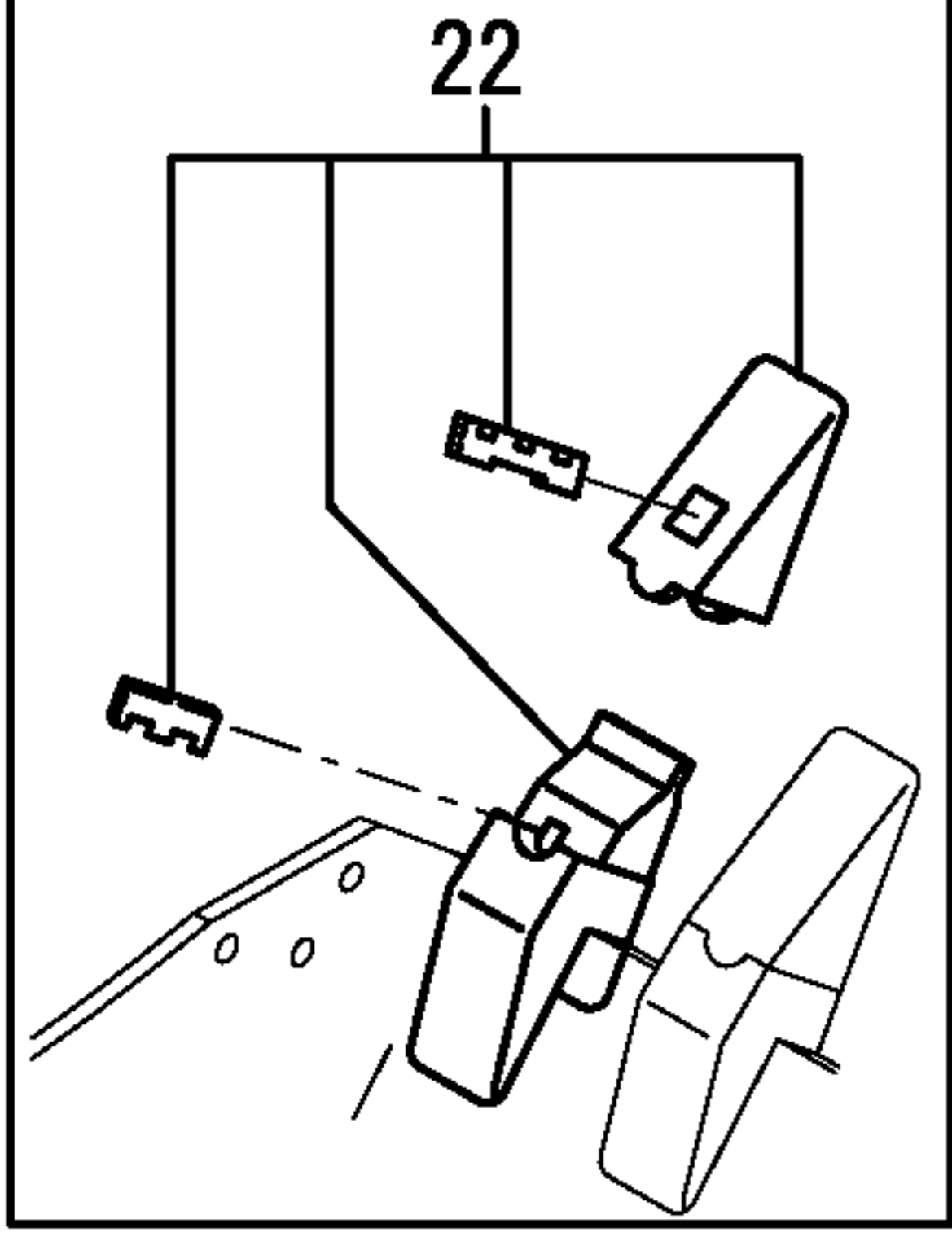


- 10A (H490S)
- 10B (H540S)
- 10C (H590S)
- 10D (H640S)



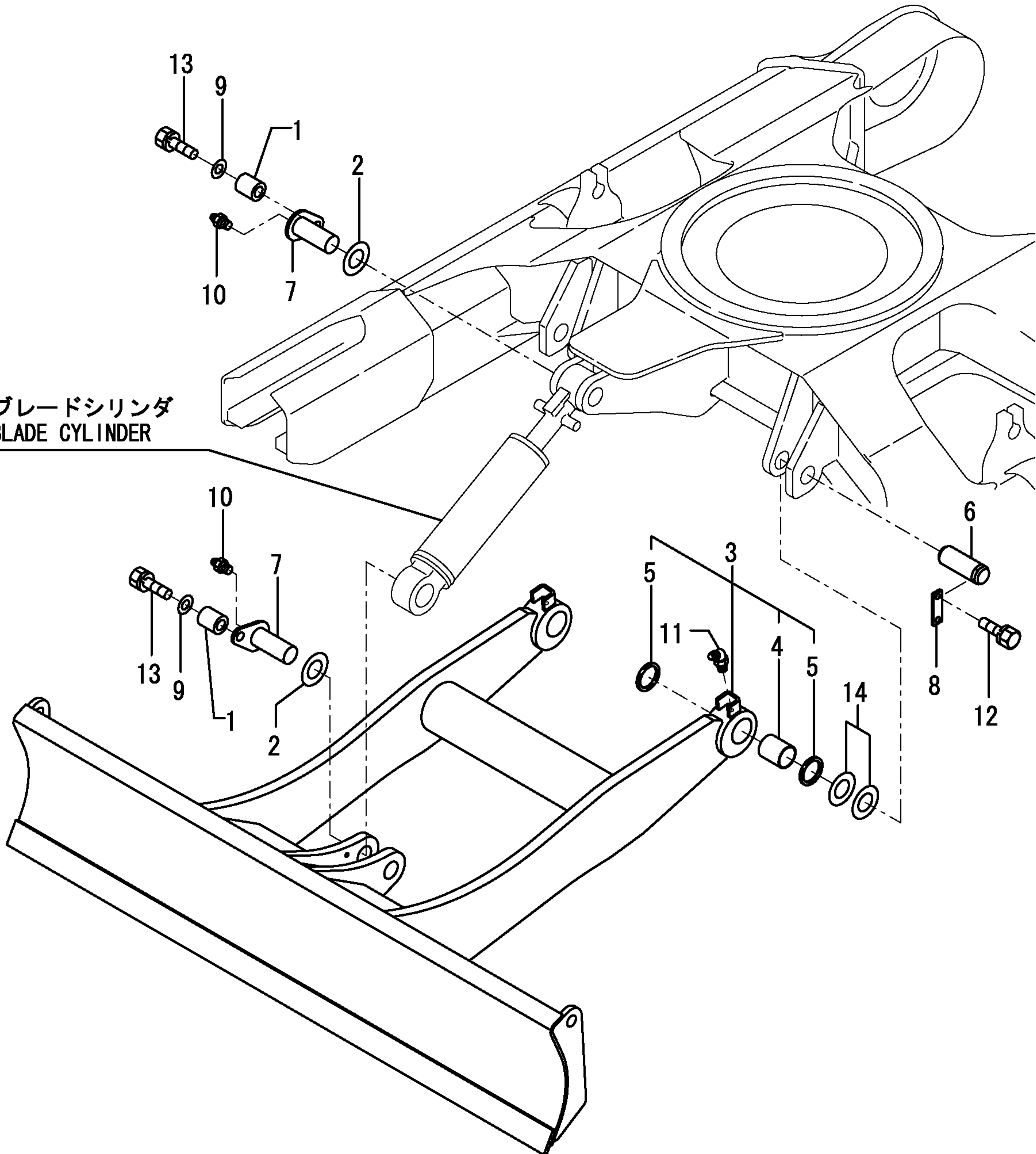
1,1,,172458-82100,, "BUCKET,540S(GREEN:97)",,,1,1,,,,,,,,,,,,,,,,,,,,,I
3,3,,172458-82231,, ADAPTER,,,,4,4,,,,,,,,,,,,,,,,,,,,,I
4,2,,172458-82240,, "CUTTER L (GREEN:97)",,,1,1,,,,,,,,,,,,,,,,,,,,,I
5,2,,172458-82260,, "CUTTER R (GREEN:97)",,,1,1,,,,,,,,,,,,,,,,,,,,,I
6,2,,172458-82280,, "BOLT 14X40",,,6,6,,,,,,,,,,,,,,,,,,,,,I
7,2,,172458-82290,, "NUT, M14",,,6,6,,,,,,,,,,,,,,,,,,,,,I
8,2,,172165-86501,, "TOOTH KIT, POINT",,,4,4,,,,,,,,,,,,,,,,,,,,,I
9,3,,172448-82570,, "POINT,TOOTH 18S (97)",,,4,4,,,,,,,,,,,,,,,,,,,,,I
10,3,,172151-81621,, "PIN ASSY,LOCK",,,4,4,,,,,,,,,,,,,,,,,,,,,I
11,4,,172448-82580,, "PIN,LOCK",,,4,4,,,,,,,,,,,,,,,,,,,,,I
12,4,,172448-82590,, "RUBBER,PIN",,,4,4,,,,,,,,,,,,,,,,,,,,,I
13,2,,22217-140000,, "SPRING WASHER 14",,,6,6,,,,,,,,,,,,,,,,,,,,,I
14,1,,172958-81590,, "PIN KIT Q,BUCKET",,,2,2,,,,,,,,,,,,,,,,,,,,,I
15,2,,172958-81600,, "PIN 38X229 ASSY",,,2,2,,,,,,,,,,,,,,,,,,,,,I
16,3,,172164-81700,, "COLLAR 38X50.8X22",,,2,2,,,,,,,,,,,,,,,,,,,,,I
17,3,,26116-100652,, "BOLT M10X 65 PLATED",,,2,2,,,,,,,,,,,,,,,,,,,,,I
18,3,,26716-100002,, "NUT 10",,,4,4,,,,,,,,,,,,,,,,,,,,,I
19,3,,933171-29751,, "SHIM SET,38X(0.8,1.2)",,,2,2,,,,,,,,,,,,,,,,,,,,,I
22,1,,772458-82231,, "TOOTH ASSY(GREEN:97)",,,4,4,,,,,,,,,,,,,,,,,,,,,I

補用品
REPAIR PARTS



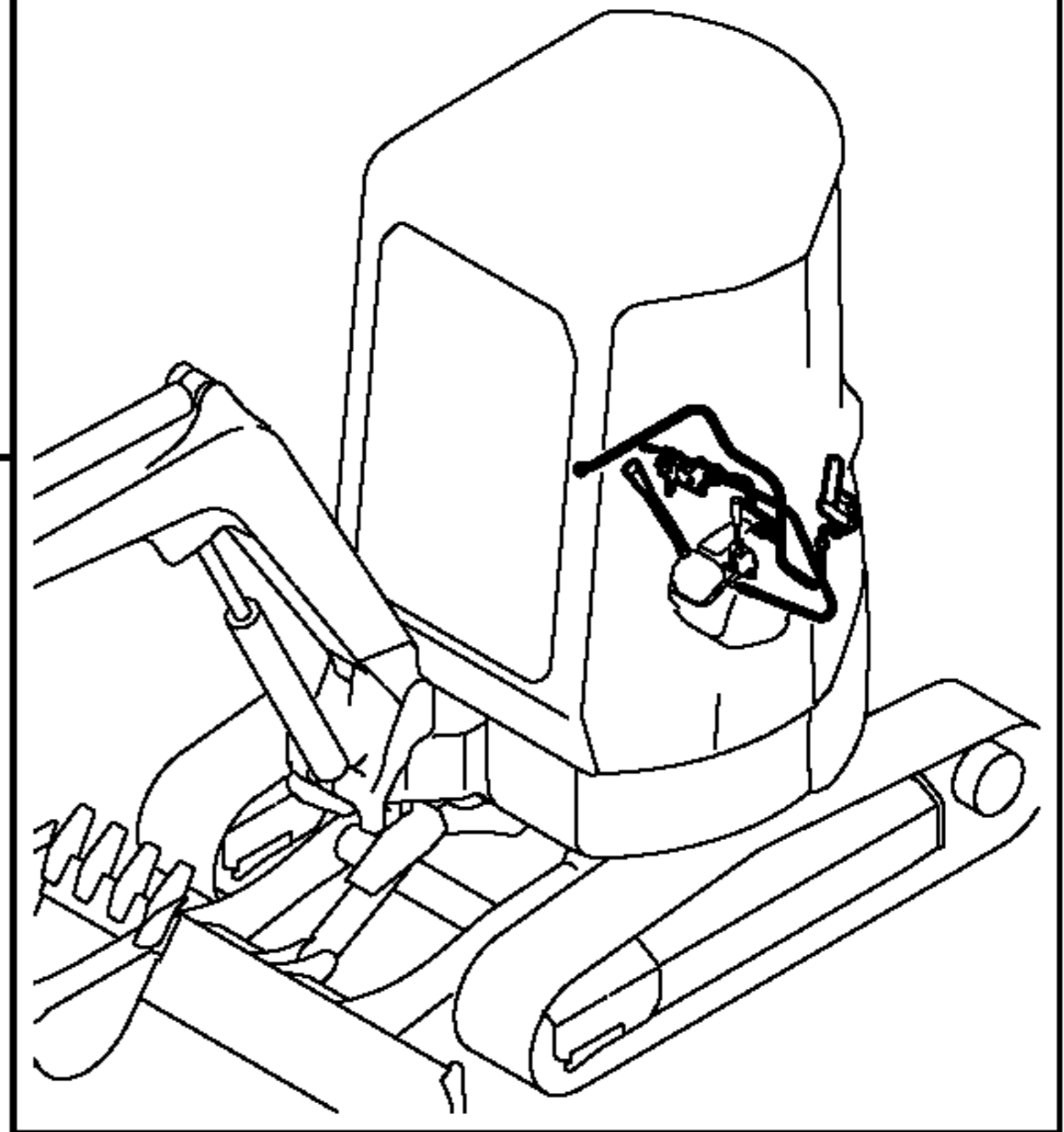
1,1,,172164-81670,,SPACER,2,2,2,2,,,,,,,,,,,,,
2,1,,172112-87860,, "SHIM 40X1",2,2,2,2,,,,,,,,,,,,,
3,1,,172422-94100,,BLADE,1,1,1,1,,,,,,,,,,,,,
4,2,,172168-72240,, "BUSH 38X50X40",2,2,2,2,,,,,,,,,,,,,
5,2,,172168-81270,, "SEAL,DUST 38X50X4",4,4,4,4,,,,,,,,,,,,,
6,1,,172422-94210,, "PIN 38X 114",2,2,2,2,,,,,,,,,,,,,
7,1,,172142-94241,, "PIN 40-106(GREEN:88)",2,2,2,2,,,,,,,,,,,,,
8,1,,172124-94310-1,, "PLATE (GREEN:88)",2,2,2,2,,,,,,,,,,,,,
9,1,,22157-120000,, "WASHER 12",2,2,2,2,,,,,,,,,,,,,
10,1,,24761-020000,, "NIPPLE PT1/8,GREASE",2,2,2,2,,,,,,,,,,,,,
11,1,,24761-040000,, "NIPPLE B,GREASE",2,2,2,2,,,,,,,,,,,,,
12,1,,26013-100252,, "BOLT W/WASHER M10X25",4,4,4,4,,,,,,,,,,,,,
13,1,,26013-120302,, "BOLT W/WASHER M12X30",2,2,2,2,,,,,,,,,,,,,
14,1,,933171-29751,, "SHIM SET,38X(0.8,1.2)",2,2,2,2,,,,,,,,,,,,,

ブレードシリンダ
BLADE CYLINDER



1,1,,172458-08200,, "DECEL. KIT",1,1,,,,,1,,,,,,,,,,,,,
2,2,,172458-12120,, "CABEL,ACCELERATOR OD",1,1,,,,,,,,,,,,,I
3,2,,172175-12200,, SHAFT,1,1,,,,,,,,,,,,,I
4,2,,172175-12230,, "LINK A",1,1,,,,,,,,,,,,,I
5,2,,172175-12260,, "BASE CMP",1,1,,,,,,,,,,,,,I
6,3,,172175-12270,, BASE,1,1,,,,,,,,,,,,,I
7,3,,24550-014200,, "BUSH 14X20",1,1,,,,,,,,,,,,,I
8,2,,172175-12310,, "LINK B",1,1,,,,,,,,,,,,,I
9,3,,172175-12320,, "LINK B",1,1,,,,,,,,,,,,,I
10,3,,24550-014200,, "BUSH 14X20",1,1,,,,,,,,,,,,,I
11,2,,172175-12350,, "SPRING, RETURN",1,1,,,,,,,,,,,,,I
12,2,,172175-12360,, "CABLE, ACCELERATOR",1,1,,,,,,,,,,,,,I
13,2,,172175-12370,, PLATE,1,1,,,,,,,,,,,,,I
14,2,,172137-16560,, BAND,1,1,,,,,,,,,,,,,I
15,2,,172460-16570,, "HARNES DECCEL ASSY",1,1,,,,,,,,,,,,,I
16,3,,172460-16580,, HARNES(DECCEL,1,1,,,,,,,,,,,,,I
17,3,,29420-200000,, HUSE,2,2,,,,,,,,,,,,,I
18,2,,172458-17110,, "BRACKET, TIMER",1,1,,,,,,,,,,,,,I
19,2,,172162-17180,, SOLENOID,1,1,,,,,,,,,,,,,I
20,2,,172190-17220,, "RELEY, TIMER",1,1,,,,,,,,,,,,,I
21,2,,172458-45070,, "LEVER L, DECCEL.",1,1,,,,,,,,,,,,,I
22,2,,172176-47870,, KNOB,1,1,,,,,,,,,,,,,I
23,2,,1C6281-52310,, "PIN 6,COME-OFF SNAP",6,6,,,,,,,,,,,,,I
24,2,,1A3809-56915,, "PIN 6X 20",1,1,,,,,,,,,,,,,I
25,2,,119620-66820,, JOINT,1,1,,,,,,,,,,,,,I
26,2,,22137-060000,, "WASHER 6, POLISHED",7,7,,,,,,,,,,,,,I
27,2,,22217-100000,, "SPRING WASHER 10",1,1,,,,,,,,,,,,,I
28,2,,22351-040025,, "PIN 4X25,SPRING",1,1,,,,,,,,,,,,,I
29,2,,24311-000210,, "O-RING 1A P-21.0",4,4,,,,,,,,,,,,,I
30,2,,26013-060162,, "BOLT M 6X 16",2,2,,,,,,,,,,,,,I
31,2,,26013-120252,, "BOLT M12X 25",2,2,,,,,,,,,,,,,I
32,2,,26022-060252,, "SCREW M 6X 25",2,2,,,,,,,,,,,,,I
33,2,,26116-100162,, "BOLT M10X 16 PLATED",1,1,,,,,,,,,,,,,I
34,2,,26587-040062,, "SCREW M 4X 6",1,1,,,,,,,,,,,,,I
35,2,,26716-060002,, "NUT 6",1,1,,,,,,,,,,,,,I
36,2,,933152-09280,, "BAND 170",6,6,,,,,,,,,,,,,I
37,2,,933166-17730,, "WASHER 10.5X30",1,1,,,,,,,,,,,,,I
38,2,,933168-55770,, "BAND 146",2,2,,,,,,,,,,,,,I

Fig. **16** ワンタッチデセル(オプション)
ONE TOUCH DECEL (OPTIONAL)



1

ワンタッチデセルキット
ONE TOUCH DECEL KIT
(172458-08200)

標準仕様のエンジンコントロールに
ワンタッチデセル機能を追加する為の
リンクとワイヤーの改装部品です。

LINK & WIRE PARTS IN ORDER
TO ADD ONE TOUCH DECEL
SYSTEM TO STANDARD SPEC.
OF ENGINE CONTROL.

1,1,,172458-08510,, "4-WAY MULTI V.KIT",1,1,,,,,,,,,1,,,,,,,,,,,,,
2,2,,172444-03290,,MAGNET,1,1,,,,,,,,,,,,,,,,,,,,,I
3,2,,172151-03551,,LABEL,1,1,,,,,,,,,,,,,,,,,,,,,I
4,2,,172126-11510,, "BAND 300",3,3,,,,,,,,,,,,,,,,,,,,,I
5,2,,172165-45490,,CUSHION,1,1,,,,,,,,,,,,,,,,,,,,,I
6,2,,172458-74200,, "BRACKET ASSY",1,1,,,,,,,,,,,,,,,,,,,,,I
7,2,,172151-74601,,VALVE,1,1,,,,,,,,,,,,,,,,,,,,,I
8,3,,182900-16530,,COVER,1,1,,,,,,,,,,,,,,,,,,,,,I
9,3,,182900-22300,,SPRING,1,1,,,,,,,,,,,,,,,,,,,,,I
10,3,,172151-74740,, "PLATE, MARK",1,1,,,,,,,,,,,,,,,,,,,,,I
11,3,,182900-77190,,BOLT,8,8,,,,,,,,,,,,,,,,,,,,,I
12,3,,182900-77200,,BOLT,8,8,,,,,,,,,,,,,,,,,,,,,I
13,3,,182900-77210,, "SEAL,DUST",1,1,,,,,,,,,,,,,,,,,,,,,I
14,3,,182900-77220,,COVER,1,1,,,,,,,,,,,,,,,,,,,,,I
15,3,,182900-77230,, "WING BOLT",1,1,,,,,,,,,,,,,,,,,,,,,I
16,3,,182900-77240,,BOLT,2,2,,,,,,,,,,,,,,,,,,,,,I
17,3,,182900-77250,,LEVER,1,1,,,,,,,,,,,,,,,,,,,,,I
18,3,,24190-100001,, "BALL 5/16, STEEL",1,1,,,,,,,,,,,,,,,,,,,,,I
19,3,,24311-000280,, "O-RING 1A P-28.0",1,1,,,,,,,,,,,,,,,,,,,,,I
20,3,,24321-000600,, "O-RING 1A G-60.0",2,2,,,,,,,,,,,,,,,,,,,,,I
21,3,,953KM0-00220,,WASHER,2,2,,,,,,,,,,,,,,,,,,,,,I
22,3,,953KM0-00220,,WASHER,1,1,,,,,,,,,,,,,,,,,,,,,I
23,3,,953KM0-10894,,PLUG,1,1,,,,,,,,,,,,,,,,,,,,,I
24,2,,172173-76101,, "CONNECTOR PF1/4-45",2,2,,,,,,,,,,,,,,,,,,,,,I
25,2,,172123-76121,, "JOINT PF1/4",4,4,,,,,,,,,,,,,,,,,,,,,I
26,2,,172141-76180,,CONNECTOR,10,10,,,,,,,,,,,,,,,,,,,,,I
27,3,,24315-000110,, "O-RING 1B P-11.0",10,10,,,,,,,,,,,,,,,,,,,,,I
28,2,,172458-78570,, "SPONGE,HOSE",1,1,,,,,,,,,,,,,,,,,,,,,I
29,2,,172458-78610,, "HOSE F403BE057",1,1,,,,,,,,,,,,,,,,,,,,,I
30,2,,172458-78620,, "HOSE F403BC030",1,1,,,,,,,,,,,,,,,,,,,,,I
31,2,,172458-78630,, "HOSE F403BC027",1,1,,,,,,,,,,,,,,,,,,,,,I
32,2,,172458-78640,, "HOSE F403BC027",1,1,,,,,,,,,,,,,,,,,,,,,I
33,2,,172458-78650,, "HOSE F403BB055",1,1,,,,,,,,,,,,,,,,,,,,,I
34,2,,172458-78660,, "HOSE F403BC030",1,1,,,,,,,,,,,,,,,,,,,,,I
35,2,,172458-78670,, "HOSE F403BC065S",1,1,,,,,,,,,,,,,,,,,,,,,I
36,2,,172458-78680,, "HOSE F403BE038",1,1,,,,,,,,,,,,,,,,,,,,,I
37,2,,172458-78710,, "HOSE F403BB155S",1,1,,,,,,,,,,,,,,,,,,,,,I
38,2,,172458-78720,, "HOSE F403BB112S",1,1,,,,,,,,,,,,,,,,,,,,,I
39,2,,172458-78730,, "HOSE F403BB149S",1,1,,,,,,,,,,,,,,,,,,,,,I
40,2,,172458-78740,, "HOSE F403BB114S",1,1,,,,,,,,,,,,,,,,,,,,,I
41,2,,172458-78770,, "HOSE F403BB109",1,1,,,,,,,,,,,,,,,,,,,,,I
42,2,,172458-78780,, "HOSE F403BB110",1,1,,,,,,,,,,,,,,,,,,,,,I
43,2,,172458-78790,, "HOSE F403BB116S",1,1,,,,,,,,,,,,,,,,,,,,,I
44,2,,172444-78800,, "SPONGE, HOSE",1,1,,,,,,,,,,,,,,,,,,,,,I
45,2,,172458-78800,, "HOSE F403BB135S",1,1,,,,,,,,,,,,,,,,,,,,,I
46,2,,22252-000280,, "CIRCLIP 28",1,1,,,,,,,,,,,,,,,,,,,,,I
47,2,,24315-000110,, "O-RING 1B P-11.0",4,4,,,,,,,,,,,,,,,,,,,,,I
48,2,,26013-100202,, "BOLT W/WASHER M10X20",3,3,,,,,,,,,,,,,,,,,,,,,I
49,2,,26013-100202,, "BOLT W/WASHER M10X20",3,3,,,,,,,,,,,,,,,,,,,,,I
50,2,,26106-100352,, "BOLT M10X 35 PLATED",1,1,,,,,,,,,,,,,,,,,,,,,I

Fig. 54 **バルブ台**
VALVE PLATE

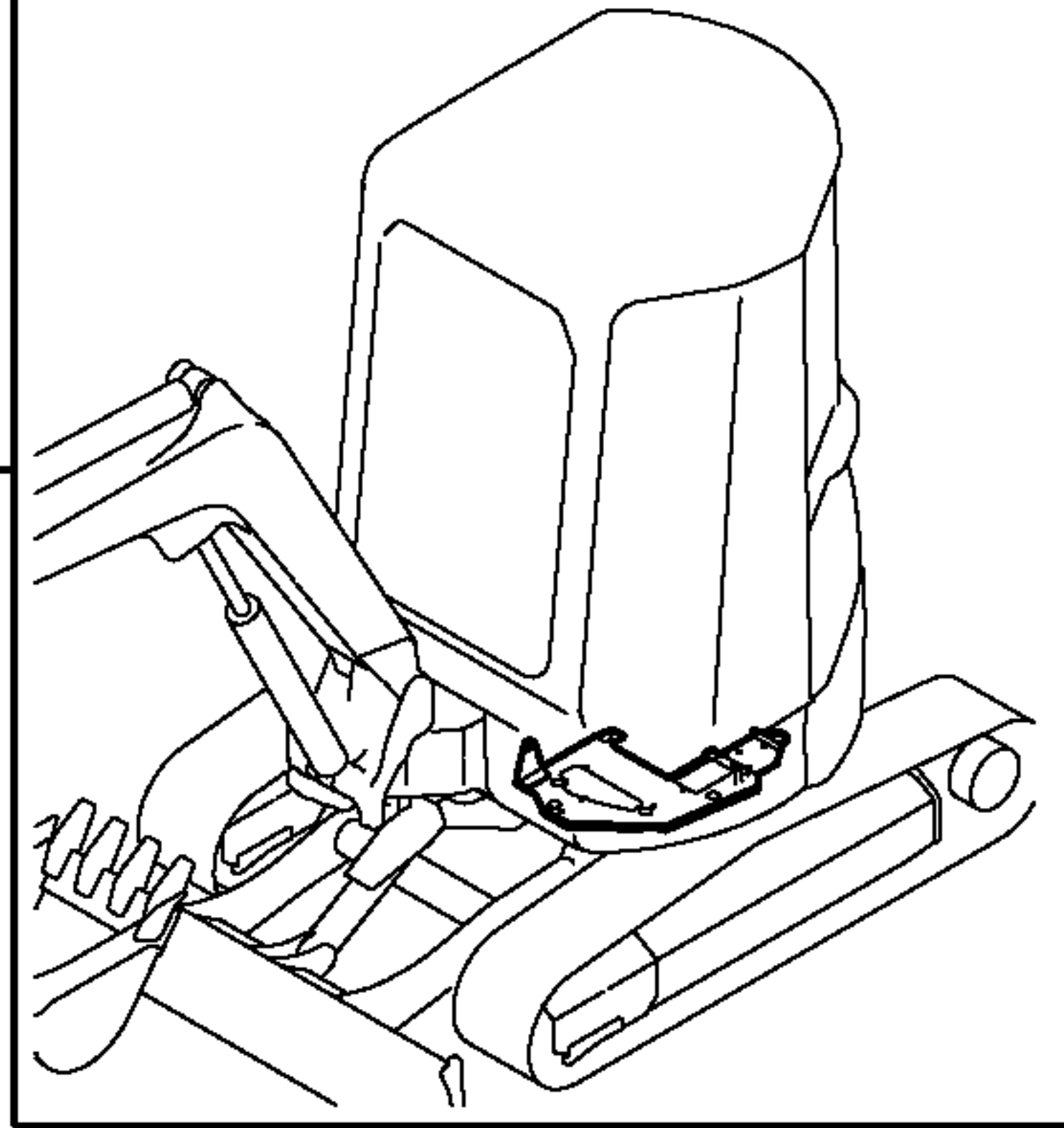


Fig. 103 **ロータリーバルブ**
(4ウェイマルチチェンジ仕様)
ROTARY VALVE
(MULTI CHANGE SPEC.)

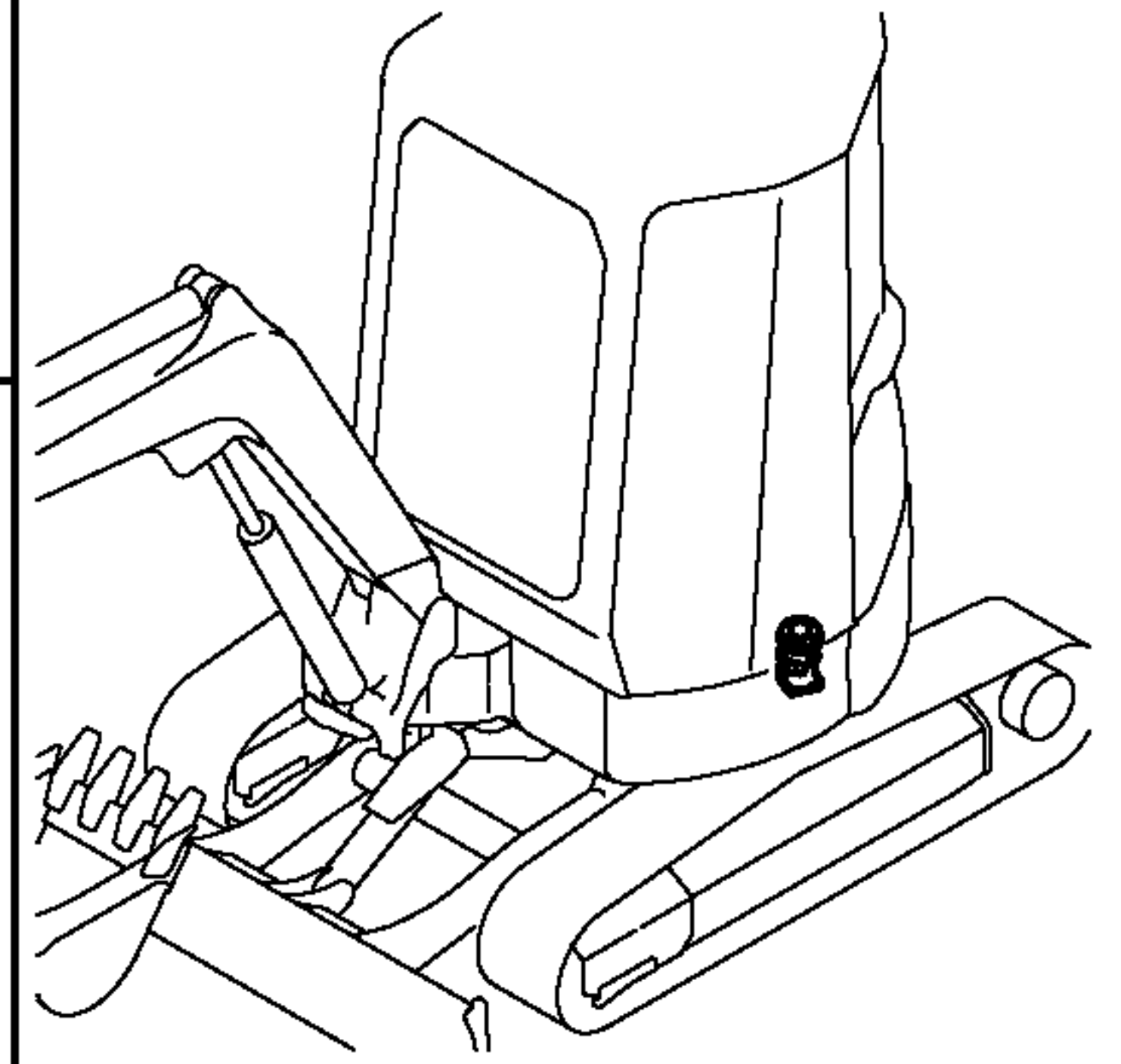


Fig. 118 **コントロール配管(リモコン**
~4ウェイマルチV:4ウェイ仕様)
CONTROL PIPING (REMOTE
CONTROL V. ~4-WAY MULTI
V. :4-WAY SPEC.)

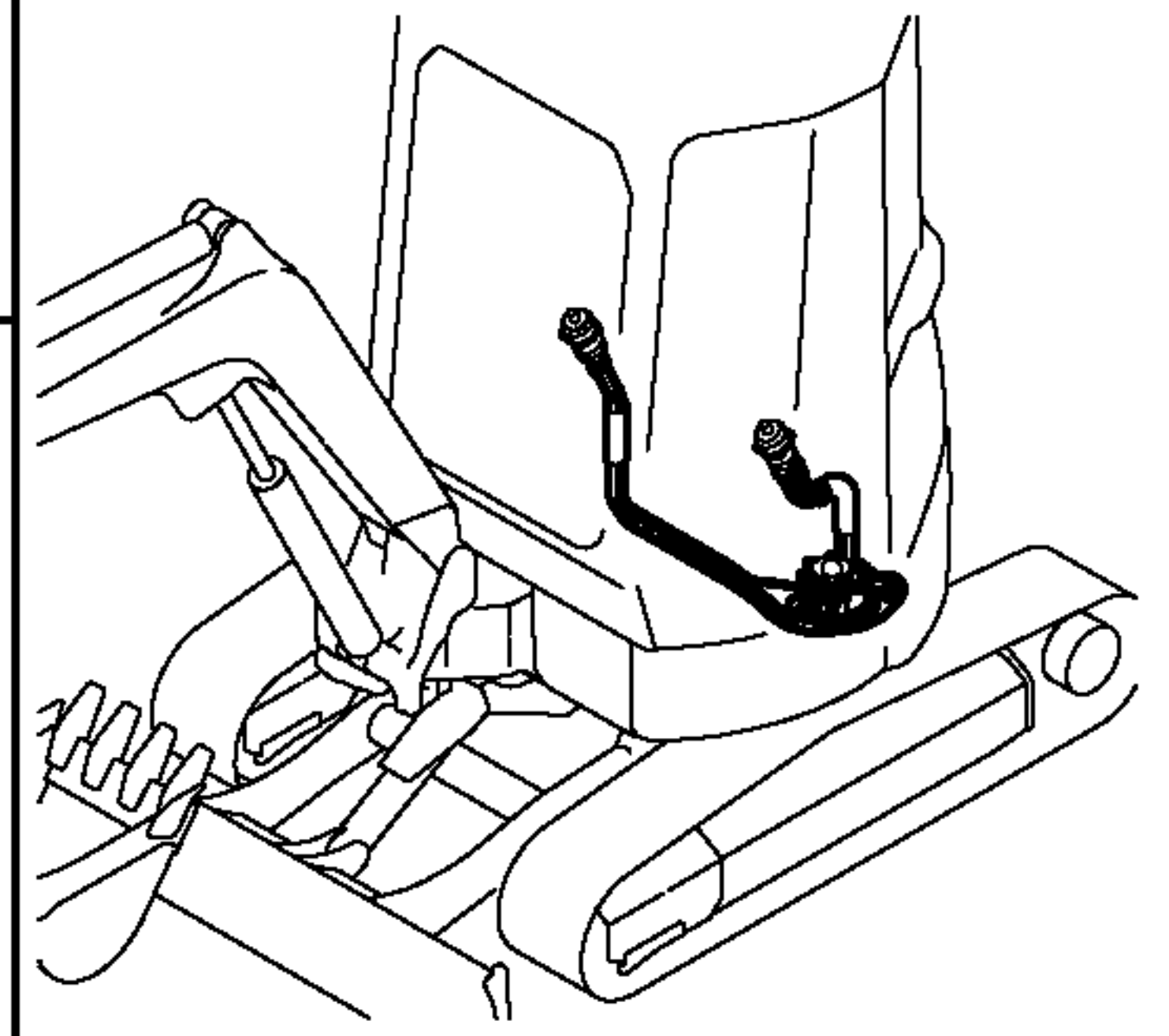
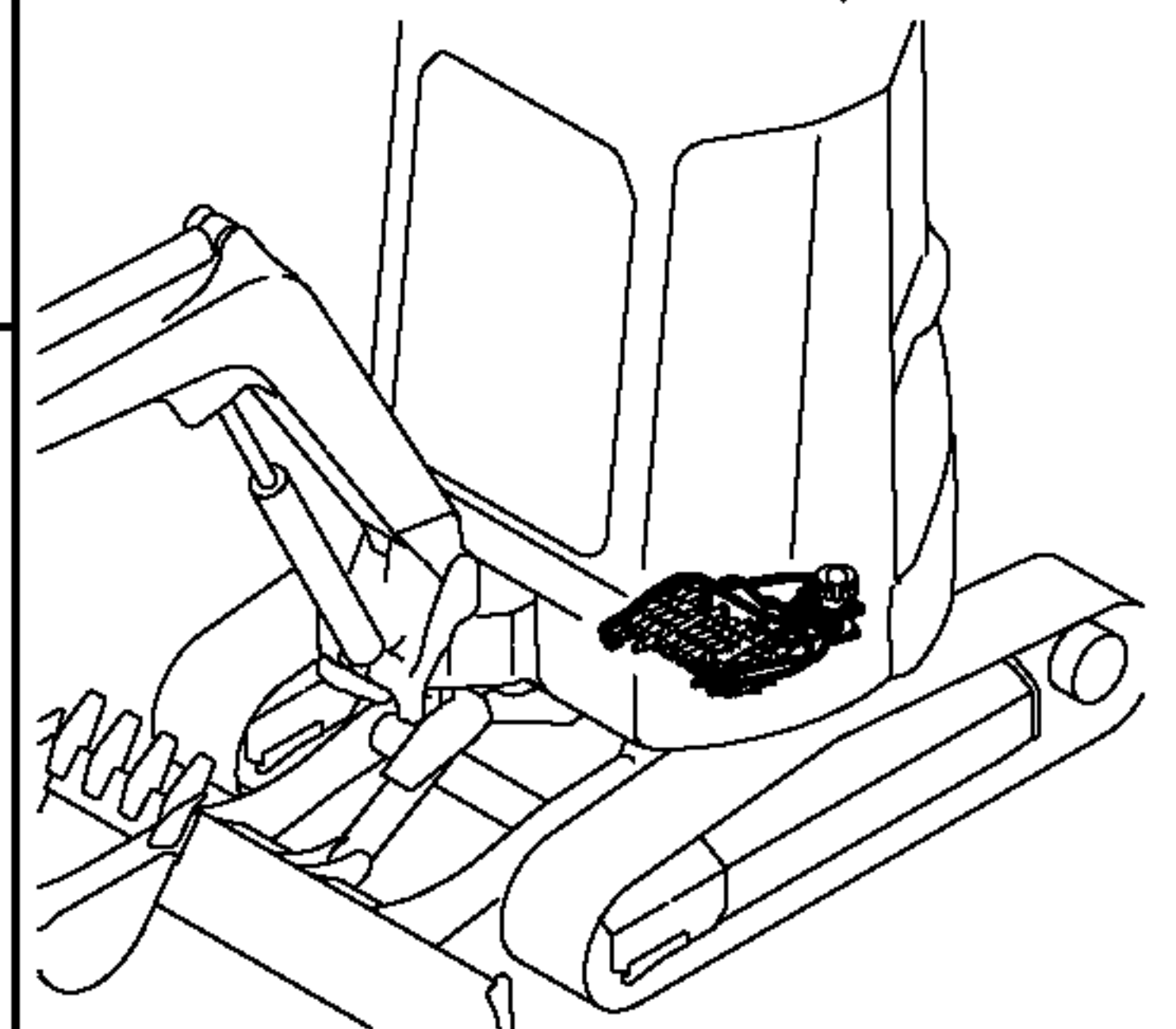


Fig. 119 **コントロール配管(4ウェイマルチ**
V~コントロールV:4ウェイ仕様)
CONTROL PIPING (4-WAY
MULTI V. ~CONTROL V. :
4-WAY SPEC.)

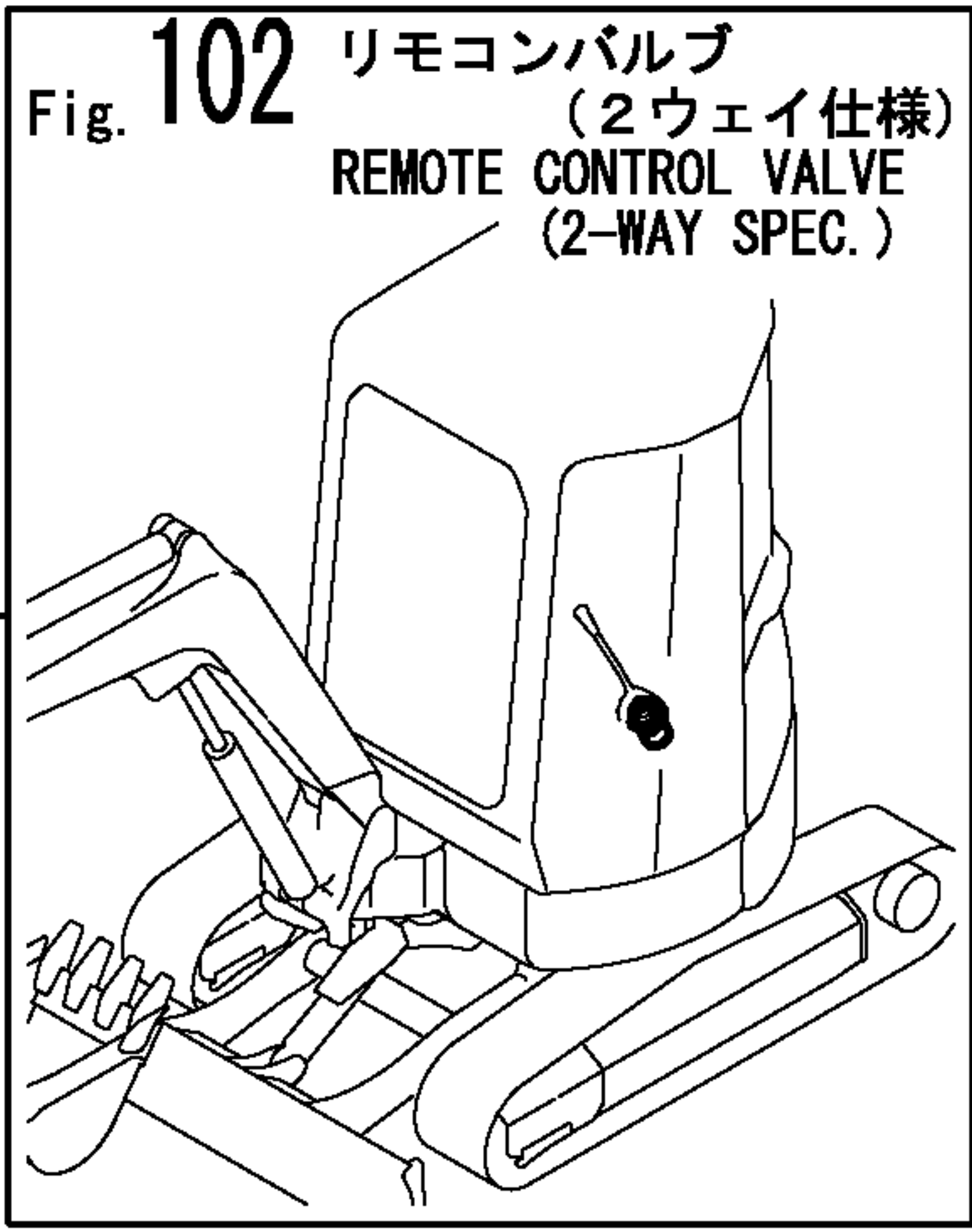
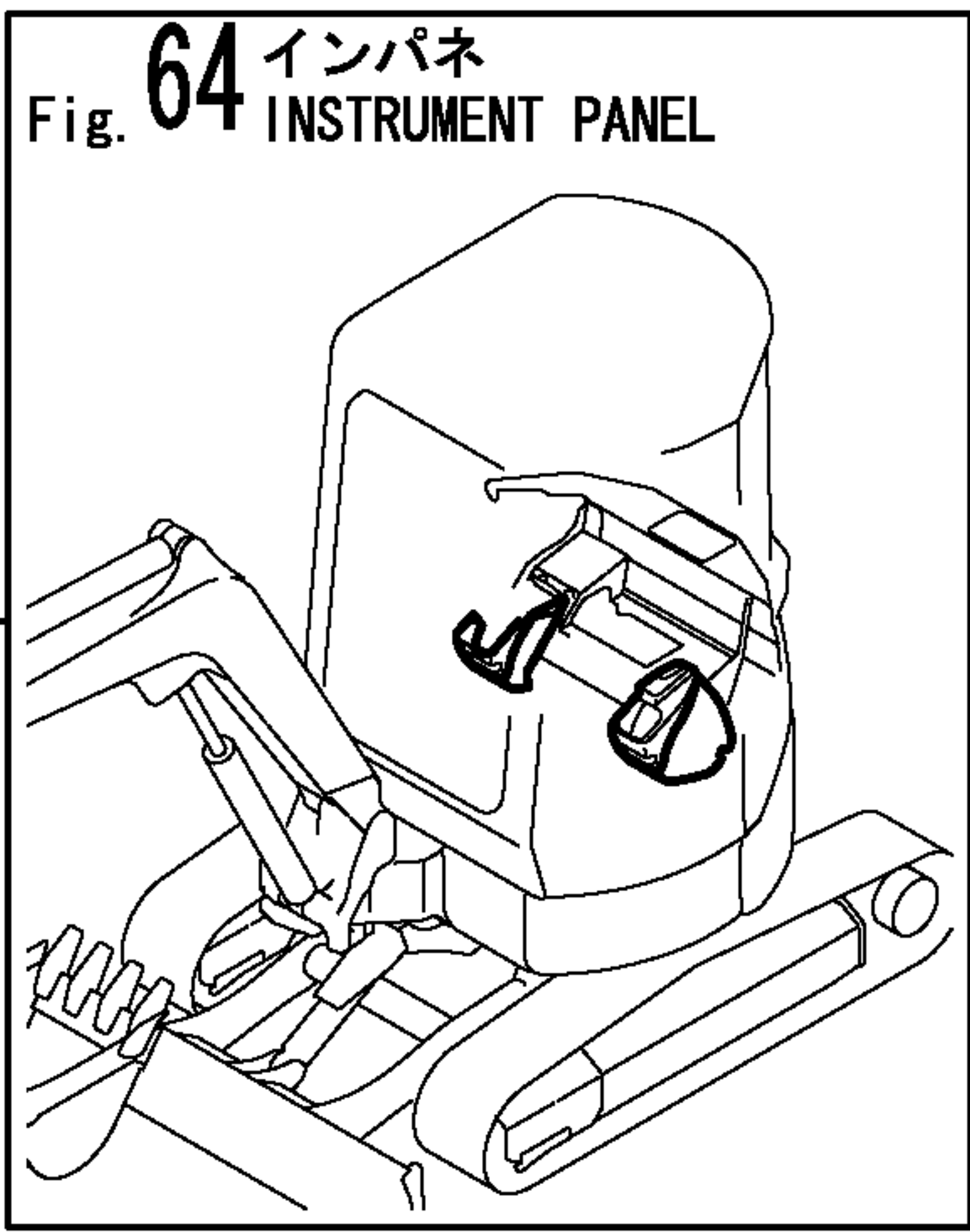


1

4ウェイマルチバルブキット
4-WAY MULTI VALVE KIT
(172458-08510)

標準操作パターン(JIS. ヤンマーパターン)をワンタッチで他社パターンに変更可能な切替えバルブ等を追加する為の部品です。
CUTOFF VALVE PARTS, ECT. WHICH CAN CHANGE FROM STANDARD OPERATION PATTERN (JIS. YANMAR PATTERN) TO ANOTHER CORPORATION PATTERN PROMPTLY.

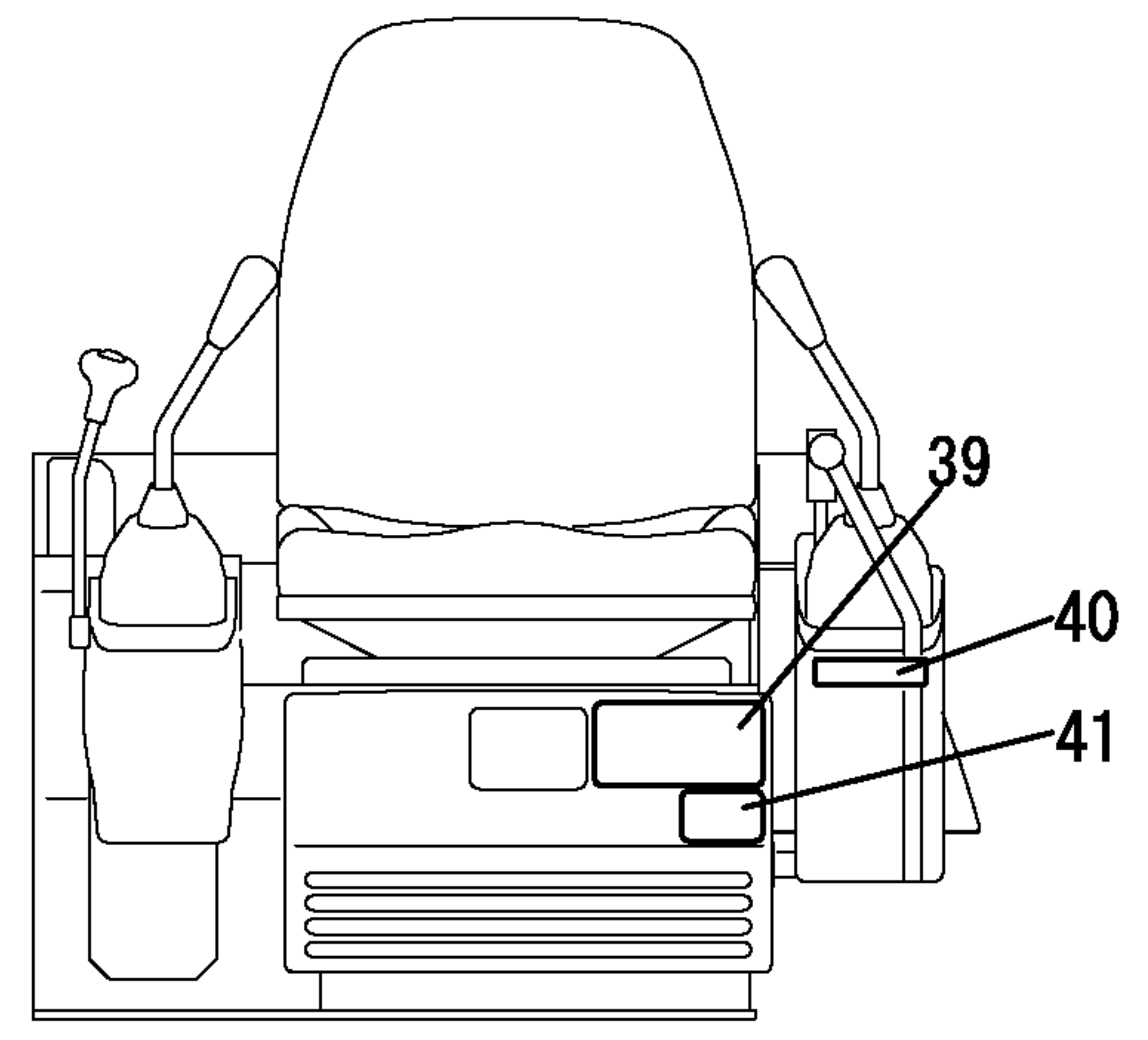
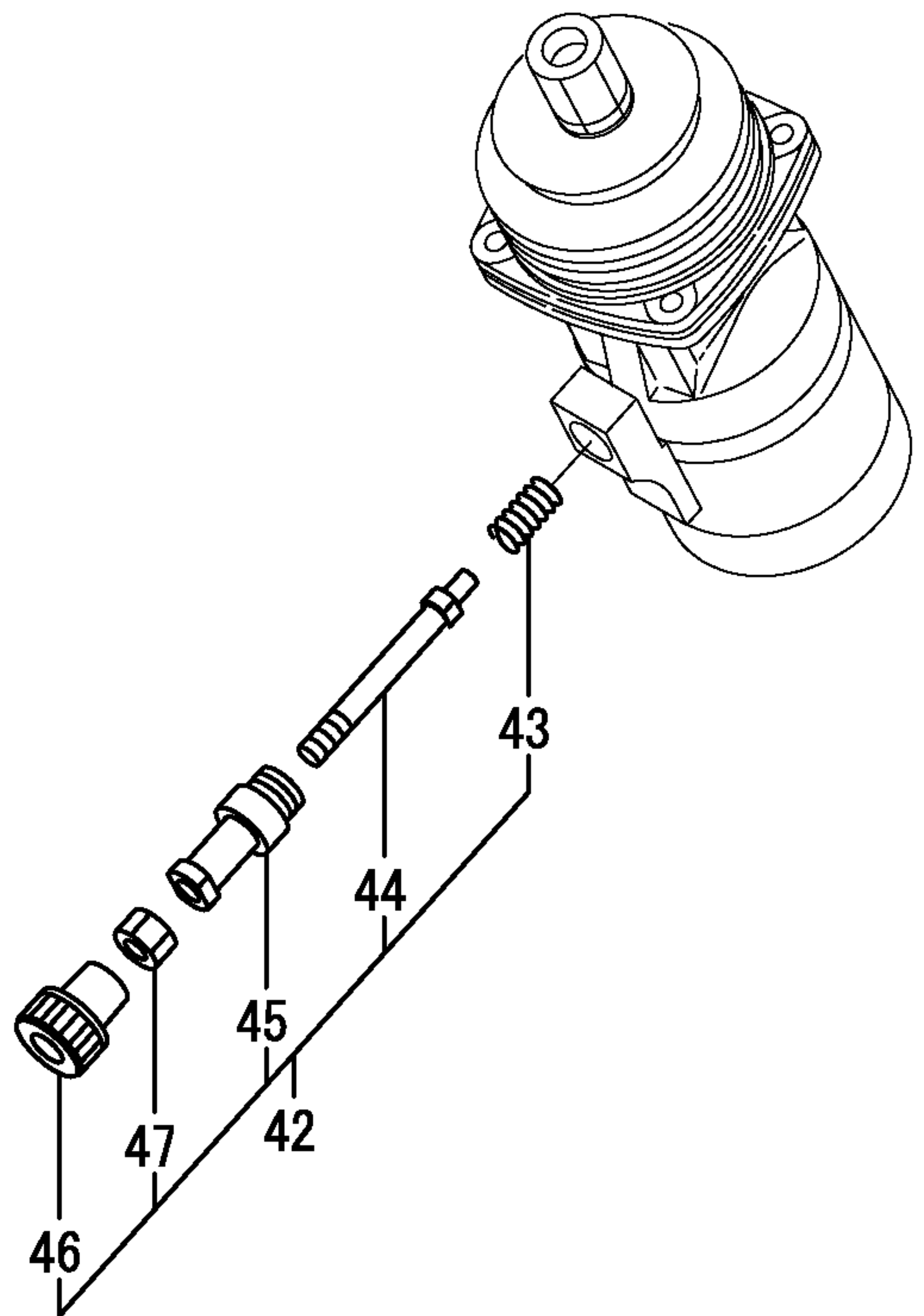
1,1,,172458-08520,, "2-WAY MULTIVALVE KIT",1,1,,,,,1,,,,,,,,,,,,,I
2,2,,172458-03550,, LABEL,1,1,,,,,,,,,,,,,I
3,2,,172458-03560,, LABEL,1,1,,,,,,,,,,,,,I
4,2,,172458-03570,, LABEL,1,1,,,,,,,,,,,,,I
5,2,,1C6141-35370,, "SPRING,LOCK",1,1,,,,,,,,,,,,,I
6,2,,172458-63110,, "INSTRUMENT PANEL L,2",1,1,,,,,,,,,,,,,I
7,2,,172458-74470,, SHAFT,1,1,,,,,,,,,,,,,I
8,2,,172458-74480,, SLEEVE,1,1,,,,,,,,,,,,,I
9,2,,172458-74490,, "LEVER KNOB BL",1,1,,,,,,,,,,,,,I
10,2,,172458-74500,, "REMO-CON.VALVE M2",1,1,,,,,,,,,,,,,I
11,3,,172455-74710,, BELLOWS,1,1,,,,,,,,,,,,,I
12,3,,172448-74720,, "SPOOL SLEEVE SUB",1,1,,,,,,,,,,,,,I
16,4,,22351-050010,, "SPRING PIN 5X10",1,1,,,,,,,,,,,,,I
17,3,,172448-74760,, PLATE,1,1,,,,,,,,,,,,,I
18,3,,172448-74770,, PLUG,4,4,,,,,,,,,,,,,I
19,3,,172448-74780,, "ROD Q,PUSH",4,4,,,,,,,,,,,,,I
20,3,,172448-74790,, SEAL,4,4,,,,,,,,,,,,,I
21,3,,172448-74810,, "PLATE, PORT",1,1,,,,,,,,,,,,,I
22,3,,172448-74820,, PACKING,2,2,,,,,,,,,,,,,I
23,3,,172448-74830,, ORING,1,1,,,,,,,,,,,,,I
24,3,,172448-74860,, ORING,2,2,,,,,,,,,,,,,I
25,3,,172448-74870,, ORING,1,1,,,,,,,,,,,,,I
26,3,,172448-74880,, ORING,1,1,,,,,,,,,,,,,I
27,3,,172448-74910,, "SEAT, SPRING",4,4,,,,,,,,,,,,,I
28,3,,172448-74920,, WASHER,4,4,,,,,,,,,,,,,I
29,3,,172448-74930,, SPRING,4,4,,,,,,,,,,,,,I
30,3,,172448-74950,, "JOINT ASSY",1,1,,,,,,,,,,,,,I
31,3,,172448-74960,, "PLATE, CIRCLE",1,1,,,,,,,,,,,,,I
32,3,,172448-74970,, "NUT, ADJUST",1,1,,,,,,,,,,,,,I
33,3,,172448-74980,, ORING,1,1,,,,,,,,,,,,,I
34,3,,172448-74990,, DISTANZBUCHSE,1,1,,,,,,,,,,,,,I
35,3,,24315-000200,, "O-RING 1B P-20.0",4,4,,,,,,,,,,,,,I
36,3,,26450-080652,, "BOLT M 8X 65",2,2,,,,,,,,,,,,,I
37,2,,26712-080002,, "NUT M 8",1,1,,,,,,,,,,,,,I
38,1,,172458-08530,, "2-WAY KIT",1,1,,,,,,,,,,,,,I
39,2,,172458-03550,, LABEL,1,1,,,,,,,,,,,,,I
40,2,,172458-03560,, LABEL,1,1,,,,,,,,,,,,,I
41,2,,172458-03570,, LABEL,1,1,,,,,,,,,,,,,I
42,2,,172458-08540,, "LEVER ASS,2W",1,1,,,,,,,,,,,,,I
43,3,,1C6141-35370,, "SPRING,LOCK",1,1,,,,,,,,,,,,,I
44,3,,172458-74470,, SHAFT,1,1,,,,,,,,,,,,,I
45,3,,172458-74480,, SLEEVE,1,1,,,,,,,,,,,,,I
46,3,,172458-74490,, "LEVER KNOB BL",1,1,,,,,,,,,,,,,I
47,3,,26712-080002,, "NUT M 8",1,1,,,,,,,,,,,,,I



1
2ウェイマルチバルブキット
2-WAY MULTI VALVE KIT
(172458-08520)

標準操作パターン(JIS. ヤンマーパターン)をワンタッチで小松パターンに変更可能なリモコンバルブ等を交換する為の部品です。
REMOTE CONTROL VALVE , ECT.
WHICH CAN CHANGE FROM (JIS. YANMAR PATTERN) TO KOMATSU PATTERN PROMPTLY.

38
2ウェイキット
2-WAY KIT
172458-08530

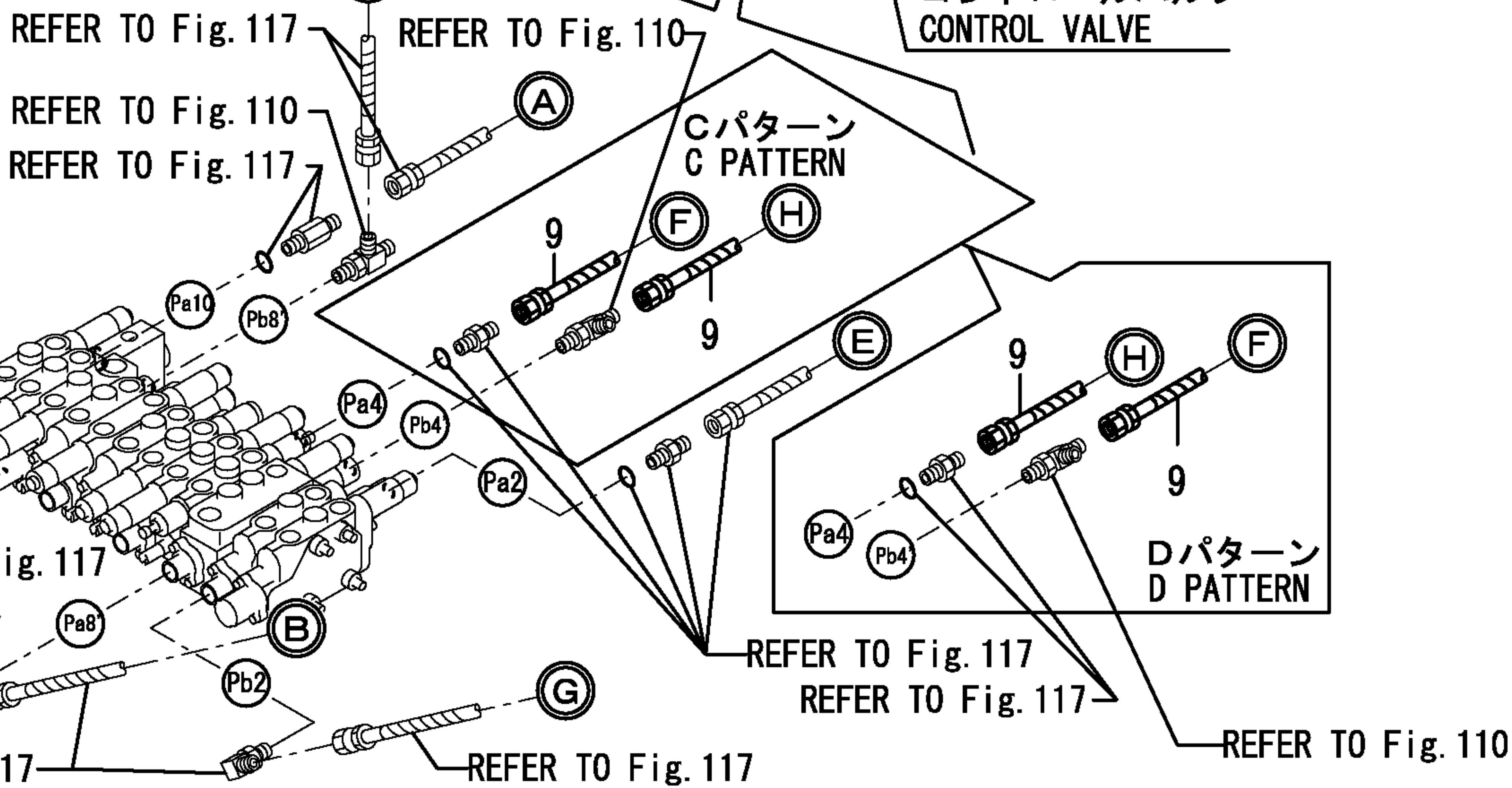
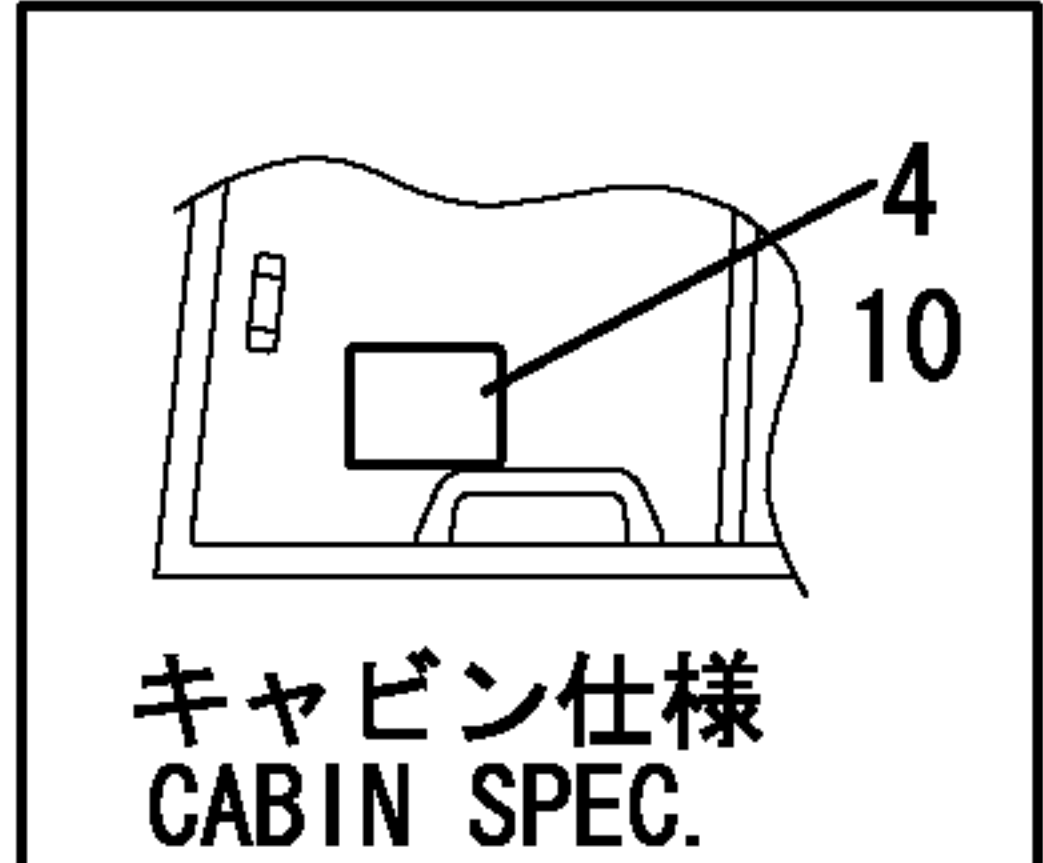
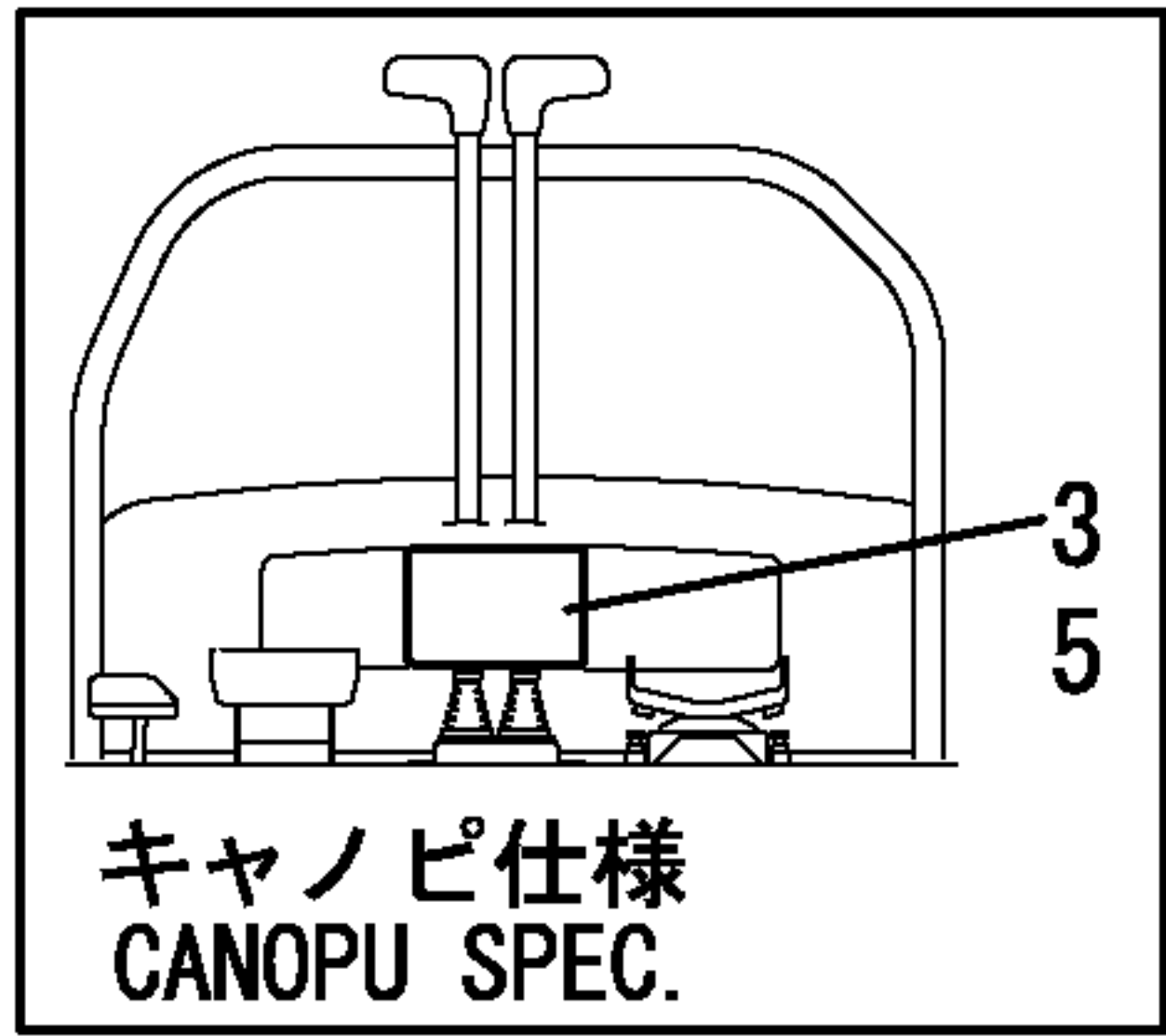
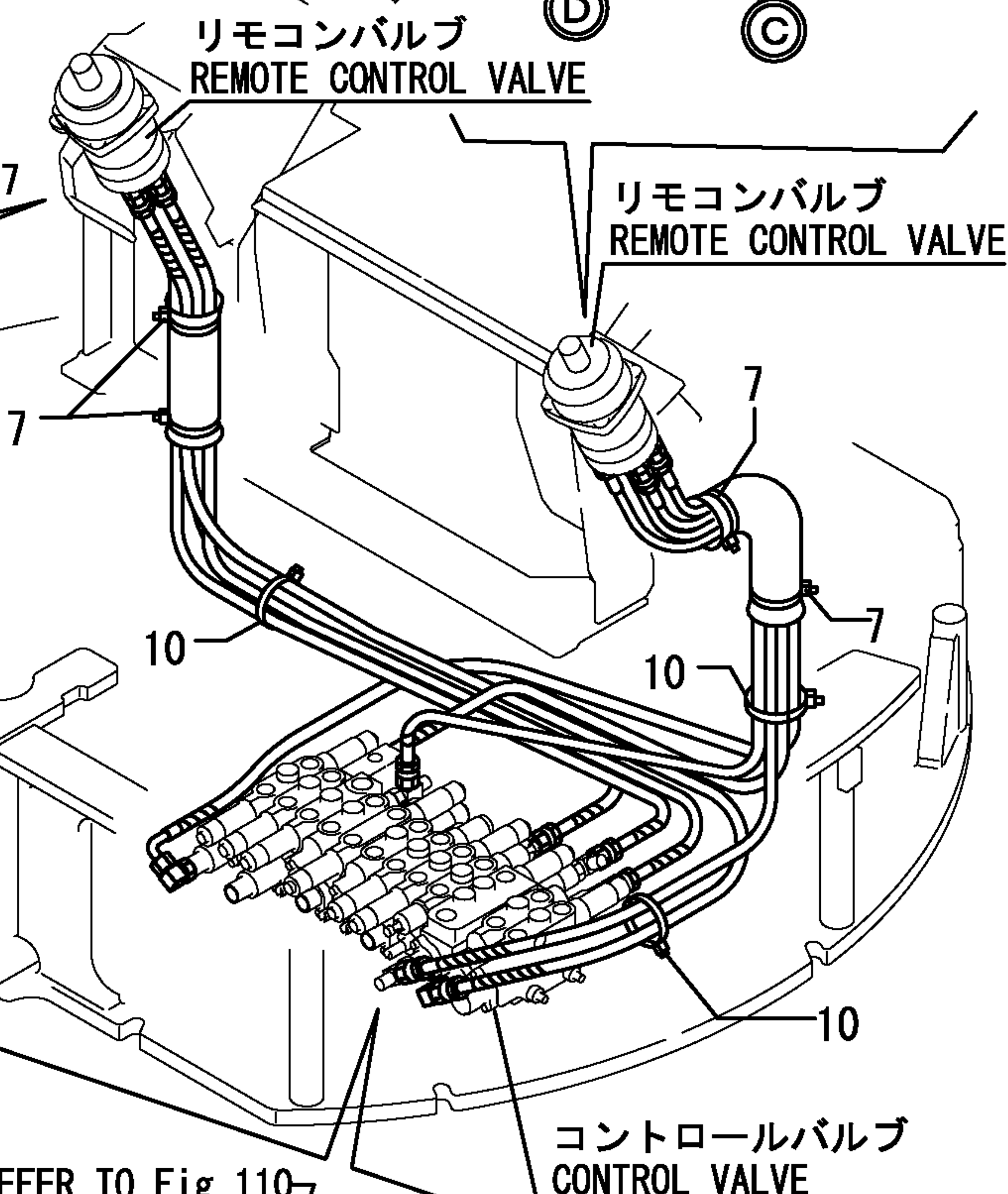
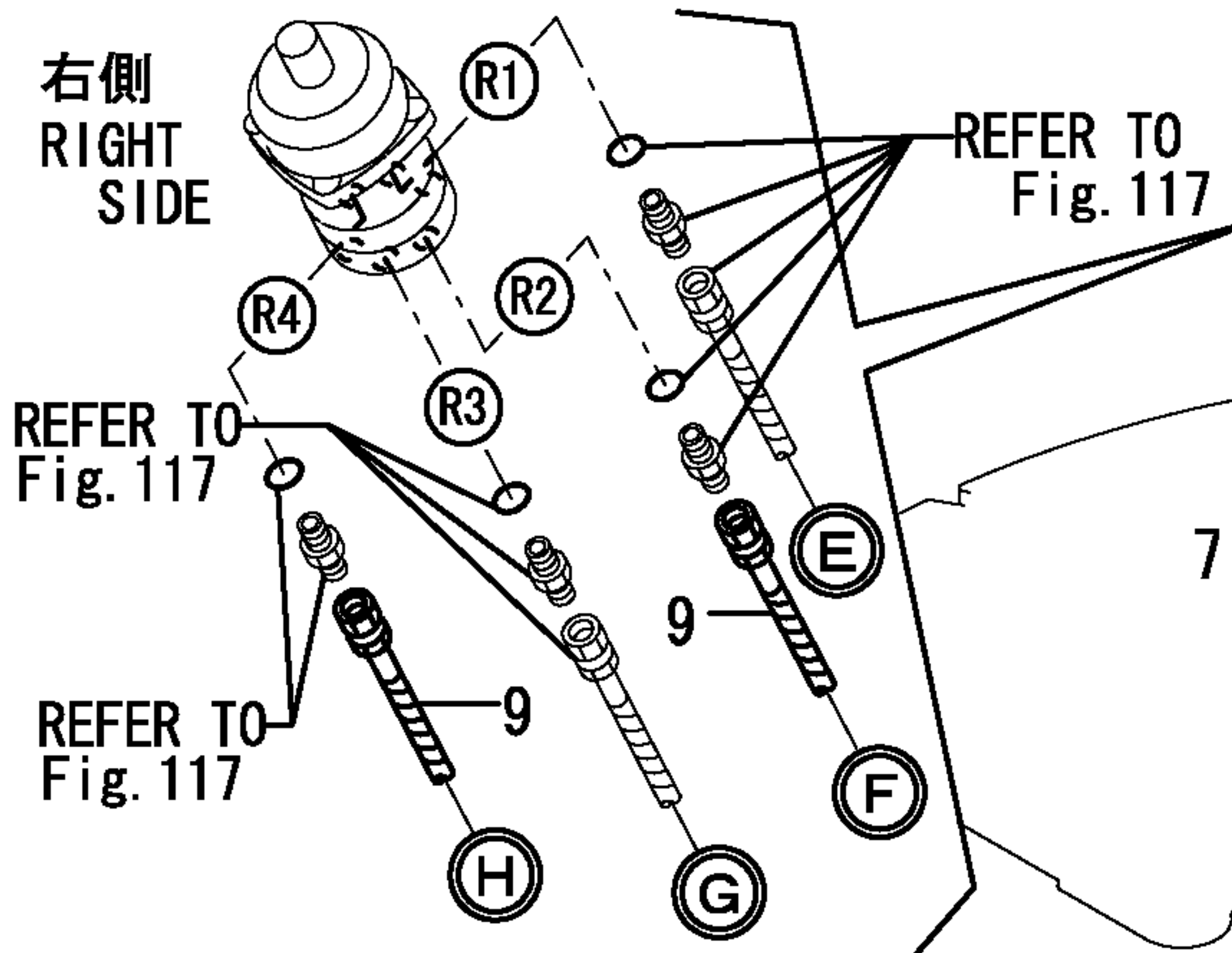
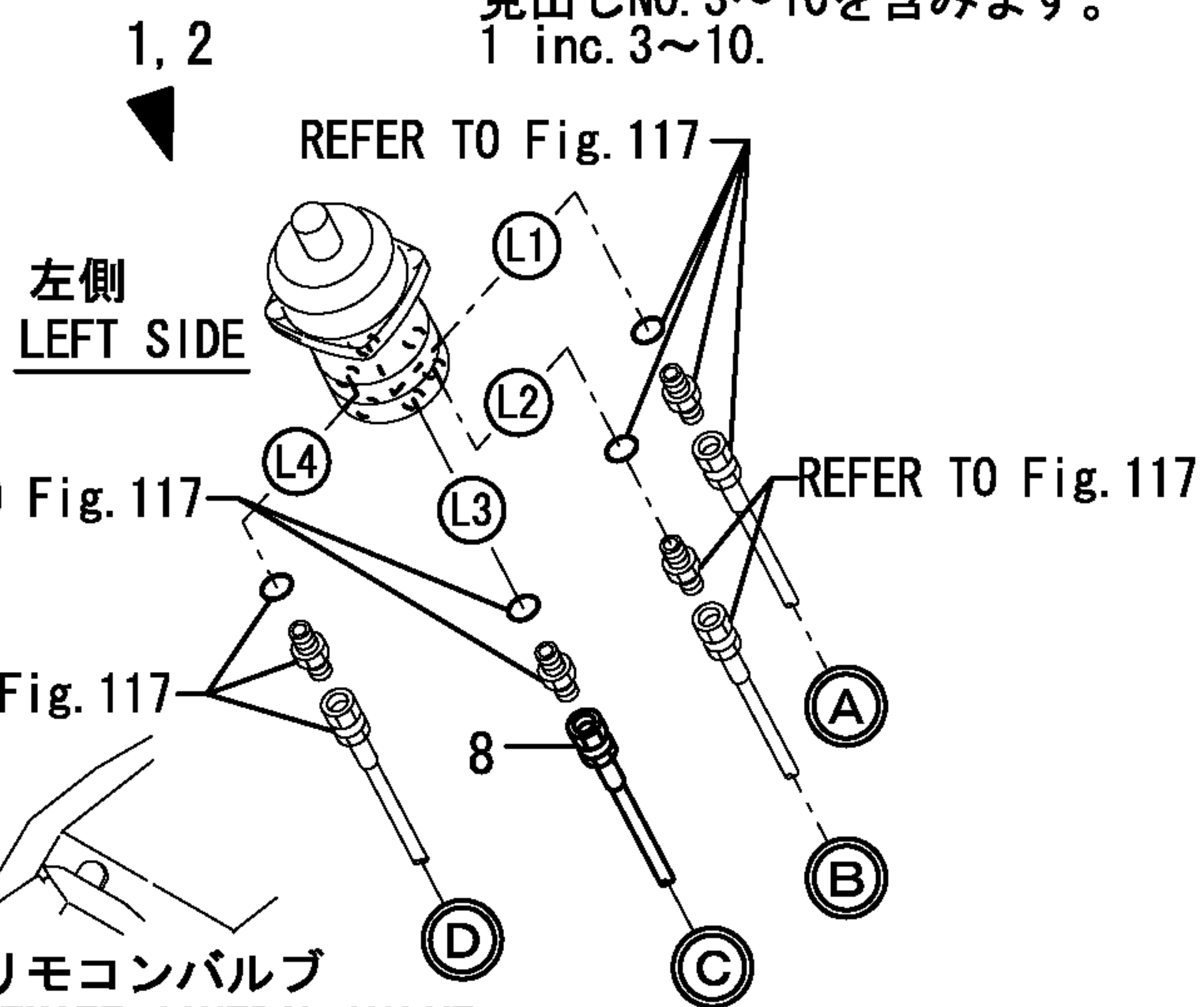
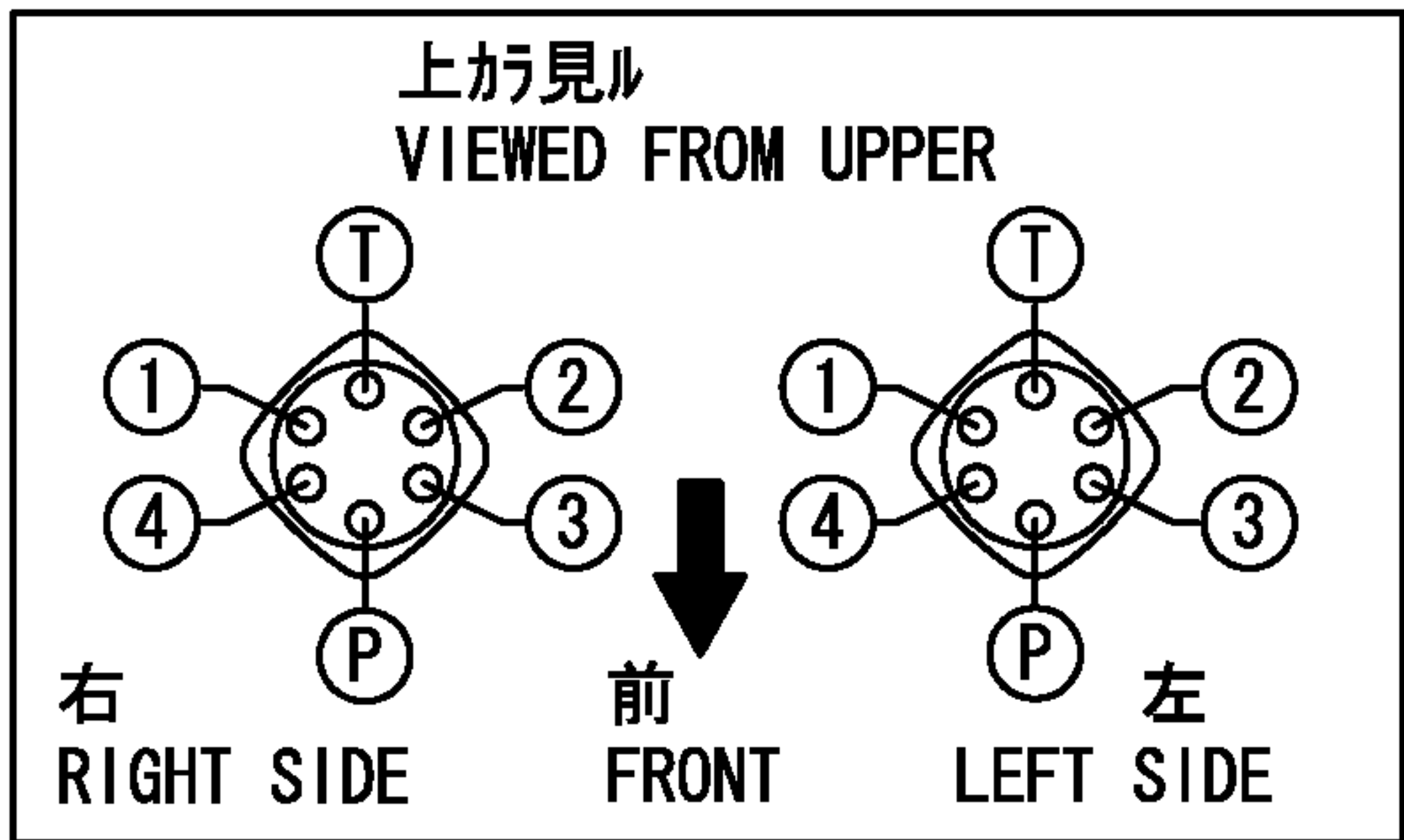


1,1,,172460-08530,, "CD PATERN KIT" ,,1,,,,,,,,,,,,,,,,,,,,,
2,1,,172460-08540,, "CD PATERN KIT C" ,1,,,,,,,,,,,,,,,,,,,,,
3,2,,172141-03160,, "LABEL, OPERATION(C)" ,,1,,,,,,,,,,,,,,,,,,,,,
4,2,,172187-03210,, LABEL,1,,,,,,,,,,,,,,,,,,,,,
5,2,,172141-03390,, LABEL,,1,,,,,,,,,,,,,,,,,,,,,
6,2,,172187-03220,, LABEL,1,,,,,,,,,,,,,,,,,,,,,
7,2,,172126-11510,, "BAND 300" ,4,4,,,,,,,,,,,,,,,,,,,,,
8,2,,172460-78550,, "HOSE F403BC167S" ,1,1,,,,,,,,,,,,,,,,,,,,,
9,2,,172460-78580,, HOSE,2,2,,,,,,,,,,,,,,,,,,,,,
10,2,,172122-79930,, "CLAMP B" ,5,5,,,,,,,,,,,,,,,,,,,,,

標準操作パターン(JIS、ヤンマーパターン)を他社パターンに変更する為のホース等の部品です。

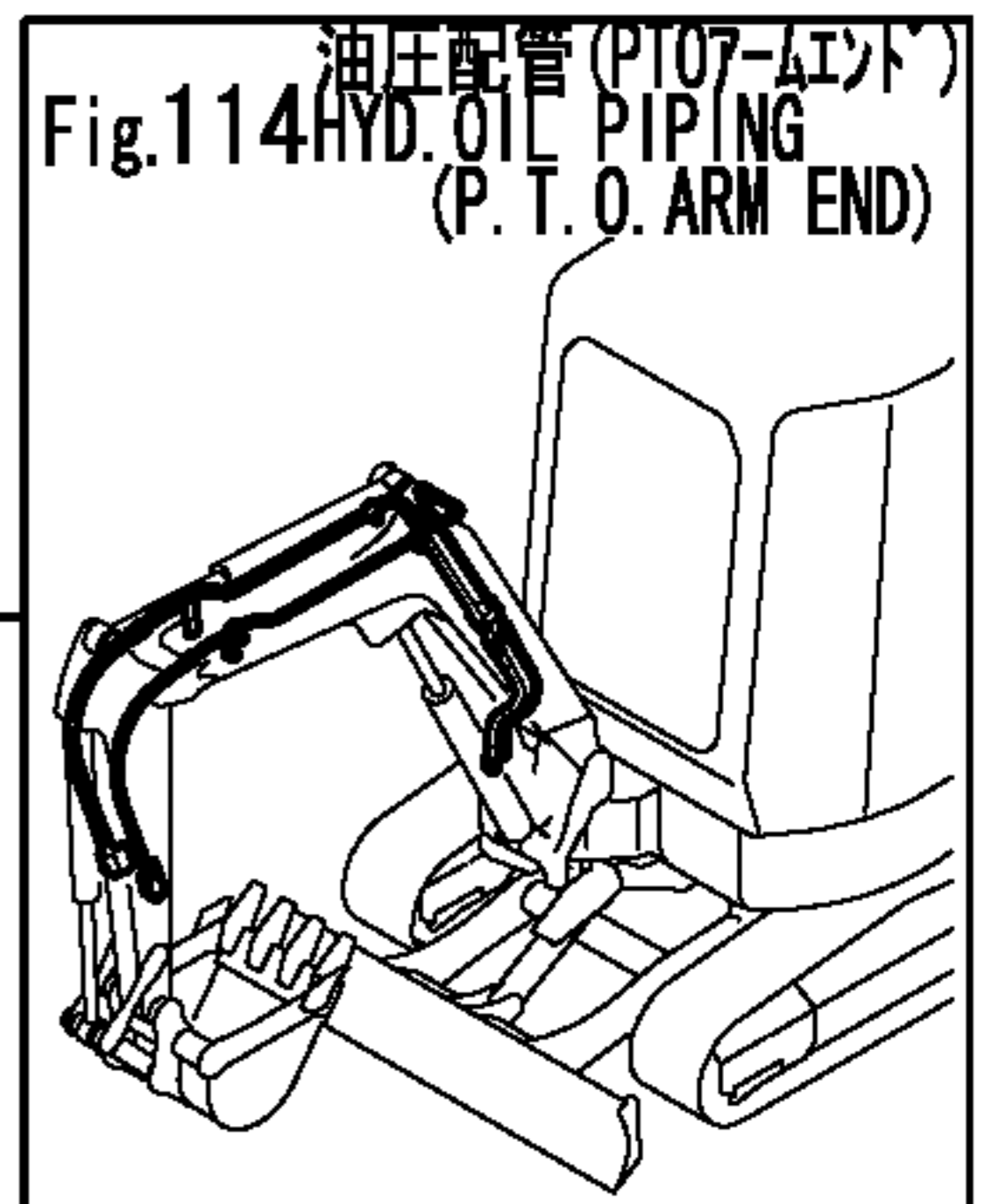
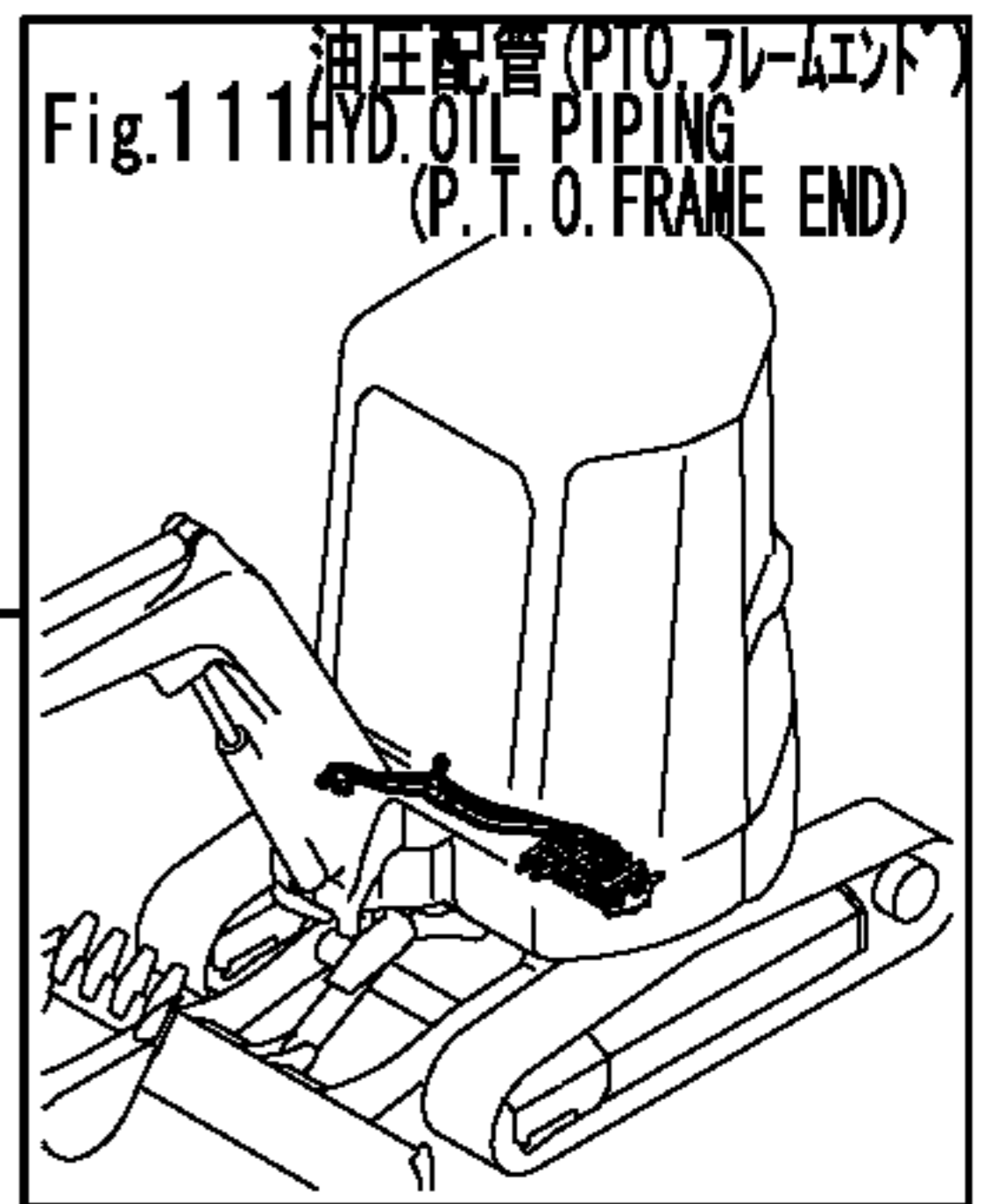
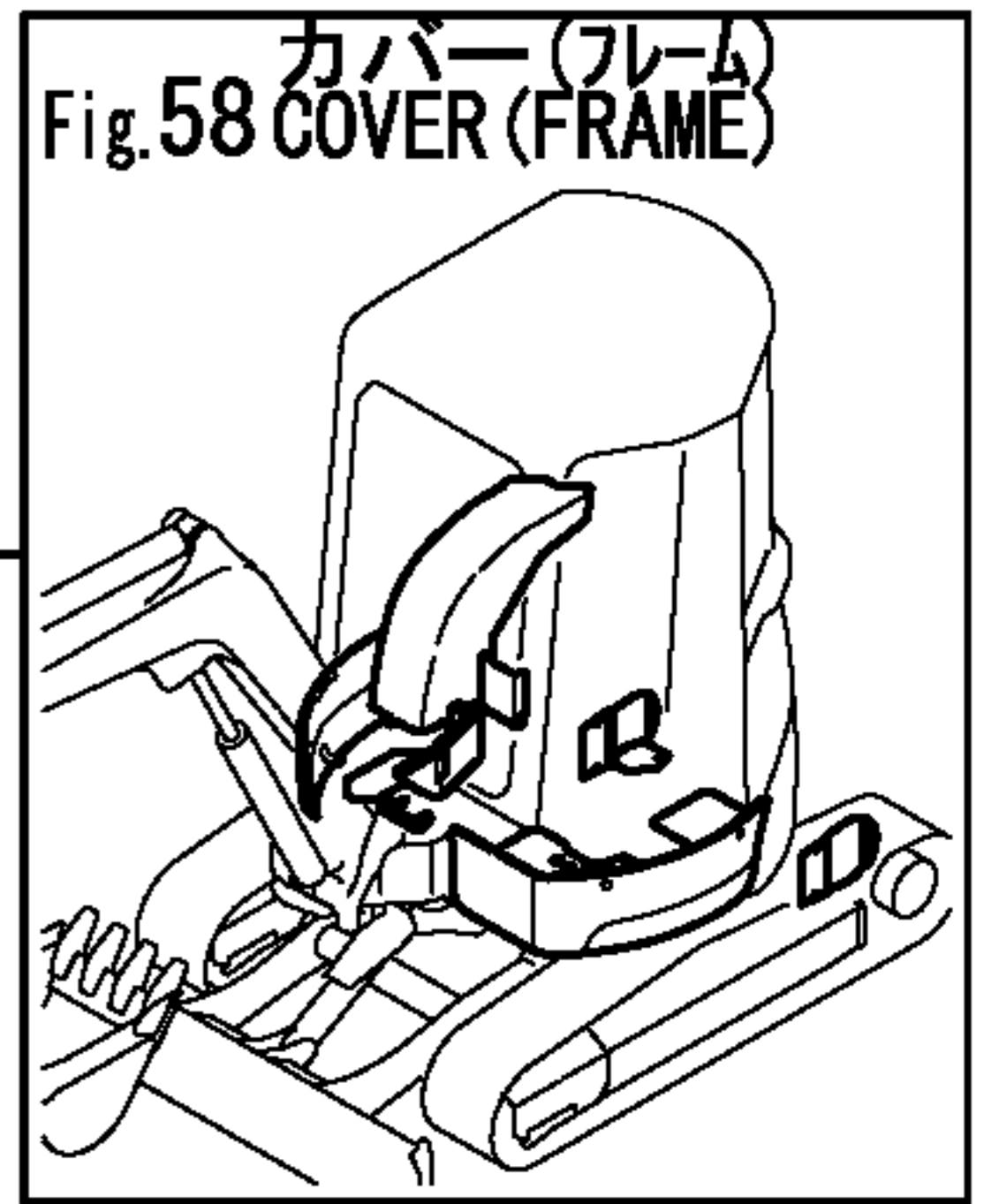
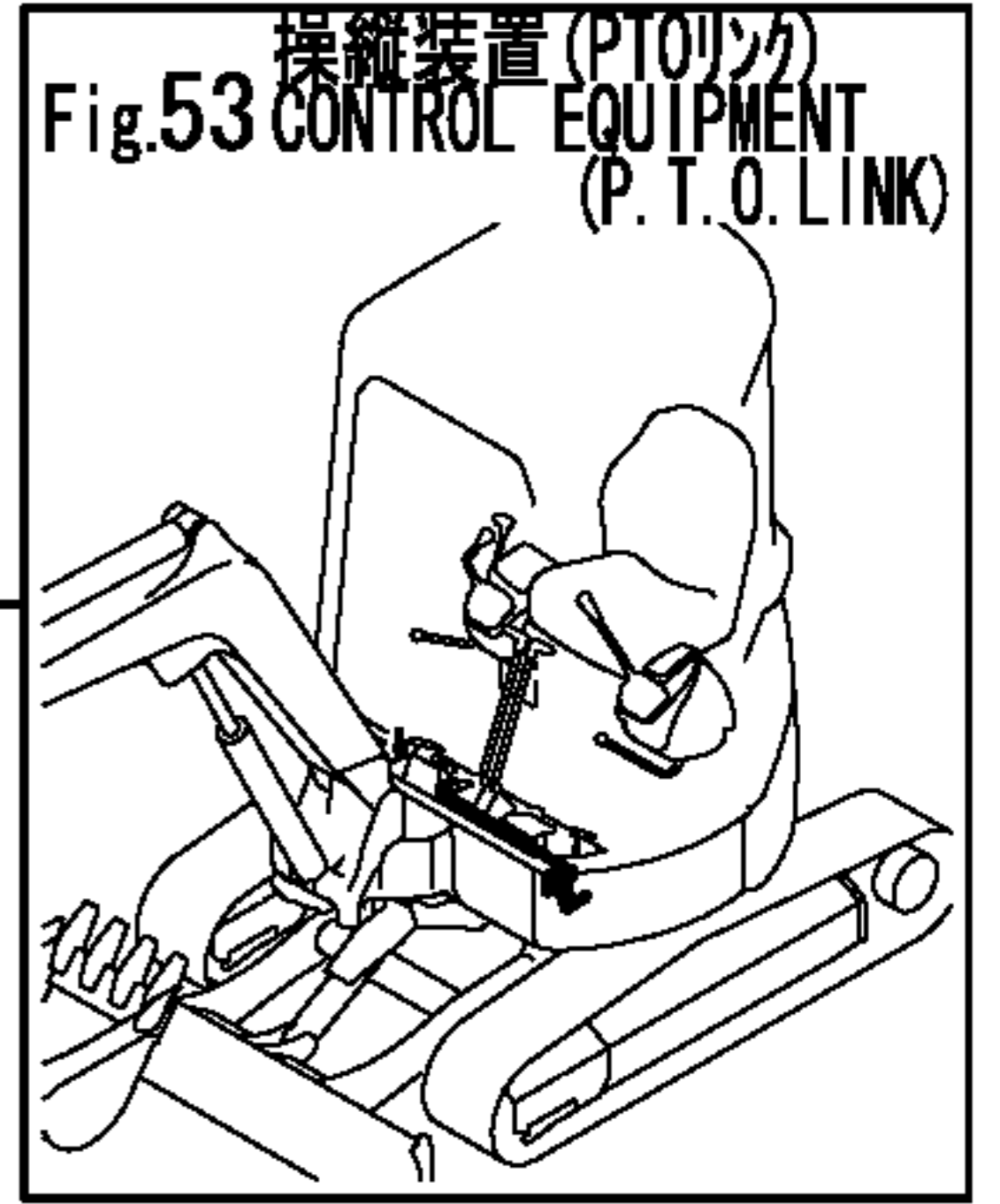
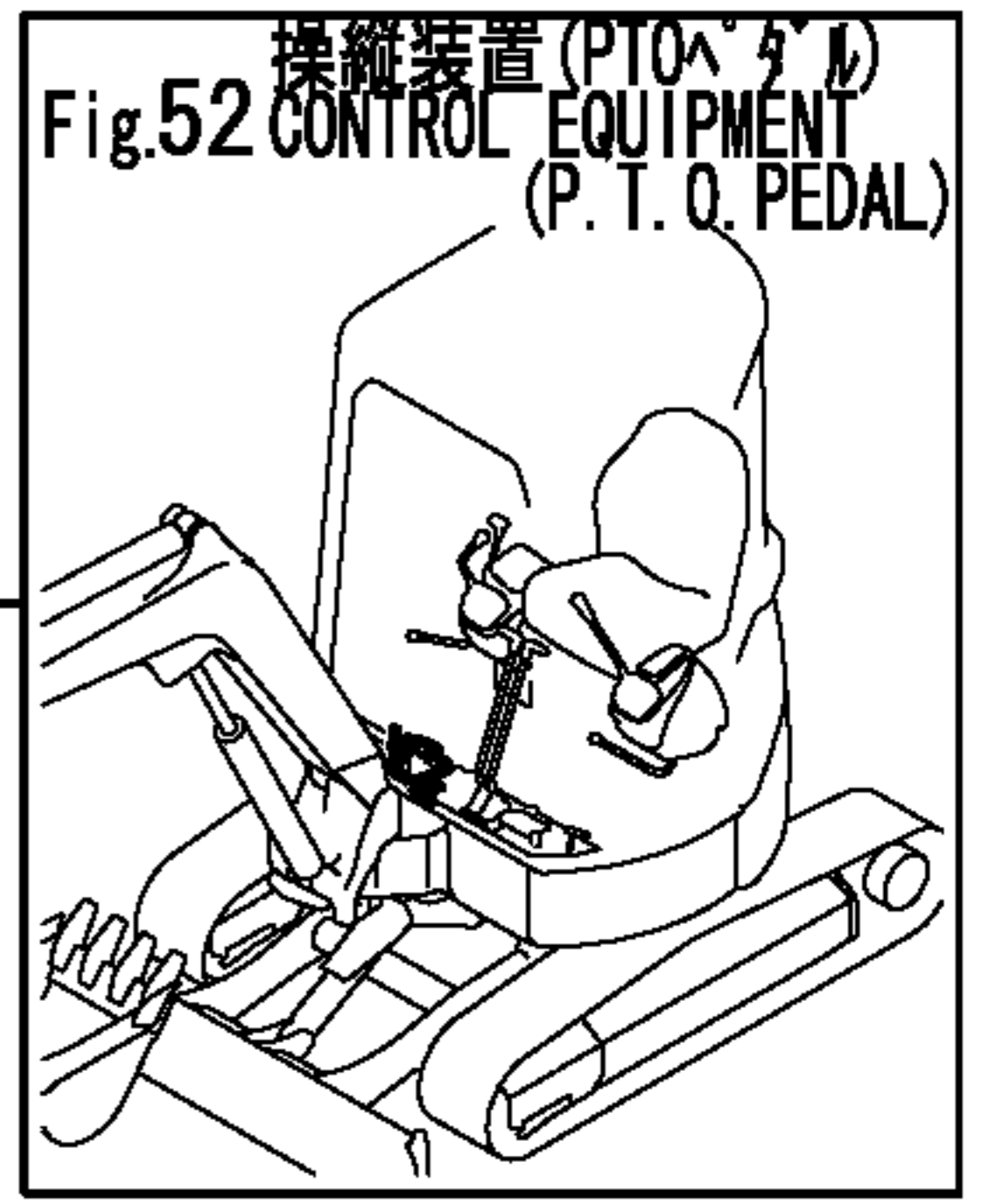
HOSE PART, ETC. WHICH CHANGE FROM STANDARD OPERATION PATTERN (JIS, YANMER PATTERN) TO ANOTHER CORPORATION PATTERN PROMPTLY.

C & Dパターンキット
C & D PATTERN KIT
172460-08530
172460-08540
見出しNO. 1, 2は、
見出しNO. 3~10を含みます。
1 inc. 3~10.



1,1,,172458-08700,, "P.T.O. KIT",1,1,,,,,,,,,,,,,,,,,,,,,
1-1,1,,172458-08701,, "P.T.O.
KIT",1,1,,,,,1,XXXXXXXX,M/#20655,XXXXXXXX,M/#20655,,,,,
2,2,,172458-03240,, "LABEL,LOCK",1,1,,,,,,,,,,,,,,,,,,,,,I
3,2,,172458-03270,, LABEL,1,1,,,,,,,,,,,,,,,,,,,,,I
4,2,,172068-28490,, "SPRING 8",2,2,,,,,,,,,,,,,,,,,,,,,I
5,2,,172068-28490,, "SPRING 8",2,2,,,,,,,,,,,,,,,,,,,,,I
6,2,,172110-36010,, COLLAR,2,2,,,,,,,,,,,,,,,,,,,,,I
7,2,,194200-37780,, "LS-NUT 8",1,1,,,,,,,,,,,,,,,,,,,,,I
8,2,,172734-41300,, "LINK BALL 8L",1,1,,,,,,,,,,,,,,,,,,,,,I
9,2,,172142-43591,, "ROD,465",1,1,,,,,,,,,,,,,,,,,,,,,I
10,2,,172823-45000,, "ROD 54, SPOOL",1,1,,,,,,,,,,,,,,,,,,,,,I
11,2,,1A1040-45890,, "WASHER 10 36 4.5",2,2,,,,,,,,,,,,,,,,,,,,,I
12,2,,172458-46100,, "LINK A ASSY, P.T.O.",1,1,,,,,,,,,,,,,,,,,,,,,I
13,3,,172141-41370,, "BUSH 2015",2,2,,,,,,,,,,,,,,,,,,,,,I
14,3,,172458-46110,, "LINK A, P.T.O.",1,1,,,,,,,,,,,,,,,,,,,,,I
15,2,,172458-46121,, "LINK B ASSY, P.T.O.",1,1,,,,,,,,,,,,,,,,,,,,,I
16,3,,172141-41370,, "BUSH 2015",2,2,,,,,,,,,,,,,,,,,,,,,I
17,3,,172458-46131,, "LINK ASSY,PTO B",1,1,,,,,,,,,,,,,,,,,,,,,I
18,2,,172458-46150,, "BRACKET,P.T.O. (72)",1,1,,,,,,,,,,,,,,,,,,,,,I
19,2,,172124-46200,, "O-RING 27X5.7",4,4,,,,,,,,,,,,,,,,,,,,,I
20,2,,172458-46230,, "PEDAL A (GRAY:72)",1,1,,,,,,,,,,,,,,,,,,,,,I
21,3,,172141-41360,, "BUSH 1415",2,2,,,,,,,,,,,,,,,,,,,,,I
22,3,,172110-45050,, "BUSH 12X12",2,2,,,,,,,,,,,,,,,,,,,,,I
23,3,,172458-46240,, "PEDAL ASSY, A",1,1,,,,,,,,,,,,,,,,,,,,,I
24,2,,172458-46280,, "PEDAL B (72)",1,1,,,,,,,,,,,,,,,,,,,,,I
25,2,,172458-46290,, PLATE,1,1,,,,,,,,,,,,,,,,,,,,,I
26,2,,172458-46350,, "PLATE,LOCK (GRAY:72)",1,1,,,,,,,,,,,,,,,,,,,,,I
27,2,,172458-46371,, "BASE,PEDAL(BLACK:12)",1,1,,,,,,,,,,,,,,,,,,,,,I
28,3,,172458-46171,, "PEDAL ASSY, BASE",1,1,,,,,,,,,,,,,,,,,,,,,I
29,3,,172458-46380,, RUBBER,1,1,,,,,,,,,,,,,,,,,,,,,I
30,2,,172187-46400,, "BRACKET (GRAY:73)",1,1,,,,,,,,,,,,,,,,,,,,,I
31,2,,172187-46430,, SHAFT,1,1,,,,,,,,,,,,,,,,,,,,,I
32,2,,172122-46590,, "ELBALL 8",4,4,,,,,,,,,,,,,,,,,,,,,I
33,2,,172116-46630,, "KNOB, LOCK LEVER",1,1,,,,,,,,,,,,,,,,,,,,,I
34,2,,172458-62301,, "COVER
ASSY",1,1,,,,,Z,XXXXXXXX,M/#20655,XXXXXXXX,M/#20655,,,,,I
35,2,,172633-76160,, "ADAPTER 1/2-3/4",1,1,,,,,,,,,,,,,,,,,,,,,I
36,2,,172422-76180,, CONNECTOR,1,1,,,,,,,,,,,,,,,,,,,,,I
37,2,,172422-76190,, CONNECTOR,1,1,,,,,,,,,,,,,,,,,,,,,I
38,2,,172183-76250,, "PLATE (GREEN:97)",2,2,,,,,,,,,,,,,,,,,,,,,I
39,2,,172142-76270,, "JOINT 1/2, SWIVEL",1,1,,,,,,,,,,,,,,,,,,,,,I
40,3,,172142-77040,, "SEAL SET",1,1,,,,,,,,,,,,,,,,,,,,,I
41,2,,172142-76280,, "JOINT 3/4, SWIVEL",1,1,,,,,,,,,,,,,,,,,,,,,I
42,3,,172142-77050,, "SEAL SET",1,1,,,,,,,,,,,,,,,,,,,,,I
43,2,,172458-76601,, "TUBE L, P.T.O. (97)",1,1,,,,,,,,,,,,,,,,,,,,,I
44,2,,172458-76650,, "TUBE R,P.T.O(GREEN97)",1,1,,,,,,,,,,,,,,,,,,,,,I
45,2,,172458-76680,, "STAY (GREEN:97)",2,2,,,,,,,,,,,,,,,,,,,,,I
46,2,,172458-76700,, "JOINT ASSY, P.T.O.",1,1,,,,,,,,,,,,,,,,,,,,,I
47,2,,172458-76770,, "SPACER ASSY, PIPE",1,1,,,,,,,,,,,,,,,,,,,,,I
47-1,2,,172458-
76750,, "PLATE,PIPE(GREEN:97)",1,1,,,,,S,XXXXXXXX,M/#20558,XXXXXXXX,M/#20558,,,,,
,,,,,I
48,2,,172458-76800,, "TUBE,FRAME-END",1,1,,,,,,,,,,,,,,,,,,,,,I
49,2,,172458-76880,, PLATE,1,1,,,,,,,,,,,,,,,,,,,,,I
50,2,,172125-76900,, "CLAMP (YELLOW:87)",1,1,,,,,,,,,,,,,,,,,,,,,I
51,2,,172142-76940,, "CLAMP 3/4(YELLOW:87)",2,2,,,,,,,,,,,,,,,,,,,,,I
52,2,,172142-76950,, "CLAMP 1/2(YELLOW:87)",2,2,,,,,,,,,,,,,,,,,,,,,I
53,2,,172457-78900,, "HOSE
G212BB083W",1,1,,,,,W,,72458394,M/#20874,72458394,M/#20874,,,,,I
54,2,,172458-78900,, "HOSE W212BB090W",1,1,,,,,,,,,,,,,,,,,,,,,I
55,2,,172457-78910,, "HOSE
H208AB081W",1,1,,,,,W,,72458394,M/#20874,72458394,M/#20874,,,,,I

56,2,,172458-78910,, "HOSE H208AB090W",1,1,,,,,,,,,,,,,I
57,2,,172458-78920,, "HOSE H208BB068",1,1,,,,,,,,,,,,,I
58,2,,172458-78930,, "HOSE G212BB065",1,1,,,,,,,,,,,,,I
59,2,,172458-78940,, "HOSE G212AC092",1,1,,,,,,,,,,,,,I
59-1,2,,172458-78941,, "HOSE
G212AC092K",1,1,,,,,N,,72458399,M/#20728,72458399,M/#20728,,,,,,,,,I
60,2,,172458-78950,, "HOSE H208BC079",1,1,,,,,,,,,,,,,I
60-1,2,,172458-78951,, "HOSE
H208BC079K",1,1,,,,,N,,72458399,M/#20728,72458399,M/#20728,,,,,,,,,I
61,2,,172458-78960,, "HOSE H212CD093",1,1,,,,,,,,,,,,,I
62,2,,172458-78970,, "HOSE H208CD095",1,1,,,,,,,,,,,,,I
63,2,,22117-080000,, "WASHER 8",3,3,,,,,,,,,,,,,I
64,2,,22137-080000,, "WASHER 8, POLISHED",1,1,,,,,,,,,,,,,I
65,2,,22137-080000,, "WASHER 8, POLISHED",1,1,,,,,,,,,,,,,I
66,2,,22217-100000,, "SPRING WASHER 10",2,2,,,,,,,,,,,,,I
67,2,,22417-160160,, "COTTER PIN 1.6X16",1,1,,,,,,,,,,,,,I
68,2,,23871-040000,, "PLUG PT1/2,SCREW",2,2,,,,,,,,,,,,,I
69,2,,24311-000210,, "O-RING 1A P-21.0",2,2,,,,,,,,,,,,,I
70,2,,24315-000140,, "O-RING 1B P-14.0",2,2,,,,,,,,,,,,,I
71,2,,24761-050000,, "NIPPLE C,GREASE",2,2,,,,,,,,,,,,,I
72,2,,26013-080162,, "BOLT W/WASHER M8X16",1,1,,,,,,,,,,,,,I
73,2,,26013-080162,, "BOLT W/WASHER M8X16",3,3,,,,,,,,,,,,,I
74,2,,26013-080252,, "BOLT M 8X 25",2,2,,,,,,,,,,,,,I
75,2,,26013-100202,, "BOLT W/WASHER M10X20",2,2,,,,,,,,,,,,,I
76,2,,26013-100202,, "BOLT W/WASHER M10X20",2,2,,,,,,,,,,,,,I
77,2,,26013-100252,, "BOLT W/WASHER M10X25",4,4,,,,,,,,,,,,,I
78,2,,26013-100252,, "BOLT W/WASHER M10X25",2,2,,,,,,,,,,,,,I
79,2,,26013-100252,, "BOLT W/WASHER M10X25",2,2,,,,,,,,,,,,,I
80,2,,26013-120302,, "BOLT W/WASHER M12X30",2,2,,,,,,,,,,,,,I
81,2,,26013-120302,, "BOLT W/WASHER
M12X30",1,1,,,,,Z,,XXXXXXXXX,M/#26055,XXXXXXXXX,M/#26055,,,,,,,,,I
82,2,,26013-120402,, "BOLT M12X 40",1,1,,,,,,,,,,,,,I
83,2,,26013-120502,, "BOLT M12X 50",1,1,,,,,,,,,,,,,I
84,2,,26013-120552,, "BOLT M12X55",1,1,,,,,,,,,,,,,I
85,2,,26013-120552,, "BOLT
M12X55",1,1,,,,,Z,,XXXXXXXXX,M/#26055,XXXXXXXXX,M/#26055,,,,,,,,,I
86,2,,26013-120652,, "BOLT M12X 65",1,1,,,,,,,,,,,,,I
87,2,,26013-120652,, "BOLT M12X 65",1,1,,,,,,,,,,,,,I
88,2,,26051-080002,, "NUT M 8",7,7,,,,,,,,,,,,,I
89,2,,26116-080202,, "BOLT M 8X 20 PLATED",1,1,,,,,,,,,,,,,I
89-1,2,,26116-080254,, "BOLT M 8X 25
PLATED",1,1,,,,,N,,72458513,M/#22680,72458513,M/#22680,,,,,,,,,I
90,2,,26116-080254,, "BOLT M 8X 25 PLATED",1,1,,,,,,,,,,,,,I
91,2,,26116-080304,, "BOLT M8 X 30 PLATED",1,1,,,,,,,,,,,,,I
92,2,,26116-080354,, "BOLT M 8X 35 PLATED",1,1,,,,,,,,,,,,,I
93,2,,26116-100202,, "BOLT M10X 20 PLATED",2,2,,,,,,,,,,,,,I
94,2,,26658-080002,, "CAP NUT M 8",1,1,,,,,,,,,,,,,I
95,2,,26716-080002,, "NUT M 8",2,2,,,,,,,,,,,,,I
96,2,,26756-080002,, "LOCK NUT M 8 PLATED",2,2,,,,,,,,,,,,,I
97,2,,26756-080002,, "LOCK NUT M 8 PLATED",1,1,,,,,,,,,,,,,I
98,2,,26756-080002,, "LOCK NUT M 8 PLATED",1,1,,,,,,,,,,,,,I
99,2,,933110-54100,, "PIN 4.75X14",1,1,,,,,,,,,,,,,I

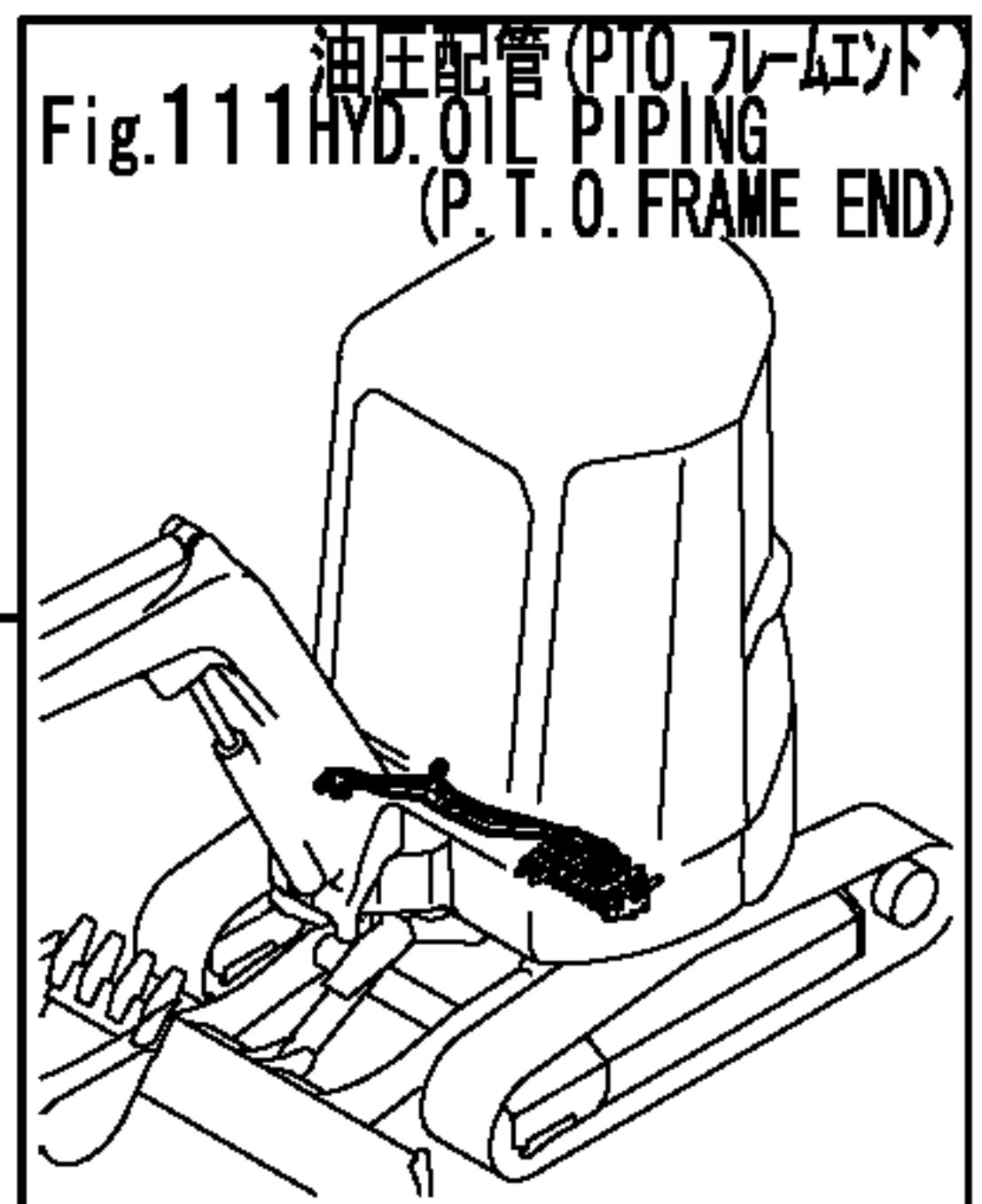
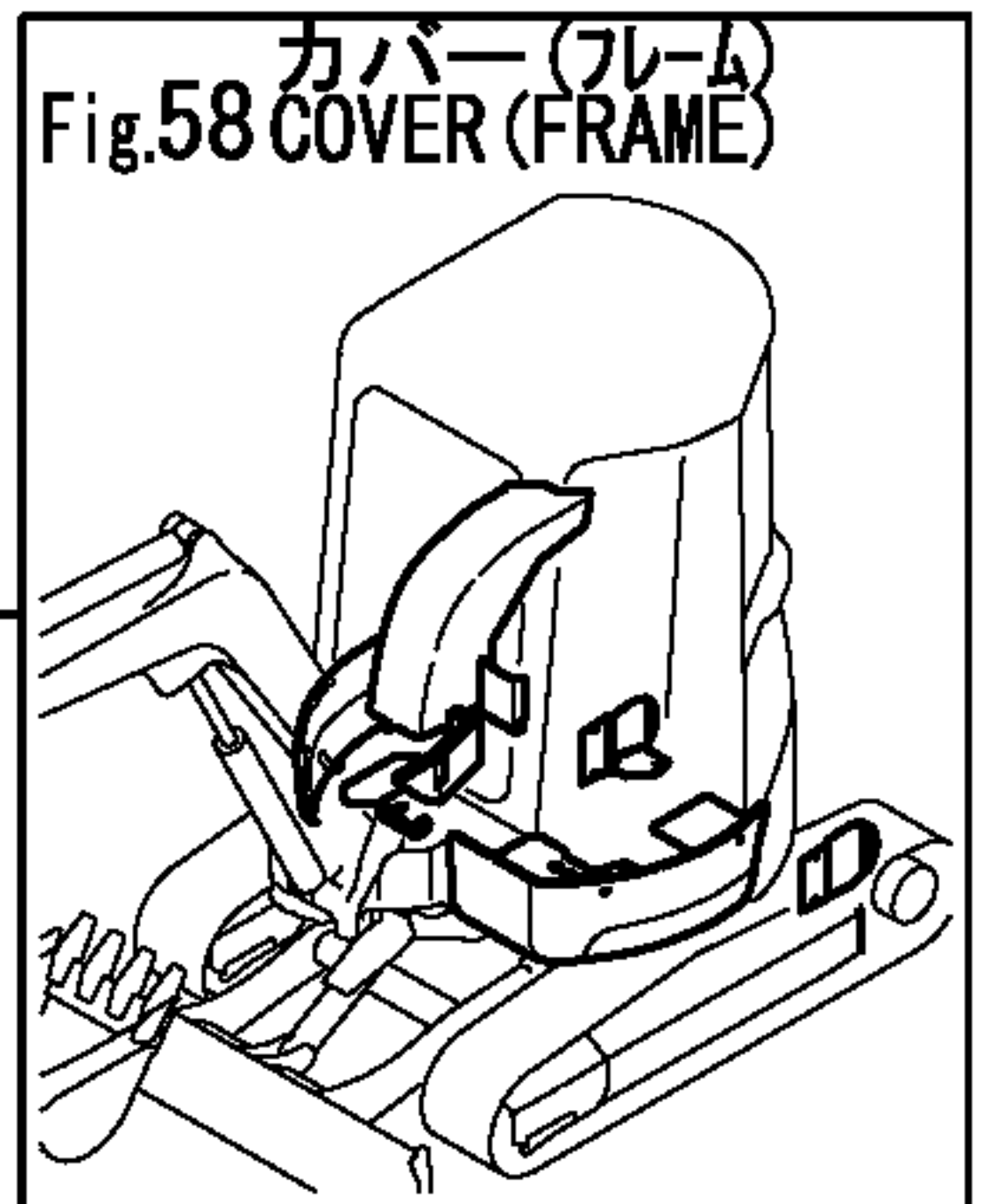
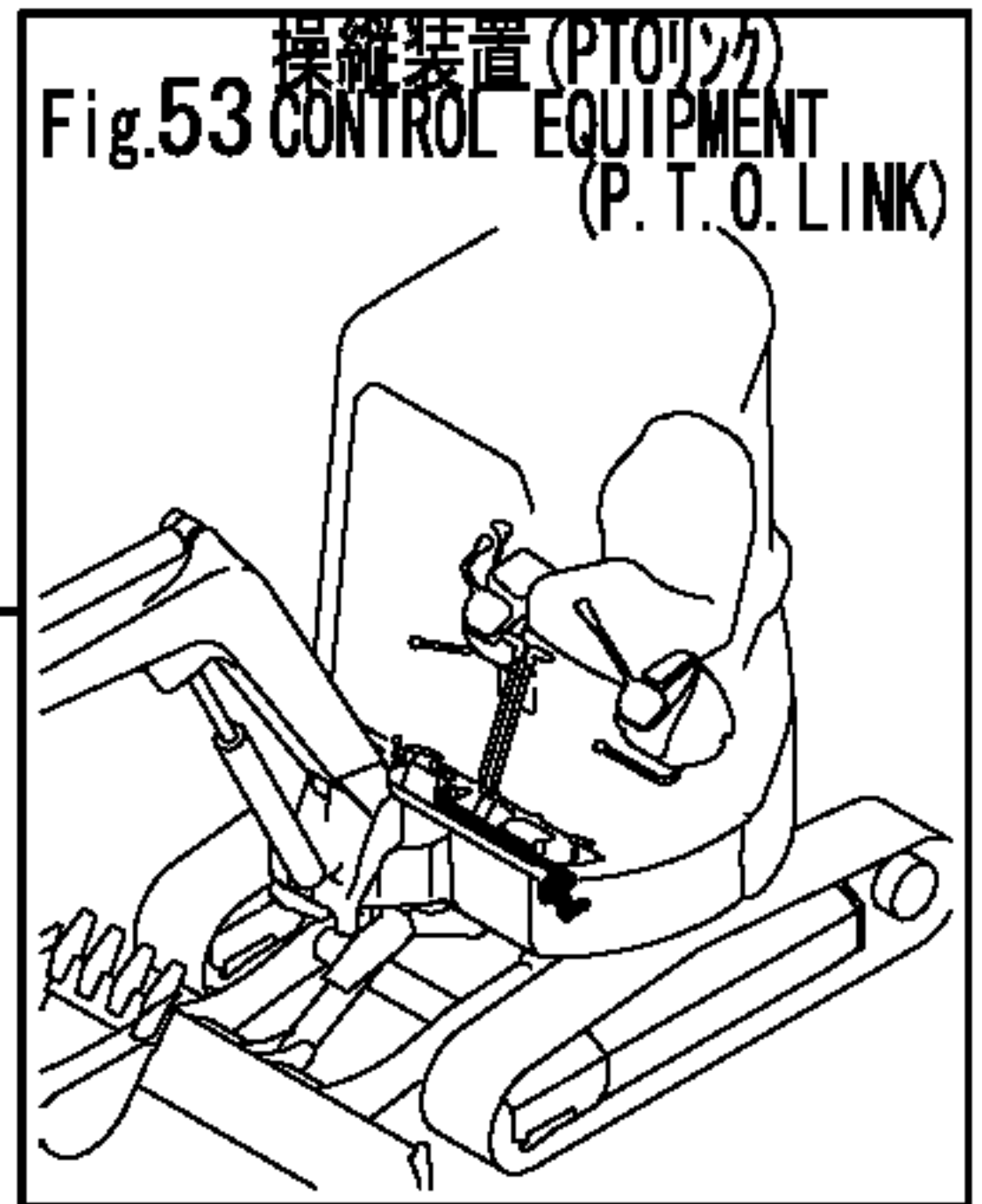
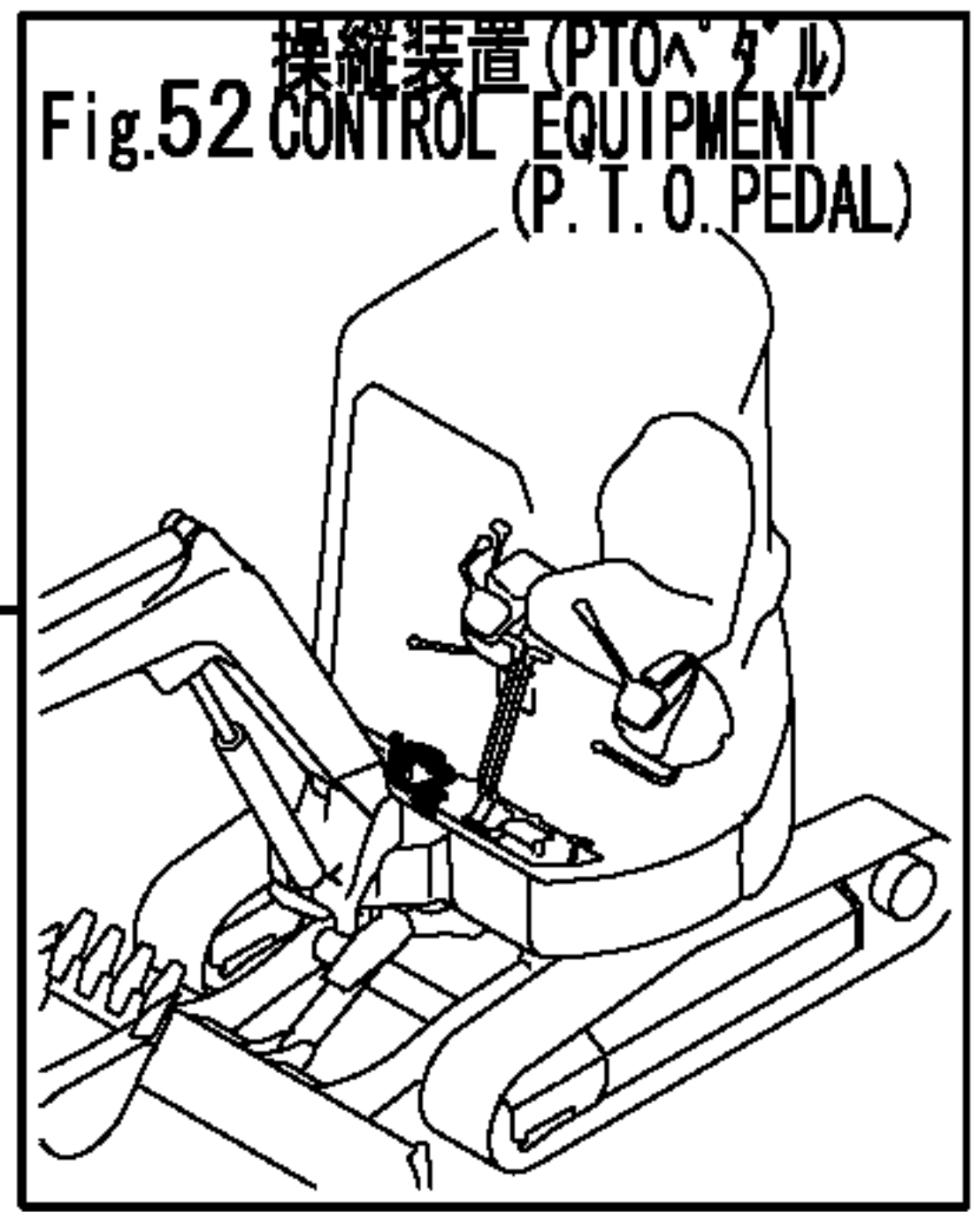


1

PTOキット (アームエンド)
P. T. O. KIT (ARM END)
(172458-08700 TO M/#20654)
(172458-08701 FROM M/#20655)

PTO配管のまったく付いていない
標準仕様に アームエンドまでの配管、
リンク 及び カバーを加える改装部品です。
THESE ARE REMODELING PARTS TO
ADD PIPE AS FOR AS ARM END,
LINK & COVER FOR STANDARD SPEC,
WHICH HAS NO P. T. O. PIPE.

1,1,,172458-08720,, "P.T.O. KIT (FE",1,1,,,,,1,,,,,,I
2,2,,172490-03210,, "LABEL, P.T.O.",1,1,,,,,,I
3,2,,172458-03240,, "LABEL,LOCK",1,1,,,,,,I
4,2,,172068-28490,, "SPRING 8",2,2,,,,,,I
5,2,,172068-28490,, "SPRING 8",2,2,,,,,,I
6,2,,172110-36010,, COLLAR,2,2,,,,,,I
7,2,,194200-37780,, "LS-NUT 8",1,1,,,,,,I
8,2,,172734-41300,, "LINK BALL 8L",1,1,,,,,,I
9,2,,172142-43591,, "ROD,465",1,1,,,,,,I
10,2,,172823-45000,, "ROD 54, SPOOL",1,1,,,,,,I
11,2,,1A1040-45890,, "WASHER 10 36 4.5",2,2,,,,,,I
12,2,,172458-46100,, "LINK A ASSY, P.T.O.",1,1,,,,,,I
13,3,,172141-41370,, "BUSH 2015",2,2,,,,,,I
14,3,,172458-46110,, "LINK A, P.T.O.",1,1,,,,,,I
15,2,,172458-46121,, "LINK B ASSY, P.T.O.",1,1,,,,,,I
16,3,,172141-41370,, "BUSH 2015",2,2,,,,,,I
17,3,,172458-46131,, "LINK ASSY,PTO B",1,1,,,,,,I
18,2,,172458-46150,, "BRACKET,P.T.O. (72)",1,1,,,,,,I
19,2,,172124-46200,, "O-RING 27X5.7",1,1,,,,,,I
20,2,,172458-46230,, "PEDAL A (GRAY:72)",1,1,,,,,,I
22,3,,172110-45050,, "BUSH 12X12",2,2,,,,,,I
23,3,,172458-46240,, "PEDAL ASSY, A",1,1,,,,,,I
24,2,,172458-46280,, "PEDAL B (72)",1,1,,,,,,I
25,2,,172458-46290,, PLATE,1,1,,,,,,I
26,2,,172458-46350,, "PLATE,LOCK (GRAY:72)",1,1,,,,,,I
27,2,,172458-46371,, "BASE,PEDAL (BLACK:12)",1,1,,,,,,I
28,3,,172458-46171,, "PEDAL ASSY, BASE",1,1,,,,,,I
29,3,,172458-46380,, RUBBER,1,1,,,,,,I
30,2,,172187-46400,, "BRACKET (GRAY:73)",1,1,,,,,,I
31,3,,172187-46430,, SHAFT,1,1,,,,,,I
32,2,,172122-46590,, "ELBALL 8",4,4,,,,,,I
33,2,,172116-46630,, "KNOB, LOCK LEVER",1,1,,,,,,I
34,2,,172137-75570,, "ADAPTER PF1/2",1,1,,,,,,I
35,2,,172162-76130,, "ADAPTER,DOUBLE MALE",1,1,,,,,,I
36,2,,172422-76180,, CONNECTOR,1,1,,,,,,I
37,2,,172151-76600,, "ADAPTER PF3/4,BLIND",1,1,,,,,,I
38,2,,172458-76800,, "TUBE,FRAME-END",1,1,,,,,,I
39,2,,172458-76880,, PLATE,1,1,,,,,,I
40,2,,172458-78960,, "HOSE H212CD093",1,1,,,,,,I
41,2,,172458-78970,, "HOSE H208CD095",1,1,,,,,,I
42,2,,22117-080000,, "WASHER 8",3,3,,,,,,I
43,2,,22137-080000,, "WASHER 8, POLISHED",1,1,,,,,,I
44,2,,22137-080000,, "WASHER 8, POLISHED",1,1,,,,,,I
45,2,,22217-100000,, "SPRING WASHER 10",2,2,,,,,,I
46,2,,22417-160160,, "COTTER PIN 1.6X16",1,1,,,,,,I
47,2,,24311-000210,, "O-RING 1A P-21.0",2,2,,,,,,I
48,2,,24315-000140,, "O-RING 1B P-14.0",2,2,,,,,,I
49,2,,24761-050000,, "NIPPLE C,GREASE",2,2,,,,,,I
50,2,,26013-080162,, "BOLT W/WASHER M8X16",1,1,,,,,,I
51,2,,26013-080162,, "BOLT W/WASHER M8X16",3,3,,,,,,I
52,2,,26013-080252,, "BOLT M 8X 25",2,2,,,,,,I
53,2,,26013-100202,, "BOLT W/WASHER M10X20",2,2,,,,,,I
54,2,,26013-100202,, "BOLT W/WASHER M10X20",2,2,,,,,,I
55,2,,26013-100252,, "BOLT W/WASHER M10X25",2,2,,,,,,I
56,2,,26051-080002,, "NUT M 8",7,7,,,,,,I
57,2,,26116-080254,, "BOLT M 8X 25 PLATED",1,1,,,,,,I
58,2,,26116-080304,, "BOLT M8 X 30 PLATED",1,1,,,,,,I
59,2,,26658-080002,, "CAP NUT M 8",1,1,,,,,,I
60,2,,26716-080002,, "NUT M 8",1,1,,,,,,I
61,2,,26756-080002,, "LOCK NUT M 8 PLATED",2,2,,,,,,I
62,2,,26756-080002,, "LOCK NUT M 8 PLATED",1,1,,,,,,I
63,2,,26756-080002,, "LOCK NUT M 8 PLATED",1,1,,,,,,I
64,2,,933110-54100,, "PIN 4.75X14",1,1,,,,,,I



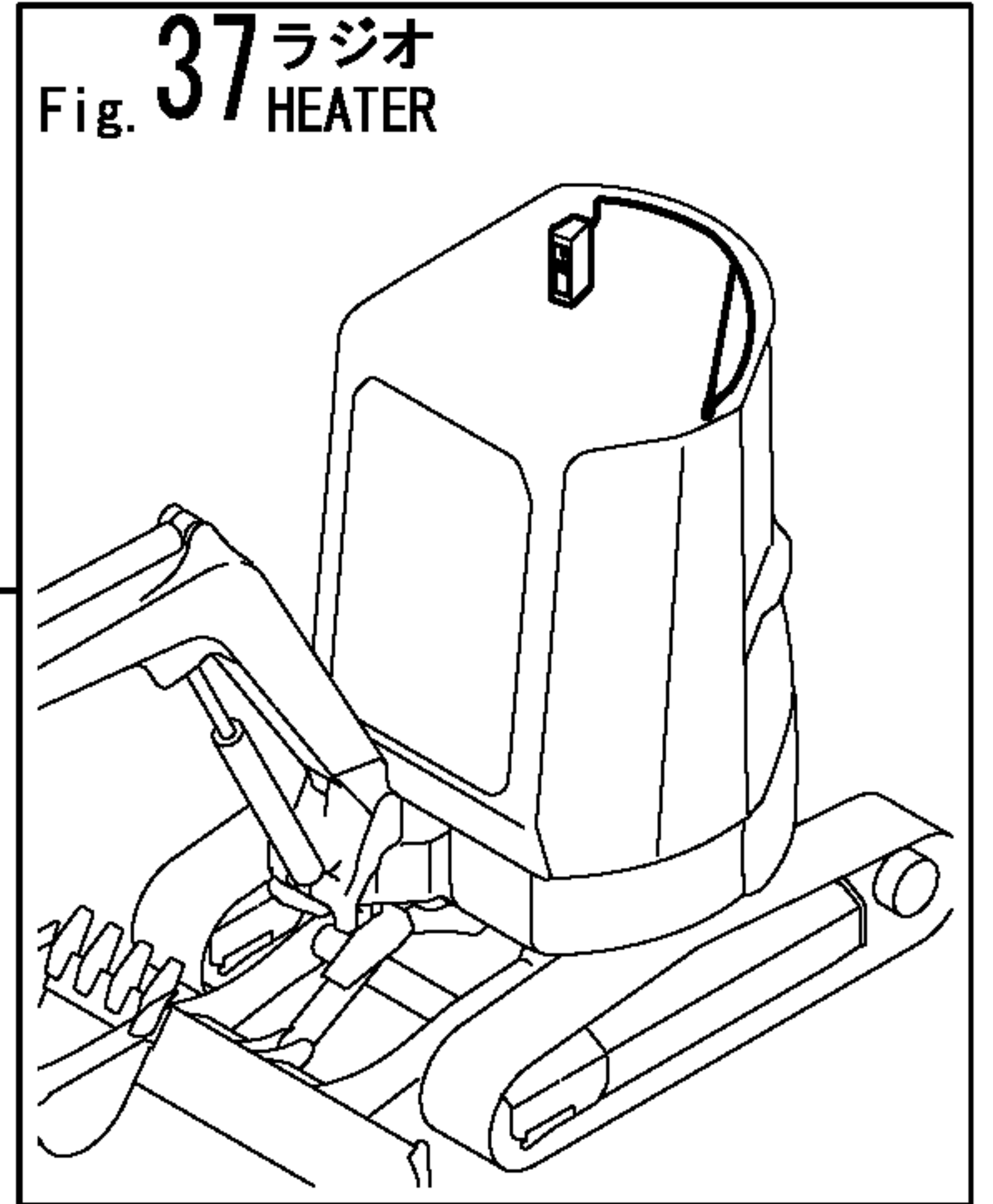
1

PTOキット (フレームエンド)
P. T. O. KIT (FRAME END)
(172458-08720)

PTO配管のまったく付いていない
標準仕様に フレームエンドまでの 配管、
リンク 及び カバーを加える改装部品です。
THESE ARE REMODELING PARTS TO
ADD PIPE AS FOR AS FRAME END,
LINK & COVER FOR STANDARD SPEC,
WHICH HAS NO P. T. O. PIPE.

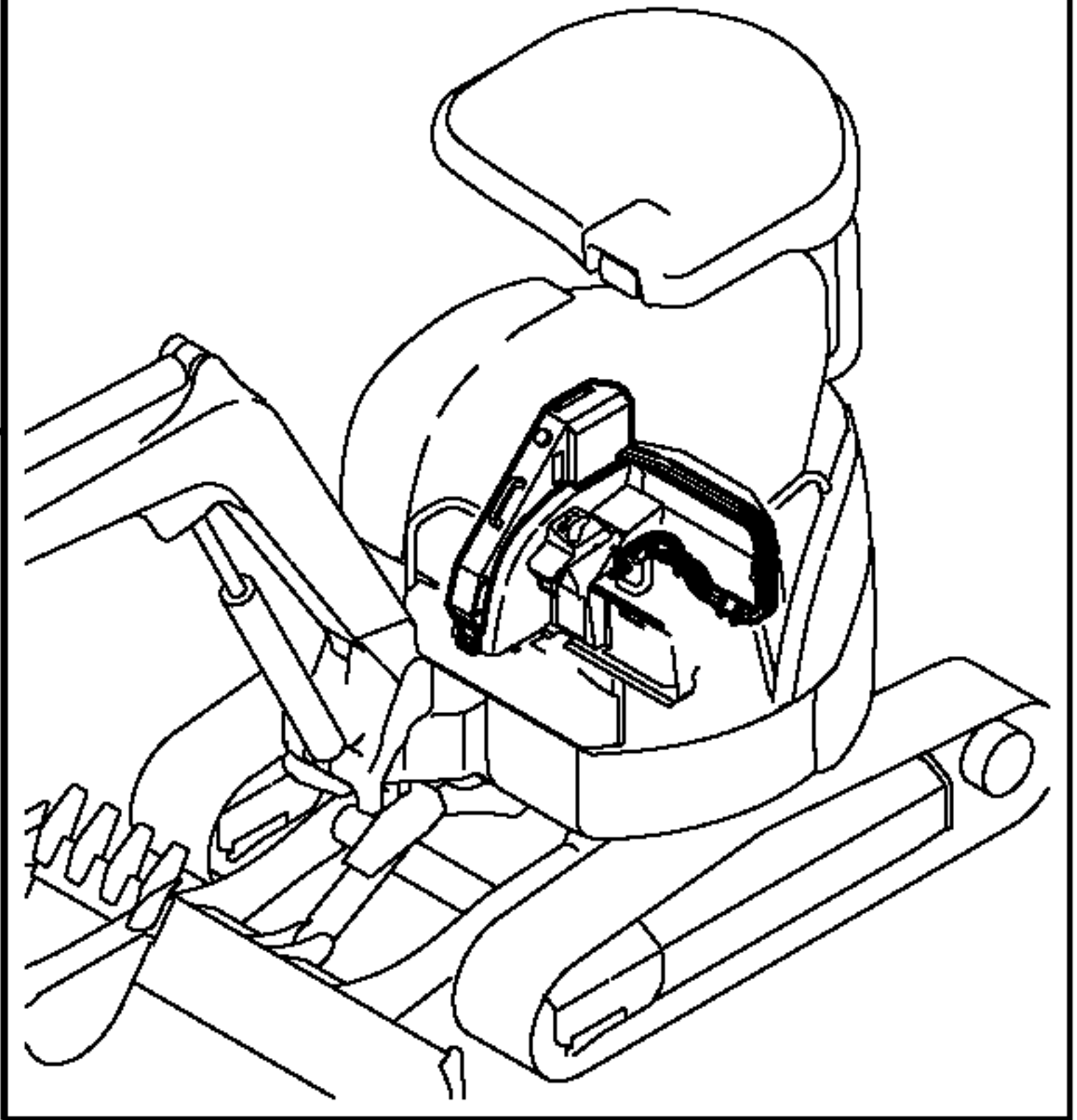
1,1,,172458-17790,, "RADIO KIT",1,,,,,,,,1,,,,,,,,,
2,2,,172447-13550,, MOUNT,2,,,,,,,,,,,,,I
3,2,,172458-17800,, "BRACKET ASSY, RADIO",1,,,,,,,,,,,,,I
4,2,,172458-17820,, "PLATE L ASSY, RADIO",1,,,,,,,,,,,,,I
5,2,,172458-17840,, "PLATE R ASSY, RADIO",1,,,,,,,,,,,,,I
6,2,,172458-17860,, "COVER, RADIO",1,,,,,,,,,,,,,I
7,2,,172458-17870,, SEAL,1,,,,,,,,,,,,,I
8,2,,172458-17880,, BAND,1,,,,,,,,,,,,,I
9,2,,172164-45880,, "BOLT 6X 16",4,,,,,,,,,,,,,I
10,2,,194202-56460,, BAND,3,,,,,,,,,,,,,I
11,2,,172175-65641,, MOLDING,1,,,,,,,,,,,,,I
12,2,,172455-67950,, RADIO,1,,,,,,,,,,,,,I
13,2,,172455-67990,, ANT-ASSY,1,,,,,,,,,,,,,I
14,2,,22217-050000,, "SPRING WASHER 5",4,,,,,,,,,,,,,I
15,2,,22217-080000,, "SPRING WASHER 8",4,,,,,,,,,,,,,I
16,2,,26013-100302,, "BOLT M10X 30",2,,,,,,,,,,,,,I
17,2,,26557-050082,, "SCREW M 5X 8",4,,,,,,,,,,,,,I
18,2,,26712-080002,, "NUT M 8",4,,,,,,,,,,,,,I

1
ラジオキット
RADIO KIT
(172458-17790)



1,1,,772458-18800,, "HEATER KIT",,1,,,,,1,,,,,
2,2,,172187-03690,, "LABEL(HEATER SWITCH",,1,,,,,
3,2,,172126-11510,, "BAND 300",,6,,,,,
4,2,,172141-13490,, JOINT,,1,,,,,
5,2,,172458-13580,, CW-T(A-1,,1,,,,,
6,2,,172458-13590,, CW-T(A-2,,1,,,,,
7,2,,172126-16540,, "CLAMP 10X70",,1,,,,,
8,2,,172458-16580,, HARNESS,,1,,,,,
9,2,,172187-17290,, "SWITCH, HEATER",,1,,,,,
10,2,,172162-17601,, HEATER,,1,,,,,
10-1,2,,172162-17602,, HEATER,,1,,,,,N,,,,72458449,M/#21080,,,,,
11,2,,172168-17600,, "CONNECTOR PT3/8-M16",,1,,,,,
12,2,,172137-17630,, "JOINT, HEATER",,1,,,,,
12-1,2,,172137-17631,, "JOINT, HEATER",,1,,,,,R,,,,24900024,M/#25501,,,,,I
13,2,,172425-17630,, "VALVE ASSY, HEATER",,1,,,,,
14,2,,172124-17640,, "JOINT 3/8",,1,,,,,
15,2,,172458-17700,, GRILLE,,2,,,,,
16,2,,172122-17730,, "COVER, DEFROSTER",,1,,,,,
17,2,,172458-18660,, "HOSE ASSY, HEATER",,2,,,,,
18,2,,172458-18700,, "DUCT (GRAY:73)",,1,,,,,
19,3,,172458-18710,, DUCT,,1,,,,,
20,3,,172458-18930,, SEAT,,1,,,,,
21,3,,172458-18940,, SEAT,,1,,,,,
22,3,,172458-18950,, SEAT,,1,,,,,
23,3,,172176-67110,, "TRIM, ROOF",,1,,,,,
24,2,,172458-18800,, "COVER (GRAY:73)",,2,,,,,
25,2,,172458-18820,, "BRACKET ASSY",,1,,,,,
26,2,,172458-18870,, "SEAL, SPONGE",,2,,,,,
27,2,,172458-18880,, COVER,,1,,,,,
28,2,,172458-18910,, "BRACKET (GRAY:73)",,1,,,,,
29,2,,124465-44950,, "GASKET 16",,2,,,,,
30,2,,172164-45980,, "GRIP, BONNET",,1,,,,,
31,2,,172458-46720,, "BOLT 8X20",,4,,,,,
32,2,,172458-63570,, "COVER,SEAT MOUNT(73)",,1,,,,,
33,3,,172458-63590,, "COVER,SEAT MOUNT",,1,,,,,
34,3,,172137-76580,, "COLLER 9X11",,1,,,,,
35,2,,172458-63640,, "HOSE 150,SPONGE",,1,,,,,
36,2,,22137-080000,, "WASHER 8, POLISHED",,1,,,,,
37,2,,22137-100000,, "WASHER 10,POLISHED",,3,,,,,
38,2,,22137-100000,, "WASHER 10,POLISHED",,2,,,,,
39,2,,23000-022000,, "CLAMP 22",,4,,,,,
39-1,2,,23001-022000,, "HOSE CLAMP 22",,4,,,,,N,,,,72446124,M/#22562,,,,,
40,2,,23000-041000,, "CLAMP 41",,2,,,,,
40-1,2,,23001-041000,, "CLIP 41,HOSE",,2,,,,,N,,,,72446124,M/#22562,,,,,
41,2,,26013-080162,, "BOLT W/WASHER M8X16",,1,,,,,
42,2,,26013-080252,, "BOLT M 8X 25",,1,,,,,
43,2,,26013-100202,, "BOLT W/WASHER M10X20",,2,,,,,
44,2,,26557-080162,, "SCREW M 8X 16",,2,,,,,
45,2,,26716-100002,, "NUT 10",,3,,,,,

Fig. **36** ヒータ (キャノピ仕様) (オプション)
HEATER (CANOPY SPEC.)
(OPTIONAL)



1

ヒーターキット (キャノピ)
HEATER KIT (CANOPY)
(772458-18800)

[Info]

PcNo=Y00K3672

PcName=VIO30-2(JP,EX)

JpnUse=1

JpnSec1=Ēš<@

JpnSec2=fofbfNfz [

JpnSec3=VIO

JpnPreface=1

EngUse=1

EngSec1=CONSTRUCTION

EngSec2=EXCAVATOR (ViO)

EngSec3=VIO

EngPreface=1