

1. This Parts Catalog carries Yanmar crawler back-hoe Vio27-2(for Japan)

2. Parts catalog history

	Parts catalog NO.	Published	Remarks
1st edition	000Y00K3680	Sep. , 2000	Disuse old edition
1st revised	000Y00K3681	Nov. , 2001	Disuse old edition
2nd revised	000Y00K3682	Nov. , 2003	

3. Model name

SECTION	Column	Model name	M/#	Manufactured
I (Vehicle)	(A)	Vio27-2 C(JP)	20501~	2000/6~
	(B)	Vio27-2 P(JP)		
	(C)	Vio27-2 P(EX)	21093~	2002/5~
II (Engine)	(A)	3TNE78A-EBV	43271~	2000/5~

(Note) C:Cabin spec. P:Canopy spec.

4. Your understanding is asking that this parts catalog is not a technical data manual setting forth as servicing procedures, This parts catalog is using simplified illustration. Be sure to use Yanmar Genuine Parts in your maintenance servicing of Yanmar products. Be careful not to use the simple parts available in the market, otherwise their use in repairing causes such as an early breakage, for instance.

How to read this Parts Catalog.

1. Parts mentioned in Parts Catalog may not necessarily be standard equipping parts
2. Parts change may be made without prior notice.
3. Form of this Parts Catalog.

REF.	LEV.	PARTS No.	DESCRIPTION	QTY						I	R
				(A)	(B)	(C)	(D)	(E)	(F)		
1		729595-51390	FUEL INJECTION PUMP		1	1	1	1	1		
1-1	1	729595-51391	FUEL INJECTION PUMP	1	1	1	1	1	1	N	1
3	2	26022-060162	SCREW M 6X16		9	9	9	9	9		
1 3-1	2	26022-060162	SCREW M 6X16		4	4	4	4	4		K
4	2	129470-51040	CAMSHFT		9	9	9	9	9		
5	2	122710-51050	BEARING. ROLLER		9	9	9	9	9		
6	2	129470-51060	RETAINER		9	9	9	9	9		

Remarks	(1) BOOST COMPENSATOR TYPE. OPTIONAL PART. TO E#00155 (4JH-DT, 4JH-DTZ)
---------	---

① Ref. No.

The Ref. No. in the list may not be in accordance with the Ref. No. on illustration.

(Ex.) illustration No. List head No.

1 1 (Before change) → 1-1 (After change)

When interchangeable symbol N, and k, illustrations for the new parts are sometimes omitted.

② Lev. (Level)

Indication and Meaning of Level

Level Hereunder is given the relation among the number of number (1,2,3) the level and the nominal parent-child relationship.

- 1 ---- Parent parts (Assembly parts)
- 2 ---- Child parts included in " 1 " (Semi-Assembly parts, component parts of Assembly parts.)
- 3 ---- Child parts included in " 2 ", Grand-child parts in terms of " 1 ".
(Component parts of Semi-Assembly parts.)

Note) A parts of non-sale parts are illustrated but not listed.

③ Change Mark

Change Mark " I " is given to the part for which a design change was made at this time.

The design change was not shown in the last published Parts Catalog.

④ Interchangeability Mark

In the case where a part change took place, one of the following interchangeability marks is indicated for that part

Symbol	Interchangeability	Contents note
N	Old ← → New	New Part is interchangeable for Old Part but not interchangeable conversely.
Q	Old ← → New	New Part is not interchangeable for Old Part but interchangeable conversely.
R	Old ← → New	New Part is interchangeable for Old Part and vice versa.
S	Old ← → New	New Part is not interchangeable for Old Part and vice versa.
W		Part newly added.
Z		Part discontinued.
F		Not interchangeable single part but interchangeable by set of the related parts.
K		Changed only in quantity used.

⑤ Effective Machine No.

When a part is changed, Effective Machine No. of a Model for which the part is applicable is indication

In each column of (A)-(F).

Product Symbol	Product No.	Product Symbol	Product No.
C	Clutch No, Compressor No,	M	Machine No,
D	Drive No,	T	Tractor No,
E	Engine No,	Note 1)※	Date

Note 1) Date may follow the symbol in some cases. (Ex.) ※1996.01

Note 2) As far as engine models shown by " XXX " are concerned, the modification of the parts could not be Predicted or the engine models themselves could not be identified.

Note 3) (A=E/#00185) means that the design change on the part has been effective for the model at the, column (A) (in the case, for 4JH-DT) on and from E/(Engine Serial Number) 00185

⑥ Remarks Mark

Figures or alphabets (Symbols) are entered in the remark column.

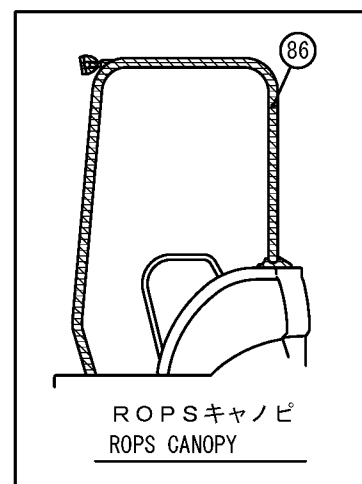
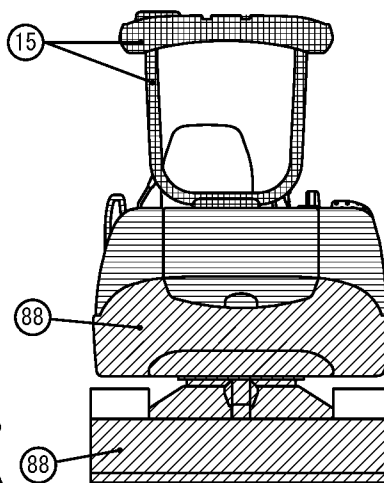
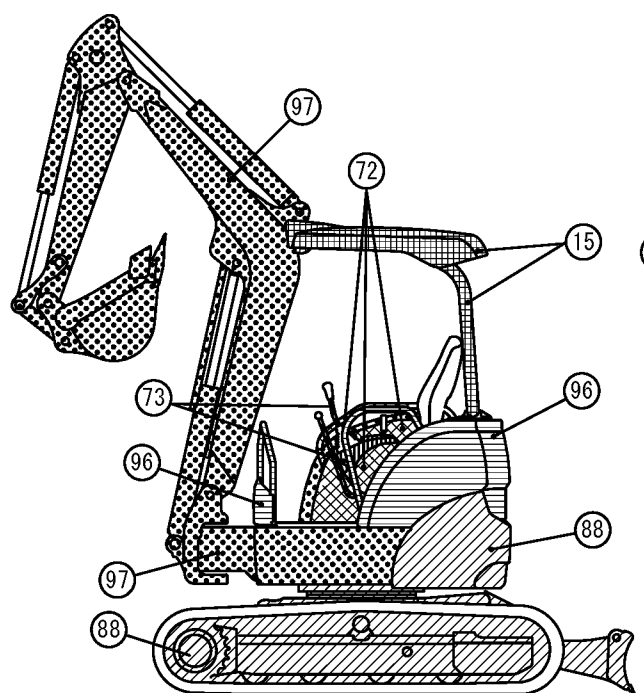
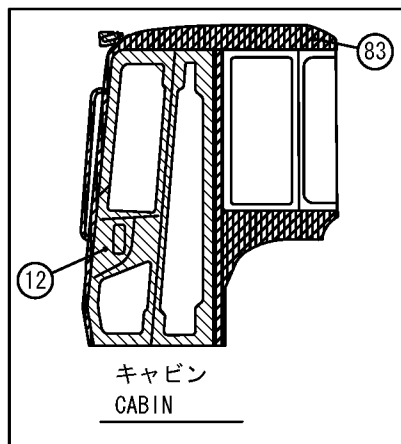
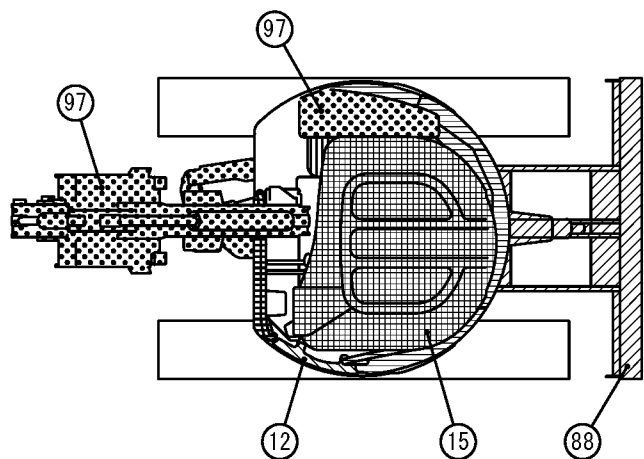
The comments (remarks) on the pertinent parts are indicated in the lower part of the list by the same symbols a those stated above.

SPECIFICATION

Name		YANMAR CRAWLER BACKHOE					
Model		Vio27-2					
Specification		IRON CRAWLER			RUBBER CRAWLER		
		CANOPY	CABIN	CANOPY	CABIN	CANOPY	CABIN
Engine	Model	3TNE78A-EBV					
	Bore × Stroke	78 × 84					
Dimensions	Transport length	mm	4100				
	Transport width	mm	1550				
	Transport height	mm	2440	2510	2440	2510	
Std. bucket capacity		m ³	0.08				
Std. bucket width (outside)		mm	490				
Max. digging depth		mm	2600 (W/BLADF2750)				
Max. cutting height		mm	4490	4220	4490	4220	
Max. dump height		mm	3080	2830	3080	2830	
Max. reach at ground level		mm	4380				
Min. swing radius (Swing)		mm	1750 (1450)	1900 (1550)	1750 (1450)	1900 (1550)	
Boom swing angle		degree	Left 50 · Right 75				
Max. digging force (Std. bucket)		kN (kgf)	23.5 (2400)				
Travel speed (High/Low)		km/h	4.7/2.8				
Swing speed		min ⁻¹ (rpm)	10				
Average ground pressure		kPa (kgf/cm ²)	27.5 (0.28)	28.4 (0.29)	29.4 (0.30)	31.4 (0.32)	
Track shoe width (Std.)		mm	260				
Blade	Width × height	mm	1550 × 345				
	Raise (Up/Down)	mm	350/320				
Machine mass		kg	2770	2950	2650	2830	
Battery		65B24L/12V, 40Ah (5Hr)					

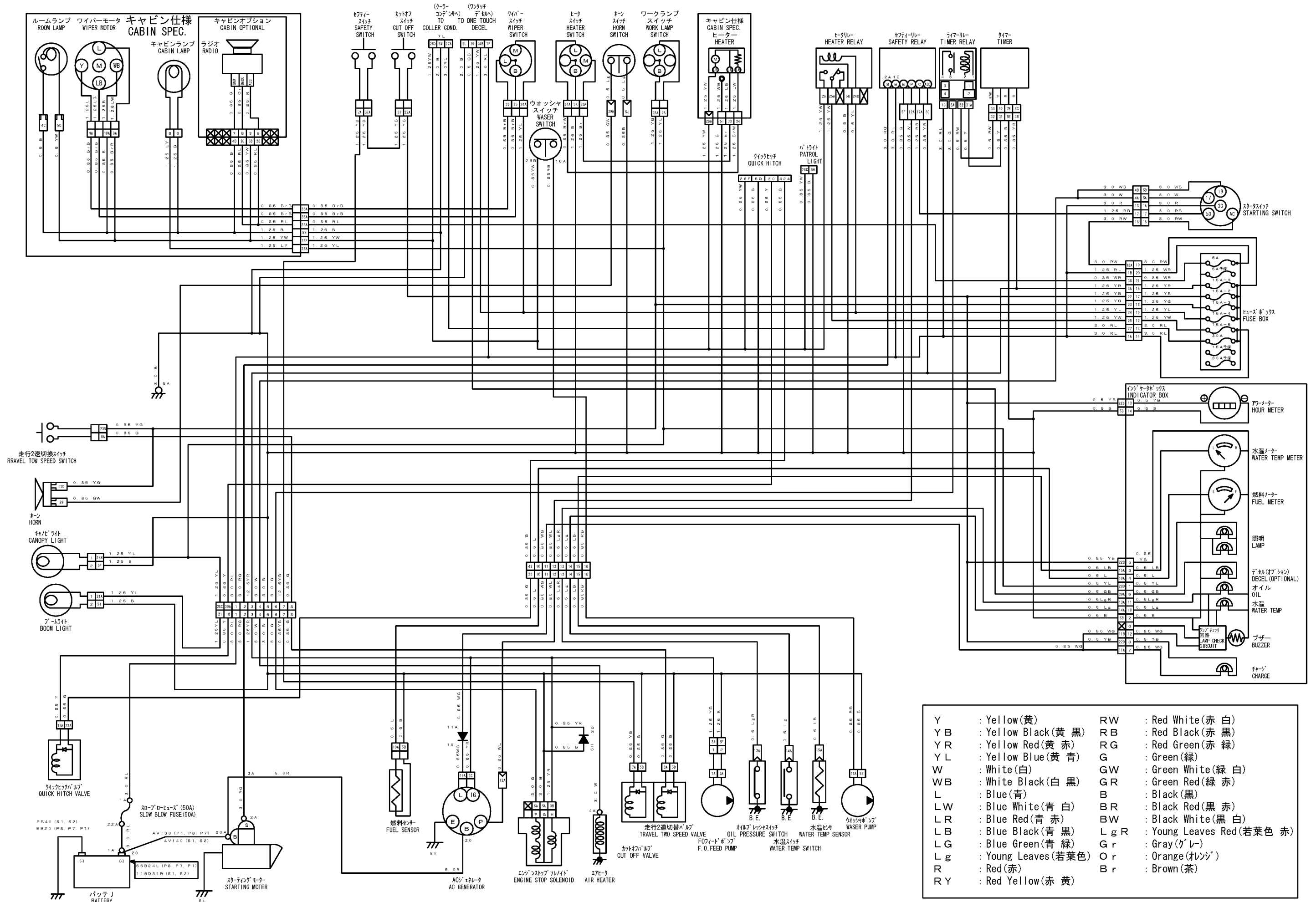
本機塗装色 VEHICLE PAINTED COLOR

<https://truckmanualshub.com/>

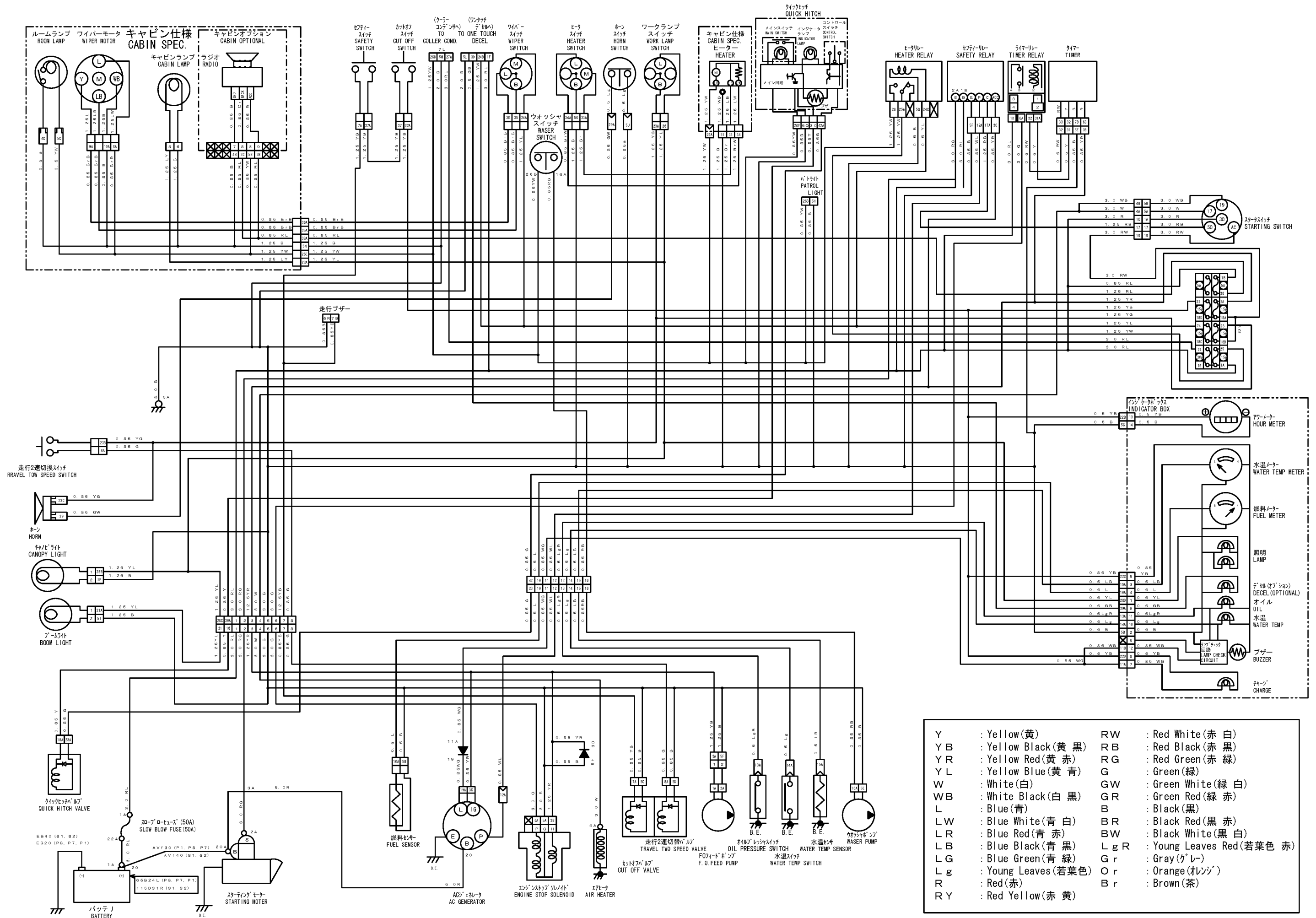


色区分 Color Code	表示 Desc- ription	塗装色 Painted Color	マンセル記号 Munsel No.	塗料部品番号 (Paint Part No.)		
				16L缶 (16L Can)	4L缶 (4L Can)	スプレー (SPRAY)
88		ヤンマー新ディーブグリーン YANMAR New Deep Green	0. 6B2. 2/4. 2	981101-09588	977620-40880	977620-30881
97		ヤンマーピーコックグリーン YANMAR Peacock Green	2. 99BG5. 27/9. 28	981101-09597	977620-40970	977620-30971
96		ヤンマーシトラスグリーン YANMAR Citrus Green	4. 97GY8. 35/6. 87	981101-09599	977620-40990	977620-30991
72		ヤンマーダークオリーブグレー YANMAR Dark Olive Gray	7. 21Y2. 92/0. 79	-----	977620-40720	TOR-90460003
15		ナチュラルホワイト Natural White	1. 38GY7. 15/0. 48	-----	-----	977620-30301
73		ヤンマーワームグレー YANMAR Warm Gray	5. 52Y4. 91/1. 09	-----	-----	TOR-90450003
12		ヤンマーブラック YANMAR Black	4. 90PB0. 08/0. 41	-----	TOR-91220001	TOR-90220003
83		ヤンマーグレッシユグリーン YANMAR Grayish Green	2. 15G4. 87/1. 52	981101-09615	977620-40830	977620-30N41
86		ヤンマー新グレッシユグリーン YANMAR New Grayish Green	2. 62BG4. 76/2. 87	981101-09616	977620-40860	977620-30861

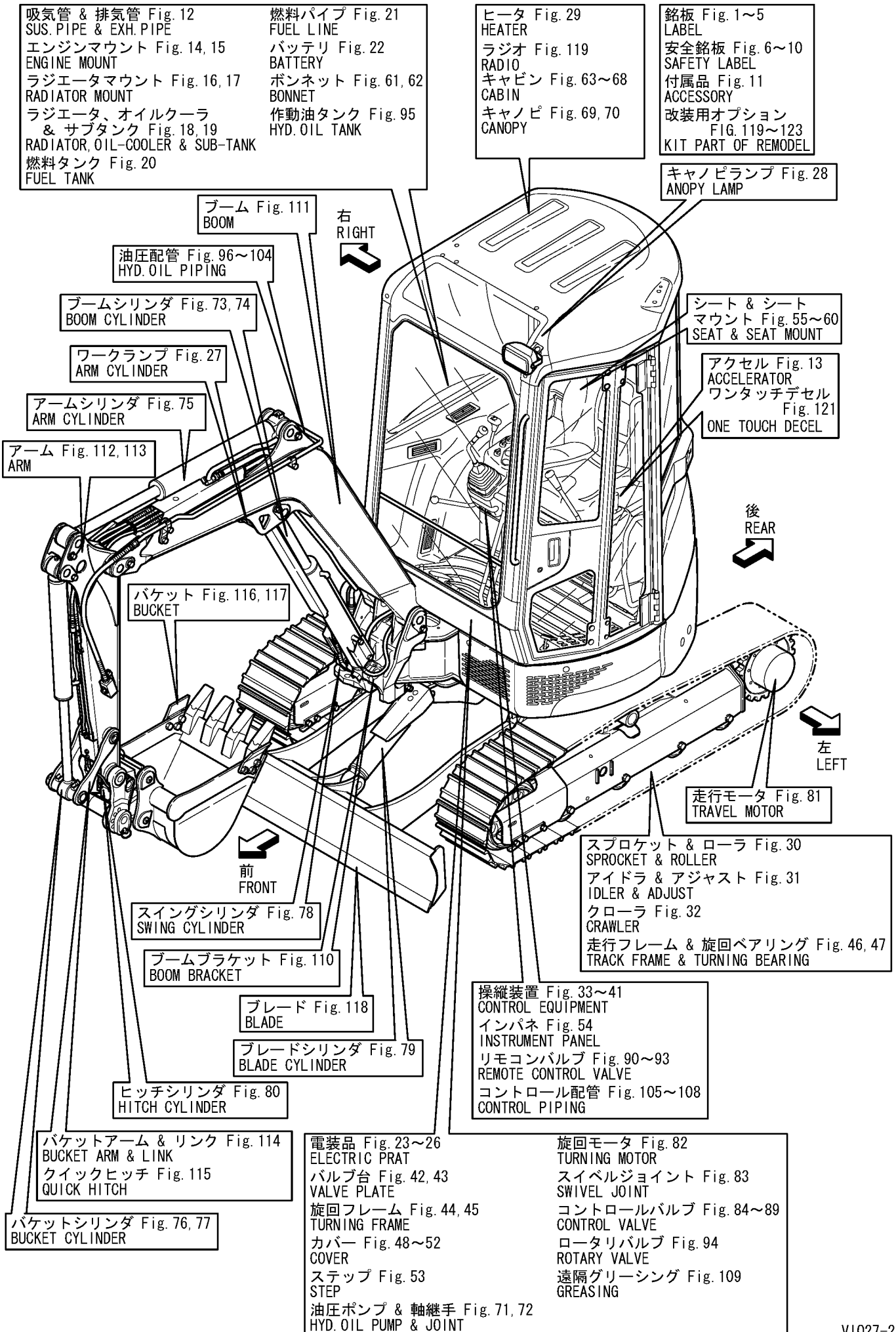
配線図 (旧形) WIRING DIAGRAM (PREVIOUS)



配線図 (新形) WIRING DIAGRAM (NEW)



絵目次 (1) 主要部分 PICTURESQUE INDEX (1) MAIN PARTS



吸気管 & 排気管 Fig. 12
SUS. PIPE & EXH. PIPE
エンジンマウント Fig. 14, 15
ENGINE MOUNT
ラジエータマウント Fig. 16, 17
RADIATOR MOUNT
ラジエータ、オイルクーラ
& サブタンク Fig. 18, 19
RADIATOR, OIL-COOLER & SUB-TANK
燃料タンク Fig. 20
FUEL TANK

燃料パイプ Fig. 21
FUEL LINE
バッテリー Fig. 22
BATTERY
ボンネット Fig. 61, 62
BONNET
作動油タンク Fig. 95
HYD. OIL TANK

ヒータ Fig. 29
HEATER
ラジオ Fig. 119
RADIO
キャビン Fig. 63~68
CABIN
キャノピ Fig. 69, 70
CANOPY

銘板 Fig. 1~5
LABEL
安全銘板 Fig. 6~10
SAFETY LABEL
付属品 Fig. 11
ACCESSORY
改装用オプション
FIG. 119~123
KIT PART OF REMODEL

キャノピランプ Fig. 28
CANOPY LAMP

ブーム Fig. 111
BOOM

油圧配管 Fig. 96~104
HYD. OIL PIPING

ブームシリンダ Fig. 73, 74
BOOM CYLINDER

ワークランプ Fig. 27
ARM CYLINDER

アームシリンダ Fig. 75
ARM CYLINDER

アーム Fig. 112, 113
ARM

バケット Fig. 116, 117
BUCKET

前
FRONT

スイングシリンダ Fig. 78
SWING CYLINDER

ブームブラケット Fig. 110
BOOM BRACKET

ブレード Fig. 118
BLADE

ブレードシリンダ Fig. 79
BLADE CYLINDER

ヒッチシリンダ Fig. 80
HITCH CYLINDER

バケットアーム & リンク Fig. 114
BUCKET ARM & LINK
クイックヒッチ Fig. 115
QUICK HITCH

バケットシリンダ Fig. 76, 77
BUCKET CYLINDER

電装品 Fig. 23~26
ELECTRIC PART
バルブ台 Fig. 42, 43
VALVE PLATE
旋回フレーム Fig. 44, 45
TURNING FRAME
カバー Fig. 48~52
COVER
ステップ Fig. 53
STEP
油圧ポンプ & 軸継手 Fig. 71, 72
HYD. OIL PUMP & JOINT

操縦装置 Fig. 33~41
CONTROL EQUIPMENT
インパネ Fig. 54
INSTRUMENT PANEL
リモコンバルブ Fig. 90~93
REMOTE CONTROL VALVE
コントロール配管 Fig. 105~108
CONTROL PIPING

旋回モータ Fig. 82
TURNING MOTOR
スイベルジョイント Fig. 83
SWIVEL JOINT
コントロールバルブ Fig. 84~89
CONTROL VALVE
ロータリバルブ Fig. 94
ROTARY VALVE
遠隔グリース Fig. 109
GREASING

走行モータ Fig. 81
TRAVEL MOTOR

スプロケット & ローラ Fig. 30
SPROCKET & ROLLER
アイドル & アジャスト Fig. 31
IDLER & ADJUST
クローラ Fig. 32
CRAWLER
走行フレーム & 旋回ベアリング Fig. 46, 47
TRACK FRAME & TURNING BEARING

後
REAR

左
LEFT

右
RIGHT

絵目次 (2) 油圧関係 PICTURESQUE INDEX (2) HYDRAULIC SECTION

油圧配管 Fig. 96~104
HYD. OIL PIPING

コントロール配管 Fig. 105~108
CONTROL PIPING

油圧ポンプ & 軸継手 Fig. 71, 72
HYD. OIL PUMP & JOINT

ラジエータ、オイルクーラ & サブタンク Fig. 18, 19
RADIATOR, OIL COOLER & SUB-TANK

リモコンバルブ Fig. 90~93
REMOTE CONTROL VALVE

作動油タンク Fig. 95
HYD. OIL TANK

スイングシリンダ Fig. 78
SWING CYLINDER

ブームシリンダ Fig. 73, 74
BOOM CYLINDER

アームシリンダ Fig. 75
ARM CYLINDER

右
RIGHT

後
REAR

左
LEFT

前
FRONT

走行モータ Fig. 81
TRAVEL MOTOR

ロータリバルブ Fig. 94
ROTARY VALVE

コントロールバルブ Fig. 84~89
CONTROL VALVE

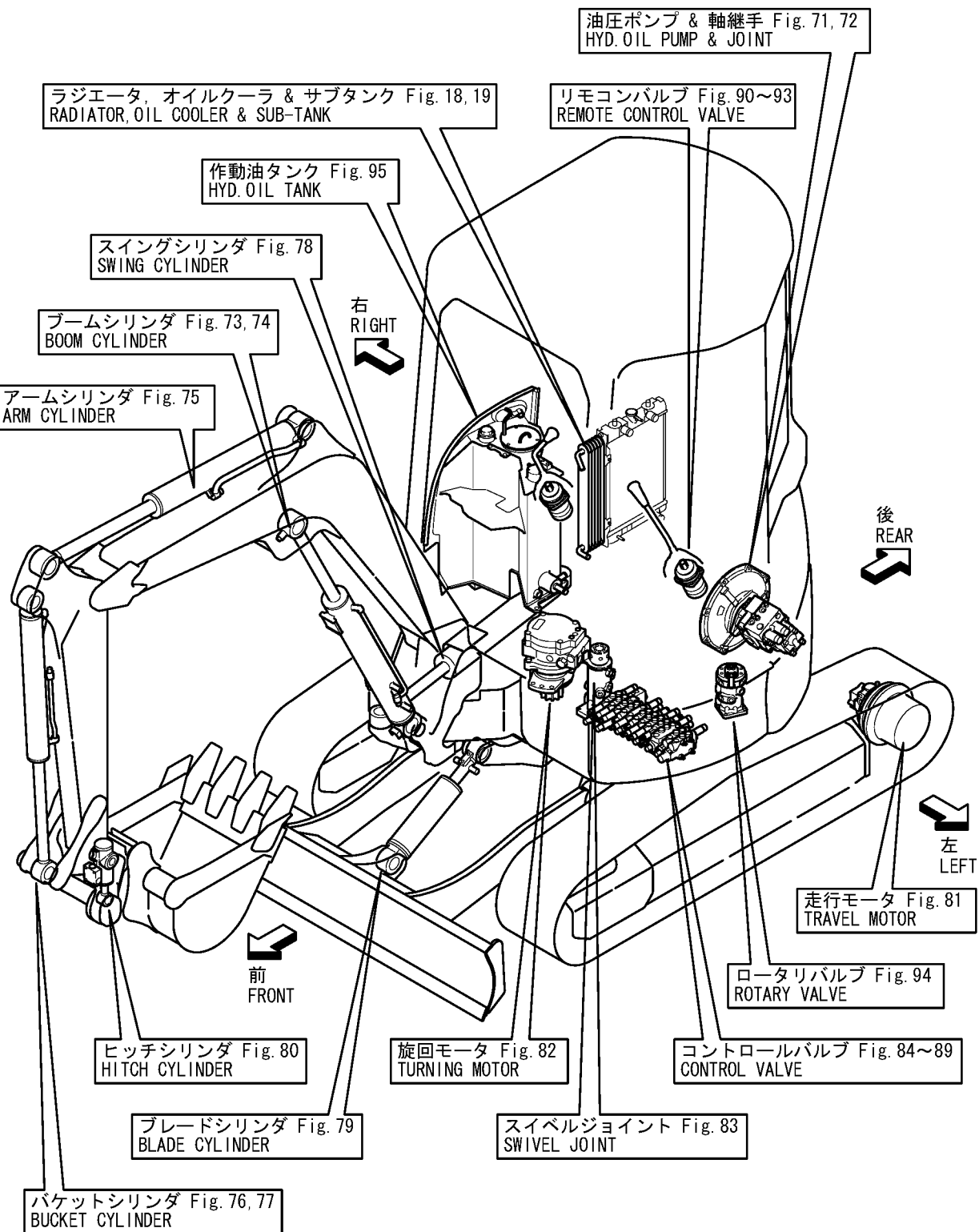
旋回モータ Fig. 82
TURNING MOTOR

スイベルジョイント Fig. 83
SWIVEL JOINT

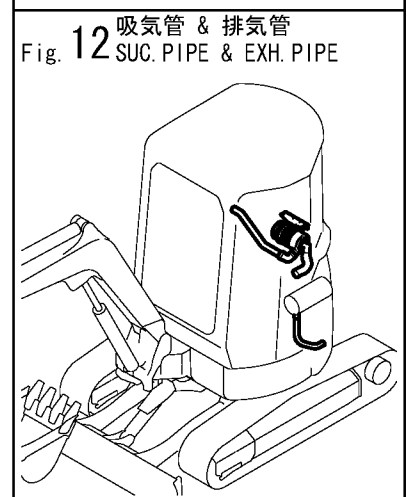
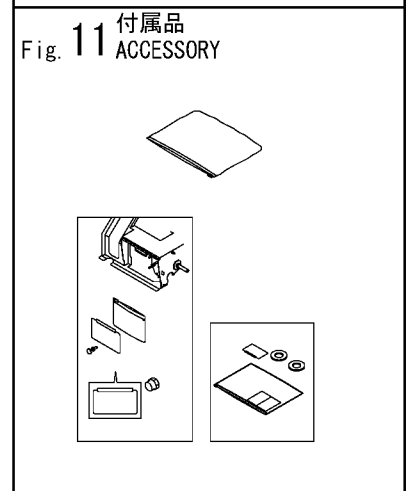
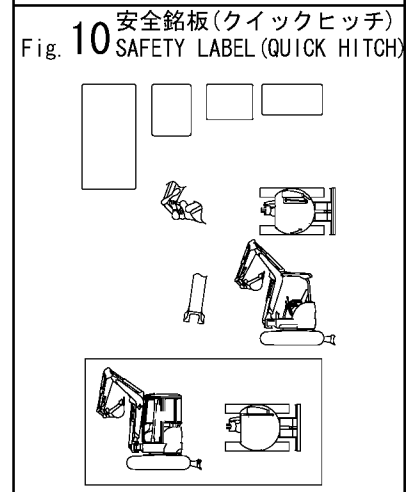
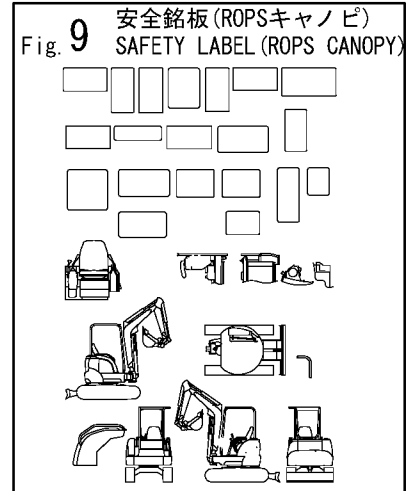
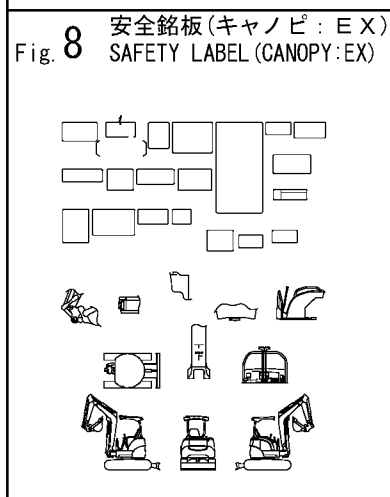
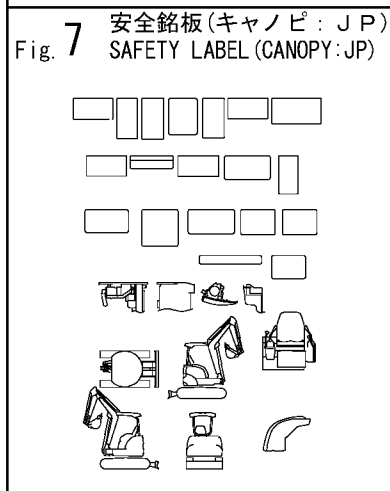
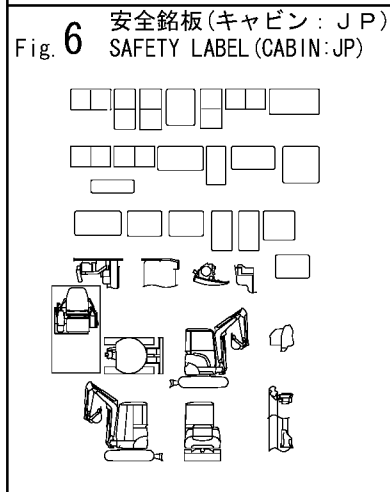
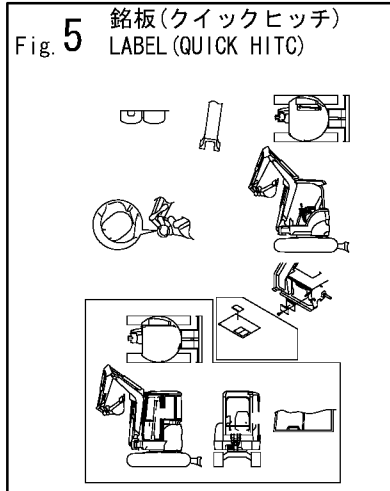
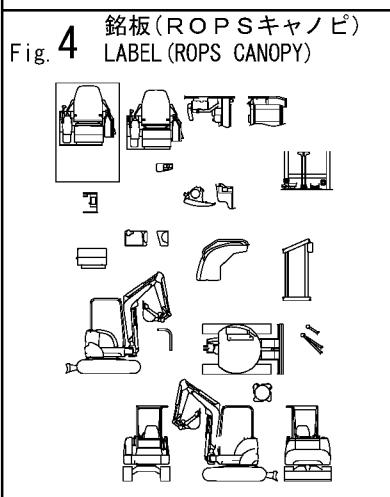
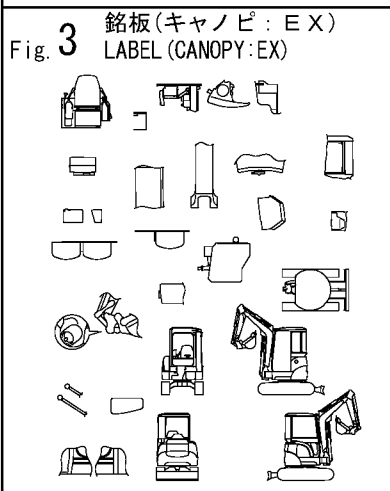
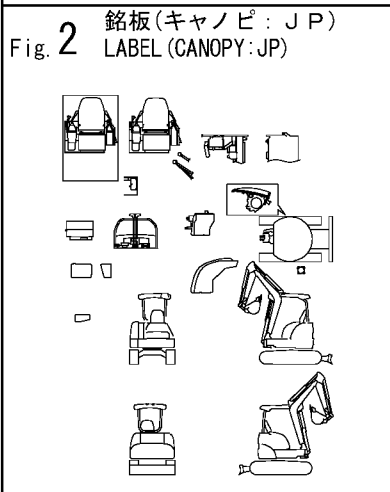
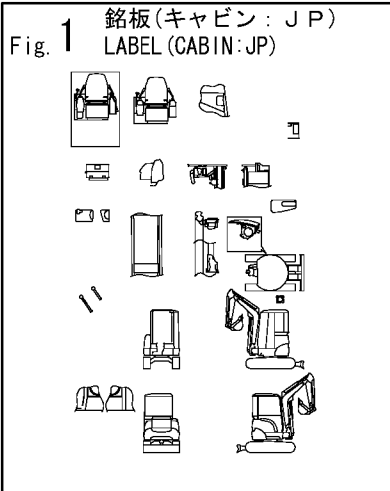
ヒッチシリンダ Fig. 80
HITCH CYLINDER

ブレードシリンダ Fig. 79
BLADE CYLINDER

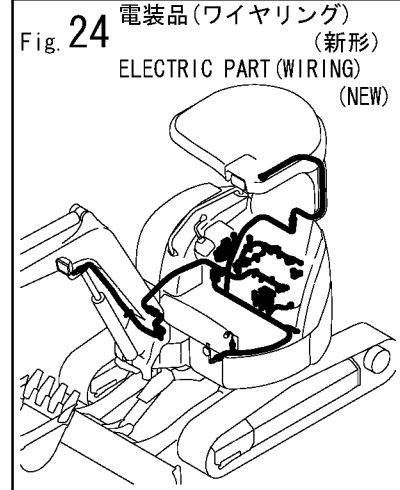
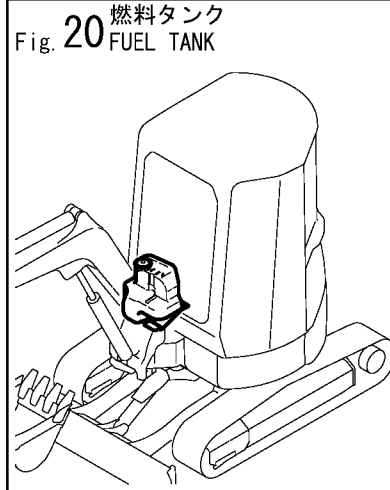
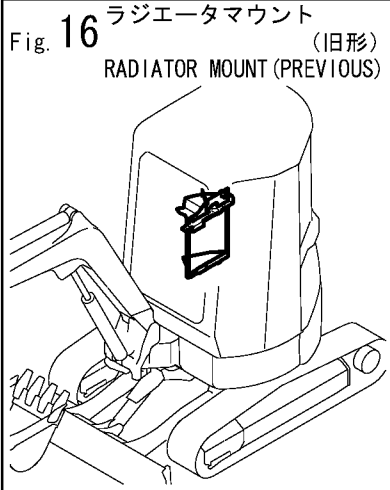
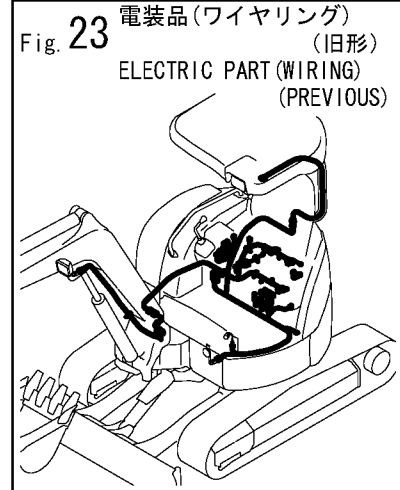
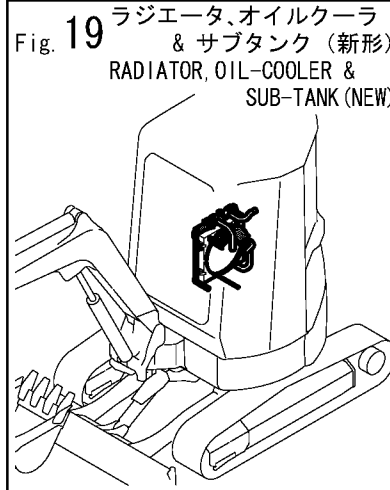
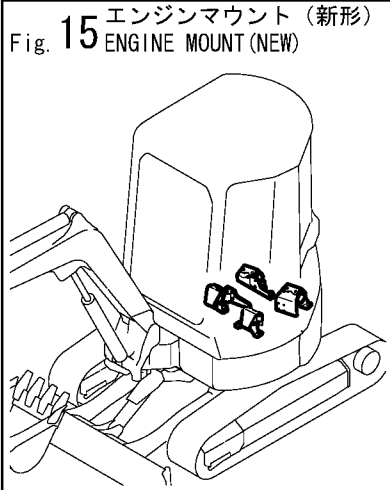
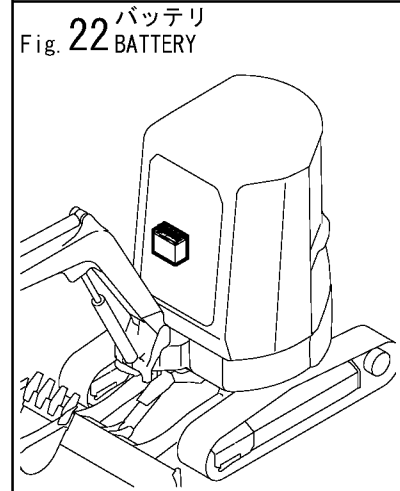
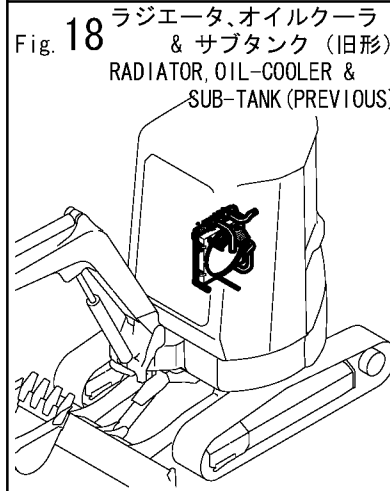
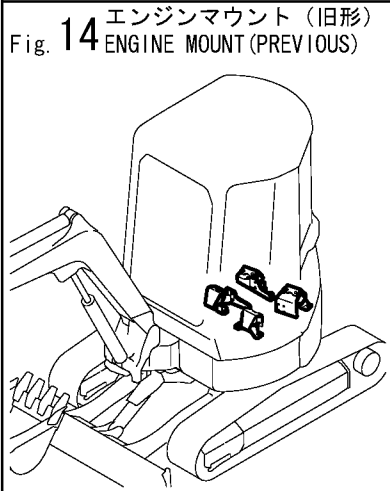
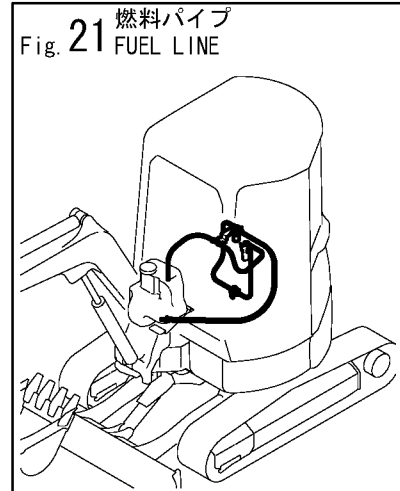
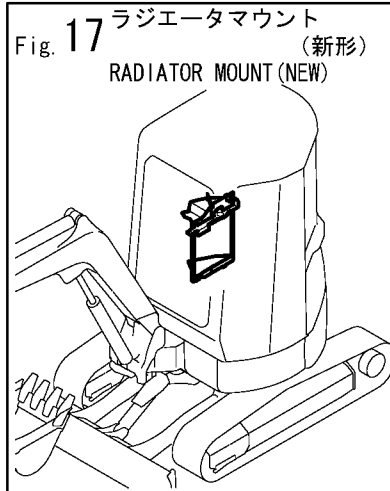
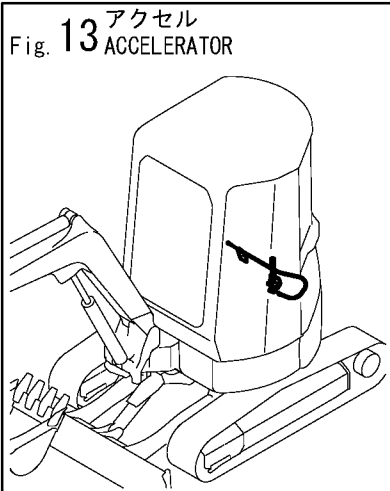
バケットシリンダ Fig. 76, 77
BUCKET CYLINDER



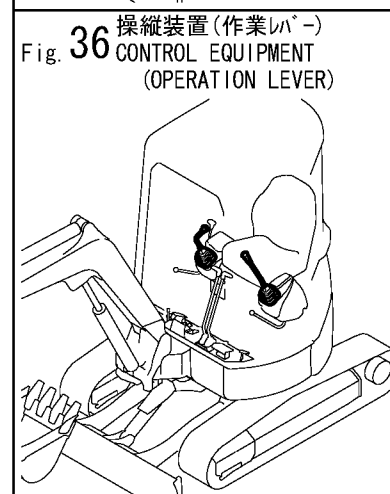
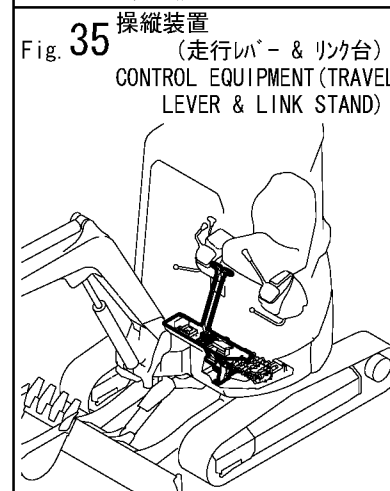
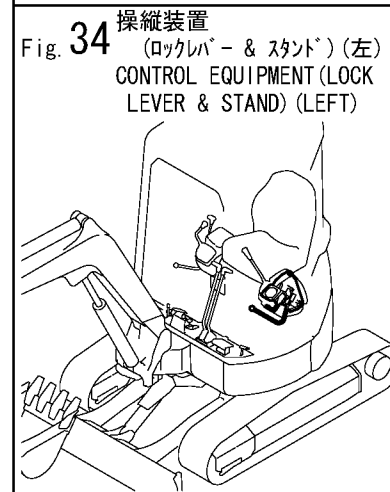
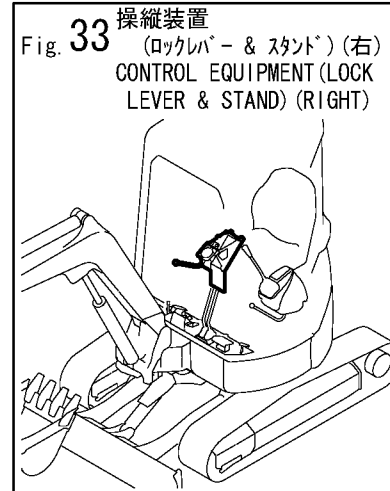
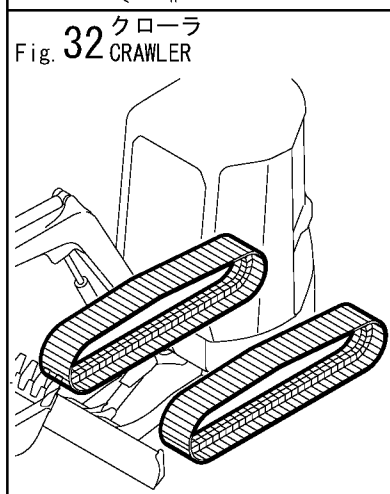
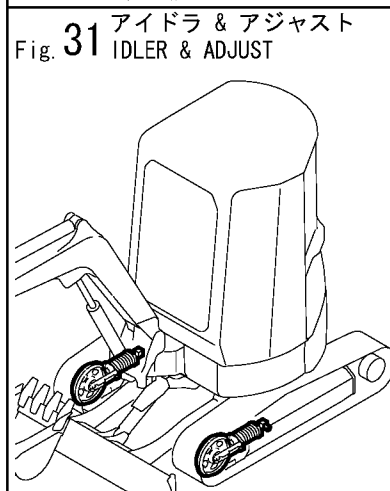
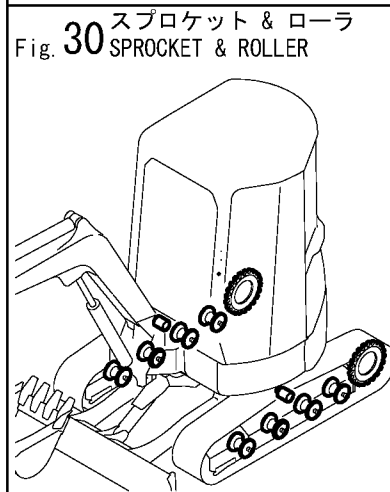
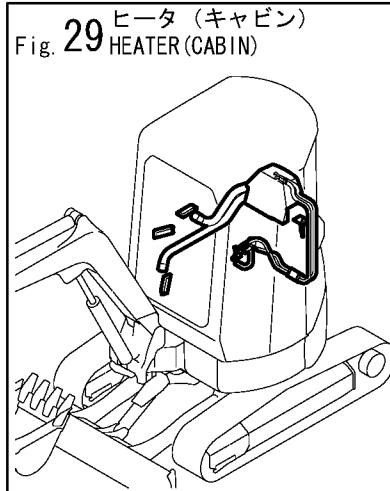
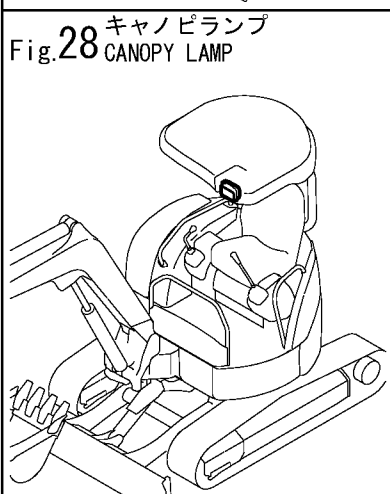
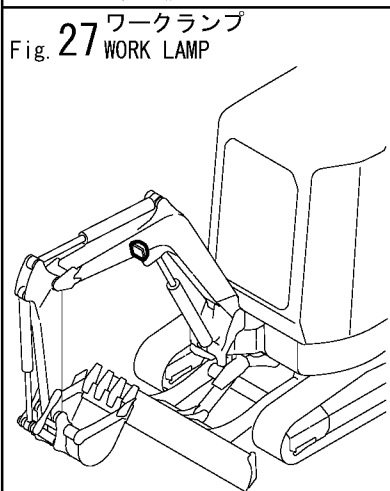
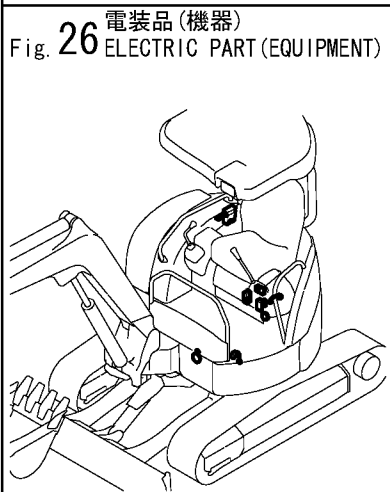
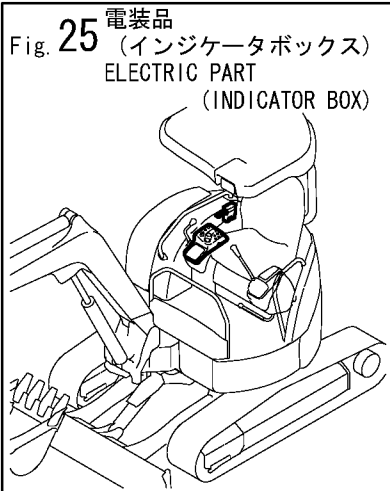
絵目次 (3) 項目別 PICTURESQUE INDEX (3) . . . FIGURE



絵目次 (3) 項目別
PICTURESQUE INDEX (3) . . . FIGURE



絵目次 (3) 項目別
PICTURESQUE INDEX (3) . . . FIGURE



絵目次 (3) 項目別
PICTURESQUE INDEX (3) . . . FIGURE

Fig. 37 操縦装置(ブレードレバー)
CONTROL EQUIPMENT
(BLADE LEVER)

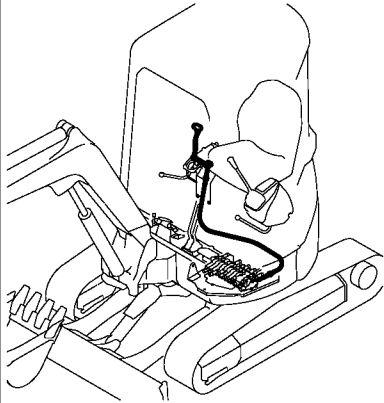


Fig. 41 操縦装置(PTOリンク)
CONTROL EQUIPMENT
(P. T. O. LINK)

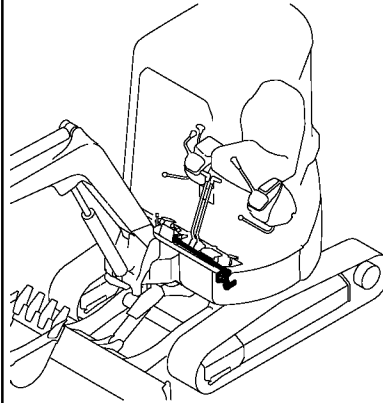


Fig. 45 旋回フレーム(新形)
TURNING FRAME (NEW)

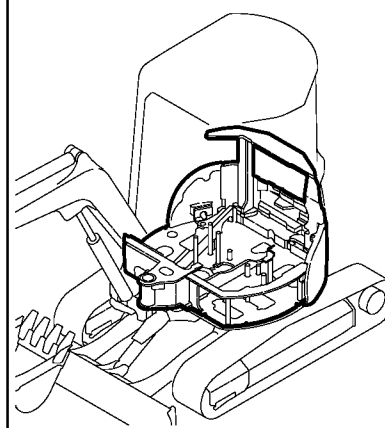


Fig. 38 操縦装置(スイングペダル)
CONTROL EQUIPMENT
(SWING PEDAL)

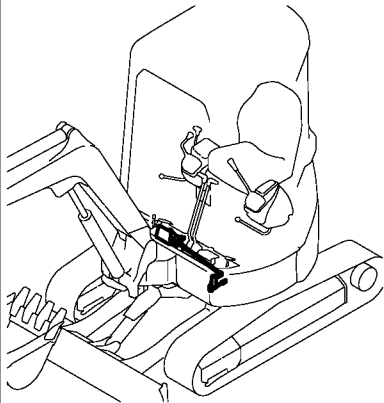


Fig. 42 バルブ台(旧形)
VALVE PLATE (PREVIOUS)

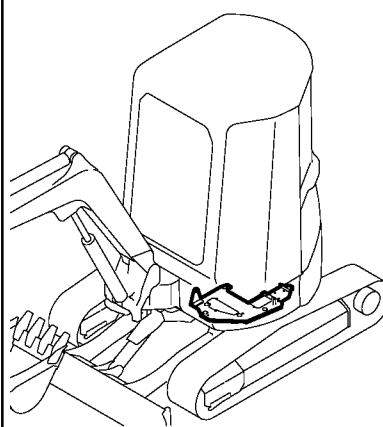


Fig. 46 走行フレーム & 旋回ベアリング(旧形)
TRACK FRAME & TURNING BEARING (PREVIOUS)

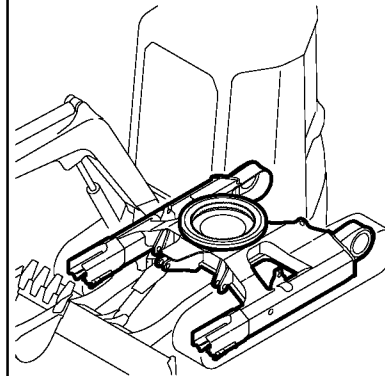


Fig. 39 操縦装置(ローハイペダル)
CONTROL EQUIPMENT
(LOW-HIGHT PEDAL)

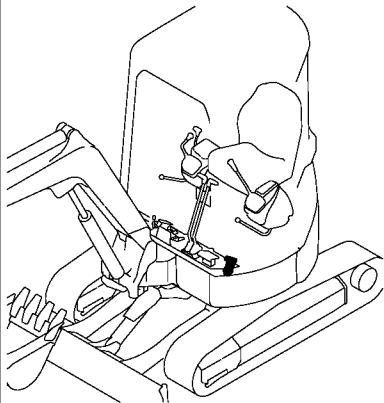


Fig. 43 バルブ台(新形)
VALVE PLATE (NEW)

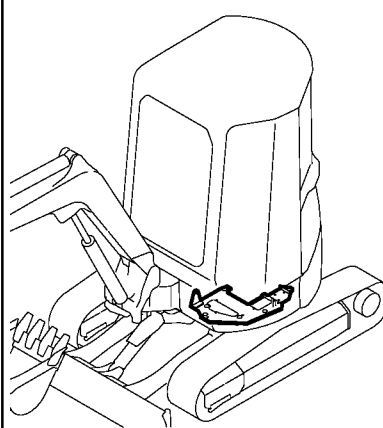


Fig. 47 走行フレーム & 旋回ベアリング(新形)
TRACK FRAME & TURNING BEARING (NEW)

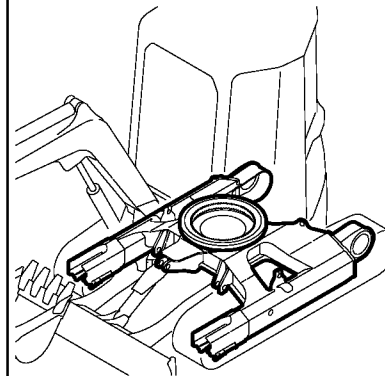


Fig. 40 操縦装置(PTOペダル)
CONTROL EQUIPMENT
(P. T. O. PEDAL)

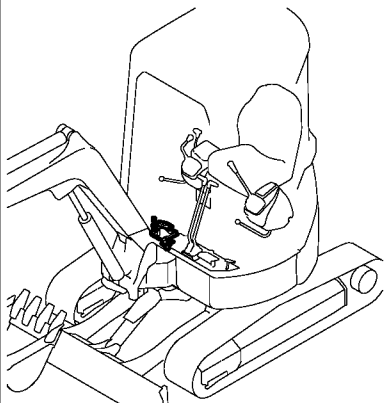


Fig. 44 旋回フレーム(旧形)
TURNING FRAME (PREVIOUS)

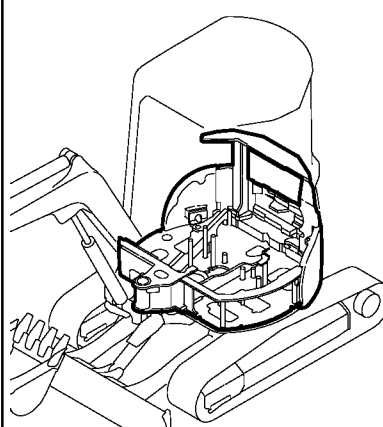
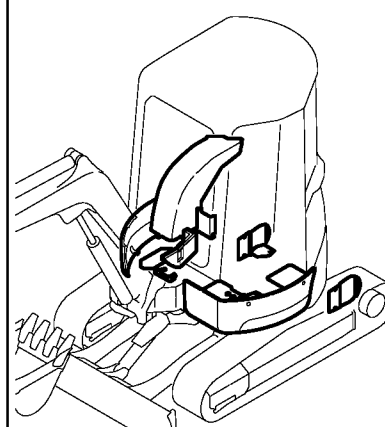
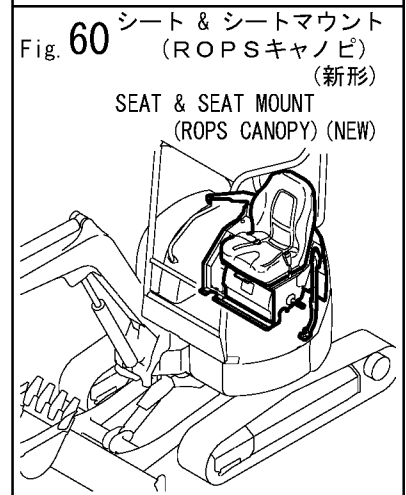
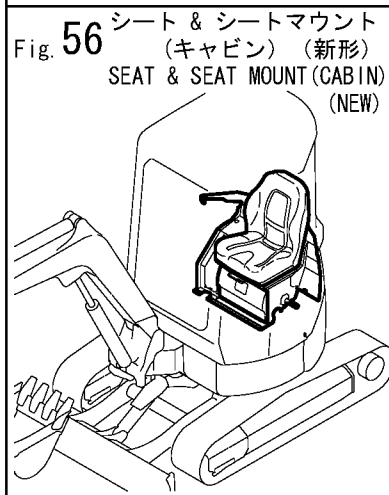
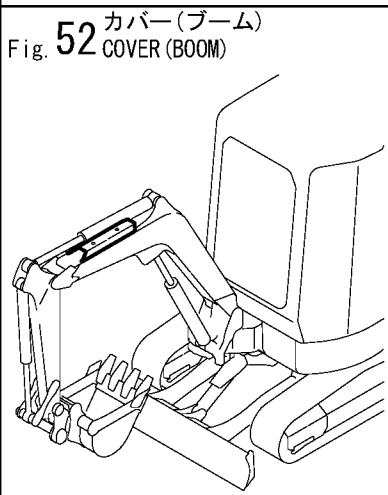
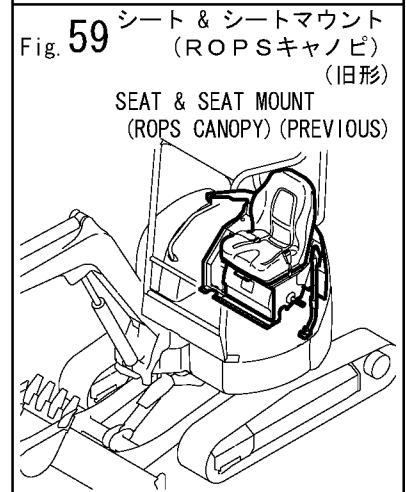
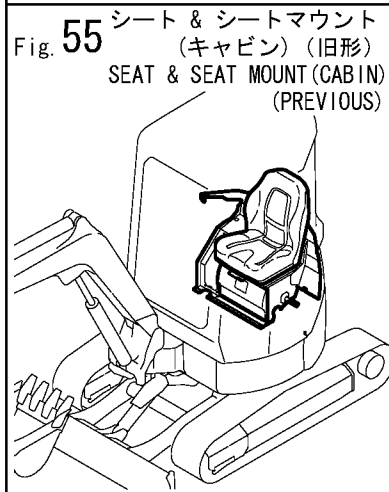
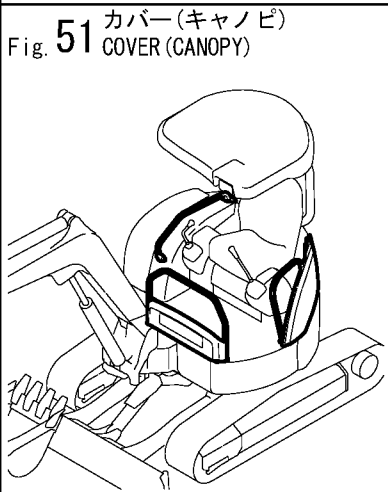
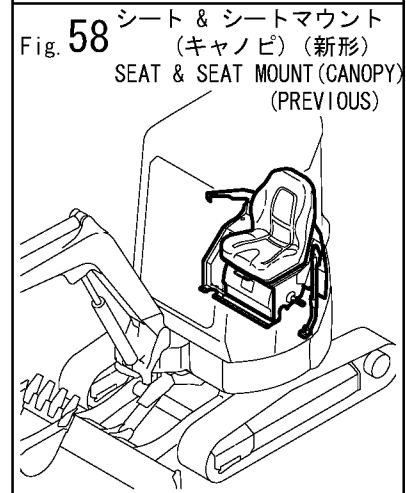
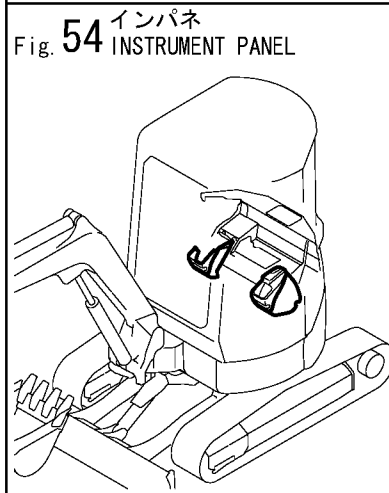
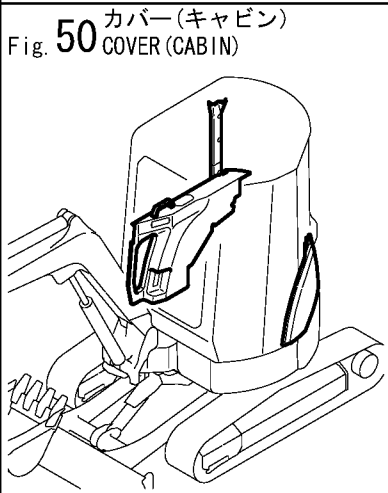
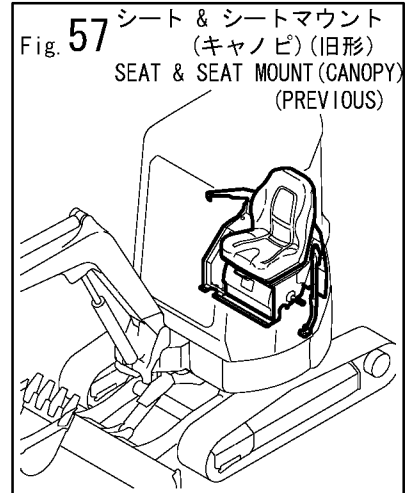
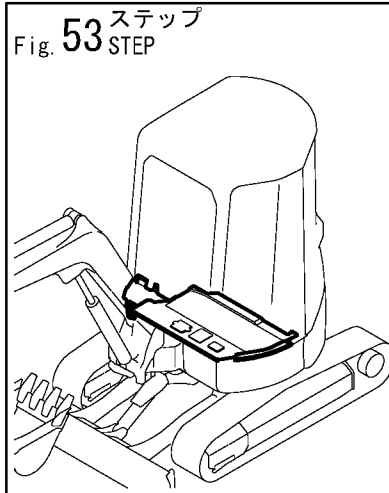
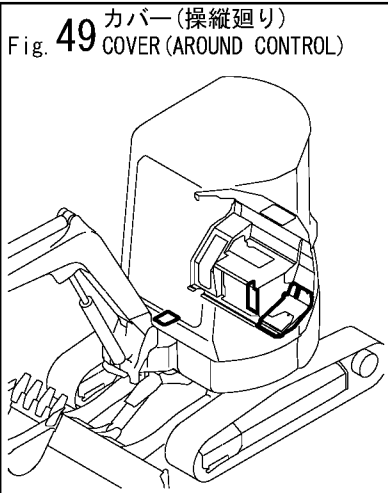


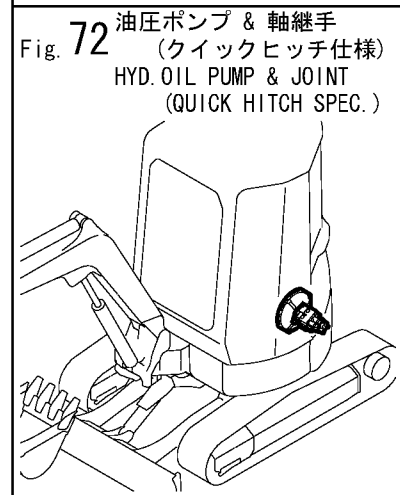
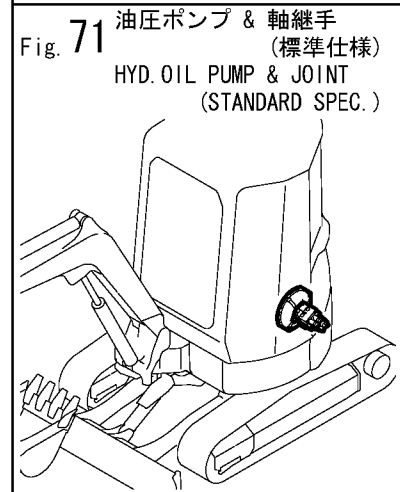
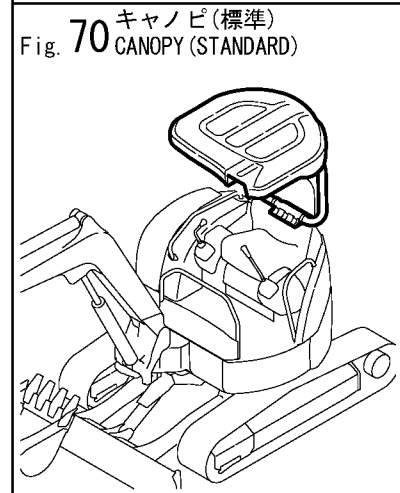
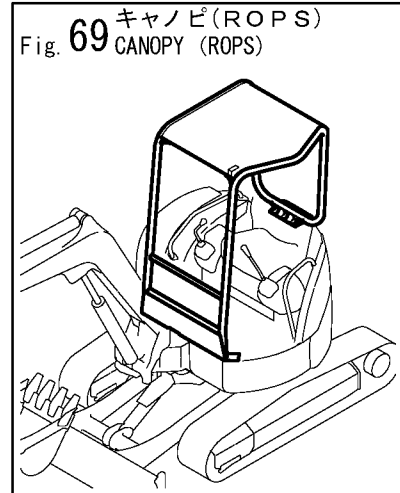
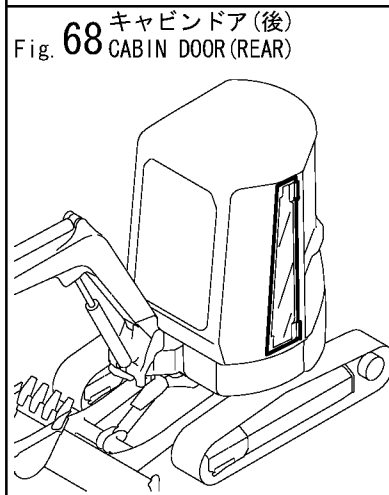
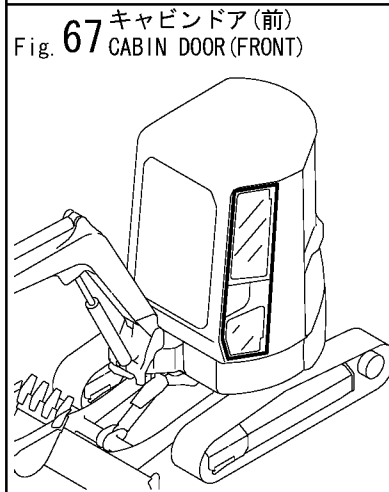
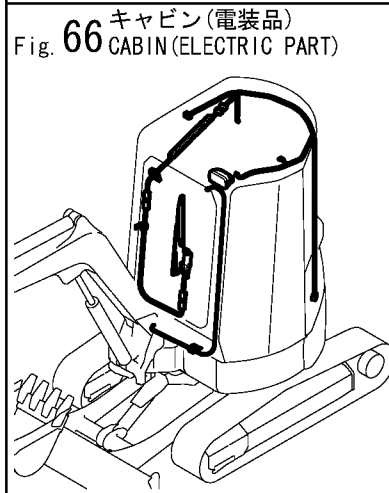
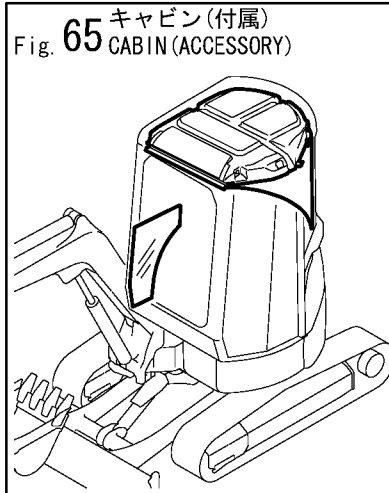
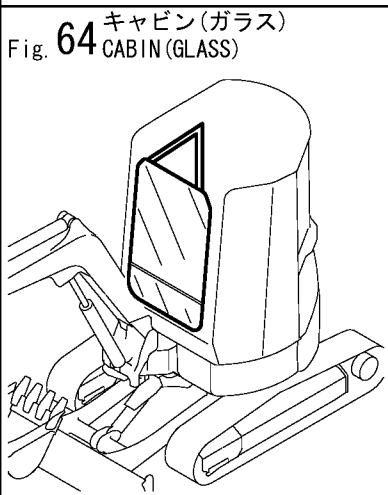
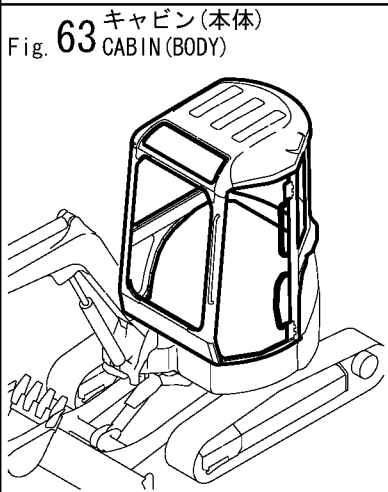
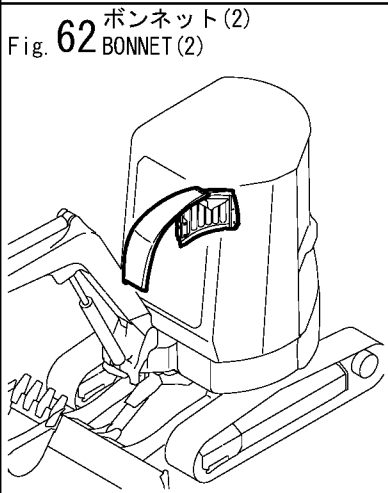
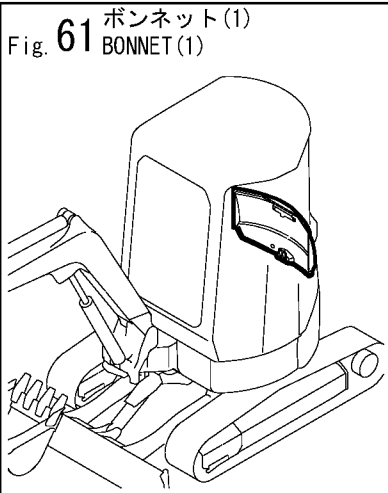
Fig. 48 カバー(フレーム)
COVER (FRAME)



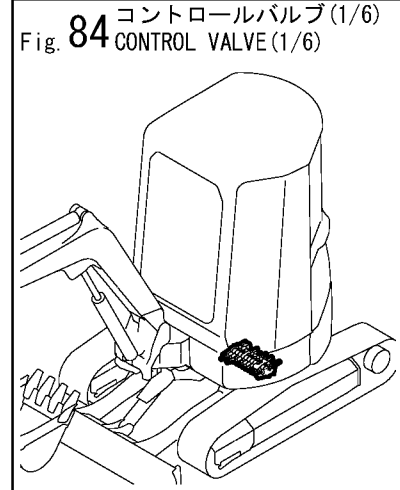
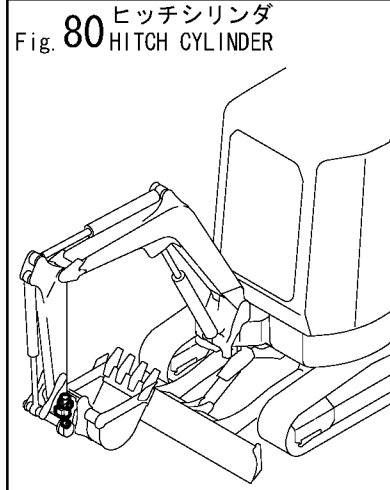
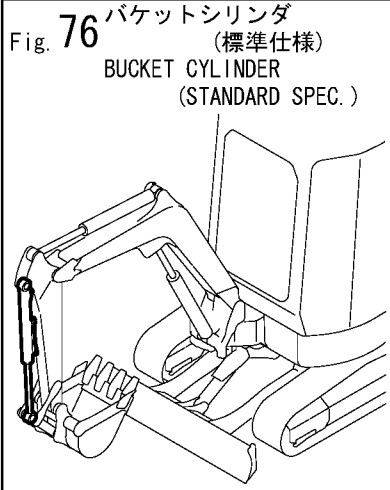
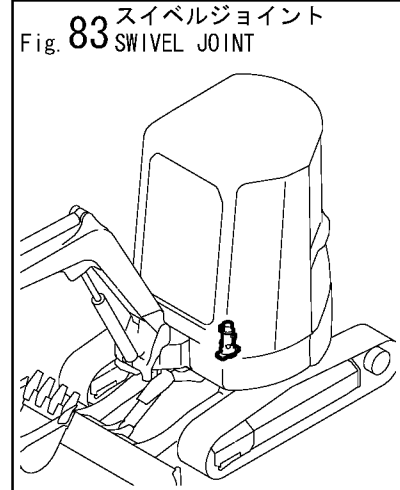
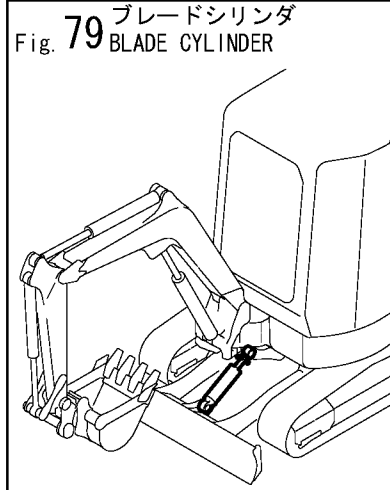
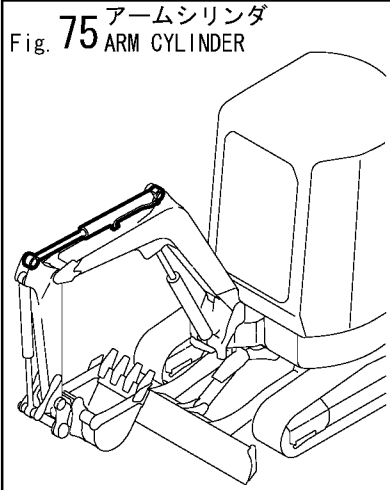
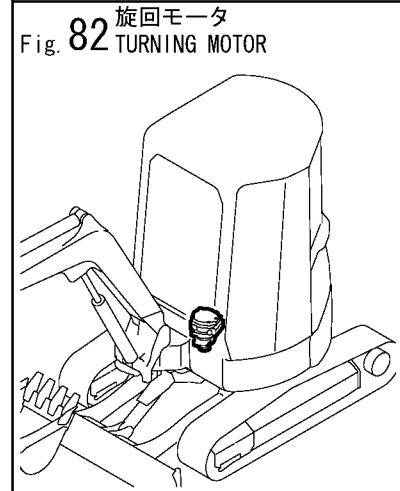
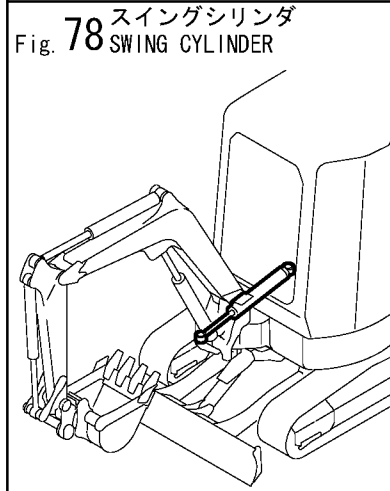
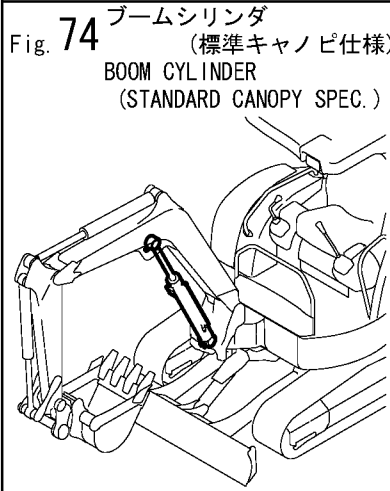
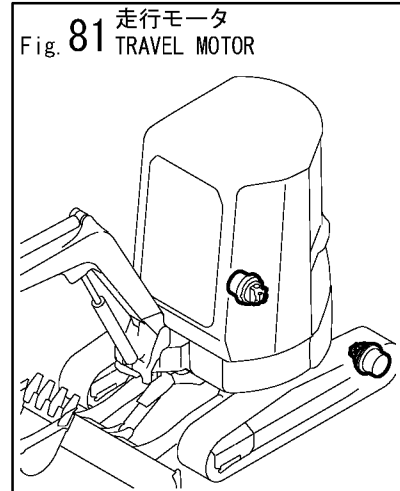
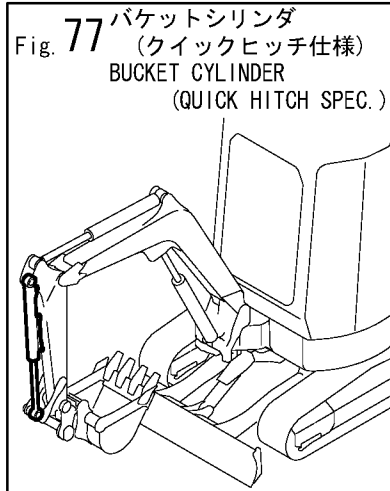
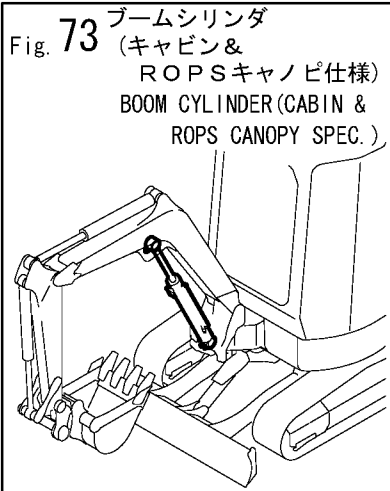
絵目次 (3) 項目別
PICTURESQUE INDEX (3) . . . FIGURE



絵目次 (3) 項目別
PICTURESQUE INDEX (3) . . . FIGURE



絵目次 (3) 項目別
PICTURESQUE INDEX (3) . . . FIGURE



絵目次 (3) 項目別
PICTURESQUE INDEX (3) . . . FIGURE

Fig. 85 コントロールバルブ (2/6)
CONTROL VALVE (2/6)

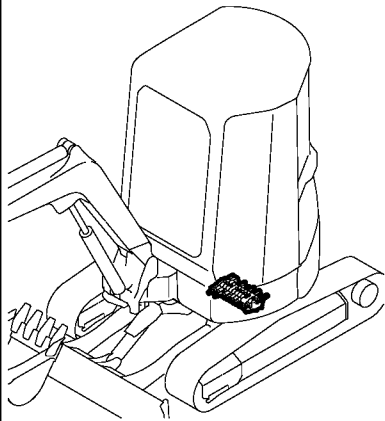


Fig. 86 コントロールバルブ (3/6)
CONTROL VALVE (3/6)

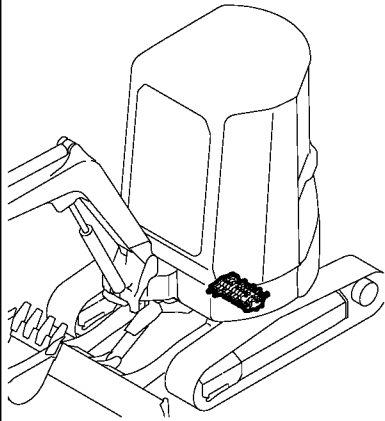


Fig. 87 コントロールバルブ (4/6)
CONTROL VALVE (4/6)

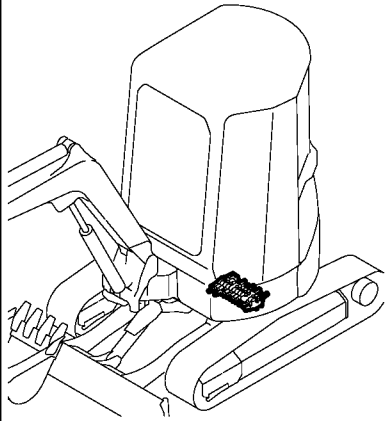


Fig. 88 コントロールバルブ (5/6)
CONTROL VALVE (5/6)

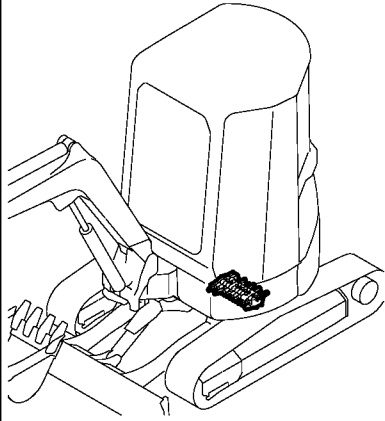


Fig. 89 コントロールバルブ (6/6)
CONTROL VALVE (6/6)

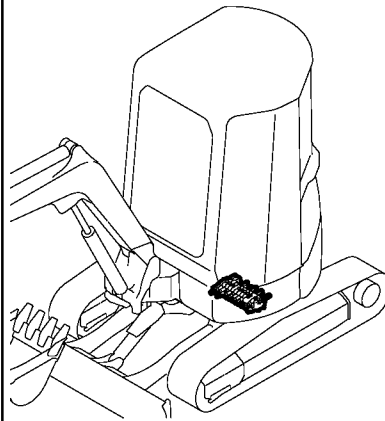


Fig. 90 リモコンバルブ
(標準仕様) (旧形)
REMOTE CONTROL VALVE
(STANDARD SPEC.) (PREVIOUS)

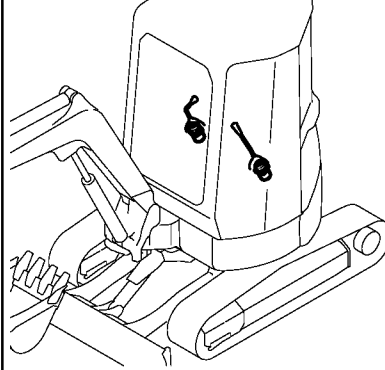


Fig. 91 リモコンバルブ
(標準仕様) (新形)
REMOTE CONTROL VALVE
(STANDARD SPEC.) (NEW)

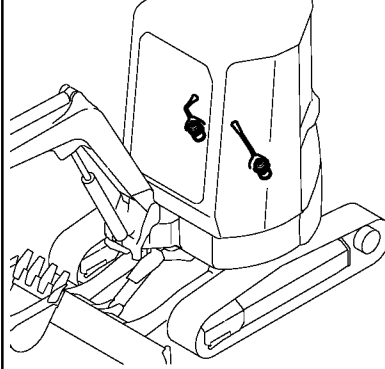


Fig. 92 リモコンバルブ
(2ウェイ仕様)
REMOTE CONTROL VALVE
(2-WAY SPEC.)

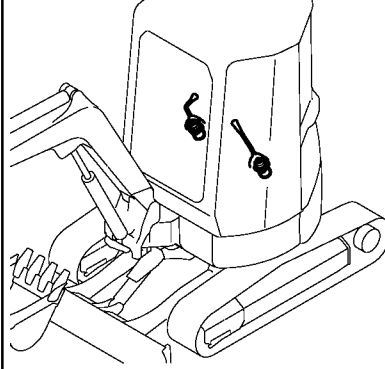


Fig. 93 リモコンバルブ
(4ウェイ仕様)
REMOTE CONTROL VALVE
(4-WAY SPEC.)

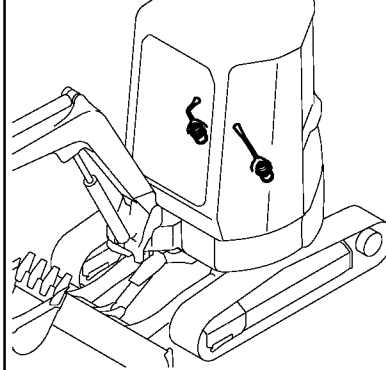


Fig. 94 ロータリーバルブ
(マルチチェンジ仕様)
ROTARY VALVE
(MULTI CHANGE SPEC.)

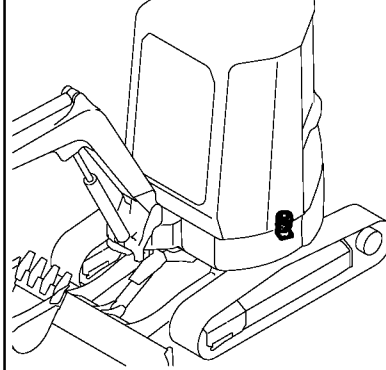


Fig. 95 作動油タンク
HYD. OIL TANK

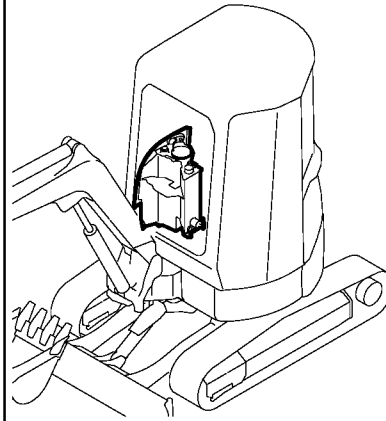
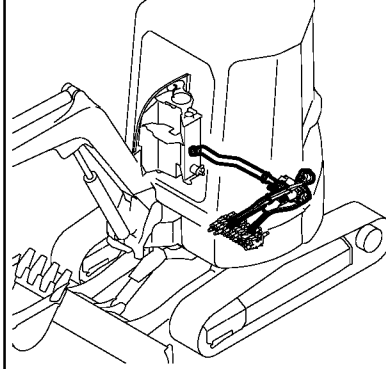
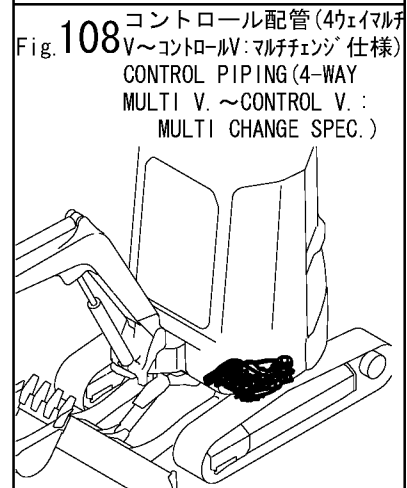
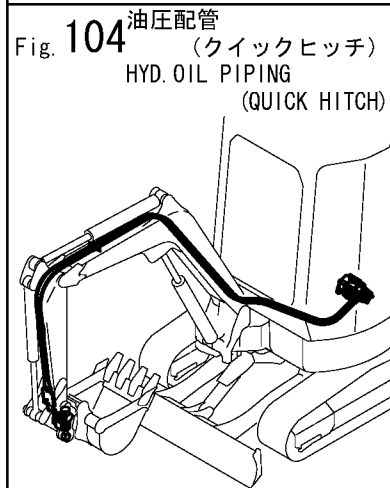
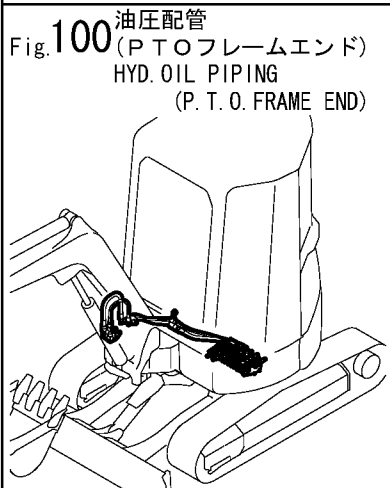
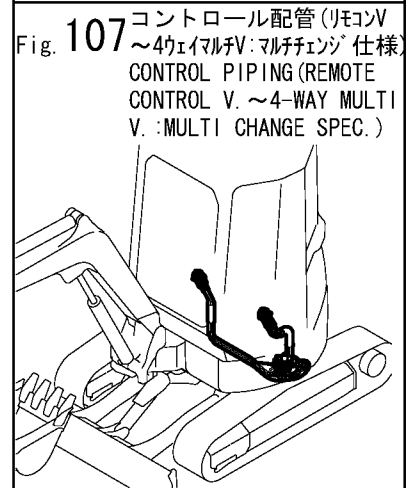
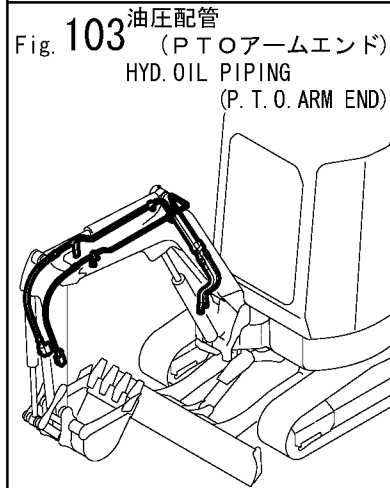
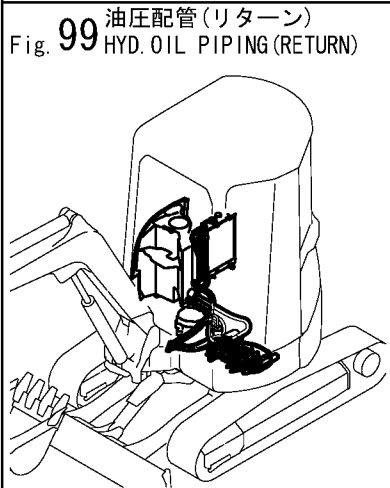
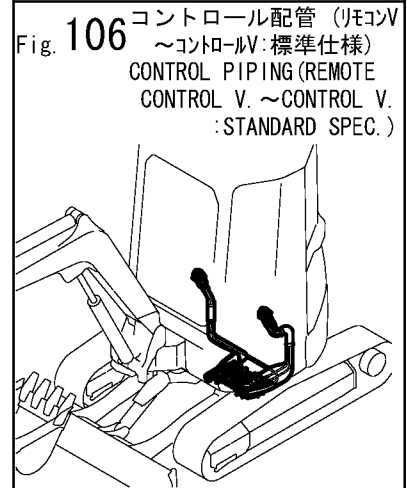
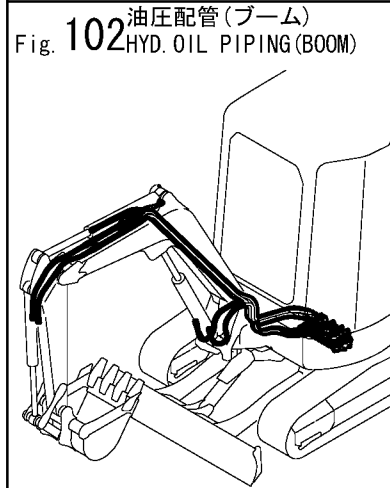
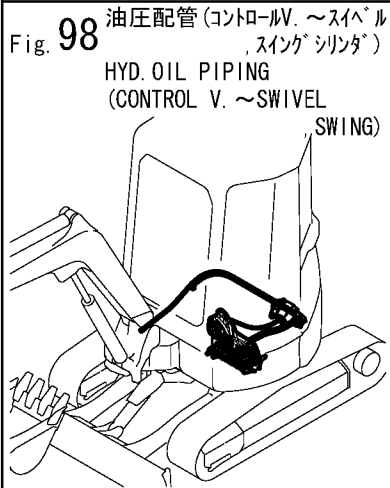
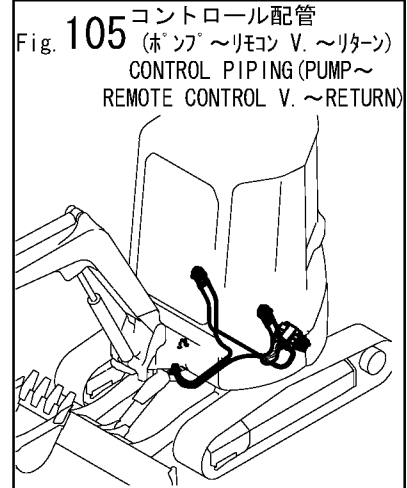
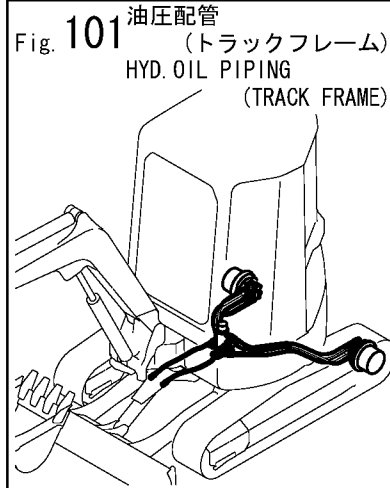
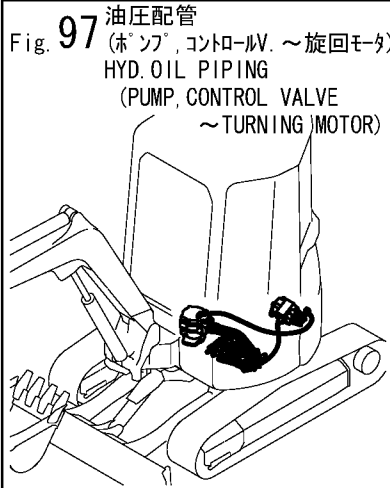


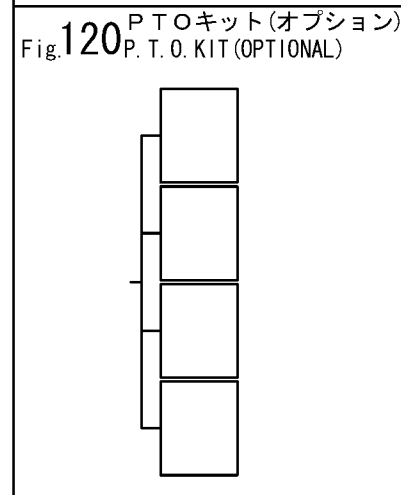
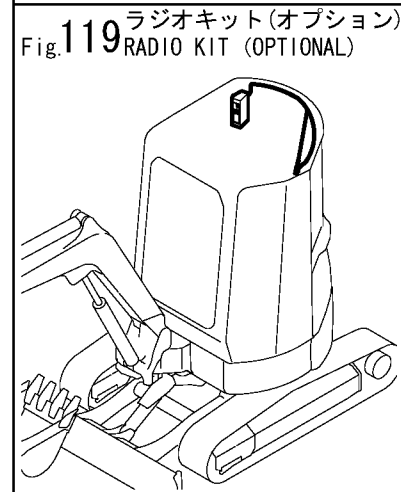
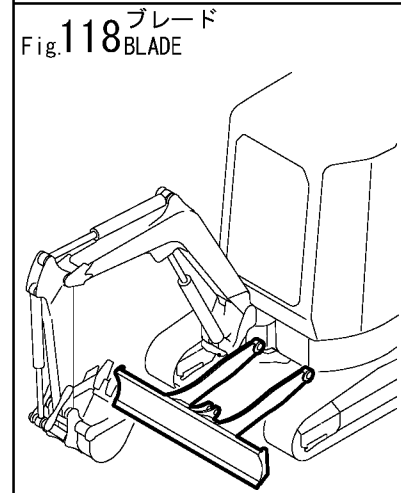
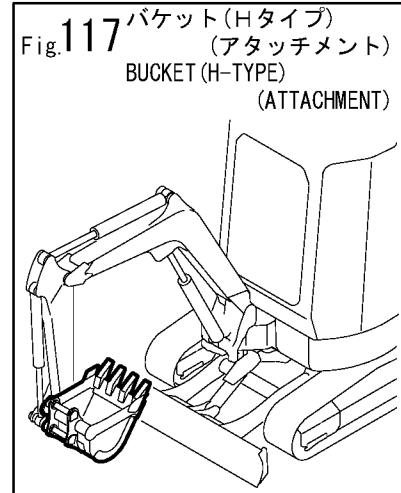
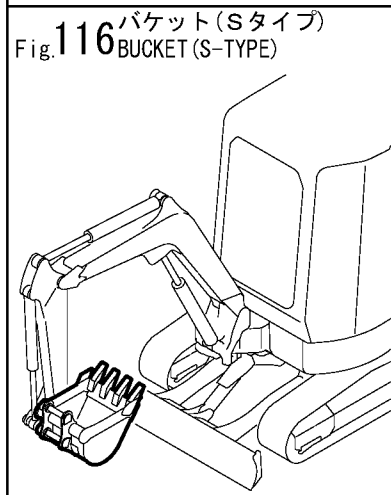
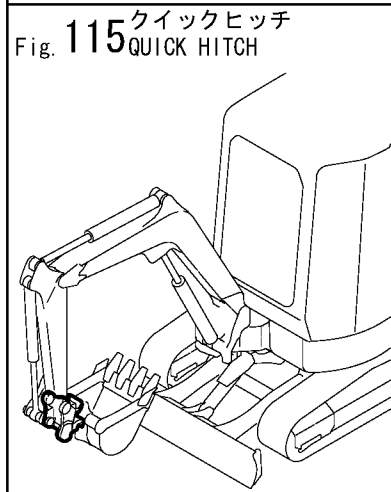
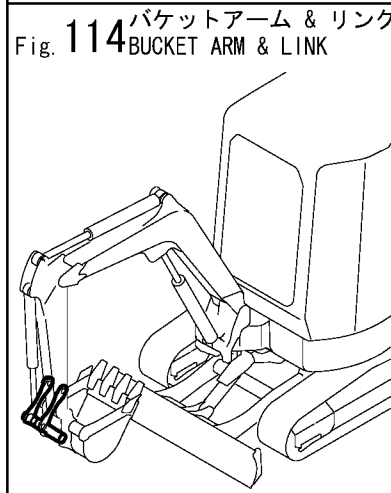
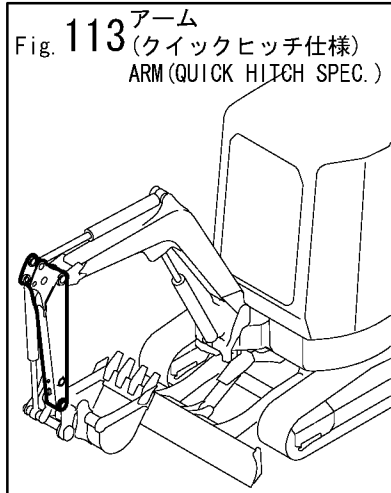
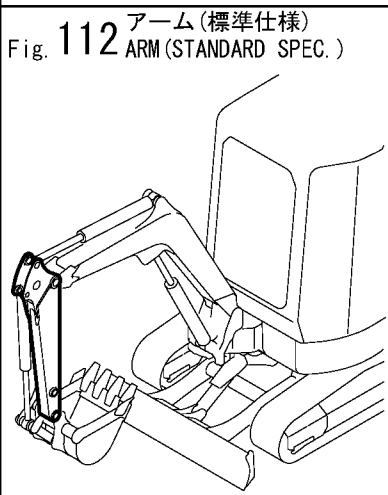
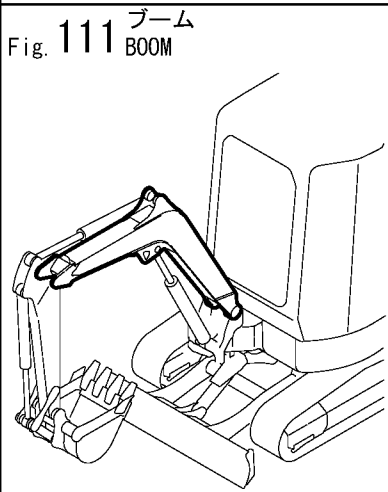
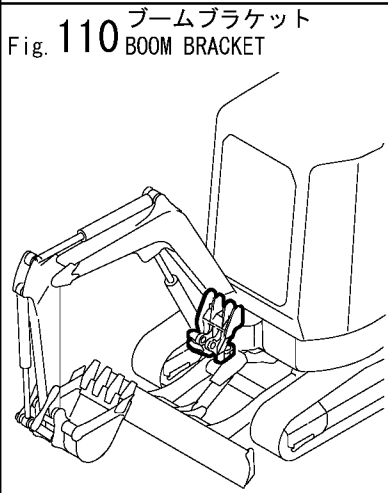
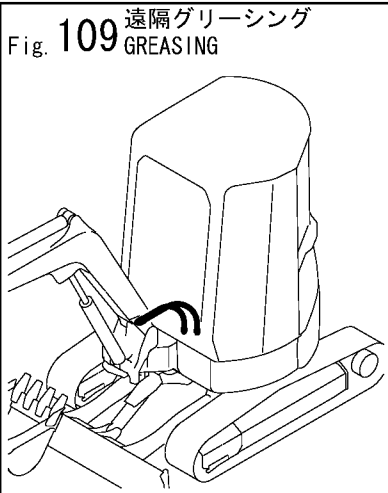
Fig. 96 油圧配管
(タンク～ポンプ～コントロール.)
HYD. OIL PIPING
(TANK~PUMP~CONTROL VALVE)



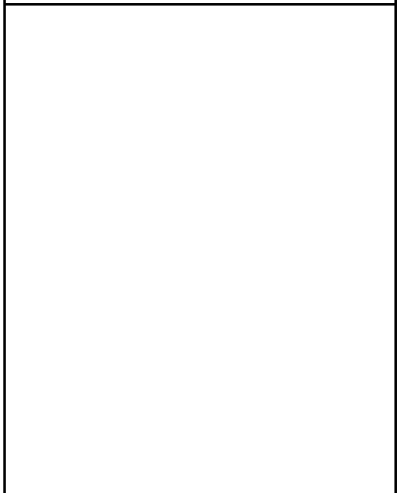
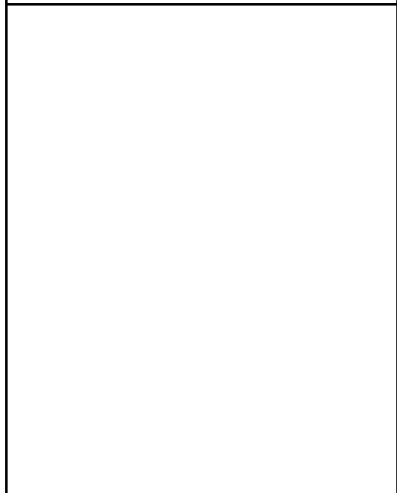
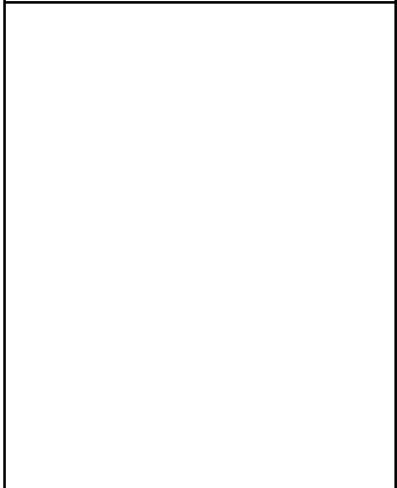
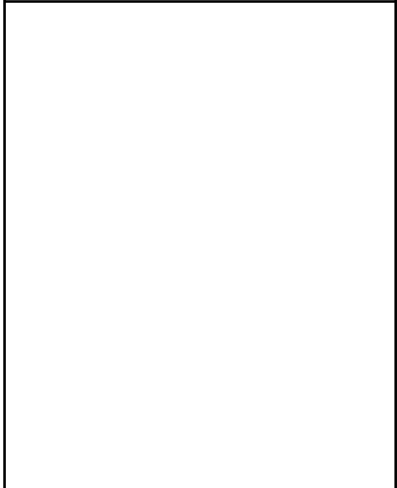
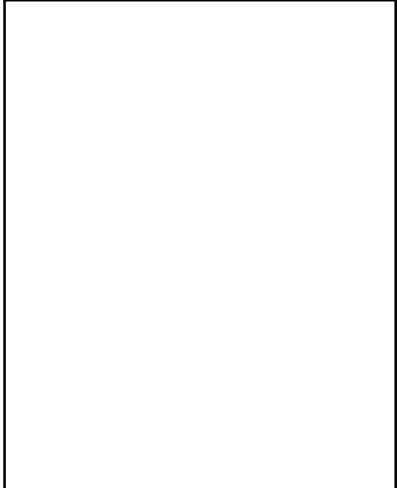
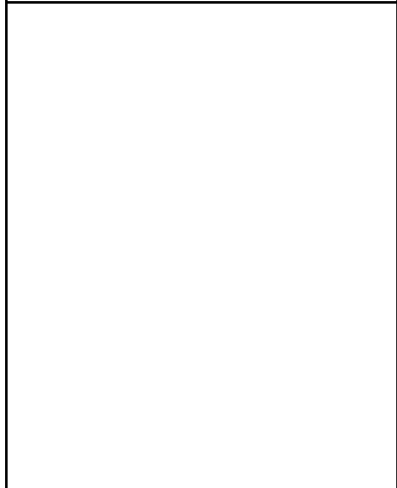
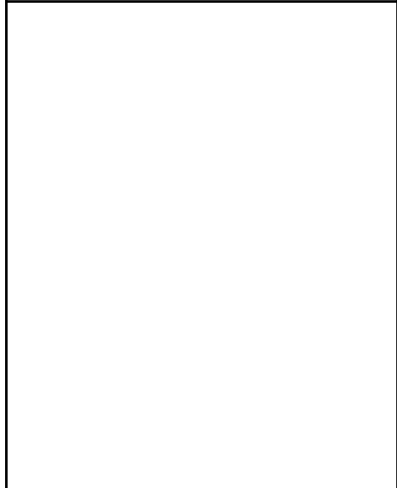
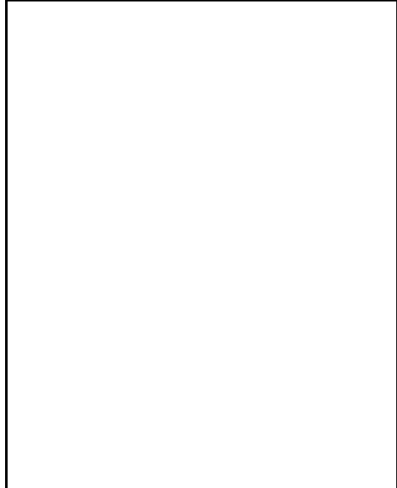
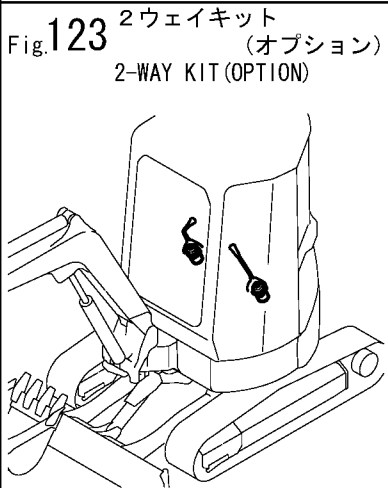
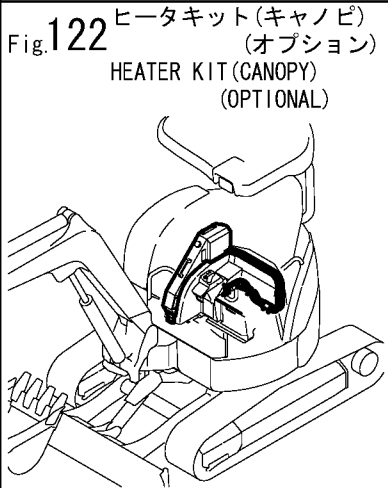
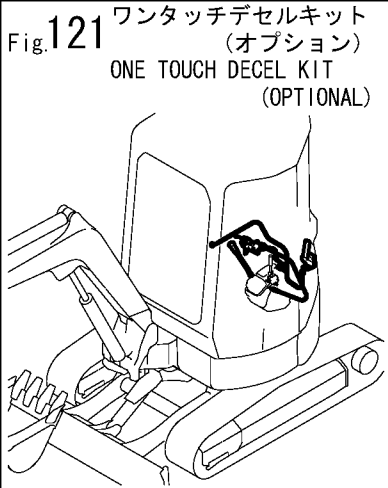
絵目次 (3) 項目別
PICTURESQUE INDEX (3) . . . FIGURE



絵目次 (3) 項目別
PICTURESQUE INDEX (3) . . . FIGURE

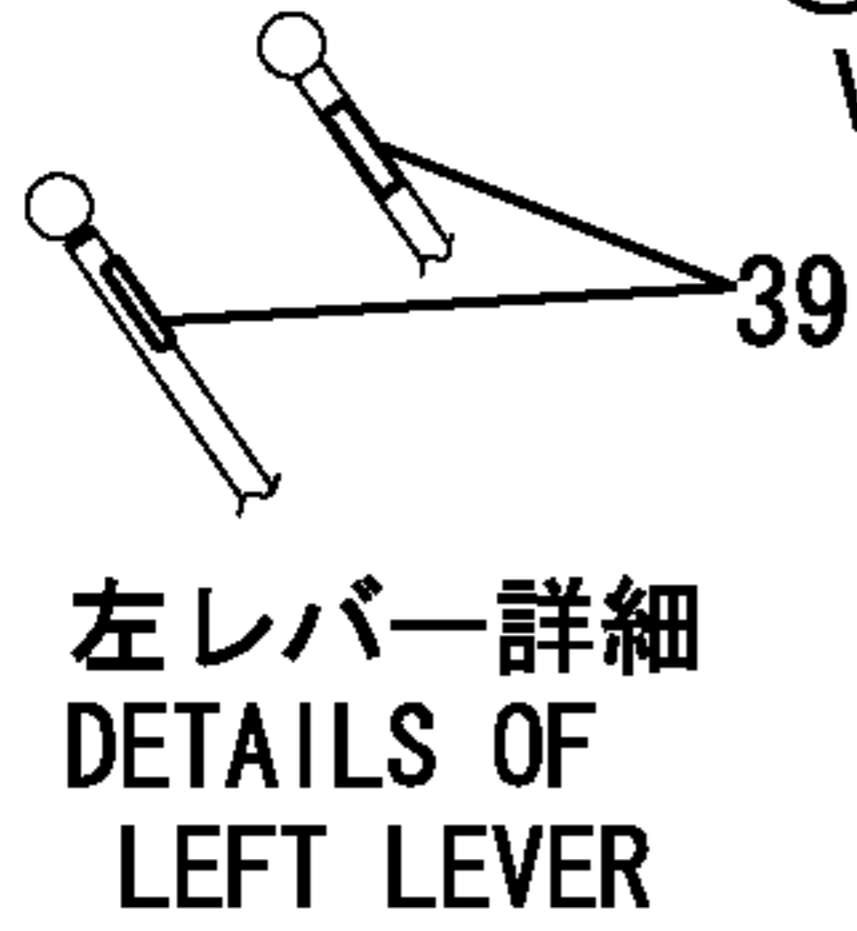
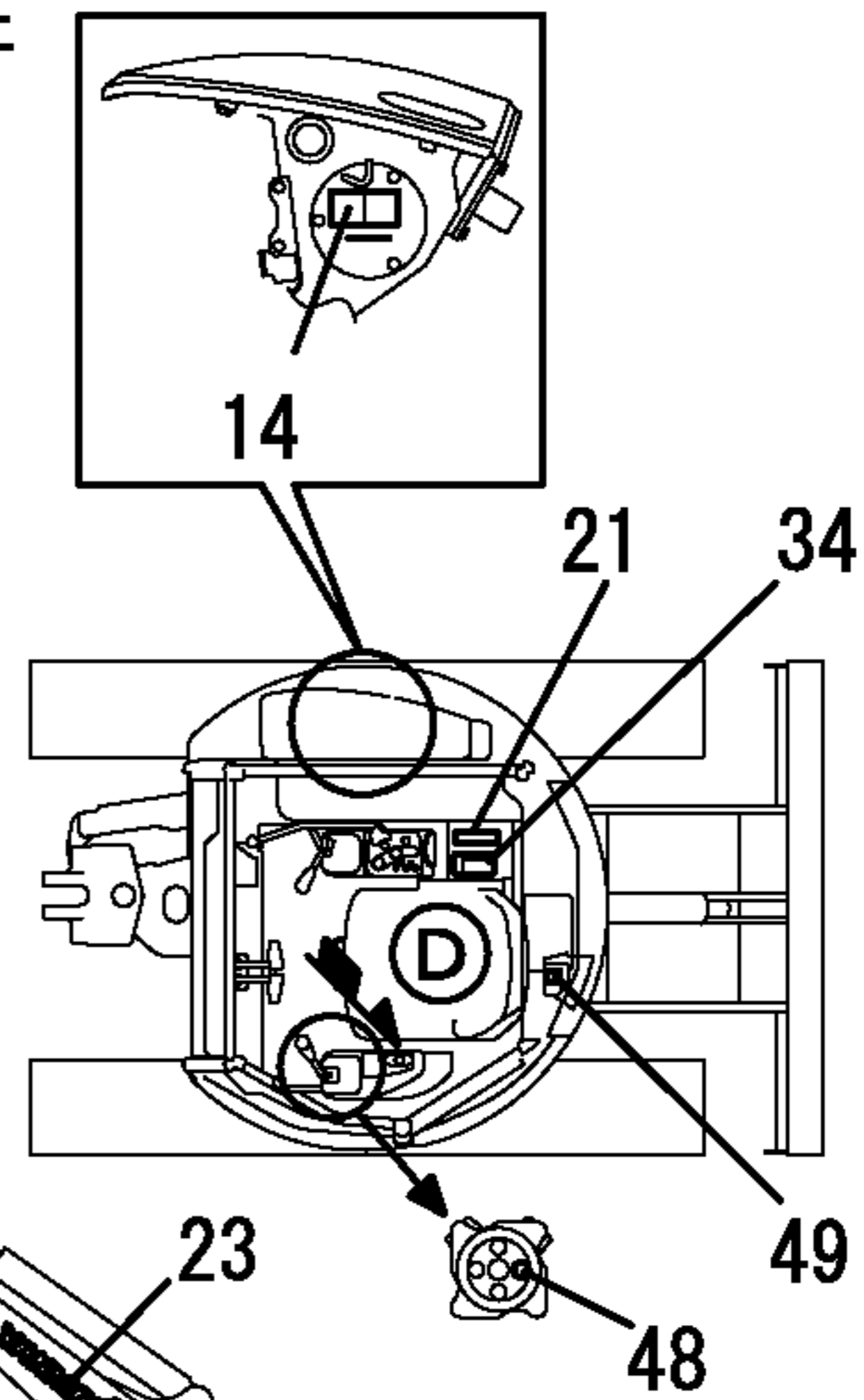
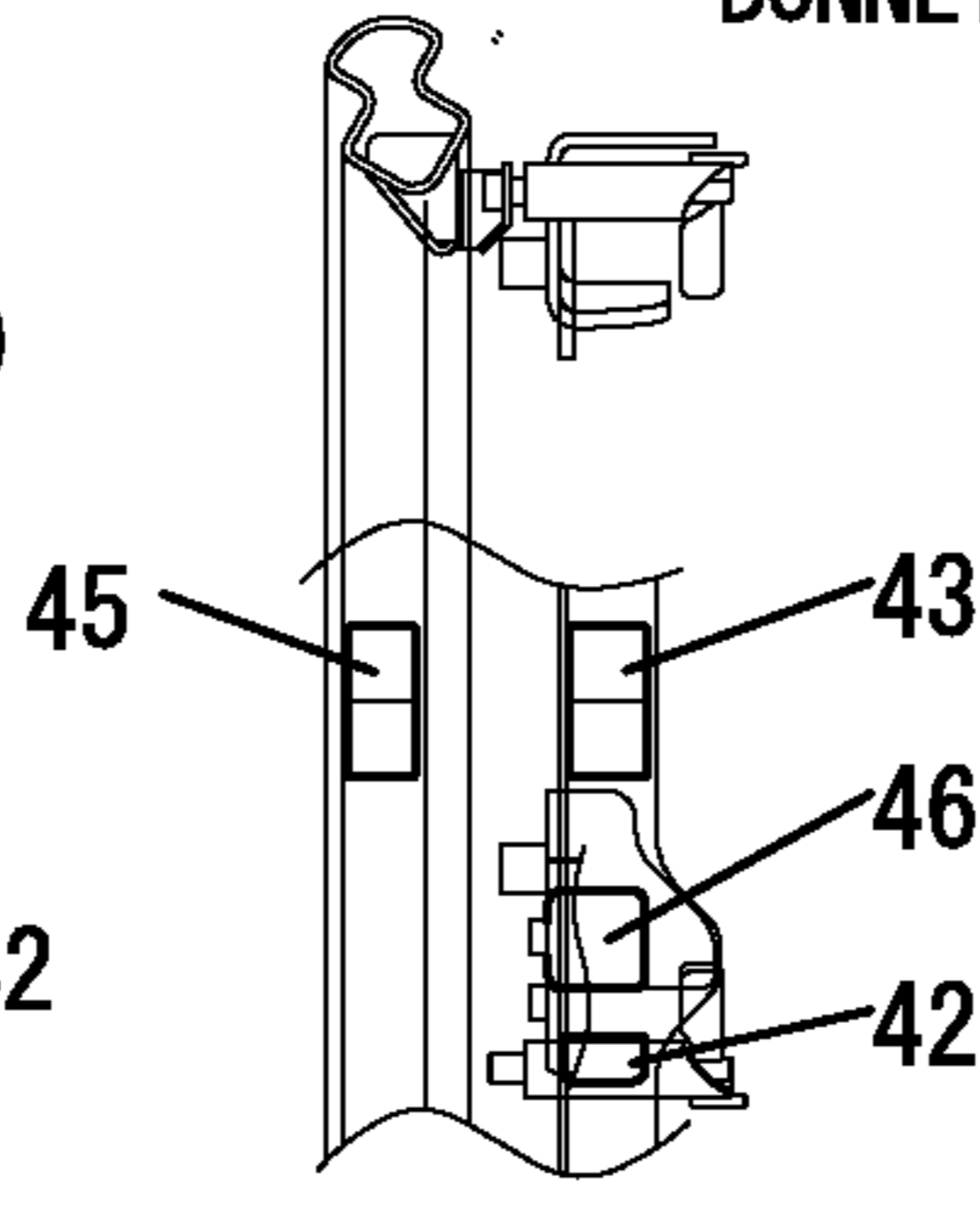
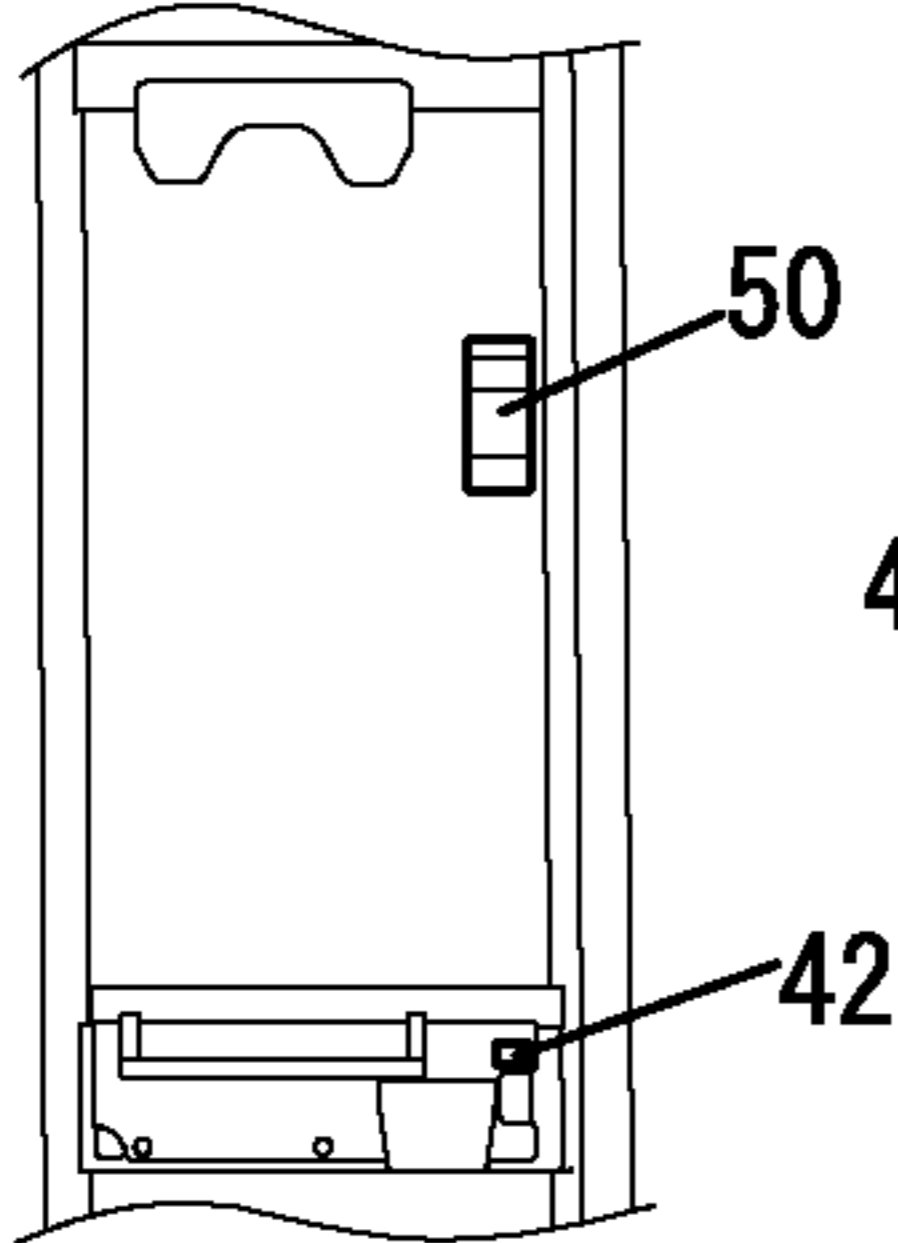
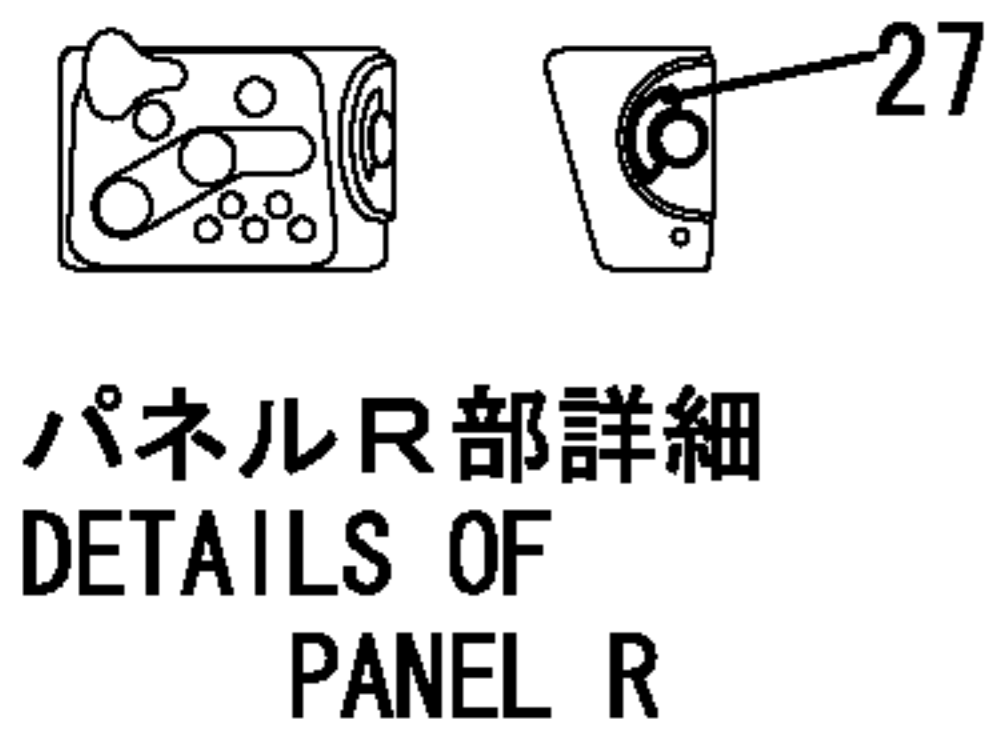
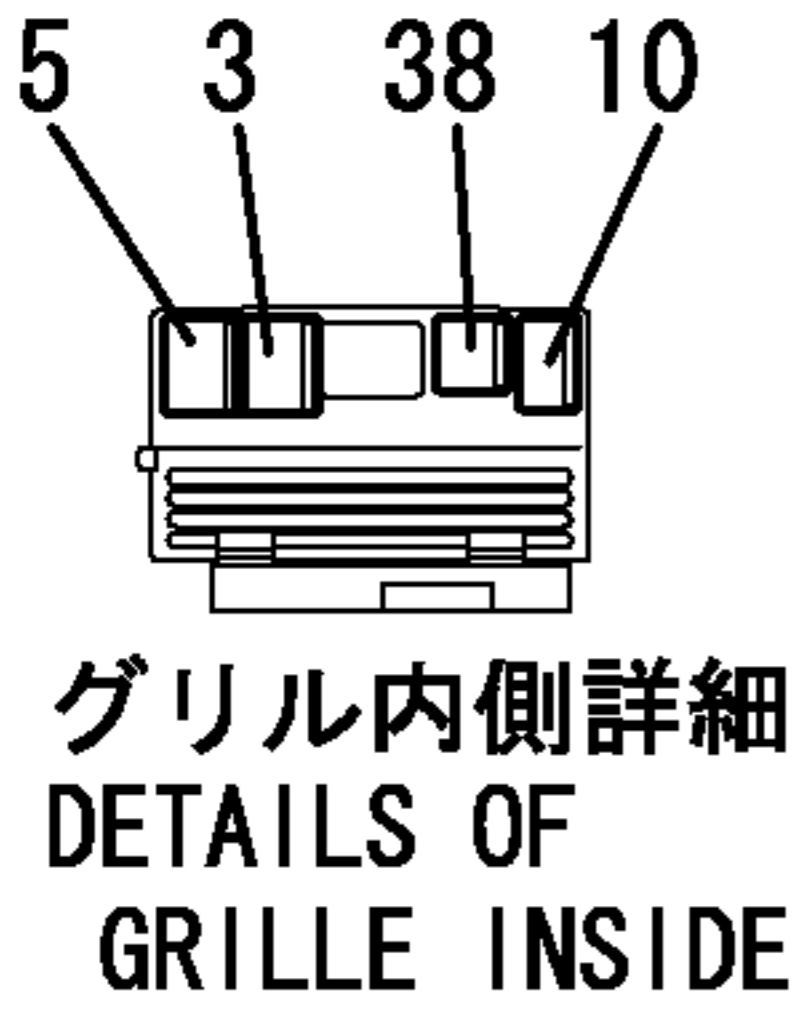
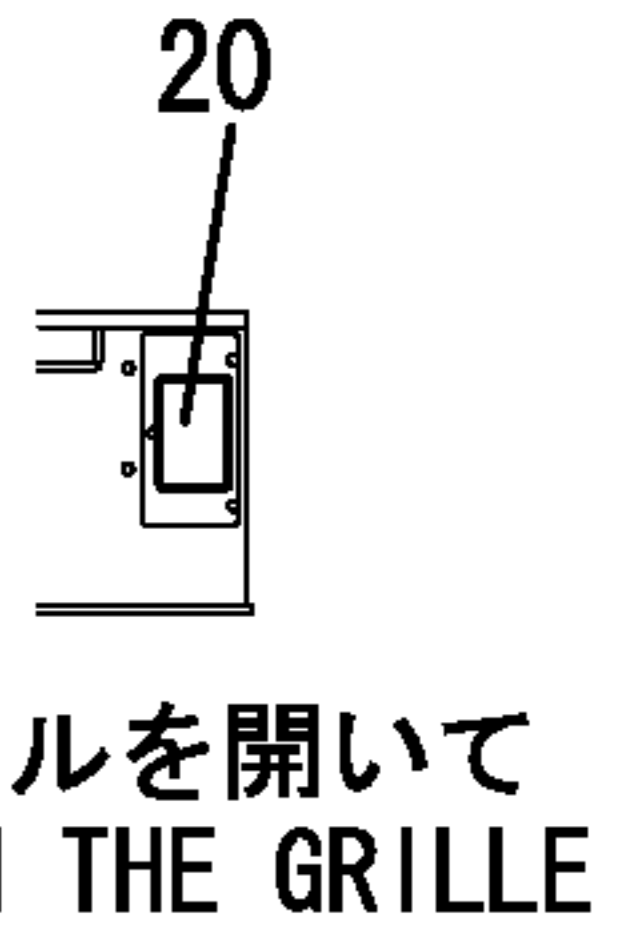
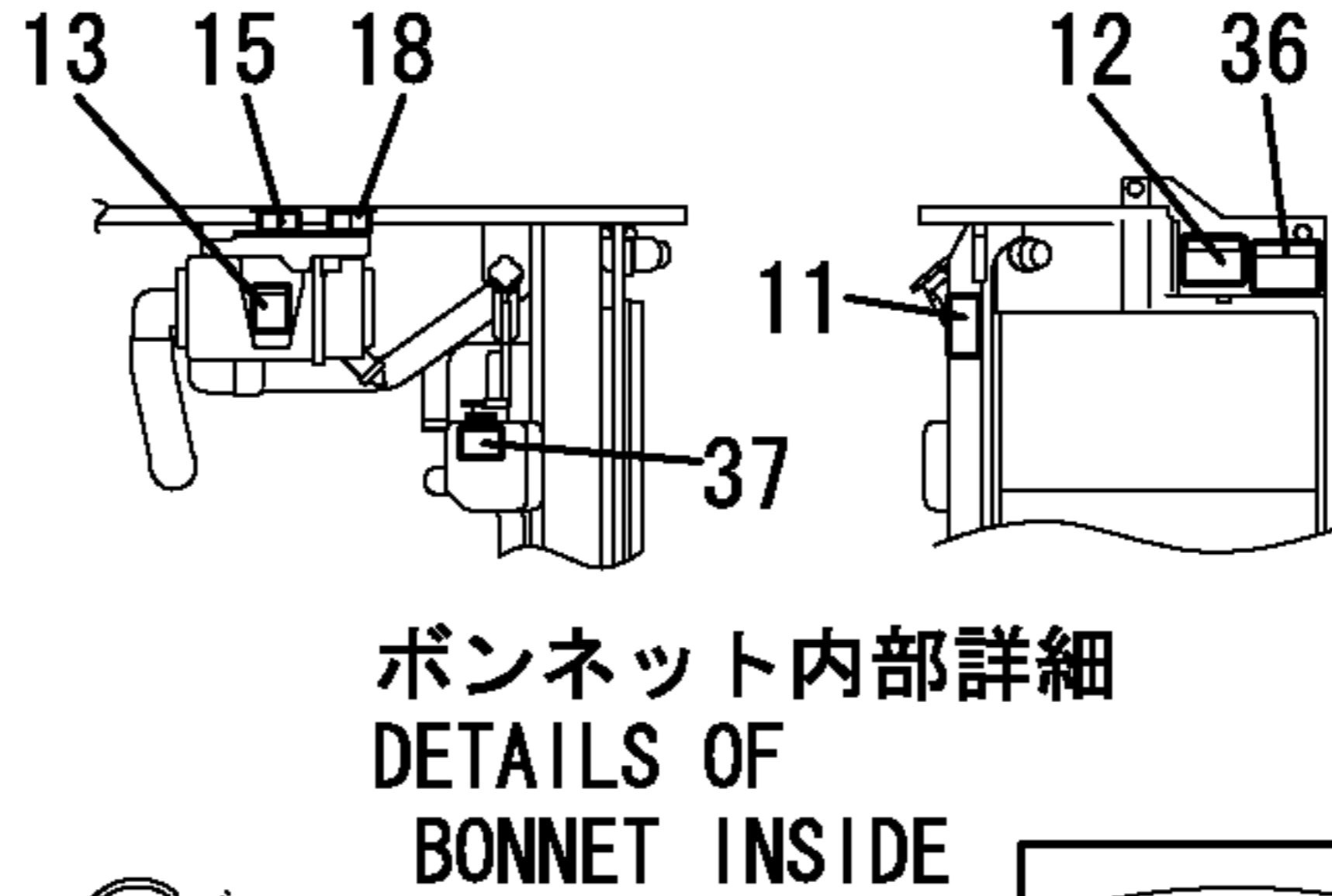
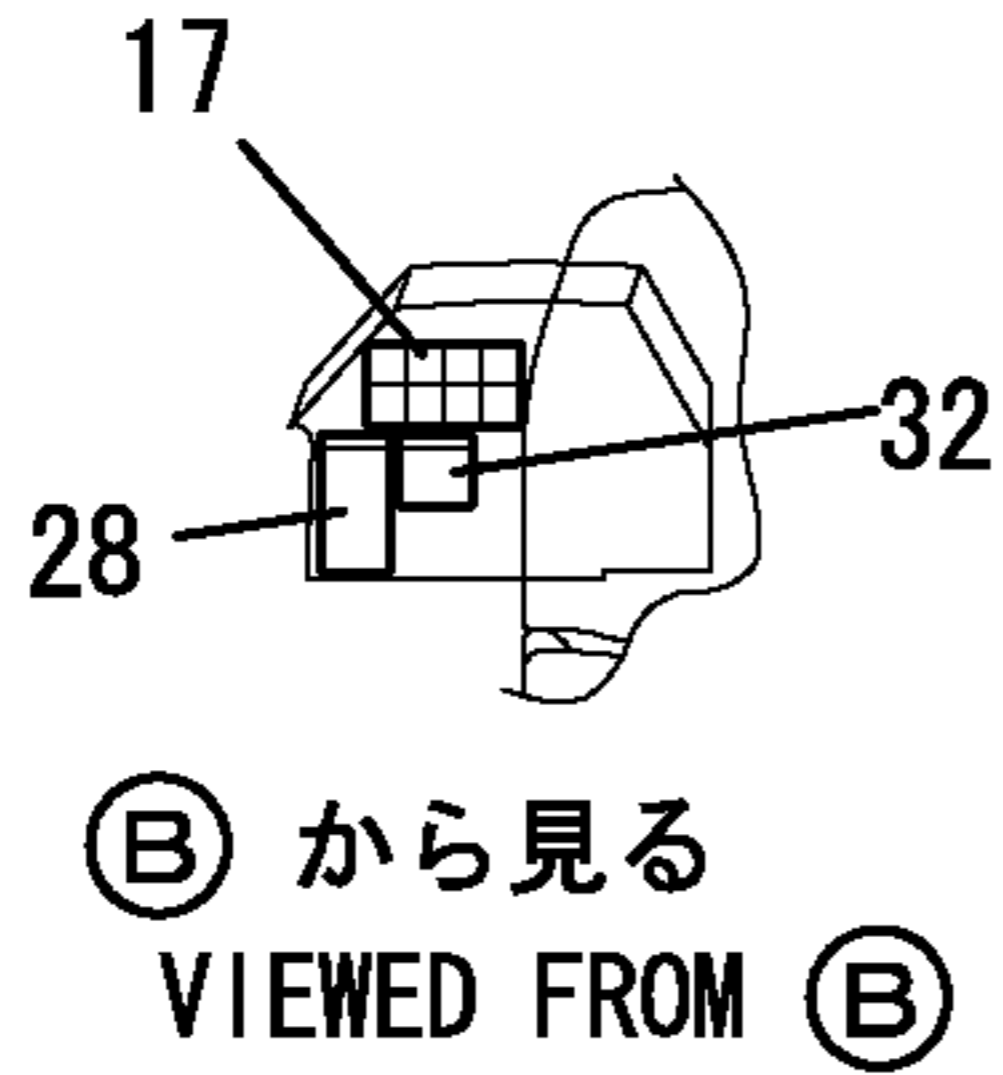
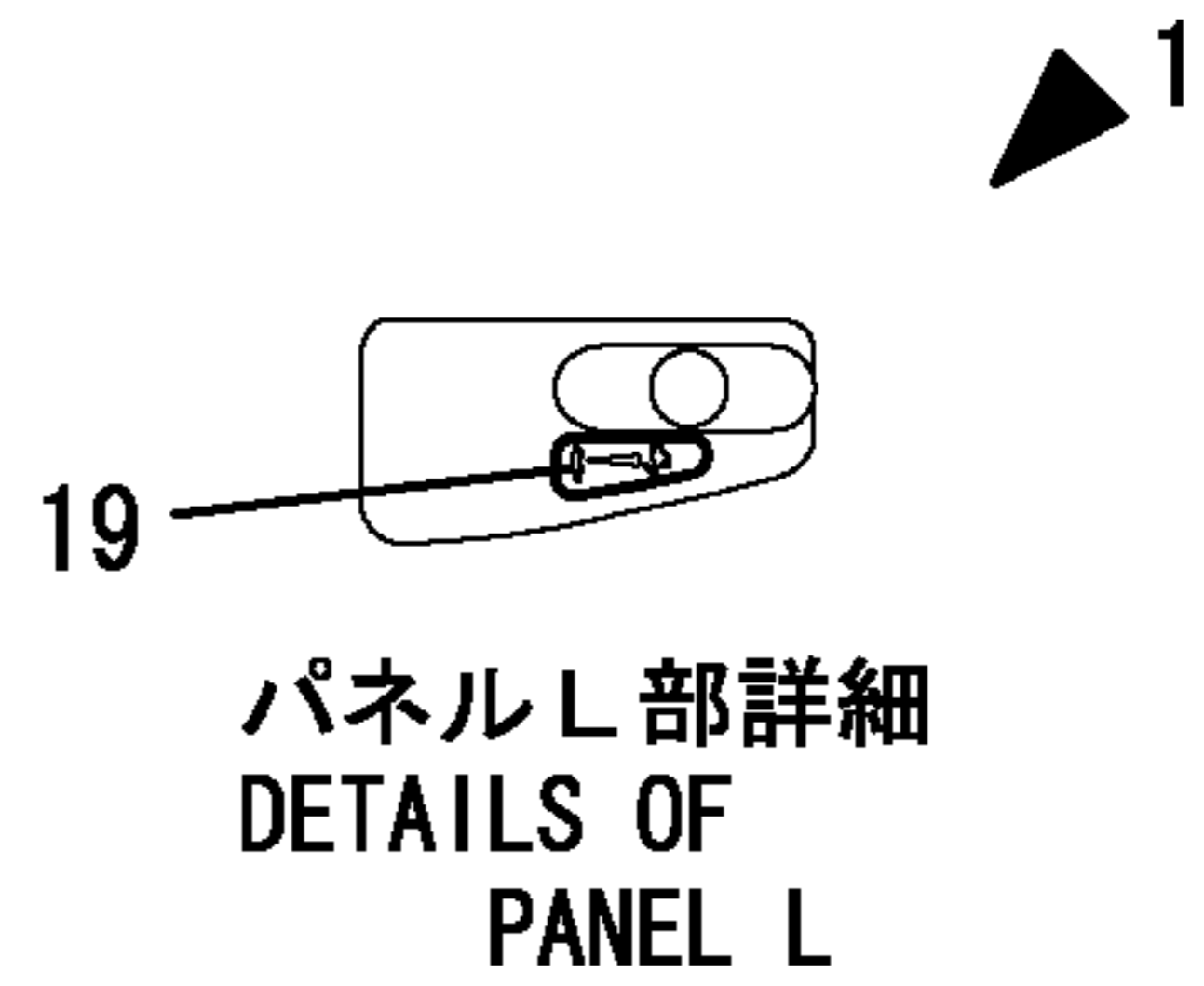
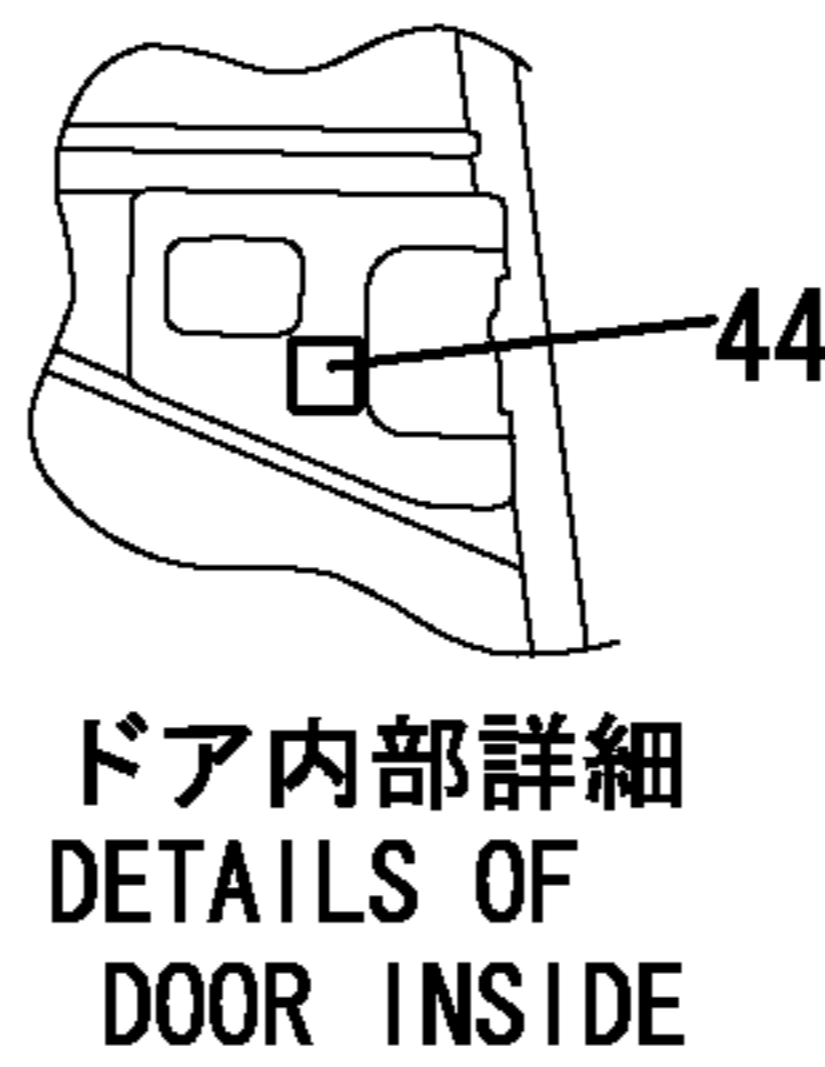
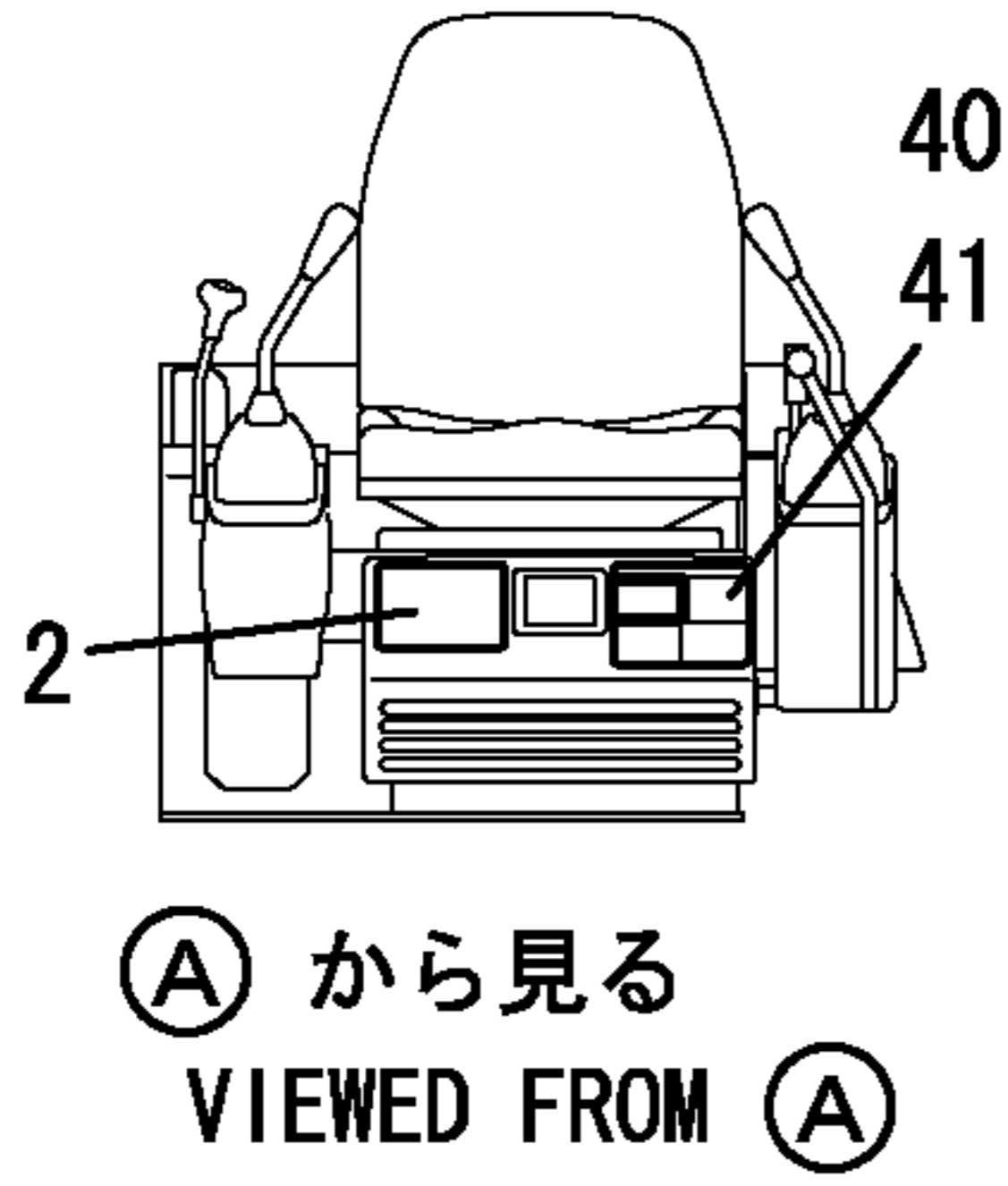
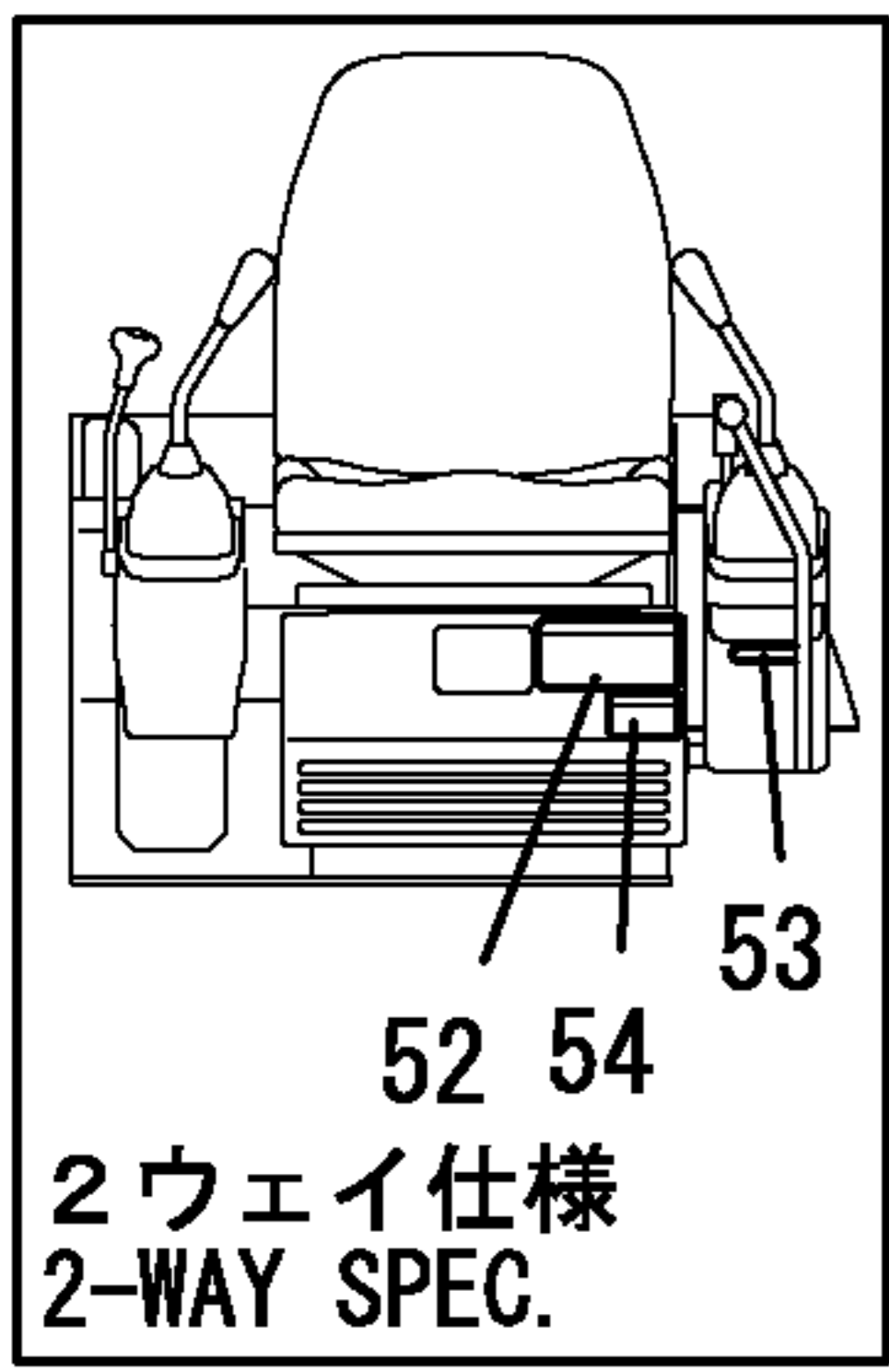


絵目次 (3) 項目別
PICTURESQUE INDEX (3) . . . FIGURE



1,1,,772457-03120,, "LABEL SET,VIO27-2 C",1,,,,,,,,,,,,,
1-1,1,,772457-03121,, "LABEL SET,VIO27-2 C",1,,,,,,N,,72458331,M/#20636,,,,,,,,,
1-2,1,,772457-03122,, "LABEL SET,VIO27-2
C",1,,,,,,N,,72457041,M/#21120,,,,,,,,,,I
2,2,,172457-03110,, "LABEL,SPECIFICATION",1,,,,,,,,,,,,,
2-1,2,,172457-03111,, LABEL,1,,,,,,N,,72457041,M/#21120,,,,,,,,,,I
3,2,,172458-03120,, "LABEL,OIL & WATER",1,,,,,,,,,,,,,
4,2,,172157-03130,, "LABEL,GREASE",1,,,,,,,,,,,,,
5,2,,172458-03130,, "LABEL,GREASE FEED",1,,,,,,,,,,,,,
6,2,,172457-03150,, "LABEL,MODEL",2,,,,,,,,,,,,,
7,2,,172458-03160,, "LABEL, REAR",1,,,,,,,,,,,,,
8,2,,172444-03170,, LABEL,1,,,,,,,,,,,,,
9,2,,172444-03180,, LABEL,2,,,,,,,,,,,,,
10,2,,172458-03180,, "LABEL,LIFT POSITION",1,,,,,,,,,,,,,
10-1,2,,172458-03181,, "LABEL, LIFTING",1,,,,,,N,,72458417,M/#20784,,,,,,,,,
11,2,,172444-03190,, LABEL,1,,,,,,,,,,,,,
12,2,,172458-03190,, "LABEL,OILING",1,,,,,,,,,,,,,
13,2,,172141-03202,, "LABEL,CAUTION",1,,,,,,,,,,,,,
14,2,,172450-03200,, "LABEL,BATTERY",1,,,,,,,,,,,,,
15,2,,172458-03200,, "LABEL,FAN",1,,,,,,,,,,,,,
16,2,,172147-03210,, "LABEL,2 SPEED",1,,,,,,Z,,724600328,M/#25501,,,,,,,,,,I
17,2,,172444-03210,, LABEL,1,,,,,,,,,,,,,
18,2,,172458-03210,, "LABEL,BELT",1,,,,,,,,,,,,,
19,2,,172458-03220,, "LABEL,ACCELERATOR",1,,,,,,,,,,,,,
20,2,,172458-03230,, "LABEL,FUSE",1,,,,,,,,,,,,,
20-1,2,,172458-03231,, "LABEL, HUSE",1,,,,,,N,,72458509,M/#21117,,,,,,,,,,I
21,2,,172444-03240,, LABEL,1,,,,,,,,,,,,,
22,2,,172183-03250,, "LABEL,FUEL",1,,,,,,,,,,,,,
23,2,,172171-03261,, "LABEL,BOOM",1,,,,,,,,,,,,,
24,2,,172444-03280,, LABEL,2,,,,,,,,,,,,,
25,2,,172142-03302,, "LABEL,CAUTION",1,,,,,,,,,,,,,
26,2,,172455-03340,, LABEL,1,,,,,,,,,,,,,
27,2,,172141-03360,, "LABEL, START SWITCH",1,,,,,,,,,,,,,
28,2,,172964-03370,, LABEL,1,,,,,,,,,,,,,
29,2,,172964-03481,, "LABEL,DANGER",1,,,,,,,,,,,,,
32,2,,172164-03510,, "LABEL,LOADING",1,,,,,,,,,,,,,
33,2,,172437-03510,, "LABEL,HOOK",3,,,,,,,,,,,,,
34,2,,172164-03540,, LABEL,1,,,,,,,,,,,,,
35,2,,172519-04180,, "LABEL,WARNING",1,,,,,,,,,,,,,
36,2,,172519-04290,, "LABEL,WARNING",1,,,,,,,,,,,,,
37,2,,121470-44540,, "LABEL, SUB-TANK",1,,,,,,,,,,,,,
38,2,,172165-03240,, LABEL,1,,,,,,1,,,,,,,,,,,,,
39,2,,172183-03280,, "LABEL,LOCK",1,,,,,,,,,,,,,
40,2,,172444-03290,, MAGNET,1,,,,,,2,,,,,,,,,,,,,
41,2,,172151-03551,, LABEL,1,,,,,,2,,,,,,,,,,,,,
42,2,,172445-03180,, LABEL,3,,,,,,,,,,,,,
43,2,,172458-03260,, LABEL,1,,,,,,,,,,,,,
44,2,,172445-03220,, LABEL,1,,,,,,,,,,,,,
45,2,,172445-03230,, LABEL,1,,,,,,,,,,,,,
46,2,,172455-03520,, LABEL,1,,,,,,,,,,,,,
47,2,,172151-03540,, "LABEL,PATTERN A",1,,,,,,M,,,,,,,,,,,,,
47-1,2,,172165-03460,, "LABEL, PATERN A",1,,,,,,,,,,,,,
47-2,2,,172496-03200,, "LABEL,
OPERATION",1,,,,,,N,,724600328,M/#25501,,,,,,,,,,I
48,2,,172173-03250,, LABEL,1,,,,,,W,,72456158,M/#20501,,,,,,,,,
49,2,,172458-03280,, LABEL,1,,,,,,W,,72458344,M/#20501,,,,,,,,,
50,2,,172455-03320,, LABEL,1,,,,,,W,,72458321,M/#20580,,,,,,,,,
51,2,,172458-03270,, LABEL,1,,,,,,W,3,72458331,M/#20636,,,,,,,,,
51-1,2,,172496-03210,, "LABEL, P.T.O.",1,,,,,,N,,724600328,M/#25501,,,,,,,,,,I
52,2,,172458-03550,, LABEL,1,,,,,,W,4,72458340,M/#20700,,,,,,,,,
53,2,,172458-03560,, LABEL,1,,,,,,W,4,72458340,M/#20700,,,,,,,,,
54,2,,172458-03570,, LABEL,1,,,,,,W,4,72458340,M/#20700,,,,,,,,,

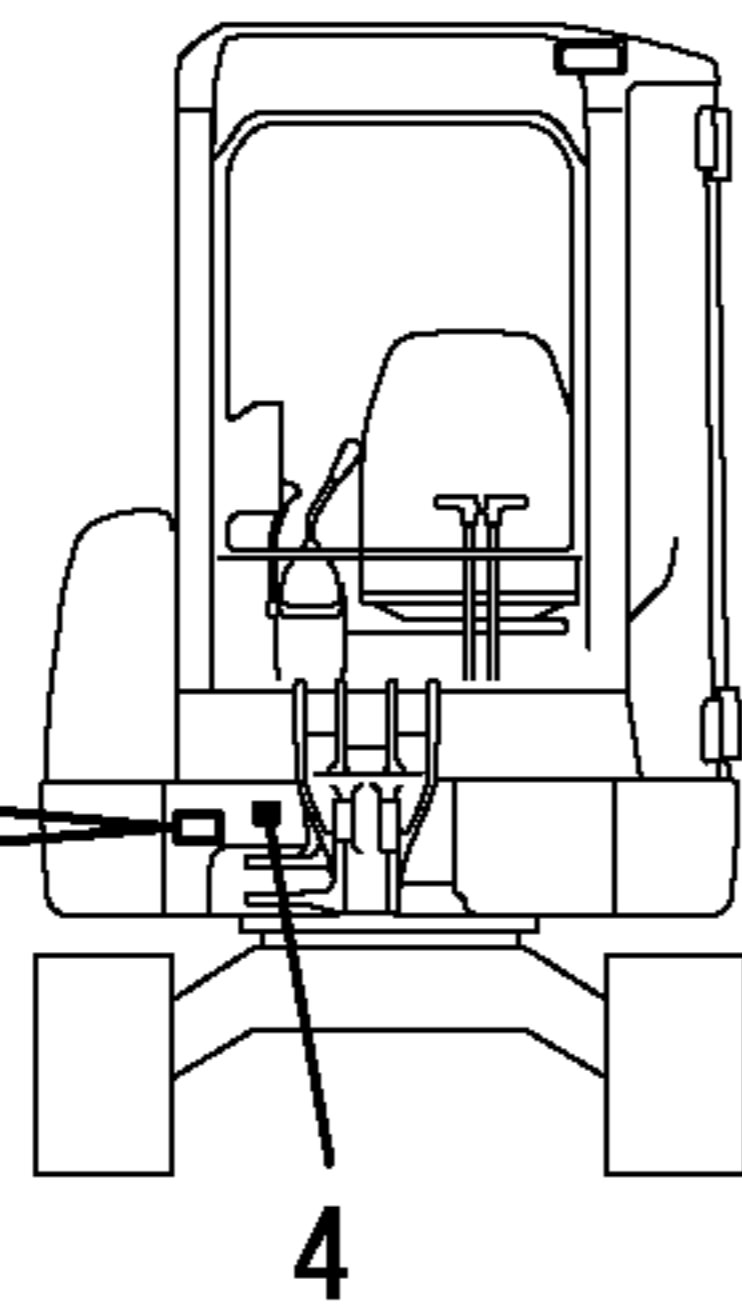
見出しNo. 1は
見出しNo. 2から54を含みます。
1 INC. 2~54.



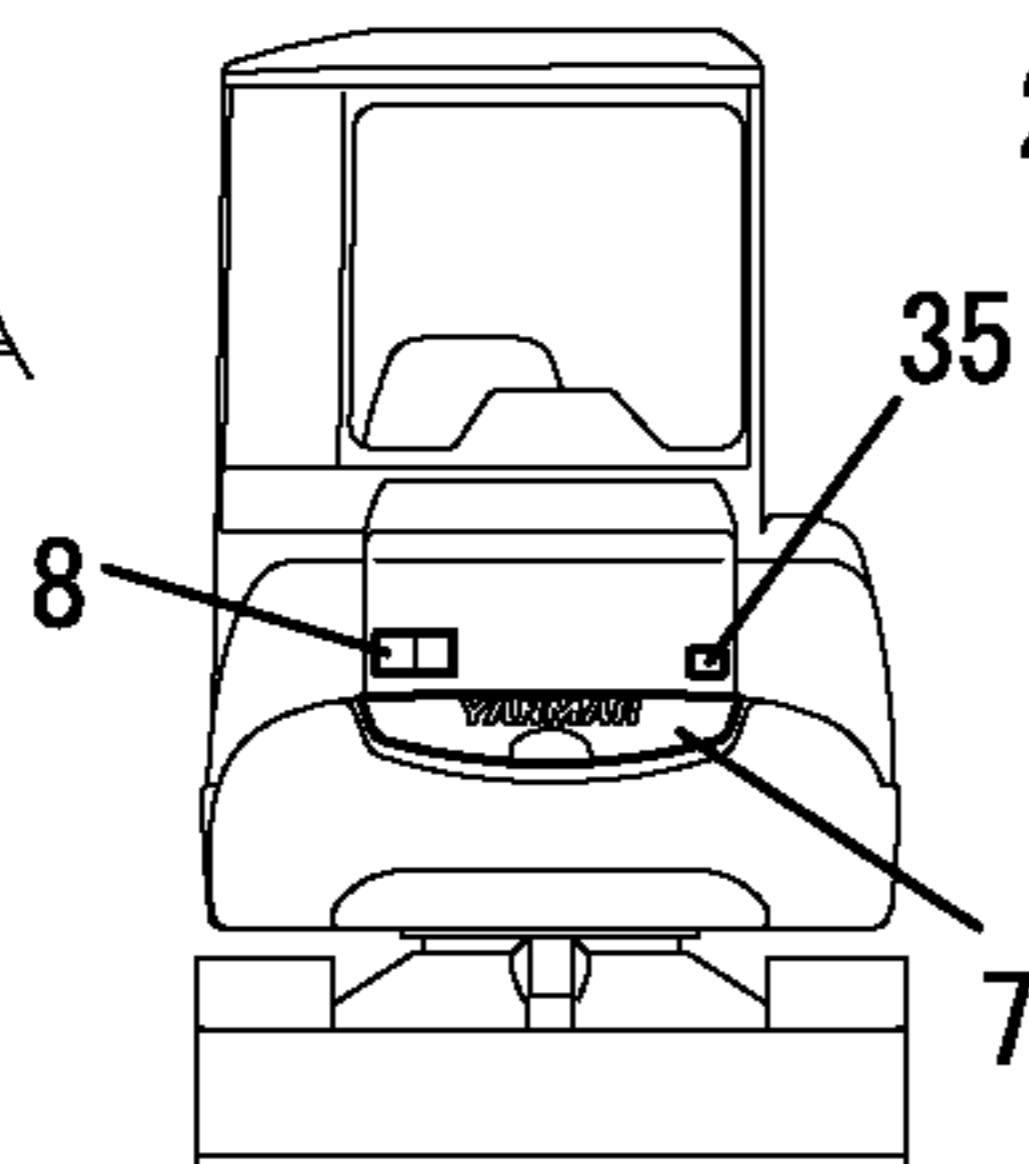
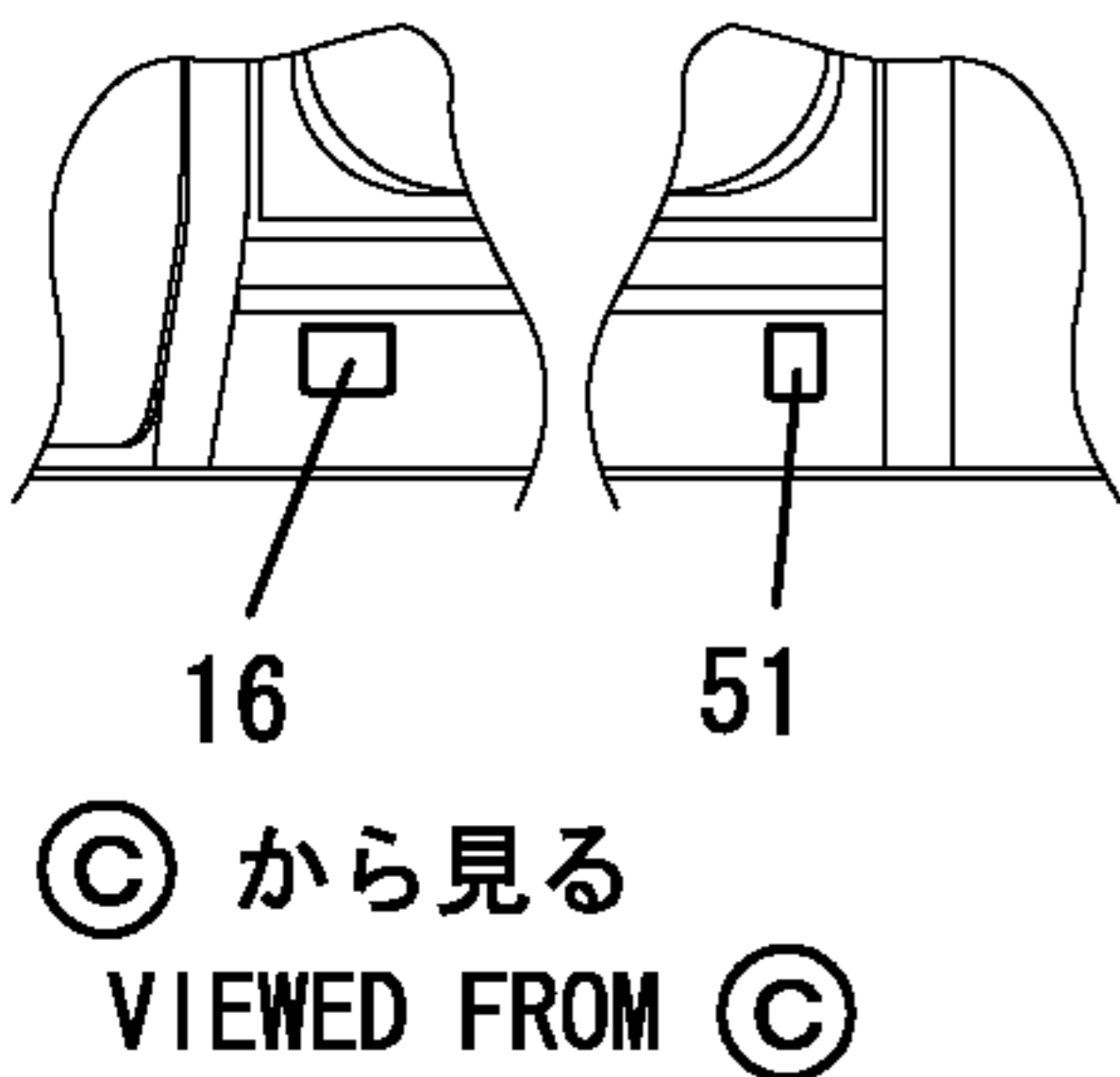
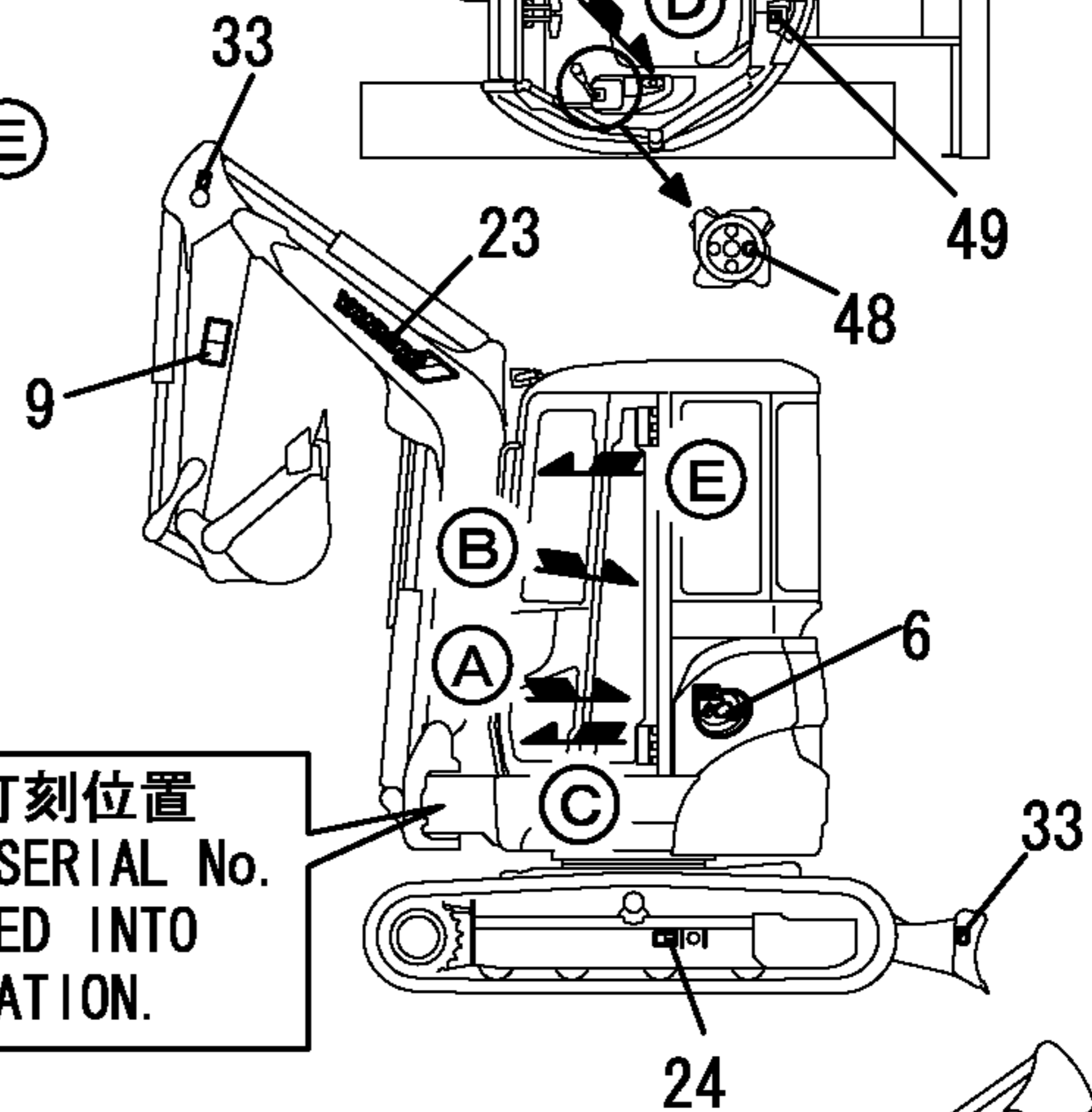
(D) から見る
VIEWED FROM (D)

(E) から見る
VIEWED FROM (E)

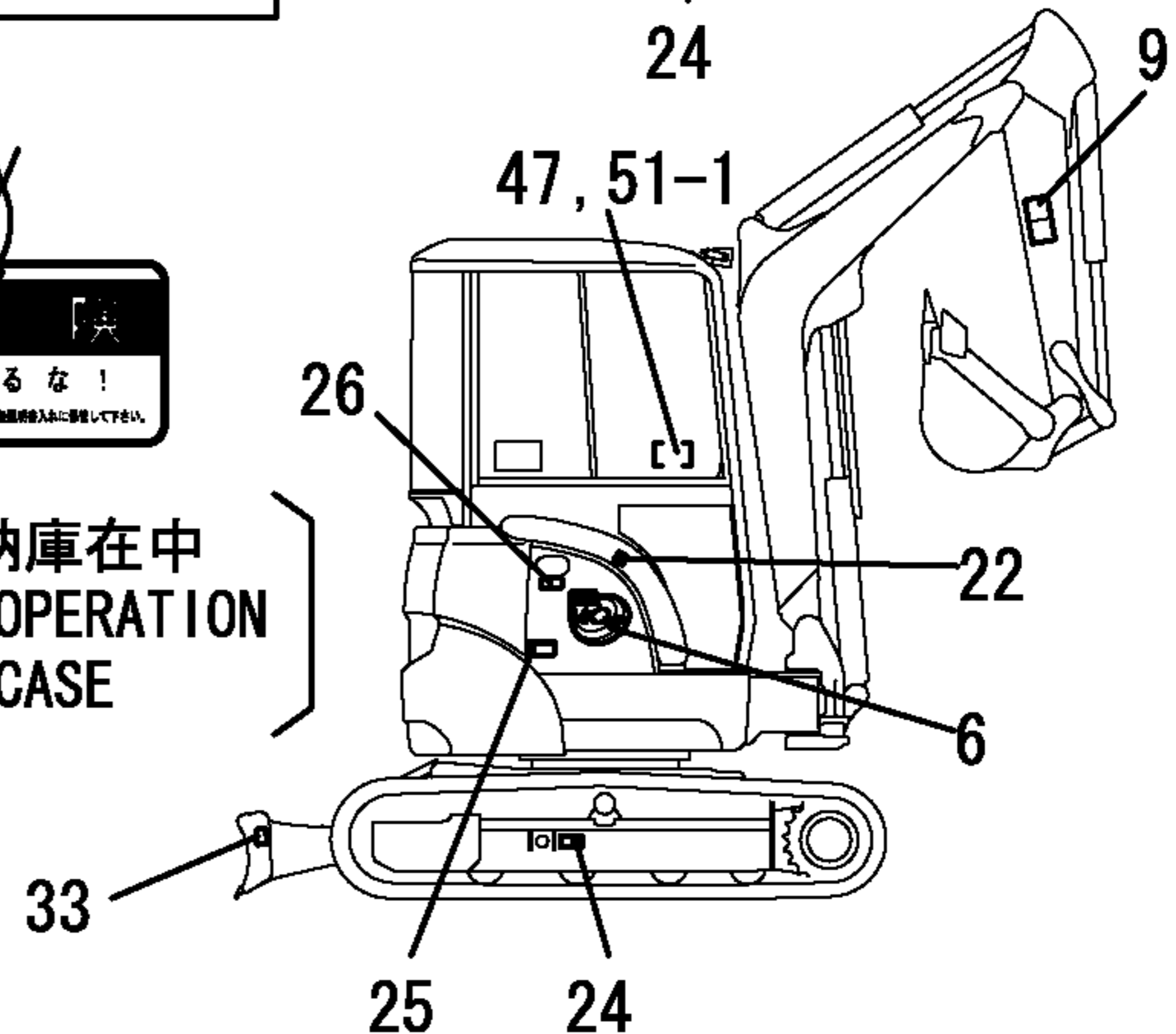
機体No. 機関No. 打刻位置
MACHINE SERIAL No.
ENGINE No. IS STAMPED
INTO THIS LOCATION.



機体No. 打刻位置
MACHINE SERIAL No.
IS STAMPED INTO
THIS LOCATION.

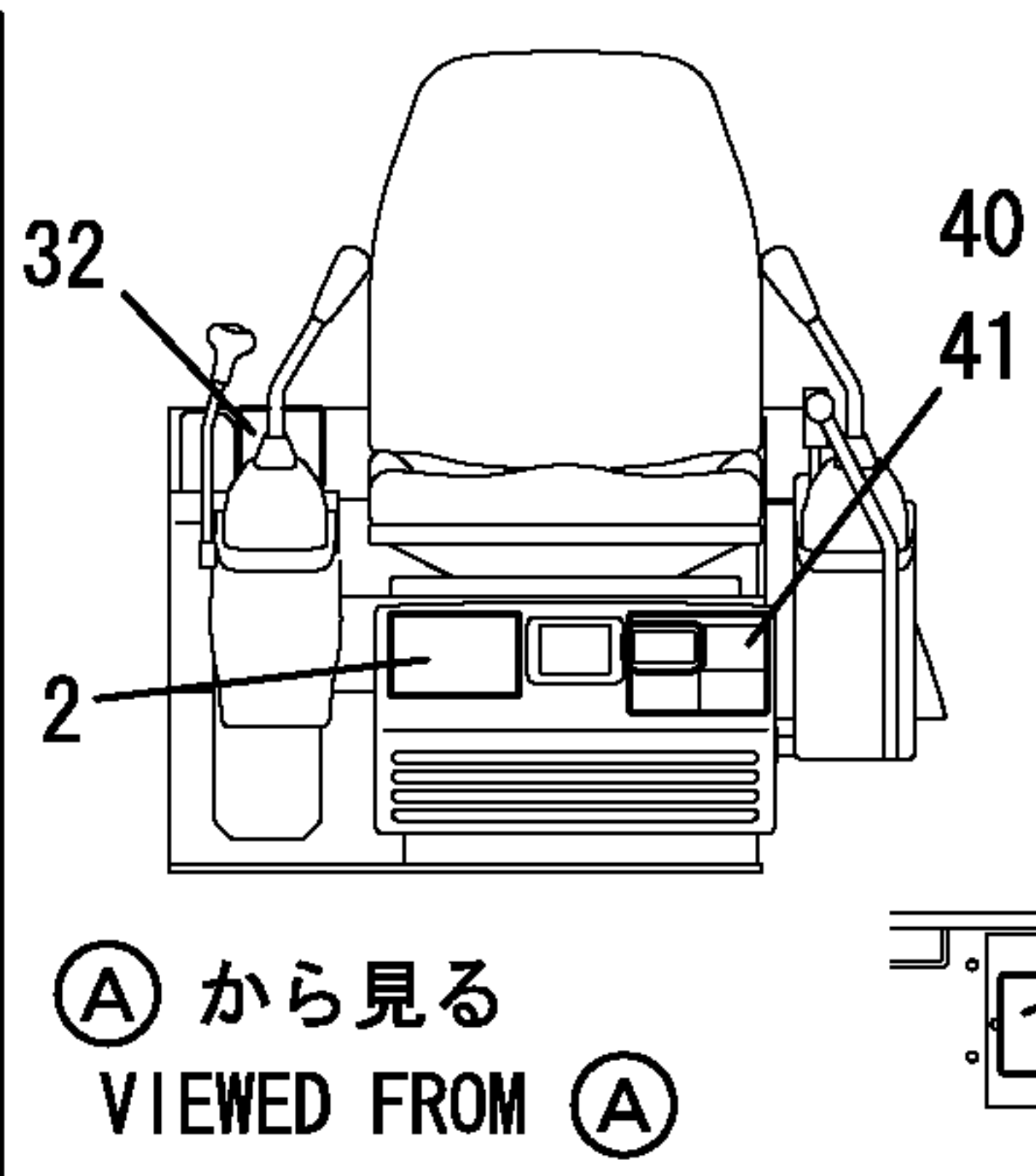
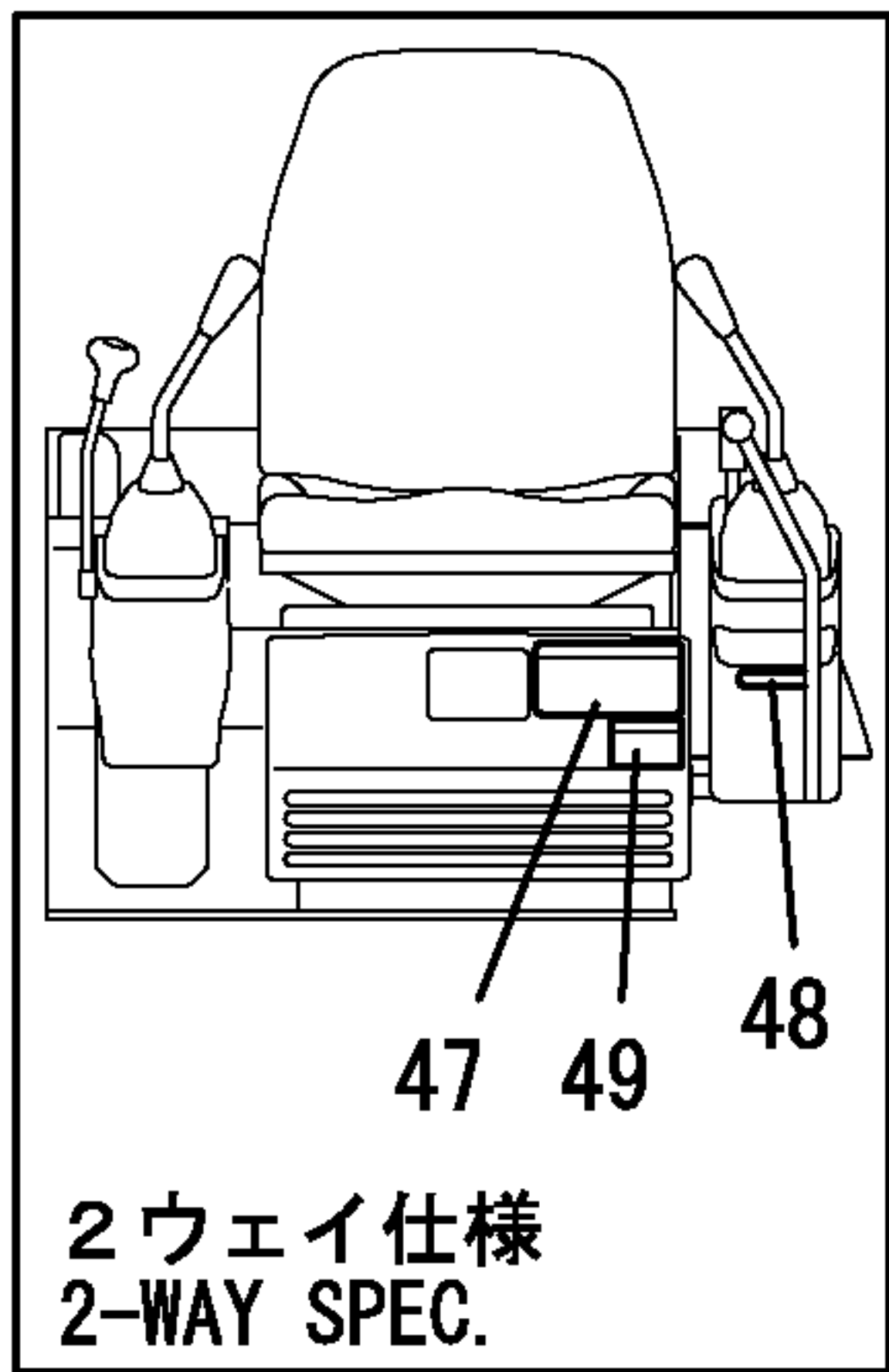


取説収納庫在中
IN THE OPERATION
MANUAL CASE

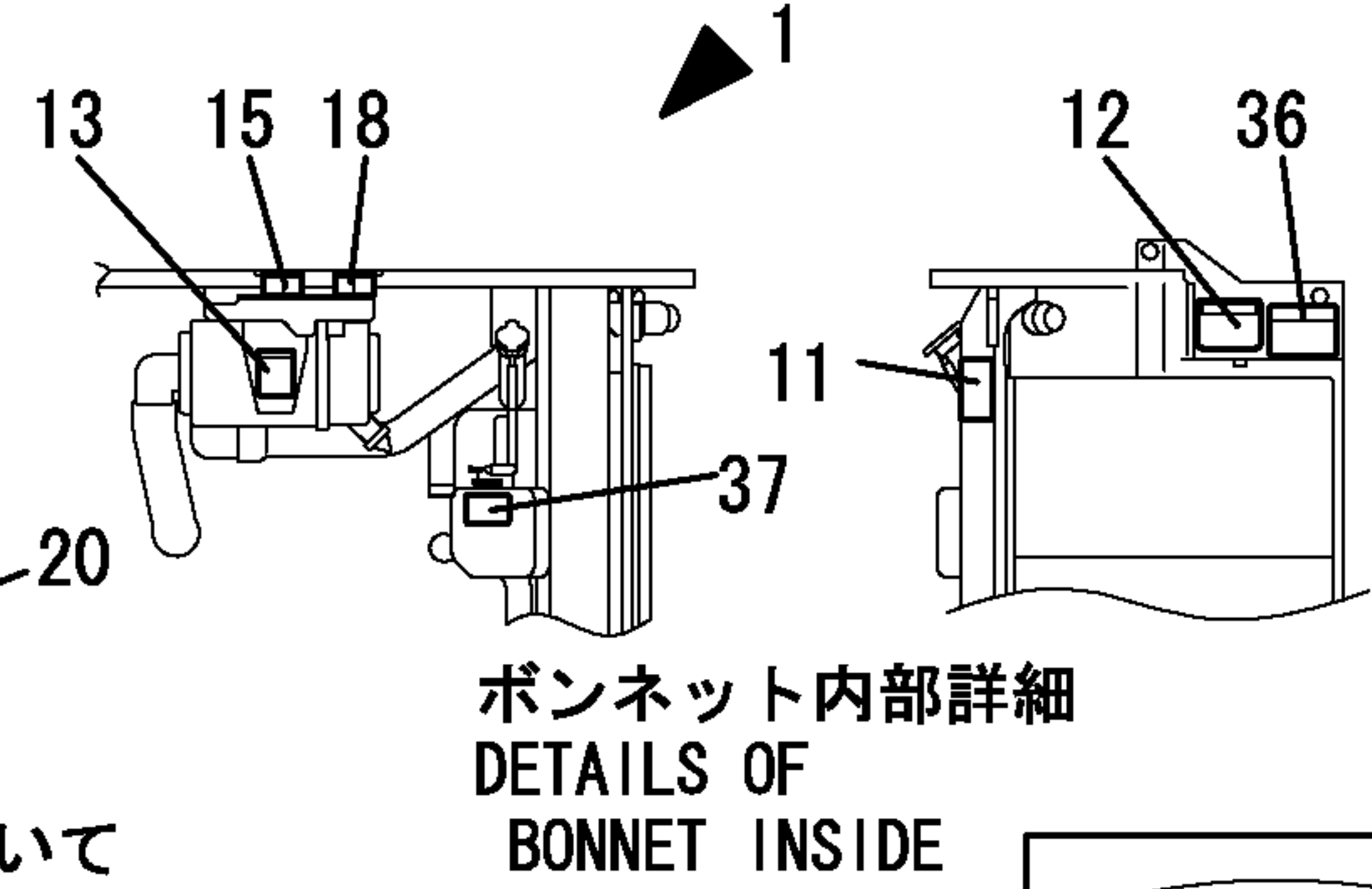


(C) から見る
VIEWED FROM (C)

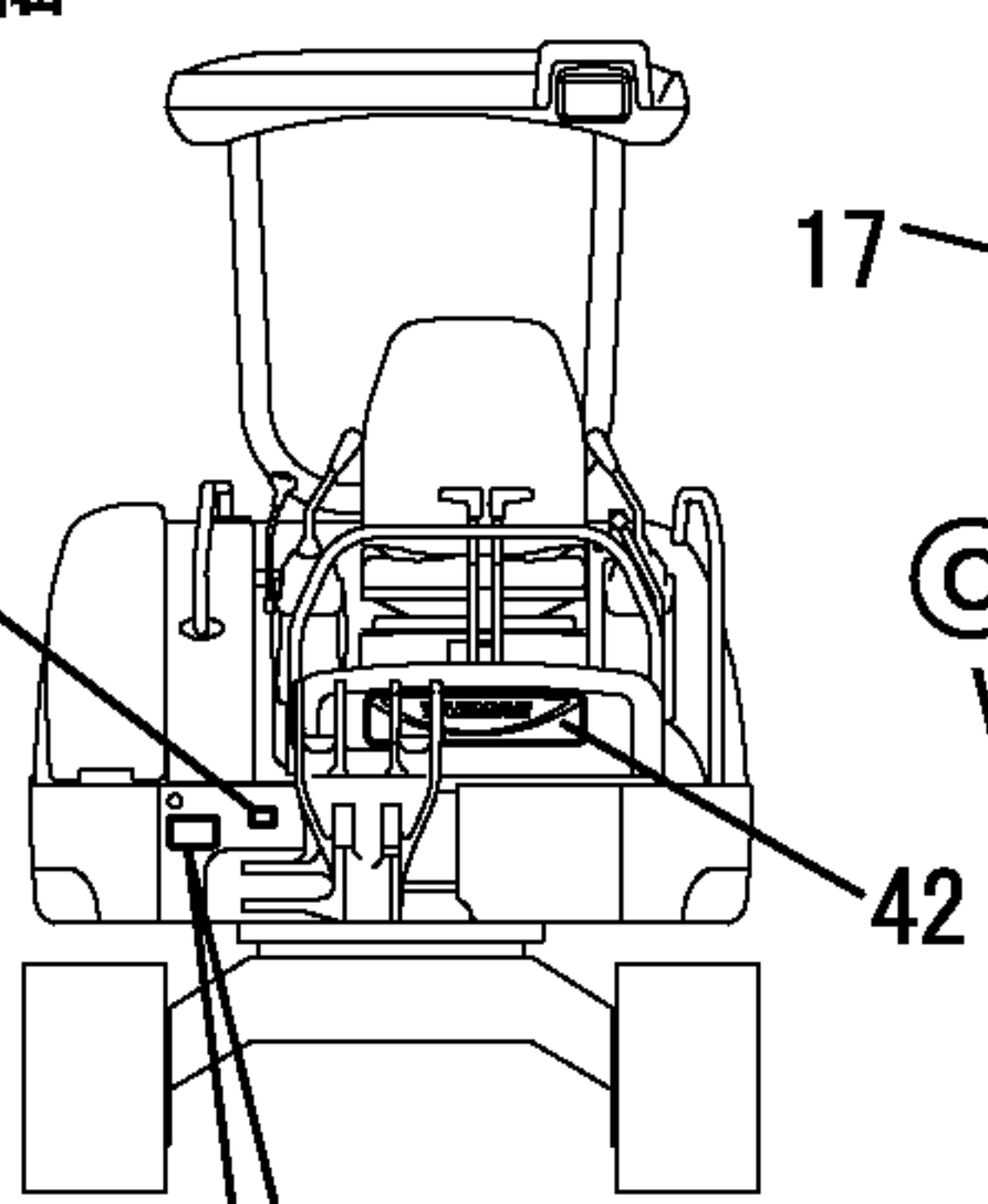
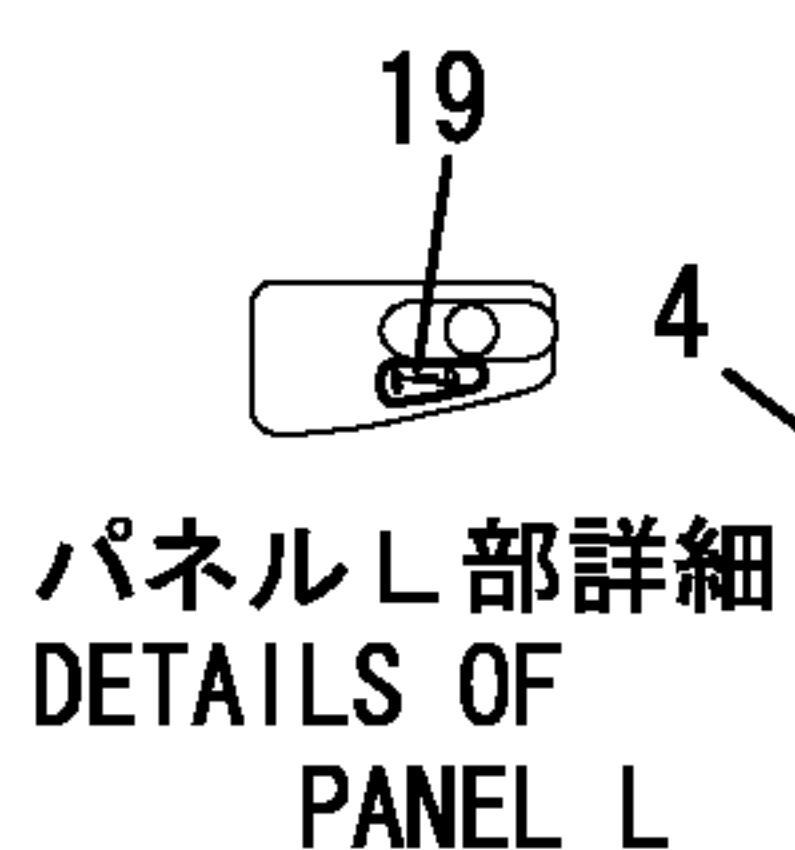
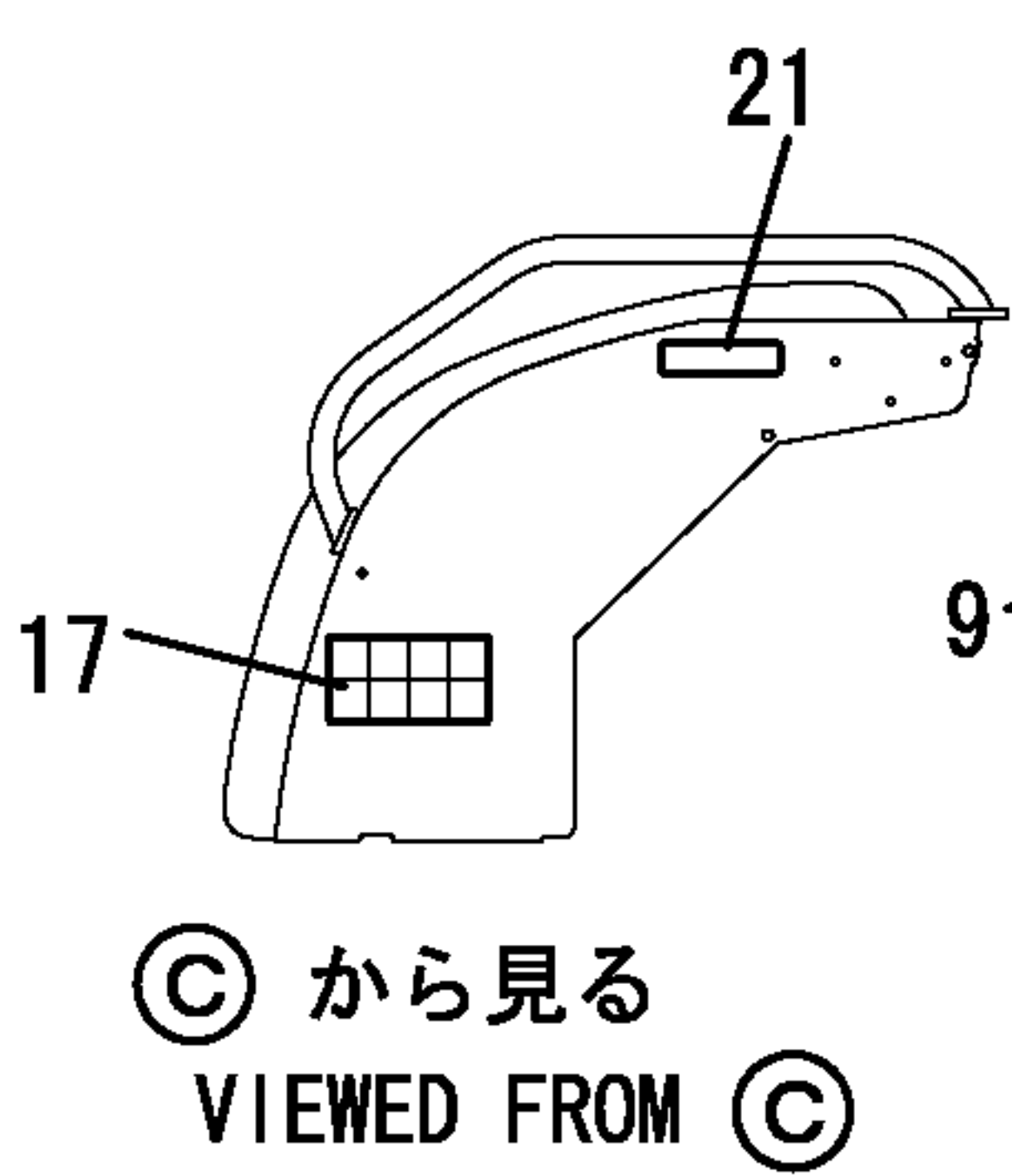
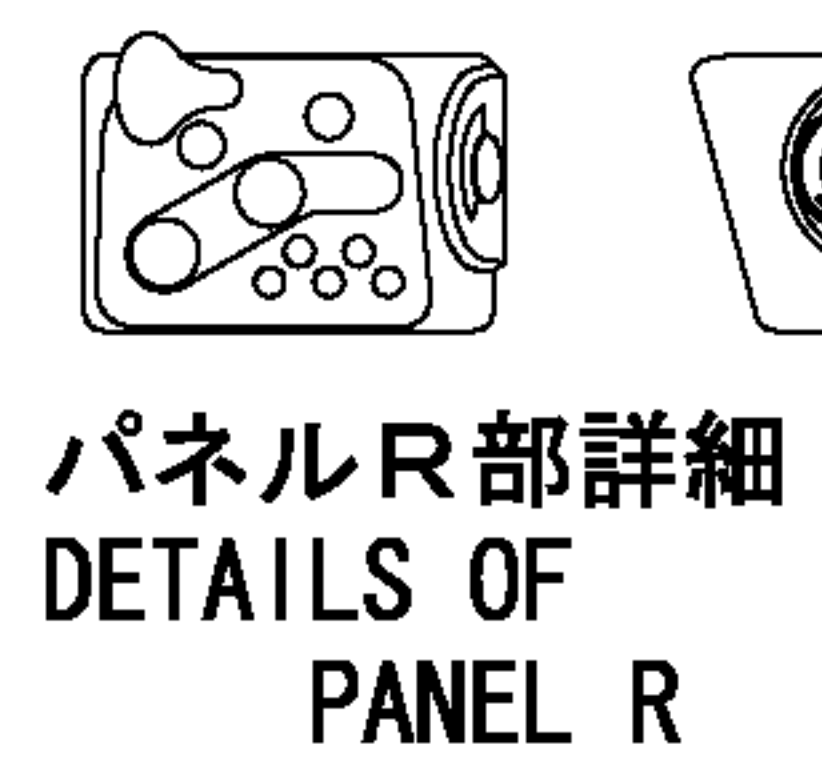
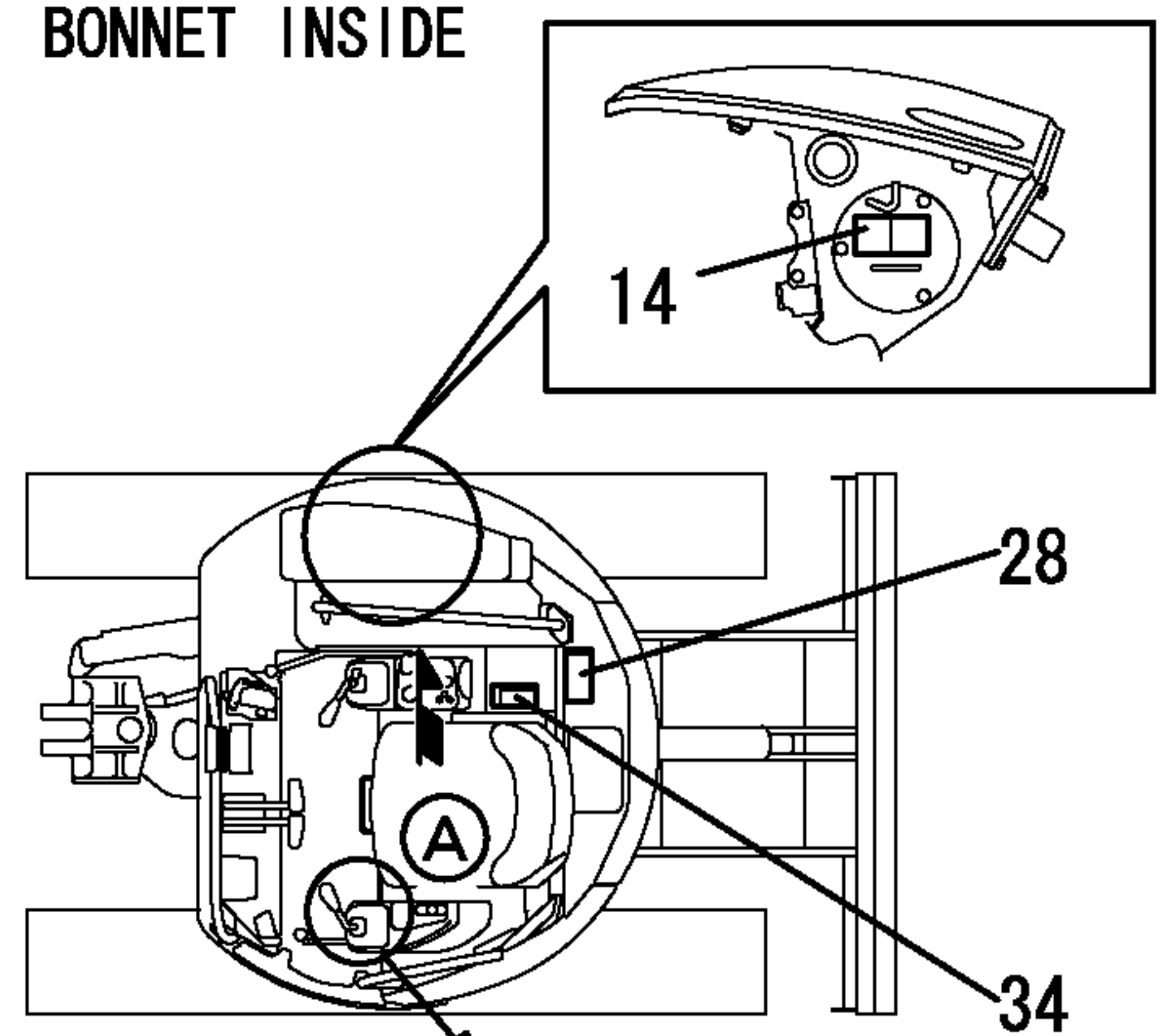
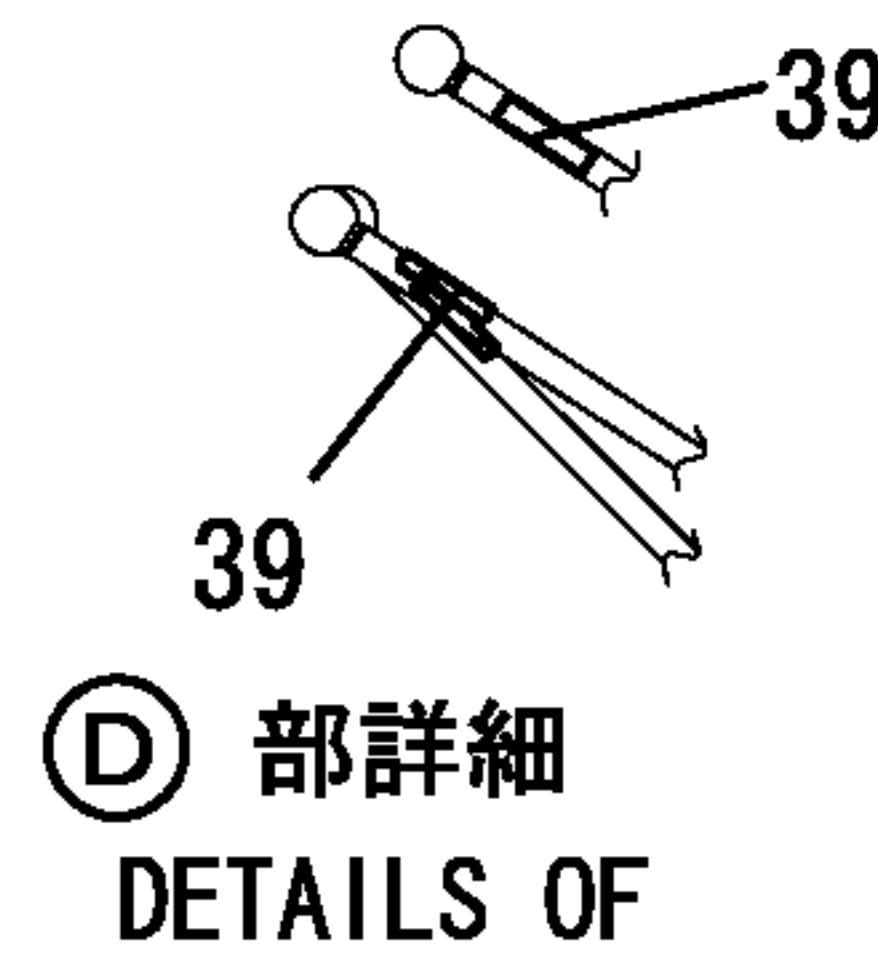
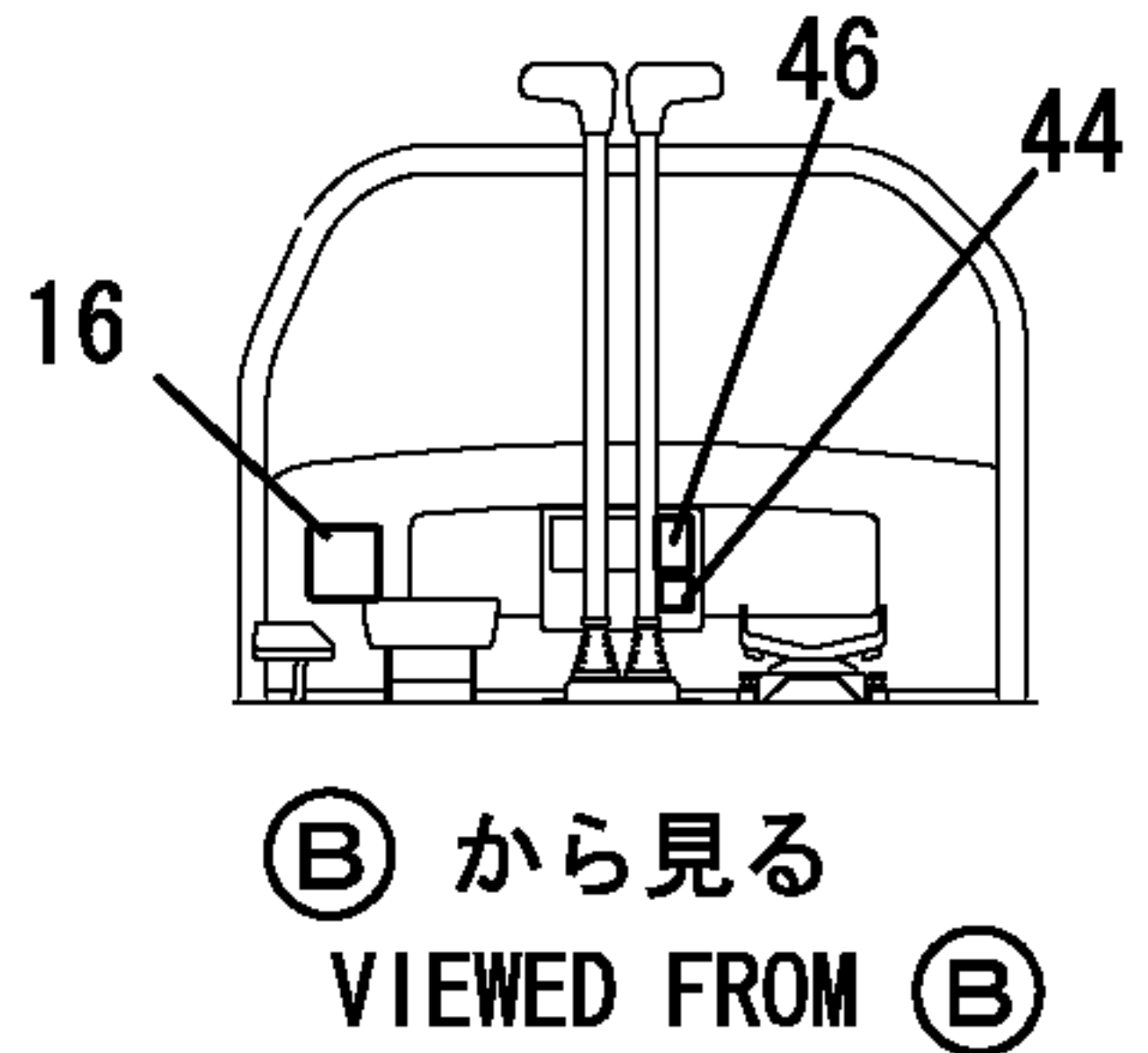
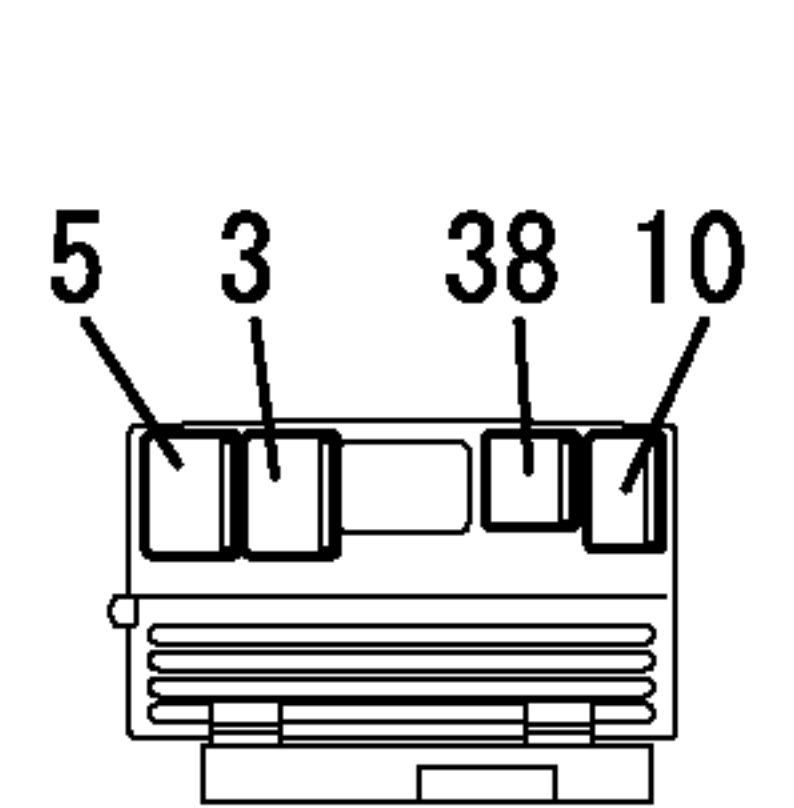
1,1,,772457-03110,, "LABEL SET,VIO27-2 P",,1,,,,,,,,,,,,,
1-1,1,,772457-03111,, "LABEL SET,VIO27-2 P",,1,,,,,N,,,,,72458331,M/#20636,,,,,
1-2,1,,772457-03112,, "LABEL SET,VIO27-2
P",,1,,,,,N,,,,,72457041,M/#21120,,,,,,I
2,2,,172457-03110,, "LABEL,SPECIFICATION",,1,,,,,,,,,,,,,
2-1,2,,172457-03111,, LABEL,,1,,,,,N,,,,,72457041,M/#21120,,,,,,I
3,2,,172458-03120,, "LABEL,OIL & WATER",,1,,,,,,,,,,,,,
4,2,,172157-03130,, "LABEL,GREASE",,1,,,,,,,,,,,,,
5,2,,172458-03130,, "LABEL,GREASE FEED",,1,,,,,,,,,,,,,
6,2,,172457-03150,, "LABEL,MODEL",,2,,,,,,,,,,,,,
7,2,,172458-03160,, "LABEL, REAR",,1,,,,,,,,,,,,,
8,2,,172444-03170,, LABEL,,1,,,,,,,,,,,,,
9,2,,172444-03180,, LABEL,,2,,,,,,,,,,,,,
10,2,,172458-03180,, "LABEL,LIFT POSITION",,1,,,,,,,,,,,,,
10-1,2,,172458-03181,, "LABEL, LIFTING",,1,,,,,N,,,,,72458417,M/#20784,,,,,
11,2,,172444-03190,, LABEL,,1,,,,,,,,,,,,,
12,2,,172458-03190,, "LABEL,OILING",,1,,,,,,,,,,,,,
13,2,,172141-03202,, "LABEL,CAUTION",,1,,,,,,,,,,,,,
14,2,,172450-03200,, "LABEL,BATTERY",,1,,,,,,,,,,,,,
15,2,,172458-03200,, "LABEL,FAN",,1,,,,,,,,,,,,,
16,2,,172147-03210,, "LABEL,2 SPEED",,1,,,,,Z,,,,,724600328,M/#25501,,,,,,I
17,2,,172444-03210,, LABEL,,1,,,,,,,,,,,,,
18,2,,172458-03210,, "LABEL,BELT",,1,,,,,,,,,,,,,
19,2,,172458-03220,, "LABEL,ACCELERATOR",,1,,,,,,,,,,,,,
20,2,,172458-03230,, "LABEL,FUSE",,1,,,,,,,,,,,,,
20-1,2,,172458-03231,, "LABEL, HUSE",,1,,,,,N,,,,,72458509,M/#21117,,,,,,I
21,2,,172444-03240,, LABEL,,1,,,,,,,,,,,,,
22,2,,172183-03250,, "LABEL,FUEL",,1,,,,,,,,,,,,,
23,2,,172171-03261,, "LABEL,BOOM",,1,,,,,,,,,,,,,
24,2,,172444-03280,, LABEL,,2,,,,,,,,,,,,,
25,2,,172142-03302,, "LABEL,CAUTION",,1,,,,,,,,,,,,,
26,2,,172455-03340,, LABEL,,1,,,,,,,,,,,,,
27,2,,172141-03360,, "LABEL, START SWITCH",,1,,,,,,,,,,,,,
28,2,,172964-03370,, LABEL,,1,,,,,,,,,,,,,
29,2,,172964-03481,, "LABEL,DANGER",,1,,,,,,,,,,,,,
32,2,,172164-03510,, "LABEL,LOADING",,1,,,,,,,,,,,,,
33,2,,172437-03510,, "LABEL,HOOK",,3,,,,,,,,,,,,,
34,2,,172164-03540,, LABEL,,1,,,,,,,,,,,,,
35,2,,172519-04180,, "LABEL,WARNING",,1,,,,,,,,,,,,,
36,2,,172519-04290,, "LABEL,WARNING",,1,,,,,,,,,,,,,
37,2,,121470-44540,, "LABEL, SUB-TANK",,1,,,,,,,,,,,,,
38,2,,172165-03240,, LABEL,,1,,,,,1,,,,,,,,,,,,,
39,2,,172183-03280,, "LABEL,LOCK",,2,,,,,,,,,,,,,
40,2,,172444-03290,, MAGNET,,1,,,,,2,,,,,,,,,,,,,
41,2,,172151-03551,, LABEL,,1,,,,,2,,,,,,,,,,,,,
42,2,,172458-03140,, "LABEL, FRONT",,1,,,,,,,,,,,,,
43,2,,172444-03330,, LABEL,,1,,,,,,,,,,,,,
44,2,,172151-03540,, "LABEL,PATTERN A",,1,,,,,,,,,,,,,
44-1,2,,172490-03200,, LABEL,,1,,,,,N,,,,,724600328,M/#25501,,,,,,I
45,2,,172173-03250,, LABEL,,1,,,,,W,,,,,72456158,M/#20501,,,,,
46,2,,172458-03270,, LABEL,,1,,,,,W,3,,72458331,M/#20636,,,,,
46-1,2,,172490-03210,, "LABEL, P.T.O.",,1,,,,,N,,,,,724600328,M/#25501,,,,,,I
47,2,,172458-03550,, LABEL,,1,,,,,W,4,,72458340,M/#20700,,,,,
48,2,,172458-03560,, LABEL,,1,,,,,W,4,,72458340,M/#20700,,,,,
49,2,,172458-03570,, LABEL,,1,,,,,W,4,,72458340,M/#20700,,,,,



見出しNo. 1は
見出しNo. 2から49を含みます。
1 INC. 2~49.

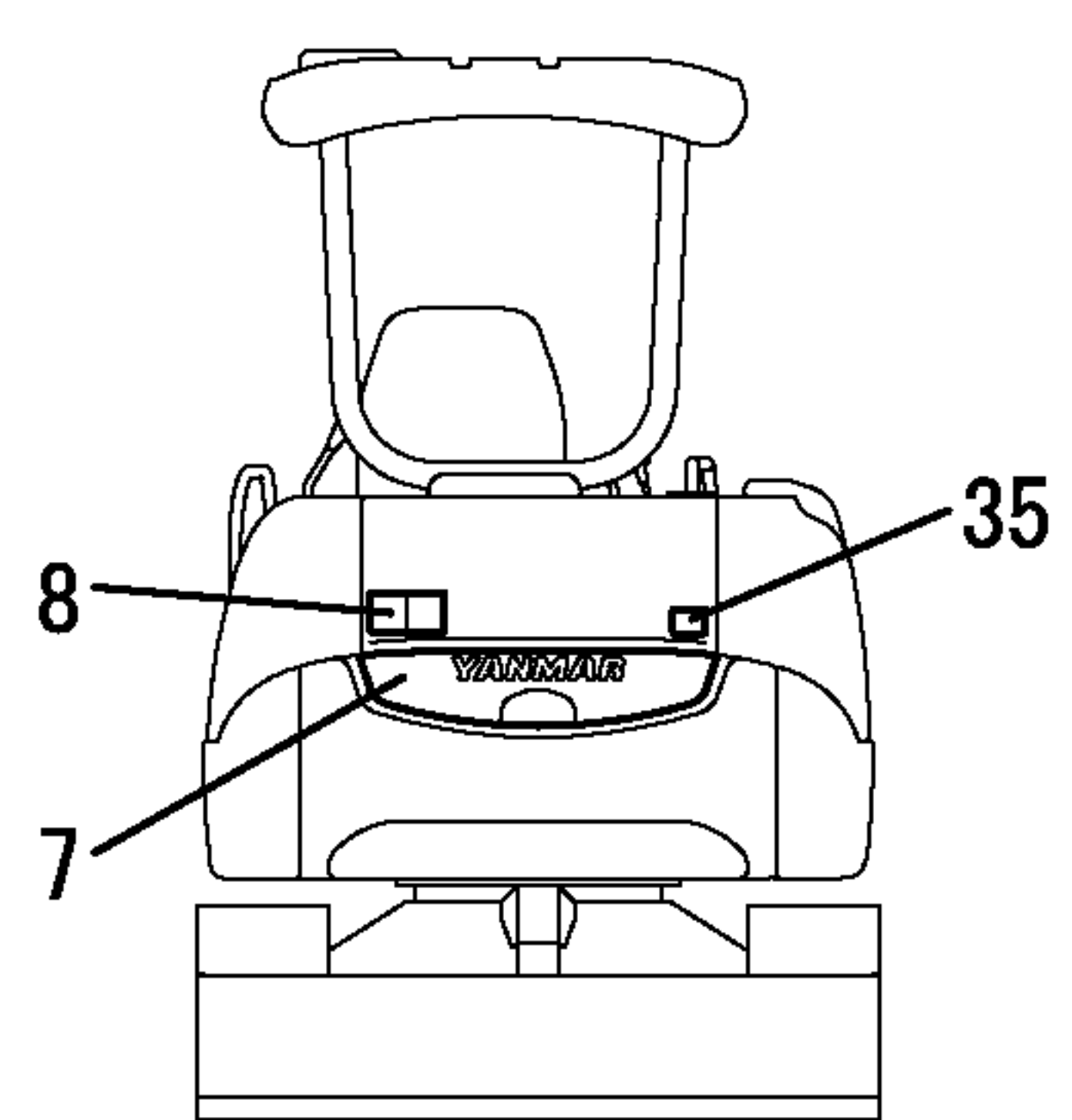
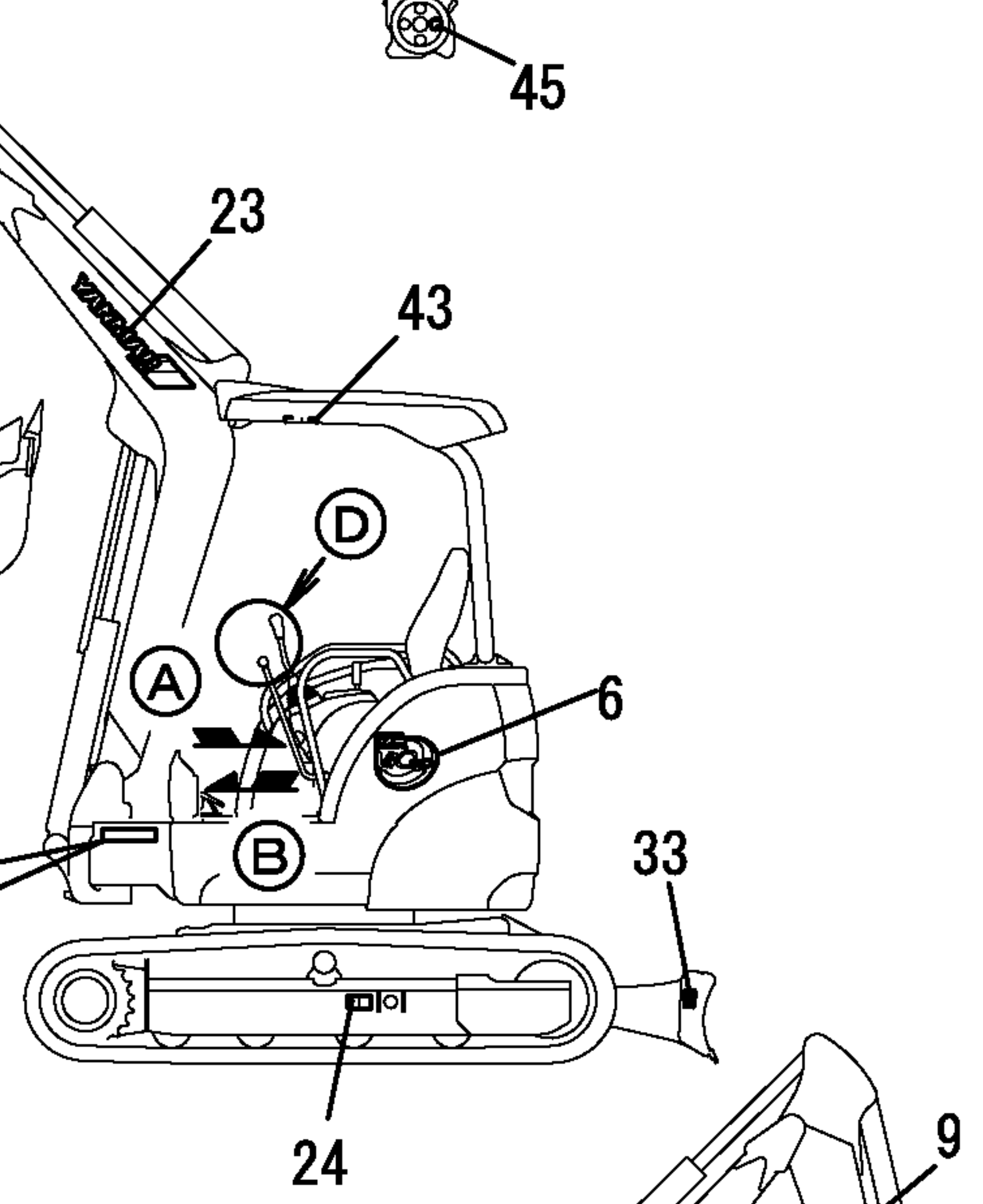


グリルを開いて
OPEN THE GRILLE

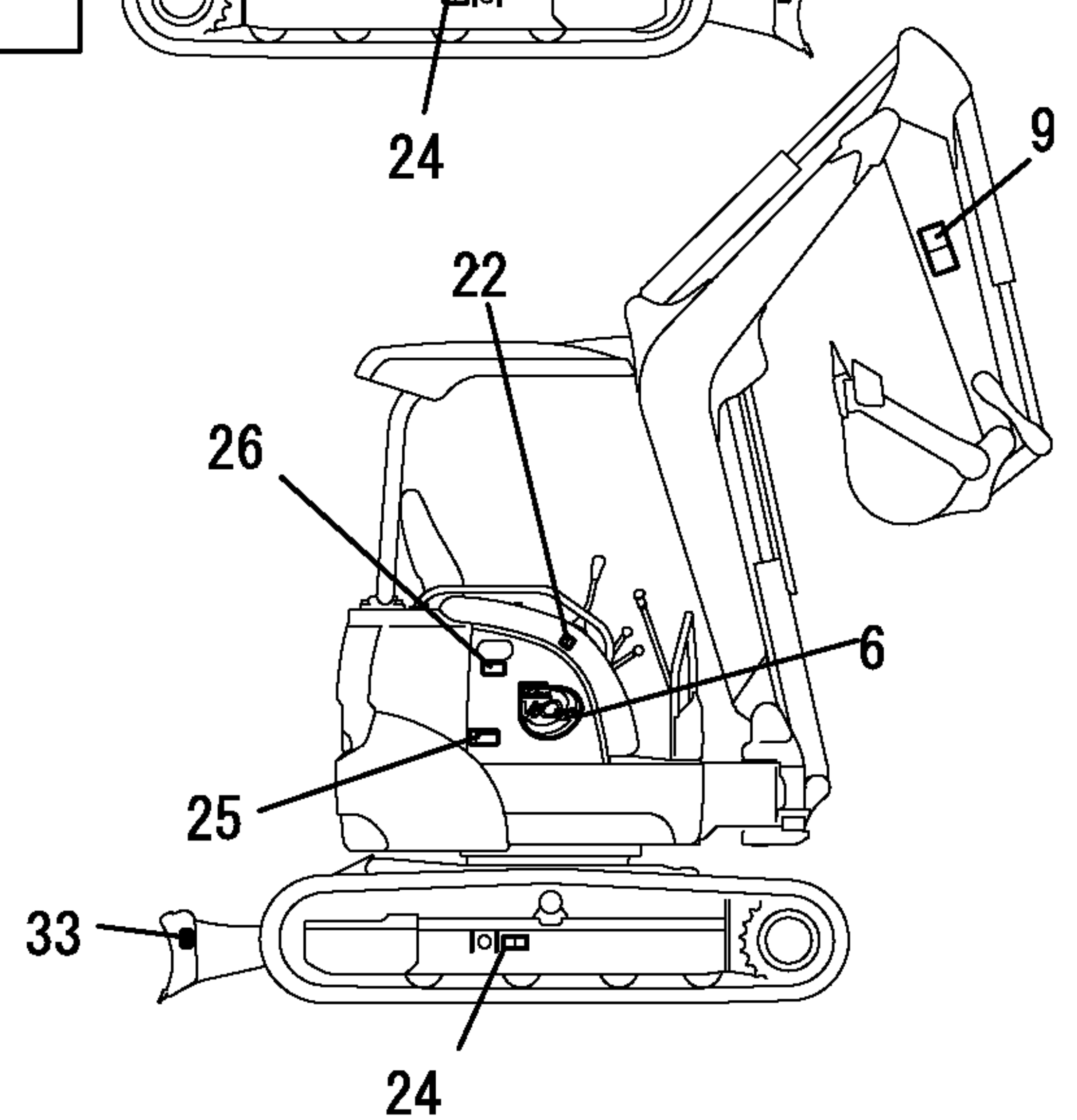


機体No. 打刻位置
MACHINE SERIAL No.
IS STAMPED INTO
THIS LOCATION.

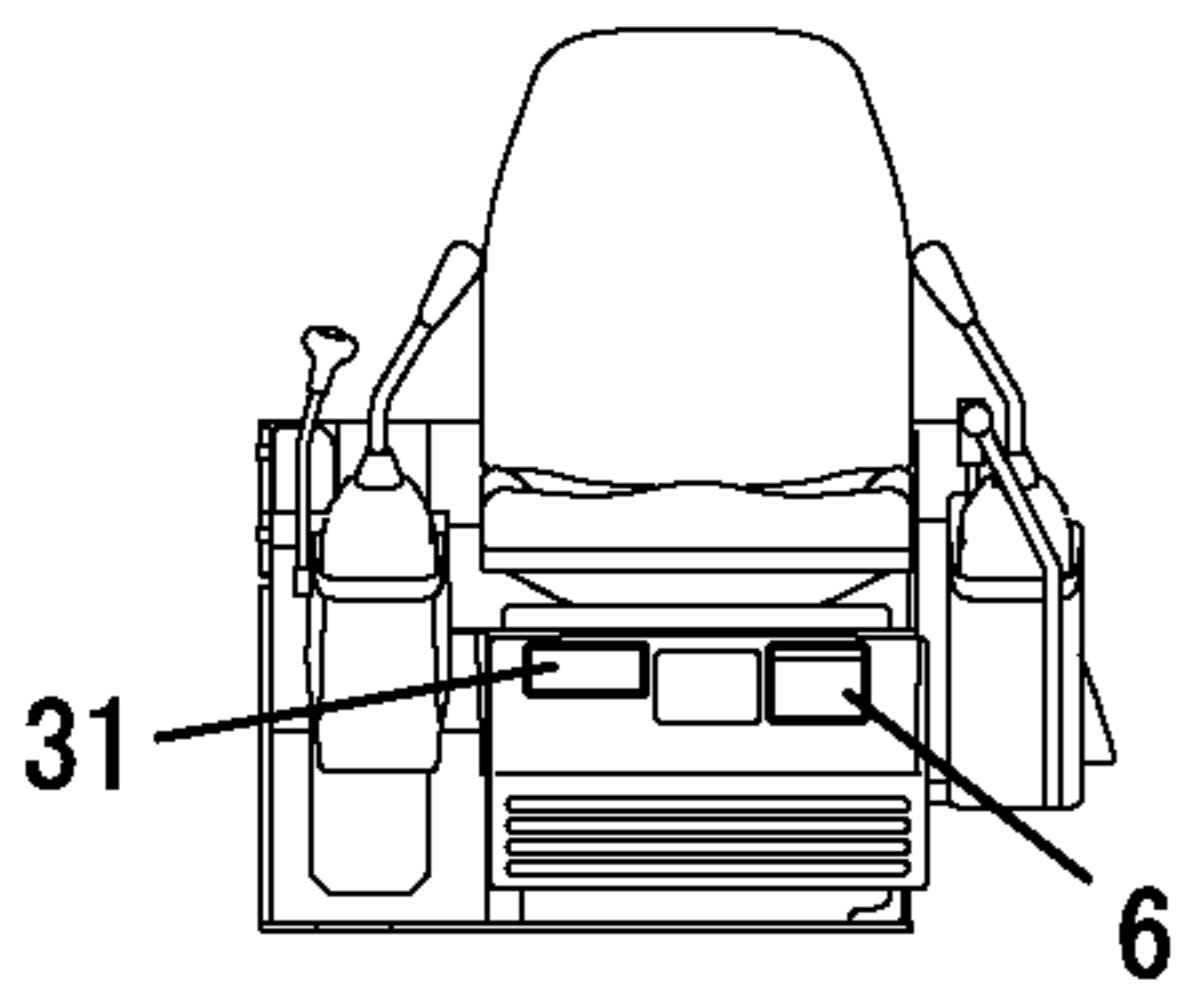
機体No. 機関No. 打刻位置
MACHINE SERIAL No.
ENGINE No. IS STAMPED
INTO THIS LOCATION.



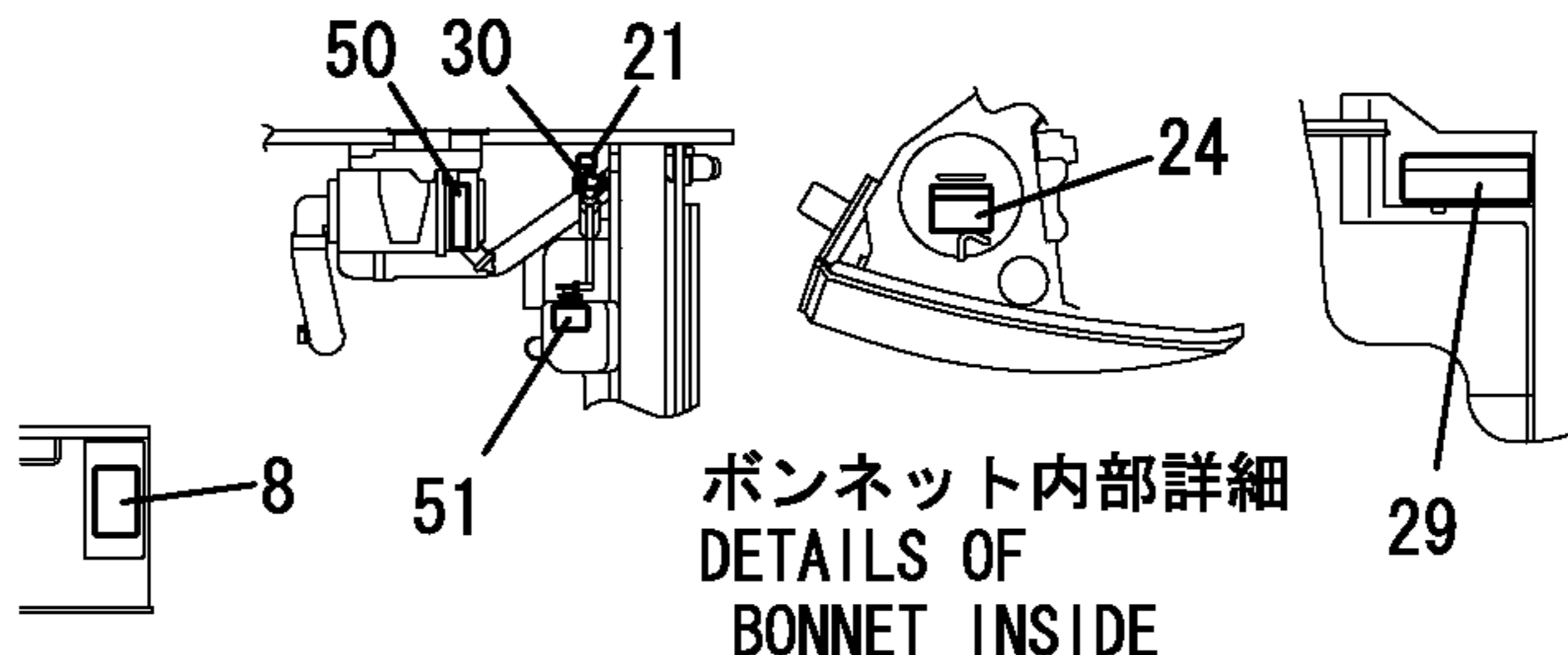
取説収納庫在中
IN THE OPERATION
MANUAL CASE



1,1,,772472-03270,, "LABEL SET",,,1,,,,,,,,,,,,,,,,,,,,,I
2,2,,172458-03140,, "LABEL, FRONT",,,1,,,,,,,,,,,,,,,,,,,,,I
3,2,,172457-03150,, "LABEL,MODEL",,,2,,,,,,,,,,,,,,,,,,,,,I
4,2,,172472-03150,, "LABEL,OIL&WATER",,,1,,,,,,,,,,,,,,,,,,,,,I
5,2,,172458-03160,, "LABEL, REAR",,,1,,,,,,,,,,,,,,,,,,,,,I
6,2,,172472-03160,, "LABEL,GREASE",,,1,,,,,,,,,,,,,,,,,,,,,I
7,2,,172958-03160,, LABEL,,,1,,,,,,,,,,,,,,,,,,,,,I
8,2,,172472-03170,, "LABEL,FUSE",,,1,,,,,,,,,,,,,,,,,,,,,I
9,2,,172490-03200,, LABEL,,,1,,,,,,,,,,,,,,,,,,,,,I
10,2,,172490-03210,, "LABEL, P.T.O.",,,1,,,,,,,,,,,,,,,,,,,,,I
11,2,,172458-03220,, "LABEL,ACCELERATOR",,,1,,,,,,,,,,,,,,,,,,,,,I
12,2,,172472-03230,, "LABEL,OPERATION PIN",,,1,,,,,,,,,,,,,,,,,,,,,I
13,2,,172437-03241,, "LABEL,CRAWLER",,,1,,,,,,,,,,,,,,,,,,,,,I
14,2,,172458-03240,, "LABEL,LOCK",,,2,,,,,,,,,,,,,,,,,,,,,I
15,2,,172472-03240,, "LABEL,PIN US",,,1,,,,,,,,,,,,,,,,,,,,,I
16,2,,172437-03250,, "TAG,SERVICING ASSY",,,1,,,,,,,,,,,,,,,,,,,,,I
17,2,,172472-03250,, "LABEL,OPERATION Q US",,,1,,,,,,,,,,,,,,,,,,,,,I
18,2,,172171-03261,, "LABEL,BOOM",,,2,,,,,,,,,,,,,,,,,,,,,I
19,2,,172472-03260,, "LABEL,FINGER",,,1,,,,,,,,,,,,,,,,,,,,,I
20,2,,172472-03270,, "LABEL,SAND US",,,1,,,,,,,,,,,,,,,,,,,,,I
21,2,,124764-44920,, "LABEL, ANTI-FREEZING",,,1,,,,,,,,,,,,,,,,,,,,,I
22,2,,172183-03280,, "LABEL,LOCK",,,2,,,,,,,,,,,,,,,,,,,,,I
23,2,,172472-03280,, LABEL,,,1,,,,,,,,,,,,,,,,,,,,,I
24,2,,172463-03290,, "LABEL,HYD.OIL US",,,1,,,,,,,,,,,,,,,,,,,,,I
25,2,,172472-03290,, "LABEL,SWITCH",,,1,,,,,,,,,,,,,,,,,,,,,I
26,2,,172437-03300,, "LABEL,MANUAL",,,1,,,,,,,,,,,,,,,,,,,,,I
27,2,,172472-03300,, "LABEL,COVER",,,1,,,,,,,,,,,,,,,,,,,,,I
28,2,,172437-03310,, "LABEL,SLOPE",,,1,,,,,,,,,,,,,,,,,,,,,I
29,2,,172437-03321,, "LABEL,HYD.OIL TANK",,,1,,,,,,,,,,,,,,,,,,,,,I
30,2,,172462-03320,, LABEL,,,1,,,,,,,,,,,,,,,,,,,,,I
31,2,,172472-03320,, "LABEL,SPEC P EX",,,1,,,,,,,,,,,,,,,,,,,,,I
32,2,,172463-03330,, "LABEL,COVER",,,1,,,,,,,,,,,,,,,,,,,,,I
33,2,,172437-03341,, "LABEL,TRANSPORT",,,1,,,,,,,,,,,,,,,,,,,,,I
34,2,,172437-03351,, "LABEL,GREASE CYL.",,,2,,,,,,,,,,,,,,,,,,,,,I
35,2,,172141-03360,, "LABEL, START SWITCH",,,1,,,,,,,,,,,,,,,,,,,,,I
36,2,,172437-03360,, "LABEL,BATTERY",,,1,,,,,,,,,,,,,,,,,,,,,I
37,2,,172437-03371,, LABEL,,,1,,,,,,,,,,,,,,,,,,,,,I
38,2,,172437-03380,, "LABEL,SWING AREA",,,1,,,,,,,,,,,,,,,,,,,,,I
39,2,,172437-03390,, "LABEL,RADIATOR",,,1,,,,,,,,,,,,,,,,,,,,,I
40,2,,172437-03401,, "LABEL (ENG COVER US",,,1,,,,,,,,,,,,,,,,,,,,,I
41,2,,172437-03411,, "LABEL (ENG ROOM US",,,1,,,,,,,,,,,,,,,,,,,,,I
42,2,,172437-03421,, "LABEL,MUFFLER",,,1,,,,,,,,,,,,,,,,,,,,,I
43,2,,172437-03431,, "LABEL,STEERING",,,1,,,,,,,,,,,,,,,,,,,,,I
44,2,,172437-03460,, "LABEL, BOOM",,,2,,,,,,,,,,,,,,,,,,,,,I
45,2,,172437-03470,, "LABEL,LEVER LOCK",,,1,,,,,,,,,,,,,,,,,,,,,I
46,2,,172437-03500,, "LABEL,FUEL",,,1,,,,,,,,,,,,,,,,,,,,,I
47,2,,172437-03510,, "LABEL,HOOK",,,4,,,,,,,,,,,,,,,,,,,,,I
48,2,,172437-03530,, "LABEL,RE-START",,,1,,,,,,,,,,,,,,,,,,,,,I
49,2,,172157-03740,, LABEL,,,1,,,,,,,,,,,,,,,,,,,,,I
50,2,,172125-03950,, "LABEL, AIR CLEANER",,,1,,,,,,,,,,,,,,,,,,,,,I
51,2,,124764-44810,, "LABEL, SUB-TANK",,,1,,,,,,,,,,,,,,,,,,,,,I

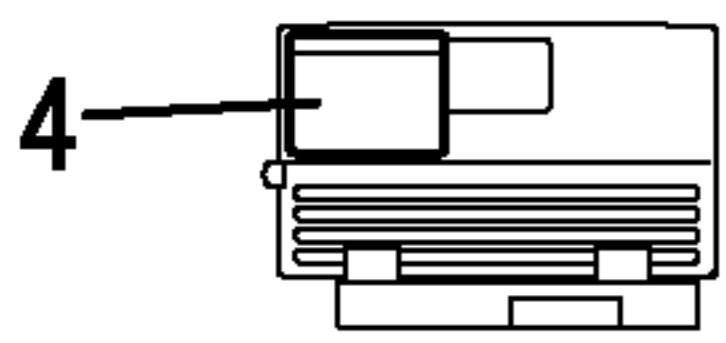


①から見る
VIEWED FROM ①

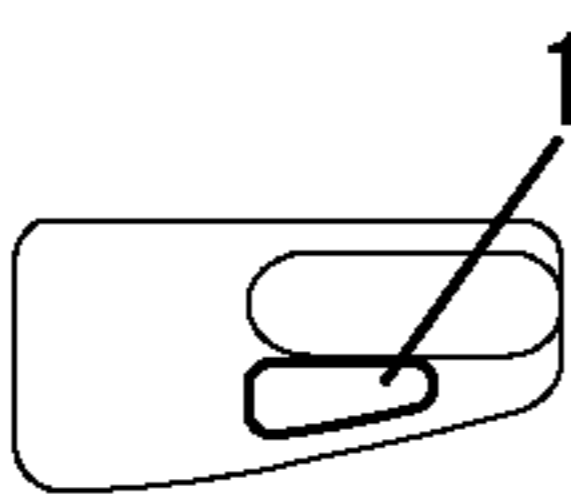


ボンネット内部詳細
DETAILS OF
BONNET INSIDE

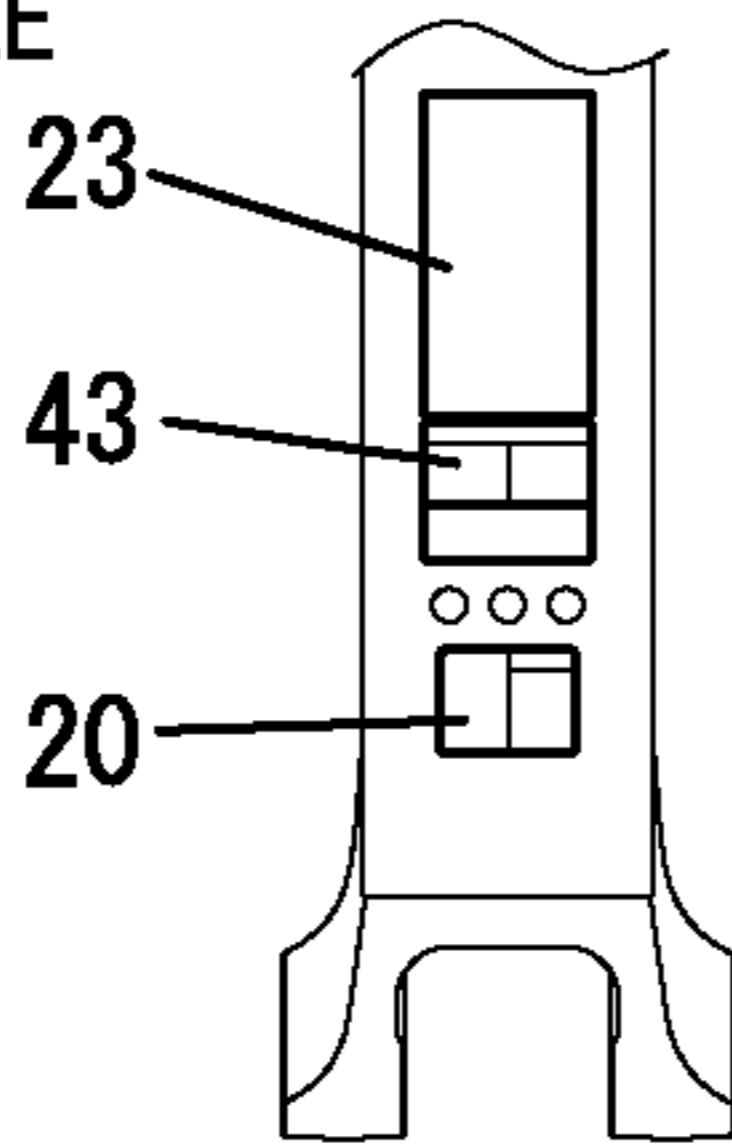
見出しNo. 1は
見出しNo. 2から51を含みます
1 INC. 2~51



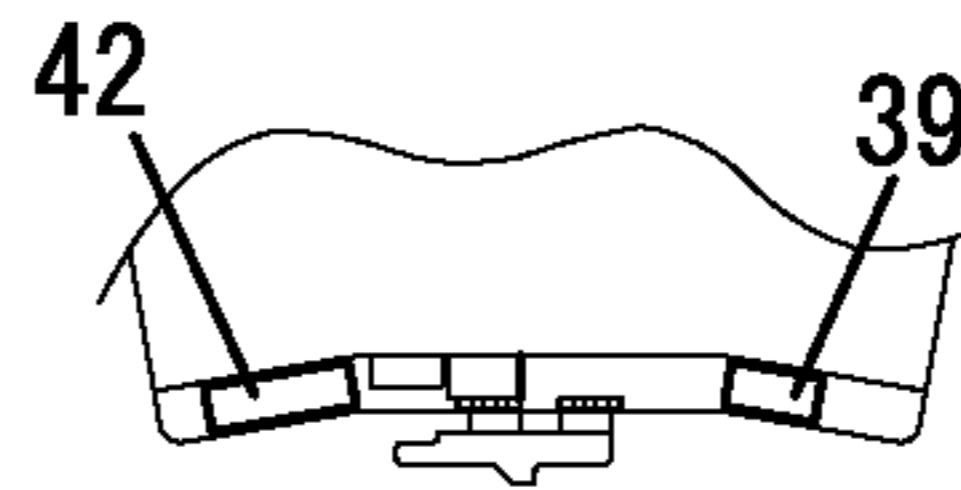
グリル内側詳細
DETAILS OF
GRILLE INSIDE



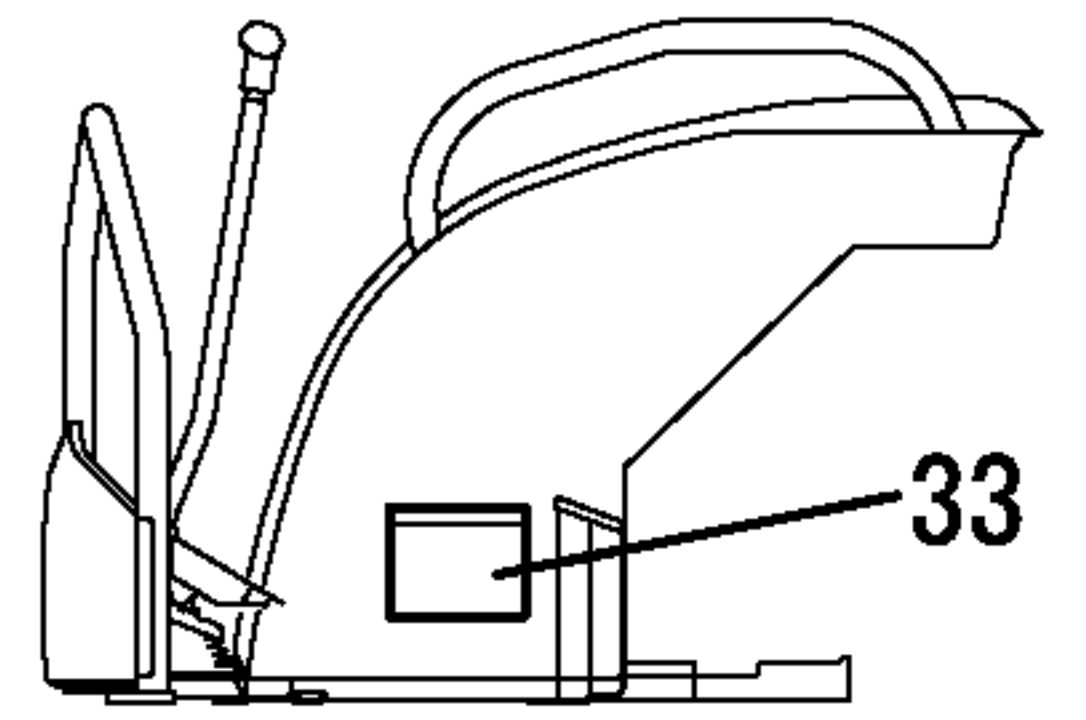
パネルL部詳細
DETAILS OF
PANEL L



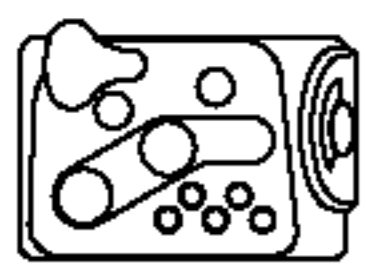
②から見る
VIEWED FROM ②



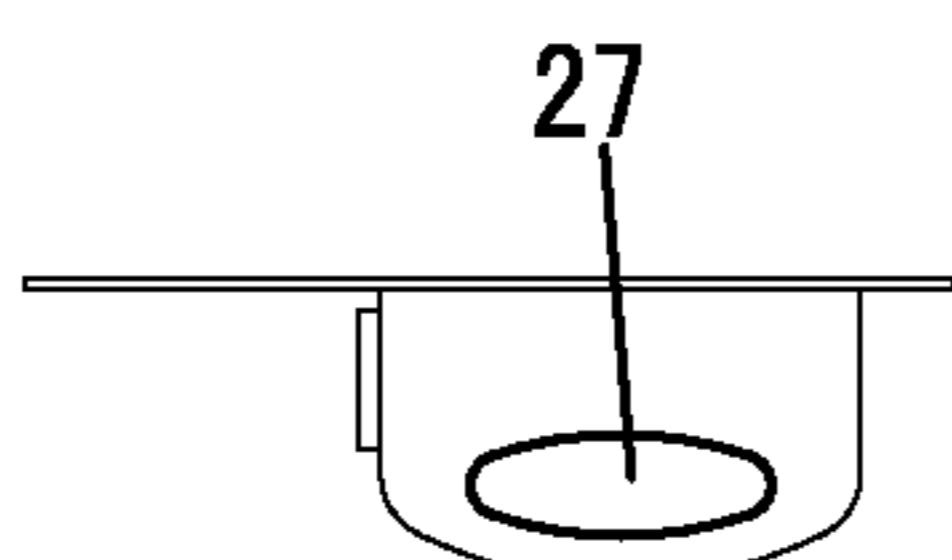
ボンネットカバー内側
BONNET COVER INSIDE



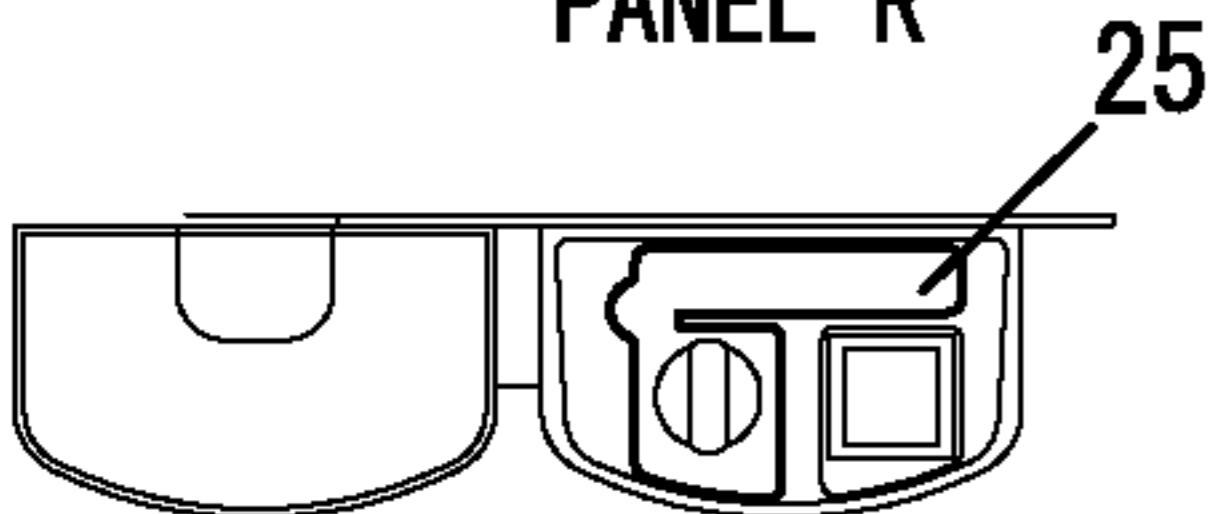
③から見る
VIEWED FROM ③



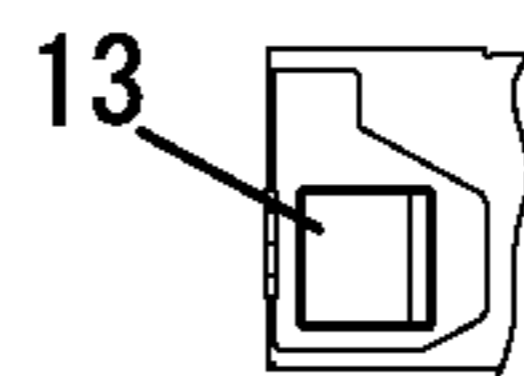
パネルR部詳細
DETAILS OF
PANEL R



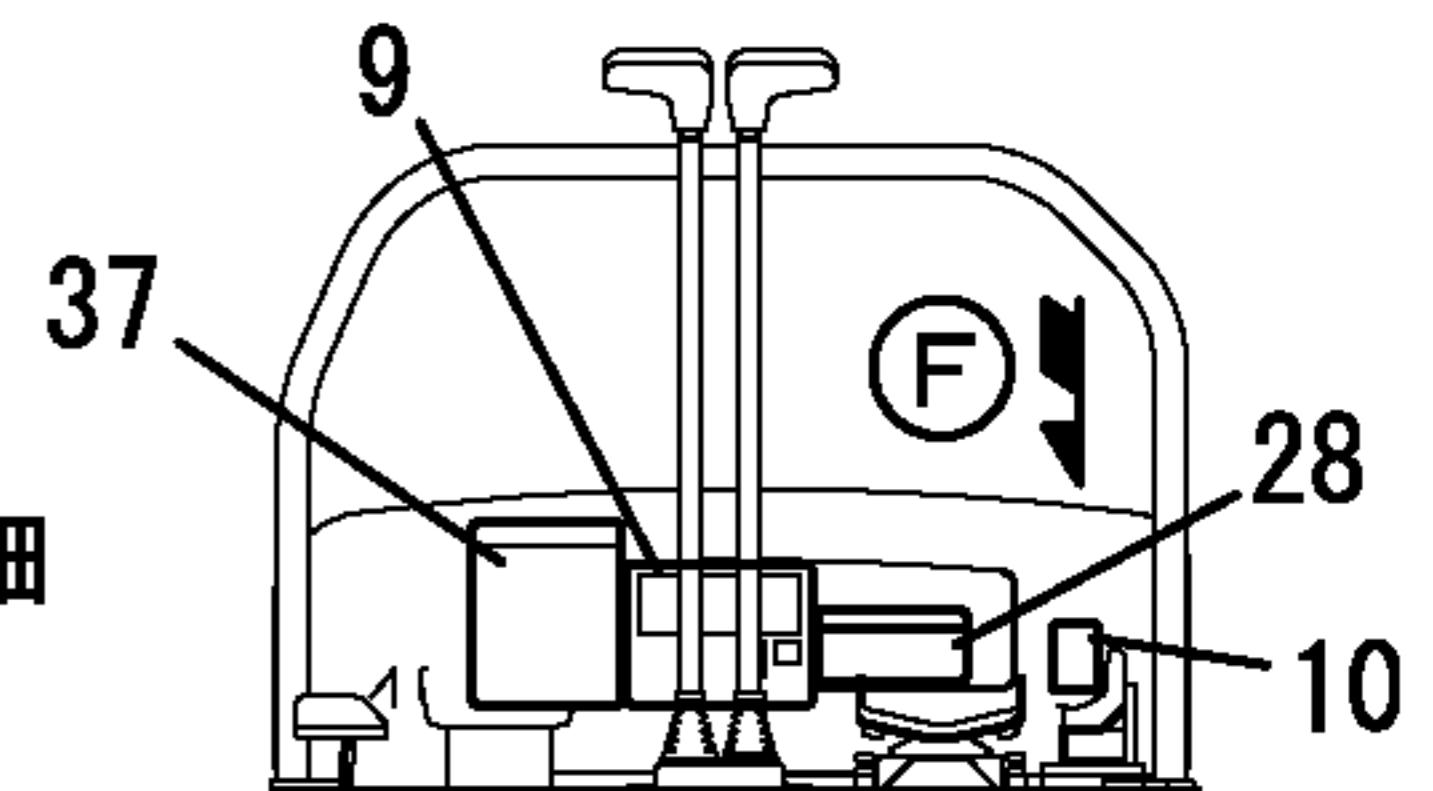
スイッチBOX詳細
DETAILS OF
SWITCH BOX



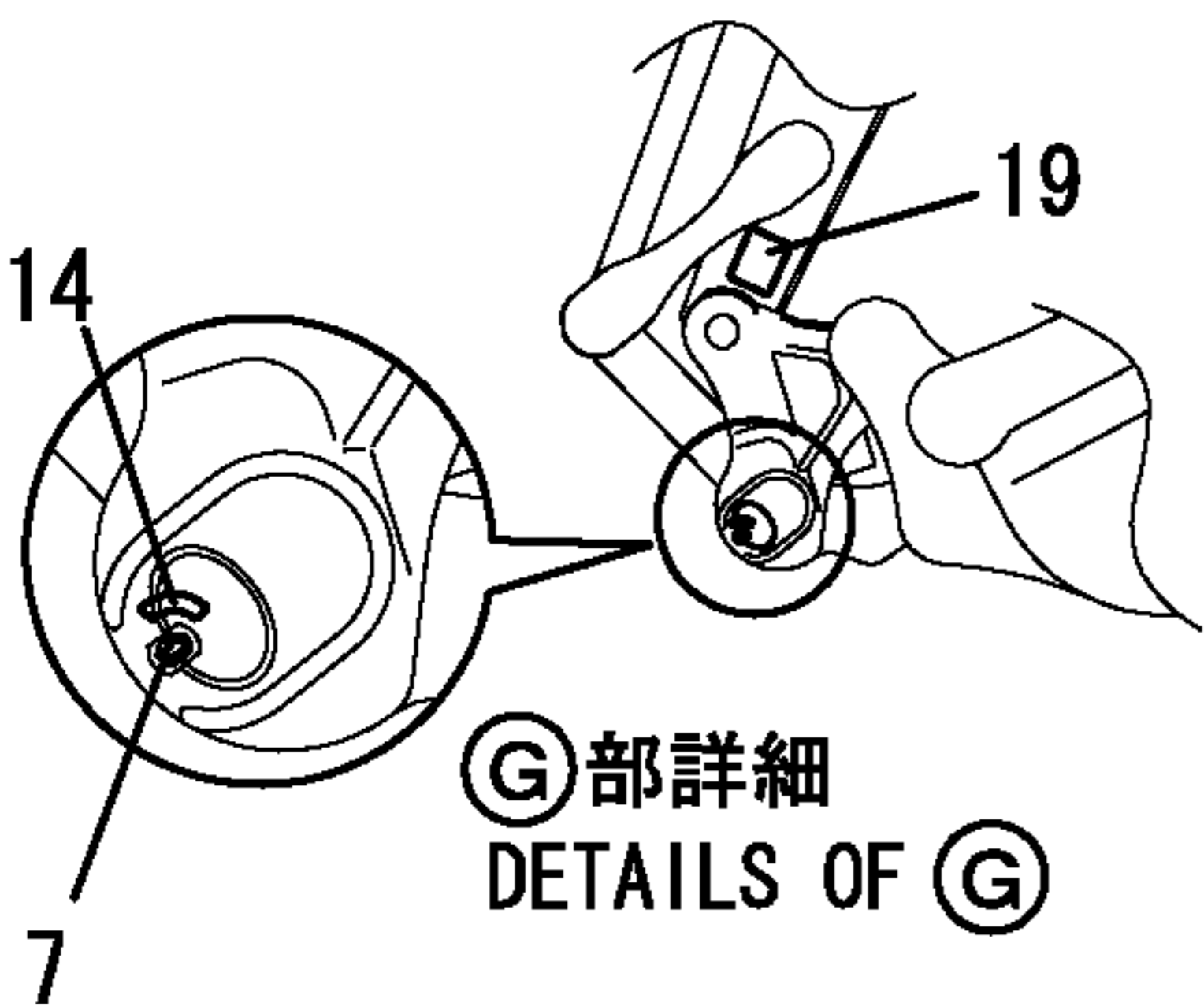
スイッチBOX内部詳細
DETAILS OF
SWITCH BOX INSIDE



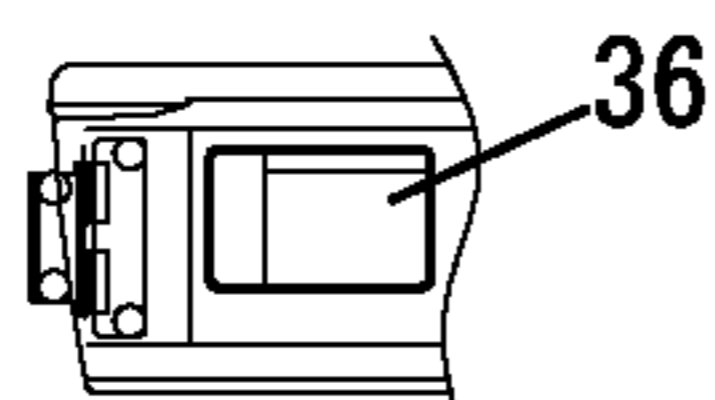
マルチカバー部詳細
DETAILS OF
MULTI COVER



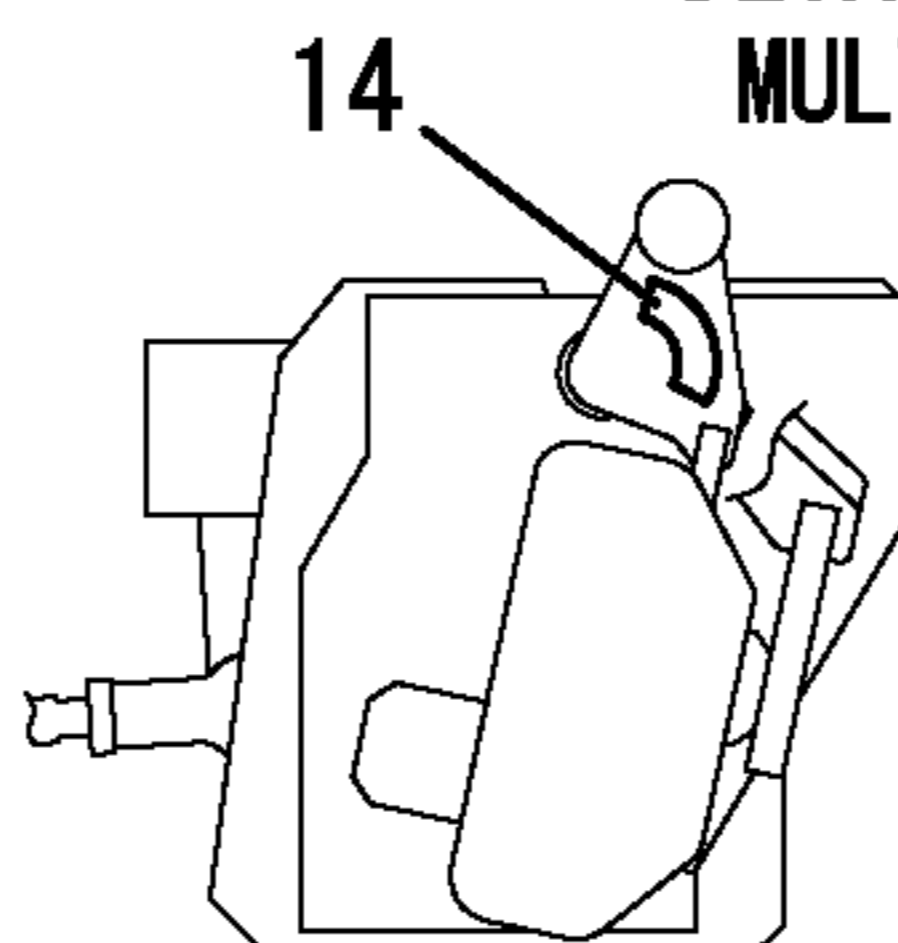
④から見る
VIEWED FROM ④



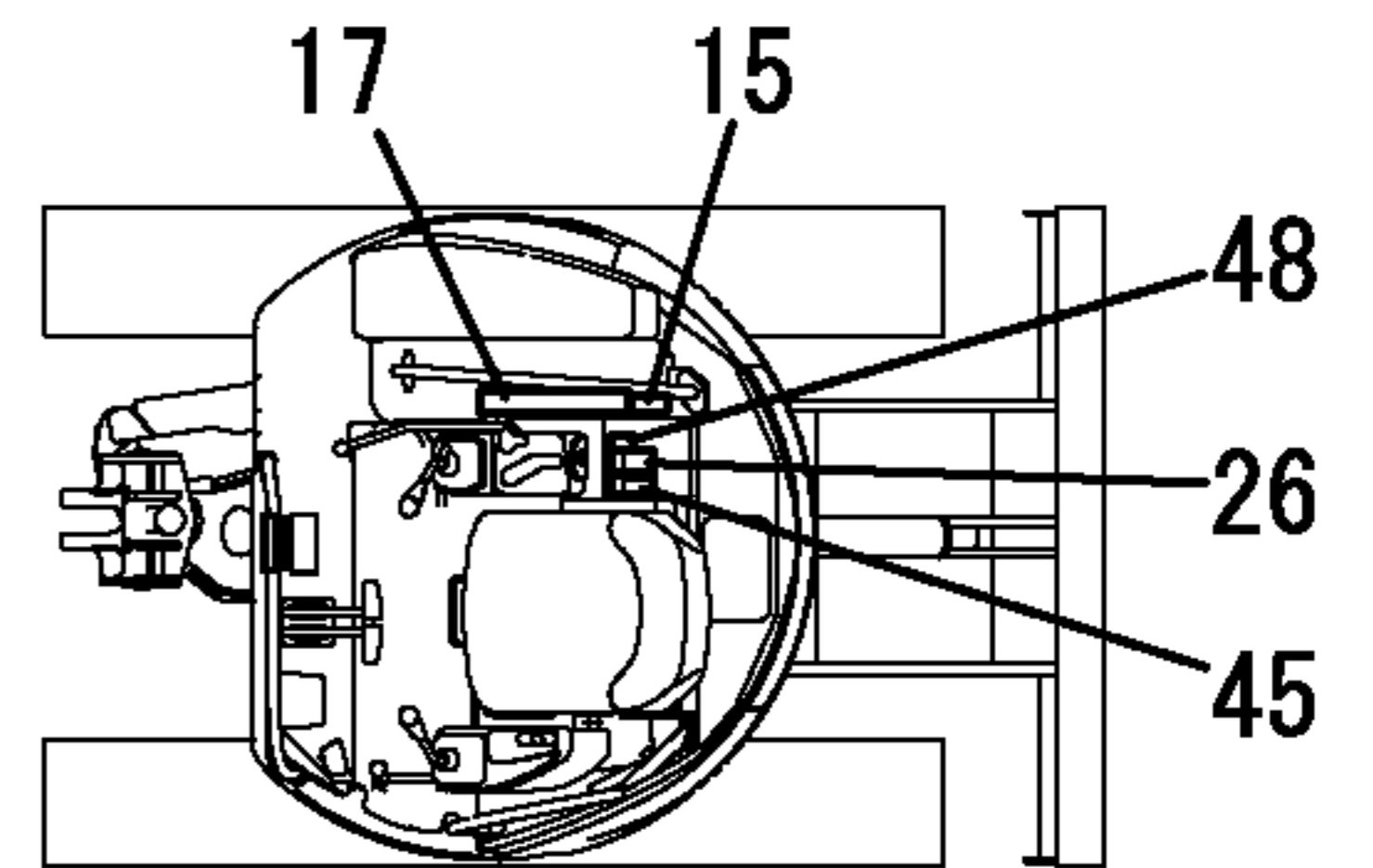
⑦部詳細
DETAILS OF ⑦



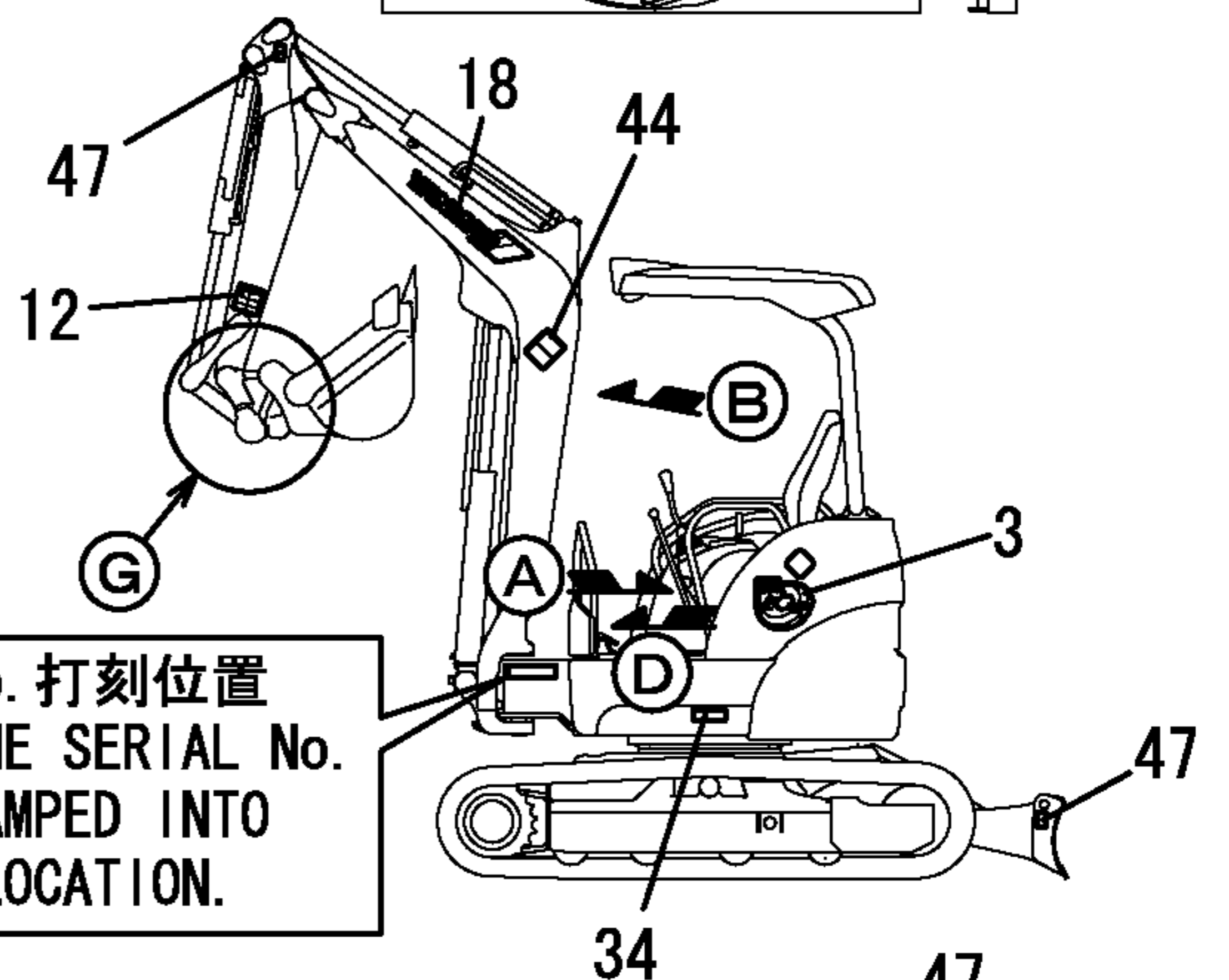
⑤から見る
VIEWED FROM ⑤



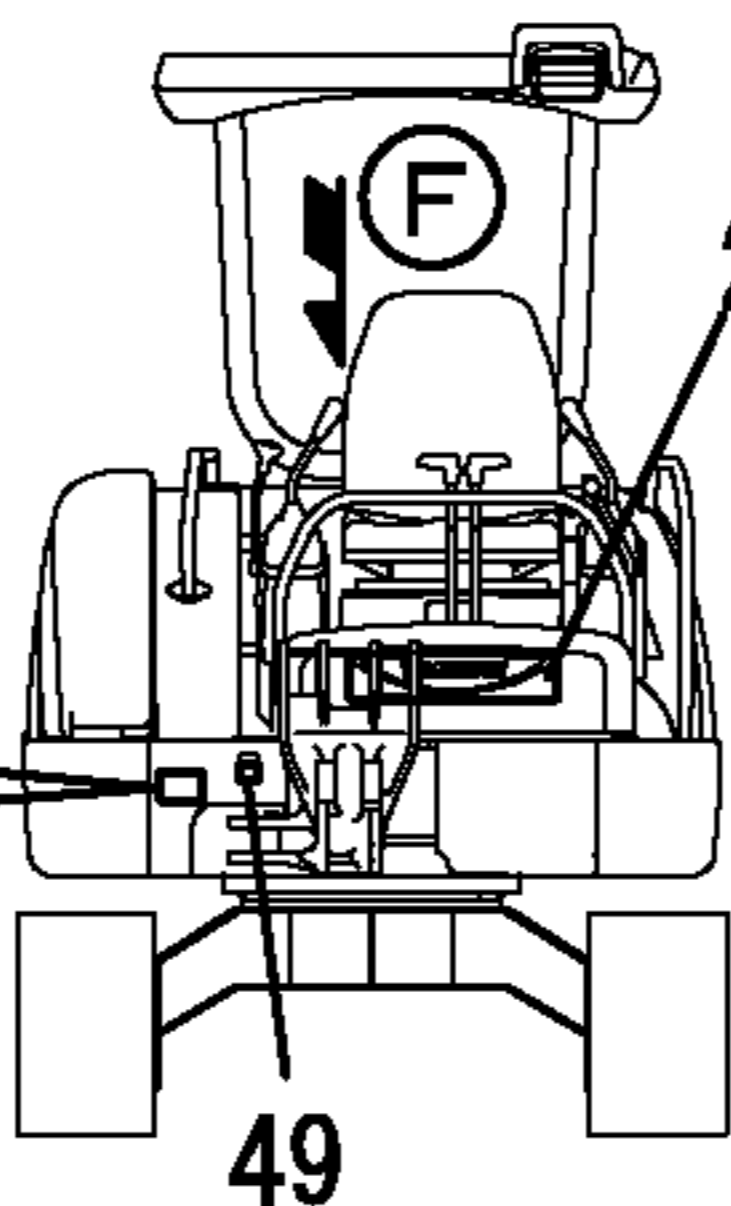
⑥から見る
VIEWED FROM ⑥



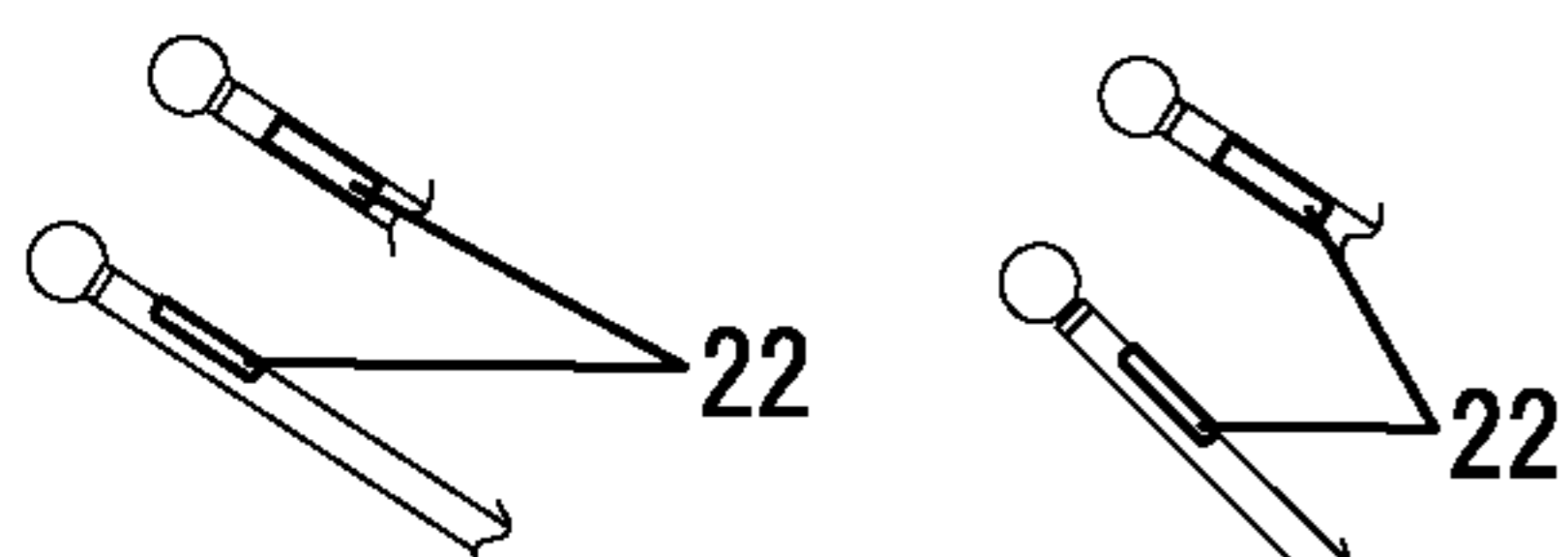
機体No. 打刻位置
MACHINE SERIAL No.
IS STAMPED INTO
THIS LOCATION.



機体No. 打刻位置
MACHINE SERIAL No.
IS STAMPED INTO
THIS LOCATION.

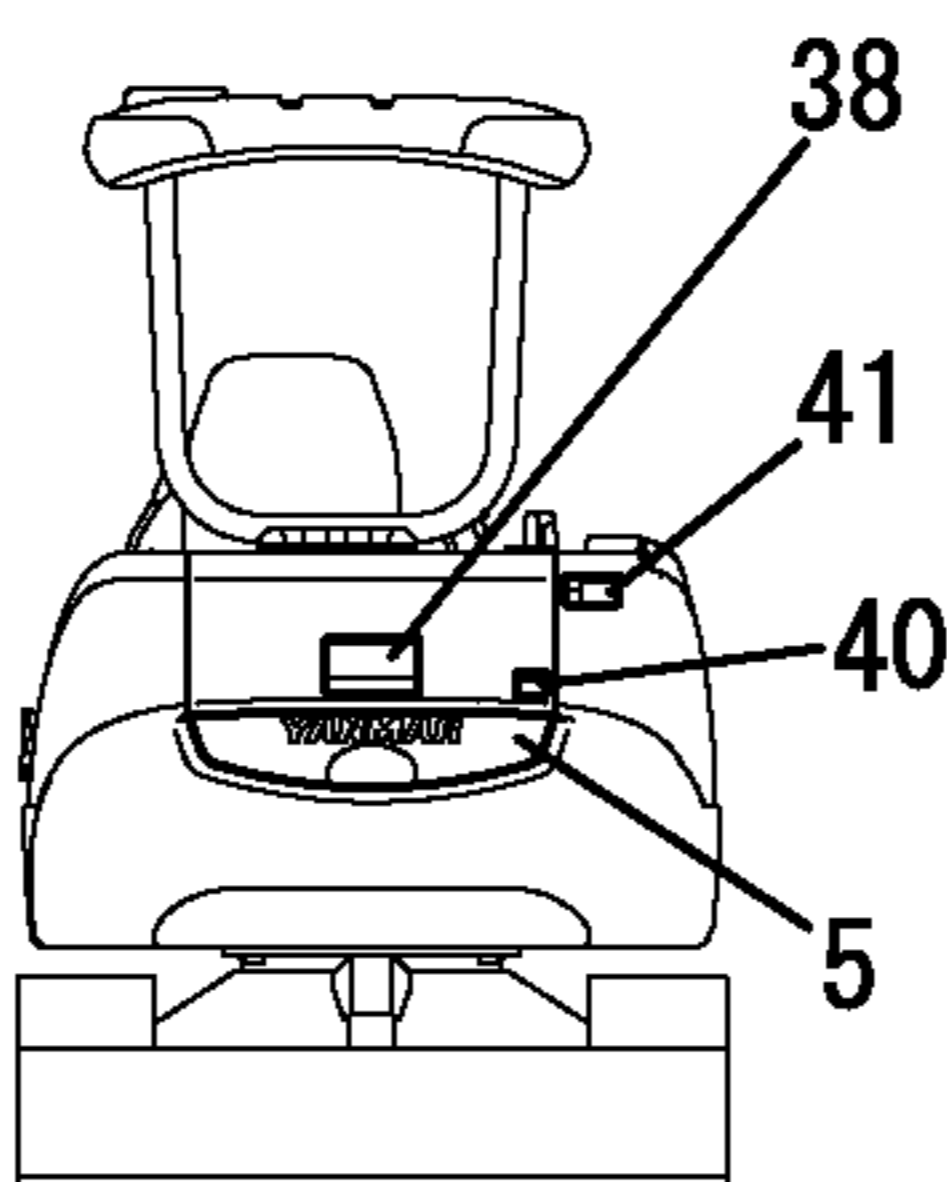


機体No. 機関No. 打刻位置
MACHINE SERIAL No.
ENGINE No. IS STAMPED
INTO THIS LOCATION.

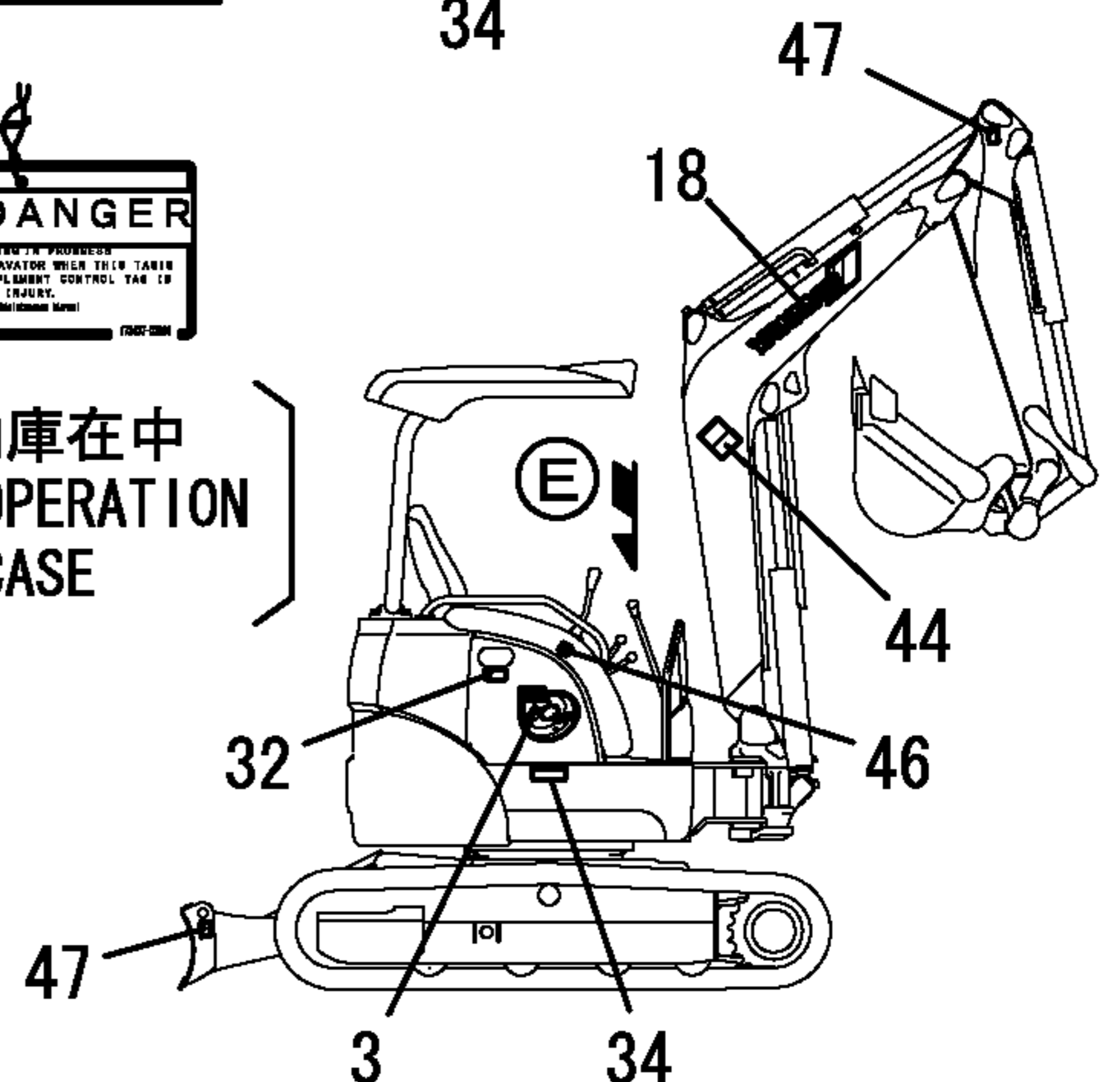


左レバー詳細
DETAILS OF
LEFT LEVER

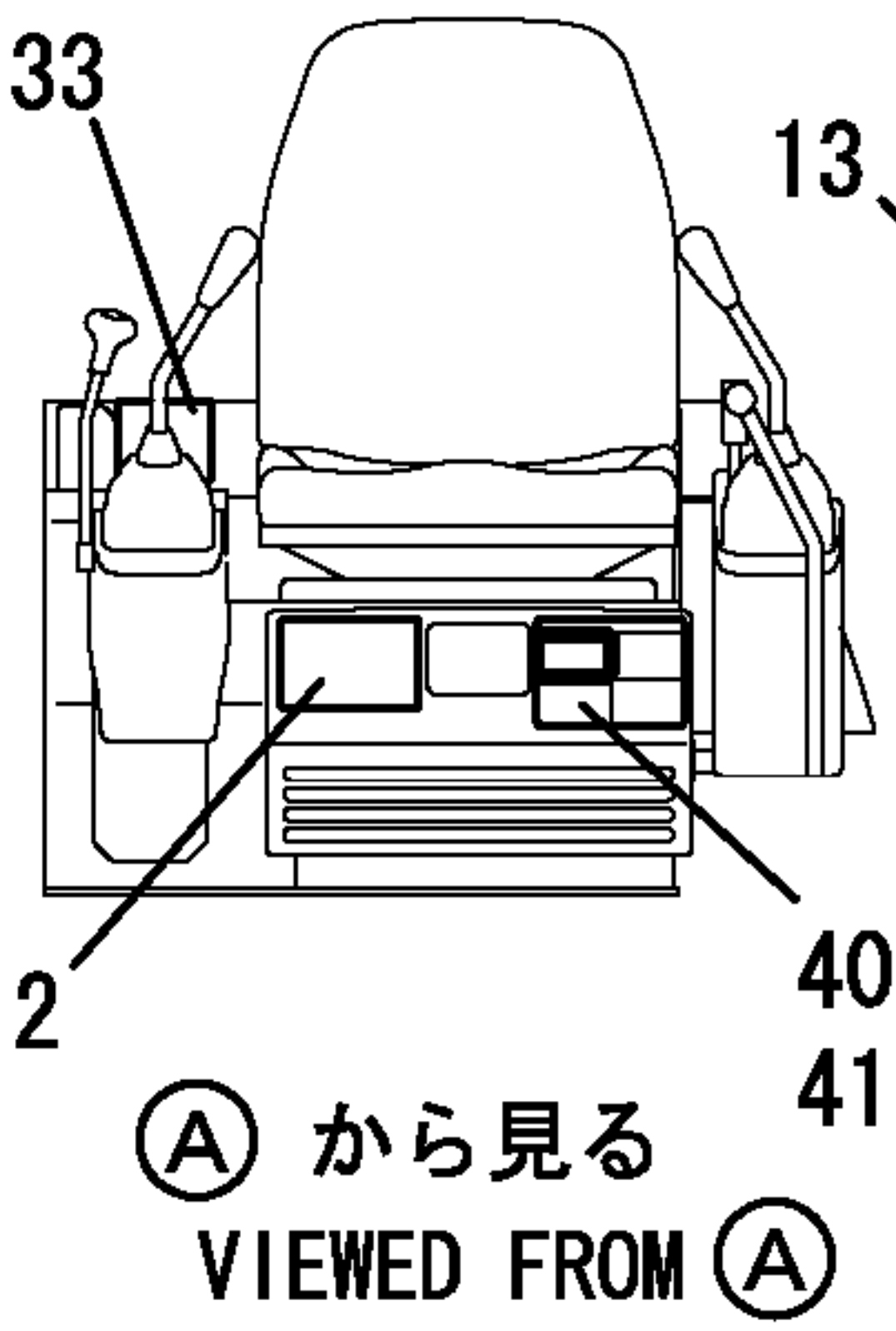
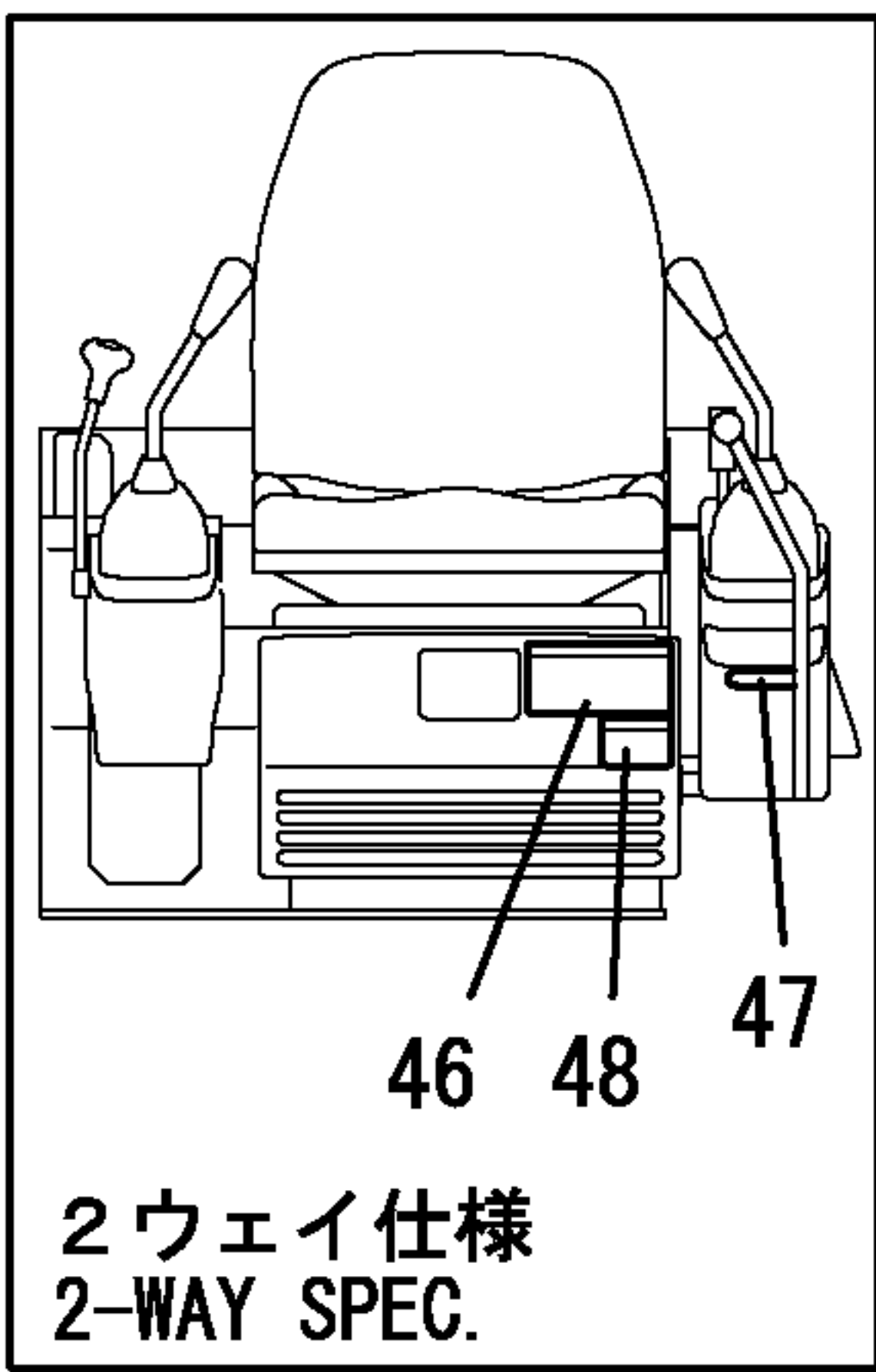
右レバー詳細
DETAILS OF
RIGHT LEVER



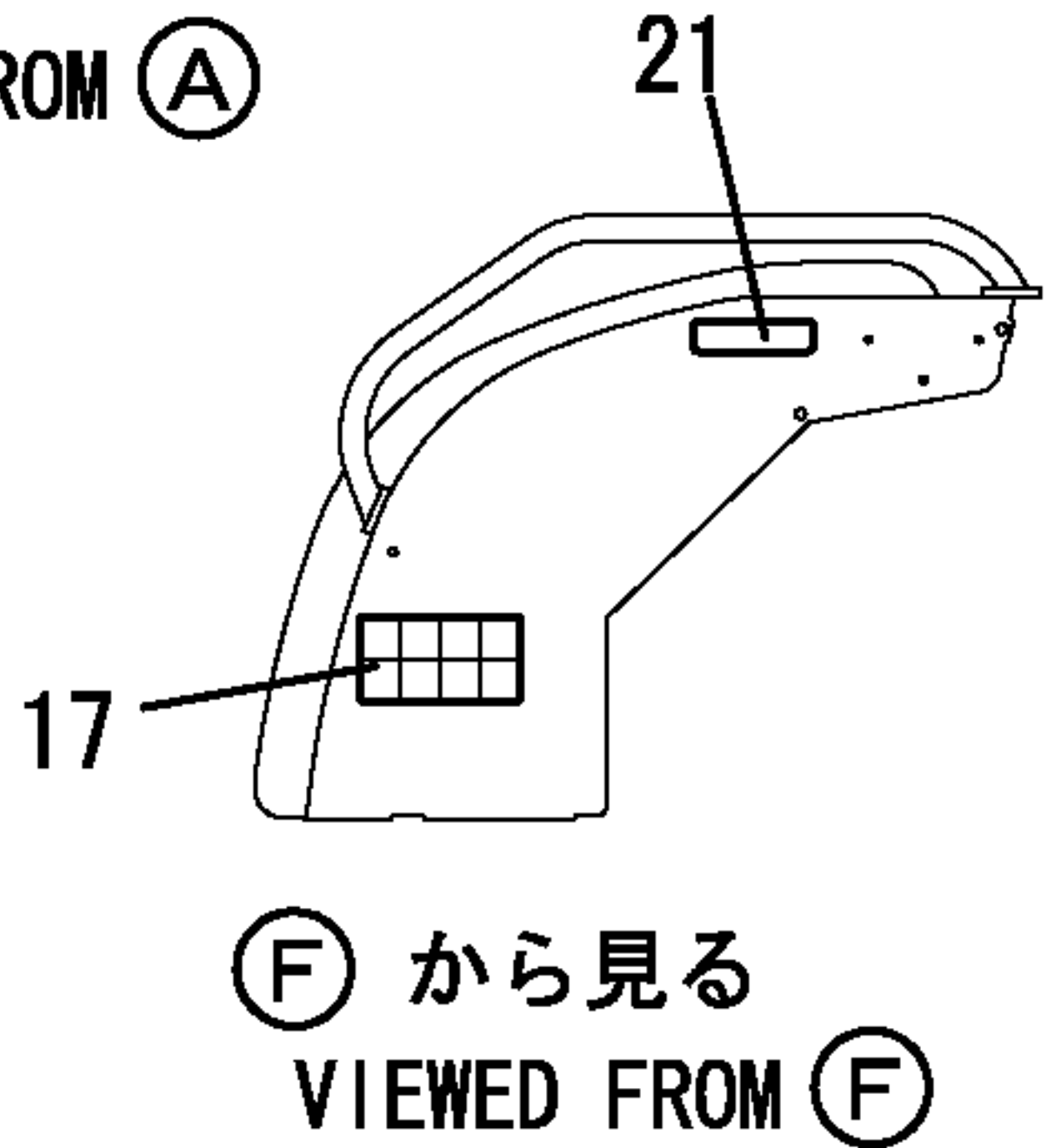
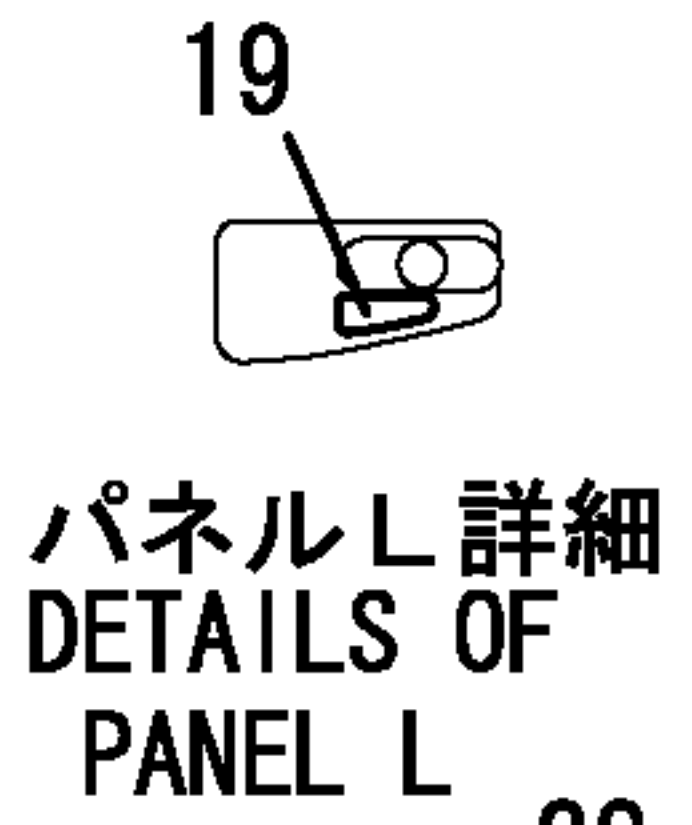
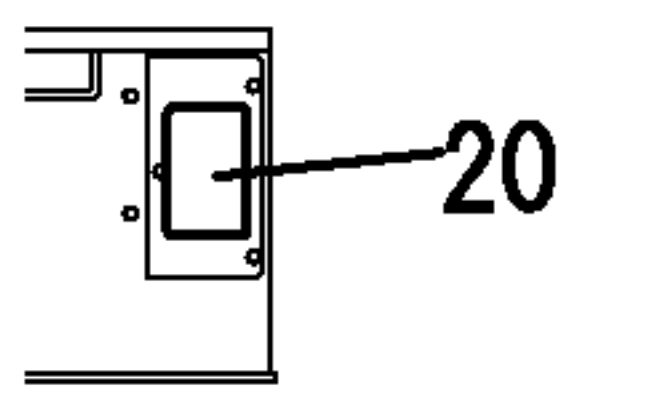
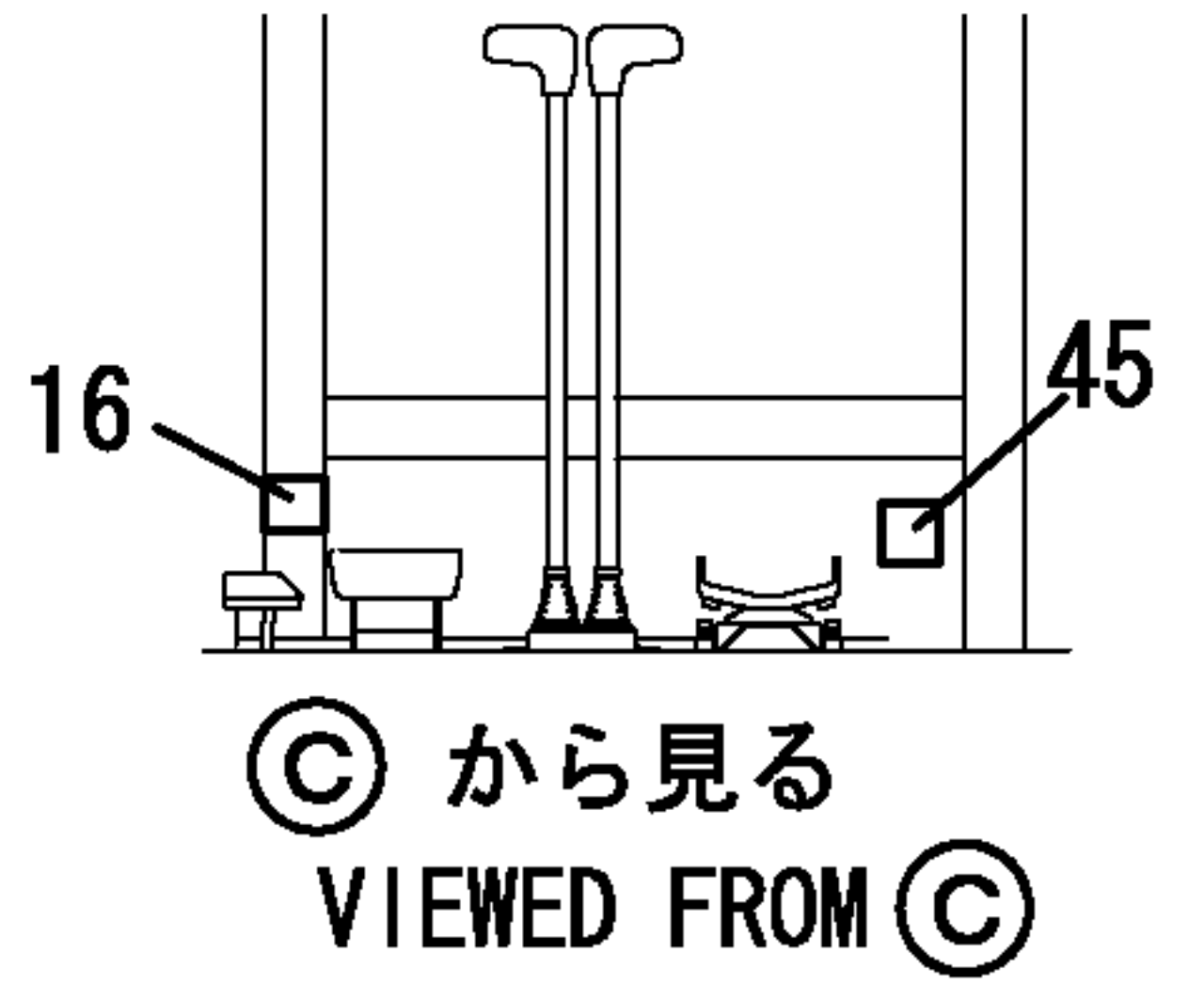
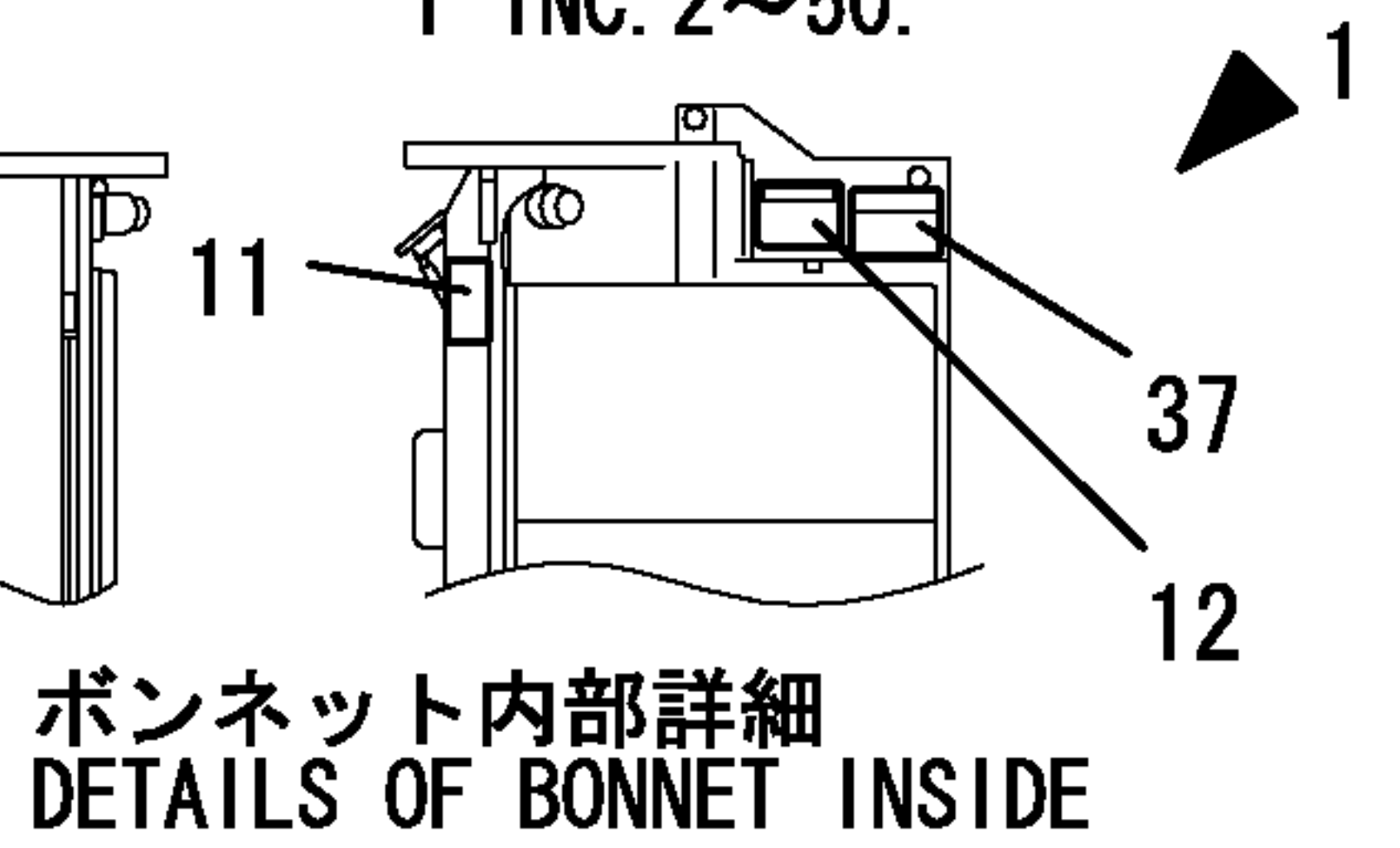
取説収納庫在中
IN THE OPERATION
MANUAL CASE



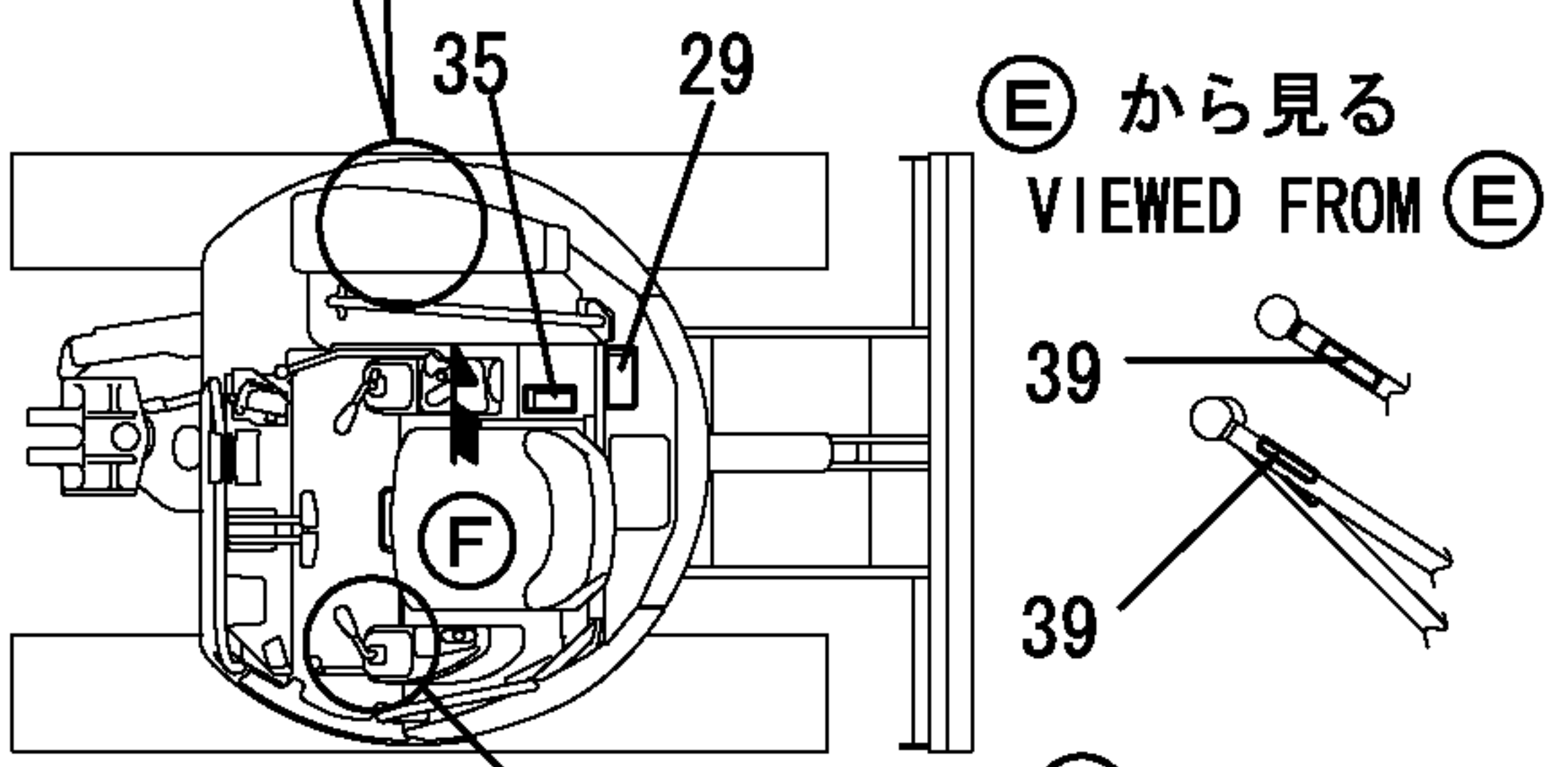
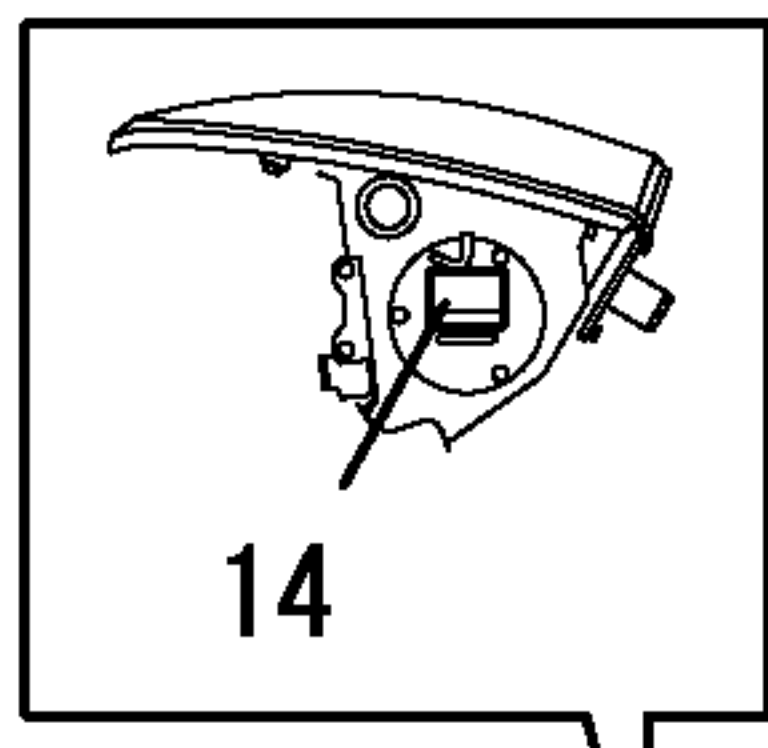
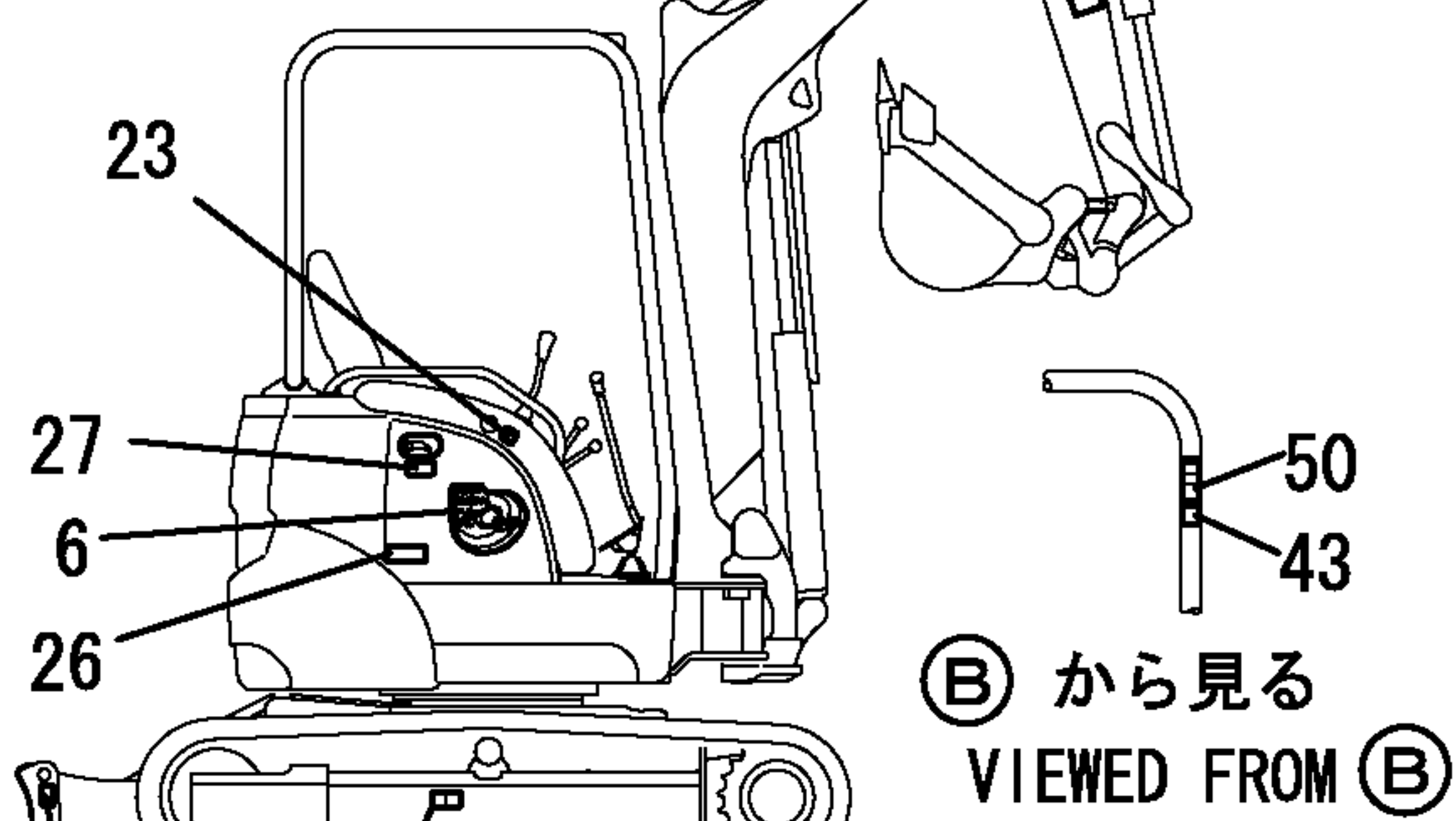
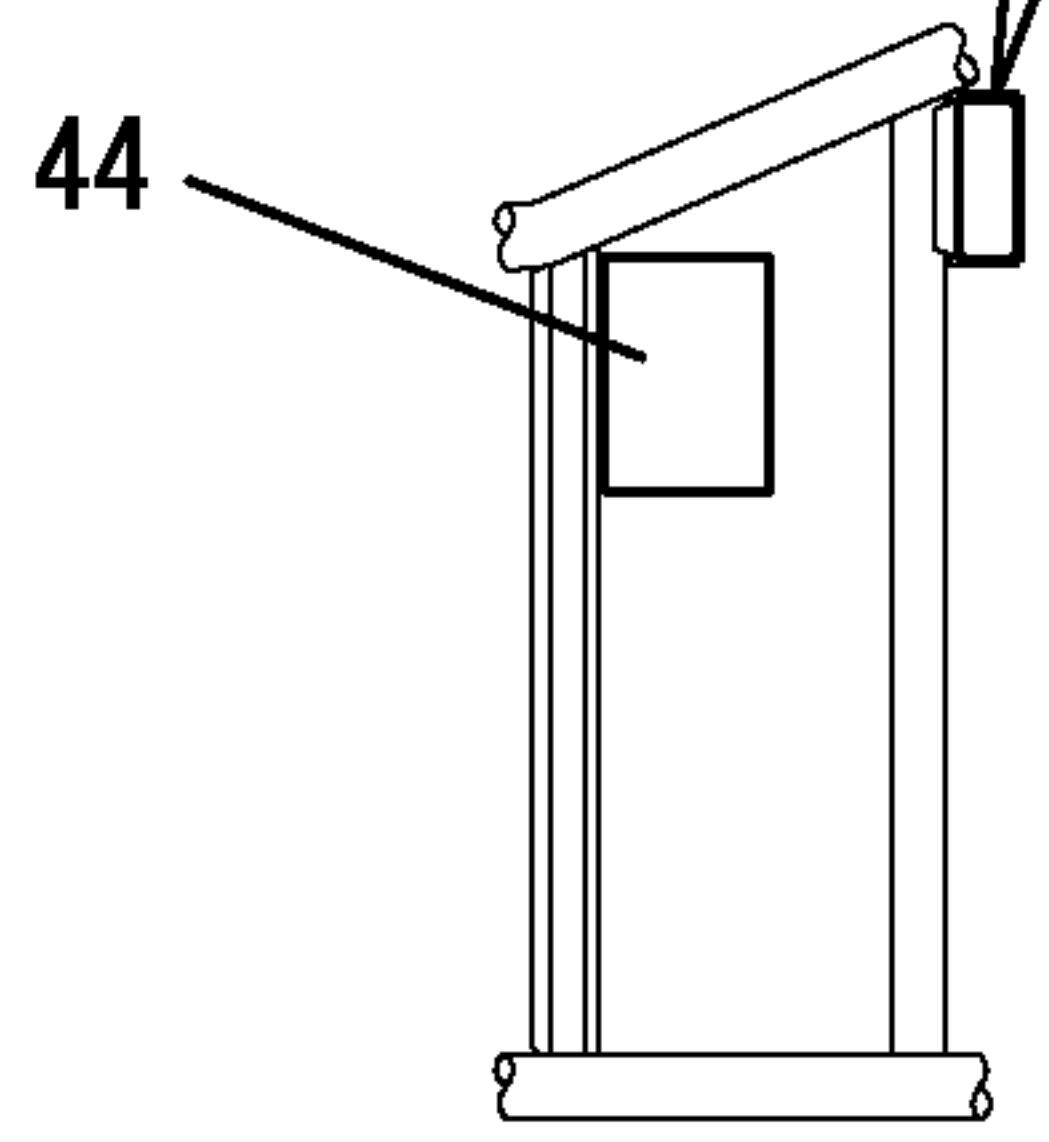
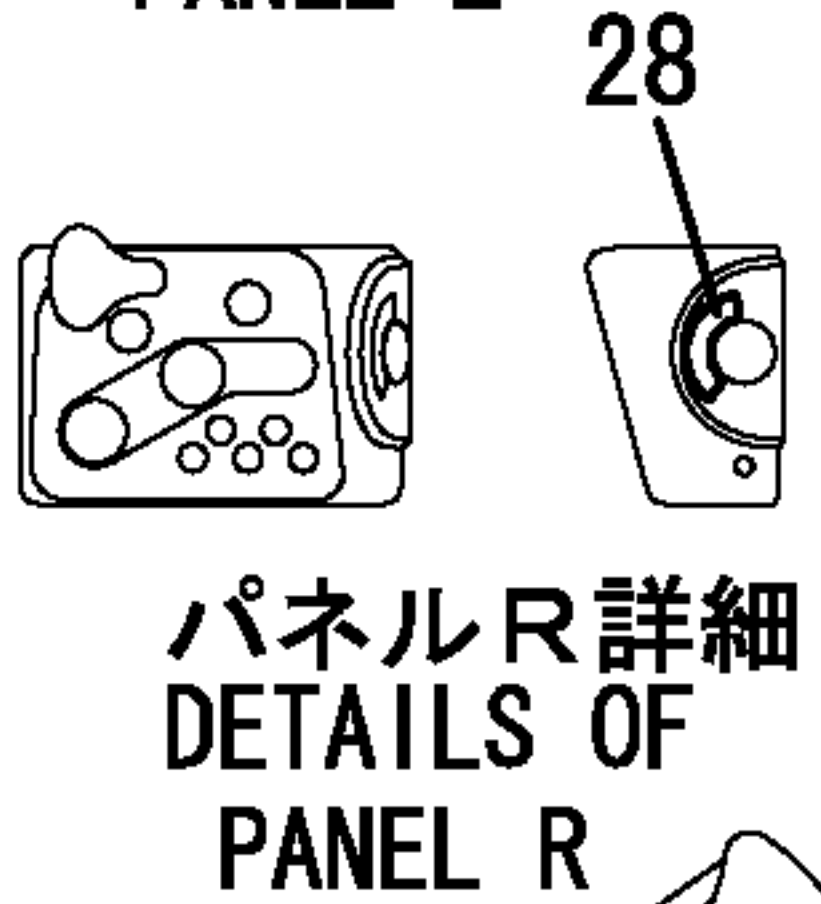
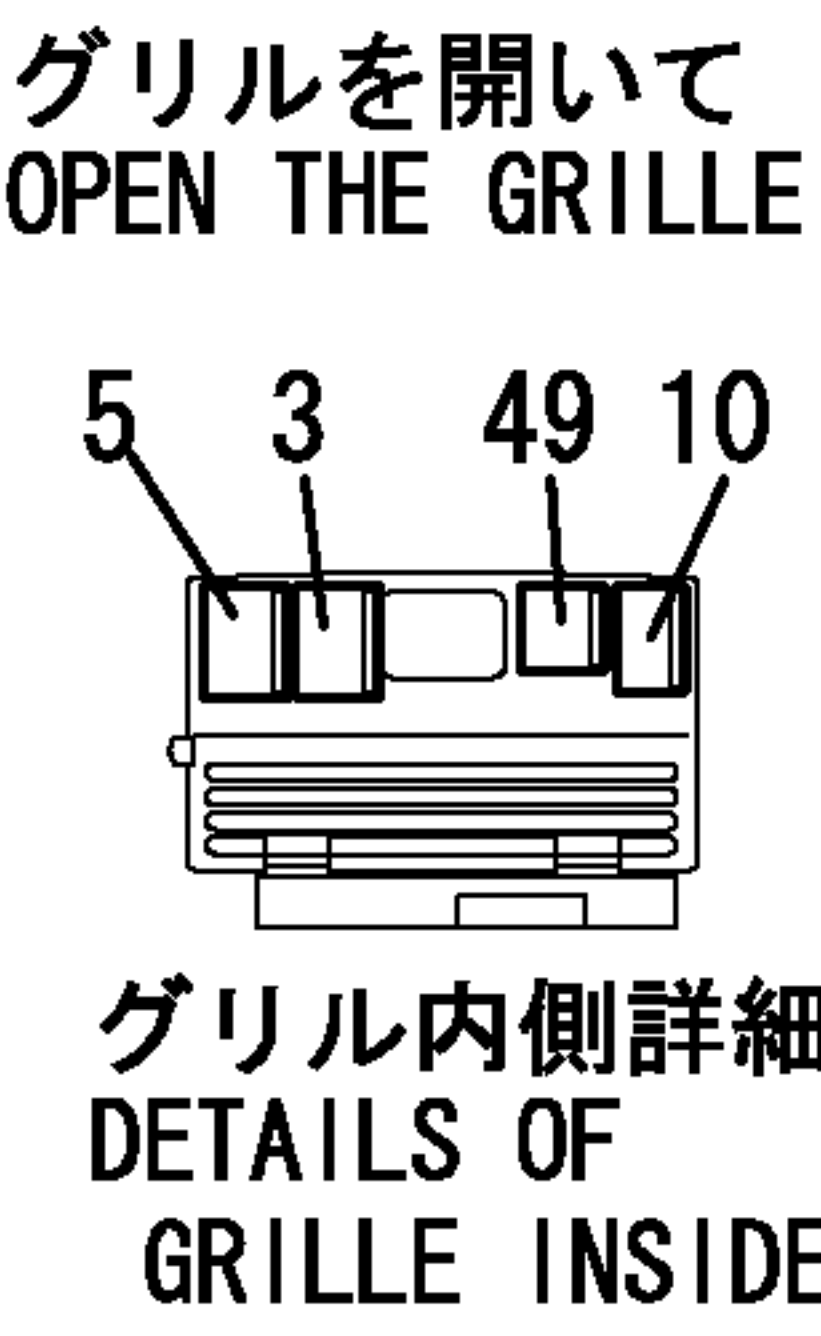
1,1,,772457-03130,, "LABEL,SET VIO27-2ROP",,1,,,,,,,,,,,,,
1-1,1,,772457-03131,, "LABEL SET(VIO27-
2ROP",,1,,,,,N,,,,,72457041,M/#21120,,,,,,,,,,,,,I
2,2,,172457-03110,, "LABEL,SPECIFICATION",,1,,,,,,,,,,,,,
2-1,2,,172457-03111,, LABEL,,1,,,,,N,,,,,72457041,M/#21120,,,,,,,,,,,,,I
3,2,,172458-03120,, "LABEL,OIL & WATER",,1,,,,,,,,,,,,,
4,2,,172157-03130,, "LABEL, GREASE",,1,,,,,,,,,,,,,
5,2,,172458-03130,, "LABEL,GREASE FEED",,1,,,,,,,,,,,,,
6,2,,172457-03150,, "LABEL,MODEL",,2,,,,,,,,,,,,,
7,2,,172458-03160,, "LABEL, REAR",,1,,,,,,,,,,,,,
8,2,,172444-03170,, LABEL,,1,,,,,,,,,,,,,
9,2,,172444-03180,, LABEL,,2,,,,,,,,,,,,,
10,2,,172458-03181,, "LABEL, LIFTING",,1,,,,,,,,,,,,,
11,2,,172444-03190,, LABEL,,1,,,,,,,,,,,,,
12,2,,172458-03190,, "LABEL,OILING",,1,,,,,,,,,,,,,
13,2,,172141-03202,, "LABEL,CAUTION",,1,,,,,,,,,,,,,
14,2,,172450-03200,, "LABEL,BATTERY",,1,,,,,,,,,,,,,
15,2,,172458-03200,, "LABEL,FAN",,1,,,,,,,,,,,,,
16,2,,172147-03210,, "LABEL,2 SPEED",,1,,,,,Z,,,,,724600328,M/#25501,,,,,,,,,,,,,I
17,2,,172444-03210,, LABEL,,1,,,,,,,,,,,,,
18,2,,172458-03210,, "LABEL,BELT",,1,,,,,,,,,,,,,
19,2,,172458-03220,, "LABEL,ACCELERATOR",,1,,,,,,,,,,,,,
20,2,,172458-03230,, "LABEL,FUSE",,1,,,,,,,,,,,,,
20-1,2,,172458-03231,, "LABEL, HUSE",,1,,,,,N,,,,,72458509,M/#21117,,,,,,,,,,,,,I
21,2,,172444-03240,, LABEL,,1,,,,,,,,,,,,,
22,2,,172173-03250,, LABEL,,1,,,,,,,,,,,,,
23,2,,172183-03250,, "LABEL,FUEL",,1,,,,,,,,,,,,,
24,2,,172171-03261,, "LABEL,BOOM",,1,,,,,,,,,,,,,
25,2,,172444-03280,, LABEL,,2,,,,,,,,,,,,,
26,2,,172142-03302,, "LABEL,CAUTION",,1,,,,,,,,,,,,,
27,2,,172455-03340,, LABEL,,1,,,,,,,,,,,,,
28,2,,172141-03360,, "LABEL, START SWITCH",,1,,,,,,,,,,,,,
29,2,,172964-03370,, LABEL,,1,,,,,,,,,,,,,
30,2,,172964-03481,, "LABEL,DANGER",,1,,,,,,,,,,,,,
33,2,,172164-03510,, "LABEL,LOADING",,1,,,,,,,,,,,,,
34,2,,172437-03510,, "LABEL,HOOK",,3,,,,,,,,,,,,,
35,2,,172164-03540,, LABEL,,1,,,,,,,,,,,,,
36,2,,172519-04180,, "LABEL,WARNING",,1,,,,,,,,,,,,,
37,2,,172519-04290,, "LABEL,WARNING",,1,,,,,,,,,,,,,
38,2,,121470-44540,, "LABEL, SUB-TANK",,1,,,,,,,,,,,,,
39,2,,172183-03280,, "LABEL,LOCK",,2,,,,,,,,,,,,,
40,2,,172444-03290,, MAGNET,,1,,,,,1,,,,,,,,,,,,,
41,2,,172151-03551,, LABEL,,1,,,,,1,,,,,,,,,,,,,
42,2,,172460-03140,, "LABEL,FRONT",,1,,,,,,,,,,,,,
43,2,,172460-03240,, "LABEL,ROPS",,1,,,,,,,,,,,,,
44,2,,172151-03540,, "LABEL,PATTERN A",,1,,,,,,,,,,,,,
44-1,2,,172490-03200,, LABEL,,1,,,,,N,,,,,724600328,M/#25501,,,,,,,,,,,,,I
45,2,,172458-03270,, LABEL,,1,,,,,2,,,,,,,,,,,,,
45-1,1,,172490-03210,, "LABEL, P.T.O.",,1,,,,,N,,,,,724600328,M/#25501,,,,,,,,,,,,,I
46,2,,172458-03550,, LABEL,,1,,,,,3,,,,,,,,,,,,,
47,2,,172458-03560,, LABEL,,1,,,,,3,,,,,,,,,,,,,
48,2,,172458-03570,, LABEL,,1,,,,,3,,,,,,,,,,,,,
49,2,,172165-03240,, LABEL,,1,,,,,4,,,,,,,,,,,,,
50,2,,172460-03230,, "LABEL,SEAT BELT",,1,,,,,,,,,,,,,



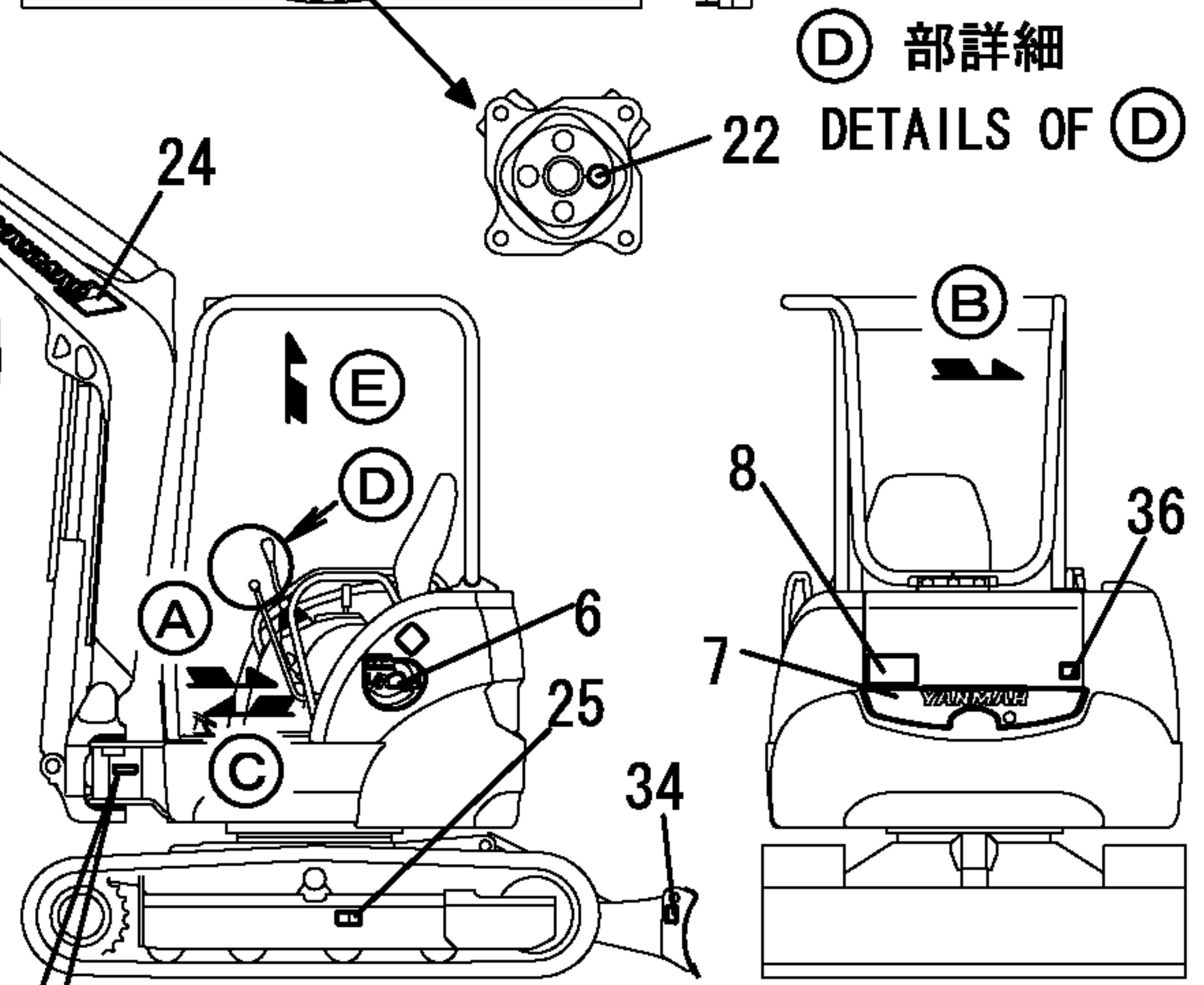
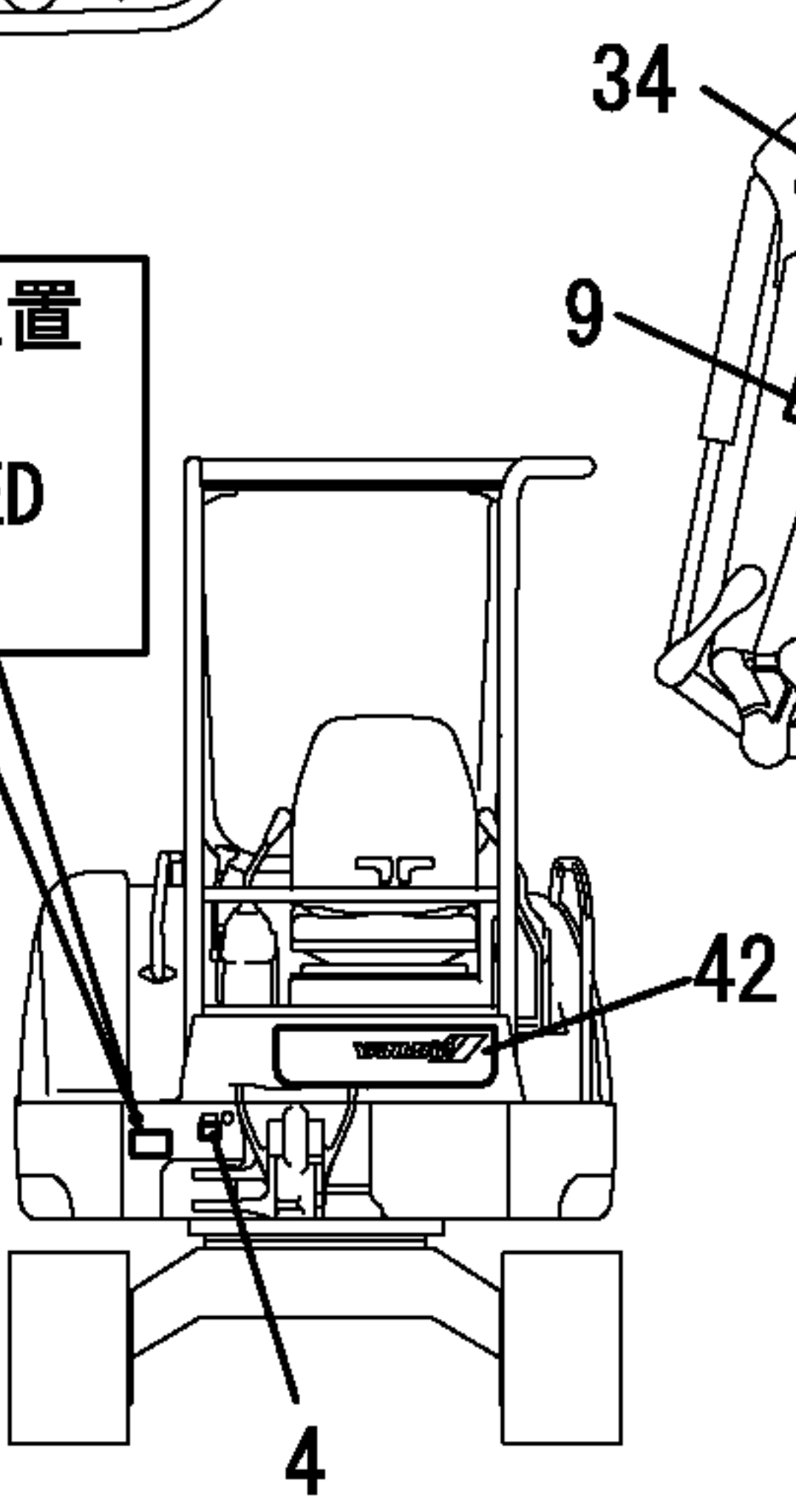
見出しNo. 1は
見出しNo. 2から50を含みます。
1 INC. 2~50.



ROPSキャノピNo. 打刻位置
ROPS CANOPY SERIAL No.
IS STAMPED INTO THIS LOCATION

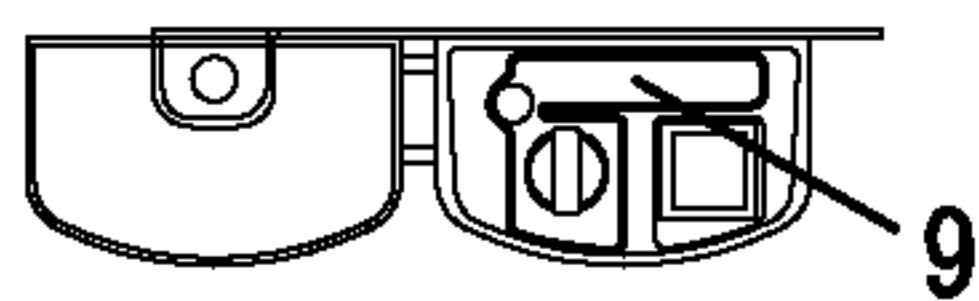


機体No. 機関No. 打刻位置
MACHINE SERIAL No.
ENGINE No. IS STAMPED
INTO THIS LOCATION.

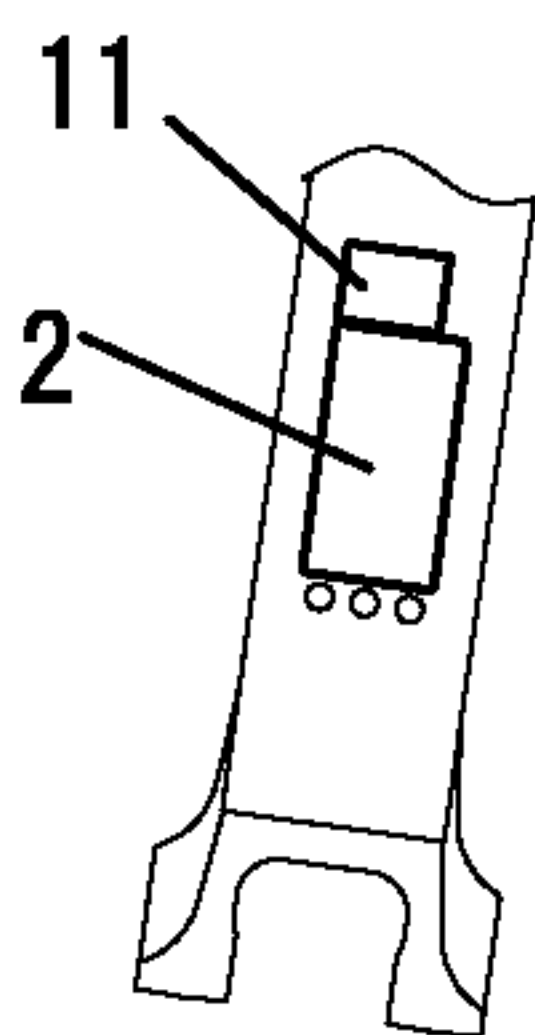


機体No. 打刻位置
MACHINE SERIAL No. IS STAMPED
INTO THIS LOCATION.

```
1,1,,772958-03100,, "LABEL SET,VIO(QUICK",1,1,,,,,,,,,,,,,  
2,2,,172958-03100,, LABEL,1,1,,,,,,,,,,,,,  
3,2,,172958-03110,, LABEL,1,1,,,,,,,,,,,,,  
4,2,,172958-03120,, LABEL,1,1,,,,,2,,,,,,,,,,,,,  
5,2,,172958-03130,, LABEL,1,1,,,,,2,,,,,,,,,,,,,  
6,2,,172958-03140,, LABEL,1,1,,,,,,,,,,,,,  
7,2,,172958-03160,, LABEL,1,1,,,,,,,,,,,,,  
8,2,,172958-03180,, LABEL,1,1,,,,,,,,,,,,,  
9,2,,172958-03190,, LABEL,1,1,,,,,,,,,,,,,  
10,2,,172958-03200,, LABEL,2,2,,,,,,,,,,,,,  
11,2,,172958-03220,, LABEL,1,1,,,,,,,,,,,,,  
12,2,,172958-03230,, "LABEL,PIN",1,1,,,,,,,,,,,,,  
13,2,,172458-03240,, "LABEL,LOCK",1,1,,,,,,,,,,,,,  
14,2,,172958-03170,, LABEL,1,1,,,,,1,,,,,,,,,,,,,  
15,1,,172958-03310,, "LABEL,COLLAR",1,1,,,,,1,,,,,,,,,,,,,  
16,1,,172958-03300,, "LABEL,PLUG",1,1,,,,,1,,,,,,,,,,,,,
```

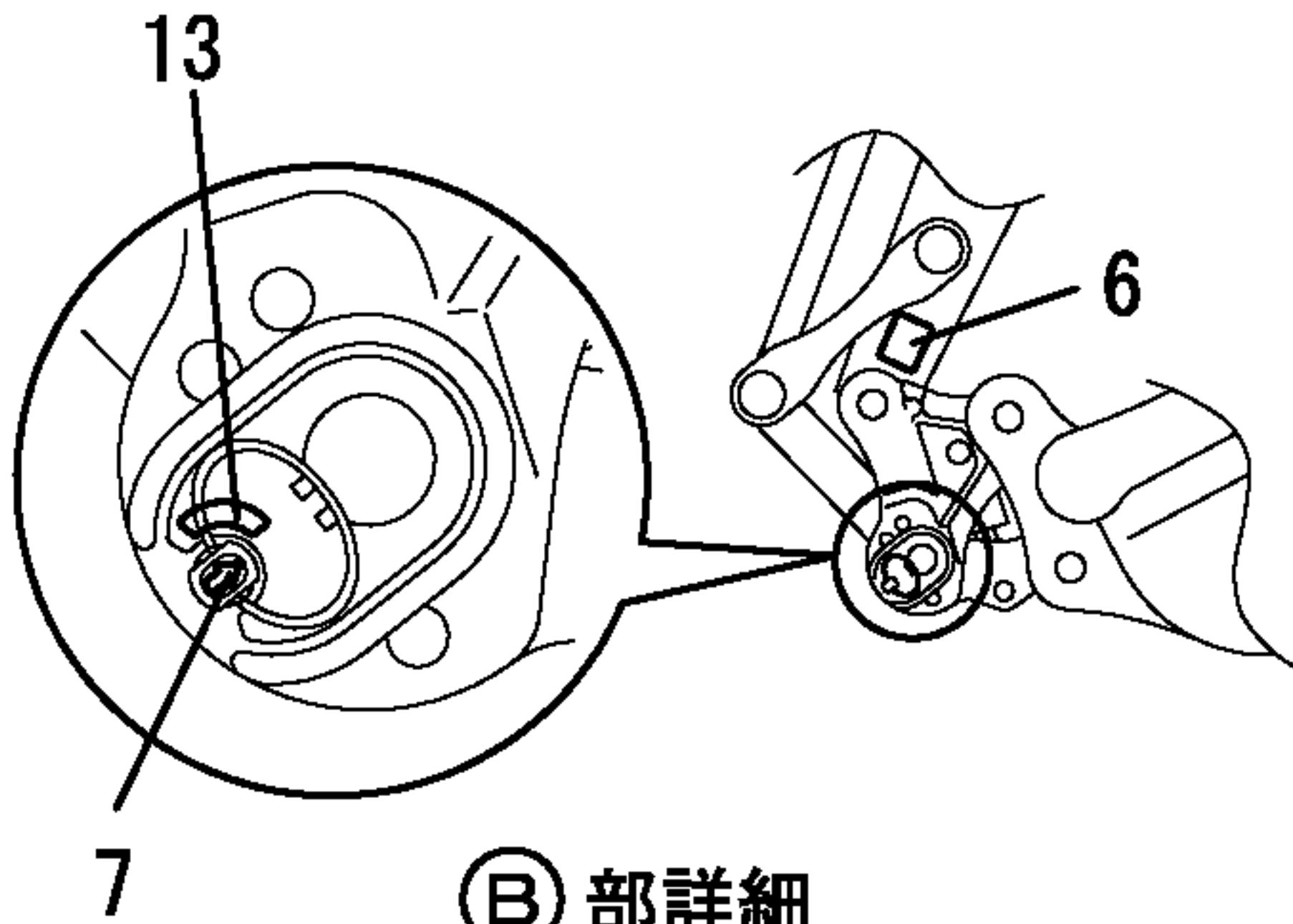
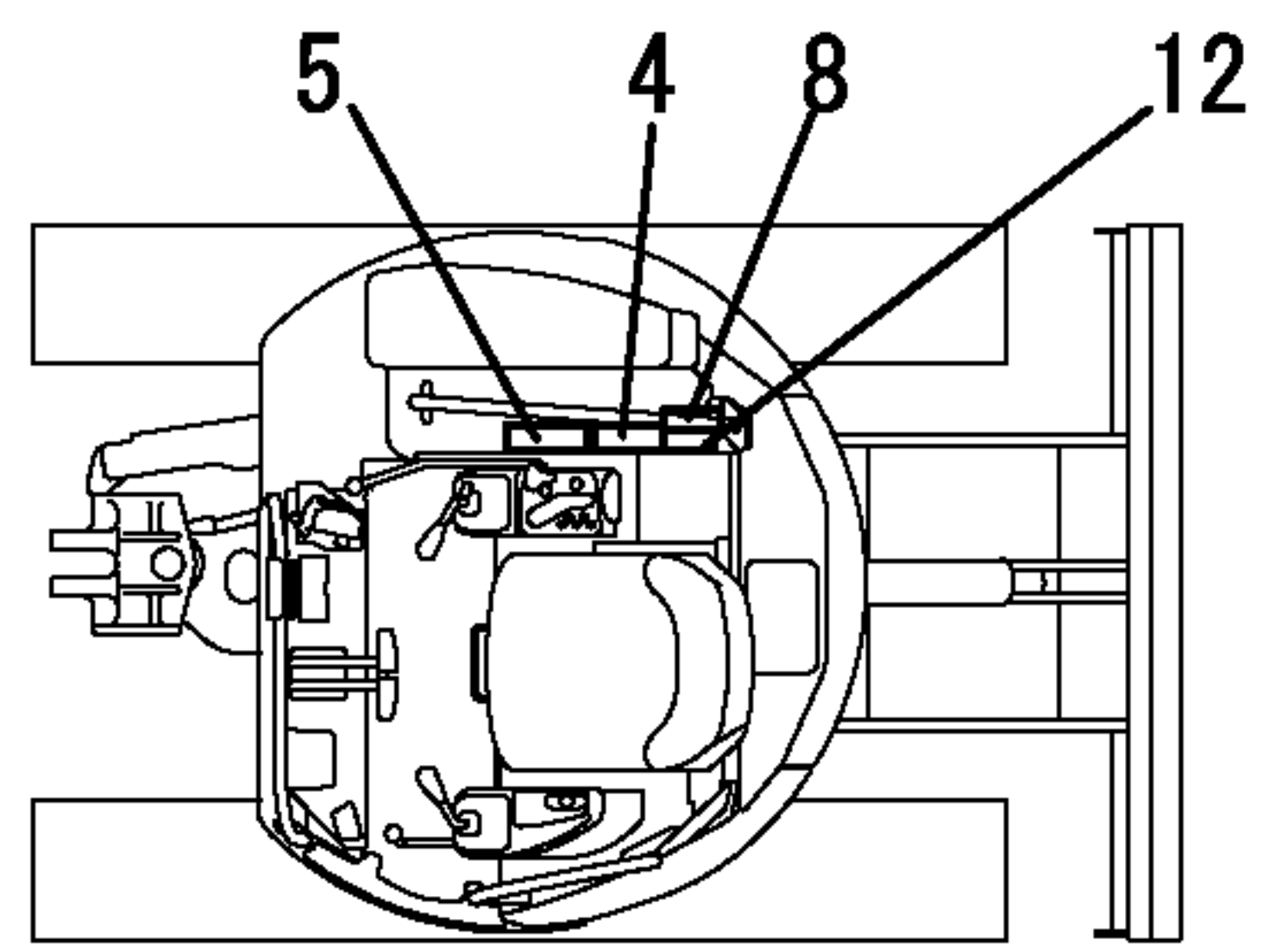



スイッチBOX内側詳細
DETAILS OF
SWITCH BOX INSIDE

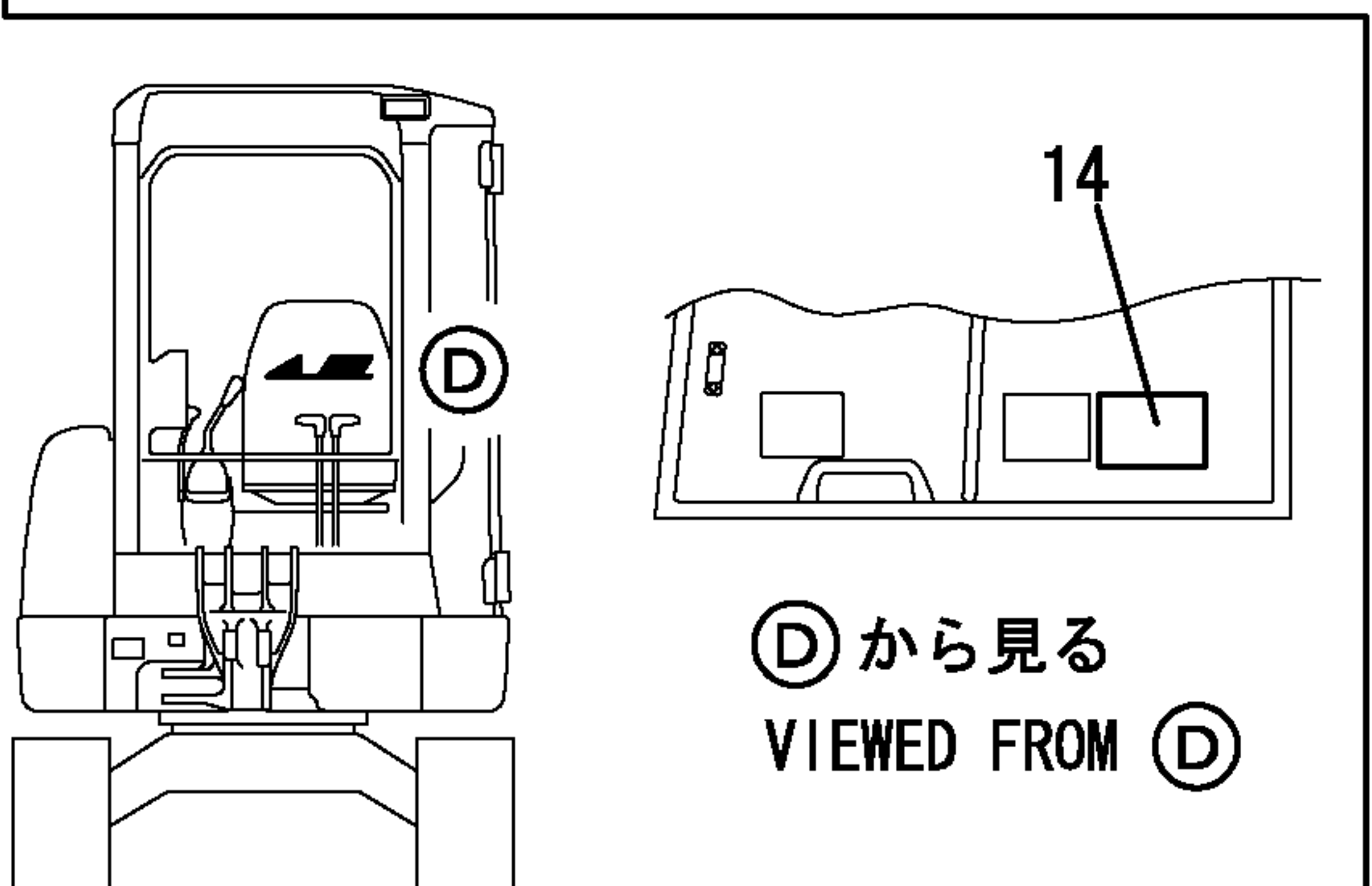
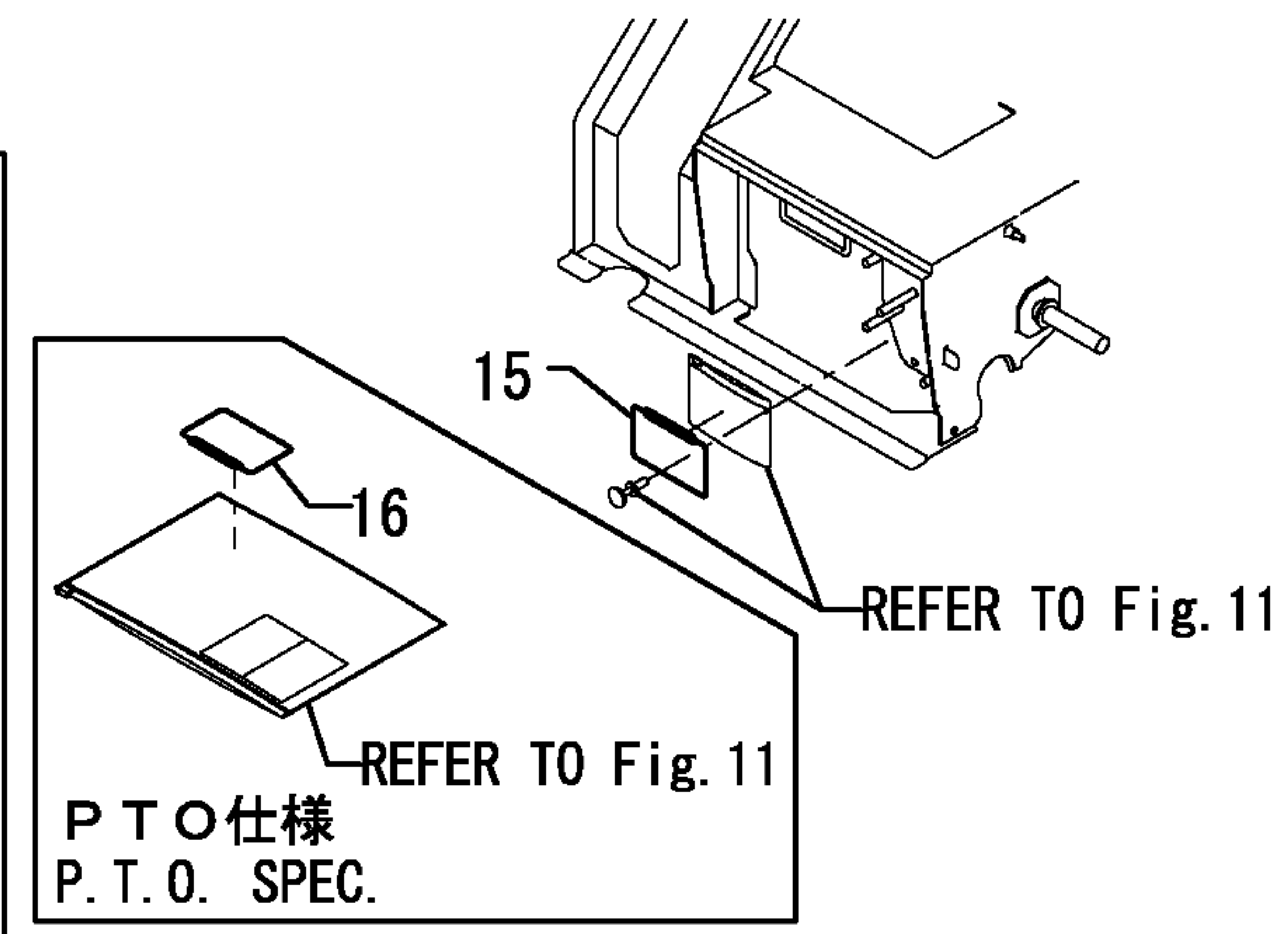
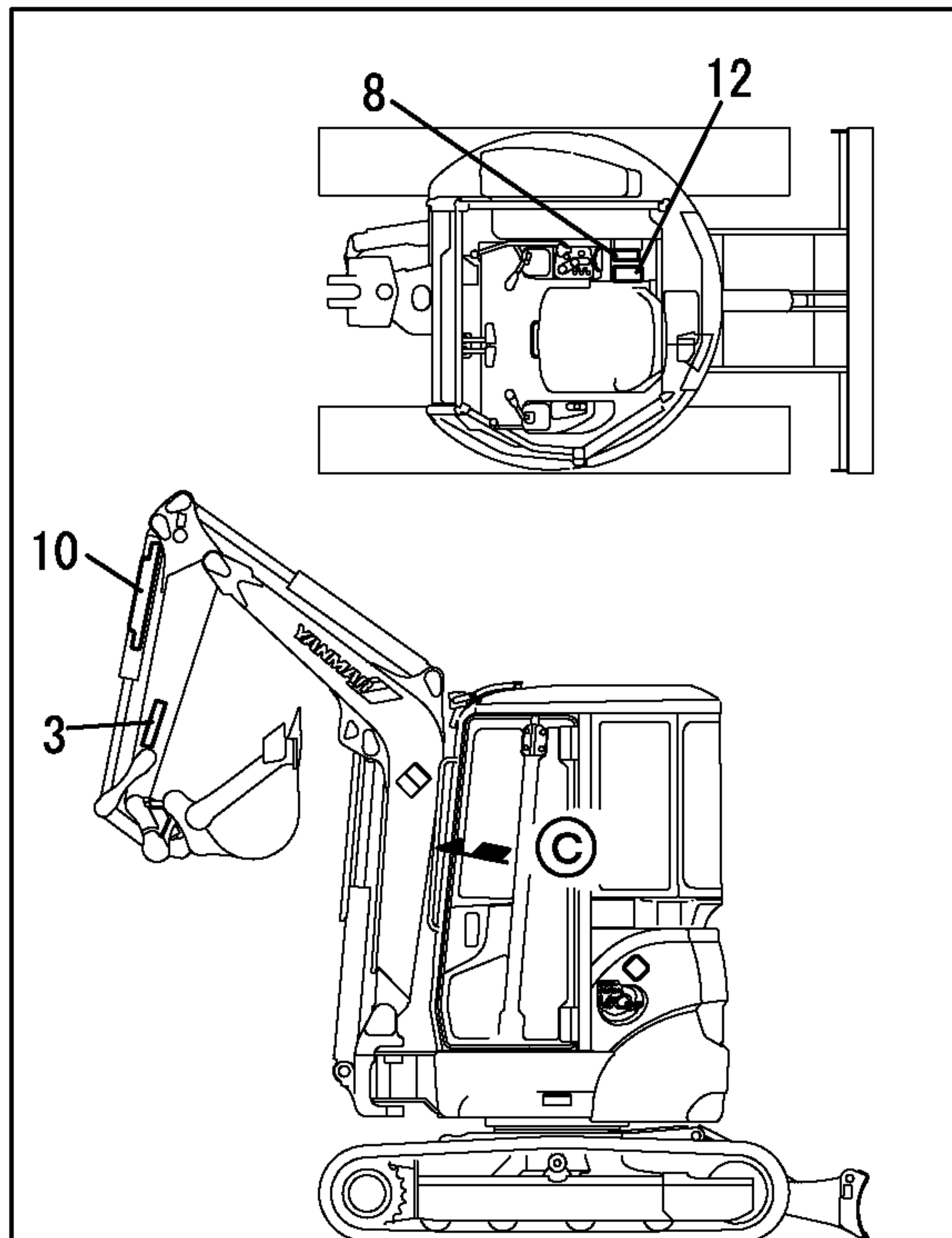
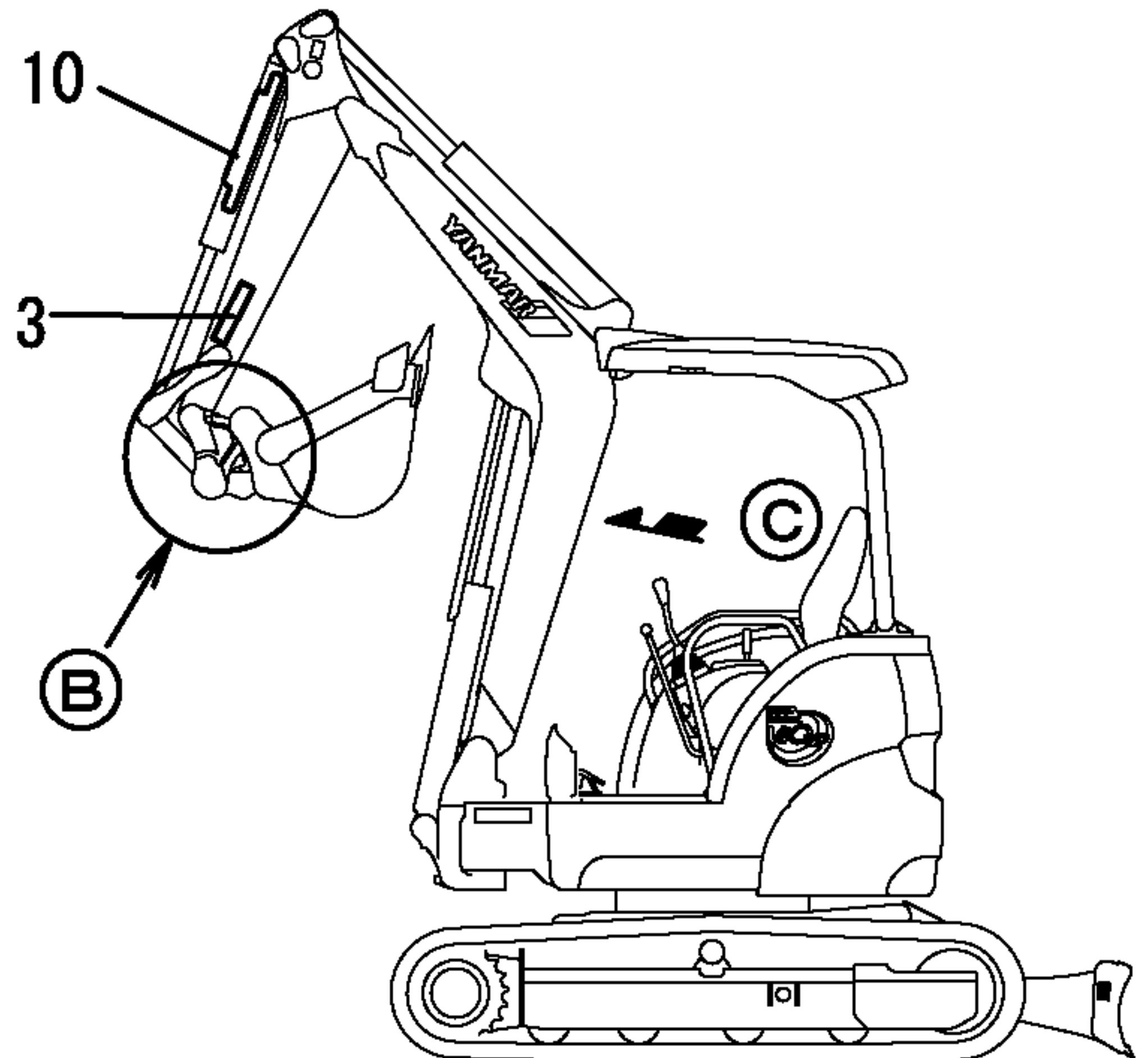


◎から見る
VIEWED FROM ◎

見出しNo. 1は
見出しNo. 2から14を含みます。
1 INC. 2~14.



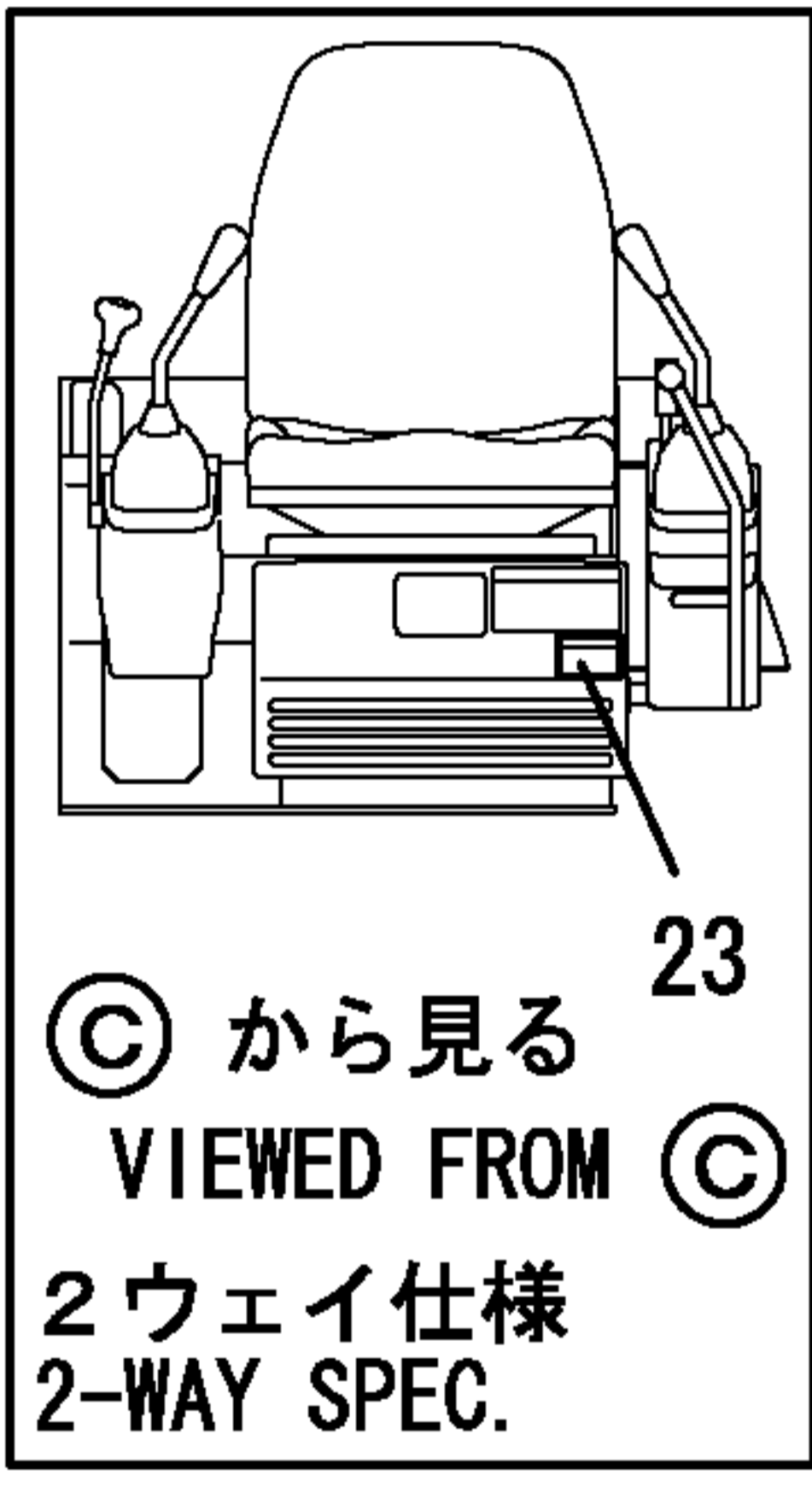
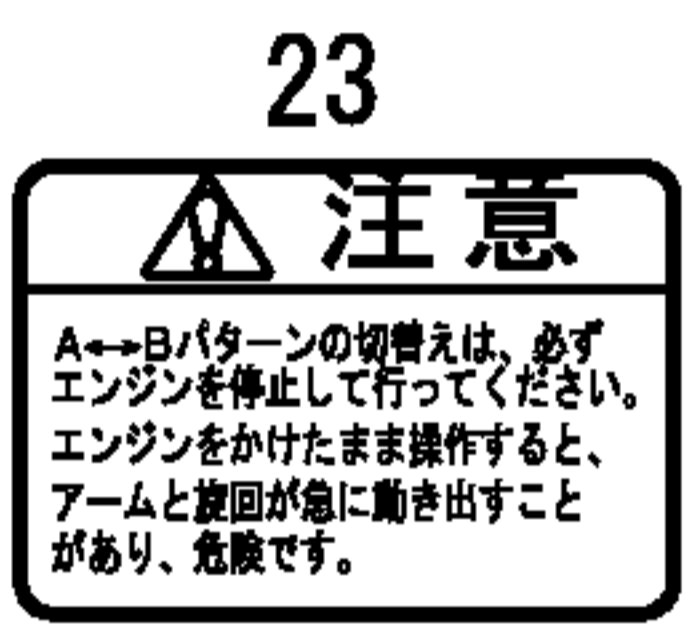
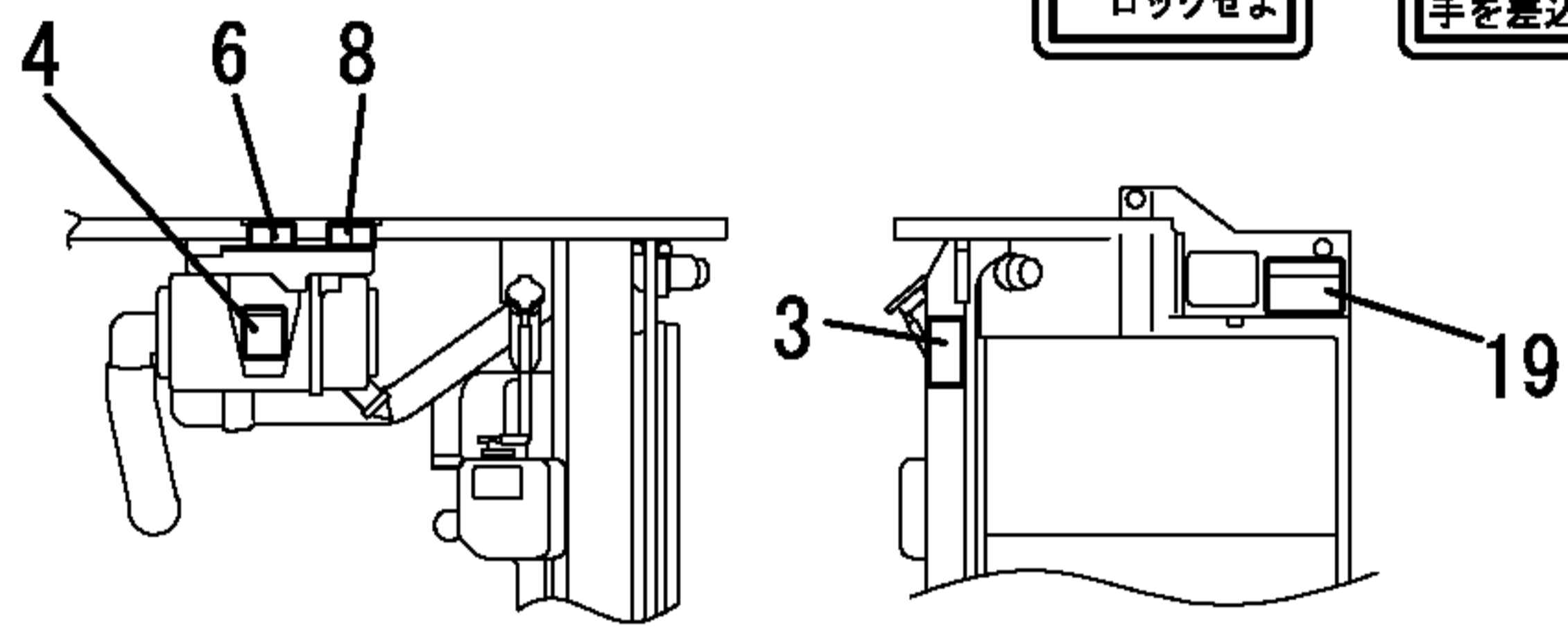
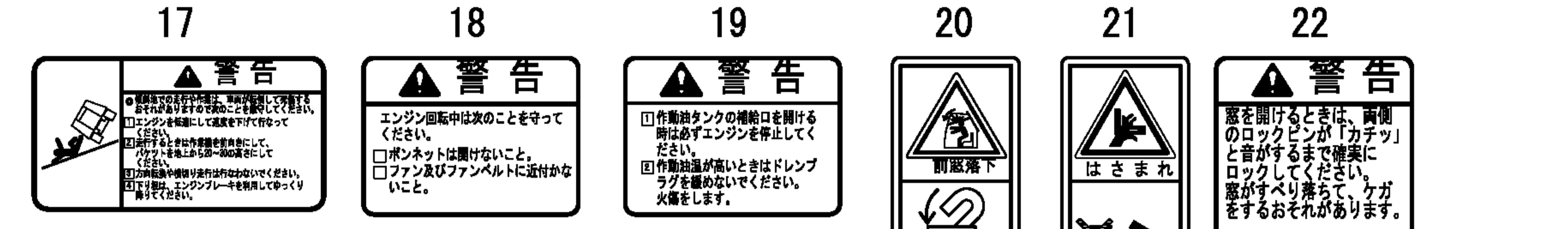
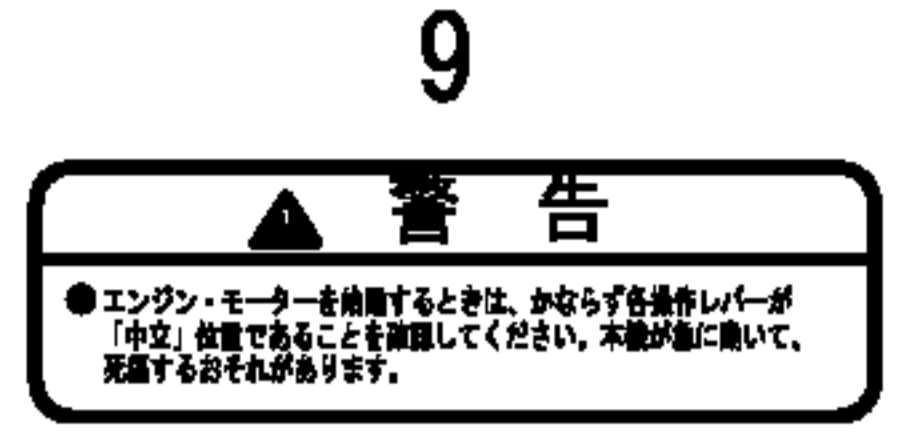
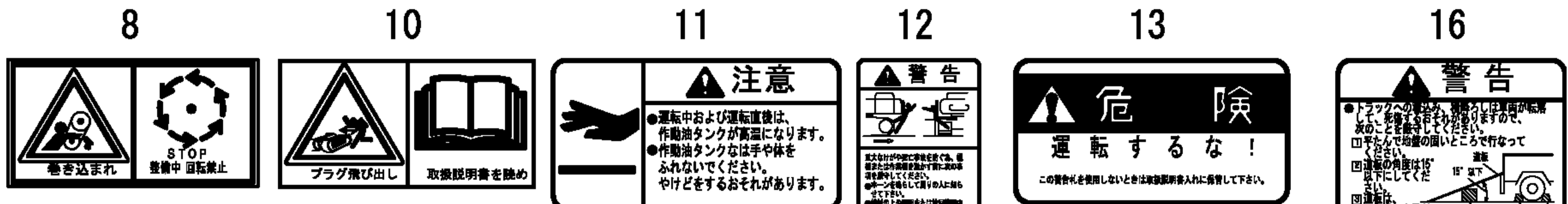
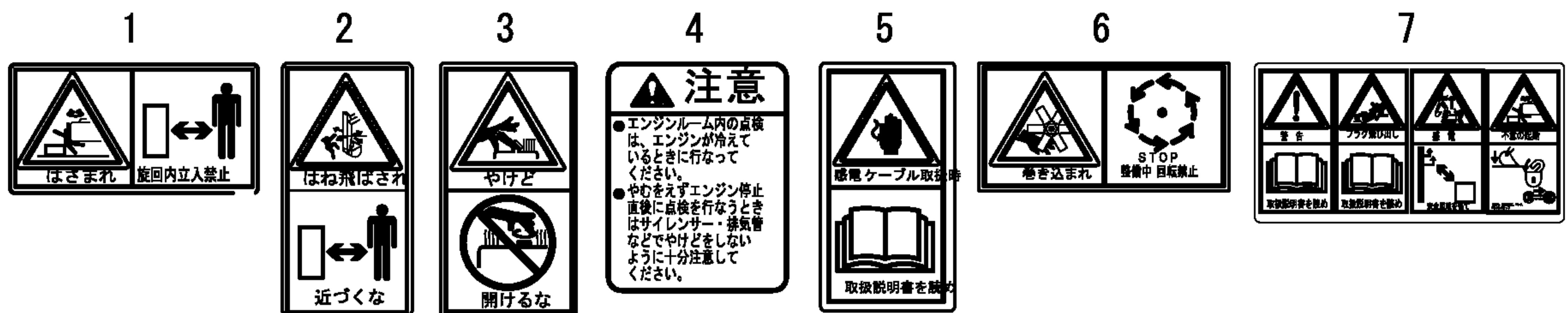
◎部詳細
DETAILS OF ◎



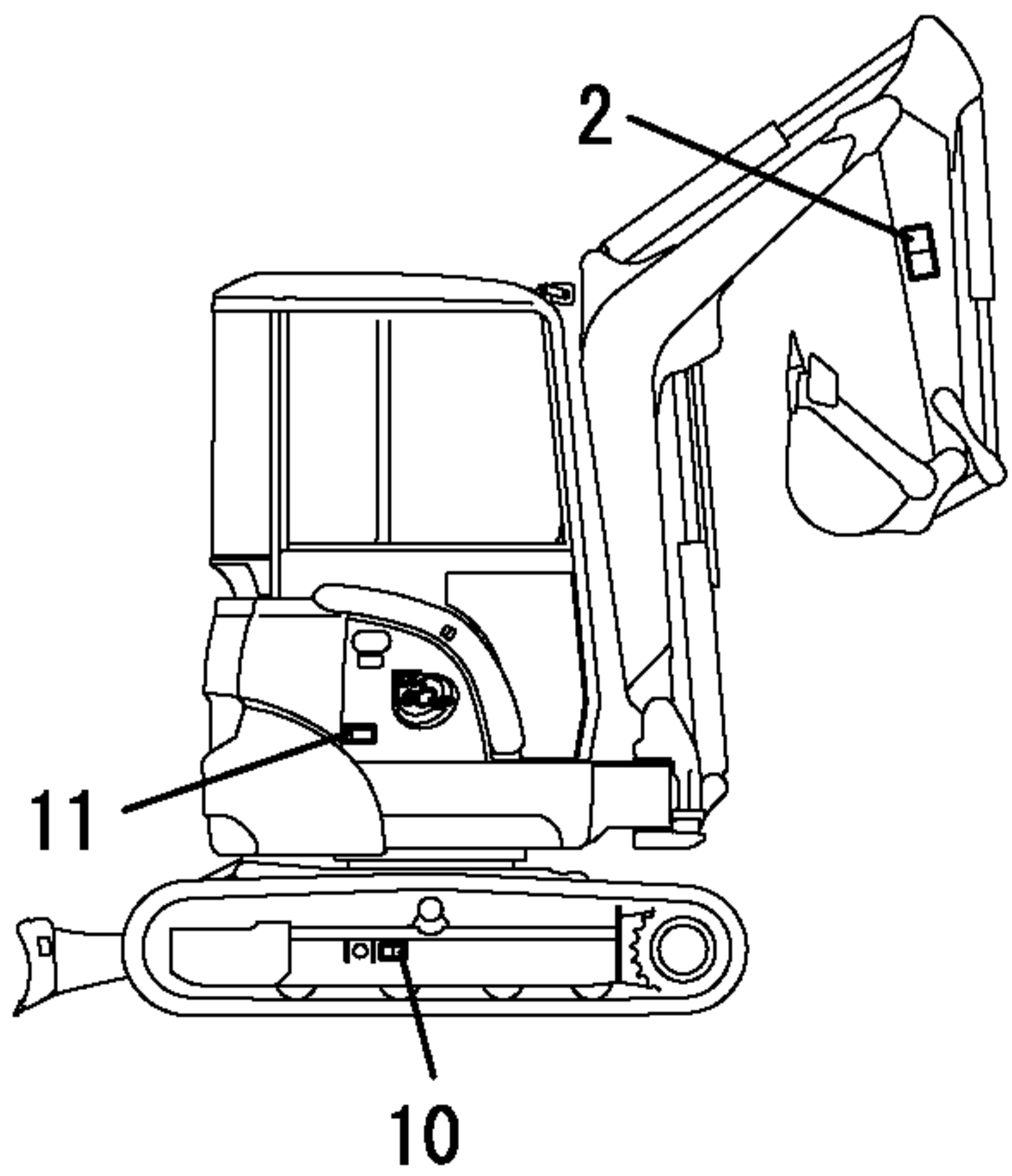
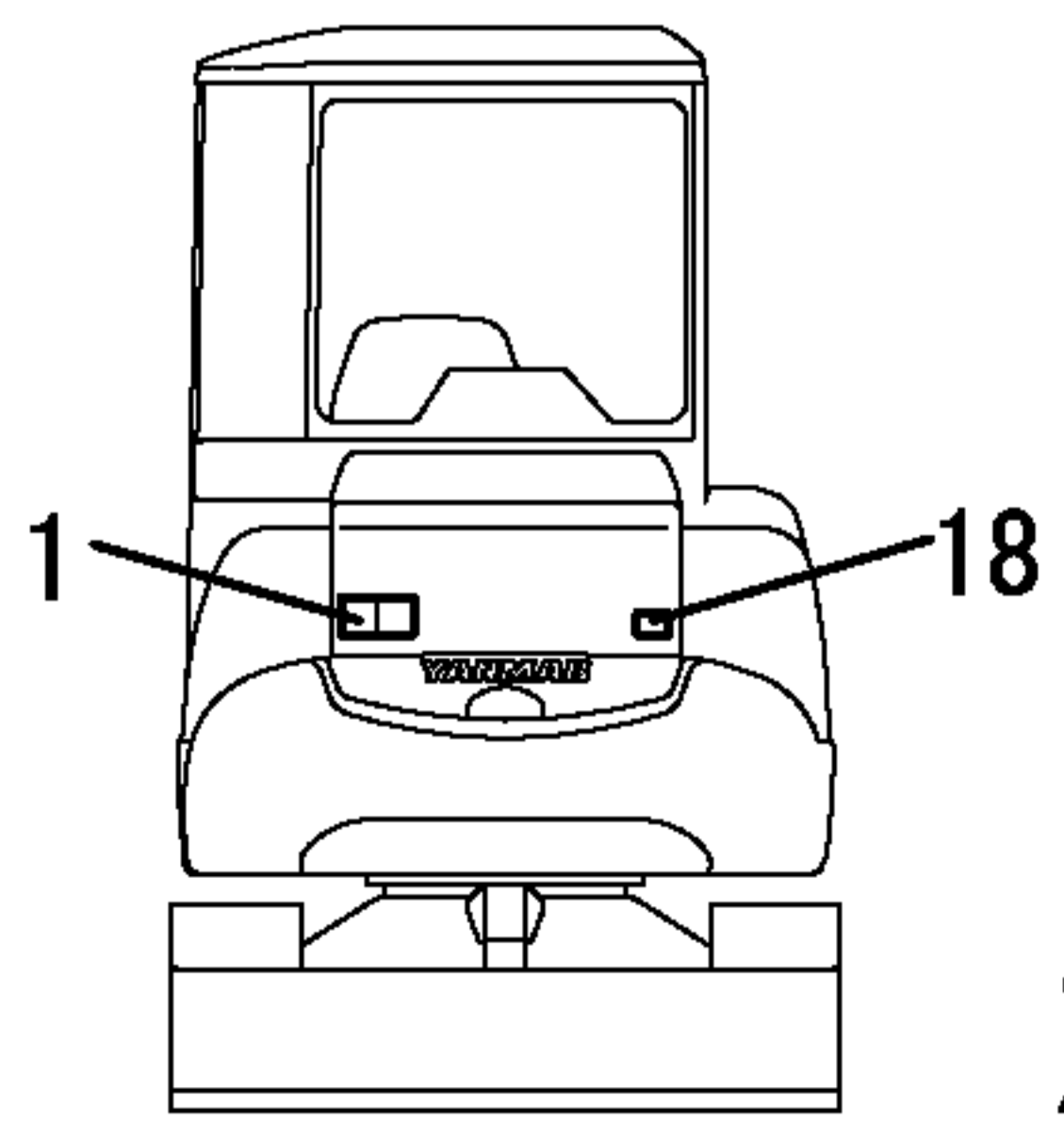
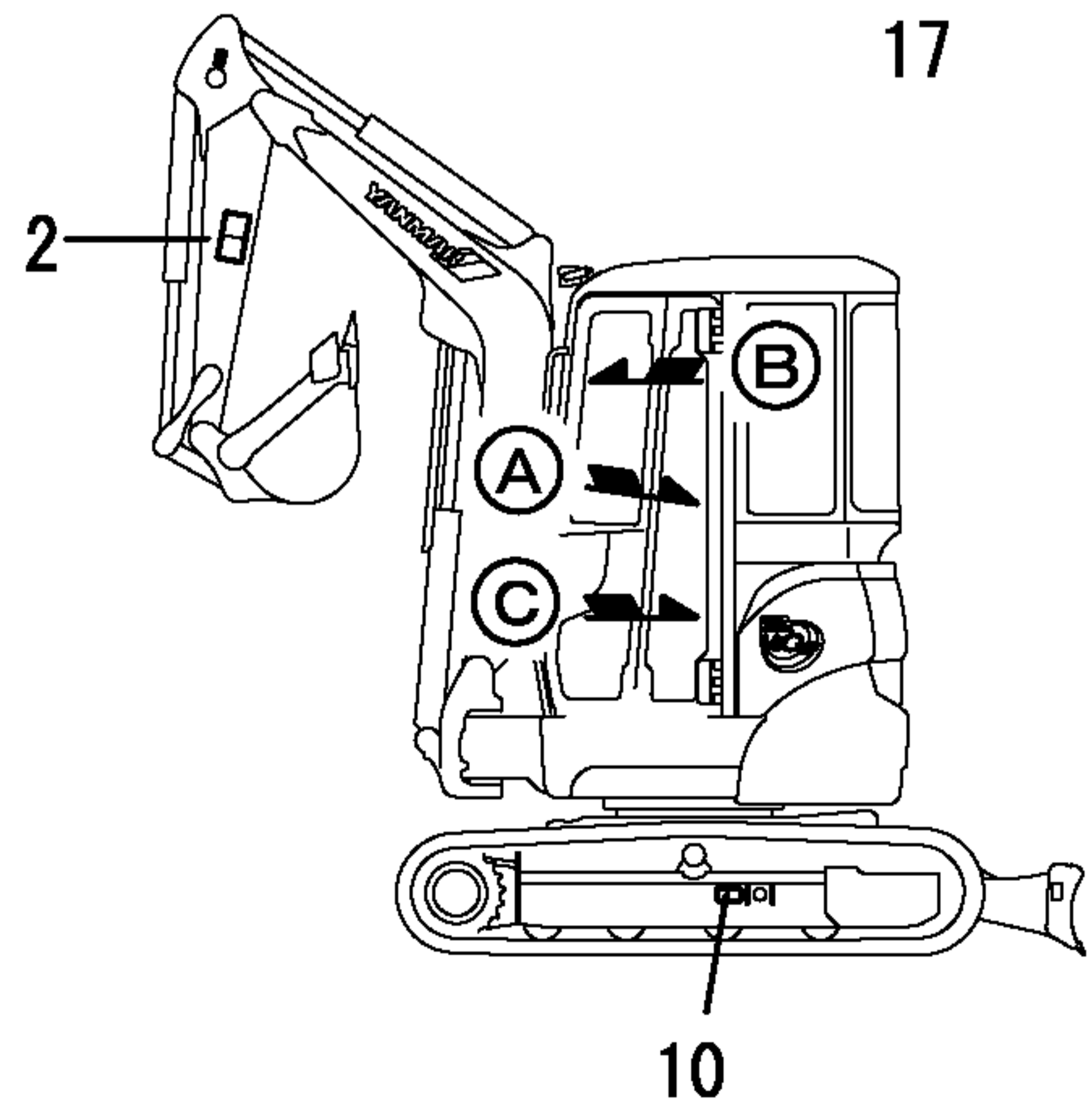
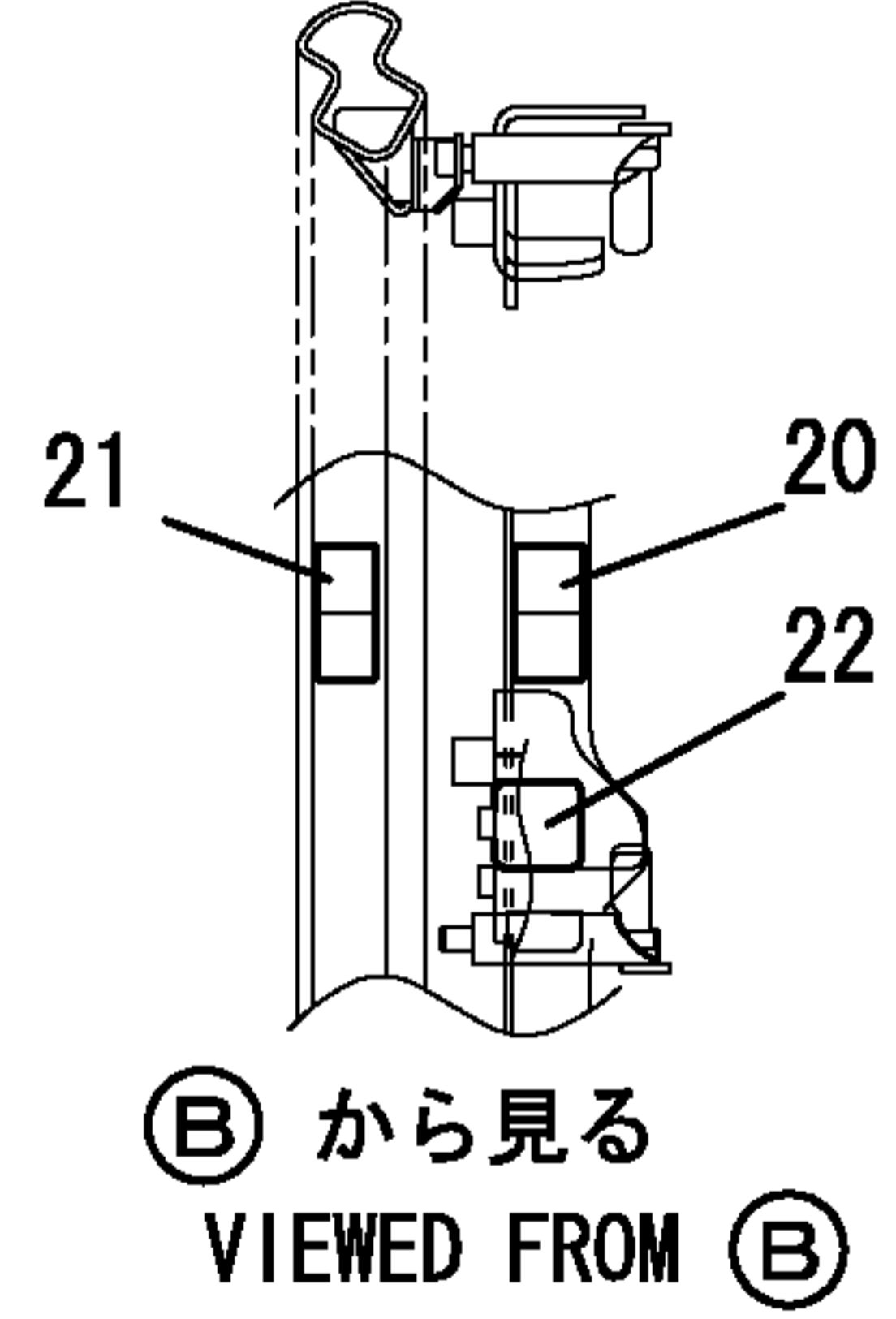
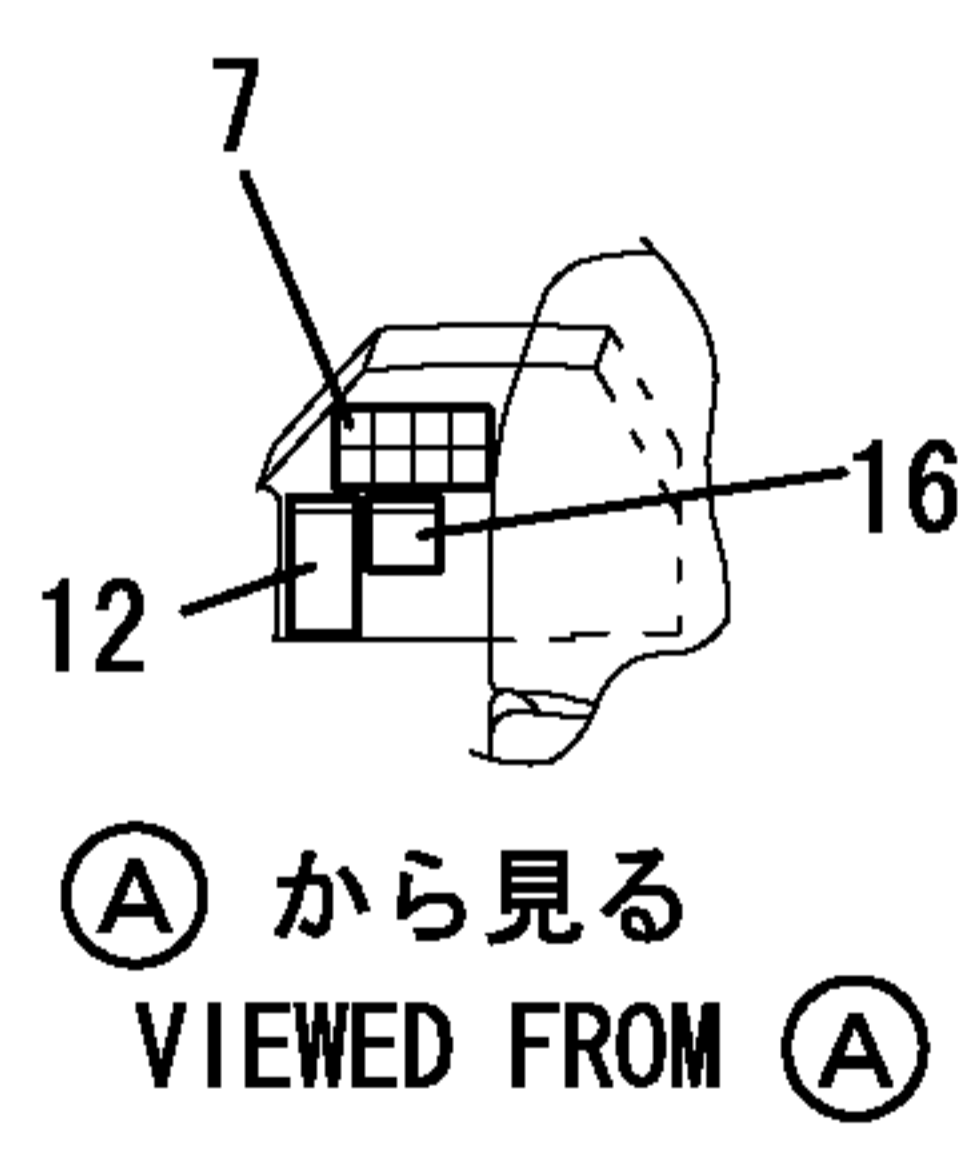
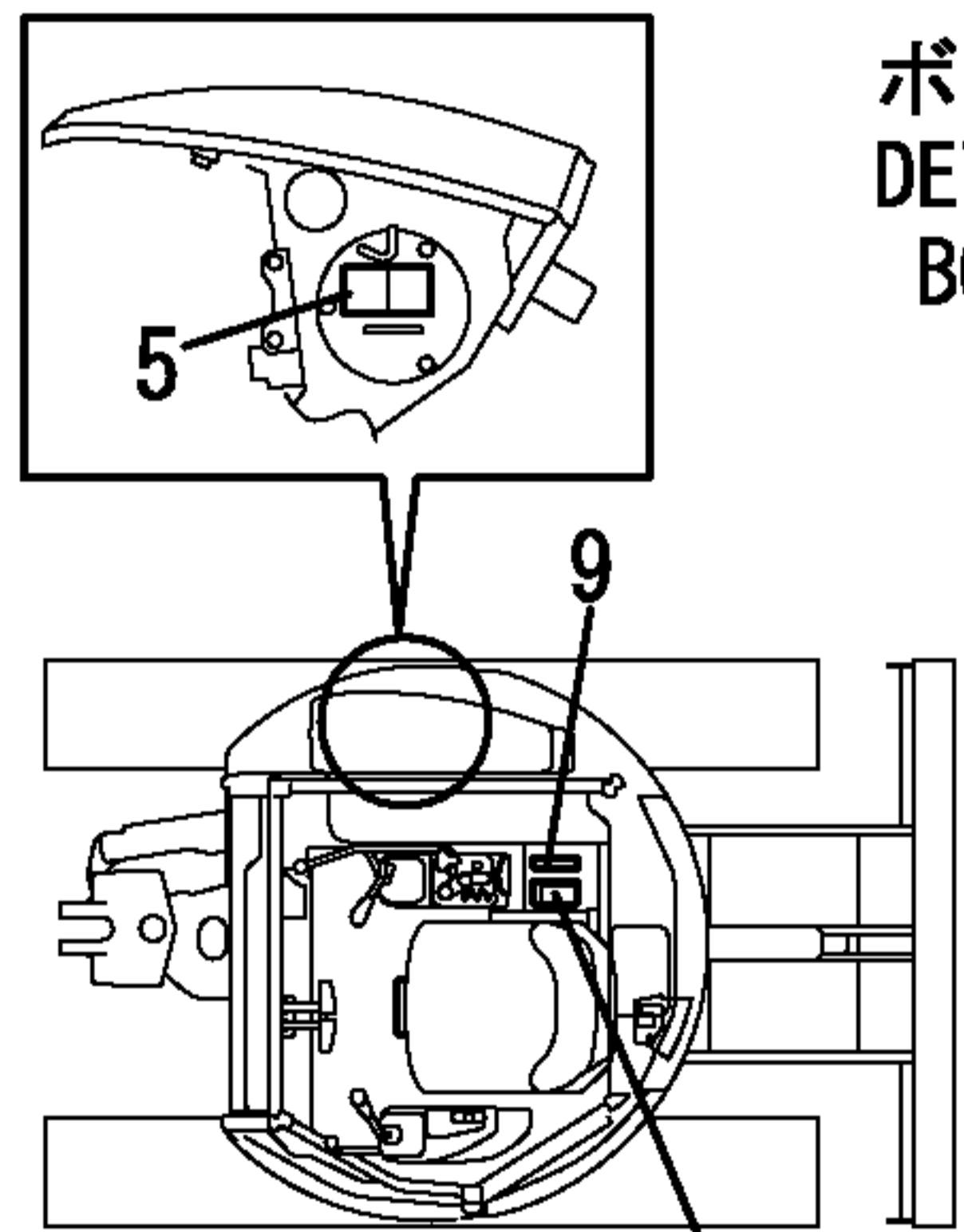
◎から見る
VIEWED FROM ◎

キャビン仕様
CABIN SPEC.

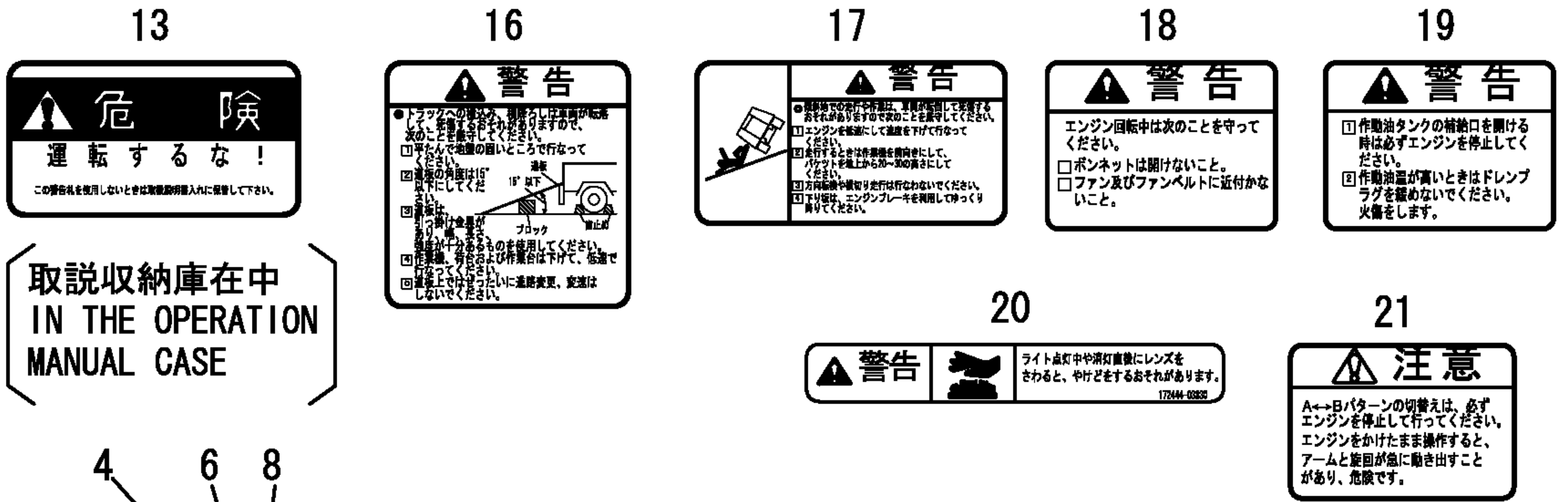
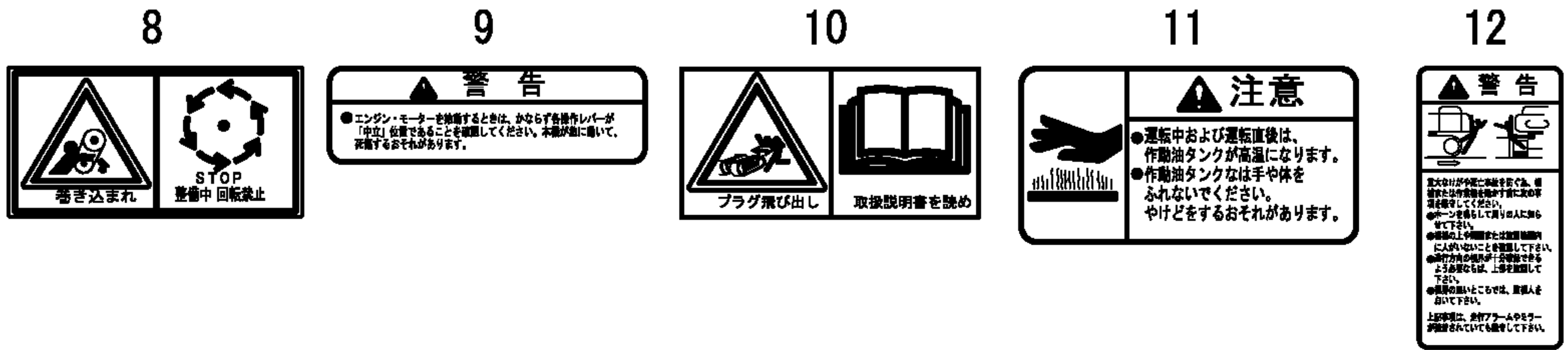
1,1,,172444-03170,,LABEL,1,,,,,,,,,,,,,
2,1,,172444-03180,,LABEL,2,,,,,,,,,,,,,
3,1,,172444-03190,,LABEL,1,,,,,,,,,,,,,
4,1,,172141-03202,, "LABEL,CAUTION",1,,,,,,,,,,,,,
5,1,,172450-03200,, "LABEL,BATTERY",1,,,,,,,,,,,,,
6,1,,172458-03200,, "LABEL,FAN",1,,,,,,,,,,,,,
7,1,,172444-03210,,LABEL,1,,,,,,,,,,,,,
8,1,,172458-03210,, "LABEL,BELT",1,,,,,,,,,,,,,
9,1,,172444-03240,,LABEL,1,,,,,,,,,,,,,
10,1,,172444-03280,,LABEL,2,,,,,,,,,,,,,
11,1,,172142-03302,, "LABEL,CAUTION",1,,,,,,,,,,,,,
12,1,,172964-03370,,LABEL,1,,,,,,,,,,,,,
13,1,,172964-03481,, "LABEL,DANGER",1,,,,,,,,,,,,,
16,1,,172164-03510,, "LABEL,LOADING",1,,,,,,,,,,,,,
17,1,,172164-03540,,LABEL,1,,,,,,,,,,,,,
18,1,,172519-04180,, "LABEL,WARNING",1,,,,,,,,,,,,,
19,1,,172519-04290,, "LABEL,WARNING",1,,,,,,,,,,,,,
20,1,,172458-03260,,LABEL,1,,,,,,,,,,,,,
21,1,,172445-03230,,LABEL,1,,,,,,,,,,,,,
22,1,,172455-03520,,LABEL,1,,,,,,,,,,,,,
23,1,,172458-03570,,LABEL,1,,,,,W,1,72458340,M/#20700,,,,,,,,,



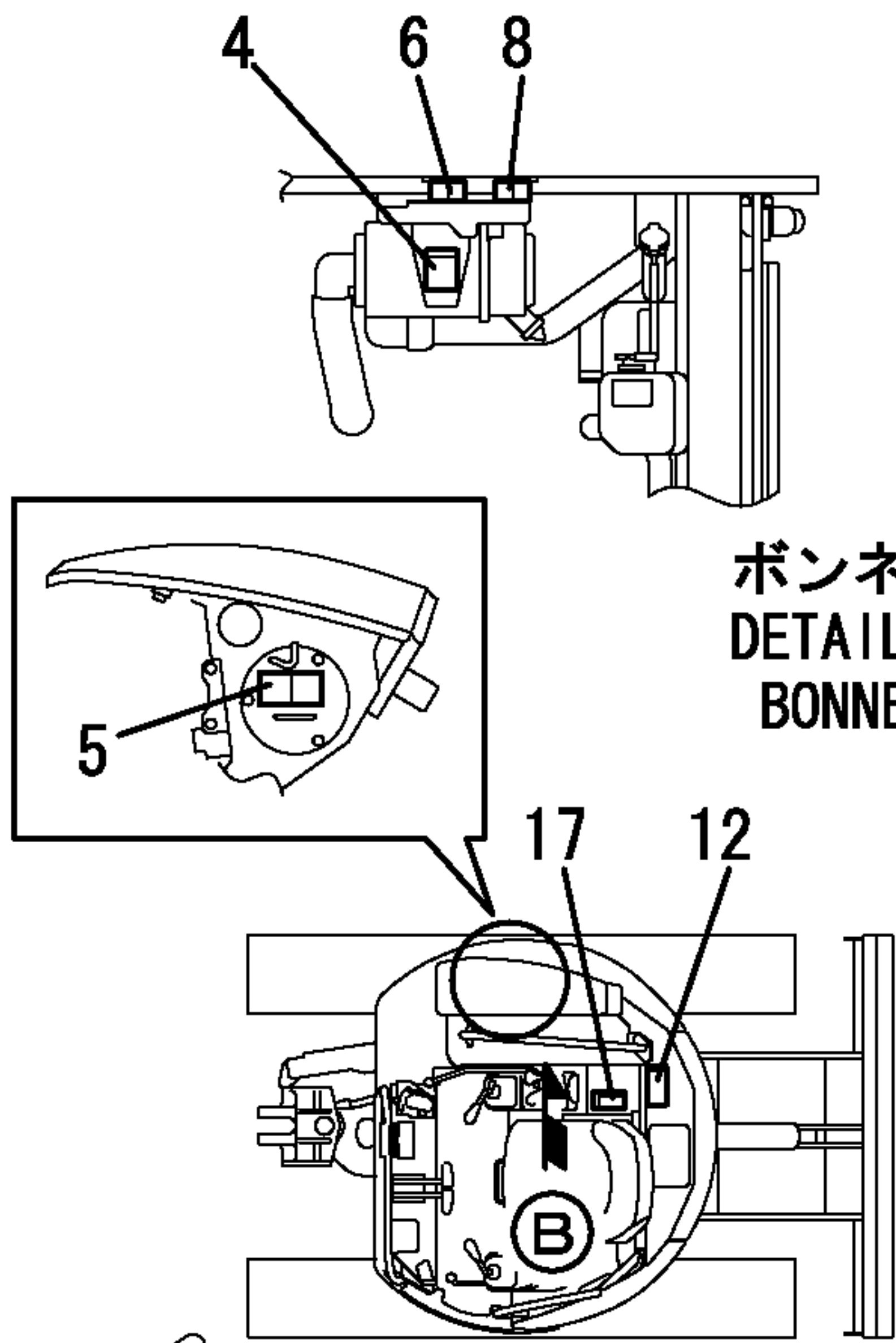
ボンネット内部詳細
DETAILS OF BONNET INSIDE



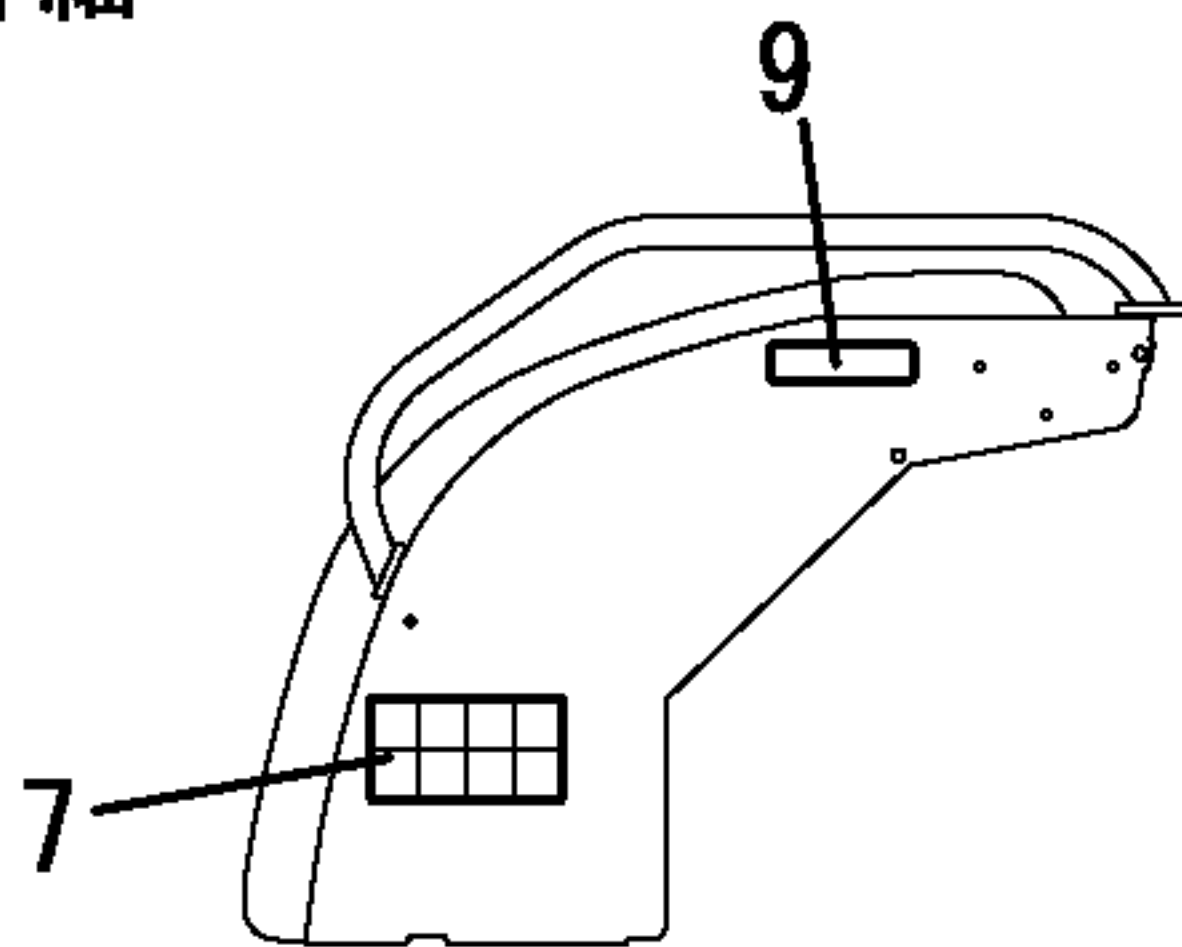
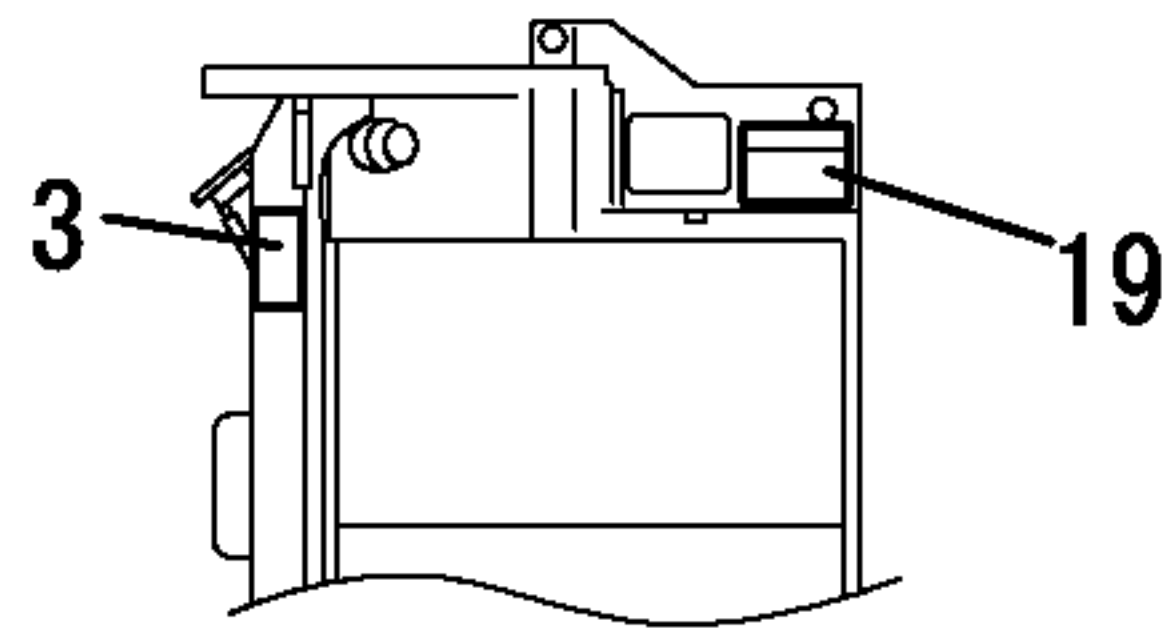
1,1,,172444-03170,,LABEL,,1,,,,,,,,,,,,,,,,,,,,,
2,1,,172444-03180,,LABEL,,2,,,,,,,,,,,,,,,,,,,,,
3,1,,172444-03190,,LABEL,,1,,,,,,,,,,,,,,,,,,,,,
4,1,,172141-03202,, "LABEL,CAUTION" ,,1,,,,,,,,,,,,,,,,,,,,,
5,1,,172450-03200,, "LABEL,BATTERY" ,,1,,,,,,,,,,,,,,,,,,,,,
6,1,,172458-03200,, "LABEL,FAN" ,,1,,,,,,,,,,,,,,,,,,,,,
7,1,,172444-03210,,LABEL,,1,,,,,,,,,,,,,,,,,,,,,
8,1,,172458-03210,, "LABEL,BELT" ,,1,,,,,,,,,,,,,,,,,,,,,
9,1,,172444-03240,,LABEL,,1,,,,,,,,,,,,,,,,,,,,,
10,1,,172444-03280,,LABEL,,2,,,,,,,,,,,,,,,,,,,,,
11,1,,172142-03302,, "LABEL,CAUTION" ,,1,,,,,,,,,,,,,,,,,,,,,
12,1,,172964-03370,,LABEL,,1,,,,,,,,,,,,,,,,,,,,,
13,1,,172964-03481,, "LABEL,DANGER" ,,1,,,,,,,,,,,,,,,,,,,,,
16,1,,172164-03510,, "LABEL,LOADING" ,,1,,,,,,,,,,,,,,,,,,,,,
17,1,,172164-03540,,LABEL,,1,,,,,,,,,,,,,,,,,,,,,
18,1,,172519-04180,, "LABEL,WARNING" ,,1,,,,,,,,,,,,,,,,,,,,,
19,1,,172519-04290,, "LABEL,WARNING" ,,1,,,,,,,,,,,,,,,,,,,,,
20,1,,172444-03330,,LABEL,,1,,,,,,,,,,,,,,,,,,,,,
21,1,,172458-03570,,LABEL,,1,,,,,W,1,,72458340,M/#20700,,,,,,,,,



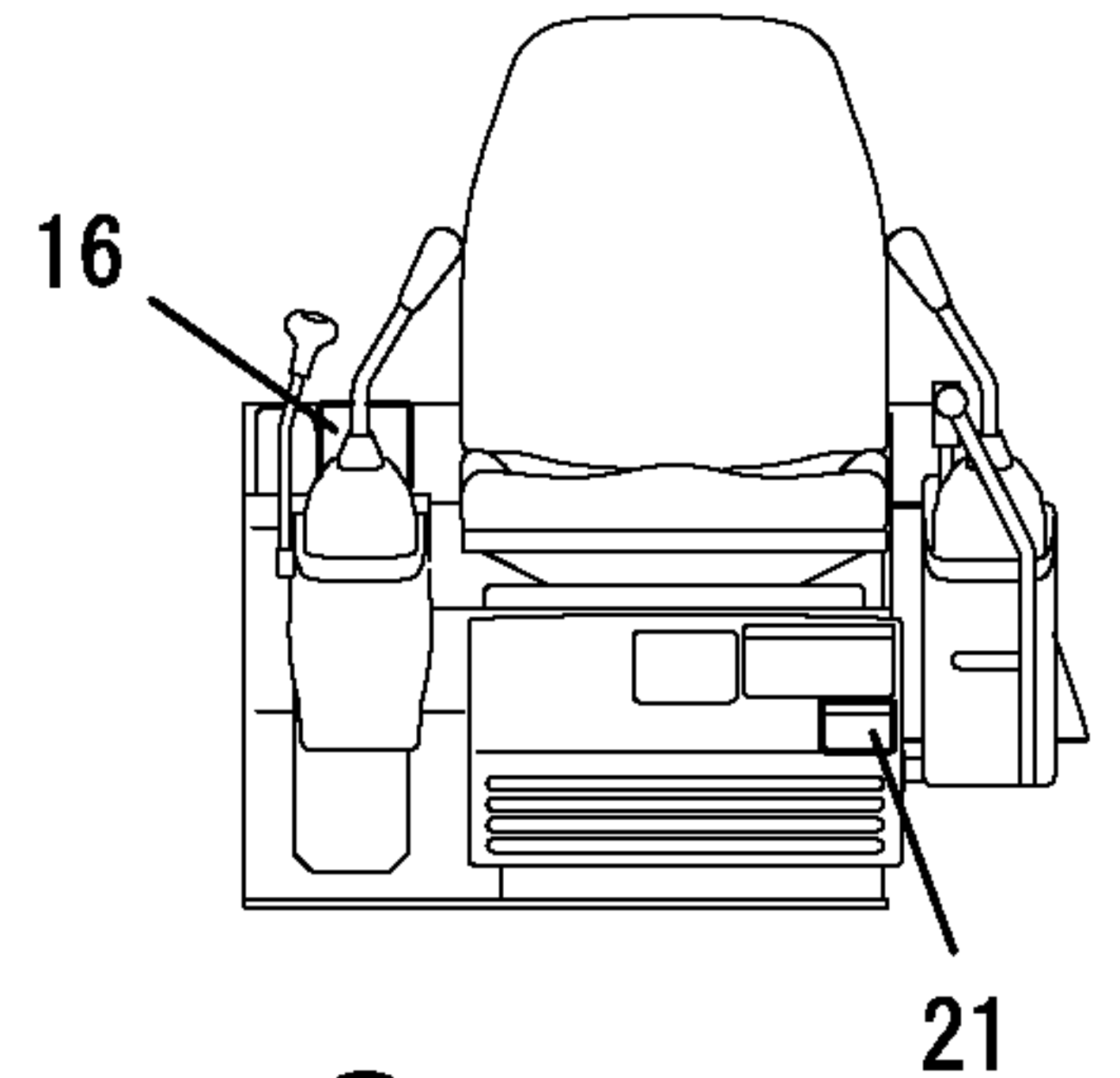
取説収納庫在中
IN THE OPERATION
MANUAL CASE



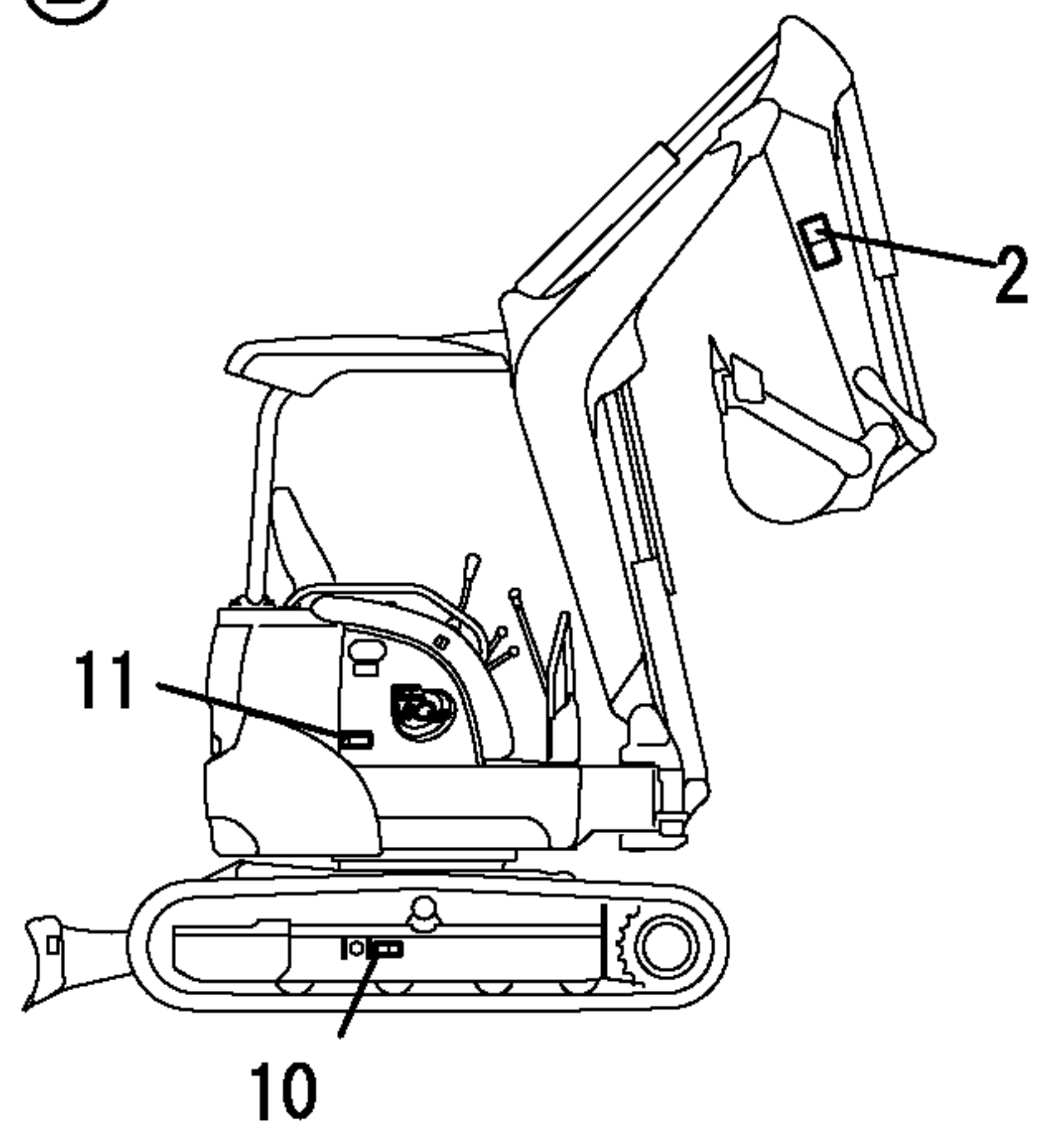
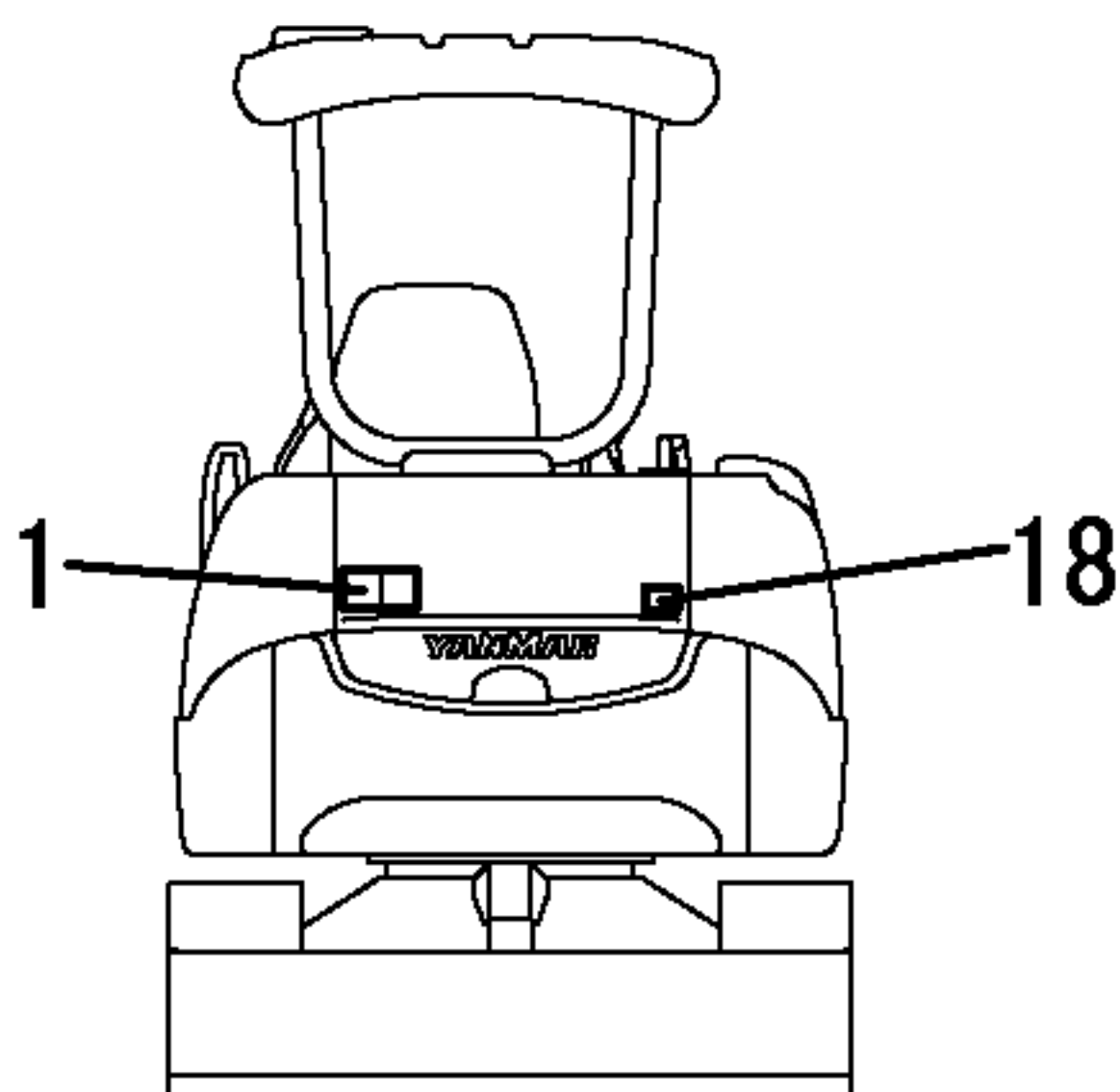
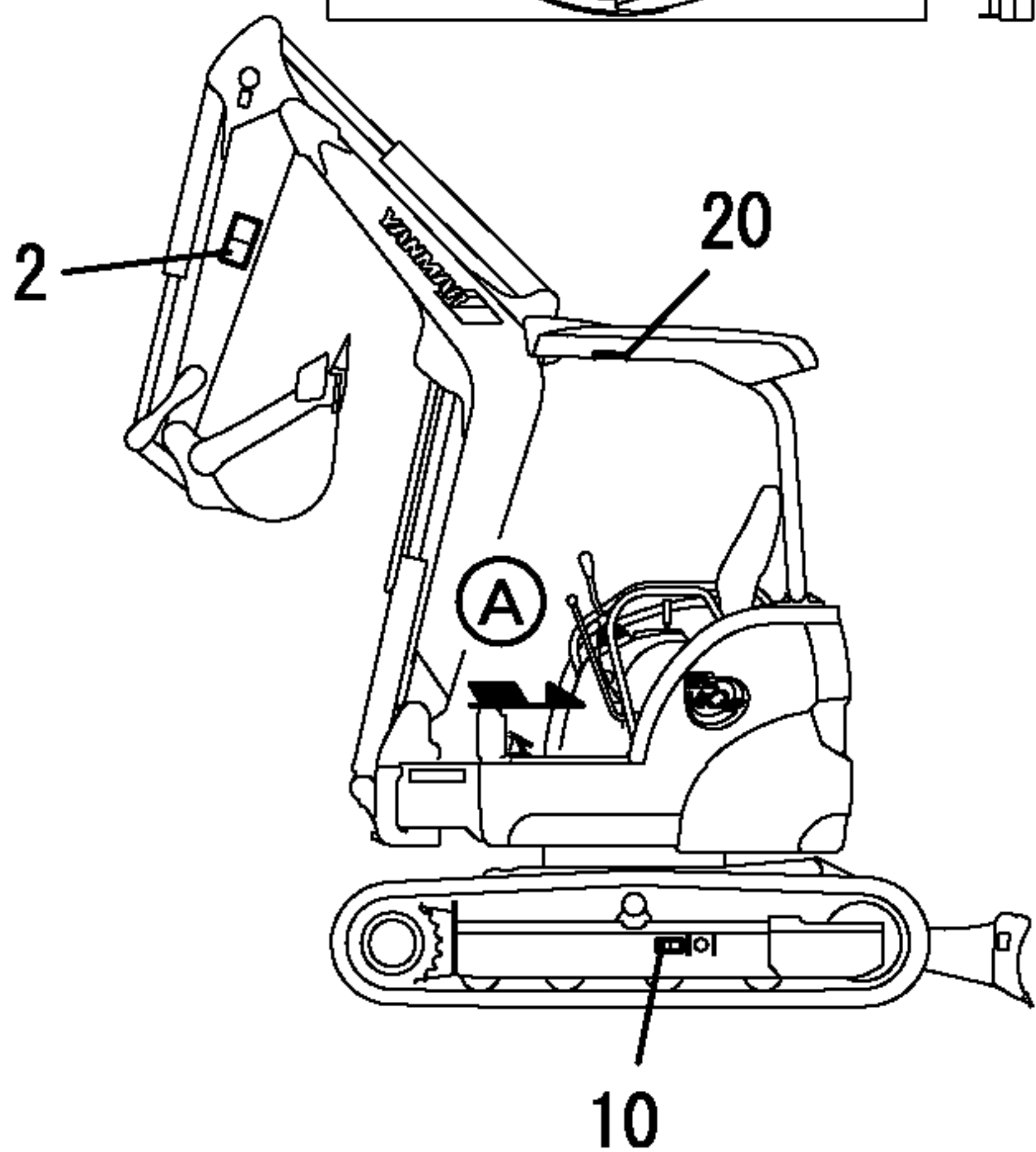
ボンネット内部詳細
DETAILS OF
BONNET INSIDE



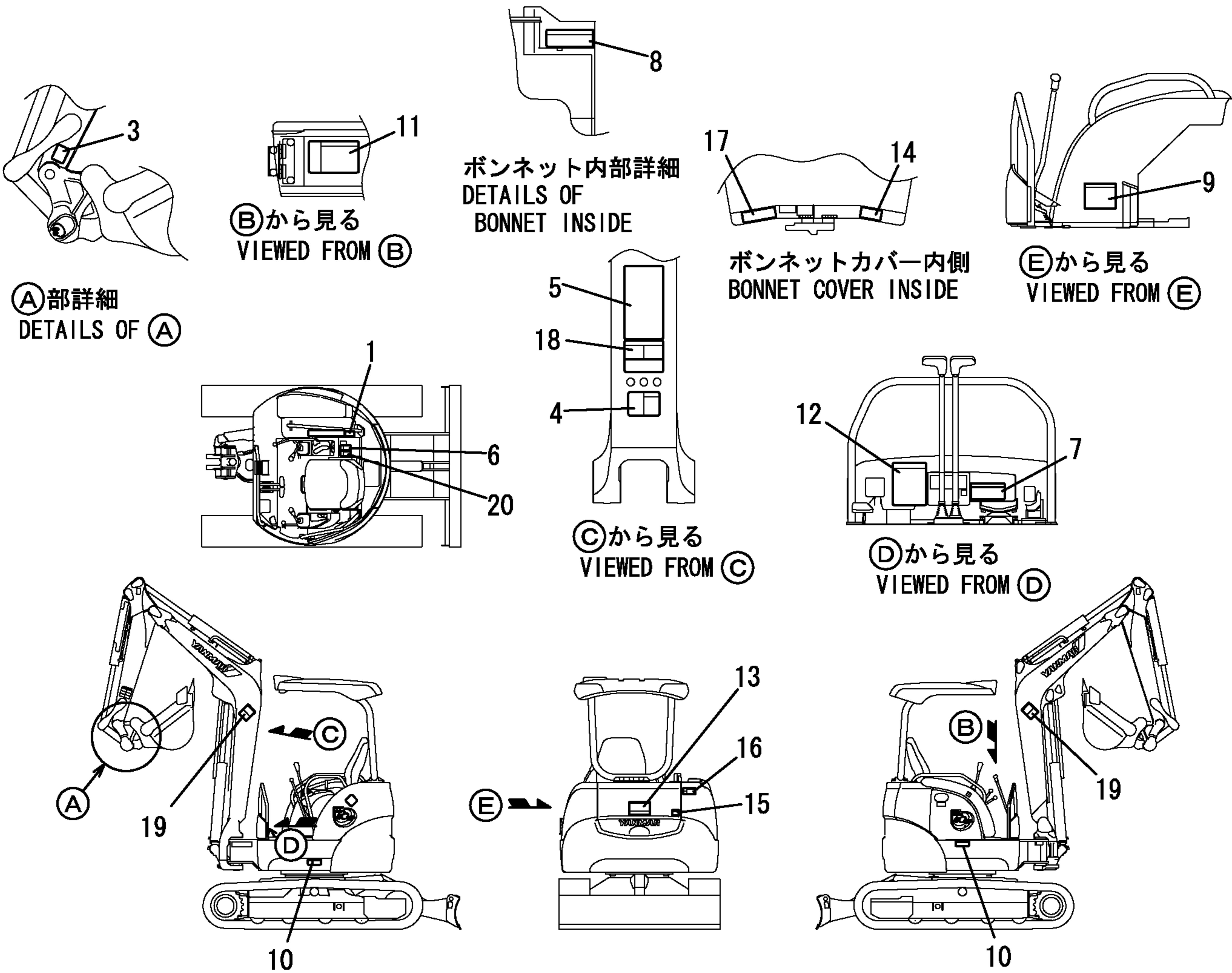
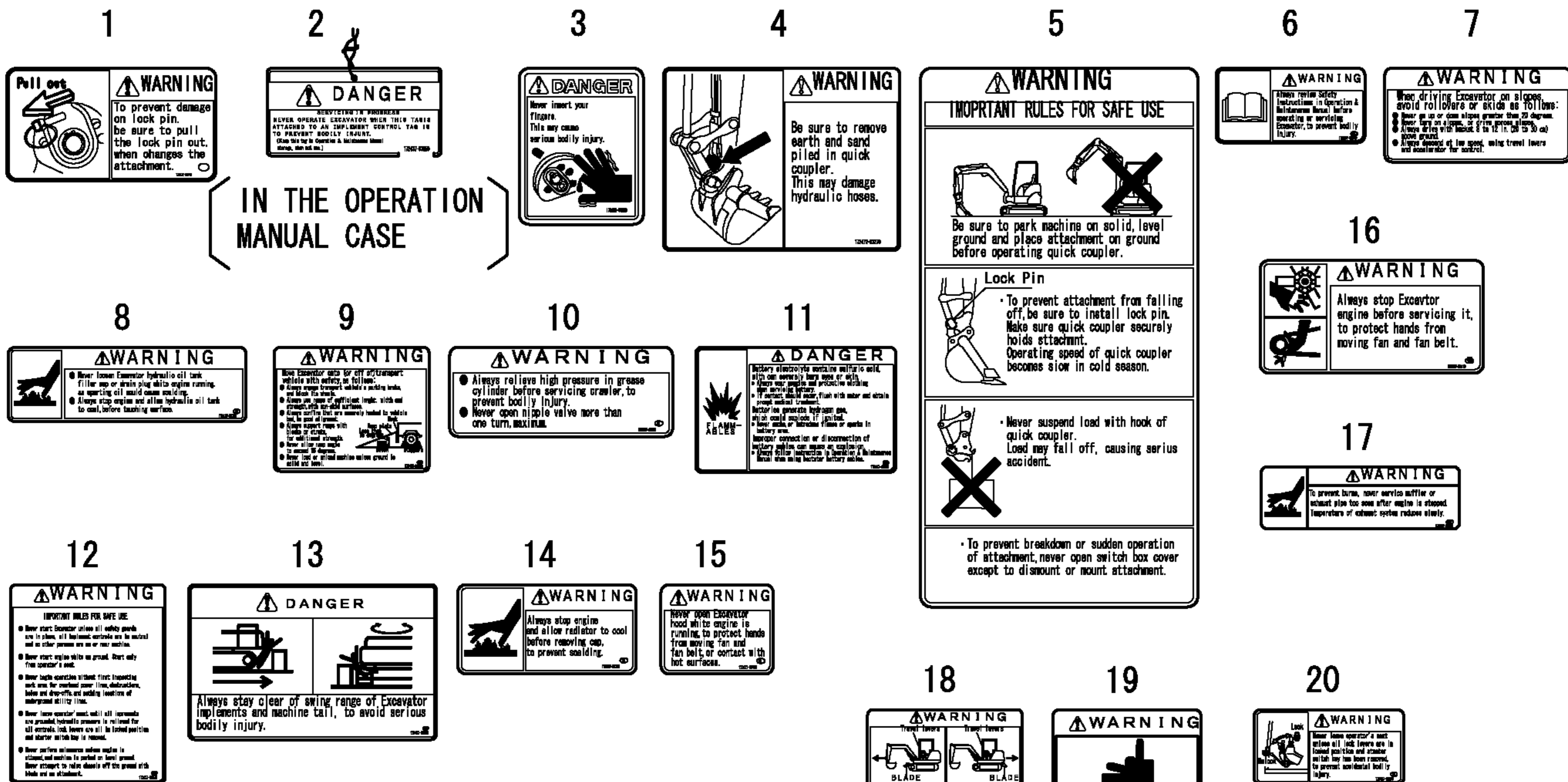
(B) から見る
VIEWED FROM (B)



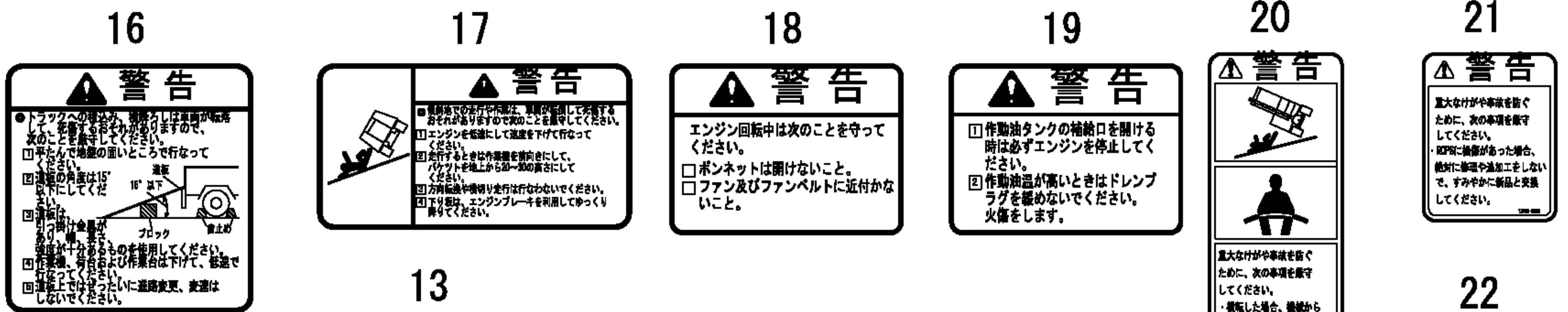
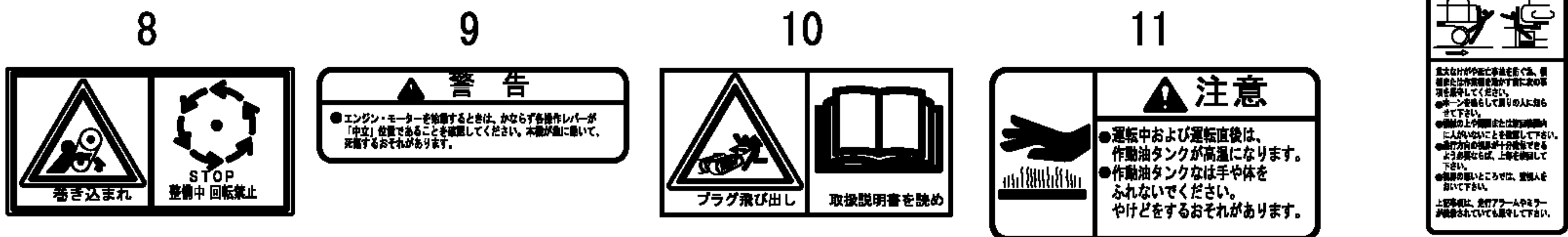
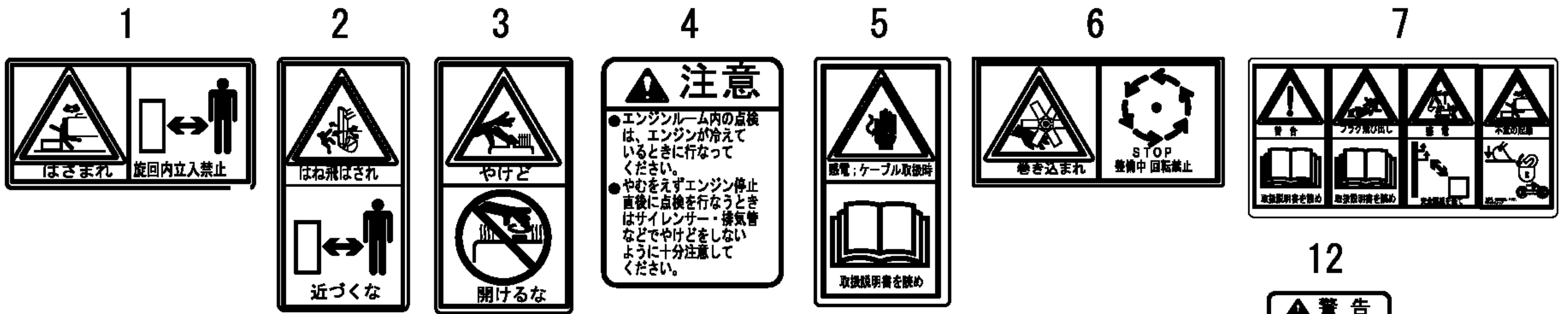
(A) から見る
VIEWED FROM (A)



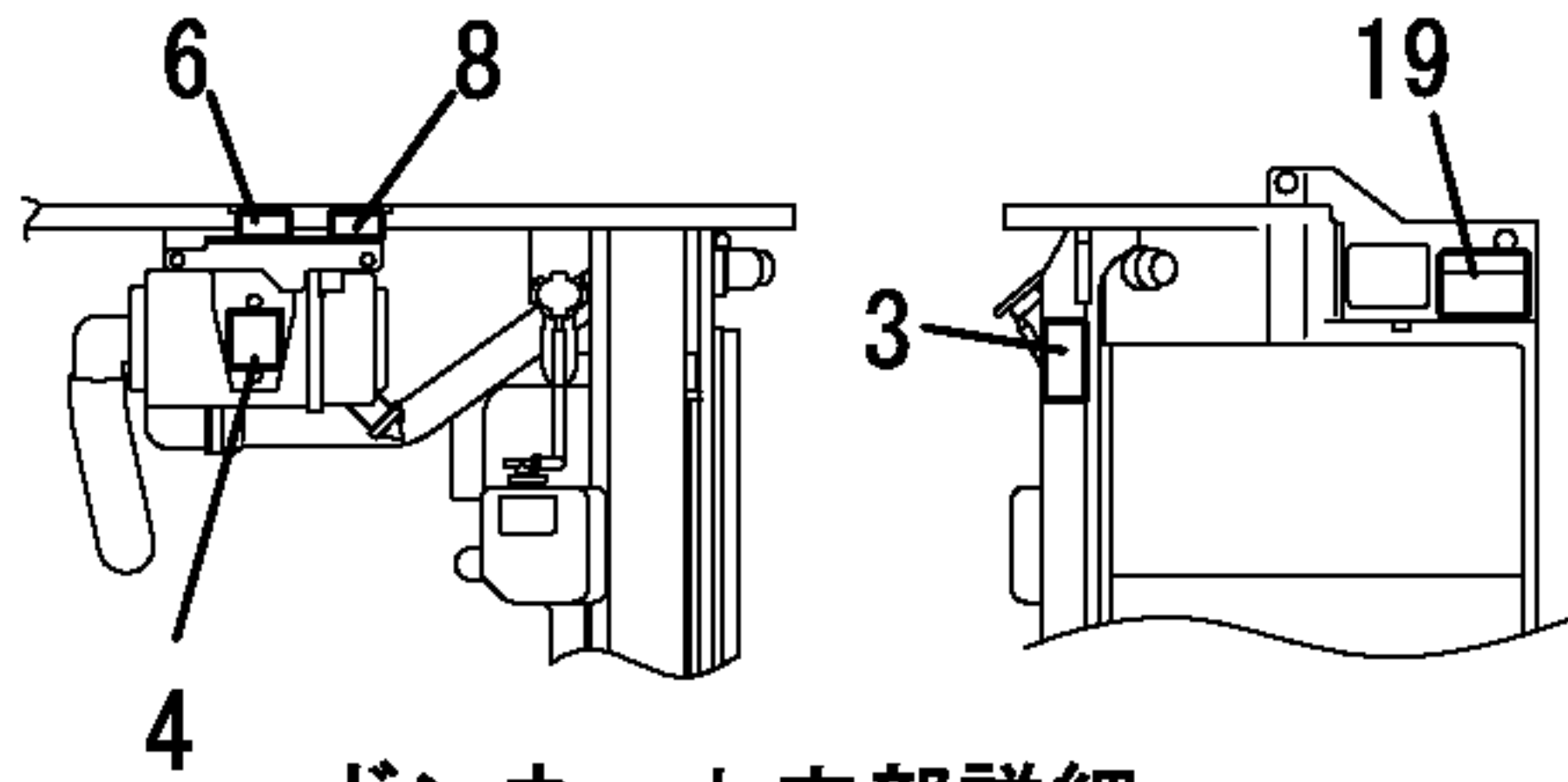
1,1,,172472-03240,, "LABEL,PIN US",,,1,,,,,,,,,,,,,,,,,,,,,I
2,1,,172437-03250,, "TAG,SERVICING ASSY",,,1,,,,,,,,,,,,,,,,,,,,,I
3,1,,172472-03260,, "LABEL,FINGER",,,1,,,,,,,,,,,,,,,,,,,,,I
4,1,,172472-03270,, "LABEL,SAND US",,,1,,,,,,,,,,,,,,,,,,,,,I
5,1,,172472-03280,, LABEL,,,1,,,,,,,,,,,,,,,,,,,,,I
6,1,,172437-03300,, "LABEL,MANUAL",,,1,,,,,,,,,,,,,,,,,,,,,I
7,1,,172437-03310,, "LABEL,SLOPE",,,1,,,,,,,,,,,,,,,,,,,,,I
8,1,,172437-03321,, "LABEL,HYD.OIL TANK",,,1,,,,,,,,,,,,,,,,,,,,,I
9,1,,172437-03341,, "LABEL,TRANSPORT",,,1,,,,,,,,,,,,,,,,,,,,,I
10,1,,172437-03351,, "LABEL,GREASE CYL.",,,2,,,,,,,,,,,,,,,,,,,,,I
11,1,,172437-03360,, "LABEL,BATTERY",,,1,,,,,,,,,,,,,,,,,,,,,I
12,1,,172437-03371,, LABEL,,,1,,,,,,,,,,,,,,,,,,,,,I
13,1,,172437-03380,, "LABEL,SWING AREA",,,1,,,,,,,,,,,,,,,,,,,,,I
14,1,,172437-03390,, "LABEL,RADIATOR",,,1,,,,,,,,,,,,,,,,,,,,,I
15,1,,172437-03401,, "LABEL (ENG COVER US",,,1,,,,,,,,,,,,,,,,,,,,,I
16,1,,172437-03411,, "LABEL (ENG ROOM US",,,1,,,,,,,,,,,,,,,,,,,,,I
17,1,,172437-03421,, "LABEL,MUFFLER",,,1,,,,,,,,,,,,,,,,,,,,,I
18,1,,172437-03431,, "LABEL,STEERING",,,1,,,,,,,,,,,,,,,,,,,,,I
19,1,,172437-03460,, "LABEL, BOOM",,,2,,,,,,,,,,,,,,,,,,,,,I
20,1,,172437-03470,, "LABEL,LEVER LOCK",,,1,,,,,,,,,,,,,,,,,,,,,I



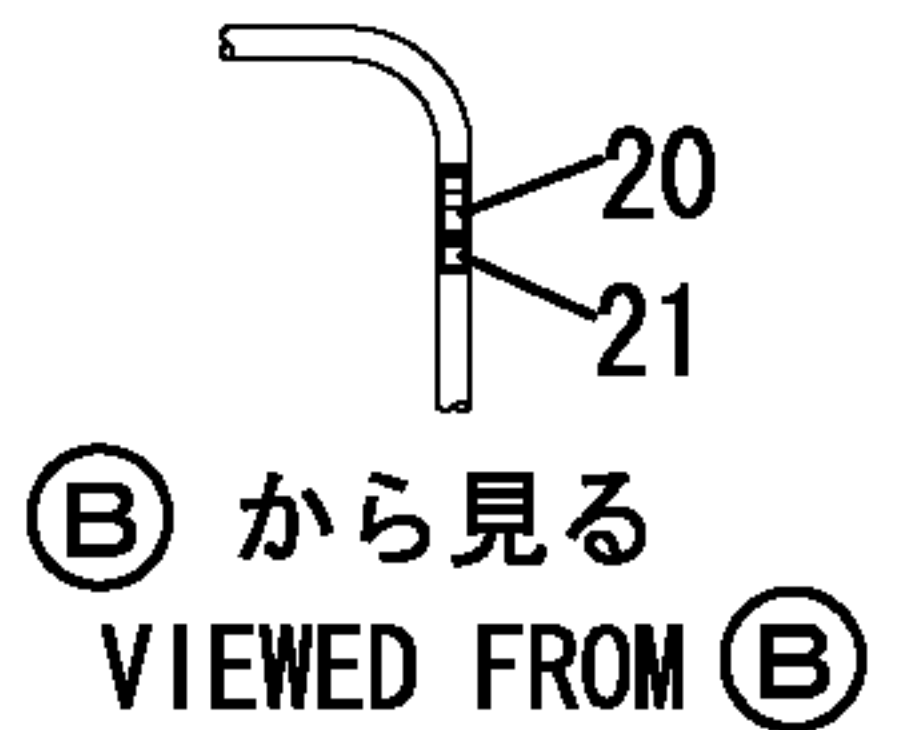
1,1,,172444-03170,,LABEL,,1,,,,,,,,,,,,,
2,1,,172444-03180,,LABEL,,2,,,,,,,,,,,,,
3,1,,172444-03190,,LABEL,,1,,,,,,,,,,,,,
4,1,,172141-03202,, "LABEL,CAUTION" ,,1,,,,,,,,,,,,,
5,1,,172450-03200,, "LABEL,BATTERY" ,,1,,,,,,,,,,,,,
6,1,,172458-03200,, "LABEL,FAN" ,,1,,,,,,,,,,,,,
7,1,,172444-03210,,LABEL,,1,,,,,,,,,,,,,
8,1,,172458-03210,, "LABEL,BELT" ,,1,,,,,,,,,,,,,
9,1,,172444-03240,,LABEL,,1,,,,,,,,,,,,,
10,1,,172444-03280,,LABEL,,2,,,,,,,,,,,,,
11,1,,172142-03302,, "LABEL,CAUTION" ,,1,,,,,,,,,,,,,
12,1,,172964-03370,,LABEL,,1,,,,,,,,,,,,,
13,1,,172964-03481,, "LABEL,DANGER" ,,1,,,,,,,,,,,,,
16,1,,172164-03510,, "LABEL,LOADING" ,,1,,,,,,,,,,,,,
17,1,,172164-03540,,LABEL,,1,,,,,,,,,,,,,
18,1,,172519-04180,, "LABEL,WARNING" ,,1,,,,,,,,,,,,,
19,1,,172519-04290,, "LABEL,WARNING" ,,1,,,,,,,,,,,,,
20,1,,172460-03230,, "LABEL,SEAT BELT" ,,1,,,,,,,,,,,,,
21,1,,172460-03240,, "LABEL,ROPS" ,,1,,,,,,,,,,,,,
22,1,,172458-03570,,LABEL,,1,,,,,,,,,,,,,



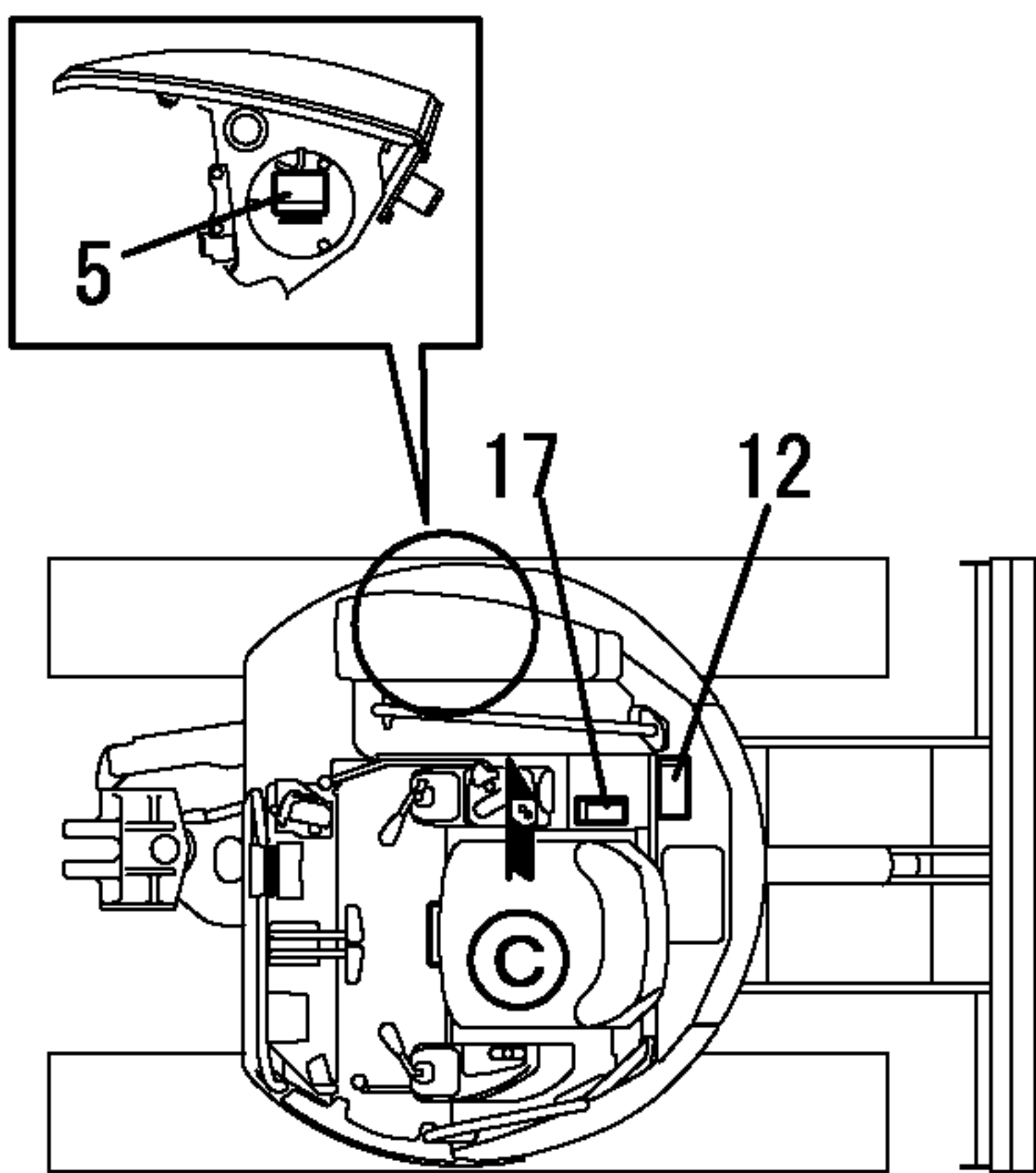
取説収納庫在中
IN THE OPERATION
MANUAL CASE



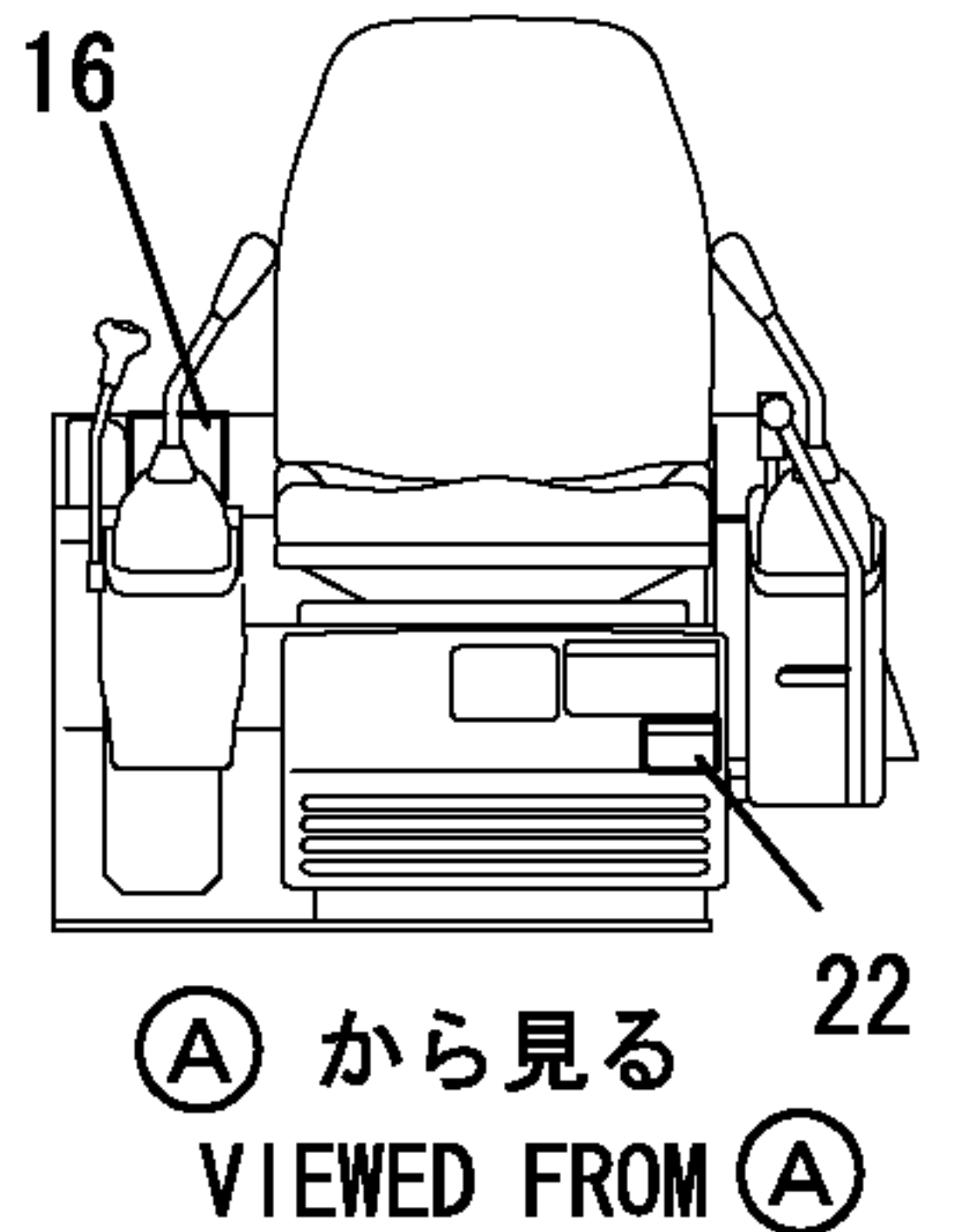
ボンネット内部詳細
DETAILS OF BONNET INSIDE



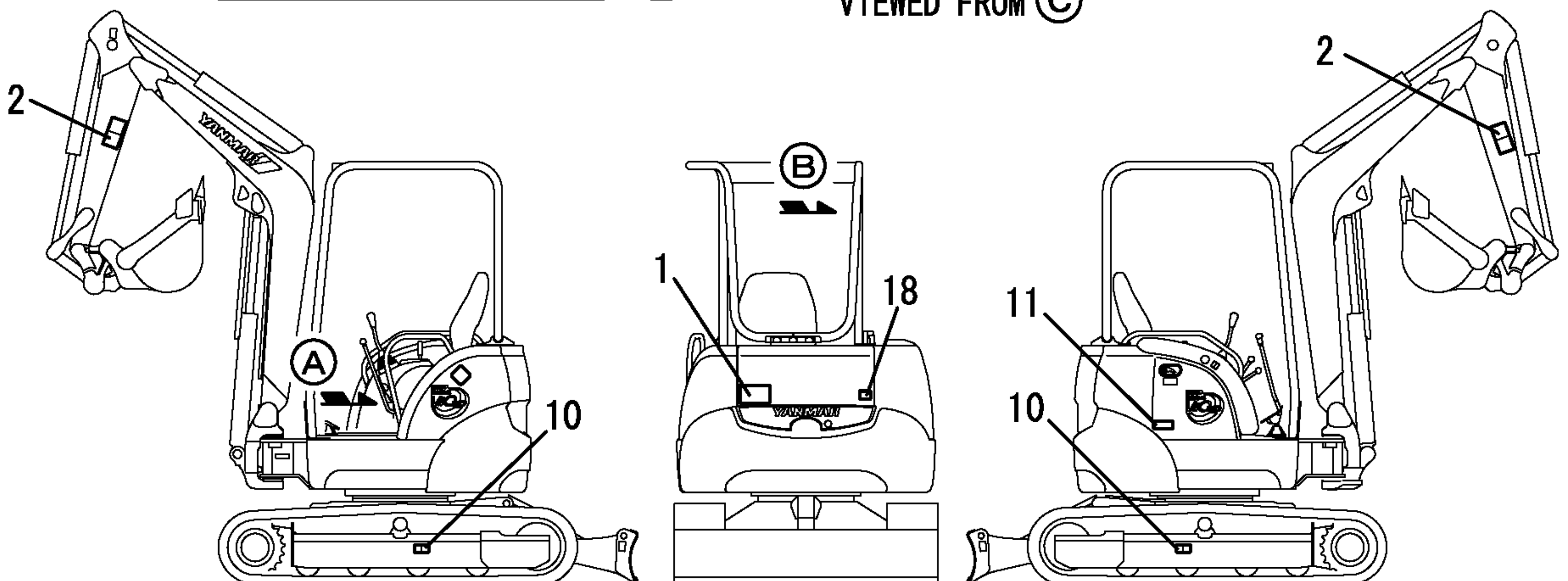
(B) から見る
VIEWED FROM (B)



(C) から見る
VIEWED FROM (C)



(A) から見る
VIEWED FROM (A)



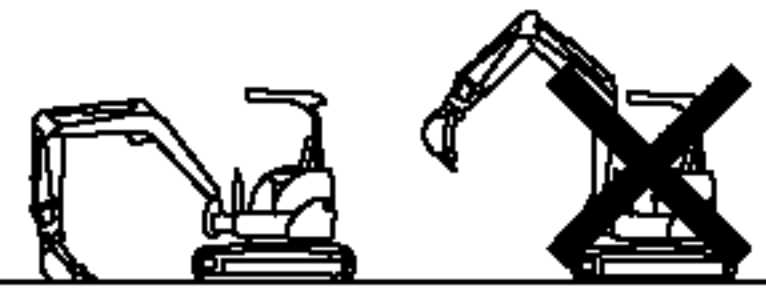
```
1,1,,172958-03100,,LABEL,1,1,,,,,,,,,,,,,  
2,1,,172958-03140,,LABEL,1,1,,,,,,,,,,,,,  
3,1,,172958-03220,,LABEL,1,1,,,,,,,,,,,,,  
4,1,,172958-03230,, "LABEL,PIN",1,1,,,,,,,,,,,,,  
5,1,,172958-03300,, "LABEL,PLUG",1,1,,,,,,,,,,,,,
```

1


警告

重大なケガや事故を防ぐために次の事項を厳守してください。

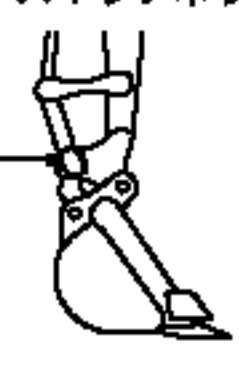
- クイックヒッチを操作するときには必ずアタッチメントを接地させてから行ってください。



- クイックヒッチのフックでの吊り作業は絶対に行わないでください。吊り荷が落下して重大事故につながる恐れがあります。



- アタッチメント脱着防止のために安全ピンを必ず脱着してください。
- 安全ピンを装着する時に、クイックヒッチが確実にアタッチメントをつかんでいる事を確認してください。
- アタッチメント脱着時以外は、スイッチボックスのフタを閉めてください。故障・不意の作動につながる恐れがあります。



2

危険

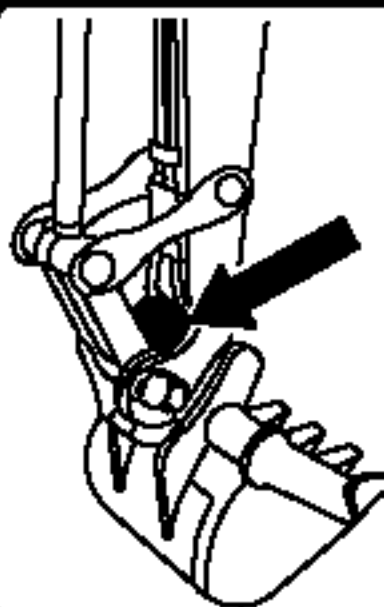
指は絶対に入れないでください。重大なケガをするおそれがあります。



3

注意


クイックヒッチ部にたまった土砂は必ず取り除いて下さい。油圧ホースが損傷するおそれがあります。



4

注意

アタッチメントを交換する時は必ず安全ピンを抜いて下さい。安全ピンの変形の原因になります。



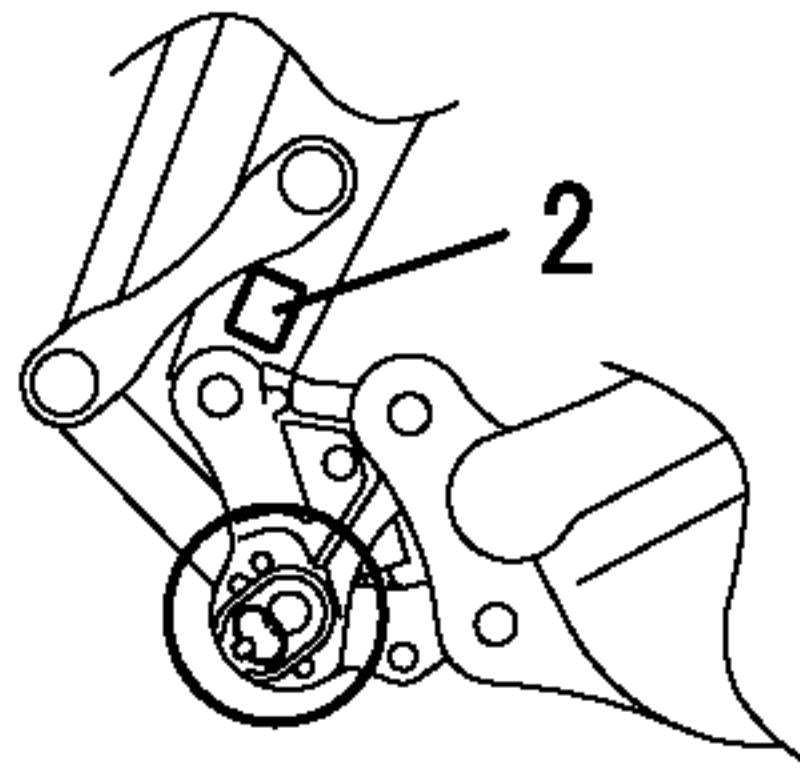
5

クイックヒッチ配管用プラグ

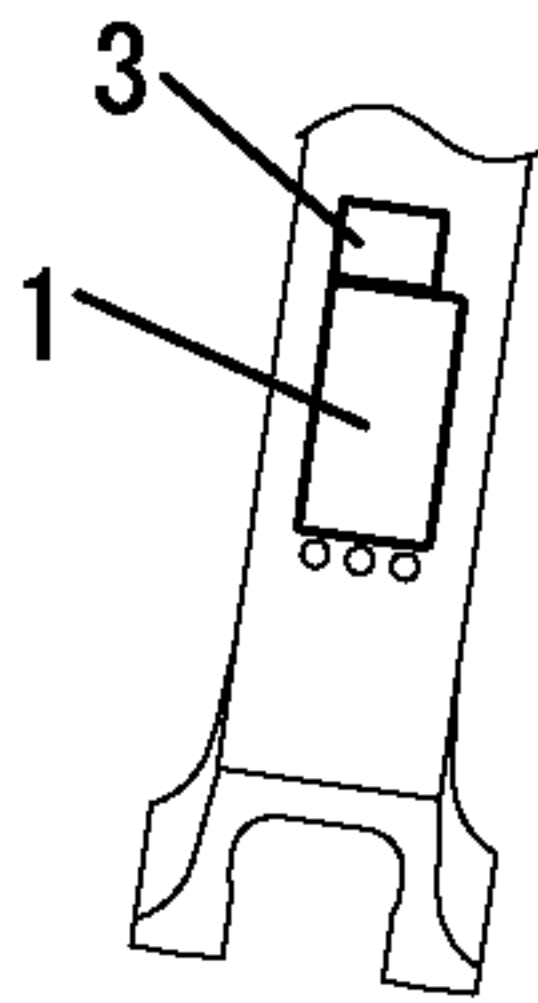
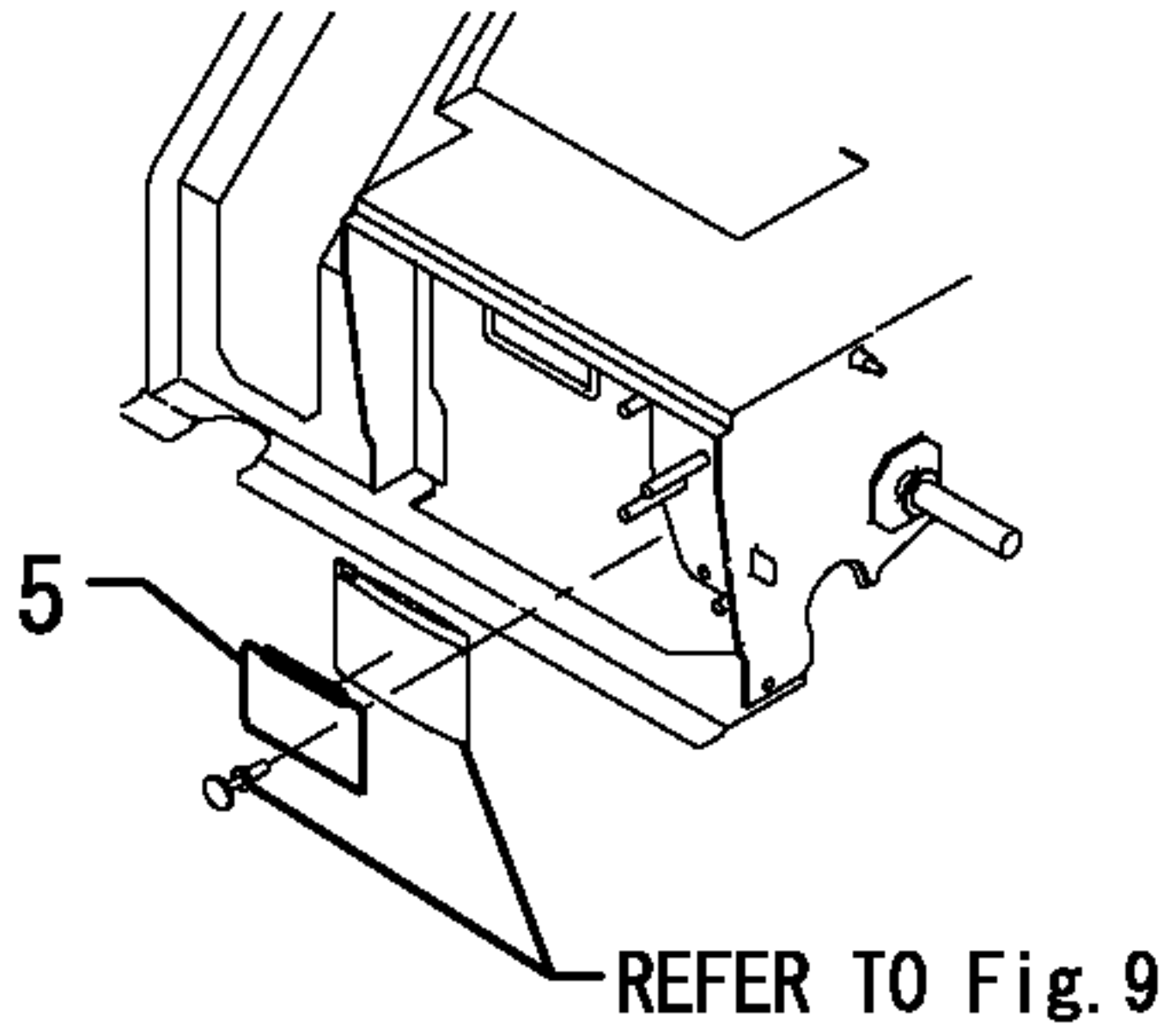
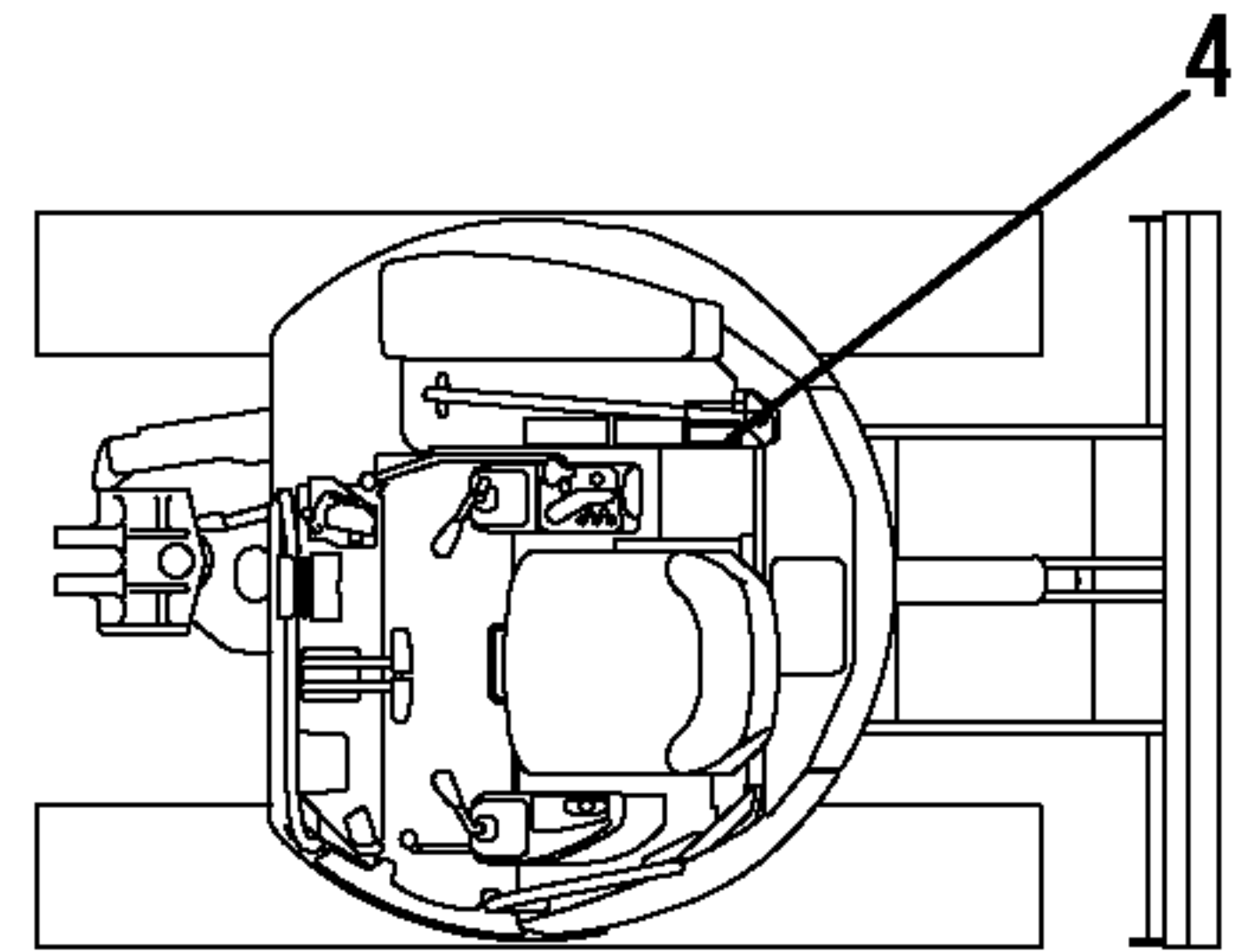
万が一、クイックヒッチ・ホースに油もれが発生した場合、ホースを取外してこの応急用プラグを取付け油もれをとめてください。

注意

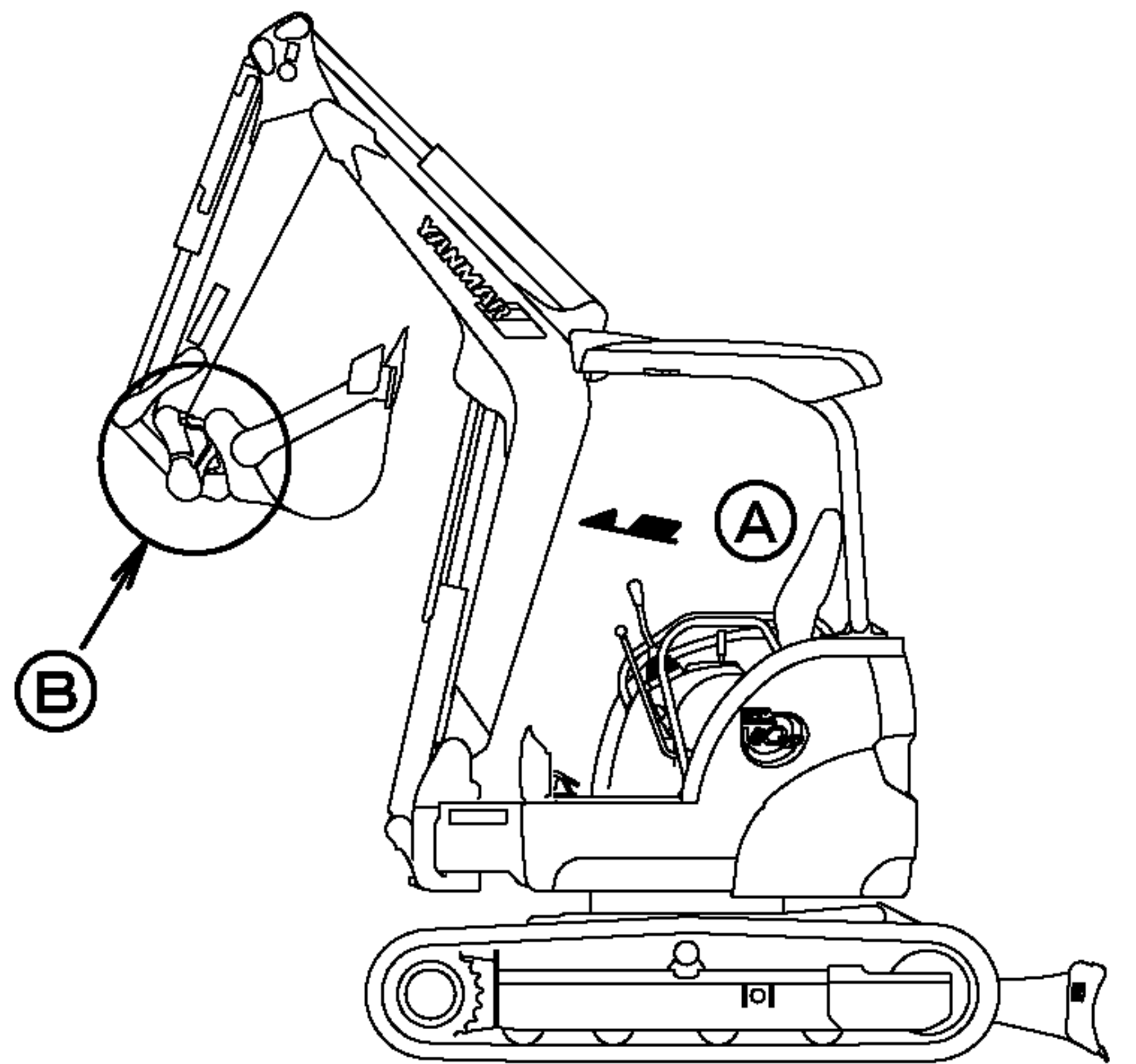
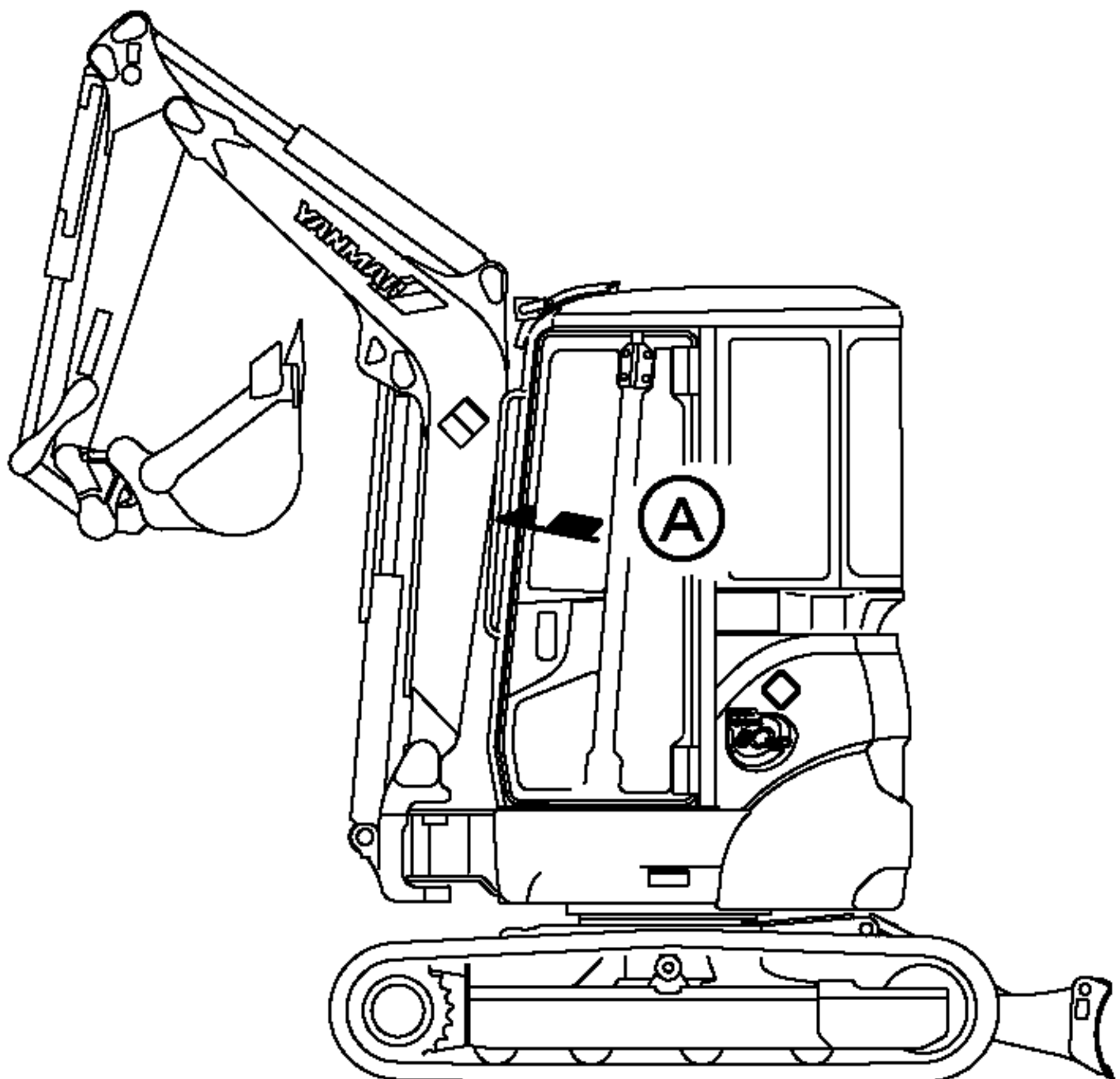
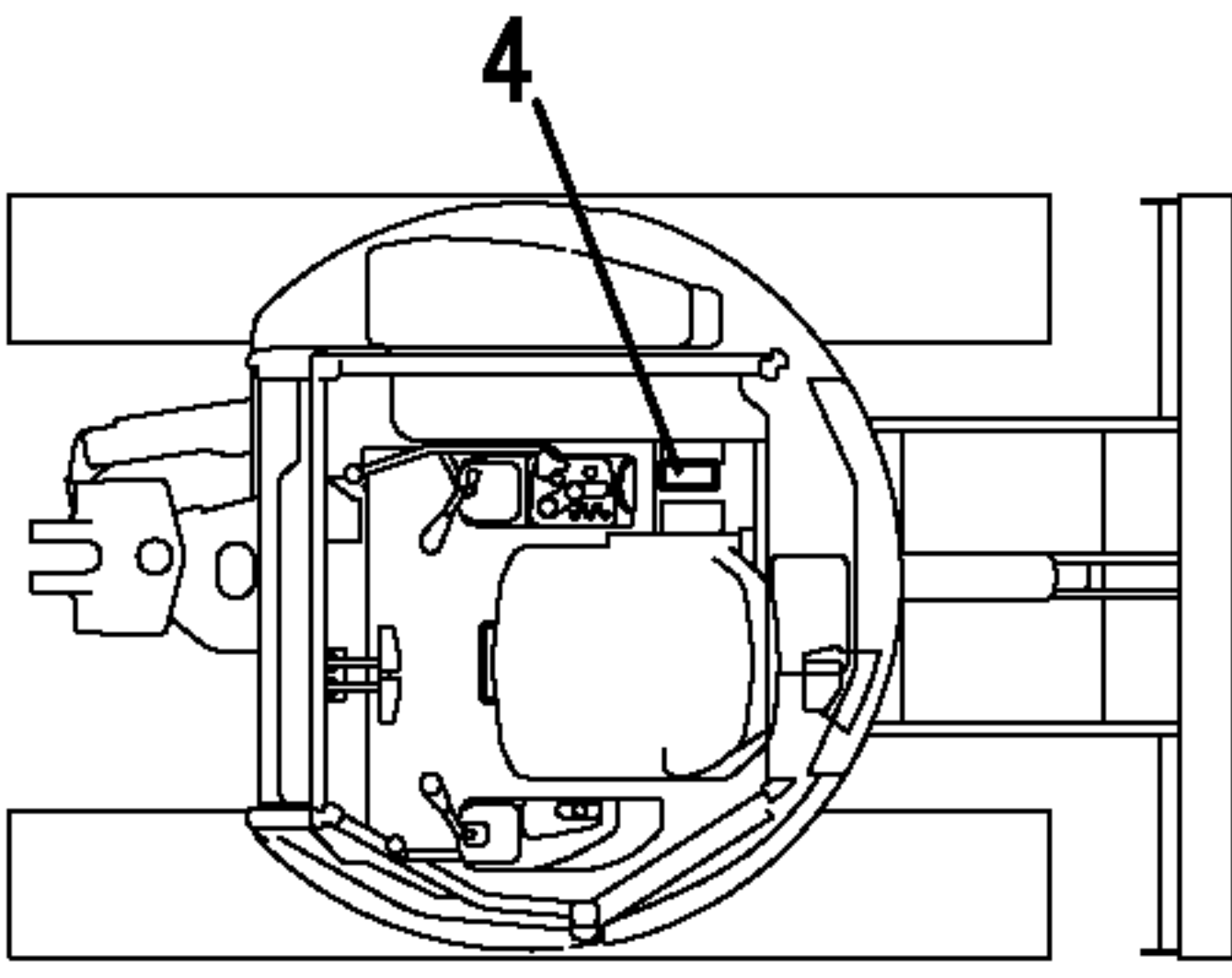
このプラグを装着しての長時間の作業は行わないでください。速やかに油圧ホースを交換して下さい。

(B) 部詳細
DETAILS OF **(B)**

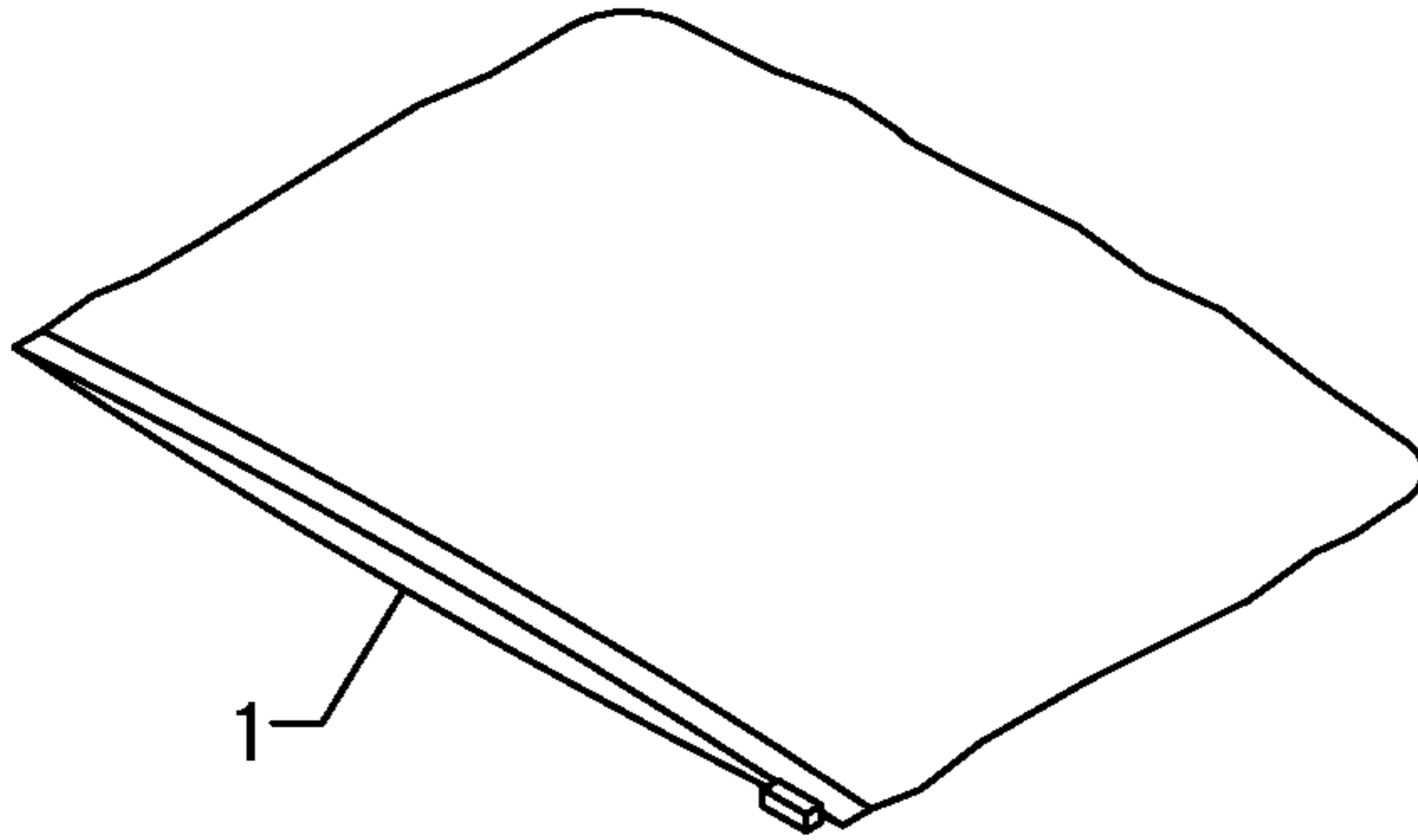


(A) から見る
VIEWED FROM **(A)**

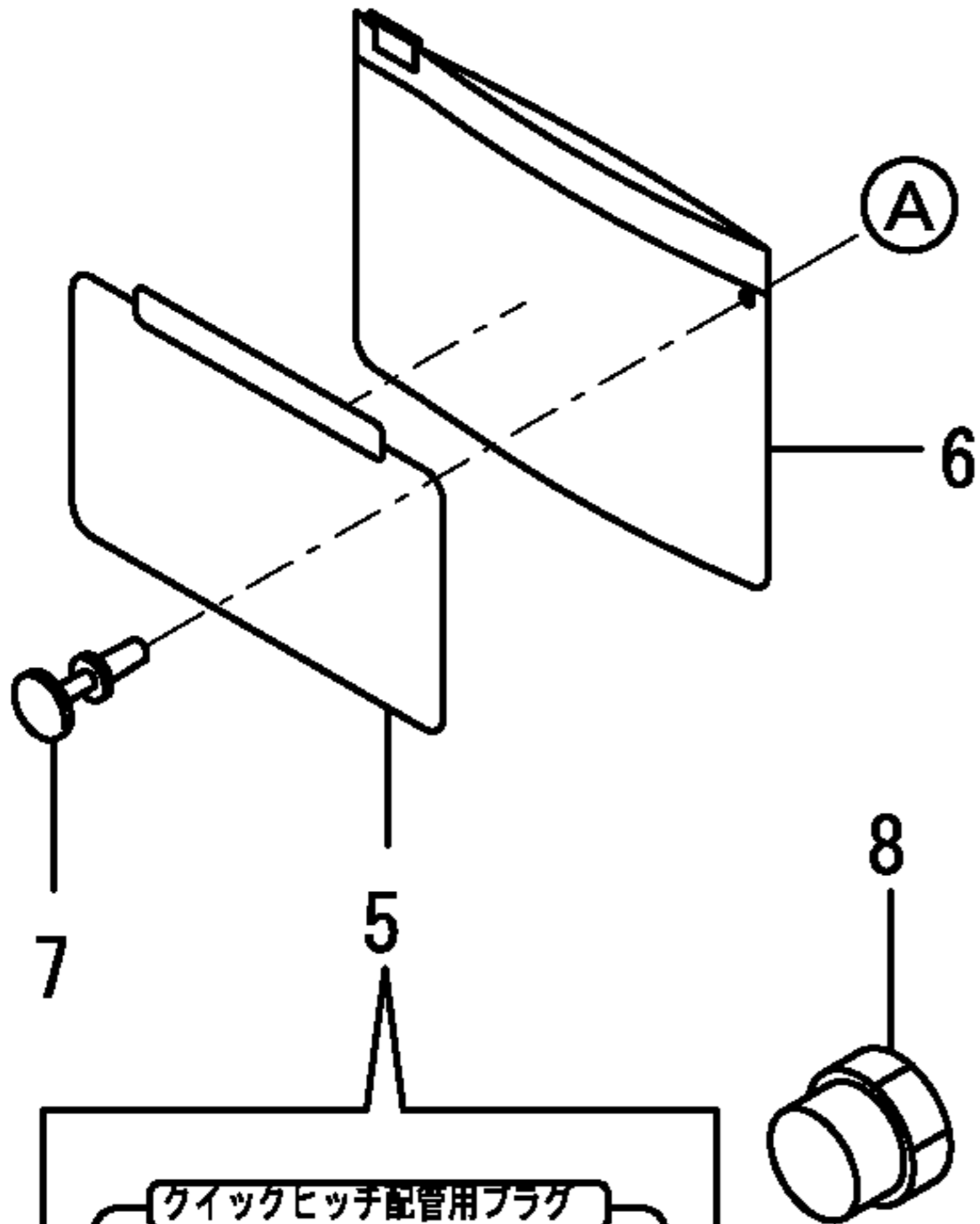
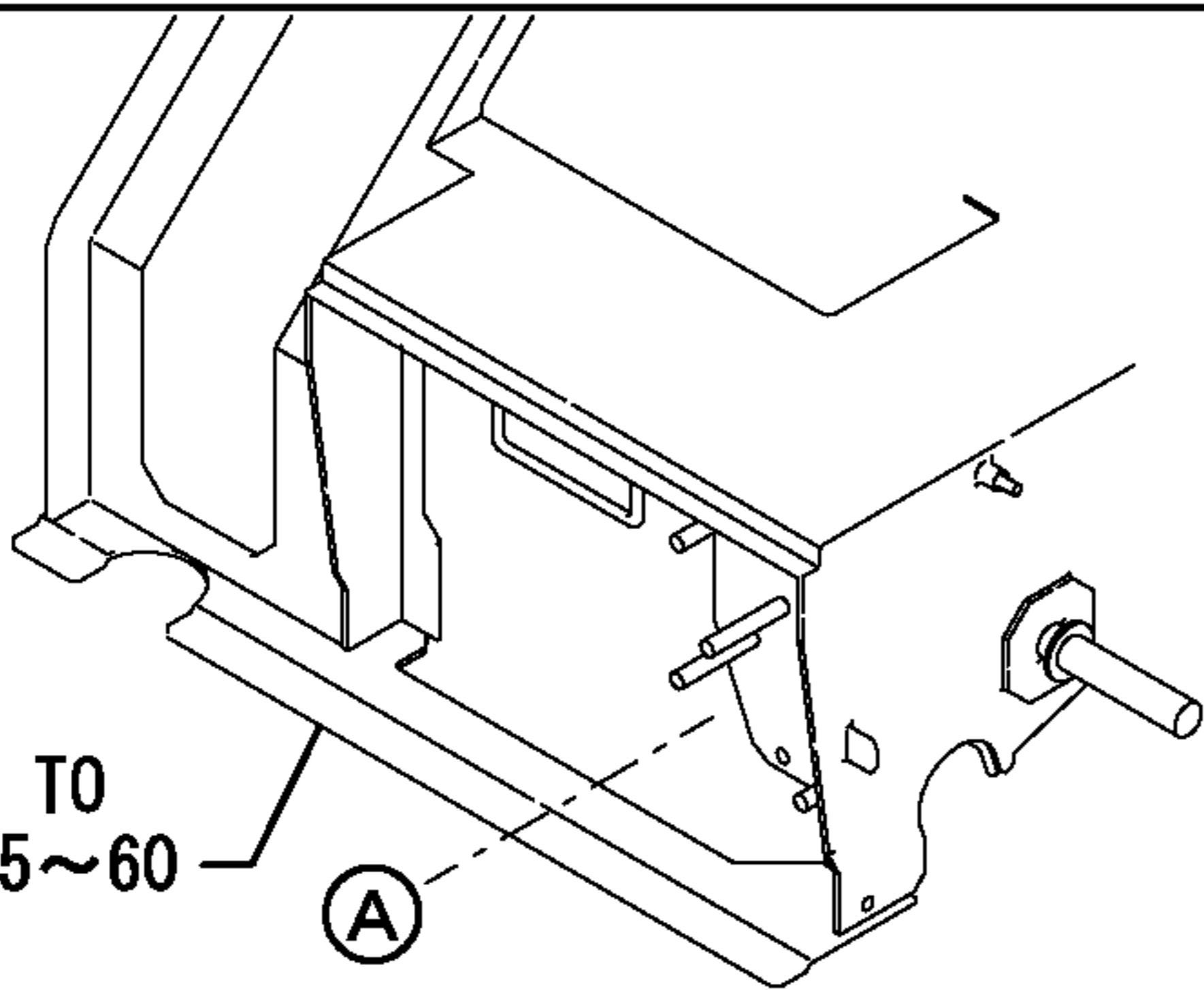




キャビン仕様
CABIN SPEC.

1,1,,172176-07330,, "BAG, MANUAL",1,1,1,,,,,,,,,,,,,
2,1,,172958-03310,, "LABEL, COLLAR",1,1,1,,,,,1,,,,,,,,,
3,1,,172958-07330,, "CASE, MANUAL",1,1,1,,,,,1,,,,,,,,,
4,1,,172958-08110,, "COLLAR 40X80X6",6,6,6,,,,,1,,,,,,,,,
5,1,,172958-03300,, "LABEL, PLUG",1,1,1,,,,,1,,,,,,,,,
6,1,,172958-05100,, "CASE, PLUG",1,1,1,,,,,1,,,,,,,,,
7,1,,172958-05110,, RIVET,1,1,1,,,,,1,,,,,,,,,
8,1,,1E3030-78370,, "CAP PF1/4",4,4,4,,,,,1,,,,,,,,,



REFER TO
Fig. 55~60

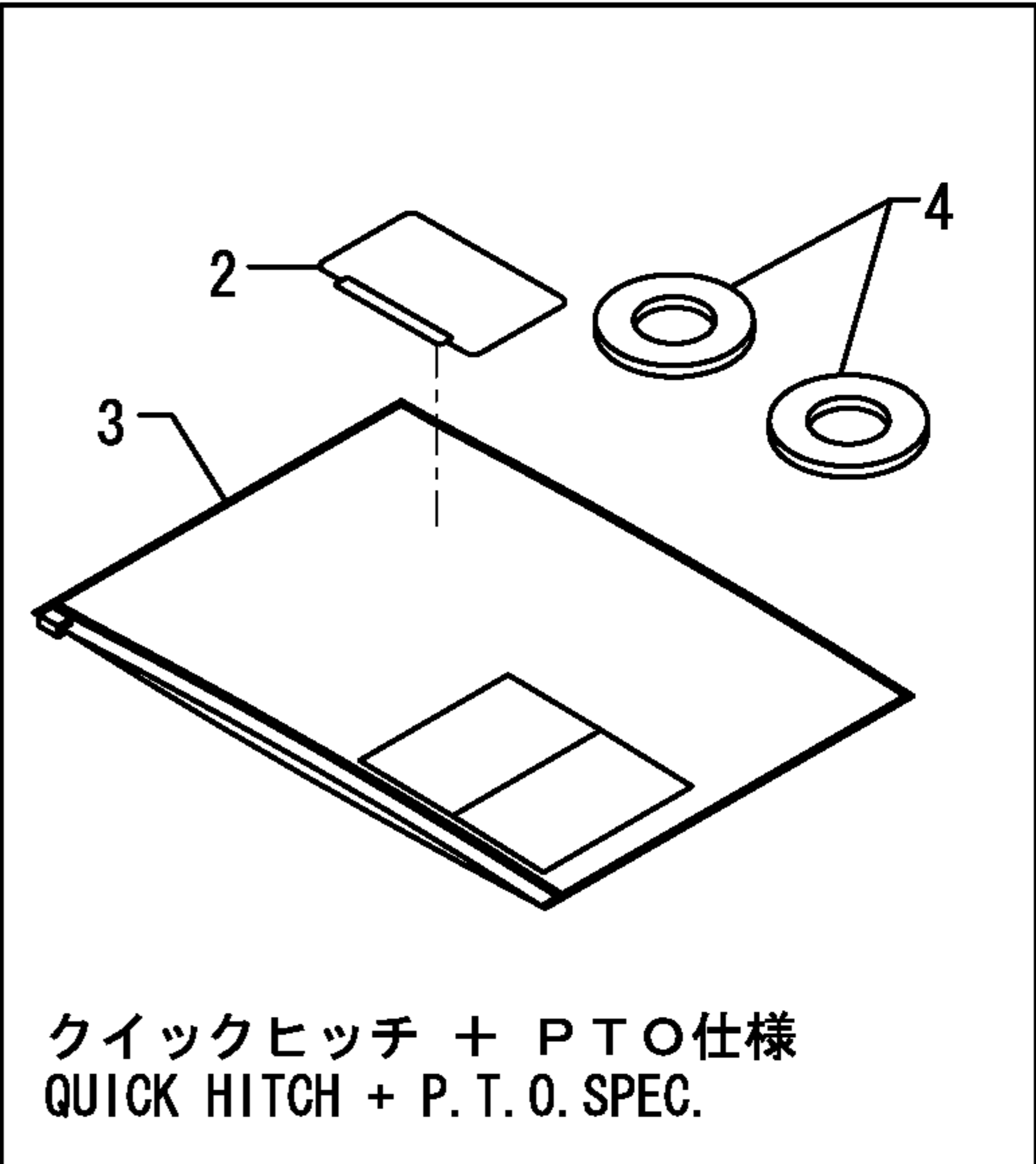


クイックヒッチ配管用プラグ

万一、クイックヒッチ・ホースに油もれが発生した場合、ホースを外してこの応急用プラグを取付け油もれをとめてください。

注意
このプラグを装着しての長時間の作業は行わないでください。速やかに油圧ホースを交換して下さい。

クイックヒッチ仕様
QUICK HITCH SPEC.

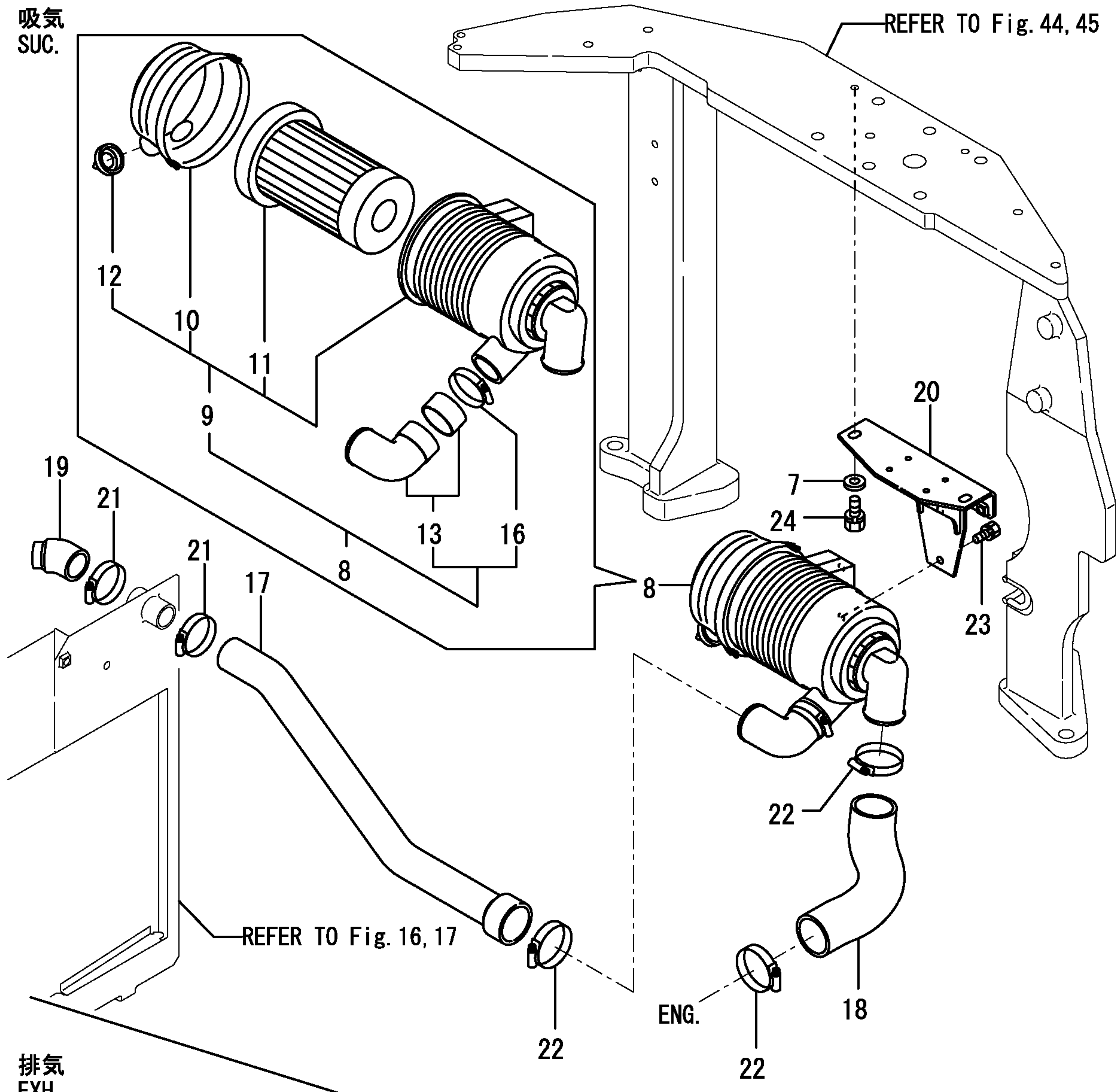


クイックヒッチ + PTO仕様
QUICK HITCH + P. T. O. SPEC.

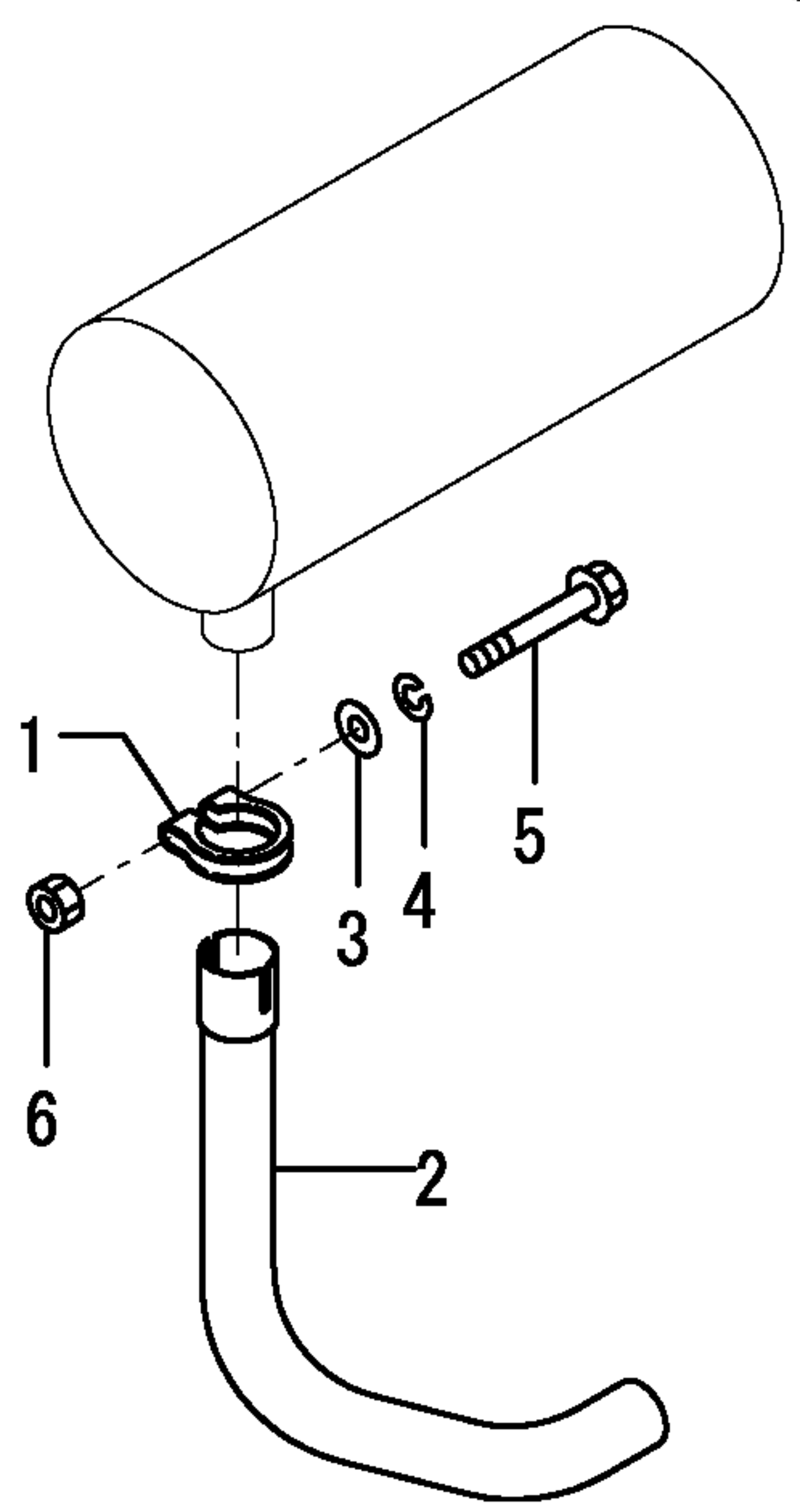
1,1,,172168-11310,,CLAMP,1,1,1,,,,,,,,,,,,,
2,1,,172458-11310,, "PIPE,EXH.EXTENSION",1,1,1,,,,,,,,,,,,,
3,1,,22117-080000,, "WASHER 8",1,1,1,,,,,,,,,,,,,
4,1,,22217-080000,, "SPRING WASHER 8",1,1,1,,,,,,,,,,,,,
5,1,,26106-080552,, "BOLT M 8X 55 PLATED",1,1,1,,,,,,,,,,,,,
6,1,,26706-080002,, "NUT M 8",1,1,1,,,,,,,,,,,,,
7,1,,194145-04810,, "WASHER 10",2,2,2,,,,,,,,,,,,,
8,1,,172458-11500,, "CLEANER ASSY,AIR",1,1,1,,,,,,,,,,,,,
9,2,,172458-11530,, "CLEANER,AIR",1,1,1,,,,,,,,,,,,,
10,3,,172458-11650,, "COVER ASSY",1,1,1,,,,,,,,,,,,,
11,3,,129619-12520,, "ELEMENT, OUTER",1,1,,,,,M,,,,,,,,,,,,,
11-1,3,,119808-12520,, "ELEMENT, OUTER",1,1,1,,,,,,,,,,,,,
12,3,,119808-12540,, "VALVE, UNLOADER",1,1,1,,,,,,,,,,,,,
13,2,,129612-12560,, "ELBOW, AIR INTAKE",1,1,1,,,,,,,,,,,,,
16,2,,23000-060000,, "CLAMP 60",1,1,1,,,,,,,,,,,,,
17,1,,172458-11510,, "HOSE,SUC. A",1,1,1,,,,,,,,,,,,,
18,1,,172458-11520,, "HOSE,SUC. B",1,1,1,,,,,,,,,,,,,
19,1,,172458-11540,, "HOSE,SUC. C",1,1,1,,,,,,,,,,,,,
20,1,,172458-11550,, "BRACKET,AIR CLEANER",1,1,1,,,,,,,,,,,,,
21,1,,23000-048000,, "CLAMP 48",2,2,2,,,,,,,,,,,,,
22,1,,23000-070000,, "CLAMP 70",3,3,3,,,,,,,,,,,,,
23,1,,26013-080162,, "BOLT W/WASHER M8X16",2,2,2,,,,,,,,,,,,,
24,1,,26013-100252,, "BOLT W/WASHER M10X25",2,2,2,,,,,,,,,,,,,

吸氣
SUC.

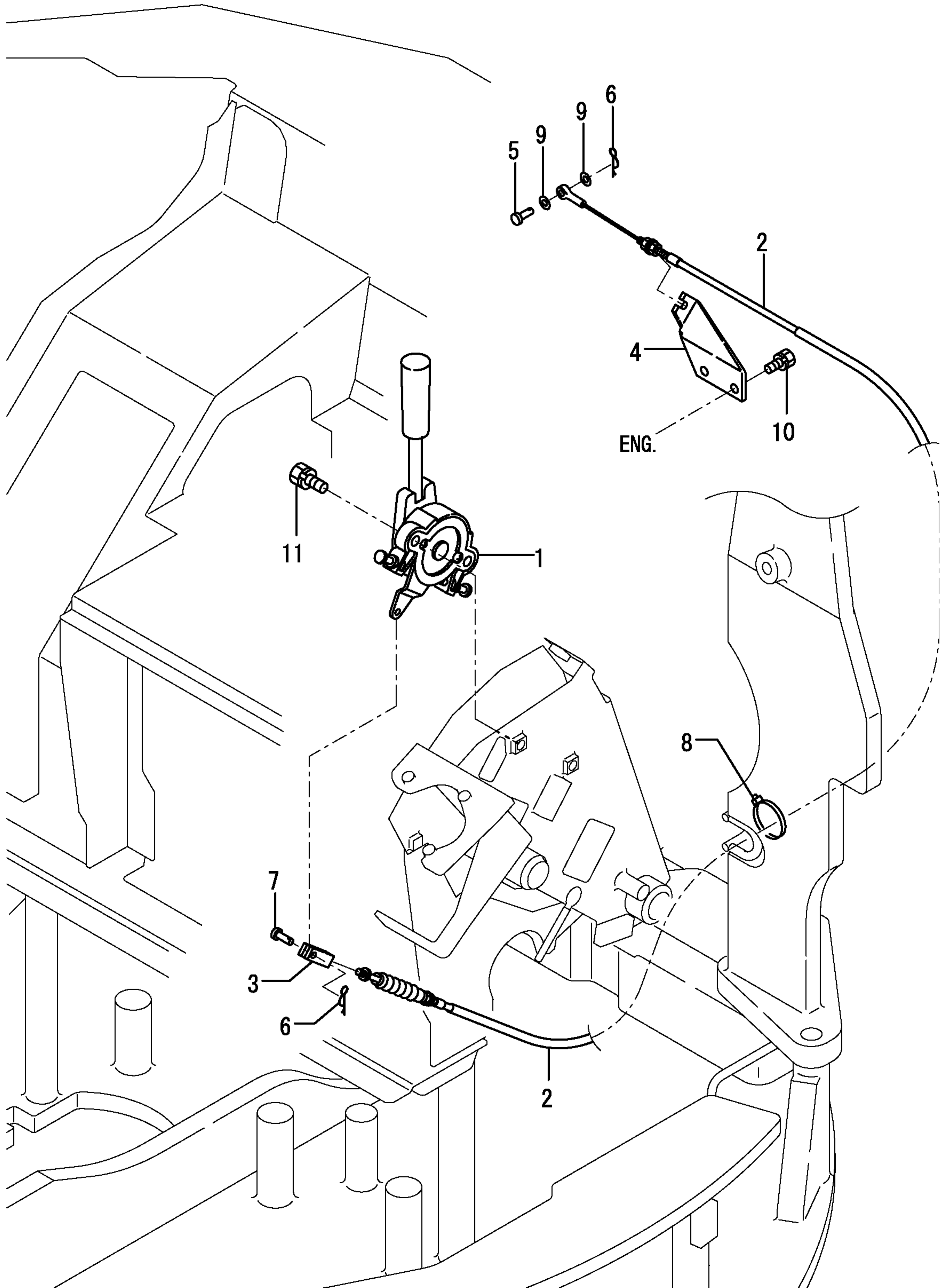
REFER TO Fig. 44, 45



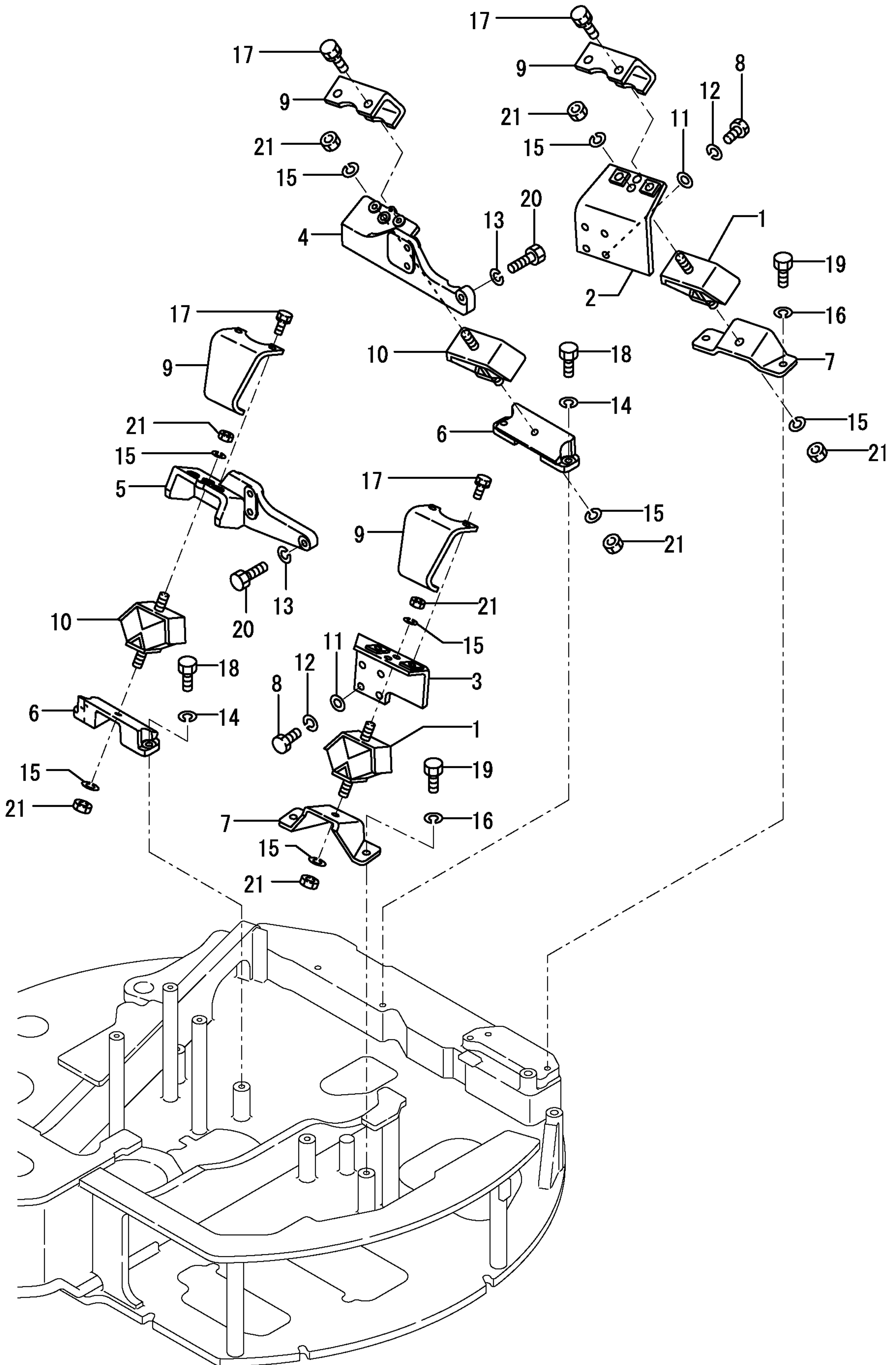
排氣
EXH.



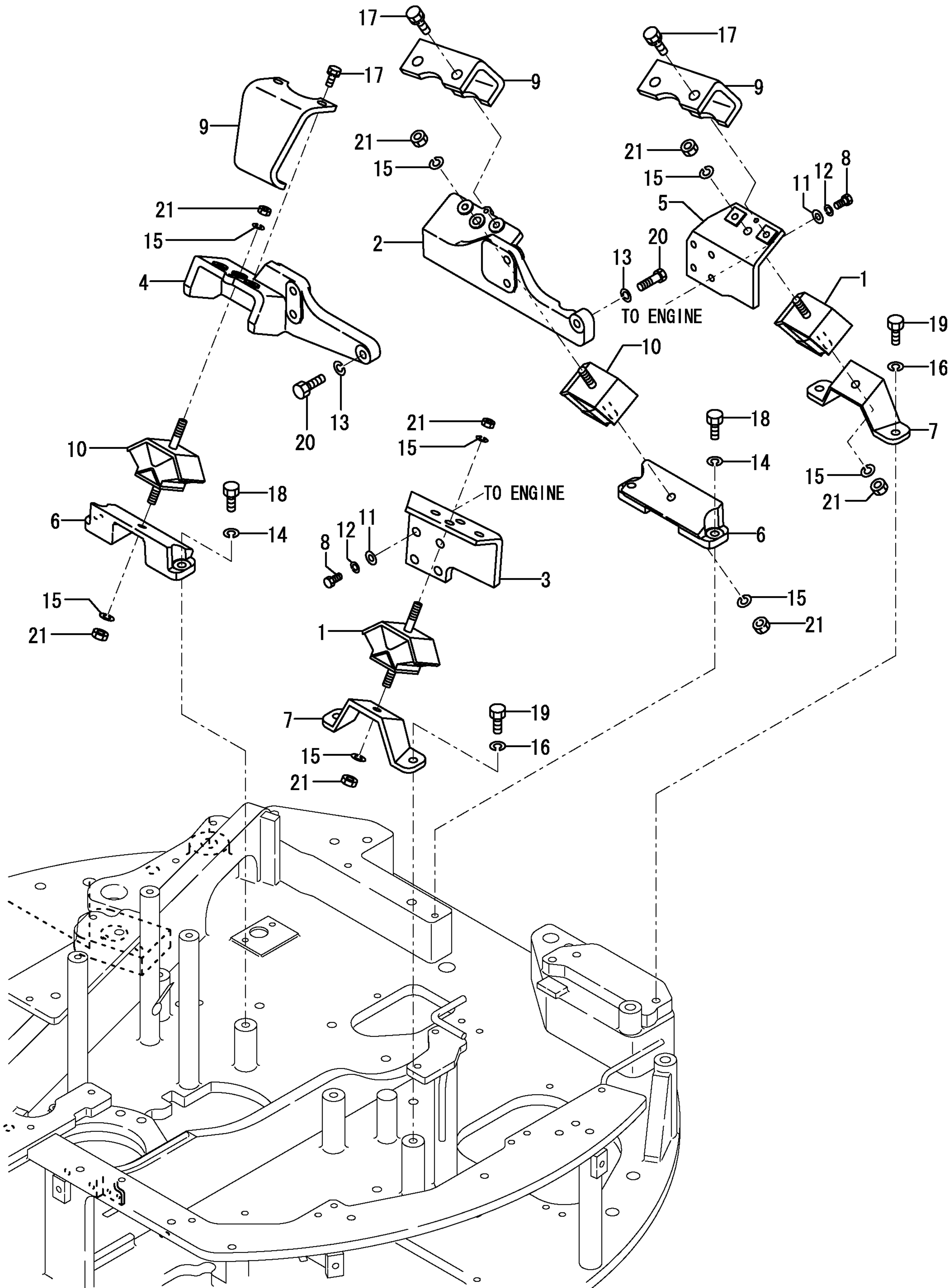
1,1,,172458-12100,, "LEVER,ACCELERATOR",1,1,1,,,,,,,,,,,,,
2,1,,172458-12110,, "CABLE,ACCELERATOR",1,1,1,,,,,,,,,,,,,
3,1,,172137-12270,, "JOINT, CABLE",1,1,1,,,,,,,,,,,,,
4,1,,172141-12280,, "CLAMP, ACCEL WIRE",1,1,1,,,,,,,,,,,,,
5,1,,172113-12522,, PIN,1,1,1,,,,,,,,,,,,,
6,1,,1C6281-52310,, "PIN 6,COME-OFF SNAP",2,2,2,,,,,,,,,,,,,
7,1,,1A1040-56900,, "PIN 6X 17",1,1,1,,,,,,,,,,,,,
8,1,,172122-79930,, "CLAMP B",1,1,1,,,,,,,,,,,,,
9,1,,22137-060000,, "WASHER 6, POLISHED",2,2,2,,,,,,,,,,,,,
10,1,,26013-080162,, "BOLT W/WASHER M8X16",2,2,2,,,,,,,,,,,,,
11,1,,26013-100252,, "BOLT W/WASHER M10X25",2,2,2,,,,,,,,,,,,,



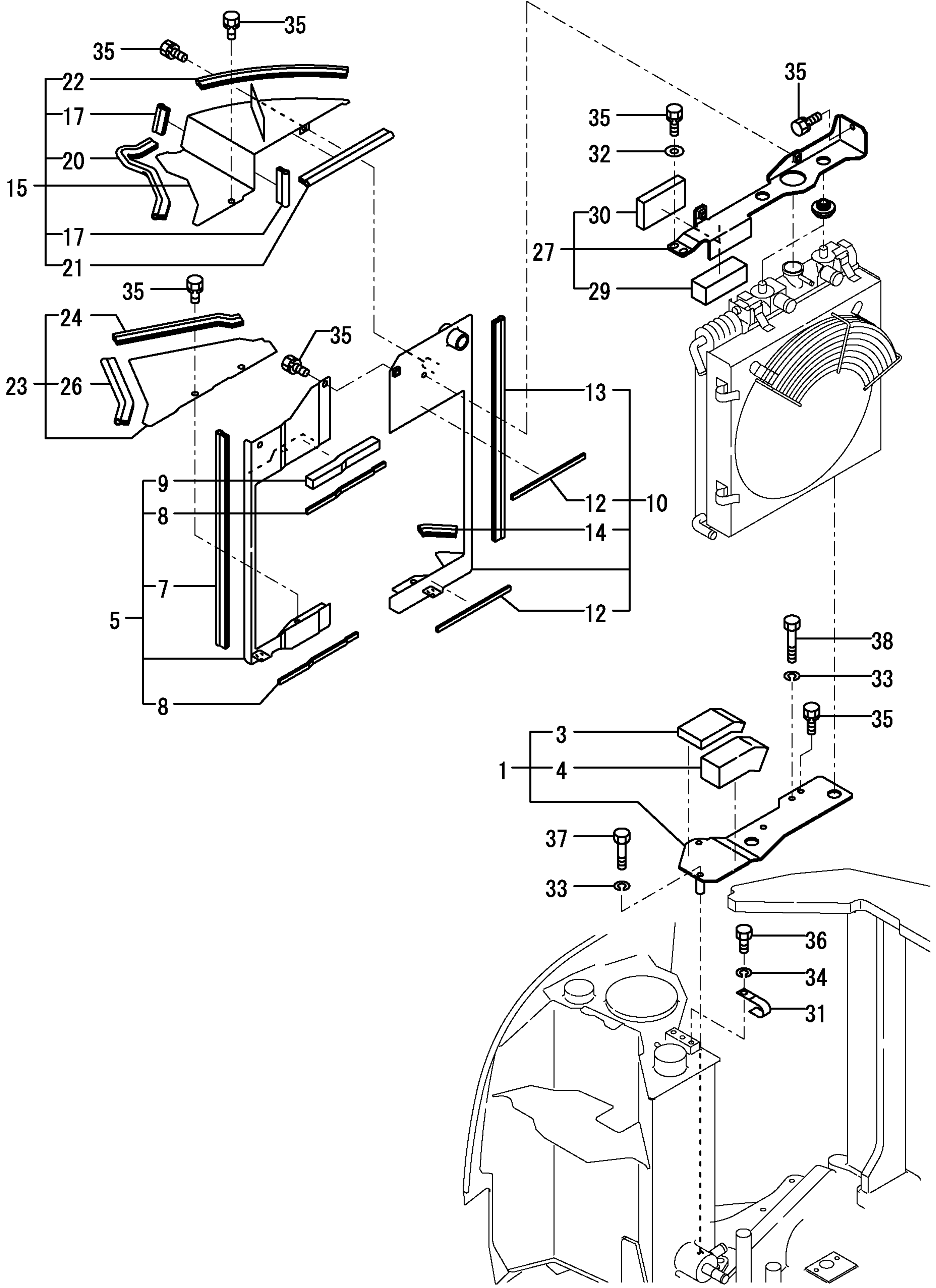
1,1,,196420-02310,, "ABSORBER, SHOCK",2,2,,,,,,,,,,,,,,,,,,,,,
2,1,,172146-13101,, "BRACKET (73)",1,1,,,,,,,,,,,,,,,,,,,,,
3,1,,172175-13100,, "BRACKET",1,1,,,,,,,,,,,,,,,,,,,,,
4,1,,172458-13100,, "MOUNT,ENGINE",1,1,,,,,,,,,,,,,,,,,,,,,
5,1,,172458-13110,, "MOUNT,ENGINE",1,1,,,,,,,,,,,,,,,,,,,,,
6,1,,172458-13120,, "BRACKET,ENGINE (73)",2,2,,,,,,,,,,,,,,,,,,,,,
7,1,,172168-13150,, "BRACKET,ENGINE (73)",2,2,,,,,,,,,,,,,,,,,,,,,
8,1,,172162-13200,, "BOLT M10X30",8,8,,,,,,,,,,,,,,,,,,,,,
9,1,,172124-13230-4,, "STOPPER, ENGINE (72)",4,4,,,,,,,,,,,,,,,,,,,,,
10,1,,172168-13250,, "ABSORBER,SHOCK 180",2,2,,,,,,,,,,,,,,,,,,,,,
11,1,,172137-46040,, "SEAT, SPRING",8,8,,,,,,,,,,,,,,,,,,,,,
12,1,,22217-100000,, "SPRING WASHER 10",8,8,,,,,,,,,,,,,,,,,,,,,
13,1,,22217-120000,, "SPRING WASHER 12",6,6,,,,,,,,,,,,,,,,,,,,,
14,1,,22217-120000,, "SPRING WASHER 12",4,4,,,,,,,,,,,,,,,,,,,,,
15,1,,22217-120000,, "SPRING WASHER 12",8,8,,,,,,,,,,,,,,,,,,,,,
16,1,,22217-120000,, "SPRING WASHER 12",4,4,,,,,,,,,,,,,,,,,,,,,
17,1,,26013-100252,, "BOLT W/WASHER M10X25",8,8,,,,,,,,,,,,,,,,,,,,,
18,1,,26076-120352,, "BOLT M12X 35",4,4,,,,,,,,,,,,,,,,,,,,,
19,1,,26076-120352,, "BOLT M12X 35",4,4,,,,,,,,,,,,,,,,,,,,,
20,1,,26076-120402,, "BOLT 10.9 12X 4",6,6,,,,,,,,,,,,,,,,,,,,,
21,1,,26716-120002,, "NUT 12",8,8,,,,,,,,,,,,,,,,,,,,,



1,1,,196420-02310,, "ABSORBER, SHOCK",2,2,2,,,,,,,,,,,,,I
2,1,,172458-13100,, "MOUNT,ENGINE",1,1,1,,,,,,,,,,,,,I
3,1,,172175-13110,, "PLATE, L (GRAY:73)",1,1,1,,,,,,,,,,,,,I
4,1,,172458-13110,, "MOUNT,ENGINE",1,1,1,,,,,,,,,,,,,I
5,1,,172490-13110,, "BRACKET,EN BR (73)",1,1,1,,,,,,,,,,,,,I
6,1,,172458-13120,, "BRACKET,ENGINE (73)",2,2,2,,,,,,,,,,,,,I
7,1,,172490-13150,, "BRACKET,ENGINE (73)",2,2,2,,,,,,,,,,,,,I
8,1,,172162-13200,, "BOLT M10X30",8,8,8,,,,,,,,,,,,,I
9,1,,172124-13230,, "STOPPER, ENGINE",3,3,3,,,,,,,,,,,,,I
10,1,,172168-13250,, "ABSORBER,SHOCK 180",2,2,2,,,,,,,,,,,,,I
11,1,,172137-46040,, "SEAT, SPRING",8,8,8,,,,,,,,,,,,,I
12,1,,22217-100000,, "SPRING WASHER 10",8,8,8,,,,,,,,,,,,,I
13,1,,22217-120000,, "SPRING WASHER 12",6,6,6,,,,,,,,,,,,,I
14,1,,22217-120000,, "SPRING WASHER 12",4,4,4,,,,,,,,,,,,,I
15,1,,22217-120000,, "SPRING WASHER 12",8,8,8,,,,,,,,,,,,,I
16,1,,22217-120000,, "SPRING WASHER 12",4,4,4,,,,,,,,,,,,,I
17,1,,26013-100252,, "BOLT W/WASHER M10X25",6,6,6,,,,,,,,,,,,,I
18,1,,26076-120352,, "BOLT M12X 35",4,4,4,,,,,,,,,,,,,I
19,1,,26076-120352,, "BOLT M12X 35",4,4,4,,,,,,,,,,,,,I
20,1,,26076-120402,, "BOLT 10.9 12X 4",6,6,6,,,,,,,,,,,,,I
21,1,,26716-120002,, "NUT 12",8,8,8,,,,,,,,,,,,,I

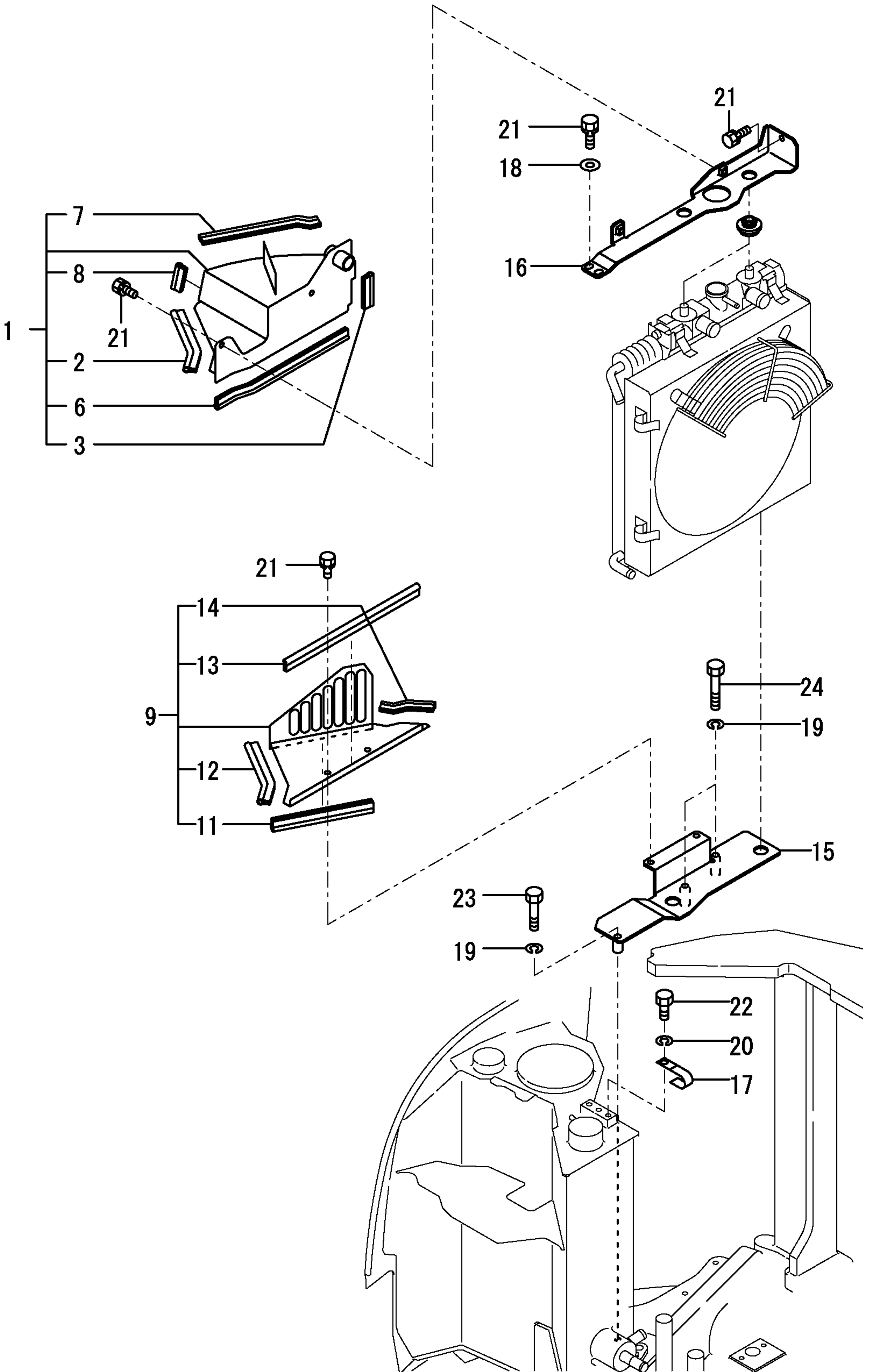


1,1,,172457-13330,, "MOUNT ASSY,RADIATOR",1,1,,,,,,,,,,,,,,,,,,,,,
3,2,,172458-13890,, "SEAL I",1,1,,,,,,,,,,,,,,,,,,,,,
4,2,,172458-13900,, "SEAL J",1,1,,,,,,,,,,,,,,,,,,,,,
5,1,,172457-13600,, "DUCT L ASSY,RADIATOR",1,1,,,,,,,,,,,,,,,,,,,,,
7,2,,172457-13670,, "SEAL A",1,1,,,,,,,,,,,,,,,,,,,,,
8,2,,172458-13750,, "SEAL A",2,2,,,,,,,,,,,,,,,,,,,,,
9,2,,172458-13880,, "SEAL H",1,1,,,,,,,,,,,,,,,,,,,,,
10,1,,172457-13700,, "DUCT R ASSY,RADIATOR",1,1,,,,,,,,,,,,,,,,,,,,,
12,2,,172458-13780,, "SEAL D",2,2,,,,,,,,,,,,,,,,,,,,,
13,2,,172164-66630,, "RUBBER, SEAL 530",1,1,,,,,,,,,,,,,,,,,,,,,
14,2,,172164-66800,, "RUBBER, SEAL 60",1,1,,,,,,,,,,,,,,,,,,,,,
15,1,,172457-13750,, "DUCT ASSY,UP",1,1,,,,,,,,,,,,,,,,,,,,,
15-1,1,,172457-13751,, "DUCT ASSY
(UP",1,1,,,,,N,,72457037,M/#20852,72457037,M/#20852,,,,,
17,2,,172457-13780,, "RUBBER,SEAL 80",2,2,,,,,,,,,,,,,,,,,,,,,
20,2,,172162-15310,, "SEAL",1,1,,,,,,,,,,,,,,,,,,,,,
21,2,,172422-66150,, "SEAL",1,1,,,,,,,,,,,,,,,,,,,,,
22,2,,172164-66480,, "RUBBER 340, SEAL",1,1,,,,,,,,,,,,,,,,,,,,,
22-1,2,,172164-66620,, "RUBBER, SEAL
320",1,1,,,,,N,,72457037,M/#20852,72457037,M/#20852,,,,,
23,1,,172457-13800,, "DUCT ASSY,LOW",1,1,,,,,,,,,,,,,,,,,,,,,
24,2,,172183-13480,, "RUBBER,SEAL",1,1,,,,,,,,,,,,,,,,,,,,,
26,2,,172168-65790,, "RUBBER",1,1,,,,,,,,,,,,,,,,,,,,,
27,1,,172458-13860,, "MOUNT-U,RADIATOR",1,1,,,,,,,,,,,,,,,,,,,,,
27-1,1,,172458-13861,, "MOUNT U
ASSY",1,1,,,,,N,,72458402,M/#20501,72458402,M/#20501,,,,,
29,2,,172458-13870,, "SEAL G",1,1,,,,,,,,,,,,,,,,,,,,,
30,2,,172458-13890,, "SEAL I",1,1,,,,,,,,,,,,,,,,,,,,,
31,1,,1A1380-59480,, "CLAMP A,SM.&DYN.CORD",1,1,,,,,,,,,,,,,,,,,,,,,
32,1,,22137-100000,, "WASHER 10,POLISHED",2,2,,,,,,,,,,,,,,,,,,,,,
33,1,,22217-100000,, "SPRING WASHER 10",3,3,,,,,,,,,,,,,,,,,,,,,
34,1,,22217-100000,, "SPRING WASHER 10",1,1,,,,,,,,,,,,,,,,,,,,,
35,1,,26013-100202,, "BOLT W/WASHER M10X20",9,9,,,,,,,,,,,,,,,,,,,,,
36,1,,26116-100162,, "BOLT M10X 16 PLATED",1,1,,,,,,,,,,,,,,,,,,,,,
37,1,,26116-100452,, "BOLT M10X 45 PLATED",1,1,,,,,,,,,,,,,,,,,,,,,
38,1,,26116-100552,, "BOLT M10X 55 PLATED",2,2,,,,,,,,,,,,,,,,,,,,,

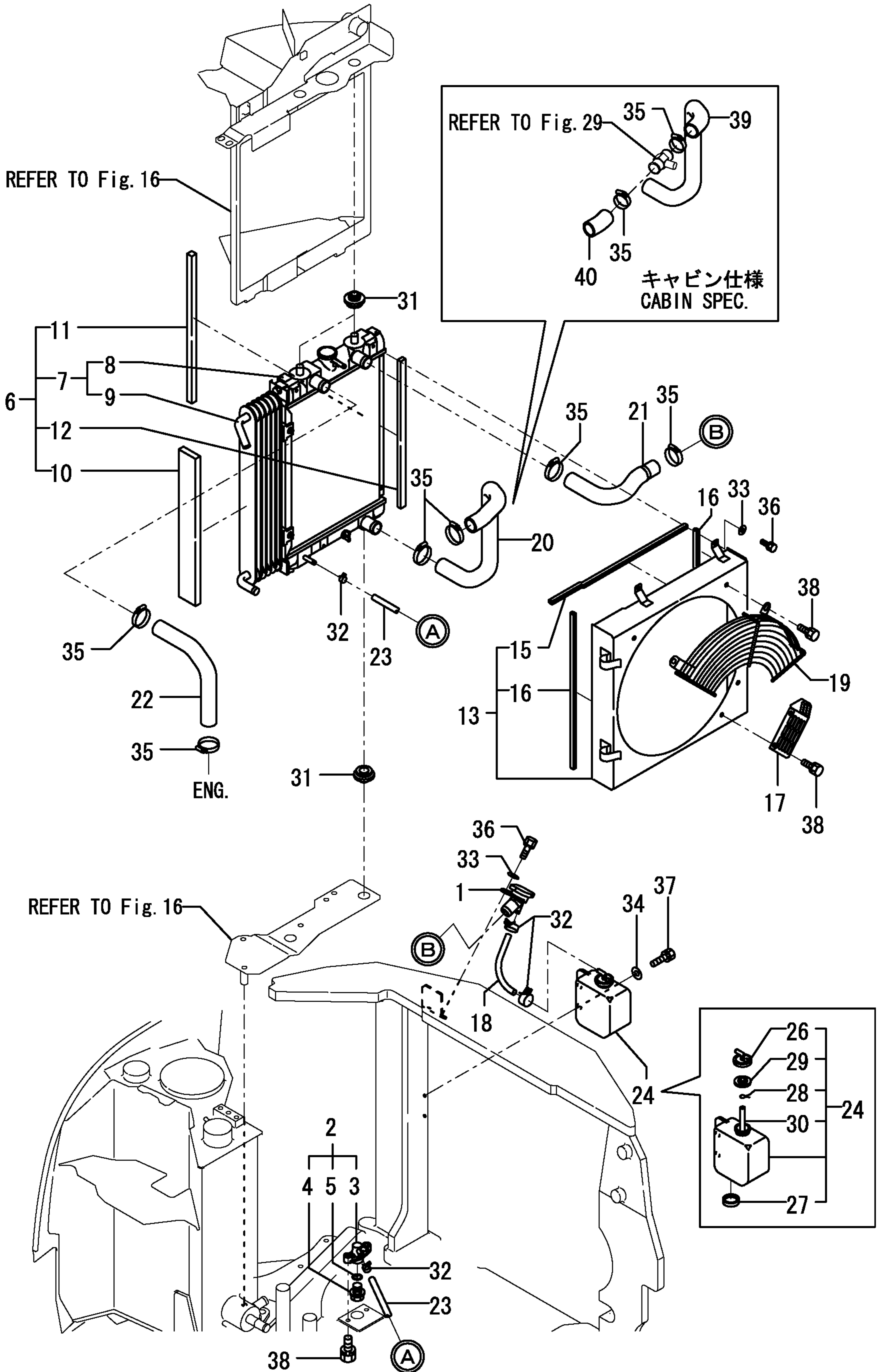


1,1,,172457-13701,, "DUCT R ASSY,RADIATOR",1,1,1,,,,,,,,,,,,,I
2,2,,172183-13480,, "RUBBER,SEAL",1,1,1,,,,,,,,,,,,,I
3,2,,172457-13780,, "RUBBER,SEAL 80",1,1,1,,,,,,,,,,,,,I
6,2,,172444-54910,, "SEAL,WEIGHT B",1,1,1,,,,,,,,,,,,,I
7,2,,172444-65680,, "SEAL 320",1,1,1,,,,,,,,,,,,,I
8,2,,172456-65790,, "RUBBER,SEAL 85",1,1,1,,,,,,,,,,,,,I
9,1,,172457-13801,, "DUCT ASSY,LOW",1,1,1,,,,,,,,,,,,,I
11,2,,172444-54910,, "SEAL,WEIGHT B",1,1,1,,,,,,,,,,,,,I
12,2,,172168-65790,, "RUBBER,1,1,1",,,,,,,,,,,,,,I
13,2,,172456-65850,, "SEAL,DUCT 385",1,1,1,,,,,,,,,,,,,I
14,2,,172456-65860,, "RUBBER,SEAL 130",1,1,1,,,,,,,,,,,,,I
15,1,,172457-13890,, "MOUNT,RADIATOR",1,1,1,,,,,,,,,,,,,I
16,1,,172457-13910,, "MOUNT U ASSY, RAD",1,1,1,,,,,,,,,,,,,I
17,1,,1A1380-59480,, "CLAMP A,SM.&DYN.CORD",1,1,1,,,,,,,,,,,,,I
18,1,,22137-100000,, "WASHER 10,POLISHED",2,2,2,,,,,,,,,,,,,I
19,1,,22217-100000,, "SPRING WASHER 10",3,3,3,,,,,,,,,,,,,I
20,1,,22217-100000,, "SPRING WASHER 10",1,1,1,,,,,,,,,,,,,I
21,1,,26013-100202,, "BOLT W/WASHER M10X20",9,9,9,,,,,,,,,,,,,I
22,1,,26116-100162,, "BOLT M10X 16 PLATED",1,1,1,,,,,,,,,,,,,I
23,1,,26116-100452,, "BOLT M10X 45 PLATED",1,1,1,,,,,,,,,,,,,I
24,1,,26116-100552,, "BOLT M10X 55 PLATED",2,2,2,,,,,,,,,,,,,I

M/#25501~



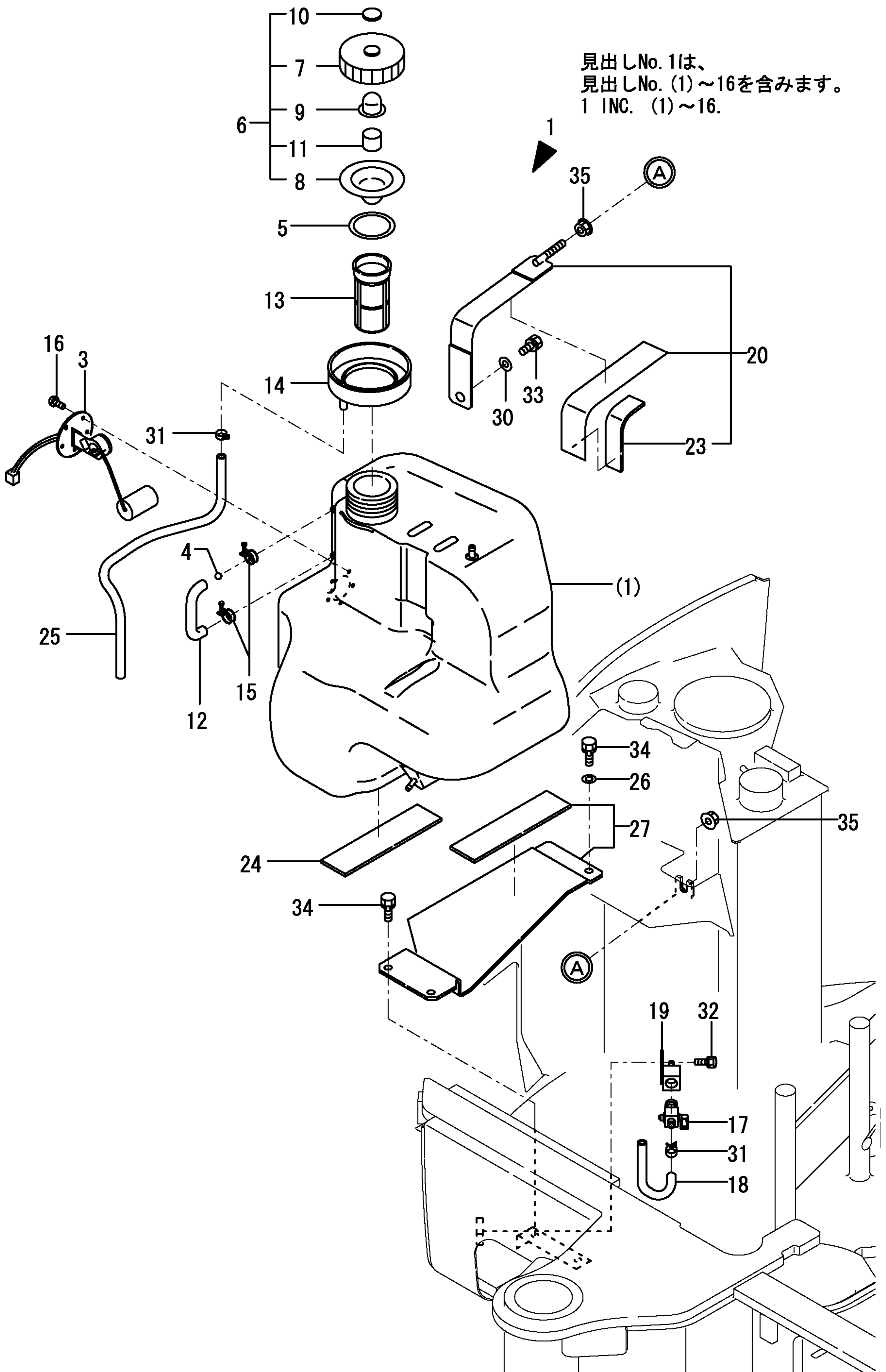
1,1,,1D4105-11950,, "CAP CMP",1,1,,,,,,,,,,,,,,,,,,,,,
2,1,,172444-13210,, "COCK ASSY,2-WAY",1,1,,,,,,,,,,,,,,,,,,,,,
3,2,,172444-13220,, BODY,1,1,,,,,,,,,,,,,,,,,,,,,
4,2,,121250-49121,, PLUG,1,1,,,,,,,,,,,,,,,,,,,,,
5,2,,24311-000160,, "O-RING 1A P-16.0",1,1,,,,,,,,,,,,,,,,,,,,,
6,1,,172458-13290,, "RADIATOR ASSY",1,1,,,,,,,,,,,,,,,,,,,,,
7,2,,172458-13300,, RADIATOR,1,1,,,,,,,,,,,,,,,,,,,,,
8,3,,172458-13950,, RADIATOR,1,1,,,,,,,,,,,,,,,,,,,,,
9,3,,172458-13960,, "OIL COOLER",1,1,,,,,,,,,,,,,,,,,,,,,
10,2,,172458-13310,, "SEAL A,RADIATOR",1,1,,,,,,,,,,,,,,,,,,,,,
11,2,,172458-13320,, "SEAL B,RADIATOR",1,1,,,,,,,,,,,,,,,,,,,,,
12,2,,172458-13390,, "SEAL C,RADIATOR",1,1,,,,,,,,,,,,,,,,,,,,,
13,1,,172457-13400,, "SHURAUD ASSY",1,1,,,,,,,,,,,,,,,,,,,,,
15,2,,172458-13450,, "SEAL 420",2,2,,,,,,,,,,,,,,,,,,,,,
16,2,,172458-13460,, "SEAL 400",2,2,,,,,,,,,,,,,,,,,,,,,
17,1,,172458-13480,, "PLATE,GUARD",1,1,,,,,,,,,,,,,,,,,,,,,
18,1,,172458-13530,, "HOSE 140",1,1,,,,,,,,,,,,,,,,,,,,,
19,1,,172423-13550,, "NET,WIRE",1,1,,,,,,,,,,,,,,,,,,,,,
20,1,,172458-13550,, CW-T(A,,1,,,,,,,,,,,,,,,,,,,,,
21,1,,172458-13560,, CW-T(B,1,1,,,,,,,,,,,,,,,,,,,,,
22,1,,172458-13570,, CW-T(C,1,1,,,,,,,,,,,,,,,,,,,,,
23,1,,172171-14610,, "HOSE 260,FUEL",1,1,,,,,,,,,,,,,,,,,,,,,
24,1,,121468-44510,, "SUB-TANK ASSY",1,1,,,,,,,,,,,,,,,,,,,,,
26,2,,121450-44531,, CAP,1,1,,,,,,,,,,,,,,,,,,,,,
27,2,,121468-44540,, "PLUG, SUB-TANK",1,1,,,,,,,,,,,,,,,,,,,,,
28,2,,124450-44560,, CLAMP,1,1,,,,,,,,,,,,,,,,,,,,,
29,2,,121470-44581,, GASKET,1,1,,,,,,,,,,,,,,,,,,,,,
30,2,,23065-070130,, "PIPE 7X 130",1,1,,,,,,,,,,,,,,,,,,,,,
31,1,,119255-44660,, RUBBER,4,4,,,,,,,,,,,,,,,,,,,,,
32,1,,124766-59050,, "CLAMP 12",4,4,,,,,,,,,,,,,,,,,,,,,
33,1,,22137-060000,, "WASHER 6, POLISHED",5,5,,,,,,,,,,,,,,,,,,,,,
34,1,,22137-060000,, "WASHER 6, POLISHED",2,2,,,,,,,,,,,,,,,,,,,,,
35,1,,23000-041000,, "CLAMP 41",8,6,,,,,,,,,,,,,,,,,,,,,
36,1,,26013-060162,, "BOLT M 6X 16",5,5,,,,,,,,,,,,,,,,,,,,,
37,1,,26013-060202,, "BOLT M 6X 20",2,2,,,,,,,,,,,,,,,,,,,,,
38,1,,26013-080162,, "BOLT W/WASHER M8X16",6,6,,,,,,,,,,,,,,,,,,,,,
39,1,,172458-13580,, CW-T(A-1,1,,,,,,,,,,,,,,,,,,,,,
40,1,,172458-13590,, CW-T(A-2,1,,,,,,,,,,,,,,,,,,,,,



1,1,,1D4105-11950,, "CAP CMP",1,1,1,,,,,,,,,,,,,,,,,,,,,I
2,1,,172444-13210,, "COCK ASSY,2-WAY",1,1,1,,,,,,,,,,,,,,,,,,,,,I
3,2,,172444-13220,, BODY,1,1,1,,,,,,,,,,,,,,,,,,,,,I
4,2,,121250-49121,, PLUG,1,1,1,,,,,,,,,,,,,,,,,,,,,I
5,2,,24311-000160,, "O-RING 1A P-16.0",1,1,1,,,,,,,,,,,,,,,,,,,,,I
6,1,,172458-13291,, "RADIATOR ASSY",1,1,1,,,,,,,,,,,,,,,,,,,,,I
7,2,,172458-13300,, RADIATOR,1,1,1,,,,,,,,,,,,,,,,,,,,,I
8,3,,172456-13320,, "VALVE,STOP",1,1,1,,,,,,,,,,,,,,,,,,,,,I
9,3,,172456-13330,, O-RING,1,1,1,,,,,,,,,,,,,,,,,,,,,I
10,3,,172458-13950,, RADIATOR,1,1,1,,,,,,,,,,,,,,,,,,,,,I
11,3,,172458-13960,, "OIL COOLER",1,1,1,,,,,,,,,,,,,,,,,,,,,I
12,3,,172458-13970,, BOLT,2,2,2,,,,,,,,,,,,,,,,,,,,,I
13,2,,172458-13310,, "SEAL A,RADIATOR",1,1,1,,,,,,,,,,,,,,,,,,,,,I
14,2,,172458-13390,, "SEAL C,RADIATOR",1,1,1,,,,,,,,,,,,,,,,,,,,,I
15,2,,172487-13500,, "SEAL B (RADIATOR",1,1,1,,,,,,,,,,,,,,,,,,,,,I
16,1,,172457-13401,, "SHROUD ASSY",1,1,1,,,,,,,,,,,,,,,,,,,,,I
18,2,,172458-13450,, "SEAL 420",2,2,2,,,,,,,,,,,,,,,,,,,,,I
19,2,,172458-13460,, "SEAL 400",2,2,2,,,,,,,,,,,,,,,,,,,,,I
20,1,,172458-13480,, "PLATE,GUARD",1,1,1,,,,,,,,,,,,,,,,,,,,,I
21,1,,172458-13530,, "HOSE 140",1,1,1,,,,,,,,,,,,,,,,,,,,,I
22,1,,172423-13550,, "NET,WIRE",1,1,1,,,,,,,,,,,,,,,,,,,,,I
23,1,,172458-13550,, CW-T(A,,1,1,,,,,,,,,,,,,,,,,,,,,I
24,1,,172458-13580,, CW-T(A-1,1,,,,,,,,,,,,,,,,,,,,,I
25,1,,172458-13590,, CW-T(A-2,1,,,,,,,,,,,,,,,,,,,,,I
26,1,,172458-13560,, CW-T(B,1,1,1,,,,,,,,,,,,,,,,,,,,,I
27,1,,172458-13570,, CW-T(C,1,1,1,,,,,,,,,,,,,,,,,,,,,I
28,1,,172171-14610,, "HOSE 260,FUEL",1,1,1,,,,,,,,,,,,,,,,,,,,,I
29,1,,121468-44510,, "SUB-TANK ASSY",1,1,1,,,,,,,,,,,,,,,,,,,,,I
31,2,,121450-44531,, CAP,1,1,1,,,,,,,,,,,,,,,,,,,,,I
32,2,,121468-44540,, "PLUG, SUB-TANK",1,1,1,,,,,,,,,,,,,,,,,,,,,I
33,2,,124450-44560,, CLAMP,1,1,1,,,,,,,,,,,,,,,,,,,,,I
34,2,,121470-44581,, GASKET,1,1,1,,,,,,,,,,,,,,,,,,,,,I
35,2,,23065-070130,, "PIPE 7X 130",1,1,1,,,,,,,,,,,,,,,,,,,,,I
36,1,,119255-44660,, RUBBER,4,4,4,,,,,,,,,,,,,,,,,,,,,I
37,1,,124766-59050,, "CLAMP 12",4,4,4,,,,,,,,,,,,,,,,,,,,,I
38,1,,22137-060000,, "WASHER 6, POLISHED",5,5,5,,,,,,,,,,,,,,,,,,,,,I
39,1,,22137-060000,, "WASHER 6, POLISHED",2,2,2,,,,,,,,,,,,,,,,,,,,,I
40,1,,23001-041000,, "CLIP 41,HOSE",,6,6,,,,,,,,,,,,,,,,,,,,,I
41,1,,23001-041000,, "CLIP 41,HOSE",8,,,,,,,,,,,,,,,,,,,,,I
42,1,,26013-060162,, "BOLT M 6X 16",5,5,5,,,,,,,,,,,,,,,,,,,,,I
43,1,,26013-060202,, "BOLT M 6X 20",2,2,2,,,,,,,,,,,,,,,,,,,,,I
44,1,,26013-080162,, "BOLT W/WASHER M8X16",6,6,6,,,,,,,,,,,,,,,,,,,,,I

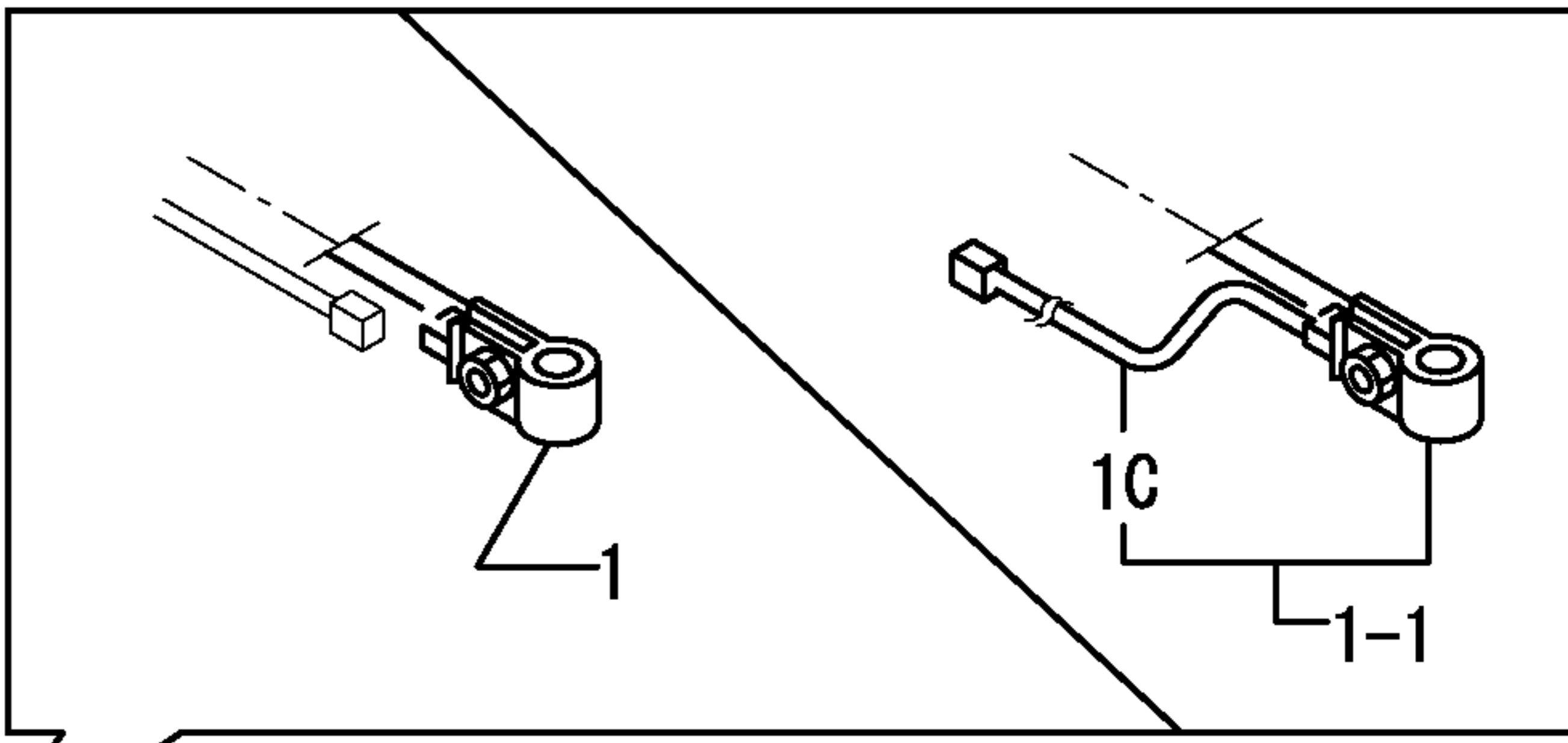
1,1,,772458-14100,, "TANK ASSY,FUEL OIL",1,1,,,,,,,,,,,,,
1-1,1,,772458-14101,, "TANK ASSY,
FUEL",1,1,1,,,N,,72458445,M/#20872,72458445,M/#20872,,,,,,
3,2,,172458-14150,, "GAUGE,FUEL OIL",1,1,1,,,,,,,,,,,,,
4,2,,172447-14160,, FLOAT,1,1,1,,,,,,,,,,,,,
5,2,,172162-14200,, GASKET,1,1,1,,,,,,,,,,,,,
6,2,,172444-14200,, "FUEL CAP",1,1,1,,,,,,,,,,,,,
7,3,,172444-14450,, CAP,1,1,1,,,,,,,,,,,,,
8,3,,172444-14460,, GASKET,1,1,1,,,,,,,,,,,,,
9,3,,172444-14470,, GASKET,1,1,1,,,,,,,,,,,,,
10,3,,172444-14480,, WASHER,1,1,1,,,,,,,,,,,,,
11,3,,172444-14490,, SPONGE,1,1,1,,,,,,,,,,,,,
12,2,,172458-14201,, "HOSE,FUEL GAUGE",1,1,,,,,,,,,,,,,
12-1,2,,172458-14202,, "HOSE, FUEL
GAUGE",1,1,1,,,N,,72458445,M/#20872,72458445,M/#20872,,,,,,
13,2,,172183-14250,, "FILTER (FUEL",1,1,1,,,,,,,,,,,,,
14,2,,172458-14370,, "SOUCER,FUEL OIL",1,1,1,,,,,,,,,,,,,
15,2,,23000-013000,, "CLAMP 13",2,2,2,,,,,,,,,,,,,
16,2,,26557-050122,, "SCREW M 5X 12",5,5,,,,,,,,,,,,,
16-1,2,,26022-050122,, "SCREW M 5X
12",5,5,5,,,N,,72460255,M/#20501,72460255,M/#20501,,,,,,I
17,1,,104200-11920,, COCK,1,1,1,,,,,,,,,,,,,
18,1,,172165-14170,, PIPE,1,1,1,,,,,,,,,,,,,
19,1,,172444-14270,, JOINT,1,1,1,,,,,,,,,,,,,
20,1,,172458-14300,, "CLAMP ASSY,FUEL OIL",1,1,1,,,,,,,,,,,,,
23,2,,172458-14380,, "RUBBER PLATE D,FO",1,1,1,,,,,,,,,,,,,
24,1,,172458-14340,, "RUBBER PLATE A,FO",1,1,1,,,,,,,,,,,,,
25,1,,172187-14510,, HOSE,1,1,,,,,,,,,,,,,
25-1,1,,172458-14510,, "HOSE 9.5 X
750",1,1,1,,,N,,72458293,M/#20501,72458293,M/#20501,,,,,,
26,1,,22137-100000,, "WASHER 10,POLISHED",1,1,1,,,,,,,,,,,,,
27,1,,172458-62240,, "STEP ASSY,FUEL OIL",1,1,1,,,,,,,,,,,,,
30,1,,22137-100000,, "WASHER 10,POLISHED",1,1,1,,,,,,,,,,,,,
31,1,,23080-013000,, "CLAMP 13,HOSE",2,2,2,,,,,,,,,,,,,
32,1,,26013-080202,, "BOLT W/WASHER M8X20",1,1,1,,,,,,,,,,,,,
33,1,,26013-100202,, "BOLT W/WASHER M10X20",1,1,1,,,,,,,,,,,,,
34,1,,26013-100202,, "BOLT W/WASHER M10X20",3,3,3,,,,,,,,,,,,,
35,1,,26367-100002,, "NUT 10",2,2,2,,,,,,,,,,,,,

見出しNo. 1は、
見出しNo. (1)~16を含みます。
1 INC. (1)~16.

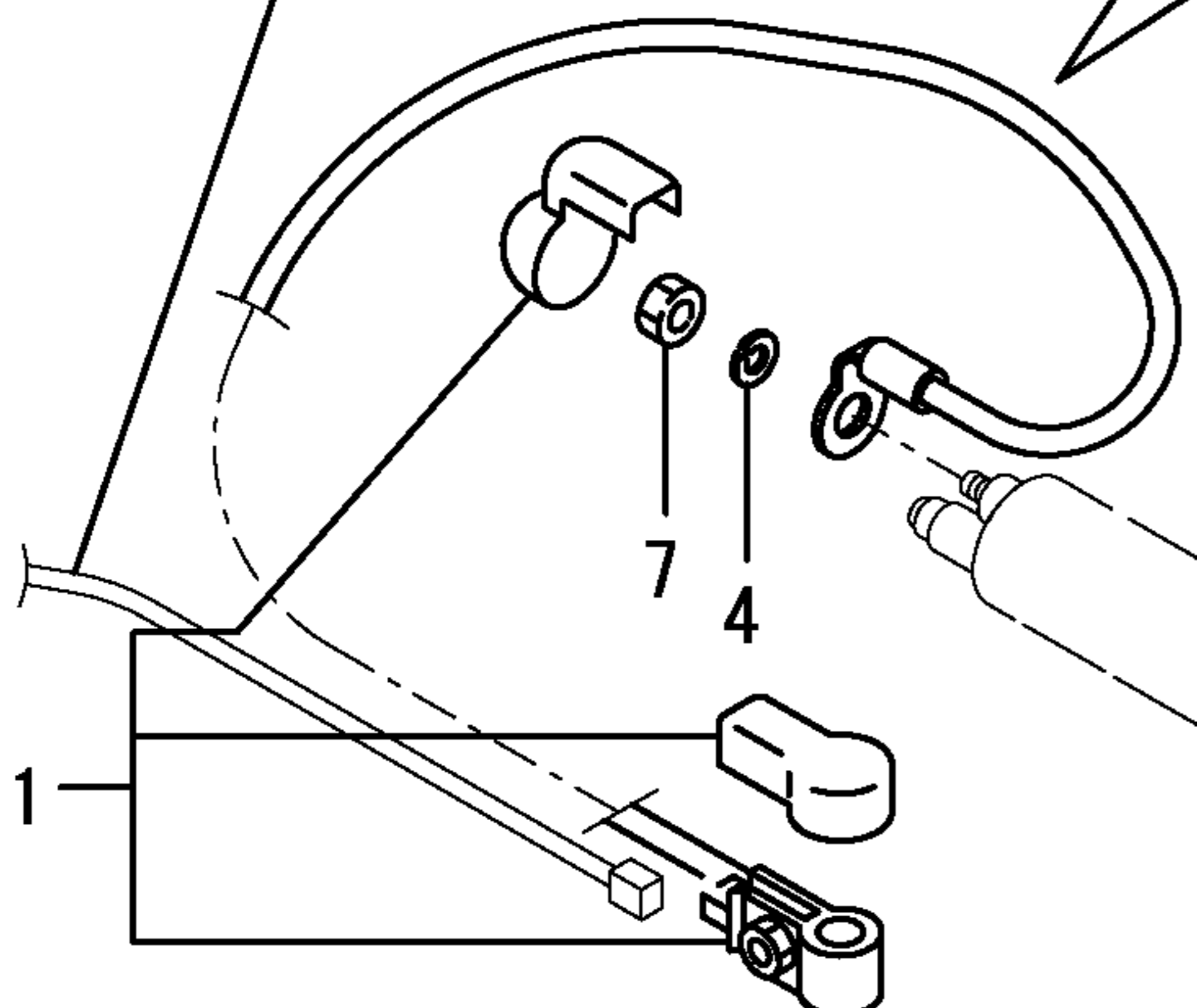


1,1,,172171-13461,, "HOSE 7.5X13",1,1,1,,,,,,,,,,,,,
2,1,,172458-14600,, "STAY,WATER SEPARATOR",1,1,1,,,,,,,,,,,,,
3,1,,172141-14610,, "HOSE, FUEL",1,1,,,,,,,,,,,,,
3-1,1,,1E6511-03220,, "HOSE B,
FUEL",1,1,1,,,,,N,,72458436,M/#20808,72458436,M/#20808,,,,,
4,1,,172176-14620,, "HOSE 1360",1,1,1,,,,,,,,,,,,,
5,1,,172458-14630,, "HOSE 1700 ASSY",1,1,1,,,,,,,,,,,,,
9,1,,172458-14660,, "HOSE 210 ASSY",1,1,1,,,,,,,,,,,,,
13,1,,172137-16560,, BAND,2,2,2,,,,,,,,,,,,,
14,1,,194440-51620,, "CLAMP, WIRE HARNESS",2,2,2,,,,,,,,,,,,,
15,1,,129612-52100,, "FUEL PUMP",1,1,1,,,,,,,,,,,,,
16,1,,121850-55800,, "SEPARATOR ASSY,WATER",1,1,1,,,,,,,,,,,,,
17,2,,104200-55321,, "VALVE, TAPER",1,1,1,,,,,,,,,,,,,
18,2,,104200-55330,, "SPRING, TAPER VALVE",1,1,1,,,,,,,,,,,,,
19,2,,104200-55341,, "HANDLE, COCK",1,1,1,,,,,,,,,,,,,
20,2,,121254-55510,, "CUP, STRAINER",1,1,1,,,,,,,,,,,,,
21,2,,102103-55520,, O-RING,1,1,1,,,,,,,,,,,,,
22,2,,110250-55610,, "RING, RETAINING",1,1,1,,,,,,,,,,,,,
24,2,,121850-55710,, SCREEN,1,1,1,,,,,,,,,,,,,
25,2,,121257-55720,, "SPRING, SCREEN",1,1,1,,,,,,,,,,,,,
26,2,,121257-55731,, FLOAT,1,1,1,,,,,,,,,,,,,
27,2,,101720-55750,, PLUG,2,2,2,,,,,,,,,,,,,
28,2,,104200-55750,, "SCREW M 4",1,1,1,,,,,,,,,,,,,
29,2,,23418-060000,, "GASKET 6, NYLON",2,2,2,,,,,,,,,,,,,
30,2,,24311-240100,, "O-RING 1A P-10A",1,1,1,,,,,,,,,,,,,
31,1,,124766-59050,, "CLAMP 12",10,10,10,,,,,,,,,,,,,
32,1,,22137-060000,, "WASHER 6, POLISHED",2,2,2,,,,,,,,,,,,,
33,1,,22217-080000,, "SPRING WASHER 8",1,1,1,,,,,,,,,,,,,
34,1,,26013-060162,, "BOLT M 6X 16",2,2,2,,,,,,,,,,,,,
35,1,,26013-080202,, "BOLT W/WASHER M8X20",4,4,4,,,,,,,,,,,,,
36,1,,26116-080702,, "BOLT M 8X 70 PLATED",1,1,1,,,,,,,,,,,,,
37,1,,172122-79930,, "CLAMP
B",1,1,1,,,,,W,,72456055,M/#20515,72456055,M/#20515,,,,,
38,1,,194202-
56460,, BAND,1,1,1,,,,,W,,72460284,M/#21064,72460284,M/#21064,,,,,,,,,I

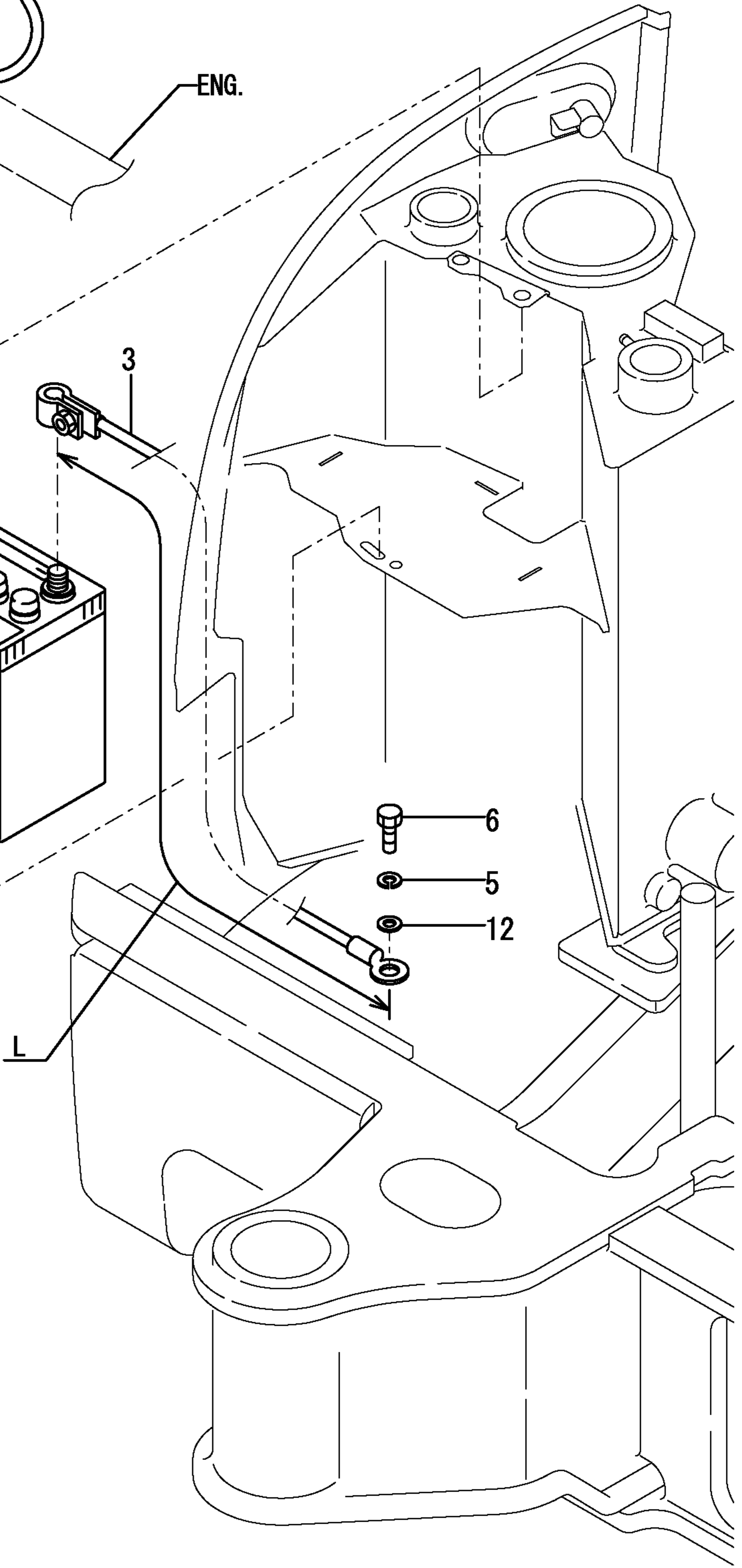
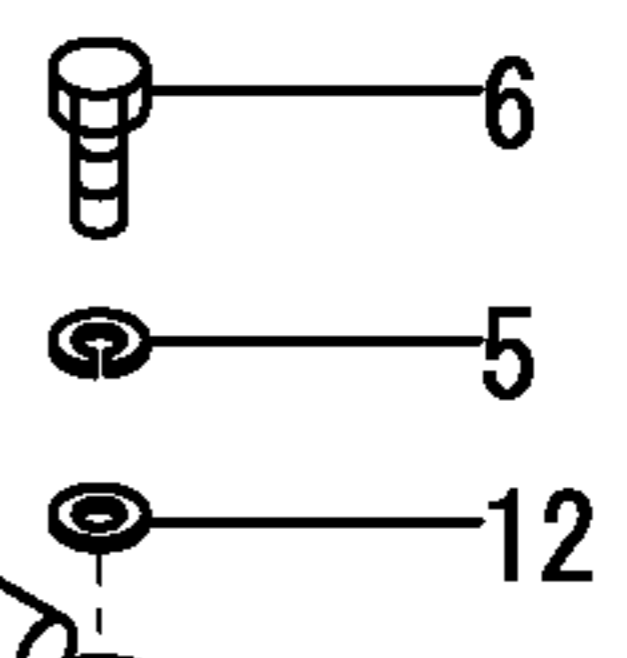
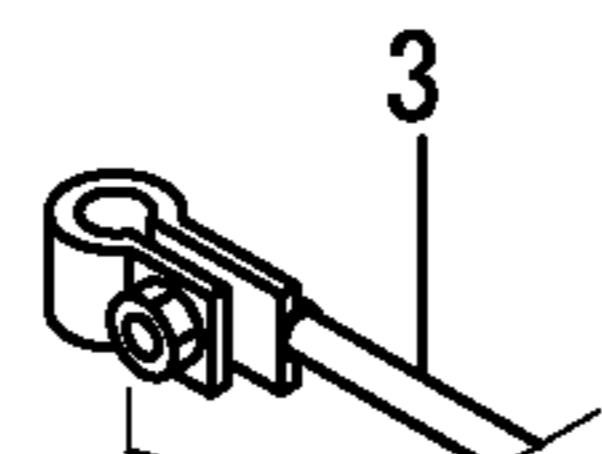
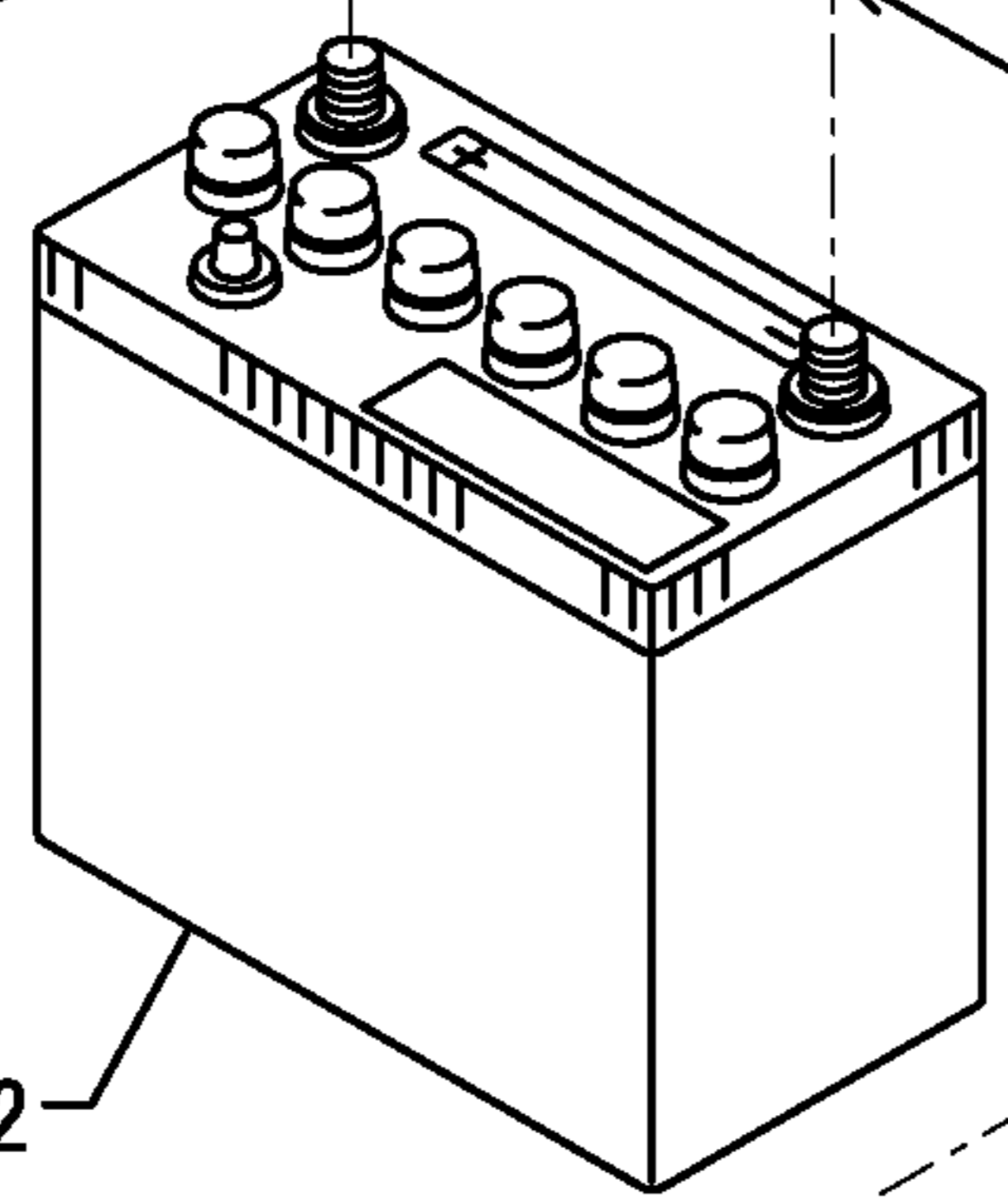
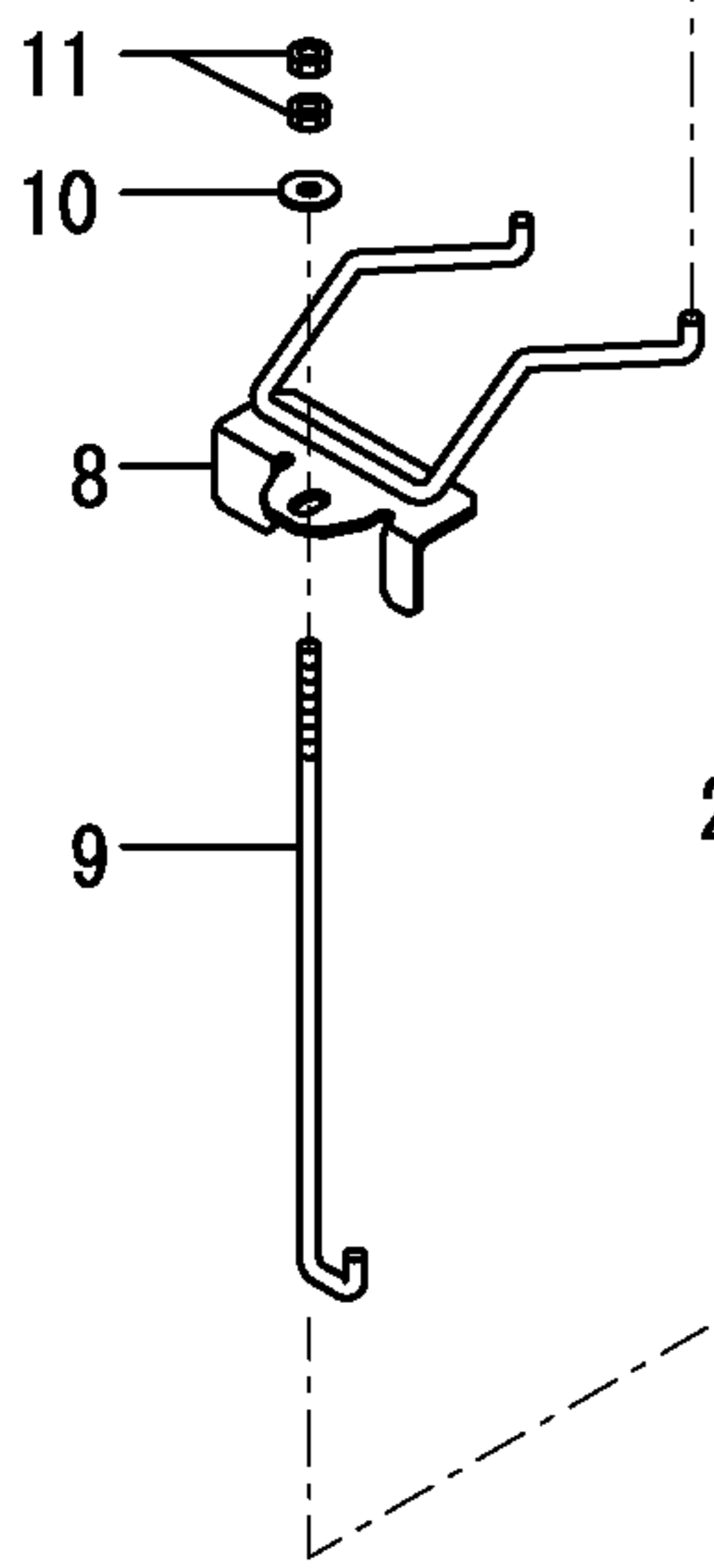
1,1,,172458-16100,, "CODE(+), BATTERY",1,1,,,,,,,,,,,,,
1-1,1,,172458-
16101,, "CORD(+), BATTERY",1,1,1,,,,,S,,72458515,*02.08.21,72458515,*02.08.21,,,,,
,,I
1B-1,2,,172458-16131,, "CORD, BATTERY
(+)",1,1,1,,,,,S,,72458515,*02.08.21,72458515,*02.08.21,,,,,I
1C,2,,172458-16140,, "HARNES C",1,1,1,,,,,,,,,,,,,I
2,1,,172458-16110,, BATTERY,1,1,1,,,,,,,,,,,,,
3,1,,172458-16120,, "CODE(-), BATTERY",1,1,,,,,,,,,,,,,
3-1,1,,172458-16121,, "CODE(-),
BATTERY",1,1,1,,,,,S,1,72458287,M/#20580,72458287,M/#20580,,,,,
4,1,,22217-080000,, "SPRING WASHER 8",1,1,1,,,,,,,,,,,,,
5,1,,22217-080000,, "SPRING WASHER 8",1,1,1,,,,,,,,,,,,,
6,1,,26116-080162,, "BOLT 8X16",1,1,1,,,,,,,,,,,,,
7,1,,26716-080002,, "NUT M 8",1,1,1,,,,,,,,,,,,,
8,1,,172458-16300,, "CLAMP, BATTERY",1,1,1,,,,,,,,,,,,,
9,1,,172725-16160,, "ROD, CLAMP",1,1,1,,,,,,,,,,,,,
10,1,,22157-060000,, "WASHER 6",1,1,1,,,,,,,,,,,,,
11,1,,26716-060002,, "NUT 6",2,2,2,,,,,,,,,,,,,
12,1,,22137-080000,, "WASHER 8, POLISHED",1,1,1,,,,,,,,,,,,,



REFER TO Fig. 23

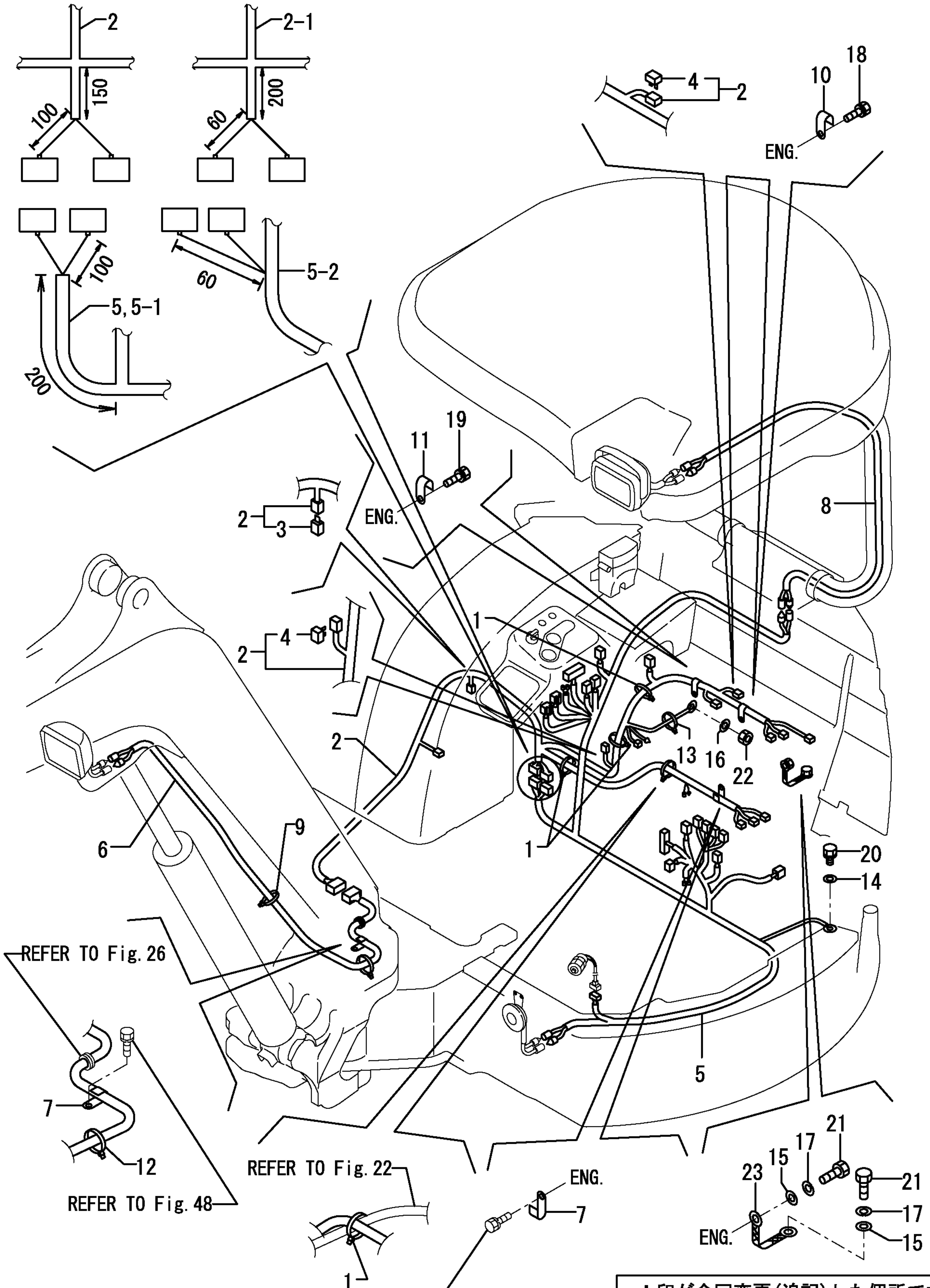


ENG.



1,1,,172126-11510,, "BAND 300",4,4,,,,,,,,,,,,,,,,,,,,,
2,1,,172458-16500,, "HARNESS A ASSY",1,1,,,,,,,,,,,,,,,,,,,,,
2-1,1,,172458-16501,, "HARNESS ASSY
,A",1,1,,,,,S,,72458515,*02.08.21,72458515,*02.08.21,,,,,,,,,,,,,
3,2,,172458-16550,, "HUSE,SLOW BLOW
(50A",1,1,,,,,W,,72488006,M/#20501,72488006,M/#20501,,,,,,,,,,,,,
4,2,,172648-16600,, "DIODE",2,2,,,,,,,,,,,,,,,,,,,,,
5,1,,172458-16520,, "HARNESS B",1,1,,,,,,,,,,,,,,,,,,,,,
5-1,1,,172458-16521,, "HANESS
B",1,1,,,,,N,,72458308,M/#20501,72458308,M/#20501,,,,,,,,,,,,,
5-2,1,,172458-16522,, "HARNESS
(B)",1,1,,,,,S,,72458515,*02.08.21,72458515,*02.08.21,,,,,,,,,,,,,
6,1,,172458-16530,, "HARNESS,BOOM LAMP",1,1,,,,,,,,,,,,,,,,,,,,,
6-1,1,,172458-16531,, "HARNESS, BOOM
LAMP",1,1,,,,,N,,72456157,M/#20700,72456157,M/#20700,,,,,,,,,,,,,
7,1,,172126-16540,, "CLAMP 10X70",2,2,,,,,,,,,,,,,,,,,,,,,
8,1,,172458-16560,, "HARNESS,CANOPY LAMP",1,1,,,,,,,,,,,,,,,,,,,,,
9,1,,172126-11510,, "BAND 300",1,1,,,,,,,,,,,,,,,,,,,,,
9-1,1,,172137-16560,, "BAND",1,1,,,,,N,,72458296,M/#20501,72458296,M/#20501,,,,,,,,,,,,,
10,1,,194440-51620,, "CLAMP, WIRE HARNESS",1,1,,,,,,,,,,,,,,,,,,,,,
11,1,,194440-51620,, "CLAMP, WIRE HARNESS",1,1,,,,,,,,,,,,,,,,,,,,,
12,1,,172187-78580,, "BAND W 397",2,2,,,,,,,,,,,,,,,,,,,,,
13,1,,172187-78580,, "BAND W 397",1,1,,,,,,,,,,,,,,,,,,,,,
14,1,,22137-100000,, "WASHER 10,POLISHED",1,1,,,,,,,,,,,,,,,,,,,,,
15,1,,22137-120000,, "WASHER 12,POLISHED",2,2,,,,,,,,,,,,,,,,,,,,,
16,1,,22217-050000,, "SPRING WASHER 5",1,1,,,,,,,,,,,,,,,,,,,,,
17,1,,22217-120000,, "SPRING WASHER 12",2,2,,,,,,,,,,,,,,,,,,,,,
18,1,,26013-080162,, "BOLT W/WASHER M8X16",1,1,,,,,,,,,,,,,,,,,,,,,
19,1,,26013-080162,, "BOLT W/WASHER M8X16",1,1,,,,,,,,,,,,,,,,,,,,,
20,1,,26013-100202,, "BOLT W/WASHER M10X20",1,1,,,,,,,,,,,,,,,,,,,,,
21,1,,26116-120162,, "BOLT M12X 16 PLATED",2,2,,,,,,,,,,,,,,,,,,,,,
22,1,,26716-050002,, "NUT M 5",1,1,,,,,,,,,,,,,,,,,,,,,
23,1,,933171-15801,, "WIRE, EARTH",1,1,,,,,,,,,,,,,,,,,,,,,

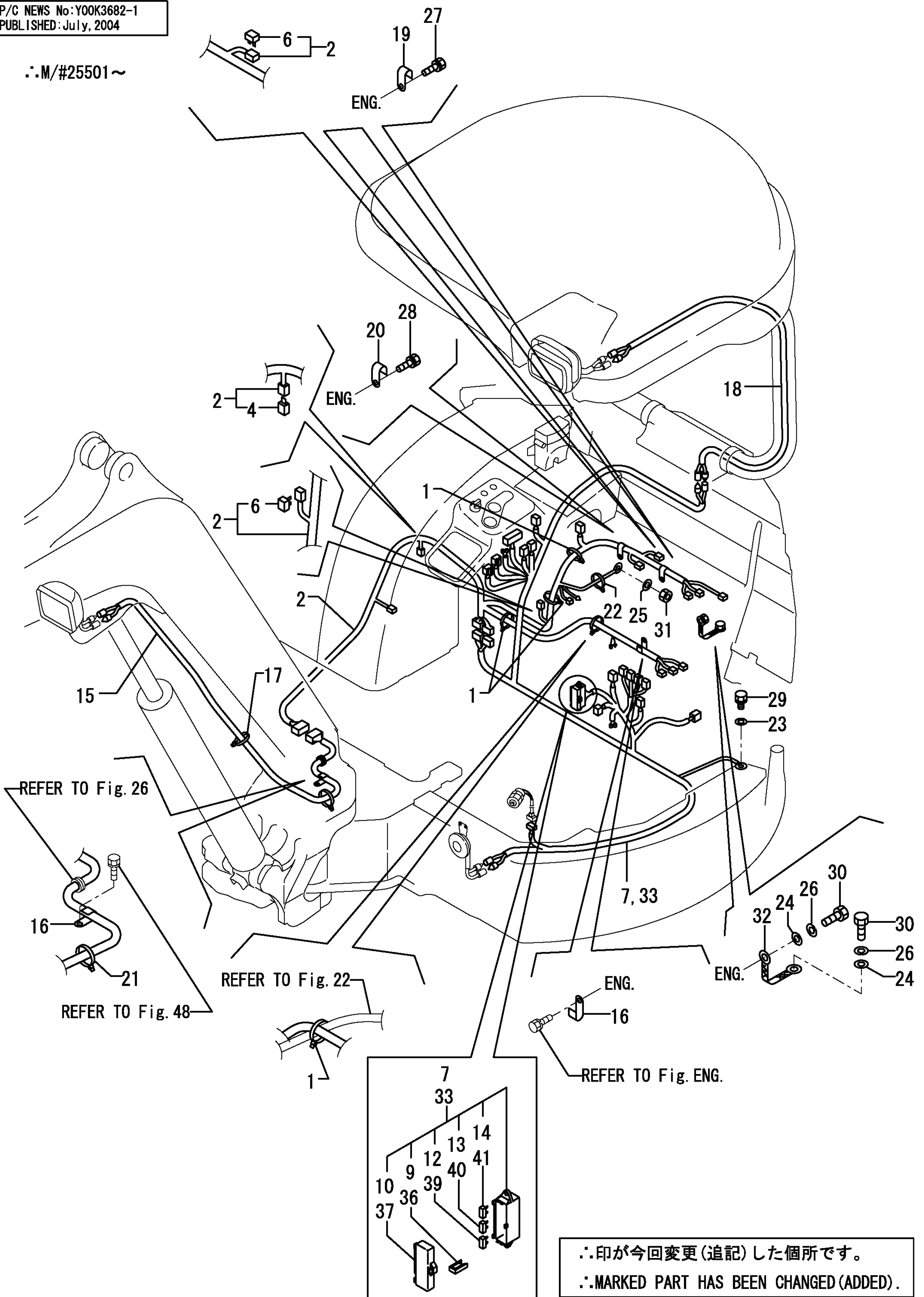
∴ ~ M/#25500



∴印が今回変更(追記)した個所です。
 ∴MARKED PART HAS BEEN CHANGED (ADDED).

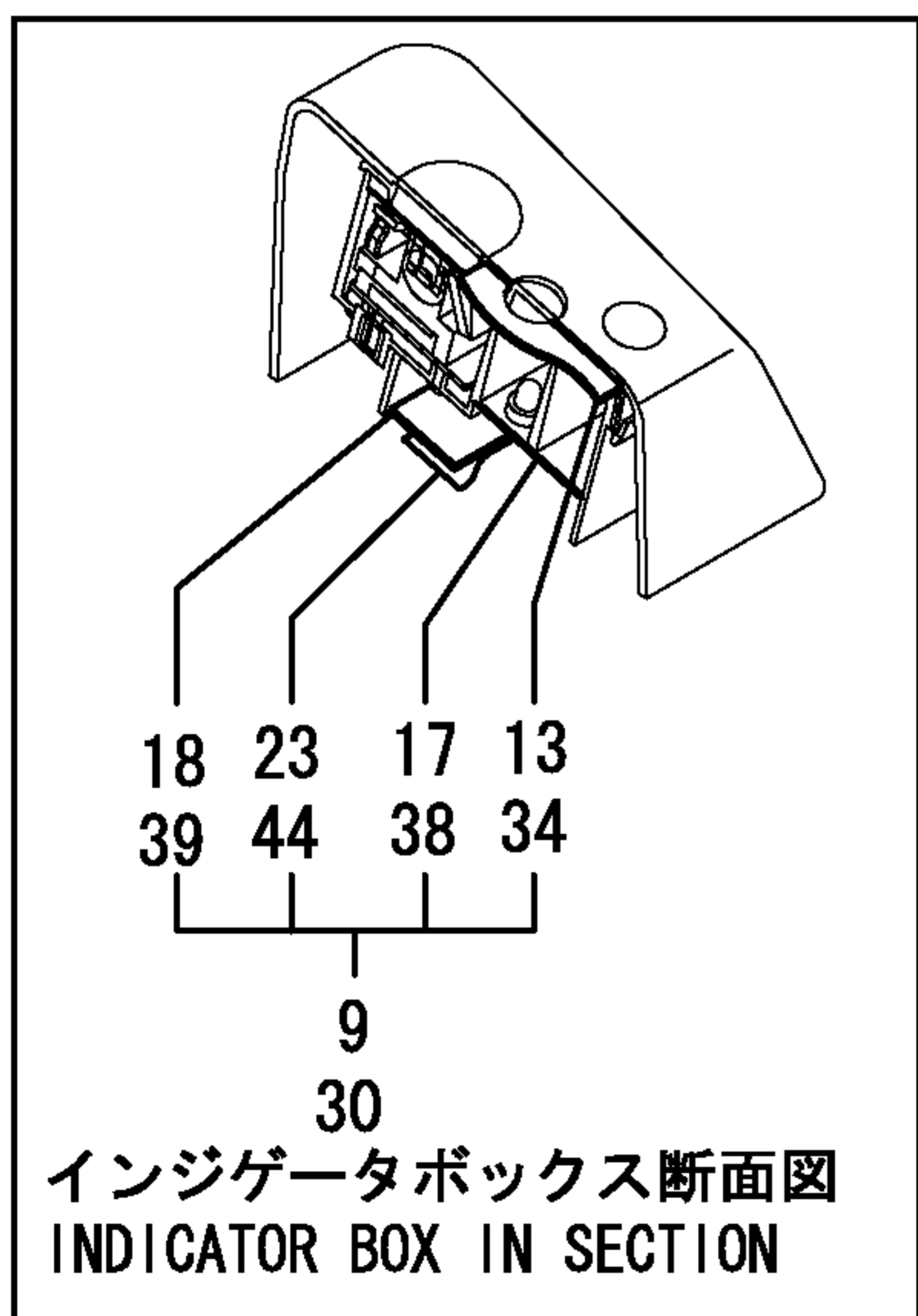
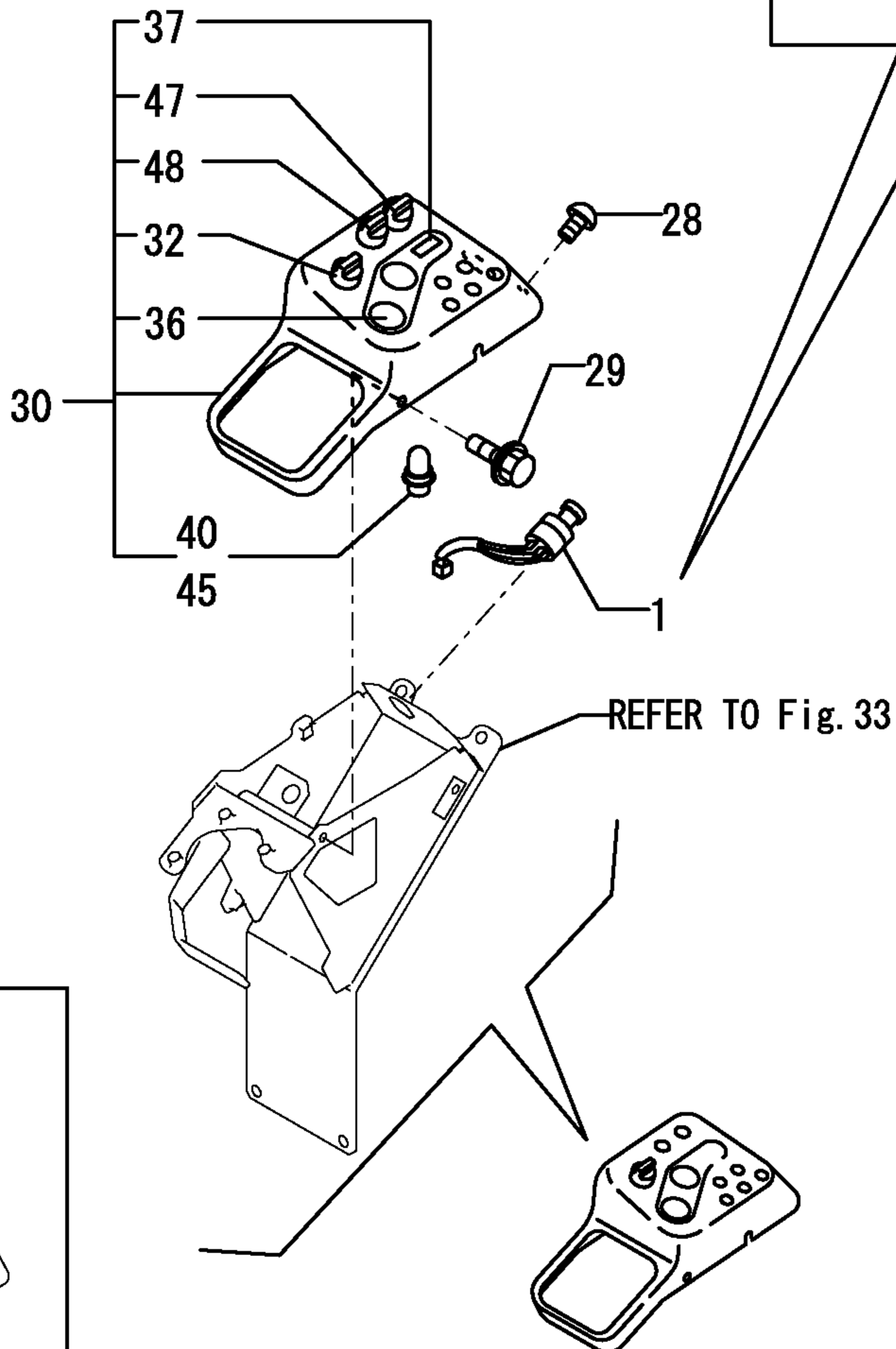
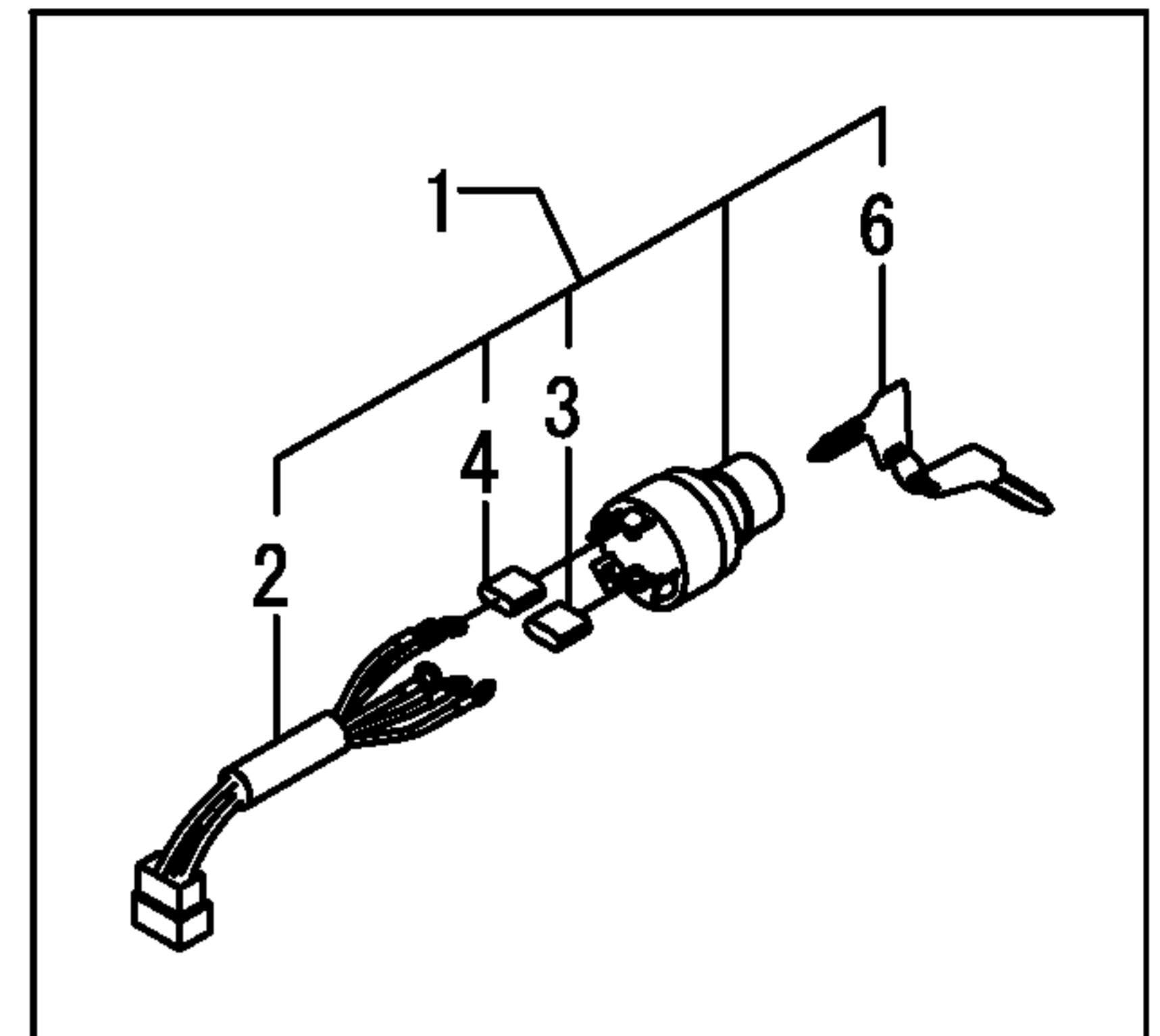
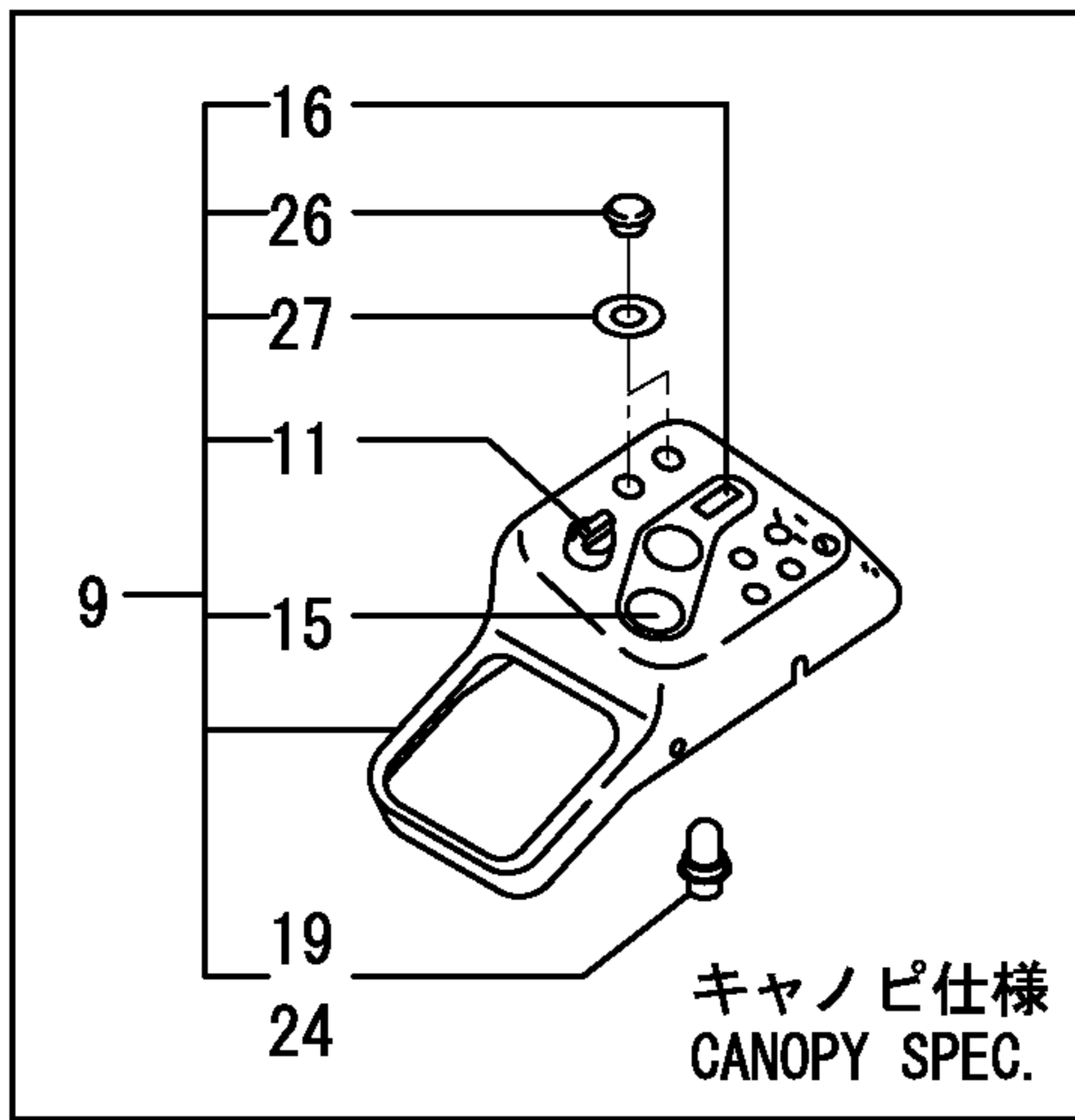
1,1,,172126-11510,, "BAND 300",4,4,4,,,,,,,,,,,,,,,,,,,,,
2,1,,172458-16501,, "HARNESS ASSY ,A",1,1,1,,,,,,,,,,,,,,,,,,,,,
4,2,,172458-16550,, "HUSE,SLOW BLOW (50A",1,1,1,,,,,,,,,,,,,,,,,,,,,
6,2,,172648-16600,, DIODE,2,2,2,,,,,,,,,,,,,,,,,,,,,
7,1,,172458-16523,, "HARNESS, B ASSY",1,1,1,,,,,,,,,,,,,,,,,,,,,
9,2,,172175-17120,, PULLER,1,1,1,,,,,,,,,,,,,,,,,,,,,
10,2,,172187-17220,, COVER,1,1,1,,,,,,,,,,,,,,,,,,,,,
12,2,,29420-050000,, HUSE,2,2,2,,,,,,,,,,,,,,,,,,,,,
13,2,,29420-150000,, HUSE,6,6,6,,,,,,,,,,,,,,,,,,,,,
14,2,,29420-300000,, "FUSE B30",2,2,2,,,,,,,,,,,,,,,,,,,,,
15,1,,172458-16531,, "HARNESS, BOOM LAMP",1,1,1,,,,,,,,,,,,,,,,,,,,,
16,1,,172126-16540,, "CLAMP 10X70",2,2,2,,,,,,,,,,,,,,,,,,,,,
17,1,,172137-16560,, BAND,1,1,1,,,,,,,,,,,,,,,,,,,,,
18,1,,172458-16561,, "HARNESS,CANOPY LAMP",,1,1,,,,,,,,,,,,,,,,,,,,,
19,1,,194440-51620,, "CLAMP, WIRE HARNESS",1,1,1,,,,,,,,,,,,,,,,,,,,,
20,1,,194440-51620,, "CLAMP, WIRE HARNESS",1,1,1,,,,,,,,,,,,,,,,,,,,,
21,1,,172187-78580,, "BAND W 397",2,2,2,,,,,,,,,,,,,,,,,,,,,
22,1,,172187-78580,, "BAND W 397",1,1,1,,,,,,,,,,,,,,,,,,,,,
23,1,,22137-100000,, "WASHER 10,POLISHED",1,1,1,,,,,,,,,,,,,,,,,,,,,
24,1,,22137-120000,, "WASHER 12,POLISHED",2,2,2,,,,,,,,,,,,,,,,,,,,,
25,1,,22217-050000,, "SPRING WASHER 5",1,1,1,,,,,,,,,,,,,,,,,,,,,
26,1,,22217-120000,, "SPRING WASHER 12",2,2,2,,,,,,,,,,,,,,,,,,,,,
27,1,,26013-080162,, "BOLT W/WASHER M8X16",1,1,1,,,,,,,,,,,,,,,,,,,,,
28,1,,26013-080162,, "BOLT W/WASHER M8X16",1,1,1,,,,,,,,,,,,,,,,,,,,,
29,1,,26013-100202,, "BOLT W/WASHER M10X20",1,1,1,,,,,,,,,,,,,,,,,,,,,
30,1,,26116-120162,, "BOLT M12X 16 PLATED",2,2,2,,,,,,,,,,,,,,,,,,,,,
31,1,,26716-050002,, "NUT M 5",1,1,1,,,,,,,,,,,,,,,,,,,,,
32,1,,933171-15801,, "WIRE, EARTH",1,1,1,,,,,,,,,,,,,,,,,,,,,
33,1,,172472-16522,, "HARNESS B ASSY (US)",,1,,,,,1,,,,,,,,,,,,,
36,2,,172175-17120,, PULLER,,1,,,,,,,,,,,,,,,,,,,,,
37,2,,172187-17220,, COVER,,1,,,,,,,,,,,,,,,,,,,,,
39,2,,29420-050000,, HUSE,,2,,,,,,,,,,,,,,,,,,,,,
40,2,,29420-150000,, HUSE,,6,,,,,,,,,,,,,,,,,,,,,
41,2,,29420-300000,, "FUSE B30",,2,,,,,,,,,,,,,,,,,,,,,

∴M/#25501~

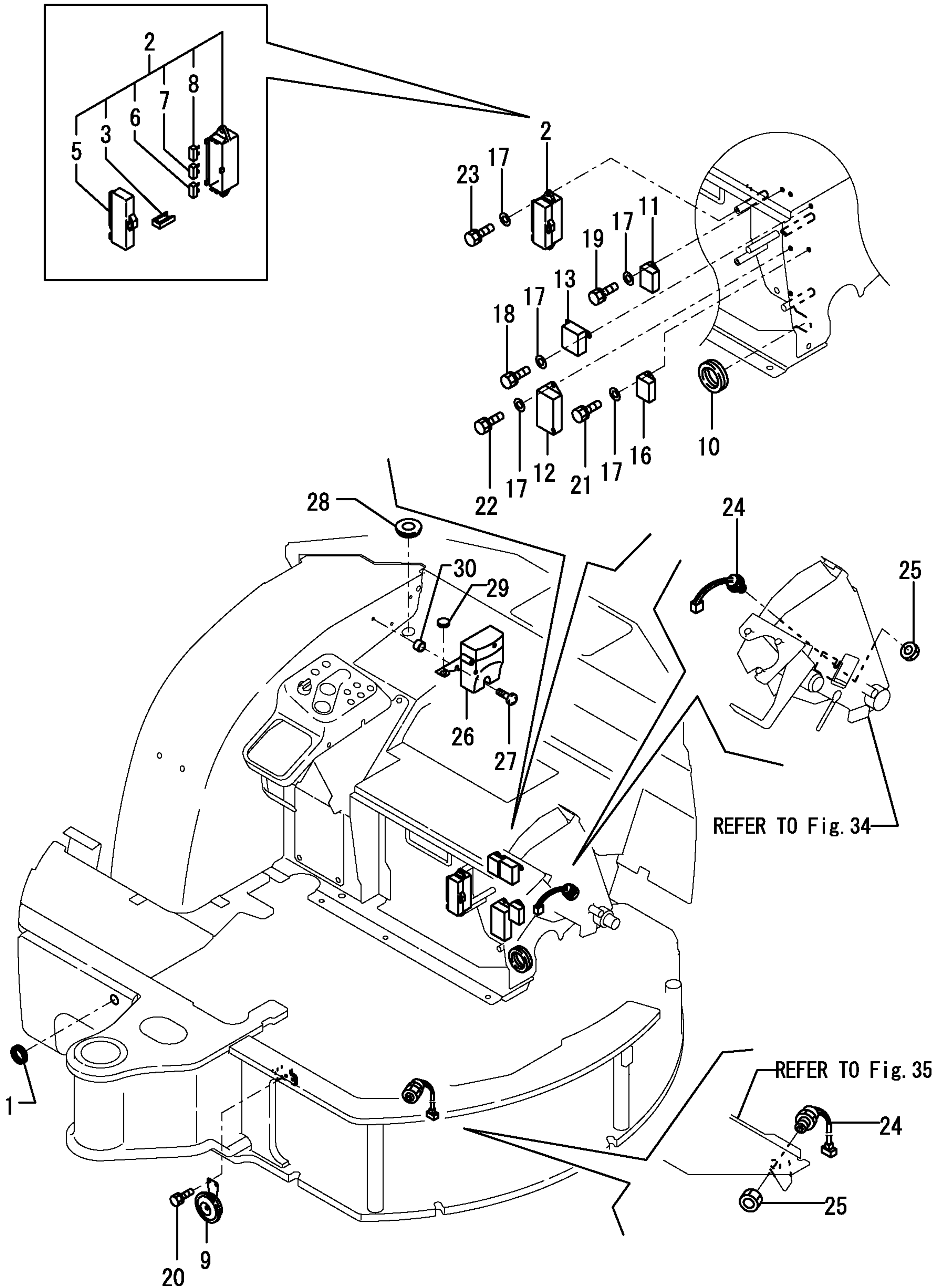


∴印が今回変更(追記)した個所です。
 ∴MARKED PART HAS BEEN CHANGED (ADDED).

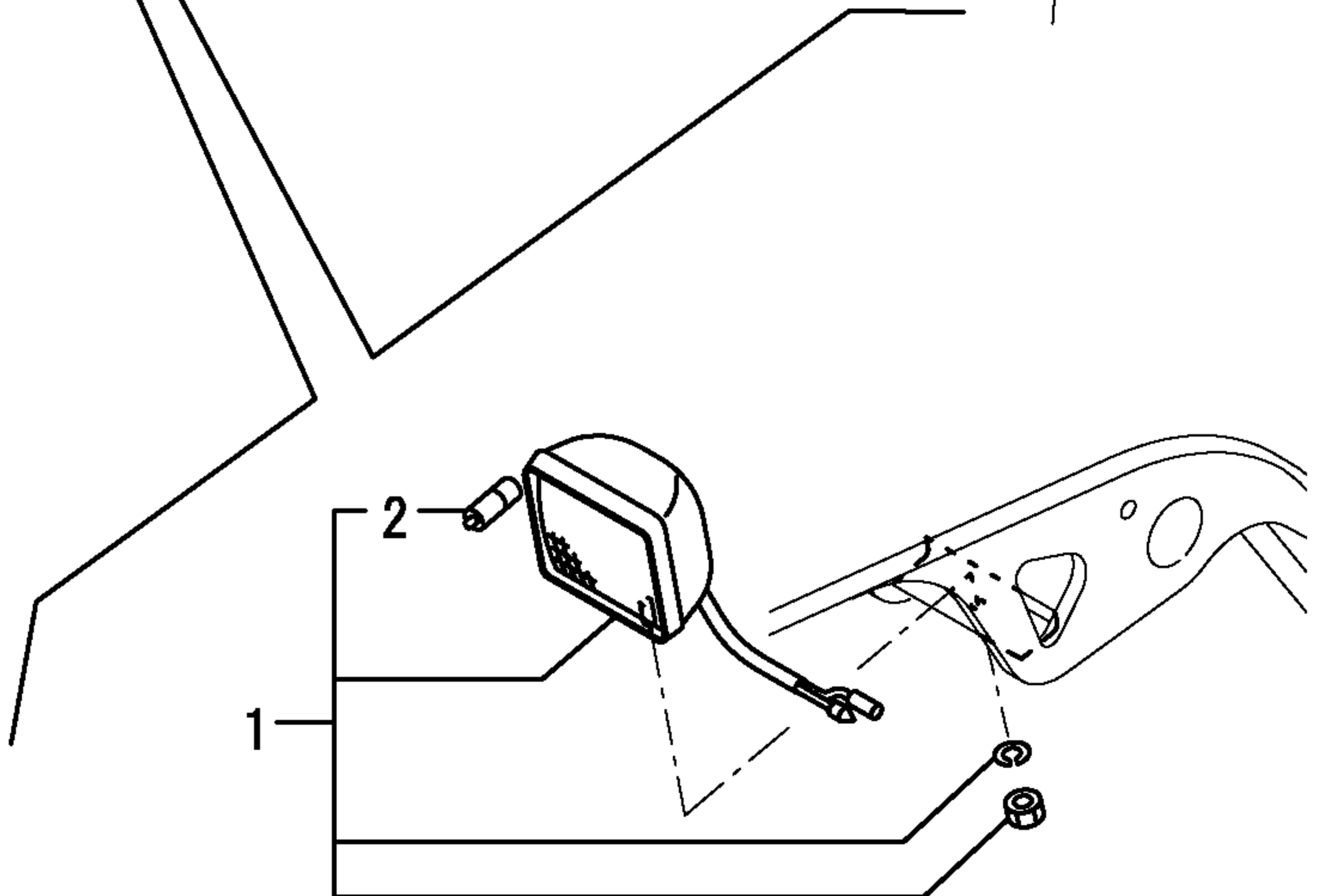
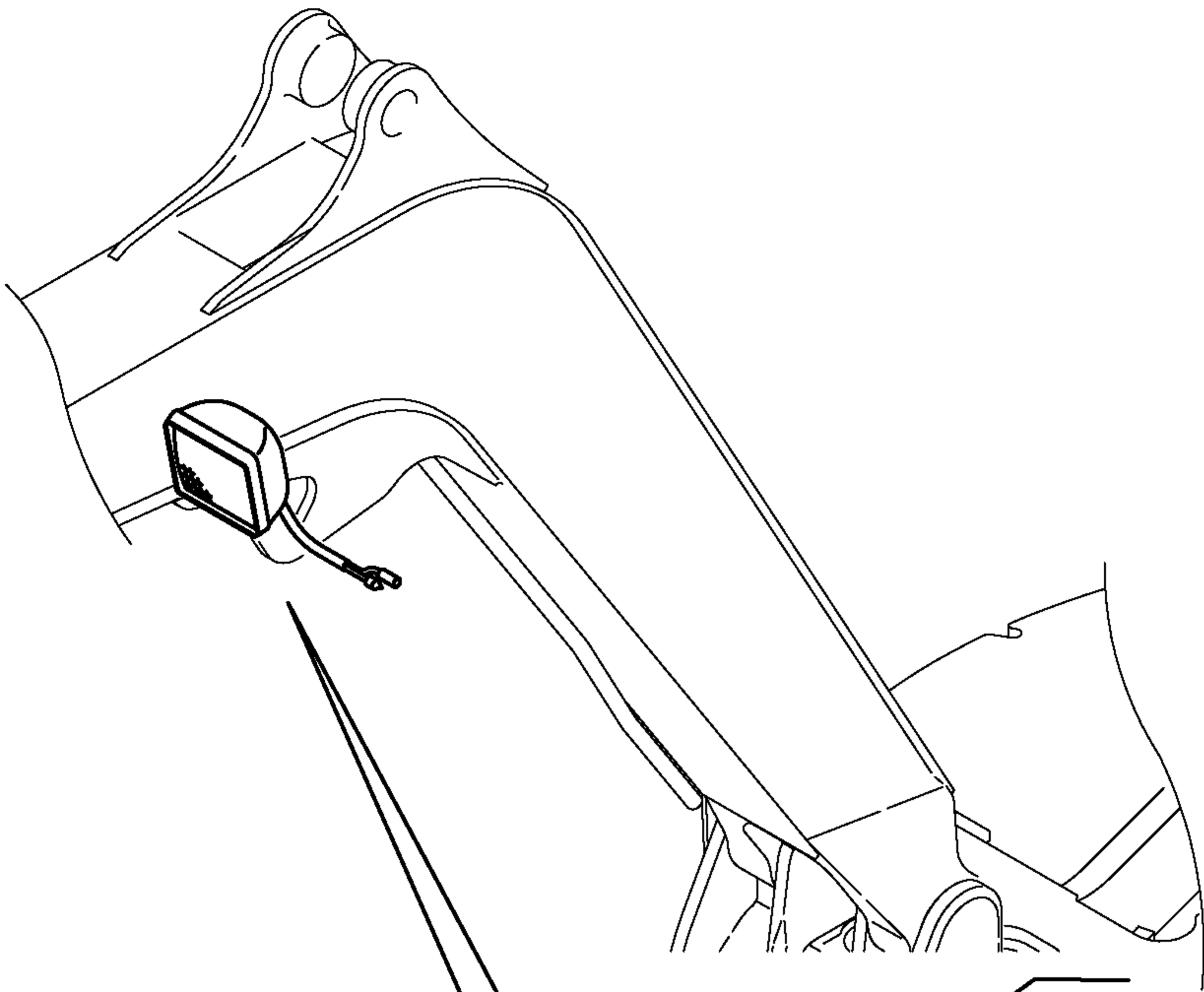
1,1,,172187-17100,, "SWITCH, START",1,1,,,,,,,,,,,,,
1-1,1,,172458-
17100,, "SWITCH,STARTING",1,1,,,,,N,,72458338,M/#20692,72458338,M/#20692,,,,,
1-2,1,,172187-17100,, "SWITCH,
START",1,1,1,,,,,R,,72458519,M/#21135,72458519,M/#21135,,,,,,I
2,2,,172187-17070,, CODE,1,1,1,,,,,,,,,,,,,
3,2,,172187-17080,, "COVER M5",3,3,3,,,,,,,,,,,,,
4,2,,172187-17090,, "COVER M4",2,2,2,,,,,,,,,,,,,
6,2,,933110-00301,, "KEY ASSY",1,1,,,,,,,,,,,,,
6-1,2,,172524-17330,, "KEY
ASSY",1,1,1,,,,,N,,72458338,M/#20692,72458338,M/#20692,,,,,
9,1,,172458-17500,, "BOX,INDICATOR(CANOPY)",1,1,,,,,,,,,,,,,
11,2,,172187-17280,, "SWITCH ASSY, LIGHT",1,1,,,,,,,,,,,,,
13,2,,172187-17320,, PACKING,,1,1,,,,,,,,,,,,,I
15,2,,172187-17341,, "GAUGE ASSY",1,1,,,,,,,,,,,,,I
16,2,,172187-17350,, "METER ASSY, HOUR",1,1,,,,,,,,,,,,,I
17,2,,172187-17360,, "PRINT,CIRCUIT",1,1,,,,,,,,,,,,,I
18,2,,172187-17371,, "CIRCUIT ASSY",1,1,,,,,,,,,,,,,I
19,2,,172187-17380,, "BULB,T6.5-13.5V-2W",4,4,,,,,,,,,,,,,
23,2,,172187-17470,, PLATE,,1,1,,,,,,,,,,,,,I
24,2,,172187-17480,, "BULB,T5-14V-2W",2,2,,,,,,,,,,,,,
26,2,,172187-17560,, CAP,,2,2,,,,,,,,,,,,,
27,2,,172187-17570,, GASKET,,2,2,,,,,,,,,,,,,
28,1,,172458-46720,, "BOLT 8X20",1,1,1,,,,,,,,,,,,,
29,1,,172519-63240,, "BOLT 8X 16",3,3,3,,,,,,,,,,,,,
30,1,,172458-17250,, "BOX,INDICATOR(CABIN)",1,,,,,,,,,,,,,
32,2,,172187-17280,, "SWITCH ASSY, LIGHT",1,,,,,,,,,,,,,
34,2,,172187-17320,, PACKING,1,,,,,,,,,,,,,
36,2,,172187-17341,, "GAUGE ASSY",1,,,,,,,,,,,,,I
37,2,,172187-17350,, "METER ASSY, HOUR",1,,,,,,,,,,,,,I
38,2,,172187-17360,, "PRINT,CIRCUIT",1,,,,,,,,,,,,,I
39,2,,172187-17371,, "CIRCUIT ASSY",1,,,,,,,,,,,,,I
40,2,,172187-17380,, "BULB,T6.5-13.5V-2W",4,,,,,,,,,,,,,
44,2,,172187-17470,, PLATE,1,,,,,,,,,,,,,I
45,2,,172187-17480,, "BULB,T5-14V-2W",2,,,,,,,,,,,,,
47,2,,172187-17290,, "SWITCH, HEATER",1,,,,,,,,,,,,,
48,2,,172187-17301,, "SWITCH ASSY, WIPER",1,,,,,,,,,,,,,



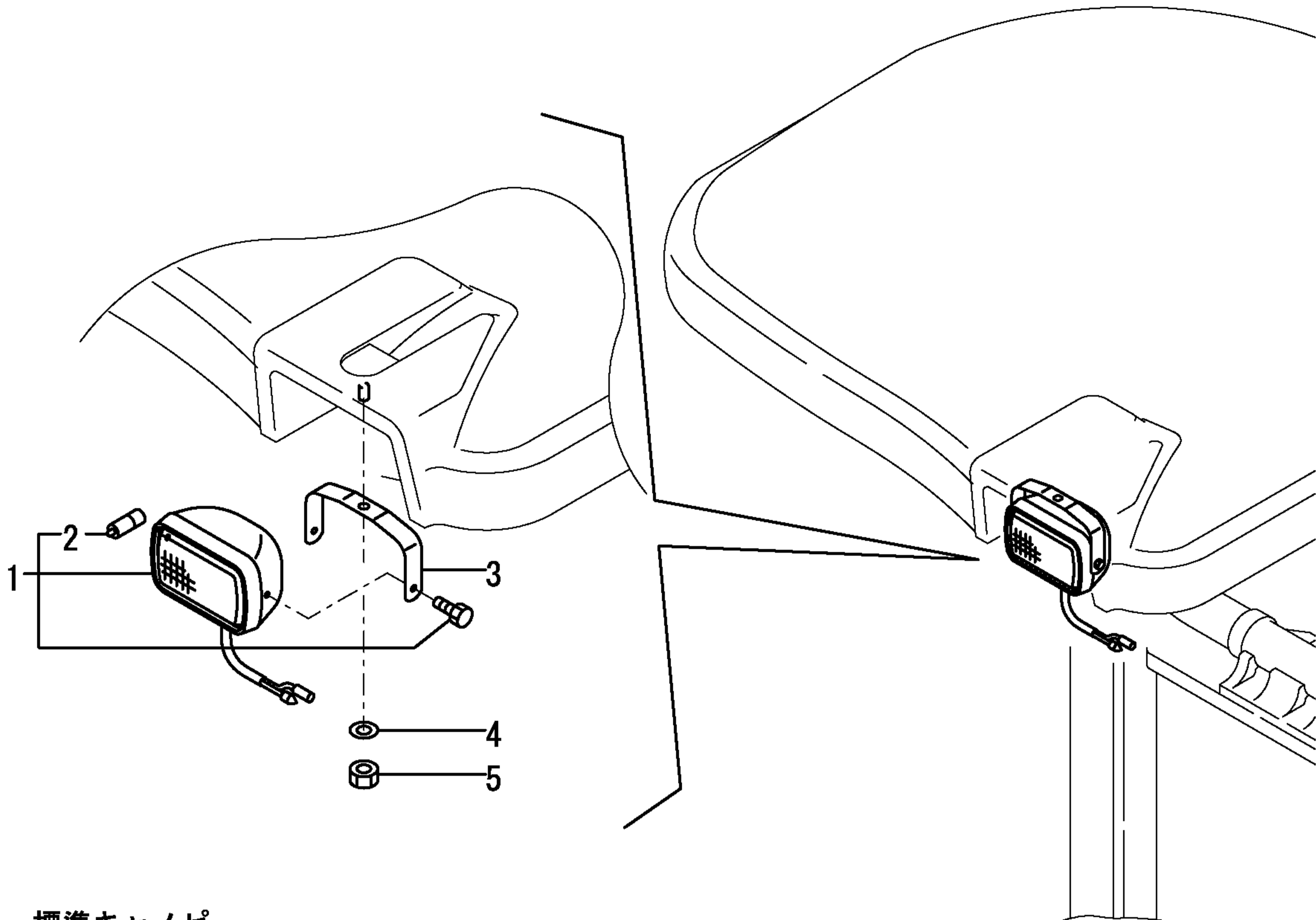
1,1,,172187-16560,,GROMMET,1,1,1,,,,,,,,,,,,,
2,1,,172187-17200,,,"BOX,
FUSE",1,1,1,,,,,Z,,724580585,M/#25501,724580585,M/#25501,724580585,M/#25501,,,,,
,I
3,2,,172175-
17120,,PULLER,1,1,1,,,,,Z,,724580585,M/#25501,724580585,M/#25501,724580585,M/#255
01,,,,,,I
5,2,,172187-
17220,,COVER,1,1,1,,,,,Z,,724580585,M/#25501,724580585,M/#25501,724580585,M/#2550
1,,,,,,I
6,2,,29420-
050000,,HUSE,2,2,2,,,,,Z,,724580585,M/#25501,724580585,M/#25501,724580585,M/#2550
1,,,,,,I
7,2,,29420-
150000,,HUSE,6,6,6,,,,,Z,,724580585,M/#25501,724580585,M/#25501,724580585,M/#2550
1,,,,,,I
8,2,,29420-300000,,,"FUSE
B30",2,2,2,,,,,Z,,724580585,M/#25501,724580585,M/#25501,724580585,M/#25501,,,,,
I
9,1,,194151-57100,,HORN,1,1,1,,,,,,,,,,,,,
10,1,,172165-62800,,,"GROMMET 26",1,1,1,,,,,,,,,,,,,
11,1,,119247-77100,,,"RELAY, SAFETY",1,1,1,,,,,,,,,,,,,
12,1,,129136-77200,,,"RELAY, SAFETY",1,1,1,,,,,,,,,,,,,
13,1,,119650-77910,,,"RELAY, GROW",1,1,1,,,,,,,,,,,,,
16,1,,129211-77920,,TIMER,1,1,1,,,,,,,,,,,,,
17,1,,22137-060000,,,"WASHER 6, POLISHED",8,8,8,,,,,,,,,,,,,
18,1,,26013-060122,,,"BOLT M 6X 12",2,2,2,,,,,,,,,,,,,
19,1,,26013-060122,,,"BOLT M 6X 12",1,1,1,,,,,,,,,,,,,
20,1,,26013-060162,,,"BOLT M 6X 16",2,2,2,,,,,,,,,,,,,
21,1,,26013-060162,,,"BOLT M 6X 16",1,1,1,,,,,,,,,,,,,
22,1,,26013-060202,,,"BOLT M 6X 20",2,2,2,,,,,,,,,,,,,
23,1,,26013-060202,,,"BOLT M 6X
20",2,2,2,,,,,Z,,724580585,M/#25501,724580585,M/#25501,724580585,M/#25501,,,,,,I
24,1,,194464-52190,,,"SWITCH, SAFETY START",2,2,2,,,,,,,,,,,,,
25,1,,26776-180002,,,"NUT M18,LOCK",2,2,2,,,,,,,,,,,,,
26,1,,172958-17100,,,"BOX,SWITCH",1,1,1,,,,,1,,,,,,,,,,,,,
27,1,,172137-46210,,SCREW,3,3,3,,,,,1,,,,,,,,,,,,,
28,1,,172958-64500,,,"PLUGE 28X302 Q",1,1,1,,,,,1,,,,,,,,,,,,,
29,1,,172187-64900,,PLUG,1,1,1,,,,,1,,,,,,,,,,,,,
30,1,,172958-17130,,,"COLLAR 9X7",1,,,,,,1,,,,,,,,,,,,,



1,1,,172458-17450,, "LAMP,WORK",1,1,1,,,,,,,,,,,,,
2,2,,172187-17540,, "BULB (12V
55W",1,1,1,,,W,,72456173,M/#20501,72456173,M/#20501,,,,,,,,,

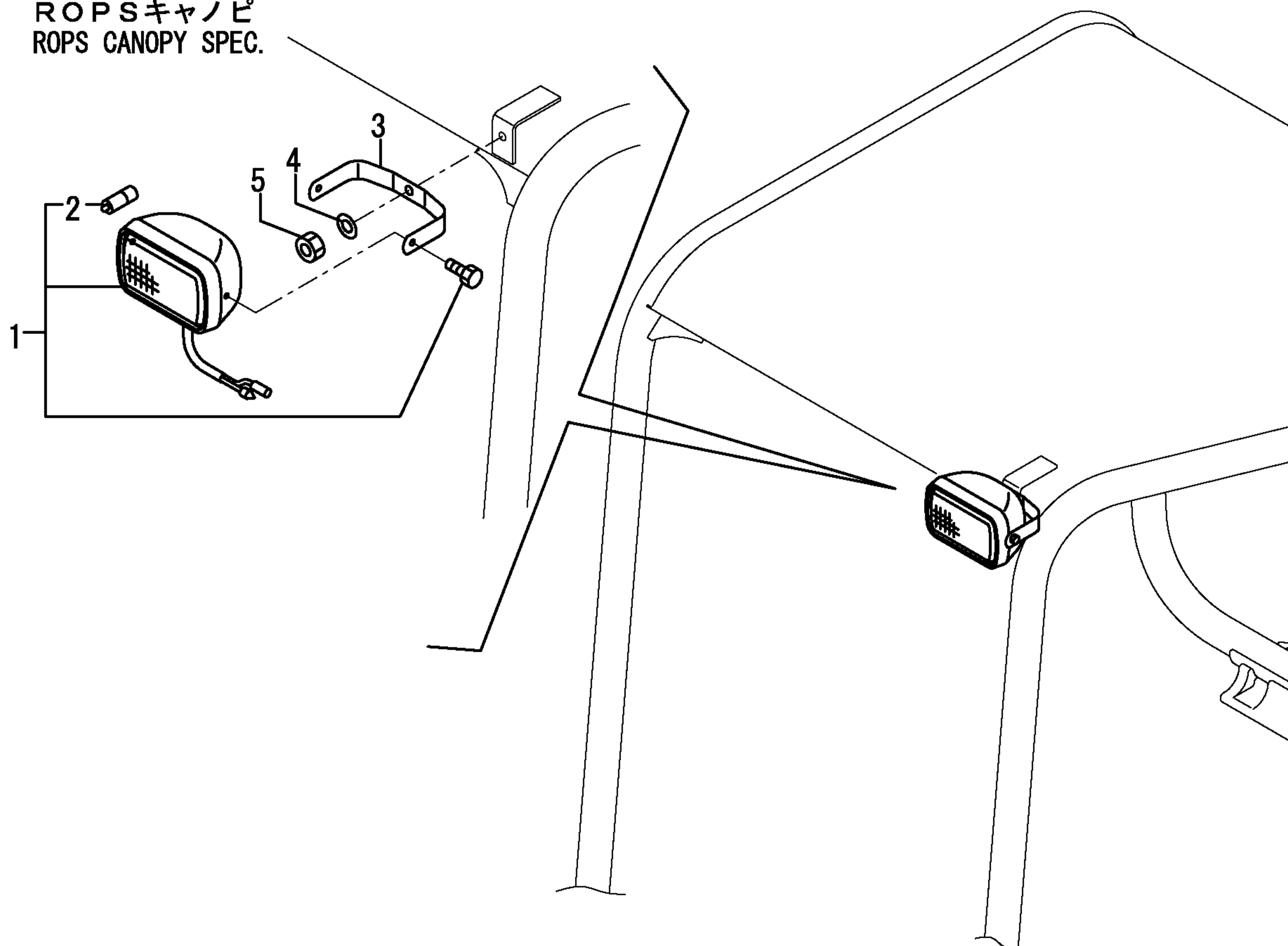


1,1,,172458-17400,, "LAMP 150X95" ,,1,1,,,,,,,,,,,,,,,,,,,,,
2,2,,172458-17420,, "BULB,12V 55W" ,,1,1,,,,,W,,,,,72456173,M/#20501,,,,,,,,,,
3,1,,172458-17410,, "STAY (GRAY:73)" ,,1,1,,,,,,,,,,,,,,,,,,,,,
4,1,,22137-100000,, "WASHER 10,POLISHED" ,,1,1,,,,,,,,,,,,,,,,,,,,,
5,1,,26346-100002,, "U-NUT M10 PLATED" ,,1,1,,,,,,,,,,,,,,,,,,,,,

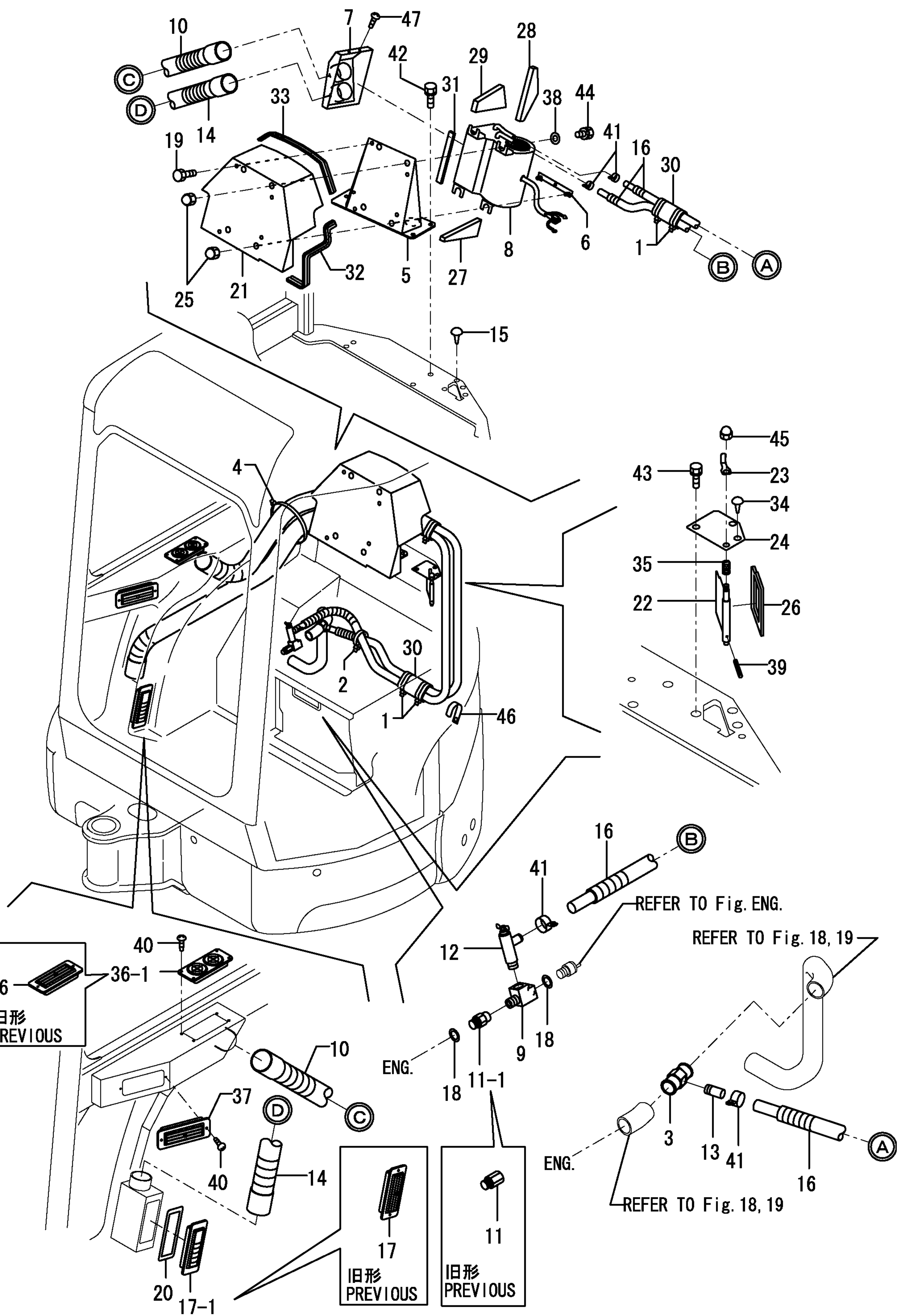


標準キャノピ
CANOPY SPEC.

ROPSキャノピ
ROPS CANOPY SPEC.



1,1,,172126-11510,, "BAND 300",2,,,,,,,,,,,,,,,,,,,,,
2,1,,172126-11510,, "BAND 300",1,,,,,,,,,,,,,,,,,,,,,
3,1,,172141-13490,, JOINT,1,,,,,,,,,,,,,,,,,,,,,
4,1,,172183-16560,, "CLIP 400,HOSE",1,,,,,,,,,,,,,,,,,,,,,
5,1,,172458-16650,, "HEATER FRAME",1,,,,,,,,,,,,,,,,,,,,,
6,1,,172458-16690,, "SEAT,SCREW",1,,,,,,,,,,,,,,,,,,,,,
7,1,,172458-16700,, "DUCT A,HEATER",1,,,,,,,,,,,,,,,,,,,,,
8,1,,172162-17601,, HEATER,1,,,,,,,,,,,,,,,,,,,,,
8-1,1,,172458-17550,, "HEATER 33RB,COVER LE",1,,,,,,N,,72458330,M/#20501,,,,,,
8-2,1,,172458-17551,, HEATER,1,,,,,,N,,72458449,M/#20852,,,,,,I
9,1,,172168-17600,, "CONNECTOR PT3/8-M16",1,,,,,,,,,,,,,,,,,,,,,
10,1,,172458-17620,, "HOSE,DEFROSTER",1,,,,,,,,,,,,,,,,,,,,,
11,1,,172137-17630,, "JOINT, HEATER",1,,,,,,,,,,,,,,,,,,,,,
11-1,1,,172137-17631,, "JOINT, HEATER",1,,,,,,R,,724900024,M/#25501,,,,,,I
12,1,,172425-17630,, "VALVE ASSY, HEATER",1,,,,,,,,,,,,,,,,,,,,,
13,1,,172124-17640,, "JOINT 3/8",1,,,,,,,,,,,,,,,,,,,,,
14,1,,172458-17640,, "HOSE,HEATER",1,,,,,,,,,,,,,,,,,,,,,
15,1,,172444-17660,, CLIP,1,,,,,,W,,72458391,M/#20501,,,,,,
16,1,,172458-17660,, "HOSE,HEATER",2,,,,,,,,,,,,,,,,,,,,,
17,1,,197830-88611,, GRILLE,1,,,,,,,,,,,,,,,,,,,,,
17-1,1,,172458-17700,, GRILLE,1,,,,,,S,,72458368,M/#20272,,,,,,
18,1,,124465-44950,, "GASKET 16",2,,,,,,,,,,,,,,,,,,,,,
19,1,,172168-46760,, "BOLT M10X20",4,,,,,,,,,,,,,,,,,,,,,
20,1,,172458-63400,, "SPONGE,GRILLE",1,,,,,,W,,72458405,M/#20501,,,,,,
21,1,,172458-63410,, "COVER,HEATER",1,,,,,,,,,,,,,,,,,,,,,
22,1,,172458-63420,, "SHAFT ASSY",1,,,,,,,,,,,,,,,,,,,,,
23,1,,172458-63450,, LEVER,1,,,,,,,,,,,,,,,,,,,,,
24,1,,172458-63460,, PLATE,1,,,,,,,,,,,,,,,,,,,,,
25,1,,26666-100002,, NUT,4,,,,,,,,,,,,,,,,,,,,,
25-1,1,,172458-63470,, "CUP NUT M10",4,,,,,,N,,72458327,M/#20501,,,,,,
26,1,,172458-63600,, "SEAL A,SPONGE",2,,,,,,,,,,,,,,,,,,,,,
27,1,,172458-63610,, "SEAL B,SPONGE",1,,,,,,,,,,,,,,,,,,,,,
28,1,,172458-63620,, "SEAL C,SPONGE",1,,,,,,,,,,,,,,,,,,,,,
29,1,,172458-63630,, "SEAL D,SPONGE",1,,,,,,,,,,,,,,,,,,,,,
30,1,,172458-63640,, "HOSE 150,SPONGE",2,,,,,,,,,,,,,,,,,,,,,
31,1,,172458-63650,, "SEAL E,SPONGE",1,,,,,,,,,,,,,,,,,,,,,
32,1,,172455-65970,, "SEAL, RUBBER 310",1,,,,,,,,,,,,,,,,,,,,,
32-1,1,,172422-65750,, "SEAL (A)",1,,,,,,N,,72458391,M/#20501,,,,,,
33,1,,172989-68640,, "RUBBER,SEAL 880",1,,,,,,,,,,,,,,,,,,,,,
34,1,,172444-68650,, CLIP,1,,,,,,W,,72458431,M/#20501,,,,,,
35,1,,172157-76441,, SPRING,1,,,,,,,,,,,,,,,,,,,,,
36,1,,197830-88611,, GRILLE,1,,,,,,,,,,,,,,,,,,,,,
36-1,1,,1E8545-80940,, GRILLE,1,,,,,,S,,72458368,M/#20272,,,,,,
37,1,,197830-88611,, GRILLE,1,,,,,,,,,,,,,,,,,,,,,
38,1,,22137-100000,, "WASHER 10,POLISHED",2,,,,,,,,,,,,,,,,,,,,,
39,1,,22351-030025,, "SPRING PIN 3X25",1,,,,,,,,,,,,,,,,,,,,,
40,1,,22869-400160,, SCREW,6,,,,,,,,,,,,,,,,,,,,,
41,1,,23000-022000,, "CLAMP 22",1,,,,,,,,,,,,,,,,,,,,,
41-1,1,,23000-022000,, "CLAMP 22",4,,,,,,K,,72458327,M/#20501,,,,,,
41-2,1,,23001-022000,, "HOSE CLAMP 22",4,,,,,,N,,72446124,M/#20889,,,,,,I
42,1,,26013-100162,, "BOLT M10X 16",4,,,,,,,,,,,,,,,,,,,,,
43,1,,26013-100162,, "BOLT M10X 16",2,,,,,,,,,,,,,,,,,,,,,
44,1,,26013-100202,, "BOLT W/WASHER M10X20",2,,,,,,,,,,,,,,,,,,,,,
45,1,,26657-100002,, "CAP NUT M10",1,,,,,,,,,,,,,,,,,,,,,
45-1,1,,26657-080002,, "NUT,CAP 8",1,,,,,,N,,72458327,M/#20501,,,,,,
46,1,,172126-16540,, "CLAMP 10X70",1,,,,,,W,,72458424,M/#20501,,,,,,
47,1,,26587-040122,, "SCREW M 4X 12",4,,,,,,W,,72458479,M/#20501,,,,,,I



36
旧形
PREVIOUS

17
旧形
PREVIOUS

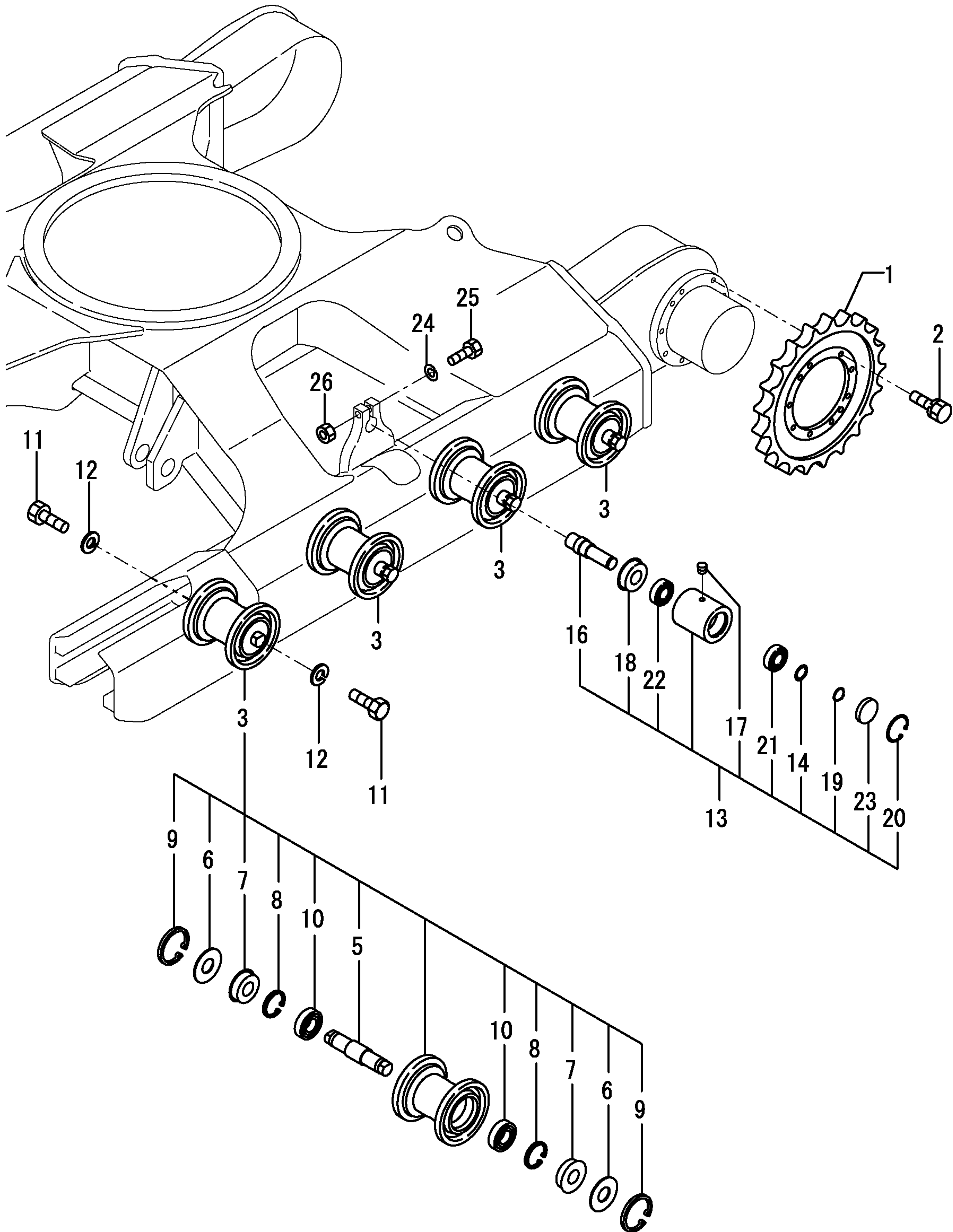
11
旧形
PREVIOUS

REFER TO Fig. ENG.

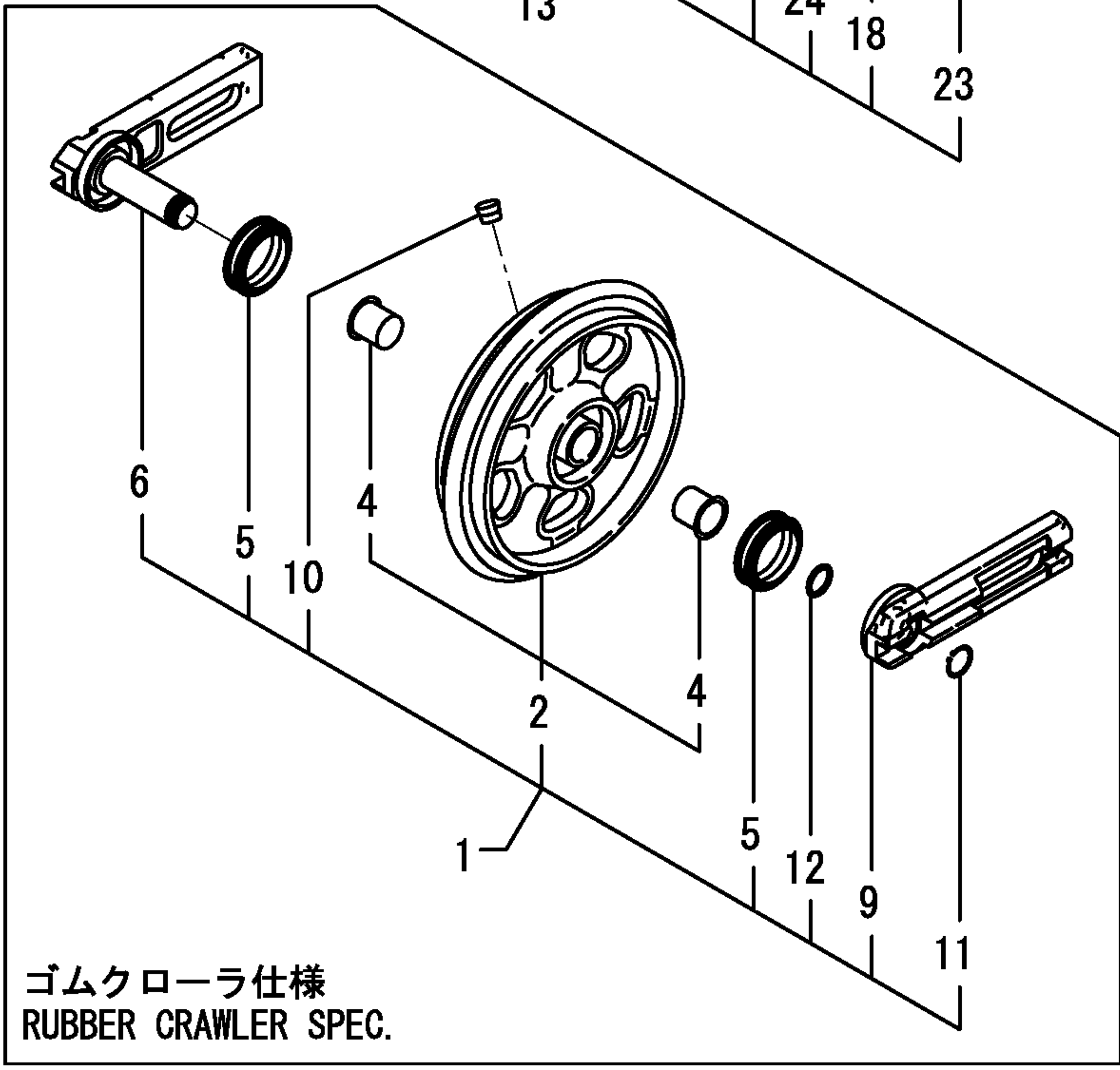
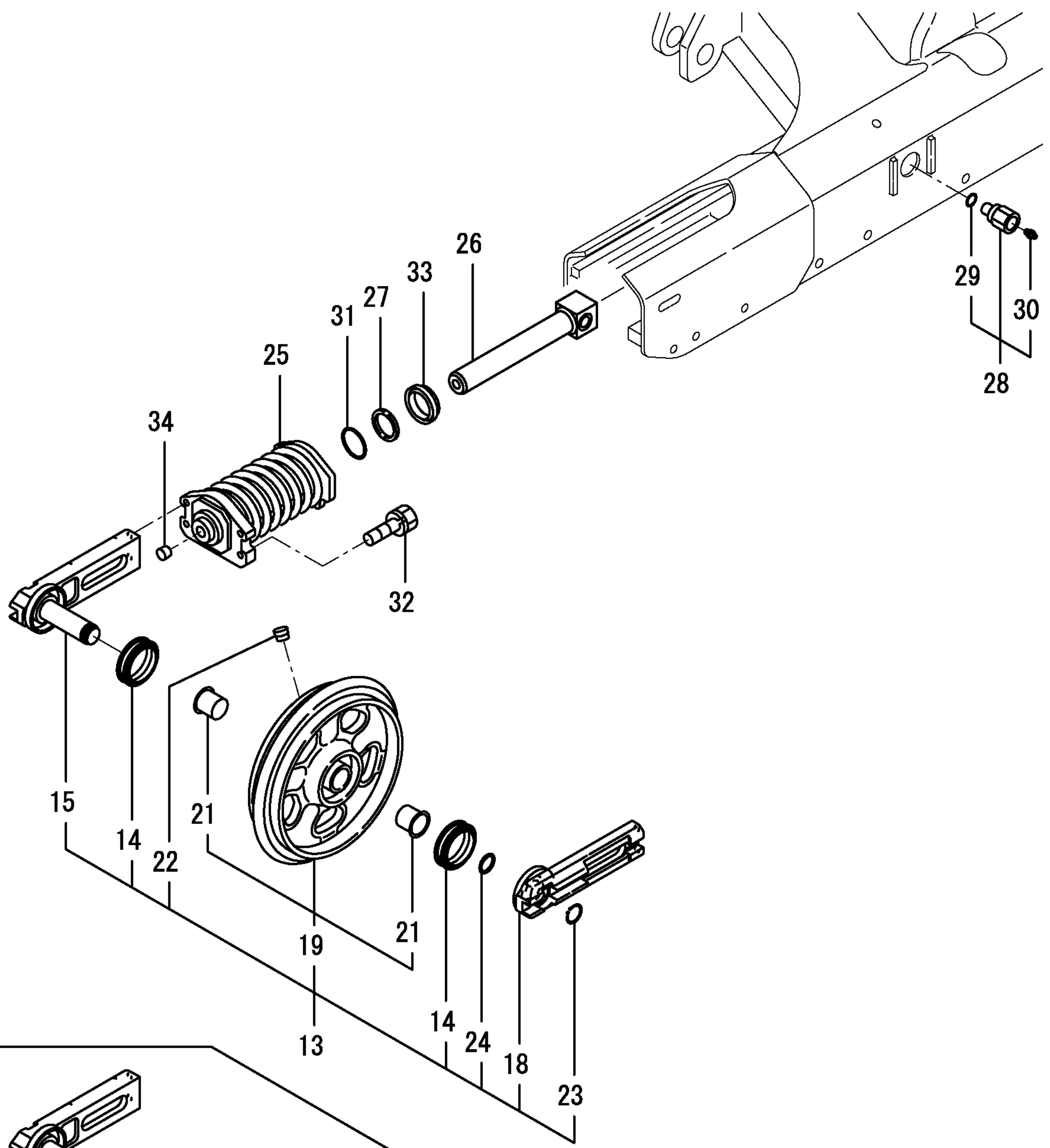
REFER TO Fig. 18, 19

REFER TO Fig. 18, 19

1,1,,172457-29100,, "SPROCKET (GREEN:88)",2,2,2,,,,,,,,,,,,,,,,,,,,,
2,1,,26013-100252,, "BOLT W/WASHER M10X25",24,24,24,,,,,,,,,,,,,,,,,,,,,
3,1,,772450-37300,, "ROLLER,TRACK(GREEN88)",8,8,,,,,,,,,,,,,,,,,,,,,
3-1,1,,172441-37301,, "ROLLER,TRACK
(88)",8,8,8,,,,,N,,24580545,M/#25501,24580545,M/#25501,,,,,,,,,,,,,I
5,2,,172422-37310,, "SHAFT",8,8,8,,,,,,,,,,,,,,,,,,,,,
6,2,,172141-37320,, "SPACER 75X2.6",16,16,16,,,,,,,,,,,,,,,,,,,,,
7,2,,1A1030-48250,, "SEAL QLF30621218,OIL",16,16,16,,,,,,,,,,,,,,,,,,,,,
8,2,,22252-000620,, "CIRCLIP 62(H)",16,16,16,,,,,,,,,,,,,,,,,,,,,
9,2,,22252-000750,, "CIRCLIP 75",16,16,16,,,,,,,,,,,,,,,,,,,,,
10,2,,933111-73800,, "BEARING",16,16,16,,,,,,,,,,,,,,,,,,,,,
11,1,,172162-82980,, "BOLT M16X 35",16,16,16,,,,,,,,,,,,,,,,,,,,,
11-1,1,,172490-37310,, "BOLT
M16X30",16,16,16,,,,,N,,72423135,M/#21257,72423135,M/#21257,,,,,,,,,,,,,I
12,1,,22217-160000,, "SPRING WASHER
16",16,16,,,,,Z,,72423135,M/#21257,72423135,M/#21257,,,,,,,,,,,,,I
13,1,,772458-37500,, "ROLLER.CARRIER (88)",2,2,,,,,,,,,,,,,,,,,,,,,
13-1,1,,172458-37500,, "ROLLER,CARRIER
(88)",1,1,1,,,,,R,,72458531,M/#21168,72458531,M/#21168,,,,,,,,,,,,,
14,2,,172614-23190,, "COLLAR 25X34X2",2,2,,,,,,,,,,,,,,,,,,,,,
14-1,2,,172458-
37590,, "COLLAR",2,2,2,,,,,R,,72458531,M/#21168,72458531,M/#21168,,,,,,,,,,,,,I
16,2,,172458-37520,, "SHAFT, CARIA ROLLER",2,2,,,,,,,,,,,,,,,,,,,,,
16-1,2,,172458-
37570,, "SHAFT",2,2,2,,,,,R,,72458531,M/#21168,72458531,M/#21168,,,,,,,,,,,,,I
17,2,,194630-42120,, "PLUG PT1/8",2,2,,,,,,,,,,,,,,,,,,,,,
18,2,,1A1030-48250,, "SEAL QLF30621218,OIL",2,2,,,,,,,,,,,,,,,,,,,,,
18-1,2,,172458-37580,, "OIL
SEAL",2,2,2,,,,,R,,72458531,M/#21168,72458531,M/#21168,,,,,,,,,,,,,I
19,2,,22242-000250,, "CIRCLIP 25S",2,2,2,,,,,,,,,,,,,,,,,,,,,
20,2,,22252-000521,, "CIRCLIP 52",2,2,2,,,,,,,,,,,,,,,,,,,,,
21,2,,24101-062054,, "BEARING #6205",2,2,2,,,,,,,,,,,,,,,,,,,,,
22,2,,24102-062054,, "BALL BEARING",2,2,2,,,,,,,,,,,,,,,,,,,,,
23,2,,27260-520000,, "COVER 52, BLIND",2,2,2,,,,,,,,,,,,,,,,,,,,,
24,1,,22217-140000,, "SPRING WASHER 14",2,2,2,,,,,,,,,,,,,,,,,,,,,
25,1,,26116-140652,, "BOLT M14X 65 PLATED",2,2,2,,,,,,,,,,,,,,,,,,,,,
26,1,,26716-140002,, "NUT M14",2,2,2,,,,,,,,,,,,,,,,,,,,,



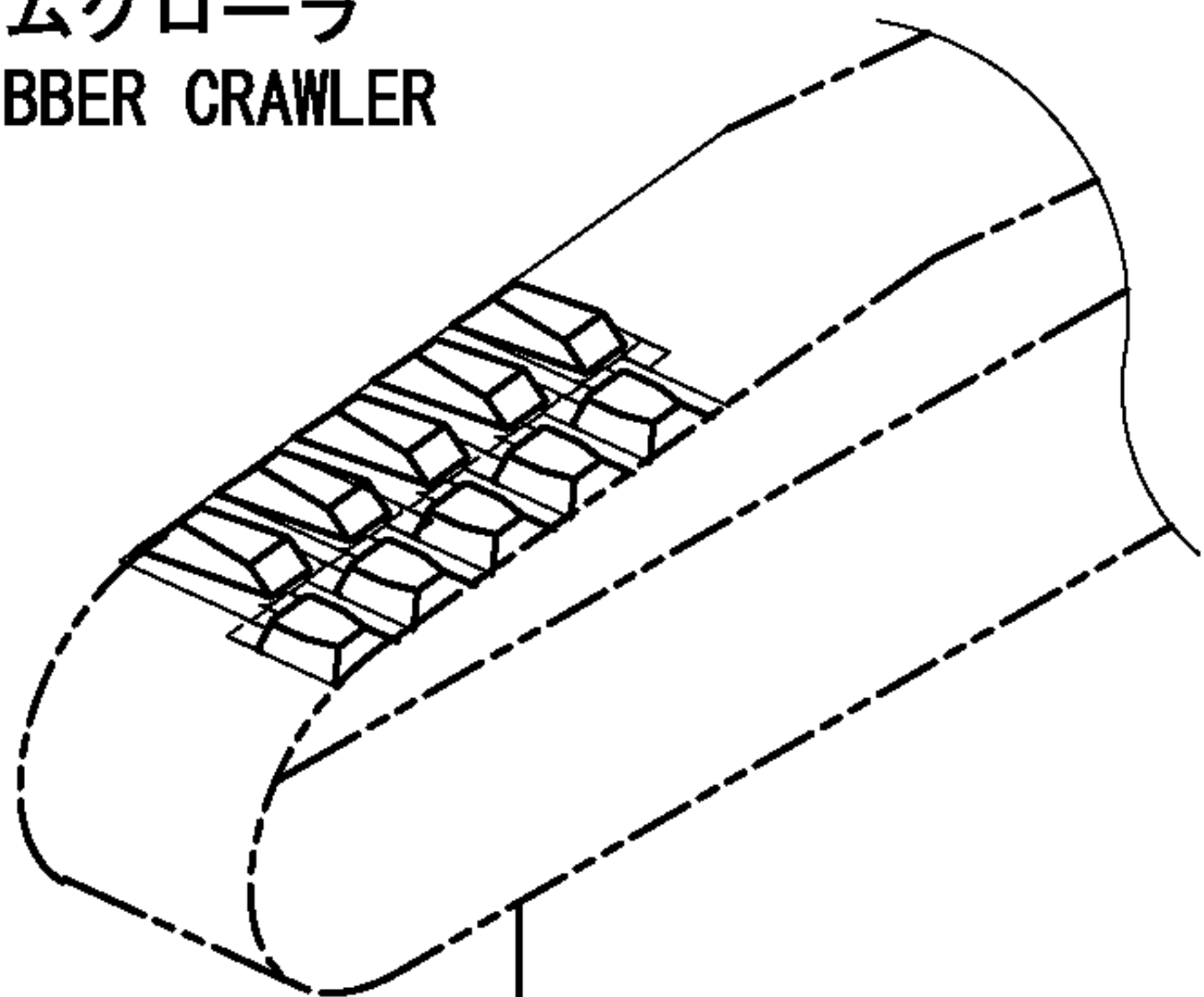
1,1,,772458-37100,, "IDLER 295 ASSY (88)",2,2,2,,,,,1,,,,,
2,2,,172458-37100,, "IDLER 295 (GREEN:88)",2,2,2,,,,,
4,3,,172423-37370,, BUSH,4,4,4,,,,,
5,2,,172458-37120,, "FLOATING SEAL",4,4,4,,,,,
6,2,,172458-37130,, SHAFT,2,2,2,,,,,
9,2,,172458-37150,, COVER,2,2,2,,,,,
10,2,,194630-42120,, "PLUG PT1/8",2,2,2,,,,,
11,2,,22242-000300,, "CIRCLIP 30",2,2,2,,,,,
12,2,,24321-000300,, "O-RING G30",2,2,2,,,,,
13,1,,772458-37110,, "IDLER 280 ASSY (88)",2,2,,,,,2,,,,,
14,2,,172458-37120,, "FLOATING SEAL",4,4,,,,,
15,2,,172458-37130,, SHAFT,2,2,,,,,
18,2,,172458-37150,, COVER,2,2,,,,,
19,2,,172458-37170,, "IDLER 280 (GREEN:88)",2,2,,,,,
21,3,,172423-37370,, BUSH,4,4,,,,,
22,2,,194630-42120,, "PLUG PT1/8",2,2,,,,,
23,2,,22242-000300,, "CIRCLIP 30",2,2,,,,,
24,2,,24321-000300,, "O-RING G30",2,2,,,,,
25,1,,172458-37700,, "SPRING, CRAWLER",2,2,2,,,,,
26,1,,172422-37780,, "PISTON ASSY, ADJUST",2,2,2,,,,,
27,1,,172122-37830,, "RING, BUCK UP",2,2,2,,,,,
28,1,,172122-37843,, "VALVE ASSY, NIPPLE",2,2,,,,,
28-1,1,,172122-37844,, "VALVE ASSY,
NIPPLE",2,2,2,,,,,N,,72460073,M/#20501,72460073,M/#20501,,,,,
29,2,,24315-000140,, "O-RING 1B P-14.0",2,2,2,,,,,
30,2,,24761-020000,, "NIPPLE PT1/8,GREASE",2,2,2,,,,,
31,1,,24325-000400,, "O-RING 1B G 40",2,2,2,,,,,
32,1,,26013-100402,, "BOLT M10X 40",8,8,8,,,,,
33,1,,933111-23600,, "SEAL 4052710",2,2,2,,,,,
34,1,,933171-13691,, "PLUG PT1/8",2,2,2,,,,,



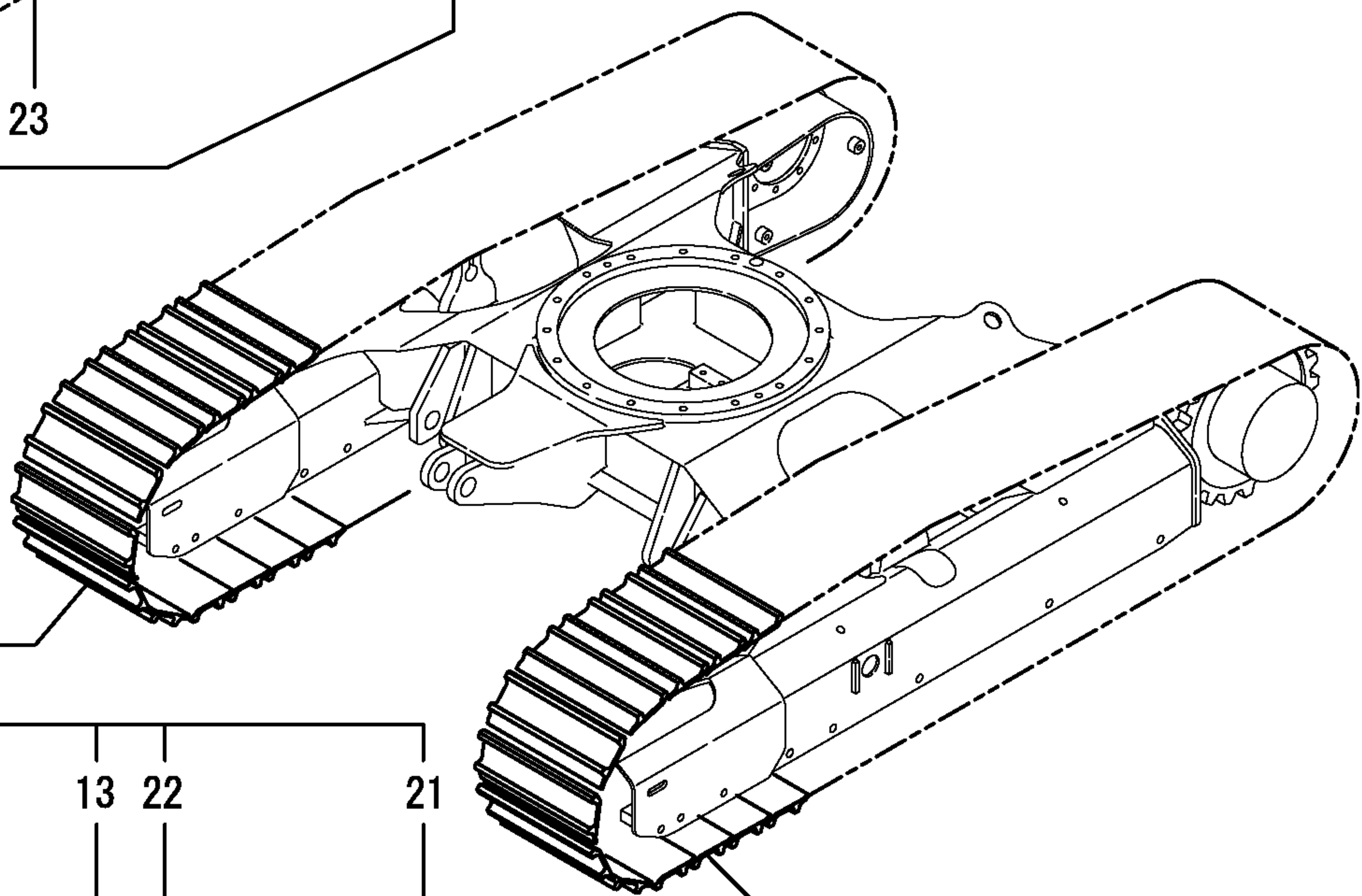
ゴムクローラ仕様
RUBBER CRAWLER SPEC.

1,1,,172457-38100,, "SHOE L,TRACK(GREEN88",1,1,,,,,,,,,,,,,
2,2,,172458-38110,, "PLATE,SHEW 300L (88)",41,41,,,,,,,,,,,,,
3,2,,172457-38140,, "LINK,TRACK(GREEN:88)",1,1,,,,,,,,,,,,,
8,3,,172458-38200,, "BUSH,TRUCK",41,41,,,,,,,,,,,,,
9,3,,172458-38210,, "PIN,TRUCK",40,40,,,,,,,,,,,,,
10,3,,172458-38220,, "PIN,MASTER",1,1,,,,,,,,,,,,,
11,3,,172458-38230,, "STOP PIN",1,1,,,,,,,,,,,,,
12,1,,172457-38120,, "SHOE R,TRACK(GREEN88",1,1,,,,,,,,,,,,,
13,2,,172458-38130,, "PLATE,SHEW 300R (88)",41,41,,,,,,,,,,,,,
14,2,,172457-38140,, "LINK,TRACK(GREEN:88)",1,1,,,,,,,,,,,,,
19,3,,172458-38200,, "BUSH,TRUCK",41,41,,,,,,,,,,,,,
20,3,,172458-38210,, "PIN,TRUCK",40,40,,,,,,,,,,,,,
21,3,,172458-38220,, "PIN,MASTER",1,1,,,,,,,,,,,,,
22,3,,172458-38230,, "STOP PIN",1,1,,,,,,,,,,,,,
23,1,,172457-38600,, "CRAWLER,RUBBER",2,2,2,,,,,,,,,,,,,
24,1,,172458-38300,, "TRUCK,MASTER 300L(88",1,1,,,,,,,,,,,,,
25,2,,172458-38200,, "BUSH,TRUCK",1,1,,,,,,,,,,,,,
26,1,,172458-38310,, "TRUCK,MASTER 300R(88",1,1,,,,,,,,,,,,,
27,2,,172458-38200,, "BUSH,TRUCK",1,1,,,,,,,,,,,,,

ゴムクローラ
RUBBER CRAWLER

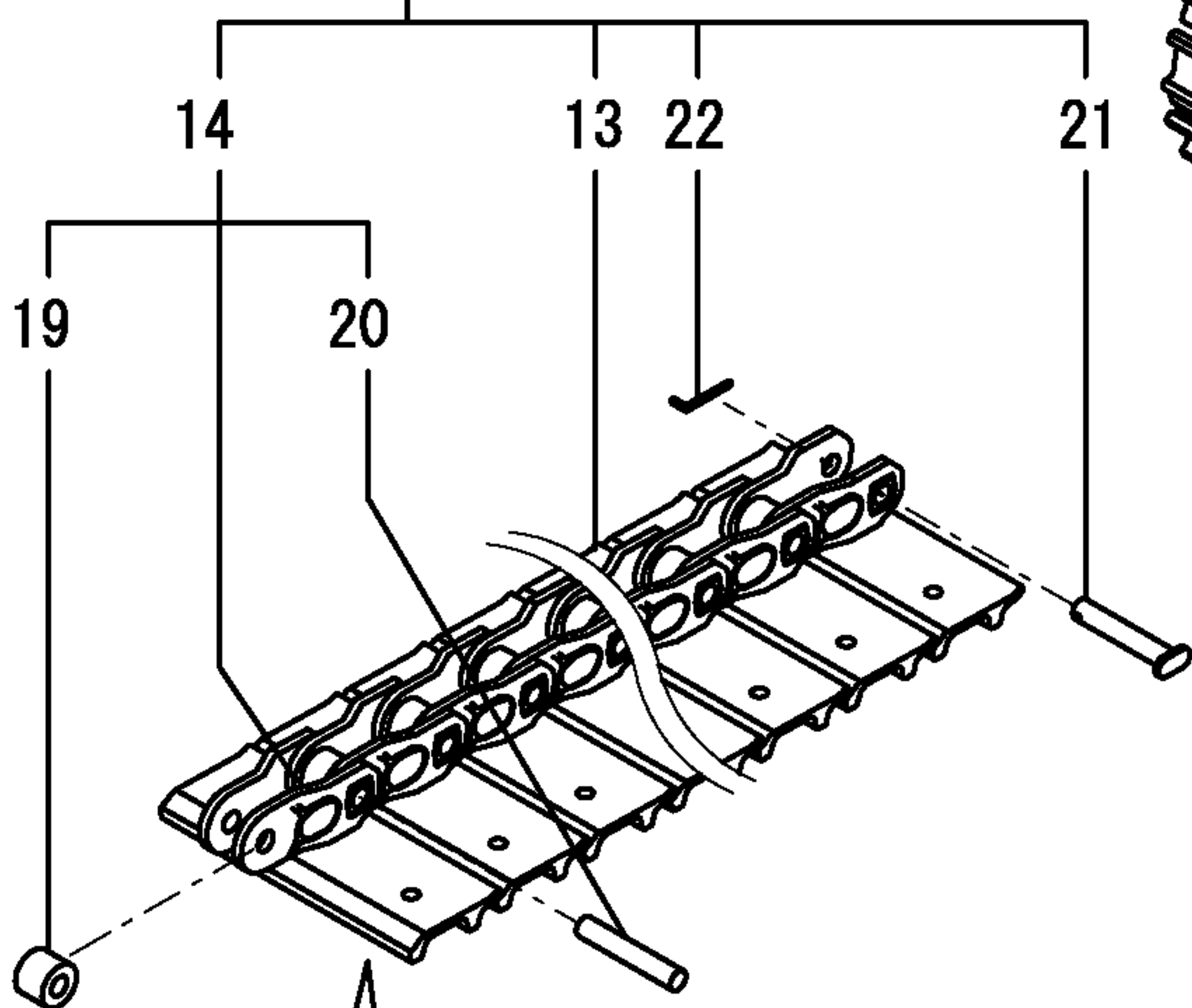


23



12

1



14

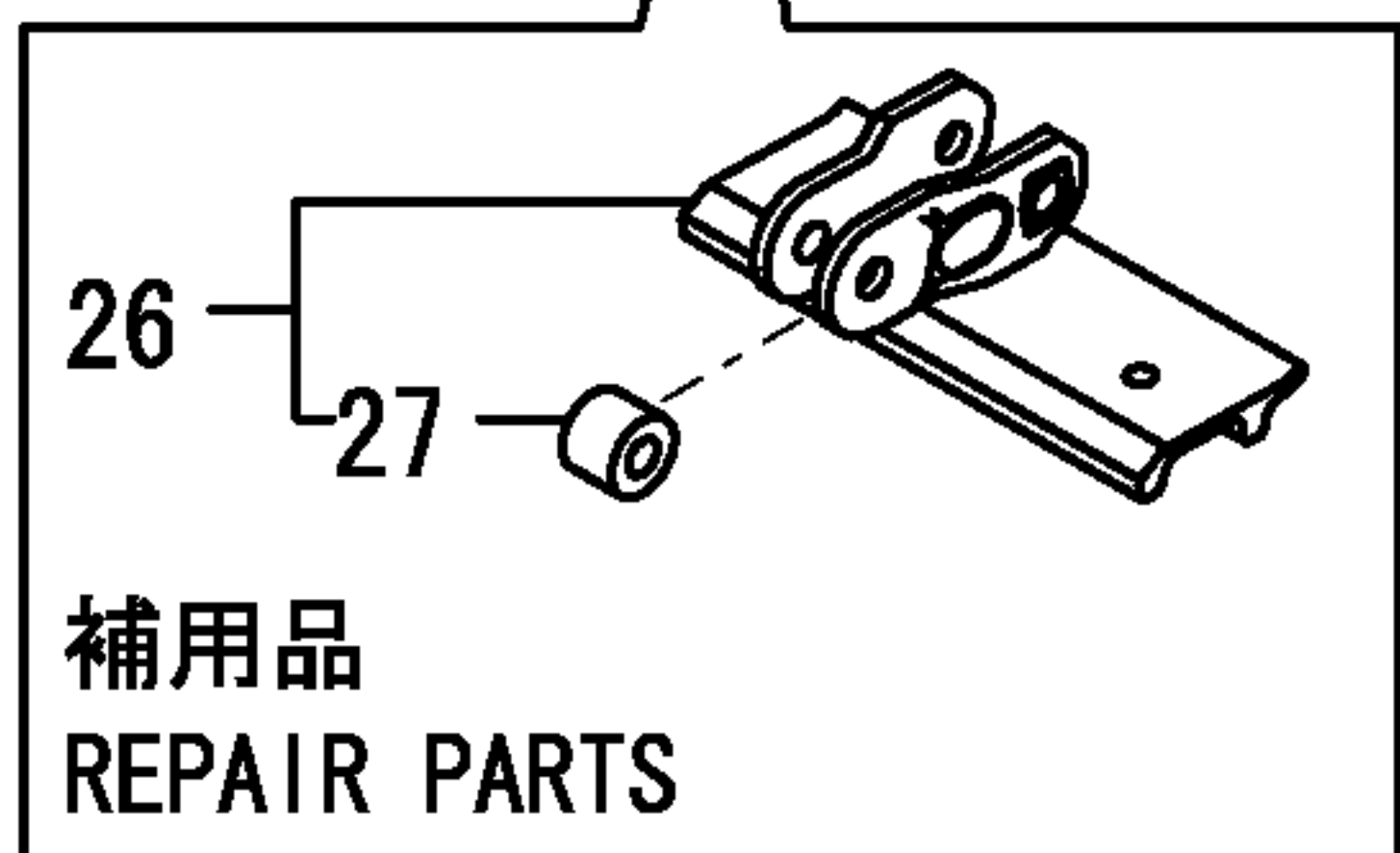
13

22

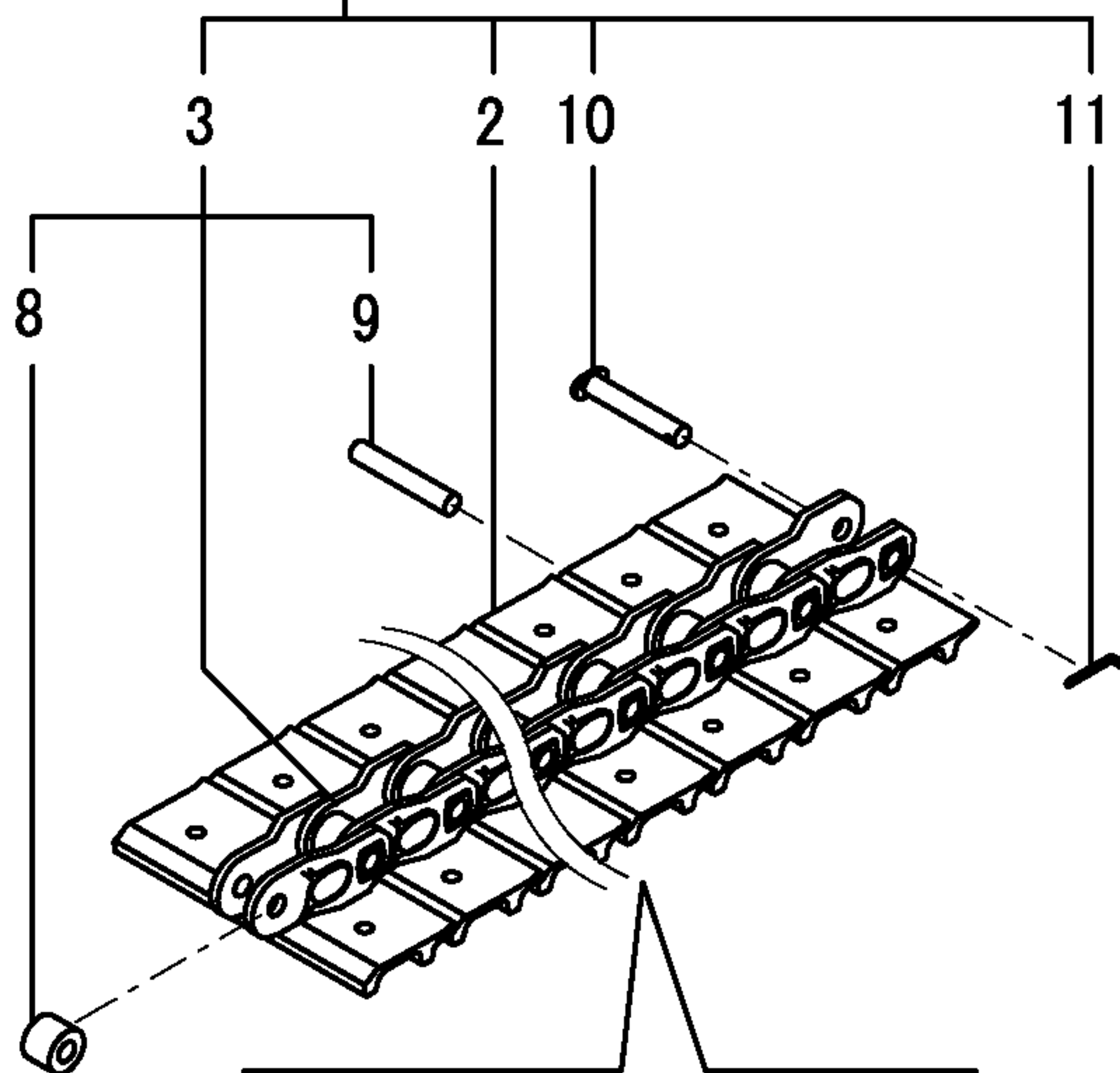
21

19

20



補用品
REPAIR PARTS



3

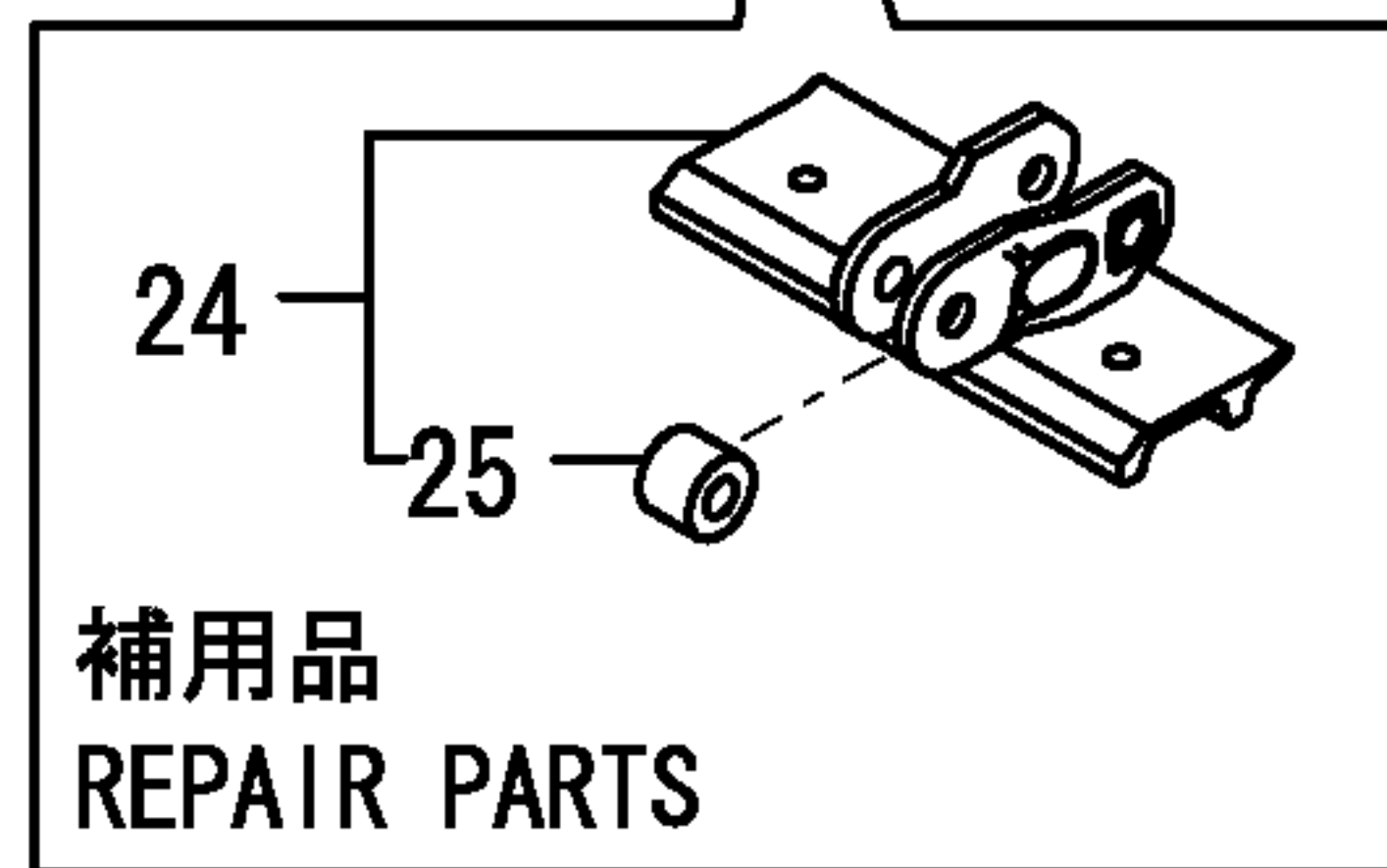
2

10

11

8

9

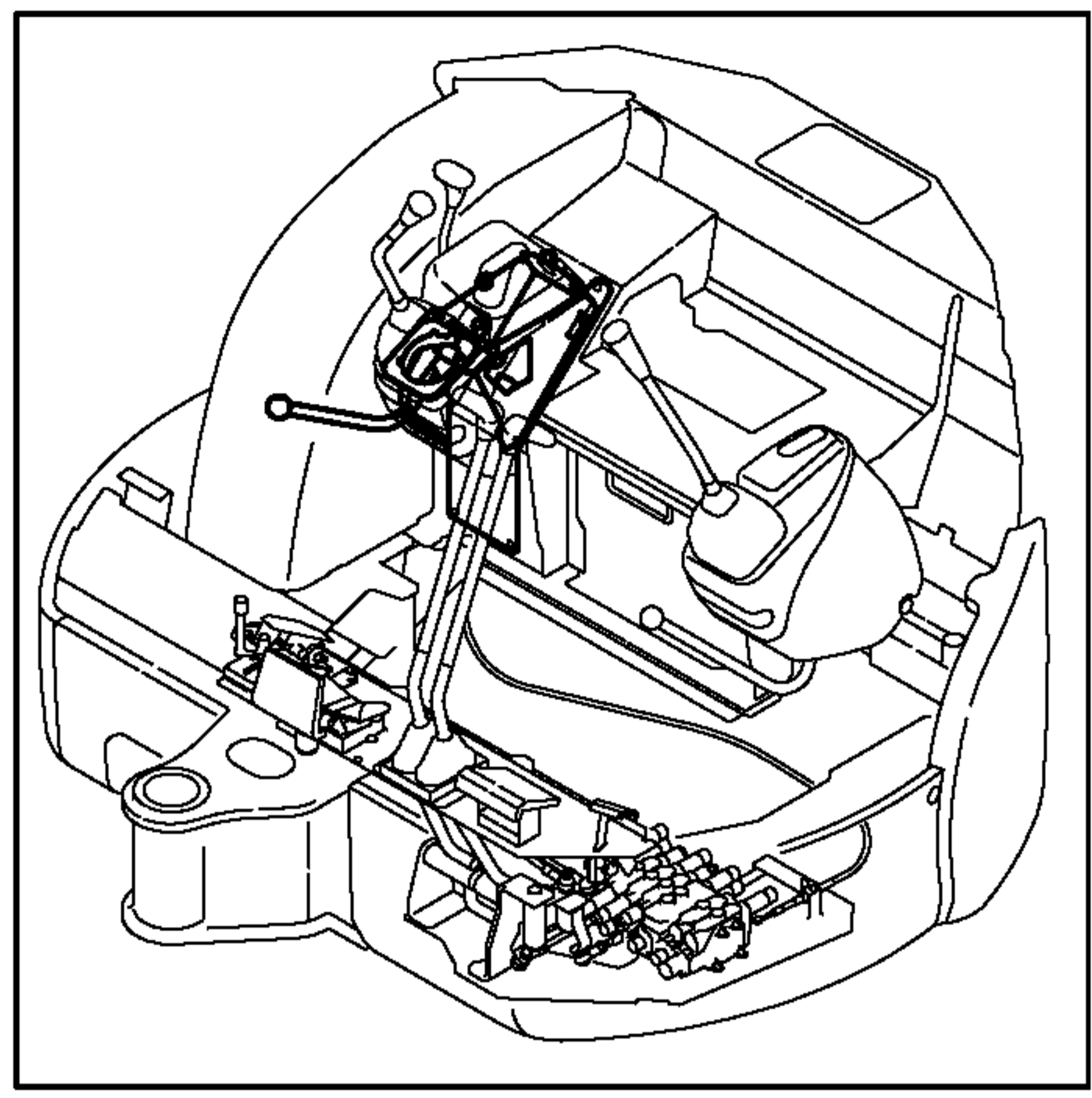


補用品
REPAIR PARTS

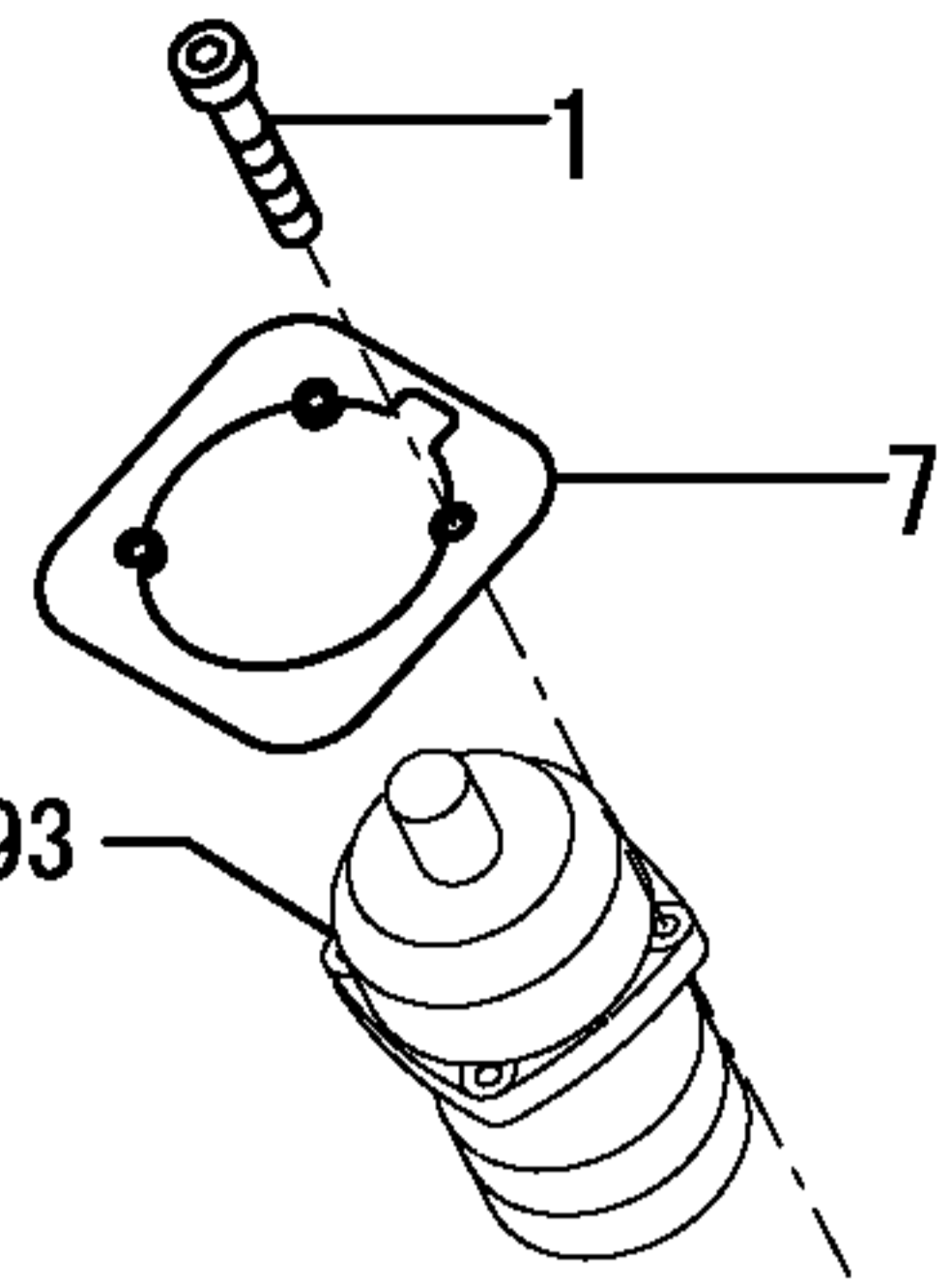
24

25

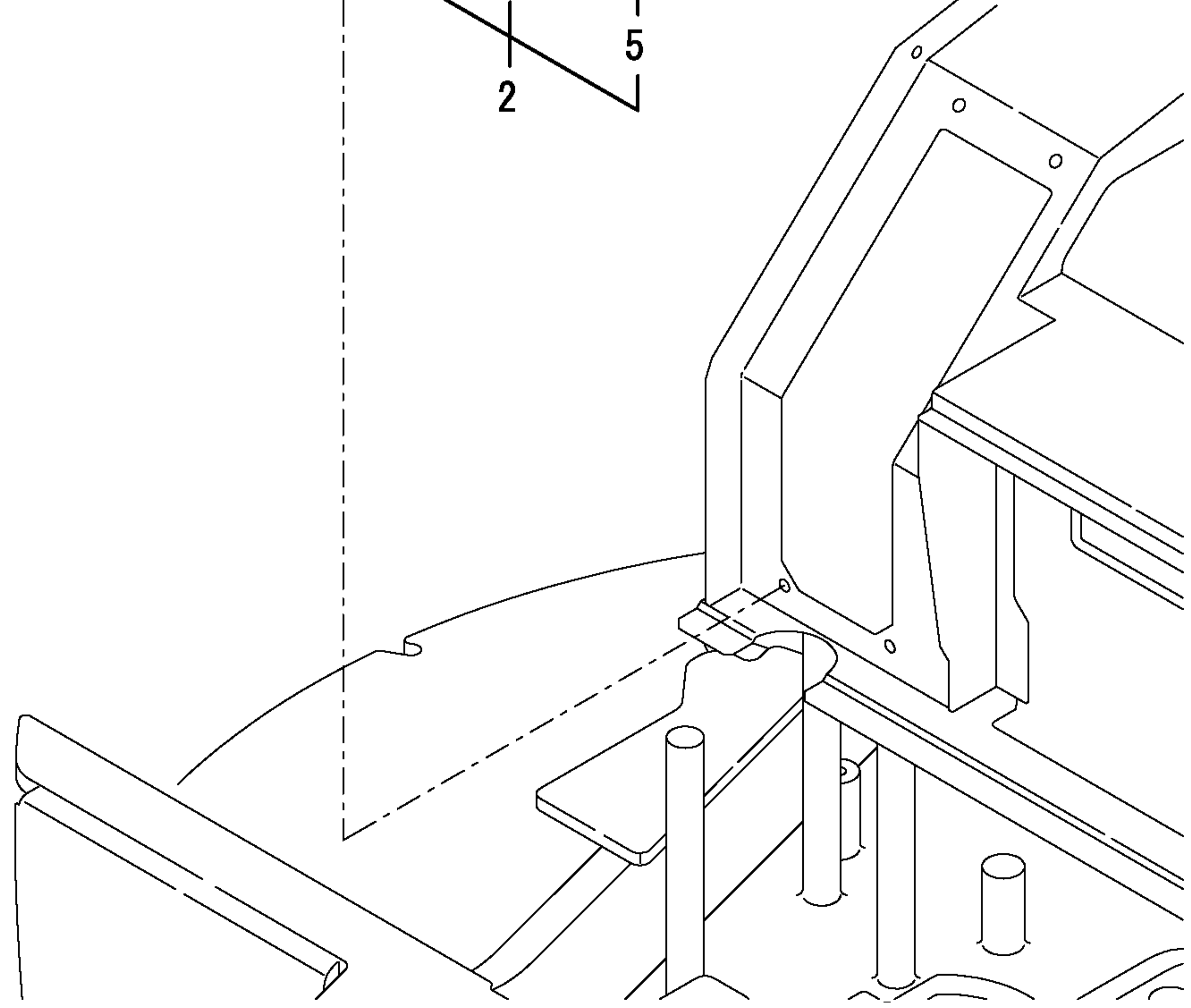
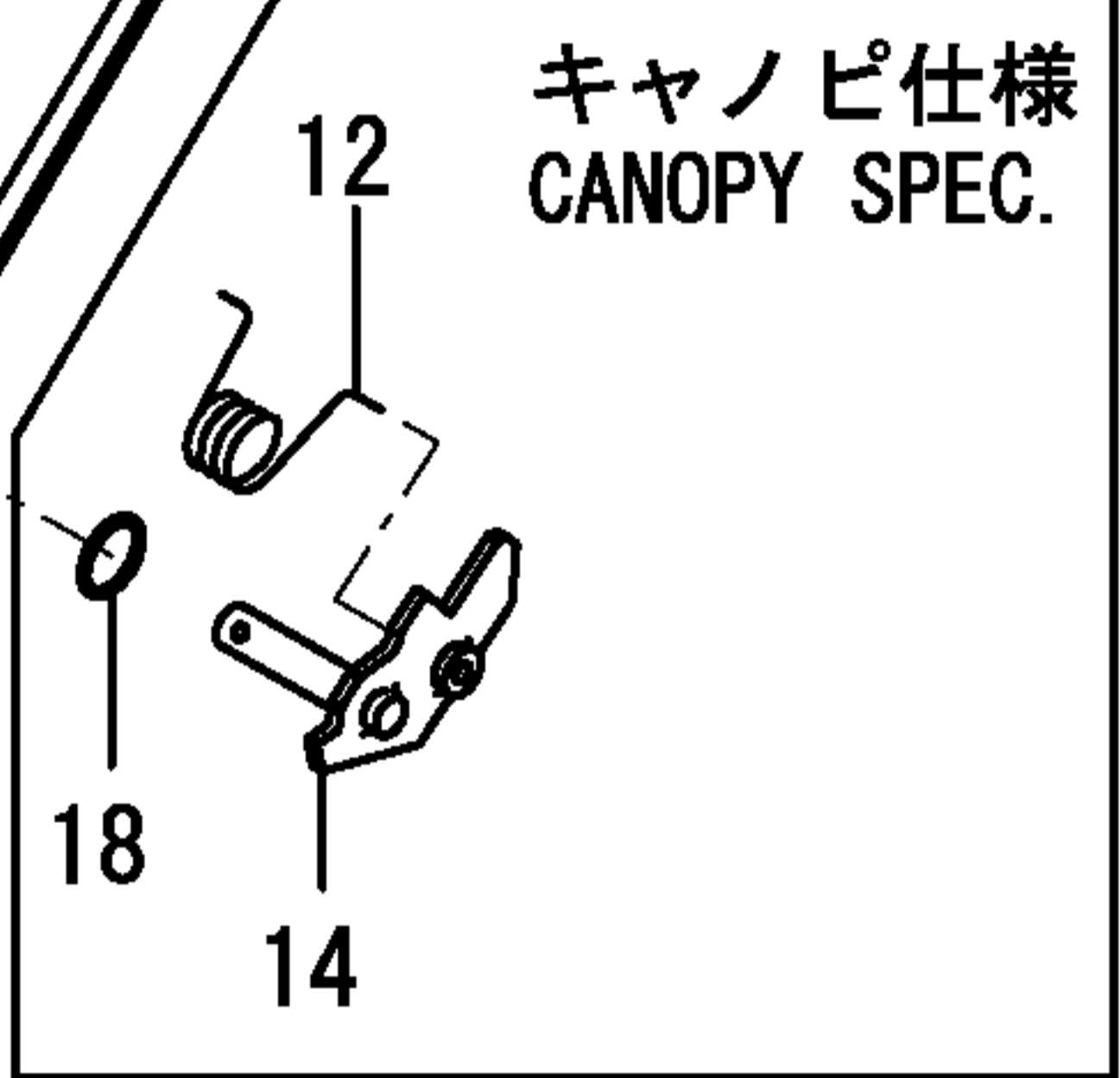
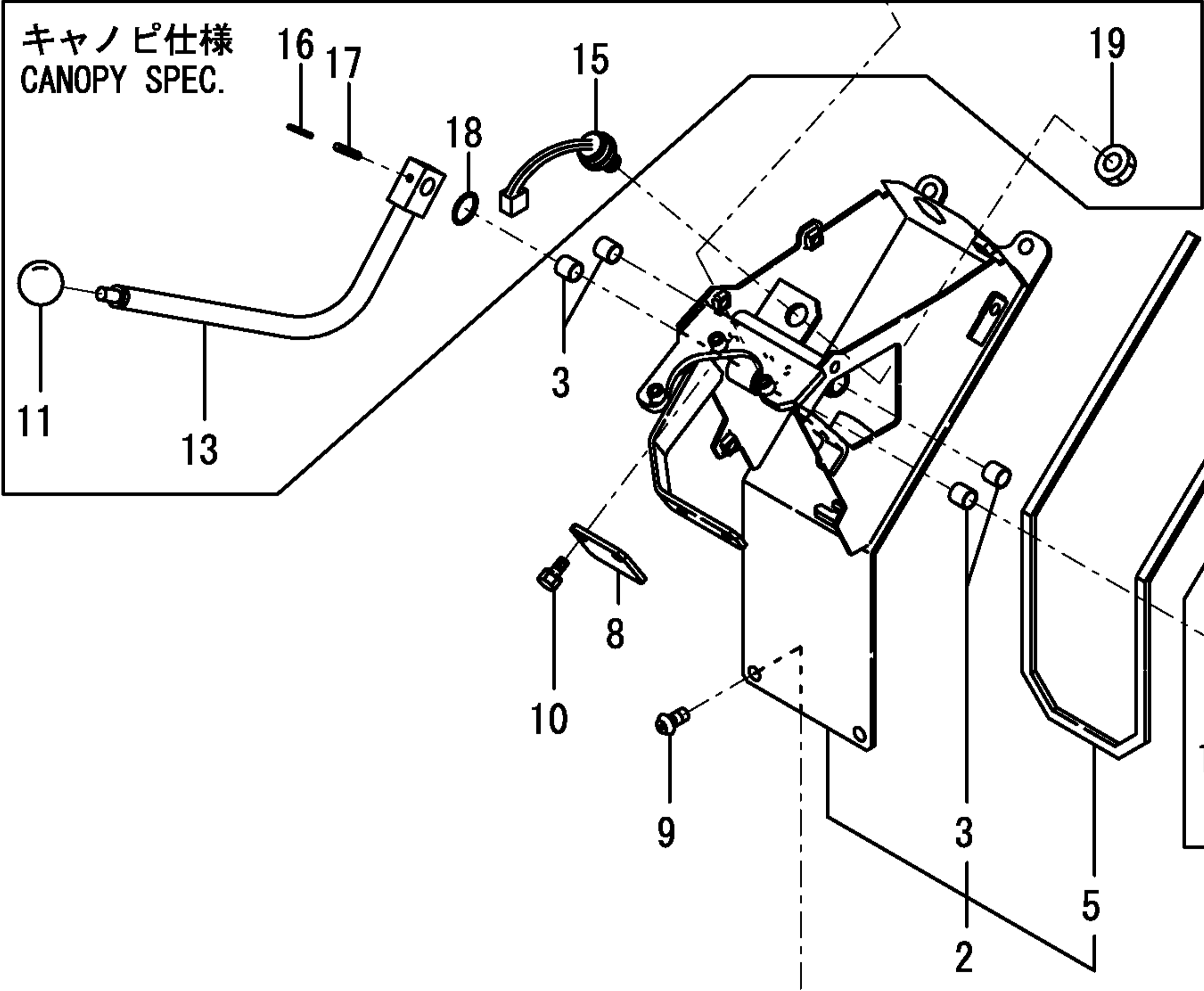
1,1,,172458-46730,, "BOLT N6X30",3,3,3,,,,,,,,,,,,,,,,,,,,,
2,1,,172458-46800,, "STAND R,LEVER(GRAY73)",1,1,,,,,,,,,,,,,,,,,,,,,
2-1,1,,172458-46801,, "STAND
R,LEVER(GRAY73)",1,1,,,,,N,,72458307,M/#20501,72458307,M/#20501,,,,,,,,,,,,,
2-2,1,,172457-46800,, "STAND R, LEVER
(73)",1,1,,,,,N,,72457029,M/#20636,72457029,M/#20636,,,,,,,,,,,,,
2-3,1,,172457-46801,, "STAND
R,LEVER(GRAY73)",1,1,1,,,,,N,,72457037,M/#20582,72457037,M/#20582,,,,,,,,,,,,,
3,2,,172141-41360,, "BUSH 1415",4,4,4,,,,,,,,,,,,,,,,,,,,,
5,2,,172458-46790,, "SEAL,LEVER
STAND",1,1,,,,,Z,,72457037,M/#20582,72457037,M/#20582,,,,,,,,,,,,,
7,1,,172455-46940,, "PLATE R,BOOTS (73)",1,1,,,,,,,,,,,,,,,,,,,,,
7-1,1,,172455-46941,, "PLATE R,BOOTS
(73)",1,1,1,,,,,R,,72455316,M/#20871,72455316,M/#20871,,,,,,,,,,,,,
8,1,,172458-46950,, "PLATE (GRAY:73)",1,1,1,,,,,,,,,,,,,,,,,,,,,
9,1,,172455-61720,, "BOLT M 10X20",4,4,4,,,,,,,,,,,,,,,,,,,,,
10,1,,26013-080162,, "BOLT W/WASHER M8X16",2,2,2,,,,,,,,,,,,,,,,,,,,,
11,1,,1D4070-23580,, "GRIP,RED ROUND",,1,1,,,,,,,,,,,,,,,,,,,,,
12,1,,172165-45970,, "SPRING,,1,1,,,,,,,,,,,,,,,,,,,,,
13,1,,172458-47680,, "LEVER R (GRAY:72)",,1,1,,,,,,,,,,,,,,,,,,,,,
14,1,,172458-47710,, "SHAFT (GRAY:73)",,1,1,,,,,,,,,,,,,,,,,,,,,
15,1,,194464-52190,, "SWITCH, SAFETY START",,1,1,,,,,,,,,,,,,,,,,,,,,
16,1,,22351-030032,, "SPRING PIN 3X32",,1,1,,,,,,,,,,,,,,,,,,,,,
17,1,,22351-050032,, "SPRING PIN 5X32",,1,1,,,,,,,,,,,,,,,,,,,,,
18,1,,24311-000210,, "O-RING 1A P-21.0",,2,2,,,,,,,,,,,,,,,,,,,,,
19,1,,26776-180002,, "NUT M18,LOCK",,1,1,,,,,,,,,,,,,,,,,,,,,



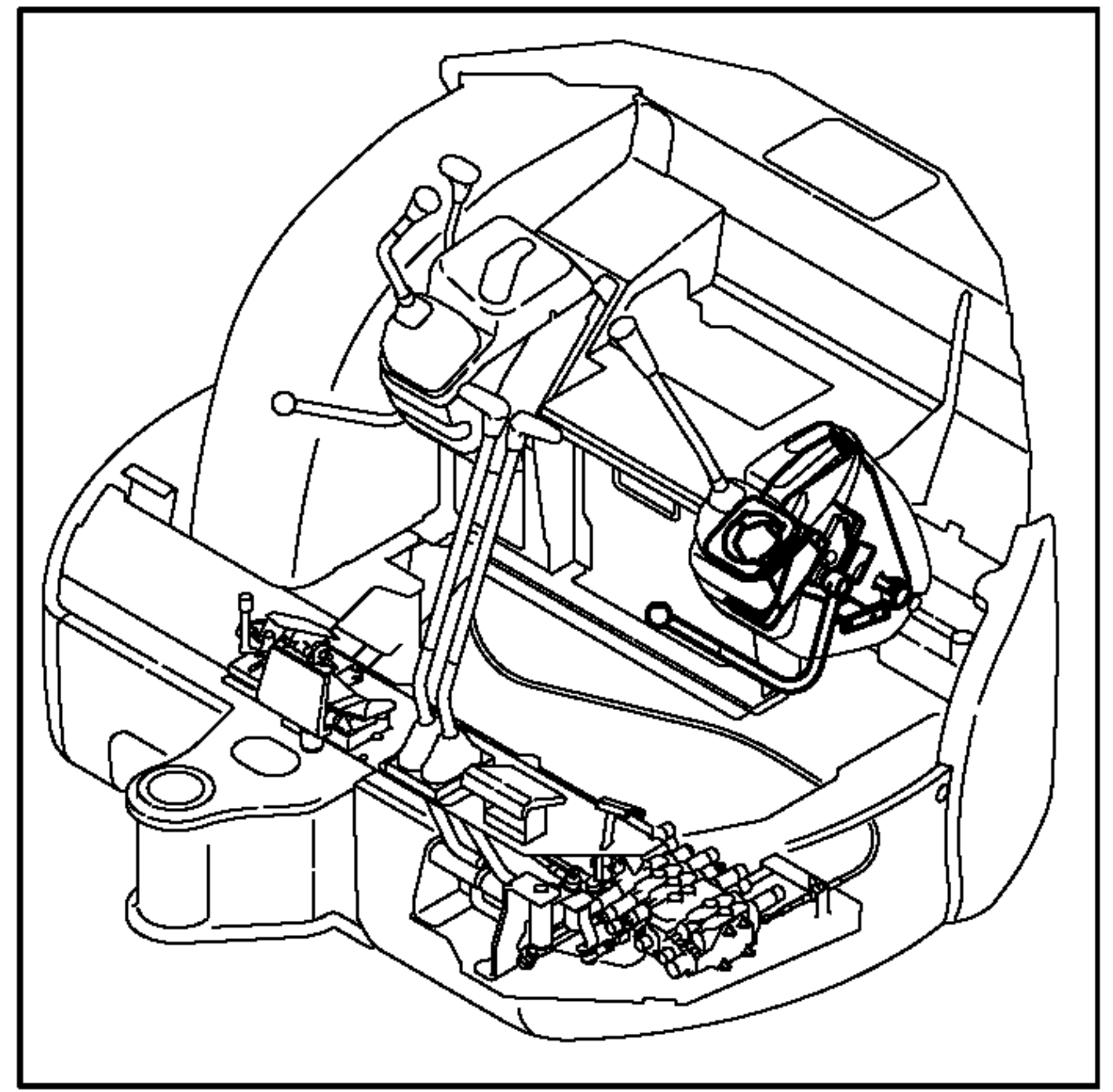
REFER TO Fig. 90~93



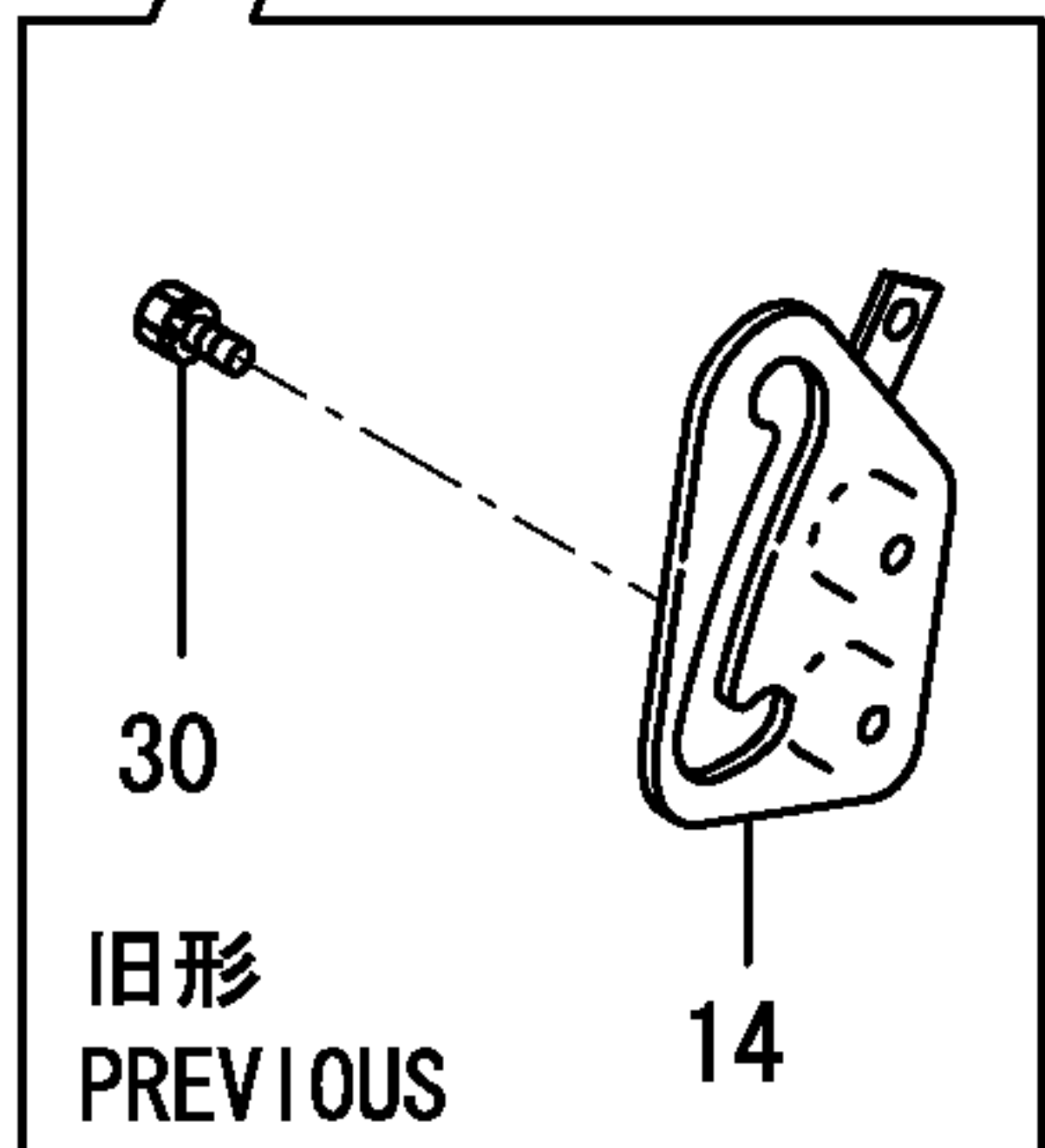
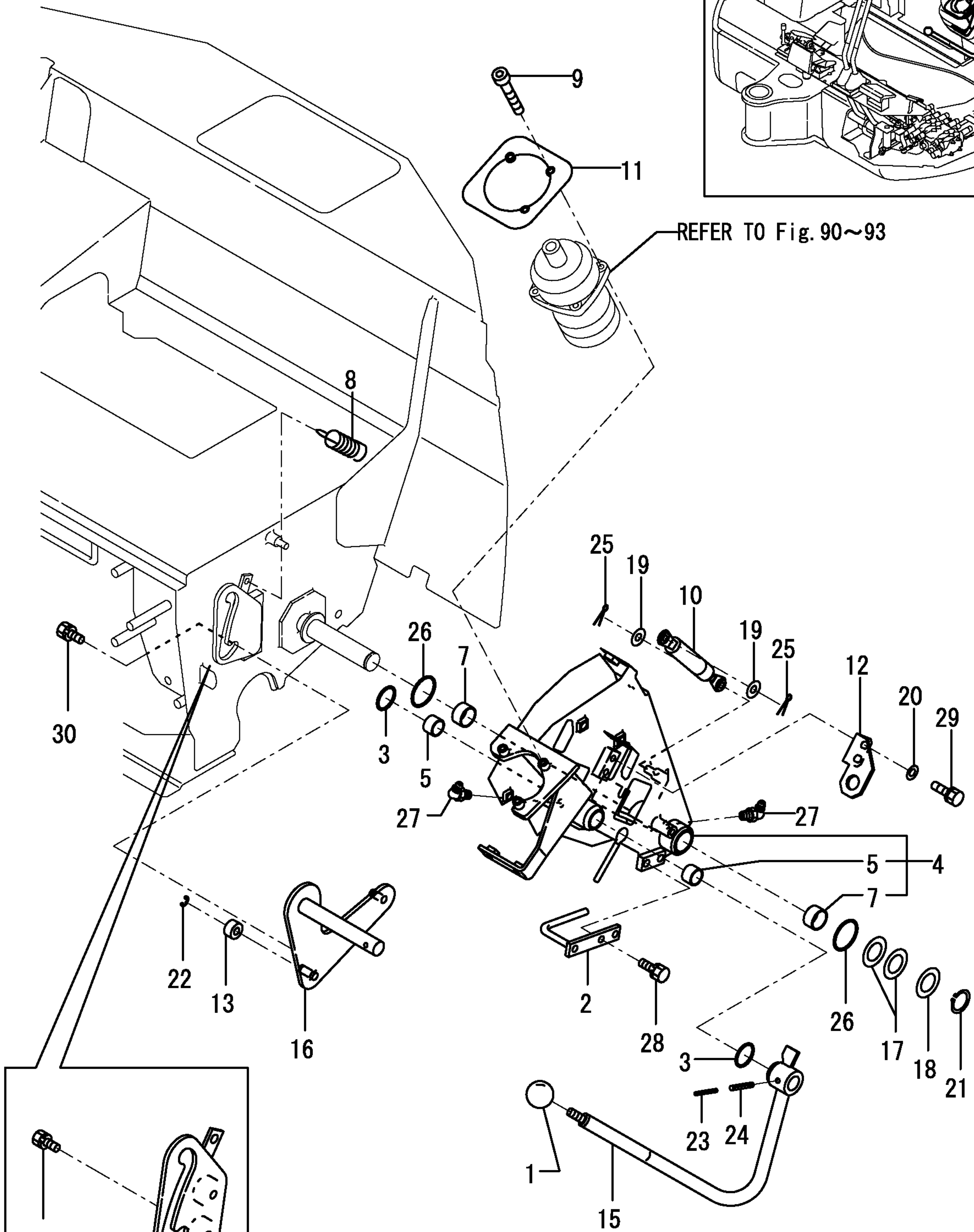
キャノピ仕様
CANOPY SPEC.



1,1,,1D4070-23580,, "GRIP,RED ROUND",1,1,1,,,,,,,,,,,,,,,,,,,,,
2,1,,172458-45850,, "GUIDE L,HOSE(GRAY:73",1,1,1,,,,,,,,,,,,,,,,,,,,,
3,1,,172124-46200,, "O-RING 27X5.7",2,2,2,,,,,,,,,,,,,,,,,,,,,
4,1,,172458-46600,, "STAND L,LEVER(GRAY73",1,1,1,,,,,,,,,,,,,,,,,,,,,
5,2,,172141-41370,, "BUSH 2015",2,2,2,,,,,,,,,,,,,,,,,,,,,
7,2,,24550-025150,, "BUSH 25X15",2,2,2,,,,,,,,,,,,,,,,,,,,,
8,1,,172162-46690,, SPRING,1,1,1,,,,,,,,,,,,,,,,,,,,,
9,1,,172458-46730,, "BOLT N6X30",3,3,3,,,,,,,,,,,,,,,,,,,,,
10,1,,172455-46890,, "SPRING,GAS",1,1,1,,,,,,,,,,,,,,,,,,,,,
11,1,,172455-46900,, PLATE,1,1,,,,,,,,,,,,,,,,,,,,,
11-1,1,,172455-46901,, "PLATE L,
BOOTS",1,1,1,,,R,,72455316,M/#20871,72455316,M/#20871,,,,,,,,,
12,1,,172455-46950,, "BRACKET, SWITCH",1,1,1,,,,,,,,,,,,,,,,,,,,,
13,1,,172165-47550,, BUSH,1,1,1,,,,,,,,,,,,,,,,,,,,,
14,1,,172458-47600,, "GUIDE L,LOCK(GRAY:73",1,1,,,,,,,,,,,,,,,,,,,,,
14-1,1,,172458-47601,, "GUIDE
L,LOCK(GRAY:73",1,1,,,,,N,,72458257,M/#20501,72458257,M/#20501,,,,,,
14-2,1,,172458-47601,, "GUIDE
L,LOCK(GRAY:73",1,1,,,,,Z,,72458536,M/#25501,72458536,M/#25501,,,,,,I
15,1,,172458-47620,, "LEVER L,LOCK(GRAY:72",1,1,,,,,,,,,,,,,,,,,,,,,
15-1,1,,172458-47621,, "LEVER
L,LOCK(GRAY:72",1,1,1,,,,,N,,72458340,M/#20700,72458340,M/#20700,,,,,,
16,1,,172458-47640,, "ROD,SPRING (GRAY:73)",1,1,1,,,,,,,,,,,,,,,,,,,,,
17,1,,172165-47980,, "SHIM 42X25.5X0.5",2,2,2,,,,,,,,,,,,,,,,,,,,,
18,1,,172165-47990,, "WASHER 25.5X42",1,1,1,,,,,,,,,,,,,,,,,,,,,
19,1,,22137-080000,, "WASHER 8, POLISHED",2,2,2,,,,,,,,,,,,,,,,,,,,,
20,1,,22137-080000,, "WASHER 8, POLISHED",2,2,2,,,,,,,,,,,,,,,,,,,,,
21,1,,22242-000250,, "CIRCLIP 25S",1,1,1,,,,,,,,,,,,,,,,,,,,,
22,1,,22272-000070,, "CIRCLIP E- 7",1,1,1,,,,,,,,,,,,,,,,,,,,,
23,1,,22351-035040,, "SPRING PIN 3.5X40",1,1,1,,,,,,,,,,,,,,,,,,,,,
24,1,,22351-060040,, "SPRING PIN 6X40",1,1,1,,,,,,,,,,,,,,,,,,,,,
25,1,,22417-200200,, "COTTER PIN 2.0X20",2,2,2,,,,,,,,,,,,,,,,,,,,,
26,1,,24311-000340,, "O-RING 1A P-34.0",2,2,2,,,,,,,,,,,,,,,,,,,,,
27,1,,24761-050000,, "NIPPLE C,GREASE",2,2,2,,,,,,,,,,,,,,,,,,,,,
28,1,,26013-080162,, "BOLT W/WASHER M8X16",2,2,2,,,,,,,,,,,,,,,,,,,,,
29,1,,26013-080202,, "BOLT W/WASHER M8X20",2,2,2,,,,,,,,,,,,,,,,,,,,,
30,1,,26013-100202,, "BOLT W/WASHER
M10X20",2,2,,,,,Z,,72458536,M/#25501,72458536,M/#25501,,,,,,I



REFER TO Fig. 90~93

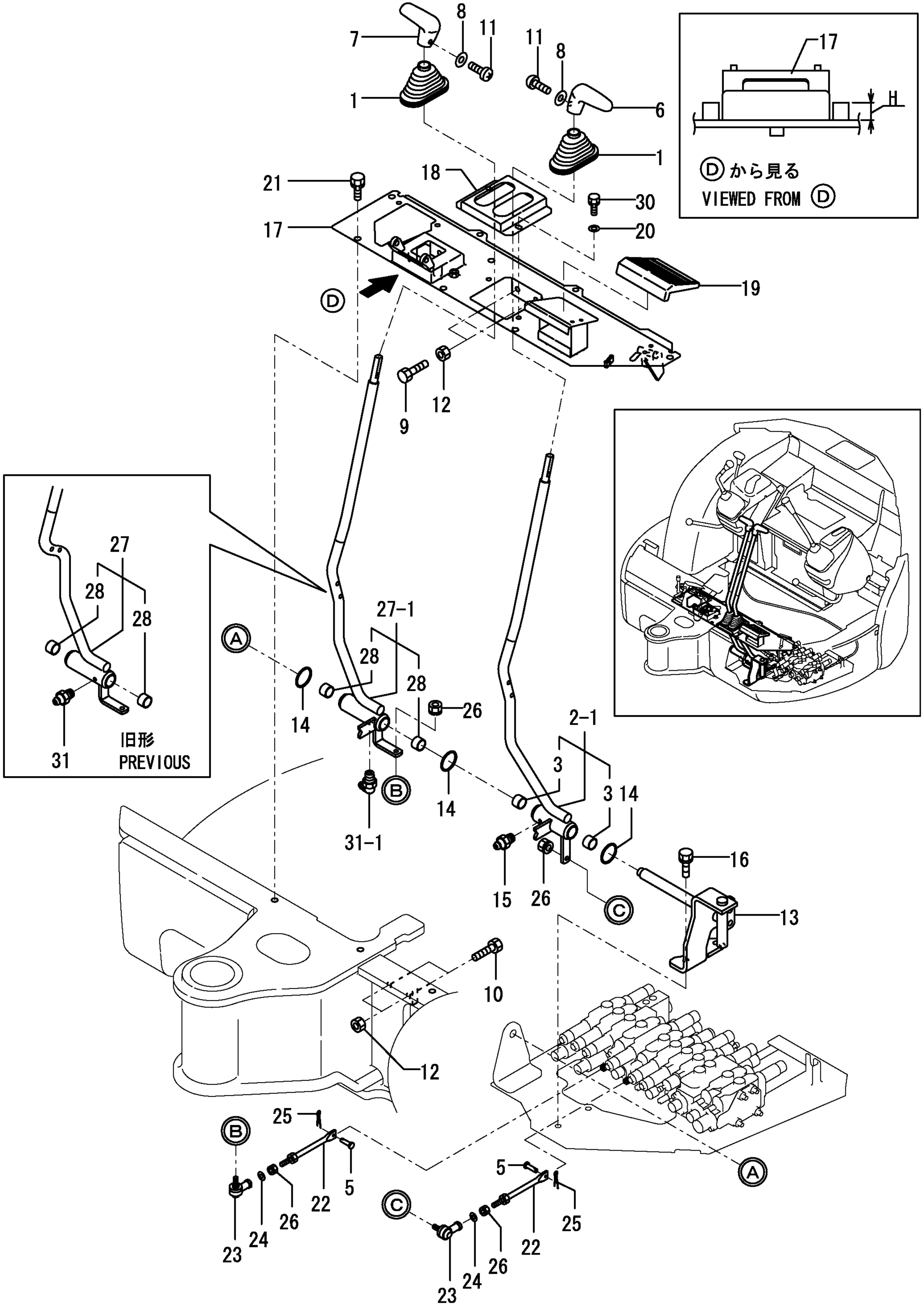


30

旧形
PREVIOUS

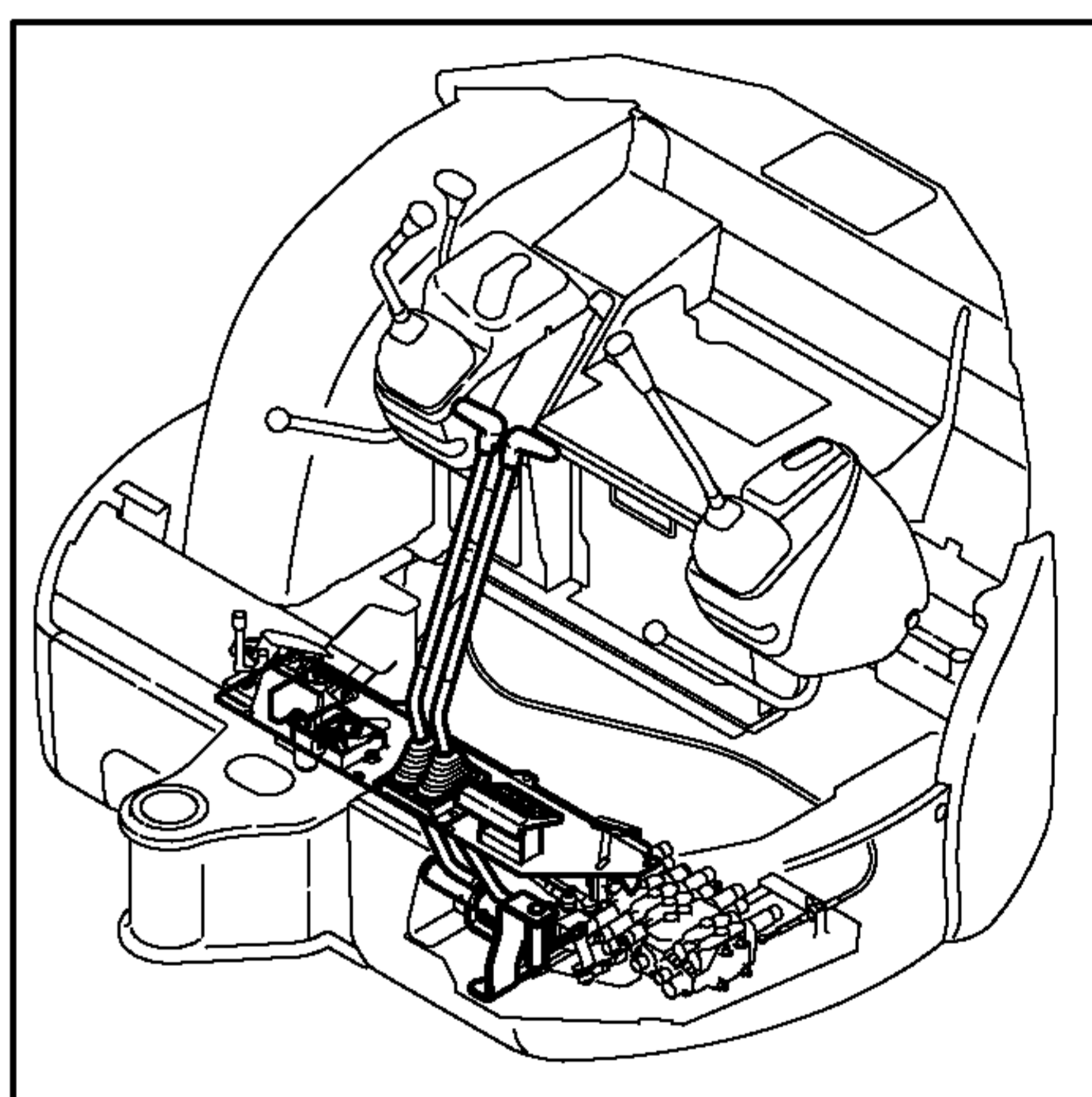
14

1,1,,172141-41340,,BOOTS,2,2,2,,,,,,,,,,,,,
2,1,,172458-45100,, "LEVER L,TRACK(GRAY72",1,1,,,,,,,,,,,,,
2-1,1,,172472-45100,, "LEVER
L,TRACK(GRAY72",1,1,1,,,,,N,,724580546,M/#25501,724580546,M/#25501,,,,,,,,,I
3,2,,172141-41370,, "BUSH 2015",2,2,2,,,,,,,,,,,,,
5,1,,933110-54100,, "PIN 4.75X14",2,2,2,,,,,,,,,,,,,
6,1,,172187-45870,, "GRIP L, DRIVE",1,1,1,,,,,,,,,,,,,
7,1,,172187-45880,, "GRIP R, DRIVE",1,1,1,,,,,,,,,,,,,
8,1,,22117-040000,, "WASHER 4",2,2,2,,,,,,,,,,,,,
9,1,,26116-100404,, "BOLT M10X 40 PLATED",2,2,2,,,,,,,,,,,,,
10,1,,26116-100604,, "BOLT M10X 60 PLATED",2,2,2,,,,,,,,,,,,,
11,1,,26587-040122,, "SCREW M 4X 12",2,2,2,,,,,,,,,,,,,
12,1,,26716-100002,, "NUT 10",4,4,4,,,,,,,,,,,,,
13,1,,172458-45660,, "BRACKET,TRUCK(GRAY72",1,1,,,,,,,,,,,,,
13-1,1,,172472-45660,, "BRACKET ASSY
(TRUCK",1,1,1,,,,,N,,72458284,M/#21287,72456284,M/#25501,,,,,,,,,I
14,1,,172124-46200,, "O-RING 27X5.7",3,3,3,,,,,,,,,,,,,
15,1,,24761-020000,, "NIPPLE PT1/8,GREASE",1,1,1,,,,,,,,,,,,,
16,1,,26013-100252,, "BOLT W/WASHER M10X25",2,2,2,,,,,,,,,,,,,
17,1,,172458-45400,, "STAND,LINK(BLACK:12)",1,1,,,,,,,,,,,,,
17-1,1,,172458-
45401,, "STAND,LINK(BLACK:12)",1,1,1,,,,,S,1,72456123,M/#20502,72456123,M/#20502,,
,,,,,
18,1,,172458-45510,, "BRACKET,BOOT(BLACK12",1,1,1,,,,,,,,,,,,,
19,1,,172187-45760,, "COVER PAD",1,1,1,,,,,,,,,,,,,
20,1,,22137-080000,, "WASHER 8, POLISHED",2,2,2,,,,,,,,,,,,,
21,1,,26013-100202,, "BOLT W/WASHER M10X20",6,6,6,,,,,,,,,,,,,
22,1,,172458-45250,, "ROD 91 ASSY",2,2,2,,,,,,,,,,,,,
23,1,,172122-46590,, "ELBALL 8",2,2,2,,,,,,,,,,,,,
24,1,,22117-080000,, "WASHER 8",2,2,2,,,,,,,,,,,,,
25,1,,22417-160160,, "COTTER PIN 1.6X16",2,2,2,,,,,,,,,,,,,
26,1,,26051-080002,, "NUT M 8",4,4,4,,,,,,,,,,,,,
27,1,,172458-45140,, "LEVER R,TRACK(GRAY72",1,1,,,,,,,,,,,,,
27-1,1,,172472-45140,, "LEVER
R,TRACK(GRAY72",1,1,1,,,,,N,,724580546,M/#25501,724580546,M/#25501,,,,,,,,,I
28,2,,172141-41370,, "BUSH 2015",2,2,2,,,,,,,,,,,,,
30,1,,26013-080162,, "BOLT W/WASHER M8X16",2,2,2,,,,,,,,,,,,,
31,1,,24761-020000,, "NIPPLE PT1/8,GREASE",1,1,,,,,,,,,,,,,I
31-1,1,,24761-050000,, "NIPPLE
C,GREASE",1,1,1,,,,,S,,72456284,M/#25501,72456284,M/#25501,,,,,,,,,I

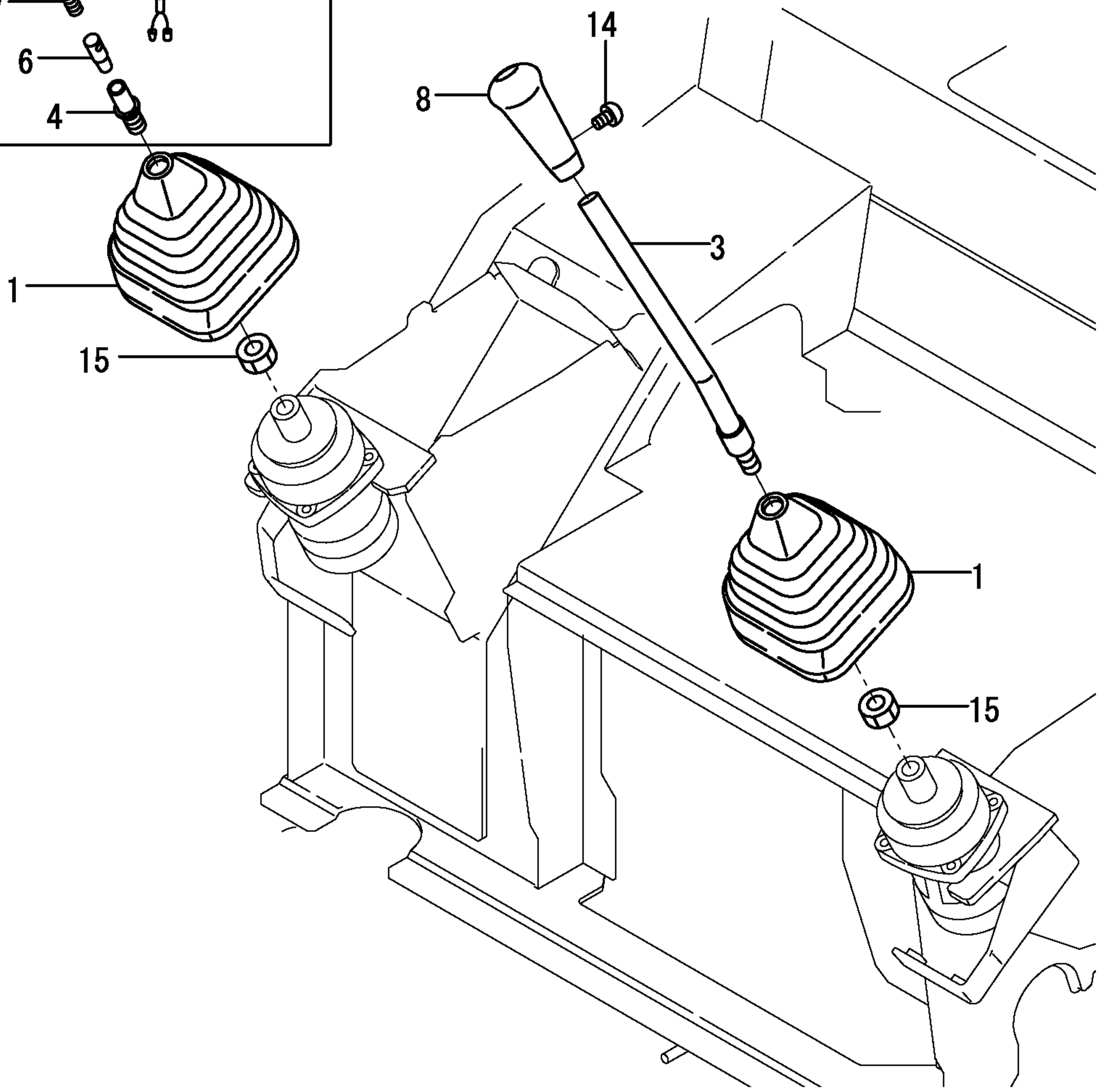
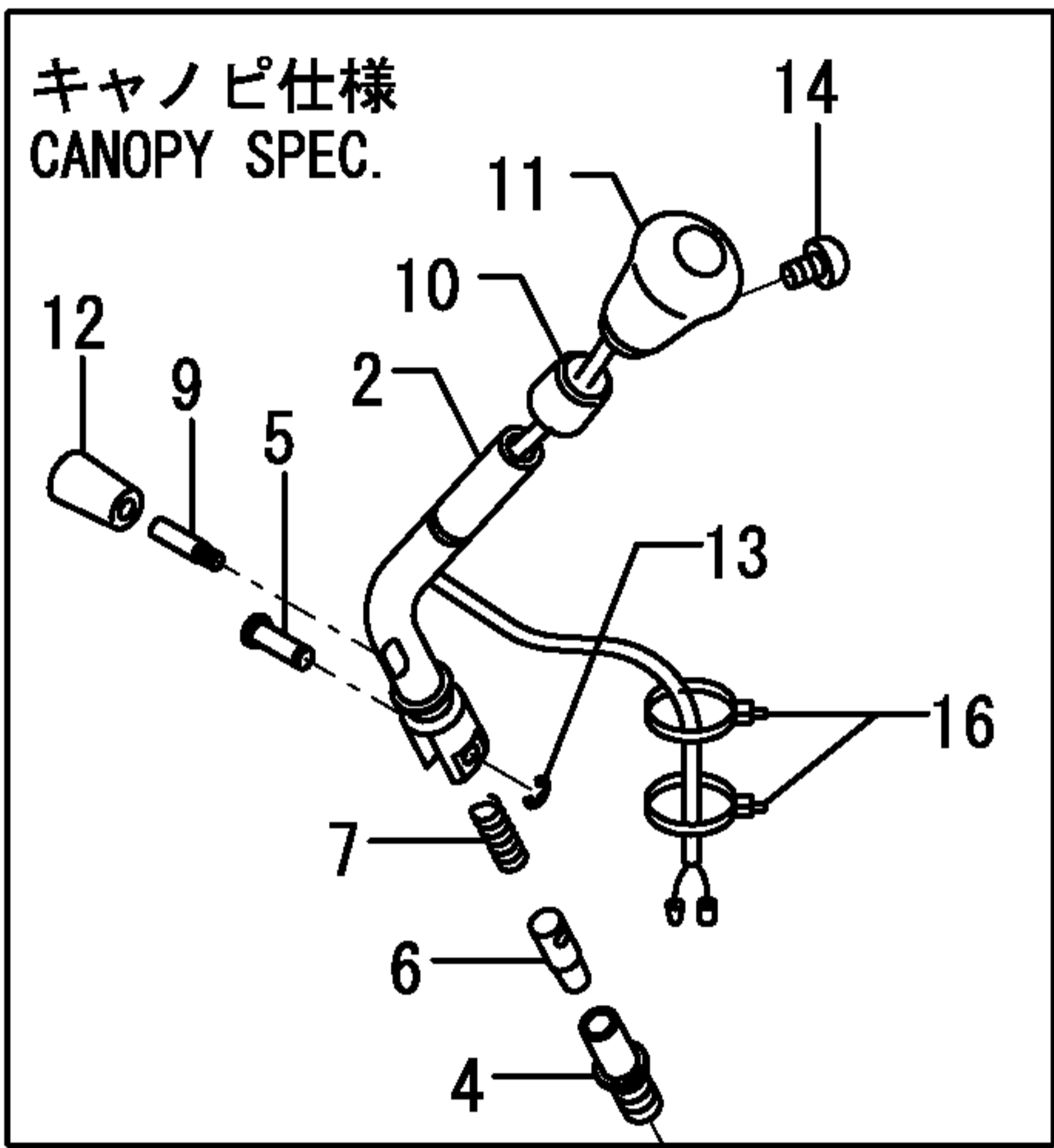
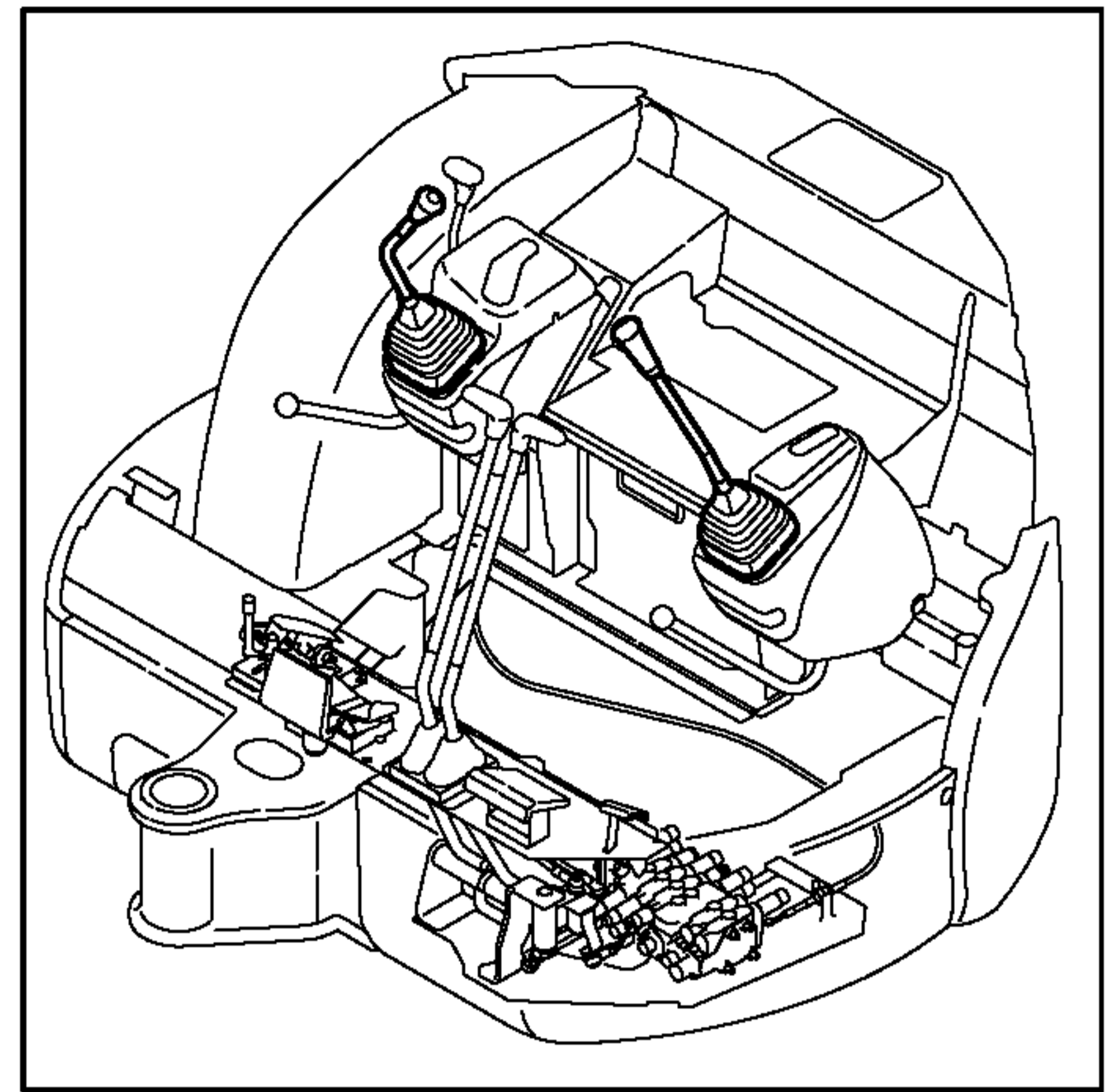
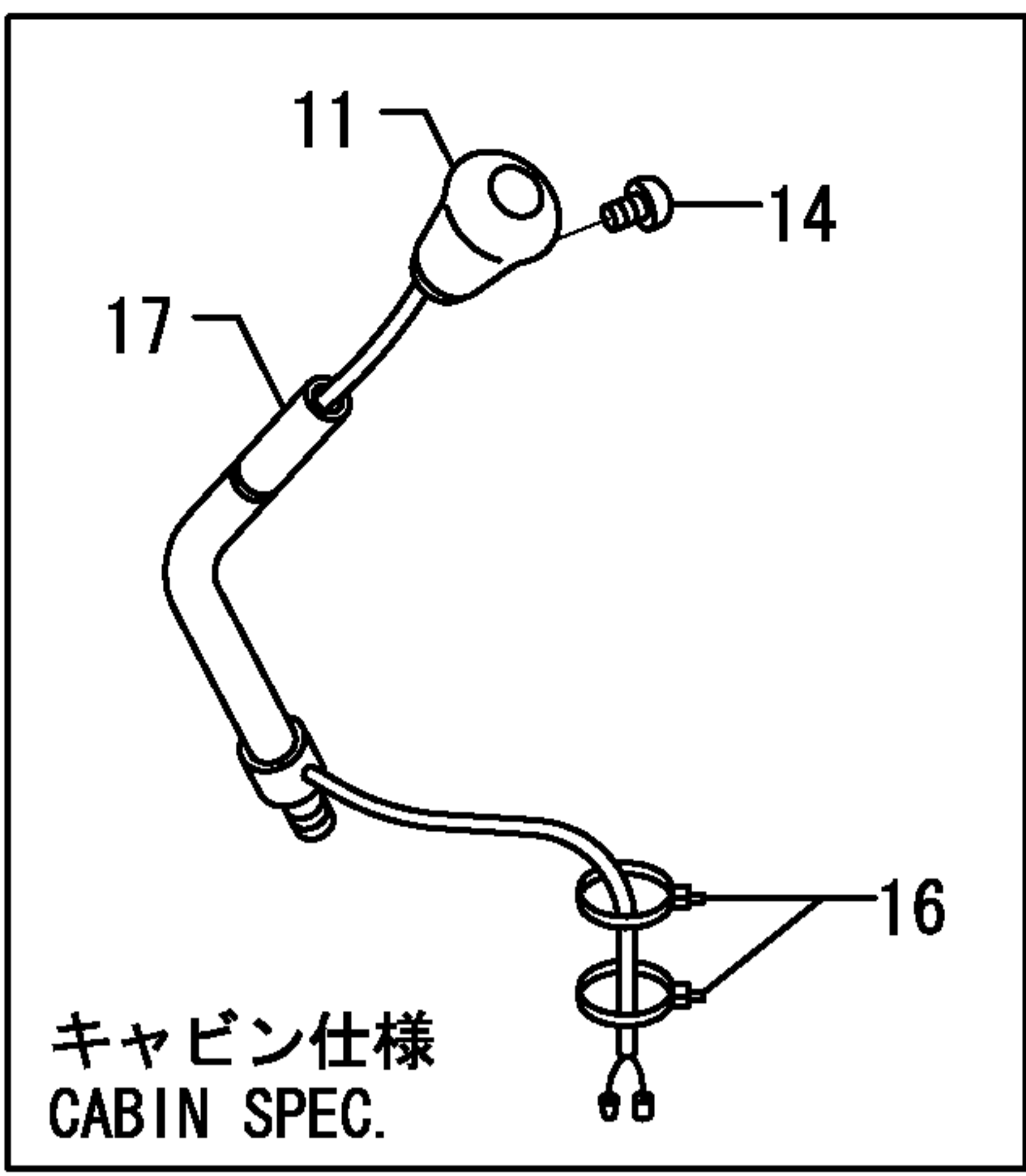


① から見る
VIEWED FROM ①

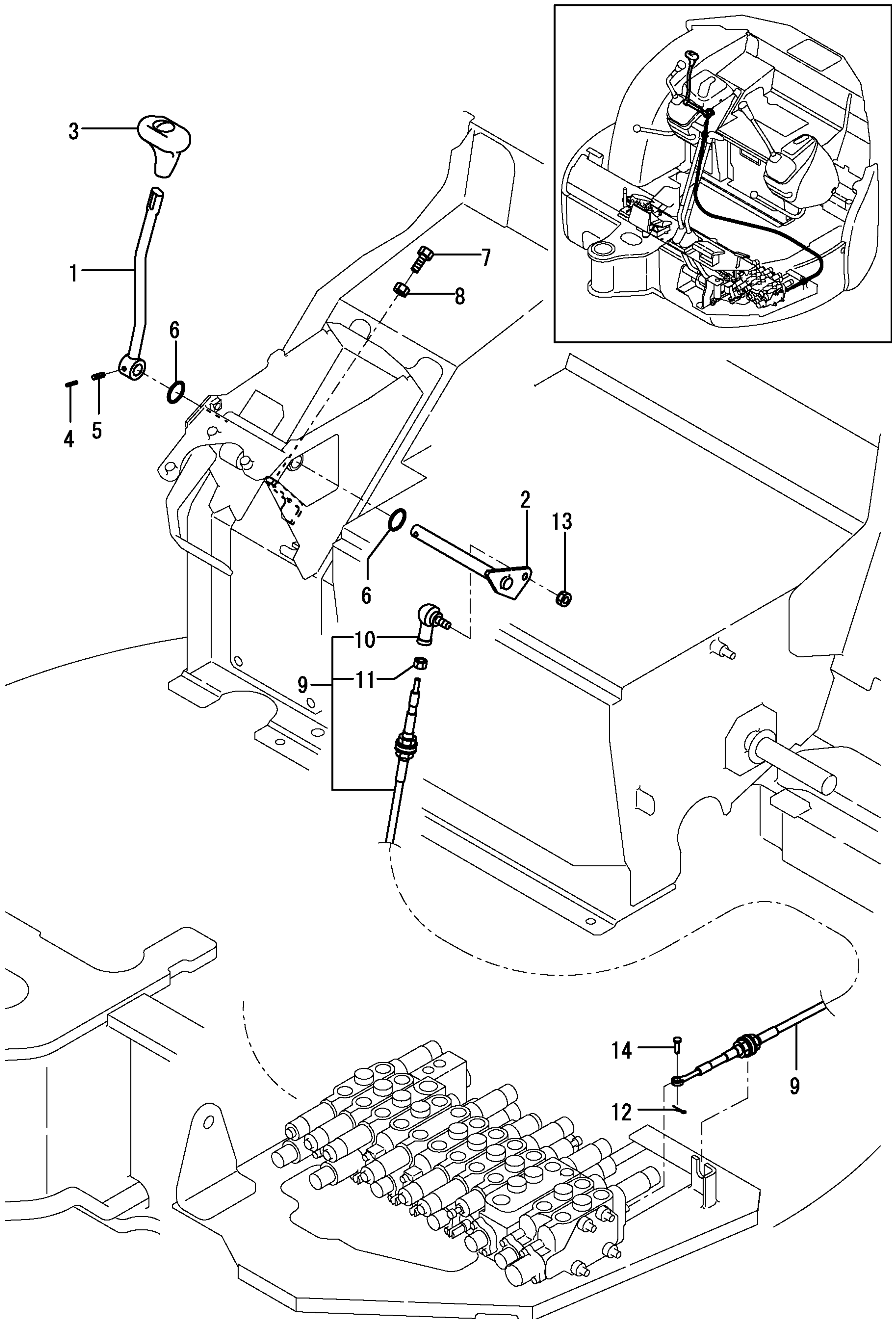
旧形
PREVIOUS



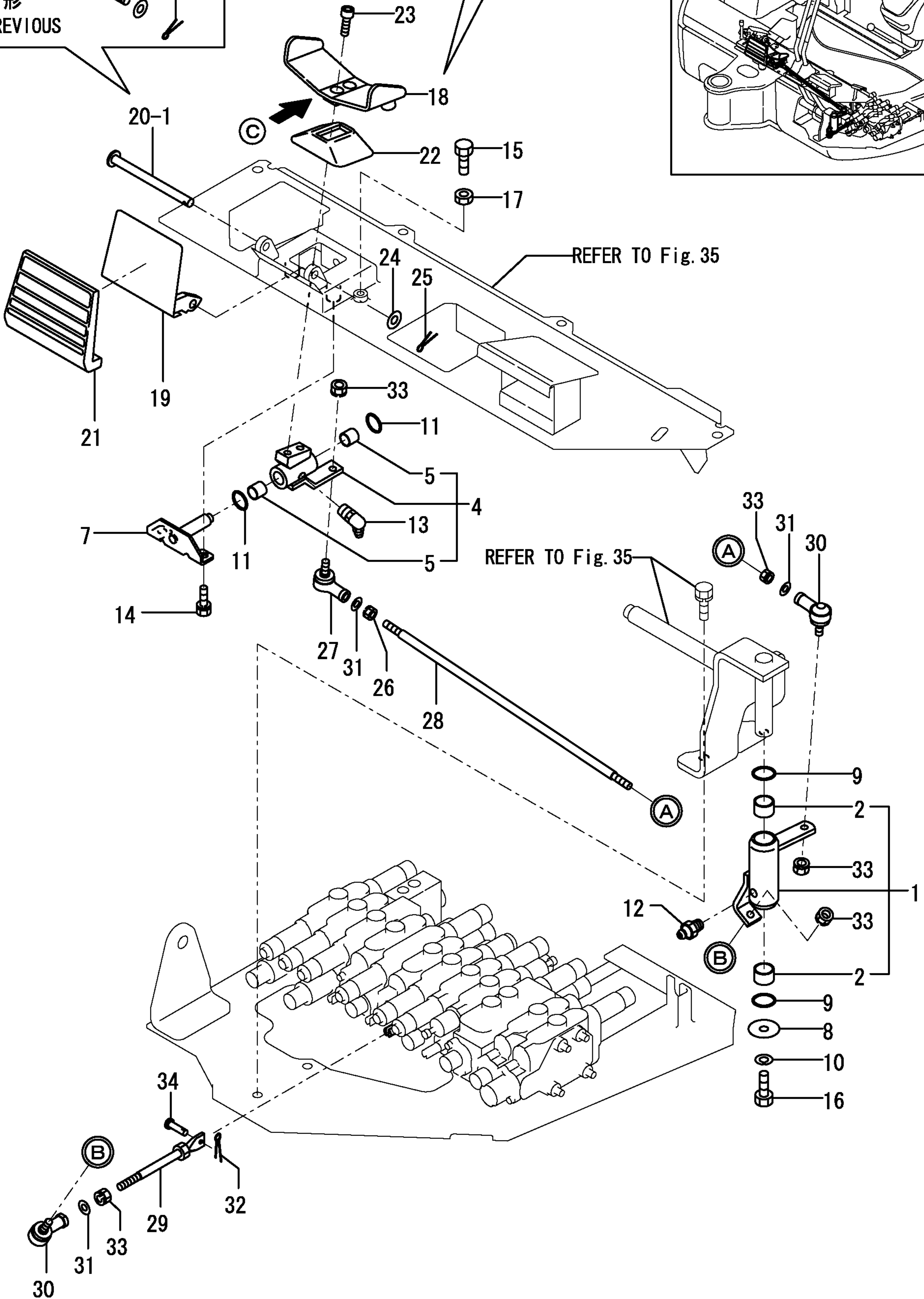
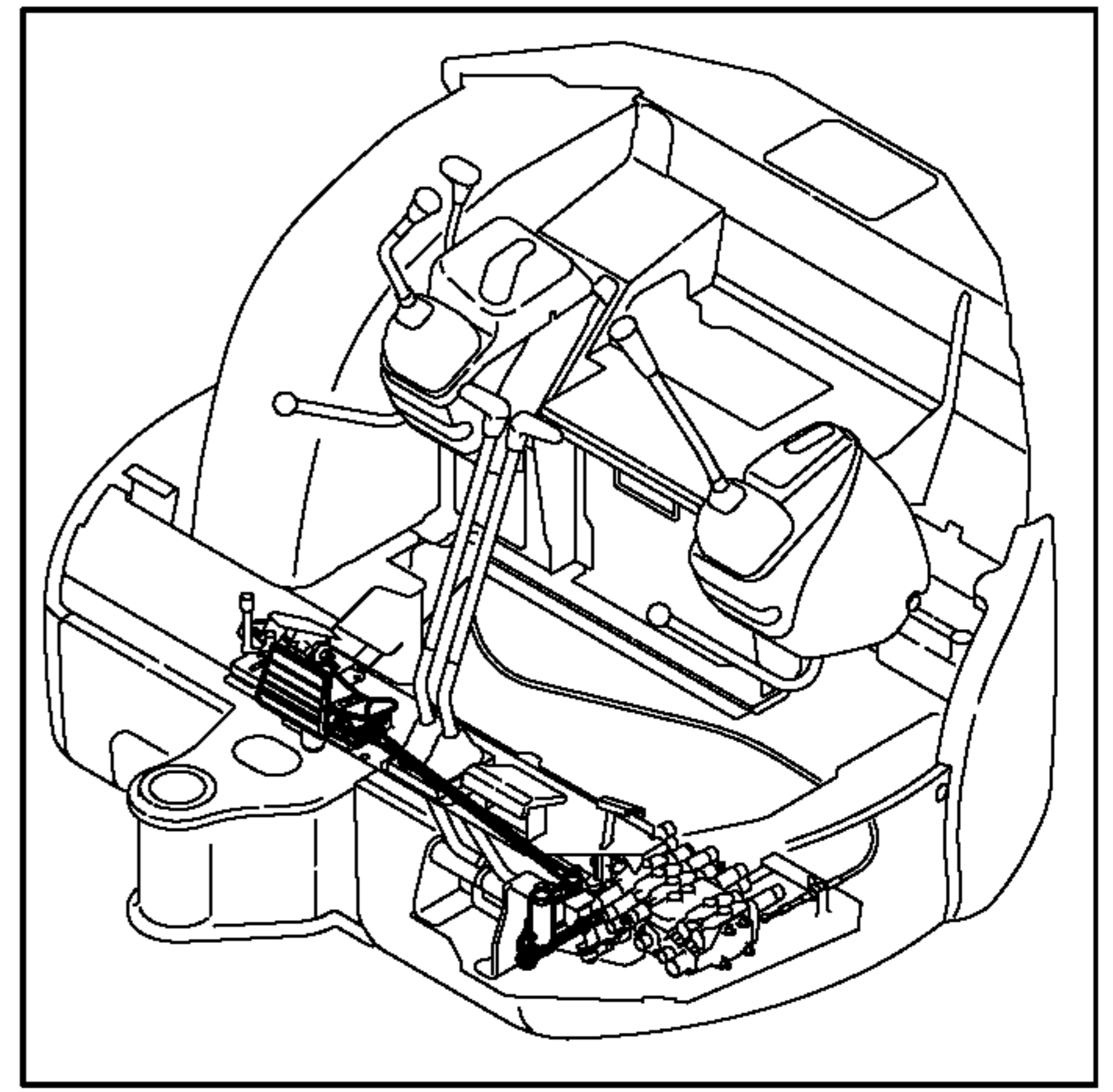
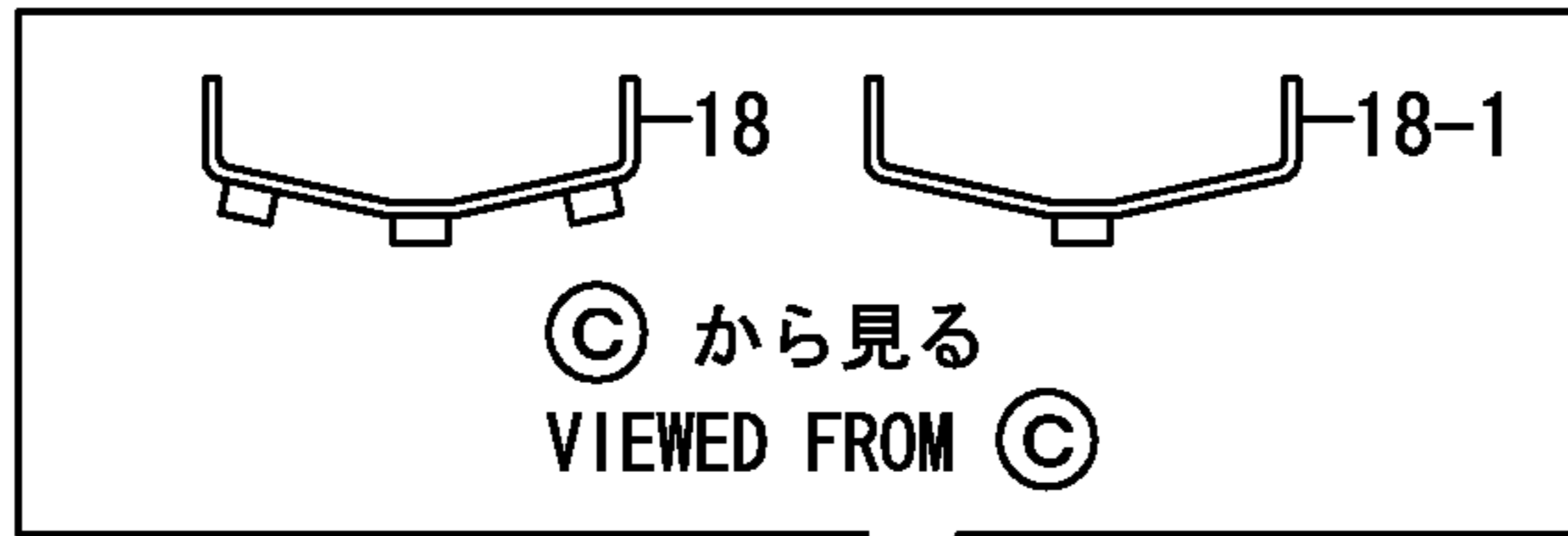
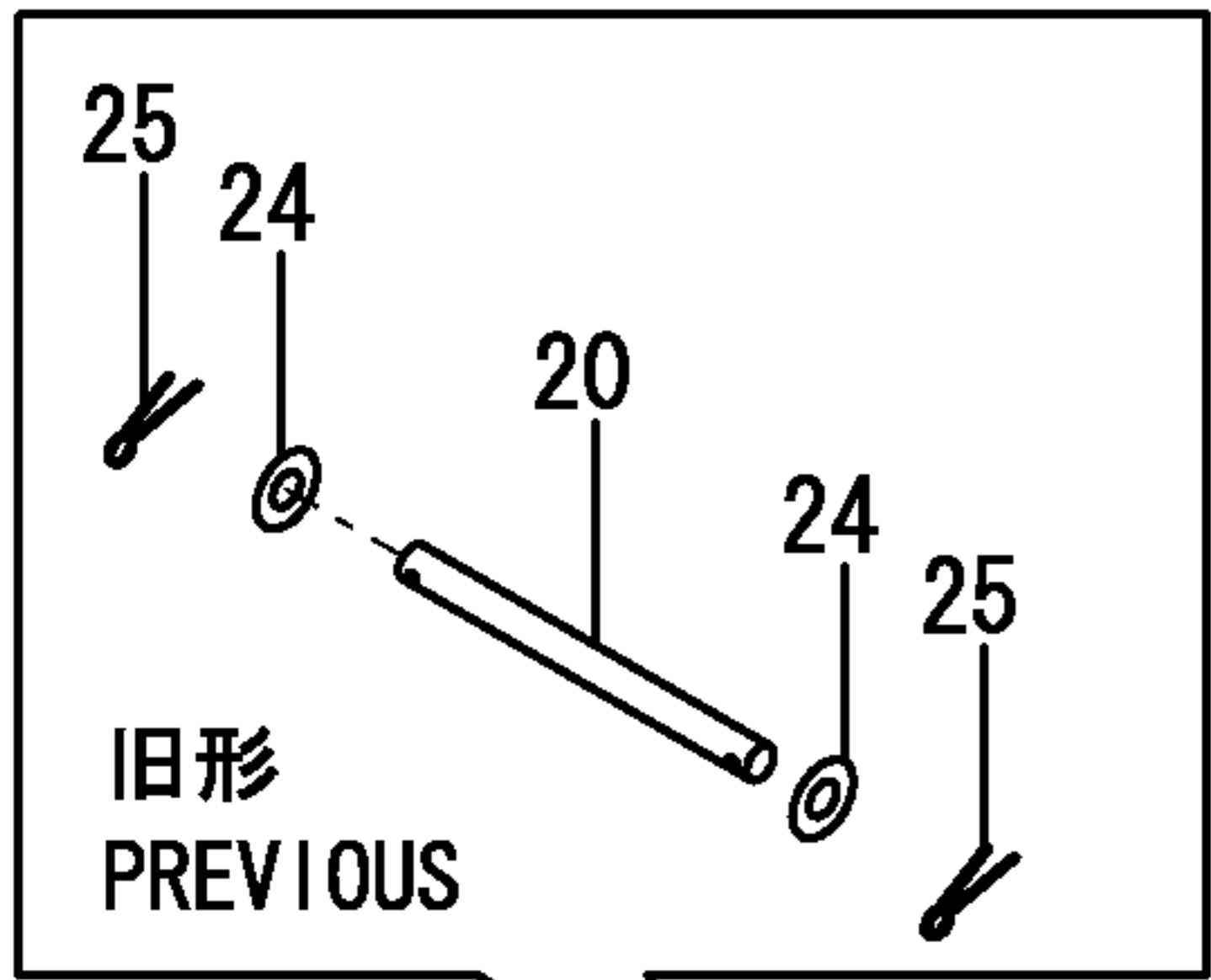
1,1,,172151-45010,, "BOOT P,LEVER",2,2,2,,,,,,,,,,,,,
2,1,,172458-45011,, "LEVER R (GRAY:72)",,1,1,,,,,,,,,,,,,
3,1,,172458-45030,, "LEVER L (GRAY:72)",,1,1,1,,,,,,,,,,,,,
4,1,,172164-45041,, HINGE,,1,1,,,,,,,,,,,,,
5,1,,172164-45050,, "PIN 8X 22",,1,1,,,,,,,,,,,,,
6,1,,172164-45061,, PIN,,1,1,,,,,,,,,,,,,
7,1,,172164-45070,, SPRING,,1,1,,,,,,,,,,,,,
8,1,,172165-45071,, "KNOB (L) ASSY",1,1,1,,,,,,,,,,,,,
9,1,,172164-45080,, "SCREW M6",,1,1,,,,,,,,,,,,,
10,1,,172164-45090,, CAP,,1,1,,,,,,,,,,,,,
11,1,,172165-47871,, "KNOB (A) ASSY",1,1,1,,,,,,,,,,,,,
12,1,,172157-58830,, "KNOB 6.5X18X35",,1,1,,,,,,,,,,,,,
13,1,,22272-000060,, "CIRCLIP E- 6",,1,1,,,,,,,,,,,,,
14,1,,26587-040062,, "SCREW M 4X 6",2,2,2,,,,,,,,,,,,,
15,1,,26776-140002,, "LOCK NUT M14 PLATED",2,2,2,,,,,,,,,,,,,
16,1,,933168-55770,, "BAND 146",2,2,2,,,,,,,,,,,,,
17,1,,172458-45050,, "LEVER R,CAB(GRAY:72)",,1,,,,,,,,,,,,,
17-1,1,,172458-45051,, "LEVER
R(CAB(GRAY:72)",,1,,,,,,R,,72458491,M/#21064,,,,,,,,,,I



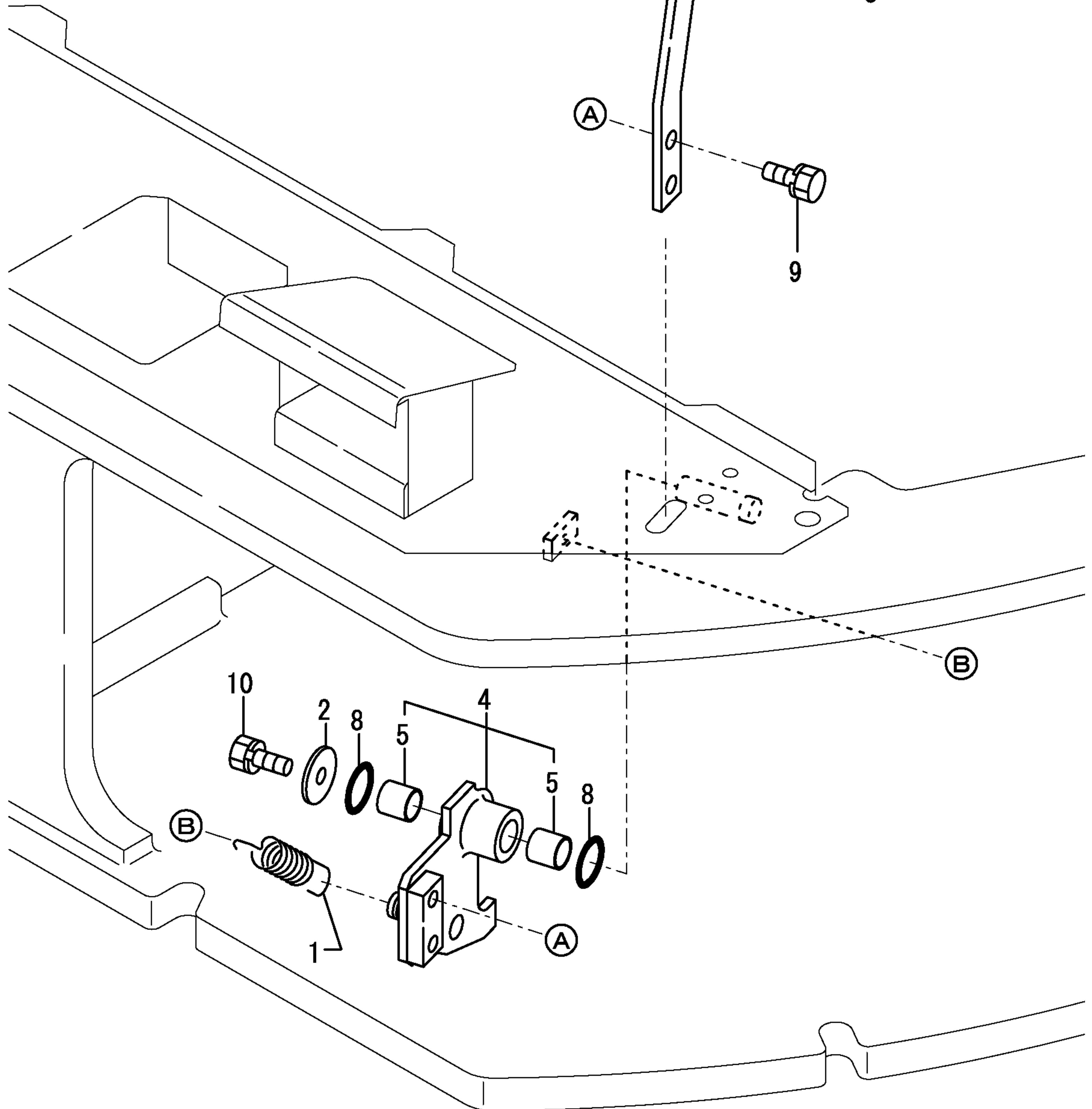
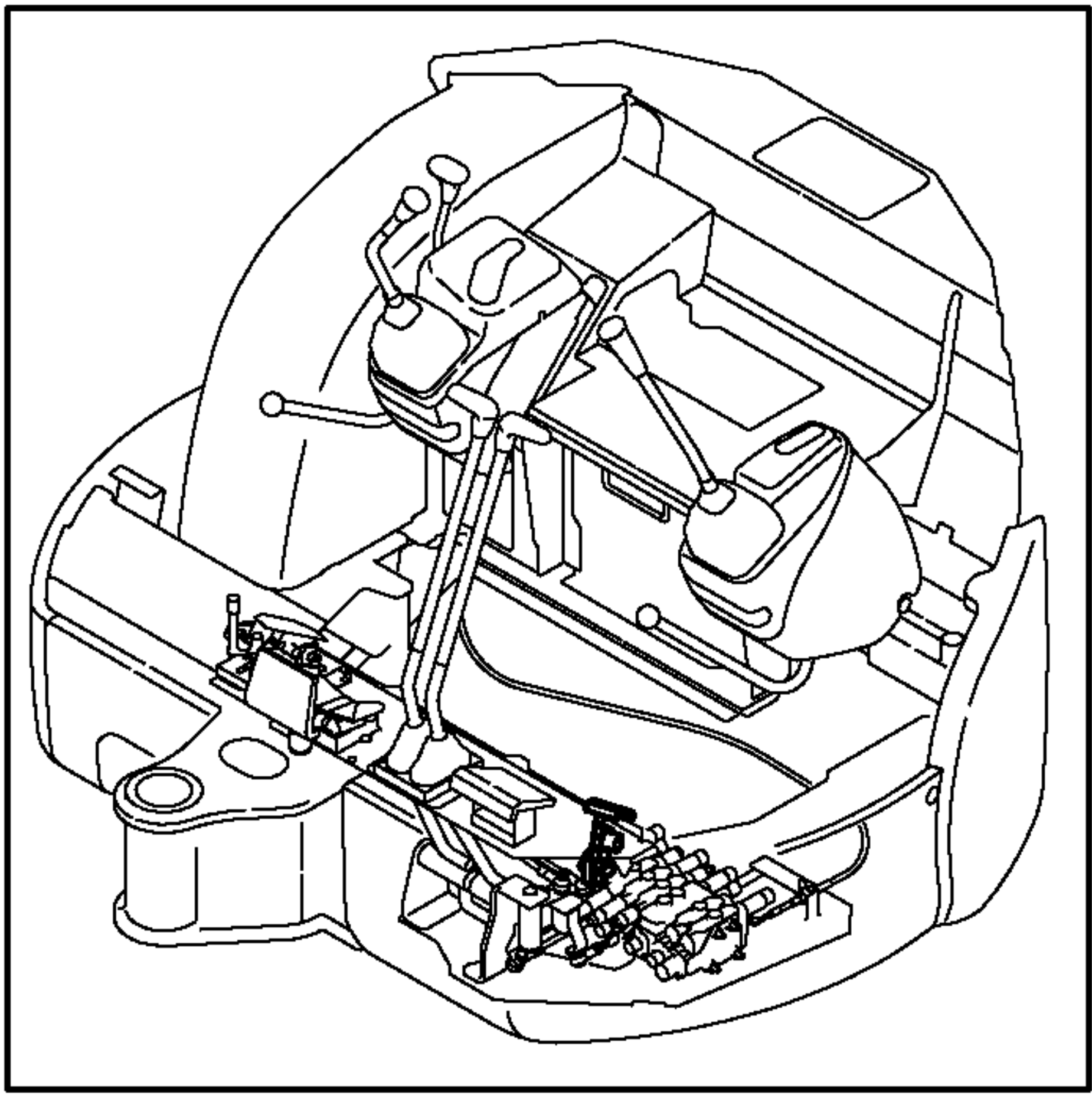
1,1,,172458-45700,, "LEVER, BLADE (GRAY:72)",1,1,1,,,,,,,,,,,,,
2,1,,172458-45720,, "SHAFT ASSY (GRAY:72)",1,1,1,,,,,,,,,,,,,
3,1,,172164-45970,, "GRIP, BLADE",1,1,1,,,,,,,,,,,,,
4,1,,22351-030032,, "SPRING PIN 3X32",1,1,1,,,,,,,,,,,,,
5,1,,22351-050032,, "SPRING PIN 5X32",1,1,1,,,,,,,,,,,,,
6,1,,24311-000210,, "O-RING 1A P-21.0",2,2,2,,,,,,,,,,,,,
7,1,,26116-080202,, "BOLT M 8X 20 PLATED",2,2,,,,,,,,,,,,,
7-1,1,,26116-080254,, "BOLT M 8X 25
PLATED",2,2,2,,,N,,72458513,M/#21135,72458513,M/#21135,,,,,,I
8,1,,26716-080002,, "NUT M 8",2,2,2,,,,,,,,,,,,,
9,1,,172458-45800,, "CABLE, BLADE",1,1,1,,,,,,,,,,,,,
10,2,,172458-45810,, "BALL
JOINT",1,1,1,,,W,,72458523,M/#20501,72458523,M/#20501,,,,,,I
11,2,,26757-050002,,,1,1,1,,,W,,72458523,M/#20501,72458523,M/#20501,,,,,,I
12,1,,22417-160160,, "COTTER PIN 1.6X16",1,1,1,,,,,,,,,,,,,
13,1,,26051-080002,, "NUT M 8",1,1,1,,,,,,,,,,,,,
14,1,,933110-54100,, "PIN 4.75X14",1,1,1,,,,,,,,,,,,,



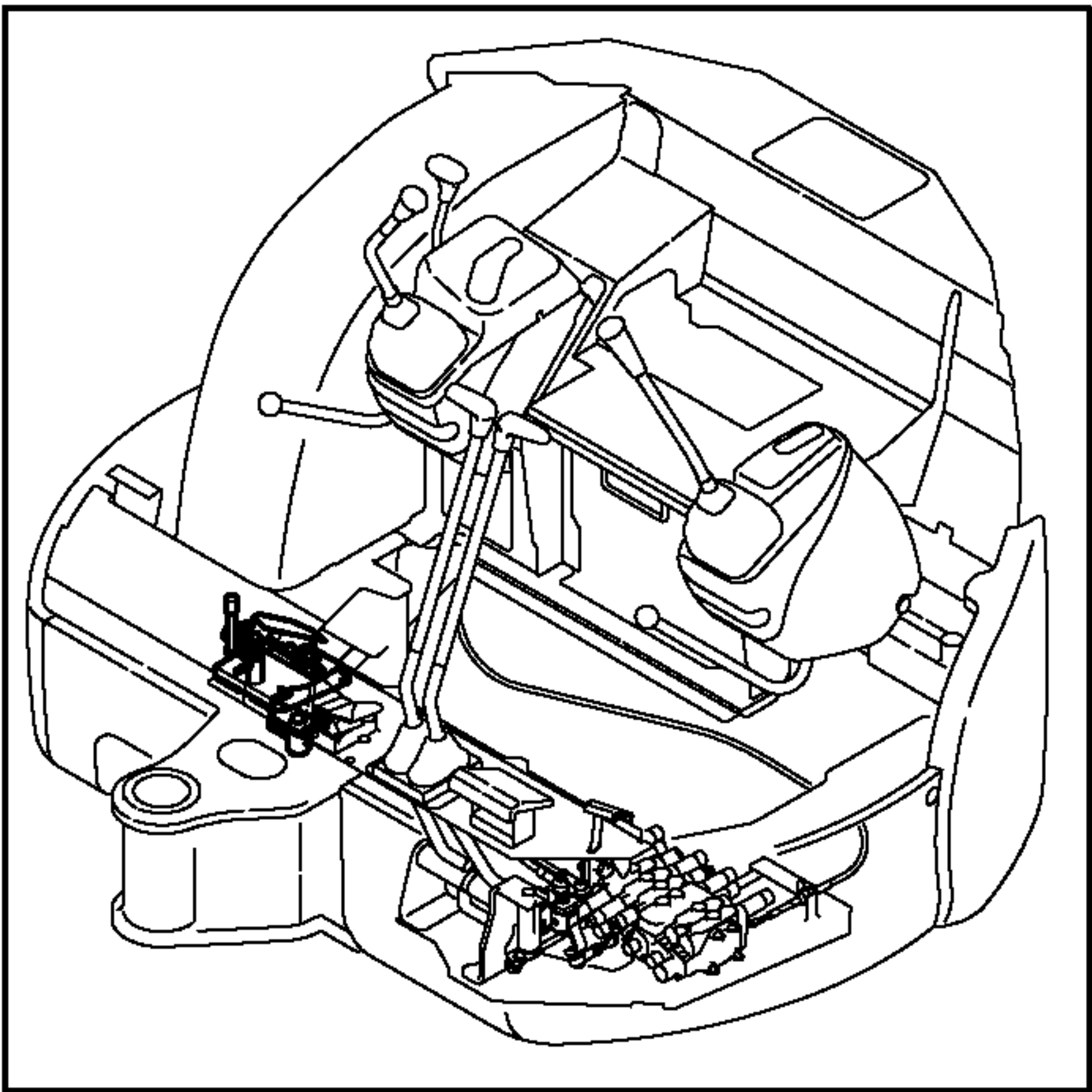
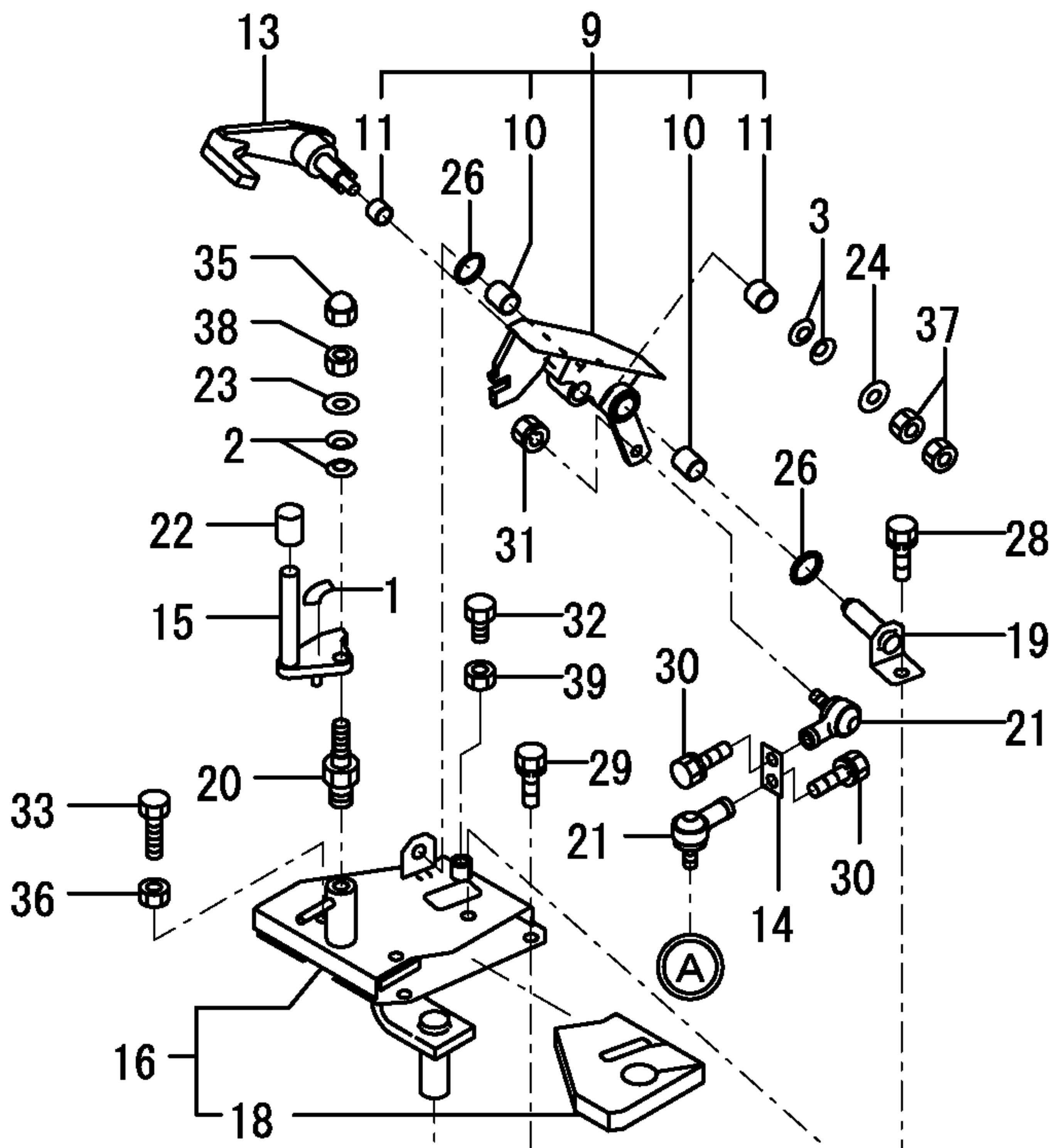
1,1,,172458-45180,, "LINK, SWING (GRAY:72)",1,1,1,,,,,,,,,,,,,
2,2,,172141-41370,, "BUSH 2015",2,2,2,,,,,,,,,,,,,
4,1,,172458-45200,, "LINK, PEDAL (GRAY:72)",1,1,1,,,,,,,,,,,,,
5,2,,172141-41360,, "BUSH 1415",2,2,2,,,,,,,,,,,,,
7,1,,172458-45230,, "SHAFT, PEDAL (GRAY:72)",1,1,1,,,,,,,,,,,,,
8,1,,1A1040-45890,, "WASHER 10 36 4.5",1,1,1,,,,,,,,,,,,,
9,1,,172124-46200,, "O-RING 27X5.7",2,2,2,,,,,,,,,,,,,
10,1,,22217-100000,, "SPRING WASHER 10",1,1,1,,,,,,,,,,,,,
11,1,,24311-000210,, "O-RING 1A P-21.0",2,2,2,,,,,,,,,,,,,
12,1,,24761-020000,, "NIPPLE PT1/8, GREASE",1,1,1,,,,,,,,,,,,,
13,1,,24761-040000,, "NIPPLE B, GREASE",1,1,1,,,,,,,,,,,,,
14,1,,26013-080162,, "BOLT W/WASHER M8X16",2,2,2,,,,,,,,,,,,,
15,1,,26116-080254,, "BOLT M 8X 25 PLATED",2,2,2,,,,,,,,,,,,,
16,1,,26116-100202,, "BOLT M10X 20 PLATED",1,1,1,,,,,,,,,,,,,
17,1,,26716-080002,, "NUT M 8",2,2,2,,,,,,,,,,,,,
18,1,,172458-45520,, "PEDAL, SWING (GRAY:72)",1,1,,,,,,,,,,,,,
18-1,1,,172458-
45521,, "PEDAL, SWING (GRAY:72)",1,1,1,,,,,S,,72456123,M/#20502,72456123,M/#20502,,,
,,,,,
19,1,,172458-45540,, "COVER, PEDAL (GRAY:72)",1,1,1,,,,,,,,,,,,,
20,1,,172187-45650,, "SHAFT, PEDAL COVER",1,1,,,,,,,,,,,,,
20-1,1,,172187-45651,, "SHAFT, PEDAL
COVER",1,1,1,,,,,R,,72458521,M/#21146,72458521,M/#21146,,,,,,I
21,1,,172187-45760,, "COVER PAD",1,1,1,,,,,,,,,,,,,
22,1,,172157-45990,, "BOOTS, PEDAL",1,1,1,,,,,,,,,,,,,
23,1,,172165-46340,, "BOLT",2,2,2,,,,,,,,,,,,,
24,1,,22137-100000,, "WASHER 10, POLISHED",2,2,,,,,,,,,,,,,
24-1,1,,22137-100000,, "WASHER
10, POLISHED",1,1,1,,,,,K,,72458521,M/#21146,72458521,M/#21146,,,,,,I
25,1,,22417-250200,, "COTTER PIN 2.5X20",2,2,,,,,,,,,,,,,
25-1,1,,22417-250200,, "COTTER PIN
2.5X20",1,1,1,,,,,K,,72458521,M/#21146,72458521,M/#21146,,,,,,I
26,1,,194200-37780,, "LS-NUT 8",1,1,1,,,,,,,,,,,,,
27,1,,172734-41300,, "LINK BALL 8L",1,1,1,,,,,,,,,,,,,
28,1,,172146-45610,, "ROD (R), LINK",1,1,1,,,,,,,,,,,,,
29,1,,172823-45940,, "ROD 130 COMP.",1,1,1,,,,,,,,,,,,,
30,1,,172122-46590,, "ELBALL 8",2,2,2,,,,,,,,,,,,,
31,1,,22117-080000,, "WASHER 8",3,3,3,,,,,,,,,,,,,
32,1,,22417-160160,, "COTTER PIN 1.6X16",1,1,1,,,,,,,,,,,,,
33,1,,26051-080002,, "NUT M 8",5,5,5,,,,,,,,,,,,,
34,1,,933110-54100,, "PIN 4.75X14",1,1,1,,,,,,,,,,,,,



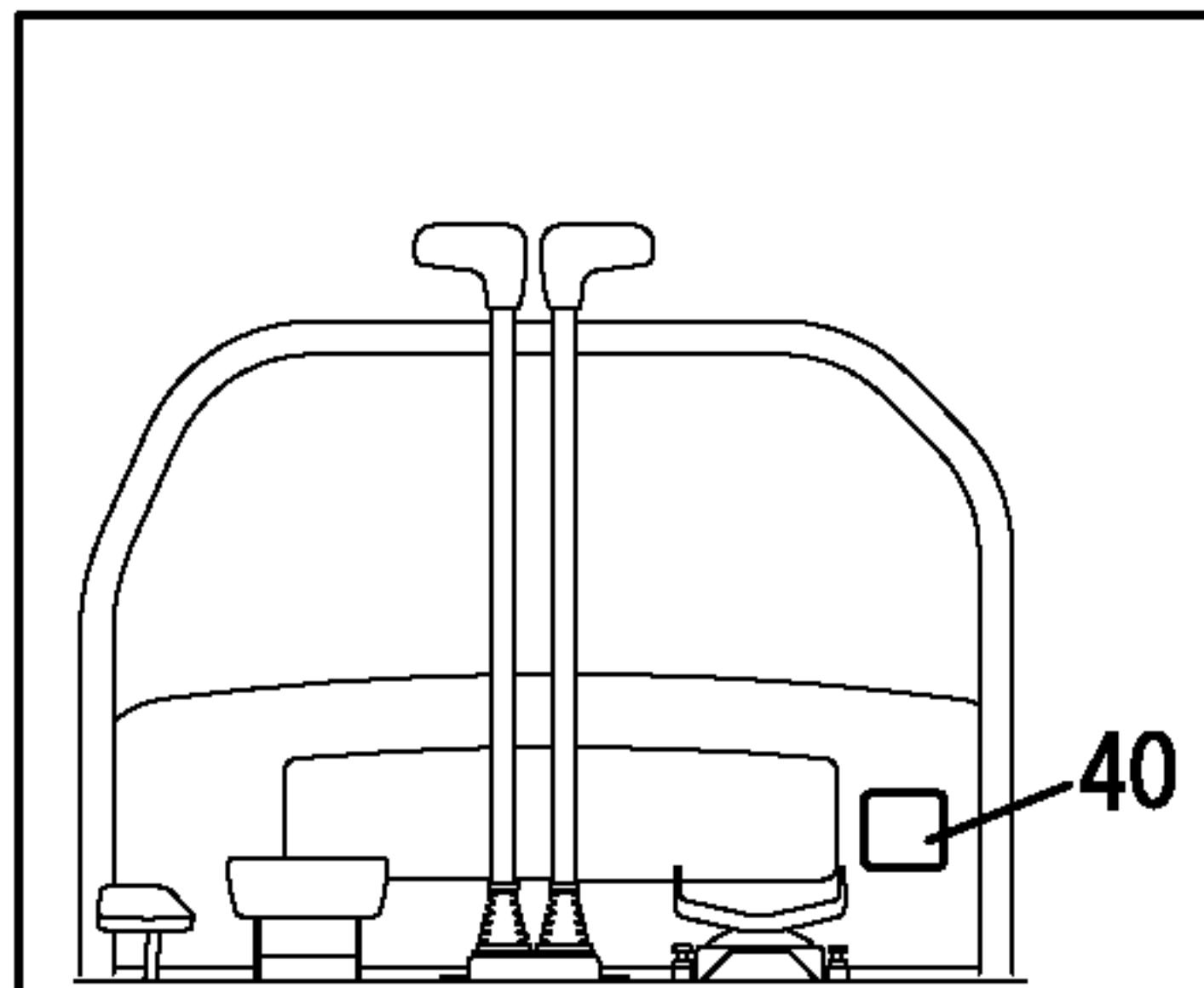
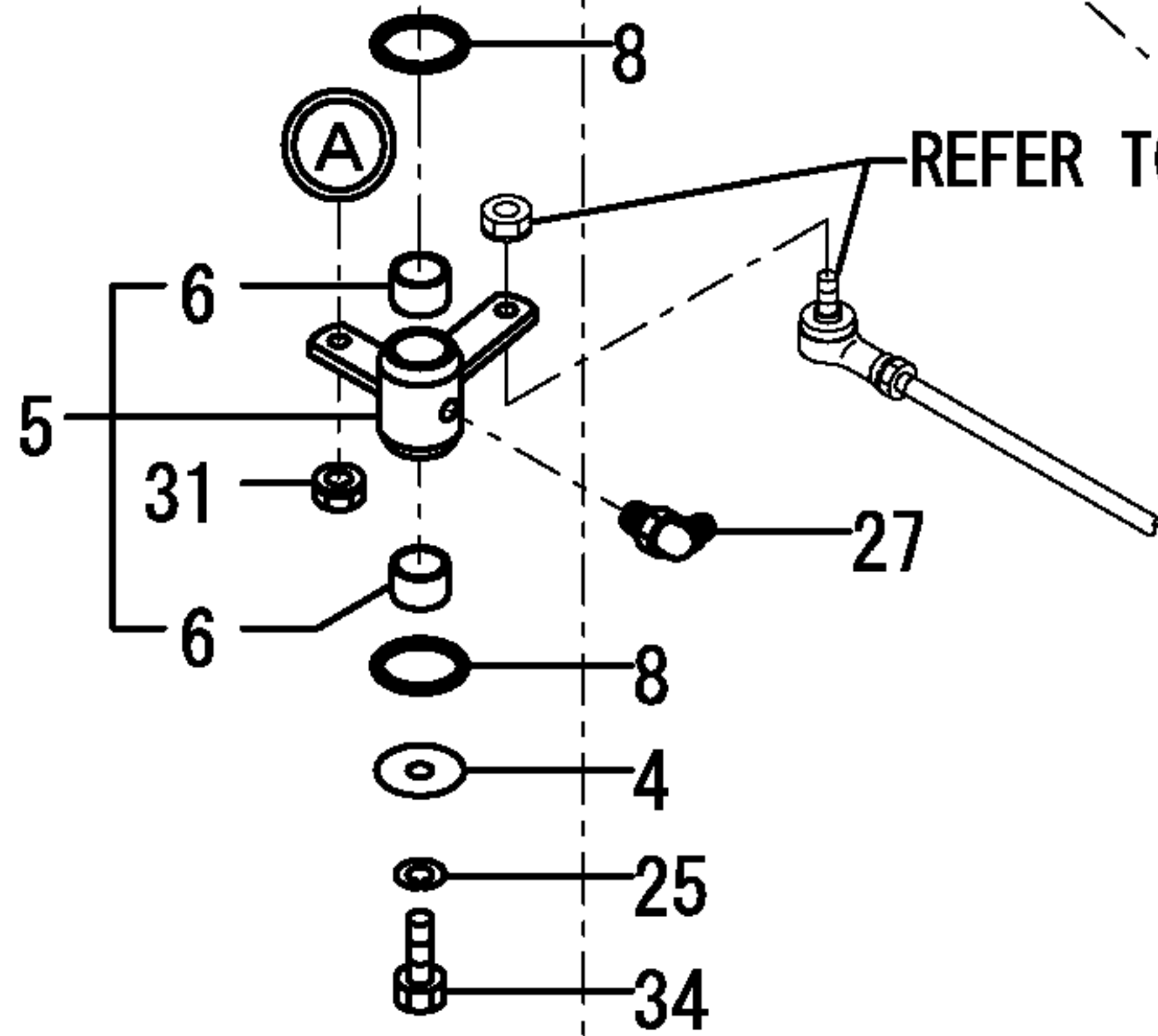
1,1,,172162-12480,, "SPRING,RETURN",1,1,1,,,,,,,,,,,,,
2,1,,1A1040-43900,, "SPRING WASHER",1,1,1,,,,,,,,,,,,,
3,1,,172458-45900,, "PEDAL (GRAY:72)",1,1,,,,,,,,,,,,,
3-1,1,,172472-45900,, "PEDAL,LO-
HI(GRAY:72)",1,1,,,,,N,,72458498,M/#21105,72458498,M/#21105,,,,,,I
3-2,1,,172487-45900,, "PEDAL,LO-
HI(GRAY:72)",1,1,1,,,,,N,,72487124,M/#21230,72487124,M/#21230,,,,,,I
4,1,,172458-45920,, "BRACKET,PEDAL(GRAY72)",1,1,1,,,,,,,,,,,,,
5,2,,172141-41360,, "BUSH 1415",2,2,2,,,,,,,,,,,,,
7,1,,172458-45950,, "PAD,PEDAL",1,1,1,,,,,,,,,,,,,
8,1,,24311-000210,, "O-RING 1A P-21.0",2,2,2,,,,,,,,,,,,,
9,1,,26013-080162,, "BOLT W/WASHER M8X16",2,2,2,,,,,,,,,,,,,
10,1,,26013-080202,, "BOLT W/WASHER M8X20",1,1,1,,,,,,,,,,,,,



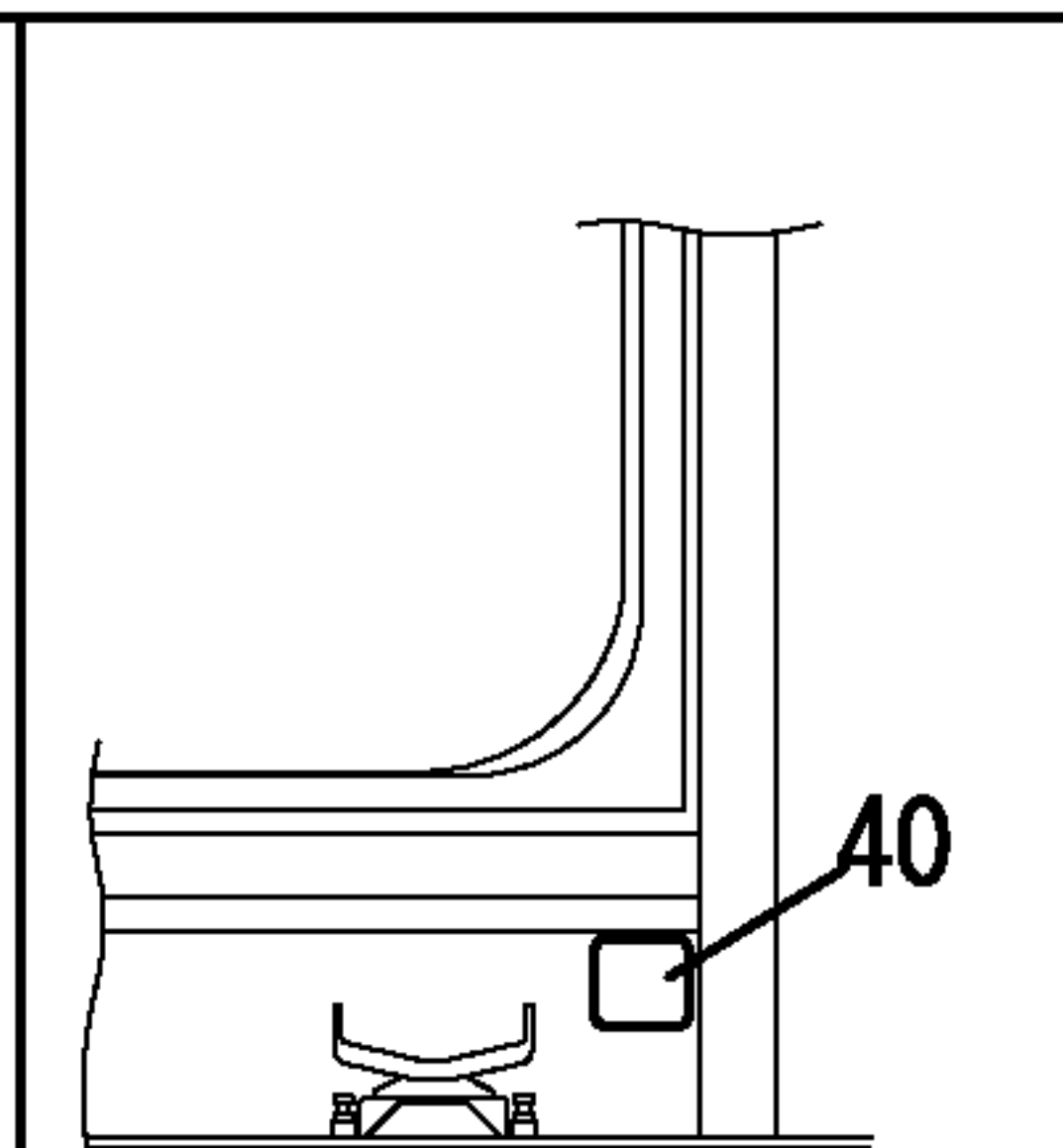
1,1,,172458-03240,, "LABEL, LOCK", 1,1,1,,,,,,,,,,,,,,,,,,,,,
2,1,,172068-28490,, "SPRING 8", 2,2,2,,,,,,,,,,,,,,,,,,,,,
3,1,,172068-28490,, "SPRING 8", 2,2,2,,,,,,,,,,,,,,,,,,,,,
4,1,,1A1040-45890,, "WASHER 10 36 4.5", 1,1,1,,,,,,,,,,,,,,,,,,,,,
5,1,,172458-46120,, "LINK B ASSY, P.T.O.", 1,1,,,,,,,,,,,,,,,,,,,,,
5-1,1,,172458-46121,, "LINK B ASSY,
P.T.O.", 1,1,1,,,,,N,, 72458400,M/#20745,72458400,M/#20745,,,,,,
6,2,,172141-41370,, "BUSH 2015", 2,2,2,,,,,,,,,,,,,,,,,,,,,
8,1,,172124-46200,, "O-RING 27X5.7", 2,2,2,,,,,,,,,,,,,,,,,,,,,
9,1,,172458-46230,, "PEDAL A (GRAY:72)", 1,1,1,,,,,,,,,,,,,,,,,,,,,
10,2,,172141-41360,, "BUSH 1415", 2,2,2,,,,,,,,,,,,,,,,,,,,,
11,2,,172110-45050,, "BUSH 12X12", 2,2,2,,,,,,,,,,,,,,,,,,,,,
13,1,,172458-46280,, "PEDAL B (72)", 1,1,1,,,,,,,,,,,,,,,,,,,,,
14,1,,172458-46290,, "PLATE", 1,1,1,,,,,,,,,,,,,,,,,,,,,
15,1,,172458-46350,, "PLATE, LOCK (GRAY:72)", 1,1,1,,,,,,,,,,,,,,,,,,,,,
16,1,,172458-46370,, "BASE, PEDAL (BLACK:12)", 1,1,,,,,,,,,,,,,,,,,,,,,
16-1,1,,172458-
46371,, "BASE, PEDAL (BLACK:12)", 1,1,1,,,,,N,, 72458400,M/#20745,72458400,M/#20745,,,
,,,,,
18,2,,172458-46380,, "RUBBER", 1,1,1,,,,,,,,,,,,,,,,,,,,,
19,1,,172187-46400,, "BRACKET (GRAY:73)", 1,1,1,,,,,,,,,,,,,,,,,,,,,
20,1,,172187-46430,, "SHAFT", 1,1,1,,,,,,,,,,,,,,,,,,,,,
21,1,,172122-46590,, "ELBALL 8", 2,2,2,,,,,,,,,,,,,,,,,,,,,
22,1,,172116-46630,, "KNOB, LOCK LEVER", 1,1,1,,,,,,,,,,,,,,,,,,,,,
23,1,,22137-080000,, "WASHER 8, POLISHED", 1,1,1,,,,,,,,,,,,,,,,,,,,,
24,1,,22137-080000,, "WASHER 8, POLISHED", 1,1,1,,,,,,,,,,,,,,,,,,,,,
25,1,,22217-100000,, "SPRING WASHER 10", 1,1,1,,,,,,,,,,,,,,,,,,,,,
26,1,,24311-000210,, "O-RING 1A P-21.0", 2,2,2,,,,,,,,,,,,,,,,,,,,,
27,1,,24761-050000,, "NIPPLE C, GREASE", 1,1,1,,,,,,,,,,,,,,,,,,,,,
28,1,,26013-080162,, "BOLT W/WASHER M8X16", 1,1,1,,,,,,,,,,,,,,,,,,,,,
29,1,,26013-080162,, "BOLT W/WASHER M8X16", 3,3,3,,,,,,,,,,,,,,,,,,,,,
30,1,,26013-080252,, "BOLT M 8X 25", 2,2,2,,,,,,,,,,,,,,,,,,,,,
31,1,,26051-080002,, "NUT M 8", 2,2,2,,,,,,,,,,,,,,,,,,,,,
32,1,,26116-080162,, "BOLT 8X16", 1,1,,,,,,,,,,,,,,,,,,,,,
32-1,1,,26116-080202,, "BOLT M 8X 20
PLATED", 1,1,,,,,N,, 72458400,M/#20745,72458400,M/#20745,,,,,,
32-2,1,,26116-080254,, "BOLT M 8X 25
PLATED", 1,1,1,,,,,N,, 72458513,M/#21135,72458513,M/#21135,,,,,,I
33,1,,26116-080304,, "BOLT M8 X 30 PLATED", 1,1,1,,,,,,,,,,,,,,,,,,,,,
34,1,,26116-100202,, "BOLT M10X 20 PLATED", 1,1,1,,,,,,,,,,,,,,,,,,,,,
35,1,,26658-080002,, "CAP NUT M 8", 1,1,1,,,,,,,,,,,,,,,,,,,,,
36,1,,26716-080002,, "NUT M 8", 1,1,1,,,,,,,,,,,,,,,,,,,,,
37,1,,26756-080002,, "LOCK NUT M 8 PLATED", 2,2,2,,,,,,,,,,,,,,,,,,,,,
38,1,,26756-080002,, "LOCK NUT M 8 PLATED", 1,1,1,,,,,,,,,,,,,,,,,,,,,
39,1,,26756-080002,, "LOCK NUT M 8 PLATED", 1,1,1,,,,,,,,,,,,,,,,,,,,,
40,1,,172458-03270,, "LABEL", 1,1,,,,,,,,,,,,,,,,,,,,,
40-1A,1,,172496-03210,, "LABEL, P.T.O.", 1,,,,,N,, 724600328,M/#25501,,,,,,I
40-1B,1,,172490-03210,, "LABEL, P.T.O.", 1,1,,,,,N,,,, 724600328,M/#25501,,,,,,I



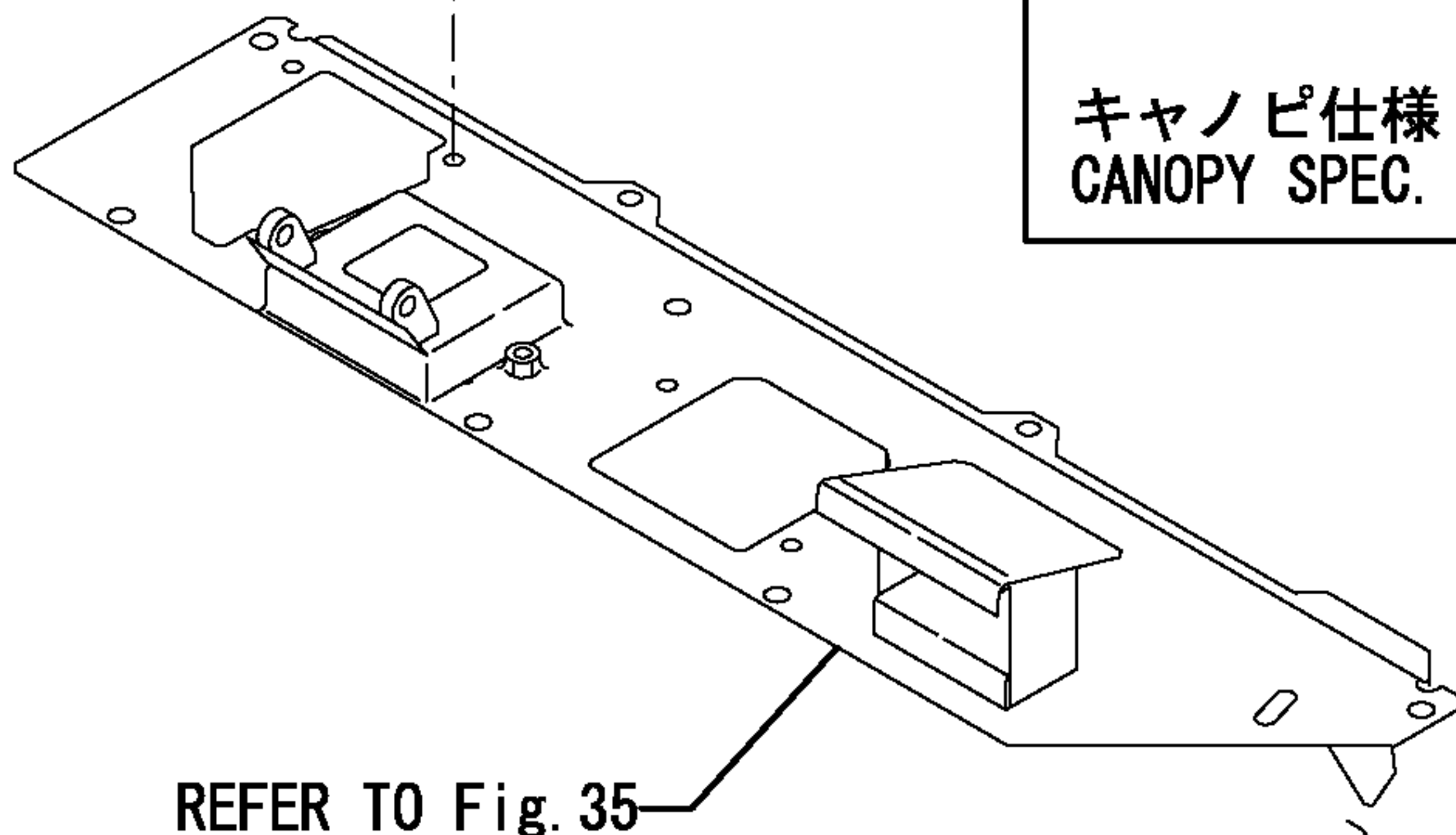
REFER TO Fig. 41



キャノピ仕様
CANOPY SPEC.



キャビン仕様
CABIN SPEC.



REFER TO Fig. 35

(172457-08700)

(172457-08701)

P.T.O.キットは、
項目NO. 120を参照下さい。

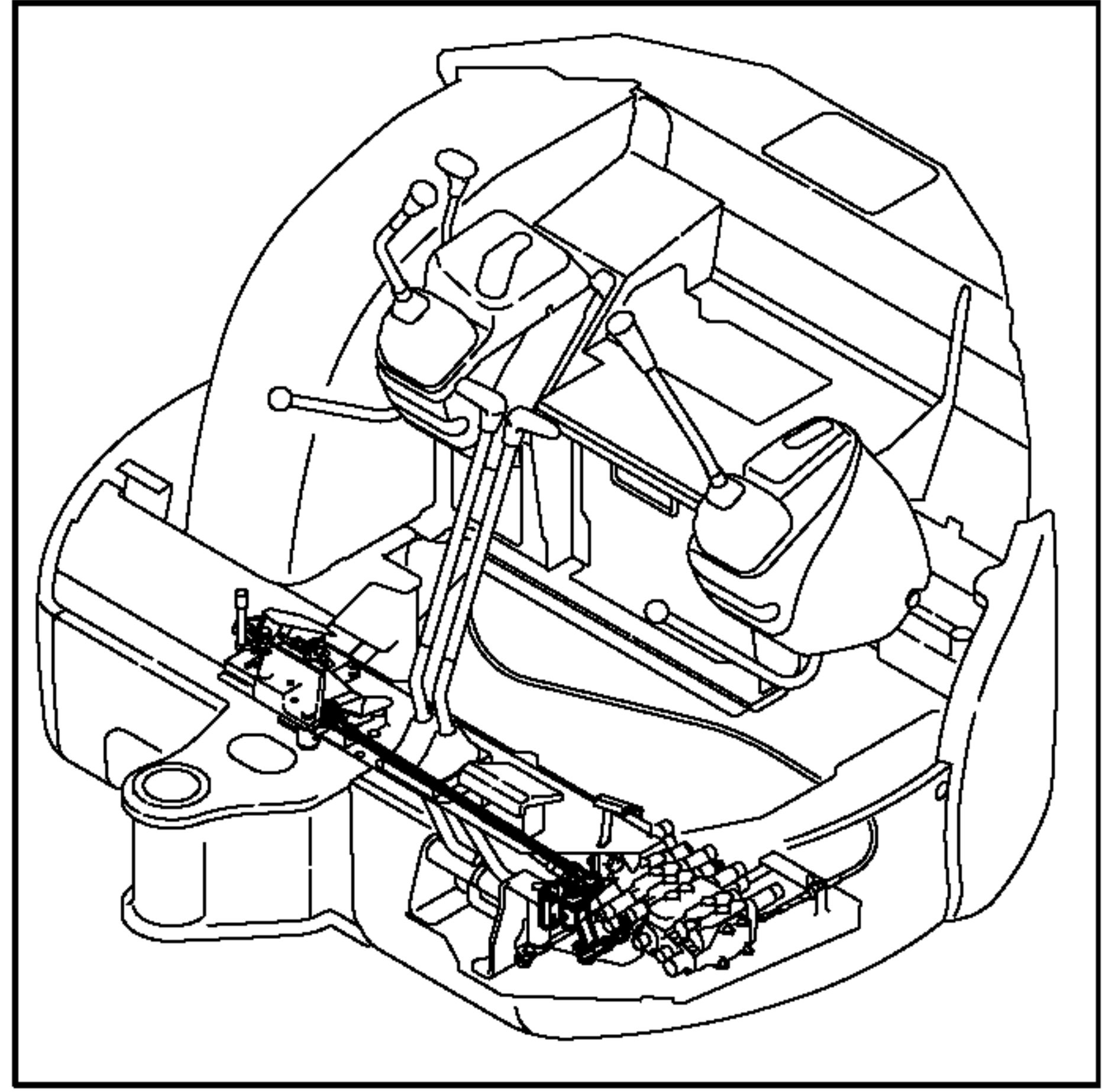
P.T.O. KIT
is shown in Fig. 120.

1,1,,194200-37780,, "LS-NUT 8",1,1,1,,,,,,,,,,,,,,,,,,,,,
2,1,,172734-41300,, "LINK BALL 8L",1,1,1,,,,,,,,,,,,,,,,,,,,,
3,1,,172142-43591,, "ROD,465",1,1,1,,,,,,,,,,,,,,,,,,,,,
4,1,,172823-45000,, "ROD 54, SPOOL",1,1,1,,,,,,,,,,,,,,,,,,,,,
5,1,,1A1040-45890,, "WASHER 10 36 4.5",1,1,1,,,,,,,,,,,,,,,,,,,,,
6,1,,172458-46100,, "LINK A ASSY, P.T.O.",1,1,1,,,,,,,,,,,,,,,,,,,,,
7,2,,172141-41370,, "BUSH 2015",2,2,2,,,,,,,,,,,,,,,,,,,,,
9,1,,172458-46150,, "BRACKET,P.T.O. (72)",1,1,1,,,,,,,,,,,,,,,,,,,,,
10,1,,172124-46200,, "O-RING 27X5.7",2,2,2,,,,,,,,,,,,,,,,,,,,,
11,1,,172122-46590,, "ELBALL 8",2,2,2,,,,,,,,,,,,,,,,,,,,,
12,1,,22117-080000,, "WASHER 8",3,3,3,,,,,,,,,,,,,,,,,,,,,
13,1,,22217-100000,, "SPRING WASHER 10",1,1,1,,,,,,,,,,,,,,,,,,,,,
14,1,,22417-160160,, "COTTER PIN 1.6X16",1,1,1,,,,,,,,,,,,,,,,,,,,,
15,1,,24761-050000,, "NIPPLE C,GREASE",1,1,1,,,,,,,,,,,,,,,,,,,,,
16,1,,26013-100202,, "BOLT W/WASHER M10X20",2,2,2,,,,,,,,,,,,,,,,,,,,,
17,1,,26051-080002,, "NUT M 8",5,5,5,,,,,,,,,,,,,,,,,,,,,
18,1,,26116-100202,, "BOLT M10X 20 PLATED",1,1,1,,,,,,,,,,,,,,,,,,,,,
19,1,,933110-54100,, "PIN 4.75X14",1,1,1,,,,,,,,,,,,,,,,,,,,,

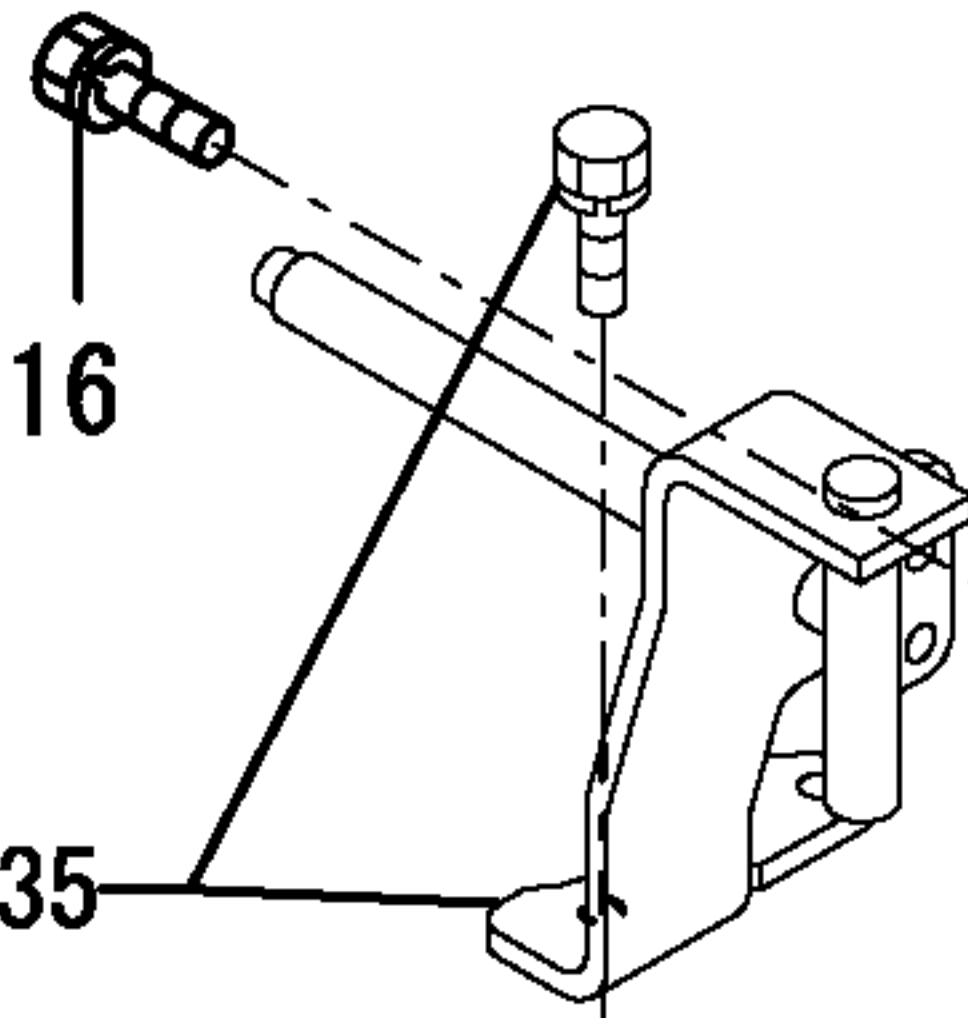
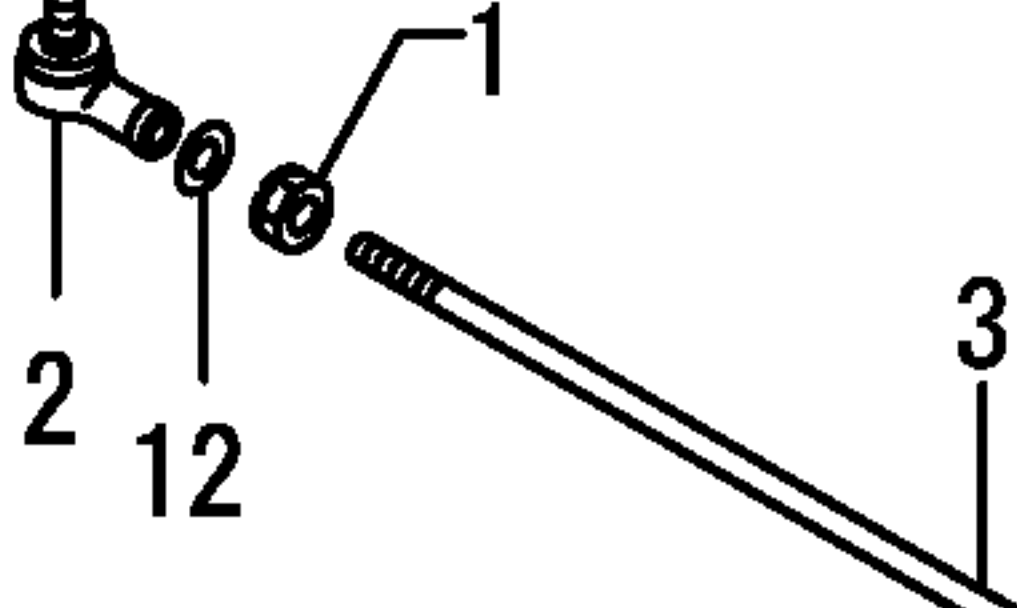
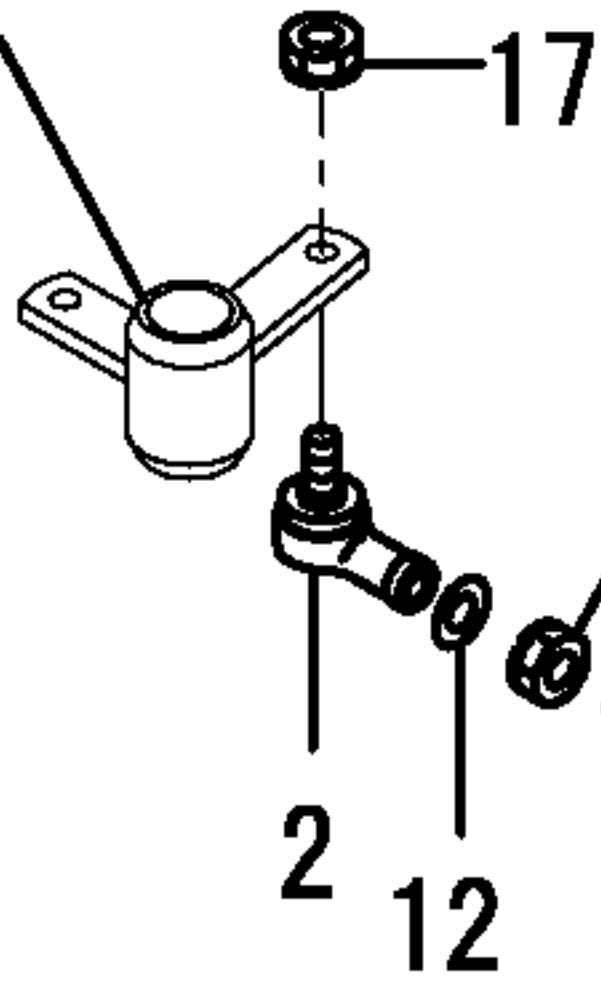
(172457-08700)
(172457-08701)

P.T.O.キットは、
項目NO. 120を参照下さい。

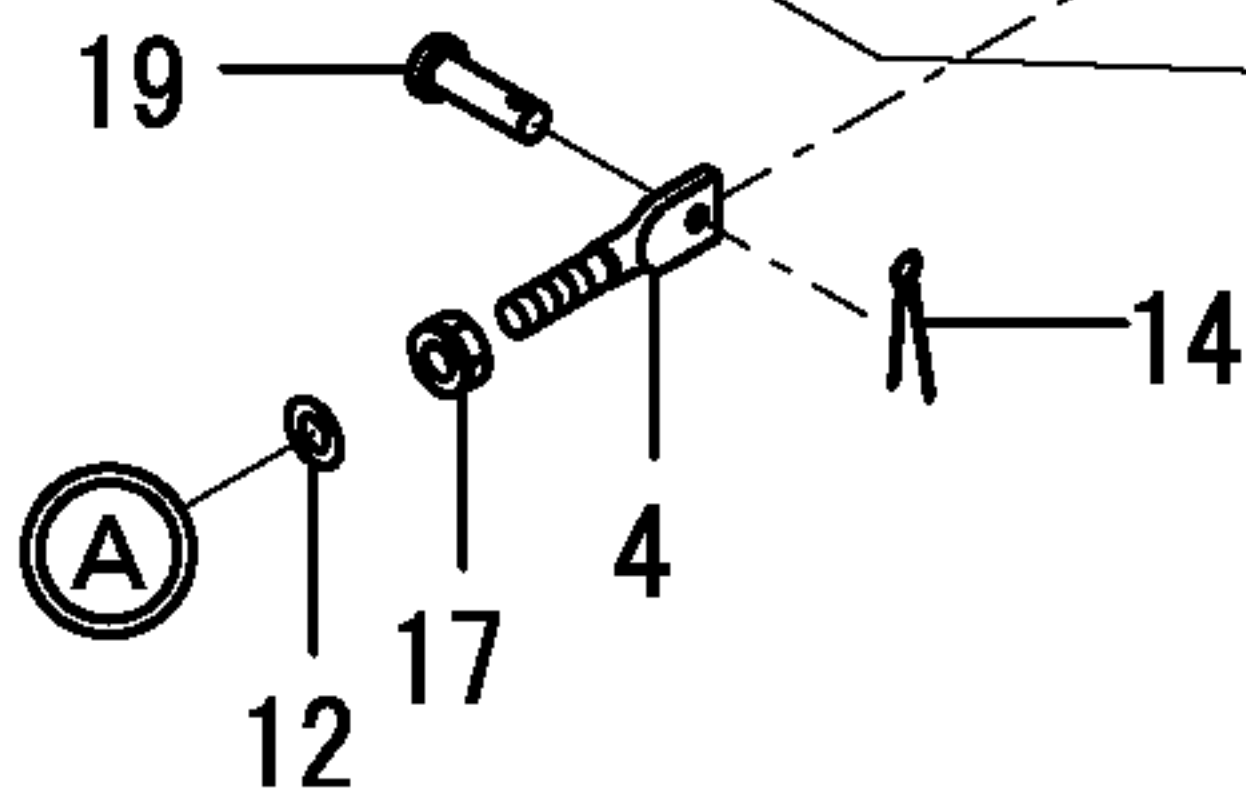
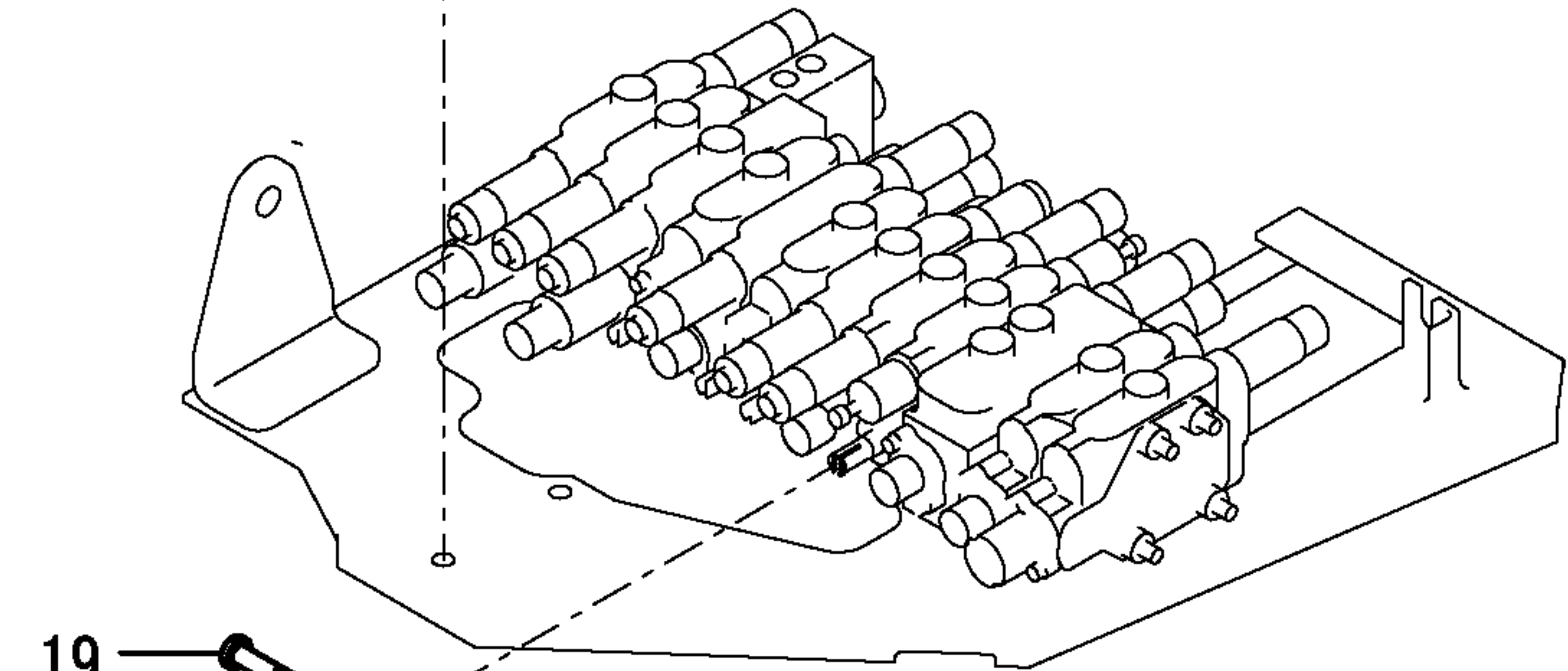
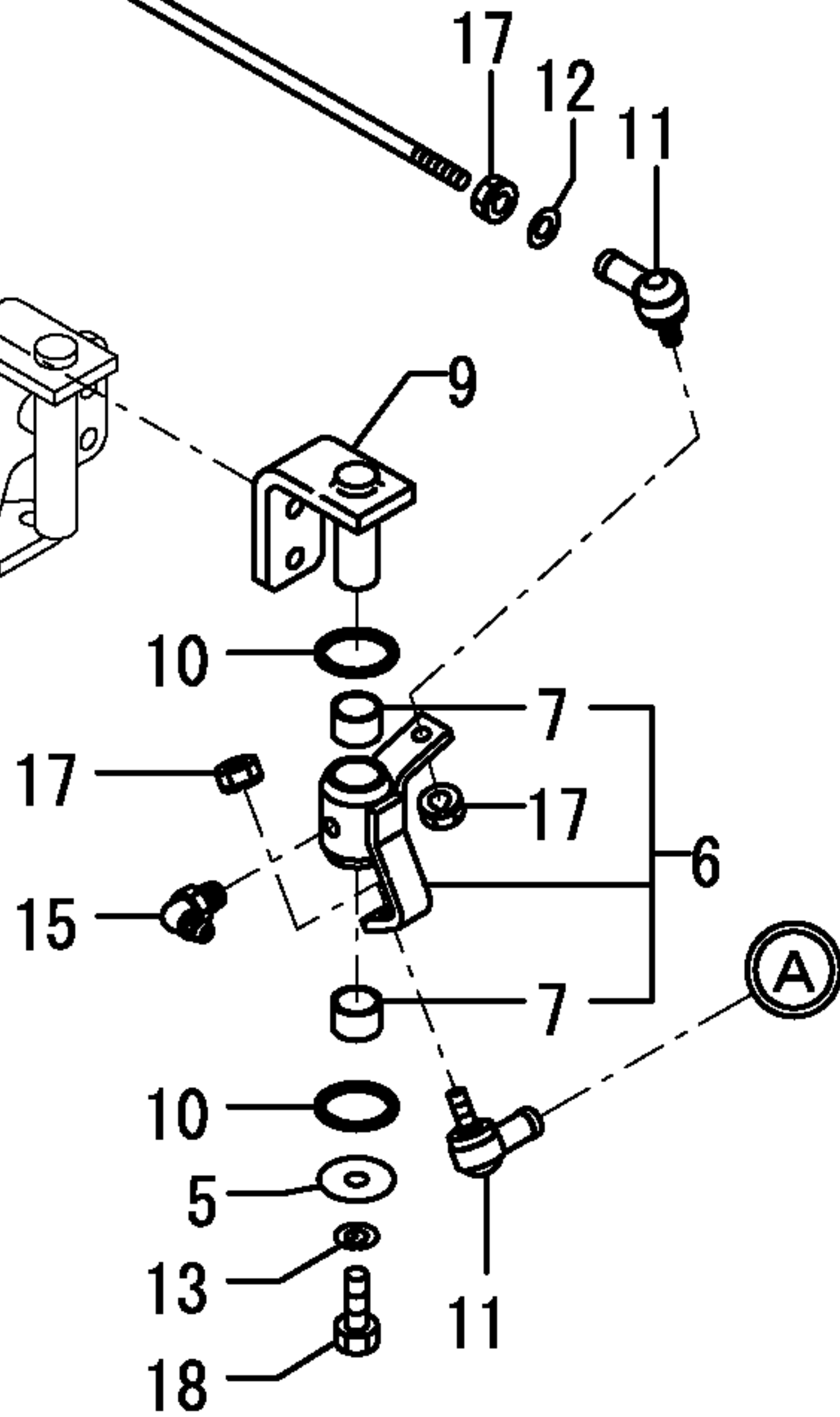
P.T.O. KIT
is shown in Fig. 120.



REFER TO Fig. 40



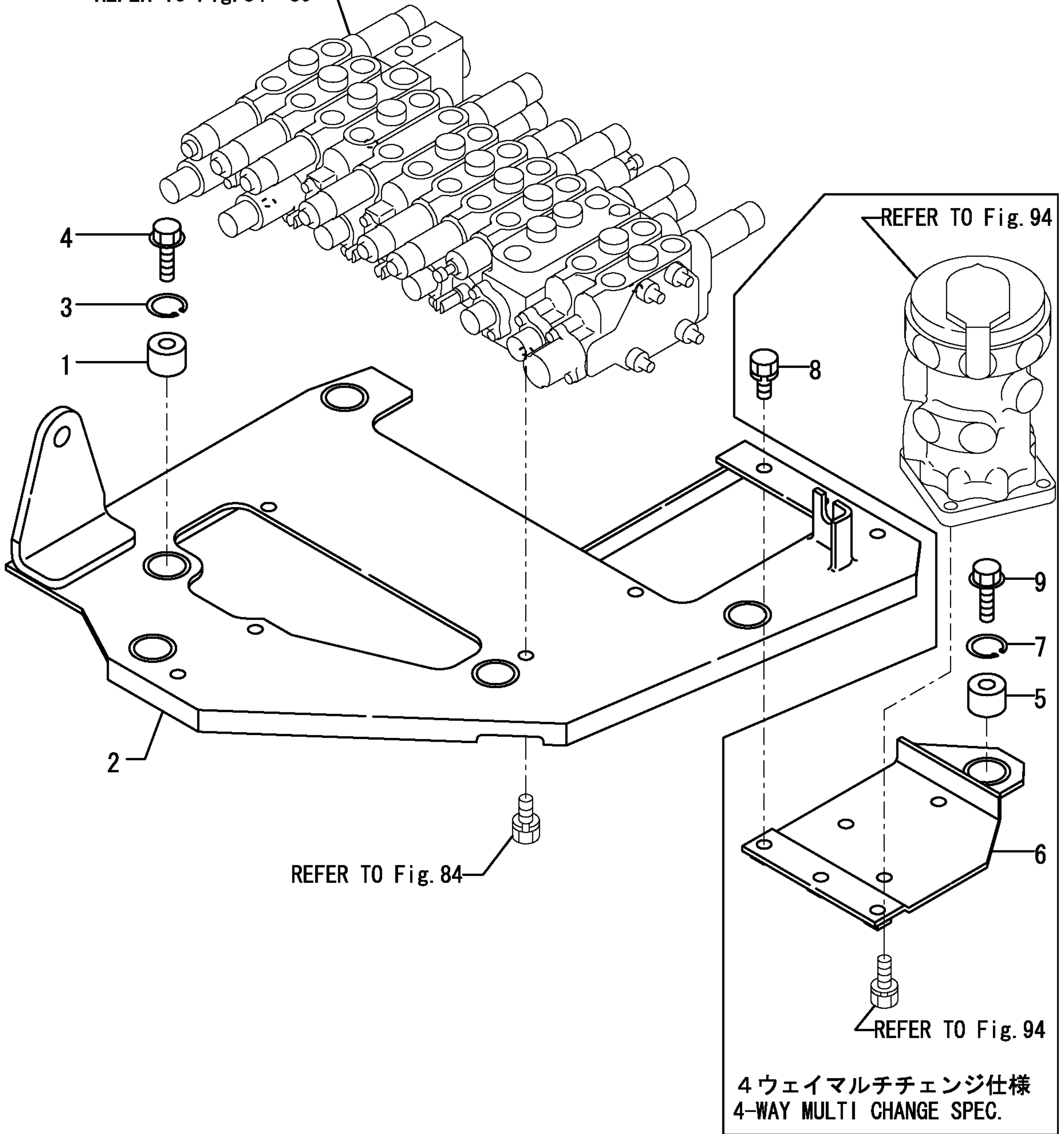
REFER TO Fig. 35



1,1,,172165-45490,,CUSHION,5,5,,,,,,,,,,,,,,,,,,,,,
2,1,,172458-45600,, "PLATE ASSY,VALVE",1,1,,,,,,,,,,,,,
3,1,,22252-000280,, "CIRCLIP 28",5,5,,,,,,,,,,,,,
4,1,,26106-100352,, "BOLT M10X 35 PLATED",5,5,,,,,,,,,,,,,
5,1,,172165-45490,,CUSHION,1,1,,,,,,,,,,,,,,,,,,,,,
6,1,,172458-74200,, "BRACKET ASSY",1,1,,,,,,,,,,,,,
7,1,,22252-000280,, "CIRCLIP 28",1,1,,,,,,,,,,,,,
8,1,,26013-100202,, "BOLT W/WASHER M10X20",3,3,,,,,,,,,,,,,
9,1,,26106-100352,, "BOLT M10X 35 PLATED",1,1,,,,,,,,,,,,,

~M/#21329

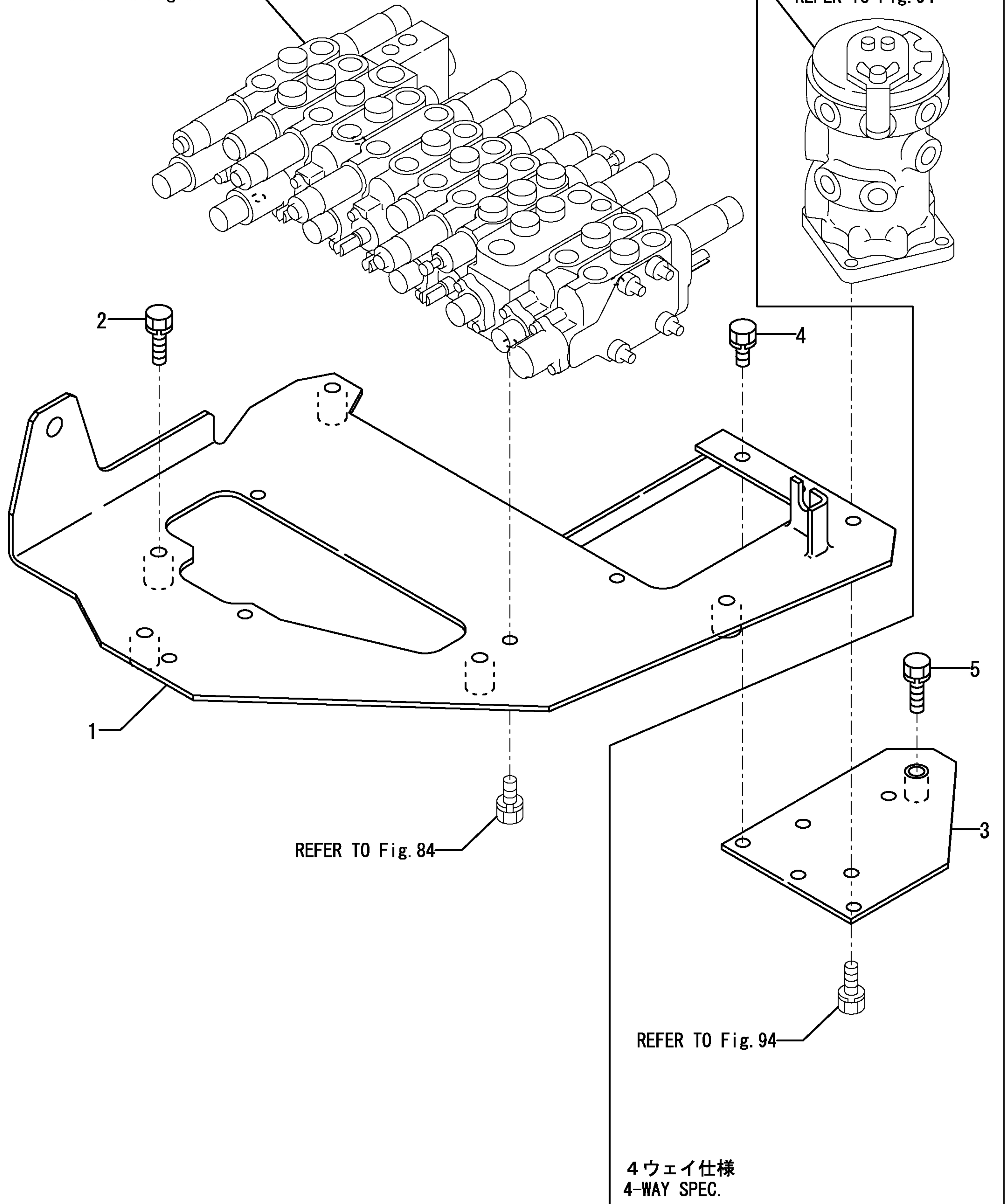
REFER TO Fig. 84~89



1,1,,172487-45600,, "PLATE,VALVE(GRAY:72)",1,1,1,,,,,,,,,,,,,I
2,1,,26013-100402,, "BOLT M10X 40",5,5,5,,,,,,,,,,,,,I
3,1,,172487-74200,, "BRACKET,MULTI",1,1,1,,,,,,,,,,,,,I
4,1,,26013-100202,, "BOLT W/WASHER M10X20",3,3,3,,,,,,,,,,,,,I
5,1,,26013-100352,, "BOLT M10X 35",1,1,1,,,,,,,,,,,,,I

REFER TO Fig. 84~89

REFER TO Fig. 94



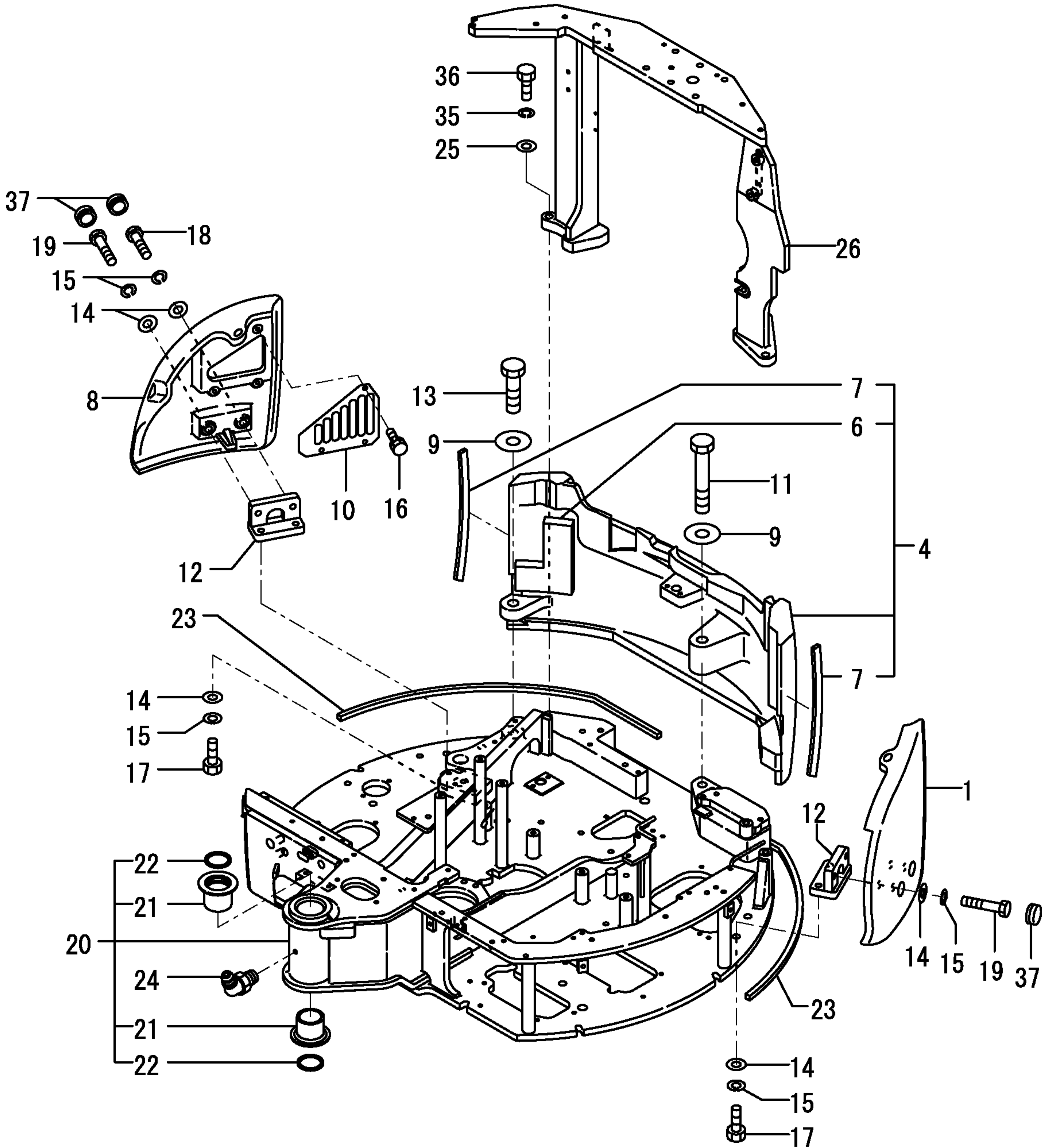
REFER TO Fig. 84

REFER TO Fig. 94

4ウェイ仕様
4-WAY SPEC.

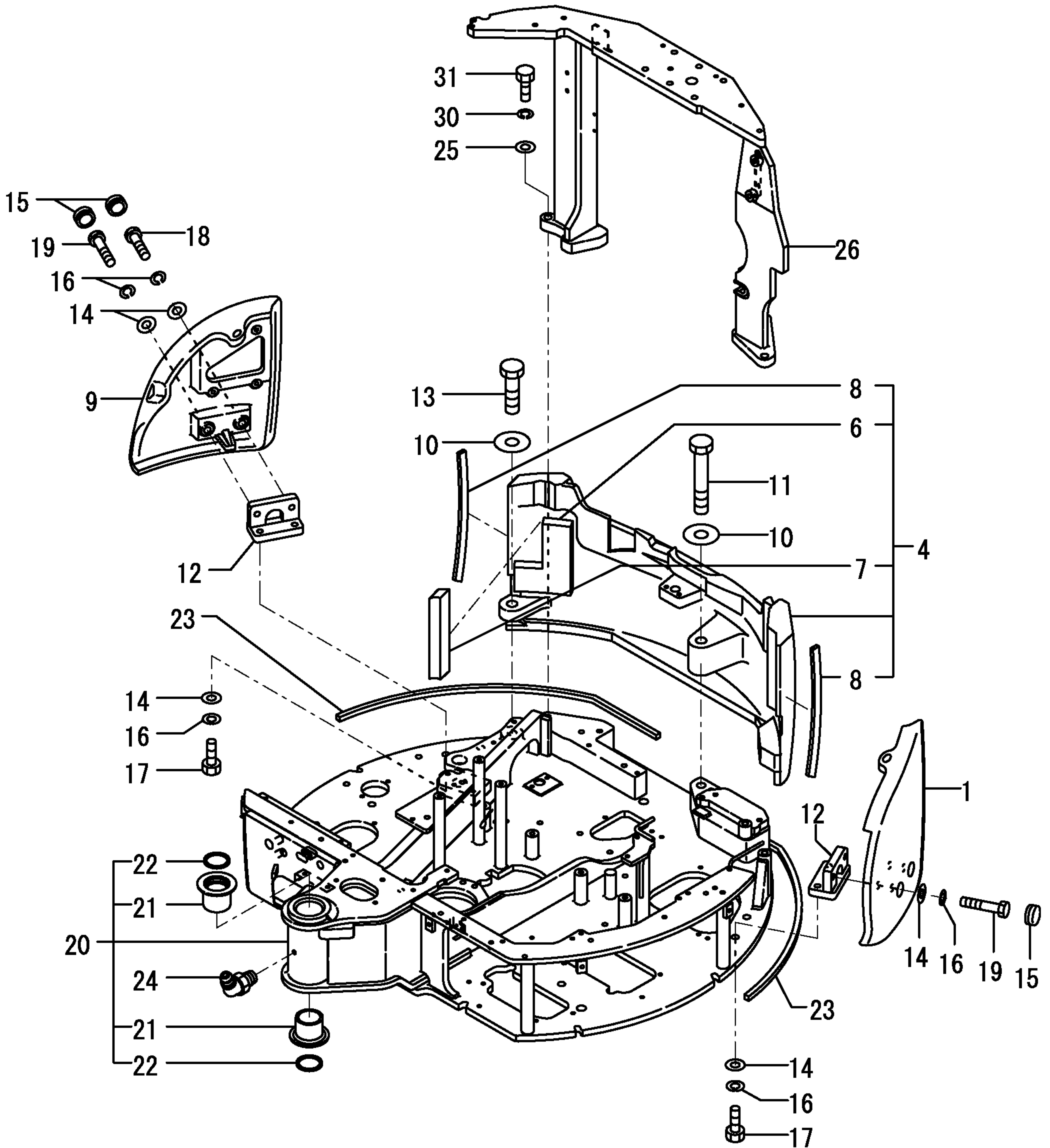
1,1,,172458-53280,, "WEIGHT L (GREEN:88)",1,1,,,,,,,,,,,,,
1-1,1,,172458-53281,, "WEIGHT L
(GREEN:88)",1,1,,,,,N,,72457037,M/#20852,72457037,M/#20852,,,,,
4,1,,172457-53290,, "WEIGHT,COUNTER (88)",1,1,,,,,,,,,,,,,
6,2,,172457-
53330,, "SEAL,WEIGHT",1,1,,,,,,724580591,,724580591,,724580591,,,,,,I
7,2,,172458-53370,, "SEAL,COUNTER",2,2,,,,,,,,,,,,,
8,1,,172457-53310,, "WEIGHT R (GREEN:88)",1,1,,,,,,,,,,,,,
9,1,,172187-53320,, "WASHER 24.5X65X8",2,2,,,,,,,,,,,,,
10,1,,172457-53320,, "COVER,WEIGHT",1,1,,,,,,,,,,,,,
11,1,,172455-53330,, "BOLT 24X140",1,1,,,,,,,,,,,,,
12,1,,172458-53330,, "BRACKET ASSY",2,2,,,,,,,,,,,,,
13,1,,172458-53360,, "BOLT",1,1,,,,,,,,,,,,,
14,1,,172165-53500,, "WASHER,8,8",,,,,,,,,,,,,,
15,1,,22217-160000,, "SPRING WASHER 16",8,8,,,,,,,,,,,,,
16,1,,26013-100202,, "BOLT W/WASHER M10X20",3,3,,,,,,,,,,,,,
17,1,,26116-160452,, "BOLT M16X 45 PLATED",4,4,,,,,,,,,,,,,
18,1,,26116-160652,, "BOLT M16X 65 PLATED",1,1,,,,,,,,,,,,,
19,1,,26116-160752,, "BOLT M16X 75 PLATED",3,3,,,,,,,,,,,,,
20,1,,172457-54100,, "FRAME,TURNING (97)",1,1,,,,,,,,,,,,,
21,2,,172168-54750,, "BUSH 60X70",2,2,,,,,,,,,,,,,
22,2,,172168-54760,, "SEAL 60X70X4 DUST",2,2,,,,,,,,,,,,,
23,1,,172458-54750,, "SEAL 960",2,2,,,,,,,,,,,,,
24,1,,24761-040000,, "NIPPLE B,GREASE",1,1,,,,,,,,,,,,,
25,1,,172165-53500,, "WASHER,4,4",,,,,,,,,,,,,,
26,1,,172458-67200,, "MOUNT,CANOPY(GRAY:72",1,1,,,,,,,,,,,,,
26-1,1,,172458-
67201,, "MOUNT,CANOPY(GRAY:72",1,1,,,,,N,,72457037,M/#20852,72457037,M/#20852,,,,,
,,,
35,1,,22217-160000,, "SPRING WASHER 16",4,4,,,,,,,,,,,,,
36,1,,26116-160652,, "BOLT M16X 65 PLATED",4,4,,,,,,,,,,,,,
37,1,,172151-53430,, "GROMMET,4,4",,,,,,,,,,,,,,

~M/#21329

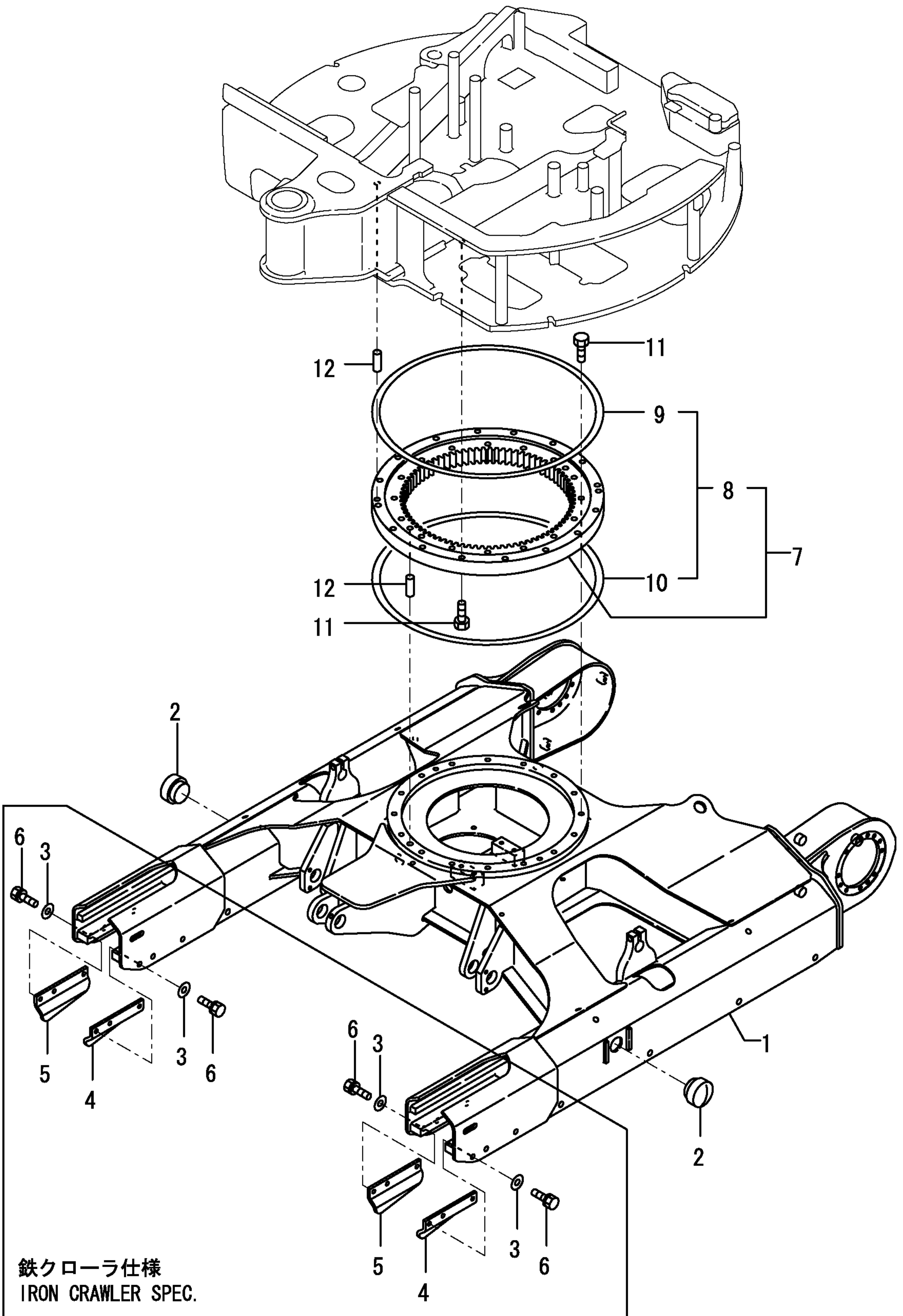


1,1,,172458-53281,, "WEIGHT L (GREEN:88)",1,1,1,,,,,,,,,,,,,,,,,,,,,I
4,1,,172457-53291,, "WEIGHT,COUNTER (88)",1,1,1,,,,,,,,,,,,,,,,,,,,,I
6,2,,172457-
53330,, "SEAL,WEIGHT",1,1,1,,,,,,,,,724580591,,724580591,,724580591,,,,,,,,,,,,,I
7,2,,172487-53330,, "SEAL B",1,1,1,,,,,,,,,,,,,,,,,,,,,,,,,,,,,I
8,2,,172458-53370,, "SEAL,COUNTER",2,2,2,,,,,,,,,,,,,,,,,,,,,,,,,,,,,I
9,1,,172457-53310,, "WEIGHT R (GREEN:88)",1,1,1,,,,,,,,,,,,,,,,,,,,,I
10,1,,172187-53320,, "WASHER 24.5X65X8",2,2,2,,,,,,,,,,,,,,,,,,,,,I
11,1,,172455-53330,, "BOLT 24X140",1,1,1,,,,,,,,,,,,,,,,,,,,,I
12,1,,172458-53330,, "BRACKET ASSY",2,2,2,,,,,,,,,,,,,,,,,,,,,I
13,1,,172458-53360,, "BOLT",1,1,1,,,,,,,,,,,,,,,,,,,,,I
14,1,,172165-53500,, "WASHER",8,8,8,,,,,,,,,,,,,,,,,,,,,I
15,1,,172456-53700,, "GROMMET 30",4,4,4,,,,,,,,,,,,,,,,,,,,,I
16,1,,22217-160000,, "SPRING WASHER 16",8,8,8,,,,,,,,,,,,,,,,,,,,,I
17,1,,26116-160452,, "BOLT M16X 45 PLATED",4,4,4,,,,,,,,,,,,,,,,,,,,,I
18,1,,26116-160652,, "BOLT M16X 65 PLATED",1,1,1,,,,,,,,,,,,,,,,,,,,,I
19,1,,26116-160752,, "BOLT M16X 75 PLATED",3,3,3,,,,,,,,,,,,,,,,,,,,,I
20,1,,172457-54101,, "FRAME, TURNING (97)",1,1,1,,,,,,,,,,,,,,,,,,,,,I
21,2,,172168-54750,, "BUSH 60X70",2,2,2,,,,,,,,,,,,,,,,,,,,,I
22,2,,172168-54760,, "SEAL 60X70X4 DUST",2,2,2,,,,,,,,,,,,,,,,,,,,,I
23,1,,172458-54750,, "SEAL 960",2,2,2,,,,,,,,,,,,,,,,,,,,,I
24,1,,24761-040000,, "NIPPLE B,GREASE",1,1,1,,,,,,,,,,,,,,,,,,,,,I
25,1,,172165-53500,, "WASHER",4,4,4,,,,,,,,,,,,,,,,,,,,,I
26,1,,172458-67202,, "MOUNT,CANOPY(GRAY:72)",1,1,1,,,,,,,,,,,,,,,,,,,,,I
30,1,,22217-160000,, "SPRING WASHER 16",4,4,4,,,,,,,,,,,,,,,,,,,,,I
31,1,,26116-160652,, "BOLT M16X 65 PLATED",4,4,4,,,,,,,,,,,,,,,,,,,,,I

M/#25501~



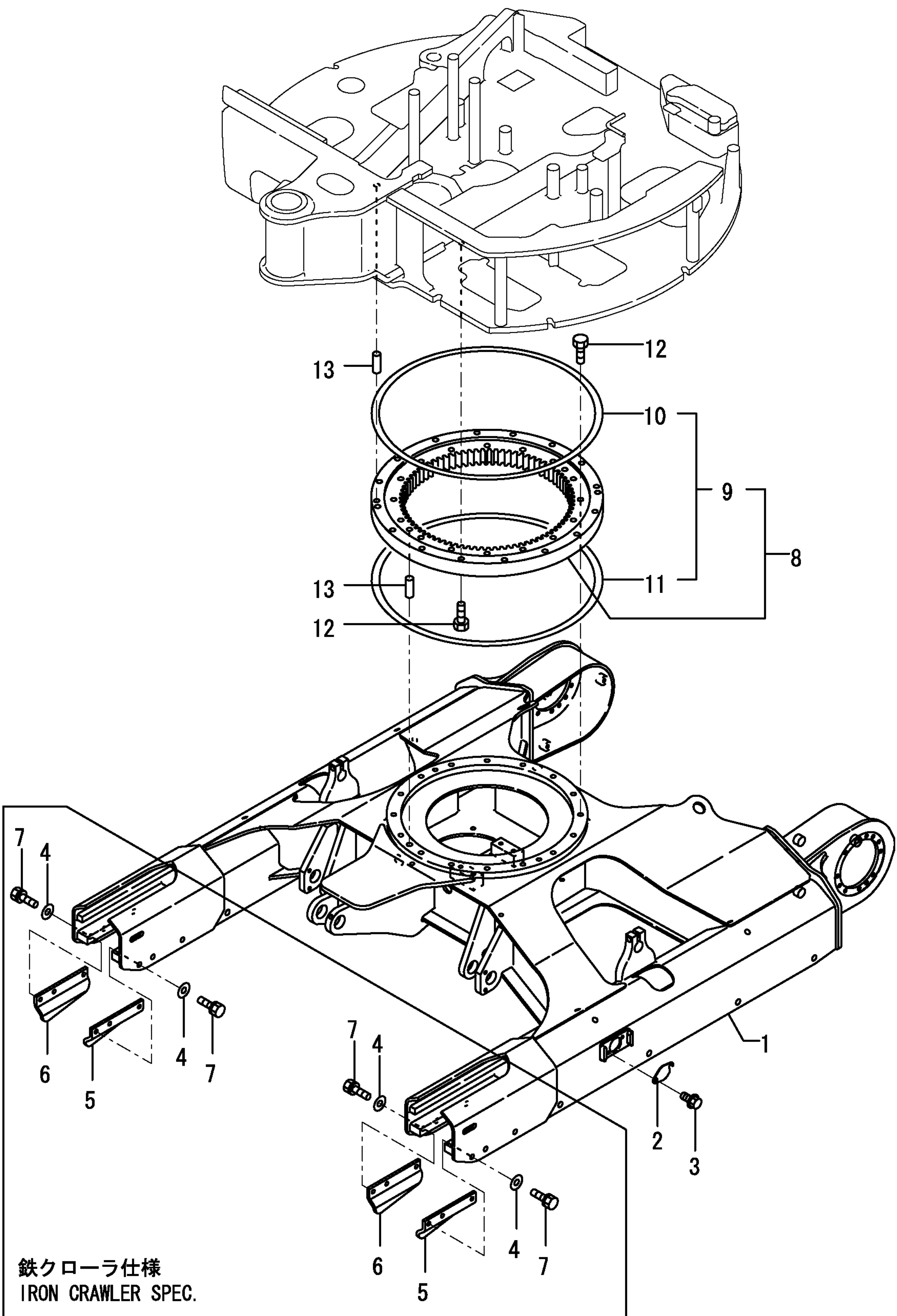
```
1,1,,172457-50100,, "FRAME,LOWER(GREEN:88",1,1,,,,,,,,,,,,,  
1-1,1,,172457-  
50101,, "FRAME,LOWER(GREEN:88",1,1,,,,,N,,72457038,M/#20871,72457038,M/#20871,,,,,  
,,,  
2,1,,172141-50890,,GROMMET,2,2,,,,,,,,,,,,,  
3,1,,172730-05250,, "WASHER 12",12,12,,,,,1,,,,,,,,,,,,,  
4,1,,172458-50800,, "PLATE,GUARD L (88)",2,2,,,,,1,,,,,,,,,,,,,  
5,1,,172458-50810,, "PLATE,GUARD R (88)",2,2,,,,,1,,,,,,,,,,,,,  
6,1,,26013-120252,, "BOLT M12X 25",12,12,,,,,1,,,,,,,,,,,,,  
7,1,,172458-57600,, "BEARING,TURNING (88)",1,1,,,,,,,,,,,,,  
8,2,,172142-57610,, "SEAL SET",1,1,,,,,,,,,,,,,  
9,3,,172122-57630,, "SEAL, UPPER",1,1,,,,,,,,,,,,,  
10,3,,172122-57640,, "SEAL, LOWER",1,1,,,,,,,,,,,,,  
11,1,,172122-57610,,BOLT,32,32,,,,,,,,,,,,,  
12,1,,172122-57620,, "PARALLEL PIN 13X36",4,4,,,,,,,,,,,,,
```



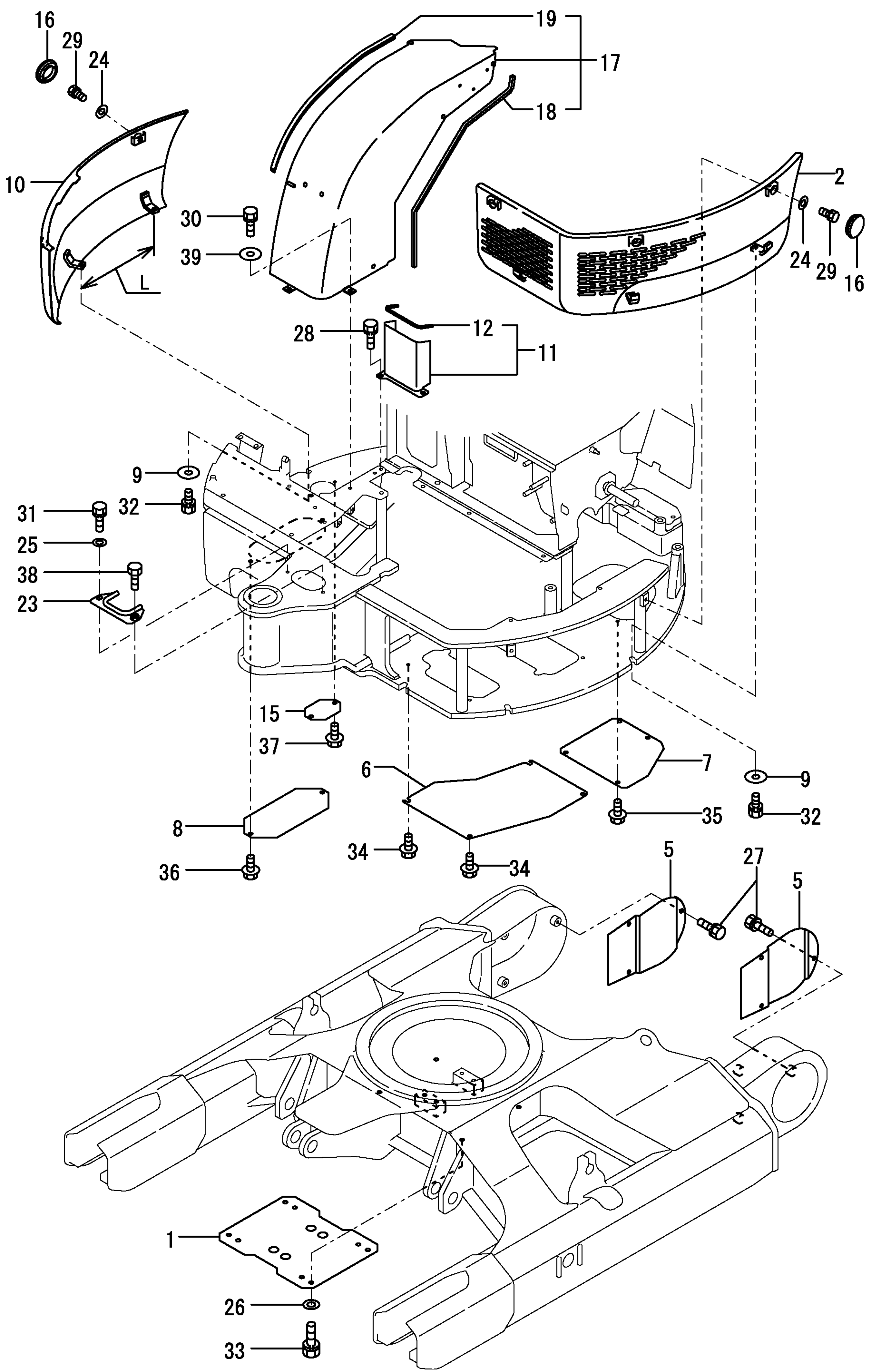
鉄クローラ仕様
IRON CRAWLER SPEC.

1,1,,172457-50102,, "FRAME ASSY,LOWER(88)",1,1,1,,,,,,,,,,,,,I
2,1,,172458-50480,, "COVER,FRAME(GREEN:88",2,2,2,,,,,,,,,,,,,I
3,1,,26106-100122,, "BOLT M10X 12 PLATED",4,4,4,,,,,,,,,,,,,I
4,1,,172730-05250,, "WASHER 12",12,12,12,,,,,,,,,,,,,I
5,1,,172458-50800,, "PLATE,GUARD L (88)",2,2,2,,,,,,,,,,,,,I
6,1,,172458-50810,, "PLATE,GUARD R (88)",2,2,2,,,,,,,,,,,,,I
7,1,,26013-120252,, "BOLT M12X 25",12,12,12,,,,,,,,,,,,,I
8,1,,172458-57600,, "BEARING,TURNING (88)",1,1,1,,,,,,,,,,,,,I
9,2,,172142-57610,, "SEAL SET",1,1,1,,,,,,,,,,,,,I
10,3,,172122-57630,, "SEAL, UPPER",1,1,1,,,,,,,,,,,,,I
11,3,,172122-57640,, "SEAL, LOWER",1,1,1,,,,,,,,,,,,,I
12,1,,172122-57610,, "BOLT,32,32,32",,,,,,,,,,,,,,I
13,1,,172122-57620,, "PARALLEL PIN 13X36",4,4,4,,,,,,,,,,,,,I

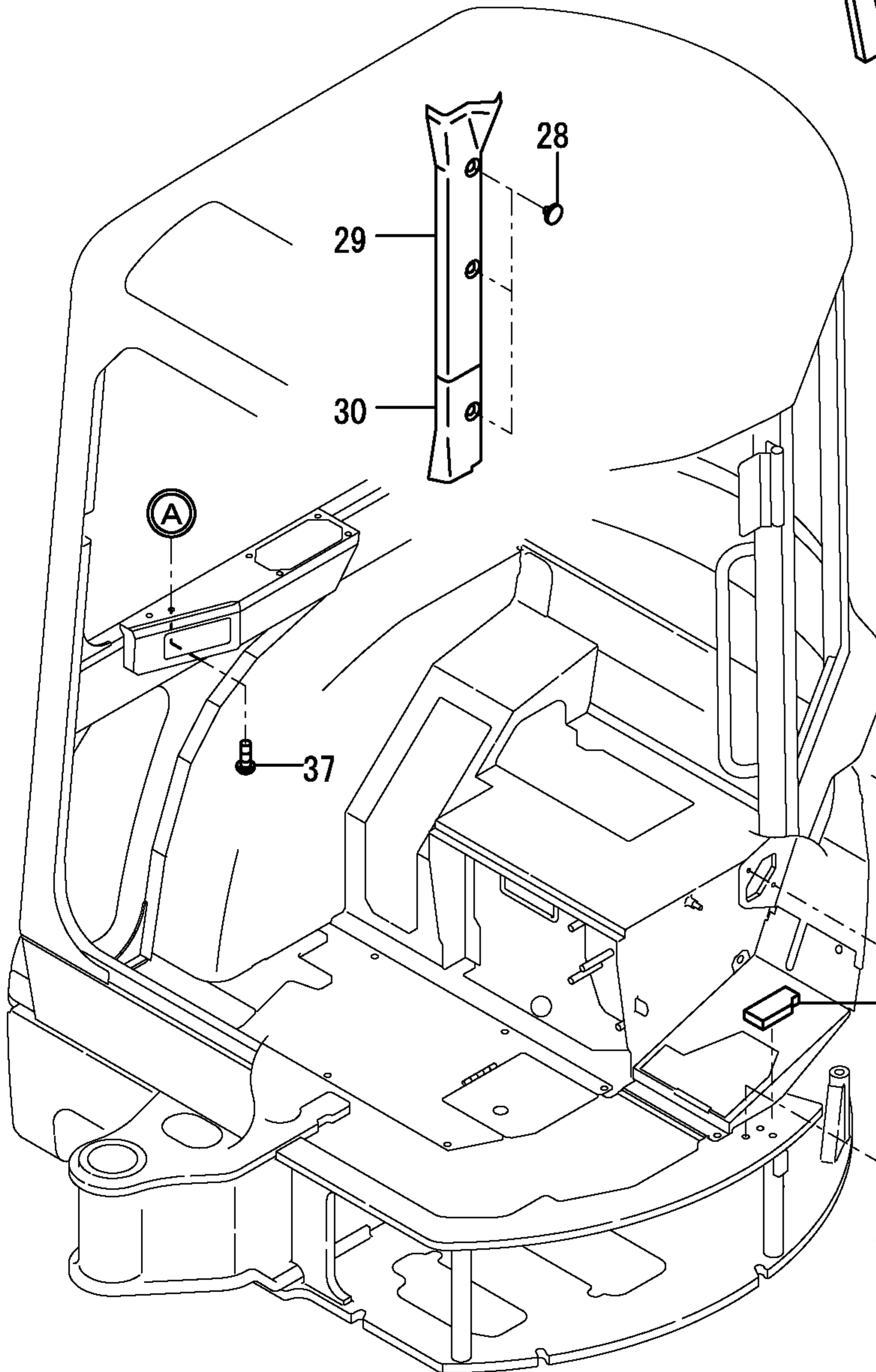
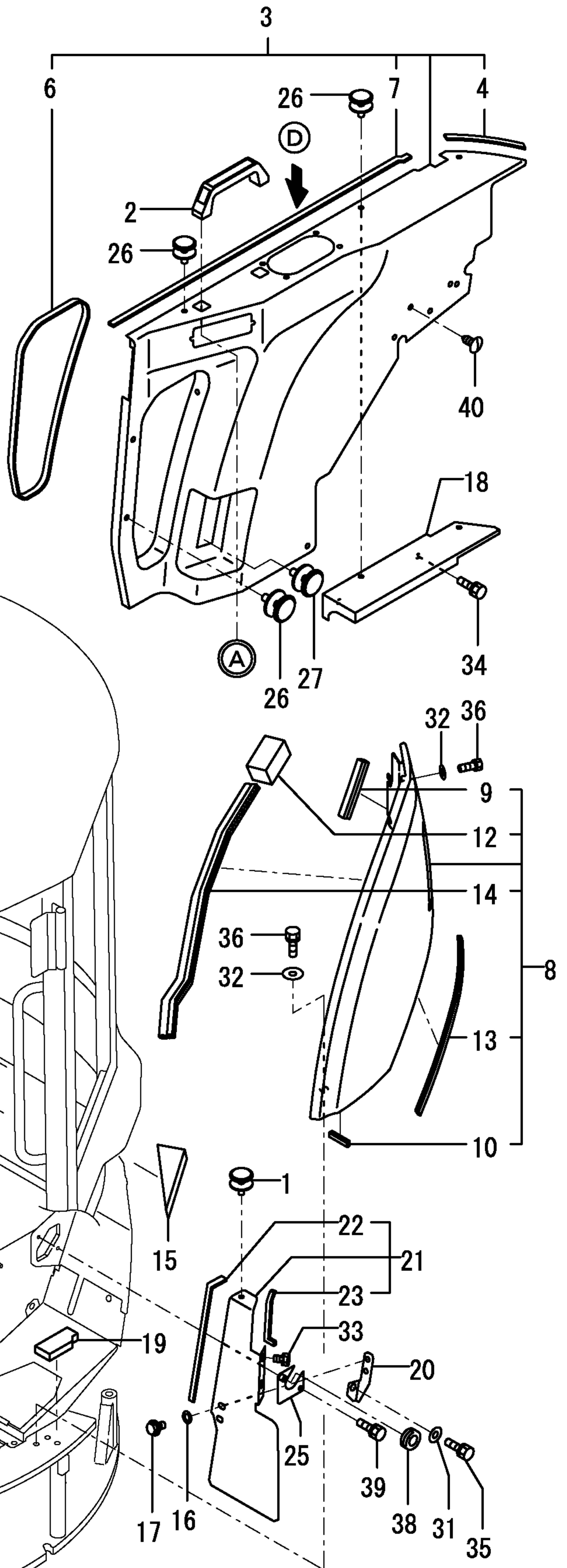
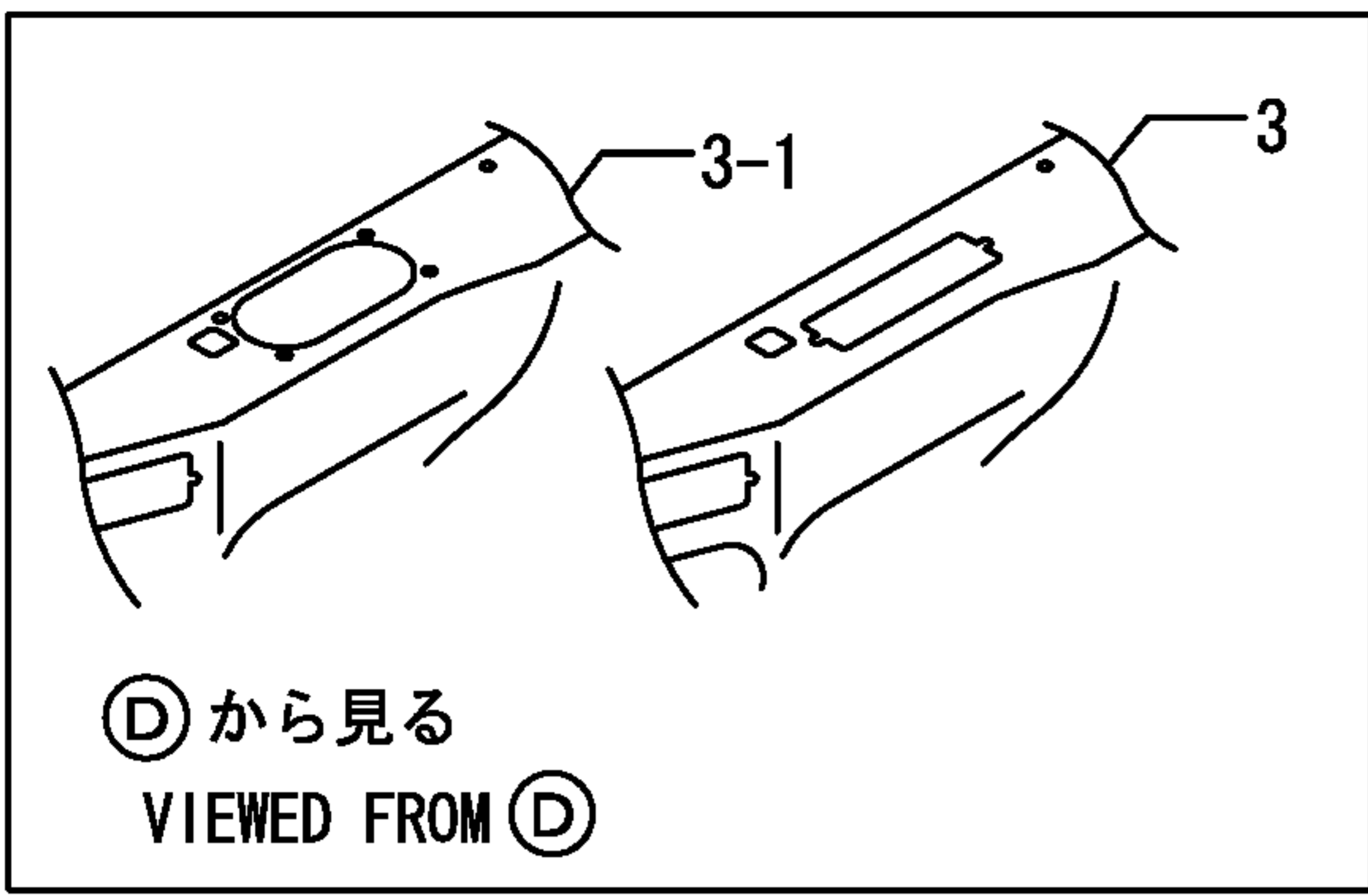
M/#25501~



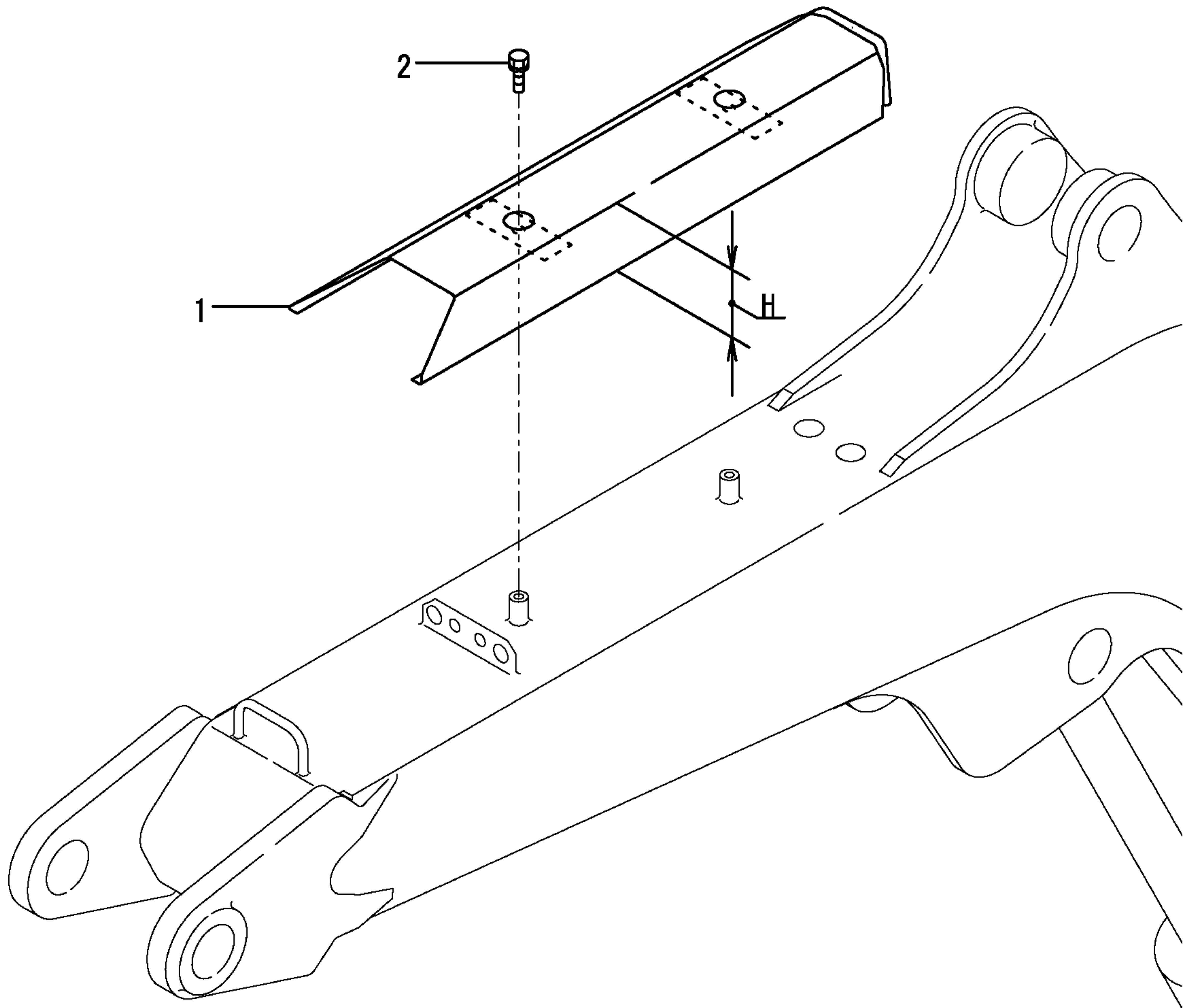
鉄クローラ仕様
IRON CRAWLER SPEC.



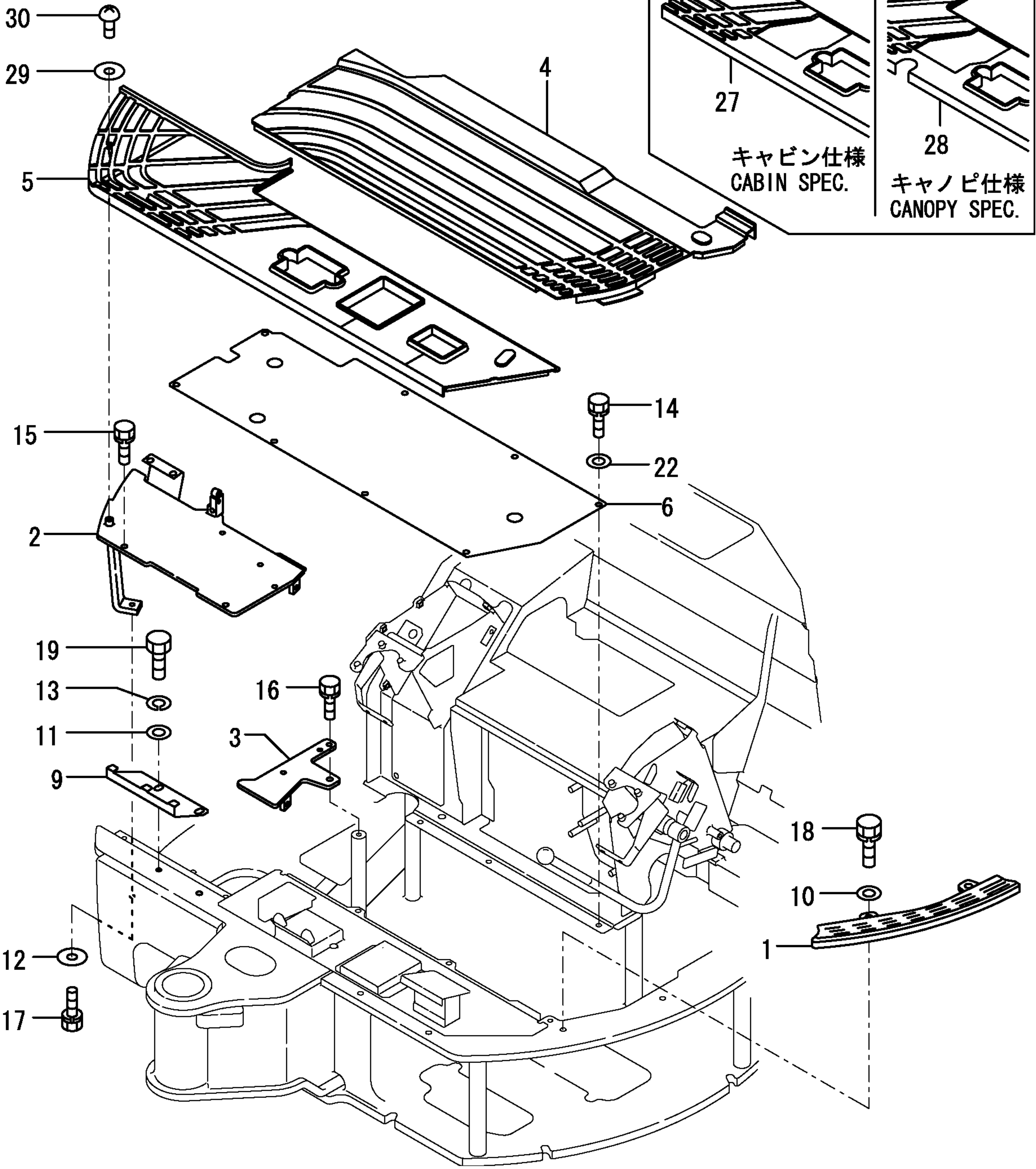
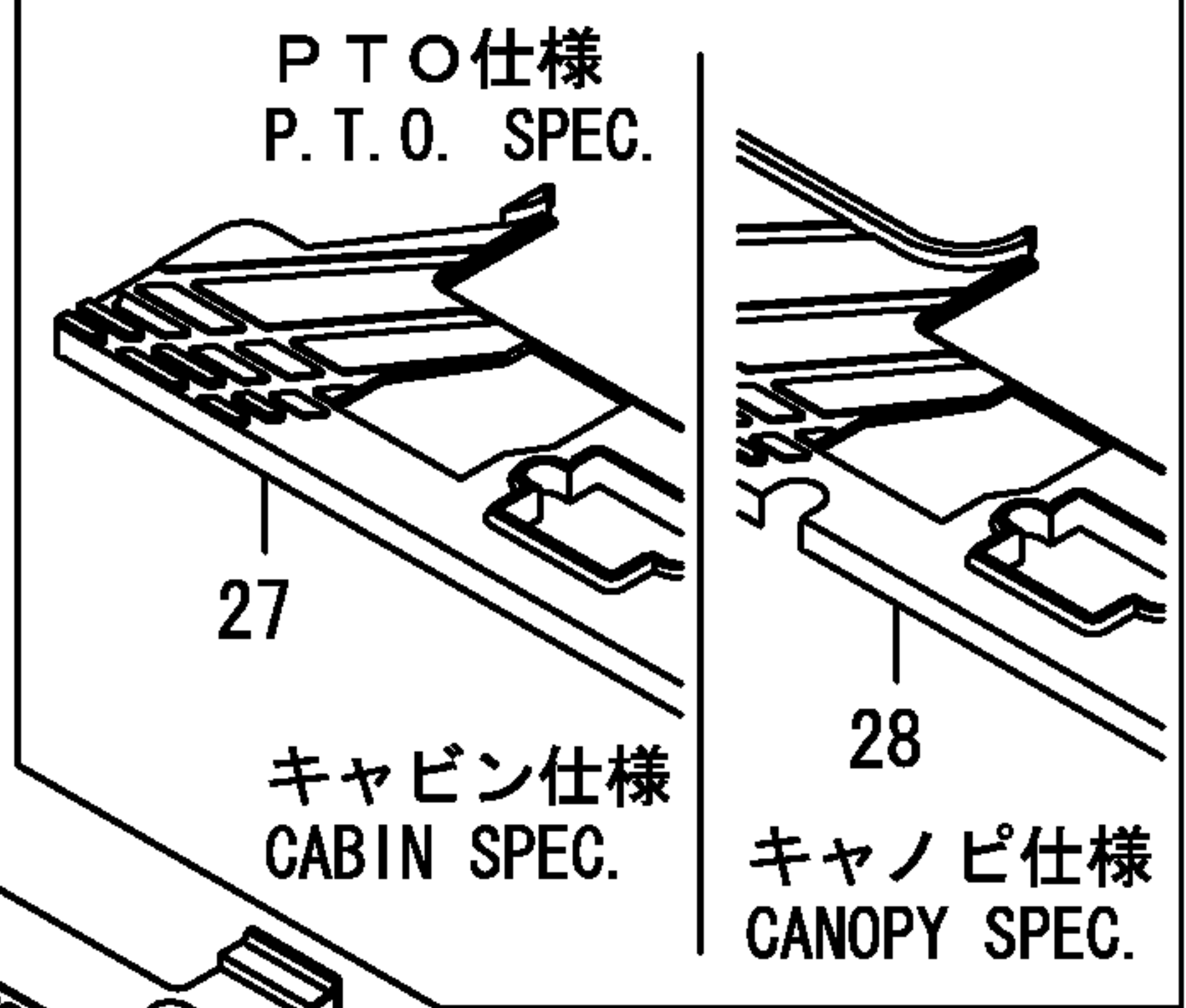
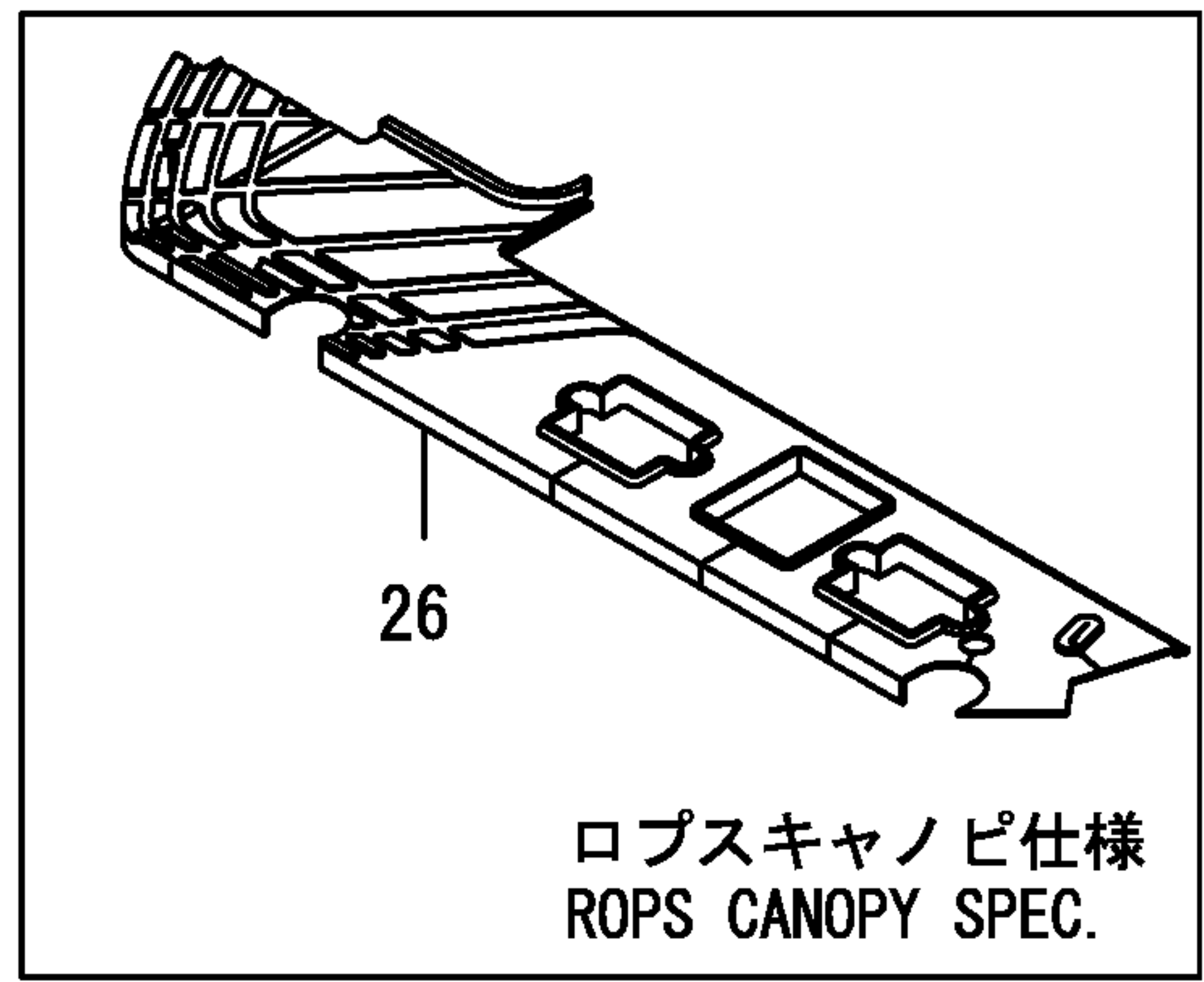
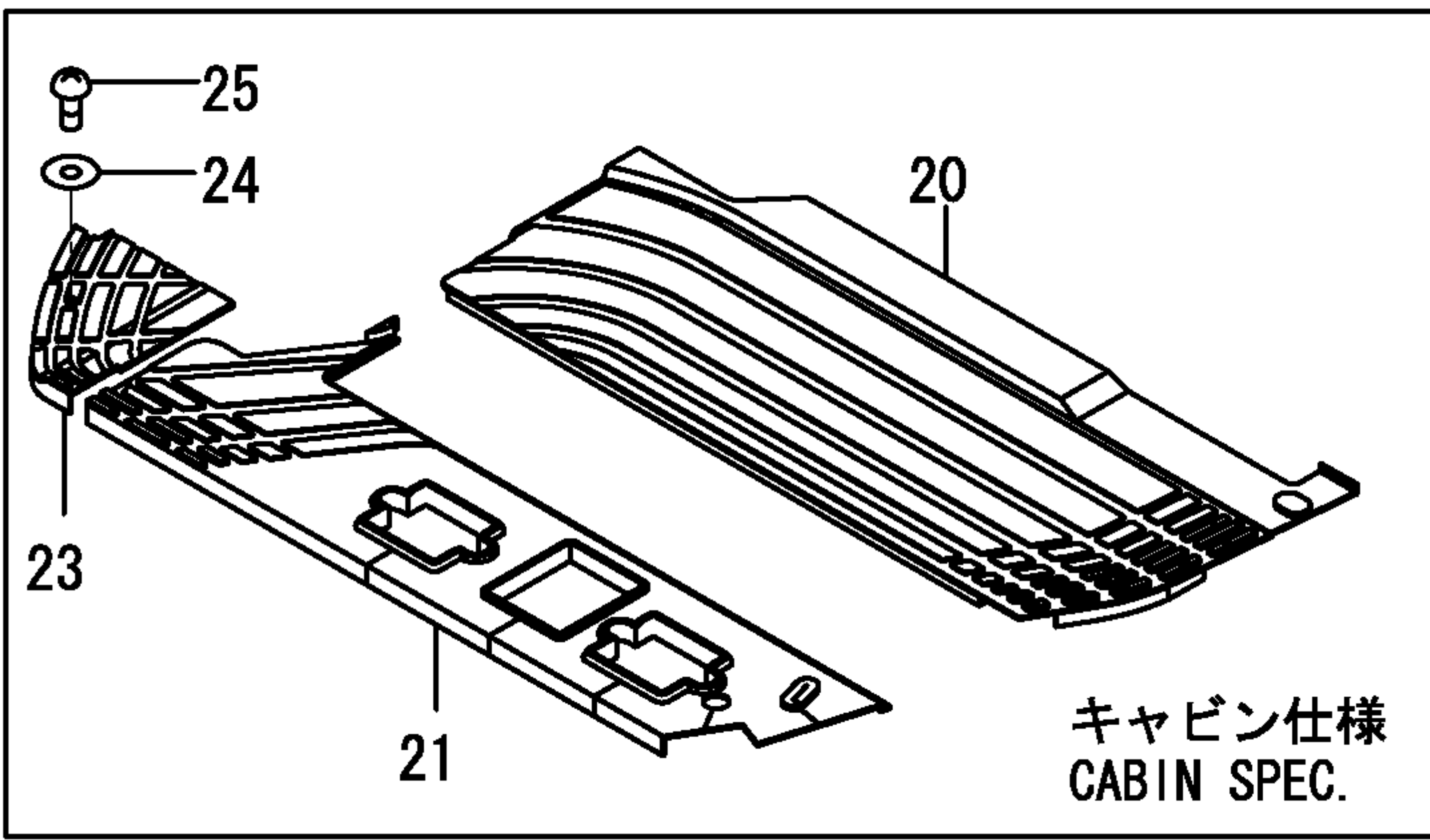
1,1,,172444-17660,,CLIP,1,,,,,,,,,,,,,,,,,,,,,
2,1,,172164-45980,, "GRIP, BONNET",1,,,,,,,,,,,,,,,,,,,,,
3,1,,172458-61790,, "COVER ASSY, DUCT",1,,,,,,,,,,,,,,,,,,,,,
3-1,1,,172458-61791,, "COVER ASSY, DUCT",1,,,,,,S,,72458368,M/#20272,,,,,,,,,,,,,
4,2,,172146-61370,, "RUBBER, SEAL",1,,,,,,,,,,,,,,,,,,,,,
6,2,,172458-61820,, "RUBBER 1150",1,,,,,,,,,,,,,,,,,,,,,
7,2,,172444-68810,, "RUBBER,SEAL",1,,,,,,,,,,,,,,,,,,,,,
8,1,,172457-61900,, "BONNET L,CAB(GREEN96",1,,,,,,,,,,,,,,,,,,,,,
9,2,,172458-61500,, "RUBBER,SEAL 120",1,,,,,,,,,,,,,,,,,,,,,
10,2,,172458-61510,, "RUBBER,SEAL 55",1,,,,,,,,,,,,,,,,,,,,,
12,2,,172458-63900,, "STOPPER,1,,,,,,W,,72458376,M/#20624,,,,,,,,,,,,,
13,2,,172458-61490,, "RUBBER,SEAL 510",1,,,,,,,,,,,,,,,,,,,,,
13-1,2,,172458-63910,, "SPONGE SEAL",1,,,,,,N,,72458376,M/#20624,,,,,,,,,,,,,
14,2,,172989-68630,, "RUBBER,SEAL 630",1,,,,,,,,,,,,,,,,,,,,,
15,1,,172460-61960,, "SEAL,CAB-COVER",1,,,,,,,,,,,,,,,,,,,,,
16,1,,172458-62430,, "WASHER M8",2,,,,,,,,,,,,,,,,,,,,,
17,1,,172519-63240,, "BOLT 8X 16",2,,,,,,,,,,,,,,,,,,,,,
18,1,,172458-63300,, "PLATE,1,,,,,,,,,,,,,,,,,,,,,
19,1,,172458-63350,, "SPOGE,1,,,,,,,,,,,,,,,,,,,,,
20,1,,172458-63520-1,, "PLATE (BLACK:12)",1,,,,,,,,,,,,,,,,,,,,,
21,1,,172458-63540,, "COVER ASSY (GRAY:73)",1,,,,,,,,,,,,,,,,,,,,,
22,2,,172823-61520,, "RUBBER 325, FRAME",1,,,,,,,,,,,,,,,,,,,,,
23,2,,172162-61870,, "RUBBER 200,EDGE",1,,,,,,,,,,,,,,,,,,,,,
25,1,,172458-63570,, "COVER,SEAT MOUNT(73)",1,,,,,,,,,,,,,,,,,,,,,
26,1,,1A6260-64200,, "CLIP,9,,,,,,,,,,,,,,,,,,,,,
27,1,,1A6260-64200,, "CLIP,3,,,,,,,,,,,,,,,,,,,,,
28,1,,172458-64600,, "CLIP 11",3,,,,,,,,,,,,,,,,,,,,,
29,1,,172458-68990,, "COVER A RB PILLER",1,,,,,,,,,,,,,,,,,,,,,
30,1,,172458-69000,, "COVER B RB PILLER",1,,,,,,,,,,,,,,,,,,,,,
31,1,,22137-080000,, "WASHER 8, POLISHED",1,,,,,,,,,,,,,,,,,,,,,
32,1,,22151-100000,, "WASHER 10",4,,,,,,,,,,,,,,,,,,,,,
33,1,,26013-080162,, "BOLT W/WASHER M8X16",2,,,,,,,,,,,,,,,,,,,,,
34,1,,26013-080162,, "BOLT W/WASHER M8X16",2,,,,,,,,,,,,,,,,,,,,,
35,1,,26013-080252,, "BOLT M 8X 25",1,,,,,,,,,,,,,,,,,,,,,
36,1,,26013-100252,, "BOLT W/WASHER M10X25",4,,,,,,,,,,,,,,,,,,,,,
37,1,,26557-080202,, "SCREW M 8X 20",2,,,,,,,,,,,,,,,,,,,,,
38,1,,933160-09220,, "GROMMET,1,,,,,,,,,,,,,,,,,,,,,
39,1,,26013-080162,, "BOLT W/WASHER M8X16",1,,,,,,,,,,,,,,,,,,,,,
40,1,,172458-64610,, "CLIP 5",3,,,,,,,,,,,,,,,,,,,,,



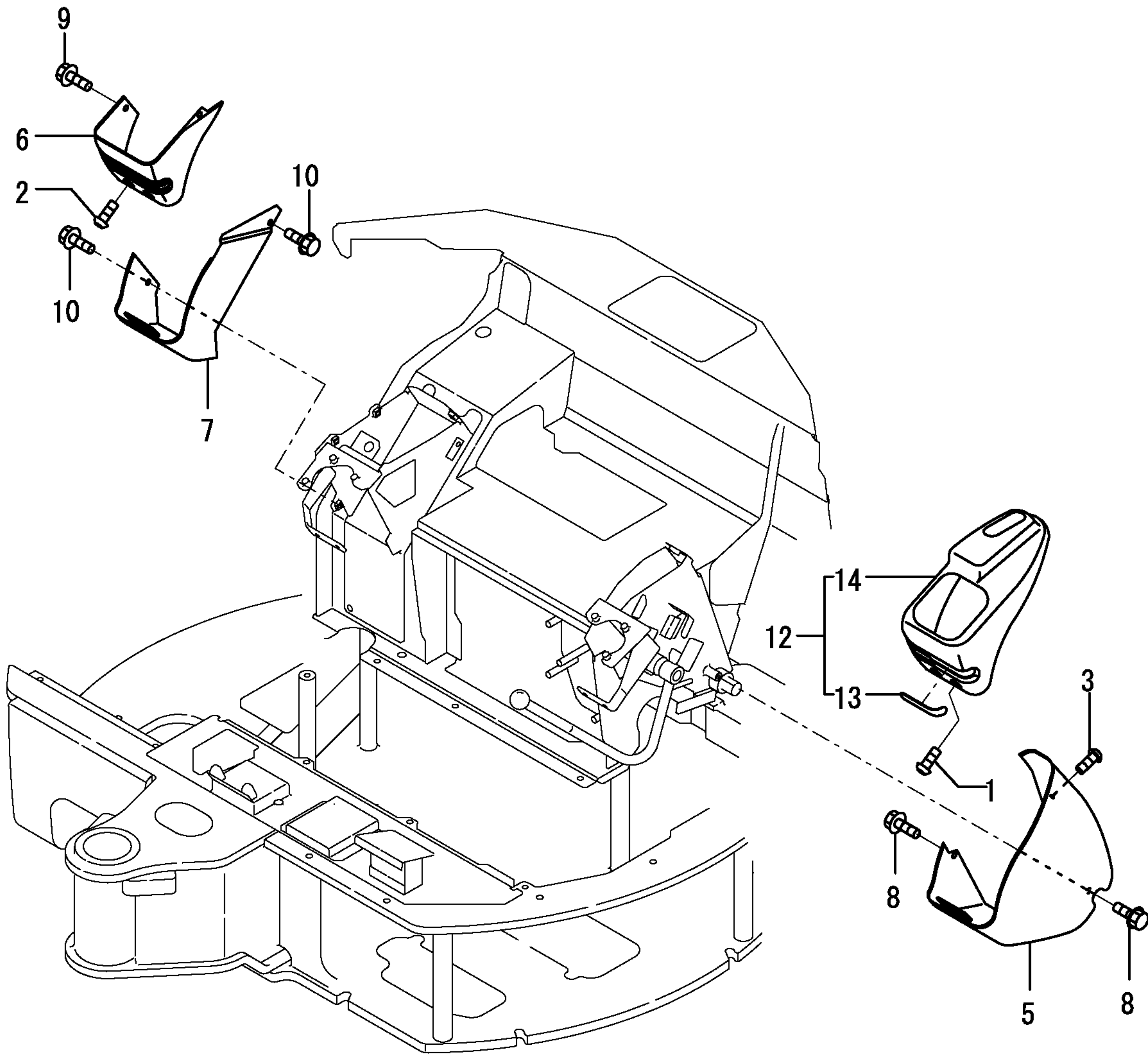
1,1,,172458-61960,, "COVER,BOOM(GREEN:97)",1,1,,,,,,,,,,,,,
1-1,1,,172458-
61961,, "COVER,BOOM(GREEN:97)",1,1,,,,,N,,72458312,M/#20580,72458312,M/#20580,,,,,
',',
1-2,1,,172456-61963,, "COVER,
BOOM(GREEN:97)",1,1,1,,,,S,1,724580539,M/#25501,724580539,M/#25501,,,,,,,,,I
2,1,,26013-080202,, "BOLT W/WASHER M8X20",2,2,,,,,,,,,,,,,
2-1,1,,26013-080162,, "BOLT W/WASHER
M8X16",2,2,2,,,,S,,724580539,M/#25501,724580539,M/#25501,,,,,,,,,I



1,1,,172458-62110,, "STEP,SIDE L(BLACK:12",,1,1,,,,,,,,,,,,,
2,1,,172458-62120,, "STEP,FRONT R(GREEN97",,1,1,,,,,,,,,,,,,
2-1,1,,172458-62121-4,, "STEP,FRONT
R(GREEN97",,1,1,1,,,Q,,72458287,M/#20580,72458287,M/#20580,,,,,
3,1,,172458-62180,, "PLATE,SUB (GREEN:97)",,1,1,1,,,,,,,,,,,,,
4,1,,172458-62200,, "MAT,FLOOR A",,1,1,,,,,,,,,,,,,
5,1,,172458-62210,, "MAT,FLOOR B",,1,1,,,,,1,,,,,,,,,,,,,
6,1,,172457-62270,, "STEP (GRAY:73)",,1,1,1,,,,,,,,,,,,,
8-1,2,,172458-
62250,,STEP,1,1,,,,,R,,724960009,M/#25501,724960009,M/#25501,724960009,,,,,,I
9,1,,172458-62500,, "HOOK,FLOOR MAT (12)",,1,1,,,,,,,,,,,,,
10,1,,22137-120000,, "WASHER 12,POLISHED",,2,2,,,,,,,,,,,,,
11,1,,22137-120000,, "WASHER 12,POLISHED",,2,2,,,,,,,,,,,,,
12,1,,22157-100000,, "WASHER 10",,1,1,1,,,,,,,,,,,,,
13,1,,22217-120000,, "SPRING WASHER 12",,2,2,,,,,,,,,,,,,
14,1,,26013-100202,, "BOLT W/WASHER M10X20",,8,8,8,,,,,,,,,,,,,
15,1,,26013-100252,, "BOLT W/WASHER M10X25",,2,2,2,,,,,,,,,,,,,
16,1,,26013-100252,, "BOLT W/WASHER M10X25",,1,1,1,,,,,,,,,,,,,
17,1,,26013-100402,, "BOLT M10X 40",,1,1,1,,,,,,,,,,,,,
18,1,,26013-120302,, "BOLT W/WASHER M12X30",,2,2,,,,,,,,,,,,,
19,1,,26116-120202,, "BOLT M12X 20 PLATED",,2,2,,,,,,,,,,,,,
20,1,,172458-62400,, "MAT,FLOOR A(CABIN",,1,,,,,,,,,,,,,
21,1,,172458-62410,, "MAT,FLOOR B(CABIN",,1,,,,,,,,,,,,,
22,1,,22137-100000,, "WASHER
10,POLISHED",,8,8,8,,,W,,72458304,M/#20636,72458304,M/#20636,,,,,
23,1,,172458-62420,, "FLOOR MAT C (CABIN",,1,,,,,W,,72458318,M/#20700,,,,,
24,1,,172458-62430,, "WASHER M8",,2,,,,,W,,72458306,M/#20624,,,,,
25,1,,172137-69850,, "SCREW,2,,,,,W,,72458306,M/#20624,,,,,
26,1,,172472-62500,, "FLOOR MAT B (CANOPY",,1,,,,,W,2,,72472005,M/#20792,,,,,
26-1,1,,172458-62230,, "MAT, FLOOR",,1,,,,,N,,,,72460245,M/#20912,,,,,,I
27,1,,172458-62520,, "MAT,FLOOR B-P.T.O.(C",,1,,,,,3,,,,,,,,,,,,,
28,1,,172458-62510,, "MAT,FLOOR B-P.T.O.",,1,1,,,,,3,,,,,,,,,,,,,
29,1,,172458-62430,, "WASHER M8",,1,1,,,,,,,,,,,,,
30,1,,172137-69850,, "SCREW",,1,1,,,,,,,,,,,,,

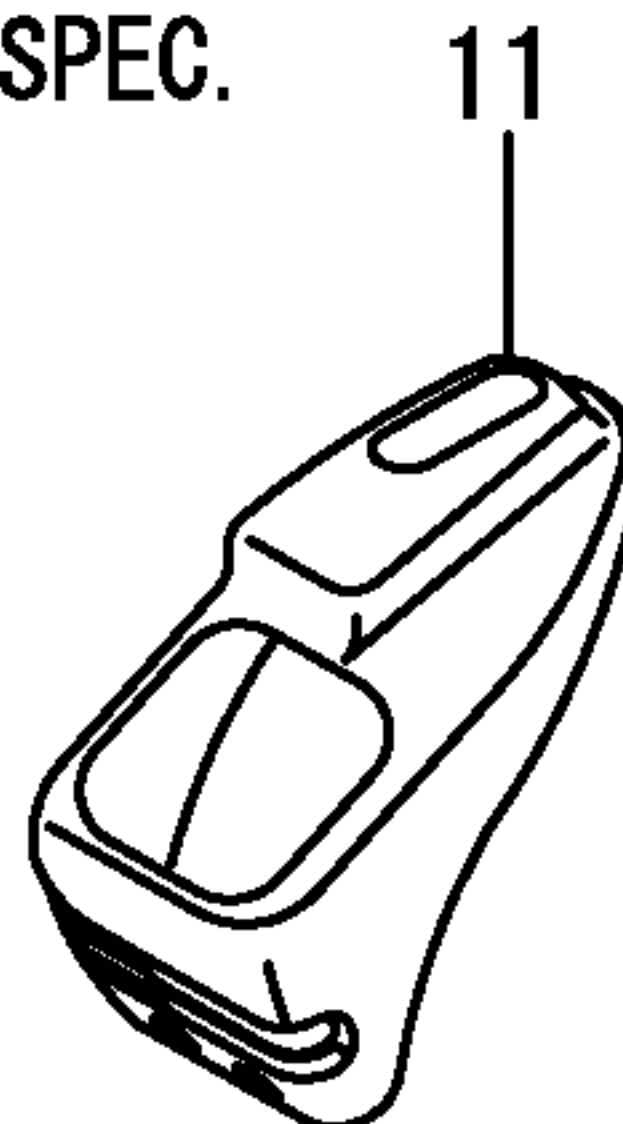


1,1,,172458-46720,, "BOLT 8X20",3,3,3,,,,,,,,,,,,,,,,,
2,1,,172458-46720,, "BOLT 8X20",2,2,2,,,,,,,,,,,,,,,,,
3,1,,172458-46720,, "BOLT 8X20",1,1,1,,,,,,,,,,,,,,,,,
4,1,,172458-63100,, "INSTRUMENT PANEL L",1,1,,,,,2,,,,,,,,,,,,,I
5,1,,172458-63120,, "INSTRUMENT PANEL L",1,1,,,,,,,,,,,,,
6,1,,172458-63130,, "INSTRUMENT PANEL R",1,1,,,,,,,,,,,,,
7,1,,172458-63140,, "INSTRUMENT PANEL R",1,1,,,,,,,,,,,,,
8,1,,172519-63240,, "BOLT 8X 16",2,2,2,,,,,,,,,,,,,,,,,
9,1,,172519-63240,, "BOLT 8X 16",1,1,1,,,,,,,,,,,,,,,,,
10,1,,172519-63240,, "BOLT 8X 16",2,2,2,,,,,,,,,,,,,,,,,
11,1,,172458-63110,, "INSTRUMENT PANEL
L,2",1,1,,,,,Z,1,724900021,M/#25501,724900021,M/#25501,,,,,,,,,I
12,1,,172490-61920,, "INSTRUMENT PANEL
ASY",1,1,1,,,,,W,,724900021,M/#25501,724900021,M/#25501,,,,,,,,,I
13,2,,172490-
61950,,COVER(2WAY,1,1,1,,,,,W,,724900021,M/#25501,724900021,M/#25501,,,,,,,,,I
14,2,,172458-63110,, "INSTRUMENT PANEL
L,2",1,1,1,,,,,W,1,724900021,M/#25501,724900021,M/#25501,,,,,,,,,I

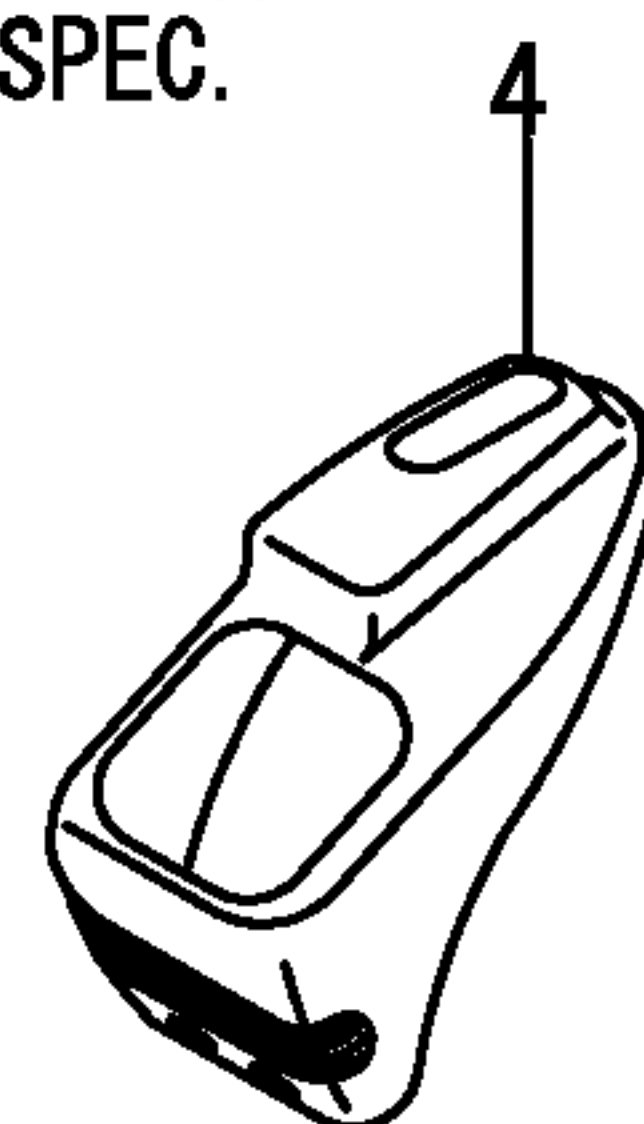


~M/#21329

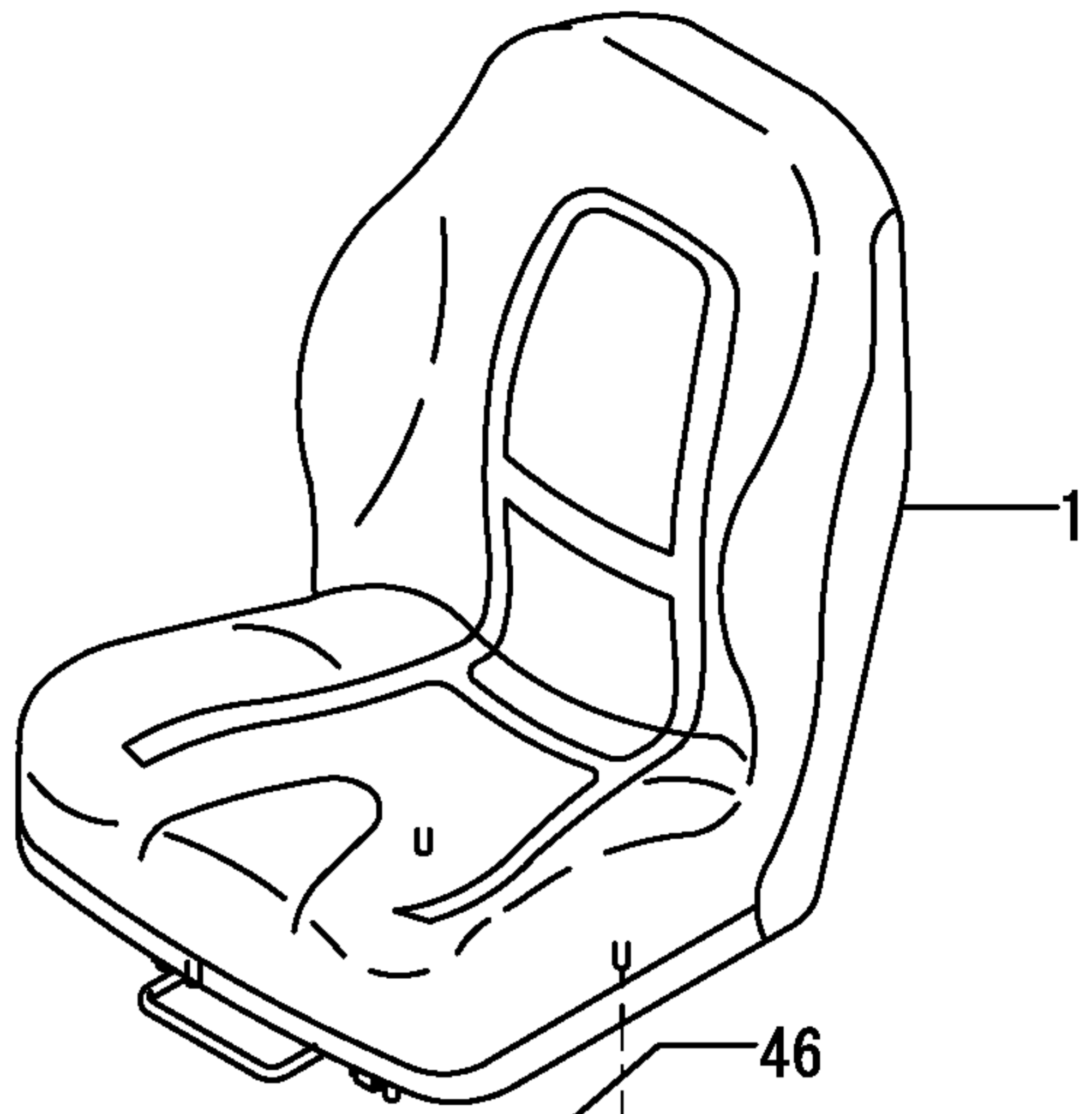
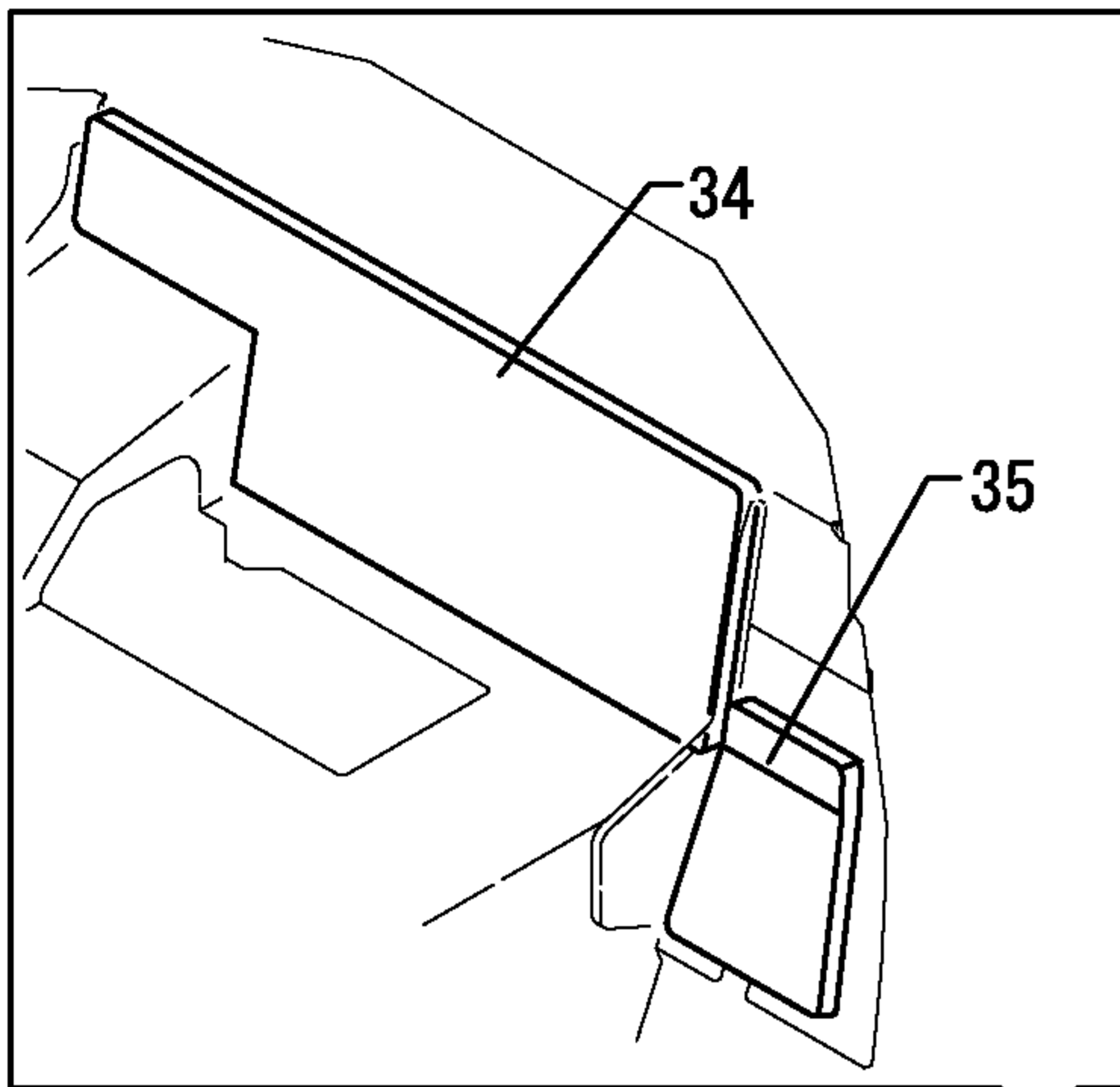
2ウェイ仕様
2-WAY SPEC.



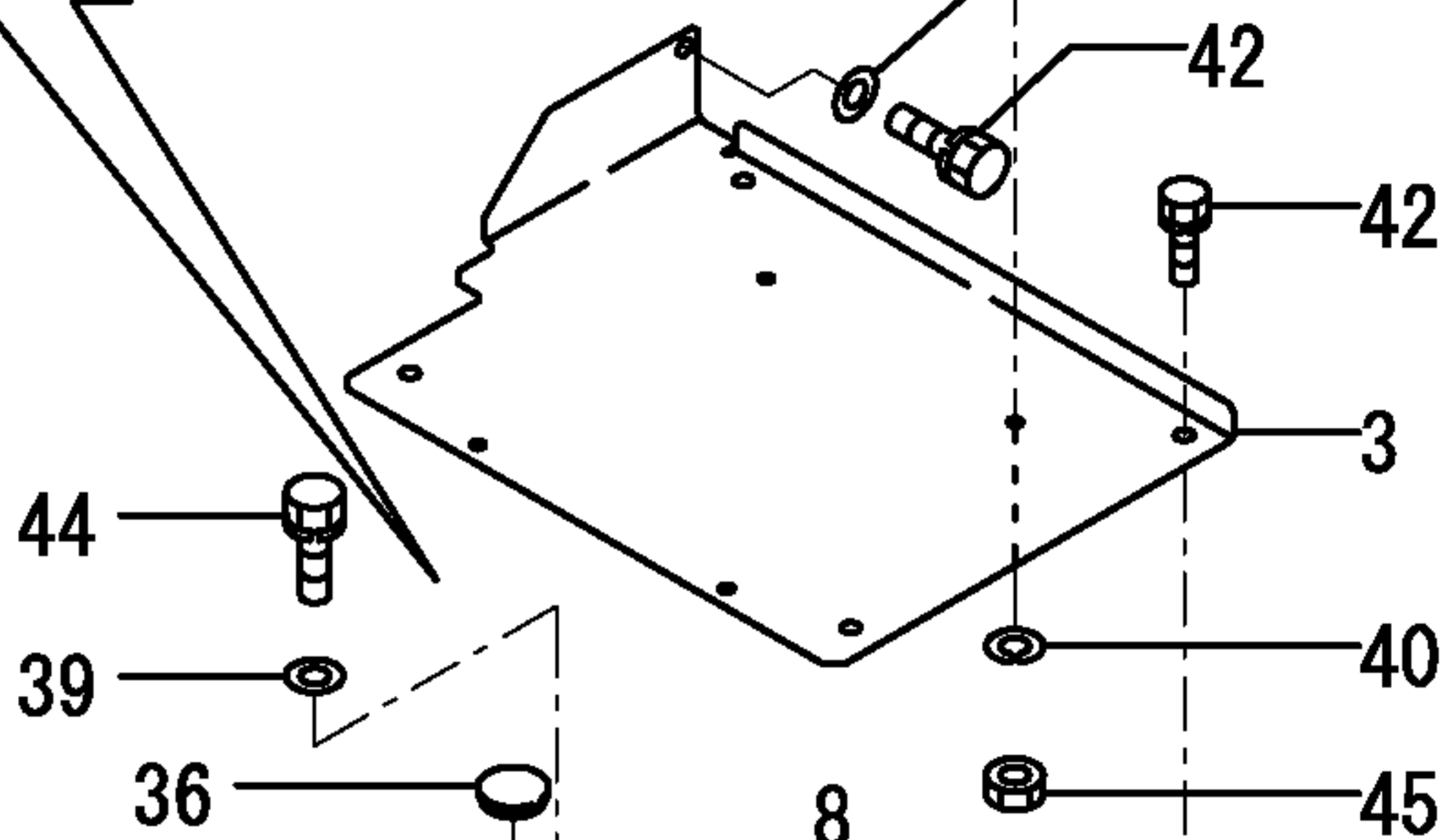
4ウェイ仕様
4-WAY SPEC.



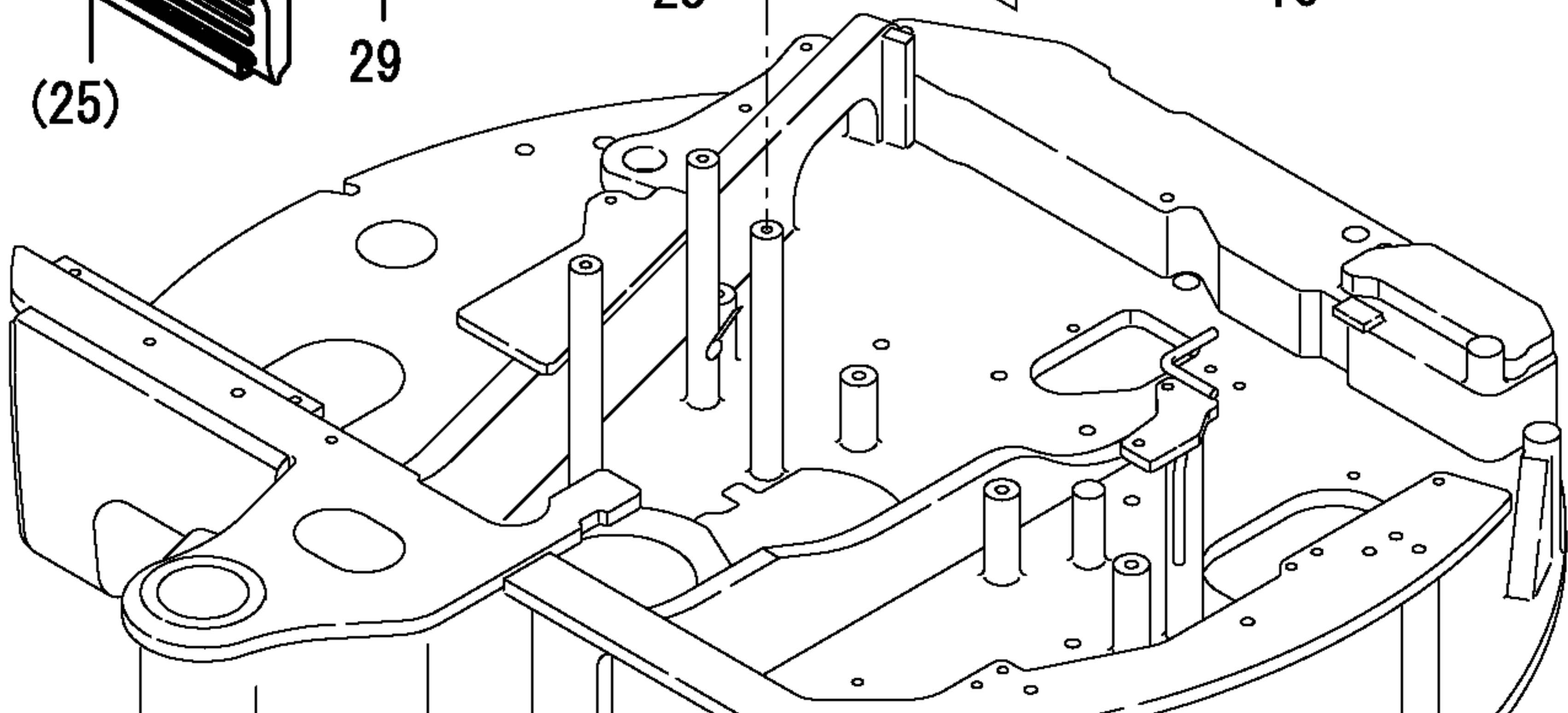
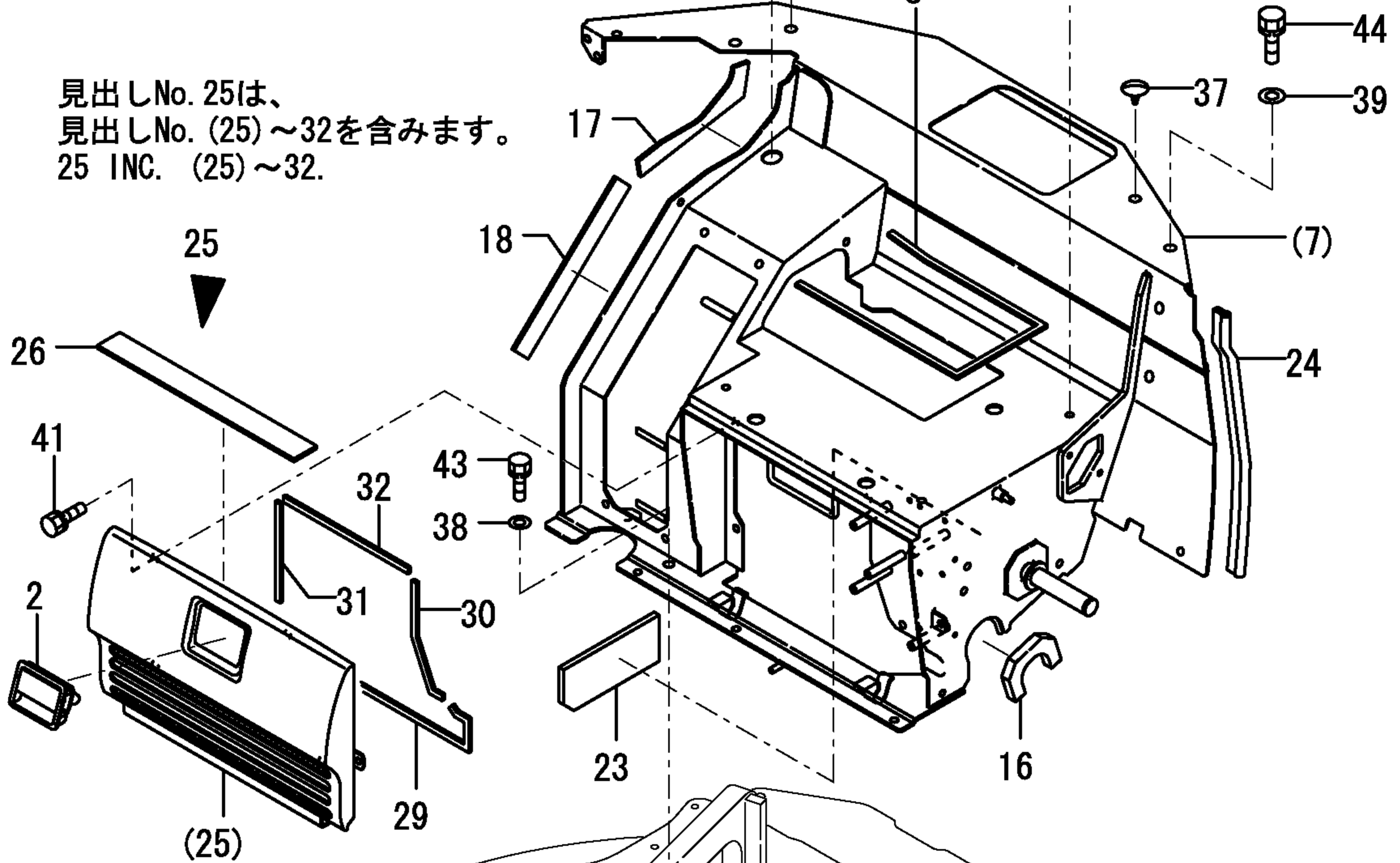
1,1,,172455-64200,, "SEAT, OPERATOR",1,,,,,,,,,,,,,
2,1,,172187-61421,, "HANDLE, LOCK",1,,,,,,,,,,,,,
3,1,,172458-64120,, "PLATE,SEAT (GRAY:73)",1,,,,,,,,,,,,,
3-1,1,,172458-64121,, "PLATE,SEAT (GRAY:73)",1,,,,,N,,72458307,M/#20501,,,,,,,,,
3-2,1,,172457-64120,, "PLATE,SEAT (GRAY:73)",1,,,,,N,,72457029,M/#20636,,,,,,,,,
3-3,1,,172457-64121,, "PLATE,SEAT (GRAY:73)",1,,,,,N,,72457037,M/#20852,,,,,,,,,
7,1,,772457-64210,, "MOUNT (GRAY:73)",1,,,,,,,,,,,,,
7-1,1,,772457-64211,, "MOUNT,SEAT (GRAY:73)",1,,,,,N,,72457037,M/#20852,,,,,,,,,
8,2,,172458-64140,, "SEAL 560",2,,,,,Z,,72457037,M/#20852,,,,,,,,,
16,2,,172458-64660,, "SEAL 95",1,,,,,,,,,,,,,
17,2,,172458-64680,, "SEAL A,SEAT MOUNT",1,,,,,Z,,72457037,M/#20852,,,,,,,,,
18,2,,172458-64690,, "SEAL B,SEAT MOUNT",1,,,,,Z,,72457037,M/#20852,,,,,,,,,
23,2,,172458-64750,, "SEAL,SEAL MOUNT E",1,,,,,,,,,,,,,
24,2,,172164-65730,, "RUBBER,SEAL D",1,,,,,,,,,,,,,
25,1,,172458-64440,, "GRILLE (GRAY:73)",1,,,,,,,,,,,,,
25-1,1,,172458-64441,, "GRILLE
(GRAY:73)",1,,,,,N,,72457037,M/#20857,,,,,,,,,
26,2,,172458-64050,, "RUBBER",1,,,,,,,,,,,,,
29,2,,172458-64080,, "SEAL 642",1,,,,,Z,,72457037,M/#20852,,,,,,,,,
30,2,,172458-64090,, "SEAL 185",1,,,,,Z,,72457037,M/#20852,,,,,,,,,
31,2,,172458-64100,, "SEAL 170",1,,,,,Z,,72457037,M/#20852,,,,,,,,,
32,2,,172458-64110,, "SEAL 250",1,,,,,Z,,72457037,M/#20852,,,,,,,,,
34,1,,172458-67810,, "SEAT,A",1,,,,,W,,72458346,M/#20624,,,,,,,,,
35,1,,172458-67820,, "SEAT,B",1,,,,,W,,72458346,M/#20624,,,,,,,,,
36,1,,172458-64590,, "PLUG 28X3.2",1,,,,,,,,,,,,,
37,1,,172458-64600,, "CLIP 11",1,,,,,,,,,,,,,
38,1,,22137-100000,, "WASHER 10,POLISHED",3,,,,,,,,,,,,,
39,1,,22137-120000,, "WASHER 12,POLISHED",2,,,,,Z,,XXX,M/#20501,,,,,,,,,
40,1,,22217-080000,, "SPRING WASHER 8",4,,,,,,,,,,,,,
41,1,,26013-100202,, "BOLT W/WASHER M10X20",4,,,,,,,,,,,,,
42,1,,26013-100202,, "BOLT W/WASHER M10X20",5,,,,,,,,,,,,,
43,1,,26013-100252,, "BOLT W/WASHER M10X25",3,,,,,,,,,,,,,
44,1,,26013-120252,, "BOLT M12X 25",2,,,,,Z,,XXX,M/#20501,,,,,,,,,
45,1,,26716-080002,, "NUT M 8",4,,,,,,,,,,,,,
46,1,,22137-100000,, "WASHER 10,POLISHED",1,,,,,W,,72456178,M/#20792,,,,,,,,,



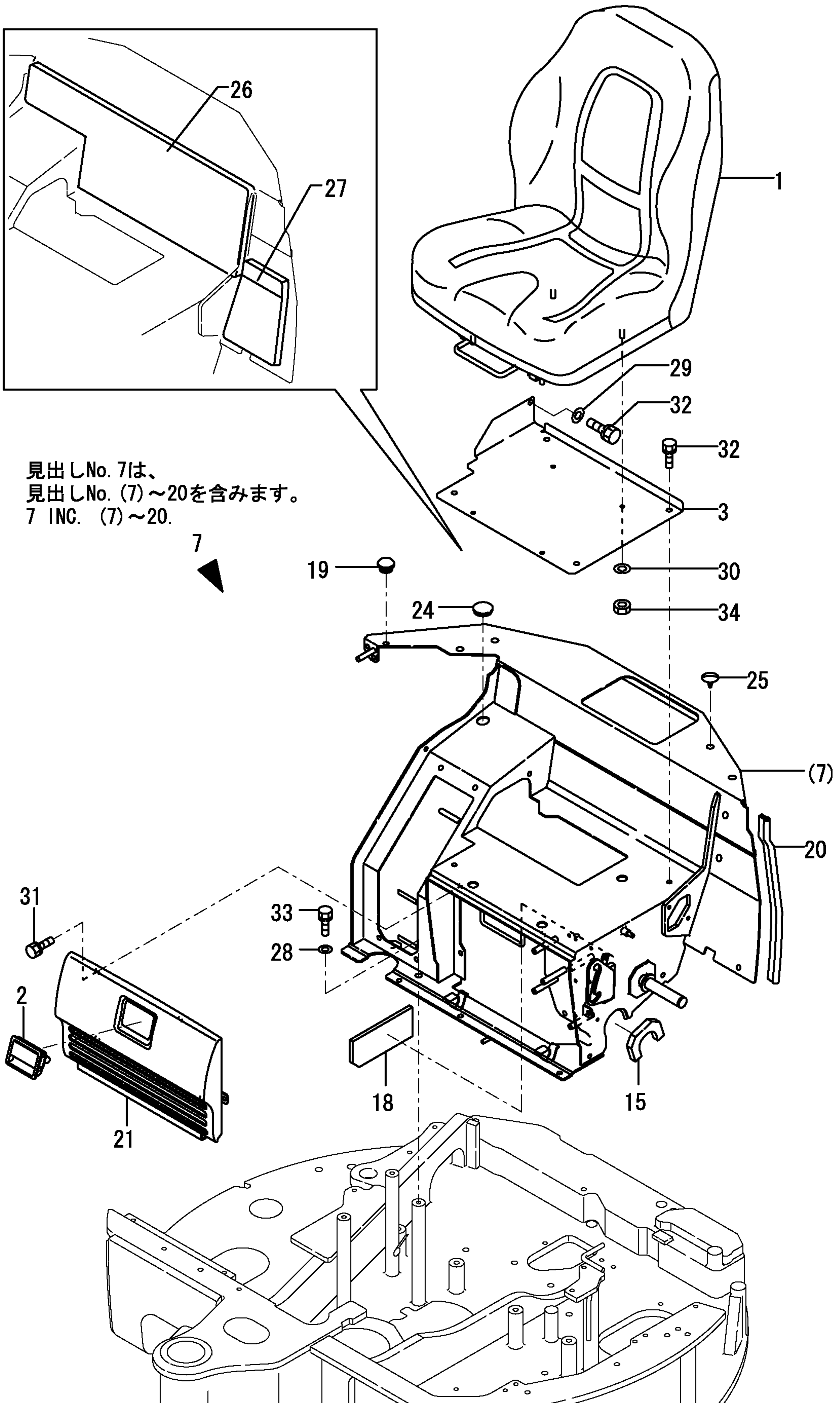
見出しNo. 7は、
見出しNo. (7)~24を含みます。
7 INC. (7)~24.



見出しNo. 25は、
見出しNo. (25)~32を含みます。
25 INC. (25)~32.

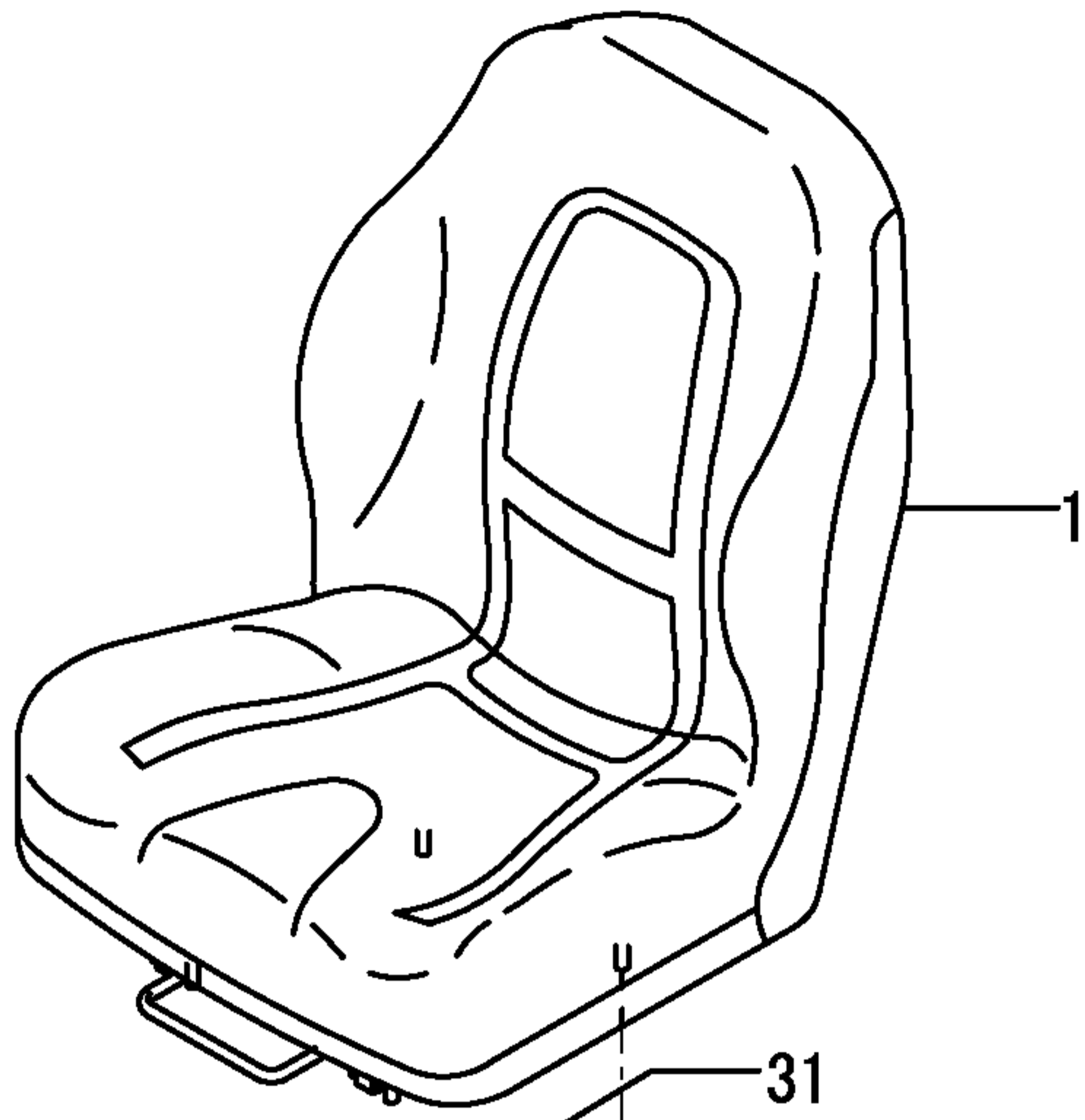


1,1,,172455-64200,, "SEAT, OPERATOR",1,,,,,,,,,,,,,I
2,1,,172187-61421,, "HANDLE, LOCK",1,,,,,,,,,,,,,I
3,1,,172457-64121,, "PLATE,SEAT (GRAY:73)",1,,,,,,,,,,,,,I
7,1,,772457-64212,, "MOUNT, SEAT(GRAY:73)",1,,,,,,,,,,,,,I
15,2,,172458-64660,, "SEAL 95",1,,,,,,,,,,,,,I
18,2,,172458-64750,, "SEAL,SEAL MOUNT E",1,,,,,,,,,,,,,I
19,2,,172187-64900,, "PLUG",1,,,,,,,,,,,,,I
20,2,,172164-65730,, "RUBBER,SEAL D",1,,,,,,,,,,,,,I
21,1,,172458-64441,, "GRILLE (GRAY:73)",1,,,,,,,,,,,,,I
24,1,,172458-64590,, "PLUG 28X3.2",1,,,,,,,,,,,,,I
25,1,,172458-64600,, "CLIP 11",3,,,,,,,,,,,,,I
26,1,,172458-67810,, "SEAT,A",1,,,,,,,,,,,,,I
27,1,,172458-67820,, "SEAT,B",1,,,,,,,,,,,,,I
28,1,,22137-100000,, "WASHER 10,POLISHED",3,,,,,,,,,,,,,I
29,1,,22137-100000,, "WASHER 10,POLISHED",1,,,,,,,,,,,,,I
30,1,,22217-080000,, "SPRING WASHER 8",4,,,,,,,,,,,,,I
31,1,,26013-100202,, "BOLT W/WASHER M10X20",4,,,,,,,,,,,,,I
32,1,,26013-100202,, "BOLT W/WASHER M10X20",5,,,,,,,,,,,,,I
33,1,,26013-100252,, "BOLT W/WASHER M10X25",3,,,,,,,,,,,,,I
34,1,,26716-080002,, "NUT M 8",4,,,,,,,,,,,,,I

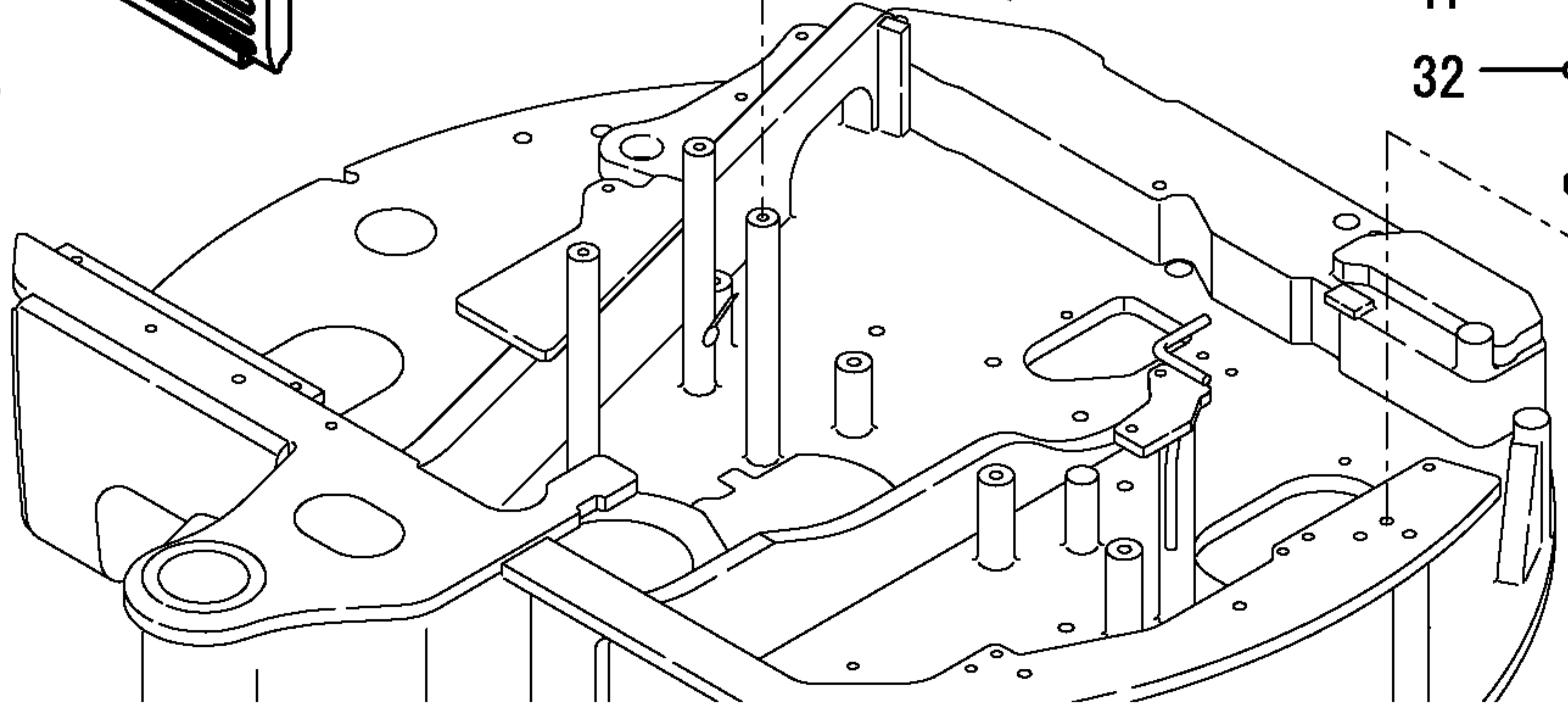
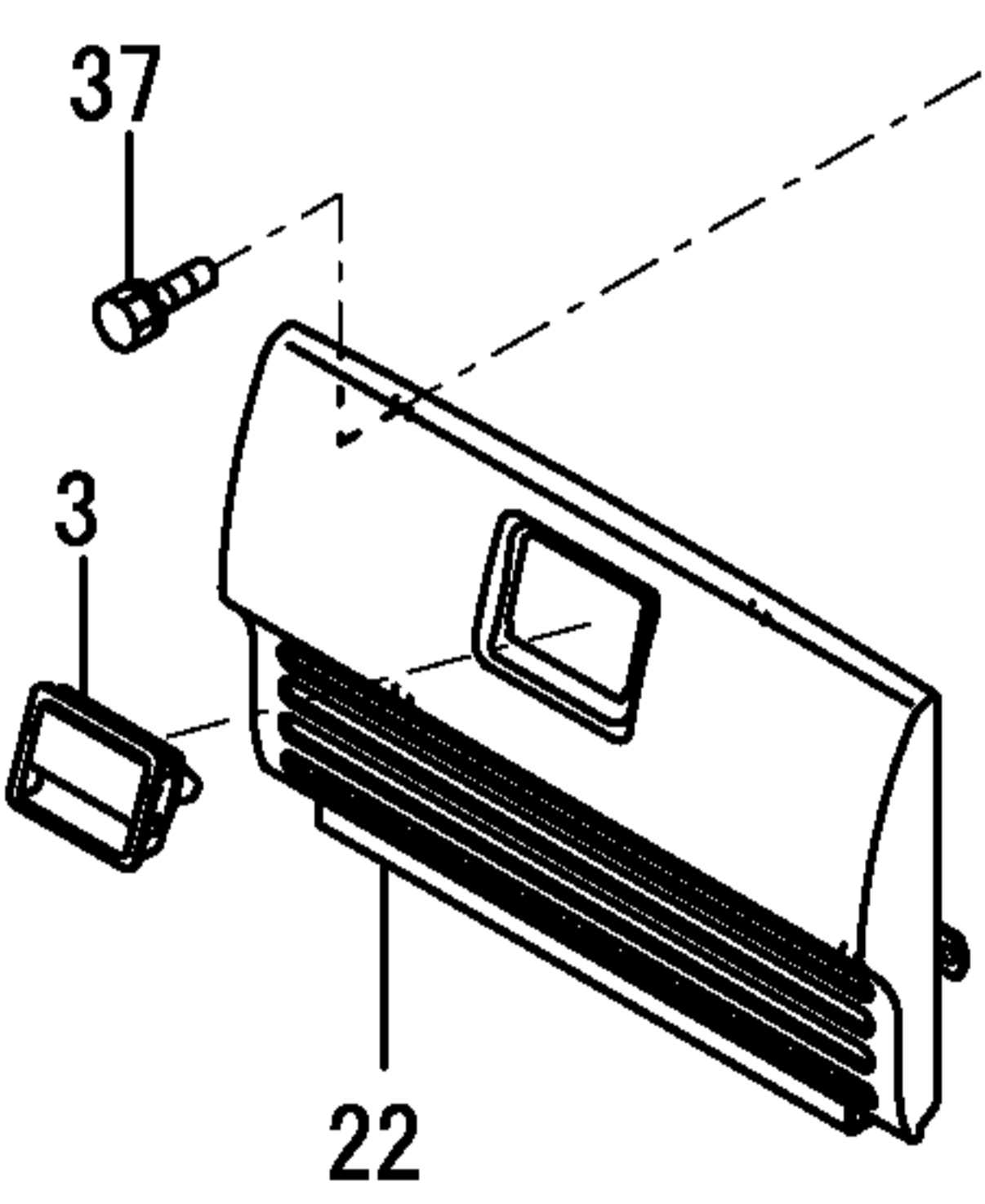
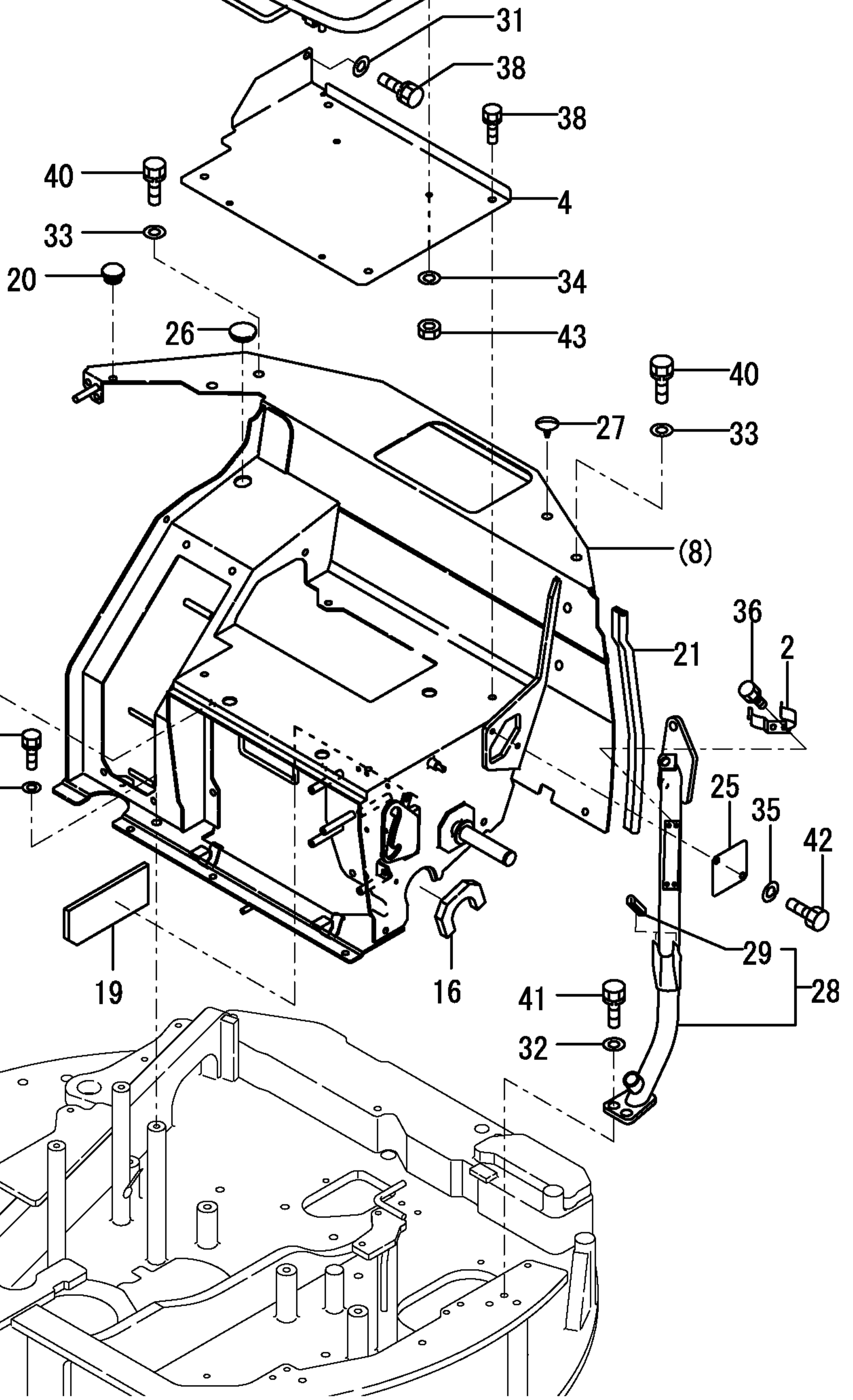


1,1,,172455-64200,, "SEAT, OPERATOR",,1,,,,,,,,,,,,,,,,,,,,,
2,1,,172187-61421,, "HANDLE, LOCK",,1,,,,,,,,,,,,,,,,,,,,,
3,1,,172458-64120,, "PLATE,SEAT (GRAY:73)",,1,,,,,,,,,,,,,,,,,,,,,
3-1,1,,172458-64121,, "PLATE,SEAT (GRAY:73)",,1,,,,,N,,,,,72458307,M/#20501,,,,,,
3-2,1,,172457-64120,, "PLATE,SEAT (GRAY:73)",,1,,,,,N,,,,,72457029,M/#20636,,,,,,
3-3,1,,172457-64121,, "PLATE,SEAT (GRAY:73)",,1,,,,,N,,,,,72457037,M/#20852,,,,,,
7,1,,772457-64210,, "MOUNT (GRAY:73)",,1,,,,,,,,,,,,,,,,,,,,,
7-1,1,,772457-64211,, "MOUNT,SEAT (GRAY:73)",,1,,,,,N,,,,,72457037,M/#20852,,,,,,
8,2,,172458-64140,, "SEAL 560",,2,,,,,Z,,,,,72457037,M/#20852,,,,,,
16,2,,172458-64660,, "SEAL 95",,1,,,,,,,,,,,,,,,,,,,,,
17,2,,172458-64680,, "SEAL A,SEAT MOUNT",,1,,,,,Z,,,,,72457037,M/#20852,,,,,,
18,2,,172458-64690,, "SEAL B,SEAT MOUNT",,1,,,,,Z,,,,,72457037,M/#20852,,,,,,
23,2,,172458-64750,, "SEAL,SEAL MOUNT E",,1,,,,,,,,,,,,,,,,,,,,,
24,2,,172164-65730,, "RUBBER,SEAL D",,1,,,,,,,,,,,,,,,,,,,,,
25,1,,172458-64440,, "GRILLE (GRAY:73)",,1,,,,,,,,,,,,,,,,,,,,,
25-1,1,,172458-64441,, "GRILLE
(GRAY:73)",,1,,,,,N,,,,,72457037,M/#20852,,,,,,
26,2,,172458-64050,, "RUBBER",,1,,,,,,,,,,,,,,,,,,,,,
29,2,,172458-64080,, "SEAL 642",,1,,,,,Z,,,,,72457037,M/#20852,,,,,,
30,2,,172458-64090,, "SEAL 185",,1,,,,,Z,,,,,72457037,M/#20852,,,,,,
31,2,,172458-64100,, "SEAL 170",,1,,,,,Z,,,,,72457037,M/#20850,,,,,,
32,2,,172458-64110,, "SEAL 250",,1,,,,,Z,,,,,72457037,M/#20852,,,,,,
34,1,,172458-64510,, "COVER,SEAT MOUNT(73)",,1,,,,,,,,,,,,,,,,,,,,,
35,1,,172458-64590,, "PLUG 28X3.2",,1,,,,,,,,,,,,,,,,,,,,,
36,1,,172458-64600,, "CLIP 11",,1,,,,,,,,,,,,,,,,,,,,,
37,1,,172458-64700,, "PIPE (GRAY:73)",,1,,,,,,,,,,,,,,,,,,,,,
38,2,,172445-62010,, "RUBBER 45, EDGE",,1,,,,,,,,,,,,,,,,,,,,,
40,1,,22137-100000,, "WASHER 10,POLISHED",,3,,,,,,,,,,,,,,,,,,,,,
41,1,,22137-120000,, "WASHER 12,POLISHED",,4,,,,,,,,,,,,,,,,,,,,,
42,1,,22137-120000,, "WASHER 12,POLISHED",,2,,,,,,,,,,,,,,,,,,,,,
43,1,,22217-080000,, "SPRING WASHER 8",,4,,,,,,,,,,,,,,,,,,,,,
44,1,,22217-080000,, "SPRING WASHER 8",,2,,,,,,,,,,,,,,,,,,,,,
45,1,,26013-100202,, "BOLT W/WASHER M10X20",,4,,,,,,,,,,,,,,,,,,,,,
46,1,,26013-100202,, "BOLT W/WASHER M10X20",,5,,,,,,,,,,,,,,,,,,,,,
47,1,,26013-100252,, "BOLT W/WASHER M10X25",,3,,,,,,,,,,,,,,,,,,,,,
48,1,,26013-120302,, "BOLT W/WASHER M12X30",,4,,,,,,,,,,,,,,,,,,,,,
49,1,,26013-120252,, "BOLT M12X 25",,2,,,,,,,,,,,,,,,,,,,,,
50,1,,26116-080162,, "BOLT 8X16",,2,,,,,,,,,,,,,,,,,,,,,
51,1,,26716-080002,, "NUT M 8",,4,,,,,,,,,,,,,,,,,,,,,
52,1,,172122-55061,, "BRACKET, GREASE PUMP",,2,,,,,W,,,,,72457029,M/#20636,,,,,,
53,1,,22137-100000,, "WASHER 10,POLISHED",,1,,,,,W,,,,,72457029,M/#20636,,,,,,
54,1,,26013-060102,, "BOLT M 6X 10",,4,,,,,W,,,,,72457029,M/#20636,,,,,,

1,1,,172455-64200,, "SEAT, OPERATOR",,1,1,,,,,,,,,,,,,,,,,,,,,I
2,1,,172122-55061,, "BRACKET, GREASE PUMP",,2,2,,,,,,,,,,,,,,,,,,,,,I
3,1,,172187-61421,, "HANDLE, LOCK",,1,1,,,,,,,,,,,,,,,,,,,,,I
4,1,,172457-64121,, "PLATE, SEAT (GRAY:73)",,1,1,,,,,,,,,,,,,,,,,,,,,I
8,1,,772457-64212,, "MOUNT, SEAT(GRAY:73)",,1,1,,,,,,,,,,,,,,,,,,,,,I
16,2,,172458-64660,, "SEAL 95",,1,1,,,,,,,,,,,,,,,,,,,,,I
19,2,,172458-64750,, "SEAL, SEAL MOUNT E",,1,1,,,,,,,,,,,,,,,,,,,,,I
20,2,,172187-64900,, "PLUG",,1,1,,,,,,,,,,,,,,,,,,,,,I
21,2,,172164-65730,, "RUBBER, SEAL D",,1,1,,,,,,,,,,,,,,,,,,,,,I
22,1,,172458-64441,, "GRILLE (GRAY:73)",,1,1,,,,,,,,,,,,,,,,,,,,,I
25,1,,172458-64510,, "COVER, SEAT MOUNT(73)",,1,1,,,,,,,,,,,,,,,,,,,,,I
26,1,,172458-64590,, "PLUG 28X3.2",,1,1,,,,,,,,,,,,,,,,,,,,,I
27,1,,172458-64600,, "CLIP 11",,1,1,,,,,,,,,,,,,,,,,,,,,I
28,1,,172458-64700,, "PIPE (GRAY:73)",,1,1,,,,,,,,,,,,,,,,,,,,,I
29,2,,172445-62010,, "RUBBER 45, EDGE",,2,2,,,,,,,,,,,,,,,,,,,,,I
30,1,,22137-100000,, "WASHER 10, POLISHED",,3,3,,,,,,,,,,,,,,,,,,,,,I
31,1,,22137-100000,, "WASHER 10, POLISHED",,1,1,,,,,,,,,,,,,,,,,,,,,I
32,1,,22137-120000,, "WASHER 12, POLISHED",,4,4,,,,,,,,,,,,,,,,,,,,,I
33,1,,22137-120000,, "WASHER 12, POLISHED",,2,2,,,,,,,,,,,,,,,,,,,,,I
34,1,,22217-080000,, "SPRING WASHER 8",,4,4,,,,,,,,,,,,,,,,,,,,,I
35,1,,22217-080000,, "SPRING WASHER 8",,2,2,,,,,,,,,,,,,,,,,,,,,I
36,1,,26013-060102,, "BOLT M 6X 10",,4,4,,,,,,,,,,,,,,,,,,,,,I
37,1,,26013-100202,, "BOLT W/WASHER M10X20",,4,4,,,,,,,,,,,,,,,,,,,,,I
38,1,,26013-100202,, "BOLT W/WASHER M10X20",,5,5,,,,,,,,,,,,,,,,,,,,,I
39,1,,26013-100252,, "BOLT W/WASHER M10X25",,3,3,,,,,,,,,,,,,,,,,,,,,I
40,1,,26013-120252,, "BOLT M12X 25",,2,2,,,,,,,,,,,,,,,,,,,,,I
41,1,,26013-120302,, "BOLT W/WASHER M12X30",,4,4,,,,,,,,,,,,,,,,,,,,,I
42,1,,26116-080162,, "BOLT 8X16",,2,2,,,,,,,,,,,,,,,,,,,,,I
43,1,,26716-080002,, "NUT M 8",,4,4,,,,,,,,,,,,,,,,,,,,,I

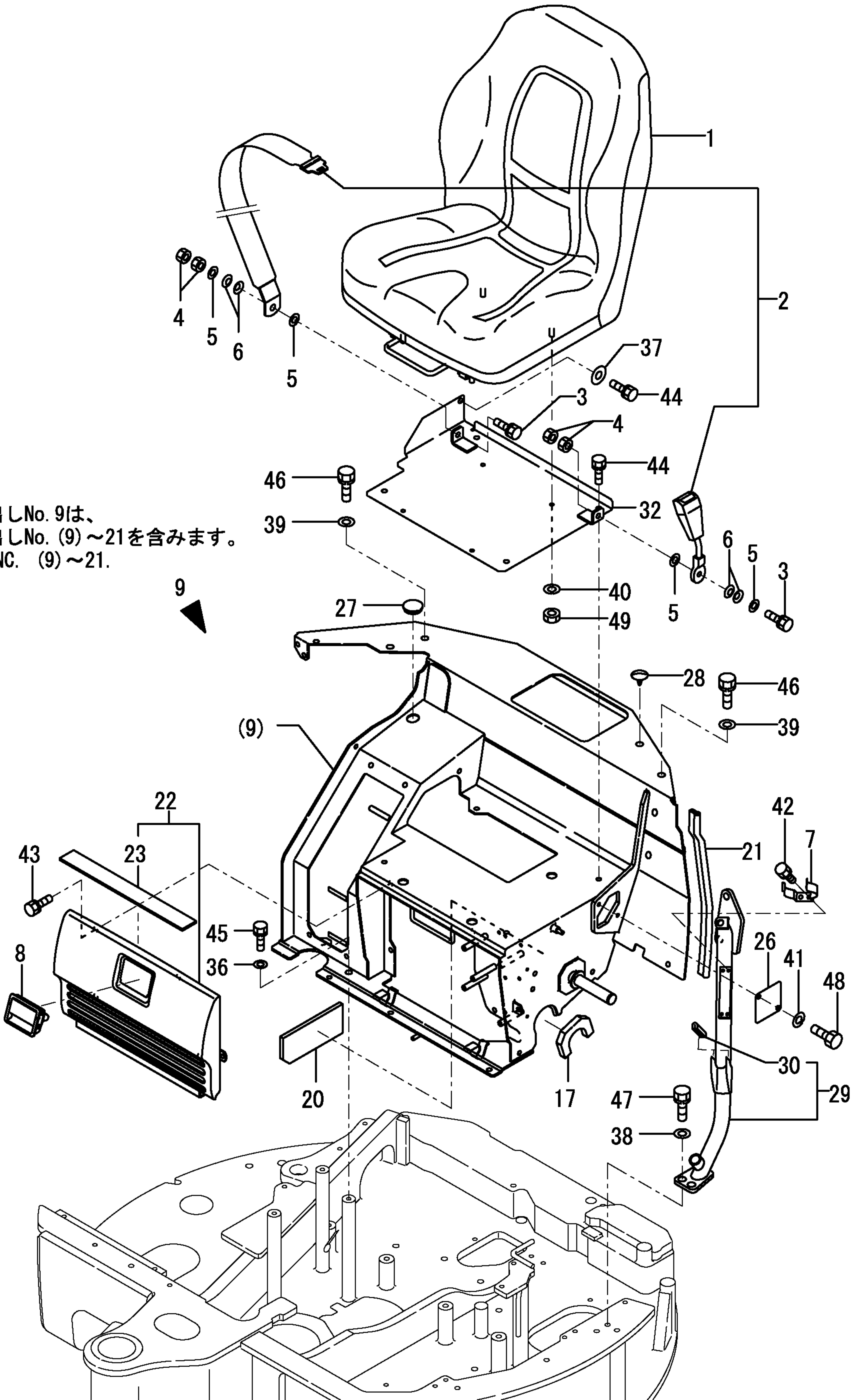


見出しNo. 8は、
見出しNo. (8)~21を含みます。
8 INC. (8)~21.



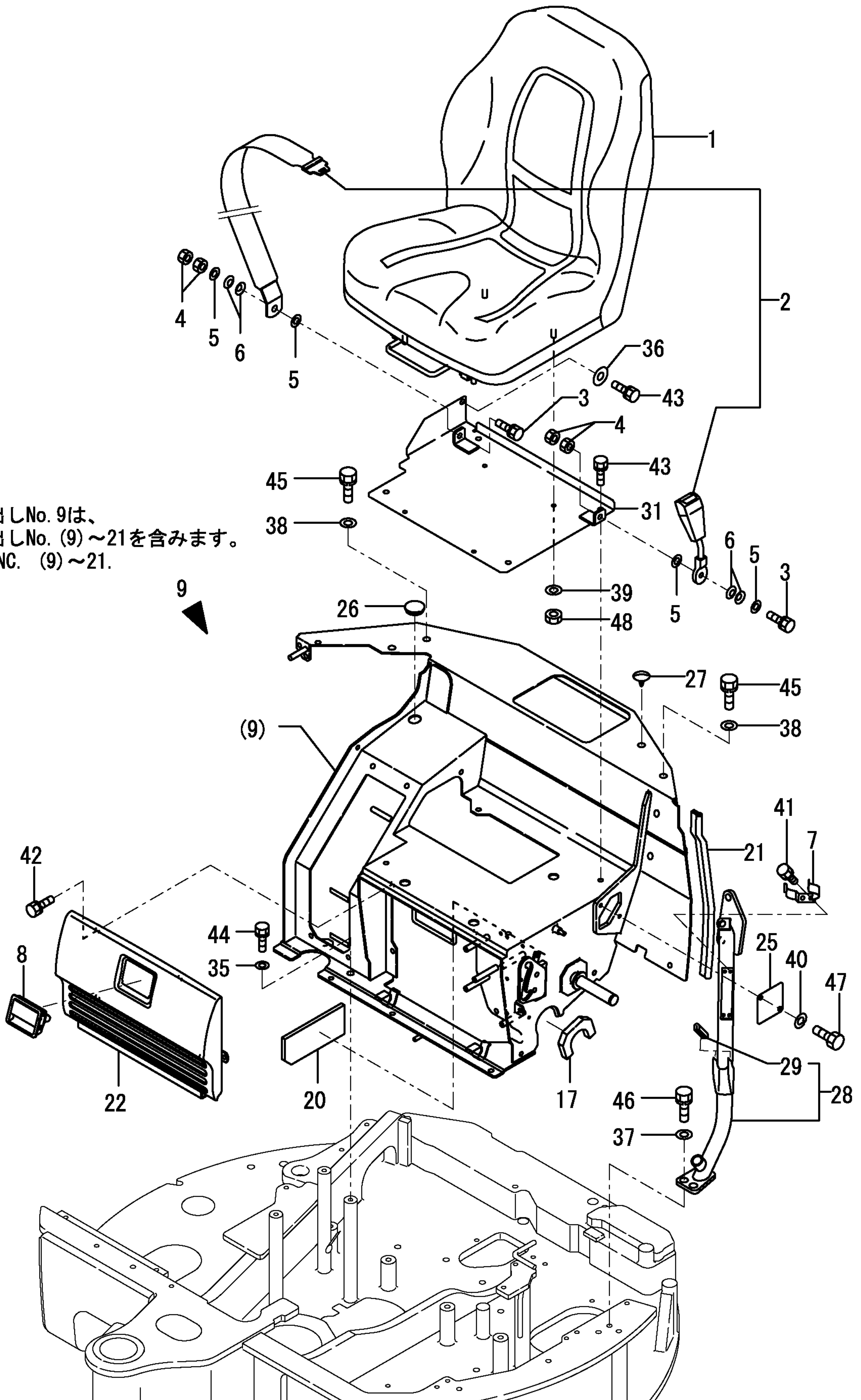
1,1,,172455-64200,, "SEAT, OPERATOR",,1,,,,,,,,,,,,,,,,,,,,,
2,1,,172989-64450,, "SEAT BELT",,1,,,,,,,,,,,,,,,,,,,,,
2-1,1,,172989-64451,, "BELT, SEAT",,1,,,,,R,,,,,72469017,M/#21014,,,,,,I
3,1,,172433-64510,, "BOLT 7/16-20-UNF",,2,,,,,,,,,,,,,,,,,,,,,
4,1,,172187-64830,, "NUT 7/16-20UNF",,4,,,,,,,,,,,,,,,,,,,,,
5,1,,22137-120000,, "WASHER 12,POLISHED",,4,,,,,,,,,,,,,,,,,,,,,
6,1,,933170-01490,, "SPRING 12",,4,,,,,,,,,,,,,,,,,,,,,
7,1,,172122-55061,, "BRACKET, GREASE PUMP",,2,,,,,,,,,,,,,,,,,,,,,
8,1,,172187-61421,, "HANDLE, LOCK",,1,,,,,,,,,,,,,,,,,,,,,
9,1,,772457-64211,, "MOUNT,SEAT (GRAY:73)",,1,,,,,,,,,,,,,,,,,,,,,
17,2,,172458-64660,, "SEAL 95",,1,,,,,,,,,,,,,,,,,,,,,
20,2,,172458-64750,, "SEAL,SEAL MOUNT E",,1,,,,,,,,,,,,,,,,,,,,,
21,2,,172164-65730,, "RUBBER,SEAL D",,1,,,,,,,,,,,,,,,,,,,,,
22,1,,172458-64441,, "GRILLE (GRAY:73)",,1,,,,,,,,,,,,,,,,,,,,,
23,2,,172458-64050,, "RUBBER",,1,,,,,,,,,,,,,,,,,,,,,
26,1,,172458-64510,, "COVER,SEAT MOUNT(73)",,1,,,,,,,,,,,,,,,,,,,,,
27,1,,172458-64590,, "PLUG 28X3.2",,1,,,,,,,,,,,,,,,,,,,,,
28,1,,172458-64600,, "CLIP 11",,1,,,,,,,,,,,,,,,,,,,,,
29,1,,172458-64700,, "PIPE (GRAY:73)",,1,,,,,,,,,,,,,,,,,,,,,
30,2,,172445-62010,, "RUBBER 45, EDGE",,2,,,,,,,,,,,,,,,,,,,,,
32,1,,172458-64960,, "PLATE,SEAT ROPS (73)",,1,,,,,,,,,,,,,,,,,,,,,
36,1,,22137-100000,, "WASHER 10,POLISHED",,3,,,,,,,,,,,,,,,,,,,,,
37,1,,22137-100000,, "WASHER 10,POLISHED",,1,,,,,,,,,,,,,,,,,,,,,
38,1,,22137-120000,, "WASHER 12,POLISHED",,4,,,,,,,,,,,,,,,,,,,,,
39,1,,22137-120000,, "WASHER 12,POLISHED",,2,,,,,,,,,,,,,,,,,,,,,
40,1,,22217-080000,, "SPRING WASHER 8",,4,,,,,,,,,,,,,,,,,,,,,
41,1,,22217-080000,, "SPRING WASHER 8",,2,,,,,,,,,,,,,,,,,,,,,
42,1,,26013-060102,, "BOLT M 6X 10",,4,,,,,,,,,,,,,,,,,,,,,
43,1,,26013-100202,, "BOLT W/WASHER M10X20",,4,,,,,,,,,,,,,,,,,,,,,
44,1,,26013-100202,, "BOLT W/WASHER M10X20",,5,,,,,,,,,,,,,,,,,,,,,
45,1,,26013-100252,, "BOLT W/WASHER M10X25",,3,,,,,,,,,,,,,,,,,,,,,
46,1,,26013-120252,, "BOLT M12X 25",,2,,,,,,,,,,,,,,,,,,,,,
47,1,,26013-120302,, "BOLT W/WASHER M12X30",,4,,,,,,,,,,,,,,,,,,,,,
48,1,,26116-080162,, "BOLT 8X16",,2,,,,,,,,,,,,,,,,,,,,,
49,1,,26716-080002,, "NUT M 8",,4,,,,,,,,,,,,,,,,,,,,,

見出しNo. 9は、
見出しNo. (9)~21を含みます。
9 INC. (9)~21.

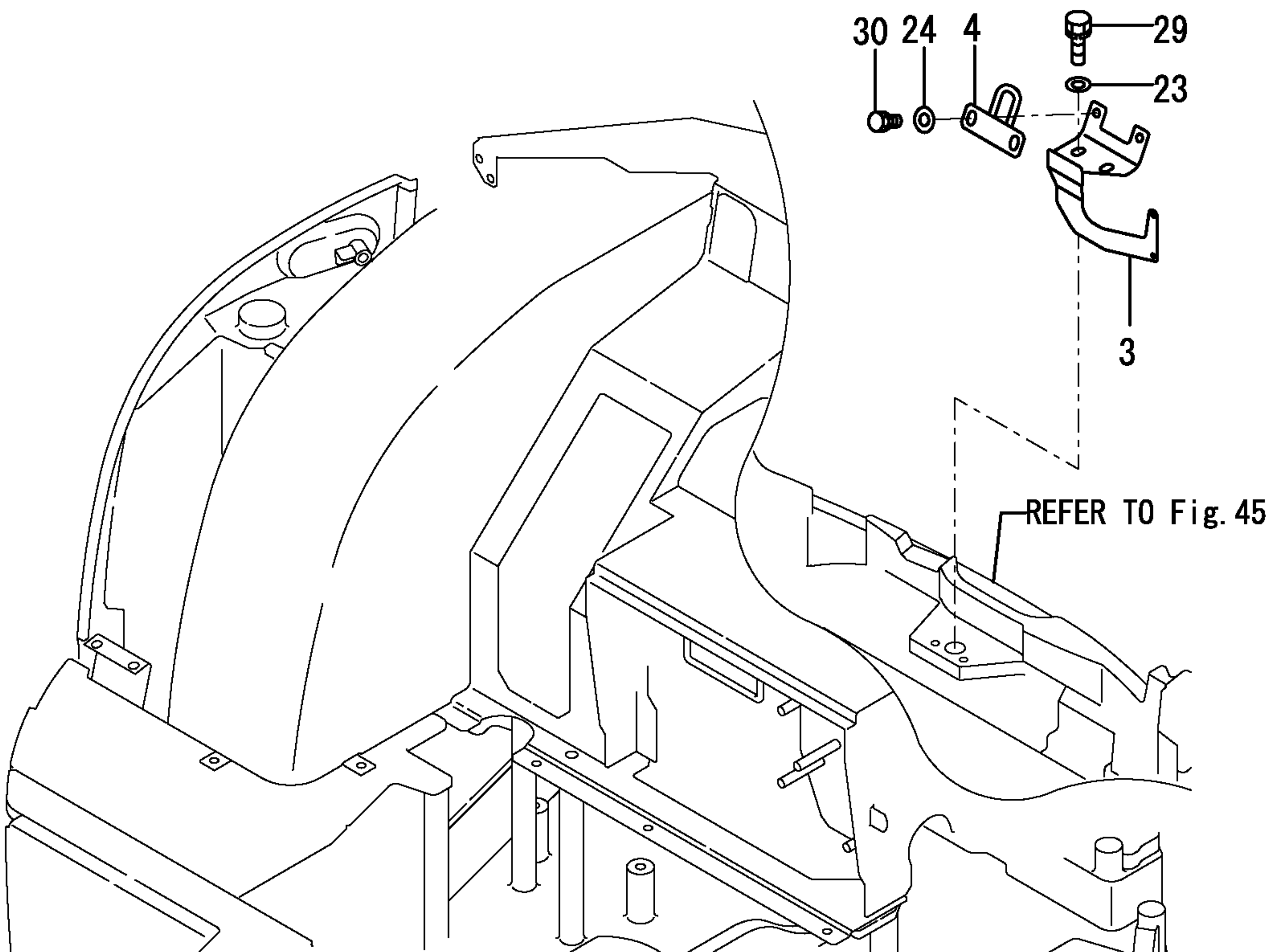
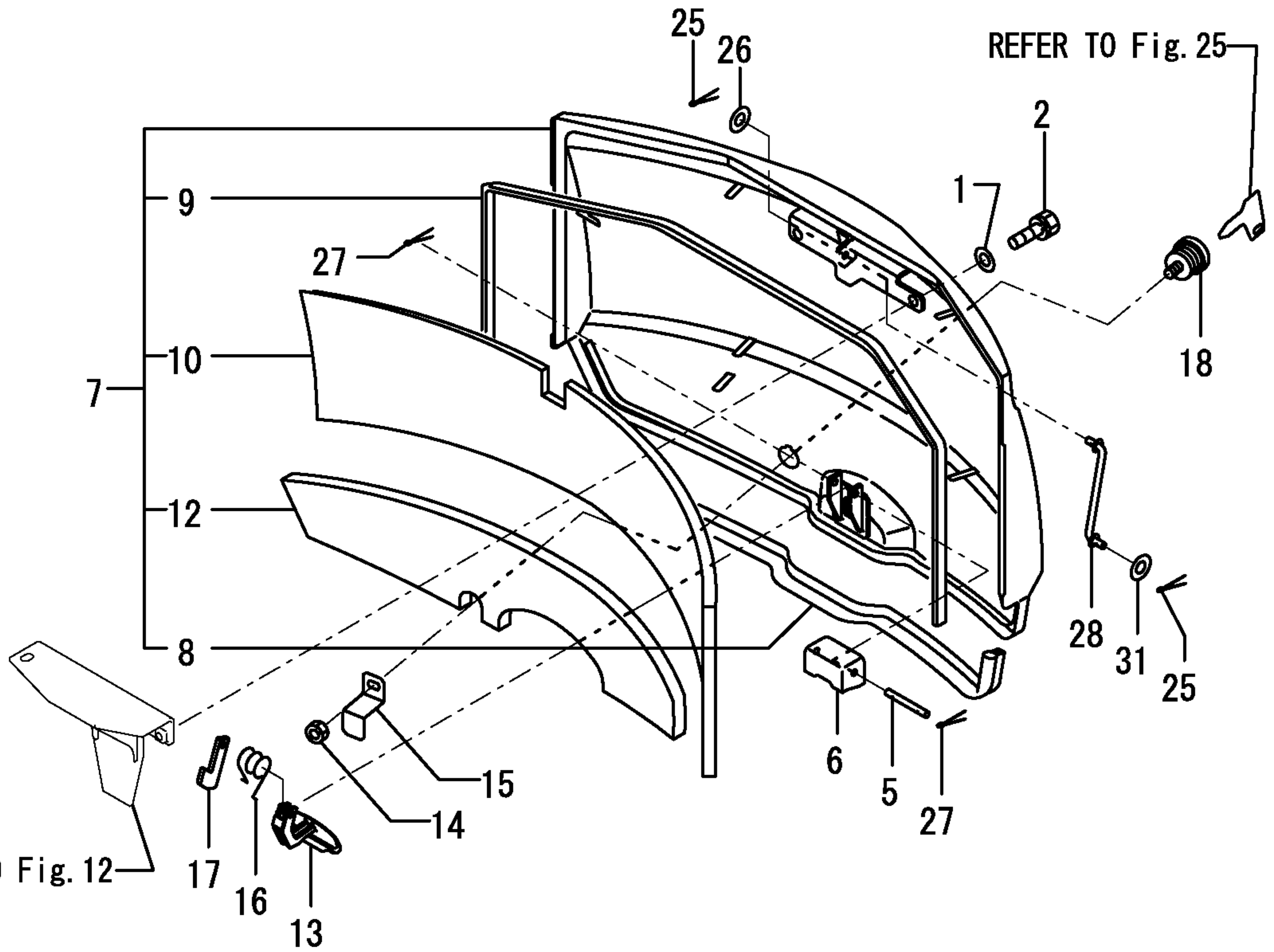


1,1,,172455-64200,, "SEAT, OPERATOR",,1,,,,,,,,,,,,,,,,,,,,,
2,1,,172989-64451,, "BELT, SEAT",,1,,,,,,,,,,,,,,,,,,,,,
3,1,,172433-64510,, "BOLT 7/16-20-UNF",,2,,,,,,,,,,,,,,,,,,,,,
4,1,,172187-64830,, "NUT 7/16-20UNF",,4,,,,,,,,,,,,,,,,,,,,,
5,1,,22137-120000,, "WASHER 12,POLISHED",,4,,,,,,,,,,,,,,,,,,,,,
6,1,,933170-01490,, "SPRING 12",,4,,,,,,,,,,,,,,,,,,,,,
7,1,,172122-55061,, "BRACKET, GREASE PUMP",,2,,,,,,,,,,,,,,,,,,,,,
8,1,,172187-61421,, "HANDLE, LOCK",,1,,,,,,,,,,,,,,,,,,,,,
9,1,,772457-64212,, "MOUNT, SEAT(GRAY:73)",,1,,,,,,,,,,,,,,,,,,,,,
17,2,,172458-64660,, "SEAL 95",,1,,,,,,,,,,,,,,,,,,,,,
20,2,,172458-64750,, "SEAL,SEAL MOUNT E",,1,,,,,,,,,,,,,,,,,,,,,
21,2,,172164-65730,, "RUBBER,SEAL D",,1,,,,,,,,,,,,,,,,,,,,,
22,1,,172458-64441,, "GRILLE (GRAY:73)",,1,,,,,,,,,,,,,,,,,,,,,
25,1,,172458-64510,, "COVER,SEAT MOUNT(73)",,1,,,,,,,,,,,,,,,,,,,,,
26,1,,172458-64590,, "PLUG 28X3.2",,1,,,,,,,,,,,,,,,,,,,,,
27,1,,172458-64600,, "CLIP 11",,1,,,,,,,,,,,,,,,,,,,,,
28,1,,172458-64700,, "PIPE (GRAY:73)",,1,,,,,,,,,,,,,,,,,,,,,
29,2,,172445-62010,, "RUBBER 45, EDGE",,2,,,,,,,,,,,,,,,,,,,,,
31,1,,172458-64960,, "PLATE,SEAT ROPS (73)",,1,,,,,,,,,,,,,,,,,,,,,
35,1,,22137-100000,, "WASHER 10,POLISHED",,3,,,,,,,,,,,,,,,,,,,,,
36,1,,22137-100000,, "WASHER 10,POLISHED",,1,,,,,,,,,,,,,,,,,,,,,
37,1,,22137-120000,, "WASHER 12,POLISHED",,4,,,,,,,,,,,,,,,,,,,,,
38,1,,22137-120000,, "WASHER 12,POLISHED",,2,,,,,,,,,,,,,,,,,,,,,
39,1,,22217-080000,, "SPRING WASHER 8",,4,,,,,,,,,,,,,,,,,,,,,
40,1,,22217-080000,, "SPRING WASHER 8",,2,,,,,,,,,,,,,,,,,,,,,
41,1,,26013-060102,, "BOLT M 6X 10",,4,,,,,,,,,,,,,,,,,,,,,
42,1,,26013-100202,, "BOLT W/WASHER M10X20",,4,,,,,,,,,,,,,,,,,,,,,
43,1,,26013-100202,, "BOLT W/WASHER M10X20",,5,,,,,,,,,,,,,,,,,,,,,
44,1,,26013-100252,, "BOLT W/WASHER M10X25",,3,,,,,,,,,,,,,,,,,,,,,
45,1,,26013-120252,, "BOLT M12X 25",,2,,,,,,,,,,,,,,,,,,,,,
46,1,,26013-120302,, "BOLT W/WASHER M12X30",,4,,,,,,,,,,,,,,,,,,,,,
47,1,,26116-080162,, "BOLT 8X16",,2,,,,,,,,,,,,,,,,,,,,,
48,1,,26716-080002,, "NUT M 8",,4,,,,,,,,,,,,,,,,,,,,,

見出しNo. 9は、
見出しNo. (9)~21を含みます。
9 INC. (9)~21.



1,1,,194145-04810,, "WASHER 10",2,2,2,,,,,,,,,,,,,,,,,,,,,
2,1,,26013-100252,, "BOLT W/WASHER M10X25",2,2,2,,,,,,,,,,,,,,,,,,,,,
3,1,,172458-65000,, "BRACKET A ASSY,LOCK",1,1,1,,,,,,,,,,,,,,,,,,,,,
4,1,,172458-65020,, "BRACKET B ASSY,LOCK",1,1,,,,,,,,,,,,,,,,,,,,,
4-1,1,,172458-65021,, "BRACKET B,
LOCK",1,1,1,,,,,N,,72458442,M/#20912,72458442,M/#20912,,,,,,,,,,,,,I
5,1,,172458-65050,,SHAFT,1,1,1,,,,,,,,,,,,,,,,,,,,,
6,1,,172458-65060,, "COVER,BONNET LOCK",1,1,1,,,,,,,,,,,,,,,,,,,,,
7,1,,172457-65100,, "BONNET A (GREEN:96)",1,1,1,,,,,,,,,,,,,,,,,,,,,
8,2,,172458-65070,, "SEAL 945",1,1,1,,,,,,,,,,,,,,,,,,,,,
9,2,,172458-65080,, "RUBBER,SEAL 1450",1,1,1,,,,,,,,,,,,,,,,,,,,,
10,2,,172457-65110,, "SEAL A",1,1,1,,,,,,,,,,,,,,,,,,,,,
12,2,,172457-65120,, "SEAL B",1,1,1,,,,,,,,,,,,,,,,,,,,,
13,1,,172187-65210,, "LEVER ASSY, LOCK",1,1,1,,,,,,,,,,,,,,,,,,,,,
14,1,,26347-100002,, "U-NUT 10",1,1,1,,,,,,,,,,,,,,,,,,,,,
15,1,,172458-65270,, "PLATE,LOCK",1,1,,,,,,,,,,,,,,,,,,,,,
15-1,1,,172458-
65271,, "PLATE,ROCK",1,1,1,,,,,R,,72460107,M/#20745,72460107,M/#20745,,,,,,,,,,,,,
16,1,,172734-65270,, "SPRING, CATCH",1,1,1,,,,,,,,,,,,,,,,,,,,,
17,1,,172124-65480,,CATCHER,1,1,1,,,,,,,,,,,,,,,,,,,,,
18,1,,172164-66170,, "KEY ASSY, CYLINDER",1,1,1,,,,,,,,,,,,,,,,,,,,,
23,1,,22137-100000,, "WASHER 10,POLISHED",2,2,2,,,,,,,,,,,,,,,,,,,,,
24,1,,22137-100000,, "WASHER 10,POLISHED",2,2,2,,,,,,,,,,,,,,,,,,,,,
25,1,,22417-200200,, "COTTER PIN 2.0X20",2,2,2,,,,,,,,,,,,,,,,,,,,,
26,1,,22137-080000,, "WASHER 8, POLISHED",1,1,1,,,,,,,,,,,,,,,,,,,,,
27,1,,22417-200200,, "COTTER PIN 2.0X20",2,2,2,,,,,,,,,,,,,,,,,,,,,
28,1,,172444-64730,, "ROD,STOPPER",1,1,1,,,,,,,,,,,,,,,,,,,,,
29,1,,26013-100202,, "BOLT W/WASHER M10X20",2,2,2,,,,,,,,,,,,,,,,,,,,,
30,1,,26013-100202,, "BOLT W/WASHER M10X20",2,2,2,,,,,,,,,,,,,,,,,,,,,
31,1,,22137-080000,, "WASHER 8, POLISHED",1,1,,,,,,,,,,,,,,,,,,,,,
31-1,1,,22157-080000,, "WASHER
8",1,1,,,,,N,,72458379,M/#20501,72458379,M/#20501,,,,,,,,,,,,,
31-2,1,,1A1380-
62160,,WASHER,1,1,1,,,,,N,,72458487,M/#21046,72458487,M/#21046,,,,,,,,,,,,,I



1,1,,172455-65230-1,, "PLATE,KEY (GREEN:96)",1,1,1,,,,,,,,,,,,,
2,1,,172457-65300,, "BONNET R (GREEN:96)",1,1,,,,,,,,,,,,,
2-1,1,,172457-65301,, "BONNET R ASSY
(96)",1,1,1,,,S,,724580542,M/#25501,724580542,M/#25501,,,,,,,,,I
3,2,,172435-61660,, "TRIM 130",1,1,,,,,,,,,724580542,,724580542,,724580542,,,,,,,,,I
3-1,2,,172444-17620,, "SEAL
125",1,1,1,,,N,,724580542,M/#25501,724580542,M/#25501,,,,,,,,,I
5,2,,172457-65330,, "SEAL,BONNET
R",1,1,,,,,,,,,724580542,,724580542,,724580542,,,,,,,,,I
5-1,2,,172444-54920,, "SEAL,WEIGHT
C",1,1,1,,,S,,724580542,M/#25501,724580542,M/#25501,,,,,,,,,I
6,2,,172458-65390,, "RUBBER,SEAL 210",1,1,1,,,,,,,,,,,,,
8,1,,172458-65400,, "HINGE,BONNET R
(96)",1,1,,,,,Z,,724580542,M/#25501,724580542,M/#25501,,,,,,,,,I
9,1,,172457-65440,, "BRACKET (GREEN:96)",1,1,1,,,,,,,,,,,,,
10,1,,172458-65500,, "BONNET B",1,1,1,,,,,,,,,,,,,
11,1,,172458-65510,, "HINGE,BONNET B (97)",1,1,1,,,,,,,,,,,,,
12,1,,172458-65530,, "PLATE,LOCK",1,1,,,,,,,,,,,,,
12-1,1,,172458-
65531,, "PLATE,LOCK",1,1,1,,,N,,72458493,M/#20852,72458493,M/#20852,,,,,,,,,I
13,1,,172458-65540,, "PLATE ASSY,STOPPER",1,1,1,,,,,,,,,,,,,
14,1,,172458-65560,, "PLATE,GUIDE",1,1,1,,,,,,,,,,,,,
15,1,,172458-65570,, "PLATE,HOOK",1,1,1,,,,,,,,,,,,,
16,1,,172458-65580,, "BRACKET
ASSY,GUIDE",1,1,,,,,Z,,724580542,M/#25501,724580542,M/#25501,,,,,,,,,I
17,1,,172458-65600,, "CABLE",1,1,1,,,,,,,,,,,,,
18,1,,172458-65610,, "HOOK ASSY",1,1,1,,,,,,,,,,,,,
19,1,,172458-65640,, "STAY ASSY,WIRE",1,1,1,,,,,,,,,,,,,
20,1,,172156-65690,, "TORSION SPRING,STOPR",1,1,1,,,,,,,,,,,,,
21,1,,172164-66170,, "KEY ASSY, CYLINDER",1,1,1,,,,,,,,,,,,,
26,1,,22137-080000,, "WASHER 8, POLISHED",2,2,2,,,,,,,,,,,,,
27,1,,22137-080000,, "WASHER 8, POLISHED",1,1,1,,,,,,,,,,,,,
28,1,,26347-100002,, "U-NUT 10",1,1,1,,,,,,,,,,,,,
29,1,,22137-100000,, "WASHER
10,POLISHED",2,2,,,,,Z,,724580542,M/#25501,724580542,M/#25501,,,,,,,,,I
30,1,,22157-100000,, "WASHER 10",4,4,4,,,,,,,,,,,,,
31,1,,22157-100000,, "WASHER 10",4,4,4,,,,,,,,,,,,,
32,1,,26347-080002,, "U-NUT 8",1,1,1,,,,,,,,,,,,,
33,1,,22417-200200,, "COTTER PIN 2.0X20",2,2,2,,,,,,,,,,,,,
34,1,,26013-100202,, "BOLT W/WASHER M10X20",2,2,2,,,,,,,,,,,,,
35,1,,26013-100202,, "BOLT W/WASHER M10X20",4,4,4,,,,,,,,,,,,,
36,1,,26013-100202,, "BOLT W/WASHER M10X20",4,4,4,,,,,,,,,,,,,
37,1,,26013-100202,, "BOLT W/WASHER M10X20",2,2,2,,,,,,,,,,,,,
38,1,,26013-100252,, "BOLT W/WASHER M10X25",2,2,,,,,M,,,,,,,,,I
38-1,1,,26013-100252,, "BOLT W/WASHER
M10X25",2,2,,,,,Z,,724580542,M/#25501,724580542,M/#25501,,,,,,,,,I
39,1,,26013-100202,, "BOLT W/WASHER M10X20",2,2,2,,,,,,,,,,,,,
40,1,,26013-100202,, "BOLT W/WASHER M10X20",2,2,2,,,,,,,,,,,,,
41,1,,26106-100162,, "BOLT M10X 16 PLATED",4,4,4,,,,,,,,,,,,,
42,1,,172456-65461,, "BRACKET
C",1,1,1,,,W,,724580542,M/#25501,724580542,M/#25501,,,,,,,,,I
43,1,,172164-66490,, "BRACKET,
RESERVOIR",1,1,1,,,W,,724580542,M/#25501,724580542,M/#25501,,,,,,,,,I

1,1,,172165-13220,,WASHER,13,,,,,,,,,,,,,,,,,,,,,
2,1,,172312-17250,,ASHTRAY,1,,,,,,,,,,,,,,,,,,,,,
3,1,,172458-63360,,SEAT,1,,,,,,,,,,,,,,,,,,,,,
4,1,,172458-63480,,SEAL,1,,,,,,,,,,,,,,,,,,,,,
5,1,,172458-63580,, "SPACER (GRAY:73)",1,,,,,,,,,,,,,,,,,,,,,
6,1,,172458-67800,, "CABIN (GREEN:83)",1,,,,,,,,,,,,,,,,,,,,,
6-1,1,,172458-67801,, "CABIN (GREEN:83)",1,,,,,,S,,72458368,M/#20272,,,,,,,,,,,,,
6-2,1,,172458-67802,, "CABIN ASSY(GREEN:83)",1,,,,,,N,,72458507,M/#21135,,,,,,,,,,,,,
7,2,,172458-03310,,LABEL,1,,,,,,,,,,,,,,,,,,,,,
8,2,,172458-03320,,LABEL,1,,,,,,,,,,,,,,,,,,,,,
9,2,,172458-03330,,LABEL,1,,,,,,,,,,,,,,,,,,,,,
10,2,,1E5100-51430,, "KNOB CLUTCH(RED",1,,,,,,,,,,,,,,,,,,,,,
11,2,,172519-63240,, "BOLT 8X 16",6,,,,,,,,,,,,,,,,,,,,,
12,2,,172455-67310,, "GLASS RUN",2,,,,,,,,,,,,,,,,,,,,,
13,2,,172455-67320,,CAP;CHANNEL,2,,,,,,,,,,,,,,,,,,,,,
14,2,,172455-67330,, "PLATE ASSY LOW GLASS",2,,,,,,,,,,,,,,,,,,,,,
15,2,,172455-67340,, "HOLDER GLASS UP",2,,,,,,,,,,,,,,,,,,,,,
16,2,,172455-67350,,SCREW(TORX),4,,,,,,,,,,,,,,,,,,,,,
17,2,,172455-67360,,SCREW(TORX),2,,,,,,,,,,,,,,,,,,,,,
18,2,,172455-67440,, "XMAS TREE CLIP",4,,,,,,,,,,,,,,,,,,,,,
19,2,,172458-67840,, "GLASS RUN",1,,,,,,,,,,,,,,,,,,,,,
20,2,,172458-67960,, "SEAL A",1,,,,,,,,,,,,,,,,,,,,,
21,2,,172458-67970,, "SEAL B",1,,,,,,,,,,,,,,,,,,,,,
22,2,,172458-67980,,SEAL,1,,,,,,,,,,,,,,,,,,,,,
24,2,,172162-69050,, "LOCK ASSY",1,,,,,,,,,,,,,,,,,,,,,
25,2,,172165-69190,,RUBBER,1,,,,,,,,,,,,,,,,,,,,,
26,2,,172458-69790,,COVER,1,,,,,,,,,,,,,,,,,,,,,
27,2,,172458-69830,,LEVER,1,,,,,,,,,,,,,,,,,,,,,
28,2,,172458-69930,,SEAL,1,,,,,,,,,,,,,,,,,,,,,
29,2,,22117-100000,, "WASHER 10",1,,,,,,,,,,,,,,,,,,,,,
30,2,,22117-120000,, "WASHER 12",2,,,,,,,,,,,,,,,,,,,,,
31,2,,22272-000100,, "CIRCLIP E-10",1,,,,,,,,,,,,,,,,,,,,,
32,2,,24550-012200,, "BUSH 12X20",1,,,,,,,,,,,,,,,,,,,,,
33,2,,26366-080002,, "NUT M 8",4,,,,,,,,,,,,,,,,,,,,,
34,2,,26716-100002,, "NUT 10",1,,,,,,,,,,,,,,,,,,,,,
35,1,,22217-120000,, "SPRING WASHER 12",13,,,,,,,,,,,,,,,,,,,,,
36,1,,22867-400100,, "SCREW 4X10",3,,,,,,,,,,,,,,,,,,,,,
37,1,,26076-120402,, "BOLT 10.9 12X 4",13,,,,,,,,,,,,,,,,,,,,,
38,1,,172478-68600,, "DAM SEAL 1000",1,,,,,,W,1,724780192,M/#XXX,,,,,,,,,,,,,I
39,1,,172478-68610,, "DAM SEAL 2000",1,,,,,,W,1,724780192,M/#XXX,,,,,,,,,,,,,I
40,1,,172478-68620,, "DAM SEAL 3000",1,,,,,,W,1,724780192,M/#XXX,,,,,,,,,,,,,I

キャビンASSY
 CABIN ASSY

172458-67800

172458-67801

172458-67802

項目NO. 63の見出しNO. 6, 6-1, 6-2は、
 項目NO. 63の見出しNO. (6)~34と
 項目NO. 64の見出しNO. 1~44と
 項目NO. 65の見出しNO. 1~18と
 項目NO. 66の見出しNO. 1~21と
 項目NO. 67の見出しNO. 1を含みます。

Fig. 63 Ref No. 6, 6-1, 6-2

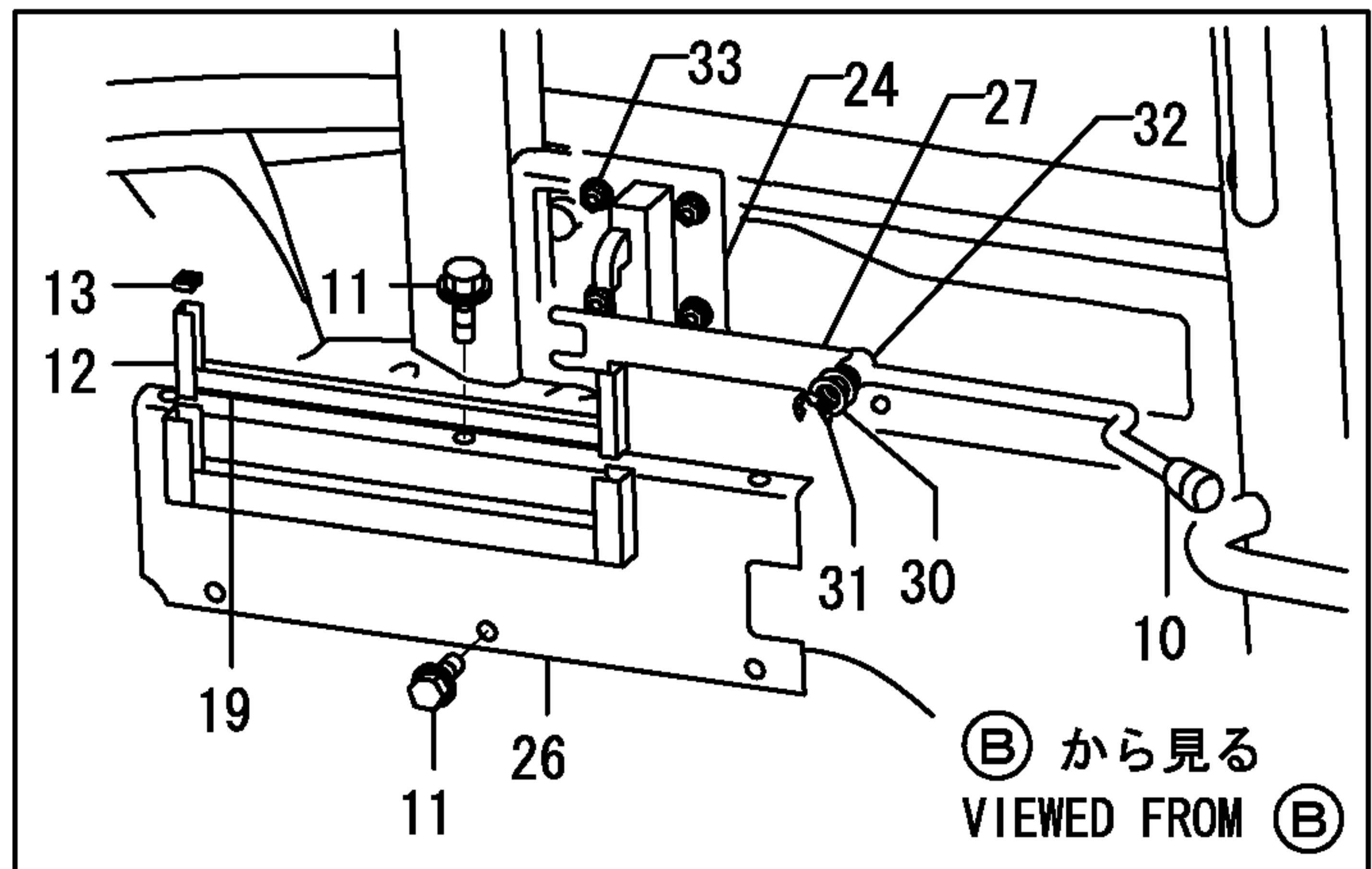
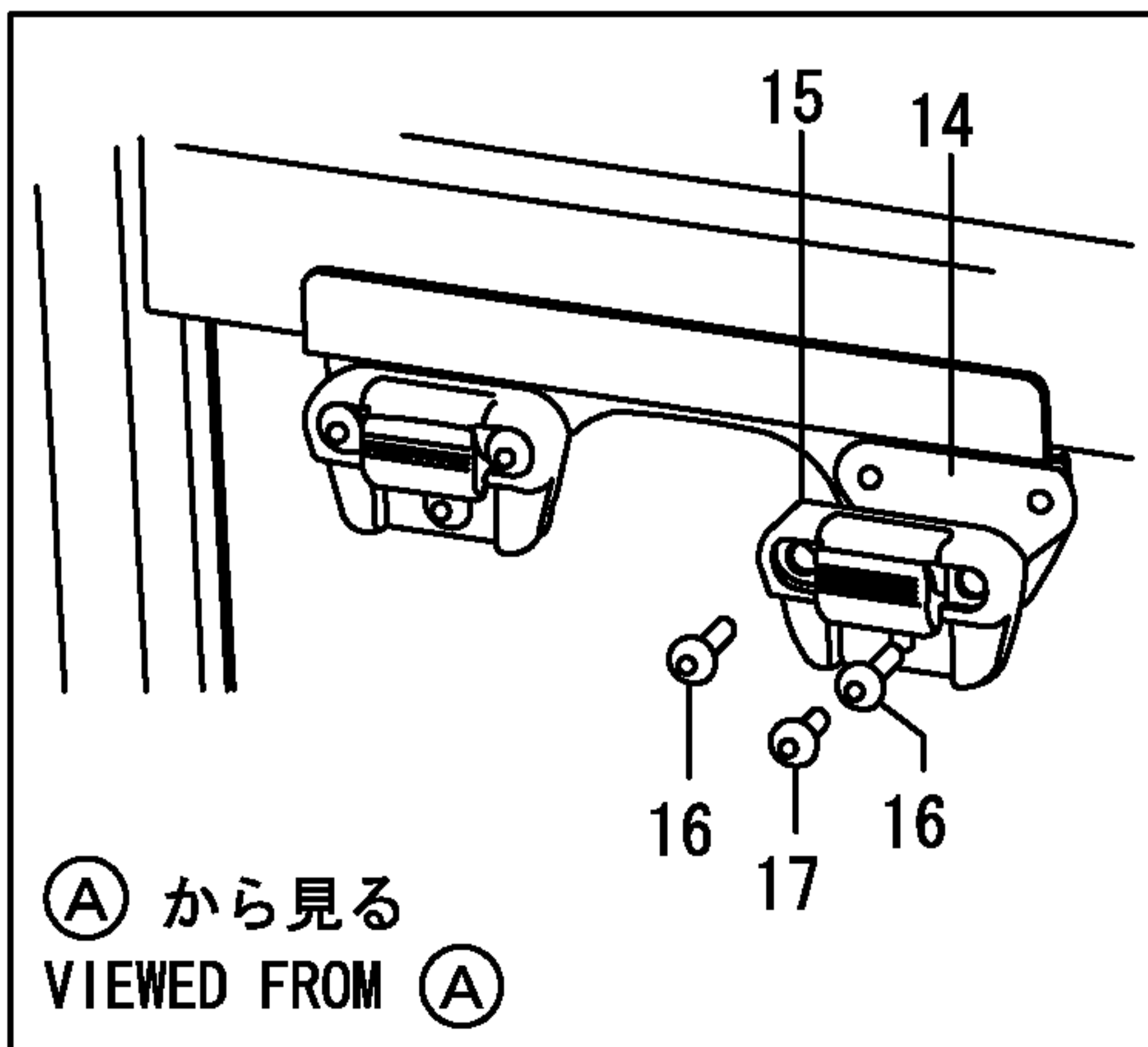
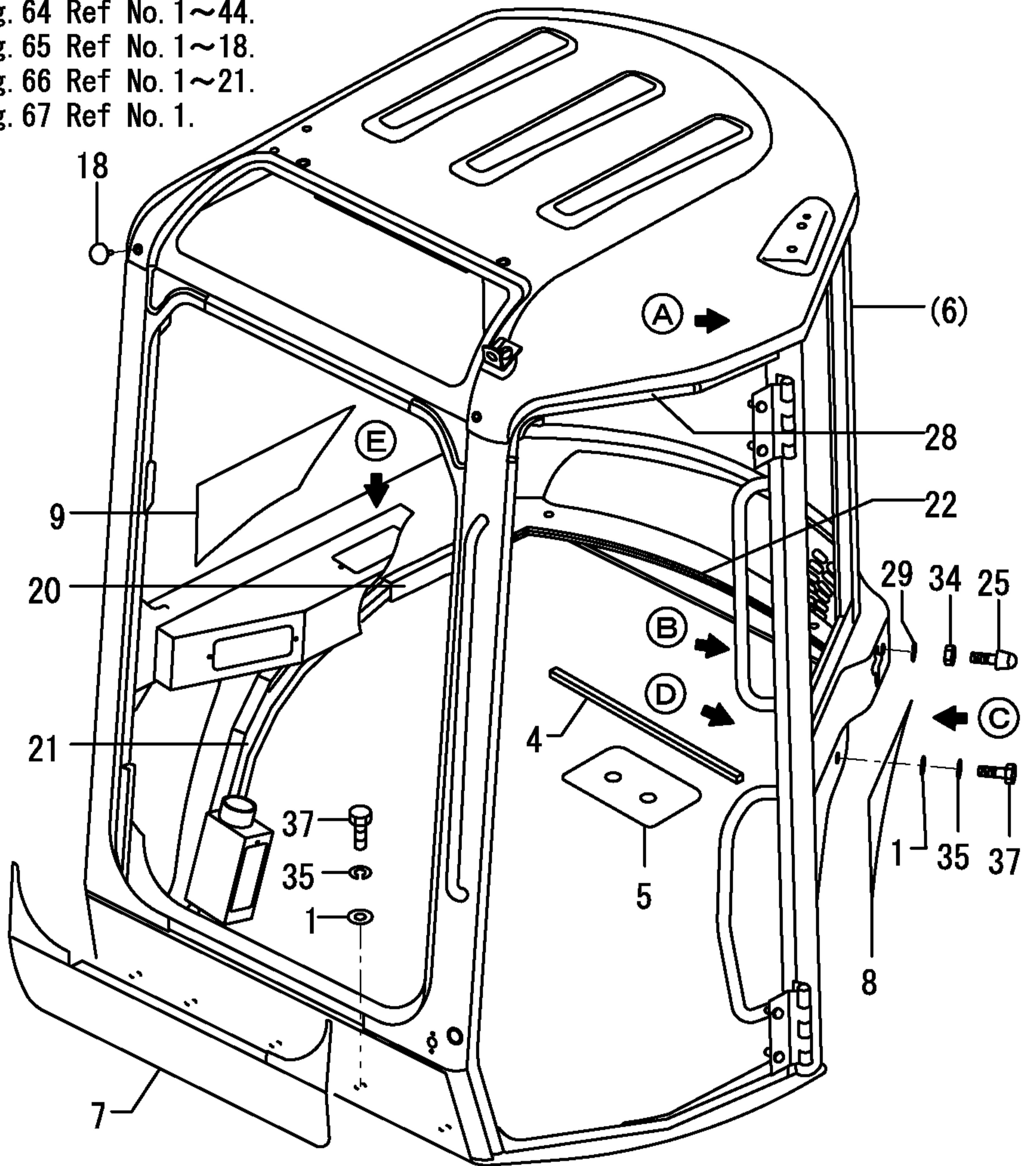
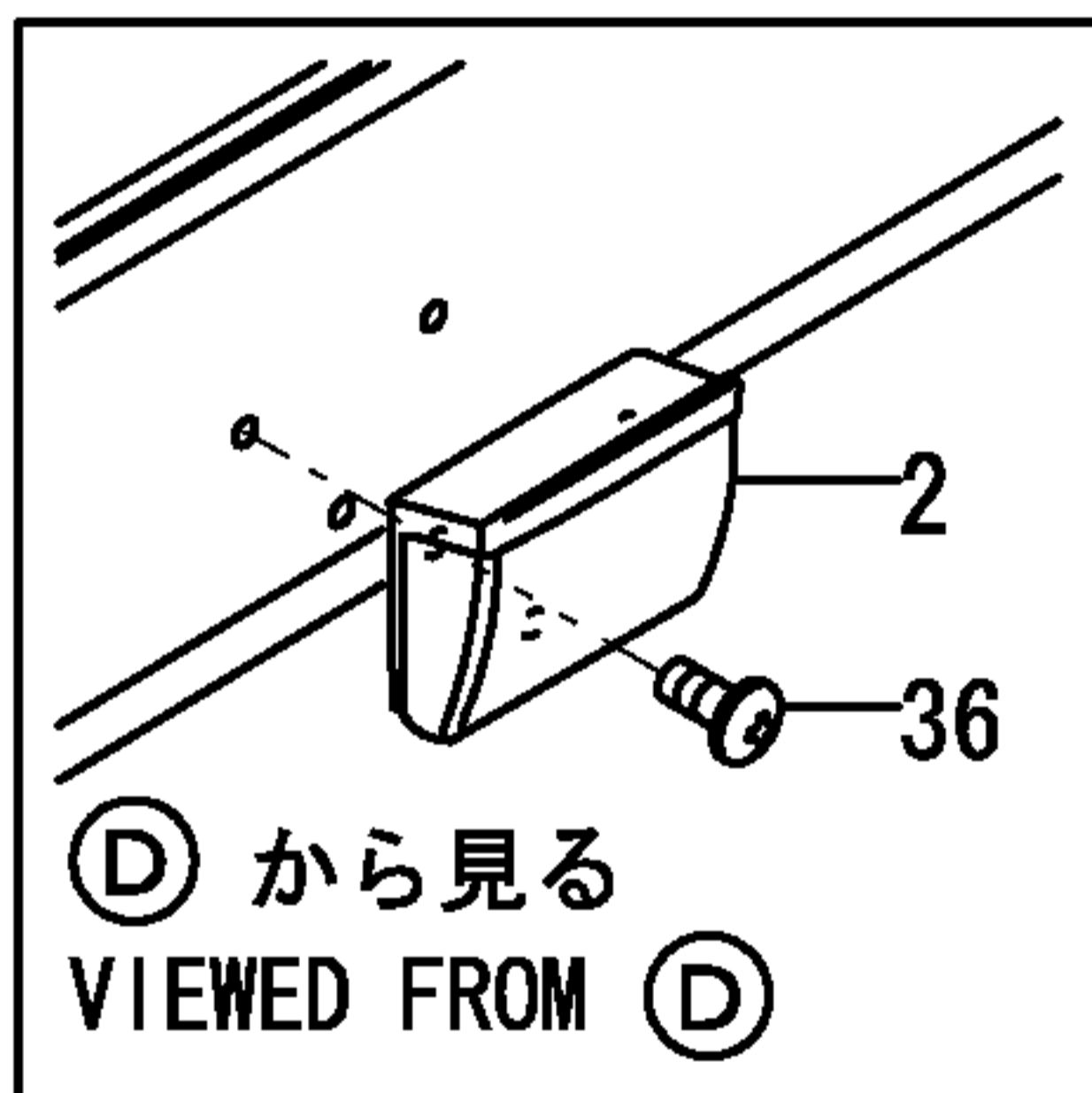
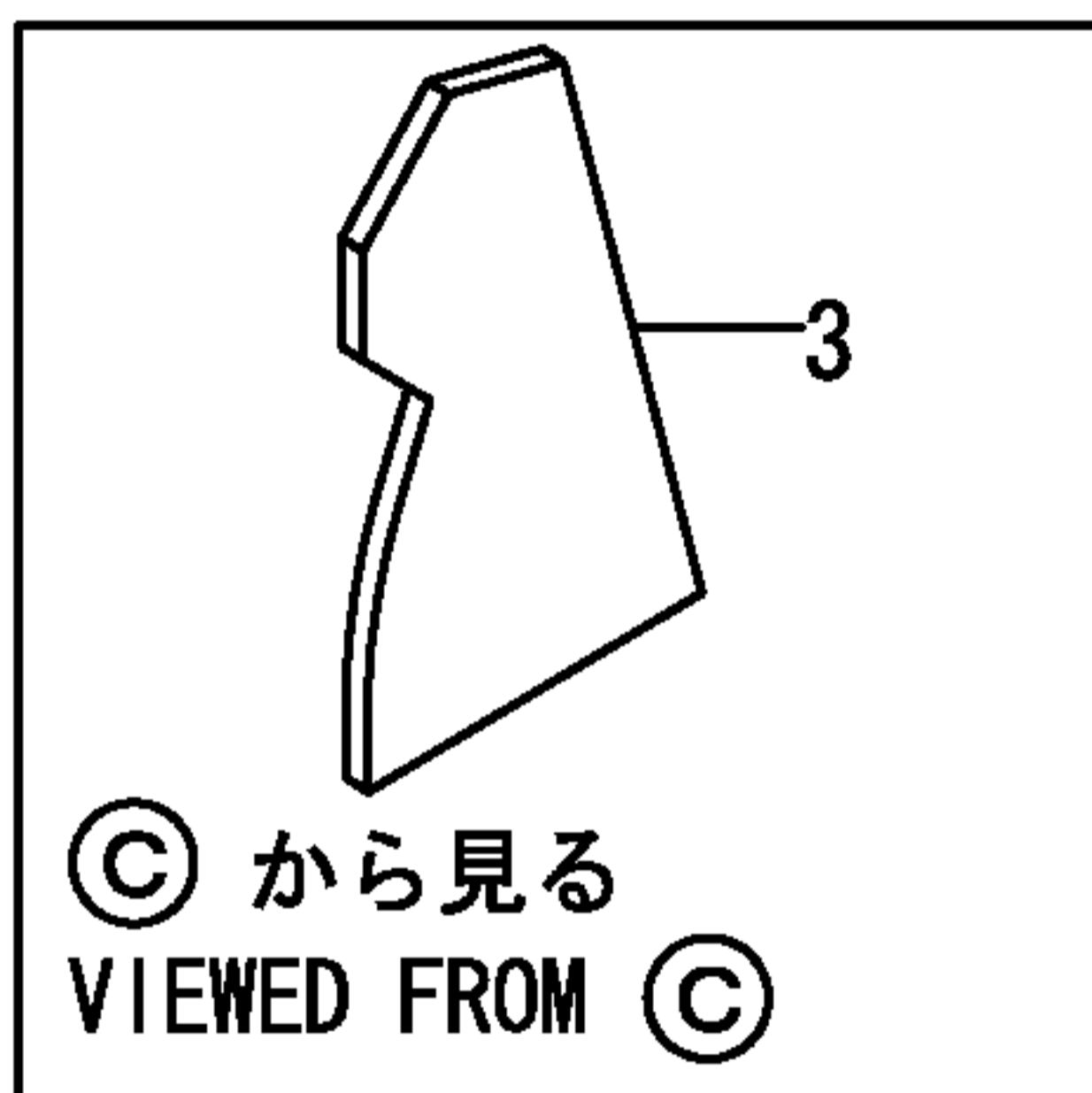
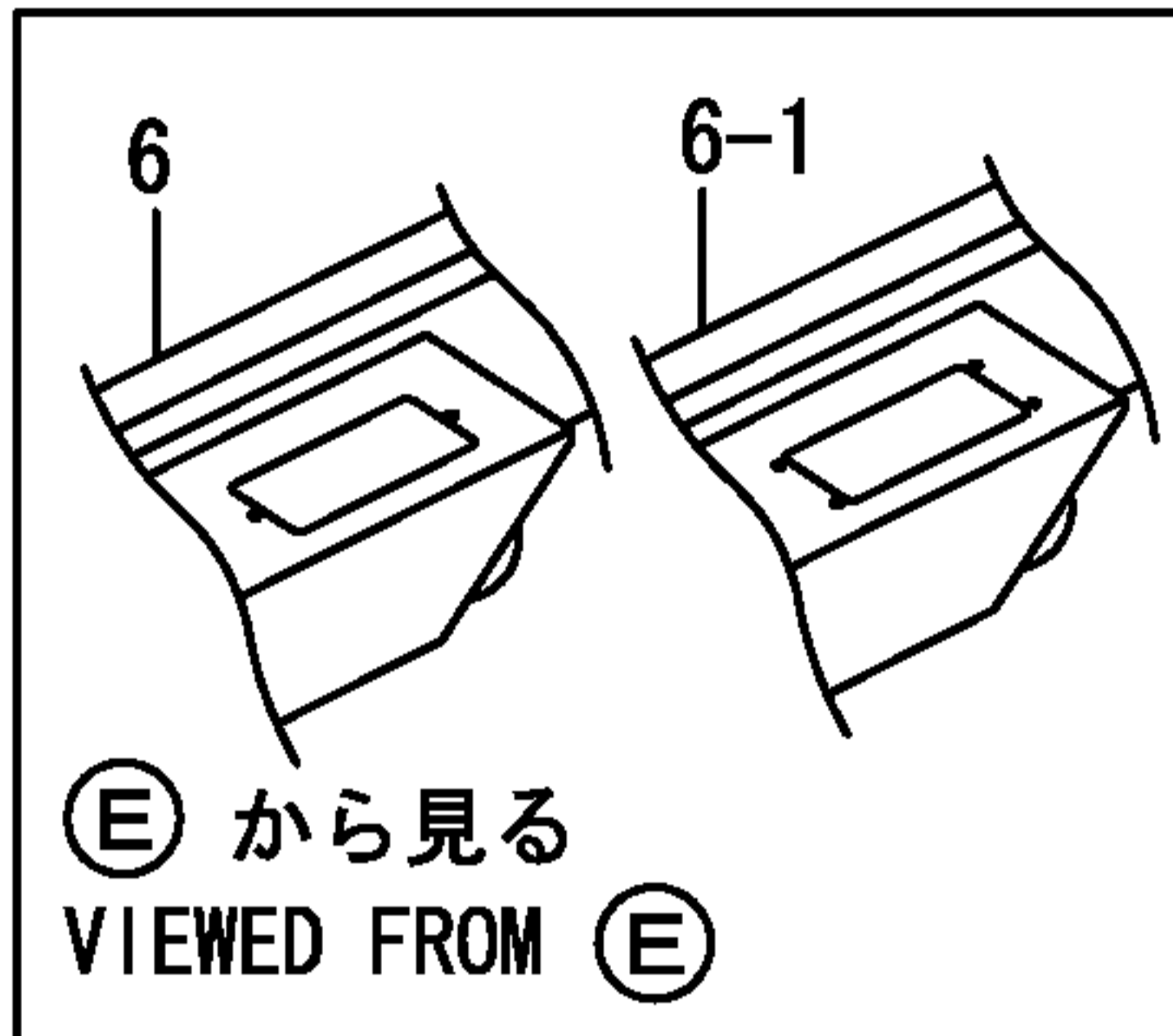
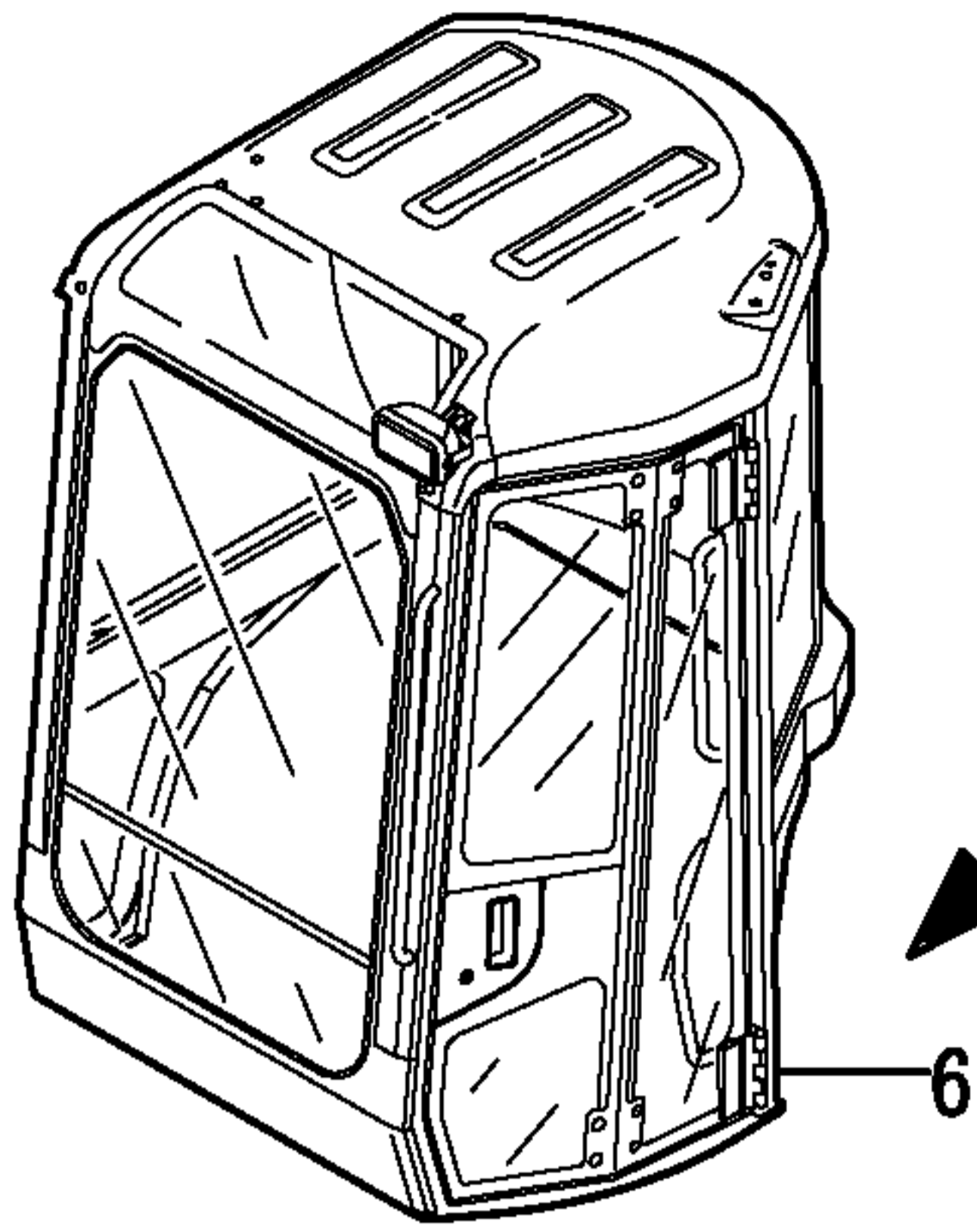
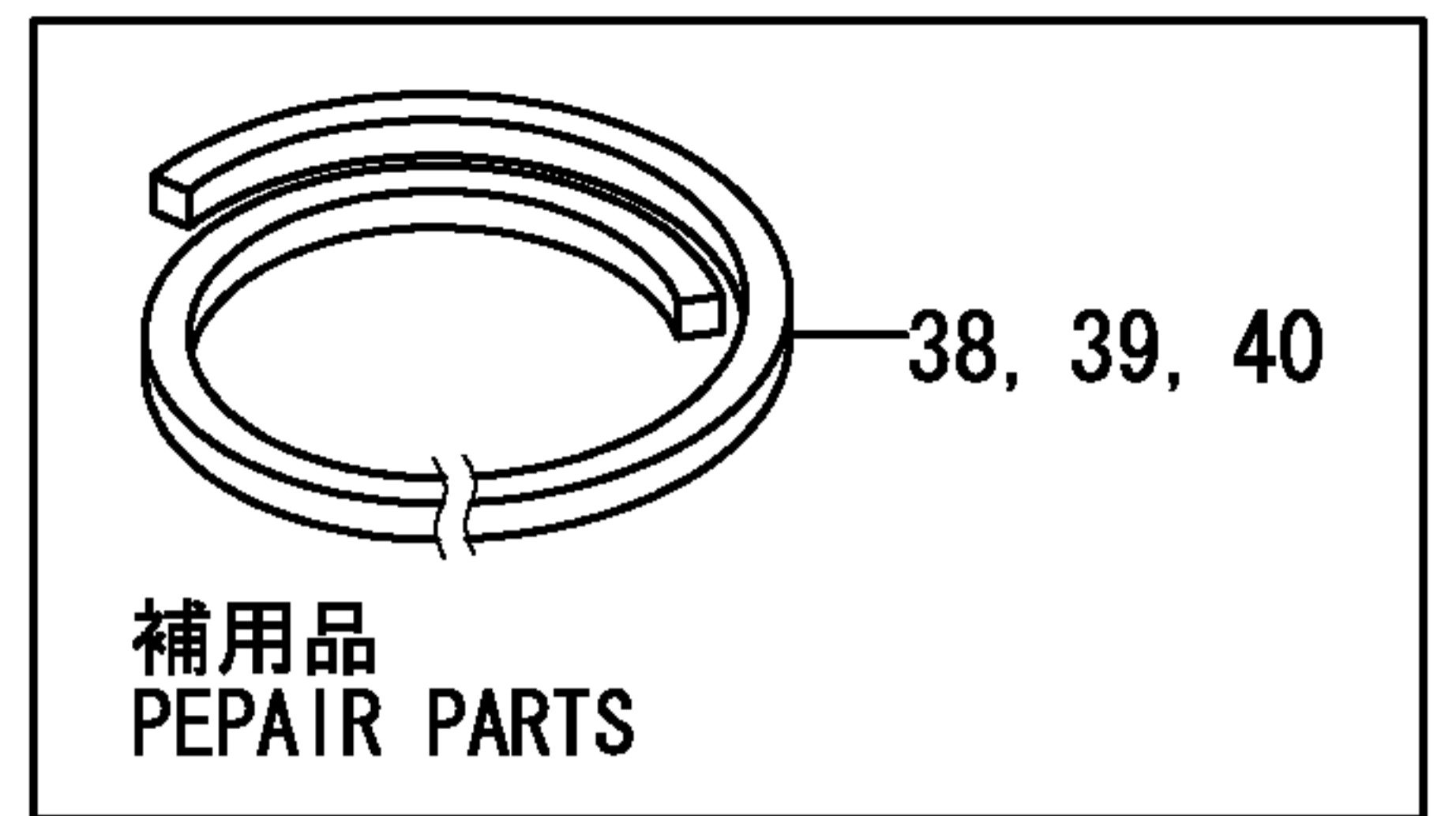
INC Fig. 63 Ref No. (6)~34.

Fig. 64 Ref No. 1~44.

Fig. 65 Ref No. 1~18.

Fig. 66 Ref No. 1~21.

Fig. 67 Ref No. 1.



∴印が今回変更(追記)した個所です。
 ∴MARKED PART HAS BEEN CHANGED(ADDED).

1,2,,172459-67810,, "SASH,FRONT UPPER",1,,,,,,,,,,,,,,,,,,,,,
2,3,,172458-63670,, "HD WASHER",8,,,,,,,,,,,,,,,,,,,,,
3,3,,172458-63680,, "BOLT 8X16",8,,,,,,,,,,,,,,,,,,,,,
4,3,,172458-63730,, "SCREW TORX",4,,,,,,,,,,,,,,,,,,,,,
5,3,,172458-63790,, SEAL,3,,,,,,,,,,,,,,,,,,,,,
6,3,,172445-66750,, GRIP,2,,,,,,,,,,,,,,,,,,,,,
7,3,,172458-67340,, "FRAME,FRONT W (12)",1,,,,,,,,,,,,,,,,,,,,,
8,3,,172458-67440,, "LINK L,FW (12)",1,,,,,,,,,,,,,,,,,,,,,
9,3,,172458-67510,, "LINK R,FW (12)",1,,,,,,,,,,,,,,,,,,,,,
10,3,,172458-67520,, "HANDLE L",1,,,,,,,,,,,,,,,,,,,,,
11,3,,172458-67550,, "HANDLE R",1,,,,,,,,,,,,,,,,,,,,,
12,3,,172458-67570,, RUCHE,1,,,,,,,,,,,,,,,,,,,,,
13,3,,172458-67610,, RUCHE,1,,,,,,,,,,,,,,,,,,,,,
14,3,,172458-67670,, "ROLLER SHAFT L",1,,,,,,,,,,,,,,,,,,,,,
15,3,,172458-67680,, "ROLLER SHAFT R",1,,,,,,,,,,,,,,,,,,,,,
16,3,,172458-67870,, RUBBER,1,,,,,,,,,,,,,,,,,,,,,
17,3,,172458-67900,, "GLASS UP(F/W",1,,,,,,,,,,,,,,,,,,,,,
18,3,,172458-67920,, SPRING,2,,,,,,,,,,,,,,,,,,,,,
19,3,,172463-69150,, SCREW-TORX,4,,,,,,,,,,,,,,,,,,,,,
20,3,,172463-69160,, "HOLDER ASSY,F/W",2,,,,,,,,,,,,,,,,,,,,,
21,3,,172463-69190,, "LATCH PIN",2,,,,,,,,,,,,,,,,,,,,,
22,3,,172463-69200,, SPRING,2,,,,,,,,,,,,,,,,,,,,,
23,3,,172463-69210,, "LEVER ASSY,F/W",2,,,,,,,,,,,,,,,,,,,,,
24,3,,172445-69740,, ROLLER,2,,,,,,,,,,,,,,,,,,,,,
25,3,,22117-120000,, "WASHER 12",4,,,,,,,,,,,,,,,,,,,,,
26,3,,22137-060000,, "WASHER 6, POLISHED",2,,,,,,,,,,,,,,,,,,,,,
27,3,,22272-000060,, "CIRCLIP E- 6",4,,,,,,,,,,,,,,,,,,,,,
28,3,,22272-000080,, "CIRCLIP E- 8",4,,,,,,,,,,,,,,,,,,,,,
29,3,,22351-030012,, "SPRING PIN 3X12",2,,,,,,,,,,,,,,,,,,,,,
30,3,,24550-012200,, "BUSH 12X20",4,,,,,,,,,,,,,,,,,,,,,
31,3,,26450-060102,, "BOLT M 6X 10",2,,,,,,,,,,,,,,,,,,,,,
32,3,,172458-67850,, RUBBER,2,,,,,,,,,,,,,,,,,,,,,
33,2,,172458-63760,, SEAL,1,,,,,,,,,,,,,,,,,,,,,
34,2,,172455-67610,, SPACER,2,,,,,,,,,,,,,,,,,,,,,
35,2,,172455-67710,, "STOPPER RUBBER",2,,,,,,,,,,,,,,,,,,,,,
36,2,,172458-67830,, "GLASS RUN 270",2,,,,,,,,,,,,,,,,,,,,,
37,2,,172458-67860,, RUBBER,1,,,,,,,,,,,,,,,,,,,,,
38,2,,172458-67880,, RUBBER,1,,,,,,,,,,,,,,,,,,,,,
39,2,,172458-67910,, "GLASS LOW(F/W",1,,,,,,,,,,,,,,,,,,,,,
40,2,,172458-69250,, "SASH ASSY (W/GLASS)",1,,,,,,,,,,,,,,,,,,,,,
41,3,,172455-67770,, "LOCK ASSY, SASH",2,,,,,,W,72478125,M/#20501,,,,,,I
42,3,,172458-69260,, "SASH GLASS, REAR",1,,,,,,W,72478125,M/#20501,,,,,,I
43,3,,172458-69270,, "SASH GLASS, FRONT",1,,,,,,W,72478125,M/#20501,,,,,,I
44,3,,172458-69280,, "FRAME, SASH",1,,,,,,W,72478125,M/#20501,,,,,,I

キャビンASSY

CABIN ASSY

172458-67800

172458-67801

172458-67802

項目NO. 63の見出しNO. 6, 6-1, 6-2は、
項目NO. 63の見出しNO. (6)~34と
項目NO. 64の見出しNO. 1~44と
項目NO. 65の見出しNO. 1~18と
項目NO. 66の見出しNO. 1~21と
項目NO. 67の見出しNO. 1を含みます。

Fig. 63 Ref No. 6, 6-1, 6-2

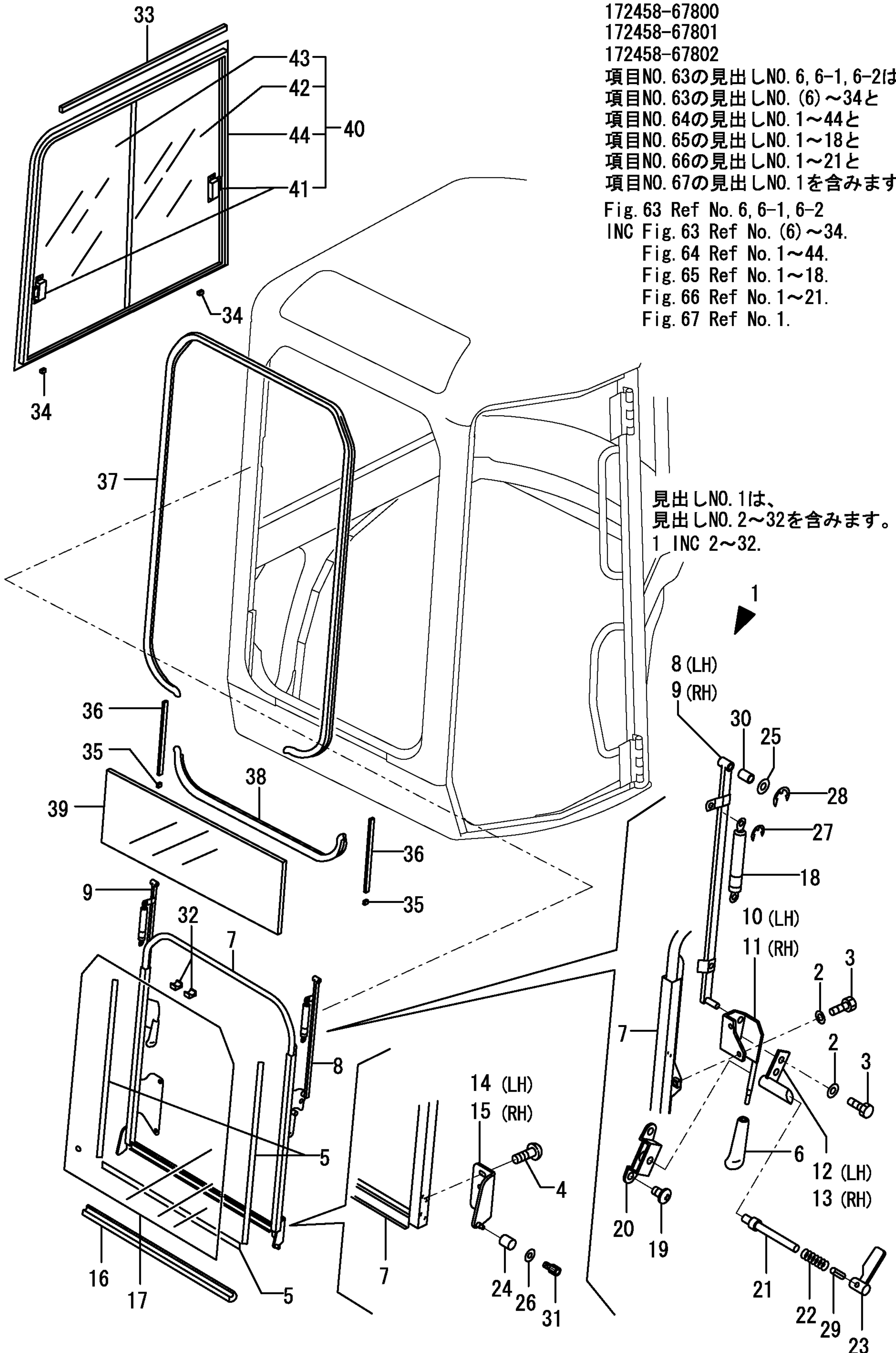
INC Fig. 63 Ref No. (6)~34.

Fig. 64 Ref No. 1~44.

Fig. 65 Ref No. 1~18.

Fig. 66 Ref No. 1~21.

Fig. 67 Ref No. 1.



1,2,,172458-63700,,PLATE,1,,,,,,,,,,,,,
2,2,,172458-63730,, "SCREW TORX",1,,,,,,,,,,,,,
3,2,,172458-63770,,MOLD,1,,,,,,,,,,,,,
4,2,,172458-63800,,RUBBER,1,,,,,,,,,,,,,
5,2,,172458-63950,,SPACER,6,,,,,,,,,,,,,
6,2,,172458-63960,,SPACER,6,,,,,,,,,,,,,
7,2,,172458-63970,,SEAL,1,,,,,,,,,,,,,
8,2,,172458-63980,,SEAL,1,,,,,,,,,,,,,
9,2,,172458-63990,,SEAL,1,,,,,,,,,,,,,
10,2,,172455-67550,,FASTENER,15,,,,,,,,,,,,,
11,2,,172458-68850,, "INNER ROOF",1,,,,,,,,,,,,,
12,2,,172458-69090,,MOLD,1,,,,,,,,,,,,,
13,2,,172458-69200,, "GLASS LOW(R",1,,,,,,,,,,,,,
14,2,,172458-69210,, "SUN ROOF",1,,,,,,,,,,,,,
15,2,,172458-69220,, "INNER FRONT",1,,,,,,,,,,,,,
16,2,,172458-69230,, "GLASS L",1,,,,,,,,,,,,,
17,2,,172458-69240,, "GLASS REAR",1,,,,,,,,,,,,,
18,2,,26716-100002,, "NUT 10",2,,,,,,,,,,,,,

キャビンASSY

CABIN ASSY

172458-67800

172458-67801

172458-67802

項目NO. 63の見出しNO. 6, 6-1, 6-2は、

項目NO. 63の見出しNO. (6) ~34と

項目NO. 64の見出しNO. 1~44と

項目NO. 65の見出しNO. 1~18と

項目NO. 66の見出しNO. 1~21と

項目NO. 67の見出しNO. 1を含みます。

Fig. 63 Ref No. 6, 6-1, 6-2

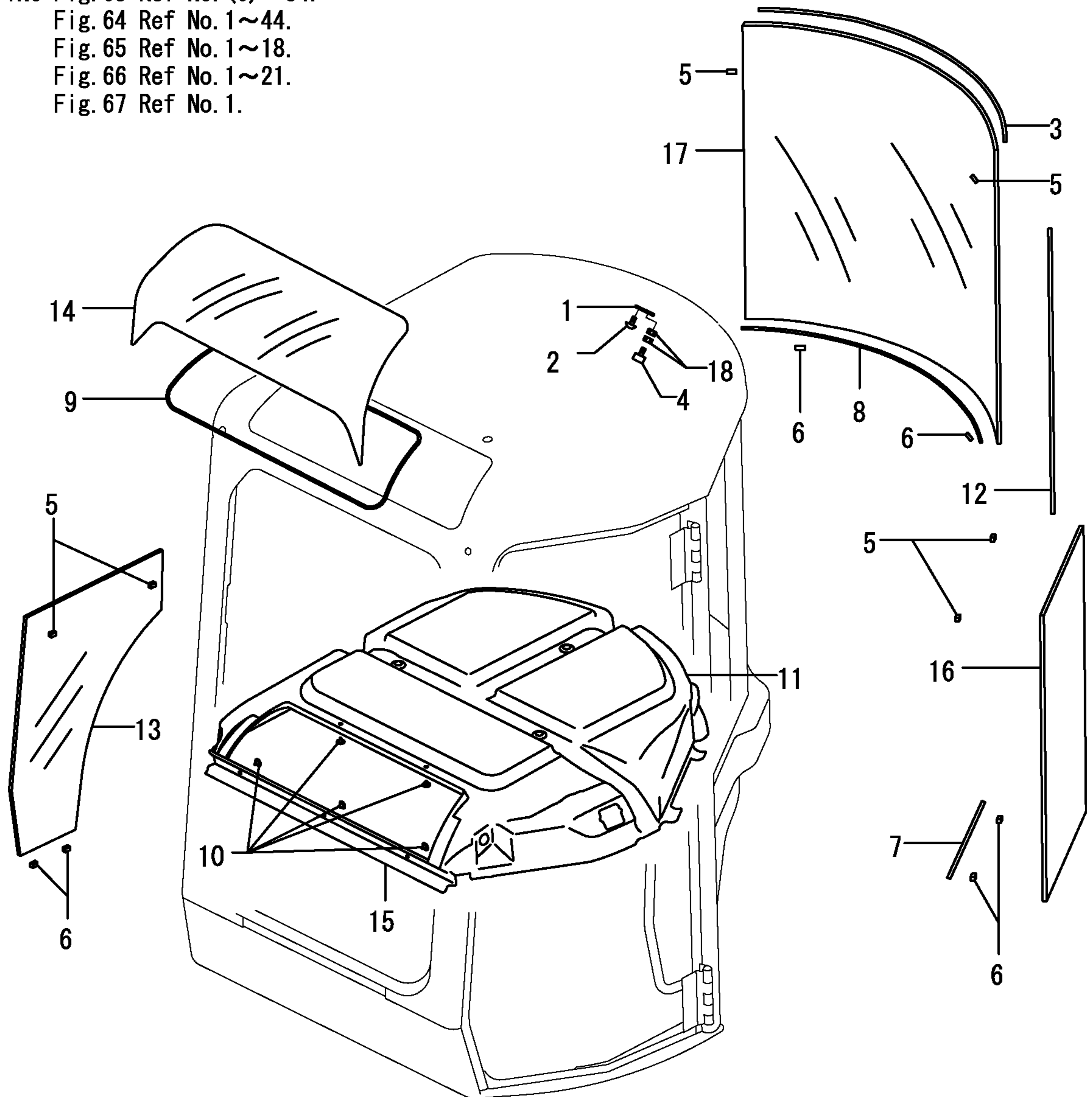
INC Fig. 63 Ref No. (6) ~34.

Fig. 64 Ref No. 1~44.

Fig. 65 Ref No. 1~18.

Fig. 66 Ref No. 1~21.

Fig. 67 Ref No. 1.



1,2,,172458-16610,, "WIRE HARNESS A",1,,,,,,,,,,,,,
1-1,2,,172458-16611,, "WIRE HARNESS
A(CABIN",1,,,,,S,,724600331,*03.04.04,,,,,,,,,,,,,I
1-1,2,,172458-16611,, "WIRE HARNESS
A(CABIN",1,,,,,S,,724600331,*03.04.04,,,,,,,,,,,,,I
2,2,,172458-16620,, "WIRE HARNESS B",1,,,,,,,,,,,,,
3,2,,172458-17210,, "WIPER MOTOR",1,,,,,,,,,,,,,
4,2,,172458-17220,, "WIPER ARM",1,,,,,,,,,,,,,
5,2,,172458-17230,, "WIPER BLADE",1,,,,,,,,,,,,,
6,2,,172455-67870,,GROMMET,2,,,,,,,,,,,,,
7,2,,172455-67880,,HARNES-CURL,1,,,,,,,,,,,,,
8,2,,172455-67910,, "CLAMP HARNESS",3,,,,,,,,,,,,,
9,2,,172455-67970,, "WORKING LAMP",1,,,,,,,,,,,,,
10,3,,172458-17420,, "BULB,12V 55W",1,,,,,,,,,,,,,
11,2,,172458-69320,,GROMMET,1,,,,,,,,,,,,,
12,2,,172455-69410,, "SET SCREW",2,,,,,,,,,,,,,
13,2,,172455-69490,, "COVER WIPER-MOTOR",1,,,,,,,,,,,,,
14,2,,22137-080000,, "WASHER 8, POLISHED",1,,,,,,,,,,,,,
15,2,,22857-400100,, "SCREW 4X10",2,,,,,,724580560,,,,,,,,,,,,,I
16,2,,26013-080162,, "BOLT W/WASHER M8X16",1,,,,,,,,,,,,,
17,2,,26116-080202,, "BOLT M 8X 20 PLATED",1,,,,,,,,,,,,,
18,2,,26366-080002,, "NUT M 8",1,,,,,,,,,,,,,
19,2,,933113-05150,, "LAMP, ROOM",1,,,,,,,,,,,,,
20,3,,933113-05160,, "BULB (12V5W)",1,,,,,,,,,,,,,
21,2,,933168-55770,, "BAND 146",1,,,,,,,,,,,,,
22,1,,172190-16500,,HARNES,1,,,,,,,,,,,,,

1,2,,172459-67820,, "CABIN,DOOR",1,,,,,,,,,,,,,,,,,,,,,
1-1,2,,172459-67821,, "CABIN,DOOR",1,,,,,,N,,72458507,M/#21135,,,,,,,,,,,,,I
2,3,,172459-67830,, "DOOR,FRONT",1,,,,,,,,,,,,,,,,,,,,,
2-1,3,,172459-67831,, "DOOR ASSY, FRONT",1,,,,,,S,,72458507,*02.07.21,,,,,,,,,,,,,I
3,4,,172458-63670,, "HD WASHER",2,,,,,,,,,,,,,,,,,,,,,
4,4,,172458-63930,, STOPPER,1,,,,,,,,,,,,,,,,,,,,,
5,4,,172164-66170,, "KEY ASSY, CYLINDER",1,,,,,,,,,,,,,,,,,,,,,
6,4,,172458-67020,, STRIKER,1,,,,,,,,,,,,,,,,,,,,,
7,4,,172458-63950,, SPACER,3,,,,,,,,,,,,,,,,,,,,,
8,4,,172458-67650,, DUM,1,,,,,,,,,,,,,,,,,,,,,
9,4,,172458-67940,, PLATE,1,,,,,,724580588,,,,,,,,,,,,,I
10,4,,172458-69100,, MOLD,1,,,,,,,,,,,,,,,,,,,,,
11,4,,172455-69170,, "COVER-DOOR IN",1,,,,,,,,,,,,,,,,,,,,,
12,4,,172455-69300,, SCREW,3,,,,,,,,,,,,,,,,,,,,,
13,4,,172445-69320,, NUT,4,,,,,,,,,,,,,,,,,,,,,
14,4,,172445-69400,, ROD,1,,,,,,,,,,,,,,,,,,,,,
15,4,,172458-69400,, "FRAME,DOOR F (12)",1,,,,,,,,,,,,,,,,,,,,,
16,4,,172445-69420,, "DOOR HOOK",1,,,,,,,,,,,,,,,,,,,,,
17,4,,172162-69470,, "LOCK PLATE",1,,,,,,,,,,,,,,,,,,,,,
18,4,,172162-69480,, "LOCK ASSY",1,,,,,,,,,,,,,,,,,,,,,
19,4,,172162-69490,, PIN,1,,,,,,,,,,,,,,,,,,,,,
20,4,,172162-69500,, SPRING,1,,,,,,,,,,,,,,,,,,,,,
21,4,,172162-69510,, "HANDLE ASSY",1,,,,,,,,,,,,,,,,,,,,,
22,4,,172162-69520,, COVER,1,,,,,,,,,,,,,,,,,,,,,
23,4,,172455-69520,, SCREW,2,,,,,,,,,,,,,,,,,,,,,
24,4,,172162-69541,, "HANDLE,OUTER",1,,,,,,724580588,,,,,,,,,,,,,I
25,4,,172458-69580,, "RUBBER A",1,,,,,,,,,,,,,,,,,,,,,
26,4,,172458-69900,, "GLASS FU",1,,,,,,,,,,,,,,,,,,,,,
27,4,,172458-69910,, "GLASS FU",1,,,,,,,,,,,,,,,,,,,,,
28,4,,22137-080000,, "WASHER 8, POLISHED",1,,,,,,,,,,,,,,,,,,,,,
29,4,,26013-060162,, "BOLT M 6X 16",3,,,,,,,,,,,,,,,,,,,,,
30,4,,26023-060122,, "SCREW M 6X 12",2,,,,,,,,,,,,,,,,,,,,,
31,4,,26023-060162,, "SCREW M 6X 16",4,,,,,,,,,,,,,,,,,,,,,
32,4,,26051-080002,, "NUT M 8",1,,,,,,724580588,,,,,,,,,,,,,I
33,4,,26116-080202,, "BOLT M 8X 20 PLATED",1,,,,,,724580588,,,,,,,,,,,,,I
34,4,,26116-100304,, "BOLT M10X 30 PLATED",1,,,,,,,,,,,,,,,,,,,,,
35,4,,26716-100002,, "NUT 10",1,,,,,,,,,,,,,,,,,,,,,
36,4,,26716-100002,, "NUT 10",1,,,,,,,,,,,,,,,,,,,,,
37,4,,172458-66720,, "COVER, RUBBER",1,,,,,,W,,72458507,M/#21135,,,,,,,,,,,,,I

キャビンASSY
CABIN ASSY
172458-67800
172458-67801
172458-67802

項目NO. 63の見出しNO. 6, 6-1, 6-2は、
項目NO. 63の見出しNO. (6)~34と
項目NO. 64の見出しNO. 1~44と
項目NO. 65の見出しNO. 1~18と
項目NO. 66の見出しNO. 1~21と
項目NO. 67の見出しNO. 1を含みます。

Fig. 63 Ref No. 6, 6-1, 6-2
INC Fig. 63 Ref No. (6)~34.
Fig. 64 Ref No. 1~44.
Fig. 65 Ref No. 1~18.
Fig. 66 Ref No. 1~21.
Fig. 67 Ref No. 1.

キャビンドアASSY
CABIN DOOR ASSY
172459-67820

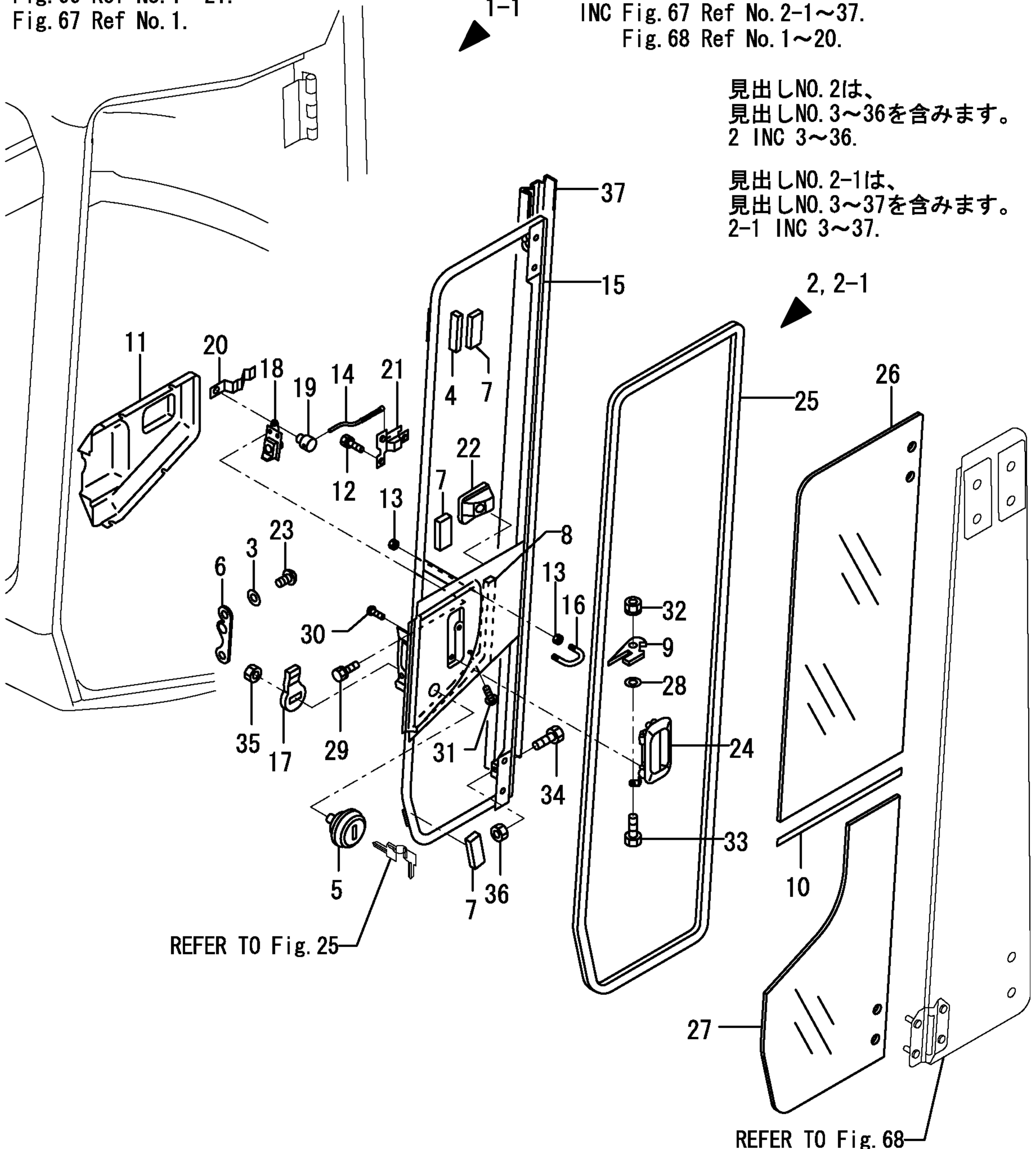
項目NO. 67の見出しNO. 1は、
項目NO. 67の見出しNO. 2~36と
項目NO. 68の見出しNO. 1~16を含みます。

Fig. 67 Ref No. 1
INC Fig. 67 Ref No. 2~36.
Fig. 68 Ref No. 1~16.

キャビンドアASSY
CABIN DOOR ASSY
172459-67821

項目NO. 67の見出しNO. 1-1は、
項目NO. 67の見出しNO. 2-1~37と
項目NO. 68の見出しNO. 1~20を含みます。

Fig. 67 Ref No. 1-1
INC Fig. 67 Ref No. 2-1~37.
Fig. 68 Ref No. 1~20.



見出しNO. 2は、
見出しNO. 3~36を含みます。
2 INC 3~36.

見出しNO. 2-1は、
見出しNO. 3~37を含みます。
2-1 INC 3~37.

REFER TO Fig. 25

REFER TO Fig. 68

1,3,,172459-67840,, "DOOR,REAR",1,,,,,,,,,,,,,,,,,,,,,
1-1,3,,172459-67841,, "DOOR ASSY, REAR",1,,,,,,S,,72458507,*02.07.21,,,,,,,,,,,,,I
2,4,,172458-69590,, "RUBBER, FRAME B ASSY",1,,,,,,,,,,,,,,,,,,,,,
3,4,,172458-69600,, "FRAME ASSY,DOOR REAR",1,,,,,,,,,,,,,,,,,,,,,
3-1,4,,172458-69601,, "FRAME,DOOR REAR
(12)",1,,,,,,S,,72458507,*02.07.21,,,,,,,,,,,,,I
4,4,,172458-69920,, "GLASS R, DOOR",1,,,,,,,,,,,,,,,,,,,,,
5,4,,172519-63240,, "BOLT 8X 16",2,,,,,,,,,,,,,,,,,,,,,
6,4,,172455-69140,, NUT,12,,,,,,,,,,,,,,,,,,,,,
7,4,,172455-69200,, TUBE,12,,,,,,,,,,,,,,,,,,,,,
8,4,,172455-69250,, PIPE,12,,,,,,,,,,,,,,,,,,,,,
9,4,,172455-69290,, PACKING,4,,,,,,,,,,,,,,,,,,,,,
10,4,,172458-69730,, PLATE,1,,,,,,,,,,,,,,,,,,,,,
11,4,,172458-69760,, "GUIDE, STOPPER",1,,,,,,,,,,,,,,,,,,,,,
12,4,,172458-69770,, HINGE,2,,,,,,,,,,,,,,,,,,,,,
13,4,,172458-69960,, GASKET,8,,,,,,,,,,,,,,,,,,,,,
14,4,,172458-69990,, "COVER,HINGE",2,,,,,,,,,,,,,,,,,,,,,
15,4,,22137-080000,, "WASHER 8, POLISHED",2,,,,,,,,,,,,,,,,,,,,,
16,4,,22372-080000,, "SNAP PIN (JASO 8)",2,,,,,,,,,,,,,,,,,,,,,
16-1,4,,22417-200160,, "COTTER PIN 2.0X16",2,,,,,,N,,72458486,M/#21031,,,,,,,,,,,,,
17,4,,172458-66780,, "UPPER PLATE,DOOR
REA",1,,,,,,W,,72458507,M/#21135,,,,,,,,,,,,,I
18,4,,172458-66790,, "LOWER PLATE,DOOR
REA",1,,,,,,W,,72458507,M/#21135,,,,,,,,,,,,,I
19,4,,172458-66800,, "TORQUES 6X16",4,,,,,,W,,72458507,M/#21135,,,,,,,,,,,,,I
20,4,,172458-66800,, "TORQUES 6X16",3,,,,,,W,,72458507,M/#21135,,,,,,,,,,,,,I

キャビンASSY
CABIN ASSY
172458-67800
172458-67801
172458-67802

項目NO. 63の見出しNO. 6, 6-1, 6-2は、
項目NO. 63の見出しNO. (6)~34と
項目NO. 64の見出しNO. 1~44と
項目NO. 65の見出しNO. 1~18と
項目NO. 66の見出しNO. 1~21と
項目NO. 67の見出しNO. 1を含みます。

Fig. 63 Ref No. 6, 6-1, 6-2
INC Fig. 63 Ref No. (6)~34.
Fig. 64 Ref No. 1~44.
Fig. 65 Ref No. 1~18.
Fig. 66 Ref No. 1~21.
Fig. 67 Ref No. 1.

キャビンドアASSY
CABIN DOOR ASSY
172459-67820

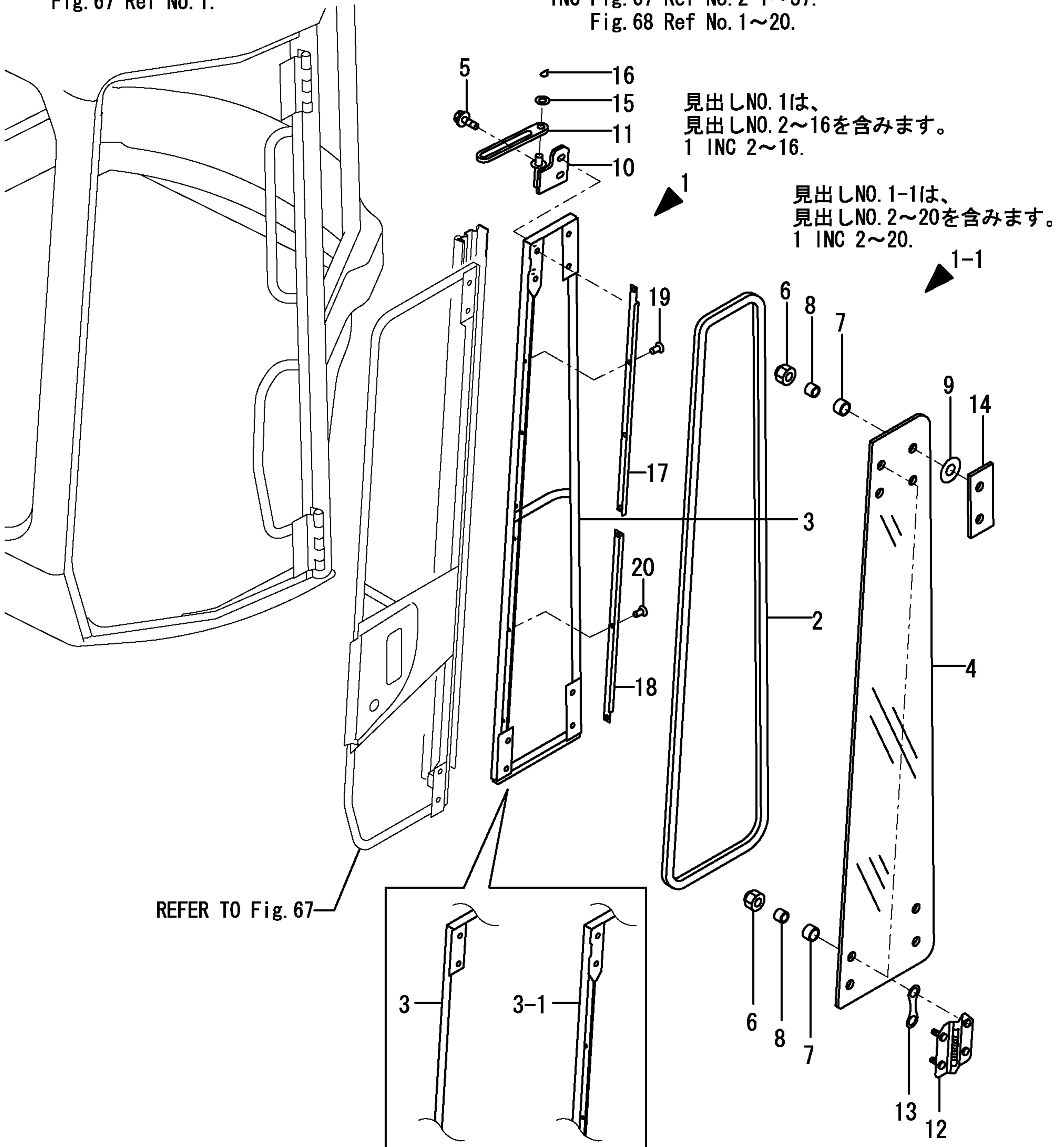
項目NO. 67の見出しNO. 1は、
項目NO. 67の見出しNO. 2~36と
項目NO. 68の見出しNO. 1~16を含みます。

Fig. 67 Ref No. 1
INC Fig. 67 Ref No. 2~36.
Fig. 68 Ref No. 1~16.

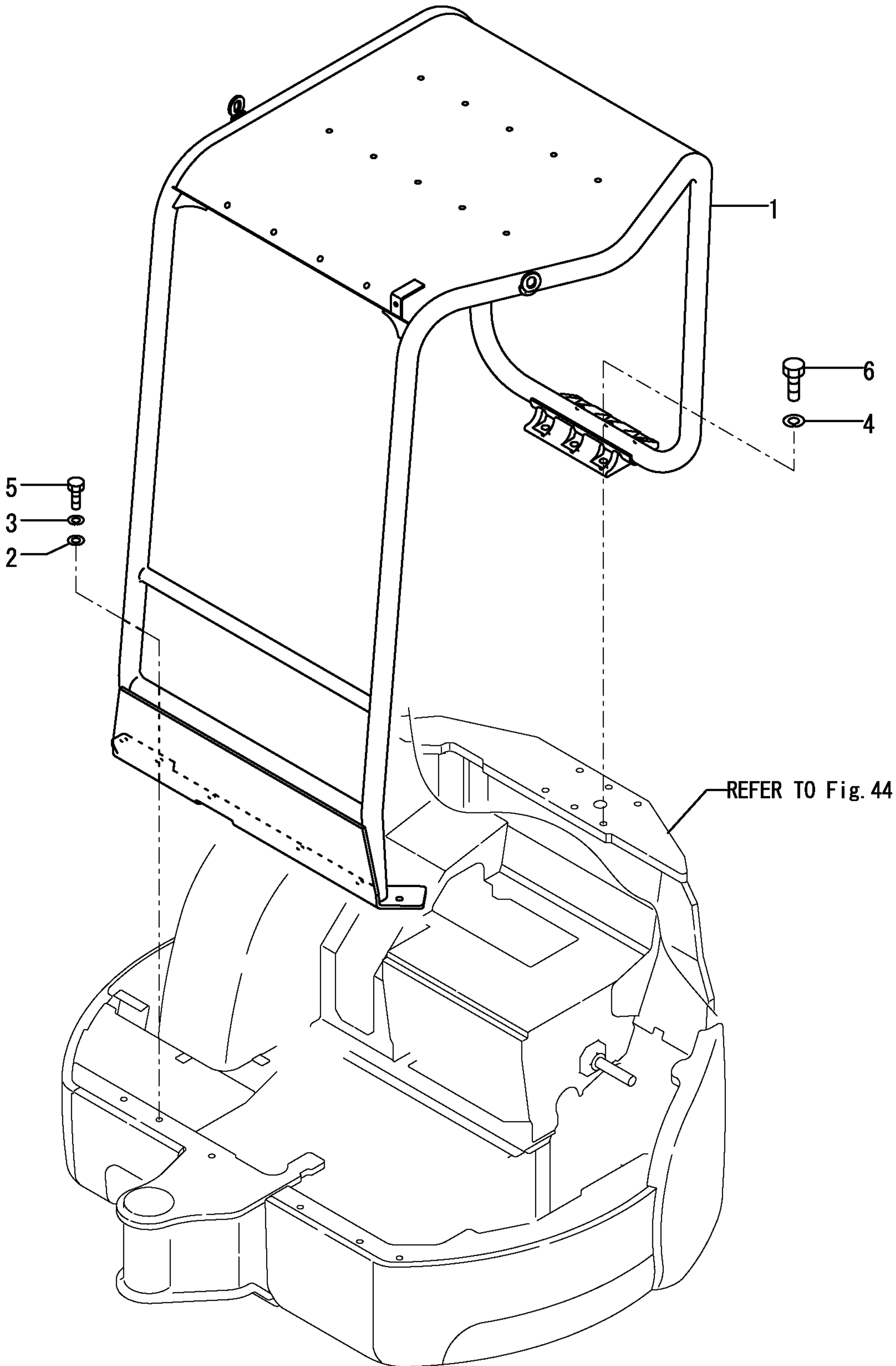
キャビンドアASSY
CABIN DOOR ASSY
172459-67821

項目NO. 67の見出しNO. 1-1は、
項目NO. 67の見出しNO. 2-1~37と
項目NO. 68の見出しNO. 1~20を含みます。

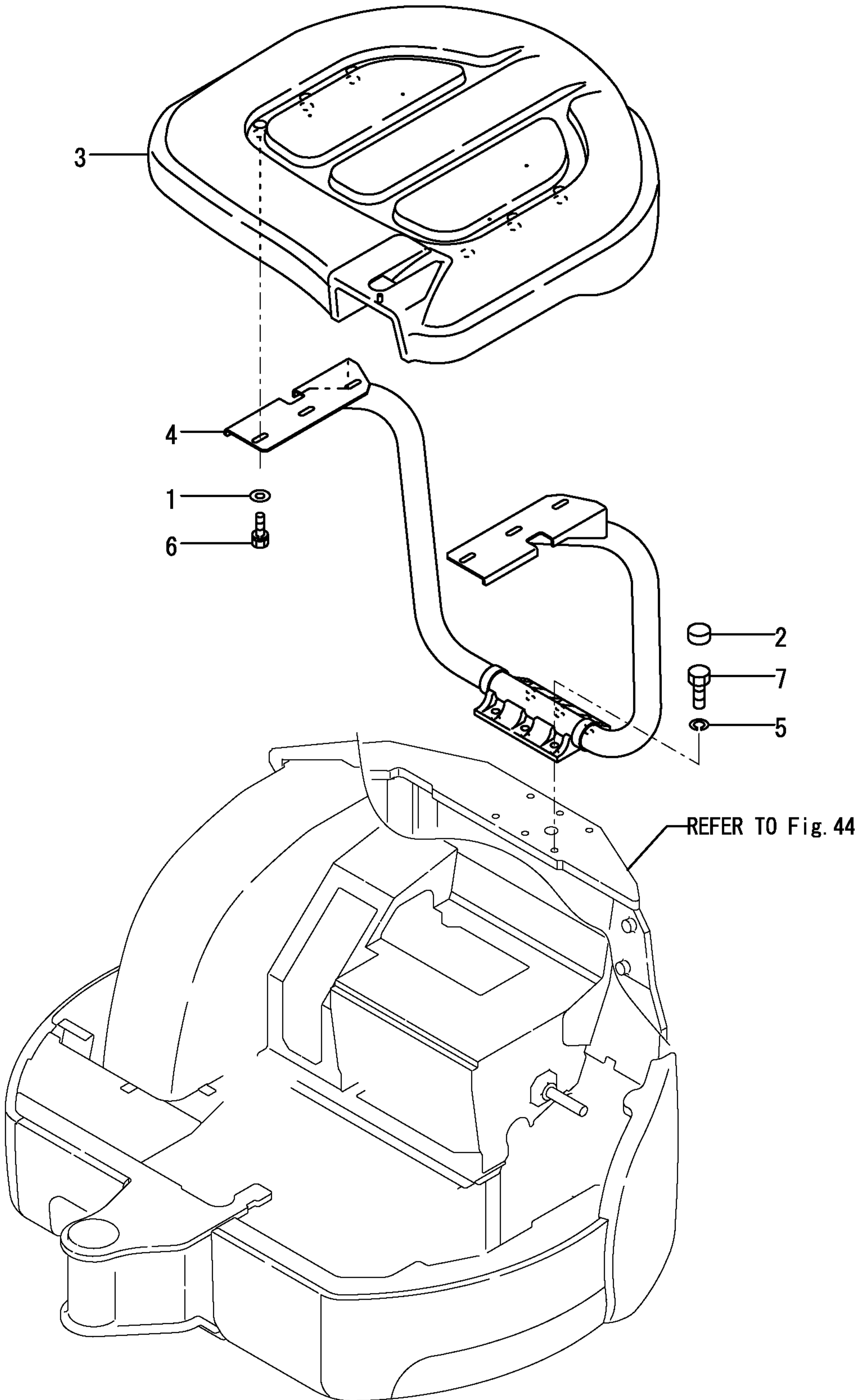
Fig. 67 Ref No. 1-1
INC Fig. 67 Ref No. 2-1~37.
Fig. 68 Ref No. 1~20.



1,1,,172472-66300,, "CANOPY,ROPS(GREEN:86" ,,1,,,,,,,,,,,,,
2,1,,172149-66550,, WASHER,,6,,,,,,,,,,,,,
3,1,,22217-120000,, "SPRING WASHER 12" ,,6,,,,,,,,,,,,,
4,1,,22217-160000,, "SPRING WASHER 16" ,,6,,,,,,,,,,,,,
5,1,,26076-120402,, "BOLT 10.9 12X 4" ,,6,,,,,,,,,,,,,
6,1,,26076-160402,, "BOLT 10.9 16X40" ,,6,,,,,,,,,,,,,

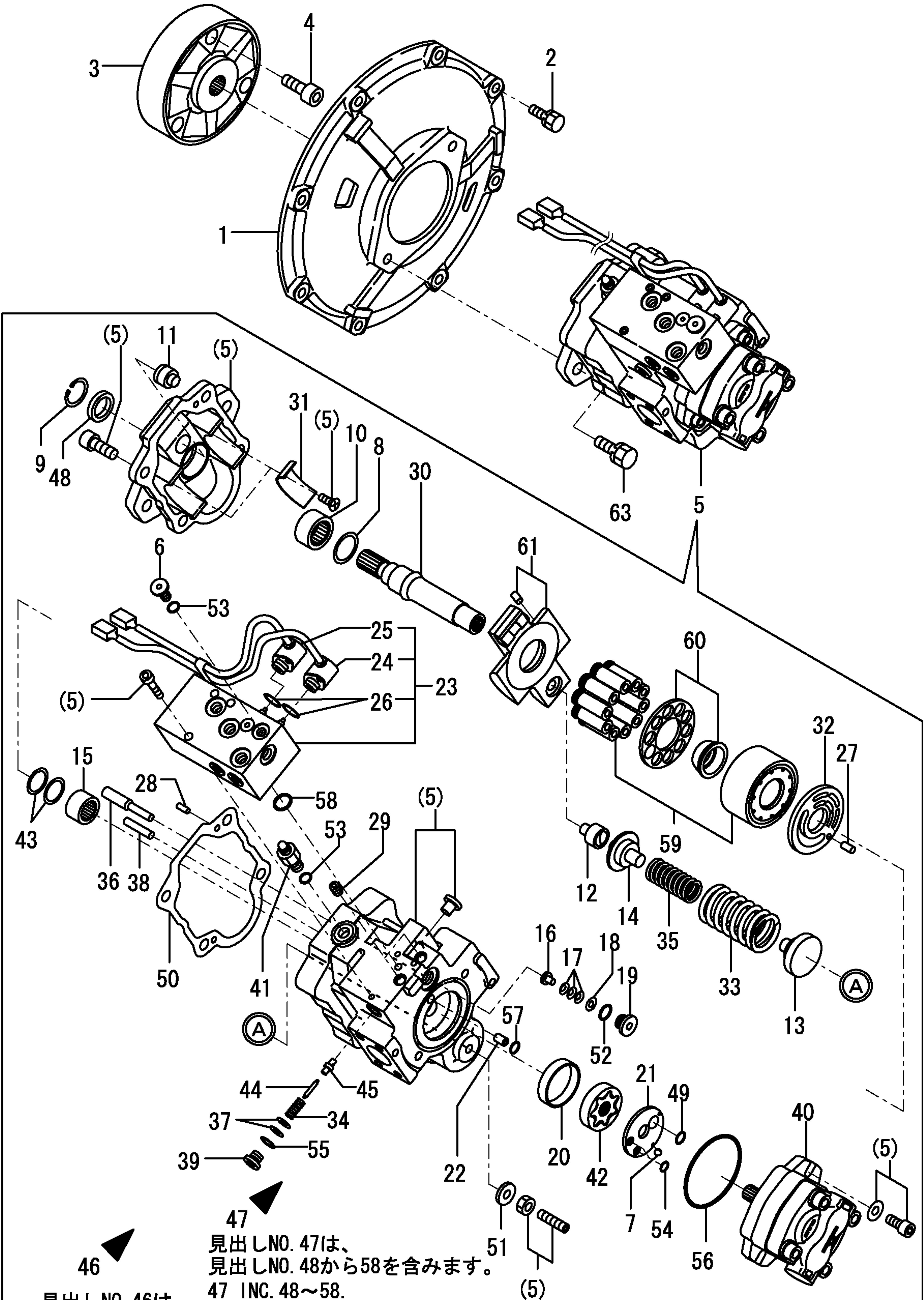


1,1,,172730-05250,, "WASHER 12" ,,6,6,,,,,,,,,,,,,,,,,,,,,
2,1,,172458-67090,, CAP,,6,6,,,,,,,,,,,,,,,,,,,,,
3,1,,172458-67100,, "ROOF ASSY,CANOPY" ,,1,1,,,,,,,,,,,,,,,,,,,,,
4,1,,172458-67110,, "POLE (WHITE:15)" ,,1,1,,,,,,,,,,,,,,,,,,,,,
5,1,,22217-160000,, "SPRING WASHER 16" ,,6,6,,,,,,,,,,,,,,,,,,,,,
6,1,,26013-120302,, "BOLT W/WASHER M12X30" ,,6,6,,,,,,,,,,,,,,,,,,,,,
7,1,,26076-160402,, "BOLT 10.9 16X40" ,,6,6,,,,,,,,,,,,,,,,,,,,,



1,1,,172168-71101,, "COVER, FLYWHEEL (88)",1,1,,,,,,,,,,,,,,,,,
2,1,,26013-100302,, "BOLT M10X 30",8,8,,,,,,,,,,,,,,,,,
3,1,,172165-71200,, COUPLING,1,1,,,,,,,,,,,,,,,,,
4,1,,26450-120402,, "BOLT M12X 40",3,3,,,,,,,,,,,,,,,,,
5,1,,172457-73500,, "PUMP ASSY",1,1,,,,,,,,,,,,,,,,,
5-1,1,,172457-73501,, "PUMP
ASSY",1,1,,,,,N,,724960061,M/#21287,724960061,M/#21287,,,,,,I
6,2,,172148-70301,, PLUG,2,2,,,,,,,,,,,,,,,,,
7,2,,172122-70350,, BALL,1,1,,,,,,,,,,,,,,,,,
8,2,,172460-73160,, WASHER,1,1,,,,,,,,,,,,,,,,,
9,2,,172460-73180,, RING,1,1,,,,,,,,,,,,,,,,,
10,2,,172460-73200,, BEARING,1,1,,,,,,,,,,,,,,,,,
11,2,,172460-73220,, STOPPER,1,1,,,,,,,,,,,,,,,,,
12,2,,172460-73240,, HOLDER,1,1,,,,,,,,,,,,,,,,,
13,2,,172460-73270,, SEAL,1,1,,,,,,,,,,,,,,,,,
13-1,2,,172461-73270,, "SEAT,
SPRING",1,1,,,,,N,,724960061,M/#21287,724960061,M/#21287,,,,,,I
14,2,,172176-73290,, "SHEET, SPRING",1,1,,,,,,,,,,,,,,,,,
15,2,,172460-73330,, BEARING,1,1,,,,,,,,,,,,,,,,,
16,2,,172460-73340,, STOPPER,1,1,,,,,,,,,,,,,,,,,
17,2,,172460-73350,, SPRING,3,3,,,,,,,,,,,,,,,,,
18,2,,172460-73360,, WASHER,1,1,,,,,,,,,,,,,,,,,
19,2,,172460-73370,, PLUG,1,1,,,,,,,,,,,,,,,,,
20,2,,172460-73380,, BUSH,1,1,,,,,,,,,,,,,,,,,
21,2,,172460-73390,, PLATE,1,1,,,,,,,,,,,,,,,,,
22,2,,172460-73420,, PIN,1,1,,,,,,,,,,,,,,,,,
23,2,,172460-73430,, "VALVE S/A",1,1,,,,,,,,,,,,,,,,,
24,3,,172460-73900,, "SOLENOID
B",1,1,,,,,,72460311,M/#20501,72460311,M/#20501,,,,,
25,3,,172460-73910,, "SOLENOID
A",1,1,,,,,,72460311,M/#20501,72460311,M/#20501,,,,,
26,3,,24352-190110,, "O-RING 2
19011",2,2,,,,,,72460311,M/#20501,72460311,M/#20501,,,,,
27,2,,172122-73480,, PIN,1,1,,,,,,,,,,,,,,,,,
28,2,,172122-73480,, PIN,2,2,,,,,,,,,,,,,,,,,
29,2,,172452-73480,, PLUG,6,6,,,,,,,,,,,,,,,,,
30,2,,172457-73510,, SHAFT,1,1,,,,,,,,,,,,,,,,,
31,2,,172457-73530,, BUSHING,2,2,,,,,,,,,,,,,,,,,
32,2,,172457-73540,, "VALVE PLATE",1,1,,,,,,,,,,,,,,,,,
33,2,,172457-73550,, SPRING,1,1,,,,,,,,,,,,,,,,,
34,2,,172176-73560,, SPRING,1,1,,,,,,,,,,,,,,,,,
35,2,,172457-73560,, SPRING,1,1,,,,,,,,,,,,,,,,,
36,2,,172457-73580,, PIN,1,1,,,,,,,,,,,,,,,,,
37,2,,172176-73590,, SHIM,2,2,,,,,,,,,,,,,,,,,
38,2,,172457-73590,, PIN,1,1,,,,,,,,,,,,,,,,,
39,2,,172176-73600,, PLUG,1,1,,,,,,,,,,,,,,,,,
40,2,,172457-73600,, "GEAR PUMP",1,1,,,,,,,,,,,,,,,,,
41,2,,172176-73690,, "BREEDER, AIR",1,1,,,,,,,,,,,,,,,,,
42,2,,172176-73880,, "ROTOR ASSY, TROCHOID",1,1,,,,,,,,,,,,,,,,,
43,2,,172176-73910,, "THRUST WASHER",2,2,,,,,,,,,,,,,,,,,
44,2,,172176-73930,, PIN,1,1,,,,,,,,,,,,,,,,,
45,2,,172176-73940,, POPPET,1,1,,,,,,,,,,,,,,,,,
46,2,,172457-73060,, "KIT, PUMP",1,1,,,,,,,,,,,,,,,,,
47,3,,172457-73610,, "SEAL KIT",1,1,,,,,,,,,,,,,,,,,
47-1,3,,172457-73611,, "SEAL
KIT",1,1,,,,,N,,724960061,M/#21287,724960061,M/#21287,,,,,,I
48,4,,172460-73190,, "OIL SEAL",1,1,,,,,,,,,,,,,,,,,
49,4,,172460-73400,, O-RING,1,1,,,,,,,,,,,,,,,,,
50,4,,172457-73520,, GASKET,1,1,,,,,,,,,,,,,,,,,
51,4,,172457-73570,, "SEAL WASHER",1,1,,,,,,,,,,,,,,,,,
52,4,,24315-000140,, "O-RING 1B P-14.0",1,1,,,,,,,,,,,,,,,,,
53,4,,24315-000110,, "O-RING 1B P-11.0",3,3,,,,,,,,,,,,,,,,,
54,4,,24315-000080,, "O-RING 1B P-8.0",2,2,,,,,,,,,,,,,,,,,

55,4,,24315-000110,, "O-RING 1B P-11.0",1,1,,,,,,,,,,,,,
56,4,,24321-000850,, "O-RING 1A G-85.0",1,1,,,,,,,,,,,,,
57,4,,24315-000080,, "O-RING 1B P-8.0",1,1,,,,,,,,,,,,,
58,4,,24315-000180,, "O-RING 1B P-18.0",2,2,,,,,,,,,,,,,
59,3,,172457-73620,, "BLOCK KIT, CYLINDER",1,1,,,,,,,,,,,,,
60,3,,172457-73630,, "RETAINER KIT",1,1,,,,,,,,,,,,,
61,3,,172457-73640,, "SWASH PLATE S/A",1,1,,,,,,,,,,,,,
63,1,,26013-120352,, "BOLT M12X 35",2,2,,,,,,,,,,,,,

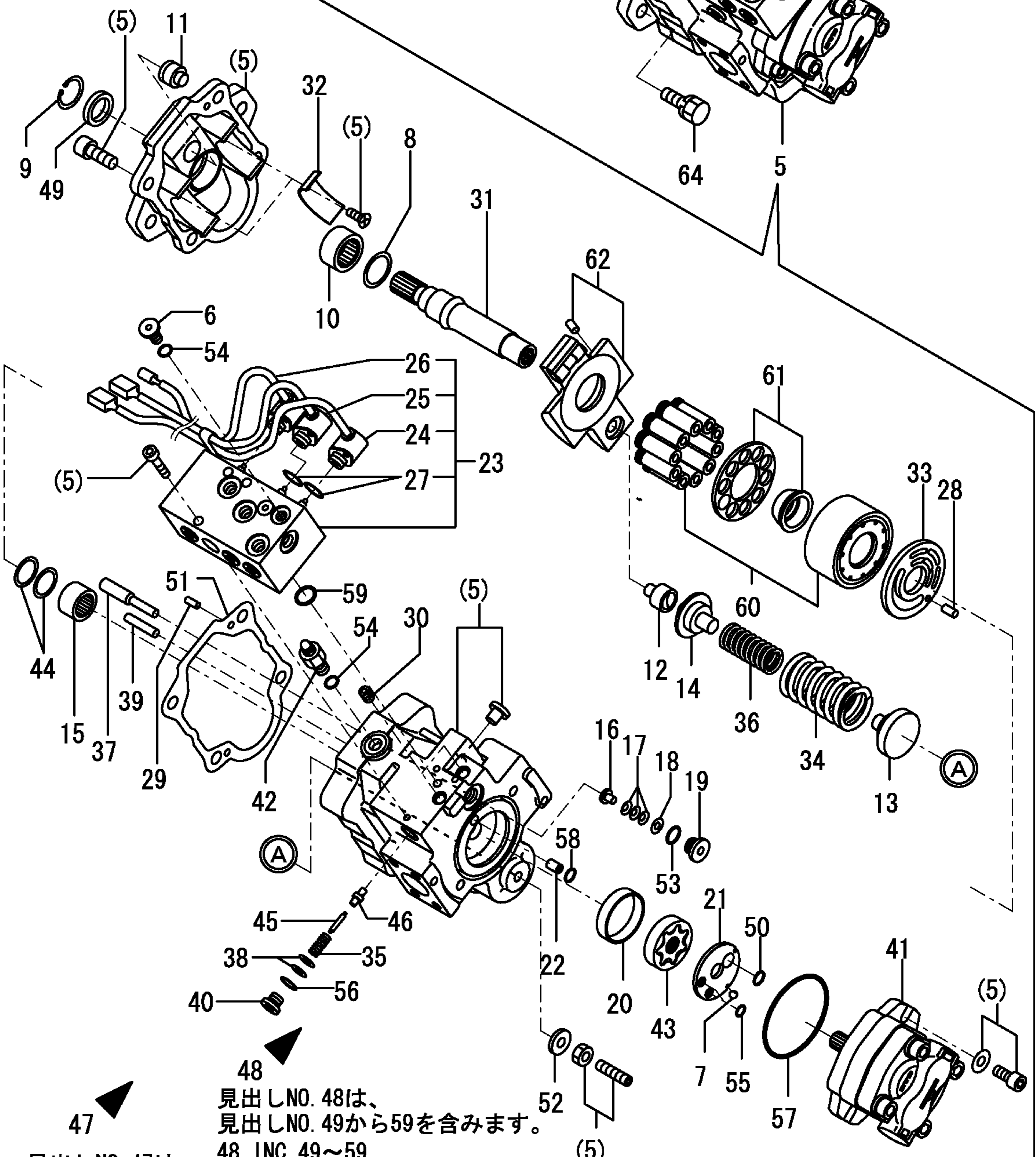
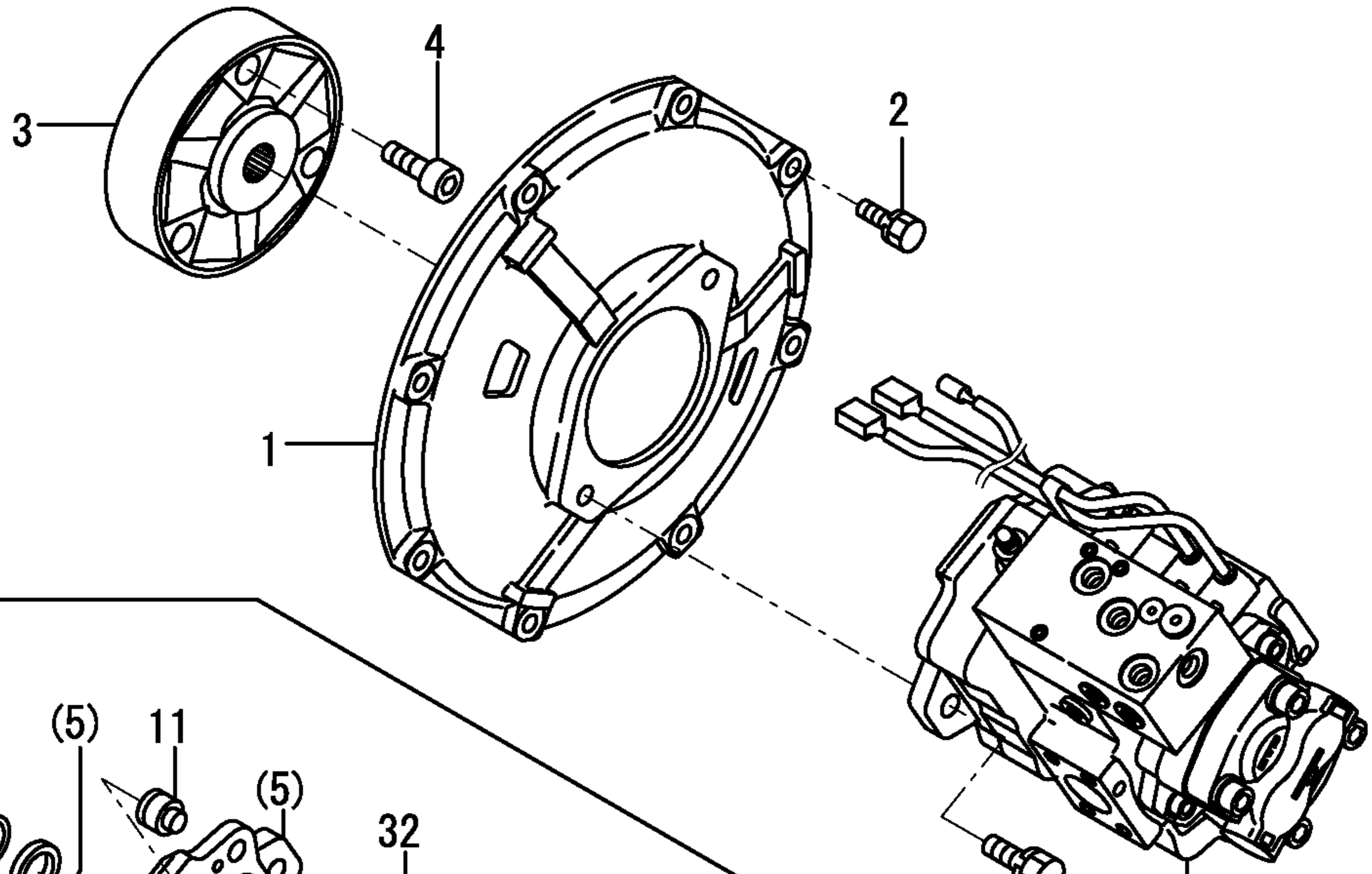


見出しNO. 46は、
見出しNO. 47から61を含みます。
46 INC. 47~61.

見出しNO. 47は、
見出しNO. 48から58を含みます。
47 INC. 48~58.

1,1,,172168-71101,, "COVER, FLYWHEEL (88)",1,1,1,,,,,,,,,,,,,
2,1,,26013-100302,, "BOLT M10X 30",8,8,8,,,,,,,,,,,,,
3,1,,172165-71200,, COUPLING,1,1,1,,,,,,,,,,,,,
4,1,,26450-120402,, "BOLT M12X 40",3,3,3,,,,,,,,,,,,,
5,1,,172957-73500,, "PUMP Q ASSY",1,1,1,,,,,,,,,,,,,
5-1,1,,172957-73501,, "PUMP Q
ASSY",1,1,1,,,,,N,,724960061,M/#21287,724960061,M/#21287,724960061,M/#21287,,,,,
,I
6,2,,172148-70301,, PLUG,2,2,2,,,,,,,,,,,,,
7,2,,172122-70350,, BALL,1,1,1,,,,,,,,,,,,,
8,2,,172460-73160,, WASHER,1,1,1,,,,,,,,,,,,,
9,2,,172460-73180,, RING,1,1,1,,,,,,,,,,,,,
10,2,,172460-73200,, BEARING,1,1,1,,,,,,,,,,,,,
11,2,,172460-73220,, STOPPER,1,1,1,,,,,,,,,,,,,
12,2,,172460-73240,, HOLDER,1,1,1,,,,,,,,,,,,,
13,2,,172460-73270,, SEAL,1,1,1,,,,,,,,,,,,,
13-1,2,,172461-73270,, "SEAT,
SPRING",1,1,1,,,,,N,,724960061,M/#21287,724960061,M/#21287,724960061,M/#21287,,,,,
,,I
14,2,,172176-73290,, "SHEET, SPRING",1,1,1,,,,,,,,,,,,,
15,2,,172460-73330,, BEARING,1,1,1,,,,,,,,,,,,,
16,2,,172460-73340,, STOPPER,1,1,1,,,,,,,,,,,,,
17,2,,172460-73350,, SPRING,3,3,3,,,,,,,,,,,,,
18,2,,172460-73360,, WASHER,1,1,1,,,,,,,,,,,,,
19,2,,172460-73370,, PLUG,1,1,1,,,,,,,,,,,,,
20,2,,172460-73380,, BUSH,1,1,1,,,,,,,,,,,,,
21,2,,172460-73390,, PLATE,1,1,1,,,,,,,,,,,,,
22,2,,172460-73420,, PIN,1,1,1,,,,,,,,,,,,,
23,2,,172960-73430,, VALVE,1,1,1,,,,,,,,,,,,,
24,3,,172460-73900,, "SOLENOID
B",1,1,1,,,,,72460311,M/#20501,72460311,M/#20501,,,,,
25,3,,172460-73910,, "SOLENOID
A",1,1,1,,,,,72460311,M/#20501,72460311,M/#20501,,,,,
26,3,,172460-73920,, "SOLENOID
C",1,1,1,,,,,72460311,M/#20501,72460311,M/#20501,,,,,
27,3,,24352-190110,, "O-RING 2
19011",3,3,3,,,,,72460311,M/#20501,72460311,M/#20501,,,,,
28,2,,172122-73480,, PIN,1,1,1,,,,,,,,,,,,,
29,2,,172122-73480,, PIN,2,2,2,,,,,,,,,,,,,
30,2,,172452-73480,, PLUG,6,6,6,,,,,,,,,,,,,
31,2,,172457-73510,, SHAFT,1,1,1,,,,,,,,,,,,,
32,2,,172457-73530,, BUSHING,2,2,2,,,,,,,,,,,,,
33,2,,172457-73540,, "VALVE PLATE",1,1,1,,,,,,,,,,,,,
34,2,,172457-73550,, SPRING,1,1,1,,,,,,,,,,,,,
35,2,,172176-73560,, SPRING,1,1,1,,,,,,,,,,,,,
36,2,,172457-73560,, SPRING,1,1,1,,,,,,,,,,,,,
37,2,,172457-73580,, PIN,1,1,1,,,,,,,,,,,,,
38,2,,172176-73590,, SHIM,2,2,2,,,,,,,,,,,,,
39,2,,172457-73590,, PIN,1,1,1,,,,,,,,,,,,,
40,2,,172176-73600,, PLUG,1,1,1,,,,,,,,,,,,,
41,2,,172457-73600,, "GEAR PUMP",1,1,1,,,,,,,,,,,,,
42,2,,172176-73690,, "BREEDER, AIR",1,1,1,,,,,,,,,,,,,
43,2,,172176-73880,, "ROTOR ASSY, TROCHOID",1,1,1,,,,,,,,,,,,,
44,2,,172176-73910,, "THRUST WASHER",2,2,2,,,,,,,,,,,,,
45,2,,172176-73930,, PIN,1,1,1,,,,,,,,,,,,,
46,2,,172176-73940,, POPPET,1,1,1,,,,,,,,,,,,,
47,2,,172957-73060,, "KIT, PUMP Q",1,1,1,,,,,,,,,,,,,
48,3,,172957-73510,, "SEAL KIT",1,1,1,,,,,,,,,,,,,
49,4,,172460-73190,, "OIL SEAL",1,1,1,,,,,,,,,,,,,
50,4,,172460-73400,, O-RING,1,1,1,,,,,,,,,,,,,
51,4,,172457-73520,, GASKET,1,1,1,,,,,,,,,,,,,
52,4,,172457-73570,, "SEAL WASHER",1,1,1,,,,,,,,,,,,,
53,4,,24315-000140,, "O-RING 1B P-14.0",1,1,1,,,,,,,,,,,,,

54,4,,24315-000110,, "O-RING 1B P-11.0",3,3,3,,,,,,,,,,,,,
55,4,,24315-000080,, "O-RING 1B P-8.0",2,2,2,,,,,,,,,,,,,
56,4,,24315-000110,, "O-RING 1B P-11.0",1,1,1,,,,,,,,,,,,,
57,4,,24321-000850,, "O-RING 1A G-85.0",1,1,1,,,,,,,,,,,,,
58,4,,24315-000080,, "O-RING 1B P-8.0",1,1,1,,,,,,,,,,,,,
59,4,,24315-000180,, "O-RING 1B P-18.0",2,2,2,,,,,,,,,,,,,
60,3,,172457-73620,, "BLOCK KIT, CYLINDER",1,1,1,,,,,,,,,,,,,
61,3,,172457-73630,, "RETAINER KIT",1,1,1,,,,,,,,,,,,,
62,3,,172457-73640,, "SWASH PLATE S/A",1,1,1,,,,,,,,,,,,,
64,1,,26013-120352,, "BOLT M12X 35",2,2,2,,,,,,,,,,,,,



見出しNO. 48は、
見出しNO. 49から59を含みます。
48 INC. 49~59.

見出しNO. 47は、
見出しNO. 48から62を含みます。
47 INC. 48~62.

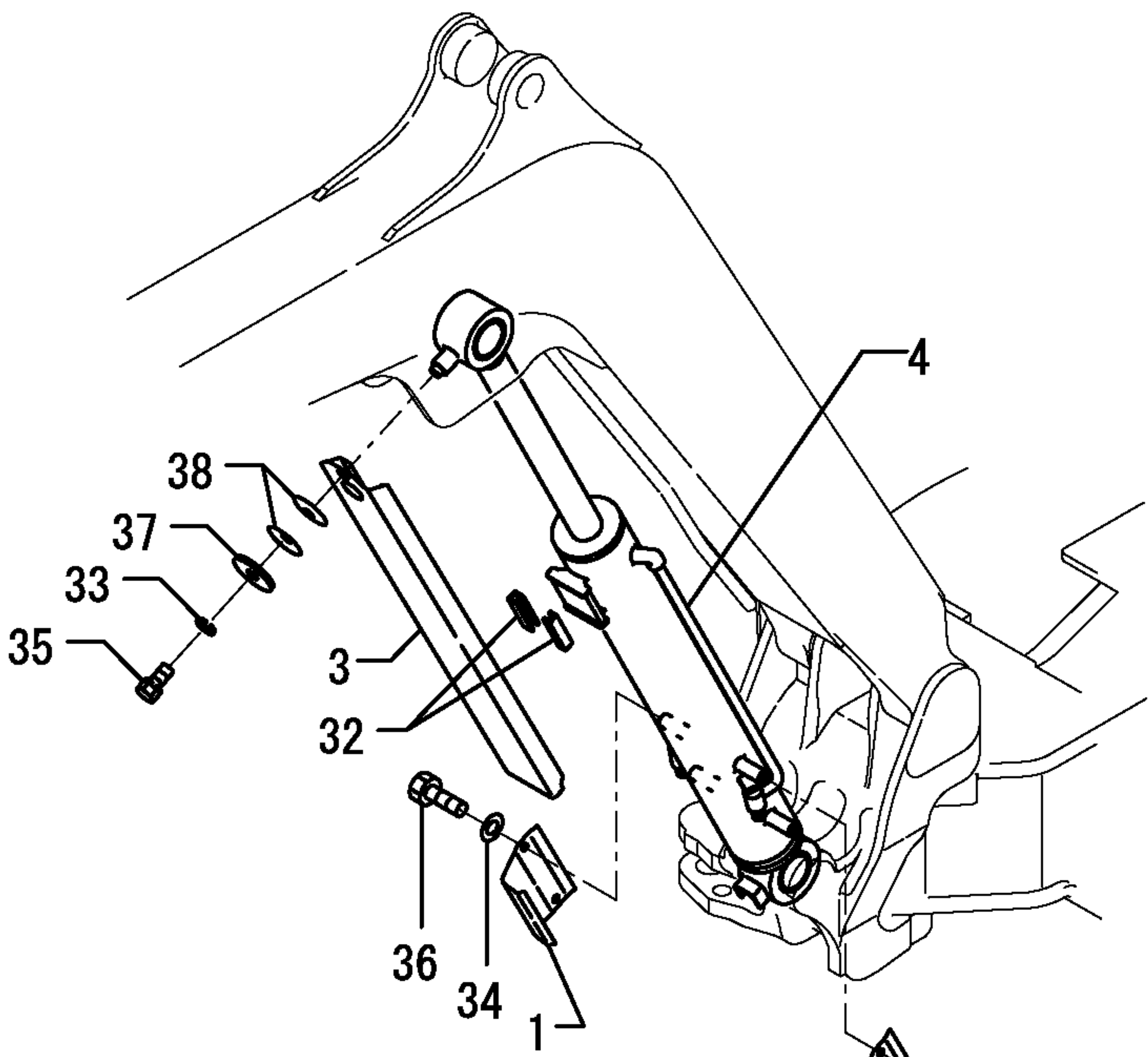
47

48

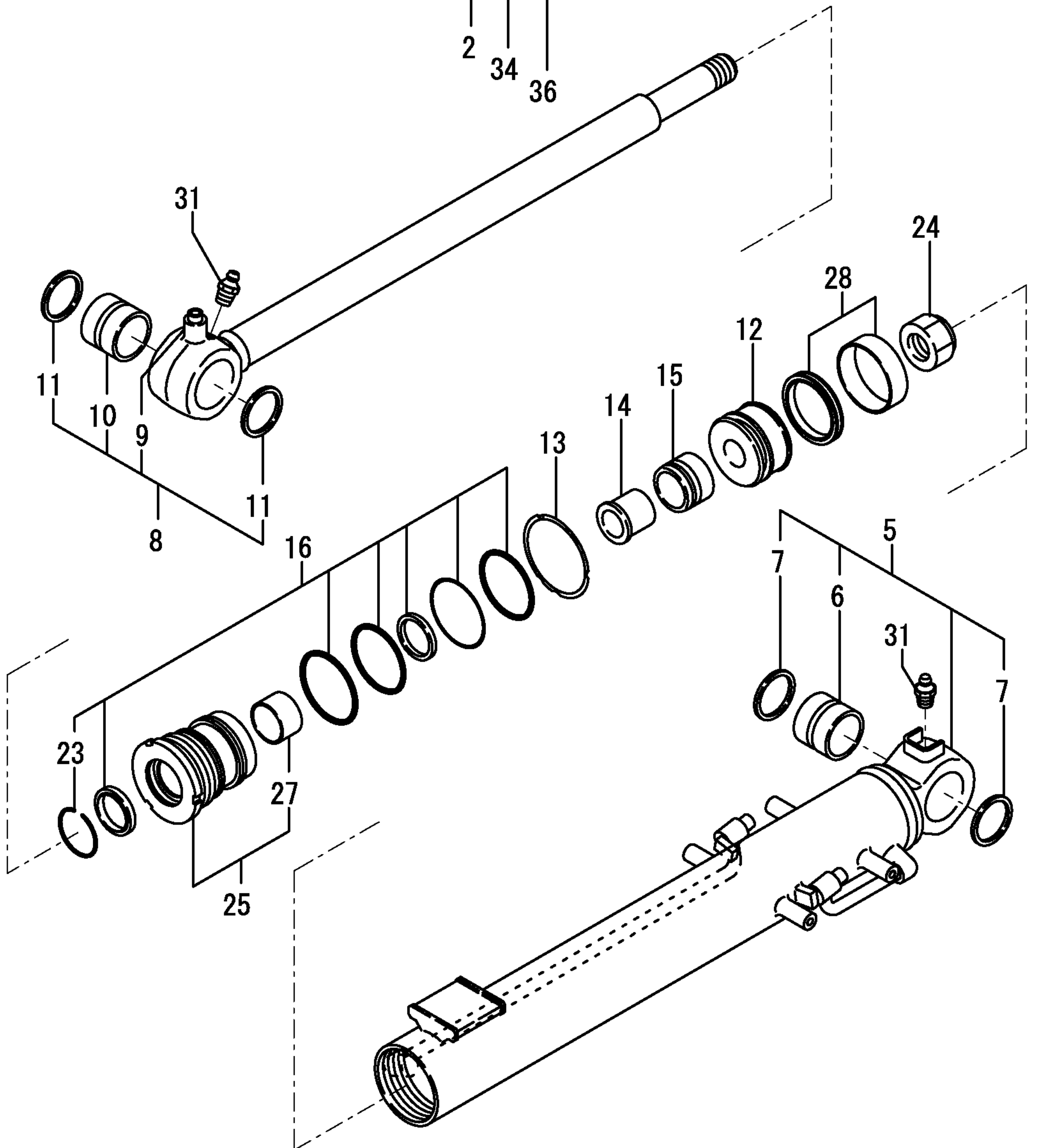
(5)

(5)

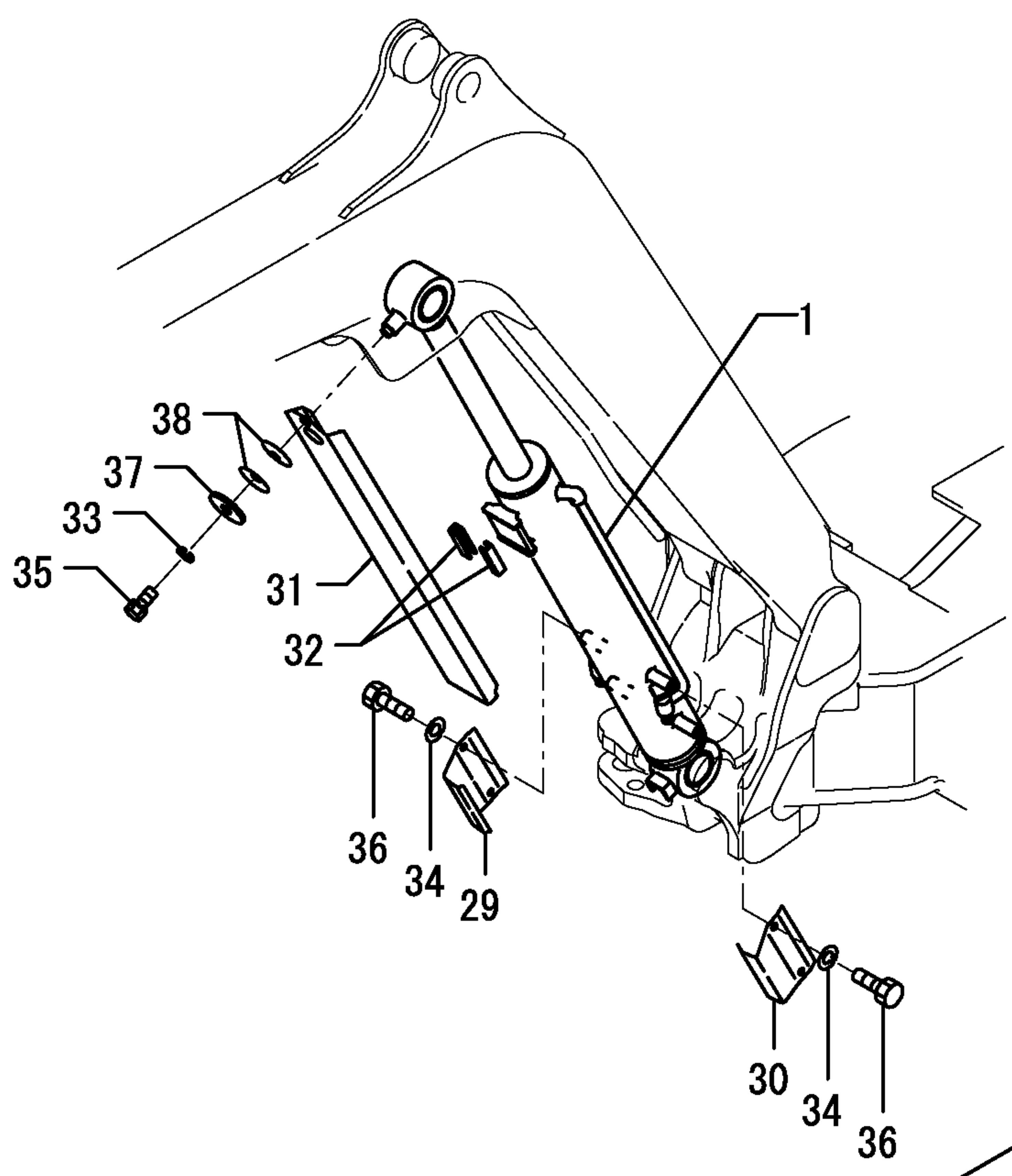
1,1,,172457-72230,, "COVER R,BOOM-CYL(97)",1,1,,,,,,,,,,,,,
2,1,,172457-72240,, "COVER L BOOM-CYL(97)",1,1,,,,,,,,,,,,,
3,1,,172458-72270,, "COVER,SLIDE(GREEN:97)",1,1,,,,,,,,,,,,,
4,1,,172457-72400,, "CYLINDER,BOOM C (97)",1,1,,,,,,,,,,,,,
5,2,,172457-72110,, "TUBE,BOOM (GREEN:97)",1,1,,,,,,,,,,,,,
6,3,,172168-72400,, "BUSH 45X55X40",1,1,,,,,,,,,,,,,
7,3,,172168-81410,, "SEAL 45X55X4, DUST",2,2,,,,,,,,,,,,,
8,2,,172457-72140,, "ROD,BOOM",1,1,,,,,,,,,,,,,
9,3,,172165-72161,, "SEAT, SCREW
M10",1,1,,,,,W,,72458525,M/#20501,72458525,M/#20501,,,,,,I
10,3,,172168-72400,, "BUSH 45X55X40",1,1,,,,,,,,,,,,,
11,3,,172168-81410,, "SEAL 45X55X4, DUST",2,2,,,,,,,,,,,,,
12,2,,172457-72180,, "PISTON",1,1,,,,,,,,,,,,,
13,2,,172141-72190,, "WASHER 75",1,1,,,,,,,,,,,,,
14,2,,172457-72190,, "COLLAR 27 38,CUSHON",1,1,,,,,,,,,,,,,
15,2,,172457-72200,, "PLUNGER 50,CUSHON",1,1,,,,,,,,,,,,,
16,2,,172457-72221,, "SEAL SET,85X45 HEAD",1,1,,,,,,,,,,,,,
23,3,,933111-26600,, "RING 55, SPRING",1,1,,,,,,,,,,,,,
24,2,,172141-72250,, "U-NUT M27",1,1,,,,,,,,,,,,,
25,2,,172457-72410,, "HEAD 75 40",1,1,,,,,,,,,,,,,
27,3,,933135-14600,, "BUSH 40 30, ROD",1,1,,,,,,,,,,,,,
27-1,3,,24550-040300,, "BUSH
40X30",1,1,,,,,R,,A1686116,M/#21014,A1686116,M/#21014,,,,,,I
28,2,,172444-72960,, "PISTON SEAL SET",1,1,,,,,,,,,,,,,
28-1,2,,172444-72961,, "PISTON SEAL
SET",1,1,,,,,N,,72458500,M/#21180,72458500,M/#21180,,,,,,I
31,2,,24761-020000,, "NIPPLE PT1/8,GREASE",2,2,,,,,,,,,,,,,
32,1,,172186-72480,, "GUIDE,SLIDE",2,2,,,,,,,,,,,,,
33,1,,22217-100000,, "SPRING WASHER 10",1,1,,,,,,,,,,,,,
34,1,,22217-100000,, "SPRING WASHER 10",4,4,,,,,,,,,,,,,
35,1,,26116-100162,, "BOLT M10X 16 PLATED",1,1,,,,,,,,,,,,,
36,1,,26116-100162,, "BOLT M10X 16 PLATED",4,4,,,,,,,,,,,,,
37,1,,933147-03400,, "WASHER, BRAKE ARM",1,1,,,,,,,,,,,,,
38,1,,933168-14170,, "SPRING 16",2,2,,,,,,,,,,,,,



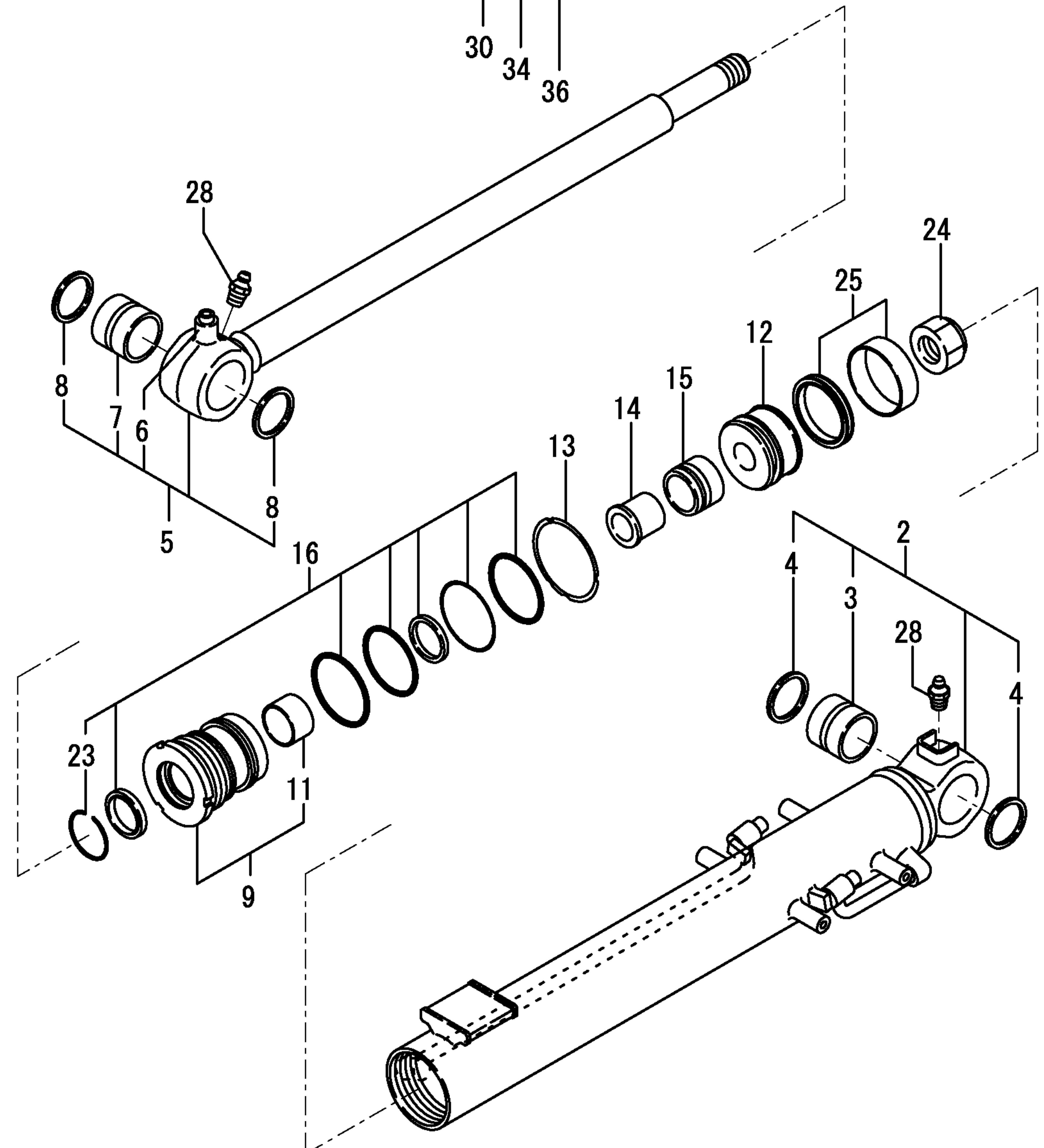
見出しNo. 4は、
見出しNo. 5~31を含みます。
4 INC. 5~31.



1,1,,172457-72100,, "CYLINDER,BOOM P (97)",,1,1,,,,,,,,,,,,,
2,2,,172457-72110,, "TUBE,BOOM (GREEN:97)",,1,1,,,,,,,,,,,,,
3,3,,172168-72400,, "BUSH 45X55X40",,1,1,,,,,,,,,,,,,
4,3,,172168-81410,, "SEAL 45X55X4, DUST",,2,2,,,,,,,,,,,,,
5,2,,172457-72140,, "ROD,BOOM",,1,1,,,,,,,,,,,,,
6,3,,172165-72161,, "SEAT, SCREW M10",,1,1,,,,,W,,,,,72458525,M/#20501,,,,,,,,,I
7,3,,172168-72400,, "BUSH 45X55X40",,1,1,,,,,,,,,,,,,
8,3,,172168-81410,, "SEAL 45X55X4, DUST",,2,2,,,,,,,,,,,,,
9,2,,172457-72160,, "HEAD 75 40",,1,1,,,,,,,,,,,,,
11,3,,933135-14600,, "BUSH 40 30, ROD",,1,1,,,,,,,,,,,,,
11-1,3,,24550-040300,, "BUSH 40X30",,1,1,,,,,R,,,,,A1686116,M/#21014,,,,,,,,,I
12,2,,172457-72180,, "PISTON",,1,1,,,,,,,,,,,,,
13,2,,172141-72190,, "WASHER 75",,1,1,,,,,,,,,,,,,
14,2,,172457-72190,, "COLLAR 27 38,CUSHON",,1,1,,,,,,,,,,,,,
15,2,,172457-72200,, "PLUNGER 50,CUSHON",,1,1,,,,,,,,,,,,,
16,2,,172457-72221,, "SEAL SET,85X45 HEAD",,1,1,,,,,,,,,,,,,
23,3,,933111-26600,, "RING 55, SPRING",,1,1,,,,,,,,,,,,,
24,2,,172141-72250,, "U-NUT M27",,1,1,,,,,,,,,,,,,
25,2,,172444-72960,, "PISTON SEAL SET",,1,1,,,,,,,,,,,,,
25-1,2,,172444-72961,, "PISTON SEAL SET",,1,1,,,,,N,,,,,72458500,M/#21180,,,,,,,,,I
28,2,,24761-020000,, "NIPPLE PT1/8,GREASE",,2,2,,,,,,,,,,,,,
29,1,,172457-72230,, "COVER R,BOOM-CYL(97)",,1,1,,,,,,,,,,,,,
30,1,,172457-72240,, "COVER L BOOM-CYL(97)",,1,1,,,,,,,,,,,,,
31,1,,172458-72270,, "COVER,SLIDE(GREEN:97)",,1,1,,,,,,,,,,,,,
32,1,,172186-72480,, "GUIDE,SLIDE",,2,2,,,,,,,,,,,,,
33,1,,22217-100000,, "SPRING WASHER 10",,1,1,,,,,,,,,,,,,
34,1,,22217-100000,, "SPRING WASHER 10",,4,4,,,,,,,,,,,,,
35,1,,26116-100162,, "BOLT M10X 16 PLATED",,1,1,,,,,,,,,,,,,
36,1,,26116-100162,, "BOLT M10X 16 PLATED",,4,4,,,,,,,,,,,,,
37,1,,933147-03400,, "WASHER, BRAKE ARM",,1,1,,,,,,,,,,,,,
38,1,,933168-14170,, "SPRING 16",,2,2,,,,,,,,,,,,,

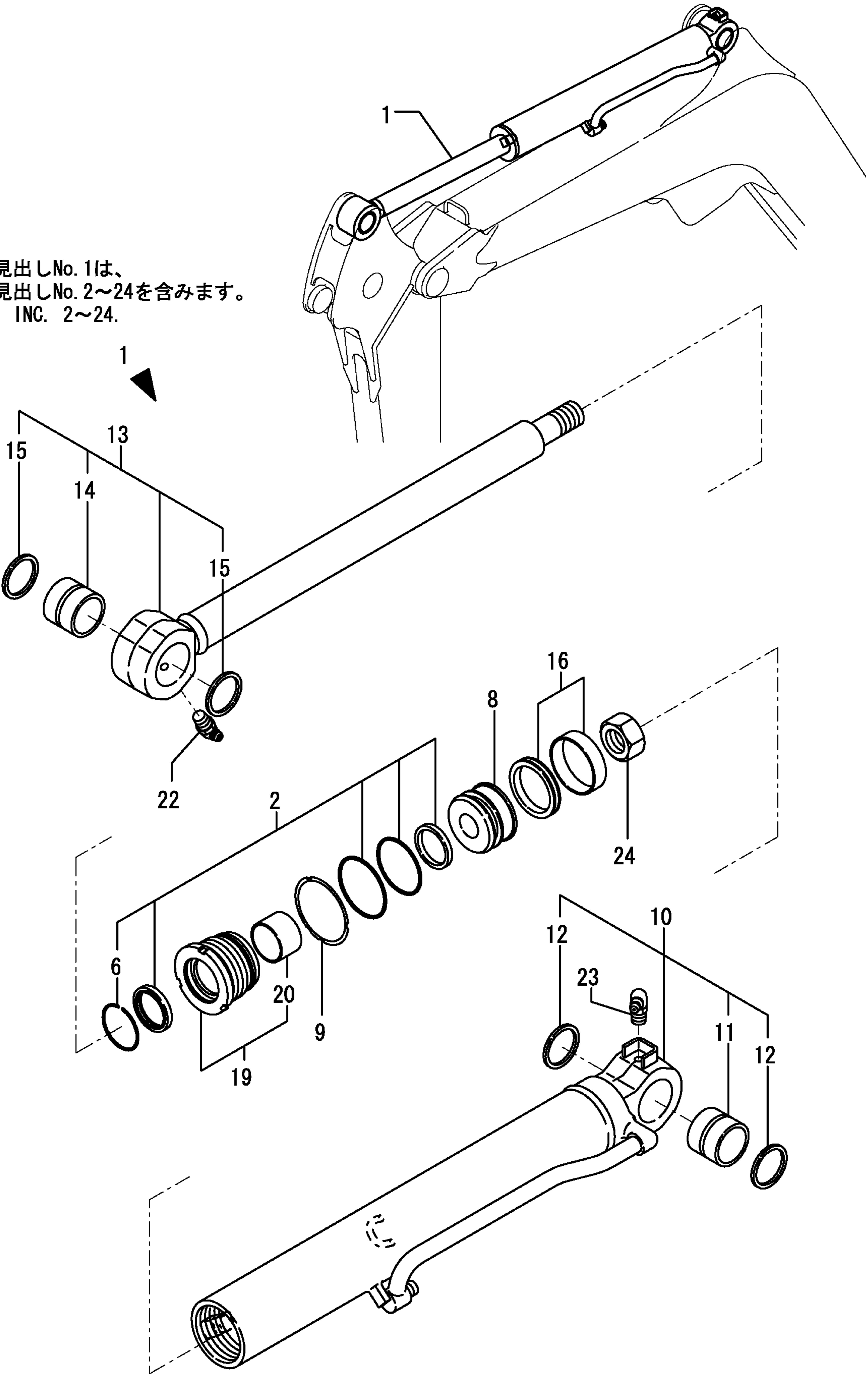


見出しNo. 1は、
見出しNo. 2~28を含みます。
1 INC. 2~28.

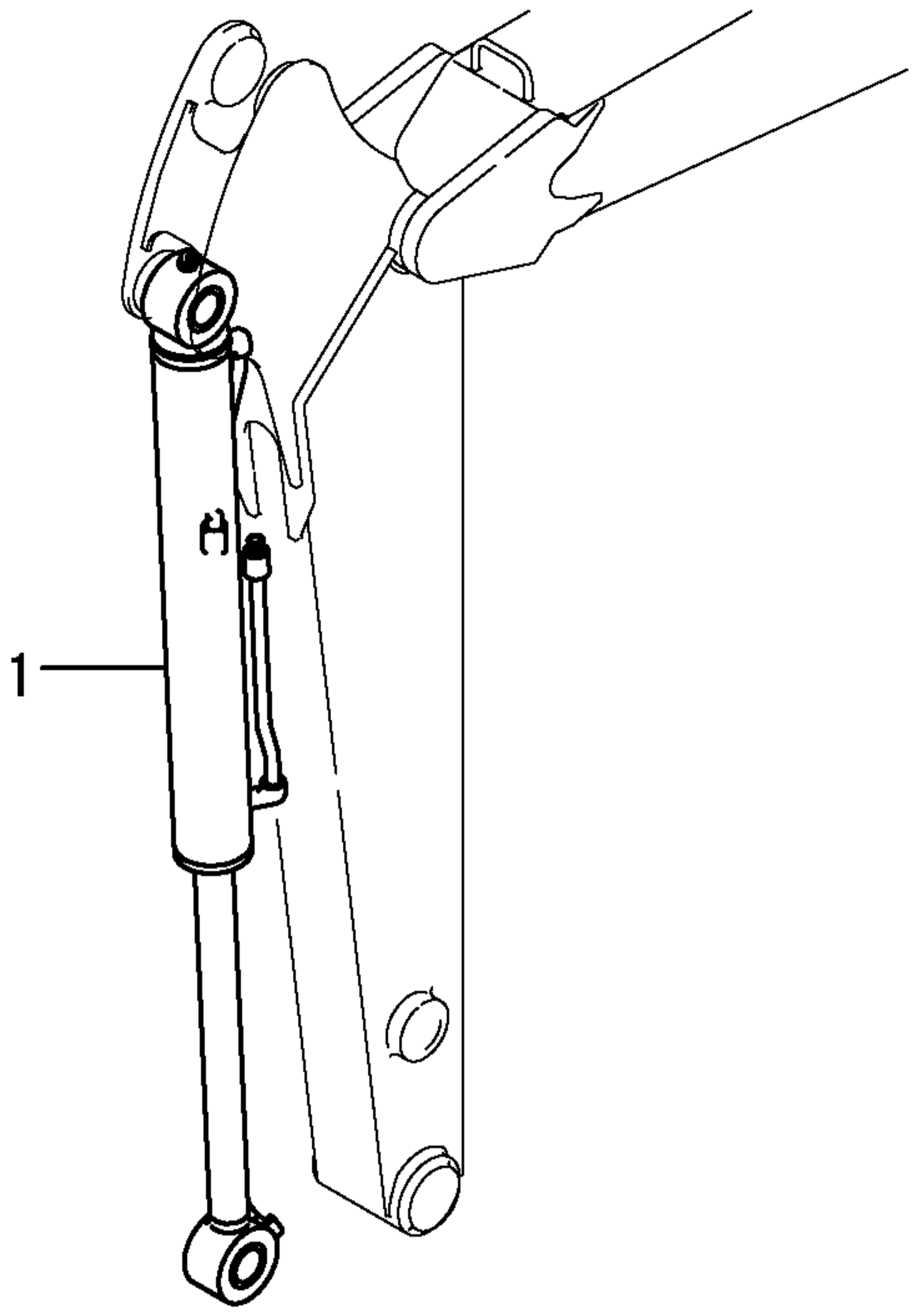


1,1,,172457-72300,, "CYLINDER,ARM(GREEN97",1,1,1,,,,,,,,,,,,,
2,2,,172457-72010,, "SEAL SET 75X45,HEAD",1,1,1,,,,,,,,,,,,,
6,3,,933125-94500,, "RING 60, SPRING",1,1,1,,,,,,,,,,,,,
8,2,,172148-72050,, "PISTON 75",1,1,1,,,,,,,,,,,,,
9,2,,172141-72190,, "WASHER 75",1,1,1,,,,,,,,,,,,,
10,2,,172457-72310,, "TUBE,ARM (GREEN:97)",1,1,1,,,,,,,,,,,,,
11,3,,172168-72410,, "BUSH 40X50X40",1,1,1,,,,,,,,,,,,,
12,3,,172165-81750,, "SEAL 40X50X5, DUST",2,2,,,,,,,,,,,,,
12-1,3,,172448-72650,, "SEAL
40X50X4,DUST",2,2,2,,,,,R,,72449038,M/#21105,72449038,M/#21105,,,,,,I
13,2,,172457-72330,, "ROD,ARM",1,1,1,,,,,,,,,,,,,
14,3,,172168-72410,, "BUSH 40X50X40",1,1,1,,,,,,,,,,,,,
15,3,,172165-81750,, "SEAL 40X50X5, DUST",2,2,,,,,,,,,,,,,
15-1,3,,172448-72650,, "SEAL
40X50X4,DUST",2,2,2,,,,,R,,72449038,M/#21105,72449038,M/#21105,,,,,,I
16,2,,172164-72350,, "SEAL SET, PISTON",1,1,,,,,,,,,,,,,
16-1,2,,172444-72961,, "PISTON SEAL
SET",1,1,1,,,,,N,,72458500,M/#21180,72458500,M/#21180,,,,,,I
19,2,,172148-72390,, "HEAD 75 45",1,1,1,,,,,,,,,,,,,
20,3,,194300-24130,, "BUSH 45X50X30",1,1,,,,,,,,,,,,,
20-1,3,,24550-
045300,,BUSH,1,1,1,,,,,R,,A1686116,M/#21014,A1686116,M/#21014,,,,,,I
22,2,,24761-040000,, "NIPPLE B,GREASE",1,1,1,,,,,,,,,,,,,
23,2,,24761-050000,, "NIPPLE C,GREASE",1,1,1,,,,,,,,,,,,,
24,2,,933111-20200,, "U-NUT M33",1,1,1,,,,,,,,,,,,,

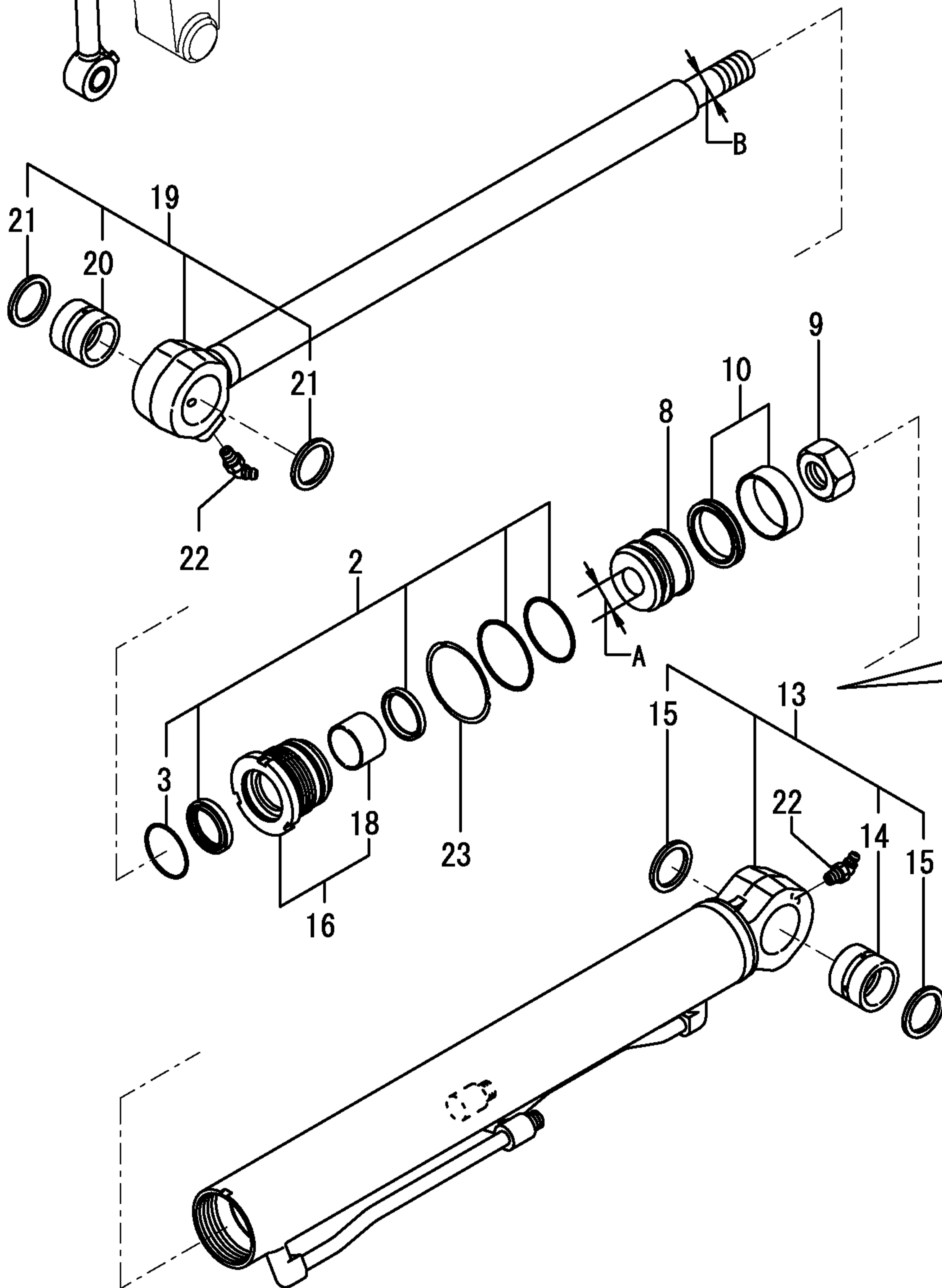
見出しNo. 1は、
見出しNo. 2~24を含みます。
1 INC. 2~24.



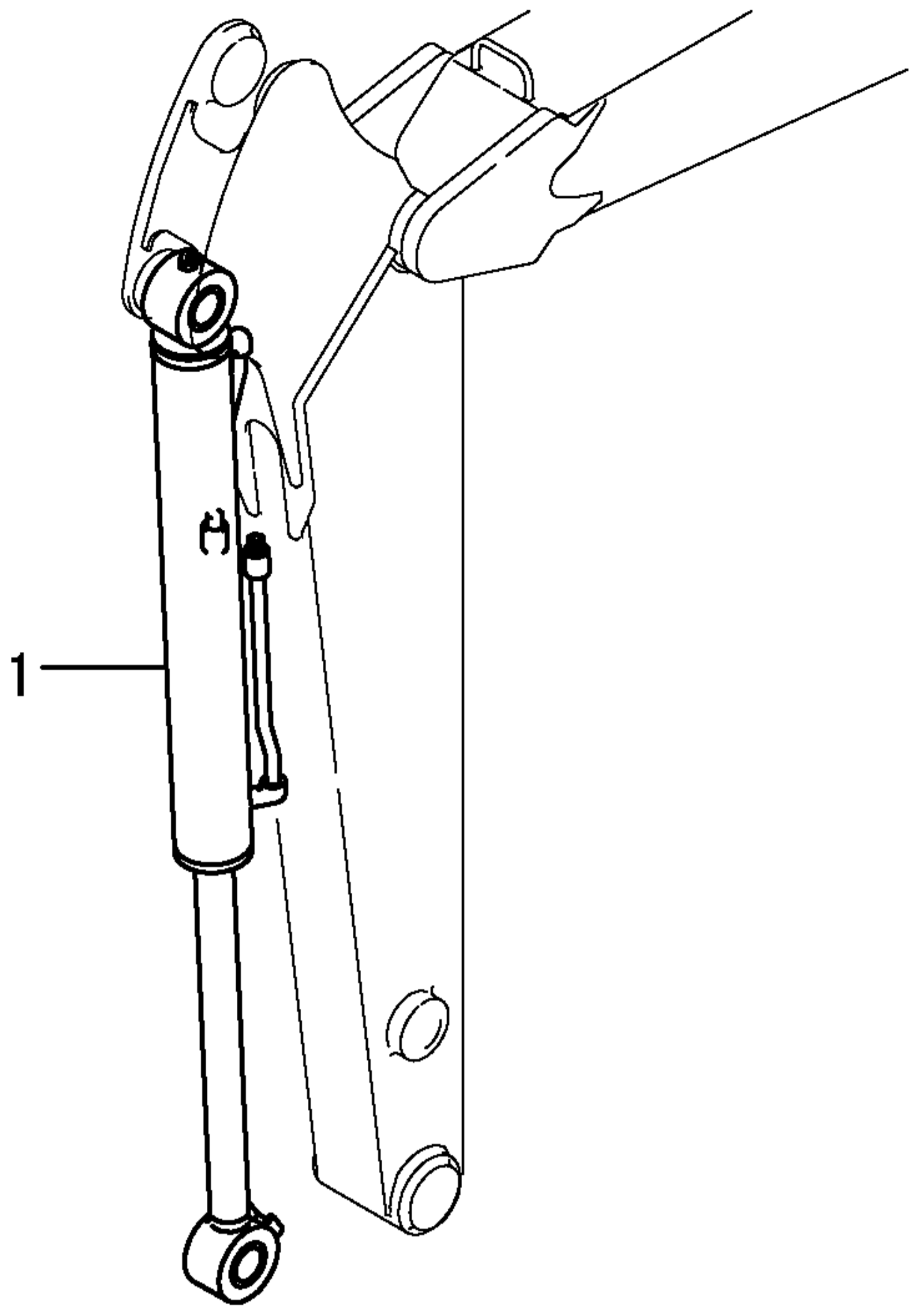
1,1,,172457-72500,, "CYLINDER, BUCKET (97)",1,1,,,,,,,,,,,,,
1-1,1,,172457-72501,, "CYLINDER,
BUCKET(97)",1,1,,,,,N,,724570049,*03.06.21,724570049,*03.06.21,,,,,
2,2,,172457-72050,, "SEAL SET 60X35,HEAD",1,1,,,,,,,,,,,,,
3,3,,172141-73090,, "RING 50, SPRING",1,1,,,,,,,,,,,,,
8,2,,172171-72120,, PISTON,1,1,,,,,1,724570049,,724570049,,,,,,I
8-1,2,,172457-72580,, "PISTON
60",1,1,,,,,S,3,724570049,*03.06.21,724570049,*03.06.21,,,,,,I
9,2,,172171-72130,, "U-NUT M24",1,1,,,,,724570049,,724570049,,,,,
9-1,2,,172141-72250,, "U-NUT
M27",1,1,,,,,S,3,724570049,*03.06.21,724570049,*03.06.21,,,,,,I
10,2,,172137-72452,, "SEAL SET 60A, PISTON",1,1,,,,,,,,,,,,,
10-1,2,,172137-72453,, "SEAL SET, PISTON
60A",1,1,,,,,S,3,72458500,M/#21180,72458500,M/#21180,,,,,,I
13,2,,172457-
72510,, "TUBE, BUCKET(GREEN:97",1,1,,,,,724570049,,724570049,,,,,
13-1,2,,172457-72511,, "TUBE, BUCKET
(97)",1,1,,,,,S,3,724570049,*03.06.21,724570049,*03.06.21,,,,,,I
14,3,,172168-72240,, "BUSH 38X50X40",1,1,,,,,,,,,,,,,
15,3,,172168-81270,, "SEAL,DUST 38X50X4",2,2,,,,,,,,,,,,,
16,2,,172141-72540,, "HEAD 6035, CYLINDER",1,1,,,,,,,,,,,,,
18,3,,933111-01600,, "BUSH 35 30, ROD",1,1,,,,,,,,,,,,,
18-1,3,,24550-035300,, "BUSH
35X30",1,1,,,,,R,,A1686116,M/#21014,A1686116,M/#21014,,,,,
19,2,,172457-72540,, "ROD, BUCKET",1,1,,,,,2,724570049,,724570049,,,,,,I
19-1,2,,172457-72541,, "ROD ASSY, BUCKET",1,1,,,,,S,3,,,,,,I
20,3,,172168-72240,, "BUSH 38X50X40",1,1,,,,,,,,,,,,,
21,3,,172168-81270,, "SEAL,DUST 38X50X4",2,2,,,,,,,,,,,,,
22,2,,24761-040000,, "NIPPLE B,GREASE",2,2,,,,,,,,,,,,,
23,2,,933125-59600,, "WASHER 60 B, LOCK",1,1,,,,,,,,,,,,,



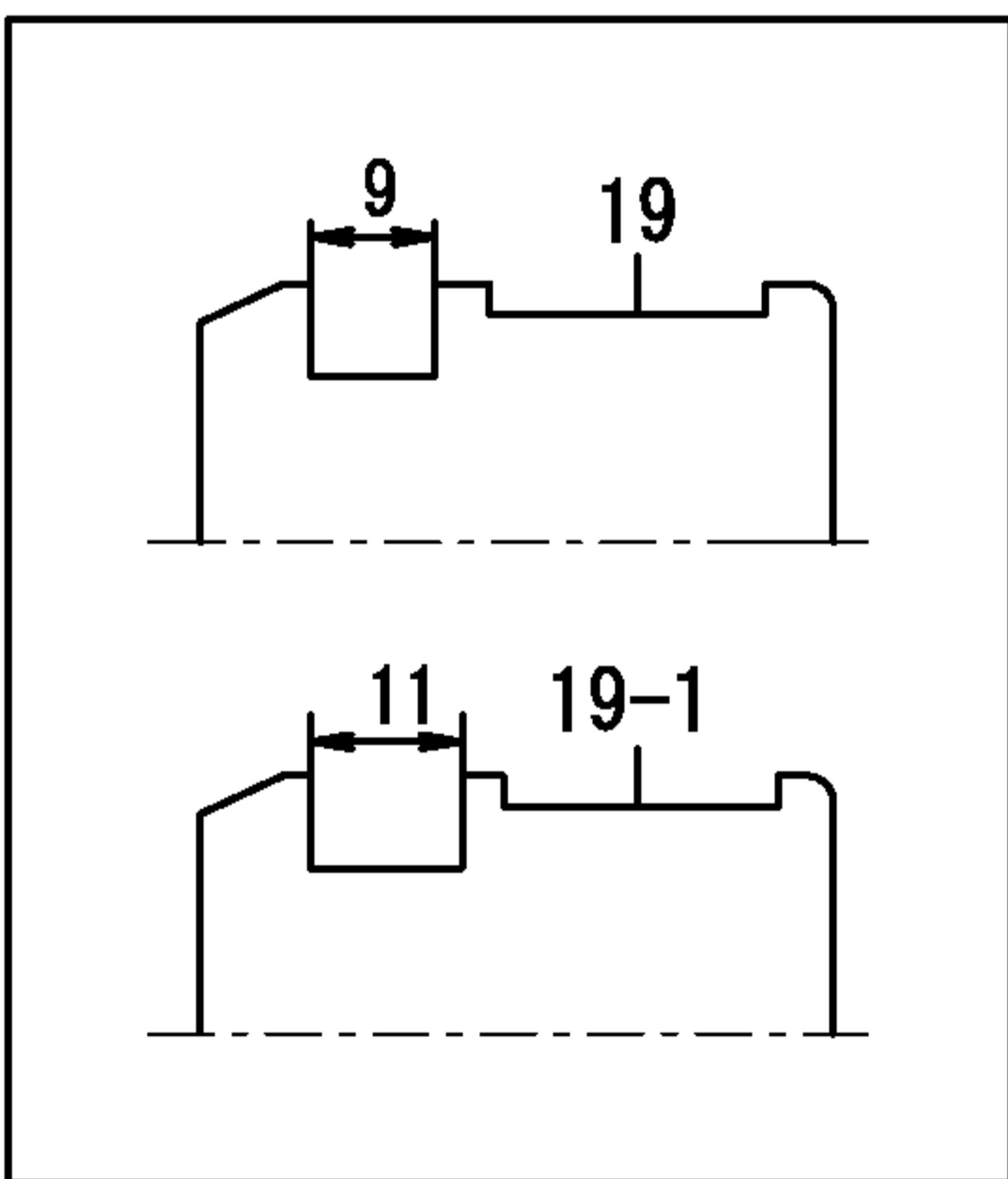
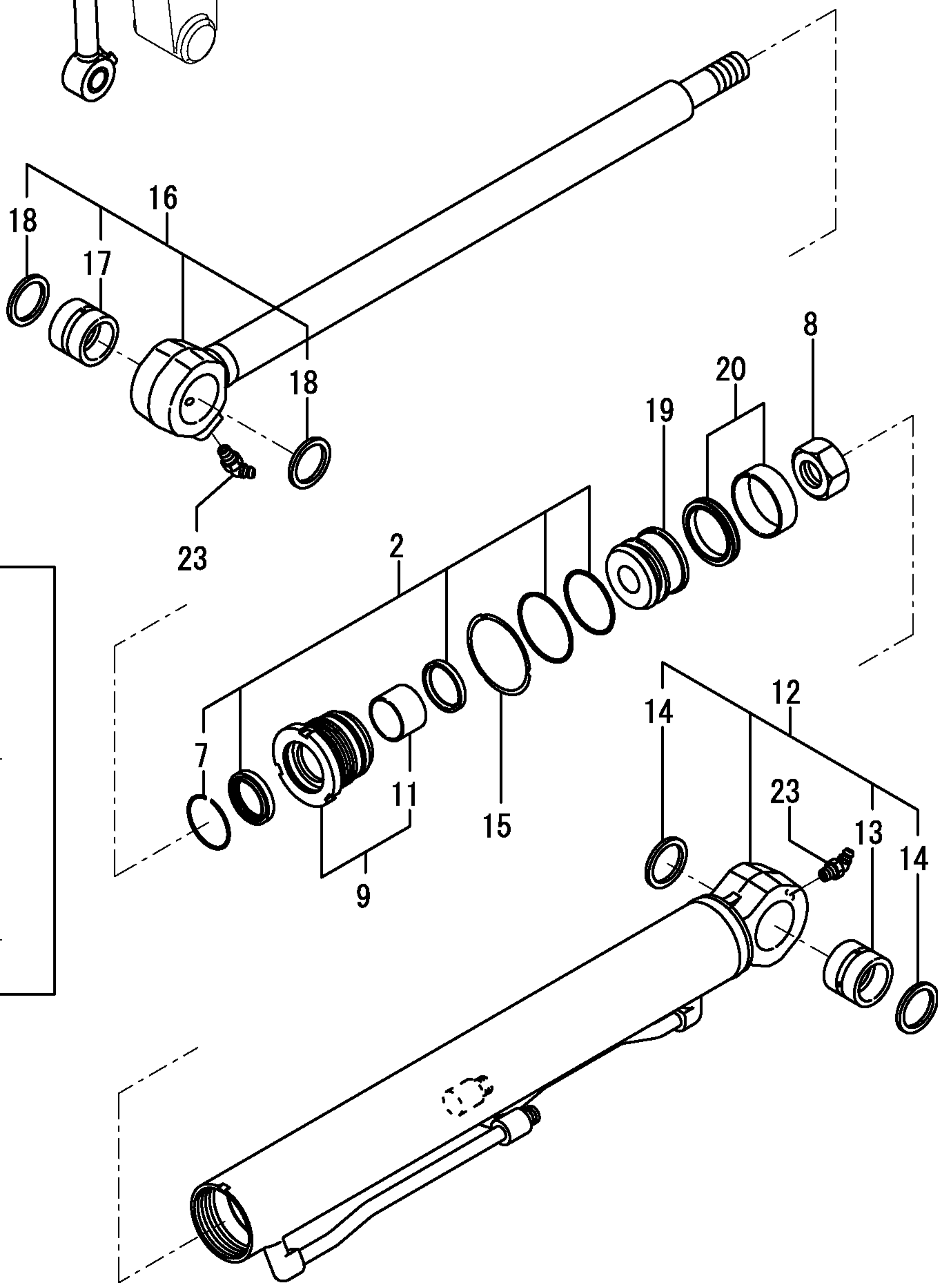
見出しNo. 1は、
見出しNo. 2~23を含みます。
1 INC. 2~23.



1,1,,172458-72500,, "CYLINDER, BUCKET (97)",1,1,1,,,,,,,,,,,,,
2,2,,172458-72030,, "SEAL SET 65X40, HEAD",1,1,1,,,,,,,,,,,,,
7,3,,933111-26600,, "RING 55, SPRING",1,1,1,,,,,,,,,,,,,
8,2,,172141-72250,, "U-NUT M27",1,1,1,,,,,,,,,,,,,
9,2,,172142-72510,, "HEAD 65 40 W/BUSH",1,1,1,,,,,,,,,,,,,
11,3,,933135-14600,, "BUSH 40 30, ROD",1,1,1,,,,,,,,,,,,,
11-1,3,,24550-040300,, "BUSH
40X30",1,1,1,,,R,,A1686116,M/#21014,A1686116,M/#21014,,,,,
12,2,,172458-72510,, "TUBE, BUCKET(GREEN:97)",1,1,1,,,,,,,,,,,,,
13,3,,172168-72240,, "BUSH 38X50X40",1,1,1,,,,,,,,,,,,,
14,3,,172168-81270,, "SEAL, DUST 38X50X4",2,2,2,,,,,,,,,,,,,
15,2,,172142-72560,, "WASHER 65, LOCK",1,1,1,,,,,,,,,,,,,
16,2,,172458-72570,, "ROD, BUCKET",1,1,1,,,,,,,,,,,,,
17,3,,172168-72240,, "BUSH 38X50X40",1,1,1,,,,,,,,,,,,,
18,3,,172168-81270,, "SEAL, DUST 38X50X4",2,2,2,,,,,,,,,,,,,
19,2,,172148-72790,, "PISTON 65",1,1,1,,,,,,,,,,,,,
19-1,2,,172148-72791,, "PISTON 65
27",1,1,1,,,S,,72458500,M/#21180,72458500,M/#21180,,,,,
20,2,,172148-72940,, "SEAL SET, PISTON",1,1,1,,,,,,,,,,,,,
20-1,2,,172148-72941,, "PISTON SEAL
SET, BUCK",1,1,1,,,F,1,72458500,M/#21180,72458500,M/#21180,,,,,,I
23,2,,24761-040000,, "NIPPLE B, GREASE",2,2,2,,,,,,,,,,,,,



見出しNo. 1は、
見出しNo. 2~23を含みます。
1 INC. 2~23.

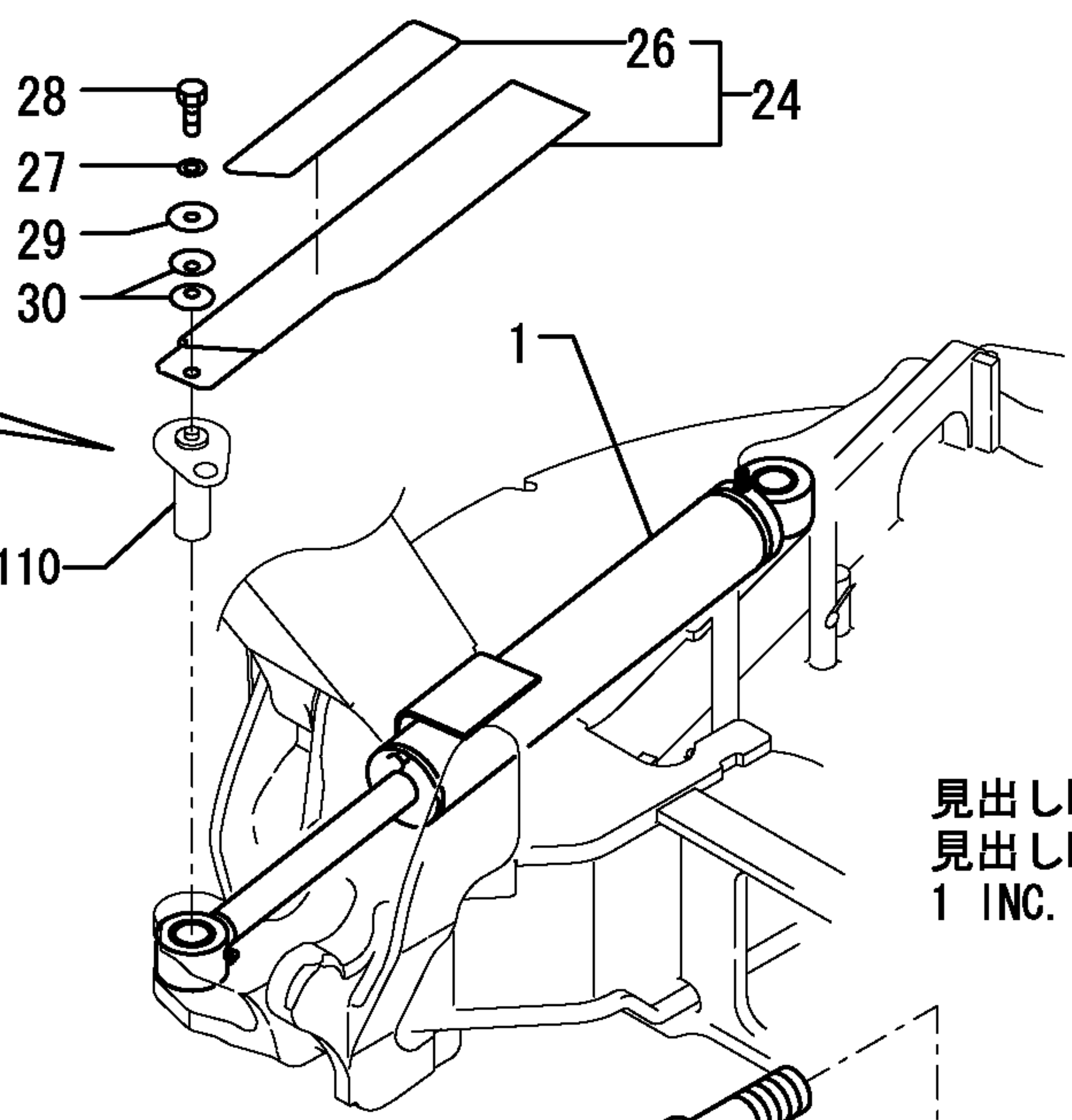


1,1,,172457-72700,, "CYLINDER, SWING (97)",1,1,1,,,,,,,,,,,,,
2,2,,172458-72050,, "SEAL SET, HEAD 80X40",1,1,1,,,,,,,,,,,,,
7,3,,933111-26600,, "RING 55, SPRING",1,1,1,,,,,,,,,,,,,
8,2,,172141-72250,, "U-NUT M27",1,1,1,,,,,,,,,,,,,
9,2,,172142-72260,, "WASHER 80 B",1,1,1,,,,,,,,,,,,,
10,2,,172175-72480,, "PISTON 80",1,1,1,,,,,,,,,,,,,
11,2,,172457-72710,, "TUBE, SWING(GREEN:88)",1,1,1,,,,,,,,,,,,,
12,3,,172458-72740,, "BUSH 40X40, SO",1,1,1,,,,,,,,,,,,,
13,3,,172165-81750,, "SEAL 40X50X5, DUST",2,2,,,,,,,,,,,,,
13-1,3,,172448-72650,, "SEAL
40X50X4, DUST",2,2,2,,,,,R,,72449038,M/#21105,72449038,M/#21105,,,,,,,,,I
14,2,,172422-72760,, "HEAD",1,1,1,,,,,,,,,,,,,
16,3,,933135-14600,, "BUSH 40 30, ROD",1,1,,,,,,,,,,,,,
16-1,3,,24550-040300,, "BUSH
40X30",1,1,1,,,,,R,,A1686116,M/#21014,A1686116,M/#21014,,,,,,,,,I
17,2,,172458-72770,, "ROD ASSY, SWING",1,1,1,,,,,,,,,,,,,
18,3,,172165-72310,, "BUSH 40X40",1,1,1,,,,,,,,,,,,,
19,3,,172165-81750,, "SEAL 40X50X5, DUST",2,2,,,,,,,,,,,,,
19-1,3,,172448-72650,, "SEAL
40X50X4, DUST",2,2,2,,,,,R,,72449038,M/#21105,72449038,M/#21105,,,,,,,,,I
20,2,,172142-72950,, "SEAL SET, PISTON",1,1,,,,,,,,,,,,,
20-1,2,,172142-72951,, "SEAL SET,
PISTON",1,1,1,,,,,N,,72458500,M/#21180,72458500,M/#21180,,,,,,,,,I
23,2,,24761-050000,, "NIPPLE C, GREASE",1,1,1,,,,,,,,,,,,,
24,1,,172458-72860,, "COVER, SWING(GREEN:97)",1,1,,,,,,,,,,,,,
26,2,,172458-72850,, "SHEET, SWING",1,1,,,,,,,,,,,,,
27,1,,22217-100000,, "SPRING WASHER 10",1,1,,,,,,,,,,,,,
28,1,,26116-100162,, "BOLT M10X 16 PLATED",1,1,,,,,,,,,,,,,
29,1,,933147-03400,, "WASHER, BRAKE ARM",1,1,,,,,,,,,,,,,
30,1,,933168-14170,, "SPRING 16",2,2,,,,,,,,,,,,,
31,1,,22157-100000,, "WASHER 10",1,,,,,,,,,,,,,I
32,1,,22217-100000,, "SPRING WASHER 10",1,,,,,,,,,,,,,I
33,1,,26116-100162,, "BOLT M10X 16 PLATED",1,,,,,,,,,,,,,I

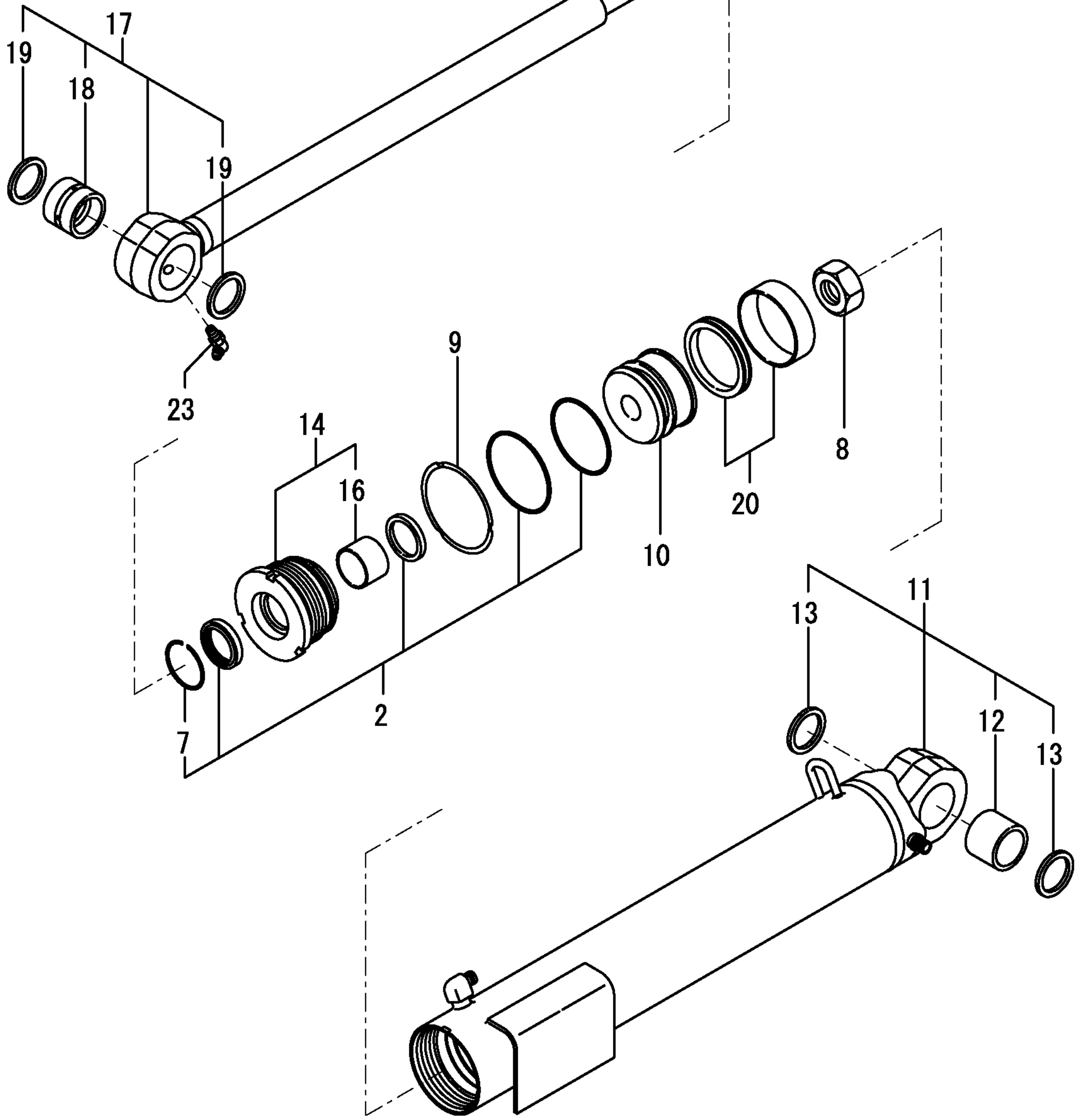
キャビン仕様
CABIN SPEC.

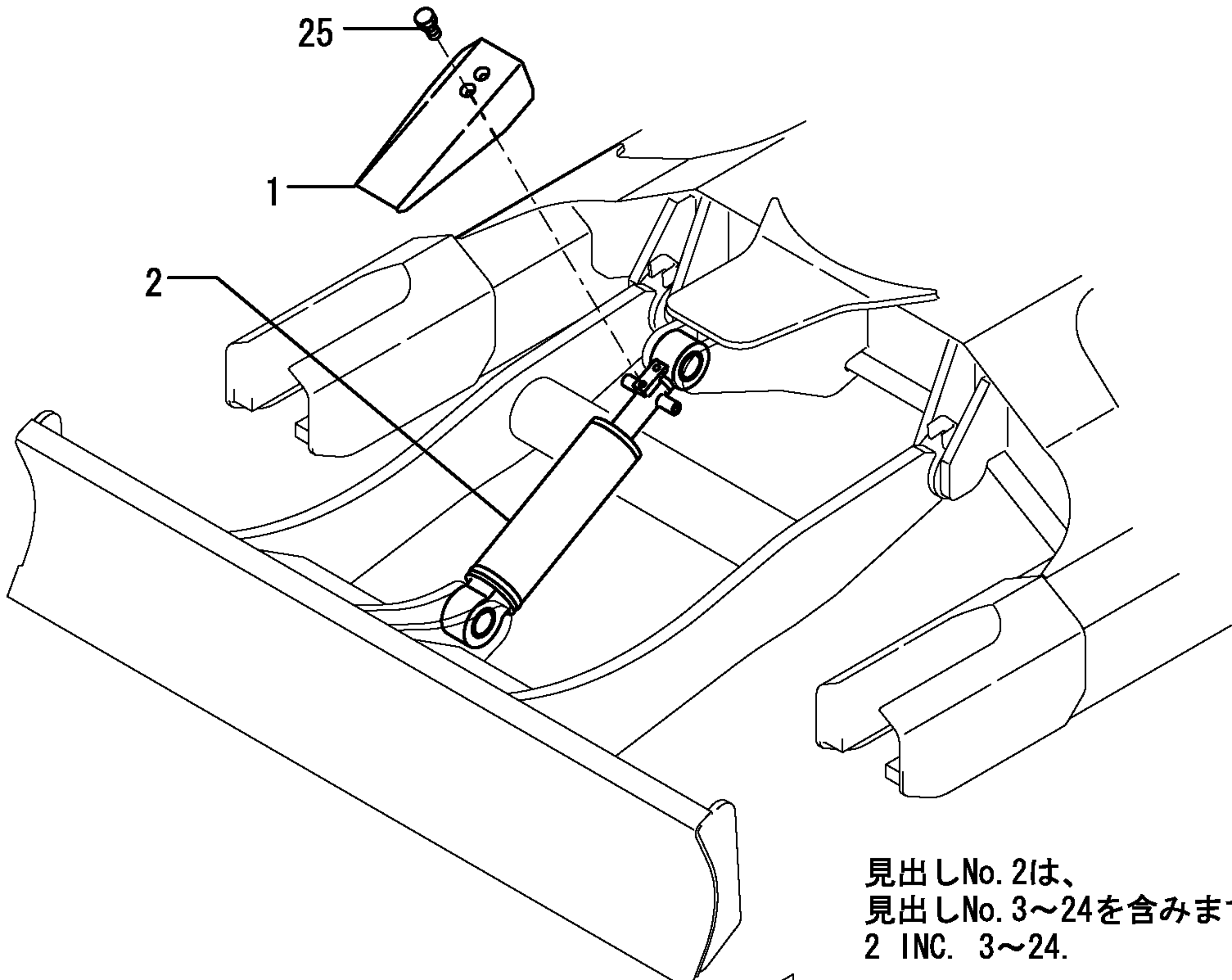
33 — [Pin with washer]
32 — [Pin with small washer]
31 — [Pin with large washer and nut]

REFER TO Fig. 110

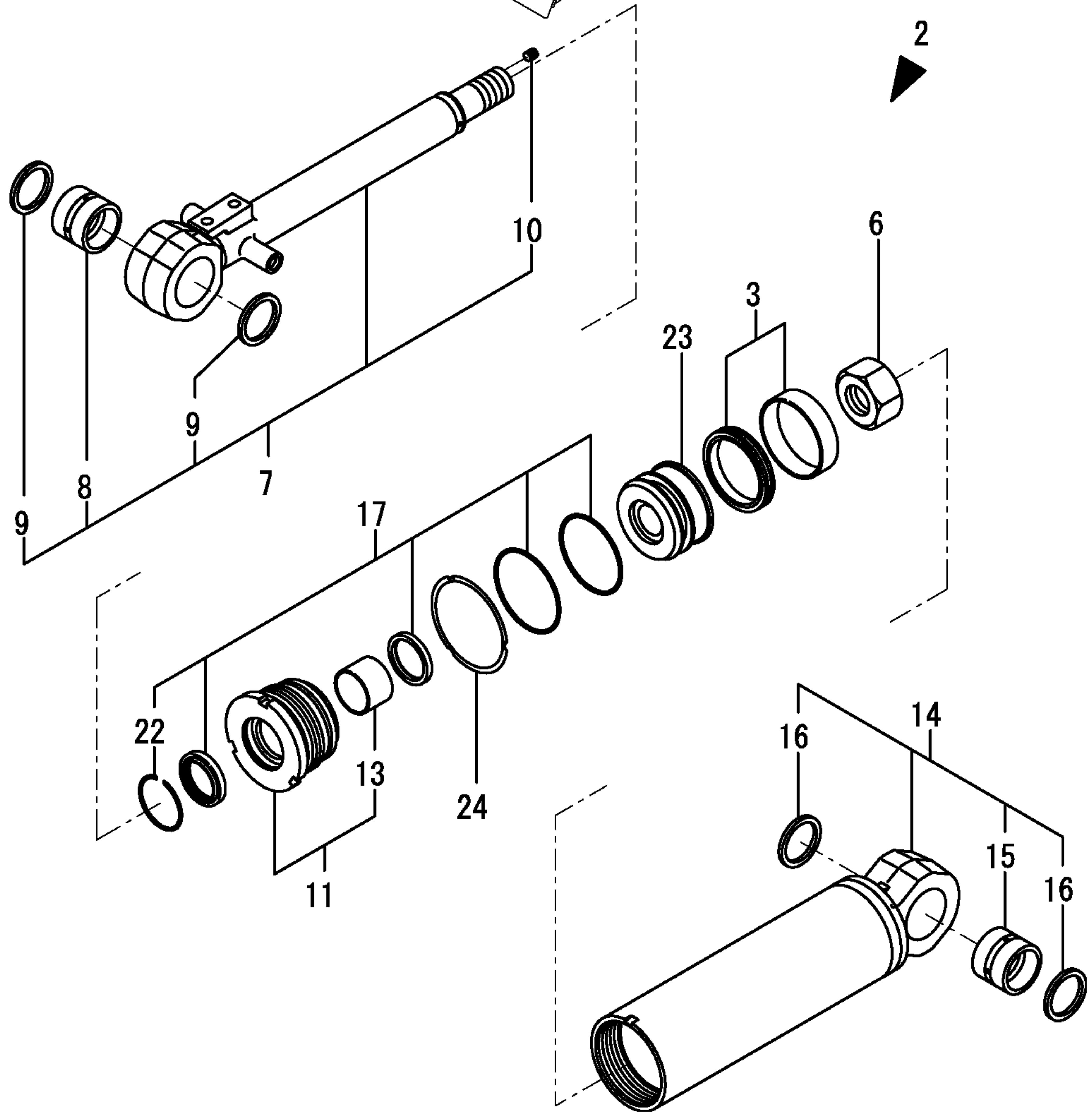


見出しNo. 1は、
見出しNo. 2~23を含みます。
1 INC. 2~23.

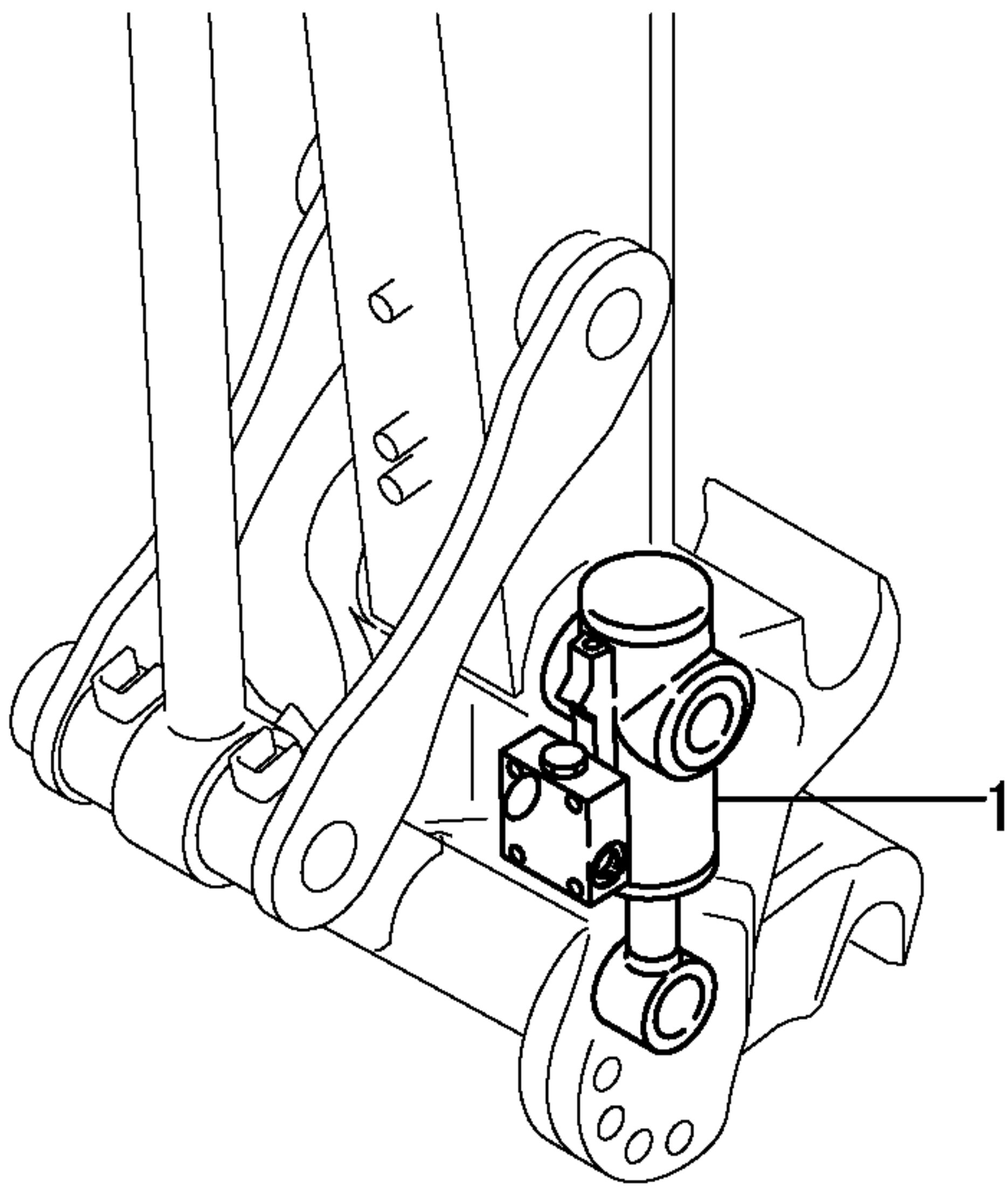




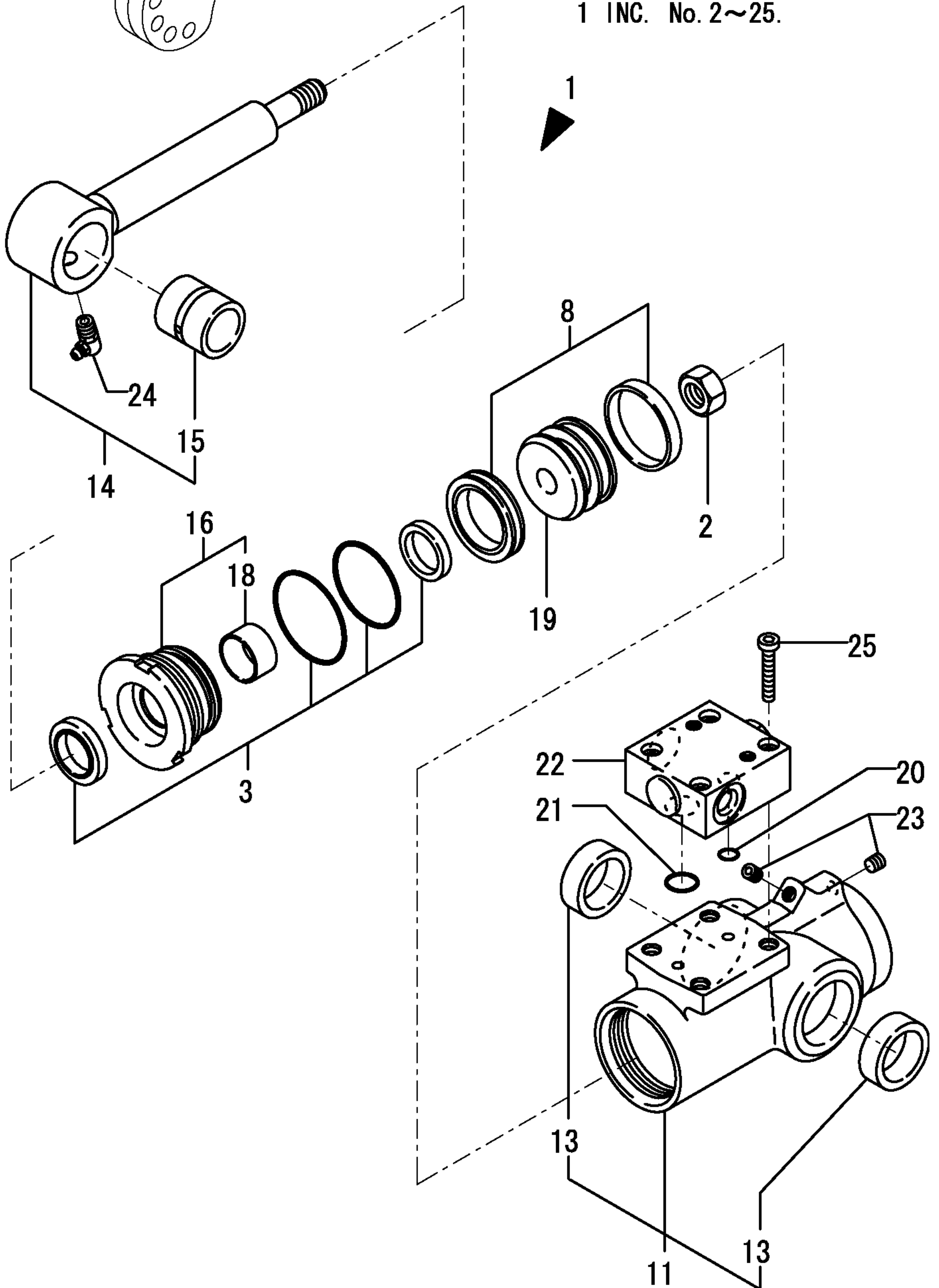
見出しNo. 2は、
見出しNo. 3~24を含みます。
2 INC. 3~24.



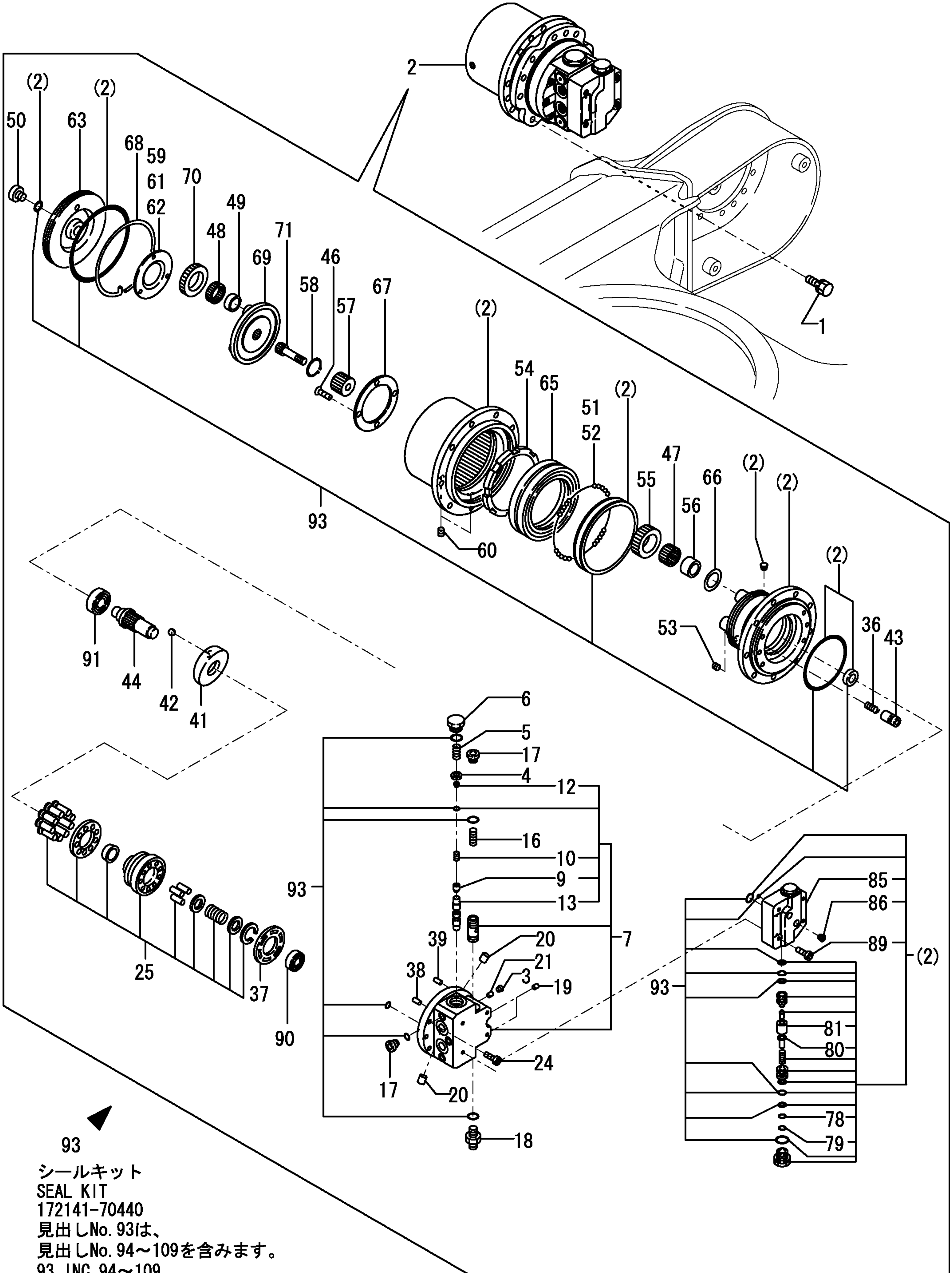
1,1,,172958-72800,, "CYLINDER,HITCH (97)",1,1,,,,,,,,,,,,,
1-1,1,,172958-72801,, "CYLINDER,HITCH
(97)",1,1,1,,,N,,72958053,M/#21046,72958053,M/#21046,,,,,,
2,2,,172156-72400,, "U-NUT M 14",1,1,1,,,,,,,,,,,,,
3,2,,172958-72760,, "SEAL SET 50X25,HEAD",1,1,1,,,,,,,,,,,,,
8,2,,172958-72770,, "SEAL SET,PISTON(50-2",1,1,1,,,,,,,,,,,,,
11,2,,172958-72810,, "TUBE,HITCH(GREEN:97)",1,1,,,,,,,,,,,,,
11-1,2,,172958-72811-
4,, "TUBE,HITCH(GREEN:97)",1,1,1,,,N,,72958053,M/#21046,72958053,M/#21046,,,,,,
13,3,,172958-72970,, "BUSH 30-40-13",2,2,2,,,,,,,,,,,,,
14,2,,172958-72830,, "ROD ASSY,HITCH",1,1,1,,,,,,,,,,,,,
15,3,,172156-72770,, "BUSH, PIN 25 35 B",1,1,1,,,,,,,,,,,,,
16,2,,172958-72860,, "HEAD ASSY 50 25",1,1,1,,,,,,,,,,,,,
18,3,,172958-72880,, "BUSH,ROD 25-15",1,1,,,,,,,,,,,,,
18-1,3,,24550-025150,, "BUSH
25X15",1,1,1,,,N,,72958009,M/#20580,72958009,M/#20580,,,,,,
19,2,,172958-72890,, "PISTON 50 25",1,1,1,,,,,,,,,,,,,
20,2,,172958-72950,, "O-RING P8",1,1,1,,,,,,,,,,,,,
21,2,,172958-72960,, "O-RING P14",1,1,1,,,,,,,,,,,,,
22,2,,172958-72980,, "CHECK VALVE(GREEN:97",1,1,,,,,,,,,,,,,
22-1,2,,172958-72981,, "CHECK
VALVE(GREEN:97",1,1,,,,,N,,72956006,M/#20700,72956006,M/#20700,,,,,,
22-2,2,,172958-72982,, "CHECK
VALVE(GREEN:97",1,1,1,,,N,,72958069,M/#21146,72958069,M/#21146,,,,,,I
23,2,,23871-005000,, "PLUG PT 1/16",2,2,2,,,,,,,,,,,,,
24,2,,24761-050000,, "NIPPLE C,GREASE",1,1,1,,,,,,,,,,,,,
25,2,,26450-060352,, "BOLT M 6X 35",4,4,4,,,,,,,,,,,,,



見出しNo. 1は、
見出しNo. 2~25を含みます。
1 INC. No. 2~25.

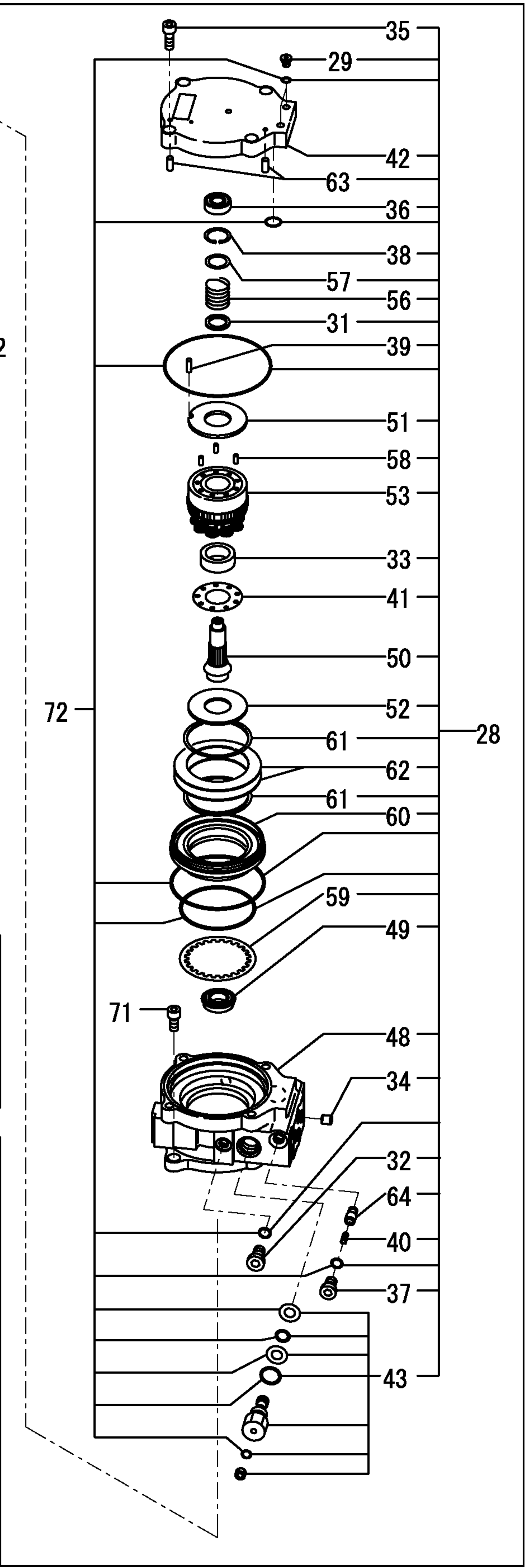
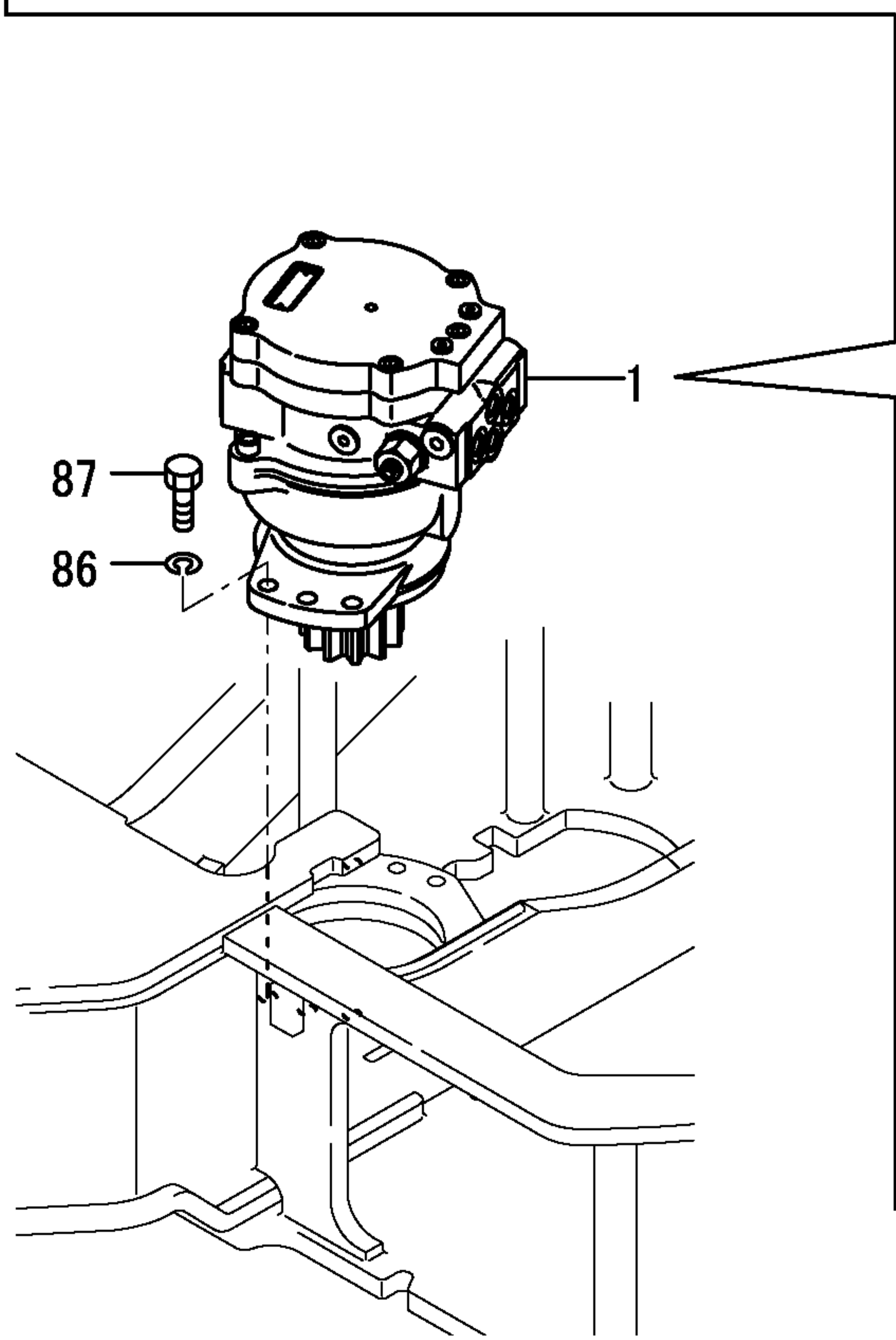
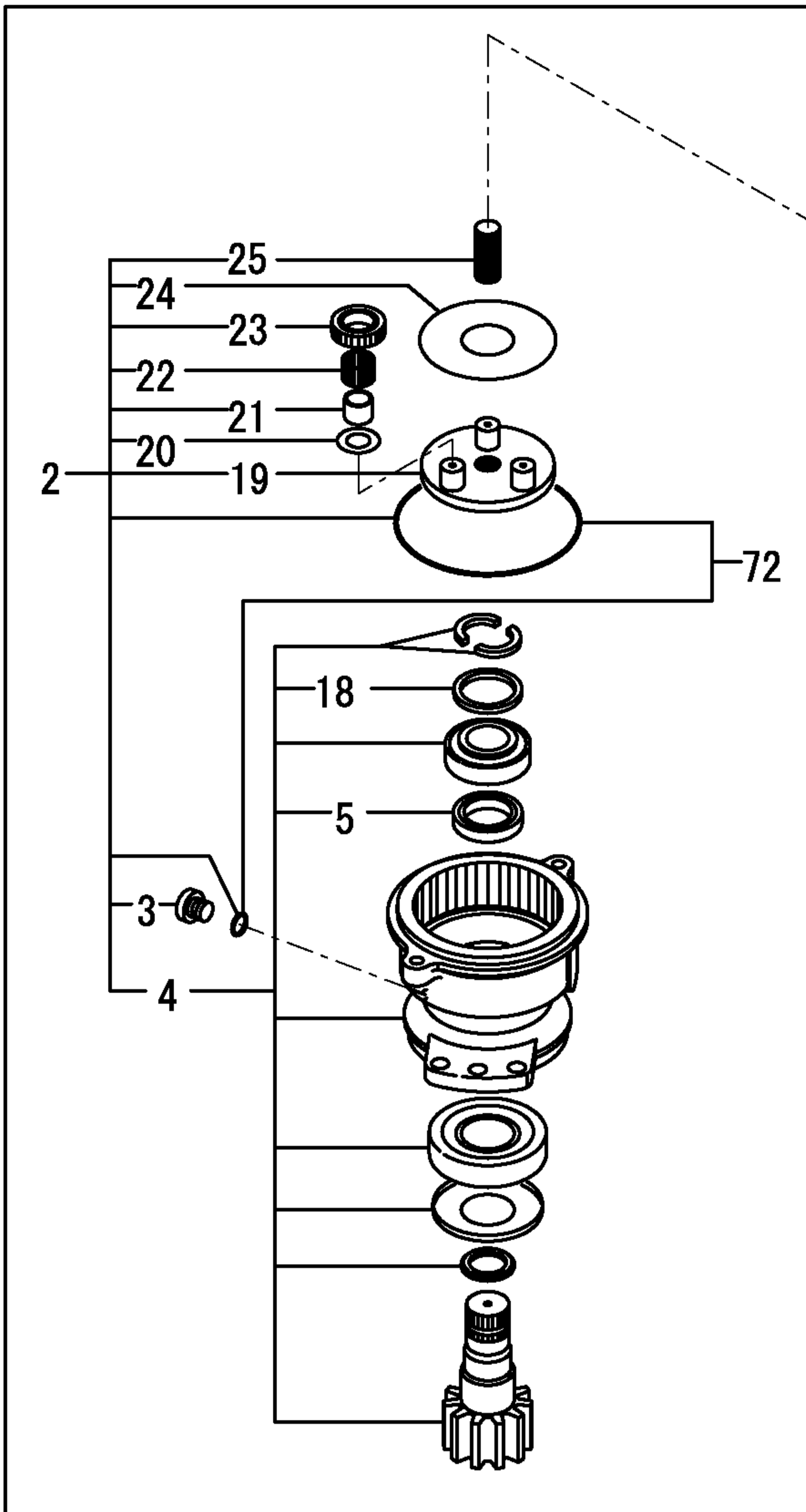


1,1,,26013-100302,, "BOLT M10X 30",24,24,24,,,,,,,,,,,,,
2,1,,172457-73700,, "MOTOR,TRAVEL(GREEN88",2,2,2,,,,,,,,,,,,,
3,2,,172147-70220,, PLUG,4,4,4,,,,,,,,,,,,,I
4,2,,172141-70450,, "SEAT, SPRING",4,4,4,,,,,,,,,,,,,I
5,2,,172141-70460,, SPRING,4,4,4,,,,,,,,,,,,,I
6,2,,172141-70470,, CAP,4,4,4,,,,,,,,,,,,,I
7,2,,172421-73450,, "BASE PLATE ASSY",2,2,2,,,,,,,,,,,,,
9,3,,172141-70410,, "VALVE, CHECK",4,4,4,,,,,,,,,,,,,I
10,3,,172141-70420,, SPRING,4,4,4,,,,,,,,,,,,,I
12,3,,172421-73380,, PLUG,4,4,4,,,,,,,,,,,,,I
13,3,,172183-73730,, PLUNGER,2,2,2,,,,,,,,,,,,,I
16,2,,172421-73400,, SPRING,2,2,2,,,,,,,,,,,,,I
17,2,,172183-73770,, PLUG,6,6,6,,,,,,,,,,,,,I
18,2,,172183-73780,, PLUG,2,2,2,,,,,,,,,,,,,I
19,2,,172183-73870,, PLUG,4,4,4,,,,,,,,,,,,,I
20,2,,172312-74790,, ORIFICE,4,4,4,,,,,,,,,,,,,I
21,2,,172312-74790,, ORIFICE,8,8,8,,,,,,,,,,,,,I
24,2,,26450-080202,, "BOLT M 8X 20",12,12,12,,,,,,,,,,,,,I
25,2,,172450-73620,, "CYLINDER BLOCK KIT",2,2,2,,,,,,,,,,,,,
36,2,,172168-71950,, SPRING,4,4,4,,,,,,,,,,,,,I
37,2,,172638-73330,, PLATE,2,2,2,,,,,,,,,,,,,I
38,2,,172122-73470,, PIN,2,2,2,,,,,,,,,,,,,I
39,2,,172122-73480,, PIN,4,4,4,,,,,,,,,,,,,I
41,2,,172450-73500,, "PLATE,SWASH",2,2,2,,,,,,,,,,,,,I
42,2,,172450-73510,, "BALL,STEEL",4,4,4,,,,,,,,,,,,,I
43,2,,172450-73550,, "PISTON ASSY",4,4,4,,,,,,,,,,,,,I
44,2,,172183-73670,, SHAFT,2,2,2,,,,,,,,,,,,,I
46,3,,172141-70110,, SCREW,8,8,8,,,,,,,,,,,,,I
47,3,,172147-70120,, "GAUGE, W/ROLLER",8,8,8,,,,,,,,,,,,,I
48,3,,172141-70150,, "GAUGE, W/ROLLER",6,6,6,,,,,,,,,,,,,I
49,3,,172141-70160,, "RACE, INNER",6,6,6,,,,,,,,,,,,,I
50,3,,172148-70301,, PLUG,4,4,4,,,,,,,,,,,,,I
51,3,,172122-70350,, BALL,198,198,198,,,,,,,,,,,,,I
52,3,,172122-70350,, BALL,20,20,20,,,,,,,,,,,,,I
53,3,,172450-73330,, PLUG,4,4,4,,,,,,,,,,,,,I
54,3,,172456-73350,, "RING NUT",2,2,2,,,,,,,,,,,,,I
55,3,,172456-73360,, "PLANETARY, GEAR B",8,8,8,,,,,,,,,,,,,I
56,3,,172456-73370,, "INNER RACE",8,8,8,,,,,,,,,,,,,I
57,3,,172456-73380,, "GEAR,SUN",2,2,2,,,,,,,,,,,,,I
58,3,,172456-73390,, "SNAP RING",2,2,2,,,,,,,,,,,,,I
59,3,,172456-73420,, "THRUST PLATE",2,2,2,,,,,,,,,,,,,I
60,3,,172122-73430,, PLUG,4,4,4,,,,,,,,,,,,,I
61,3,,172456-73430,, "THRUST PLATE",2,2,2,,,,,,,,,,,,,I
62,3,,172456-73440,, "THRUST PLATE",2,2,2,,,,,,,,,,,,,I
63,3,,172456-73450,, COVER,2,2,2,,,,,,,,,,,,,I
65,3,,172183-73520,, BEARING,2,2,2,,,,,,,,,,,,,I
66,3,,172183-73560,, "WASHER, THRUST",8,8,8,,,,,,,,,,,,,I
67,3,,172183-73570,, "PLATE, THRUST",2,2,2,,,,,,,,,,,,,I
68,3,,172183-73660,, WIRE,2,2,2,,,,,,,,,,,,,I
69,3,,172457-73730,, HOLDER,2,2,2,,,,,,,,,,,,,I
70,3,,172457-73740,, "PLANETARY GEAR A",6,6,6,,,,,,,,,,,,,I
71,3,,172457-73770,, "DRIVE GEAR",2,2,2,,,,,,,,,,,,,I
78,4,,172147-70610,, SHIM,4,4,4,,,,,,,,,,,,,I
79,4,,172162-70760,, SHIM,12,12,12,,,,,,,,,,,,,I
80,4,,172173-73440,, ORIFICE,4,4,4,,,,,,,,,,,,,I
81,4,,172423-73630,, PISTON,4,4,4,,,,,,,,,,,,,I
85,3,,172183-73810,, "VALVE BODY",2,2,2,,,,,,,,,,,,,I
86,3,,23871-020000,, "PLUG PT1/4,SCREW",4,4,4,,,,,,,,,,,,,I
89,3,,26450-060402,, "BOLT M 6X 40",8,8,8,,,,,,,,,,,,,
90,2,,24101-060024,, "BALL BEARING",2,2,2,,,,,,,,,,,,,I
91,2,,24101-060044,, "BALL BEARING #6004",2,2,2,,,,,,,,,,,,,I
93,1,,172421-73440,, "SEAL KIT",2,2,2,,,,,,,,,,,,,

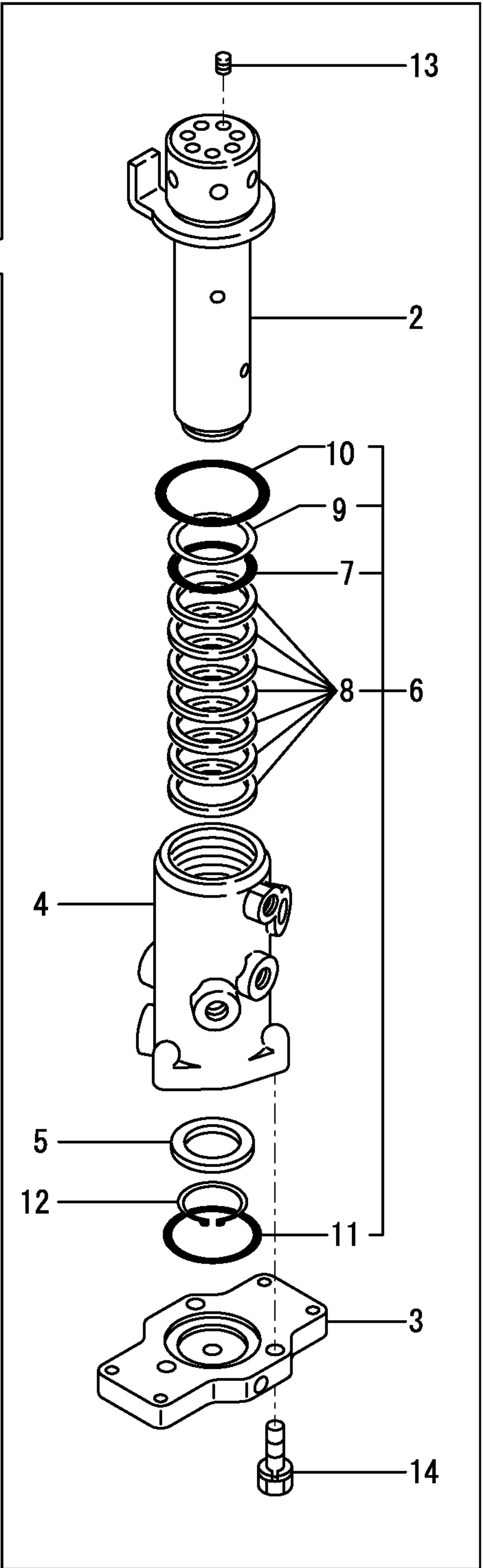
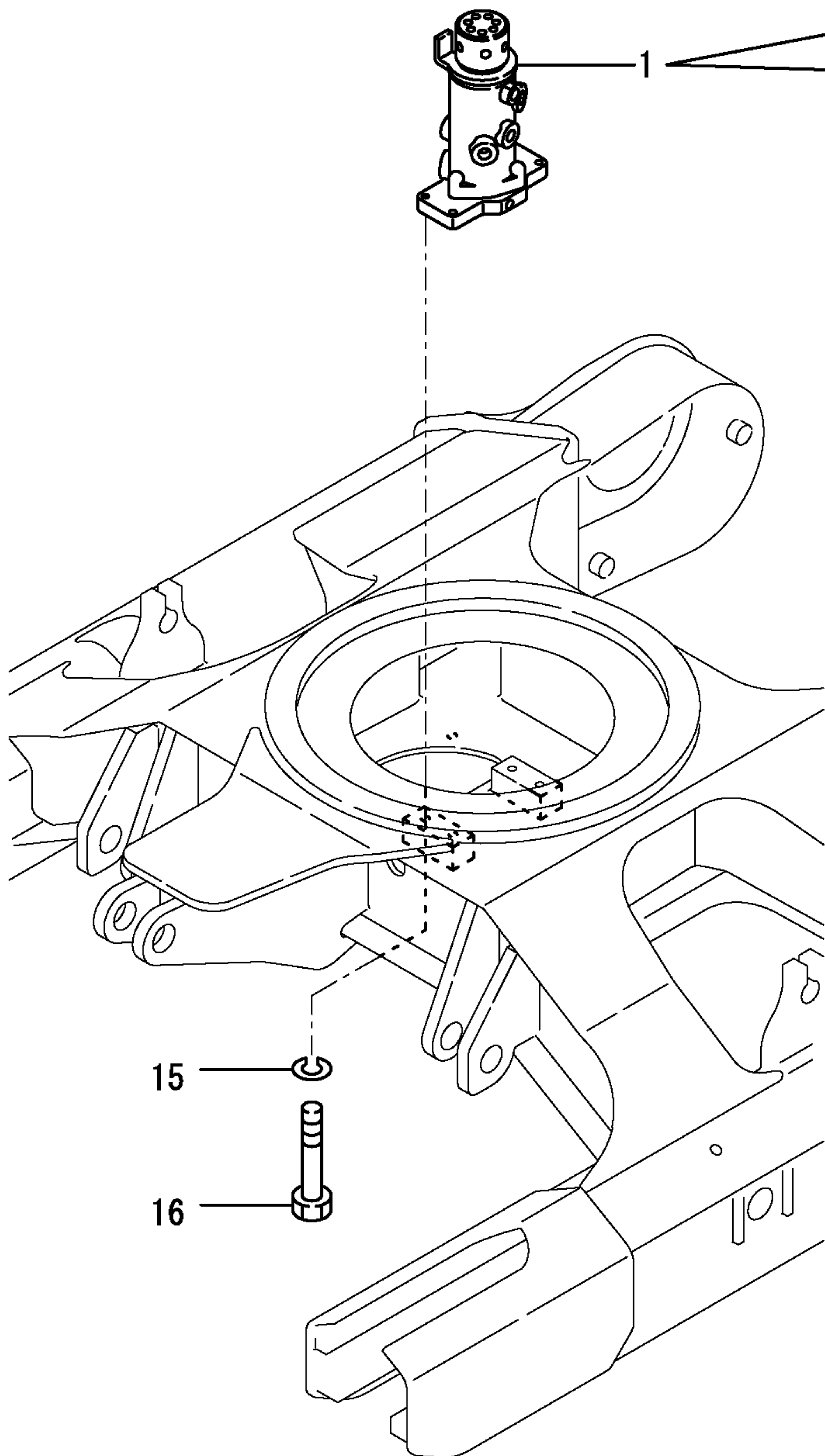


93
 シールキット
 SEAL KIT
 172141-70440
 見出しNo. 93は、
 見出しNo. 94~109を含みます。
 93 INC 94~109.

1,1,,172457-73710,, "MOTOR ASSY, TURNING",1,1,,,,,,,,,,,,,
1-1,1,,172457-73711,, "MOTOR ASSY,
TURNING",1,1,1,,,N,,72458375,*2000.09,72458375,*2000.09,,,,,
2,2,,172457-73400,, "REDUCTION GEAR",1,1,1,,,,,,,,,,,,,
3,3,,1A6240-37360,, PLUG,1,1,1,,,,,,,,,,,,,I
4,3,,172458-74350,, "HOUSING ASSY",1,1,1,,,,,,,,,,,,,I
5,4,,172450-73750,, "SEAL, OIL",1,1,1,,,,,,,,,,,,,I
18,4,,172458-73960,, COLLAR,1,1,1,,,,,,,,,,,,,
19,3,,172450-73830,, COLLAR,1,1,1,,,,,,,,,,,,,I
20,3,,172450-73850,, "WASHER, THRUST",3,3,3,,,,,,,,,,,,,I
21,3,,172450-73860,, "INNER RACE",3,3,3,,,,,,,,,,,,,I
22,3,,172450-73870,, "NEEDLE BEARING",3,3,3,,,,,,,,,,,,,I
23,3,,172458-73970,, "PLANETARY, GEAR",3,3,3,,,,,,,,,,,,,I
24,3,,172458-73980,, "PLATE, THRUST",1,1,1,,,,,,,,,,,,,I
25,3,,172458-73990,, "GEAR, DRIVE",1,1,1,,,,,,,,,,,,,I
28,2,,172457-73410,, "PISTON MOTOR",1,1,1,,,,,,,,,,,,,
29,3,,1A6240-37360,, PLUG,2,2,2,,,,,,,,,,,,,I
31,3,,172147-70280,, COLLAR,1,1,1,,,,,,,,,,,,,I
32,3,,172148-70301,, PLUG,1,1,1,,,,,,,,,,,,,I
33,3,,172147-70330,, "HOLDER, RETAINER",1,1,1,,,,,,,,,,,,,I
34,3,,172124-70380,, ORIFICE,1,1,1,,,,,,,,,,,,,I
35,3,,172124-70390,, "BOLT, SOCKET",5,5,5,,,,,,,,,,,,,I
36,3,,172147-70390,, "BALL BEARING",1,1,1,,,,,,,,,,,,,I
37,3,,172147-70500,, PLUG,2,2,2,,,,,,,,,,,,,I
38,3,,172122-70630,, "SNAP RING",1,1,1,,,,,,,,,,,,,I
39,3,,172122-73470,, PIN,1,1,1,,,,,,,,,,,,,I
40,3,,172638-73470,, SPRING,2,2,2,,,,,,,,,,,,,I
41,3,,172423-73530,, "RETAINER PLATE",1,1,1,,,,,,,,,,,,,I
42,3,,172459-73740,, PLATE,1,1,1,,,,,,,,,,,,,I
43,3,,172457-73780,, "RELIEF VALVE",2,2,2,,,,,,,,,,,,,
48,3,,172458-74300,, CASE,1,1,1,,,,,,,,,,,,,I
49,3,,172458-74310,, "BALL BEARING",1,1,1,,,,,,,,,,,,,I
50,3,,172458-74320,, SHAFT,1,1,1,,,,,,,,,,,,,I
51,3,,172458-74330,, "PLATE, VALVE",1,1,1,,,,,,,,,,,,,I
52,3,,172450-77050,, "PLATE, THRUST",1,1,1,,,,,,,,,,,,,I
53,3,,172450-77220,, "KIT, CYLINDER BLOCK",1,1,1,,,,,,,,,,,,,
56,3,,172450-77070,, SPRING,1,1,1,,,,,,,,,,,,,I
57,3,,172450-77080,, WASHER,1,1,1,,,,,,,,,,,,,I
58,3,,172450-77090,, PIN,3,3,3,,,,,,,,,,,,,I
59,3,,172450-77110,, DISK,1,1,1,,,,,,,,,,,,,I
60,3,,172450-77120,, "PISTON, BRAKE",1,1,1,,,,,,,,,,,,,I
61,3,,172450-77130,, "SEAT, SPRING",2,2,2,,,,,,,,,,,,,I
62,3,,172450-77140,, "SPRING ASSY, DISK",1,1,1,,,,,,,,,,,,,I
63,3,,172450-77170,, PIN,2,2,2,,,,,,,,,,,,,I
64,3,,172450-77190,, "CHECK VALVE",2,2,2,,,,,,,,,,,,,I
71,2,,172124-70390,, "BOLT, SOCKET",2,2,2,,,,,,,,,,,,,
72,1,,172458-74910,, "REPAIR KIT",1,1,1,,,,,,,,,,,,,
86,1,,22217-140000,, "SPRING WASHER 14",6,6,6,,,,,,,,,,,,,
87,1,,26116-140452,, "BOLT M14X 45 PLATED",6,6,6,,,,,,,,,,,,,



1,1,,172444-73802,, "JOINT ASSY, SWIVEL",1,1,1,,,,,,,,,,,,,
2,2,,172444-73810,, "SHAFT, SWIVEL",1,1,1,,,,,,,,,,,,,
3,2,,172444-73840,, "FLANGE, SWIVEL",1,1,1,,,,,,,,,,,,,
4,2,,172444-73831,, "HUB, SWIVEL",1,1,1,,,,,,,,,,,,,
5,2,,172137-73860,, "SPACER, SWIVEL",1,1,1,,,,,,,,,,,,,
6,2,,172444-73880,, "SEAL KIT,SWIVEL",1,1,1,,,,,,,,,,,,,
7,3,,172142-73800,, "O-RING 55.76X5.7",1,1,1,,,,,,,,,,,,,
8,3,,172458-73820,, "SEAL, SWIVEL",7,7,7,,,,,,,,,,,,,
9,3,,172148-73870,, "RING EL, BACK UP",1,1,1,,,,,,,,,,,,,
10,3,,24311-000750,, "O-RING 1A P-75.0",1,1,1,,,,,,,,,,,,,
11,3,,24321-000700,, "O-RING 1A G70.0,NBR",1,1,1,,,,,,,,,,,,,
12,2,,22242-000451,, "CIRCLIP 45",1,1,1,,,,,,,,,,,,,
13,2,,23871-020000,, "PLUG PT1/4,SCREW",7,7,7,,,,,,,,,,,,,
14,2,,26013-100352,, "BOLT M10X 35",3,3,3,,,,,,,,,,,,,
15,1,,22217-100000,, "SPRING WASHER 10",4,4,4,,,,,,,,,,,,,
16,1,,26116-100652,, "BOLT M10X 65 PLATED",4,4,4,,,,,,,,,,,,,



1,1,,172457-74100,, "VALVE ASSY,CONTROL",1,1,1,,,,,,,,,,,,,
2,2,,172457-74240,, "PART,BOOM
LOCK",1,1,1,,,,,724580605,,724580605,,724580605,,,,,,,,,I
3,3,,172457-74250,, "SECTION,BOOM LOCK",1,1,1,,,,,,,,,,,,,
4,4,,24315-000110,, "O-RING 1B P-11.0",2,2,2,,,,,,,,,,,,,
11,3,,172458-74710,, "OVERLOAD 260/5",1,1,1,,,,,,,,,,,,,
12,2,,172458-74720,, "PACKING G 4",2,2,2,,,,,,,,,,,,,
13,2,,172458-74730,, "BOLT L380",4,4,4,,,,,,,,,,,,,
14,2,,172458-74860,, "CHANGEOVER,BUCKET",1,1,1,,,,,,,,,,,,,
15,3,,172458-74610,, "BUCKET SEC. ASSY",1,1,1,,,,,,,,,,,,,
16,4,,172458-74150,, "CHECK VALVE",1,1,1,,,,,,,,,,,,,I
17,4,,172458-74160,, "SPRING, CHECK VALVE",1,1,1,,,,,,,,,,,,,I
18,4,,172458-74230,, "PACKING S 22",2,2,2,,,,,,,,,,,,,
19,4,,172458-74240,, "COVER B1, PILOT",1,1,1,,,,,,,,,,,,,I
20,4,,172458-74250,, "COVER A1, PILOT",1,1,1,,,,,,,,,,,,,I
21,4,,172458-74260,, "SWP HEX.BOLT 5X20",4,4,4,,,,,,,,,,,,,I
22,4,,172458-74620,, "SPOOL ASSY,BUCKET",1,1,1,,,,,,,,,,,,,I
23,4,,172458-74630,, "STAY, CHECK VALVE",1,1,1,,,,,,,,,,,,,I
24,4,,24315-000110,, "O-RING 1B P-11.0",1,1,1,,,,,,,,,,,,,
25,3,,172458-74710,, "OVERLOAD 260/5",2,2,2,,,,,,,,,,,,,
26,2,,24311-000180,, "O-RING 1A P-18.0",2,2,2,,,,,,,,,,,,,
27,2,,24315-000090,, "O-RING 1B P- 9.0",1,1,1,,,,,,,,,,,,,
28,2,,24315-000100,, "O-RING 1B P-10.0",1,1,1,,,,,,,,,,,,,
29,2,,26716-080002,, "NUT M 8",4,4,4,,,,,,,,,,,,,
30,1,,26013-100162,, "BOLT M10X 16",3,3,3,,,,,,,,,,,,,

項目NO. 84の見出しNO. 1は、
 項目NO. 84の見出しNO. 2~29と
 項目NO. 85の見出しNO. 1~28と
 項目NO. 86の見出しNO. 1~25を含みます。
 項目NO. 87の見出しNO. 1~30と
 項目NO. 88の見出しNO. 1~34と
 項目NO. 89の見出しNO. 1~25を含みます。

Fig. 84 Ref. No. 1

INC. Fig. 84 Ref. No. 2~29.

INC. Fig. 85 Ref. No. 1~28.

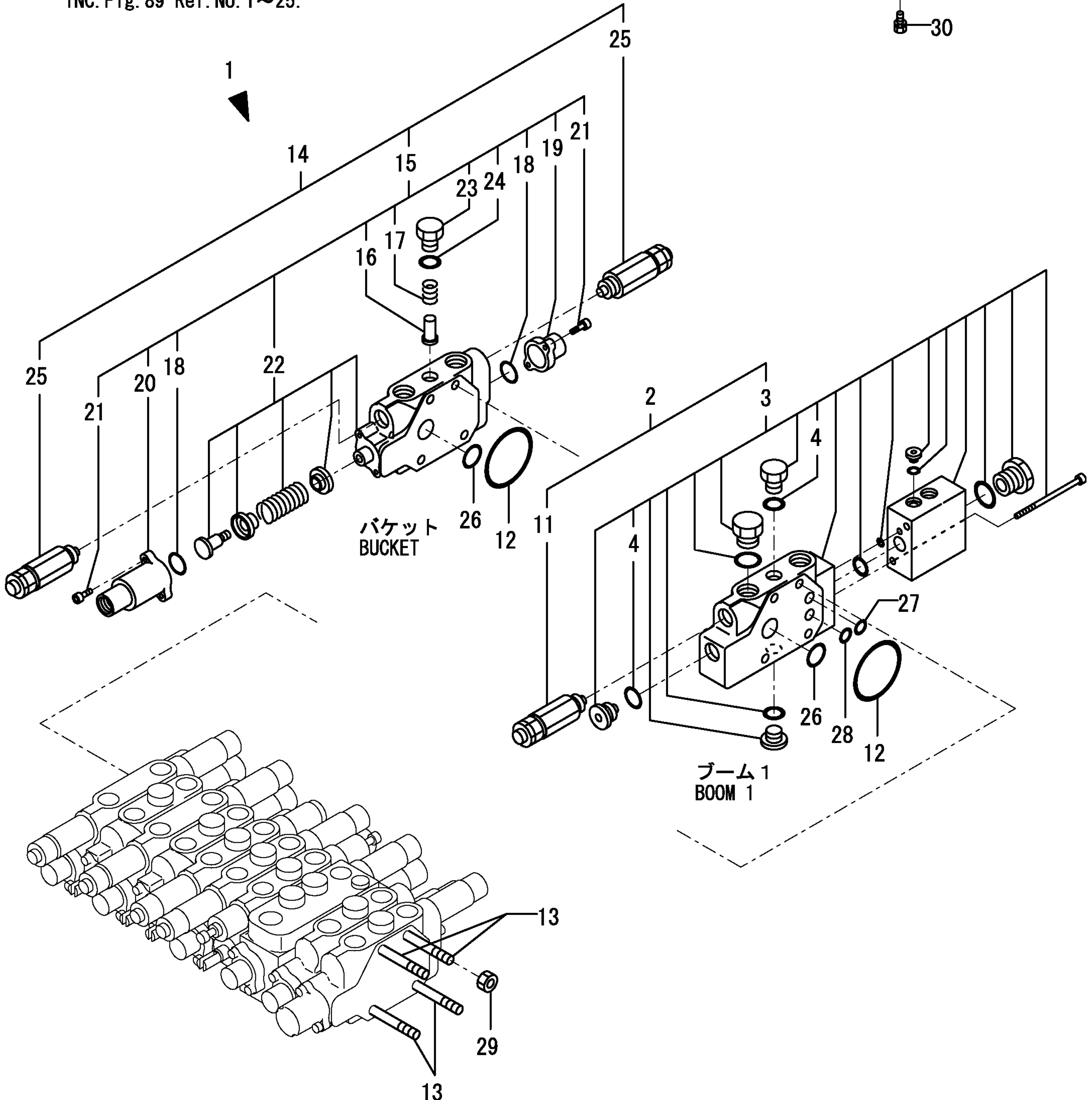
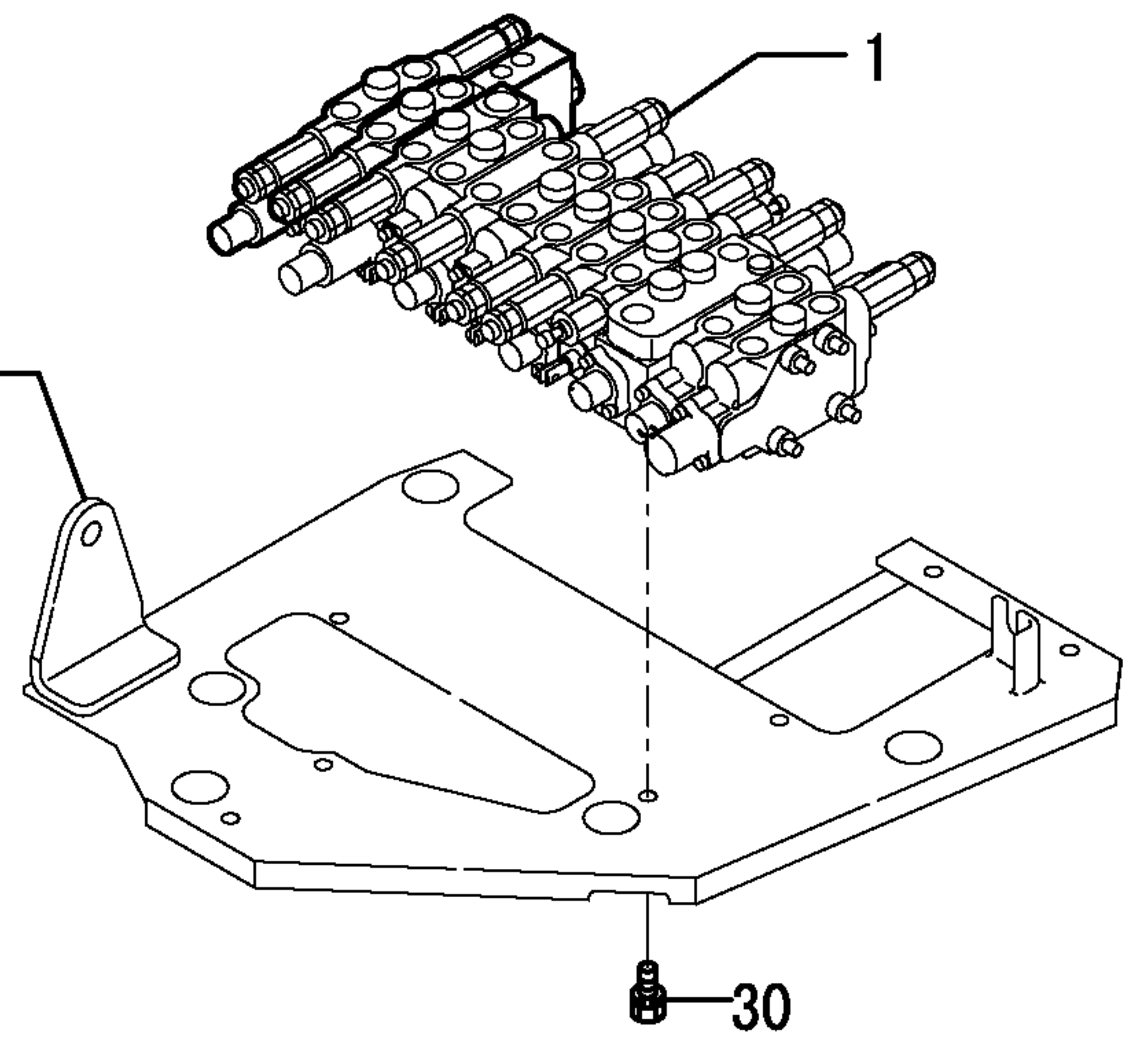
INC. Fig. 86 Ref. No. 1~25.

INC. Fig. 87 Ref. No. 1~30.

INC. Fig. 88 Ref. No. 1~34.

INC. Fig. 89 Ref. No. 1~25.

REFER TO Fig. 42, 43



1,2,,172457-74230,, "CHANGEOVER,BOOM",1,1,1,,,,,,,,,,,,,
2,3,,172457-74170,, "BOOM SECTION ASSY",1,1,1,,,,,,,,,,,,,
3,4,,172458-74150,, "CHECK VALVE",1,1,1,,,,,,,,,,,,,I
4,4,,172458-74160,, "SPRING, CHECK VALVE",1,1,1,,,,,,,,,,,,,I
5,4,,172457-74180,, "SPOOL,BOOM",1,1,1,,,,,,,,,,,,,I
6,4,,172458-74230,, "PACKING S 22",2,2,2,,,,,,,,,,,,,
7,4,,172458-74240,, "COVER B1, PILOT",1,1,1,,,,,,,,,,,,,I
8,4,,172458-74250,, "COVER A1, PILOT",1,1,1,,,,,,,,,,,,,I
9,4,,172458-74260,, "SWP HEX.BOLT 5X20",4,4,4,,,,,,,,,,,,,I
10,4,,172458-74630,, "STAY, CHECK VALVE",1,1,1,,,,,,,,,,,,,I
11,4,,24315-000110,, "O-RING 1B P-11.0",1,1,1,,,,,,,,,,,,,
12,3,,172447-74221,, "PORT RELIFE VALVE",1,1,1,,,,,,,,,,,,,
13,2,,172458-74720,, "PACKING G 4",2,2,2,,,,,,,,,,,,,
14,2,,172458-74560,, "SECTION,DRIVE-R",1,1,1,,,,,,,,,,,,,
15,3,,172458-74130,, "DUST WIPER",1,1,1,,,,,,,,,,,,,
16,3,,172458-74140,, "BRACKET, OIL SEAL",1,1,1,,,,,,,,,,,,,I
17,3,,172458-74170,, "CAP,SPRING",1,1,1,,,,,,,,,,,,,I
18,3,,172458-74290,, "CHECK VALVE",1,1,1,,,,,,,,,,,,,I
19,3,,172458-74360,, "SPRING, CHECK VALVE",1,1,1,,,,,,,,,,,,,I
20,3,,172458-74460,, "PLUG GPM1/32",2,2,2,,,,,,,,,,,,,I
21,3,,172458-74570,, "SPOOL,DRIVE-R",1,1,1,,,,,,,,,,,,,I
22,3,,172458-74640,, "STAY, CHECK VALVE",1,1,1,,,,,,,,,,,,,I
23,3,,24311-000120,, "O-RING 1A P 12.0",1,1,1,,,,,,,,,,,,,
24,3,,24315-000110,, "O-RING 1B P-11.0",1,1,1,,,,,,,,,,,,,
25,3,,26450-050102,, "BOLT M 5X 10",2,2,2,,,,,,,,,,,,,I
26,3,,26450-050182,, "BOLT 5* 18",2,2,2,,,,,,,,,,,,,
27,2,,24311-000060,, "O-RING 1A P-6.0",1,1,1,,,,,,,,,,,,,
28,2,,24311-000180,, "O-RING 1A P-18.0",1,1,1,,,,,,,,,,,,,

項目NO. 84の見出しNO. 1は、
 項目NO. 84の見出しNO. 2~29と
 項目NO. 85の見出しNO. 1~28と
 項目NO. 86の見出しNO. 1~25を含みます。
 項目NO. 87の見出しNO. 1~30と
 項目NO. 88の見出しNO. 1~34と
 項目NO. 89の見出しNO. 1~25を含みます。

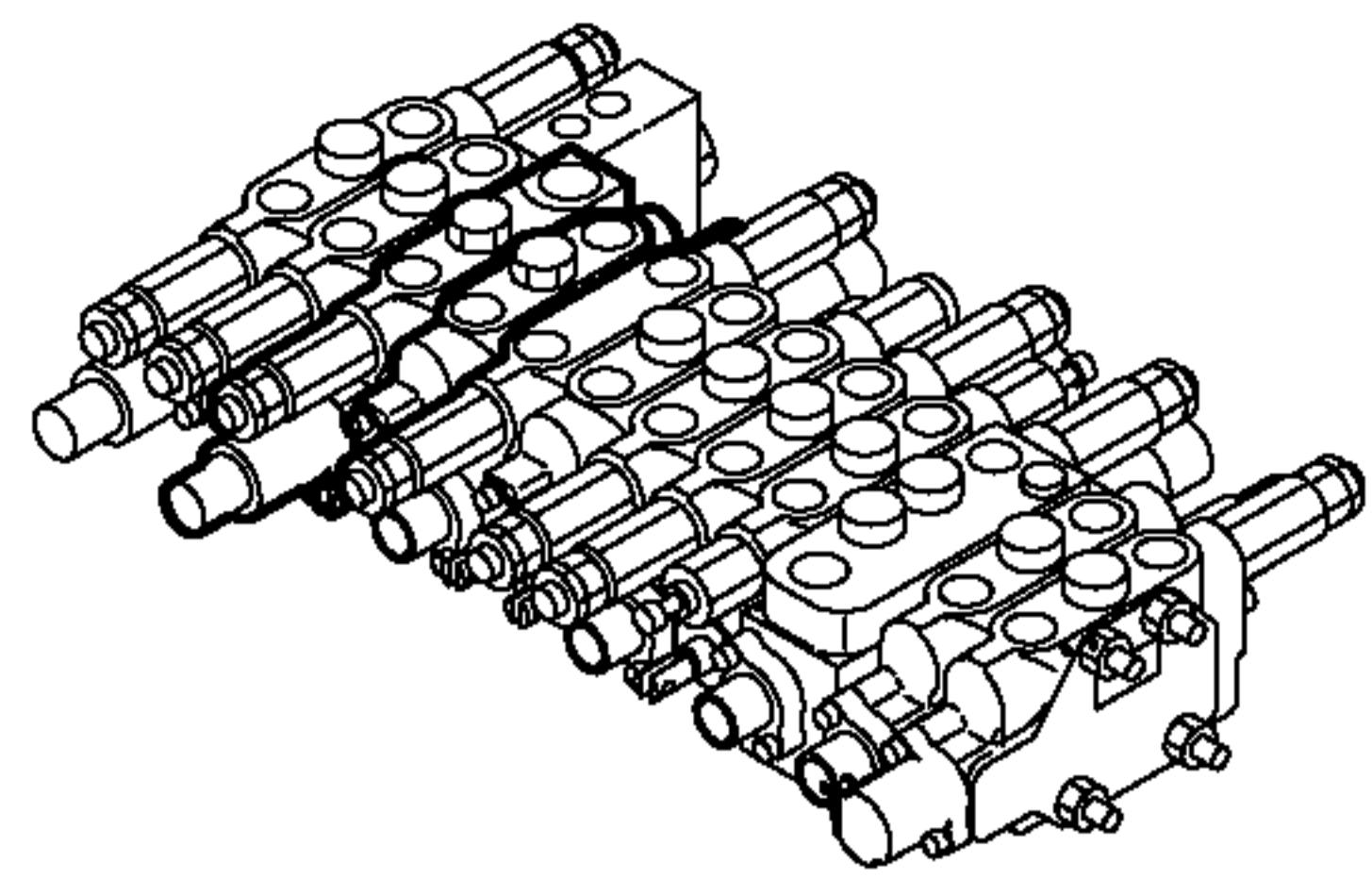


Fig. 84 Ref. No. 1

INC. Fig. 84 Ref. No. 2~29.

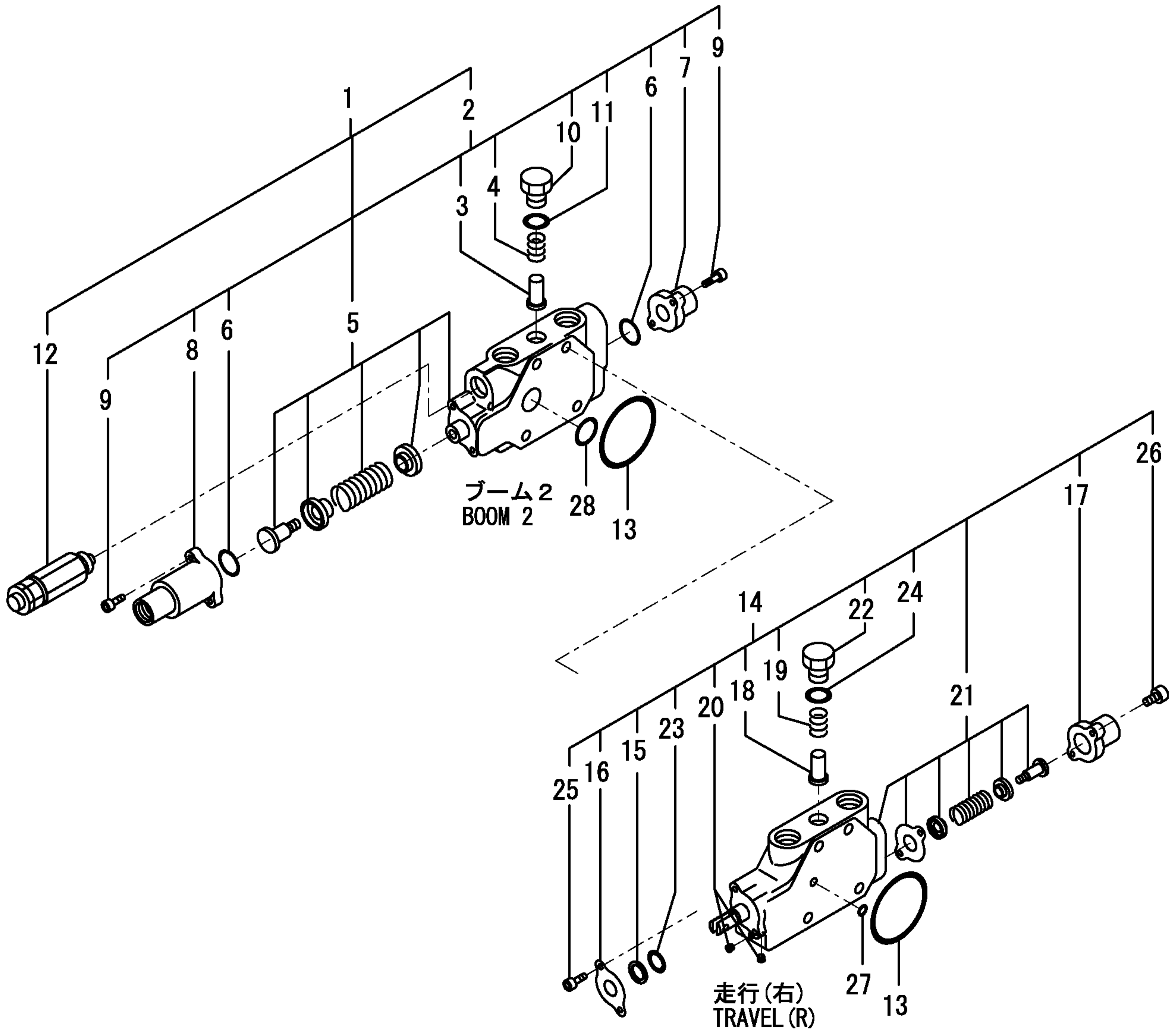
INC. Fig. 85 Ref. No. 1~28.

INC. Fig. 86 Ref. No. 1~25.

INC. Fig. 87 Ref. No. 1~30.

INC. Fig. 88 Ref. No. 1~34.

INC. Fig. 89 Ref. No. 1~25.



1,2,,172458-74720,, "PACKING G 4",2,2,2,,,,,,,,,,,,,,,,,,,,,
2,2,,172458-74440,, "SECTION,DRIVE",1,1,1,,,,,,,,,,,,,,,,,,,,,
3,3,,172458-74130,, "DUST WIPER",1,1,1,,,,,,,,,,,,,,,,,,,,,
4,3,,172458-74140,, "BRACKET, OIL SEAL",1,1,1,,,,,,,,,,,,,,,,,,,,,I
5,3,,172458-74170,, "CAP,SPRING",1,1,1,,,,,,,,,,,,,,,,,,,,,I
6,3,,172458-74290,, "CHECK VALVE",1,1,1,,,,,,,,,,,,,,,,,,,,,I
7,3,,172458-74360,, "SPRING, CHECK VALVE",1,1,1,,,,,,,,,,,,,,,,,,,,,I
8,3,,172458-74450,, "SPOOL,DRIVE L",1,1,1,,,,,,,,,,,,,,,,,,,,,I
9,3,,172458-74460,, "PLUG GPM1/32",2,2,2,,,,,,,,,,,,,,,,,,,,,I
10,3,,172458-74640,, "STAY, CHECK VALVE",1,1,1,,,,,,,,,,,,,,,,,,,,,I
11,3,,24311-000120,, "O-RING 1A P 12.0",1,1,1,,,,,,,,,,,,,,,,,,,,,
12,3,,24315-000110,, "O-RING 1B P-11.0",1,1,1,,,,,,,,,,,,,,,,,,,,,
13,3,,26450-050102,, "BOLT M 5X 10",2,2,2,,,,,,,,,,,,,,,,,,,,,I
14,3,,26450-050182,, "BOLT 5* 18",2,2,2,,,,,,,,,,,,,,,,,,,,,I
15,2,,172458-74820,, "PART,SUPPLY",1,1,1,,,,,,,,,,,,,,,,,,,,,
16,3,,172458-74520,, "INLET SEC. ASSY",1,1,1,,,,,,,,,,,,,,,,,,,,,
17,4,,172458-74230,, "PACKING S 22",2,2,2,,,,,,,,,,,,,,,,,,,,,
18,4,,172458-74240,, "COVER B1, PILOT",1,1,1,,,,,,,,,,,,,,,,,,,,,I
19,4,,172458-74260,, "SWP HEX.BOLT 5X20",4,4,4,,,,,,,,,,,,,,,,,,,,,I
20,4,,172458-74530,, "SEAT, SPRING",1,1,1,,,,,,,,,,,,,,,,,,,,,I
21,4,,172458-74540,, "SPRING,RETURN",1,1,1,,,,,,,,,,,,,,,,,,,,,I
22,4,,172458-74550,, "COVER A2, PILOT",1,1,1,,,,,,,,,,,,,,,,,,,,,I
23,3,,172458-74680,, "RELIEF 210/30",2,2,2,,,,,,,,,,,,,,,,,,,,,
24,2,,24311-000060,, "O-RING 1A P-6.0",1,1,1,,,,,,,,,,,,,,,,,,,,,
25,2,,24311-000180,, "O-RING 1A P-18.0",1,1,1,,,,,,,,,,,,,,,,,,,,,

項目NO. 84の見出しNO. 1は、
 項目NO. 84の見出しNO. 2~29と
 項目NO. 85の見出しNO. 1~28と
 項目NO. 86の見出しNO. 1~25を含みます。
 項目NO. 87の見出しNO. 1~30と
 項目NO. 88の見出しNO. 1~34と
 項目NO. 89の見出しNO. 1~25を含みます。

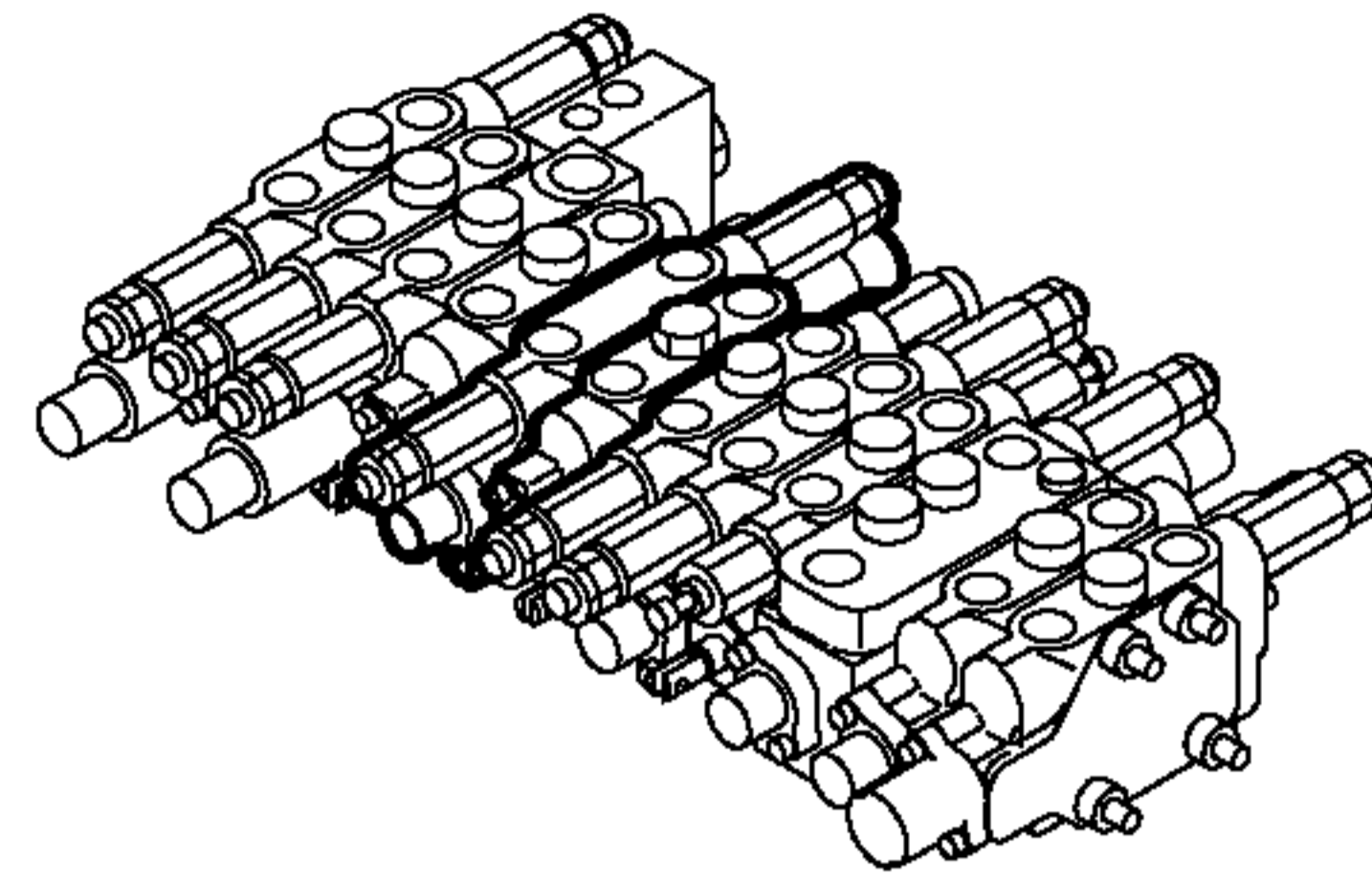


Fig. 84 Ref. No. 1

INC. Fig. 84 Ref. No. 2~29.

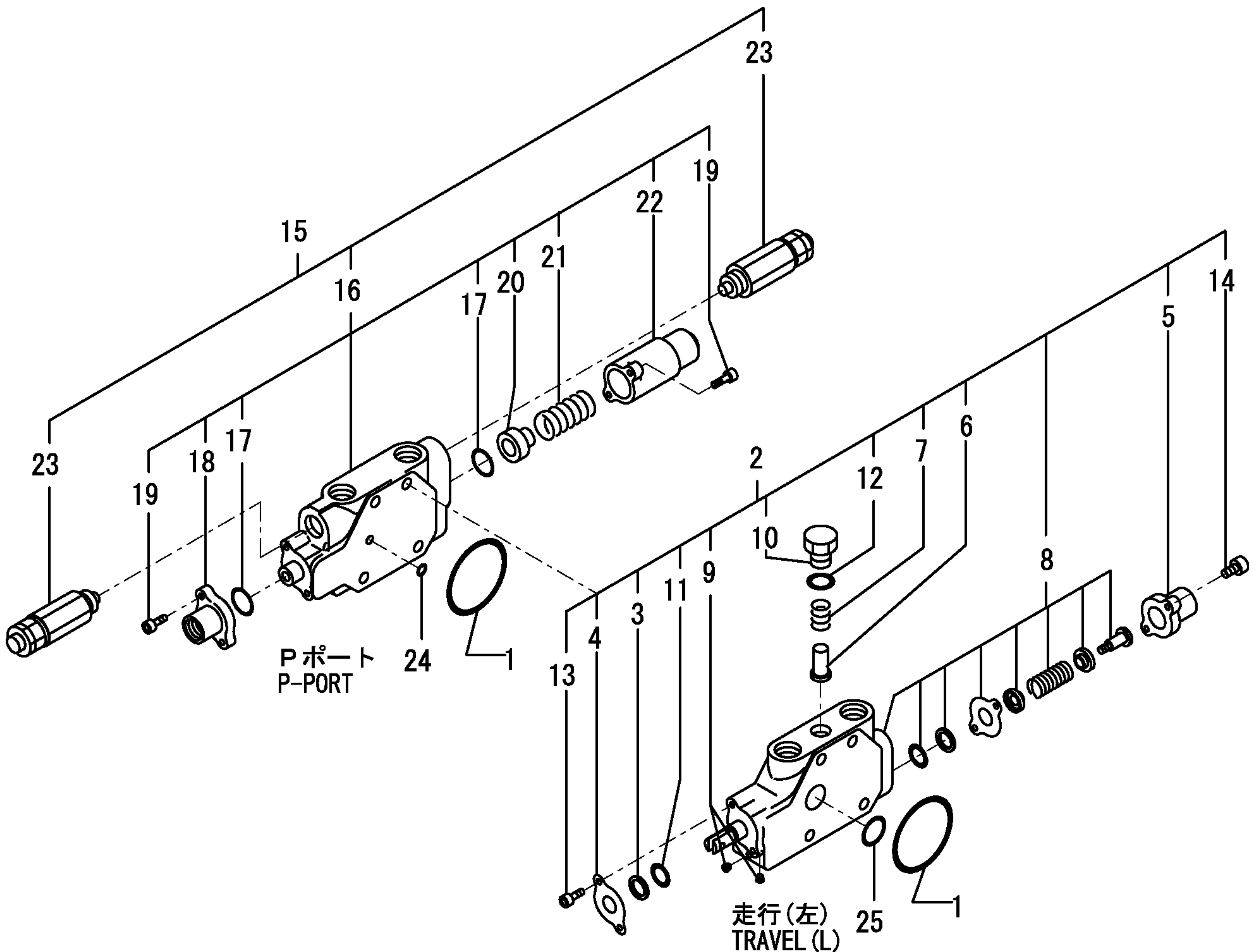
INC. Fig. 85 Ref. No. 1~28.

INC. Fig. 86 Ref. No. 1~25.

INC. Fig. 87 Ref. No. 1~30.

INC. Fig. 88 Ref. No. 1~34.

INC. Fig. 89 Ref. No. 1~25.



1,2,,172457-74220,, "CHANGEOVER,ARM",1,1,1,,,,,,,,,,,,,
2,3,,172457-74150,, "SECTION,ARM ASSY",1,1,1,,,,,,,,,,,,,
3,4,,172458-74150,, "CHECK VALVE",1,1,1,,,,,,,,,,,,,I
4,4,,172457-74160,, "SPOOL,ARM",1,1,1,,,,,,,,,,,,,I
5,4,,172458-74160,, "SPRING, CHECK VALVE",1,1,1,,,,,,,,,,,,,I
6,4,,172458-74230,, "PACKING S 22",2,2,2,,,,,,,,,,,,,
7,4,,172458-74240,, "COVER B1, PILOT",1,1,1,,,,,,,,,,,,,I
8,4,,172458-74250,, "COVER A1, PILOT",1,1,1,,,,,,,,,,,,,I
9,4,,172458-74260,, "SWP HEX.BOLT 5X20",4,4,4,,,,,,,,,,,,,I
10,4,,172458-74630,, "STAY, CHECK VALVE",1,1,1,,,,,,,,,,,,,I
11,4,,24315-000110,, "O-RING 1B P-11.0",1,1,1,,,,,,,,,,,,,
12,3,,172447-74221,, "PORT RELIFE VALVE",1,1,1,,,,,,,,,,,,,
13,3,,172458-74710,, "OVERLOAD 260/5",1,1,1,,,,,,,,,,,,,
14,2,,172458-74720,, "PACKING G 4",2,2,2,,,,,,,,,,,,,
15,2,,172458-74800,, "CHANGEOVER,SWING",1,1,1,,,,,,,,,,,,,
16,3,,172447-74230,, "ANTI-CAVITATION",1,1,1,,,,,,,,,,,,,
17,3,,172458-74420,, "SWING SEC. ASSY",1,1,1,,,,,,,,,,,,,
18,4,,172458-74130,, "DUST WIPER",1,1,1,,,,,,,,,,,,,
19,4,,172458-74140,, "BRACKET, OIL SEAL",1,1,1,,,,,,,,,,,,,I
20,4,,172458-74150,, "CHECK VALVE",1,1,1,,,,,,,,,,,,,I
21,4,,172458-74160,, "SPRING, CHECK VALVE",1,1,1,,,,,,,,,,,,,I
22,4,,172458-74430,, "SPOOL ASSY,SWING",1,1,1,,,,,,,,,,,,,I
23,4,,172458-74630,, "STAY, CHECK VALVE",1,1,1,,,,,,,,,,,,,I
24,4,,24311-000120,, "O-RING 1A P 12.0",1,1,1,,,,,,,,,,,,,
25,4,,24315-000110,, "O-RING 1B P-11.0",1,1,1,,,,,,,,,,,,,
26,4,,26450-050102,, "BOLT M 5X 10",2,2,2,,,,,,,,,,,,,I
27,4,,26450-050182,, "BOLT 5* 18",2,2,2,,,,,,,,,,,,,I
28,3,,172458-74170,, "CAP,SPRING",1,1,1,,,,,,,,,,,,,I
29,3,,172458-74710,, "OVERLOAD 260/5",1,1,1,,,,,,,,,,,,,
30,2,,24311-000180,, "O-RING 1A P-18.0",2,2,2,,,,,,,,,,,,,

項目NO. 84の見出しNO. 1は、
 項目NO. 84の見出しNO. 2~29と
 項目NO. 85の見出しNO. 1~28と
 項目NO. 86の見出しNO. 1~25を含みます。
 項目NO. 87の見出しNO. 1~30と
 項目NO. 88の見出しNO. 1~34と
 項目NO. 89の見出しNO. 1~25を含みます。

Fig. 84 Ref. No. 1

INC. Fig. 84 Ref. No. 2~29.

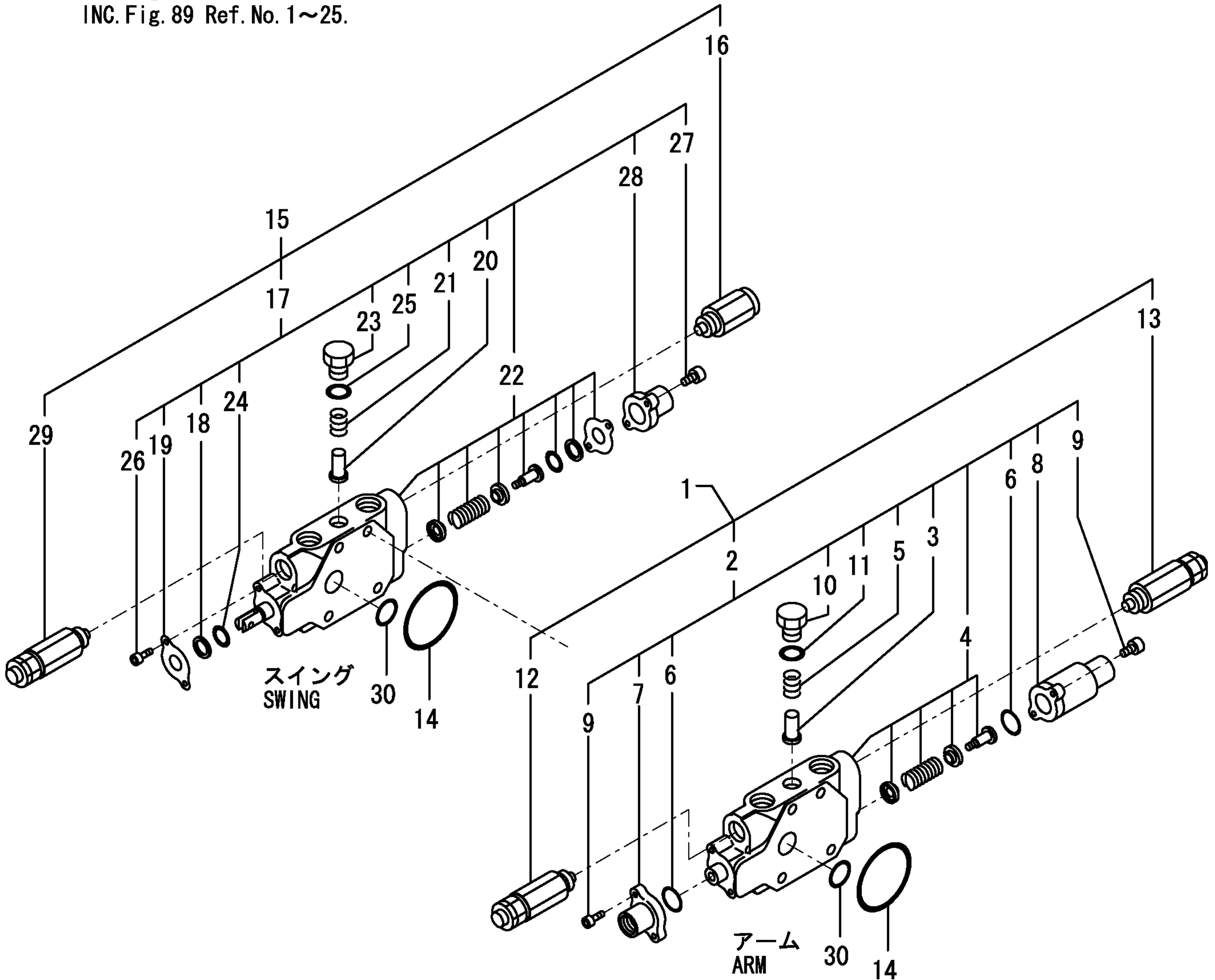
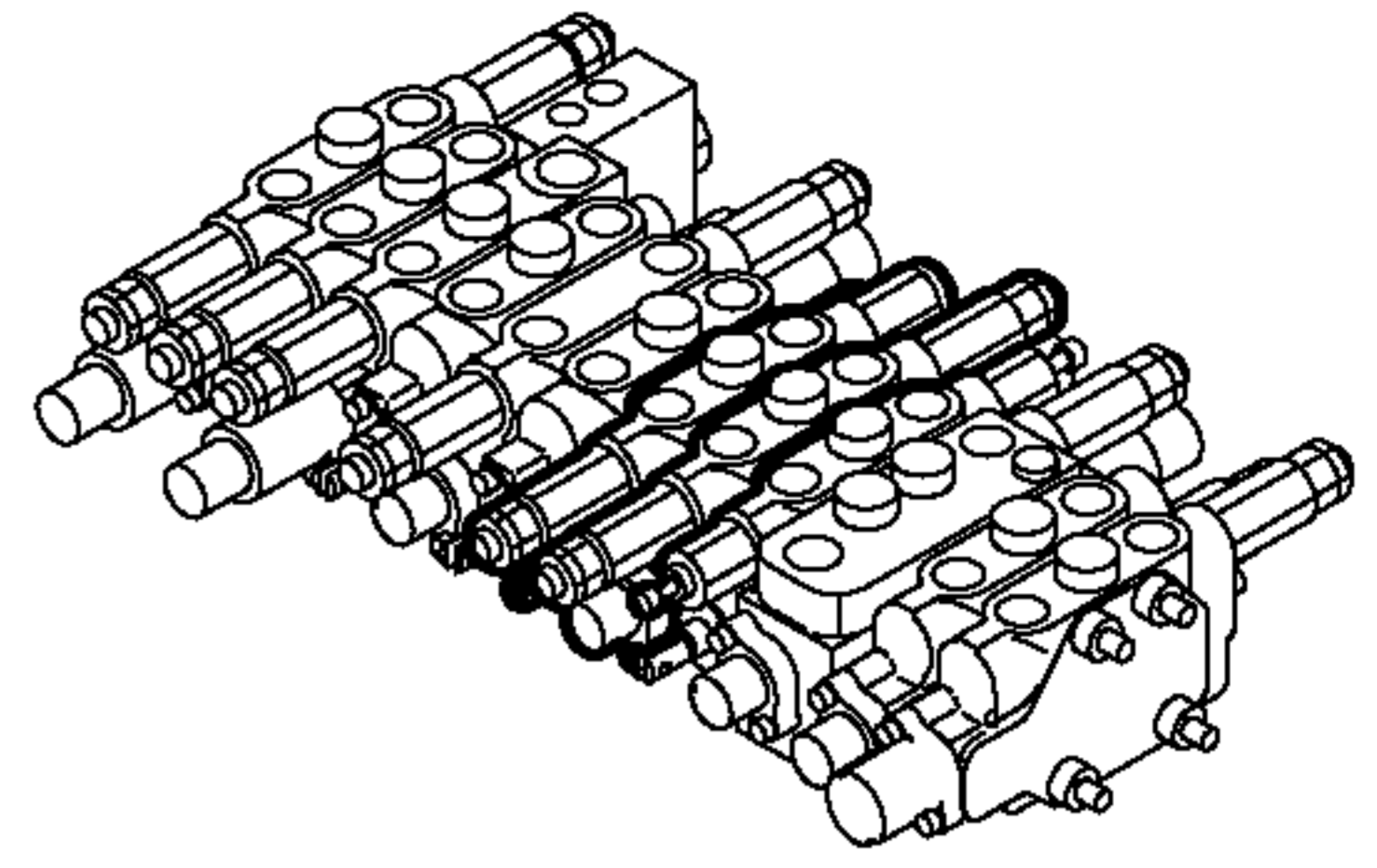
INC. Fig. 85 Ref. No. 1~28.

INC. Fig. 86 Ref. No. 1~25.

INC. Fig. 87 Ref. No. 1~30.

INC. Fig. 88 Ref. No. 1~34.

INC. Fig. 89 Ref. No. 1~25.



1,2,,172457-74210,, "CHANGEOVER, CONFLUENC",1,1,1,,,,,,,,,,,,,
2,3,,172457-74130,, "SECTION, CONFLUENCE",1,1,1,,,,,,,,,,,,,
3,4,,172457-74140,, "SPOOL, CONFLUENCE",1,1,1,,,,,,,,,,,,,I
4,4,,172457-74190,, "RESTRICTION, M6-0.9",1,1,1,,,,,,,,,,,,,
5,4,,172458-74230,, "PACKING S 22",2,2,2,,,,,,,,,,,,,
6,4,,172458-74240,, "COVER B1, PILOT",1,1,1,,,,,,,,,,,,,I
7,4,,172458-74250,, "COVER A1, PILOT",1,1,1,,,,,,,,,,,,,I
8,4,,172458-74260,, "SWP HEX.BOLT 5X20",4,4,4,,,,,,,,,,,,,I
9,4,,172458-74290,, "CHECK VALVE",2,2,2,,,,,,,,,,,,,I
10,4,,172458-74360,, "SPRING, CHECK VALVE",2,2,2,,,,,,,,,,,,,I
11,4,,172458-74640,, "STAY, CHECK VALVE",2,2,2,,,,,,,,,,,,,I
12,4,,172458-74660,, "PLUG NPT1/16, SCREW",2,2,2,,,,,,,,,,,,,I
13,4,,172458-74670,, "PLUG, PF1/8",2,2,2,,,,,,,,,,,,,I
14,4,,24315-000080,, "O-RING 1B P-8.0",2,2,2,,,,,,,,,,,,,
15,4,,24315-000110,, "O-RING 1B P-11.0",2,2,2,,,,,,,,,,,,,
16,3,,172458-74690,, "RELIEF 210/19",1,1,1,,,,,,,,,,,,,
17,2,,172458-74720,, "PACKING G 4",3,3,3,,,,,,,,,,,,,
18,2,,172458-74780,, "PTO CHANGE-
OVER",1,1,1,,,,,724580605,,724580605,,724580605,,,,,,,,,I
19,3,,172458-74380,, "PTO SEC. ASSY",1,1,1,,,,,,,,,,,,,
20,4,,172458-74130,, "DUST WIPER",1,1,1,,,,,,,,,,,,,
21,4,,172458-74140,, "BRACKET, OIL SEAL",1,1,1,,,,,,,,,,,,,I
22,4,,172458-74150,, "CHECK VALVE",1,1,1,,,,,,,,,,,,,I
23,4,,172458-74160,, "SPRING, CHECK VALVE",1,1,1,,,,,,,,,,,,,I
24,4,,172458-74170,, "CAP, SPRING",1,1,1,,,,,,,,,,,,,I
25,4,,172458-74390,, "SPOOL ASSY, PTO",1,1,1,,,,,,,,,,,,,I
26,4,,172458-74630,, "STAY, CHECK VALVE",1,1,1,,,,,,,,,,,,,I
27,4,,172458-74650,, "STAY, CHECK VALVE",2,2,2,,,,,,,,,,,,,I
28,4,,24311-000120,, "O-RING 1A P 12.0",1,1,1,,,,,,,,,,,,,
29,4,,24315-000110,, "O-RING 1B P-11.0",1,1,1,,,,,,,,,,,,,
30,4,,24315-000140,, "O-RING 1B P-14.0",2,2,2,,,,,,,,,,,,,
31,4,,26450-050102,, "BOLT M 5X 10",2,2,2,,,,,,,,,,,,,I
32,4,,26450-050182,, "BOLT 5* 18",2,2,2,,,,,,,,,,,,,I
33,3,,172458-74740,, "SHUT OFF VALVE",2,2,2,,,,,,,,,,,,,
34,2,,24311-000180,, "O-RING 1A P-18.0",1,1,1,,,,,,,,,,,,,

項目NO. 84の見出しNO. 1は、
 項目NO. 84の見出しNO. 2~29と
 項目NO. 85の見出しNO. 1~28と
 項目NO. 86の見出しNO. 1~25を
 含みます。
 項目NO. 87の見出しNO. 1~30と
 項目NO. 88の見出しNO. 1~34と
 項目NO. 89の見出しNO. 1~25を
 含みます。

Fig. 84 Ref. No. 1

INC. Fig. 84 Ref. No. 2~29.

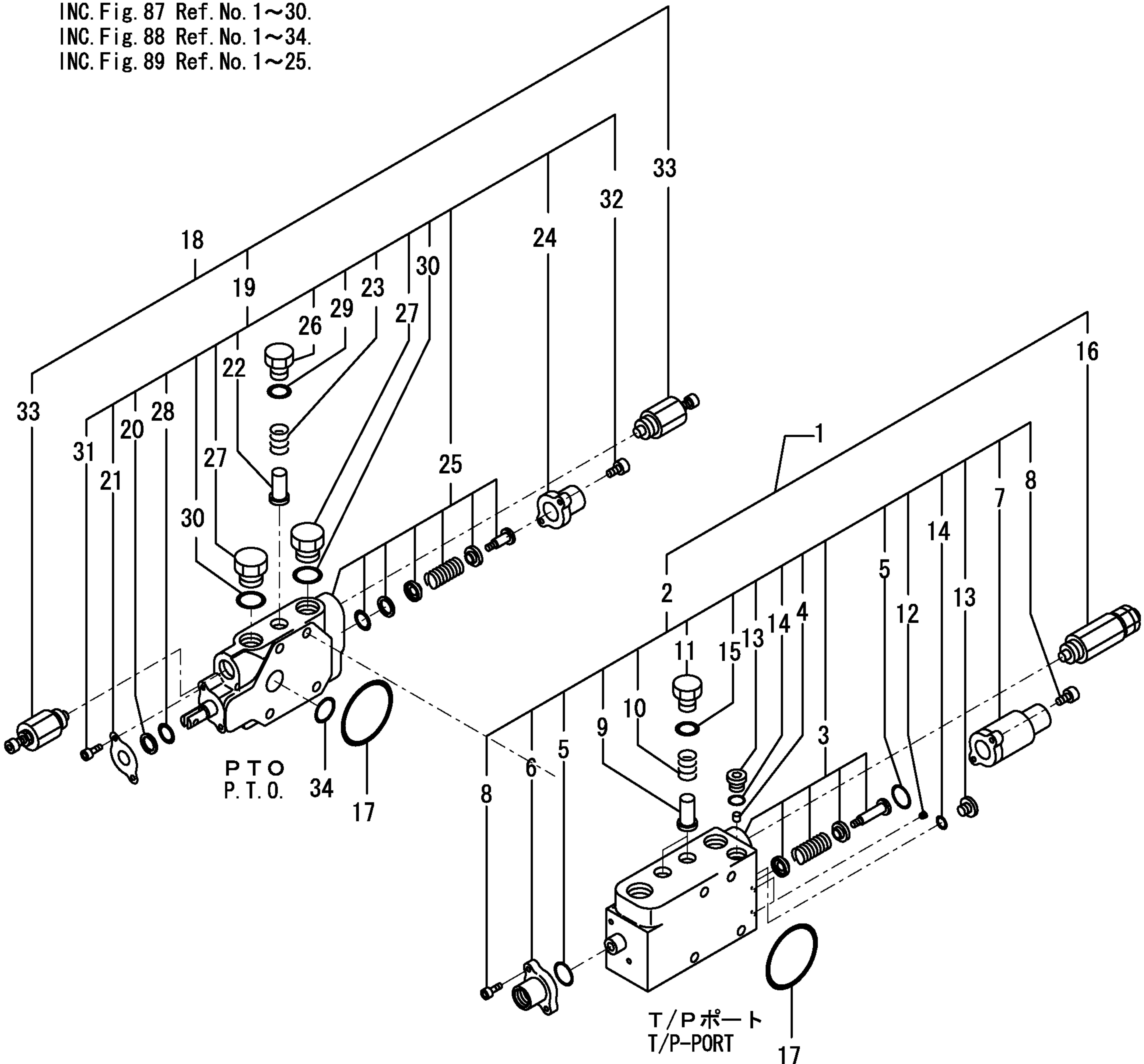
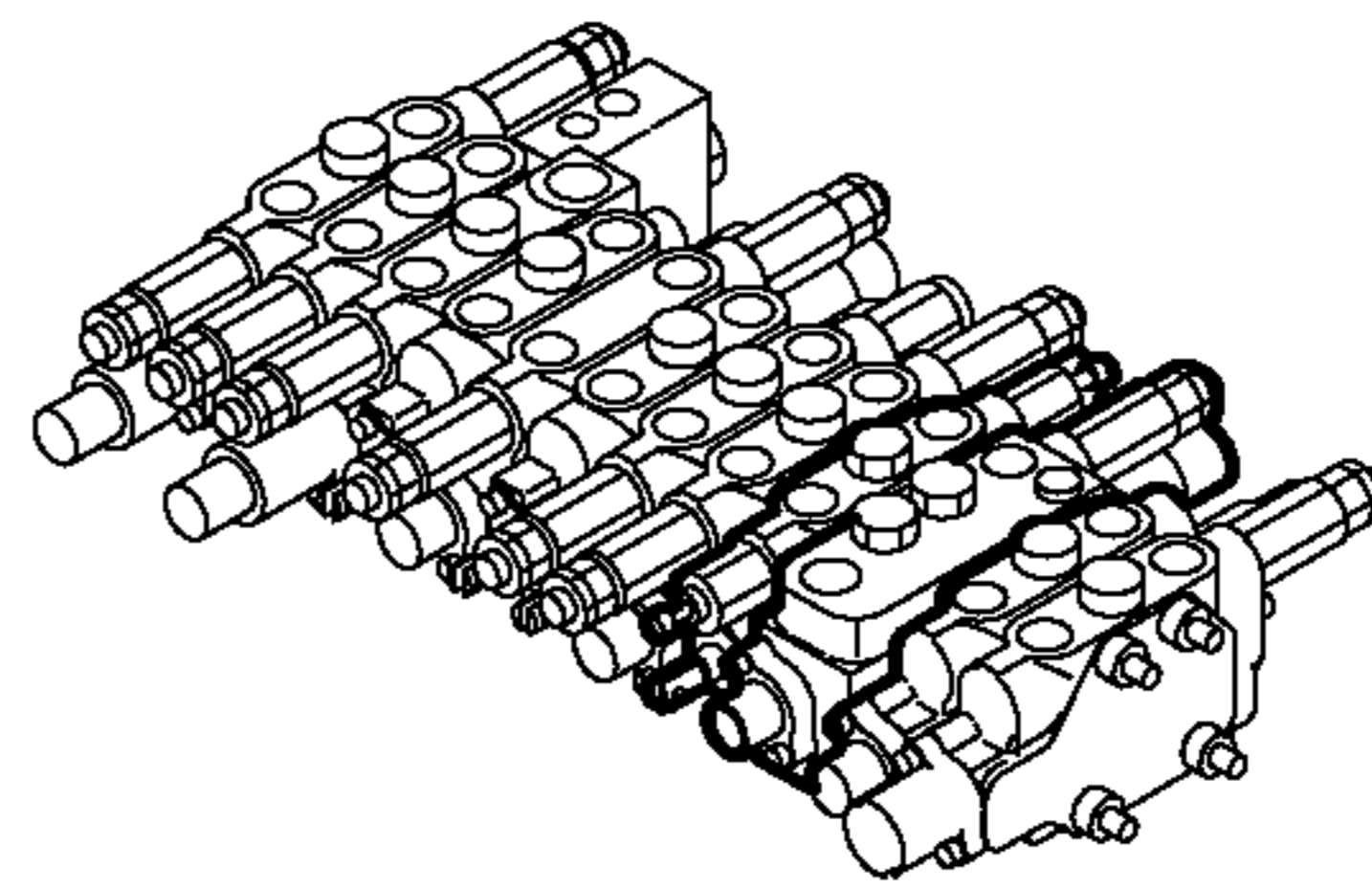
INC. Fig. 85 Ref. No. 1~28.

INC. Fig. 86 Ref. No. 1~25.

INC. Fig. 87 Ref. No. 1~30.

INC. Fig. 88 Ref. No. 1~34.

INC. Fig. 89 Ref. No. 1~25.



1,2,,172457-74110,, "SECTION,TURNING ASSY",1,1,1,,,,,,,,,,,,,
2,3,,172457-74120,, "SPOOL,TURNING",1,1,1,,,,,,,,,,,,,I
3,3,,172458-74150,, "CHECK VALVE",1,1,1,,,,,,,,,,,,,I
4,3,,172458-74160,, "SPRING, CHECK VALVE",1,1,1,,,,,,,,,,,,,I
5,3,,172458-74230,, "PACKING S 22",2,2,2,,,,,,,,,,,,,
6,3,,172458-74240,, "COVER B1, PILOT",1,1,1,,,,,,,,,,,,,I
7,3,,172458-74250,, "COVER A1, PILOT",1,1,1,,,,,,,,,,,,,I
8,3,,172458-74260,, "SWP HEX.BOLT 5X20",4,4,4,,,,,,,,,,,,,I
9,3,,172458-74630,, "STAY, CHECK VALVE",1,1,1,,,,,,,,,,,,,I
10,3,,24315-000110,, "O-RING 1B P-11.0",1,1,1,,,,,,,,,,,,,
11,2,,172458-74720,, "PACKING G 4",1,1,1,,,,,,,,,,,,,
12,2,,172458-74750,, "BLADE CHANGE-
OVER",1,1,1,,,,,724580605,,724580605,,724580605,,,,,,,,,I
13,3,,172458-74110,, "BLADE SEC. ASSY",1,1,1,,,,,,,,,,,,,
14,4,,172458-74120,, "SPOOL ASSY,BLADE",1,1,1,,,,,,,,,,,,,I
15,4,,172458-74130,, "DUST WIPER",1,1,1,,,,,,,,,,,,,
16,4,,172458-74140,, "BRACKET, OIL SEAL",1,1,1,,,,,,,,,,,,,I
17,4,,172458-74150,, "CHECK VALVE",1,1,1,,,,,,,,,,,,,I
18,4,,172458-74160,, "SPRING, CHECK VALVE",1,1,1,,,,,,,,,,,,,I
19,4,,172458-74170,, "CAP,SPRING",1,1,1,,,,,,,,,,,,,I
20,4,,172458-74630,, "STAY, CHECK VALVE",1,1,1,,,,,,,,,,,,,I
21,4,,24311-000120,, "O-RING 1A P 12.0",1,1,1,,,,,,,,,,,,,
22,4,,24315-000110,, "O-RING 1B P-11.0",1,1,1,,,,,,,,,,,,,
23,4,,26450-050102,, "BOLT M 5X 10",2,2,2,,,,,,,,,,,,,I
24,4,,26450-050182,, "BOLT 5* 18",2,2,2,,,,,,,,,,,,,I
25,3,,172458-74700,, "OVERLOAD 100",1,1,1,,,,,,,,,,,,,

項目NO. 84の見出しNO. 1は、
 項目NO. 84の見出しNO. 2~29と
 項目NO. 85の見出しNO. 1~28と
 項目NO. 86の見出しNO. 1~25を含みます。
 項目NO. 87の見出しNO. 1~30と
 項目NO. 88の見出しNO. 1~34と
 項目NO. 89の見出しNO. 1~25を含みます。

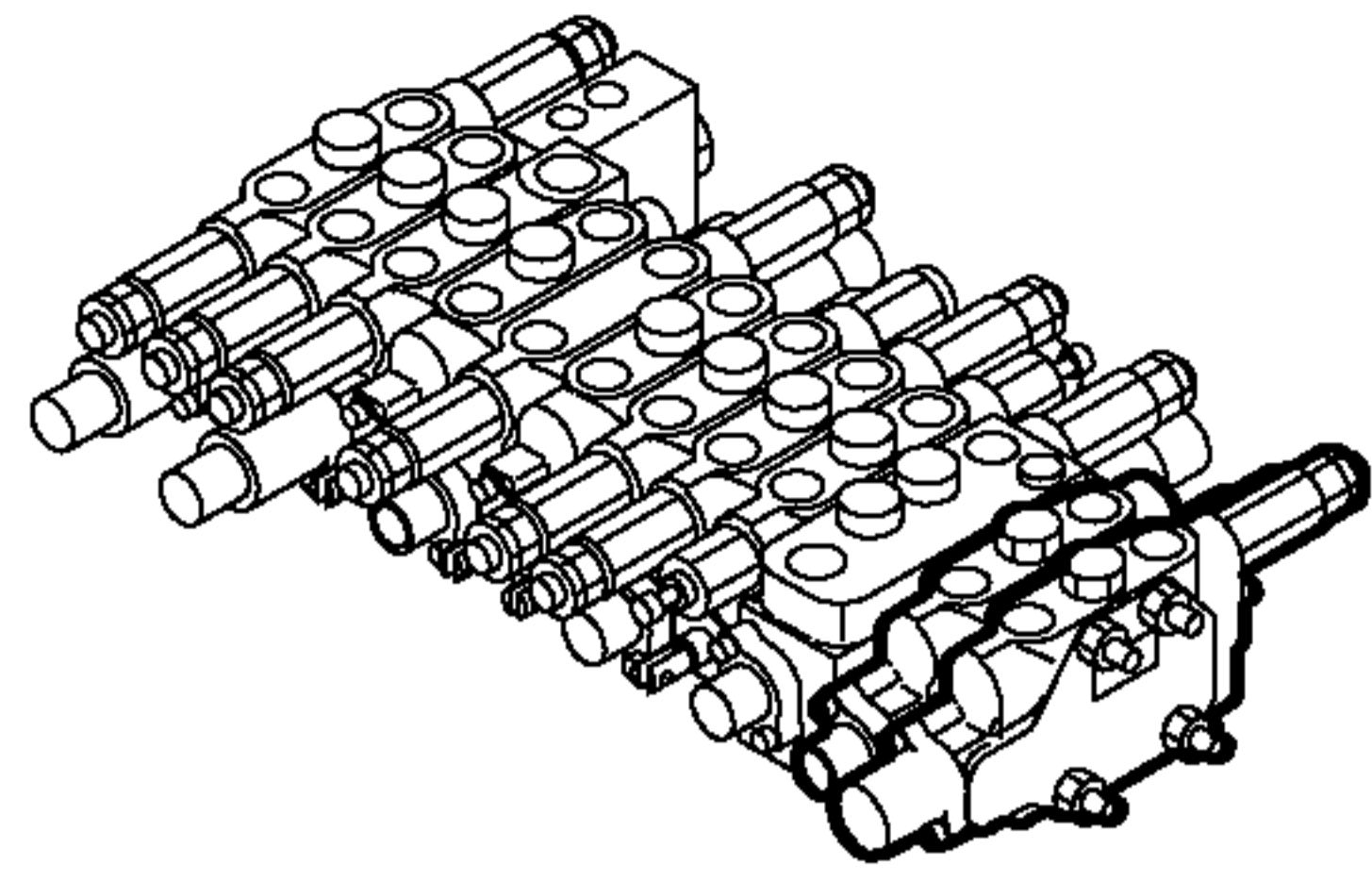


Fig. 84 Ref. No. 1

INC. Fig. 84 Ref. No. 2~29.

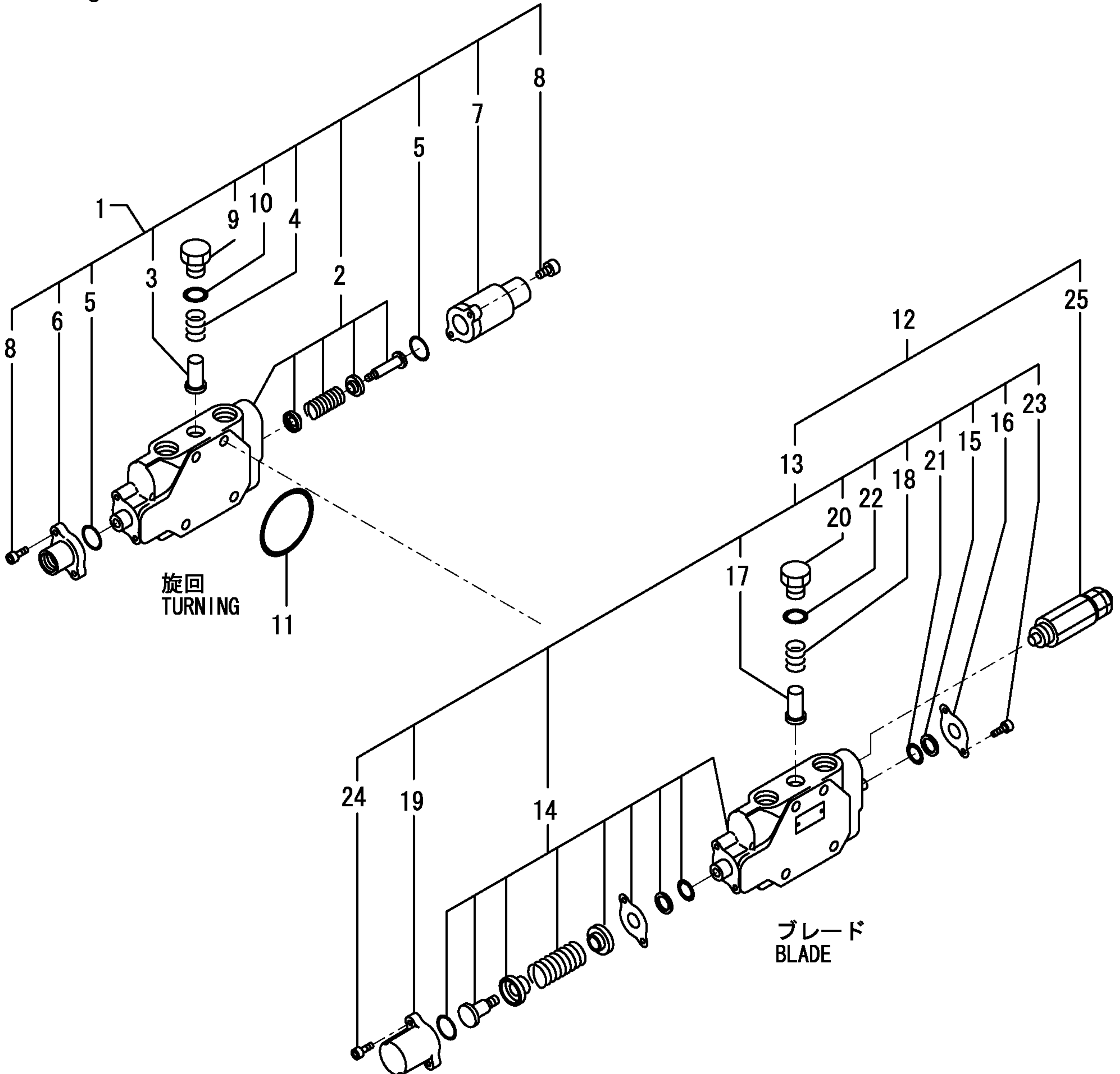
INC. Fig. 85 Ref. No. 1~28.

INC. Fig. 86 Ref. No. 1~25.

INC. Fig. 87 Ref. No. 1~30.

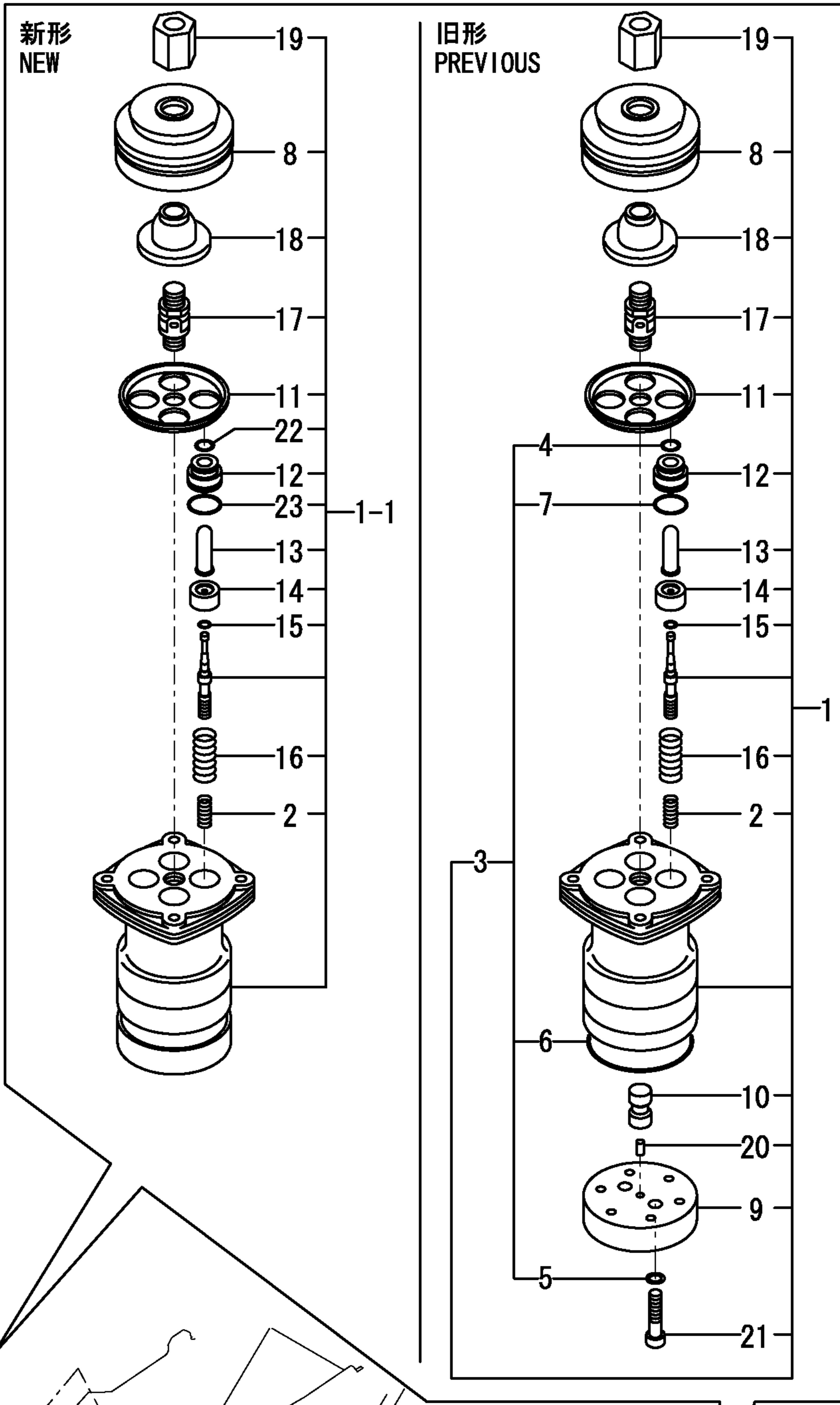
INC. Fig. 88 Ref. No. 1~34.

INC. Fig. 89 Ref. No. 1~25.

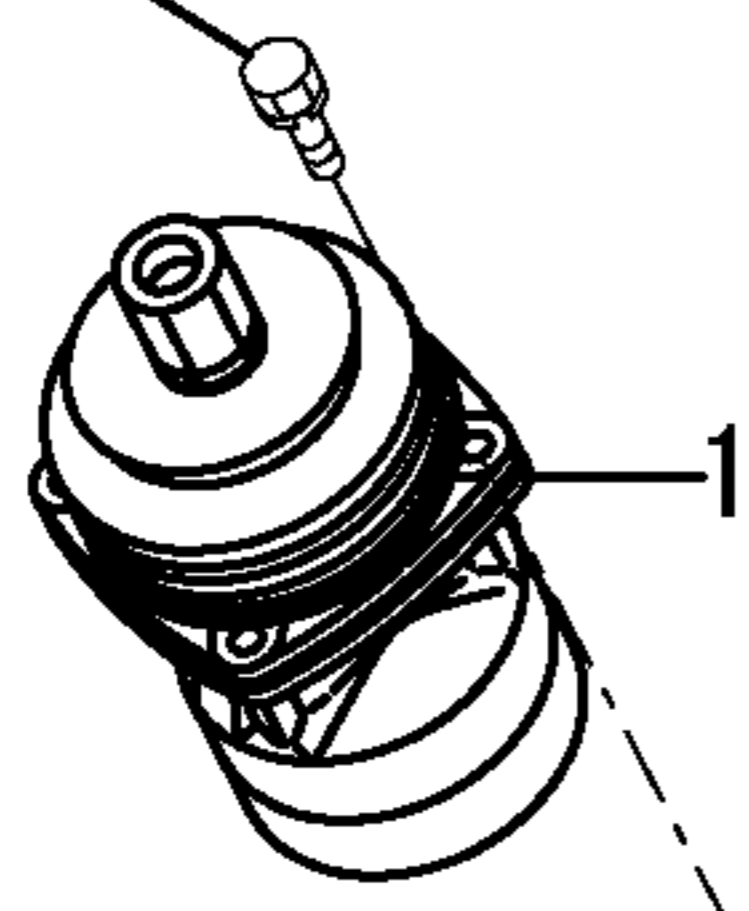


1,1,,172455-74700,, "VALVE ASSY, REM-CON.",2,2,,,,,,,,,,,,,
1-1,1,,172455-74701,, "VALVE ASSY,
REMO.CON",1,1,,,,,R,,72455395,M/#21105,72455395,M/#21105,,,,,
2,2,,172455-74240,, SPRING,4,4,,,,,,,,,,,,,
3,2,,172448-74710,, "SEAL KIT SUB
ASSY",1,1,,,,,Z,,72455395,M/#21105,72455395,M/#21105,,,,,I
4,3,,172448-74790,, SEAL,8,8,,,,,Z,,72455395,M/#21105,72455395,M/#21105,,,,,I
5,3,,172448-
74820,, PACKING,4,4,,,,,Z,,72455395,M/#21105,72455395,M/#21105,,,,,I
6,3,,172448-
74830,, ORING,2,2,,,,,Z,,72455395,M/#21105,72455395,M/#21105,,,,,I
7,3,,24315-000200,, "O-RING 1B P-
20.0",4,4,,,,,Z,,72455395,M/#21105,72455395,M/#21105,,,,,I
8,2,,172455-74710,, BELLOWS,2,2,,,,,,,,,,,,,
9,2,,172448-74810,, "PLATE,
PORT",1,1,,,,,Z,,72455395,M/#21105,72455395,M/#21105,,,,,I
10,2,,172448-
74750,, BUSH,1,1,,,,,Z,,72455395,M/#21105,72455395,M/#21105,,,,,I
11,2,,172448-74760,, PLATE,1,1,,,,,,,,,,,,,
12,2,,172448-74770,, PLUG,4,4,,,,,,,,,,,,,
13,2,,172448-74780,, "ROD Q,PUSH",4,4,,,,,,,,,,,,,
14,2,,172448-74910,, "SEAT, SPRING",4,4,,,,,,,,,,,,,
15,2,,172448-74920,, WASHER,4,4,,,,,,,,,,,,,
16,2,,172448-74930,, SPRING,4,4,,,,,,,,,,,,,
17,2,,172448-74950,, "JOINT ASSY",1,1,,,,,,,,,,,,,
18,2,,172448-74960,, "PLATE, CIRCLE",1,1,,,,,,,,,,,,,
19,2,,172448-74970,, "NUT, ADJUST",1,1,,,,,,,,,,,,,
20,2,,22351-050010,, "SPRING PIN
5X10",1,1,,,,,Z,,72455395,M/#21105,72455395,M/#21105,,,,,I
21,2,,26450-080352,, "BOLT M 8X
35",2,2,,,,,Z,,72455395,M/#21105,72455395,M/#21105,,,,,I
22,2,,172448-
74790,, SEAL,8,8,,,,,W,,72448166,M/#21105,72488166,M/#21105,,,,,I
23,2,,24315-000200,, "O-RING 1B P-
20.0",8,8,,,,,W,,72448166,M/#21105,72488166,M/#21105,,,,,I

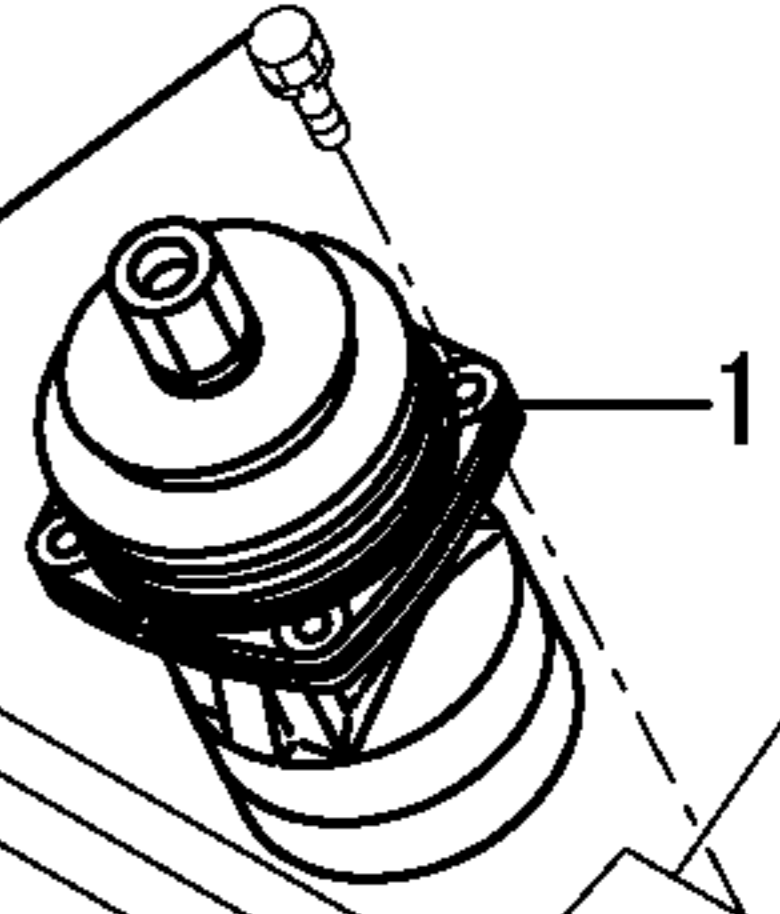
~M/#21329



REFER TO Fig. 33

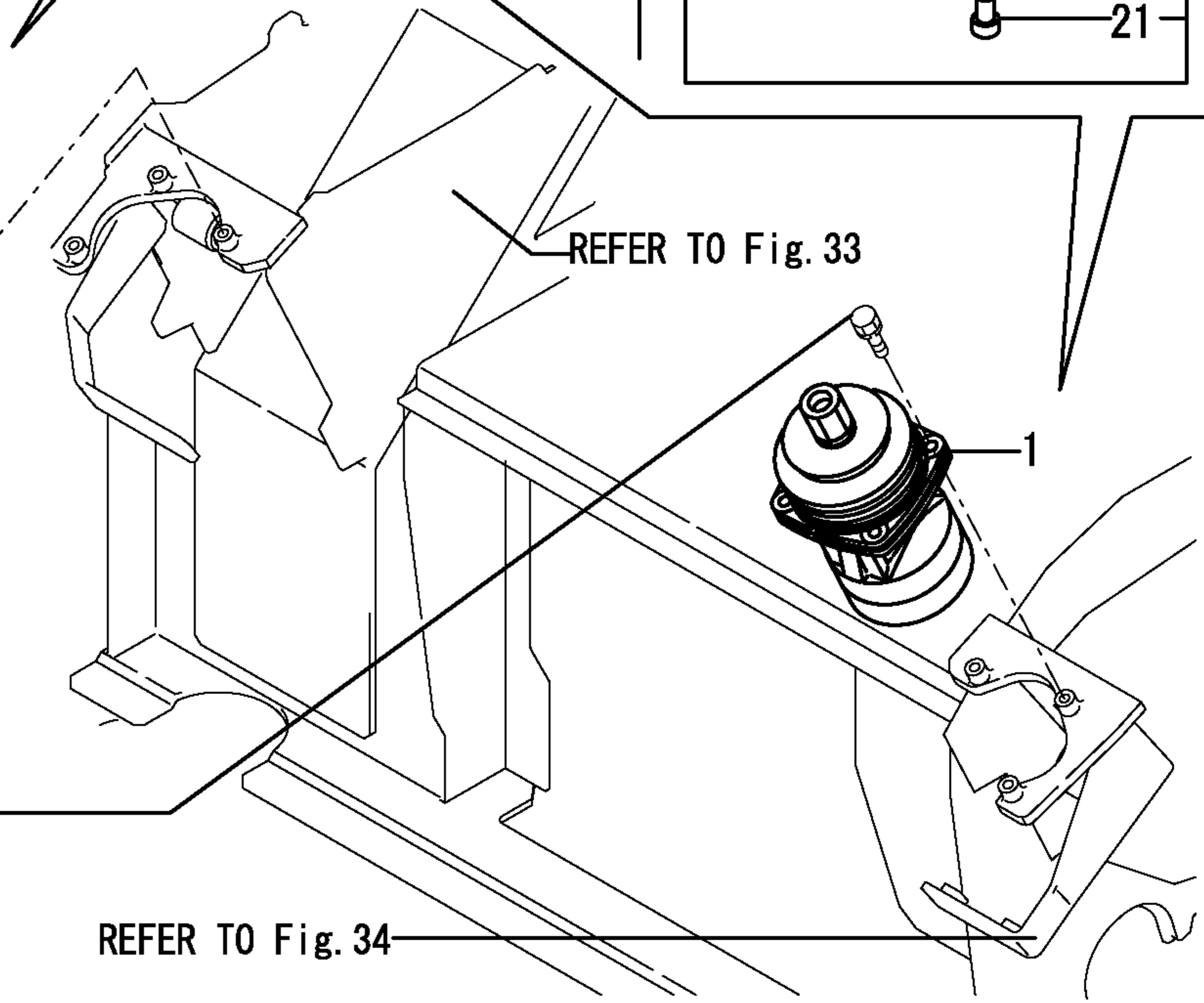


REFER TO Fig. 33



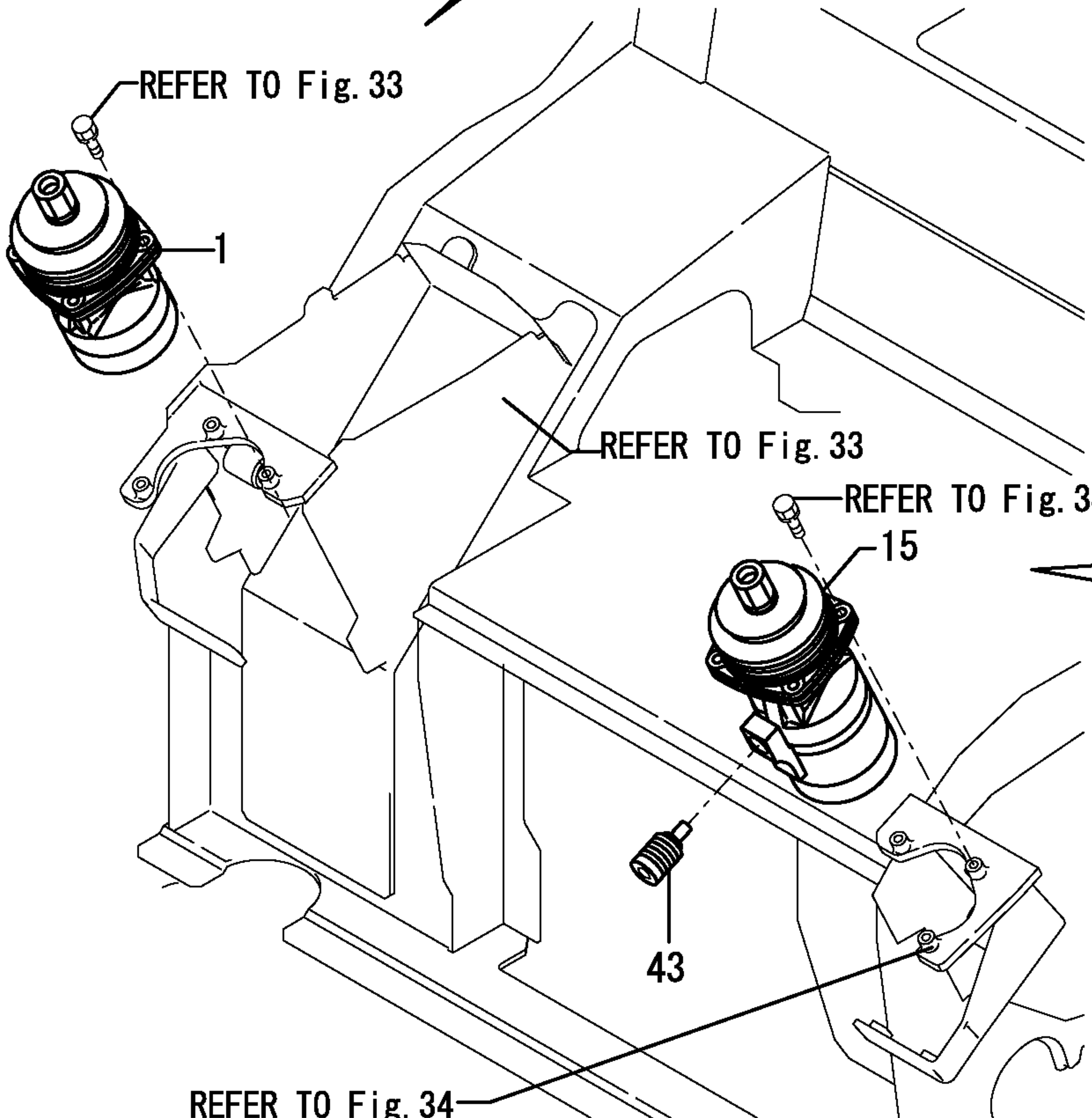
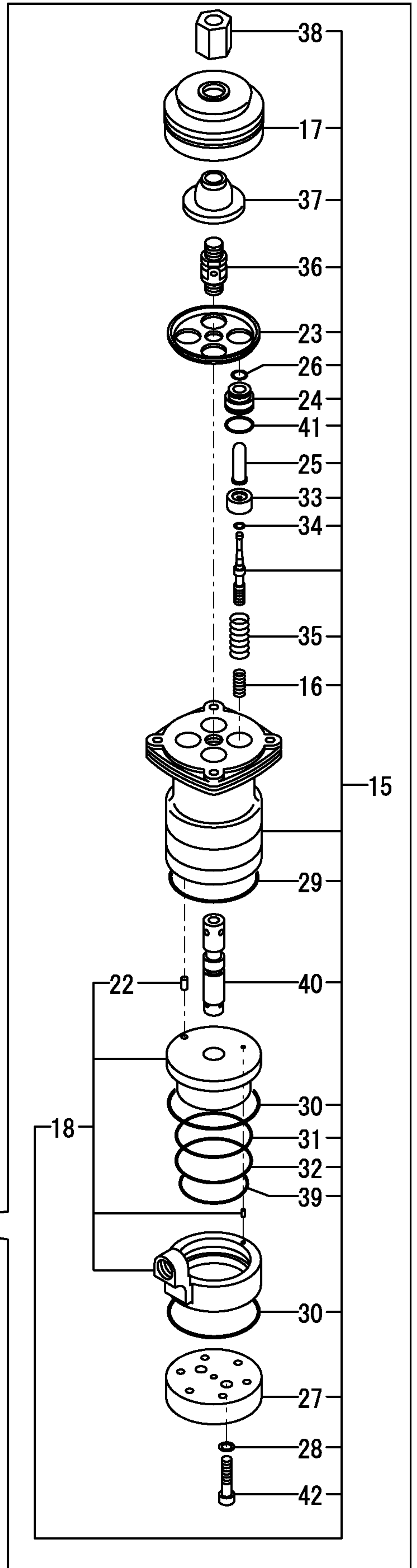
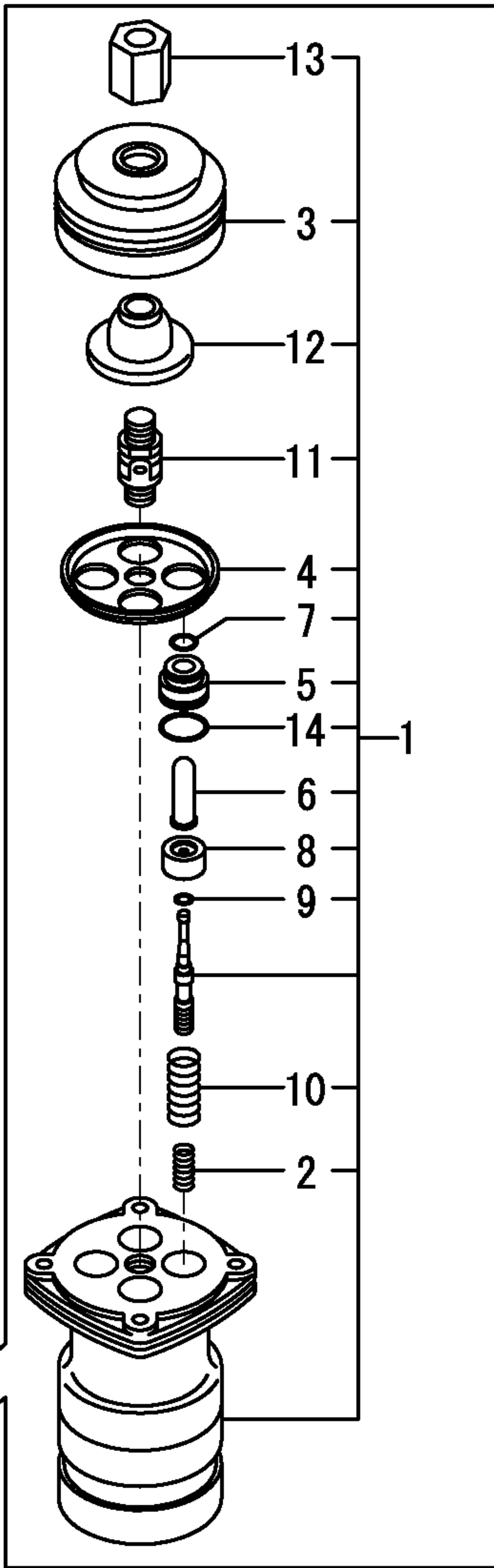
REFER TO Fig. 34

REFER TO Fig. 34



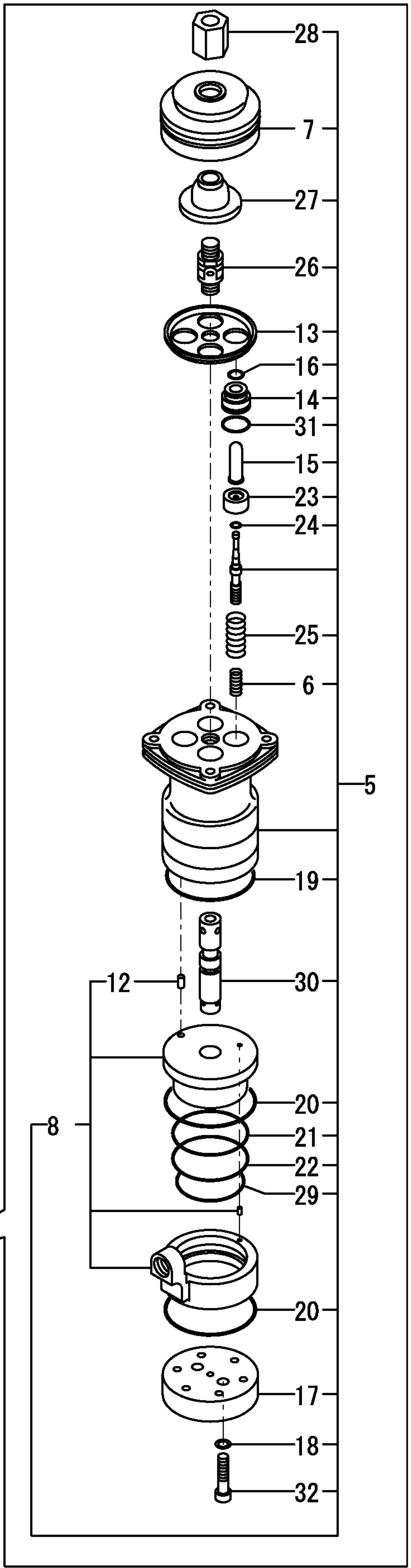
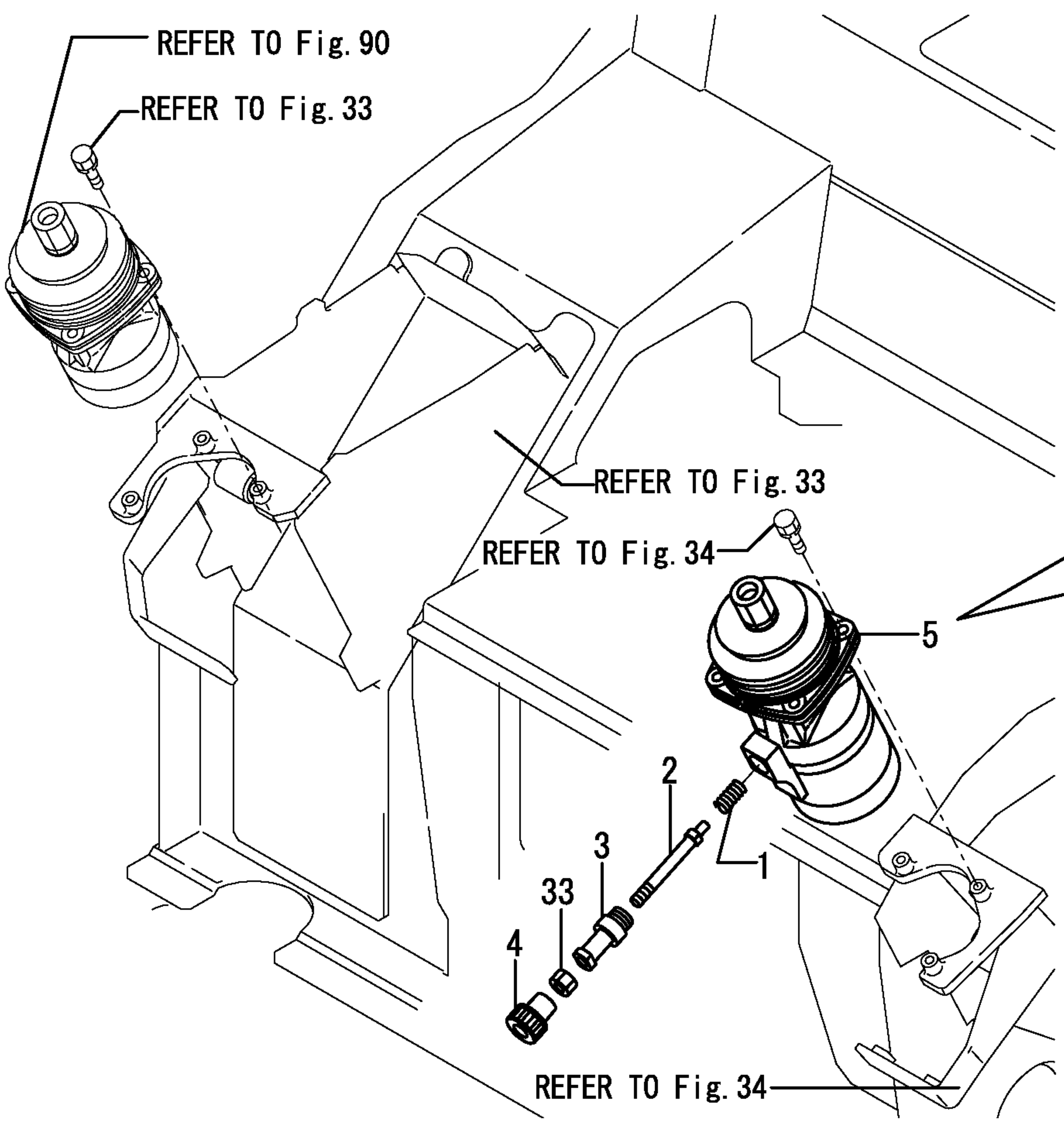
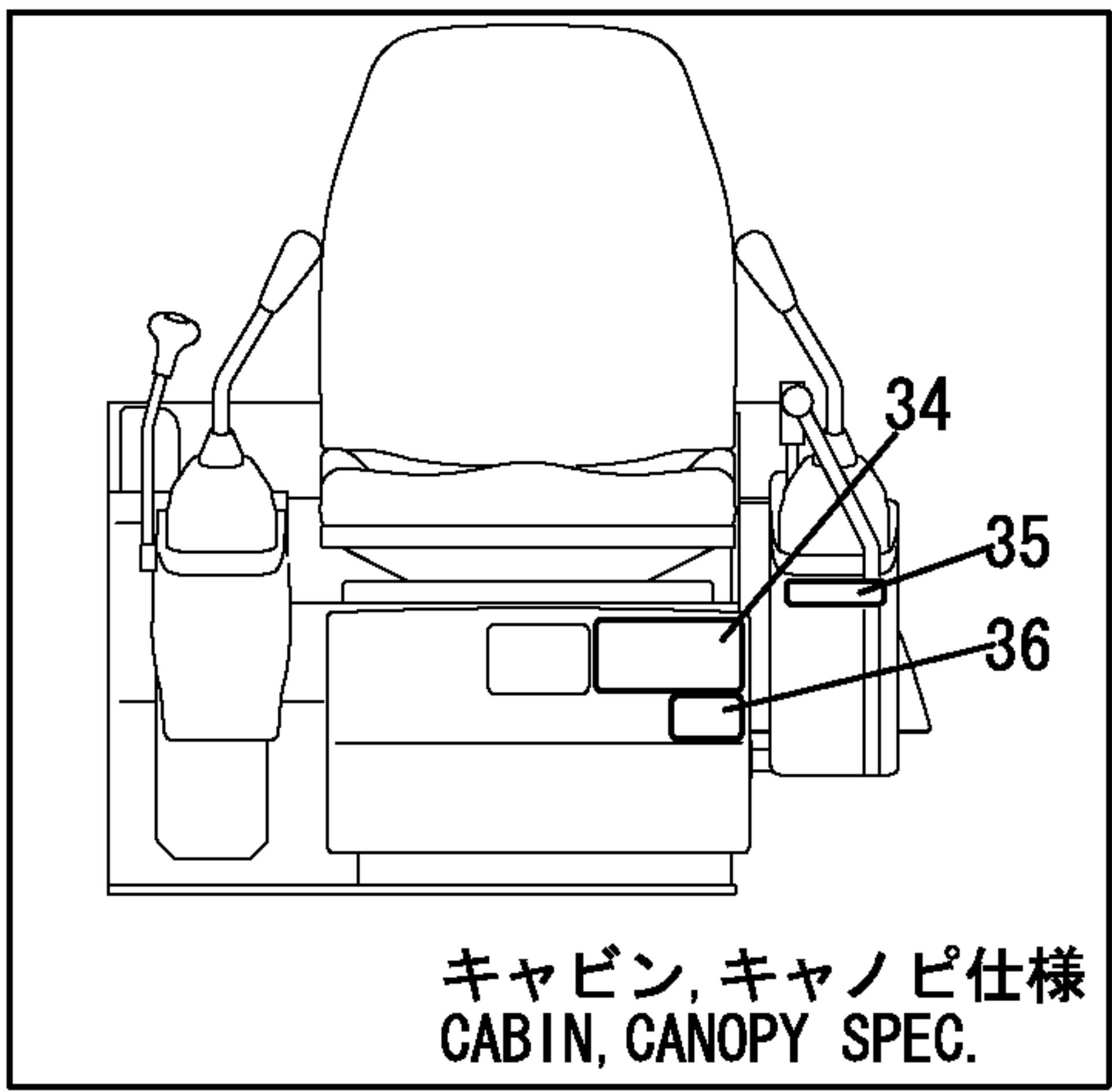
1,1,,172455-74701,, "VALVE ASSY, REMO.CON",1,1,1,,,,,,,,,,,,,I
2,2,,172455-74240,, SPRING,4,4,4,,,,,,,,,,,,,I
3,2,,172455-74710,, BELLOWS,1,1,1,,,,,,,,,,,,,I
4,2,,172448-74760,, PLATE,1,1,1,,,,,,,,,,,,,I
5,2,,172448-74770,, PLUG,4,4,4,,,,,,,,,,,,,I
6,2,,172448-74780,, "ROD Q,PUSH",4,4,4,,,,,,,,,,,,,I
7,2,,172448-74790,, SEAL,4,4,4,,,,,,,,,,,,,I
8,2,,172448-74910,, "SEAT, SPRING",4,4,4,,,,,,,,,,,,,I
9,2,,172448-74920,, WASHER,4,4,4,,,,,,,,,,,,,I
10,2,,172448-74930,, SPRING,4,4,4,,,,,,,,,,,,,I
11,2,,172448-74950,, "JOINT ASSY",1,1,1,,,,,,,,,,,,,I
12,2,,172448-74960,, "PLATE, CIRCLE",1,1,1,,,,,,,,,,,,,I
13,2,,172448-74970,, "NUT, ADJUST",1,1,1,,,,,,,,,,,,,I
14,2,,24315-000200,, "O-RING 1B P-20.0",4,4,4,,,,,,,,,,,,,I
15,1,,172458-74500,, "REMO-CON.VALVE M2",1,1,1,,,,,,,,,,,,,I
16,2,,172455-74240,, SPRING,4,4,4,,,,,,,,,,,,,I
17,2,,172455-74710,, BELLOWS,1,1,1,,,,,,,,,,,,,I
18,2,,172448-74720,, "SPOOL SLEEVE SUB",1,1,1,,,,,,,,,,,,,I
22,3,,22351-050010,, "SPRING PIN 5X10",1,1,1,,,,,,,,,,,,,I
23,2,,172448-74760,, PLATE,1,1,1,,,,,,,,,,,,,I
24,2,,172448-74770,, PLUG,4,4,4,,,,,,,,,,,,,I
25,2,,172448-74780,, "ROD Q,PUSH",4,4,4,,,,,,,,,,,,,I
26,2,,172448-74790,, SEAL,4,4,4,,,,,,,,,,,,,I
27,2,,172448-74810,, "PLATE, PORT",1,1,1,,,,,,,,,,,,,I
28,2,,172448-74820,, PACKING,2,2,2,,,,,,,,,,,,,I
29,2,,172448-74830,, ORING,1,1,1,,,,,,,,,,,,,I
30,2,,172448-74860,, ORING,2,2,2,,,,,,,,,,,,,I
31,2,,172448-74870,, ORING,1,1,1,,,,,,,,,,,,,I
32,2,,172448-74880,, ORING,1,1,1,,,,,,,,,,,,,I
33,2,,172448-74910,, "SEAT, SPRING",4,4,4,,,,,,,,,,,,,I
34,2,,172448-74920,, WASHER,4,4,4,,,,,,,,,,,,,I
35,2,,172448-74930,, SPRING,4,4,4,,,,,,,,,,,,,I
36,2,,172448-74950,, "JOINT ASSY",1,1,1,,,,,,,,,,,,,I
37,2,,172448-74960,, "PLATE, CIRCLE",1,1,1,,,,,,,,,,,,,I
38,2,,172448-74970,, "NUT, ADJUST",1,1,1,,,,,,,,,,,,,I
39,2,,172448-74980,, ORING,1,1,1,,,,,,,,,,,,,I
40,2,,172448-74990,, DISTANZBUCHSE,1,1,1,,,,,,,,,,,,,I
41,2,,24315-000200,, "O-RING 1B P-20.0",4,4,4,,,,,,,,,,,,,I
42,2,,26450-080652,, "BOLT M 8X 65",2,2,2,,,,,,,,,,,,,I
43,2,,172448-74730,, PLUG,1,1,1,,,,,,,,,,,,,I

M/#25501~



REFER TO Fig. 34

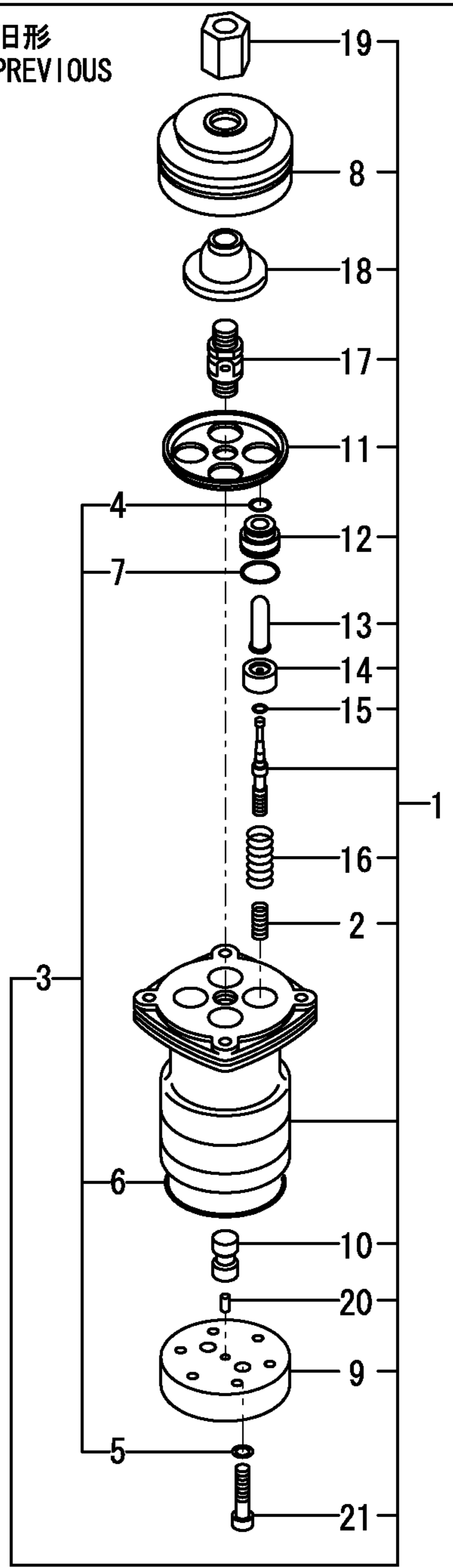
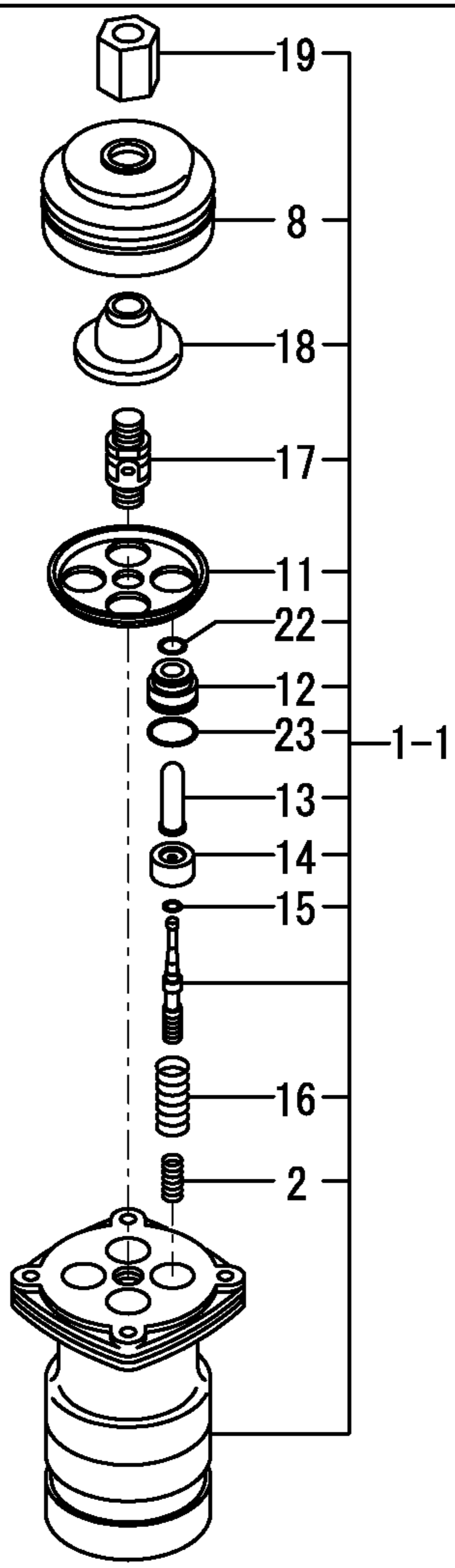
1,1,,1C6141-35370,, "SPRING, LOCK", 1,1,,,,,,,,,,,,,,,,,,,,,
2,1,,172458-74470,, SHAFT, 1,1,,,,,,,,,,,,,,,,,,,,,
3,1,,172458-74480,, SLEEVE, 1,1,,,,,,,,,,,,,,,,,,,,,
4,1,,172458-74490,, "LEVER KNOB BL", 1,1,,,,,,,,,,,,,,,,,,,,,
5,1,,172458-74500,, "REMO-CON. VALVE M2", 1,1,,,,,,,,,,,,,,,,,,,,,
6,2,,172455-
74240,, SPRING, 4,4,,,,, W,, 72448166, M/#20501, 72448166, M/#20501,,,,,,,,,,,,, I
7,2,,172455-74710,, BELLOWS, 1,1,,,,,,,,,,,,,,,,,,,,,
8,2,,172448-74720,, "SPOOL SLEEVE
SUB", 1,1,,,,, W,, 72448166, M/#20501, 72448166, M/#20501,,,,,,,,,,,,, I
12,3,,22351-050010,, "SPRING PIN
5X10", 1,1,,,,, W,, 72448166, M/#20501, 72448166, M/#20501,,,,,,,,,,,,, I
13,2,,172448-
74760,, PLATE, 1,1,,,,, W,, 72448166, M/#20501, 72448166, M/#20501,,,,,,,,,,,,, I
14,2,,172448-
74770,, PLUG, 4,4,,,,, W,, 72448166, M/#20501, 72448166, M/#20501,,,,,,,,,,,,, I
15,2,,172448-74780,, "ROD
Q. PUSH", 4,4,,,,, W,, 72448166, M/#20501, 72448166, M/#20501,,,,,,,,,,,,, I
16,2,,172448-
74790,, SEAL, 4,4,,,,, W,, 72448166, M/#20501, 72448166, M/#20501,,,,,,,,,,,,, I
17,2,,172448-74810,, "PLATE,
PORT", 1,1,,,,, W,, 72448166, M/#20501, 72448166, M/#20501,,,,,,,,,,,,, I
18,2,,172448-
74820,, PACKING, 2,2,,,,, W,, 72448166, M/#20501, 72448166, M/#20501,,,,,,,,,,,,, I
19,2,,172448-
74830,, ORING, 1,1,,,,, W,, 72448166, M/#20501, 72448166, M/#20501,,,,,,,,,,,,, I
20,2,,172448-
74860,, ORING, 2,2,,,,, W,, 72448166, M/#20501, 72448166, M/#20501,,,,,,,,,,,,, I
21,2,,172448-
74870,, ORING, 1,1,,,,, W,, 72448166, M/#20501, 72448166, M/#20501,,,,,,,,,,,,, I
22,2,,172448-
74880,, ORING, 1,1,,,,, W,, 72448166, M/#20501, 72448166, M/#20501,,,,,,,,,,,,, I
23,2,,172448-74910,, "SEAT,
SPRING", 4,4,,,,, W,, 72448166, M/#20501, 72448166, M/#20501,,,,,,,,,,,,, I
24,2,,172448-
74920,, WASHER, 4,4,,,,, W,, 72448166, M/#20501, 72448166, M/#20501,,,,,,,,,,,,, I
25,2,,172448-
74930,, SPRING, 4,4,,,,, W,, 72448166, M/#20501, 72448166, M/#20501,,,,,,,,,,,,, I
26,2,,172448-74950,, "JOINT
ASSY", 1,1,,,,, W,, 72448166, M/#20501, 72448166, M/#20501,,,,,,,,,,,,, I
27,2,,172448-74960,, "PLATE,
CIRCLE", 1,1,,,,, W,, 72448166, M/#20501, 72448166, M/#20501,,,,,,,,,,,,, I
28,2,,172448-74970,, "NUT,
ADJUST", 1,1,,,,, W,, 72448166, M/#20501, 72448166, M/#20501,,,,,,,,,,,,, I
29,2,,172448-
74980,, ORING, 1,1,,,,, W,, 72448166, M/#20501, 72448166, M/#20501,,,,,,,,,,,,, I
30,2,,172448-
74990,, DISTANZBUCHSE, 1,1,,,,, W,, 72448166, M/#20501, 72448166, M/#20501,,,,,,,,,,,,, I
31,2,,24315-000200,, "O-RING 1B P-
20.0", 4,4,,,,, W,, 72448166, M/#20501, 72448166, M/#20501,,,,,,,,,,,,, I
32,2,,26450-080652,, "BOLT M 8X
65", 2,2,,,,, W,, 72448166, M/#20501, 72448166, M/#20501,,,,,,,,,,,,, I
33,1,,26712-080002,, "NUT M 8", 1,1,,,,,,,,,,,,,,,,,,,,,
34,1,,172458-03550,, LABEL, 1,1,,,,,,,,,,,,,,,,,,,,,
35,1,,172458-03560,, LABEL, 1,1,,,,,,,,,,,,,,,,,,,,,
36,1,,172458-03570,, LABEL, 1,1,,,,,,,,,,,,,,,,,,,,,



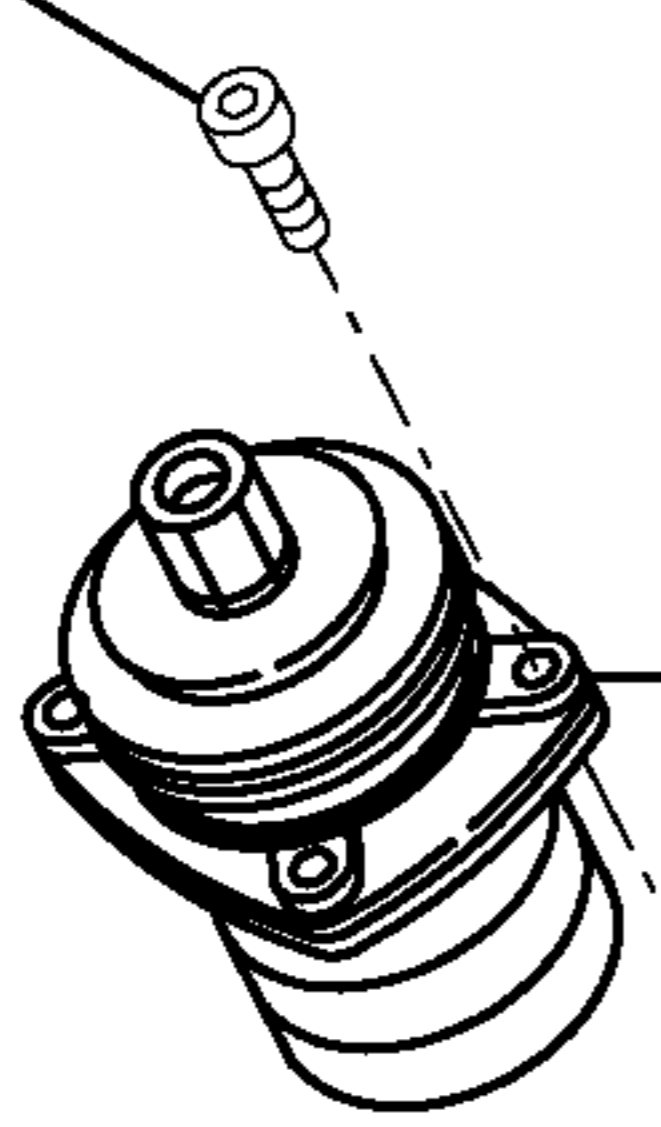
1,1,,172455-74700,, "VALVE ASSY, REM-CON.",2,2,,,,,,,,,,,,,
1-1,1,,172455-74701,, "VALVE ASSY,
REMO.CON",2,2,,,,,R,,72455395,M/#21105,72455395,M/#21105,,,,,,I
2,2,,172455-74240,, SPRING,4,4,,,,,,,,,,,,,I
3,2,,172448-74710,, "SEAL KIT SUB
ASSY",2,2,,,,,Z,,72455395,M/#21105,72455395,M/#21105,,,,,,I
4,3,,172448-74790,, SEAL,8,8,,,,,Z,,72455395,M/#21105,72455395,M/#21105,,,,,,I
5,3,,172448-
74820,, PACKING,4,4,,,,,Z,,72455395,M/#21105,72455395,M/#21105,,,,,,I
6,3,,172448-
74830,, ORING,2,2,,,,,Z,,72455395,M/#21105,72455395,M/#21105,,,,,,I
7,3,,24315-000200,, "O-RING 1B P-
20.0",8,8,,,,,Z,,72455395,M/#21105,72455395,M/#21105,,,,,,I
8,2,,172455-74710,, BELLOWS,2,2,,,,,,,,,,,,,
9,2,,172448-74810,, "PLATE,
PORT",2,2,,,,,Z,,72455395,M/#21105,72455395,M/#21105,,,,,,I
10,2,,172448-
74750,, BUSH,2,2,,,,,Z,,72455395,M/#21105,72455395,M/#21105,,,,,,I
11,2,,172448-74760,, PLATE,2,2,,,,,,,,,,,,,I
12,2,,172448-74770,, PLUG,8,8,,,,,,,,,,,,,I
13,2,,172448-74780,, "ROD Q,PUSH",8,8,,,,,,,,,,,,,I
14,2,,172448-74910,, "SEAT, SPRING",8,8,,,,,,,,,,,,,I
15,2,,172448-74920,, WASHER,8,8,,,,,,,,,,,,,I
16,2,,172448-74930,, SPRING,8,8,,,,,,,,,,,,,I
17,2,,172448-74950,, "JOINT ASSY",2,2,,,,,,,,,,,,,I
18,2,,172448-74960,, "PLATE, CIRCLE",2,2,,,,,,,,,,,,,I
19,2,,172448-74970,, "NUT, ADJUST",2,2,,,,,,,,,,,,,I
20,2,,22351-050010,, "SPRING PIN
5X10",2,2,,,,,Z,,72455395,M/#21105,72455395,M/#21105,,,,,,I
21,2,,26450-080352,, "BOLT M 8X
35",4,4,,,,,Z,,72455395,M/#21105,72455395,M/#21105,,,,,,I
22,2,,172448-
74790,, SEAL,4,4,,,,,W,,72455395,M/#21105,72455395,M/#21105,,,,,,I
23,2,,24315-000200,, "O-RING 1B P-
20.0",4,4,,,,,W,,72455395,M/#21105,72455395,M/#21105,,,,,,I

新形
NEW

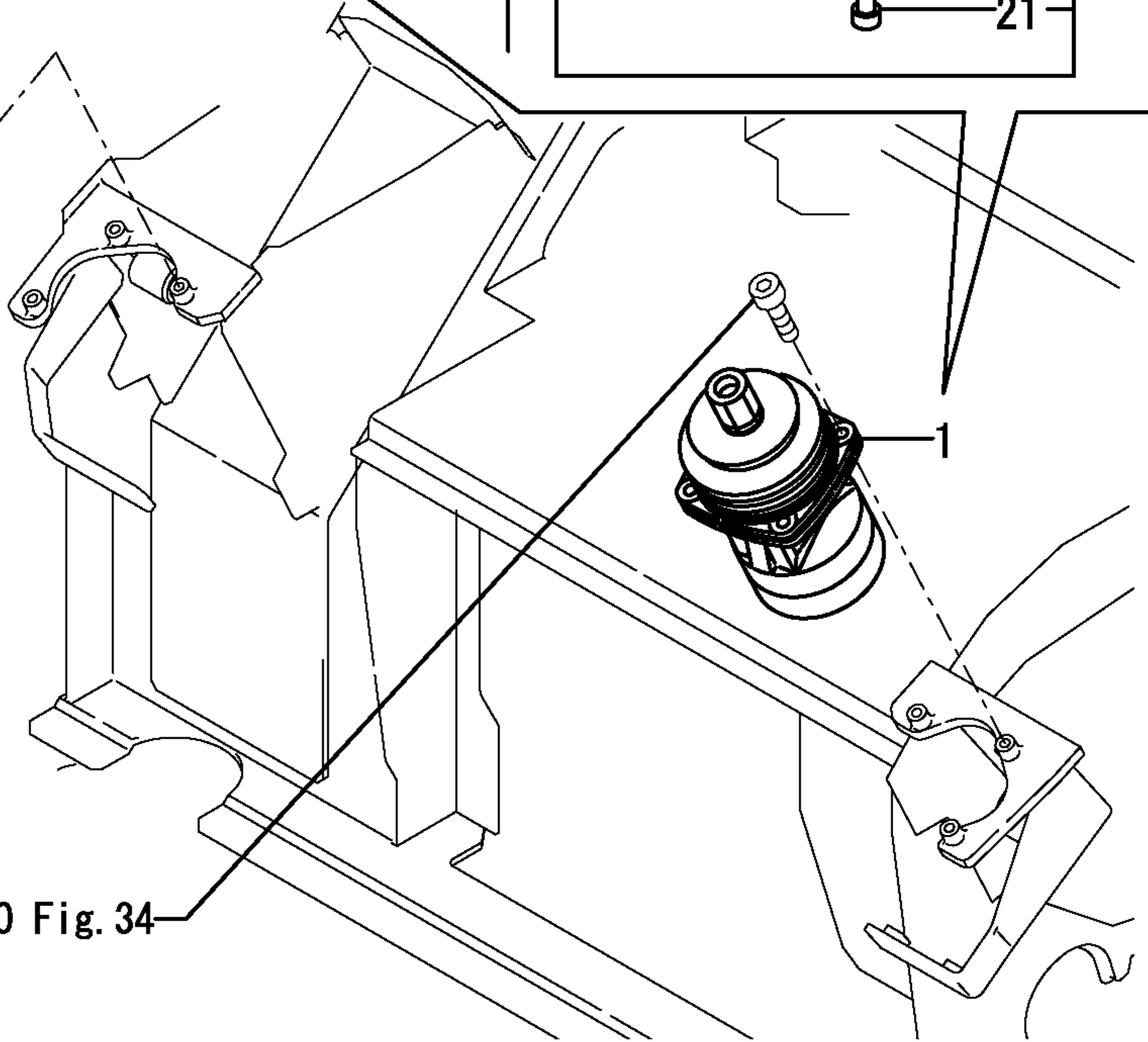
旧形
PREVIOUS



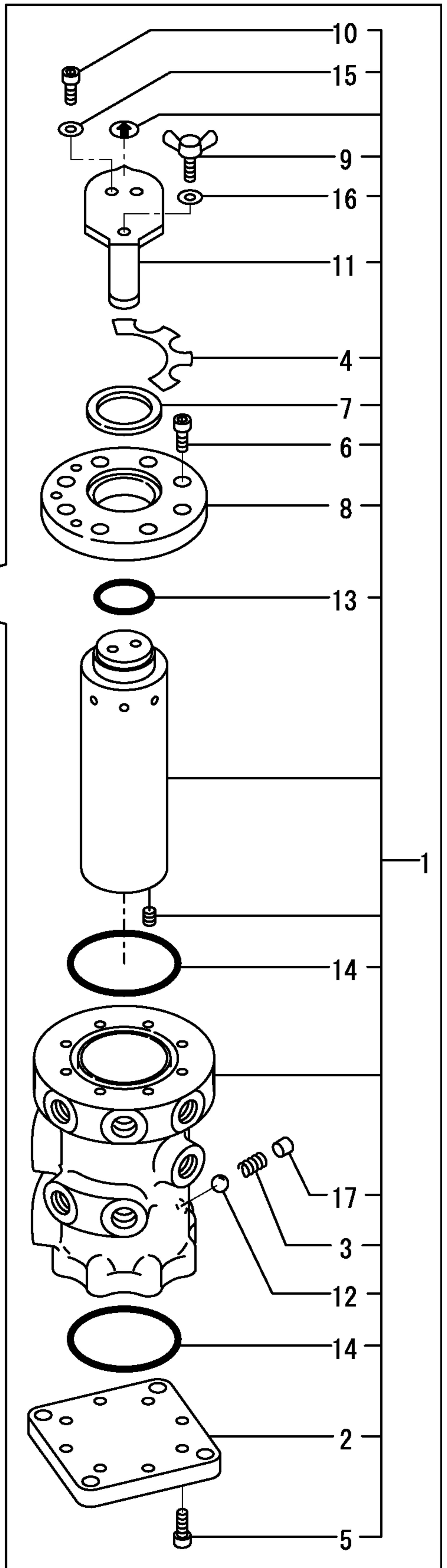
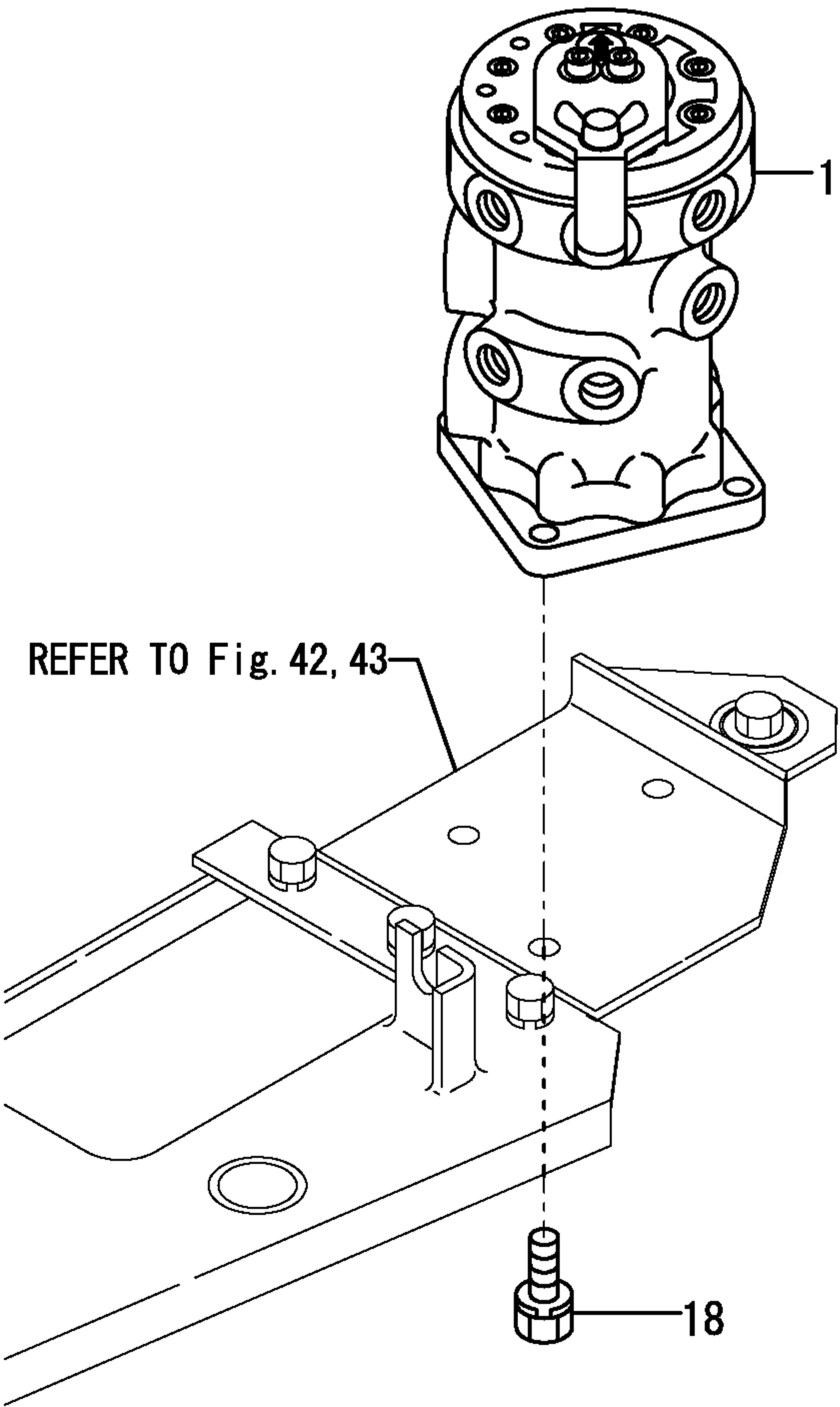
REFER TO Fig. 33



REFER TO Fig. 34



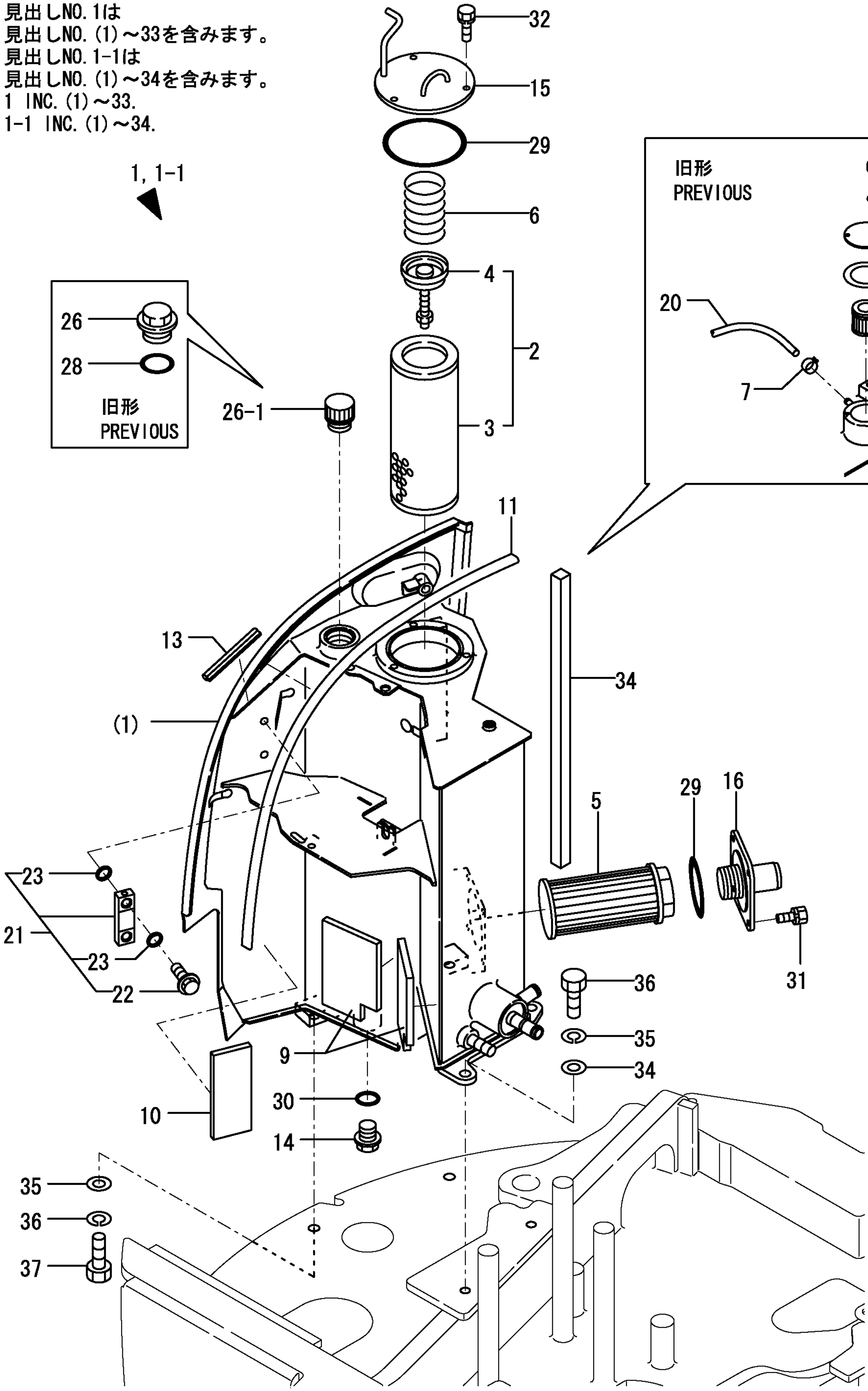
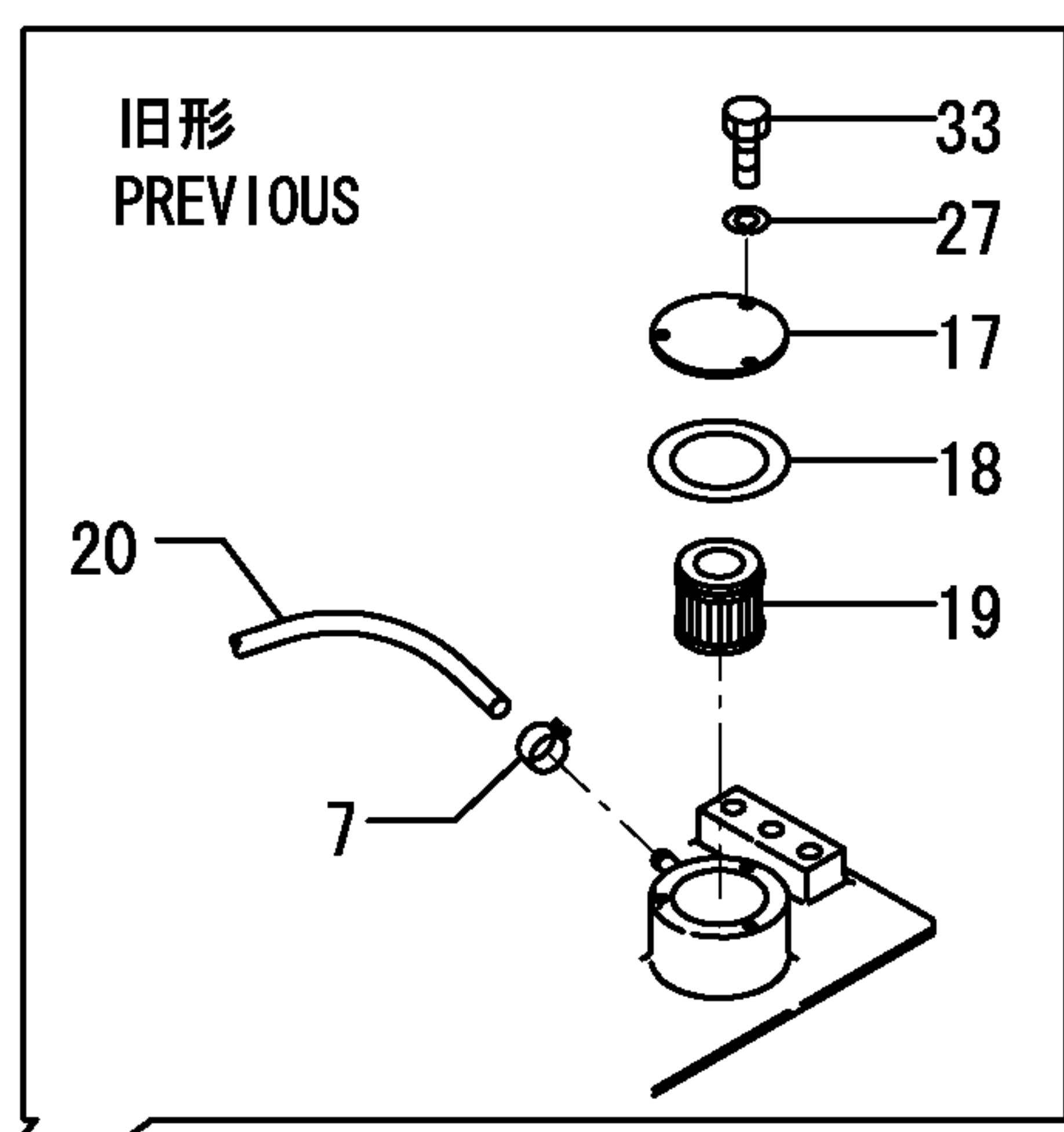
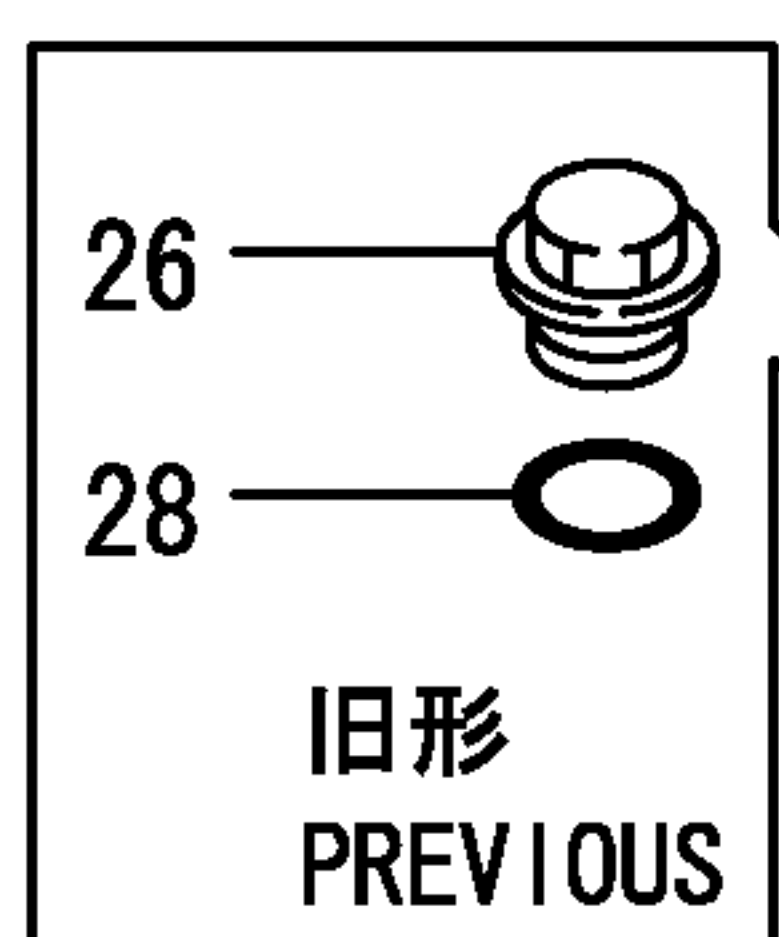
1,1,,172151-74601,,VALVE,1,1,,,,,,,,,,,,,
2,2,,182900-16530,,COVER,1,1,,,,,,,,,,,,,
3,2,,182900-22300,,SPRING,1,1,,,,,,,,,,,,,
4,2,,172151-74740,, "PLATE, MARK",1,1,,,,,,,,,,,,,
5,2,,182900-77190,,BOLT,8,8,,,,,,,,,,,,,
6,2,,182900-77200,,BOLT,8,8,,,,,,,,,,,,,
7,2,,182900-77210,, "DUST SEAL",1,1,,,,,,,,,,,,,
8,2,,182900-77220,,COVER,1,1,,,,,,,,,,,,,
9,2,,182900-77230,, "WING BOLT",1,1,,,,,,,,,,,,,
10,2,,182900-77240,,BOLT,2,2,,,,,,,,,,,,,
11,2,,182900-77250,,LEVER,1,1,,,,,,,,,,,,,
12,2,,24190-100001,, "BALL 5/16, STEEL",1,1,,,,,,,,,,,,,
13,2,,24311-000280,, "O-RING 1A P-28.0",1,1,,,,,,,,,,,,,
14,2,,24321-000600,, "O-RING 1A G-60.0",2,2,,,,,,,,,,,,,
15,2,,953KM0-00220,,WASHER,2,2,,,,,,,,,,,,,
16,2,,953KM0-00220,,WASHER,1,1,,,,,,,,,,,,,
17,2,,953KM0-10894,, "PLUG PT1/8",1,1,,,,,,,,,,,,,
18,1,,26013-100202,, "BOLT W/WASHER M10X20",3,3,,,,,,,,,,,,,



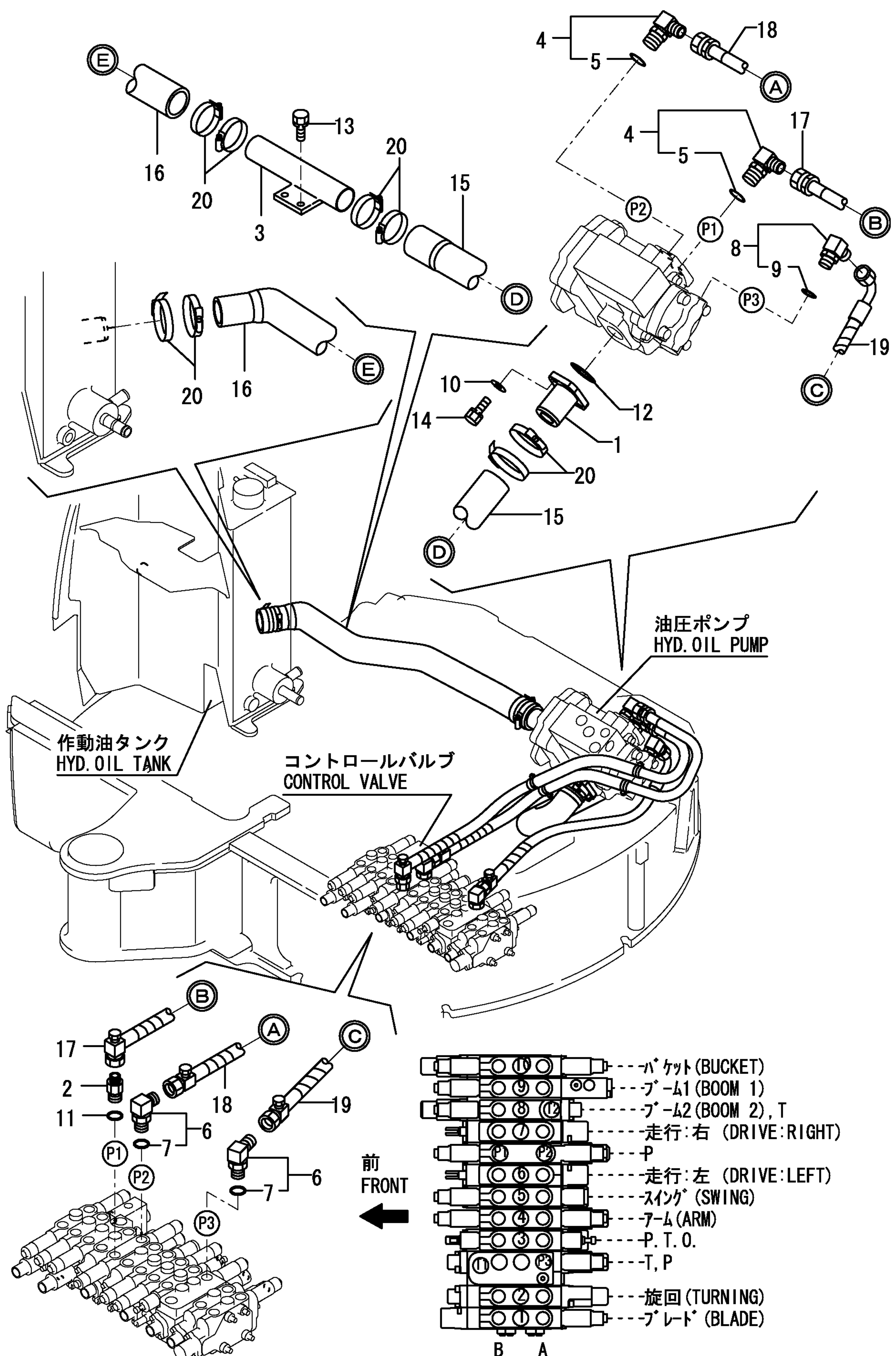
1,1,,772457-75100,, "RESERVER (GREEN:96)",1,1,,,,,,,,,,,,,
1-1,1,,772457-75101,, "RESERVER
(GREEN:96)",1,1,1,,,,,S,,724580544,M/#25501,724580544,M/#25501,,,,,,,,,I
2,2,,172175-73700,, "FILTER ASSY, RETURN",1,1,1,,,,,,,,,,,,,
3,3,,172175-73710,, ELEMENT,1,1,1,,,,,,,,,,,,,
4,3,,172141-73770,, "VALVE ASSY, BYPASS",1,1,1,,,,,,,,,,,,,
5,2,,172146-73730,, "FILTER, SUCTION",1,1,1,,,,,,,,,,,,,
6,2,,933152-02710,, "SPRING, SIDE CLUTCH",1,1,1,,,,,,,,,,,,,
7,2,,124766-59050,, "CLAMP
12",1,1,,,,,Z,,724580544,M/#25501,724580544,M/#25501,,,,,,,,,I
9,3,,172458-14351,, "RUBBER PLATE-B,FO",2,2,2,,,,,,,,,,,,,
10,3,,172458-14361,, "RUBBER PLATE-C,FO",1,1,1,,,,,,,,,,,,,
11,3,,172444-65610,, "SEAL B",1,1,1,,,,,,,,,,,,,
13,2,,172434-61170,, "TRIM
90",1,1,1,,,,,W,,72458426,M/#20792,72458426,M/#20792,,,,,,,,,
14,2,,172455-75330,, "DRAIN PLIG 24",1,1,1,,,,,,,,,,,,,
15,2,,172458-75350,, "COVER (GREEN:96)",1,1,1,,,,,,,,,,,,,
16,2,,172183-75410,, "FLANGE,SUCTION (ZN)",1,1,1,,,,,,,,,,,,,
17,2,,172165-75450-5,, "PLATE
(GREEN:96)",1,1,,,,,Z,,724580544,M/#25501,724580544,M/#25501,,,,,,,,,I
18,2,,172165-
75460,, GASKET,1,1,,,,,Z,,724580544,M/#25501,724580544,M/#25501,,,,,,,,,I
19,2,,172165-
75481,, ELEMENT,1,1,,,,,Z,,724580544,M/#25501,724580544,M/#25501,,,,,,,,,I
20,2,,172187-
75510,, HOSE,1,1,,,,,Z,,724580544,M/#25501,724580544,M/#25501,,,,,,,,,I
21,2,,172447-75600,, GAUGE,1,1,1,,,,,,,,,,,,,
22,3,,172455-75290,, "BOLT M10",2,2,2,,,,,,,,,,,,,
23,3,,172455-75300,, O-RING,4,4,4,,,,,,,,,,,,,
26,2,,172116-75850-5,, "PLUG,OIL FEED (96)",1,1,,,,,,,,,,,,,
26-1,1,,172446-
75250,, CAP,1,1,1,,,,,S,,724580544,M/#25501,724580544,M/#25501,,,,,,,,,I
27,2,,22217-050000,, "SPRING WASHER
5",3,3,,,,,Z,,724580544,M/#25501,724580544,M/#25501,,,,,,,,,I
28,2,,24311-000380,, "O-RING 1A P-
38.0",1,1,,,,,Z,,724580544,M/#25501,724580544,M/#25501,,,,,,,,,I
29,2,,24321-001050,, "O-RING 1A G-105.0",2,2,2,,,,,,,,,,,,,
30,2,,24341-000300,, "O-RING 1A S-30.0",1,1,1,,,,,,,,,,,,,
31,2,,26013-080162,, "BOLT W/WASHER M8X16",4,4,4,,,,,,,,,,,,,
32,2,,26013-080202,, "BOLT W/WASHER M8X20",3,3,3,,,,,,,,,,,,,
33,2,,26116-050102,, "BOLT M 5X 10
PLATED",3,3,,,,,Z,,724580544,M/#25501,724580544,M/#25501,,,,,,,,,I
34,2,,172458-
75050,, SEAL,1,1,1,,,,,W,,724580544,M/#25501,724580544,M/#25501,,,,,,,,,I
35,1,,22137-140000,, "WASHER 14,POLISHED",4,4,4,,,,,,,,,,,,,
36,1,,22217-140000,, "SPRING WASHER 14",4,4,4,,,,,,,,,,,,,
37,1,,26116-140402,, "BOLT M14X 40 PLATED",4,4,4,,,,,,,,,,,,,

見出しNO. 1は
見出しNO. (1)~33を含みます。
見出しNO. 1-1は
見出しNO. (1)~34を含みます。
1 INC. (1)~33.
1-1 INC. (1)~34.

1, 1-1



1,1,,172422-76100,,FLANGE,1,1,1,,,,,,,,,,,,,
2,1,,172458-76170,, "CONNECTOR PF3/6PT1/2",1,1,1,,,,,,,,,,,,,
3,1,,172444-76400,,TUBE,1,1,1,,,,,,,,,,,,,
4,1,,172645-76570,, "CONNECTOR 3/8X1/2",2,2,2,,,,,,,,,,,,,
5,2,,24315-000140,, "O-RING 1B P-14.0",2,2,2,,,,,,,,,,,,,
6,1,,172645-76570,, "CONNECTOR 3/8X1/2",2,2,2,,,,,,,,,,,,,
7,2,,24315-000140,, "O-RING 1B P-14.0",2,2,2,,,,,,,,,,,,,
8,1,,172141-76900,, "CONNECTOR 1/2L",1,1,1,,,,,,,,,,,,,
9,2,,24315-000180,, "O-RING 1B P-18.0",1,1,1,,,,,,,,,,,,,
10,1,,22117-100000,, "WASHER 10",4,4,4,,,,,,,,,,,,,
11,1,,24315-000140,, "O-RING 1B P-14.0",1,1,1,,,,,,,,,,,,,
12,1,,24321-000400,, "O-RING 1A G-40.0",1,1,1,,,,,,,,,,,,,
13,1,,26013-100202,, "BOLT W/WASHER M10X20",2,2,2,,,,,,,,,,,,,
14,1,,26013-100302,, "BOLT M10X 30",4,4,4,,,,,,,,,,,,,
15,1,,172458-78091,, "HOSE 39.5 X 52.5",1,1,1,,,,,,,,,,,,,
16,1,,172458-78100,, "HOSE 42.5 X 55.2",1,1,1,,,,,,,,,,,,,
17,1,,172457-78110,, "HOSE H208BZ084S",1,1,1,,,,,,,,,,,,,
18,1,,172457-78120,, "HOSE H208BB074S",1,1,1,,,,,,,,,,,,,
18-1,1,,172457-78121,, "HOSE
H208BB080S",1,1,1,,,,,N,,72457025,M/#20501,72457025,M/#20501,,,,,
19,1,,172458-78130,, "HOSE H208CZ062S",1,1,1,,,,,,,,,,,,,
20,1,,23000-060000,, "CLAMP 60",8,8,,,,,,,,,,,,,
20-1,1,,23001-060000,, "CLIP,HOLELESS
HOSE",8,8,8,,,,,N,,72446124,M/#21105,72446124,M/#21105,,,,,,I



油圧ポンプ
HYD. OIL PUMP

作動油タンク
HYD. OIL TANK

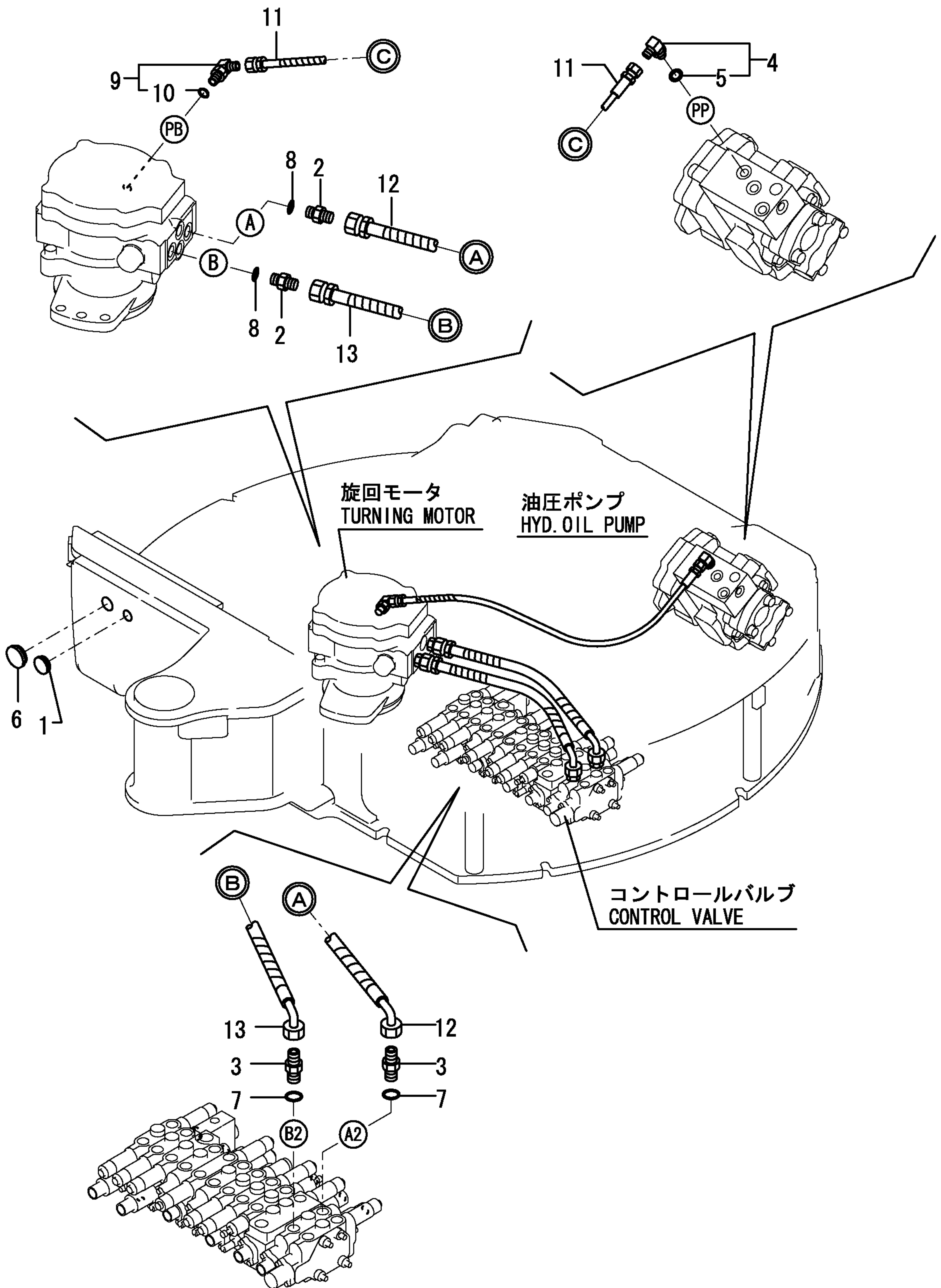
コントロールバルブ
CONTROL VALVE

- 10 --- バケツ (BUCKET)
- 9 --- ブーム1 (BOOM 1)
- 8 (12) --- ブーム2 (BOOM 2), T
- 7 --- 走行: 右 (DRIVE: RIGHT)
- P --- P
- 6 --- 走行: 左 (DRIVE: LEFT)
- 5 --- スイング (SWING)
- 4 --- アーム (ARM)
- 3 --- P. T. O.
- 2 --- T, P
- 1 --- 旋回 (TURNING)
- 0 --- ブレード (BLADE)

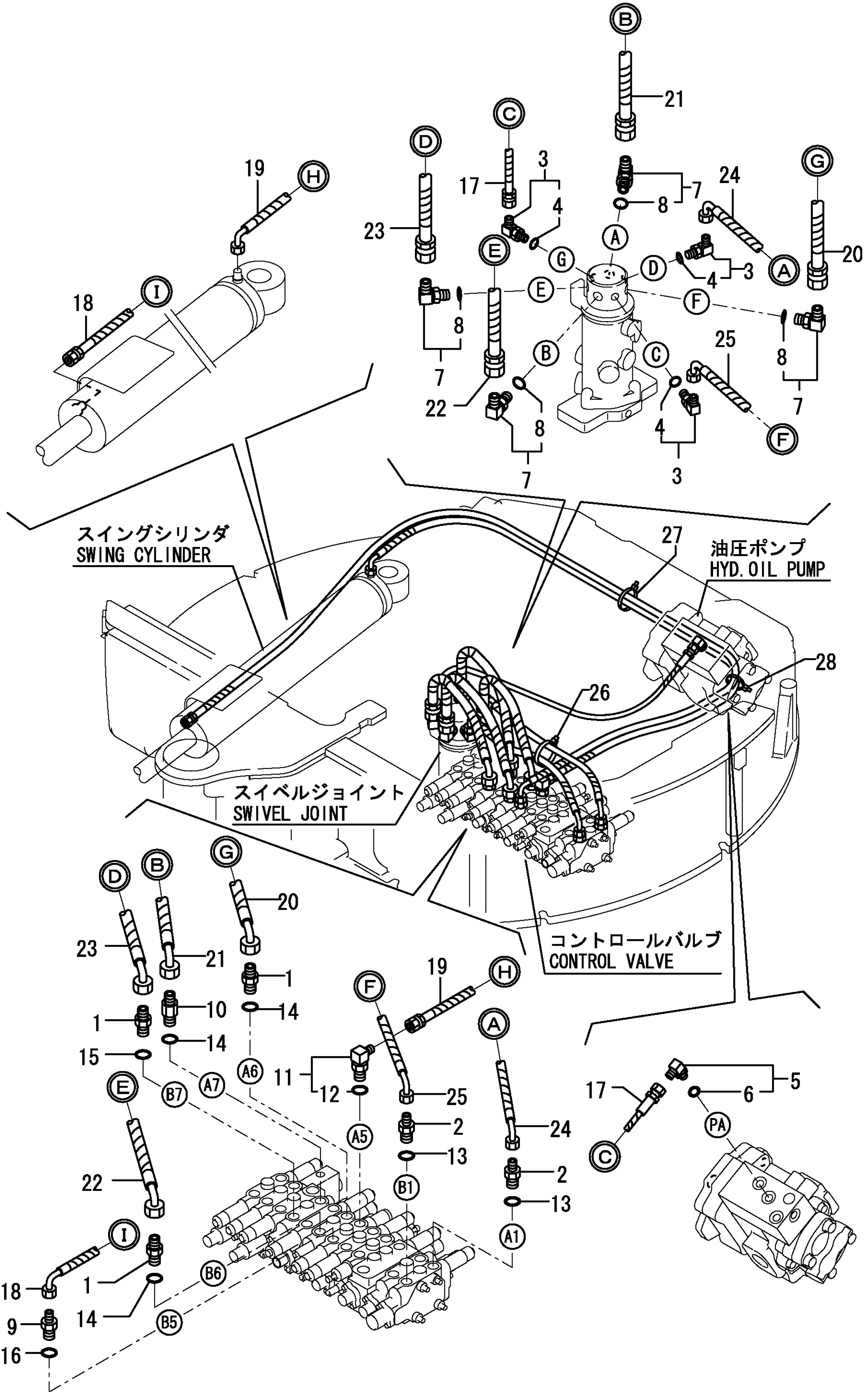
前
FRONT
←

B A

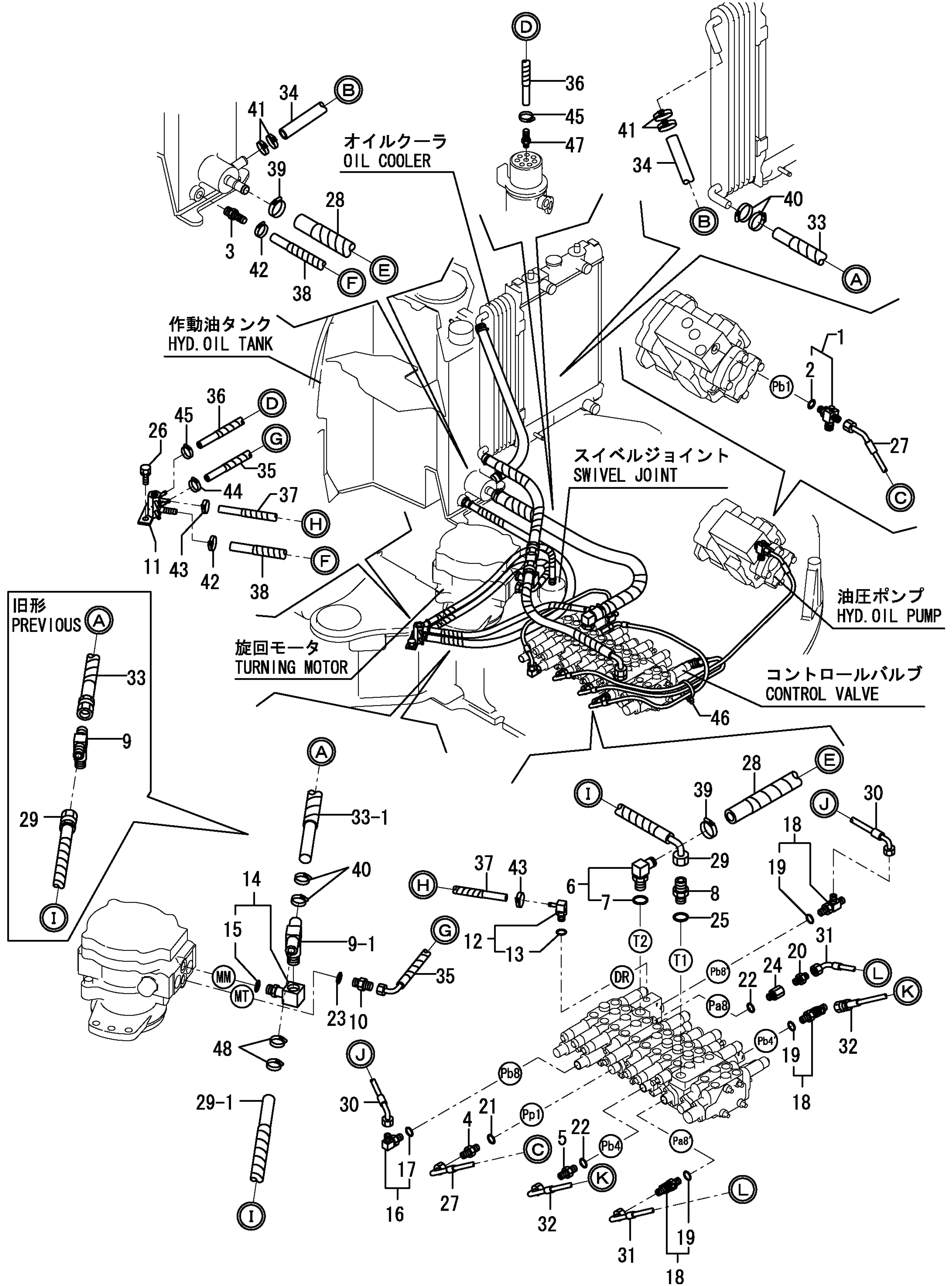
1,1,,172312-17260,, "GROMMET 22X2.3",1,1,1,,,,,,,,,,,,,
2,1,,172730-75141,, JOINT,2,2,2,,,,,,,,,,,,,
3,1,,172162-76131,, ADAPTER,2,2,2,,,,,,,,,,,,,
4,1,,172141-76180,, CONNECTOR,1,1,1,,,,,,,,,,,,,
5,2,,24315-000110,, "O-RING 1B P-11.0",1,1,1,,,,,,,,,,,,,
6,1,,172142-76290,, "GROMMET 28X2.3",1,1,1,,,,,,,,,,,,,
7,1,,24315-000140,, "O-RING 1B P-14.0",2,2,2,,,,,,,,,,,,,
8,1,,24315-000140,, "O-RING 1B P-14.0",2,2,2,,,,,,,,,,,,,
9,1,,172141-76180,, CONNECTOR,1,1,1,,,,,,,,,,,,,
10,2,,24315-000110,, "O-RING 1B P-11.0",1,1,1,,,,,,,,,,,,,
11,1,,172457-78130,, "HOSE F403BB080S",1,1,1,,,,,,,,,,,,,
12,1,,172458-78270,, "HOSE F206BC052S",1,1,1,,,,,,,,,,,,,
13,1,,172458-78270,, "HOSE F206BC052S",1,1,1,,,,,,,,,,,,,



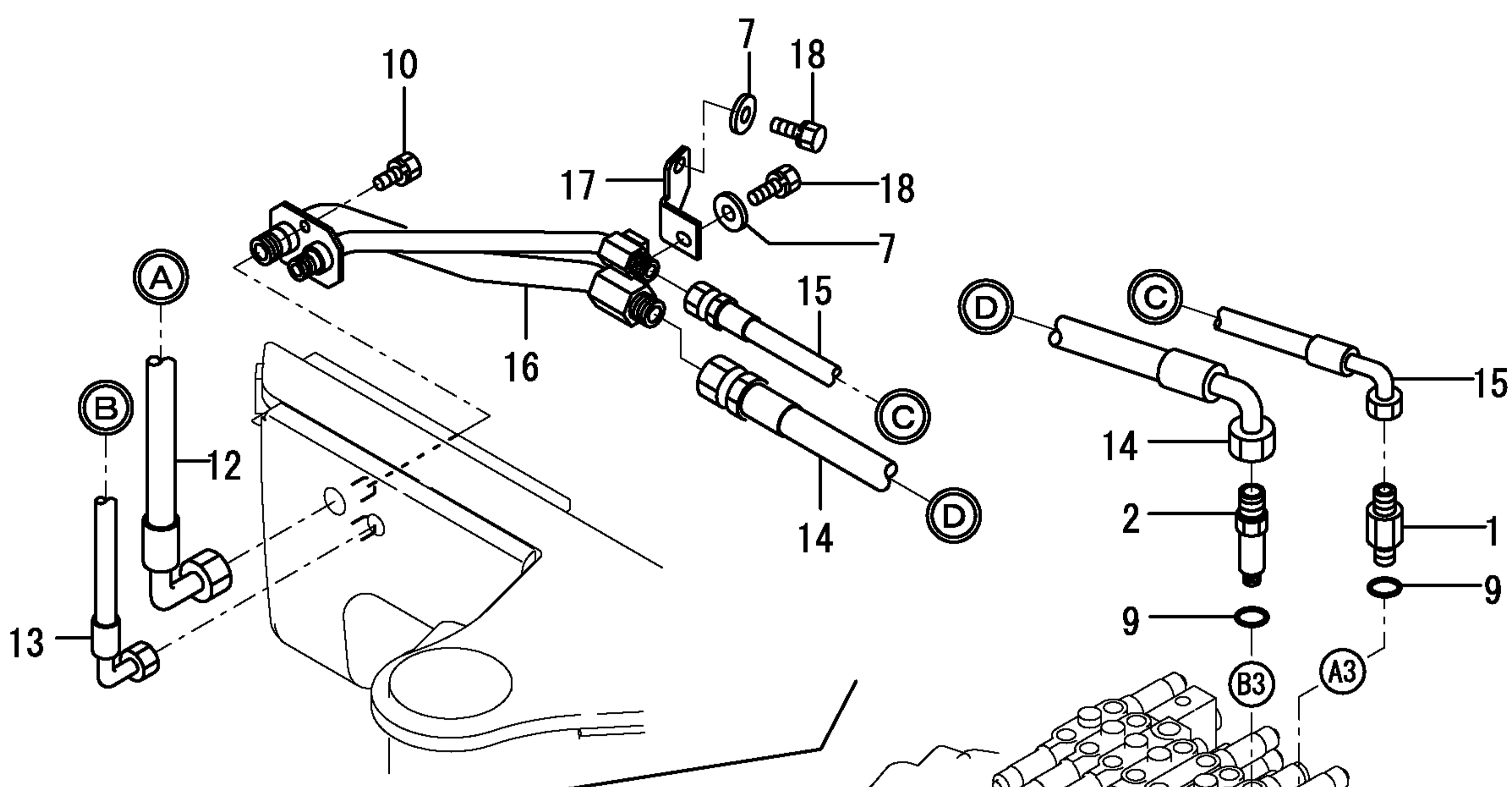
1,1,,172162-76131,,ADAPTER,3,3,3,,,,,,,,,,,,,
2,1,,172422-76130,,CONNECTOR,2,2,2,,,,,,,,,,,,,
3,1,,172141-76180,,CONNECTOR,3,3,3,,,,,,,,,,,,,
4,2,,24315-000110,, "O-RING 1B P-11.0",3,3,3,,,,,,,,,,,,,
5,1,,172141-76180,,CONNECTOR,1,1,1,,,,,,,,,,,,,
6,2,,24315-000110,, "O-RING 1B P-11.0",1,1,1,,,,,,,,,,,,,
7,1,,172142-76181,, "JOINT 90-3/8 ASSY",4,4,4,,,,,,,,,,,,,
8,2,,24315-000140,, "O-RING 1B P-14.0",4,4,4,,,,,,,,,,,,,
9,1,,172147-76260,,CONNECTOR,1,1,1,,,,,,,,,,,,,
10,1,,172116-76381,, "ADAPTER 64",1,1,1,,,,,,,,,,,,,
11,1,,172141-76920,, "CONNECTOR 3/8-1/4L",1,1,1,,,,,,,,,,,,,
12,2,,24315-000140,, "O-RING 1B P-14.0",1,1,1,,,,,,,,,,,,,
13,1,,24315-000140,, "O-RING 1B P-14.0",2,2,2,,,,,,,,,,,,,
14,1,,24315-000140,, "O-RING 1B P-14.0",3,3,3,,,,,,,,,,,,,
15,1,,24315-000140,, "O-RING 1B P-14.0",1,1,1,,,,,,,,,,,,,
16,1,,24315-000140,, "O-RING 1B P-14.0",1,1,1,,,,,,,,,,,,,
17,1,,172457-78140,, "HOSE F403BB078S",1,1,1,,,,,,,,,,,,,
18,1,,172458-78220,, "HOSE F204BC241S",1,1,1,,,,,,,,,,,,,
19,1,,172458-78230,, "HOSE F204BC183S",1,1,1,,,,,,,,,,,,,
20,1,,172458-78270,, "HOSE F206BC052S",1,1,1,,,,,,,,,,,,,
21,1,,172458-78270,, "HOSE F206BC052S",1,1,1,,,,,,,,,,,,,
22,1,,172458-78270,, "HOSE F206BC052S",1,1,1,,,,,,,,,,,,,
23,1,,172458-78270,, "HOSE F206BC052S",1,1,1,,,,,,,,,,,,,
24,1,,172422-78290,, "HOSE F204BC072S",1,1,1,,,,,,,,,,,,,
25,1,,172422-78290,, "HOSE F204BC072S",1,1,1,,,,,,,,,,,,,
26,1,,172122-79930,, "CLAMP B",1,1,1,,,,,,,,,,,,,
27,1,,172126-11510,, "BAND
300",1,1,1,,,W,,72458295,M/#20580,72458295,M/#20580,,,,,
28,1,,172126-11510,, "BAND
300",1,1,1,,,W,,72458406,M/#20784,72458406,M/#20784,,,,,



1,1,,172457-76100,, "ADJUSTABLE TEE",1,1,1,,,,,,,,,,,,,
2,2,,24315-000110,, "O-RING 1B P-11.0",1,1,1,,,,,,,,,,,,,
3,1,,172137-76110,, "NIPPLE
3/8",1,1,,,,,Z,,724580544,M/#25501,724580544,M/#25501,,,,,,,,,I
4,1,,172123-76121,, "JOINT PF1/4",1,1,1,,,,,,,,,,,,,
5,1,,172164-76330,, "JOINT PF1/4-0.7",1,1,1,,,,,,,,,,,,,
6,1,,172164-76131,, "ELBOW",1,1,1,,,,,,,,,,,,,
7,2,,24315-000180,, "O-RING 1B P-18.0",1,1,1,,,,,,,,,,,,,
8,1,,172458-76130,, "CONNECTOR PF1/2-1/2",1,1,1,,,,,,,,,,,,,
9,1,,172458-76140,, "T-JOINT PT1/2-PF1/2",1,1,1,,,,,,,,,,,,,
9-1,1,,172458-76230,, "CONNECTOR, T-
TYPE",1,1,1,,,,,S,,724570048,M/#25501,724570048,M/#25501,,,,,,,,,I
10,1,,172157-76150,, "CONNECTOR 3/8-1/4",1,1,1,,,,,,,,,,,,,
11,1,,172445-76150,, "BLOCK,DRAIN",1,1,1,,,,,,,,,,,,,
11-1,1,,172445-76151,, "BLOCK,
DRAIN",1,1,1,,,,,N,,724960013,M/#25585,724960013,M/#25585,,,,,,,,,I
12,1,,172458-76150,, "NIPPLE PF1/4,ELBOW",1,1,1,,,,,,,,,,,,,
13,2,,24315-000110,, "O-RING 1B P-11.0",1,1,1,,,,,,,,,,,,,
14,1,,172458-76160,, "ELBOW PF3/8-PT1/2",1,1,1,,,,,,,,,,,,,
15,2,,24315-000140,, "O-RING 1B P-14.0",1,1,1,,,,,,,,,,,,,
16,1,,172141-76180,, "CONNECTOR",1,1,1,,,,,,,,,,,,,
17,2,,24315-000110,, "O-RING 1B P-11.0",1,1,1,,,,,,,,,,,,,
18,1,,172162-76180,, "JOINT 3-1/4 COMPL.",3,3,3,,,,,,,,,,,,,
19,2,,24315-000110,, "O-RING 1B P-11.0",3,3,3,,,,,,,,,,,,,
20,1,,172164-76330,, "JOINT PF1/4-0.7",1,1,1,,,,,,,,,,,,,
21,1,,24315-000110,, "O-RING 1B P-11.0",1,1,1,,,,,,,,,,,,,
22,1,,24315-000110,, "O-RING 1B P-11.0",2,2,2,,,,,,,,,,,,,
23,1,,24315-000140,, "O-RING 1B P-14.0",1,1,1,,,,,,,,,,,,,
24,1,,172422-76140,, "CONNECTOR",1,1,1,,,,,,,,,,,,,
25,1,,24315-000180,, "O-RING 1B P-18.0",1,1,1,,,,,,,,,,,,,
26,1,,26013-100202,, "BOLT W/WASHER M10X20",2,2,2,,,,,,,,,,,,,
27,1,,172457-78150,, "HOSE F403CE097",1,1,1,,,,,,,,,,,,,
28,1,,172458-78170,, "HOSE G612YY064S",1,1,1,,,,,,,,,,,,,
29,1,,172458-78260,, "HOSE G608BC045S",1,1,1,,,,,,,,,,,,,
29-1,1,,172458-78261,, "HOSE
G608CY045S",1,1,1,,,,,S,,724570048,M/#25501,724570048,M/#25501,,,,,,,,,I
30,1,,172458-78290,, "HOSE F403CC042",1,1,1,,,,,,,,,,,,,
31,1,,172458-78300,, "HOSE F403CC074",1,1,1,,,,,,,,,,,,,
32,1,,172458-78310,, "HOSE F403BC053",1,1,1,,,,,,,,,,,,,
33,1,,172458-78320,, "HOSE G608BY055S",1,1,1,,,,,,,,,,,,,
33-1,1,,172458-78321,, "HOSE
G608BY055S",1,1,1,,,,,S,,724570048,M/#25501,724570048,M/#25501,,,,,,,,,I
34,1,,172458-78510,, "HOSE 15.9 X 23.5",1,1,1,,,,,,,,,,,,,
35,1,,172458-78520,, "HOSE G604CY060S",1,1,1,,,,,,,,,,,,,
36,1,,172458-78530,, "HOSE G604YY054S",1,1,1,,,,,,,,,,,,,
37,1,,172458-78540,, "HOSE G604YY047S",1,1,1,,,,,,,,,,,,,
38,1,,172458-78550,, "HOSE G606YY093S",1,1,1,,,,,,,,,,,,,
39,1,,23000-035000,, "CLAMP 35",2,2,,,,,,,,,,,,,
39-1,1,,23001-035000,, "HOSE CLAMP
35",2,2,2,,,,,N,,72446124,M/#21105,72446124,M/#21105,,,,,,,,,I
40,1,,23001-025000,, "HOSE CLAMP 25",2,2,,,,,,,,,,,,,
40-1,1,,23001-025000,, "HOSE CLAMP
25",4,4,4,,,,,K,,724570048,M/#25501,724570048,M/#25501,,,,,,,,,I
41,1,,23001-016000,, "HOSE CLAMP 16",2,2,,,,,M,,,,,,,,,I
41-1,1,,23001-025000,, "HOSE CLAMP 25",4,4,4,,,,,,,,,,,,,I
42,1,,23001-016000,, "HOSE CLAMP 16",2,2,2,,,,,,,,,,,,,
43,1,,23010-014000,, "CLAMP 14",2,2,2,,,,,,,,,,,,,
44,1,,23010-014000,, "CLAMP 14",1,1,1,,,,,,,,,,,,,
45,1,,23010-014000,, "CLAMP 14",2,2,2,,,,,,,,,,,,,
46,1,,172122-79930,, "CLAMP B",1,1,1,,,,,,,,,,,,,
47,1,,172141-76220,, "NIPPLE",1,1,1,,,,,,,,,,,,,
48,1,,23001-025000,, "HOSE CLAMP
25",2,2,2,,,,,W,,724570048,M/#25501,724570048,M/#25501,,,,,,,,,I

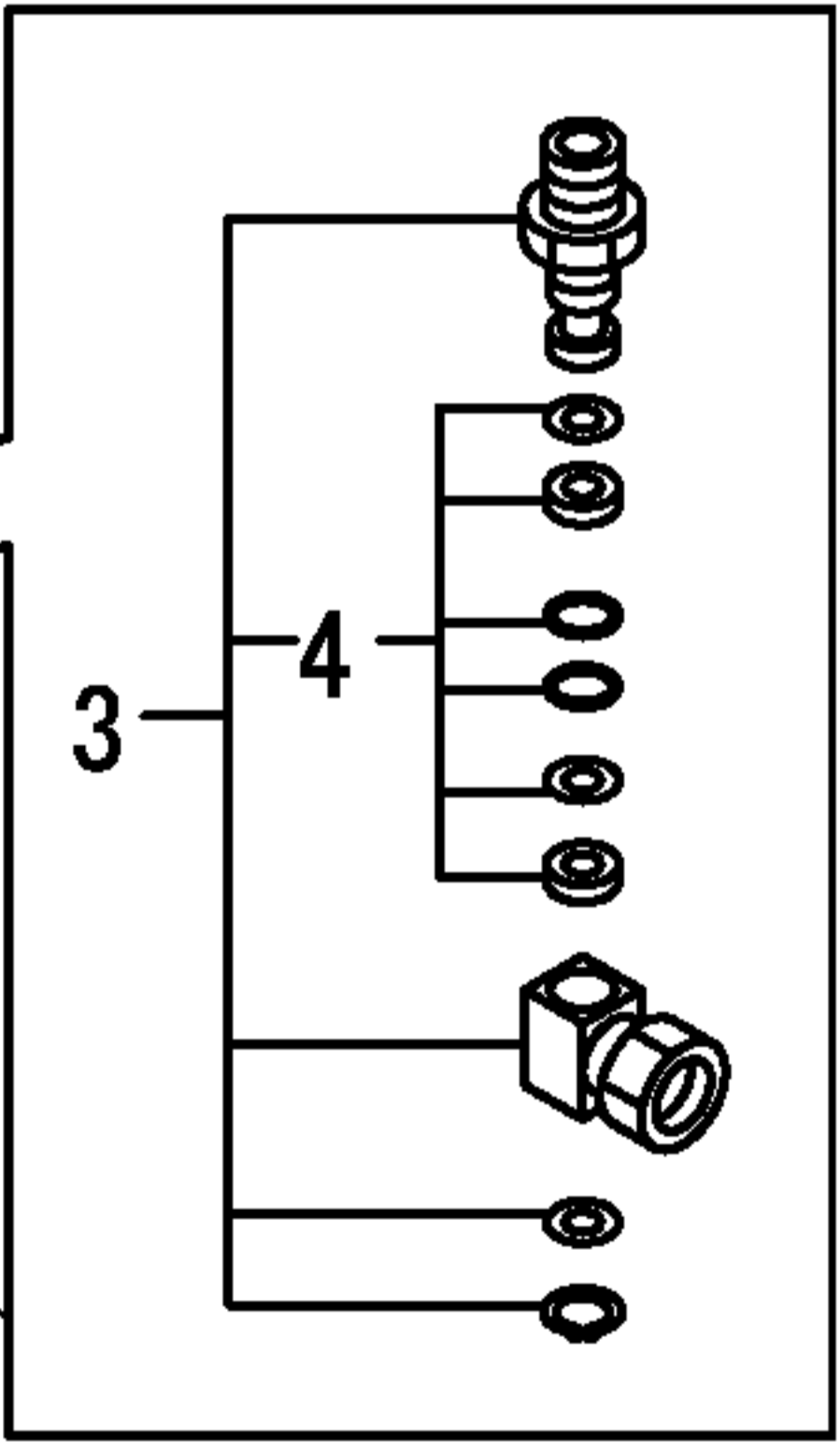
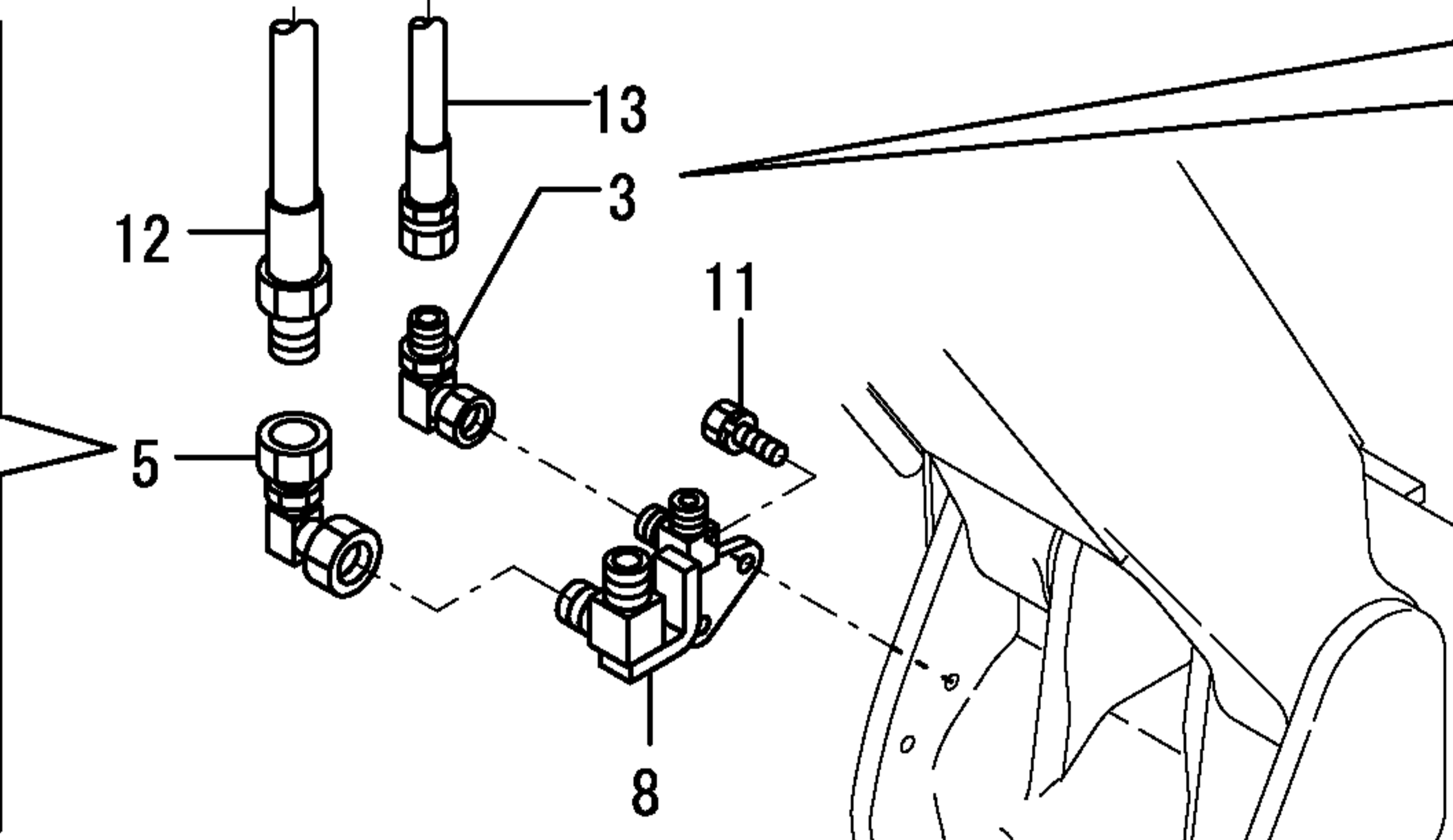
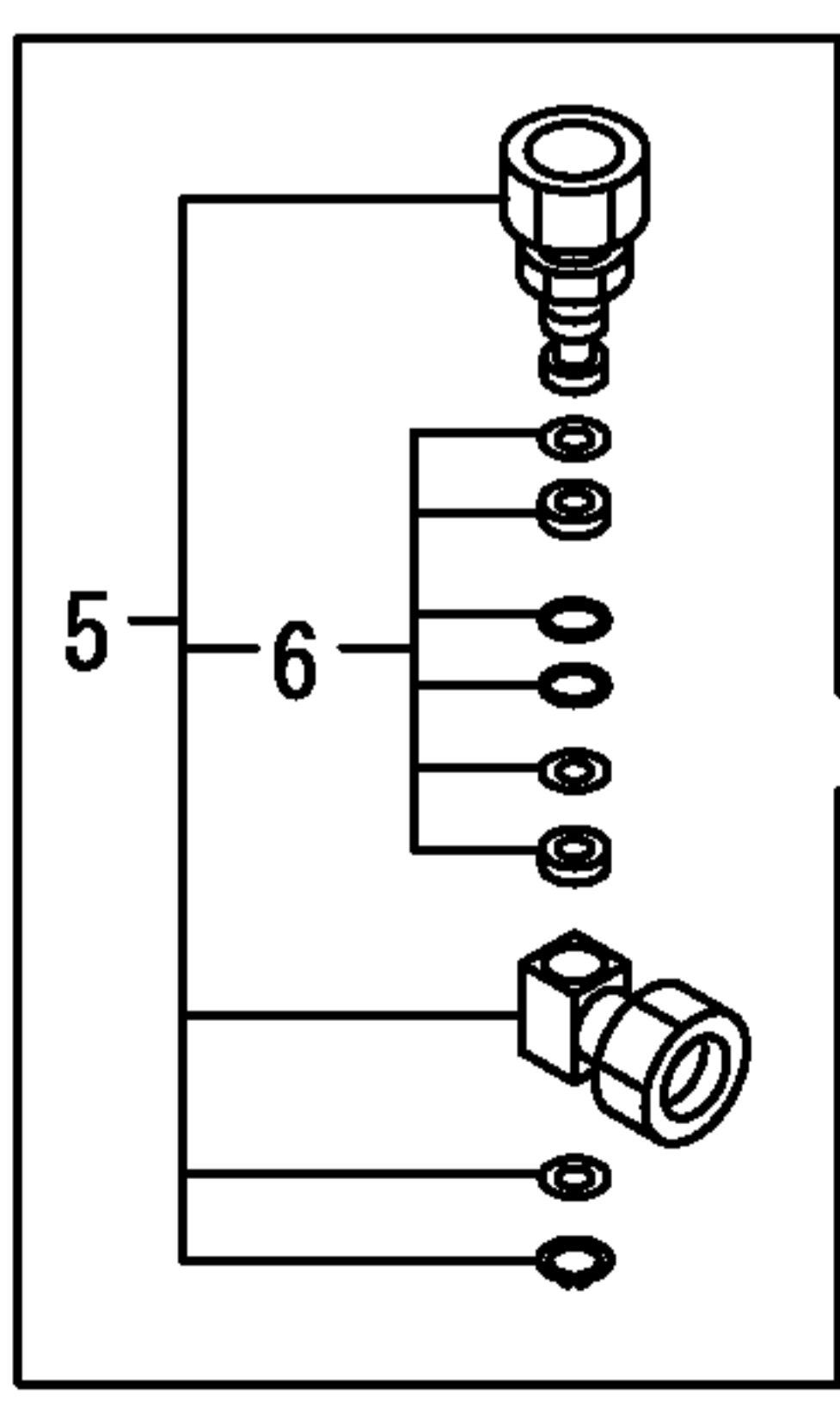


1,1,,172422-76180,,CONNECTOR,1,1,1,,,,,,,,,,,,,
2,1,,172422-76190,,CONNECTOR,1,1,1,,,,,,,,,,,,,
3,1,,172142-76270,, "JOINT 1/2, SWIVEL",1,1,1,,,,,,,,,,,,,
4,2,,172142-77040,, "SEAL SET",1,1,1,,,,,,,,,,,,,
5,1,,172142-76280,, "JOINT 3/4, SWIVEL",1,1,1,,,,,,,,,,,,,
6,2,,172142-77050,, "SEAL SET",1,1,1,,,,,,,,,,,,,
7,1,,172110-36010,, COLLAR,2,2,2,,,,,,,,,,,,,
8,1,,172458-76700,, "JOINT ASSY, P.T.O.",1,1,1,,,,,,,,,,,,,
9,1,,24315-000140,, "O-RING 1B P-14.0",2,2,2,,,,,,,,,,,,,
10,1,,26013-100202,, "BOLT W/WASHER M10X20",2,2,2,,,,,,,,,,,,,
11,1,,26013-100252,, "BOLT W/WASHER M10X25",2,2,2,,,,,,,,,,,,,
12,1,,172458-78940,, "HOSE G212AC092",1,1,1,,,,,,,,,,,,,
12-1,1,,172458-78941,, "HOSE
G212AC092K",1,1,1,,,N,,72458399,M/#20745,72458399,M/#20745,,,,,
13,1,,172458-78950,, "HOSE H208BC079",1,1,1,,,,,,,,,,,,,
13-1,1,,172458-78951,, "HOSE
H208BC079K",1,1,1,,,N,,72458399,M/#20745,72458399,M/#20745,,,,,
14,1,,172458-78960,, "HOSE H212CD093",1,1,1,,,,,,,,,,,,,
15,1,,172458-78970,, "HOSE H208CD095",1,1,1,,,,,,,,,,,,,
16,1,,172458-76800,, "TUBE,FRAME-END",1,1,1,,,,,,,,,,,,,
17,1,,172458-76880,, PLATE,1,1,1,,,,,,,,,,,,,
18,1,,26013-100252,, "BOLT W/WASHER M10X25",2,2,2,,,,,,,,,,,,,



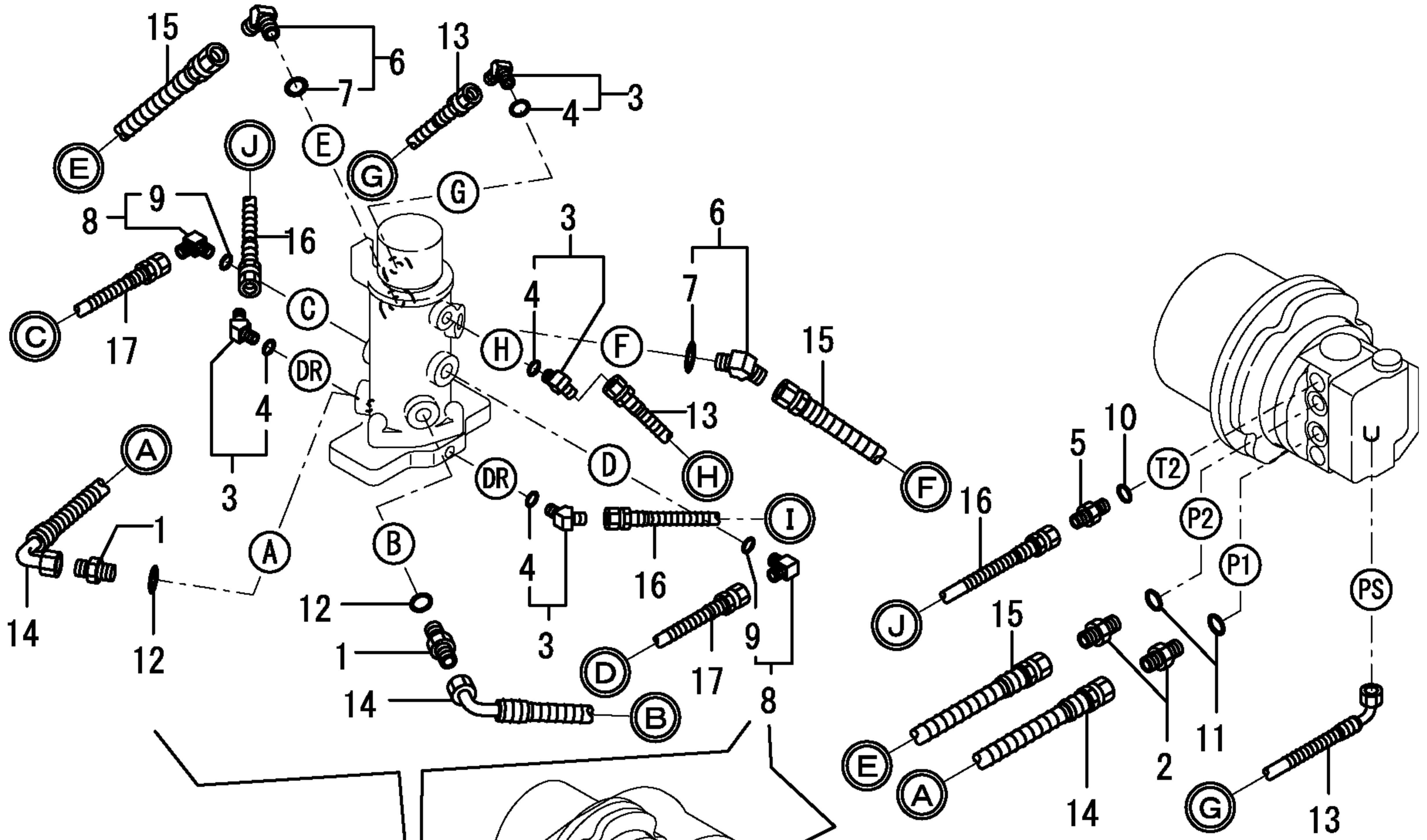
ブームブラケット
BOOM BRACKET

コントロールバルブ
CONTROL VALVE



(172457-08700)
(172457-08701)
P.T.O.キットは、
項目NO. 120を参照下さい。
P.T.O. KIT
is shown in Fig. 120.

1,1,,172730-75141,,JOINT,2,2,2,,,,,,,,,,,,,
2,1,,172730-75141,,JOINT,4,4,4,,,,,,,,,,,,,
3,1,,172173-76101,, "CONNECTOR PF1/4-45",4,4,4,,,,,,,,,,,,,
4,2,,24315-000110,, "O-RING 1B P-11.0",4,4,4,,,,,,,,,,,,,
5,1,,172123-76120,, "CONNECTOR PF1/4",2,2,2,,,,,,,,,,,,,
6,1,,172644-76161,, "ADJUST ELBOW 45°",2,2,2,,,,,,,,,,,,,
7,2,,24315-000140,, "O-RING 1B P-14.0",2,2,2,,,,,,,,,,,,,
8,1,,172141-76180,,CONNECTOR,2,2,2,,,,,,,,,,,,,
9,2,,24315-000110,, "O-RING 1B P-11.0",2,2,2,,,,,,,,,,,,,
10,1,,24315-000110,, "O-RING 1B P-11.0",2,2,2,,,,,,,,,,,,,
11,1,,24315-000140,, "O-RING 1B P-14.0",4,4,4,,,,,,,,,,,,,
12,1,,24315-000140,, "O-RING 1B P-14.0",2,2,2,,,,,,,,,,,,,
13,1,,172457-78210,, "HOSE F204BC108W",2,2,,,,,,,,,,,,,
13-1,1,,172457-78211,, "HOSE
F204BC108W",2,2,2,,,,,N,,724560294,M/#25532,724560294,M/#25532,,,,,,I
14,1,,172457-78220,, "HOSE F206BC098W",2,2,,,,,,,,,,,,,
14-1,1,,172457-78221,, "HOSE
F206BC098W",2,2,2,,,,,N,,724560294,M/#25532,724560294,M/#25532,,,,,,I
15,1,,172457-78230,, "HOSE F206BB100W",2,2,,,,,,,,,,,,,
15-1,1,,172457-78231,, "HOSE
F206BB100W",2,2,2,,,,,N,,724560294,M/#25532,724560294,M/#25532,,,,,,I
16,1,,172457-78240,, "HOSE G704BB095W",2,2,,,,,,,,,,,,,
16-1,1,,172457-78241,, "HOSE
G704BB095W",2,2,2,,,,,N,,724560294,M/#25532,724560294,M/#25532,,,,,,I
17,1,,172422-78390,, "HOSE F204BB068W",2,2,2,,,,,,,,,,,,,
18,1,,172422-78760,,GROMMET,2,2,2,,,,,,,,,,,,,
19,1,,23393-020000,, "JOINT 90RGI1/4",2,2,2,,,,,,,,,,,,,

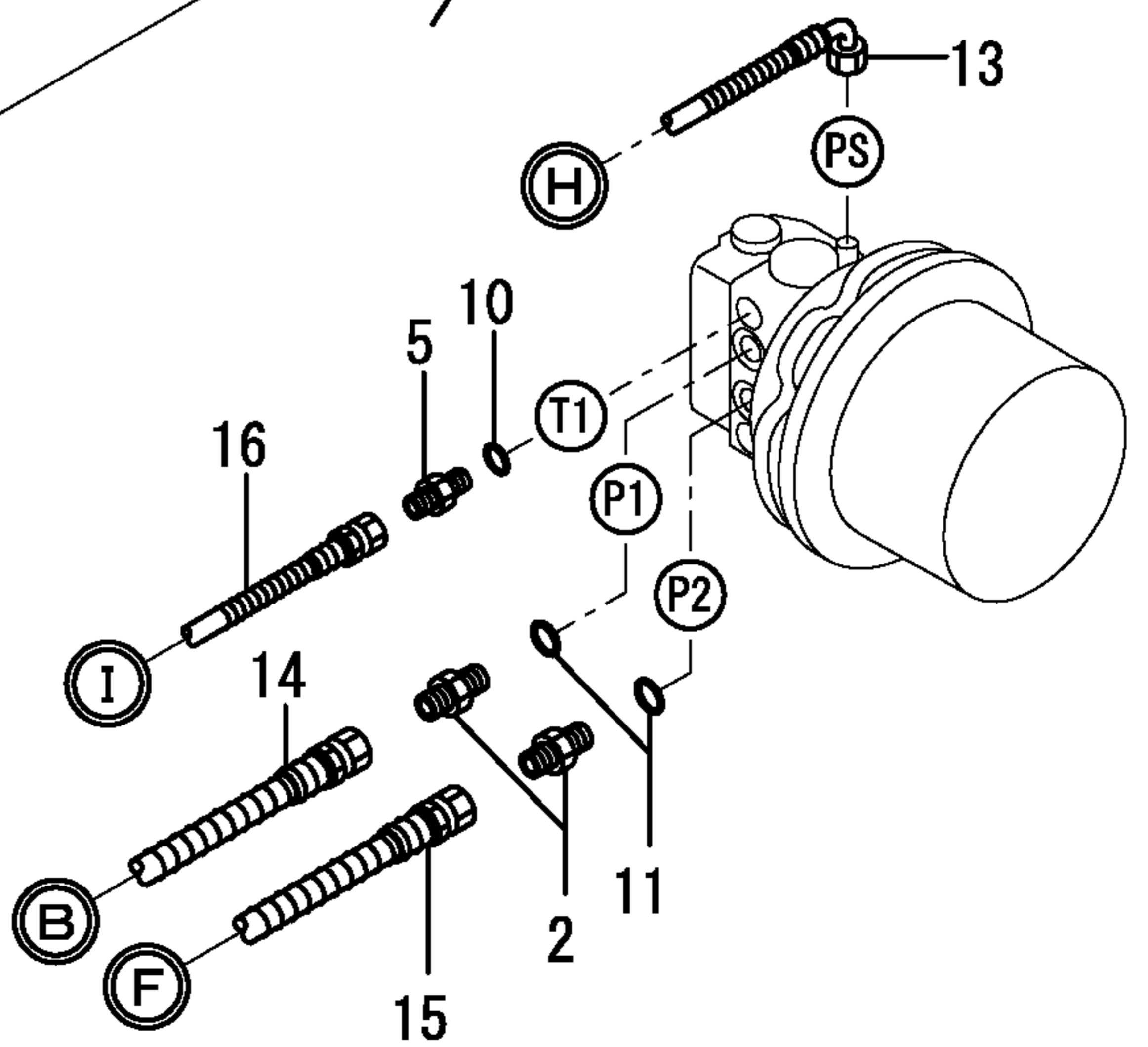
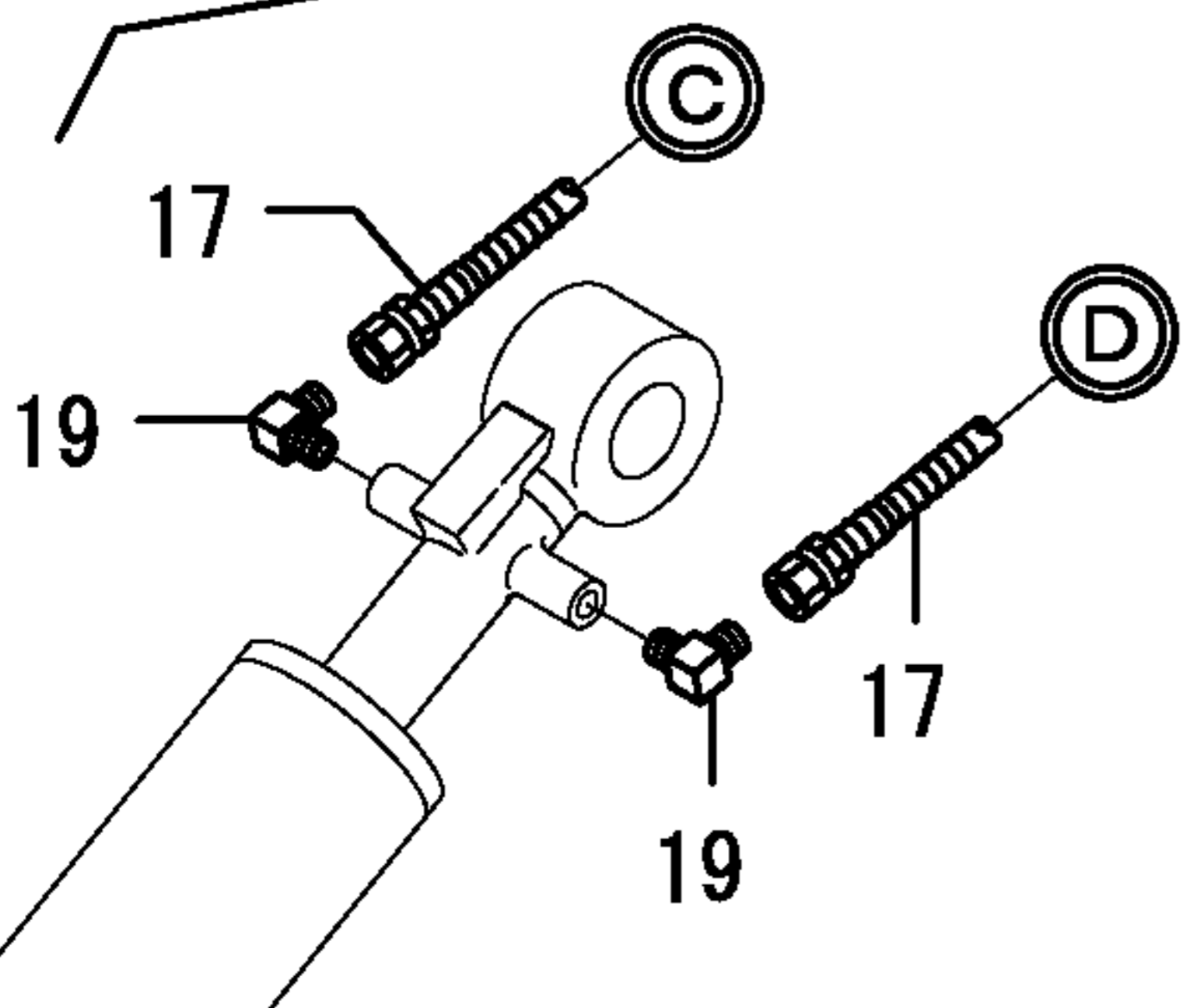
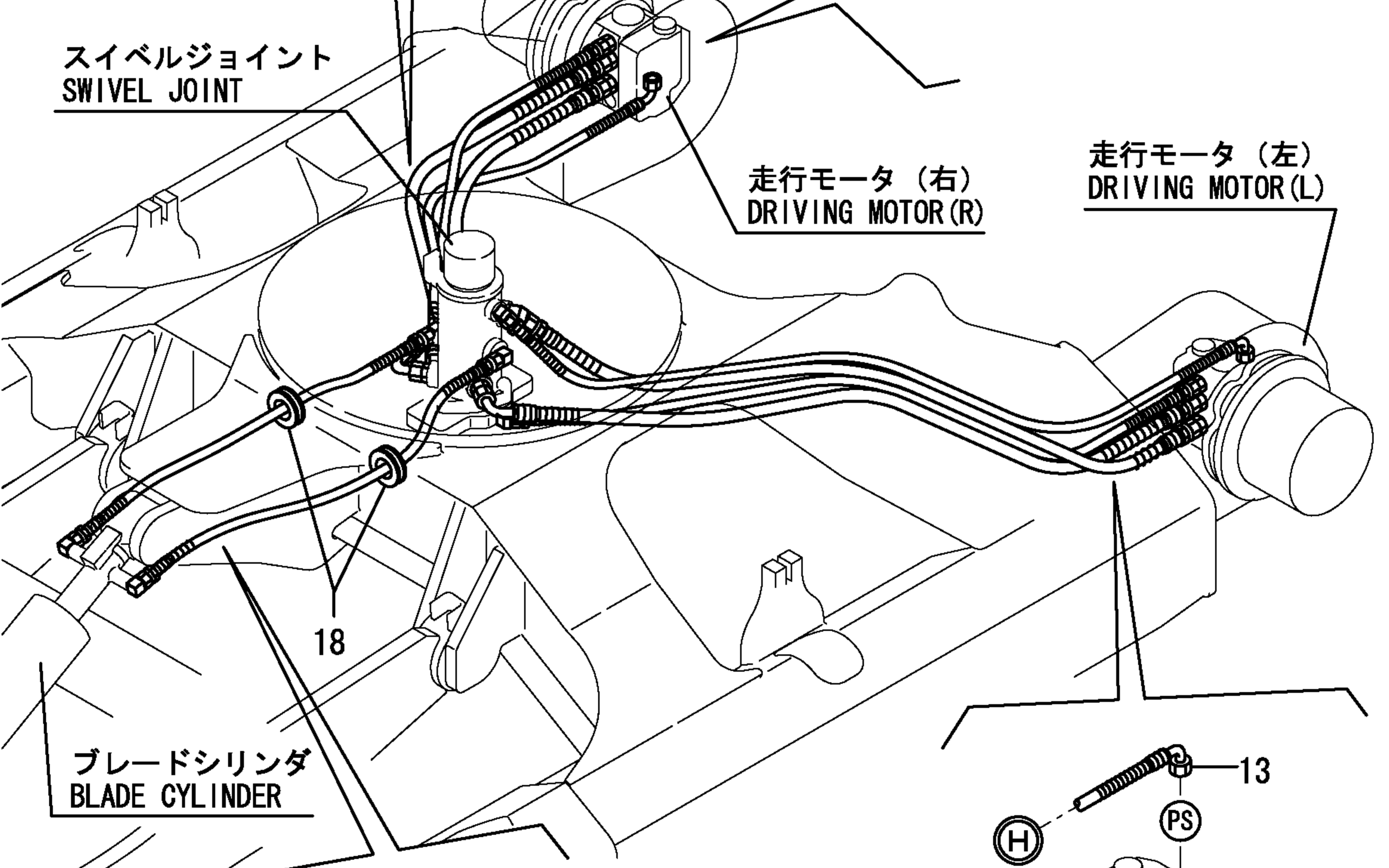


スィベルジョイント
SWIVEL JOINT

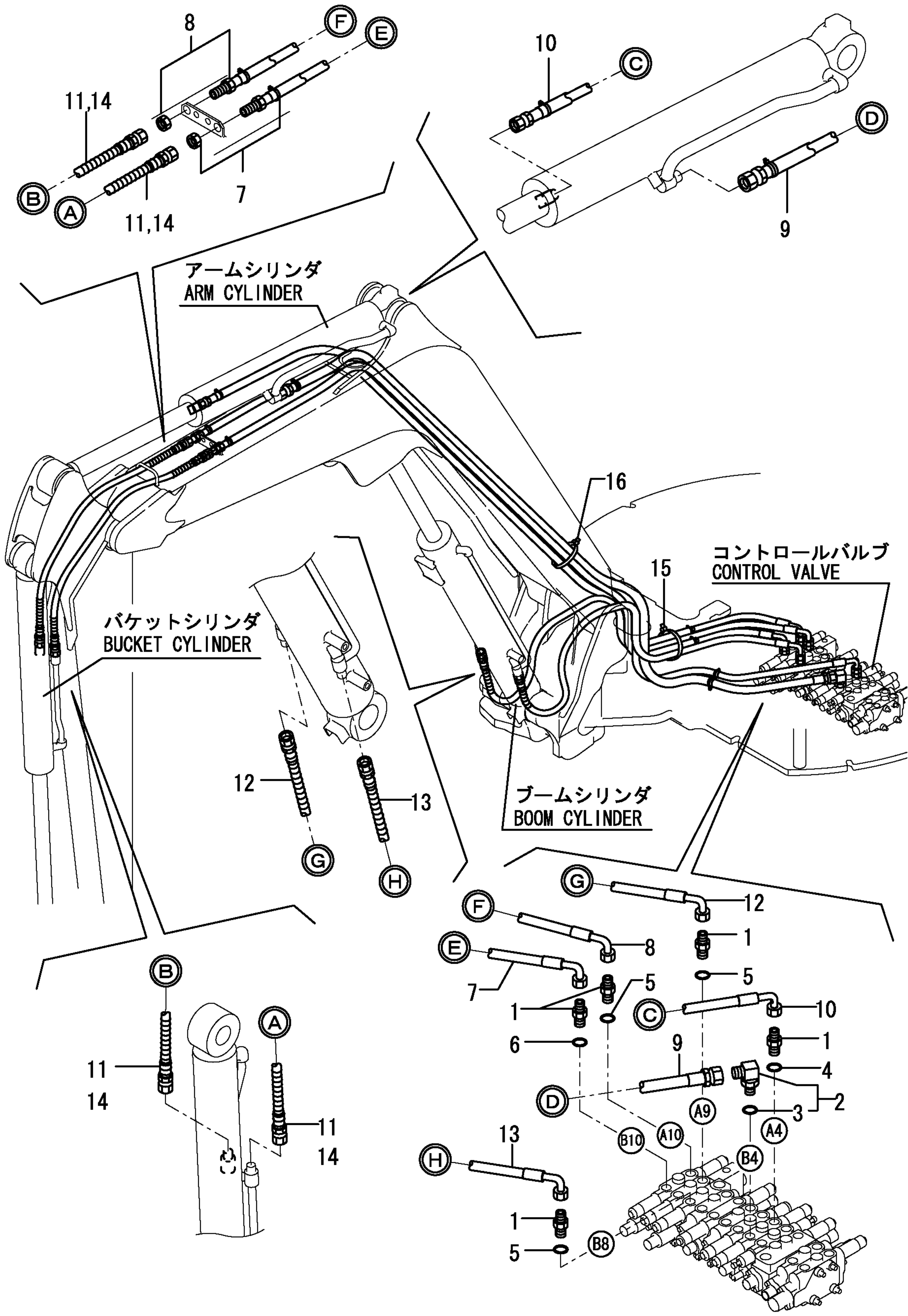
走行モータ (右)
DRIVING MOTOR (R)

走行モータ (左)
DRIVING MOTOR (L)

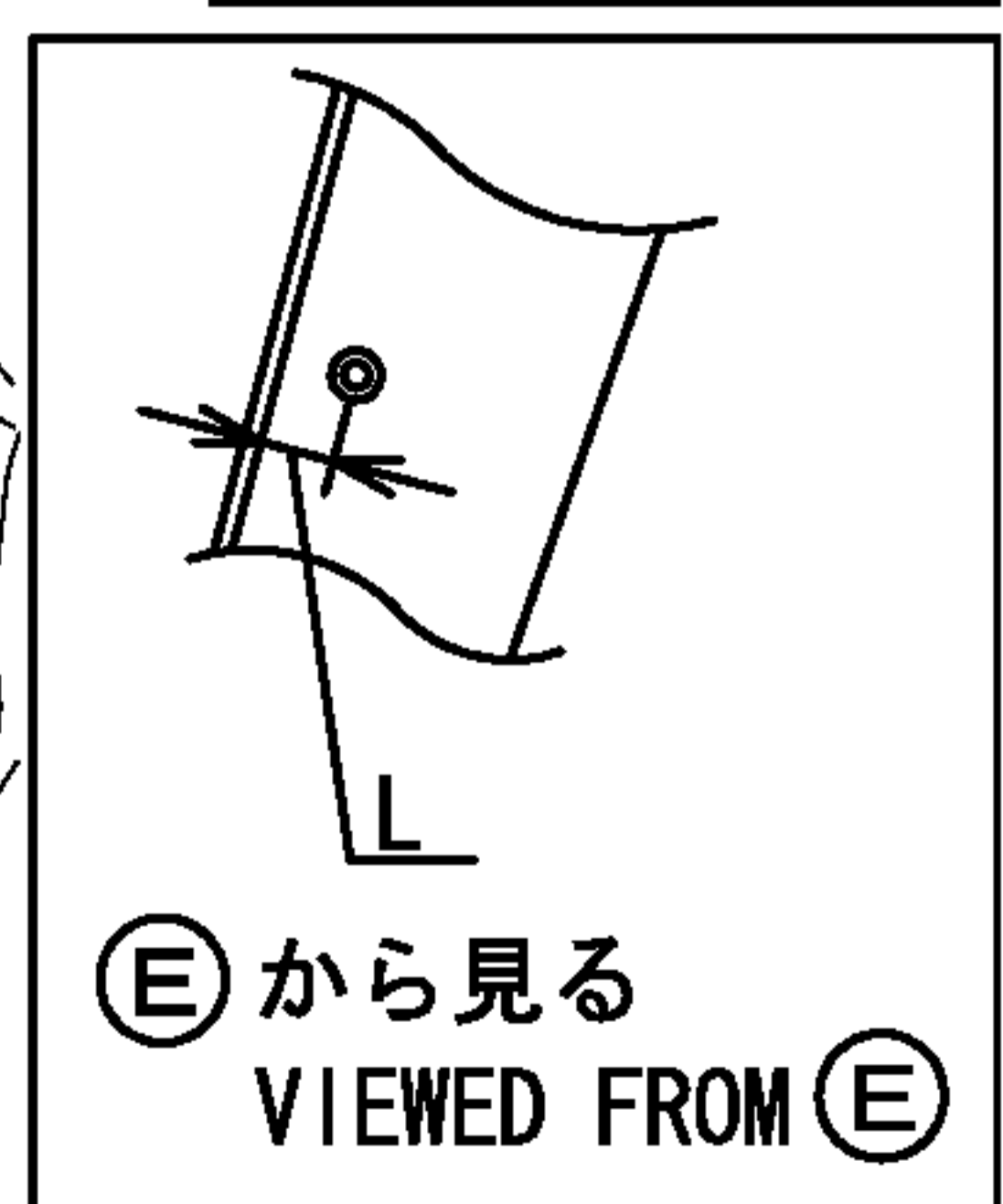
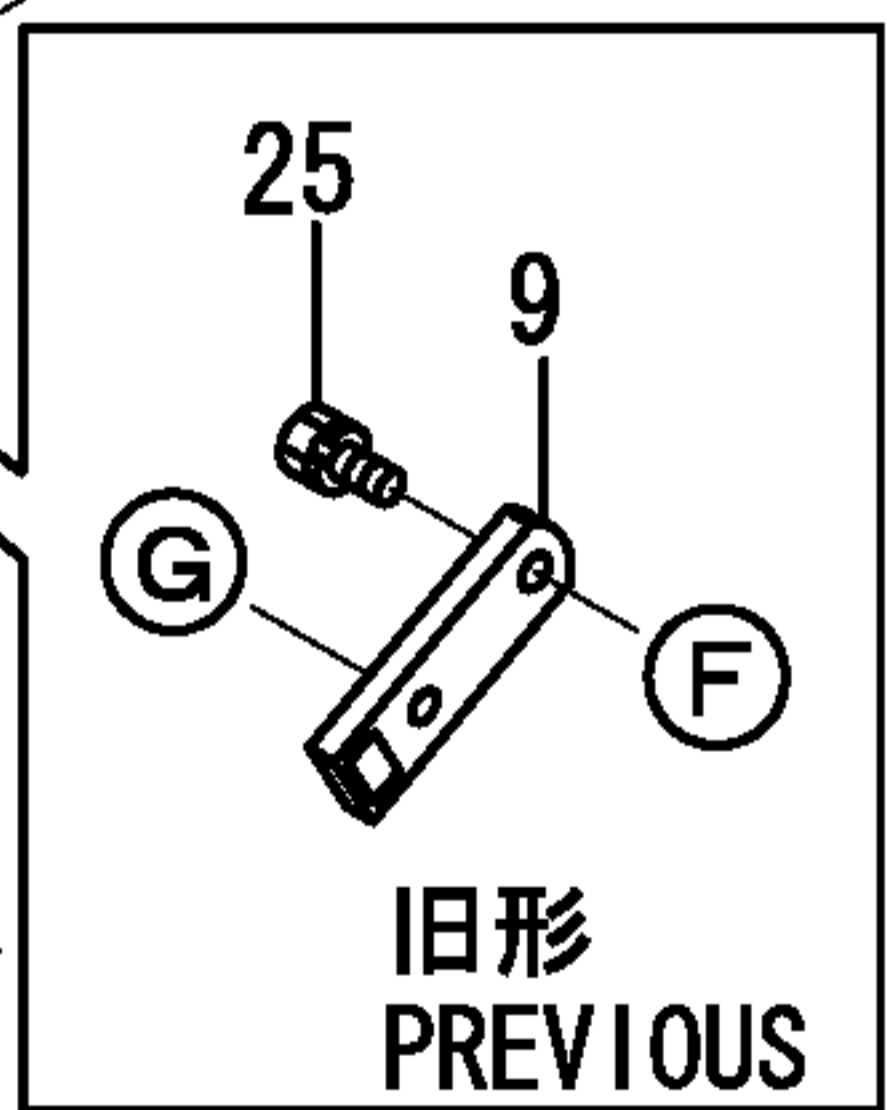
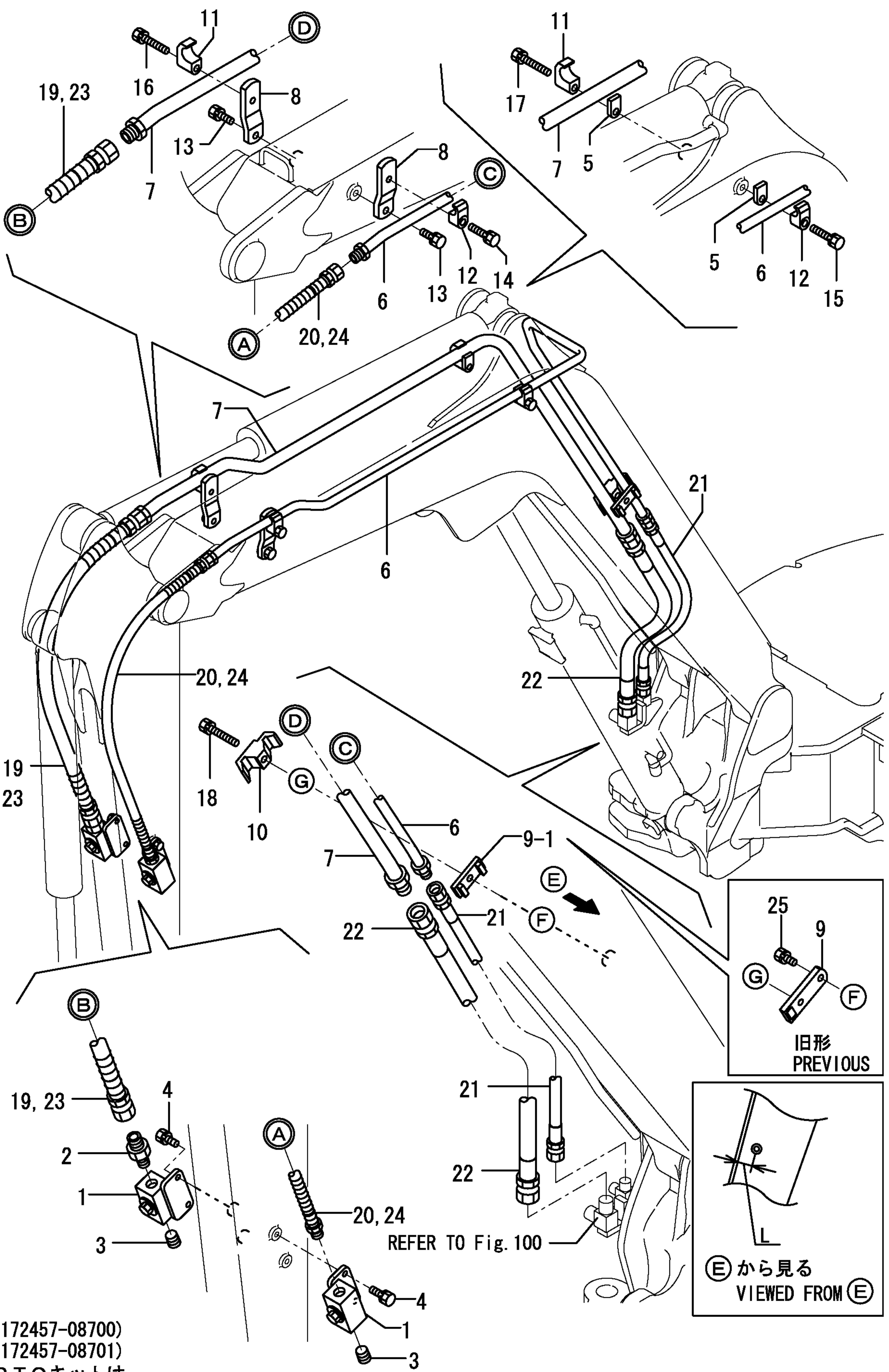
ブレードシリンダ
BLADE CYLINDER



1,1,,172730-75141,,JOINT,5,5,5,,,,,,,,,,,,,
2,1,,172645-76570,, "CONNECTOR 3/8X1/2",1,1,1,,,,,,,,,,,,,
3,2,,24315-000140,, "O-RING 1B P-14.0",1,1,1,,,,,,,,,,,,,
4,1,,24315-000140,, "O-RING 1B P-14.0",1,1,1,,,,,,,,,,,,,
5,1,,24315-000140,, "O-RING 1B P-14.0",3,3,3,,,,,,,,,,,,,
6,1,,24315-000140,, "O-RING 1B P-14.0",1,1,1,,,,,,,,,,,,,
7,1,,172457-78160,, "HOSE H206CX283K",1,1,1,,,,,,,,,,,,,
8,1,,172457-78170,, "HOSE H206CX292K",1,1,1,,,,,,,,,,,,,
9,1,,172457-78180,, "HOSE H208BB280K",1,1,1,,,,,,,,,,,,,
10,1,,172457-78190,, "HOSE H206BC310K",1,1,1,,,,,,,,,,,,,
11,1,,172457-78200,, "HOSE H206BB072W",2,2,,,,,1,,,,,,,,,,,,,
12,1,,172458-78200,, "HOSE H206BC136W",1,1,1,,,,,,,,,,,,,
13,1,,172458-78210,, "HOSE H206BC130W",1,1,1,,,,,,,,,,,,,
14,1,,172957-78150,, "HOSE H206BB070W",2,2,2,,,,,2,,,,,,,,,,,,,
15,1,,172122-79930,, "CLAMP B",1,1,,,,,M,,,,,,,,,,,,,
15-1,1,,172183-16560,, "CLIP 400,HOSE",1,1,1,,,,,,,,,,,,,
16,1,,172183-16560,, "CLIP 400,HOSE",1,1,1,,,,,,,,,,,,,

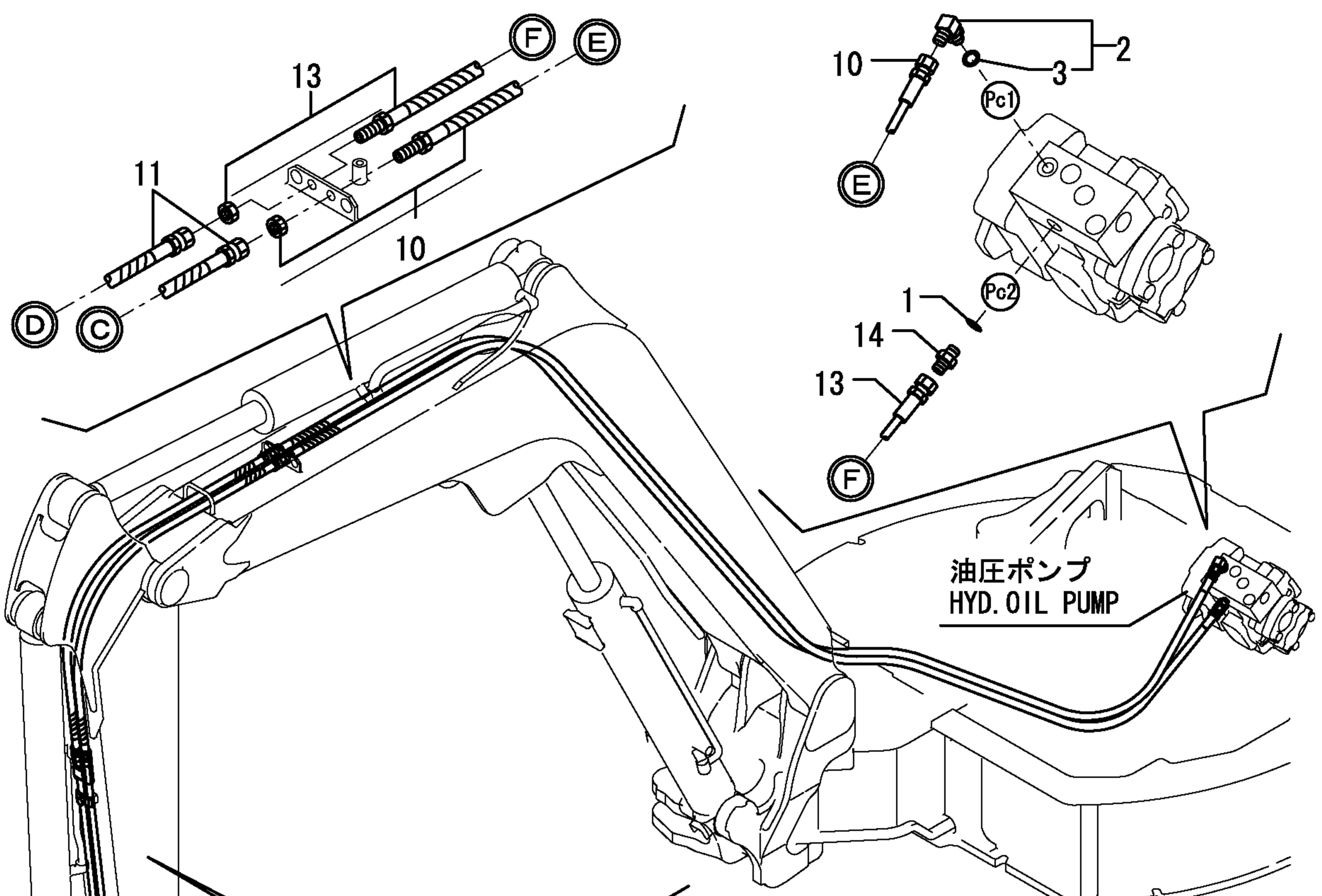


1,1,,172183-74820,, "STOP VALVE",2,2,2,,,,,,,,,,,,,
2,1,,172633-76160,, "ADAPTER 1/2-3/4",1,1,1,,,,,,,,,,,,,
3,1,,23871-040000,, "PLUG PT1/2,SCREW",2,2,2,,,,,,,,,,,,,
4,1,,26013-100252,, "BOLT W/WASHER M10X25",4,4,4,,,,,,,,,,,,,
5,1,,172183-76250,, "PLATE (GREEN:97)",2,2,2,,,,,,,,,,,,,
6,1,,172457-76600,, "TUBE L,P.T.O(GREEN97",1,1,,,,,,,,,,,,,
6-1,1,,172457-76601,, "TUBE L,P.T.O.
(97)",1,1,1,,,,,N,,72458404,M/#20784,72458404,M/#20784,,,,,
7,1,,172457-76650,, "TUBE R,P.T.O(GREEN97",1,1,1,,,,,,,,,,,,,
8,1,,172458-76680,, "STAY (GREEN:97)",2,2,2,,,,,,,,,,,,,
9,1,,172457-76770,, "PLATE,PIPE(GREEN:97)",1,1,,,,,3,,,,,,,,,,,,,
9-1,1,,172458-
76750,, "PLATE,PIPE(GREEN:97)",1,1,1,,,,,S,4,72458168,M/#20610,72458168,M/#20610,,
,,,,,
10,1,,172125-76900-4,, "CLAMP (GREEN:97)",1,1,1,,,,,,,,,,,,,
11,1,,172142-76940-4,, "CLAMP 3/4 (GREEN:97)",2,2,2,,,,,,,,,,,,,
12,1,,172142-76950-4,, "CLAMP 1/2 (GREEN:97)",2,2,2,,,,,,,,,,,,,
13,1,,26013-120302,, "BOLT W/WASHER M12X30",2,2,2,,,,,,,,,,,,,
14,1,,26013-120452,, "BOLT M12X 45",1,1,,,,,,,,,,,,,
14-1,1,,26013-120402,, "BOLT M12X
40",1,1,1,,,,,N,,72458381,M/#20745,72458381,M/#20745,,,,,
15,1,,26013-120502,, "BOLT M12X 50",1,1,1,,,,,,,,,,,,,
16,1,,26013-120552,, "BOLT M12X55",1,1,1,,,,,,,,,,,,,
17,1,,26013-120652,, "BOLT M12X 65",1,1,1,,,,,,,,,,,,,
18,1,,26013-120552,, "BOLT M12X55",1,1,,,,,3,,,,,,,,,,,,,
18-1,1,,26013-120652,, "BOLT M12X
65",1,1,1,,,,,S,4,72458168,M/#20610,72458168,M/#20610,,,,,
19,1,,172457-78900,, "HOSE G212BB083W",1,1,1,,,,,1,,,,,,,,,,,,,
20,1,,172457-78910,, "HOSE H208AB081W",1,1,1,,,,,1,,,,,,,,,,,,,
21,1,,172458-78920,, "HOSE H208BB068",1,1,,,,,M,,,,,,,,,,,,,I
21-1,1,,172472-78510,, "HOSE H208BB068K",1,1,1,,,,,I,,,,,,,,,,,,,
22,1,,172458-78930,, "HOSE G212BB065",1,1,,,,,M,,,,,,,,,,,,,I
22-1,1,,172472-78520,, "HOSE H212BB065K",1,1,1,,,,,I,,,,,,,,,,,,,
23,1,,172957-78900,, "HOSE
G212BB077W",1,1,1,,,,,W,2,72958041,M/#20700,72958041,M/#20700,,,,,
24,1,,172957-78910,, "HOSE
H208AB077W",1,1,1,,,,,W,2,72958041,M/#20700,72958041,M/#20700,,,,,
25,1,,26013-120302,, "BOLT W/WASHER
M12X30",1,1,,,,,Z,3,72458168,M/#20610,72458168,M/#20610,,,,,

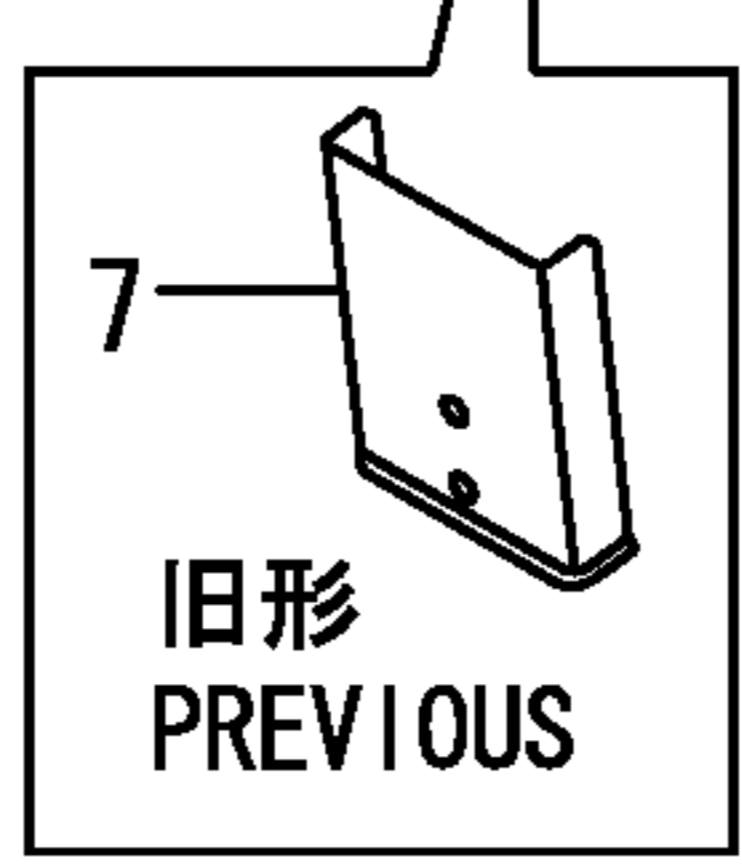
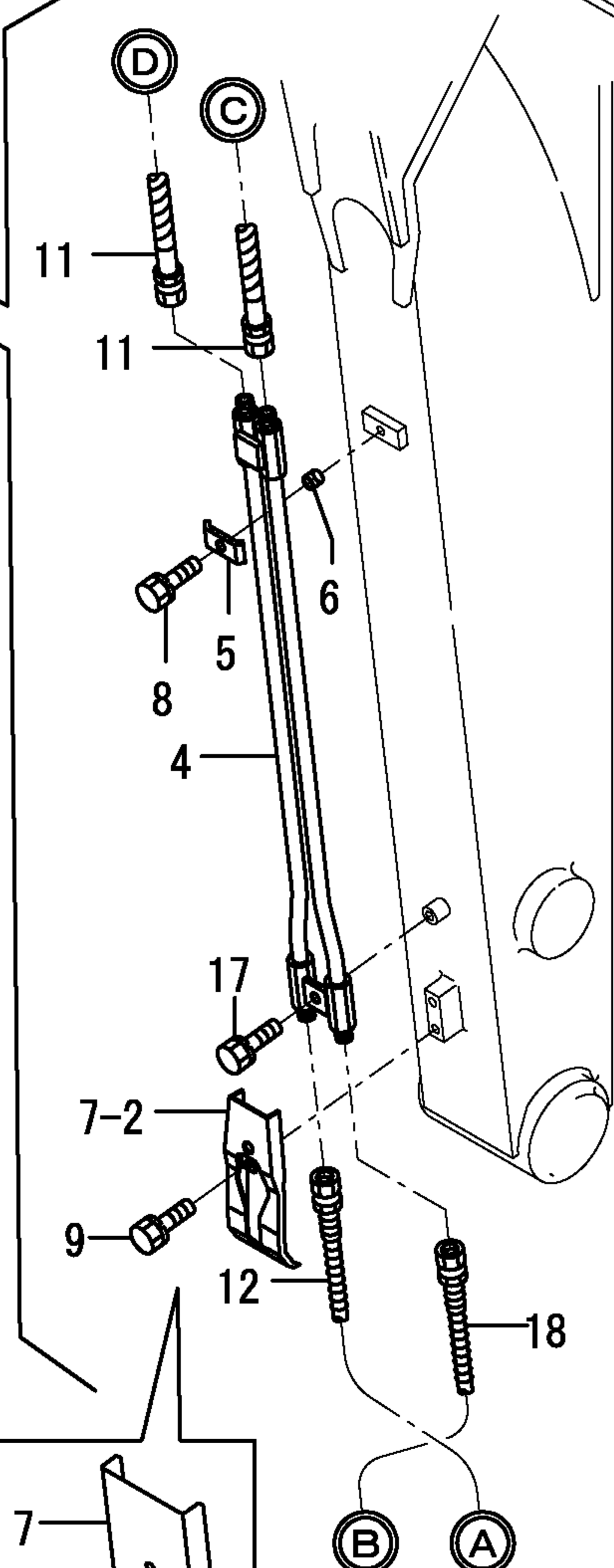
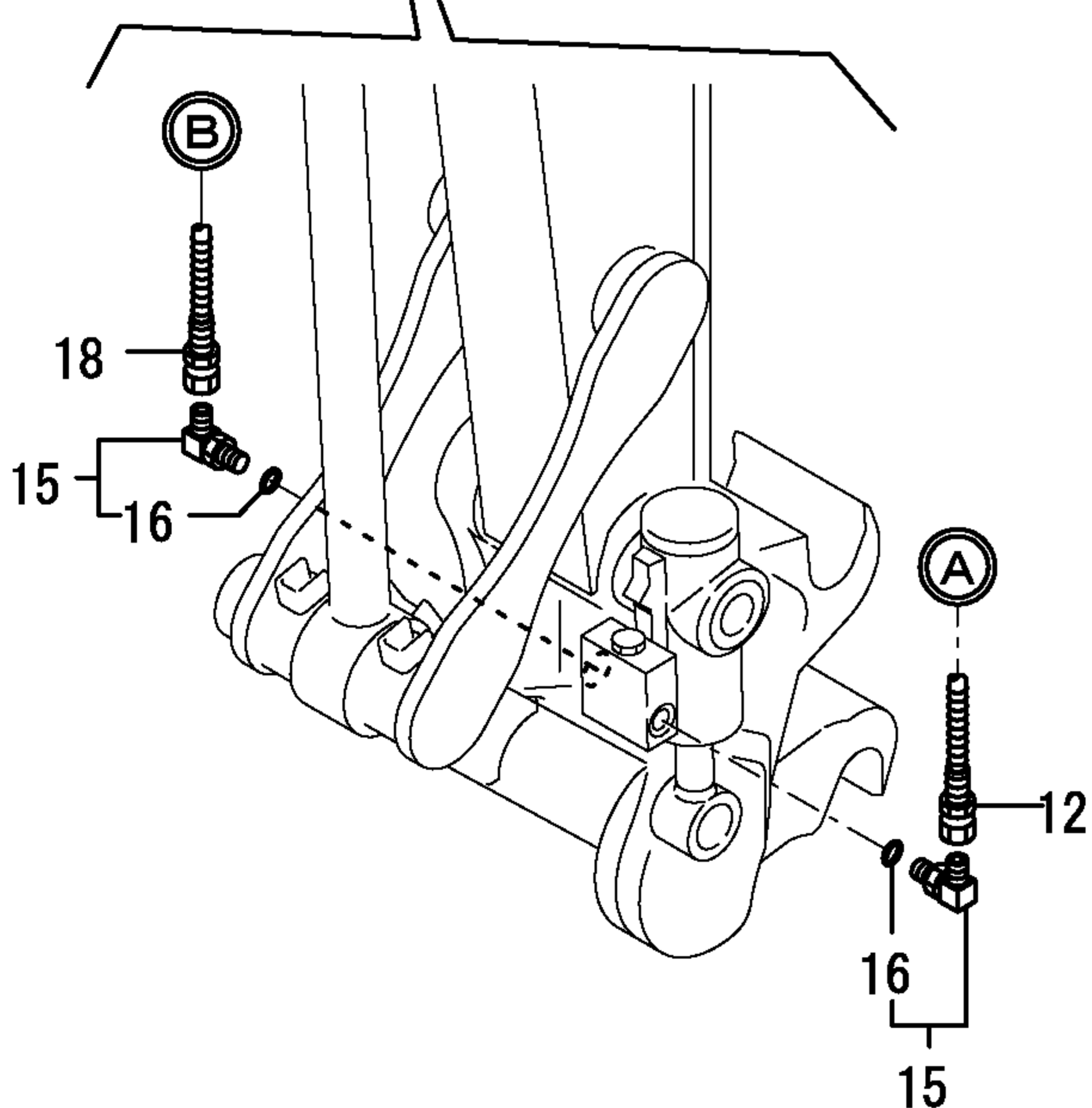


(172457-08700)
 (172457-08701)
 P.T.O.キットは、
 項目NO. 120を参照下さい。
 P.T.O. KIT
 is shown in Fig. 120.

1,1,,24315-000110,, "O-RING 1B P-11.0",1,1,1,,,,,,,,,,,,,
2,1,,172141-76180,,CONNECTOR,1,1,1,,,,,,,,,,,,,
3,2,,24315-000110,, "O-RING 1B P-11.0",1,1,1,,,,,,,,,,,,,
4,1,,172958-76100,, "TUBE,HITCH(GREEN:97)",1,1,,,,,,,,,,,,,
4-1,1,,172958-76101,, "TUBE
(GREEN:97)",1,1,1,,,,,N,,72958029,M/#20636,72958029,M/#20636,,,,,,
5,1,,172110-76170-4,, "PLATE (GREEN:97)",1,1,1,,,,,,,,,,,,,
6,1,,172137-76580,, "COLLER 9X11",1,1,1,,,,,,,,,,,,,
7,1,,172958-81900,, "COVER,ARM (GREEN:97)",1,1,,,,,,,,,,,,,
7-1,1,,172958-81901,, "COVER,ARM
(GREEN:97)",1,1,,,,,N,,72958048,M/#20792,72958048,M/#20792,,,,,,
7-2,1,,172958-81902,, "COVER,ARM
(GREEN:97)",1,1,,,,,N,,72958053,M/#20808,72958053,M/#20808,,,,,,
7-3,1,,172958-81903,, "COVER,ARM
(GREEN:97)",1,1,1,,,,,N,,72958073,M/#21257,72958073,M/#21257,,,,,,I
8,1,,26013-080252,, "BOLT M 8X 25",1,1,1,,,,,,,,,,,,,
9,1,,26013-080162,, "BOLT W/WASHER M8X16",2,2,2,,,,,,,,,,,,,
10,1,,172957-78100,, "HOSE G205BX365K",1,1,1,,,,,,,,,,,,,
11,1,,172957-78110,, "HOSE H204BB077S",2,2,,,,,,,,,,,,,
11-1,1,,172957-78111,, "HOSE
H204BB075K",2,2,2,,,,,S,,72958045,M/#20683,72958045,M/#20683,,,,,,
12,1,,172958-78120,, "HOSE G604BB048W",1,1,,,,,,,,,,,,,
12-1,1,,172958-78200,, "HOSE
F102BB050W",1,1,1,,,,,N,,72958053,M/#20808,72958053,M/#20808,,,,,,
13,1,,172957-78130,, "HOSE G205BX365K",1,1,1,,,,,,,,,,,,,
14,1,,172123-76121,, "JOINT PF1/4",1,1,1,,,,,,,,,,,,,
15,1,,172958-76130,, "ELBOW PF1/4-PF1/4",2,2,2,,,,,,,,,,,,,
16,2,,24315-000110,, "O-RING 1B P-11.0",2,2,2,,,,,,,,,,,,,
17,1,,26013-080162,, "BOLT W/WASHER M8X16",1,1,1,,,,,,,,,,,,,
18,1,,172958-78160,, "HOSE G604BB049W",1,1,,,,,,,,,,,,,
18-1,1,,172958-78210,, "HOSE
F102BB052W",1,1,1,,,,,N,,72958053,M/#20808,72958053,M/#20808,,,,,,

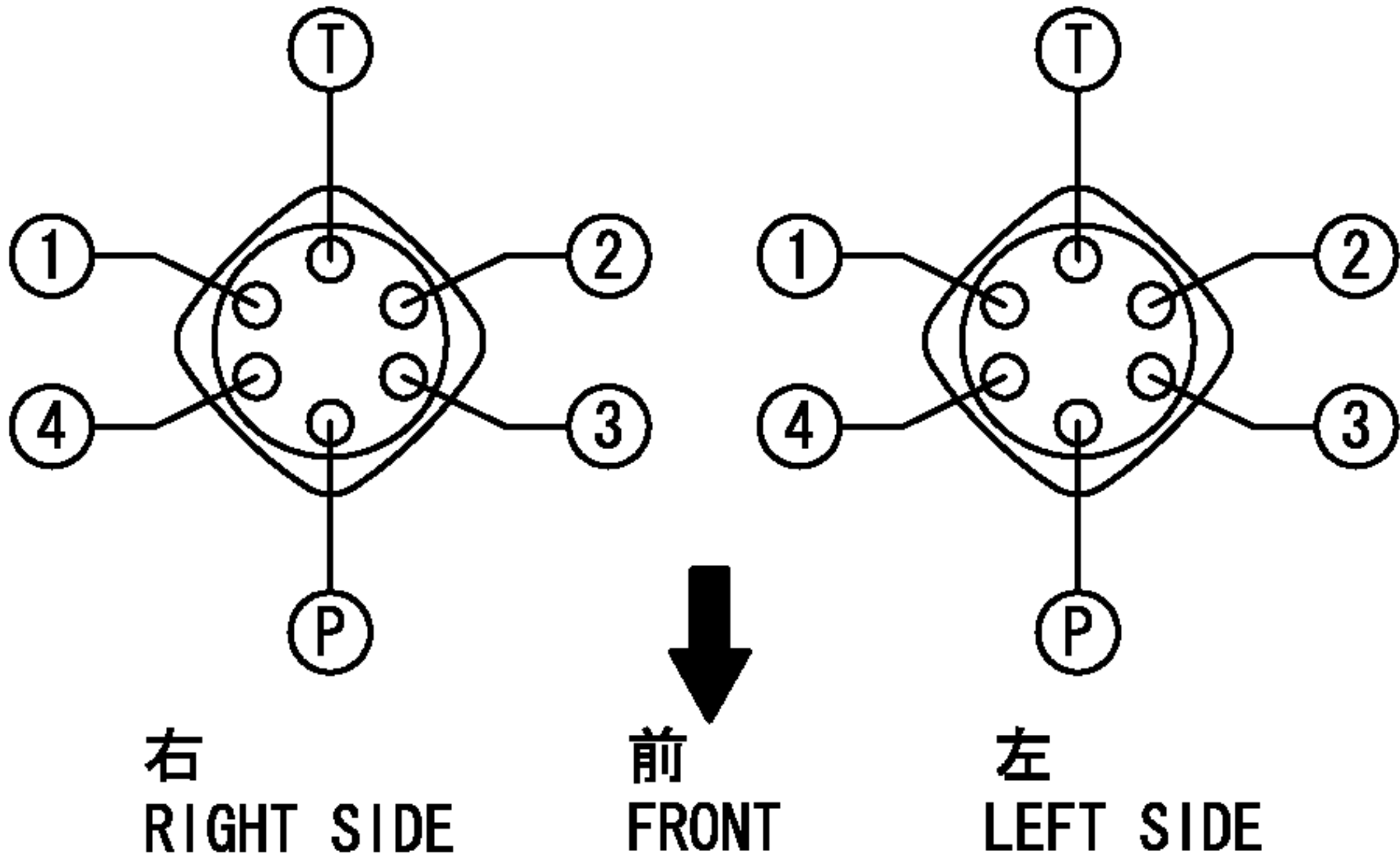


クイックヒッチシリンダ
QUICK HITCH CYLINDER

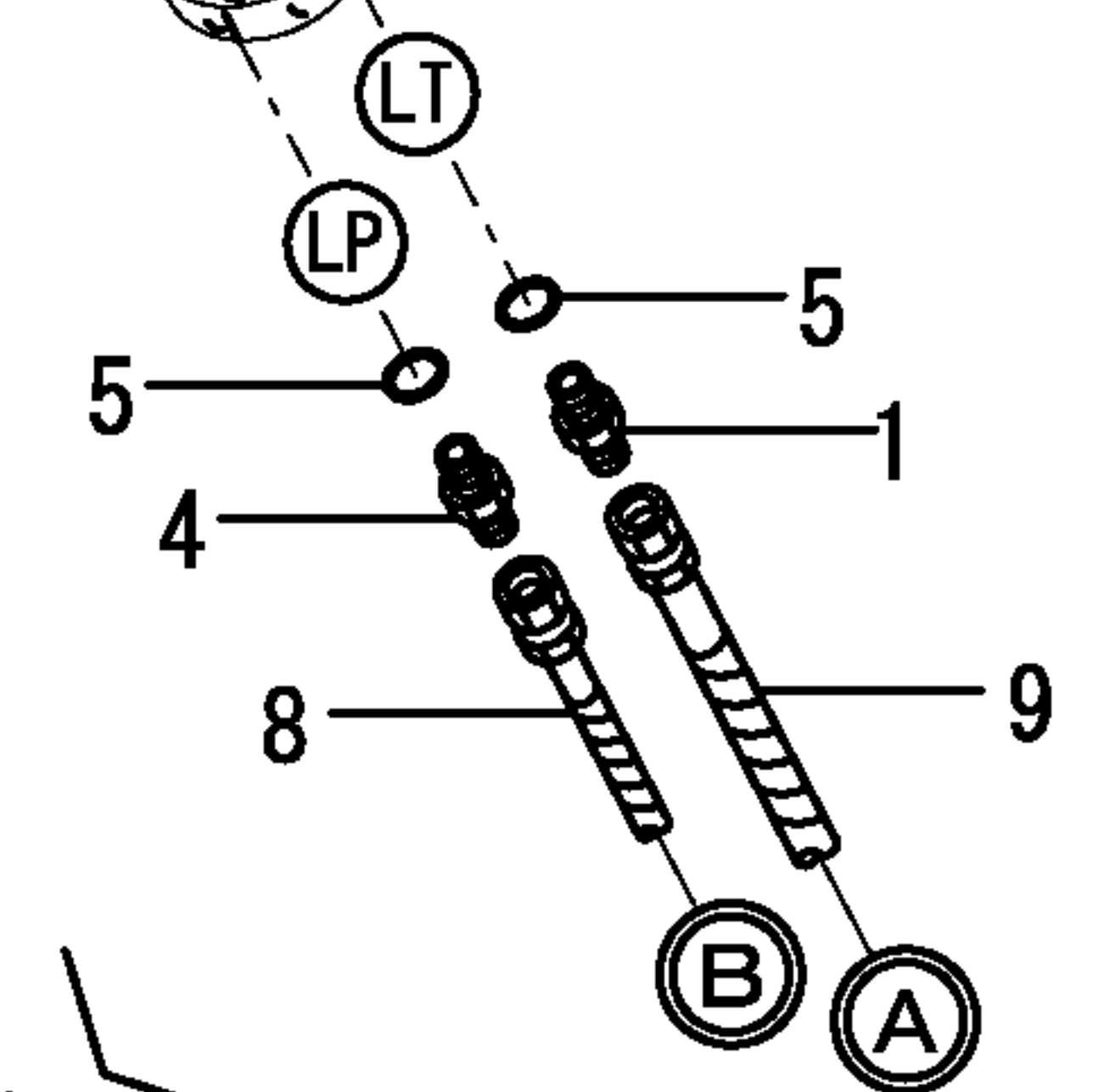


1,1,,172123-76121,, "JOINT PF1/4",2,2,2,,,,,,,,,,,,,
2,1,,172141-76180,,CONNECTOR,1,1,1,,,,,,,,,,,,,
3,2,,24315-000110,, "O-RING 1B P-11.0",1,1,1,,,,,,,,,,,,,
4,1,,172455-76220,, "CONNECTOR PF1/4",2,2,2,,,,,,,,,,,,,
5,1,,24315-000110,, "O-RING 1B P-11.0",4,4,4,,,,,,,,,,,,,
6,1,,172458-78750,, "HOSE F403BB117S",1,1,1,,,,,,,,,,,,,
7,1,,172458-78760,, "HOSE G804BY130S",1,1,1,,,,,,,,,,,,,
8,1,,172458-78810,, "HOSE F403BB115",1,1,1,,,,,,,,,,,,,
9,1,,172458-78820,, "HOSE G804BY165S",1,1,1,,,,,,,,,,,,,
10,1,,23000-013000,, "CLAMP 13",2,2,2,,,,,,,,,,,,,

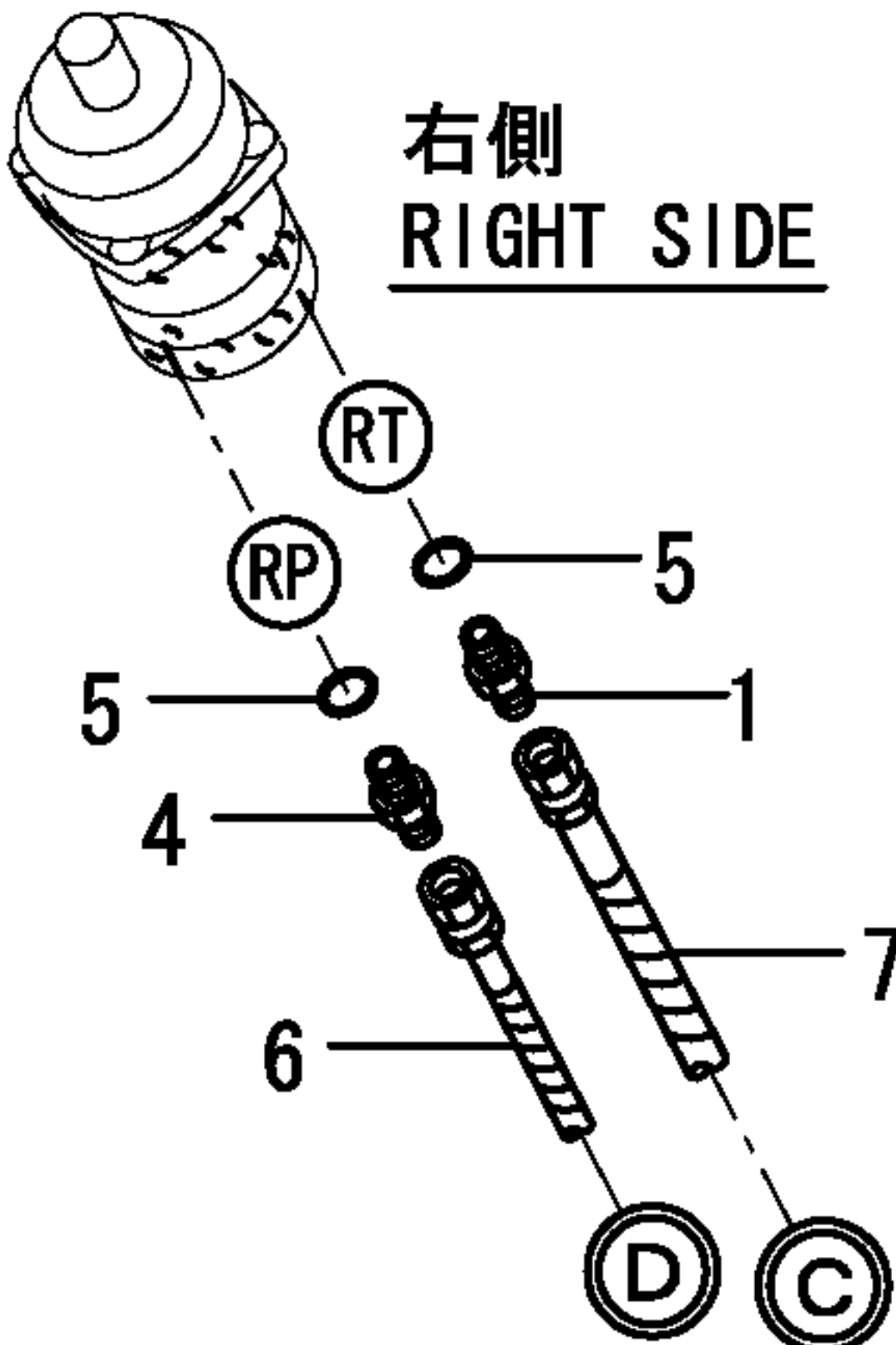
上から見
VIEWED FROM UPPER



左側
LEFT SIDE



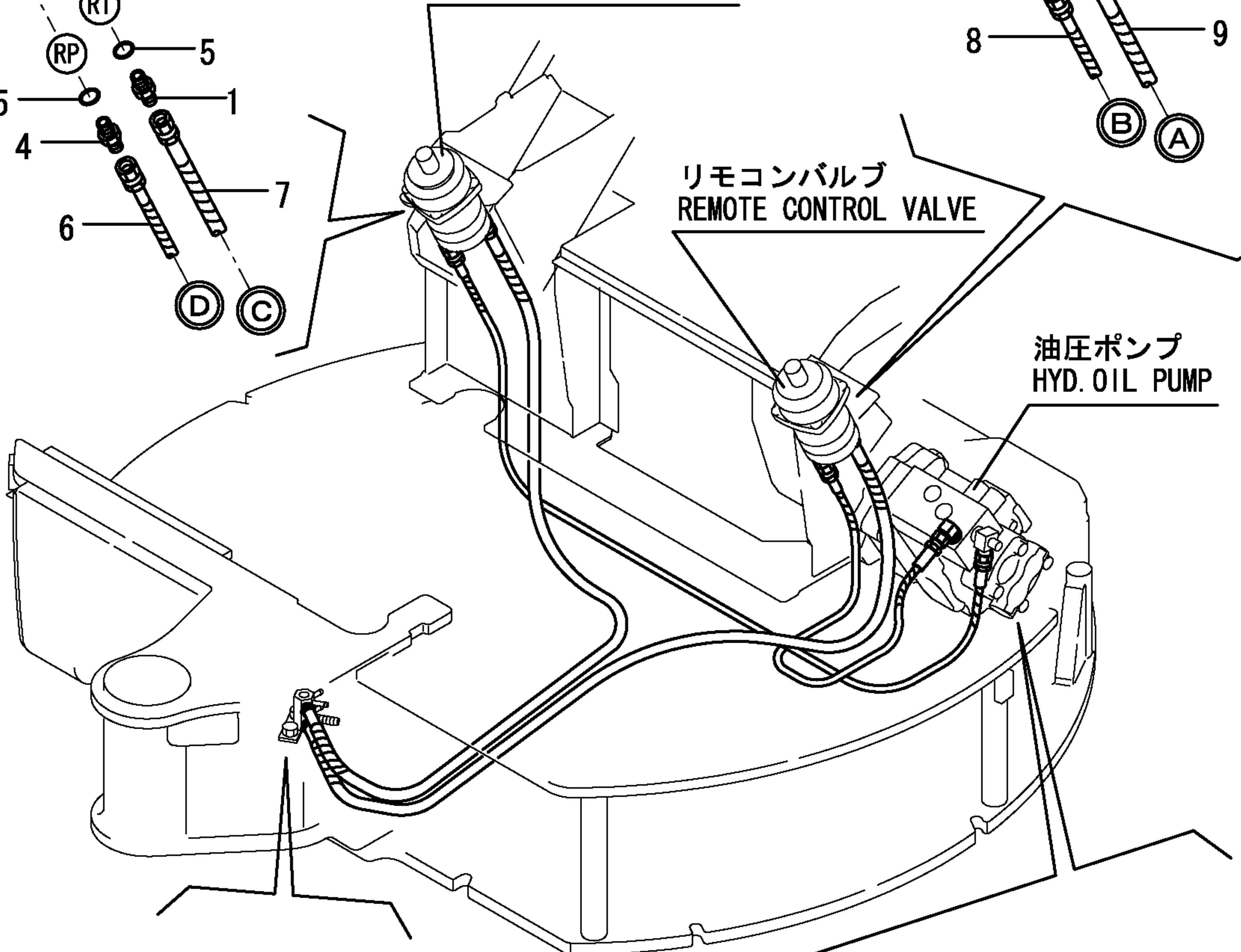
右側
RIGHT SIDE



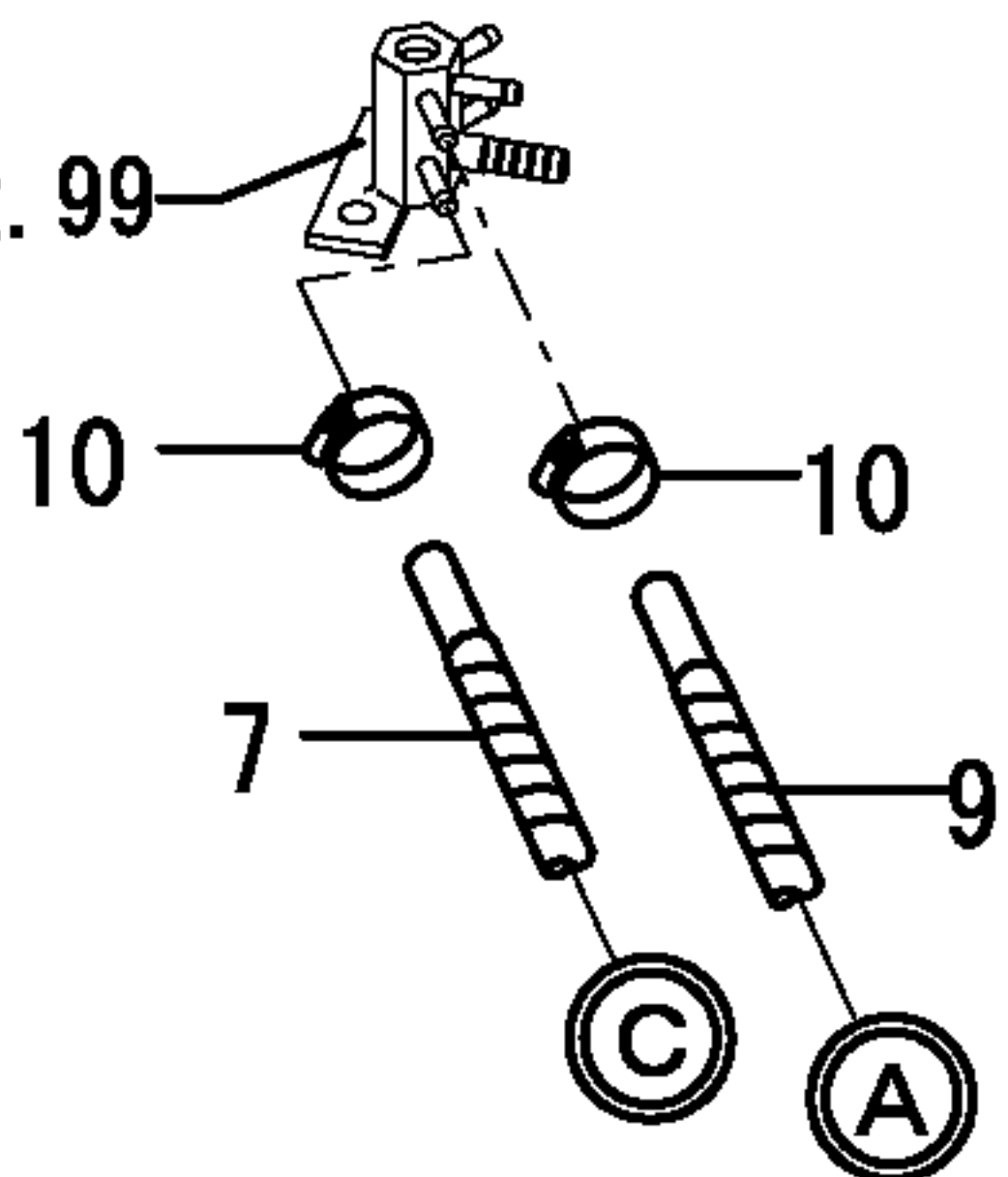
リモコンバルブ
REMOTE CONTROL VALVE

リモコンバルブ
REMOTE CONTROL VALVE

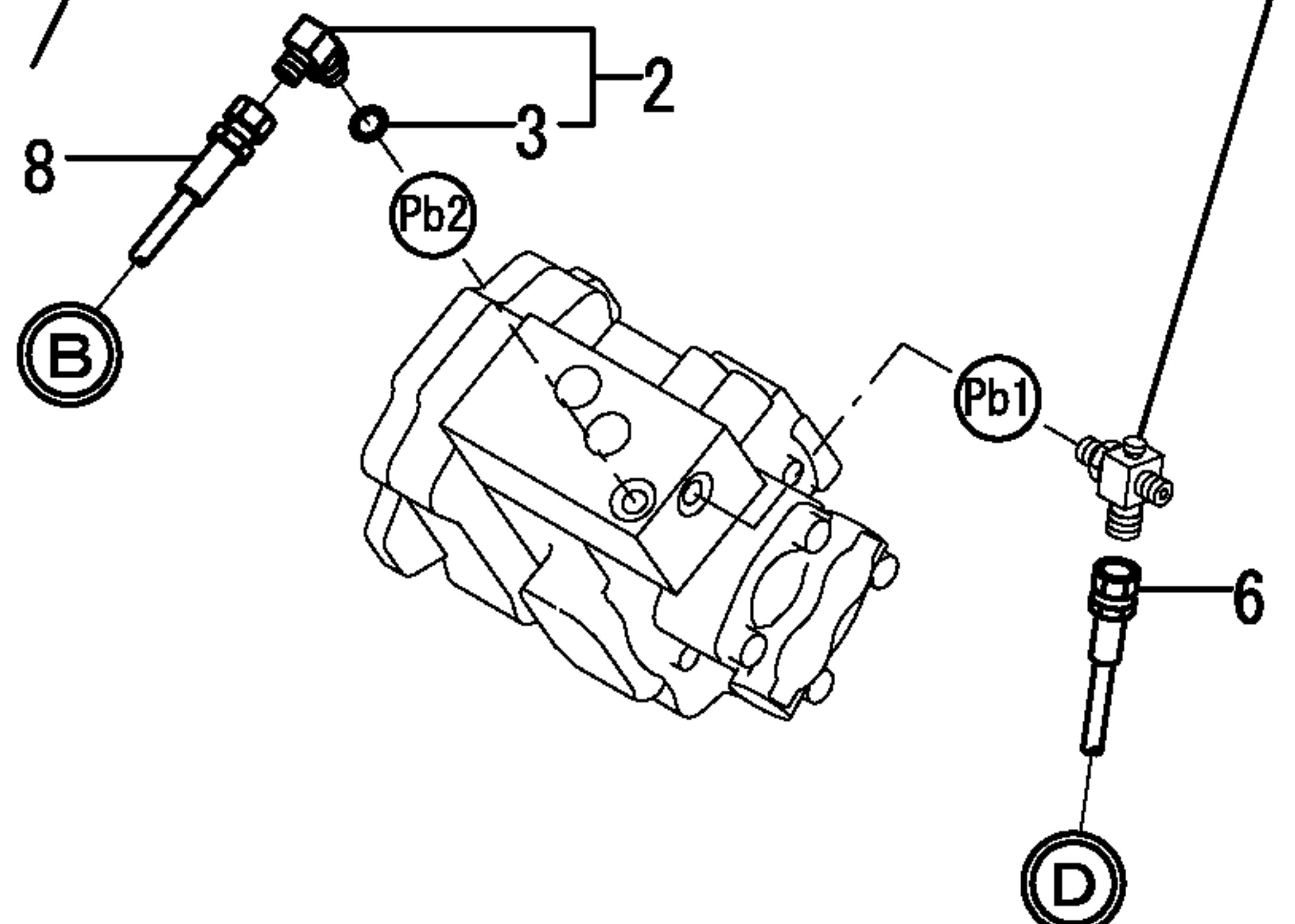
油圧ポンプ
HYD. OIL PUMP



REFER TO Fig. 99

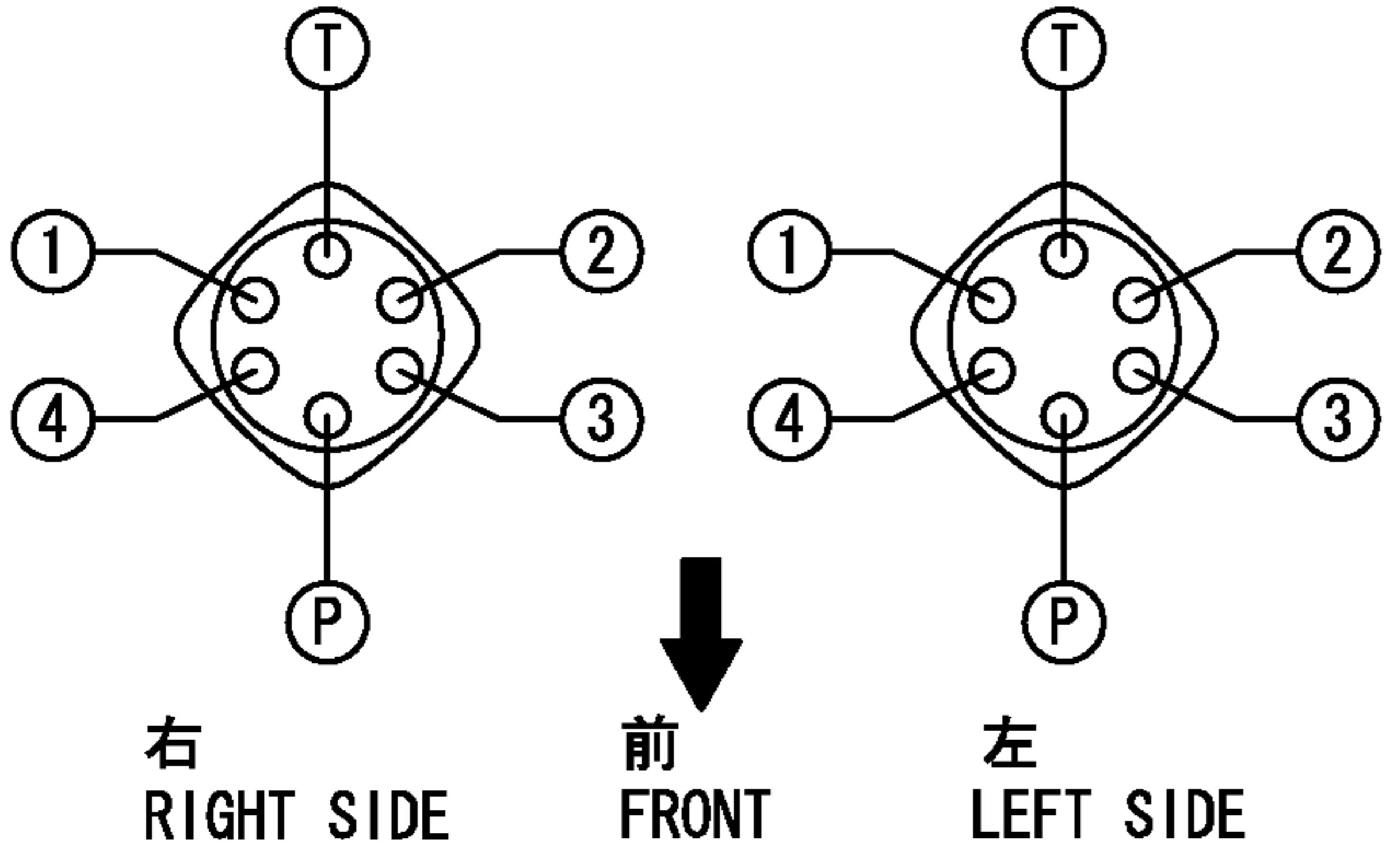


REFER TO Fig. 99

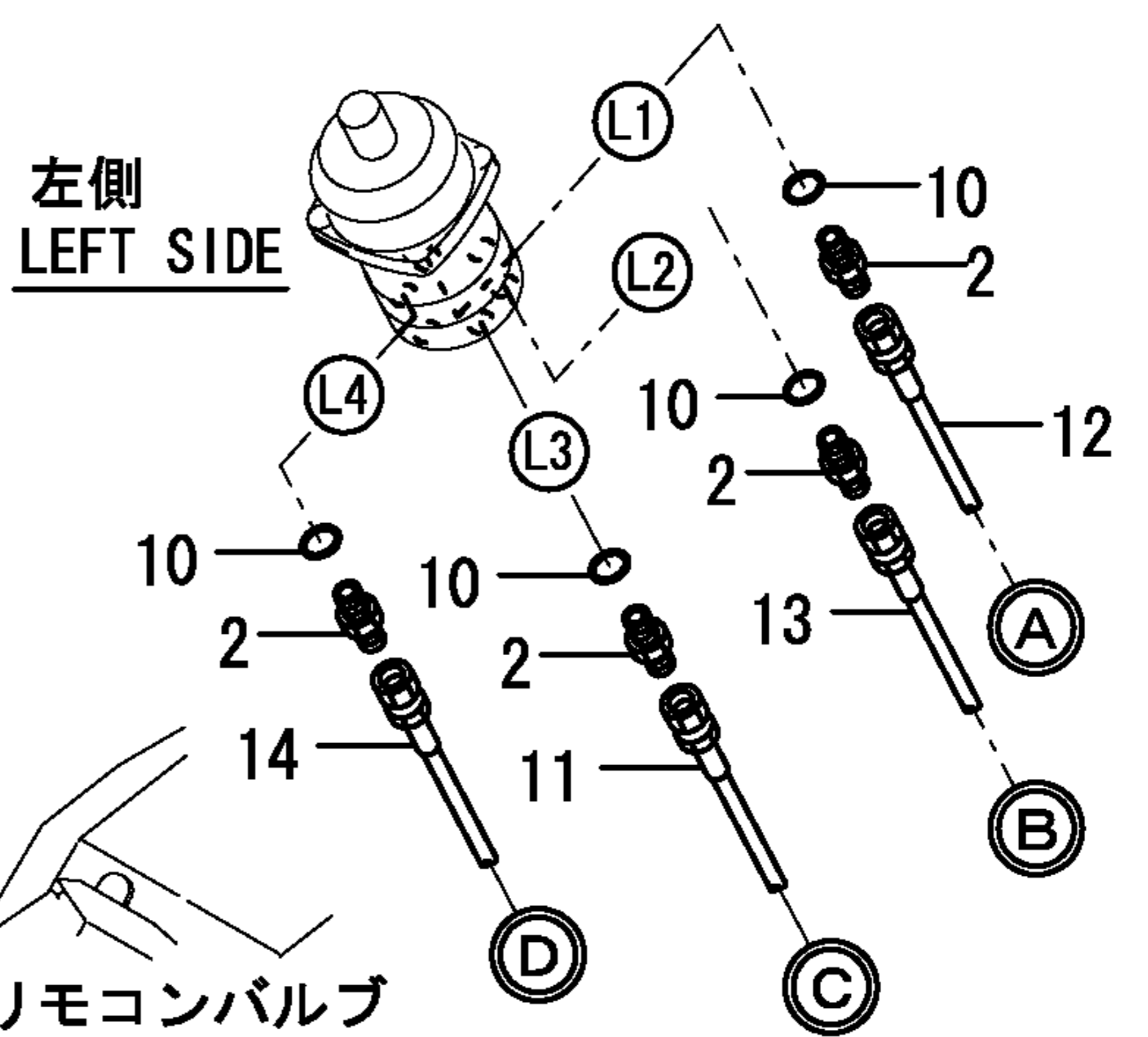


1,1,,172123-76121,, "JOINT PF1/4",1,1,1,,,,,,,,,,,,,
2,1,,172123-76121,, "JOINT PF1/4",8,8,8,,,,,,,,,,,,,
3,1,,172141-76180,, CONNECTOR,2,2,2,,,,,,,,,,,,,
4,2,,24315-000110,, "O-RING 1B P-11.0",2,2,2,,,,,,,,,,,,,
5,1,,172183-76200,, "CONNECTOR 1/4-1/4",1,1,1,,,,,,,,,,,,,
6,1,,172123-76121,, "JOINT PF1/4",1,1,1,,,,,,,,,,,,,
7,1,,24315-000110,, "O-RING 1B P-11.0",1,1,1,,,,,,,,,,,,,
8,1,,24315-000110,, "O-RING 1B P-11.0",1,1,1,,,,,,,,,,,,,
9,1,,24315-000110,, "O-RING 1B P-11.0",1,1,1,,,,,,,,,,,,,
10,1,,24315-000110,, "O-RING 1B P-11.0",8,8,8,,,,,,,,,,,,,
11,1,,172458-78330,, "HOSE F403BB162",1,1,1,,,,,,,,,,,,,
12,1,,172458-78340,, "HOSE F403BB120",1,1,1,,,,,,,,,,,,,
13,1,,172458-78350,, "HOSE F403BB120S",1,1,1,,,,,,,,,,,,,
14,1,,172458-78360,, "HOSE F403BB120S",1,1,1,,,,,,,,,,,,,
15,1,,172458-78390,, "HOSE F403BB097S",1,1,1,,,,,,,,,,,,,
16,1,,172458-78400,, "HOSE F403BC127S",1,1,1,,,,,,,,,,,,,
17,1,,172458-78410,, "HOSE F403BB152S",1,1,1,,,,,,,,,,,,,
18,1,,172458-78420,, "HOSE F403BB097S",1,1,1,,,,,,,,,,,,,
19,1,,172458-78570,, "SPONGE, HOSE",1,1,1,,,,,,,,,,,,,
20,1,,172444-78800,, "SPONGE, HOSE",1,1,1,,,,,,,,,,,,,
21,1,,172122-79930,, "CLAMP B",4,4,4,,,,,,,,,,,,,
22,1,,172126-11510,, "BAND 300",4,4,4,,,,,,,,,,,,,

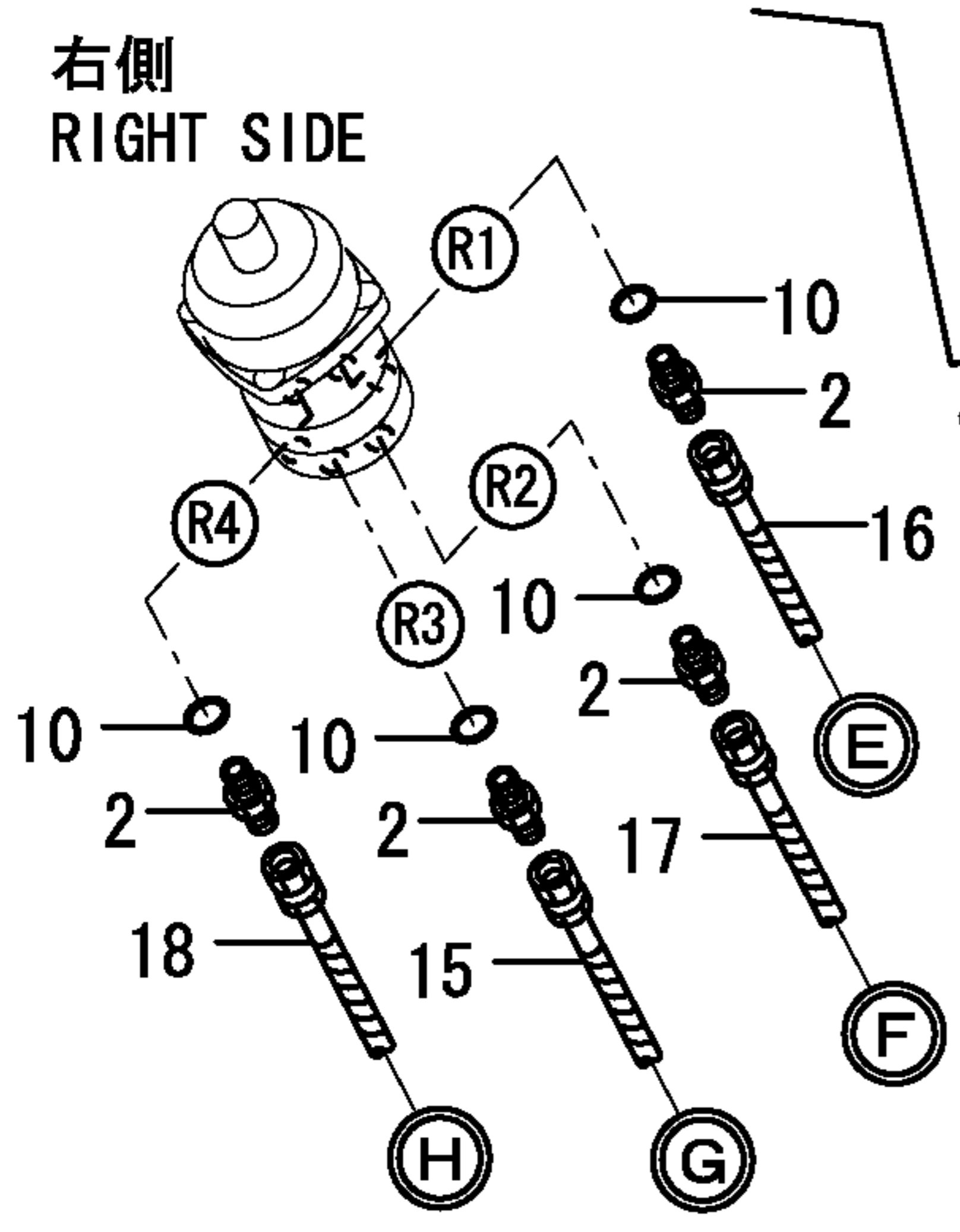
上から見
VIEWED FROM UPPER



左側
LEFT SIDE

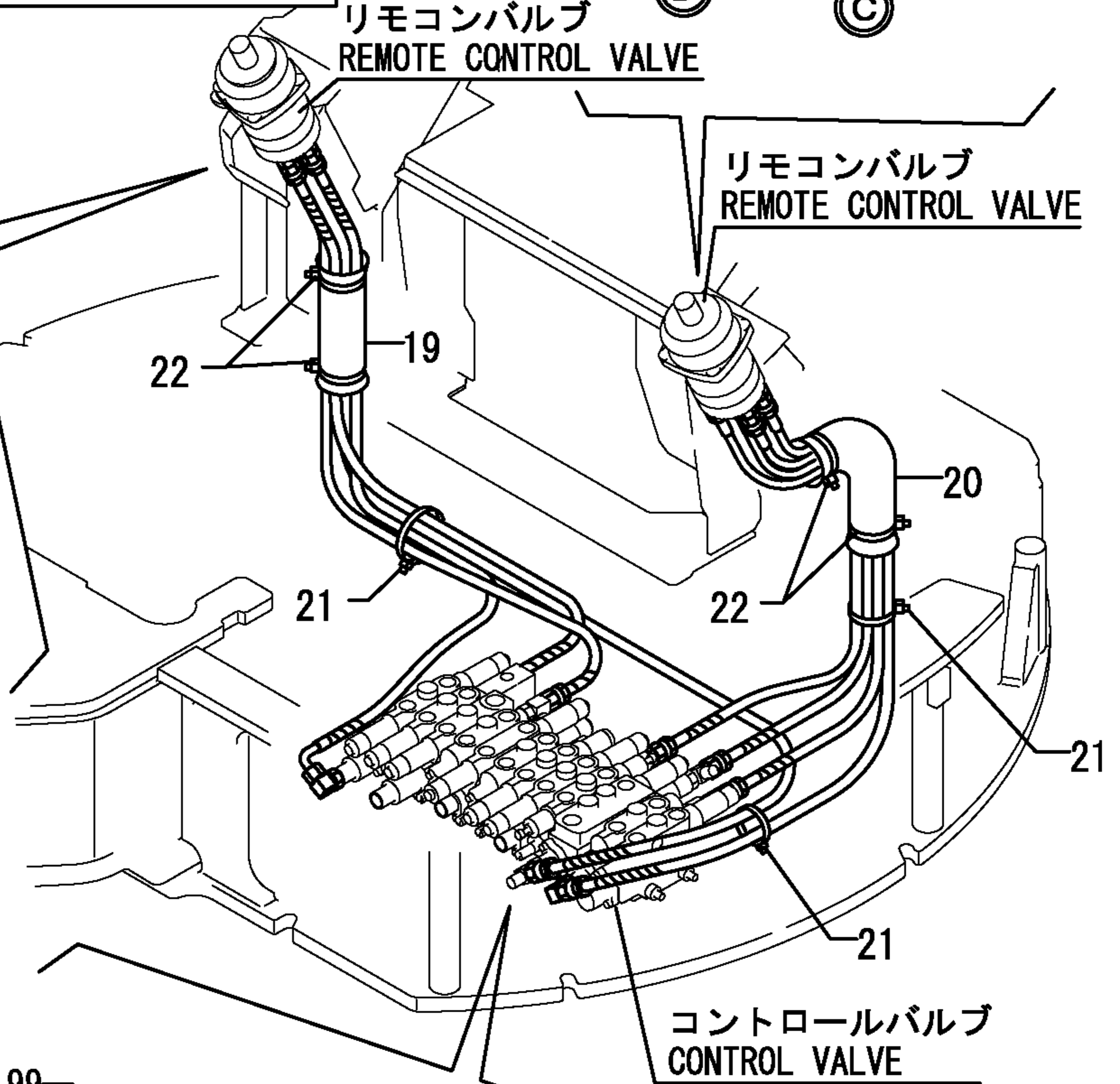


右側
RIGHT SIDE



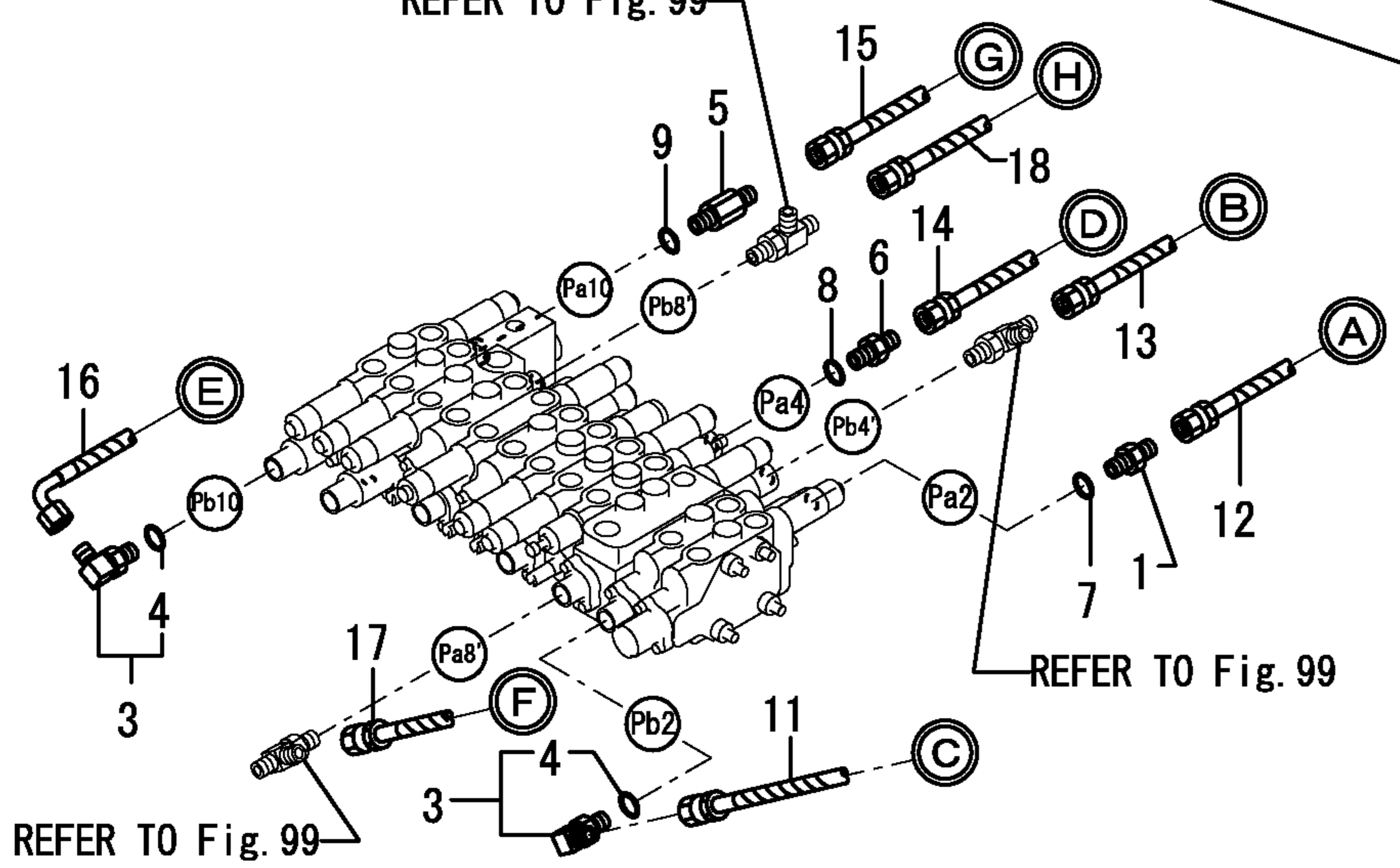
リモコンバルブ
REMOTE CONTROL VALVE

リモコンバルブ
REMOTE CONTROL VALVE



コントロールバルブ
CONTROL VALVE

REFER TO Fig. 99

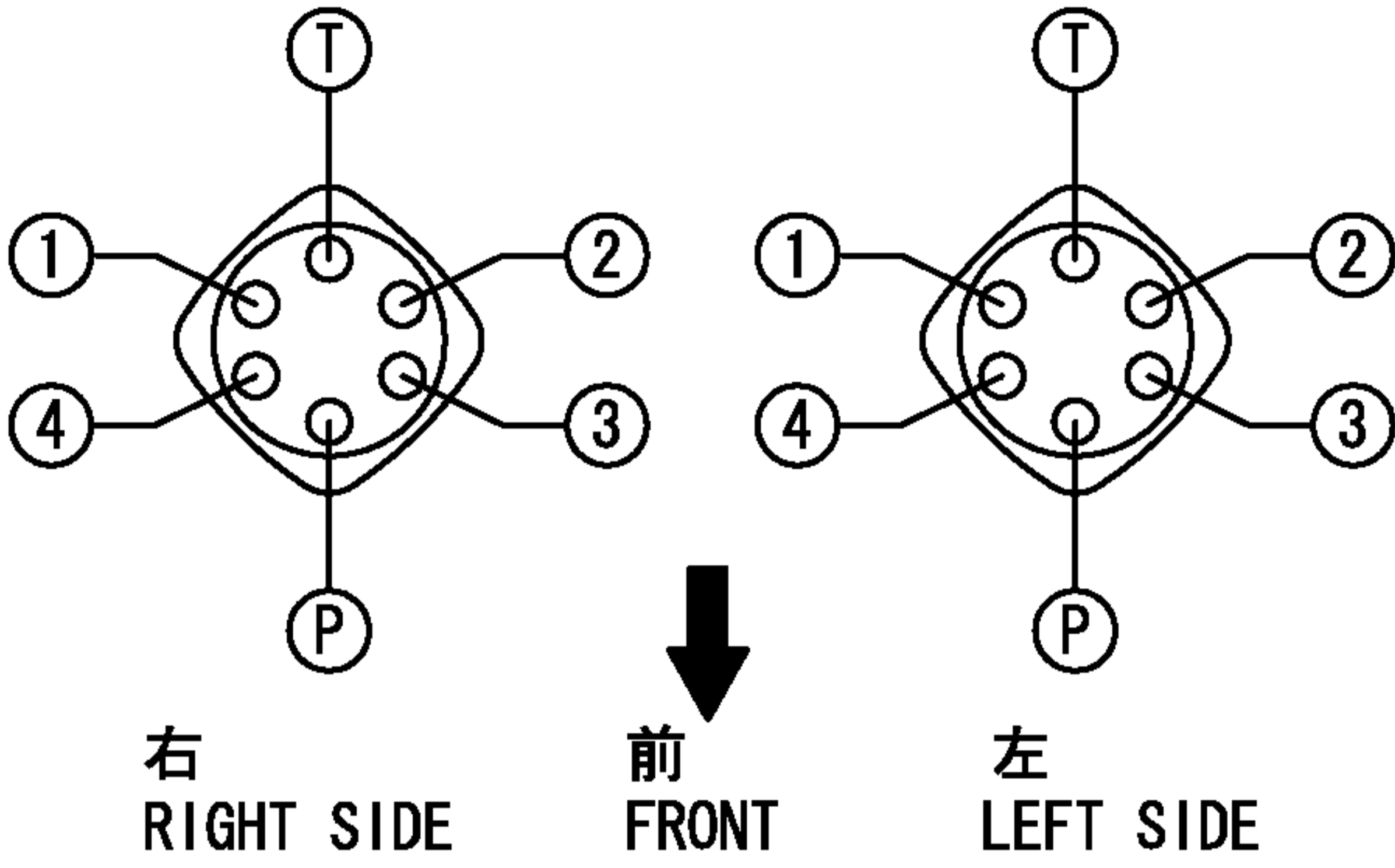


REFER TO Fig. 99

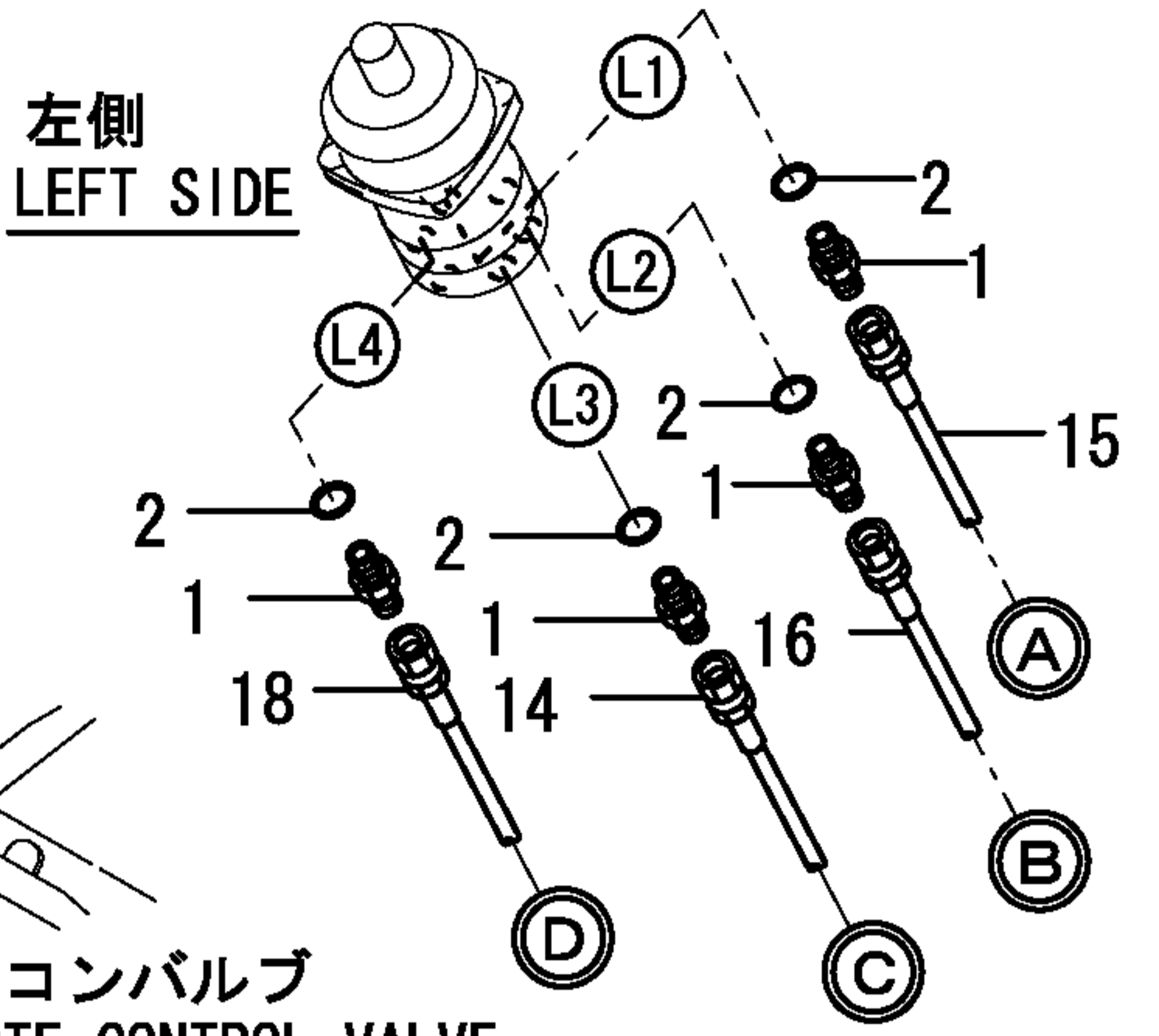
REFER TO Fig. 99

1,1,,172123-76121,, "JOINT PF1/4",8,8,,,,,,,,,,,,,,,,,,,,,
2,1,,24315-000110,, "O-RING 1B P-11.0",8,8,,,,,,,,,,,,,,,,,,,,,
3,1,,172173-76101,, "CONNECTOR PF1/4-45",1,1,,,,,,,,,,,,,,,,,,,,,
4,2,,24315-000110,, "O-RING 1B P-11.0",1,1,,,,,,,,,,,,,,,,,,,,,
5,1,,172141-76180,, CONNECTOR,5,5,,,,,,,,,,,,,,,,,,,,,
6,2,,24315-000110,, "O-RING 1B P-11.0",5,5,,,,,,,,,,,,,,,,,,,,,
7,1,,24315-000110,, "O-RING 1B P-11.0",2,2,,,,,,,,,,,,,,,,,,,,,
8,1,,172126-11510,, "BAND 300",4,4,,,,,,,,,,,,,,,,,,,,,
9,1,,172458-78570,, "SPONGE,HOSE",1,1,,,,,,,,,,,,,,,,,,,,,
10,1,,172458-78710,, "HOSE F403BB155S",1,1,,,,,,,,,,,,,,,,,,,,,
11,1,,172458-78720,, "HOSE F403BB112S",1,1,,,,,,,,,,,,,,,,,,,,,
12,1,,172458-78730,, "HOSE F403BB149S",1,1,,,,,,,,,,,,,,,,,,,,,
13,1,,172458-78740,, "HOSE F403BB114S",1,1,,,,,,,,,,,,,,,,,,,,,
14,1,,172458-78770,, "HOSE F403BB109",1,1,,,,,,,,,,,,,,,,,,,,,
15,1,,172458-78780,, "HOSE F403BB110",1,1,,,,,,,,,,,,,,,,,,,,,
16,1,,172458-78790,, "HOSE F403BB116S",1,1,,,,,,,,,,,,,,,,,,,,,
17,1,,172444-78800,, "SPONGE, HOSE",1,1,,,,,,,,,,,,,,,,,,,,,
18,1,,172458-78800,, "HOSE F403BB135S",1,1,,,,,,,,,,,,,,,,,,,,,
19,1,,172122-79930,, "CLAMP B",4,4,,,,,,,,,,,,,,,,,,,,,
20,1,,172123-76121,, "JOINT PF1/4",2,2,,,,,,,,,,,,,,,,,,,,,

上から見
VIEWED FROM UPPER



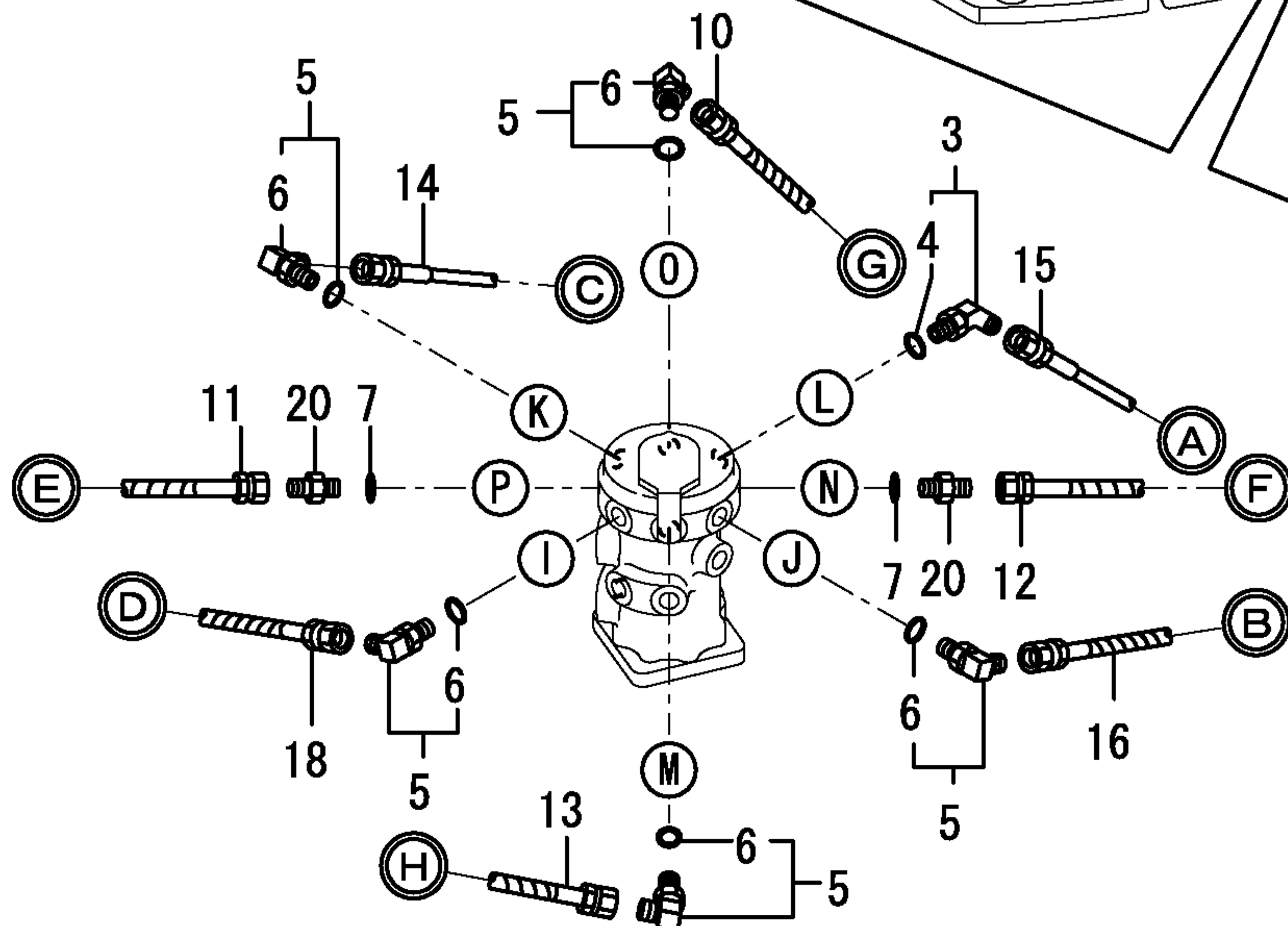
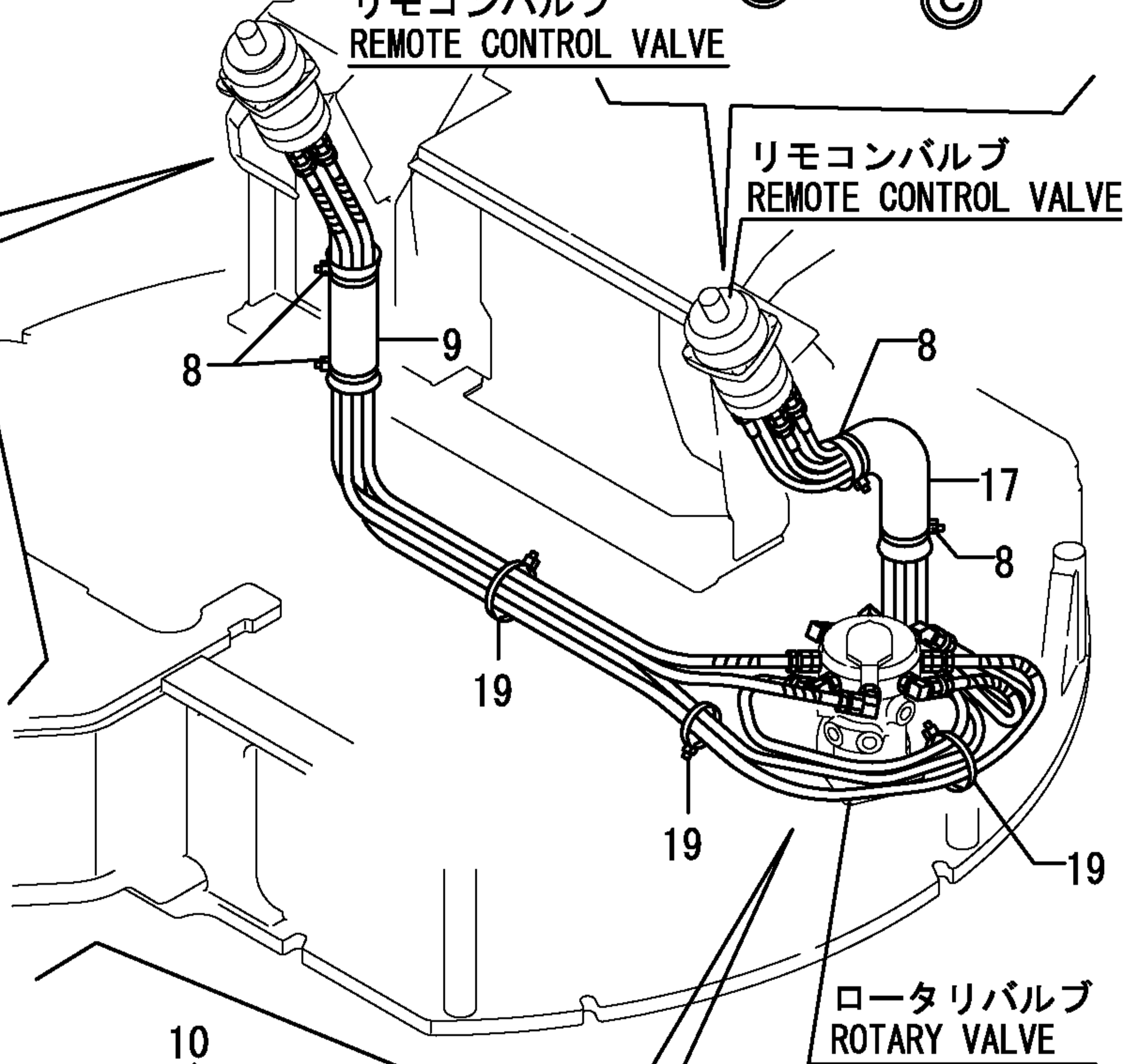
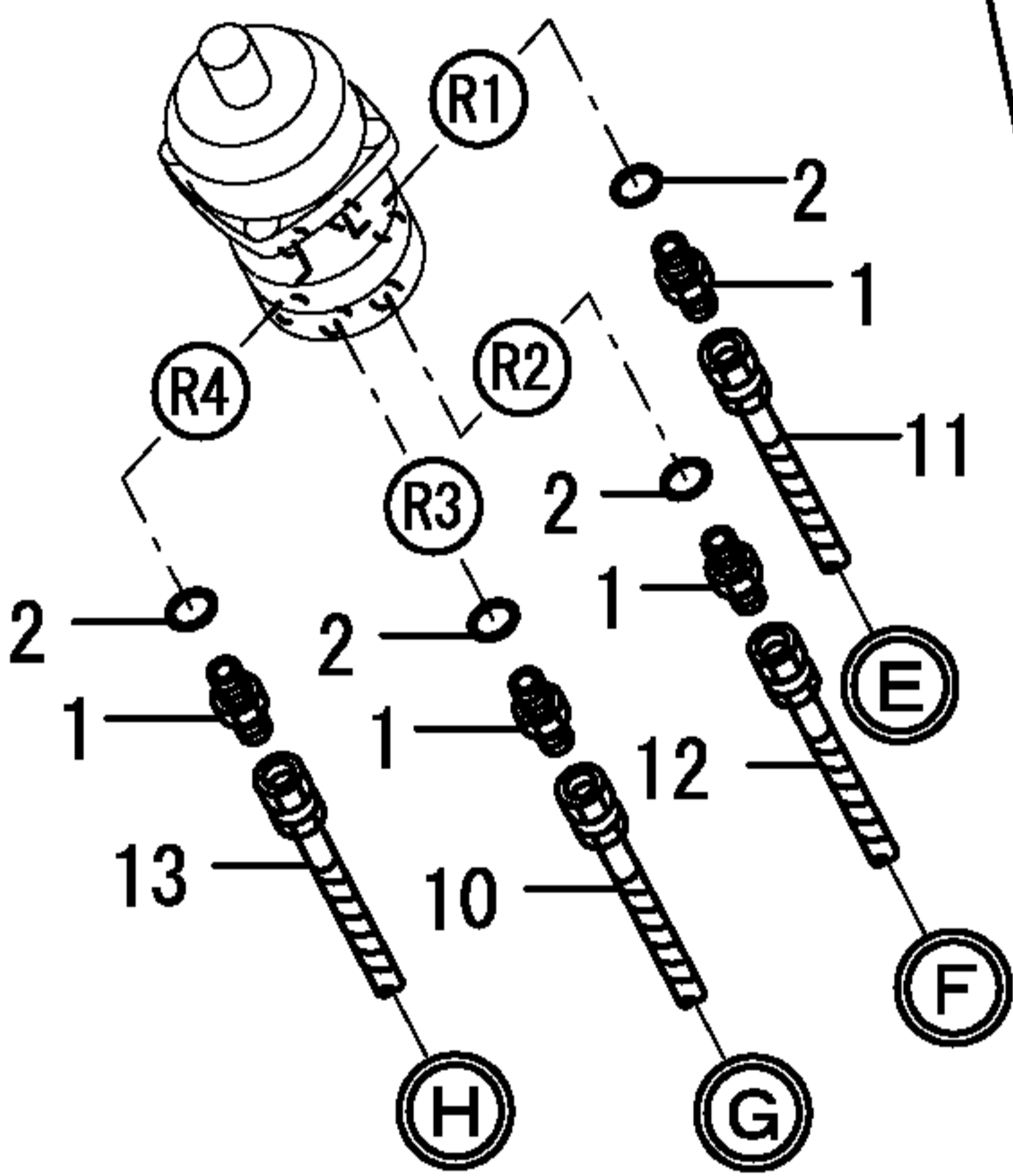
左側
LEFT SIDE



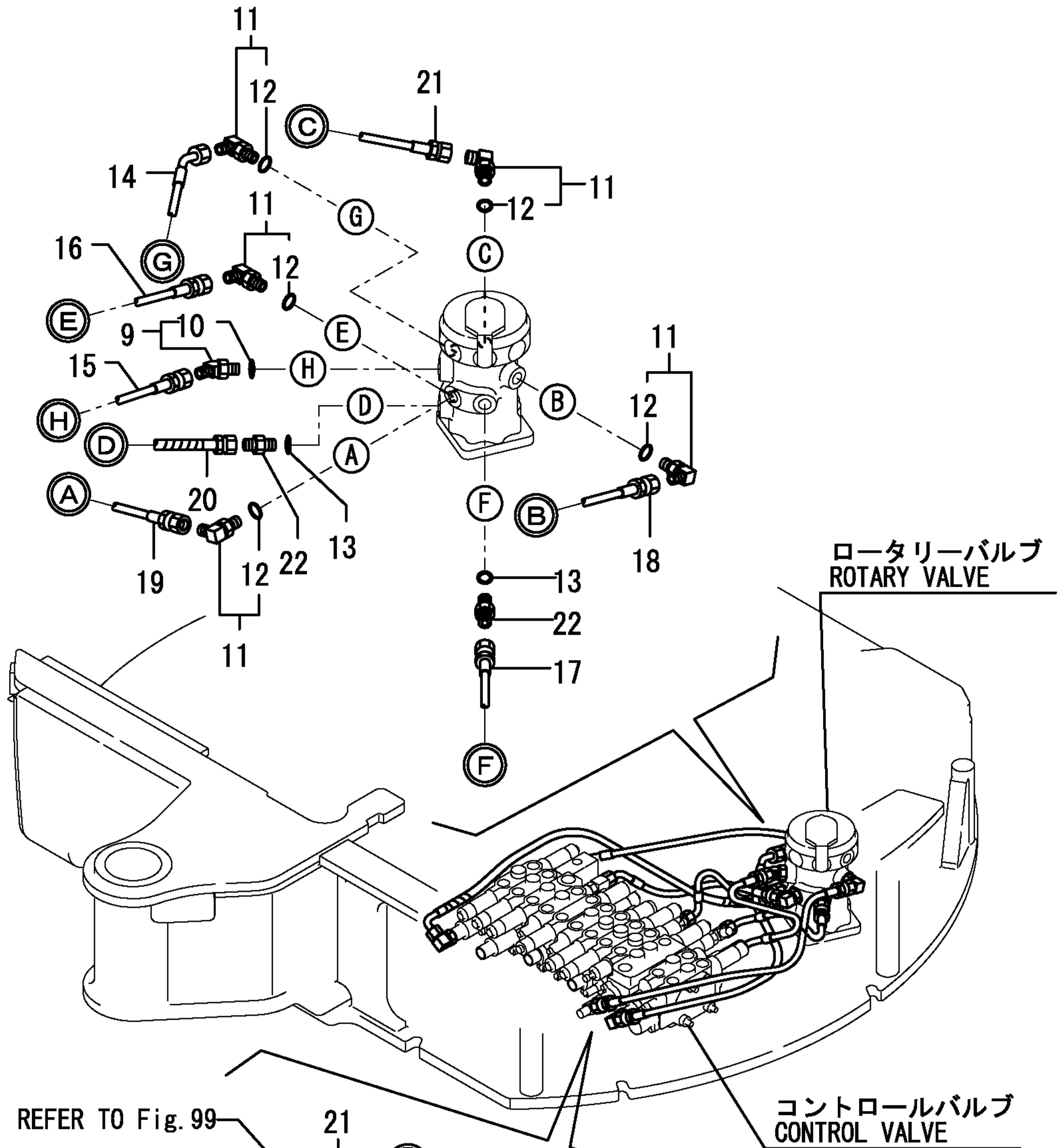
リモコンバルブ
REMOTE CONTROL VALVE

リモコンバルブ
REMOTE CONTROL VALVE

右側
RIGHT SIDE

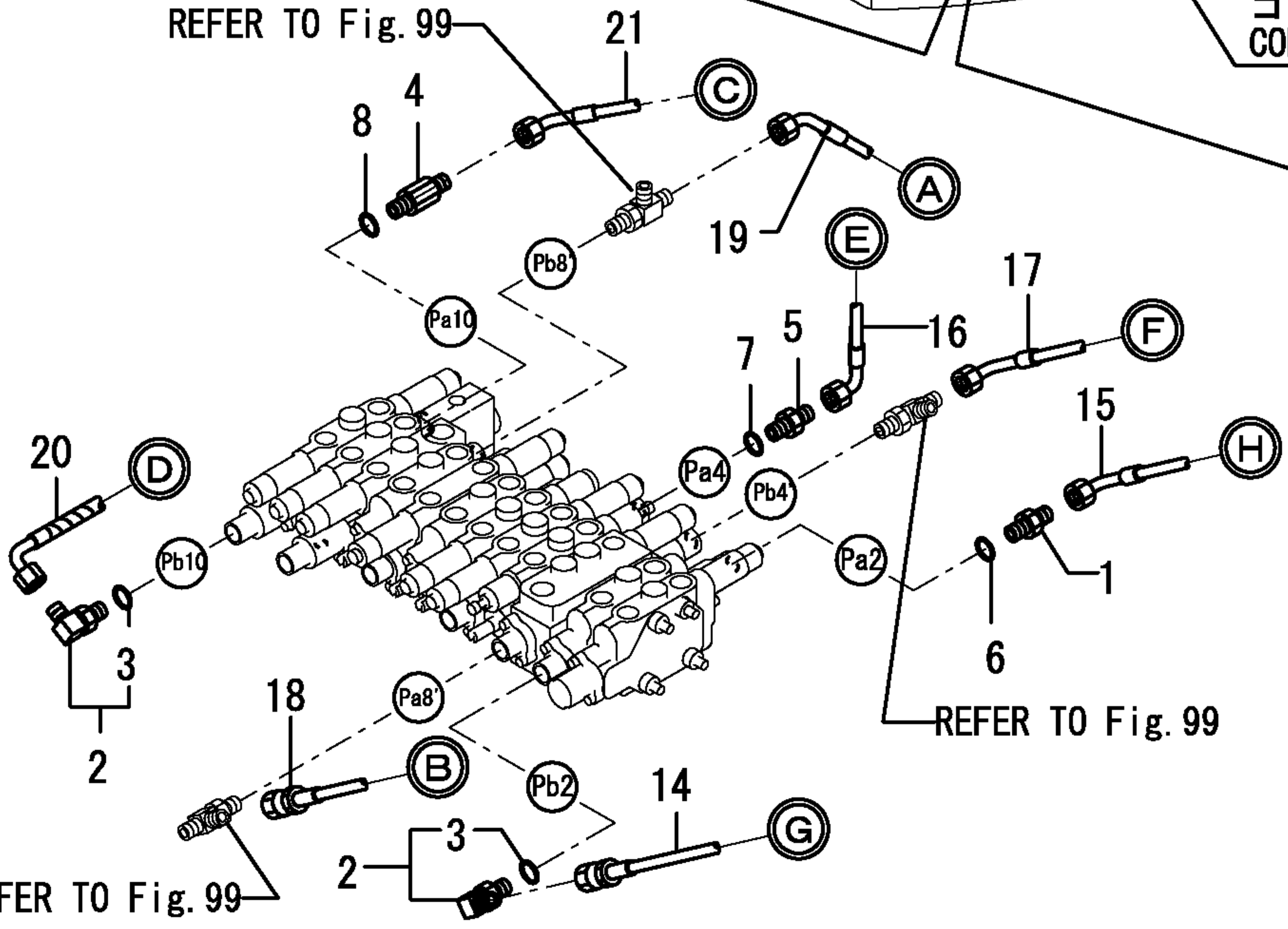


1,1,,172123-76121,, "JOINT PF1/4",1,1,,,,,,,,,,,,,,,,,,,,,
2,1,,172141-76180,,CONNECTOR,2,2,,,,,,,,,,,,,,,,,,,,,
3,2,,24315-000110,, "O-RING 1B P-11.0",2,2,,,,,,,,,,,,,,,,,,,,,
4,1,,172183-76200,, "CONNECTOR 1/4-1/4",1,1,,,,,,,,,,,,,,,,,,,,,
5,1,,172164-76330,, "JOINT PF1/4-0.7",1,1,,,,,M,,,,,,,,,,,,,I
5-1,1,,172123-76121,, "JOINT PF1/4",1,1,,,,,,,,,,,,,,,,,,,,,I
6,1,,24315-000110,, "O-RING 1B P-11.0",1,1,,,,,,,,,,,,,,,,,,,,,
7,1,,24315-000110,, "O-RING 1B P-11.0",1,1,,,,,,,,,,,,,,,,,,,,,
8,1,,24315-000110,, "O-RING 1B P-11.0",1,1,,,,,,,,,,,,,,,,,,,,,
9,1,,172173-76101,, "CONNECTOR PF1/4-45",1,1,,,,,,,,,,,,,,,,,,,,,
10,2,,24315-000110,, "O-RING 1B P-11.0",1,1,,,,,,,,,,,,,,,,,,,,,
11,1,,172141-76180,,CONNECTOR,5,5,,,,,,,,,,,,,,,,,,,,,
12,2,,24315-000110,, "O-RING 1B P-11.0",5,5,,,,,,,,,,,,,,,,,,,,,
13,1,,24315-000110,, "O-RING 1B P-11.0",2,2,,,,,,,,,,,,,,,,,,,,,
14,1,,172458-78610,, "HOSE F403BE057",1,1,,,,,,,,,,,,,,,,,,,,,
15,1,,172458-78620,, "HOSE F403BC030",1,1,,,,,,,,,,,,,,,,,,,,,
16,1,,172458-78630,, "HOSE F403BC027",1,1,,,,,,,,,,,,,,,,,,,,,
17,1,,172458-78640,, "HOSE F403BC027",1,1,,,,,,,,,,,,,,,,,,,,,
18,1,,172458-78650,, "HOSE F403BB055",1,1,,,,,,,,,,,,,,,,,,,,,
19,1,,172458-78660,, "HOSE F403BC030",1,1,,,,,,,,,,,,,,,,,,,,,
20,1,,172458-78670,, "HOSE F403BC065S",1,1,,,,,,,,,,,,,,,,,,,,,
21,1,,172458-78680,, "HOSE F403BE038",1,1,,,,,,,,,,,,,,,,,,,,,
22,1,,172123-76121,, "JOINT PF1/4",2,2,,,,,,,,,,,,,,,,,,,,,



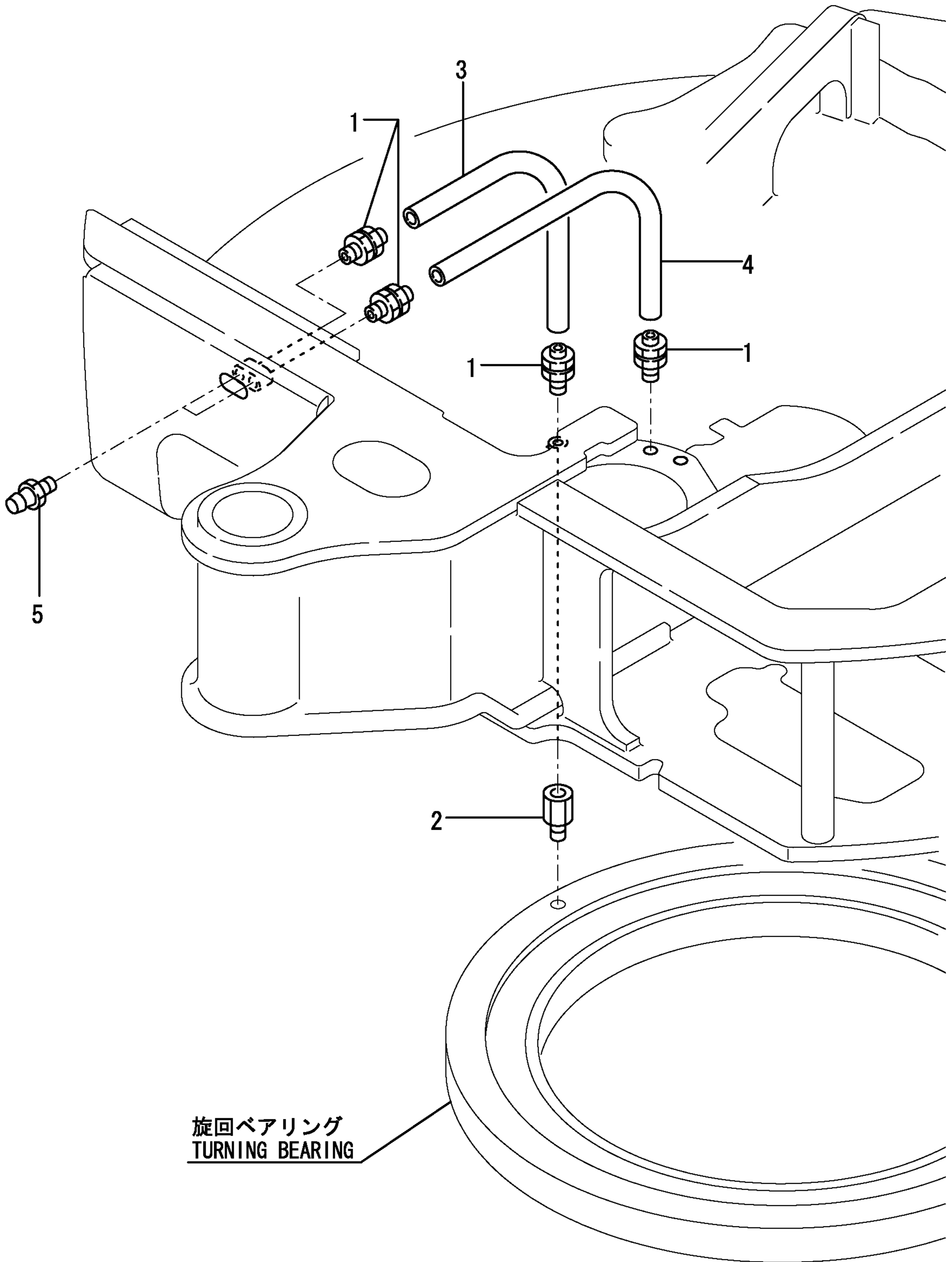
コントロールバルブ
CONTROL VALVE

REFER TO Fig. 99

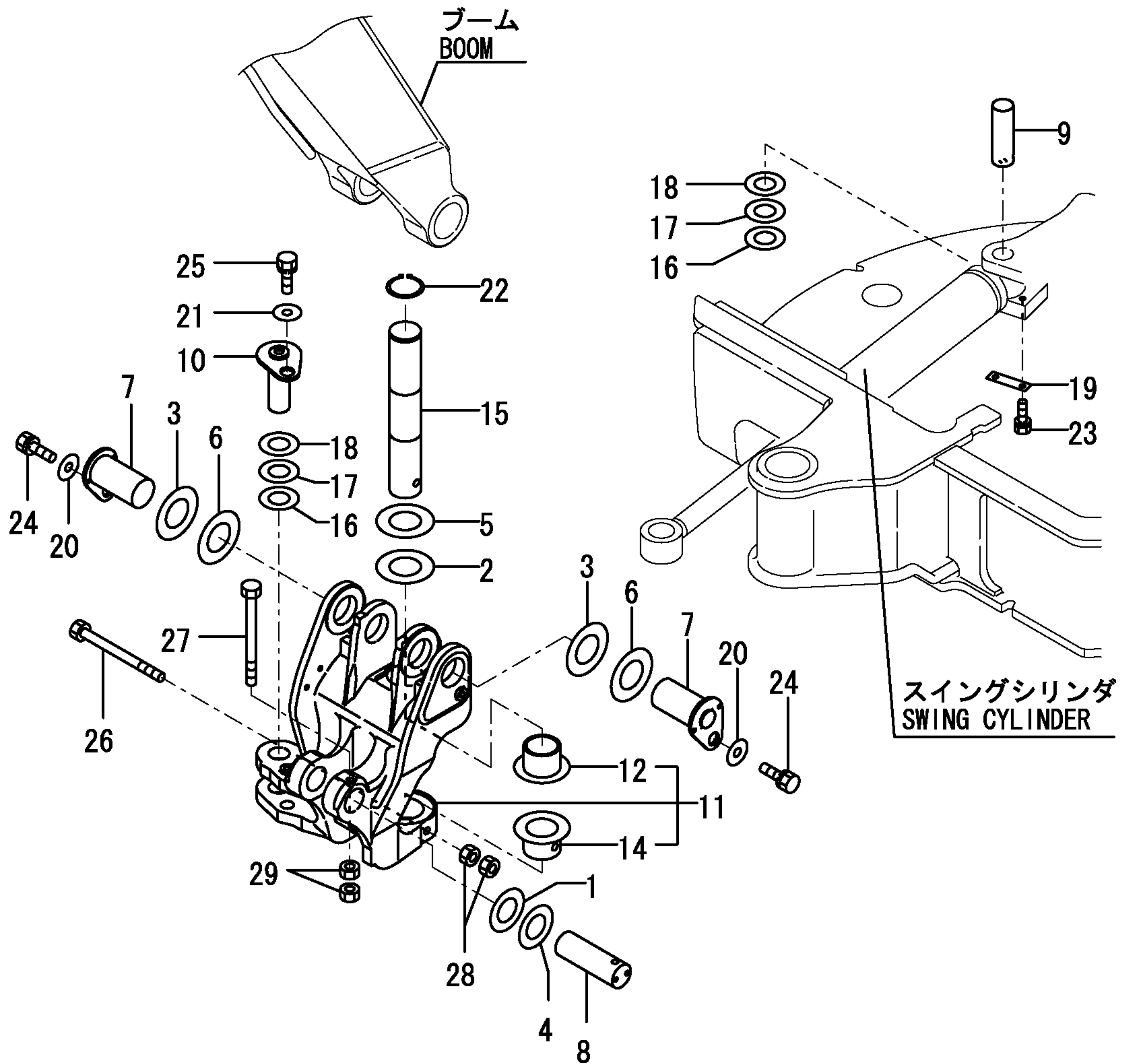


REFER TO Fig. 99

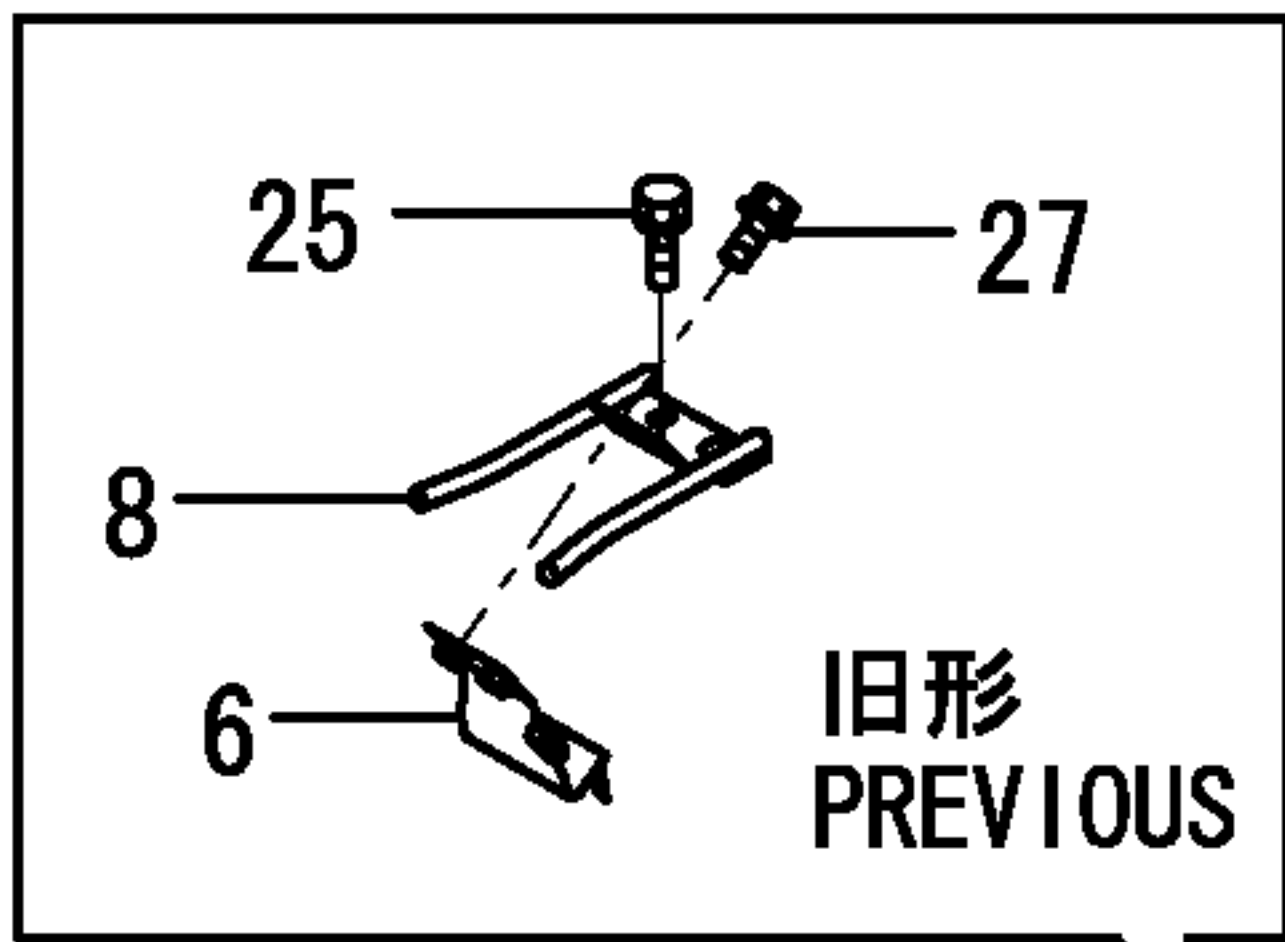
1,1,,172141-77800,, "JOINT, GREASE",4,4,4,,,,,,,,,,,,,
2,1,,172312-77820,, "FITTING,
GREASE",1,1,,,,,Z,,724570048,M/#25501,724570048,M/#25501,,,,,,,,,I
3,1,,172151-77801,, "HOSE P602YY045",1,1,1,,,,,,,,,,,,,
4,1,,172164-77800,, "HOSE P602YY050",1,1,1,,,,,,,,,,,,,
5,1,,24761-020000,, "NIPPLE PT1/8,GREASE",2,2,2,,,,,,,,,,,,,



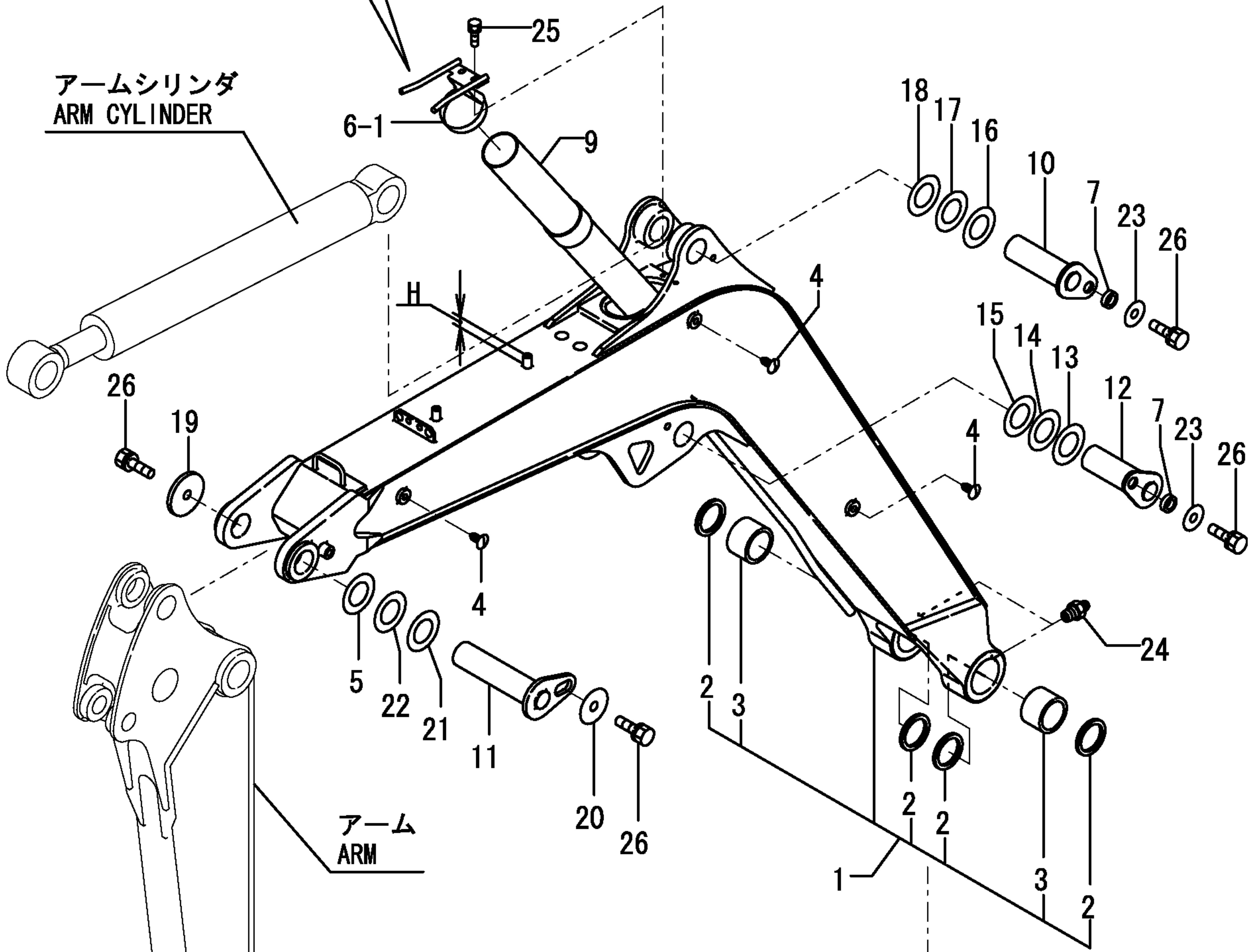
1,1,,172173-81700,,SHIM,1,1,,,,,,,,,,,,,
1-1,1,,172165-82530,,,"SHIM
50X85X1.2",1,1,1,,,R,,724580547,M/#25501,724580547,M/#25501,,,,,,,,,I
2,1,,172175-81700,,,"SHIM 60X110X0.8",1,1,1,,,,,,,,,,,,,
3,1,,172175-81700,,,"SHIM 60X110X0.8",2,2,2,,,,,,,,,,,,,
4,1,,172173-81710,,SHIM,1,1,,,,,,,,,,,,,
4-1,1,,172165-82520,,,"SHIM
50X85X0.5",1,1,1,,,R,,724580547,M/#25501,724580547,M/#25501,,,,,,,,,I
5,1,,172175-81710,,SHIM,1,1,1,,,,,,,,,,,,,
6,1,,172175-81710,,SHIM,2,2,2,,,,,,,,,,,,,
7,1,,172458-81800,,,"PIN 60X113",2,2,2,,,,,,,,,,,,,
8,1,,172458-81830,,,"PIN 50X136",1,1,1,,,,,,,,,,,,,
9,1,,172458-81920,,,"PIN 40X115",1,1,1,,,,,,,,,,,,,
10,1,,172458-81930,,,"PIN 40X111",1,1,1,,,,,,,,,,,,,
11,1,,172458-82300,,,"BRACKET,BOOM(GREEN97",1,1,1,,,,,,,,,,,,,
12,2,,172142-82310,,,"BUSH 60X50",1,1,1,,,,,,,,,,,,,
14,2,,172458-82320,,,"BUSH 60X50",1,1,1,,,,,,,,,,,,,
15,1,,172458-82330,,,"PIN 60X334.5",1,1,1,,,,,,,,,,,,,
16,1,,172165-82580,,,"SHIM 40X75X0.5",2,2,2,,,,,,,,,,,,,
17,1,,172165-82590,,,"SHIM 40X75X1.2",2,2,2,,,,,,,,,,,,,
18,1,,172165-82600,,,"SHIM 40X75X1.6",2,2,2,,,,,,,,,,,,,
19,1,,172117-83970-2,,,"PLATE(C),LOCK",1,1,1,,,,,,,,,,,,,
20,1,,22157-120000,,,"WASHER 12",2,2,2,,,,,,,,,,,,,
21,1,,22157-120000,,,"WASHER 12",1,1,1,,,,,,,,,,,,,
22,1,,22242-000600,,,"CIRCLIP 60",1,1,1,,,,,,,,,,,,,
23,1,,26013-100202,,,"BOLT W/WASHER M10X20",2,2,2,,,,,,,,,,,,,
24,1,,26013-120302,,,"BOLT W/WASHER M12X30",2,2,2,,,,,,,,,,,,,
25,1,,26013-120302,,,"BOLT W/WASHER M12X30",1,1,1,,,,,,,,,,,,,
26,1,,26206-141502,,,"BOLT M14X150 PLATED",1,1,1,,,,,,,,,,,,,
27,1,,26116-121402,,,"BOLT M12X140 PLATED",1,1,1,,,,,,,,,,,,,
28,1,,26716-140002,,,"NUT M14",2,2,2,,,,,,,,,,,,,
29,1,,26716-120002,,,"NUT 12",2,2,2,,,,,,,,,,,,,



1,1,,172457-81100,, "BOOM (GREEN:97)",1,1,,,,,,,,,,,,,
1-1,1,,172457-81101,, "BOOM
(GREEN:97)",1,1,,,,,N,,72458312,M/#20580,72458312,M/#20580,,,,,
1-2,1,,172457-81102,, "BOOM
(GREEN:97)",1,1,,,,,N,,72458334,M/#20619,72458334,M/#20619,,,,,
1-3,1,,172457-81103,, "BOOM
(GREEN:97)",1,1,,,,,R,,72458411,M/#20784,72458411,M/#20784,,,,,
1-4,1,,172457-81104,, "BOOM ASSY
(GREEN:97)",1,1,1,,,,,S,1,724580539,M/#25501,724580539,M/#25501,,,,,,I
2,2,,172162-81050,, "SEAL 60X75X6,DUST",4,4,,,,,,,,,,,,,
2-1,2,,172020-10620,, "SEAL 60 X 75 X
5",4,4,4,,,,,R,,72478145,M/#21257,72478145,M/#21257,,,,,
3,2,,172458-81400,, "BUSH 60X75X50",2,2,2,,,,,,,,,,,,,
4,1,,172183-81170,, "TREE CLIP",5,5,5,,,,,,,,,,,,,
5,1,,172165-82540,, "SHIM
50X85X1.6",1,1,,,,,Z,,724580547,M/#25501,724580547,M/#25501,,,,,,I
6,1,,172459-81400,, "CLAMP,PIPE(GREEN:97)",1,1,,,,,,,,,,,,,
6-1,1,,172458-
81750,, "CLAMP,PIPE(GREEN:97)",1,1,,,,,N,,72457027,M/#20515,72457027,M/#20515,,,,,
',',',
6-2,1,,172458-
81751,, "CLAMP,PIPE(GREEN:97)",1,1,1,,,,,N,,72458334,M/#20580,72458334,M/#20580,,,,,
',',',',
7,1,,172164-81670,, "SPACER,2,2,2,,,,,,,,,,,,,
8,1,,172458-
81700,, "GUIDE,HOSE(GREEN:97)",1,1,1,,,,,Z,,72458334,M/#20580,72458334,M/#20580,,,,,
',',',',
9,1,,172458-81770,, "PIPE,PROTECT HOSE",1,1,,,,,,,,,,,,,
9-1,1,,172457-81450,, "PIPE,PROTECT
HOSE",1,1,,,,,N,,72457026,M/#20501,72457026,M/#20501,,,,,
9-2,1,,172457-81451,, "PIPE,PROTECT
HOSE",1,1,1,,,,,N,,72457027,M/#20515,72457027,M/#20515,,,,,
10,1,,172457-81840,, "PIN 40X153 ASSY",1,1,1,,,,,,,,,,,,,
11,1,,172458-81840,, "PIN 50X209 ASSY",1,1,1,,,,,,,,,,,,,
12,1,,172457-81860,, "PIN 45X153 ASSY",1,1,1,,,,,,,,,,,,,
13,1,,172165-82550,, "SHIM 45X1.2",1,1,1,,,,,,,,,,,,,
14,1,,172165-82560,, "SHIM 45X80X1.2",1,1,1,,,,,,,,,,,,,
15,1,,172165-82570,, "SHIM 45X80X1.6",1,1,1,,,,,,,,,,,,,
16,1,,172165-82580,, "SHIM 40X75X0.5",1,1,1,,,,,,,,,,,,,
17,1,,172165-82590,, "SHIM 40X75X1.2",1,1,1,,,,,,,,,,,,,
18,1,,172165-82600,, "SHIM 40X75X1.6",1,1,1,,,,,,,,,,,,,
19,1,,172146-82910,, "SPACER,1,1,1,,,,,,,,,,,,,
20,1,,172444-82990,, "WASHER,1,1,1,,,,,,,,,,,,,
21,1,,172165-82520,, "SHIM 50X85X0.5",1,1,1,,,,,,,,,,,,,
22,1,,172165-82530,, "SHIM 50X85X1.2",1,1,1,,,,,,,,,,,,,
23,1,,22157-120000,, "WASHER 12",2,2,2,,,,,,,,,,,,,
24,1,,24761-050000,, "NIPPLE C,GREASE",2,2,2,,,,,,,,,,,,,
25,1,,26013-080162,, "BOLT W/WASHER M8X16",2,2,,,,,,,,,,,,,
25-1,1,,26014-080162,, "BOLT M 8X
16",2,2,2,,,,,N,,72457027,M/#20515,72457027,M/#20515,,,,,,I
26,1,,26013-120252,, "BOLT M12X 25",4,4,4,,,,,,,,,,,,,
27,1,,26014-080202,, "BOLT M 8X
20",2,2,2,,,,,Z,,72458334,M/#20580,72458334,M/#20580,,,,,
28,1,,172126-11510,, "BAND
300",1,1,1,,,,,W,,72456157,M/#20700,72456157,M/#20700,,,,,



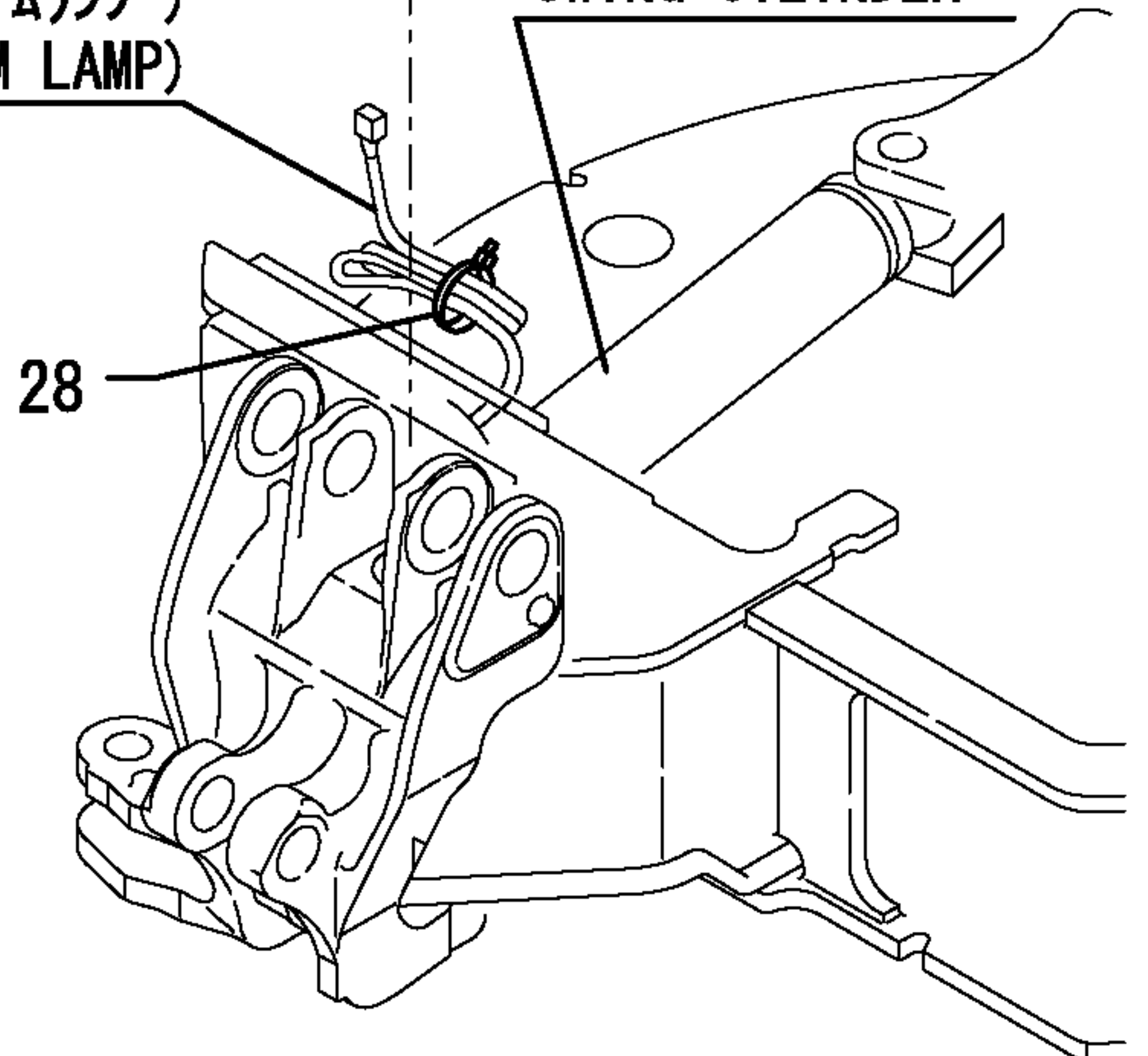
アームシリンダ
ARM CYLINDER



アーム
ARM

ハーネス (ブームランプ)
HARNESS (BOOM LAMP)

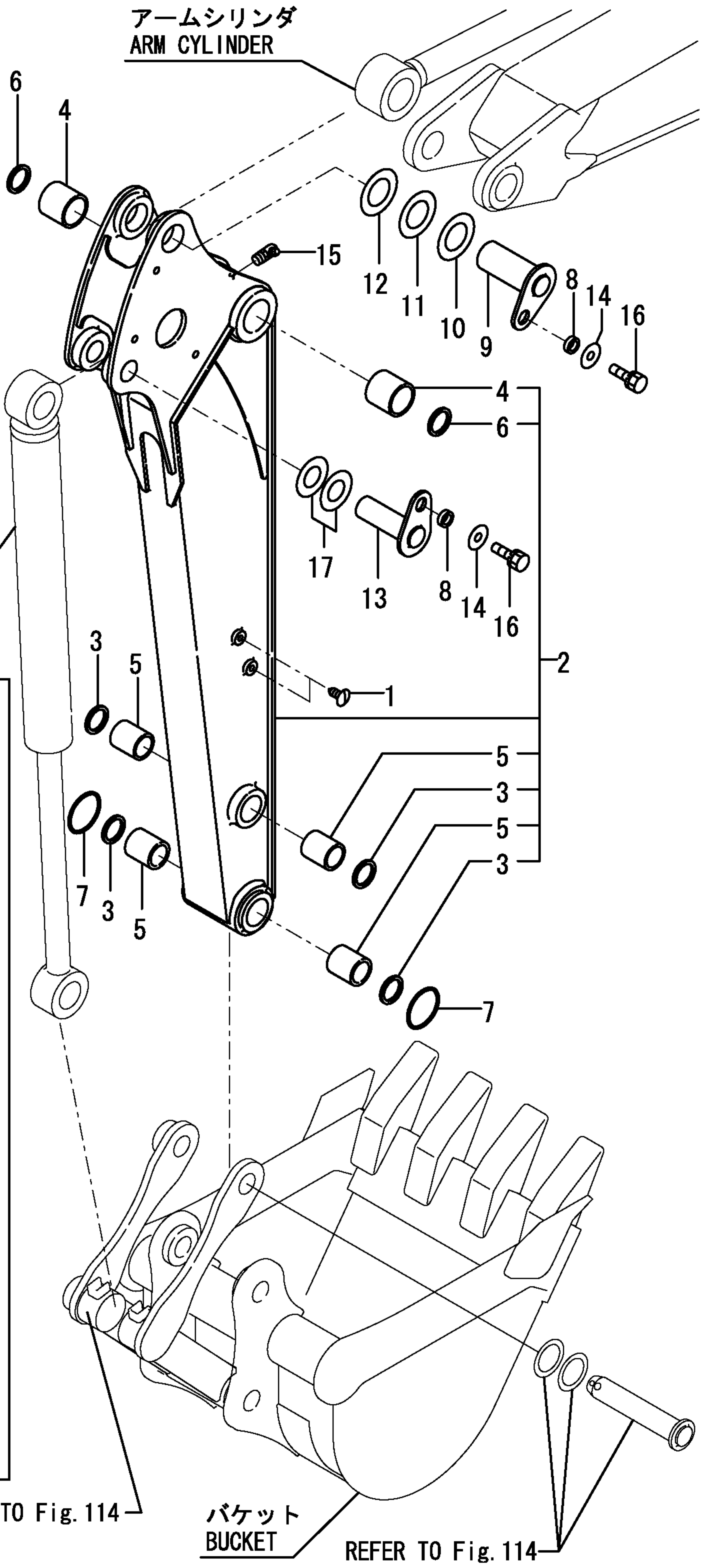
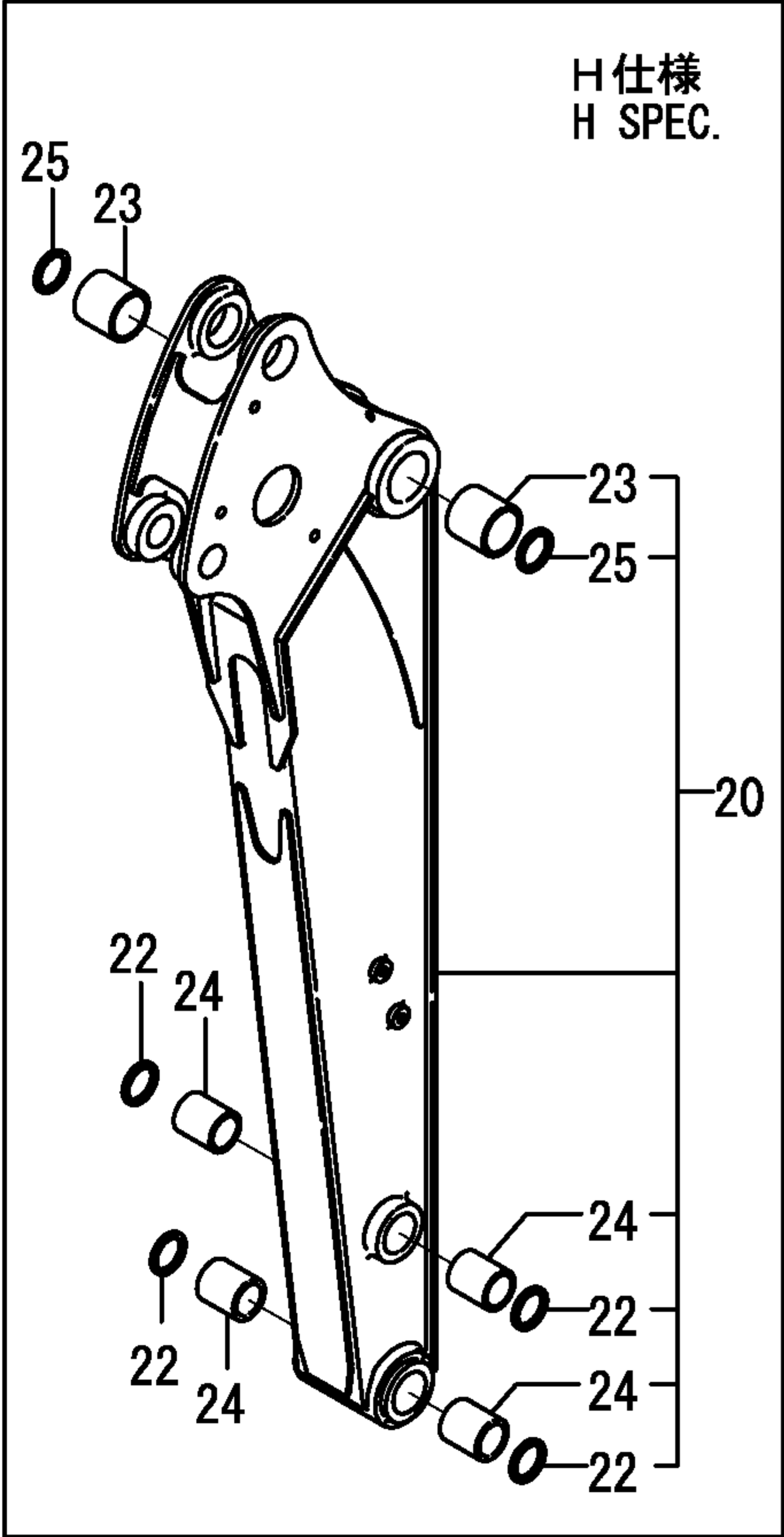
スイングシリンダ
SWING CYLINDER



1,1,,172183-81160,, "TREE CLIP",4,4,4,,,,,,,,,,,,,,,,,
2,1,,172457-81500,, "ARM,1150 (GREEN:97)",1,1,1,,,,,1,,,,,,,,,,,,,
3,2,,172168-81270,, "SEAL,DUST 38X50X4",4,4,4,,,,,,,,,,,,,,,,,
4,2,,172444-81310,, BUSH,2,2,2,,,,,,,,,,,,,,,,,
5,2,,172458-81630,, "BUSH 38-55",4,4,4,,,,,,,,,,,,,,,,,
6,2,,172165-81760,, "SEAL 50X60X4, DUST",2,2,,,,,,,,,,,,,,,,,
6-1,2,,172448-54120,, "SEAL
50X60X4,DUST",2,2,2,,,,,R,,72449038,M/#21117,72449038,M/#21117,,,,,,I
7,1,,172142-81620,, O-RING,2,2,2,,,,,,,,,,,,,,,,,
8,1,,172164-81670,, SPACER,2,2,2,,,,,,,,,,,,,,,,,
9,1,,172457-81880,, "PIN 40X116 ASSY",1,1,1,,,,,,,,,,,,,,,,,
10,1,,172165-82580,, "SHIM 40X75X0.5",1,1,1,,,,,,,,,,,,,,,,,
11,1,,172165-82590,, "SHIM 40X75X1.2",1,1,1,,,,,,,,,,,,,,,,,
12,1,,172165-82600,, "SHIM 40X75X1.6",1,1,1,,,,,,,,,,,,,,,,,
13,1,,172458-83710,, "PIN 38X116 ASSY",1,1,1,,,,,,,,,,,,,,,,,
14,1,,22157-120000,, "WASHER 12",2,2,2,,,,,,,,,,,,,,,,,
15,1,,24761-040000,, "NIPPLE B,GREASE",1,1,1,,,,,,,,,,,,,,,,,
16,1,,26013-120252,, "BOLT M12X 25",2,2,2,,,,,,,,,,,,,,,,,
17,1,,933171-29751,, "SHIM SET,38X(0.8,1.2)",1,1,1,,,,,,,,,,,,,,,,,
20,1,,172457-81600,, "ARM,1150H (GREEN:97)",1,1,,,,,2,,,,,,,,,,,,,
22,3,,172168-81270,, "SEAL,DUST 38X50X4",4,4,,,,,,,,,,,,,,,,,
23,3,,172444-81310,, BUSH,2,2,,,,,,,,,,,,,,,,,
24,3,,172458-81630,, "BUSH 38-55",4,4,,,,,,,,,,,,,,,,,
25,3,,172165-81760,, "SEAL 50X60X4, DUST",2,2,,,,,,,,,,,,,,,,,
25-1,3,,172448-54120,, "SEAL
50X60X4,DUST",2,2,2,,,,,R,,72449038,M/#21117,72449038,M/#21117,,,,,,

アームシリンダ
ARM CYLINDER

バケットシリンダ
BUCKET CYLINDER

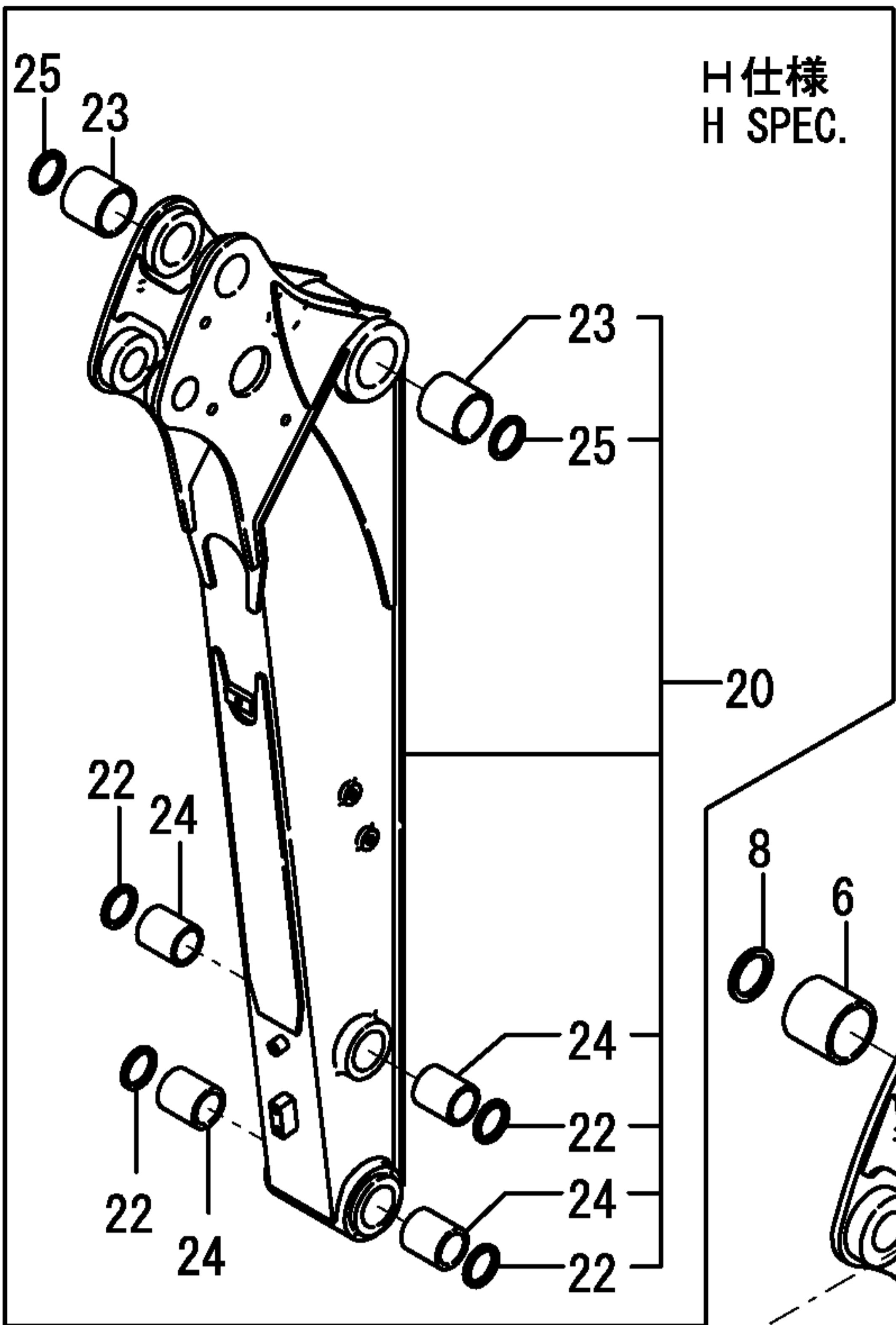


REFER TO Fig. 114

バケット
BUCKET

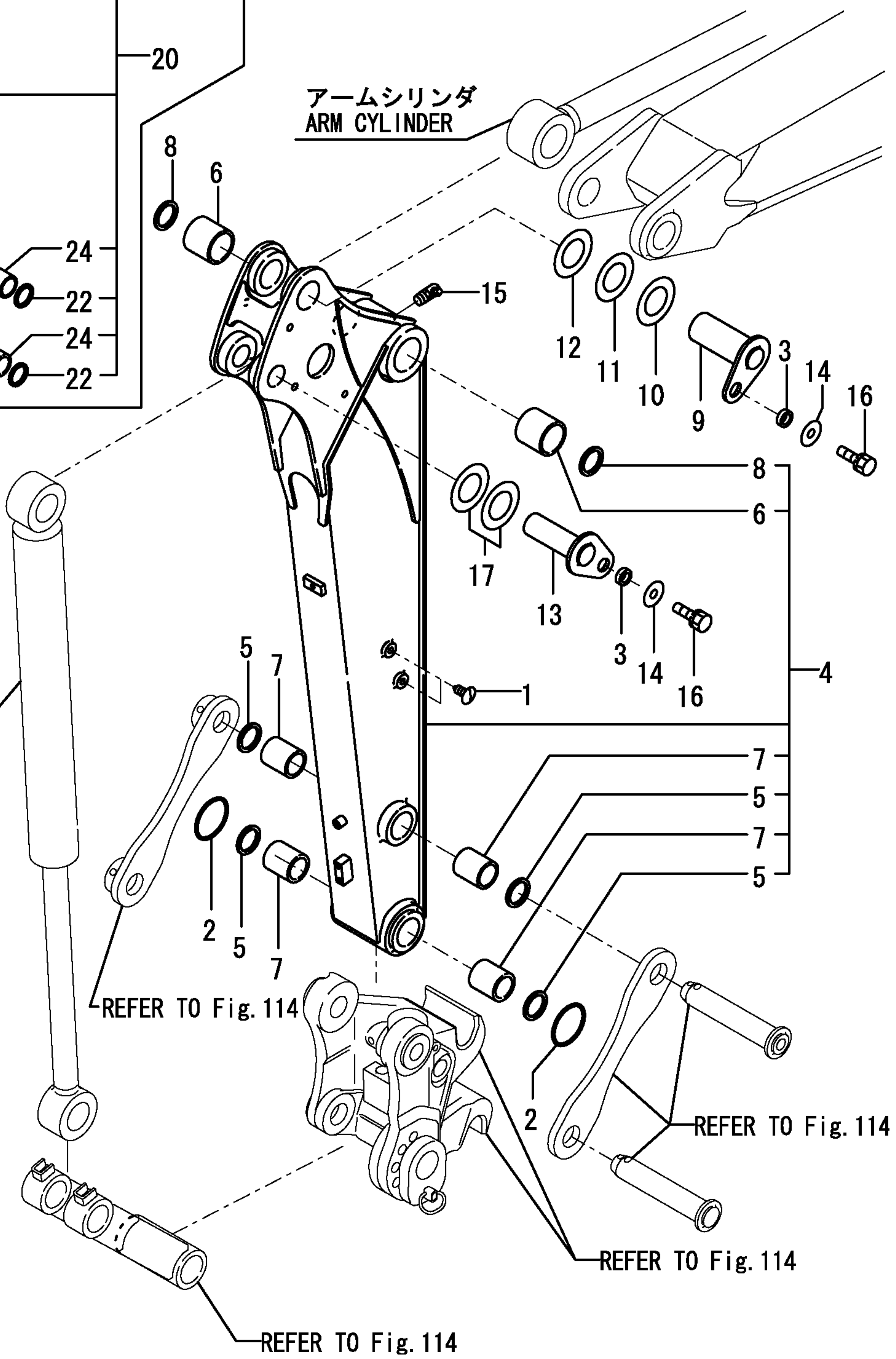
REFER TO Fig. 114

1,1,,172183-81160,, "TREE CLIP",4,4,4,,,,,,,,,,,,,
2,1,,172142-81620,, O-RING,2,2,2,,,,,,,,,,,,,
3,1,,172164-81670,, SPACER,2,2,2,,,,,,,,,,,,,
4,1,,172957-81700,, "ARM,1100 Q(GREEN:97)",1,1,1,,,,,1,,,,,,,,,,,,,
5,2,,172168-81270,, "SEAL,DUST 38X50X4",4,4,4,,,,,,,,,,,,,
6,2,,172444-81310,, BUSH,2,2,2,,,,,,,,,,,,,
7,2,,172458-81630,, "BUSH 38-55",4,4,4,,,,,,,,,,,,,
8,2,,172165-81760,, "SEAL 50X60X4, DUST",2,2,,,,,,,,,,,,,
8-1,2,,172448-54120,, "SEAL
50X60X4,DUST",2,2,2,,,,,R,,72449038,M/#21117,72449038,M/#21117,,,,,,,,,I
9,1,,172457-81880,, "PIN 40X116 ASSY",1,1,1,,,,,,,,,,,,,
10,1,,172165-82580,, "SHIM 40X75X0.5",1,1,1,,,,,,,,,,,,,
11,1,,172165-82590,, "SHIM 40X75X1.2",1,1,1,,,,,,,,,,,,,
12,1,,172165-82600,, "SHIM 40X75X1.6",1,1,1,,,,,,,,,,,,,
13,1,,172458-83710,, "PIN 38X116 ASSY",1,1,1,,,,,,,,,,,,,
14,1,,22157-120000,, "WASHER 12",2,2,2,,,,,,,,,,,,,
15,1,,24761-040000,, "NIPPLE B,GREASE",1,1,1,,,,,,,,,,,,,
16,1,,26013-120302,, "BOLT W/WASHER M12X30",2,2,2,,,,,,,,,,,,,
17,1,,933171-29751,, "SHIM SET,38X(0.8,1.2)",1,1,1,,,,,,,,,,,,,
20,1,,172957-81800,, "ARM,1100H Q(GREEN:97)",1,1,1,,,,,2,,,,,,,,,,,,,
22,3,,172168-81270,, "SEAL,DUST 38X50X4",4,4,4,,,,,,,,,,,,,
23,3,,172444-81310,, BUSH,2,2,2,,,,,,,,,,,,,
24,3,,172458-81630,, "BUSH 38-55",4,4,4,,,,,,,,,,,,,
25,3,,172165-81760,, "SEAL 50X60X4, DUST",2,2,,,,,,,,,,,,,
25-1,3,,172448-54120,, "SEAL
50X60X4,DUST",2,2,2,,,,,R,,72449038,M/#21117,72449038,M/#21117,,,,,,,,,I

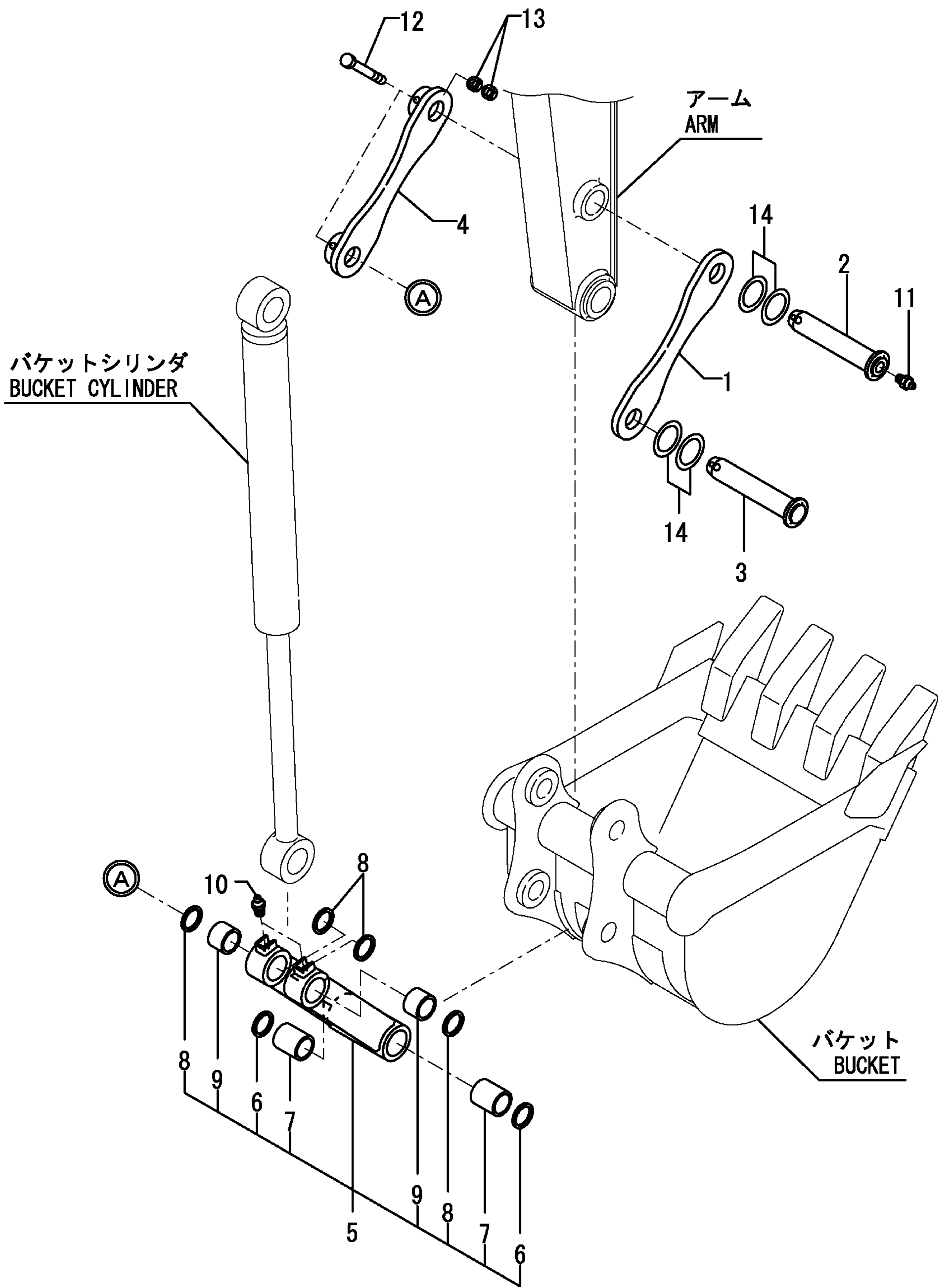


アームシリンダ
ARM CYLINDER

バケットシリンダ
BUCKET CYLINDER

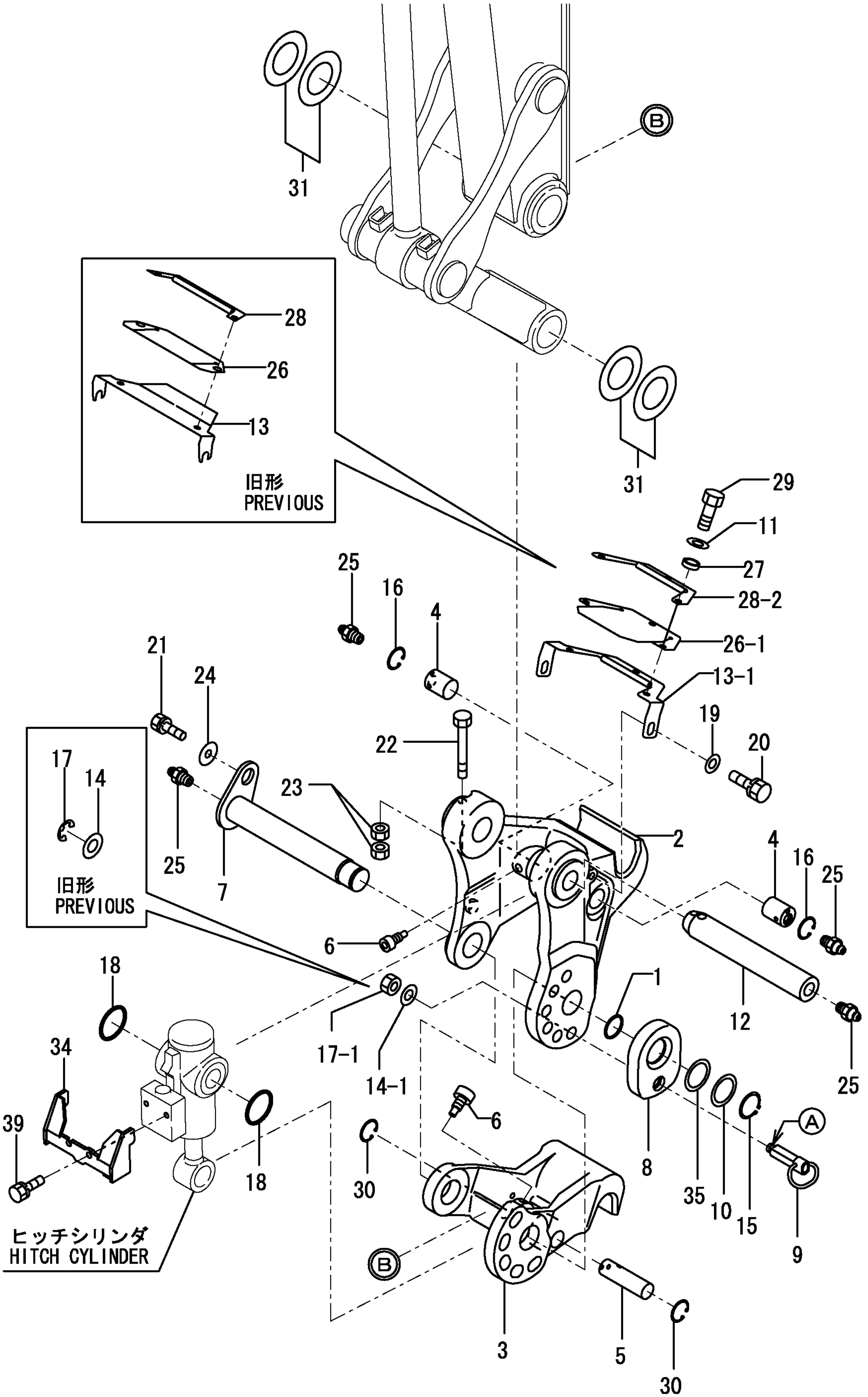


1,1,,172164-81820,, "ARM, BUCKET (GREEN:97)",1,1,1,,,,,,,,,,,,,
2,1,,172458-81860,, "PIN 38X182 ASSY",1,1,1,,,,,,,,,,,,,
3,1,,172458-81890,, "PIN 38X182 ASSY",1,1,1,,,,,,,,,,,,,
4,1,,172458-82600,, "ARM R, BUCKET (GREEN:97)",1,1,1,,,,,,,,,,,,,
5,1,,172458-82650,, "LINK, BUCKET (GREEN:97)",1,1,1,,,,,,,,,,,,,
5-1,1,,172458-82651,, "LINK, BUCKET
(97)",1,1,1,,,,,R,,72458526,M/#21146,72458526,M/#21146,,,,,,I
6,2,,172168-81270,, "SEAL, DUST 38X50X4",2,2,2,,,,,,,,,,,,,
7,2,,172458-81630,, "BUSH 38-55",2,2,2,,,,,,,,,,,,,
8,2,,172122-82290,, "SEAL, DUST",4,4,4,,,,,,,,,,,,,
9,2,,172168-84411,, "BUSH 38-48-33.5",2,2,2,,,,,,,,,,,,,
10,1,,24761-020000,, "NIPPLE PT1/8, GREASE",2,2,2,,,,,,,,,,,,,
11,1,,24761-020000,, "NIPPLE PT1/8, GREASE",1,1,1,,,,,,,,,,,,,
12,1,,26116-100752,, "BOLT M10X 75 PLATED",2,2,2,,,,,,,,,,,,,
13,1,,26716-100002,, "NUT 10",4,4,4,,,,,,,,,,,,,
14,1,,933171-29751,, "SHIM SET, 38X(0.8,1.2)",2,2,2,,,,,,,,,,,,,



1,1,,172124-46200,, "O-RING 27X5.7",1,1,,,,,,,,,,,,,
2,1,,172958-83100,, "BRACKET A (GREEN:97)",1,1,,,,,,,,,,,,,
2-1,1,,172958-83101,, "BRACKET A
(GREEN:97)",1,1,,,,,N,,72958022,M/#20515,72958022,M/#20515,,,,,
2-2,1,,172958-83102,, "BRACKET A
(GREEN:97)",1,1,1,,,,,N,,729580072,M/#21287,729580072,M/#21287,,,,,,I
3,1,,172958-83110,, "BRACKET B (GREEN:97)",1,1,,,,,,,,,,,,,
3-1,1,,172958-83111,, "BRACKET B
(GREEN:97)",1,1,1,,,,,N,,729580072,M/#21287,729580072,M/#21287,,,,,,I
4,1,,172958-83120,, "PIN 30X37",2,2,,,,,,,,,,,,,
5,1,,172958-83130,, "PIN 25X86",1,1,,,,,,,,,,,,,
6,1,,172958-83140,, "BOLT,3,3,,,,,,,,,,,,,
7,1,,172958-83150,, "PIN 38X237",1,1,,,,,,,,,,,,,
8,1,,172958-83170,, "PLATE,LOCK(GREEN:97)",1,1,,,,,,,,,,,,,
8-1,1,,172958-
83171,, "PLATE,LOCK(GREEN:97)",1,1,1,,,,,N,,72958050,M/#20700,72958050,M/#20700,,,
,,,'',
9,1,,172958-83180,, "PIN,LOCK",1,1,,,,,,,,,,,,,
9-1,1,,172958-83181,, "PIN ASSY,
LOCK",1,1,,,,,N,,72958050,M/#20501,72958050,M/#20501,,,,,
9-2,1,,172958-83182,, "PIN ASSY,
LOCK",1,1,1,,,,,S,1,72960025,M/#20784,72960025,M/#20784,,,,,
10,1,,172141-99320,, "SHIM 35X2.3",1,1,,,,,,,,,,,,,
10-1,1,,172960-83210,, "COLLAR
35.5X55X1.2",1,1,1,,,,,N,,72960024,M/#20808,72960024,M/#20808,,,,,
11,1,,22137-080000,, "WASHER 8, POLISHED",2,2,,,,,,,,,,,,,
11-1,1,,22137-080000,, "WASHER 8,
POLISHED",3,3,3,,,,,K,,72958061,M/#20852,72958061,M/#20852,,,,,
12,1,,172958-83220,, "PIN 38X242",1,1,1,,,,,,,,,,,,,
13,1,,172958-83270,, "GUADE (GREEN:97)",1,1,,,,,,,,,,,,,
13-1,1,,172958-83271,, "GUADE
(GREEN:97)",1,1,1,,,,,N,,72958053,M/#20808,72958053,M/#20808,,,,,
14,1,,22117-080000,, "WASHER 8",1,1,,,,,,,,,,,,,
14-1,1,,172958-83330,, "WASHER
6.4X15.5X1.5",1,1,1,,,,,S,,72960025,M/#20784,72960025,M/#20784,,,,,
15,1,,22242-000350,, "CIRCLIP 35",1,1,1,,,,,,,,,,,,,
16,1,,22252-000300,, "CIRCLIP 30",2,2,2,,,,,,,,,,,,,
17,1,,22273-000060,, "CIRCLIP E- 6",1,1,,,,,,,,,,,,,
17-1,1,,26756-060002,, "LOCK NUT
6",1,1,1,,,,,S,,72960025,M/#20784,72960025,M/#20784,,,,,
18,1,,24311-000480,, "O-RING 1A P-48.0",2,2,2,,,,,,,,,,,,,
19,1,,22137-100000,, "WASHER 10,POLISHED",2,2,2,,,,,,,,,,,,,
20,1,,26013-100202,, "BOLT W/WASHER M10X20",2,2,2,,,,,,,,,,,,,
21,1,,26013-120302,, "BOLT W/WASHER M12X30",1,1,1,,,,,,,,,,,,,
22,1,,26116-100752,, "BOLT M10X 75 PLATED",1,1,,,,,,,,,,,,,
22-1,1,,26116-100802,, "BOLT M10X 80
PLATED",1,1,1,,,,,N,,72958018,M/#20515,72958018,M/#20515,,,,,
23,1,,26716-100002,, "NUT 10",2,2,2,,,,,,,,,,,,,
24,1,,22157-120000,, "WASHER 12",1,1,1,,,,,,,,,,,,,
25,1,,24761-020000,, "NIPPLE PT1/8,GREASE",4,4,4,,,,,,,,,,,,,
26,1,,172958-83250,, "PLATE,RUBBER",1,1,,,,,,,,,,,,,
26-1,1,,172958-83251,, "PLATE,
RUBBER",1,1,1,,,,,S,,72958053,M/#20808,72958053,M/#20808,,,,,
27,1,,172958-17120,, "COLLER 9X4",2,2,,,,,,,,,,,,,
27-1,1,,172958-17120,, "COLLER
9X4",3,3,3,,,,,K,,72958061,M/#20852,72958061,M/#20852,,,,,
28,1,,172958-83260,, "PLATE (GREEN:97)",1,1,,,,,,,,,,,,,
28-1,1,,172958-83280,, "PLATE
(GREEN:97)",1,1,,,,,N,,72958021,M/#20515,72958021,M/#20515,,,,,
28-2,1,,172958-83281,, "GUADE
(GREEN:97)",1,1,,,,,S,,72958053,M/#20808,72958053,M/#20808,,,,,
28-3,1,,172958-83261,, "GUARD
(GREEN:97)",1,1,1,,,,,N,,72956029,M/#21064,72956029,M/#21064,,,,,,I

29,1,,26116-080204,, "BOLT M 8X 20 PLATED",2,2,,,,,,,,,,,,,
29-1,1,,26116-080202,, "BOLT M 8X 20
PLATED",3,3,3,,,,,K,,72958061,M/#20852,72958061,M/#20852,,,,,,
30,1,,22252-000250,, "CIRCLIP 25",2,2,2,,,,,,,,,,,,,
31,1,,933171-29751,, "SHIM SET,38X(0.8,1.2",4,4,4,,,,,,,,,,,,,
34,1,,172958-
83291,, "PLATE,GUADE(GREEN:97",1,1,1,,,,,W,,72958053,M/#20808,72958053,M/#20808,,,
''''
35,1,,172141-84601,, "SHIM
35",1,1,1,,,,,W,,72956014,M/#20784,72956014,M/#20784,,,,,,
39,1,,26013-080162,, "BOLT W/WASHER
M8X16",2,2,2,,,,,W,,72956024,M/#20852,72956024,M/#20852,,,,,,



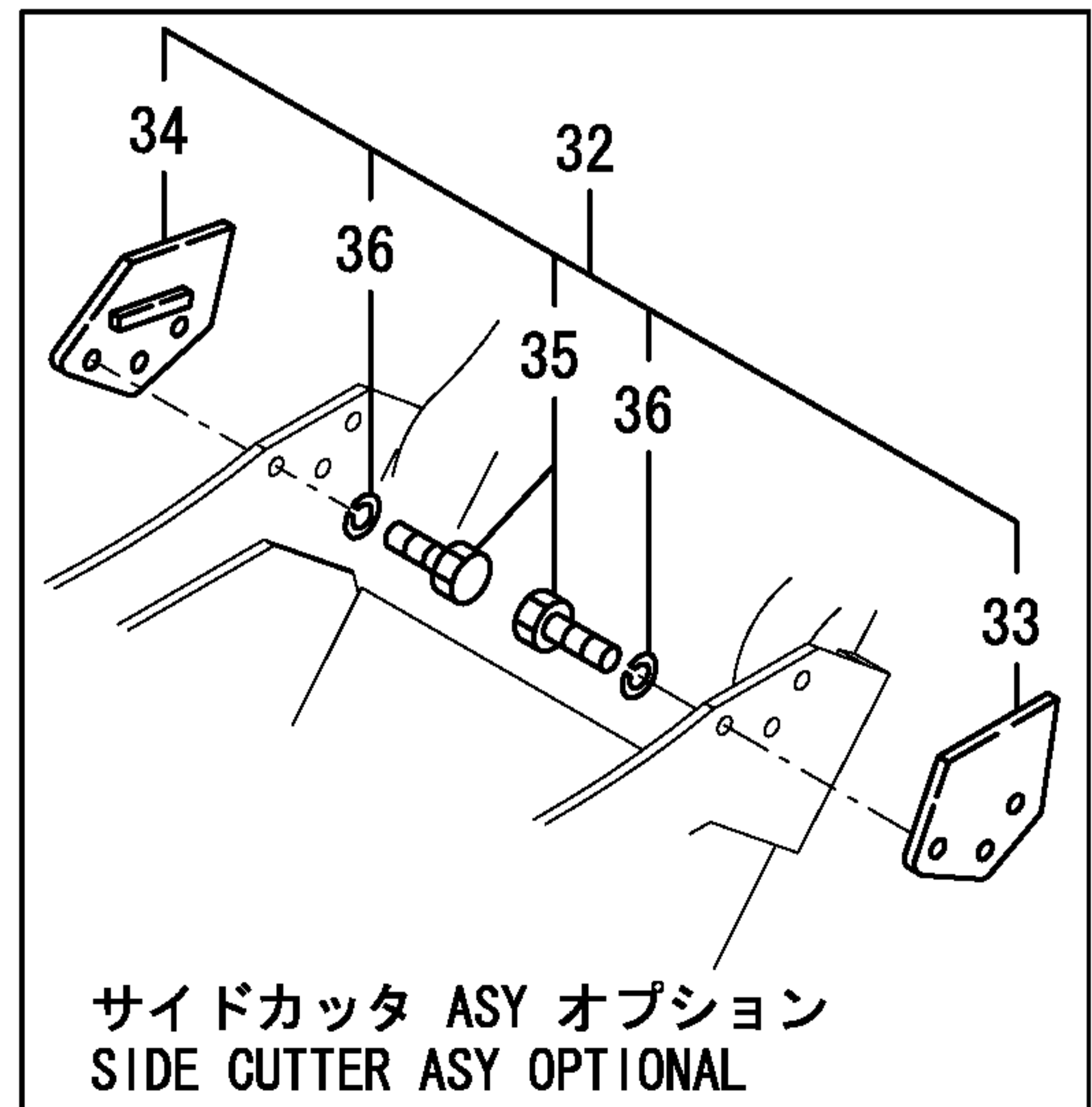
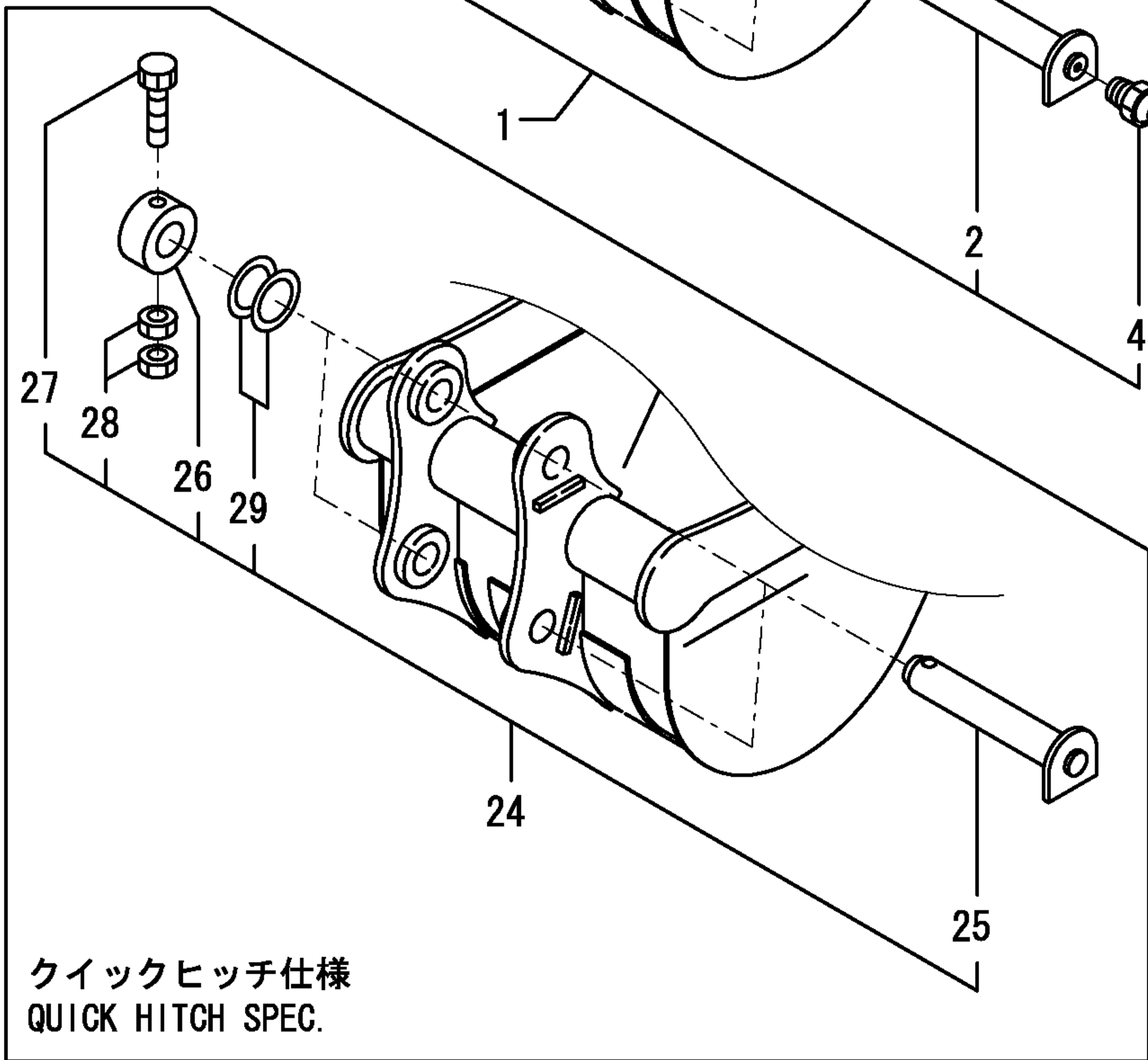
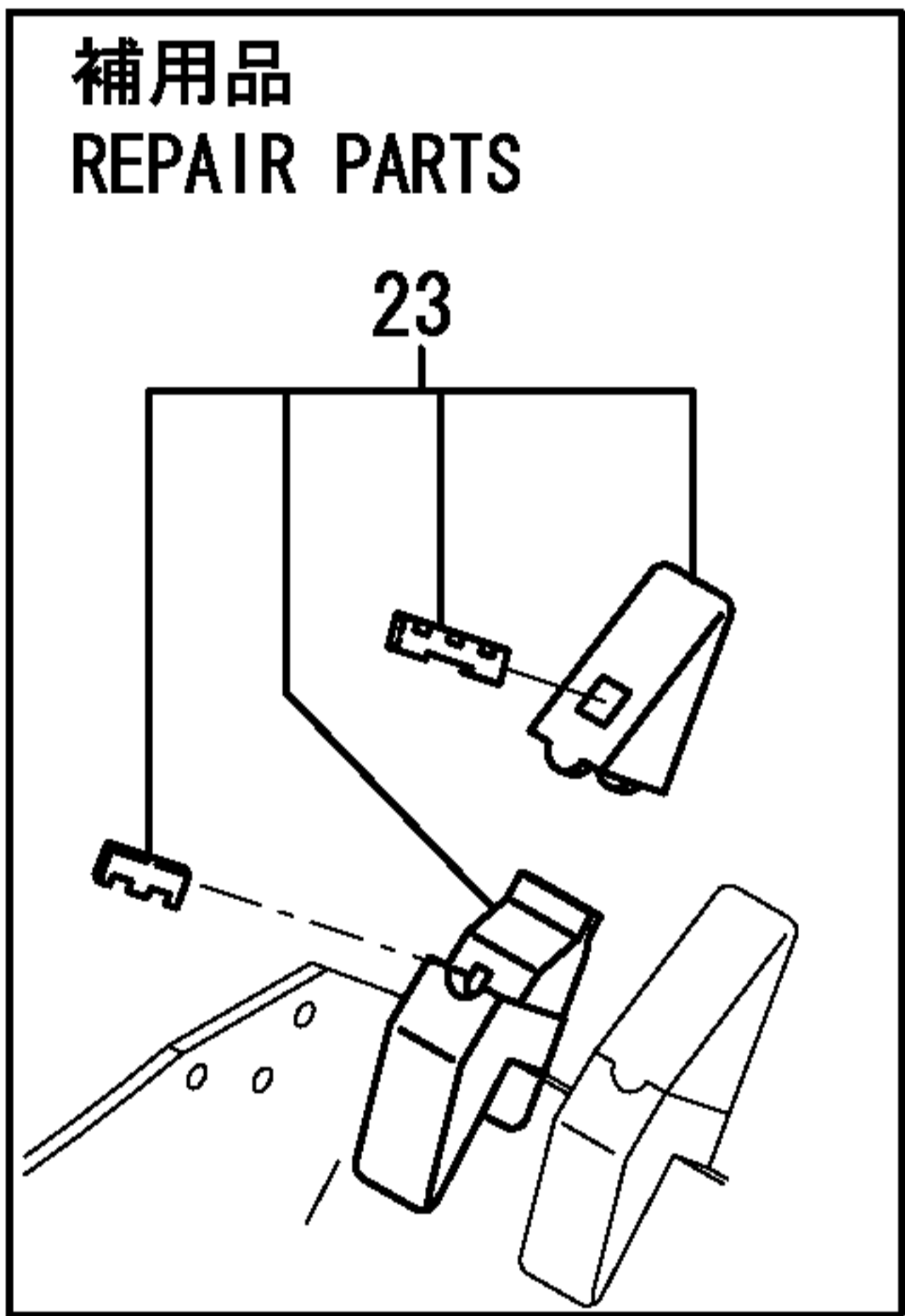
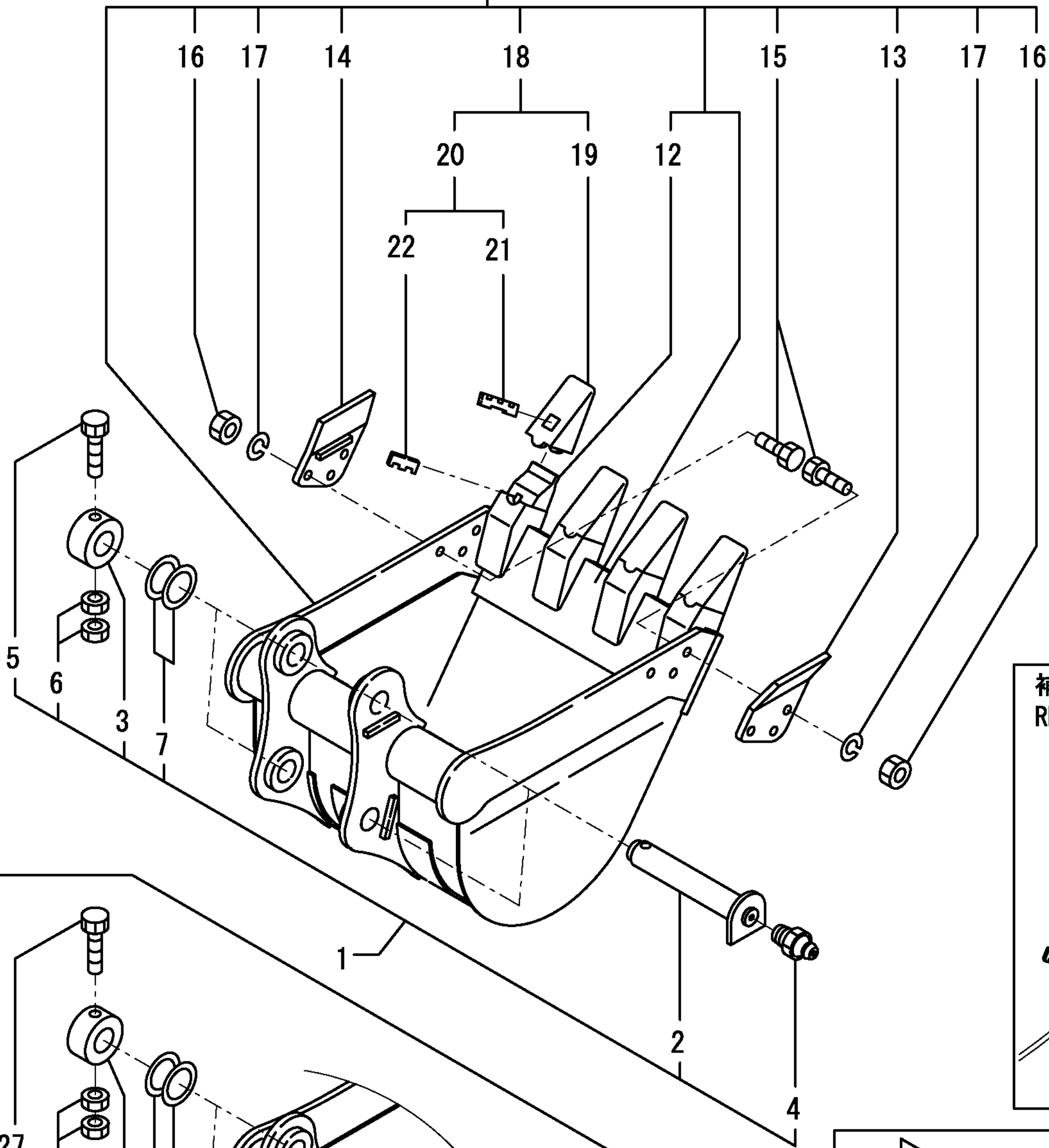
1,1,,172164-81950,, "PIN KIT, BUCKET",2,2,2,2,,,,,1,,,,,,,,,,,,,
2,2,,172164-81630,, PIN,2,2,2,2,,,,,,,,,,,,,
3,2,,172164-81700,, "COLLAR 38X50.8X22",2,2,2,2,,,,,,,,,,,,,
4,2,,24761-020000,, "NIPPLE PT1/8,GREASE",2,2,2,2,,,,,,,,,,,,,
5,2,,26116-100652,, "BOLT M10X 65 PLATED",2,2,2,2,,,,,,,,,,,,,
6,2,,26716-100002,, "NUT 10",4,4,4,4,,,,,,,,,,,,,
7,2,,933171-29751,, "SHIM SET,38X(0.8,1.2)",2,2,2,2,,,,,,,,,,,,,
10A,1,,172458-82850,, "BUCKET,340S(GREEN:97)",1,,,,,2,,,,,,,,,,,,,
10B,1,,172458-82500,, "BUCKET,490S(GREEN:97)",,1,,,,,1,,,,,,,,,,,,,
10C,1,,172458-82100,, "BUCKET,540S(GREEN:97)",,1,,,,,2,,,,,,,,,,,,,
10D,1,,172458-82400,, "BUCKET,590S(GREEN:97)",,1,,,,,2,,,,,,,,,,,,,
12,3,,172458-82230,, ADAPTER,2,3,4,4,,,,,,,,,,,,,
12-1,3,,172458-
82231,, ADAPTER,2,3,4,4,,R,,72458527,M/#21146,72458527,M/#21146,72458527,M/#2114
6,72458527,M/#21146,,,,,I
13,2,,172458-82240,, "CUTTER L (GREEN:97)",1,1,1,1,,,,,,,,,,,,,
14,2,,172458-82260,, "CUTTER R (GREEN:97)",1,1,1,1,,,,,,,,,,,,,
15,2,,172458-82280,, "BOLT M14X 40",6,6,6,6,,,,,,,,,,,,,
16,2,,172458-82290,, "NUT 14",6,6,6,6,,,,,,,,,,,,,
17,2,,22217-140000,, "SPRING WASHER 14",6,6,6,6,,,,,,,,,,,,,
18,2,,172165-86500,, "TOOTH KIT, POINT",2,3,4,4,,,,,,,,,,,,,
18-1,2,,172165-86501,, "TOOTH KIT,
POINT",2,3,4,4,,R,,72458527,M/#21146,72458527,M/#21146,72458527,M/#21146,724585
27,M/#21146,,,,,I
19,3,,172151-81600-4,, "POINT,TOOTH 18S (97)",2,3,4,4,,,,,,,,,,,,,
19-1,2,,172448-82570,, "POINT,TOOTH 18S
(97)",2,3,4,4,,R,,72458527,M/#21146,72458527,M/#21146,72458527,M/#21146,7245852
7,M/#21146,,,,,I
20,3,,172151-81620,, "PIN ASSY, LOCK",2,3,4,4,,,,,,,,,,,,,
20-1,3,,172151-81621,, "PIN
ASSY,LOCK",2,3,4,4,,R,,72458527,M/#21146,72458527,M/#21146,72458527,M/#21146,72
458527,M/#21146,,,,,I
21,4,,172151-81630,, PIN,2,3,4,4,,,,,,,,,,,,,
21-1,4,,172448-
82580,, "PIN,LOCK",2,3,4,4,,R,,72458527,M/#21146,72458527,M/#21146,72458527,M/#2
1146,72458527,M/#21146,,,,,I
22,4,,172151-81640,, "LOCK,RUBBER BIN",2,3,4,4,,,,,,,,,,,,,
22-1,4,,172448-
82590,, "RUBBER,PIN",2,3,4,4,,R,,72458527,M/#21146,72458527,M/#21146,72458527,M/
#21146,72458527,M/#21146,,,,,I
23,1,,772458-82230,, "TOOH ASSY (GREEN:97)",2,3,4,4,,,,,3,,,,,,,,,,,,,
23-1,1,,772458-82231,, "TOOTH
ASSY(GREEN:97)",2,3,4,4,,R,3,72458527,M/#21146,72458527,M/#21146,72458527,M/#21
146,72458527,M/#21146,,,,,I
23B-1,2,,172448-
82580,, "PIN,LOCK",2,3,4,4,,R,,72458527,M/#21146,72458527,M/#21146,72458527,M/#2
1146,72458527,M/#21146,,,,,I
24,1,,172958-81590,, "PIN KIT Q,BUCKET",2,2,2,2,,,,,4,,,,,,,,,,,,,
25,2,,172958-81600,, "PIN 38X229 ASSY",2,2,2,2,,,,,,,,,,,,,
26,2,,172164-81700,, "COLLAR 38X50.8X22",2,2,2,2,,,,,,,,,,,,,
27,2,,26116-100652,, "BOLT M10X 65 PLATED",2,2,2,2,,,,,,,,,,,,,
28,2,,26716-100002,, "NUT 10",4,4,4,4,,,,,,,,,,,,,
29,2,,933171-29751,, "SHIM SET,38X(0.8,1.2)",2,2,2,2,,,,,,,,,,,,,
32,1,,172142-86500,, "KIT,SIDE CUTTER (97)",1,1,1,1,,,,,,,,,,,,,I
33,2,,172142-86510,, "CUTTER (L) ASSY,SIDE",1,1,1,1,,,,,,,,,,,,,I
34,2,,172142-86520,, "CUTTER (R) ASSY,SIDE",1,1,1,1,,,,,,,,,,,,,I
35,2,,172142-86540,, "BOLT M14X 30",6,6,6,6,,,,,,,,,,,,,I
36,2,,22217-140000,, "SPRING WASHER 14",6,6,6,6,,,,,,,,,,,,,I

10A (340S) アタッチメント

10B (490S) 標準

10C (540S) アタッチメント

10D (590S) アタッチメント

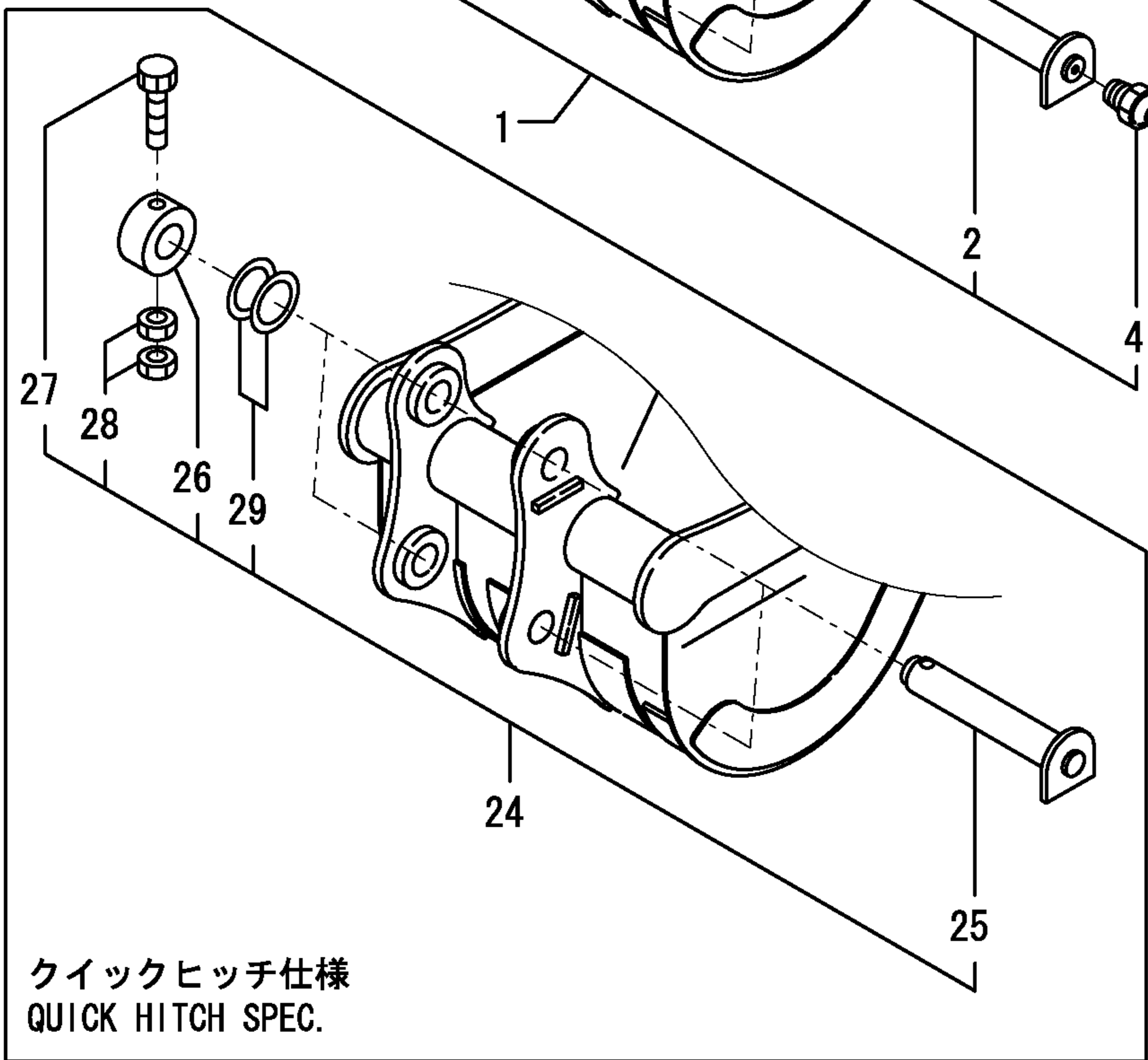
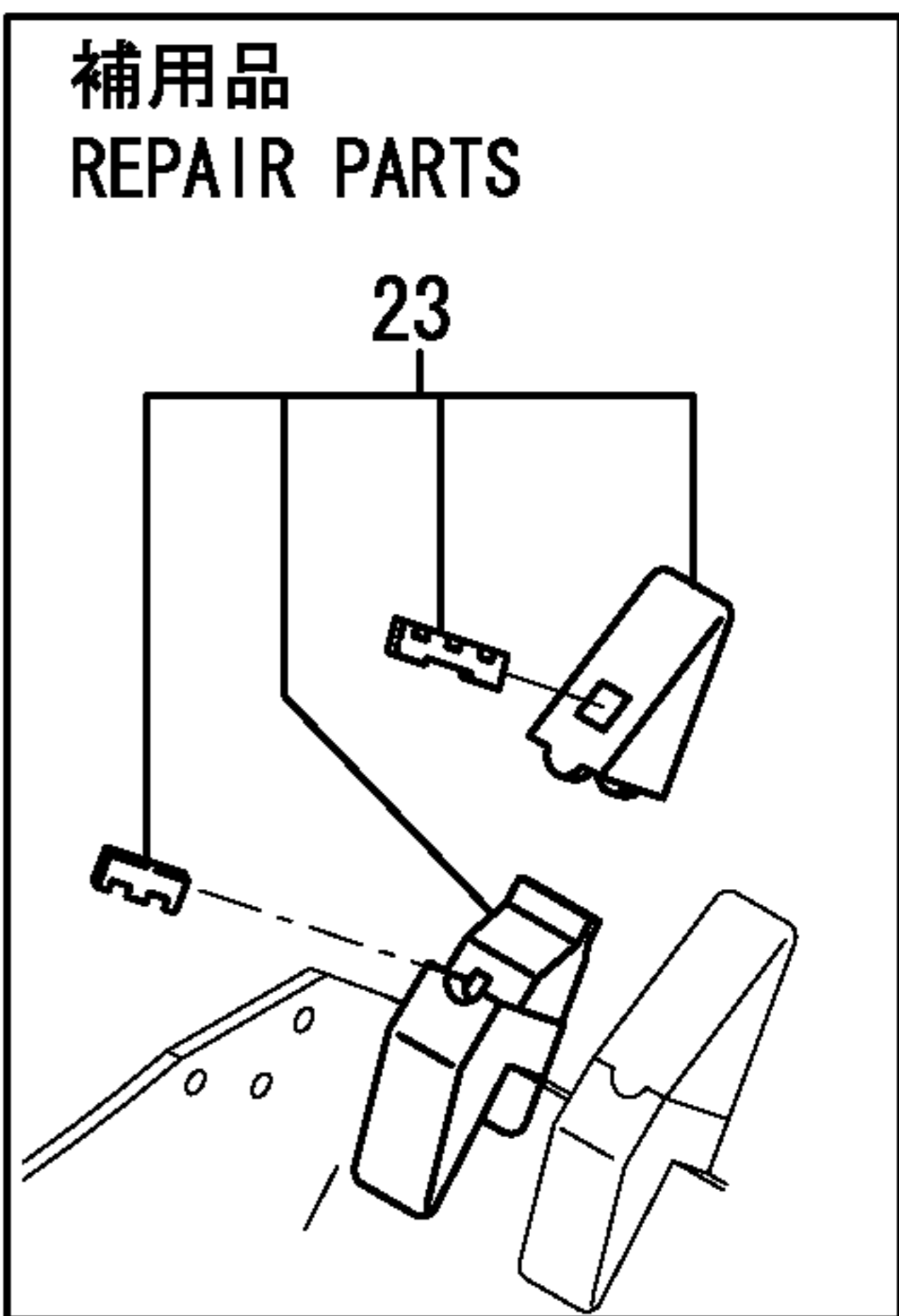
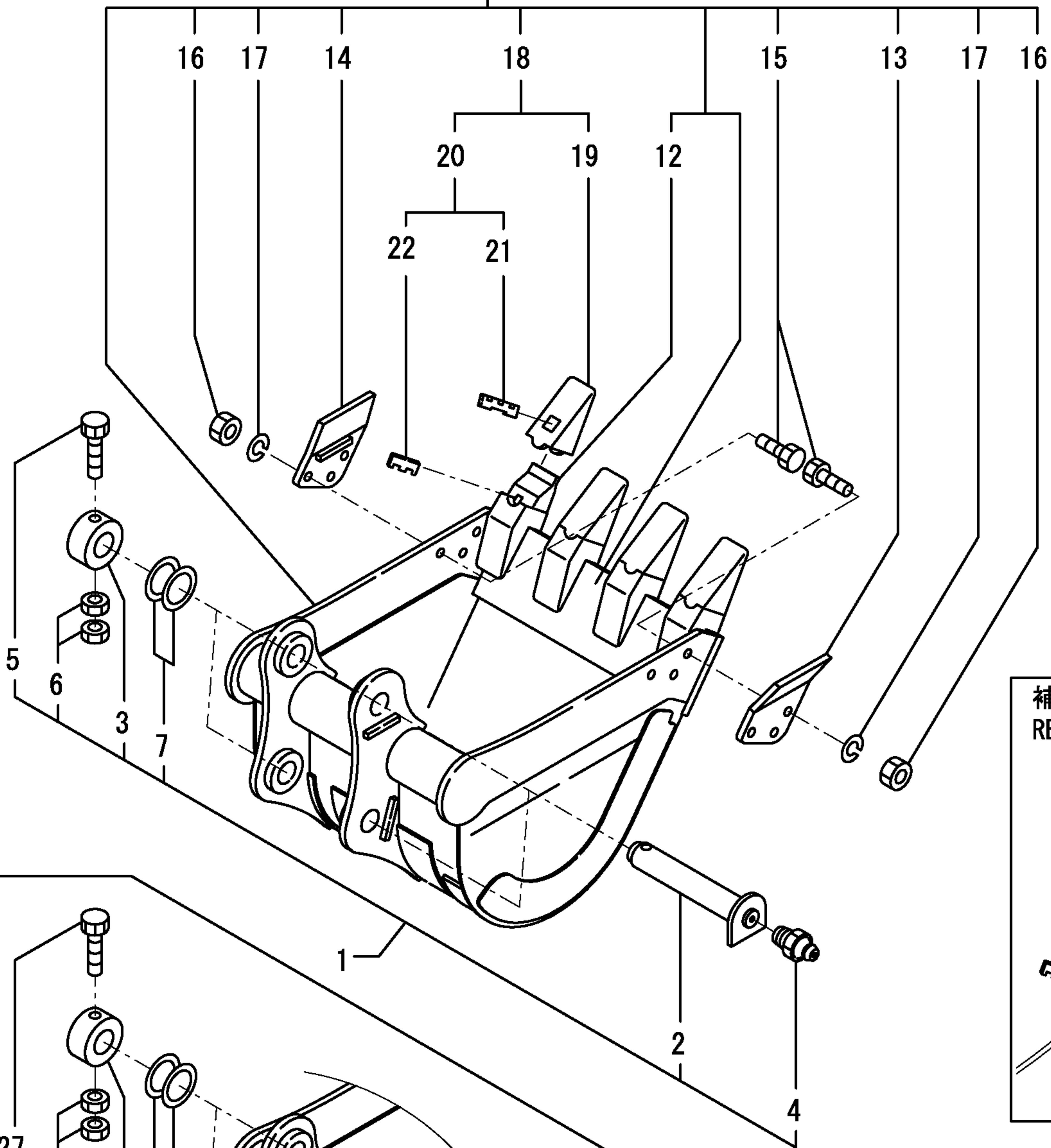


1,1,,172164-81950,, "PIN KIT, BUCKET",2,2,2,,,,,1,,,,,,,,,,,,,
2,2,,172164-81630,, PIN,2,2,2,,,,,,,,,,,,,
3,2,,172164-81700,, "COLLAR 38X50.8X22",2,2,2,,,,,,,,,,,,,
4,2,,24761-020000,, "NIPPLE PT1/8,GREASE",2,2,2,,,,,,,,,,,,,
5,2,,26116-100652,, "BOLT M10X 65 PLATED",2,2,2,,,,,,,,,,,,,
6,2,,26716-100002,, "NUT 10",4,4,4,,,,,,,,,,,,,
7,2,,933171-29751,, "SHIM SET,38X(0.8,1.2)",2,2,2,,,,,,,,,,,,,
10A,1,,172458-82550,, "BUCKET H,490S (97)",1,,,,,,,,,,,,,
10A-1,1,,172458-82551,, "BUCKET H,490S
(97)",1,,,,,,N,,724580563,*03.06.21,,,,,,,,,,,,,I
10B,1,,172458-82350,, "BUCKET H,540S (97)",1,,,,,,,,,,,,,
10B-1,1,,172458-82351,, "BUCKET H,540S
(97)",1,,,,,,N,,,,,724580563,*03.06.21,,,,,,,,,,,,,I
10C,1,,172458-82450,, "BUCKET H,590S (97)",1,,,,,,,,,,,,,
10C-1,1,,172458-
82451,, "BUCKET,H590S(GREEN97",,,1,,,,,N,,,,,724580567,*03.07.17,,,,,,,,,,,,,I
12,3,,172458-82230,, ADAPTER,3,4,4,,,,,,,,,,,,,
12-1,3,,172458-
82231,, ADAPTER,3,4,4,,,,,R,,72458527,M/#21146,72458527,M/#21146,72458527,M/#21146
,,,,,,I
13,2,,172458-82240,, "CUTTER L (GREEN:97)",1,1,1,,,,,,,,,,,,,
14,2,,172458-82260,, "CUTTER R (GREEN:97)",1,1,1,,,,,,,,,,,,,
15,2,,172458-82280,, "BOLT M14X 40",6,6,6,,,,,,,,,,,,,
16,2,,172458-82290,, "NUT 14",6,6,6,,,,,,,,,,,,,
17,2,,22217-140000,, "SPRING WASHER 14",6,6,6,,,,,,,,,,,,,
18,2,,172165-86500,, "TOOTH KIT, POINT",3,4,4,,,,,,,,,,,,,
19,3,,172151-81600-4,, "POINT,TOOTH 18S (97)",3,4,4,,,,,,,,,,,,,
19-1,3,,172448-82570,, "POINT,TOOTH 18S
(97)",3,4,4,,,,,R,,72458527,M/#21146,72458527,M/#21146,72458527,M/#21146,,,,,,I
20,3,,172151-81620,, "PIN ASSY,
LOCK",3,4,4,,,,,Z,,72458527,M/#21146,72458527,M/#21146,72458527,M/#21146,,,,,,I
21,4,,172151-81630,, PIN,3,4,4,,,,,,,,,,,,,
21-1,3,,172448-
82580,, "PIN,LOCK",3,4,4,,,,,R,,72458527,M/#21146,72458527,M/#21146,72458527,M/#21
146,,,,,,I
22,4,,172151-81640,, "LOCK,RUBBER BIN",3,4,4,,,,,,,,,,,,,
22-1,3,,172448-
82590,, "RUBBER,PIN",3,4,4,,,,,R,,72458527,M/#21146,72458527,M/#21146,72458527,M/#
21146,,,,,,I
23,1,,772458-82230,, "TOOH ASSY (GREEN:97)",1,1,1,,,,,2,,,,,,,,,,,,,
23-1,1,,772458-82231,, "TOOTH
ASSY(GREEN:97)",1,1,1,,,,,R,2,72458527,M/#21146,72458527,M/#21146,72458527,M/#211
46,,,,,,I
23B-1,2,,172448-
82580,, "PIN,LOCK",3,4,4,,,,,R,,72458527,M/#21146,72458527,M/#21146,72458527,M/#21
146,,,,,,I
24,1,,172958-81590,, "PIN KIT Q,BUCKET",2,2,2,,,,,3,,,,,,,,,,,,,
25,2,,172958-81600,, "PIN 38X229 ASSY",2,2,2,,,,,,,,,,,,,
26,2,,172164-81700,, "COLLAR 38X50.8X22",2,2,2,,,,,,,,,,,,,
27,2,,26116-100652,, "BOLT M10X 65 PLATED",2,2,2,,,,,,,,,,,,,
28,2,,26716-100002,, "NUT 10",4,4,4,,,,,,,,,,,,,
29,2,,933171-29751,, "SHIM SET,38X(0.8,1.2)",2,2,2,,,,,,,,,,,,,
32,1,,172142-86500,, "KIT,SIDE CUTTER (97)",1,1,1,,,,,,,,,,,,,I
33,2,,172142-86510,, "CUTTER (L) ASSY,SIDE",1,1,1,,,,,,,,,,,,,I
34,2,,172142-86520,, "CUTTER (R) ASSY,SIDE",1,1,1,,,,,,,,,,,,,I
35,2,,172142-86540,, "BOLT M14X 30",6,6,6,,,,,,,,,,,,,I
36,2,,22217-140000,, "SPRING WASHER 14",6,6,6,,,,,,,,,,,,,I

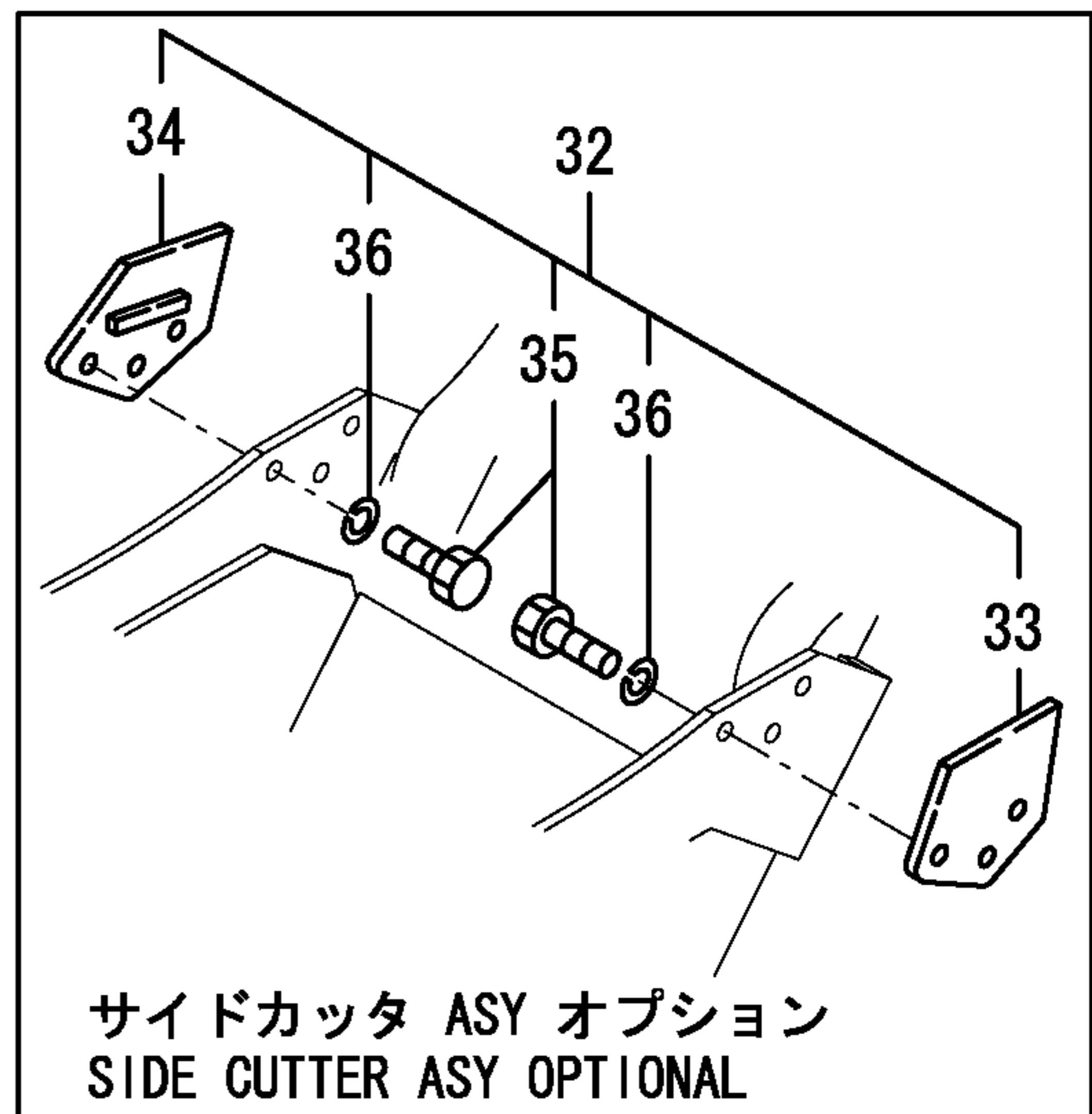
10A (H490S)

10B (H540S)

10C (H590S)



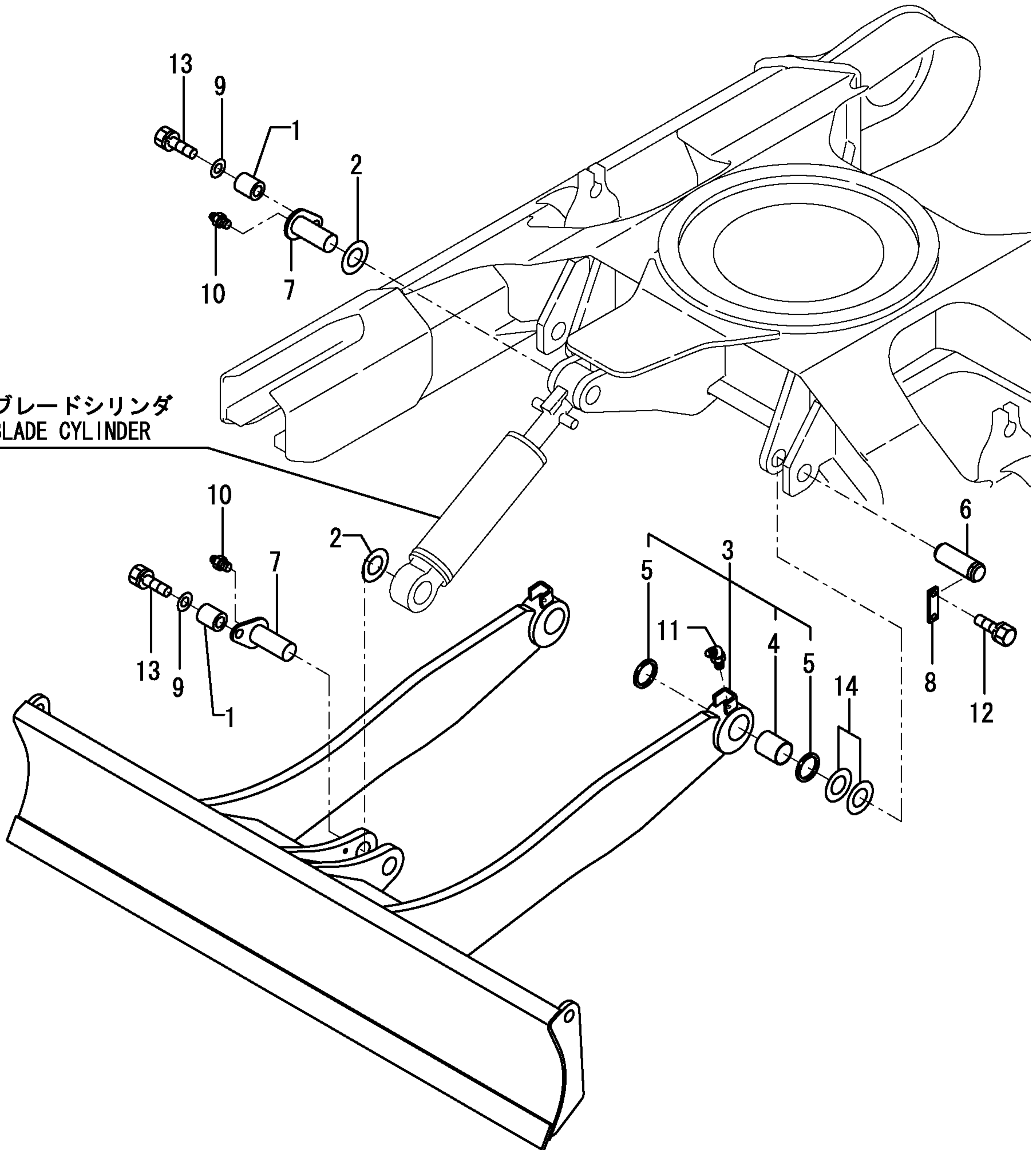
クイックヒッチ仕様
QUICK HITCH SPEC.



サイドカッタ ASY オプション
SIDE CUTTER ASY OPTIONAL

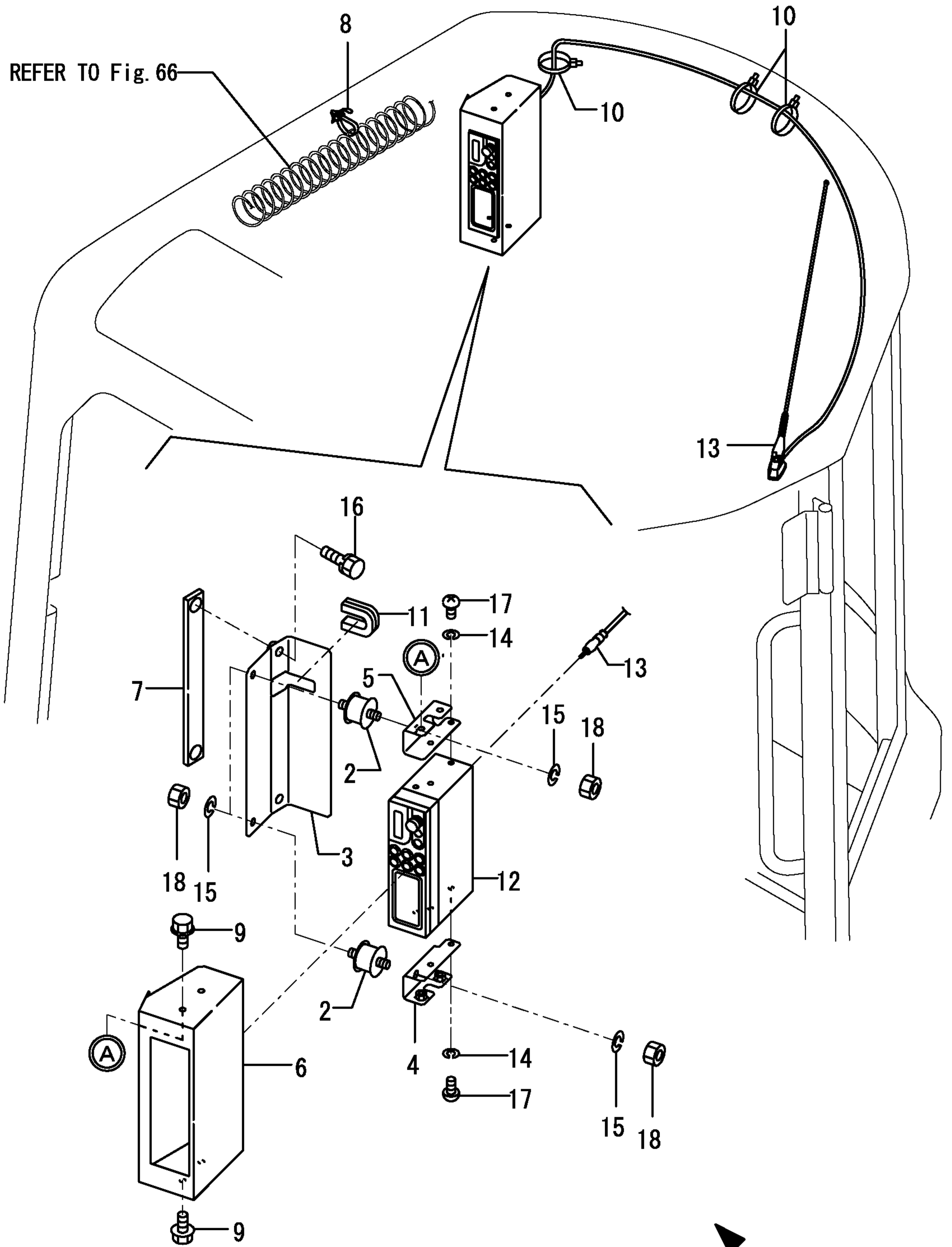
1,1,,172164-81670,,SPACER,2,2,2,,,,,,,,,,,,,
2,1,,172112-87860,, "SHIM 40X1",2,2,2,,,,,,,,,,,,,
3,1,,172457-94100,, "BLADE (GREEN:88)",1,1,1,,,,,,,,,,,,,
4,2,,172168-72240,, "BUSH 38X50X40",2,2,2,,,,,,,,,,,,,
5,2,,172168-81270,, "SEAL,DUST 38X50X4",4,4,4,,,,,,,,,,,,,
6,1,,172422-94210,, "PIN 38X 114",2,2,2,,,,,,,,,,,,,
7,1,,172142-94241,, "PIN 40-106(GREEN:88)",2,2,2,,,,,,,,,,,,,
8,1,,172124-94310-1,, "PLATE (GREEN:88)",2,2,2,,,,,,,,,,,,,
9,1,,22157-120000,, "WASHER 12",2,2,2,,,,,,,,,,,,,
10,1,,24761-020000,, "NIPPLE PT1/8,GREASE",2,2,2,,,,,,,,,,,,,
11,1,,24761-040000,, "NIPPLE B,GREASE",2,2,2,,,,,,,,,,,,,
12,1,,26013-100252,, "BOLT W/WASHER M10X25",4,4,4,,,,,,,,,,,,,
13,1,,26013-120302,, "BOLT W/WASHER M12X30",2,2,2,,,,,,,,,,,,,
14,1,,933171-29751,, "SHIM SET,38X(0.8,1.2)",2,2,2,,,,,,,,,,,,,

ブレードシリンダ
BLADE CYLINDER



1,1,,172458-17790,, "RADIO KIT",1,,,,,,,,,,,,,,,,,,,,,
2,2,,172447-13550,, MOUNT,2,,,,,,,,,,,,,,,,,,,,,I
3,2,,172458-17800,, "BRACKET ASSY, RADIO",1,,,,,,,,,,,,,,,,,,,,,I
4,2,,172458-17820,, "PLATE L ASSY, RADIO",1,,,,,,,,,,,,,,,,,,,,,I
5,2,,172458-17840,, "PLATE R ASSY, RADIO",1,,,,,,,,,,,,,,,,,,,,,I
6,2,,172458-17860,, "COVER, RADIO",1,,,,,,,,,,,,,,,,,,,,,I
7,2,,172458-17870,, SEAL,1,,,,,,,,,,,,,,,,,,,,,I
8,2,,172458-17880,, BAND,1,,,,,,,,,,,,,,,,,,,,,I
9,2,,172164-45880,, "BOLT 6X 16",4,,,,,,,,,,,,,,,,,,,,,I
10,2,,194202-56460,, BAND,3,,,,,,,,,,,,,,,,,,,,,I
11,2,,172175-65641,, MOLDING,1,,,,,,,,,,,,,,,,,,,,,I
12,2,,172455-67950,, RADIO,1,,,,,,,,,,,,,,,,,,,,,I
13,2,,172455-67990,, ANT-ASSY,1,,,,,,,,,,,,,,,,,,,,,I
14,2,,22217-050000,, "SPRING WASHER 5",4,,,,,,,,,,,,,,,,,,,,,I
15,2,,22217-080000,, "SPRING WASHER 8",4,,,,,,,,,,,,,,,,,,,,,I
16,2,,26013-100302,, "BOLT M10X 30",2,,,,,,,,,,,,,,,,,,,,,I
17,2,,26557-050082,, "SCREW M 5X 8",4,,,,,,,,,,,,,,,,,,,,,I
18,2,,26712-080002,, "NUT M 8",4,,,,,,,,,,,,,,,,,,,,,I

REFER TO Fig. 66



ラジオキット
 RADIO KIT
 (172458-17790)

見出しNO. 1は
 見出しNO. 2~18を含みます。
 1 INC. 2~18.

1,1,,172457-08700,, "P.T.O. KIT(GREEN:97)",1,1,,,,,1,,,,,
1-1,1,,172457-08701,, "P.T.O.
KIT(GREEN:97)",1,1,,,,,S,2,72458168,M/#20610,72458168,M/#20610,,,,,
2,2,,172458-03240,, "LABEL,LOCK",1,1,,,,,I
3,2,,172458-03270,, LABEL,1,1,,,,,I
3-1A,1,,172496-03210,, "LABEL,
P.T.O.",1,1,,,,,N,3,724600328,M/#25501,724600328,M/#25501,,,,,I
3-1B,1,,172490-03210,, "LABEL,
P.T.O.",1,1,,,,,N,4,724600328,M/#25501,724600328,M/#25501,,,,,I
4,2,,172068-28490,, "SPRING 8",2,2,,,,,I
5,2,,172068-28490,, "SPRING 8",2,2,,,,,I
6,2,,172110-36010,, COLLAR,2,2,,,,,I
7,2,,194200-37780,, "LS-NUT 8",1,1,,,,,I
8,2,,172734-41300,, "LINK BALL 8L",1,1,,,,,I
9,2,,172142-43591,, "ROD,465",1,1,,,,,I
10,2,,172823-45000,, "ROD 54, SPOOL",1,1,,,,,I
11,2,,1A1040-45890,, "WASHER 10 36 4.5",2,2,,,,,I
12,2,,172458-46100,, "LINK A ASSY, P.T.O.",1,1,,,,,I
13,3,,172141-41370,, "BUSH 2015",2,2,,,,,I
14,3,,172458-46110,, "LINK A, P.T.O.",1,1,,,,,I
15,2,,172458-46121,, "LINK B ASSY, P.T.O.",1,1,,,,,I
16,3,,172141-41370,, "BUSH 2015",2,2,,,,,I
17,3,,172458-46131,, "LINK ASSY,PTO B",1,1,,,,,I
18,2,,172458-46150,, "BRACKET,P.T.O. (72)",1,1,,,,,I
19,2,,172124-46200,, "O-RING 27X5.7",4,4,,,,,I
20,2,,172458-46230,, "PEDAL A (GRAY:72)",1,1,,,,,I
21,3,,172141-41360,, "BUSH 1415",2,2,,,,,I
22,3,,172110-45050,, "BUSH 12X12",2,2,,,,,I
23,3,,172458-46240,, "PEDAL ASSY, A",1,1,,,,,I
24,2,,172458-46280,, "PEDAL B (72)",1,1,,,,,I
25,2,,172458-46290,, PLATE,1,1,,,,,I
26,2,,172458-46350,, "PLATE,LOCK (GRAY:72)",1,1,,,,,I
27,2,,172458-46371,, "BASE,PEDAL(BLACK:12)",1,1,,,,,I
28,3,,172458-46171,, "PEDAL ASSY, BASE",1,1,,,,,I
29,3,,172458-46380,, RUBBER,1,1,,,,,I
30,2,,172187-46400,, "BRACKET (GRAY:73)",1,1,,,,,I
31,2,,172187-46430,, SHAFT,1,1,,,,,I
32,2,,172122-46590,, "ELBALL 8",4,4,,,,,I
33,2,,172116-46630,, "KNOB, LOCK LEVER",1,1,,,,,I
34,2,,172183-74820,, "STOP VALVE",2,2,,,,,I
35,2,,172633-76160,, "ADAPTER 1/2-3/4",1,1,,,,,I
36,2,,172422-76180,, CONNECTOR,1,1,,,,,I
37,2,,172422-76190,, CONNECTOR,1,1,,,,,I
38,2,,172183-76250,, "PLATE (GREEN:97)",2,2,,,,,I
39,2,,172142-76270,, "JOINT 1/2, SWIVEL",1,1,,,,,I
40,3,,172142-77040,, "SEAL SET",1,1,,,,,I
41,2,,172142-76280,, "JOINT 3/4, SWIVEL",1,1,,,,,I
42,3,,172142-77050,, "SEAL SET",1,1,,,,,I
43,2,,172457-76601,, "TUBE L,P.T.O. (97)",1,1,,,,,I
44,2,,172457-76650,, "TUBE R,P.T.O(GREEN97)",1,1,,,,,I
45,2,,172458-76680,, "STAY (GREEN:97)",2,2,,,,,I
46,2,,172458-76700,, "JOINT ASSY, P.T.O.",1,1,,,,,I
47,2,,172457-76770,, "PLATE,PIPE(GREEN:97)",1,1,,,,,I
47-1,2,,172458-
76750,, "PLATE,PIPE(GREEN:97)",1,1,,,,,S,,72458168,M/#20610,72458168,M/#20610,,,,,
,,,,,I
48,2,,172458-76800,, "TUBE,FRAME-END",1,1,,,,,I
49,2,,172458-76880,, PLATE,1,1,,,,,I
50,2,,172125-76900,, "CLAMP (YELLOW:87)",1,1,,,,,I
51,2,,172142-76940,, "CLAMP 3/4(YELLOW:87)",2,2,,,,,I
52,2,,172142-76950,, "CLAMP 1/2(YELLOW:87)",2,2,,,,,I
53,2,,172457-78900,, "HOSE G212BB083W",1,1,,,,,I
54,2,,172957-78900,, "HOSE G212BB077W",1,1,,,,,I

55,2,,172457-78910,, "HOSE H208AB081W",1,1,,,,,,,,,,,,,I
56,2,,172957-78910,, "HOSE H208AB077W",1,1,,,,,,,,,,,,,I
57,2,,172472-78510,, "HOSE H208BB068K",1,1,,,,,,,,,,,,,I
58,2,,172422-78520,, "HOSE",1,1,,,,,,,,,,,,,I
59,2,,172458-78940,, "HOSE G212AC092",1,1,,,,,,,,,,,,,I
59-1,2,,172458-78941,, "HOSE
G212AC092K",1,1,,,,,N,,72458399,M/#20745,72458399,M/#20745,,,,,,,,,I
60,2,,172458-78950,, "HOSE H208BC079",1,1,,,,,,,,,,,,,I
60-1,2,,172458-78951,, "HOSE
H208BC079K",1,1,,,,,N,,72458399,M/#20745,72458399,M/#20745,,,,,,,,,I
61,2,,172458-78960,, "HOSE H212CD093",1,1,,,,,,,,,,,,,I
62,2,,172458-78970,, "HOSE H208CD095",1,1,,,,,,,,,,,,,I
63,2,,22117-080000,, "WASHER 8",3,3,,,,,,,,,,,,,I
64,2,,22137-080000,, "WASHER 8, POLISHED",1,1,,,,,,,,,,,,,I
65,2,,22137-080000,, "WASHER 8, POLISHED",1,1,,,,,,,,,,,,,I
66,2,,22217-100000,, "SPRING WASHER 10",2,2,,,,,,,,,,,,,I
67,2,,22417-160160,, "COTTER PIN 1.6X16",1,1,,,,,,,,,,,,,I
68,2,,23871-040000,, "PLUG PT1/2,SCREW",2,2,,,,,,,,,,,,,I
69,2,,24311-000210,, "O-RING 1A P-21.0",2,2,,,,,,,,,,,,,I
70,2,,24315-000140,, "O-RING 1B P-14.0",2,2,,,,,,,,,,,,,I
71,2,,24761-050000,, "NIPPLE C,GREASE",2,2,,,,,,,,,,,,,I
72,2,,26013-080162,, "BOLT W/WASHER M8X16",1,1,,,,,,,,,,,,,I
73,2,,26013-080162,, "BOLT W/WASHER M8X16",3,3,,,,,,,,,,,,,I
74,2,,26013-080252,, "BOLT M 8X 25",2,2,,,,,,,,,,,,,I
75,2,,26013-100202,, "BOLT W/WASHER M10X20",2,2,,,,,,,,,,,,,I
76,2,,26013-100202,, "BOLT W/WASHER M10X20",2,2,,,,,,,,,,,,,I
77,2,,26013-100252,, "BOLT W/WASHER M10X25",4,4,,,,,,,,,,,,,I
78,2,,26013-100252,, "BOLT W/WASHER M10X25",2,2,,,,,,,,,,,,,I
79,2,,26013-100252,, "BOLT W/WASHER M10X25",2,2,,,,,,,,,,,,,I
80,2,,26013-120302,, "BOLT W/WASHER M12X30",2,2,,,,,,,,,,,,,I
81,2,,26013-120302,, "BOLT W/WASHER
M12X30",1,1,,,,,Z,,72458168,M/#20610,72458168,M/#20610,,,,,,,,,I
82,2,,26013-120402,, "BOLT M12X 40",1,1,,,,,,,,,,,,,I
83,2,,26013-120502,, "BOLT M12X 50",1,1,,,,,,,,,,,,,I
84,2,,26013-120552,, "BOLT M12X55",1,1,,,,,,,,,,,,,I
85,2,,26013-120552,, "BOLT M12X55",1,1,,,,,,,,,,,,,I
85-1,2,,26013-120652,, "BOLT M12X
65",1,1,,,,,S,,72458168,M/#20610,72458168,M/#20610,,,,,,,,,I
86,2,,26013-120652,, "BOLT M12X 65",1,1,,,,,,,,,,,,,I
87,2,,26051-080002,, "NUT M 8",7,7,,,,,,,,,,,,,I
88,2,,26116-080202,, "BOLT M 8X 20 PLATED",1,1,,,,,,,,,,,,,I
88-1,2,,26116-080254,, "BOLT M 8X 25
PLATED",1,1,,,,,N,,72458513,M/#21135,72458513,M/#21135,,,,,,,,,I
89,2,,26116-080254,, "BOLT M 8X 25 PLATED",1,1,,,,,,,,,,,,,I
90,2,,26116-080304,, "BOLT M8 X 30 PLATED",1,1,,,,,,,,,,,,,I
91,2,,26116-080354,, "BOLT M 8X 35 PLATED",1,1,,,,,,,,,,,,,I
92,2,,26116-100202,, "BOLT M10X 20 PLATED",2,2,,,,,,,,,,,,,I
93,2,,26658-080002,, "CAP NUT M 8",1,1,,,,,,,,,,,,,I
94,2,,26716-080002,, "NUT M 8",2,2,,,,,,,,,,,,,I
95,2,,26756-080002,, "LOCK NUT M 8 PLATED",2,2,,,,,,,,,,,,,I
96,2,,26756-080002,, "LOCK NUT M 8 PLATED",1,1,,,,,,,,,,,,,I
97,2,,26756-080002,, "LOCK NUT M 8 PLATED",1,1,,,,,,,,,,,,,I
98,2,,933110-54100,, "PIN 4.75X14",1,1,,,,,,,,,,,,,I

Fig. 40 操縦装置 (PTOペダル)
CONTROL EQUIPMENT
(P. T. O. PEDAL)

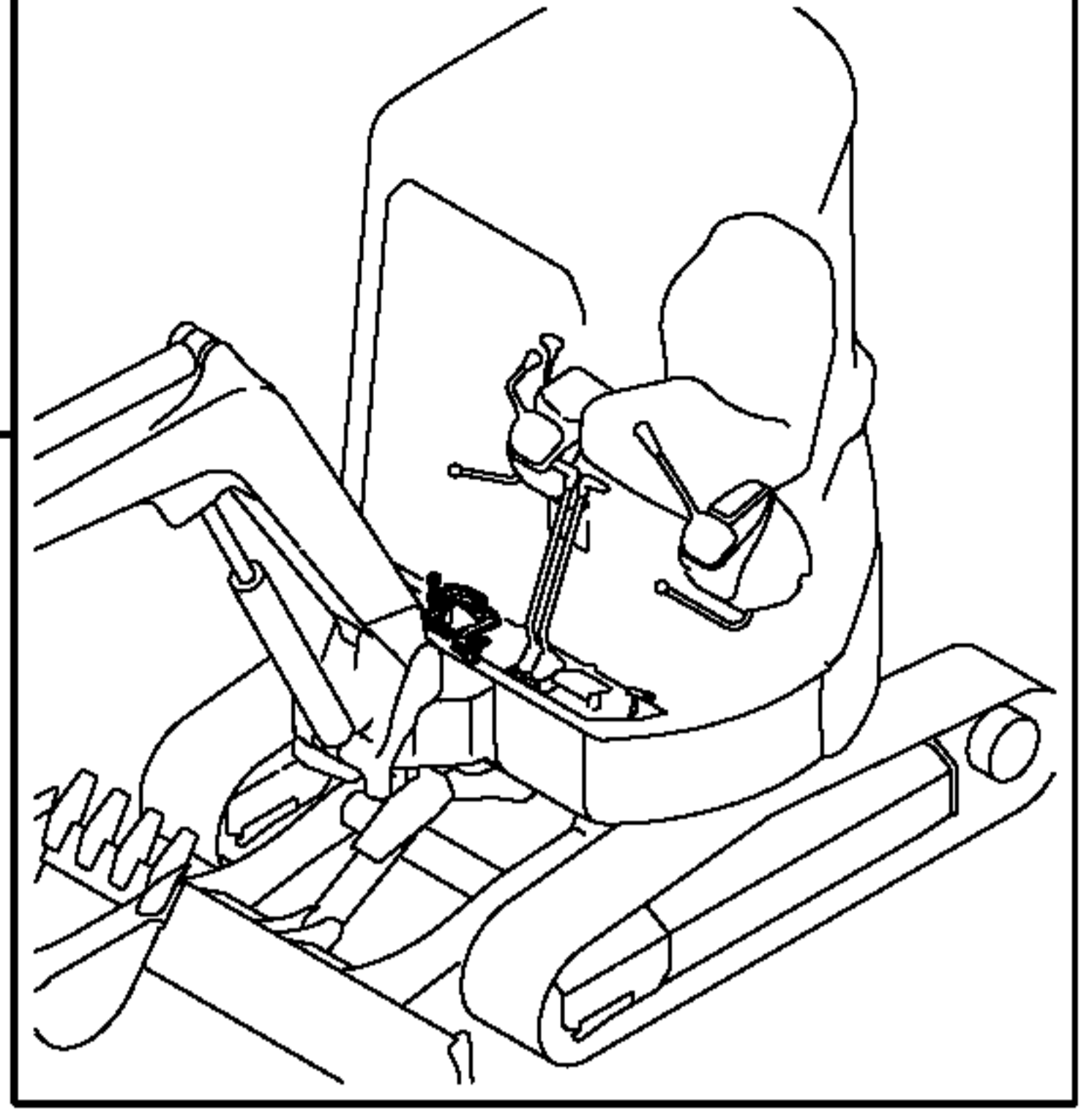


Fig. 41 操縦装置 (PTOリンク)
CONTROL EQUIPMENT
(P. T. O. LINK)

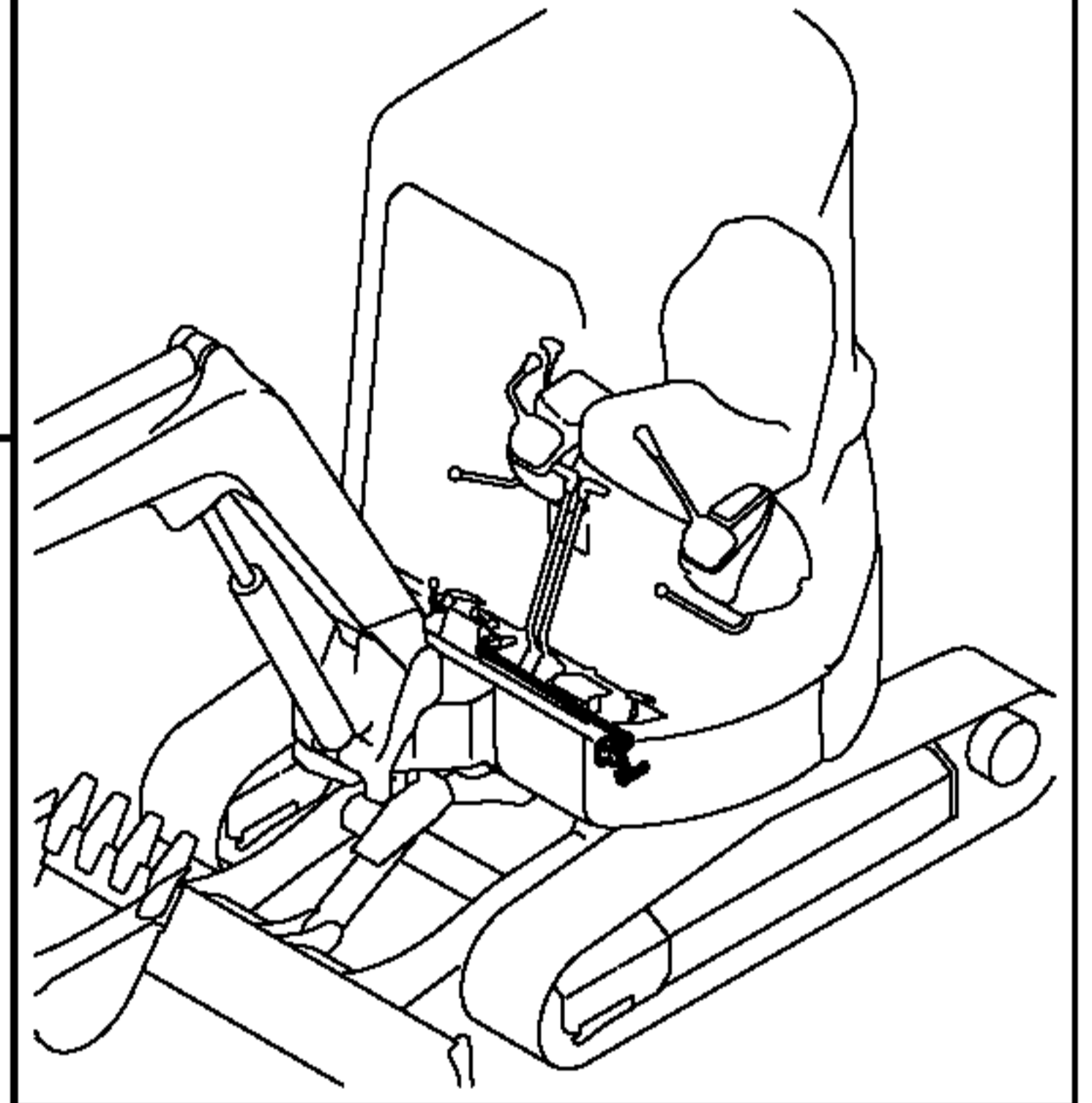


Fig. 100 油圧配管 (PTO, フレームエンド)
HYD. OIL PIPING
(P. T. O. FRAME END)

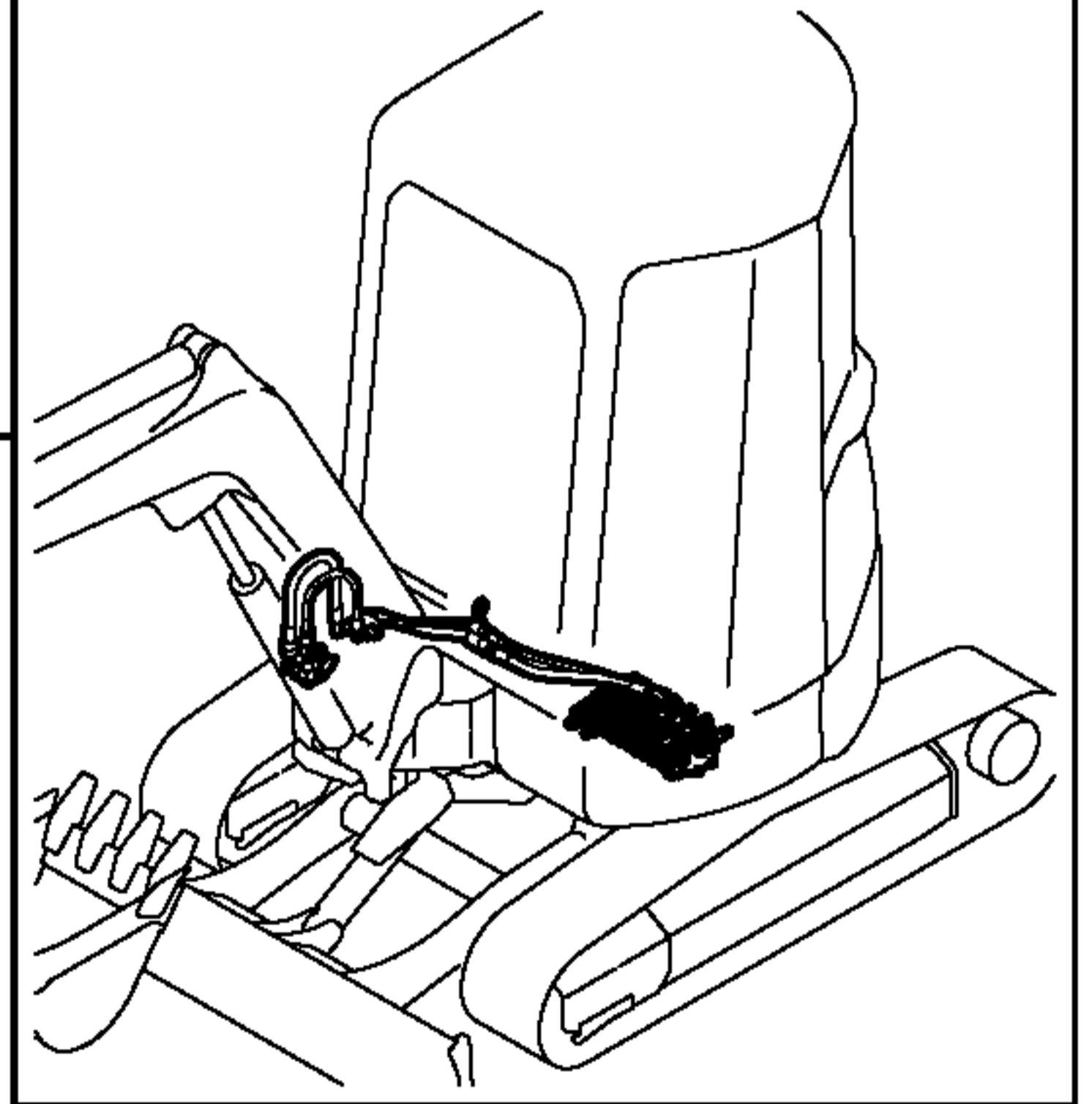
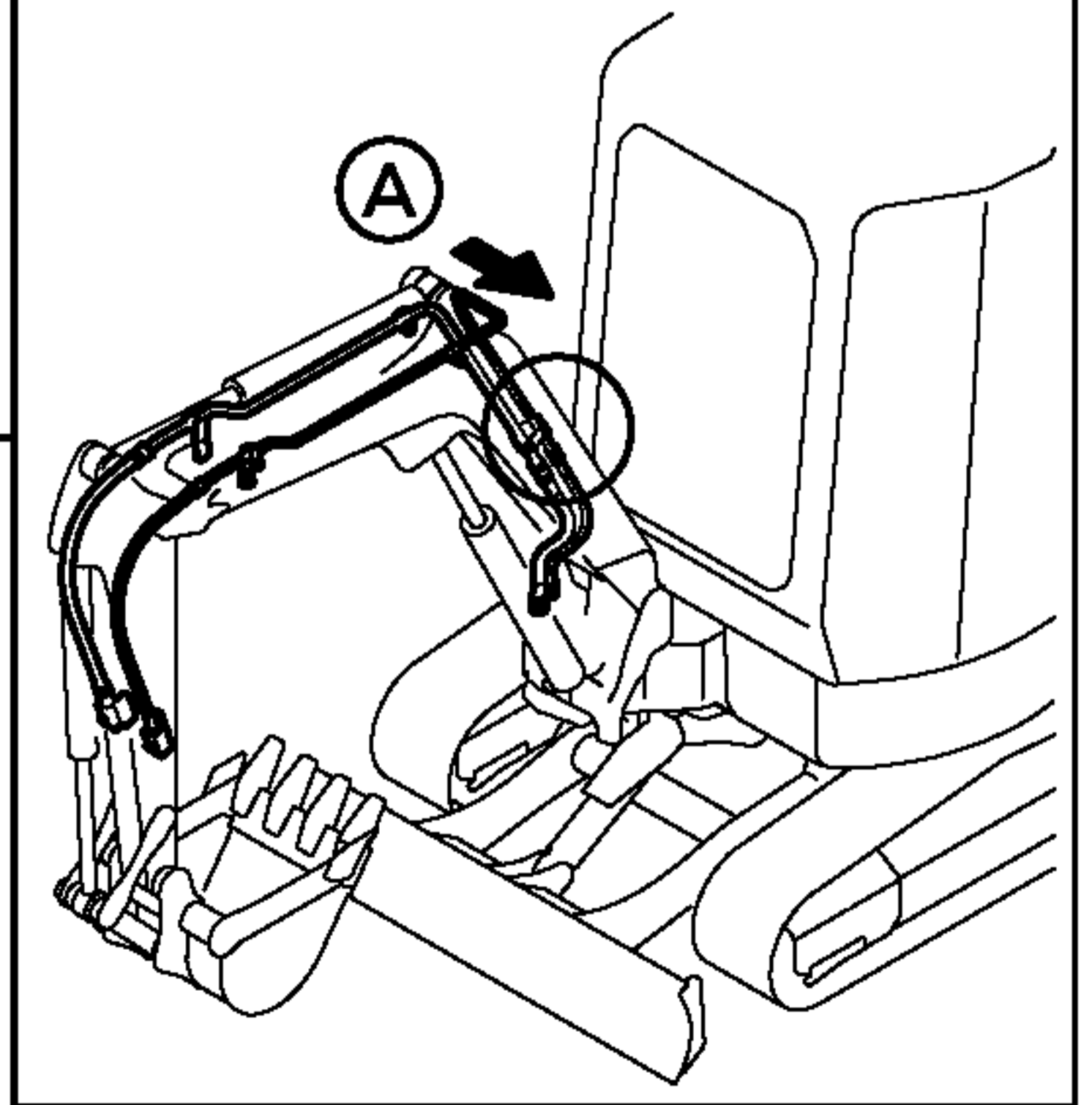


Fig. 103 油圧配管 (PTOアームエンド)
HYD. OIL PIPING
(P. T. O. ARM END)

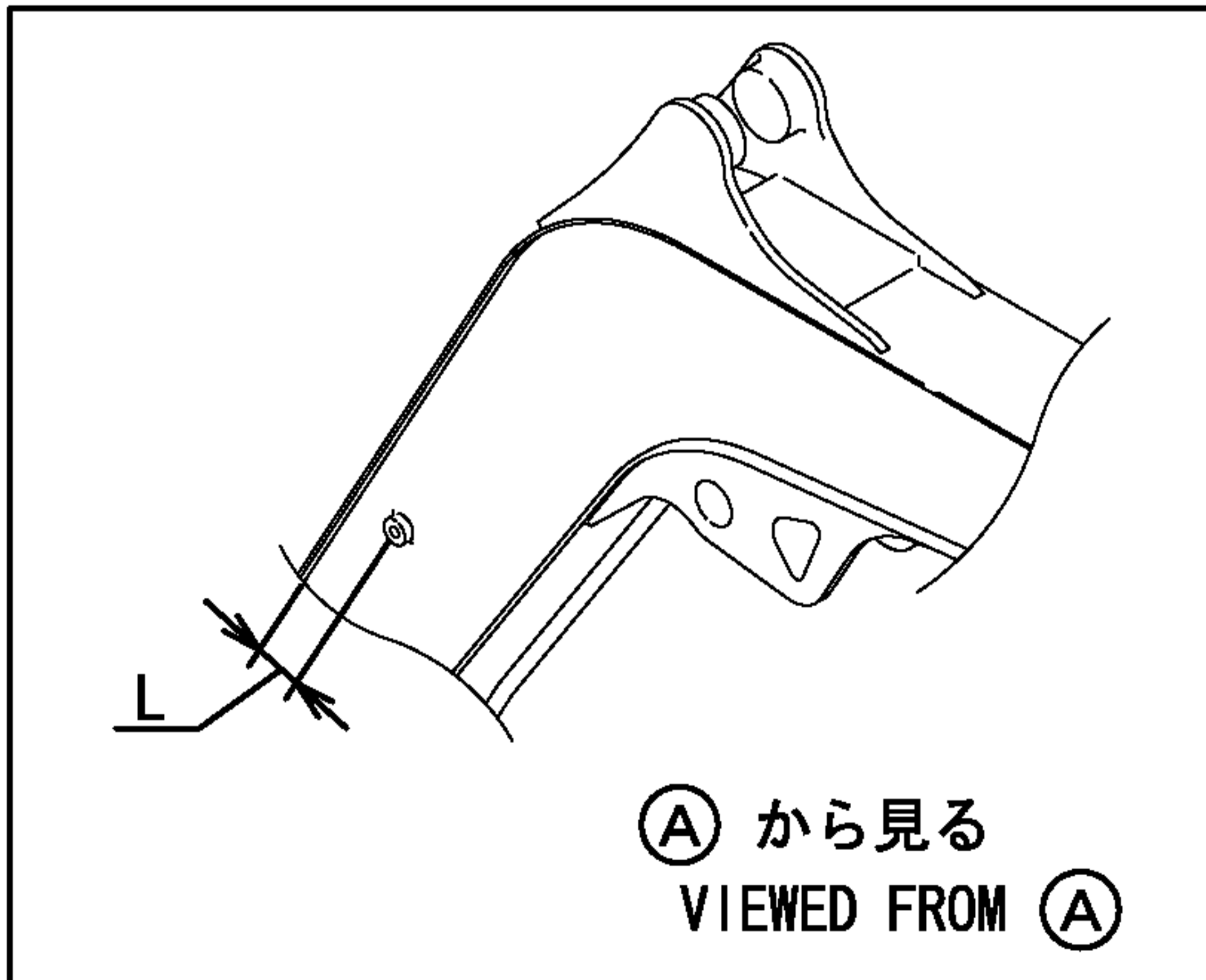


1
1-1

PTOキット
P. T. O. KIT
(172457-08700)
(172457-08701)

PTO配管のまったく付いていない
標準仕様に配管、リンク及びカバー
を加える改装部品です。

PARTS IN ORDER TO ADD PIPING,
LINK & COVER TO STANDARD SPEC.
WITH NO P. T. O. PIPING.



Ⓐ から見る
VIEWED FROM Ⓐ

1,1,,172458-08200,, "DECEL. KIT",1,1,,,,,,,,,,,,,,,,,,,,,
2,2,,172458-12120,, "CABEL,ACCELERATOR OD",1,1,,,,,,,,,,,,,,,,,,,,,
3,2,,172175-12200,, SHAFT,1,1,,,,,,,,,,,,,,,,,,,,,
4,2,,172175-12230,, "LINK A",1,1,,,,,,,,,,,,,,,,,,,,,
5,2,,172175-12260,, "BASE CMP",1,1,,,,,,,,,,,,,,,,,,,,,
7,3,,24550-014200,, "BUSH 14X20",1,1,,,,,,,,,,,,,,,,,,,,,
8,2,,172175-12310,, "LINK B",1,1,,,,,,,,,,,,,,,,,,,,,
10,3,,24550-014200,, "BUSH 14X20",1,1,,,,,,,,,,,,,,,,,,,,,
11,2,,172175-12350,, "SPRING, RETURN",1,1,,,,,,,,,,,,,,,,,,,,,
12,2,,172175-12360,, "CABLE, ACCELERATOR",1,1,,,,,,,,,,,,,,,,,,,,,
13,2,,172175-12370,, PLATE,1,1,,,,,,,,,,,,,,,,,,,,,
14,2,,172137-16560,, BAND,1,1,,,,,,,,,,,,,,,,,,,,,
15,2,,172460-16570,, "HARNNESS DECEL ASSY",1,1,,,,,,,,,,,,,,,,,,,,,
17,3,,29420-200000,, HUSE,2,2,,,,,,,,,,,,,,,,,,,,,
18,2,,172458-17110,, "BRACKET, TIMER",1,1,,,,,,,,,,,,,,,,,,,,,
19,2,,172162-17180,, SOLENOID,1,1,,,,,,,,,,,,,,,,,,,,,
20,2,,172190-17220,, "RELEY, TIMER",1,1,,,,,,,,,,,,,,,,,,,,,
21,2,,172458-45070,, "LEVER L, DECEL.",1,1,,,,,,,,,,,,,,,,,,,,,
22,2,,172176-47870,, KNOB,1,1,,,,,,,,,,,,,,,,,,,,,
23,2,,1C6281-52310,, "PIN 6,COME-OFF SNAP",6,6,,,,,,,,,,,,,,,,,,,,,
24,2,,1A3809-56915,, "PIN 6X 20",1,1,,,,,,,,,,,,,,,,,,,,,
25,2,,119620-66820,, JOINT,1,1,,,,,,,,,,,,,,,,,,,,,
26,2,,22137-060000,, "WASHER 6, POLISHED",7,7,,,,,,,,,,,,,,,,,,,,,
27,2,,22217-100000,, "SPRING WASHER 10",1,1,,,,,,,,,,,,,,,,,,,,,
28,2,,22351-040025,, "PIN 4X25,SPRING",1,1,,,,,,,,,,,,,,,,,,,,,
29,2,,24311-000210,, "O-RING 1A P-21.0",4,4,,,,,,,,,,,,,,,,,,,,,
30,2,,26013-060162,, "BOLT M 6X 16",2,2,,,,,,,,,,,,,,,,,,,,,
31,2,,26013-120252,, "BOLT M12X 25",2,2,,,,,,,,,,,,,,,,,,,,,
32,2,,26022-060252,, "SCREW M 6X 25",2,2,,,,,,,,,,,,,,,,,,,,,
33,2,,26116-100162,, "BOLT M10X 16 PLATED",1,1,,,,,,,,,,,,,,,,,,,,,
34,2,,26587-040062,, "SCREW M 4X 6",1,1,,,,,,,,,,,,,,,,,,,,,
35,2,,26716-060002,, "NUT 6",1,1,,,,,,,,,,,,,,,,,,,,,
36,2,,933152-09280,, "BAND 170",6,6,,,,,,,,,,,,,,,,,,,,,
37,2,,933166-17730,, "WASHER 10.5X30",1,1,,,,,,,,,,,,,,,,,,,,,
38,2,,933168-55770,, "BAND 146",2,2,,,,,,,,,,,,,,,,,,,,,

ワンタッチデセルキット
ONE TOUCH DECEL KIT
(172458-08200)

見出しNO. 1は
見出しNO. 2~38を含みます。
1 INC. 2~38.

REFER TO Fig. 13

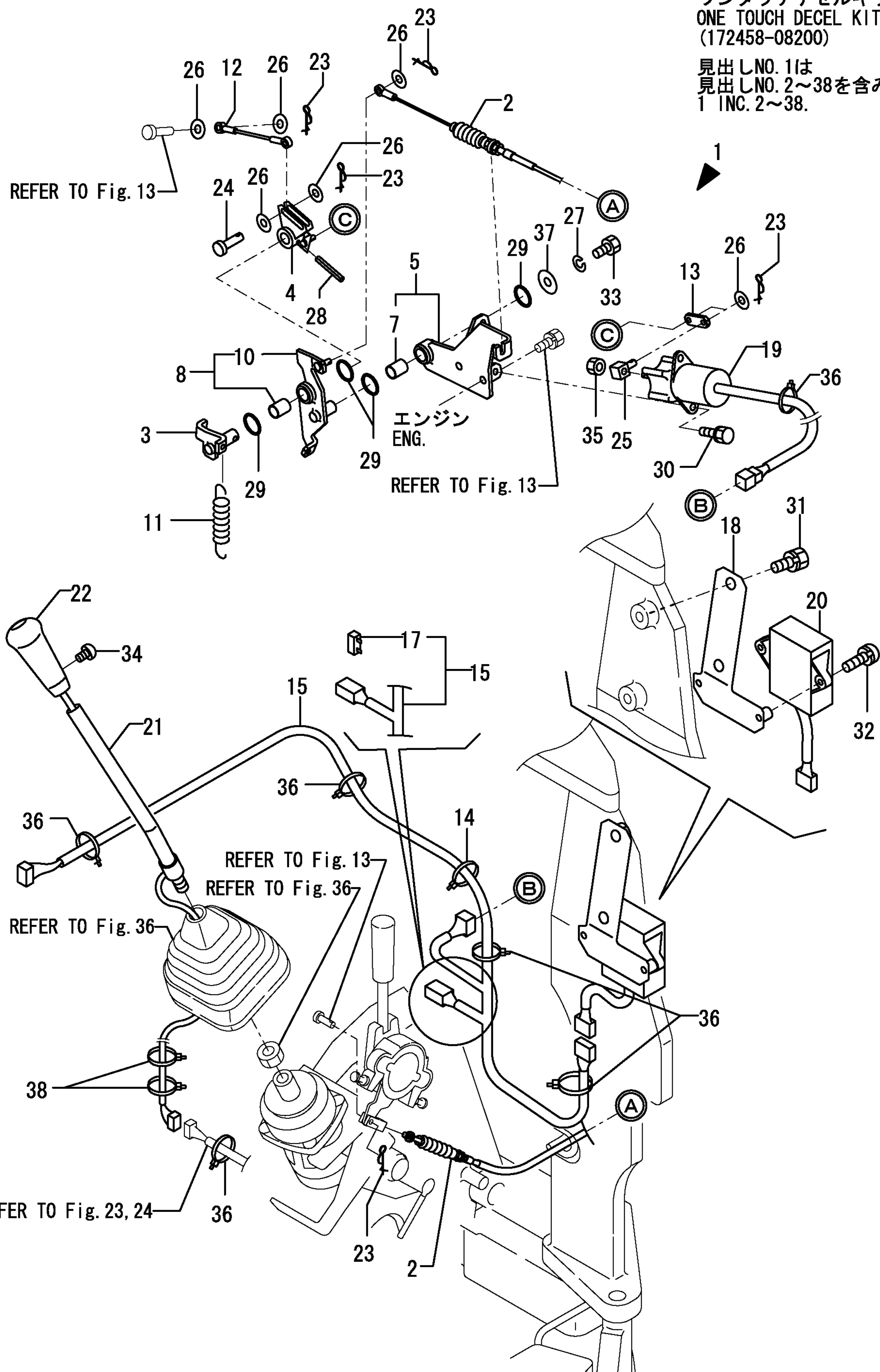
エンジン
ENG.

REFER TO Fig. 13

REFER TO Fig. 13
REFER TO Fig. 36

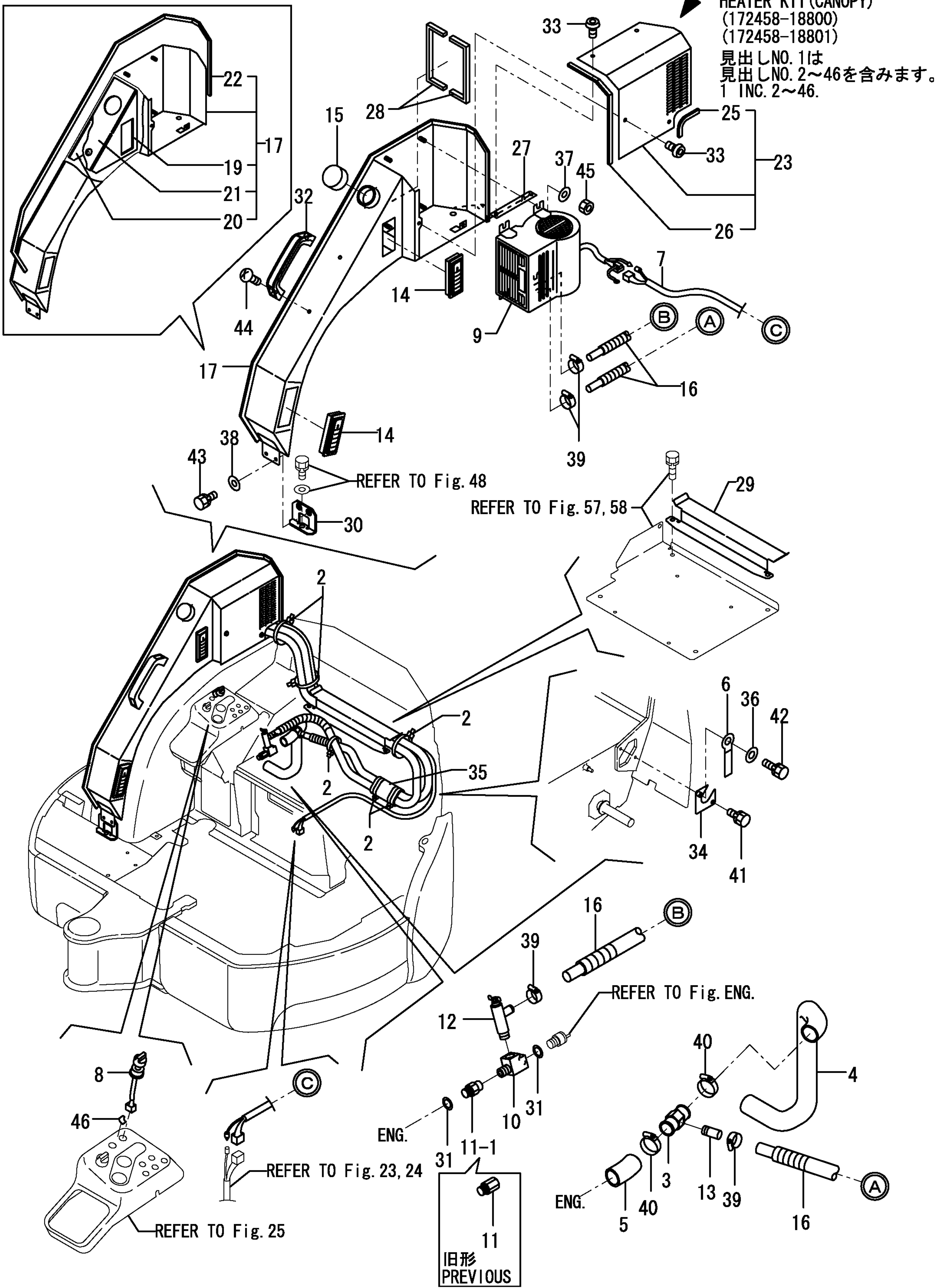
REFER TO Fig. 36

REFER TO Fig. 23, 24



1,1,,772458-18800,, "HEATER KIT",,1,,,,,,,,,,,,,,,,,,,,,
1-2,1,,772458-18801,, "HEATER KIT",,1,,,,,N,,,,,72457042,M/#20852,,,,,,,,,,,,,I
2,2,,172126-11510,, "BAND 300",,6,,,,,,,,,,,,,,,,,,,,,
3,2,,172141-13490,, JOINT,,1,,,,,,,,,,,,,,,,,,,,,
4,2,,172458-13580,, CW-T(A-1,,1,,,,,,,,,,,,,,,,,,,,,
5,2,,172458-13590,, CW-T(A-2,,1,,,,,,,,,,,,,,,,,,,,,
6,2,,172126-16540,, "CLAMP 10X70",,1,,,,,,,,,,,,,,,,,,,,,
7,2,,172458-16580,, HARNESS,,1,,,,,,,,,,,,,,,,,,,,,
8,2,,172187-17290,, "SWITCH, HEATER",,1,,,,,,,,,,,,,,,,,,,,,
9,2,,172162-17601,, HEATER,,1,,,,,,,,,,,,,,,,,,,,,
9-1,2,,172162-17602,, HEATER,,1,,,,,N,,,,,72458449,M/#20852,,,,,,,,,,,,,I
10,2,,172168-17600,, "CONNECTOR PT3/8-M16",,1,,,,,,,,,,,,,,,,,,,,,
11,2,,172137-17630,, "JOINT, HEATER",,1,,,,,,,,,,,,,,,,,,,,,
11-1,2,,172137-17631,, "JOINT, HEATER",,1,,,,,S,,,,,724900024,*03.08.21,,,,,,,,,,,,,I
12,2,,172425-17630,, "VALVE ASSY, HEATER",,1,,,,,,,,,,,,,,,,,,,,,
13,2,,172124-17640,, "JOINT 3/8",,1,,,,,,,,,,,,,,,,,,,,,
14,2,,172458-17700,, GRILLE,,2,,,,,,,,,,,,,,,,,,,,,
15,2,,172122-17730,, "COVER, DEFROSTER",,1,,,,,,,,,,,,,,,,,,,,,
16,2,,172458-18660,, "HOSE ASSY, HEATER",,2,,,,,,,,,,,,,,,,,,,,,
17,2,,172458-18700,, "DUCT (GRAY:73)",,1,,,,,,,,,,,,,,,,,,,,,
19,3,,172458-18930,, SEAT,,1,,,,,,,,,,,,,,,,,,,,,
20,3,,172458-18940,, SEAT,,1,,,,,,,,,,,,,,,,,,,,,
21,3,,172458-18950,, SEAT,,1,,,,,,,,,,,,,,,,,,,,,
22,3,,172176-67110,, "TRIM, ROOF",,1,,,,,,,,,,,,,,,,,,,,,
23,2,,172458-18800,, "COVER (GRAY:73)",,1,,,,,,,,,,,,,,,,,,,,,
25,3,,172458-18850,, MOLDING,,1,,,,,,,,,,,,,,,,,,,,,
26,3,,172458-18860,, MOLDING,,1,,,,,,,,,,,,,,,,,,,,,
27,2,,172458-18820,, "BRACKET ASSY",,1,,,,,,,,,,,,,,,,,,,,,
28,2,,172458-18870,, "SEAL, SPONGE",,2,,,,,,,,,,,,,,,,,,,,,
29,2,,172458-18880,, COVER,,1,,,,,,,,,,,,,,,,,,,,,
30,2,,172458-18910,, "BRACKET (GRAY:73)",,1,,,,,,,,,,,,,,,,,,,,,
31,2,,124465-44950,, "GASKET 16",,2,,,,,,,,,,,,,,,,,,,,,
32,2,,172164-45980,, "GRIP, BONNET",,1,,,,,,,,,,,,,,,,,,,,,
33,2,,172458-46720,, "BOLT 8X20",,4,,,,,,,,,,,,,,,,,,,,,
34,2,,172458-63570,, "COVER, SEAT MOUNT(73)",,1,,,,,,,,,,,,,,,,,,,,,
35,2,,172458-63640,, "HOSE 150, SPONGE",,1,,,,,,,,,,,,,,,,,,,,,
36,2,,22137-080000,, "WASHER 8, POLISHED",,1,,,,,,,,,,,,,,,,,,,,,
37,2,,22137-100000,, "WASHER 10, POLISHED",,3,,,,,,,,,,,,,,,,,,,,,
38,2,,22137-100000,, "WASHER 10, POLISHED",,2,,,,,,,,,,,,,,,,,,,,,
39,2,,23000-022000,, "CLAMP 22",,4,,,,,,,,,,,,,,,,,,,,,
39-1,2,,23001-022000,, "HOSE CLAMP 22",,4,,,,,N,,,,,72446124,M/#21105,,,,,,,,,,,,,I
40,2,,23000-041000,, "CLAMP 41",,2,,,,,,,,,,,,,,,,,,,,,
40-1,2,,23001-041000,, "CLIP 41, HOSE",,2,,,,,N,,,,,72446124,M/#21105,,,,,,,,,,,,,I
41,2,,26013-080162,, "BOLT W/WASHER M8X16",,1,,,,,,,,,,,,,,,,,,,,,
42,2,,26013-080252,, "BOLT M 8X 25",,1,,,,,,,,,,,,,,,,,,,,,
43,2,,26013-100202,, "BOLT W/WASHER M10X20",,2,,,,,,,,,,,,,,,,,,,,,
44,2,,26557-080162,, "SCREW M 8X 16",,2,,,,,,,,,,,,,,,,,,,,,
45,2,,26716-100002,, "NUT 10",,3,,,,,,,,,,,,,,,,,,,,,
46,2,,172187-03690,, "LABEL(HEATER SWITCH",,1,,,,,,,,,,,,,,,,,,,,,

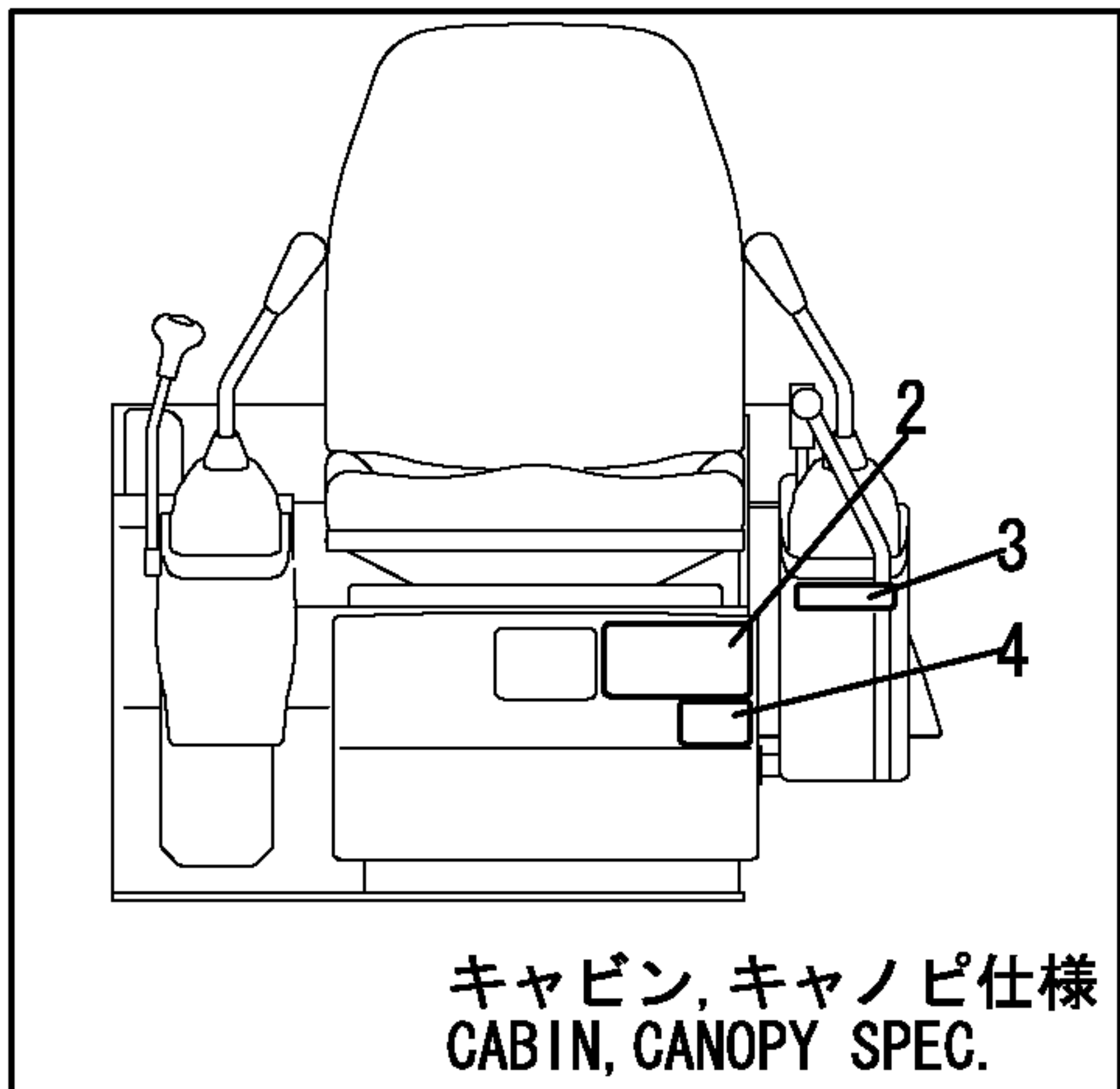
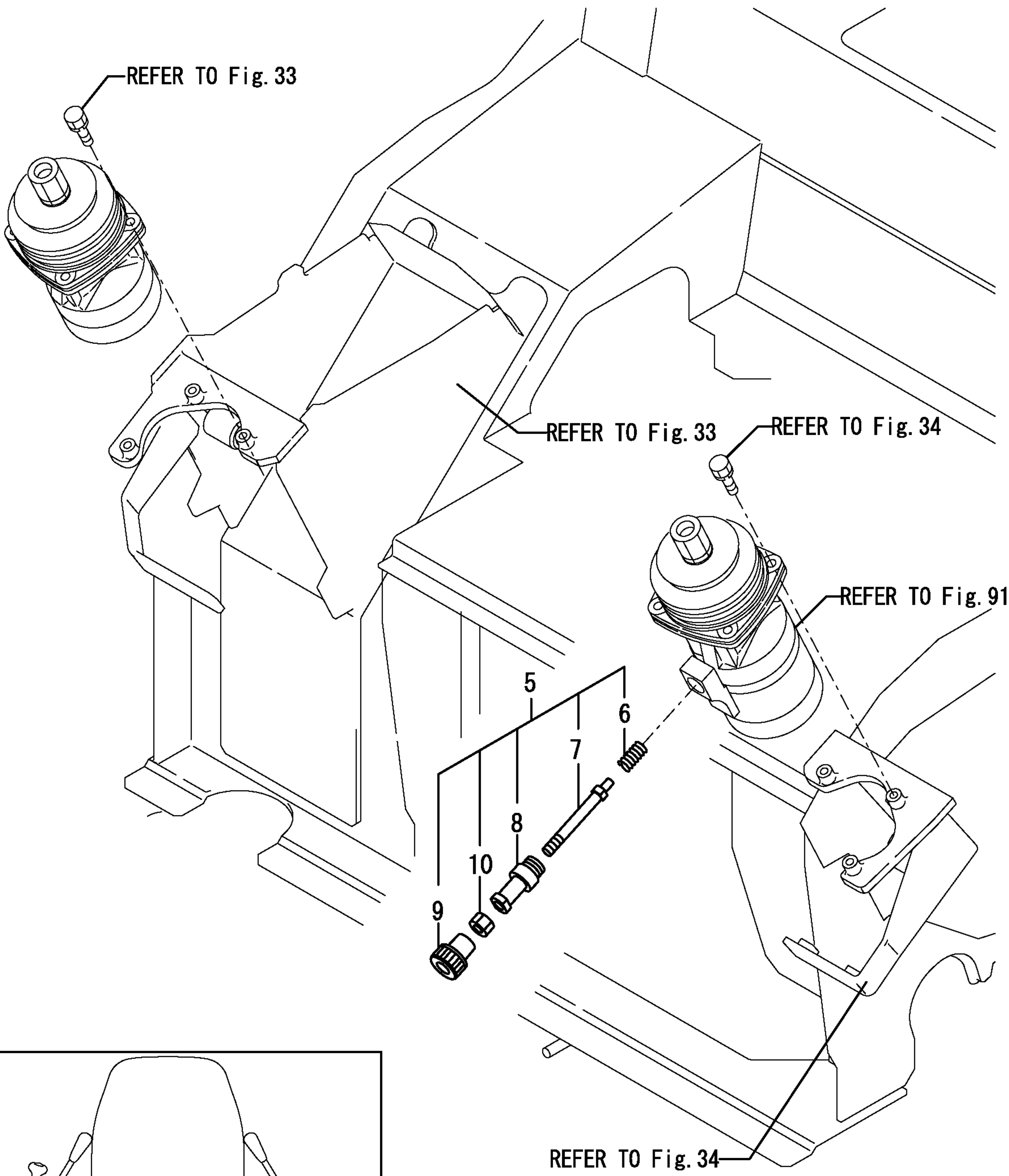
1 ヒータキット (キャノピ)
 HEATER KIT (CANOPY)
 (172458-18800)
 (172458-18801)
 見出しNO. 1は
 見出しNO. 2~46を含みます。
 1 INC. 2~46.



1,1,,172458-08530,, "2-WAY KIT",1,1,,,,,,,,,,,,,,,,,,,,,I
2,2,,172458-03550,, LABEL,1,1,,,,,,,,,,,,,,,,,,,,,I
3,2,,172458-03560,, LABEL,1,1,,,,,,,,,,,,,,,,,,,,,I
4,2,,172458-03570,, LABEL,1,1,,,,,,,,,,,,,,,,,,,,,I
5,2,,172458-08540,, "LEVER ASS,2W",1,1,,,,,,,,,,,,,,,,,,,,,I
6,3,,1C6141-35370,, "SPRING,LOCK",1,1,,,,,,,,,,,,,,,,,,,,,I
7,3,,172458-74470,, SHAFT,1,1,,,,,,,,,,,,,,,,,,,,,I
8,3,,172458-74480,, SLEEVE,1,1,,,,,,,,,,,,,,,,,,,,,I
9,3,,172458-74490,, "LEVER KNOB BL",1,1,,,,,,,,,,,,,,,,,,,,,I
10,3,,26712-080002,, "NUT M 8",1,1,,,,,,,,,,,,,,,,,,,,,I

2ウェイキット
2-WAY KIT
(172458-08530)

見出しNO. 1は
見出しNO. 2~10を含みます。
1 INC. 2~10.



[Info]

PcNo=Y00K3682

PcName=VIO27-2 (JP, EX)

JpnUse=1

JpnSec1=Ēš<@

JpnSec2=fofbfNfz [

JpnSec3=VIO

JpnPreface=1

EngUse=1

EngSec1=CONSTRUCTION

EngSec2=EXCAVATOR (ViO)

EngSec3=VIO

EngPreface=1