

# PREFACE

1. This Parts Catalog carries Yanmar crawler back-hoe Vio20-3(for japan).

Pub. No. : 000Y00K3970

Published : Sep. , 2004

2. Model name

SECTION	Column	Model name	M/#	Manufactured
I (Vehicle)	(A)	Vio20-3 C(JP)	30501 ~	2004/4 ~
	(B)	Vio20-3 P(JP)		
	(C)	Vio20-3 P(EX)		
II (Engine)	(A)	3TNV76-PBV	04372 ~	2004/3 ~

(Note) C:Cabin spec. P:Canopy spec. JP:Japan EX:Export except Europe & America.

3. Your understanding is asking that this parts catalog is not a technical data manual setting forth as servicing procedures, This parts catalog is using simplified illustration. Be sure to use Yanmar Genuine Parts in your maintenance servicing of Yanmar products. Be careful not to use the simple parts available in the market, otherwise their use in repairing causes such as an early breakage, for instance.

### How to read this Parts Catalog.

1. Parts mentioned in Parts Catalog may not necessarily be standard equipping parts
2. Parts change may be made without prior notice.
3. Form of this Parts Catalog.

REF.	LEV.	PARTS No.	DESCRIPTION	QTY						I	R
				(A)	(B)	(C)	(D)	(E)	(F)		
1		729595-51390	FUEL INJECTION PUMP		1	1	1	1	1		
1-1	1	729595-51391	FUEL INJECTION PUMP	1	1	1	1	1	1		
		(A=E00185) (B=E00200)									
3	2	26022-060162	SCREW M 6X16		9	9	9	9	9		
1 3-1	2	26022-060162	SCREW M 6X16		4	4	4	4	4		K
		(A=E00156) (B=E00156) (C=E00156) (D=E00156) (E=E00156)									
4	2	129470-51040	CAMSHFT		9	9	9	9	9		
5	2	122710-51050	BEARING. ROLLER		9	9	9	9	9		
6	2	129470-51060	RETAINER		9	9	9	9	9		

Remarks	(1) BOOST COMPENSATOR TYPE. OPTIONAL PART. TO E#00155 (4JH-DT, 4JH-DTZ)
---------	---

#### ① Ref. No.

The Ref. No. in the list may not be in accordance with the Ref. No. on illustration.

(Ex.) illustration No. List head No.

1 1 (Before change) → 1-1 (After change)

When interchangeable symbol N, and k, illustrations for the new parts are sometimes omitted.

#### ② Lev. (Level)

Indication and Meaning of Level

Level Hereunder is given the relation among the number of number (1,2,3) the level and the nominal parent-child relationship.

1 ---- Parent parts (Assembly parts)

2 ---- Child parts included in " 1 " (Semi-Assembly parts, component parts of Assembly parts.)

3 ---- Child parts included in " 2 ", Grand-child parts in terms of " 1 ".

(Component parts of Semi-Assembly parts.)

Note) A parts of non-sale parts are illustrated but not listed.

#### ③ Change Mark

Change Mark " I " is given to the part for which a design change was made at this time.

The design change was not shown in the last published Parts Catalog.

#### ④ Interchangeability Mark

In the case where a part change took place, one of the following interchangeability marks is indicated for that part

Symbol	Interchangeability	Contents note
N	Old ←  → New	New Part is interchangeable for Old Part but not interchangeable conversely.
Q	Old ←  → New	New Part is not interchangeable for Old Part but interchangeable conversely.
R	Old ←  → New	New Part is interchangeable for Old Part and vice versa.
S	Old ←  → New	New Part is not interchangeable for Old Part and vice versa.
W		Part newly added.
Z		Part discontinued.
F		Not interchangeable single part but interchangeable by set of the related parts.
K		Changed only in quantity used.

#### ⑤ Effective Machine No.

When a part is changed, Effective Machine No. of a Model for which the part is applicable is indication

In each column of (A)-(F).

Product Symbol	Product No.	Product Symbol	Product No.
C	Clutch No, Compressor No,	M	Machine No,
D	Drive No,	T	Tractor No,
E	Engine No,	Note 1)※	Date

Note 1) Date may follow the symbol in some cases. (Ex.) ※1996.01

Note 2) As far as engine models shown by " XXX " are concerned, the modification of the parts could not be Predicted or the engine models themselves could not be identified.

Note 3) (A=E/#00185) means that the design change on the part has been effective for the model at the, column (A) (in the case, for 4JH-DT) on and from E/#(Engine Serial Number) 00185

#### ⑥ Remarks Mark

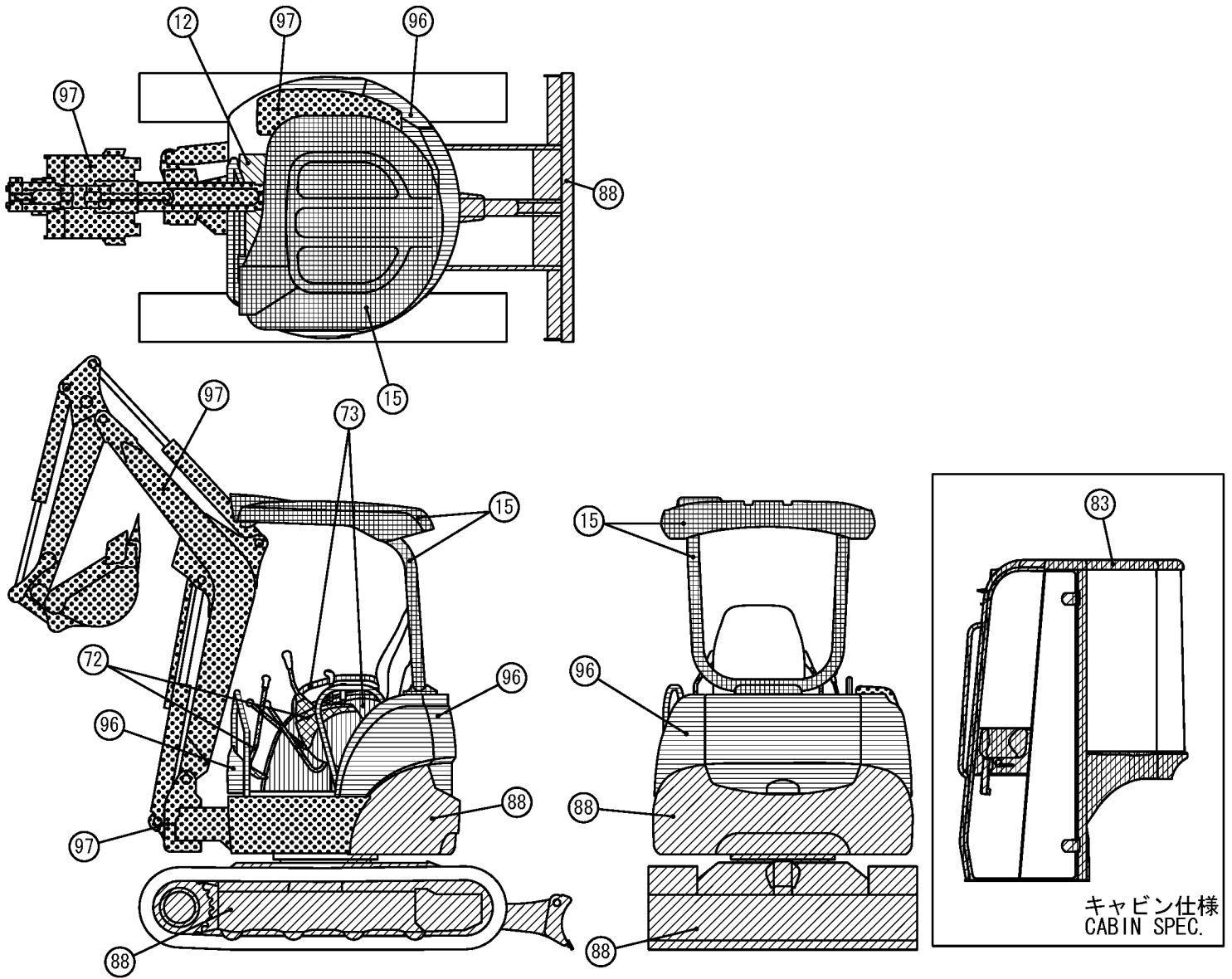
Figures or alphabets (Symbols) are entered in the remark column.

The comments (remarks) on the pertinent parts are indicated in the lower part of the list by the same symbols a those stated above.

# SPECIFICATIONS

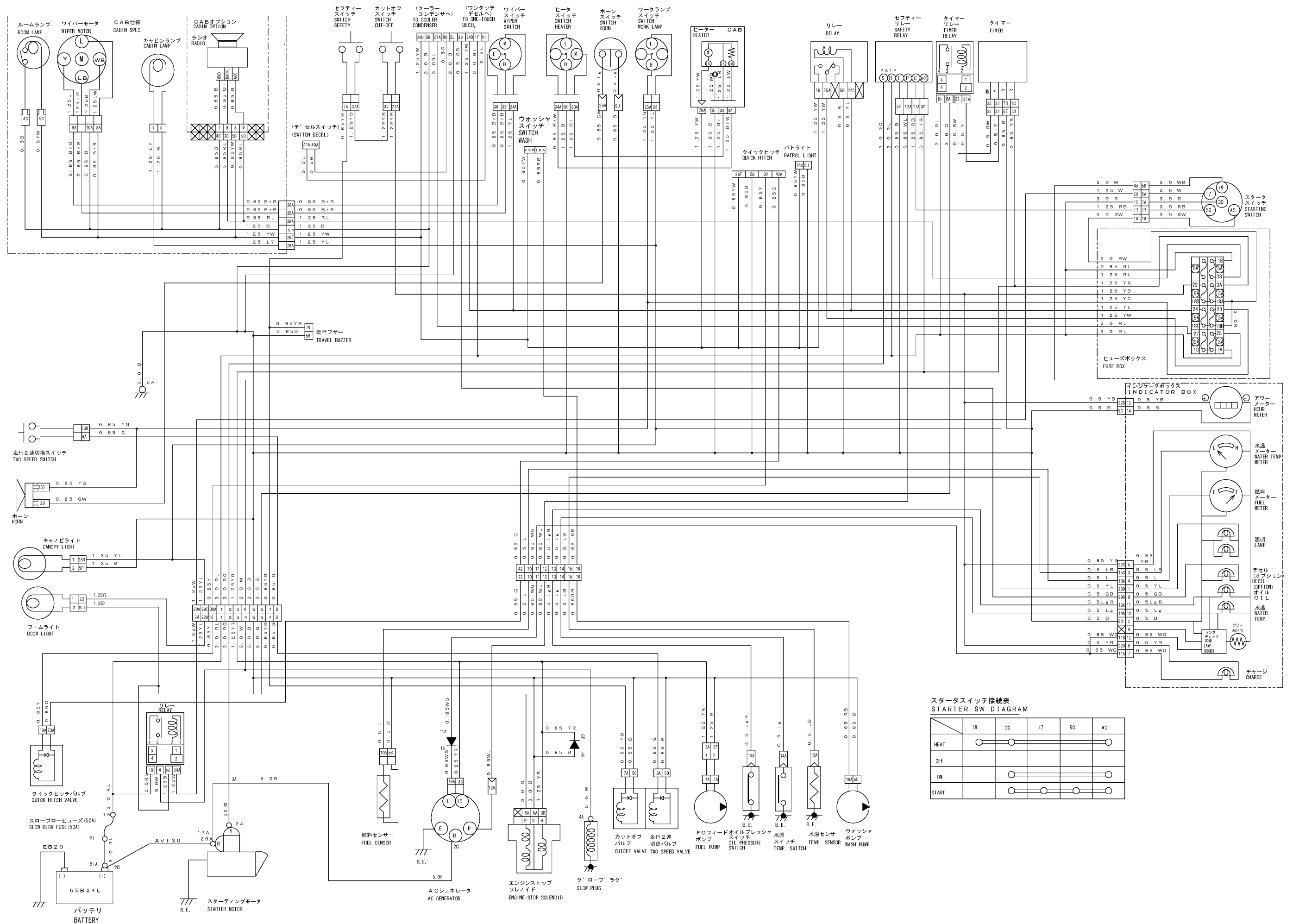
<https://truckmanualshub.com/>

Name		YANMAR CRAWLER BACKHOE				
Model		Vi020-3				
Item		Iron crawler		Rubber crawler		
		canopy	cabin	canopy	cabin	
Machine mass		kg	2010	2150	2010	2150
Body mass		kg	1495	1615	1495	1615
Dimensions	Transport length	mm	3915			
	Transport width	mm	1380			
	Transport height	mm	2410	2460	2410	2460
Performance	Std. bucket capacity	m <sup>3</sup>	0.066 (Old JIS indication 0.06)			
	Std. bucket width (Outside)	mm	490			
	Max. digging depth	mm	2440 (2620 : blade)			
	Max. vertical digging depth	mm	1900			
	Max. cutting height	mm	4210	4000	4210	4000
	Max. dump height	mm	2650	2450	2650	2450
	Max. reach at ground level	mm	4160			
	Min. swing radius (Swing)	mm	1800 (1505)	2010 (1695)	1800 (1505)	2010 (1695)
	Boom swing angle	degree	Left 47 · Right 75			
	Max. digging force (Std. bucket)	kN (kgf)	17.7 (1800)			
	Travel speed (High · Low)	km/h	4.4 · 2.2			
	Turning speed	min <sup>-1</sup> (rpm)	9.5			
	Average ground pressure (Std. shoe)	kPa (kgf/cm <sup>2</sup> )	24.9 (0.254)	26.2 (0.267)	24.9 (0.254)	26.2 (0.267)
	Hyd. pump flux	L/min	21.6X2 (variable pump) 21.1X1 (gear pump)			
	Set pressure (Main relief)	MPa (kgf/cm <sup>2</sup> )	20.6 (210) X3			
Track shoe wide (Std. shoe)	mm	250				
Blade	Wide x height	mm	1380X288			
	Raise (Up/Down)	mm	360/340			
Engine	Model	Vertical 3-cylinder water-cooled diesel				
	Name	3TNV76-PBV				
	Generating power /revolutions	kw/min <sup>-1</sup> (PS/rpm)	14.3/2400 (19.5/2400)			
	Displacement	L	1.116			
	Compress pressure	MPa (kgf/cm <sup>2</sup> )	3.43 (35) at 250min <sup>-1</sup> (rpm)			
	Nozzle jet pressure	MPa (kgf/cm <sup>2</sup> )	12.3 (125)			
	Fan belt (V-belt) size	A35.5				
Generator capacity	12V/40A					
Battery model capacity		65B24L/12V, 40Ah (5 hours rate capacity)				

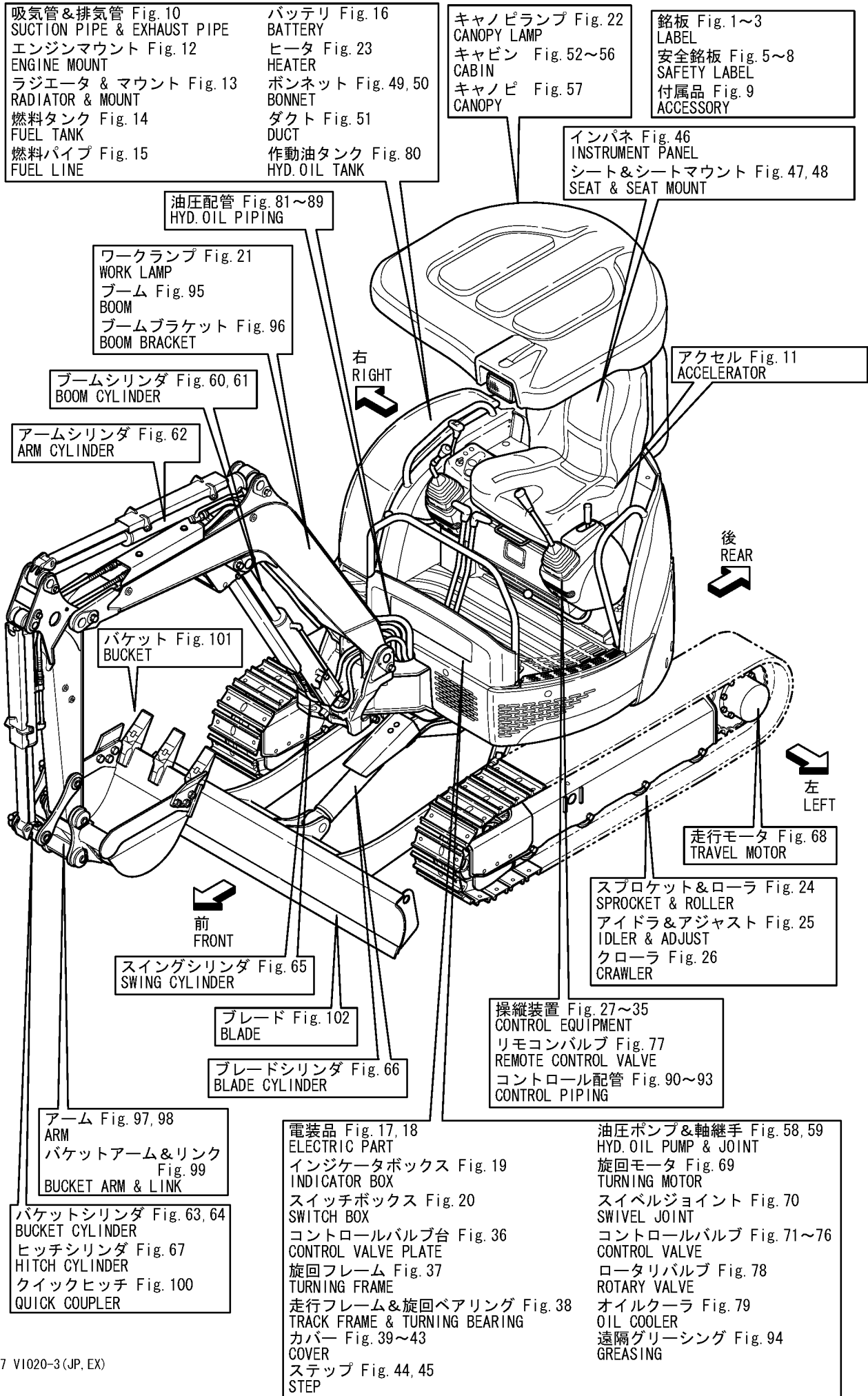


色区分 Color Code	表示 Desc- ription	塗装色 Painted Color	マンセル記号 Munsel No.	塗料部品番号 (Paint Part No.)		
				16L缶 (16L Can)	4L缶 (4L Can)	スプレー (SPRAY)
88		ヤンマー新ディープグリーン YANMAR New Deep Green	0. 6B2. 2/4. 2	981101-09588	977620-40880	977620-30881
97		ヤンマーピーコックグリーン YANMAR Peacock Green	3. 85BG5. 31/9. 15	981101-09597	977620-40970	977620-30971
96		ヤンマーシトラスグリーン YANMAR Citrus Green	4. 84GY8. 42/6. 99	981101-09599	977620-40990	977620-30991
72		ヤンマーダークオリーブグレー YANMAR Dark Olive Gray	5. 39Y2. 92/0. 78	-----	977620-40720	TOR-90460003
15		ナチュラルホワイト Natural White	1. 38GY7. 15/0. 48	-----	-----	977620-30301
73		ヤンマーワームグレー YANMAR Warm Gray	7Y5. 3/0. 8	-----	-----	TOR-90450003
12		ヤンマーブラック YANMAR Black	4. 90PB0. 08/0. 41	-----	TOR-91220001	TOR-90220003
83		ヤンマーグレイッシュグリーン YANMAR Grayish Green	2. 14G 4. 87/1. 52	981101-09615	977620-40830	977620-30N41

# WIRING DIAGRAM



絵目次 (1) <https://truckmanualshub.com/> ・ 主要部品  
 PICTURESQUE INDEX (1) . . . MAIN PARTS



吸気管&排気管 Fig.10  
 SUCTION PIPE & EXHAUST PIPE  
 エンジンマウント Fig.12  
 ENGINE MOUNT  
 ラジエータ & マウント Fig.13  
 RADIATOR & MOUNT  
 燃料タンク Fig.14  
 FUEL TANK  
 燃料パイプ Fig.15  
 FUEL LINE

バッテリー Fig.16  
 BATTERY  
 ヒータ Fig.23  
 HEATER  
 ボンネット Fig.49,50  
 BONNET  
 ダクト Fig.51  
 DUCT  
 作動油タンク Fig.80  
 HYD.OIL TANK

キャノピランプ Fig.22  
 CANOPY LAMP  
 キャビン Fig.52~56  
 CABIN  
 キャノピ Fig.57  
 CANOPY

銘板 Fig.1~3  
 LABEL  
 安全銘板 Fig.5~8  
 SAFETY LABEL  
 付属品 Fig.9  
 ACCESSORY

インパネ Fig.46  
 INSTRUMENT PANEL  
 シート&シートマウント Fig.47,48  
 SEAT & SEAT MOUNT

油圧配管 Fig.81~89  
 HYD.OIL PIPING

ワークランプ Fig.21  
 WORK LAMP  
 ブーム Fig.95  
 BOOM  
 ブームブラケット Fig.96  
 BOOM BRACKET

ブームシリンダ Fig.60,61  
 BOOM CYLINDER

アームシリンダ Fig.62  
 ARM CYLINDER

アクセル Fig.11  
 ACCELERATOR

バケット Fig.101  
 BUCKET

スイングシリンダ Fig.65  
 SWING CYLINDER

ブレード Fig.102  
 BLADE

ブレードシリンダ Fig.66  
 BLADE CYLINDER

走行モータ Fig.68  
 TRAVEL MOTOR

スプロケット&ローラ Fig.24  
 SPROCKET & ROLLER  
 アイドラ&アジャスト Fig.25  
 IDLER & ADJUST  
 クローラ Fig.26  
 CRAWLER

操縦装置 Fig.27~35  
 CONTROL EQUIPMENT  
 リモコンバルブ Fig.77  
 REMOTE CONTROL VALVE  
 コントロール配管 Fig.90~93  
 CONTROL PIPING

アーム Fig.97,98  
 ARM  
 バケットアーム&リンク Fig.99  
 BUCKET ARM & LINK

バケットシリンダ Fig.63,64  
 BUCKET CYLINDER  
 ヒッチシリンダ Fig.67  
 HITCH CYLINDER  
 クイックヒッチ Fig.100  
 QUICK COUPLER

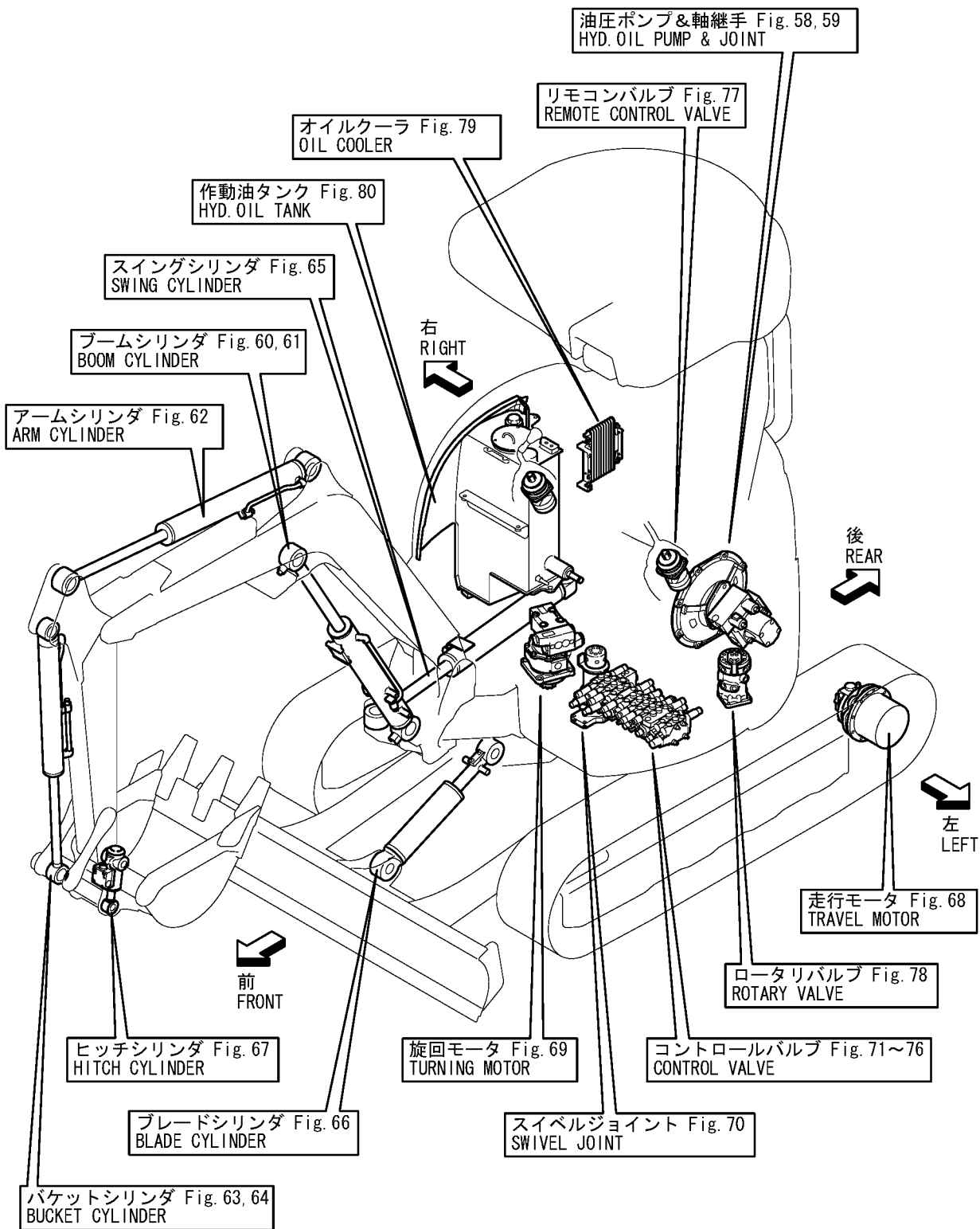
電装品 Fig.17,18  
 ELECTRIC PART  
 インジケータボックス Fig.19  
 INDICATOR BOX  
 スイッチボックス Fig.20  
 SWITCH BOX  
 コントロールバルブ台 Fig.36  
 CONTROL VALVE PLATE  
 旋回フレーム Fig.37  
 TURNING FRAME  
 走行フレーム&旋回ベアリング Fig.38  
 TRACK FRAME & TURNING BEARING  
 カバー Fig.39~43  
 COVER  
 ステップ Fig.44,45  
 STEP

油圧ポンプ&軸継手 Fig.58,59  
 HYD.OIL PUMP & JOINT  
 旋回モータ Fig.69  
 TURNING MOTOR  
 スイベルジョイント Fig.70  
 SWIVEL JOINT  
 コントロールバルブ Fig.71~76  
 CONTROL VALVE  
 ロータリバルブ Fig.78  
 ROTARY VALVE  
 オイルクーラ Fig.79  
 OIL COOLER  
 遠隔グリース Fig.94  
 GREASING

絵目次 (2) <https://truckmanualshub.com/> 油圧関係  
 PICTURESQUE INDEX (2) . . . HYDRAULIC SECTION

油圧配管 Fig. 81~89  
 HYD. OIL PIPING

コントロール配管 Fig. 90~93  
 CONTROL PIPING



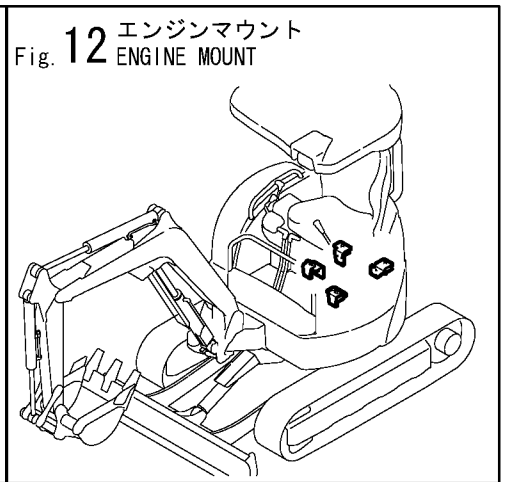
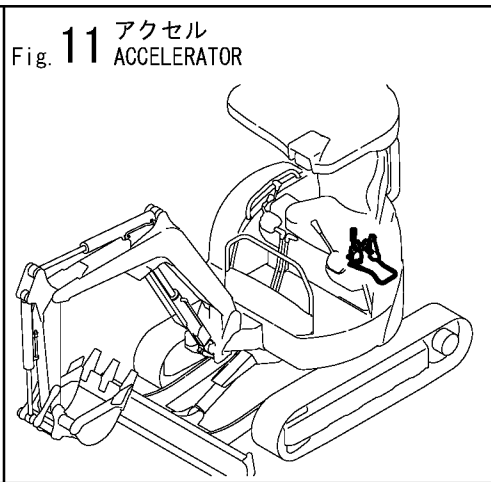
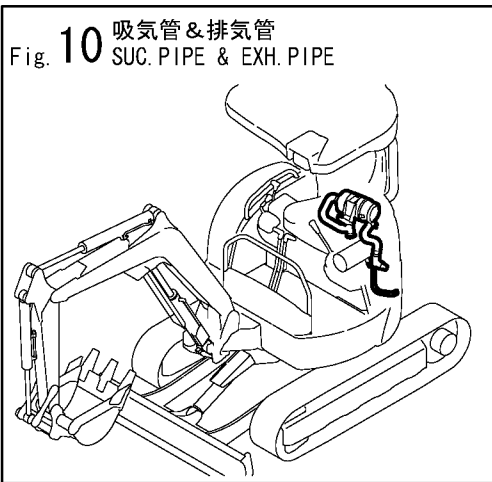
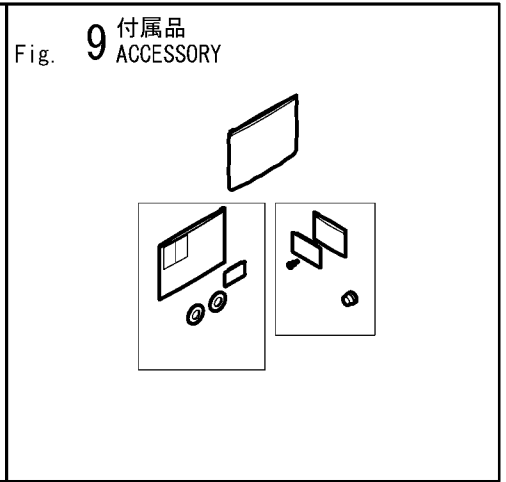
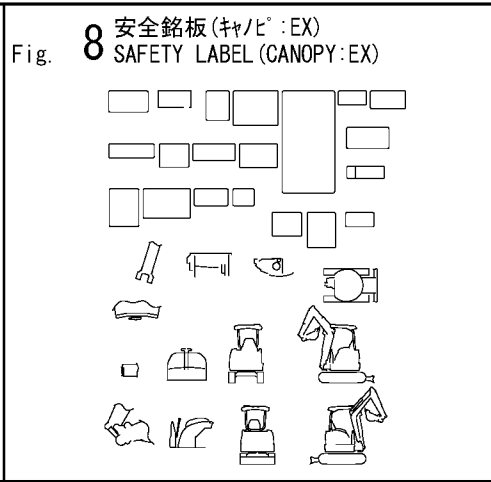
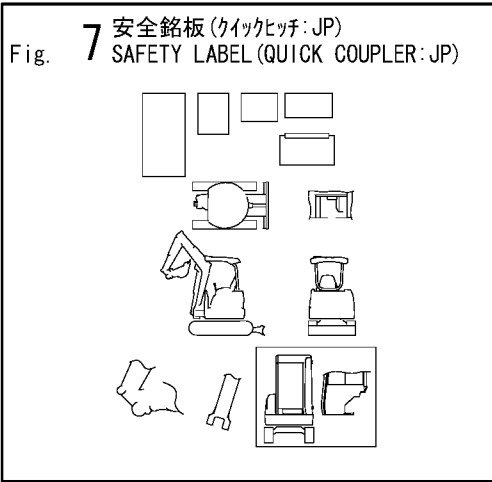
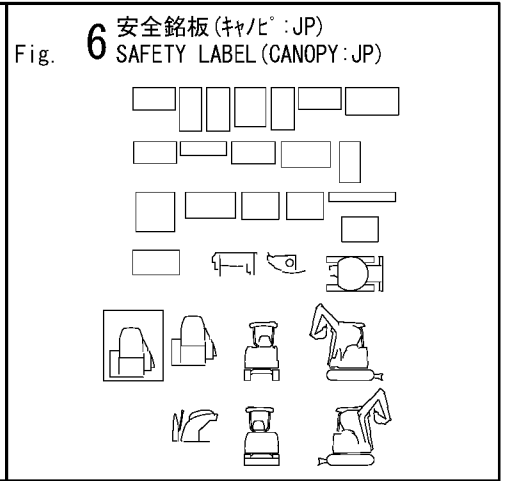
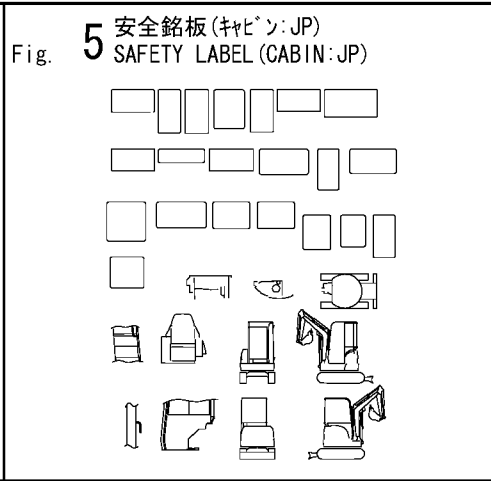
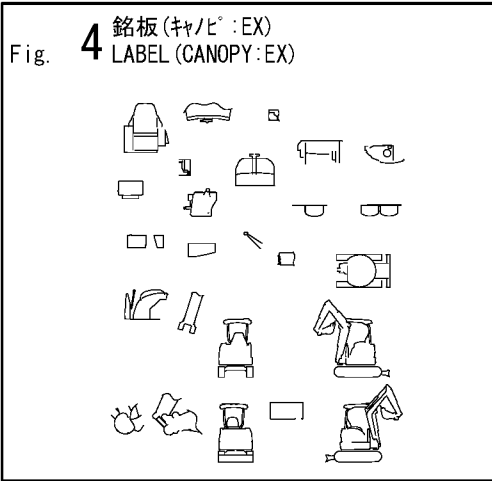
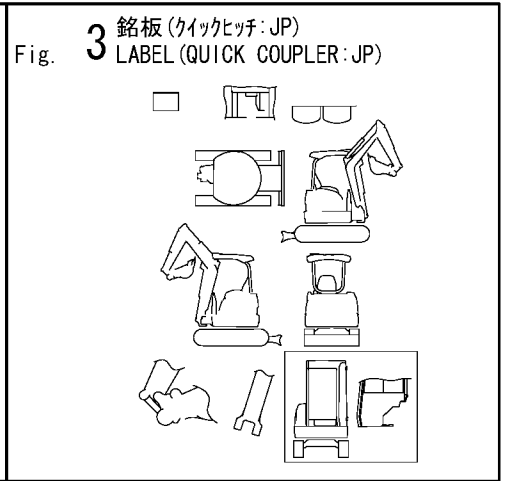
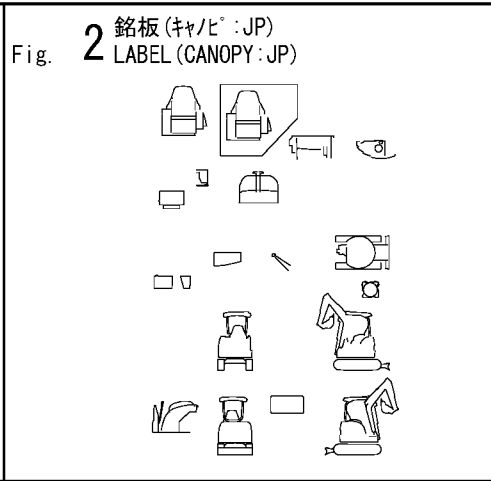
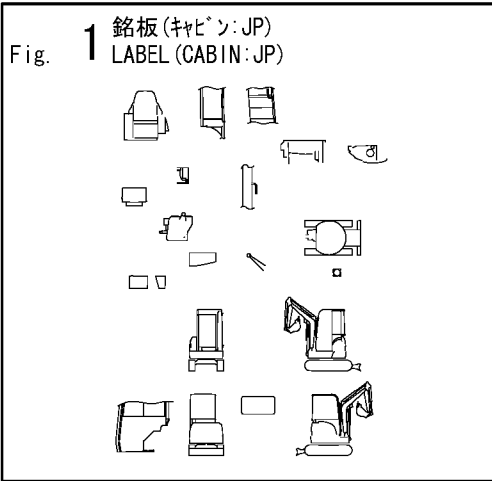




Fig. 13 ラジエータ&マウント  
 RADIATOR & MOUNT

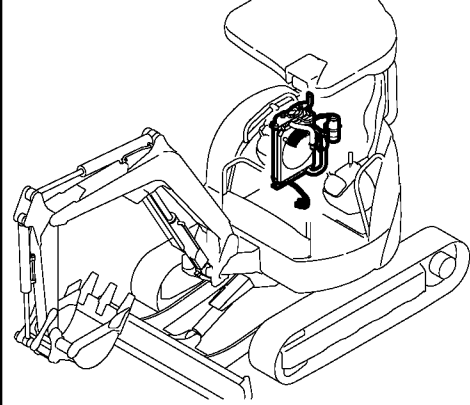


Fig. 14 燃料タンク  
 FUEL TANK

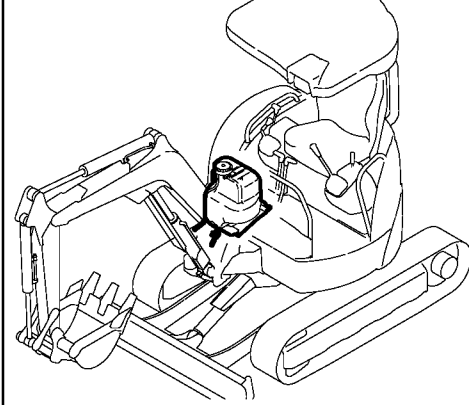


Fig. 15 燃料パイプ  
 FUEL LINE

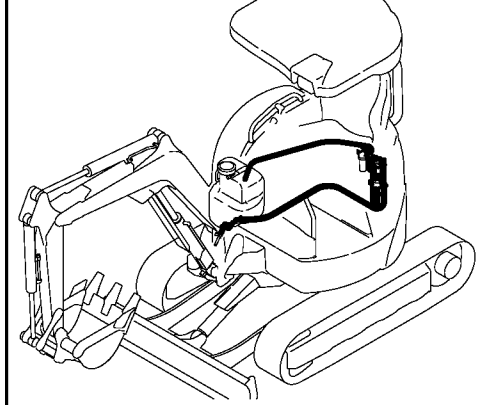


Fig. 16 バッテリ  
 BATTERY

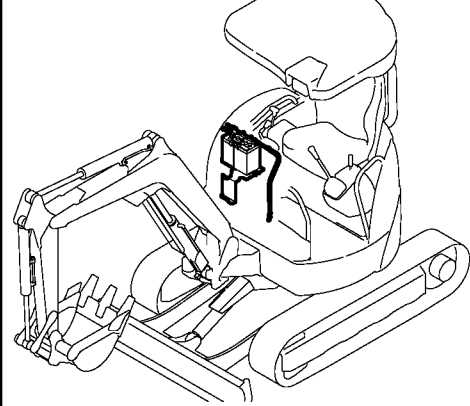


Fig. 17 電装品(ワイリング)  
 ELECTRIC PART (WIRING)

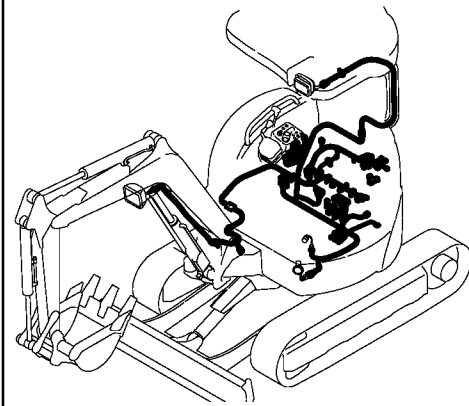


Fig. 18 電装品(機器)  
 ELECTRIC PART (EQUIPMENT)

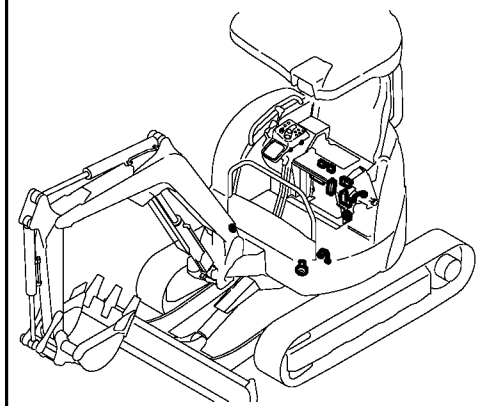


Fig. 19 インジケータボックス  
 INDICATOR BOX

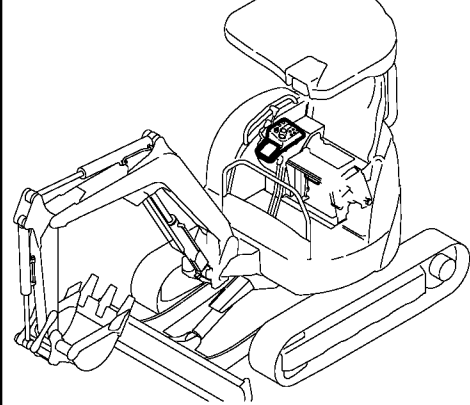


Fig. 20 スイッチボックス(クイックヒッチ仕様)  
 SWICH BOX (QUICK COUPLER SPEC.)

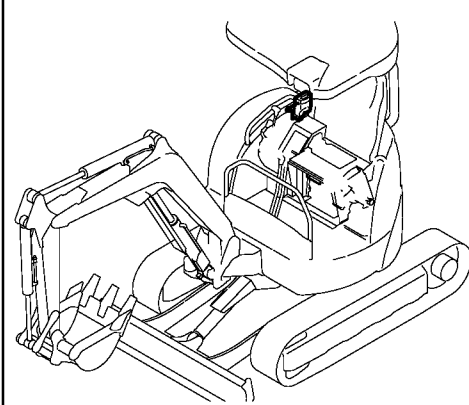


Fig. 21 ワークランプ  
 WORK LAMP

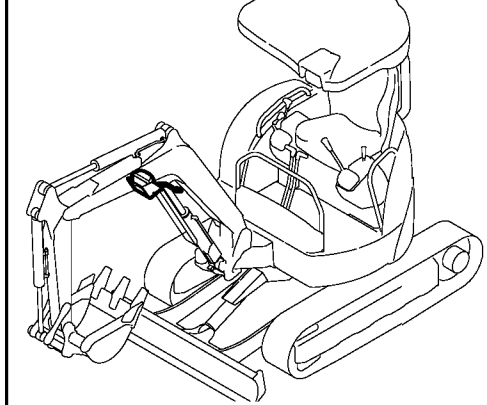


Fig. 22 キャノピランプ  
 CANOPY LAMP

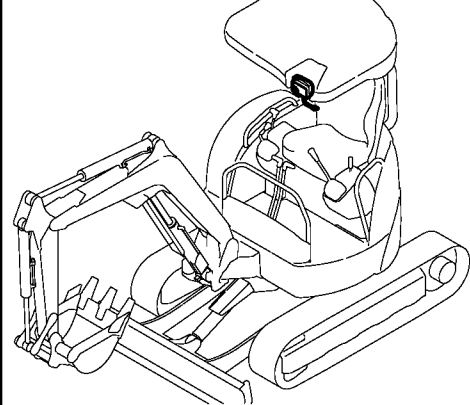


Fig. 23 ヒータ  
 HEATER

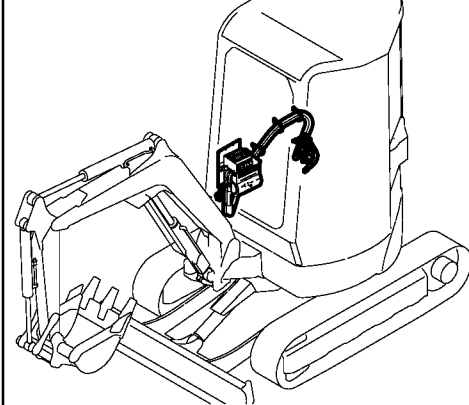


Fig. 24 スプロケット&ローラ  
 SPROCKET & ROLLER

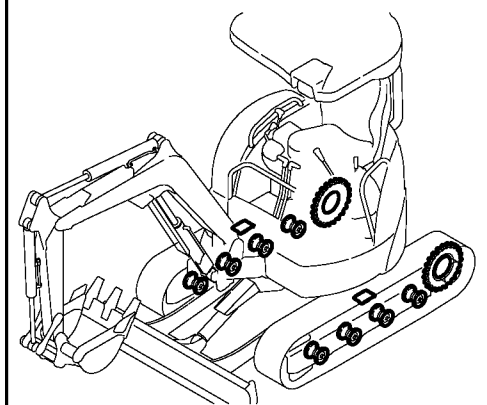


Fig. 25 アイドラ&アジャスト  
 IDLER & ADJUST

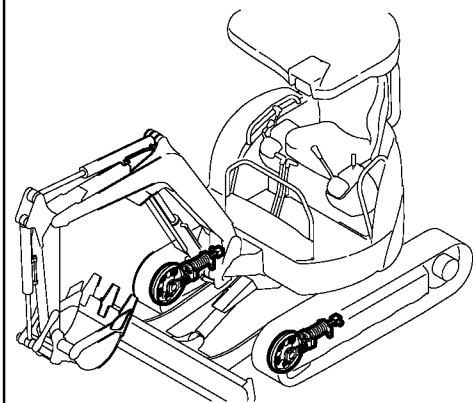


Fig. 26 クローラ  
 CRAWLER

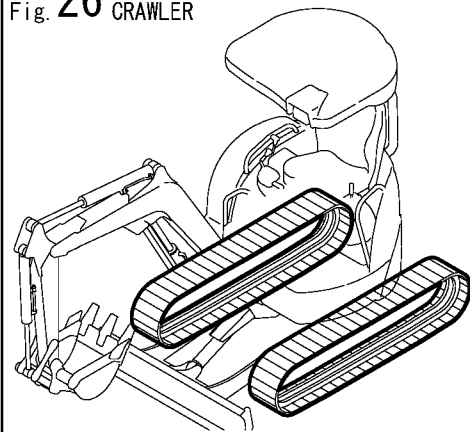


Fig. 27 操縦装置(ロックバー & スタンド)(右)  
 CONTROL EQUIPMENT  
 (LOCK LEVER & STAND) (RIGHT)

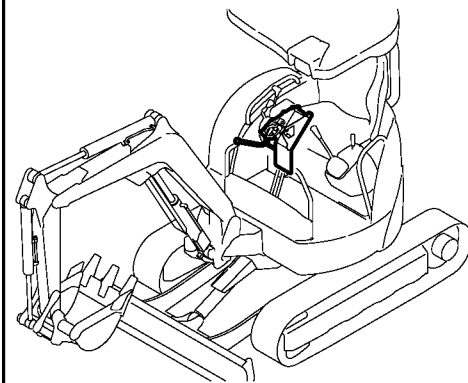


Fig. 28 操縦装置(ロックバー & スタンド)(左)  
 CONTROL EQUIPMENT  
 (LOCK LEVER & STAND) (LEFT)

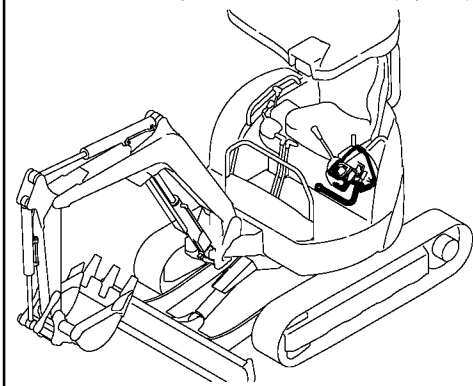


Fig. 29 操縦装置(走行バー & リンク台)  
 CONTROL EQUIPMENT  
 (TRAVEL LEVER & LINK STAND)

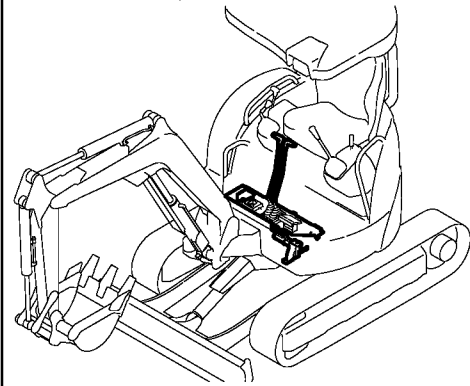


Fig. 30 操縦装置(作業バー)  
 CONTROL EQUIPMENT  
 (OPERATION LEVER)

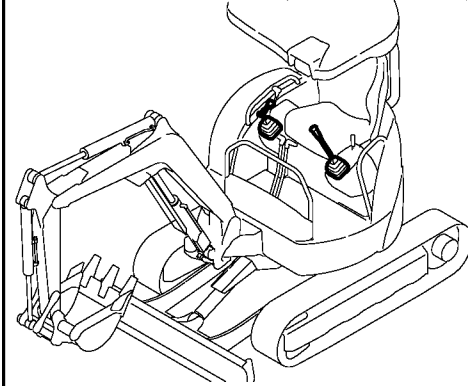


Fig. 31 操縦装置(ブレードレバー)  
 CONTROL EQUIPMENT (BLADE LEVER)

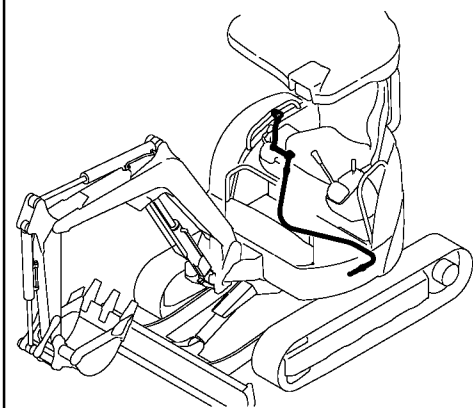


Fig. 32 操縦装置(スイングペダル)  
 CONTROL EQUIPMENT (SWING PEDAL)

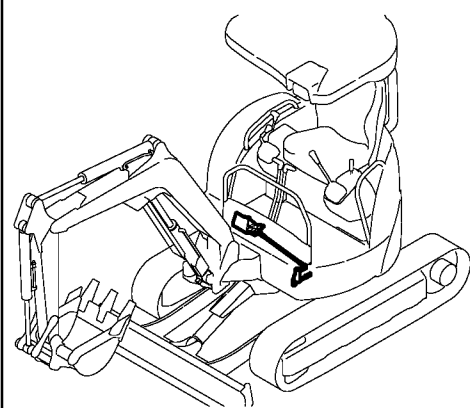


Fig. 33 操縦装置(ローハイペダル)  
 CONTROL EQUIPMENT (LOW-HIGH PEDAL)

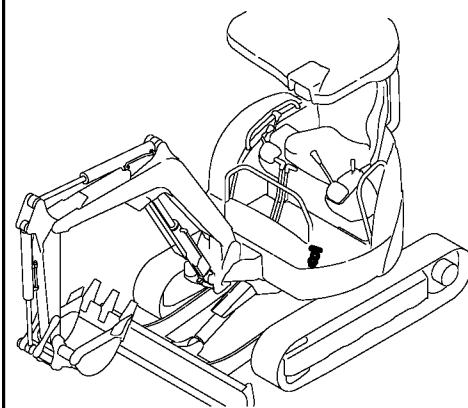


Fig. 34 操縦装置(PTOペダル)  
 CONTROL EQUIPMENT (P. T. O. PEDAL)

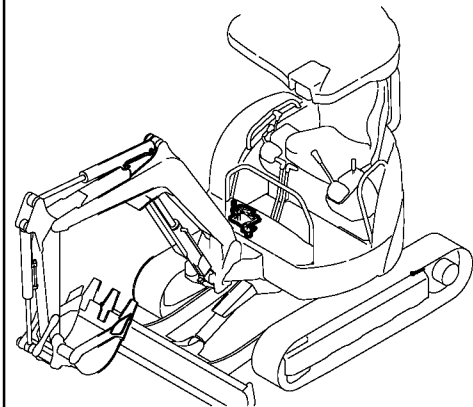


Fig. 35 操縦装置(PTOリンク)  
 CONTROL EQUIPMENT (P. T. O. LINK)

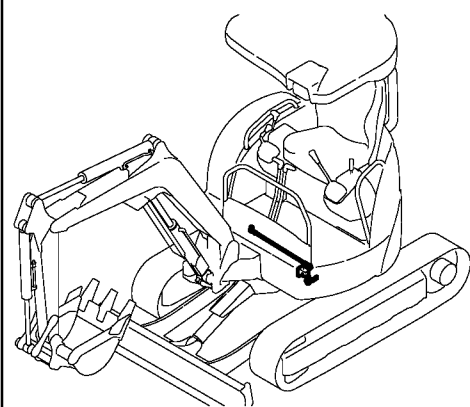


Fig. 36 コントロールバルブ台  
 CONTROL VALVE PLATE

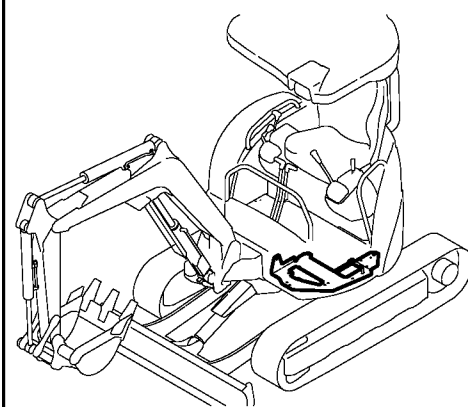


Fig. 37 旋回フレーム  
TURNING FRAME

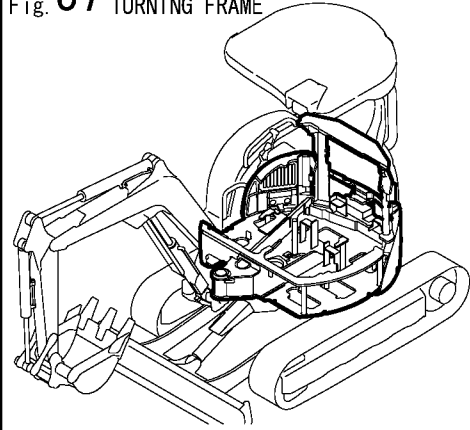


Fig. 38 走行フレーム&旋回ベアリング  
TRACK FRAME & TURNING BEARING

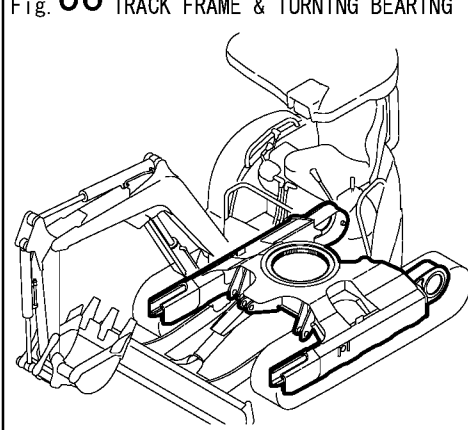


Fig. 39 カバー(フレーム)  
COVER (FRAME)

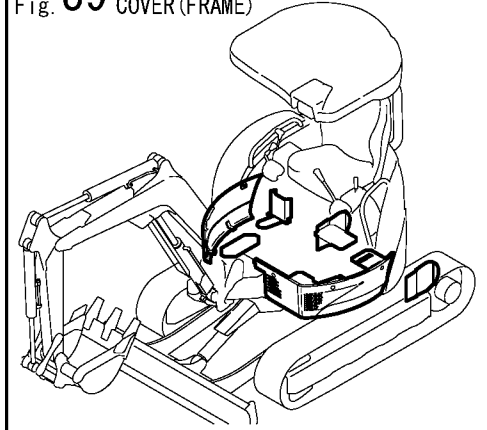


Fig. 40 カバー(操縦廻り)  
COVER (AROUND CONTROL)

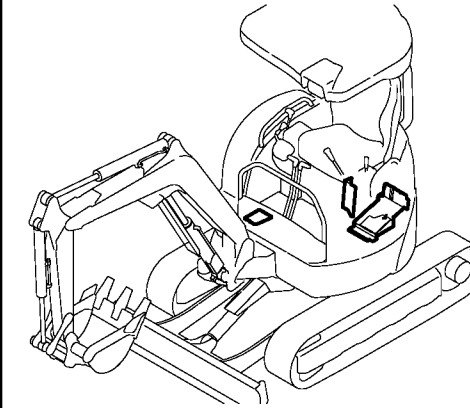


Fig. 41 カバー(キャビン仕様)  
COVER (CABIN SPEC.)

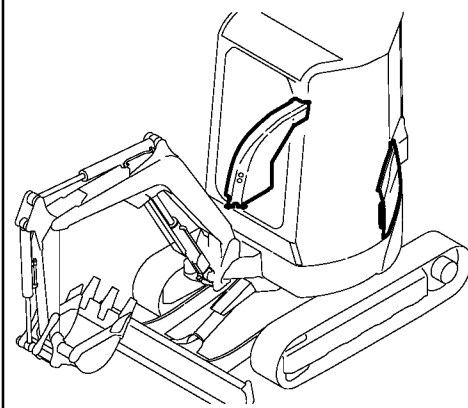


Fig. 42 カバー(キャノピー仕様)  
COVER (CANOPY SPEC.)

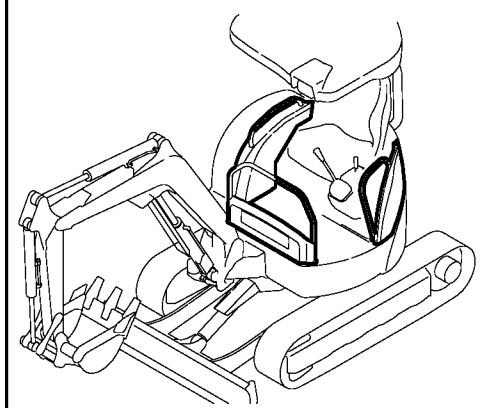


Fig. 43 カバー(ブーム)  
COVER (BOOM)

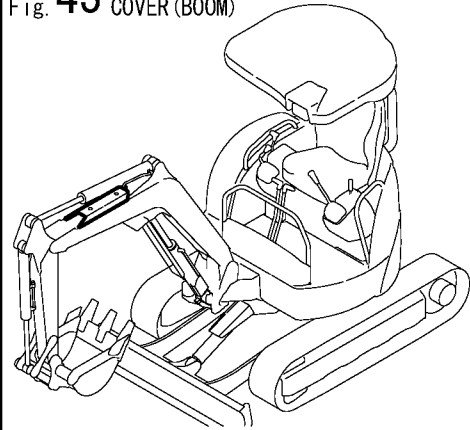


Fig. 44 ステップ(キャビン仕様)  
STEP (CABIN SPEC.)

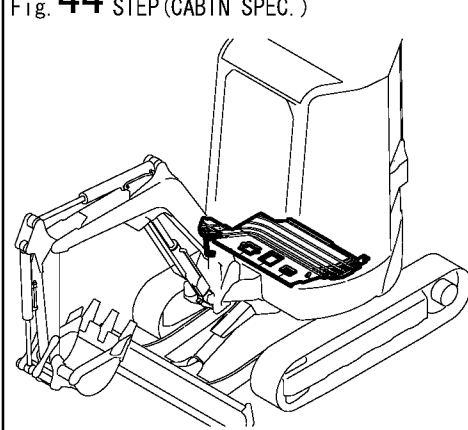


Fig. 45 ステップ(キャノピー仕様)  
STEP (CANOPY SPEC.)

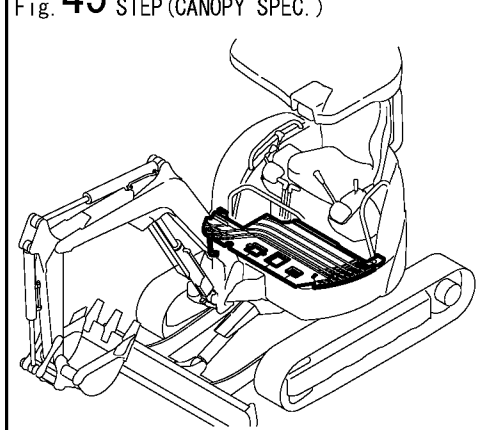


Fig. 46 インパネ  
INSTRUMENT PANEL

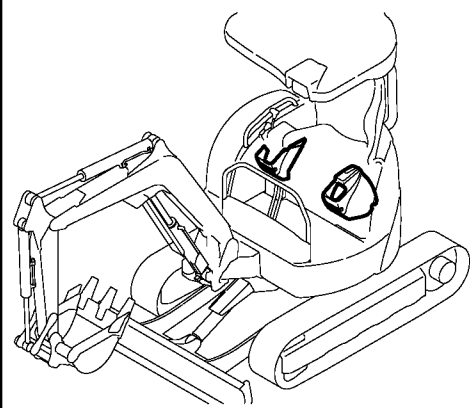


Fig. 47 シート&シートマウント(キャビン仕様)  
SEAT & SEAT MOUNT (CABIN SPEC.)

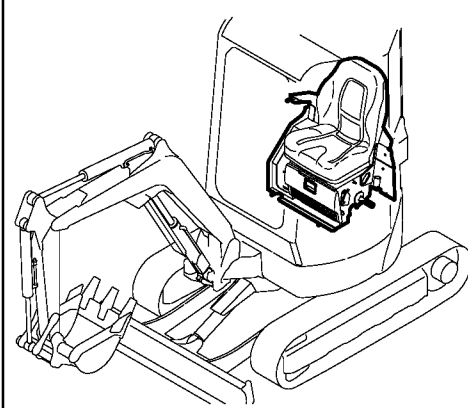


Fig. 48 シート&シートマウント(キャノピー仕様)  
SEAT & SEAT MOUNT (CANOPY SPEC.)

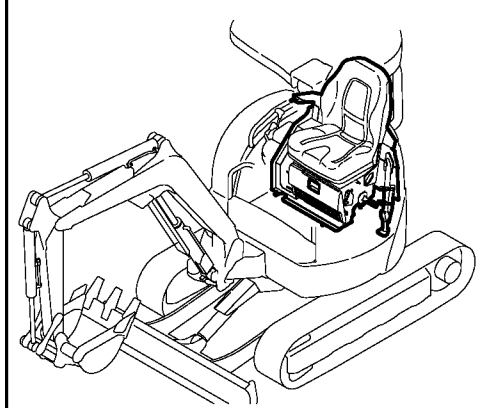


Fig. 49 ボンネット(1)  
 BONNET (1)

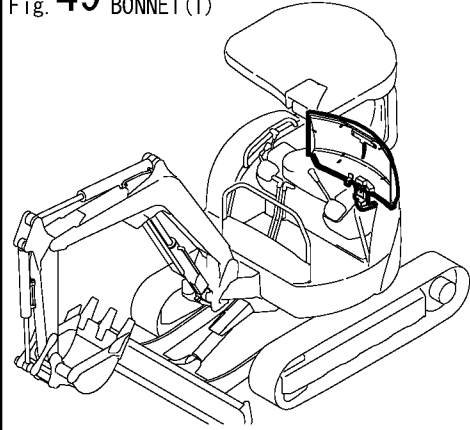


Fig. 50 ボンネット(2)  
 BONNET (2)

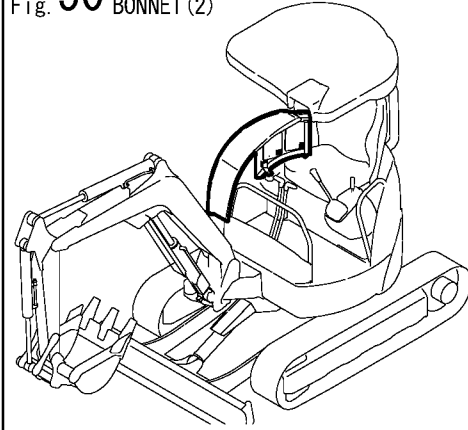


Fig. 51 ダクト  
 DUCT

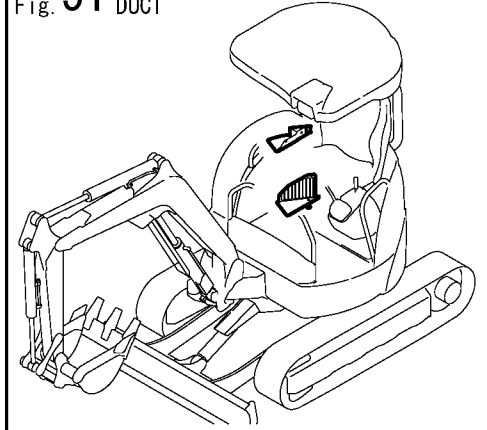


Fig. 52 キャビン(付属)  
 CABIN (ACCESSORY)

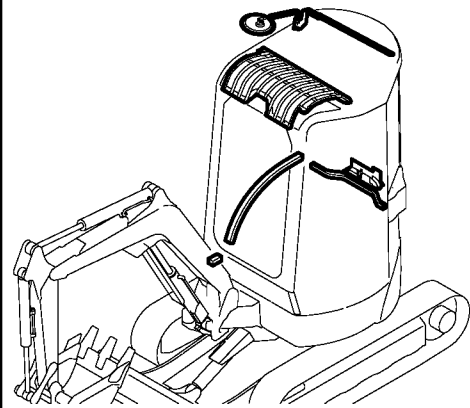


Fig. 53 キャビン(本体)  
 CABIN (BODY)

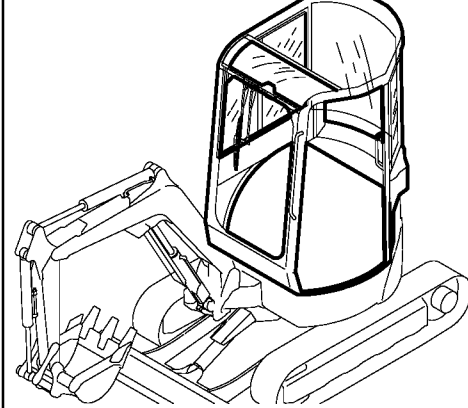


Fig. 54 キャビン(フロントガラス)  
 CABIN (FRONT GLASS)

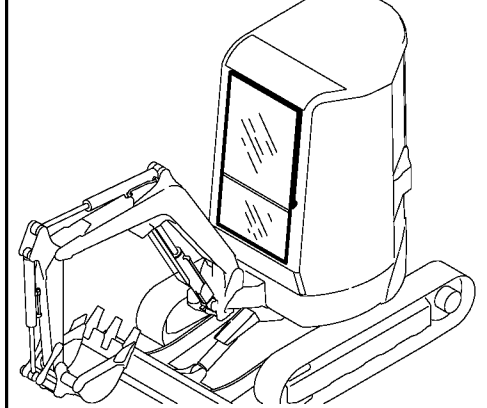


Fig. 55 キャビン(ドア)  
 CABIN (DOOR)

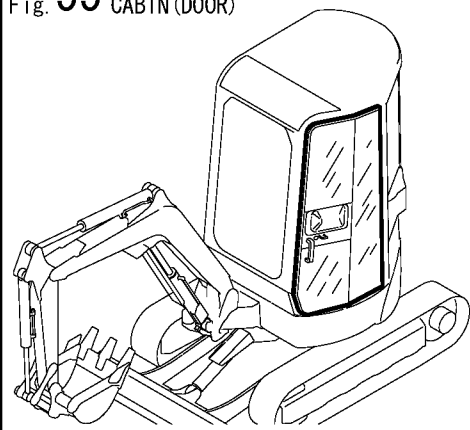


Fig. 56 キャビン(JP仕様)  
 CABIN (JP SPEC.)

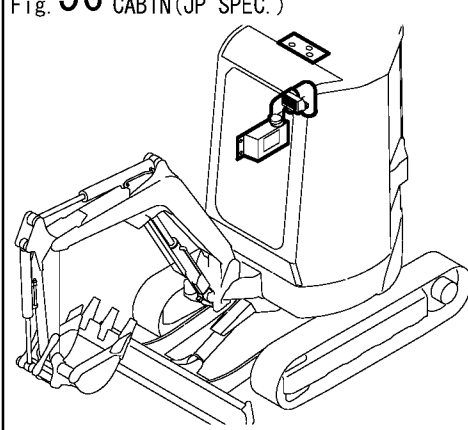


Fig. 57 キャノピ  
 CANOPY

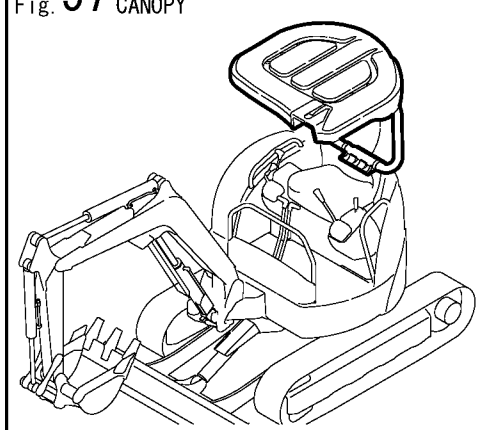


Fig. 58 油圧ポンプ&軸継手  
 HYD. OIL PUMP & JOINT

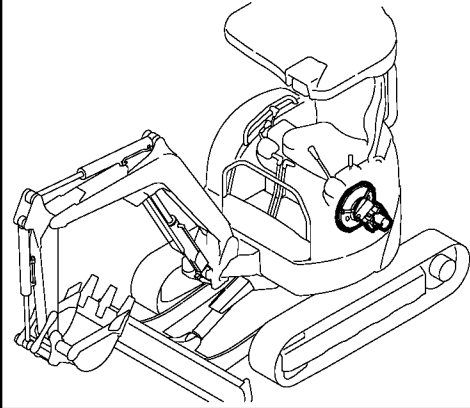


Fig. 59 油圧ポンプ&軸継手(クイックヒッチ仕様)  
 (QUICK COUPLER SPEC.)

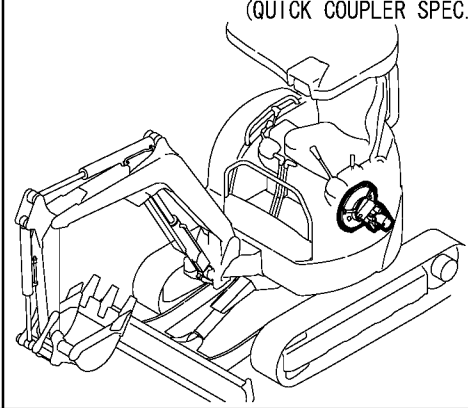


Fig. 60 ブームシリンダ(キャビン仕様)  
 BOOM CYLINDER (CABIN SPEC.)

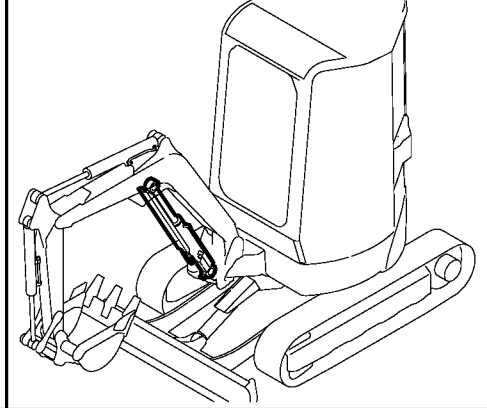


Fig. 61 ブームシリンダ (キャノピー仕様)  
 BOOM CYLINDER (CANOPY SPEC.)

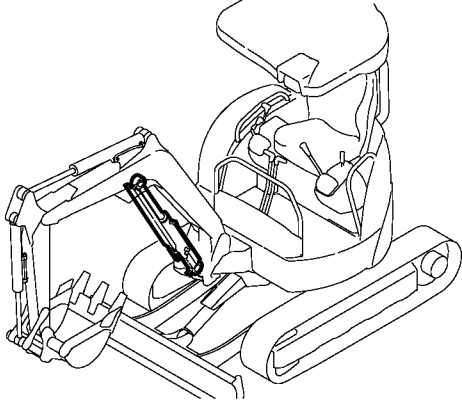


Fig. 62 アームシリンダ  
 ARM CYLINDER

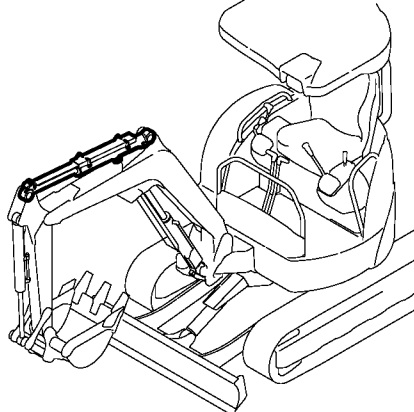


Fig. 63 バケットシリンダ  
 BUCKET CYLINDER

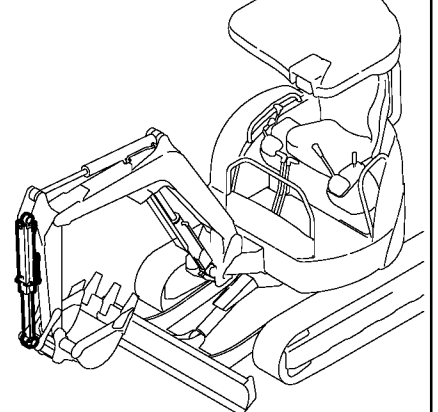


Fig. 64 バケットシリンダ (クイックヒッチ仕様)  
 BUCKET CYLINDER  
 (QUICK COUPLER SPEC.)

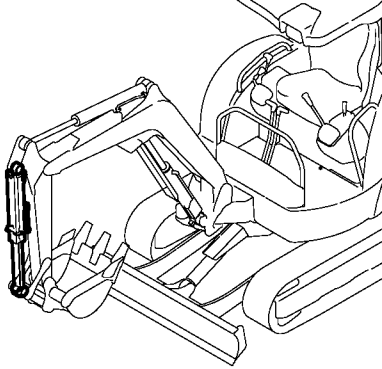


Fig. 65 スイングシリンダ  
 SWING CYLINDER

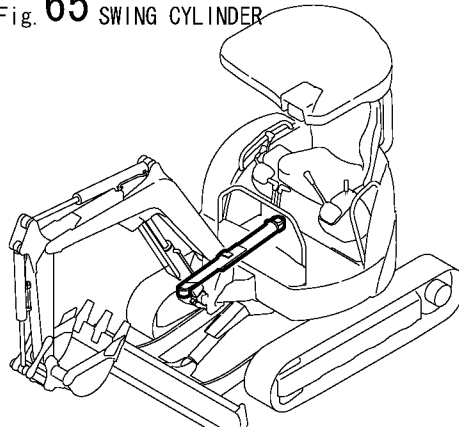


Fig. 66 ブレードシリンダ  
 BLADE CYLINDER

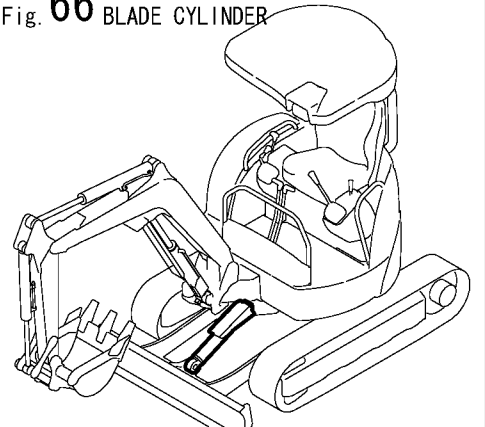


Fig. 67 ヒッチシリンダ  
 HITCH CYLINDER

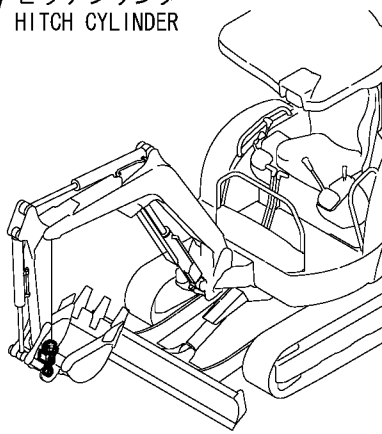


Fig. 68 走行モータ  
 TRAVEL MOTOR

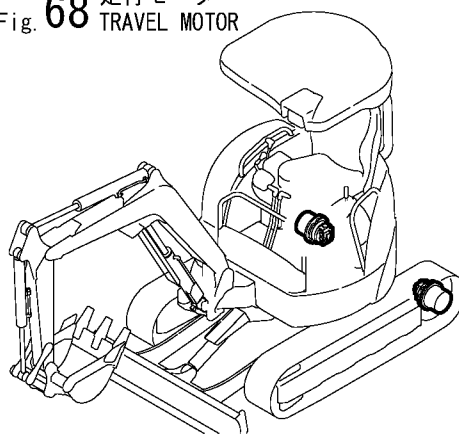


Fig. 69 旋回モータ  
 TURNING MOTOR

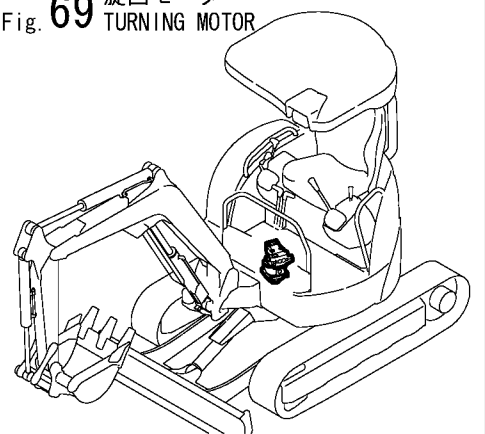


Fig. 70 スイベルジョイント  
 SWIVEL JOINT

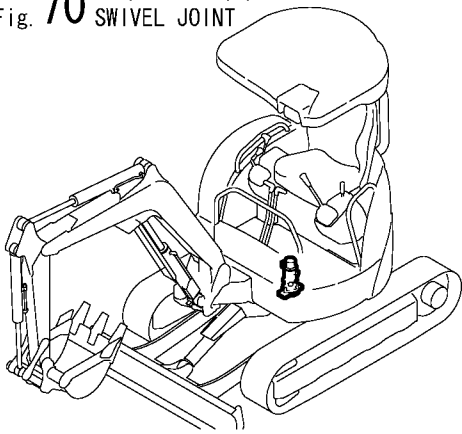


Fig. 71 コントロールバルブ (1/6)  
 CONTROL VALVE (1/6)

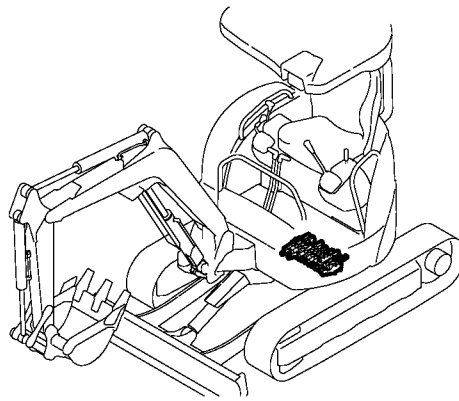


Fig. 72 コントロールバルブ (2/6)  
 CONTROL VALVE (2/6)

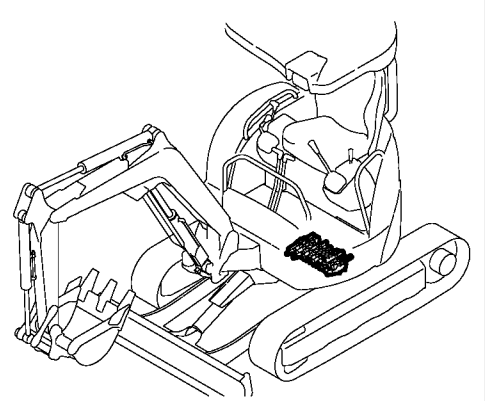


Fig. 73 コントロールバルブ (3/6)  
 CONTROL VALVE (3/6)

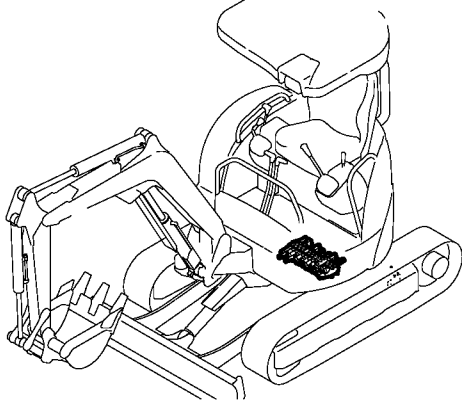


Fig. 74 コントロールバルブ (4/6)  
 CONTROL VALVE (4/6)

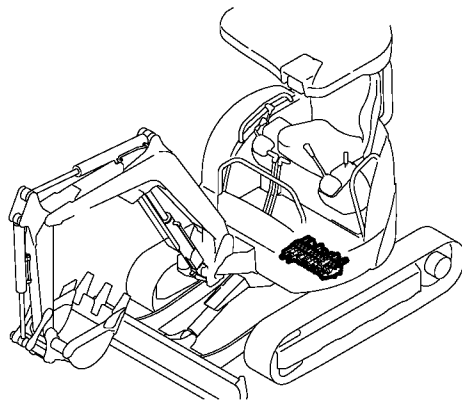


Fig. 75 コントロールバルブ (5/6)  
 CONTROL VALVE (5/6)

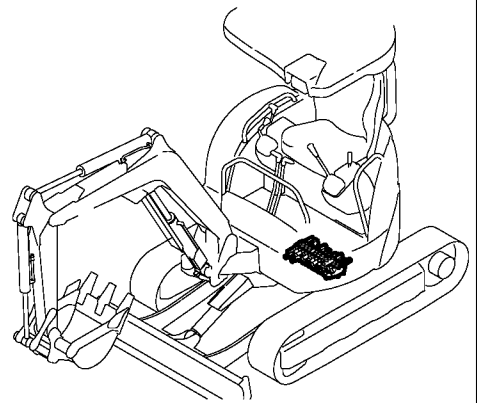


Fig. 76 コントロールバルブ (6/6)  
 CONTROL VALVE (6/6)

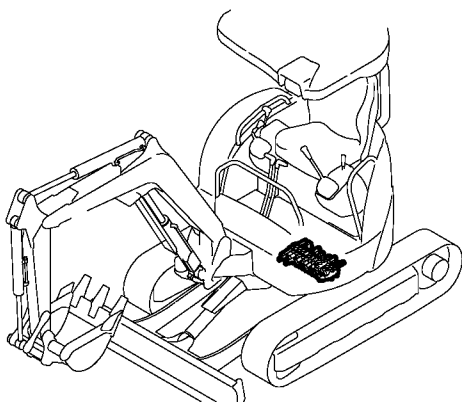


Fig. 77 リモコンバルブ  
 REMOTE CONTROL VALVE

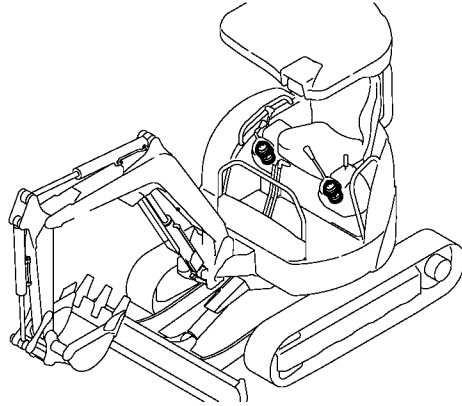


Fig. 78 ロータリバルブ (4ウェイ仕様)  
 ROTARY VALVE (4-WAY SPEC.)

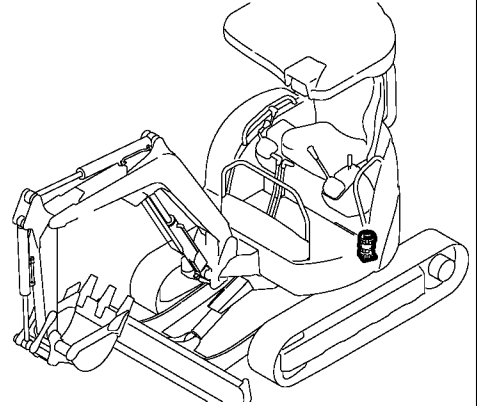


Fig. 79 オイルクーラ  
 OIL COOLER

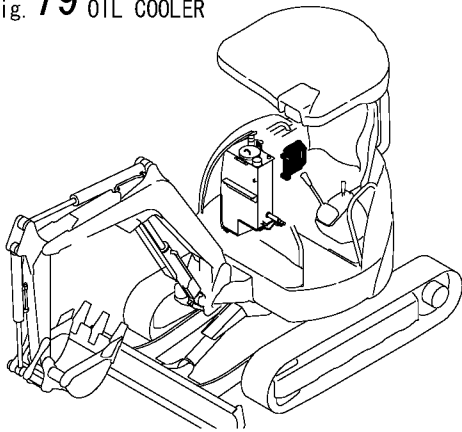


Fig. 80 作動油タンク  
 HYD. OIL TANK

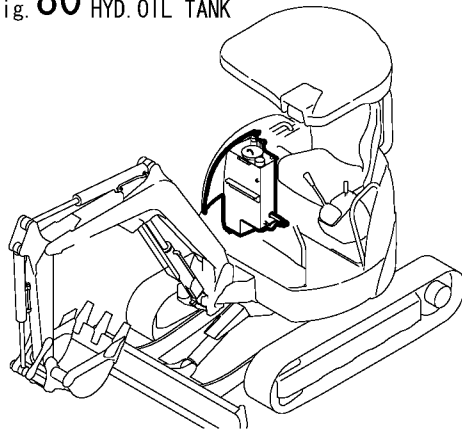


Fig. 81 油圧配管 (タンク～ポンプ～バルブ)  
 HYD. OIL PIPING  
 (TANK - PUMP - VALVE)

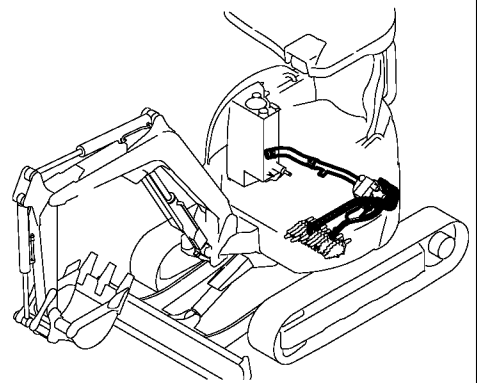


Fig. 82 油圧配管 (ポンプ、バルブ～旋回モータ)  
 HYD. OIL PIPING (PUMP,  
 VALVE - TURNING MOTOR)

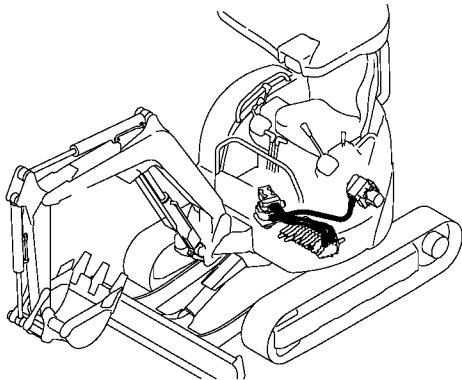


Fig. 83 油圧配管 (バルブ～スィベル、スイング)  
 HYD. OIL PIPING (VALVE -  
 SWIVEL, SWING)

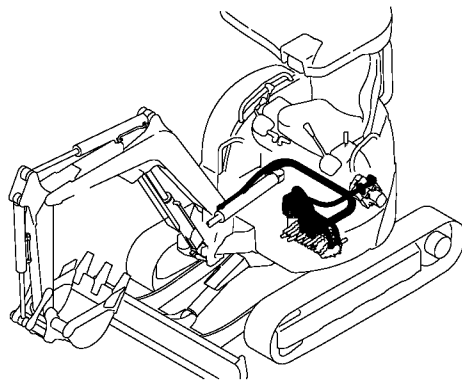


Fig. 84 油圧配管 (リターン)  
 HYD. OIL PIPING (RETURN)

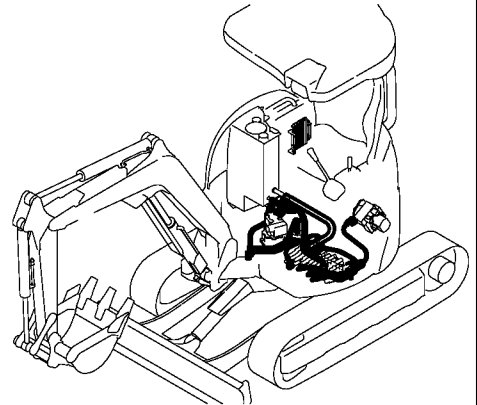


Fig. 85 油圧配管 (PTO:フレームエンド)  
 HYD. OIL PIPING (P. T. O. :FRAME END)

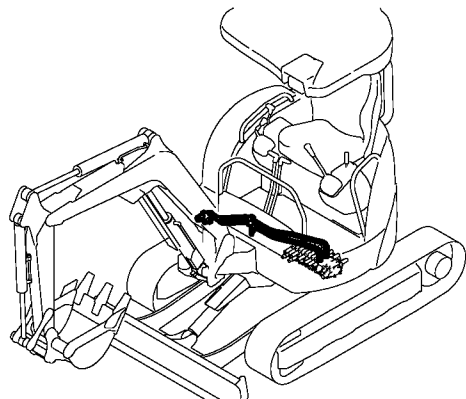


Fig. 86 油圧配管 (トラックフレーム)  
 HYD. OIL PIPING (TRACK FRAME)

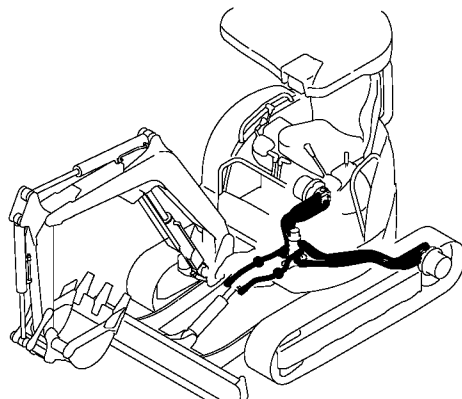


Fig. 87 油圧配管 (ブーム)  
 HYD. OIL PIPING (BOOM)

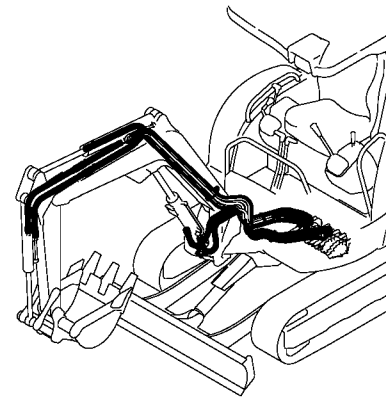


Fig. 88 油圧配管 (PTO:アームエンド)  
 HYD. OIL PIPING (P. T. O. :ARM END)

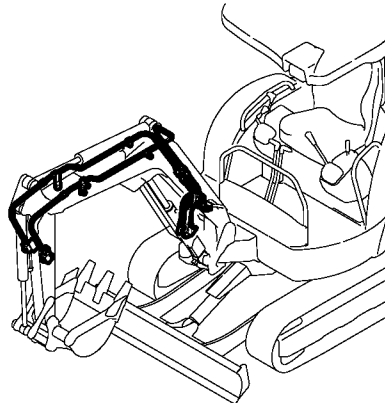


Fig. 89 油圧配管 (クイックヒッチ)  
 HYD. OIL PIPING (QUICK COUPLER)

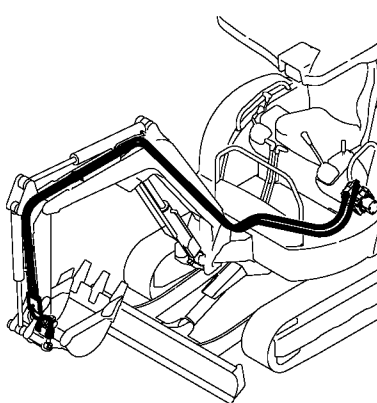


Fig. 90 コントロール配管  
 (ポンプ ~ バルブ ~ リターン)  
 CONTROL PIPING  
 (PUMP - VALVE - RETURN)

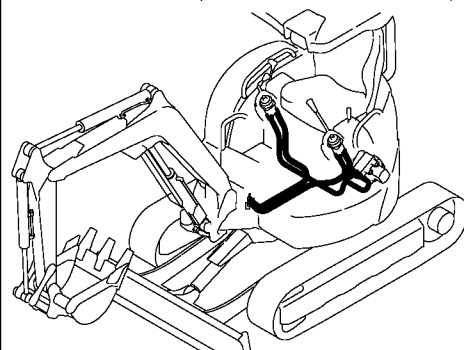


Fig. 91 コントロール配管 (リモコン ~ コントロールV)  
 CONTROL PIPING  
 (REMOTE CONTROL V. - CONTROL V.)

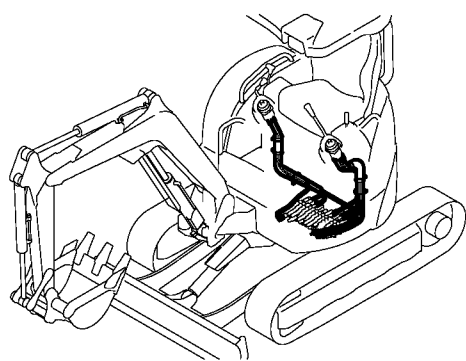


Fig. 92 コントロール配管  
 (リモコン ~ ロータリV:4ウェイ仕様)  
 CONTROL PIPING (REMOTE CONTROL V.  
 - ROTARY V. :4-WAY SPEC.)

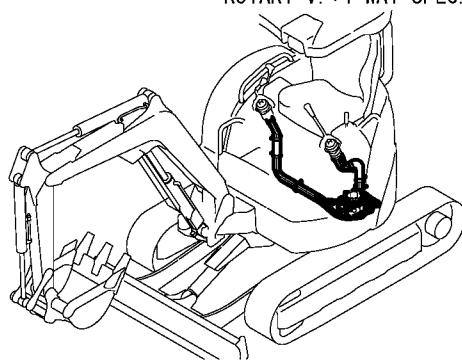


Fig. 93 コントロール配管  
 (ロータリV ~ コントロールV:4ウェイ仕様)  
 CONTROL PIPING (ROTARY V.  
 - CONTROL V. :4-WAY SPEC.)

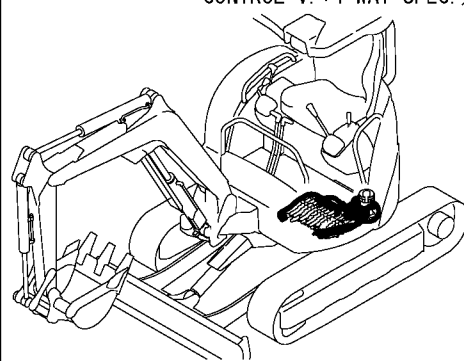


Fig. 94 遠隔グリースング  
 GREASING

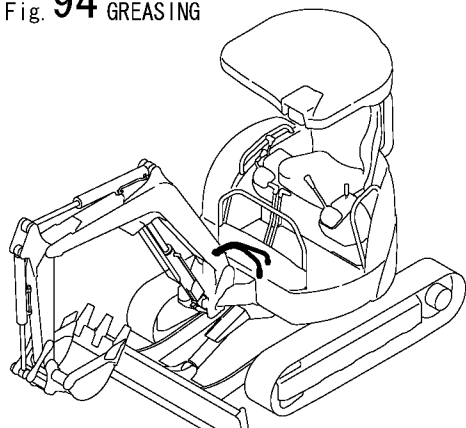


Fig. 95 ブーム  
 BOOM

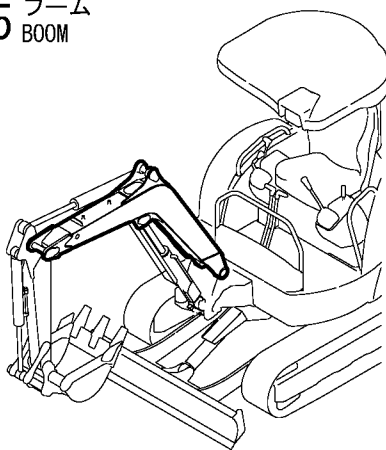


Fig. 96 ブームブラケット  
 BOOM BRACKET

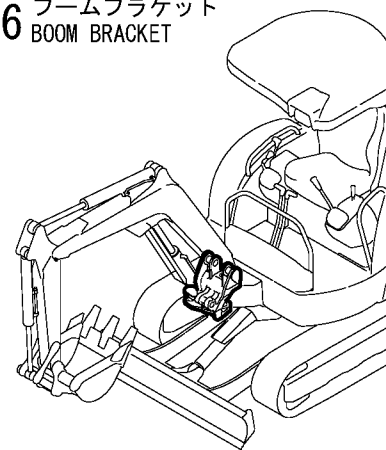


Fig. 97 アーム  
ARM

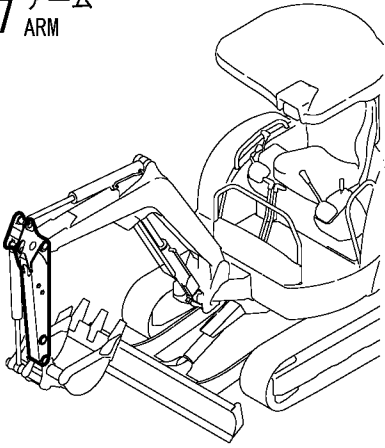


Fig. 98 アーム(クイックヒッチ仕様)  
ARM (QUICK COUPLER SPEC.)

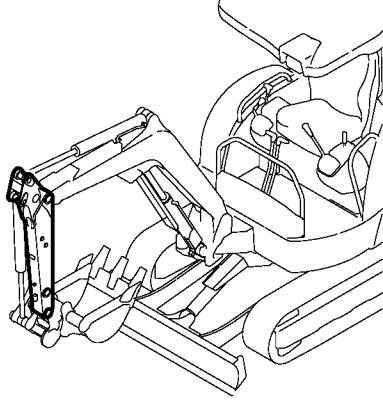


Fig. 99 バケットアーム&リンク  
BUCKET ARM & LINK

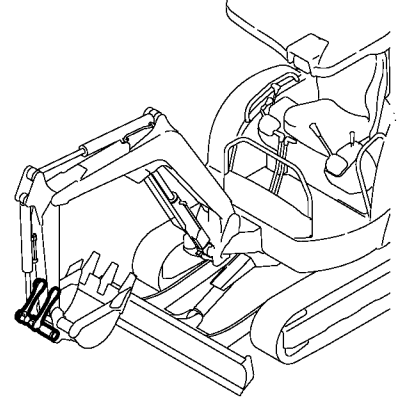


Fig. 100 クイックヒッチ  
QUICK COUPLER

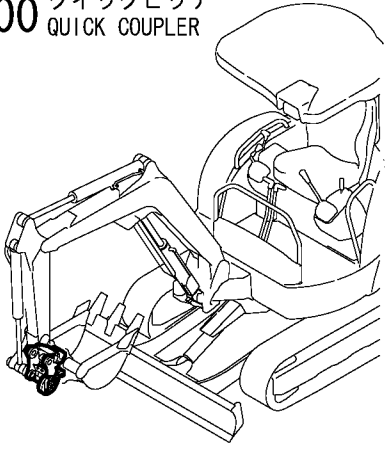


Fig. 101 バケット  
BUCKET

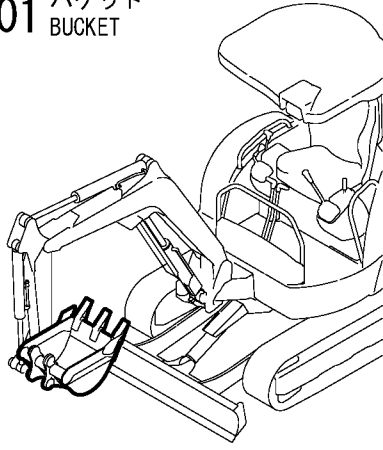
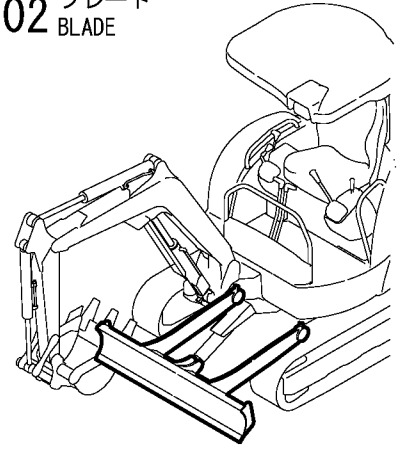


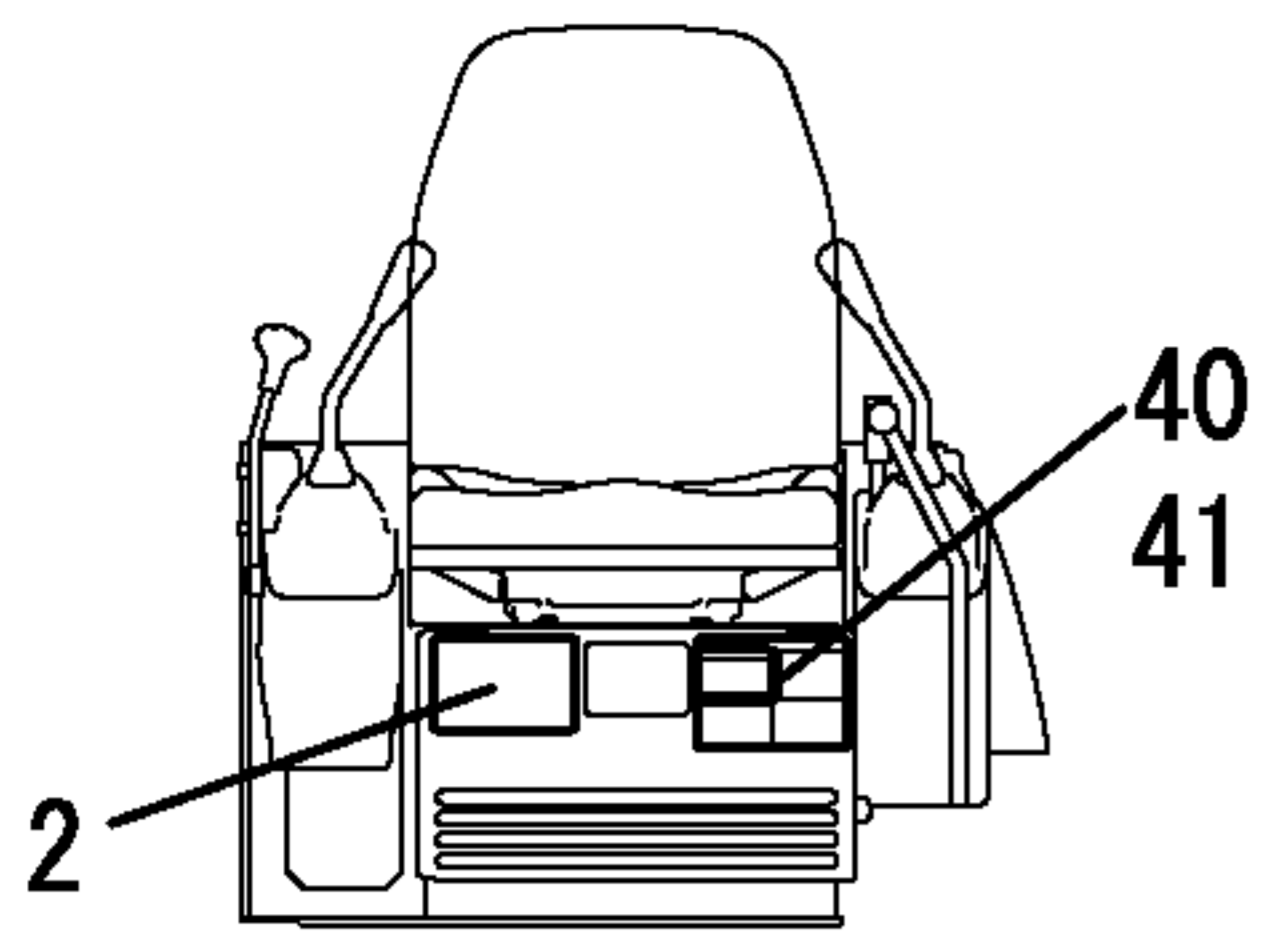
Fig. 102 ブレード  
BLADE



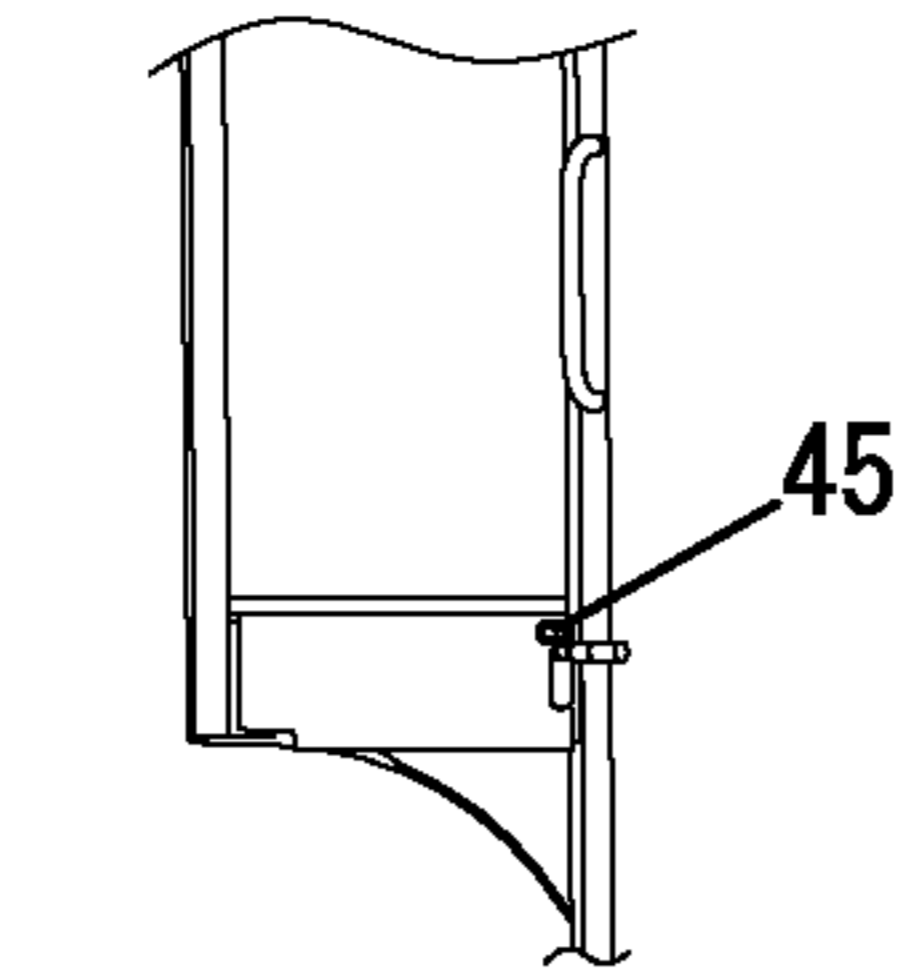


1,1,,772A23-03100,, "LAVEL SET,VIO20-3JPC",1,,,,,,,,,,,,,  
2,2,,172A23-03110,, "LAVEL,SPECIFICATION",1,,,,,,,,,,,,,  
3,2,,172456-03121,, "LABEL,OIL & WATER",1,,,,,,,,,,,,,  
4,2,,172157-03130,, "LABEL, GREASE",1,,,,,,,,,,,,,  
5,2,,172458-03130,, "LABEL,GREASE FEED",1,,,,,,,,,,,,,  
6,2,,172456-03150,, "LABEL,MODEL",2,,,,,,,,,,,,,  
7,2,,172458-03160,, "LABEL, REAR",1,,,,,,,,,,,,,  
8,2,,172444-03170,, LABEL,1,,,,,,,,,,,,,  
9,2,,172A23-03180,, "LABEL,LIFTING",1,,,,,,,,,,,,,  
10,2,,172444-03181,, LABEL,2,,,,,,,,,,,,,  
11,2,,172444-03190,, LABEL,1,,,,,,,,,,,,,  
12,2,,172448-03190,, "LABEL,FAN",1,,,,,,,,,,,,,  
13,2,,172458-03190,, "LABEL,OILING",1,,,,,,,,,,,,,  
14,2,,172141-03202,, "LABEL,CAUTION",1,,,,,,,,,,,,,  
15,2,,172450-03200,, "LABEL,BATTERY",1,,,,,,,,,,,,,  
16,2,,172458-03200,, "LABEL,FAN",1,,,,,,,,,,,,,  
17,2,,172444-03210,, LABEL,1,,,,,,,,,,,,,  
18,2,,172458-03210,, "LABEL,BELT",1,,,,,,,,,,,,,  
19,2,,172446-03220,, "LABEL,BELT",1,,,,,,,,,,,,,  
20,2,,172458-03220,, "LABEL,ACCELERATOR",1,,,,,,,,,,,,,  
21,2,,172458-03231,, "LABEL, HUSE",1,,,,,,,,,,,,,  
22,2,,172A23-03240,, "LAVEL,OPEN",1,,,,,,,,,,,,,  
23,2,,172444-03240,, LABEL,1,,,,,,,,,,,,,  
24,2,,172173-03250,, LABEL,1,,,,,,,,,,,,,  
25,2,,172183-03250,, "LABEL,FUEL",1,,,,,,,,,,,,,  
26,2,,172524-03271,, LABEL,1,,,,,,,,,,,,,  
27,2,,172444-03280,, LABEL,2,,,,,,,,,,,,,  
28,2,,172142-03302,, "LABEL,CAUTION",1,,,,,,,,,,,,,  
29,2,,172455-03340,, LABEL,1,,,,,,,,,,,,,  
30,2,,172141-03360,, "LABEL, START SWITCH",1,,,,,,,,,,,,,  
31,2,,172964-03370,, LABEL,1,,,,,,,,,,,,,  
32,2,,172964-03481,, "LABEL,DANGER",1,,,,,,,,,,,,,  
33,2,,172164-03510,, "LABEL,LOADING",1,,,,,,,,,,,,,  
34,2,,172437-03510,, "LABEL,HOOK",3,,,,,,,,,,,,,  
35,2,,172164-03540,, LABEL,1,,,,,,,,,,,,,  
36,2,,172519-04180,, "LABEL,WARNING",1,,,,,,,,,,,,,  
37,2,,172519-04290,, "LABEL,WARNING",1,,,,,,,,,,,,,  
38,2,,121470-44540,, "LABEL, SUB-TANK",1,,,,,,,,,,,,,  
39,2,,172183-03280,, "LABEL,LOCK",1,,,,,,,,,,,,,  
40,2,,172444-03290,, MAGNET,1,,,,,,,,,1,,,,,,,,,,,,,  
41,2,,172151-03551,, LABEL,1,,,,,,,,,1,,,,,,,,,,,,,  
42,2,,172460-03140,, "LABEL,FRONT",1,,,,,,,,,,,,,  
43,2,,172175-03170,, LABEL,1,,,,,,,,,,,,,  
44,2,,172456-03170,, LABEL,1,,,,,,,,,,,,,  
45,2,,172445-03180,, LABEL,3,,,,,,,,,,,,,  
46,2,,172496-03200,, "LABEL, OPERATION",1,,,,,,,,,,,,,  
47,2,,172445-03220,, LABEL,1,,,,,,,,,,,,,  
48,2,,172445-03230,, LABEL,1,,,,,,,,,,,,,  
49,2,,172458-03260,, LABEL,1,,,,,,,,,,,,,  
50,2,,172A23-03300,, LABEL,1,,,,,,,,,,,,,  
51,2,,172455-03520,, LABEL,1,,,,,,,,,,,,,  
52,2,,172490-03210,, "LABEL, P.T.O.",1,,,,,,,,,2,,,,,,,,,,,,,  
53,2,,172165-03240,, LABEL,1,,,,,,,,,3,,,,,,,,,,,,,  
54,2,,172458-03240,, "LABEL,LOCK",1,,,,,,,,,2,,,,,,,,,,,,,  
55,2,,172460-03230,, "LABEL,SEAT BELT",1,,,,,,,,,,,,,  
56,2,,172460-03241,, "LABEL,ROPS",1,,,,,,,,,,,,,

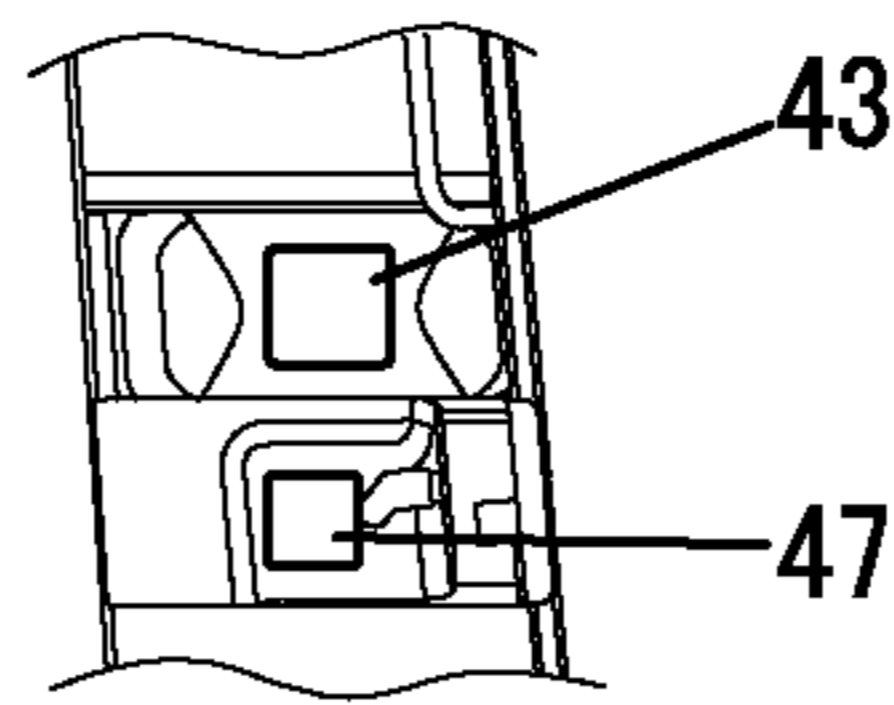
見出しNo. 1は  
見出しNo. 2から56を含みます。  
1 INC. 2~56.



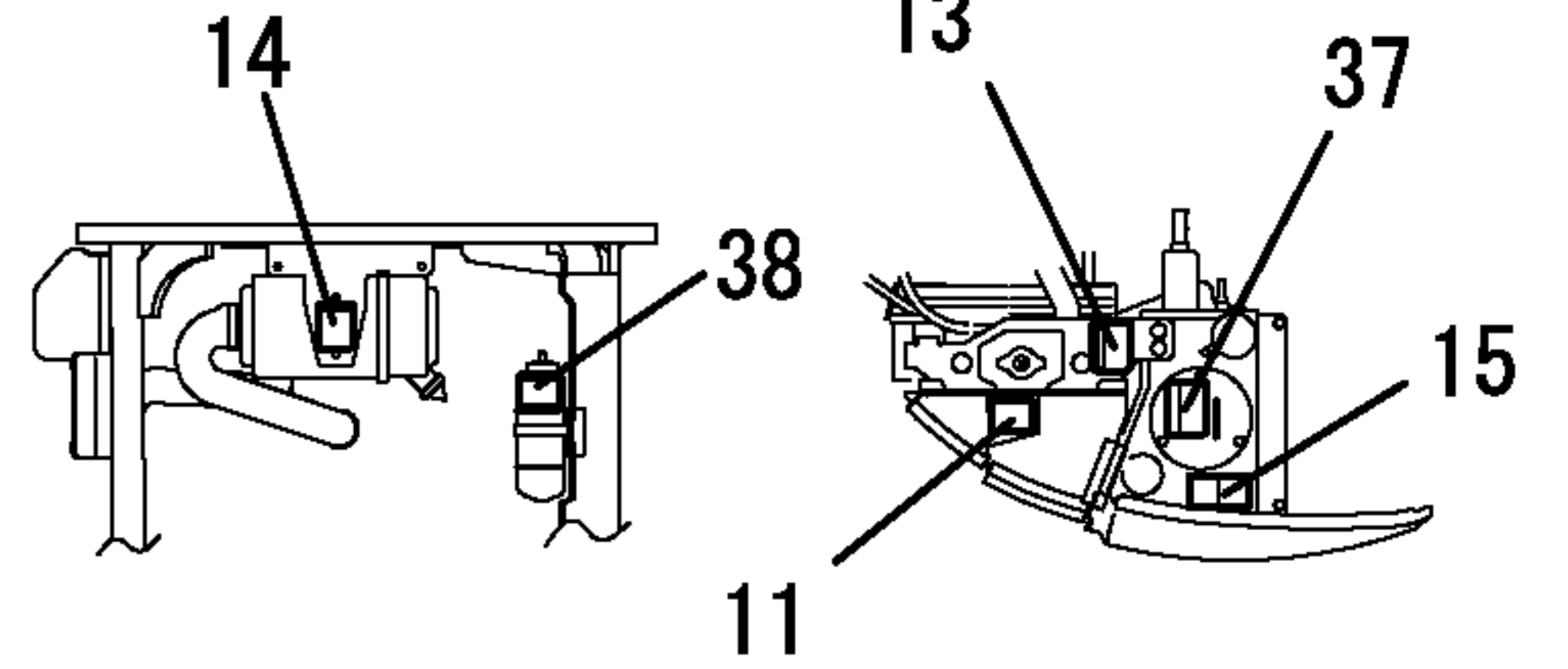
(A) から見る  
VIEWED FROM (A)



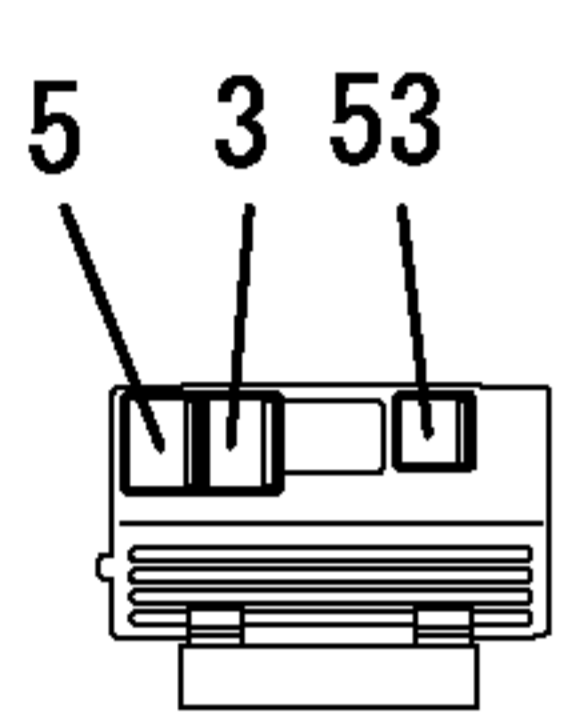
(D) から見る  
VIEWED FROM (D)



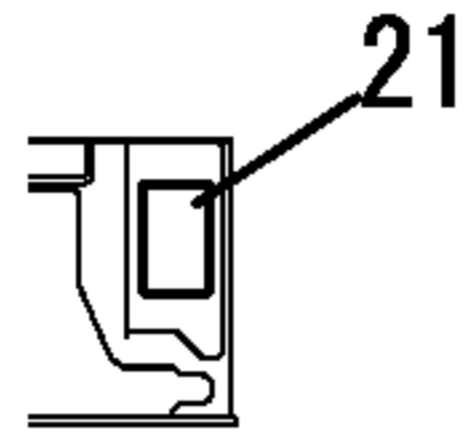
ドア内部詳細  
DETAILS OF  
DOOR INSIDE



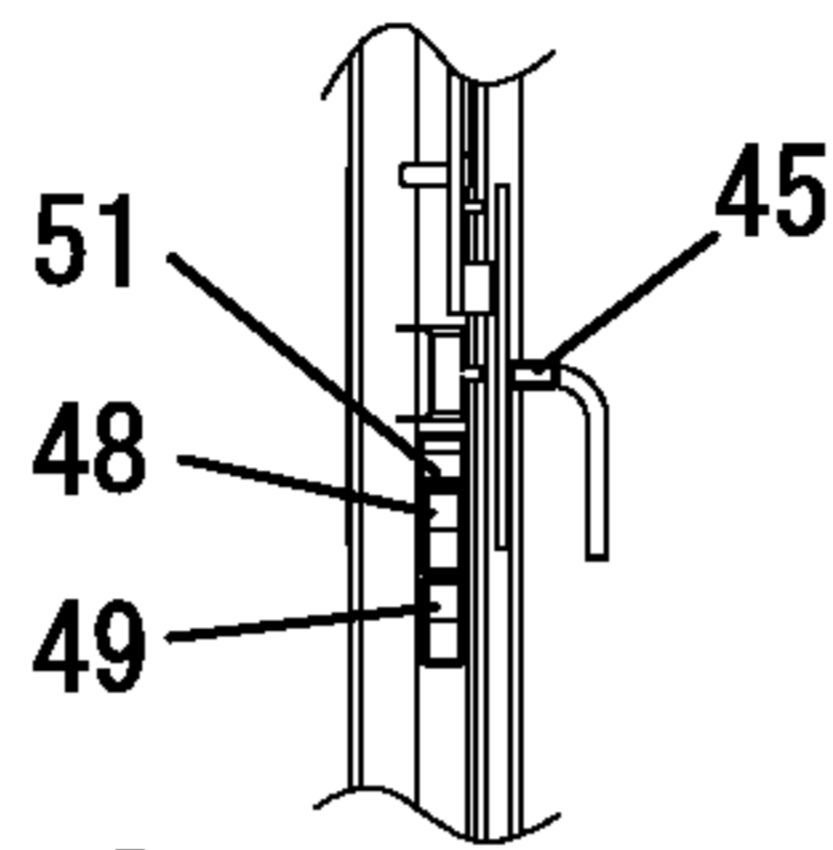
ボンネット内部詳細  
DETAILS OF  
BONNET INSIDE



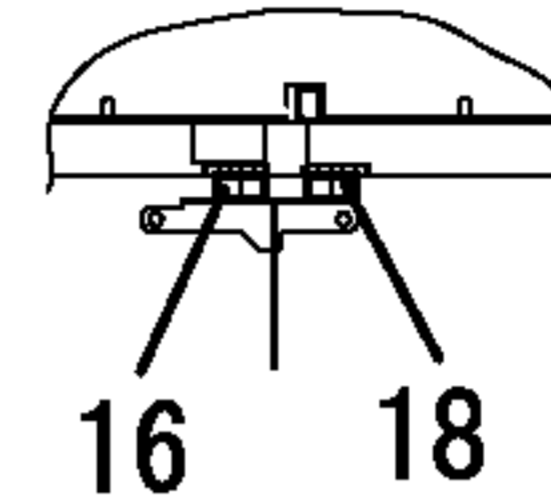
グリル内側詳細  
DETAILS OF  
GRILLE INSIDE



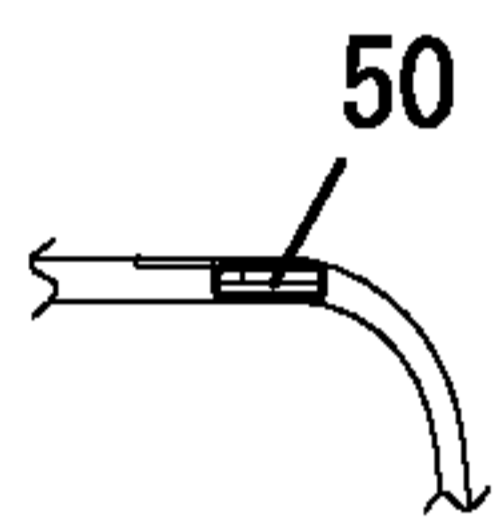
グリルを開いて  
OPEN THE GRILLE



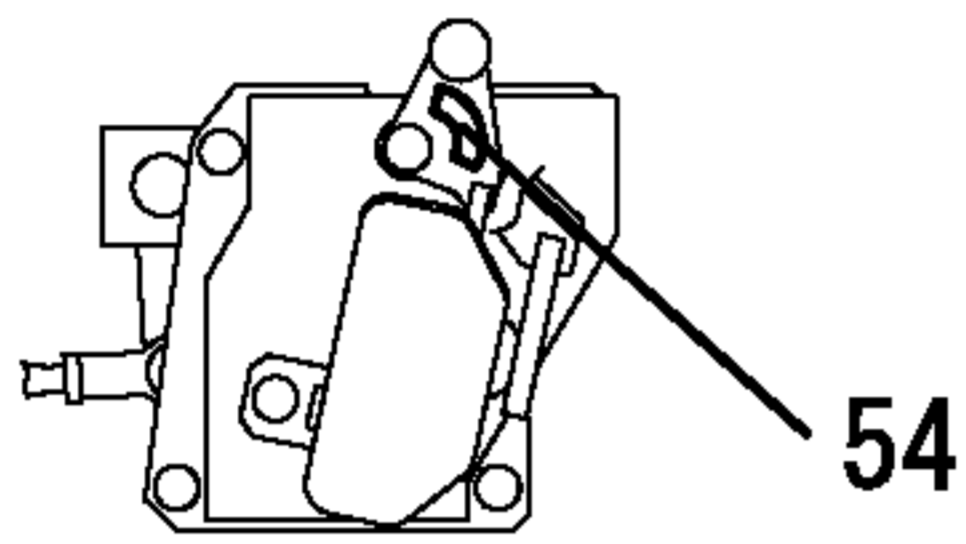
(C) から見る  
VIEWED FROM (C)



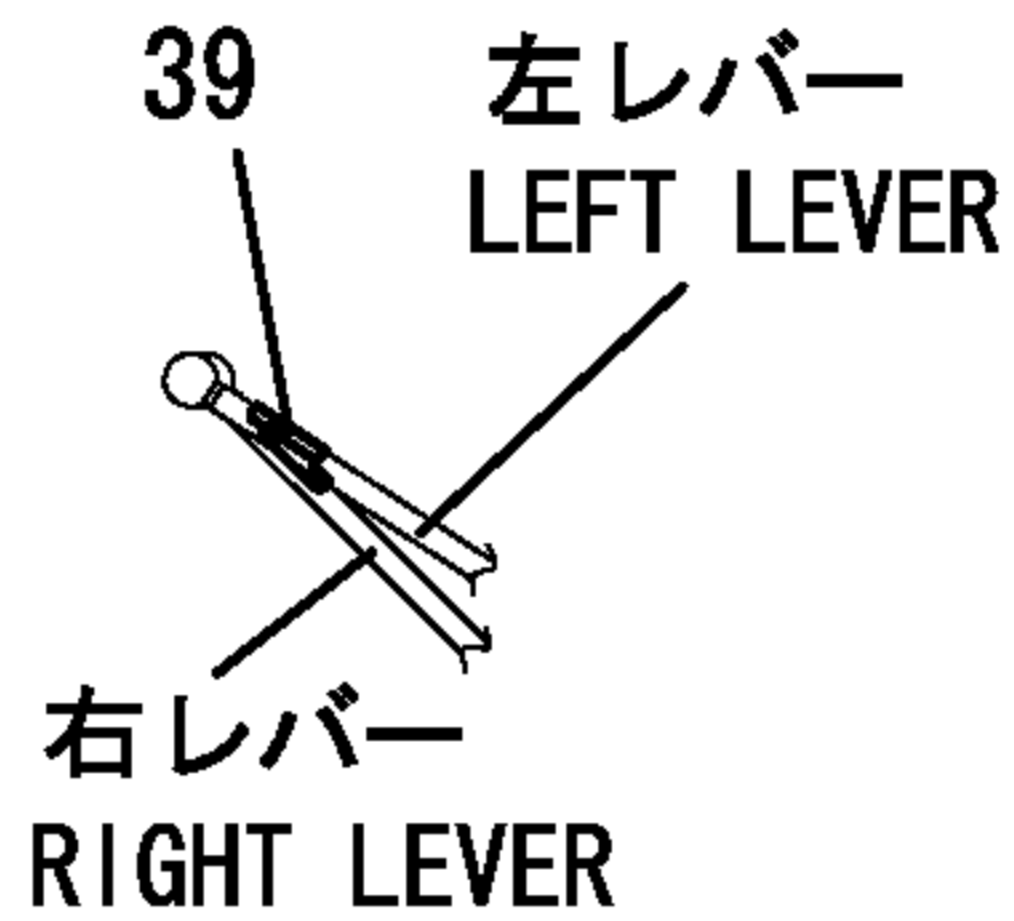
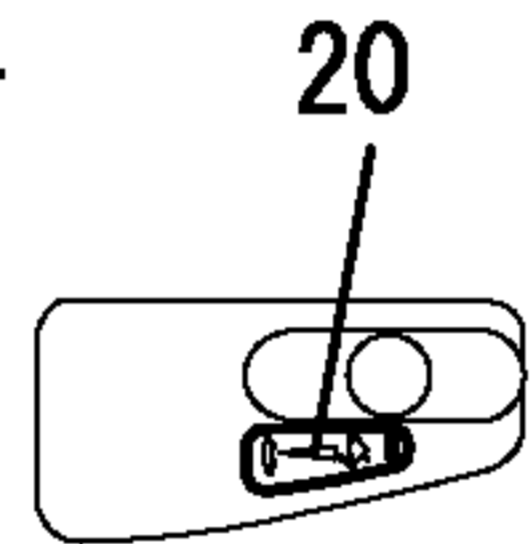
ボンネットカバー内側  
INSIDE THE BONNET COVER



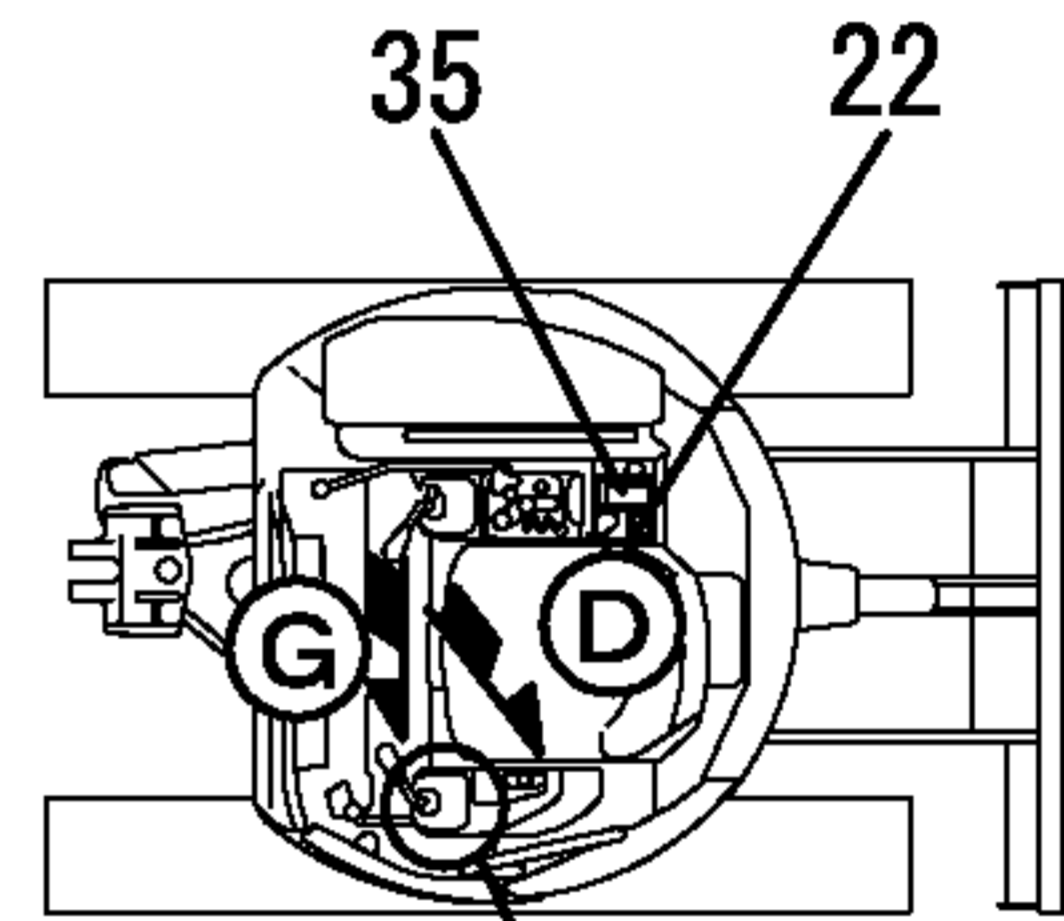
(E) から見る  
VIEWED FROM (E)  
(キャビン内部)  
(INSIDE THE CABIN)



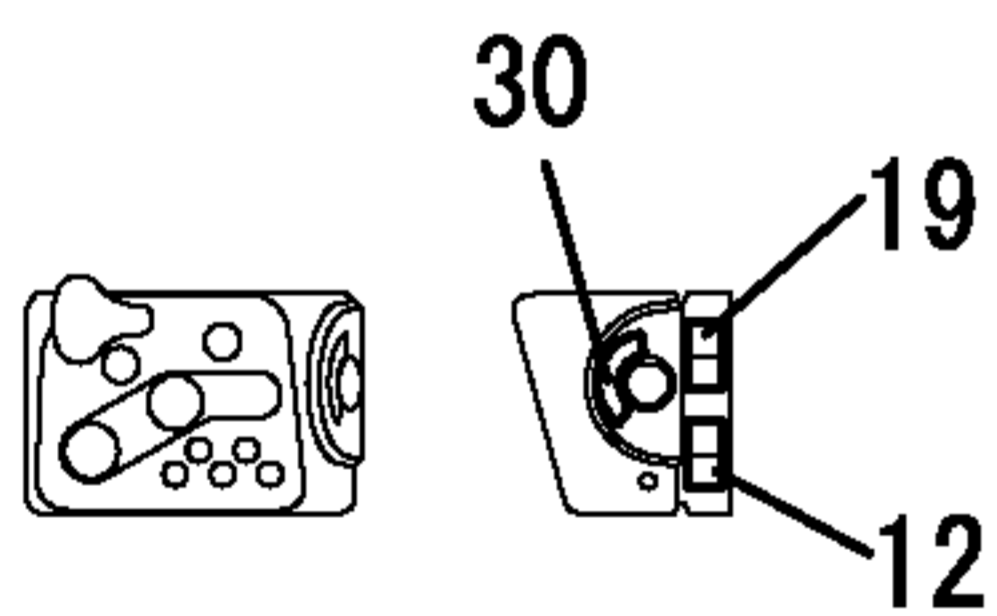
P.T.O.ペダル詳細  
DETAILS OF  
P. T. O. PEDAL



右レバー  
RIGHT LEVER

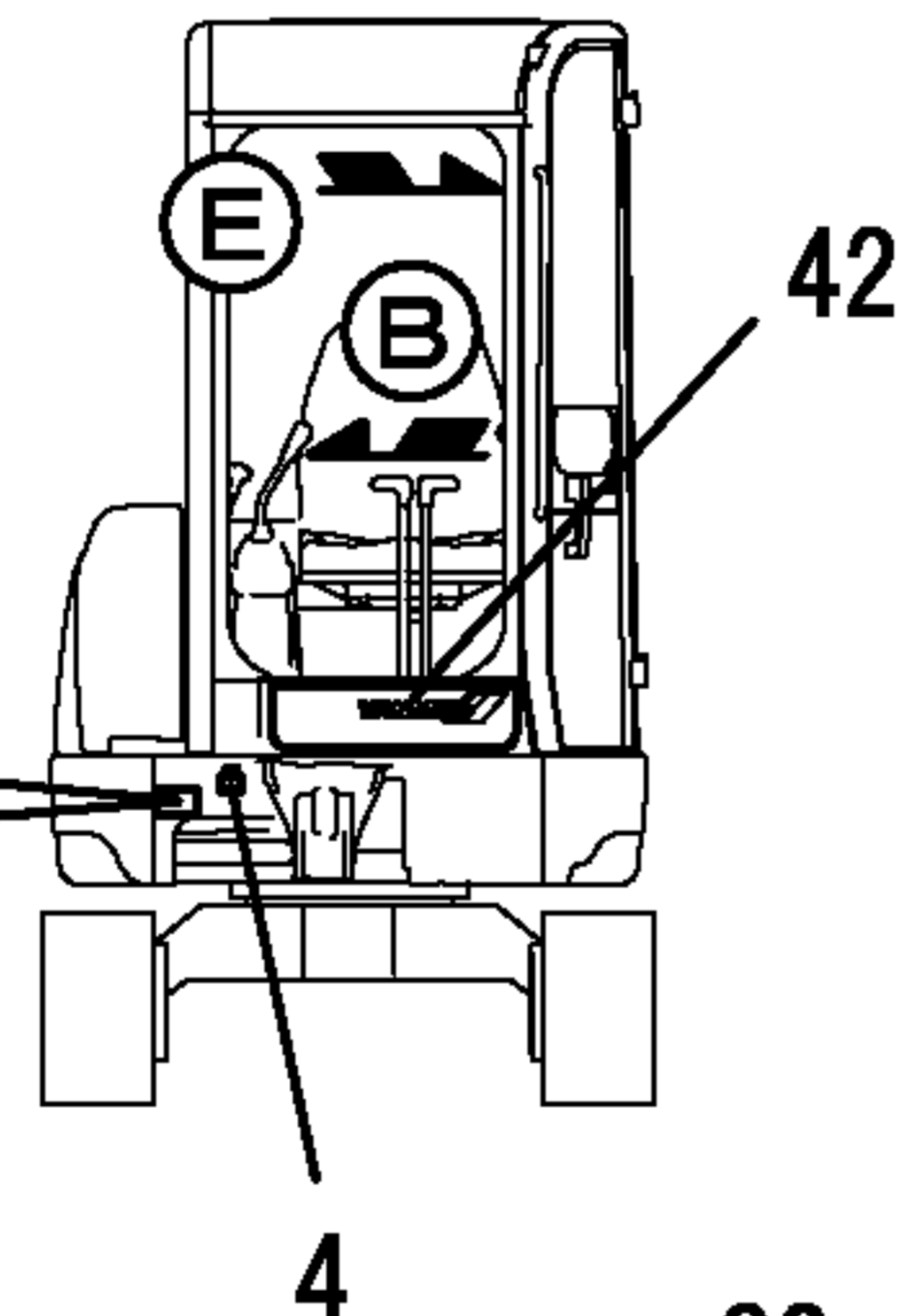


(G) から見る  
VIEWED FROM (G)



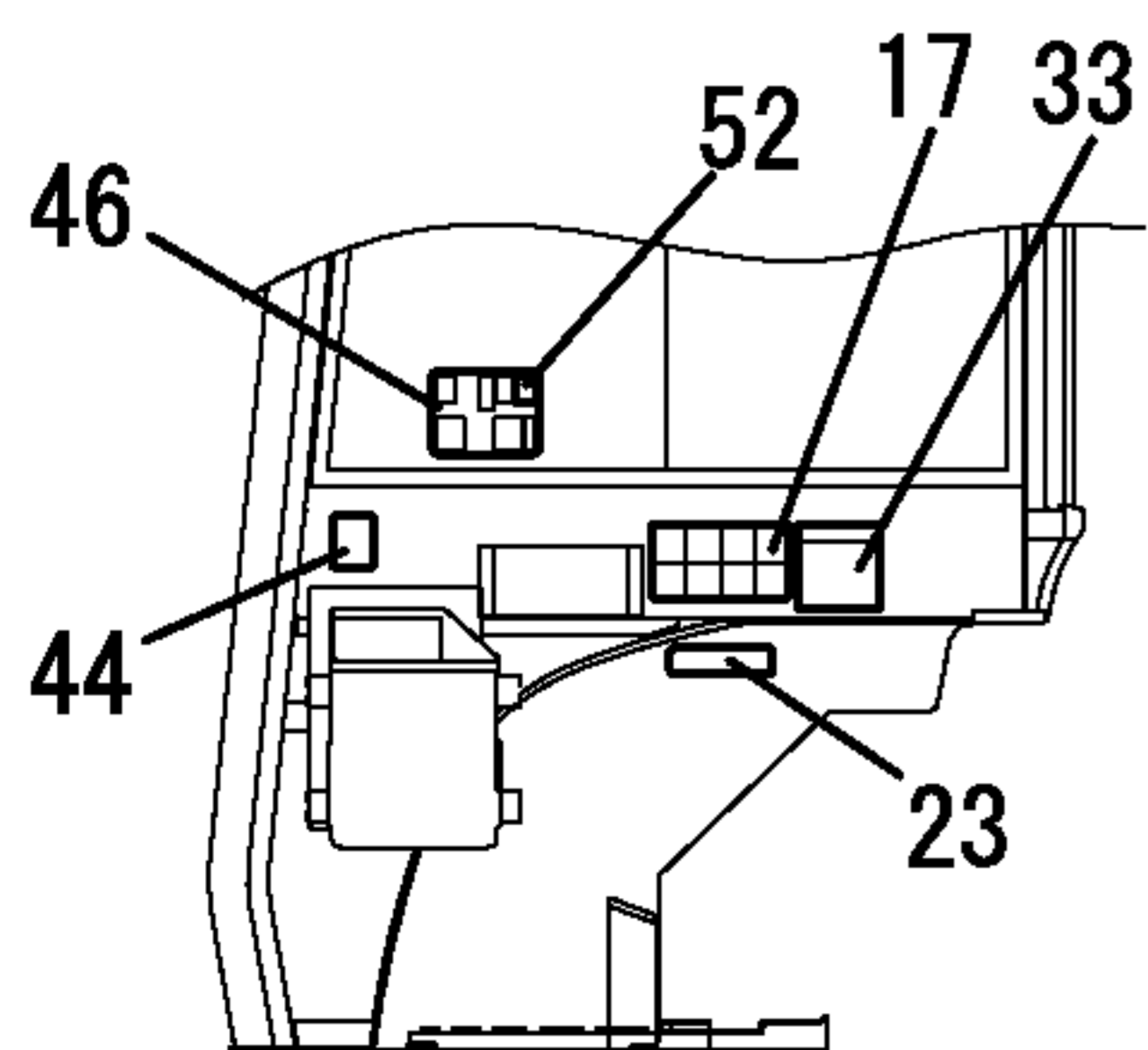
パネルR部詳細  
DETAILS OF  
PANEL R

パネルL部詳細  
DETAILS OF  
PANEL L

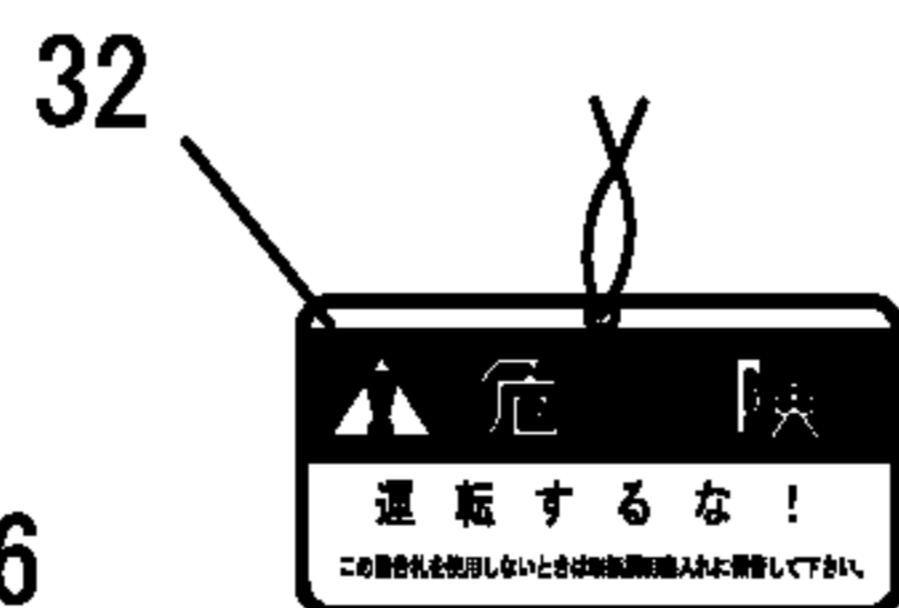
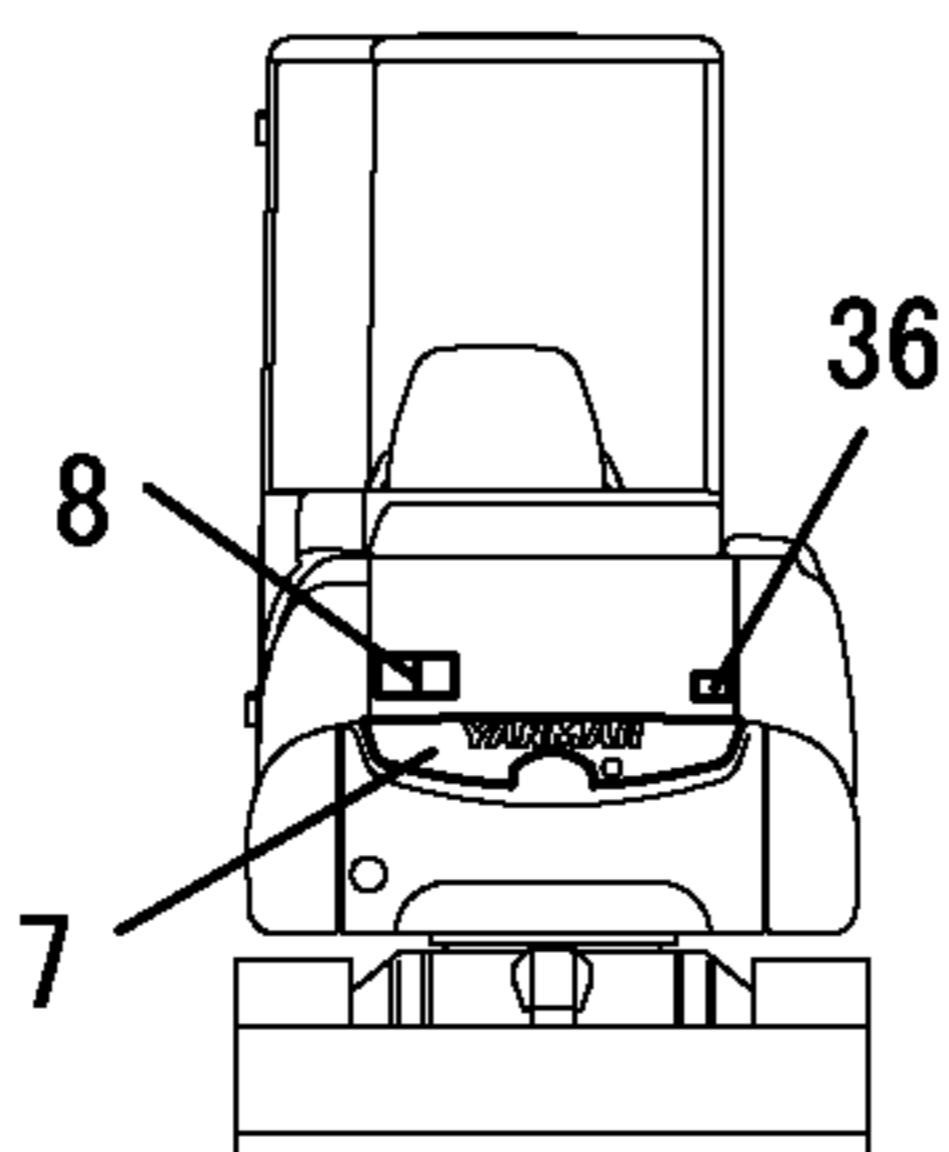


機体No. 機関No. 打刻位置  
MACHINE SERIAL No.  
ENGINE No. IS STAMPED  
INTO THIS LOCATION.

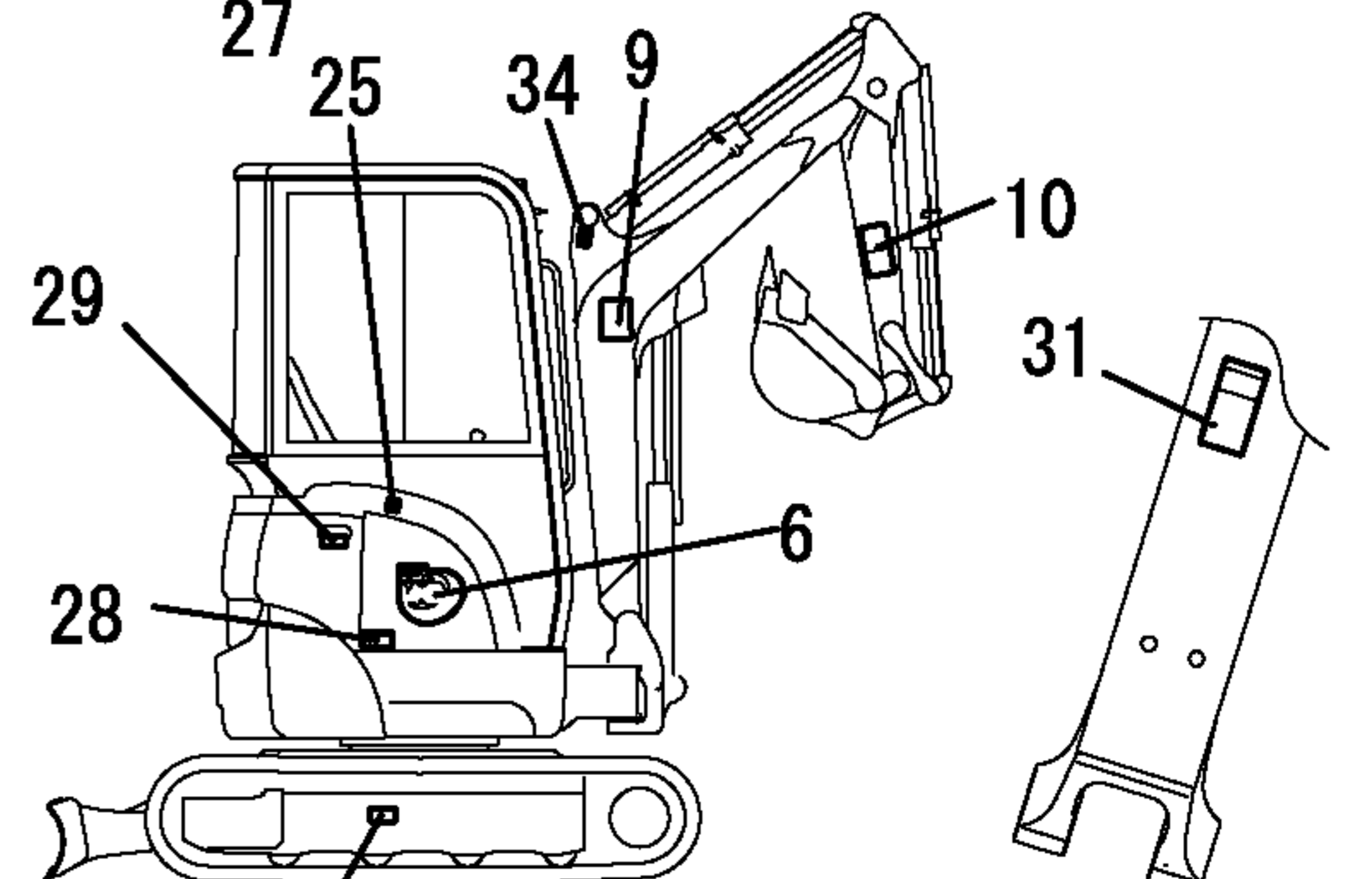
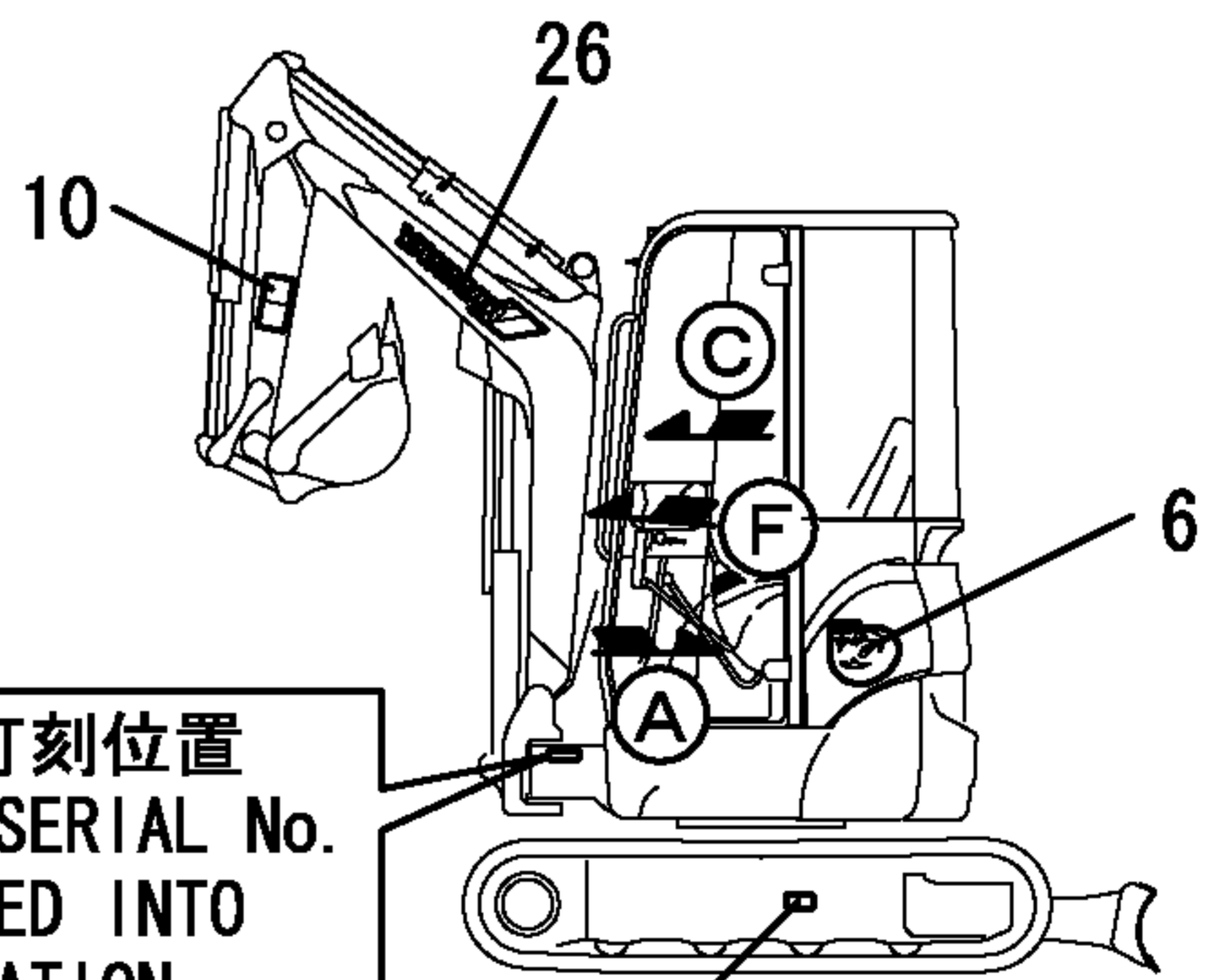
機体No. 打刻位置  
MACHINE SERIAL No.  
IS STAMPED INTO  
THIS LOCATION.



(B) から見る  
VIEWED FROM (B)

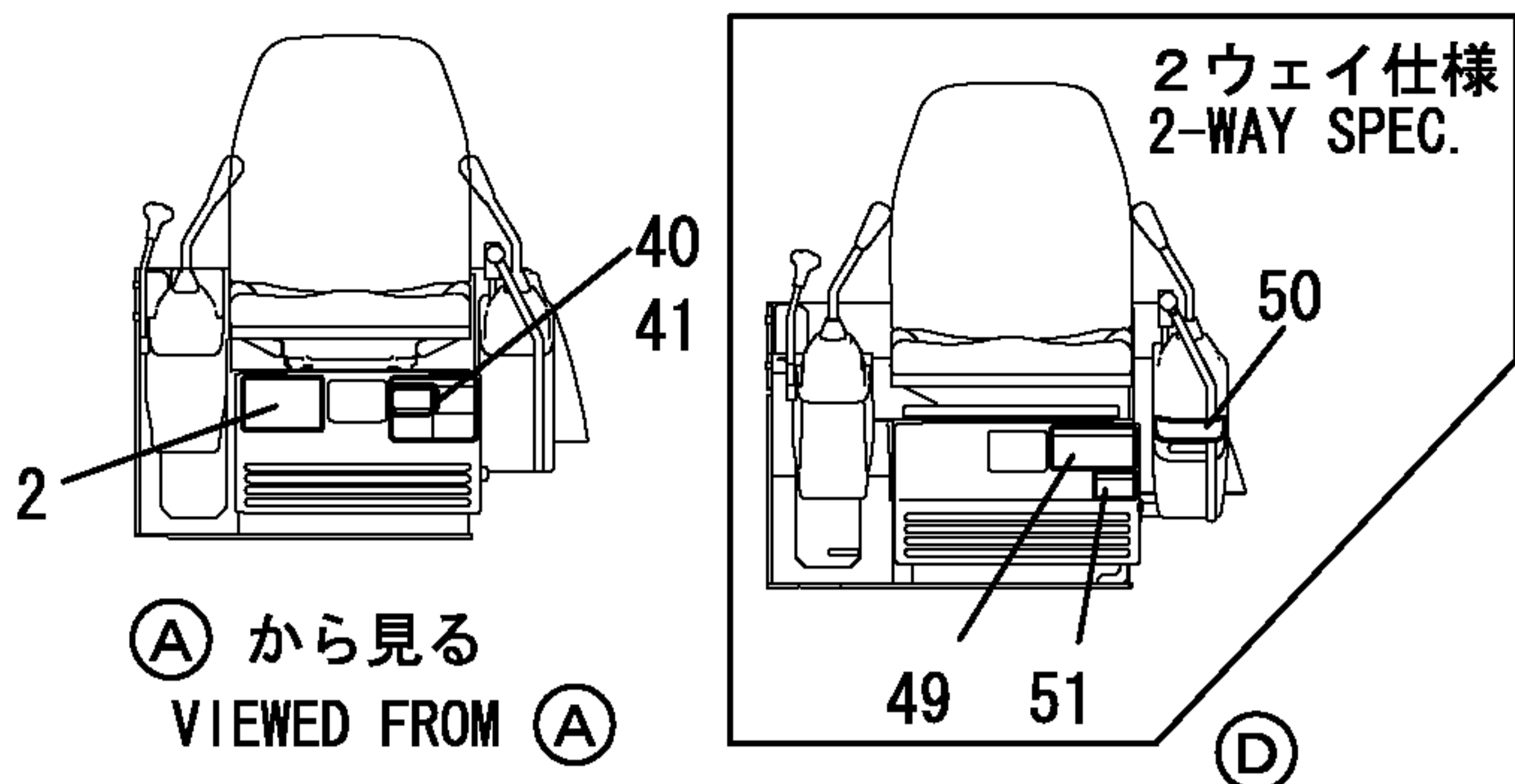


取説収納庫在中  
IN THE OPERATION  
MANUAL CASE



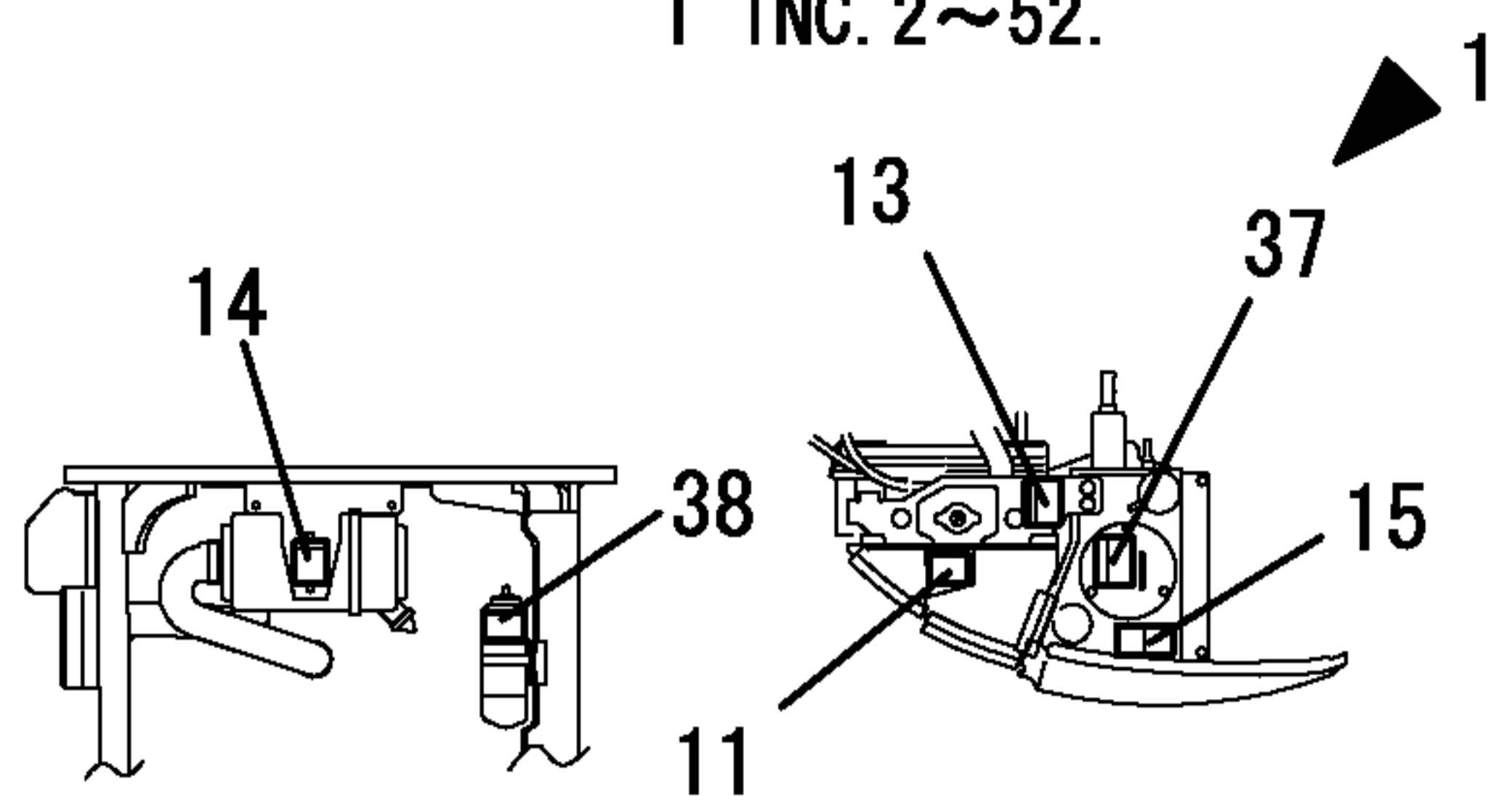
(F) から見る  
VIEWED FROM (F)

1,1,,772A23-03101,, "LAVEL SET,VIO20-3JPP",,1,,,,,,,,,,,,,  
2,2,,172A23-03110,, "LAVEL,SPECIFICATION",,1,,,,,,,,,,,,,  
3,2,,172456-03121,, "LABEL,OIL & WATER",,1,,,,,,,,,,,,,  
4,2,,172157-03130,, "LABEL, GREASE",,1,,,,,,,,,,,,,  
5,2,,172458-03130,, "LABEL,GREASE FEED",,1,,,,,,,,,,,,,  
6,2,,172456-03150,, "LABEL,MODEL",,2,,,,,,,,,,,,,  
7,2,,172458-03160,, "LABEL, REAR",,1,,,,,,,,,,,,,  
8,2,,172444-03170,, LABEL,,1,,,,,,,,,,,,,  
9,2,,172A23-03180,, "LABEL,LIFTING",,1,,,,,,,,,,,,,  
10,2,,172444-03181,, LABEL,,2,,,,,,,,,,,,,  
11,2,,172444-03190,, LABEL,,1,,,,,,,,,,,,,  
12,2,,172448-03190,, "LABEL,FAN",,1,,,,,,,,,,,,,  
13,2,,172458-03190,, "LABEL,OILING",,1,,,,,,,,,,,,,  
14,2,,172141-03202,, "LABEL,CAUTION",,1,,,,,,,,,,,,,  
15,2,,172450-03200,, "LABEL,BATTERY",,1,,,,,,,,,,,,,  
16,2,,172458-03200,, "LABEL,FAN",,1,,,,,,,,,,,,,  
17,2,,172444-03210,, LABEL,,1,,,,,,,,,,,,,  
18,2,,172458-03210,, "LABEL,BELT",,1,,,,,,,,,,,,,  
19,2,,172446-03220,, "LABEL,BELT",,1,,,,,,,,,,,,,  
20,2,,172458-03220,, "LABEL,ACCELERATOR",,1,,,,,,,,,,,,,  
21,2,,172458-03231,, "LABEL, HUSE",,1,,,,,,,,,,,,,  
22,2,,172A23-03240,, "LAVEL,OPEN",,1,,,,,,,,,,,,,  
23,2,,172444-03240,, LABEL,,1,,,,,,,,,,,,,  
24,2,,172173-03250,, LABEL,,1,,,,,,,,,,,,,  
25,2,,172183-03250,, "LABEL,FUEL",,1,,,,,,,,,,,,,  
26,2,,172524-03271,, LABEL,,1,,,,,,,,,,,,,  
27,2,,172444-03280,, LABEL,,2,,,,,,,,,,,,,  
28,2,,172142-03302,, "LABEL,CAUTION",,1,,,,,,,,,,,,,  
29,2,,172455-03340,, LABEL,,1,,,,,,,,,,,,,  
30,2,,172141-03360,, "LABEL, START SWITCH",,1,,,,,,,,,,,,,  
31,2,,172964-03370,, LABEL,,1,,,,,,,,,,,,,  
32,2,,172964-03481,, "LABEL,DANGER",,1,,,,,,,,,,,,,  
33,1,,172164-03510,, "LABEL,LOADING",,1,,,,,,,,,,,,,  
34,2,,172437-03510,, "LABEL,HOOK",,3,,,,,,,,,,,,,  
35,2,,172164-03540,, LABEL,,1,,,,,,,,,,,,,  
36,2,,172519-04180,, "LABEL,WARNING",,1,,,,,,,,,,,,,  
37,2,,172519-04290,, "LABEL,WARNING",,1,,,,,,,,,,,,,  
38,2,,121470-44540,, "LABEL, SUB-TANK",,1,,,,,,,,,,,,,  
39,2,,172183-03280,, "LABEL,LOCK",,2,,,,,,,,,,,,,  
40,2,,172444-03290,, MAGNET,,1,,,,,1,,,,,,,,,,,,,  
41,2,,172151-03551,, LABEL,,1,,,,,1,,,,,,,,,,,,,  
42,2,,172458-03140,, "LABEL, FRONT",,1,,,,,,,,,,,,,  
43,2,,172444-03330,, LABEL,,1,,,,,,,,,,,,,  
44,2,,172490-03200,, LABEL,,1,,,,,,,,,,,,,  
45,2,,172490-03210,, "LABEL, P.T.O.",,1,,,,,2,,,,,,,,,,,,,  
46,2,,172165-03240,, LABEL,,1,,,,,3,,,,,,,,,,,,,  
47,2,,172460-03230,, "LABEL,SEAT BELT",,1,,,,,,,,,,,,,  
48,2,,172460-03241,, "LABEL,ROPS",,1,,,,,,,,,,,,,  
49,2,,172458-03550,, LABEL,,1,,,,,4,,,,,,,,,,,,,  
50,2,,172458-03560,, LABEL,,1,,,,,4,,,,,,,,,,,,,  
51,2,,172458-03570,, LABEL,,1,,,,,4,,,,,,,,,,,,,  
52,2,,172458-03240,, "LABEL,LOCK",,1,,,,,,,,,,,,,

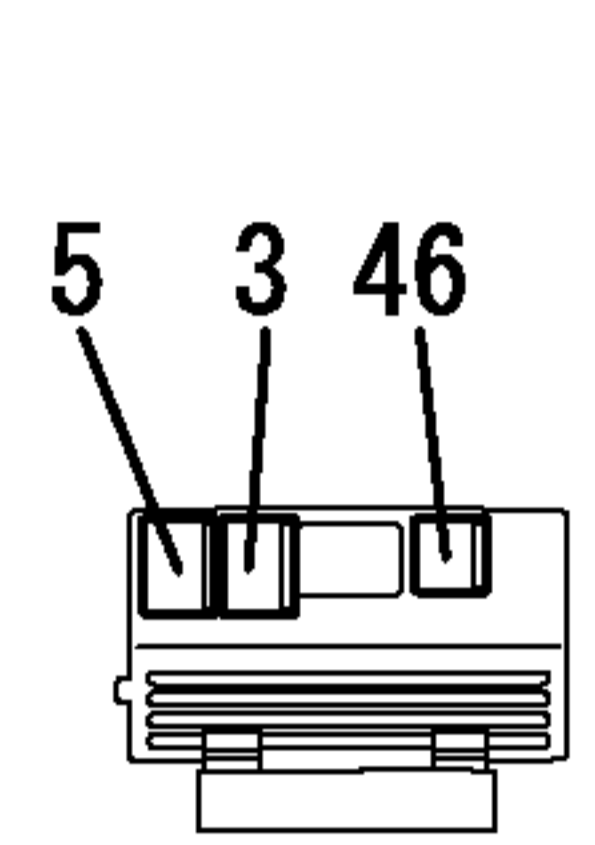


Ⓐ から見る  
VIEWED FROM Ⓐ

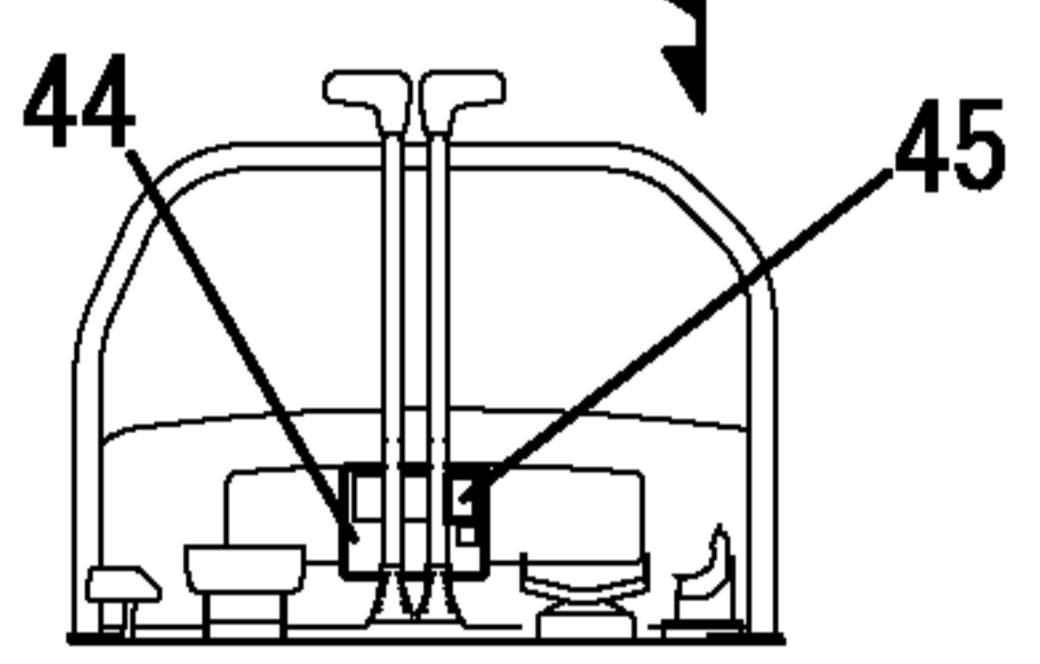
見出しNo. 1は  
見出しNo. 2から52を含みます。  
1 INC. 2~52.



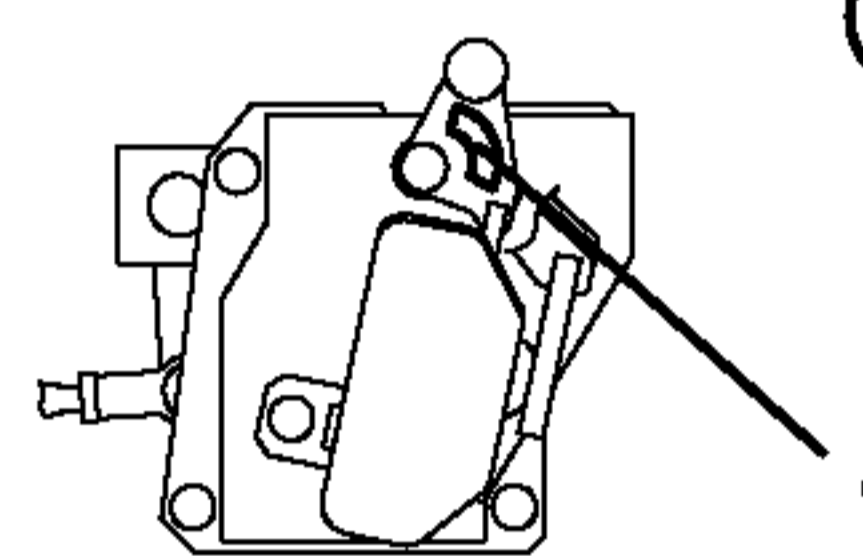
ボンネット内部詳細  
DETAILS OF  
BONNET INSIDE



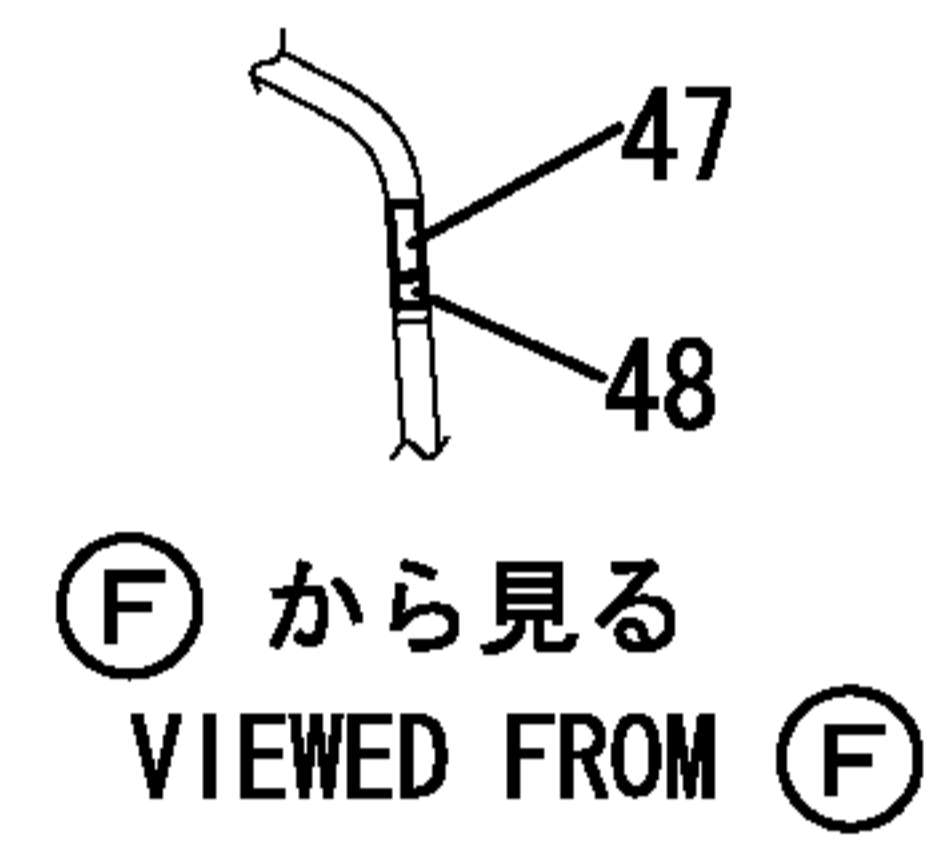
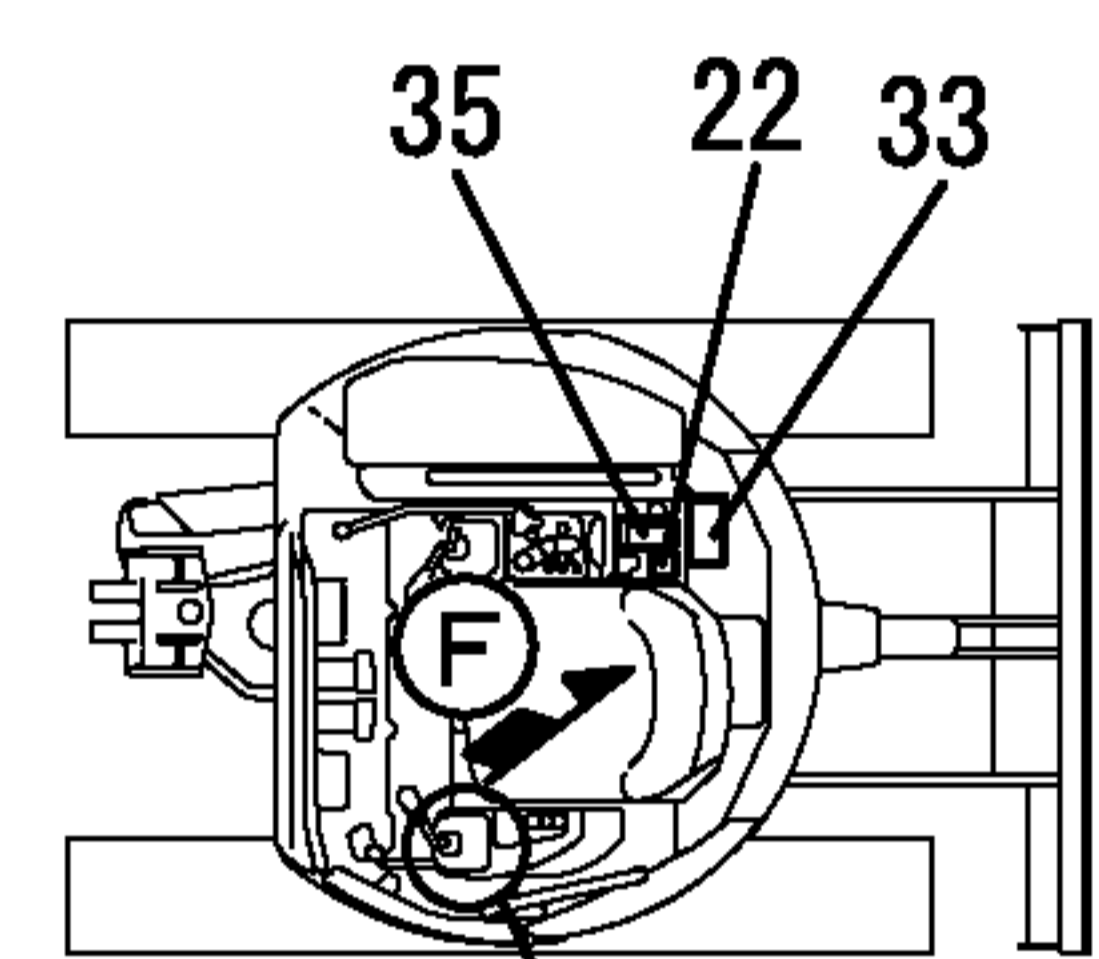
グリルを開いて  
OPEN THE GRILLE



グリル内側詳細  
DETAILS OF  
GRILLE INSIDE

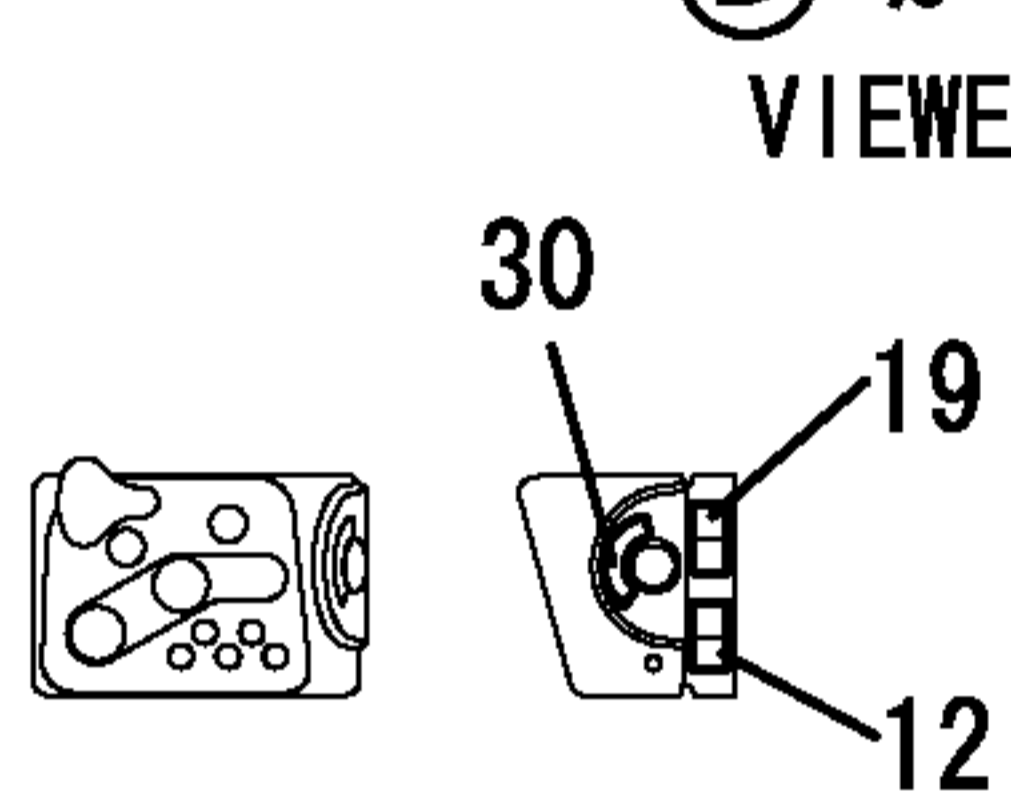


Ⓑ から見る  
VIEWED FROM Ⓑ

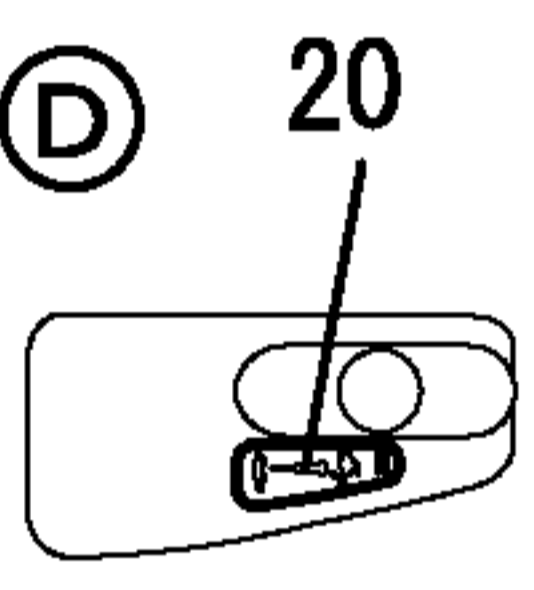


Ⓕ から見る  
VIEWED FROM Ⓕ

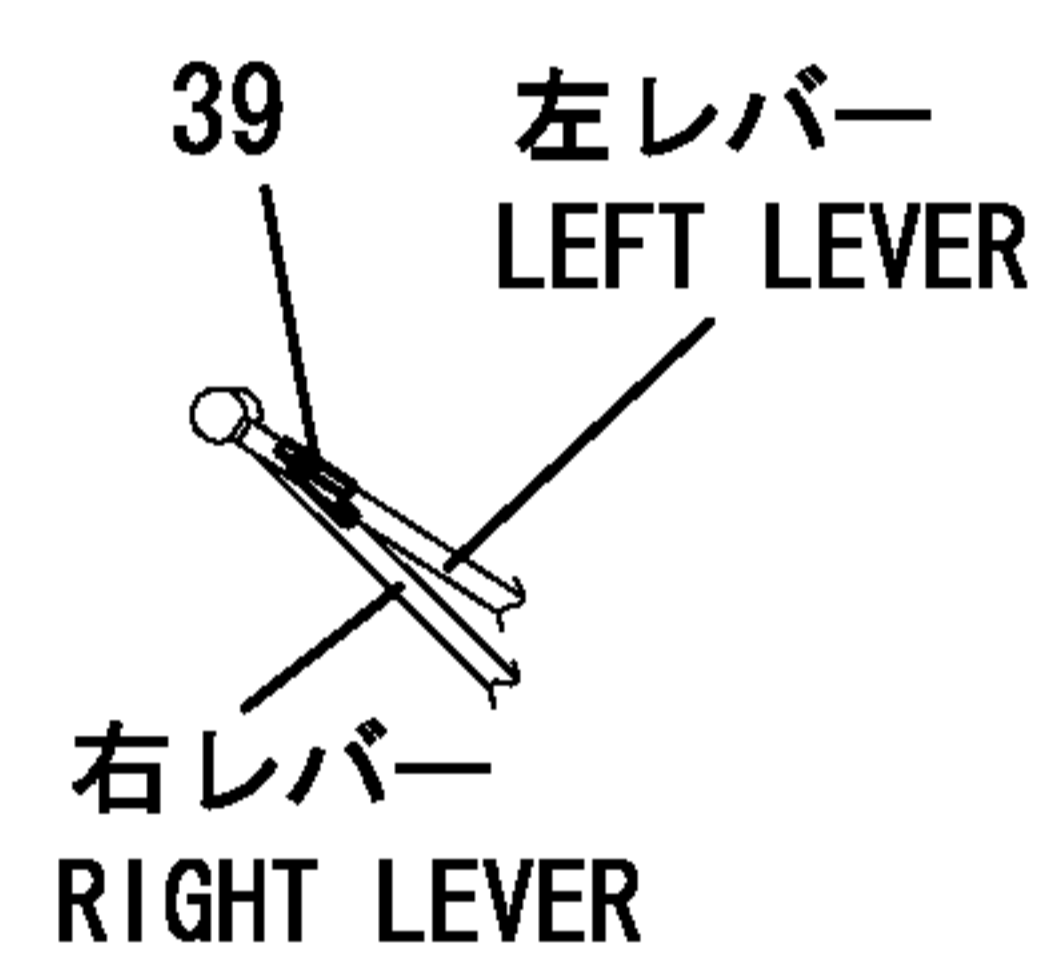
Ⓓ から見る  
VIEWED FROM Ⓓ



パネルR部詳細  
DETAILS OF  
PANEL R

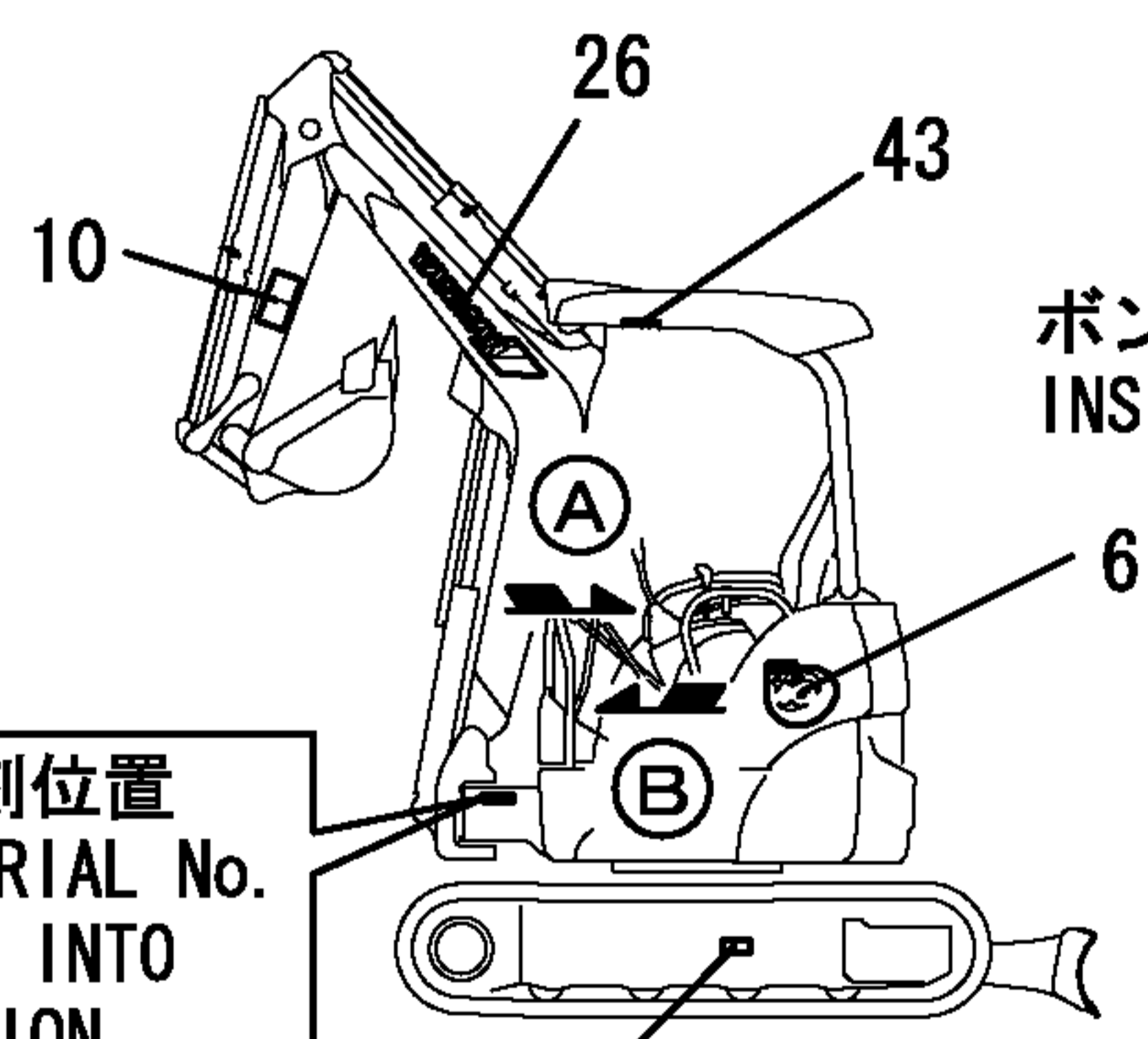


パネルL部詳細  
DETAILS OF  
PANEL L



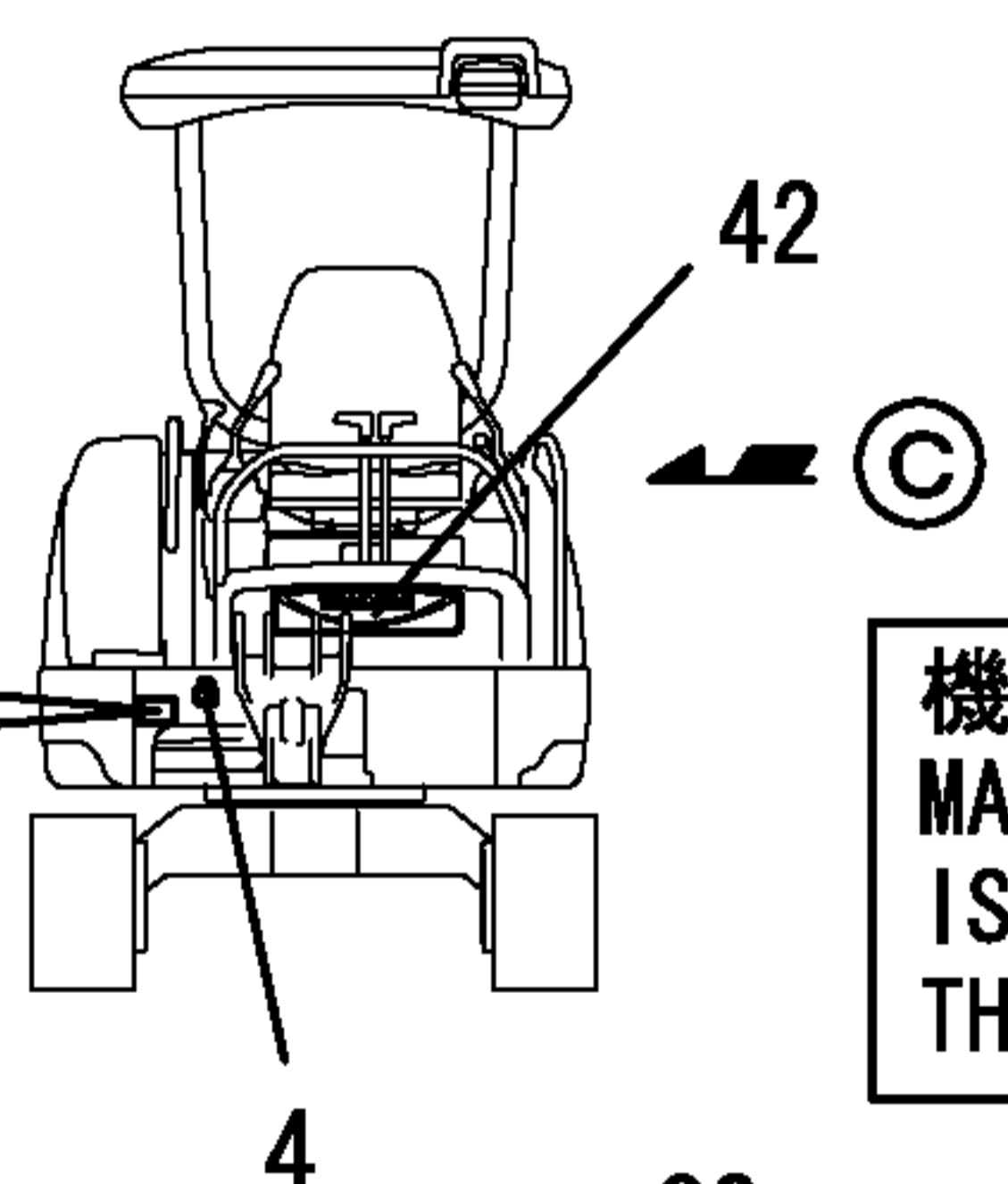
左レバー  
LEFT LEVER

右レバー  
RIGHT LEVER

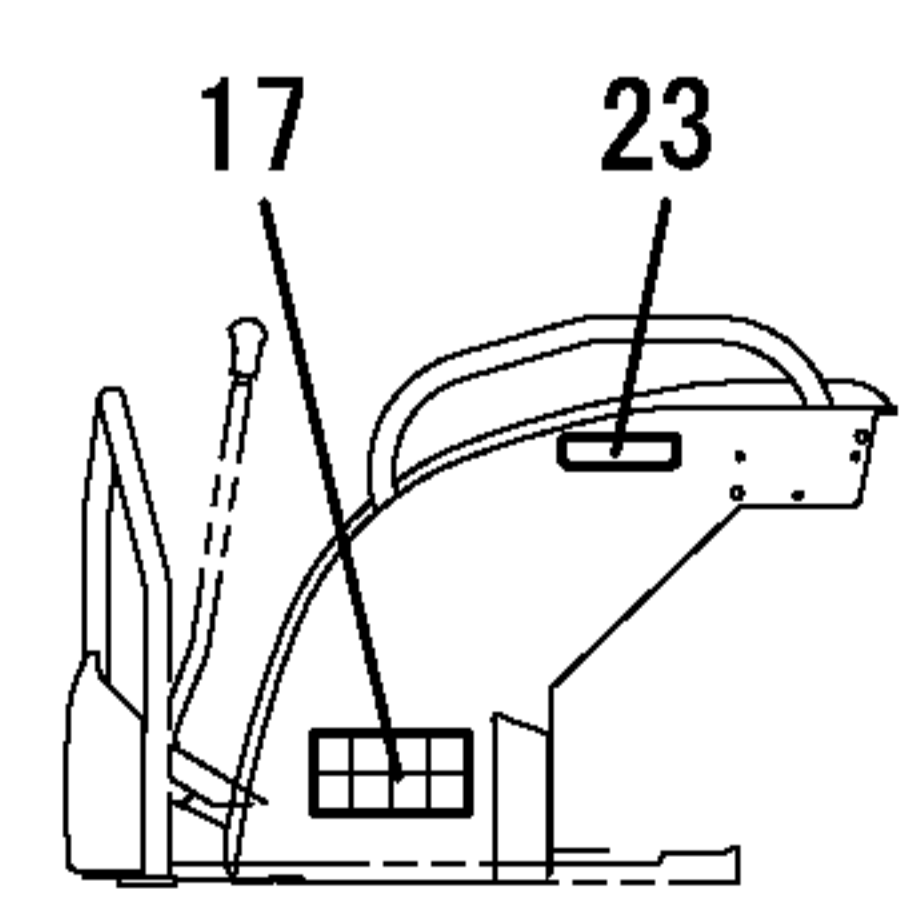


ボンネットカバー内側  
INSIDE THE BONNET COVER

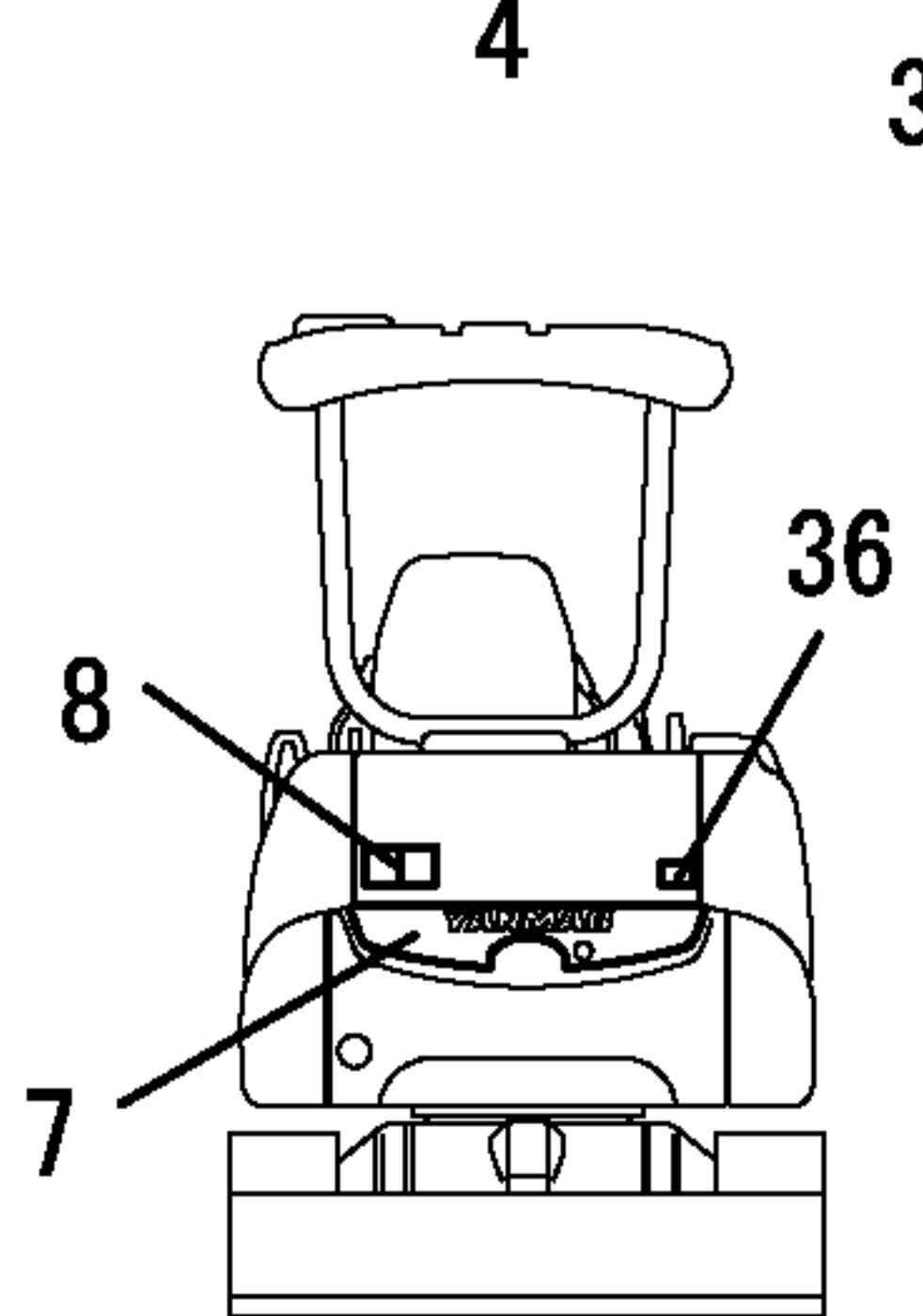
機体No. 機関No. 打刻位置  
MACHINE SERIAL No.  
ENGINE No. IS STAMPED  
INTO THIS LOCATION.



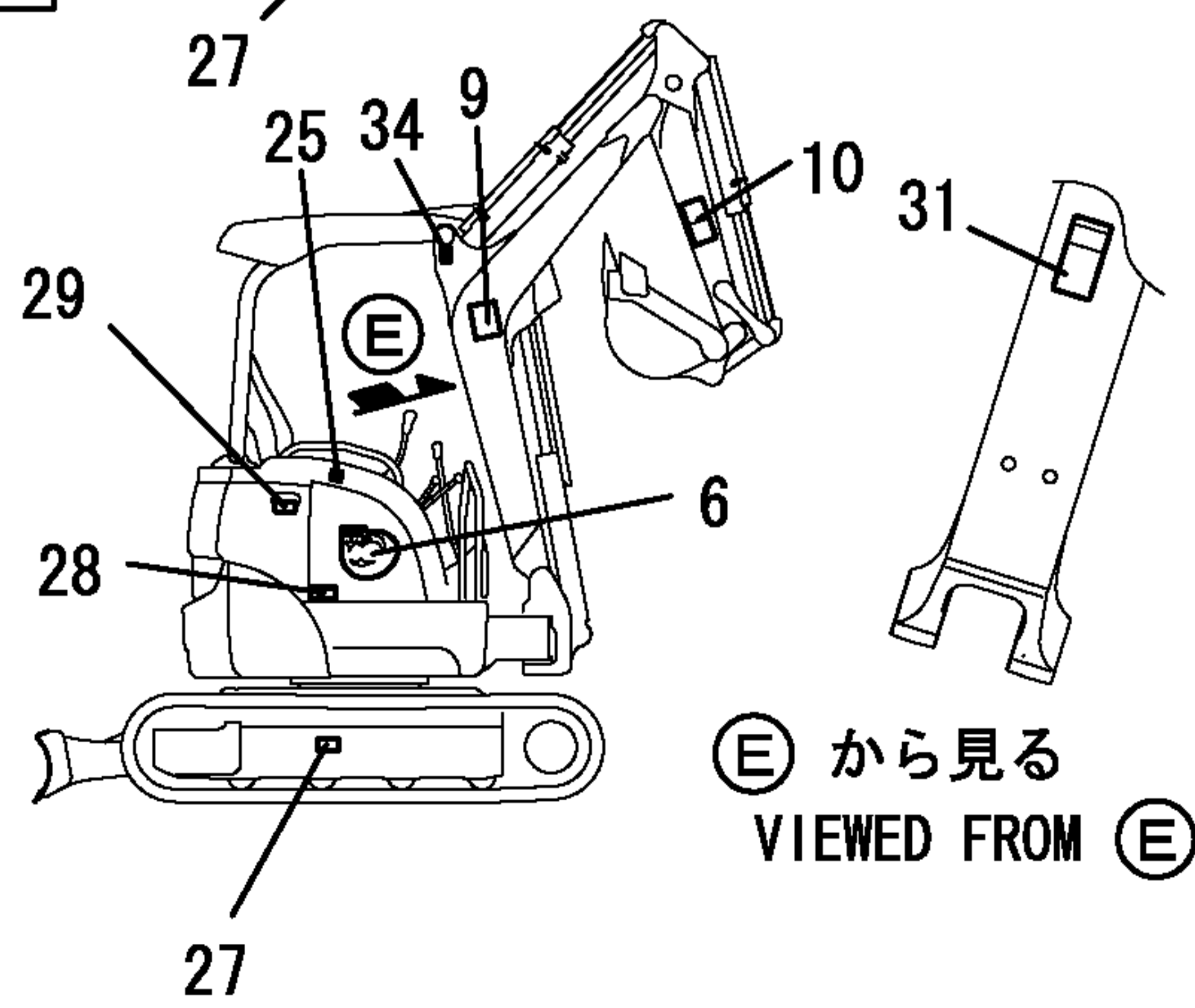
機体No. 打刻位置  
MACHINE SERIAL No.  
IS STAMPED INTO  
THIS LOCATION.



Ⓒ から見る  
VIEWED FROM Ⓒ



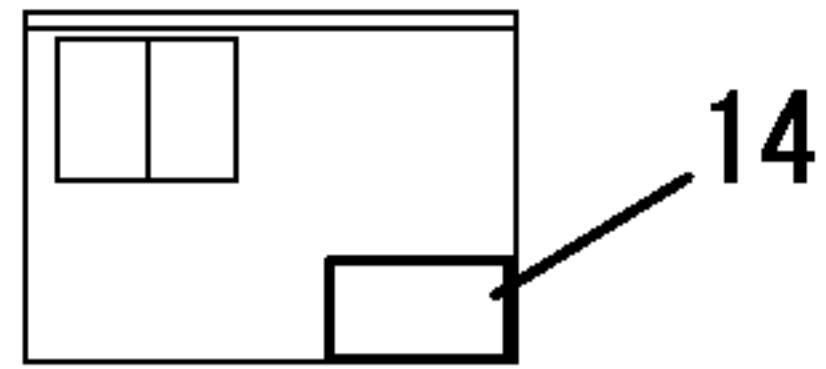
取説収納庫在中  
IN THE OPERATION  
MANUAL CASE



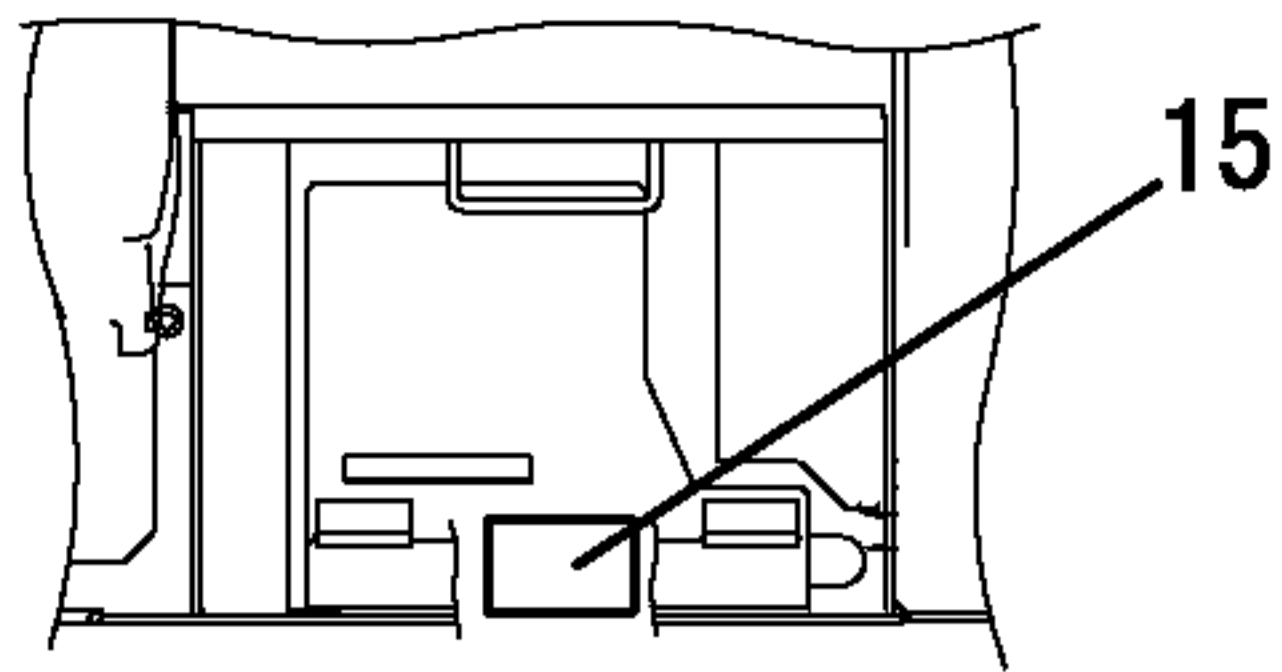
Ⓔ から見る  
VIEWED FROM Ⓔ

1,1,,772958-03101,, "LABEL SET,VIO(QUICK",1,1,,,,,,,,,,,,,  
2,2,,172958-03110,, LABEL,1,1,,,,,,,,,,,,,  
3,2,,172958-03120,, LABEL,,1,,,,,1,,,,,,,,,,,,,  
4,2,,172958-03130,, LABEL,,1,,,,,1,,,,,,,,,,,,,  
5,2,,172958-03140,, LABEL,1,1,,,,,,,,,,,,,  
6,2,,172958-03160,, LABEL,1,1,,,,,,,,,,,,,  
7,2,,172958-03200,, LABEL,2,2,,,,,,,,,,,,,  
8,2,,172958-03220,, LABEL,1,1,,,,,,,,,,,,,  
9,2,,172958-03230,, "LABEL,PIN",1,1,,,,,,,,,,,,,  
10,2,,172458-03240,, "LABEL,LOCK",1,1,,,,,,,,,,,,,  
11,2,,172958-03100,, LABEL,1,1,,,,,,,,,,,,,  
12,2,,172958-03170,, LABEL,1,,,,,2,,,,,,,,,,,,,  
13,2,,172958-03190,, LABEL,1,1,,,,,,,,,,,,,  
14,2,,172958-03310,, "LABEL,COLLAR",1,1,,,,,,,,,,,,,  
15,2,,172958-03300,, "LABEL,PLUG",1,1,,,,,,,,,,,,,  
16,2,,172958-03180,, LABEL,1,1,,,,,,,,,,,,,

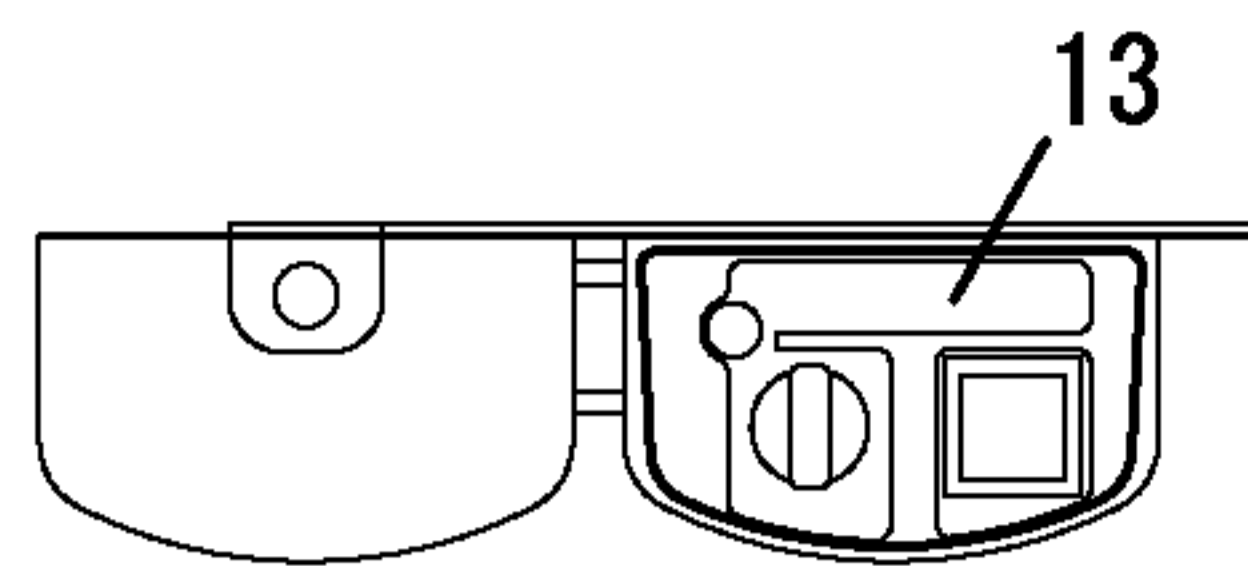
見出しNo. 1は  
見出しNo. 2から16を含みます。  
1 INC. 2~16.



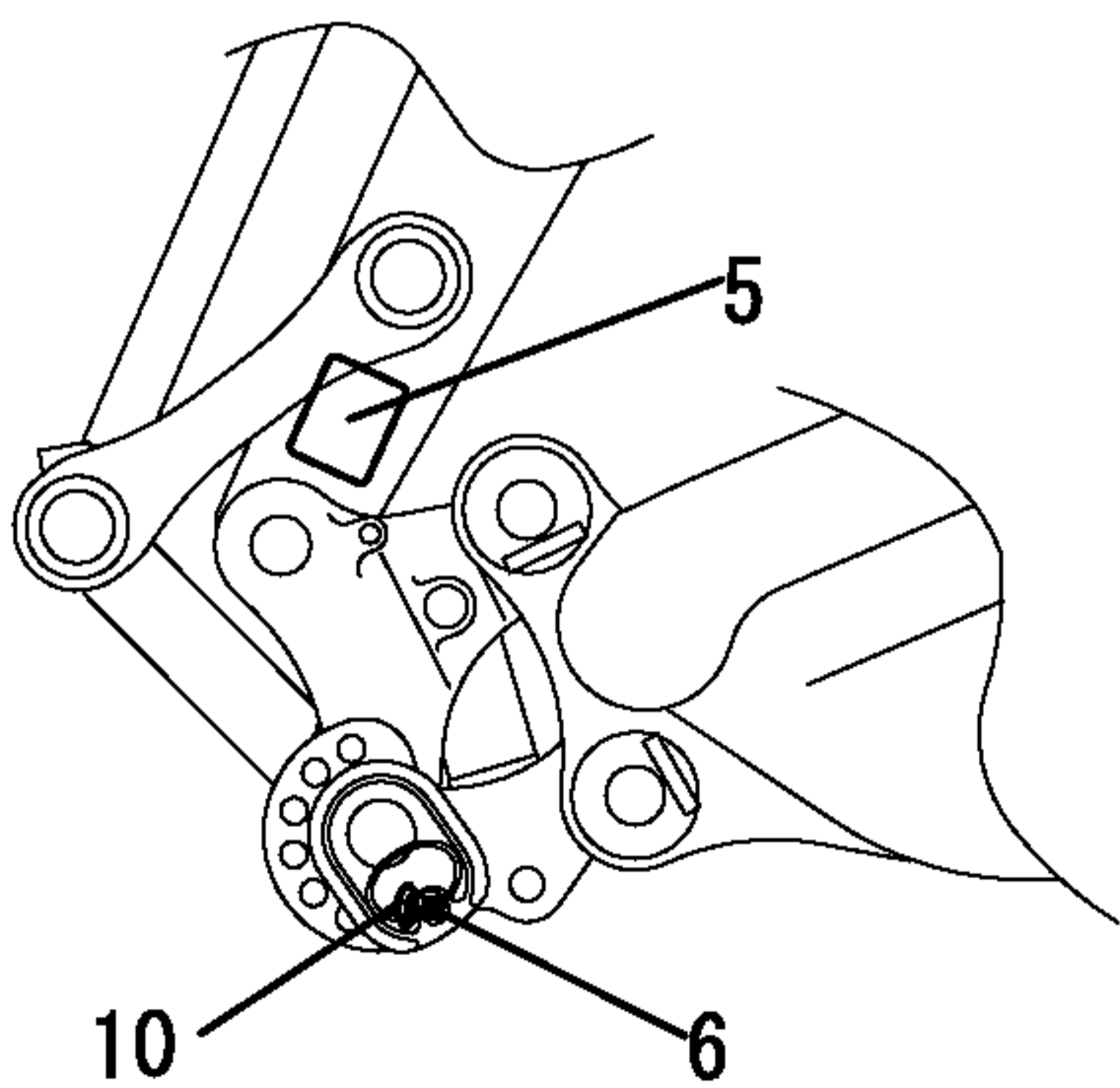
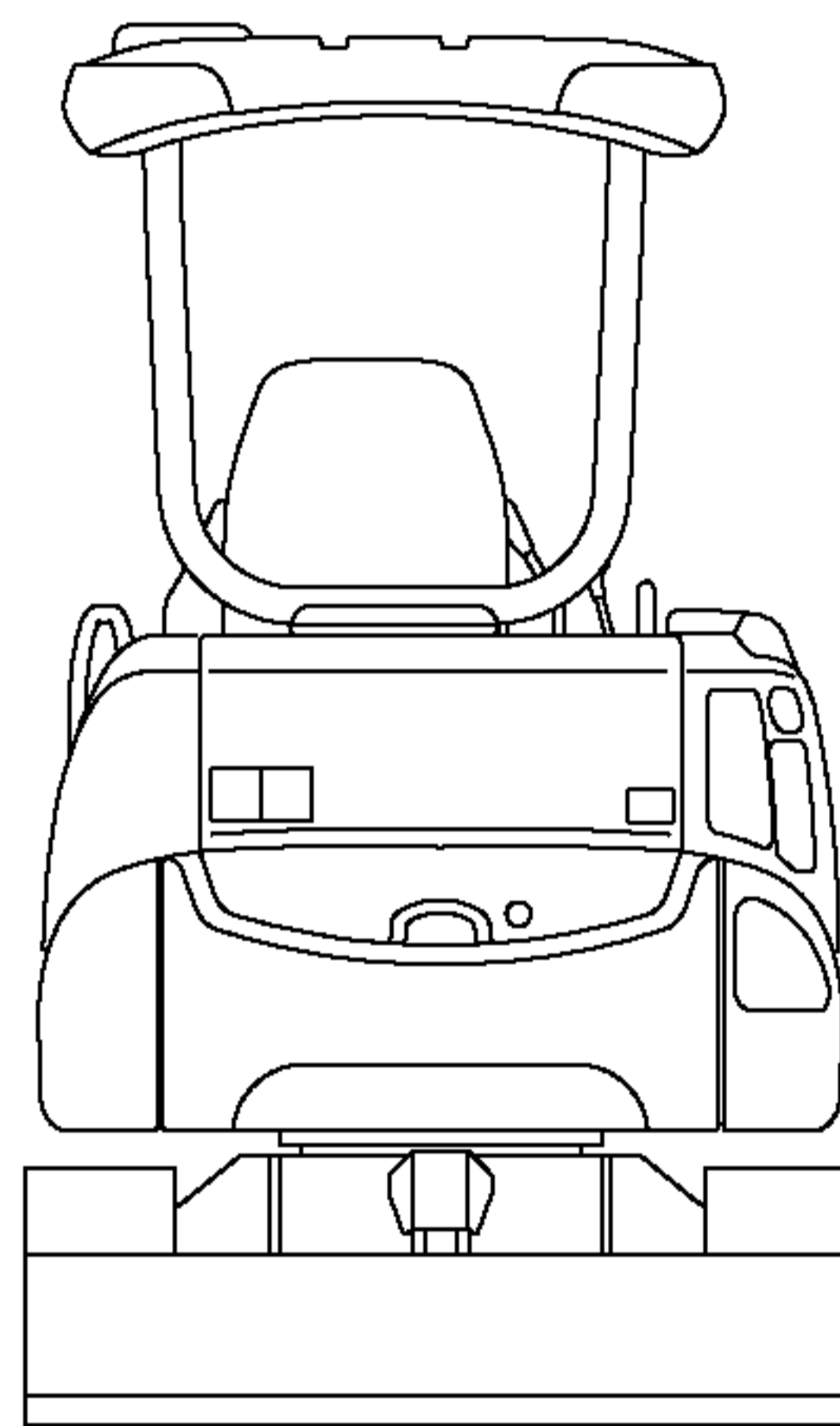
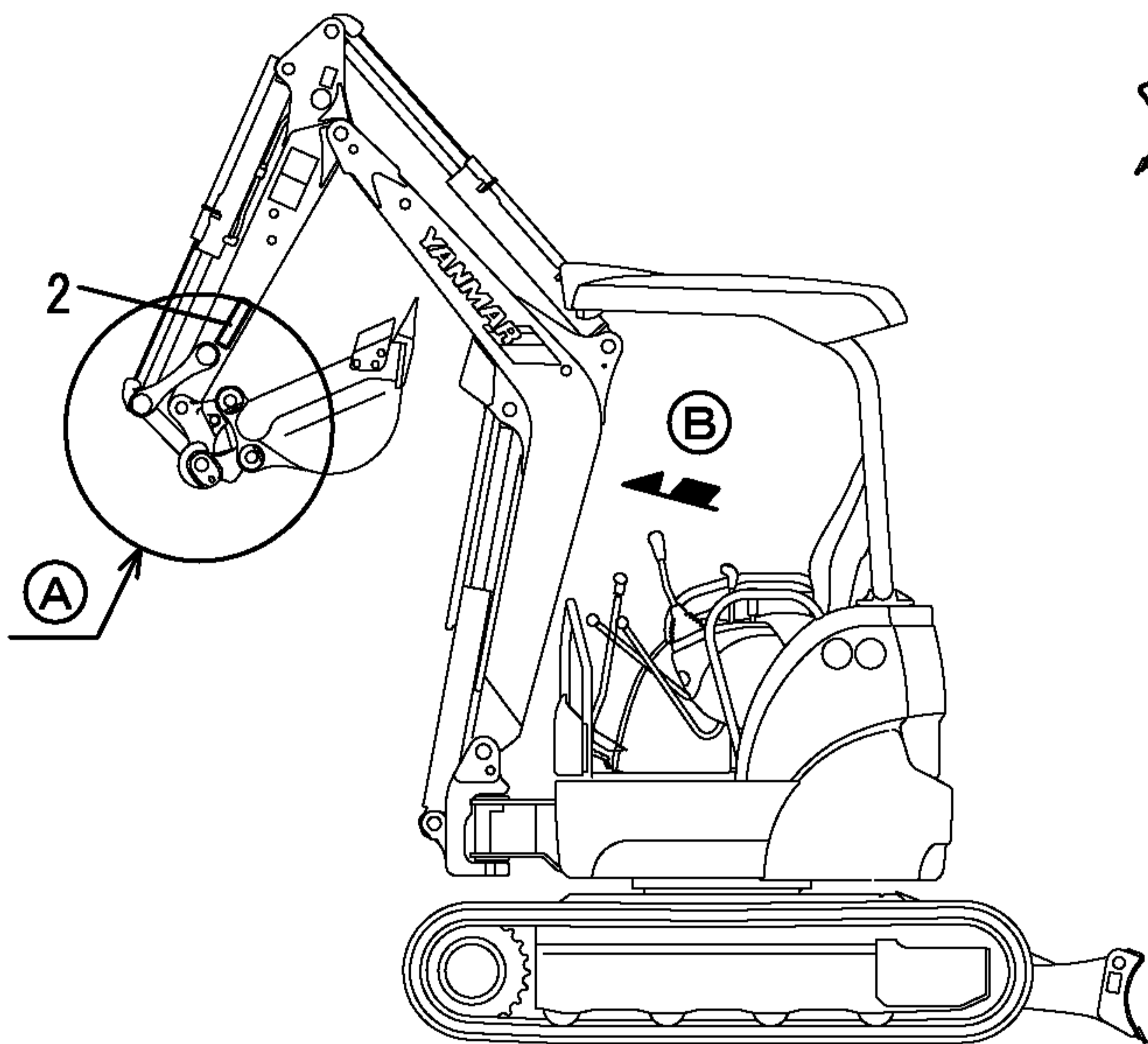
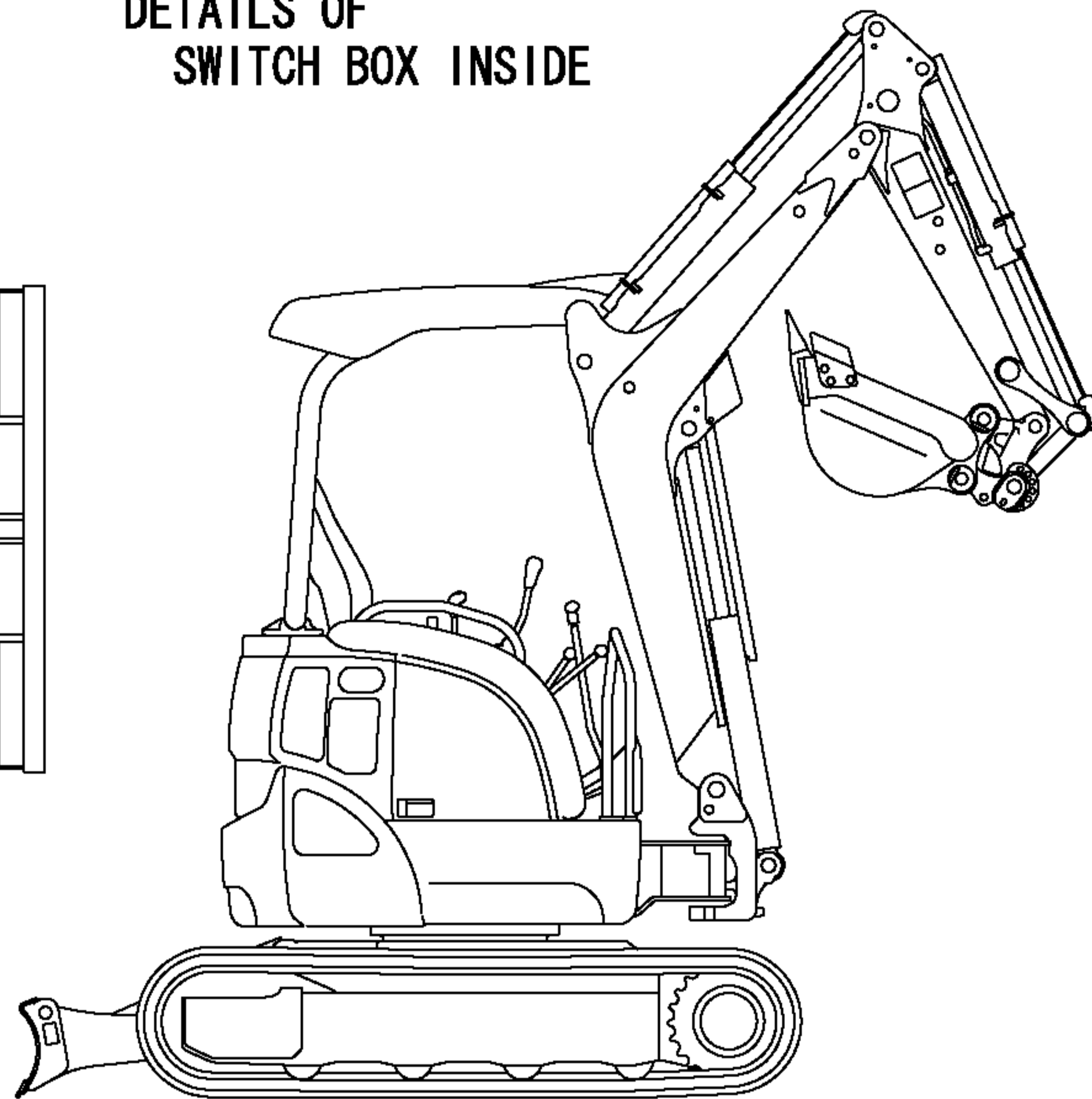
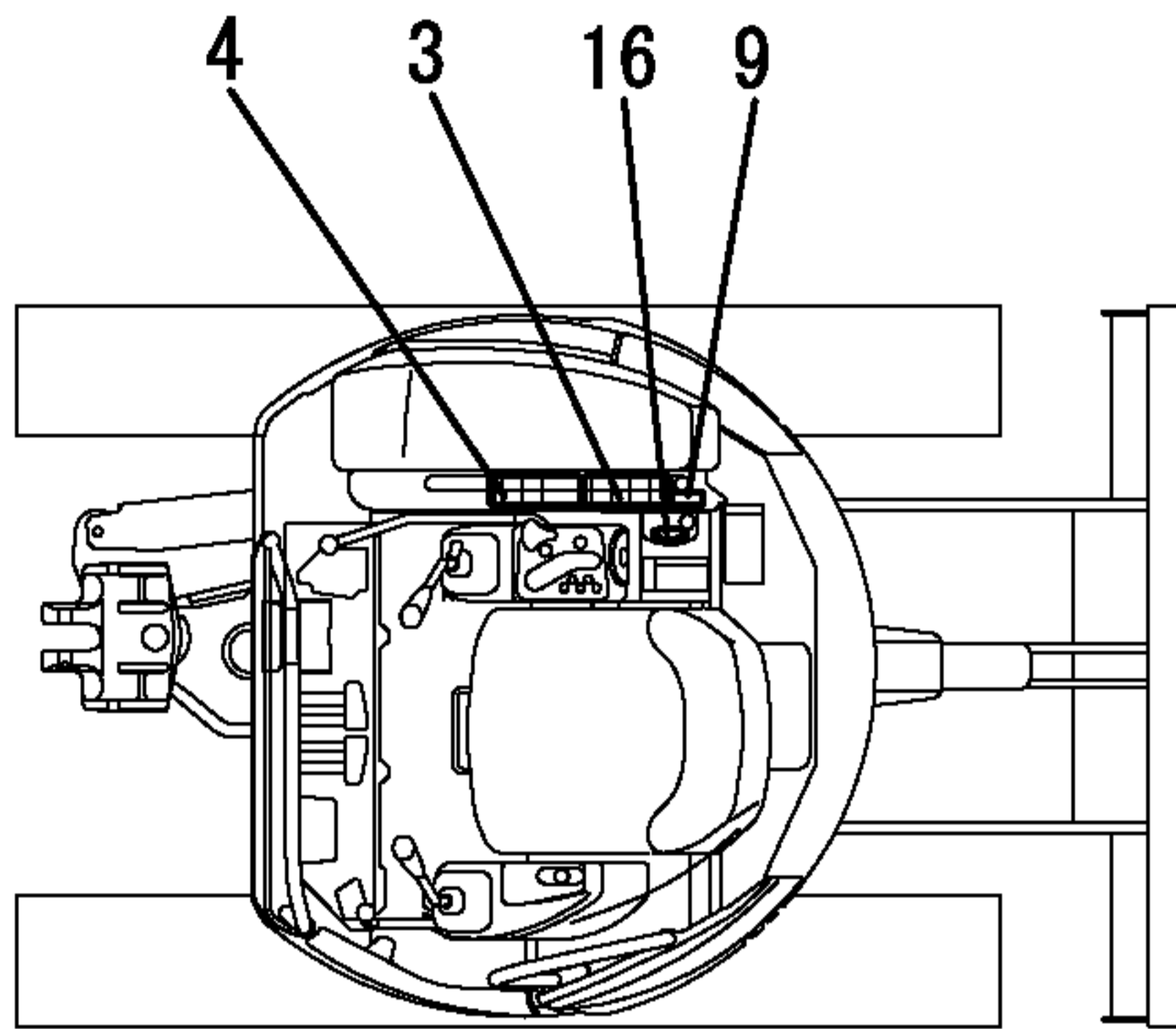
取説入れ詳細  
DETAILS OF MANUAL CASE



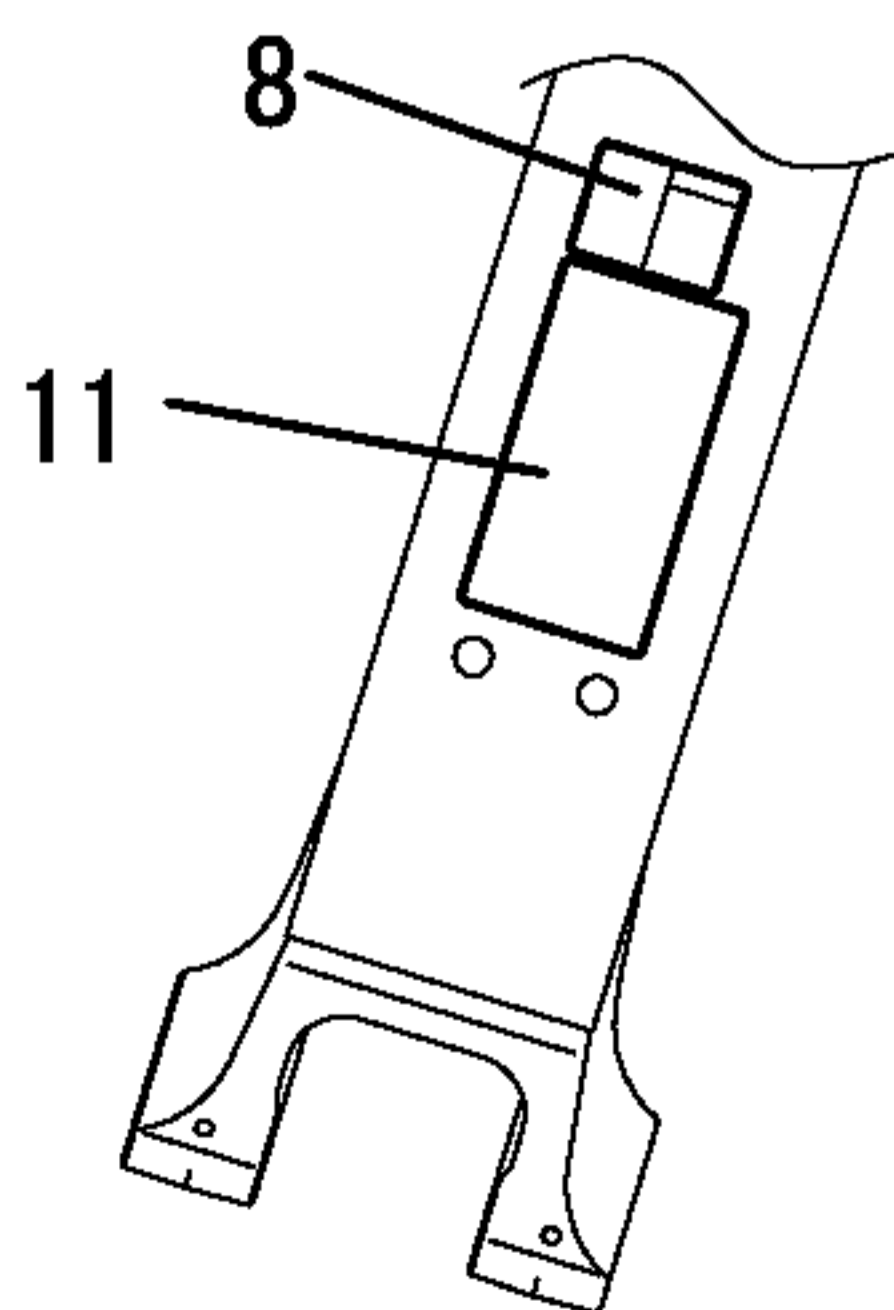
グリルを開いて  
OPEN THE GRILLE



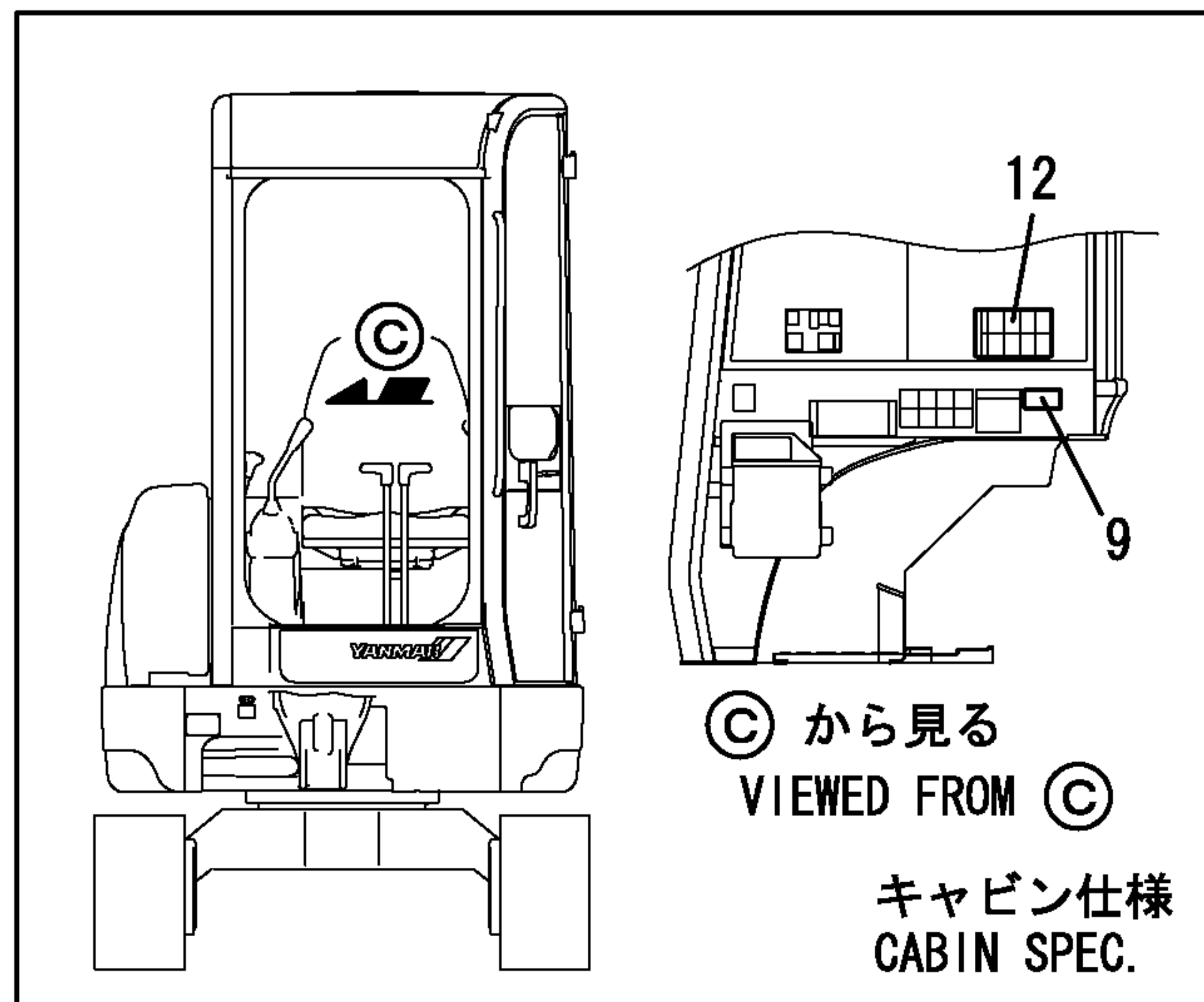
スイッチBOX内側詳細  
DETAILS OF  
SWITCH BOX INSIDE



Ⓐ 部詳細  
DETAILS OF Ⓐ



Ⓑ から見る  
VIEWED FROM Ⓑ

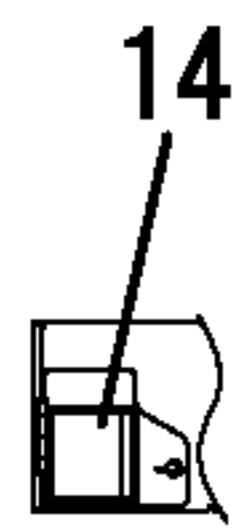
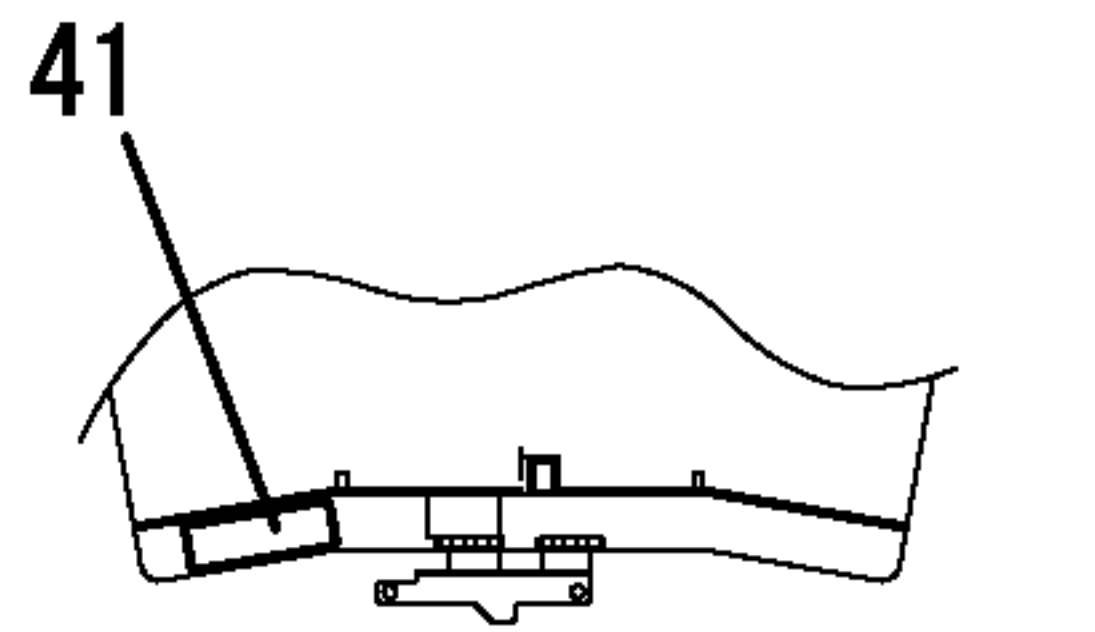
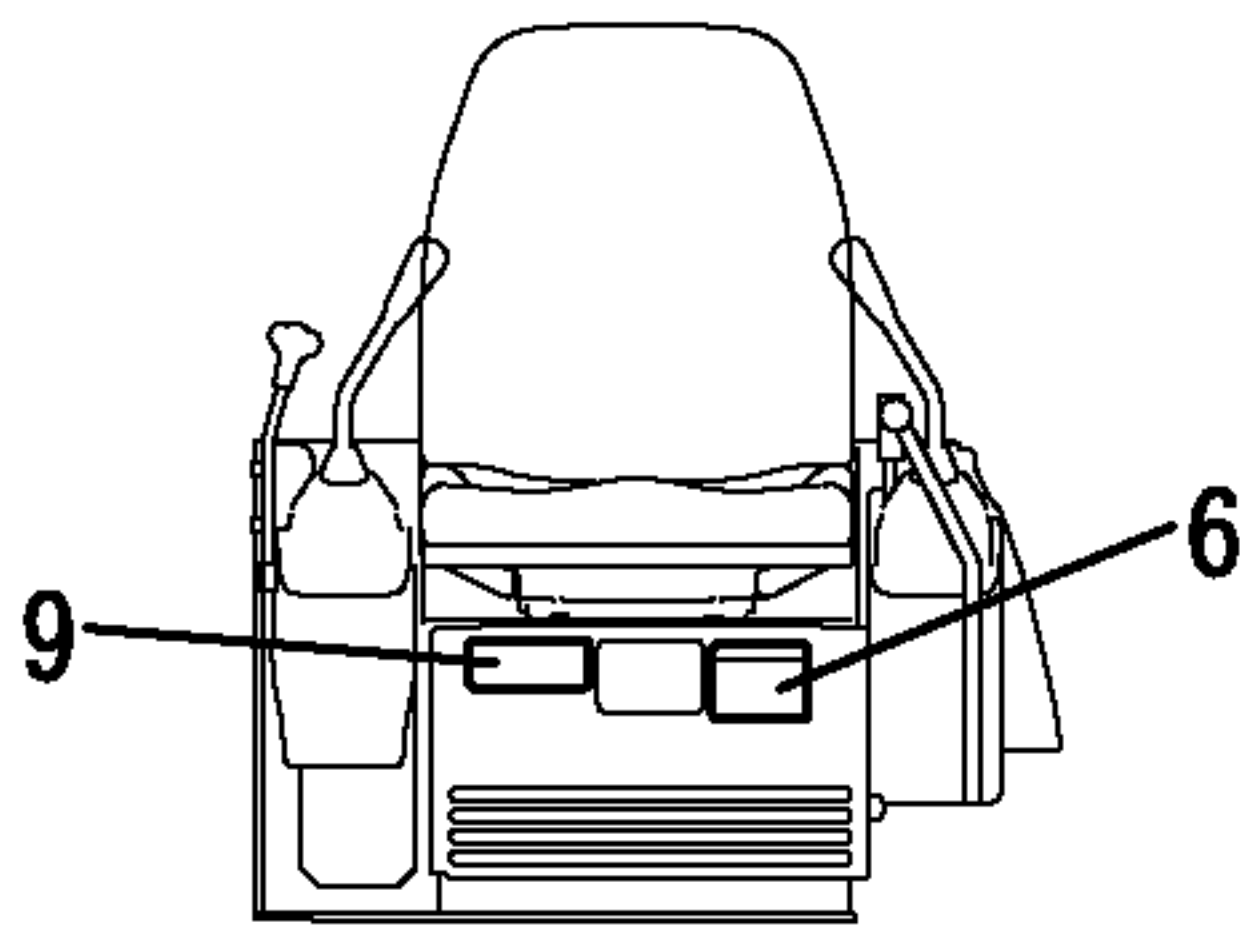


Ⓒ から見る  
VIEWED FROM Ⓒ

キャビン仕様  
CABIN SPEC.

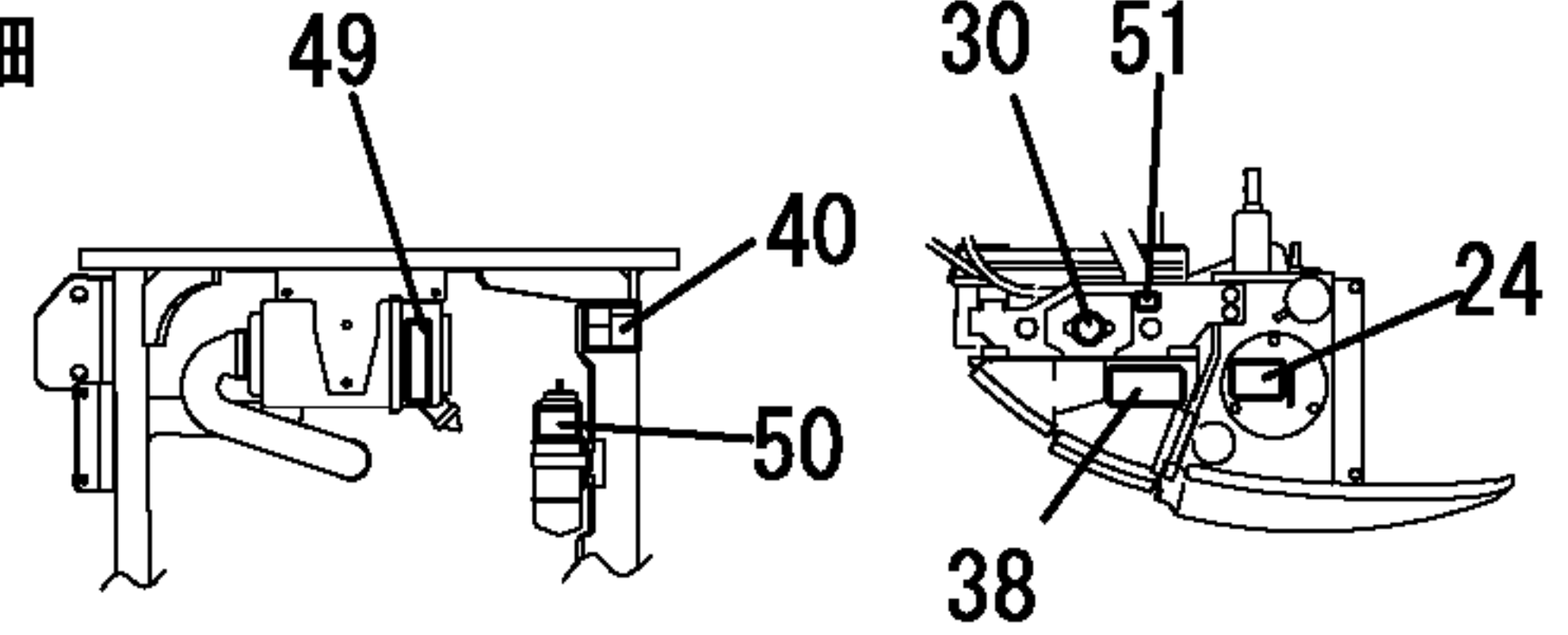
1,1,,772A36-03140,, "LABEL SET VIO20-3(EX",,,1,,,,,,,,,,,,,,,,,  
2,2,,172458-03140,, "LABEL, FRONT",,,1,,,,,,,,,,,,,,,,,  
3,2,,172469-03140,, "LABEL,OIL&WATER",,,1,,,,,,,,,,,,,,,,,  
4,2,,172456-03150,, "LABEL,MODEL",,,2,,,,,,,,,,,,,,,,,  
5,2,,172458-03160,, "LABEL, REAR",,,1,,,,,,,,,,,,,,,,,  
6,2,,172472-03160,, "LABEL,GREASE",,,1,,,,,,,,,,,,,,,,,  
7,2,,172958-03160,, LABEL,,1,,,,,,,,,,,,,,,,,  
8,2,,172472-03171,, "LABEL,FUSE US",,,1,,,,,,,,,,,,,,,,,  
9,2,,172A36-03200,, "LABEL,SPECIFICATION",,,1,,,,,,,,,,,,,,,,,  
10,2,,172490-03200,, LABEL,,1,,,,,,,,,,,,,,,,,  
11,2,,172490-03210,, "LABEL, P.T.O.",,,1,,,,,,,,,,,,,,,,,  
12,2,,172458-03220,, "LABEL,ACCELERATOR",,,1,,,,,,,,,,,,,,,,,  
13,2,,172472-03230,, "LABEL,OPERATION PIN",,,1,,,,,,,,,,,,,,,,,  
14,2,,172437-03241,, "LABEL,CRAWLER",,,1,,1,,,,,,,,,,,,,,,,,  
15,2,,172458-03240,, "LABEL,LOCK",,,2,,,,,,,,,,,,,,,,,  
16,2,,172472-03240,, "LABEL,PIN US",,,1,,,,,,,,,,,,,,,,,  
17,2,,172437-03250,, "TAG,SERVICING ASSY",,,1,,,,,,,,,,,,,,,,,  
18,2,,172472-03250,, "LABEL,OPERATION Q US",,,1,,,,,,,,,,,,,,,,,  
19,2,,172472-03260,, "LABEL,FINGER",,,1,,,,,,,,,,,,,,,,,  
20,2,,172472-03270,, "LABEL,SAND US",,,1,,,,,,,,,,,,,,,,,  
21,2,,172524-03271,, LABEL,,2,,,,,,,,,,,,,,,,,  
22,2,,172183-03280,, "LABEL,LOCK",,,2,,,,,,,,,,,,,,,,,  
23,2,,172472-03280,, LABEL,,1,,,,,,,,,,,,,,,,,  
24,2,,172463-03290,, "LABEL,HYD.OIL US",,,1,,,,,,,,,,,,,,,,,  
25,2,,172472-03290,, "LABEL,SWITCH",,,1,,,,,,,,,,,,,,,,,  
26,2,,172437-03300,, "LABEL,MANUAL",,,1,,,,,,,,,,,,,,,,,  
27,2,,172472-03300,, "LABEL,COVER",,,1,,,,,,,,,,,,,,,,,  
28,2,,172437-03310,, "LABEL,SLOPE",,,1,,,,,,,,,,,,,,,,,  
29,2,,172437-03321,, "LABEL,HYD.OIL TANK",,,1,,,,,,,,,,,,,,,,,  
30,2,,172462-03320,, LABEL,,1,,,,,,,,,,,,,,,,,  
31,2,,172463-03330,, "LABEL,COVER",,,1,,,,,,,,,,,,,,,,,  
32,2,,172437-03341,, "LABEL,TRANSPORT",,,1,,,,,,,,,,,,,,,,,  
33,2,,172437-03351,, "LABEL,GREASE CYL.",,,2,,,,,,,,,,,,,,,,,  
34,2,,172141-03360,, "LABEL, START SWITCH",,,1,,,,,,,,,,,,,,,,,  
35,2,,172437-03360,, "LABEL,BATTERY",,,1,,,,,,,,,,,,,,,,,  
36,2,,172437-03371,, LABEL,,1,,,,,,,,,,,,,,,,,  
37,2,,172437-03380,, "LABEL,SWING AREA",,,1,,,,,,,,,,,,,,,,,  
38,2,,172437-03390,, "LABEL,RADIATOR",,,1,,,,,,,,,,,,,,,,,  
39,2,,172437-03401,, "LABEL (ENG COVER US",,,1,,,,,,,,,,,,,,,,,  
40,2,,172437-03411,, "LABEL (ENG ROOM US",,,1,,,,,,,,,,,,,,,,,  
41,2,,172437-03421,, "LABEL,MUFFLER",,,1,,,,,,,,,,,,,,,,,  
42,2,,172437-03431,, "LABEL,STEERING",,,1,,,,,,,,,,,,,,,,,  
43,2,,172437-03460,, "LABEL, BOOM",,,2,,,,,,,,,,,,,,,,,  
44,2,,172437-03470,, "LABEL,LEVER LOCK",,,1,,,,,,,,,,,,,,,,,  
45,2,,172437-03500,, "LABEL,FUEL",,,1,,,,,,,,,,,,,,,,,  
46,2,,172437-03510,, "LABEL,HOOK",,,4,,,,,,,,,,,,,,,,,  
47,2,,172437-03530,, "LABEL,RE-START",,,1,,,,,,,,,,,,,,,,,  
48,2,,172157-03740,, LABEL,,1,,,,,,,,,,,,,,,,,  
49,2,,172125-03950,, "LABEL, AIR CLEANER",,,1,,,,,,,,,,,,,,,,,  
50,2,,124764-44810,, "LABEL, SUB-TANK",,,1,,,,,,,,,,,,,,,,,  
51,2,,124764-44920,, "LABEL, ANTI-FREEZING",,,1,,,,,,,,,,,,,,,,,  
52,2,,172A36-03410,, "LABEL,ENG ROOM US",,,1,,,,,,,,,,,,,,,,,  
53,2,,172437-03450,, "LABEL,SEAT BELT",,,1,,,,,,,,,,,,,,,,,  
54,2,,172437-03440,, "LABEL,ROPS",,,1,,,,,,,,,,,,,,,,

見出しNo. 1は  
見出しNo. 2から54を含みます。  
1 INC. 2~54.



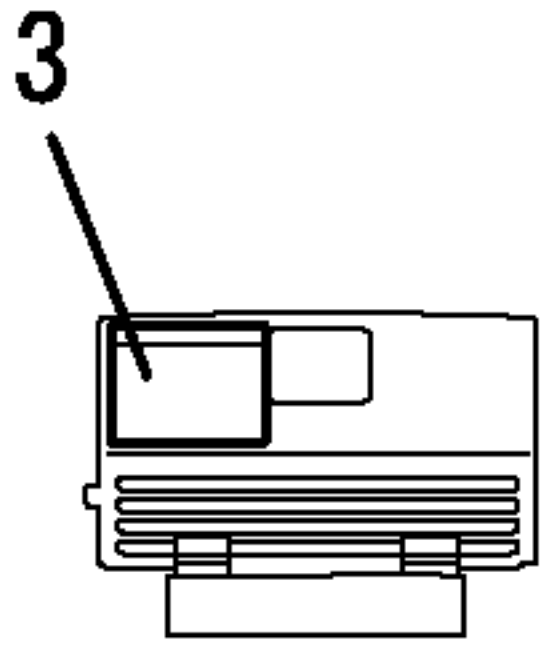
ボンネットカバー内部  
BONNET COVER INSIDE

マルチカバー部詳細  
DETAILS OF  
MULTI COVER



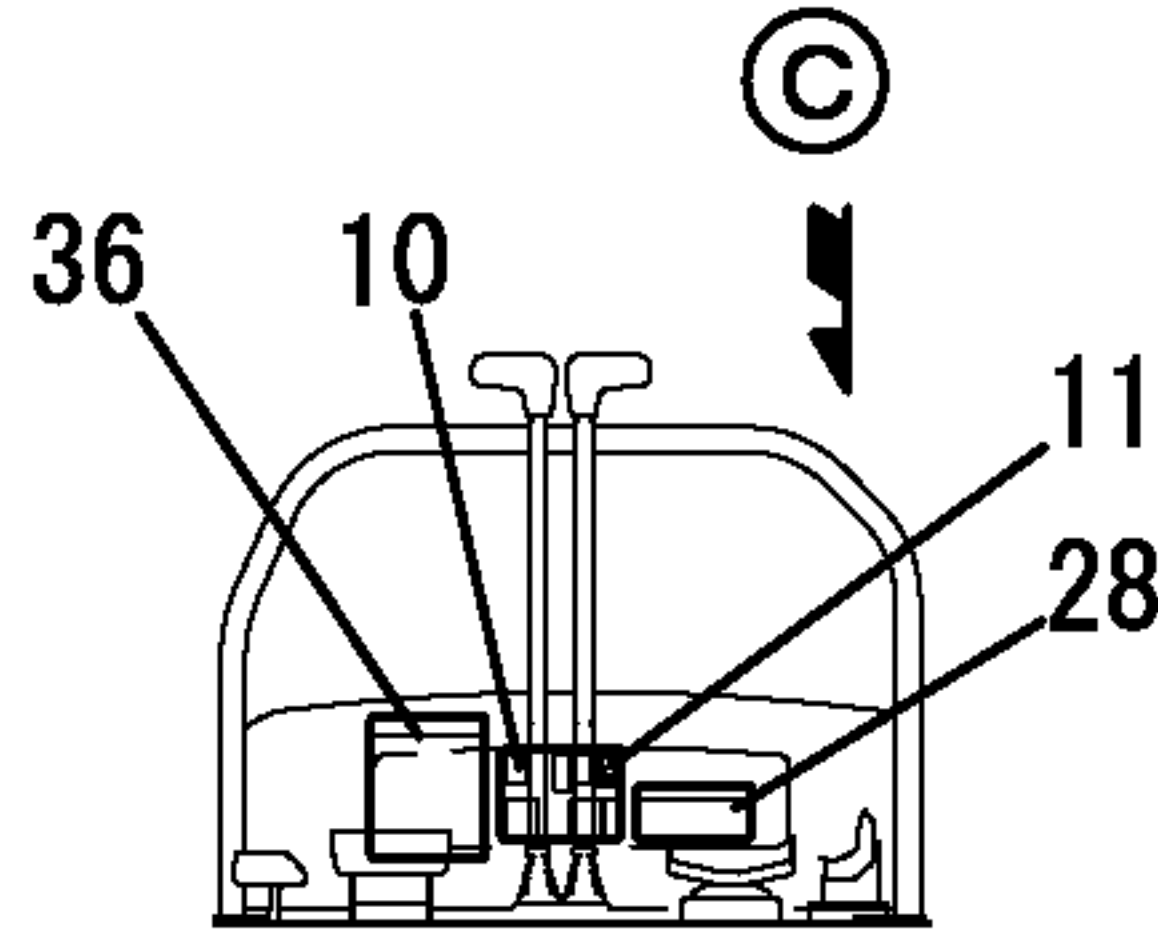
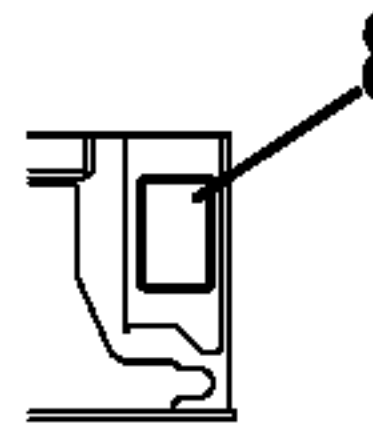
ボンネット内部詳細  
DETAILS OF  
BONNET INSIDE

(A) から見る  
VIEWED FROM (A)

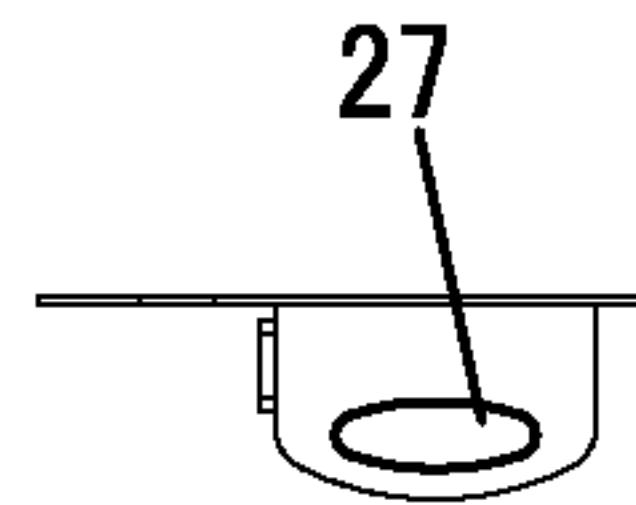


グリル内側詳細  
DETAILS OF  
GRILLE INSIDE

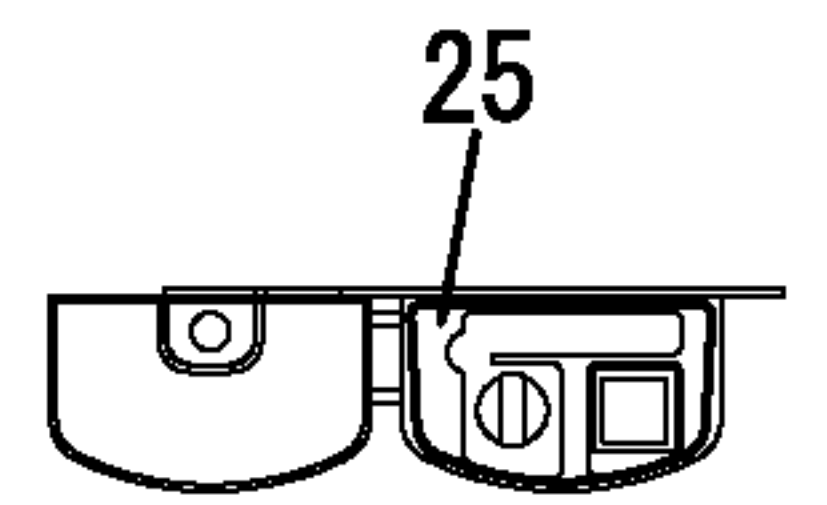
グリルを開いて  
OPEN THE GRILLE



(B) から見る  
VIEWED FROM (B)

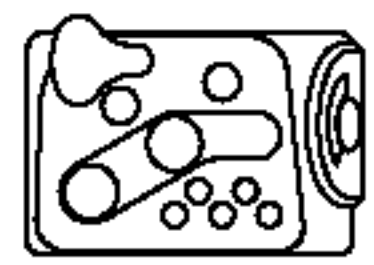


スイッチBOX詳細  
DETAILS OF  
SWITCH BOX



スイッチBOX内側詳細  
DETAILS OF  
SWITCH BOX INSIDE

(C) から見る  
VIEWED FROM (C)

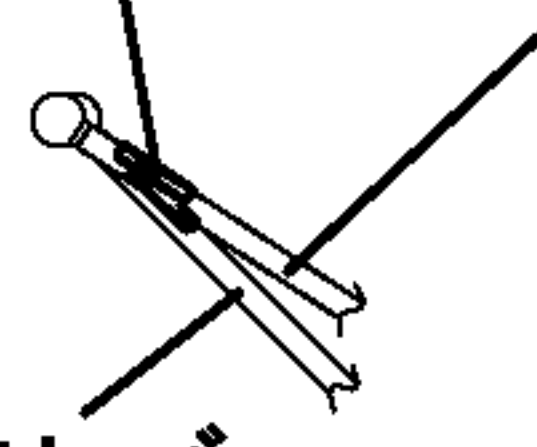


パネルR部詳細  
DETAILS OF  
PANEL R

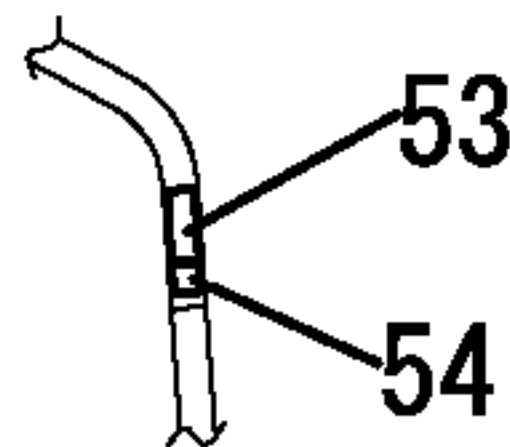


パネルL部詳細  
DETAILS OF  
PANEL L

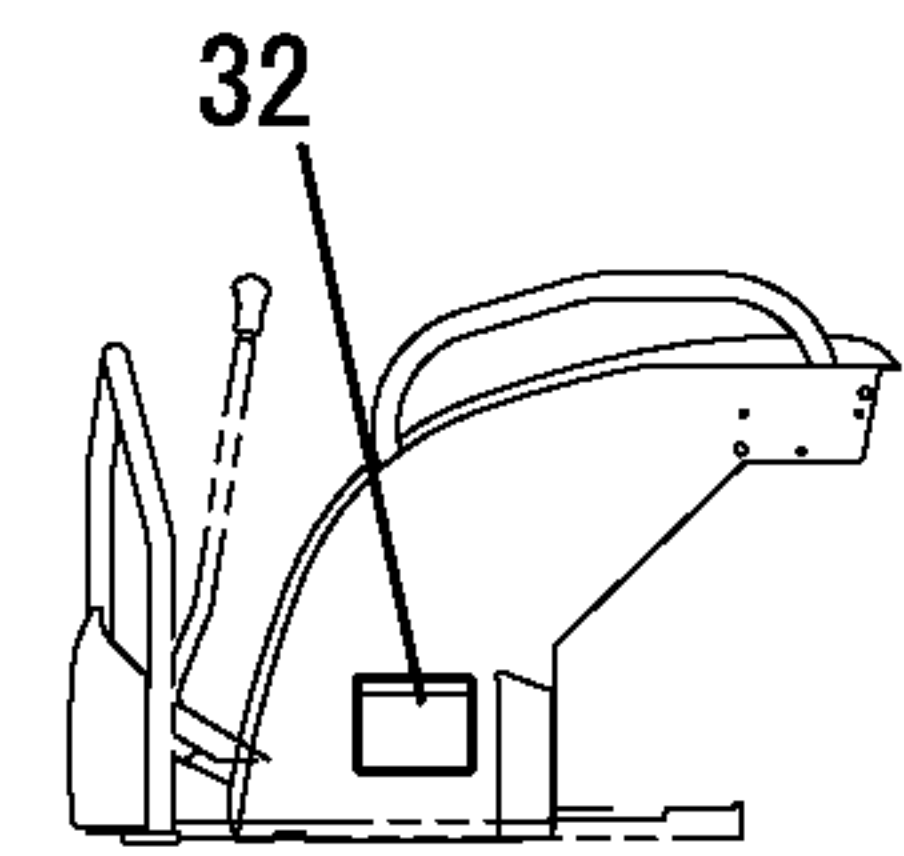
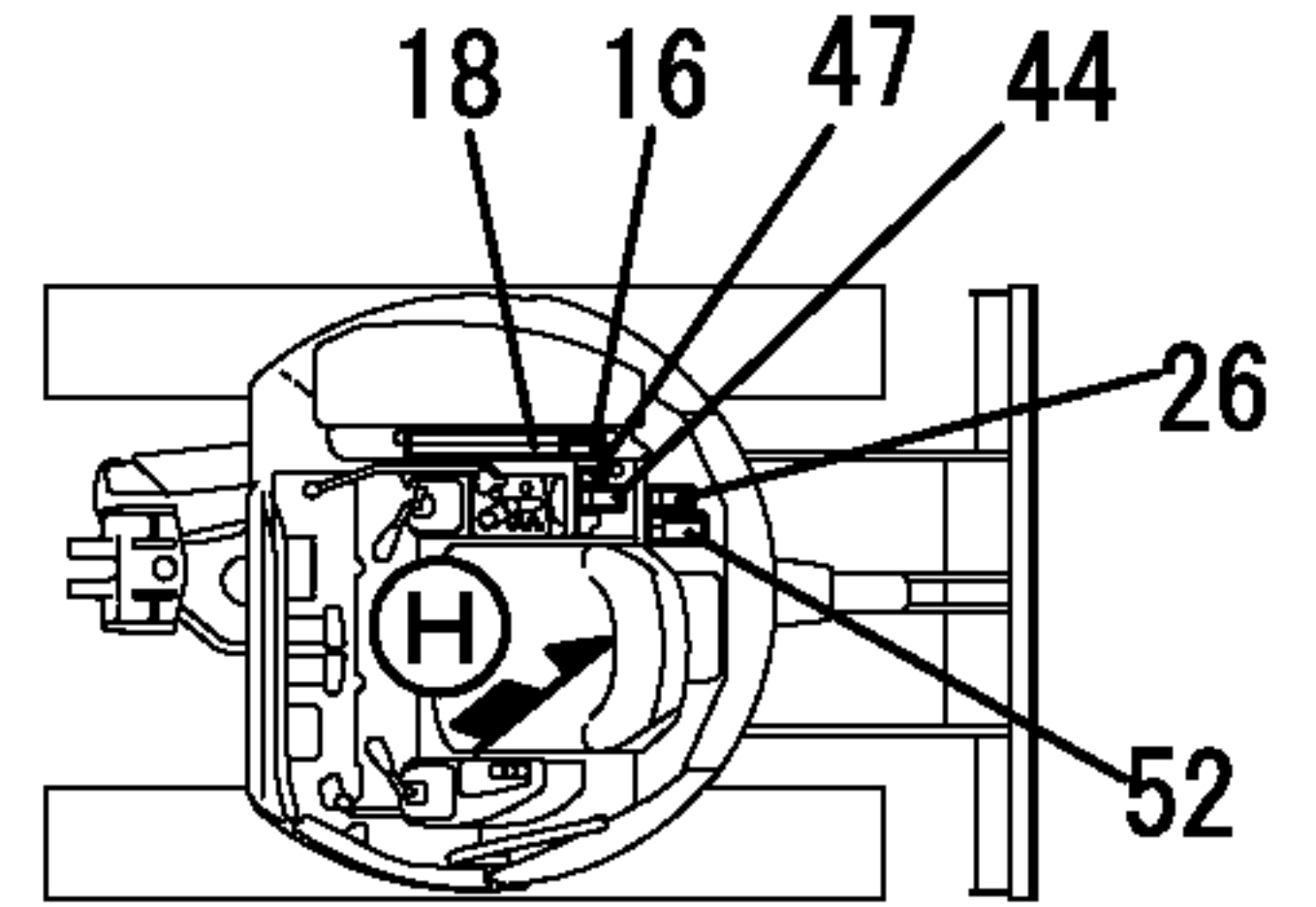
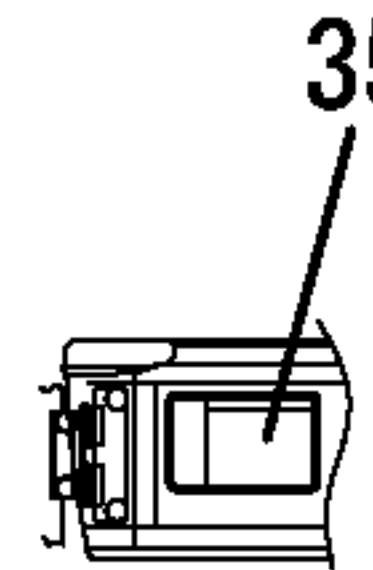
左レバー  
LEFT LEVER



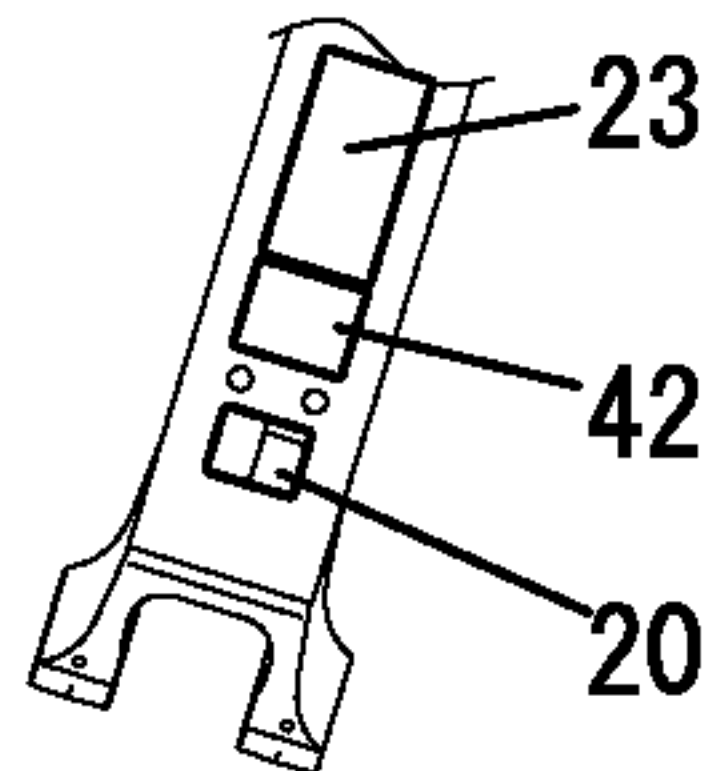
右レバー  
RIGHT LEVER



(D) から見る  
VIEWED FROM

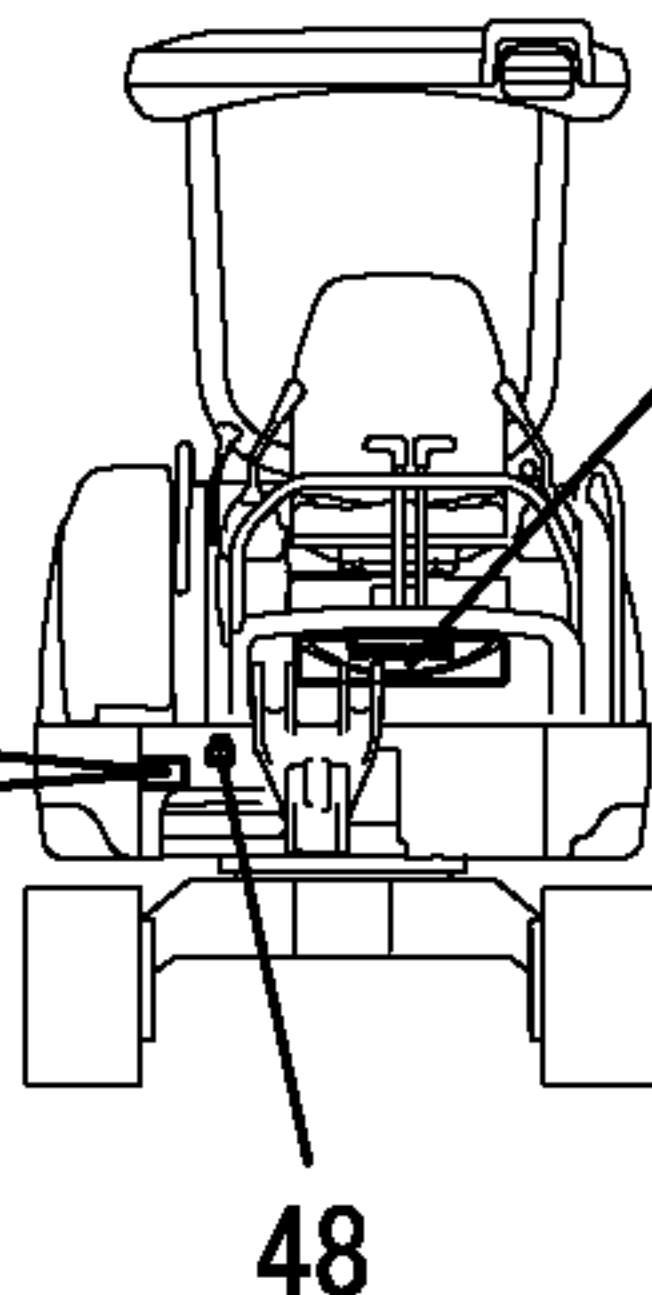


(E) から見る  
VIEWED FROM (E)



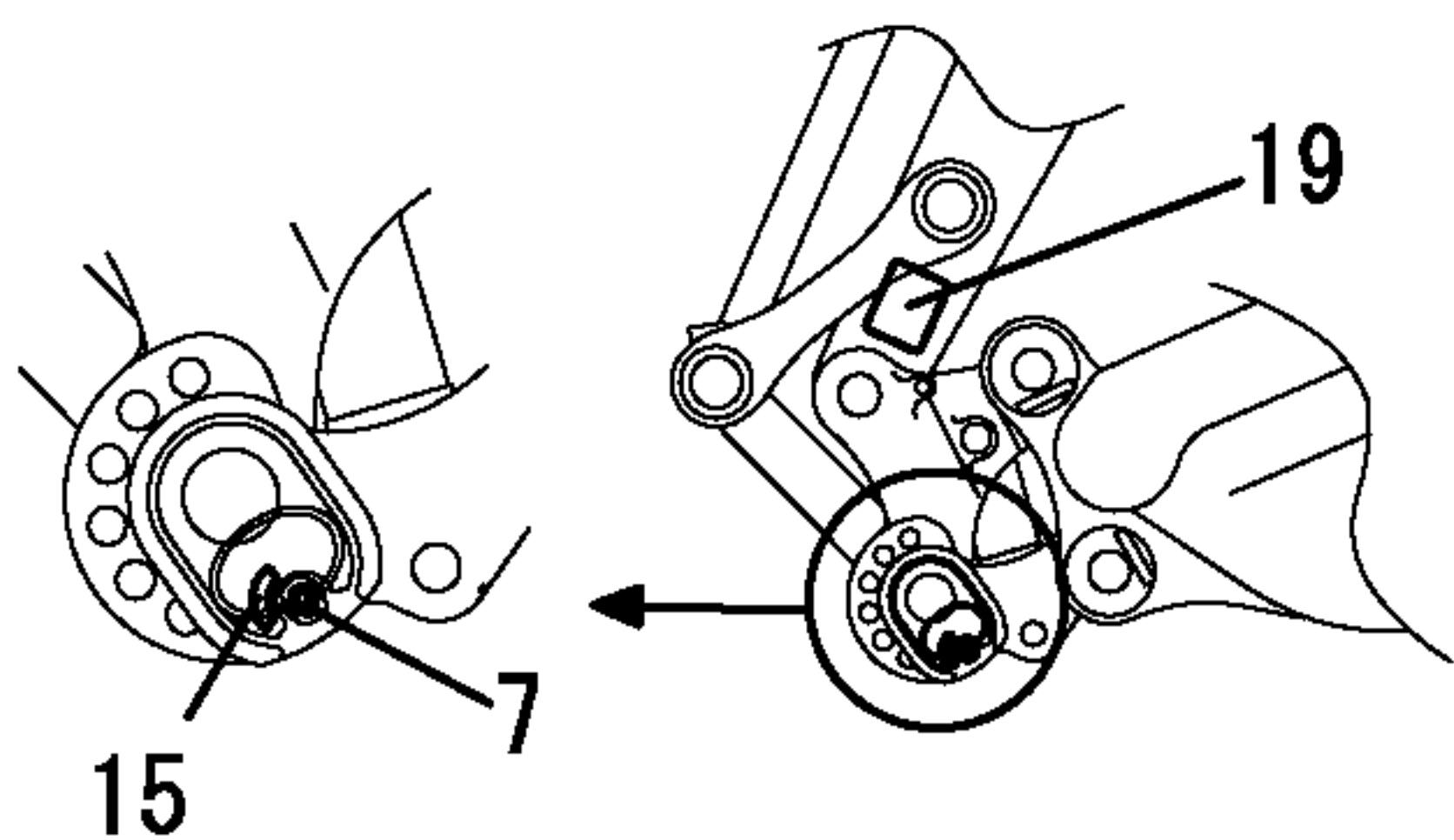
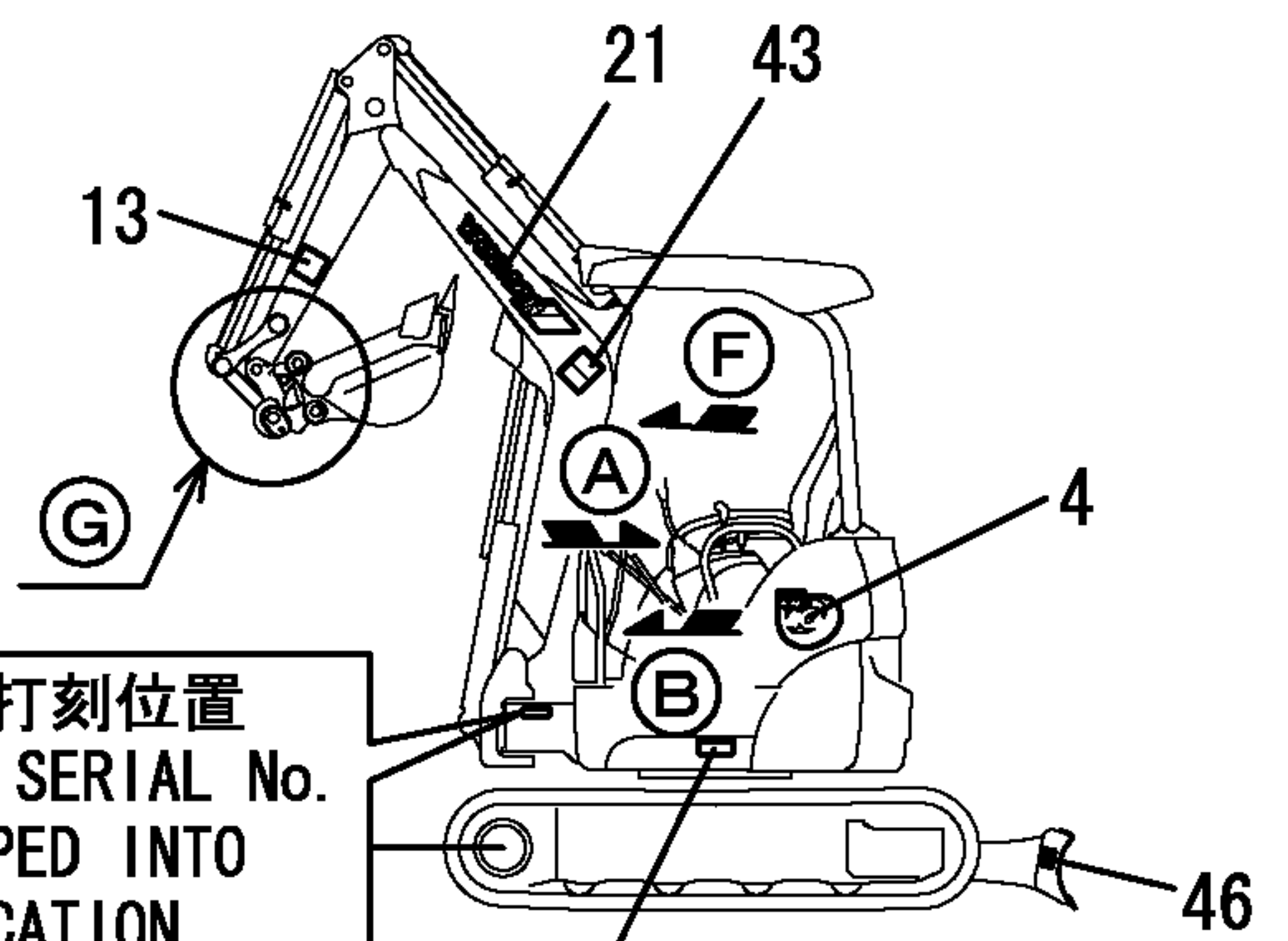
(F) から見る  
VIEWED FROM (F)

(H) から見る  
VIEWED FROM (H)

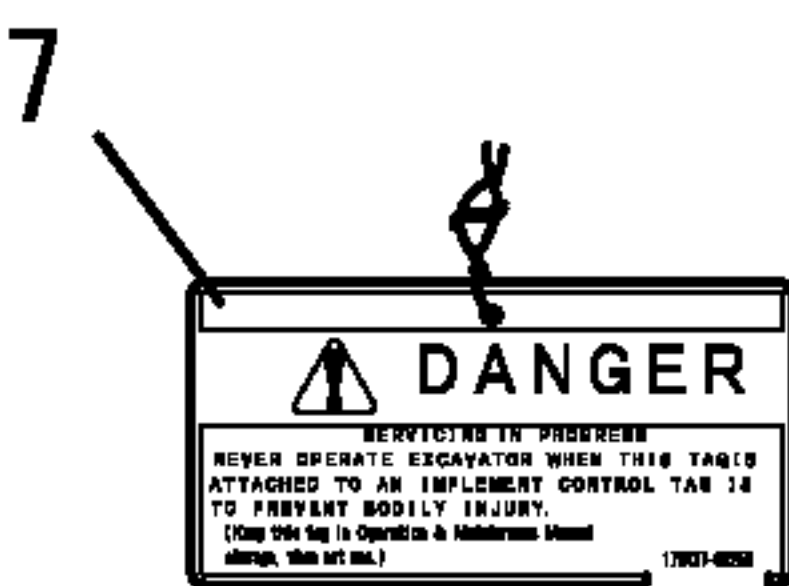
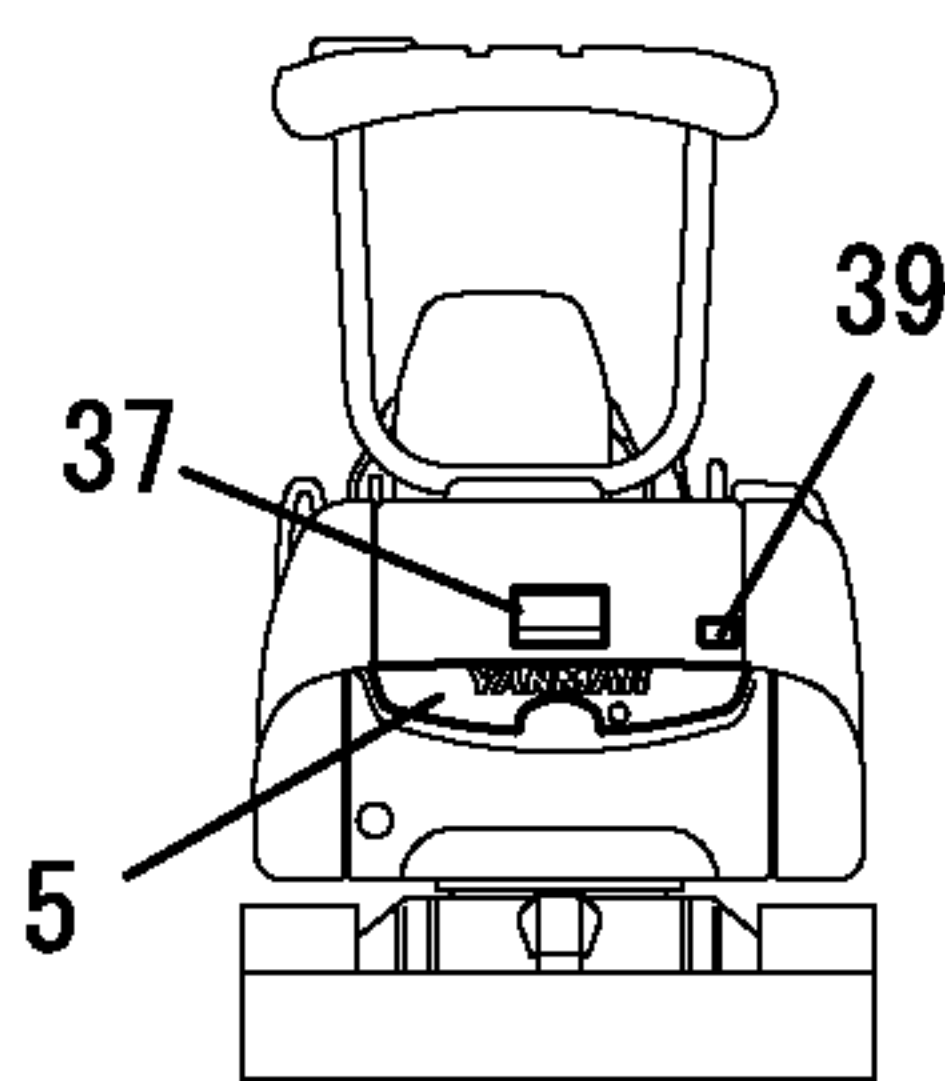


機体No. 機関No. 打刻位置  
MACHINE SERIAL No.  
ENGINE No. IS STAMPED  
INTO THIS LOCATION.

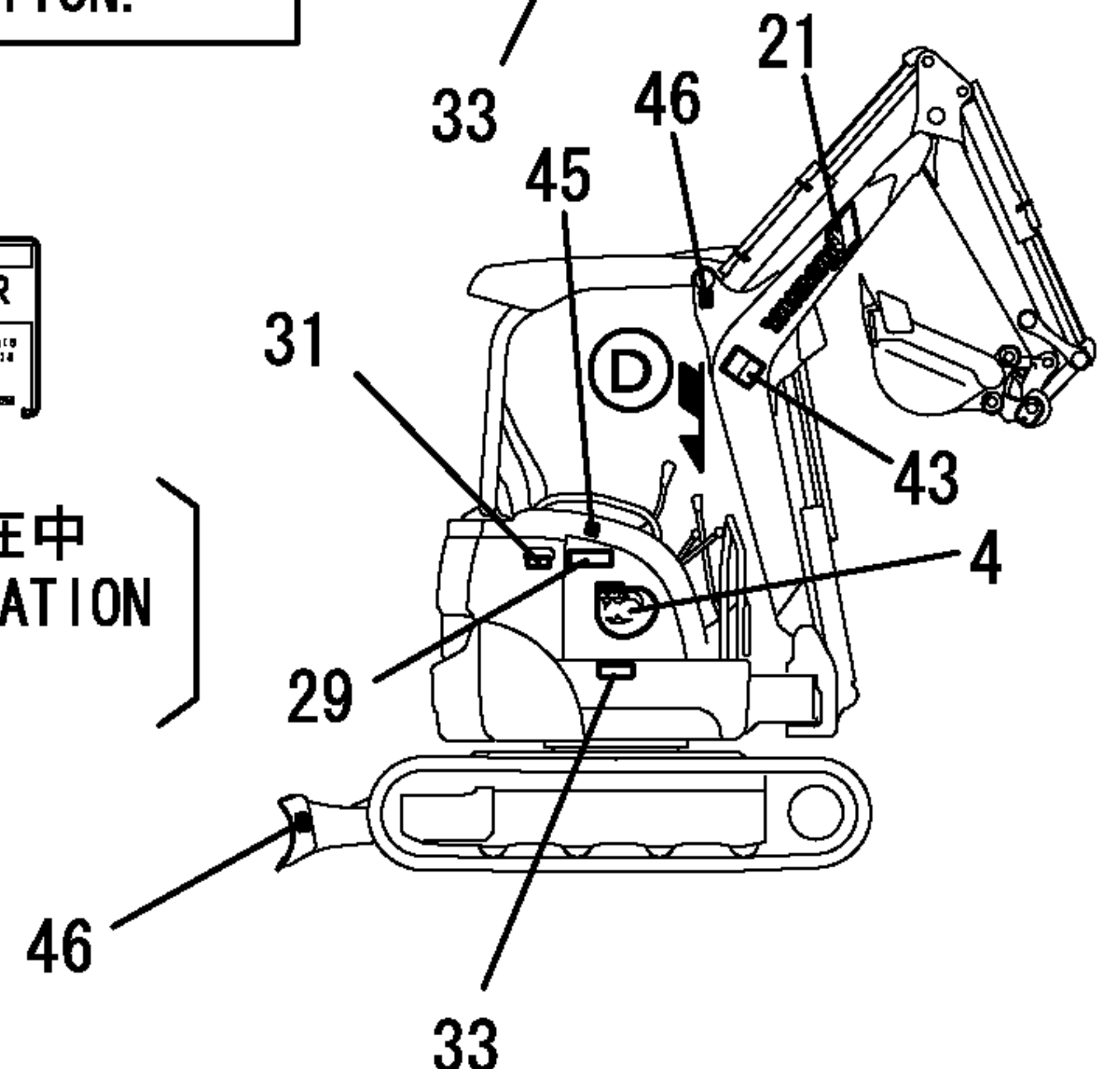
機体No. 打刻位置  
MACHINE SERIAL No.  
IS STAMPED INTO  
THIS LOCATION.



(G) 部詳細  
DETAILS OF (G)

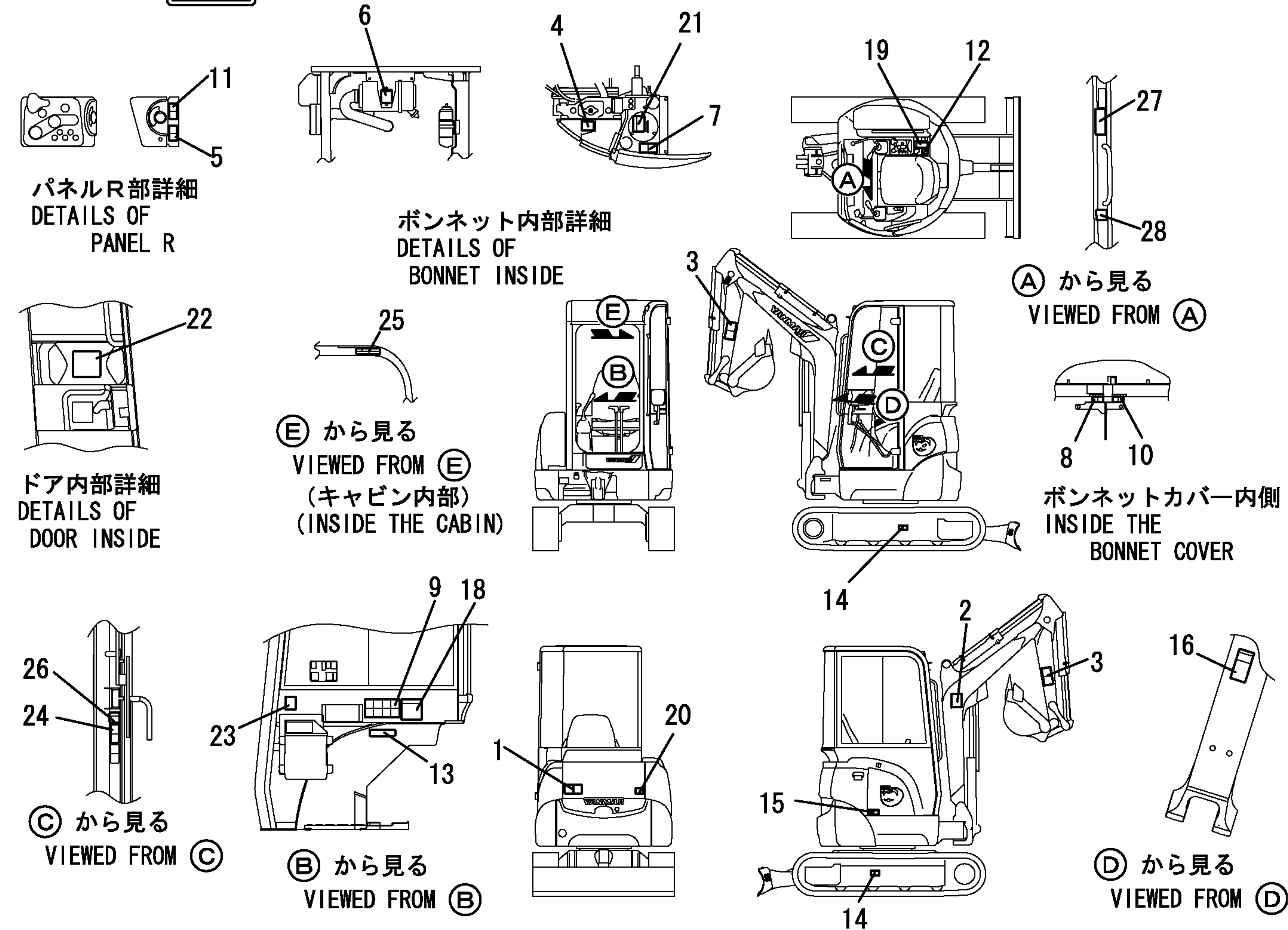
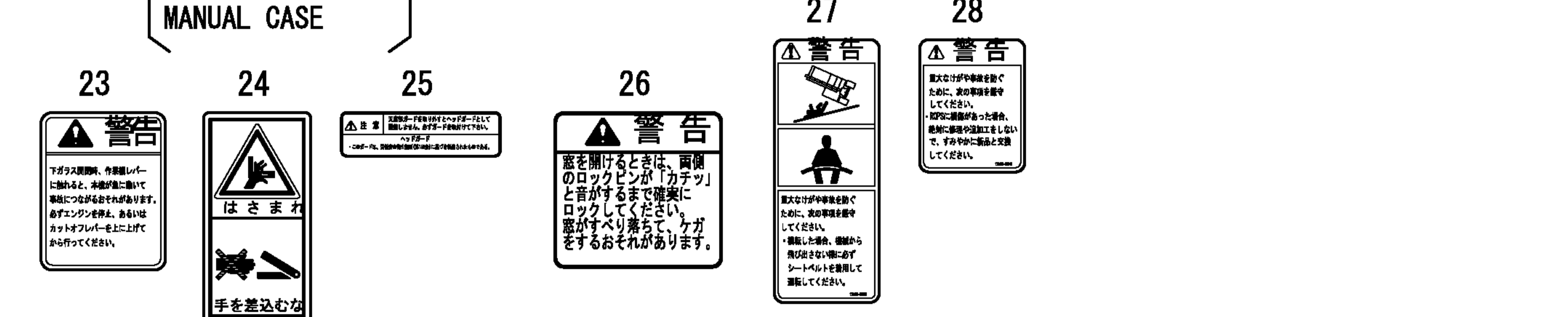
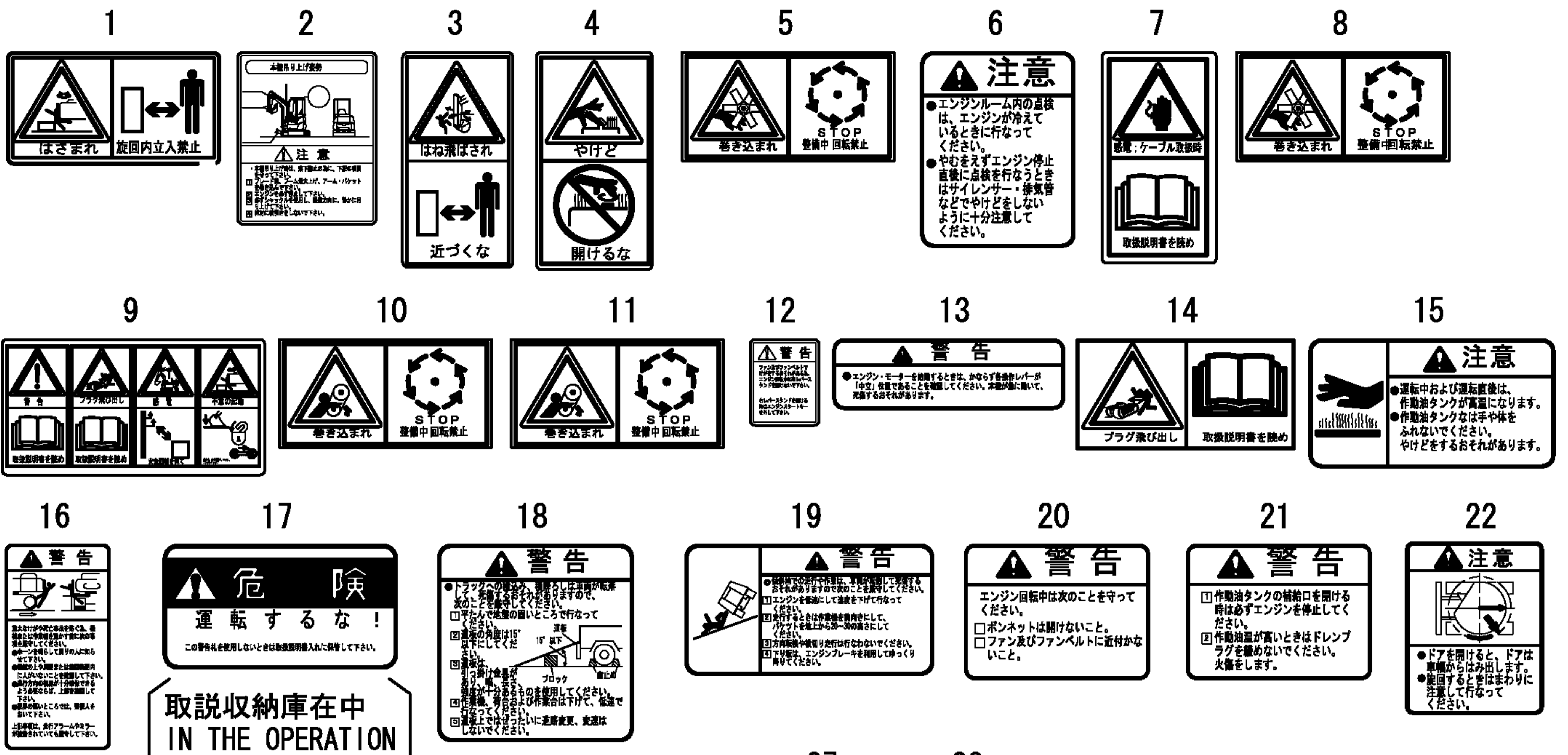


取説収納庫在中  
IN THE OPERATION  
MANUAL CASE

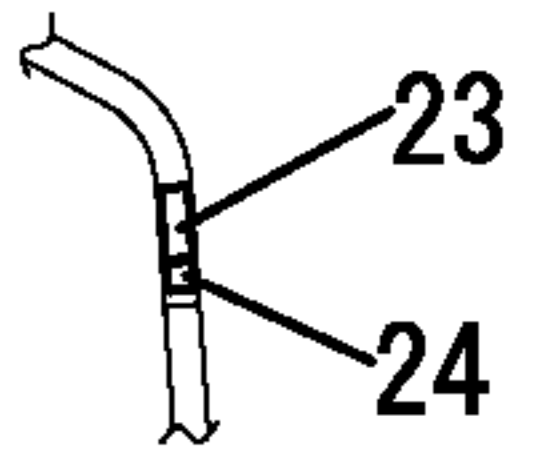
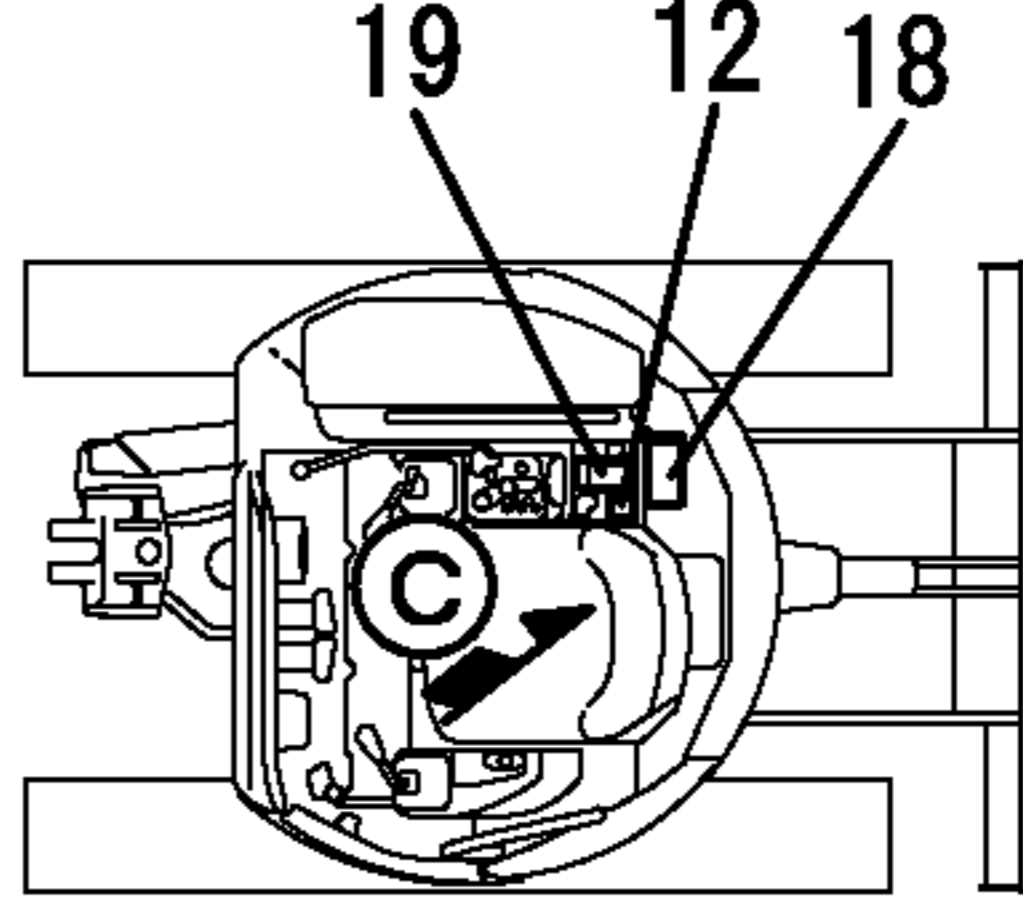
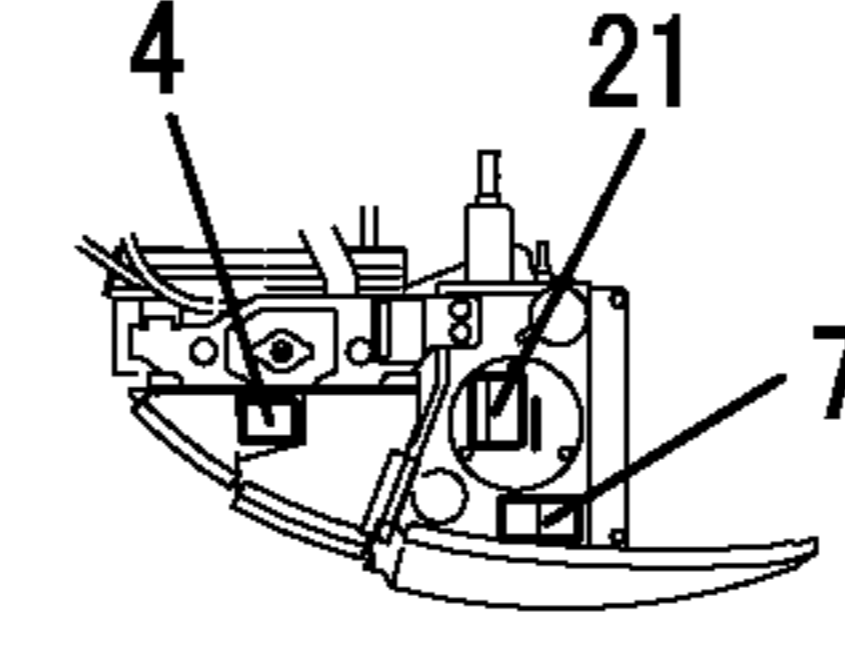
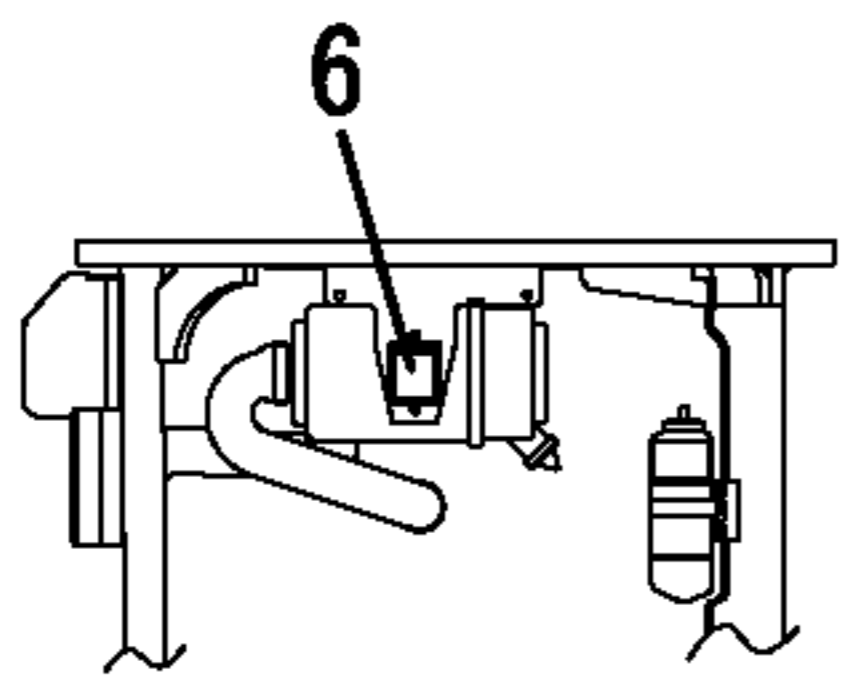
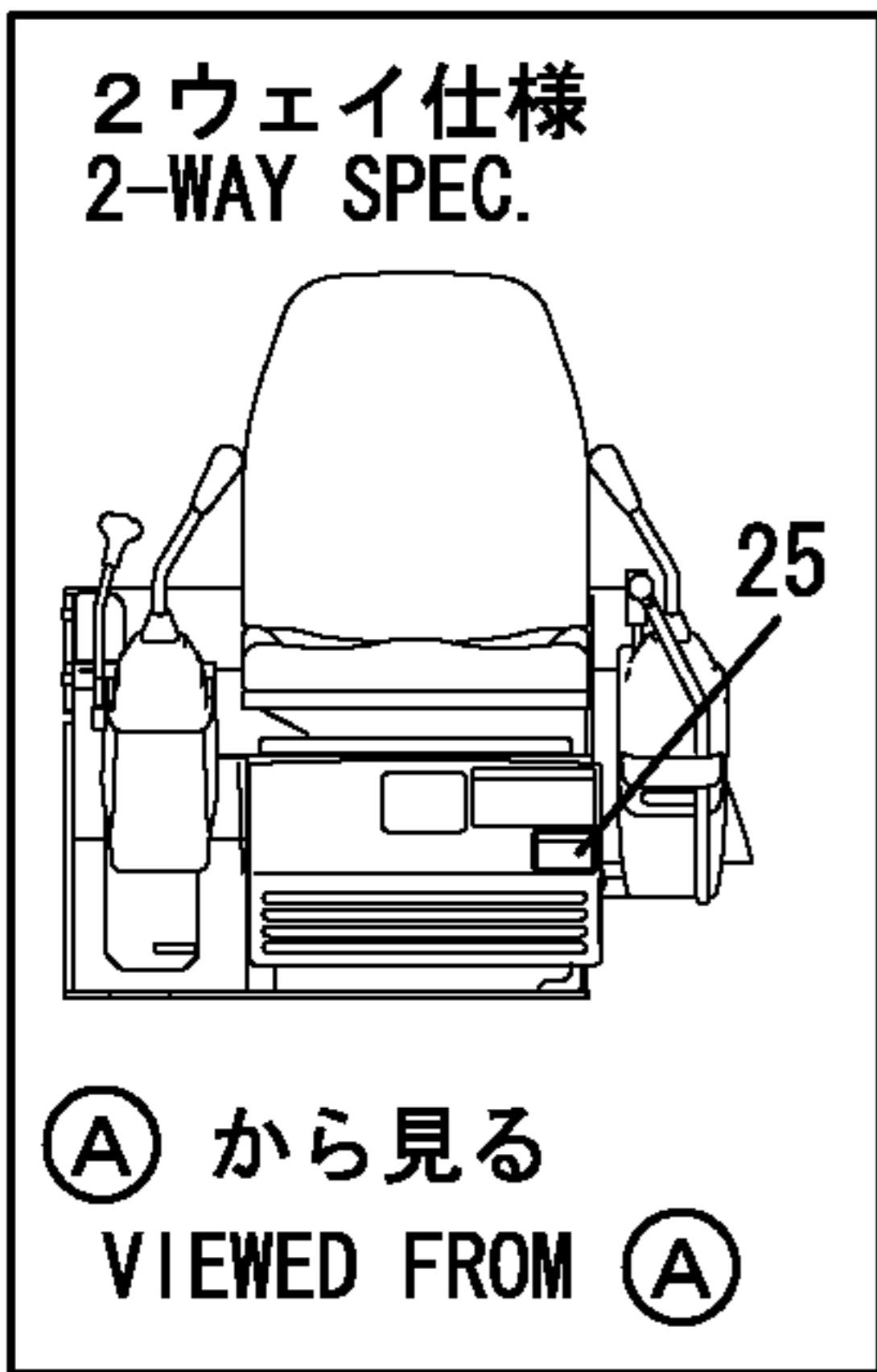
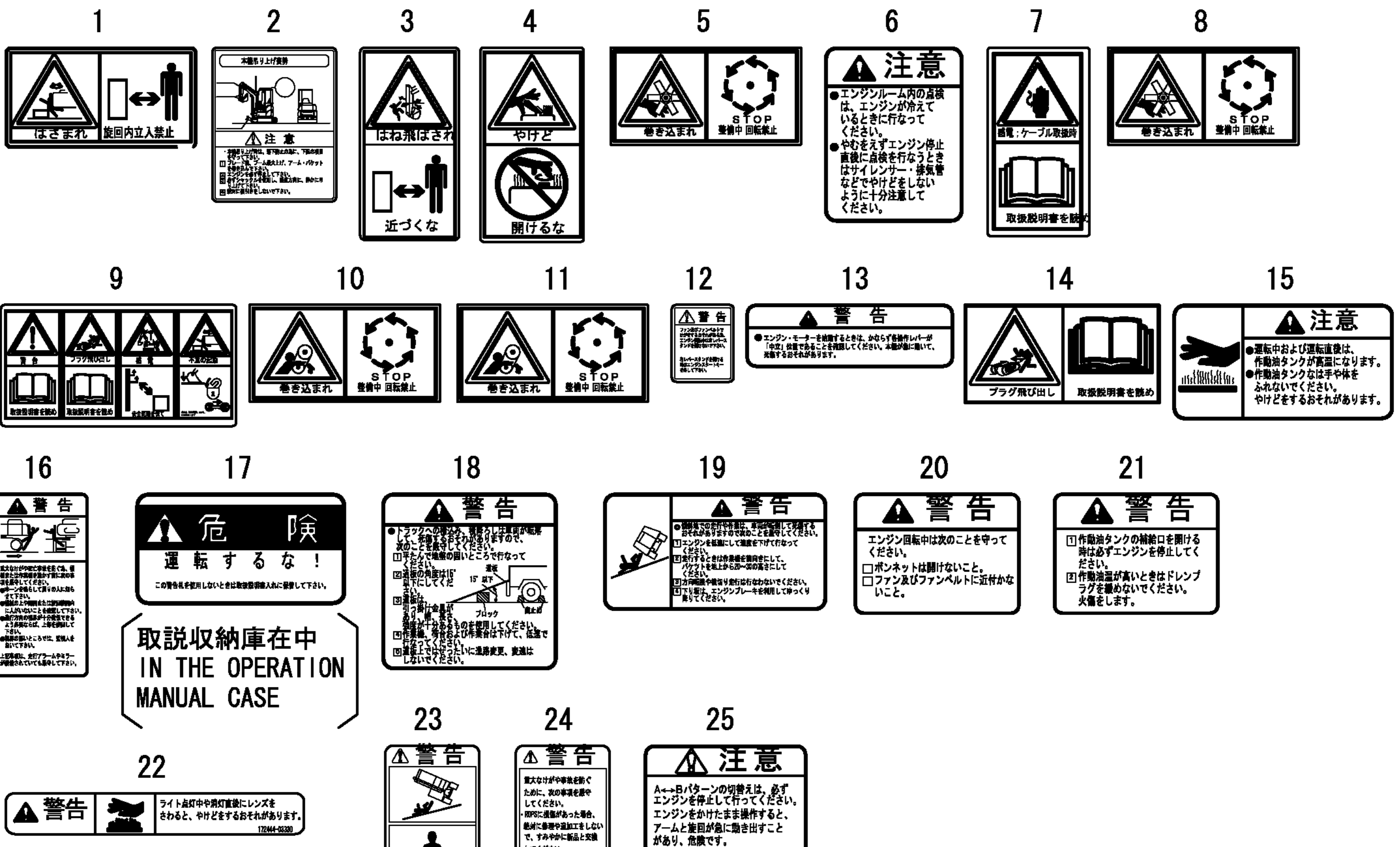




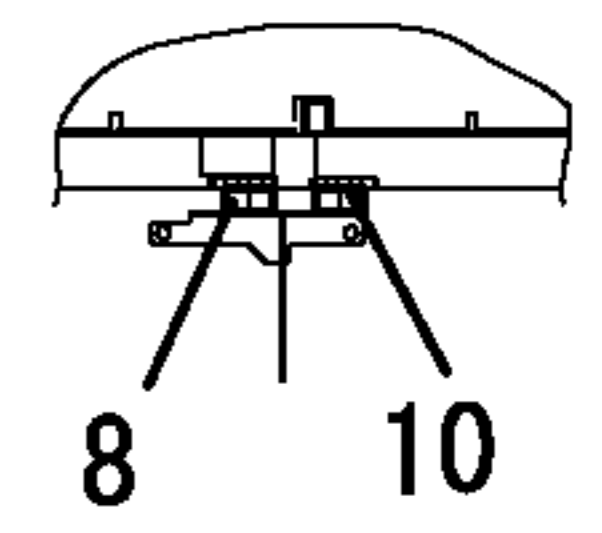
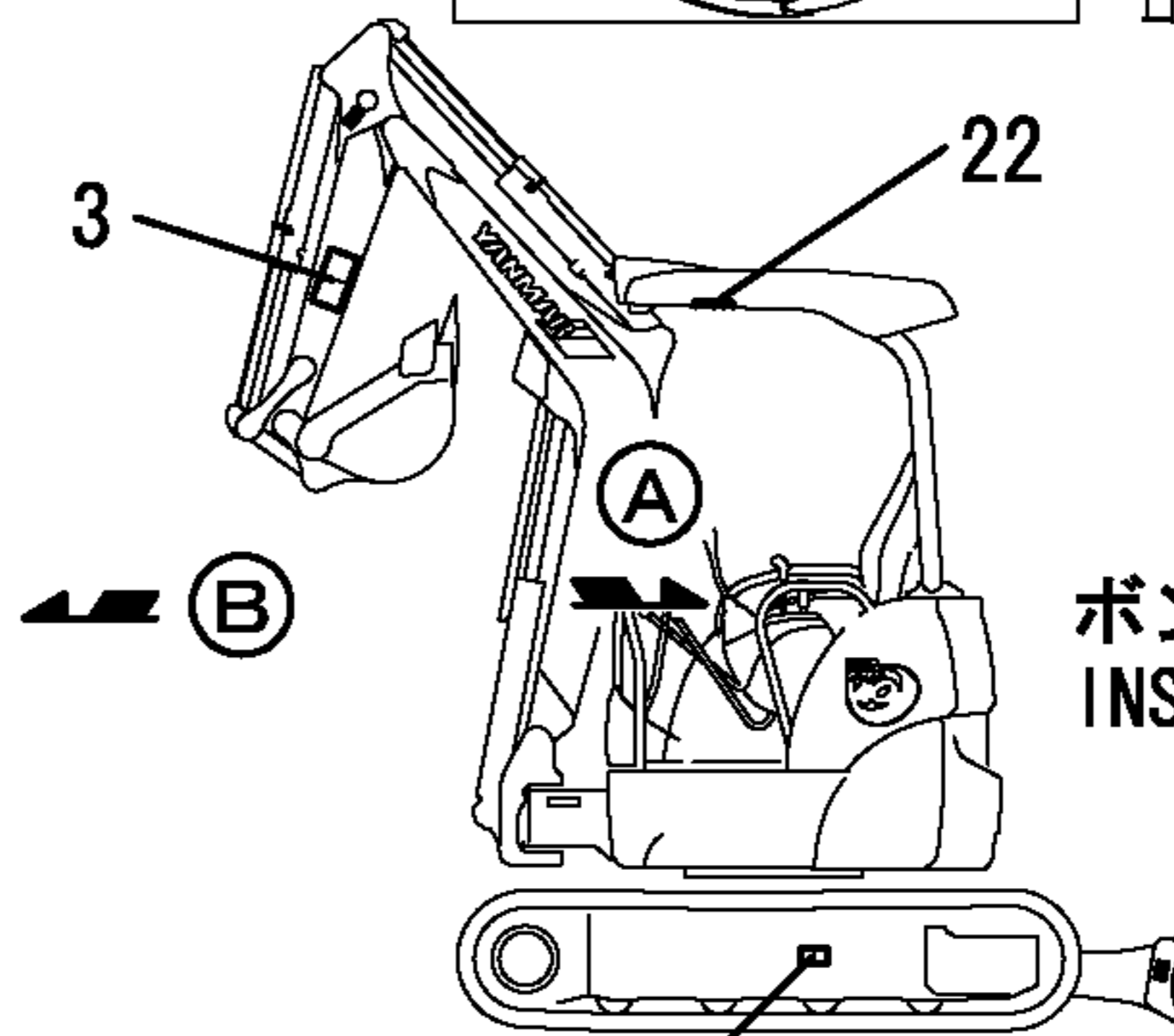
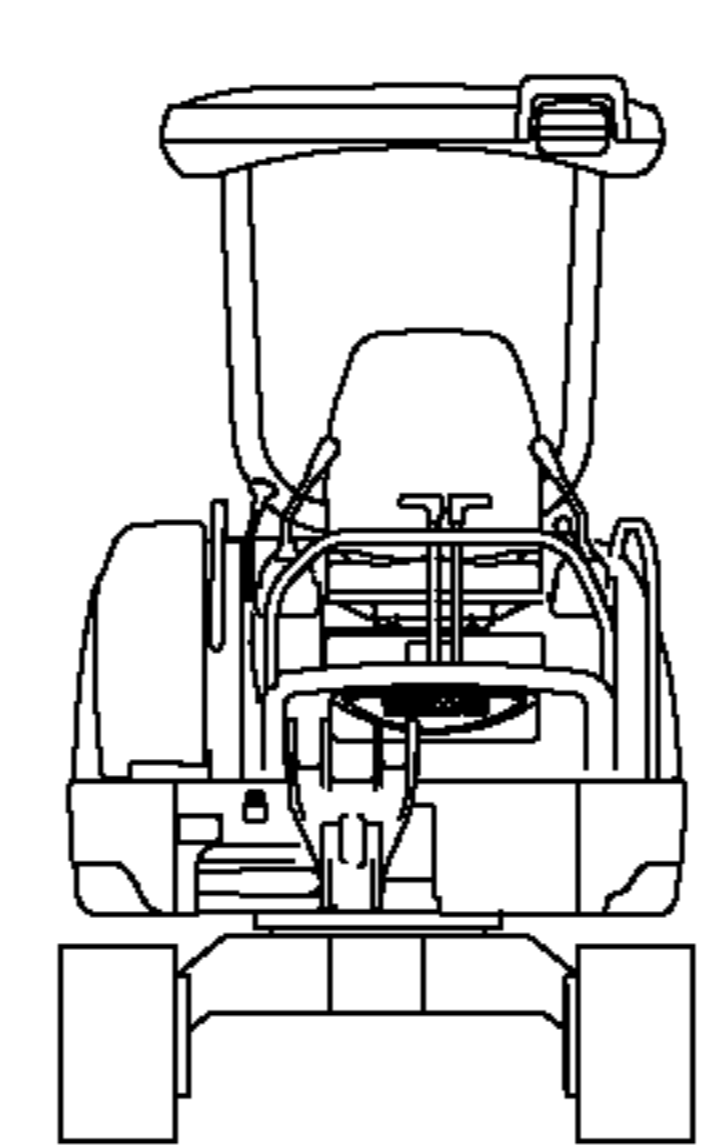
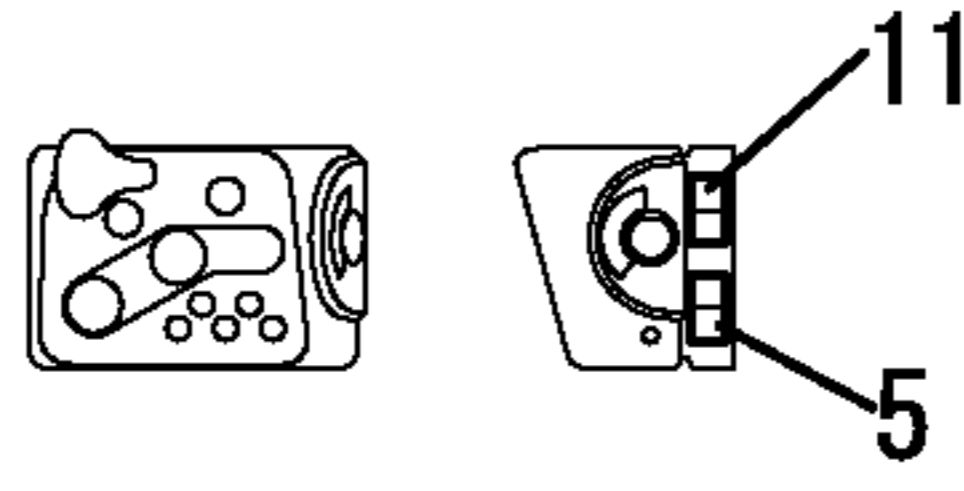
1,1,,172444-03170,,LABEL,1,,,,,,,,,,,,,,,,,,,,,  
2,1,,172A23-03180,, "LABEL,LIFTING",1,,,,,,,,,,,,,,,,,,,,,  
3,1,,172444-03181,,LABEL,2,,,,,,,,,,,,,,,,,,,,,  
4,1,,172444-03190,,LABEL,1,,,,,,,,,,,,,,,,,,,,,  
5,1,,172448-03190,, "LABEL,FAN",1,,,,,,,,,,,,,,,,,,,,,  
6,1,,172141-03202,, "LABEL,CAUTION",1,,,,,,,,,,,,,,,,,,,,,  
7,1,,172450-03200,, "LABEL,BATTERY",1,,,,,,,,,,,,,,,,,,,,,  
8,1,,172458-03200,, "LABEL,FAN",1,,,,,,,,,,,,,,,,,,,,,  
9,1,,172444-03210,,LABEL,1,,,,,,,,,,,,,,,,,,,,,  
10,1,,172458-03210,, "LABEL,BELT",1,,,,,,,,,,,,,,,,,,,,,  
11,1,,172446-03220,, "LABEL,BELT",1,,,,,,,,,,,,,,,,,,,,,  
12,1,,172A23-03240,, "LAVEL,OPEN",1,,,,,,,,,,,,,,,,,,,,,  
13,1,,172444-03240,,LABEL,1,,,,,,,,,,,,,,,,,,,,,  
14,1,,172444-03280,,LABEL,2,,,,,,,,,,,,,,,,,,,,,  
15,1,,172142-03302,, "LABEL,CAUTION",1,,,,,,,,,,,,,,,,,,,,,  
16,1,,172964-03370,,LABEL,1,,,,,,,,,,,,,,,,,,,,,  
17,1,,172964-03481,, "LABEL,DANGER",1,,,,,,,,,,,,,,,,,,,,,  
18,1,,172164-03510,, "LABEL,LOADING",1,,,,,,,,,,,,,,,,,,,,,  
19,1,,172164-03540,,LABEL,1,,,,,,,,,,,,,,,,,,,,,  
20,1,,172519-04180,, "LABEL,WARNING",1,,,,,,,,,,,,,,,,,,,,,  
21,1,,172519-04290,, "LABEL,WARNING",1,,,,,,,,,,,,,,,,,,,,,  
22,1,,172175-03170,,LABEL,1,,,,,,,,,,,,,,,,,,,,,  
23,1,,172456-03170,,LABEL,1,,,,,,,,,,,,,,,,,,,,,  
24,1,,172445-03230,,LABEL,1,,,,,,,,,,,,,,,,,,,,,  
25,1,,172A23-03300,,LABEL,1,,,,,,,,,,,,,,,,,,,,,  
26,1,,172455-03520,,LABEL,1,,,,,,,,,,,,,,,,,,,,,  
27,1,,172460-03230,, "LABEL,SEAT BELT",1,,,,,,,,,,,,,,,,,,,,,  
28,1,,172460-03241,, "LABEL,ROPS",1,,,,,,,,,,,,,,,,,,,,,



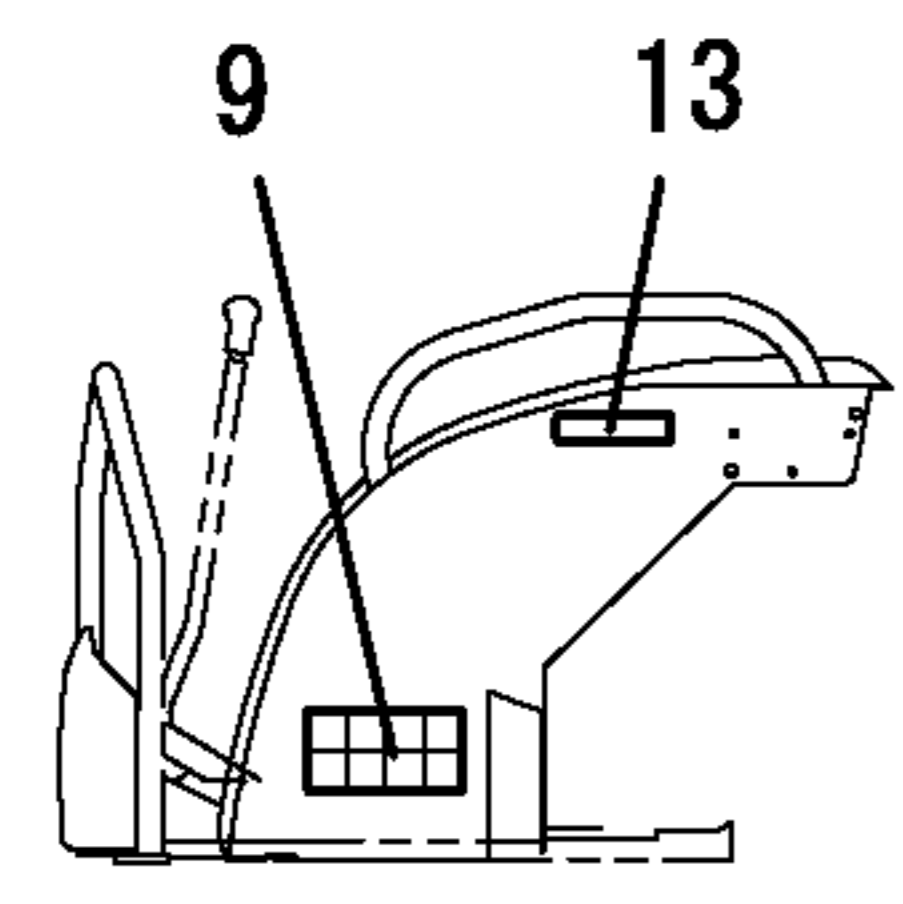
1,1,,172444-03170,,LABEL,,1,,,,,,,,,,,,,,,,,,,,,  
2,1,,172A23-03180,, "LABEL,LIFTING" ,,1,,,,,,,,,,,,,,,,,,,,,  
3,1,,172444-03181,, LABEL,,2,,,,,,,,,,,,,,,,,,,,,  
4,1,,172444-03190,, LABEL,,1,,,,,,,,,,,,,,,,,,,,,  
5,1,,172448-03190,, "LABEL,FAN" ,,1,,,,,,,,,,,,,,,,,,,,,  
6,1,,172141-03202,, "LABEL,CAUTION" ,,1,,,,,,,,,,,,,,,,,,,,,  
7,1,,172450-03200,, "LABEL,BATTERY" ,,1,,,,,,,,,,,,,,,,,,,,,  
8,1,,172458-03200,, "LABEL,FAN" ,,1,,,,,,,,,,,,,,,,,,,,,  
9,1,,172444-03210,, LABEL,,1,,,,,,,,,,,,,,,,,,,,,  
10,1,,172458-03210,, "LABEL,BELT" ,,1,,,,,,,,,,,,,,,,,,,,,  
11,1,,172446-03220,, "LABEL,BELT" ,,1,,,,,,,,,,,,,,,,,,,,,  
12,1,,172A23-03240,, "LAVEL,OPEN" ,,1,,,,,,,,,,,,,,,,,,,,,  
13,1,,172444-03240,, LABEL,,1,,,,,,,,,,,,,,,,,,,,,  
14,1,,172444-03280,, LABEL,,2,,,,,,,,,,,,,,,,,,,,,  
15,1,,172142-03302,, "LABEL,CAUTION" ,,1,,,,,,,,,,,,,,,,,,,,,  
16,1,,172964-03370,, LABEL,,1,,,,,,,,,,,,,,,,,,,,,  
17,1,,172964-03481,, "LABEL,DANGER" ,,1,,,,,,,,,,,,,,,,,,,,,  
18,1,,172164-03510,, "LABEL,LOADING" ,,1,,,,,,,,,,,,,,,,,,,,,  
19,1,,172164-03540,, LABEL,,1,,,,,,,,,,,,,,,,,,,,,  
20,1,,172519-04180,, "LABEL,WARNING" ,,1,,,,,,,,,,,,,,,,,,,,,  
21,1,,172519-04290,, "LABEL,WARNING" ,,1,,,,,,,,,,,,,,,,,,,,,  
22,1,,172444-03330,, LABEL,,1,,,,,,,,,,,,,,,,,,,,,  
23,1,,172460-03230,, "LABEL,SEAT BELT" ,,1,,,,,,,,,,,,,,,,,,,,,  
24,1,,172460-03241,, "LABEL,ROPS" ,,1,,,,,,,,,,,,,,,,,,,,,  
25,1,,172458-03570,, LABEL,,1,,,,,,,,,,,,,,,,,,,,,



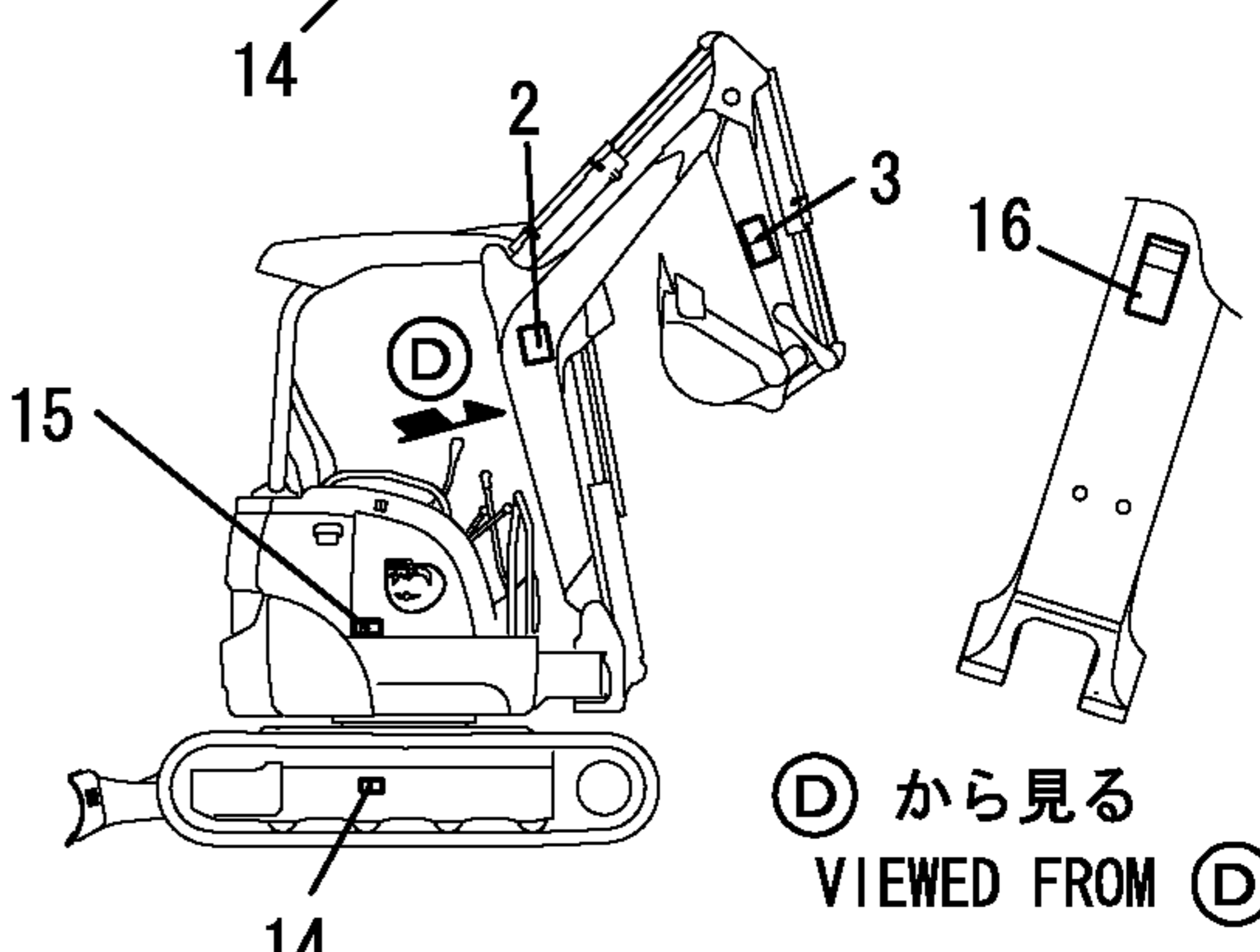
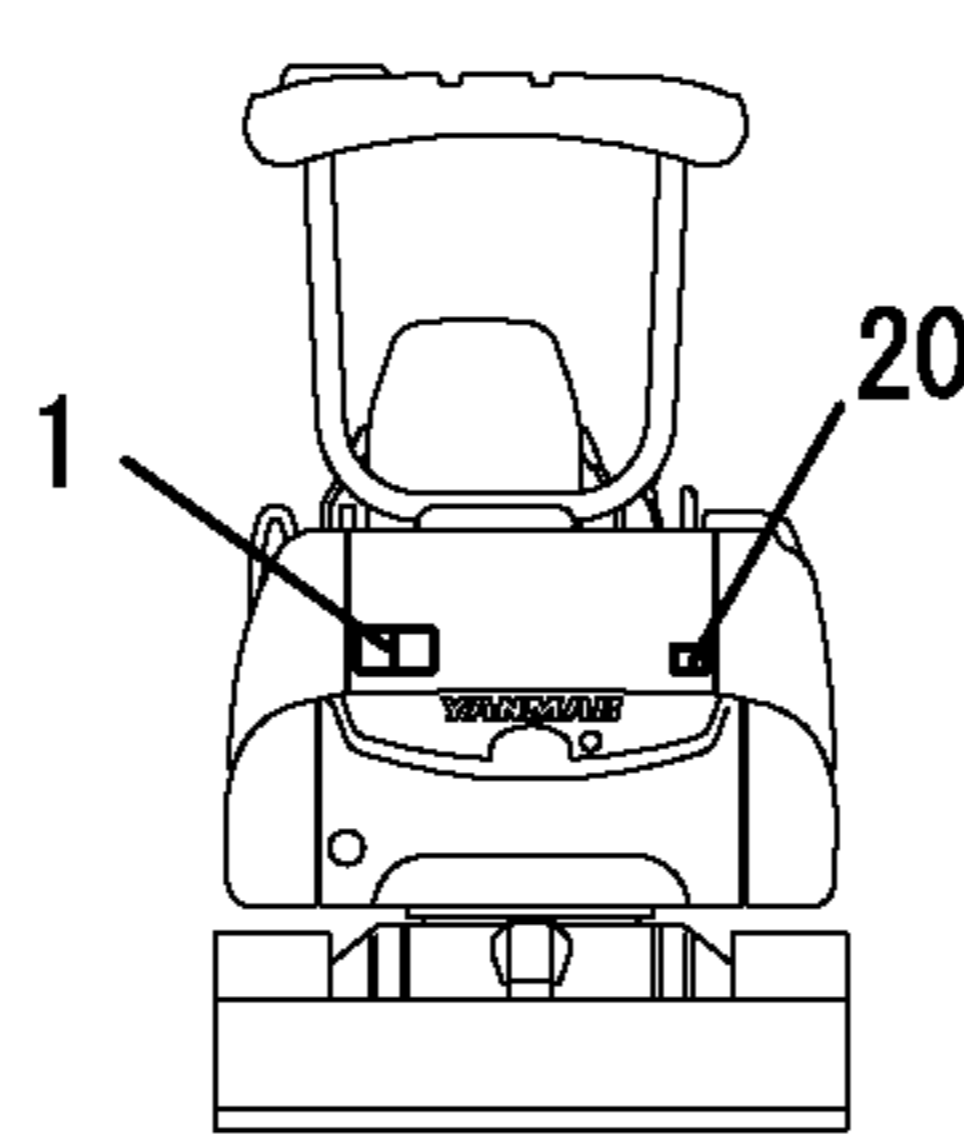
© からの見る VIEWED FROM ©



ボンネットカバー内側 INSIDE THE BONNET COVER



(B) からの見る VIEWED FROM (B)



(D) からの見る VIEWED FROM (D)

```
1,1,,172958-03100,,LABEL,1,1,,,,,,,,,,,,,  
2,1,,172958-03140,,LABEL,1,1,,,,,,,,,,,,,  
3,1,,172958-03220,,LABEL,1,1,,,,,,,,,,,,,  
4,1,,172958-03230,, "LABEL,PIN",1,1,,,,,,,,,,,,,  
5,1,,172958-03300,, "LABEL,PLUG",1,1,,,,,,,,,,,,,
```

1

**警告**

重大なケガや事故を防ぐために次の事項を厳守してください。

- クイックヒッチを操作するときは必ずアタッチメントを接地させてから行ってください。
- クイックヒッチのフックでの吊り作業は絶対に行わないでください。吊り荷が落下して重大事故につながる恐れがあります。
- アタッチメント脱着防止のために安全ピンを必ず脱着してください。
- 安全ピンを装着する時に、クイックヒッチが確実にアタッチメントをつかんでいる事を確認してください。
- アタッチメント脱着時以外は、スイッチボックスのフタを閉めてください。故障・不意の作動につながる恐れがあります。

2

**危険**

指は絶対に入れないでください。重大なケガをするおそれがあります。

3

**注意**

クイックヒッチ部にたまった土砂は必ず取り除いて下さい。油圧ホースが損傷するおそれがあります。

4

**注意**

アタッチメントを交換する時は必ず安全ピンを抜いて下さい。安全ピンの変形の原因になります。

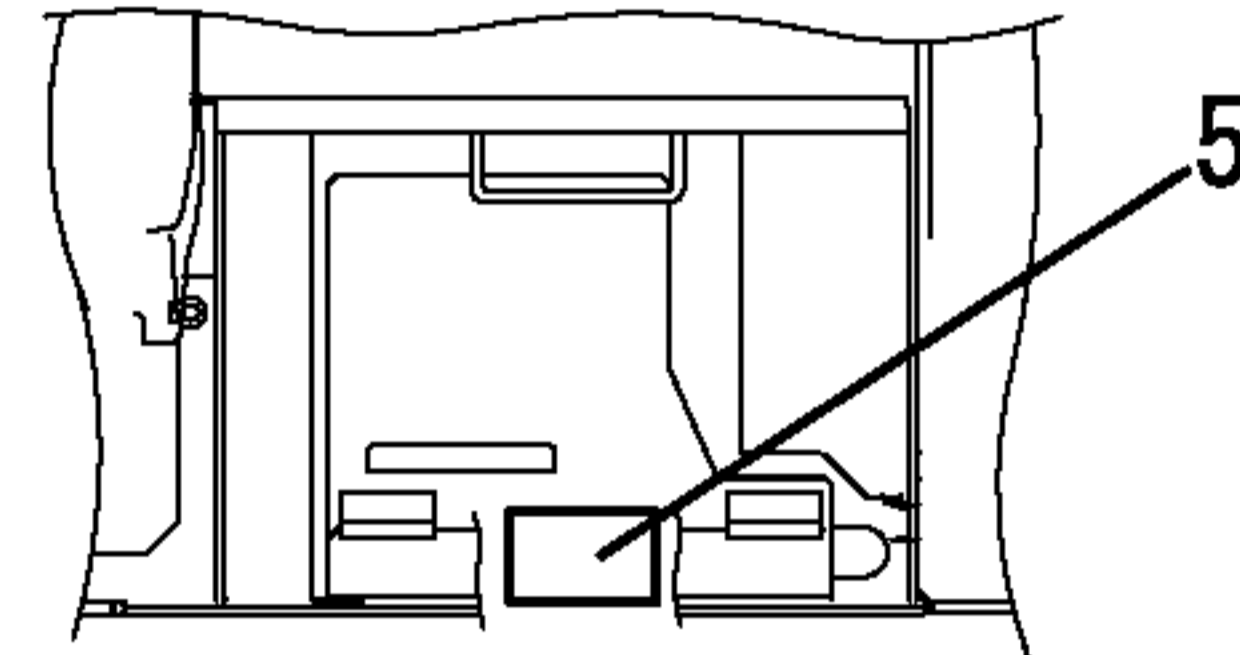
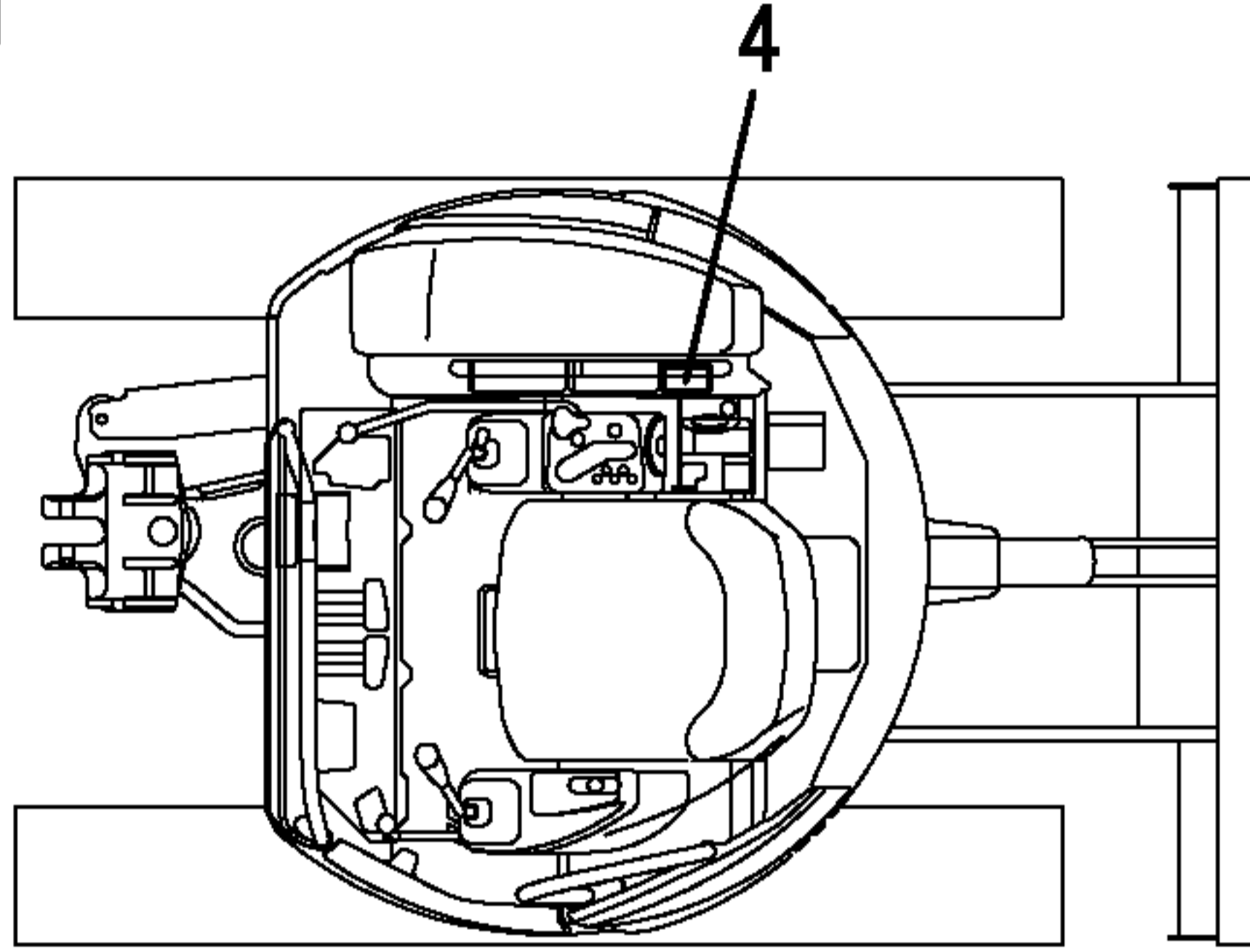
5

**クイックヒッチ配管用プラグ**

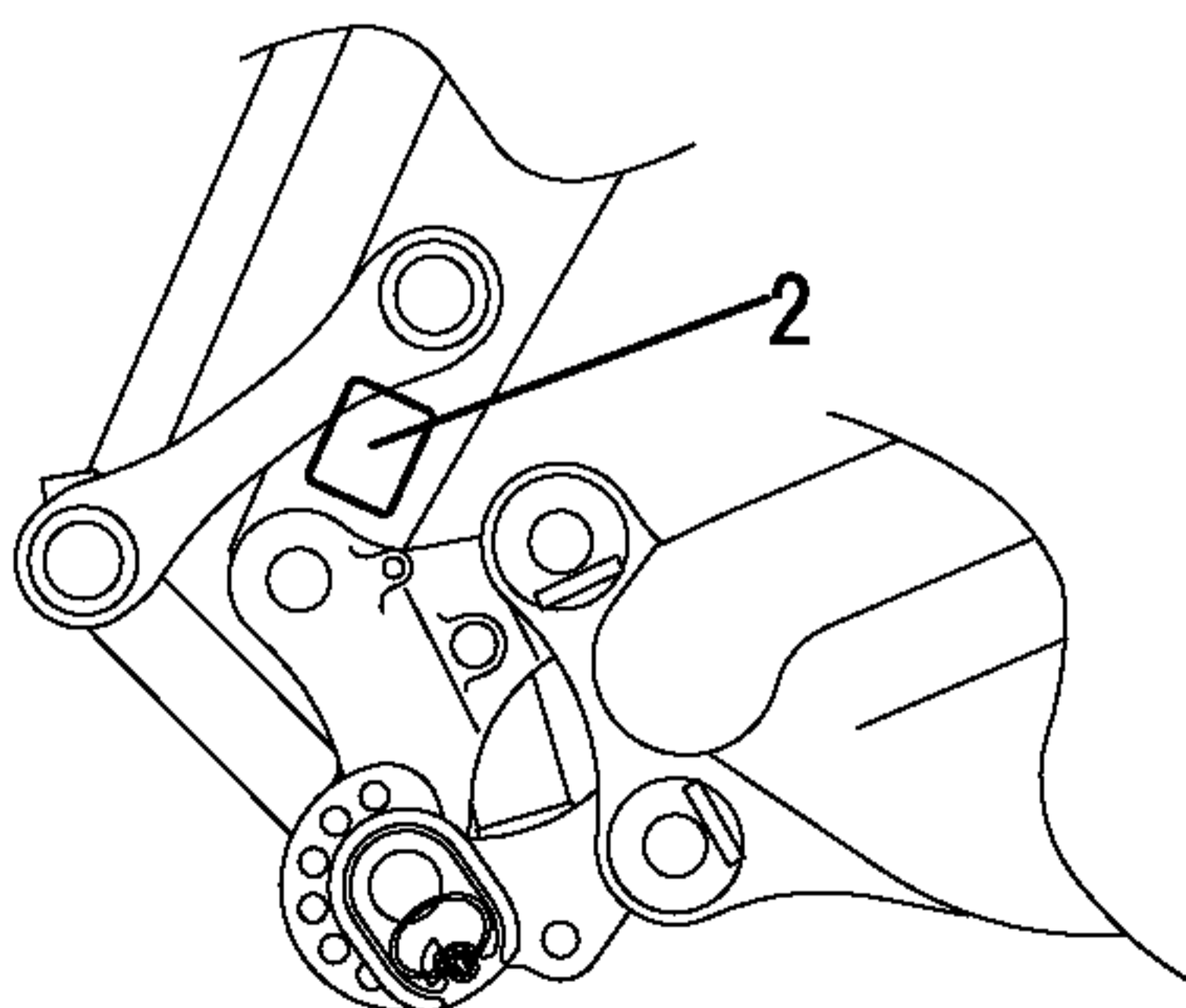
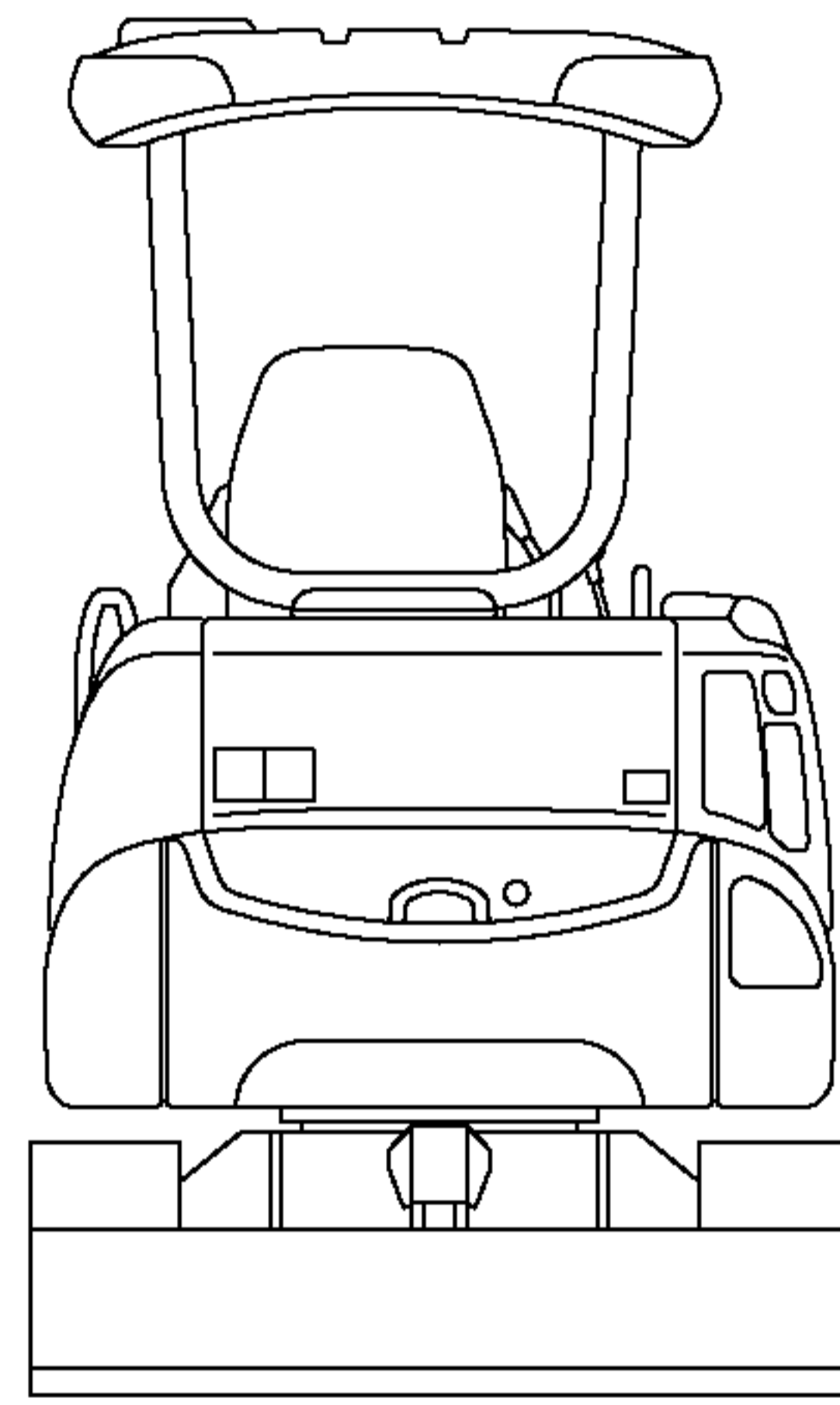
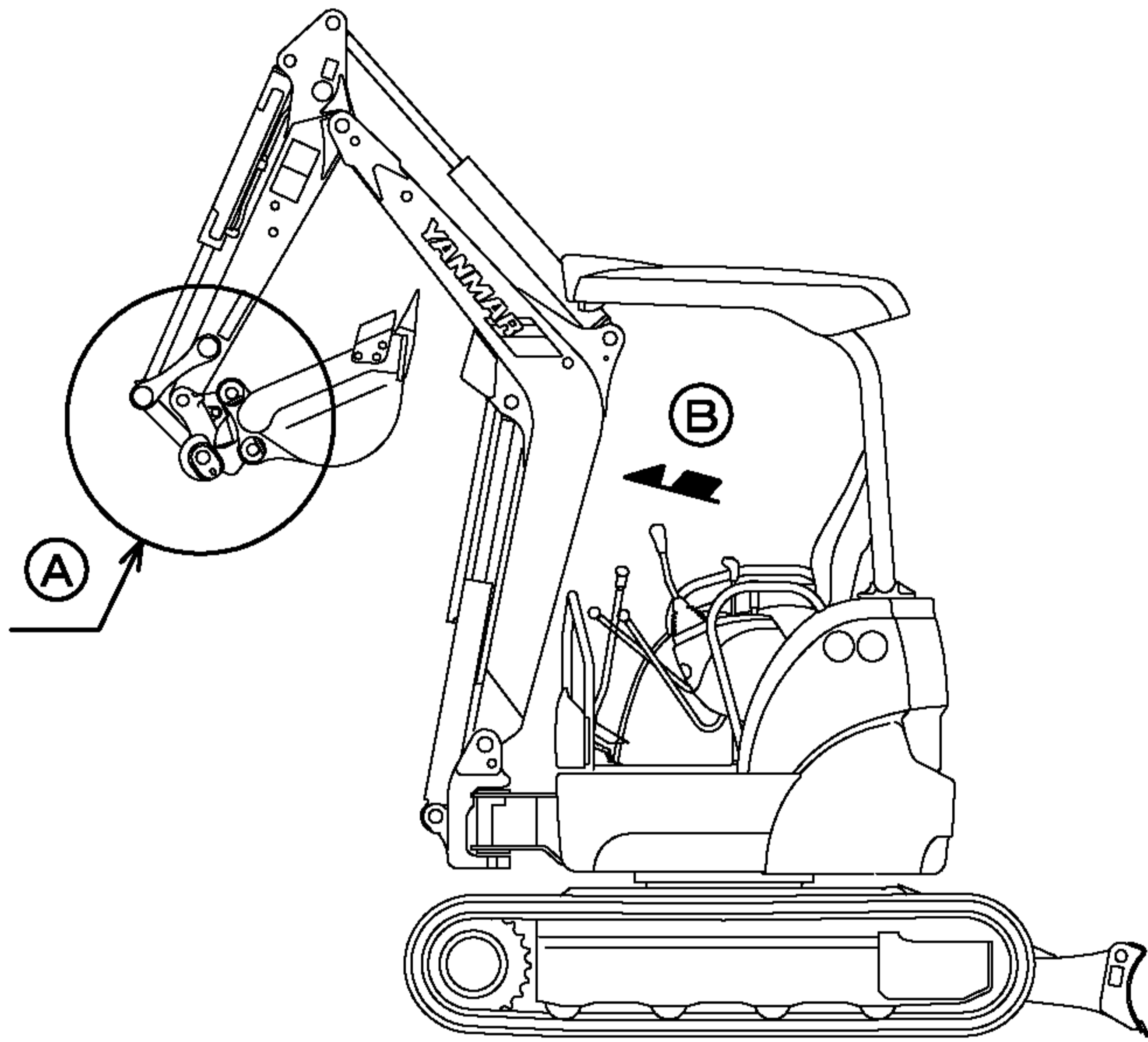
万が一、クイックヒッチ・ホースに油もれが発生した場合、ホースを取外してこの応急用プラグを取付け油もれをとめてください。

**注意**

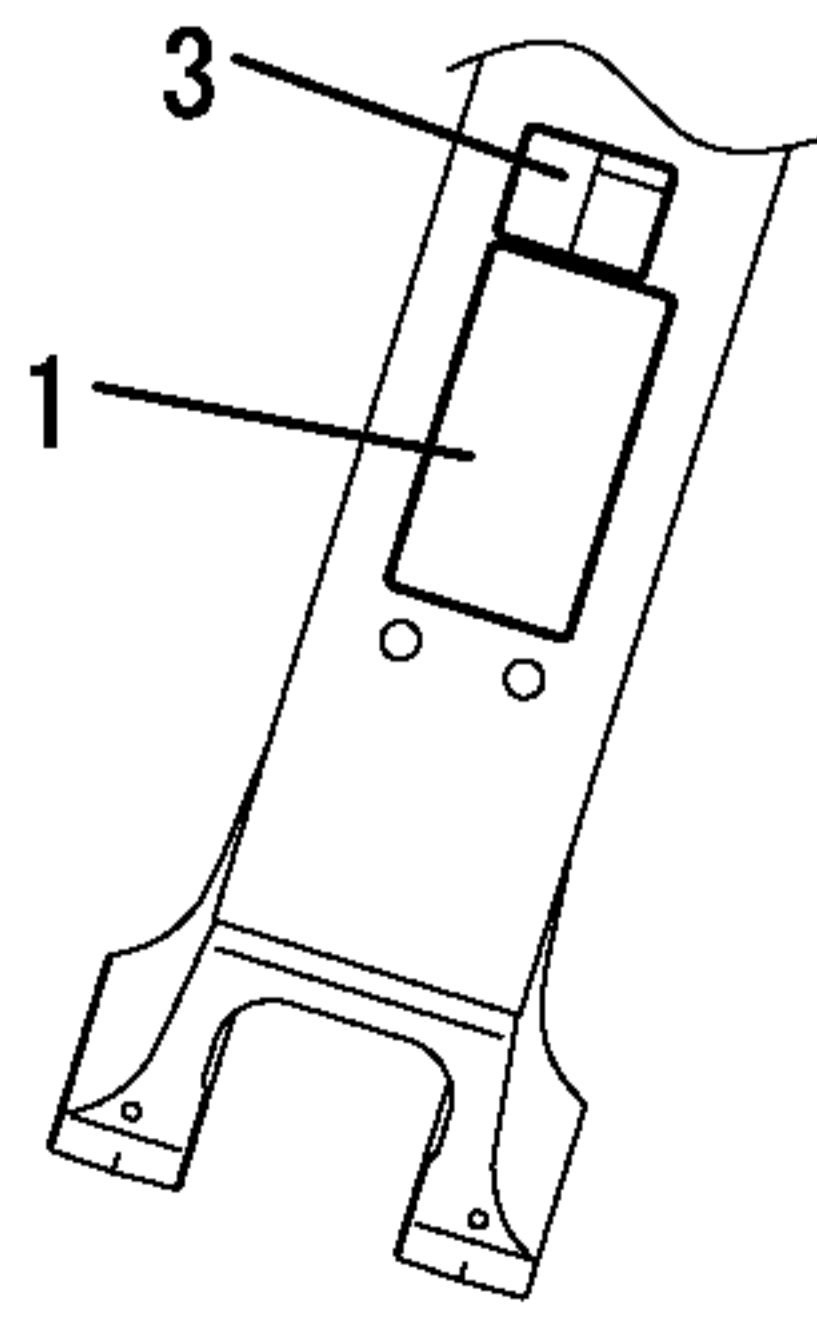
このプラグを装着しての長時間の作業は行わないでください。速やかに油圧ホースを交換して下さい。



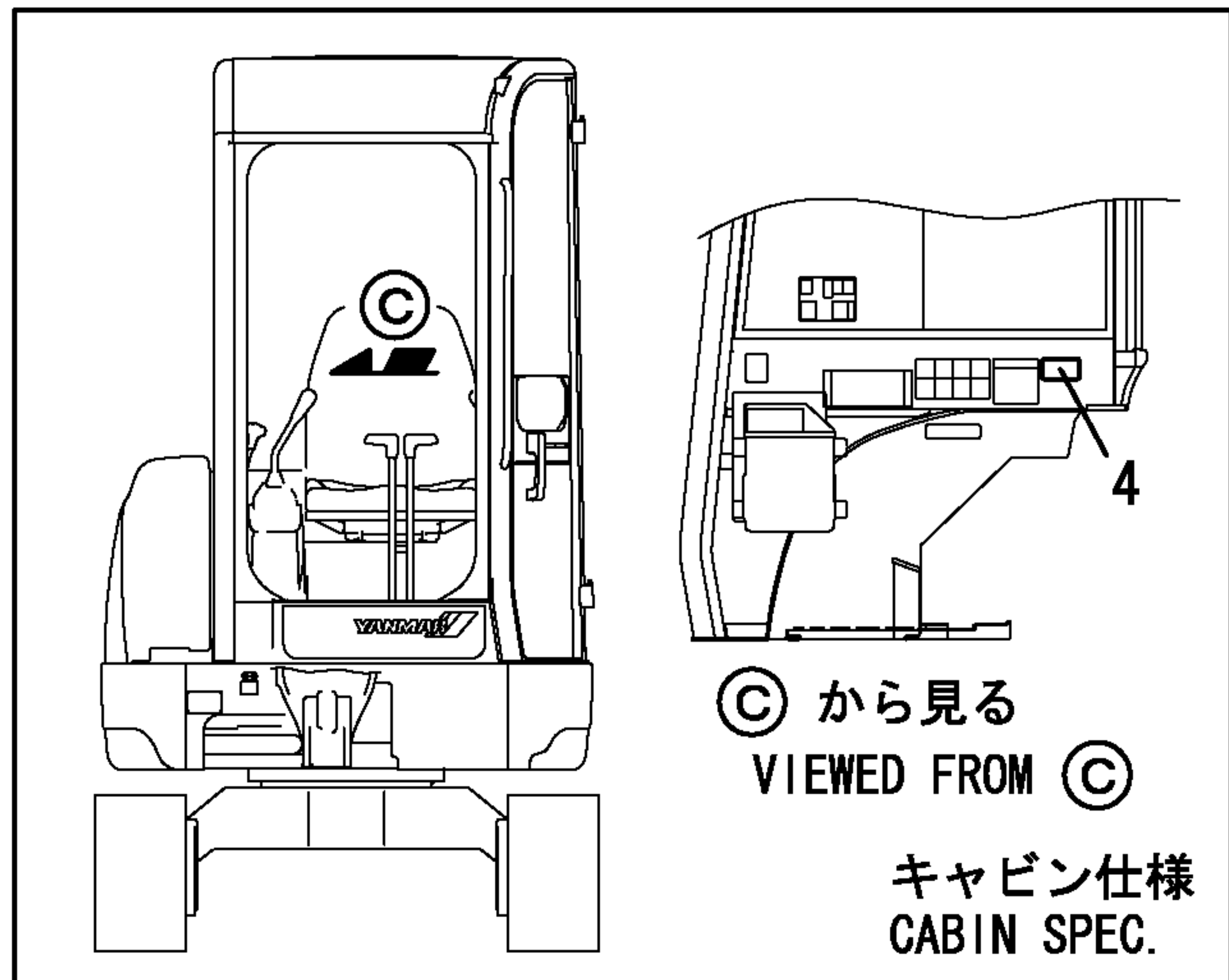
グリルを開いて  
OPEN THE GRILLE



Ⓐ 部詳細  
DETAILS OF Ⓐ



Ⓑ から見る  
VIEWED FROM Ⓑ



Ⓒ から見る  
VIEWED FROM Ⓒ

キャビン仕様  
CABIN SPEC.

1,1,,172472-03240,, "LABEL,PIN US" ,,,1,,,,,,,,,,,,,,,,,,,,,  
2,1,,172437-03250,, "TAG,SERVICING ASSY" ,,,1,,,,,,,,,,,,,,,,,,,,,  
3,1,,172472-03260,, "LABEL,FINGER" ,,,1,,,,,,,,,,,,,,,,,,,,,  
4,1,,172472-03270,, "LABEL,SAND US" ,,,1,,,,,,,,,,,,,,,,,,,,,  
5,1,,172472-03280,, LABEL,,,1,,,,,,,,,,,,,,,,,,,,,  
6,1,,172437-03300,, "LABEL,MANUAL" ,,,1,,,,,,,,,,,,,,,,,,,,,  
7,1,,172437-03310,, "LABEL,SLOPE" ,,,1,,,,,,,,,,,,,,,,,,,,,  
8,1,,172437-03321,, "LABEL,HYD.OIL TANK" ,,,1,,,,,,,,,,,,,,,,,,,,,  
9,1,,172437-03341,, "LABEL,TRANSPORT" ,,,1,,,,,,,,,,,,,,,,,,,,,  
10,1,,172437-03351,, "LABEL,GREASE CYL." ,,,2,,,,,,,,,,,,,,,,,,,,,  
11,1,,172437-03360,, "LABEL,BATTERY" ,,,1,,,,,,,,,,,,,,,,,,,,,  
12,1,,172437-03371,, LABEL,,,1,,,,,,,,,,,,,,,,,,,,,  
13,1,,172437-03380,, "LABEL,SWING AREA" ,,,1,,,,,,,,,,,,,,,,,,,,,  
14,1,,172437-03390,, "LABEL,RADIATOR" ,,,1,,,,,,,,,,,,,,,,,,,,,  
15,1,,172437-03401,, "LABEL (ENG COVER US" ,,,1,,,,,,,,,,,,,,,,,,,,,  
16,1,,172437-03411,, "LABEL (ENG ROOM US" ,,,1,,,,,,,,,,,,,,,,,,,,,  
17,1,,172437-03421,, "LABEL,MUFFLER" ,,,1,,,,,,,,,,,,,,,,,,,,,  
18,1,,172437-03431,, "LABEL,STEERING" ,,,1,,,,,,,,,,,,,,,,,,,,,  
19,1,,172437-03460,, "LABEL, BOOM" ,,,2,,,,,,,,,,,,,,,,,,,,,  
20,1,,172437-03470,, "LABEL,LEVER LOCK" ,,,1,,,,,,,,,,,,,,,,,,,,,  
21,1,,172A36-03410,, "LABEL,ENG ROOM US" ,,,1,,,,,,,,,,,,,,,,,,,,,  
22,1,,172437-03450,, "LABEL,SEAT BELT" ,,,1,,,,,,,,,,,,,,,,,,,,,  
23,1,,172437-03440,, "LABEL,ROPS" ,,,1,,,,,,,,,,,,,,,,,,,,,

1 **Pull out** **WARNING**  
To prevent damage on lock pin, be sure to pull the lock pin out when changes the attachment.

2 **DANGER**  
NEVER OPERATE EXCAVATOR WHEN THIS TAG IS ATTACHED TO AN EMERGENCY CONTROL TAG TO PREVENT BODILY INJURY.  
Consult the operator's manual for details.

3 **DANGER**  
Never insert your fingers. This may cause serious bodily injury.

4 **WARNING**  
Be sure to remove earth and sand piled in quick coupler. This may damage hydraulic hoses.

5 **WARNING**  
**IMPORTANT RULES FOR SAFE USE**  
Be sure to park machine on solid, level ground and place attachment on ground before operating quick coupler.

6 **WARNING**  
Always follow safety instructions in operation of attachment before operating or servicing. Consult the operator's manual for details.

7 **WARNING**  
When driving Excavator on slopes, avoid rollovers or skids as follows:  
• Never go up or down slopes greater than 30 degrees.  
• Never turn on slopes, or if you cannot stop, stop the machine.  
• Always operate at low speed, using travel levers and accelerator for control.

IN THE OPERATION MANUAL CASE

8 **WARNING**  
• Never loosen hydraulic oil tank filler cap or drain plug while engine running, or starting, or immediately after stopping.  
• Always stop engine and allow hydraulic oil tank to cool before touching surface.

9 **WARNING**  
• Always use proper lifting technique when lifting or moving heavy loads.  
• Always use proper tie-down technique when securing loads.  
• Always use proper tie-down technique when securing loads.  
• Always use proper tie-down technique when securing loads.

10 **WARNING**  
• Always relieve high pressure in grease cylinder before servicing crawler, to prevent bodily injury.  
• Never open nipple valve more than one turn, maximum.

11 **DANGER**  
• Flammable liquids and gases are used in the battery.  
• Always use proper tie-down technique when securing loads.  
• Always use proper tie-down technique when securing loads.

12 **WARNING**  
**IMPORTANT RULES FOR SAFE USE**  
• Never start Excavator unless all safety guards are in place. All important controls are in correct and no other person are on or near machine.  
• Never start engine while on ground. Start only from operator's seat.  
• Never begin operation without first inspecting work area for overhead power lines, obstructions, holes and deep ruts, and existing conditions of underground utility lines.  
• Never leave operator's seat until all movements are completed. Hydraulic pressure is released for all hydraulic lock levers are all in locked position and operator control lever is released.  
• Never perform any maintenance unless engine is stopped and machine is parked on level ground. Never attempt to raise or lower the ground with tracks and an attachment.

13 **DANGER**  
Always stay clear of swing range of excavator implement and machine tail, to avoid serious bodily injury.

14 **WARNING**  
Always stop engine and allow radiator to cool before removing cap, to prevent scalding.

15 **WARNING**  
Never open hood while engine is running, to prevent hands from moving fan and fan belt, or contact with hot surfaces.

16 **WARNING**  
Always stop Machine engine before servicing it, to protect hands from moving fan and belts.

17 **WARNING**  
To prevent burns, never service radiator or exhaust pipe hot soon after engine is stopped. Temperature of exhaust system reduces slowly.

18 **WARNING**  
• To prevent attachment from falling off, be sure to install lock pin. Make sure quick coupler securely holds attachment. Operating speed of quick coupler becomes slow in cold season.

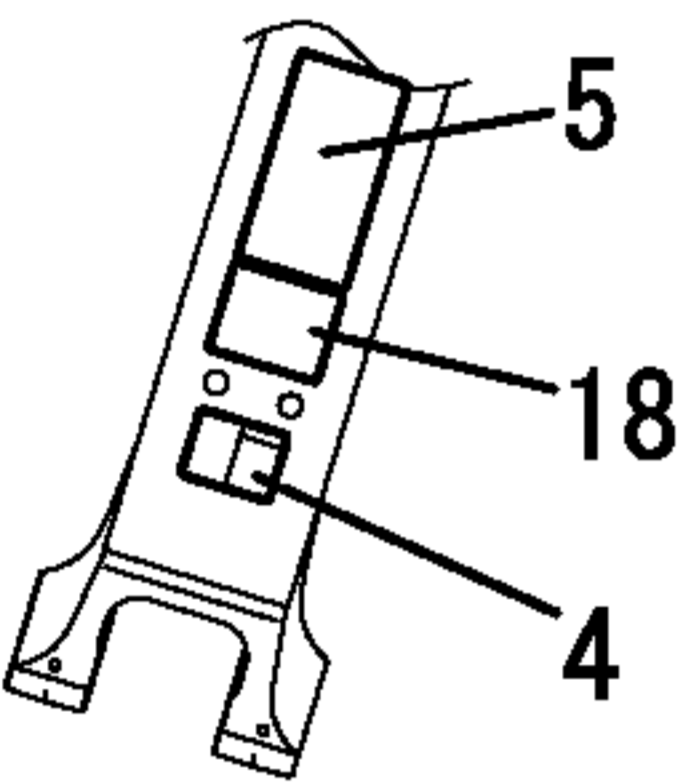
19 **WARNING**  
• Never suspend load with hook of quick coupler. Load may fall off, causing serious accident.

20 **WARNING**  
To prevent breakdown or sudden operation of attachment, never open switch box cover except to dismount or mount attachment.

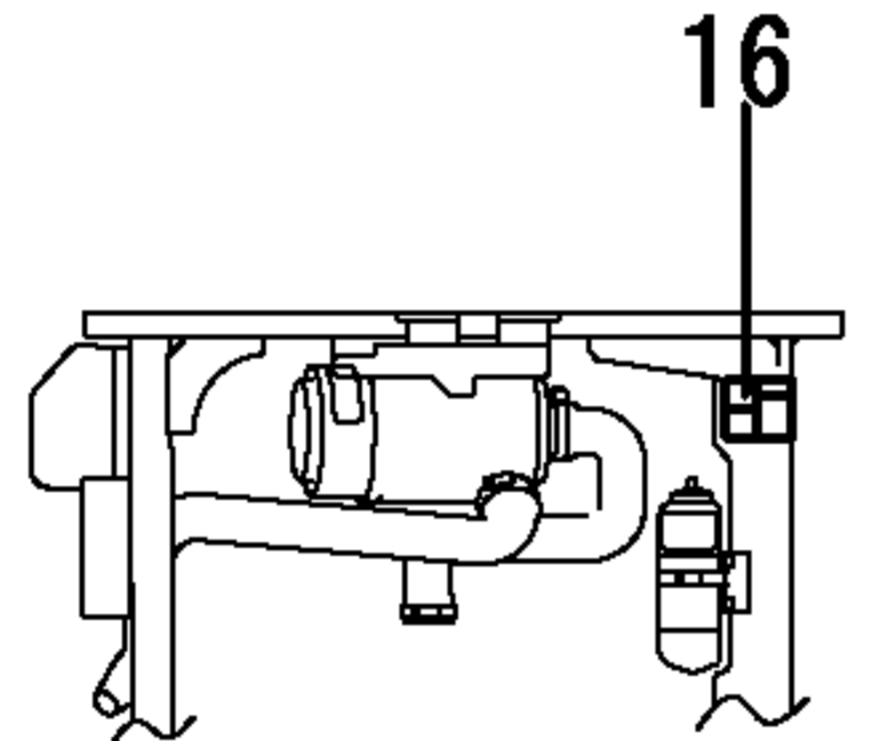
21 **WARNING**  
• To prevent accidental injury, cover area Excavator before controlling position of blade.  
• Machine always travels in direction of blade, then travel levers are moved away from operator.

22 **WARNING**  
• To prevent accidental injury, cover area Excavator before controlling position of blade.  
• Machine always travels in direction of blade, then travel levers are moved away from operator.

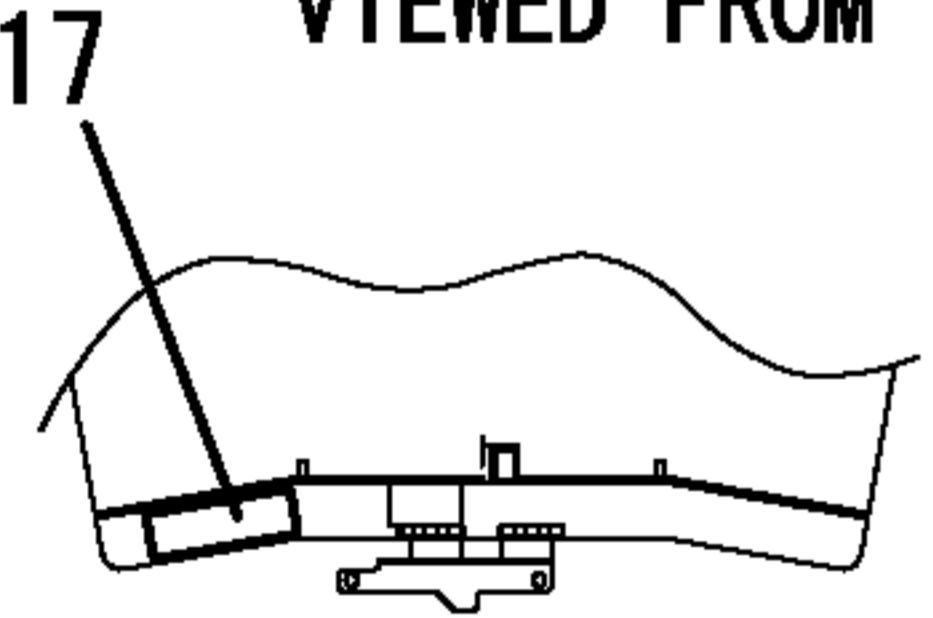
23 **WARNING**  
• To prevent accidental injury, cover area Excavator before controlling position of blade.  
• Machine always travels in direction of blade, then travel levers are moved away from operator.



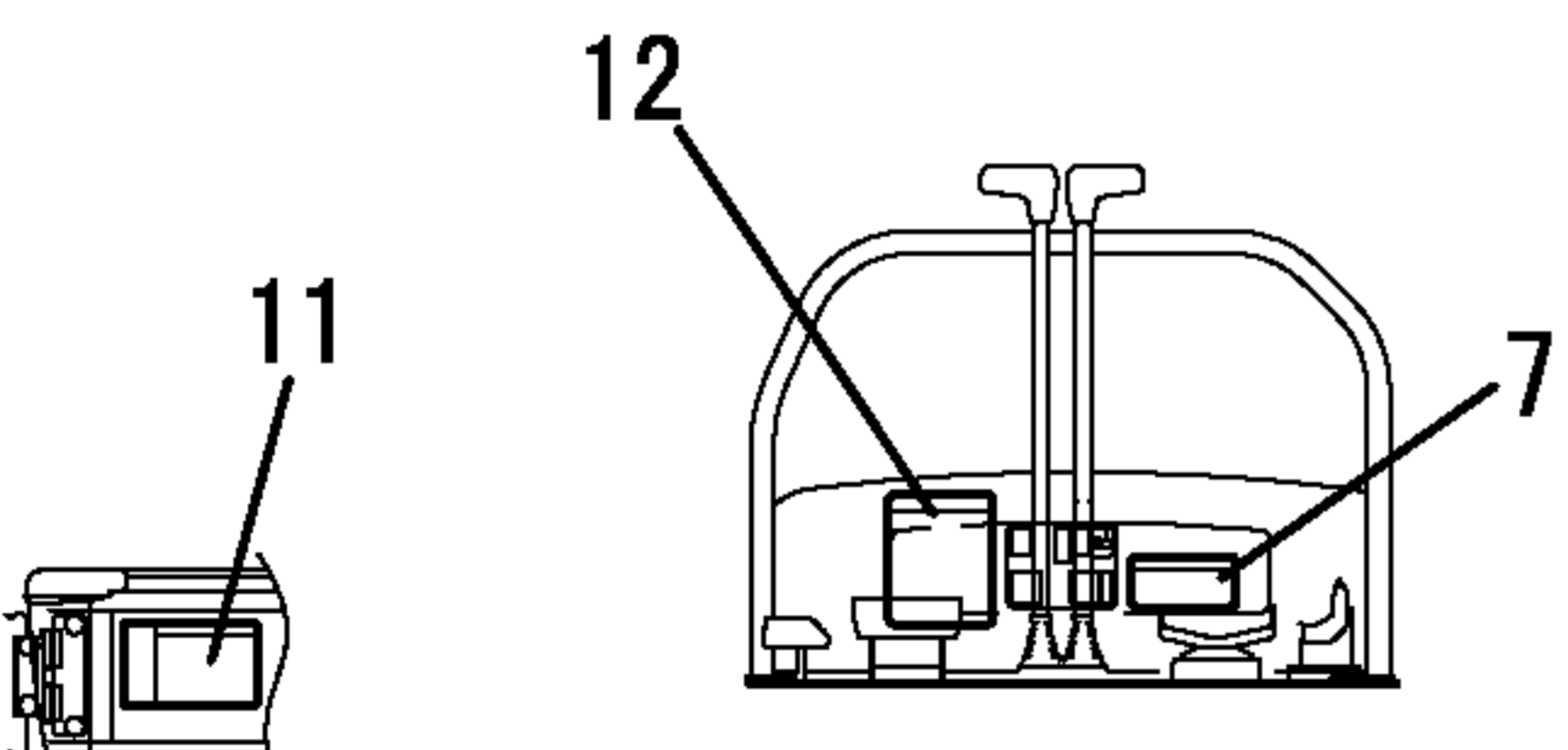
(B) から見る VIEWED FROM (B)



ボンネット内部詳細 DETAILS OF BONNET INSIDE

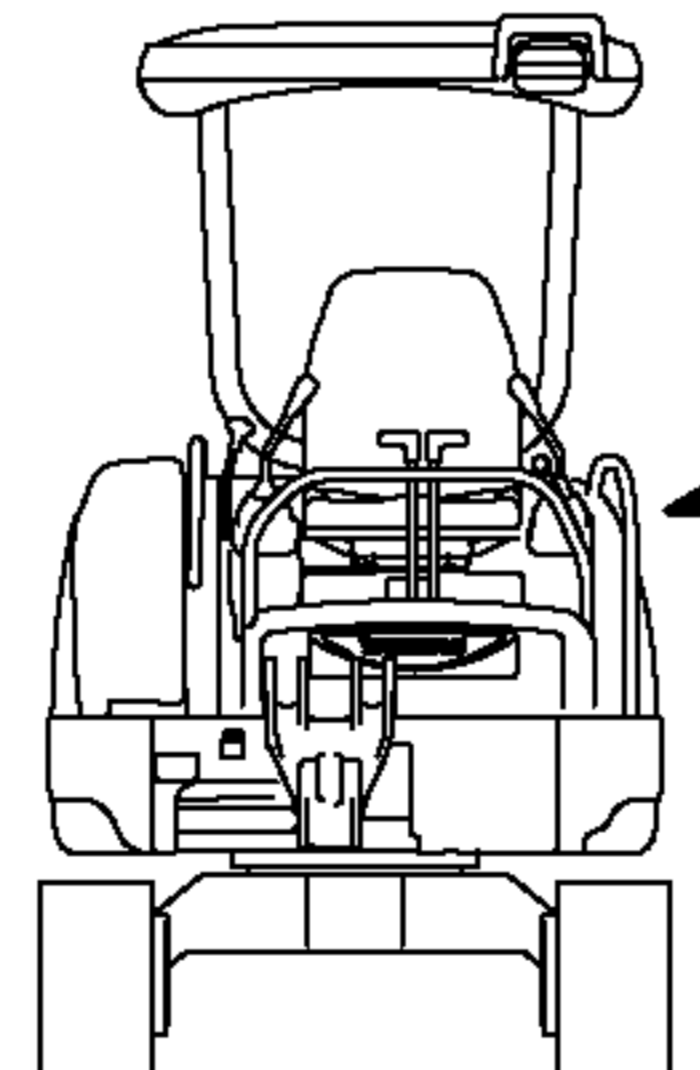


ボンネットカバー内部 BONNET COVER INSIDE

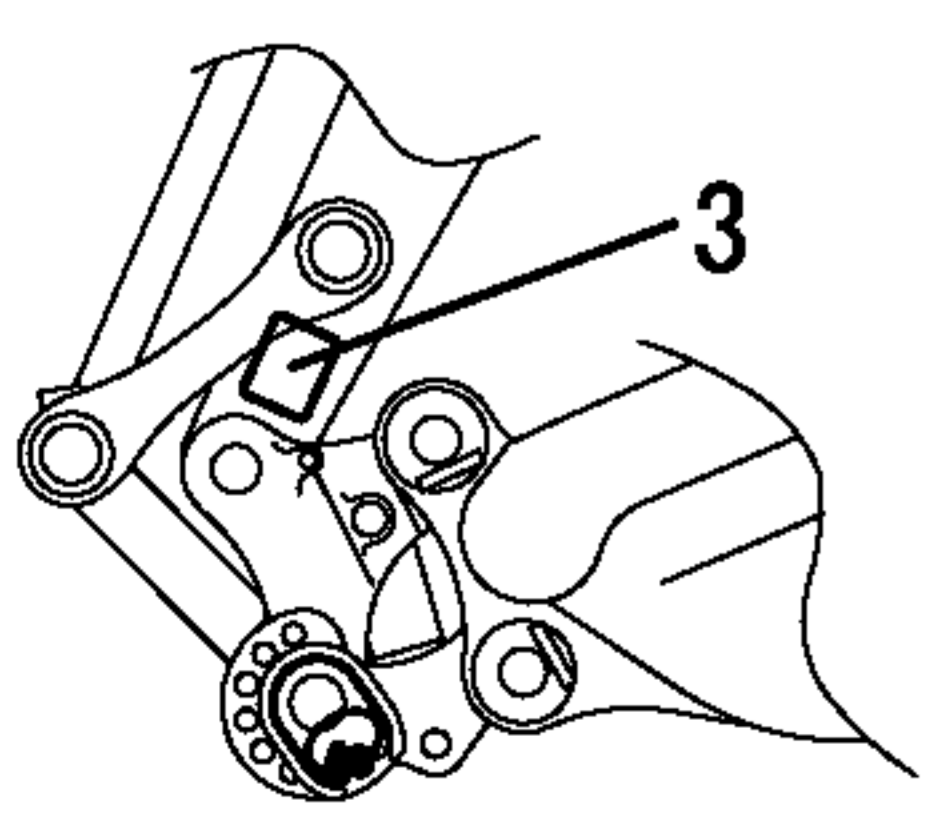


(D) から見る VIEWED FROM (D)

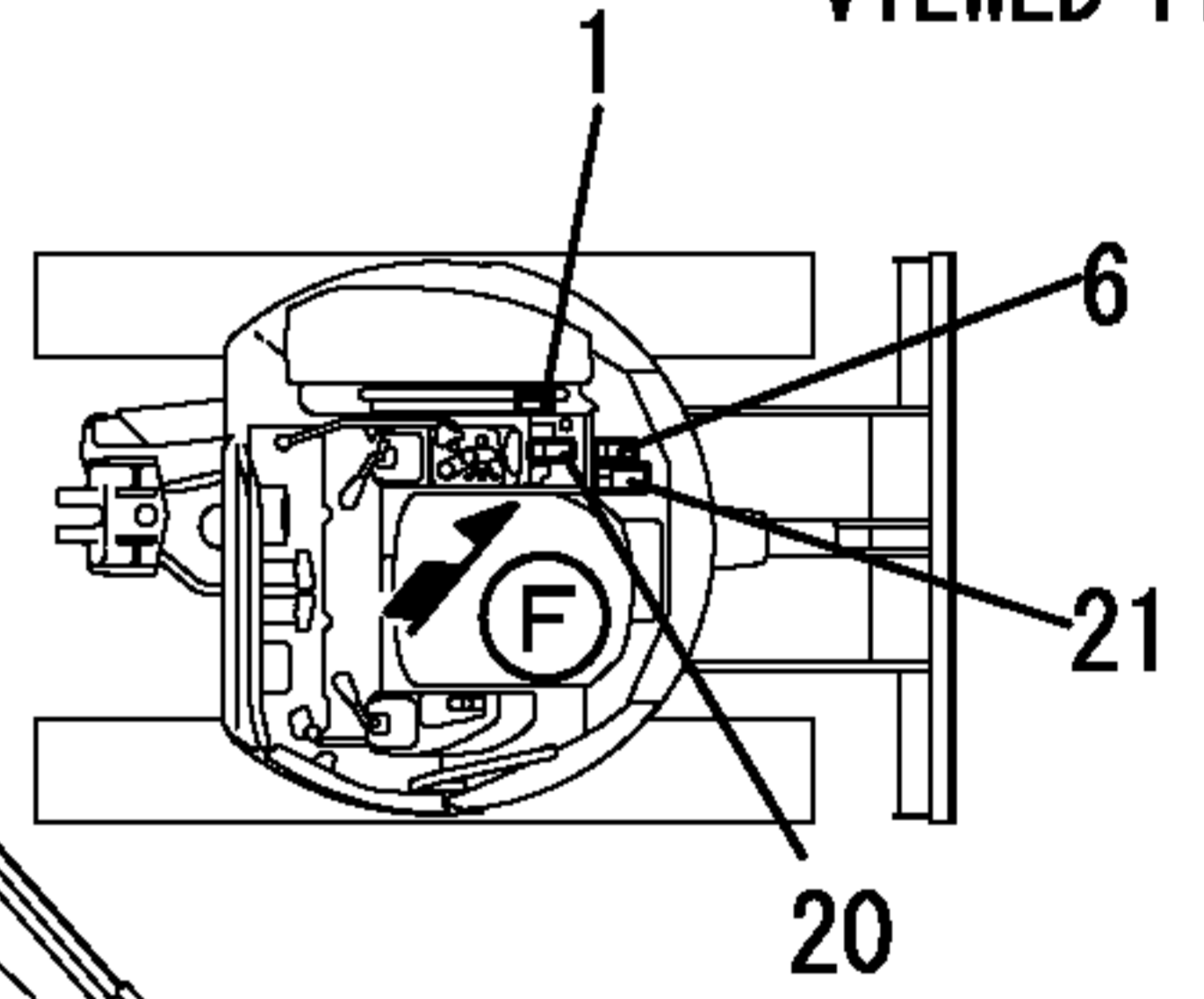
(A) から見る VIEWED FROM (A)



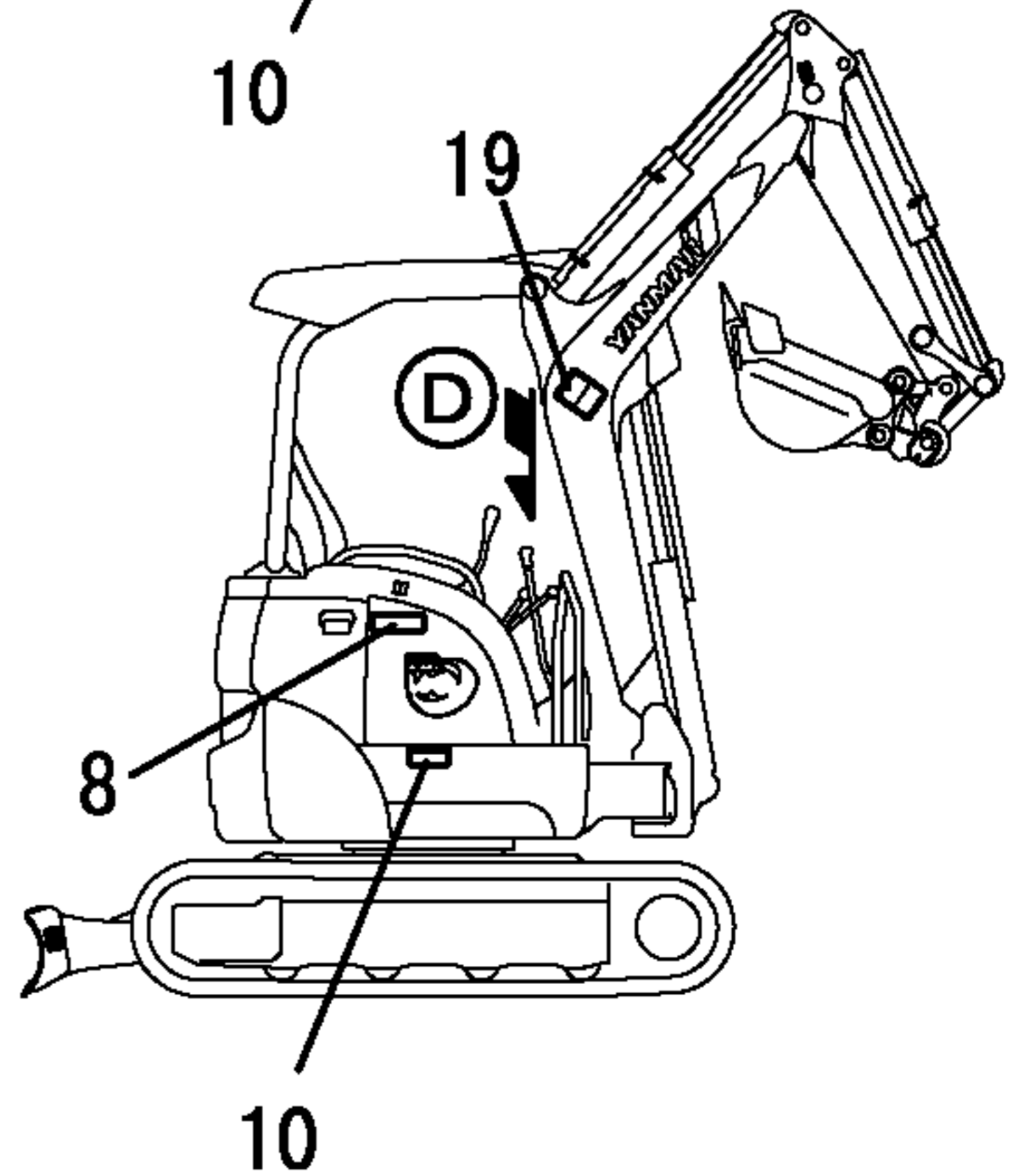
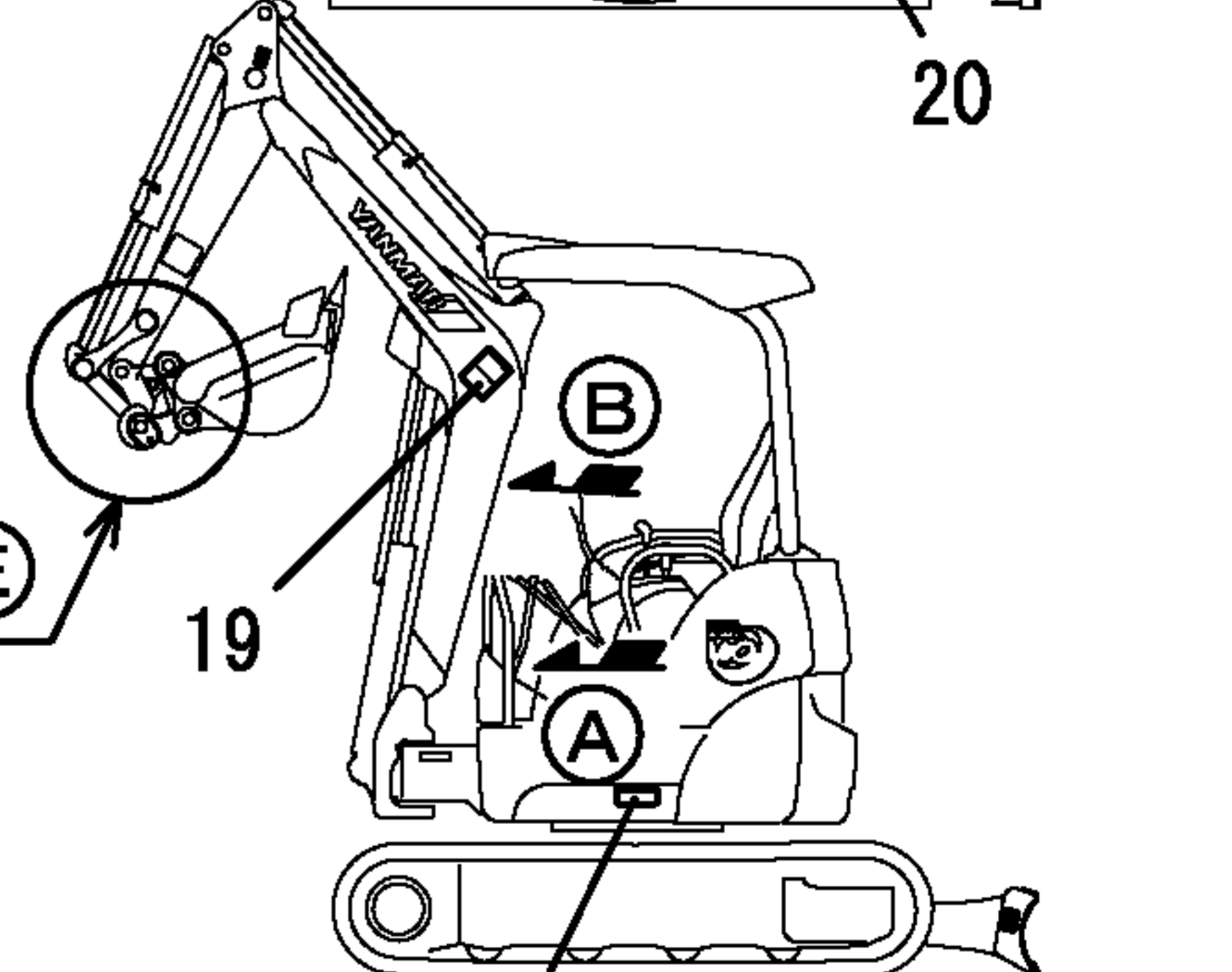
(C) から見る VIEWED FROM (C)



(E) 部詳細 DETAILS OF (E)



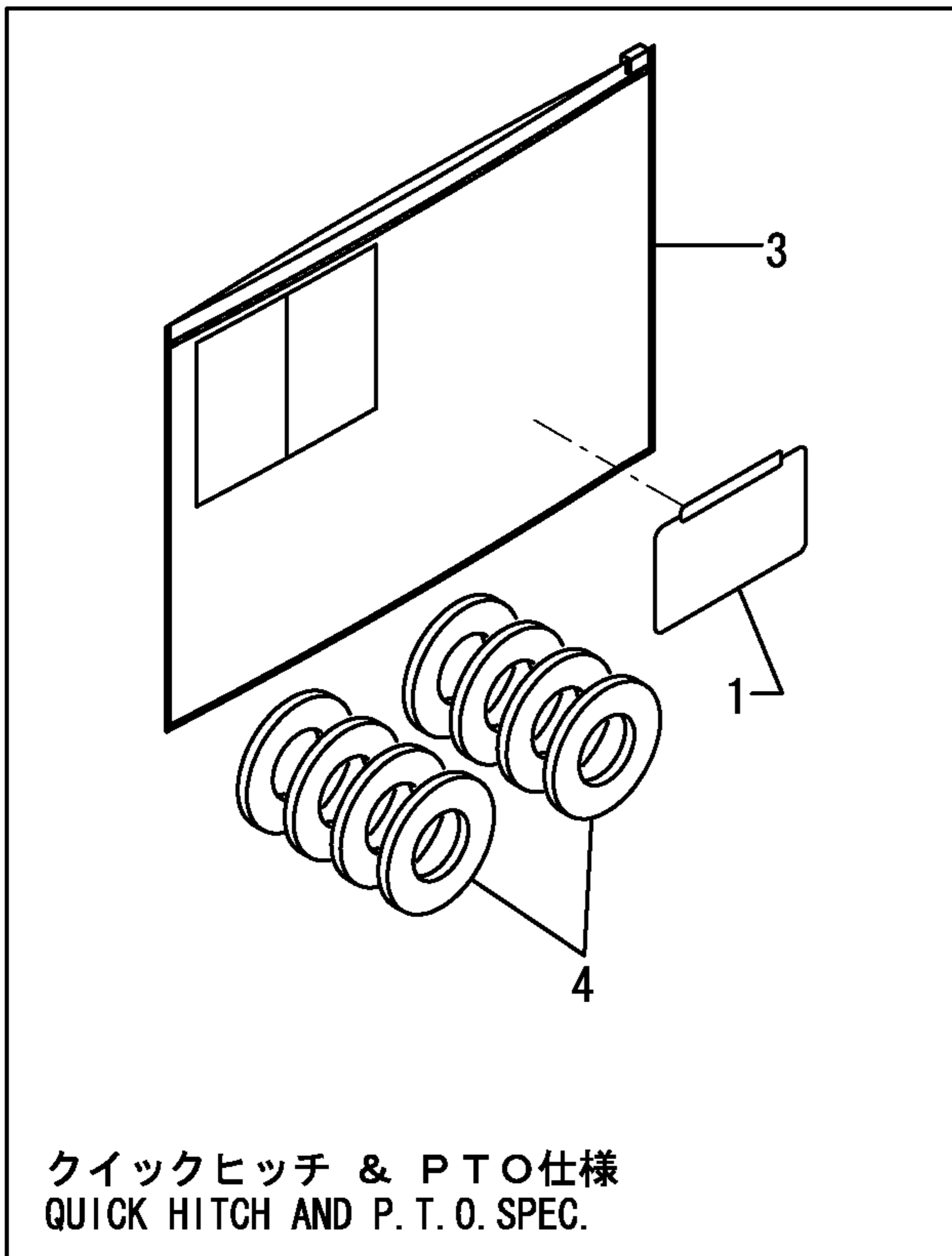
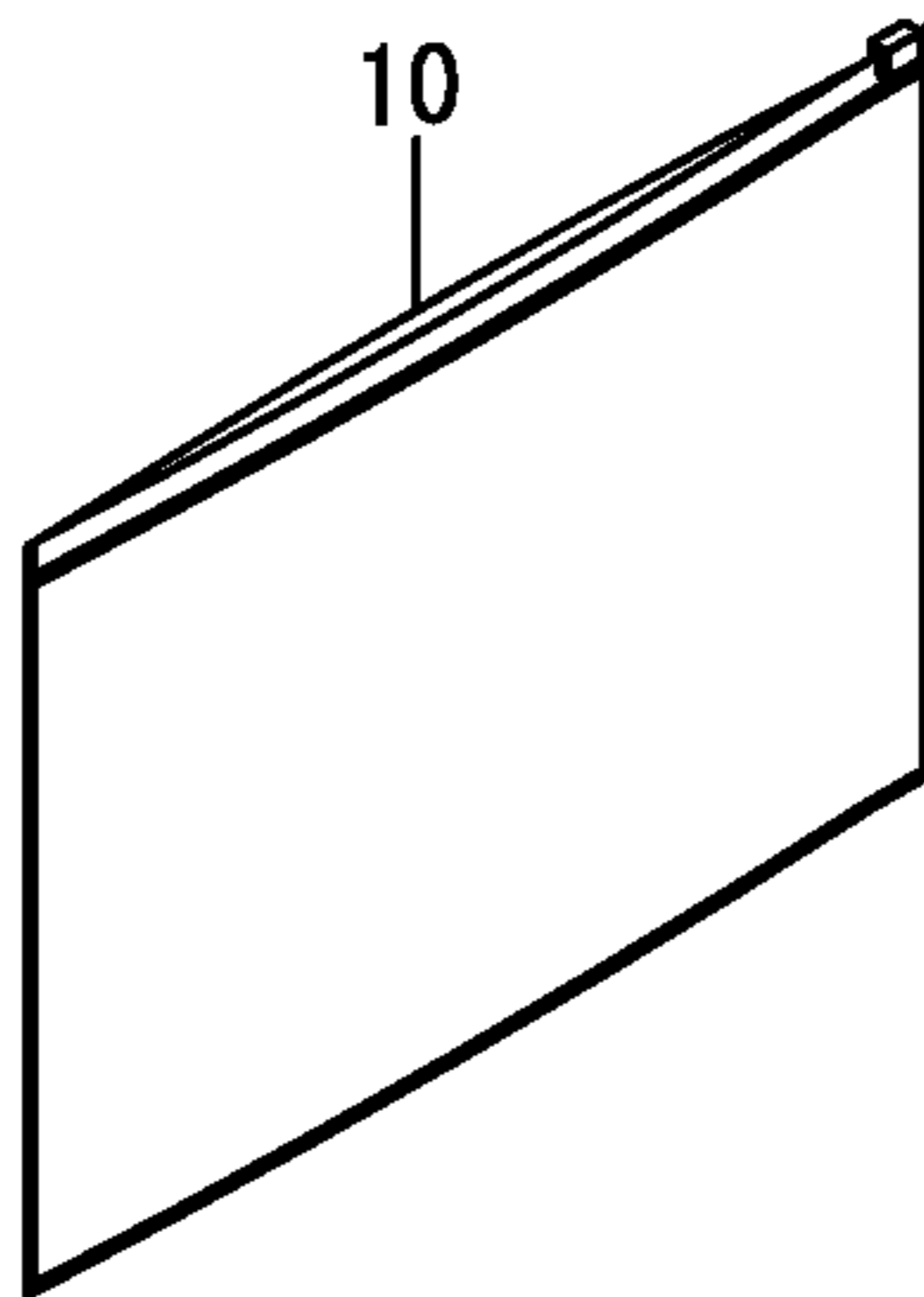
(F) から見る VIEWED FROM (F)



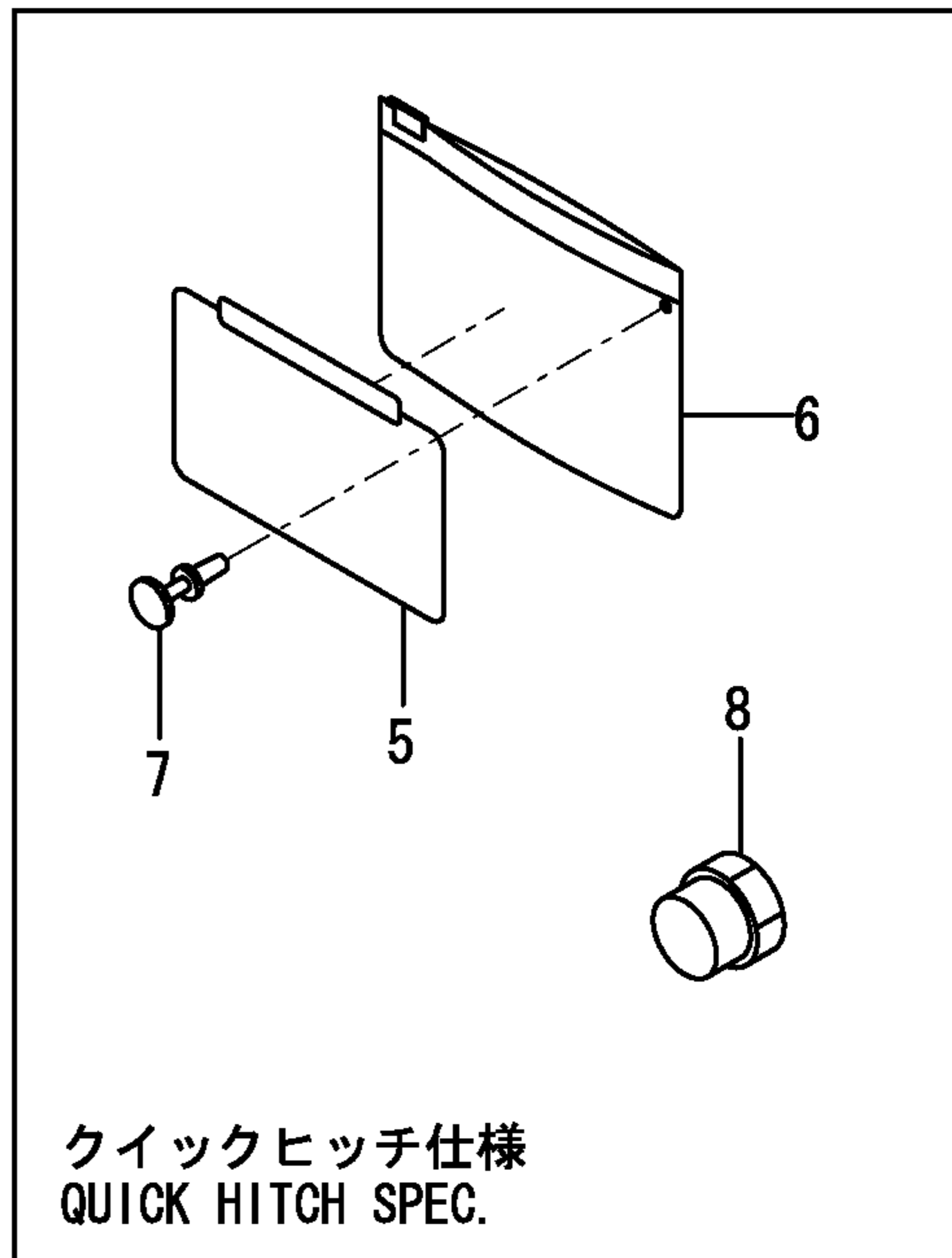
10



1,1,,172958-03310,, "LABEL,COLLAR",1,1,1,,,,,,,,,,,,,  
3,1,,172958-07330,, "CASE,MANUAL",1,1,1,,,,,,,,,,,,,  
4,1,,172956-08110,, COULLAR,8,8,8,,,,,,,,,,,,,  
5,1,,172958-03300,, "LABEL,PLUG",1,1,1,,,,,,,,,,,,,  
6,1,,172958-05100,, "CASE,PLUG",1,1,1,,,,,,,,,,,,,  
7,1,,172958-05110,, RIVET,1,1,1,,,,,,,,,,,,,  
8,1,,1E3030-78370,, "CAP PF1/4",4,4,4,,,,,,,,,,,,,  
10,1,,172176-07330,, "BAG, MANUAL",1,1,,,,,,,,,,,,,



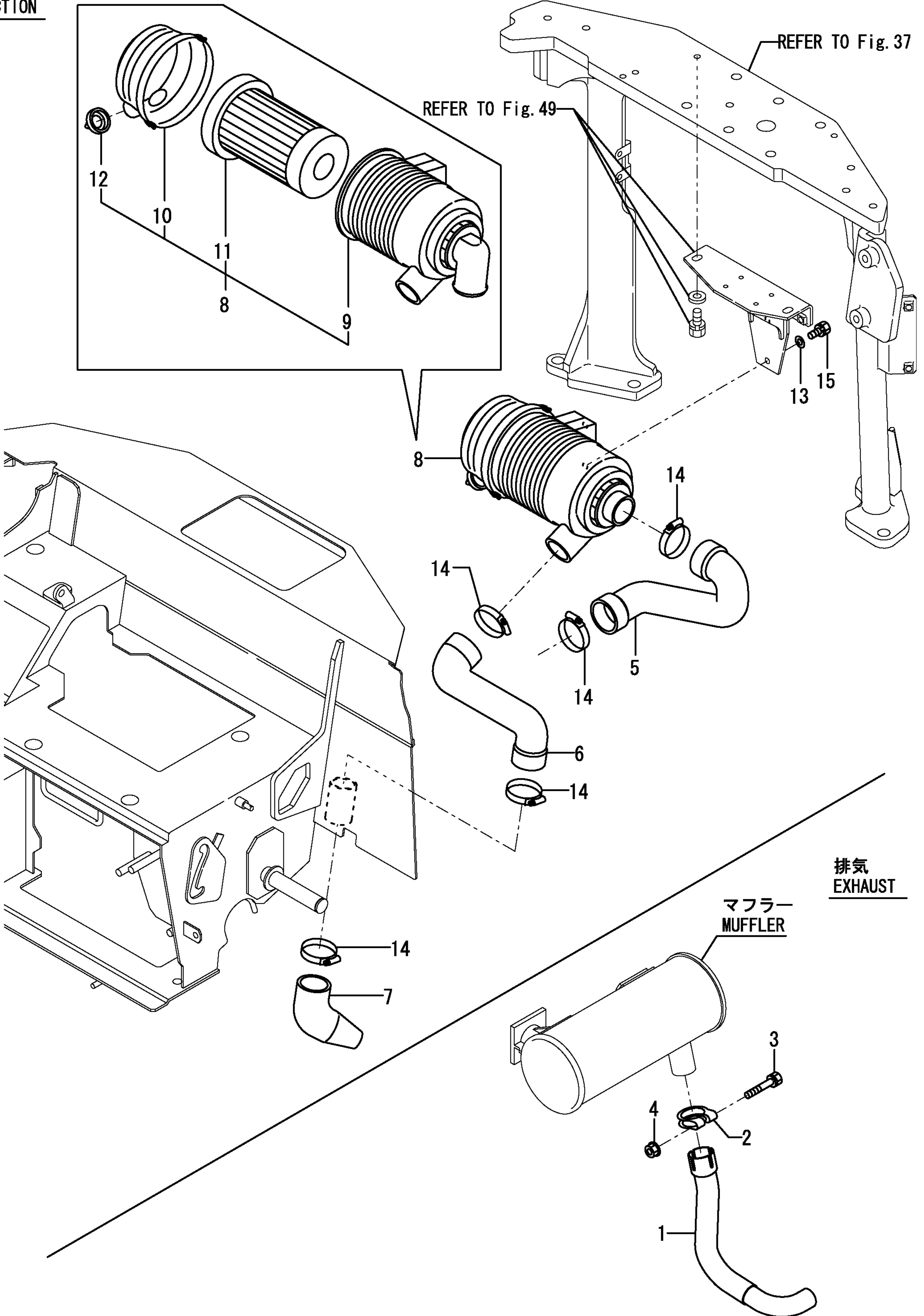
クイックヒッチ & P T O仕様  
QUICK HITCH AND P. T. O. SPEC.



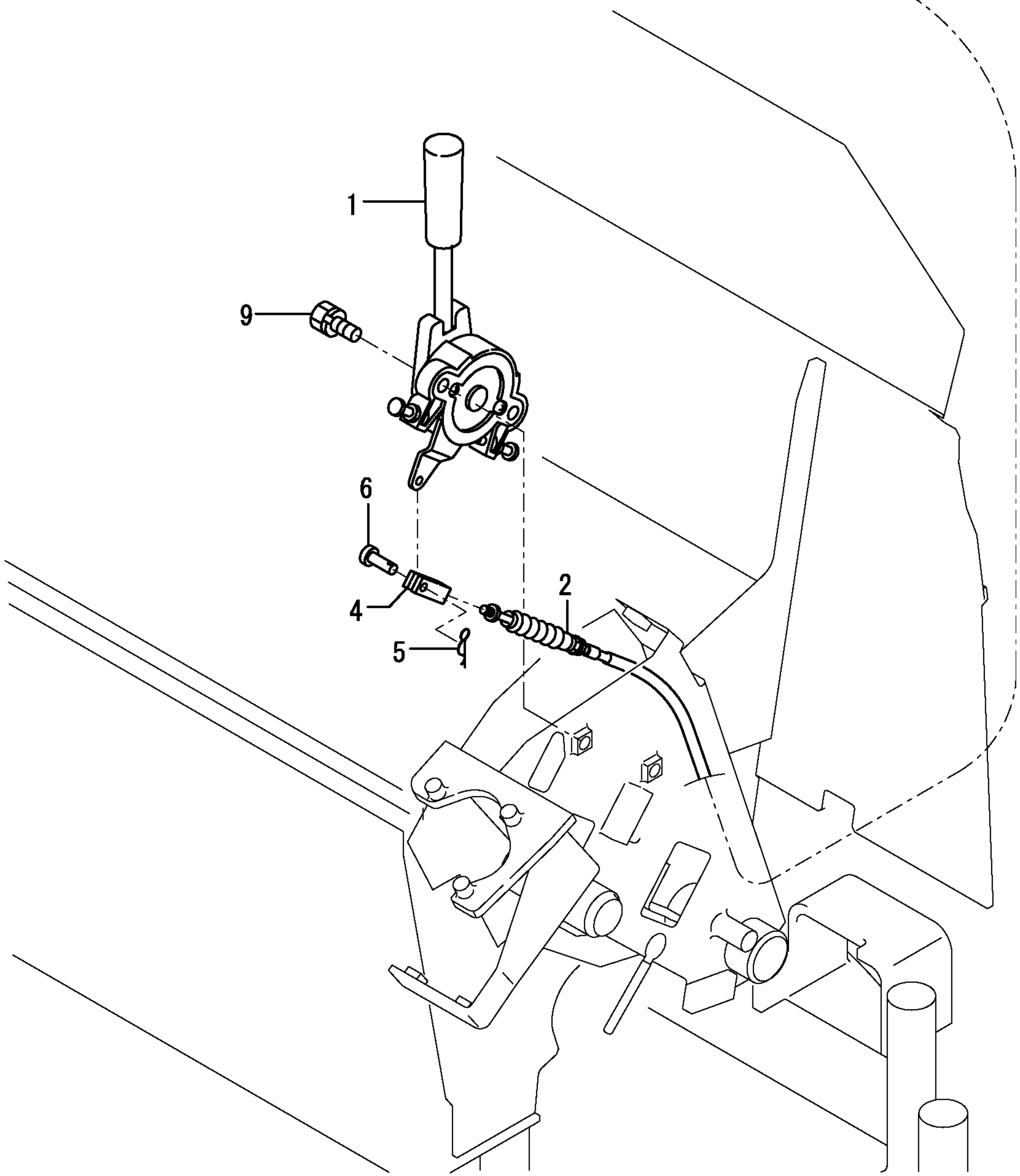
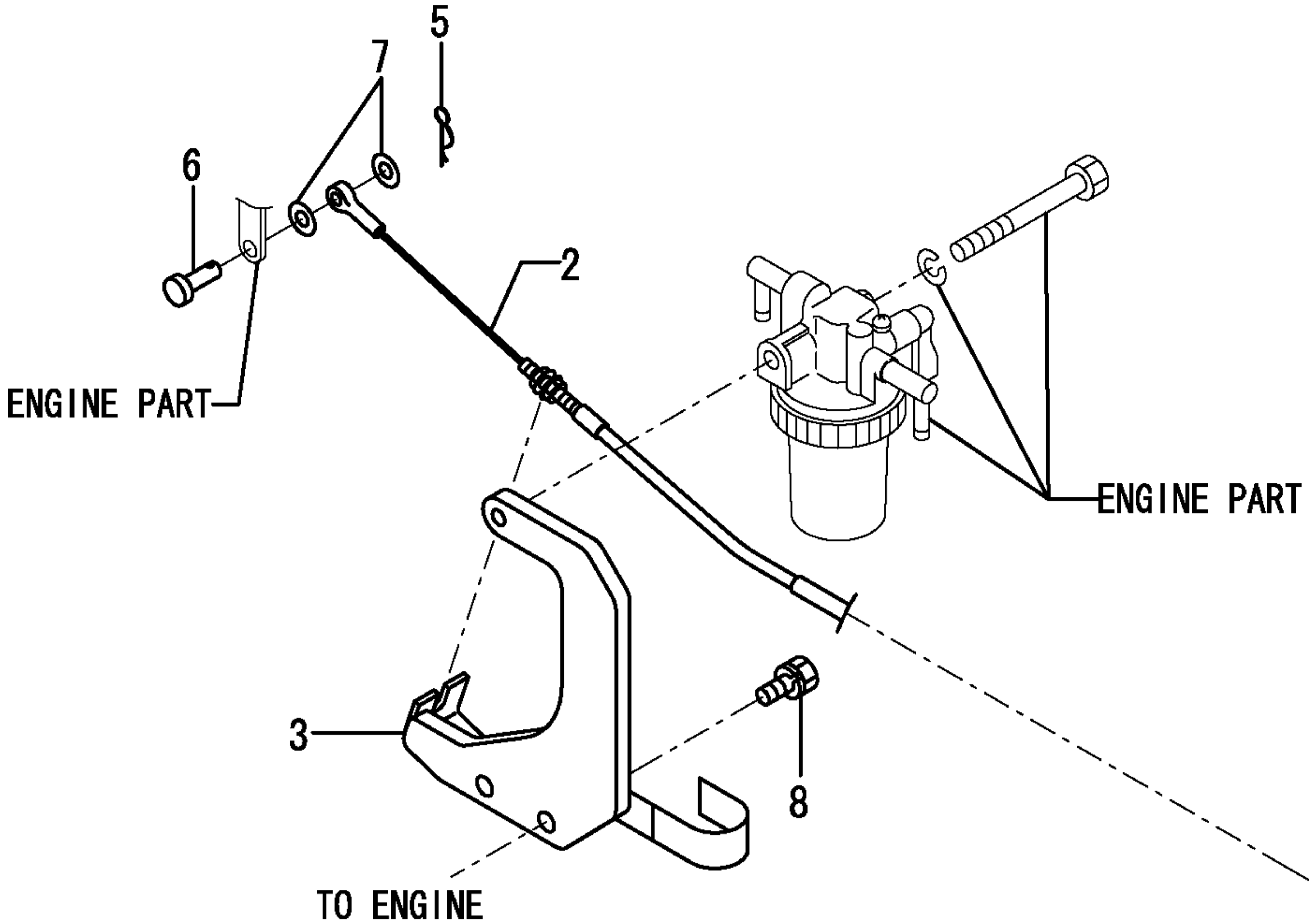
クイックヒッチ仕様  
QUICK HITCH SPEC.

1,1,,172487-11350,, "PIPE,EXH",1,1,1,,,,,,,,,,,,,  
2,1,,172487-11400,,CLAMP,1,1,1,,,,,,,,,,,,,  
3,1,,26013-100552,, "BOLT M10X 55",1,1,1,,,,,,,,,,,,,  
4,1,,26366-100002,, "NUT M10",1,1,1,,,,,,,,,,,,,  
5,1,,172A23-11490,, "HOSE A, AIR CLEANER",1,1,1,,,,,,,,,,,,,  
6,1,,172A23-11500,, "HOSE B, AIR CLEANER",1,1,1,,,,,,,,,,,,,  
7,1,,172456-11500,, "HOSE C,AIR CLEANER",1,1,1,,,,,,,,,,,,,  
8,1,,172456-11510,, "AIR CLEANER ASSY",1,1,1,,,,,,,,,,,,,  
9,2,,172456-11590,,BODY,1,1,1,,,,,,,,,,,,,  
10,2,,172456-11600,,COVER,1,1,1,,,,,,,,,,,,,  
11,2,,129619-12520,, "ELEMENT, OUTER",1,1,1,,,,,,,,,,,,,  
12,2,,119808-12540,, "VALVE, UNLOADER",1,1,1,,,,,,,,,,,,,  
13,1,,22137-080000,, "WASHER 8, POLISHED",2,2,2,,,,,,,,,,,,,  
14,1,,23000-060000,, "CLAMP 60",5,5,5,,,,,,,,,,,,,  
15,1,,26013-080202,, "BOLT W/WASHER M8X20",2,2,2,,,,,,,,,,,,,

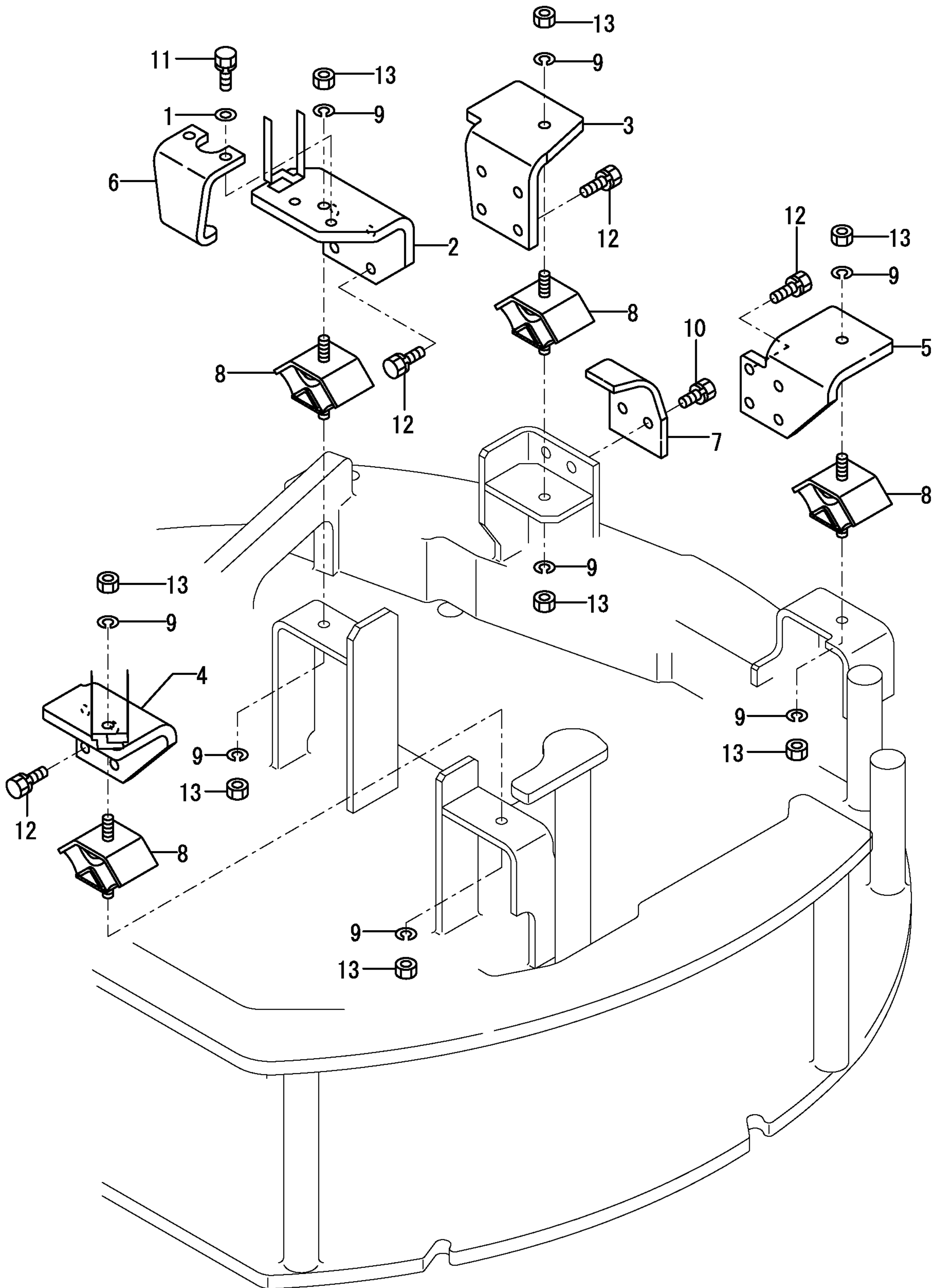
吸気  
SUCTION



1,1,,172458-12100,, "LEVER,ACCELERATOR",1,1,1,,,,,,,,,,,,,  
2,1,,172456-12111,, "CABLE, ACCEL.",1,1,1,,,,,,,,,,,,,  
3,1,,172487-12220,, BRACKET,1,1,1,,,,,,,,,,,,,  
4,1,,172137-12270,, "JOINT, CABLE",1,1,1,,,,,,,,,,,,,  
5,1,,1C6281-52310,, "PIN 6,COME-OFF SNAP",2,2,2,,,,,,,,,,,,,  
6,1,,1A1040-56900,, "PIN 6X 17",2,2,2,,,,,,,,,,,,,  
7,1,,22137-060000,, "WASHER 6, POLISHED",2,2,2,,,,,,,,,,,,,  
8,1,,26013-080162,, "BOLT W/WASHER M8X16",2,2,2,,,,,,,,,,,,,  
9,1,,26013-100252,, "BOLT W/WASHER M10X25",2,2,2,,,,,,,,,,,,,

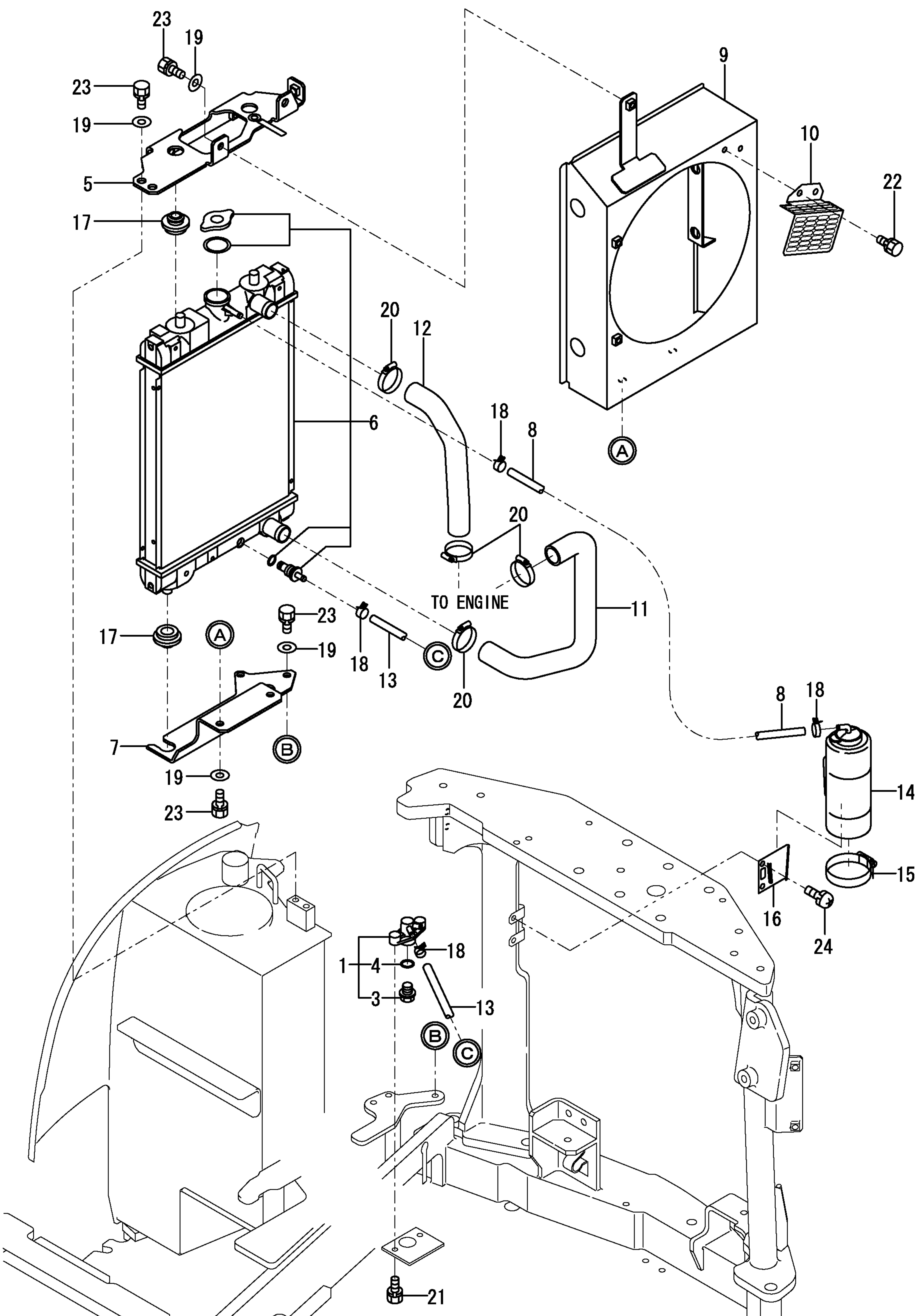


1,1,,194145-04810,, "WASHER 10",2,2,2,,,,,,,,,,,,,,,,,,,,,  
2,1,,172487-13090,, "MOUNT LF ASSY (ENG",1,1,1,,,,,,,,,,,,,,,,,,,,,  
3,1,,172487-13100,, "MOUNT RE,ENG",1,1,1,,,,,,,,,,,,,,,,,,,,,  
4,1,,172A23-13120,, "MOUNT LR ASSY",1,1,1,,,,,,,,,,,,,,,,,,,,,  
5,1,,172456-13120,, "MOUNT RR,ENG",1,1,1,,,,,,,,,,,,,,,,,,,,,  
6,1,,172456-13140,, "STOPPER ,ENG",1,1,1,,,,,,,,,,,,,,,,,,,,,  
7,1,,172456-13150,, "STOPPER RF,ENG",1,1,1,,,,,,,,,,,,,,,,,,,,,  
8,1,,172179-13211,, "RUBBER, ANTI VIBRAT.",4,4,4,,,,,,,,,,,,,,,,,,,,,  
9,1,,22217-100000,, "SPRING WASHER 10",8,8,8,,,,,,,,,,,,,,,,,,,,,  
10,1,,26013-100202,, "BOLT W/WASHER M10X20",2,2,2,,,,,,,,,,,,,,,,,,,,,  
11,1,,26013-100252,, "BOLT W/WASHER M10X25",2,2,2,,,,,,,,,,,,,,,,,,,,,  
12,1,,26013-100252,, "BOLT W/WASHER M10X25",16,16,16,,,,,,,,,,,,,,,,,,,,,  
13,1,,26716-100002,, "NUT 10",8,8,8,,,,,,,,,,,,,,,,,,,,,



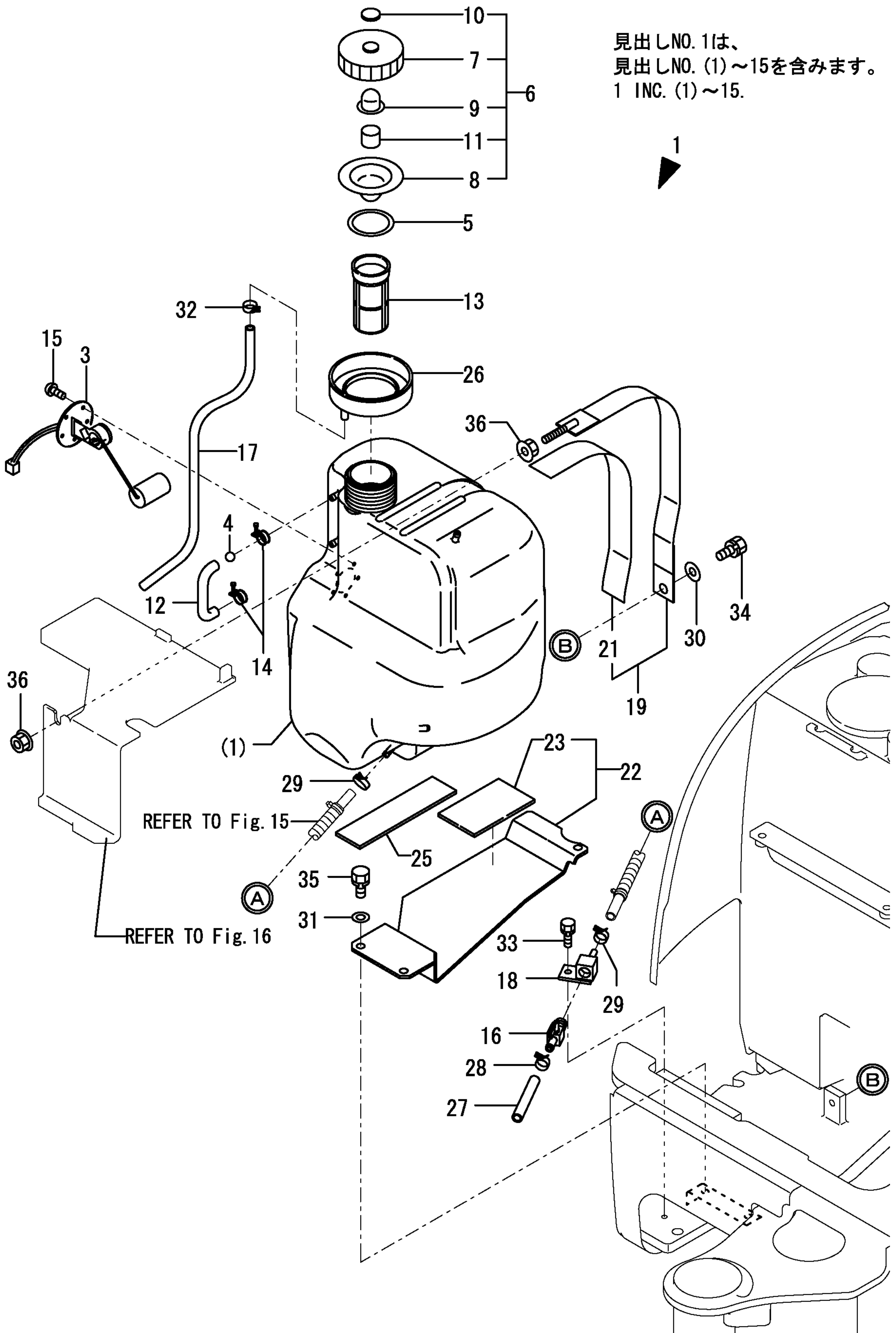


1,1,,172444-13210,, "COCK ASSY,2-WAY",1,1,1,,,,,,,,,,,,,  
3,2,,121250-49121,, PLUG,1,1,1,,,,,,,,,,,,,  
4,2,,24311-000160,, "O-RING 1A P-16.0",1,1,1,,,,,,,,,,,,,  
5,1,,172A23-13300,, "BRACKET ASSY,RADIATO",1,1,1,,,,,,,,,,,,,  
5-1,1,,172A23-13320,, "BRACKET  
ASSY,RADIATO",1,1,1,,,,,N,,72A230019,\*2004.07,72A230019,\*2004.07,72A230019,\*2004.  
07,,,,,  
6,1,,172482-13300,, "RADIATOR ASSY",1,1,1,,,,,,,,,,,,,  
7,1,,172A23-13310,, "BRACKET,RADIATOR",1,1,1,,,,,,,,,,,,,  
8,1,,172157-13381,, HOSE,1,1,1,,,,,,,,,,,,,  
9,1,,172A23-13411,, "SHROUD ASSY",1,1,1,,,,,,,,,,,,,  
10,1,,172A23-13460,, "GUARD,FAN",1,1,1,,,,,,,,,,,,,  
11,1,,172A23-13510,, CW-T(A,1,1,1,,,,,,,,,,,,,  
12,1,,172A23-13520,, CW-T(B,1,1,1,,,,,,,,,,,,,  
13,1,,172734-14620,, "PIPE L=300, FUEL",1,1,1,,,,,,,,,,,,,  
14,1,,119813-44510,, "SUB-TANK ASSY",1,1,1,,,,,,,,,,,,,  
15,1,,124450-44550,, "CLAMP, SUB-TANK",1,1,1,,,,,,,,,,,,,  
16,1,,121256-44600,, "BRACKET, SUB-TANK",1,1,1,,,,,,,,,,,,,  
17,1,,119255-44660,, RUBBER,4,4,4,,,,,,,,,,,,,  
18,1,,124766-59050,, "CLAMP 12",4,4,4,,,,,,,,,,,,,  
19,1,,22137-100000,, "WASHER 10,POLISHED",8,8,8,,,,,,,,,,,,,  
20,1,,23001-041000,, "CLIP 41,HOSE",4,4,4,,,,,,,,,,,,,  
21,1,,26013-080162,, "BOLT W/WASHER M8X16",2,2,2,,,,,,,,,,,,,  
22,1,,26013-080162,, "BOLT W/WASHER M8X16",2,2,2,,,,,,,,,,,,,  
23,1,,26013-100202,, "BOLT W/WASHER M10X20",8,8,8,,,,,,,,,,,,,  
24,1,,26022-080162,, "SCREW M 8X 16",2,2,2,,,,,,,,,,,,,  
25,1,,172156-81430,, "SHIM 25-45-1.6",1,1,1,,,,,,,,,,,,,

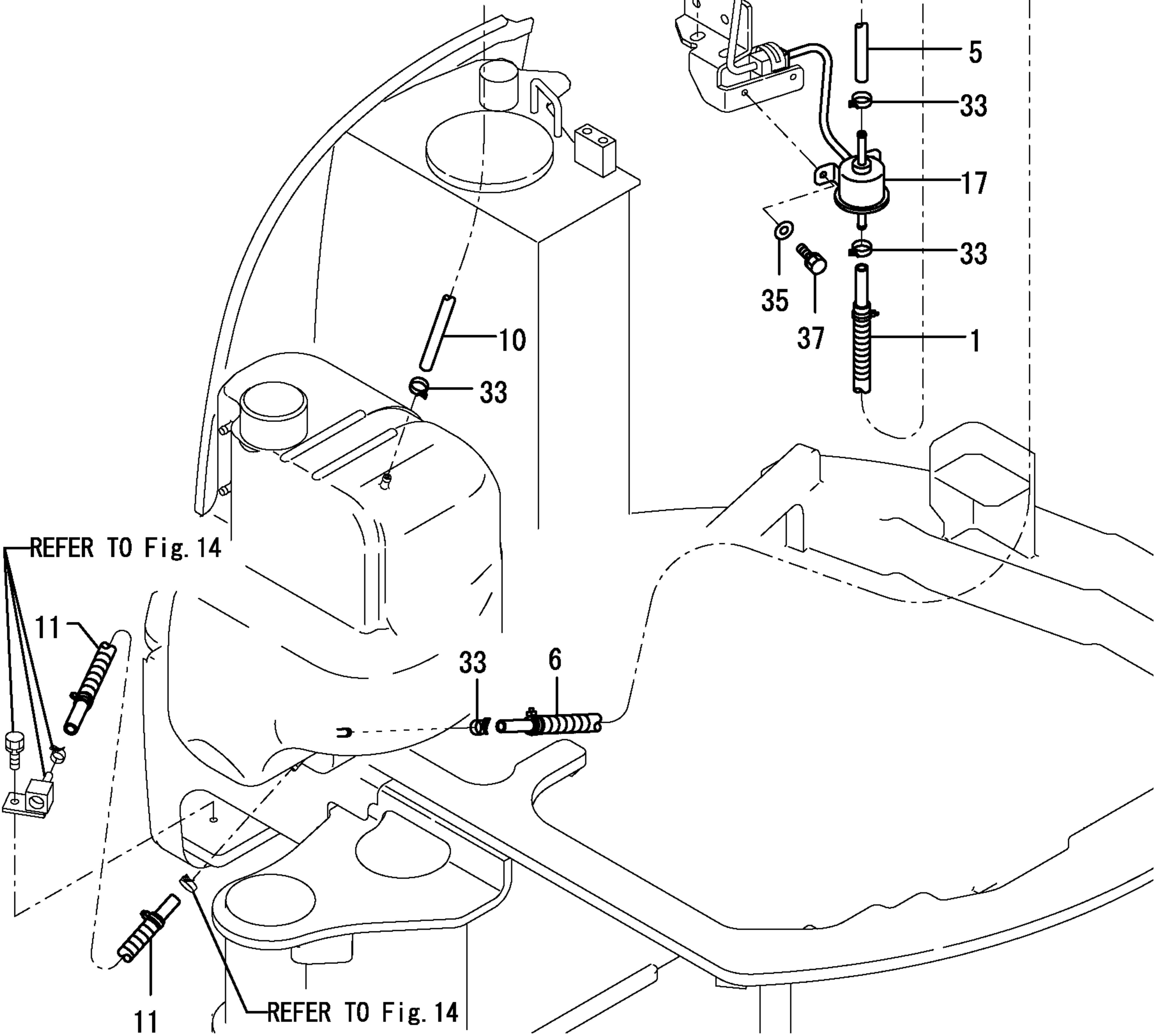
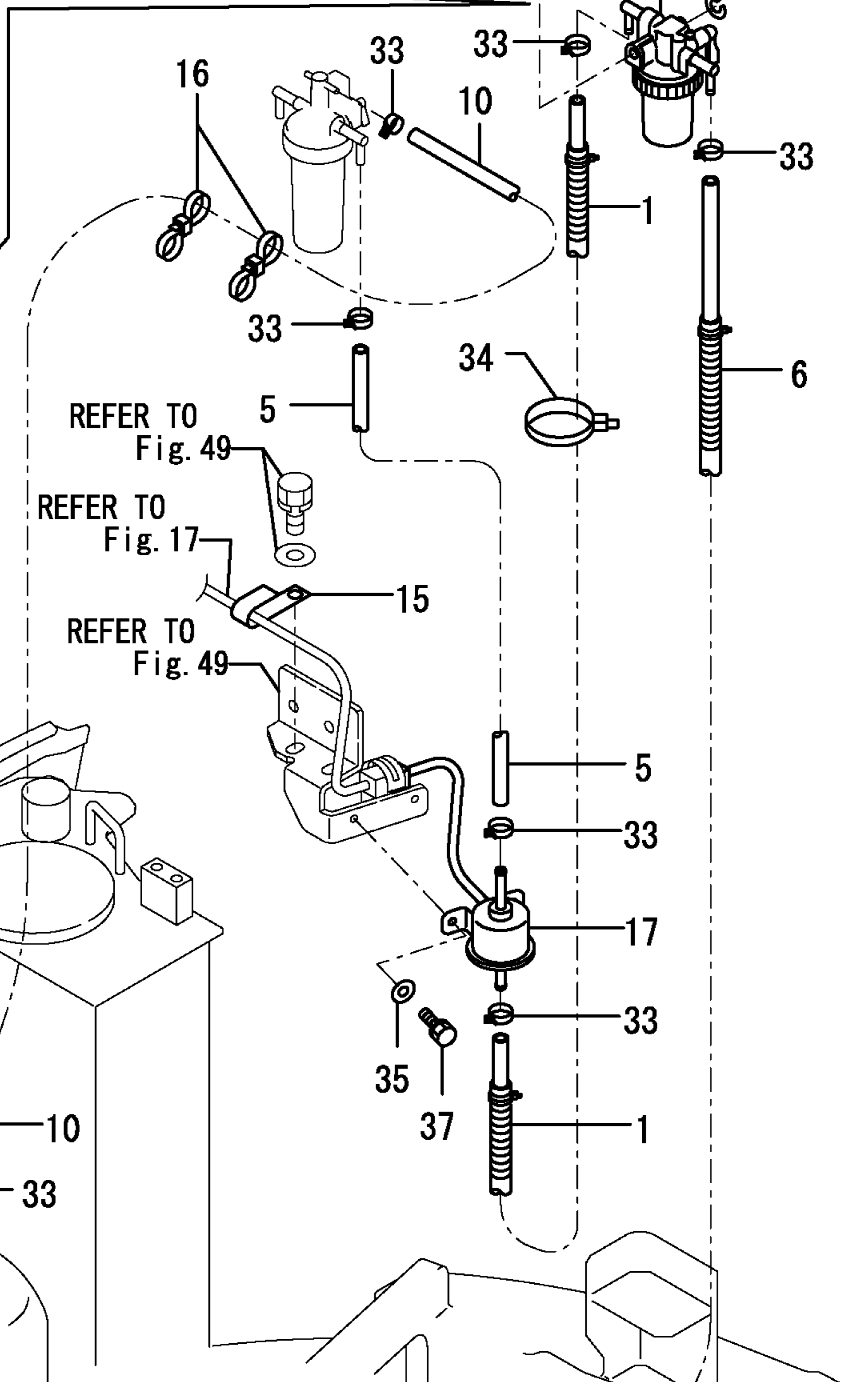
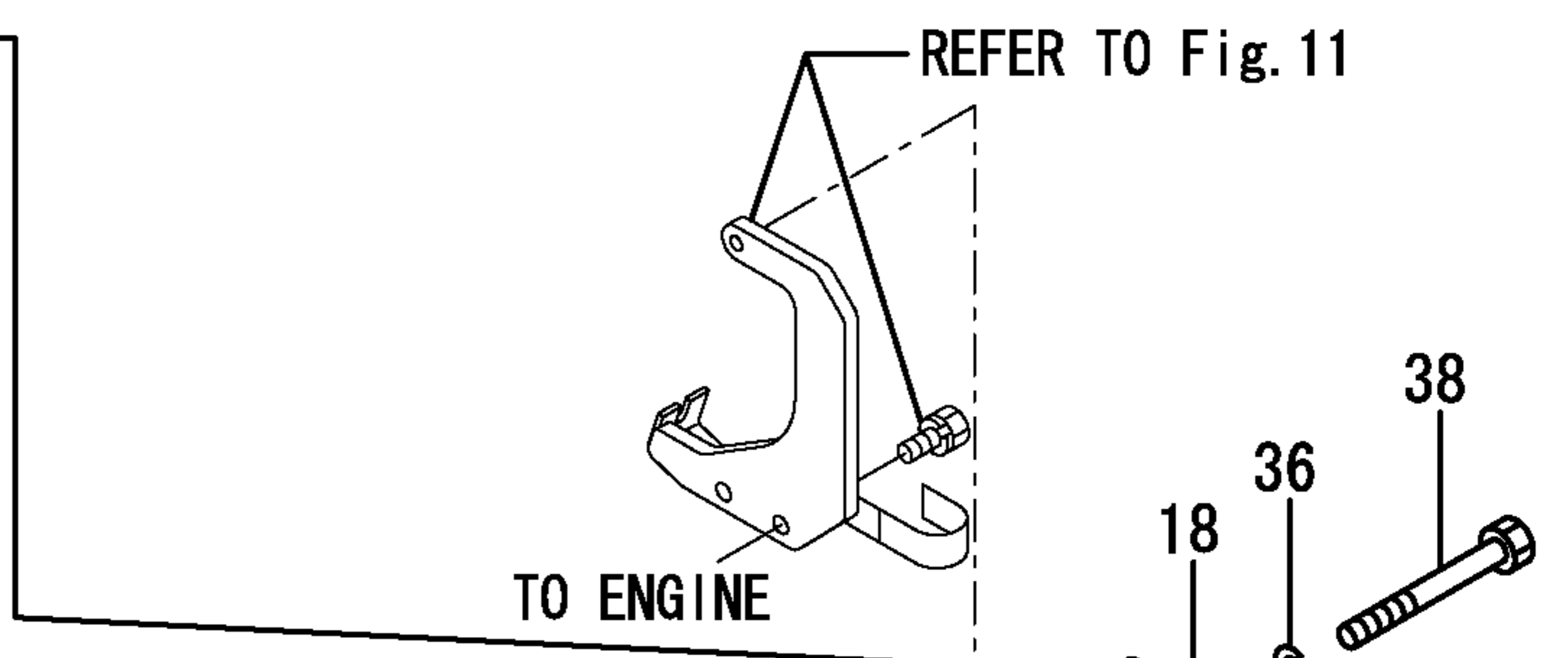
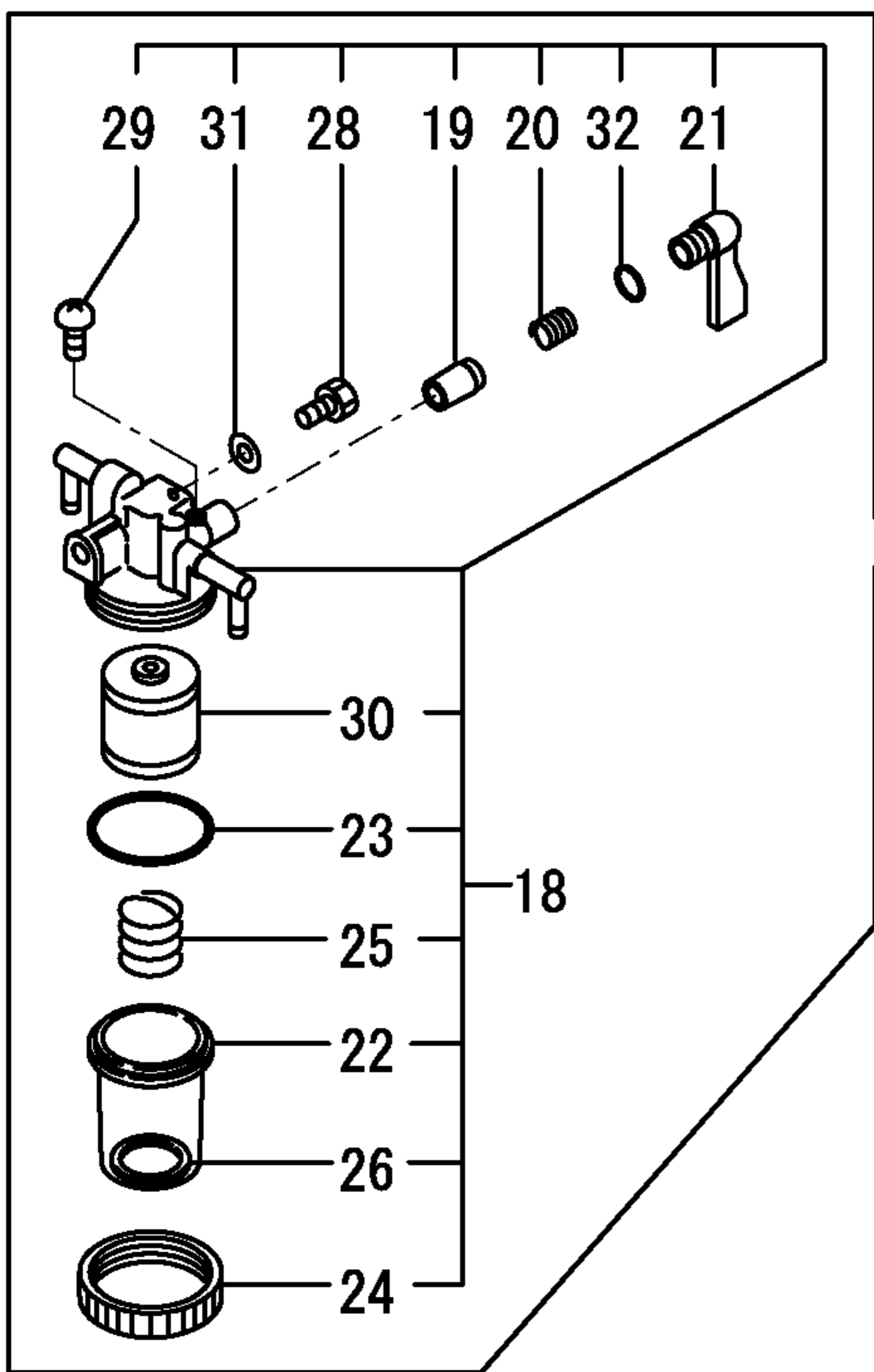


1,1,,772456-14111,, "TANK ASSY, FUEL",1,1,1,,,,,,,,,,,,,  
3,2,,172456-14151,, "GAUGE UNIT, FUEL",1,1,1,,,,,,,,,,,,,  
4,2,,172447-14160,, "FLOAT",1,1,1,,,,,,,,,,,,,  
5,2,,172162-14200,, "GASKET",1,1,1,,,,,,,,,,,,,  
6,2,,172444-14200,, "FUEL CAP",1,1,1,,,,,,,,,,,,,  
7,3,,172444-14450,, "CAP",1,1,1,,,,,,,,,,,,,  
8,3,,172444-14460,, "GASKET",1,1,1,,,,,,,,,,,,,  
9,3,,172444-14470,, "GASKET",1,1,1,,,,,,,,,,,,,  
10,3,,172444-14480,, "WASHER",1,1,1,,,,,,,,,,,,,  
11,3,,172444-14490,, "SPONGE",1,1,1,,,,,,,,,,,,,  
12,2,,172458-14202,, "HOSE, FUEL GAUGE",1,1,1,,,,,,,,,,,,,  
13,2,,172183-14250,, "FILTER (FUEL",1,1,1,,,,,,,,,,,,,  
14,2,,23000-013000,, "CLAMP 13",2,2,2,,,,,,,,,,,,,  
15,2,,26022-050122,, "SCREW M 5X 12",5,5,5,,,,,,,,,,,,,  
16,1,,104200-11920,, "COCK",1,1,1,,,,,,,,,,,,,  
17,1,,172444-14260,, "HOSE,FUEL",1,1,1,,,,,,,,,,,,,  
18,1,,172444-14270,, "JOINT",1,1,1,,,,,,,,,,,,,  
19,1,,172456-14300,, "CLAMP",1,1,1,,,,,,,,,,,,,  
21,2,,172456-14330,, "RUBBER",1,1,1,,,,,,,,,,,,,  
22,1,,172456-14340,, "PLATE ASSY(GREEN:97)",1,1,1,,,,,,,,,,,,,  
23,2,,172444-14130,, "PLATE A",1,1,1,,,,,,,,,,,,,  
25,1,,172458-14340,, "RUBBER PLATE A,FO",1,1,1,,,,,,,,,,,,,  
26,1,,172458-14370,, "SOUCER,FUEL OIL",1,1,1,,,,,,,,,,,,,  
27,1,,172444-14410,, "HOSE",1,1,1,,,,,,,,,,,,,  
28,1,,106990-44660,, "CLIP,HOSE",1,1,1,,,,,,,,,,,,,  
29,1,,124766-59050,, "CLAMP 12",2,2,2,,,,,,,,,,,,,  
30,1,,22137-100000,, "WASHER 10,POLISHED",1,1,1,,,,,,,,,,,,,  
31,1,,22137-100000,, "WASHER 10,POLISHED",3,3,3,,,,,,,,,,,,,  
32,1,,23080-013000,, "CLAMP 13,HOSE",1,1,1,,,,,,,,,,,,,  
33,1,,26013-080202,, "BOLT W/WASHER M8X20",1,1,1,,,,,,,,,,,,,  
34,1,,26013-100202,, "BOLT W/WASHER M10X20",1,1,1,,,,,,,,,,,,,  
35,1,,26013-100202,, "BOLT W/WASHER M10X20",3,3,3,,,,,,,,,,,,,  
36,1,,26367-100002,, "NUT, 10",2,2,2,,,,,,,,,,,,,

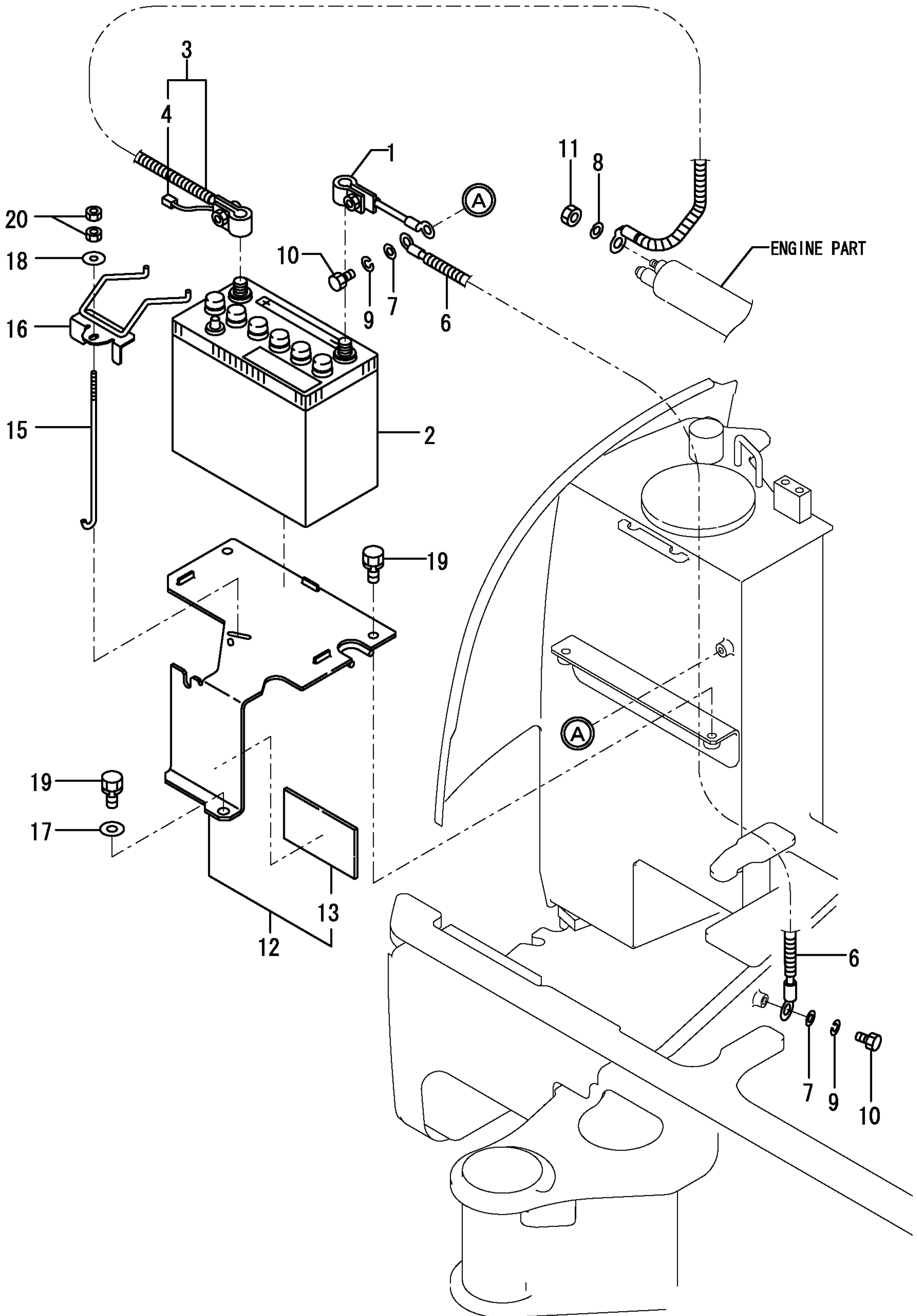
見出しNO. 1は、  
見出しNO. (1)~15を含みます。  
1 INC. (1)~15.



1,1,,172186-13810,,HOSE,1,1,1,,,,,,,,,,,,,  
5,1,,172171-14610,,,"HOSE 260,FUEL",1,1,1,,,,,,,,,,,,,  
6,1,,172456-14610,,,"HOSE,FO1470 ASSY",1,1,1,,,,,,,,,,,,,  
10,1,,172122-14620,,,"PIPE (C), FUEL",1,1,1,,,,,,,,,,,,,  
11,1,,172456-14630,,,"HOSE,FO 150 ASSY",1,1,1,,,,,,,,,,,,,  
15,1,,172126-16540,,,"CLAMP 10X70",1,1,1,,,,,,,,,,,,,  
16,1,,172137-16560,,BAND,2,2,2,,,,,,,,,,,,,  
17,1,,129612-52100,,,"FUEL PUMP",1,1,1,,,,,,,,,,,,,  
18,1,,129335-55700,,,"SEPARATOR, WATER",1,1,1,,,,,,,,,,,,,  
19,2,,104200-55321,,,"VALVE, TAPER",1,1,1,,,,,,,,,,,,,  
20,2,,104200-55330,,,"SPRING, TAPER VALVE",1,1,1,,,,,,,,,,,,,  
21,2,,104200-55341,,,"HANDLE, COCK",1,1,1,,,,,,,,,,,,,  
22,2,,124064-55510,,,"BOWL, FUEL STRAINER",1,1,1,,,,,,,,,,,,,  
23,2,,102103-55520,,O-RING,1,1,1,,,,,,,,,,,,,  
24,2,,110250-55610,,,"RING, RETAINING",1,1,1,,,,,,,,,,,,,  
25,2,,121257-55720,,,"SPRING, SCREEN",1,1,1,,,,,,,,,,,,,  
26,2,,121257-55731,,FLOAT,1,1,1,,,,,,,,,,,,,  
28,2,,101720-55750,,,"PLUG, 6",2,2,2,,,,,,,,,,,,,  
29,2,,104200-55750,,,"SCREW M 4",1,1,1,,,,,,,,,,,,,  
30,2,,171081-55910,,SCREEN,1,1,1,,,,,,,,,,,,,  
31,2,,23418-060000,,,"GASKET 6, NYLON",2,2,2,,,,,,,,,,,,,  
32,2,,24311-240100,,,"O-RING 1A P-10A",1,1,1,,,,,,,,,,,,,  
33,1,,124766-59050,,,"CLAMP 12",8,8,8,,,,,,,,,,,,,  
34,1,,172122-79930,,,"CLAMP B",1,1,1,,,,,,,,,,,,,  
35,1,,22137-060000,,,"WASHER 6, POLISHED",2,2,2,,,,,,,,,,,,,  
36,1,,22217-080000,,,"SPRING WASHER 8",1,1,1,,,,,,,,,,,,,  
37,1,,26013-060202,,,"BOLT M 6X 20",2,2,2,,,,,,,,,,,,,  
38,1,,26116-080702,,,"BOLT M 8X 70 PLATED",1,1,1,,,,,,,,,,,,,

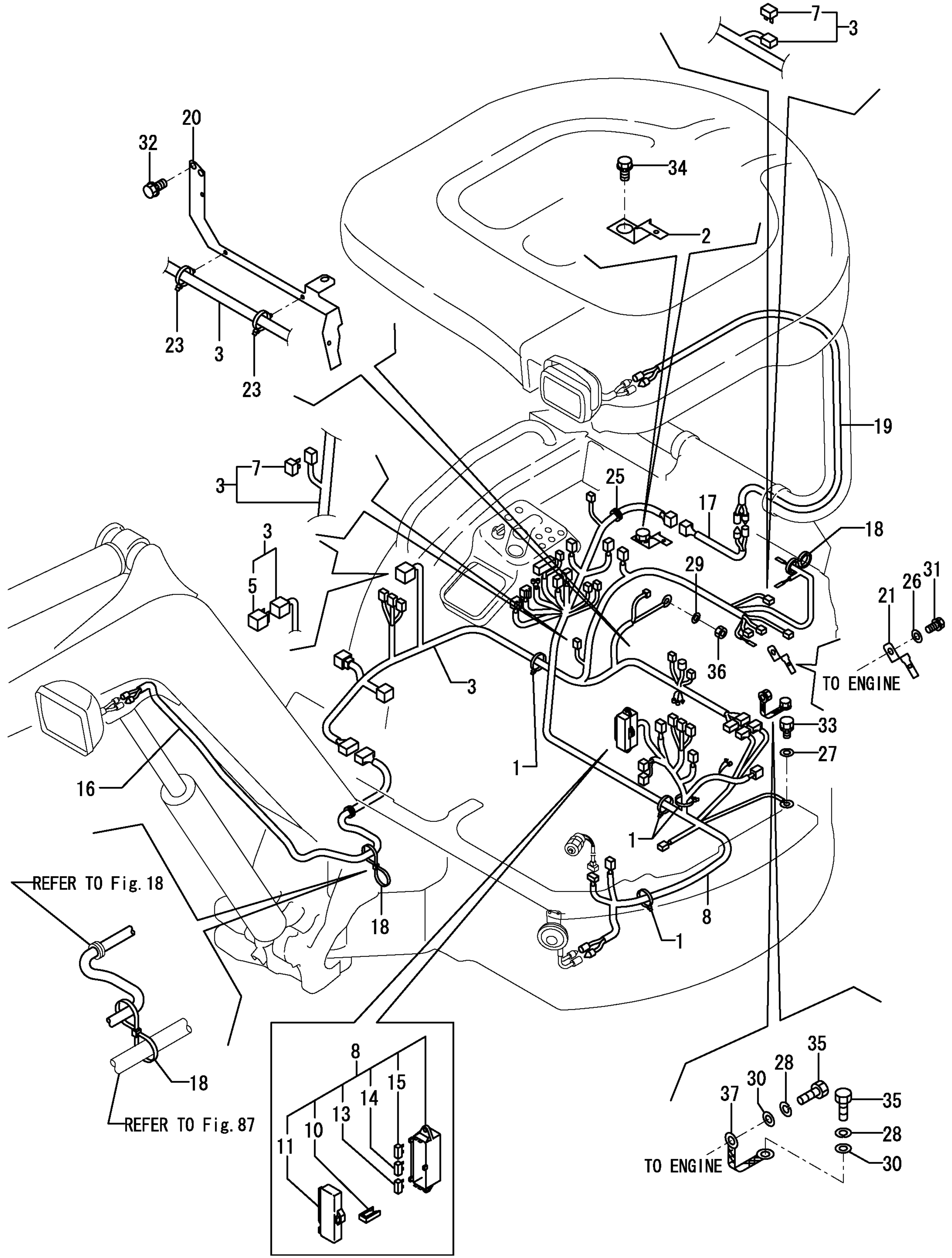


1,1,,172444-16110,, "HARNES,BATTERY(-)",1,1,1,,,,,,,,,,,,,  
2,1,,172458-16110,, BATTERY,1,1,1,,,,,,,,,,,,,  
3,1,,172456-16200,, "CORD,BATTERY(+)",1,1,1,,,,,,,,,,,,,  
4,2,,172458-16140,, "HARNES C",1,1,1,,,,,,,,,,,,,  
6,1,,172456-16210,, "CORD,BATTERY(-)",1,1,1,,,,,,,,,,,,,  
7,1,,22137-080000,, "WASHER 8, POLISHED",2,2,2,,,,,,,,,,,,,  
8,1,,22217-080000,, "SPRING WASHER 8",1,1,1,,,,,,,,,,,,,  
9,1,,22217-080000,, "SPRING WASHER 8",2,2,2,,,,,,,,,,,,,  
10,1,,26116-080162,, "BOLT 8X16",2,2,2,,,,,,,,,,,,,  
11,1,,26716-080002,, "NUT M 8",1,1,1,,,,,,,,,,,,,  
12,1,,172456-16100,, "BRACKT,BATTERY",1,1,1,,,,,,,,,,,,,  
13,2,,172444-14130,, "PLATE A",1,1,1,,,,,,,,,,,,,  
15,1,,172725-16160,, "ROD, CLAMP",1,1,1,,,,,,,,,,,,,  
16,1,,172458-16300,, "CLAMP,BATTERY",1,1,1,,,,,,,,,,,,,  
17,1,,22137-100000,, "WASHER 10,POLISHED",1,1,1,,,,,,,,,,,,,  
18,1,,22157-060000,, "WASHER 6",1,1,1,,,,,,,,,,,,,  
19,1,,26013-100202,, "BOLT W/WASHER M10X20",3,3,3,,,,,,,,,,,,,  
20,1,,26716-060002,, "NUT 6",2,2,2,,,,,,,,,,,,,

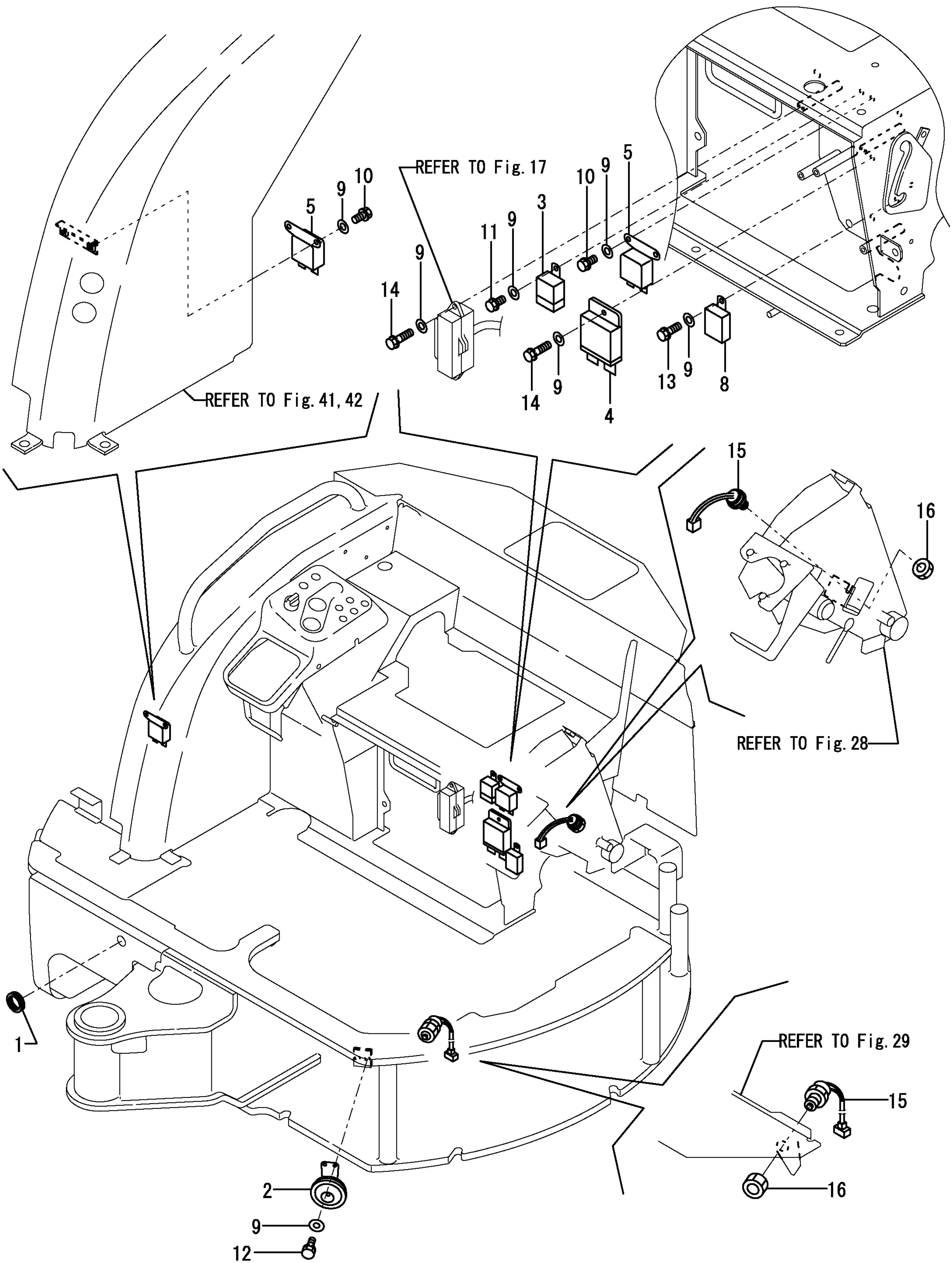




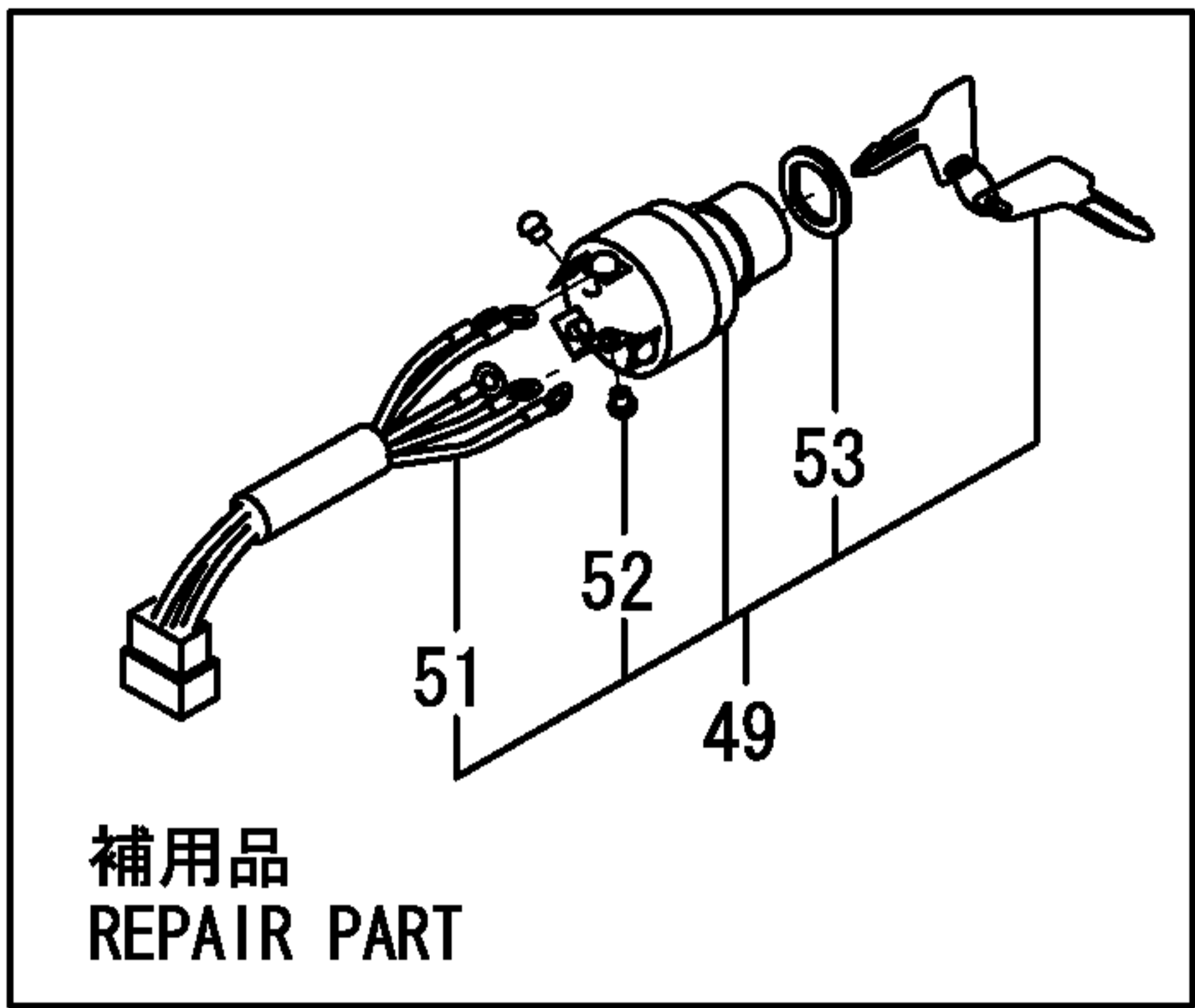
1,1,,172126-11510,, "BAND 300",4,4,4,,,,,,,,,,,,,,,,,,,,,  
2,1,,172A23-14200,, "SUPPORT,CONNECTOR",,1,1,,,,,,,,,,,,,  
3,1,,172A23-16500,, "HARNESS ASSY ,A",1,1,1,,,,,,,,,,,,,  
5,2,,172458-16550,, "HUSE,SLOW BLOW (50A",1,1,1,,,,,,,,,,,,,  
7,2,,172648-16600,, DIODE,2,2,2,,,,,,,,,,,,,  
8,1,,172A23-16520,, "HARNESS, B ASSY",1,1,1,,,,,,,,,,,,,  
10,2,,172175-17120,, PULLER,1,1,1,,,,,,,,,,,,,  
11,2,,172187-17220,, COVER,1,1,1,,,,,,,,,,,,,  
13,2,,29420-050000,, HUSE,2,2,2,,,,,,,,,,,,,  
14,2,,29420-150000,, HUSE,6,6,6,,,,,,,,,,,,,  
15,2,,29420-300000,, "FUSE B30",2,2,2,,,,,,,,,,,,,  
16,1,,172456-16530,, "HARNESS,BOOM LAMP",1,1,1,,,,,,,,,,,,,  
17,1,,172A23-16540,, "HARNESS,CONECT",,1,1,,,,,,,,,,,,,  
18,1,,172137-16560,, BAND,2,2,2,,,,,,,,,,,,,  
19,1,,172458-16561,, "HARNESS,CANOPY LAMP",,1,1,,,,,,,,,,,,,  
20,1,,172A23-16600,, "SUPORT ASSY,HARNESS",1,1,1,,,,,,,,,,,,,  
21,1,,172460-16700,, "STAY A",1,1,1,,,,,,,,,,,,,  
23,1,,194680-51670,, BAND,4,4,4,,,,,,,,,,,,,  
25,1,,172958-64500,, "PLUGE 28X302 Q",,1,1,,,,,,,,,,,,,  
26,1,,22137-080000,, "WASHER 8, POLISHED",1,1,1,,,,,,,,,,,,,  
27,1,,22137-100000,, "WASHER 10,POLISHED",1,1,1,,,,,,,,,,,,,  
28,1,,22137-120000,, "WASHER 12,POLISHED",2,2,2,,,,,,,,,,,,,  
29,1,,22217-060000,, "SPRING WASHER 6",1,1,1,,,,,,,,,,,,,  
30,1,,22217-120000,, "SPRING WASHER 12",2,2,2,,,,,,,,,,,,,  
31,1,,26013-080162,, "BOLT W/WASHER M8X16",1,1,1,,,,,,,,,,,,,  
32,1,,26013-100162,, "BOLT M10X 16",2,2,2,,,,,,,,,,,,,  
33,1,,26013-100202,, "BOLT W/WASHER M10X20",1,1,1,,,,,,,,,,,,,  
34,1,,26013-100202,, "BOLT W/WASHER M10X20",,1,1,,,,,,,,,,,,,  
35,1,,26116-120162,, "BOLT M12X 16 PLATED",2,2,2,,,,,,,,,,,,,  
36,1,,26716-060002,, "NUT 6",1,1,1,,,,,,,,,,,,,  
37,1,,933171-15801,, "WIRE, EARTH",1,1,1,,,,,,,,,,,,,



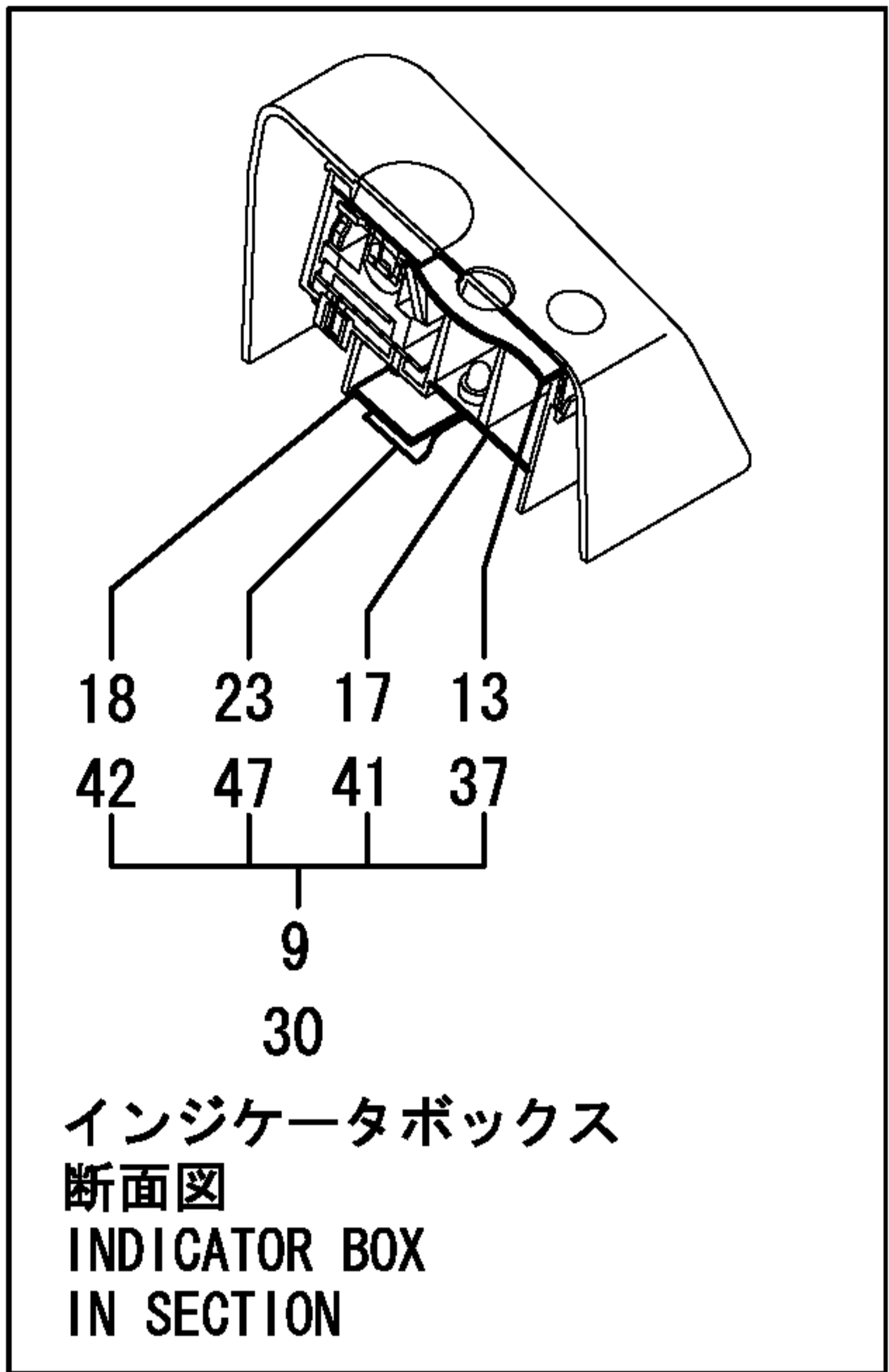
1,1,,172187-16560,,GROMMET,1,1,1,,,,,,,,,,,,,  
2,1,,194151-57100,,HORN,1,1,1,,,,,,,,,,,,,  
3,1,,119247-77100,, "RELAY, SAFETY",1,1,1,,,,,,,,,,,,,  
4,1,,119802-77200,, "RELAY, SAFETY",1,1,1,,,,,,,,,,,,,  
5,1,,119650-77910,, "RELAY, GROW",2,2,2,,,,,,,,,,,,,  
8,1,,129211-77920,,TIMER,1,1,1,,,,,,,,,,,,,  
9,1,,22137-060000,, "WASHER 6, POLISHED",11,11,11,,,,,,,,,,,,,  
10,1,,26013-060122,, "BOLT M 6X 12",4,4,4,,,,,,,,,,,,,  
11,1,,26013-060122,, "BOLT M 6X 12",1,1,1,,,,,,,,,,,,,  
12,1,,26013-060162,, "BOLT M 6X 16",2,2,2,,,,,,,,,,,,,  
13,1,,26013-060162,, "BOLT M 6X 16",1,1,1,,,,,,,,,,,,,  
14,1,,26013-060202,, "BOLT M 6X 20",3,3,3,,,,,,,,,,,,,  
15,1,,194464-52190,, "SWITCH, SAFETY START",2,2,2,,,,,,,,,,,,,  
16,1,,26776-180002,, "NUT M18,LOCK",2,2,2,,,,,,,,,,,,,



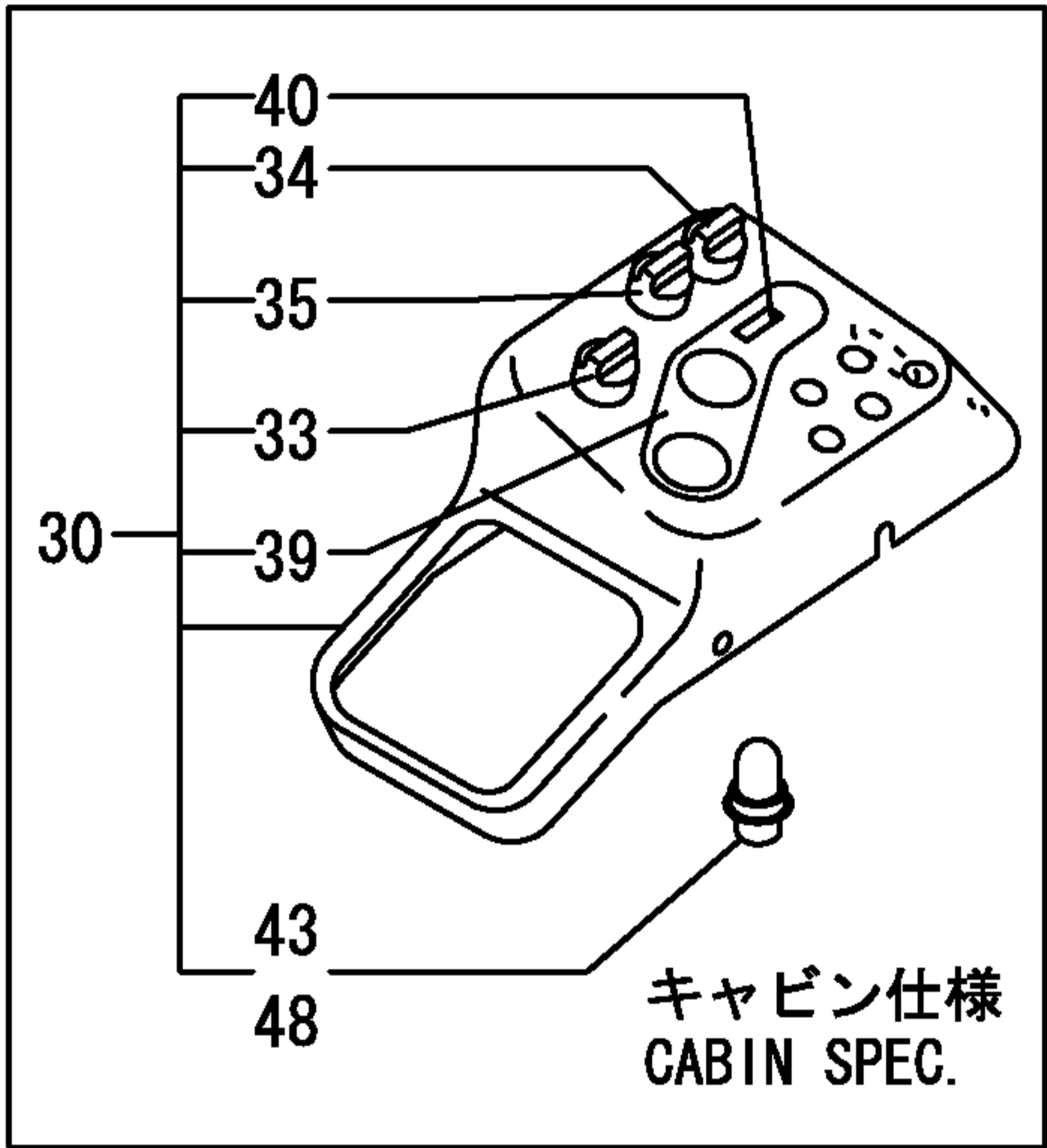
1,1,,172187-17100,, "SWITCH, START",1,1,1,,,,,,,,,,,,,,,,,,,,,  
2,2,,172187-17070,, CODE,1,1,1,,,,,,,,,,,,,,,,,,,,,  
3,2,,172187-17080,, "COVER M5",3,3,3,,,,,,,,,,,,,,,,,,,,,  
4,2,,172187-17090,, "COVER M4",2,2,2,,,,,,,,,,,,,,,,,,,,,  
6,2,,933110-00301,, "KEY ASSY",1,1,1,,,,,,,,,,,,,,,,,,,,,  
9,1,,172458-17501,, "BOX,INDICATOR(CANOPY",1,1,,,,,,,,,,,,,,,,,,,,,  
11,2,,172187-17280,, "SWITCH ASSY, LIGHT",1,1,,,,,,,,,,,,,,,,,,,,,  
13,2,,172187-17320,, PACKING,1,1,,,,,,,,,,,,,,,,,,,,,  
15,2,,172187-17341,, "GAUGE ASSY",1,1,,,,,,,,,,,,,,,,,,,,,  
16,2,,172187-17350,, "METER ASSY, HOUR",1,1,,,,,,,,,,,,,,,,,,,,,  
17,2,,172187-17360,, "PRINT,CIRCUIT",1,1,,,,,,,,,,,,,,,,,,,,,  
18,2,,172187-17371,, "CIRCUIT ASSY",1,1,,,,,,,,,,,,,,,,,,,,,  
19,2,,172187-17380,, "BULB,T6.5-13.5V-2W",4,4,,,,,,,,,,,,,,,,,,,,,  
23,2,,172187-17470,, PLATE,1,1,,,,,,,,,,,,,,,,,,,,,  
24,2,,172187-17480,, "BULB,T5-14V-2W",2,2,,,,,,,,,,,,,,,,,,,,,  
26,2,,172187-17560,, CAP,2,2,,,,,,,,,,,,,,,,,,,,,  
27,2,,172187-17570,, GASKET,2,2,,,,,,,,,,,,,,,,,,,,,  
28,1,,172458-46720,, "BOLT 8X20",1,1,1,,,,,,,,,,,,,,,,,,,,,  
29,1,,172519-63240,, "BOLT 8X 16",3,3,3,,,,,,,,,,,,,,,,,,,,,  
30,1,,172458-17251,, "BOX,INDICATOR(CABIN",1,,,,,,,,,,,,,,,,,,,,,  
33,2,,172187-17280,, "SWITCH ASSY, LIGHT",1,,,,,,,,,,,,,,,,,,,,,  
34,2,,172187-17290,, "SWITCH, HEATER",1,,,,,,,,,,,,,,,,,,,,,  
35,2,,172187-17301,, "SWITCH ASSY, WIPER",1,,,,,,,,,,,,,,,,,,,,,  
37,2,,172187-17320,, PACKING,1,,,,,,,,,,,,,,,,,,,,,  
39,2,,172187-17341,, "GAUGE ASSY",1,,,,,,,,,,,,,,,,,,,,,  
40,2,,172187-17350,, "METER ASSY, HOUR",1,,,,,,,,,,,,,,,,,,,,,  
41,2,,172187-17360,, "PRINT,CIRCUIT",1,,,,,,,,,,,,,,,,,,,,,  
42,2,,172187-17371,, "CIRCUIT ASSY",1,,,,,,,,,,,,,,,,,,,,,  
43,2,,172187-17380,, "BULB,T6.5-13.5V-2W",4,,,,,,,,,,,,,,,,,,,,,  
47,2,,172187-17470,, PLATE,1,,,,,,,,,,,,,,,,,,,,,  
48,2,,172187-17480,, "BULB,T5-14V-2W",2,,,,,,,,,,,,,,,,,,,,,  
49,1,,172458-17171,, "KEY ASSY",1,1,1,,,,,1,,,,,,,,,,,,,,,,,,,,,  
51,3,,172458-17150,, HARNESS,1,1,1,,,,,1,,,,,,,,,,,,,,,,,,,,,  
52,3,,26022-050102,, "SCREW M 5X 10",5,5,5,,,,,1,,,,,,,,,,,,,,,,,,,,,  
53,2,,172458-17161,, PLATE,1,1,1,,,,,1,,,,,,,,,,,,,,,,,,,,



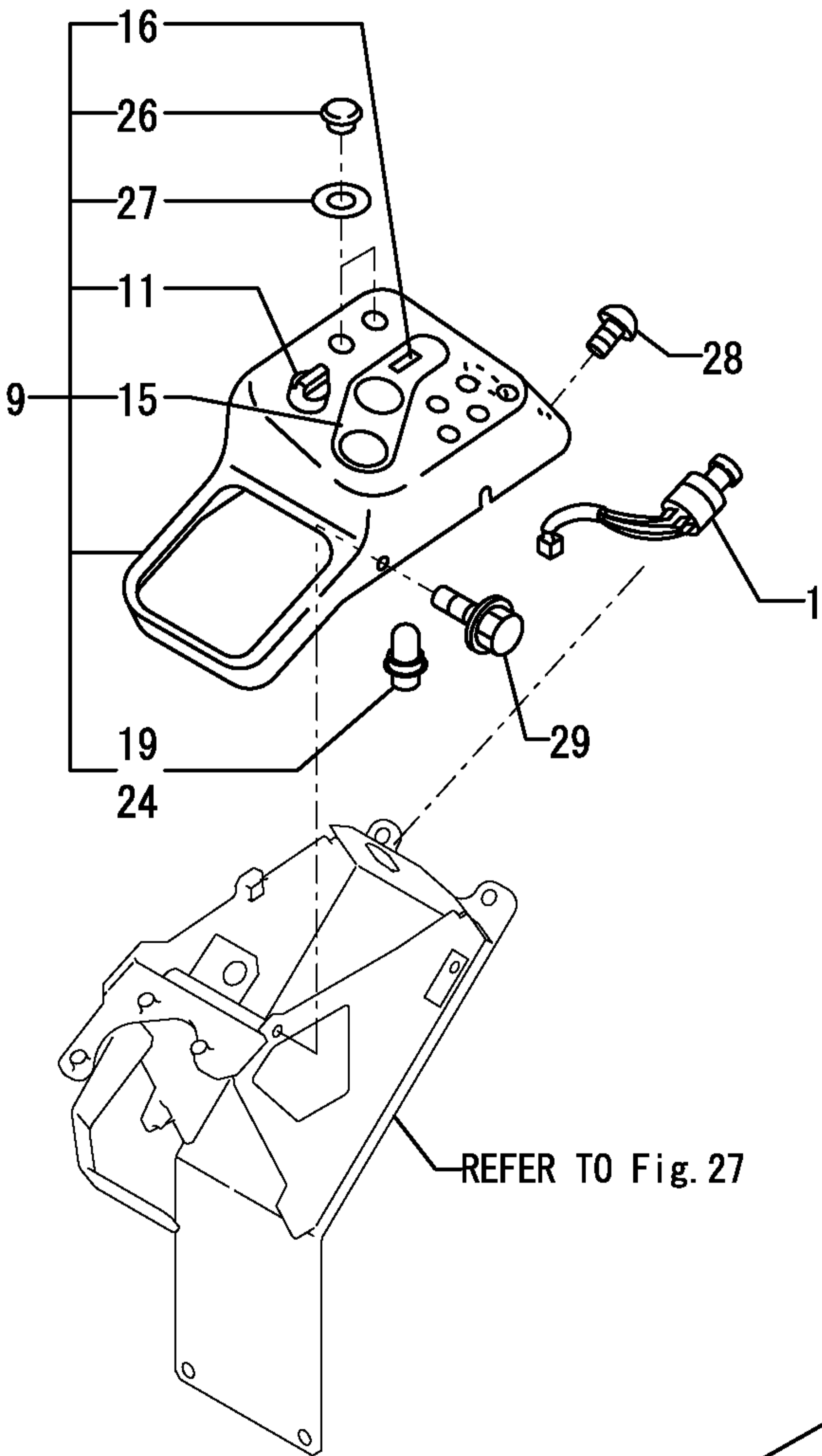
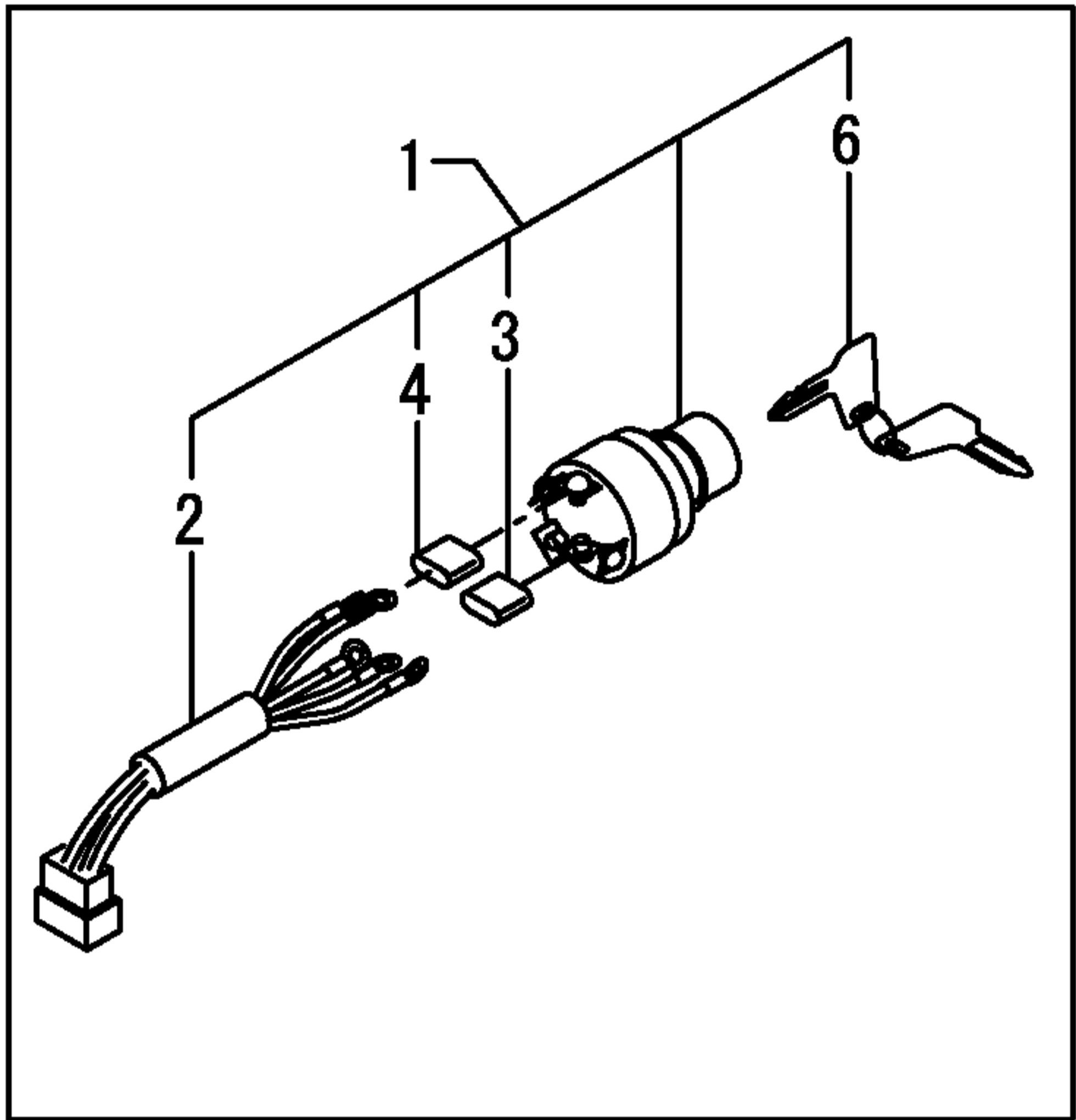
補用品  
REPAIR PART



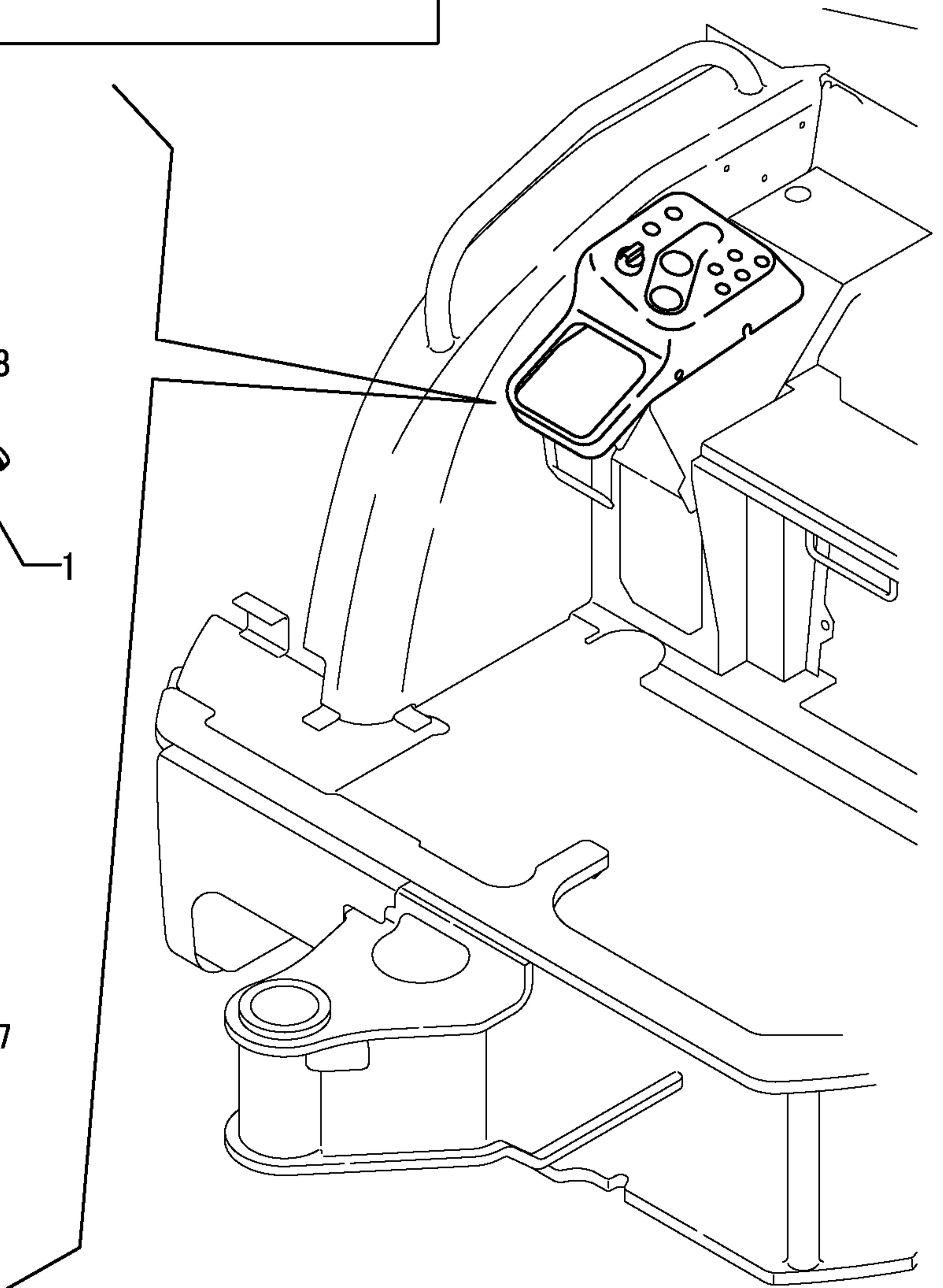
インジケータボックス  
断面図  
INDICATOR BOX  
IN SECTION



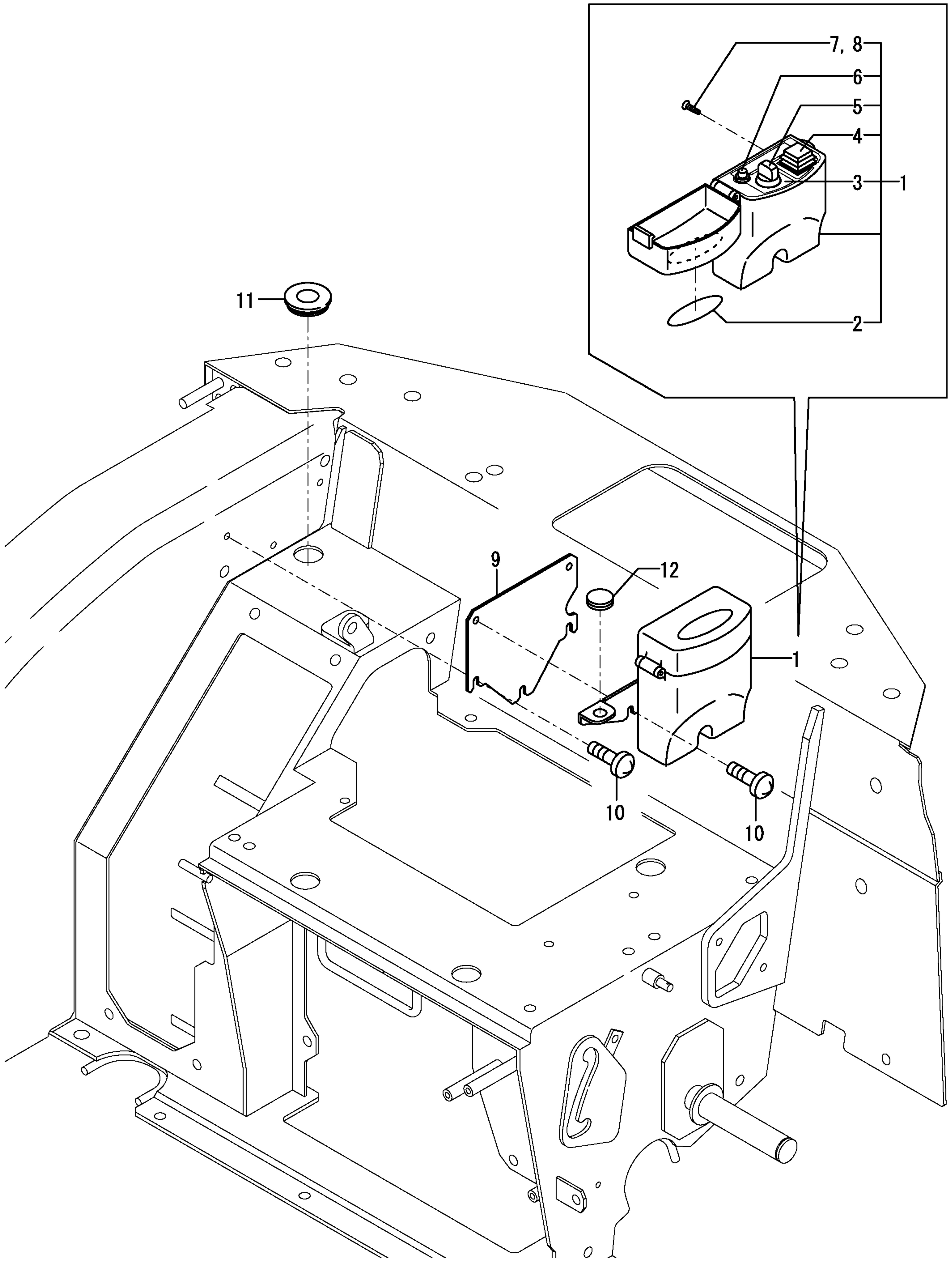
キャビン仕様  
CABIN SPEC.



REFER TO Fig. 27

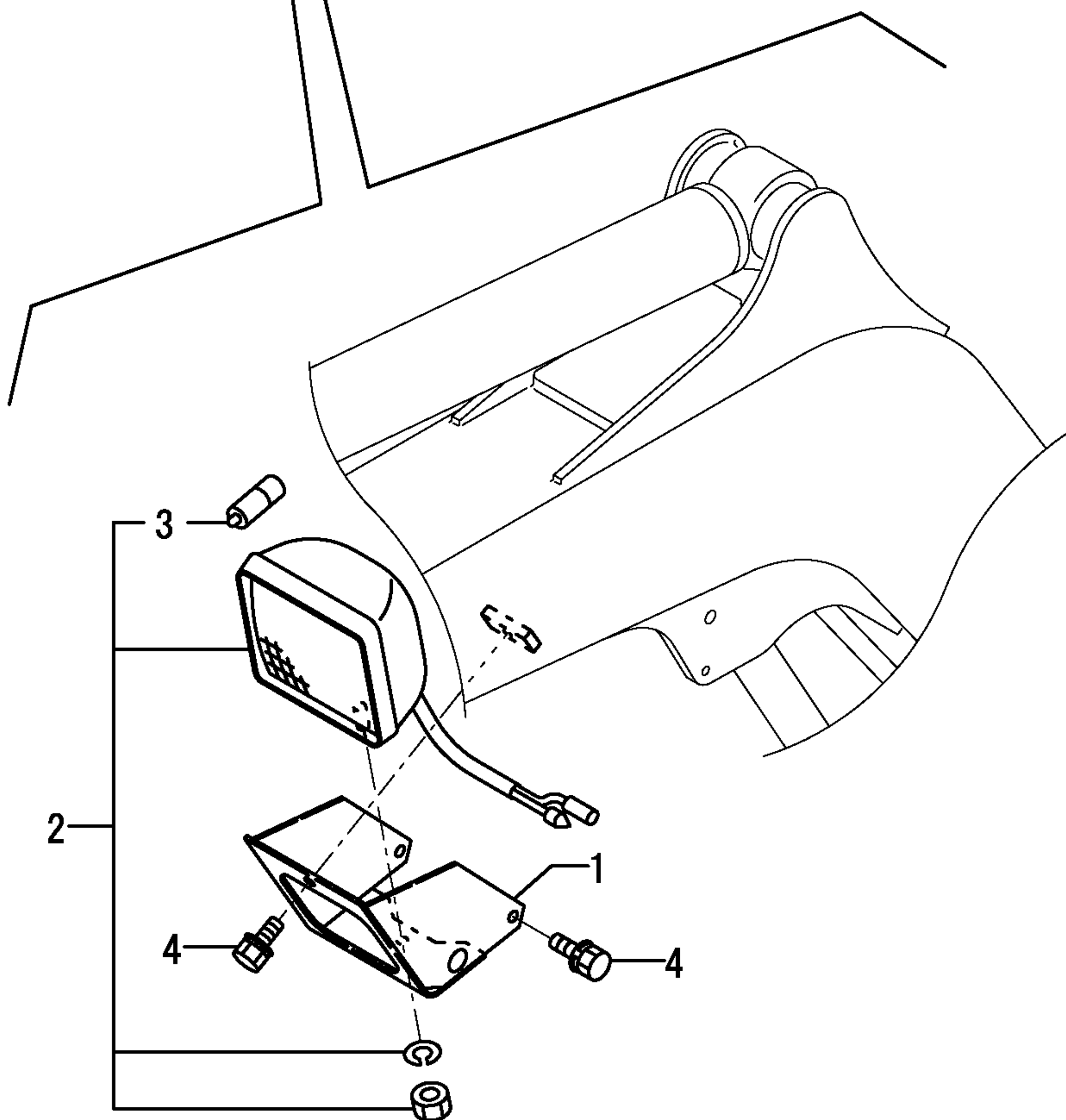
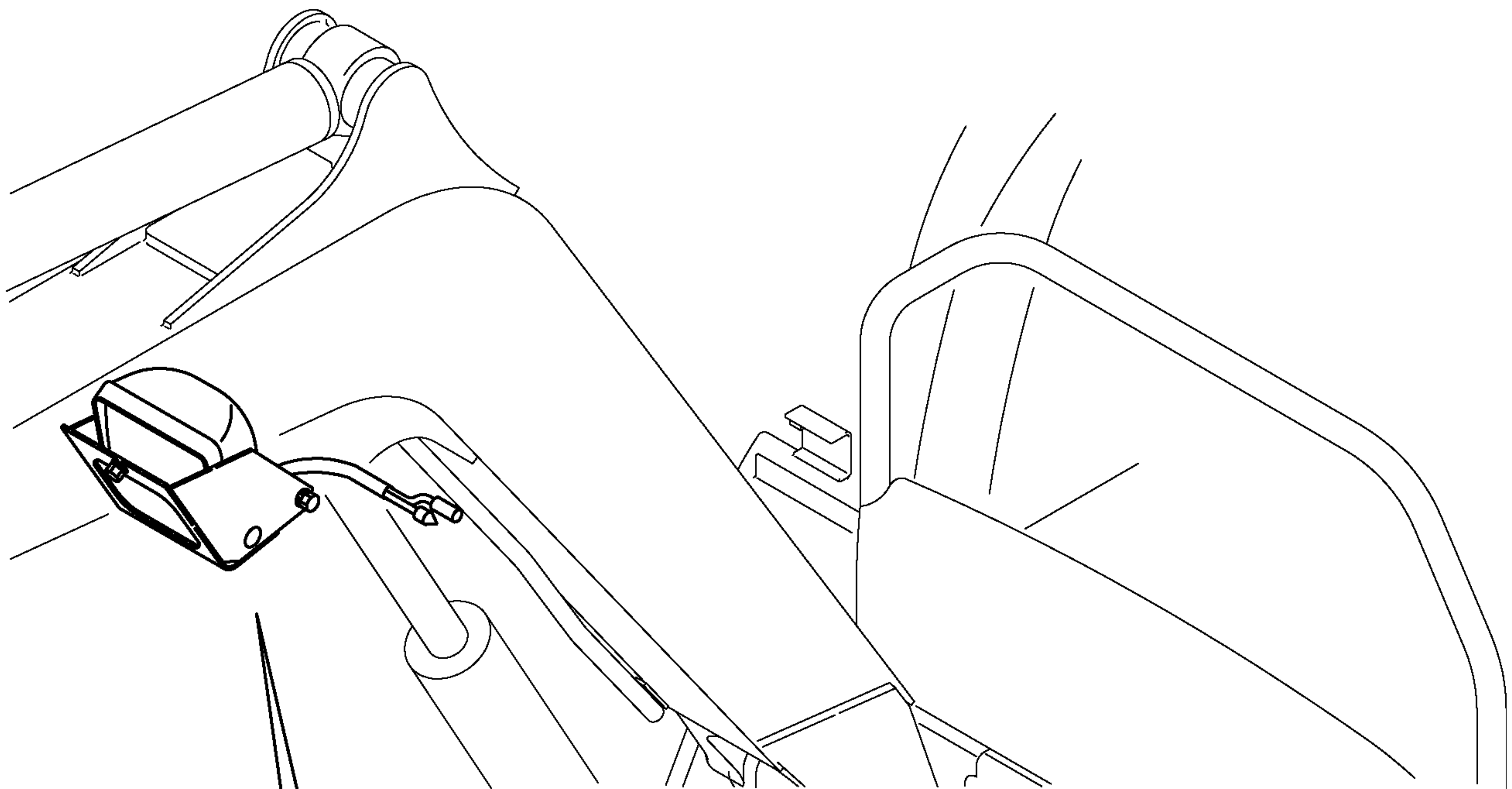


1,1,,172958-17101,, "BOX, SWITCH",1,1,1,,,,,,,,,,,,,  
2,2,,172958-03180,, LABEL,1,1,1,,,,,,,,,,,,,  
3,2,,172958-03190,, LABEL,1,1,1,,,,,,,,,,,,,  
4,2,,172958-17140,, "SWITCH ASSY(GENERA",1,1,1,,,,,,,,,,,,,  
5,2,,172958-17150,, "SWITCH ASSY(COTROLER",1,1,1,,,,,,,,,,,,,  
6,2,,172958-17160,, "INDICATER LAMP(CP",1,1,1,,,,,,,,,,,,,  
7,2,,172958-17170,, "TAPPING SCREWS",1,1,1,,,,,,,,,,,,,  
8,2,,172958-17180,, "TAPPING SCREWS",1,1,1,,,,,,,,,,,,,  
9,1,,172A30-17200,, "BRACKET ASSY,Q HITCH",1,1,1,,,,,,,,,,,,,  
10,1,,172137-46210,, SCREW,5,5,5,,,,,,,,,,,,,  
11,1,,172958-64500,, "PLUGE 28X302 Q",1,1,1,,,,,,,,,,,,,  
12,1,,172187-64900,, PLUG,1,1,1,,,,,,,,,,,,,

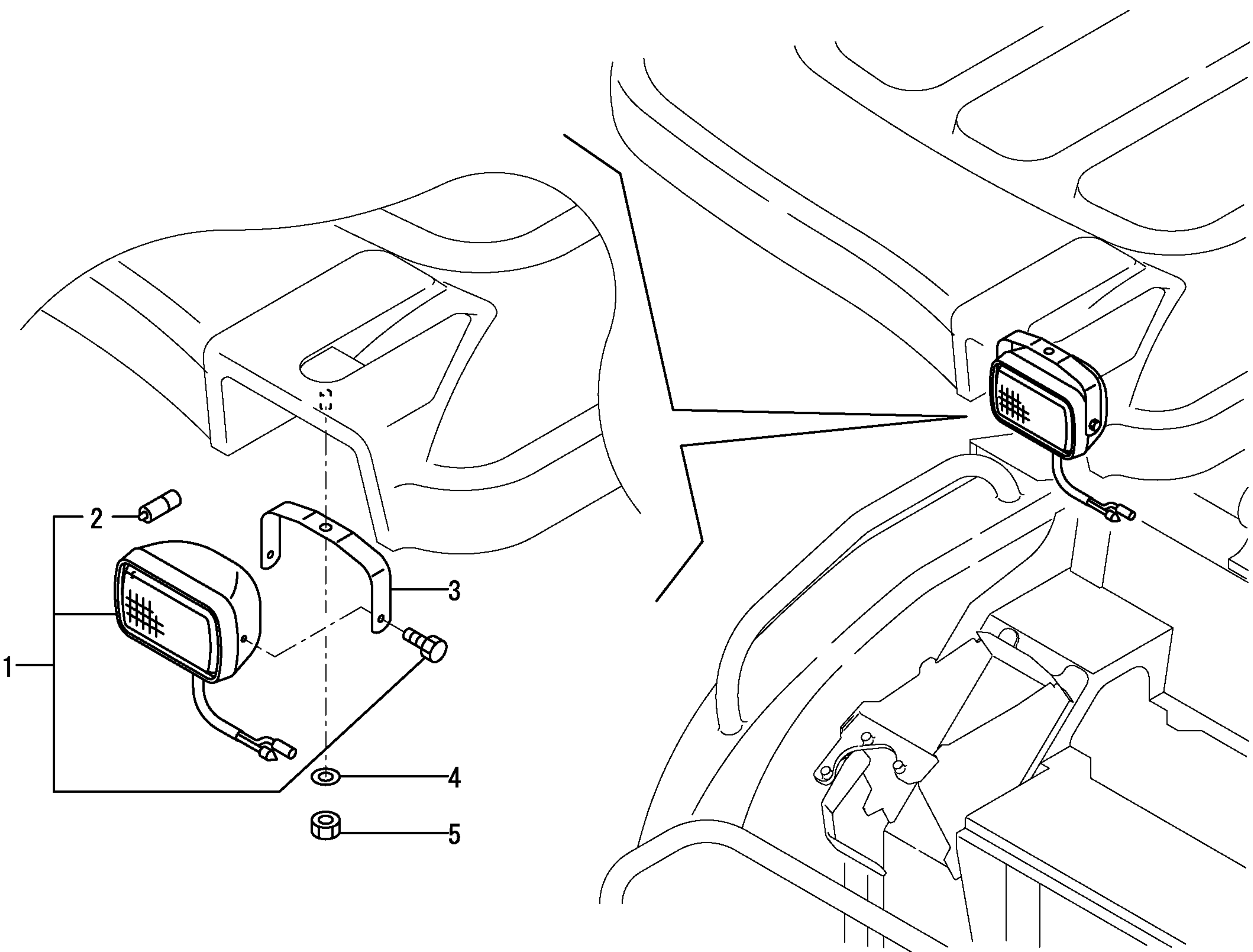




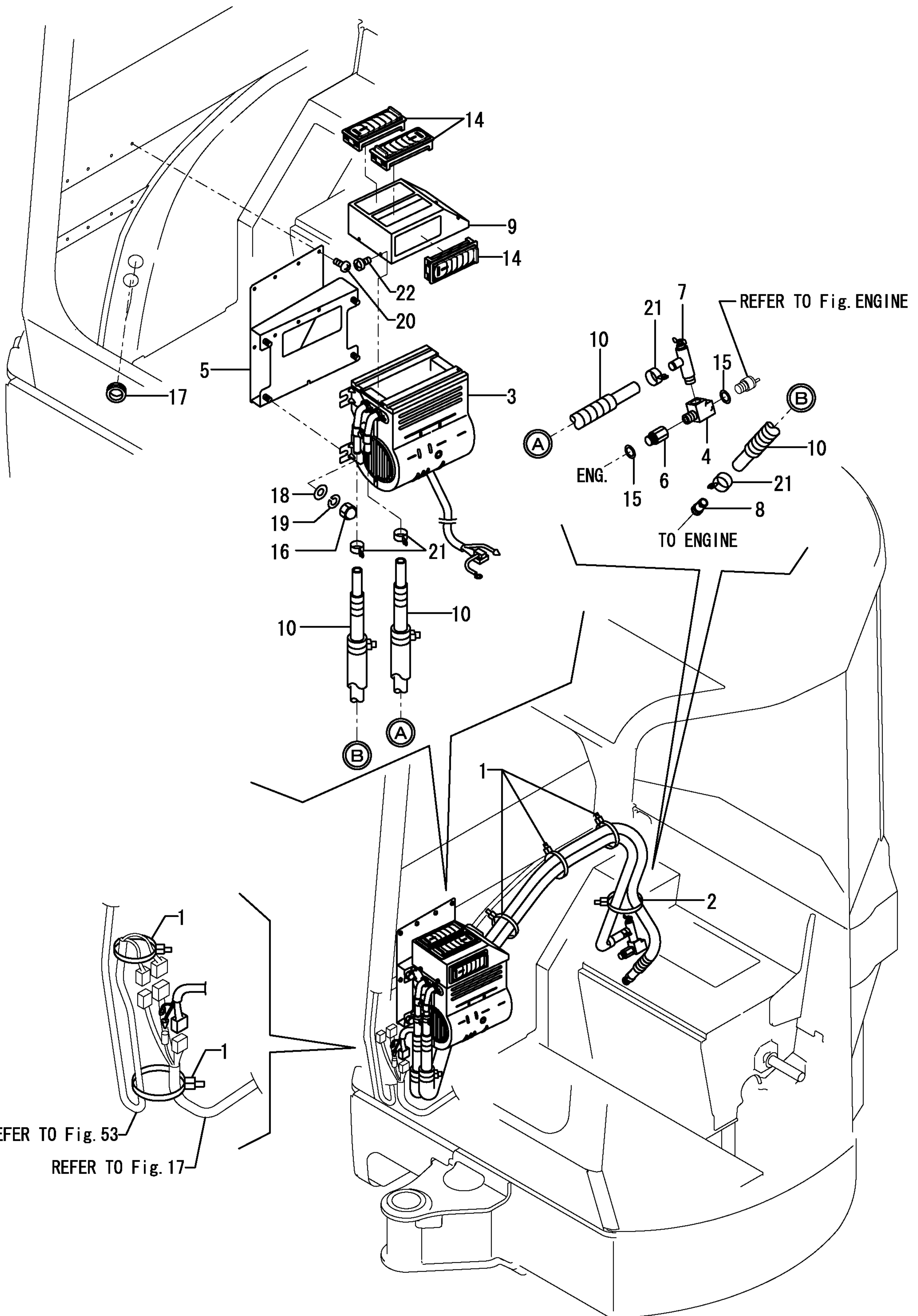
1,1,,172456-17400,, "COVER,LAMP (GREEN:97)",1,1,1,,,,,,,,,,,,,  
2,1,,172458-17450,, "LAMP,WORK",1,1,1,,,,,,,,,,,,,  
3,2,,172187-17540,, "BULB (12V 55W",1,1,1,,,,,,,,,,,,,  
4,1,,26014-080202,, "BOLT M 8X 20",3,3,3,,,,,,,,,,,,,



```
1,1,,172458-17400,, "LAMP 150X95" ,,1,1,,,,,,,,,,,,,  
2,2,,172458-17420,, "BULB,12V 55W" ,,1,1,,,,,,,,,,,,,  
3,1,,172458-17410,, "STAY          (GRAY:73)" ,,1,1,,,,,,,,,,,,,  
4,1,,22137-100000,, "WASHER 10,POLISHED" ,,1,1,,,,,,,,,,,,,  
5,1,,26346-100002,, "U-NUT M10 PLATED" ,,1,1,,,,,,,,,,,,,
```



1,1,,172126-11510,, "BAND 300",5,,,,,,,,,,,,,,,,,,,,,  
2,1,,172183-16560,, "CLIP 400,HOSE",1,,,,,,,,,,,,,,,,,,,,,  
3,1,,172458-17551,, HEATER,1,,,,,,,,,,,,,,,,,,,,,  
4,1,,172168-17601,, "CONNECTOR PT3/8-M16",1,,,,,,,,,,,,,,,,,,,,,  
5,1,,172456-17600,, "BRACKET,HEATER (73)",1,,,,,,,,,,,,,,,,,,,,,  
6,1,,172137-17631,, "JOINT, HEATER",1,,,,,,,,,,,,,,,,,,,,,  
7,1,,172425-17630,, "VALVE ASSY, HEATER",1,,,,,,,,,,,,,,,,,,,,,  
8,1,,172124-17640,, "JOINT 3/8",1,,,,,,,,,,,,,,,,,,,,,  
9,1,,172456-17650,, "DUCT,HEATER(GRAY:73)",1,,,,,,,,,,,,,,,,,,,,,  
10,1,,172456-17700,, "HOSE ASSY, HEATER",2,,,,,,,,,,,,,,,,,,,,,  
14,1,,172458-17700,, GRILLE,3,,,,,,,,,,,,,,,,,,,,,  
15,1,,124465-44950,, "GASKET 16",2,,,,,,,,,,,,,,,,,,,,,  
16,1,,172458-63470,, "CUP NUT M10",4,,,,,,,,,,,,,,,,,,,,,  
17,1,,172137-66230,, GROMMET,2,,,,,,,,,,,,,,,,,,,,,  
18,1,,22137-100000,, "WASHER 10,POLISHED",4,,,,,,,,,,,,,,,,,,,,,  
19,1,,22217-100000,, "SPRING WASHER 10",4,,,,,,,,,,,,,,,,,,,,,  
20,1,,22877-500120,, "SCREW 5.0\* 12",8,,,,,,,,,,,,,,,,,,,,,  
21,1,,23001-022000,, "HOSE CLAMP 22",4,,,,,,,,,,,,,,,,,,,,,  
22,1,,26587-040122,, "SCREW M 4X 12",4,,,,,,,,,,,,,,,,,,,,,



REFER TO Fig. 53

REFER TO Fig. 17

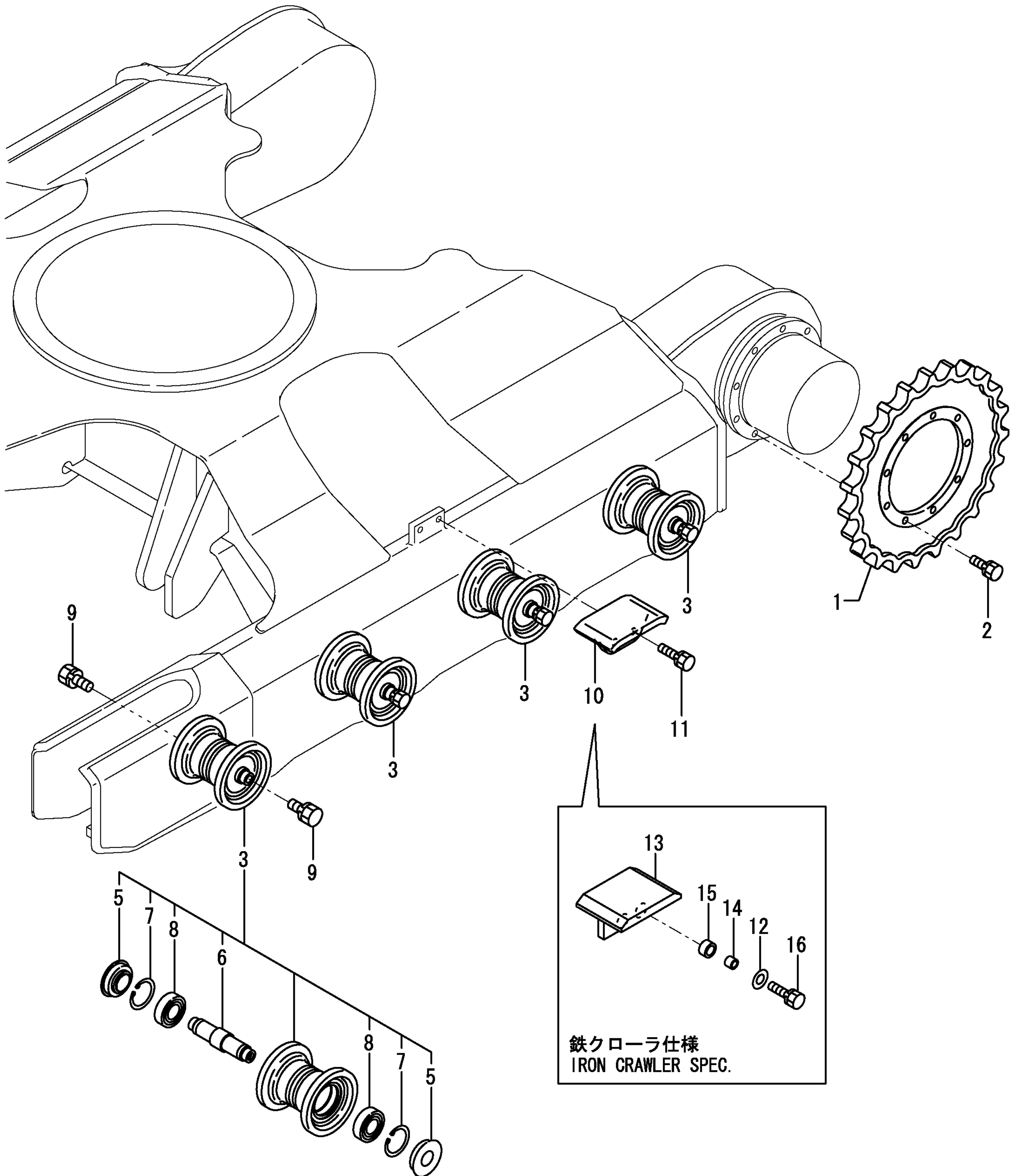
REFER TO Fig. ENGINE

TO ENGINE

ENG.

REFER TO Fig. 53  
REFER TO Fig. 17

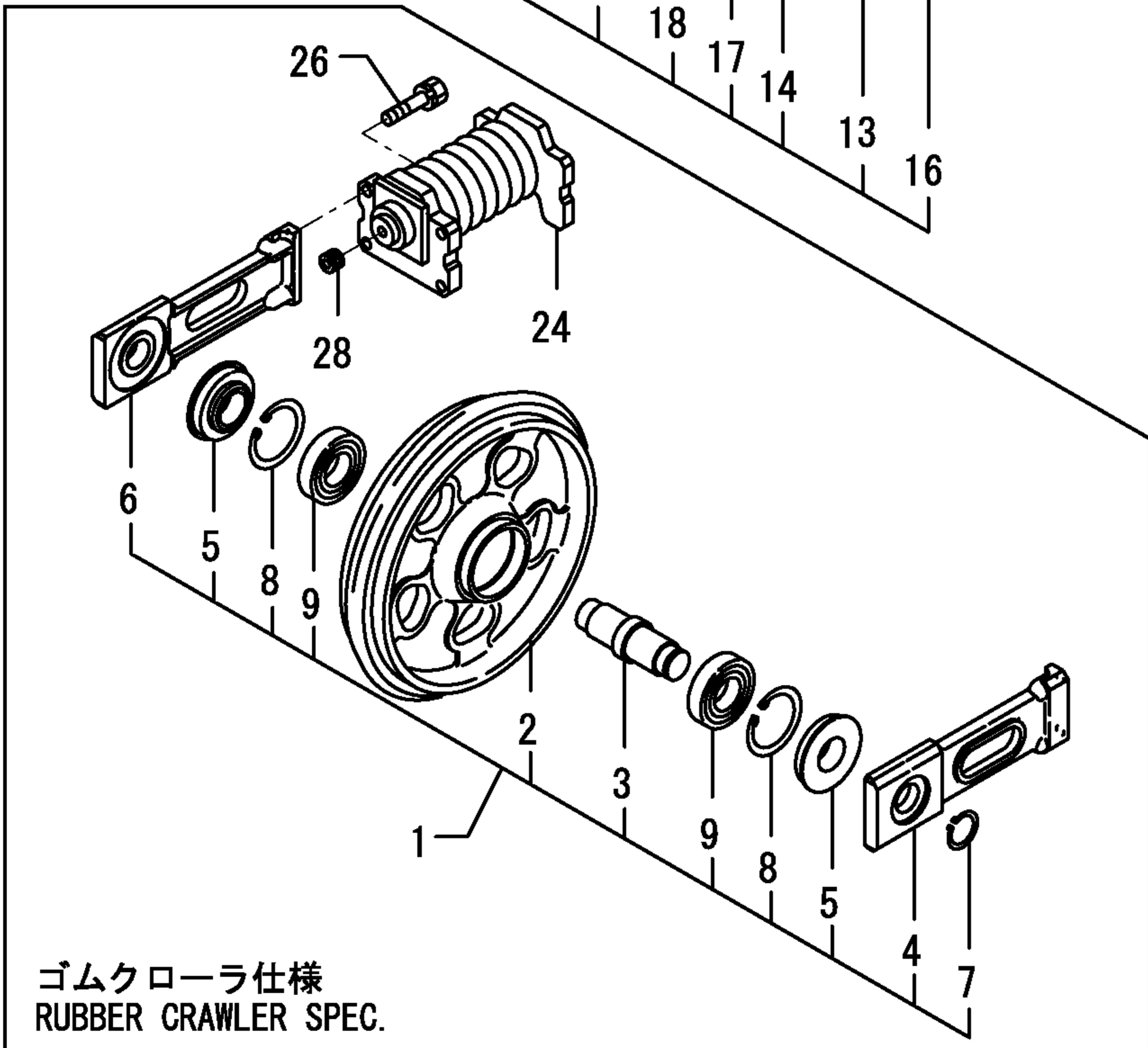
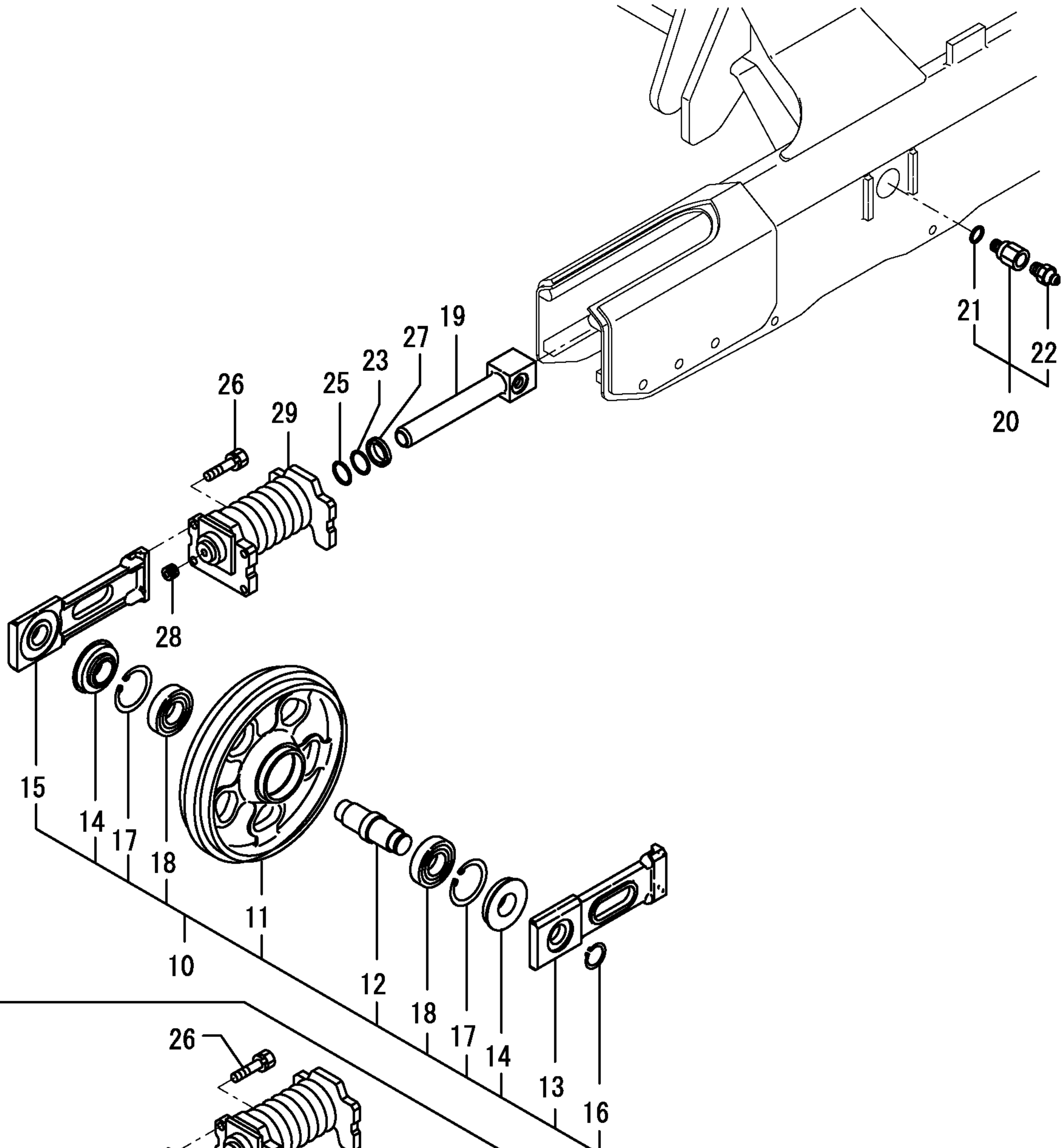
1,1,,172173-29100,, "SPROCKET 23(GREEN:88)",2,2,2,,,,,,,,,,,,,  
2,1,,26013-100252,, "BOLT W/WASHER M10X25",18,18,18,,,,,,,,,,,,,  
3,1,,772456-37301,, "TRACK ROLLER ASSY(88)",8,8,8,,,,,,,,,,,,,  
4,2,,172487-37300,, "ROLLER,LOW",8,8,8,,,,,,,,,,,,,  
5,2,,172456-37320,, "SHAFT,ROLLER",8,8,8,,,,,,,,,,,,,  
6,2,,1E6140-73420,, "SEAL QLF255218, OIL",16,16,16,,,,,,,,,,,,,  
7,2,,22252-000520,, "CIRCLIP 52",16,16,16,,,,,,,,,,,,,  
8,2,,24101-062054,, "BEARING #6205",16,16,16,,,,,,,,,,,,,  
9,1,,26013-120252,, "BOLT M12X 25",16,16,16,,,,,,,,,,,,,  
10,1,,172456-37500,, "PLATE (GREEN:88)",2,2,2,,,,,1,,,,,,,,,,,,,  
11,1,,26013-100302,, "BOLT M10X 30",4,4,4,,,,,1,,,,,,,,,,,,,  
12,1,,172110-36010,, "COLLAR",4,4,4,,,,,2,,,,,,,,,,,,,  
13,1,,172173-37500,, "PLATE,SHOE BAFFLE",2,2,2,,,,,2,,,,,,,,,,,,,  
14,1,,172183-37510,, "COLLAR 11X16X13",4,4,4,,,,,2,,,,,,,,,,,,,  
15,1,,172183-37520,, "COLLAR 16X24X13,RBBR",4,4,4,,,,,2,,,,,,,,,,,,,  
16,1,,26013-100352,, "BOLT M10X 35",4,4,4,,,,,2,,,,,,,,,,,,,



鉄クローラ仕様  
IRON CRAWLER SPEC.



1,1,,772456-37100,, "IDLER 285,RUBBER(88)",2,2,2,,,,,,,,,,,,,  
2,2,,172456-37100,, "IDLER 285 (GREEN:88)",2,2,2,,,,,,,,,,,,,  
3,2,,172456-37120,, "SHAFT, IDLER",2,2,2,,,,,,,,,,,,,  
4,2,,172456-37130,, "COVER L, IDLER SEAL",2,2,2,,,,,,,,,,,,,  
5,2,,172141-37140,, "SEAL 357220",4,4,4,,,,,,,,,,,,,  
6,2,,172456-37140,, "COVER R, IDLER SEAL",2,2,2,,,,,,,,,,,,,  
7,2,,22242-000300,, "CIRCLIP 30",2,2,2,,,,,,,,,,,,,  
8,2,,22252-000720,, "CIRCLIP 72",4,4,4,,,,,,,,,,,,,  
9,2,,24101-062074,, "BALL BEARING",4,4,4,,,,,,,,,,,,,  
10,1,,772456-37110,, "IDLER275ASY, IRON(88)",2,2,2,,,,,,,,,,,,,  
11,2,,172456-37110,, "IDLER 275 (GREEN:88)",2,2,2,,,,,,,,,,,,,  
12,2,,172456-37120,, "SHAFT, IDLER",2,2,2,,,,,,,,,,,,,  
13,2,,172456-37130,, "COVER L, IDLER SEAL",2,2,2,,,,,,,,,,,,,  
14,2,,172141-37140,, "SEAL 357220",4,4,4,,,,,,,,,,,,,  
15,2,,172456-37140,, "COVER R, IDLER SEAL",2,2,2,,,,,,,,,,,,,  
16,2,,22242-000300,, "CIRCLIP 30",2,2,2,,,,,,,,,,,,,  
17,2,,22252-000720,, "CIRCLIP 72",4,4,4,,,,,,,,,,,,,  
18,2,,24101-062074,, "BALL BEARING",4,4,4,,,,,,,,,,,,,  
19,1,,172456-37801,, "TUBE ASSY, ADJUST",2,2,2,,,,,,,,,,,,,  
20,1,,172122-37844,, "VALVE ASSY, NIPPLE",2,2,2,,,,,,,,,,,,,  
21,2,,24315-000140,, "O-RING 1B P-14.0",2,2,2,,,,,,,,,,,,,  
22,2,,24761-020000,, "NIPPLE PT1/8,GREASE",2,2,2,,,,,,,,,,,,,  
23,1,,172137-37850,, "RING, BACK UP",2,2,2,,,,,,,,,,,,,  
24,1,,172421-37851,, "SPRING, CRAWLER",2,2,2,,,,,,,,,,,,,  
25,1,,24315-000300,, "O-RING 1B P-30.0",2,2,2,,,,,,,,,,,,,  
26,1,,26013-100402,, "BOLT M10X 40",8,8,8,,,,,,,,,,,,,  
27,1,,933126-38600,, "SEAL, DUST",2,2,2,,,,,,,,,,,,,  
28,1,,933171-13691,, "PLUG PT1/8",2,2,2,,,,,,,,,,,,,  
29,1,,172421-37701,, "SPRING, CRAWLER",2,2,2,,,,,,,,,,,,,

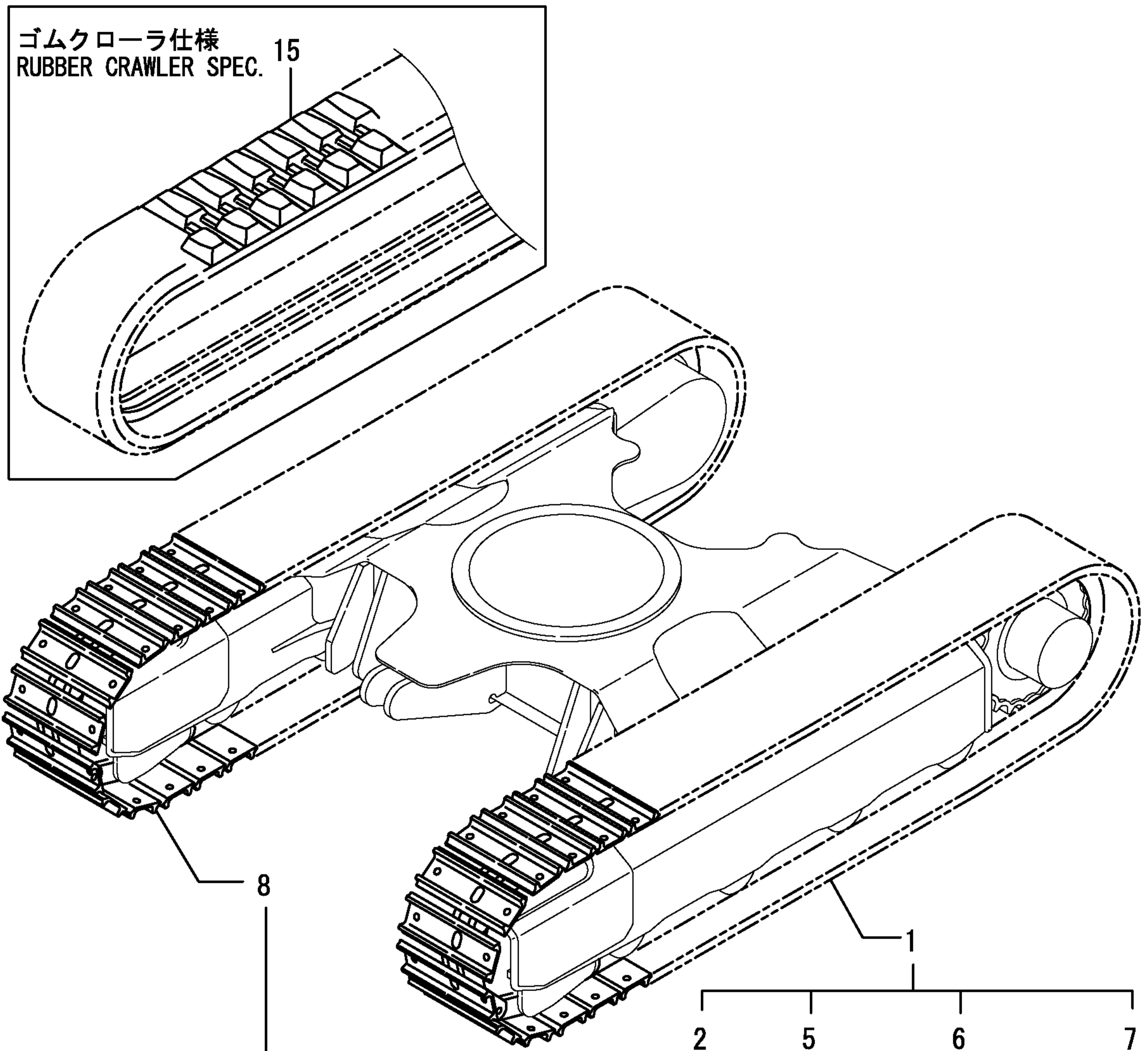


ゴムクローラ仕様  
RUBBER CRAWLER SPEC.

1,1,,172456-38100,, "SHOE L,TRACK(GREEN88",1,1,1,,,,,,,,,,,,,  
2,2,,172421-38110,, "LINK,CRAWLER(GREEN88",1,1,1,,,,,,,,,,,,,  
5,2,,172456-38110,, "PLATE,SHOE 250L (88)",44,44,44,,,,,,,,,,,,,  
6,2,,172173-38220,, "PIN,MASTER",1,1,1,,,,,,,,,,,,,  
7,2,,172173-38300,, "PIN 4X22,LOCK",1,1,1,,,,,,,,,,,,,  
8,1,,172456-38120,, "SHOE R,TRACK(GREEN88",1,1,1,,,,,,,,,,,,,  
9,2,,172421-38110,, "LINK,CRAWLER(GREEN88",1,1,1,,,,,,,,,,,,,  
12,2,,172456-38130,, "PLATE,SHOE 250R",44,44,44,,,,,,,,,,,,,  
13,2,,172173-38220,, "PIN,MASTER",1,1,1,,,,,,,,,,,,,  
14,2,,172173-38300,, "PIN 4X22,LOCK",1,1,1,,,,,,,,,,,,,  
15,1,,172421-38601,, "CRAWLER, RUBBER",2,2,2,,,,,,,,,,,,,  
16,1,,172456-38300,, "TRUCK,MASTER 250L(88",1,1,1,,,,,,,,,,,,,  
21,1,,172456-38310,, "TRUCK,MASTER 250R(88",1,1,1,,,,,,,,,,,,,

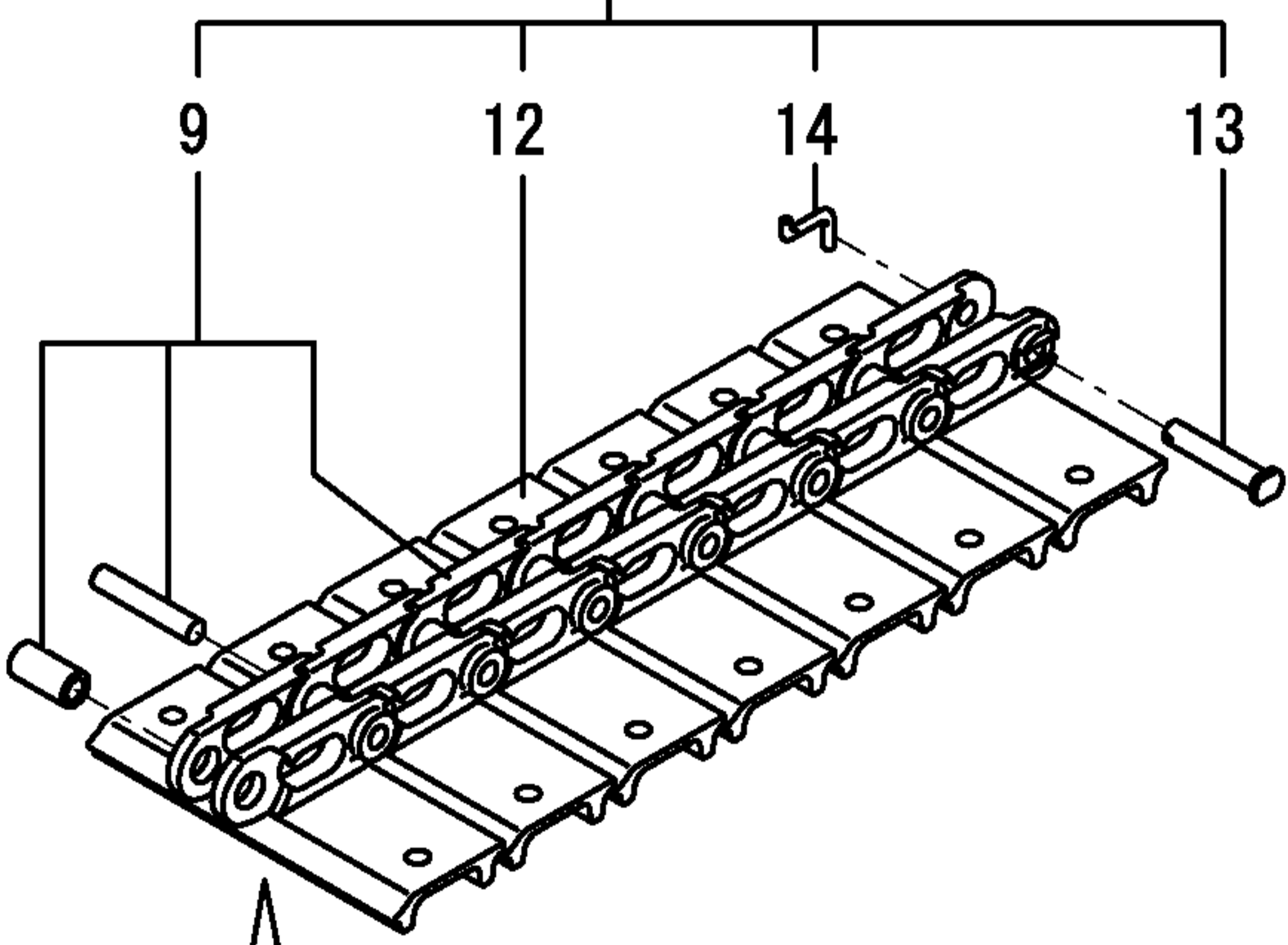
ゴムクローラ仕様  
RUBBER CRAWLER SPEC.

15



8

1

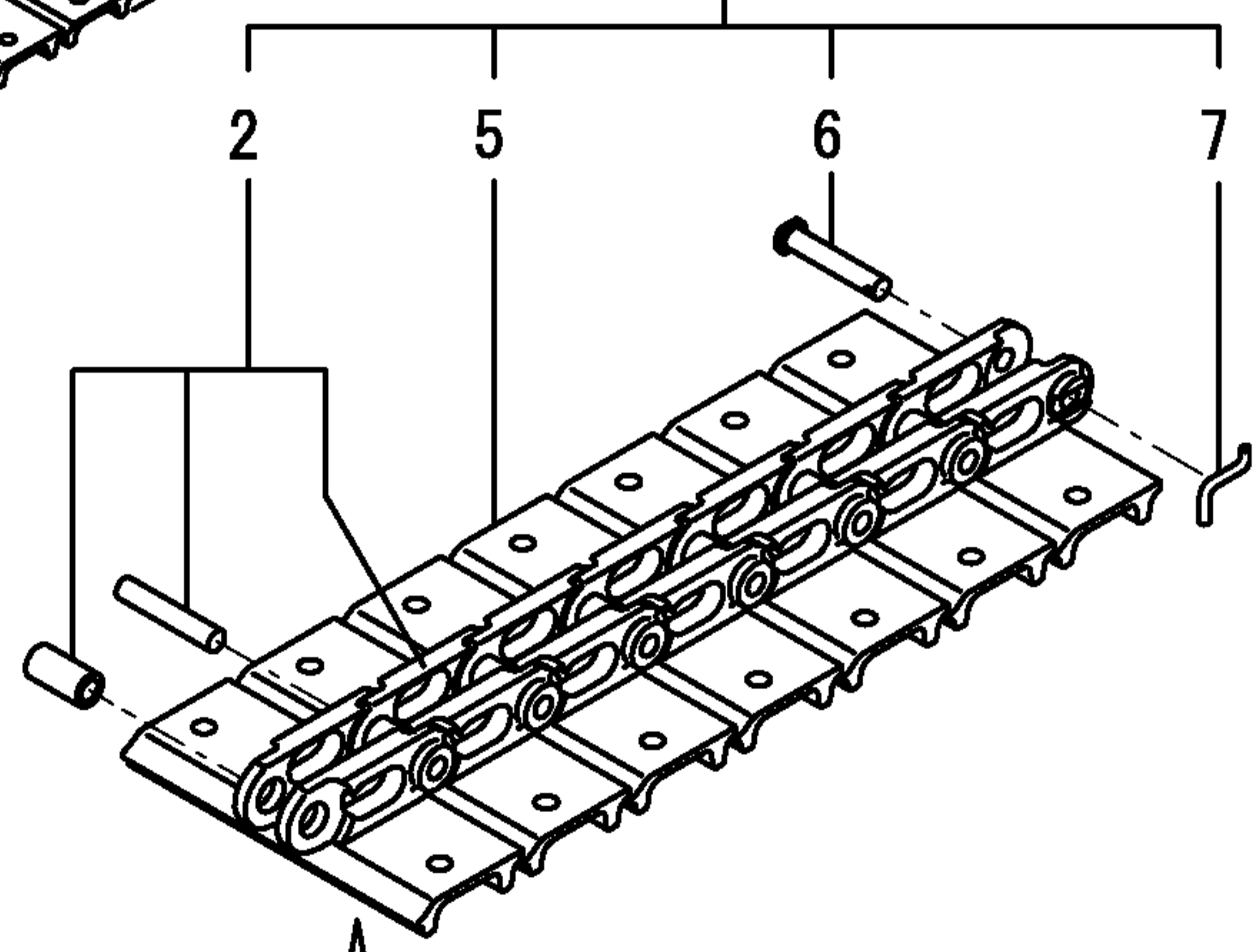


9

12

14

13

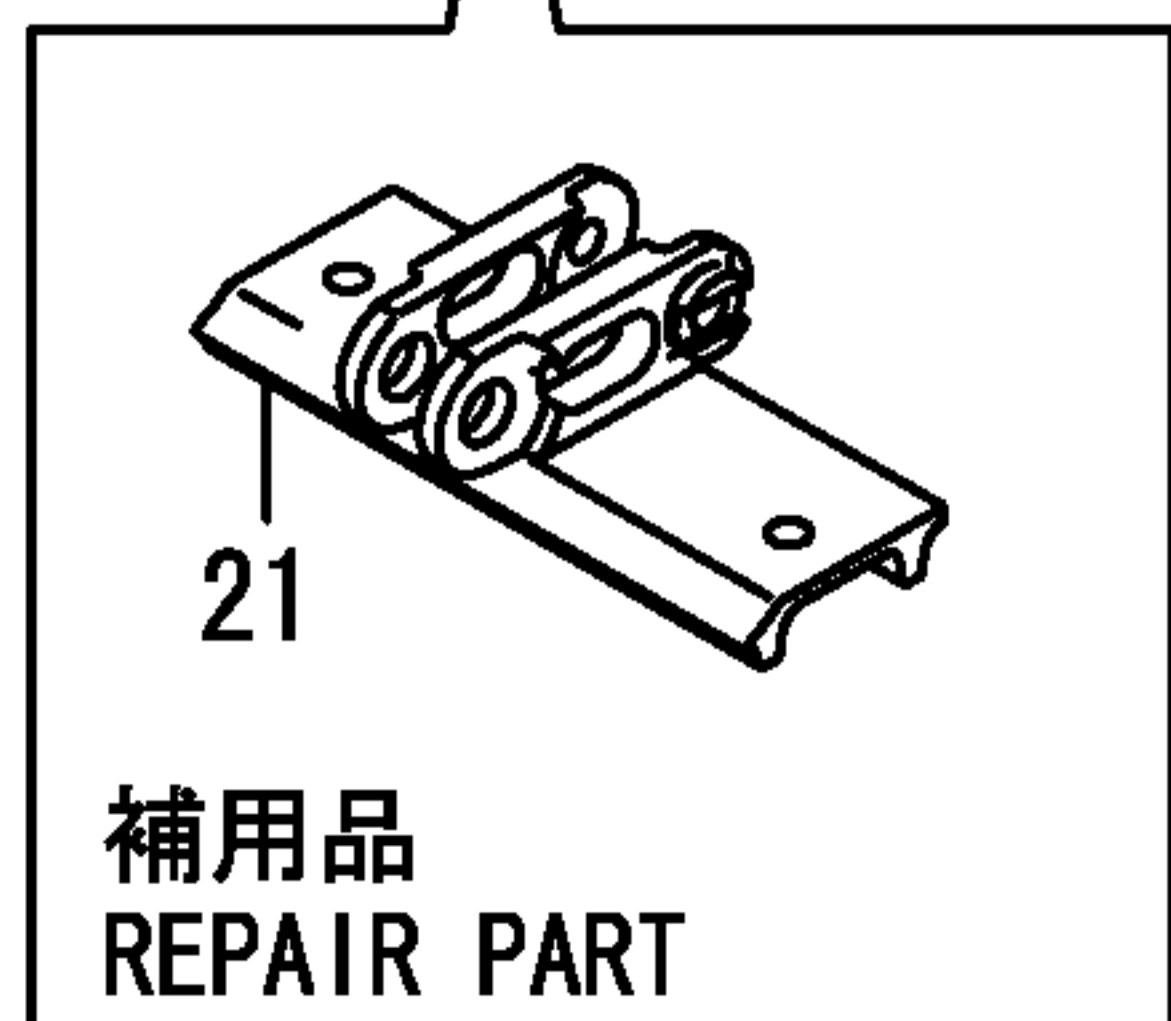


2

5

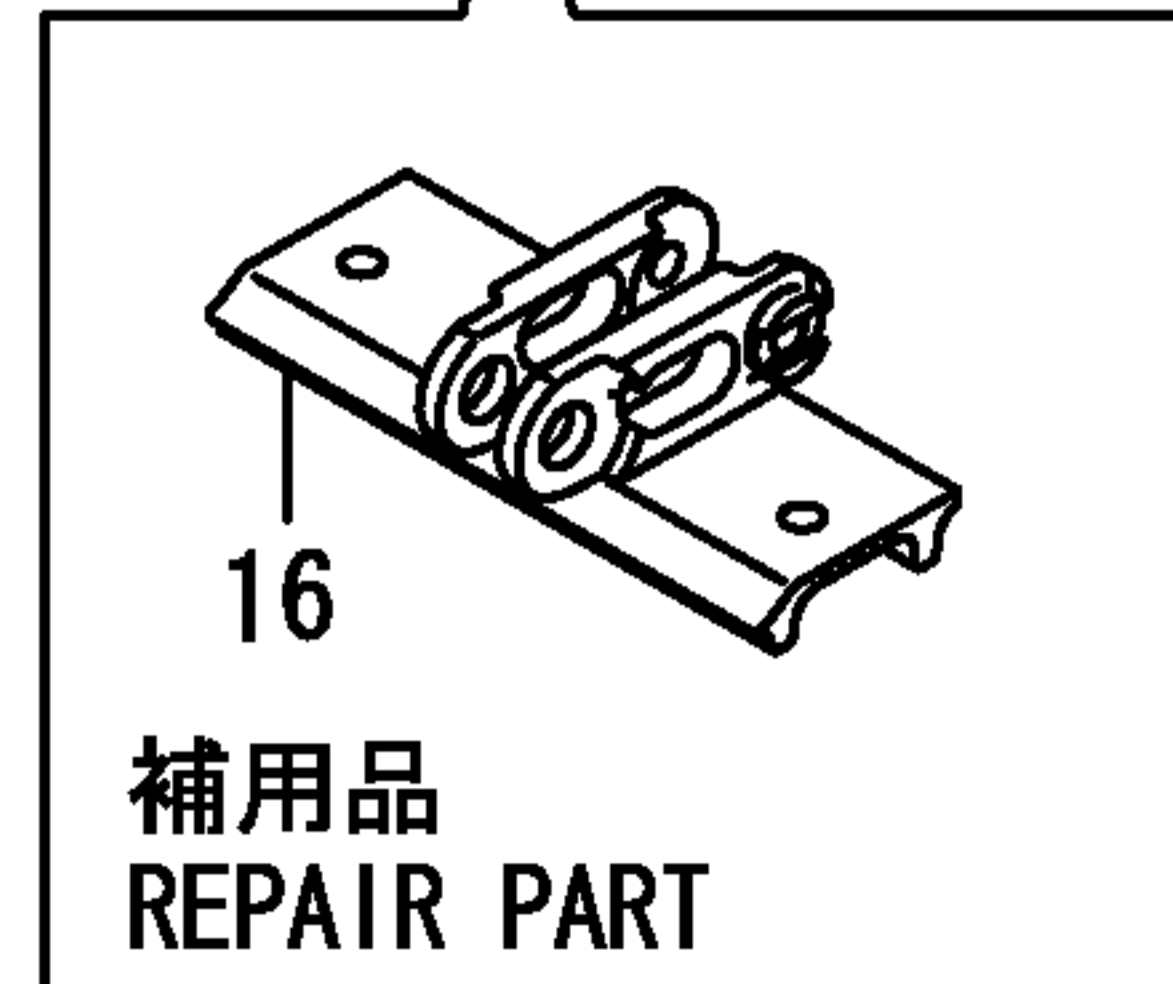
6

7



21

補用品  
REPAIR PART

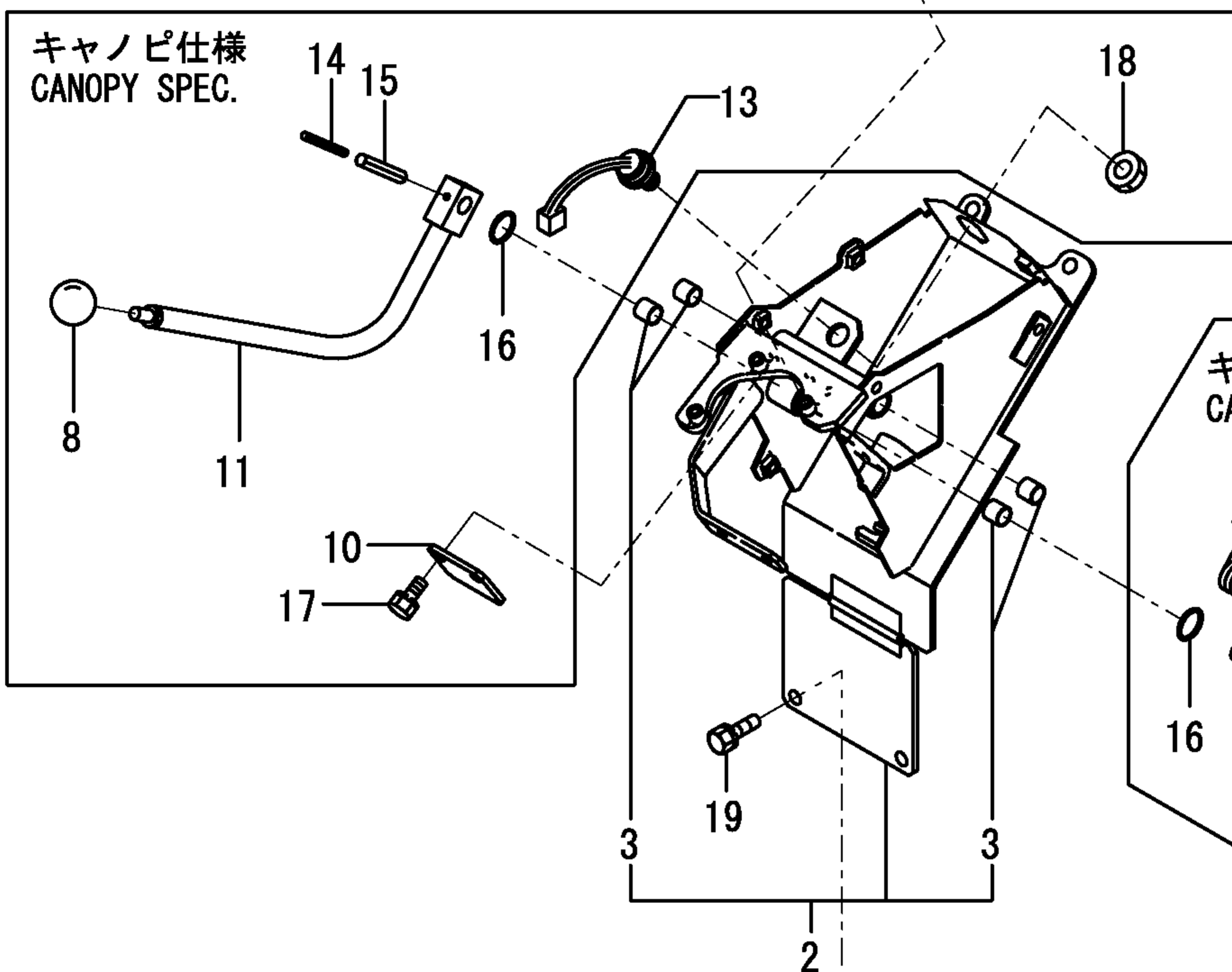
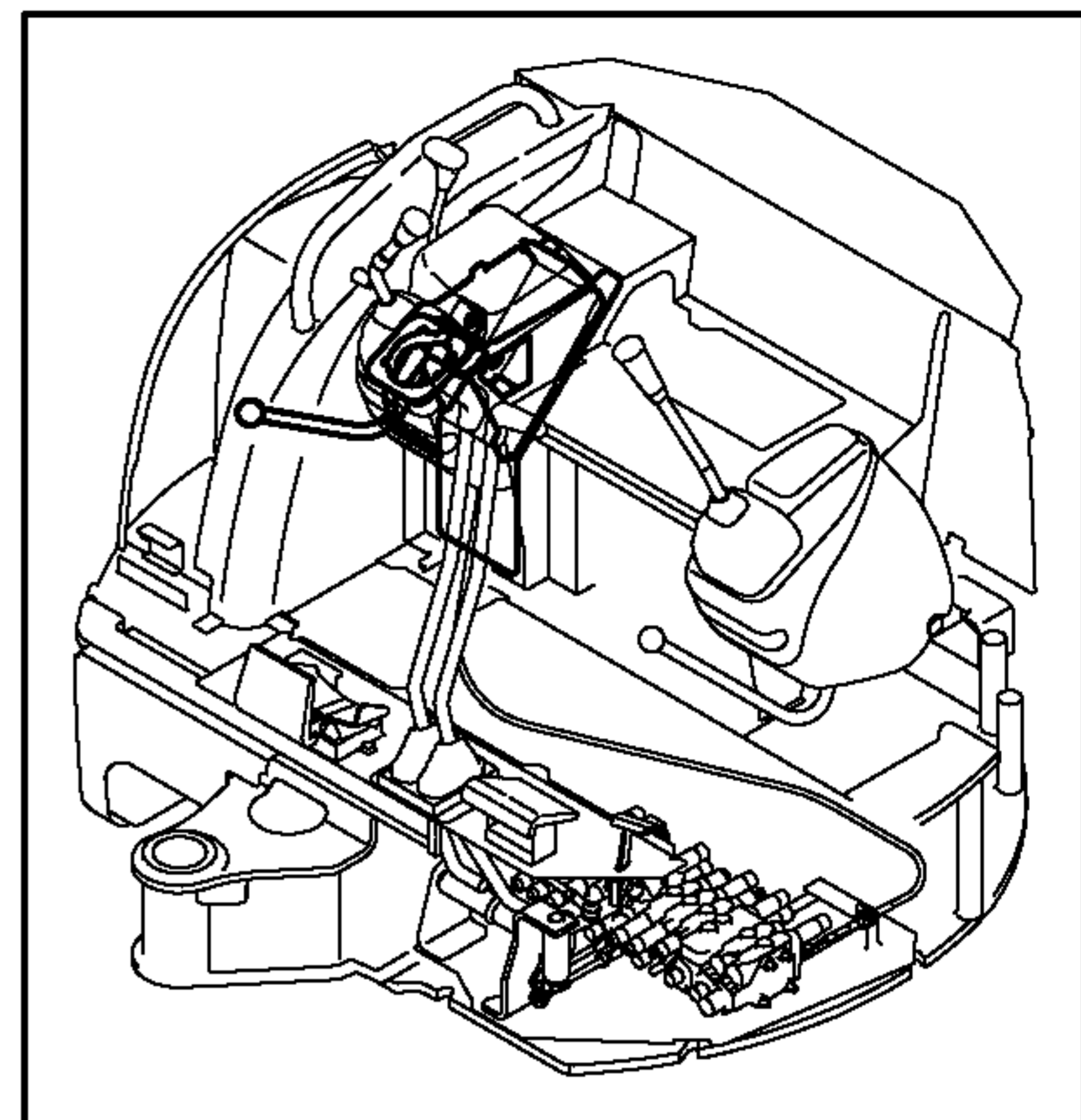


16

補用品  
REPAIR PART

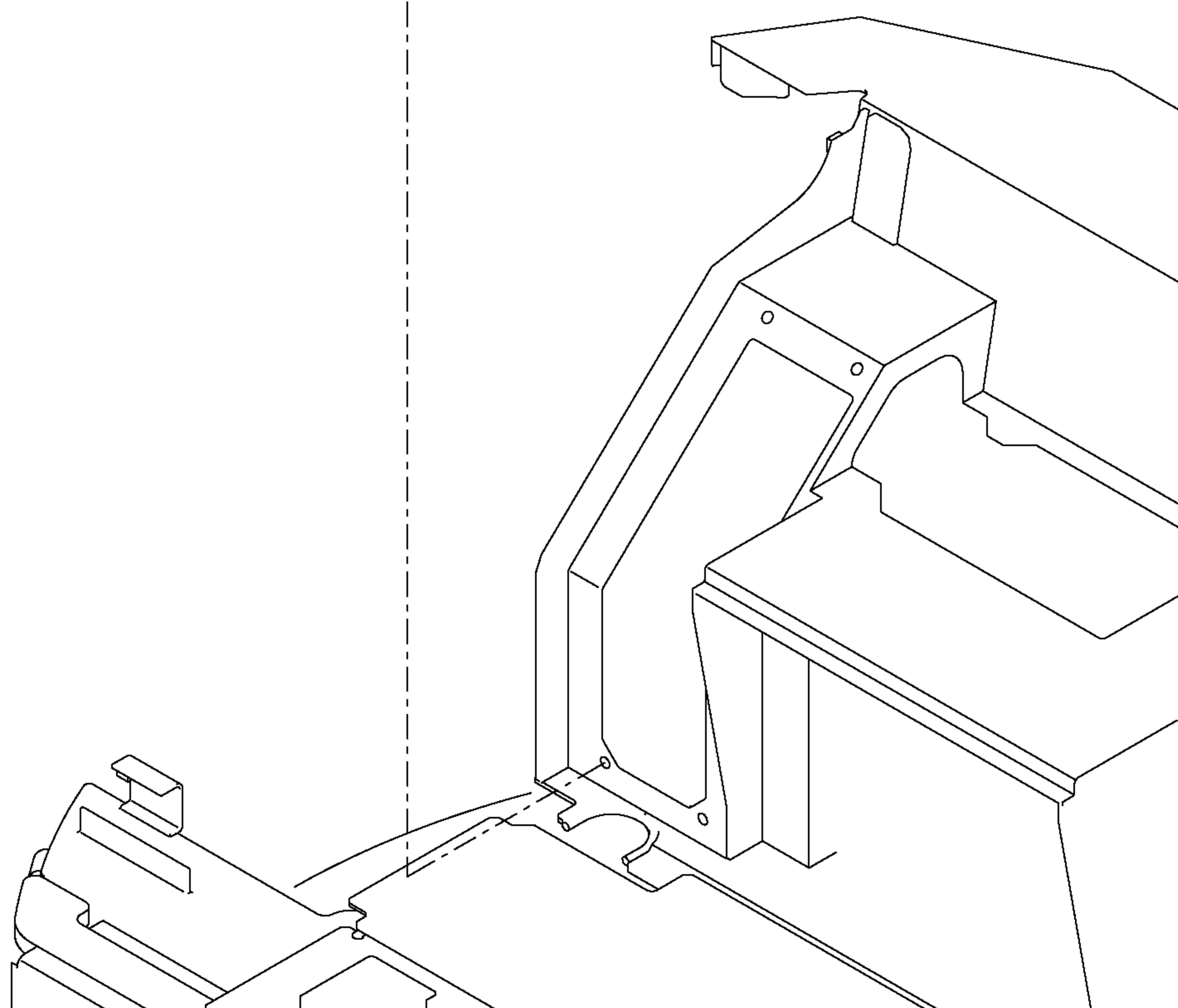
1,1,,172458-46730,, "BOLT N6X30",3,3,3,,,,,,,,,,,,,,,,,,,,,  
2,1,,172A23-46800,, "STAND R,LEVER (73)",1,1,1,,,,,,,,,,,,,,,,,,,,,  
3,2,,172141-41360,, "BUSH 1415",4,4,4,,,,,,,,,,,,,,,,,,,,,  
7,1,,172455-46941,, "PLATE R,BOOTS (73)",1,1,1,,,,,,,,,,,,,,,,,,,,,  
8,1,,1D4070-23580,, "GRIP,RED ROUND",1,1,,,,,,,,,,,,,,,,,,,,,  
9,1,,172165-45970,, "SPRING",1,1,,,,,,,,,,,,,,,,,,,,,  
10,1,,172458-46950,, "PLATE (GRAY:73)",1,1,,,,,,,,,,,,,,,,,,,,,  
11,1,,172458-47680,, "LEVER R (GRAY:72)",1,1,,,,,,,,,,,,,,,,,,,,,  
12,1,,172458-47710,, "SHAFT (GRAY:73)",1,1,,,,,,,,,,,,,,,,,,,,,  
13,1,,194464-52190,, "SWITCH, SAFETY START",1,1,,,,,,,,,,,,,,,,,,,,,  
14,1,,22351-030032,, "SPRING PIN 3X32",1,1,,,,,,,,,,,,,,,,,,,,,  
15,1,,22351-050032,, "SPRING PIN 5X32",1,1,,,,,,,,,,,,,,,,,,,,,  
16,1,,24311-000210,, "O-RING 1A P-21.0",2,2,,,,,,,,,,,,,,,,,,,,,  
17,1,,26013-080162,, "BOLT W/WASHER M8X16",2,2,,,,,,,,,,,,,,,,,,,,,  
18,1,,26776-180002,, "NUT M18,LOCK",1,1,,,,,,,,,,,,,,,,,,,,,  
19,1,,26013-100202,, "BOLT W/WASHER M10X20",3,3,3,,,,,,,,,,,,,,,,,,,,,

REFER TO Fig. 77

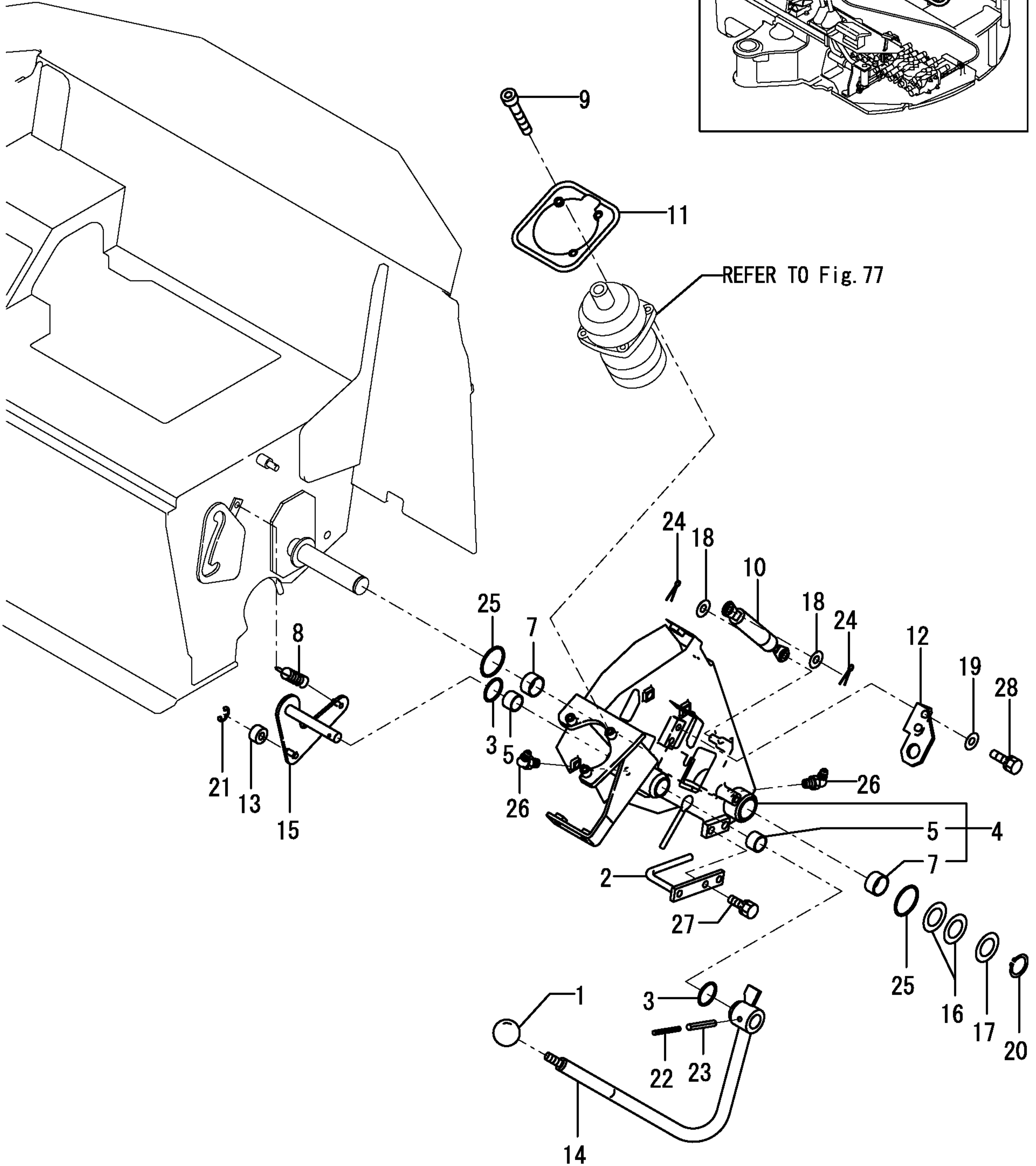
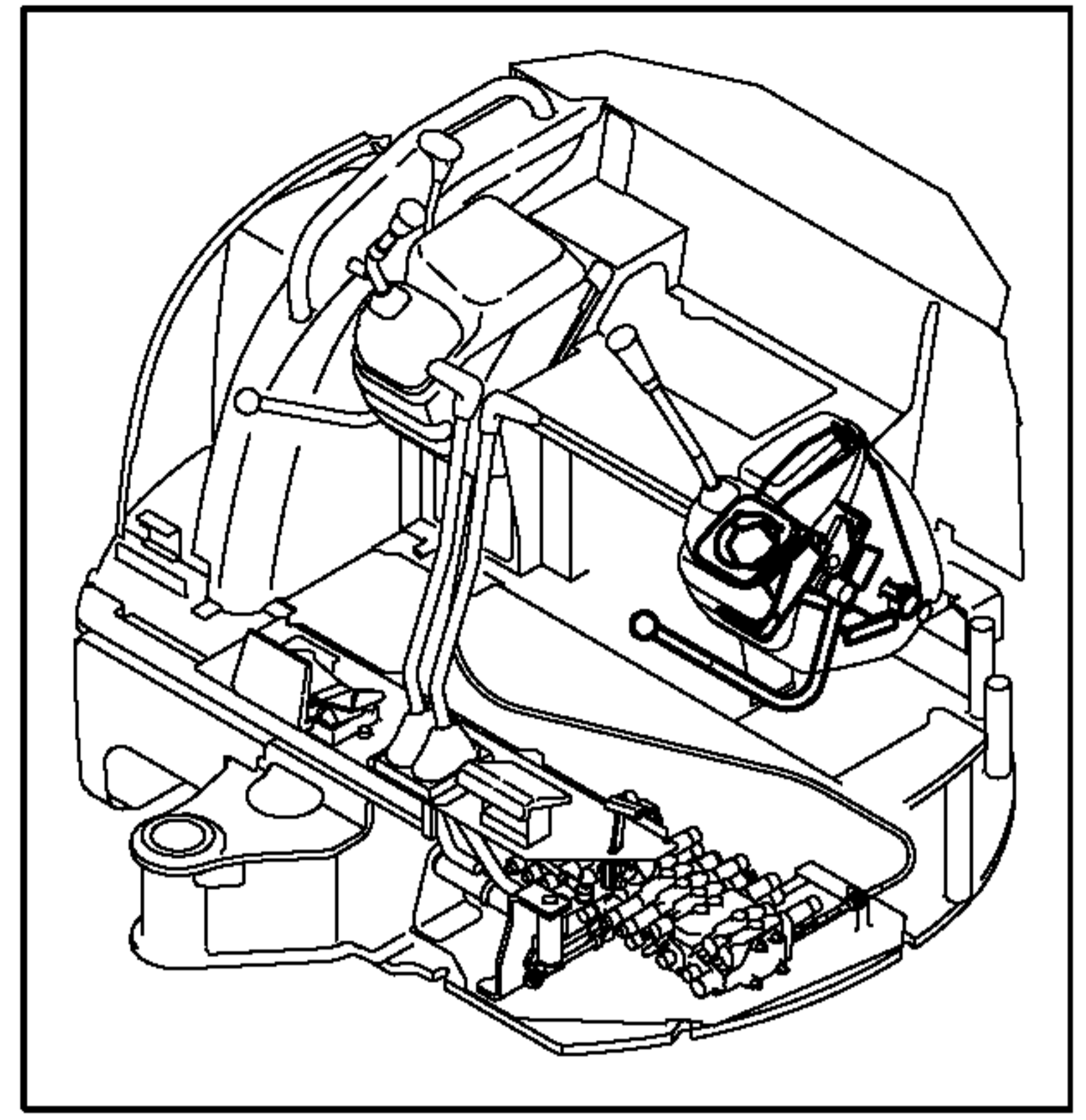


キャノピ仕様  
CANOPY SPEC.

キャノピ仕様  
CANOPY SPEC.

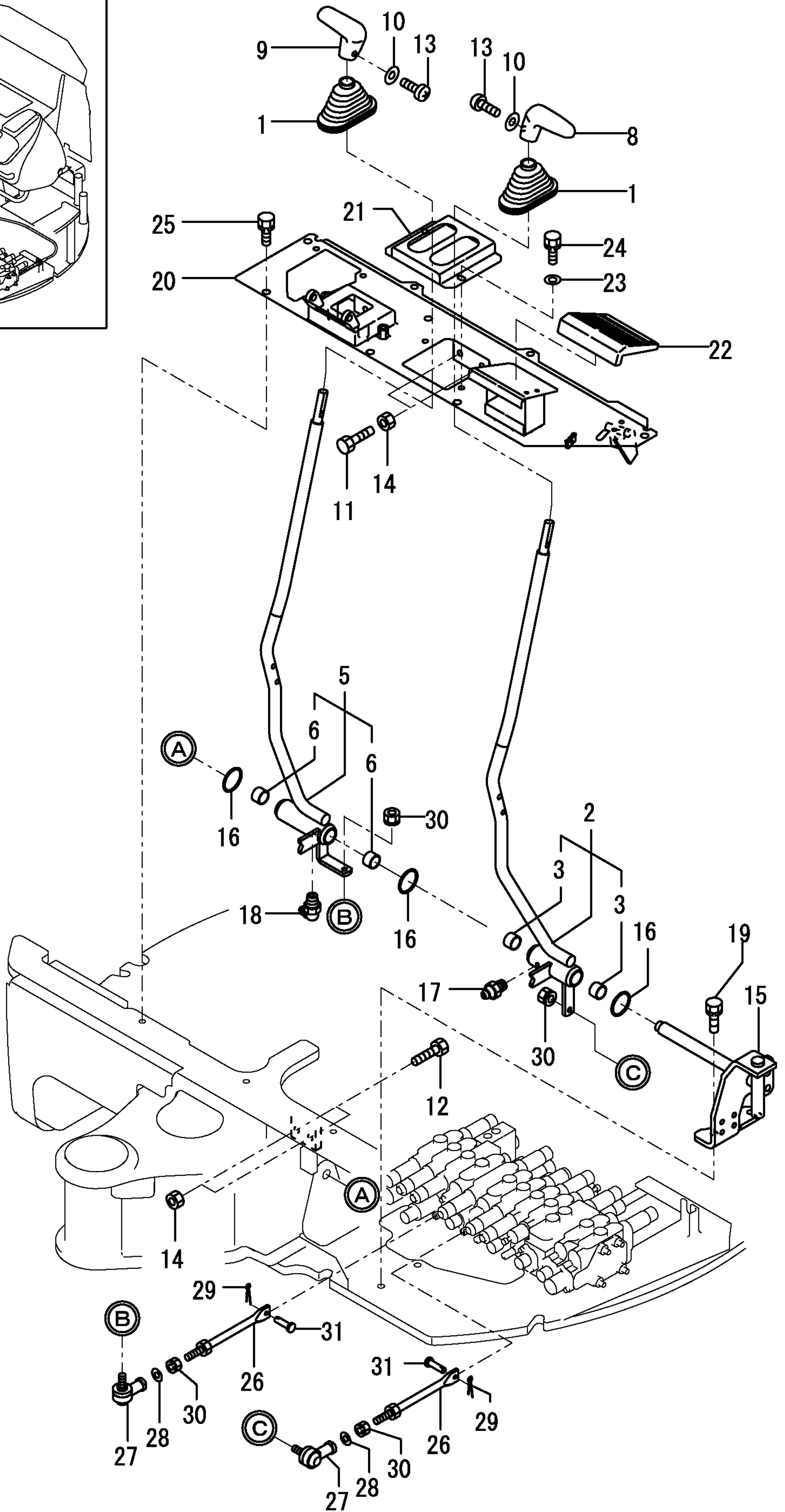
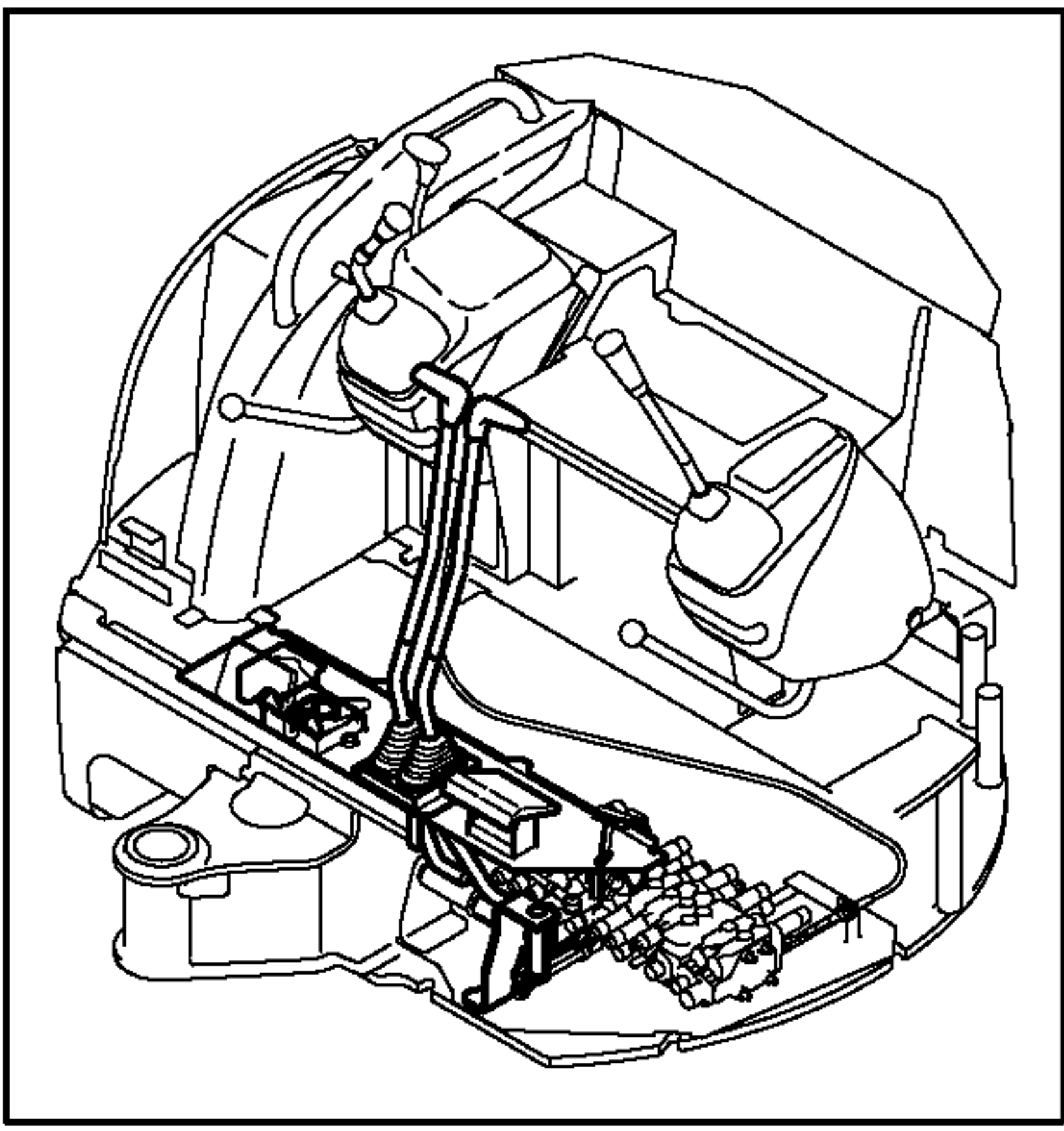


1,1,,1D4070-23580,, "GRIP,RED ROUND",1,1,1,,,,,,,,,,,,,,,,,,,,,  
2,1,,172458-45850,, "GUIDE L,HOSE(GRAY:73",1,1,1,,,,,,,,,,,,,,,,,,,,,  
3,1,,172124-46200,, "O-RING 27X5.7",2,2,2,,,,,,,,,,,,,,,,,,,,,  
4,1,,172458-46600,, "STAND L,LEVER(GRAY73",1,1,1,,,,,,,,,,,,,,,,,,,,,  
5,2,,172141-41370,, "BUSH 2015",2,2,2,,,,,,,,,,,,,,,,,,,,,  
7,2,,24550-025150,, "BUSH 25X15",2,2,2,,,,,,,,,,,,,,,,,,,,,  
8,1,,172162-46690,, SPRING,1,1,1,,,,,,,,,,,,,,,,,,,,,  
9,1,,172458-46730,, "BOLT N6X30",3,3,3,,,,,,,,,,,,,,,,,,,,,  
10,1,,172455-46890,, "SPRING,GAS",1,1,1,,,,,,,,,,,,,,,,,,,,,  
11,1,,172455-46901,, "PLATE L, BOOTS",1,1,1,,,,,,,,,,,,,,,,,,,,,  
12,1,,172455-46950,, "BRACKET, SWITCH",1,1,1,,,,,,,,,,,,,,,,,,,,,  
13,1,,172165-47550,, BUSH,1,1,1,,,,,,,,,,,,,,,,,,,,,  
14,1,,172458-47621,, "LEVER L,LOCK(GRAY:72",1,1,1,,,,,,,,,,,,,,,,,,,,,  
15,1,,172458-47640,, "ROD,SPRING (GRAY:73)",1,1,1,,,,,,,,,,,,,,,,,,,,,  
16,1,,172165-47980,, "SHIM 42X25.5X0.5",2,2,2,,,,,,,,,,,,,,,,,,,,,  
17,1,,172165-47990,, "WASHER 25.5X42",1,1,1,,,,,,,,,,,,,,,,,,,,,  
18,1,,22137-080000,, "WASHER 8, POLISHED",2,2,2,,,,,,,,,,,,,,,,,,,,,  
19,1,,22137-080000,, "WASHER 8, POLISHED",2,2,2,,,,,,,,,,,,,,,,,,,,,  
20,1,,22242-000250,, "CIRCLIP 25S",1,1,1,,,,,,,,,,,,,,,,,,,,,  
21,1,,22272-000070,, "CIRCLIP E- 7",1,1,1,,,,,,,,,,,,,,,,,,,,,  
22,1,,22351-035040,, "SPRING PIN 3.5X40",1,1,1,,,,,,,,,,,,,,,,,,,,,  
23,1,,22351-060040,, "SPRING PIN 6X40",1,1,1,,,,,,,,,,,,,,,,,,,,,  
24,1,,22417-200200,, "COTTER PIN 2.0X20",2,2,2,,,,,,,,,,,,,,,,,,,,,  
25,1,,24311-000340,, "O-RING 1A P-34.0",2,2,2,,,,,,,,,,,,,,,,,,,,,  
26,1,,24761-050000,, "NIPPLE C,GREASE",2,2,2,,,,,,,,,,,,,,,,,,,,,  
27,1,,26013-080162,, "BOLT W/WASHER M8X16",2,2,2,,,,,,,,,,,,,,,,,,,,,  
28,1,,26013-080202,, "BOLT W/WASHER M8X20",2,2,2,,,,,,,,,,,,,,,,,,,,,

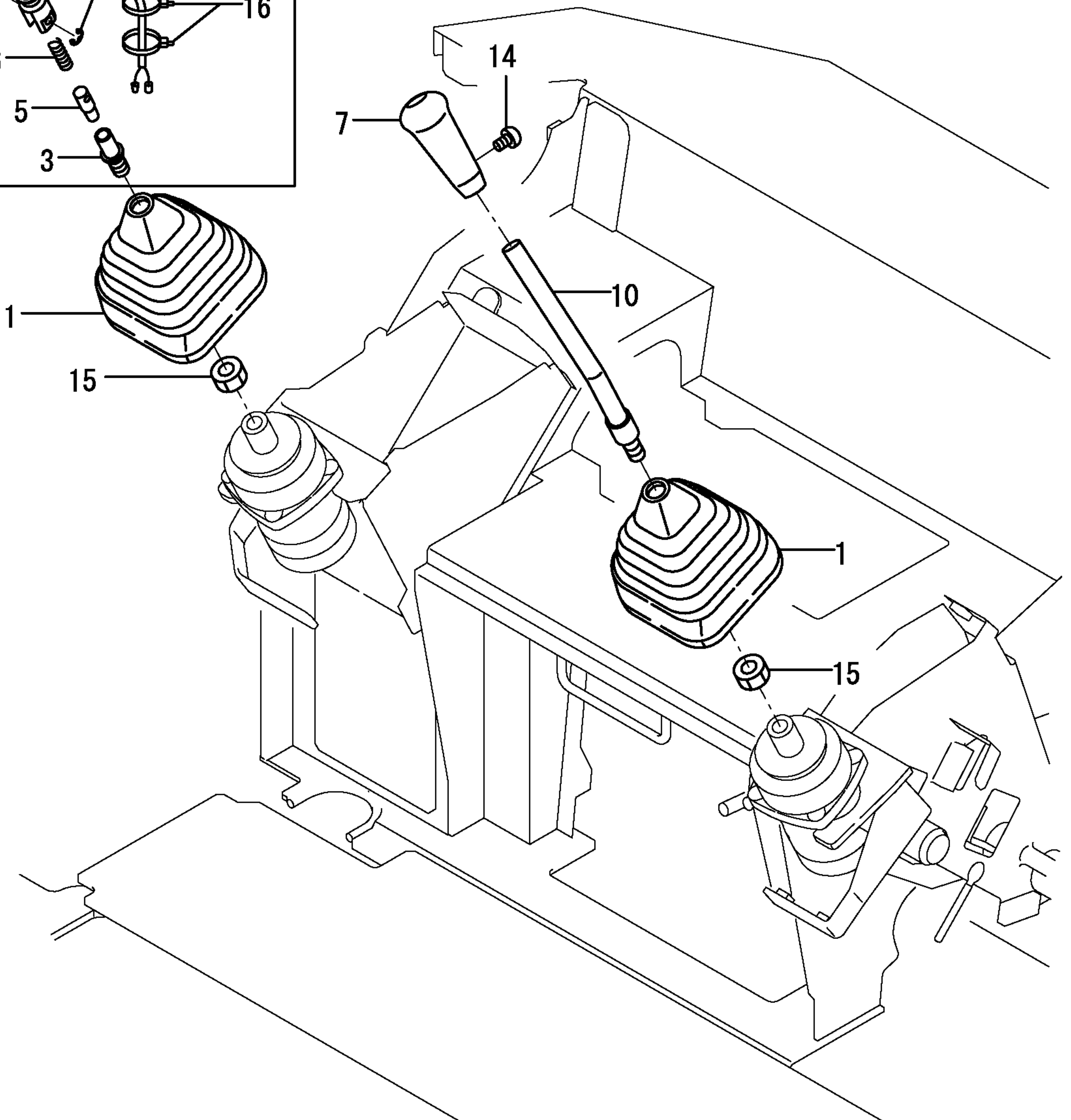
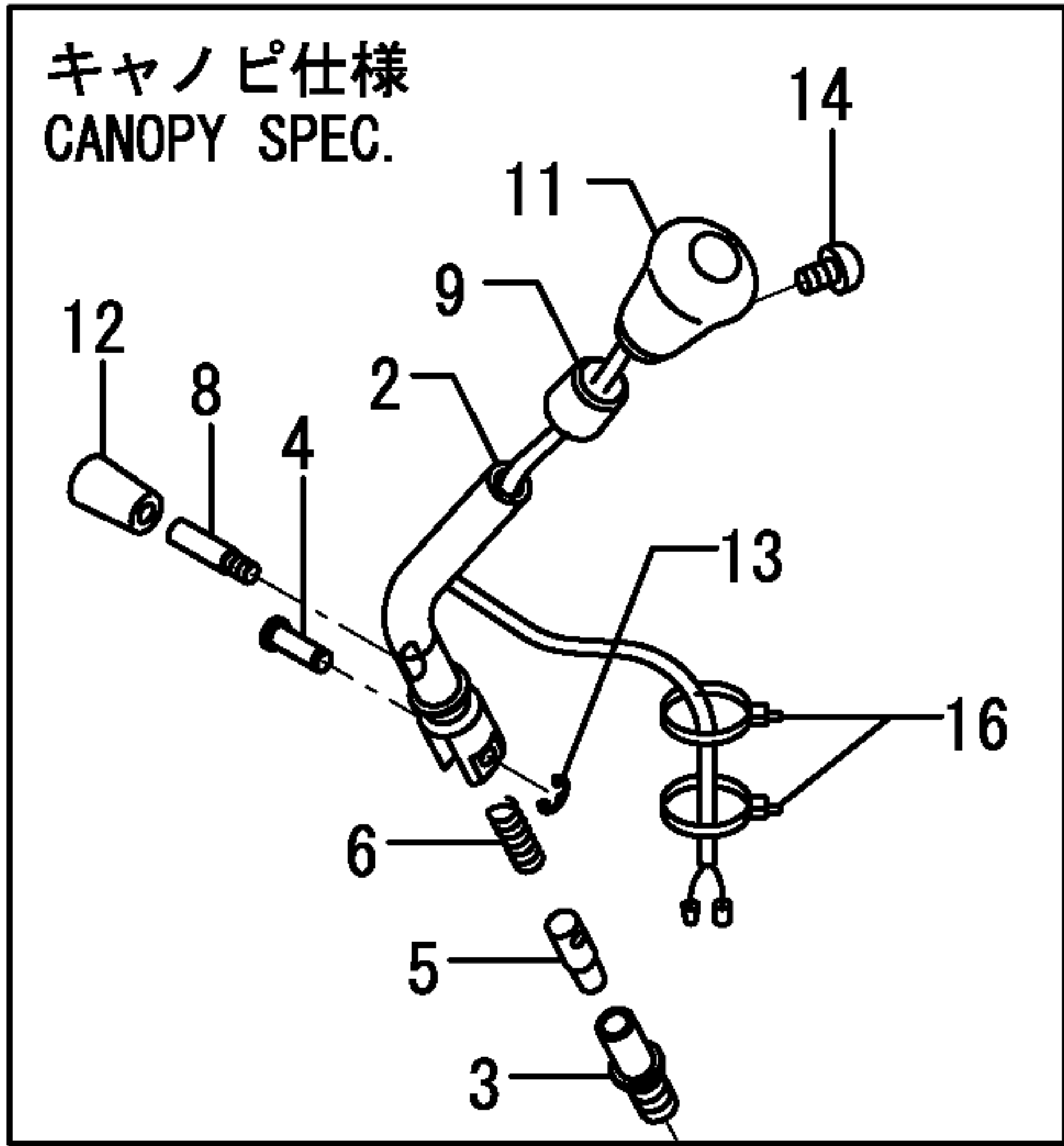
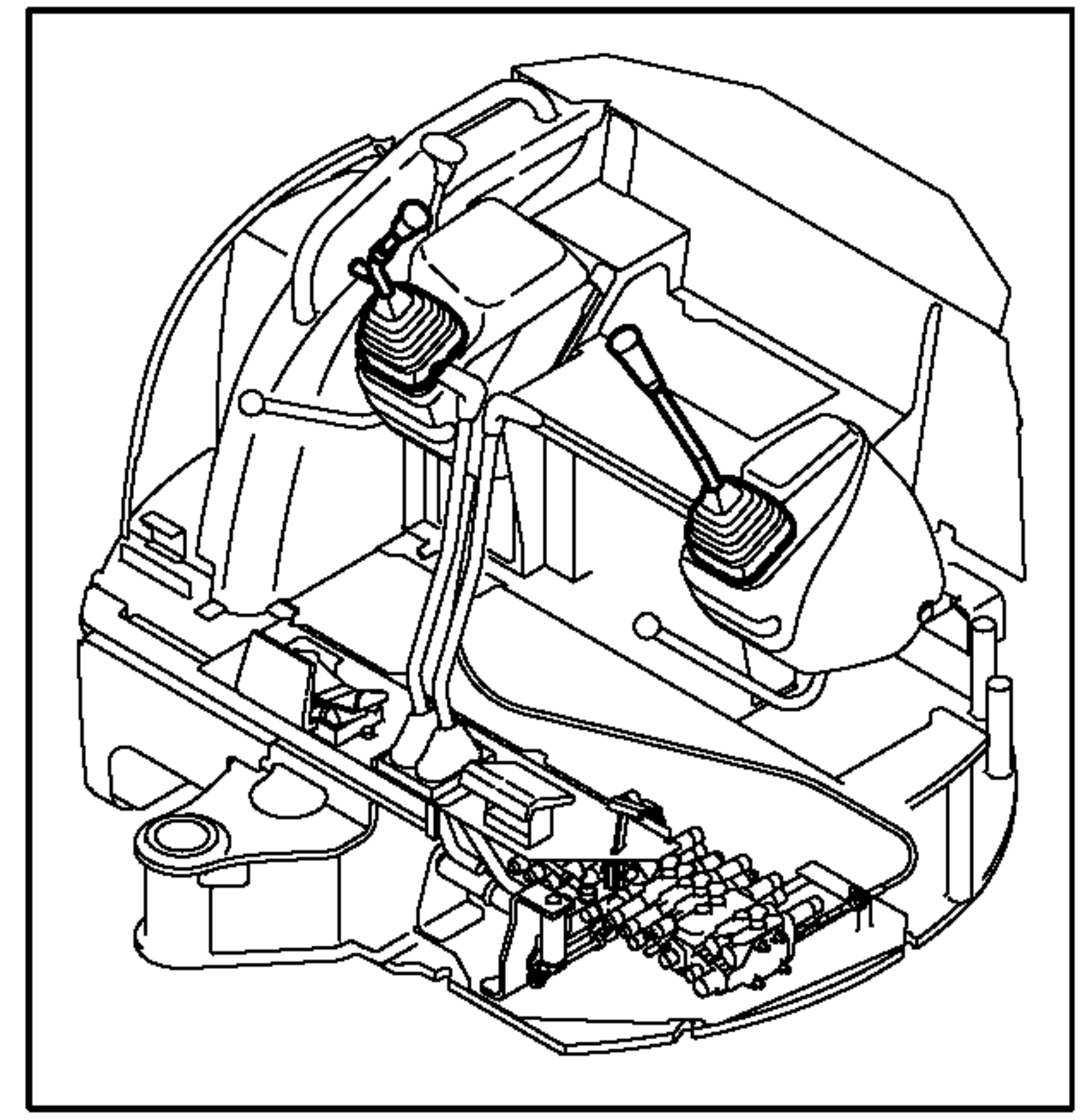
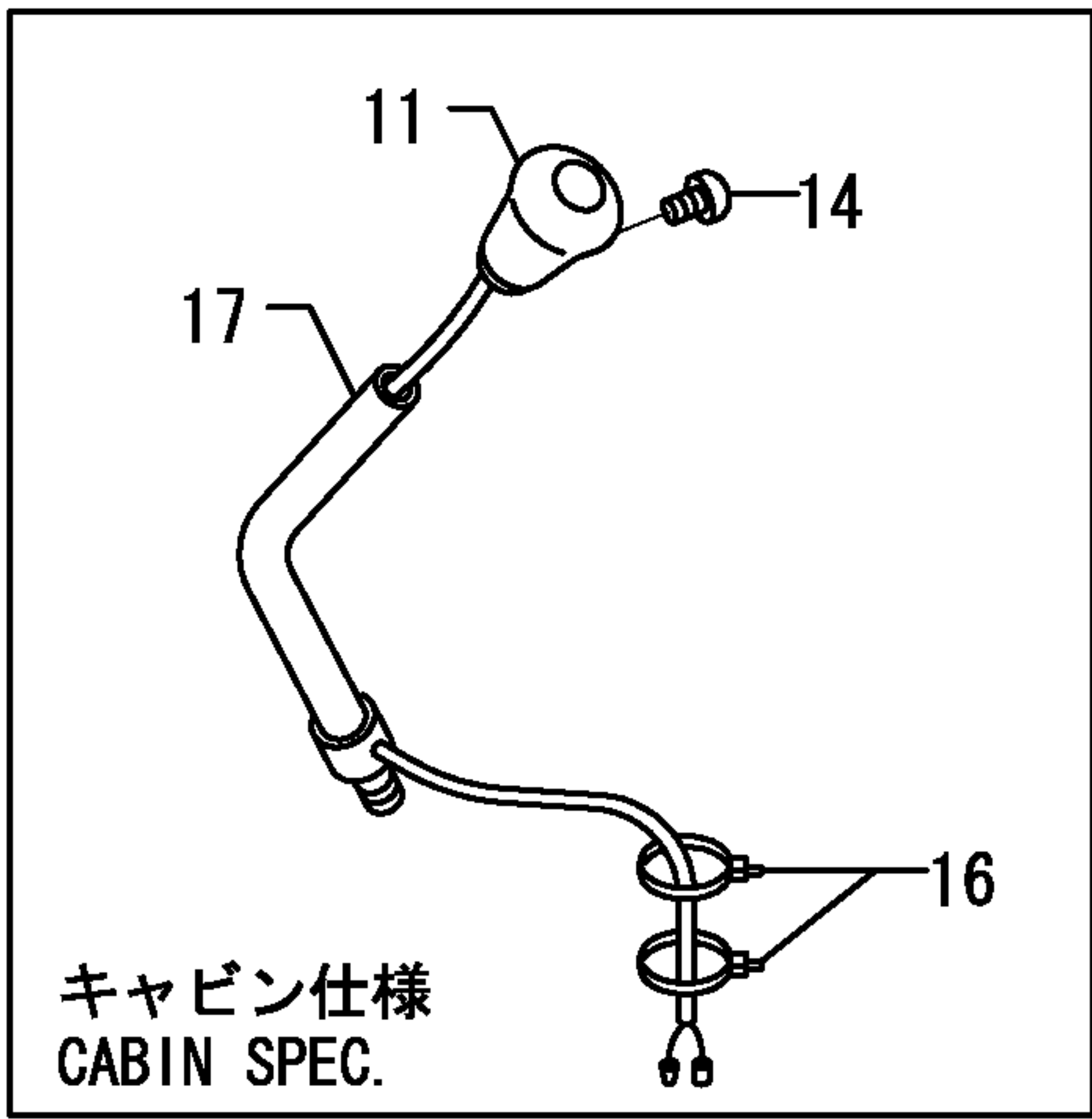




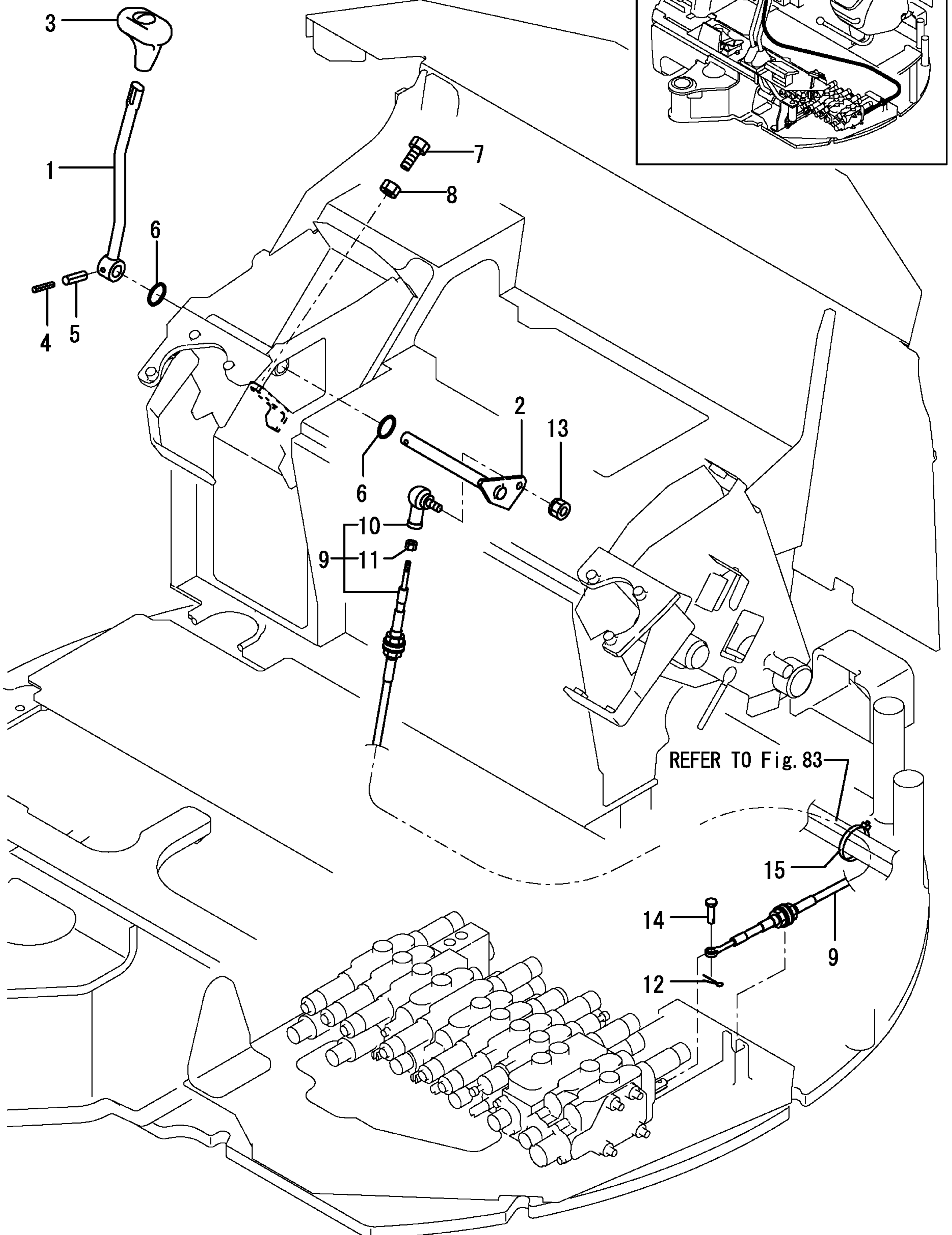
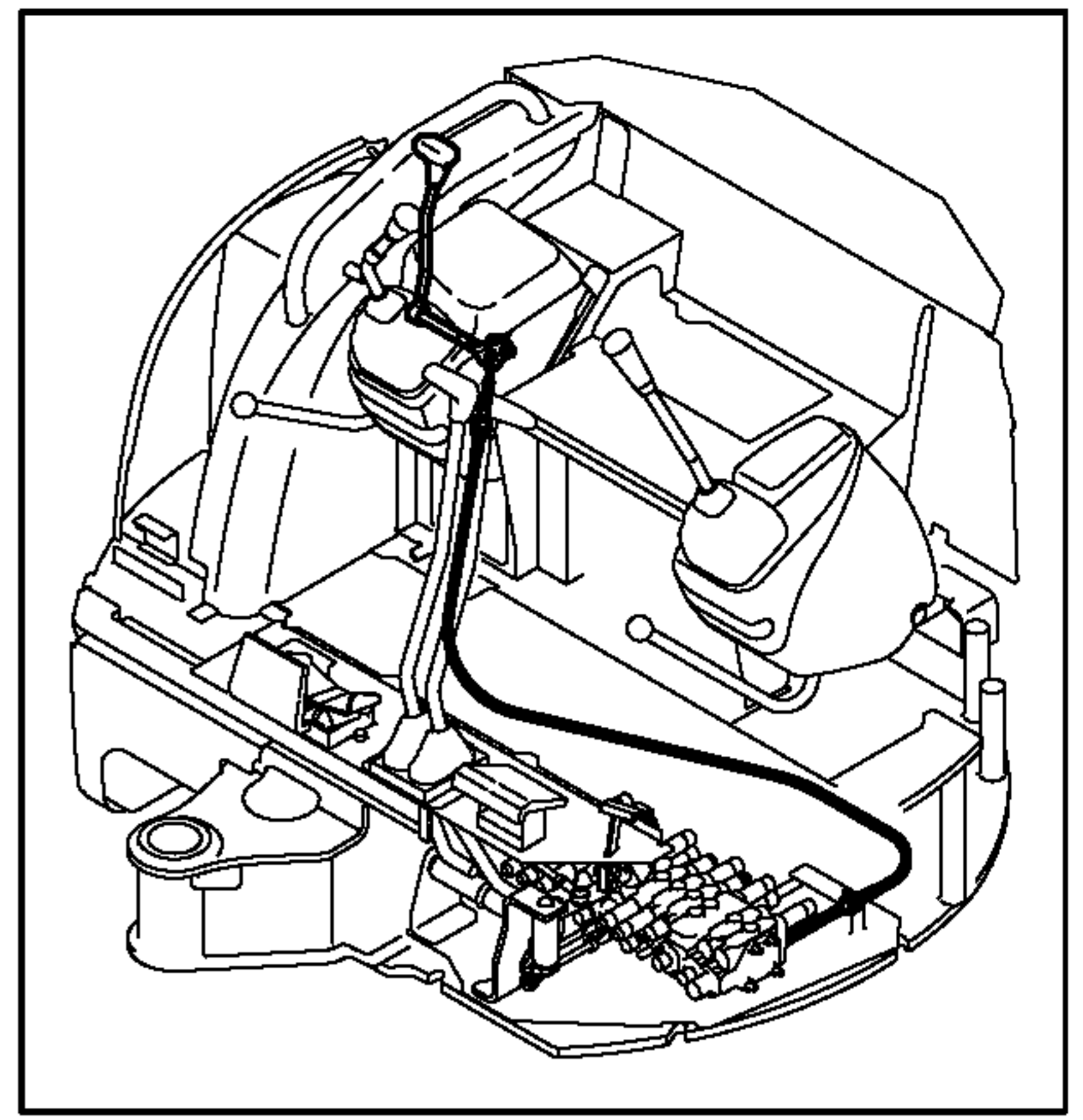
1,1,,172141-41340,,BOOTS,2,2,2,,,,,,,,,,,,,  
2,1,,172469-45100,, "LEVER L,TRUCK(GRAY72",1,1,1,,,,,,,,,,,,,  
3,2,,172141-41370,, "BUSH 2015",2,2,2,,,,,,,,,,,,,  
5,1,,172469-45140,, "LEVER R,TRUCK(GRAY72",1,1,1,,,,,,,,,,,,,  
6,2,,172141-41370,, "BUSH 2015",2,2,2,,,,,,,,,,,,,  
8,1,,172187-45870,, "GRIP L, DRIVE",1,1,1,,,,,,,,,,,,,  
9,1,,172187-45880,, "GRIP R, DRIVE",1,1,1,,,,,,,,,,,,,  
10,1,,22117-040000,, "WASHER 4",2,2,2,,,,,,,,,,,,,  
11,1,,26116-100404,, "BOLT M10X 40 PLATED",2,2,2,,,,,,,,,,,,,  
12,1,,26116-100604,, "BOLT M10X 60 PLATED",2,2,2,,,,,,,,,,,,,  
13,1,,26587-040122,, "SCREW M 4X 12",2,2,2,,,,,,,,,,,,,  
14,1,,26716-100002,, "NUT 10",4,4,4,,,,,,,,,,,,,  
15,1,,172472-45661,, "BRACKET ASSY, TRUCK",1,1,1,,,,,,,,,,,,,  
16,1,,172124-46200,, "O-RING 27X5.7",3,3,3,,,,,,,,,,,,,  
17,1,,24761-020000,, "NIPPLE PT1/8,GREASE",1,1,1,,,,,,,,,,,,,  
18,1,,24761-050000,, "NIPPLE C,GREASE",1,1,1,,,,,,,,,,,,,  
19,1,,26013-100252,, "BOLT W/WASHER M10X25",2,2,2,,,,,,,,,,,,,  
20,1,,172458-45401,, "STAND,LINK(BLACK:12)",1,1,1,,,,,,,,,,,,,  
21,1,,172458-45510,, "BRACKET,BOOT(BLACK12",1,1,1,,,,,,,,,,,,,  
22,1,,172187-45760,, "COVER PAD",1,1,1,,,,,,,,,,,,,  
23,1,,22137-080000,, "WASHER 8, POLISHED",2,2,2,,,,,,,,,,,,,  
24,1,,26013-080162,, "BOLT W/WASHER M8X16",2,2,2,,,,,,,,,,,,,  
25,1,,26013-100202,, "BOLT W/WASHER M10X20",6,6,6,,,,,,,,,,,,,  
26,1,,172458-45250,, "ROD 91 ASSY",2,2,2,,,,,,,,,,,,,  
27,1,,172122-46590,, "ELBALL 8",2,2,2,,,,,,,,,,,,,  
28,1,,22117-080000,, "WASHER 8",2,2,2,,,,,,,,,,,,,  
29,1,,22417-160160,, "COTTER PIN 1.6X16",2,2,2,,,,,,,,,,,,,  
30,1,,26051-080002,, "NUT M 8",4,4,4,,,,,,,,,,,,,  
31,1,,933110-54100,, "PIN 4.75X14",2,2,2,,,,,,,,,,,,,



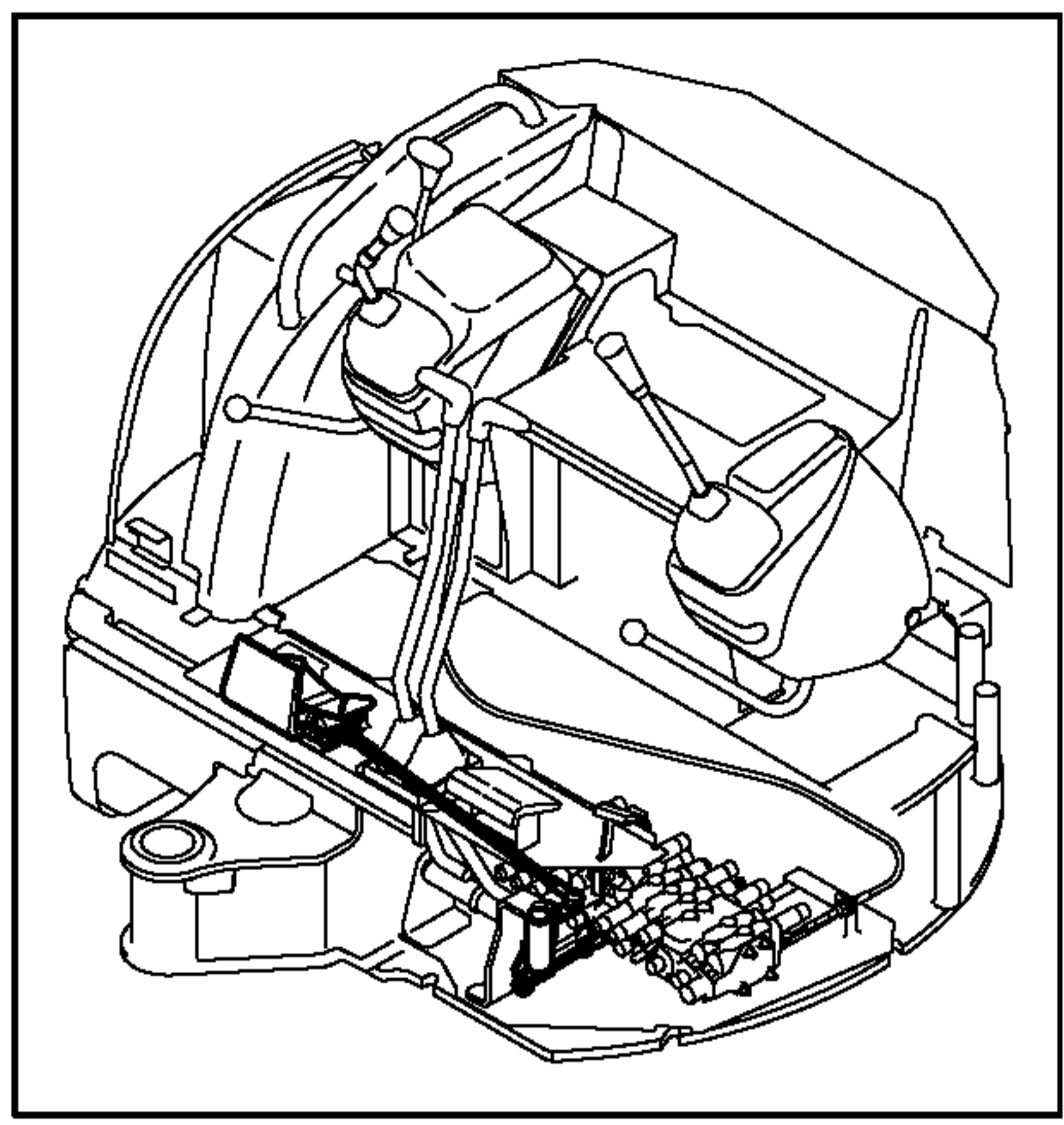
1,1,,172151-45010,, "BOOT P,LEVER",2,2,2,,,,,,,,,,,,,,,,,,,,,  
2,1,,172456-45010,, "LEVER R (GRAY:72)",,1,1,,,,,,,,,,,,,,,,,,,,,  
3,1,,172164-45041,,HINGE,,1,1,,,,,,,,,,,,,,,,,,,,,  
4,1,,172164-45050,, "PIN 8X 22",,1,1,,,,,,,,,,,,,,,,,,,,,  
5,1,,172164-45061,,PIN,,1,1,,,,,,,,,,,,,,,,,,,,,  
6,1,,172164-45070,,SPRING,,1,1,,,,,,,,,,,,,,,,,,,,,  
7,1,,172165-45071,, "KNOB (L) ASSY",1,1,1,,,,,,,,,,,,,,,,,,,,,  
8,1,,172164-45080,, "SCREW M6",,1,1,,,,,,,,,,,,,,,,,,,,,  
9,1,,172164-45090,,CAP,,1,1,,,,,,,,,,,,,,,,,,,,,  
10,1,,172165-47851,, "LEVER L, SI",1,1,1,,,,,,,,,,,,,,,,,,,,,  
11,1,,172165-47871,, "KNOB (A) ASSY",1,1,1,,,,,,,,,,,,,,,,,,,,,  
12,1,,172157-58830,, "KNOB 6.5X18X35",,1,1,,,,,,,,,,,,,,,,,,,,,  
13,1,,22272-000060,, "CIRCLIP E- 6",,1,1,,,,,,,,,,,,,,,,,,,,,  
14,1,,26587-040062,, "SCREW M 4X 6",2,2,2,,,,,,,,,,,,,,,,,,,,,  
15,1,,26776-140002,, "LOCK NUT M14 PLATED",2,2,2,,,,,,,,,,,,,,,,,,,,,  
16,1,,933168-55770,, "BAND 146",2,2,2,,,,,,,,,,,,,,,,,,,,,  
17,1,,172165-47821,, "LEVER R ASSY, SI(72)",1,,,,,,,,,,,,,,,,,,,,,



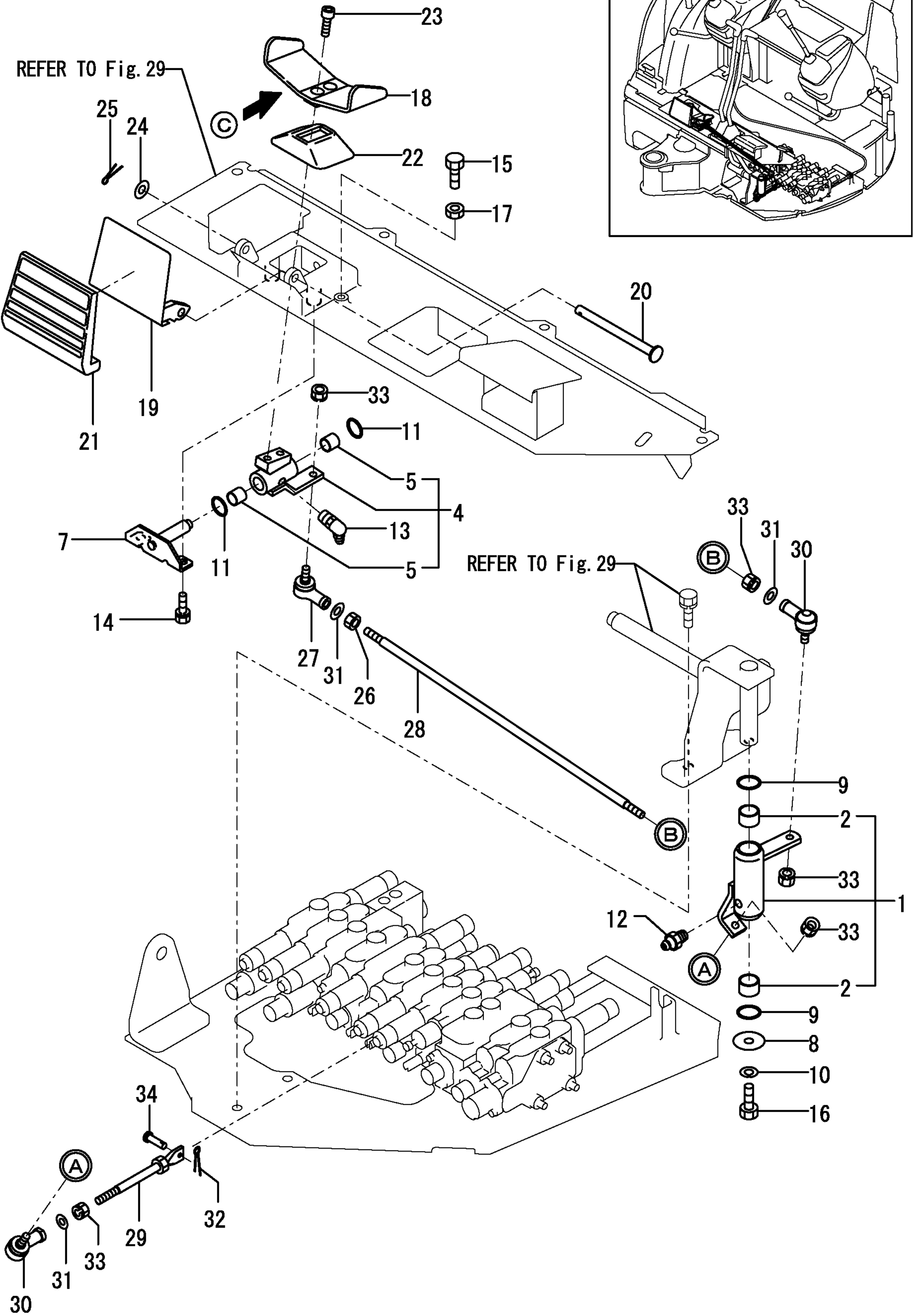
1,1,,172458-45700,, "LEVER, BLADE (GRAY:72)",1,1,1,,,,,,,,,,,,,  
2,1,,172458-45720,, "SHAFT ASSY (GRAY:72)",1,1,1,,,,,,,,,,,,,  
3,1,,172164-45970,, "GRIP, BLADE",1,1,1,,,,,,,,,,,,,  
4,1,,22351-030032,, "SPRING PIN 3X32",1,1,1,,,,,,,,,,,,,  
5,1,,22351-050032,, "SPRING PIN 5X32",1,1,1,,,,,,,,,,,,,  
6,1,,24311-000210,, "O-RING 1A P-21.0",2,2,2,,,,,,,,,,,,,  
7,1,,26116-080254,, "BOLT M 8X 25 PLATED",2,2,2,,,,,,,,,,,,,  
8,1,,26716-080002,, "NUT M 8",2,2,2,,,,,,,,,,,,,  
9,1,,172456-45800,, "CABLE, BLADE",1,1,1,,,,,,,,,,,,,  
10,2,,172458-45810,, "BALL JOINT",1,1,1,,,,,,,,,,,,,  
11,2,,26757-050002,, "NUT, 5",1,1,1,,,,,,,,,,,,,  
12,1,,22417-160160,, "COTTER PIN 1.6X16",1,1,1,,,,,,,,,,,,,  
13,1,,26051-080002,, "NUT M 8",1,1,1,,,,,,,,,,,,,  
14,1,,933110-54100,, "PIN 4.75X14",1,1,1,,,,,,,,,,,,,  
15,1,,933168-55770,, "BAND 146",1,1,1,,,,,,,,,,,,,



1,1,,172458-45180,, "LINK, SWING (GRAY:72)",1,1,1,,,,,,,,,,,,,,,,,  
2,2,,172141-41370,, "BUSH 2015",2,2,2,,,,,,,,,,,,,,,,,  
4,1,,172458-45200,, "LINK, PEDAL (GRAY:72)",1,1,1,,,,,,,,,,,,,,,,,  
5,2,,172141-41360,, "BUSH 1415",2,2,2,,,,,,,,,,,,,,,,,  
7,1,,172458-45230,, "SHAFT, PEDAL (GRAY:72)",1,1,1,,,,,,,,,,,,,,,,,  
8,1,,1A1040-45890,, "WASHER 10 36 4.5",1,1,1,,,,,,,,,,,,,,,,,  
9,1,,172124-46200,, "O-RING 27X5.7",2,2,2,,,,,,,,,,,,,,,,,  
10,1,,22217-100000,, "SPRING WASHER 10",1,1,1,,,,,,,,,,,,,,,,,  
11,1,,24311-000210,, "O-RING 1A P-21.0",2,2,2,,,,,,,,,,,,,,,,,  
12,1,,24761-020000,, "NIPPLE PT1/8, GREASE",1,1,1,,,,,,,,,,,,,,,,,  
13,1,,24761-040000,, "NIPPLE B, GREASE",1,1,1,,,,,,,,,,,,,,,,,  
14,1,,26013-080162,, "BOLT W/WASHER M8X16",2,2,2,,,,,,,,,,,,,,,,,  
15,1,,26116-080254,, "BOLT M 8X 25 PLATED",2,2,2,,,,,,,,,,,,,,,,,  
16,1,,26116-100202,, "BOLT M10X 20 PLATED",1,1,1,,,,,,,,,,,,,,,,,  
17,1,,26716-080002,, "NUT M 8",2,2,2,,,,,,,,,,,,,,,,,  
18,1,,172458-45521,, "PEDAL, SWING (GRAY:72)",1,1,1,,,,,,,,,,,,,,,,,  
19,1,,172458-45540,, "COVER, PEDAL (GRAY:72)",1,1,1,,,,,,,,,,,,,,,,,  
20,1,,172187-45651,, "SHAFT, PEDAL COVER",1,1,1,,,,,,,,,,,,,,,,,  
21,1,,172187-45760,, "COVER PAD",1,1,1,,,,,,,,,,,,,,,,,  
22,1,,172157-45990,, "BOOTS, PEDAL",1,1,1,,,,,,,,,,,,,,,,,  
23,1,,172165-46340,, "BOLT",2,2,2,,,,,,,,,,,,,,,,,  
24,1,,22137-100000,, "WASHER 10, POLISHED",1,1,1,,,,,,,,,,,,,,,,,  
25,1,,22417-250200,, "COTTER PIN 2.5X20",1,1,1,,,,,,,,,,,,,,,,,  
26,1,,194200-37780,, "LS-NUT 8",1,1,1,,,,,,,,,,,,,,,,,  
27,1,,172734-41300,, "LINK BALL 8L",1,1,1,,,,,,,,,,,,,,,,,  
28,1,,172456-45160,, "LOD, SWING",1,1,1,,,,,,,,,,,,,,,,,  
29,1,,172823-45940,, "ROD 130 COMP.",1,1,1,,,,,,,,,,,,,,,,,  
30,1,,172122-46590,, "ELBALL 8",2,2,2,,,,,,,,,,,,,,,,,  
31,1,,22117-080000,, "WASHER 8",3,3,3,,,,,,,,,,,,,,,,,  
32,1,,22417-160160,, "COTTER PIN 1.6X16",1,1,1,,,,,,,,,,,,,,,,,  
33,1,,26051-080002,, "NUT M 8",5,5,5,,,,,,,,,,,,,,,,,  
34,1,,933110-54100,, "PIN 4.75X14",1,1,1,,,,,,,,,,,,,,,,,



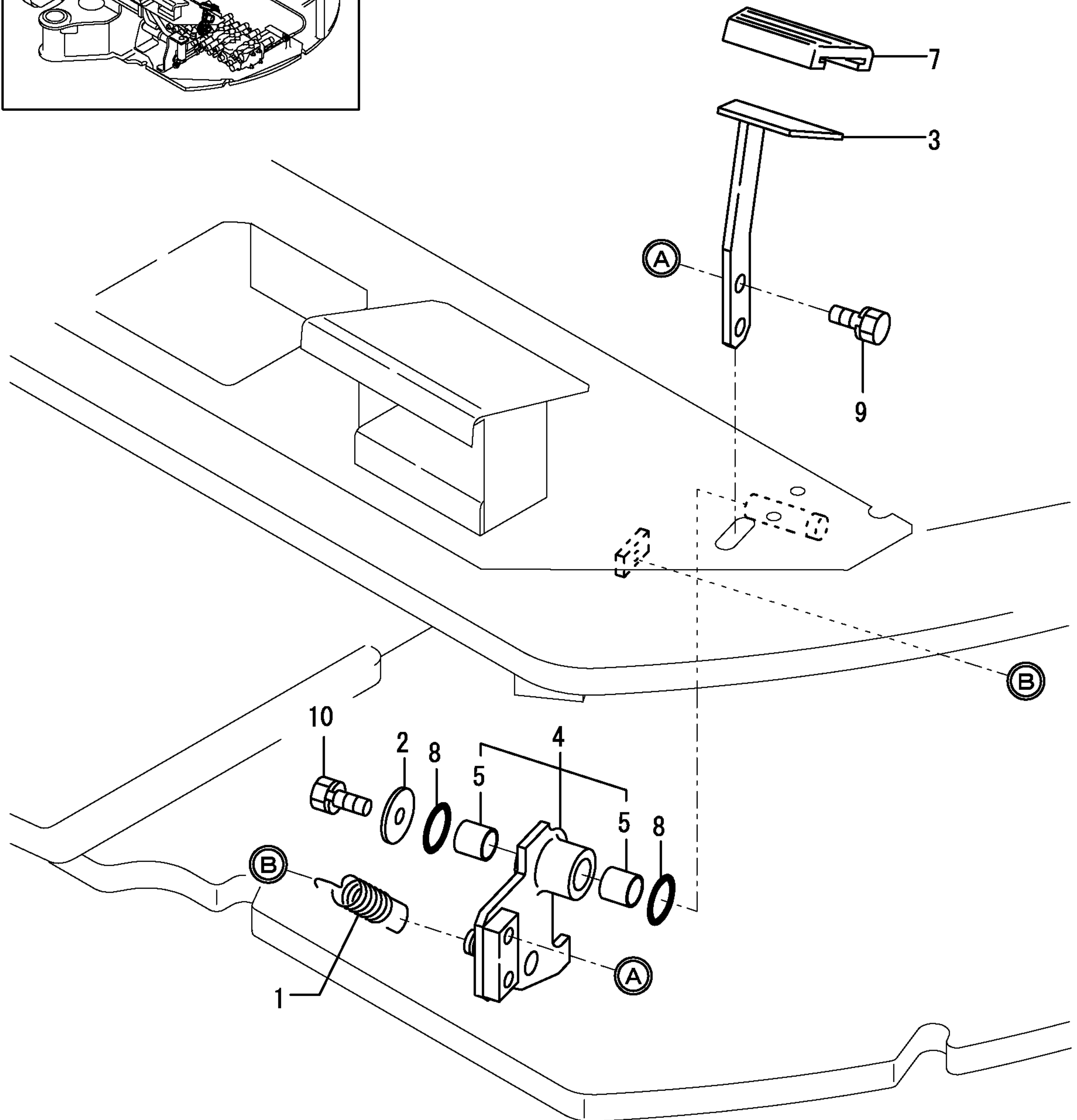
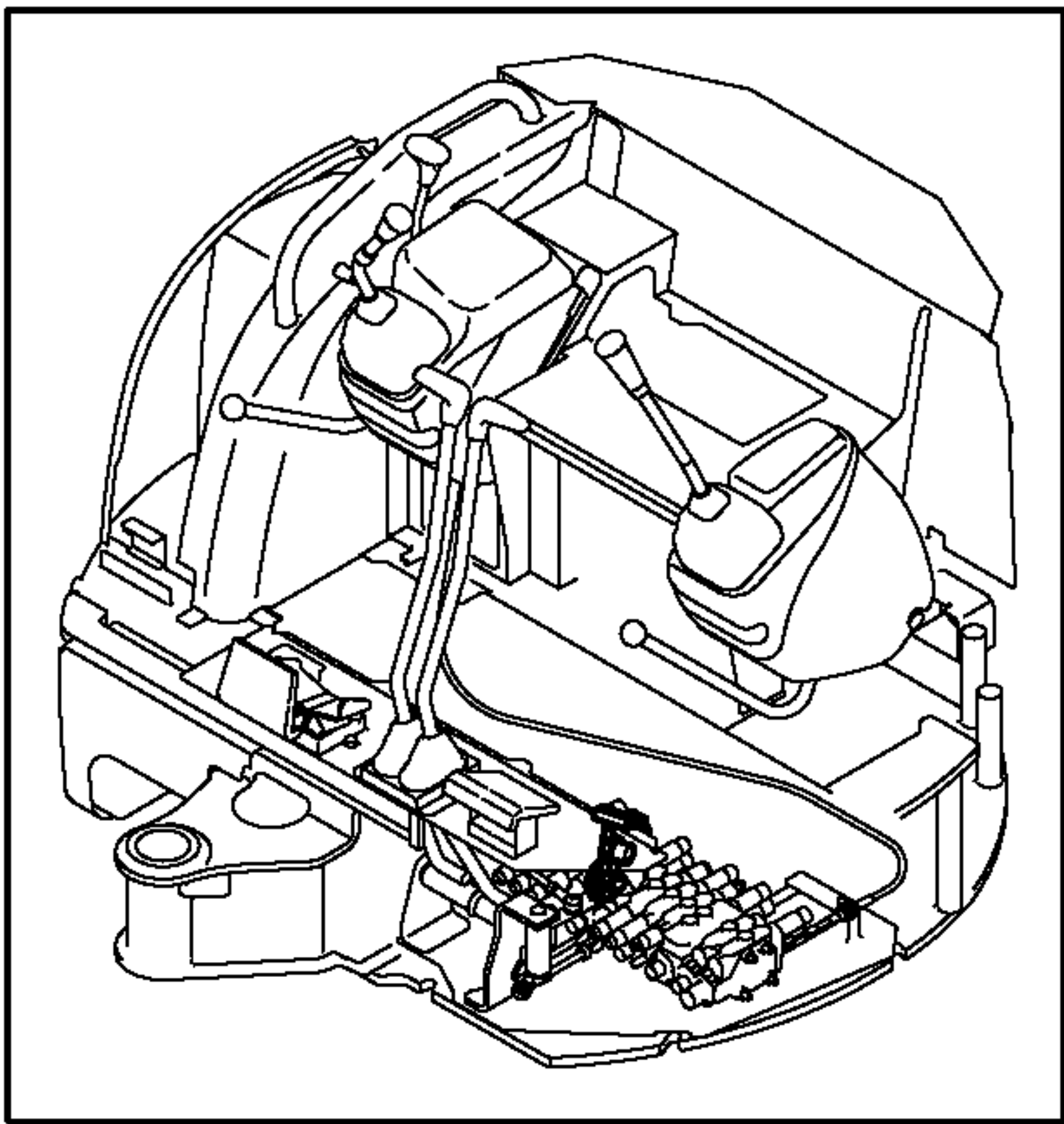
REFER TO Fig. 29



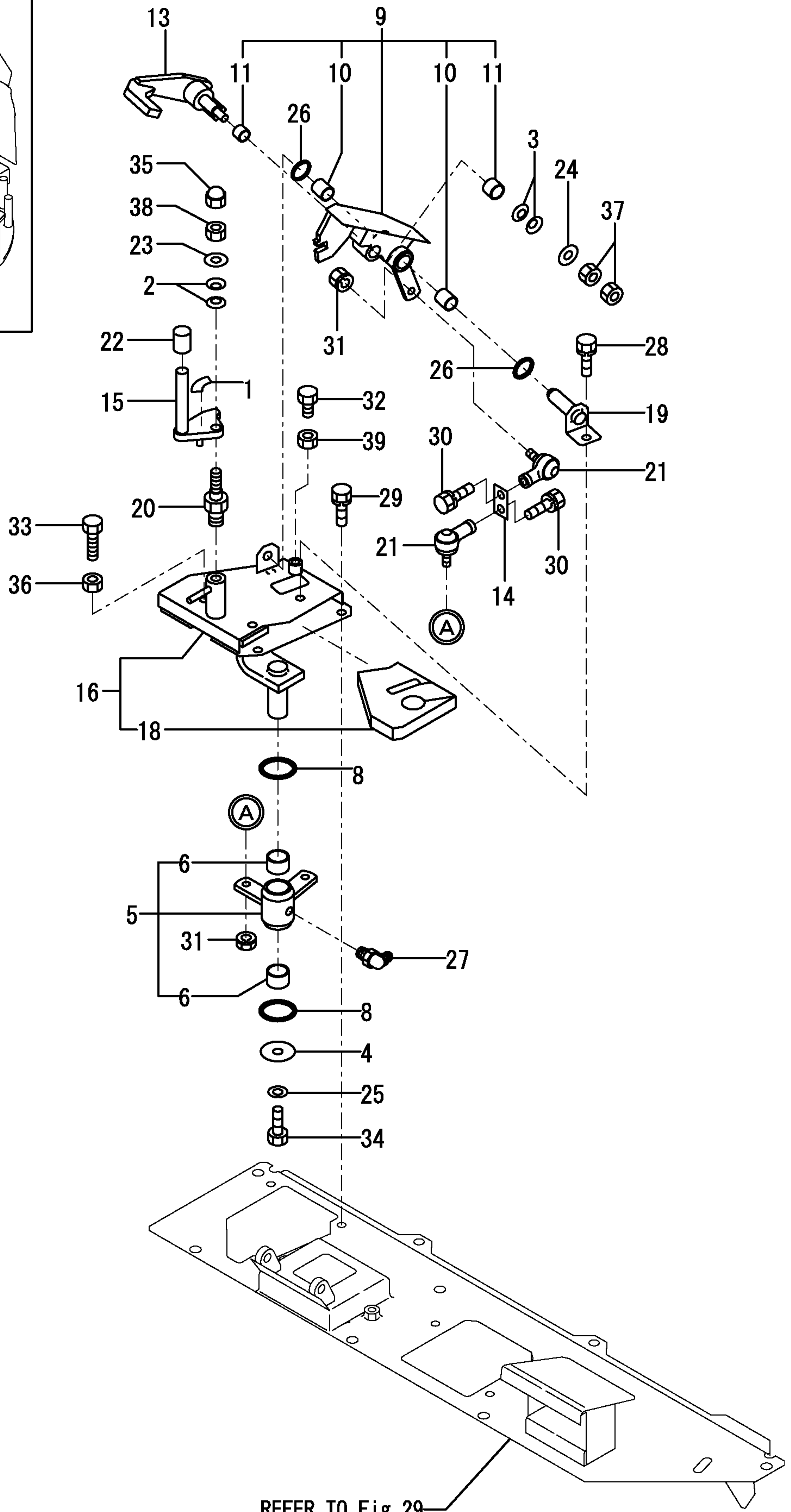
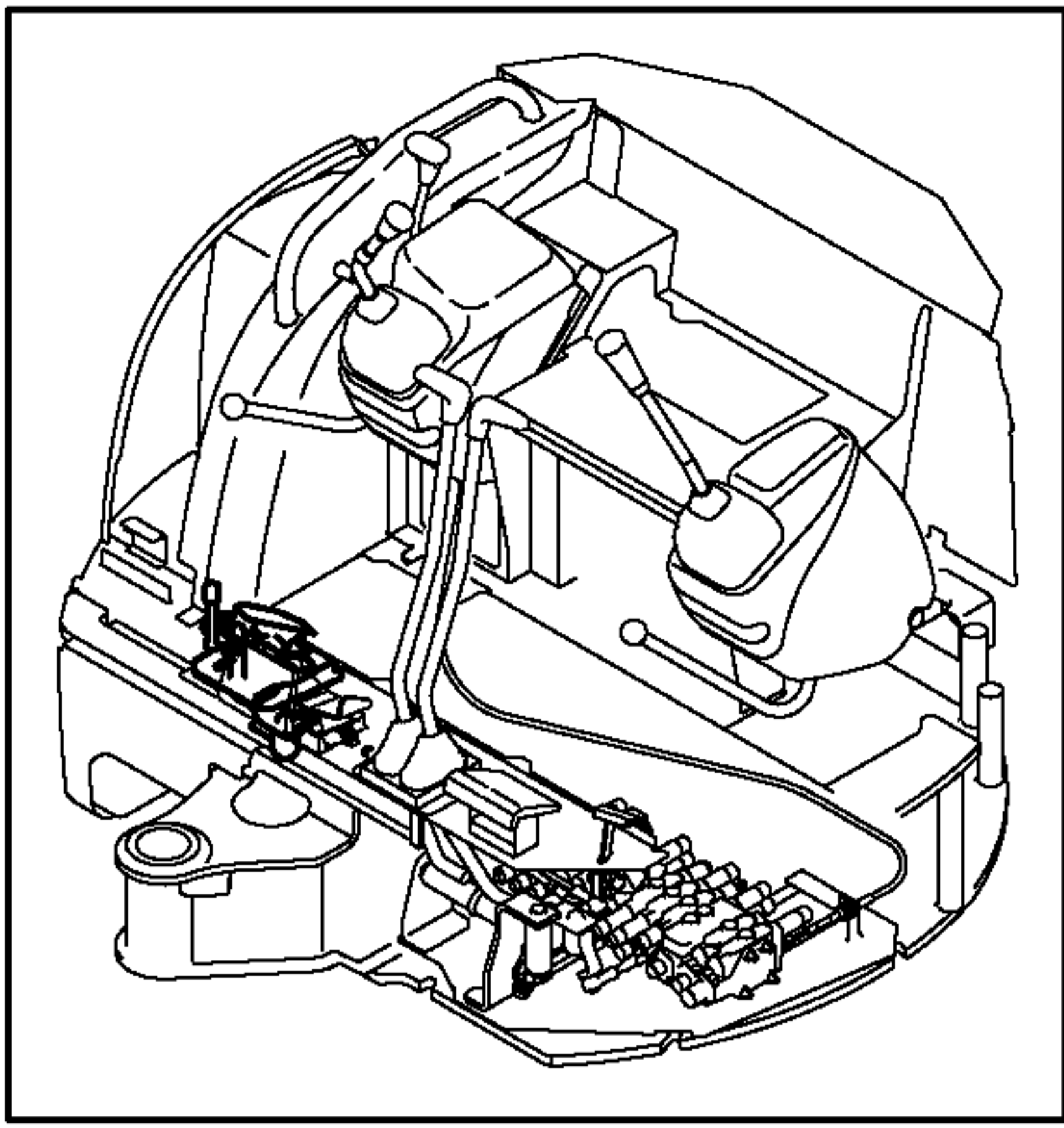
REFER TO Fig. 29



1,1,,172162-12480,, "SPRING,RETURN",1,1,1,,,,,,,,,,,,,  
2,1,,1A1040-43900,, "SPRING WASHER",1,1,1,,,,,,,,,,,,,  
3,1,,172487-45900,, "PEDAL,LO-HI (GRAY:72)",1,1,1,,,,,,,,,,,,,  
4,1,,172458-45920,, "BRACKET,PEDAL (GRAY72",1,1,1,,,,,,,,,,,,,  
5,2,,172141-41360,, "BUSH 1415",2,2,2,,,,,,,,,,,,,  
7,1,,172458-45950,, "PAD,PEDAL",1,1,1,,,,,,,,,,,,,  
8,1,,24311-000210,, "O-RING 1A P-21.0",2,2,2,,,,,,,,,,,,,  
9,1,,26013-080162,, "BOLT W/WASHER M8X16",2,2,2,,,,,,,,,,,,,  
10,1,,26013-080202,, "BOLT W/WASHER M8X20",1,1,1,,,,,,,,,,,,,

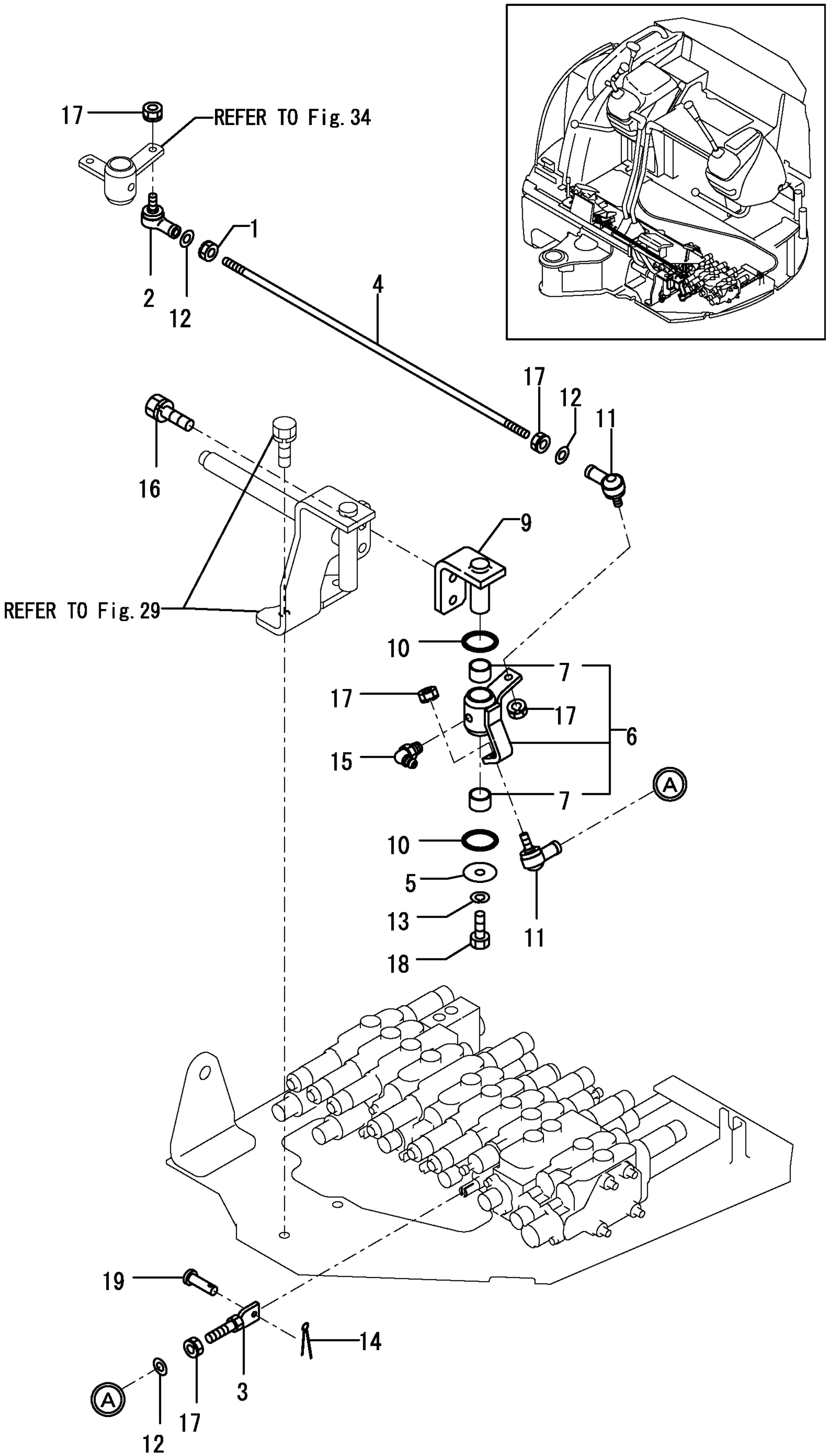


1,1,,172458-03240,, "LABEL, LOCK",1,1,1,,,,,,,,,,,,,,,,,,,,,  
2,1,,172068-28490,, "SPRING 8",2,2,2,,,,,,,,,,,,,,,,,,,,,  
3,1,,172068-28490,, "SPRING 8",2,2,2,,,,,,,,,,,,,,,,,,,,,  
4,1,,1A1040-45890,, "WASHER 10 36 4.5",1,1,1,,,,,,,,,,,,,,,,,,,,,  
5,1,,172458-46121,, "LINK B ASSY, P.T.O.",1,1,1,,,,,,,,,,,,,,,,,,,,,  
6,2,,172141-41370,, "BUSH 2015",2,2,2,,,,,,,,,,,,,,,,,,,,,  
8,1,,172124-46200,, "O-RING 27X5.7",2,2,2,,,,,,,,,,,,,,,,,,,,,  
9,1,,172458-46230,, "PEDAL A (GRAY:72)",1,1,1,,,,,,,,,,,,,,,,,,,,,  
10,2,,172141-41360,, "BUSH 1415",2,2,2,,,,,,,,,,,,,,,,,,,,,  
11,2,,172110-45050,, "BUSH 12X12",2,2,2,,,,,,,,,,,,,,,,,,,,,  
13,1,,172458-46280,, "PEDAL B (72)",1,1,1,,,,,,,,,,,,,,,,,,,,,  
14,1,,172458-46290,, "PLATE",1,1,1,,,,,,,,,,,,,,,,,,,,,  
15,1,,172458-46350,, "PLATE, LOCK (GRAY:72)",1,1,1,,,,,,,,,,,,,,,,,,,,,  
16,1,,172458-46371,, "BASE, PEDAL (BLACK:12)",1,1,1,,,,,,,,,,,,,,,,,,,,,  
18,2,,172458-46380,, "RUBBER",1,1,1,,,,,,,,,,,,,,,,,,,,,  
19,1,,172187-46400-4,, "BRACKET (GRAY:72)",1,1,1,,,,,,,,,,,,,,,,,,,,,  
20,1,,172187-46430,, "SHAFT",1,1,1,,,,,,,,,,,,,,,,,,,,,  
21,1,,172122-46590,, "ELBALL 8",2,2,2,,,,,,,,,,,,,,,,,,,,,  
22,1,,172116-46630,, "KNOB, LOCK LEVER",1,1,1,,,,,,,,,,,,,,,,,,,,,  
23,1,,22137-080000,, "WASHER 8, POLISHED",1,1,1,,,,,,,,,,,,,,,,,,,,,  
24,1,,22137-080000,, "WASHER 8, POLISHED",1,1,1,,,,,,,,,,,,,,,,,,,,,  
25,1,,22217-100000,, "SPRING WASHER 10",1,1,1,,,,,,,,,,,,,,,,,,,,,  
26,1,,24311-000210,, "O-RING 1A P-21.0",2,2,2,,,,,,,,,,,,,,,,,,,,,  
27,1,,24761-050000,, "NIPPLE C, GREASE",1,1,1,,,,,,,,,,,,,,,,,,,,,  
28,1,,26013-080162,, "BOLT W/WASHER M8X16",1,1,1,,,,,,,,,,,,,,,,,,,,,  
29,1,,26013-080162,, "BOLT W/WASHER M8X16",3,3,3,,,,,,,,,,,,,,,,,,,,,  
30,1,,26013-080252,, "BOLT M 8X 25",2,2,2,,,,,,,,,,,,,,,,,,,,,  
31,1,,26051-080002,, "NUT M 8",2,2,2,,,,,,,,,,,,,,,,,,,,,  
32,1,,26116-080254,, "BOLT M 8X 25 PLATED",1,1,1,,,,,,,,,,,,,,,,,,,,,  
33,1,,26116-080304,, "BOLT M8 X 30 PLATED",1,1,1,,,,,,,,,,,,,,,,,,,,,  
34,1,,26116-100202,, "BOLT M10X 20 PLATED",1,1,1,,,,,,,,,,,,,,,,,,,,,  
35,1,,26658-080002,, "CAP NUT M 8",1,1,1,,,,,,,,,,,,,,,,,,,,,  
36,1,,26716-080002,, "NUT M 8",1,1,1,,,,,,,,,,,,,,,,,,,,,  
37,1,,26756-080002,, "LOCK NUT M 8 PLATED",2,2,2,,,,,,,,,,,,,,,,,,,,,  
38,1,,26756-080002,, "LOCK NUT M 8 PLATED",1,1,1,,,,,,,,,,,,,,,,,,,,,  
39,1,,26756-080002,, "LOCK NUT M 8 PLATED",1,1,1,,,,,,,,,,,,,,,,,,,,,



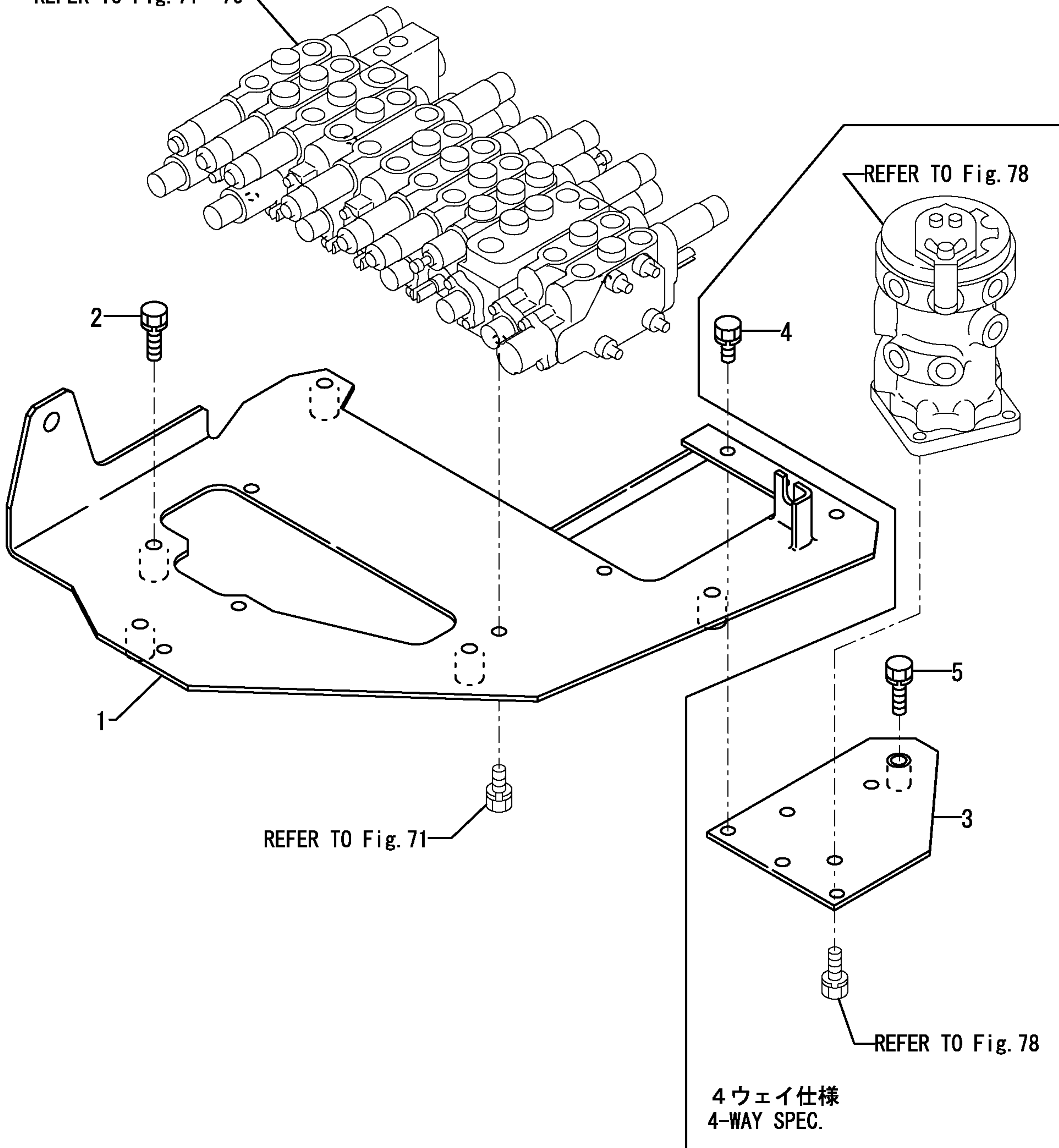
REFER TO Fig. 29

1,1,,194200-37780,, "LS-NUT 8",1,1,1,,,,,,,,,,,,,,,,,,,,,  
2,1,,172734-41300,, "LINK BALL 8L",1,1,1,,,,,,,,,,,,,,,,,,,,,  
3,1,,172823-45000,, "ROD 54, SPOOL",1,1,1,,,,,,,,,,,,,,,,,,,,,  
4,1,,172456-45170,, "ROD, P.T.O.",1,1,1,,,,,,,,,,,,,,,,,,,,,  
5,1,,1A1040-45890,, "WASHER 10 36 4.5",1,1,1,,,,,,,,,,,,,,,,,,,,,  
6,1,,172458-46100,, "LINK A ASSY, P.T.O.",1,1,1,,,,,,,,,,,,,,,,,,,,,  
7,2,,172141-41370,, "BUSH 2015",2,2,2,,,,,,,,,,,,,,,,,,,,,  
9,1,,172458-46150,, "BRACKET,P.T.O. (72)",1,1,1,,,,,,,,,,,,,,,,,,,,,  
10,1,,172124-46200,, "O-RING 27X5.7",2,2,2,,,,,,,,,,,,,,,,,,,,,  
11,1,,172122-46590,, "ELBALL 8",2,2,2,,,,,,,,,,,,,,,,,,,,,  
12,1,,22117-080000,, "WASHER 8",3,3,3,,,,,,,,,,,,,,,,,,,,,  
13,1,,22217-100000,, "SPRING WASHER 10",1,1,1,,,,,,,,,,,,,,,,,,,,,  
14,1,,22417-160160,, "COTTER PIN 1.6X16",1,1,1,,,,,,,,,,,,,,,,,,,,,  
15,1,,24761-050000,, "NIPPLE C,GREASE",1,1,1,,,,,,,,,,,,,,,,,,,,,  
16,1,,26013-100202,, "BOLT W/WASHER M10X20",2,2,2,,,,,,,,,,,,,,,,,,,,,  
17,1,,26051-080002,, "NUT M 8",5,5,5,,,,,,,,,,,,,,,,,,,,,  
18,1,,26116-100202,, "BOLT M10X 20 PLATED",1,1,1,,,,,,,,,,,,,,,,,,,,,  
19,1,,933110-54100,, "PIN 4.75X14",1,1,1,,,,,,,,,,,,,,,,,,,,,



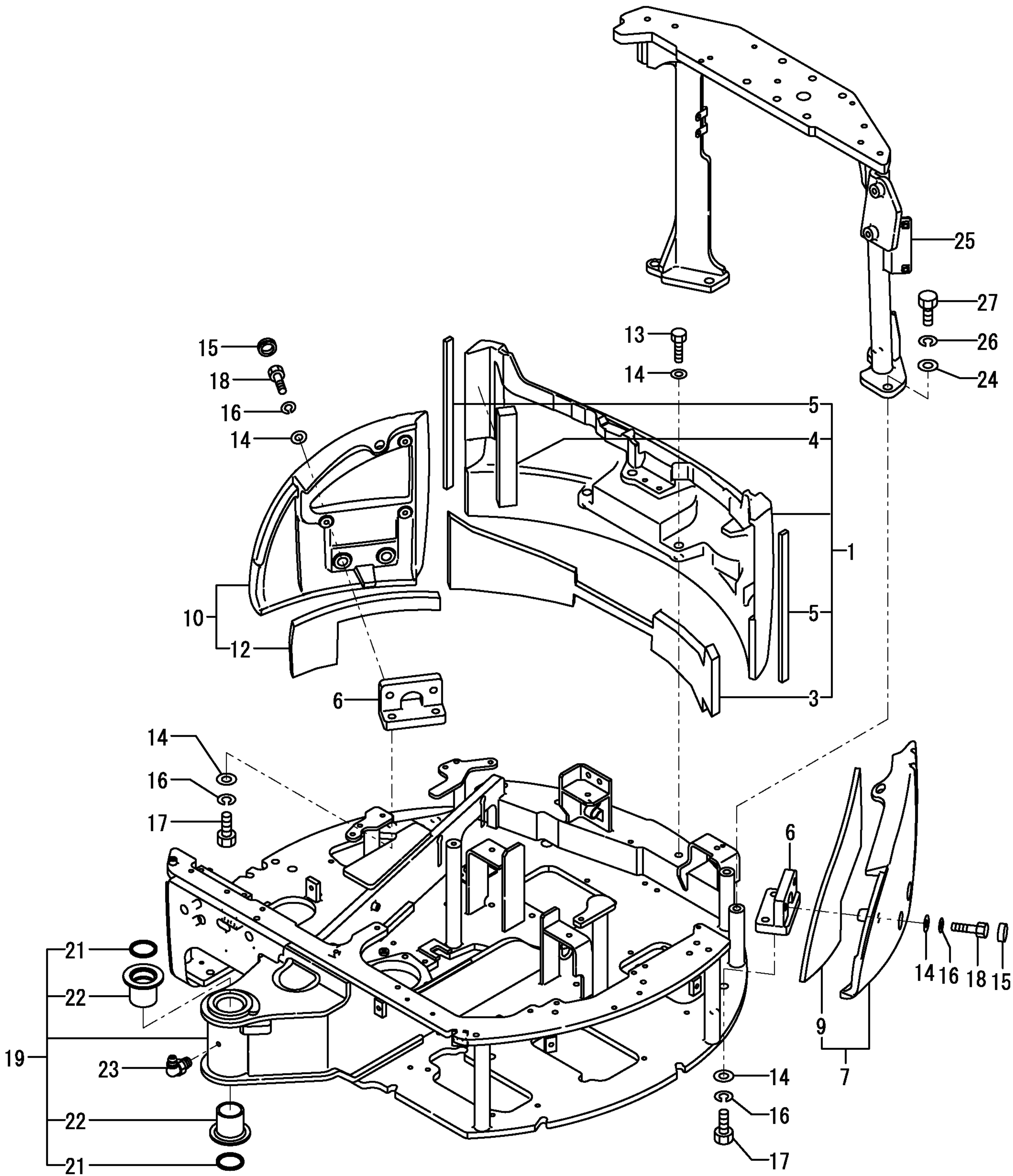
1,1,,172487-45600,, "PLATE,VALVE(GRAY:72)",1,1,1,,,,,,,,,,,,,  
2,1,,26013-100402,, "BOLT M10X 40",5,5,5,,,,,,,,,,,,,  
3,1,,172487-74200,, "BRACKET,MULTI",1,1,,,,,,,,,,,,,  
4,1,,26013-100202,, "BOLT W/WASHER M10X20",3,3,,,,,,,,,,,,,  
5,1,,26013-100352,, "BOLT M10X 35",1,1,,,,,,,,,,,,,

REFER TO Fig. 71~76

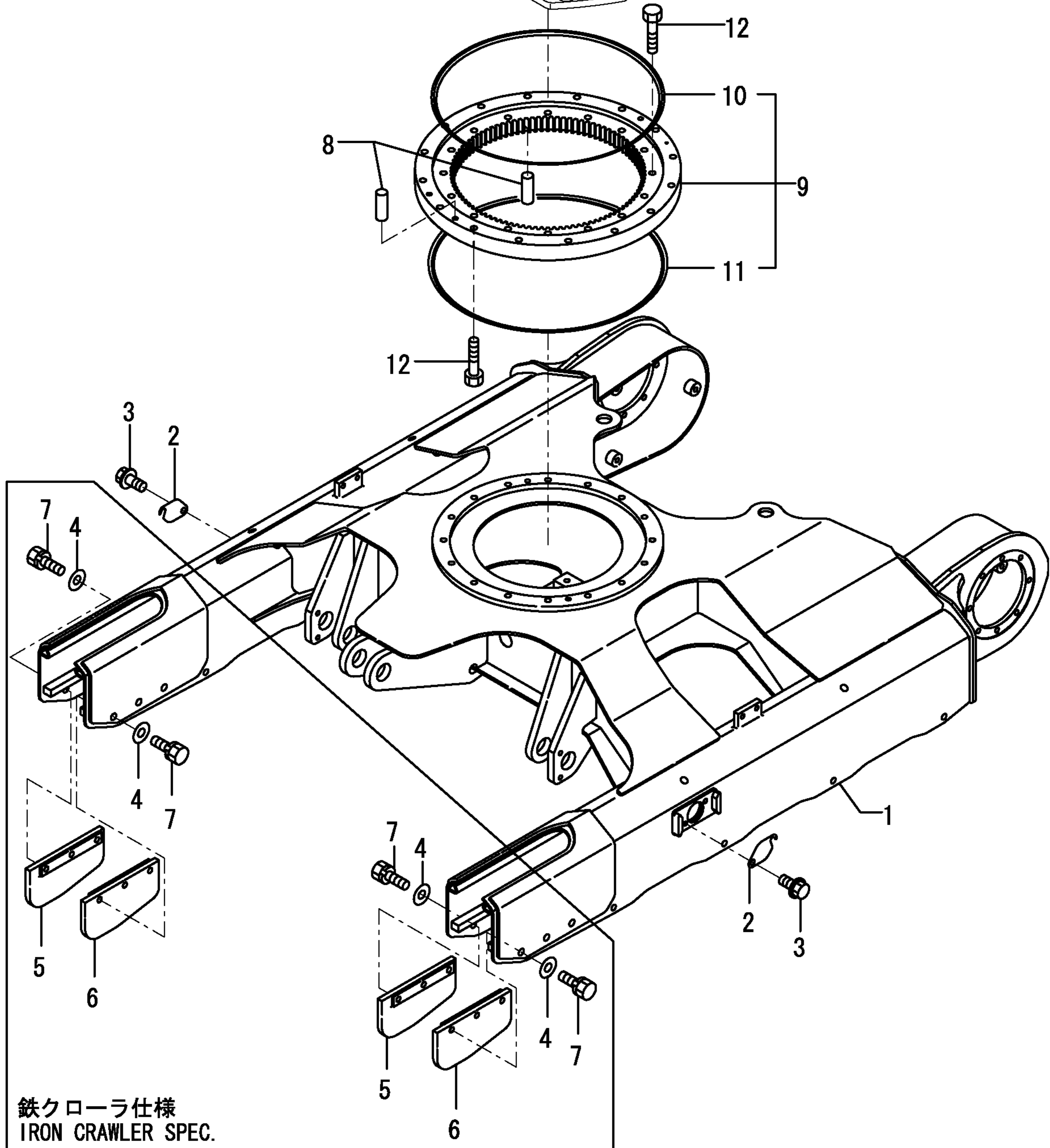
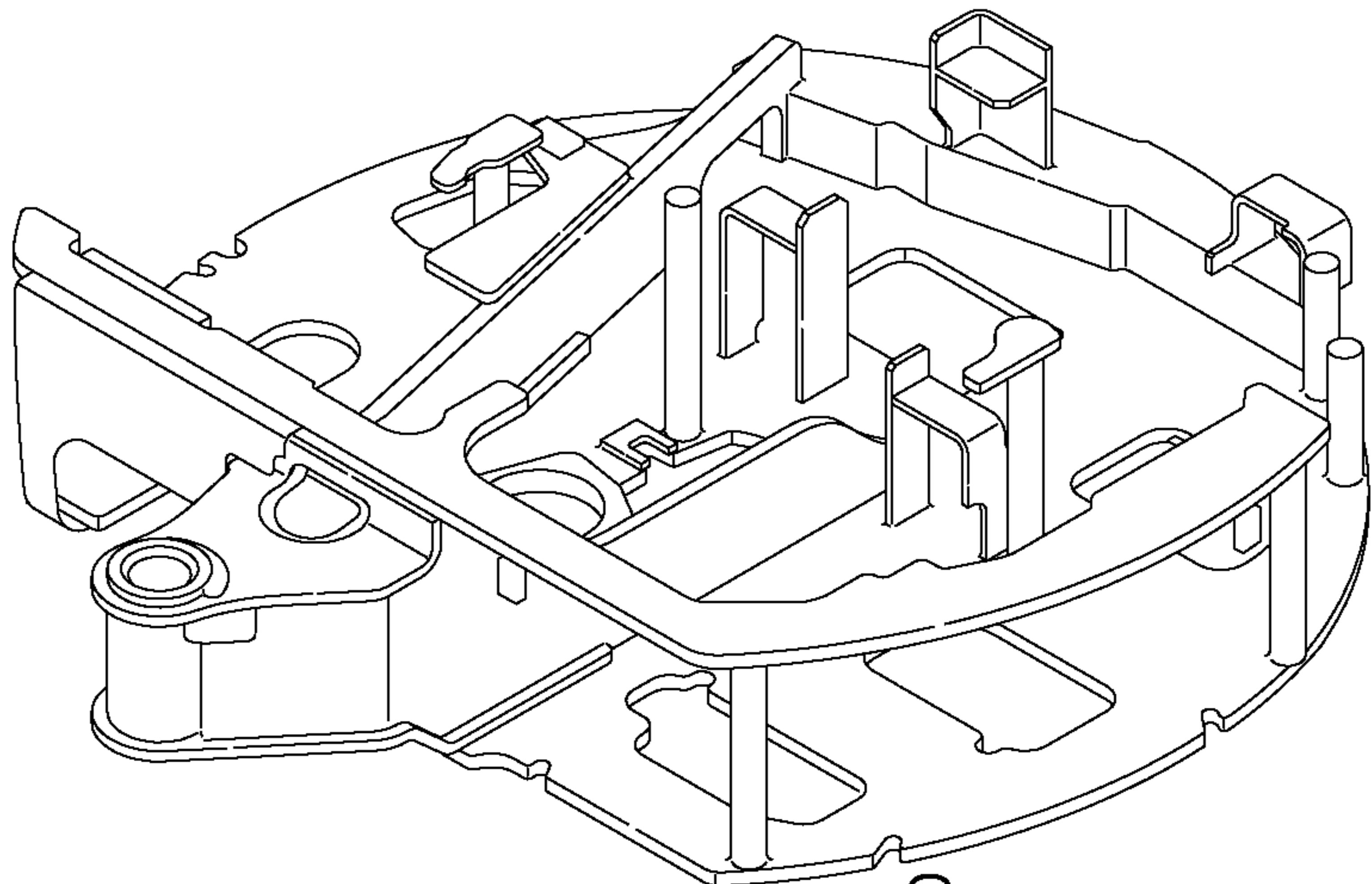




1,1,,172487-53300,, "WEIGHT,COUNTER (88)",1,1,1,,,,,,,,,,,,,  
3,2,,172487-53320,, "SEAL A",1,1,1,,,,,,,,,,,,,  
4,2,,172487-53330,, "SEAL B",1,1,1,,,,,,,,,,,,,  
5,2,,172458-53370,, "SEAL,COUNTER",2,2,2,,,,,,,,,,,,,  
6,1,,172458-53330,, "BRACKET ASSY",2,2,2,,,,,,,,,,,,,  
7,1,,172487-53350,, "WEIGHT L (GREEN:88)",1,1,1,,,,,,,,,,,,,  
9,2,,172487-53370,, "SEAL C",1,1,1,,,,,,,,,,,,,  
10,1,,172487-53400,, "WEIGHT R (GREEN:88)",1,1,1,,,,,,,,,,,,,  
12,2,,172487-53420,, "SEAL D",1,1,1,,,,,,,,,,,,,  
13,1,,172165-53480,, "BOLT M16X 60",2,2,2,,,,,,,,,,,,,  
14,1,,172165-53500,, "WASHER,10,10,10",10,10,10,,,,,,,,,,,,,  
15,1,,172456-53700,, "GROMMET 30",4,4,4,,,,,,,,,,,,,  
16,1,,22217-160000,, "SPRING WASHER 16",8,8,8,,,,,,,,,,,,,  
17,1,,26116-160452,, "BOLT M16X 45 PLATED",4,4,4,,,,,,,,,,,,,  
18,1,,26116-160652,, "BOLT M16X 65 PLATED",4,4,4,,,,,,,,,,,,,  
19,1,,172A23-54100,, "FRAME,TURNING (97)",1,1,1,,,,,,,,,,,,,  
21,2,,172448-54120,, "SEAL 50X60X4,DUST",2,2,2,,,,,,,,,,,,,  
22,2,,172171-54750,, "BUSH 50X65",2,2,2,,,,,,,,,,,,,  
23,1,,24761-040000,, "NIPPLE B,GREASE",1,1,1,,,,,,,,,,,,,  
24,1,,172165-53500,, "WASHER,4,4,4",4,4,4,,,,,,,,,,,,,  
25,1,,172A23-67210,, "MOUNT,CANOPY(GRAY:73)",1,1,1,,,,,,,,,,,,,  
26,1,,22217-160000,, "SPRING WASHER 16",4,4,4,,,,,,,,,,,,,  
27,1,,26116-160452,, "BOLT M16X 45 PLATED",4,4,4,,,,,,,,,,,,,

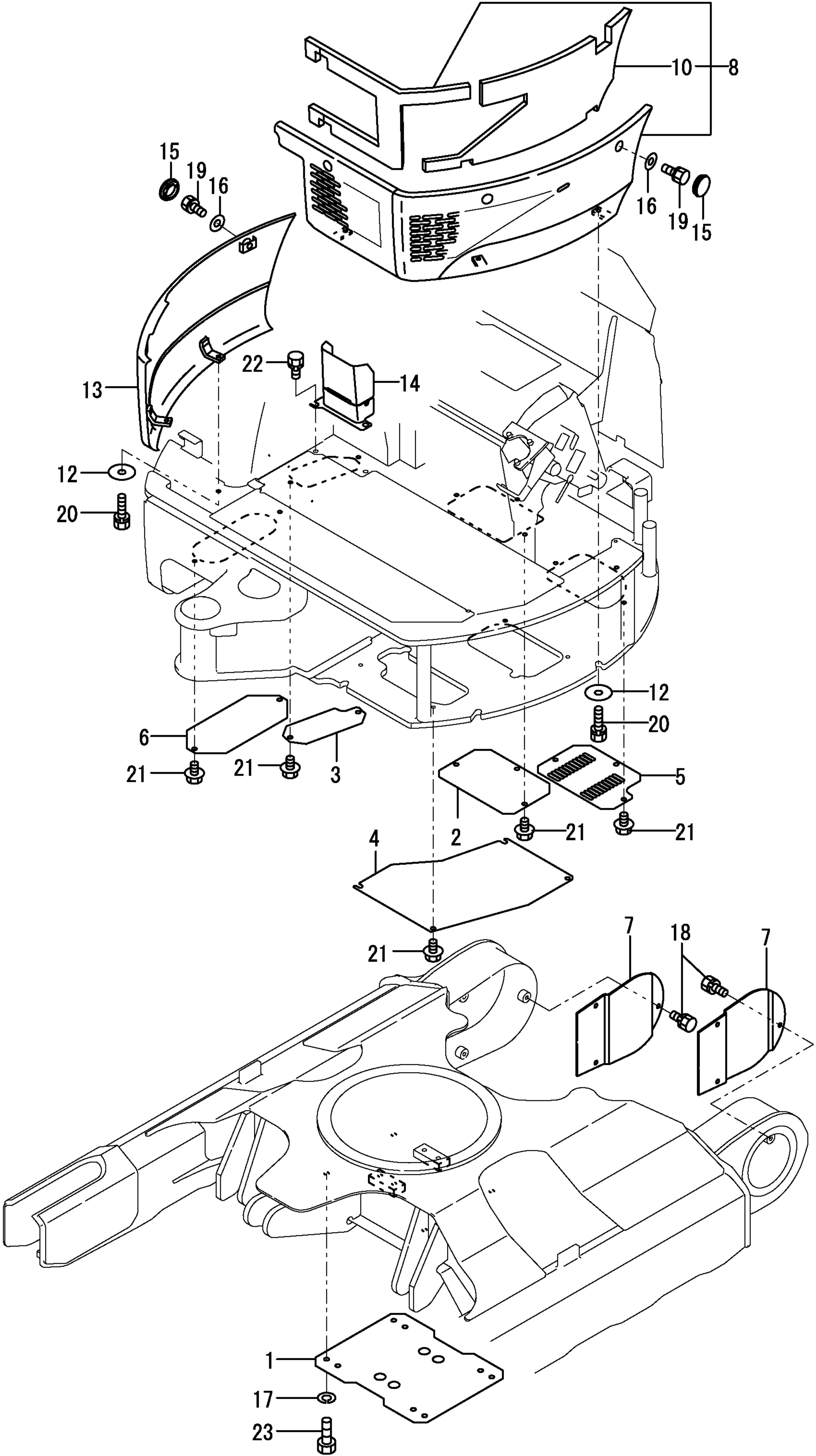


1,1,,172456-50102,, "FRAME,LOWER(GREEN:88",1,1,1,,,,,,,,,,,,,  
2,1,,172458-50480,, "COVER,FRAME(GREEN:88",2,2,2,,,,,,,,,,,,,  
3,1,,26106-100122,, "BOLT M10X 12 PLATED",4,4,4,,,,,,,,,,,,,  
4,1,,172730-05250,, "WASHER 12",12,12,12,,,,,,,,,,,,,  
5,1,,172456-50800,, "GUARD L,SHOE(GREEN88",2,2,2,,,,,,,,,,,,,  
6,1,,172456-50830,, "GUARD R,HHOE(GREEN88",2,2,2,,,,,,,,,,,,,  
7,1,,26013-120352,, "BOLT M12X 35",12,12,12,,,,,,,,,,,,,  
8,1,,194940-24350,, "PIN 10X28,STRAIGHT",3,3,3,,,,,,,,,,,,,  
9,1,,172456-57600,, "BEARING,TURNING",1,1,1,,,,,,,,,,,,,  
10,2,,172183-57620,, "SEAL A,TURNING",1,1,1,,,,,,,,,,,,,  
11,2,,172183-57630,, "SEAL B,TURNING",1,1,1,,,,,,,,,,,,,  
12,1,,172141-57650,, "BOLT M12X 55 PLATED",32,32,32,,,,,,,,,,,,,

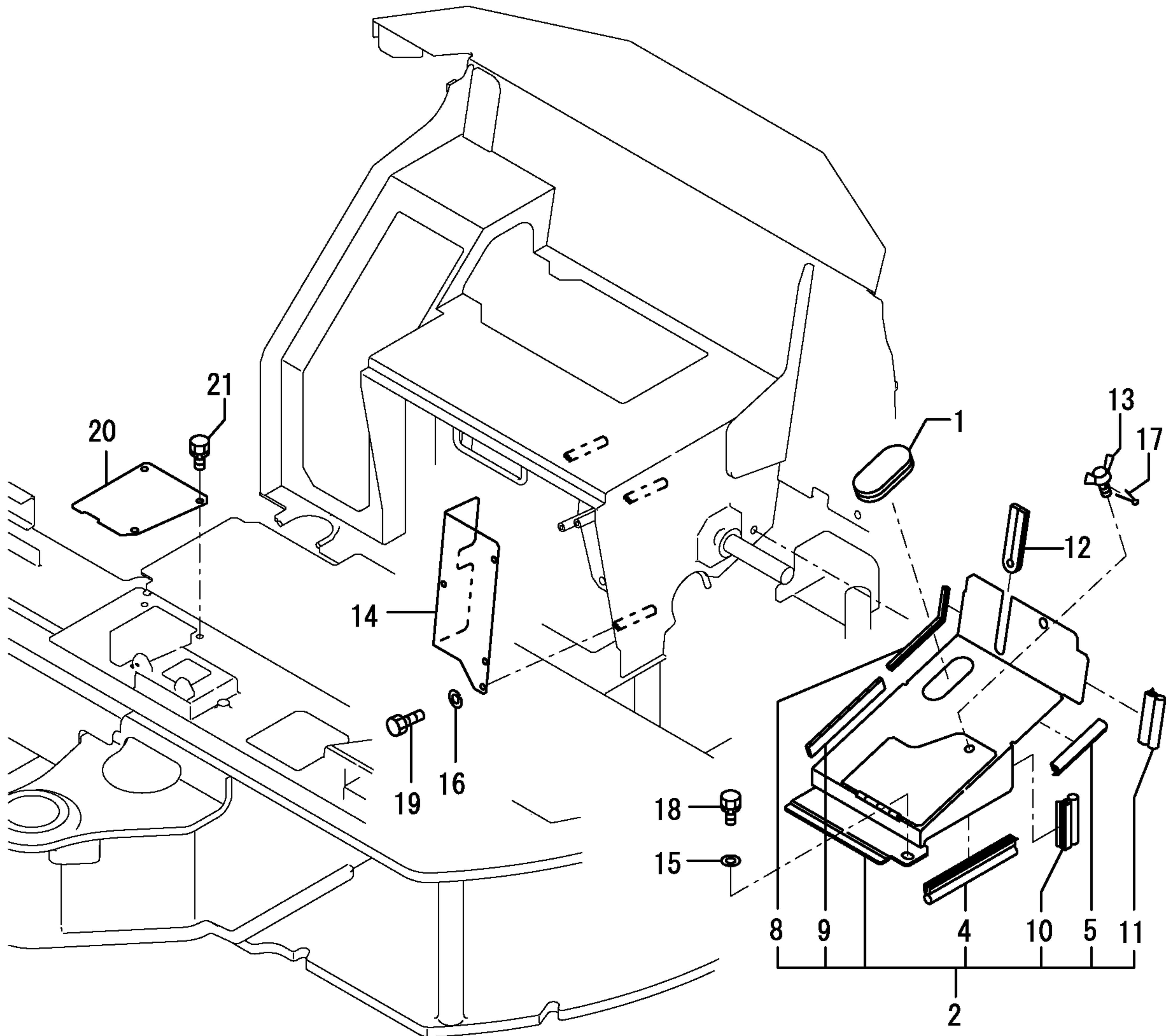


鉄クローラ仕様  
IRON CRAWLER SPEC.

1,1,,172141-50762-1,, "COVER,UNDER(GREEN:88",1,1,1,,,,,,,,,,,,,  
2,1,,172456-61100,, "COVER (GREEN:97)",1,1,1,,,,,,,,,,,,,  
3,1,,172456-61110,, "COVER (GREEN:97)",1,1,1,,,,,,,,,,,,,  
4,1,,172458-61110,, "COVER,VALVE(GREEN:97",1,1,1,,,,,,,,,,,,,  
5,1,,172456-61130,, "PLATE A,PUMP(GREEN97",1,1,1,,,,,,,,,,,,,  
6,1,,172458-61150,, "COVER,FUEL OIL (97)",1,1,1,,,,,,,,,,,,,  
7,1,,172173-61190-1,, "COVER,TRAVEL",2,2,2,,,,,,,,,,,,,  
8,1,,172A23-61200,, "COVER,FRAME L (97)",1,1,1,,,,,,,,,,,,,  
10,2,,172487-61240,, "SEAL, SIDECOVER",1,1,1,,,,,,,,,,,,,  
12,1,,172458-61261,, "WASHER,5,5,5,,,,,,,,,,,,,  
13,1,,172456-61270,, "COVER,FRAME R (97)",1,1,1,,,,,,,,,,,,,  
14,1,,172A23-61410,, "PLATE ASSY(BLACK:12)",1,1,1,,,,,,,,,,,,,  
15,1,,172455-61600,, "PLUG 28X3.2",5,5,5,,,,,,,,,,,,,  
16,1,,22137-100000,, "WASHER 10,POLISHED",5,5,5,,,,,,,,,,,,,  
17,1,,22217-120000,, "SPRING WASHER 12",4,4,4,,,,,,,,,,,,,  
18,1,,26013-100202,, "BOLT W/WASHER M10X20",6,6,6,,,,,,,,,,,,,  
19,1,,26013-100202,, "BOLT W/WASHER M10X20",5,5,5,,,,,,,,,,,,,  
20,1,,26013-100352,, "BOLT M10X 35",5,5,5,,,,,,,,,,,,,  
21,1,,26106-100162,, "BOLT M10X 16 PLATED",14,14,14,,,,,,,,,,,,,  
22,1,,26106-100202,, "BOLT M10X 20 PLATED",2,2,2,,,,,,,,,,,,,  
23,1,,26116-120252,, "BOLT M12X 25 PLATED",4,4,4,,,,,,,,,,,,,

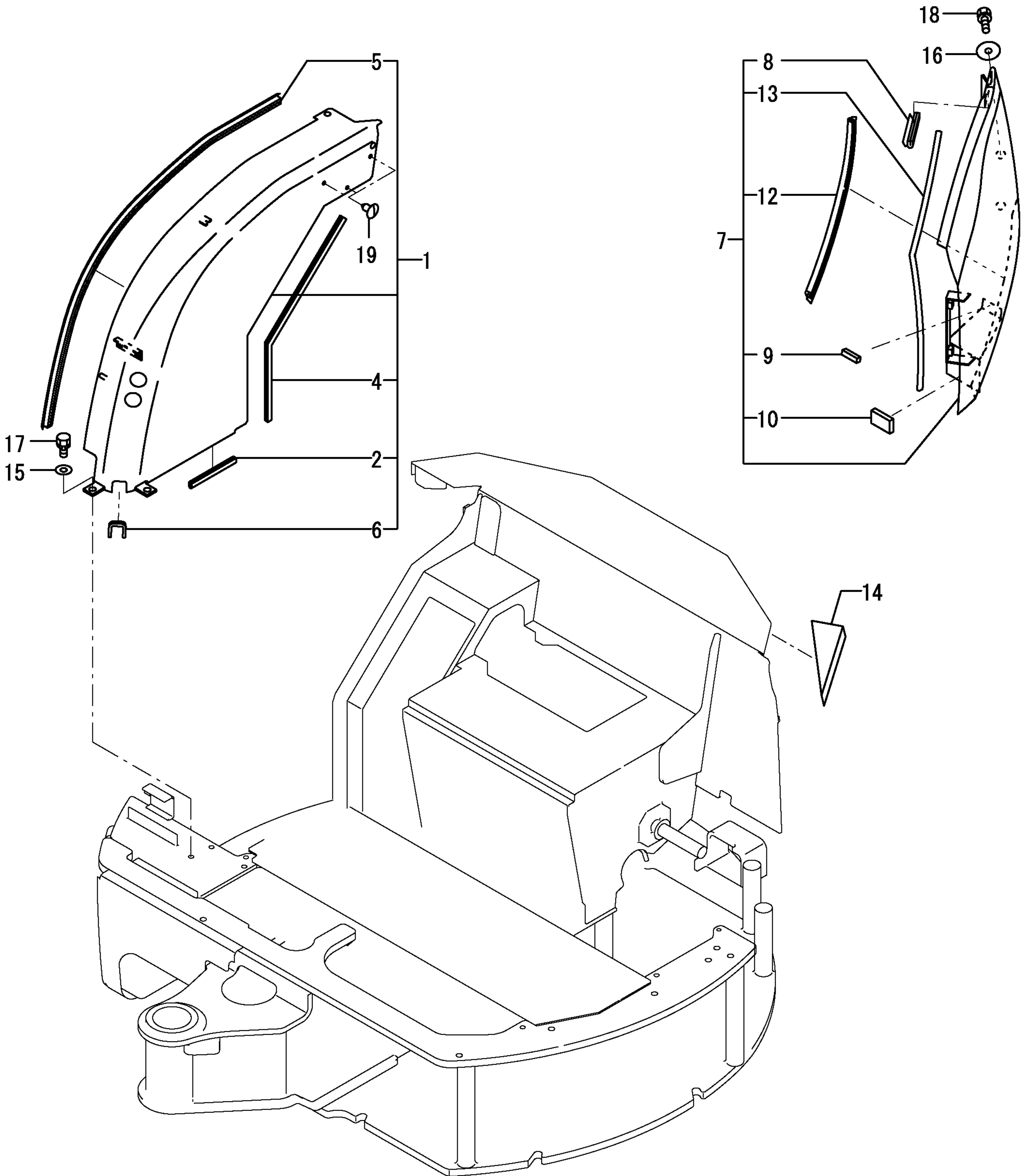


1,1,,172146-41320,,GROMMET,1,1,1,,,,,,,,,,,,,  
2,1,,172456-61151,, "COVER, MULTI (12)",1,1,1,,,,,,,,,,,,,  
4,2,,172164-61250,, "RUBBER, SEAL",1,1,1,,,,,,,,,,,,,  
5,2,,172456-61340,, "RUBBER ,SEAL 105",1,1,1,,,,,,,,,,,,,  
8,2,,172146-61370,, "RUBBER, SEAL",1,1,1,,,,,,,,,,,,,  
9,2,,172458-61540,, "SEAL,MULTI COVER B",1,1,1,,,,,,,,,,,,,  
10,2,,172171-65850,, "RUBBER,SEAL K",1,1,1,,,,,,,,,,,,,  
11,2,,172164-66800,, "RUBBER, SEAL 60",1,1,1,,,,,,,,,,,,,  
12,1,,172458-61300,, "GROMMET,MULTI",1,1,1,,,,,,,,,,,,,  
13,1,,172142-62300,, "WING BOLT M10X15",1,1,1,,,,,,,,,,,,,  
14,1,,172456-64640,, "COVER,ELECTRIC (73)",1,1,1,,,,,,,,,,,,,  
15,1,,22137-100000,, "WASHER 10,POLISHED",2,2,2,,,,,,,,,,,,,  
16,1,,22217-060000,, "SPRING WASHER 6",3,3,3,,,,,,,,,,,,,  
17,1,,22417-320200,, "COTTER PIN 3.2X20",1,1,1,,,,,,,,,,,,,  
18,1,,26013-100202,, "BOLT W/WASHER M10X20",2,2,2,,,,,,,,,,,,,  
19,1,,26116-060122,, "BOLT 6X12",3,3,3,,,,,,,,,,,,,  
20,1,,172458-45500,, "PLATE (BLACK:12)",1,1,1,,,,,,,,,,,,,  
21,1,,26013-080162,, "BOLT W/WASHER M8X16",3,3,3,,,,,,,,,,,,,

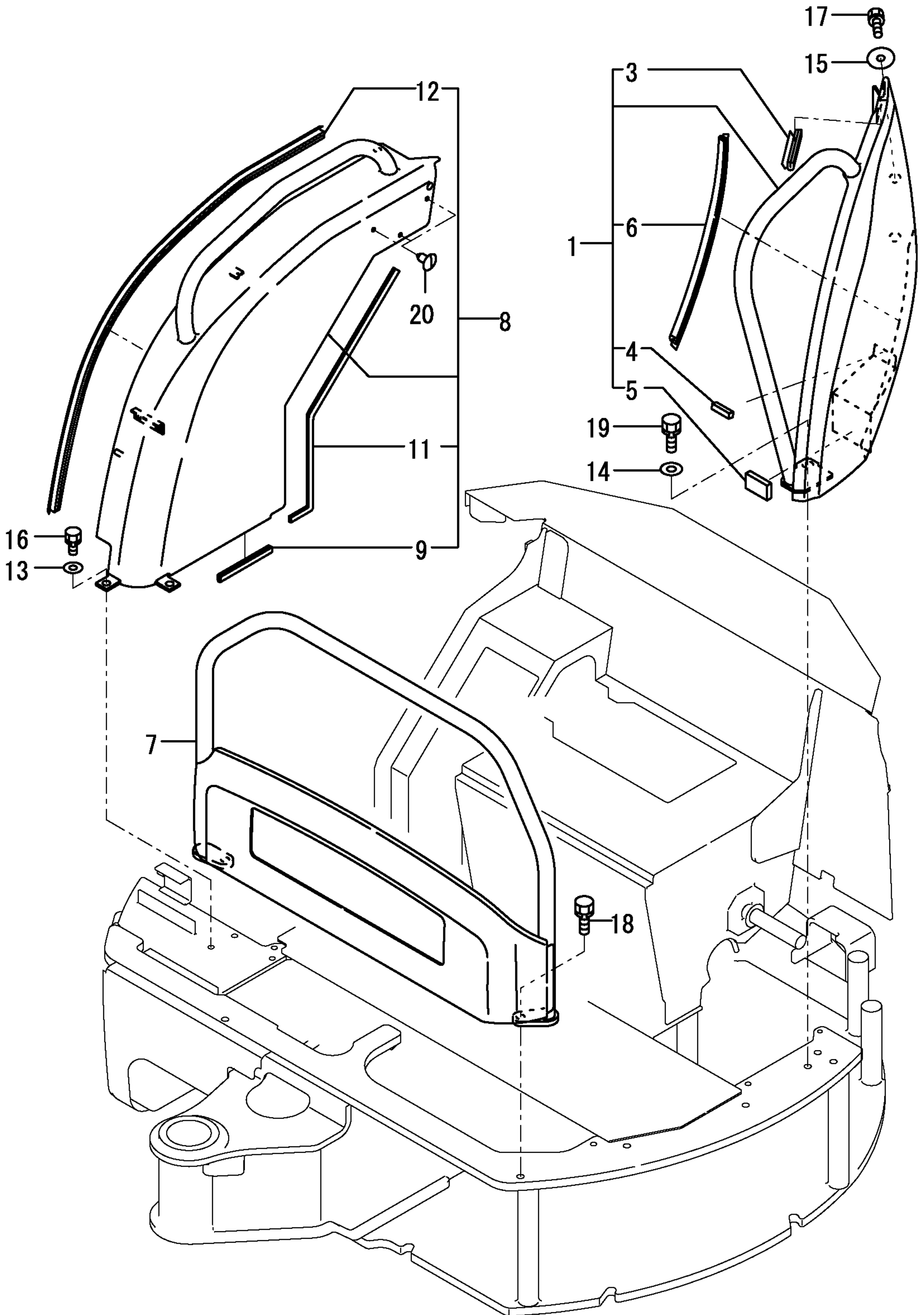




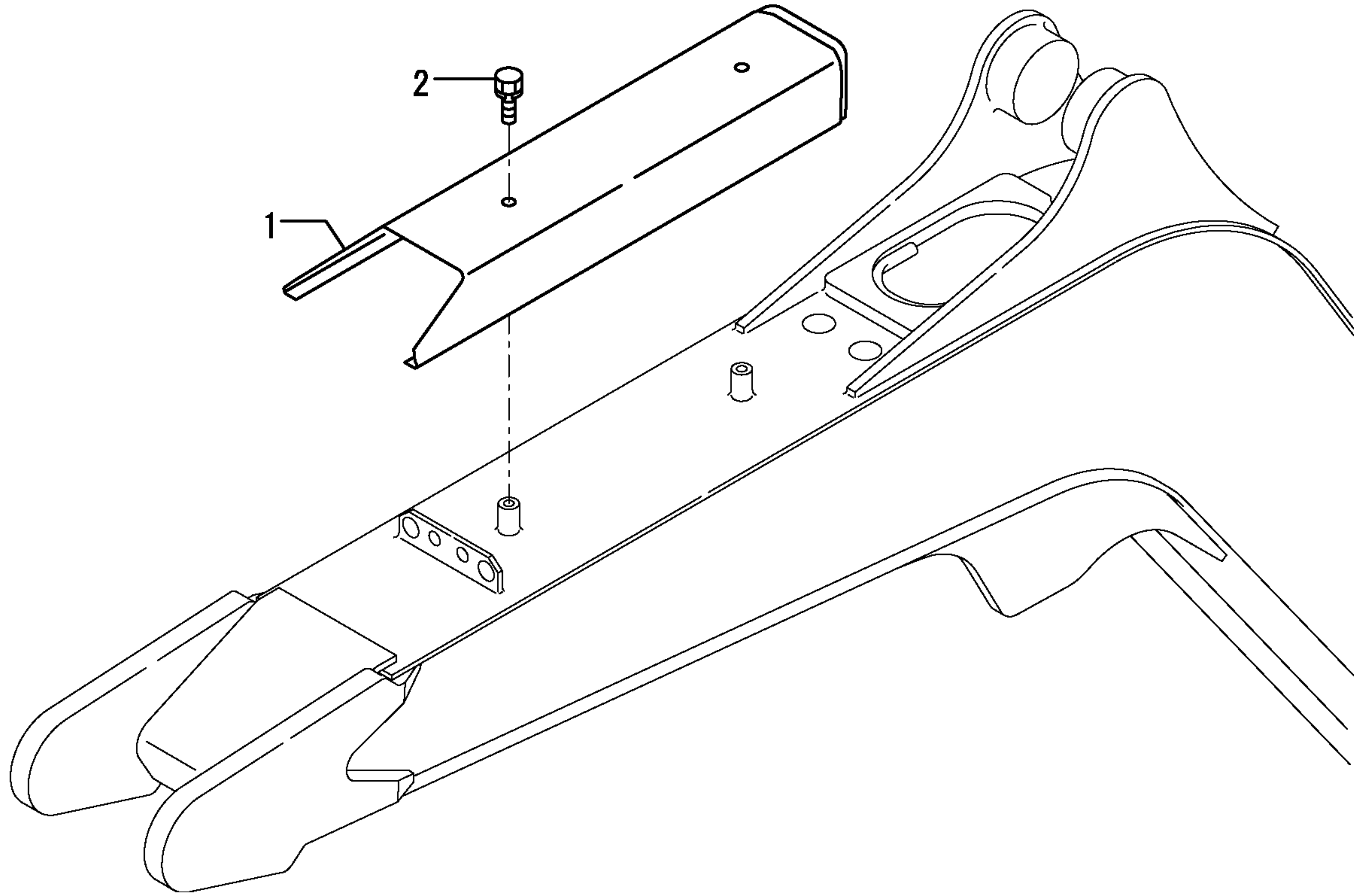
1,1,,172456-61731,, "COVER ASSY, SIDE(73)",1,,,,,,,,,,,,,,,,,,,,,  
2,2,,172156-11150,, "SEAL, ENGINE",1,,,,,,,,,,,,,,,,,,,,,  
4,2,,172458-64140,, "SEAL 560",1,,,,,,,,,,,,,,,,,,,,,  
5,2,,172165-65460,, "RUBBER, SEAL",1,,,,,,,,,,,,,,,,,,,,,  
6,2,,172175-65641,, MOLDING,1,,,,,,,,,,,,,,,,,,,,,  
7,1,,172456-61800,, "BONNET L,CAB(GREEN96",1,,,,,,,,,,,,,,,,,,,,,  
8,2,,172456-61480,, "RUBBER 95,SEAL",1,,,,,,,,,,,,,,,,,,,,,  
9,2,,172456-61490,, "SEAL A",1,,,,,,,,,,,,,,,,,,,,,  
10,2,,172456-61500,, "SEAL B",1,,,,,,,,,,,,,,,,,,,,,  
12,2,,172183-65560,, "RUBBER 390,SEAL",1,,,,,,,,,,,,,,,,,,,,,  
13,2,,172164-66630,, "RUBBER, SEAL 530",1,,,,,,,,,,,,,,,,,,,,,  
14,1,,172460-61960,, "SEAL,CAB-COVER",1,,,,,,,,,,,,,,,,,,,,,  
15,1,,22137-100000,, "WASHER 10,POLISHED",4,,,,,,,,,,,,,,,,,,,,,  
16,1,,22157-100000,, "WASHER 10",4,,,,,,,,,,,,,,,,,,,,,  
17,1,,26013-100202,, "BOLT W/WASHER M10X20",4,,,,,,,,,,,,,,,,,,,,,  
18,1,,26013-100252,, "BOLT W/WASHER M10X25",4,,,,,,,,,,,,,,,,,,,,,  
19,1,,172458-64610,, "CLIP 5",3,,,,,,,,,,,,,,,,,,,,,



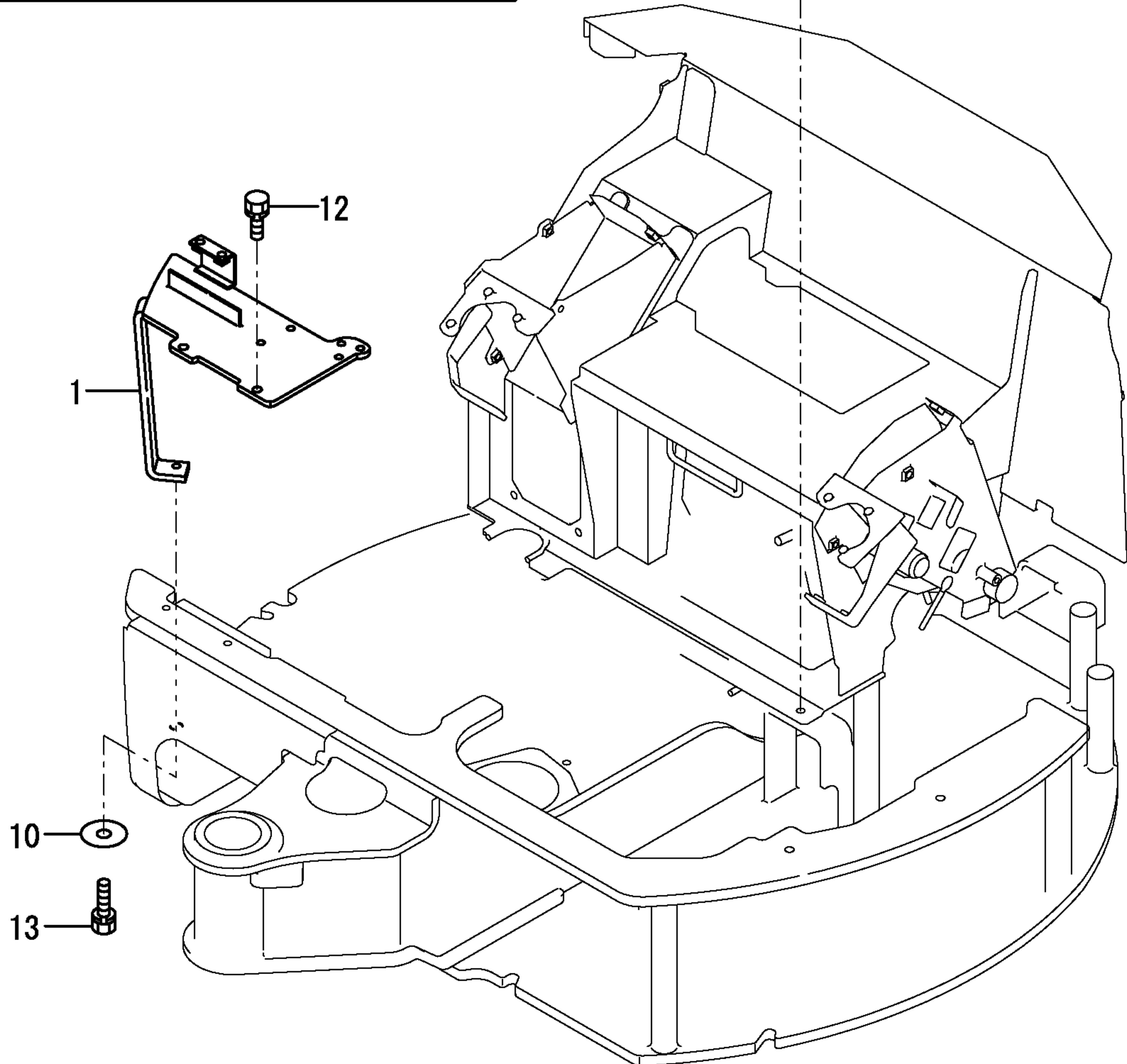
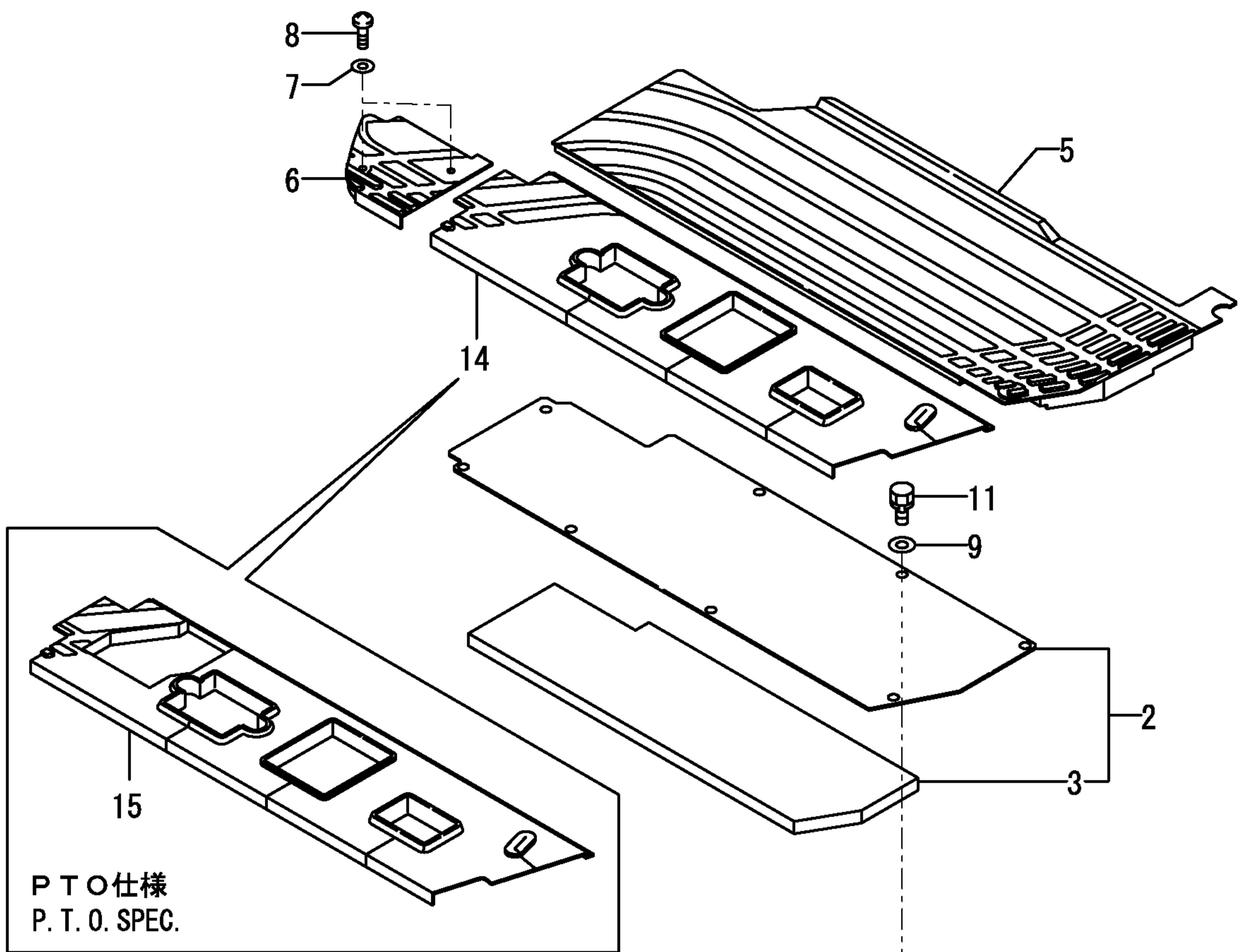
1,1,,172456-61400,, "BONNET L" ,,1,1, ,,,,,,,,,, ,  
3,2,,172456-61480,, "RUBBER 95,SEAL" ,,1,1, ,,,,,,,,,, ,  
4,2,,172456-61490,, "SEAL A" ,,1,1, ,,,,,,,,,, ,  
5,2,,172456-61500,, "SEAL B" ,,1,1, ,,,,,,,,,, ,  
6,2,,172183-65560,, "RUBBER 390,SEAL" ,,1,1, ,,,,,,,,,, ,  
7,1,,172458-61600,, "COVER,FRONT(GREEN:96" ,,1,1, ,,,,,,,,,, ,  
8,1,,172456-61691,, "COVER ASSY, SIDE(73)" ,,1,1, ,,,,,,,,,, ,  
9,2,,172156-11150,, "SEAL, ENGINE" ,,1,1, ,,,,,,,,,, ,  
11,2,,172458-64140,, "SEAL 560" ,,1,1, ,,,,,,,,,, ,  
12,2,,172165-65460,, "RUBBER, SEAL" ,,1,1, ,,,,,,,,,, ,  
13,1,,22137-100000,, "WASHER 10,POLISHED" ,,4,4, ,,,,,,,,,, ,  
14,1,,22137-120000,, "WASHER 12,POLISHED" ,,1,1, ,,,,,,,,,, ,  
15,1,,22157-100000,, "WASHER 10" ,,2,2, ,,,,,,,,,, ,  
16,1,,26013-100202,, "BOLT W/WASHER M10X20" ,,4,4, ,,,,,,,,,, ,  
17,1,,26013-100252,, "BOLT W/WASHER M10X25" ,,2,2, ,,,,,,,,,, ,  
18,1,,26013-120302,, "BOLT W/WASHER M12X30" ,,2,2, ,,,,,,,,,, ,  
19,1,,26013-120302,, "BOLT W/WASHER M12X30" ,,1,1, ,,,,,,,,,, ,  
20,1,,172458-64610,, "CLIP 5" ,,3,3, ,,,,,,,,,, ,



1,1,,172456-61963,, "COVER, BOOM(GREEN:97",1,1,1,,,,,,,,,,,,,  
2,1,,26013-080162,, "BOLT W/WASHER M8X16",2,2,2,,,,,,,,,,,,,

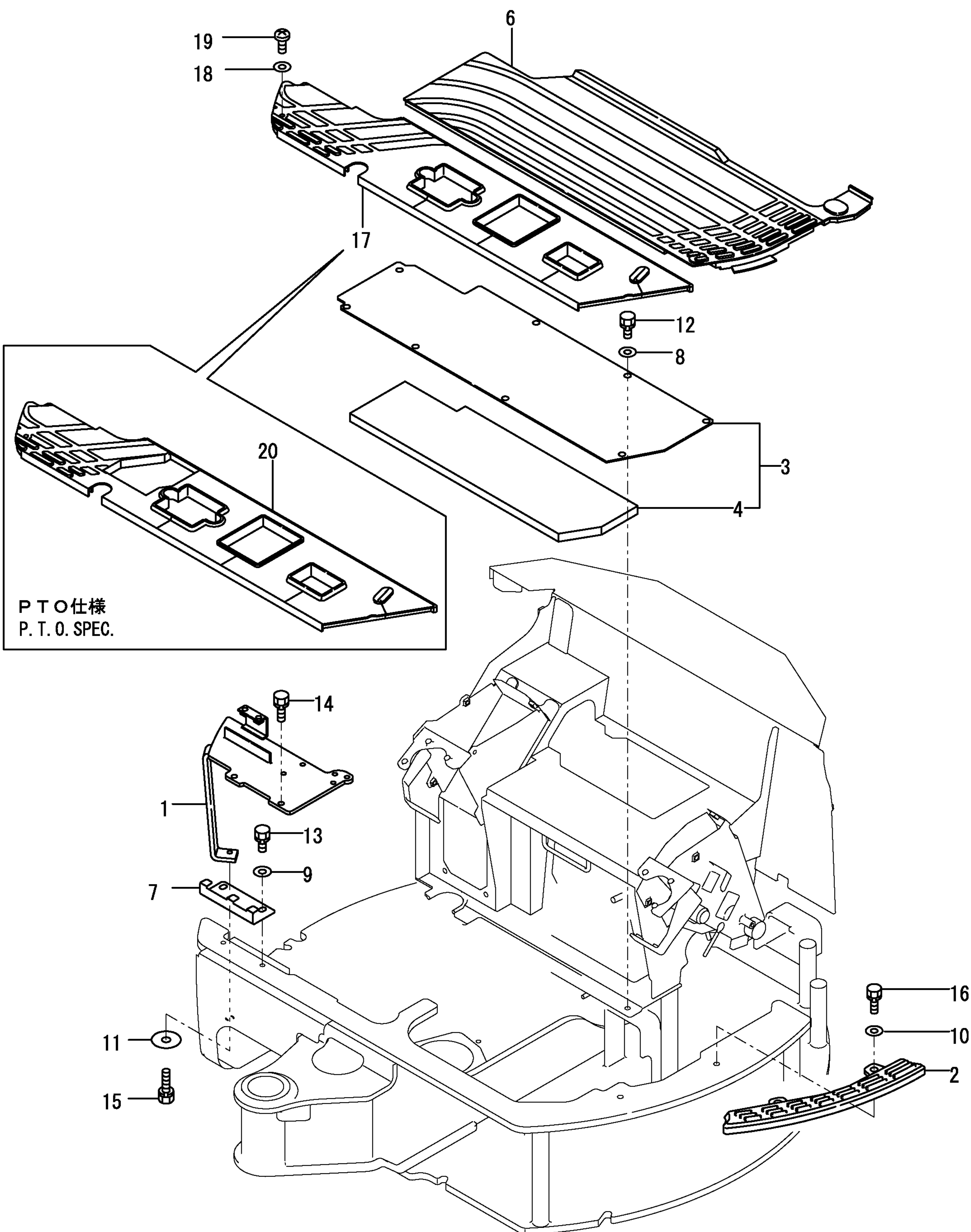


1,1,,172456-62100,, "STEP,FRONT R (97)",1,,,,,,,,,,,,,,,,,,,,,  
2,1,,172A23-62170,, "STEP ASSY (GRAY:73)",1,,,,,,,,,,,,,,,,,,,,,  
3,2,,172487-62170,, "SEAL,STEP",1,,,,,,,,,,,,,,,,,,,,,  
5,1,,172456-62300,, "MAT, FLOOR",1,,,,,,,,,,,,,,,,,,,,,  
6,1,,172456-62320,, "FLOORMAT C, CAB",1,,,,,,,,,,,,,,,,,,,,,  
7,1,,172458-62430,, "WASHER M8",2,,,,,,,,,,,,,,,,,,,,,  
8,1,,172137-69850,, "SCREW",2,,,,,,,,,,,,,,,,,,,,,  
9,1,,22137-100000,, "WASHER 10,POLISHED",8,,,,,,,,,,,,,,,,,,,,,  
10,1,,22157-100000,, "WASHER 10",1,,,,,,,,,,,,,,,,,,,,,  
11,1,,26013-100202,, "BOLT W/WASHER M10X20",8,,,,,,,,,,,,,,,,,,,,,  
12,1,,26013-100252,, "BOLT W/WASHER M10X25",2,,,,,,,,,,,,,,,,,,,,,  
13,1,,26013-100352,, "BOLT M10X 35",1,,,,,,,,,,,,,,,,,,,,,  
14,1,,172456-62310,, "MAT, FLOOR",1,,,,,,,,,,,,,,,,,,,,,  
15,1,,172456-62520,, "MAT, FLOOR B(CAB PTO",1,,,,,,,,,,,,,,,,,,,,,



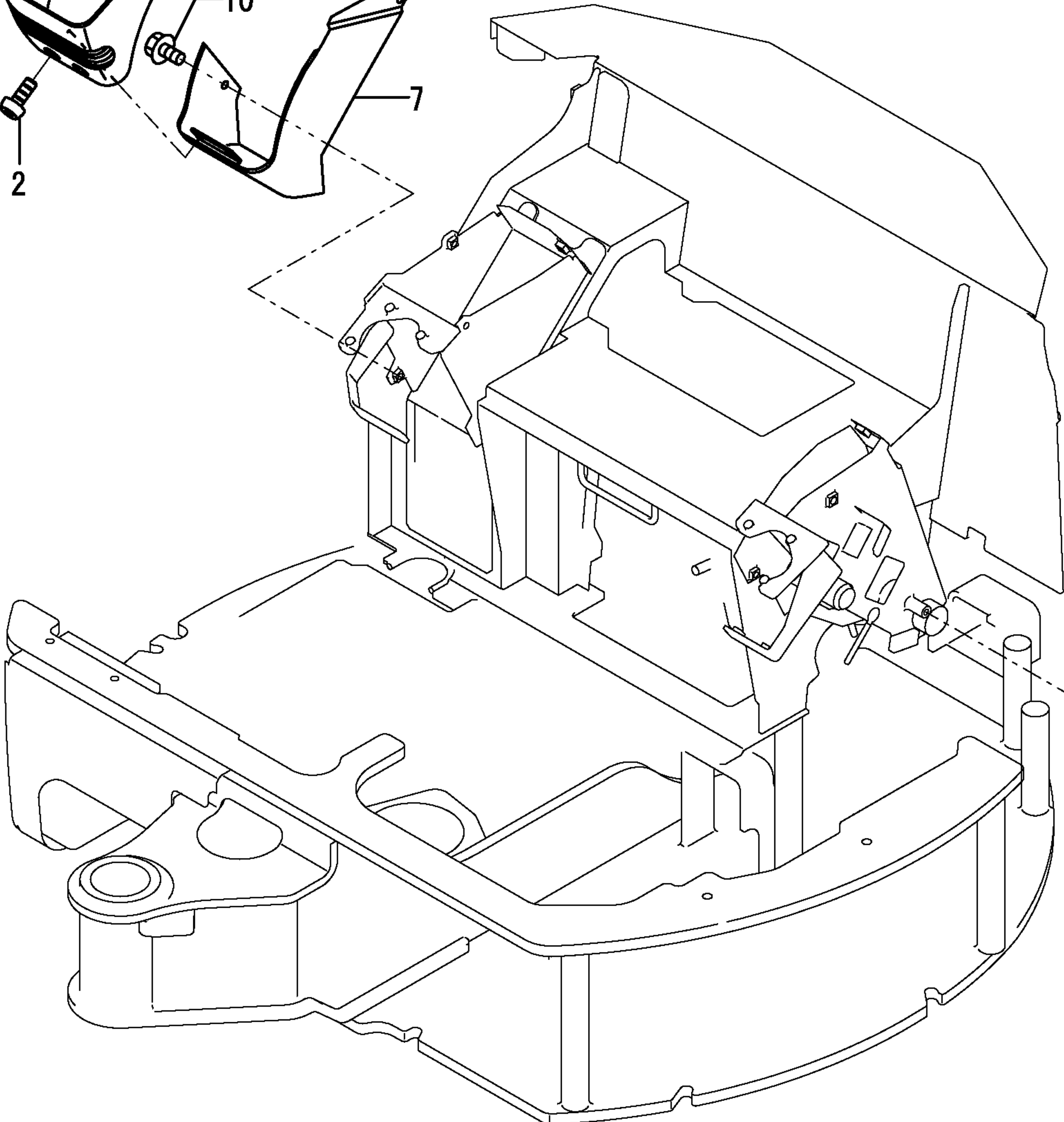
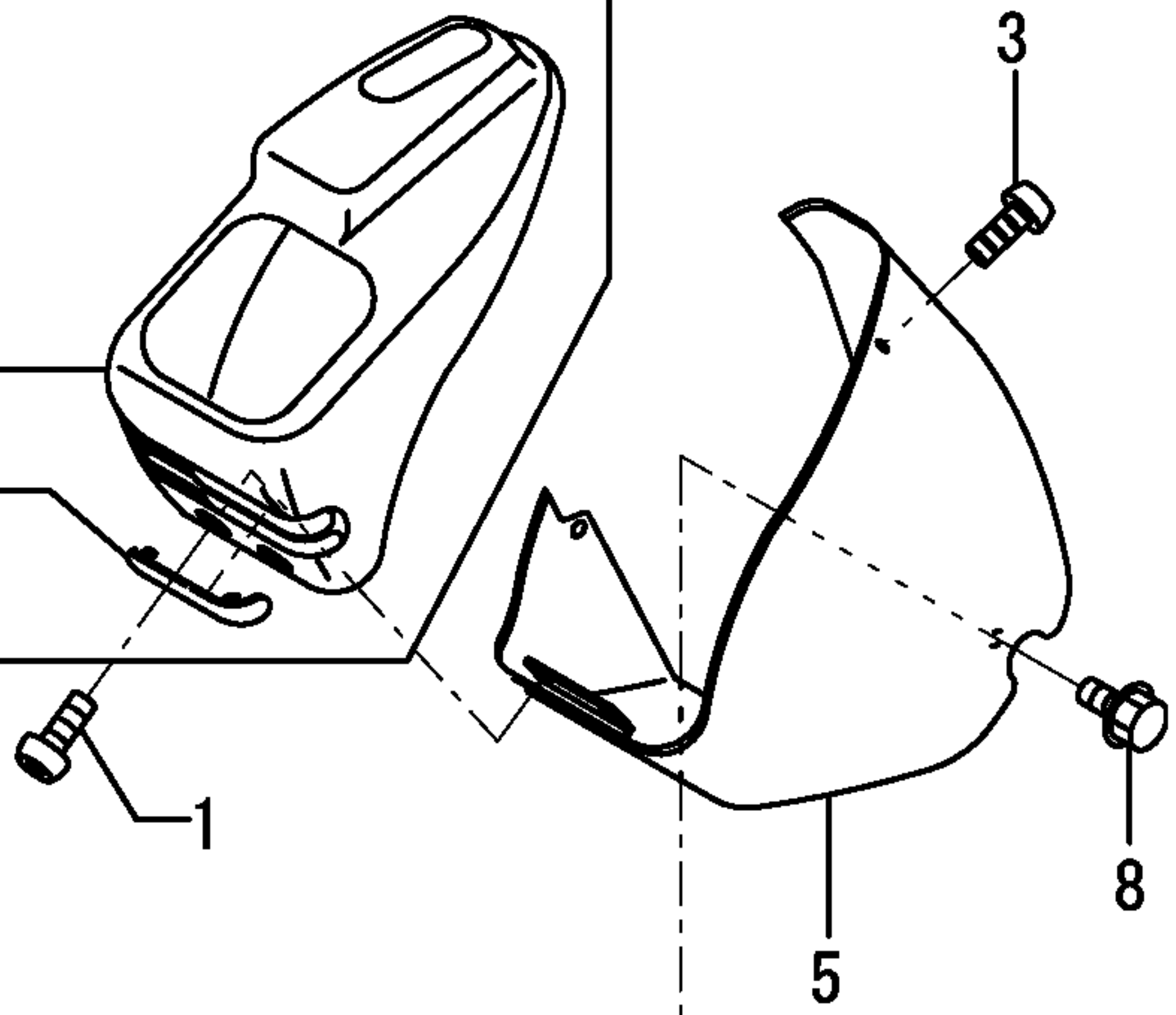
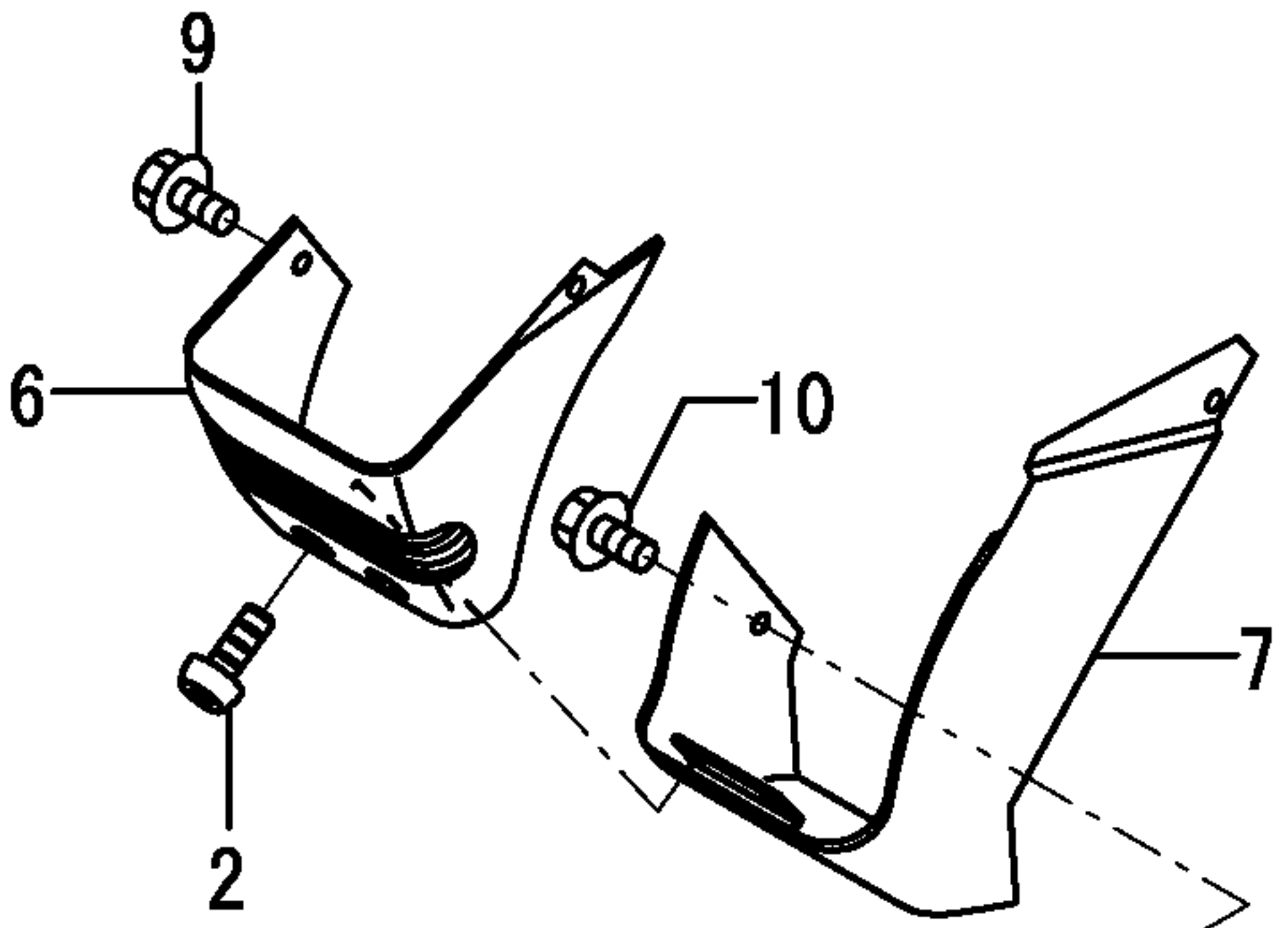
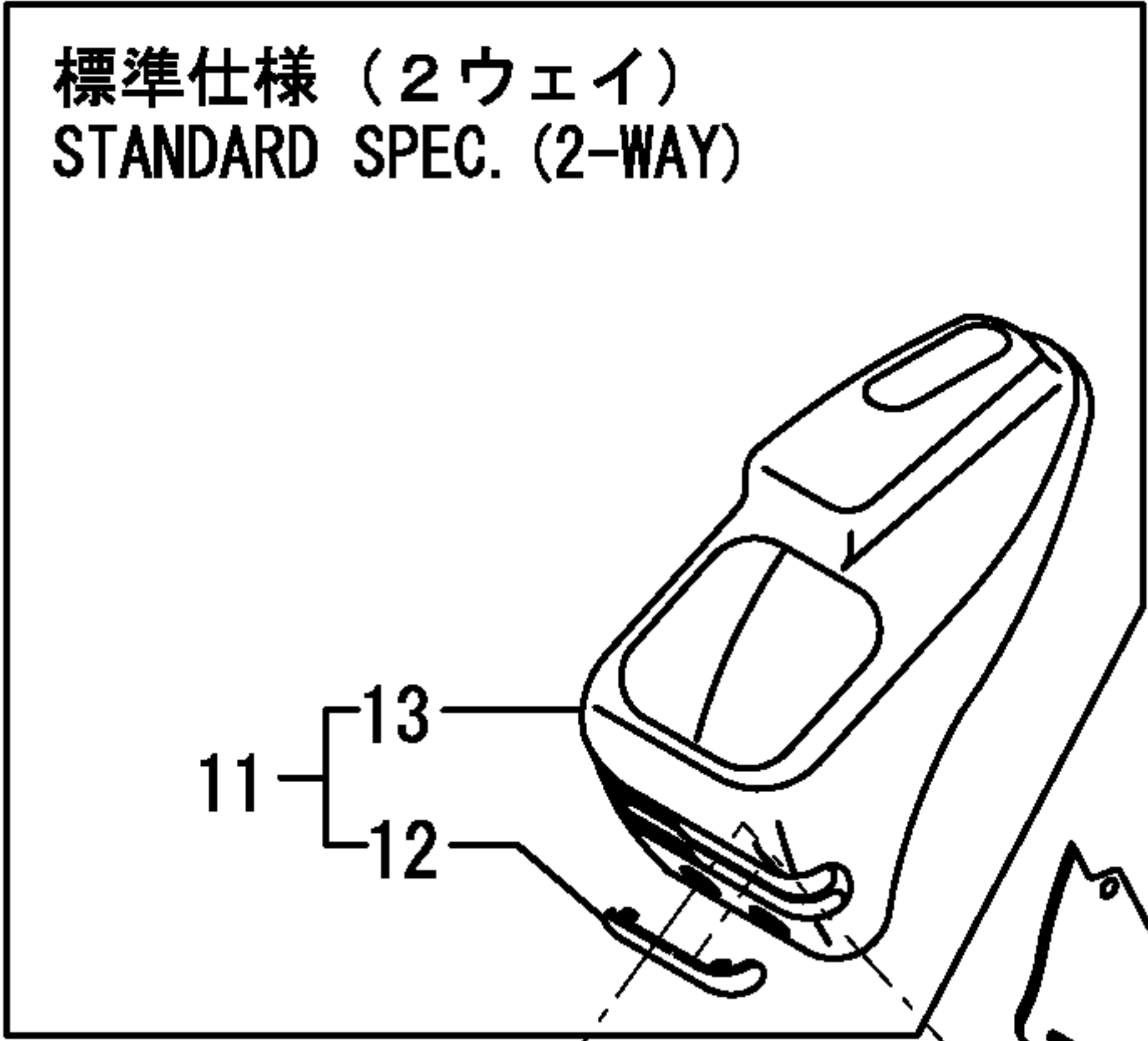
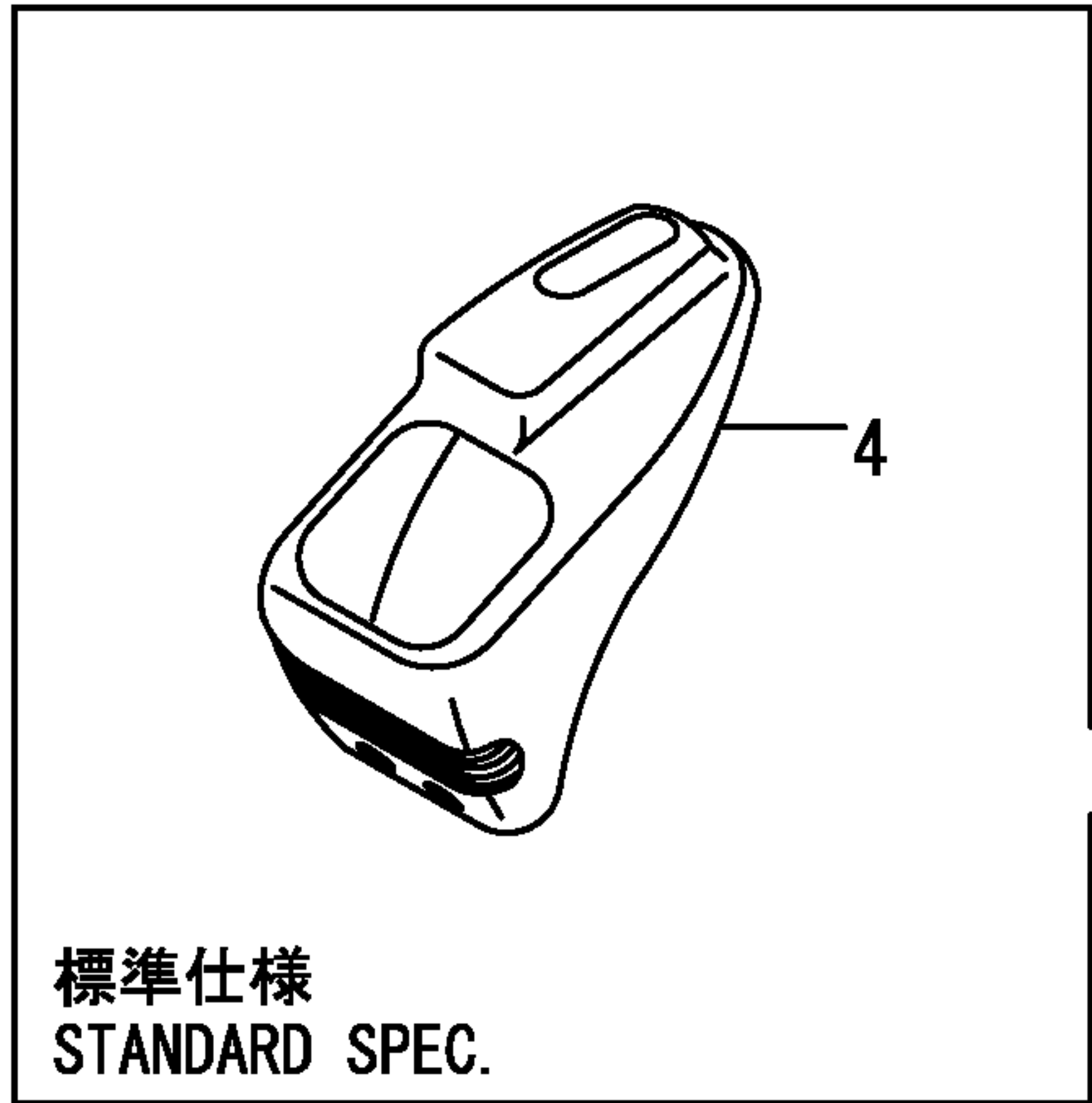


1,1,,172456-62100,, "STEP,FRONT R (97)",,1,1,,,,,,,,,,,,,,,,,  
2,1,,172458-62110,, "STEP,SIDE L(BLACK:12",,1,1,,,,,,,,,,,,,,,,,  
3,1,,172A23-62170,, "STEP ASSY (GRAY:73)",,1,1,,,,,,,,,,,,,,,,,  
4,2,,172487-62170,, "SEAL,STEP",,1,1,,,,,,,,,,,,,,,,,  
6,1,,172456-62200,, "MAT A",,1,1,,,,,,,,,,,,,,,,,  
7,1,,172456-62500,, "HOOK,FLOOR MAT (12)",,1,1,,,,,,,,,,,,,,,,,  
8,1,,22137-100000,, "WASHER 10,POLISHED",,8,8,,,,,,,,,,,,,,,,,  
9,1,,22137-100000,, "WASHER 10,POLISHED",,2,2,,,,,,,,,,,,,,,,,  
10,1,,22137-120000,, "WASHER 12,POLISHED",,2,2,,,,,,,,,,,,,,,,,  
11,1,,22157-100000,, "WASHER 10",,1,1,,,,,,,,,,,,,,,,,  
12,1,,26013-100202,, "BOLT W/WASHER M10X20",,8,8,,,,,,,,,,,,,,,,,  
13,1,,26013-100202,, "BOLT W/WASHER M10X20",,2,2,,,,,,,,,,,,,,,,,  
14,1,,26013-100252,, "BOLT W/WASHER M10X25",,2,2,,,,,,,,,,,,,,,,,  
15,1,,26013-100352,, "BOLT M10X 35",,1,1,,,,,,,,,,,,,,,,,  
16,1,,26013-120302,, "BOLT W/WASHER M12X30",,2,2,,,,,,,,,,,,,,,,,  
17,1,,172456-62210,, "MAT, FLOOR (B",,1,1,,,,,,,,,,,,,,,,,  
18,1,,172458-62430,, "WASHER M8",,1,1,,,,,,,,,,,,,,,,,  
19,1,,172137-69850,, "SCREW",,1,1,,,,,,,,,,,,,,,,,  
20,1,,172456-62510,, "MAT, FLOOR B P.T.O.",,1,1,,,,,,,,,,,,,,,,,

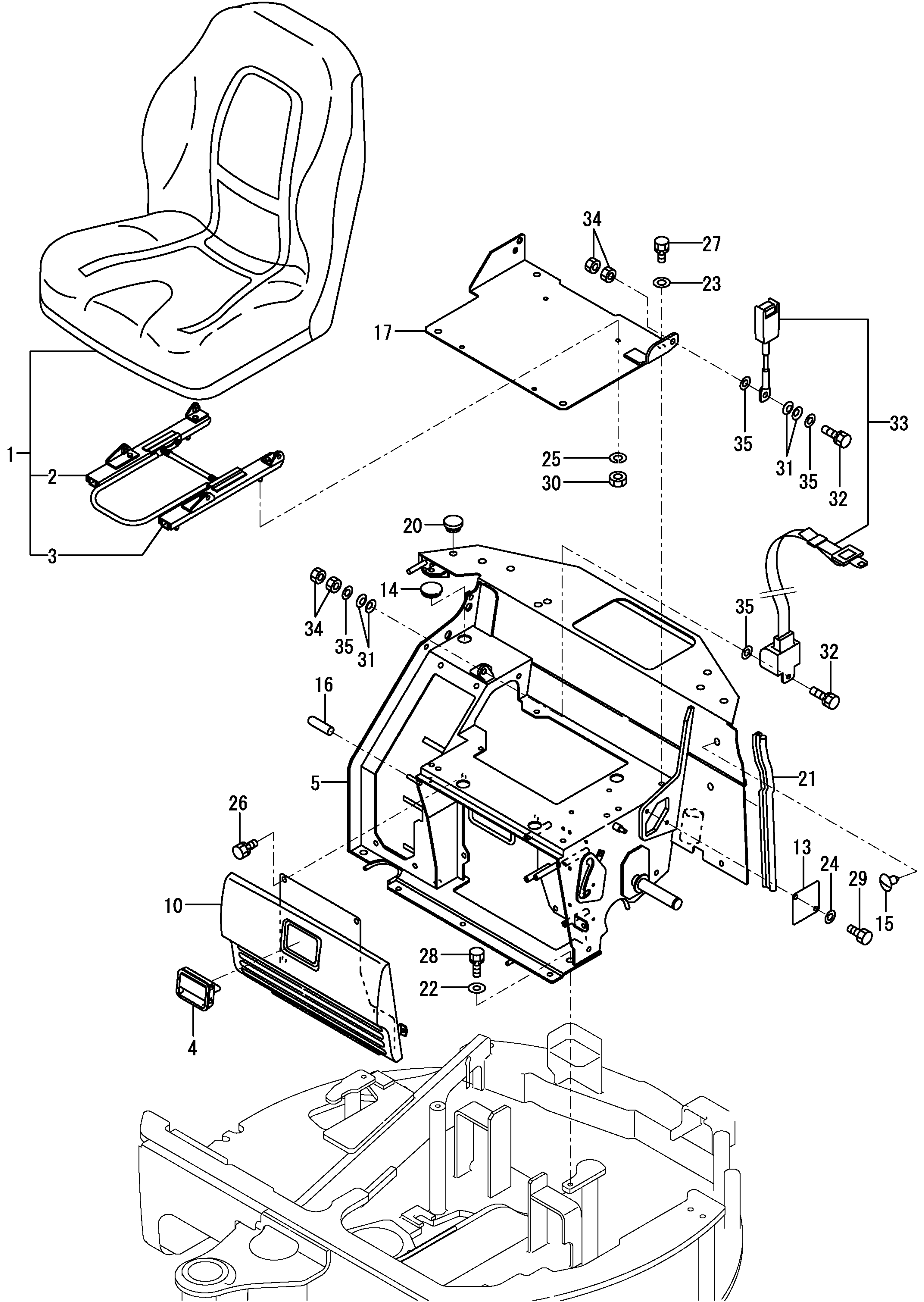


P.T.O仕様  
P.T.O. SPEC.

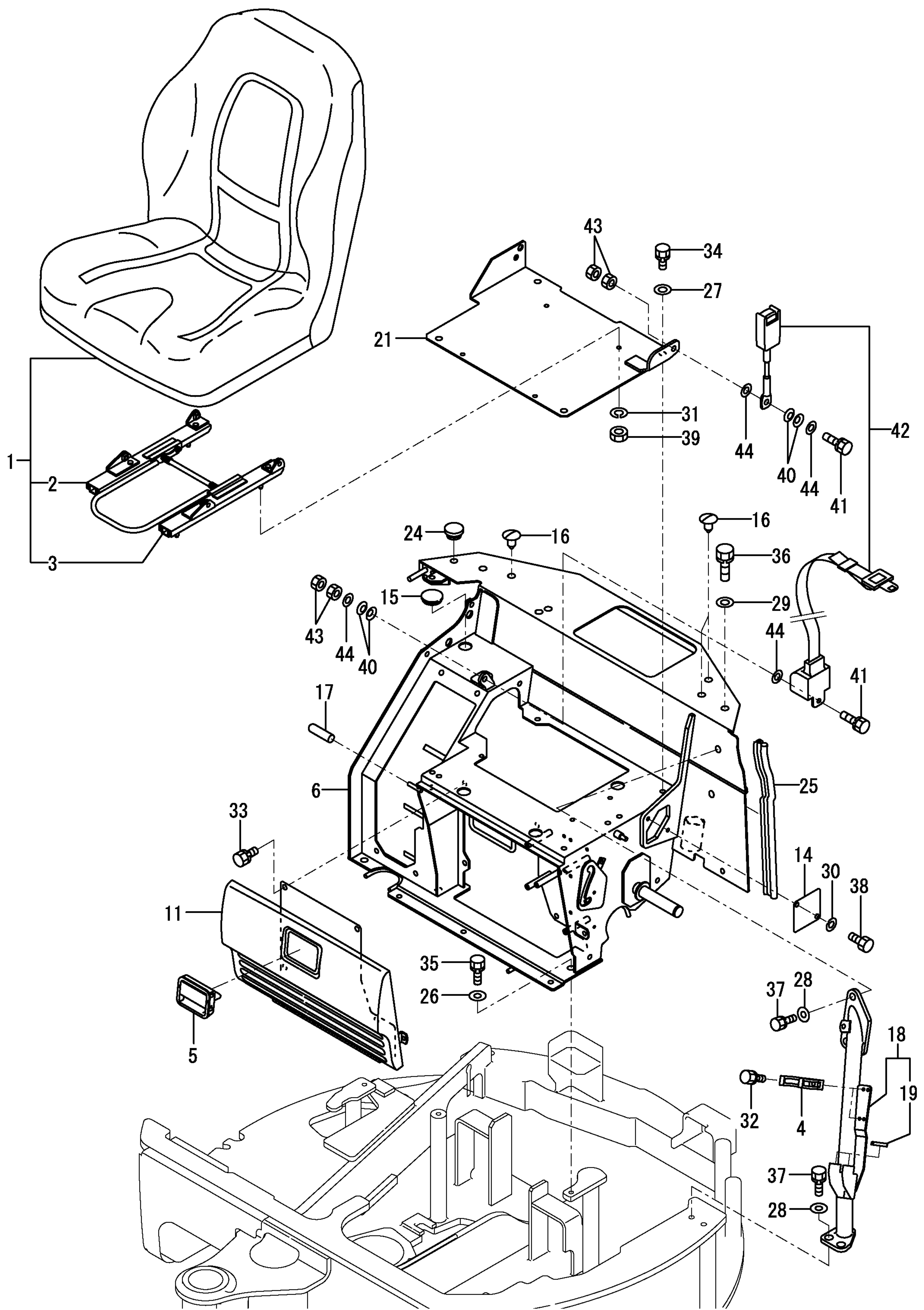
1,1,,172458-46720,, "BOLT 8X20",3,3,3,,,,,,,,,,,,,,,,,,,,,  
2,1,,172458-46720,, "BOLT 8X20",2,2,2,,,,,,,,,,,,,,,,,,,,,  
3,1,,172458-46720,, "BOLT 8X20",1,1,1,,,,,,,,,,,,,,,,,,,,,  
4,1,,172458-63100,, "INSTRUMENT PANEL L",1,1,1,,,,,,,,,,,,,,,,,,,,,  
5,1,,172458-63120,, "INSTRUMENT PANEL L",1,1,1,,,,,,,,,,,,,,,,,,,,,  
6,1,,172458-63130,, "INSTRUMENT PANEL R",1,1,1,,,,,,,,,,,,,,,,,,,,,  
7,1,,172458-63140,, "INSTRUMENT PANEL R",1,1,1,,,,,,,,,,,,,,,,,,,,,  
8,1,,172519-63240,, "BOLT 8X 16",2,2,2,,,,,,,,,,,,,,,,,,,,,  
9,1,,172519-63240,, "BOLT 8X 16",1,1,1,,,,,,,,,,,,,,,,,,,,,  
10,1,,172519-63240,, "BOLT 8X 16",2,2,2,,,,,,,,,,,,,,,,,,,,,  
11,1,,172490-61920,, "INSTRUMENT PANEL ASY",1,1,,,,,,,,,,,,,,,,,,,,,  
12,2,,172490-61950,, COVER(2WAY,1,1,,,,,,,,,,,,,,,,,,,,,  
13,2,,172458-63110,, "INSTRUMENT PANEL L,2",1,1,,,,,,,,,,,,,,,,,,,,,



1,1,,172455-64200,, "SEAT, OPERATOR",1,,,,,,,,,,,,,,,,,,,,,  
2,2,,172455-64600,, "TRACK ASSY, SEAT (R",1,,,,,,,,,,,,,,,,,,,,,  
3,2,,172455-64610,, "TRACK ASSY, SEAT (L",1,,,,,,,,,,,,,,,,,,,,,  
4,1,,172187-61421,, "HANDLE, LOCK",1,,,,,,,,,,,,,,,,,,,,,  
5,1,,172A23-64200,, "MOUNT ASSY, SEAT",1,,,,,,,,,,,,,,,,,,,,,  
10,1,,172A23-64460,, "GRILLE ASSY(GRAY:73)",1,,,,,,,,,,,,,,,,,,,,,  
13,1,,172458-64510,, "COVER,SEAT MOUNT(73)",1,,,,,,,,,,,,,,,,,,,,,  
14,1,,172458-64590,, "PLUG 28X3.2",1,,,,,,,,,,,,,,,,,,,,,  
15,1,,172458-64600,, "CLIP 11",2,,,,,,,,,,,,,,,,,,,,,  
16,1,,172187-64800,, "CAP,1,,,,,,,,,,,,,,,,,,,,,  
17,1,,172A23-64850,, "PLATE,SEAT PR (73)",1,,,,,,,,,,,,,,,,,,,,,  
20,1,,172187-64900,, "PLUG,1,,,,,,,,,,,,,,,,,,,,,  
21,1,,172164-66480,, "RUBBER 340, SEAL",1,,,,,,,,,,,,,,,,,,,,,  
22,1,,22137-100000,, "WASHER 10,POLISHED",3,,,,,,,,,,,,,,,,,,,,,  
23,1,,22137-100000,, "WASHER 10,POLISHED",5,,,,,,,,,,,,,,,,,,,,,  
24,1,,22217-080000,, "SPRING WASHER 8",2,,,,,,,,,,,,,,,,,,,,,  
25,1,,22217-080000,, "SPRING WASHER 8",4,,,,,,,,,,,,,,,,,,,,,  
26,1,,26013-100202,, "BOLT W/WASHER M10X20",4,,,,,,,,,,,,,,,,,,,,,  
27,1,,26013-100202,, "BOLT W/WASHER M10X20",5,,,,,,,,,,,,,,,,,,,,,  
28,1,,26013-100252,, "BOLT W/WASHER M10X25",3,,,,,,,,,,,,,,,,,,,,,  
29,1,,26116-080162,, "BOLT 8X16",2,,,,,,,,,,,,,,,,,,,,,  
30,1,,26716-080002,, "NUT M 8",4,,,,,,,,,,,,,,,,,,,,,  
31,1,,172652-64220,, "SPRING 12",4,,,,,,,,,,,,,,,,,,,,,  
32,1,,172433-64511,, "BOLT 7/16-20-UNF",2,,,,,,,,,,,,,,,,,,,,,  
33,1,,172A23-64770,, "SEAT BELT ASSY",1,,,,,,,,,,,,,,,,,,,,,  
34,1,,172187-64831,, "NUT 7/16-20-UNF",4,,,,,,,,,,,,,,,,,,,,,  
35,1,,22137-120000,, "WASHER 12,POLISHED",4,,,,,,,,,,,,,,,,,,,,,

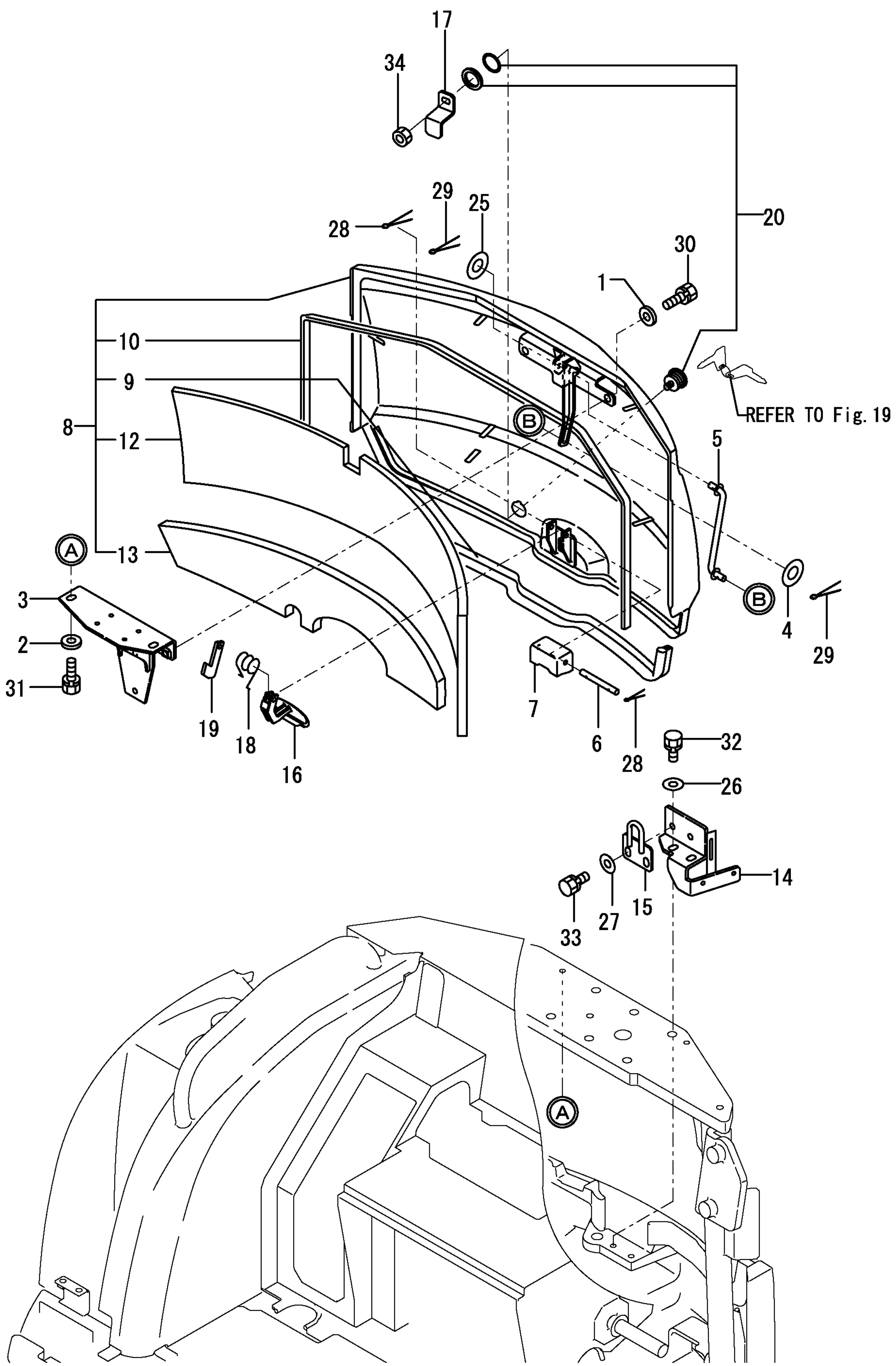


1,1,,172455-64200,, "SEAT, OPERATOR",,1,1,,,,,,,,,,,,,,,,,,,,,  
2,2,,172455-64600,, "TRACK ASSY, SEAT (R",,1,1,,,,,,,,,,,,,,,,,,,,,  
3,2,,172455-64610,, "TRACK ASSY, SEAT (L",,1,1,,,,,,,,,,,,,,,,,,,,,  
4,1,,172122-55061,, "BRACKET, GREASE PUMP",,2,2,,,,,,,,,,,,,,,,,,,,,  
5,1,,172187-61421,, "HANDLE, LOCK",,1,1,,,,,,,,,,,,,,,,,,,,,  
6,1,,172A23-64200,, "MOUNT ASSY, SEAT",,1,1,,,,,,,,,,,,,,,,,,,,,  
11,1,,172A23-64460,, "GRILLE ASSY(GRAY:73)",,1,1,,,,,,,,,,,,,,,,,,,,,  
14,1,,172458-64510,, "COVER,SEAT MOUNT(73)",,1,1,,,,,,,,,,,,,,,,,,,,,  
15,1,,172458-64590,, "PLUG 28X3.2",,1,1,,,,,,,,,,,,,,,,,,,,,  
16,1,,172458-64600,, "CLIP 11",,3,3,,,,,,,,,,,,,,,,,,,,,  
17,1,,172187-64800,, "CAP,,1,1,,,,,,,,,,,,,,,,,,,,,  
18,1,,172456-64800,, "PIPE ASSY (GRAY:73)",,1,1,,,,,,,,,,,,,,,,,,,,,  
19,2,,172445-62010,, "RUBBER 45, EDGE",,2,2,,,,,,,,,,,,,,,,,,,,,  
21,1,,172A23-64850,, "PLATE,SEAT PR (73)",,1,1,,,,,,,,,,,,,,,,,,,,,  
24,1,,172187-64900,, "PLUG,,1,1,,,,,,,,,,,,,,,,,,,,,  
25,1,,172164-66480,, "RUBBER 340, SEAL",,1,1,,,,,,,,,,,,,,,,,,,,,  
26,1,,22137-100000,, "WASHER 10,POLISHED",,3,3,,,,,,,,,,,,,,,,,,,,,  
27,1,,22137-100000,, "WASHER 10,POLISHED",,5,5,,,,,,,,,,,,,,,,,,,,,  
28,1,,22137-120000,, "WASHER 12,POLISHED",,4,4,,,,,,,,,,,,,,,,,,,,,  
29,1,,22137-120000,, "WASHER 12,POLISHED",,2,2,,,,,,,,,,,,,,,,,,,,,  
30,1,,22217-080000,, "SPRING WASHER 8",,2,2,,,,,,,,,,,,,,,,,,,,,  
31,1,,22217-080000,, "SPRING WASHER 8",,4,4,,,,,,,,,,,,,,,,,,,,,  
32,1,,26013-060102,, "BOLT M 6X 10",,4,4,,,,,,,,,,,,,,,,,,,,,  
33,1,,26013-100202,, "BOLT W/WASHER M10X20",,4,4,,,,,,,,,,,,,,,,,,,,,  
34,1,,26013-100202,, "BOLT W/WASHER M10X20",,5,5,,,,,,,,,,,,,,,,,,,,,  
35,1,,26013-100252,, "BOLT W/WASHER M10X25",,3,3,,,,,,,,,,,,,,,,,,,,,  
36,1,,26013-120252,, "BOLT M12X 25",,2,2,,,,,,,,,,,,,,,,,,,,,  
37,1,,26013-120302,, "BOLT W/WASHER M12X30",,4,4,,,,,,,,,,,,,,,,,,,,,  
38,1,,26116-080162,, "BOLT 8X16",,2,2,,,,,,,,,,,,,,,,,,,,,  
39,1,,26716-080002,, "NUT M 8",,4,4,,,,,,,,,,,,,,,,,,,,,  
40,1,,172652-64220,, "SPRING 12",,4,4,,,,,,,,,,,,,,,,,,,,,  
41,1,,172433-64511,, "BOLT 7/16-20-UNF",,2,2,,,,,,,,,,,,,,,,,,,,,  
42,1,,172A23-64770,, "SEAT BELT ASSY",,1,1,,,,,,,,,,,,,,,,,,,,,  
43,1,,172187-64831,, "NUT 7/16-20-UNF",,4,4,,,,,,,,,,,,,,,,,,,,,  
44,1,,22137-120000,, "WASHER 12,POLISHED",,4,4,,,,,,,,,,,,,,,,,,,,,

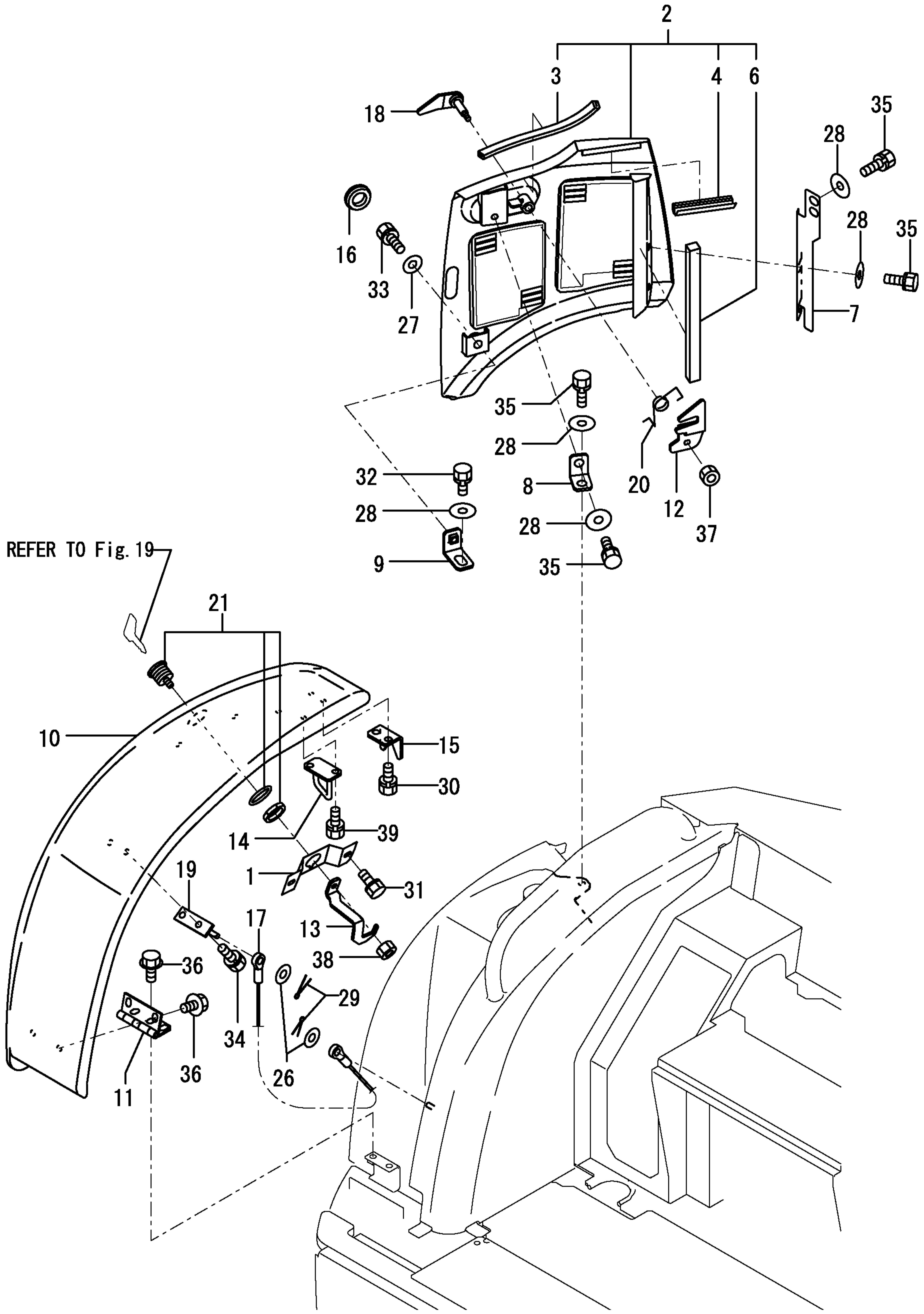




1,1,,194145-04810,, "WASHER 10",2,2,2,,,,,,,,,,,,,,,,,,,,,  
2,1,,194145-04810,, "WASHER 10",2,2,2,,,,,,,,,,,,,,,,,,,,,  
3,1,,172458-11552,, "BRACKET ASSY,AIR CLE",1,1,1,,,,,,,,,,,,,,,,,,,,,  
4,1,,1A1380-62160,, WASHER,1,1,1,,,,,,,,,,,,,,,,,,,,,  
5,1,,172444-64730,, "ROD,STOPPER",1,1,1,,,,,,,,,,,,,,,,,,,,,  
6,1,,172458-65050,, SHAFT,1,1,1,,,,,,,,,,,,,,,,,,,,,  
7,1,,172458-65060,, "COVER,BONNET LOCK",1,1,1,,,,,,,,,,,,,,,,,,,,,  
8,1,,172487-65100,, "BONNET A (GREEN:96)",1,1,1,,,,,,,,,,,,,,,,,,,,,  
9,2,,172458-65070,, "SEAL 945",1,1,1,,,,,,,,,,,,,,,,,,,,,  
10,2,,172458-65080,, "RUBBER,SEAL 1450",1,1,1,,,,,,,,,,,,,,,,,,,,,  
12,2,,172487-65110,, "SEAL A",1,1,1,,,,,,,,,,,,,,,,,,,,,  
13,2,,172487-65120,, "SEAL B",1,1,1,,,,,,,,,,,,,,,,,,,,,  
14,1,,172456-65150,, "BRACKET A.LOCK (73)",1,1,1,,,,,,,,,,,,,,,,,,,,,  
15,1,,172456-65171,, "BRACKET B, LOCK",1,1,1,,,,,,,,,,,,,,,,,,,,,  
16,1,,172187-65210,, "LEVER ASSY, LOCK",1,1,1,,,,,,,,,,,,,,,,,,,,,  
17,1,,172458-65271,, "PLATE,ROCK",1,1,1,,,,,,,,,,,,,,,,,,,,,  
18,1,,172734-65270,, "SPRING, CATCH",1,1,1,,,,,,,,,,,,,,,,,,,,,  
19,1,,172124-65480,, CATCHER,1,1,1,,,,,,,,,,,,,,,,,,,,,  
20,1,,172164-66170,, "KEY ASSY, CYLINDER",1,1,1,,,,,,,,,,,,,,,,,,,,,  
25,1,,22137-080000,, "WASHER 8, POLISHED",1,1,1,,,,,,,,,,,,,,,,,,,,,  
26,1,,22137-100000,, "WASHER 10,POLISHED",2,2,2,,,,,,,,,,,,,,,,,,,,,  
27,1,,22137-100000,, "WASHER 10,POLISHED",2,2,2,,,,,,,,,,,,,,,,,,,,,  
28,1,,22417-200200,, "COTTER PIN 2.0X20",2,2,2,,,,,,,,,,,,,,,,,,,,,  
29,1,,22417-200200,, "COTTER PIN 2.0X20",2,2,2,,,,,,,,,,,,,,,,,,,,,  
30,1,,26013-100252,, "BOLT W/WASHER M10X25",2,2,2,,,,,,,,,,,,,,,,,,,,,  
31,1,,26013-100252,, "BOLT W/WASHER M10X25",2,2,2,,,,,,,,,,,,,,,,,,,,,  
32,1,,26013-100252,, "BOLT W/WASHER M10X25",2,2,2,,,,,,,,,,,,,,,,,,,,,  
33,1,,26013-100252,, "BOLT W/WASHER M10X25",2,2,2,,,,,,,,,,,,,,,,,,,,,  
34,1,,26347-100002,, "U-NUT, 10",1,1,1,,,,,,,,,,,,,,,,,,,,,



1,1,,172455-65230-4,, "PLATE,DEY (GREEN:97)",1,1,1,,,,,,,,,,,,,  
2,1,,172456-65302,, "BONNET R ASSY (96)",1,1,1,,,,,,,,,,,,,  
3,2,,172434-61190,, "TRIM 220",1,1,1,,,,,,,,,,,,,  
4,2,,172458-61500,, "RUBBER,SEAL 120",1,1,1,,,,,,,,,,,,,  
6,2,,172456-65890,, "SEAL 20X20",1,1,1,,,,,,,,,,,,,  
7,1,,172456-65441,, "BRACKET A",1,1,1,,,,,,,,,,,,,  
8,1,,172456-65450,, "BRACKET B,BONNET R",1,1,1,,,,,,,,,,,,,  
9,1,,172456-65461,, "BRACKET C",1,1,1,,,,,,,,,,,,,  
10,1,,172456-65500,, "BONNET B",1,1,1,,,,,,,,,,,,,  
11,1,,172456-65511,, "HINGE,BONNET B (97)",1,1,1,,,,,,,,,,,,,  
12,1,,172456-65520,, "PLATE,HOOK",1,1,1,,,,,,,,,,,,,  
13,1,,172487-65520,, "PLATE,HOOK",1,1,1,,,,,,,,,,,,,  
14,1,,172458-65540,, "PLATE ASSY,STOPPER",1,1,1,,,,,,,,,,,,,  
15,1,,172458-65560,, "PLATE,GUIDE",1,1,1,,,,,,,,,,,,,  
16,1,,172455-65590,, "PLUG 28X2.3",1,1,1,,,,,,,,,,,,,  
17,1,,172458-65600,, "CABLE",1,1,1,,,,,,,,,,,,,  
18,1,,172458-65610,, "HOOK ASSY",1,1,1,,,,,,,,,,,,,  
19,1,,172458-65640,, "STAY ASSY,WIRE",1,1,1,,,,,,,,,,,,,  
20,1,,172156-65690,, "TORSION SPRING,STOPR",1,1,1,,,,,,,,,,,,,  
21,1,,172164-66170,, "KEY ASSY, CYLINDER",1,1,1,,,,,,,,,,,,,  
26,1,,22137-080000,, "WASHER 8, POLISHED",2,2,2,,,,,,,,,,,,,  
27,1,,22137-100000,, "WASHER 10,POLISHED",1,1,1,,,,,,,,,,,,,  
28,1,,22157-100000,, "WASHER 10",7,7,7,,,,,,,,,,,,,  
29,1,,22417-200200,, "COTTER PIN 2.0X20",2,2,2,,,,,,,,,,,,,  
30,1,,26013-100202,, "BOLT W/WASHER M10X20",2,2,2,,,,,,,,,,,,,  
31,1,,26013-100202,, "BOLT W/WASHER M10X20",2,2,2,,,,,,,,,,,,,  
32,1,,26013-100202,, "BOLT W/WASHER M10X20",1,1,1,,,,,,,,,,,,,  
33,1,,26013-100252,, "BOLT W/WASHER M10X25",1,1,1,,,,,,,,,,,,,  
34,1,,26013-100252,, "BOLT W/WASHER M10X25",2,2,2,,,,,,,,,,,,,  
35,1,,26013-100252,, "BOLT W/WASHER M10X25",6,6,6,,,,,,,,,,,,,  
36,1,,26106-100162,, "BOLT M10X 16 PLATED",4,4,4,,,,,,,,,,,,,  
37,1,,26347-080002,, "U-NUT, 8",1,1,1,,,,,,,,,,,,,  
38,1,,26347-100002,, "U-NUT, 10",1,1,1,,,,,,,,,,,,,  
39,1,,26013-100202,, "BOLT W/WASHER M10X20",2,2,2,,,,,,,,,,,,,



1,1,,172A23-65700,, "DUCT ASSY,UP(GRAY:73",1,1,1,,,,,,,,,,,,,  
3,2,,172456-65790,, "RUBBER,SEAL 85",1,1,1,,,,,,,,,,,,,  
4,2,,172456-65860,, "RUBBER,SEAL 130",1,1,1,,,,,,,,,,,,,  
5,2,,172164-66480,, "RUBBER 340, SEAL",1,1,1,,,,,,,,,,,,,  
6,2,,172164-66800,, "RUBBER, SEAL 60",1,1,1,,,,,,,,,,,,,  
7,2,,172480-75260,, "SEAL-B, REDERVER",1,1,1,,,,,,,,,,,,,  
8,1,,172A23-65750,, "DUCT ASSY,LO (88)",1,1,1,,,,,,,,,,,,,  
9,2,,172480-13520,,SEAL-A,1,1,1,,,,,,,,,,,,,  
10,2,,172164-61250,, "RUBBER, SEAL",1,1,1,,,,,,,,,,,,,  
11,2,,172175-64810,,SEAL,1,1,1,,,,,,,,,,,,,  
13,1,,26013-100202,, "BOLT W/WASHER M10X20",2,2,2,,,,,,,,,,,,,  
14,1,,26013-100752,, "BOLT W/WASHER 10\* 75",1,1,1,,,,,,,,,,,,,

14

13

9

8

10

11

6

4

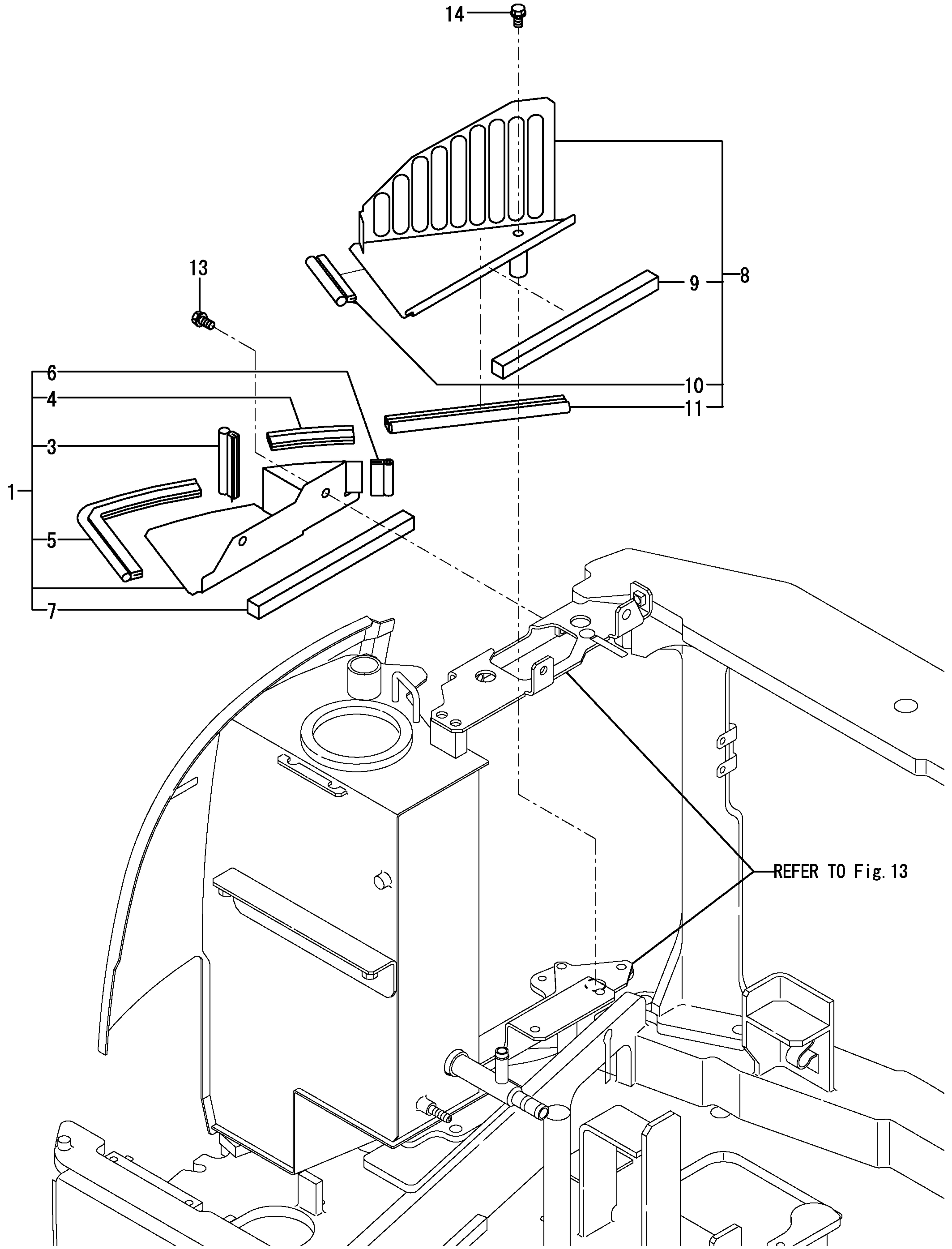
3

1

5

7

REFER TO Fig. 13

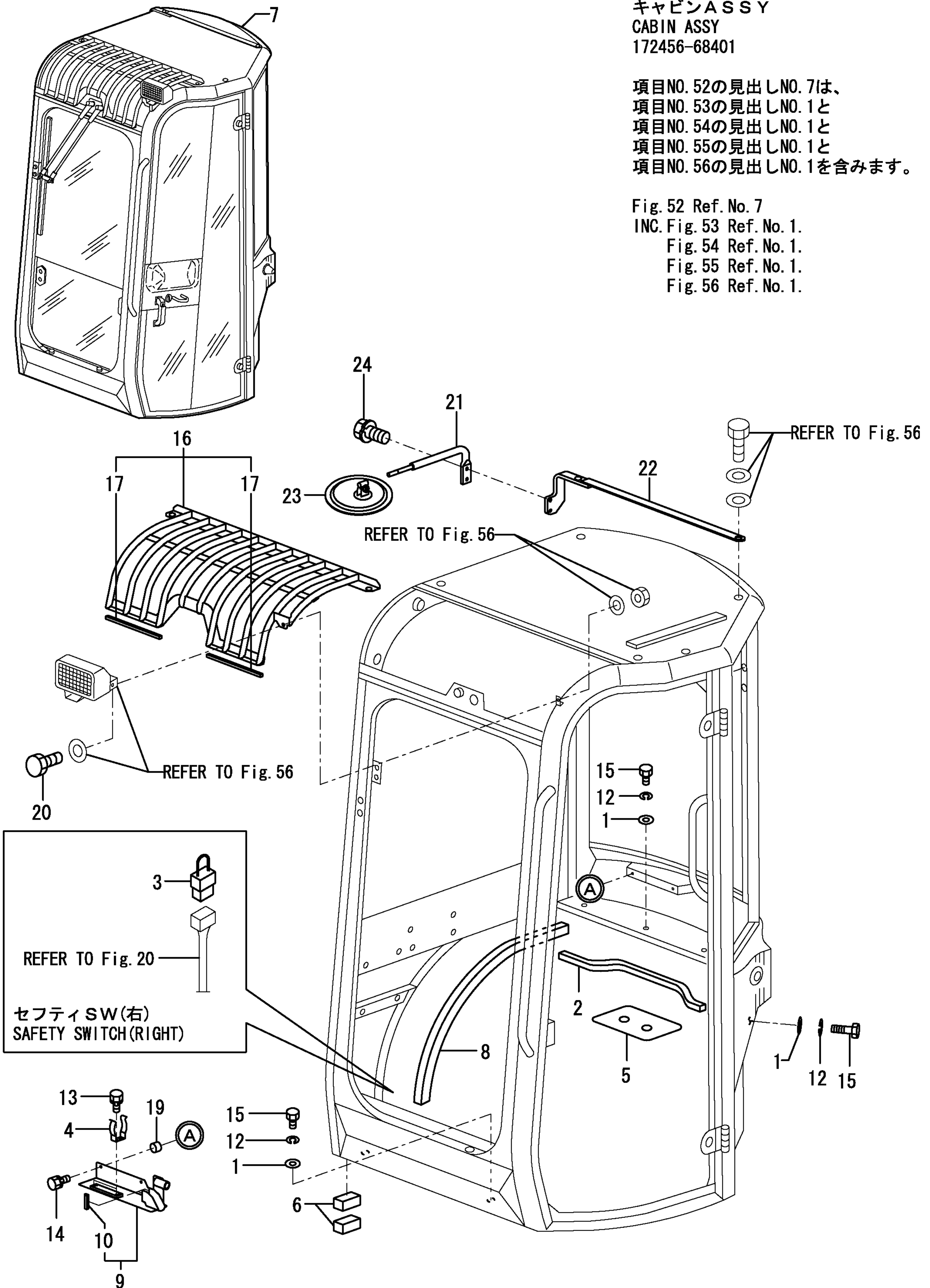


1,1,,172165-13220,,WASHER,9,,,,,,,,,,,,,,,,,,,,,  
2,1,,172652-13320,,,"SEAL,RADIATOR",1,,,,,,,,,,,,,,,,,,,,,  
3,1,,172190-16500,,HARNES,1,,,,,,,,,,,,,,,,,,,,,  
4,1,,172122-55061,,,"BRACKET, GREASE PUMP",2,,,,,,,,,,,,,,,,,,,,,  
5,1,,172458-63580,,,"SPACER (GRAY:73)",1,,,,,,,,,,,,,,,,,,,,,  
6,1,,172458-63900,,STOPPER,2,,,,,,,,,,,,,,,,,,,,,  
7,1,,172456-68401,,,"CABIN ASSY(GREEN:83)",1,,,,,,,,,1,,,,,,,,,,,,,  
8,1,,172456-68810,,,"SEAL, R SIDE",1,,,,,,,,,,,,,,,,,,,,,  
9,1,,172456-68900,,,"HOLDER,GREASE GUN(73",1,,,,,,,,,,,,,,,,,,,,,  
10,2,,172445-62010,,,"RUBBER 45, EDGE",2,,,,,,,,,,,,,,,,,,,,,  
12,1,,22217-120000,,,"SPRING WASHER 12",9,,,,,,,,,,,,,,,,,,,,,  
13,1,,26013-060102,,,"BOLT M 6X 10",4,,,,,,,,,,,,,,,,,,,,,  
14,1,,26013-060162,,,"BOLT M 6X 16",2,,,,,,,,,,,,,,,,,,,,,  
15,1,,26076-120402,,,"BOLT 10.9 12X 4",9,,,,,,,,,,,,,,,,,,,,,  
16,1,,172A23-68190,,,"GUARD ASSY, FOPS",1,,,,,,,,,,,,,,,,,,,,,  
17,2,,172480-13530,,SEAL-B,2,,,,,,,,,,,,,,,,,,,,,  
19,1,,172164-68270,,SPACER,2,,,,,,,,,,,,,,,,,,,,,  
20,1,,26116-080202,,,"BOLT M 8X 20 PLATED",1,,,,,,,,,,,,,,,,,,,,,  
21,1,,172A25-68301,,,"BRACKET,MIRROR C(72)",1,,,,,,,,,,,,,,,,,,,,,  
22,1,,172A23-85500,,,"BRACKET, MIRROR",1,,,,,,,,,,,,,,,,,,,,,  
23,1,,172A25-68500,,,"REARVIEW MIRROR",1,,,,,,,,,,,,,,,,,,,,,  
24,1,,26013-100162,,,"BOLT M10X 16",2,,,,,,,,,,,,,,,,,,,,,

キャビンASSY  
CABIN ASSY  
172456-68401

項目NO. 52の見出しNO. 7は、  
項目NO. 53の見出しNO. 1と  
項目NO. 54の見出しNO. 1と  
項目NO. 55の見出しNO. 1と  
項目NO. 56の見出しNO. 1を含みます。

Fig. 52 Ref. No. 7  
INC. Fig. 53 Ref. No. 1.  
Fig. 54 Ref. No. 1.  
Fig. 55 Ref. No. 1.  
Fig. 56 Ref. No. 1.



セフティSW(右)  
SAFETY SWITCH(RIGHT)

REFER TO Fig. 20

REFER TO Fig. 56

REFER TO Fig. 56

REFER TO Fig. 56

- 15
- 12
- 1

- 1
- 12
- 15

- 15
- 12
- 1

- 13
- 4
- 19
- 14
- 10
- 9



1,2,,172456-68410,, "CABIN BODY ASSY",1,,,,,,,,,,,,,,,,,,,,,  
2,3,,172456-68420,, "CABIN CMP",1,,,,,,,,,,,,,,,,,,,,,  
3,3,,172456-68430,, "GLASS, REAR",1,,,,,,,,,,,,,,,,,,,,,  
4,3,,172456-68440,, "GLASS, SIDE L",1,,,,,,,,,,,,,,,,,,,,,  
5,3,,172456-68450,, "SASH FRAME",1,,,,,,,,,,,,,,,,,,,,,  
6,3,,172456-68460,, "GLASS, SIDE RF",1,,,,,,,,,,,,,,,,,,,,,  
7,3,,172456-68470,, "GLASS, SIDE RR",1,,,,,,,,,,,,,,,,,,,,,  
8,3,,172456-68480,, "GLASS, SKYLIGHT",1,,,,,,,,,,,,,,,,,,,,,  
9,3,,172456-68490,, "JOINT SEAL 300",2,,,,,,,,,,,,,,,,,,,,,  
10,3,,172456-68500,, "WIRE HARNESS",1,,,,,,,,,,,,,,,,,,,,,  
11,3,,172456-68510,, "GROMMET",1,,,,,,,,,,,,,,,,,,,,,  
12,3,,172456-68520,, "CABLE CLAMP",6,,,,,,,,,,,,,,,,,,,,,  
13,3,,172456-68530,, "GROMMET 16X22X3",2,,,,,,,,,,,,,,,,,,,,,  
14,3,,172456-68540,, "SEAL 640",1,,,,,,,,,,,,,,,,,,,,,  
15,3,,172456-68550,, "STOPPER",4,,,,,,,,,,,,,,,,,,,,,  
16,3,,172456-68560,, "SEAL 3040",1,,,,,,,,,,,,,,,,,,,,,  
17,3,,172456-68570,, "PLUG",1,,,,,,,,,,,,,,,,,,,,,  
18,3,,172456-68580,, "STRIKER",2,,,,,,,,,,,,,,,,,,,,,  
19,3,,172456-68590,, "SCREW",4,,,,,,,,,,,,,,,,,,,,,  
20,3,,172456-68600,, "SUPPORT, WIPER BLADE",1,,,,,,,,,,,,,,,,,,,,,  
21,3,,172456-68610,, "SCREW M5X8",2,,,,,,,,,,,,,,,,,,,,,  
22,3,,172456-68620,, "ASH TRAY",1,,,,,,,,,,,,,,,,,,,,,  
23,3,,172456-68630,, "SEAL 310",1,,,,,,,,,,,,,,,,,,,,,  
24,3,,172456-68640,, "HOOK",1,,,,,,,,,,,,,,,,,,,,,  
25,3,,172456-68650,, "SCREW 3.5X12.7",2,,,,,,,,,,,,,,,,,,,,,  
26,3,,172456-68650,, "SCREW 3.5X12.7",2,,,,,,,,,,,,,,,,,,,,,  
27,3,,172456-68660,, "HAMMER",1,,,,,,,,,,,,,,,,,,,,,  
28,3,,172456-68670,, "RIVET 3.2X8",2,,,,,,,,,,,,,,,,,,,,,  
30,3,,172456-68680,, "SEAL, BAND",1,,,,,,,,,,,,,,,,,,,,,  
32,3,,172456-68700,, "STOPPER, DOOR",1,,,,,,,,,,,,,,,,,,,,,  
33,3,,172456-68710,, "WASHER 10X38X5",2,,,,,,,,,,,,,,,,,,,,,  
34,3,,172456-68720,, "DOOR CATCH",1,,,,,,,,,,,,,,,,,,,,,  
35,3,,172456-68730,, "PROTECTOR L",1,,,,,,,,,,,,,,,,,,,,,  
36,3,,172456-68740,, "PLATE L",1,,,,,,,,,,,,,,,,,,,,,  
37,3,,172456-68750,, "WASHER 12X30X2",1,,,,,,,,,,,,,,,,,,,,,  
38,3,,172456-68760,, "LEVER DOOR LOCK",1,,,,,,,,,,,,,,,,,,,,,  
39,3,,172456-68770,, "KNOB LEVER",1,,,,,,,,,,,,,,,,,,,,,  
40,3,,172456-68780,, "WASHER",1,,,,,,,,,,,,,,,,,,,,,  
41,3,,172456-68790,, "NYLON COLLAR",1,,,,,,,,,,,,,,,,,,,,,  
42,3,,172456-68800,, "SCREW",1,,,,,,,,,,,,,,,,,,,,,  
43,3,,172456-68830,, "SPRING 1.5X10X50",1,,,,,,,,,,,,,,,,,,,,,  
44,3,,172456-68840,, "SCREW M8X20",1,,,,,,,,,,,,,,,,,,,,,  
45,3,,172456-68850,, "LINKAGE",1,,,,,,,,,,,,,,,,,,,,,  
46,3,,172456-68860,, "CLIP",1,,,,,,,,,,,,,,,,,,,,,  
47,3,,172456-68870,, "SAFETY NUT",1,,,,,,,,,,,,,,,,,,,,,  
48,3,,172456-68880,, "DOOR CATCH",1,,,,,,,,,,,,,,,,,,,,,  
49,3,,172456-68890,, "SCREW M6X25",4,,,,,,,,,,,,,,,,,,,,,  
50,3,,172456-68930,, "WASHER",4,,,,,,,,,,,,,,,,,,,,,  
51,3,,172456-68940,, "COVER LOCK",1,,,,,,,,,,,,,,,,,,,,,  
52,3,,172456-68950,, "SCREW",4,,,,,,,,,,,,,,,,,,,,,  
53,3,,172456-68960,, "ROOM LAMP",1,,,,,,,,,,,,,,,,,,,,,  
54,3,,172456-68970,, "LAMP",1,,,,,,,,,,,,,,,,,,,,,  
55,3,,172456-68980,, "INNER ROOF",1,,,,,,,,,,,,,,,,,,,,,  
56,3,,172456-68990,, "WIPER MOTOR",1,,,,,,,,,,,,,,,,,,,,,  
57,3,,172456-69170,, "SUPPORT MOTOR",1,,,,,,,,,,,,,,,,,,,,,  
58,3,,172456-69180,, "CLIP M15",2,,,,,,,,,,,,,,,,,,,,,  
59,3,,172456-69190,, "SCREW M5X12",2,,,,,,,,,,,,,,,,,,,,,  
60,3,,172456-69200,, "COVER MOTOR",1,,,,,,,,,,,,,,,,,,,,,  
61,3,,172456-69210,, "ARM, WIPER",1,,,,,,,,,,,,,,,,,,,,,  
62,3,,172456-69220,, "BLADE, WIPER",1,,,,,,,,,,,,,,,,,,,,,  
63,3,,172456-69230,, "DOOR STOPPER",1,,,,,,,,,,,,,,,,,,,,,  
64,3,,172456-69240,, "NUT CAP",2,,,,,,,,,,,,,,,,,,,,,  
65,4,,172456-69250,, "SCREW",2,,,,,,,,,,,,,,,,,,,,,

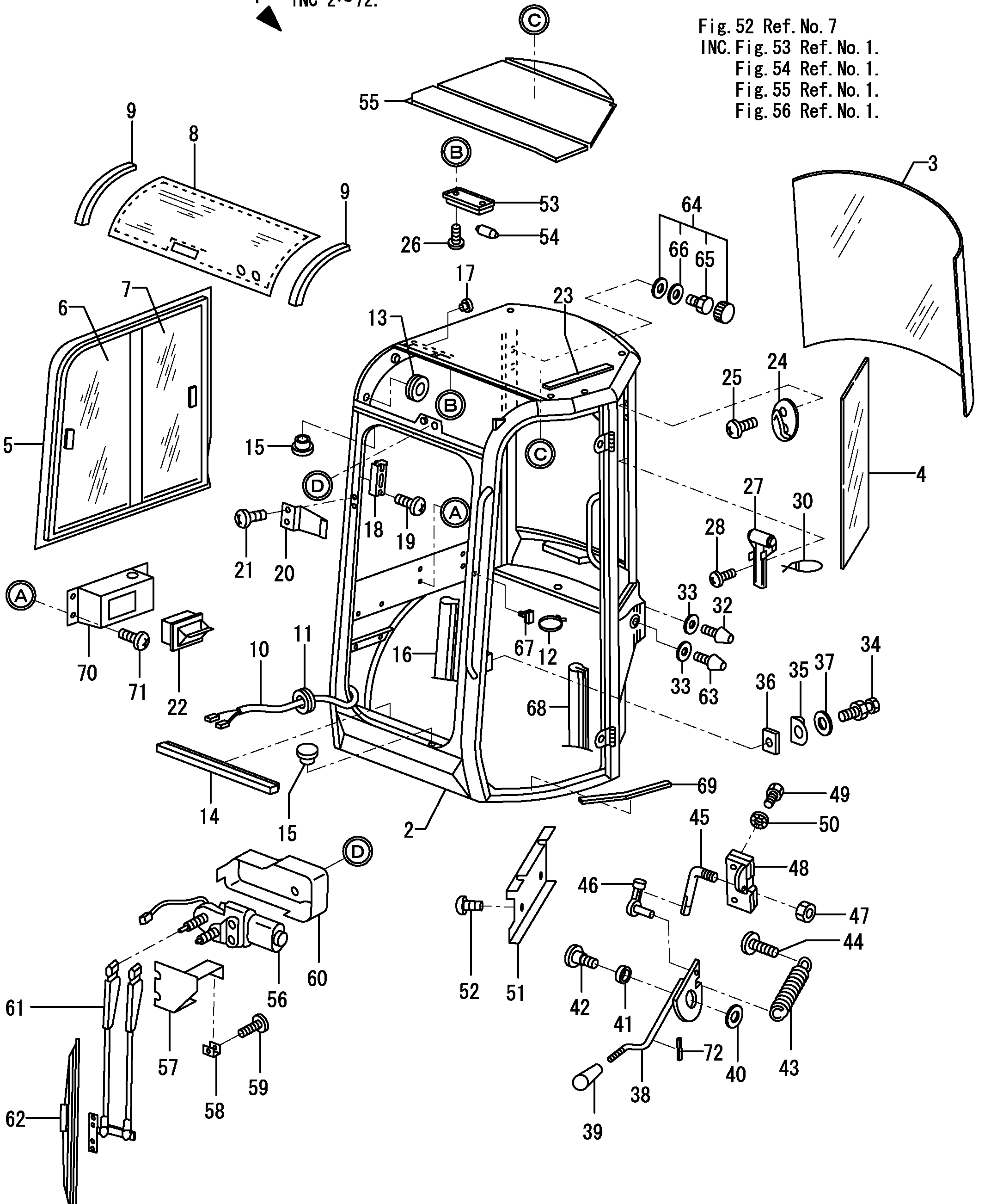
66,4,,172456-69260,, "WASHER 10.2X18.5X2.5",2,,,,,,,,,,,,,  
67,3,,172456-69270,, "FASTENER CLAMP",3,,,,,,,,,,,,,  
68,3,,172456-69280,, "SEAL 3620",1,,,,,,,,,,,,,  
69,3,,172456-69290,, "SEAL 550",1,,,,,,,,,,,,,  
70,3,,172456-69300,, "SUPPORT ASH TRAY",1,,,,,,,,,,,,,  
71,3,,172456-69310,, "SCREW 4.8X16",4,,,,,,,,,,,,,  
72,3,,172456-69320,, "SEAL 90",1,,,,,,,,,,,,,

キャビンASSY  
CABIN ASSY  
172456-68401

項目NO. 52の見出しNO. 7は、  
項目NO. 53の見出しNO. 1と  
項目NO. 54の見出しNO. 1と  
項目NO. 55の見出しNO. 1と  
項目NO. 56の見出しNO. 1を含みます。

Fig. 52 Ref. No. 7  
INC. Fig. 53 Ref. No. 1.  
Fig. 54 Ref. No. 1.  
Fig. 55 Ref. No. 1.  
Fig. 56 Ref. No. 1.

1 INC 2~72.



1,2,,172456-69330,, "FRONT GLASS ASSY",1,,,,,,,,,,,,,  
2,3,,172456-68780,, WASHER,4,,,,,,,,,,,,,  
3,3,,172456-68800,, SCREW,4,,,,,,,,,,,,,  
4,3,,172456-69340,, "FRONT GLASS UP ASSY",1,,,,,,,,,,,,,  
5,4,,172456-69350,, "FRONT GLASS ASSY",1,,,,,,,,,,,,,  
6,4,,172456-69380,, GRIP,2,,,,,,,,,,,,,  
7,4,,172456-69390,, "BUSH, NYLON",2,,,,,,,,,,,,,  
8,4,,172456-69400,, PLUG,1,,,,,,,,,,,,,  
9,4,,172456-69410,, "SEAL 780",2,,,,,,,,,,,,,  
10,3,,172456-69420,, "SPACER, NYLON",3,,,,,,,,,,,,,  
11,3,,172456-69430,, "WASHER, NYLON",1,,,,,,,,,,,,,  
12,3,,172456-69440,, LINKAGE,1,,,,,,,,,,,,,  
13,3,,172456-69450,, "GAS SPRING",2,,,,,,,,,,,,,  
14,3,,172456-69460,, "CIR CLIP",4,,,,,,,,,,,,,  
15,3,,172456-69530,, "GLASS ASSY UNDER",1,,,,,,,,,,,,,  
16,4,,172456-68550,, STOPPER,2,,,,,,,,,,,,,  
17,4,,172456-68950,, SCREW,4,,,,,,,,,,,,,  
18,4,,172456-69470,, "GUIDE L",1,,,,,,,,,,,,,  
19,4,,172456-69480,, "GUIDE R",1,,,,,,,,,,,,,  
20,4,,172456-69490,, "SEAL, NYLON 410",2,,,,,,,,,,,,,  
21,4,,172456-69520,, "WASHER 6X18X1",4,,,,,,,,,,,,,  
22,4,,172456-69540,, "GLASS, UNDER",1,,,,,,,,,,,,,  
23,4,,172456-69550,, "LOCK, L UNDER GLASS",1,,,,,,,,,,,,,  
24,4,,172456-69560,, "LOCK, R UNDER GLASS",1,,,,,,,,,,,,,  
25,4,,172456-69570,, "SCREW M5X25",4,,,,,,,,,,,,,  
26,4,,172456-69580,, "SEAL 590",1,,,,,,,,,,,,,

キャビンASSY  
CABIN ASSY  
172456-68401

項目NO. 52の見出しNO. 7は、  
項目NO. 53の見出しNO. 1と  
項目NO. 54の見出しNO. 1と  
項目NO. 55の見出しNO. 1と  
項目NO. 56の見出しNO. 1を含みます。

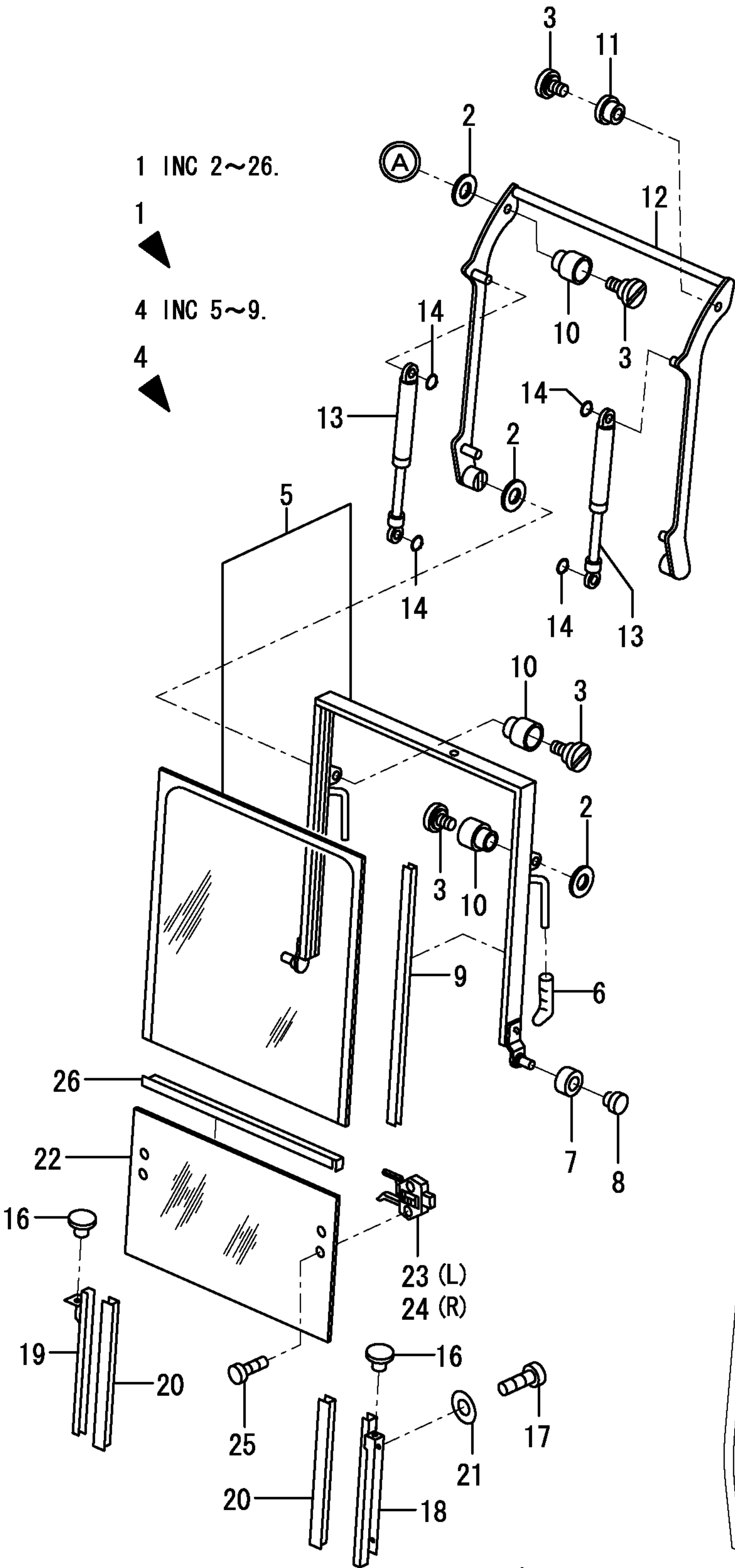
Fig. 52 Ref. No. 7  
INC. Fig. 53 Ref. No. 1.  
Fig. 54 Ref. No. 1.  
Fig. 55 Ref. No. 1.  
Fig. 56 Ref. No. 1.

1 INC 2~26.

1

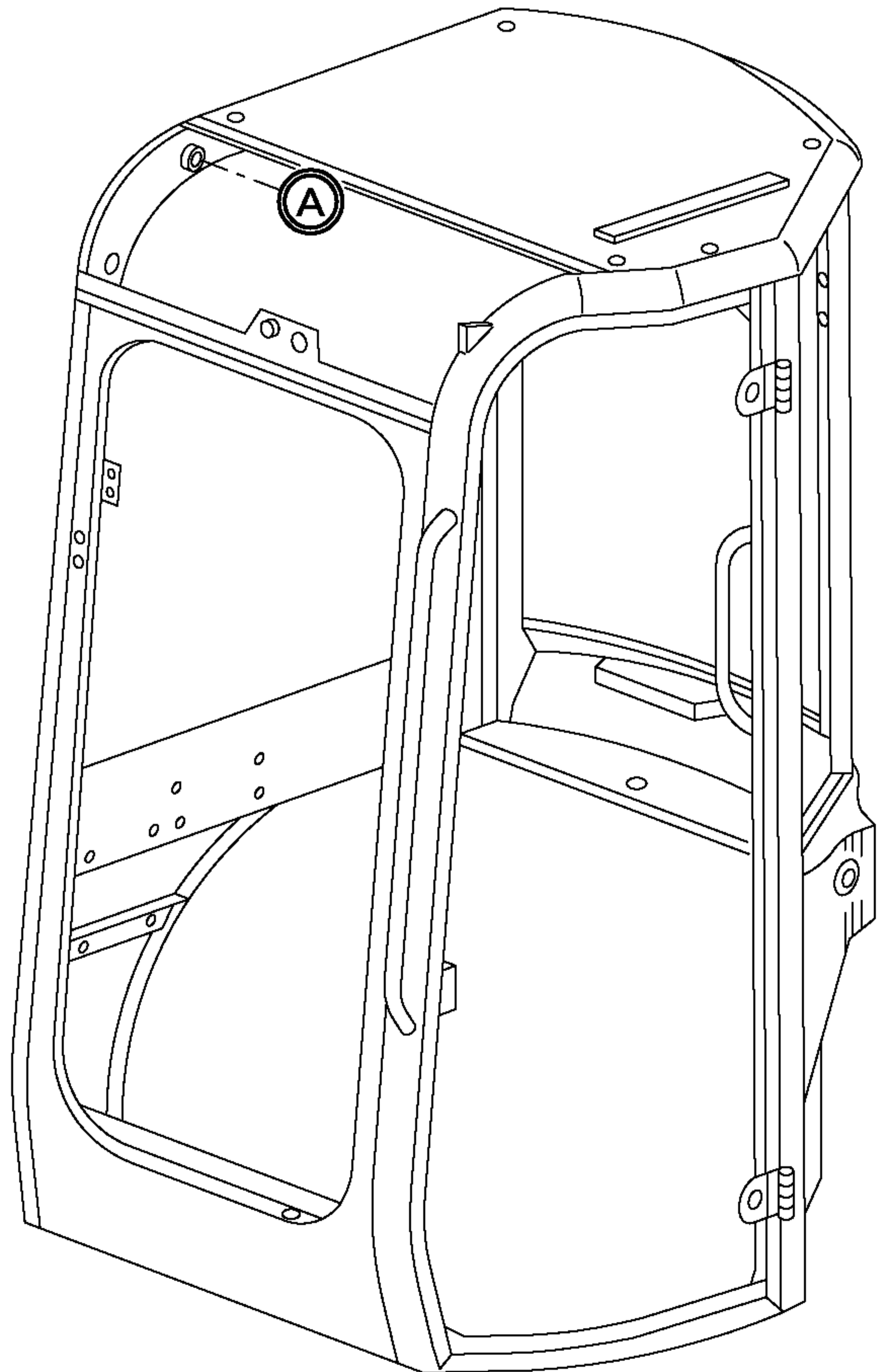
4 INC 5~9.

4



15

15 INC 16~26.



1,2,,172456-69590,, "SIDE DOOR ASSY",1,,,,,,,,,,,,,  
2,3,,172456-68950,, SCREW,2,,,,,,,,,,,,,  
3,3,,172456-69240,, "NUT CAP",1,,,,,,,,,,,,,  
4,4,,172456-69250,, SCREW,1,,,,,,,,,,,,,  
5,4,,172456-69260,, "WASHER 10.2X18.5X2.5",1,,,,,,,,,,,,,  
6,3,,172456-69260,, "WASHER 10.2X18.5X2.5",4,,,,,,,,,,,,,  
7,3,,172456-69610,, "FRAME, FRONT",1,,,,,,,,,,,,,  
8,3,,172456-69620,, "FRAME, REAR",1,,,,,,,,,,,,,  
9,3,,172456-69630,, "GLASS, SIDE REAR",1,,,,,,,,,,,,,  
10,3,,172456-69640,, "GLASS, SIDE UPPER",1,,,,,,,,,,,,,  
11,3,,172456-69650,, "GLASS, SIDE LOWER",1,,,,,,,,,,,,,  
12,3,,172456-69660,, BAR,2,,,,,,,,,,,,,  
13,3,,172456-69670,, "SCREW M5X15",4,,,,,,,,,,,,,  
14,3,,172456-69680,, WASHER,4,,,,,,,,,,,,,  
15,3,,172456-69690,, "SPACER, RUBBER",2,,,,,,,,,,,,,  
16,3,,172456-69700,, SEAL,1,,,,,,,,,,,,,  
17,3,,172456-69710,, SEAL,1,,,,,,,,,,,,,  
18,3,,172456-69720,, "HANDLE OUTER",1,,,,,,,,,,,,,  
19,3,,172456-69730,, "SOLE, HANDLE L",1,,,,,,,,,,,,,  
20,3,,172456-69740,, "SOLE, HANDLE S",1,,,,,,,,,,,,,  
21,3,,172456-69750,, "SPACER, PLASTIC",1,,,,,,,,,,,,,  
22,3,,172456-69760,, "WASHER 8X19X1.5",3,,,,,,,,,,,,,  
23,3,,172456-69770,, "SCREW 6X20",3,,,,,,,,,,,,,  
24,3,,172456-69780,, "LOCK, KEY",1,,,,,,,,,,,,,  
25,3,,172456-69790,, "SPACER, BOLT",1,,,,,,,,,,,,,  
26,3,,172456-69800,, "WASHER, RUBBER",1,,,,,,,,,,,,,  
27,3,,172456-69810,, "BRACE, BOLT",1,,,,,,,,,,,,,  
28,3,,172456-69820,, "LOCK, BOLT",1,,,,,,,,,,,,,  
29,3,,172456-69830,, "LOCK CMP",1,,,,,,,,,,,,,  
30,3,,172456-69840,, "SCREW M8X40",2,,,,,,,,,,,,,  
31,3,,172456-69850,, "DOOR CATCH",1,,,,,,,,,,,,,  
32,3,,172456-69860,, "NUT M10",2,,,,,,,,,,,,,  
33,3,,172456-69870,, "NUT 10",2,,,,,,,,,,,,,  
34,3,,172456-69880,, "COVER, LOCK",1,,,,,,,,,,,,,  
35,3,,172456-69890,, "WASHER 6",1,,,,,,,,,,,,,  
36,3,,172456-69900,, "NUT M6",1,,,,,,,,,,,,,  
37,3,,172456-69910,, "CAP, NUT M6",1,,,,,,,,,,,,,  
38,3,,172456-69920,, "BOLT BM12X60",2,,,,,,,,,,,,,  
39,3,,172456-69930,, "WASHER 12X22.5X2.5",2,,,,,,,,,,,,,  
40,3,,172456-69940,, "NUT 12",2,,,,,,,,,,,,,  
41,3,,172456-69950,, "CAP 12",2,,,,,,,,,,,,,

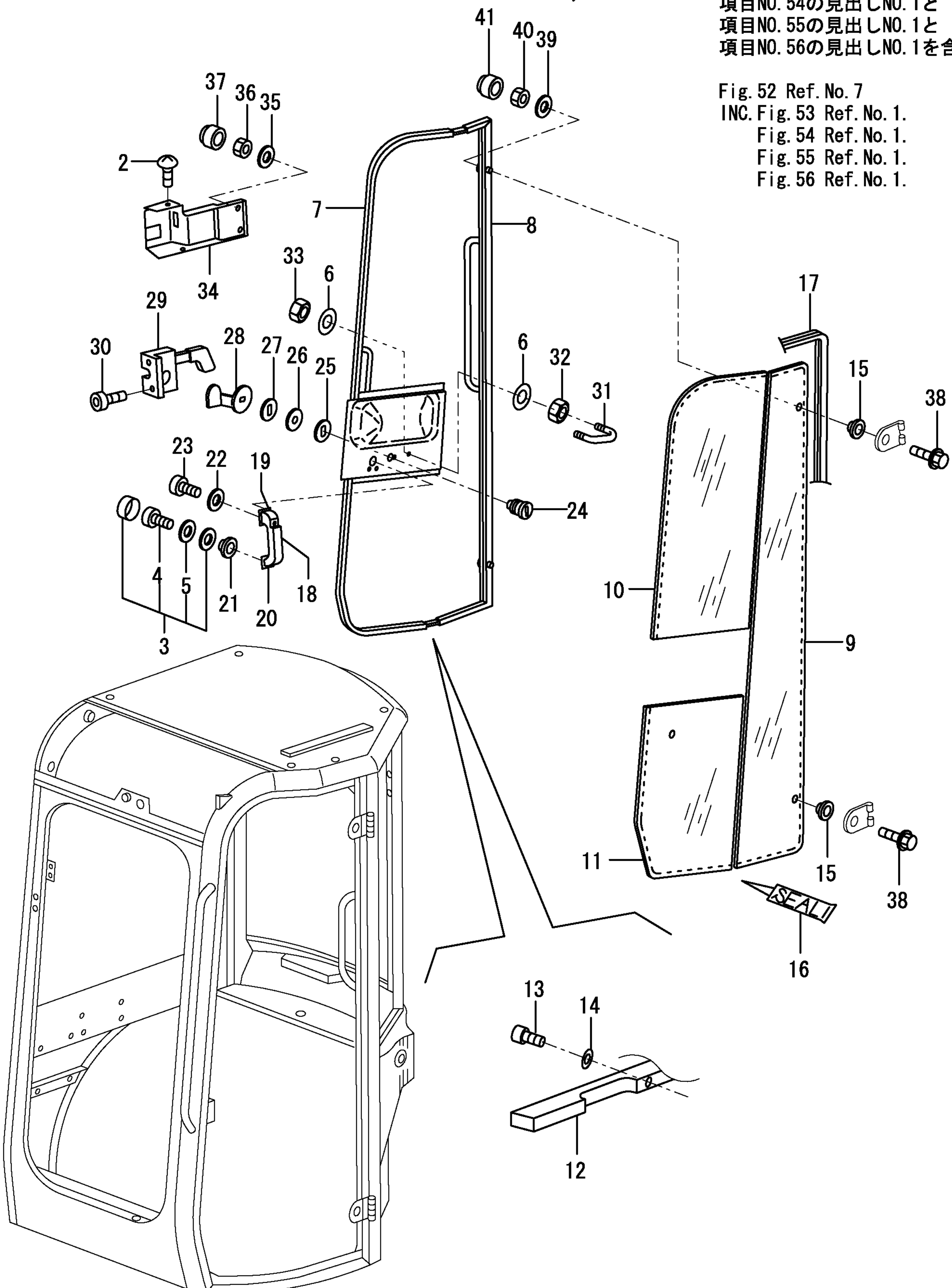
キャビンASSY  
CABIN ASSY  
172456-68401

1 INC 2~41.

1

項目NO. 52の見出しNO. 7は、  
項目NO. 53の見出しNO. 1と  
項目NO. 54の見出しNO. 1と  
項目NO. 55の見出しNO. 1と  
項目NO. 56の見出しNO. 1を含みます。

Fig. 52 Ref. No. 7  
INC. Fig. 53 Ref. No. 1.  
Fig. 54 Ref. No. 1.  
Fig. 55 Ref. No. 1.  
Fig. 56 Ref. No. 1.



1,2,,172456-69960,, "JAPAN SPC. PARTS",1,,,,,,,,,,,,,  
2,3,,172456-68100,, "NUT M8",1,,,,,,,,,,,,,  
3,3,,172456-68110,, CAP,4,,,,,,,,,,,,,  
4,3,,172456-68120,, "SCREW M6X30",2,,,,,,,,,,,,,  
5,3,,172456-68130,, "WASHER 7X16X3",4,,,,,,,,,,,,,  
6,3,,172456-68140,, "WASHER 6",4,,,,,,,,,,,,,  
7,3,,172456-68150,, "WASHER 6X18X1",2,,,,,,,,,,,,,  
8,3,,172456-68160,, "NUT, SEAL M6",2,,,,,,,,,,,,,  
9,3,,172456-68170,, "NUT, BRASS M6",2,,,,,,,,,,,,,  
10,3,,172456-68180,, "BOLT 16X30",4,,,,,,,,,,,,,  
11,3,,172456-68190,, "WASHER 17X40X4",4,,,,,,,,,,,,,  
12,3,,172456-68200,, WASHER,4,,,,,,,,,,,,,  
13,3,,172456-68210,, GROMMET,1,,,,,,,,,,,,,  
14,3,,172456-68220,, "SCREW 4.8X15.9",3,,,,,,,,,,,,,  
15,3,,172456-68230,, PLUG,1,,,,,,,,,,,,,  
16,3,,172456-68240,, GROMMET,1,,,,,,,,,,,,,  
17,3,,172456-68250,, CAP,1,,,,,,,,,,,,,  
18,3,,172456-68260,, PLUG,1,,,,,,,,,,,,,  
19,3,,172456-68570,, PLUG,1,,,,,,,,,,,,,  
20,3,,172456-69970,, "WORK LAMP",1,,,,,,,,,,,,,  
22,3,,172456-69990,, "WASHER 8",2,,,,,,,,,,,,,



キャビンASSY  
 CABIN ASSY  
 172456-68401

項目NO. 52の見出しNO. 7は、  
 項目NO. 53の見出しNO. 1と  
 項目NO. 54の見出しNO. 1と  
 項目NO. 55の見出しNO. 1と  
 項目NO. 56の見出しNO. 1を含みます。

Fig. 52 Ref. No. 7

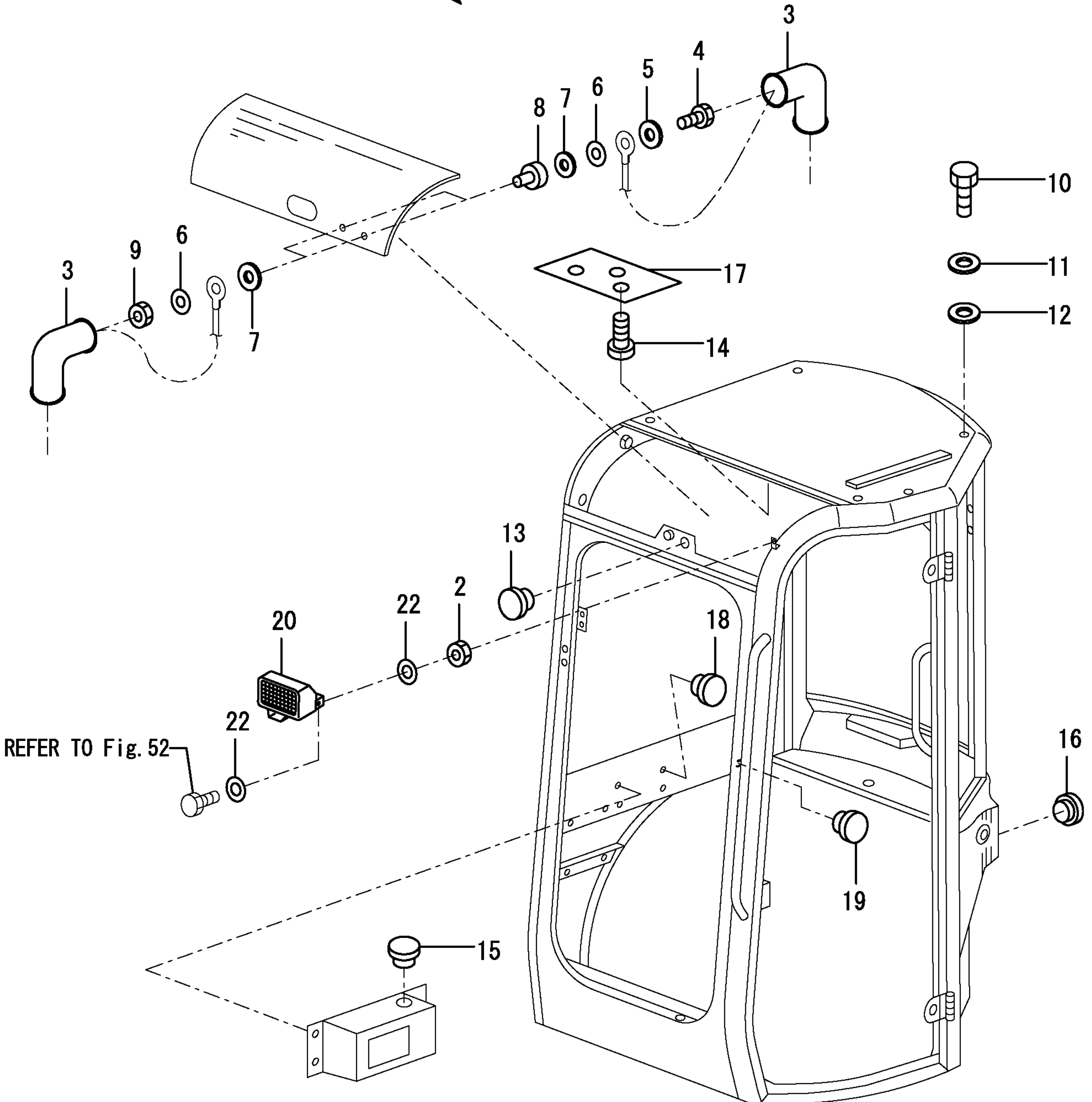
INC. Fig. 53 Ref. No. 1.

1 INC 2~22.

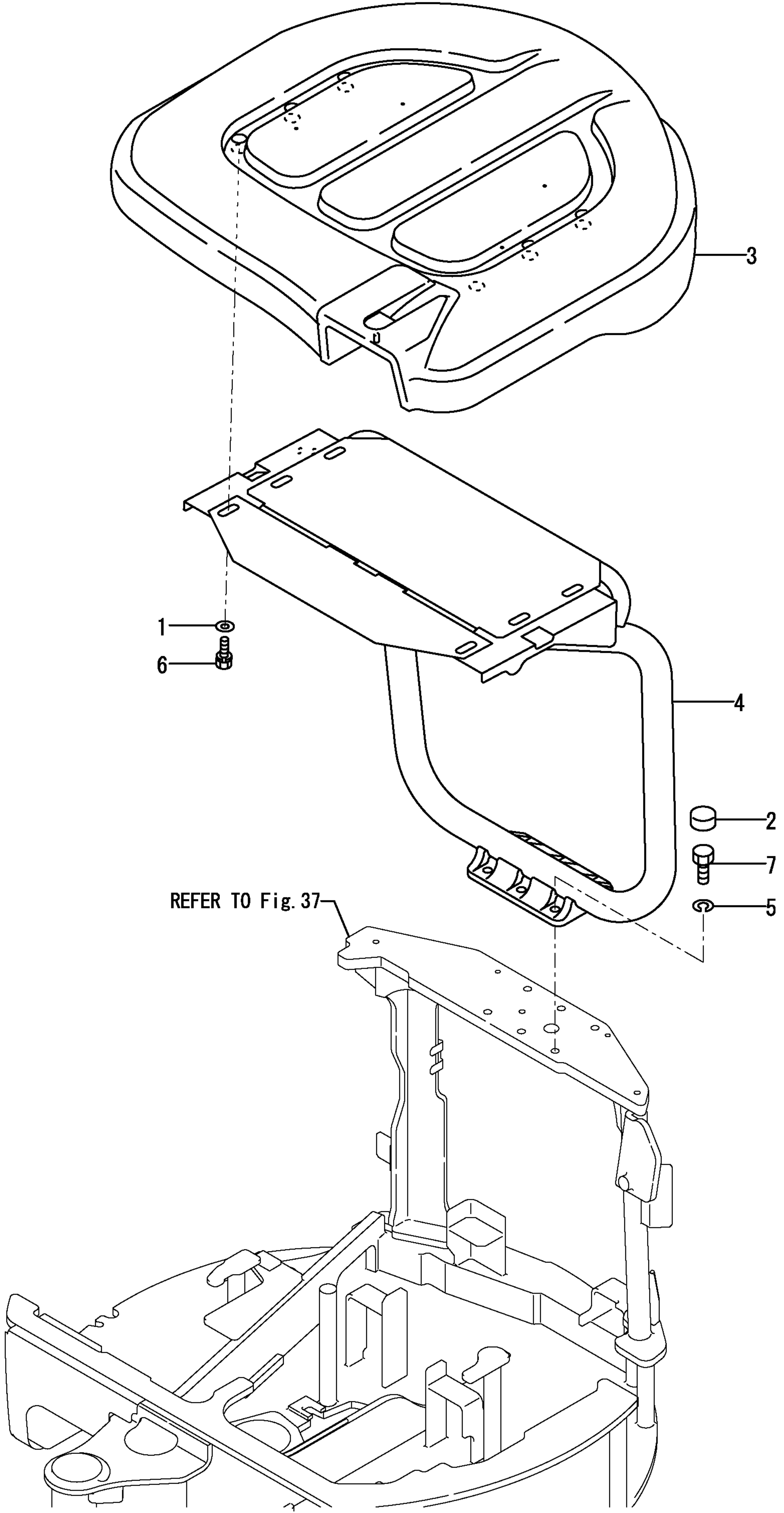
Fig. 54 Ref. No. 1.

Fig. 55 Ref. No. 1.

Fig. 56 Ref. No. 1.



1,1,,172730-05250,, "WASHER 12" , ,6,6,,,,,,,,,,,,,,,,,,,,,  
2,1,,172458-67090,, CAP , ,6,6,,,,,,,,,,,,,,,,,,,,,  
3,1,,172458-67100,, "ROOF ASSY,CANOPY" , ,1,1,,,,,,,,,,,,,,,,,,,,,  
4,1,,172A23-67110,, "CANOPY, TOPS(WHITE:15" , ,1,1,,,,,,,,,,,,,,,,,,,,,  
5,1,,22217-160000,, "SPRING WASHER 16" , ,6,6,,,,,,,,,,,,,,,,,,,,,  
6,1,,26013-120302,, "BOLT W/WASHER M12X30" , ,6,6,,,,,,,,,,,,,,,,,,,,,  
7,1,,26076-160402,, "BOLT 10.9 16X40" , ,6,6,,,,,,,,,,,,,,,,,,,,,



- 1
- 6

- 2
- 7
- 5

3

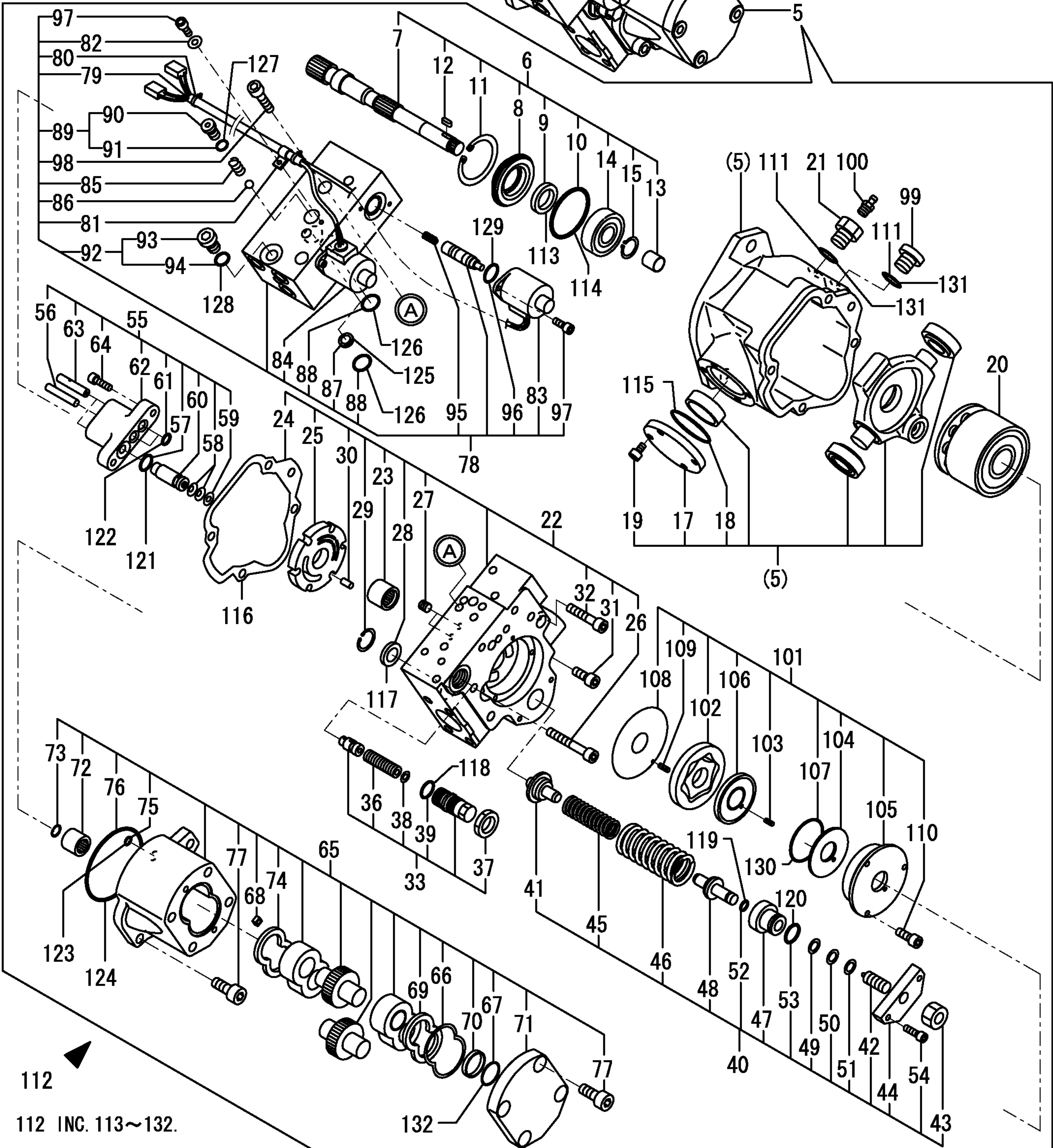
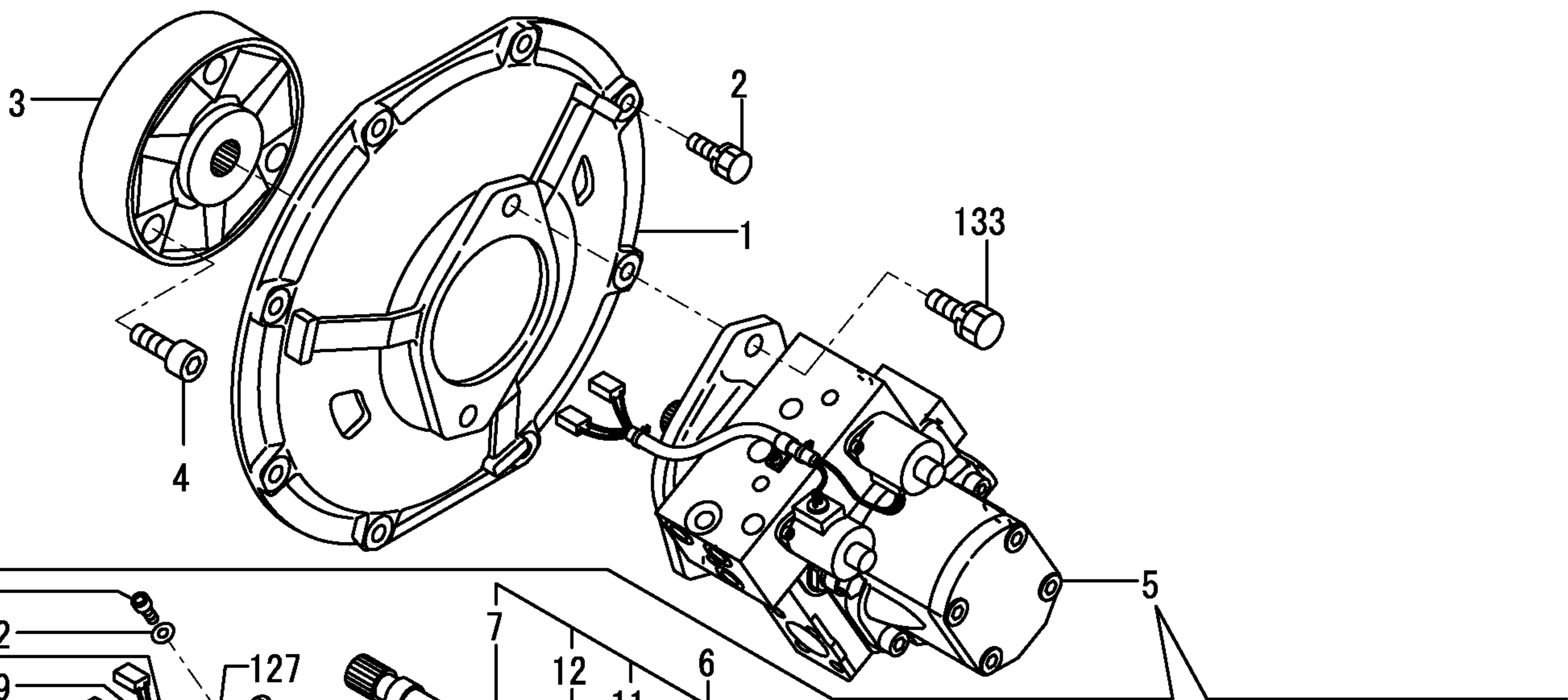
4

REFER TO Fig. 37

1,1,,172168-71101,, "COVER, FLYWHEEL (88)",1,1,,,,,,,,,,,,,,,,,,,,,  
2,1,,26013-100302,, "BOLT M10X 30",8,8,,,,,,,,,,,,,,,,,,,,,  
3,1,,172165-71200,, COUPLING,1,1,,,,,,,,,,,,,,,,,,,,,  
4,1,,26450-120402,, "BOLT M12X 40",3,3,,,,,,,,,,,,,,,,,,,,,  
5,1,,172456-73100,, "PUMP ASSY",1,1,,,,,,,,,,,,,,,,,,,,,  
6,2,,172456-73110,, "SHAFT ASSY",1,1,,,,,,,,,,,,,,,,,,,,,  
7,3,,172456-73120,, SHAFT,1,1,,,,,,,,,,,,,,,,,,,,,  
8,3,,172456-73130,, "CASE, SEAL",1,1,,,,,,,,,,,,,,,,,,,,,  
9,3,,172456-73140,, "SEAL, OIL",1,1,,,,,,,,,,,,,,,,,,,,,  
10,3,,172456-73150,, O-RING,1,1,,,,,,,,,,,,,,,,,,,,,  
11,3,,172456-73160,, "CIRCLIP",1,1,,,,,,,,,,,,,,,,,,,,,  
12,3,,172456-73170,, KEY,1,1,,,,,,,,,,,,,,,,,,,,,  
13,3,,172456-73180,, "PIN BUSH",1,1,,,,,,,,,,,,,,,,,,,,,  
14,3,,172179-73220,, "BEARING",1,1,,,,,,,,,,,,,,,,,,,,,  
15,3,,22242-000200,, "CIRCLIP 20",1,1,,,,,,,,,,,,,,,,,,,,,  
17,3,,172179-73250,, COVER,1,1,,,,,,,,,,,,,,,,,,,,,  
18,3,,24321-000450,, "O-RING 1A G-45.0",1,1,,,,,,,,,,,,,,,,,,,,,  
19,3,,26450-060122,, "BOLT M 6X 12",4,4,,,,,,,,,,,,,,,,,,,,,  
20,2,,172179-73130,, "ROTORY SET",1,1,,,,,,,,,,,,,,,,,,,,,  
21,2,,172179-73190,, BUSHING,1,1,,,,,,,,,,,,,,,,,,,,,  
22,2,,172456-73280,, "COVER ASSY",1,1,,,,,,,,,,,,,,,,,,,,,  
23,3,,172179-73270,, BEARING,1,1,,,,,,,,,,,,,,,,,,,,,  
24,3,,172179-73280,, GASKET,1,1,,,,,,,,,,,,,,,,,,,,,  
25,3,,172456-73290,, "CONTROL PLATE",1,1,,,,,,,,,,,,,,,,,,,,,  
26,3,,172650-73450,, "BOLT, 8X55HEX SOCKET",2,2,,,,,,,,,,,,,,,,,,,,,  
27,3,,172456-73600,, ORIFICE,2,2,,,,,,,,,,,,,,,,,,,,,  
28,3,,172456-73610,, FILTER,1,1,,,,,,,,,,,,,,,,,,,,,  
29,3,,172164-73670,, "CIRCLIP",1,1,,,,,,,,,,,,,,,,,,,,,  
30,3,,22312-060120,, "PARALLEL PIN 6X12",2,2,,,,,,,,,,,,,,,,,,,,,  
31,3,,26450-080202,, "BOLT M 8X 20",2,2,,,,,,,,,,,,,,,,,,,,,  
32,3,,26450-080402,, "BOLT 8X40",1,1,,,,,,,,,,,,,,,,,,,,,  
33,2,,172164-73470,, "VALVE ASSY, RELIEF",1,1,,,,,,,,,,,,,,,,,,,,,  
36,3,,172164-73380,, "SPRING, RETERN",1,1,,,,,,,,,,,,,,,,,,,,,  
37,3,,172164-73390,, NUT,1,1,,,,,,,,,,,,,,,,,,,,,  
38,3,,172164-73510,, "SEAT, SPRING",1,1,,,,,,,,,,,,,,,,,,,,,  
39,3,,172141-74430,, O-RING,1,1,,,,,,,,,,,,,,,,,,,,,  
40,2,,172456-73650,, "SPRING ASSY, CONTROL",1,1,,,,,,,,,,,,,,,,,,,,,  
41,3,,172179-73400,, "STAY, SPRING",1,1,,,,,,,,,,,,,,,,,,,,,  
42,3,,172179-73430,, "ADJUST SCREW",1,1,,,,,,,,,,,,,,,,,,,,,  
43,3,,172179-73460,, "NUT M 6",1,1,,,,,,,,,,,,,,,,,,,,,  
44,3,,172456-73660,, COVER,1,1,,,,,,,,,,,,,,,,,,,,,  
45,3,,172456-73670,, SPRING,1,1,,,,,,,,,,,,,,,,,,,,,  
46,3,,172456-73680,, SPRING,1,1,,,,,,,,,,,,,,,,,,,,,  
47,3,,172456-73690,, "SPRING PLATE A",1,1,,,,,,,,,,,,,,,,,,,,,  
48,3,,172456-73700,, "SPRING PLATE B",1,1,,,,,,,,,,,,,,,,,,,,,  
49,3,,172456-73710,, SHIM,1,1,,,,,,,,,,,,,,,,,,,,,  
50,3,,172456-73720,, SHIM,1,1,,,,,,,,,,,,,,,,,,,,,  
51,3,,172456-73730,, SHIM,1,1,,,,,,,,,,,,,,,,,,,,,  
52,3,,24311-000090,, "O-RING 1A P-9.0",1,1,,,,,,,,,,,,,,,,,,,,,  
53,3,,24311-000180,, "O-RING 1A P-18.0",1,1,,,,,,,,,,,,,,,,,,,,,  
54,3,,26450-060202,, "BOLT M 6X 20",1,1,,,,,,,,,,,,,,,,,,,,,  
55,2,,172456-73740,, "PISTON ASSY, CONTROL",1,1,,,,,,,,,,,,,,,,,,,,,  
56,3,,172168-71500,, "PARALLEL PIN",1,1,,,,,,,,,,,,,,,,,,,,,  
57,3,,172168-71510,, O-RING,1,1,,,,,,,,,,,,,,,,,,,,,  
58,3,,172168-71520,, "CONICAL SPRING",2,2,,,,,,,,,,,,,,,,,,,,,  
59,3,,172168-71530,, RETAINER,1,1,,,,,,,,,,,,,,,,,,,,,  
60,3,,172179-73510,, PISTON,1,1,,,,,,,,,,,,,,,,,,,,,  
61,3,,172179-73540,, O-RING,2,2,,,,,,,,,,,,,,,,,,,,,  
62,3,,172456-73750,, CYLINDER,1,1,,,,,,,,,,,,,,,,,,,,,  
63,3,,172456-73770,, "PISTON, HYDRAULIC",2,2,,,,,,,,,,,,,,,,,,,,,  
64,3,,26450-060202,, "BOLT M 6X 20",2,2,,,,,,,,,,,,,,,,,,,,,  
65,2,,172456-73790,, "PUMP ASSY, GEAR",1,1,,,,,,,,,,,,,,,,,,,,,  
66,3,,172141-71520,, RING,1,1,,,,,,,,,,,,,,,,,,,,,

67,3,,172141-71550,,O-RING,2,2,,,,,,,,,,,,,  
68,3,,172141-71560,,RING,2,2,,,,,,,,,,,,,  
69,3,,172141-73220,,PLATE,1,1,,,,,,,,,,,,,  
70,3,,172141-73230,,GUIDE,2,2,,,,,,,,,,,,,  
71,3,,172456-73800,,COVER,1,1,,,,,,,,,,,,,  
72,3,,172456-73810,,JOINT,1,1,,,,,,,,,,,,,  
73,3,,172456-73840,, "CIRCLIP," ,1,1,,,,,,,,,,,,,  
74,3,,172456-73850,,BLADE,1,1,,,,,,,,,,,,,  
75,3,,24315-000060,, "O-RING 1B P-6.0" ,1,1,,,,,,,,,,,,,  
76,3,,24321-000900,, "O-RING 1A G-90.0" ,1,1,,,,,,,,,,,,,  
77,3,,26450-100252,, "BOLT M10X 25" ,6,6,,,,,,,,,,,,,  
78,2,,172456-73860,, "VALVE ASSY" ,1,1,,,,,,,,,,,,,  
79,3,,172164-73030,, "COVER, SUPPORT" ,1,1,,,,,,,,,,,,,  
80,3,,172164-73040,, "BAND, BINDER" ,2,2,,,,,,,,,,,,,  
81,3,,172164-73490,,CLUMP,1,1,,,,,,,,,,,,,  
82,3,,172164-73500,,WASHER,1,1,,,,,,,,,,,,,  
83,3,,172456-73580,, "SOLENOID (A" ,1,1,,,,,,,,,,,,,  
84,3,,172456-73590,, "SOLENOID (B" ,1,1,,,,,,,,,,,,,  
85,3,,172456-73880,,SPRING,1,1,,,,,,,,,,,,,  
86,3,,172456-73900,, "BALL, STEEL" ,1,1,,,,,,,,,,,,,  
87,3,,172456-73930,, "ELEMENT,FILTER" ,1,1,,,,,,,,,,,,,  
88,3,,172456-73960,,O-RING,2,2,,,,,,,,,,,,,  
89,3,,172142-74590,,PLUG,1,1,,,,,,,,,,,,,  
90,4,,172142-74650,, "PLUG 1/8" ,1,1,,,,,,,,,,,,,  
91,4,,24315-000080,, "O-RING 1B P-8.0" ,1,1,,,,,,,,,,,,,  
92,3,,172142-74600,,PLUG,1,1,,,,,,,,,,,,,  
93,4,,172142-74660,, "PLUG 1/4" ,1,1,,,,,,,,,,,,,  
94,4,,24315-000110,, "O-RING 1B P-11.0" ,1,1,,,,,,,,,,,,,  
95,3,,172165-74740,,SPRING,2,2,,,,,,,,,,,,,  
96,3,,24311-000160,, "O-RING 1A P-16.0" ,2,2,,,,,,,,,,,,,  
97,3,,26450-040102,, "BOLT 4\* 10" ,5,5,,,,,,,,,,,,,  
98,3,,26450-080302,, "BOLT M 8X 30" ,2,2,,,,,,,,,,,,,  
99,2,,172142-74670,, "PLUG, 3/8" ,1,1,,,,,,,,,,,,,  
100,2,,172456-75430,,PLUG,1,1,,,,,,,,,,,,,  
101,2,,172456-75440,, "PUMP ASSY, TROCHOID" ,1,1,,,,,,,,,,,,,  
102,3,,172456-75450,,GEAR,1,1,,,,,,,,,,,,,  
103,3,,172456-75460,, "PIN, SPRING" ,1,1,,,,,,,,,,,,,  
104,3,,172456-75480,,BLADE,1,1,,,,,,,,,,,,,  
105,3,,172187-75860,,CASE,1,1,,,,,,,,,,,,,  
106,3,,172187-75870,, "PLATE A ,SIDE" ,1,1,,,,,,,,,,,,,  
107,3,,172187-75880,,O-RING,1,1,,,,,,,,,,,,,  
108,3,,172187-75910,, "PLATE B ,SIDE" ,1,1,,,,,,,,,,,,,  
109,3,,172187-75920,, "PIN,SPRING" ,1,1,,,,,,,,,,,,,  
110,3,,26450-050122,, "BOLT M 5X 12" ,3,3,,,,,,,,,,,,,  
111,2,,24315-000140,, "O-RING 1B P-14.0" ,2,2,,,,,,,,,,,,,  
112,1,,172456-73070,, "SEAL SET" ,1,1,,,,,,,,,,,,,  
113,2,,172456-73140,, "SEAL, OIL" ,1,1,,,,,,,,,,,,,  
114,2,,172456-73150,,O-RING,1,1,,,,,,,,,,,,,  
115,2,,24321-000450,, "O-RING 1A G-45.0" ,1,1,,,,,,,,,,,,,  
116,2,,172179-73280,,GASKET,1,1,,,,,,,,,,,,,  
117,2,,172456-73610,,FILTER,1,1,,,,,,,,,,,,,  
118,2,,172141-74430,,O-RING,1,1,,,,,,,,,,,,,  
119,2,,24311-000090,, "O-RING 1A P-9.0" ,1,1,,,,,,,,,,,,,  
120,2,,24311-000180,, "O-RING 1A P-18.0" ,1,1,,,,,,,,,,,,,  
121,2,,172168-71510,,O-RING,1,1,,,,,,,,,,,,,  
122,2,,172179-73540,,O-RING,2,2,,,,,,,,,,,,,  
123,2,,24315-000060,, "O-RING 1B P-6.0" ,1,1,,,,,,,,,,,,,  
124,2,,24321-000900,, "O-RING 1A G-90.0" ,1,1,,,,,,,,,,,,,  
125,2,,172456-73930,, "ELEMENT,FILTER" ,1,1,,,,,,,,,,,,,  
126,2,,172456-73960,,O-RING,2,2,,,,,,,,,,,,,  
127,2,,24315-000080,, "O-RING 1B P-8.0" ,1,1,,,,,,,,,,,,,  
128,2,,24315-000110,, "O-RING 1B P-11.0" ,1,1,,,,,,,,,,,,,  
129,2,,24311-000160,, "O-RING 1A P-16.0" ,2,2,,,,,,,,,,,,,

130,2,,172187-75880,,O-RING,1,1,,,,,,,,,,,,,,,,,,,,,  
131,2,,24315-000140,, "O-RING 1B P-14.0",2,2,,,,,,,,,,,,,,,,,,,,,  
132,2,,172141-71550,,O-RING,2,2,,,,,,,,,,,,,,,,,,,,,  
133,1,,26013-120302,, "BOLT W/WASHER M12X30",2,2,,,,,,,,,,,,,,,,,,,,,



112

112 INC. 113~132.

132

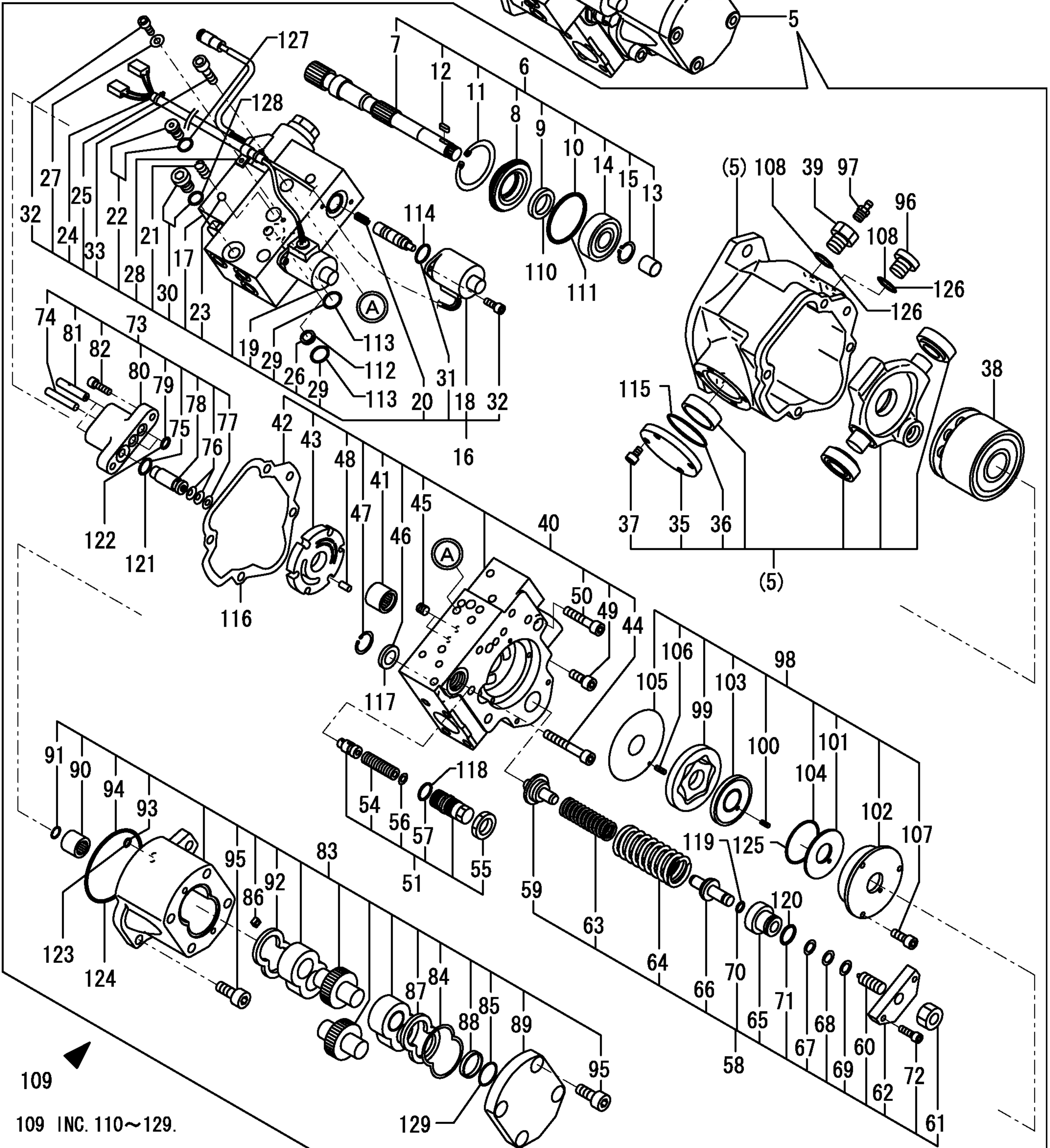
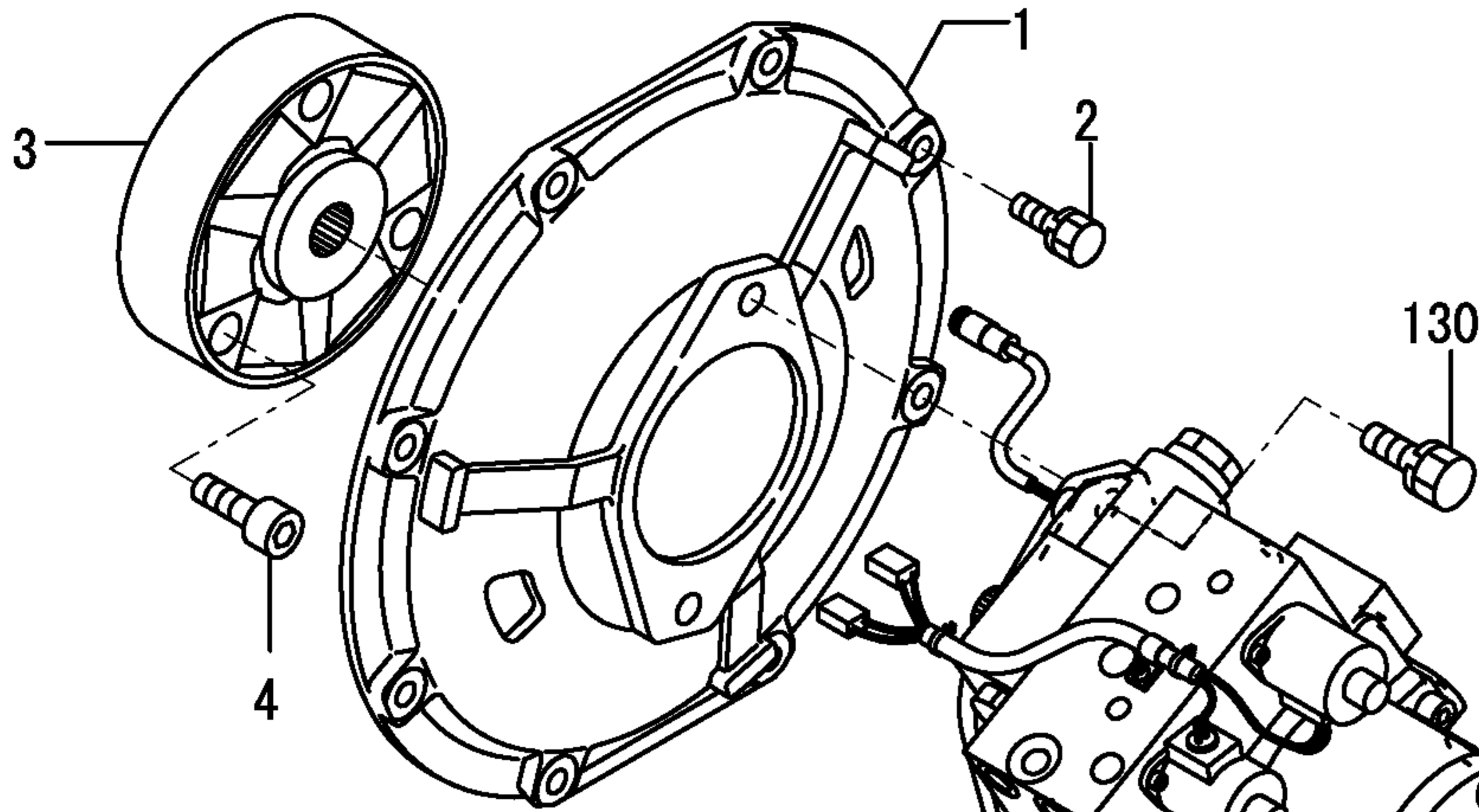
43

1,1,,172168-71101,, "COVER, FLYWHEEL (88)",1,1,1,,,,,,,,,,,,,  
2,1,,26013-100302,, "BOLT M10X 30",8,8,8,,,,,,,,,,,,,  
3,1,,172165-71200,, COUPLING,1,1,1,,,,,,,,,,,,,  
4,1,,26450-120402,, "BOLT M12X 40",3,3,3,,,,,,,,,,,,,  
5,1,,172956-73100,, "PUMP Q ASSY",1,1,1,,,,,,,,,,,,,  
6,2,,172456-73110,, "SHAFT ASSY",1,1,1,,,,,,,,,,,,,  
7,3,,172456-73120,, SHAFT,1,1,1,,,,,,,,,,,,,  
8,3,,172456-73130,, "CASE, SEAL",1,1,1,,,,,,,,,,,,,  
9,3,,172456-73140,, "SEAL, OIL",1,1,1,,,,,,,,,,,,,  
10,3,,172456-73150,, O-RING,1,1,1,,,,,,,,,,,,,  
11,3,,172456-73160,, "CIRCLIP," ,1,1,1,,,,,,,,,,,,,  
12,3,,172456-73170,, KEY,1,1,1,,,,,,,,,,,,,  
13,3,,172456-73180,, "PIN BUSH",1,1,1,,,,,,,,,,,,,  
14,3,,172179-73220,, "BEARING," ,1,1,1,,,,,,,,,,,,,  
15,3,,22242-000200,, "CIRCLIP 20",1,1,1,,,,,,,,,,,,,  
16,2,,172956-73110,, "VALVE ASSY",1,1,1,,,,,,,,,,,,,  
17,3,,172956-73121,, "MAGNETIC VALVE",1,1,1,,,,,,,,,,,,,  
18,3,,172456-73580,, "SOLENOID (A",1,1,1,,,,,,,,,,,,,  
19,3,,172456-73590,, "SOLENOID (B",1,1,1,,,,,,,,,,,,,  
20,3,,172456-73870,, SPRING,2,2,2,,,,,,,,,,,,,  
21,3,,172456-73880,, SPRING,1,1,1,,,,,,,,,,,,,  
22,3,,172456-73890,, "PLUG ASSY",1,1,1,,,,,,,,,,,,,  
23,3,,172456-73900,, "BALL, STEEL",1,1,1,,,,,,,,,,,,,  
24,3,,172456-73910,, COVER,1,1,1,,,,,,,,,,,,,  
25,3,,172456-73920,, BAND,2,2,2,,,,,,,,,,,,,  
26,3,,172456-73930,, "ELEMENT, FILTER",1,1,1,,,,,,,,,,,,,  
27,3,,172456-73940,, WASHER,1,1,1,,,,,,,,,,,,,  
28,3,,172456-73950,, CLAMP,1,1,1,,,,,,,,,,,,,  
29,3,,172456-73960,, O-RING,2,2,2,,,,,,,,,,,,,  
30,3,,172456-73970,, "PLUG ASSY",1,1,1,,,,,,,,,,,,,  
31,3,,24311-000160,, "O-RING 1A P-16.0",2,2,2,,,,,,,,,,,,,  
32,3,,26450-040102,, "BOLT 4\* 10",5,5,5,,,,,,,,,,,,,  
33,3,,26450-080302,, "BOLT M 8X 30",2,2,2,,,,,,,,,,,,,  
35,3,,172179-73250,, COVER,1,1,1,,,,,,,,,,,,,  
36,3,,24321-000450,, "O-RING 1A G-45.0",1,1,1,,,,,,,,,,,,,  
37,3,,26450-060122,, "BOLT M 6X 12",4,4,4,,,,,,,,,,,,,  
38,2,,172179-73130,, "ROTORY SET",1,1,1,,,,,,,,,,,,,  
39,2,,172179-73190,, BUSHING,1,1,1,,,,,,,,,,,,,  
40,2,,172456-73280,, "COVER ASSY",1,1,1,,,,,,,,,,,,,  
41,3,,172179-73270,, BEARING,1,1,1,,,,,,,,,,,,,  
42,3,,172179-73280,, GASKET,1,1,1,,,,,,,,,,,,,  
43,3,,172456-73290,, "CONTROL PLATE",1,1,1,,,,,,,,,,,,,  
44,3,,172650-73450,, "BOLT, 8X55HEX SOCKET",2,2,2,,,,,,,,,,,,,  
45,3,,172456-73600,, ORIFICE,2,2,2,,,,,,,,,,,,,  
46,3,,172456-73610,, FILTER,1,1,1,,,,,,,,,,,,,  
47,3,,172164-73670,, "CIRCLIP," ,1,1,1,,,,,,,,,,,,,  
48,3,,22312-060120,, "PARALLEL PIN 6X12",2,2,2,,,,,,,,,,,,,  
49,3,,26450-080202,, "BOLT M 8X 20",2,2,2,,,,,,,,,,,,,  
50,3,,26450-080402,, "BOLT 8X40",1,1,1,,,,,,,,,,,,,  
51,2,,172164-73470,, "VALVE ASSY, RELIEF",1,1,1,,,,,,,,,,,,,  
54,3,,172164-73380,, "SPRING, RETERN",1,1,1,,,,,,,,,,,,,  
55,3,,172164-73390,, NUT,1,1,1,,,,,,,,,,,,,  
56,3,,172164-73510,, "SEAT, SPRING",1,1,1,,,,,,,,,,,,,  
57,3,,172141-74430,, O-RING,1,1,1,,,,,,,,,,,,,  
58,2,,172456-73650,, "SPRING ASSY, CONTROL",1,1,1,,,,,,,,,,,,,  
59,3,,172179-73400,, "STAY, SPRING",1,1,1,,,,,,,,,,,,,  
60,3,,172179-73430,, "ADJUST SCREW",1,1,1,,,,,,,,,,,,,  
61,3,,172179-73460,, "NUT M 6",1,1,1,,,,,,,,,,,,,  
62,3,,172456-73660,, COVER,1,1,1,,,,,,,,,,,,,  
63,3,,172456-73670,, SPRING,1,1,1,,,,,,,,,,,,,  
64,3,,172456-73680,, SPRING,1,1,1,,,,,,,,,,,,,  
65,3,,172456-73690,, "SPRING PLATE A",1,1,1,,,,,,,,,,,,,  
66,3,,172456-73700,, "SPRING PLATE B",1,1,1,,,,,,,,,,,,,



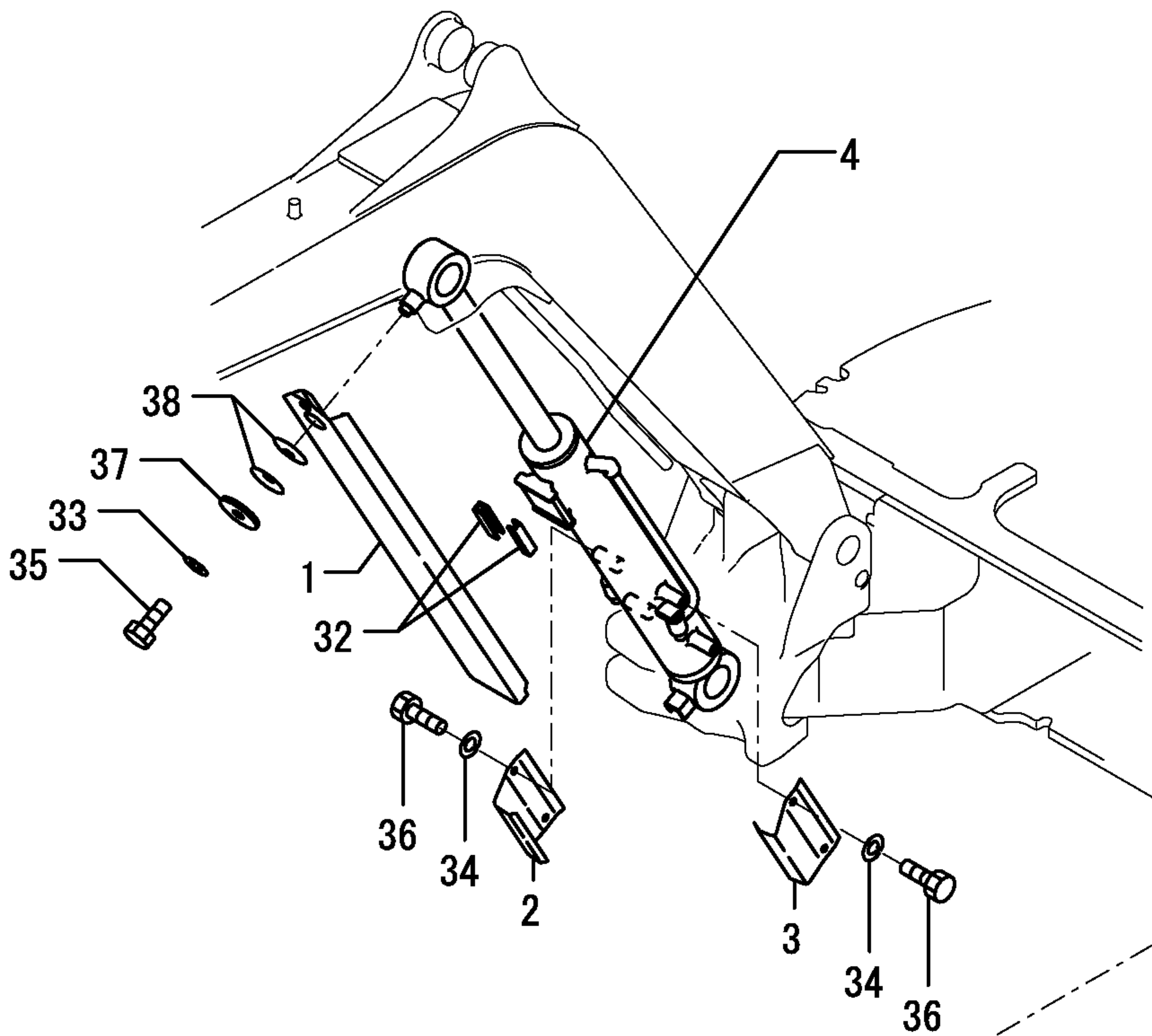
67,3,,172456-73710,,SHIM,1,1,1,,,,,,,,,,,,,  
68,3,,172456-73720,,SHIM,1,1,1,,,,,,,,,,,,,  
69,3,,172456-73730,,SHIM,1,1,1,,,,,,,,,,,,,  
70,3,,24311-000090,, "O-RING 1A P-9.0",1,1,1,,,,,,,,,,,,,  
71,3,,24311-000180,, "O-RING 1A P-18.0",1,1,1,,,,,,,,,,,,,  
72,3,,26450-060202,, "BOLT M 6X 20",1,1,1,,,,,,,,,,,,,  
73,2,,172456-73740,, "PISTON ASSY, CONTROL",1,1,1,,,,,,,,,,,,,  
74,3,,172168-71500,, "PARALLEL PIN",1,1,1,,,,,,,,,,,,,  
75,3,,172168-71510,, O-RING,1,1,1,,,,,,,,,,,,,  
76,3,,172168-71520,, "CONICAL SPRING",2,2,2,,,,,,,,,,,,,  
77,3,,172168-71530,, RETAINER,1,1,1,,,,,,,,,,,,,  
78,3,,172179-73510,, PISTON,1,1,1,,,,,,,,,,,,,  
79,3,,172179-73540,, O-RING,2,2,2,,,,,,,,,,,,,  
80,3,,172456-73750,, CYLINDER,1,1,1,,,,,,,,,,,,,  
81,3,,172456-73770,, "PISTON, HYDRAULIC",2,2,2,,,,,,,,,,,,,  
82,3,,26450-060202,, "BOLT M 6X 20",2,2,2,,,,,,,,,,,,,  
83,2,,172456-73790,, "PUMP ASSY, GEAR",1,1,1,,,,,,,,,,,,,  
84,3,,172141-71520,, RING,1,1,1,,,,,,,,,,,,,  
85,3,,172141-71550,, O-RING,2,2,2,,,,,,,,,,,,,  
86,3,,172141-71560,, RING,2,2,2,,,,,,,,,,,,,  
87,3,,172141-73220,, PLATE,1,1,1,,,,,,,,,,,,,  
88,3,,172141-73230,, GUIDE,2,2,2,,,,,,,,,,,,,  
89,3,,172456-73800,, COVER,1,1,1,,,,,,,,,,,,,  
90,3,,172456-73810,, JOINT,1,1,1,,,,,,,,,,,,,  
91,3,,172456-73840,, "CIRCLIP,"1,1,1,,,,,,,,,,,,,  
92,3,,172456-73850,, BLADE,1,1,1,,,,,,,,,,,,,  
93,3,,24315-000060,, "O-RING 1B P-6.0",1,1,1,,,,,,,,,,,,,  
94,3,,24321-000900,, "O-RING 1A G-90.0",1,1,1,,,,,,,,,,,,,  
95,3,,26450-100252,, "BOLT M10X 25",6,6,6,,,,,,,,,,,,,  
96,2,,172142-74670,, "PLUG, 3/8",1,1,1,,,,,,,,,,,,,  
97,2,,172456-75430,, PLUG,1,1,1,,,,,,,,,,,,,  
98,2,,172456-75440,, "PUMP ASSY, TROCHOID",1,1,1,,,,,,,,,,,,,  
99,3,,172456-75450,, GEAR,1,1,1,,,,,,,,,,,,,  
100,3,,172456-75460,, "PIN, SPRING",1,1,1,,,,,,,,,,,,,  
101,3,,172456-75480,, BLADE,1,1,1,,,,,,,,,,,,,  
102,3,,172187-75860,, CASE,1,1,1,,,,,,,,,,,,,  
103,3,,172187-75870,, "PLATE A ,SIDE",1,1,1,,,,,,,,,,,,,  
104,3,,172187-75880,, O-RING,1,1,1,,,,,,,,,,,,,  
105,3,,172187-75910,, "PLATE B ,SIDE",1,1,1,,,,,,,,,,,,,  
106,3,,172187-75920,, "PIN,SPRING",1,1,1,,,,,,,,,,,,,  
107,3,,26450-050122,, "BOLT M 5X 12",3,3,3,,,,,,,,,,,,,  
108,2,,24315-000140,, "O-RING 1B P-14.0",2,2,2,,,,,,,,,,,,,  
109,1,,172456-73070,, "SEAL SET",1,1,1,,,,,,,,,,,,,  
110,2,,172456-73140,, "SEAL, OIL",1,1,1,,,,,,,,,,,,,  
111,2,,172456-73150,, O-RING,1,1,1,,,,,,,,,,,,,  
112,2,,172456-73930,, "ELEMENT,FILTER",1,1,1,,,,,,,,,,,,,  
113,2,,172456-73960,, O-RING,2,2,2,,,,,,,,,,,,,  
114,2,,24311-000160,, "O-RING 1A P-16.0",2,2,2,,,,,,,,,,,,,  
115,2,,24321-000450,, "O-RING 1A G-45.0",1,1,1,,,,,,,,,,,,,  
116,2,,172179-73280,, GASKET,1,1,1,,,,,,,,,,,,,  
117,2,,172456-73610,, FILTER,1,1,1,,,,,,,,,,,,,  
118,2,,172141-74430,, O-RING,1,1,1,,,,,,,,,,,,,  
119,2,,24311-000090,, "O-RING 1A P-9.0",1,1,1,,,,,,,,,,,,,  
120,2,,24311-000180,, "O-RING 1A P-18.0",1,1,1,,,,,,,,,,,,,  
121,2,,172168-71510,, O-RING,1,1,1,,,,,,,,,,,,,  
122,2,,172179-73540,, O-RING,2,2,2,,,,,,,,,,,,,  
123,2,,24315-000060,, "O-RING 1B P-6.0",1,1,1,,,,,,,,,,,,,  
124,2,,24321-000900,, "O-RING 1A G-90.0",1,1,1,,,,,,,,,,,,,  
125,2,,172187-75880,, O-RING,1,1,1,,,,,,,,,,,,,  
126,2,,24315-000140,, "O-RING 1B P-14.0",2,2,2,,,,,,,,,,,,,  
127,2,,24315-000080,, "O-RING 1B P-8.0",1,1,1,,,,,,,,,,,,,  
128,2,,24315-000110,, "O-RING 1B P-11.0",1,1,1,,,,,,,,,,,,,  
129,2,,172141-71550,, O-RING,2,2,2,,,,,,,,,,,,,

130,1,,26013-120302,, "BOLT W/WASHER M12X30",2,2,2,,,,,,,,,,,,,

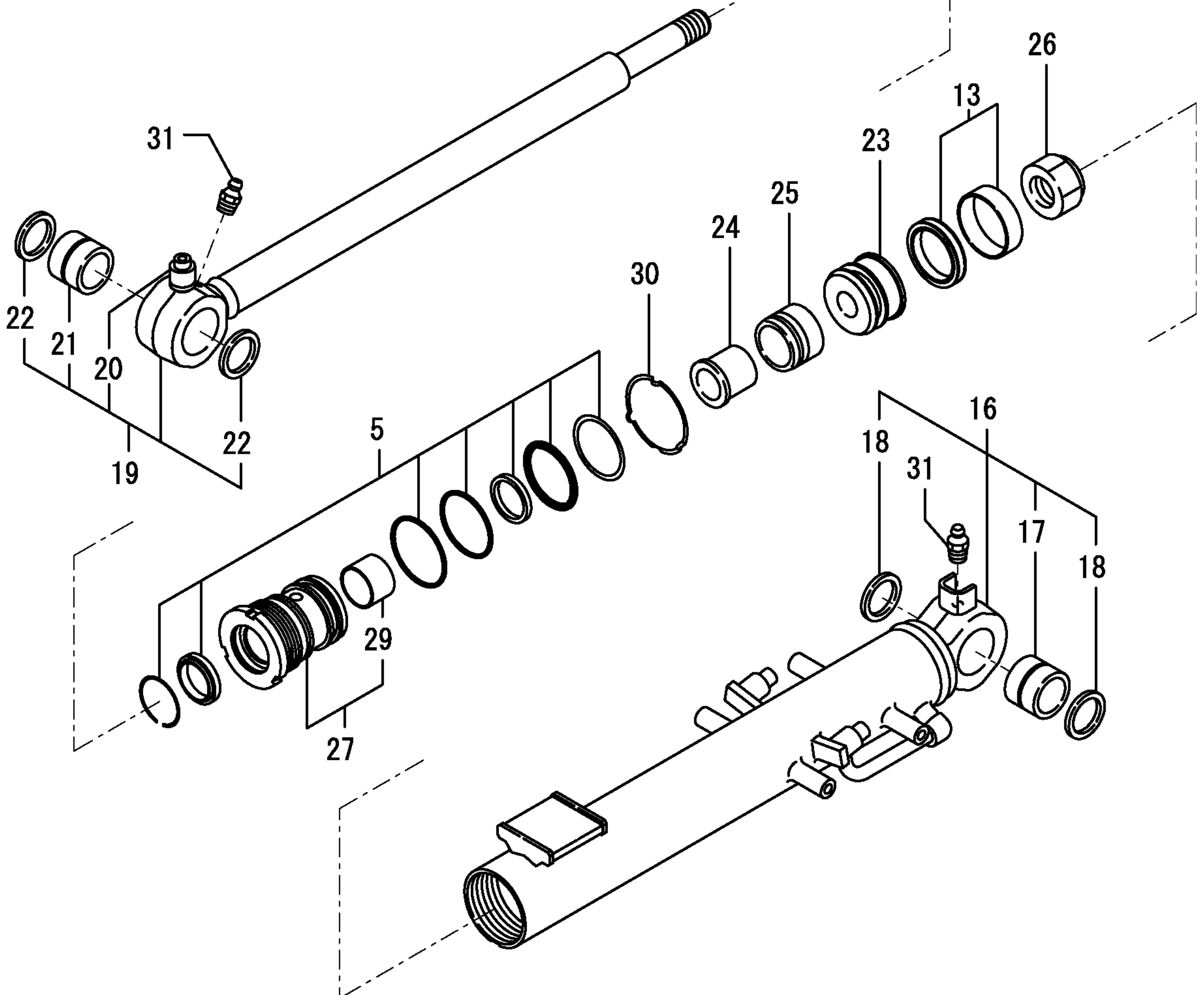


109  
 109 INC. 110~129.

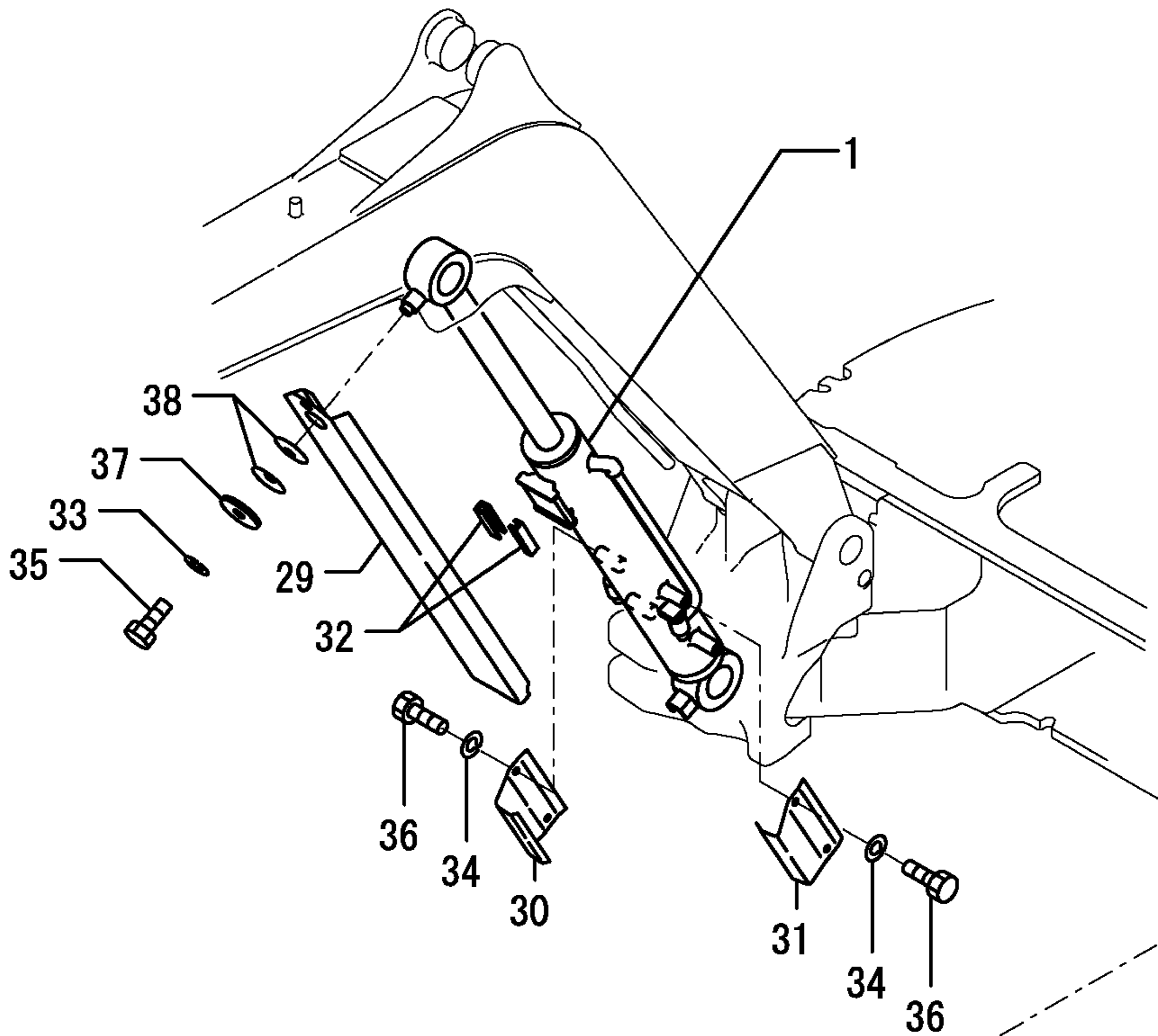
1,1,,172456-72200,, "COVER,SLIDE(GREEN:97)",1,,,,,,,,,,,,,,,,,,,,,  
2,1,,172457-72230,, "COVER R,BOOM-CYL(97)",1,,,,,,,,,,,,,,,,,,,,,  
3,1,,172457-72240,, "COVER L BOOM-CYL(97)",1,,,,,,,,,,,,,,,,,,,,,  
4,1,,172469-72400,, "CYLINDER ASSY,BOOM C",1,,,,,,,,,,,,,,,,,,,,,  
5,2,,172456-72010,, "SEAL SET 70\*40,HEAD",1,,,,,,,,,,,,,,,,,,,,,  
13,2,,172460-72070,, "SEAL SET",1,,,,,,,,,,,,,,,,,,,,,  
16,2,,172456-72110,, "TUBE,BOOM (GREEN:97)",1,,,,,,,,,,,,,,,,,,,,,  
17,3,,172168-72410,, "BUSH 40X50X40",1,,,,,,,,,,,,,,,,,,,,,  
18,3,,172448-72650,, "SEAL 40X50X4,DUST",2,,,,,,,,,,,,,,,,,,,,,  
19,2,,172456-72130,, "LOD ASSY,BOOM 40",1,,,,,,,,,,,,,,,,,,,,,  
20,3,,172168-72390,, "SEAT,SCREW M10X34.3",1,,,,,,,,,,,,,,,,,,,,,  
21,3,,172168-72410,, "BUSH 40X50X40",1,,,,,,,,,,,,,,,,,,,,,  
22,3,,172448-72650,, "SEAL 40X50X4,DUST",2,,,,,,,,,,,,,,,,,,,,,  
23,2,,172456-72190,, "PISTON 70 27",1,,,,,,,,,,,,,,,,,,,,,  
24,2,,172457-72190,, "COLLAR 27 38,CUSHON",1,,,,,,,,,,,,,,,,,,,,,  
25,2,,172457-72200,, "PLUNGER 50,CUSHON",1,,,,,,,,,,,,,,,,,,,,,  
26,2,,172141-72250,, "U-NUT M27",1,,,,,,,,,,,,,,,,,,,,,  
27,2,,172469-72410,, "HEAD ASSY,70 40",1,,,,,,,,,,,,,,,,,,,,,  
29,3,,24550-040300,, "BUSH 40X30",1,,,,,,,,,,,,,,,,,,,,,  
30,2,,172141-72420,, "WASHER 70, LOCK",1,,,,,,,,,,,,,,,,,,,,,  
31,2,,24761-020000,, "NIPPLE PT1/8,GREASE",2,,,,,,,,,,,,,,,,,,,,,  
32,1,,172186-72480,, "GUIDE,SLIDE",2,,,,,,,,,,,,,,,,,,,,,  
33,1,,22217-100000,, "SPRING WASHER 10",1,,,,,,,,,,,,,,,,,,,,,  
34,1,,22217-100000,, "SPRING WASHER 10",4,,,,,,,,,,,,,,,,,,,,,  
35,1,,26116-100162,, "BOLT M10X 16 PLATED",1,,,,,,,,,,,,,,,,,,,,,  
36,1,,26116-100162,, "BOLT M10X 16 PLATED",4,,,,,,,,,,,,,,,,,,,,,  
37,1,,933147-03400,, "WASHER, BRAKE ARM",1,,,,,,,,,,,,,,,,,,,,,  
38,1,,933168-14170,, "SPRING 16",2,,,,,,,,,,,,,,,,,,,,,



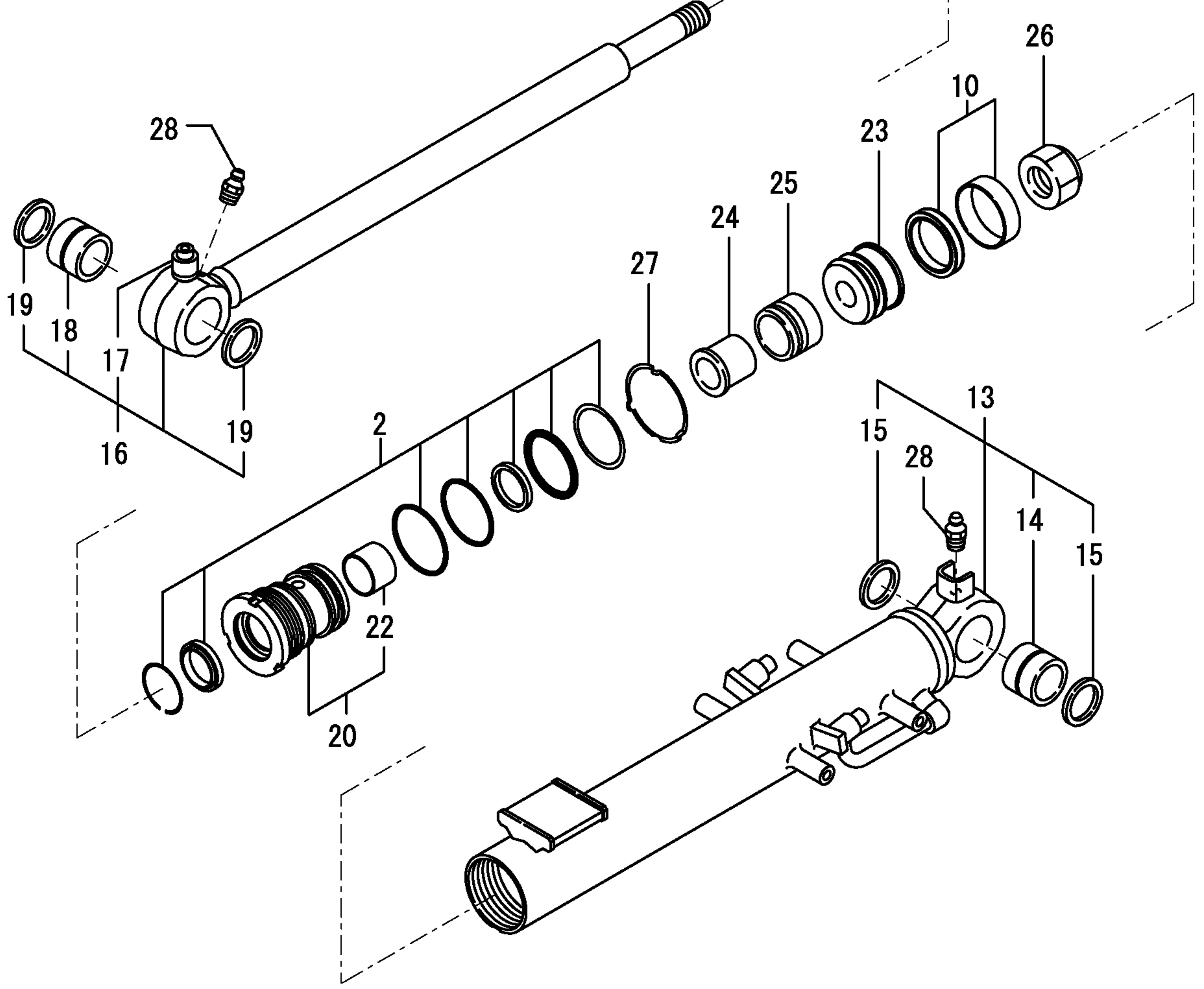
見出しNO. 4は  
見出しNO. 5~31を含みます。  
4 INC 5~31.



1,1,,172456-72100,, "CYLINDER,BOOM (97)" ,1,1,,,,,,,,,,,,,  
2,2,,172456-72010,, "SEAL SET 70\*40,HEAD" ,1,1,,,,,,,,,,,,,  
10,2,,172460-72070,, "SEAL SET" ,1,1,,,,,,,,,,,,,  
13,2,,172456-72110,, "TUBE,BOOM (GREEN:97)" ,1,1,,,,,,,,,,,,,  
14,3,,172168-72410,, "BUSH 40X50X40" ,1,1,,,,,,,,,,,,,  
15,3,,172448-72650,, "SEAL 40X50X4,DUST" ,2,2,,,,,,,,,,,,,  
16,2,,172456-72130,, "LOD ASSY,BOOM 40" ,1,1,,,,,,,,,,,,,  
17,3,,172168-72390,, "SEAT,SCREW M10X34.3" ,1,1,,,,,1,,,,,,,,,,,,,  
18,3,,172168-72410,, "BUSH 40X50X40" ,1,1,,,,,,,,,,,,,  
19,3,,172448-72650,, "SEAL 40X50X4,DUST" ,2,2,,,,,,,,,,,,,  
20,2,,172456-72170,, "HEAD ASSY 70 40" ,1,1,,,,,,,,,,,,,  
22,3,,24550-040300,, "BUSH 40X30" ,1,1,,,,,,,,,,,,,  
23,2,,172456-72190,, "PISTON 70 27" ,1,1,,,,,,,,,,,,,  
24,2,,172457-72190,, "COLLAR 27 38,CUSHON" ,1,1,,,,,,,,,,,,,  
25,2,,172457-72200,, "PLUNGER 50,CUSHON" ,1,1,,,,,,,,,,,,,  
26,2,,172141-72250,, "U-NUT M27" ,1,1,,,,,,,,,,,,,  
27,2,,172141-72420,, "WASHER 70, LOCK" ,1,1,,,,,,,,,,,,,  
28,2,,24761-020000,, "NIPPLE PT1/8,GREASE" ,2,2,,,,,,,,,,,,,  
29,1,,172456-72200,, "COVER,SLIDE(GREEN:97)" ,1,1,,,,,,,,,,,,,  
30,1,,172457-72230,, "COVER R,BOOM-CYL(97)" ,1,1,,,,,,,,,,,,,  
31,1,,172457-72240,, "COVER L BOOM-CYL(97)" ,1,1,,,,,,,,,,,,,  
32,1,,172186-72480,, "GUIDE,SLIDE" ,2,2,,,,,,,,,,,,,  
33,1,,22217-100000,, "SPRING WASHER 10" ,1,1,,,,,,,,,,,,,  
34,1,,22217-100000,, "SPRING WASHER 10" ,4,4,,,,,,,,,,,,,  
35,1,,26116-100162,, "BOLT M10X 16 PLATED" ,1,1,,,,,,,,,,,,,  
36,1,,26116-100162,, "BOLT M10X 16 PLATED" ,4,4,,,,,,,,,,,,,  
37,1,,933147-03400,, "WASHER, BRAKE ARM" ,1,1,,,,,,,,,,,,,  
38,1,,933168-14170,, "SPRING 16" ,2,2,,,,,,,,,,,,,

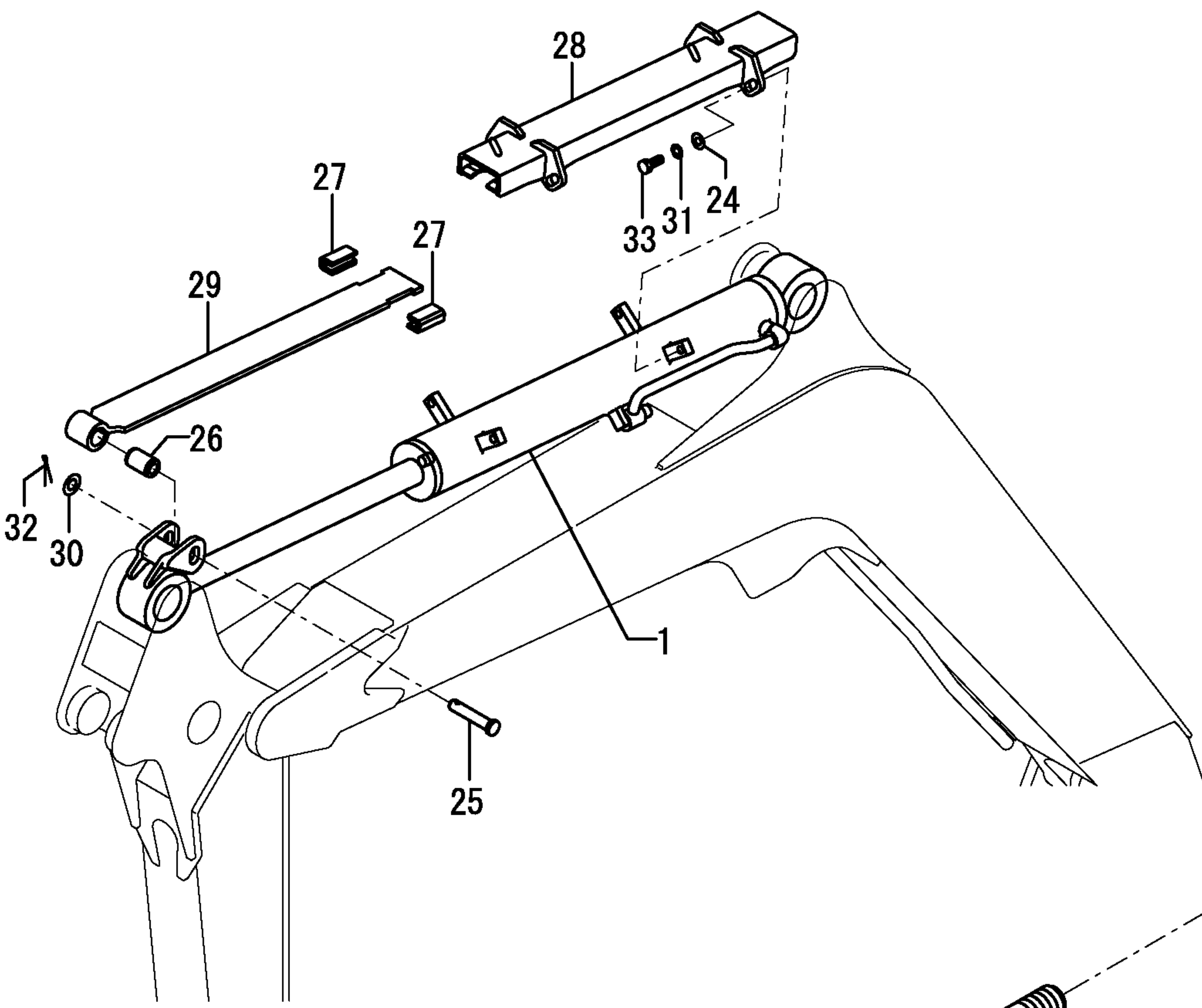


見出しNo. 1は  
見出しNo. 2~28を含みます。  
1 INC 2~28.

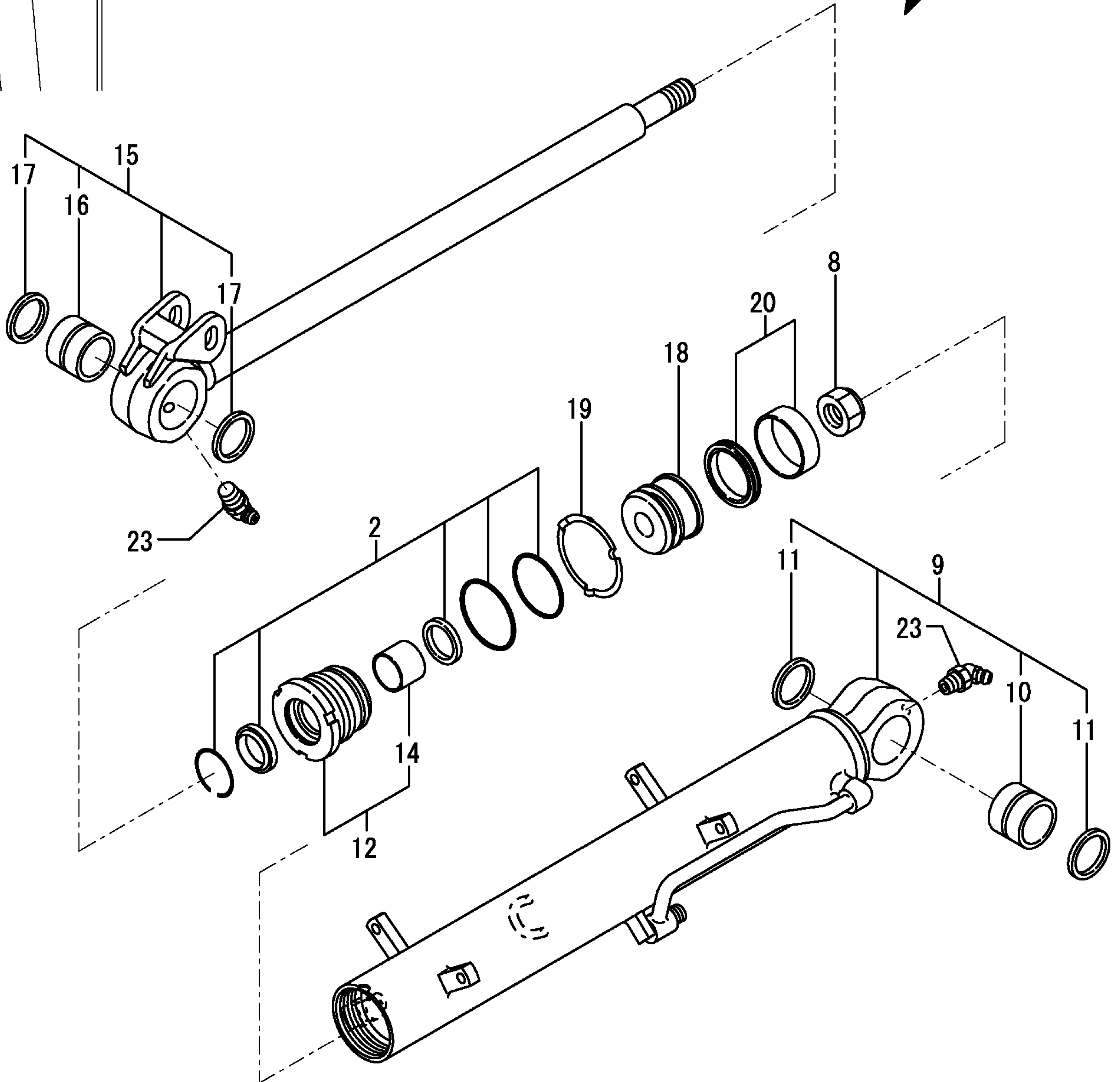


1,1,,172A23-72301,, "CYLINDER,ARM (97)",,1,1,,,,,,,,,,,,,  
2,2,,172456-72020,, "SEAL SET 65\*35,HEAD",,1,1,,,,,,,,,,,,,  
3,3,,172141-73090,, "RING 50, SPRING",,1,1,,,,,,,,,,,,,  
4,3,,24325-000600,, "O-RING 1B G-60.0",,1,1,,,,,,,,,,,,,  
5,3,,24325-000650,, "O-RING 1B G-65.0",,1,1,,,,,,,,,,,,,  
6,3,,933126-34300,, "SEAL 3547710",,1,1,,,,,,,,,,,,,  
7,3,,933126-64300,, "PACKING 35456",,1,1,,,,,,,,,,,,,  
8,2,,172171-72130,, "U-NUT M24",,1,1,,,,,,,,,,,,,  
9,2,,172A23-72320,, "TUBE,ARM (GREEN:97)",,1,1,,,,,,,,,,,,,  
10,3,,172168-72410,, "BUSH 40X50X40",,1,1,,,,,,,,,,,,,  
11,3,,172448-72650,, "SEAL 40X50X4,DUST",,2,2,,,,,,,,,,,,,  
12,2,,172173-72330,, "HEAD ASSY, 65 35",,1,1,,,,,,,,,,,,,  
14,3,,24550-035300,, "BUSH 35X30",,1,1,,,,,,,,,,,,,  
15,2,,172A23-72340,, "ROD ASSY,ARM",,1,1,,,,,,,,,,,,,  
16,3,,172168-72410,, "BUSH 40X50X40",,1,1,,,,,,,,,,,,,  
17,3,,172448-72650,, "SEAL 40X50X4,DUST",,2,2,,,,,,,,,,,,,  
18,2,,172173-72352,, "PISTON 65 24",,1,1,,,,,,,,,,,,,  
19,2,,172142-72560,, "WASHER 65, LOCK",,1,1,,,,,,,,,,,,,  
20,2,,172148-72941,, "PISTON SEAL SET,BUCK",,1,1,,,,,,,,,,,,,  
23,2,,24761-040000,, "NIPPLE B,GREASE",,2,2,,,,,,,,,,,,,  
24,1,,172137-46040,, "SEAT, SPRING",,4,4,,,,,,,,,,,,,  
25,1,,172A23-72041,, "PIN 14X70",,1,1,,,,,,,,,,,,,  
26,1,,172A23-72050,, "GROMMET",,1,1,,,,,,,,,,,,,  
27,1,,172A23-72081,, "SLIDE GUIDE",,2,2,,,,,,,,,,,,,  
28,1,,172A23-72061,, "GUIDE,545 (GREEN:97)",,1,1,,,,,,,,,,,,,  
29,1,,172A23-72950,, "PLATE,SLIDE 585",,1,1,,,,,,,,,,,,,  
30,1,,22137-140000,, "WASHER 14,POLISHED",,1,1,,,,,,,,,,,,,  
31,1,,22217-100000,, "SPRING WASHER 10",,4,4,,,,,,,,,,,,,  
32,1,,22417-500250,, "PIN",,1,1,,,,,,,,,,,,,  
33,1,,26076-100202,, "BOLT, 10 X 20",,4,4,,,,,,,,,,,,,

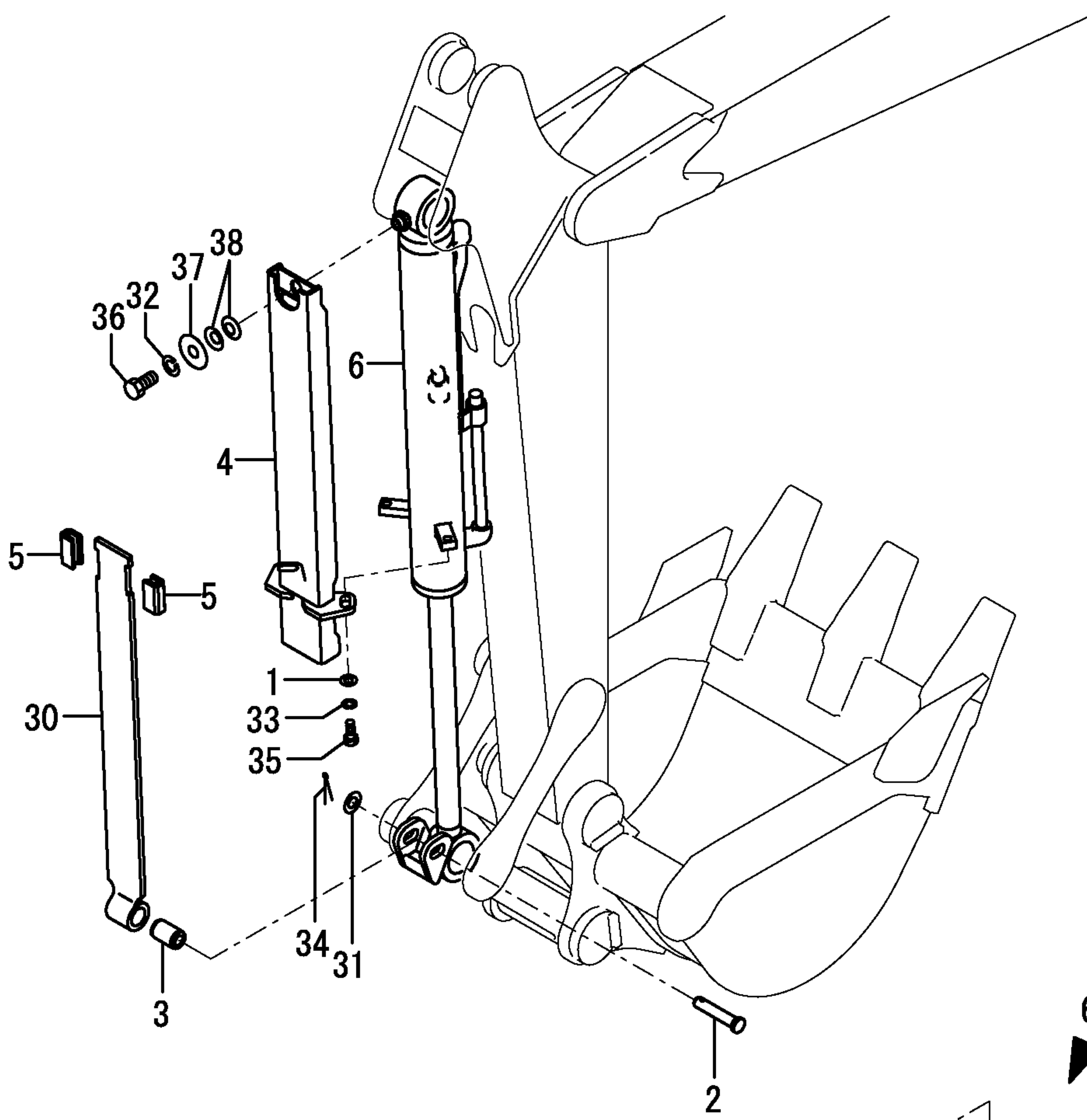




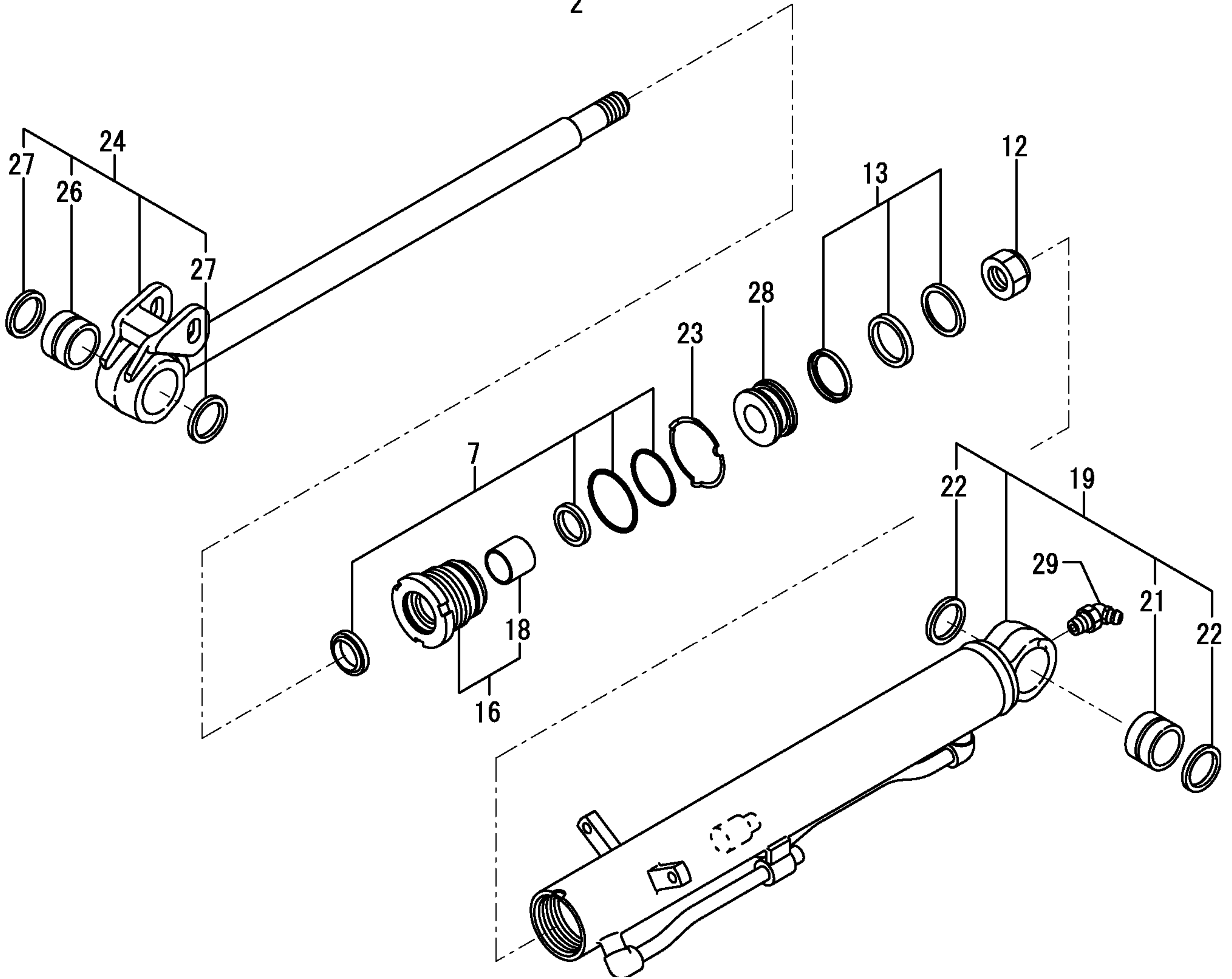
見出しNo. 1は  
見出しNo. 2~23を含みます。  
1 INC 2~23.



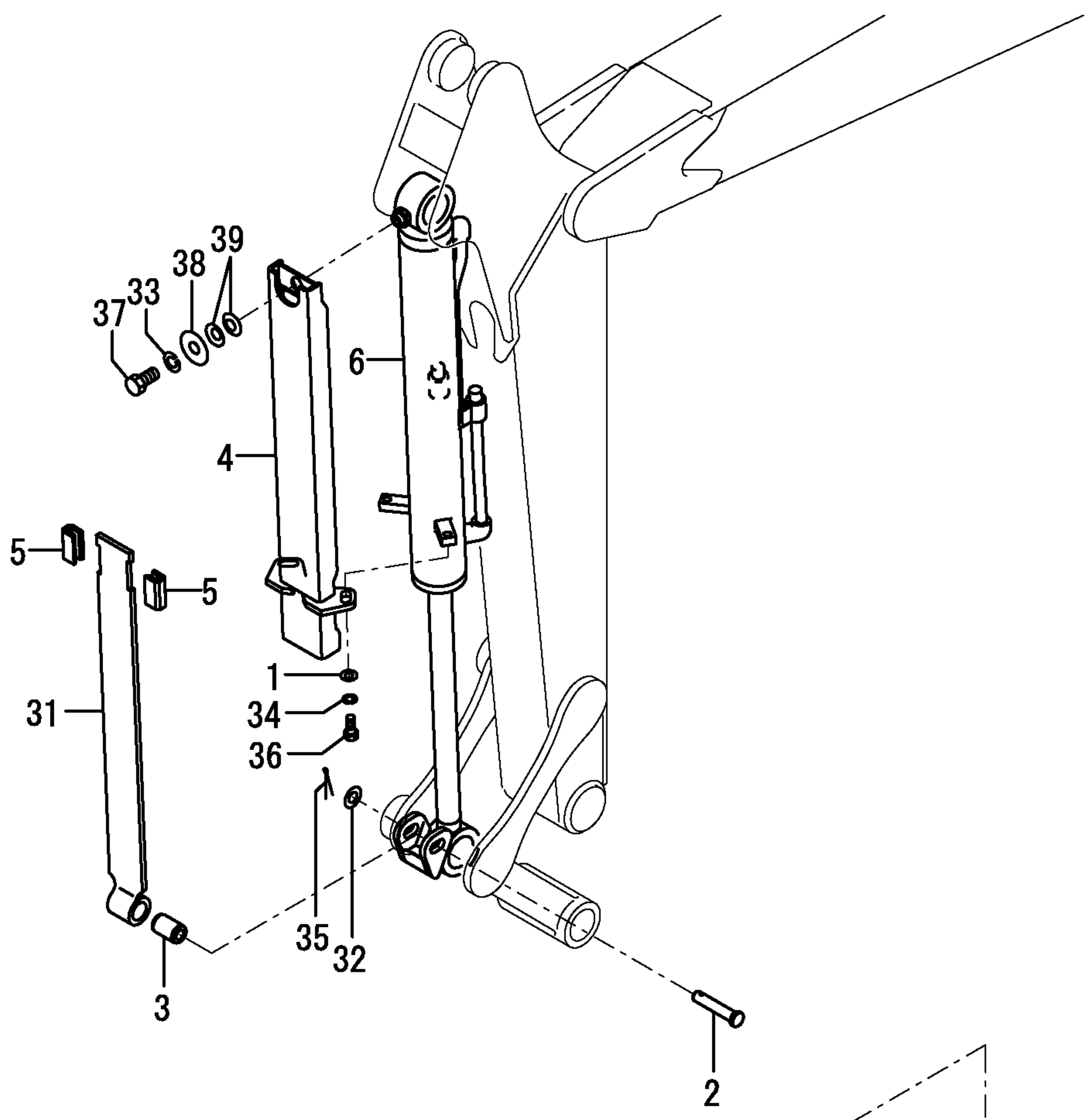
1,1,,172137-46040,, "SEAT, SPRING",2,2,,,,,,,,,,,,,,,,,,,,,  
2,1,,172A23-72041,, "PIN 14X70",1,1,,,,,,,,,,,,,,,,,,,,,  
3,1,,172A23-72050,, GROMMET,1,1,,,,,,,,,,,,,,,,,,,,,  
4,1,,172A23-72901,, "GUIDE,595 (GREEN:97)",1,1,,,,,,,,,,,,,,,,,,,,,  
5,1,,172A23-72081,, "SLIDE GUIDE",2,2,,,,,,,,,,,,,,,,,,,,,  
6,1,,172A23-72501,, "CYLINDER,BUCKET (97)",1,1,,,,,,,,,,,,,,,,,,,,,  
7,2,,172456-72031,, "SEAL SET, HEAD",1,1,,,,,,,,,,,,,,,,,,,,,  
12,2,,172141-72250,, "U-NUT M27",1,1,,,,,,,,,,,,,,,,,,,,,  
13,2,,172449-72321,, "GASKET RGU55 ASSSY",1,1,,,,,,,,,,,,,,,,,,,,,  
16,2,,172449-72410,, "HEAD CMP B,55-35",1,1,,,,,,,,,,,,,,,,,,,,,  
18,3,,24550-035300,, "BUSH 35X30",1,1,,,,,,,,,,,,,,,,,,,,,  
19,2,,172A23-72520,, "TUBE,BUCKET(GREEN:97)",1,1,,,,,,,,,,,,,,,,,,,,,  
21,3,,172141-72561,, "BUSH (35-45-30",1,1,,,,,,,,,,,,,,,,,,,,,  
22,3,,172448-81610,, "SEAL 35X45X4,DUST",2,2,,,,,,,,,,,,,,,,,,,,,  
23,2,,172173-72550,, "ROCK WASHER 55",1,1,,,,,,,,,,,,,,,,,,,,,  
24,2,,172A23-72570,, "ROD ASSY,BUCKET",1,1,,,,,,,,,,,,,,,,,,,,,  
26,3,,172141-72561,, "BUSH (35-45-30",1,1,,,,,,,,,,,,,,,,,,,,,  
27,3,,172448-81610,, "SEAL 35X45X4,DUST",2,2,,,,,,,,,,,,,,,,,,,,,  
28,2,,172456-72580,, "PISTON 55 (27-27",1,1,,,,,,,,,,,,,,,,,,,,,  
29,2,,24761-040000,, "NIPPLE B,GREASE",1,1,,,,,,,,,,,,,,,,,,,,,  
30,1,,172A23-72950,, "PLATE,SLIDE 585",1,1,,,,,,,,,,,,,,,,,,,,,  
31,1,,22137-140000,, "WASHER 14,POLISHED",1,1,,,,,,,,,,,,,,,,,,,,,  
32,1,,22217-100000,, "SPRING WASHER 10",1,1,,,,,,,,,,,,,,,,,,,,,  
33,1,,22217-100000,, "SPRING WASHER 10",2,2,,,,,,,,,,,,,,,,,,,,,  
34,1,,22417-500250,, PIN,1,1,,,,,,,,,,,,,,,,,,,,,  
35,1,,26076-100202,, "BOLT, 10 X 20",2,2,,,,,,,,,,,,,,,,,,,,,  
36,1,,26116-100162,, "BOLT M10X 16 PLATED",1,1,,,,,,,,,,,,,,,,,,,,,  
37,1,,933147-03400,, "WASHER, BRAKE ARM",1,1,,,,,,,,,,,,,,,,,,,,,  
38,1,,933168-14170,, "SPRING 16",2,2,,,,,,,,,,,,,,,,,,,,,



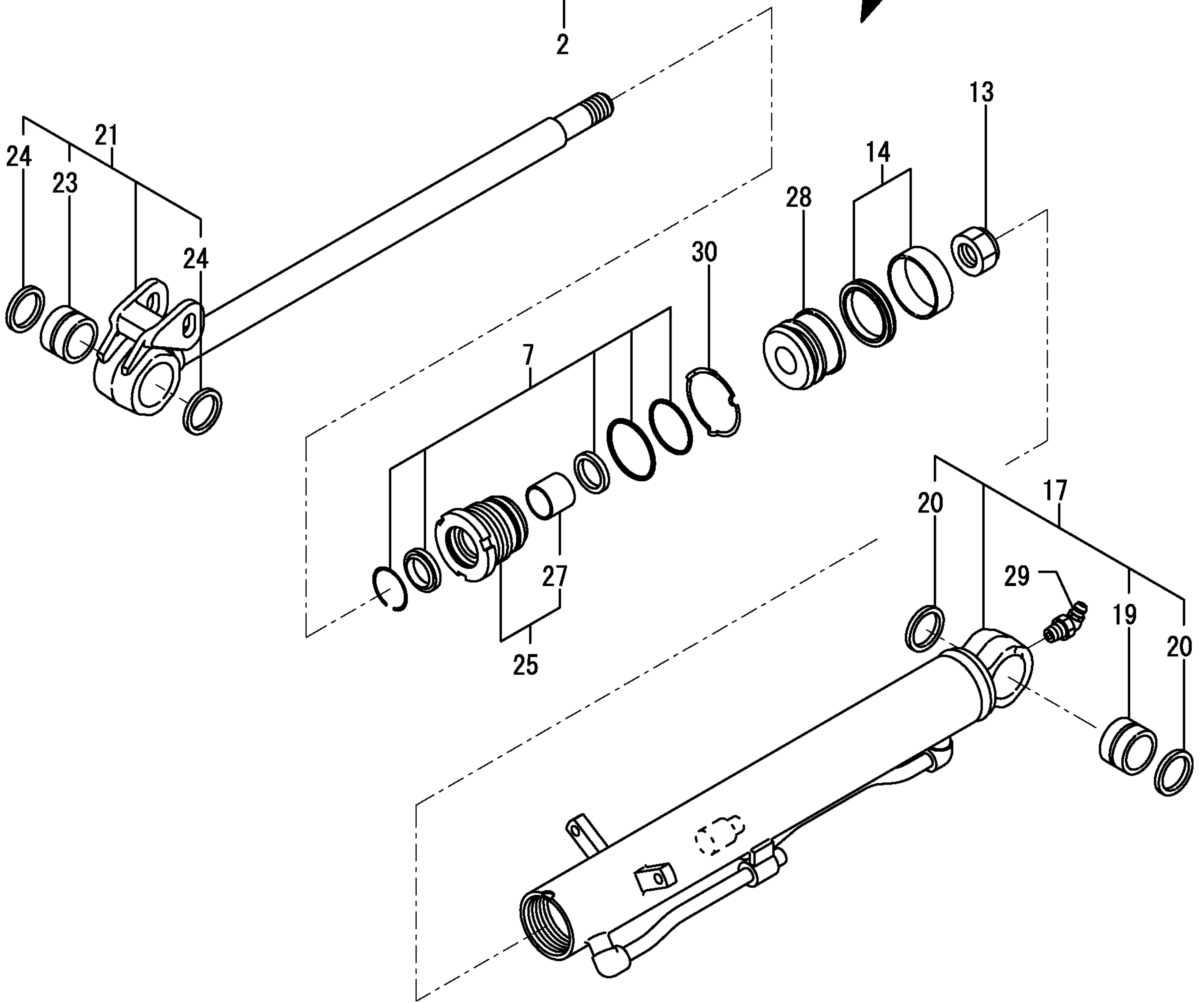
見出しNo. 6は  
見出しNo. 7~29を含みます。  
6 INC 7~29.



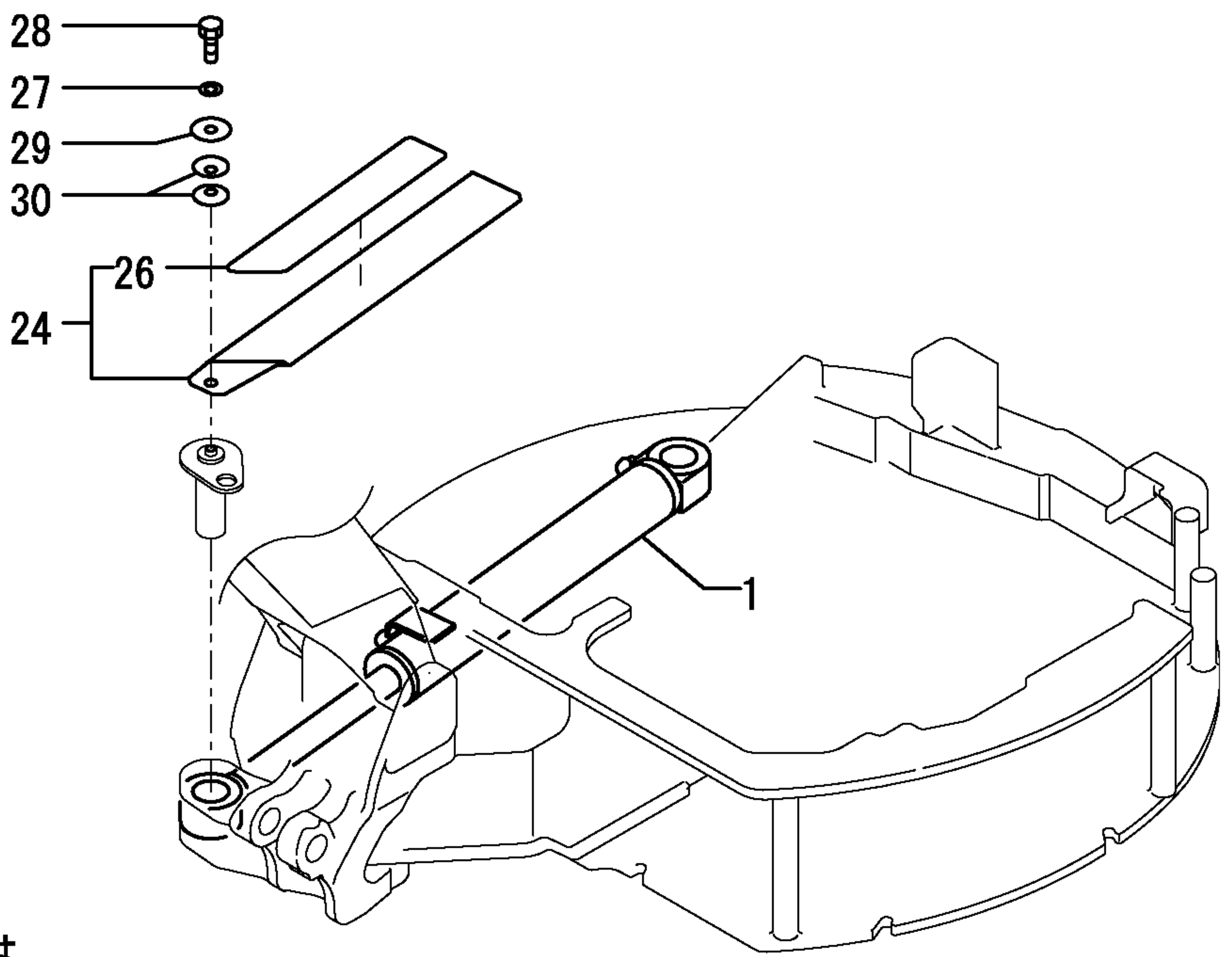
1,1,,172137-46040,, "SEAT, SPRING",2,2,2,,,,,,,,,,,,,,,,,,,,,  
2,1,,172A23-72041,, "PIN 14X70",1,1,1,,,,,,,,,,,,,,,,,,,,,  
3,1,,172A23-72050,, GROMMET,1,1,1,,,,,,,,,,,,,,,,,,,,,  
4,1,,172A23-72901,, "GUIDE,595 (GREEN:97)",1,1,1,,,,,,,,,,,,,,,,,,,,,  
5,1,,172A23-72081,, "SLIDE GUIDE",2,2,2,,,,,,,,,,,,,,,,,,,,,  
6,1,,172A30-72501,, "CYLINDER,BUCKET Q(97",1,1,1,,,,,,,,,,,,,,,,,,,,,  
7,2,,172457-72050,, "SEAL SET 60X35,HEAD",1,1,1,,,,,,,,,,,,,,,,,,,,,  
13,2,,172141-72250,, "U-NUT M27",1,1,1,,,,,,,,,,,,,,,,,,,,,  
14,2,,172137-72453,, "SEAL SET, PISTON 60A",1,1,1,,,,,,,,,,,,,,,,,,,,,  
17,2,,172A30-72520,, "TUBE,BUCKET Q (97)",1,1,1,,,,,,,,,,,,,,,,,,,,,  
19,3,,172141-72561,, "BUSH (35-45-30",1,1,1,,,,,,,,,,,,,,,,,,,,,  
20,3,,172448-81610,, "SEAL 35X45X4,DUST",2,2,2,,,,,,,,,,,,,,,,,,,,,  
21,2,,172A30-72540,, "ROD,BUCKET Q",1,1,1,,,,,,,,,,,,,,,,,,,,,  
23,3,,172141-72561,, "BUSH (35-45-30",1,1,1,,,,,,,,,,,,,,,,,,,,,  
24,3,,172448-81610,, "SEAL 35X45X4,DUST",2,2,2,,,,,,,,,,,,,,,,,,,,,  
25,2,,172141-72540,, "HEAD 6035, CYLINDER",1,1,1,,,,,,,,,,,,,,,,,,,,,  
27,3,,24550-035300,, "BUSH 35X30",1,1,1,,,,,,,,,,,,,,,,,,,,,  
28,2,,172956-72560,, "PISTON 60",1,1,1,,,,,,,,,,,,,,,,,,,,,  
29,2,,24761-040000,, "NIPPLE B,GREASE",1,1,1,,,,,,,,,,,,,,,,,,,,,  
30,2,,933125-59600,, "WASHER 60 B, LOCK",1,1,1,,,,,,,,,,,,,,,,,,,,,  
31,1,,172A23-72950,, "PLATE,SLIDE 585",1,1,1,,,,,,,,,,,,,,,,,,,,,  
32,1,,22137-140000,, "WASHER 14,POLISHED",1,1,1,,,,,,,,,,,,,,,,,,,,,  
33,1,,22217-100000,, "SPRING WASHER 10",1,1,1,,,,,,,,,,,,,,,,,,,,,  
34,1,,22217-100000,, "SPRING WASHER 10",2,2,2,,,,,,,,,,,,,,,,,,,,,  
35,1,,22417-500250,, PIN,1,1,1,,,,,,,,,,,,,,,,,,,,,  
36,1,,26076-100202,, "BOLT, 10 X 20",2,2,2,,,,,,,,,,,,,,,,,,,,,  
37,1,,26116-100162,, "BOLT M10X 16 PLATED",1,1,1,,,,,,,,,,,,,,,,,,,,,  
38,1,,933147-03400,, "WASHER, BRAKE ARM",1,1,1,,,,,,,,,,,,,,,,,,,,,  
39,1,,933168-14170,, "SPRING 16",2,2,2,,,,,,,,,,,,,,,,,,,,,



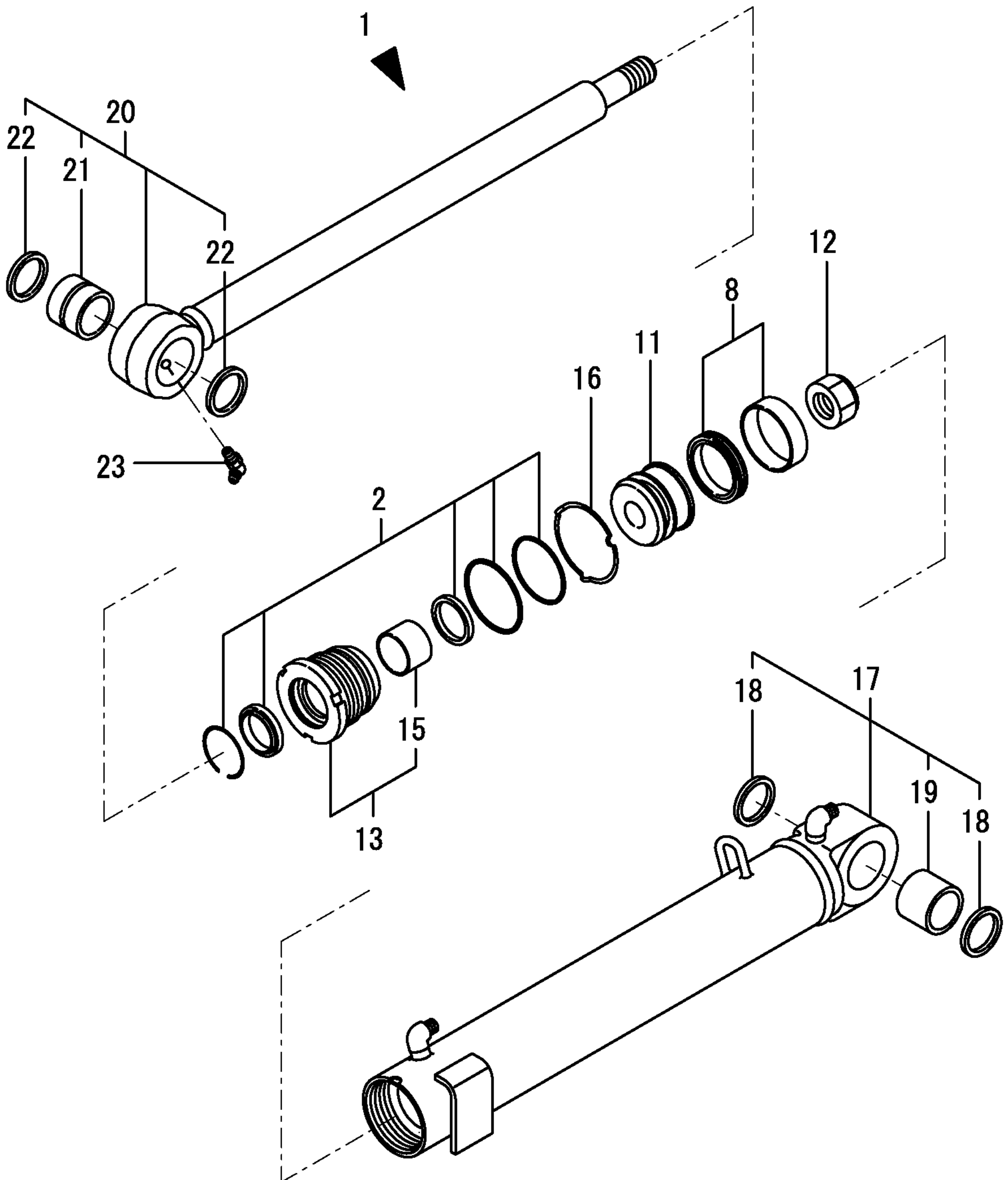
見出しNo. 6は  
見出しNo. 7~30を含みます。  
6 INC 7~30.



1,1,,172456-72700,, "CYLINDER, SWING (88)",1,1,1,,,,,,,,,,,,,  
2,2,,172456-72050,, "SEAL SET, HEAD",1,1,1,,,,,,,,,,,,,  
8,2,,172460-72070,, "SEAL SET",1,1,1,,,,,,,,,,,,,  
11,2,,172456-72190,, "PISTON 70 27",1,1,1,,,,,,,,,,,,,  
12,2,,172141-72250,, "U-NUT M27",1,1,1,,,,,,,,,,,,,  
13,2,,172143-72400,, "HEAD 70 40",1,1,1,,,,,,,,,,,,,  
15,3,,24550-040300,, "BUSH 40X30",1,1,1,,,,,,,,,,,,,  
16,2,,172141-72420,, "WASHER 70, LOCK",1,1,1,,,,,,,,,,,,,  
17,2,,172456-72710,, "TUBE, SWING(GREEN:88)",1,1,1,,,,,,,,,,,,,  
18,3,,172448-72650,, "SEAL 40X50X4,DUST",2,2,2,,,,,,,,,,,,,  
19,3,,172458-72740,, "BUSH 40X40,SO",1,1,1,,,,,,,,,,,,,  
20,2,,172456-72740,, "ROD ASSY, SWING",1,1,1,,,,,,,,,,,,,  
21,3,,172165-72310,, "BUSH 40X40",1,1,1,,,,,,,,,,,,,  
22,3,,172448-72650,, "SEAL 40X50X4,DUST",2,2,2,,,,,,,,,,,,,  
23,2,,24761-050000,, "NIPPLE C,GREASE",1,1,1,,,,,,,,,,,,,  
24,1,,172456-72790,, "COVER, SWING(GREEN:97",,1,1,,,,,,,,,,,,,  
26,2,,172456-72830,, "SEAT,COVER",,1,1,,,,,,,,,,,,,  
27,1,,22217-100000,, "SPRING WASHER 10",,1,1,,,,,,,,,,,,,  
28,1,,26116-100162,, "BOLT M10X 16 PLATED",,1,1,,,,,,,,,,,,,  
29,1,,933147-03400,, "WASHER, BRAKE ARM",,1,1,,,,,,,,,,,,,  
30,1,,933168-14170,, "SPRING 16",,2,2,,,,,,,,,,,,,



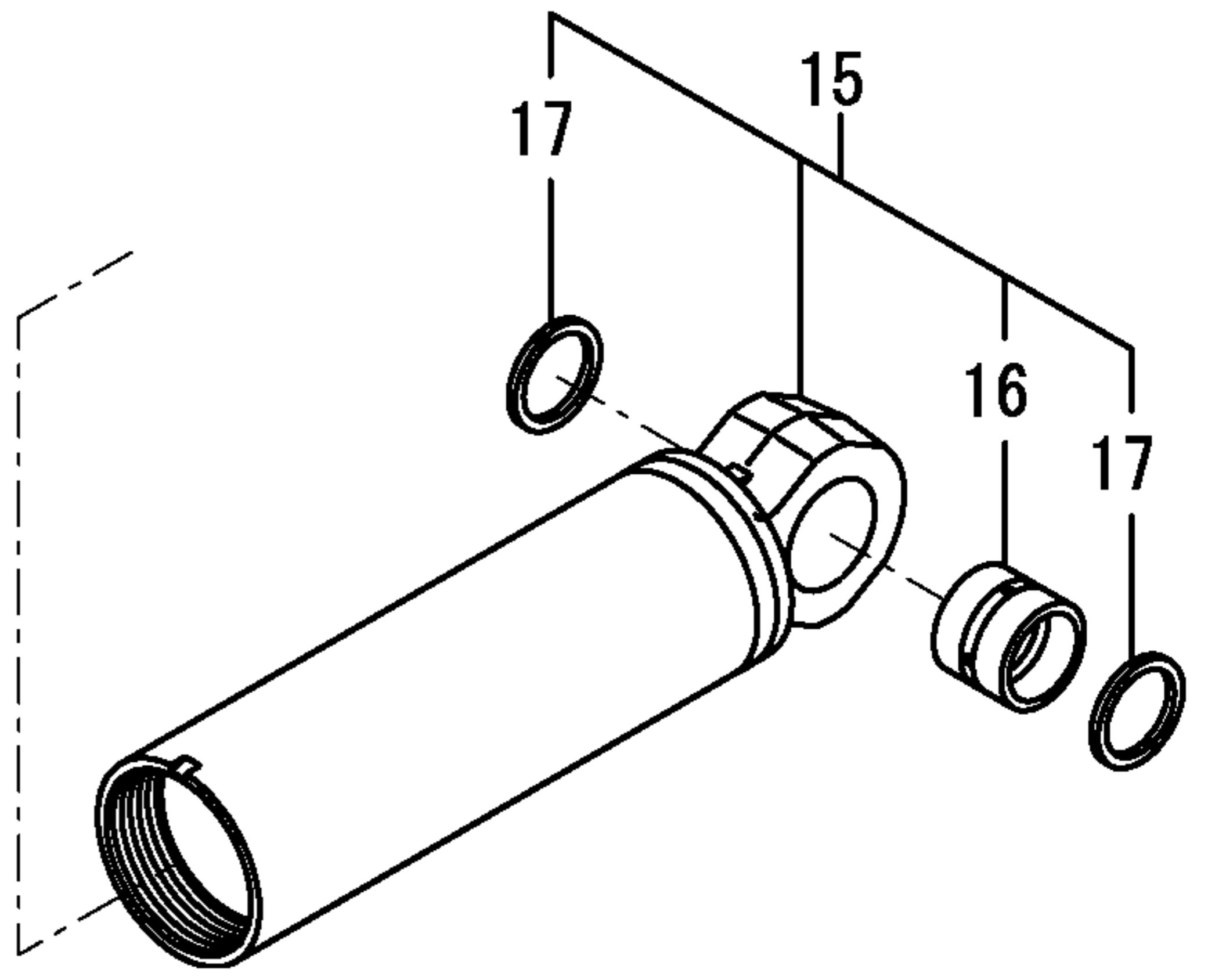
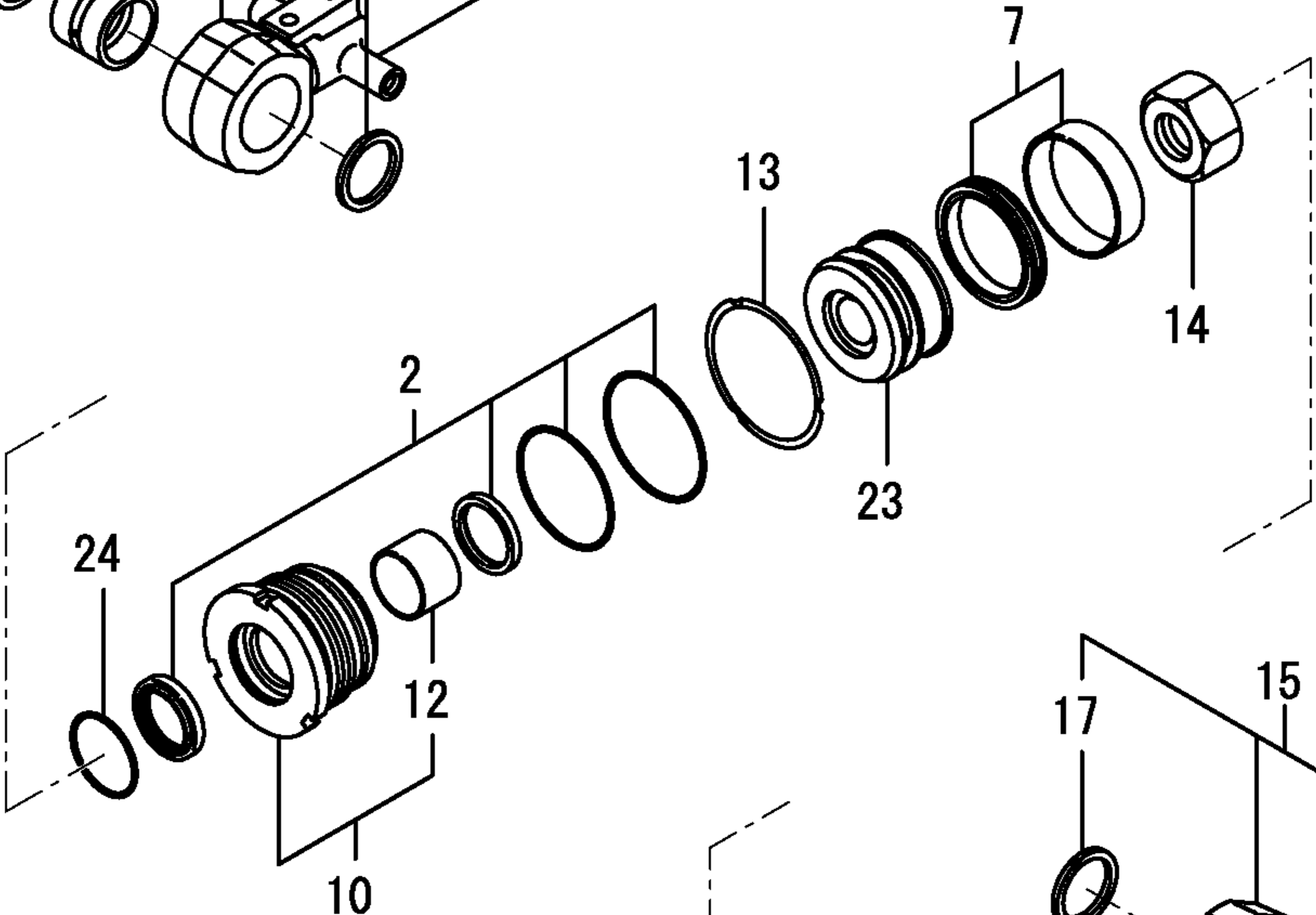
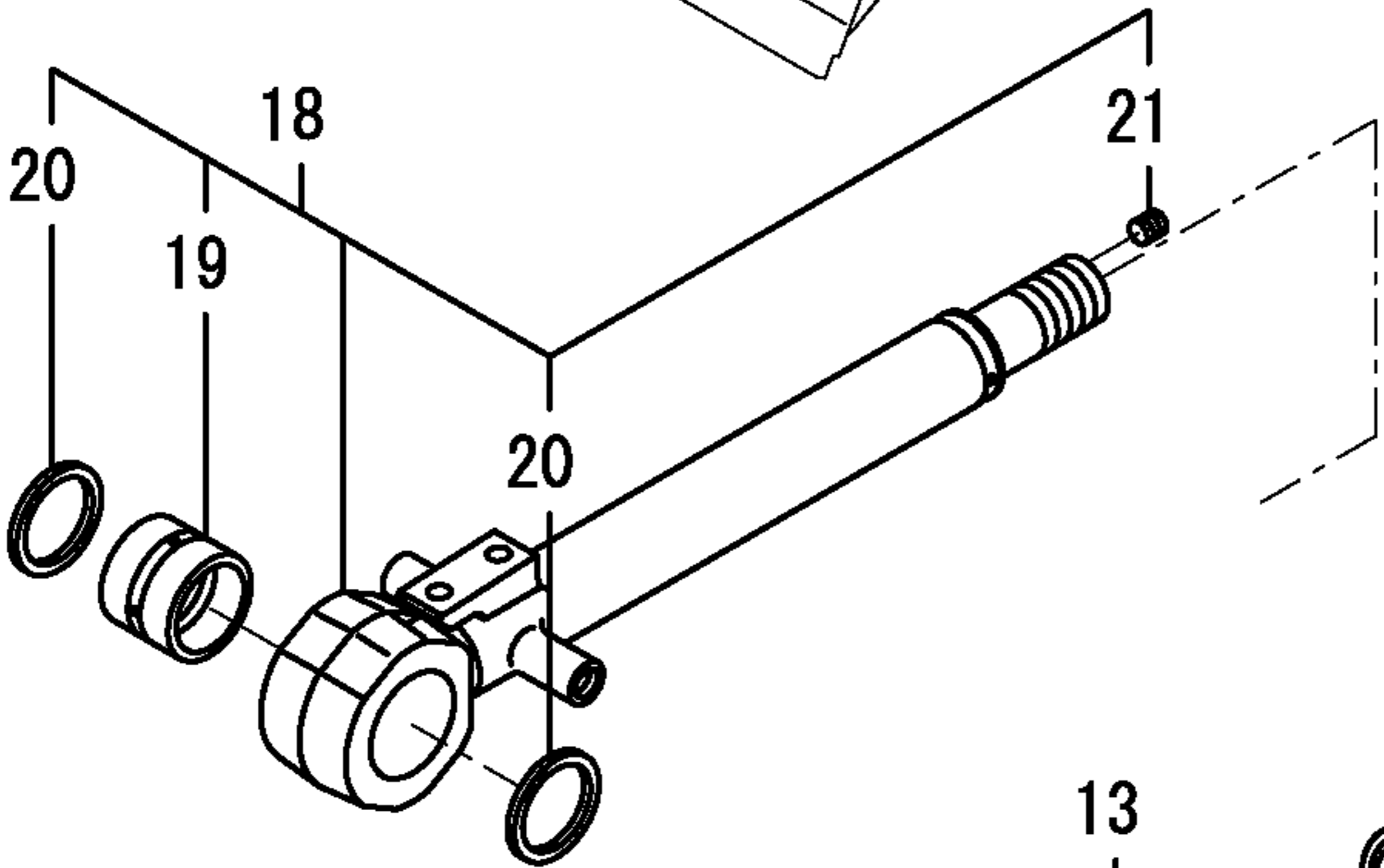
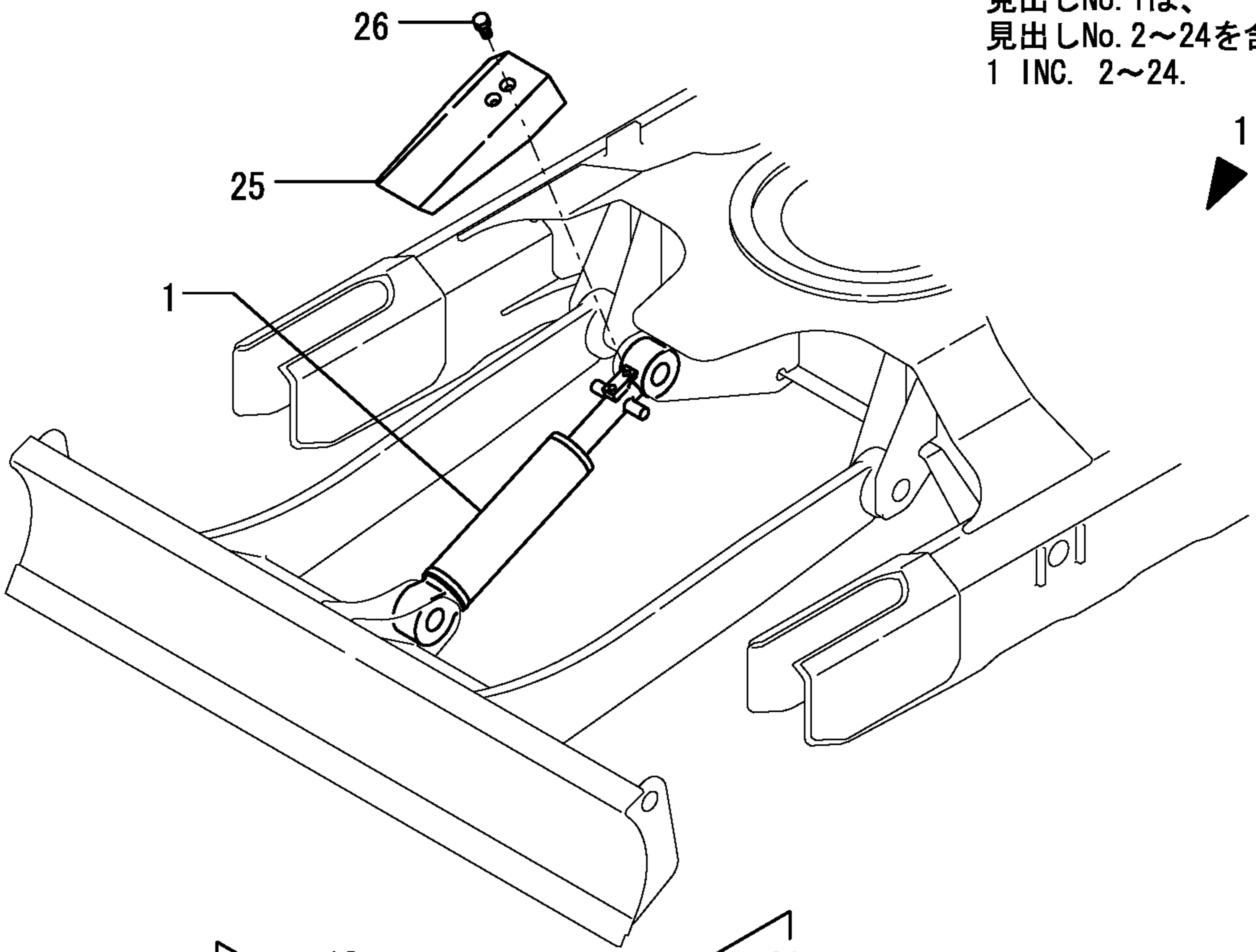
見出しNo. 1は  
見出しNo. 2~23を含みます。  
1 INC 2~23.



1,1,,172421-72700,, "CYLINDER ASSY.,BLADE",,1,1,,,,,,,,,,,,,  
2,2,,172168-72020,, "SEAL SET, HEAD 70X40",,1,1,,,,,,,,,,,,,  
7,2,,172460-72070,, "SEAL SET",,1,1,,,,,,,,,,,,,  
10,2,,172143-72400,, "HEAD 70 40",,1,1,,,,,,,,,,,,,  
12,3,,24550-040300,, "BUSH 40X30",,1,1,,,,,,,,,,,,,  
13,2,,172141-72420,, "WASHER 70, LOCK",,1,1,,,,,,,,,,,,,  
14,2,,172175-72550,, "U-NUT",,1,1,,,,,,,,,,,,,  
15,2,,172421-72710,, "TUBE ASSY.,BLADE",,1,1,,,,,,,,,,,,,  
16,3,,172168-72240,, "BUSH 38X50X40",,1,1,,,,,,,,,,,,,  
17,3,,172168-81270,, "SEAL,DUST 38X50X4",,2,2,,,,,,,,,,,,,  
18,2,,172421-72730,, "ROD COMP.,BLADE",,1,1,,,,,,,,,,,,,  
19,3,,172168-72240,, "BUSH 38X50X40",,1,1,,,,,,,,,,,,,  
20,3,,172168-81270,, "SEAL,DUST 38X50X4",,2,2,,,,,,,,,,,,,  
21,3,,23871-005000,, "PLUG PT 1/16",,1,1,,,,,,,,,,,,,  
23,2,,172421-72770,, "PISTON 70 30",,1,1,,,,,,,,,,,,,  
24,2,,933111-26600,, "RING 55, SPRING",,1,1,,,,,,,,,,,,,  
25,1,,172422-72790,, "COVER,BLADE(GREEN:88",,1,1,,,,,,,,,,,,,  
26,1,,26013-100202,, "BOLT W/WASHER M10X20",,2,2,,,,,,,,,,,,,

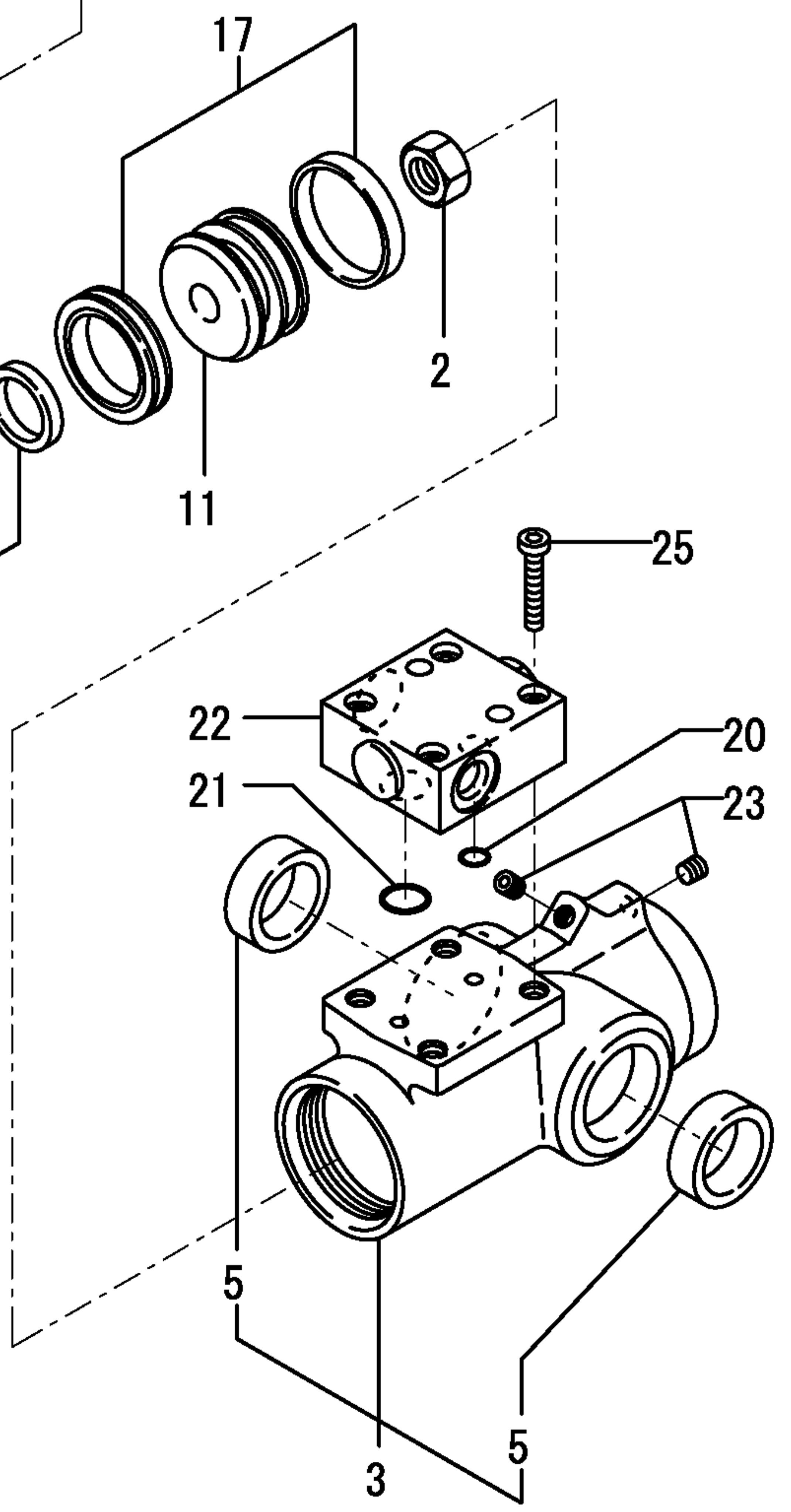
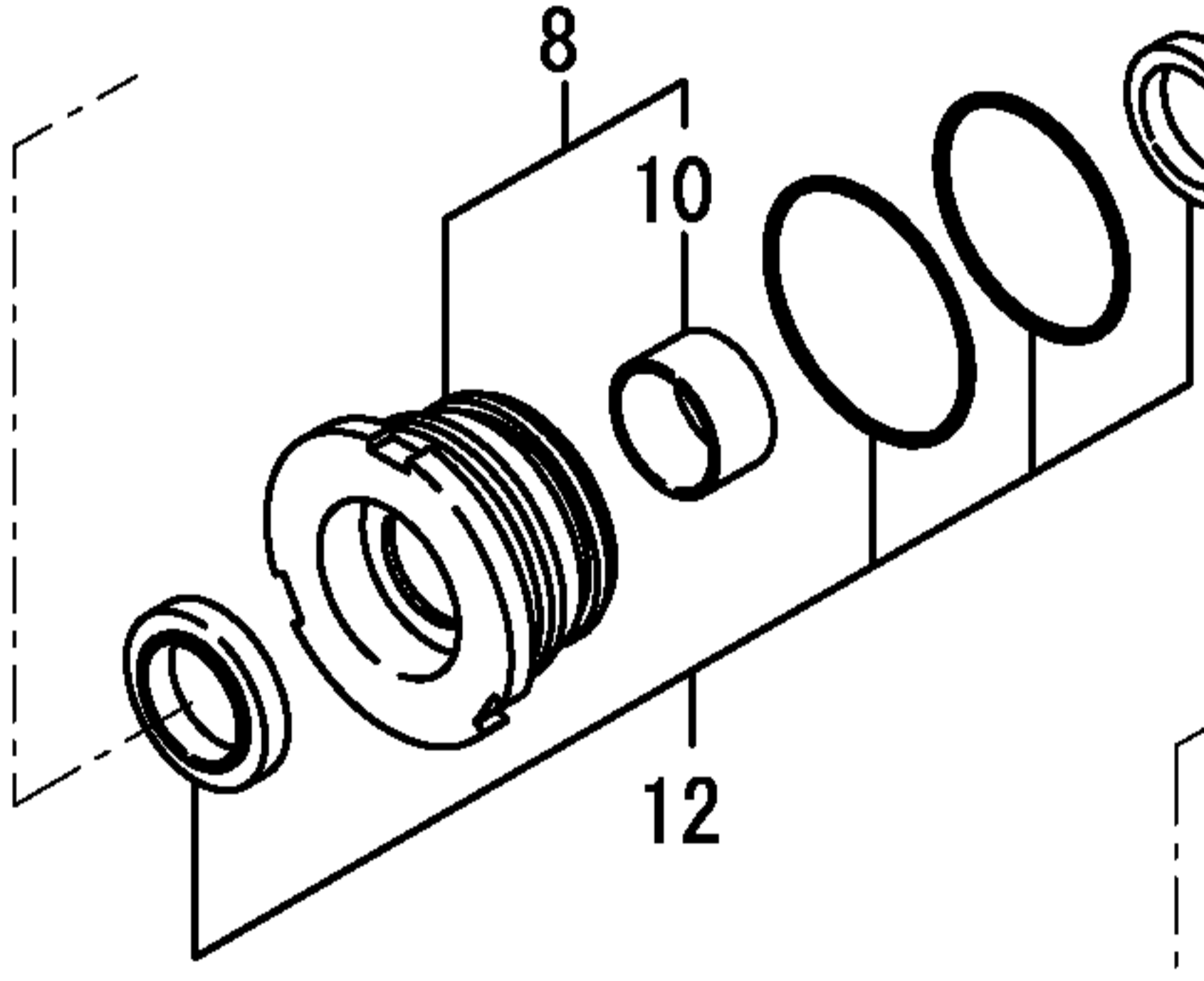
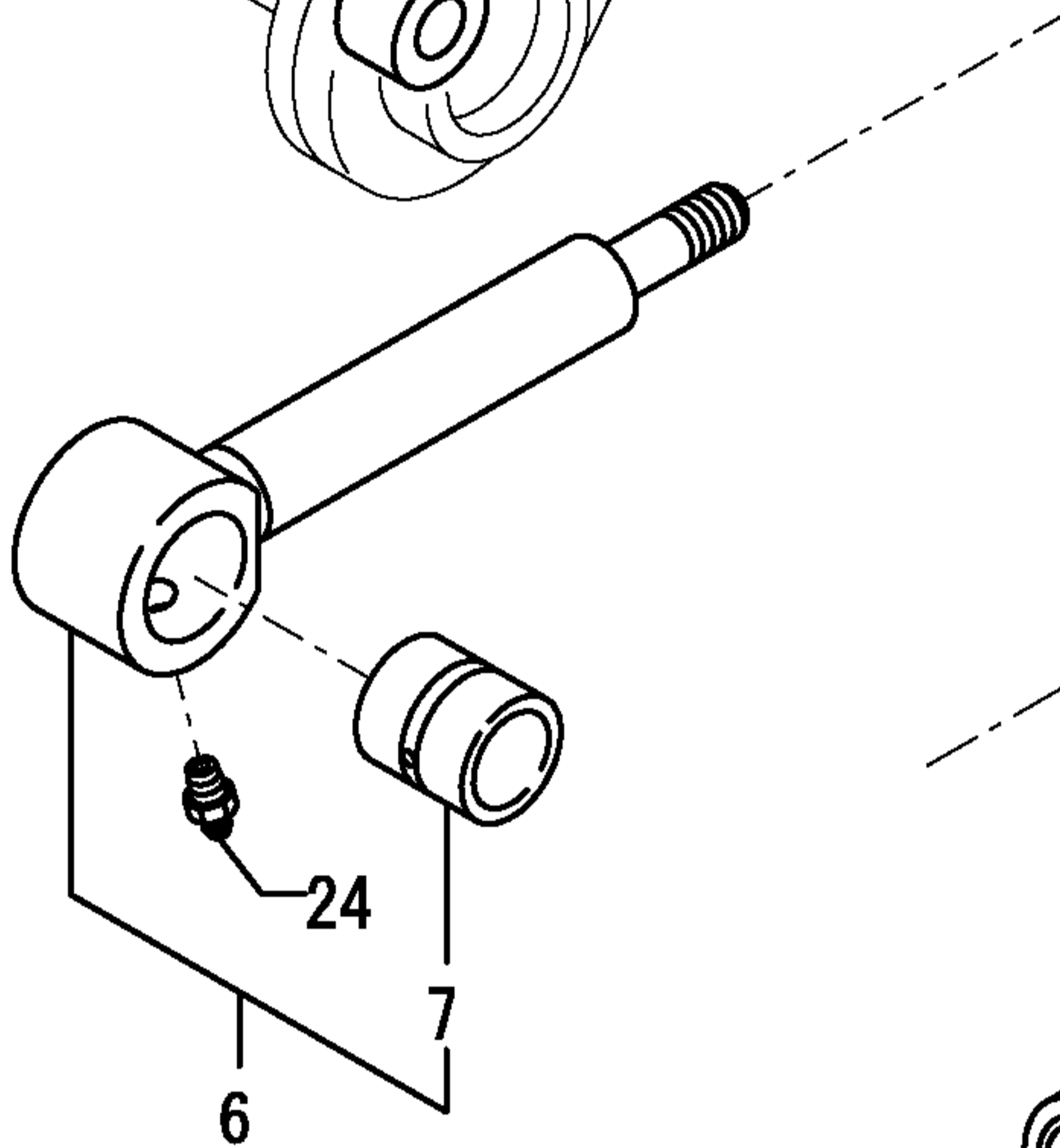
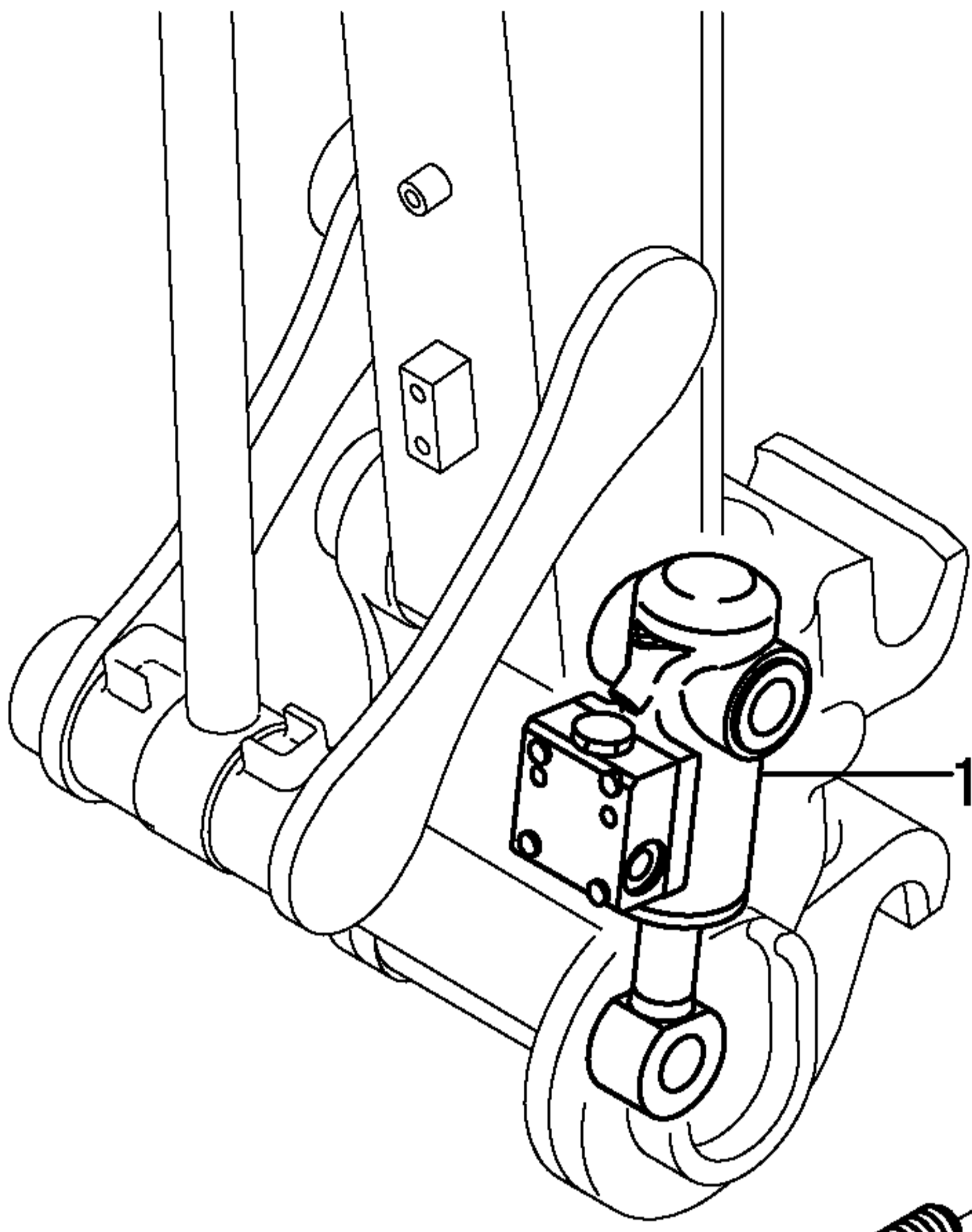


見出しNo. 1は、  
見出しNo. 2~24を含みます。  
1 INC. 2~24.



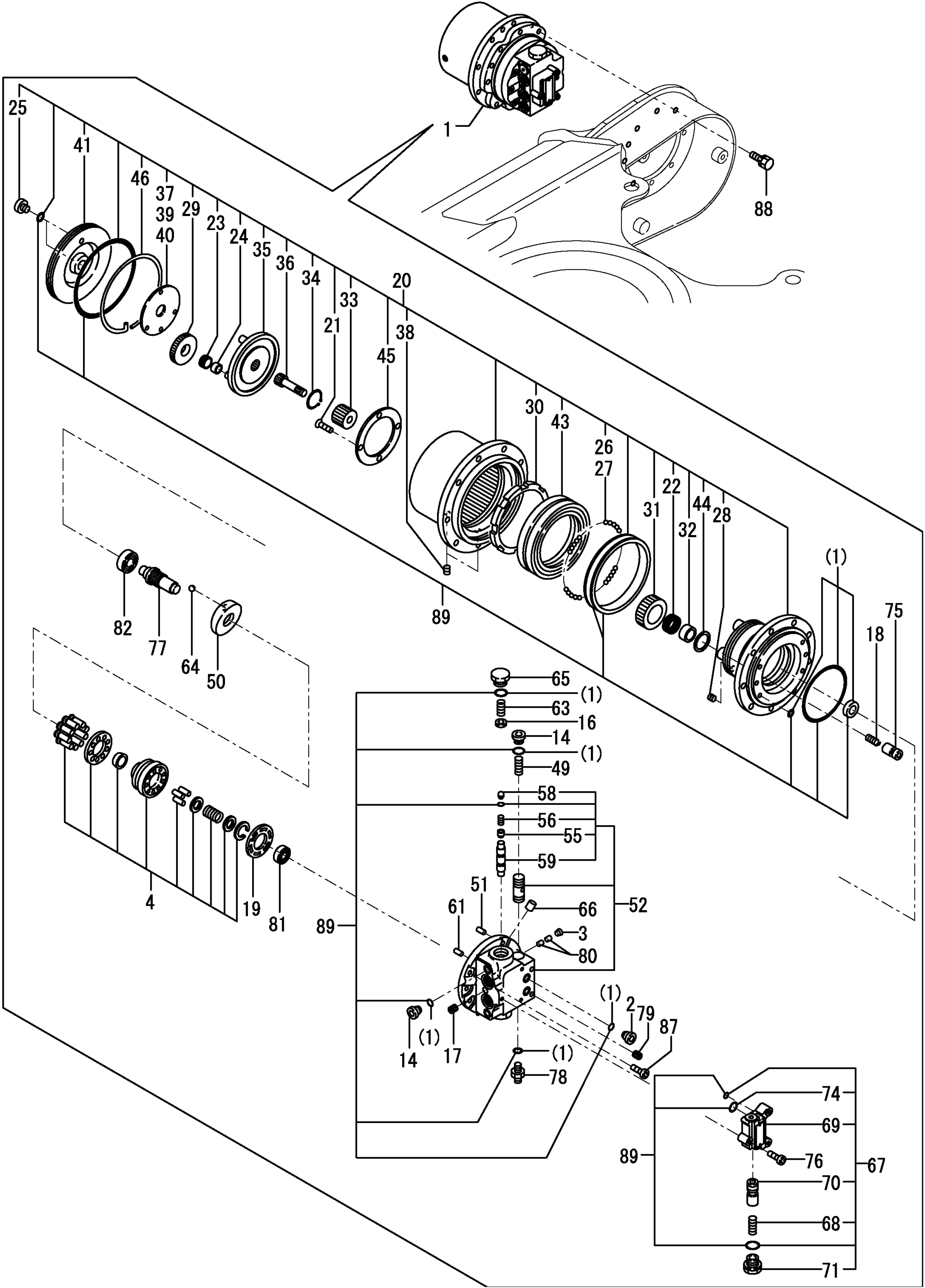
1,1,,172956-72800,, "CYLINDER,HITCH (97)",1,1,1,,,,,,,,,,,,,  
2,2,,172156-72400,, "U-NUT M 14",1,1,1,,,,,,,,,,,,,  
3,2,,172956-72810,, "TUBE ASSY ,HITCH(97)",1,1,1,,,,,,,,,,,,,  
5,3,,172956-72880,, "BUSH (25-33-14.5",2,2,2,,,,,,,,,,,,,  
6,2,,172956-72830,, "ROD ASSY, HITCH",1,1,1,,,,,,,,,,,,,  
7,3,,172156-84440,, "BUSH 25X 35",1,1,1,,,,,,,,,,,,,  
8,2,,172956-72860,, "HEAD ASSY 45 25",1,1,1,,,,,,,,,,,,,  
10,3,,24550-025150,, "BUSH 25X15",1,1,1,,,,,,,,,,,,,  
11,2,,172956-72890,, "PISTON 45 25",1,1,1,,,,,,,,,,,,,  
12,2,,172956-72900,, "SEAL SET, HEAD 45X25",1,1,1,,,,,,,,,,,,,  
17,2,,172956-72910,, "SEAL SET, PISTON",1,1,1,,,,,,,,,,,,,  
20,2,,172958-72950,, "O-RING P8",1,1,1,,,,,,,,,,,,,  
21,2,,172958-72960,, "O-RING P14",1,1,1,,,,,,,,,,,,,  
22,2,,172958-72982,, "CHECK VALVE(GREEN:97",1,1,1,,,,,,,,,,,,,  
23,2,,23871-005000,, "PLUG PT 1/16",2,2,2,,,,,,,,,,,,,  
24,2,,24761-020000,, "NIPPLE PT1/8,GREASE",1,1,1,,,,,,,,,,,,,  
25,2,,26450-060352,, "BOLT M 6X 35",4,4,4,,,,,,,,,,,,,

見出しNo. 1は、  
見出しNo. 2~25を含みます。  
1 INC. No. 2~25.

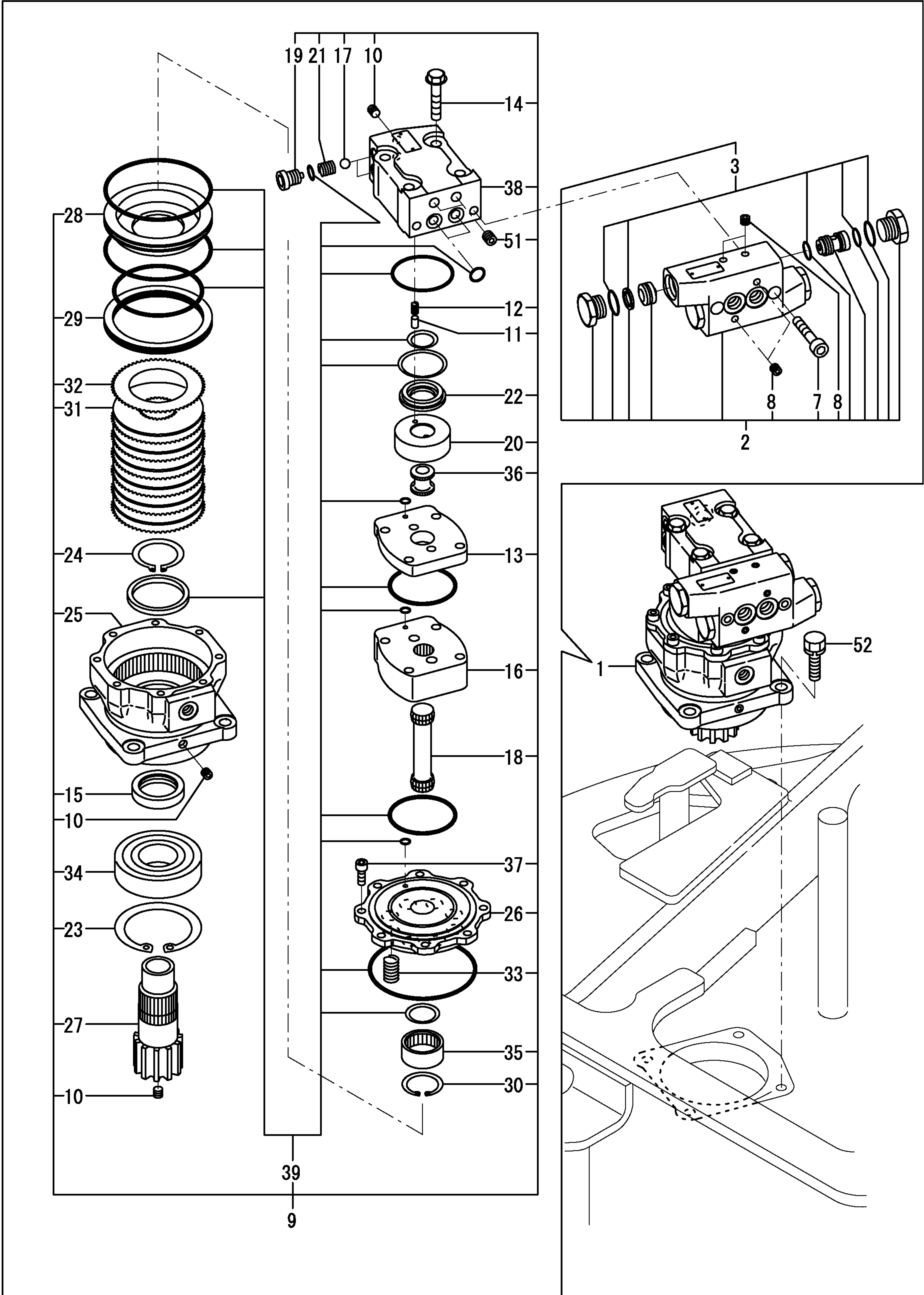


1,1,,172456-73300,, "MOTOR ASSY,TRAVEL",2,2,2,,,,,,,,,,,,,  
2,2,,1A6240-37360,, PLUG,4,4,4,,,,,,,,,,,,,  
3,2,,172147-70220,, PLUG,4,4,4,,,,,,,,,,,,,  
4,2,,172450-73620,, "CYLINDER BLOCK KIT",2,2,2,,,,,,,,,,,,,  
14,2,,172148-70301,, PLUG,6,6,6,,,,,,,,,,,,,  
16,2,,172141-70450,, "SEAT, SPRING",4,4,4,,,,,,,,,,,,,  
17,2,,172162-70780,, PLUG,2,2,2,,,,,,,,,,,,,  
18,2,,172168-71950,, SPRING,4,4,4,,,,,,,,,,,,,  
19,2,,172638-73330,, PLATE,2,2,2,,,,,,,,,,,,,  
20,2,,172456-73340,, "REDUCTION GEAR",2,2,2,,,,,,,,,,,,,  
21,3,,172141-70110,, SCREW,8,8,8,,,,,,,,,,,,,  
22,3,,172147-70120,, "GAUGE, W/ROLLER",8,8,8,,,,,,,,,,,,,  
23,3,,172141-70150,, "GAUGE, W/ROLLER",6,6,6,,,,,,,,,,,,,  
24,3,,172141-70160,, "RACE, INNER",6,6,6,,,,,,,,,,,,,  
25,3,,172148-70301,, PLUG,4,4,4,,,,,,,,,,,,,  
26,3,,172122-70350,, BALL,198,198,198,,,,,,,,,,,,,  
27,3,,172122-70350,, BALL,20,20,20,,,,,,,,,,,,,  
28,3,,172450-73330,, PLUG,4,4,4,,,,,,,,,,,,,  
29,3,,172421-73350,, "PLANETARY, GEAR A",6,6,6,,,,,,,,,,,,,  
30,3,,172456-73350,, "RING NUT",2,2,2,,,,,,,,,,,,,  
31,3,,172456-73360,, "PLANETARY, GEAR B",8,8,8,,,,,,,,,,,,,  
32,3,,172456-73370,, "INNER RACE",8,8,8,,,,,,,,,,,,,  
33,3,,172456-73380,, "GEAR,SUN",2,2,2,,,,,,,,,,,,,  
34,3,,172456-73390,, "SNAP RING",2,2,2,,,,,,,,,,,,,  
35,3,,172456-73400,, HOLDER,2,2,2,,,,,,,,,,,,,  
36,3,,172456-73410,, "GEAR, DRIVE",2,2,2,,,,,,,,,,,,,  
37,3,,172456-73420,, "THRUST PLATE",2,2,2,,,,,,,,,,,,,  
38,3,,172122-73430,, PLUG,4,4,4,,,,,,,,,,,,,  
39,3,,172456-73430,, "THRUST PLATE",2,2,2,,,,,,,,,,,,,  
40,3,,172456-73440,, "THRUST PLATE",2,2,2,,,,,,,,,,,,,  
41,3,,172456-73450,, COVER,2,2,2,,,,,,,,,,,,,  
43,3,,172183-73520,, BEARING,2,2,2,,,,,,,,,,,,,  
44,3,,172183-73560,, "WASHER, THRUST",8,8,8,,,,,,,,,,,,,  
45,3,,172183-73570,, "PLATE, THRUST",2,2,2,,,,,,,,,,,,,  
46,3,,172183-73660,, WIRE,2,2,2,,,,,,,,,,,,,  
49,2,,172421-73400,, SPRING,2,2,2,,,,,,,,,,,,,  
50,2,,172456-73460,, "SLANT PLATE",2,2,2,,,,,,,,,,,,,  
51,2,,172122-73470,, PIN,2,2,2,,,,,,,,,,,,,  
52,2,,172456-73330,, "BASE PLATE ASSY",2,2,2,,,,,,,,,,,,,  
55,3,,172141-70410,, "VALVE, CHECK",4,4,4,,,,,,,,,,,,,  
56,3,,172141-70420,, SPRING,4,4,4,,,,,,,,,,,,,  
58,3,,172421-73380,, PLUG,4,4,4,,,,,,,,,,,,,  
59,3,,172456-73490,, SPOOL,2,2,2,,,,,,,,,,,,,  
61,2,,172122-73480,, PIN,4,4,4,,,,,,,,,,,,,  
63,2,,172456-73500,, SPRING,4,4,4,,,,,,,,,,,,,  
64,2,,172450-73510,, "BALL,STEEL",4,4,4,,,,,,,,,,,,,  
65,2,,172456-73510,, "CAP, STEERING WHEEL",4,4,4,,,,,,,,,,,,,  
66,2,,172456-73520,, ORIFICE,4,4,4,,,,,,,,,,,,,  
67,2,,172456-73540,, "VALVE ASSY",2,2,2,,,,,,,,,,,,,  
68,3,,172148-71580,, SPRING,4,4,4,,,,,,,,,,,,,  
69,3,,172456-73550,, "BODY, VALVE",2,2,2,,,,,,,,,,,,,  
70,3,,172456-73560,, "CHECK VALVE",4,4,4,,,,,,,,,,,,,  
71,3,,172183-73770,, PLUG,4,4,4,,,,,,,,,,,,,  
74,3,,24315-000120,, "O-RING 1B P-12.0",2,2,2,,,,,,,,,,,,,  
75,2,,172450-73550,, "PISTON ASSY",4,4,4,,,,,,,,,,,,,  
76,2,,172456-73570,, "BOLT, SOCKET HEAD",6,6,6,,,,,,,,,,,,,  
77,2,,172183-73670,, SHAFT,2,2,2,,,,,,,,,,,,,  
78,2,,172183-73780,, PLUG,2,2,2,,,,,,,,,,,,,  
79,2,,172183-73870,, PLUG,4,4,4,,,,,,,,,,,,,  
80,2,,172312-74790,, ORIFICE,8,8,8,,,,,,,,,,,,,  
81,2,,24101-060024,, "BALL BEARING",2,2,2,,,,,,,,,,,,,  
82,2,,24101-060044,, "BALL BEARING #6004",2,2,2,,,,,,,,,,,,,  
87,2,,26450-080202,, "BOLT M 8X 20",12,12,12,,,,,,,,,,,,,

88,1,,26013-100252,, "BOLT W/WASHER M10X25",16,16,16,,,,,,,,,,,,,  
89,1,,172456-73320,, "SEAL SET",2,2,2,,,,,,,,,,,,,

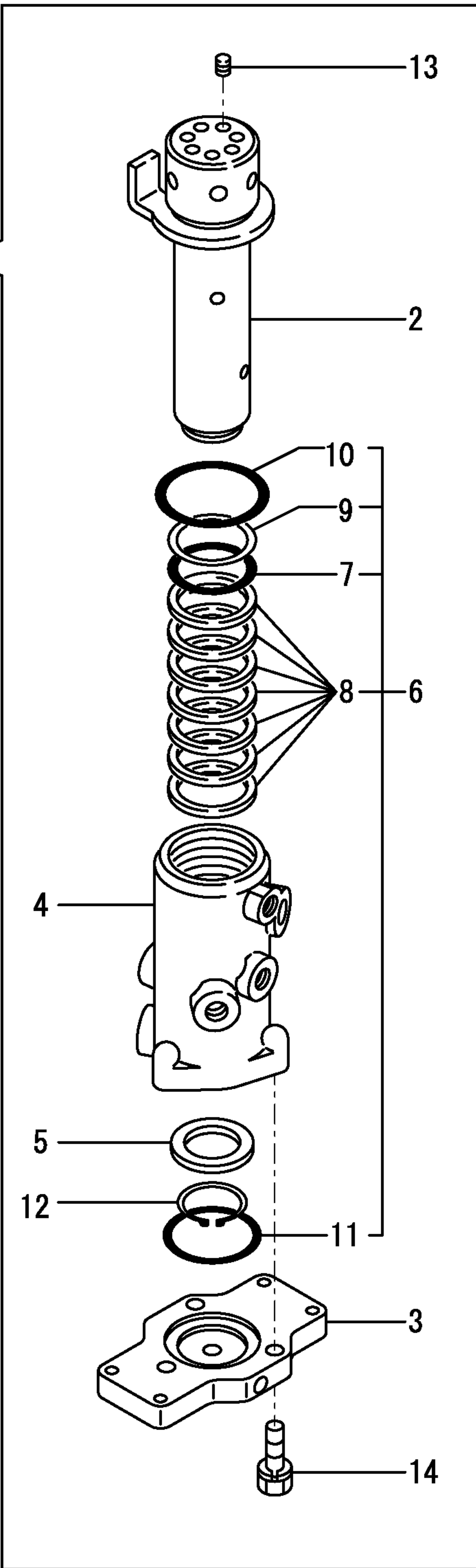
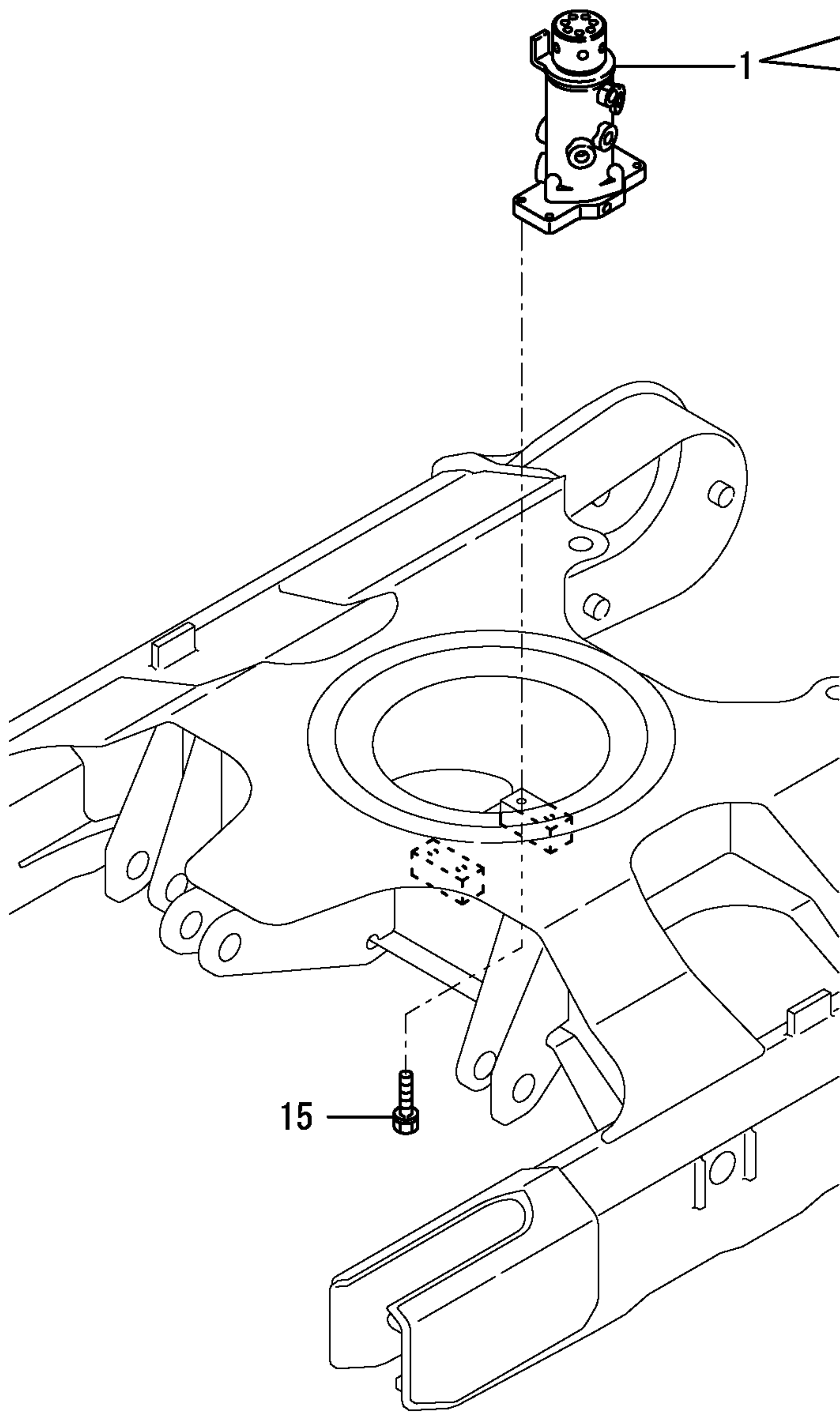


1,1,,172456-73310,, "MOTOR, SWING", 1,1,1,,,,,,,,,,,,,  
2,2,,172456-77100,, VALVE,1,1,1,,,,,,,,,,,,,  
3,3,,172456-77110,, "SEAL SET", 1,1,1,,,,,,,,,,,,,  
7,3,,172456-77130,, "BOLT 6\*65", 2,2,2,,,,,,,,,,,,,  
8,3,,23871-010000,, "PLUG PT1/8, SCREW", 6,6,6,,,,,,,,,,,,,  
9,2,,172456-77140,, "MOTOR, SWING", 1,1,1,,,,,,,,,,,,,  
10,3,,172137-70490,, PLUG,4,4,4,,,,,,,,,,,,,  
11,3,,172137-70570,, PIN,2,2,2,,,,,,,,,,,,,  
12,3,,172137-70580,, SPRING,2,2,2,,,,,,,,,,,,,  
13,3,,172148-73350,, "PLATE, VALVE", 1,1,1,,,,,,,,,,,,,  
14,3,,172173-73510,, "BOLT 12X40", 4,4,4,,,,,,,,,,,,,  
15,3,,172173-73520,, COLLAR,1,1,1,,,,,,,,,,,,,  
16,3,,172173-73570,, JIROLLER,1,1,1,,,,,,,,,,,,,  
17,3,,172168-73580,, BALL,2,2,2,,,,,,,,,,,,,  
18,3,,172173-73580,, DRIVE,1,1,1,,,,,,,,,,,,,  
19,3,,172168-73590,, PLUG,2,2,2,,,,,,,,,,,,,  
20,3,,172173-73590,, HOLDER,1,1,1,,,,,,,,,,,,,  
21,3,,172168-73600,, SPRING,2,2,2,,,,,,,,,,,,,  
22,3,,172173-73600,, RING,1,1,1,,,,,,,,,,,,,  
23,3,,172173-73690,, "SNAP RING", 1,1,1,,,,,,,,,,,,,  
24,3,,172173-73700,, "SNAP RING", 1,1,1,,,,,,,,,,,,,  
25,3,,172456-77150,, "HOUSING, BEARING", 1,1,1,,,,,,,,,,,,,  
26,3,,172456-77160,, "FLANGE, MOUTING", 1,1,1,,,,,,,,,,,,,  
27,3,,172456-77170,, "GEAR, PINION", 1,1,1,,,,,,,,,,,,,  
28,3,,172456-77180,, "PISTON, HYDRAULIC", 1,1,1,,,,,,,,,,,,,  
29,3,,172456-77190,, RING,1,1,1,,,,,,,,,,,,,  
30,3,,172456-77200,, CIRCLIP,1,1,1,,,,,,,,,,,,,  
31,3,,172456-77210,, "PLATE, FRICTION", 6,6,6,,,,,,,,,,,,,  
32,3,,172456-77220,, PLATE,7,7,7,,,,,,,,,,,,,  
33,3,,172456-77230,, SPRING,8,8,8,,,,,,,,,,,,,  
34,3,,172456-77240,, "FRONT BEARING", 1,1,1,,,,,,,,,,,,,  
35,3,,172456-77250,, "NEEDLE BEARING", 1,1,1,,,,,,,,,,,,,  
36,3,,172141-77260,, "VALVE DRIVE", 1,1,1,,,,,,,,,,,,,  
37,3,,172456-77270,, "BOLT 6\*65", 8,8,8,,,,,,,,,,,,,  
38,3,,172456-77280,, "HOUSING, VALVE", 1,1,1,,,,,,,,,,,,,  
39,3,,172456-77290,, "SEAL SET", 1,1,1,,,,,,,,,,,,,  
51,3,,172141-77400,, "PLUG, BLIND", 2,2,2,,,,,,,,,,,,,  
52,1,,26013-120402,, "BOLT M12X 40", 4,4,4,,,,,,,,,,,,,

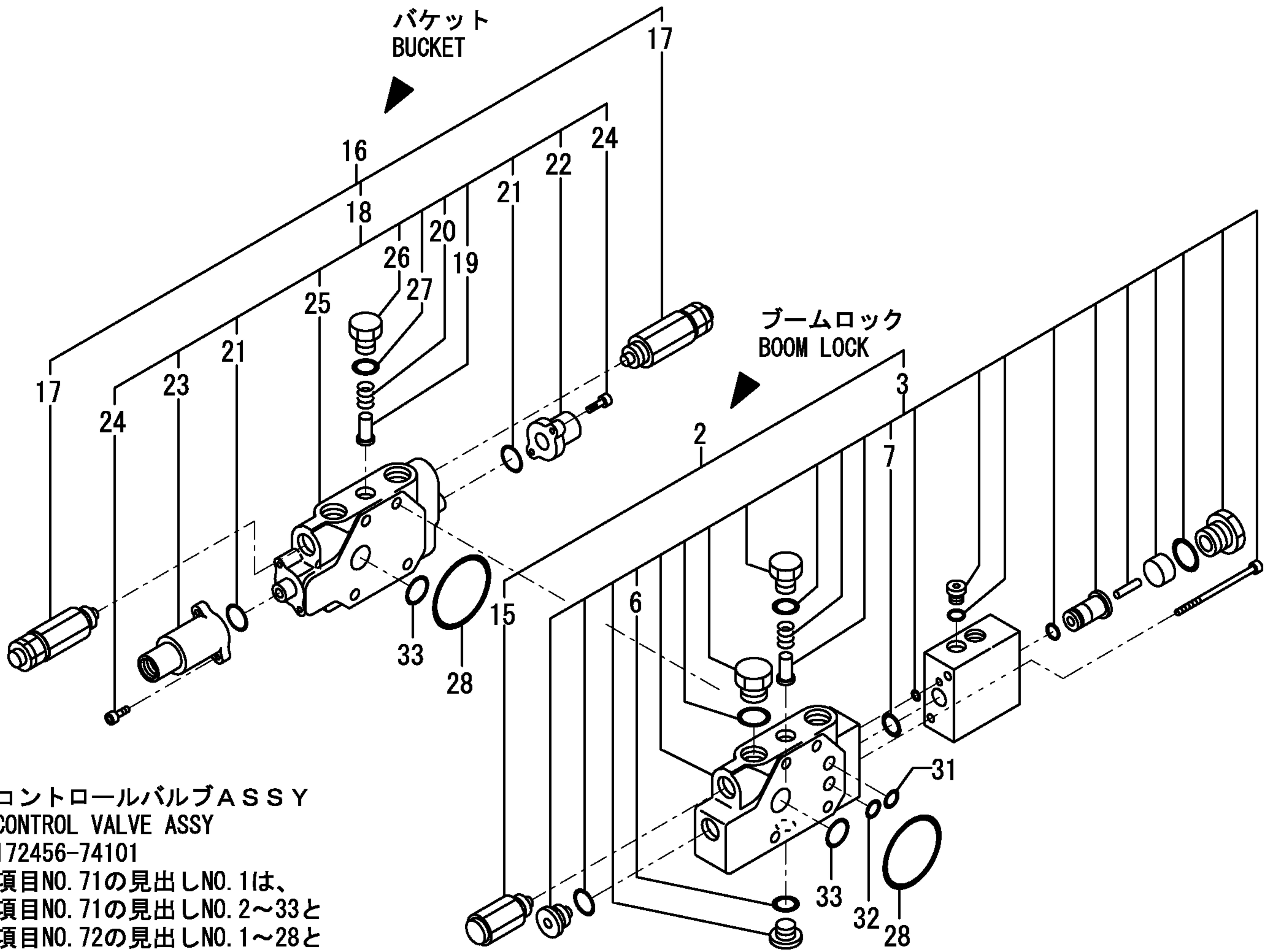




1,1,,172444-73802,, "JOINT ASSY, SWIVEL",1,1,1,,,,,,,,,,,,,  
2,2,,172444-73810,, "SHAFT, SWIVEL",1,1,1,,,,,,,,,,,,,  
3,2,,172444-73831,, "HUB, SWIVEL",1,1,1,,,,,,,,,,,,,  
4,2,,172444-73840,, "FLANGE, SWIVEL",1,1,1,,,,,,,,,,,,,  
5,2,,172137-73860,, "SPACER, SWIVEL",1,1,1,,,,,,,,,,,,,  
6,2,,22242-000451,, "CIRCLIP 45",1,1,1,,,,,,,,,,,,,  
7,2,,23871-020000,, "PLUG PT1/4,SCREW",7,7,7,,,,,,,,,,,,,  
8,2,,26013-100352,, "BOLT M10X 35",3,3,3,,,,,,,,,,,,,  
9,2,,172444-73880,, "SEAL KIT,SWIVEL",1,1,1,,,,,,,,,,,,,  
10,3,,172142-73800,, "O-RING 55.76X5.7",1,1,1,,,,,,,,,,,,,  
11,3,,172458-73820,, "SEAL, SWIVEL",7,7,7,,,,,,,,,,,,,  
12,3,,172148-73870,, "RING EL, BACK UP",1,1,1,,,,,,,,,,,,,  
13,3,,24311-000750,, "O-RING 1A P-75.0",1,1,1,,,,,,,,,,,,,  
14,3,,24321-000700,, "O-RING 1A G70.0,NBR",1,1,1,,,,,,,,,,,,,  
15,1,,26013-100402,, "BOLT M10X 40",4,4,4,,,,,,,,,,,,,



1,1,,172456-74101,, "VALVE ASSY, CONTROL",1,1,1,,,,,,,,,,,,,  
2,2,,172456-74430,, "BOOM LOCK SECTION",1,1,1,,,,,,,,,,,,,  
3,3,,172456-74260,, "BOOM LOCK ASSY",1,1,1,,,,,,,,,,,,,  
6,4,,172456-74410,, "PACKING P 16",1,1,1,,,,,,,,,,,,,  
7,4,,172456-74420,, "PACKING P 17",1,1,1,,,,,,,,,,,,,  
15,3,,172456-74440,, "OVERLOAD 300/5",1,1,1,,,,,,,,,,,,,  
16,2,,172456-74390,, "BUCKET CHANGE-OVER",1,1,1,,,,,,,,,,,,,  
17,3,,172456-74280,, "OVERLOAD 250/5",2,2,2,,,,,,,,,,,,,  
18,3,,172458-74610,, "BUCKET SEC. ASSY",1,1,1,,,,,,,,,,,,,  
19,4,,172458-74150,, "CHECK VALVE",1,1,1,,,,,,,,,,,,,  
20,4,,172458-74160,, "SPRING, CHECK VALVE",1,1,1,,,,,,,,,,,,,  
21,4,,172458-74230,, "PACKING S 22",2,2,2,,,,,,,,,,,,,  
22,4,,172458-74240,, "COVER B1, PILOT",1,1,1,,,,,,,,,,,,,  
23,4,,172458-74250,, "COVER A1, PILOT",1,1,1,,,,,,,,,,,,,  
24,4,,172458-74260,, "SWP HEX.BOLT 5X20",4,4,4,,,,,,,,,,,,,  
25,4,,172458-74620,, "SPOOL ASSY,BUCKET",1,1,1,,,,,,,,,,,,,  
26,4,,172458-74630,, "STAY, CHECK VALVE",1,1,1,,,,,,,,,,,,,  
27,4,,24315-000110,, "O-RING 1B P-11.0",1,1,1,,,,,,,,,,,,,  
28,2,,172458-74720,, "PACKING G 4",2,2,2,,,,,,,,,,,,,  
29,2,,172458-74730,, "BOLT L380",4,4,4,,,,,,,,,,,,,  
30,2,,26716-080002,, "NUT M 8",4,4,4,,,,,,,,,,,,,  
31,2,,24315-000090,, "O-RING 1B P- 9.0",1,1,1,,,,,,,,,,,,,  
32,2,,24315-000100,, "O-RING 1B P-10.0",1,1,1,,,,,,,,,,,,,  
33,2,,24311-000180,, "O-RING 1A P-18.0",2,2,2,,,,,,,,,,,,,  
34,1,,26013-100162,, "BOLT M10X 16",3,3,3,,,,,,,,,,,,,



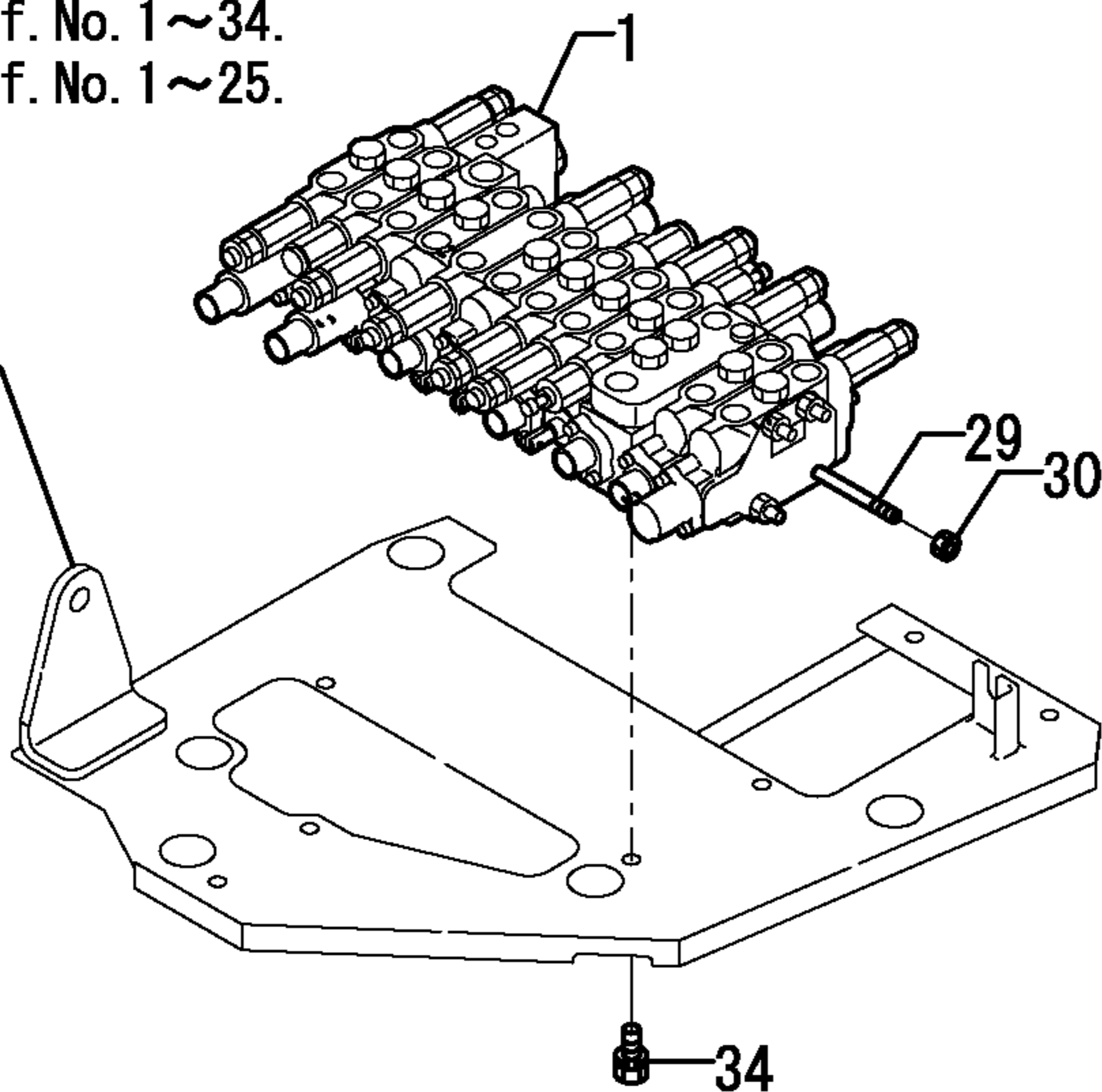
コントロールバルブ ASSY  
CONTROL VALVE ASSY  
172456-74101

項目NO. 71の見出しNO. 1は、  
項目NO. 71の見出しNO. 2~33と  
項目NO. 72の見出しNO. 1~28と  
項目NO. 73の見出しNO. 1~25と  
項目NO. 74の見出しNO. 1~30と  
項目NO. 75の見出しNO. 1~34と  
項目NO. 76の見出しNO. 1~25を含みます。

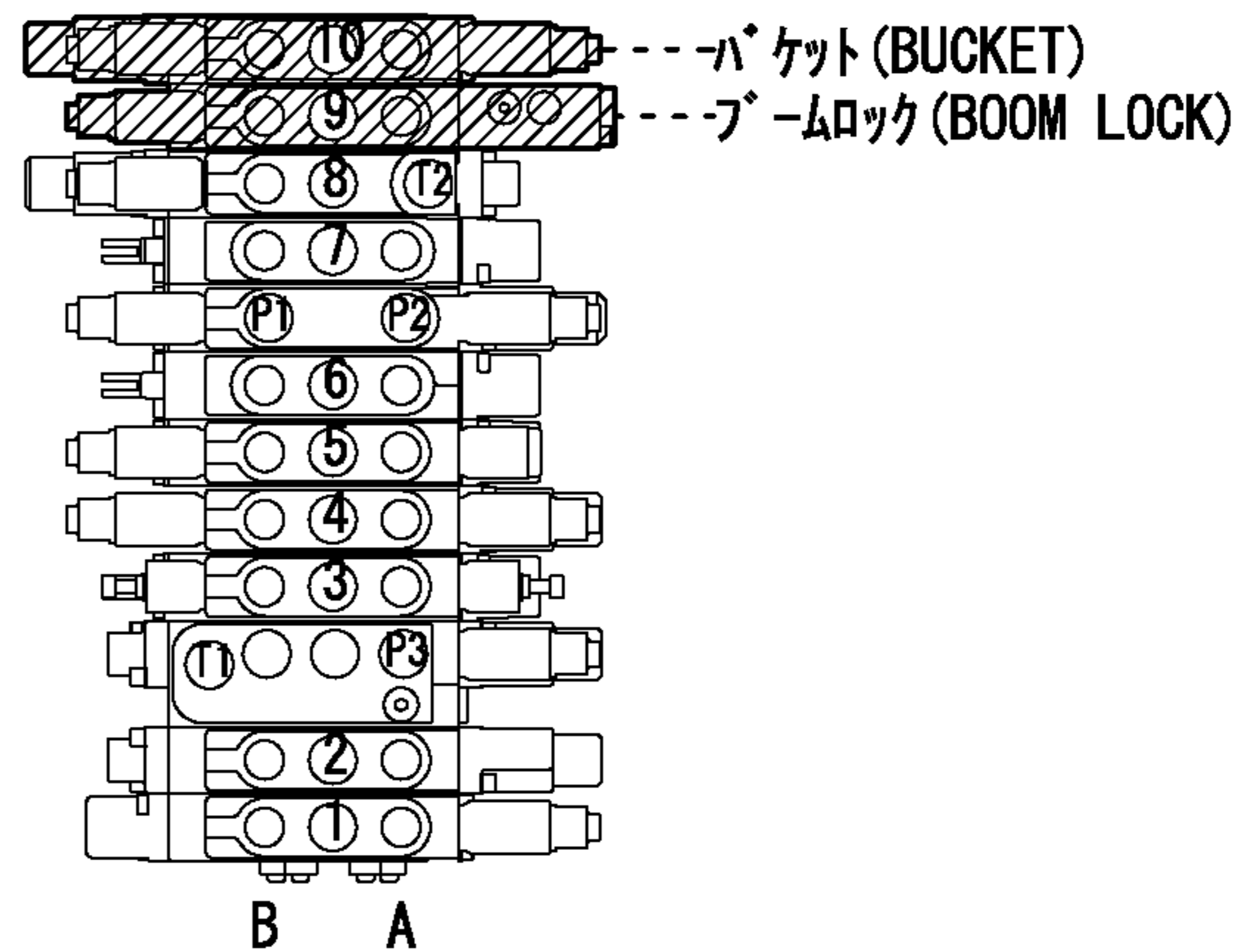
Fig. 71 Ref. No. 1

- INC. Fig. 71 Ref. No. 2~33.
- Fig. 72 Ref. No. 1~28.
- Fig. 73 Ref. No. 1~25.
- Fig. 74 Ref. No. 1~30.
- Fig. 75 Ref. No. 1~34.
- Fig. 76 Ref. No. 1~25.

REFER TO Fig. 36



前  
FRONT  
←

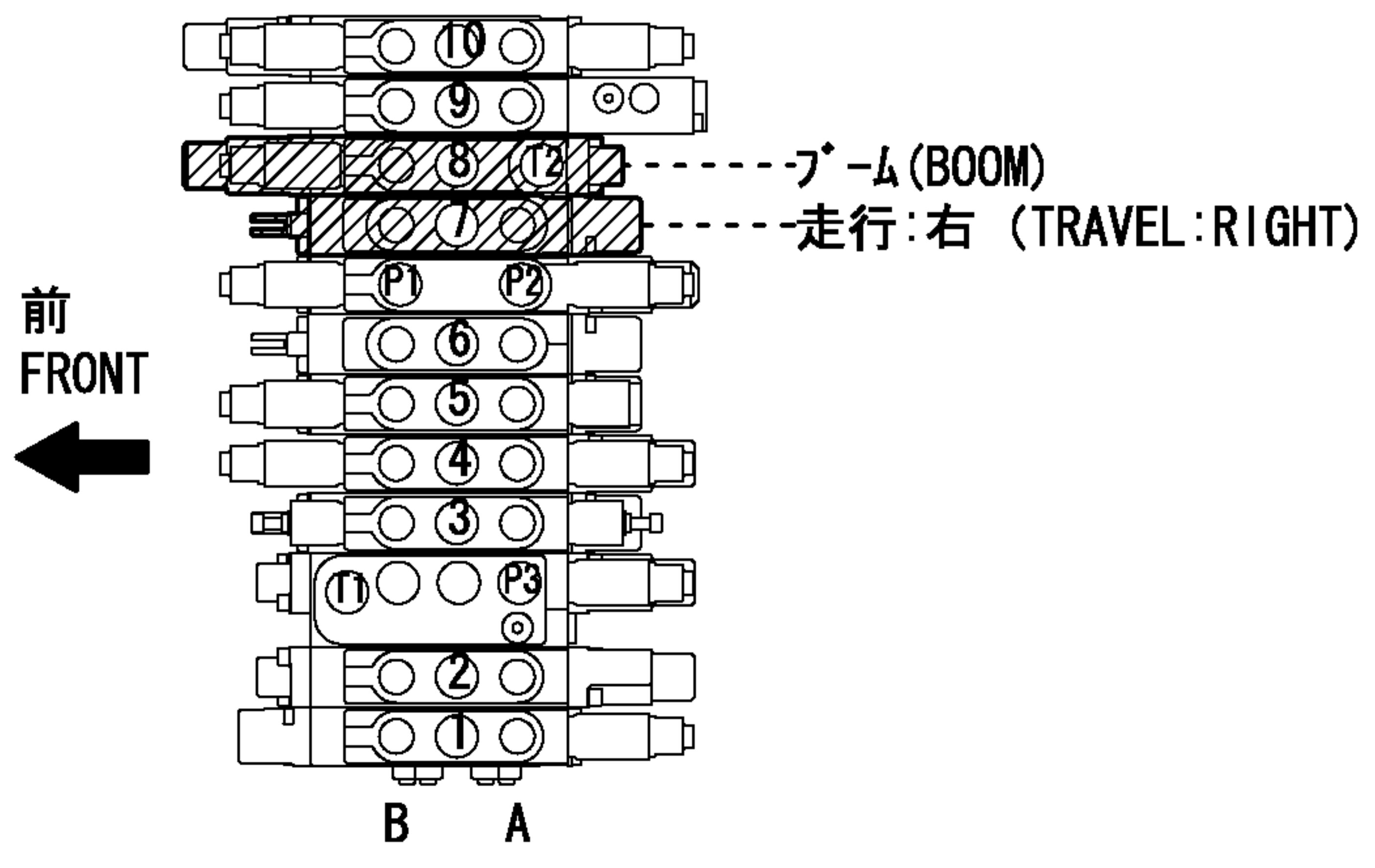
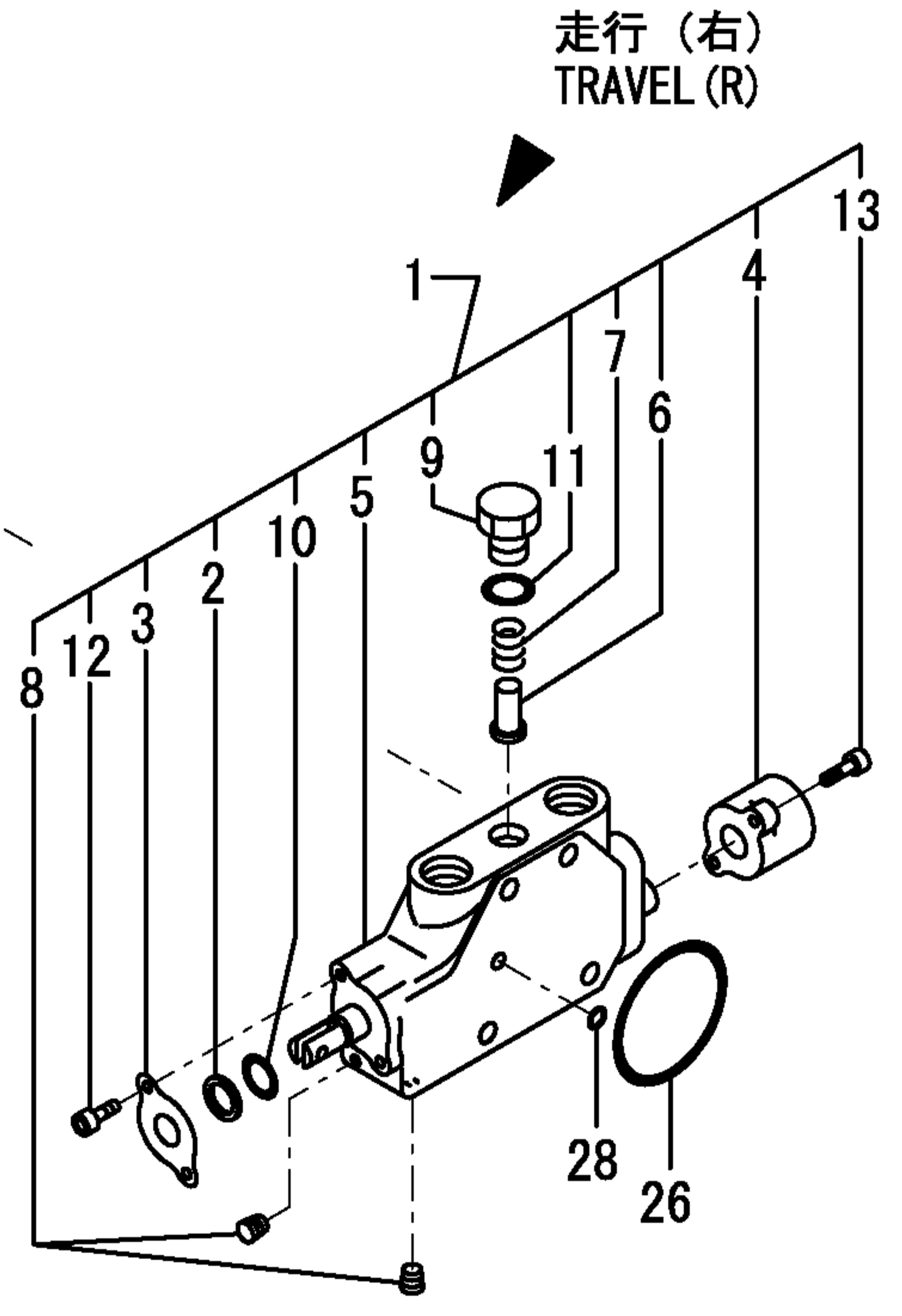
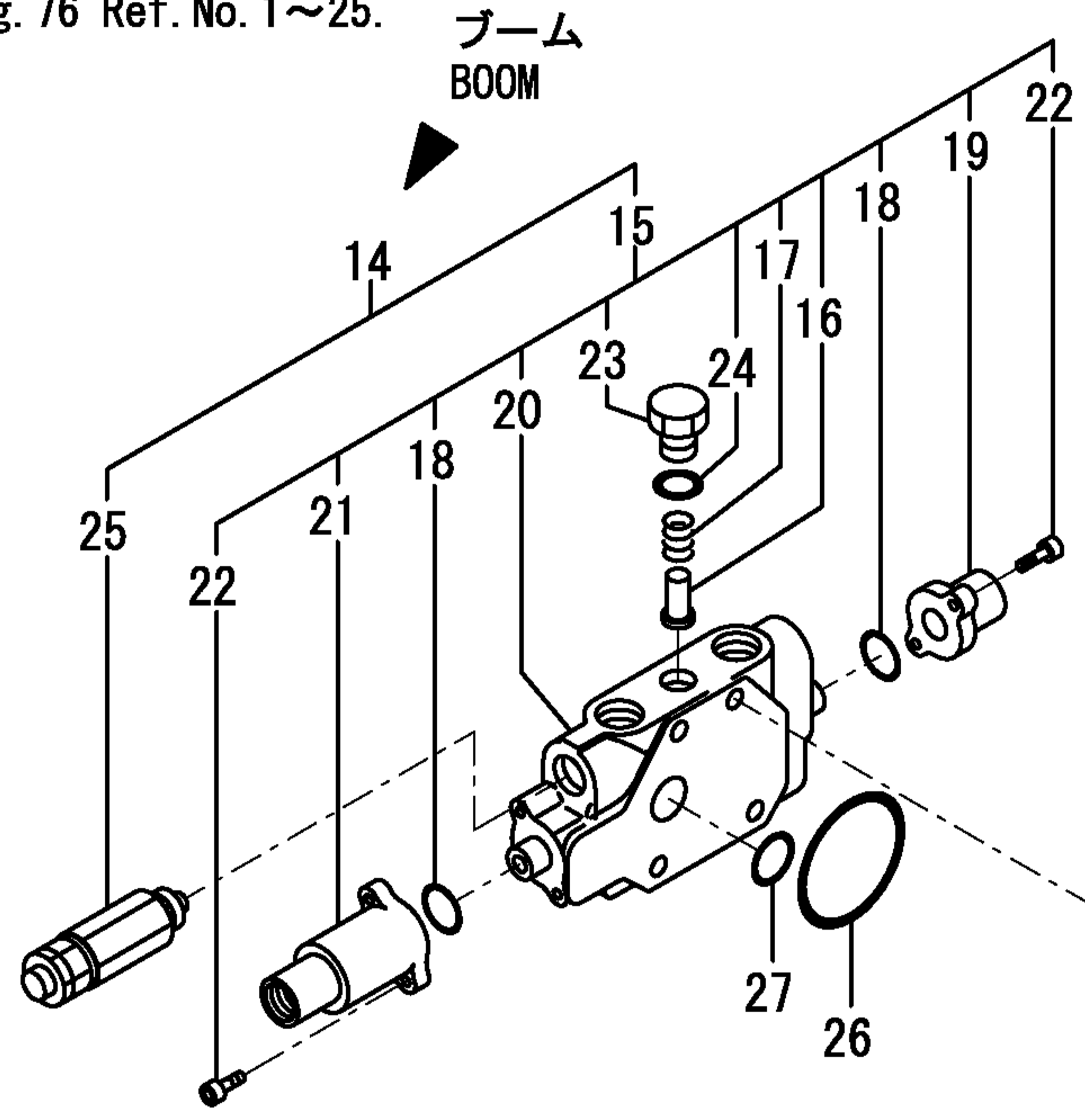


1,2,,172456-74190,, "DRIVE R SEC. ASSY",1,1,1,,,,,,,,,,,,,  
2,3,,172458-74130,, "DUST WIPER",1,1,1,,,,,,,,,,,,,  
3,3,,172458-74140,, "BRACKET, OIL SEAL",1,1,1,,,,,,,,,,,,,  
4,3,,172458-74170,, "CAP, SPRING",1,1,1,,,,,,,,,,,,,  
5,3,,172456-74230,, "SPOOL ASSY, TRAVEL",1,1,1,,,,,,,,,,,,,  
6,3,,172458-74290,, "CHECK VALVE",1,1,1,,,,,,,,,,,,,  
7,3,,172458-74360,, "SPRING, CHECK VALVE",1,1,1,,,,,,,,,,,,,  
8,3,,172458-74460,, "PLUG GPM1/32",2,2,2,,,,,,,,,,,,,  
9,3,,172458-74640,, "STAY, CHECK VALVE",1,1,1,,,,,,,,,,,,,  
10,3,,24311-000120,, "O-RING 1A P 12.0",1,1,1,,,,,,,,,,,,,  
11,3,,24315-000110,, "O-RING 1B P-11.0",1,1,1,,,,,,,,,,,,,  
12,3,,26450-050102,, "BOLT M 5X 10",2,2,2,,,,,,,,,,,,,  
13,3,,26450-050182,, "BOLT 5\* 18",2,2,2,,,,,,,,,,,,,  
14,2,,172456-74370,, "BOOM CHANGE-OVER",1,1,1,,,,,,,,,,,,,  
15,3,,172456-74240,, "BOOM SEC. ASSY",1,1,1,,,,,,,,,,,,,  
16,4,,172458-74150,, "CHECK VALVE",1,1,1,,,,,,,,,,,,,  
17,4,,172458-74160,, "SPRING, CHECK VALVE",1,1,1,,,,,,,,,,,,,  
18,4,,172458-74230,, "PACKING S 22",2,2,2,,,,,,,,,,,,,  
19,4,,172458-74240,, "COVER B1, PILOT",1,1,1,,,,,,,,,,,,,  
20,4,,172456-74250,, "SPOOL ASSY, BOOM",1,1,1,,,,,,,,,,,,,  
21,4,,172458-74250,, "COVER A1, PILOT",1,1,1,,,,,,,,,,,,,  
22,4,,172458-74260,, "SWP HEX. BOLT 5X20",4,4,4,,,,,,,,,,,,,  
23,4,,172458-74630,, "STAY, CHECK VALVE",1,1,1,,,,,,,,,,,,,  
24,4,,24315-000110,, "O-RING 1B P-11.0",1,1,1,,,,,,,,,,,,,  
25,3,,172456-74280,, "OVERLOAD 250/5",1,1,1,,,,,,,,,,,,,  
26,2,,172458-74720,, "PACKING G 4",2,2,2,,,,,,,,,,,,,  
27,2,,24311-000180,, "O-RING 1A P-18.0",1,1,1,,,,,,,,,,,,,  
28,2,,24311-000060,, "O-RING 1A P-6.0",2,2,2,,,,,,,,,,,,,

コントロールバルブASSY  
CONTROL VALVE ASSY  
172456-74101

項目NO. 71の見出しNO. 1は、  
項目NO. 71の見出しNO. 2~33と  
項目NO. 72の見出しNO. 1~28と  
項目NO. 73の見出しNO. 1~25と  
項目NO. 74の見出しNO. 1~30と  
項目NO. 75の見出しNO. 1~34と  
項目NO. 76の見出しNO. 1~25を含みます。

Fig. 71 Ref. No. 1  
INC. Fig. 71 Ref. No. 2~33.  
Fig. 72 Ref. No. 1~28.  
Fig. 73 Ref. No. 1~25.  
Fig. 74 Ref. No. 1~30.  
Fig. 75 Ref. No. 1~34.  
Fig. 76 Ref. No. 1~25.



1,2,,172456-74170,, "DRIVE L SEC. ASSY",1,1,1,,,,,,,,,,,,,  
2,3,,172458-74130,, "DUST WIPER",1,1,1,,,,,,,,,,,,,  
3,3,,172458-74140,, "BRACKET, OIL SEAL",1,1,1,,,,,,,,,,,,,  
4,3,,172458-74170,, "CAP, SPRING",1,1,1,,,,,,,,,,,,,  
5,3,,172456-74180,, "SPOOL ASSY, TRAVEL",1,1,1,,,,,,,,,,,,,  
6,3,,172458-74290,, "CHECK VALVE",1,1,1,,,,,,,,,,,,,  
7,3,,172458-74360,, "SPRING, CHECK VALVE",1,1,1,,,,,,,,,,,,,  
8,3,,172458-74460,, "PLUG GPM1/32",2,2,2,,,,,,,,,,,,,  
9,3,,172458-74640,, "STAY, CHECK VALVE",1,1,1,,,,,,,,,,,,,  
10,3,,24311-000120,, "O-RING 1A P 12.0",1,1,1,,,,,,,,,,,,,  
11,3,,24315-000110,, "O-RING 1B P-11.0",1,1,1,,,,,,,,,,,,,  
12,3,,26450-050102,, "BOLT M 5X 10",2,2,2,,,,,,,,,,,,,  
13,3,,26450-050182,, "BOLT 5\* 18",2,2,2,,,,,,,,,,,,,  
14,2,,172456-74350,, "INLET DIVISION",1,1,1,,,,,,,,,,,,,  
15,3,,172456-74400,, "VALVE, RELIEF 210/20",2,2,2,,,,,,,,,,,,,  
16,3,,172458-74520,, "INLET SEC. ASSY",1,1,1,,,,,,,,,,,,,  
17,4,,172458-74230,, "PACKING S 22",2,2,2,,,,,,,,,,,,,  
18,4,,172458-74240,, "COVER B1, PILOT",1,1,1,,,,,,,,,,,,,  
19,4,,172458-74260,, "SWP HEX. BOLT 5X20",4,4,4,,,,,,,,,,,,,  
20,4,,172458-74530,, "SEAT, SPRING",1,1,1,,,,,,,,,,,,,  
21,4,,172458-74540,, "SPRING, RETURN",1,1,1,,,,,,,,,,,,,  
22,4,,172458-74550,, "COVER A2, PILOT",1,1,1,,,,,,,,,,,,,  
23,2,,172458-74720,, "PACKING G 4",2,2,2,,,,,,,,,,,,,  
24,2,,24311-000060,, "O-RING 1A P-6.0",2,2,2,,,,,,,,,,,,,  
25,2,,24311-000180,, "O-RING 1A P-18.0",1,1,1,,,,,,,,,,,,,

コントロールバルブ ASSY  
CONTROL VALVE ASSY  
172456-74101

項目NO. 71の見出しNO. 1は、  
項目NO. 71の見出しNO. 2~33と  
項目NO. 72の見出しNO. 1~28と  
項目NO. 73の見出しNO. 1~25と  
項目NO. 74の見出しNO. 1~30と  
項目NO. 75の見出しNO. 1~34と  
項目NO. 76の見出しNO. 1~25を含みます。

Fig. 71 Ref. No. 1

INC. Fig. 71 Ref. No. 2~33.

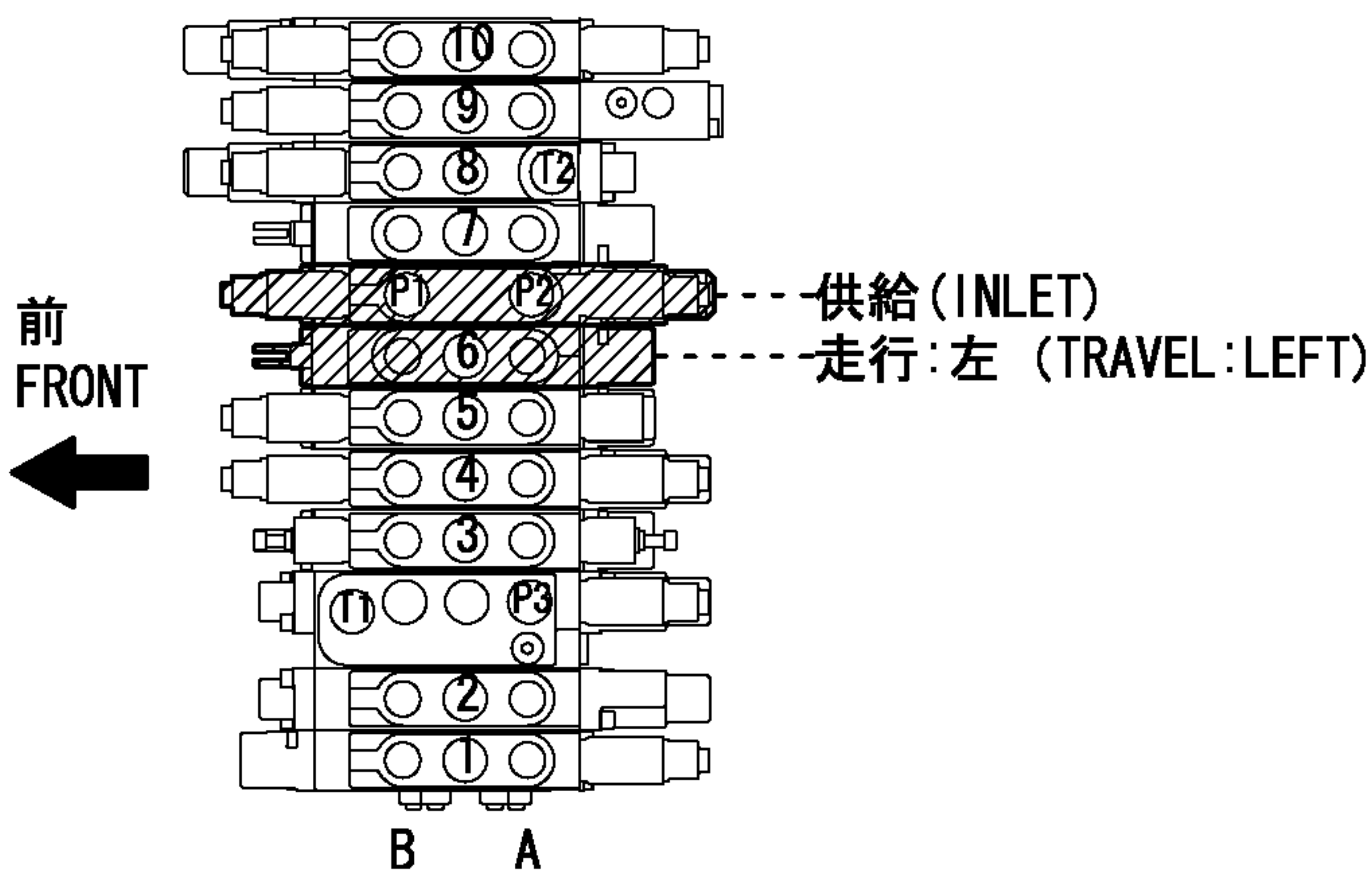
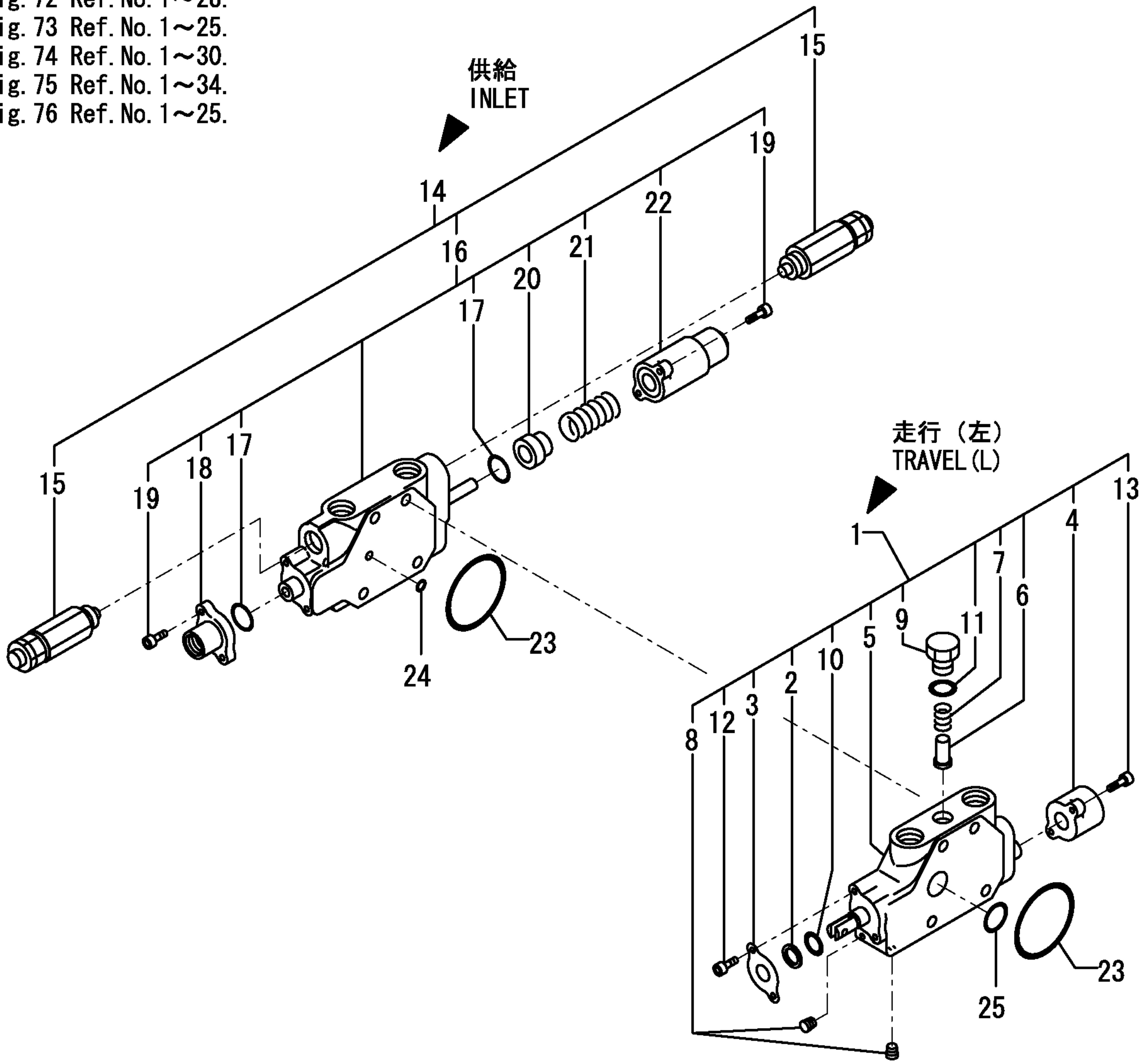
Fig. 72 Ref. No. 1~28.

Fig. 73 Ref. No. 1~25.

Fig. 74 Ref. No. 1~30.

Fig. 75 Ref. No. 1~34.

Fig. 76 Ref. No. 1~25.





1,2,,172456-74320,, "ARM CHANGE-OVER",1,1,1,,,,,,,,,,,,,  
2,3,,172456-74150,, "ARM SEC. ASSY",1,1,1,,,,,,,,,,,,,  
3,4,,172458-74150,, "CHECK VALVE",1,1,1,,,,,,,,,,,,,  
4,4,,172456-74160,, "SPOOL ASSY,BOOM",1,1,1,,,,,,,,,,,,,  
5,4,,172458-74160,, "SPRING, CHECK VALVE",1,1,1,,,,,,,,,,,,,  
6,4,,172458-74230,, "PACKING S 22",2,2,2,,,,,,,,,,,,,  
7,4,,172458-74240,, "COVER B1, PILOT",1,1,1,,,,,,,,,,,,,  
8,4,,172458-74250,, "COVER A1, PILOT",1,1,1,,,,,,,,,,,,,  
9,4,,172458-74260,, "SWP HEX.BOLT 5X20",4,4,4,,,,,,,,,,,,,  
10,4,,172458-74630,, "STAY, CHECK VALVE",1,1,1,,,,,,,,,,,,,  
11,4,,24315-000110,, "O-RING 1B P-11.0",1,1,1,,,,,,,,,,,,,  
12,3,,172447-74221,, "PORT RELIFE VALVE",1,1,1,,,,,,,,,,,,,  
13,3,,172447-74230,, "ANTI-CAVITATION",1,1,1,,,,,,,,,,,,,  
14,2,,172456-74330,, "SWING CHANGE-OVER",1,1,1,,,,,,,,,,,,,  
15,3,,172447-74230,, "ANTI-CAVITATION",1,1,1,,,,,,,,,,,,,  
16,3,,172456-74290,, "RELIEF VALVE PLUG",1,1,1,,,,,,,,,,,,,  
17,3,,172458-74420,, "SWING SEC. ASSY",1,1,1,,,,,,,,,,,,,  
18,4,,172458-74130,, "DUST WIPER",1,1,1,,,,,,,,,,,,,  
19,4,,172458-74140,, "BRACKET, OIL SEAL",1,1,1,,,,,,,,,,,,,  
20,4,,172458-74150,, "CHECK VALVE",1,1,1,,,,,,,,,,,,,  
21,4,,172458-74160,, "SPRING, CHECK VALVE",1,1,1,,,,,,,,,,,,,  
22,4,,172458-74430,, "SPOOL ASSY,SWING",1,1,1,,,,,,,,,,,,,  
23,4,,172458-74630,, "STAY, CHECK VALVE",1,1,1,,,,,,,,,,,,,  
24,4,,24311-000120,, "O-RING 1A P 12.0",1,1,1,,,,,,,,,,,,,  
25,4,,24315-000110,, "O-RING 1B P-11.0",1,1,1,,,,,,,,,,,,,  
26,4,,26450-050102,, "BOLT M 5X 10",2,2,2,,,,,,,,,,,,,  
27,4,,26450-050182,, "BOLT 5\* 18",2,2,2,,,,,,,,,,,,,  
28,4,,172458-74170,, "CAP,SPRING",1,1,1,,,,,,,,,,,,,  
29,2,,172458-74720,, "PACKING G 4",2,2,2,,,,,,,,,,,,,  
30,2,,24311-000180,, "O-RING 1A P-18.0",3,3,3,,,,,,,,,,,,,

コントロールバルブASSY  
CONTROL VALVE ASSY  
172456-74101

項目NO. 71の見出しNO. 1は、  
項目NO. 71の見出しNO. 2~33と  
項目NO. 72の見出しNO. 1~28と  
項目NO. 73の見出しNO. 1~25と  
項目NO. 74の見出しNO. 1~30と  
項目NO. 75の見出しNO. 1~34と  
項目NO. 76の見出しNO. 1~25を含みます。

Fig. 71 Ref. No. 1

INC. Fig. 71 Ref. No. 2~33.

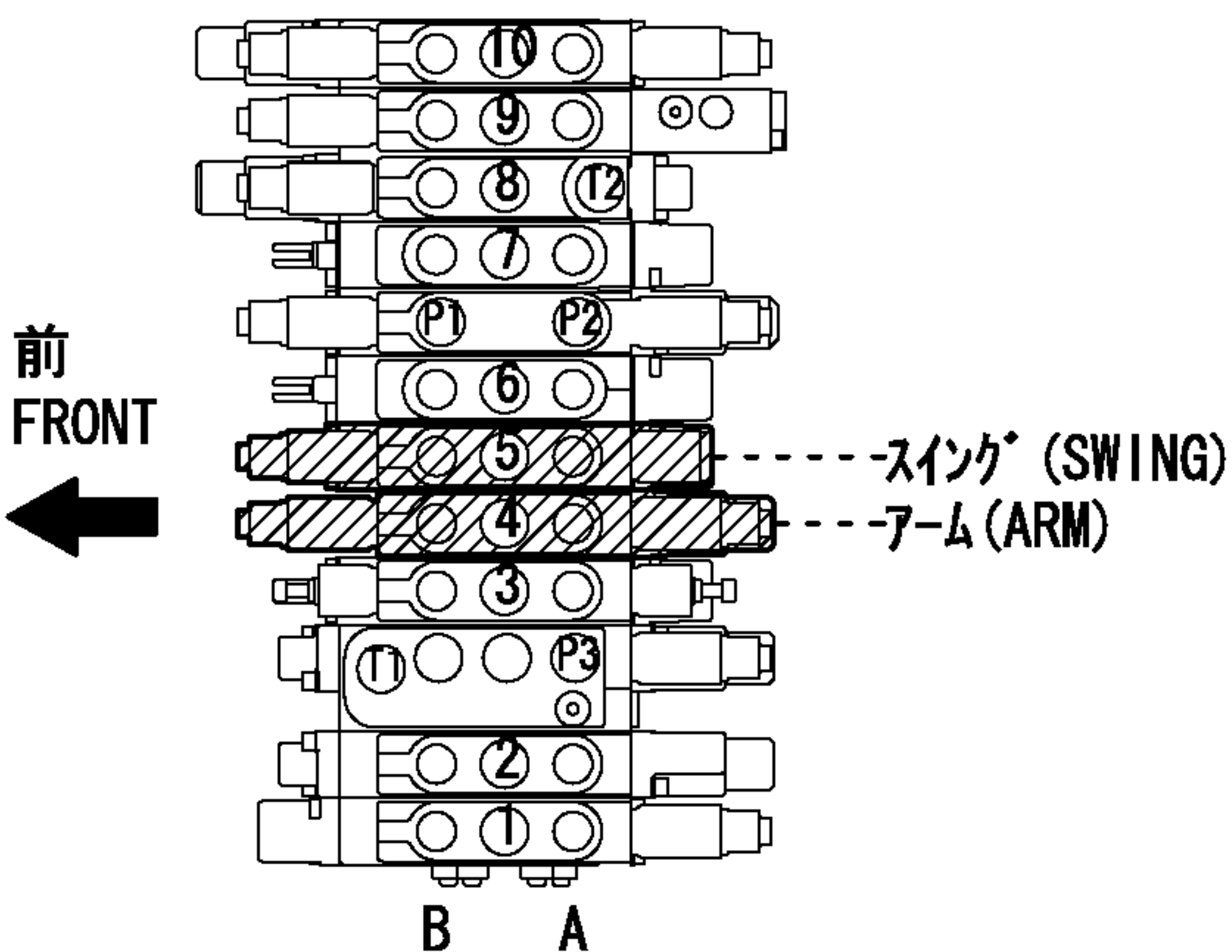
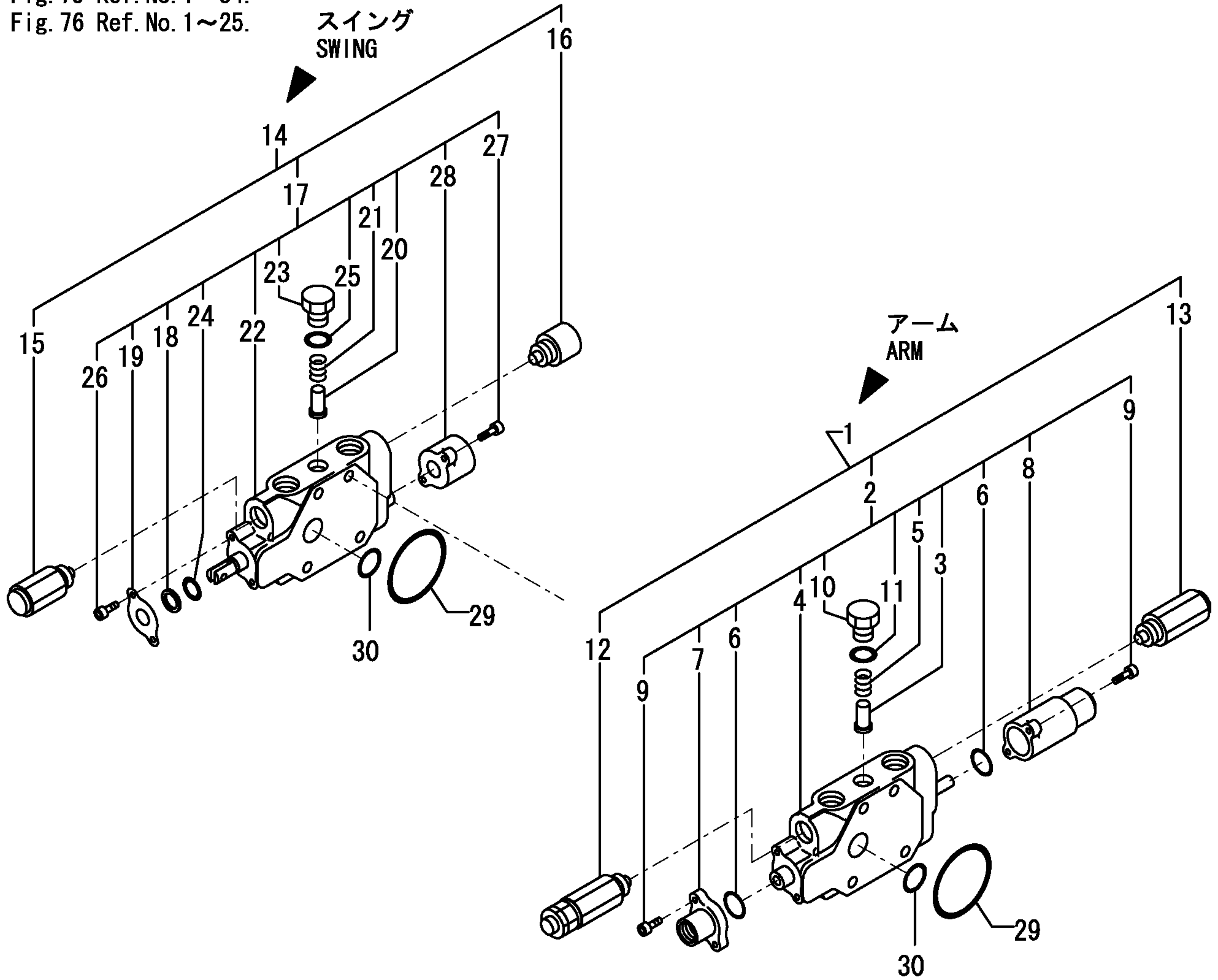
Fig. 72 Ref. No. 1~28.

Fig. 73 Ref. No. 1~25.

Fig. 74 Ref. No. 1~30.

Fig. 75 Ref. No. 1~34.

Fig. 76 Ref. No. 1~25.



1,2,,172456-74310,, "COMBINED FLOW DIV.",1,1,1,,,,,,,,,,,,,  
2,3,,172456-74130,, "COMBINED FLOW SEC.",1,1,1,,,,,,,,,,,,,  
3,4,,172456-74140,, "SPOOL ASSY,JOIN",1,1,1,,,,,,,,,,,,,  
4,4,,172457-74190,, "RESTRICTION, M6-0.9",1,1,1,,,,,,,,,,,,,  
5,4,,172458-74230,, "PACKING S 22",2,2,2,,,,,,,,,,,,,  
6,4,,172458-74240,, "COVER B1, PILOT",1,1,1,,,,,,,,,,,,,  
7,4,,172458-74250,, "COVER A1, PILOT",1,1,1,,,,,,,,,,,,,  
8,4,,172458-74260,, "SWP HEX.BOLT 5X20",4,4,4,,,,,,,,,,,,,  
9,4,,172458-74290,, "CHECK VALVE",2,2,2,,,,,,,,,,,,,  
10,4,,172458-74360,, "SPRING, CHECK VALVE",2,2,2,,,,,,,,,,,,,  
11,4,,172458-74640,, "STAY, CHECK VALVE",2,2,2,,,,,,,,,,,,,  
12,4,,172458-74660,, "PLUG NPT1/16,SCREW",2,2,2,,,,,,,,,,,,,  
13,4,,172458-74670,, "PLUG,PF1/8",2,2,2,,,,,,,,,,,,,  
14,4,,24315-000080,, "O-RING 1B P-8.0",2,2,2,,,,,,,,,,,,,  
15,4,,24315-000110,, "O-RING 1B P-11.0",2,2,2,,,,,,,,,,,,,  
16,3,,172456-74270,, "VALVE, RELIEF 170/20",1,1,1,,,,,,,,,,,,,  
17,2,,172458-74780,, "PTO CHANGE-OVER",1,1,1,,,,,,,,,,,,,  
18,3,,172458-74380,, "PTO SEC. ASSY",1,1,1,,,,,,,,,,,,,  
19,4,,172458-74130,, "DUST WIPER",1,1,1,,,,,,,,,,,,,  
20,4,,172458-74140,, "BRACKET, OIL SEAL",1,1,1,,,,,,,,,,,,,  
21,4,,172458-74150,, "CHECK VALVE",1,1,1,,,,,,,,,,,,,  
22,4,,172458-74160,, "SPRING, CHECK VALVE",1,1,1,,,,,,,,,,,,,  
23,4,,172458-74170,, "CAP,SPRING",1,1,1,,,,,,,,,,,,,  
24,4,,172458-74390,, "SPOOL ASSY,PTO",1,1,1,,,,,,,,,,,,,  
25,4,,172458-74630,, "STAY, CHECK VALVE",1,1,1,,,,,,,,,,,,,  
26,4,,172458-74650,, "STAY, CHECK VALVE",2,2,2,,,,,,,,,,,,,  
27,4,,24311-000120,, "O-RING 1A P 12.0",1,1,1,,,,,,,,,,,,,  
28,4,,24315-000110,, "O-RING 1B P-11.0",1,1,1,,,,,,,,,,,,,  
29,4,,24315-000140,, "O-RING 1B P-14.0",2,2,2,,,,,,,,,,,,,  
30,4,,26450-050102,, "BOLT M 5X 10",2,2,2,,,,,,,,,,,,,  
31,4,,26450-050182,, "BOLT 5\* 18",2,2,2,,,,,,,,,,,,,  
32,3,,172458-74740,, "SHUT OFF VALVE",2,2,2,,,,,,,,,,,,,  
33,2,,172458-74720,, "PACKING G 4",2,2,2,,,,,,,,,,,,,  
34,2,,24311-000180,, "O-RING 1A P-18.0",1,1,1,,,,,,,,,,,,,

コントロールバルブ ASSY  
CONTROL VALVE ASSY

172456-74101

項目NO. 71の見出しNO. 1は、  
項目NO. 71の見出しNO. 2~33と  
項目NO. 72の見出しNO. 1~28と  
項目NO. 73の見出しNO. 1~25と  
項目NO. 74の見出しNO. 1~30と  
項目NO. 75の見出しNO. 1~34と  
項目NO. 76の見出しNO. 1~25を含みます。

Fig. 71 Ref. No. 1

INC. Fig. 71 Ref. No. 2~33.

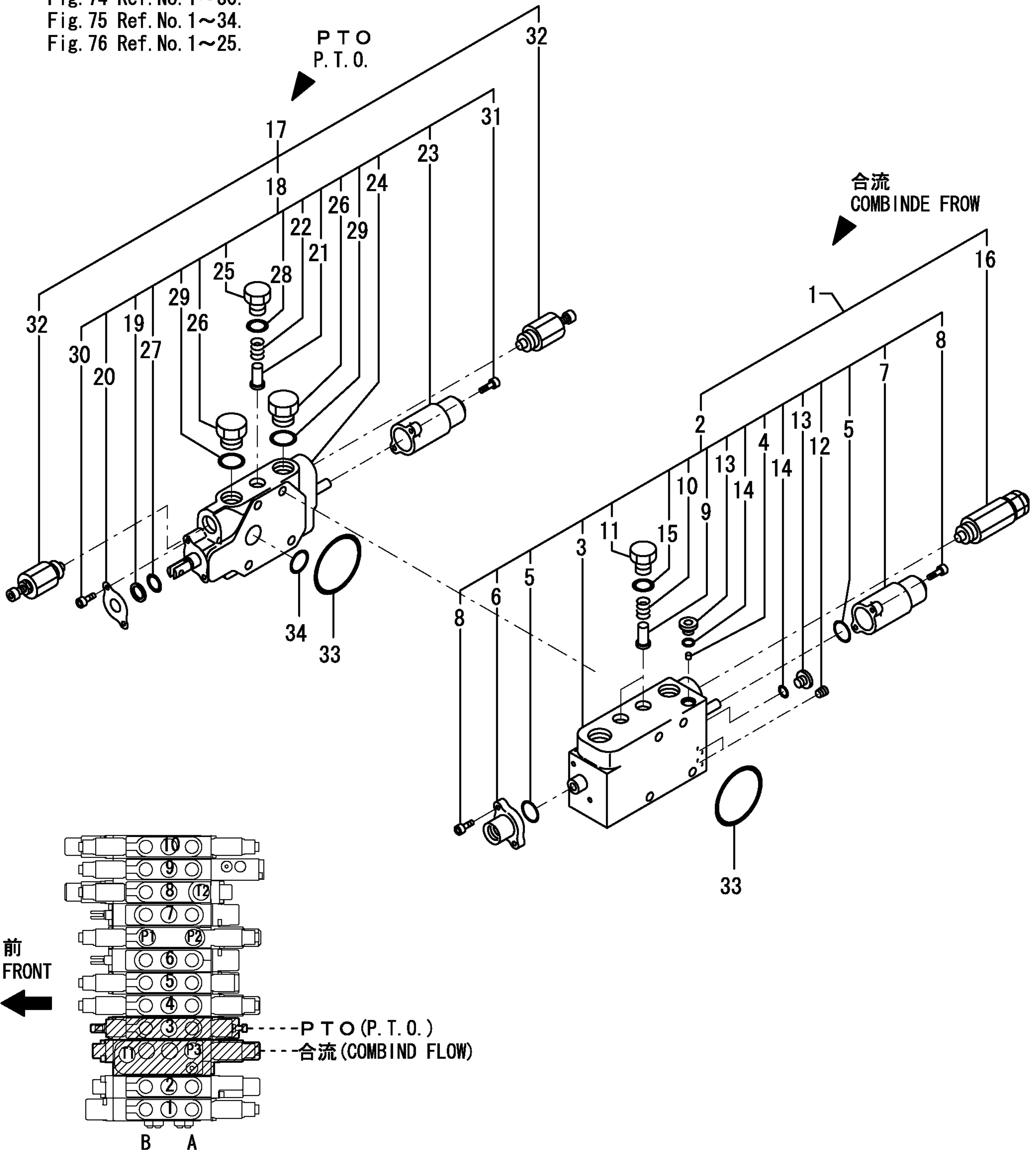
Fig. 72 Ref. No. 1~28.

Fig. 73 Ref. No. 1~25.

Fig. 74 Ref. No. 1~30.

Fig. 75 Ref. No. 1~34.

Fig. 76 Ref. No. 1~25.



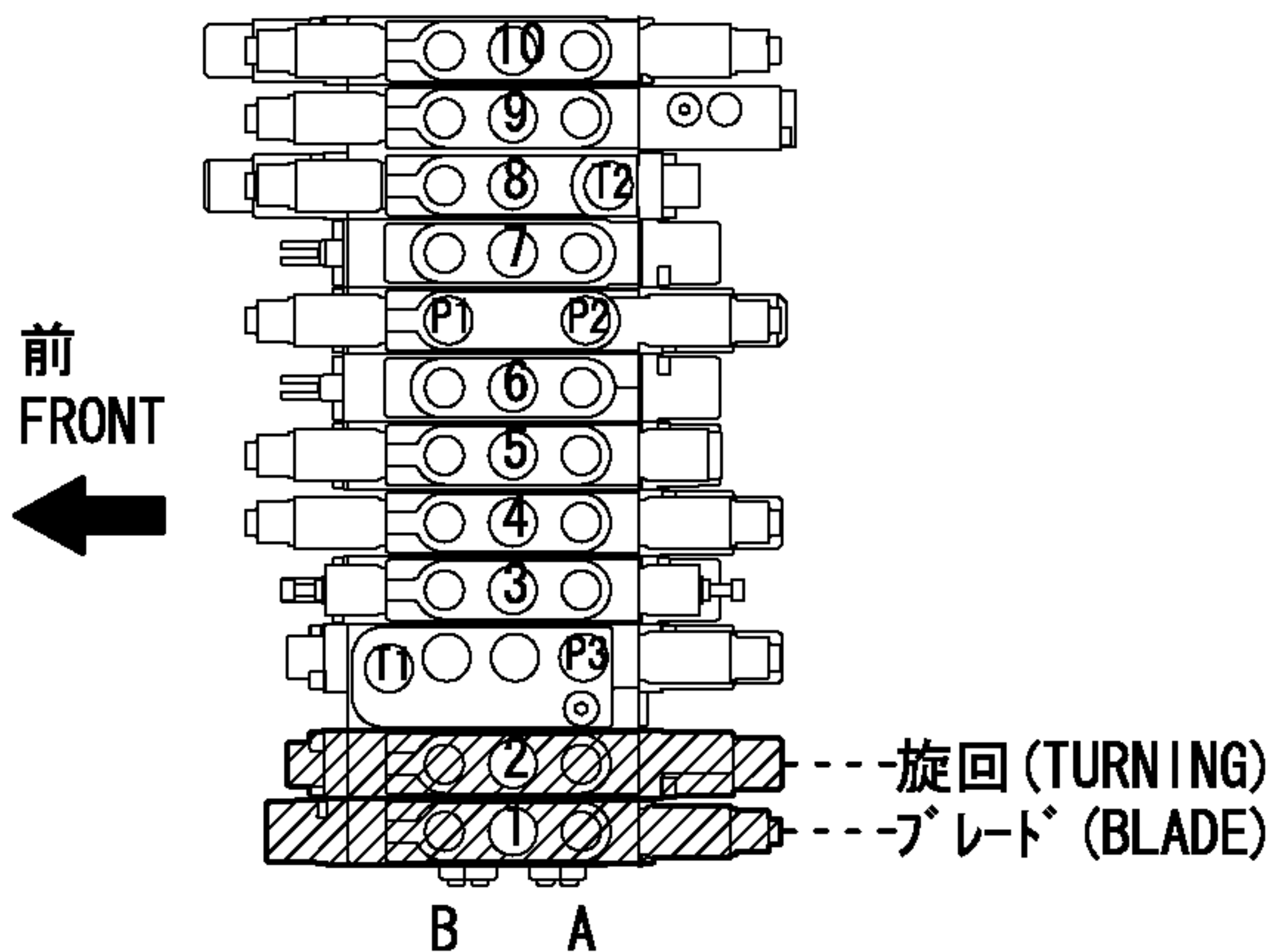
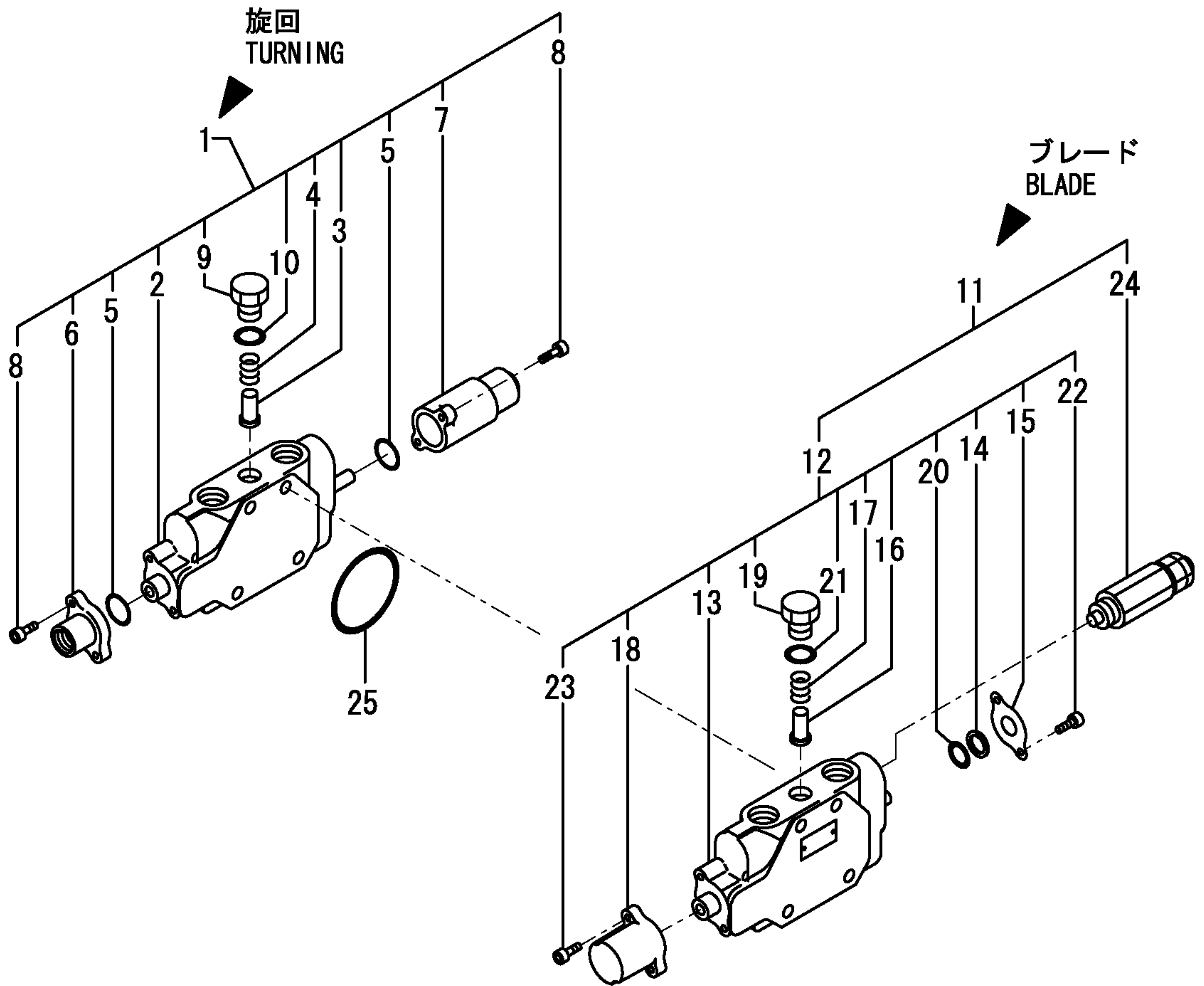
1,2,,172456-74110,, "TURNING SEC. ASSY",1,1,1,,,,,,,,,,,,,  
2,3,,172456-74120,, "SPOOL ASSY,TURNING",1,1,1,,,,,,,,,,,,,  
3,3,,172458-74150,, "CHECK VALVE",1,1,1,,,,,,,,,,,,,  
4,3,,172458-74160,, "SPRING, CHECK VALVE",1,1,1,,,,,,,,,,,,,  
5,3,,172458-74230,, "PACKING S 22",2,2,2,,,,,,,,,,,,,  
6,3,,172458-74240,, "COVER B1, PILOT",1,1,1,,,,,,,,,,,,,  
7,3,,172458-74250,, "COVER A1, PILOT",1,1,1,,,,,,,,,,,,,  
8,3,,172458-74260,, "SWP HEX.BOLT 5X20",4,4,4,,,,,,,,,,,,,  
9,3,,172458-74630,, "STAY, CHECK VALVE",1,1,1,,,,,,,,,,,,,  
10,3,,24315-000110,, "O-RING 1B P-11.0",1,1,1,,,,,,,,,,,,,  
11,2,,172458-74750,, "BLADE CHANGE-OVER",1,1,1,,,,,,,,,,,,,  
12,3,,172458-74110,, "BLADE SEC. ASSY",1,1,1,,,,,,,,,,,,,  
13,4,,172458-74120,, "SPOOL ASSY,BLADE",1,1,1,,,,,,,,,,,,,  
14,4,,172458-74130,, "DUST WIPER",1,1,1,,,,,,,,,,,,,  
15,4,,172458-74140,, "BRACKET, OIL SEAL",1,1,1,,,,,,,,,,,,,  
16,4,,172458-74150,, "CHECK VALVE",1,1,1,,,,,,,,,,,,,  
17,4,,172458-74160,, "SPRING, CHECK VALVE",1,1,1,,,,,,,,,,,,,  
18,4,,172458-74170,, "CAP,SPRING",1,1,1,,,,,,,,,,,,,  
19,4,,172458-74630,, "STAY, CHECK VALVE",1,1,1,,,,,,,,,,,,,  
20,4,,24311-000120,, "O-RING 1A P 12.0",1,1,1,,,,,,,,,,,,,  
21,4,,24315-000110,, "O-RING 1B P-11.0",1,1,1,,,,,,,,,,,,,  
22,4,,26450-050102,, "BOLT M 5X 10",2,2,2,,,,,,,,,,,,,  
23,4,,26450-050182,, "BOLT 5\* 18",2,2,2,,,,,,,,,,,,,  
24,3,,172458-74700,, "OVERLOAD 100",1,1,1,,,,,,,,,,,,,  
25,2,,172458-74720,, "PACKING G 4",1,1,1,,,,,,,,,,,,,

コントロールバルブASSY  
CONTROL VALVE ASSY  
172456-74101

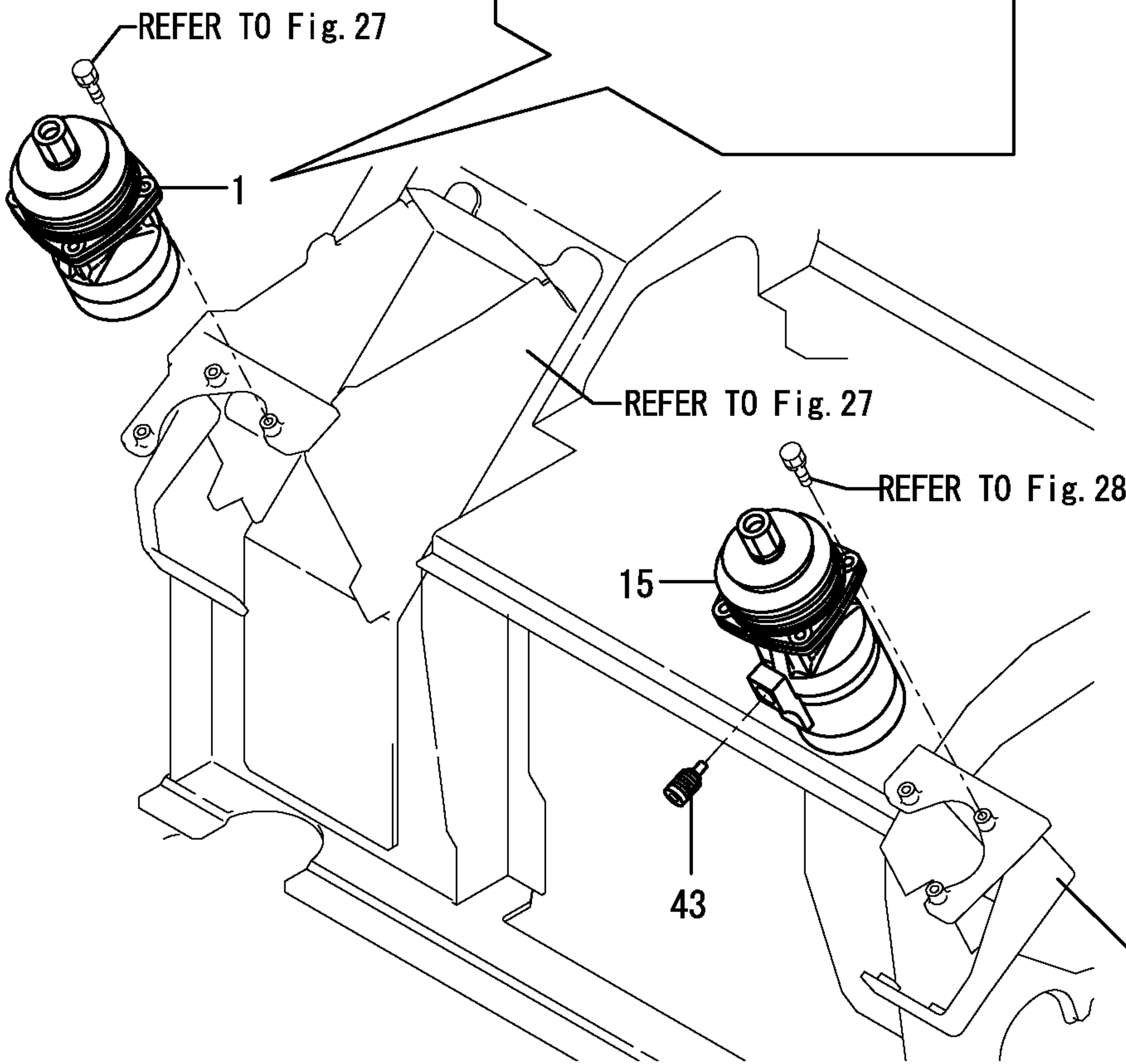
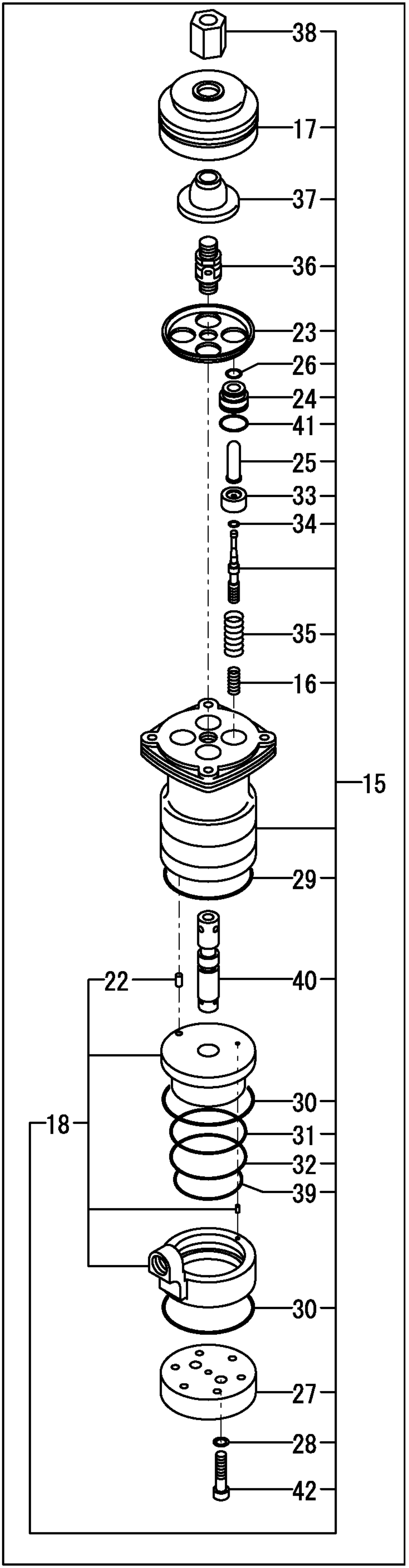
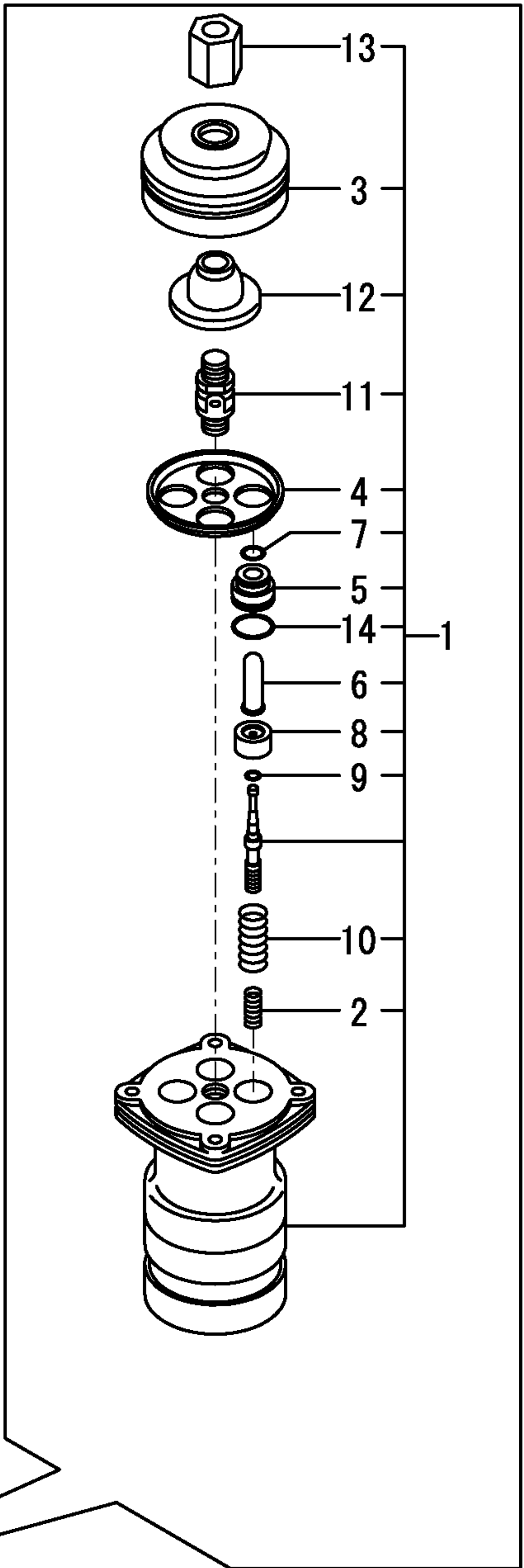
項目NO. 71の見出しNO. 1は、  
項目NO. 71の見出しNO. 2~33と  
項目NO. 72の見出しNO. 1~28と  
項目NO. 73の見出しNO. 1~25と  
項目NO. 74の見出しNO. 1~30と  
項目NO. 75の見出しNO. 1~34と  
項目NO. 76の見出しNO. 1~25を含みます。

Fig. 71 Ref. No. 1

- INC. Fig. 71 Ref. No. 2~33.
- Fig. 72 Ref. No. 1~28.
- Fig. 73 Ref. No. 1~25.
- Fig. 74 Ref. No. 1~30.
- Fig. 75 Ref. No. 1~34.
- Fig. 76 Ref. No. 1~25.



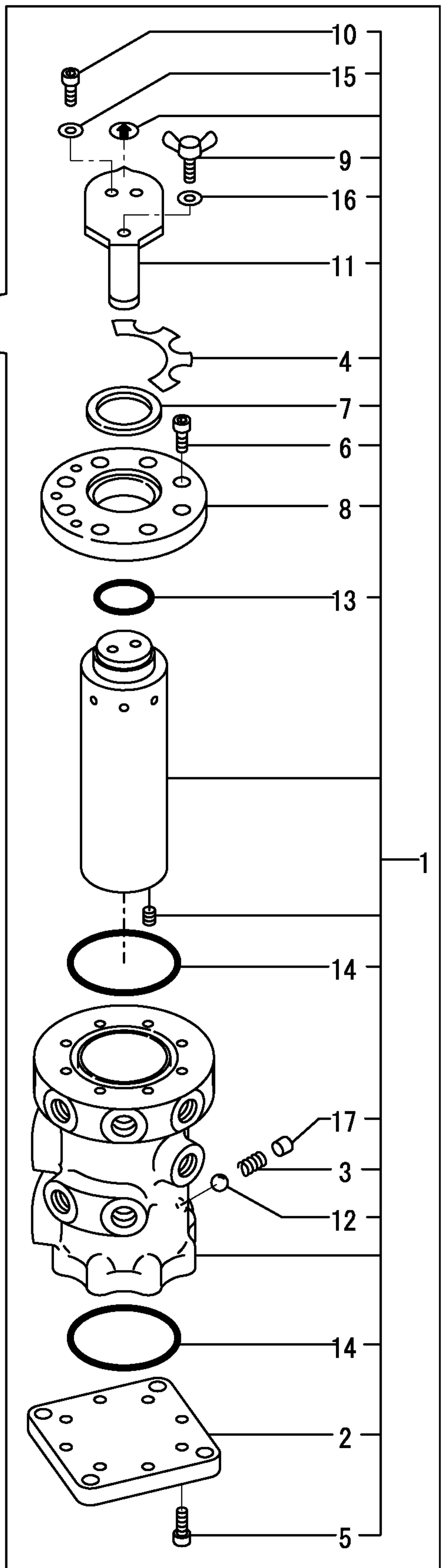
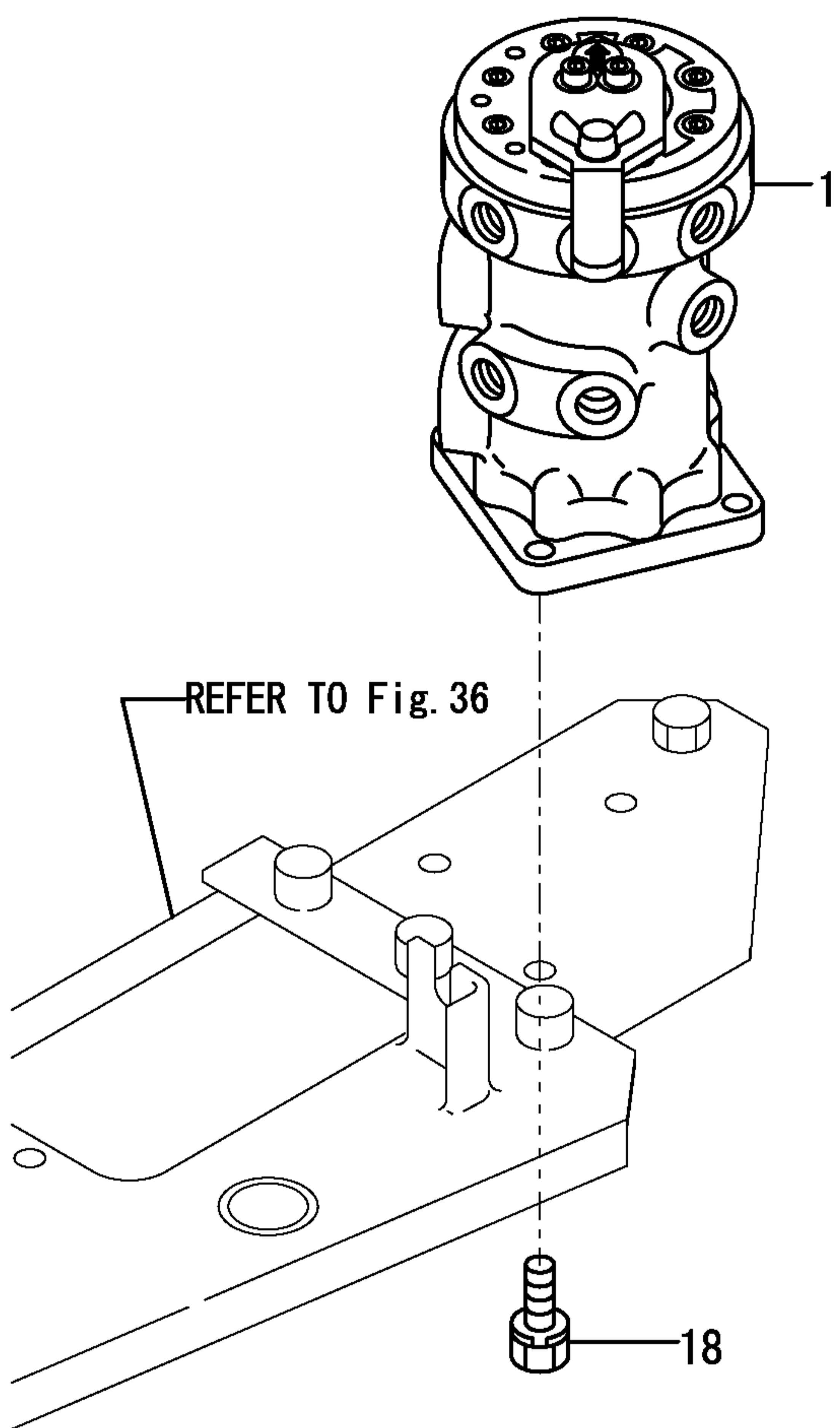
1,1,,172455-74701,, "VALVE ASSY, REMO.CON",1,1,2,,,,,,,,,,,,,  
2,2,,172455-74240,, SPRING,4,4,8,,,,,,,,,,,,,  
3,2,,172455-74710,, BELLOWS,1,1,2,,,,,,,,,,,,,  
4,2,,172448-74760,, PLATE,1,1,2,,,,,,,,,,,,,  
5,2,,172448-74770,, PLUG,4,4,8,,,,,,,,,,,,,  
6,2,,172448-74780,, "ROD Q,PUSH",4,4,8,,,,,,,,,,,,,  
7,2,,172448-74790,, SEAL,4,4,8,,,,,,,,,,,,,  
8,2,,172448-74910,, "SEAT, SPRING",4,4,8,,,,,,,,,,,,,  
9,2,,172448-74920,, WASHER,4,4,8,,,,,,,,,,,,,  
10,2,,172448-74930,, SPRING,4,4,8,,,,,,,,,,,,,  
11,2,,172448-74950,, "JOINT ASSY",1,1,2,,,,,,,,,,,,,  
12,2,,172448-74960,, "PLATE, CIRCLE",1,1,2,,,,,,,,,,,,,  
13,2,,172448-74970,, "NUT, ADJUST",1,1,2,,,,,,,,,,,,,  
14,2,,24315-000200,, "O-RING 1B P-20.0",4,4,8,,,,,,,,,,,,,  
15,1,,172458-74500,, "REMO-CON.VALVE M2",1,1,,,,,1,,,,,,,,,,,,,  
16,2,,172455-74240,, SPRING,4,4,,,,,,,,,,,,,  
17,2,,172455-74710,, BELLOWS,1,1,,,,,,,,,,,,,  
18,2,,172448-74720,, "SPOOL SLEEVE SUB",1,1,,,,,,,,,,,,,  
22,3,,22351-050010,, "SPRING PIN 5X10",1,1,,,,,,,,,,,,,  
23,2,,172448-74760,, PLATE,1,1,,,,,,,,,,,,,  
24,2,,172448-74770,, PLUG,4,4,,,,,,,,,,,,,  
25,2,,172448-74780,, "ROD Q,PUSH",4,4,,,,,,,,,,,,,  
26,2,,172448-74790,, SEAL,4,4,,,,,,,,,,,,,  
27,2,,172448-74810,, "PLATE, PORT",1,1,,,,,,,,,,,,,  
28,2,,172448-74820,, PACKING,2,2,,,,,,,,,,,,,  
29,2,,172448-74830,, ORING,1,1,,,,,,,,,,,,,  
30,2,,172448-74860,, ORING,2,2,,,,,,,,,,,,,  
31,2,,172448-74870,, ORING,1,1,,,,,,,,,,,,,  
32,2,,172448-74880,, ORING,1,1,,,,,,,,,,,,,  
33,2,,172448-74910,, "SEAT, SPRING",4,4,,,,,,,,,,,,,  
34,2,,172448-74920,, WASHER,4,4,,,,,,,,,,,,,  
35,2,,172448-74930,, SPRING,4,4,,,,,,,,,,,,,  
36,2,,172448-74950,, "JOINT ASSY",1,1,,,,,,,,,,,,,  
37,2,,172448-74960,, "PLATE, CIRCLE",1,1,,,,,,,,,,,,,  
38,2,,172448-74970,, "NUT, ADJUST",1,1,,,,,,,,,,,,,  
39,2,,172448-74980,, ORING,1,1,,,,,,,,,,,,,  
40,2,,172448-74990,, DISTANZBUCHSE,1,1,,,,,,,,,,,,,  
41,2,,24315-000200,, "O-RING 1B P-20.0",4,4,,,,,,,,,,,,,  
42,2,,26450-080652,, "BOLT M 8X 65",2,2,,,,,,,,,,,,,  
43,1,,172448-74730,, PLUG,1,1,,,,,,,,,,,,,



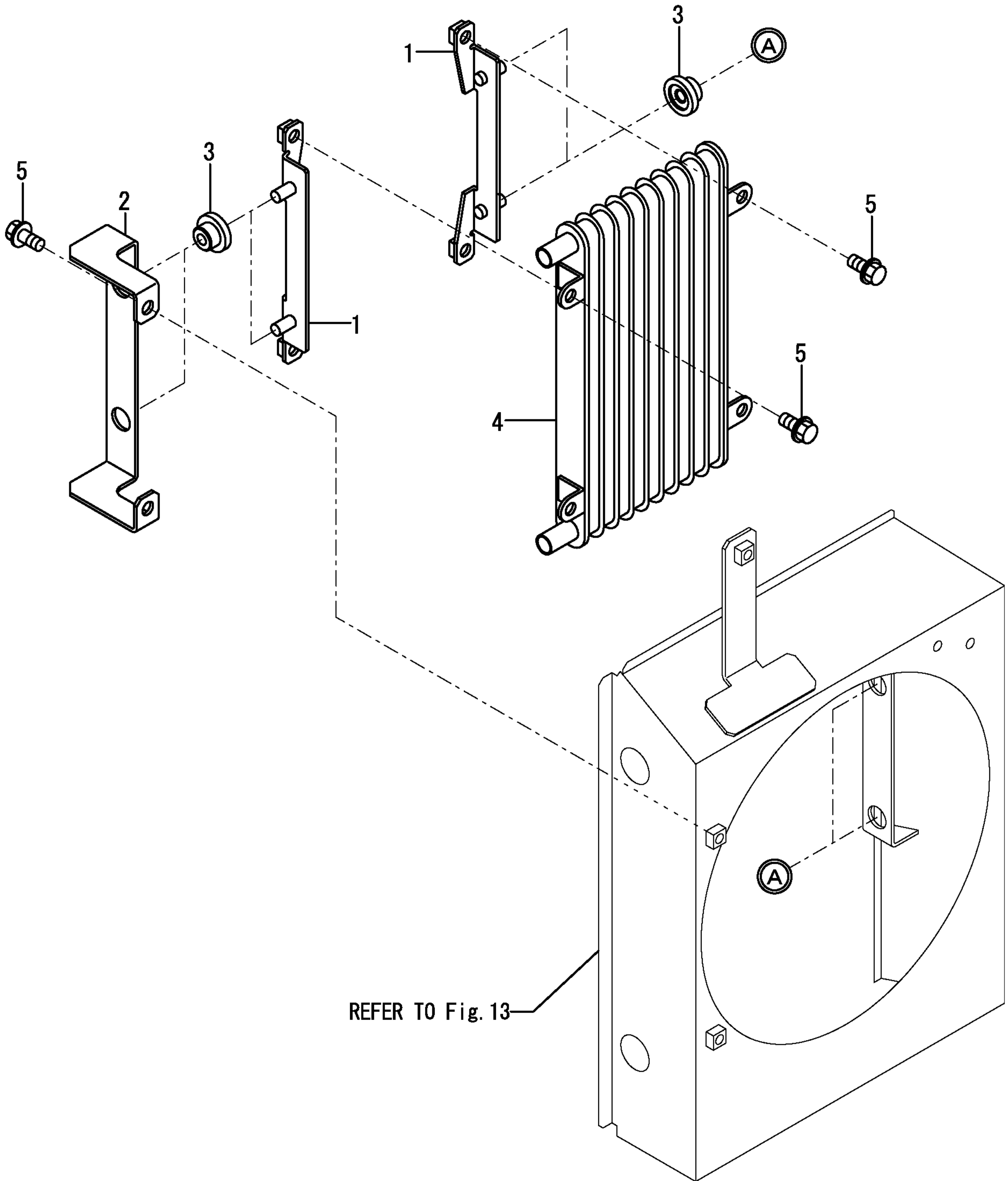
REFER TO Fig. 28



1,1,,172151-74601,,VALVE,1,1,,,,,,,,,,,,,,,,,,,,,  
2,2,,182900-16530,,,"COVER, UNDER",1,1,,,,,,,,,,,,,,,,,,,,,  
3,2,,182900-22300,,,"SPRING",1,1,,,,,,,,,,,,,,,,,,,,,  
4,2,,172151-74740,,,"PLATE, MARK",1,1,,,,,,,,,,,,,,,,,,,,,  
5,2,,182900-77190,,,"BOLT",8,8,,,,,,,,,,,,,,,,,,,,,  
6,2,,182900-77200,,,"BOLT",8,8,,,,,,,,,,,,,,,,,,,,,  
7,2,,182900-77210,,,"DUST SEAL",1,1,,,,,,,,,,,,,,,,,,,,,  
8,2,,182900-77220,,,"COVER",1,1,,,,,,,,,,,,,,,,,,,,,  
9,2,,182900-77230,,,"WING BOLT",1,1,,,,,,,,,,,,,,,,,,,,,  
10,2,,182900-77240,,,"BOLT",2,2,,,,,,,,,,,,,,,,,,,,,  
11,2,,182900-77250,,,"LEVER",1,1,,,,,,,,,,,,,,,,,,,,,  
12,2,,24190-100001,,,"BALL 5/16, STEEL",1,1,,,,,,,,,,,,,,,,,,,,,  
13,2,,24311-000280,,,"O-RING 1A P-28.0",1,1,,,,,,,,,,,,,,,,,,,,,  
14,2,,24321-000600,,,"O-RING 1A G-60.0",2,2,,,,,,,,,,,,,,,,,,,,,  
15,2,,953KM0-00220,,,"WASHER",2,2,,,,,,,,,,,,,,,,,,,,,  
16,2,,953KM0-00220,,,"WASHER",1,1,,,,,,,,,,,,,,,,,,,,,  
17,2,,953KM0-10894,,,"PLUG, PT1/8",1,1,,,,,,,,,,,,,,,,,,,,,  
18,1,,26013-100202,,,"BOLT W/WASHER M10X20",3,3,,,,,,,,,,,,,,,,,,,,,



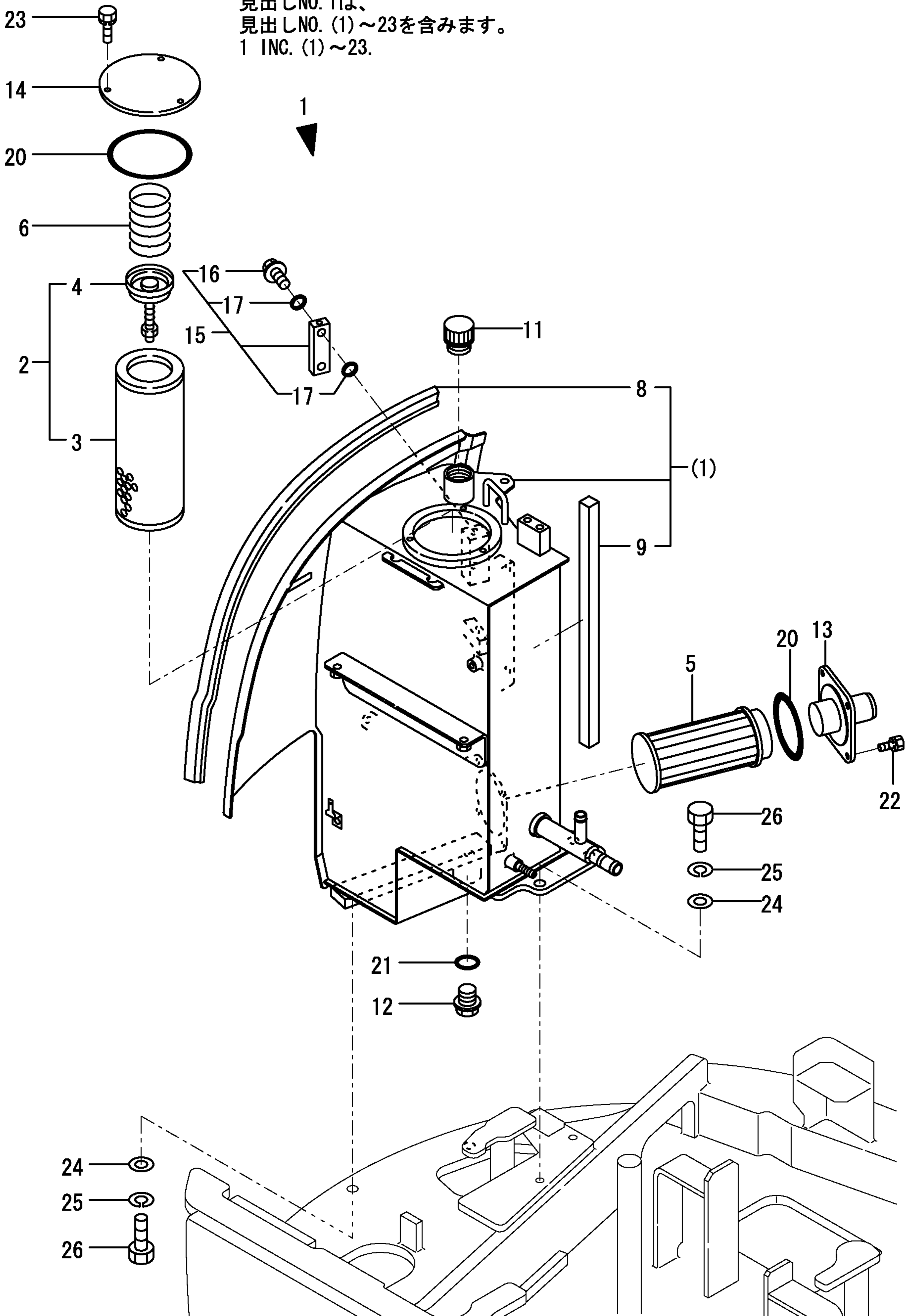
1,1,,172490-13160,, "BRACKET ASSY, O/C A",2,2,2,,,,,,,,,,,,,  
2,1,,172A23-13210,, "BRACKET,O/C",1,1,1,,,,,,,,,,,,,  
3,1,,172446-13330,, "ABSOBER,SHOCK",4,4,4,,,,,,,,,,,,,  
4,1,,198448-48810,, "COOLER ASSY, LUB OIL",1,1,1,,,,,,,,,,,,,  
5,1,,26106-100202,, "BOLT M10X 20 PLATED",6,6,6,,,,,,,,,,,,,



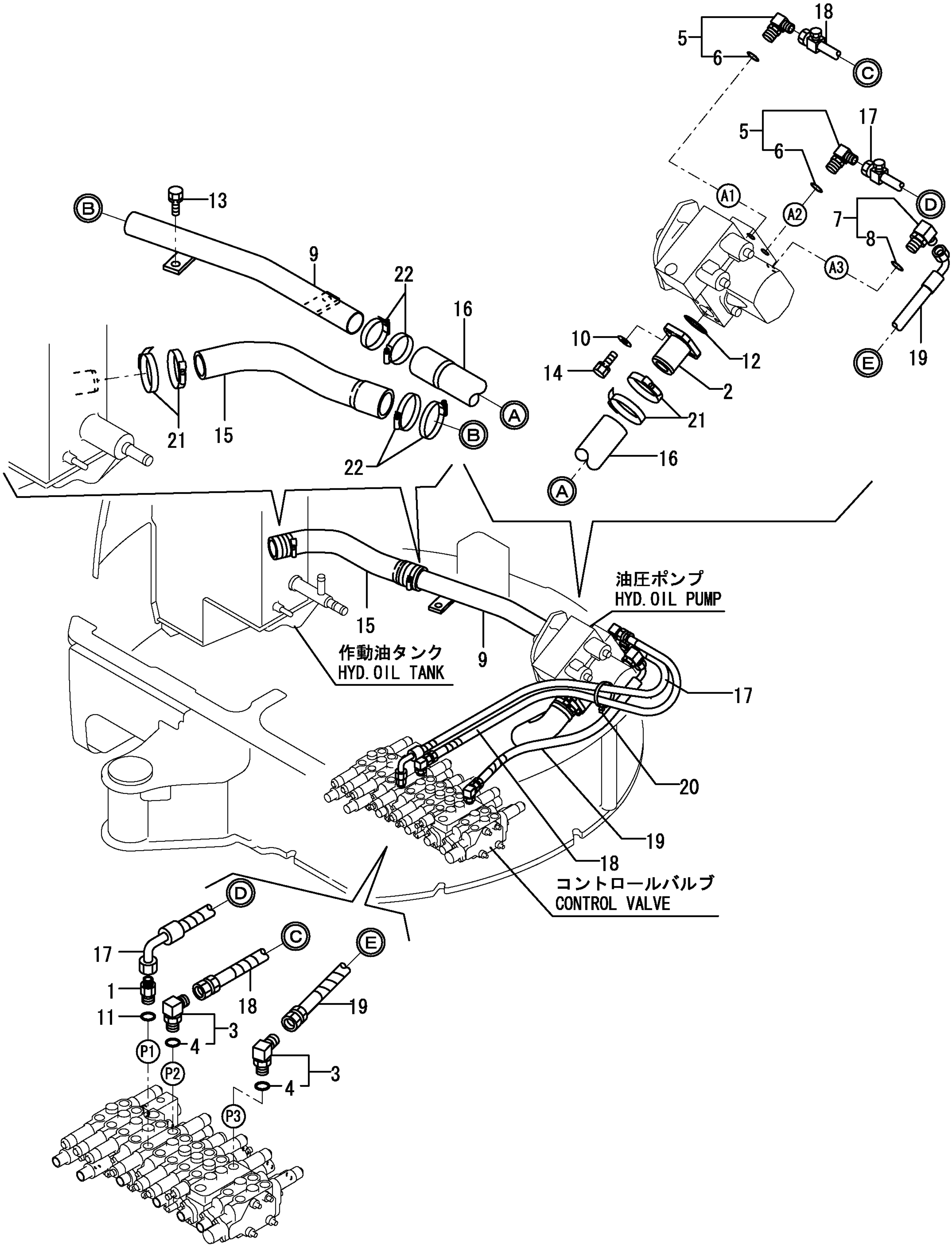
REFER TO Fig. 13

1,1,,772A23-75100,, "RESERVER (GREEN:97)",1,1,1,,,,,,,,,,,,,  
2,2,,172175-73700,, "FILTER ASSY, RETURN",1,1,1,,,,,,,,,,,,,  
3,3,,172175-73710,, ELEMENT,1,1,1,,,,,,,,,,,,,  
4,3,,172141-73770,, "VALVE ASSY, BYPASS",1,1,1,,,,,,,,,,,,,  
5,2,,172146-73730,, "FILTER, SUCTION",1,1,1,,,,,,,,,,,,,  
6,2,,933152-02710,, "SPRING, SIDE CLUTCH",1,1,1,,,,,,,,,,,,,  
8,3,,172168-65750,, RUBBER,1,1,1,,,,,,,,,,,,,  
9,3,,172458-75070,, "SEAL,525",1,1,1,,,,,,,,,,,,,  
11,2,,172446-75250,, CAP,1,1,1,,,,,,,,,,,,,  
12,2,,172455-75330,, "DRAIN PLIG 24",1,1,1,,,,,,,,,,,,,  
13,2,,172183-75410,, "FLANGE,SUCTION (ZN)",1,1,1,,,,,,,,,,,,,  
14,2,,172460-75410-4,, "CAP,TANK (GREEN:96)",1,1,1,,,,,,,,,,,,,  
15,2,,172447-75600,, GAUGE,1,1,1,,,,,,,,,,,,,  
16,3,,172455-75290,, "BOLT M10",2,2,2,,,,,,,,,,,,,  
17,3,,172455-75300,, O-RING,4,4,4,,,,,,,,,,,,,  
20,2,,24321-001050,, "O-RING 1A G-105.0",2,2,2,,,,,,,,,,,,,  
21,2,,24341-000300,, "O-RING 1A S-30.0",1,1,1,,,,,,,,,,,,,  
22,2,,26013-080162,, "BOLT W/WASHER M8X16",4,4,4,,,,,,,,,,,,,  
23,2,,26013-080202,, "BOLT W/WASHER M8X20",3,3,3,,,,,,,,,,,,,  
24,1,,22137-140000,, "WASHER 14,POLISHED",4,4,4,,,,,,,,,,,,,  
25,1,,22217-140000,, "SPRING WASHER 14",4,4,4,,,,,,,,,,,,,  
26,1,,26116-140352,, "BOLT M14X 35 PLATED",4,4,4,,,,,,,,,,,,,

見出しNO. 1は、  
見出しNO. (1)~23を含みます。  
1 INC. (1)~23.

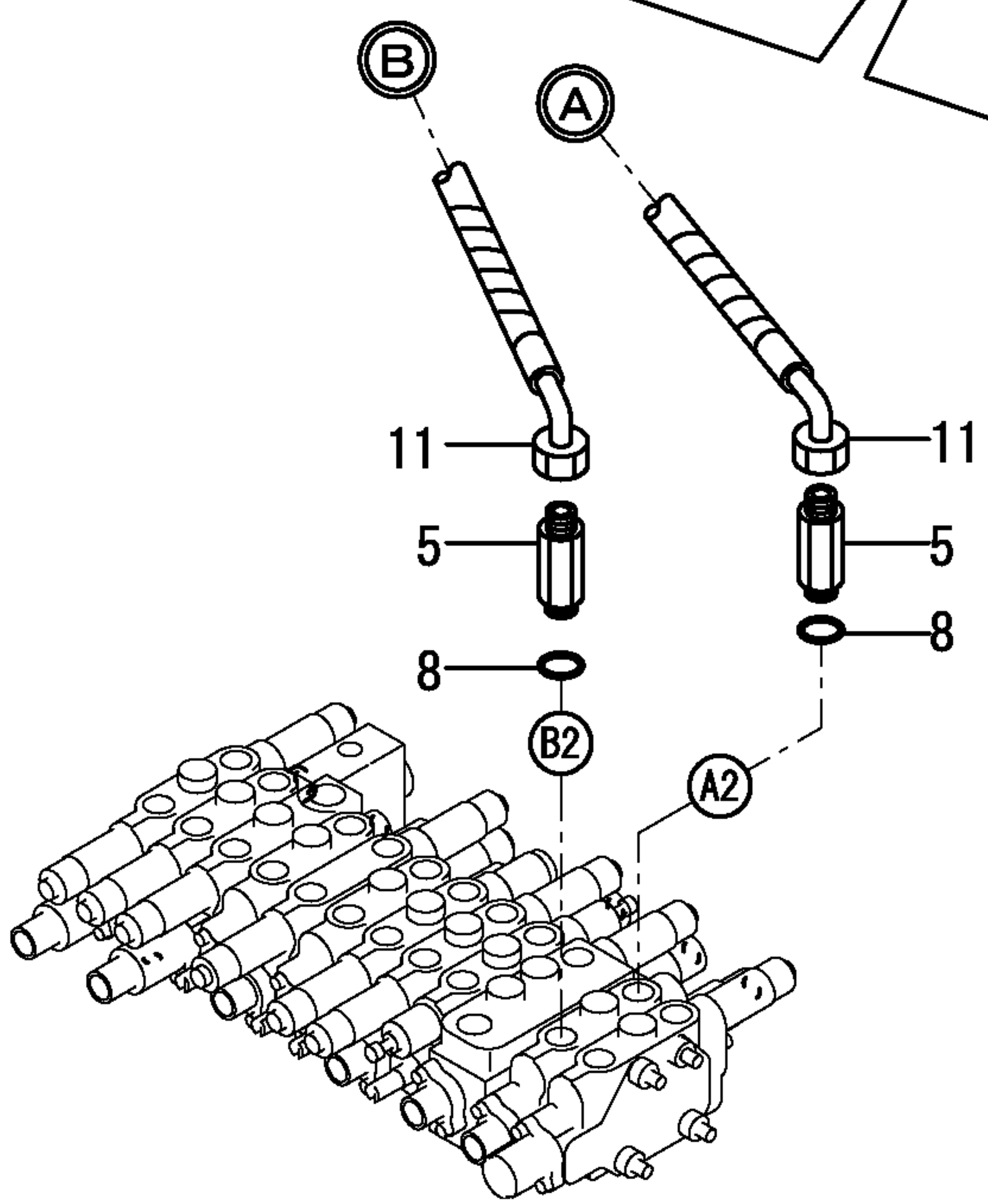
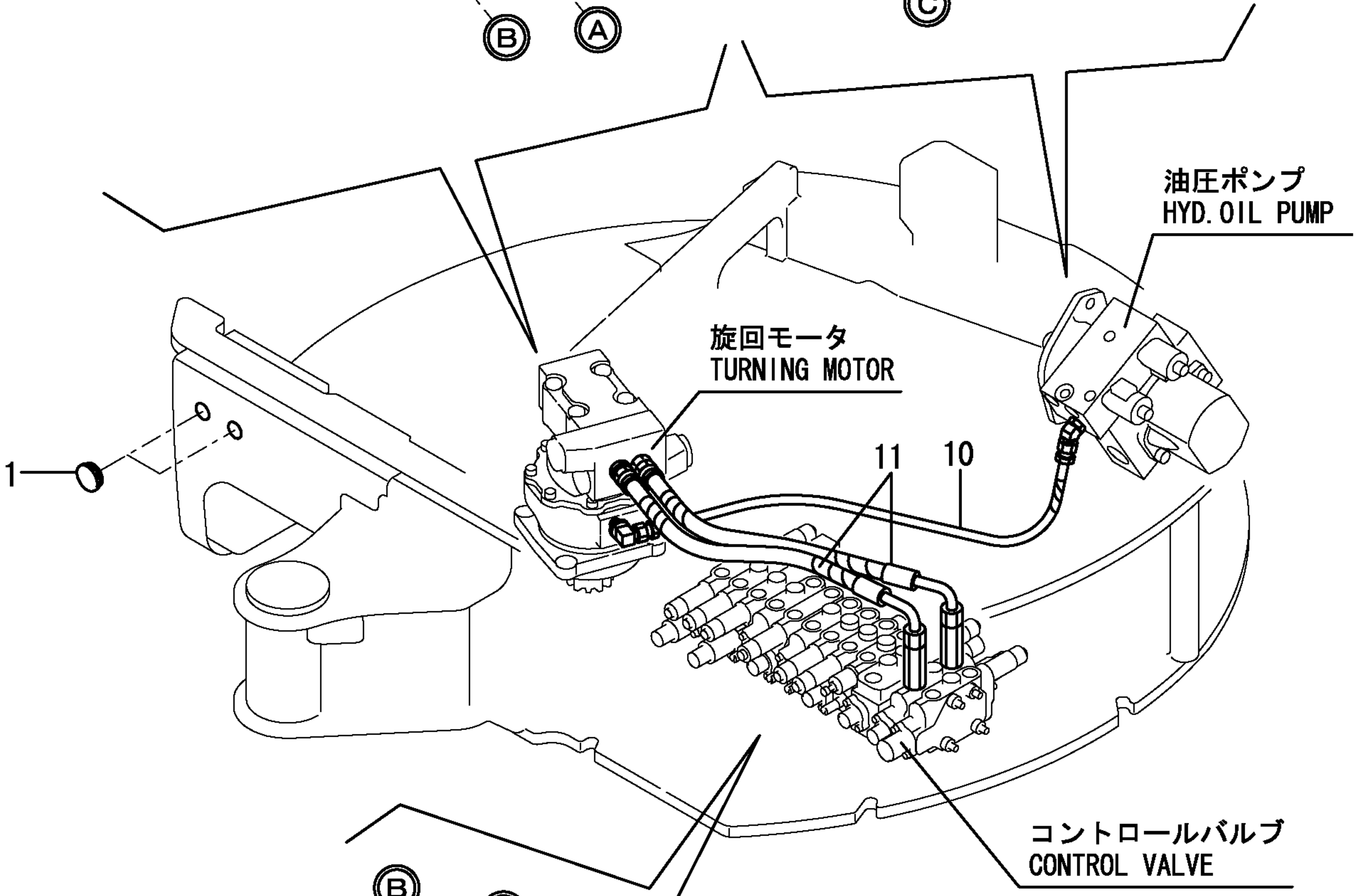
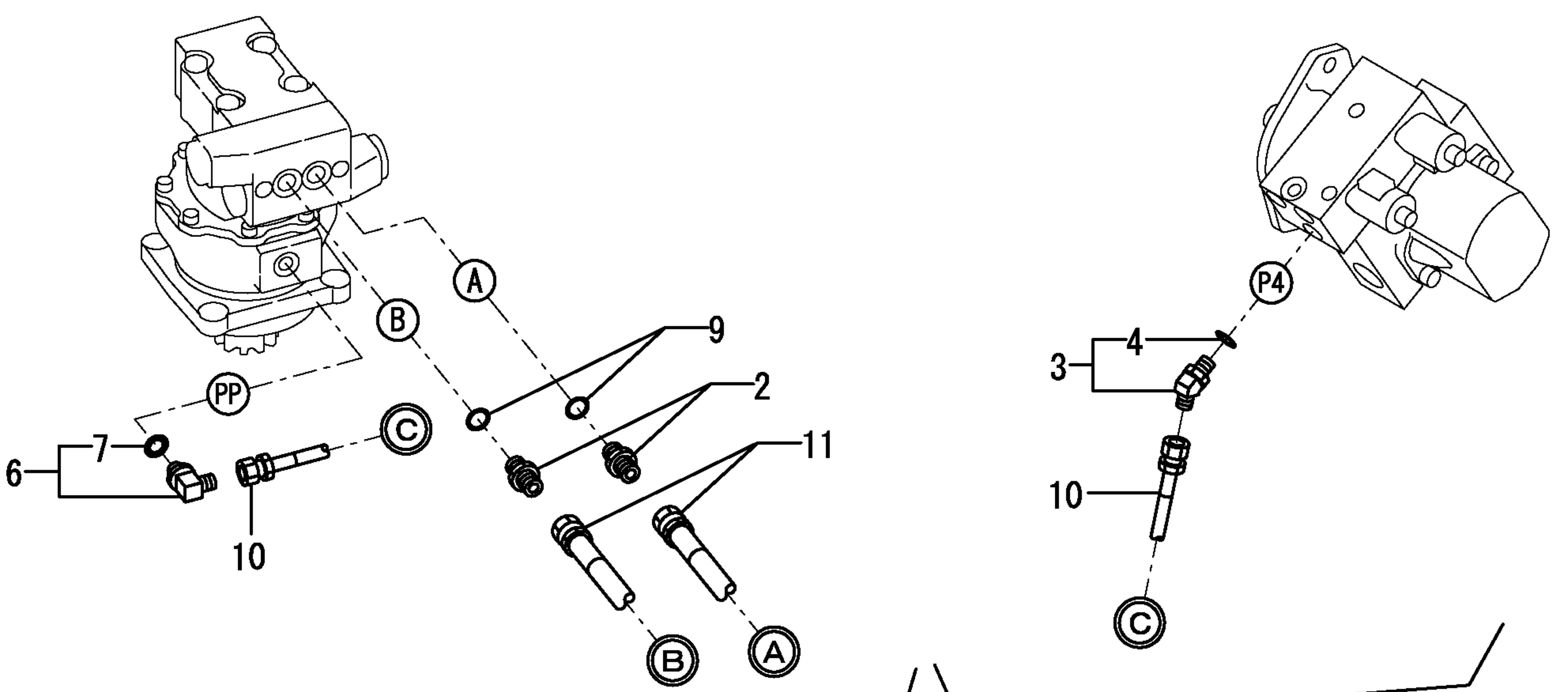


1,1,,172730-75141,,JOINT,1,1,1,,,,,,,,,,,,,  
2,1,,172422-76100,,FLANGE,1,1,1,,,,,,,,,,,,,  
3,1,,172142-76181,, "JOINT 90-3/8 ASSY",2,2,2,,,,,,,,,,,,,  
4,2,,24315-000140,, "O-RING 1B P-14.0",2,2,2,,,,,,,,,,,,,  
5,1,,172142-76181,, "JOINT 90-3/8 ASSY",2,2,2,,,,,,,,,,,,,  
6,2,,24315-000140,, "O-RING 1B P-14.0",2,2,2,,,,,,,,,,,,,  
7,1,,172A23-76300,, "ELBOW ASSY, 3/8-1/2",1,1,1,,,,,,,,,,,,,  
8,2,,24315-000180,, "O-RING 1B P-18.0",1,1,1,,,,,,,,,,,,,  
9,1,,172487-76410,, "TUBE, SUCTION",1,1,1,,,,,,,,,,,,,  
10,1,,22117-100000,, "WASHER 10",4,4,4,,,,,,,,,,,,,  
11,1,,24315-000140,, "O-RING 1B P-14.0",1,1,1,,,,,,,,,,,,,  
12,1,,24321-000400,, "O-RING 1A G-40.0",1,1,1,,,,,,,,,,,,,  
13,1,,26013-100202,, "BOLT W/WASHER M10X20",2,2,2,,,,,,,,,,,,,  
14,1,,26013-100252,, "BOLT W/WASHER M10X25",4,4,4,,,,,,,,,,,,,  
15,1,,172A23-78080,, "HOSE 38.1X42.2",1,1,1,,,,,,,,,,,,,  
16,1,,172458-78091,, "HOSE 39.5 X 52.5",1,1,1,,,,,,,,,,,,,  
17,1,,172A23-78110,, "HOSE H206CZ080S",1,1,1,,,,,,,,,,,,,  
18,1,,172456-78120,, "HOSE H206BZ071S",1,1,1,,,,,,,,,,,,,  
19,1,,172A23-78130,, "HOSE H206BZ061S",1,1,1,,,,,,,,,,,,,  
20,1,,172122-79930,, "CLAMP B",1,1,1,,,,,,,,,,,,,  
21,1,,23001-060000,, "CLIP,HOLELESS HOSE",4,4,4,,,,,,,,,,,,,  
22,1,,23001-070000,,CLIP,4,4,4,,,,,,,,,,,,,

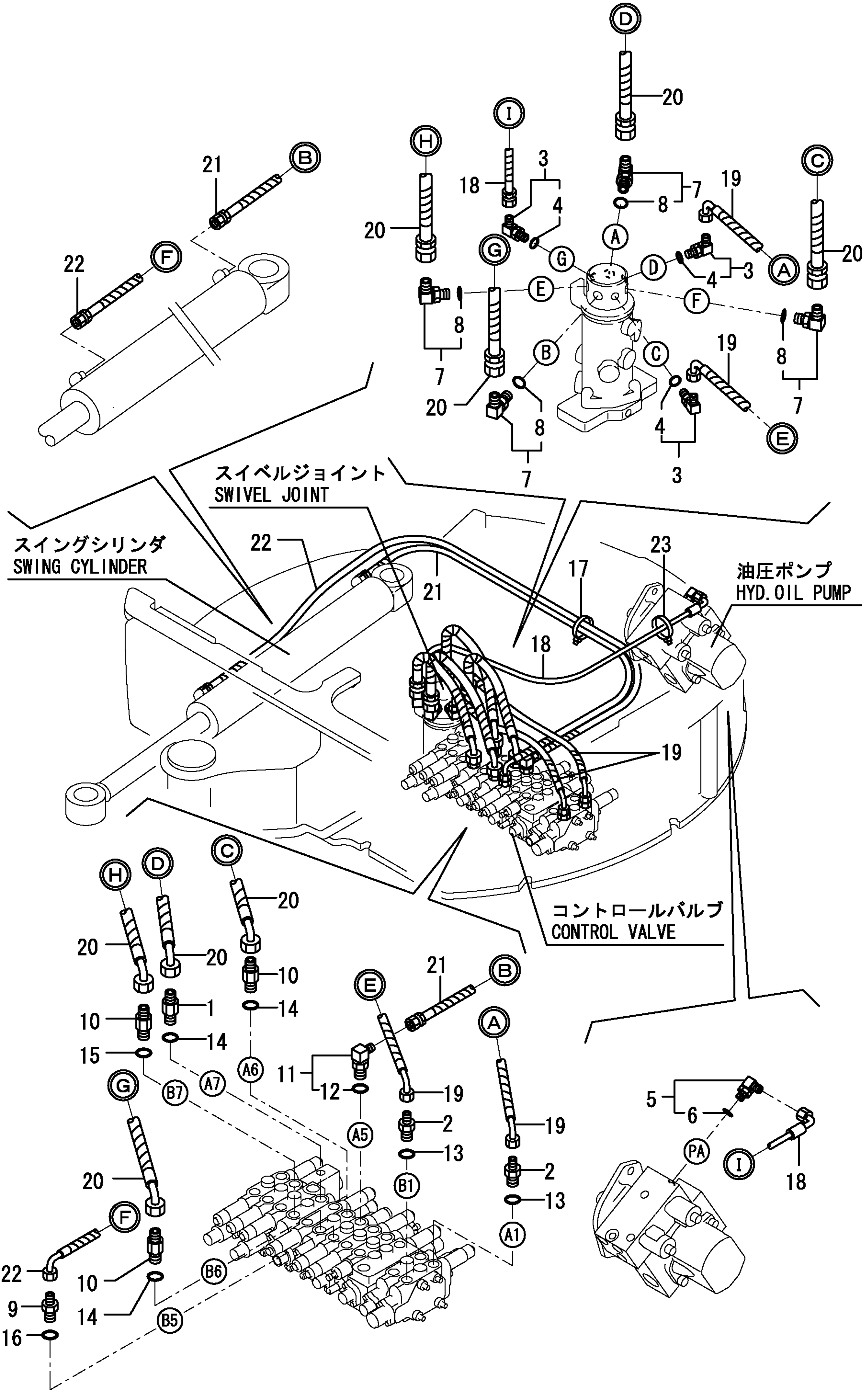




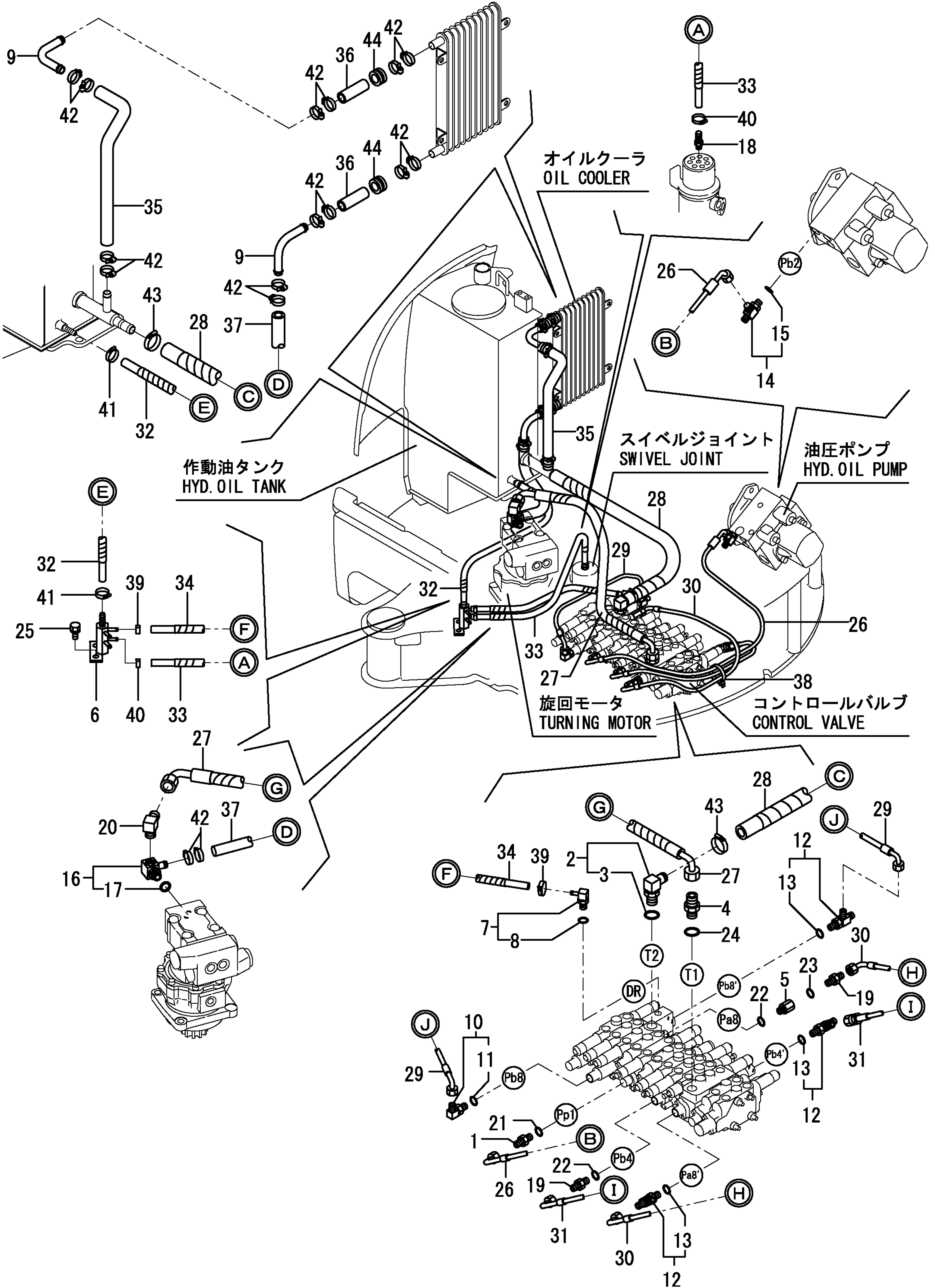
1,1,,172312-17260,, "GROMMET 22X2.3",2,2,2,,,,,,,,,,,,,  
2,1,,172730-75141,, JOINT,2,2,2,,,,,,,,,,,,,  
3,1,,172173-76101,, "CONNECTOR PF1/4-45",1,1,1,,,,,,,,,,,,,  
4,2,,24315-000110,, "O-RING 1B P-11.0",1,1,1,,,,,,,,,,,,,  
5,1,,172162-76131,, ADAPTER,2,2,2,,,,,,,,,,,,,  
6,1,,172141-76180,, CONNECTOR,1,1,1,,,,,,,,,,,,,  
7,2,,24315-000110,, "O-RING 1B P-11.0",1,1,1,,,,,,,,,,,,,  
8,1,,24315-000140,, "O-RING 1B P-14.0",2,2,2,,,,,,,,,,,,,  
9,1,,24315-000140,, "O-RING 1B P-14.0",2,2,2,,,,,,,,,,,,,  
10,1,,172456-78140,, "HOSE F403BB070S",1,1,1,,,,,,,,,,,,,  
11,1,,172422-78210,, "HOSE P206BC050S",2,2,2,,,,,,,,,,,,,



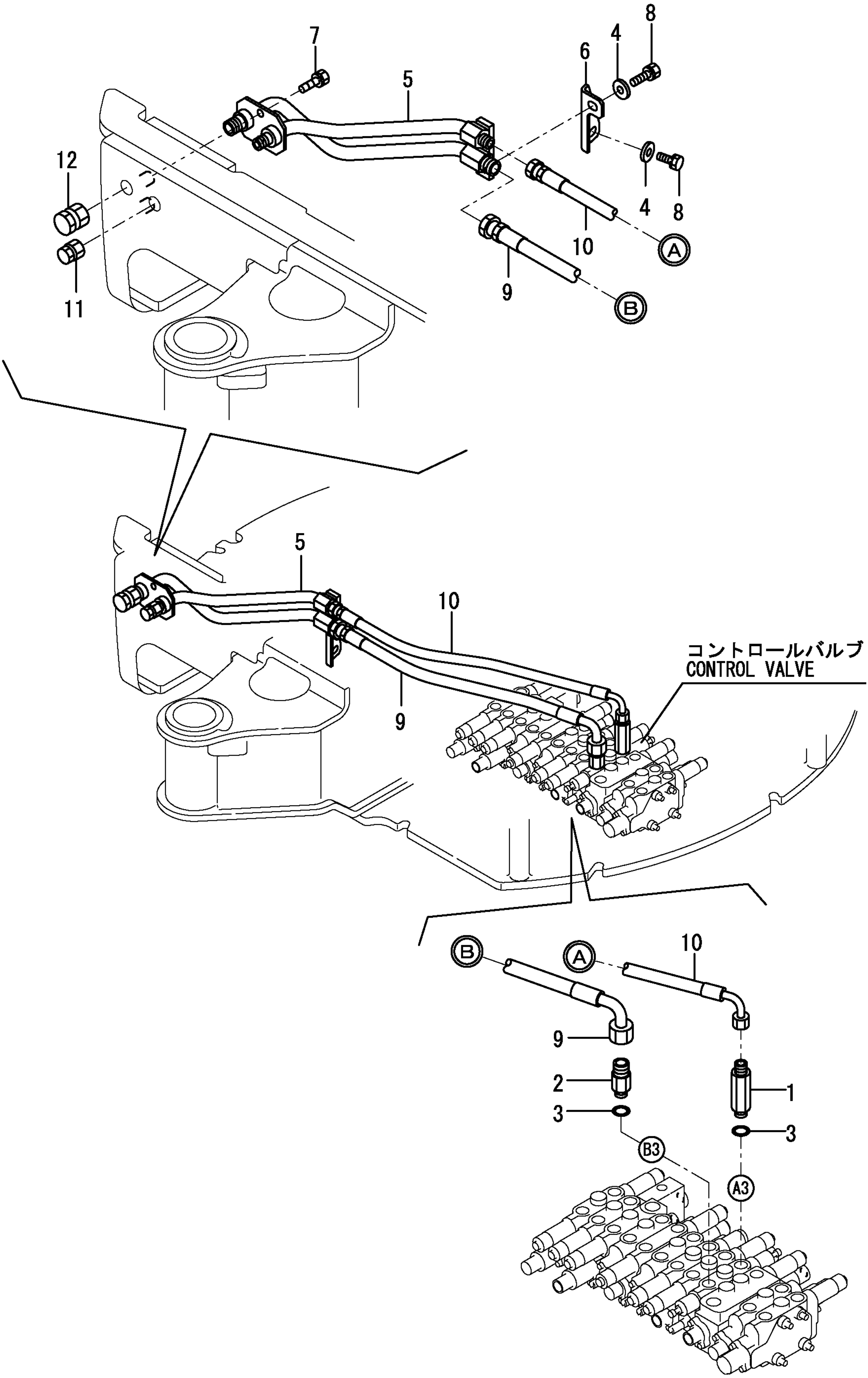
1,1,,172162-76131,,ADAPTER,1,1,1,,,,,,,,,,,,,  
2,1,,172422-76130,,CONNECTOR,2,2,2,,,,,,,,,,,,,  
3,1,,172141-76180,,CONNECTOR,3,3,3,,,,,,,,,,,,,  
4,2,,24315-000110,, "O-RING 1B P-11.0",3,3,3,,,,,,,,,,,,,  
5,1,,172141-76180,,CONNECTOR,1,1,1,,,,,,,,,,,,,  
6,2,,24315-000110,, "O-RING 1B P-11.0",1,1,1,,,,,,,,,,,,,  
7,1,,172142-76181,, "JOINT 90-3/8 ASSY",4,4,4,,,,,,,,,,,,,  
8,2,,24315-000140,, "O-RING 1B P-14.0",4,4,4,,,,,,,,,,,,,  
9,1,,172147-76260,,CONNECTOR,1,1,1,,,,,,,,,,,,,  
10,1,,172116-76381,, "ADAPTER 64",3,3,3,,,,,,,,,,,,,  
11,1,,172141-76920,, "CONNECTOR 3/8-1/4L",1,1,1,,,,,,,,,,,,,  
12,2,,24315-000140,, "O-RING 1B P-14.0",1,1,1,,,,,,,,,,,,,  
13,1,,24315-000140,, "O-RING 1B P-14.0",2,2,2,,,,,,,,,,,,,  
14,1,,24315-000140,, "O-RING 1B P-14.0",3,3,3,,,,,,,,,,,,,  
15,1,,24315-000140,, "O-RING 1B P-14.0",1,1,1,,,,,,,,,,,,,  
16,1,,24315-000140,, "O-RING 1B P-14.0",1,1,1,,,,,,,,,,,,,  
17,1,,172126-11510,, "BAND 300",1,1,1,,,,,,,,,,,,,  
18,1,,172456-78150,, "HOSE F403BC090S",1,1,1,,,,,,,,,,,,,  
19,1,,172456-78170,, "HOSE P204BC067S",2,2,2,,,,,,,,,,,,,  
20,1,,172422-78200,, "HOSE P206BC048S",4,4,4,,,,,,,,,,,,,  
21,1,,172456-78200,, "HOSE F204BC155",1,1,1,,,,,,,,,,,,,  
22,1,,172456-78210,, "HOSE F204BC215S",1,1,1,,,,,,,,,,,,,  
23,1,,172122-79930,, "CLAMP B",1,1,1,,,,,,,,,,,,,



1,1,,172123-76121,, "JOINT PF1/4",1,1,1,,,,,,,,,,,,,,,,,,,,,  
2,1,,172164-76131,, ELBOW,1,1,1,,,,,,,,,,,,,,,,,,,,,  
3,2,,24315-000180,, "O-RING 1B P-18.0",1,1,1,,,,,,,,,,,,,,,,,,,,,  
4,1,,172458-76130,, "CONNECTOR PF1/2-1/2",1,1,1,,,,,,,,,,,,,,,,,,,,,  
5,1,,172422-76140,, CONNECTOR,1,1,1,,,,,,,,,,,,,,,,,,,,,  
6,1,,172444-76150,, JOINT,1,1,1,,,,,,,,,,,,,,,,,,,,,  
7,1,,172458-76150,, "NIPPLE PF1/4, ELBOW",1,1,1,,,,,,,,,,,,,,,,,,,,,  
8,2,,24315-000110,, "O-RING 1B P-11.0",1,1,1,,,,,,,,,,,,,,,,,,,,,  
9,1,,172490-76150,, PIPE,2,2,2,,,,,,,,,,,,,,,,,,,,,  
10,1,,172141-76180,, CONNECTOR,1,1,1,,,,,,,,,,,,,,,,,,,,,  
11,2,,24315-000110,, "O-RING 1B P-11.0",1,1,1,,,,,,,,,,,,,,,,,,,,,  
12,1,,172162-76180,, "JOINT 3-1/4 COMPL.",3,3,3,,,,,,,,,,,,,,,,,,,,,  
13,2,,24315-000110,, "O-RING 1B P-11.0",3,3,3,,,,,,,,,,,,,,,,,,,,,  
14,1,,172162-76180,, "JOINT 3-1/4 COMPL.",1,1,1,,,,,,,,,,,,,,,,,,,,,  
15,2,,24315-000110,, "O-RING 1B P-11.0",1,1,1,,,,,,,,,,,,,,,,,,,,,  
16,1,,172A23-76200,, "ELBOW, 90 1/2-3/8",1,1,1,,,,,,,,,,,,,,,,,,,,,  
17,2,,24315-000140,, "O-RING 1B P-14.0",1,1,1,,,,,,,,,,,,,,,,,,,,,  
18,1,,172141-76220,, NIPPLE,1,1,1,,,,,,,,,,,,,,,,,,,,,  
19,1,,172164-76330,, "JOINT PF1/4-0.7",2,2,2,,,,,,,,,,,,,,,,,,,,,  
20,1,,23393-040000,, "JOINT 90RGI 1/2",1,1,1,,,,,,,,,,,,,,,,,,,,,  
21,1,,24315-000110,, "O-RING 1B P-11.0",1,1,1,,,,,,,,,,,,,,,,,,,,,  
22,1,,24315-000110,, "O-RING 1B P-11.0",2,2,2,,,,,,,,,,,,,,,,,,,,,  
23,1,,24315-000110,, "O-RING 1B P-11.0",1,1,1,,,,,,,,,,,,,,,,,,,,,  
24,1,,24315-000180,, "O-RING 1B P-18.0",1,1,1,,,,,,,,,,,,,,,,,,,,,  
25,1,,26013-100202,, "BOLT W/WASHER M10X20",2,2,2,,,,,,,,,,,,,,,,,,,,,  
26,1,,172456-78160,, "HOSE F403CC806",1,1,1,,,,,,,,,,,,,,,,,,,,,  
27,1,,172456-78260,, "HOSE G608CC067S",1,1,1,,,,,,,,,,,,,,,,,,,,,  
28,1,,172456-78270,, "HOSE G612YY055S",1,1,1,,,,,,,,,,,,,,,,,,,,,  
29,1,,172458-78290,, "HOSE F403CC042",1,1,1,,,,,,,,,,,,,,,,,,,,,  
30,1,,172458-78300,, "HOSE F403CC074",1,1,1,,,,,,,,,,,,,,,,,,,,,  
31,1,,172458-78310,, "HOSE F403BC053",1,1,1,,,,,,,,,,,,,,,,,,,,,  
32,1,,172165-78412,, "HOSE G806YY077S",1,1,1,,,,,,,,,,,,,,,,,,,,,  
33,1,,172458-78530,, "HOSE G604YY054S",1,1,1,,,,,,,,,,,,,,,,,,,,,  
34,1,,172458-78540,, "HOSE G604YY047S",1,1,1,,,,,,,,,,,,,,,,,,,,,  
35,1,,172A23-78840,, "HOSE 15.9X5.0",1,1,1,,,,,,,,,,,,,,,,,,,,,  
36,1,,172A23-78850,, "HOSE G608YY007",2,2,2,,,,,,,,,,,,,,,,,,,,,  
37,1,,172A23-78860,, "HOSE G608YY040",1,1,1,,,,,,,,,,,,,,,,,,,,,  
38,1,,172122-79930,, "CLAMP B",1,1,1,,,,,,,,,,,,,,,,,,,,,  
39,1,,23000-013000,, "CLAMP 13",2,2,2,,,,,,,,,,,,,,,,,,,,,  
40,1,,23000-013000,, "CLAMP 13",2,2,2,,,,,,,,,,,,,,,,,,,,,  
41,1,,23001-016000,, "HOSE CLAMP 16",2,2,2,,,,,,,,,,,,,,,,,,,,,  
42,1,,23001-022000,, "HOSE CLAMP 22",16,16,16,,,,,,,,,,,,,,,,,,,,,  
43,1,,23001-035000,, "HOSE CLAMP 35",2,2,2,,,,,,,,,,,,,,,,,,,,,  
44,1,,29311-252000,, "GROMMET 25.0X2.0",2,2,2,,,,,,,,,,,,,,,,,,,,,

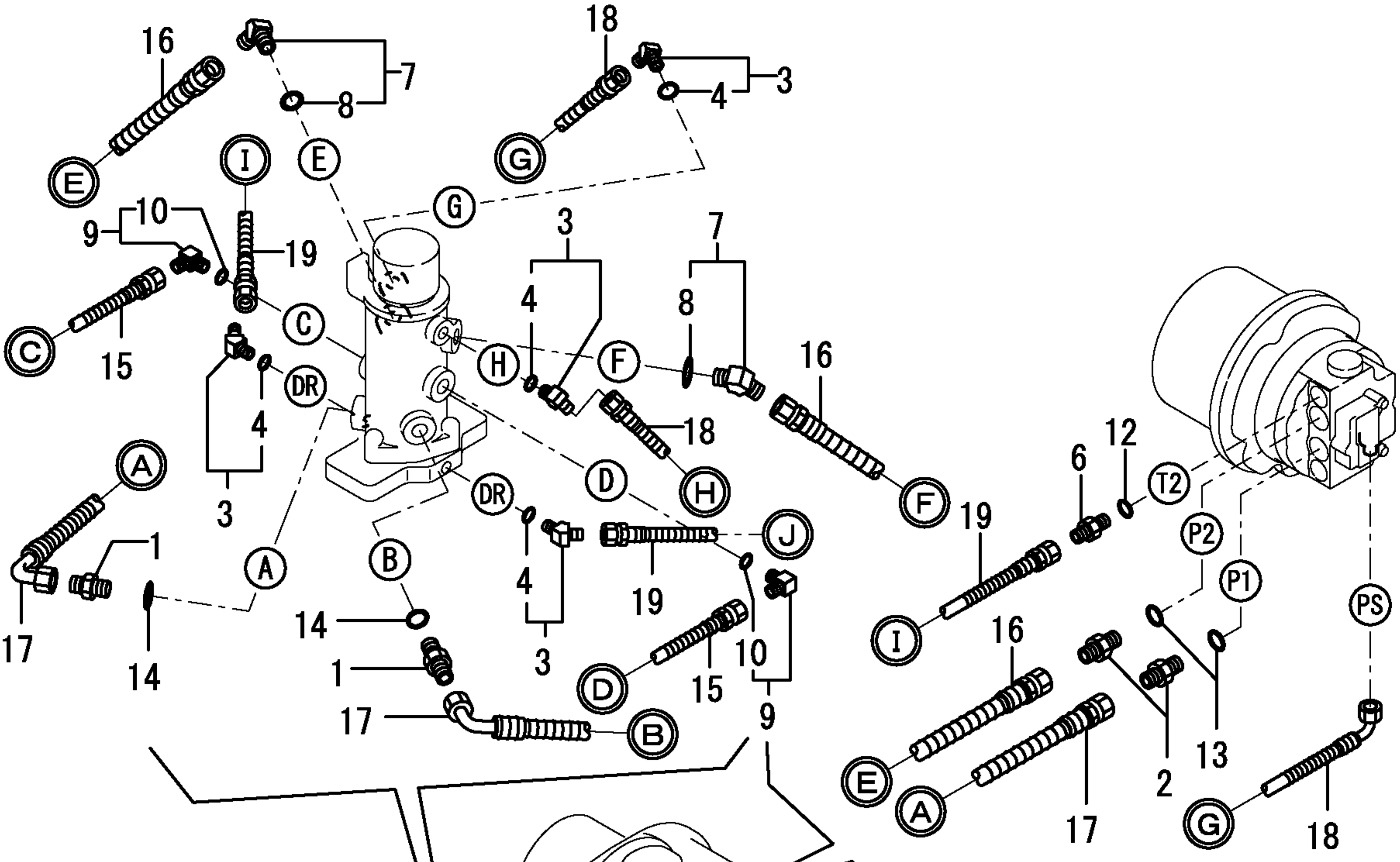


1,1,,172162-76131,,ADAPTER,1,1,1,,,,,,,,,,,,,  
2,1,,172422-76180,,CONNECTOR,1,1,1,,,,,,,,,,,,,  
3,1,,24315-000140,, "O-RING 1B P-14.0",2,2,2,,,,,,,,,,,,,  
4,1,,172110-36010,,COLLAR,2,2,2,,,,,,,,,,,,,  
5,1,,172456-76800,, "TUBE,F-END(GREEN:97)",1,1,1,,,,,,,,,,,,,  
6,1,,172456-76880,, "PLATE (GREEN:97)",1,1,1,,,,,,,,,,,,,  
7,1,,26013-100202,, "BOLT W/WASHER M10X20",2,2,2,,,,,,,,,,,,,  
8,1,,26013-100252,, "BOLT W/WASHER M10X25",2,2,2,,,,,,,,,,,,,  
9,1,,172456-78960,, "HOSE H208BC056",1,1,1,,,,,,,,,,,,,  
10,1,,172456-78970,, "HOSE H206BC058",1,1,1,,,,,,,,,,,,,  
11,1,,1A6380-48870,, "CAP, G3/8",,,1,,,,,,,,,,,,,  
12,1,,172137-75570,, "ADAPTER PF1/2",,,1,,,,,,,,,,,,,





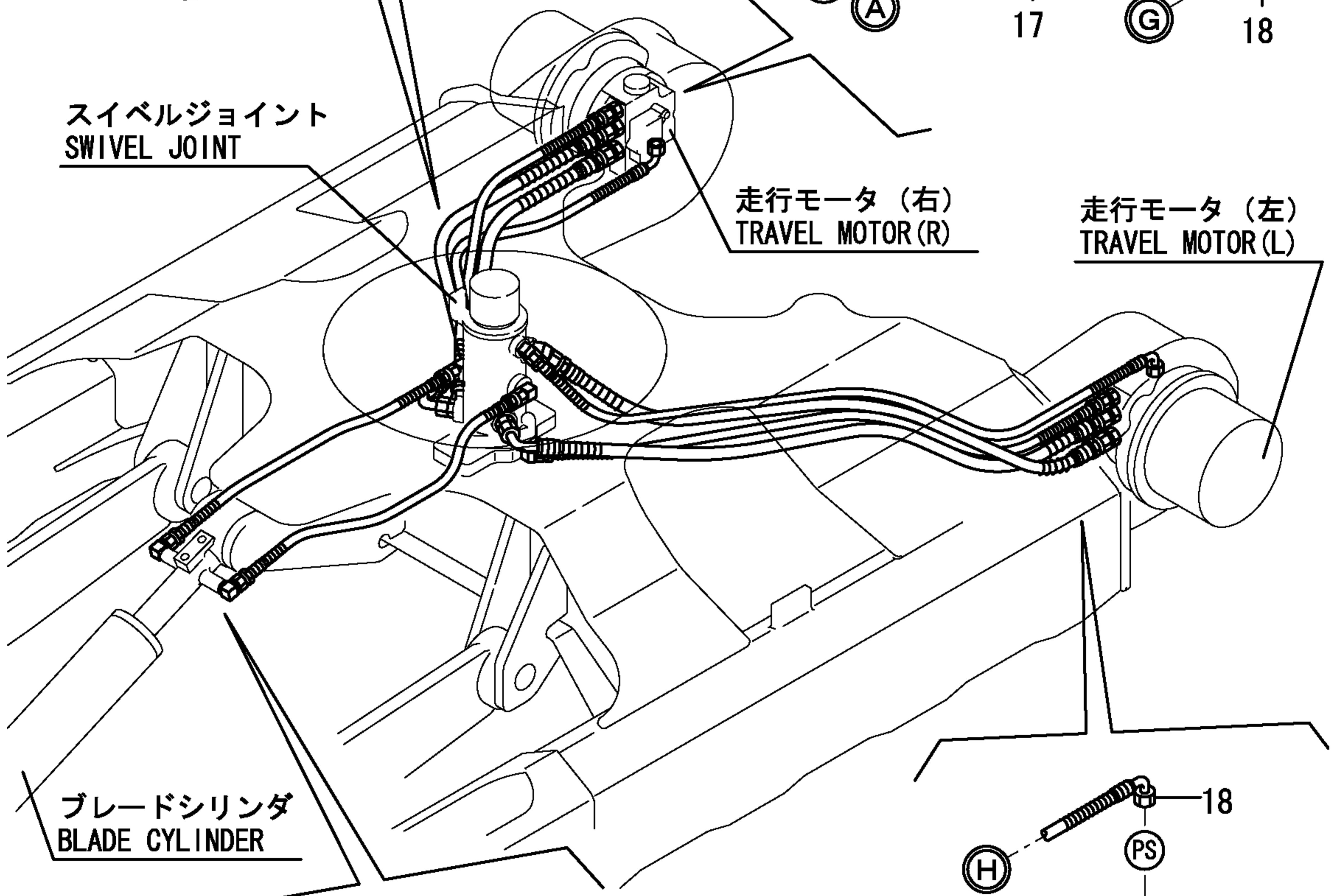
1,1,,172730-75141,,JOINT,2,2,2,,,,,,,,,,,,,  
2,1,,172730-75141,,JOINT,4,4,4,,,,,,,,,,,,,  
3,1,,172173-76101,, "CONNECTOR PF1/4-45",4,4,4,,,,,,,,,,,,,  
4,2,,24315-000110,, "O-RING 1B P-11.0",4,4,4,,,,,,,,,,,,,  
5,1,,172421-76100,,CONNECTOR,1,1,1,,,,,,,,,,,,,  
6,1,,172123-76121,, "JOINT PF1/4",2,2,2,,,,,,,,,,,,,  
7,1,,172644-76161,, "ADJUST ELBOW 45°",2,2,2,,,,,,,,,,,,,  
8,2,,24315-000140,, "O-RING 1B P-14.0",2,2,2,,,,,,,,,,,,,  
9,1,,172141-76180,,CONNECTOR,2,2,2,,,,,,,,,,,,,  
10,2,,24315-000110,, "O-RING 1B P-11.0",2,2,2,,,,,,,,,,,,,  
11,1,,23393-020000,, "JOINT 90°G1/4",1,1,1,,,,,,,,,,,,,  
12,1,,24315-000110,, "O-RING 1B P-11.0",2,2,2,,,,,,,,,,,,,  
13,1,,24315-000140,, "O-RING 1B P-14.0",4,4,4,,,,,,,,,,,,,  
14,1,,24315-000140,, "O-RING 1B P-14.0",2,2,2,,,,,,,,,,,,,  
15,1,,172421-78120,, "HOSE F204BB059W",2,2,2,,,,,,,,,,,,,  
16,1,,172421-78131,, "HOSE F206BB087W",2,2,2,,,,,,,,,,,,,  
17,1,,172456-78291,, "HOSE F206BC087W",2,2,2,,,,,,,,,,,,,  
18,1,,172456-78301,, "HOSE F204BC100W",2,2,2,,,,,,,,,,,,,  
19,1,,172456-78312,, "HOSE F204BB083W",2,2,2,,,,,,,,,,,,,



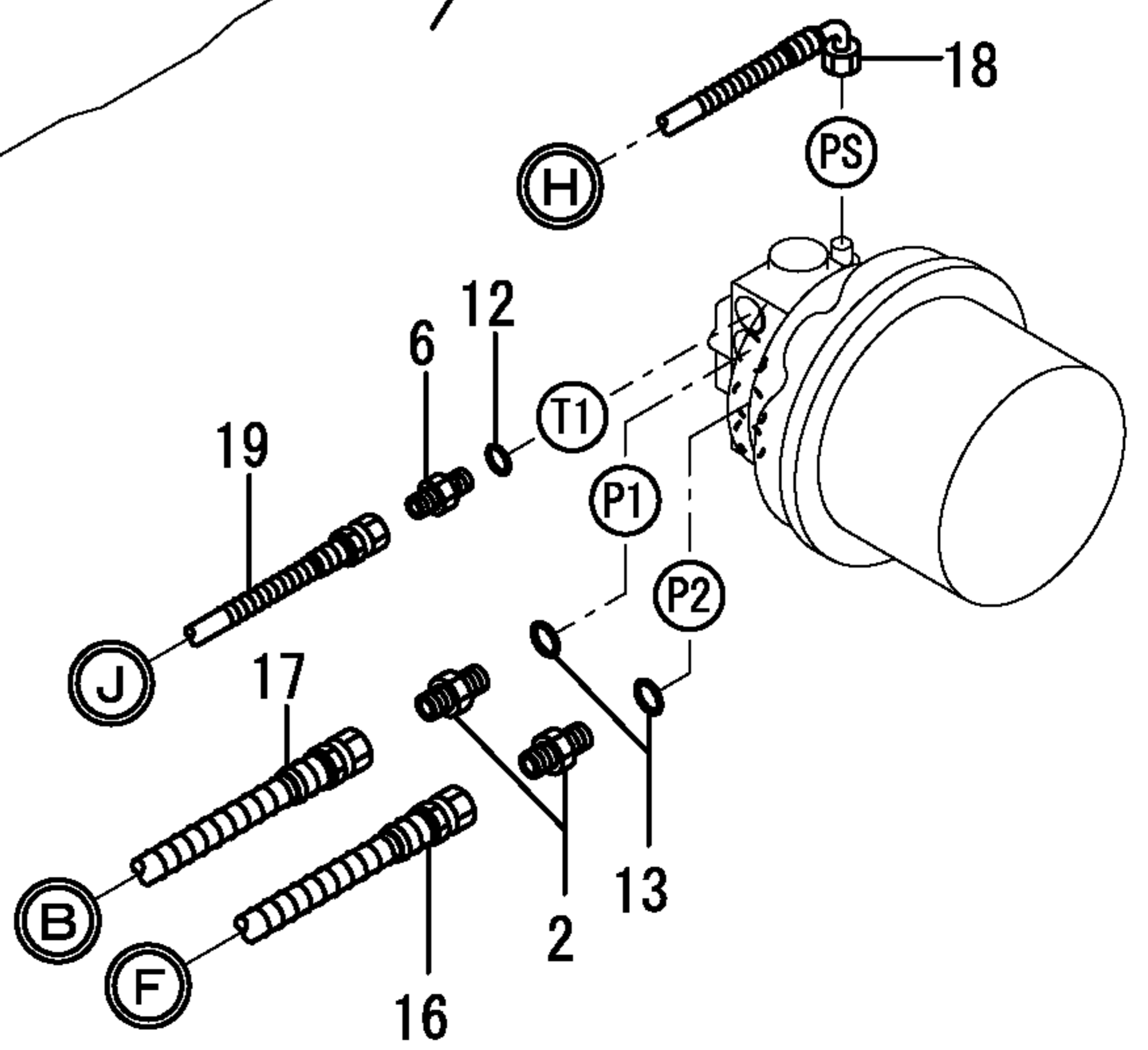
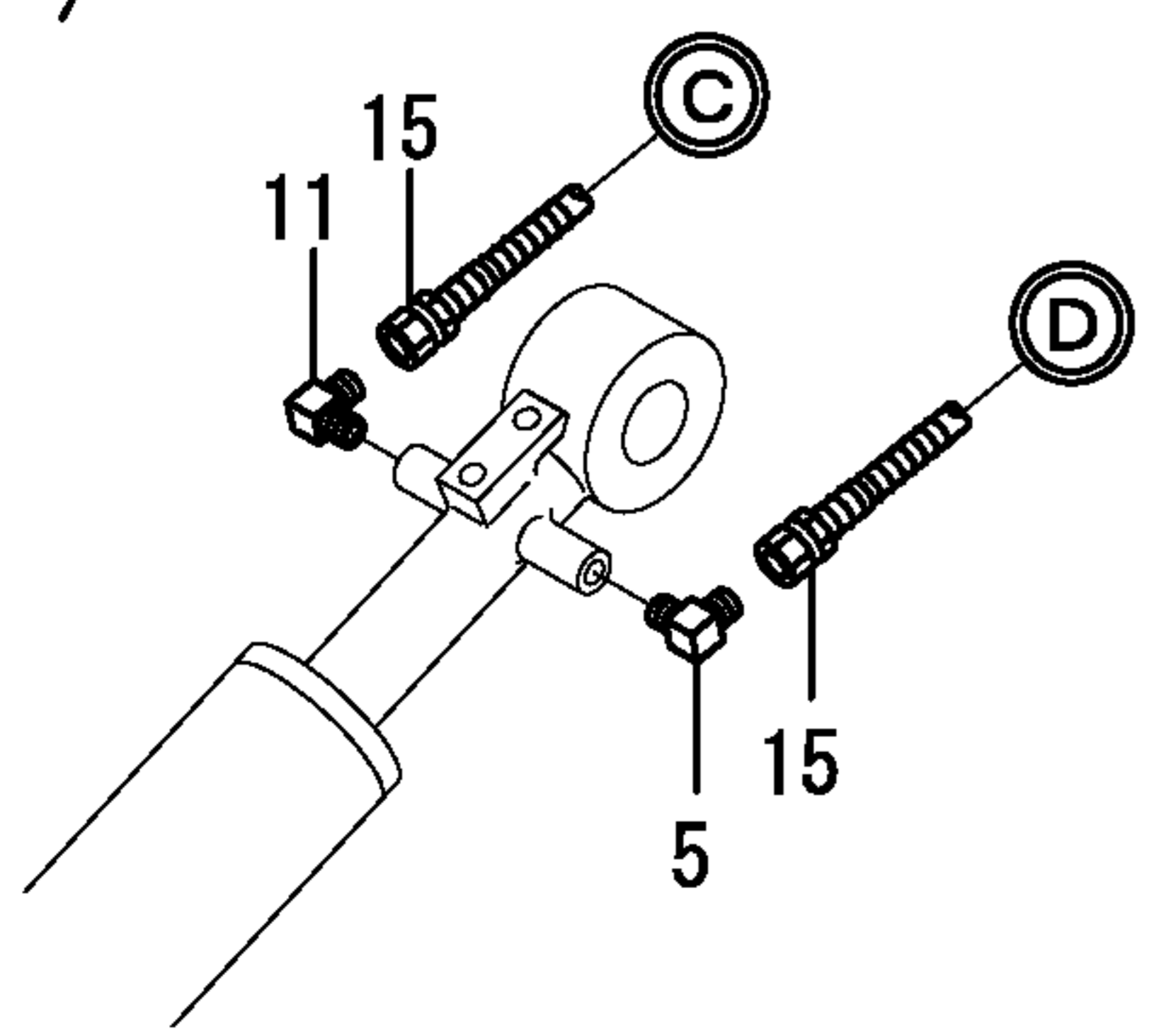
スィベルジョイント  
SWIVEL JOINT

走行モータ (右)  
TRAVEL MOTOR (R)

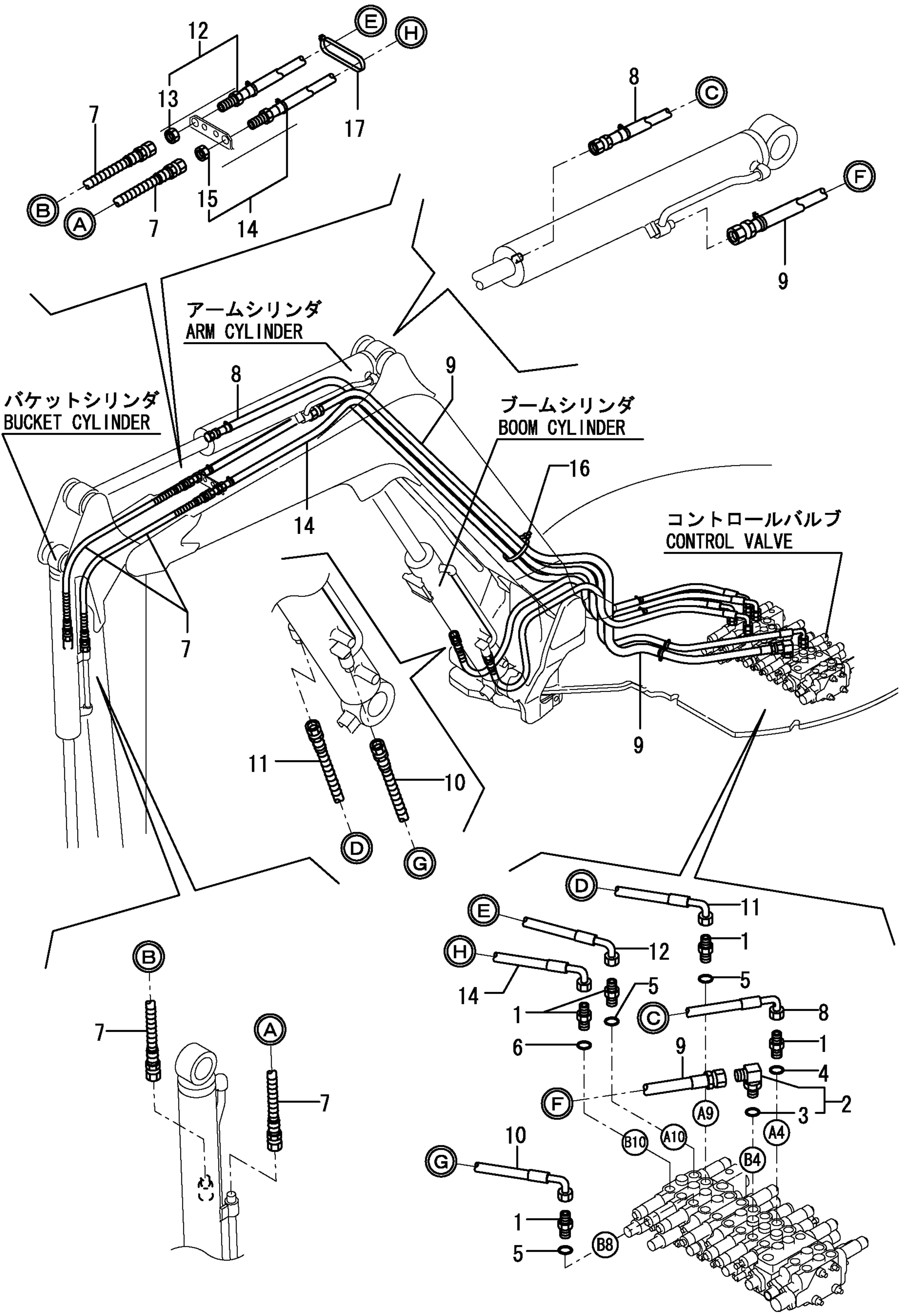
走行モータ (左)  
TRAVEL MOTOR (L)



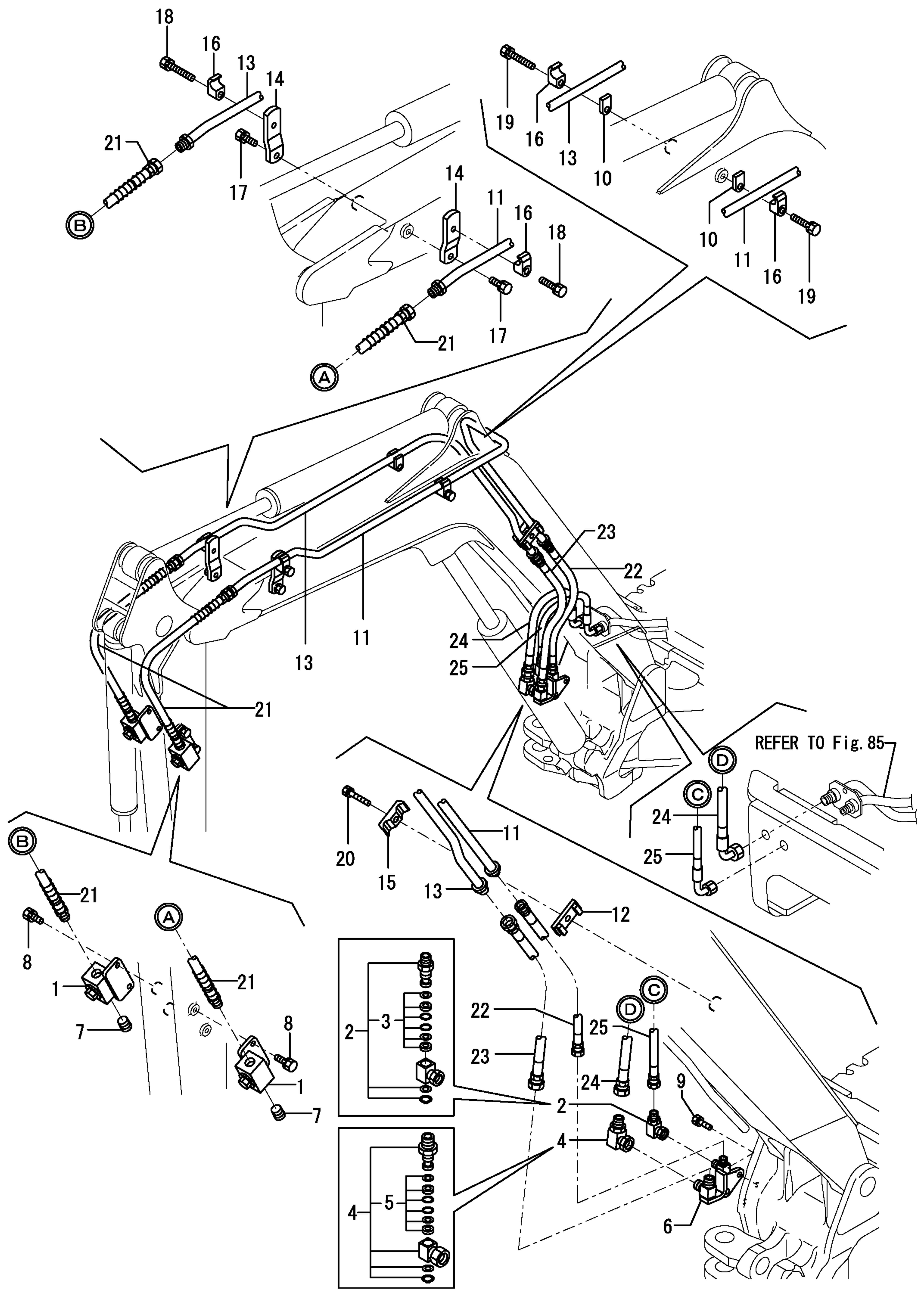
ブレードシリンダ  
BLADE CYLINDER



1,1,,172730-75141,,JOINT,5,5,5,,,,,,,,,,,,,  
2,1,,172142-76181,, "JOINT 90-3/8 ASSY",1,1,1,,,,,,,,,,,,,  
3,2,,24315-000140,, "O-RING 1B P-14.0",1,1,1,,,,,,,,,,,,,  
4,1,,24315-000140,, "O-RING 1B P-14.0",1,1,1,,,,,,,,,,,,,  
5,1,,24315-000140,, "O-RING 1B P-14.0",3,3,3,,,,,,,,,,,,,  
6,1,,24315-000140,, "O-RING 1B P-14.0",1,1,1,,,,,,,,,,,,,  
7,1,,172957-78150,, "HOSE H206BB070W",2,2,2,,,,,,,,,,,,,  
8,1,,172456-78180,, "HOSE H206BC270K",1,1,1,,,,,,,,,,,,,  
9,1,,172456-78190,, "HOSE H206BB227K",1,1,1,,,,,,,,,,,,,  
10,1,,172456-78220,, "HOSE H206BC109W",1,1,1,,,,,,,,,,,,,  
11,1,,172456-78230,, "HOSE H206BC114W",1,1,1,,,,,,,,,,,,,  
12,1,,172456-78241,, "HOSE H206CX260K",1,1,1,,,,,,,,,,,,,  
13,2,,172455-79770,, "LOCK NUT 3/8",1,1,1,,,,,,,,,,,,,  
14,1,,172456-78251,, "HOSE H206CX250K",1,1,1,,,,,,,,,,,,,  
15,2,,172455-79770,, "LOCK NUT 3/8",1,1,1,,,,,,,,,,,,,  
16,1,,172122-79930,, "CLAMP B",1,1,1,,,,,,,,,,,,,  
17,1,,172122-79930,, "CLAMP B",1,1,1,,,,,,,,,,,,,

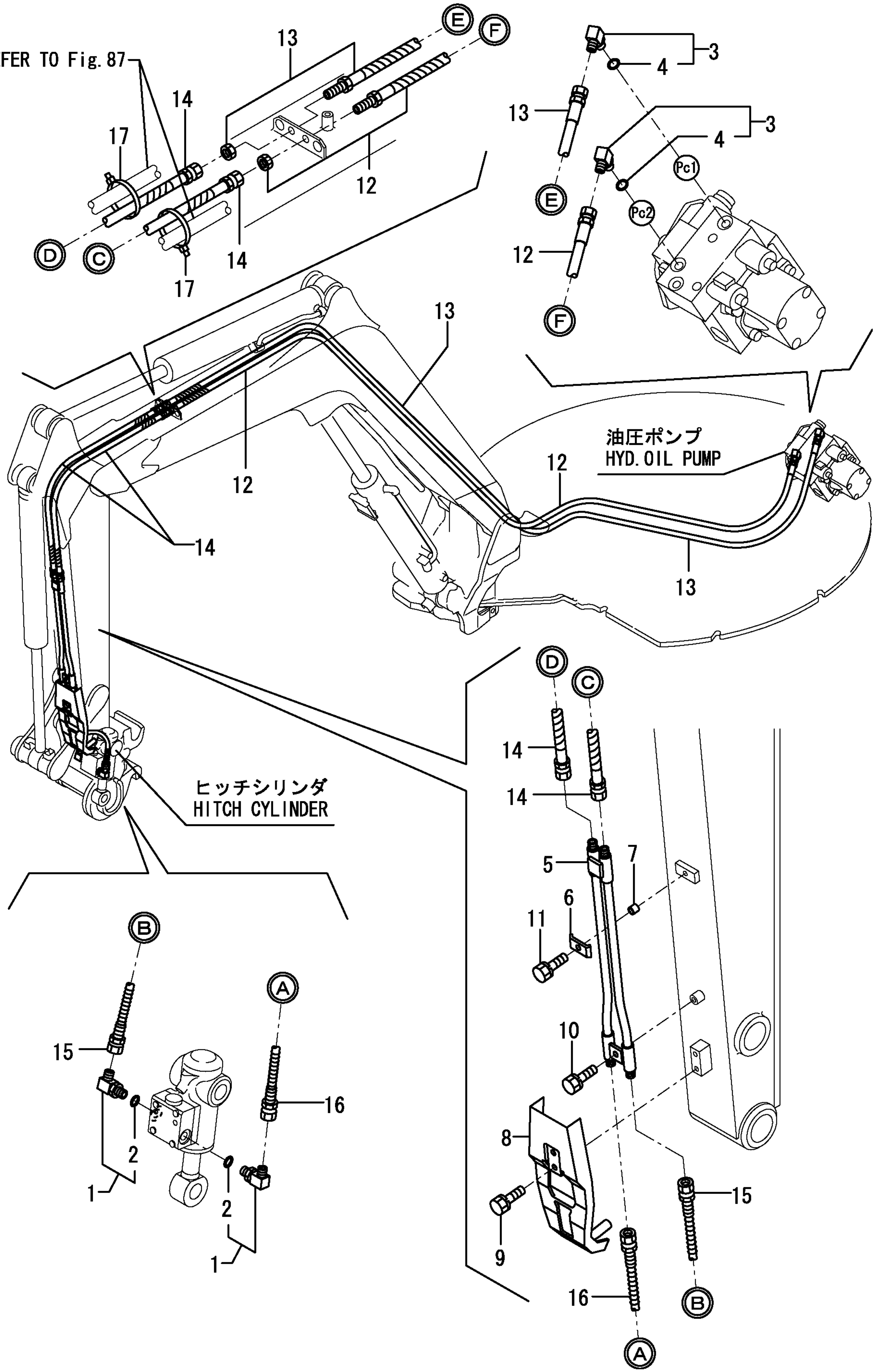


1,1,,172183-74820-4,, "STOP VALVE",2,2,2,,,,,,,,,,,,,,,,,,,,,  
2,1,,172456-76250,, "JOINT 3/8,SWIVEL",1,1,1,,,,,,,,,,,,,,,,,,,,,  
3,2,,172456-76260,, "SEAL SET 3/8",1,1,1,,,,,,,,,,,,,,,,,,,,,  
4,1,,172142-76270,, "JOINT 1/2, SWIVEL",1,1,1,,,,,,,,,,,,,,,,,,,,,  
5,2,,172142-77040,, "SEAL SET",1,1,1,,,,,,,,,,,,,,,,,,,,,  
6,1,,172456-76700,, "JOINT,P.T.O",1,1,1,,,,,,,,,,,,,,,,,,,,,  
7,1,,23871-040000,, "PLUG PT1/2,SCREW",2,2,2,,,,,,,,,,,,,,,,,,,,,  
8,1,,26013-100252,, "BOLT W/WASHER M10X25",4,4,4,,,,,,,,,,,,,,,,,,,,,  
9,1,,26013-100252,, "BOLT W/WASHER M10X25",2,2,2,,,,,,,,,,,,,,,,,,,,,  
10,1,,172183-76250,, "PLATE (GREEN:97)",2,2,2,,,,,,,,,,,,,,,,,,,,,  
11,1,,172456-76600,, "TUBE L,P.T.O. (97)",1,1,1,,,,,,,,,,,,,,,,,,,,,  
12,1,,172175-76640,, "BOSS COMP (GREEN:97)",1,1,1,,,,,,,,,,,,,,,,,,,,,  
13,1,,172456-76650,, "TUBE L,P.T.O. (97)",1,1,1,,,,,,,,,,,,,,,,,,,,,  
14,1,,172458-76680,, "STAY (GREEN:97)",2,2,2,,,,,,,,,,,,,,,,,,,,,  
15,1,,172175-76750,, "CLAMP 1/2 (GREEN:97)",1,1,1,,,,,,,,,,,,,,,,,,,,,  
16,1,,172142-76950-4,, "CLAMP 1/2 (GREEN:97)",4,4,4,,,,,,,,,,,,,,,,,,,,,  
17,1,,26013-120302,, "BOLT W/WASHER M12X30",2,2,2,,,,,,,,,,,,,,,,,,,,,  
18,1,,26013-120402,, "BOLT M12X 40",2,2,2,,,,,,,,,,,,,,,,,,,,,  
19,1,,26013-120502,, "BOLT M12X 50",2,2,2,,,,,,,,,,,,,,,,,,,,,  
20,1,,26013-120552,, "BOLT M12X55",1,1,1,,,,,,,,,,,,,,,,,,,,,  
21,1,,172456-78910,, "HOSE H208AB060W",2,2,2,,,,,,,,,,,,,,,,,,,,,  
22,1,,172456-78920,, "HOSE H206BB068",1,1,1,,,,,,,,,,,,,,,,,,,,,  
23,1,,172456-78930,, "HOSE H208BB065",1,1,1,,,,,,,,,,,,,,,,,,,,,  
24,1,,172456-78940,, "HOSE H208BC090",1,1,1,,,,,,,,,,,,,,,,,,,,,  
25,1,,172456-78950,, "HOSE H206BC077",1,1,1,,,,,,,,,,,,,,,,,,,,,



1,1,,172958-76130,, "ELBOW PF1/4-PF1/4",2,2,2,,,,,,,,,,,,,,,,,,,,,  
2,2,,24315-000110,, "O-RING 1B P-11.0",2,2,2,,,,,,,,,,,,,,,,,,,,,  
3,1,,172141-76180,,CONNECTOR,2,2,2,,,,,,,,,,,,,,,,,,,,,  
4,2,,24315-000110,, "O-RING 1B P-11.0",2,2,2,,,,,,,,,,,,,,,,,,,,,  
5,1,,172956-76100,, "TUBE,HITCH(GREEN:97)",1,1,1,,,,,,,,,,,,,,,,,,,,,  
6,1,,172110-76170-4,, "PLATE (GREEN:97)",1,1,1,,,,,,,,,,,,,,,,,,,,,  
7,1,,172137-76580,, "COLLER 9X11",1,1,1,,,,,,,,,,,,,,,,,,,,,  
8,1,,172956-81901,, "COVER, ARM(GREEN:97)",1,1,1,,,,,,,,,,,,,,,,,,,,,  
9,1,,26013-080162,, "BOLT W/WASHER M8X16",2,2,2,,,,,,,,,,,,,,,,,,,,,  
10,1,,26013-080162,, "BOLT W/WASHER M8X16",1,1,1,,,,,,,,,,,,,,,,,,,,,  
11,1,,26013-080252,, "BOLT M 8X 25",1,1,1,,,,,,,,,,,,,,,,,,,,,  
12,1,,172956-78100,, "HOSE G205BX313K",1,1,1,,,,,,,,,,,,,,,,,,,,,  
13,1,,172956-78110,, "HOSE G205BX313K",1,1,1,,,,,,,,,,,,,,,,,,,,,  
14,1,,172957-78111,, "HOSE H204BB075K",2,2,2,,,,,,,,,,,,,,,,,,,,,  
15,1,,172956-78120,, "HOSE F102BB051W",1,1,1,,,,,,,,,,,,,,,,,,,,,  
16,1,,172958-78200,, "HOSE F102BB050W",1,1,1,,,,,,,,,,,,,,,,,,,,,  
17,1,,172122-79930,, "CLAMP B",2,2,2,,,,,,,,,,,,,,,,,,,,,

REFER TO Fig. 87



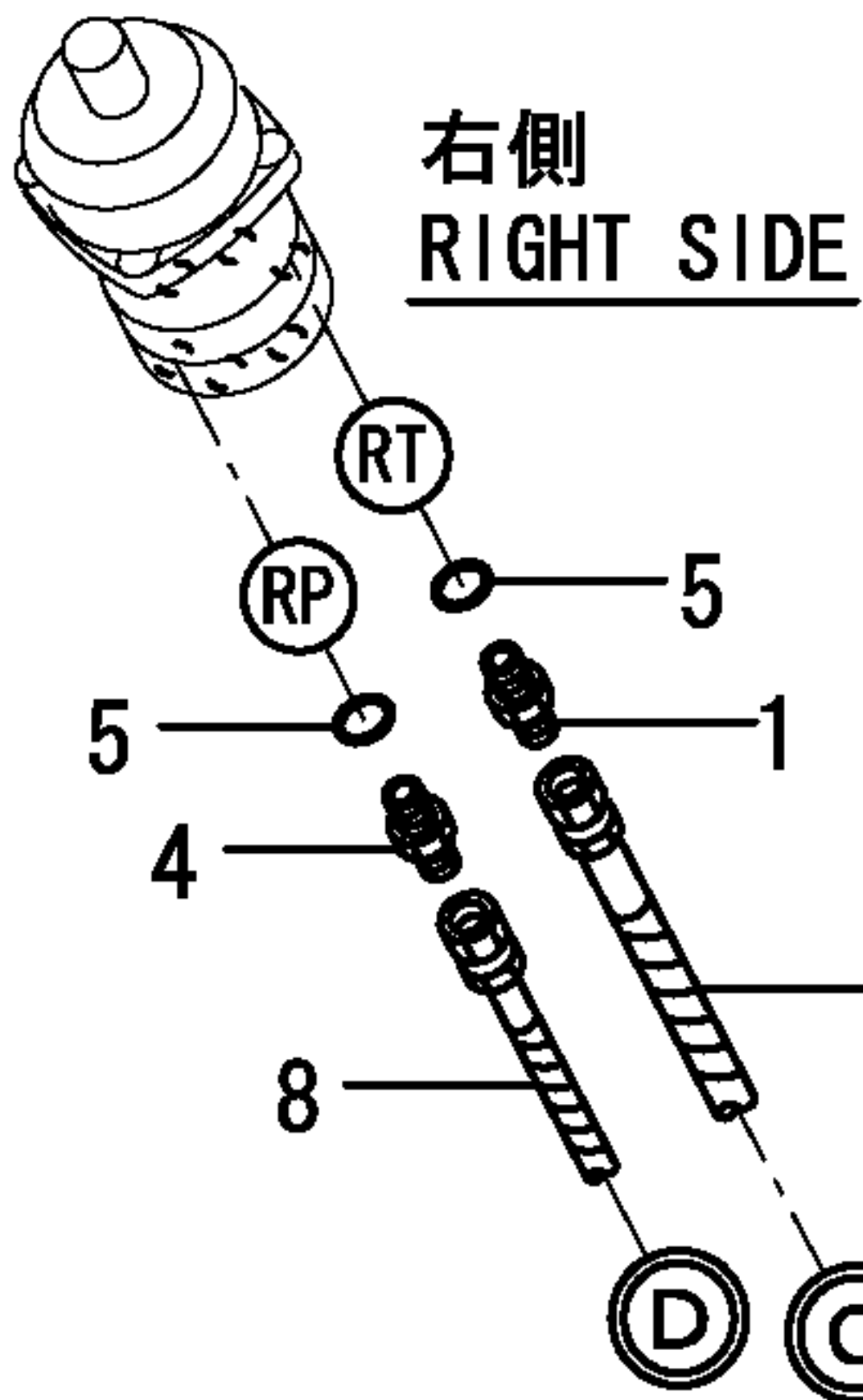
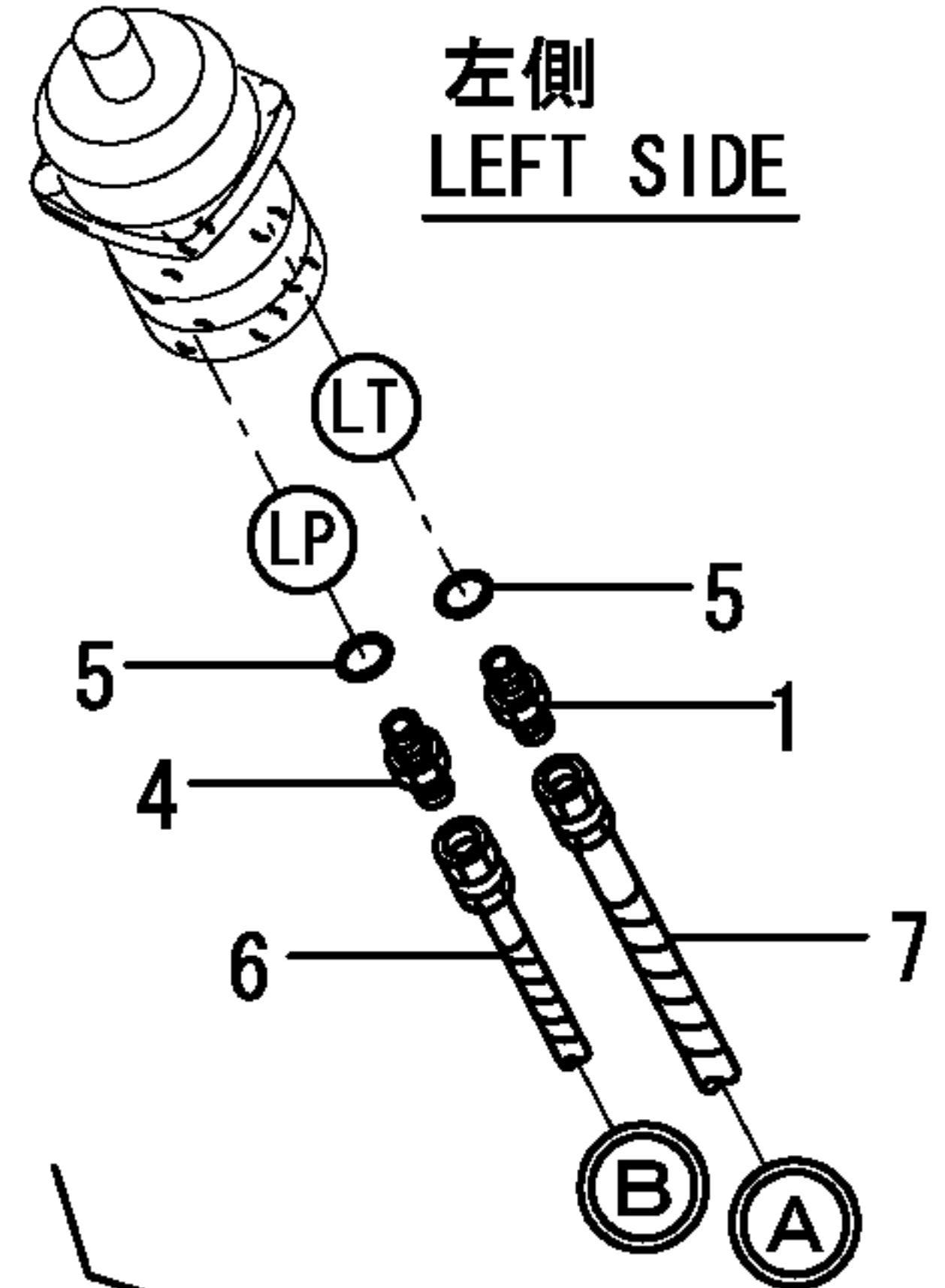
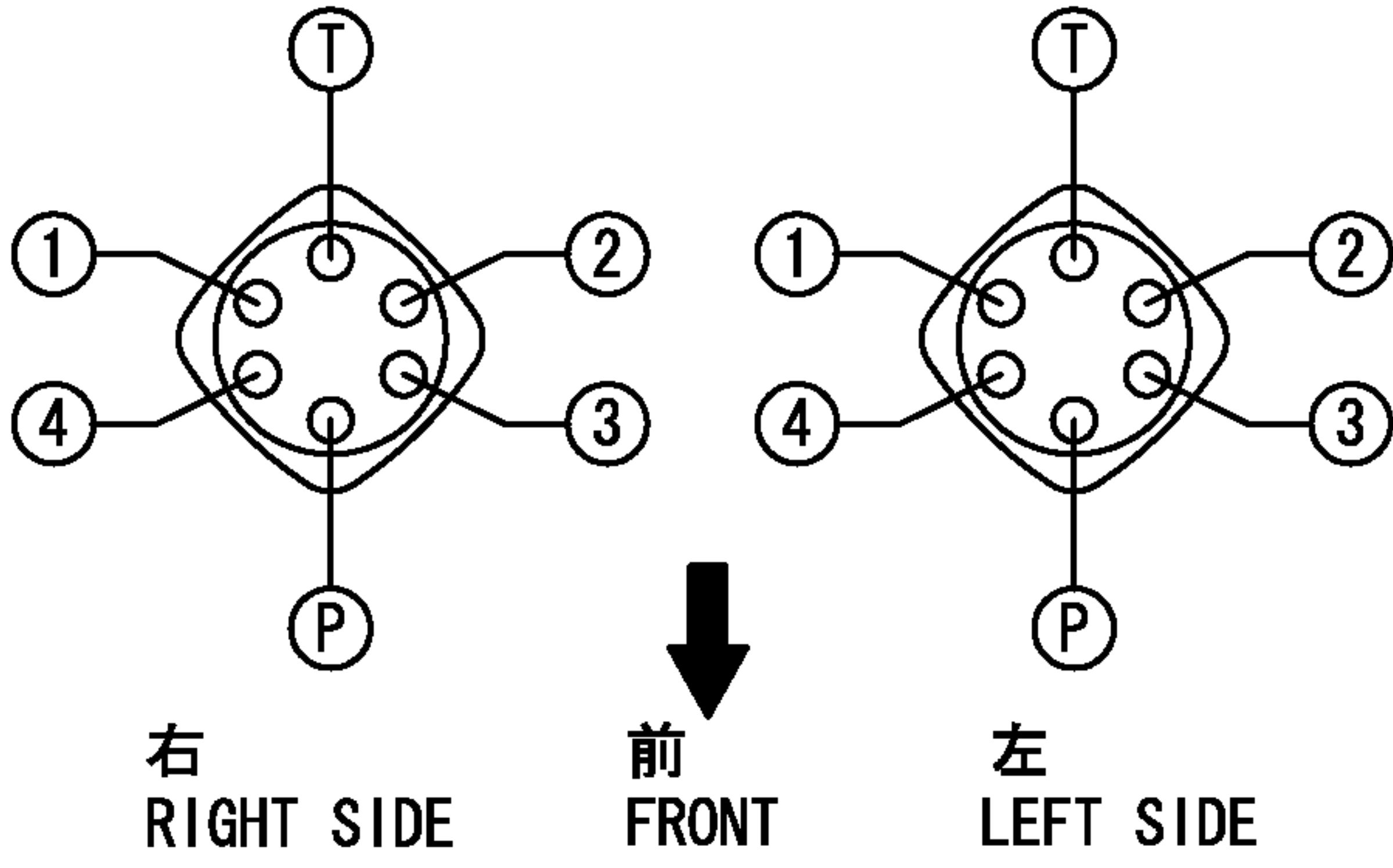
油圧ポンプ  
HYD. OIL PUMP

ヒッチシリンダ  
HITCH CYLINDER



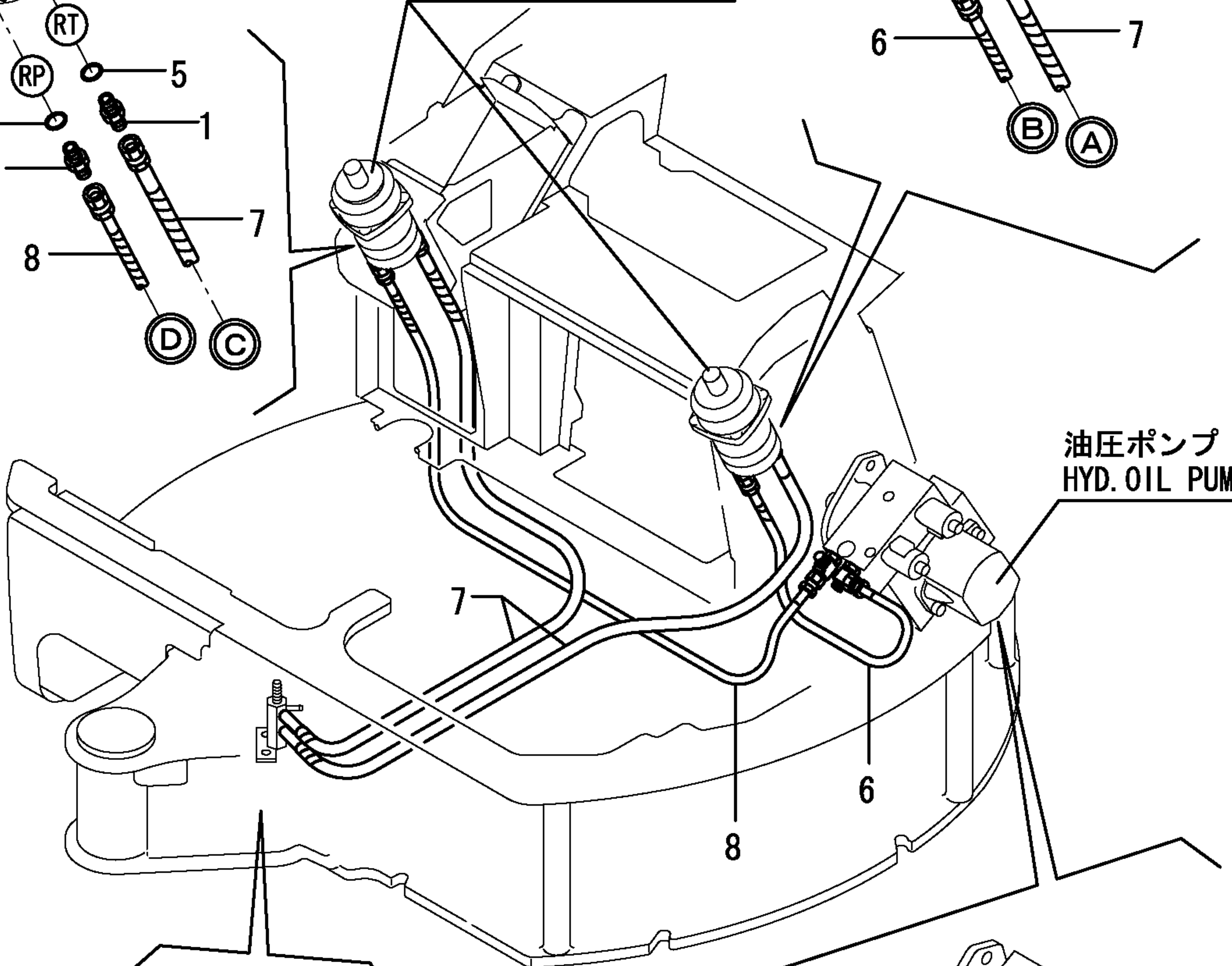
1,1,,172123-76121,, "JOINT PF1/4",2,2,2,,,,,,,,,,,,,  
2,1,,172187-76210,, ELBOW,1,1,1,,,,,,,,,,,,,  
3,2,,24315-000110,, "O-RING 1B P-11.0",1,1,1,,,,,,,,,,,,,  
4,1,,172455-76220,, "CONNECTOR PF1/4",2,2,2,,,,,,,,,,,,,  
5,1,,24315-000110,, "O-RING 1B P-11.0",4,4,4,,,,,,,,,,,,,  
6,1,,172456-78350,, "HOSE F403BB120S",1,1,1,,,,,,,,,,,,,  
7,1,,172456-78360,, "HOSE G804BY140S",2,2,2,,,,,,,,,,,,,  
8,1,,172456-78410,, "HOSE F403BB102S",1,1,1,,,,,,,,,,,,,  
9,1,,23000-013000,, "CLAMP 13",2,2,2,,,,,,,,,,,,,

上から見る  
VIEWED FROM UPPER

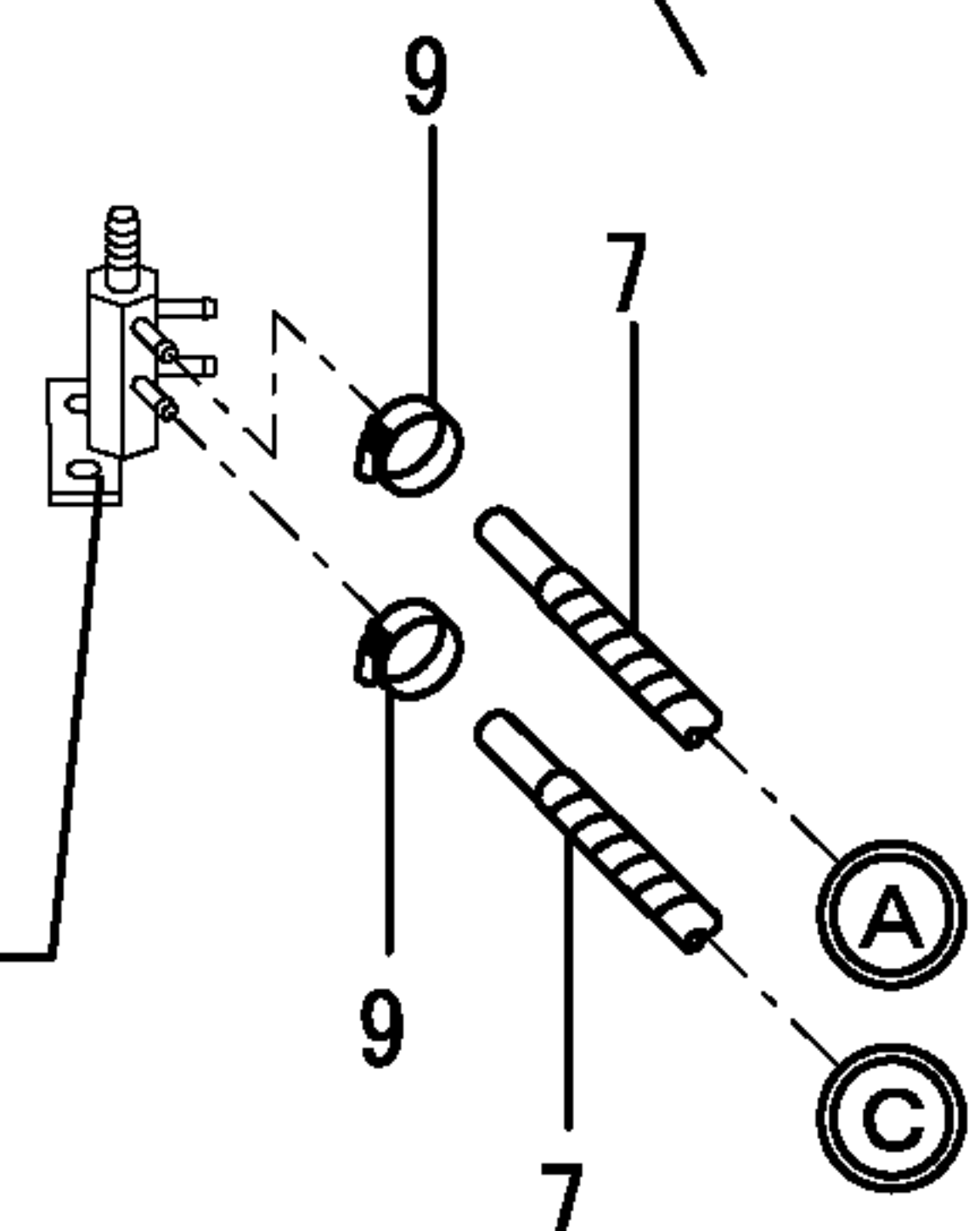


リモコンバルブ  
REMOTE CONTROL VALVE

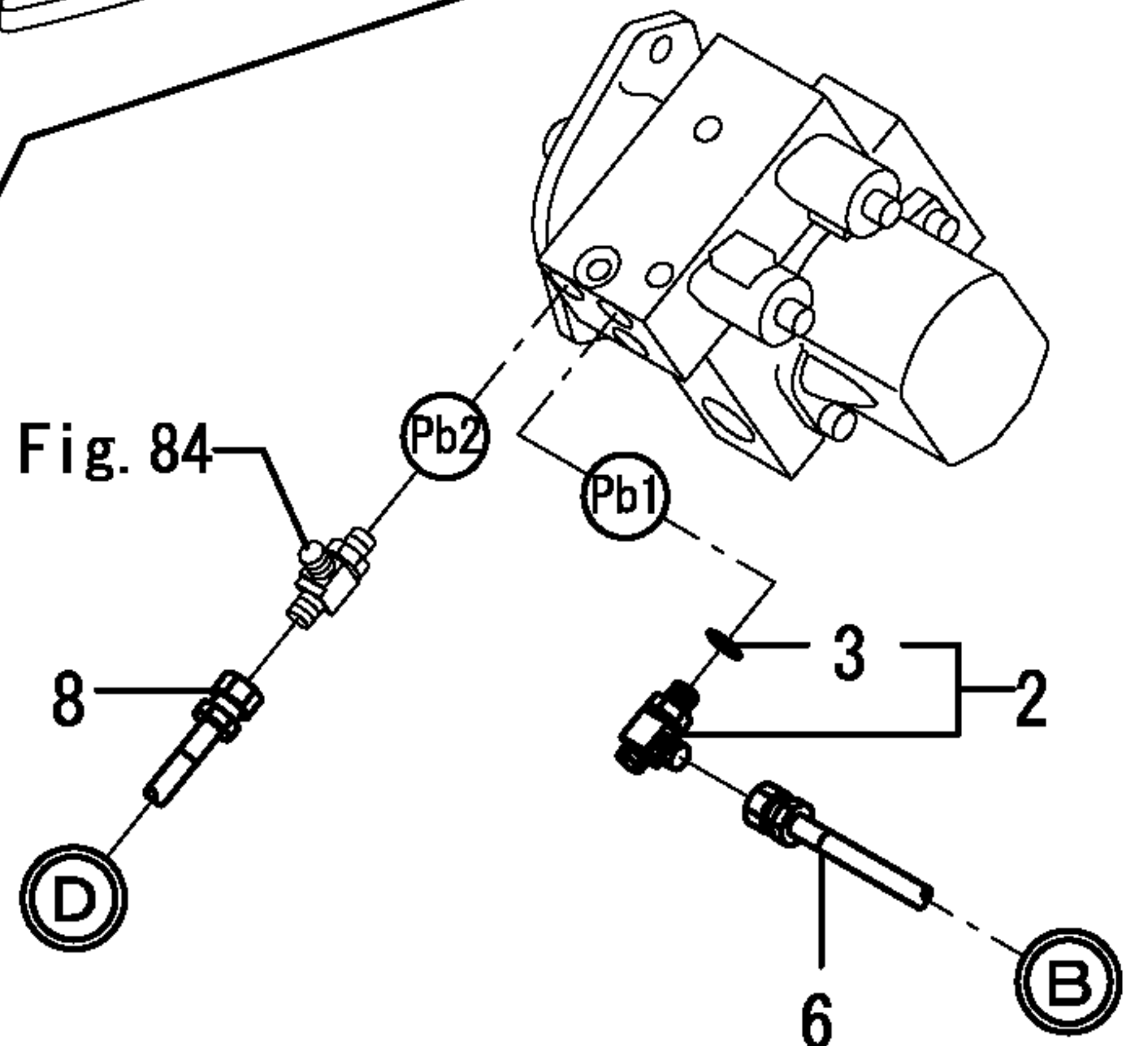
油圧ポンプ  
HYD. OIL PUMP



REFER TO Fig. 84

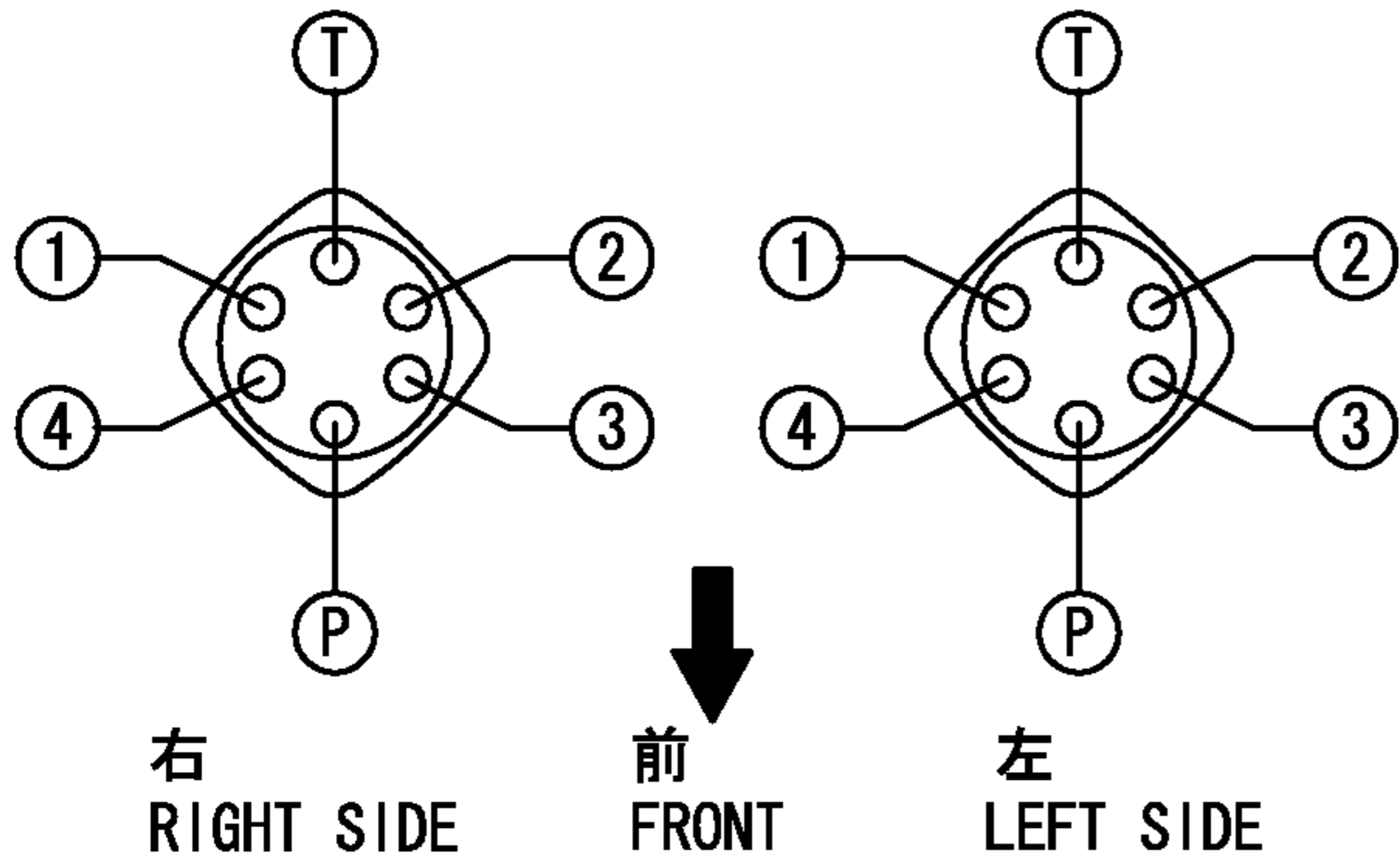


REFER TO Fig. 84

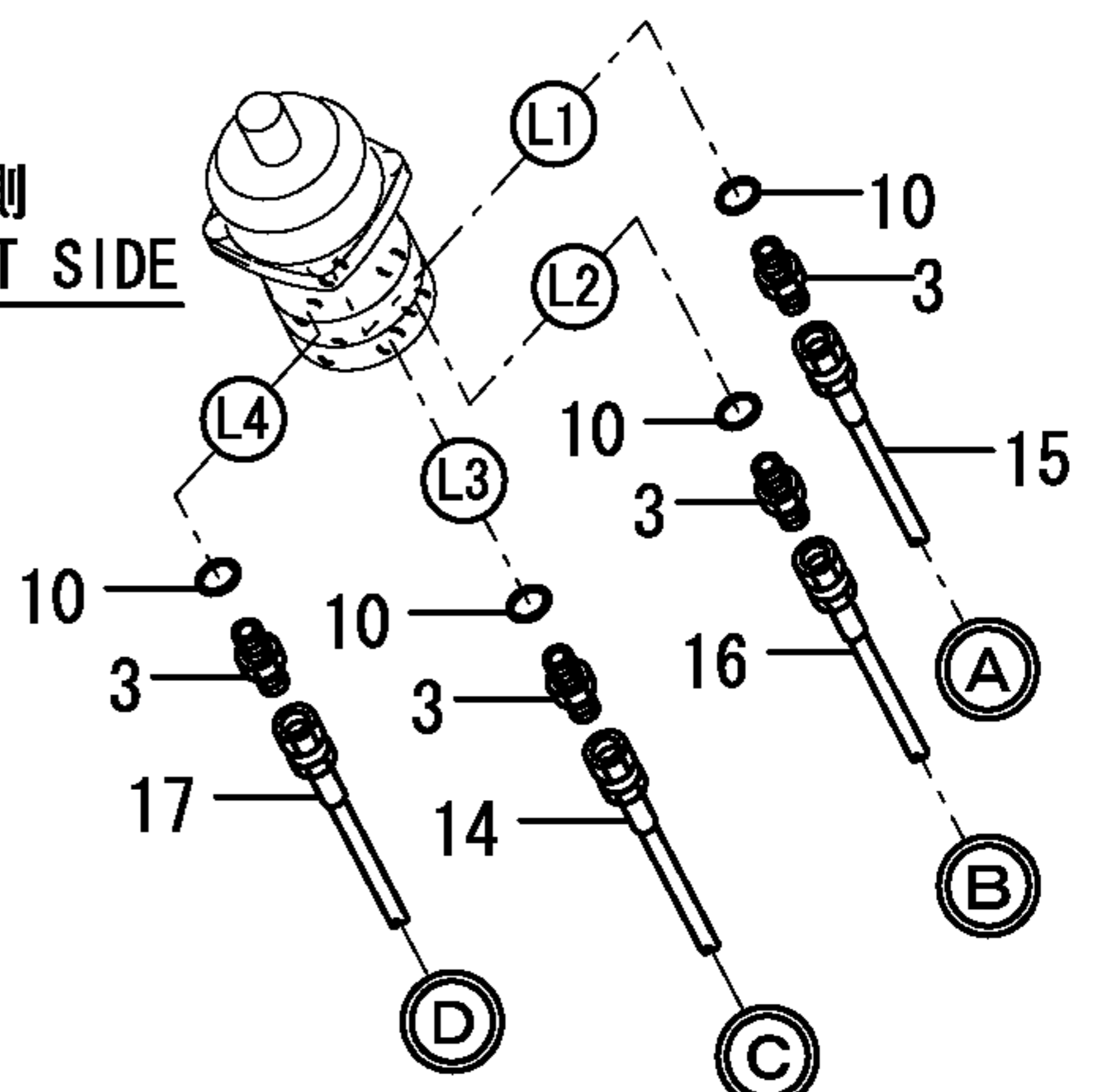


1,1,,172123-76121,, "JOINT PF1/4",1,1,1,,,,,,,,,,,,,,,,,,,,,  
2,1,,172123-76121,, "JOINT PF1/4",1,1,1,,,,,,,,,,,,,,,,,,,,,  
3,1,,172123-76121,, "JOINT PF1/4",8,8,8,,,,,,,,,,,,,,,,,,,,,  
4,1,,172141-76180,,CONNECTOR,2,2,2,,,,,,,,,,,,,,,,,,,,,  
5,2,,24315-000110,, "O-RING 1B P-11.0",2,2,2,,,,,,,,,,,,,,,,,,,,,  
6,1,,172183-76200,, "CONNECTOR 1/4-1/4",1,1,1,,,,,,,,,,,,,,,,,,,,,  
7,1,,24315-000110,, "O-RING 1B P-11.0",1,1,1,,,,,,,,,,,,,,,,,,,,,  
8,1,,24315-000110,, "O-RING 1B P-11.0",1,1,1,,,,,,,,,,,,,,,,,,,,,  
9,1,,24315-000110,, "O-RING 1B P-11.0",1,1,1,,,,,,,,,,,,,,,,,,,,,  
10,1,,24315-000110,, "O-RING 1B P-11.0",8,8,8,,,,,,,,,,,,,,,,,,,,,  
11,1,,172126-11510,, "BAND 300",4,4,4,,,,,,,,,,,,,,,,,,,,,  
12,1,,172458-78390,, "HOSE F403BB097S",1,1,1,,,,,,,,,,,,,,,,,,,,,  
13,1,,172458-78420,, "HOSE F403BB097S",1,1,1,,,,,,,,,,,,,,,,,,,,,  
14,1,,172456-78430,, "HOSE F403BB156S",1,1,1,,,,,,,,,,,,,,,,,,,,,  
15,1,,172456-78440,, "HOSE F403BB110S",1,1,1,,,,,,,,,,,,,,,,,,,,,  
16,1,,172456-78450,, "HOSE F403BB110S",1,1,1,,,,,,,,,,,,,,,,,,,,,  
17,1,,172456-78460,, "HOSE F403BB110S",1,1,1,,,,,,,,,,,,,,,,,,,,,  
18,1,,172456-78470,, "HOSE F403BB142S",1,1,1,,,,,,,,,,,,,,,,,,,,,  
19,1,,172456-78500,, "HOSE F403BC132S",1,1,1,,,,,,,,,,,,,,,,,,,,,  
20,1,,172458-78570,, "SPONGE,HOSE",1,1,1,,,,,,,,,,,,,,,,,,,,,  
21,1,,172444-78800,, "SPONGE, HOSE",1,1,1,,,,,,,,,,,,,,,,,,,,,  
22,1,,172122-79930,, "CLAMP B",2,2,2,,,,,,,,,,,,,,,,,,,,,

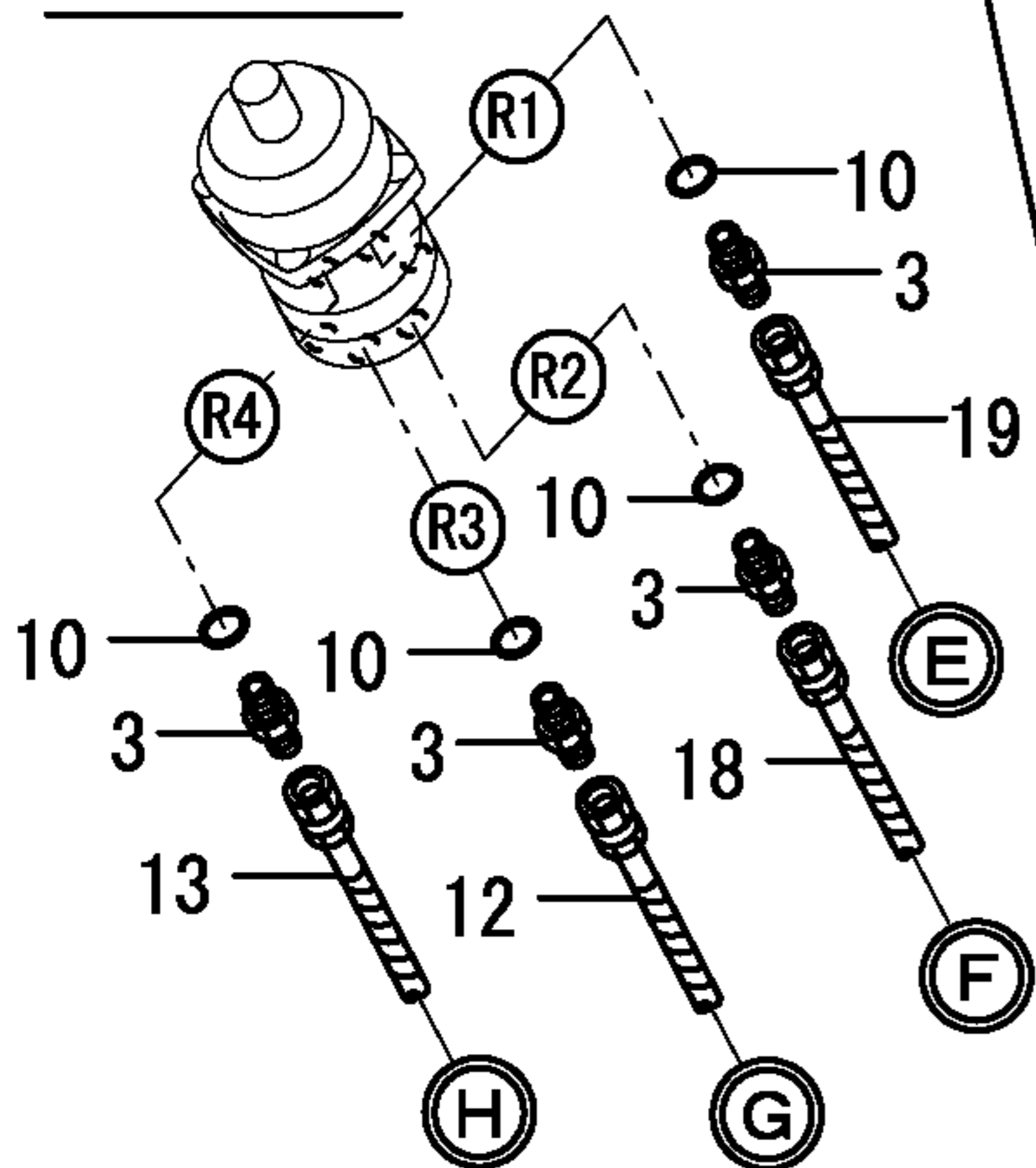
上から見る  
VIEWED FROM UPPER



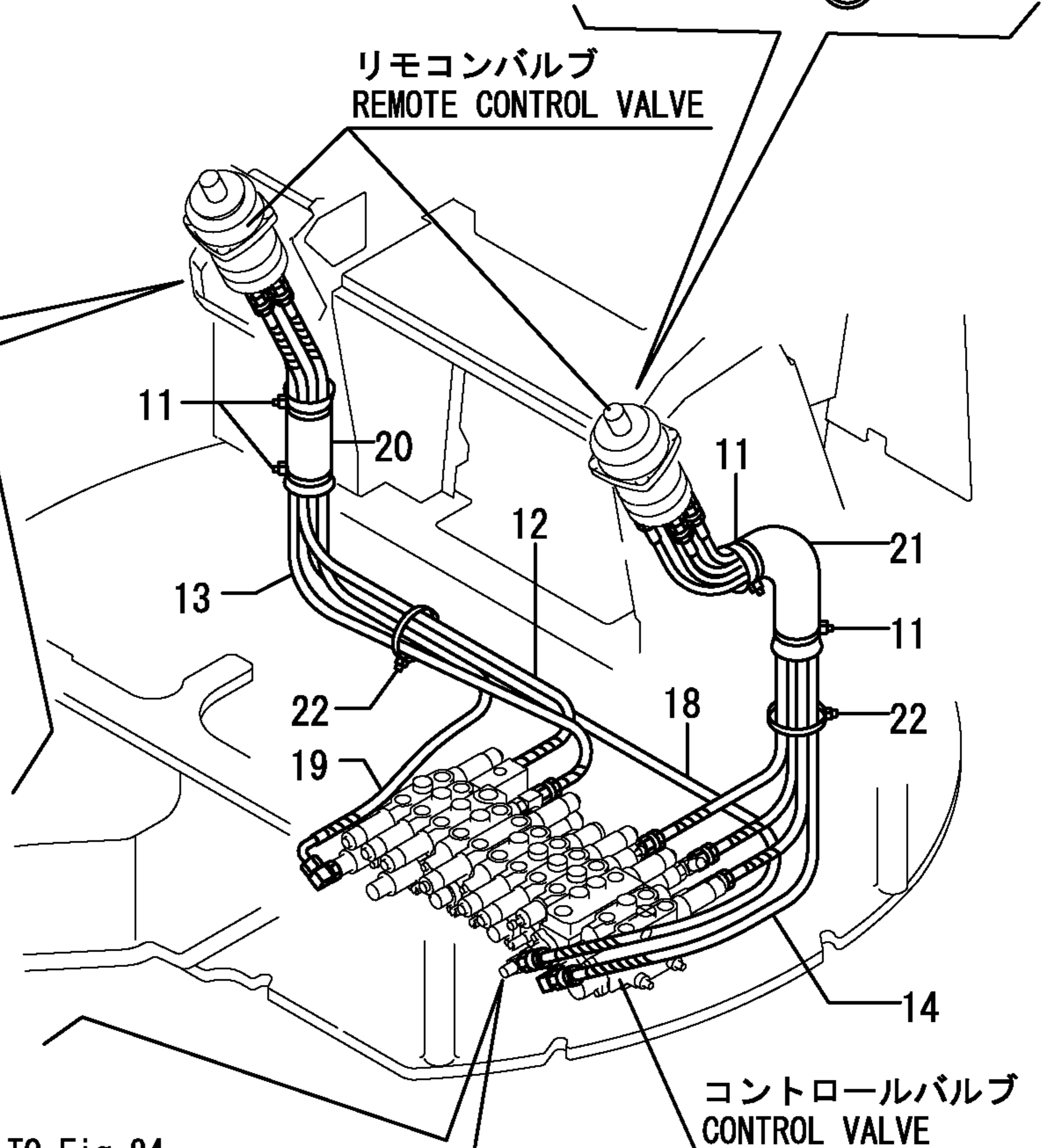
左側  
LEFT SIDE



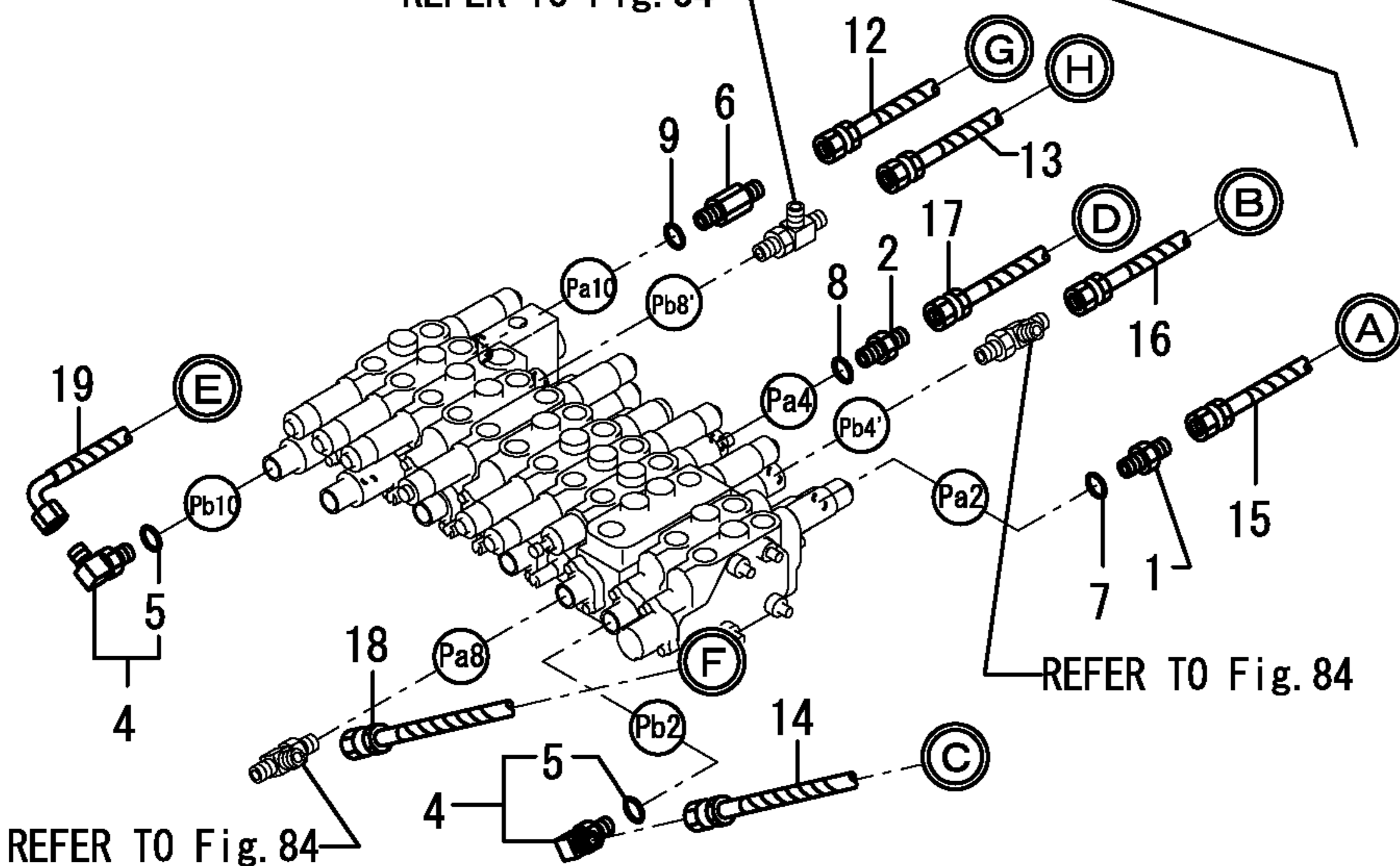
右側  
RIGHT SIDE



リモコンバルブ  
REMOTE CONTROL VALVE

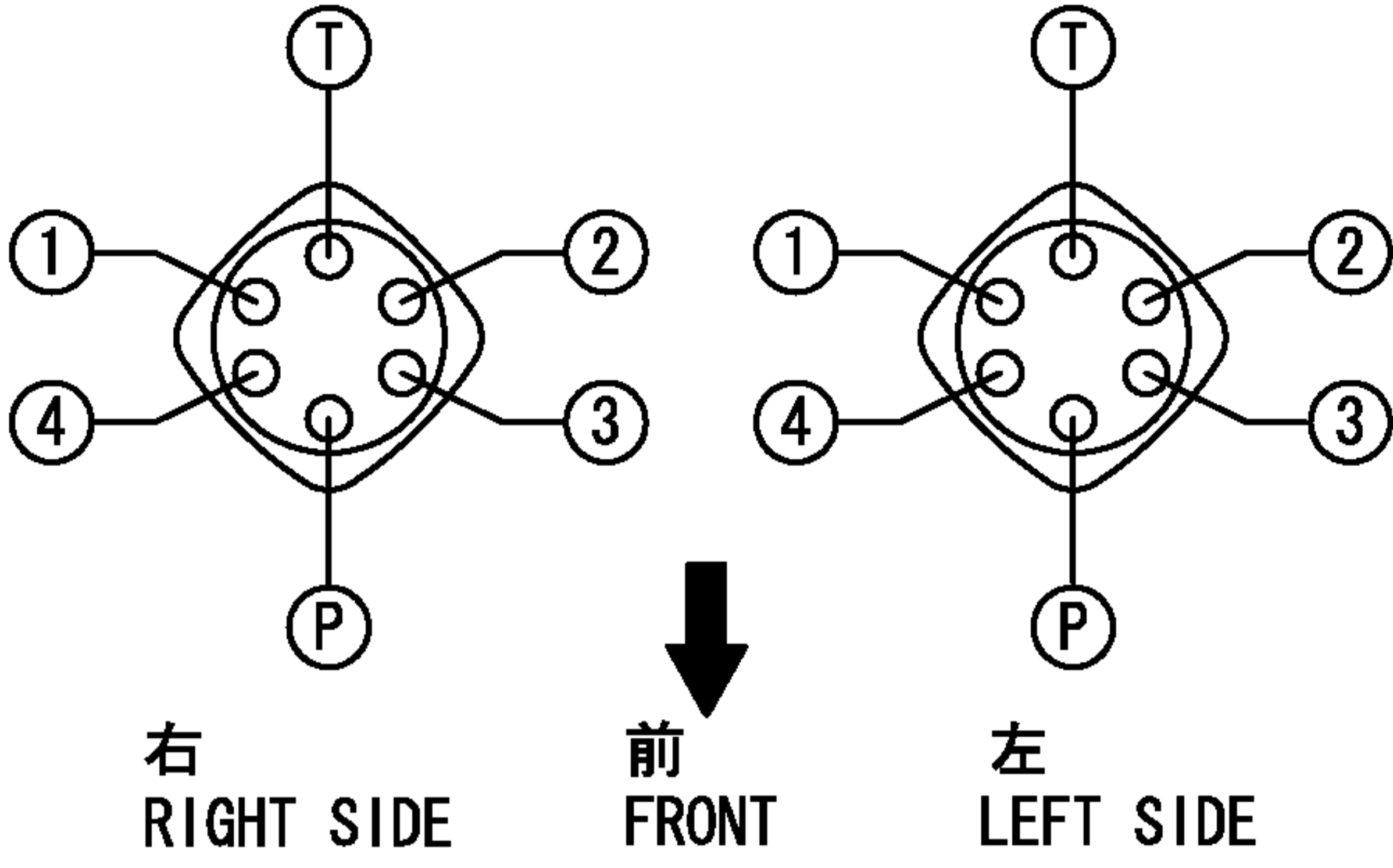


REFER TO Fig. 84

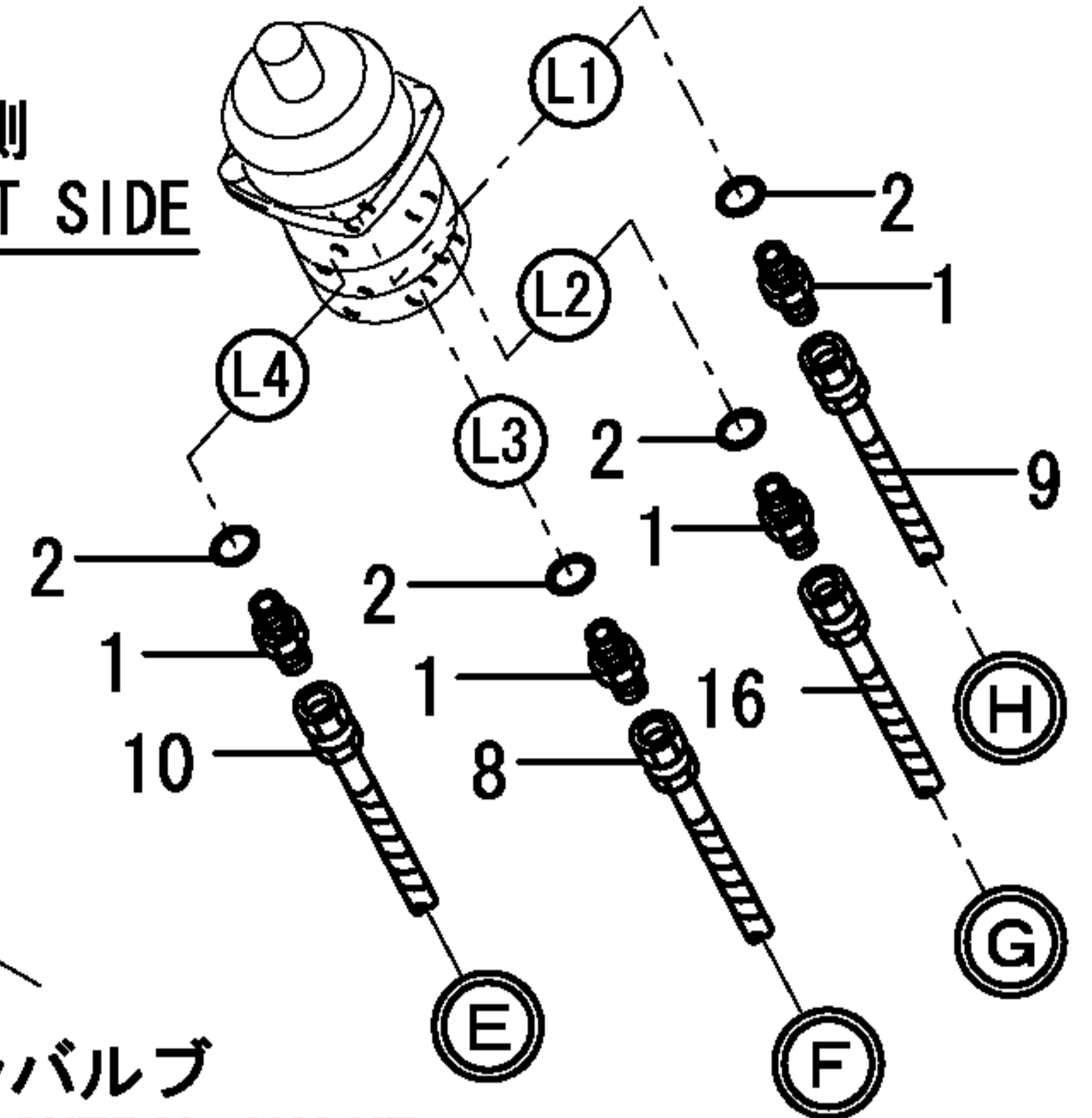


1,1,,172123-76121,, "JOINT PF1/4",8,8,,,,,,,,,,,,,,,,,,,,,  
2,1,,24315-000110,, "O-RING 1B P-11.0",8,8,,,,,,,,,,,,,,,,,,,,,  
3,1,,172173-76101,, "CONNECTOR PF1/4-45",2,2,,,,,,,,,,,,,,,,,,,,,  
4,2,,24315-000110,, "O-RING 1B P-11.0",2,2,,,,,,,,,,,,,,,,,,,,,  
5,1,,172141-76180,,CONNECTOR,6,6,,,,,,,,,,,,,,,,,,,,,  
6,2,,24315-000110,, "O-RING 1B P-11.0",6,6,,,,,,,,,,,,,,,,,,,,,  
7,1,,172126-11510,, "BAND 300",4,4,,,,,,,,,,,,,,,,,,,,,  
8,1,,172456-78320,, "HOSE F403BB107S",1,1,,,,,,,,,,,,,,,,,,,,,  
9,1,,172456-78330,, "HOSE F403BB100S",1,1,,,,,,,,,,,,,,,,,,,,,  
10,1,,172456-78340,, "HOSE F403BB125S",1,1,,,,,,,,,,,,,,,,,,,,,  
11,1,,172456-78370,, "HOSE F403BB156S",1,1,,,,,,,,,,,,,,,,,,,,,  
12,1,,172456-78380,, "HOSE F403BB117S",1,1,,,,,,,,,,,,,,,,,,,,,  
13,1,,172456-78390,, "HOSE F403BB152S",1,1,,,,,,,,,,,,,,,,,,,,,  
14,1,,172456-78400,, "HOSE F403BB112S",1,1,,,,,,,,,,,,,,,,,,,,,  
15,1,,172458-78570,, "SPONGE,HOSE",1,1,,,,,,,,,,,,,,,,,,,,,  
16,1,,172458-78790,, "HOSE F403BB116S",1,1,,,,,,,,,,,,,,,,,,,,,  
17,1,,172444-78800,, "SPONGE, HOSE",1,1,,,,,,,,,,,,,,,,,,,,,  
18,1,,172122-79930,, "CLAMP B",3,3,,,,,,,,,,,,,,,,,,,,,

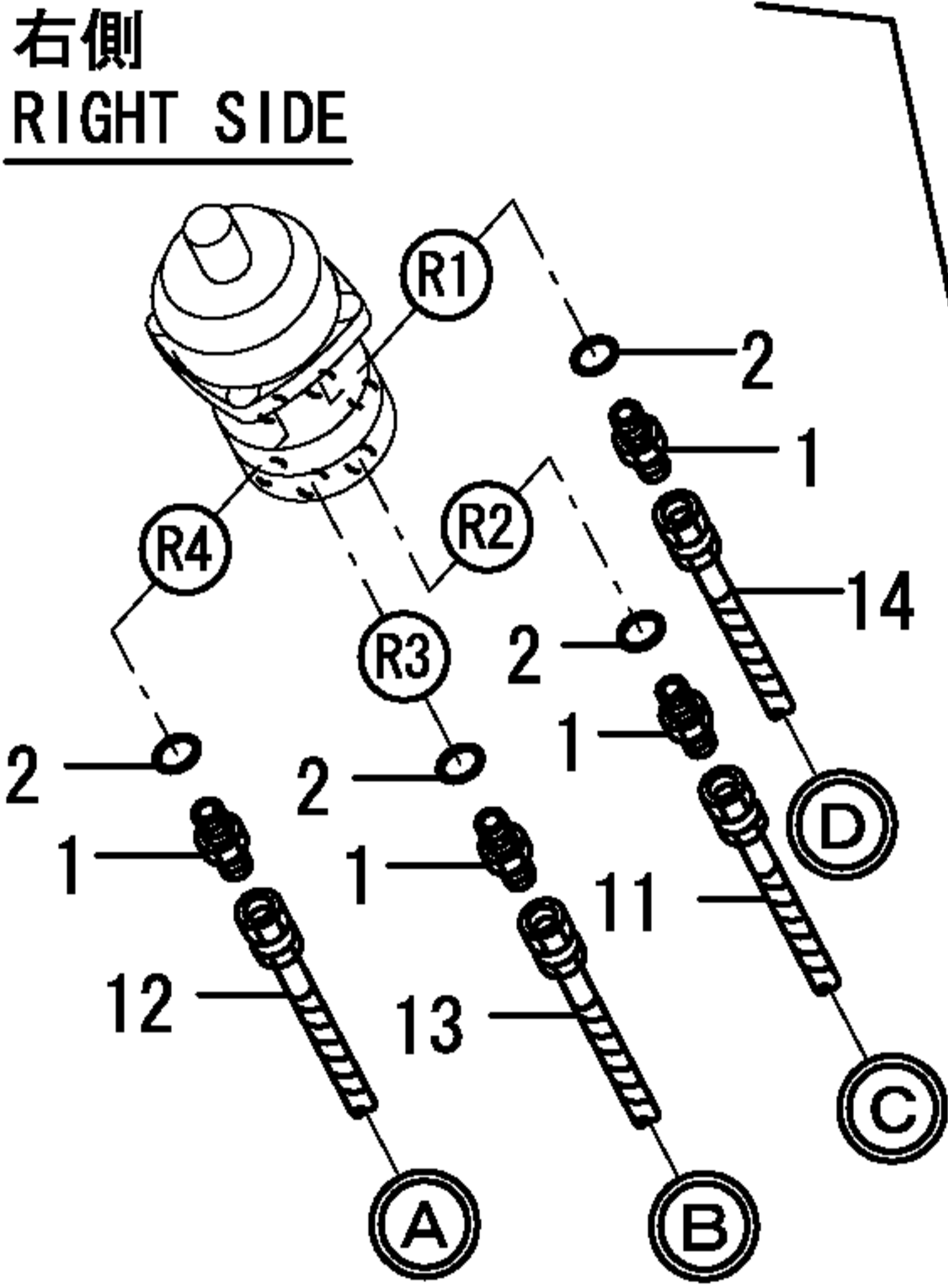
上から見る  
VIEWED FROM UPPER



左側  
LEFT SIDE

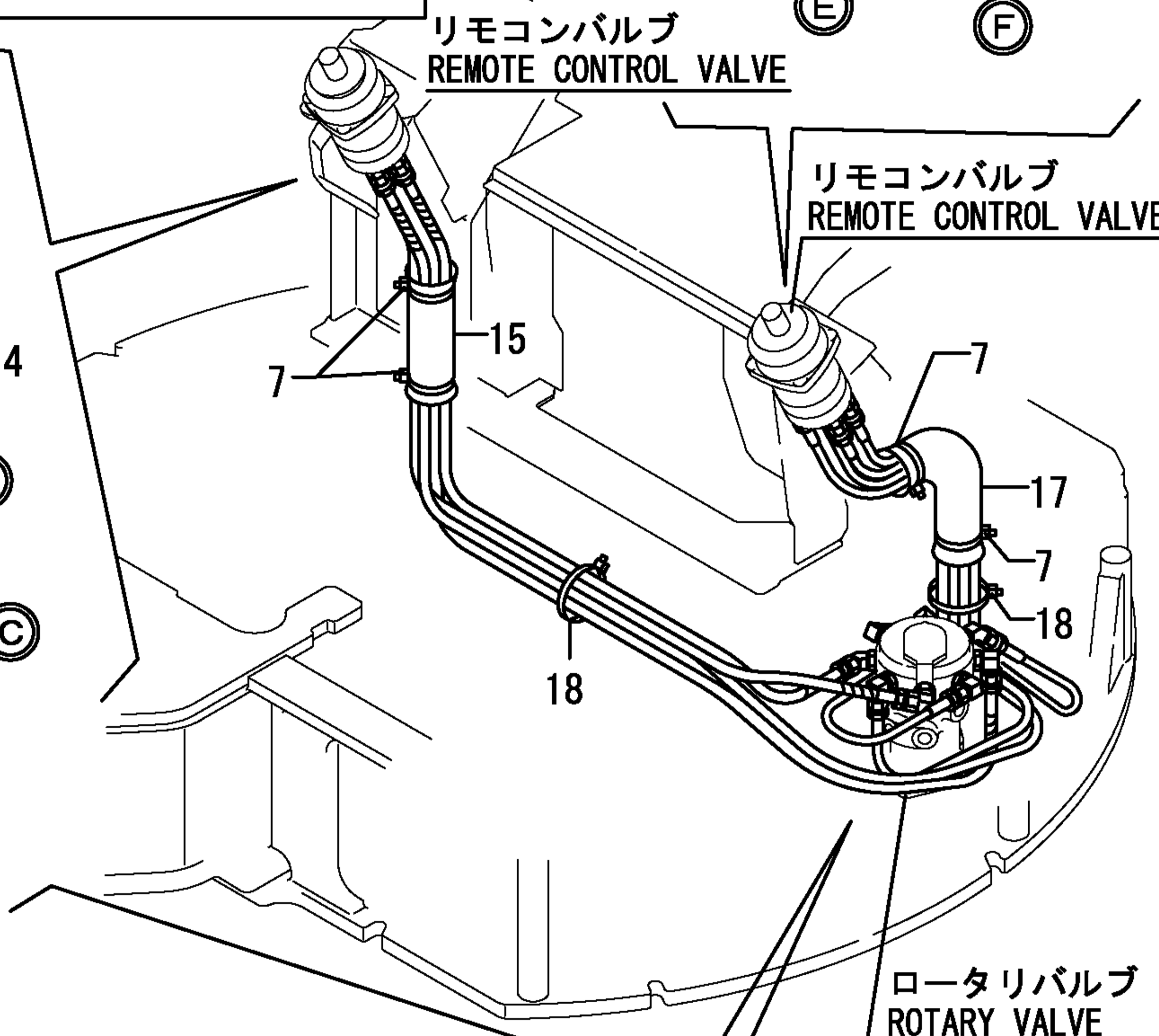


右側  
RIGHT SIDE

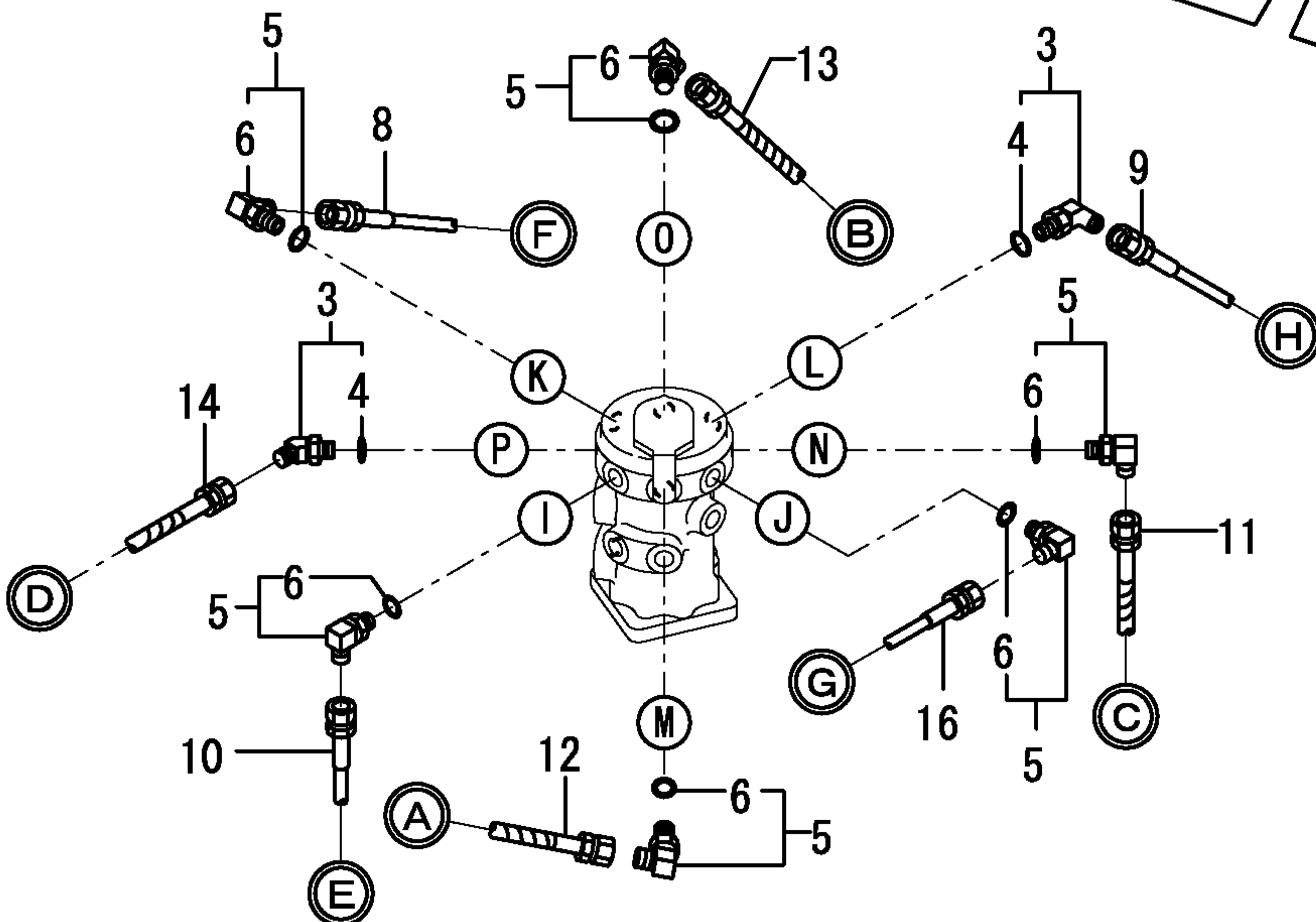


リモコンバルブ  
REMOTE CONTROL VALVE

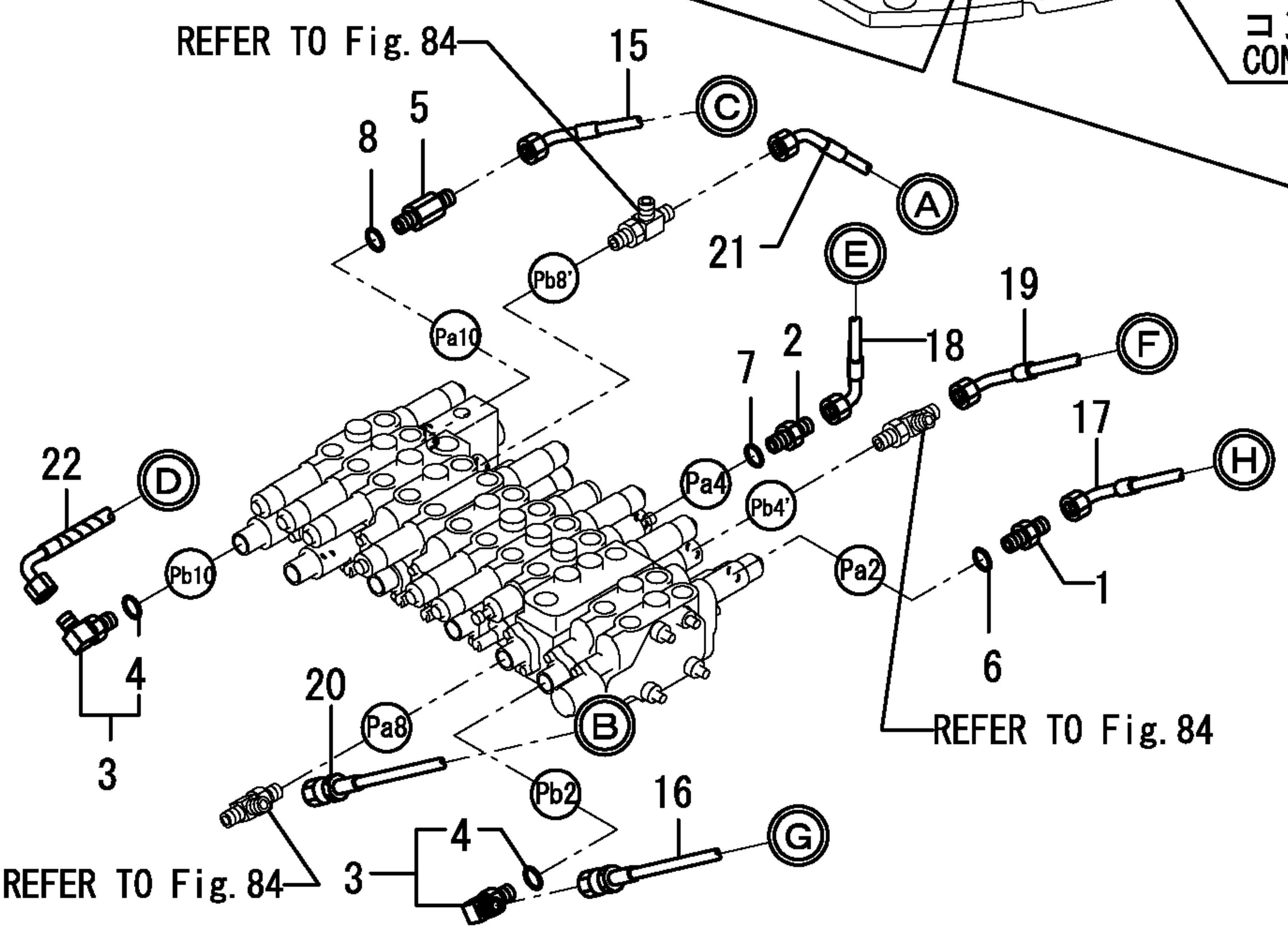
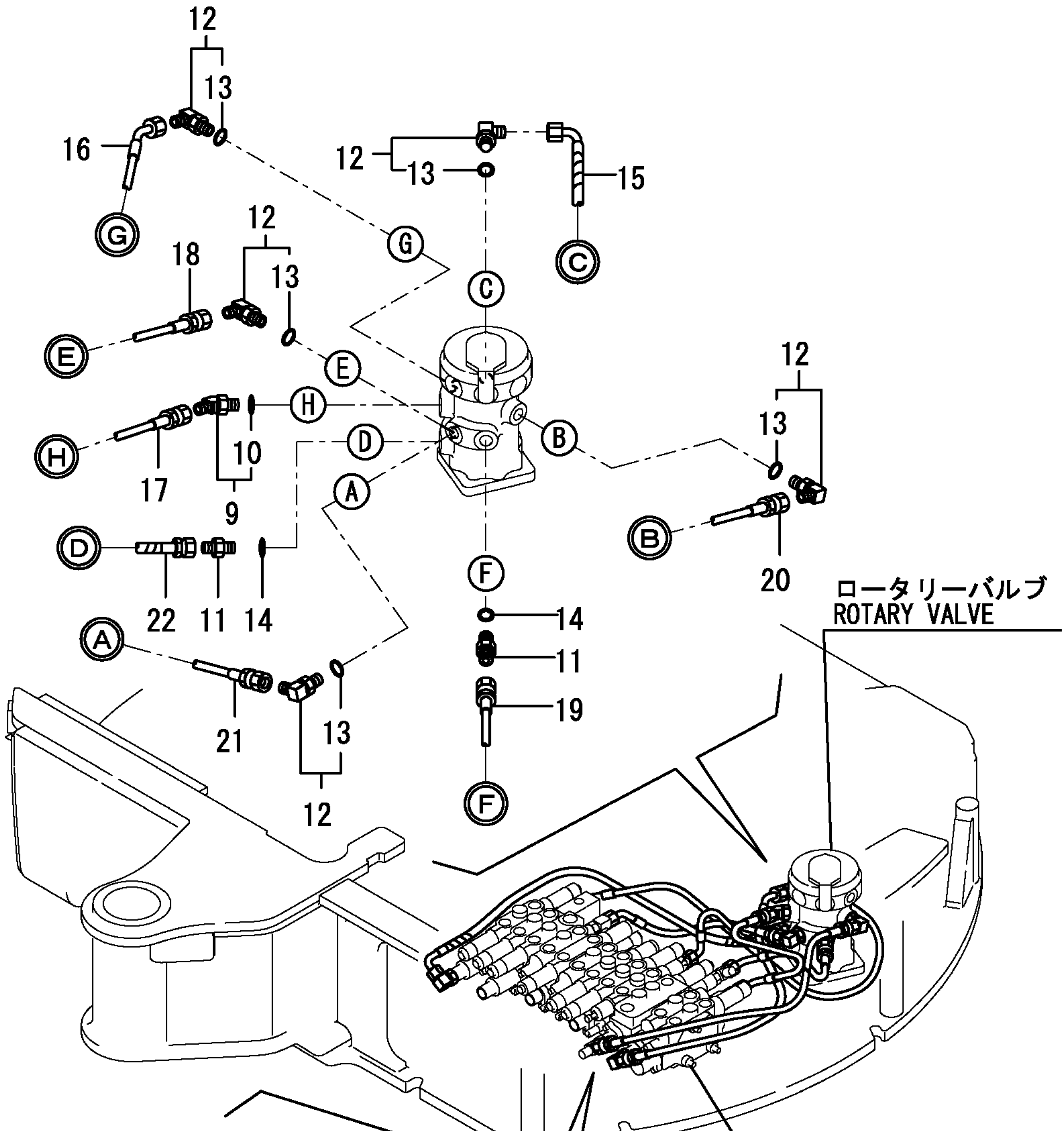
リモコンバルブ  
REMOTE CONTROL VALVE



ロータリバルブ  
ROTARY VALVE

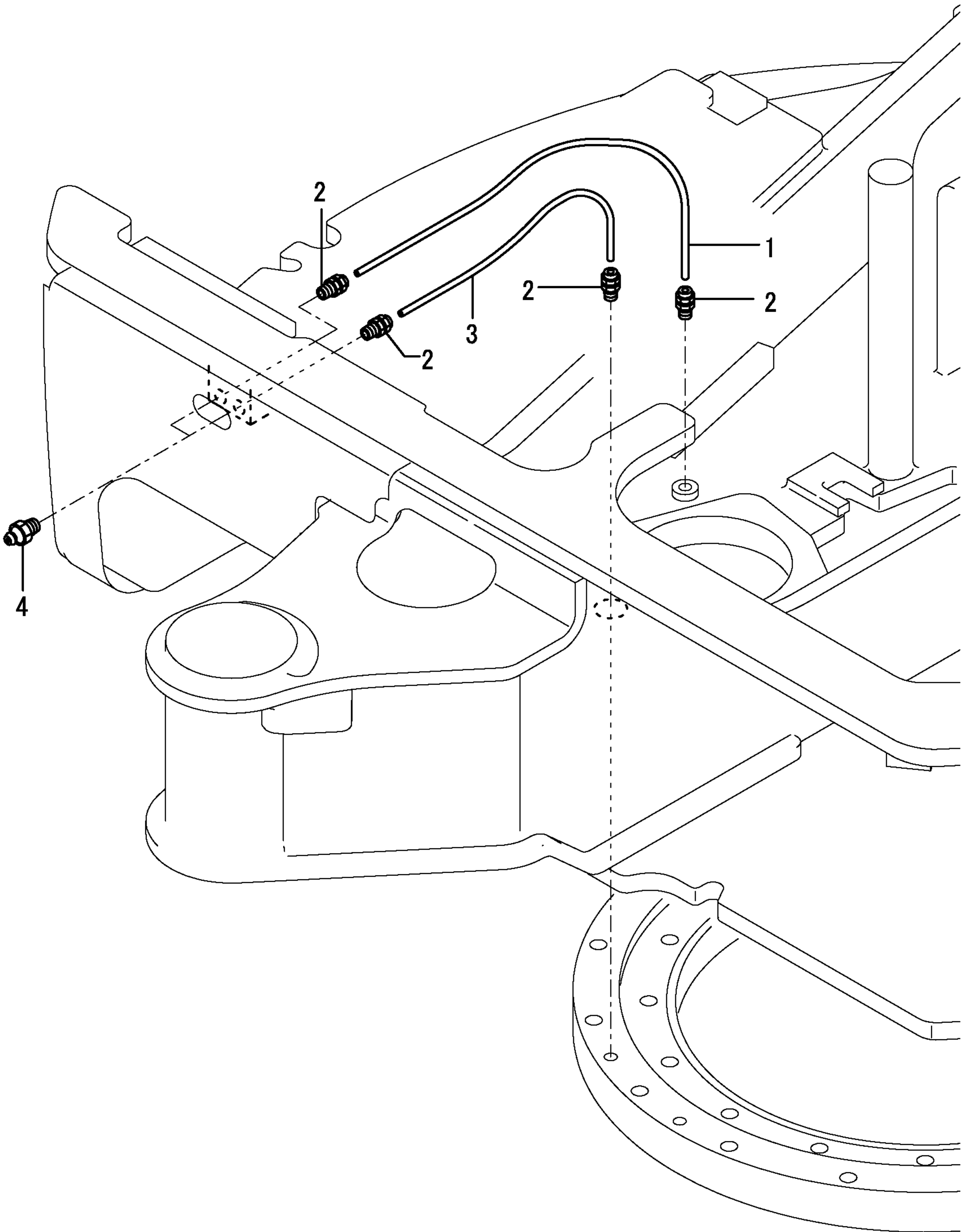


1,1,,172123-76121,, "JOINT PF1/4",1,1,,,,,,,,,,,,,,,,,,,,,  
2,1,,172123-76121,, "JOINT PF1/4",1,1,,,,,,,,,,,,,,,,,,,,,  
3,1,,172141-76180,,CONNECTOR,2,2,,,,,,,,,,,,,,,,,,,,,  
4,2,,24315-000110,, "O-RING 1B P-11.0",2,2,,,,,,,,,,,,,,,,,,,,,  
5,1,,172183-76200,, "CONNECTOR 1/4-1/4",1,1,,,,,,,,,,,,,,,,,,,,,  
6,1,,24315-000110,, "O-RING 1B P-11.0",1,1,,,,,,,,,,,,,,,,,,,,,  
7,1,,24315-000110,, "O-RING 1B P-11.0",1,1,,,,,,,,,,,,,,,,,,,,,  
8,1,,24315-000110,, "O-RING 1B P-11.0",1,1,,,,,,,,,,,,,,,,,,,,,  
9,1,,172173-76101,, "CONNECTOR PF1/4-45",1,1,,,,,,,,,,,,,,,,,,,,,  
10,2,,24315-000110,, "O-RING 1B P-11.0",1,1,,,,,,,,,,,,,,,,,,,,,  
11,1,,172123-76121,, "JOINT PF1/4",2,2,,,,,,,,,,,,,,,,,,,,,  
12,1,,172141-76180,,CONNECTOR,5,5,,,,,,,,,,,,,,,,,,,,,  
13,2,,24315-000110,, "O-RING 1B P-11.0",5,5,,,,,,,,,,,,,,,,,,,,,  
14,1,,24315-000110,, "O-RING 1B P-11.0",2,2,,,,,,,,,,,,,,,,,,,,,  
15,1,,172456-78420,, "HOSE F403CE065S",1,1,,,,,,,,,,,,,,,,,,,,,  
16,1,,172458-78610,, "HOSE F403BE057",1,1,,,,,,,,,,,,,,,,,,,,,  
17,1,,172458-78620,, "HOSE F403BC030",1,1,,,,,,,,,,,,,,,,,,,,,  
18,1,,172458-78630,, "HOSE F403BC027",1,1,,,,,,,,,,,,,,,,,,,,,  
19,1,,172458-78640,, "HOSE F403BC027",1,1,,,,,,,,,,,,,,,,,,,,,  
20,1,,172458-78650,, "HOSE F403BB055",1,1,,,,,,,,,,,,,,,,,,,,,  
21,1,,172458-78660,, "HOSE F403BC030",1,1,,,,,,,,,,,,,,,,,,,,,  
22,1,,172458-78670,, "HOSE F403BC065S",1,1,,,,,,,,,,,,,,,,,,,,,

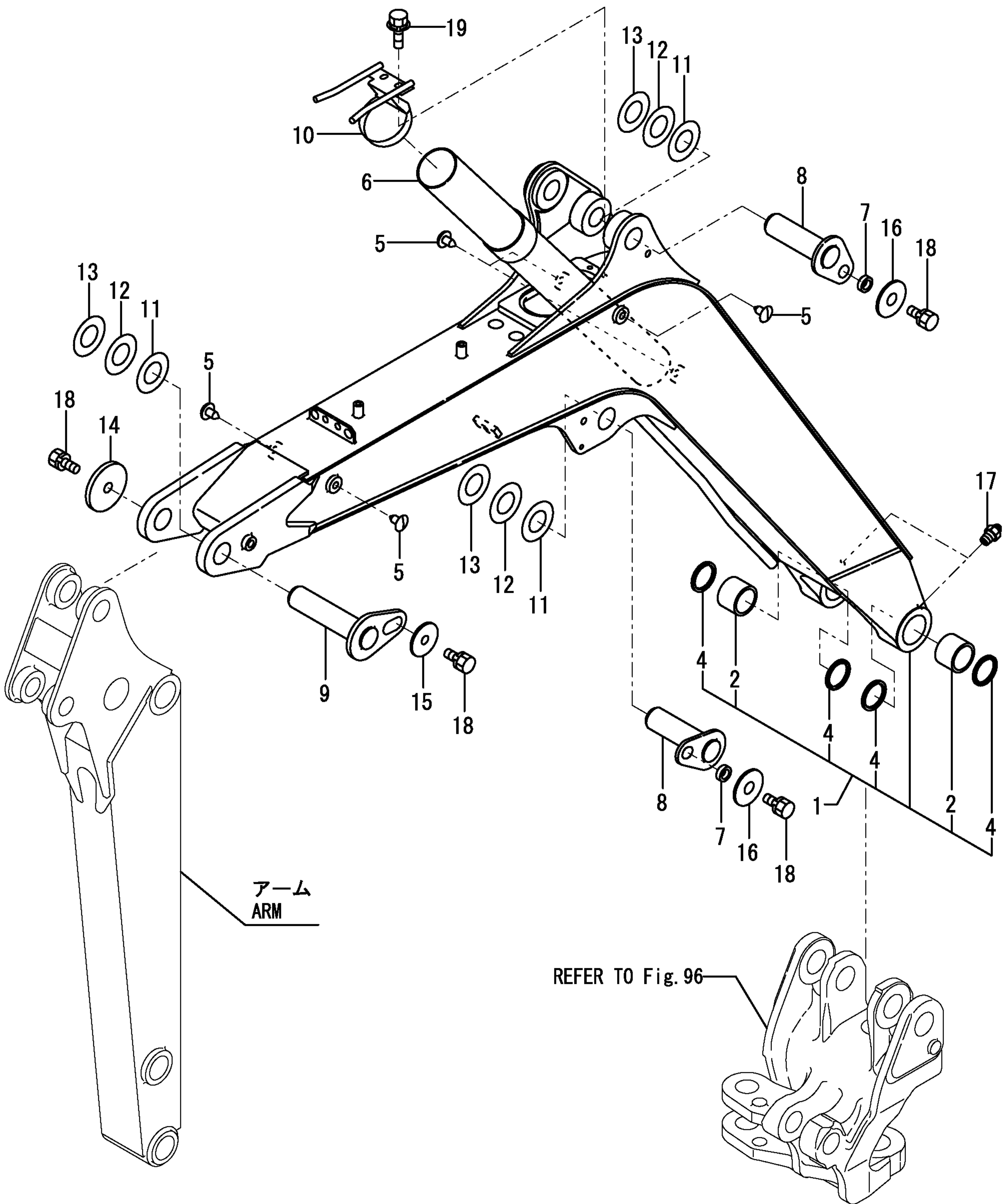




1,1,,172186-77100,, "HOSE P602YY055",1,1,1,,,,,,,,,,,,,  
2,1,,172141-77800,, "JOINT, GREASE",4,4,4,,,,,,,,,,,,,  
3,1,,172151-77801,, "HOSE P602YY045",1,1,1,,,,,,,,,,,,,  
4,1,,24761-020000,, "NIPPLE PT1/8,GREASE",2,2,2,,,,,,,,,,,,,

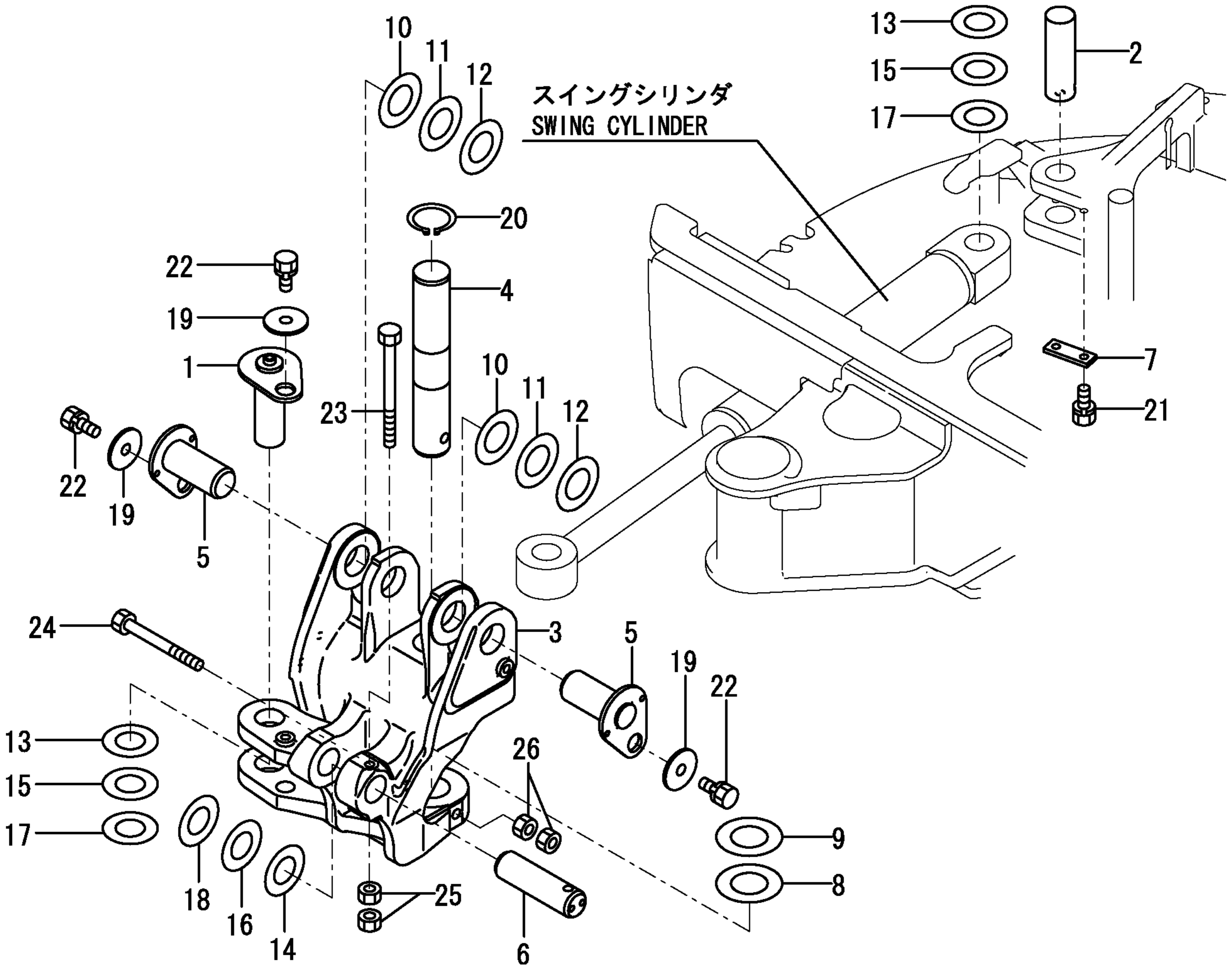


1,1,,172A23-81090,, "BOOM ASSY (GREEN:97)",1,1,1,,,,,,,,,,,,,,,,,,,,,  
2,2,,172168-72400,, "BUSH 45X55X40",2,2,2,,,,,,,,,,,,,,,,,,,,,  
4,2,,172168-81410,, "SEAL 45X55X4, DUST",4,4,4,,,,,,,,,,,,,,,,,,,,,  
5,1,,172183-81170,, "TREE CLIP",5,5,5,,,,,,,,,,,,,,,,,,,,,  
6,1,,172456-81450,, "GUARD,HOSE",1,1,1,,,,,,,,,,,,,,,,,,,,,  
7,1,,172164-81670,, "SPACER",2,2,2,,,,,,,,,,,,,,,,,,,,,  
8,1,,172456-81710,, "PIN 40X134",2,2,2,,,,,,,,,,,,,,,,,,,,,  
9,1,,172456-81740,, "PIN 40X167.5 ASSY",1,1,1,,,,,,,,,,,,,,,,,,,,,  
10,1,,172458-81751,, "CLAMP,PIPE(GREEN:97)",1,1,1,,,,,,,,,,,,,,,,,,,,,  
11,1,,172165-82580,, "SHIM 40X75X0.5",3,3,3,,,,,,,,,,,,,,,,,,,,,  
12,1,,172165-82590,, "SHIM 40X75X1.2",3,3,3,,,,,,,,,,,,,,,,,,,,,  
13,1,,172165-82600,, "SHIM 40X75X1.6",3,3,3,,,,,,,,,,,,,,,,,,,,,  
14,1,,172146-82910,, "SPACER",1,1,1,,,,,,,,,,,,,,,,,,,,,  
15,1,,172444-82990,, "WASHER",1,1,1,,,,,,,,,,,,,,,,,,,,,  
16,1,,22157-120000,, "WASHER 12",2,2,2,,,,,,,,,,,,,,,,,,,,,  
17,1,,24761-050000,, "NIPPLE C,GREASE",2,2,2,,,,,,,,,,,,,,,,,,,,,  
18,1,,26013-120252,, "BOLT M12X 25",4,4,4,,,,,,,,,,,,,,,,,,,,,  
19,1,,26014-080162,, "BOLT M 8X 16",2,2,2,,,,,,,,,,,,,,,,,,,,,



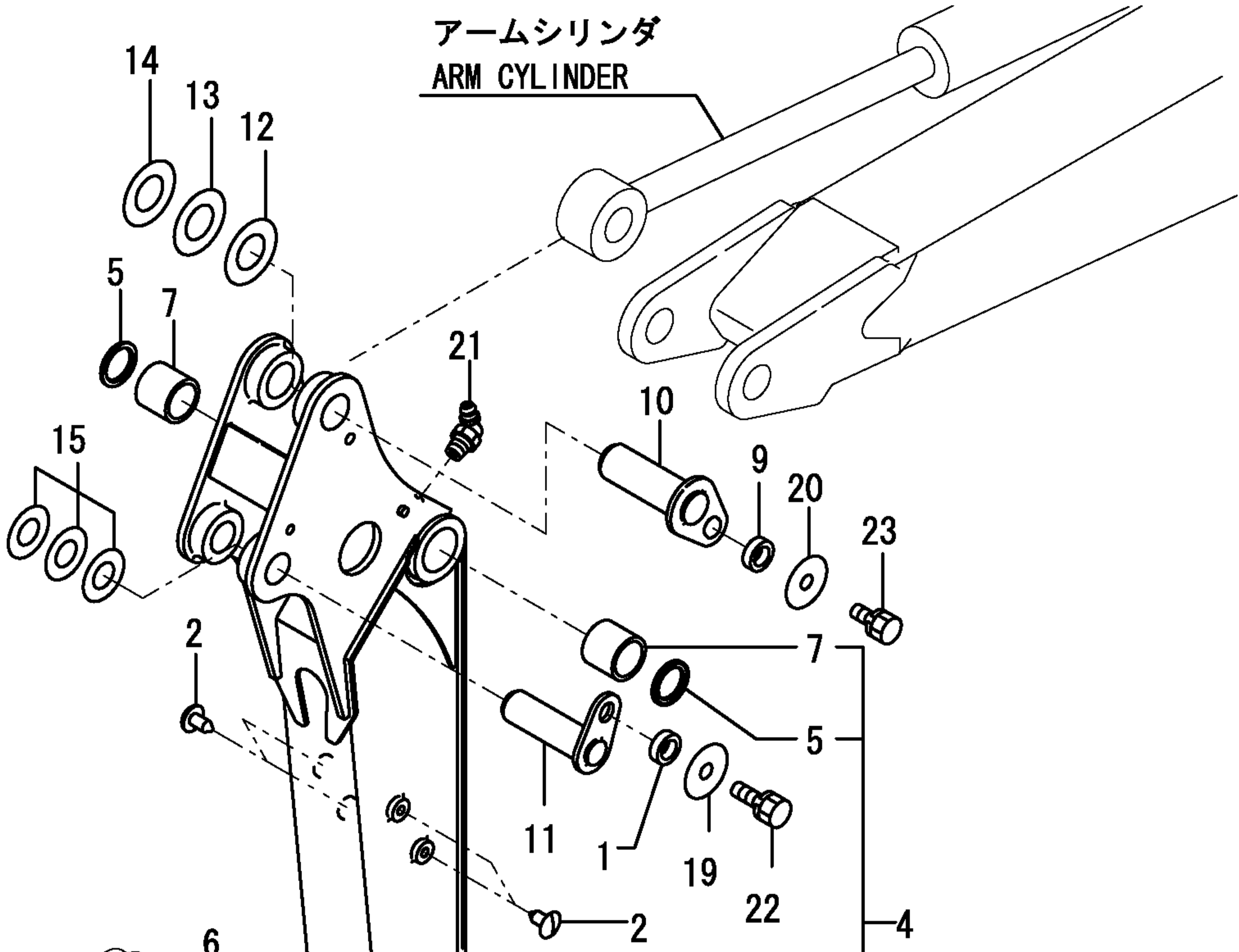
1,1,,172456-81900,, "PIN 40X103",1,1,1,,,,,,,,,,,,,,,,,,,,,  
2,1,,172458-81920,, "PIN 40X115",1,1,1,,,,,,,,,,,,,,,,,,,,,  
3,1,,172456-82300,, "BRACKET,BOOM(GREEN97",1,1,1,,,,,,,,,,,,,,,,,,,,,  
4,1,,172456-82330,, "PIN 50X264",1,1,1,,,,,,,,,,,,,,,,,,,,,  
5,1,,172456-82340,, "PIN 45X95",2,2,2,,,,,,,,,,,,,,,,,,,,,  
6,1,,172456-82360,, "PIN 40X124",1,1,1,,,,,,,,,,,,,,,,,,,,,  
7,1,,172456-82400,, "PLATE,PIN (GREEN:97)",1,1,1,,,,,,,,,,,,,,,,,,,,,  
8,1,,172165-82520,, "SHIM 50X85X0.5",1,1,1,,,,,,,,,,,,,,,,,,,,,  
9,1,,172165-82530,, "SHIM 50X85X1.2",1,1,1,,,,,,,,,,,,,,,,,,,,,  
10,1,,172165-82550,, "SHIM 45X1.2",2,2,2,,,,,,,,,,,,,,,,,,,,,  
11,1,,172165-82560,, "SHIM 45X80X1.2",2,2,2,,,,,,,,,,,,,,,,,,,,,  
12,1,,172165-82570,, "SHIM 45X80X1.6",2,2,2,,,,,,,,,,,,,,,,,,,,,  
13,1,,172165-82580,, "SHIM 40X75X0.5",2,2,2,,,,,,,,,,,,,,,,,,,,,  
14,1,,172165-82580,, "SHIM 40X75X0.5",1,1,1,,,,,,,,,,,,,,,,,,,,,  
15,1,,172165-82590,, "SHIM 40X75X1.2",2,2,2,,,,,,,,,,,,,,,,,,,,,  
16,1,,172165-82590,, "SHIM 40X75X1.2",1,1,1,,,,,,,,,,,,,,,,,,,,,  
17,1,,172165-82600,, "SHIM 40X75X1.6",2,2,2,,,,,,,,,,,,,,,,,,,,,  
18,1,,172165-82600,, "SHIM 40X75X1.6",1,1,1,,,,,,,,,,,,,,,,,,,,,  
19,1,,22157-120000,, "WASHER 12",3,3,3,,,,,,,,,,,,,,,,,,,,,  
20,1,,22242-000500,, "CIRCLIP 50",1,1,1,,,,,,,,,,,,,,,,,,,,,  
21,1,,26013-100202,, "BOLT W/WASHER M10X20",2,2,2,,,,,,,,,,,,,,,,,,,,,  
22,1,,26013-120252,, "BOLT M12X 25",3,3,3,,,,,,,,,,,,,,,,,,,,,  
23,1,,26116-121102,, "BOLT M12X110 PLATED",1,1,1,,,,,,,,,,,,,,,,,,,,,  
24,1,,26206-141502,, "BOLT M14X150 PLATED",1,1,1,,,,,,,,,,,,,,,,,,,,,  
25,1,,26716-120002,, "NUT 12",2,2,2,,,,,,,,,,,,,,,,,,,,,  
26,1,,26716-140002,, "NUT M14",2,2,2,,,,,,,,,,,,,,,,,,,,,

スイングシリンダ  
SWING CYLINDER



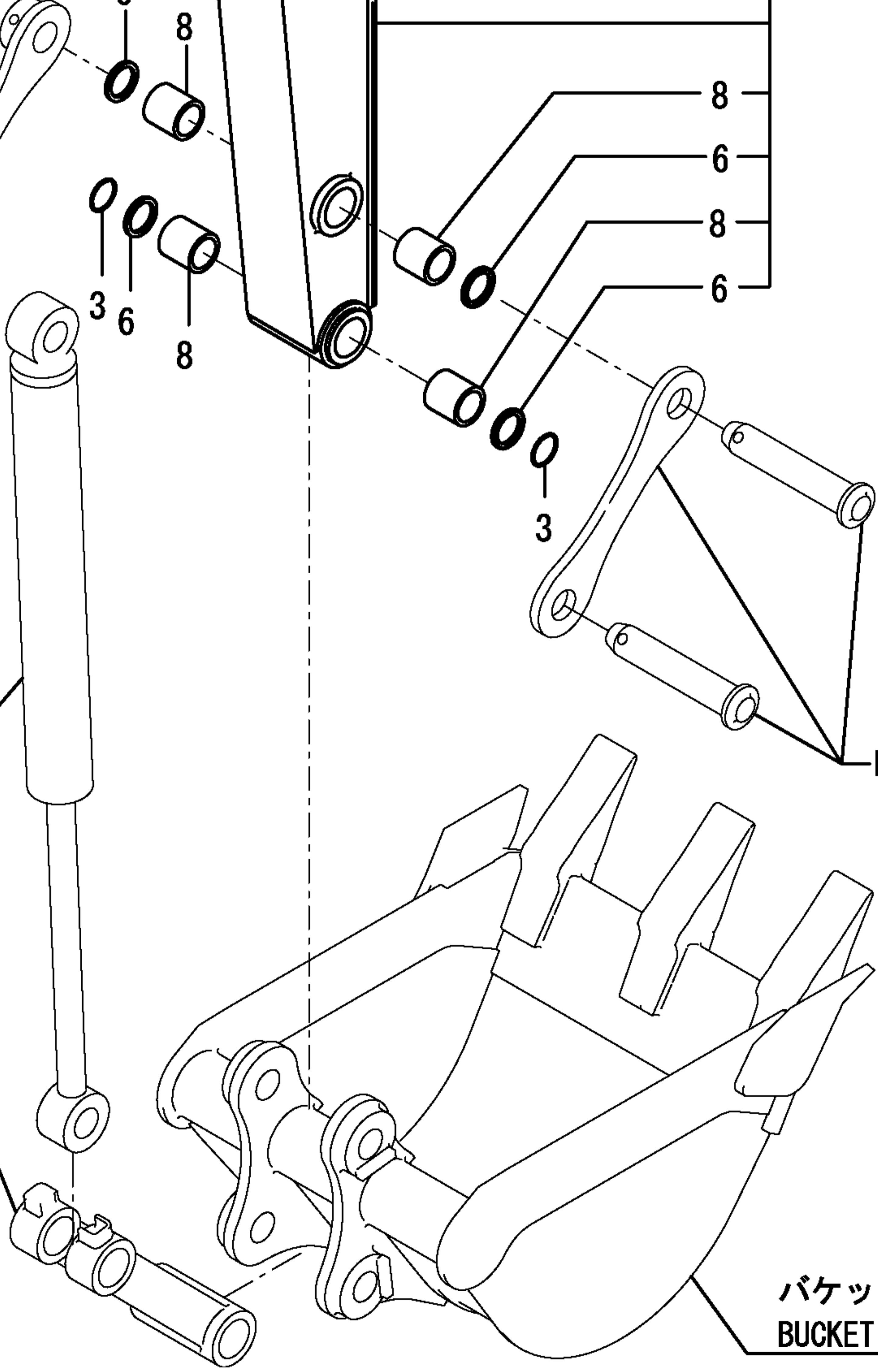
1,1,,172010-01640,,SPACER,1,1,,,,,,,,,,,,,  
2,1,,172183-81160,, "TREE CLIP",4,4,,,,,,,,,,,,,  
3,1,,172171-81270,,O-RING,2,2,,,,,,,,,,,,,  
4,1,,172456-81500,, "ARM,950 (GREEN:97)",1,1,,,,,,,,,,,,,  
5,2,,172448-72650,, "SEAL 40X50X4,DUST",2,2,,,,,,,,,,,,,  
6,2,,172448-81610,, "SEAL 35X45X4,DUST",4,4,,,,,,,,,,,,,  
7,2,,172456-81650,, "BUSHING 40X50X45",2,2,,,,,,,,,,,,,  
8,2,,172141-82270,, "BUSH 35 45",4,4,,,,,,,,,,,,,  
9,1,,172164-81670,,SPACER,1,1,,,,,,,,,,,,,  
10,1,,172456-81770,, "PIN 40X116 ASSY",1,1,,,,,,,,,,,,,  
11,1,,172456-81810,, "PIN 35X116 ASSY",1,1,,,,,,,,,,,,,  
12,1,,172165-82580,, "SHIM 40X75X0.5",1,1,,,,,,,,,,,,,  
13,1,,172165-82590,, "SHIM 40X75X1.2",1,1,,,,,,,,,,,,,  
14,1,,172165-82600,, "SHIM 40X75X1.6",1,1,,,,,,,,,,,,,  
15,1,,172141-84601,, "SHIM 35",1,1,,,,,,,,,,,,,  
19,1,,22157-100000,, "WASHER 10",1,1,,,,,,,,,,,,,  
20,1,,22157-120000,, "WASHER 12",1,1,,,,,,,,,,,,,  
21,1,,24761-040000,, "NIPPLE B,GREASE",1,1,,,,,,,,,,,,,  
22,1,,26013-100252,, "BOLT W/WASHER M10X25",1,1,,,,,,,,,,,,,  
23,1,,26013-120252,, "BOLT M12X 25",1,1,,,,,,,,,,,,,

アームシリンダ  
ARM CYLINDER



REFER TO Fig. 99

バケットシリンダ  
BUCKET CYLINDER



REFER TO Fig. 99

REFER TO Fig. 99

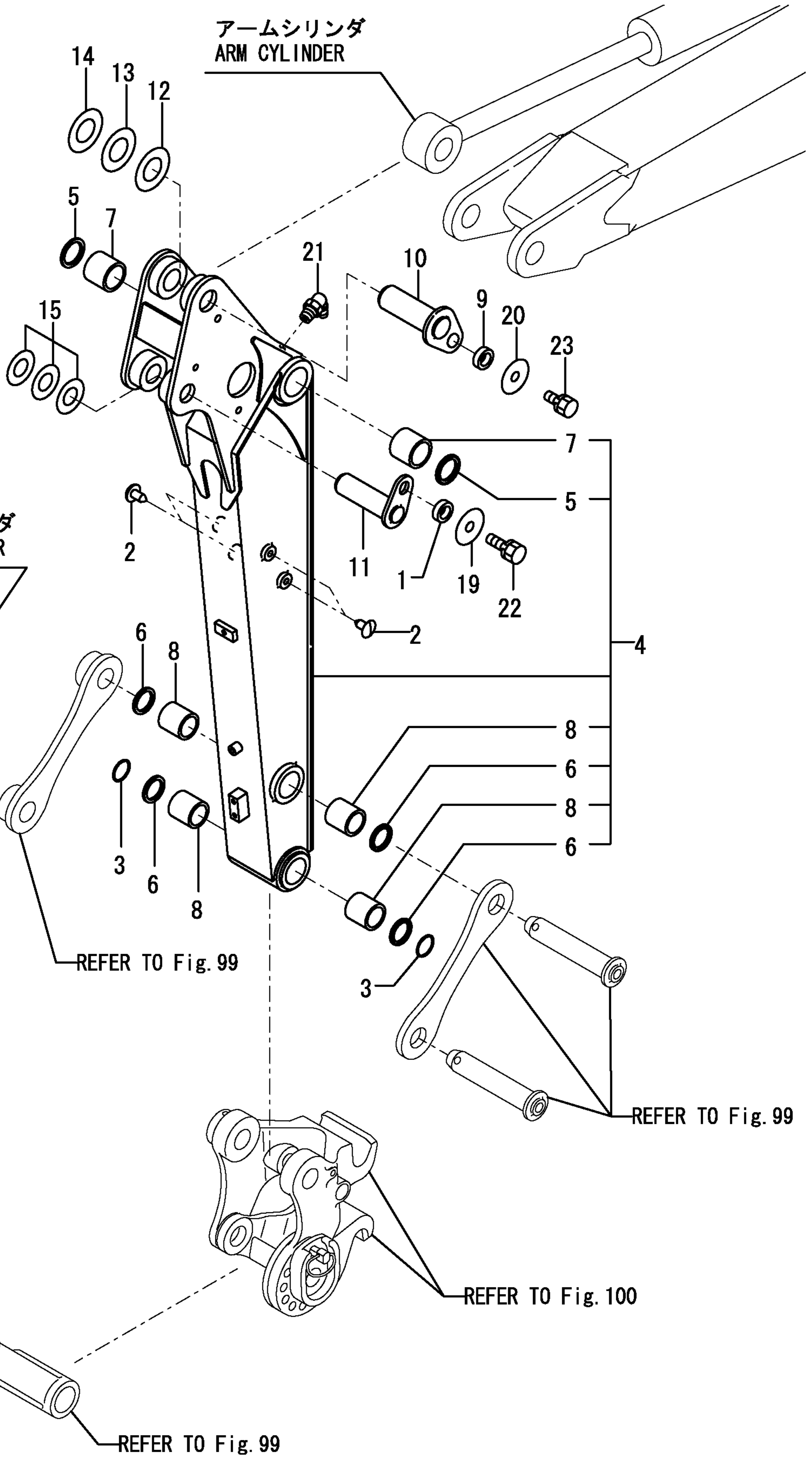
バケット  
BUCKET



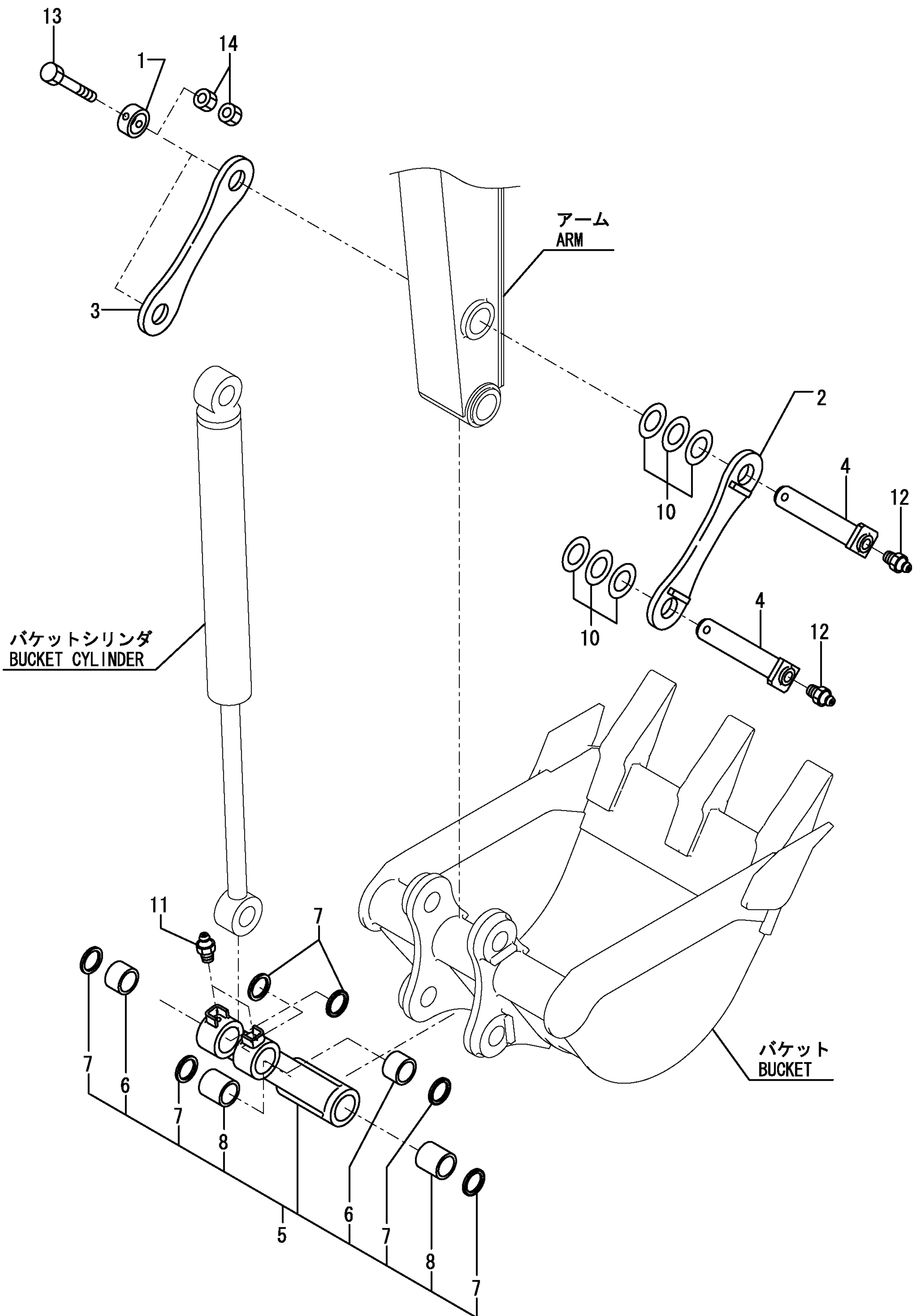
1,1,,172010-01640,,SPACER,1,1,1,,,,,,,,,,,,,  
2,1,,172183-81160,, "TREE CLIP",4,4,4,,,,,,,,,,,,,  
3,1,,172171-81270,,O-RING,2,2,2,,,,,,,,,,,,,  
4,1,,172956-81500,, "ARM ,950 Q(GREEN:97)",1,1,1,,,,,,,,,,,,,  
5,2,,172448-72650,, "SEAL 40X50X4,DUST",2,2,2,,,,,,,,,,,,,  
6,2,,172448-81610,, "SEAL 35X45X4,DUST",4,4,4,,,,,,,,,,,,,  
7,2,,172456-81650,, "BUSHING 40X50X45",2,2,2,,,,,,,,,,,,,  
8,2,,172141-82270,, "BUSH 35 45",4,4,4,,,,,,,,,,,,,  
9,1,,172164-81670,,SPACER,1,1,1,,,,,,,,,,,,,  
10,1,,172456-81770,, "PIN 40X116 ASSY",1,1,1,,,,,,,,,,,,,  
11,1,,172456-81810,, "PIN 35X116 ASSY",1,1,1,,,,,,,,,,,,,  
12,1,,172165-82580,, "SHIM 40X75X0.5",1,1,1,,,,,,,,,,,,,  
13,1,,172165-82590,, "SHIM 40X75X1.2",1,1,1,,,,,,,,,,,,,  
14,1,,172165-82600,, "SHIM 40X75X1.6",1,1,1,,,,,,,,,,,,,  
15,1,,172141-84601,, "SHIM 35",1,1,1,,,,,,,,,,,,,  
19,1,,22157-100000,, "WASHER 10",1,1,1,,,,,,,,,,,,,  
20,1,,22157-120000,, "WASHER 12",1,1,1,,,,,,,,,,,,,  
21,1,,24761-040000,, "NIPPLE B,GREASE",1,1,1,,,,,,,,,,,,,  
22,1,,26013-100252,, "BOLT W/WASHER M10X25",1,1,1,,,,,,,,,,,,,  
23,1,,26013-120252,, "BOLT M12X 25",1,1,1,,,,,,,,,,,,,

アームシリンダ  
ARM CYLINDER

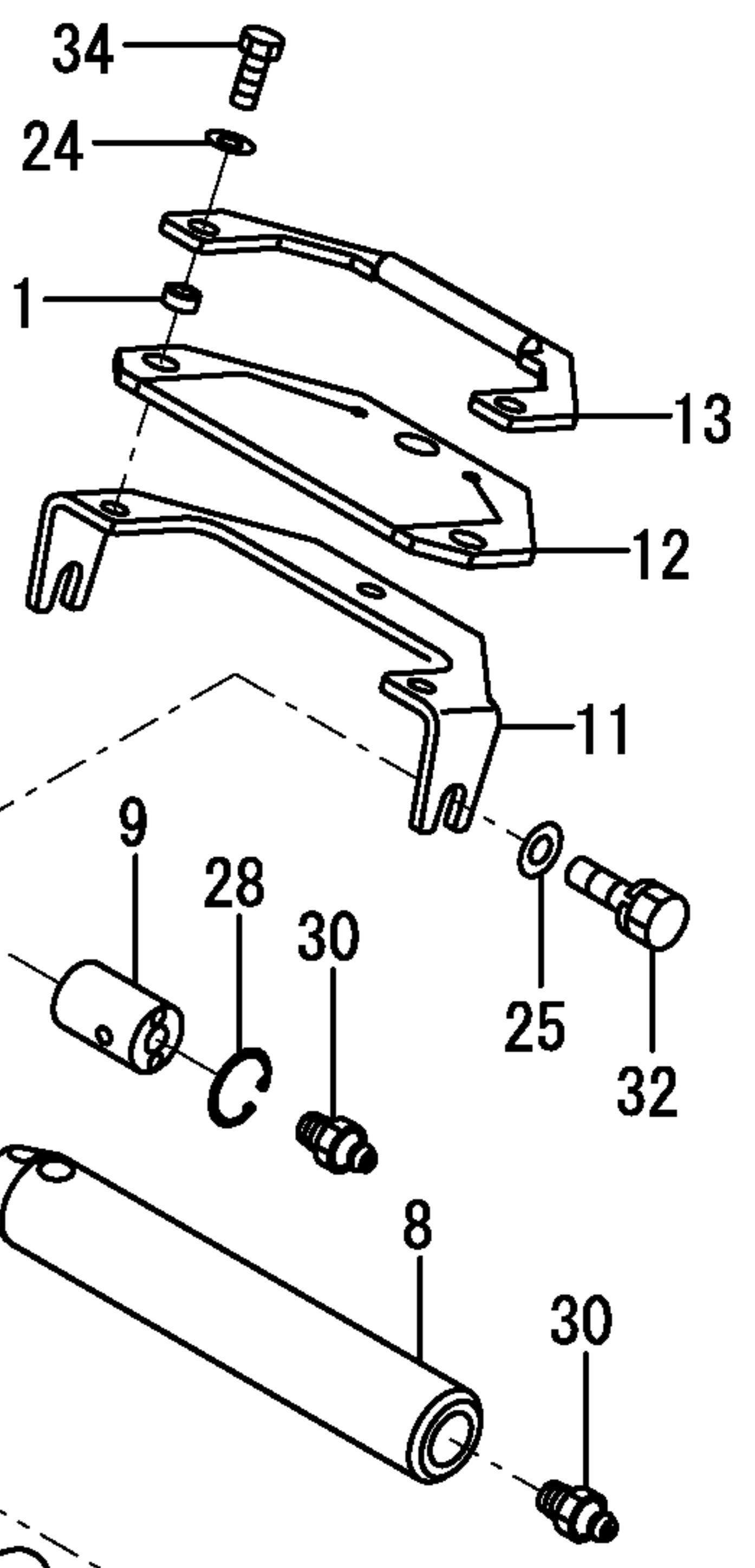
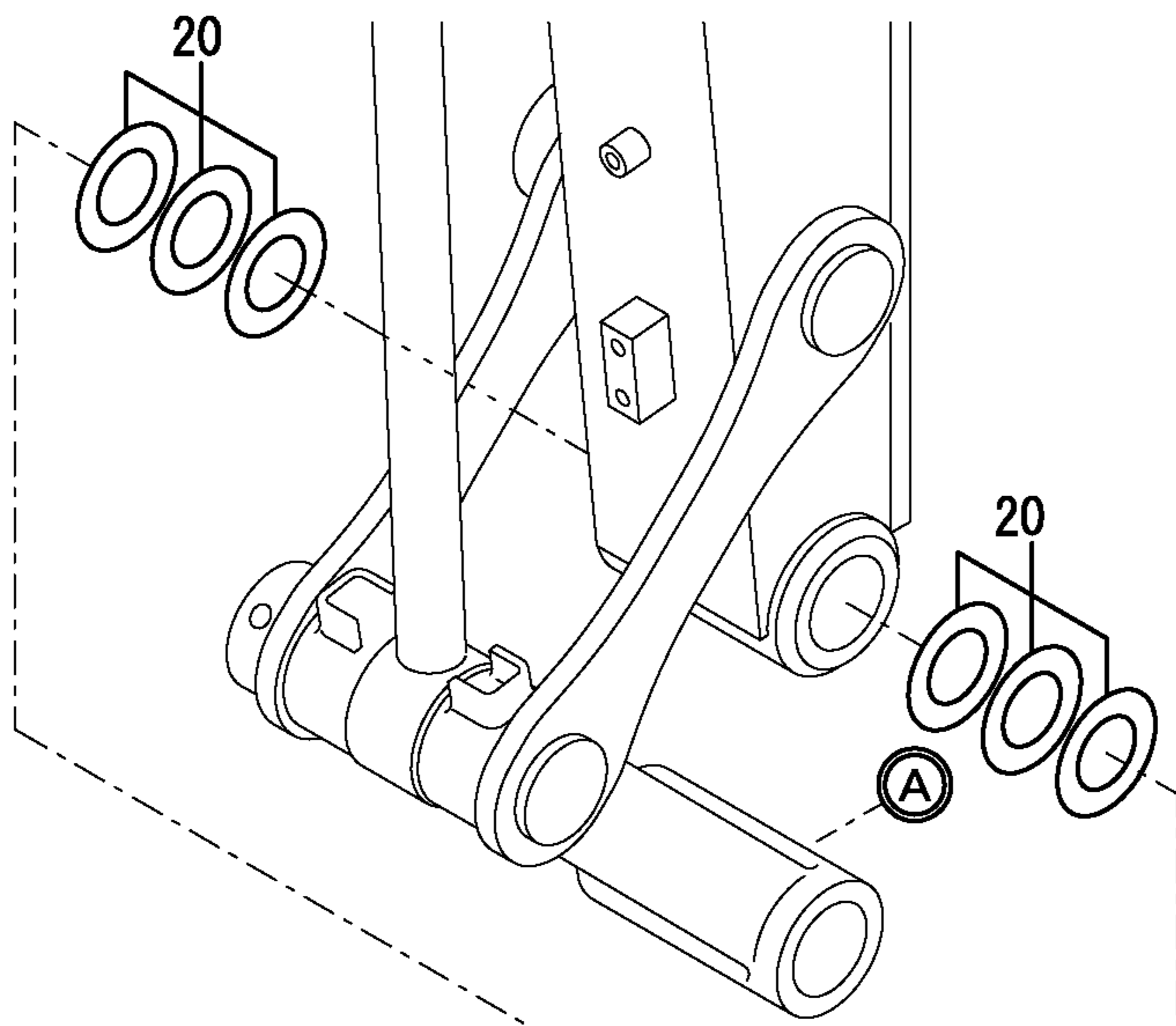
バケットシリンダ  
BUCKET CYLINDER



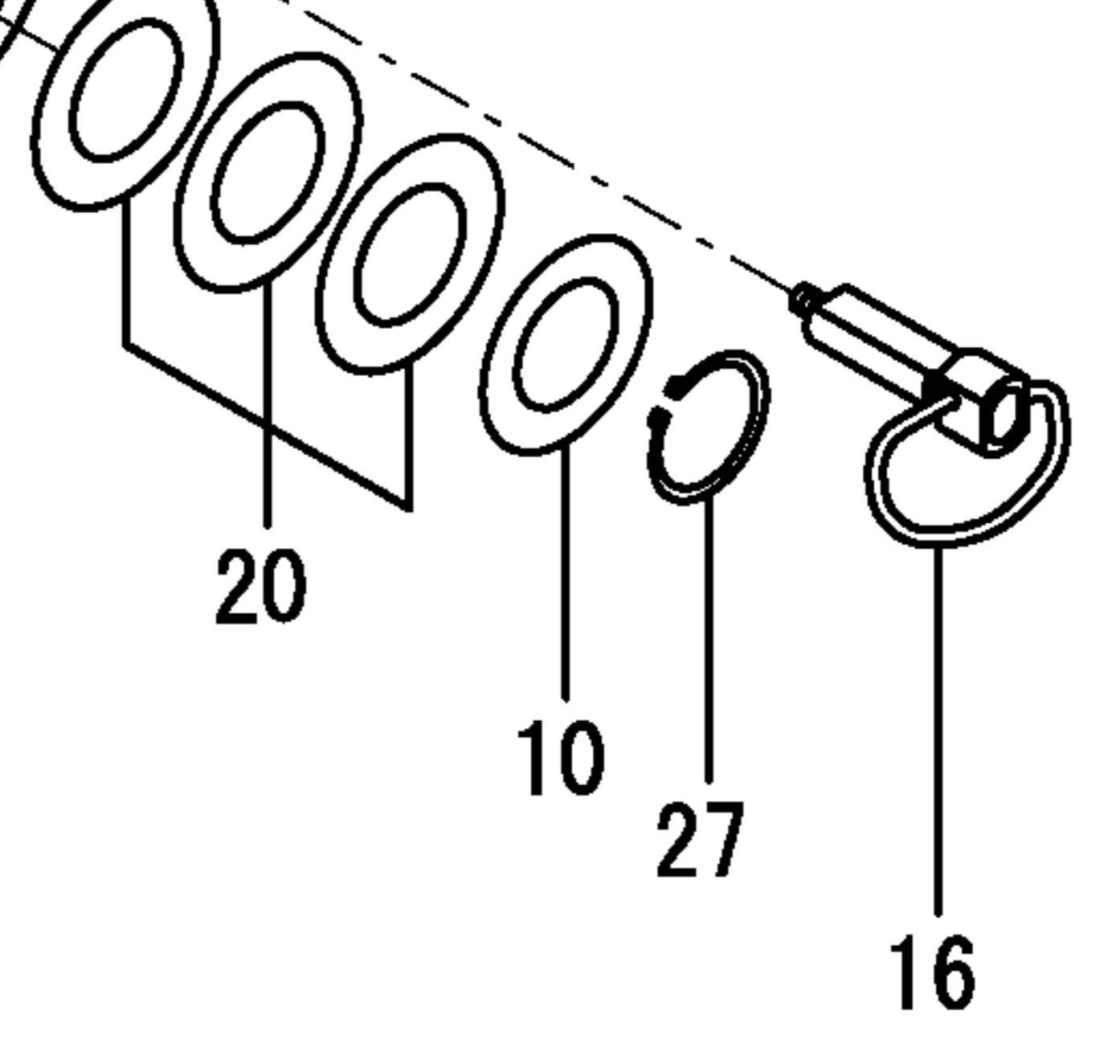
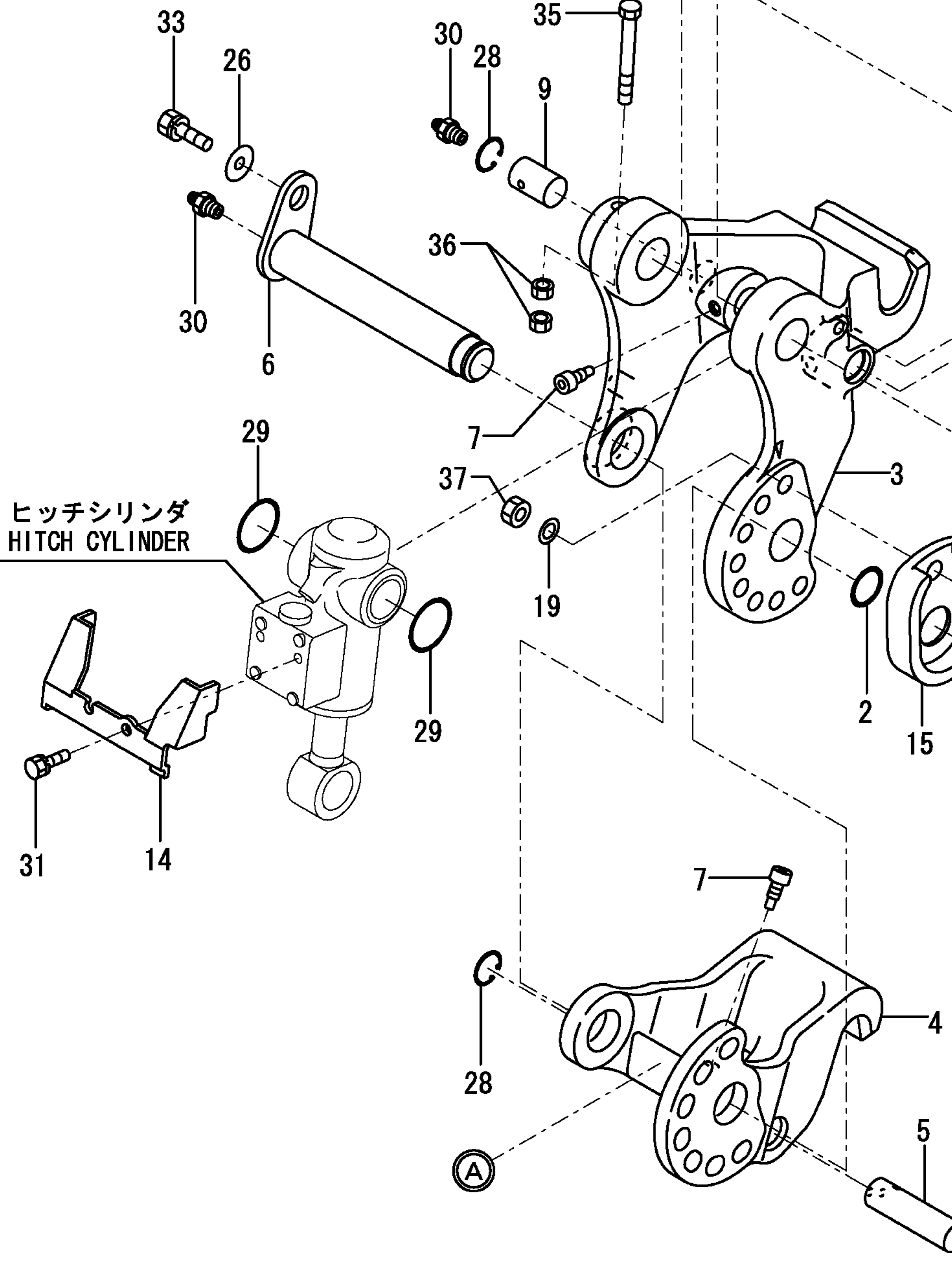
1,1,,172171-81500,, "COLLAR 35X48.6X22",2,2,2,,,,,,,,,,,,,,,,,,,,,  
2,1,,172456-82701,, "ARM ASSY, BUCKET(97)",1,1,1,,,,,,,,,,,,,,,,,,,,,  
3,1,,172456-82710,, "ARM,BUCKET(GREEN:97)",1,1,1,,,,,,,,,,,,,,,,,,,,,  
4,1,,172456-82831,, "PIN 35X160 ASSY",2,2,2,,,,,,,,,,,,,,,,,,,,,  
5,1,,172141-84403,, "LINK ASSY,BUCKET(97)",1,1,1,,,,,,,,,,,,,,,,,,,,,  
6,2,,172141-72561,, "BUSH (35-45-30",2,2,2,,,,,,,,,,,,,,,,,,,,,  
7,2,,172448-81610,, "SEAL 35X45X4,DUST",6,6,6,,,,,,,,,,,,,,,,,,,,,  
8,2,,172141-82270,, "BUSH 35 45",2,2,2,,,,,,,,,,,,,,,,,,,,,  
10,1,,172141-84601,, "SHIM 35",2,2,2,,,,,,,,,,,,,,,,,,,,,  
11,1,,24761-020000,, "NIPPLE PT1/8,GREASE",2,2,2,,,,,,,,,,,,,,,,,,,,,  
12,1,,24761-020000,, "NIPPLE PT1/8,GREASE",2,2,2,,,,,,,,,,,,,,,,,,,,,  
13,1,,26116-100652,, "BOLT M10X 65 PLATED",2,2,2,,,,,,,,,,,,,,,,,,,,,  
14,1,,26716-100002,, "NUT 10",4,4,4,,,,,,,,,,,,,,,,,,,,,



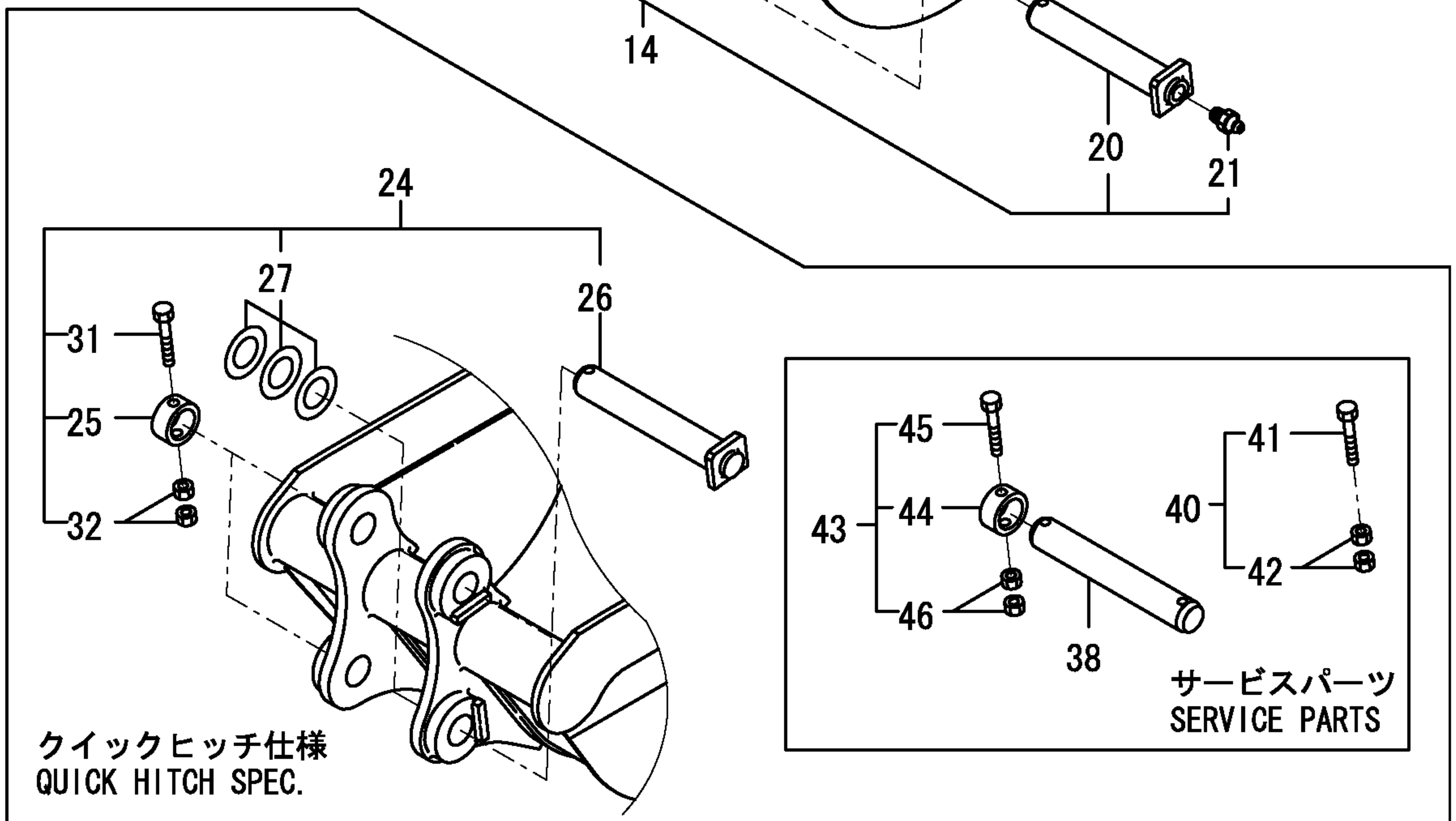
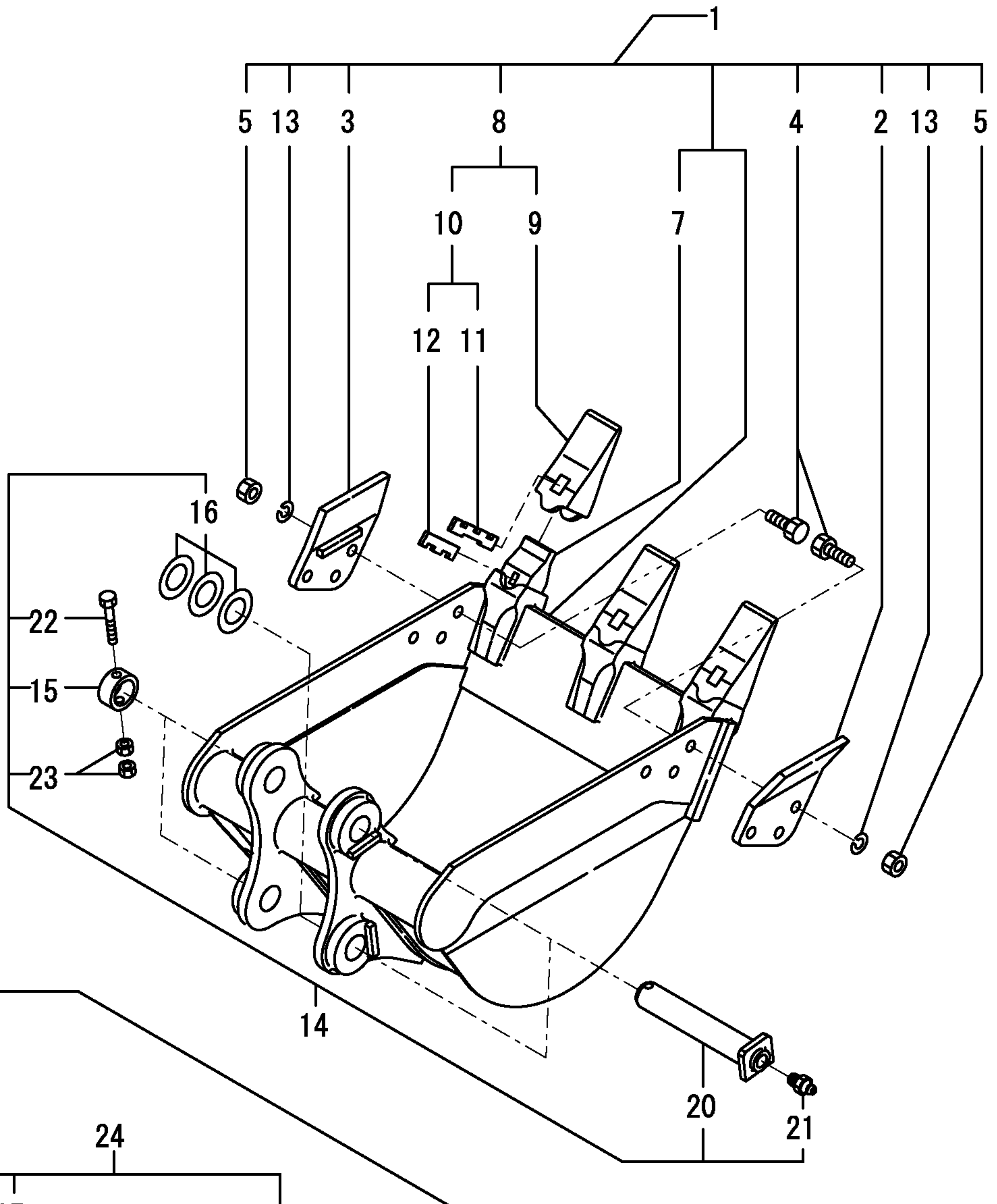
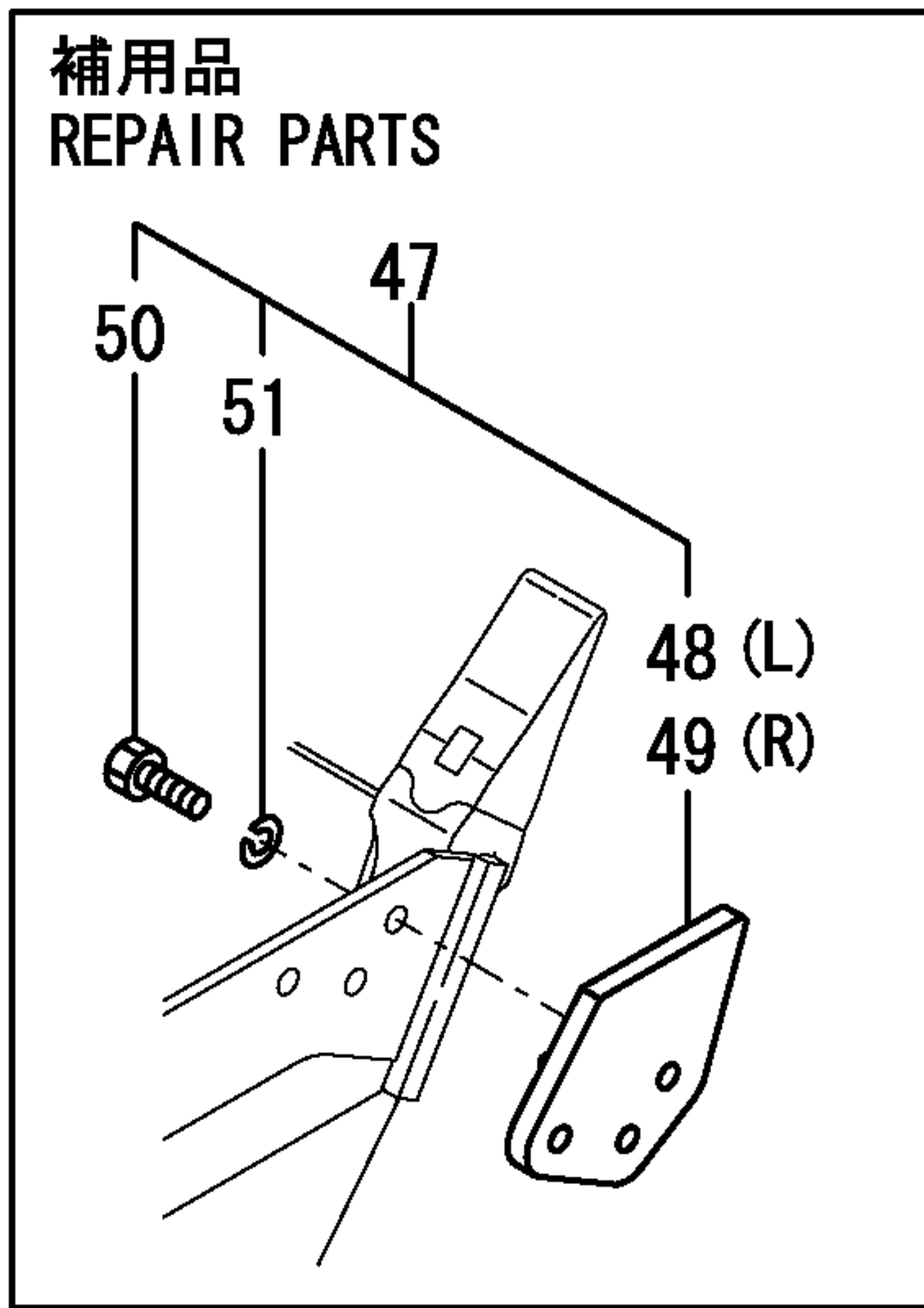
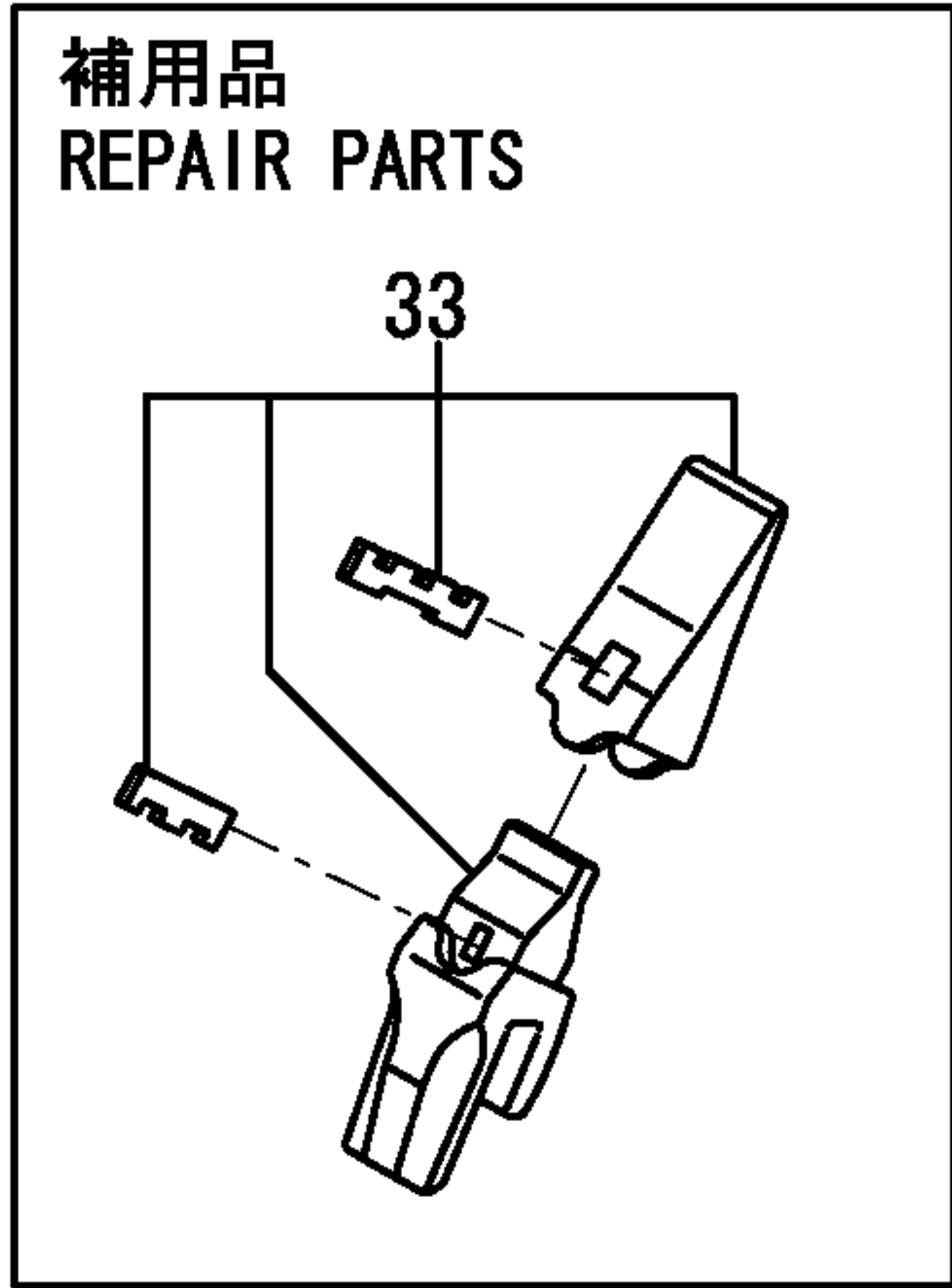
1,1,,172958-17120,, "COLLER 9X4",3,3,3,,,,,,,,,,,,,,,,,,,,,  
2,1,,172124-46200,, "O-RING 27X5.7",1,1,1,,,,,,,,,,,,,,,,,,,,,  
3,1,,172956-83102,, "BRACKET A (GREEN:97)",1,1,1,,,,,,,,,,,,,,,,,,,,,  
4,1,,172956-83112,, "BRACKET B (GREEN:97)",1,1,1,,,,,,,,,,,,,,,,,,,,,  
5,1,,172958-83130,, "PIN 25X86",1,1,1,,,,,,,,,,,,,,,,,,,,,  
6,1,,172956-83140,, "PIN ASSY 35X213.5",1,1,1,,,,,,,,,,,,,,,,,,,,,  
7,1,,172958-83140,, BOLT,3,3,3,,,,,,,,,,,,,,,,,,,,,  
8,1,,172956-83160,, "PIN 35X218",1,1,1,,,,,,,,,,,,,,,,,,,,,  
9,1,,172956-83200,, "PIN 25-38",2,2,2,,,,,,,,,,,,,,,,,,,,,  
10,1,,172956-83221,, "COLLAR 32.5X55X1.2",1,1,1,,,,,,,,,,,,,,,,,,,,,  
11,1,,172956-83252,, "GUARD ASSY",1,1,1,,,,,,,,,,,,,,,,,,,,,  
12,1,,172956-83281,, "PLATE, RUBBER",1,1,1,,,,,,,,,,,,,,,,,,,,,  
13,1,,172956-83291,, "PLATE ASSY",1,1,1,,,,,,,,,,,,,,,,,,,,,  
14,1,,172958-83292,, "COVER,HITCH CYL (97)",1,1,1,,,,,,,,,,,,,,,,,,,,,  
15,1,,172956-83350,, "PLATE,LOCK(GREEN:97)",1,1,1,,,,,,,,,,,,,,,,,,,,,  
16,1,,172956-83361,, "PIN ASSY, LOCK",1,1,1,,,,,,,,,,,,,,,,,,,,,  
19,1,,172956-83381,, "WASHER 6.4X14X1.5",1,1,1,,,,,,,,,,,,,,,,,,,,,  
20,1,,172141-84601,, "SHIM 35",3,3,3,,,,,,,,,,,,,,,,,,,,,  
24,1,,22137-080000,, "WASHER 8, POLISHED",3,3,3,,,,,,,,,,,,,,,,,,,,,  
25,1,,22137-100000,, "WASHER 10,POLISHED",2,2,2,,,,,,,,,,,,,,,,,,,,,  
26,1,,22157-100000,, "WASHER 10",1,1,1,,,,,,,,,,,,,,,,,,,,,  
27,1,,22242-000320,, "CIRCLIP 32",1,1,1,,,,,,,,,,,,,,,,,,,,,  
28,1,,22252-000250,, "CIRCLIP 25",4,4,4,,,,,,,,,,,,,,,,,,,,,  
29,1,,24311-000400,, "O-RING 1A P-40.0",2,2,2,,,,,,,,,,,,,,,,,,,,,  
30,1,,24761-020000,, "NIPPLE PT1/8,GREASE",4,4,4,,,,,,,,,,,,,,,,,,,,,  
31,1,,26013-080162,, "BOLT W/WASHER M8X16",2,2,2,,,,,,,,,,,,,,,,,,,,,  
32,1,,26013-100202,, "BOLT W/WASHER M10X20",2,2,2,,,,,,,,,,,,,,,,,,,,,  
33,1,,26013-100252,, "BOLT W/WASHER M10X25",1,1,1,,,,,,,,,,,,,,,,,,,,,  
34,1,,26116-080202,, "BOLT M 8X 20 PLATED",3,3,3,,,,,,,,,,,,,,,,,,,,,  
35,1,,26116-100802,, "BOLT M10X 80 PLATED",1,1,1,,,,,,,,,,,,,,,,,,,,,  
36,1,,26716-100002,, "NUT 10",2,2,2,,,,,,,,,,,,,,,,,,,,,  
37,1,,26756-060002,, "LOCK NUT 6",1,1,1,,,,,,,,,,,,,,,,,,,,,



ヒッチシリンダ  
HITCH CYLINDER

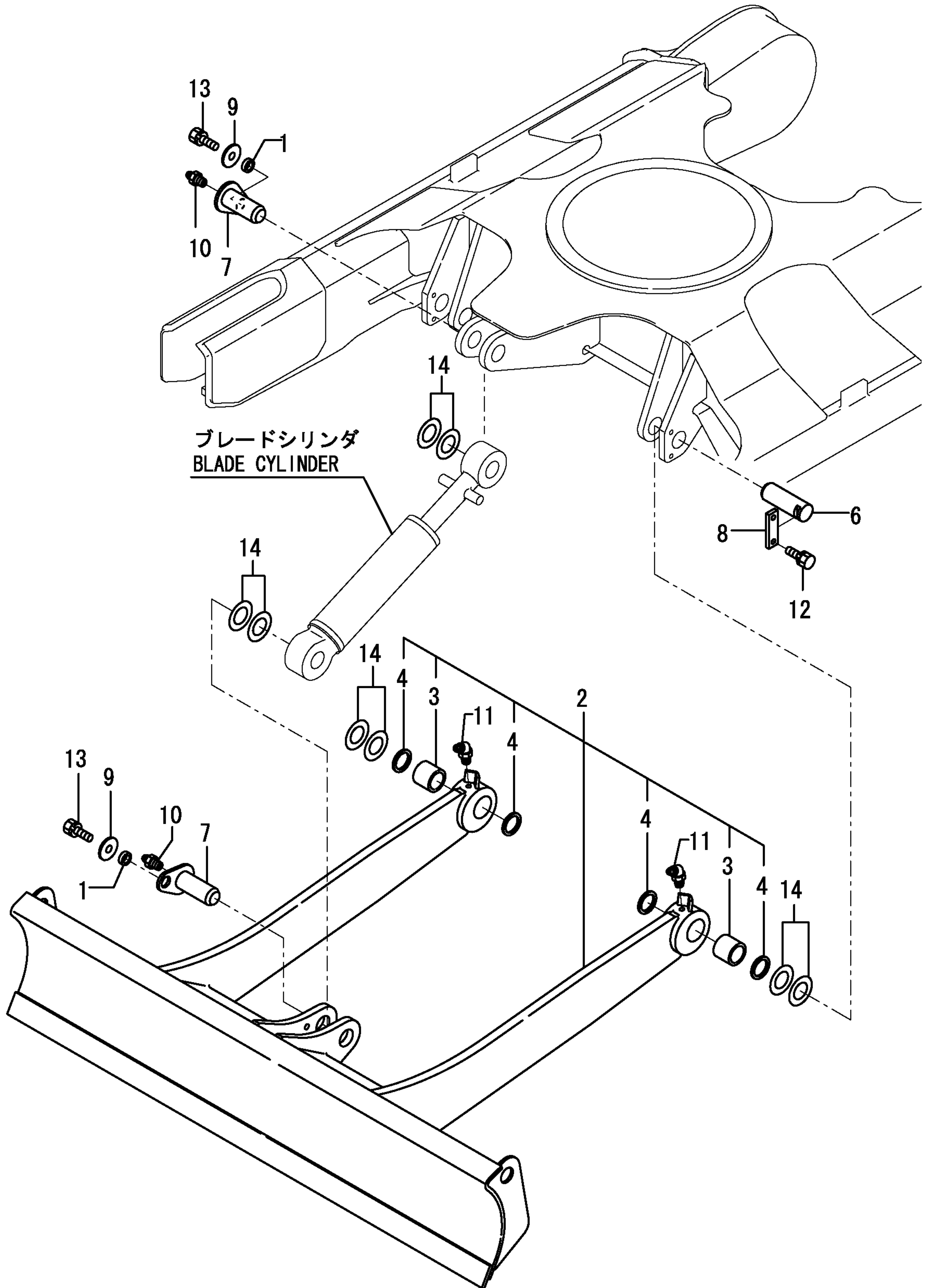


1,1,,172456-82501,, "BUCKET(490S) (97)",1,1,,,,,,,,,,,,,,,,,,,,,  
2,2,,172458-82240,, "CUTTER L (GREEN:97)",1,1,,,,,,,,,,,,,,,,,,,,,  
3,2,,172458-82260,, "CUTTER R (GREEN:97)",1,1,,,,,,,,,,,,,,,,,,,,,  
4,2,,172458-82280,, "BOLT 14X40",6,6,,,,,,,,,,,,,,,,,,,,,  
5,2,,172458-82290,, "NUT, M14",6,6,,,,,,,,,,,,,,,,,,,,,  
7,3,,172448-82530,, "ADAPTER 16(GREEN:97)",3,3,,,,,,,,,,,,,,,,,,,,,  
8,2,,172448-82950-1,, "TOOTH KIT, POINT(97)",3,3,,,,,,,,,,,,,,,,,,,,,  
9,3,,172448-82570,, "POINT,TOOTH 18S (97)",3,3,,,,,,,,,,,,,,,,,,,,,  
10,3,,172448-82960,, "PIN ASSY, LOCK",3,3,,,,,,,,,,,,,,,,,,,,,  
11,4,,172448-82580,, "PIN,LOCK",3,3,,,,,,,,,,,,,,,,,,,,,  
12,4,,172448-82590,, "RUBBER,PIN",3,3,,,,,,,,,,,,,,,,,,,,,  
13,2,,22217-140000,, "SPRING WASHER 14",6,6,,,,,,,,,,,,,,,,,,,,,  
14,1,,172456-82900,, "PIN KIT, BUCKET",2,2,,,,,,,,,,,,,,,,,,,,,  
15,2,,172171-81500,, "COLLAR 35X48.6X22",2,2,,,,,,,,,,,,,,,,,,,,,  
16,2,,172141-84601,, "SHIM 35",2,2,,,,,,,,,,,,,,,,,,,,,  
20,2,,172141-86252,, "PIN 35-195",2,2,,,,,,,,,,,,,,,,,,,,,  
21,2,,24761-020000,, "NIPPLE PT1/8,GREASE",2,2,,,,,,,,,,,,,,,,,,,,,  
22,2,,26116-100652,, "BOLT M10X 65 PLATED",2,2,,,,,,,,,,,,,,,,,,,,,  
23,2,,26716-100002,, "NUT 10",4,4,,,,,,,,,,,,,,,,,,,,,  
24,1,,172956-81600,, "PIN KIT,BUCKET(QUICK",1,1,1,,,,,,,,,,,,,,,,,,,,,  
25,2,,172171-81500,, "COLLAR 35X48.6X22",2,2,2,,,,,,,,,,,,,,,,,,,,,  
26,2,,172956-83120,, "PIN 35-195 ASSY",2,2,2,,,,,,,,,,,,,,,,,,,,,  
27,2,,172141-84601,, "SHIM 35",2,2,2,,,,,,,,,,,,,,,,,,,,,  
31,2,,26116-100652,, "BOLT M10X 65 PLATED",2,2,2,,,,,,,,,,,,,,,,,,,,,  
32,2,,26716-100002,, "NUT 10",4,4,4,,,,,,,,,,,,,,,,,,,,,  
33,1,,772448-82530,, "TOOTH ASSY(GREEN:97)",2,3,,,,,1,,,,,,,,,,,,,  
38,1,,172956-08120,, "BUCKET PIN KIT Q30",1,1,1,,,,,2,,,,,,,,,,,,,  
40,1,,172956-08130,, "BOLT KIT 10X85",1,1,1,,,,,2,,,,,,,,,,,,,  
41,2,,26116-100852,, "BOLT M10X 85 PLATED",1,1,1,,,,,,,,,,,,,,,,,,,,,  
42,2,,26716-100002,, "NUT 10",2,2,2,,,,,,,,,,,,,,,,,,,,,  
43,1,,172956-08140,, "BOLT KIT 10X60",1,1,1,,,,,2,,,,,,,,,,,,,  
44,2,,172149-83220,, "COLLAR 30X42.7X22",1,1,1,,,,,,,,,,,,,,,,,,,,,  
45,2,,26116-100602,, "BOLT M10X 60 PLATED",1,1,1,,,,,,,,,,,,,,,,,,,,,  
46,2,,26716-100002,, "NUT 10",2,2,2,,,,,,,,,,,,,,,,,,,,,  
47,1,,172142-86500,, "KIT,SIDE CUTTER (97)",1,1,,,,,1,,,,,,,,,,,,,  
48,2,,172142-86510-4,, "CUTTER(L),SIDE (97)",1,1,,,,,,,,,,,,,,,,,,,,,  
49,2,,172142-86520-4,, "CUTTER(R),SIDE (97)",1,1,,,,,,,,,,,,,,,,,,,,,  
50,2,,172142-86540,, "BOLT M14X 30",6,6,,,,,,,,,,,,,,,,,,,,,  
51,2,,22217-140000,, "SPRING WASHER 14",6,6,,,,,,,,,,,,,,,,,,,,,





1,1,,172164-81670,,SPACER,2,2,2,,,,,,,,,,,,,,,,,,,,,  
2,1,,172A23-94090,, "BLADE ASSY(GREEN:88)",1,1,1,,,,,,,,,,,,,,,,,,,,,  
3,2,,172168-72240,, "BUSH 38X50X40",2,2,2,,,,,,,,,,,,,,,,,,,,,  
4,2,,172168-81270,, "SEAL,DUST 38X50X4",4,4,4,,,,,,,,,,,,,,,,,,,,,  
6,1,,172422-94210,, "PIN 38X 114",2,2,2,,,,,,,,,,,,,,,,,,,,,  
7,1,,172141-94271,, "PIN 38-94",2,2,2,,,,,,,,,,,,,,,,,,,,,  
8,1,,172124-94310-1,, "PLATE (GREEN:88)",2,2,2,,,,,,,,,,,,,,,,,,,,,  
9,1,,22157-120000,, "WASHER 12",2,2,2,,,,,,,,,,,,,,,,,,,,,  
10,1,,24761-020000,, "NIPPLE PT1/8,GREASE",2,2,2,,,,,,,,,,,,,,,,,,,,,  
11,1,,24761-040000,, "NIPPLE B,GREASE",2,2,2,,,,,,,,,,,,,,,,,,,,,  
12,1,,26013-100252,, "BOLT W/WASHER M10X25",4,4,4,,,,,,,,,,,,,,,,,,,,,  
13,1,,26013-120302,, "BOLT W/WASHER M12X30",2,2,2,,,,,,,,,,,,,,,,,,,,,  
14,1,,933171-29751,, "SHIM SET,38X(0.8,1.2)",4,4,4,,,,,,,,,,,,,,,,,,,,,



[ Info ]

PcNo=Y00K3970

PcName=VIO20-3 (JP, EX)

JpnUse=1

JpnSec1=Ēš<@

JpnSec2=fofbfNfz [

JpnSec3=VIO

JpnPreface=1

EngUse=1

EngSec1=CONSTRUCTION

EngSec2=EXCAVATOR (ViO)

EngSec3=VIO

EngPreface=1

0,Y00K3970  
1,001,, "VEHICLE VIO20-3(JP,EX)"  
2,1,, "LABEL(CABIN : JP)", "VIO20-3 C(JP)", "VIO20-3 P(JP)", "VIO20-3 P(EX)",  
2,2,, "LABEL(CANOPY : JP)", "VIO20-3 C(JP)", "VIO20-3 P(JP)", "VIO20-3 P(EX)",  
2,3,, "LABEL(QUICK COUPLER : JP)", "VIO20-3 C(JP)", "VIO20-3 P(JP)", "VIO20-3 P(EX)",  
2,4,, "LABEL(CANOPY : EX)", "VIO20-3 C(JP)", "VIO20-3 P(JP)", "VIO20-3 P(EX)",  
2,5,, "SAFETY LABEL(CABIN : JP)", "VIO20-3 C(JP)", "VIO20-3 P(JP)", "VIO20-3 P(EX)",  
2,6,, "SAFETY LABEL(CANOPY : JP)", "VIO20-3 C(JP)", "VIO20-3 P(JP)", "VIO20-3 P(EX)",  
2,7,, "SAFETY LABEL(QUICK COUPLER : JP)", "VIO20-3 C(JP)", "VIO20-3 P(JP)", "VIO20-3 P(EX)",  
2,8,, "SAFETY LABEL(CANOPY : EX)", "VIO20-3 C(JP)", "VIO20-3 P(JP)", "VIO20-3 P(EX)",  
2,9,, "ACCESSORY", "VIO20-3 C(JP)", "VIO20-3 P(JP)", "VIO20-3 P(EX)",  
2,10,, "SUCTION & EXHAUST PIPE", "VIO20-3 C(JP)", "VIO20-3 P(JP)", "VIO20-3 P(EX)",  
2,11,, "ACCELERATOR", "VIO20-3 C(JP)", "VIO20-3 P(JP)", "VIO20-3 P(EX)",  
2,12,, "ENGINE MOUNT", "VIO20-3 C(JP)", "VIO20-3 P(JP)", "VIO20-3 P(EX)",  
2,13,, "RADIATOR & MOUNT", "VIO20-3 C(JP)", "VIO20-3 P(JP)", "VIO20-3 P(EX)",  
2,14,, "FUEL TANK", "VIO20-3 C(JP)", "VIO20-3 P(JP)", "VIO20-3 P(EX)",  
2,15,, "FUEL LINE", "VIO20-3 C(JP)", "VIO20-3 P(JP)", "VIO20-3 P(EX)",  
2,16,, "BATTERY", "VIO20-3 C(JP)", "VIO20-3 P(JP)", "VIO20-3 P(EX)",  
2,17,, "ELECTRIC PART(WIRING)", "VIO20-3 C(JP)", "VIO20-3 P(JP)", "VIO20-3 P(EX)",  
2,18,, "ELECTRIC PART(EQUIPMENT)", "VIO20-3 C(JP)", "VIO20-3 P(JP)", "VIO20-3 P(EX)",  
2,19,, "INDICATOR BOX", "VIO20-3 C(JP)", "VIO20-3 P(JP)", "VIO20-3 P(EX)",  
2,20,, "SWITCH BOX(QUICK COUPLER SPEC.)", "VIO20-3 C(JP)", "VIO20-3 P(JP)", "VIO20-3 P(EX)",  
2,21,, "WORK LAMP", "VIO20-3 C(JP)", "VIO20-3 P(JP)", "VIO20-3 P(EX)",  
2,22,, "CANOPY LAMP", "VIO20-3 C(JP)", "VIO20-3 P(JP)", "VIO20-3 P(EX)",  
2,23,, "HEATER", "VIO20-3 C(JP)", "VIO20-3 P(JP)", "VIO20-3 P(EX)",  
2,24,, "SPROCKET & ROLLER", "VIO20-3 C(JP)", "VIO20-3 P(JP)", "VIO20-3 P(EX)",  
2,25,, "IDLER & ADJUST", "VIO20-3 C(JP)", "VIO20-3 P(JP)", "VIO20-3 P(EX)",  
2,26,, "CRAWLER", "VIO20-3 C(JP)", "VIO20-3 P(JP)", "VIO20-3 P(EX)",  
2,27,, "CONTROL EQUIPMENT(LOCK LEVER & STAND)(RIGHT)", "VIO20-3 C(JP)", "VIO20-3 P(JP)", "VIO20-3 P(EX)",  
2,28,, "CONTROL EQUIPMENT(LOCK LEVER & STAND)(LEFT)", "VIO20-3 C(JP)", "VIO20-3 P(JP)", "VIO20-3 P(EX)",  
2,29,, "CONTROL EQUIPMENT(TRAVEL LEVER & LINK STAND)", "VIO20-3 C(JP)", "VIO20-3 P(JP)", "VIO20-3 P(EX)",  
2,30,, "CONTROL EQUIPMENT(OPERATION LEVER)", "VIO20-3 C(JP)", "VIO20-3P (JP)", "VIO20-3 P(EX)",  
2,31,, "CONTROL EQUIPMENT(BLADE LEVER)", "VIO20-3 C(JP)", "VIO20-3 P(JP)", "VIO20-3 P(EX)",  
2,32,, "CONTROL EQUIPMENT(SWING PEDAL)", "VIO20-3 C(JP)", "VIO20-3 P(JP)", "VIO20-3 P(EX)",  
2,33,, "CONTROL EQUIPMENT(LOW-HIGH PEDAL)", "VIO20-3 C(JP)", "VIO20-3 P(JP)", "VIO20-3 P(EX)",  
2,34,, "CONTROL EQUIPMENT(P.T.O. PEDAL)", "VIO20-3 C(JP)", "VIO20-3 P(JP)", "VIO20-3 P(EX)",  
2,35,, "CONTROL EQUIPMENT(P.T.O. LINK)", "VIO20-3 C(JP)", "VIO20-3 P(JP)", "VIO20-3 P(EX)",  
2,36,, "CONTROL VALVE PLATE", "VIO20-3 C(JP)", "VIO20-3 P(JP)", "VIO20-3 P(EX)",  
2,37,, "TURNING FRAME", "VIO20-3 C(JP)", "VIO20-3 P(JP)", "VIO20-3 P(EX)",  
2,38,, "TRACK FRAME & TURNING BEARING", "VIO20-3 C(JP)", "VIO20-3 P(JP)", "VIO20-3 P(EX)",  
2,39,, "COVER(FRAME)", "VIO20-3 C(JP)", "VIO20-3 P(JP)", "VIO20-3 P(EX)",  
2,40,, "COVER(AROUND CONTROL)", "VIO20-3 C(JP)", "VIO20-3 P(JP)", "VIO20-3 P(EX)",  
2,41,, "COVER(CABIN SPEC.)", "VIO20-3 C(JP)", "VIO20-3 P(JP)", "VIO20-3 P(EX)",  
2,42,, "COVER(CANOPY SPEC.)", "VIO20-3 C(JP)", "VIO20-3 P(JP)", "VIO20-3 P(EX)",  
2,43,, "COVER(BOOM)", "VIO20-3 C(JP)", "VIO20-3 P(JP)", "VIO20-3 P(EX)",  
2,44,, "STEP(CABIN SPEC.)", "VIO20-3 C(JP)", "VIO20-3 P(JP)", "VIO20-3 P(EX)",  
2,45,, "STEP(CANOPY SPEC.)", "VIO20-3 C(JP)", "VIO20-3 P(JP)", "VIO20-3 P(EX)",  
2,46,, "INSTRUMENT PANEL", "VIO20-3 C(JP)", "VIO20-3 P(JP)", "VIO20-3 P(EX)",  
2,47,, "SEAT & SEAT MOUNT(CABIN SPEC.)", "VIO20-3 C(JP)", "VIO20-3 P(JP)", "VIO20-3 P(EX)",

2,48,, "SEAT & SEAT MOUNT(CANOPY SPEC.)", "VIO20-3 C(JP", "VIO20-3 P(JP", "VIO20-3 P(EX",  
2,49,, BONNET(1), "VIO20-3 C(JP", "VIO20-3 P(JP", "VIO20-3 P(EX",  
2,50,, BONNET(2), "VIO20-3 C(JP", "VIO20-3 P(JP", "VIO20-3 P(EX",  
2,51,, DUCT, "VIO20-3 C(JP", "VIO20-3 P(JP", "VIO20-3 P(EX",  
2,52,, CABIN(ACCESSORY), "VIO20-3 C(JP", "VIO20-3 P(JP", "VIO20-3 P(EX",  
2,53,, CABIN(BODY), "VIO20-3 C(JP", "VIO20-3 P(JP", "VIO20-3 P(EX",  
2,54,, CABIN(FRONT GLASS)", "VIO20-3 C(JP", "VIO20-3 P(JP", "VIO20-3 P(EX",  
2,55,, CABIN(DOOR), "VIO20-3 C(JP", "VIO20-3 P(JP", "VIO20-3 P(EX",  
2,56,, "CABIN(JP SPEC.)", "VIO20-3 C(JP", "VIO20-3 P(JP", "VIO20-3 P(EX",  
2,57,, CANOPY, "VIO20-3 C(JP", "VIO20-3 P(JP", "VIO20-3 P(EX",  
2,58,, "HYD.OIL PUMP & JOINT", "VIO20-3 C(JP", "VIO20-3 P(JP", "VIO20-3 P(EX",  
2,59,, "HYD.OIL PUMP & JIONT(QUICK COUPLER SPEC.)", "VIO20-3 C(JP", "VIO20-3 P(JP", "VIO20-3 P(EX",  
2,60,, "BOOM CYLINDER(CABIN SPEC.)", "VIO20-3 C(JP", "VIO20-3 P(JP", "VIO20-3 P(EX",  
2,61,, "BOOM CYLINDER(CANOPY SPEC.)", "VIO20-3 C(JP", "VIO20-3 P(JP", "VIO20-3 P(EX",  
2,62,, "ARM CYLINDER", "VIO20-3 C(JP", "VIO20-3 P(JP", "VIO20-3 P(EX",  
2,63,, "BUCKET CYLINDER", "VIO20-3 C(JP", "VIO20-3 P(JP", "VIO20-3 P(EX",  
2,64,, "BUCKET CYLINDER(QICK COUPLER SPEC.)", "VIO20-3 C(JP", "VIO20-3 P(JP", "VIO20-3 P(EX",  
2,65,, "SWING CYLINDER", "VIO20-3 C(JP", "VIO20-3 P(JP", "VIO20-3 P(EX",  
2,66,, "BLADE CYLINDER", "VIO20-3 C(JP", "VIO20-3 P(JP", "VIO20-3 P(EX",  
2,67,, "HITCH CYLINDER", "VIO20-3 C(JP", "VIO20-3 P(JP", "VIO20-3 P(EX",  
2,68,, "TRAVEL MOTOR", "VIO20-3 C(JP", "VIO20-3 P(JP", "VIO20-3 P(EX",  
2,69,, "TURNING MOTOR", "VIO20-3 C(JP", "VIO20-3 P(JP", "VIO20-3 P(EX",  
2,70,, "SWIVEL JOINT", "VIO20-3 C(JP", "VIO20-3 P(JP", "VIO20-3 P(EX",  
2,71,, "CONTROL VALVE(1/6)", "VIO20-3 C(JP", "VIO20-3 P(JP", "VIO20-3 P(EX",  
2,72,, "CONTROL VALVE(2/6)", "VIO20-3 C(JP", "VIO20-3 P(JP", "VIO20-3 P(EX",  
2,73,, "CONTROL VALVE(3/6)", "VIO20-3 C(JP", "VIO20-3 P(JP", "VIO20-3 P(EX",  
2,74,, "CONTROL VALVE(4/6)", "VIO20-3 C(JP", "VIO20-3 P(JP", "VIO20-3 P(EX",  
2,75,, "CONTROL VALVE(5/6)", "VIO20-3 C(JP", "VIO20-3 P(JP", "VIO20-3 P(EX",  
2,76,, "CONTROL VALVE(6/6)", "VIO20-3 C(JP", "VIO20-3 P(JP", "VIO20-3 P(EX",  
2,77,, "REMOTE CONTROL VALVE", "VIO20-3 C(JP", "VIO20-3 P(JP", "VIO20-3 P(EX",  
2,78,, "ROTARY VALVE(4-WAY SPEC.)", "VIO20-3 C(JP", "VIO20-3 P(JP", "VIO20-3 P(EX",  
2,79,, "OIL COOLER", "VIO20-3 C(JP", "VIO20-3 P(JP", "VIO20-3 P(EX",  
2,80,, "HYD.OIL TANK", "VIO20-3 C(JP", "VIO20-3 P(JP", "VIO20-3 P(EX",  
2,81,, "HYD.OIL PIPING(TANK - PUMP - CONTROL VALVE)", "VIO20-3 C(JP", "VIO20-3 P(JP", "VIO20-3 P(EX",  
2,82,, "HYD.OIL PIPING(PUMP, CONTROL VALVE - TURNING MOTOR)", "VIO20-3 C(JP", "VIO20-3 P(JP", "VIO20-3 P(EX",  
2,83,, "HYD.OIL PIPING(CONTROL VALVE - SWIVEL JOINT, SWING CYLINDER)", "VIO20-3 C(JP", "VIO20-3 P(JP", "VIO20-3 P(EX",  
2,84,, "HYD.OIL PIPING(RETURN)", "VIO20-3 C(JP", "VIO20-3 P(JP", "VIO20-3 P(EX",  
2,85,, "HYD.OIL PIPING(P.T.O. : FRAME END)", "VIO20-3 C(JP", "VIO20-3 P(JP", "VIO20-3 P(EX",  
2,86,, "HYD.OIL PIPING(TRACK FRAME)", "VIO20-3 C(JP", "VIO20-3 P(JP", "VIO20-3 P(EX",  
2,87,, "HYD.OIL PIPING(BOOM)", "VIO20-3 C(JP", "VIO20-3 P(JP", "VIO20-3 P(EX",  
2,88,, "HYD.OIL PIPING(P.T.O. : ARM END)", "VIO20-3 C(JP", "VIO20-3 P(JP", "VIO20-3 P(EX",  
2,89,, "HYD.OIL PIPING(QUICK COUPLER)", "VIO20-3 C(JP", "VIO20-3 P(JP", "VIO20-3 P(EX",  
2,90,, "CONTROL PIPING(PUMP - CONTROL V. - RETURN)", "VIO20-3 C(JP", "VIO20-3 P(JP", "VIO20-3 P(EX",  
2,91,, "CONTROL PIPING(REMOTE CONTROL V. - CONTROL V.)", "VIO20-3 C(JP", "VIO20-3 P(JP", "VIO20-3 P(EX",  
2,92,, "CONTROL PIPING(REMOTE CONTROL V. - ROTARY V. : 4-WAY SPEC.)", "VIO20-3 C(JP", "VIO20-3 P(JP", "VIO20-3 P(EX",  
2,93,, "CONTROL PIPING(ROTARY V. - CONTROL V. : 4-WAY SPEC.)", "VIO20-3 C(JP", "VIO20-3 P(JP", "VIO20-3 P(EX",  
2,94,, GREASING, "VIO20-3 C(JP", "VIO20-3 P(JP", "VIO20-3 P(EX",  
2,95,, BOOM, "VIO20-3 C(JP", "VIO20-3 P(JP", "VIO20-3 P(EX",

2,96,, "BOOM BRACKET", "VIO20-3 C(JP)", "VIO20-3 P(JP)", "VIO20-3 P(EX)",  
2,97,, ARM, "VIO20-3 C(JP)", "VIO20-3 P(JP)", "VIO20-3 P(EX)",  
2,98,, "ARM(QUICK COUPLER SPEC.)", "VIO20-3 C(JP)", "VIO20-3 P(JP)", "VIO20-3 P(EX)",  
2,99,, "BUCKET ARM & LINK", "VIO20-3 C(JP)", "VIO20-3 P(JP)", "VIO20-3 P(EX)",  
2,100,, "QUICK COUPLER", "VIO20-3 C(JP)", "VIO20-3 P(JP)", "VIO20-3 P(EX)",  
2,101,, BUCKET, "VIO20-3 C(JP)", "VIO20-3 P(JP)", "VIO20-3 P(EX)",  
2,102,, BLADE, "VIO20-3 C(JP)", "VIO20-3 P(JP)", "VIO20-3 P(EX)",