

PREFACE

1. This parts catalog covers the parts for crawler backhoe Model B12, B17 for U.K. and AUSTRALIA.

Pub. No. : 000Y00S3000

Issued : December, 1989.

2. Mounted engine and Model Code.

Model	Model Code	Mounted engine	Model Code
B12	172149(カ、キ、ク、ケ、コ、サ、シ、ス、セ、ソ、ツ、テ)	3TNA72L-UBA	119631B
B17	172150(カ、キ、ク、ケ、コ、サ、シ、ス、セ、ソ、ツ、テ)	3TNA72L-UBB	119631C

3. Color

Color	Munsel No.	Paint Code(16 ℓ)	Spray
YANMAR Saffron Yellow	1.0Y7.5/11	933110-91603	977620-30381
YANMAR Cream White	5.0Y9/1	981101-09614	981101-10140
YANMAR Charcoal Gray	N2	981101-09516	977620-30371

4. As this parts catalog covers the specifications of several countries, the Fig. No. for the applicable countries is shown in the following way.

- a) When the applicable figure varies according to the appropriate country(s).

Example 1 :

Country	UK	AS	EX
Fig No.	18	19	-

← Abbreviation of the country concerned

UK : United Kingdom

AS : Australia

EX : Others

↑
Fig. number on the page on which the country concerned is shown

In case of Example 1 above, UK(United Kingdom) is shown in Fig.18 and AS(Australia) in Fig.19. EX(Others) is not applicable.

- b) When only one figure is available to be applied to one or more countries.

Example 2 :

Country	UK	AS	EX
Application	-	○	-

← Abbreviation of the country concerned

← The country concerned is indicated by a circle (○).

In case of Example 2 AS(Australia) is the applicable country.

(Note)

When the figure or specification is common to all destinations, no indication is given.

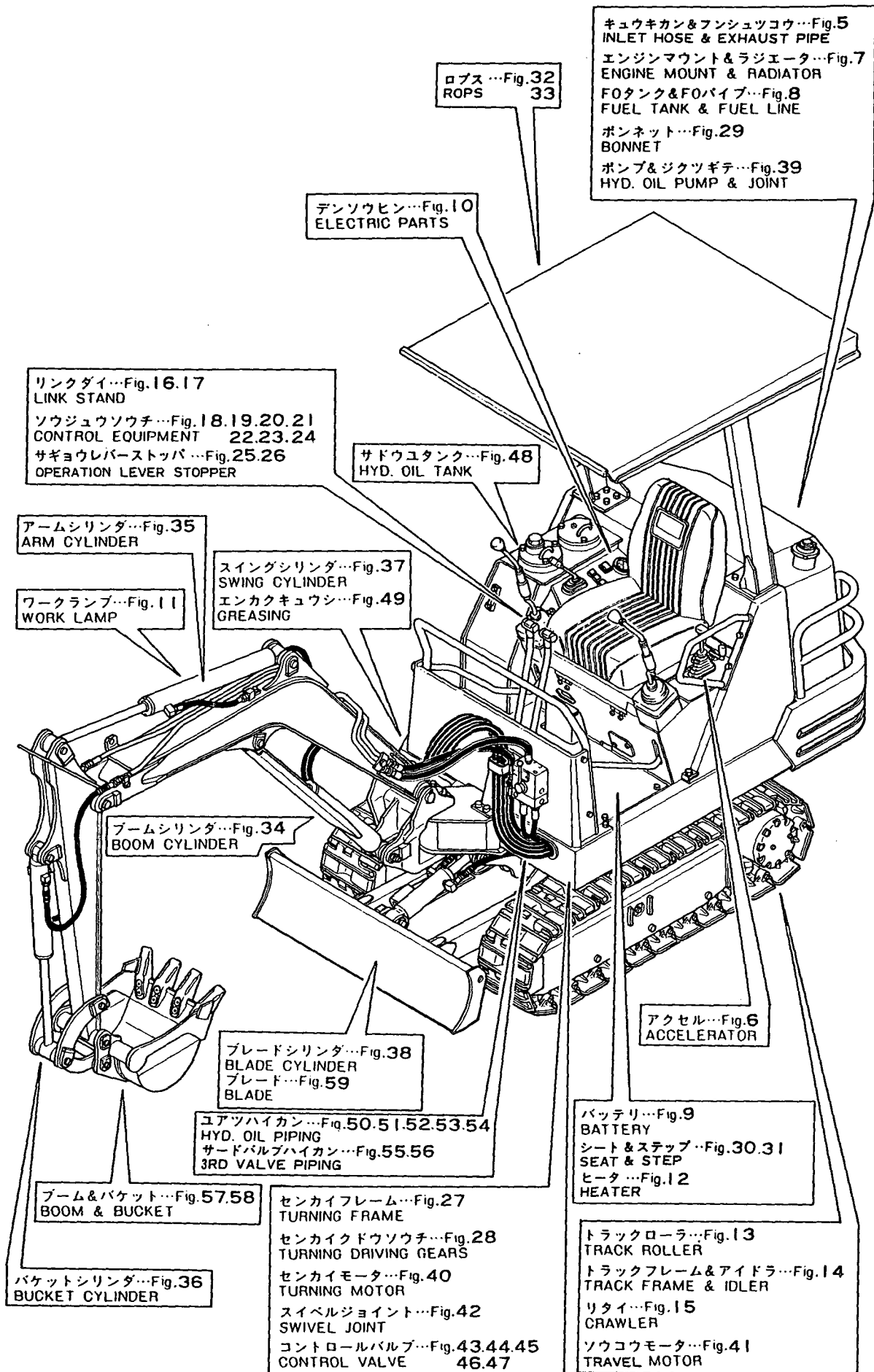
SPECIFICATIONS

Name			YANMAR CRAWLER BACHOE	
Model			B12-P	B12-PR
Engine	Model		3TNA72L-UBA	
	Type		Vertical 3-cylinder water-cooled diesel	
Dimensions	Overall length	mm	3485	
	Overall width	mm	1000	
	Overall height	mm	2070	
Bucket capacity (St'd)		m ³	0.04	
Outside width of bucket (St'd)		mm	400	
Max. digging depth		mm	1900	
Max. cutting depth		mm	3430	
Max. dumping height		mm	2420	
Max. cutting radius at ground level		mm	3320	
Min. turning radius			1300	
Boom swing angle		—	(左) 45 (右) 90	
Max. scoop capacity		kg	1050	
Traveling speeds (high·low)		km/hr	1.8	
Climbing ability		—	30	
Distributed weight		kg/cm ²	0.235	0.218
Crawler width (St'd)		mm	230	
Blade	Width × height	mm	860 × 250	
	Capacity	m ³	0.06	
Operating weight		kg	1250	1170

SPECIFICATIONS

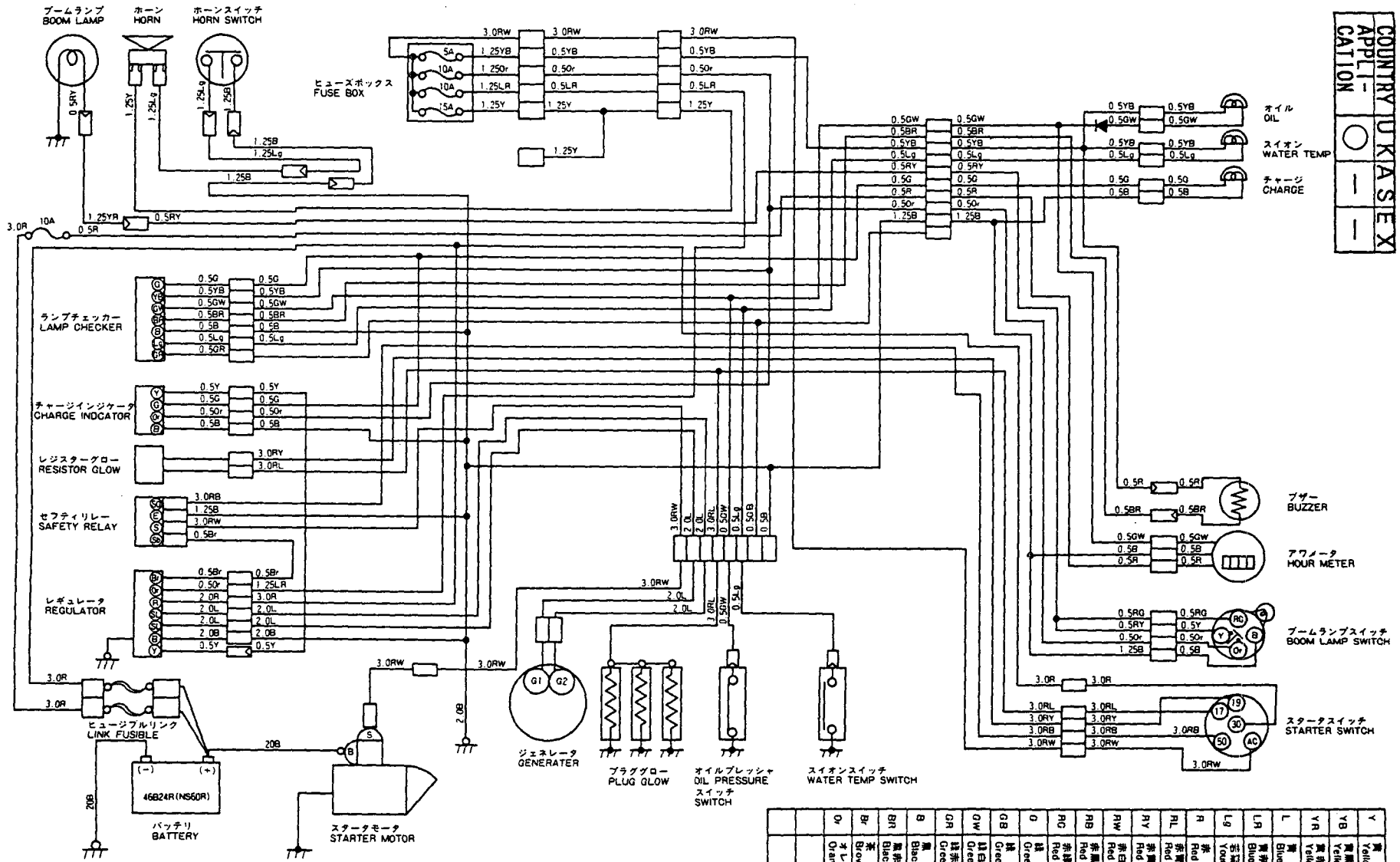
Name			YANMAR CRAWLER BACHOE	
Model			B17-P	B17-PR
Engine	Model		3TNA72L-UBB	
	Type		Vertical 3-cylinder water-cooled diesel	
Dimensions	Overall length	mm	3500	
	Overall width	mm	1000	
	Overall height	mm	2070	
Bucket capacity (St'd)		m ³	0.045	
Outside width of bucket(St'd)		mm	450	
Max. digging depth		mm	2100	
Max. cutting depth		mm	3570	
Max. dumping height		mm	2550	
Max. cutting radius at ground level		mm	3500	
Min. turning radius			1360	
Boom swing angle		—	(左) 45 (右) 90	
Max. scoop capacity		kg	1050	
Traveling speeds (high·low)		km/hr	2.0	
Climbing ability		—	30	
Distributed weight		kg/cm ²	0.254	0.237
Crawler width (St'd)		mm	230	
Blade	Width × height	mm	960 × 250	
	Capacity	m ³	0.06	
Operating weight		kg	1350	1270

各部の名称 PARTS NAME

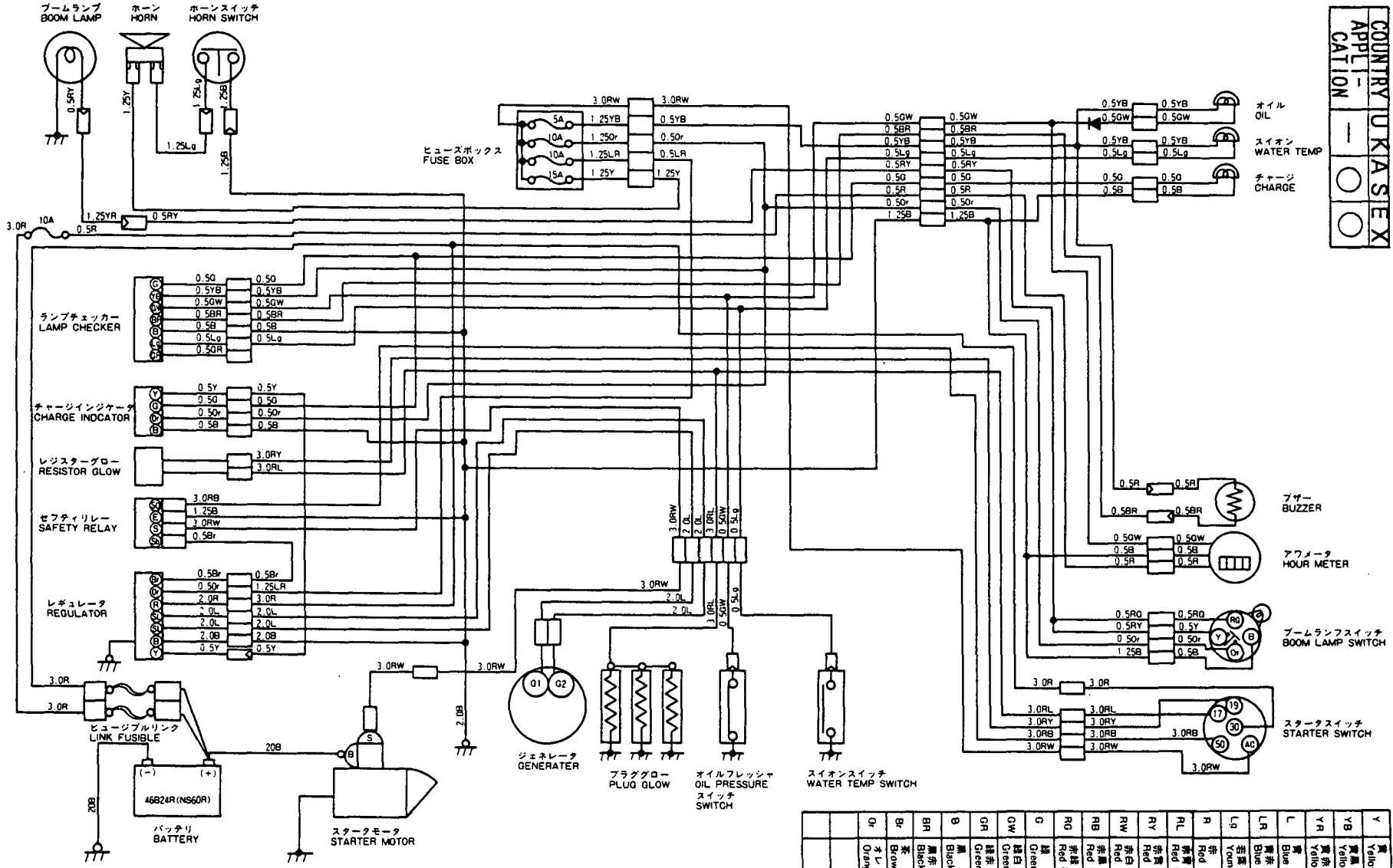


配線図
WIRING DIAGRAM

COUNTRY	UK	KAS	EX
APPLICATION	○	—	—



Y	黄	Yellow
YB	黄黒	Yellow Black
YR	黄赤	Yellow Red
L	黒	Black
LB	黒青	Black Blue
L.R	黒赤	Black Red
Lg	若緑	Young Leaves
R	赤	Red
RL	赤黒	Red Black
RY	赤黄	Red Yellow
RL	赤青	Red Blue
RW	赤白	Red White
RB	赤黒	Red Black
RG	赤緑	Red Green
O	緑	Green
GB	緑黒	Green Black
OW	緑白	Green White
OR	緑赤	Green Red
B	黒	Black
BR	黒赤	Black Red
Br	茶	Brown
O	オレンジ	Orange



COUNTRY	UK	A	K	S	E	X
APPLI-						
CATION						

配線図
WIRING DIAGRAM

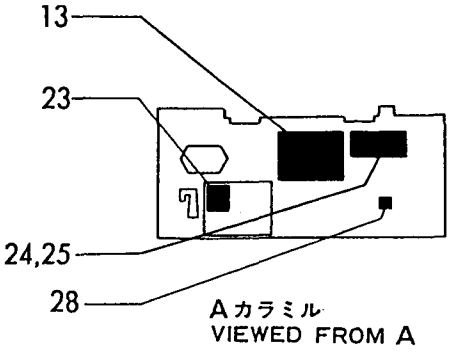
Y	黄	Yellow
YB	黄黒	Yellow Black
YR	黄赤	Yellow Red
L	黒	Black
LB	黒青	Black Blue
LR	黒赤	Black Red
Lg	若葉	Young Leaves
R	赤	Red
RL	赤黒	Red Black
RY	赤黄	Red Yellow
RW	赤白	Red White
RB	赤黒	Red Black
RG	赤緑	Red Green
G	緑	Green
GW	緑白	Green White
GR	緑赤	Green Red
B	黒	Black
BR	黒赤	Black Red
Br	茶	Brown
O	オレンジ	Orange

1,1,,772149-03700,, "LABEL SET",1,1,,,,,,,,,,,,,
2,1,,772150-03700,, "LABEL ASSY",,,,1,1,,,,,,,,,,,,,
3,2,,172149-03160,, LABEL,2,2,,,,,,,,,,,,,
4,2,,172150-03120,, LABEL,,,,,2,2,,,,,,,,,,,,,
5,2,,172141-03440,, LABEL,1,1,,1,1,,,,,,,,,,,,,
6,2,,172141-03450,, "LABEL, RESERVER(C)",1,1,,1,1,,,,,,,,,,,,,
7,2,,172149-03170,, "LABEL, STRIPE(F)",1,1,,1,1,,,,,,,,,,,,,
8,2,,172149-03180,, LABEL,1,1,,1,1,,,,,,,,,,,,,
9,2,,172149-03190,, LABEL,1,1,,1,1,,,,,,,,,,,,,
10,2,,172149-03200,, "LABEL, STRIPE(R)",1,1,,1,1,,,,,,,,,,,,,
11,2,,172141-03490,, "LABEL, PROTECTOR",2,2,,2,2,,,,,,,,,,,,,
12,2,,172149-03210,, LABEL,1,1,,1,1,,,,,,,,,,,,,
13,2,,172141-03420,, "LABEL, GREASING",1,1,,1,1,,,,,,,,,,,,,
14,2,,172149-03220,, LABEL,1,1,,1,1,,,,,,,,,,,,,
15,2,,172149-03230,, LABEL,1,1,,1,1,,,,,,,,,,,,,
16,2,,172519-03770,, LABEL,1,1,,1,1,,,,,,,,,,,,,
17,2,,172149-03240,, LABEL,1,1,,1,1,,,,,,,,,,,,,
18,2,,172149-03250,, LABEL,1,1,,1,1,,,,,,,,,,,,,
19,2,,172149-03260,, LABEL,2,2,,2,2,,,,,,,,,,,,,
20,2,,172149-03270,, LABEL,1,1,,1,1,,,,,,,,,,,,,
21,2,,172141-03470,, LABEL,1,1,,1,1,,,,,,,,,,,,,
22,2,,172149-03280,, LABEL,1,1,,1,1,,,,,,,,,,,,,
23,2,,172137-03300,, "LABEL, TURNING LOCK",1,1,,1,1,,,,,,,,,,,,,
24,2,,172149-03510,, "LABEL,
SPECIFICATION",1,1,,,,,,72142365,,72142365,,,,,,I
25,2,,172150-03510,, "LABEL,
SPECIFICATION",,,,1,1,,,,,,72142365,,72142365,,,,,I
26,2,,172149-03520,, "LABEL, OIL & WATER",1,1,,1,1,,,,,,,,,,,,,
27,2,,172149-03430,, LABEL,1,1,,1,1,,,,,,,,,,,,,
28,2,,172149-03440,, LABEL,1,1,,1,1,,,,,,,,,,,,,
29,2,,172149-03451,, LABEL,1,1,,1,1,,,,,,,,,,,,,
30,2,,172122-03740,, "LABEL, GREASE",1,1,,1,1,,,,,,,,,,,,,
31,2,,172137-03780,, "LABEL, THROTTLE",1,1,,1,1,,,,,,,,,,,,,
32,2,,172149-53400,, "TREE CLIP",2,2,,,,,,,,,,,,,
33,2,,22857-300050,, "SCREW 3X 5",4,4,,4,4,,,,,,,,,,,,,
34,2,,933112-20200,, "LABEL, KEY SWITCH",1,1,,1,1,,,,,,,,,,,,,
35,2,,172141-03460,, "LABEL, (D)",1,1,,1,1,,,,,,,,,,,,,
36,2,,933112-50300,, "LABEL, OIL FEED",1,1,,1,1,,,,,,,,,,,,,
37,2,,933112-52100,, "LABEL, FUEL",1,1,,1,1,,,,,,,,,,,,,
38,2,,172125-03950,, "LABEL, AIR CLEANER",1,1,,1,1,,,,,,,,,,,,,
39,2,,172122-03912,, LABEL,1,1,,1,1,,,,,,,,,,,,,
40,2,,121120-44800,, "LABEL, RADIATOR",1,1,,1,1,,,,,,,,,,,,,
41,2,,124764-44920,, "LABEL, ANTI-FREEZING",1,1,,1,1,,,,,,,,,,,,,

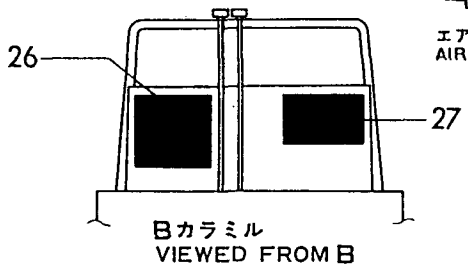
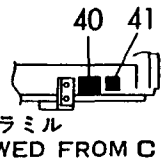
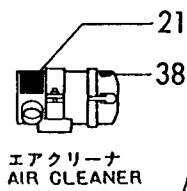
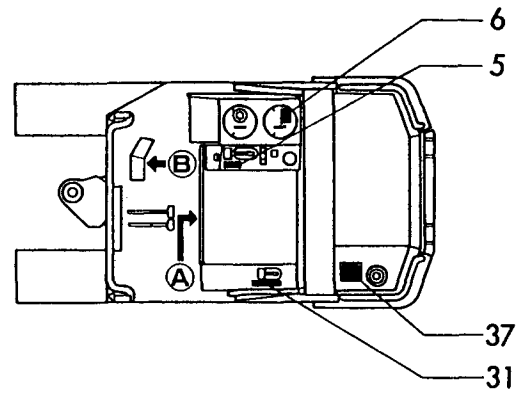
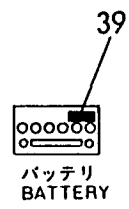
Fig. 1 **メイバン** LABEL

COUNTRY	U	K	A	S	E	X
Fig.No.	1	2	2			

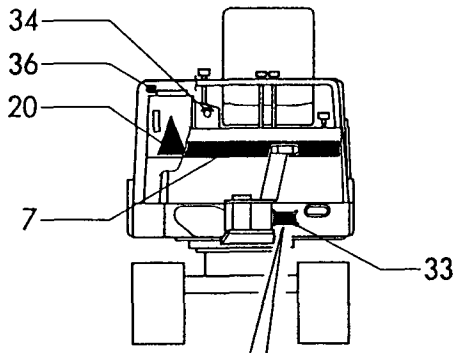
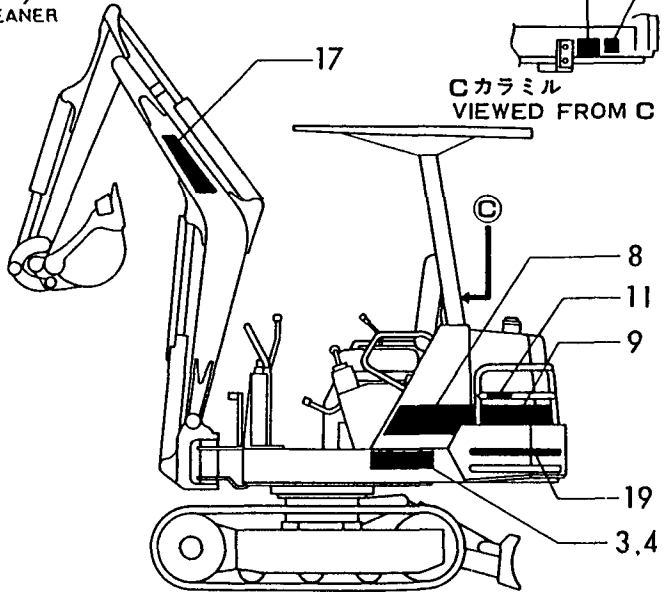
1 inc.3~41
2 inc.4~41



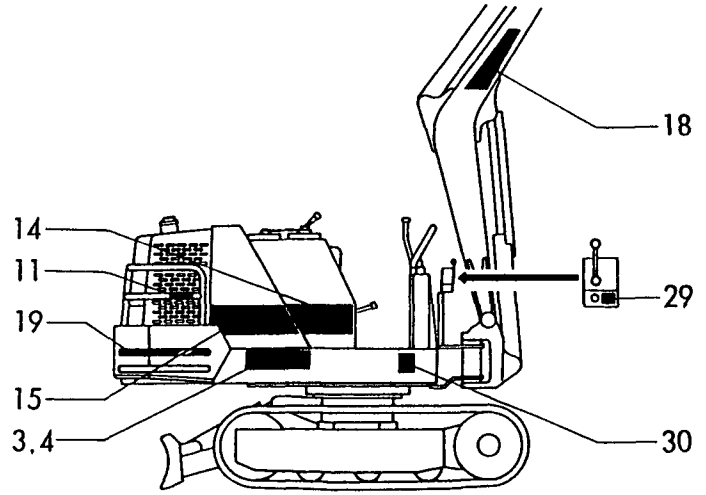
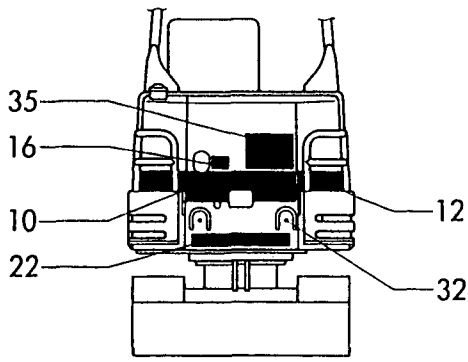
Aカラミル
VIEWED FROM A



Bカラミル
VIEWED FROM B



機体NO. 打刻位置
MACHINE SERIAL NO.
IS STAMPED INTO
THIS LOCATION

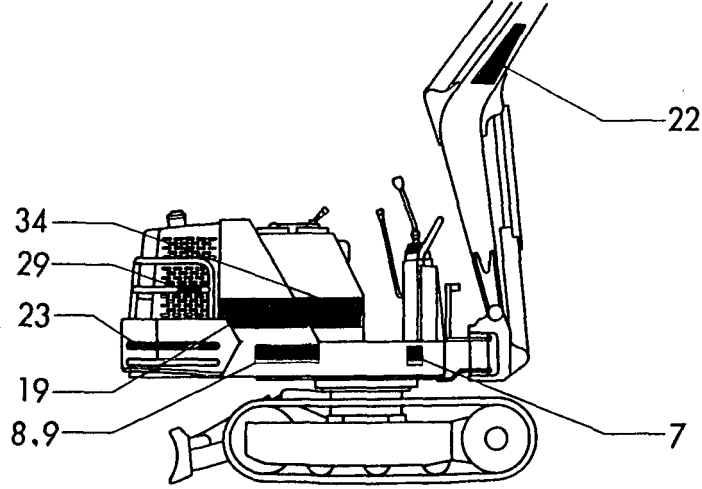
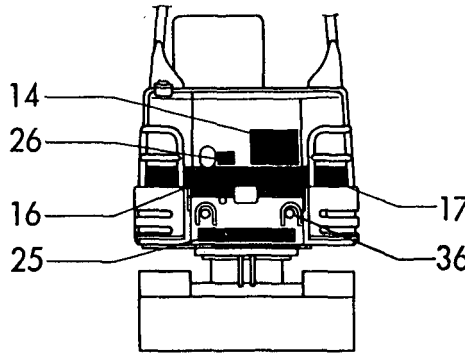
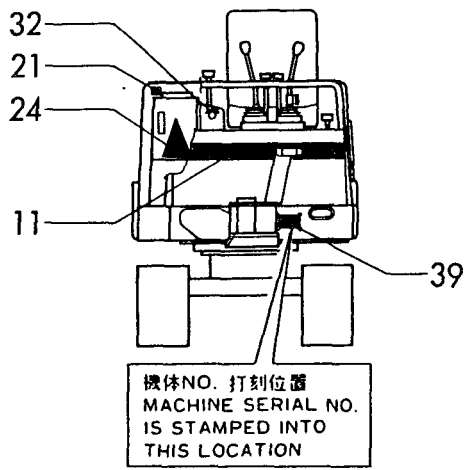
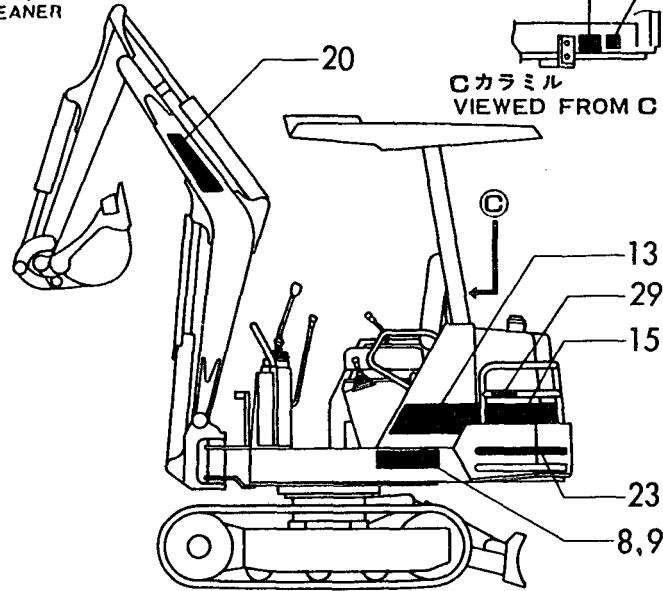
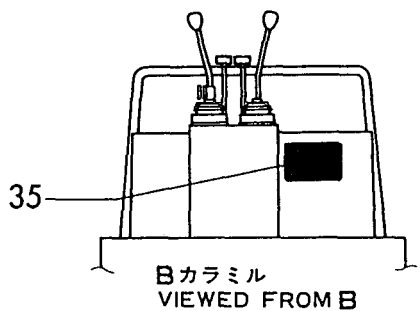
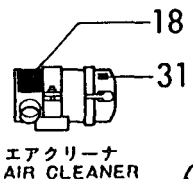
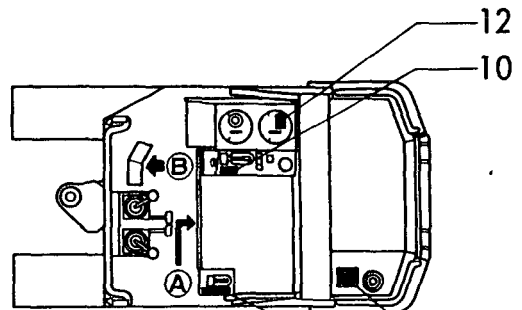
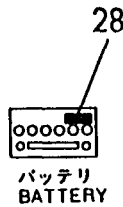
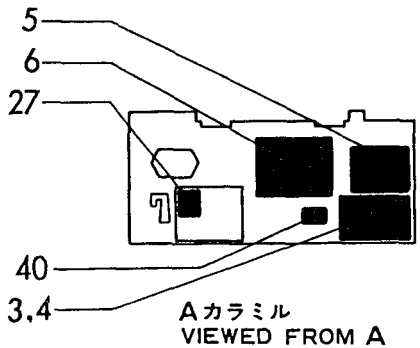


1,1,,772149-03700,, "LABEL SET",1,1,,,,,,,,,,,,,
2,1,,772150-03700,, "LABEL ASSY",,,,1,1,,,,,,,,,,,,,
3,2,,172149-03510,, "LABEL,
SPECIFICATION",1,1,,,,,,,,,72142365,,72142365,,,,,,,,,I
4,2,,172150-03510,, "LABEL,
SPECIFICATION",,,,1,1,,,,,,,,,72142365,,72142365,,,,,,,,I
5,2,,172141-03420,, "LABEL, GREASING",1,1,,1,1,,,,,,,,,,,,,
6,2,,172149-03520,, "LABEL, OIL & WATER",1,1,,1,1,,,,,,,,,,,,,
7,2,,172122-03141,, "LABEL, GREASE",1,1,,1,1,,,,,,,,,,,,,
8,2,,172149-03160,, LABEL,2,2,,,,,,,,,,,,,
9,2,,172150-03120,, LABEL,,,,2,2,,,,,,,,,,,,,
10,2,,172141-03440,, LABEL,1,1,,1,1,,,,,,,,,,,,,
11,2,,172149-03170,, "LABEL, STRIPE(F)",1,1,,1,1,,,,,,,,,,,,,
12,2,,172141-03450,, "LABEL, RESERVER(C)",1,1,,1,1,,,,,,,,,,,,,
13,2,,172149-03180,, LABEL,1,1,,1,1,,,,,,,,,,,,,
14,2,,172141-03460,, "LABEL, (D)",1,1,,1,1,,,,,,,,,,,,,
15,2,,172149-03190,, LABEL,1,1,,1,1,,,,,,,,,,,,,
16,2,,172149-03200,, "LABEL, STRIPE(R)",1,1,,1,1,,,,,,,,,,,,,
17,2,,172149-03210,, LABEL,1,1,,1,1,,,,,,,,,,,,,
18,2,,172141-03470,, LABEL,1,1,,1,1,,,,,,,,,,,,,
19,2,,172149-03230,, LABEL,1,1,,1,1,,,,,,,,,,,,,
20,2,,172149-03240,, LABEL,1,1,,1,1,,,,,,,,,,,,,
21,2,,933112-50300,, "LABEL, OIL FEED",1,1,,1,1,,,,,,,,,,,,,
22,2,,172149-03250,, LABEL,1,1,,1,1,,,,,,,,,,,,,
23,2,,172149-03260,, LABEL,2,2,,2,2,,,,,,,,,,,,,
24,2,,172149-03270,, LABEL,1,1,,1,1,,,,,,,,,,,,,
25,2,,172149-03280,, LABEL,1,1,,1,1,,,,,,,,,,,,,
26,2,,172519-03770,, LABEL,1,1,,1,1,,,,,,,,,,,,,
27,2,,172137-03300,, "LABEL, TURNING LOCK",1,1,,1,1,,,,,,,,,,,,,
28,2,,172122-03912,, LABEL,1,1,,1,1,,,,,,,,,,,,,
29,2,,172141-03490,, "LABEL, PROTECTOR",1,1,,1,1,,,,,,,,,,,,,
30,2,,172137-03780,, "LABEL, THROTTLE",1,1,,1,1,,,,,,,,,,,,,
31,2,,172125-03950,, "LABEL, AIR CLEANER",1,1,,1,1,,,,,,,,,,,,,
32,2,,933112-20200,, "LABEL, KEY SWITCH",1,1,,1,1,,,,,,,,,,,,,
33,2,,933112-52100,, "LABEL, FUEL",1,1,,1,1,,,,,,,,,,,,,
34,2,,172149-03220,, LABEL,1,1,,1,1,,,,,,,,,,,,,
35,2,,933112-21400,, "LABEL(A2), OPERATION",1,1,,1,1,,,,,,,,,,,,,
36,2,,172149-53400,, "TREE CLIP",2,2,,,,,,,,,,,,,
37,2,,121120-44800,, "LABEL, RADIATOR",1,1,,1,1,,,,,,,,,,,,,
38,2,,124764-44920,, "LABEL, ANTI-FREEZING",1,1,,1,1,,,,,,,,,,,,,
39,2,,22857-300050,, "SCREW 3X 5",4,4,,4,4,,,,,,,,,,,,,
40,2,,172149-03440,, LABEL,1,1,,1,1,,,,,,,,,,,,,

Fig. 2 **メイバン** LABEL

COUNTRY	U	K	A	S	E	X
Fig. No.	1	2	2			

1 inc. 3~40
2 inc. 4~40

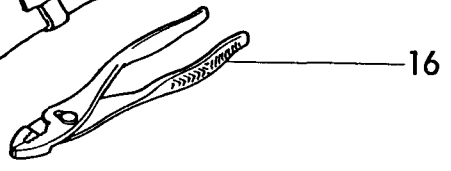
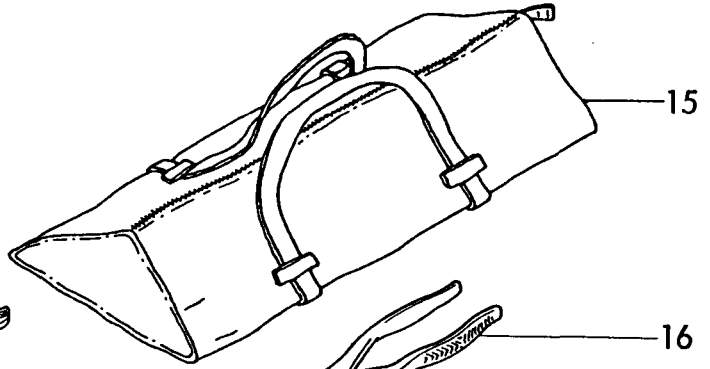
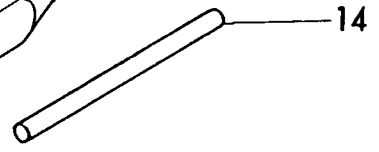
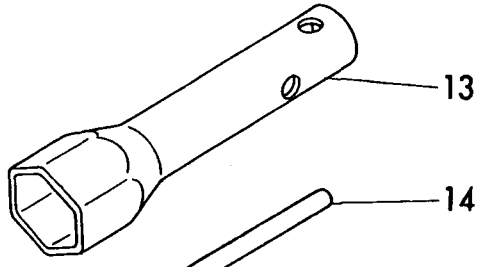
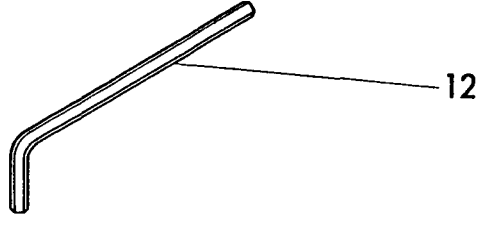
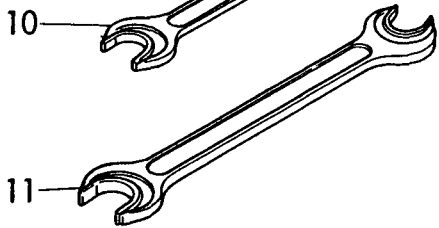
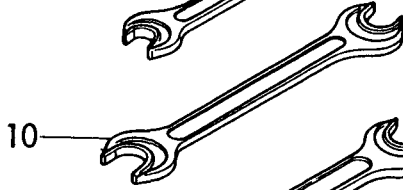
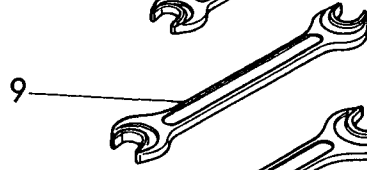
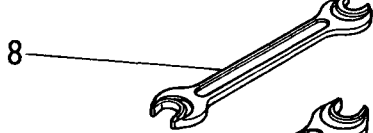
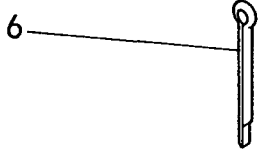
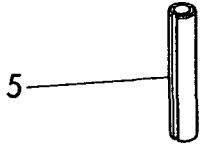
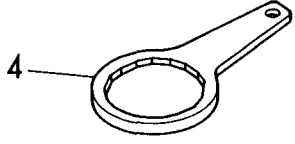
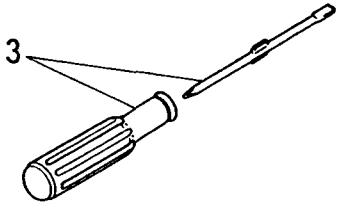


1,1,,772149-05110,, "TOOL ASSY",1,1,,1,1,,,,,,,,,,,,,
2,2,,172137-38131,, "COLLAR, LINK",4,4,,4,4,,,,,,,,,,,,,
3,2,,104200-92350,, "DRIVER, SCREW",1,1,,1,1,,,,,,,,,,,,,
4,2,,119640-92750,, "WRENCH, FILTER",1,1,,1,1,,,,,,,,,,,,,
5,2,,22351-060020,, "SPRING PIN 6X20",4,4,,4,4,,,,,,,,,,,,,
6,2,,22417-800450,, "COTTER PIN 8.0X45",4,4,,4,4,,,,,,,,,,,,,
7,2,,28110-080100,, "WRENCH 8X10",1,1,,1,1,,,,,,,,,,,,,
8,2,,28110-120140,, "WRENCH 12X14",1,1,,1,1,,,,,,,,,,,,,
9,2,,28110-170190,, "WRENCH 17X19",1,1,,1,1,,,,,,,,,,,,,
10,2,,28110-220240,, "WRENCH 22X24",1,1,,1,1,,,,,,,,,,,,,
11,2,,28110-270300,, "WRENCH 27X30",1,1,,1,1,,,,,,,,,,,,,
12,2,,28150-080000,, "BAR WRENCH 8",1,1,,1,1,,,,,,,,,,,,,
13,2,,28227-271400,, "BOX WRENCH 27X140",1,1,,1,1,,,,,,,,,,,,,
14,2,,28230-120250,, "TURNING HANDLE",1,1,,1,1,,,,,,,,,,,,,
15,2,,933110-90000,, "BAG, TOOL",1,1,,1,1,,,,,,,,,,,,,
16,2,,933171-00470,, "PLIER (200)",1,1,,1,1,,,,,,,,,,,,,

Fig. 3 ヨウグ
TOOL

COUNTRY	U	K	A	S	E	X
Fig.No.	3	4	4	4	4	4

▲ 1
inc.2~16

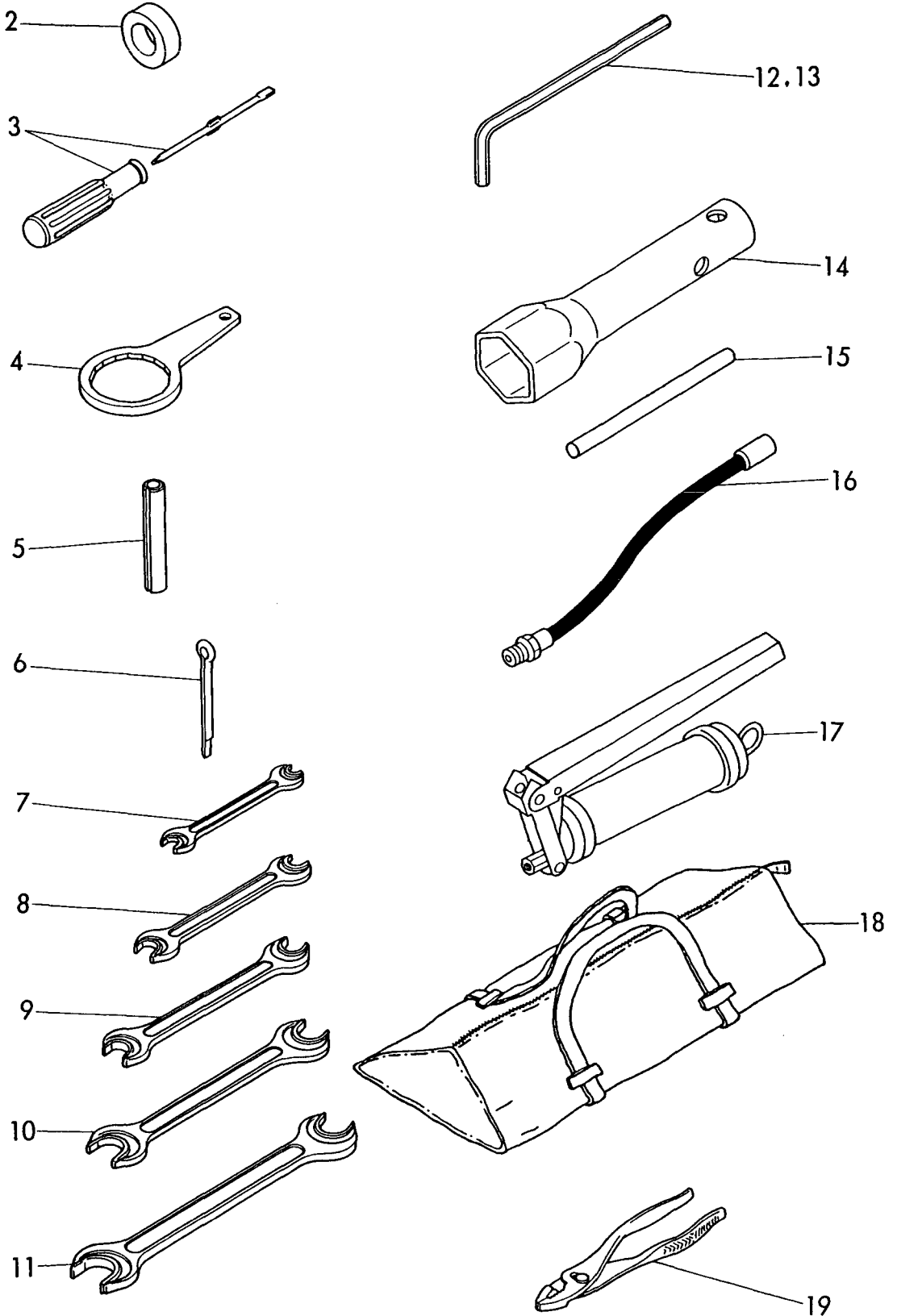


1,1,,772149-05100,, "TOOL ASSY",1,1,,1,1,,,,,,,,,,,,,
2,2,,172137-38131,, "COLLAR,
LINK",4,4,,4,4,,,,,72431004,,72431004,,,,,72431004,,72431004,,,,,I
3,2,,104200-92350,, "DRIVER, SCREW",1,1,,1,1,,,,,,,,,,,,,
4,2,,119640-92750,, "WRENCH, FILTER",1,1,,1,1,,,,,,,,,,,,,
5,2,,22351-060020,, "SPRING PIN
6X20",4,4,,4,4,,,,,72453005,,72453005,,,,,72453005,,72453005,,,,,I
6,2,,22417-800450,, "COTTER PIN
8.0X45",4,4,,4,4,,,,,72149217,,72149217,,,,,72149217,,72149217,,,,,I
7,2,,28110-080100,, "WRENCH 8X10",1,1,,1,1,,,,,,,,,,,,,
8,2,,28110-120140,, "WRENCH 12X14",1,1,,1,1,,,,,,,,,,,,,
9,2,,28110-170190,, "WRENCH 17X19",1,1,,1,1,,,,,,,,,,,,,
10,2,,28110-220240,, "WRENCH 22X24",1,1,,1,1,,,,,,,,,,,,,
11,2,,28110-270300,, "WRENCH 27X30",1,1,,1,1,,,,,,,,,,,,,
12,2,,28150-025000,, "BAR WRENCH 2.5",1,1,,1,1,,,,,,,,,,,,,
13,2,,28150-080000,, "BAR WRENCH 8",1,1,,1,1,,,,,,,,,,,,,
14,2,,28227-271400,, "BOX WRENCH 27X140",1,1,,1,1,,,,,,,,,,,,,
15,2,,28230-120250,, "TURNING HANDLE",1,1,,1,1,,,,,,,,,,,,,
16,2,,933110-09700,, "HOSE, GREASE",1,1,,1,1,,,,,,,,,,,,,
17,2,,933110-09800,, "GUN 800, GREASE",1,1,,1,1,,,,,,,,,,,,,
18,2,,933110-90000,, "BAG, TOOL",1,1,,1,1,,,,,,,,,,,,,
19,2,,933171-00470,, "PLIER (200)",1,1,,1,1,,,,,,,,,,,,,

Fig. 4 コウグ
TOOL

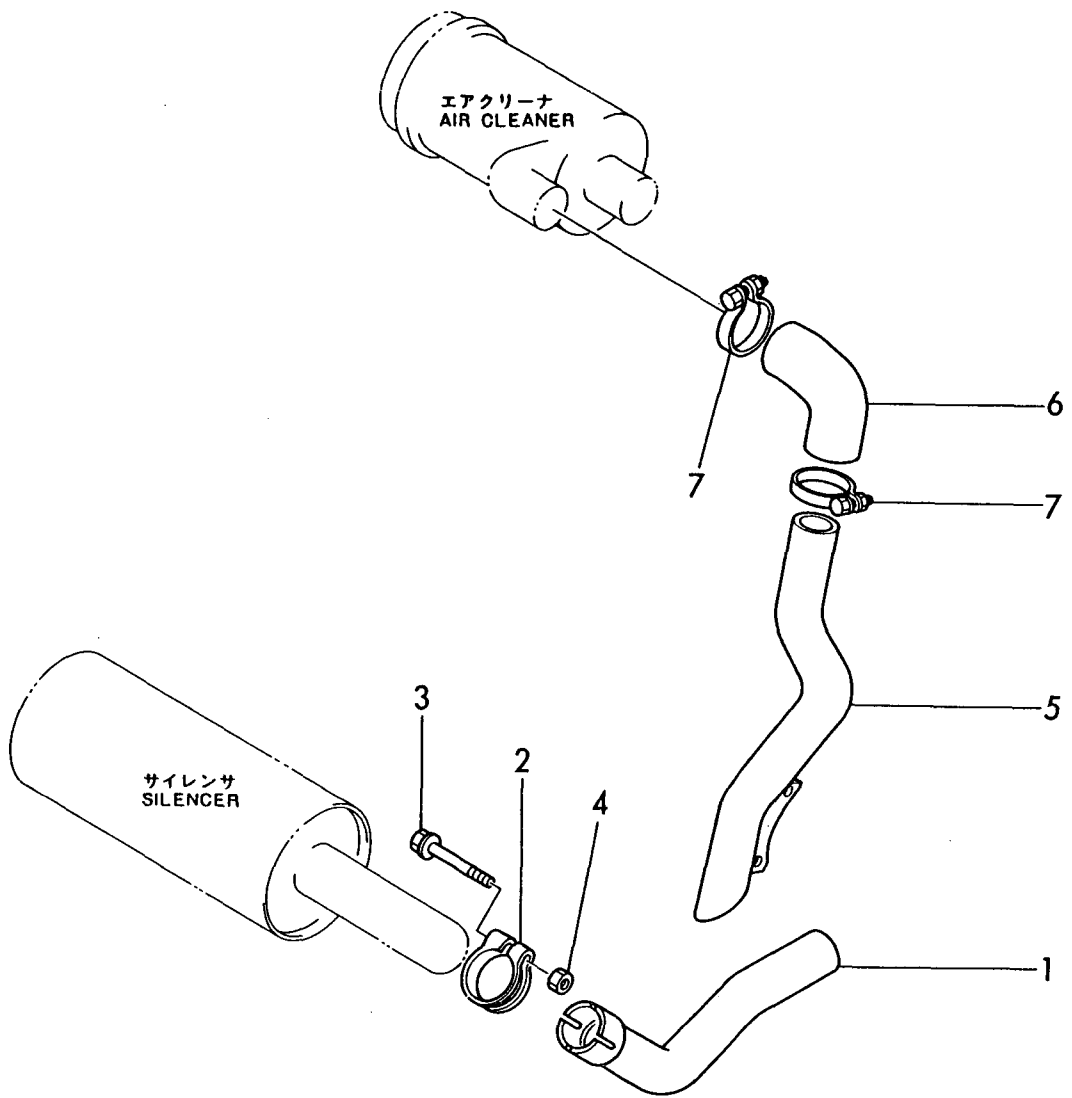
COUNTRY	U	K	A	S	E	X
Fig. No.	3	4	4	4	4	4

1
▲ inc.2~19



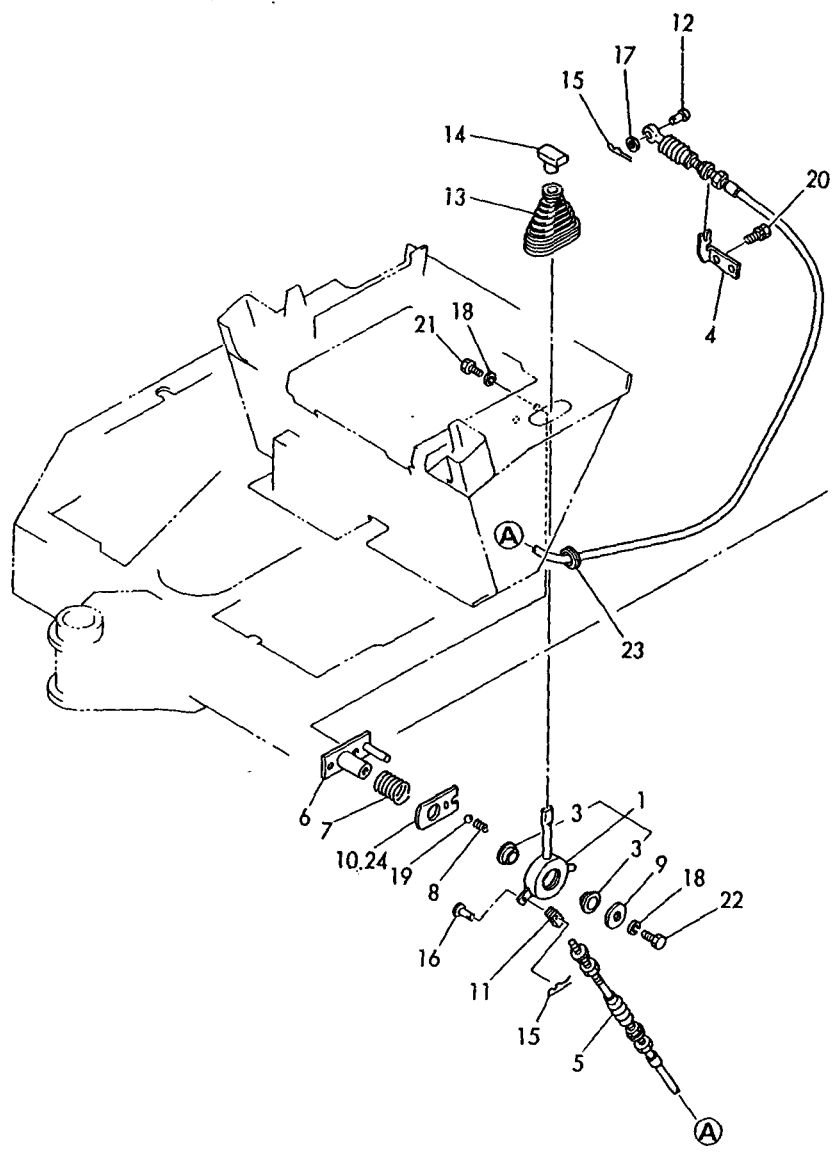
1,1,,172149-11300,, "EXTENSION,
SILENCER",1,1,,1,1,,,,,72149232,,72149232,,,,,72149232,,72149232,,,,,I
2,1,,121120-13580,,CLAMP,1,1,,1,1,,,,,,,,,,,,,
3,1,,26106-100652,, "BOLT M10X 65 PLATED",1,1,,1,1,,,,,,,,,,,,,
4,1,,26716-100002,, "NUT M10",1,1,,1,1,,,,,,,,,,,,,
5,1,,172149-11500,, "PIPE, AIR",1,1,,1,1,,,,,,,,,,,,,
6,1,,172149-11530,,HOSE,1,1,,1,1,,,,,,,,,,,,,
7,1,,23000-060000,, "CLAMP 60",2,2,,2,2,,,,,,,,,,,,,

Fig. 5 キュウキカン & ファンシュツコウ
INLET HOSE & EXHAUST PIPE



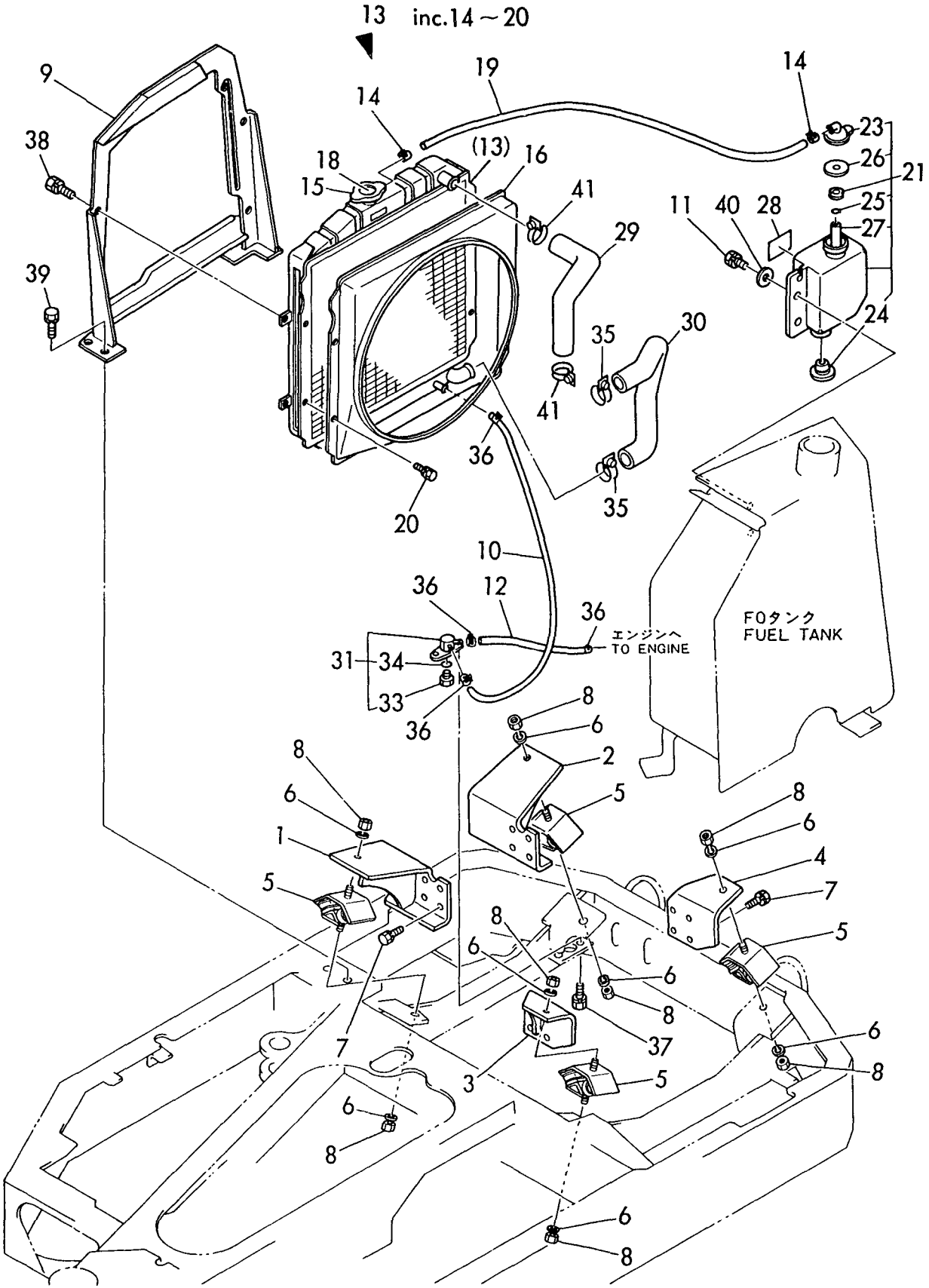
1,1,,172141-12100,, "LEVER W/BUSH, ACCEL",1,1,,1,1,,,,,,,,,,,,,
3,2,,172141-12220,, "BUSH 30X10",2,2,,2,2,,,,,,,,,,,,,
4,1,,172149-12100,, "SUPPORT, CABLE",1,1,,1,1,,,,,,,,,,,,,
5,1,,172149-12110,, "CABLE, THROTTLE",1,1,,1,1,,,,,,,,,,,,,
6,1,,172141-12160,, BRACKET,1,1,,1,1,,,,,,,,,,,,,
7,1,,172141-12232,, SPRING,1,1,,1,1,,,,,,,,,,,,,
8,1,,172141-12240,, SPRING,1,1,,1,1,,,,,,,,,,,,,
9,1,,172141-12250,, PLATE,1,1,,1,1,,,,,,,,,,,,,
10,1,,172142-12420,, PLATE,1,1,,1,1,,,,,,,,,,,,,
11,1,,172137-12270,, "JOINT, CABLE",1,1,,1,1,,,,,,,,,,,,,
12,1,,172113-12521,, "PIN, CABLE",1,1,,1,1,,,,,,,,,,,,,
13,1,,172141-41340,, BOOTS,1,1,,1,1,,,,,,,,,,,,,
14,1,,172122-46630,, "KNOB(D), LEVER",1,1,,1,1,,,,,,,,,,,,,
15,1,,1C6281-52310,, "PIN 6, COME-OFF SNAP",2,2,,2,2,,,,,,,,,,,,,
16,1,,1A1040-56900,, "PIN 6X 17",1,1,,1,1,,,,,,,,,,,,,
17,1,,22137-060000,, "WASHER 6",1,1,,1,1,,,,,,,,,,,,,
18,1,,22217-100000,, "SPRING WASHER 10",3,3,,3,3,,,,,,,,,,,,,
19,1,,24190-160001,, "BALL 1/2",1,1,,1,1,,,,,,,,,,,,,
20,1,,26013-080162,, "BOLT M 8X 16",2,2,,2,2,,,,,,,,,,,,,
21,1,,26116-100202,, "BOLT M10X 20 PLATED",2,2,,2,2,,,,,,,,,,,,,
22,1,,26116-100302,, "BOLT M10X 30 PLATED",1,1,,1,1,,,,,,,,,,,,,
23,1,,933171-15680,, "GROMMET 40X13",1,1,,1,1,,,,,,,,,,,,,
24,1,,172141-12260,, PLATE,1,1,,1,1,,1,,,,,,,,,,,,,

Fig. 6 アクセル
ACCELERATOR



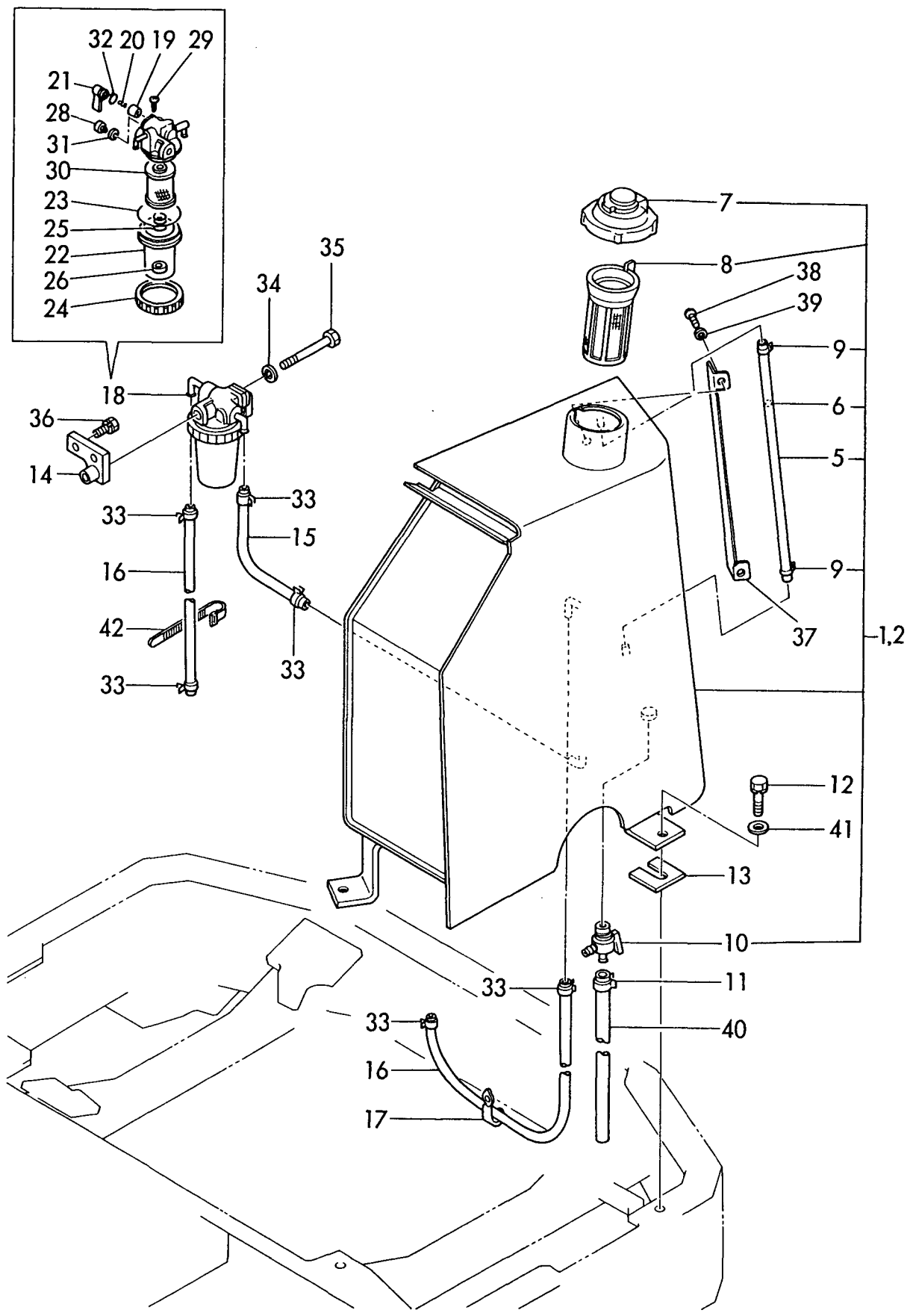
1,1,,172137-13111,, "ENGINE BED(A), LEFT",1,1,,1,1,,,,,,,,,,,,,
2,1,,172137-13141,, "ENGINE BED(A), RIGHT",1,1,,1,1,,,,,,,,,,,,,
3,1,,172137-13161,, "ENGINE BED(B), LEFT",1,1,,1,1,,,,,,,,,,,,,
4,1,,172137-13171,, "ENGINE BED(B), RIGHT",1,1,,1,1,,,,,,,,,,,,,
5,1,,172137-13180,, "ABSORBER, SHOCK",4,4,,4,4,,,,,,,,,,,,,
6,1,,22217-100000,, "SPRING WASHER 10",8,8,,8,8,,,,,,,,,,,,,
7,1,,26013-100202,, "BOLT M10X 20",16,16,,16,16,,,,,,,,,,,,,
8,1,,26716-100002,, "NUT M10",8,8,,8,8,,,,,,,,,,,,,
9,1,,172149-13290,, "MOUNT, RADIATOR",1,1,,1,1,,,,,,,,,,,,,
10,1,,172126-13370,, "HOSE(C), WATER DRAIN",1,1,,1,1,,,,,,,,,,,,,
11,1,,26013-060162,, "BOLT M 6X 16",2,2,,2,2,,,,,,,,,,,,,
12,1,,172149-13500,, "HOSE",1,1,,1,1,,,,,,,,,,,,,
13,1,,119631-44502,, "RADIATOR",1,1,,1,1,,,,,,,,,,,,,
14,2,,121250-44590,, "CLAMP",2,2,,2,2,,,,,,,,,,,,,
15,2,,124450-44590,, "CAP",1,1,,1,1,,,,,,,,,,,,,
16,2,,119631-44610,, "SHROUD,RADIATOR",1,1,,1,1,,,,,,,,,,,,,
18,2,,119631-44800,, "LABEL",1,1,,1,1,,,,,,,,,,,,,
19,2,,124738-49150,, "PIPE, WATER DRAIN",1,1,,1,1,,,,,,,,,,,,,
20,2,,26014-080162,, "BOLT M 8X 16",4,4,,4,4,,,,,,,,,,,,,
21,1,,121468-44510,, "SUB RESERVOIR ASSY",1,1,,1,1,,,,,,,,,,,,,
23,2,,121450-44531,, "CAP",1,1,,1,1,,,,,,,,,,,,,
24,2,,121468-44540,, "PLUG, SUB TANK",1,1,,1,1,,,,,,,,,,,,,
25,2,,124450-44560,, "CLAMP",1,1,,1,1,,,,,,,,,,,,,
26,2,,121470-44581,, "GASKET",1,1,,1,1,,,,,,,,,,,,,
27,2,,23065-070130,, "PIPE 7X 130",1,1,,1,1,,,,,,,,,,,,,
28,1,,121470-44540,, "LABEL, SUB-TANK",1,1,,1,1,,,,,,,,,,,,,
29,1,,119645-49010,, "PIPE (A), C. WATER",1,1,,1,1,,,,,,,,,,,,,
30,1,,119631-49020,, "PIPE, COOLING WATER",1,1,,1,1,,,,,,,,,,,,,
31,1,,121450-49110,, "COCK ASSY, 3-WAY",1,1,,1,1,,,,,,,,,,,,,
33,2,,121250-49121,, "PLUG",1,1,,1,1,,,,,,,,,,,,,
34,2,,24311-000160,, "O-RING 1A P-16.0",2,2,,2,2,,,,,,,,,,,,,
35,1,,23010-038000,, "CLAMP 38",2,2,,2,2,,,,,,,,,,,,,
36,1,,23080-011000,, "CLAMP 11",4,4,,4,4,,,,,,,,,,,,,
37,1,,26013-080162,, "BOLT M 8X 16",2,2,,2,2,,,,,,,,,,,,,
38,1,,26013-080162,, "BOLT M 8X 16",4,4,,4,4,,,,,,,,,,,,,
39,1,,26013-100252,, "BOLT M10X 25",4,4,,4,4,,,,,,,,,,,,,
40,1,,22137-060000,, "WASHER 6",2,2,,2,2,,,,,,,,,,,,,
41,1,,23010-040000,, "CLAMP 40",2,2,,2,2,,,,,,,,,,,,,

Fig. 7 エンジンマウント & ラジエータ
ENGINE MOUNT & RADIATOR



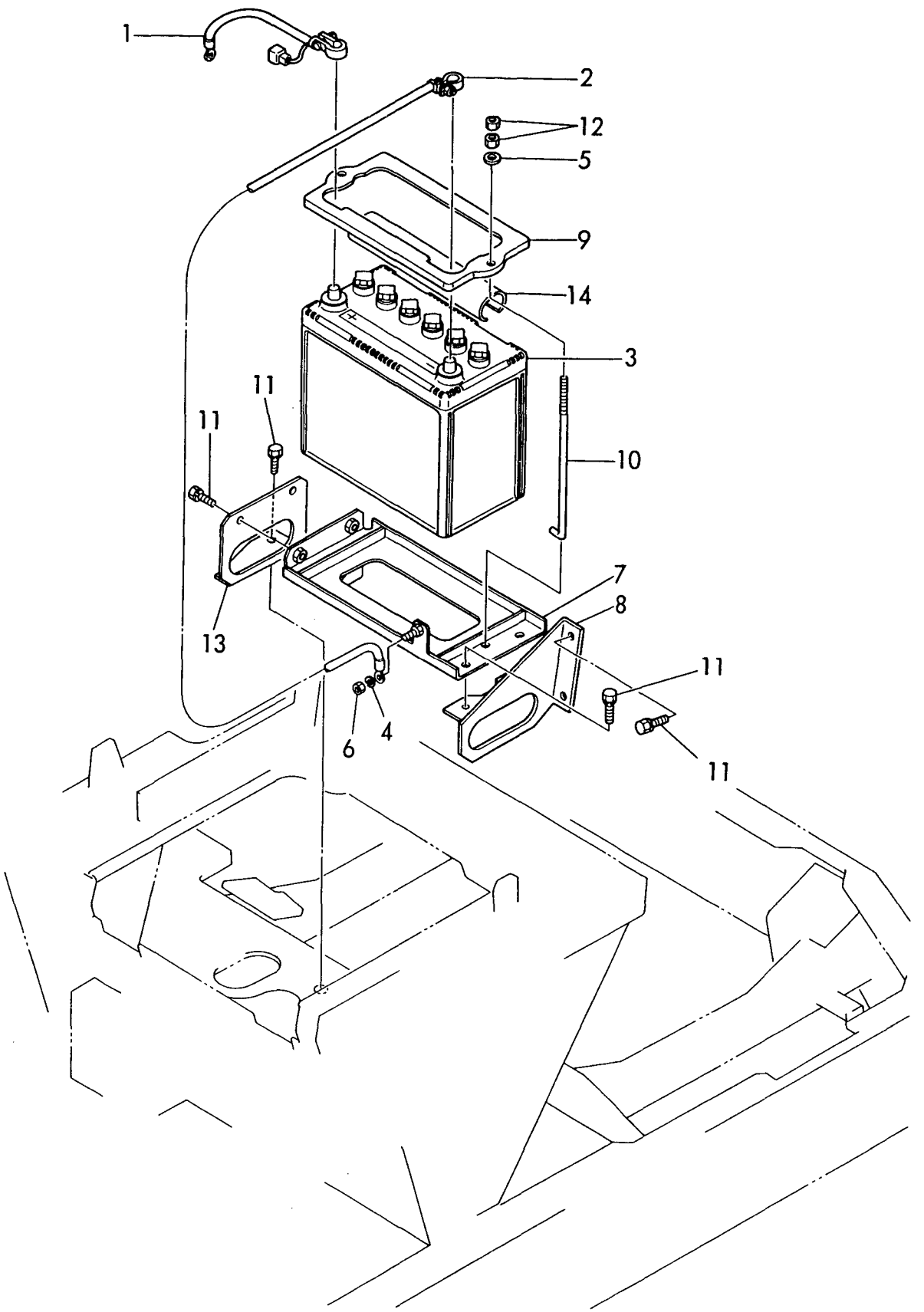
1,1,,772150-14100,, "FUEL TANK ASSY",1,1,,1,1,,,,,,,,,,,,,
2,1,,772149-14100,, "FUEL TANK ASSY",1,1,,1,1,,1,,,,,,,,,,,,,
5,2,,172149-14250,, "GAUGE, FUEL",1,1,,1,1,,,,,,,,,,,,,
6,2,,172141-14260,, "FLOAT",1,1,,1,1,,,,,,,,,,,,,
7,2,,172122-14300,, "CAP, FUEL TANK",1,1,,1,1,,,,,,,,,,,,,
8,2,,101504-55101,, "STRAINER, FUEL INLET",1,1,,1,1,,,,,,,,,,,,,
9,2,,23010-014000,, "CLAMP 14",2,2,,2,2,,,,,,,,,,,,,
10,2,,104200-11920,, "COCK",1,1,,1,1,,,,,,,,,,,,,
11,1,,23080-013000,, "CLAMP 13, HOSE",1,1,,1,1,,,,,,,,,,,,,
12,1,,26013-120302,, "BOLT M12X 30",3,3,,3,3,,,,,,,,,,,,,
13,1,,933169-22940,, "SPACER, RESERVOIR",1,1,,1,1,,,,,,,,,,,,,
14,1,,172149-14601,, "SUPPORT",1,1,,1,1,,,,,,,,,,,,,
15,1,,172149-14620,, "HOSE",1,1,,1,1,,,,,,,,,,,,,
16,1,,172149-14630,, "HOSE",2,2,,2,2,,,,,,,,,,,,,
17,1,,172126-16540,, "CLAMP 10X70",2,2,,2,2,,,,,,,,,,,,,
18,1,,129335-55700,, "SEPARATOR, WATER",1,1,,1,1,,,,,,,,,,,,,
19,2,,104200-55321,, "VALVE, TAPER",1,1,,1,1,,,,,,,,,,,,,
20,2,,104200-55330,, "SPRING, TAPER VALVE",1,1,,1,1,,,,,,,,,,,,,
21,2,,104200-55341,, "HANDLE, COCK",1,1,,1,1,,,,,,,,,,,,,
22,2,,124064-55510,, "BOWL, FUEL STRAINER",1,1,,1,1,,,,,,,,,,,,,
23,2,,102103-55520,, "O-RING",1,1,,1,1,,,,,,,,,,,,,
24,2,,110250-55610,, "RETAINING RING",1,1,,1,1,,,,,,,,,,,,,
25,2,,121257-55720,, "SPRING, SCREEN",1,1,,1,1,,,,,,,,,,,,,
26,2,,121257-55731,, "FLOAT",1,1,,1,1,,,,,,,,,,,,,
28,2,,101720-55750,, "PLUG 6",2,2,,2,2,,,,,,,,,,,,,
29,2,,104200-55750,, "SCREW M 4",1,1,,1,1,,,,,,,,,,,,,
30,2,,171081-55910,, "SCREEN",1,1,,1,1,,,,,,,,,,,,,
31,2,,23418-060000,, "GASKET 6",2,2,,2,2,,,,,,,,,,,,,
32,2,,24311-240100,, "O-RING 1A P-10A",1,1,,1,1,,,,,,,,,,,,,
33,1,,124766-59050,, "CLAMP 12",6,6,,6,6,,,,,,,,,,,,,
34,1,,22217-080000,, "SPRING WASHER 8",1,1,,1,1,,,,,,,,,,,,,
35,1,,26116-080652,, "BOLT M 8X 65 PLATED",1,1,,1,1,,,,,,,,,,,,,
36,1,,26013-080162,, "BOLT M 8X 16",2,2,,2,2,,,,,,,,,,,,,
37,1,,172149-14190,, "PLATE, GAUGE",1,1,,1,1,,,,,,,,,,,,,
38,1,,26557-060082,, "SCREW M 6X 8",2,2,,2,2,,,,,,,,,,,,,
39,1,,22217-060000,, "SPRING WASHER 6",2,2,,2,2,,,,,,,,,,,,,
40,1,,23061-100250,, "PIPE 10X 250",1,1,,1,1,,,,,,,,,,,,,
41,1,,22137-120000,, "WASHER 12",3,3,,3,3,,,,,,,,,,,,,
42,1,,194202-56460,, "BAND",1,1,,1,1,,,,,,,,,,,,,

Fig. 8 FOタンク&FOパイプ
FUEL TANK & FUEL LINE



1,1,,172149-16100,, "HARNESS, BATTERY",1,1,,1,1,,,,,,,,,,,,,
2,1,,172149-16110,, "HARNESS, BATTERY",1,1,,1,1,,,,,,,,,,,,,
3,1,,194300-51310,, "BATTERY NS60, DRY",1,1,,1,1,,,,,,,,,,,,,
4,1,,22217-080000,, "SPRING WASHER 8",1,1,,1,1,,,,,,,,,,,,,
5,1,,22137-060000,, "WASHER 6",2,2,,2,2,,,,,,,,,,,,,
6,1,,26716-080002,, "NUT M 8",1,1,,1,1,,,,,,,,,,,,,
7,1,,172149-16301,, "SUPPORT, BATTERY",1,1,,1,1,,,,,,,,,,,,,
8,1,,172149-16320,, "STAY, BATTERY",1,1,,1,1,,,,,,,,,,,,,
9,1,,194940-64750,, "CLAMP, BATTERY",1,1,,1,1,,,,,,,,,,,,,
10,1,,194515-64760,, "ROD, BATTERY CLAMP",2,2,,2,2,,,,,,,,,,,,,
11,1,,26013-100202,, "BOLT M10X 20",7,7,,7,7,,,,,,,,,,,,,
12,1,,26716-060002,, "NUT M 6",4,4,,4,4,,,,,,,,,,,,,
13,1,,172149-16381,, "STAY, BATTERY",1,1,,1,1,,,,,,,,,,,,,
14,1,,194440-51550,, "COVER, BATTERY",1,1,,1,1,,,,,,,,,,,,,

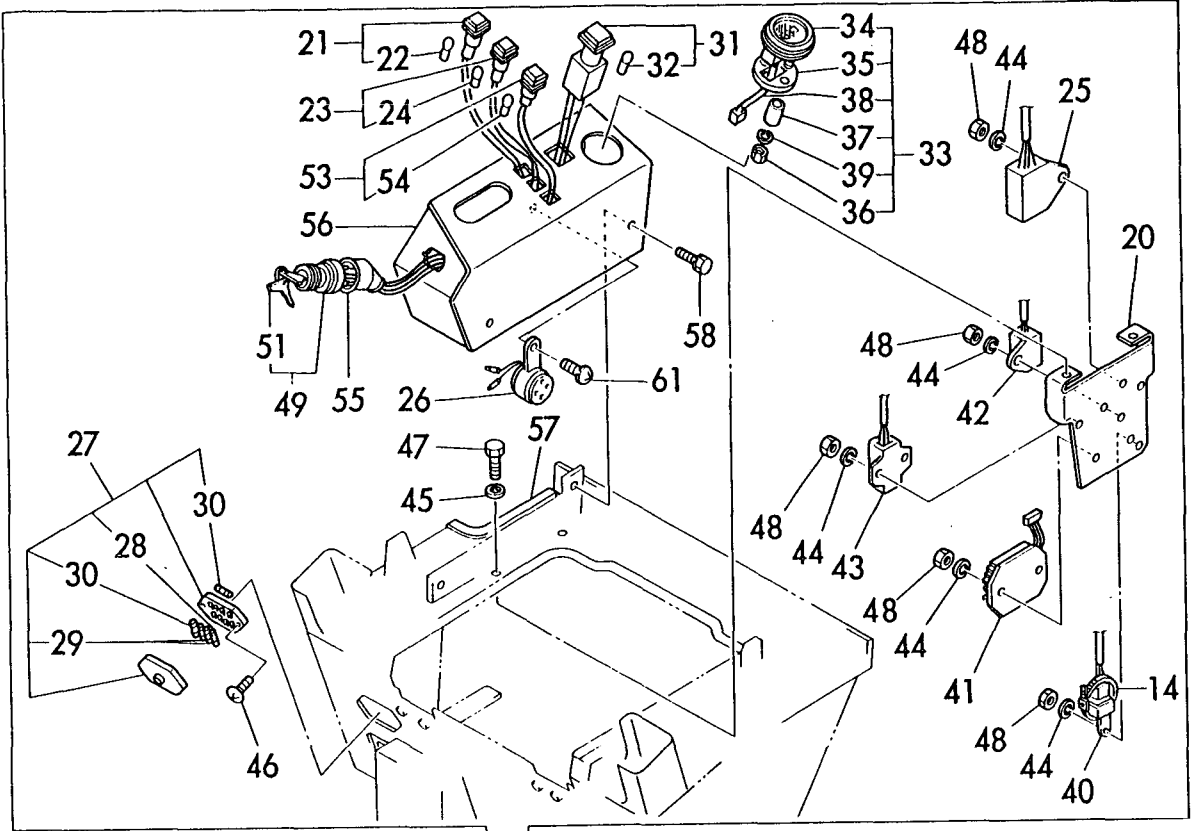
Fig. 9 バッテリー BATTERY



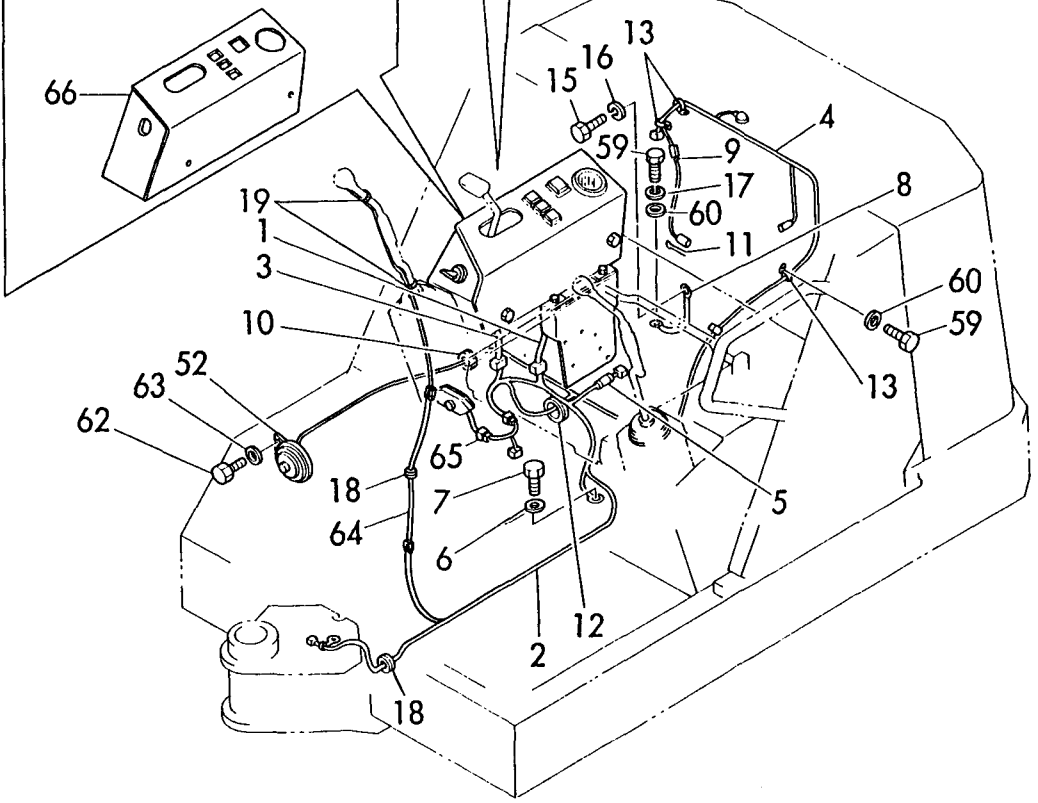
1,1,,172149-16500,, "HARNESS A",1,1,,1,1,,,,,,,,,,,,,
2,1,,172149-16510,, HARNESS(B,1,1,,1,1,,,,,,,,,,,,,
3,1,,172149-16520,, "HARNESS, STARTER",1,1,,1,1,,,,,,,,,,,,,
4,1,,172149-16530,, HARNESS(E,1,1,,1,1,,,,,,,,,,,,,
5,1,,172122-16570,, "LINK, FUSIBLE",1,1,,1,1,,,,,,,,,,,,,
6,1,,22137-100000,, "WASHER 10",1,1,,1,1,,,,,,,,,,,,,
7,1,,26117-100162,, "BOLT M10X 16 PLATED",1,1,,1,1,,,,,,,,,,,,,
8,1,,933171-15801,, "WIRE, EARTH",1,1,,1,1,,,,,,,,,,,,,
9,1,,172149-16540,, HARNESS(F,1,1,,1,1,,,,,,,,,,,,,
10,1,,172149-16550,, "GROMMET 40X13",1,1,,1,1,,,,,,,,,,,,,
11,1,,22417-200250,, "COTTER PIN 2.0X25",1,1,,1,1,,,,,,,,,,,,,
12,1,,933110-58400,, "GROMMET 43",1,1,,1,1,,,,,,,,,,,,,
13,1,,172126-16540,, "CLAMP 10X70",3,3,,3,3,,,,,,,,,,,,,
14,1,,194202-56460,, BAND,1,1,,1,1,,,,,,,,,,,,,
15,1,,26116-120162,, "BOLT M12X 16 PLATED",1,1,,1,1,,,,,,,,,,,,,
16,1,,22217-120000,, "SPRING WASHER 12",1,1,,1,1,,,,,,,,,,,,,
17,1,,22217-100000,, "SPRING WASHER 10",1,1,,1,1,,,,,,,,,,,,,
18,1,,933168-56000,, "GROMMET 17X19",2,2,,2,2,,,,,,,,,,,,,
19,1,,933168-55770,, "BAND 146",2,2,,2,2,,,,,,,,,,,,,
20,1,,172149-17100,, PLATE,1,1,,1,1,,,,,,,,,,,,,
21,1,,172149-17120,, LAMP,1,1,,1,1,,,,,,,,,,,,,
22,2,,172149-17140,, BULB(12V-3.4W,1,1,,1,1,,,,,,,,,,,,,
23,1,,172149-17130,, LAMP,1,1,,1,1,,,,,,,,,,,,,
24,2,,172149-17140,, BULB(12V-3.4W,1,1,,1,1,,,,,,,,,,,,,
25,1,,172141-17141,, "UNIT, CHECKER",1,1,,1,1,,,,,,,,,,,,,
26,1,,172141-17150,, BUZZER,1,1,,1,1,,,,,,,,,,,,,
27,1,,172141-17160,, "BOX, FUSE",1,1,,1,1,,,,,,,,,,,,,
28,2,,29411-050000,, "FUSE (5A),CARTRIDGE",1,1,,1,1,,,,,,,,,,,,,
29,2,,29411-100000,, "FUSE (10A),CARTRIDGE",2,2,,2,2,,,,,,,,,,,,,
30,2,,29411-150000,, "FUSE (15A),CARTRIDGE",2,2,,2,2,,,,,,,,,,,,,
31,1,,172141-17190,, "SWITCH, WORK LAMP",1,1,,1,1,,,,,,,,,,,,,
32,2,,933113-05120,, "BULB 12V 1.7W",1,1,,1,1,,,,,,,,,,,,,
33,1,,172147-17200,, "METER, HOUR",1,1,,1,1,,,,,,,,,,,,,
34,2,,172147-17210,, "CASE, HOUR METER",1,1,,1,1,,,,,,,,,,,,,
35,2,,172147-17220,, "CAP, HOUR METER",1,1,,1,1,,,,,,,,,,,,,
36,2,,172147-17230,, NUT,2,2,,2,2,,,,,,,,,,,,,
37,2,,172147-17240,, SLEEVE,2,2,,2,2,,,,,,,,,,,,,
38,2,,172147-17250,, "WIRE,LEAD",1,1,,1,1,,,,,,,,,,,,,
39,2,,22217-050000,, "SPRING WASHER 5",2,2,,2,2,,,,,,,,,,,,,
40,1,,121522-77101,, RELAY,1,1,,1,1,,,,,,,,,,,,,
41,1,,119640-77711,, "LIMITER,CURRENT",1,1,,1,1,,,,,,,,,,,,,
42,1,,121522-77721,, "INDICATOR, CHARGING",1,1,,1,1,,,,,,,,,,,,,
43,1,,129155-77810,, RESISTOR,1,1,,1,1,,,,,,,,,,,,,
44,1,,22217-060000,, "SPRING WASHER 6",7,7,,7,7,,,,,,,,,,,,,
45,1,,22217-100000,, "SPRING WASHER 10",2,2,,2,2,,,,,,,,,,,,,
46,1,,26022-050162,, "SCREW M 5X 16",2,2,,2,2,,,,,,,,,,,,,
47,1,,26116-100162,, "BOLT M10X 16 PLATED",2,2,,2,2,,,,,,,,,,,,,
48,1,,26716-060002,, "NUT M 6",7,7,,7,7,,,,,,,,,,,,,
49,1,,933110-00100,, "SWITCH ASSY, STARTER",1,1,,1,1,,,,,,,,,,,,,
51,2,,933110-00301,, "KEY ASSY",1,1,,1,1,,,,,,,,,,,,,
52,1,,933110-05300,, HORN,1,1,,1,1,,,,,,,,,,,,,
53,1,,933113-05190,, "LAMP, OIL",1,1,,1,1,,,,,,,,,,,,,
54,2,,933113-05180,, "BULB 12V 3W",1,1,,1,1,,,,,,,,,,,,,
55,1,,933113-15900,, "COVER, SWITCH TERMI.",1,1,,1,1,,,,,,,,,,,,,
56,1,,172150-63200,, "PANEL ASSY",1,1,,1,1,,,,,,,,,,,,,
57,1,,172141-65970,, "RUBBER, PLATE",1,1,,1,1,,,,,,,,,,,,,
58,1,,26013-100202,, "BOLT M10X 20",2,2,,2,2,,,,,,,,,,,,,
59,1,,26117-100162,, "BOLT M10X 16 PLATED",2,2,,2,2,,,,,,,,,,,,,
60,1,,22137-100000,, "WASHER 10",2,2,,2,2,,,,,,,,,,,,,
61,1,,26022-060122,, "SCREW M 6X 12",1,1,,1,1,,,,,,,,,,,,,
62,1,,26116-060122,, "BOLT M 6X 12 PLATED",2,2,,2,2,,,,,,,,,,,,,
63,1,,22217-060000,, "SPRING WASHER 6",2,2,,2,2,,,,,,,,,,,,,
64,1,,172149-16570,, "HARNESS, HORN",1,1,,1,1,,1,,,,,,,,,,,,

65,1,,172149-16580,,HARNESS(C),1,1,,1,1,,,1,,,,,,,,,,,,,
66,1,,172149-63100,,"PANEL ASSY",1,1,,1,1,,,2,,,,,,,,,,,,,

Fig. 10 デンソウヒン
ELECTRIC PARTS

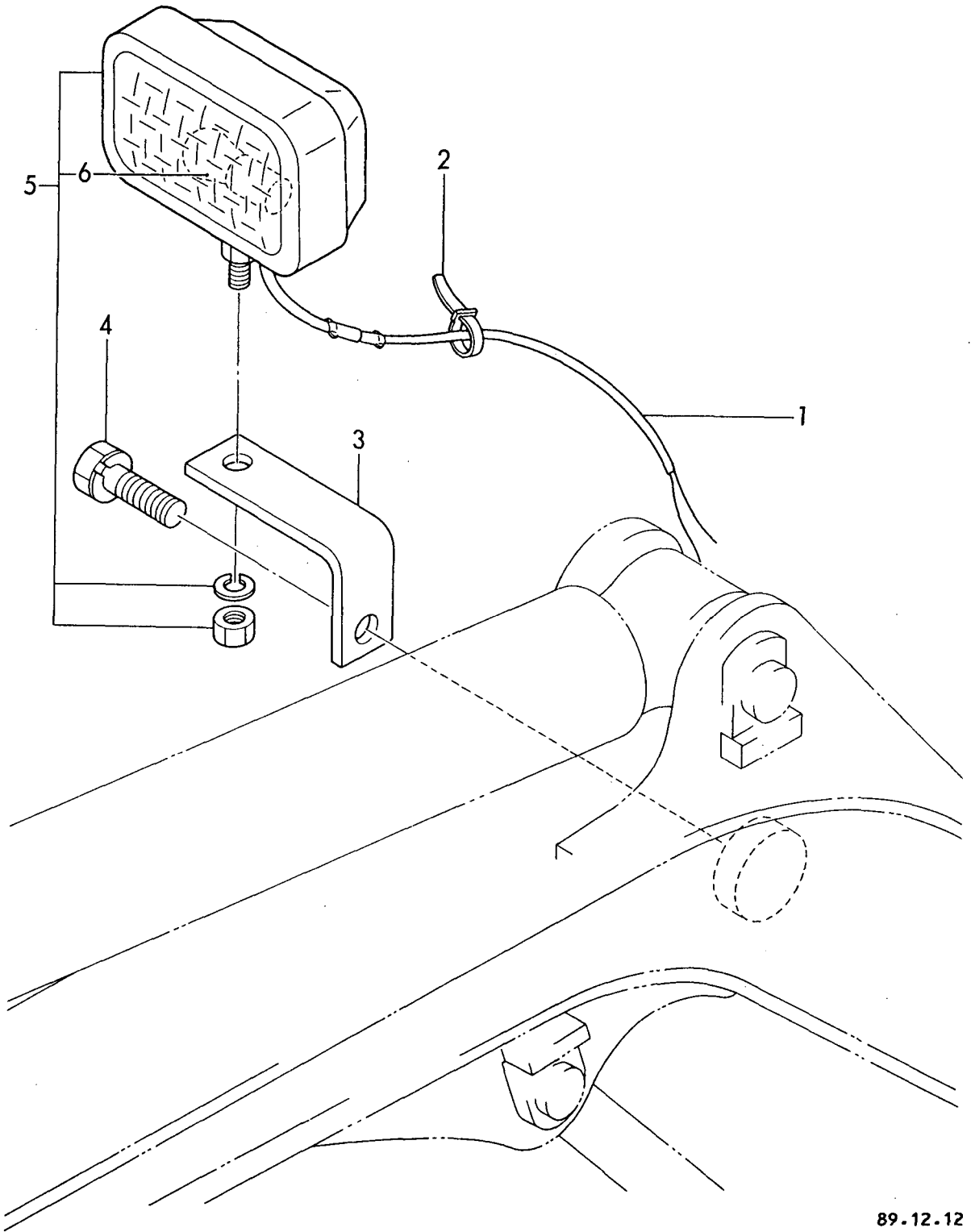


COUNTRY	U	K	A	S	E	X
APPLI- CATION	-	○	○	○	○	○



1,1,,172137-16530,, "LEAD WIRE",1,1,,1,1,,,,,,,,,,,,,
2,1,,172137-16560,, BAND,4,4,,4,4,,,,,,,,,,,,,
3,1,,172137-17400,, "STAY, BOOM LIGHT",1,1,,1,1,,,,,,,,,,,,,
4,1,,26013-120252,, "BOLT M12X 25",1,1,,1,1,,,,,,,,,,,,,
5,1,,933113-05200,, "LAMP, WORK",1,1,,1,1,,,,,,,,,,,,,
6,2,,933113-05210,, "BULB 12V 27W",1,1,,1,1,,,,,,,,,,,,,

Fig. 11 ワークランプ
WORK LAMP

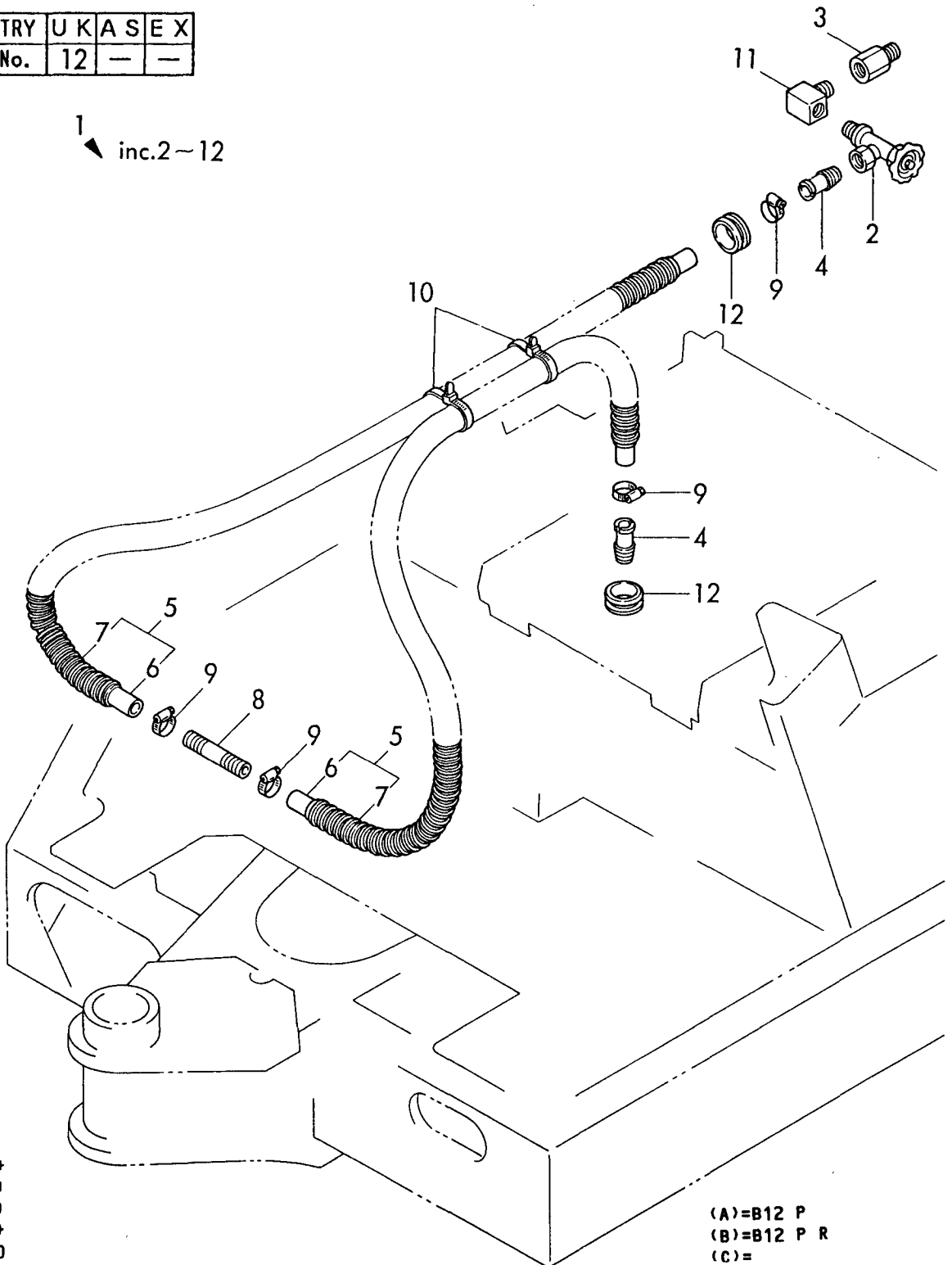


1,1,,772149-17600,, "HEATER ASSY",1,1,,1,1,,,,,,,,,,,,,
2,2,,172124-17630,, "VALVE, MINIATURE",1,1,,1,1,,,,,,,,,,,,,
3,2,,172137-17630,, "JOINT, HEATER",1,1,,1,1,,,,,,,,,,,,,
4,2,,172124-17640,, "JOINT 3/8",2,2,,2,2,,,,,,,,,,,,,
5,2,,172141-17680,, "HOSE ASSY, HEATER",2,2,,2,2,,,,,,,,,,,,,
6,3,,172141-17690,, "HOSE, HEATER",2,2,,2,2,,,,,,,,,,,,,
7,3,,172141-17700,, "TUBE, CORRUGAT",2,2,,2,2,,,,,,,,,,,,,
8,2,,172119-47650,, "JOINT, HOSE",1,1,,1,1,,,,,,,,,,,,,
9,2,,23000-022000,, "CLAMP 22",4,4,,4,4,,,,,,,,,,,,,
10,2,,933152-09280,, "BAND 170",2,2,,2,2,,,,,,,,,,,,,
11,2,,933166-24240,, "ELBOW, SWIVEL JOINT",1,1,,1,1,,,,,,,,,,,,,
12,2,,933171-15680,, "GROMMET 40X13",2,2,,2,2,,,,,,,,,,,,,

Fig. 12 ヒータ
HEATER

COUNTRY	U	K	A	S	E	X
Fig. No.	12	—	—	—	—	—

1
▲ inc.2~12

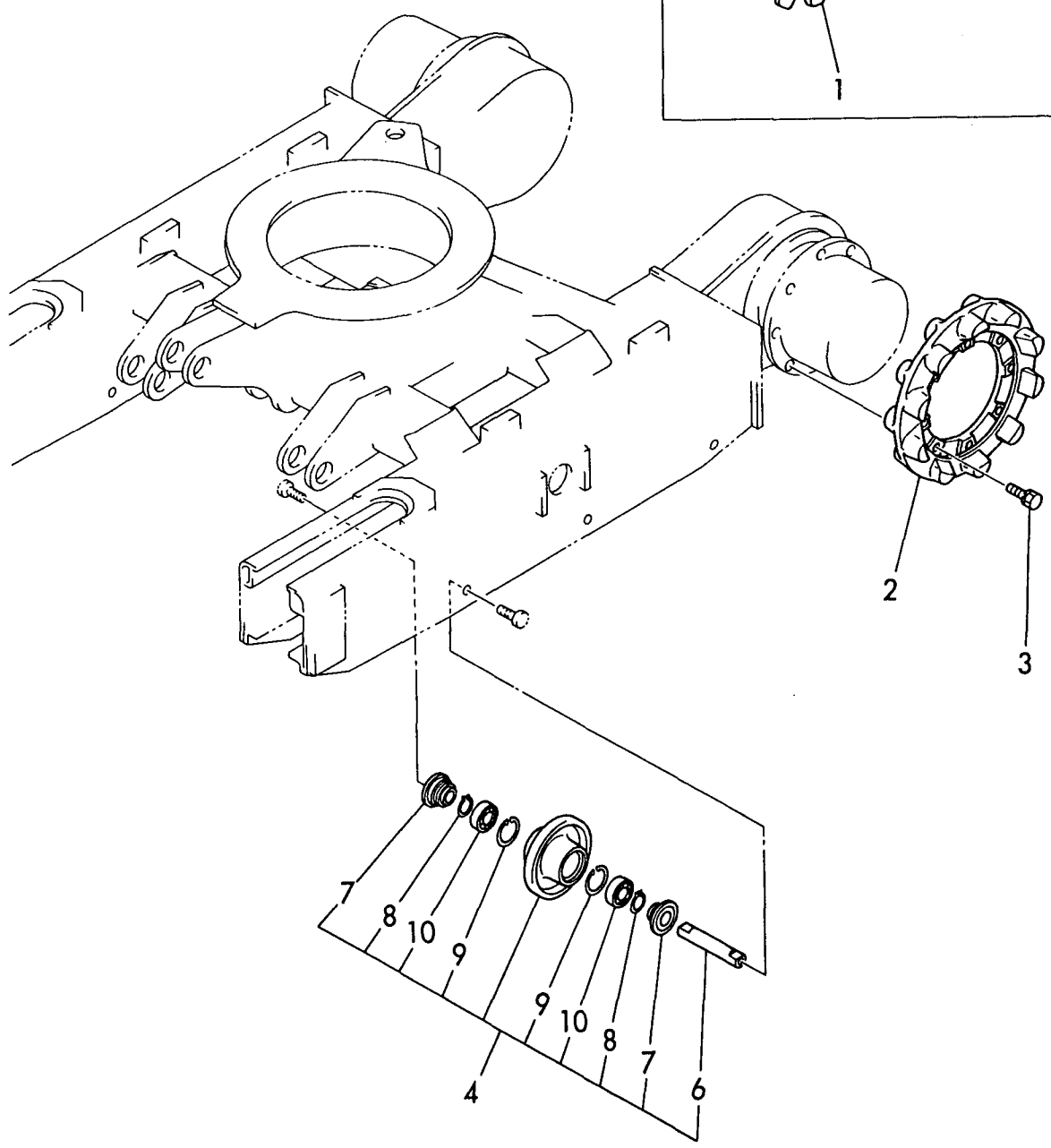
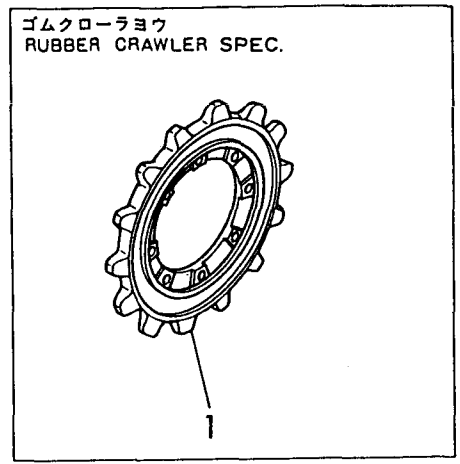


| 1B14 |
(1B02)
Y00S3000

(A)=B12 P
(B)=B12 P R
(C)=

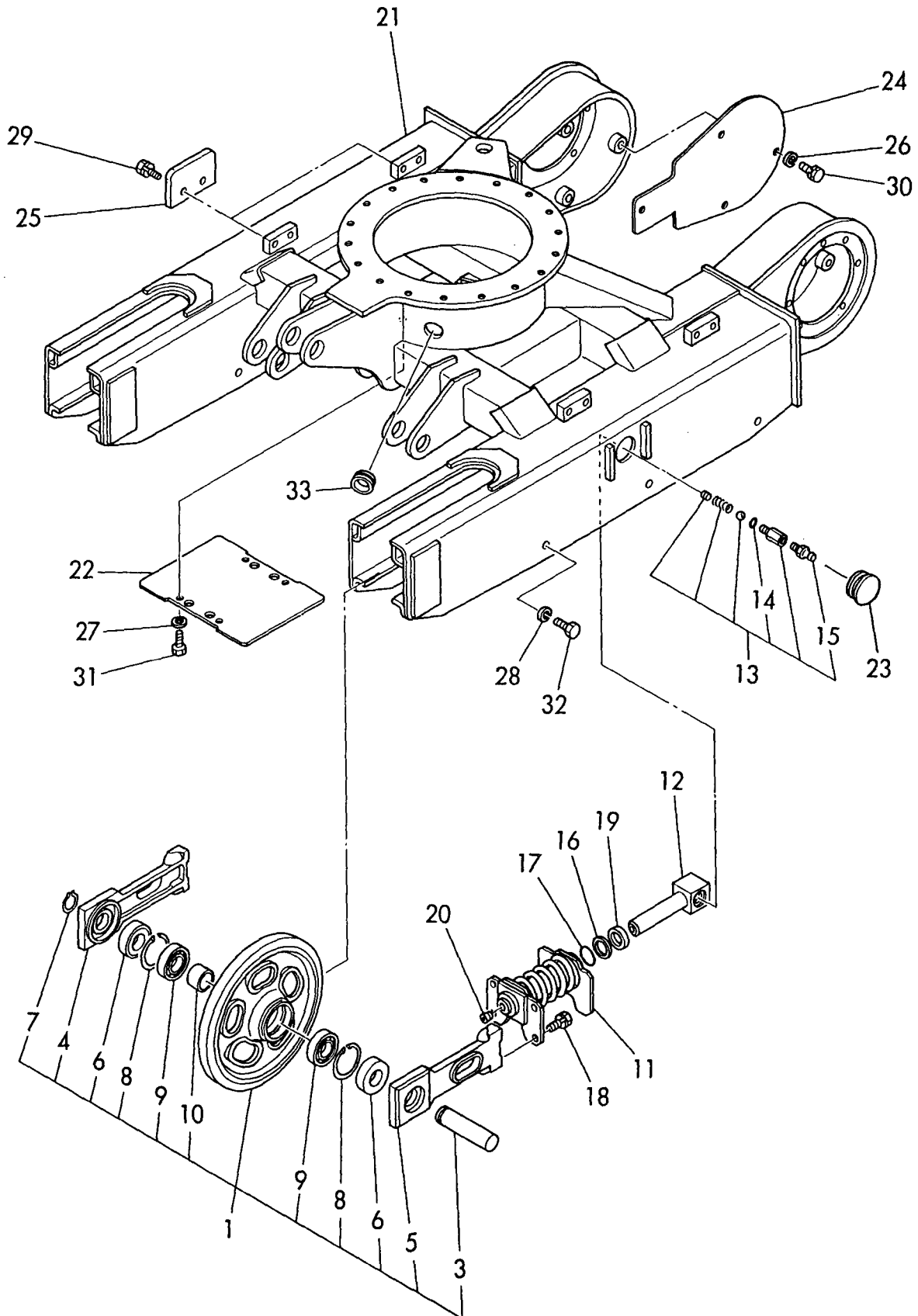
1,1,,172137-29110,, "SPROCKET,RUBBER CRAW",,2,,,2,,,,,,,,,,,,,
2,1,,172137-29120,, SPROCKET,2,,,2,,,,,,,,,,,,,
3,1,,26013-100252,, "BOLT M10X 25",18,18,,18,18,,,,,,,,,,,,,
4,1,,772137-37300,, "ROLLER ASSY, TRUCK",6,6,,6,6,,,,,,,,,,,,,
6,2,,172137-37330,, "SHAFT, TRACK ROLLER",6,6,,6,6,,,,,,,,,,,,,
7,2,,172137-37360,, SEAL,12,12,,12,12,,,,,,,,,,,,,
8,2,,22242-000250,, "CIRCLIP 25",12,12,,12,12,,,,,,,,,,,,,
9,2,,22252-000470,, "CIRCLIP 47",12,12,,12,12,,,,,,,,,,,,,
10,2,,24101-060054,, "BALL BEARING",12,12,,12,12,,,,,,,,,,,,,

Fig. **13** トラックローラ
TRACK ROLLER



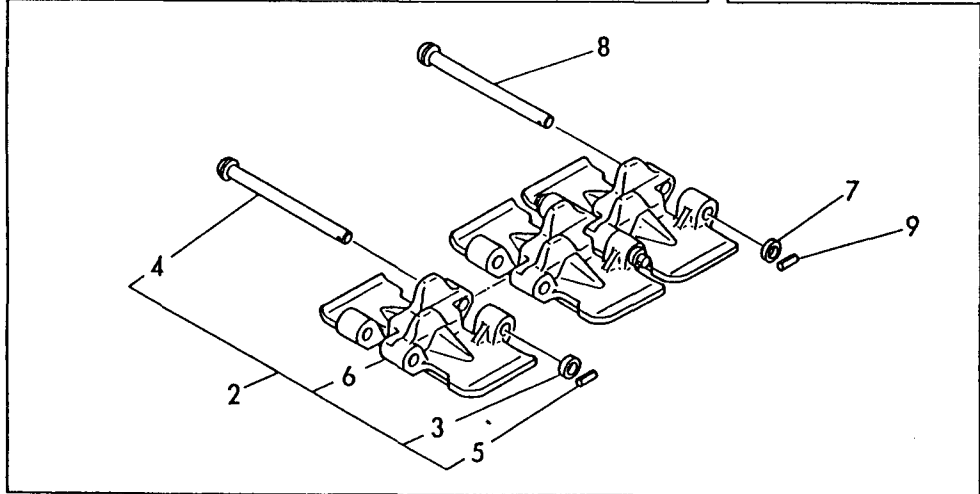
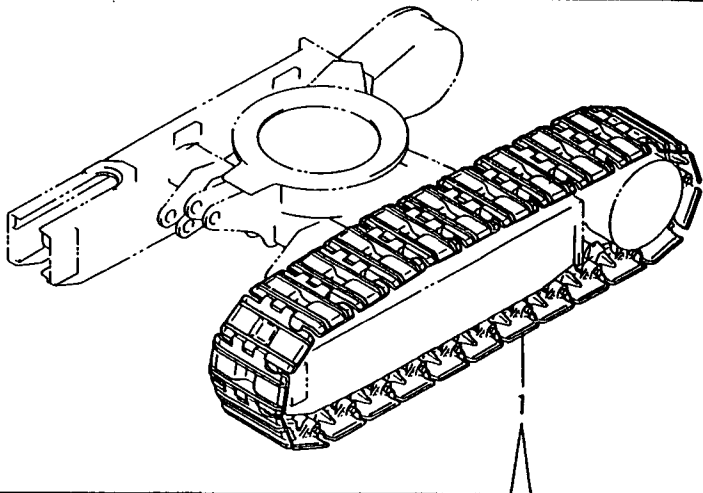
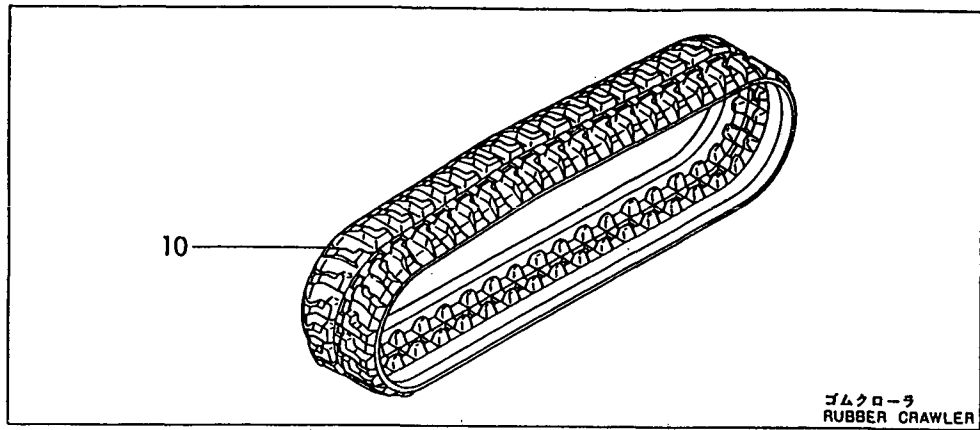
1,1,,772137-37100,, "IDLER ASSY",2,2,,2,2,,,,,,,,,,,,,
3,2,,172137-37110,, "SHAFT, IDLER",2,2,,2,2,,,,,,,,,,,,,
4,2,,172137-37130,, "COVER (L), SEAL",2,2,,2,2,,,,,,,,,,,,,
5,2,,172137-37140,, "COVER (R), SEAL",2,2,,2,2,,,,,,,,,,,,,
6,2,,1A1030-48250,, "SEAL QLF30621218,OIL",4,4,,4,4,,,,,,,,,,,,,
7,2,,22242-000300,, "CIRCLIP 30",2,2,,2,2,,,,,,,,,,,,,
8,2,,22252-000620,, "CIRCLIP 62(H)",4,4,,4,4,,,,,,,,,,,,,
9,2,,24101-062064,, "BALL BEARING",4,4,,4,4,,,,,,,,,,,,,
10,2,,933168-13990,, "COLLAR(B),IDLE.SHAFT",2,2,,2,2,,,,,,,,,,,,,
11,1,,172137-37710,, "SPRING, ADJUSTING",2,2,,2,2,,,,,,,,,,,,,
12,1,,172137-37800,, "TUBE, ADJUSTER",2,2,,2,2,,,,,,,,,,,,,
13,1,,172122-37842,, "VALVE ASSY, NIPPLE",2,2,,2,2,,,,,,,,,,,,,
14,2,,24315-000120,, "O-RING 1B P-12.0",2,2,,2,2,,,,,,,,,,,,,
15,2,,24761-020000,, "NIPPLE PT1/8,GREASE",2,2,,2,2,,,,,,,,,,,,,
16,1,,172137-37850,, "RING, BACK UP",2,2,,2,2,,,,,,,,,,,,,
17,1,,24315-000300,, "O-RING 1B P-30.0",2,2,,2,2,,,,,,,,,,,,,
18,1,,26013-100302,, "BOLT M10X 30",8,8,,8,8,,,,,,,,,,,,,
19,1,,933126-38600,, "SEAL, DUST",2,2,,2,2,,,,,,,,,,,,,
20,1,,933171-13691,, "PLUG PT1/8",2,2,,2,2,,,,,,,,,,,,,
21,1,,172149-50100,, "FRAME, LOWER",1,1,,1,1,,,,,,,,,,,,,
22,1,,172131-50360,, "COVER,UNDER",1,1,,1,1,,,,,,,,,,,,,
23,1,,172141-50890,, GROMMET,2,2,,2,2,,,,,,,,,,,,,
24,1,,172137-51700,, "COVER, MOTOR",2,2,,2,2,,,,,,,,,,,,,
25,1,,172137-51900,, PLATE,4,4,,4,4,,,,,,,,,,,,,
26,1,,22217-100000,, "SPRING WASHER 10",8,8,,8,8,,,,,,,,,,,,,
27,1,,22217-100000,, "SPRING WASHER 10",4,4,,4,4,,,,,,,,,,,,,
28,1,,22217-120000,, "SPRING WASHER 12",12,12,,12,12,,,,,,,,,,,,,
29,1,,26013-100302,, "BOLT M10X 30",8,8,,8,8,,,,,,,,,,,,,
30,1,,26116-100202,, "BOLT M10X 20 PLATED",8,8,,8,8,,,,,,,,,,,,,
31,1,,26116-100202,, "BOLT M10X 20 PLATED",4,4,,4,4,,,,,,,,,,,,,
32,1,,26116-120252,, "BOLT M12X 25 PLATED",12,12,,12,12,,,,,,,,,,,,,
33,1,,172131-78350,, "GROMMET 13.5",2,2,,2,2,,,,,,,,,,,,,

Fig. 14 トラックフレーム&アイドラ
TRACK FRAME & IDLER



1,1,,772137-38101,, "CRAWLER ASSY",2,,,2,,,,,,,,,,,,,,,,,,,,,
2,2,,172137-38101,, "LINK ASSY, TRACK",2,,,2,,,,,,,,,,,,,,,,,,,,,
3,3,,172137-38131,, "COLLAR, LINK",58,,,58,,,,,,,,,,,,,,,,,,,,,
4,3,,172137-38161,, "PIN, TRACK",58,,,58,,,,,,,,,,,,,,,,,,,,,
5,3,,22351-060020,, "SPRING PIN 6X20",58,,,58,,,,,,,,,,,,,,,,,,,,,
6,3,,172137-38111,, "SHOW PLATE",60,,,60,,,,,,,,,,,,,,,,,,,,,
7,2,,172137-38131,, "COLLAR, LINK",2,,,2,,,,,,,,,,,,,,,,,,,,,
8,2,,172137-38161,, "PIN, TRACK",2,,,2,,,,,,,,,,,,,,,,,,,,,
9,2,,22351-060020,, "SPRING PIN 6X20",2,,,2,,,,,,,,,,,,,,,,,,,,,
10,1,,172137-38600,, "CRAWLER ASSY, RUBBER",,2,,,2,,,,,,,,,,,,,,,,,,,,,

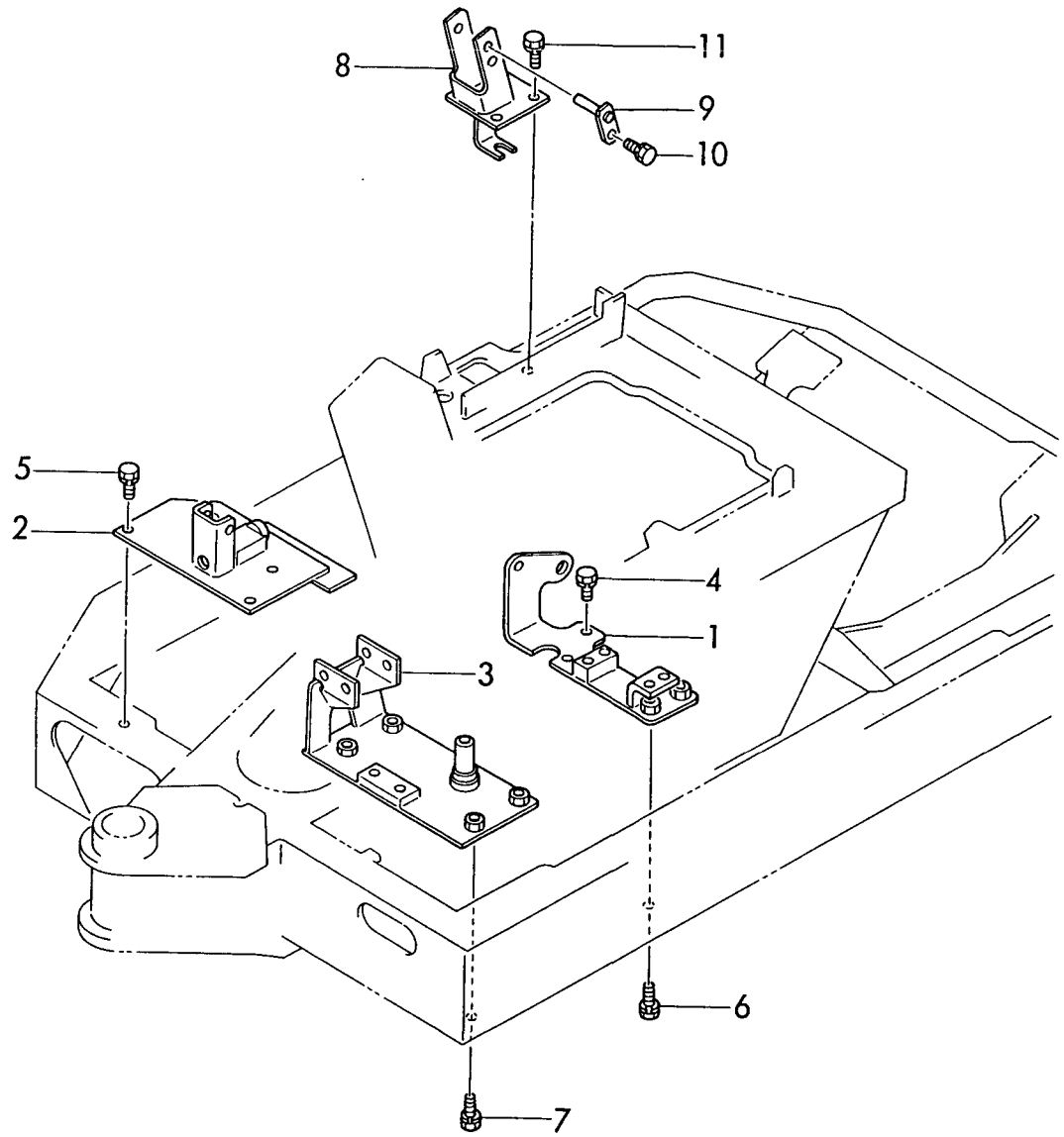
Fig. 15 リタイ
CRAWLER



1,1,,172150-41870,, "SUPPORT, LINK",1,1,,1,1,,,,,,,,,,,,,
2,1,,172150-42350,, "BRACKET, SWING",1,1,,1,1,,,,,,,,,,,,,
3,1,,172150-42400,, "PLATE, LINK",1,1,,1,1,,,,,,,,,,,,,
4,1,,26013-100202,, "BOLT M10X 20",2,2,,2,2,,,,,,,,,,,,,
5,1,,26013-100202,, "BOLT M10X 20",2,2,,2,2,,,,,,,,,,,,,
6,1,,26013-100252,, "BOLT M10X 25",2,2,,2,2,,,,,,,,,,,,,
7,1,,26013-100252,, "BOLT M10X 25",4,4,,4,4,,,,,,,,,,,,,
8,1,,172149-42010,, "BRACKET SET",1,1,,1,1,,,,,,,,,,,,,
9,1,,172149-41860,, "PIN, BLADE",1,1,,1,1,,,,,,,,,,,,,
10,1,,26013-100202,, "BOLT M10X 20",1,1,,1,1,,,,,,,,,,,,,
11,1,,26013-100202,, "BOLT M10X 20",3,3,,3,3,,,,,,,,,,,,,

Fig. 16 リンクダイ
LINK STAND

COUNTRY	U	K	A	S	E	X
Fig. No.	16	17	17	17	17	17

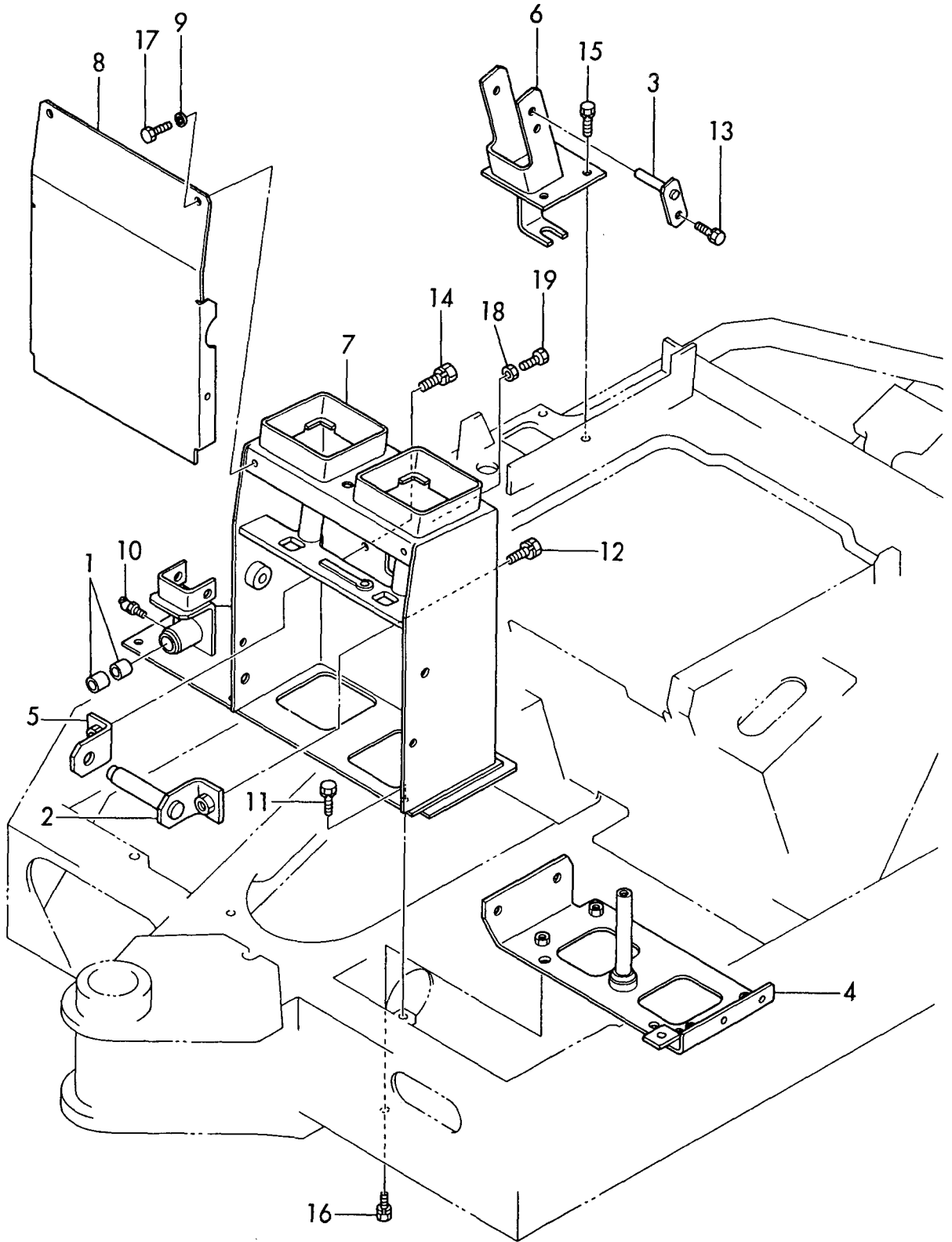


-----+
| 1C02 |
| (1B02) |
-----+

1,1,,172141-41370,, "BUSH 2015",2,2,,2,2,,,,,,,,,,,,,
2,1,,172149-41830,, "SHAFT(A), TRACK",1,1,,1,1,,,,,,,,,,,,,
3,1,,172149-41860,, "PIN, BLADE",1,1,,1,1,,,,,,,,,,,,,
4,1,,172149-41900,, "PLATE, LINK",1,1,,1,1,,,,,,,,,,,,,
5,1,,172149-41950,, "PLATE, TRACK",1,1,,1,1,,,,,,,,,,,,,
6,1,,172149-42010,, "BRACKET SET",1,1,,1,1,,,,,,,,,,,,,
7,1,,172149-42100,, "SUPPORT, LINK",1,1,,1,1,,,,,,,,,,,,,
8,1,,172149-42250,, "COVER, SUPPORT",1,1,,1,1,,,,,,,,,,,,,
9,1,,22217-080000,, "SPRING WASHER 8",4,4,,4,4,,,,,,,,,,,,,
10,1,,24761-020000,, "NIPPLE PT1/8,GREASE",1,1,,1,1,,,,,,,,,,,,,
11,1,,26013-100202,, "BOLT M10X 20",5,5,,5,5,,,,,,,,,,,,,
12,1,,26013-100202,, "BOLT M10X 20",1,1,,1,1,,,,,,,,,,,,,
13,1,,26013-100202,, "BOLT M10X 20",1,1,,1,1,,,,,,,,,,,,,
14,1,,26013-100202,, "BOLT M10X 20",1,1,,1,1,,,,,,,,,,,,,
15,1,,26013-100202,, "BOLT M10X 20",3,3,,3,3,,,,,,,,,,,,,
16,1,,26013-100252,, "BOLT M10X 25",4,4,,4,4,,,,,,,,,,,,,
17,1,,26116-080162,, "BOLT M 8X 16 PLATED",4,4,,4,4,,,,,,,,,,,,,
18,1,,26756-100002,, "LOCK NUT M10 PLATED",2,2,,2,2,,,,,,,,,,,,,
19,1,,26116-100252,, "BOLT M10X 25 PLATED",2,2,,2,2,,,,,,,,,,,,,

Fig. 17 リンクダイ
LINK STAND

COUNTRY	U	K	A	S	E	X
Fig. No.	16	17	17	17	17	17

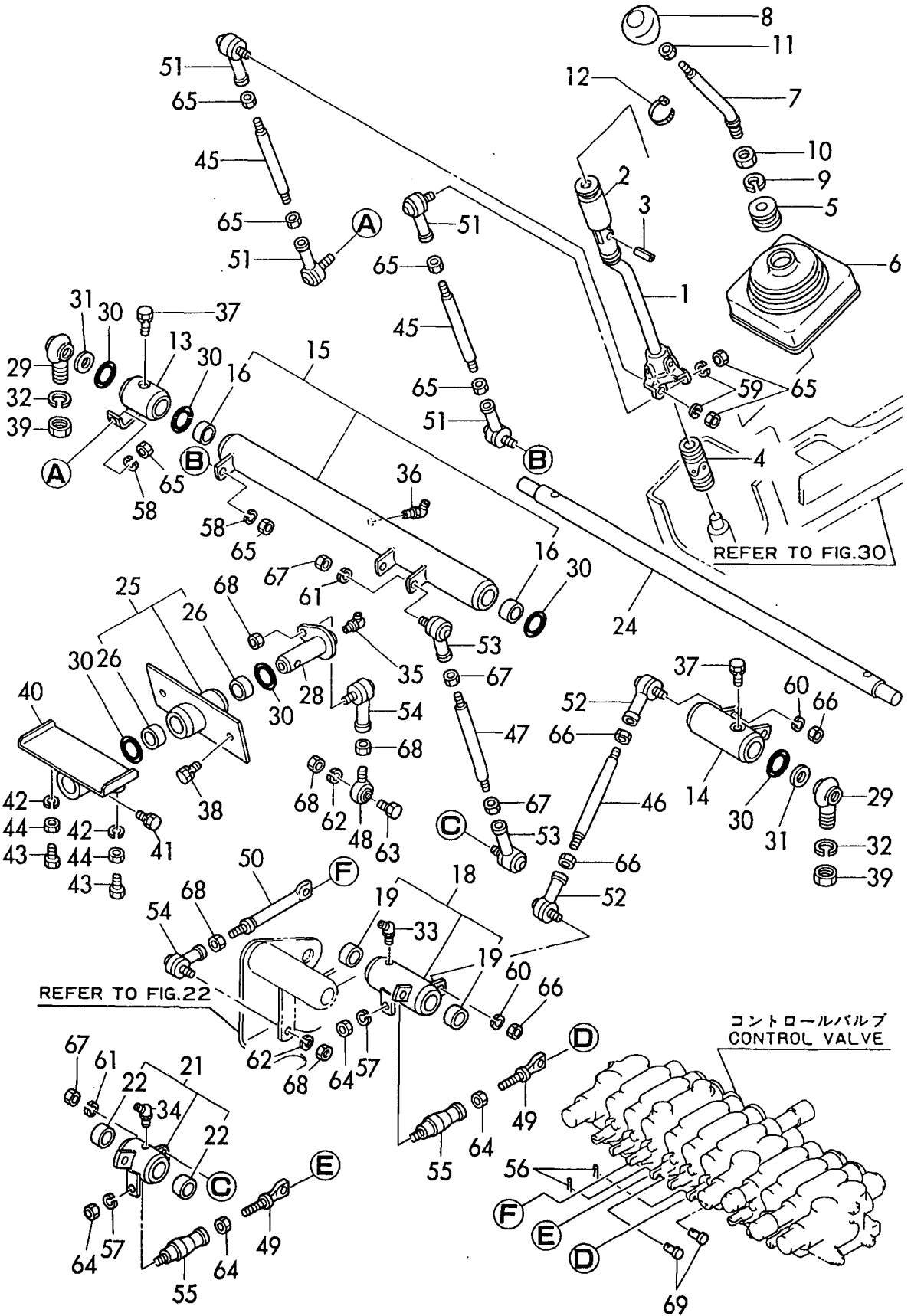


1,1,,172150-41150,,LEVER(R),1,1,,1,1,,,,,,,,,,,,,
2,2,,172142-44170,,,"JOINT, LEVER",1,1,,1,1,,,,,,,,,,,,,
3,2,,22351-060018,,,"SPRING PIN 6X18",1,1,,1,1,,,,,,,,,,,,,
4,1,,172141-41160,,JOINT,1,1,,1,1,,,,,,,,,,,,,
5,1,,172141-41310,,GROMMET,1,1,,1,1,,,,,,,,,,,,,
6,1,,172141-41330,,,"BOOTS, LEVER",1,1,,1,1,,,,,,,,,,,,,
7,1,,172143-45100,,LEVER,1,1,,1,1,,,,,,,,,,,,,
8,1,,172143-45800,,KNOB(A),1,1,,1,1,,,,,,,,,,,,,
9,1,,22217-140000,,,"SPRING WASHER 14",1,1,,1,1,,,,,,,,,,,,,
10,1,,26756-140002,,,"LOCK NUT M14 PLATED",1,1,,1,1,,,,,,,,,,,,,
11,1,,26757-100002,,,"LOCK NUT M10 PLATED",1,1,,1,1,,,,,,,,,,,,,
12,1,,933168-55770,,,"BAND 146",2,2,,2,2,,,,,,,,,,,,,
13,1,,172150-41350,,,"LINK(A), BOOM",1,1,,1,1,,,,,,,,,,,,,
14,1,,172150-41390,,,"LINK(B), BOOM",1,1,,1,1,,,,,,,,,,,,,
15,1,,172150-41420,,,"LINK(A), BUCKET",1,1,,1,1,,,,,,,,,,,,,
16,2,,172141-41370,,,"BUSH 2015",2,2,,2,2,,,,,,,,,,,,,
18,1,,172150-41550,,,"LINK(C), BOOM",1,1,,1,1,,,,,,,,,,,,,
19,2,,172141-41370,,,"BUSH 2015",2,2,,2,2,,,,,,,,,,,,,
21,1,,172150-41620,,,"LINK(C), BUCKET",1,1,,1,1,,,,,,,,,,,,,
22,2,,172141-41370,,,"BUSH 2015",2,2,,2,2,,,,,,,,,,,,,
24,1,,172150-41730,,,"SHAFT, LINK",1,1,,1,1,,,,,,,,,,,,,
25,1,,172150-42660,,BRACKET,1,1,,1,1,,,,,,,,,,,,,
26,2,,172141-41370,,,"BUSH 2015",2,2,,2,2,,,,,,,,,,,,,
28,1,,172150-42750,,,"SHAFT, P.T.O",1,1,,1,1,,,,,,,,,,,,,
29,1,,172122-45720,,,"ROD-END 14",2,2,,2,2,,,,,,,,,,,,,
30,1,,172124-46200,,,"O-RING 27X5.7",6,6,,6,6,,,,,,,,,,,,,
31,1,,22157-120000,,,"WASHER 12",2,2,,2,2,,,,,,,,,,,,,
32,1,,22217-140000,,,"SPRING WASHER 14",2,2,,2,2,,,,,,,,,,,,,
33,1,,24761-040000,,,"NIPPLE B,GREASE",1,1,,1,1,,,,,,,,,,,,,
34,1,,24761-040000,,,"NIPPLE B,GREASE",1,1,,1,1,,,,,,,,,,,,,
35,1,,24761-040000,,,"NIPPLE B,GREASE",1,1,,1,1,,,,,,,,,,,,,
36,1,,24761-020000,,,"NIPPLE PT1/8,GREASE",1,1,,1,1,,,,,,,,,,,,,
37,1,,26013-100202,,,"BOLT M10X 20",2,2,,2,2,,,,,,,,,,,,,
38,1,,26013-100202,,,"BOLT M10X 20",2,2,,2,1,,,,,,,,,,,,,
39,1,,26716-140002,,,"NUT M14",2,2,,2,2,,,,,,,,,,,,,
40,1,,172150-42780,,,"PEDAL, P.T.O",1,1,,1,1,,,,,,,,,,,,,
41,1,,26013-100202,,,"BOLT M10X 20",1,1,,1,1,,,,,,,,,,,,,
42,1,,22217-100000,,,"SPRING WASHER 10",2,2,,2,2,,,,,,,,,,,,,
43,1,,26116-100202,,,"BOLT M10X 20 PLATED",2,2,,2,2,,,,,,,,,,,,,
44,1,,26716-100002,,,"NUT M10",2,2,,2,2,,,,,,,,,,,,,
45,1,,172150-42600,,ROD(RA),2,2,,2,2,,,,,,,,,,,,,
46,1,,172150-42620,,,"ROD(B), BOOM",1,1,,1,1,,,,,,,,,,,,,
47,1,,172150-42630,,,"ROD(B), BUCKET",1,1,,1,1,,,,,,,,,,,,,
48,1,,172143-45670,,,"ROD, END 8",1,1,,1,1,,,,,,,,,,,,,
49,1,,172146-45691,,,"ROD(C), SPOOL",2,2,,2,2,,,,,,,,,,,,,
50,1,,172122-46512,,,"ROD (D), SPOOL",1,1,,1,1,,,,,,,,,,,,,
51,1,,172122-46590,,,"ELBALL 8",4,4,,4,4,,,,,,,,,,,,,
52,1,,172122-46590,,,"ELBALL 8",2,2,,2,2,,,,,,,,,,,,,
53,1,,172122-46590,,,"ELBALL 8",2,2,,2,2,,,,,,,,,,,,,
54,1,,172122-46590,,,"ELBALL 8",2,2,,2,2,,,,,,,,,,,,,
55,1,,172122-47250,,,"BALL 8, LINK",2,2,,2,2,,,,,,,,,,,,,
56,1,,1C6281-52310,,,"PIN 6,COME-OFF SNAP",2,2,,2,2,,,,,,,,,,,,,
57,1,,22217-080000,,,"SPRING WASHER 8",2,2,,2,2,,,,,,,,,,,,,
58,1,,22217-080000,,,"SPRING WASHER 8",2,2,,2,2,,,,,,,,,,,,,
59,1,,22217-080000,,,"SPRING WASHER 8",2,2,,2,2,,,,,,,,,,,,,
60,1,,22217-080000,,,"SPRING WASHER 8",2,2,,2,2,,,,,,,,,,,,,
61,1,,22217-080000,,,"SPRING WASHER 8",2,2,,2,2,,,,,,,,,,,,,
62,1,,22217-080000,,,"SPRING WASHER 8",3,3,,3,3,,,,,,,,,,,,,
63,1,,26116-080302,,,"BOLT M 8X 30 PLATED",1,1,,1,1,,,,,,,,,,,,,
64,1,,26716-080002,,,"NUT M 8",4,4,,4,4,,,,,,,,,,,,,
65,1,,26716-080002,,,"NUT M 8",8,8,,8,8,,,,,,,,,,,,,
66,1,,26716-080002,,,"NUT M 8",4,4,,4,4,,,,,,,,,,,,,
67,1,,26716-080002,,,"NUT M 8",4,4,,4,4,,,,,,,,,,,,,

68,1,,26716-080002,, "NUT M 8",4,4,,4,4,,,,,,,,,,,,,
69,1,,933110-54100,, "PIN 4.75X14",2,2,,2,2,,,,,,,,,,,,,

Fig. 18 ソウジュウソウチ(ブーム & バケット)
CONTROL EQUIPMENT (BOOM & BUCKET)

COUNTRY	U	K	A	S	E	X
Fig.No.	18	19	19			

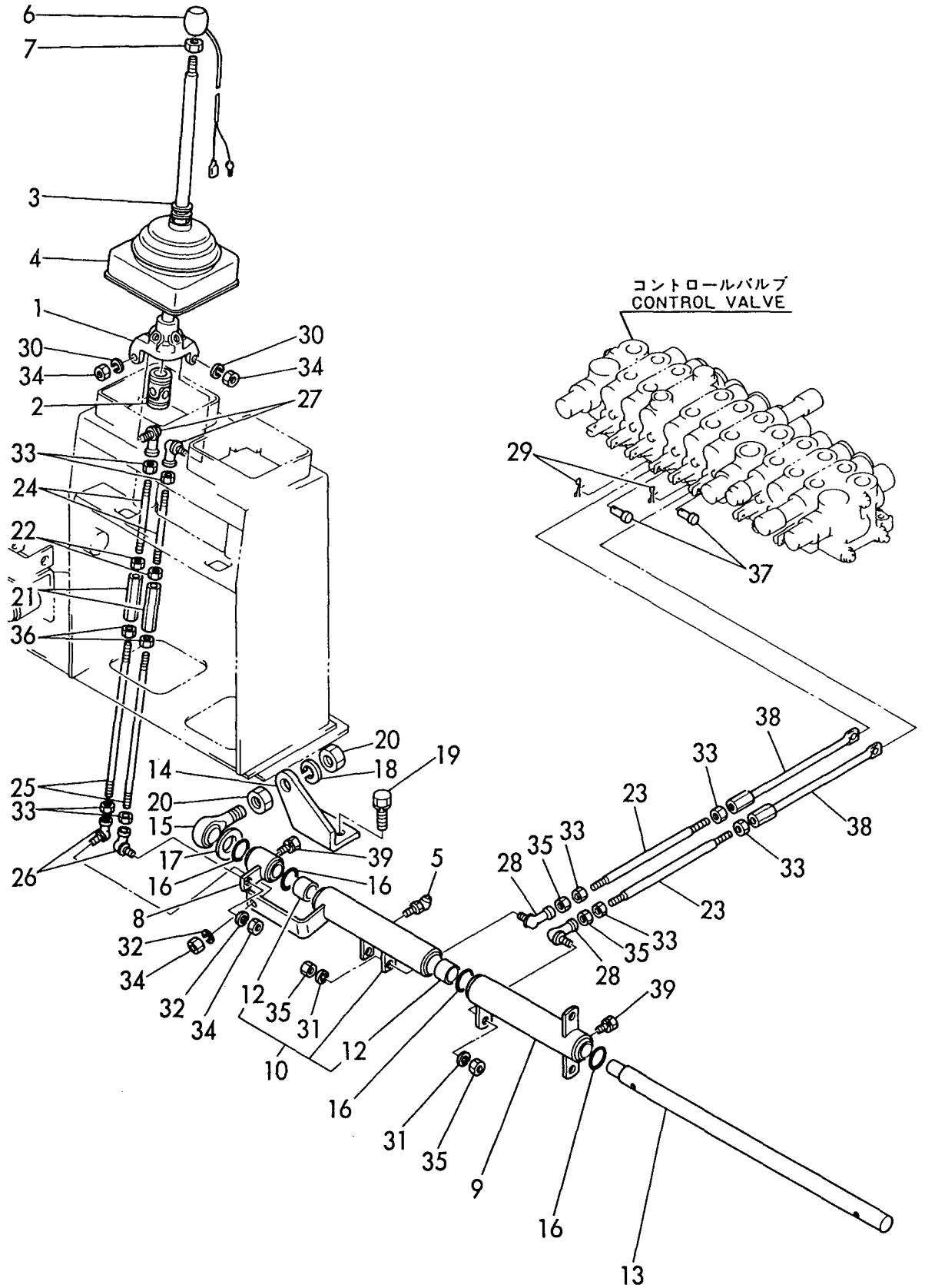


1,1,,172149-41050,, "LEVER (R)",1,1,,1,1,,,,,,,,,,,,,
2,1,,172141-41160,, JOINT,1,1,,1,1,,,,,,,,,,,,,
3,1,,172141-41310,, GROMMET,1,1,,1,1,,,,,,,,,,,,,
4,1,,172141-41330,, "BOOTS, LEVER",1,1,,1,1,,,,,,,,,,,,,
5,1,,24761-040000,, "NIPPLE B,GREASE",1,1,,1,1,,,,,,,,,,,,,
6,1,,172312-46301,, KNOB(A),1,1,,1,1,,,,,,,,,,,,,
7,1,,26757-100002,, "LOCK NUT M10 PLATED",1,1,,1,1,,,,,,,,,,,,,
8,1,,172149-41250,, "LINK(A), BOOM",1,1,,1,1,,,,,,,,,,,,,
9,1,,172149-41300,, "LINK(B), BOOM",1,1,,1,1,,,,,,,,,,,,,
10,1,,172149-41320,, "LINK, BUCKET",1,1,,1,1,,,,,,,,,,,,,
12,2,,172141-41370,, "BUSH 2015",2,2,,2,2,,,,,,,,,,,,,
13,1,,172149-41650,, "SHAFT, LINK",1,1,,1,1,,,,,,,,,,,,,
14,1,,172149-41790,, "STAY, LINK",1,1,,1,1,,,,,,,,,,,,,
15,1,,172122-45720,, "ROD-END 14",1,1,,1,1,,,,,,,,,,,,,
16,1,,172124-46200,, "O-RING 27X5.7",4,4,,4,4,,,,,,,,,,,,,
17,1,,22157-120000,, "WASHER 12",2,2,,2,2,,,,,,,,,,,,,
18,1,,22217-140000,, "SPRING WASHER 14",1,1,,1,1,,,,,,,,,,,,,
19,1,,26013-100202,, "BOLT M10X 20",2,2,,2,2,,,,,,,,,,,,,
20,1,,26716-140002,, "NUT M14",1,1,,1,1,,,,,,,,,,,,,
21,1,,172137-46400,, "TURNBUCKLE M10X40",2,2,,2,2,,,,,,,,,,,,,
22,1,,194150-22480,, "NUT M10",2,2,,2,2,,,,,,,,,,,,,
23,1,,172149-42540,, ROD(C),2,2,,2,2,,,,,,,,,,,,,
24,1,,172149-42641,, ROD(RA),2,2,,2,2,,,,,,,,,,,,,
25,1,,172149-42651,, ROD(RB),2,2,,2,2,,,,,,,,,,,,,
26,1,,172122-46590,, "ELBALL 8",2,2,,2,2,,,,,,,,,,,,,
27,1,,172122-46590,, "ELBALL 8",2,2,,2,2,,,,,,,,,,,,,
28,1,,172122-46590,, "ELBALL 8",2,2,,2,2,,,,,,,,,,,,,
29,1,,1C6281-52310,, "PIN 6,COME-OFF SNAP",2,2,,2,2,,,,,,,,,,,,,
30,1,,22217-080000,, "SPRING WASHER 8",2,2,,2,2,,,,,,,,,,,,,
31,1,,22217-080000,, "SPRING WASHER 8",2,2,,2,2,,,,,,,,,,,,,
32,1,,22217-080000,, "SPRING WASHER 8",2,2,,2,2,,,,,,,,,,,,,
33,1,,26716-080002,, "NUT M 8",8,8,,8,8,,,,,,,,,,,,,
34,1,,26716-080002,, "NUT M 8",4,4,,4,4,,,,,,,,,,,,,
35,1,,26716-080002,, "NUT M 8",4,4,,4,4,,,,,,,,,,,,,
36,1,,26716-100002,, "NUT M10",2,2,,2,2,,,,,,,,,,,,,
37,1,,933110-54100,, "PIN 4.75X14",2,2,,2,2,,,,,,,,,,,,,
38,1,,172149-42450,, "ROD(G), SPOOL",2,2,,2,2,,,,,,,,,,,,,
39,1,,26013-100202,, "BOLT M10X 20",2,2,,2,2,,,,,,,,,,,,,

ソウジュウソウチ(ブーム & バケット)
CONTROL EQUIPMENT (BOOM & BUCKET)

Fig. 19

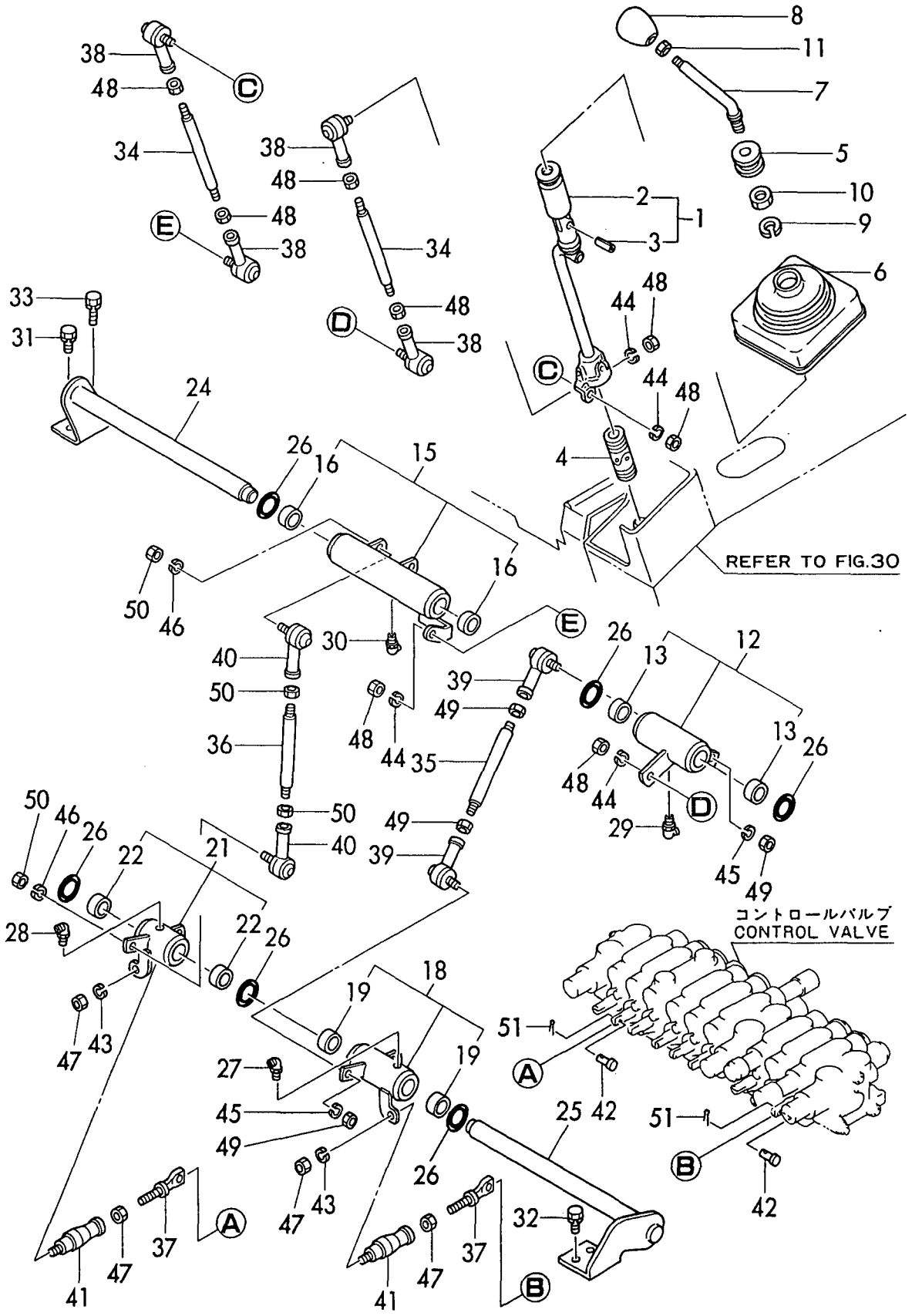
COUNTRY	U	K	A	S	E	X
Fig. No.	18	19	19	19	19	19



1,1,,172150-41100,,LEVER(L),1,1,,1,1,,,,,,,,,,,,,
2,2,,172142-44170,, "JOINT, LEVER",1,1,,1,1,,,,,,,,,,,,,
3,2,,22351-060018,, "SPRING PIN 6X18",1,1,,1,1,,,,,,,,,,,,,
4,1,,172141-41160,,JOINT,1,1,,1,1,,,,,,,,,,,,,
5,1,,172141-41310,,GROMMET,1,1,,1,1,,,,,,,,,,,,,
6,1,,172141-41330,, "BOOTS, LEVER",1,1,,1,1,,,,,,,,,,,,,
7,1,,172143-45100,,LEVER,1,1,,1,1,,,,,,,,,,,,,
8,1,,172312-46321,,KNOB(B),1,1,,1,1,,,,,,,,,,,,,
9,1,,22217-140000,, "SPRING WASHER 14",1,1,,1,1,,,,,,,,,,,,,
10,1,,26756-140002,, "LOCK NUT M14 PLATED",1,1,,1,1,,,,,,,,,,,,,
11,1,,26757-100002,, "LOCK NUT M10 PLATED",1,1,,1,1,,,,,,,,,,,,,
12,1,,172150-41460,, "LINK(A), ARM",1,1,,1,1,,,,,,,,,,,,,
13,2,,172141-41370,, "BUSH 2015",2,2,,2,2,,,,,,,,,,,,,
15,1,,172150-41500,, "LINK(A), TURNING",1,1,,1,1,,,,,,,,,,,,,
16,2,,172141-41370,, "BUSH 2015",2,2,,2,2,,,,,,,,,,,,,
18,1,,172150-41590,, "LINK(C), ARM",1,1,,1,1,,,,,,,,,,,,,
19,2,,172141-41370,, "BUSH 2015",2,2,,2,2,,,,,,,,,,,,,
21,1,,172150-41660,, "LINK(C), TURNING",1,1,,1,1,,,,,,,,,,,,,
22,2,,172141-41370,, "BUSH 2015",2,2,,2,2,,,,,,,,,,,,,
24,1,,172150-41750,,SHAFT(A),1,1,,1,1,,,,,,,,,,,,,
25,1,,172150-41830,,SHAFT(B),1,1,,1,1,,,,,,,,,,,,,
26,1,,172124-46200,, "O-RING 27X5.7",6,6,,6,6,,,,,,,,,,,,,
27,1,,24761-040000,, "NIPPLE B,GREASE",1,1,,1,1,,,,,,,,,,,,,
28,1,,24761-040000,, "NIPPLE B,GREASE",1,1,,1,1,,,,,,,,,,,,,
29,1,,24761-050000,, "NIPPLE C,GREASE",1,1,,1,1,,,,,,,,,,,,,
30,1,,24761-050000,, "NIPPLE C,GREASE",1,1,,1,1,,,,,,,,,,,,,
31,1,,26013-100202,, "BOLT M10X 20",1,1,,1,1,,,,,,,,,,,,,
32,1,,26013-100202,, "BOLT M10X 20",2,2,,2,2,,,,,,,,,,,,,
33,1,,26013-100302,, "BOLT M10X 30",1,1,,1,1,,,,,,,,,,,,,
34,1,,172150-42610,,ROD(LA),2,2,,2,2,,,,,,,,,,,,,
35,1,,172150-42640,, "ROD(B), ARM",1,1,,1,1,,,,,,,,,,,,,
36,1,,172150-42650,, "ROD(B), TURNING",1,1,,1,1,,,,,,,,,,,,,
37,1,,172146-45691,, "ROD(C), SPOOL",2,2,,2,2,,,,,,,,,,,,,
38,1,,172122-46590,, "ELBALL 8",4,4,,4,4,,,,,,,,,,,,,
39,1,,172122-46590,, "ELBALL 8",2,2,,2,2,,,,,,,,,,,,,
40,1,,172122-46590,, "ELBALL 8",2,2,,2,2,,,,,,,,,,,,,
41,1,,172122-47250,, "BALL 8, LINK",2,2,,2,2,,,,,,,,,,,,,
42,1,,1C6281-52310,, "PIN 6,COME-OFF SNAP",2,2,,2,2,,,,,,,,,,,,,
43,1,,22217-080000,, "SPRING WASHER 8",2,2,,2,2,,,,,,,,,,,,,
44,1,,22217-080000,, "SPRING WASHER 8",4,4,,4,4,,,,,,,,,,,,,
45,1,,22217-080000,, "SPRING WASHER 8",2,2,,2,2,,,,,,,,,,,,,
46,1,,22217-080000,, "SPRING WASHER 8",2,2,,2,2,,,,,,,,,,,,,
47,1,,26716-080002,, "NUT M 8",4,4,,4,4,,,,,,,,,,,,,
48,1,,26716-080002,, "NUT M 8",8,8,,8,8,,,,,,,,,,,,,
49,1,,26716-080002,, "NUT M 8",4,4,,4,4,,,,,,,,,,,,,
50,1,,26716-080002,, "NUT M 8",4,4,,4,4,,,,,,,,,,,,,
51,1,,933110-54100,, "PIN 4.75X14",2,2,,2,2,,,,,,,,,,,,,

Fig. 20 ソウジウソウチ(アーム & センカイ)
CONTROL EQUIPMENT (ARM & TURNING)

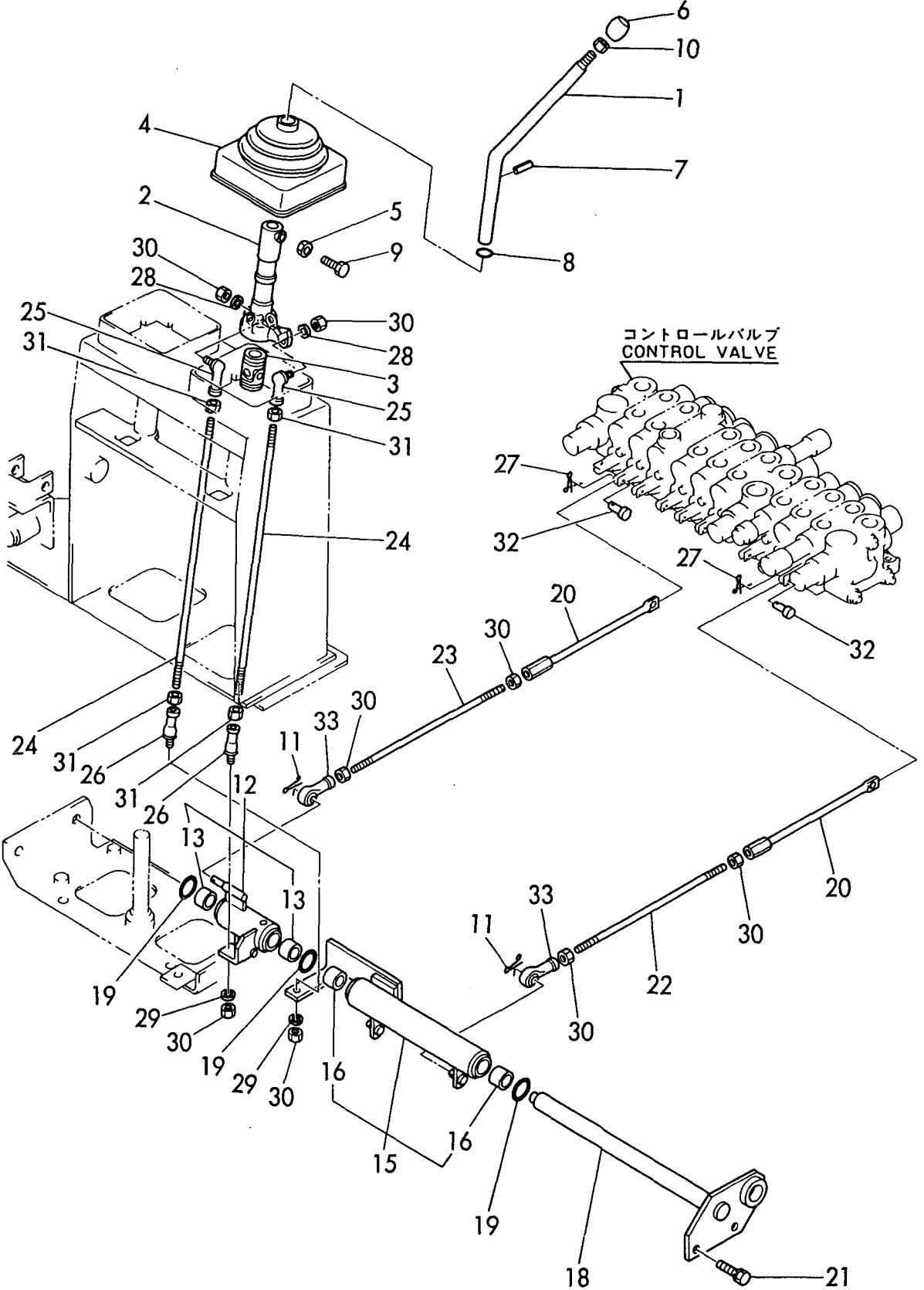
COUNTRY	U	K	A	S	E	X
Fig. No.	20	21	21			



1,1,,172149-41100,, "LEVER L",1,1,,1,1,,,,,,,,,,,,,
2,1,,172141-41150,, "LINK(L), LEVER",1,1,,1,1,,,,,,,,,,,,,
3,1,,172141-41160,, JOINT,1,1,,1,1,,,,,,,,,,,,,
4,1,,172141-41330,, "BOOTS, LEVER",1,1,,1,1,,,,,,,,,,,,,
5,1,,26716-080002,, "NUT M 8",1,1,,1,1,,,,,,,,,,,,,
6,1,,172312-46321,, KNOB(B),1,1,,1,1,,,,,,,,,,,,,
7,1,,22351-030010,, "SPRING PIN 3X10",1,1,,1,1,,,,,,,,,,,,,
8,1,,24311-000140,, "O-RING 1A P-14.0",1,1,,1,1,,,,,,,,,,,,,
9,1,,26116-080202,, "BOLT M 8X 20 PLATED",1,1,,1,1,,,,,,,,,,,,,
10,1,,26757-100002,, "LOCK NUT M10 PLATED",1,1,,1,1,,,,,,,,,,,,,
11,1,,1C6281-52320,, "PIN 8,COME-OFF SNAP",2,2,,2,2,,,,,,,,,,,,,
12,1,,172149-41370,, "LINK, TURNING",1,1,,1,1,,,,,,,,,,,,,
13,2,,172141-41370,, "BUSH 2015",2,2,,2,2,,,,,,,,,,,,,
15,1,,172149-41420,, "LINK, ARM",1,1,,1,1,,,,,,,,,,,,,
16,2,,172141-41370,, "BUSH 2015",2,2,,2,2,,,,,,,,,,,,,
18,1,,172149-41660,, SHAFT(A),1,1,,1,1,,,,,,,,,,,,,
19,1,,172124-46200,, "O-RING 27X5.7",3,3,,3,3,,,,,,,,,,,,,
20,1,,172149-42450,, "ROD(G), SPOOL",2,2,,2,2,,,,,,,,,,,,,
21,1,,26013-100202,, "BOLT M10X 20",2,2,,2,2,,,,,,,,,,,,,
22,1,,172149-42560,, "ROD (D)",1,1,,1,1,,,,,,,,,,,,,
23,1,,172149-42580,, ROD(Z),1,1,,1,1,,,,,,,,,,,,,
24,1,,172149-42620,, "ROD (L)",2,2,,2,2,,,,,,,,,,,,,
25,1,,172122-46590,, "ELBALL 8",2,2,,2,2,,,,,,,,,,,,,
26,1,,172122-47250,, "BALL 8, LINK",2,2,,2,2,,,,,,,,,,,,,
27,1,,1C6281-52310,, "PIN 6,COME-OFF SNAP",2,2,,2,2,,,,,,,,,,,,,
28,1,,22217-080000,, "SPRING WASHER 8",2,2,,2,2,,,,,,,,,,,,,
29,1,,22217-080000,, "SPRING WASHER 8",2,2,,2,2,,,,,,,,,,,,,
30,1,,26716-080002,, "NUT M 8",8,8,,8,8,,,,,,,,,,,,,
31,1,,26716-080002,, "NUT M 8",4,4,,4,4,,,,,,,,,,,,,
32,1,,933110-54100,, "PIN 4.75X14",2,2,,2,2,,,,,,,,,,,,,
33,1,,172122-46570,, "ROD-END 8",2,2,,2,2,,,,,,,,,,,,,

Fig. **21** ソウジウソウチ(アーム & センカイ)
CONTROL EQUIPMENT (ARM & TURNING)

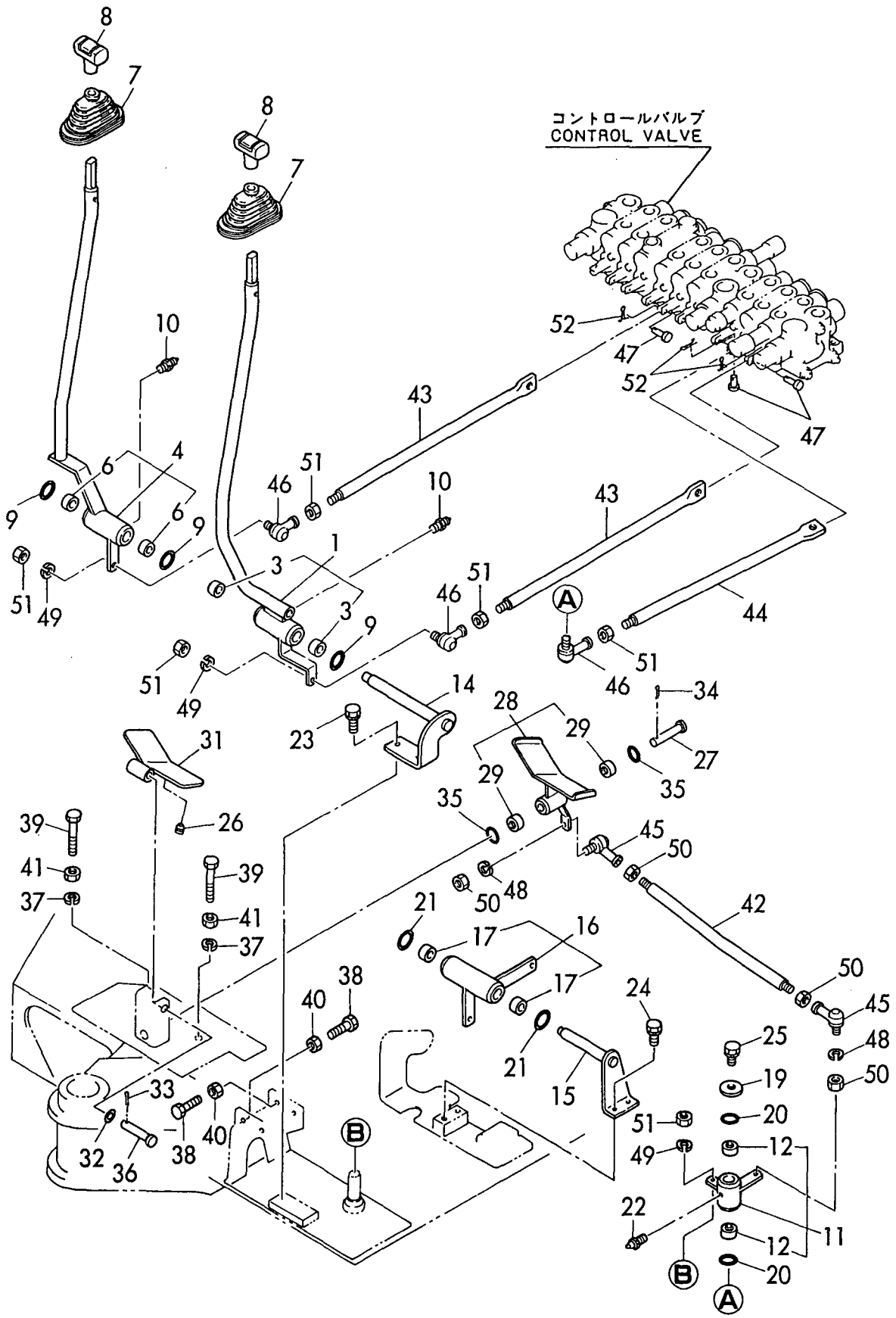
COUNTRY	U	K	A	S	E	X
Fig. No.	20	21	21			



1,1,,172150-41200,, "LEVER(L), TRACK",1,1,,1,1,,,,,,,,,,,,,
3,2,,172141-41370,, "BUSH 2015",2,2,,2,2,,,,,,,,,,,,,
4,1,,172150-41270,, "LEVER(R), TRACK",1,1,,1,1,,,,,,,,,,,,,
6,2,,172141-41370,, "BUSH 2015",2,2,,2,2,,,,,,,,,,,,,
7,1,,172141-41340,,BOOTS,2,2,,2,2,,,,,,,,,,,,,
8,1,,172137-45080,, "KNOB, LEVER",2,2,,2,2,,,,,,,,,,,,,
9,1,,172124-46200,, "O-RING 27X5.7",3,3,,3,3,,,,,,,,,,,,,
10,1,,24761-020000,, "NIPPLE PT1/8,GREASE",2,2,,2,2,,,,,,,,,,,,,
11,1,,172150-41700,, "LINK, SWING",1,1,,1,1,,,,,,,,,,,,,
12,2,,172141-41370,, "BUSH 2015",2,2,,2,2,,,,,,,,,,,,,
14,1,,172150-41790,, "SHAFT. TRACK",1,1,,1,1,,,,,,,,,,,,,
15,1,,172150-41920,,SHAFT(C),1,1,,1,1,,,,,,,,,,,,,
16,1,,172150-41950,, "LINK, 3RD",1,1,,1,1,,,,,,,,,,,,,
17,2,,172141-41360,, "BUSH 1415",2,2,,2,2,,,,,,,,,,,,,
19,1,,1A1040-45890,, "WASHER 10 36 4.5",1,1,,1,1,,,,,,,,,,,,,
20,1,,172124-46200,, "O-RING 27X5.7",2,2,,2,2,,,,,,,,,,,,,
21,1,,24311-000210,, "O-RING 1A P-21.0",2,2,,2,2,,,,,,,,,,,,,
22,1,,24761-020000,, "NIPPLE PT1/8,GREASE",1,1,,1,1,,,,,,,,,,,,,
23,1,,26013-100202,, "BOLT M10X 20",2,2,,2,2,,,,,,,,,,,,,
24,1,,26013-100202,, "BOLT M10X 20",2,2,,2,2,,,,,,,,,,,,,
25,1,,26013-100202,, "BOLT M10X 20",1,1,,1,1,,,,,,,,,,,,,
26,1,,172111-16890,, "GROMMET 9",1,1,,1,1,,,,,,,,,,,,,
27,1,,172112-41380,, "SHAFT, BLADE LEVER",1,1,,1,1,,,,,,,,,,,,,
28,1,,172150-42300,, "PEDAL, SWING",1,1,,1,1,,,,,,,,,,,,,
29,2,,172141-41360,, "BUSH 1415",2,2,,2,2,,,,,,,,,,,,,
31,1,,172149-42400,, "LOCK, SWING",1,1,,1,1,,,,,,,,,,,,,
32,1,,172614-45170,, "SPRING 12",1,1,,1,1,,,,,,,,,,,,,
33,1,,22417-250200,, "COTTER PIN 2.5X20",1,1,,1,1,,,,,,,,,,,,,
34,1,,22417-400400,, "COTTER PIN 4.0X40",1,1,,1,1,,,,,,,,,,,,,
35,1,,24311-000210,, "O-RING 1A P-21.0",2,2,,2,2,,,,,,,,,,,,,
36,1,,933171-18390,, "PIN, FOOT BAR",1,1,,1,1,,,,,,,,,,,,,
37,1,,22217-100000,, "SPRING WASHER 10",2,2,,2,2,,,,,,,,,,,,,
38,1,,26116-100402,, "BOLT M10X 40 PLATED",4,4,,4,4,,,,,,,,,,,,,
39,1,,26116-100602,, "BOLT M10X 60 PLATED",2,2,,2,2,,,,,,,,,,,,,
40,1,,26716-100002,, "NUT M10",4,4,,4,4,,,,,,,,,,,,,
41,1,,26716-100002,, "NUT M10",2,2,,2,2,,,,,,,,,,,,,
42,1,,172150-42490,, "LOD, SWING",1,1,,1,1,,,,,,,,,,,,,
43,1,,172150-42700,, "LOD(A), SPOOL",2,2,,2,2,,,,,,,,,,,,,
44,1,,172150-42730,, "LOD(B), SPOOL",1,1,,1,1,,,,,,,,,,,,,
45,1,,172122-46590,, "ELBALL 8",2,2,,2,2,,,,,,,,,,,,,
46,1,,172122-46590,, "ELBALL 8",3,3,,3,3,,,,,,,,,,,,,
47,1,,1C6281-52310,, "PIN 6,COME-OFF SNAP",3,3,,3,3,,,,,,,,,,,,,
48,1,,22217-080000,, "SPRING WASHER 8",2,2,,2,2,,,,,,,,,,,,,
49,1,,22217-080000,, "SPRING WASHER 8",3,3,,3,3,,,,,,,,,,,,,
50,1,,26716-080002,, "NUT M 8",4,4,,4,4,,,,,,,,,,,,,
51,1,,26716-080002,, "NUT M 8",6,6,,6,6,,,,,,,,,,,,,
52,1,,933110-54100,, "PIN 4.75X14",3,3,,3,3,,,,,,,,,,,,,

Fig. **22** ソウジュウソウチ(ソウコウ & スイング)
 CONTROL EQUIPMENT (TRAVEL & SWING)

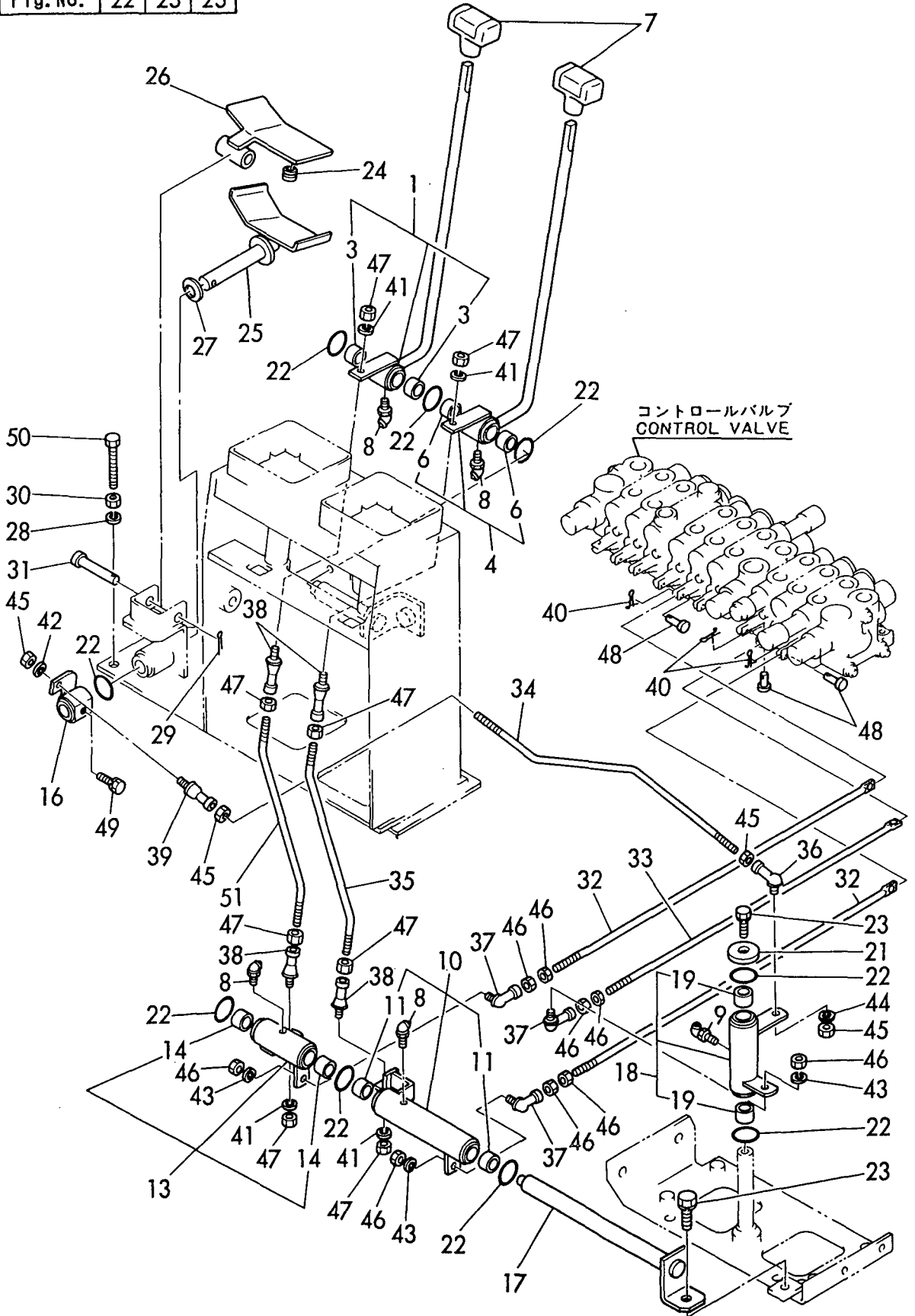
COUNTRY	U	K	A	S	E	X
Fig. No.	22	23	23	23	23	23



1,1,,172149-41120,, "LEVER(R), TRACK",1,1,,1,1,,,,,,,,,,,,,
3,2,,172141-41370,, "BUSH 2015",2,2,,2,2,,,,,,,,,,,,,
4,1,,172149-41160,, "LEVER(L), TRACK",1,1,,1,1,,,,,,,,,,,,,
6,2,,172141-41370,, "BUSH 2015",2,2,,2,2,,,,,,,,,,,,,
7,1,,172137-45080,, "KNOB, LEVER",2,2,,2,2,,,,,,,,,,,,,
8,1,,24761-050000,, "NIPPLE C,GREASE",4,4,,4,4,,,,,,,,,,,,,
9,1,,24761-040000,, "NIPPLE B,GREASE",1,1,,1,1,,,,,,,,,,,,,
10,1,,172149-41480,, "LINK, TRACK(L)",1,1,,1,1,,,,,,,,,,,,,
11,2,,172141-41370,, "BUSH 2015",2,2,,2,2,,,,,,,,,,,,,
13,1,,172149-41530,, "LINK, TRACK(R)",1,1,,1,1,,,,,,,,,,,,,
14,2,,172141-41370,, "BUSH 2015",2,2,,2,2,,,,,,,,,,,,,
16,1,,172149-41600,, "LINK(B), SWING",1,1,,1,1,,,,,,,,,,,,,
17,1,,172149-41710,, "SHAFT, TRACK",1,1,,1,1,,,,,,,,,,,,,
18,1,,172149-41750,, "LINK(A), SWING",1,1,,1,1,,,,,,,,,,,,,
19,2,,172141-41370,, "BUSH 2015",2,2,,2,2,,,,,,,,,,,,,
21,1,,1A1040-45890,, "WASHER 10 36 4.5",1,1,,1,1,,,,,,,,,,,,,
22,1,,172124-46200,, "O-RING 27X5.7",9,9,,9,9,,,,,,,,,,,,,
23,1,,26013-100202,, "BOLT M10X 20",2,2,,2,2,,,,,,,,,,,,,
24,1,,172111-16890,, "GROMMET 9",1,1,,1,1,,,,,,,,,,,,,
25,1,,172149-41800,, "PEDAL, SWING",1,1,,1,1,,,,,,,,,,,,,
26,1,,172141-41940,, "LOCK, SWING",1,1,,1,1,,,,,,,,,,,,,
27,1,,172614-45170,, "SPRING 12",1,1,,1,1,,,,,,,,,,,,,
28,1,,22217-100000,, "SPRING WASHER 10",2,2,,2,2,,,,,,,,,,,,,
29,1,,22417-250200,, "COTTER PIN 2.5X20",1,1,,1,1,,,,,,,,,,,,,
30,1,,26716-100002,, "NUT M10",2,2,,2,2,,,,,,,,,,,,,
31,1,,933171-18390,, "PIN, FOOT BAR",1,1,,1,1,,,,,,,,,,,,,
32,1,,172149-42500,, "ROD(A), SPOOL",2,2,,2,2,,,,,,,,,,,,,
33,1,,172149-42520,, "ROD(B), SPOOL",1,1,,1,1,,,,,,,,,,,,,
34,1,,172149-42590,, "ROD(F)",1,1,,1,1,,,,,,,,,,,,,
35,1,,172149-42600,, "ROD, DRIVING",1,1,,1,1,,,,,,,,,,,,,
36,1,,172122-46590,, "ELBALL 8",1,1,,1,1,,,,,,,,,,,,,
37,1,,172122-46590,, "ELBALL 8",3,3,,3,3,,,,,,,,,,,,,
38,1,,172122-47250,, "BALL 8, LINK",4,4,,4,4,,,,,,,,,,,,,
39,1,,172122-47250,, "BALL 8, LINK",1,1,,1,1,,,,,,,,,,,,,
40,1,,1C6281-52310,, "PIN 6,COME-OFF SNAP",3,3,,3,3,,,,,,,,,,,,,
41,1,,22217-080000,, "SPRING WASHER 8",4,4,,4,4,,,,,,,,,,,,,
42,1,,22217-080000,, "SPRING WASHER 8",1,1,,1,1,,,,,,,,,,,,,
43,1,,22217-080000,, "SPRING WASHER 8",3,3,,3,3,,,,,,,,,,,,,
44,1,,22217-080000,, "SPRING WASHER 8",1,1,,1,1,,,,,,,,,,,,,
45,1,,26716-080002,, "NUT M 8",4,4,,4,4,,,,,,,,,,,,,
46,1,,26716-080002,, "NUT M 8",9,9,,9,9,,,,,,,,,,,,,
47,1,,26716-080002,, "NUT M 8",8,8,,8,8,,,,,,,,,,,,,
48,1,,933110-54100,, "PIN 4.75X14",3,3,,3,3,,,,,,,,,,,,,
49,1,,26013-100202,, "BOLT M10X 20",1,1,,1,1,,,,,,,,,,,,,
50,1,,26116-100602,, "BOLT M10X 60 PLATED",2,2,,2,2,,,,,,,,,,,,,
51,1,,172149-42610,, "ROD(R) W/BUSH",1,1,,1,1,,,,,,,,,,,,,

Fig. **23** ソウジュウソウチ(ソウコウ & スイング)
CONTROL EQUIPMENT (TRAVEL & SWING)

COUNTRY	U	K	A	S	E	X
Fig. No.	22	23	23			



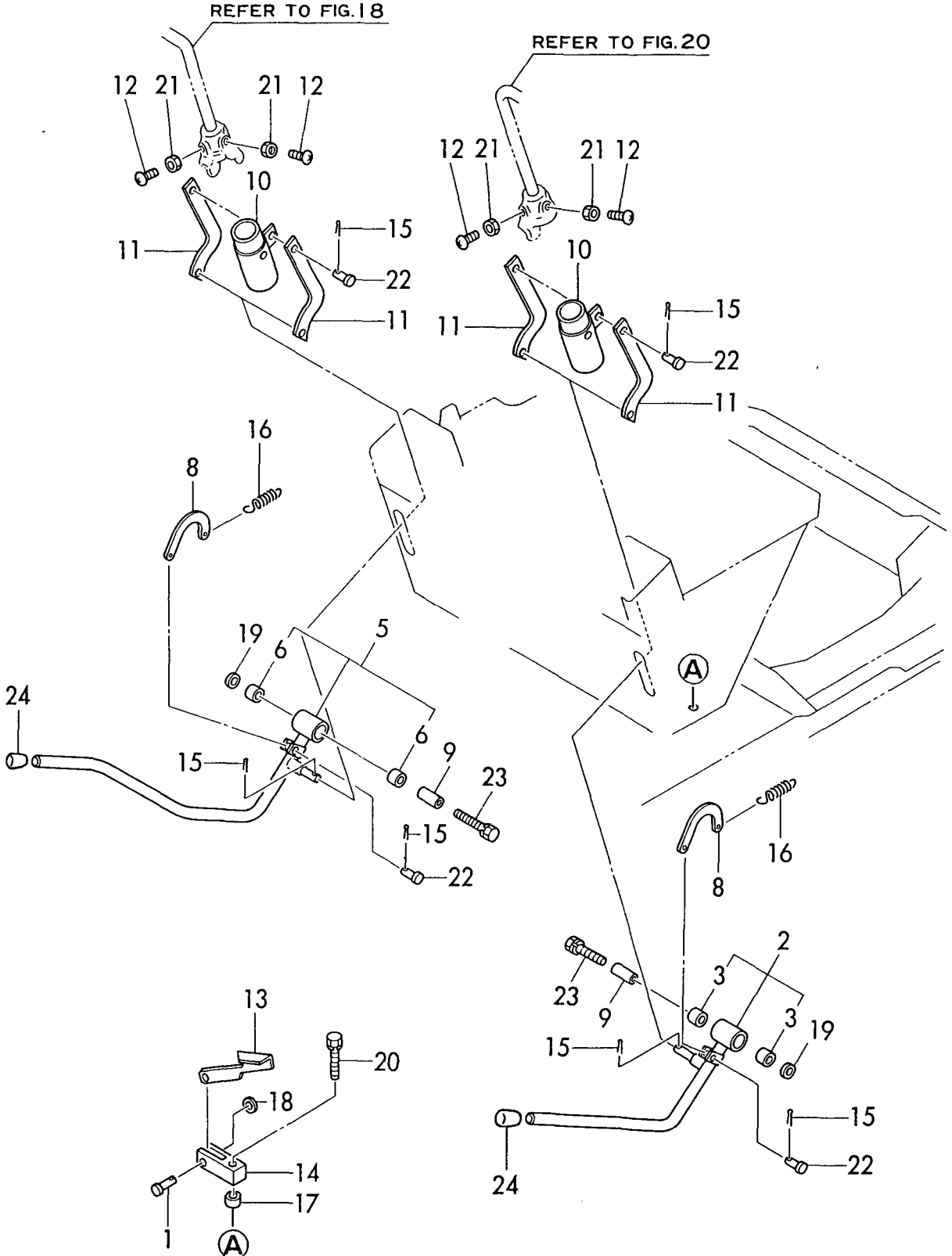
1,1,,172149-41190,, "LEVER, BLADE",1,1,,1,1,,,,,,,,,,,,,
3,2,,172141-41360,, "BUSH 1415",2,2,,2,2,,,,,,,,,,,,,
4,1,,172141-41340,, "BOOTS",1,1,,1,1,,,,,,,,,,,,,
5,1,,172116-45940,, "KNOB (C), LEVER",1,1,,1,1,,,,,,,,,,,,,
6,1,,24311-000210,, "O-RING 1A P-21.0",2,2,,2,2,,,,,,,,,,,,,
7,1,,26013-100202,, "BOLT M10X 20",2,2,,2,2,,,,,,,,,,,,,
8,1,,172149-42670,, "SUPPORT, CABLE",1,1,,1,1,,,,,,,,,,,,,
9,1,,172141-42960,, "JOINT, CABLE",1,1,,1,1,,,,,,,,,,,,,
10,1,,172122-46590,, "ELBALL 8",1,1,,1,1,,,,,,,,,,,,,
11,1,,172116-46910,, "JOINT, SPOOL",1,1,,1,1,,,,,,,,,,,,,
12,1,,172149-42680,, "CABLE, BLADE",1,1,,1,1,,,,,,,,,,,,,
13,1,,1C6281-52310,, "PIN 6,COME-OFF SNAP",1,1,,1,1,,,,,,,,,,,,,
14,1,,22217-080000,, "SPRING WASHER 8",2,2,,2,2,,,,,,,,,,,,,
15,1,,933110-54100,, "PIN 4.75X14",1,1,,1,1,,,,,,,,,,,,,
16,1,,26716-080002,, "NUT M 8",1,1,,1,1,,,,,,,,,,,,,

1,1,,172112-41960,, "PIN 8X25.5",1,1,,1,1,,,,,,,,,,,,,
2,1,,172150-42500,, "LEVER(L), LOCK",1,1,,1,1,,,,,,,,,,,,,
3,2,,172141-41360,, "BUSH 1415",2,2,,2,2,,,,,,,,,,,,,
5,1,,172150-42510,, "LEVER(R), LOCK",1,1,,1,1,,,,,,,,,,,,,
6,2,,172141-41360,, "BUSH 1415",2,2,,2,2,,,,,,,,,,,,,
8,1,,172150-42570,, "PLATE",2,2,,2,2,,,,,,,,,,,,,
9,1,,172150-42580,, "COLLAR, LOCK",2,2,,2,2,,,,,,,,,,,,,
10,1,,172141-42600,, "PIPE, LOCK",2,2,,2,2,,,,,,,,,,,,,
11,1,,172141-42700,, "LINK, LOCK",4,4,,4,4,,,,,,,,,,,,,
12,1,,172141-42750,, "BOLT, STOPPER",8,8,,8,8,,,,,,,,,,,,,
13,1,,172141-43150,, "HOOK, PEDAL",1,1,,1,1,,,,,,,,,,,,,
14,1,,172141-43160,, "BLACK, PEDAL LOCK",1,1,,1,1,,,,,,,,,,,,,
15,1,,1C6281-52310,, "PIN 6, COME-OFF SNAP",6,6,,6,6,,,,,,,,,,,,,
16,1,,1A1380-56650,, "SPRING, ROTARY CLUTCH",2,2,,2,2,,,,,,,,,,,,,
17,1,,172146-68430,, "SPACER",1,1,,1,1,,,,,,,,,,,,,
18,1,,22137-080000,, "WASHER 8",1,1,,1,1,,,,,,,,,,,,,
19,1,,22157-080000,, "WASHER 8",2,2,,2,2,,,,,,,,,,,,,
20,1,,26013-100452,, "BOLT M10X 45",1,1,,1,1,,,,,,,,,,,,,
21,1,,26756-080002,, "LOCK NUT M 8 PLATED",8,8,,8,8,,,,,,,,,,,,,
22,1,,933110-54100,, "PIN 4.75X14",4,4,,4,4,,,,,,,,,,,,,
23,1,,26013-080452,, "BOLT M 8X 45",2,2,,2,2,,,,,,,,,,,,,
24,1,,172116-46630,, "KNOB, LOCK LEVER",2,2,,2,2,,,,,,,,,,,,,

サギョウレバーストッパ
 OPERATION LEVER STOPPER

Fig. 25

COUNTRY	U	K	A	S	E	X
Fig. No.	25	26	26	26	26	26

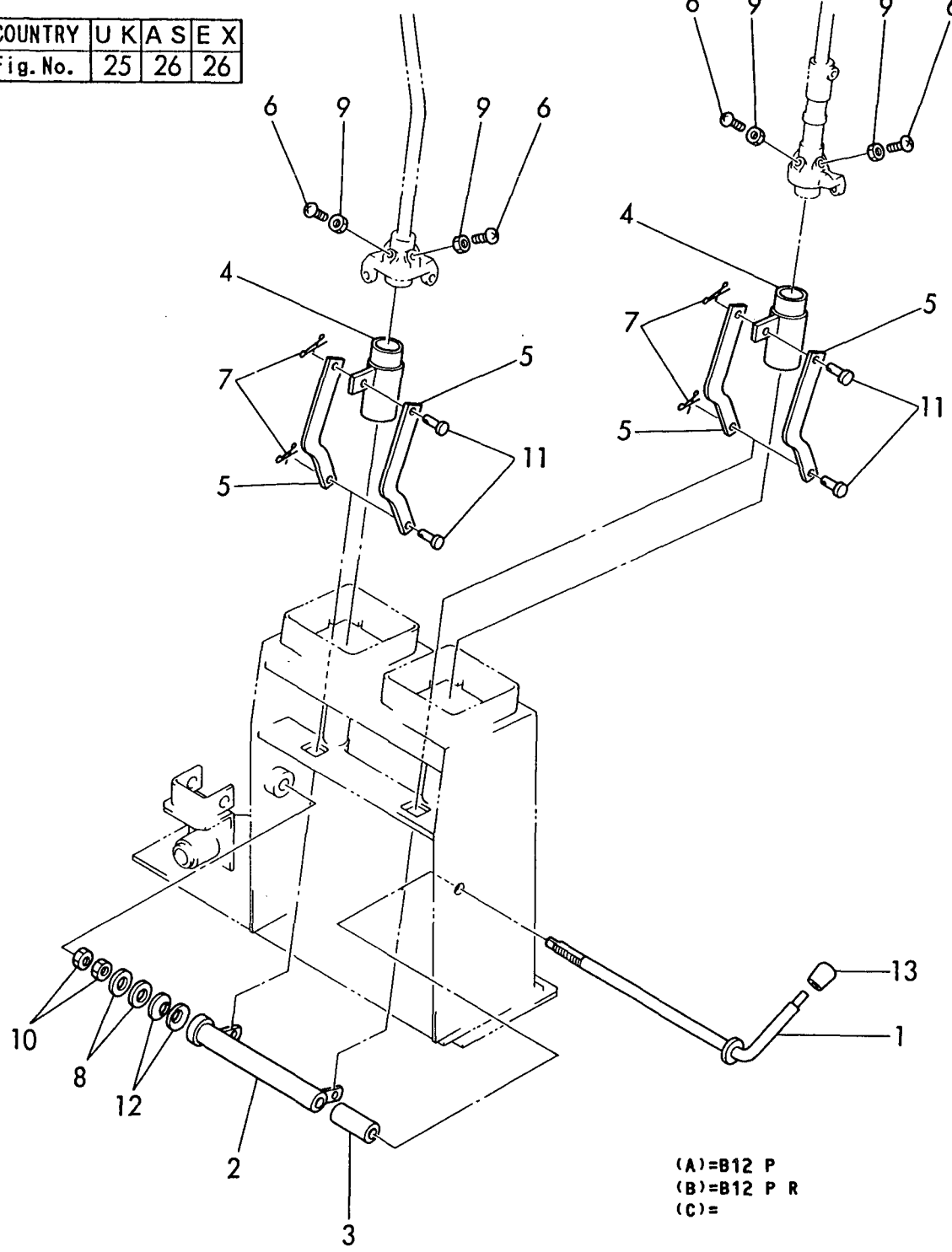


1,1,,172149-42300,, "LEVER, LOCK",1,1,,1,1,,,,,,,,,,,,,
2,1,,172149-42350,, "ARM, LOCK",1,1,,1,1,,,,,,,,,,,,,
3,1,,172149-42390,, "SPACER",1,1,,1,1,,,,,,,,,,,,,
4,1,,172141-42600,, "PIPE, LOCK",2,2,,2,2,,,,,,,,,,,,,
5,1,,172141-42700,, "LINK, LOCK",4,4,,4,4,,,,,,,,,,,,,
6,1,,172141-42750,, "BOLT, STOPPER",8,8,,8,8,,,,,,,,,,,,,
7,1,,1C6281-52310,, "PIN 6, COME-OFF SNAP",4,4,,4,4,,,,,,,,,,,,,
8,1,,22137-120000,, "WASHER 12",4,4,,4,4,,,,,,,,,,,,,
9,1,,26756-080002,, "LOCK NUT M 8 PLATED",8,8,,8,8,,,,,,,,,,,,,
10,1,,26756-120002,, "LOCK NUT M12 PLATED",4,4,,4,4,,,,,,,,,,,,,
11,1,,933110-54100,, "PIN 4.75X14",4,4,,4,4,,,,,,,,,,,,,
12,1,,933170-01490,, "SPRING 12",4,4,,4,4,,,,,,,,,,,,,
13,1,,172116-46630,, "KNOB, LOCK LEVER",1,1,,1,1,,,,,,,,,,,,,

Fig. **26** サギョウレバーストップパ
OPERATION LEVER STOPPER

COUNTRY	U	K	A	S	E	X
Fig. No.	25	26	26	26	26	26

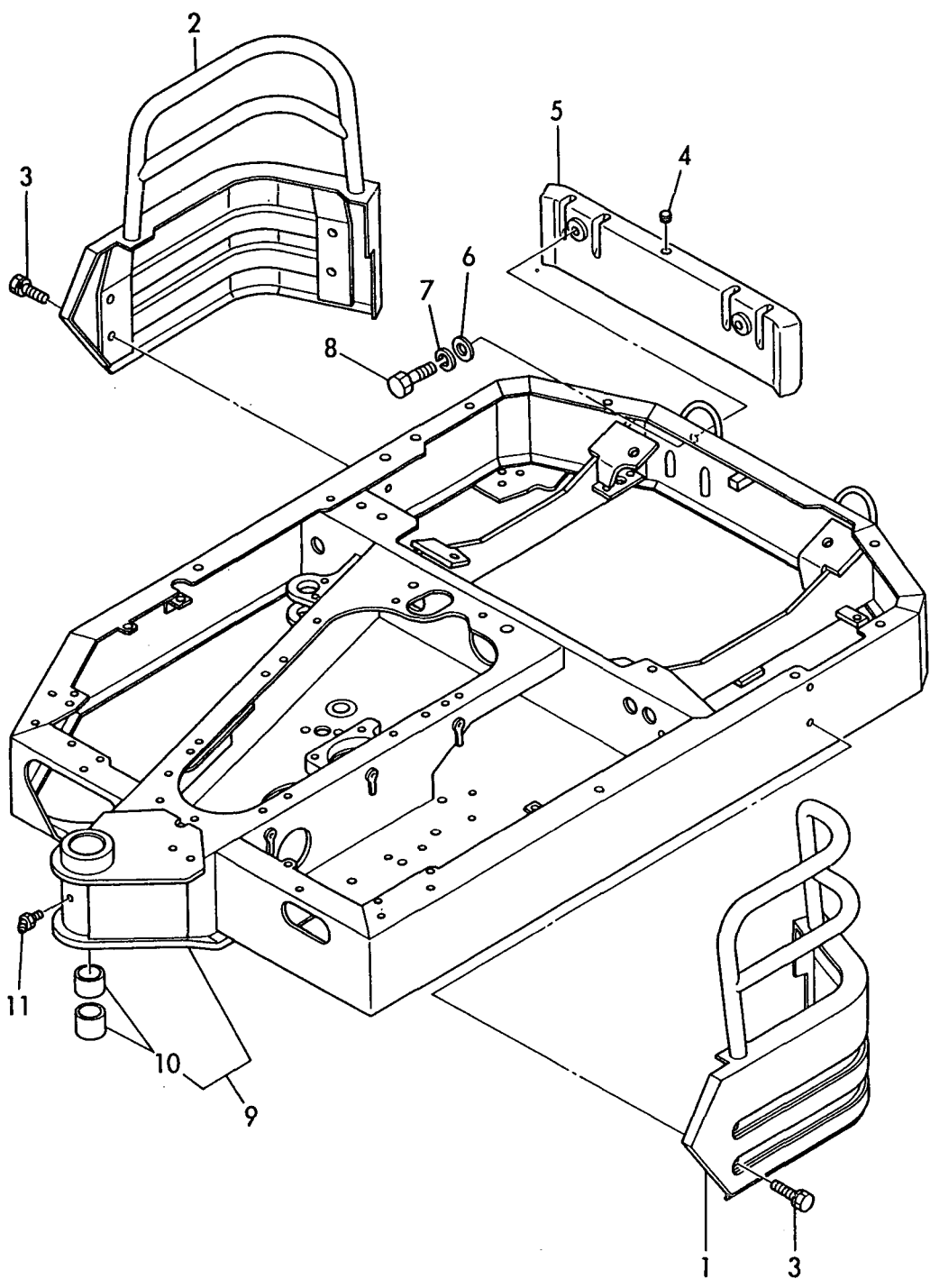
D72149-45500



(A)=B12 P
(B)=B12 P R
(C)=

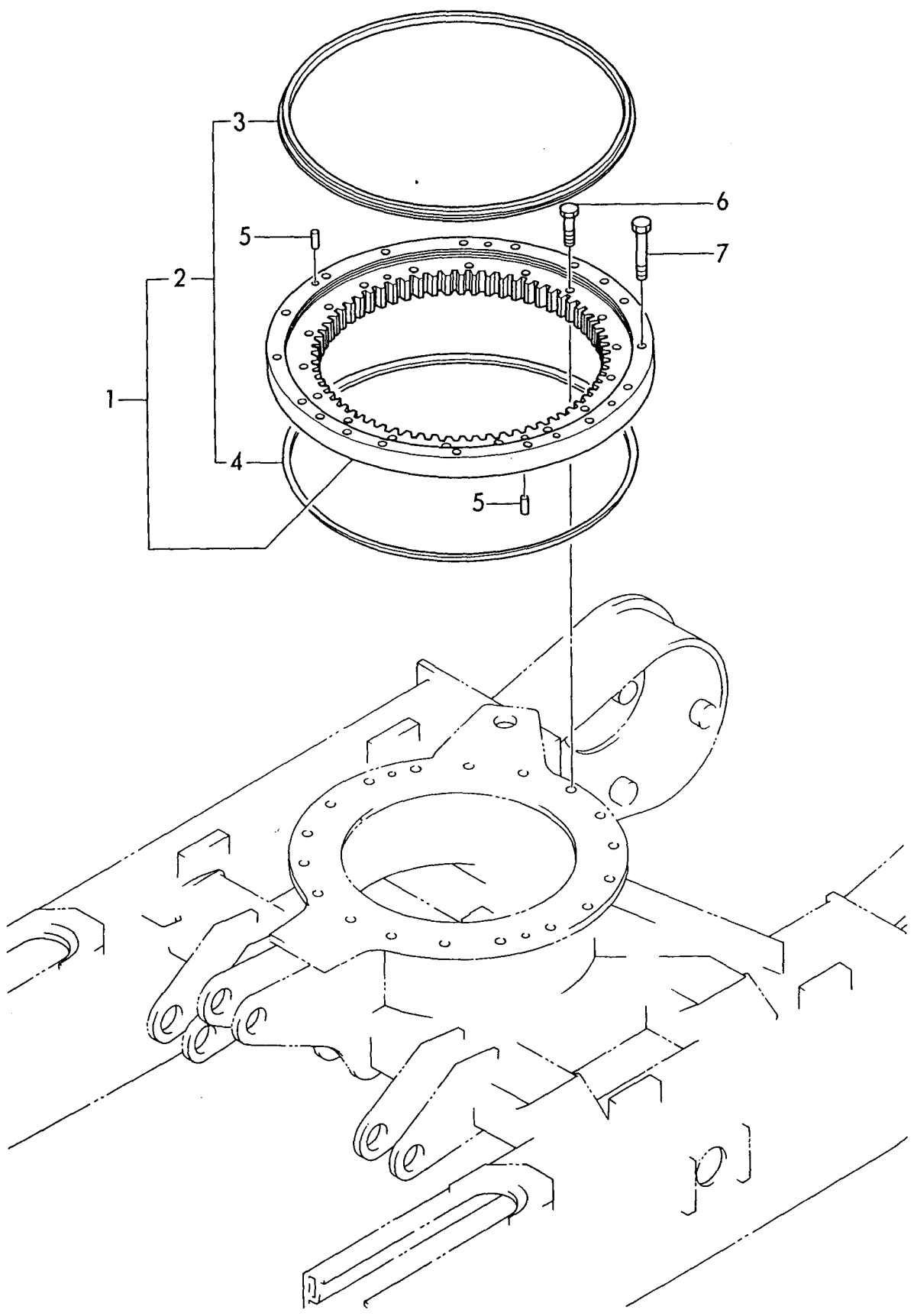
1,1,,172149-53100,,PROTECTOR(L),1,1,,1,1,,,,,,,,,,,,,
2,1,,172149-53190,,PROTECTOR(R),1,1,,1,1,,,,,,,,,,,,,
3,1,,26013-120302,, "BOLT M12X 30",8,8,,8,8,,,,,,,,,,,,,
4,1,,172111-16890,, "GROMMET 9",,,,1,1,,,,,,,,,,,,,
5,1,,172150-53350,, "WEIGHT, COUNTER",,,,1,1,,,,,,,,,,,,,
6,1,,22137-120000,, "WASHER 12",,,,2,2,,,,,,,,,,,,,
7,1,,22217-120000,, "SPRING WASHER 12",,,,2,2,,,,,,,,,,,,,
8,1,,26116-120352,, "BOLT M12X 35 PLATED",,,,2,2,,,,,,,,,,,,,
9,1,,172149-54100,, "FRAME, TURNING",1,1,,1,1,,,,,,,,,,,,,
10,2,,172149-54050,,BUSH,2,2,,2,2,,,,,,,,,,,,,
11,1,,24761-040000,, "NIPPLE B,GREASE",1,1,,1,1,,,,,,,,,,,,,

Fig. **27** センカiframe
TURNING FRAME



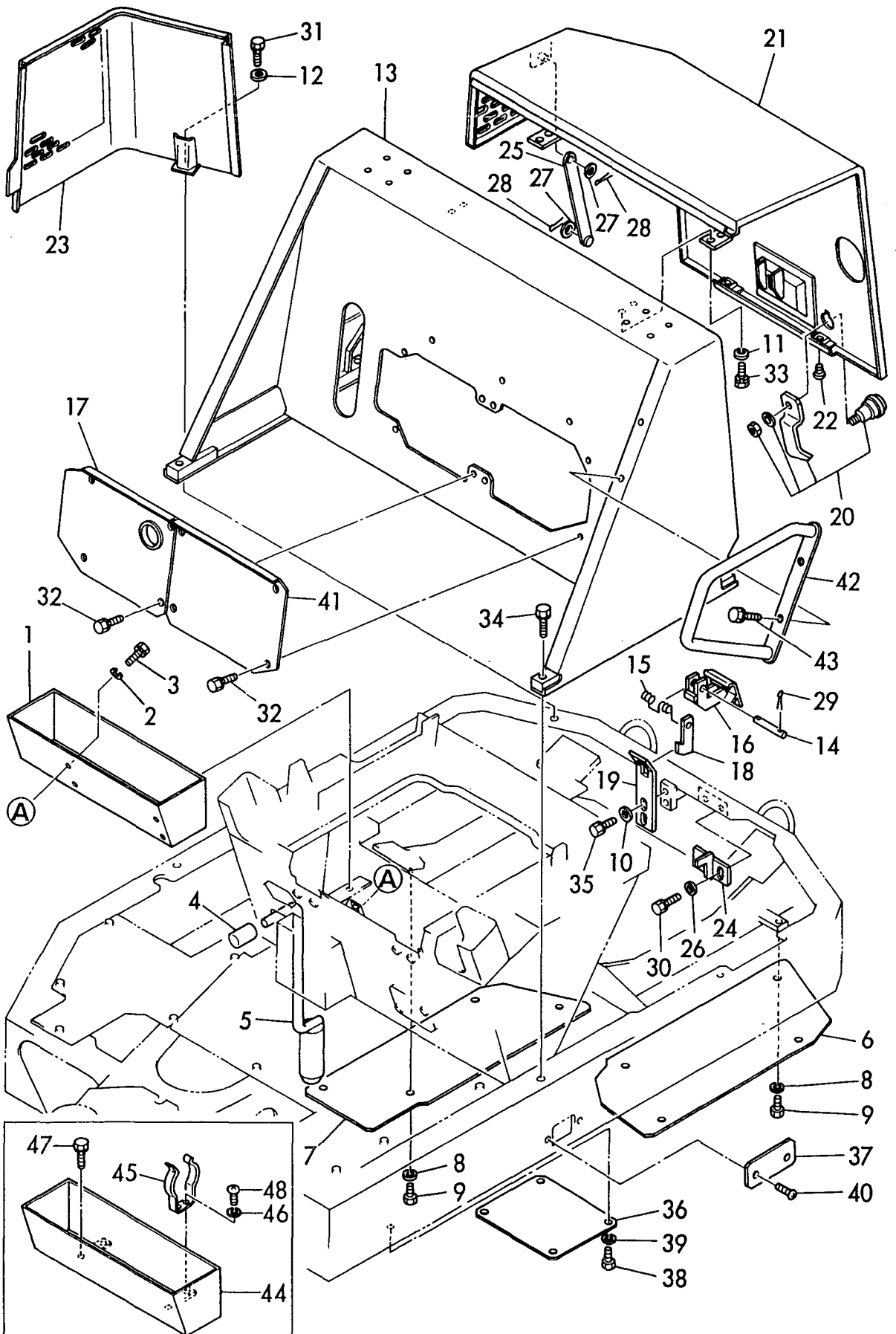
1,1,,172149-57600,, "BEARING, TURNING",1,1,,1,1,,,,,,,,,,,,,
2,2,,172149-57610,, "SEAL SET",1,1,,1,1,,,,,,,,,,,,,
3,3,,172149-57620,, "SEAL, UPPER",1,1,,1,1,,,,,,,,,,,,,
4,3,,172149-57630,, "SEAL,LOWER",1,1,,1,1,,,,,,,,,,,,,
5,1,,22312-100200,, "PARALLEL PIN 10X20",4,4,,4,4,,,,,,,,,,,,,
6,1,,26116-120302,, "BOLT M12X 30 PLATED",18,18,,18,18,,,,,,,,,,,,,
7,1,,26116-120502,, "BOLT M12X 50 PLATED",18,18,,18,18,,,,,,,,,,,,,

Fig. **28** センカイクドウソウチ
TURNING DRIVING GEARS



1,1,,172150-05300,, "BOX, TOOL",1,1,,1,1,,,,,,,,,,,,,
2,1,,22137-100000,, "WASHER 10",4,4,,4,4,,,,,,,,,,,,,
3,1,,26013-100202,, "BOLT M10X 20",4,4,,4,4,,,,,,,,,,,,,
4,1,,172116-46630,, "KNOB, LOCK LEVER",1,1,,1,1,,,,,,,,,,,,,
5,1,,172149-58800,, "PIN, LOCK",1,1,,1,1,,,,,,,,,,,,,
6,1,,172149-61100,, "COVER(L), UNDER",1,1,,1,1,,,,,,,,,,,,,
7,1,,172149-61110,, "COVER, UNDER(R)",1,1,,1,1,,,,,,,,,,,,,
8,1,,22217-100000,, "SPRING WASHER 10",8,8,,8,8,,,,,,,,,,,,,
9,1,,26116-100162,, "BOLT M10X 16 PLATED",8,8,,8,8,,,,,,,,,,,,,
10,1,,194145-04810,, "WASHER 10",2,2,,2,2,,,,,,,,,,,,,
11,1,,194145-04810,, "WASHER 10",4,4,,4,4,,,,,,,,,,,,,
12,1,,194145-04810,, "WASHER 10",3,3,,3,3,,,,,,,,,,,,,
13,1,,172149-65100,, "COVER(B)",1,1,,1,1,,,,,,,,,,,,,
14,1,,172734-65260,, "PIN, BONNET LEVER",1,1,,1,1,,,,,,,,,,,,,
15,1,,172734-65270,, "SPRING, CATCH",1,1,,1,1,,,,,,,,,,,,,
16,1,,172124-65450,, "LEVER, LOCK",1,1,,1,1,,,,,,,,,,,,,
17,1,,172149-65450,, "PLATE(R)",1,1,,1,1,,,,,,,,,,,,,
18,1,,172124-65480,, "CATCHER",1,1,,1,1,,,,,,,,,,,,,
19,1,,172124-65490,, "PLATE,CATCH",1,1,,1,1,,,,,,,,,,,,,
20,1,,172126-65500,, "KEY",1,1,,1,1,,,,,,,,,,,,,
21,1,,172149-65500,, "COVER(C)",1,1,,1,1,,,,,,,,,,,,,
22,1,,172137-65700,, "RUBBER, CUSHION",2,2,,2,2,,,,,,,,,,,,,
23,1,,172149-65740,, "COVER(R)",1,1,,1,1,,,,,,,,,,,,,
24,1,,172149-65840,, "HOOK",1,1,,1,1,,,,,,,,,,,,,
25,1,,172149-65850,, "PLATE, ROD",1,1,,1,1,,,,,,,,,,,,,
26,1,,22137-080000,, "WASHER 8",2,2,,2,2,,,,,,,,,,,,,
27,1,,22157-080000,, "WASHER 8",2,2,,2,2,,,,,,,,,,,,,
28,1,,22417-200100,, "COTTER PIN 2.0X10",2,2,,2,2,,,,,,,,,,,,,
29,1,,22417-200200,, "COTTER PIN 2.0X20",2,2,,2,2,,,,,,,,,,,,,
30,1,,26013-080162,, "BOLT M 8X 16",2,2,,2,2,,,,,,,,,,,,,
31,1,,26013-100162,, "BOLT M10X 16",3,3,,3,3,,,,,,,,,,,,,
32,1,,26013-100162,, "BOLT M10X 16",8,8,,8,8,,,,,,,,,,,,,
33,1,,26013-100252,, "BOLT M10X 25",4,4,,4,4,,,,,,,,,,,,,
34,1,,26013-120452,, "BOLT M12X 45",4,4,,4,4,,,,,,,,,,,,,
35,1,,26013-100252,, "BOLT M10X 25",2,2,,2,2,,,,,,,,,,,,,
36,1,,172149-64370,, "PLATE, UNDER",1,1,,1,1,,,,,,,,,,,,,
37,1,,172149-64360,, "PLATE, FRAME(L)",1,1,,1,1,,,,,,,,,,,,,
38,1,,26116-100162,, "BOLT M10X 16 PLATED",4,4,,4,4,,,,,,,,,,,,,
39,1,,22217-100000,, "SPRING WASHER 10",4,4,,4,4,,,,,,,,,,,,,
40,1,,172137-69850,, "SCREW",2,2,,2,2,,,,,,,,,,,,,
41,1,,172149-65430,, "PLATE(L)",1,1,,1,1,,,,,,,,,,,,,
42,1,,172141-68200,, "GRIP",1,1,,1,1,,,,,,,,,,,,,
43,1,,26013-100252,, "BOLT M10X 25",2,2,,2,2,,,,,,,,,,,,,
44,1,,172149-05300,, "BOX, TOOL",1,1,,1,1,,1,,,,,,,,,,,,,
45,1,,172122-55061,, "BRACKET, GREASE PUMP",2,2,,2,2,,1,,,,,,,,,,,,,
46,1,,22217-060000,, "SPRING WASHER 6",2,2,,2,2,,1,,,,,,,,,,,,,
47,1,,26013-100202,, "BOLT M10X 20",2,2,,2,2,,1,,,,,,,,,,,,,
48,1,,26557-060102,, "SCREW M 6X 10",2,2,,2,2,,1,,,,,,,,,,,,,

Fig. 29 ボンネット
BONNET

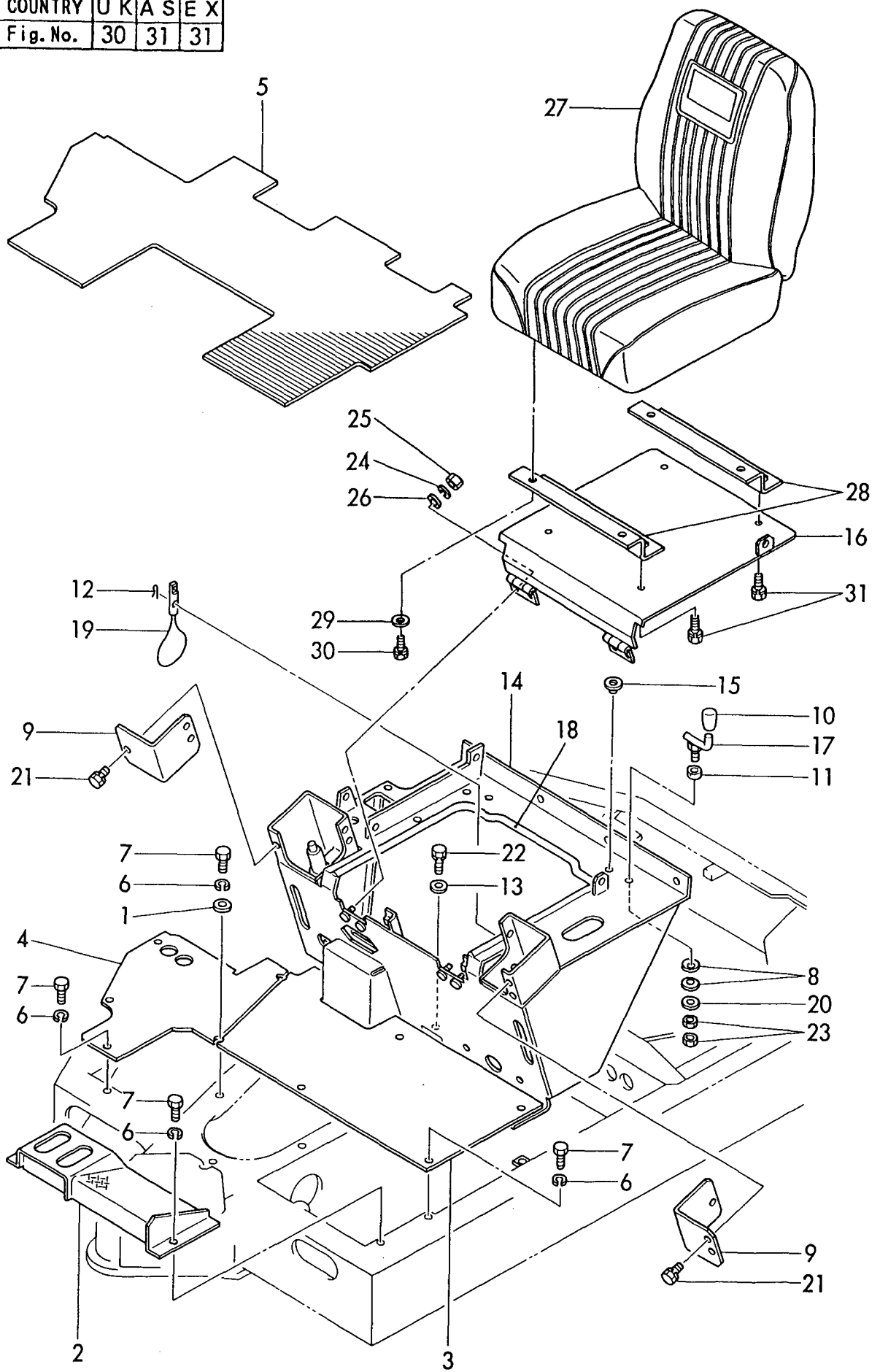


COUNTRY	U	K	A	S	E	X
APPLI- CATION	-	○	○			

1,1,,194145-04810,, "WASHER 10",2,2,,2,2,,,,,,,,,,,,,
2,1,,172150-62100,, "STEP, FRONT",1,1,,1,1,,,,,,,,,,,,,
3,1,,172150-62200,, "STEP, CENTER",1,1,,1,1,,,,,,,,,,,,,
4,1,,172150-62220,, "STEP, SIDE",1,1,,1,1,,,,,,,,,,,,,
5,1,,172150-62250,, "MAT, FLOOR",1,1,,1,1,,,,,,,,,,,,,
6,1,,22217-100000,, "SPRING WASHER 10",11,11,,11,11,,,,,,,,,,,,,
7,1,,26116-100202,, "BOLT M10X 20 PLATED",11,11,,11,11,,,,,,,,,,,,,
8,1,,194740-00160,, "WASHER 10, CONICAL",2,2,,2,2,,,,,,,,,,,,,
9,1,,172142-43390,, "COVER, SUPPORT",2,2,,2,2,,,,,,,,,,,,,
10,1,,172116-46630,, "KNOB, LOCK LEVER",1,1,,1,1,,,,,,,,,,,,,
11,1,,172149-64480,, "COLLAR 11X21",1,1,,1,1,,,,,,,,,,,,,
12,1,,1C6281-52320,, "PIN 8, COME-OFF SNAP",2,2,,2,2,,,,,,,,,,,,,
13,1,,194201-61330,, "WASHER 11",5,5,,5,5,,,,,,,,,,,,,
14,1,,172150-64200,, "MOUNT, SEAT",1,1,,1,1,,,,,,,,,,,,,
15,1,,172141-64370,, "CUSHION, SEAT",2,2,,2,2,,,,,,,,,,,,,
16,1,,172150-64550,, "PLATE, SEAT",1,1,,1,1,,,,,,,,,,,,,
17,1,,172149-64450,, "LEVER, SEAT LOCK",1,1,,1,1,,,,,,,,,,,,,
18,1,,172149-64470,, "SEAL, MOUNT",1,1,,1,1,,,,,,,,,,,,,
19,1,,172131-65181,, "CABLE",1,1,,1,1,,,,,,,,,,,,,
20,1,,22137-100000,, "WASHER 10",1,1,,1,1,,,,,,,,,,,,,
21,1,,26013-080162,, "BOLT M 8X 16",6,6,,6,6,,,,,,,,,,,,,
22,1,,26013-100202,, "BOLT M10X 20",6,6,,6,6,,,,,,,,,,,,,
23,1,,26716-100002,, "NUT M10",2,2,,2,2,,,,,,,,,,,,,
24,1,,22217-080000,, "SPRING WASHER 8",4,4,,4,4,,,,,,,,,,,,,
25,1,,26716-080002,, "NUT M 8",4,4,,4,4,,,,,,,,,,,,,
26,1,,22137-080000,, "WASHER 8",4,4,,4,4,,,,,,,,,,,,,
27,1,,172137-64201,, "SEAT",1,1,,1,1,,,,,,,,,,,,,
28,1,,172149-64420,, "ADJUSTER, SEAT",2,2,,2,2,,,,,,,,,,,,,
29,1,,22137-080000,, "WASHER 8",4,4,,4,4,,,,,,,,,,,,,
30,1,,26013-080162,, "BOLT M 8X 16",4,4,,4,4,,,,,,,,,,,,,
31,1,,26013-080162,, "BOLT M 8X 16",4,4,,4,4,,,,,,,,,,,,,

Fig. 30 シート&ステップ SEAT & STEP

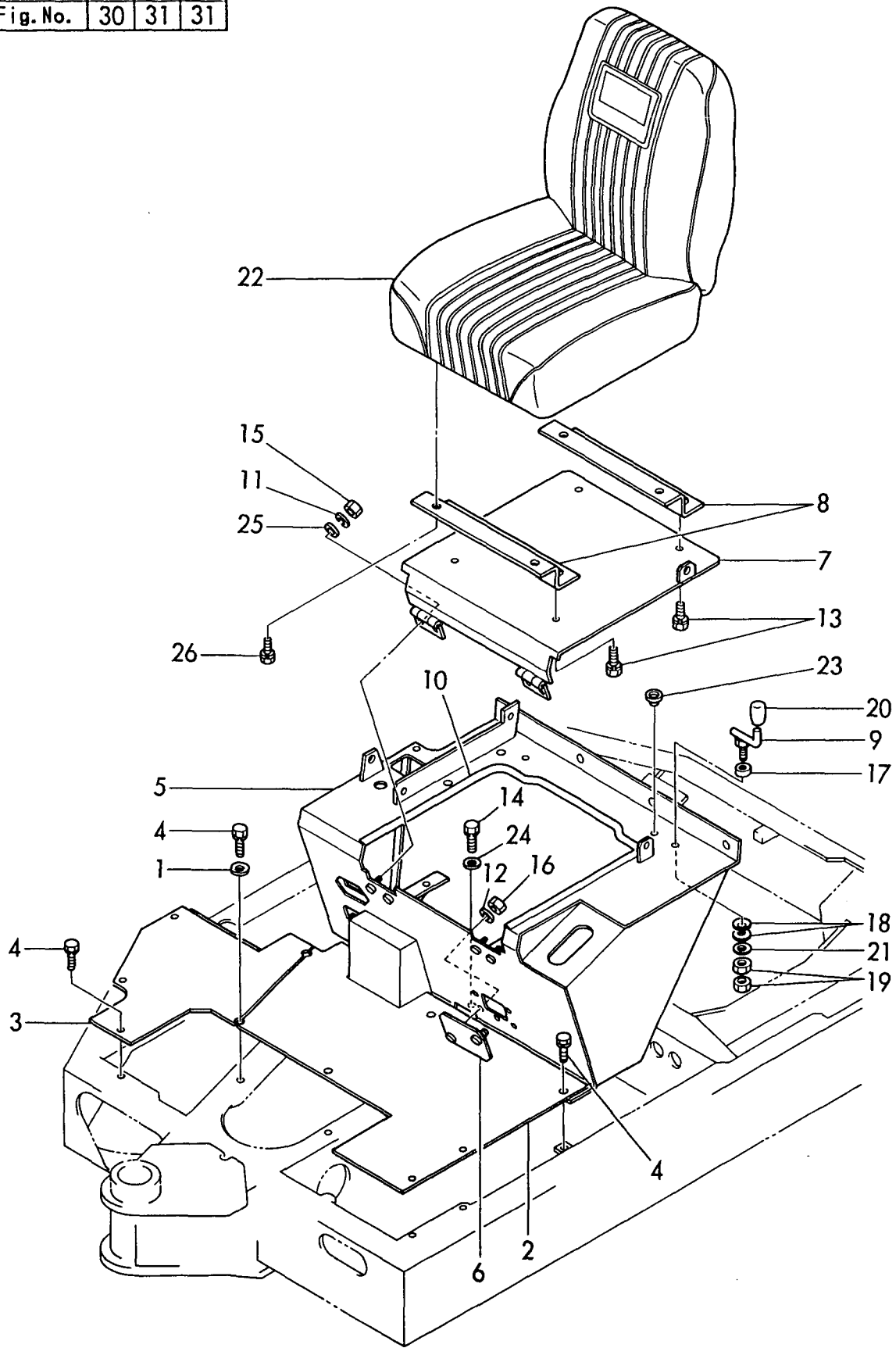
COUNTRY	U	K	A	S	E	X
Fig. No.	30	31	31			



1,1,,194145-04810,, "WASHER 10",2,2,,2,2,,,,,,,,,,,,,
2,1,,172149-62100,, "STEP, CENTER",1,1,,1,1,,,,,,,,,,,,,
3,1,,172149-62150,, "STEP, SIDE",1,1,,1,1,,,,,,,,,,,,,
4,1,,26013-100202,, "BOLT M10X 20",10,10,,10,10,,,,,,,,,,,,,
5,1,,172149-64200,, MOUNT,1,1,,1,1,,,,,,,,,,,,,
6,1,,172149-64340,, "COVER, PEDAL",1,1,,1,1,,,,,,,,,,,,,
7,1,,172149-64400,, "PLATE, SEAT",1,1,,1,1,,,,,,,,,,,,,
8,1,,172149-64420,, "ADJUSTER, SEAT",2,2,,2,2,,,,,,,,,,,,,
9,1,,172149-64450,, "LEVER, SEAT LOCK",1,1,,1,1,,,,,,,,,,,,,
10,1,,172149-64470,, "SEAL, MOUNT",1,1,,1,1,,,,,,,,,,,,,
11,1,,22217-080000,, "SPRING WASHER 8",4,4,,4,4,,,,,,,,,,,,,
12,1,,22217-100000,, "SPRING WASHER 10",2,2,,2,2,,,,,,,,,,,,,
13,1,,26013-080162,, "BOLT M 8X 16",4,4,,4,4,,,,,,,,,,,,,
14,1,,26013-100202,, "BOLT M10X 20",6,6,,6,6,,,,,,,,,,,,,
15,1,,26716-080002,, "NUT M 8",4,4,,4,4,,,,,,,,,,,,,
16,1,,26716-100002,, "NUT M10",2,2,,2,2,,,,,,,,,,,,,
17,1,,172149-64480,, "COLLAR 11X21",1,1,,1,1,,,,,,,,,,,,,
18,1,,194740-00160,, "WASHER 10, CONICAL",2,2,,2,2,,,,,,,,,,,,,
19,1,,26716-100002,, "NUT M10",2,2,,2,2,,,,,,,,,,,,,
20,1,,172116-46630,, "KNOB, LOCK LEVER",1,1,,1,1,,,,,,,,,,,,,
21,1,,22137-100000,, "WASHER 10",1,1,,1,1,,,,,,,,,,,,,
22,1,,172137-64201,, SEAT,1,1,,1,1,,,,,,,,,,,,,
23,1,,172141-64370,, "CUSHION, SEAT",2,2,,2,2,,,,,,,,,,,,,
24,1,,22157-100000,, "WASHER 10",6,6,,6,6,,,,,,,,,,,,,
25,1,,22137-080000,, "WASHER 8",4,4,,4,4,,,,,,,,,,,,,
26,1,,26013-080162,, "BOLT M 8X 16",4,4,,4,4,,,,,,,,,,,,,

Fig. 31 シート&ステップ
SEAT & STEP

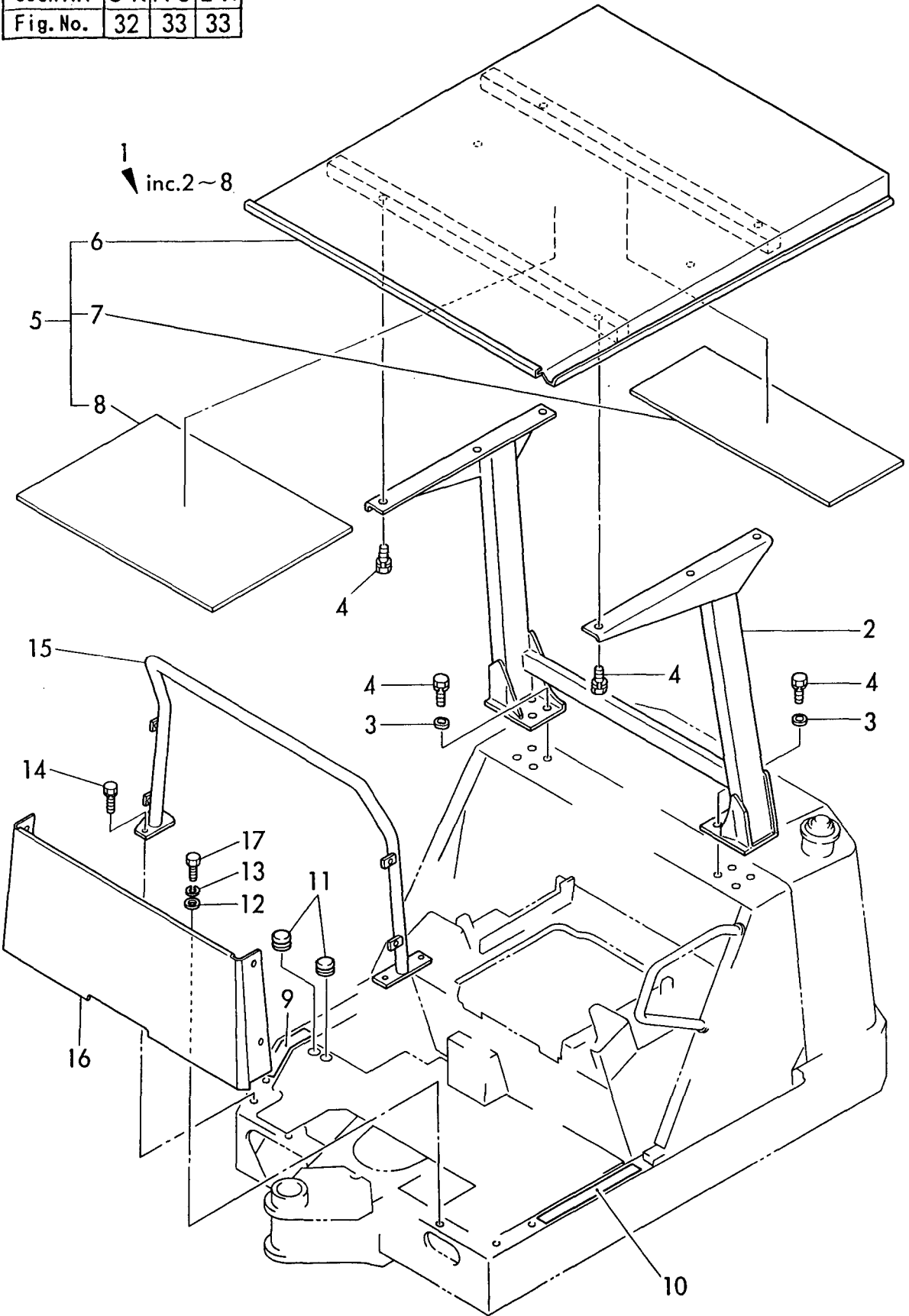
COUNTRY	U	K	A	S	E	X
Fig. No.	30	31	31			



1,1,,772149-66330,, "CANOPY ASSY",1,1,,1,1,,,,,,,,,,,,,
2,2,,172149-66300,, "COLUMN, CANOPY",1,1,,1,1,,,,,,,,,,,,,
3,2,,172149-66550,, "WASHER,8,8,,8,8,,,,,,,,,,,,,
4,2,,26013-120352,, "BOLT M12X 35",14,14,,14,14,,,,,,,,,,,,,
5,2,,172149-66390,, "ROOF, CANOPY",1,1,,1,1,,,,,,,,,,,,,
6,3,,172149-66400,, "ROOF, CANOPY",1,1,,1,1,,,,,,,,,,,,,
7,3,,172149-66520,, "TRIM(A), ROOF",2,2,,2,2,,,,,,,,,,,,,
8,3,,172149-66530,, "TRIM(B), ROOF",1,1,,1,1,,,,,,,,,,,,,
9,1,,172149-66570,, "SAFETY WALK (R)",1,1,,1,1,,,,,,,,,,,,,
10,1,,172149-66580,, "SAFETY WALK (L)",1,1,,1,1,,,,,,,,,,,,,
11,1,,172112-69790,, "PLUG 32X2",2,2,,2,2,,,,,72149011,,72149011,,,,,72149011,,,,,
12,1,,22137-100000,, "WASHER 10",6,6,,6,6,,,,,,,,,,,,,
13,1,,22217-100000,, "SPRING WASHER 10",6,6,,6,6,,,,,,,,,,,,,
14,1,,26013-100252,, "BOLT M10X 25",4,4,,4,4,,,,,,,,,,,,,
15,1,,172149-68300,, "CANOPY(F)",1,1,,1,1,,,,,,,,,,,,,
16,1,,172149-68350,, "COVER, FRONT",1,1,,1,1,,,,,,,,,,,,,
17,1,,26116-100162,, "BOLT M10X 16 PLATED",6,6,,6,6,,,,,,,,,,,,,

Fig. **32** ロプス
ROPS

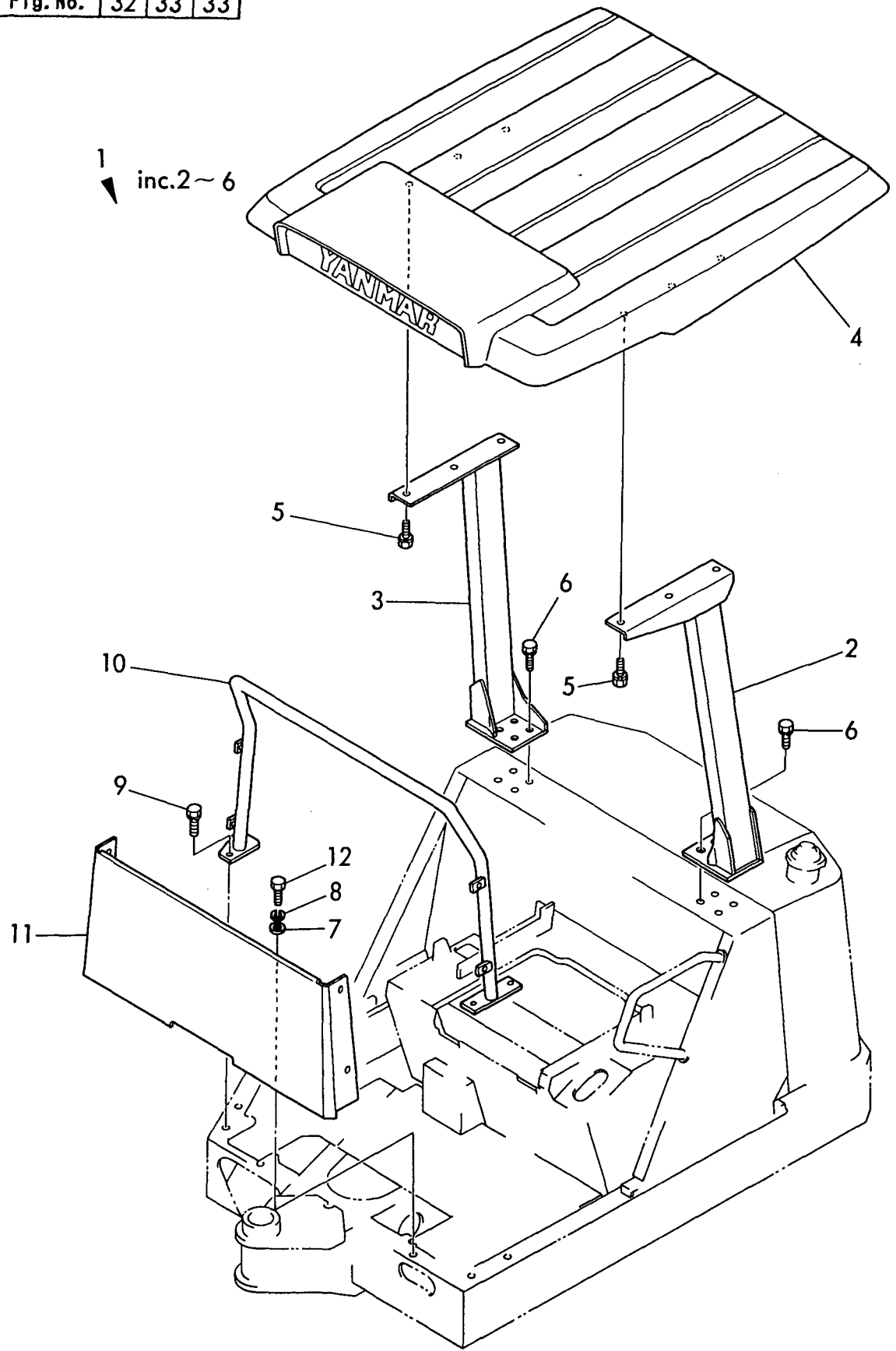
COUNTRY	U K	A S E	X
Fig. No.	32	33	33



1,1,,772149-68100,, "CANOPY ASSY",1,1,,1,1,,,,,,,,,,,,,
2,2,,172149-68110,, "POLE(L), CANOPY",1,1,,1,1,,,,,,,,,,,,,
3,2,,172149-68120,, "POLE(R), CANOPY",1,1,,1,1,,,,,,,,,,,,,
4,2,,172134-68200,, "ROOF, CANOPY",1,1,,1,1,,,,,,,,,,,,,
5,2,,26013-120252,, "BOLT M12X 25",6,6,,6,6,,,,,,,,,,,,,
6,2,,26013-120352,, "BOLT M12X 35",8,8,,8,8,,,,,,,,,,,,,
7,1,,22137-100000,, "WASHER 10",6,6,,6,6,,,,,,,,,,,,,
8,1,,22217-100000,, "SPRING WASHER 10",6,6,,6,6,,,,,,,,,,,,,
9,1,,26013-100252,, "BOLT M10X 25",4,4,,4,4,,,,,,,,,,,,,
10,1,,172149-68300,, "CANOPY(F)",1,1,,1,1,,,,,,,,,,,,,
11,1,,172149-68350,, "COVER, FRONT",1,1,,1,1,,,,,,,,,,,,,
12,1,,26116-100162,, "BOLT M10X 16 PLATED",6,6,,6,6,,,,,,,,,,,,,

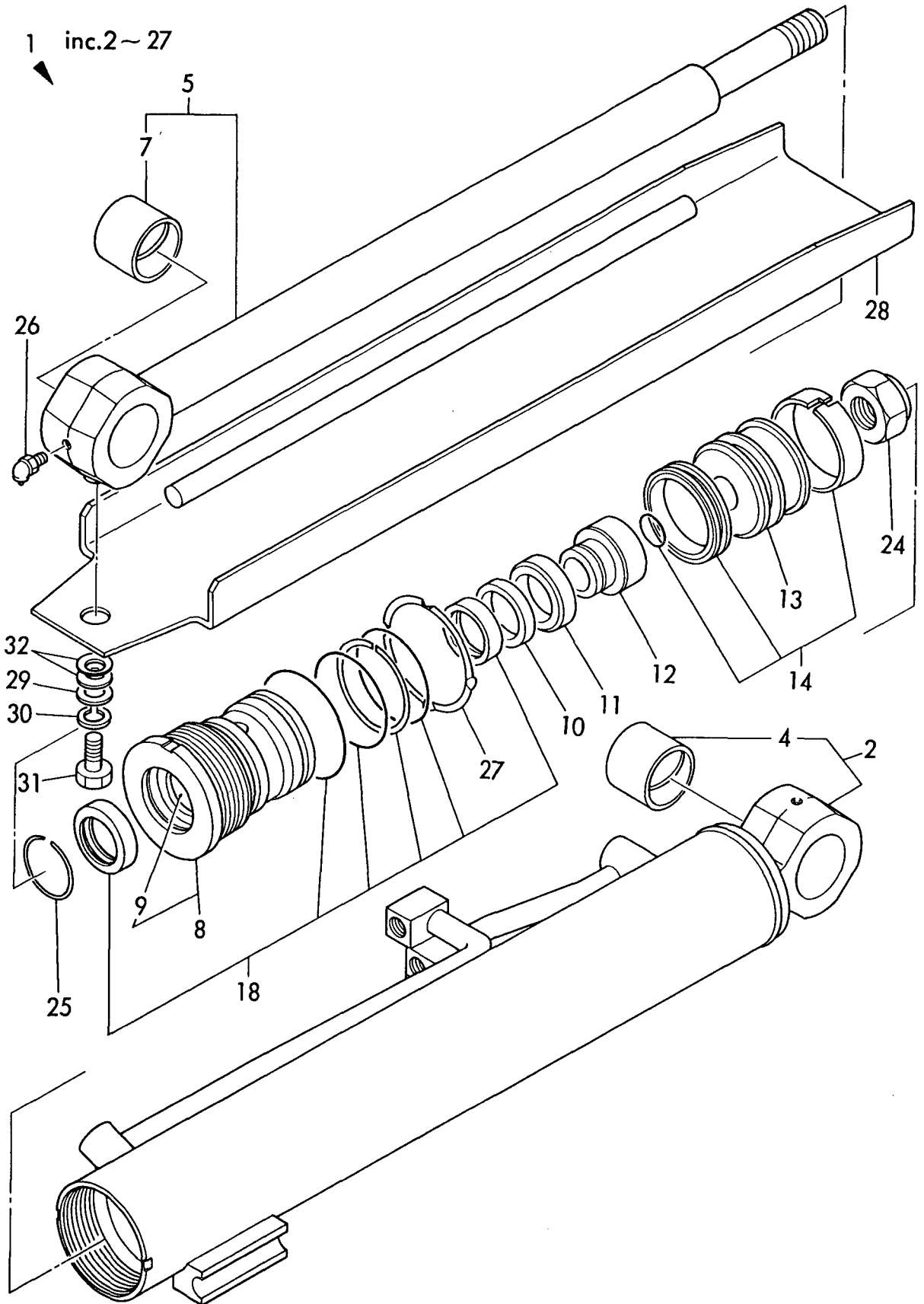
Fig. **33** キャノピ
CANOPY

COUNTRY	U	K	A	S	E	X
Fig. No.	32	33	33	33	33	33



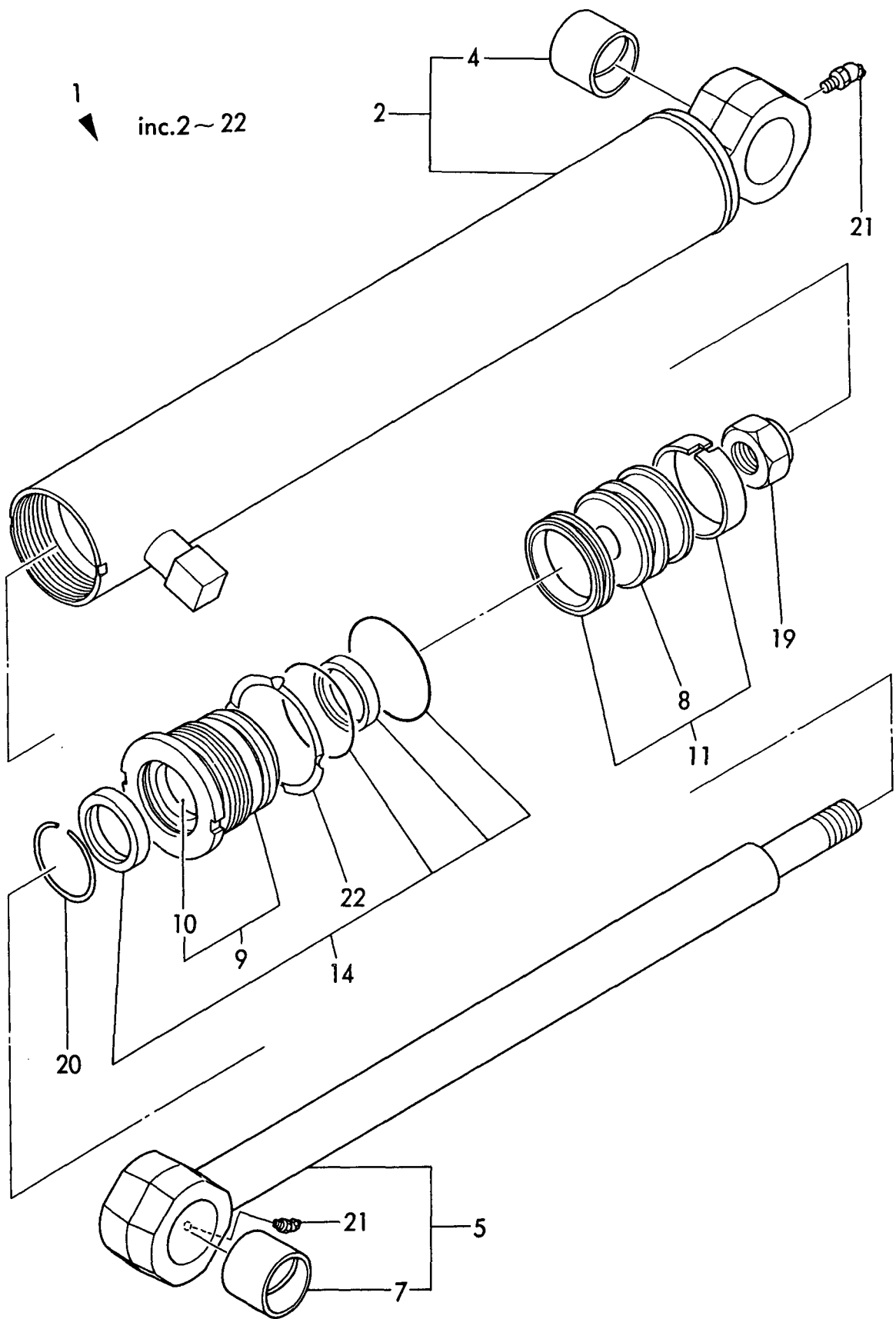
1,1,,172149-72100,, "CYLINDER ASSY,BOOM",1,1,,1,1,,,,,,,,,,,,,
2,2,,772149-72110,, "TUBE W/BUSH, BOOM",1,1,,1,1,,,,,,,,,,,,,
4,3,,172141-72560,, "BUSH 35 40 A, PIN",1,1,,1,1,,,,,,,,,,,,,
5,2,,772149-72200,, "ROD W/BUSH, BOOM",1,1,,1,1,,,,,,,,,,,,,
7,3,,172141-72560,, "BUSH 35 40 A, PIN",1,1,,1,1,,,,,,,,,,,,,
8,2,,172149-72240,, "HEAD 6035",1,1,,1,1,,,,,,,,,,,,,
9,3,,933111-01600,, "BUSH 35 30, ROD",1,1,,1,1,,,,,,,,,,,,,
10,2,,172137-72250,, "COLLAR, CUSHION",1,1,,1,1,,,,,,,,,,,,,
11,2,,172137-72260,, "RING 41, CUSHION",1,1,,1,1,,,,,,,,,,,,,
12,2,,172137-72271,, "COLLAR 41B, CUSHION",1,1,,1,1,,,,,,,,,,,,,
13,2,,172137-72431,, "PISTON 60G",1,1,,1,1,,,,,,,,,,,,,
14,2,,172137-72462,, "SEAL SET 60B, PISTON",1,1,,1,1,,,,,,,,,,,,,
18,2,,172149-72010,, "SEAL SET, HEAD",1,1,,1,1,,,,,,,,,,,,,
24,2,,172141-72580,, "NUT M20",1,1,,1,1,,,,,,,,,,,,,
25,2,,172141-73090,, "RING 50, SPRING",1,1,,1,1,,,,,,,,,,,,,
26,2,,24761-040000,, "NIPPLE B,GREASE",1,1,,1,1,,,,,,,,,,,,,
27,2,,933125-59600,, "WASHER 60 B, LOCK",1,1,,1,1,,,,,,,,,,,,,
28,1,,172149-72280,, "COVER, BOOM",1,1,,1,1,,,,,,,,,,,,,
29,1,,22157-100000,, "WASHER 10",1,1,,1,1,,,,,,,,,,,,,
30,1,,22217-100000,, "SPRING WASHER 10",1,1,,1,1,,,,,,,,,,,,,
31,1,,26116-100162,, "BOLT M10X 16 PLATED",1,1,,1,1,,,,,,,,,,,,,
32,1,,933168-14170,, "SPRING 16",2,2,,2,2,,,,,,,,,,,,,

Fig. 34 ブームシリンダ
BOOM CYLINDER



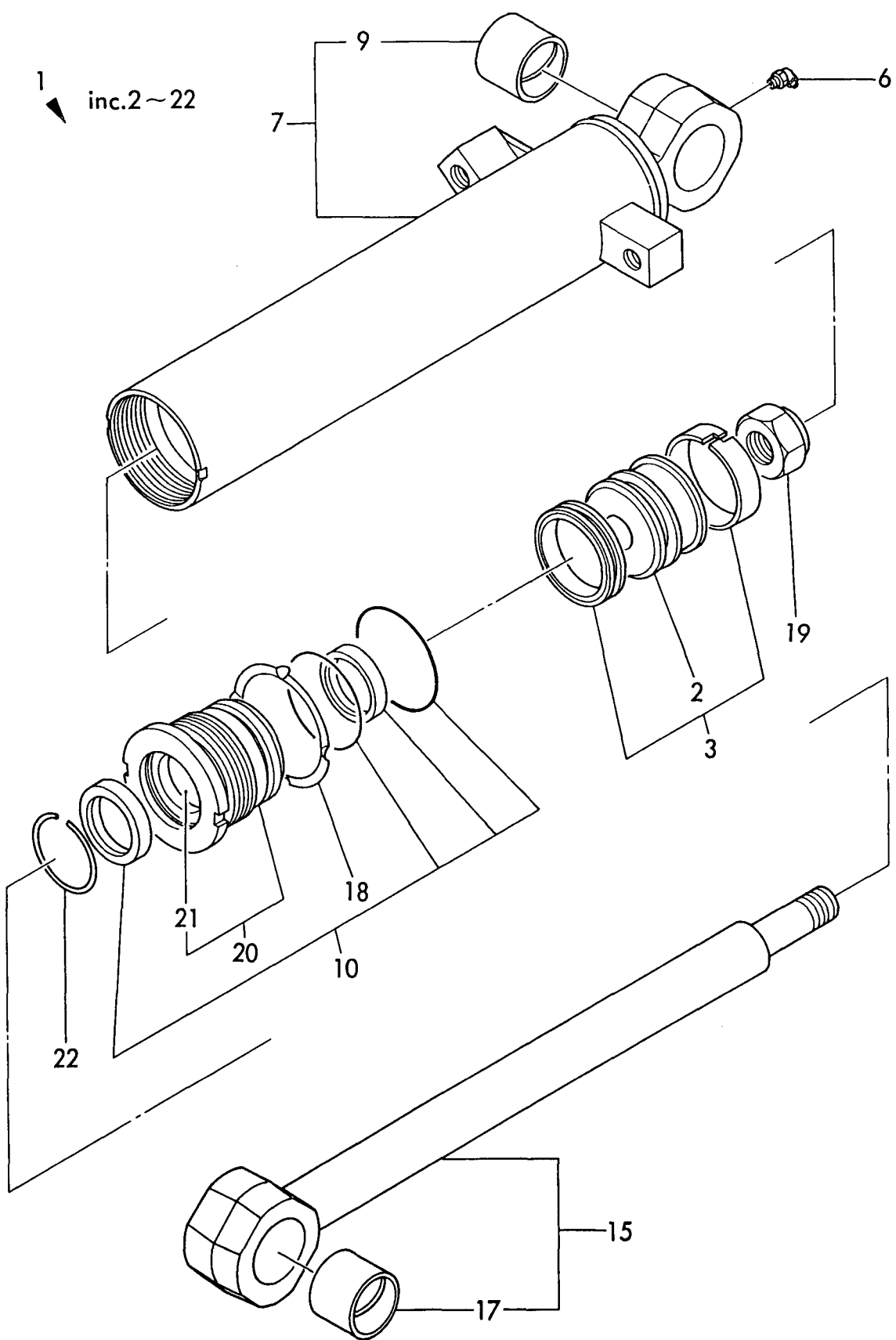
1,1,,172149-72350,, "CYLINDER ASSY, ARM",1,1,,1,1,,,,,,,,,,,,,
2,2,,772149-72360,, "TUBE W/BUSH, ARM",1,1,,1,1,,,,,,,,,,,,,
4,3,,933125-05400,, "BUSH 30X40, PIN",1,1,,1,1,,,,,,,,,,,,,
5,2,,772149-72380,, "ROD W/BUSH, ARM",1,1,,1,1,,,,,,,,,,,,,
7,3,,933125-05400,, "BUSH 30X40, PIN",1,1,,1,1,,,,,,,,,,,,,
8,2,,172137-72431,, "PISTON 60G",1,1,,1,1,,,,,,,,,,,,,
9,2,,172141-72540,, "HEAD 6035, CYLINDER",1,1,,1,1,,,,,,,,,,,,,
10,3,,933111-01600,, "BUSH 35 30, ROD",1,1,,1,1,,,,,,,,,,,,,
11,2,,172137-72452,, "SEAL SET 60A, PISTON",1,1,,1,1,,,,,,,,,,,,,
14,2,,172141-71900,, "SEAL SET, HEAD",1,1,,1,1,,,,,,,,,,,,,
19,2,,172141-72580,, "NUT M20",1,1,,1,1,,,,,,,,,,,,,
20,2,,172141-73090,, "RING 50, SPRING",1,1,,1,1,,,,,,,,,,,,,
21,2,,24761-040000,, "NIPPLE B,GREASE",2,2,,2,2,,,,,,,,,,,,,
22,2,,933125-59600,, "WASHER 60 B, LOCK",1,1,,1,1,,,,,,,,,,,,,

Fig. 35 アームシリンダ
ARM CYLINDER



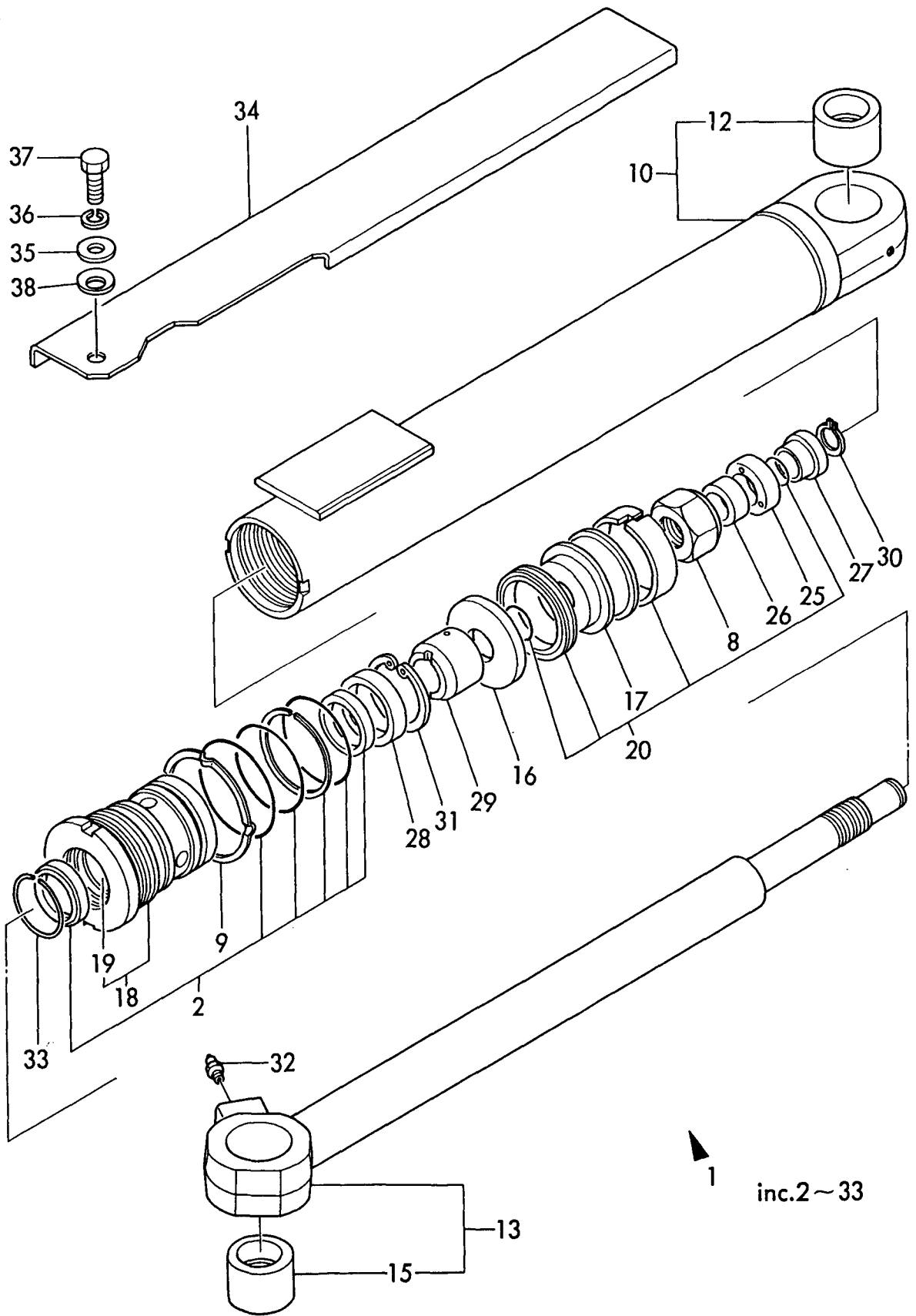
1,1,,933120-28401,, "CYLINDER ASSY, BUCKET",1,1,,1,1,,,,,,,,,,,,,
2,2,,172137-72431,, "PISTON 60G",1,1,,1,1,,,,,,,,,,,,,
3,2,,172137-72452,, "SEAL SET 60A, PISTON",1,1,,1,1,,,,,,,,,,,,,
6,2,,24761-040000,, "NIPPLE B, GREASE",1,1,,1,1,,,,,,,,,,,,,
7,2,,933721-28401,, "TUBE W/BUSH, BUCKET",1,1,,1,1,,,,,,,,,,,,,
9,3,,933125-05400,, "BUSH 30X40, PIN",1,1,,1,1,,,,,,,,,,,,,
10,2,,172141-71900,, "SEAL SET, HEAD",1,1,,1,1,,,,,,,,,,,,,
15,2,,933722-28300,, "ROD ASSY",1,1,,1,1,,,,,,,,,,,,,
17,3,,933125-05500,, "BUSH 30X40 B, PIN",1,1,,1,1,,,,,,,,,,,,,
18,2,,933125-59600,, "WASHER 60 B, LOCK",1,1,,1,1,,,,,,,,,,,,,
19,2,,172141-72580,, "NUT M20",1,1,,1,1,,,,,,,,,,,,,
20,2,,172141-72540,, "HEAD 6035, CYLINDER",1,1,,1,1,,,,,,,,,,,,,
21,3,,933111-01600,, "BUSH 35 30, ROD",1,1,,1,1,,,,,,,,,,,,,
22,2,,172141-73090,, "RING 50, SPRING",1,1,,1,1,,,,,,,,,,,,,

Fig. 36 バケツシリンダ
BUCKET CYLINDER



1,1,,172149-72450,, "CYLINDER ASSY, SWING",1,1,,1,1,,,,,,,,,,,,,
2,2,,172149-72020,, "SEAL SET, HEAD",1,1,,1,1,,,,,,,,,,,,,
8,2,,172141-72250,, "U-NUT M27",1,1,,1,1,,,,,,,,,,,,,
9,2,,172141-72420,, "WASHER 70, LOCK",1,1,,1,1,,,,,,,,,,,,,
10,2,,772149-72460,, "TUBE W/BUSH, SWING",1,1,,1,1,,,,,,,,,,,,,
12,3,,933125-12701,, "BUSH 38 50A",1,1,,1,1,,,,,,,,,,,,,
13,2,,772149-72510,, "ROD W/BUSH, SWING",1,1,,1,1,,,,,,,,,,,,,
15,3,,933125-12701,, "BUSH 38 50A",1,1,,1,1,,,,,,,,,,,,,
16,2,,172149-72530,, "GLAND",1,1,,1,1,,,,,,,,,,,,,
17,2,,172137-72542,, "PISTON 70",1,1,,1,1,,,,,,,,,,,,,
18,2,,172149-72540,, "HEAD 7040",1,1,,1,1,,,,,,,,,,,,,
19,3,,933135-14600,, "BUSH 40 30, ROD",1,1,,1,1,,,,,,,,,,,,,
20,2,,172149-72000,, "SEAL SET, PISTON",1,1,,1,1,,,,,,,,,,,,,
25,2,,172137-72700,, "RING 40A, CUSHION",1,1,,1,1,,,,,,,,,,,,,
26,2,,172137-72710,, "COLLAR 40B, CUSHION",1,1,,1,1,,,,,,,,,,,,,
27,2,,172137-72720,, "COLLAR 40A, CUSHION",1,1,,1,1,,,,,,,,,,,,,
28,2,,172137-72730,, "RING 44B, CUSHION",1,1,,1,1,,,,,,,,,,,,,
29,2,,172137-72740,, "CUSHION PLUNGER 44 A",1,1,,1,1,,,,,,,,,,,,,
30,2,,172142-72810,, "CIRCLIP 22",1,1,,1,1,,,,,,,,,,,,,
31,2,,22252-000561,, "CIRCLIP 56",1,1,,1,1,,,,,,,,,,,,,
32,2,,24761-020000,, "NIPPLE PT1/8,GREASE",1,1,,1,1,,,,,,,,,,,,,
33,2,,933111-26600,, "RING 55, SPRING",1,1,,1,1,,,,,,,,,,,,,
34,1,,172149-72570,, "COVER, SWING",1,1,,1,1,,,,,,,,,,,,,
35,1,,22157-100000,, "WASHER 10",1,1,,1,1,,,,,,,,,,,,,
36,1,,22217-100000,, "SPRING WASHER 10",1,1,,1,1,,,,,,,,,,,,,
37,1,,26116-100162,, "BOLT M10X 16 PLATED",1,1,,1,1,,,,,,,,,,,,,
38,1,,933168-14170,, "SPRING 16",1,1,,1,1,,,,,,,,,,,,,

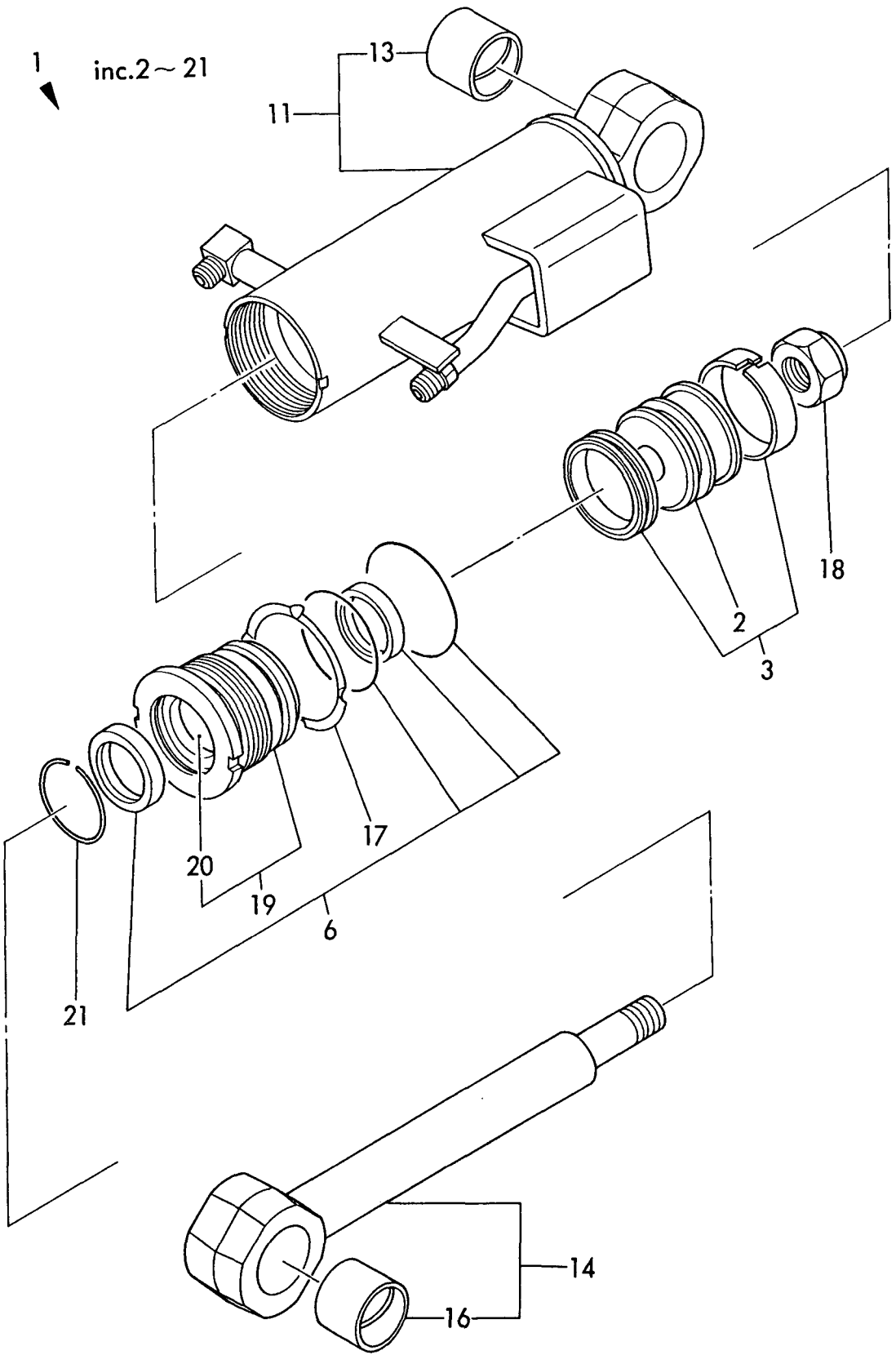
Fig. 37 スイングシリンダ
SWING CYLINDER



1
inc.2~33

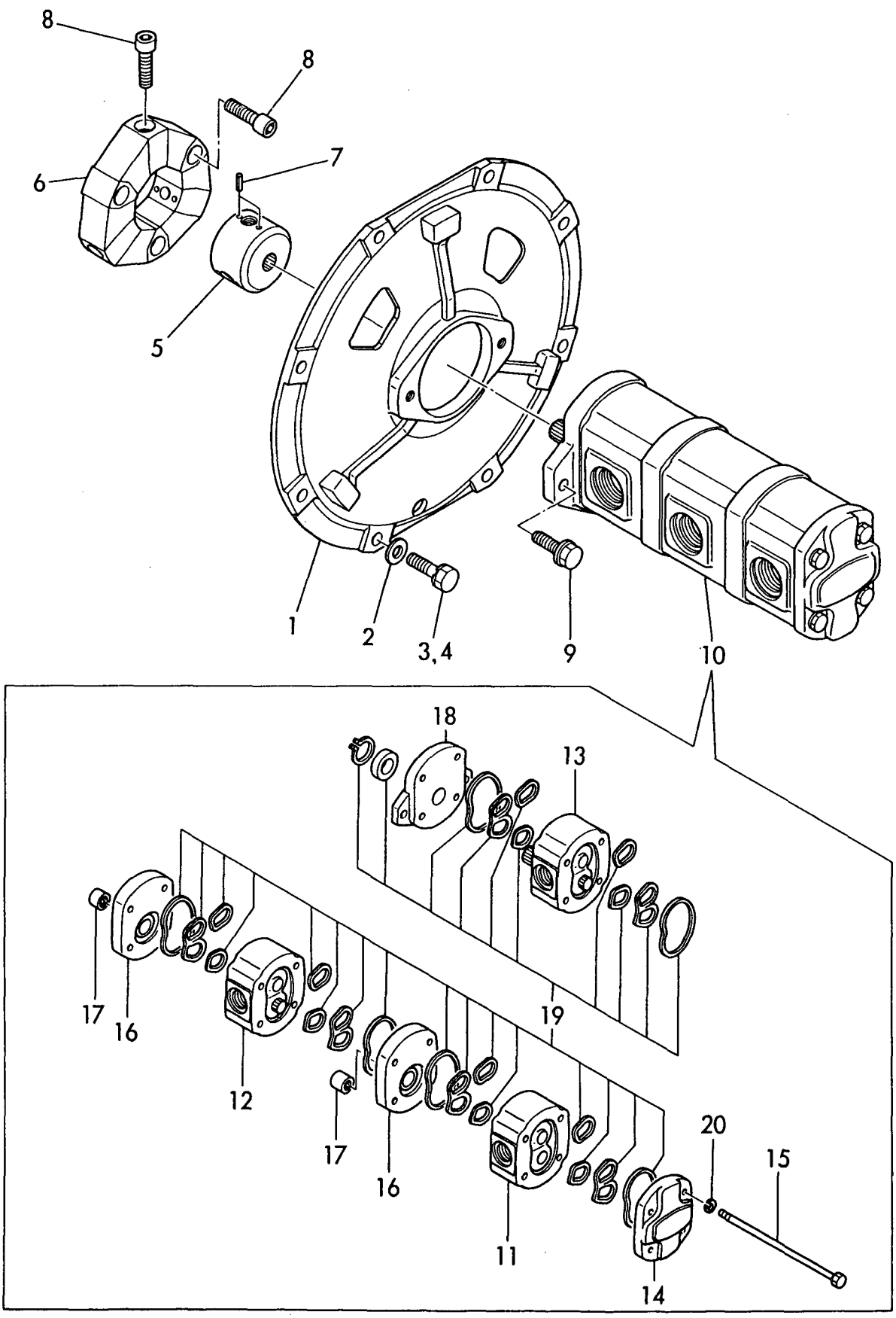
1,1,,933120-28501,, "CYLINDER ASSY, BLADE",1,1,,1,1,,,,,,,,,,,,,
2,2,,172137-72431,, "PISTON 60G",1,1,,1,1,,,,,,,,,,,,,
3,2,,172137-72452,, "SEAL SET 60A, PISTON",1,1,,1,1,,,,,,,,,,,,,
6,2,,172141-71900,, "SEAL SET, HEAD",1,1,,1,1,,,,,,,,,,,,,
11,2,,933721-28501,, "TUBE W/BUSH, BLADE",1,1,,1,1,,,,,,,,,,,,,
13,3,,933125-05500,, "BUSH 30X40 B, PIN",1,1,,1,1,,,,,,,,,,,,,
14,2,,933722-28400,, "ROD W/BUSH, BLADE",1,1,,1,1,,,,,,,,,,,,,
16,3,,933125-05500,, "BUSH 30X40 B, PIN",1,1,,1,1,,,,,,,,,,,,,
17,2,,933125-59600,, "WASHER 60 B, LOCK",1,1,,1,1,,,,,,,,,,,,,
18,2,,172141-72580,, "NUT M20",1,1,,1,1,,,,,,,,,,,,,
19,2,,172141-72540,, "HEAD 6035, CYLINDER",1,1,,1,1,,,,,,,,,,,,,
20,3,,933111-01600,, "BUSH 35 30, ROD",1,1,,1,1,,,,,,,,,,,,,
21,2,,172141-73090,, "RING 50, SPRING",1,1,,1,1,,,,,,,,,,,,,

Fig. 38 ブレードシリンダ
BLADE CYLINDER



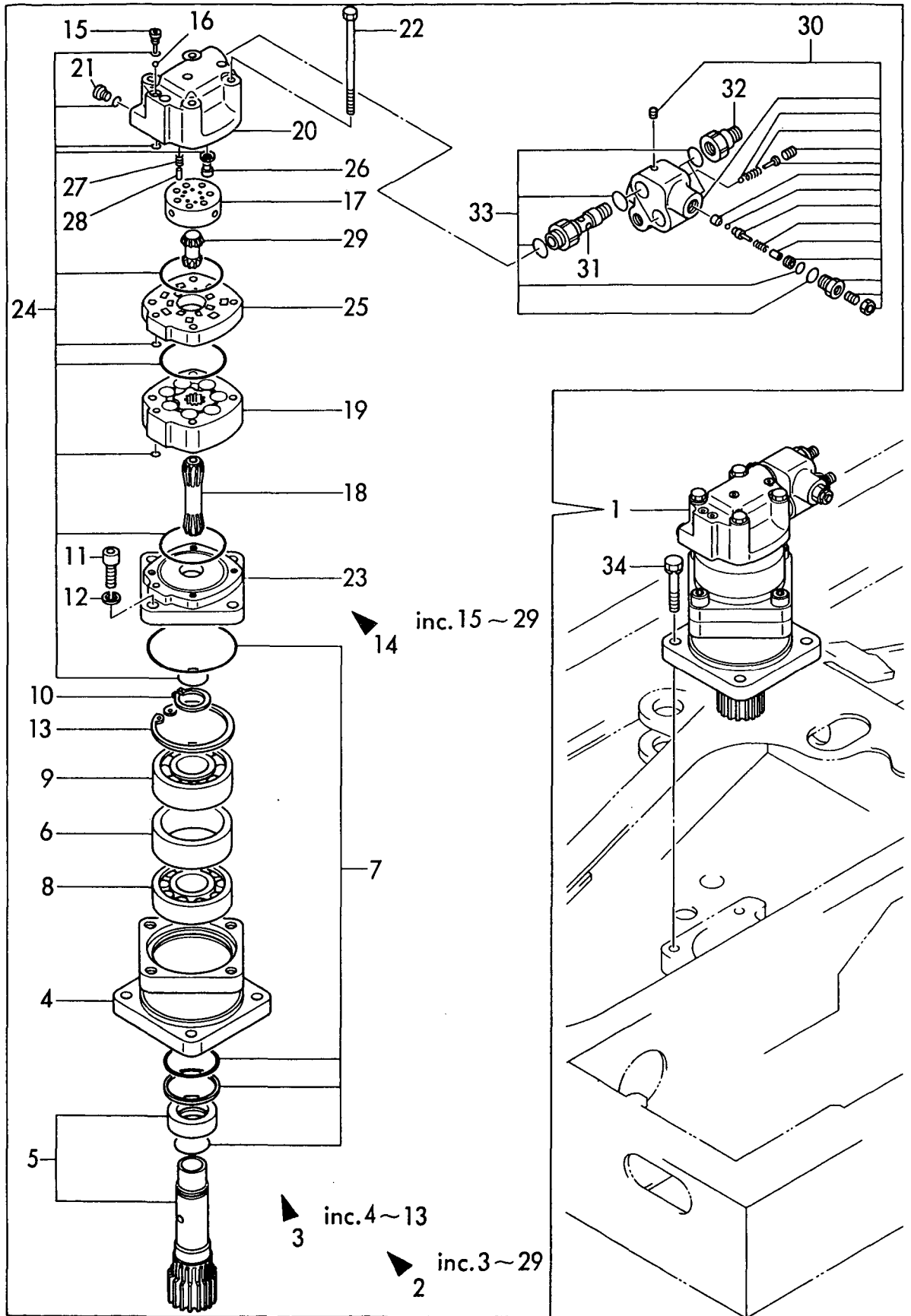
1,1,,172149-71110,, "MOUNT, PUMP",1,1,,1,1,,,,,,,,,,,,,
2,1,,22137-100000,, "WASHER 10",2,2,,2,2,,,,,,,,,,,,,
3,1,,26013-100302,, "BOLT M10X 30",4,4,,4,4,,,,,,,,,,,,,
4,1,,26013-100352,, "BOLT M10X 35",2,2,,2,2,,,,,,,,,,,,,
5,1,,172137-71210,, "JOINT, PUMP",1,1,,1,1,,,,,,,,,,,,,
6,1,,172137-71220,, "COUPLING",1,1,,1,1,,,,,,,,,,,,,
7,1,,22351-040008,, "SPRING PIN 4X 8",6,6,,6,6,,,,,,,,,,,,,
8,1,,26450-100352,, "BOLT M10X 35",6,6,,6,6,,,,,,,,,,,,,
9,1,,172122-71130,, "BOLT M10X 30",2,2,,2,2,,,,,,,,,,,,,
10,1,,172149-73110,, "PUMP ASSY, HYD. OIL",1,1,,1,1,,,,,,,,,,,,,
11,2,,172149-73120,, "REAR KIT",1,1,,1,1,,,,,,,,,,,,,
12,2,,172137-73130,, "PUMP ASSY, CENTER",1,1,,1,1,,,,,,,,,,,,,
13,2,,172149-73130,, "FRONT KIT",1,1,,1,1,,,,,,,,,,,,,
14,2,,172122-73140,, "COVER",1,1,,1,1,,,,,,,,,,,,,
15,2,,172149-73140,, "BOLT",4,4,,4,4,,,,,,,,,,,,,
16,2,,172122-73150,, "PLATE, CENTER",2,2,,2,2,,,,,,,,,,,,,
17,2,,172122-73170,, "COUPLING, SPLINE",2,2,,2,2,,,,,,,,,,,,,
18,2,,172137-73170,, "MOUNTING FLANGE",1,1,,1,1,,,,,,,,,,,,,
19,2,,172122-73200,, "SEAL SET",1,1,,1,1,,,,,,,,,,,,,
20,2,,22217-100000,, "SPRING WASHER 10",4,4,,4,4,,,,,,,,,,,,,

Fig. 39 ポンプ&ジクツギテ
HYD.OIL PUMP & JOINT



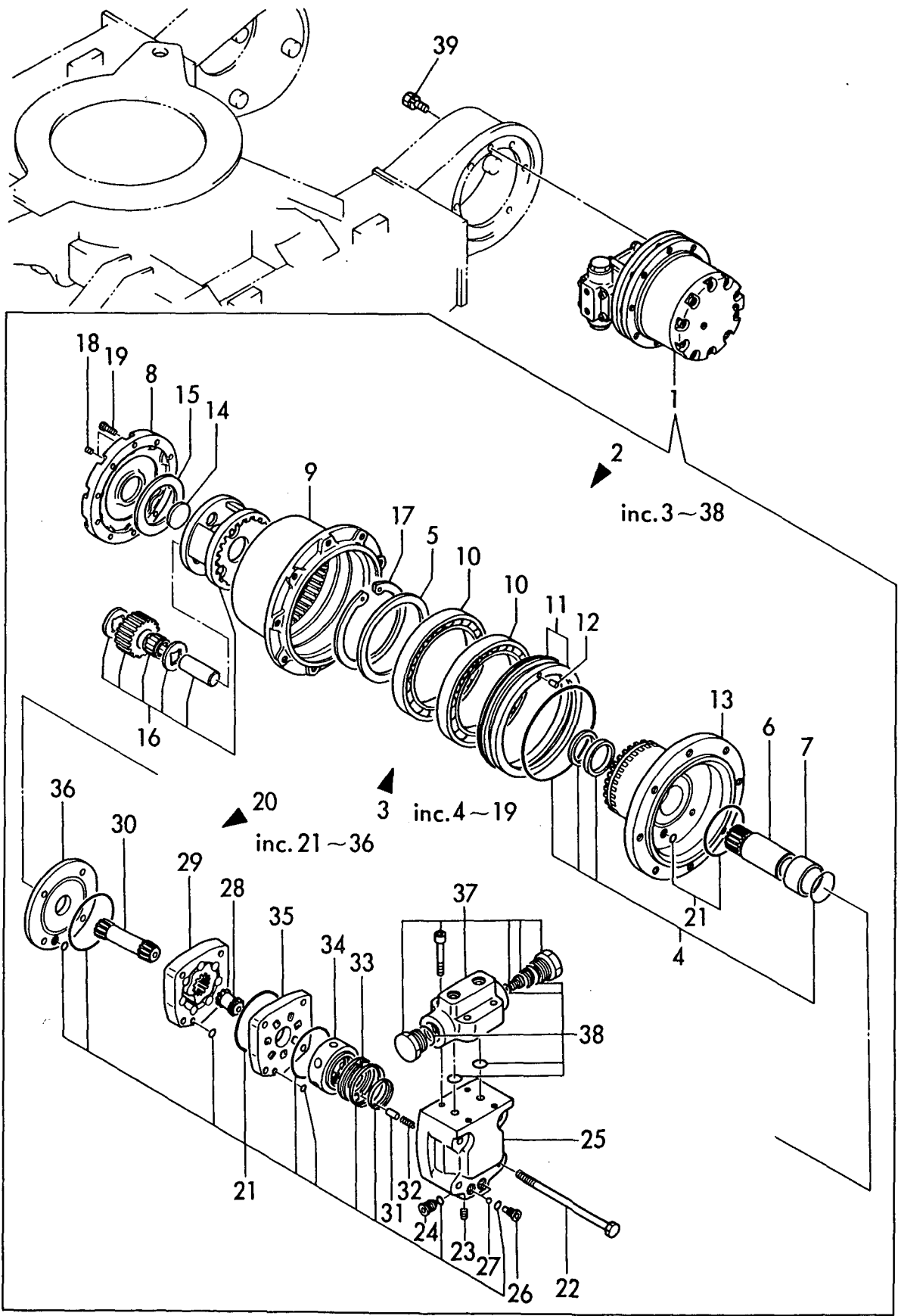
1,1,,172149-73310,, "MOTOR ASSY, TURNING",1,1,,1,1,,,,,,,,,,,,,
2,2,,172149-73320,, "MOTOR ASSY, TURNING",1,1,,1,1,,,,,,,,,,,,,
3,3,,172149-73440,, "PINION(SUB) ASSY",1,1,,1,1,,,,,,,,,,,,,
4,4,,172149-73330,, "HOUSING, BEARING",1,1,,1,1,,,,,,,,,,,,,
5,4,,172149-73340,, "SHAFT ASSY, PINION",1,1,,1,1,,,,,,,,,,,,,
6,4,,172149-73350,, "SPACER, BEARING",1,1,,1,1,,,,,,,,,,,,,
7,4,,172149-73460,, "SEAL KIT, PINION(SUB",1,1,,1,1,,,,,,,,,,,,,
8,4,,172141-77030,, "BEARING, ROLLER",1,1,,1,1,,,,,,,,,,,,,
9,4,,172141-77040,, "BEARING",1,1,,1,1,,,,,,,,,,,,,
10,4,,172141-77050,, "RING, RETAINING",1,1,,1,1,,,,,,,,,,,,,
11,4,,172141-77110,, "BOLT",4,4,,4,4,,,,,,,,,,,,,
12,4,,22217-120000,, "SPRING WASHER 12",4,4,,4,4,,,,,,,,,,,,,
13,4,,22252-000900,, "CIRCLIP 90",1,1,,1,1,,,,,,,,,,,,,
14,3,,172149-73450,, "MOTOR(SUB) ASSY",1,1,,1,1,,,,,,,,,,,,,
15,4,,172137-70520,, "PLUG",2,2,,2,2,,,,,,,,,,,,,
16,4,,172137-70530,, "BALL",2,2,,2,2,,,,,,,,,,,,,
17,4,,172137-70600,, "VALVE",1,1,,1,1,,,,,,,,,,,,,
18,4,,172148-73360,, "DRIVE",1,1,,1,1,,,,,,,,,,,,,
19,4,,172149-73360,, "ROLLER",1,1,,1,1,,,,,,,,,,,,,
20,4,,172149-73380,, "HOUSING, VALVE",1,1,,1,1,,,,,,,,,,,,,
21,4,,172149-73390,, "PLUG",1,1,,1,1,,,,,,,,,,,,,
22,4,,172149-73400,, "BOLT",4,4,,4,4,,,,,,,,,,,,,
23,4,,172149-73410,, "FLANGEMOUNTING",1,1,,1,1,,,,,,,,,,,,,
24,4,,172149-73470,, "SEAL KIT, MOTOR(SUB",1,1,,1,1,,,,,,,,,,,,,
25,4,,172141-77160,, "PLATE, VALVE",1,1,,1,1,,,,,,,,,,,,,
26,4,,172137-77190,, "PLATE",1,1,,1,1,,,,,,,,,,,,,
27,4,,172137-77200,, "SPRING",2,2,,2,2,,,,,,,,,,,,,
28,4,,172137-77220,, "TUBE, 3RD",1,1,,1,1,,,,,,,,,,,,,
29,4,,172148-77260,, "DRIVE, VALVE",1,1,,1,1,,,,,,,,,,,,,
30,2,,172149-73500,, "VALVE, BRAKE",1,1,,1,1,,,,,,,,,,,,,
31,3,,172149-73620,, "CONNECTOR",2,2,,2,2,,,,,,,,,,,,,
32,3,,172149-73630,, "BUSHING",2,2,,2,2,,,,,,,,,,,,,
33,3,,172149-73650,, "SEAL KIT, BRAKE",1,1,,1,1,,,,,,,,,,,,,
34,1,,26013-120402,, "BOLT M12X 40",4,4,,4,4,,,,,,,,,,,,,

Fig. 40 センカイモータ
TURNING MOTOR



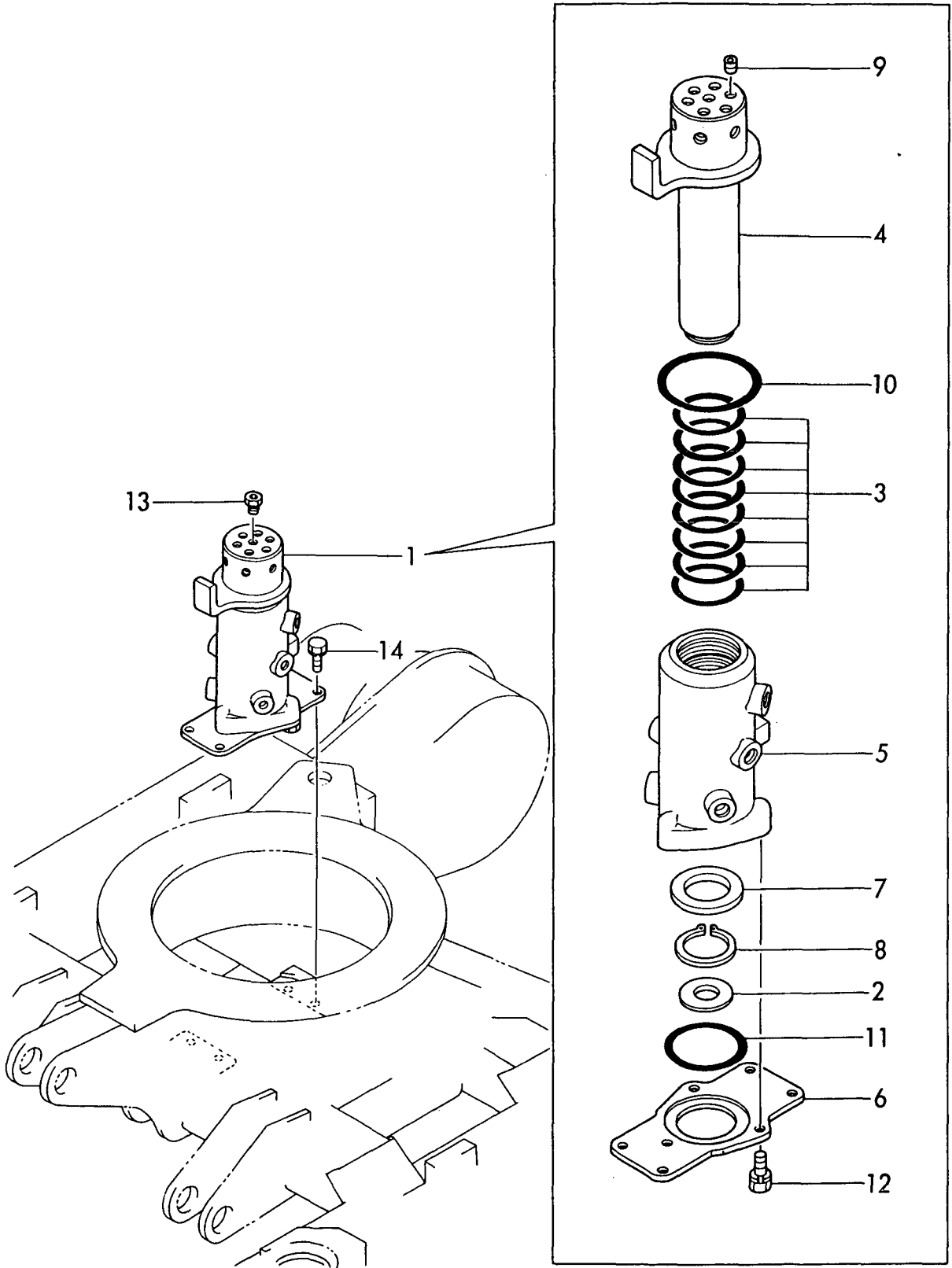
1,1,,172137-73351,, "MOTOR ASSY, DRIVE",2,2,,2,2,,,,,,,,,,,,,
2,2,,172137-73361,, "MOTOR ASSY",2,2,,2,2,,,,,,,,,,,,,
3,3,,172137-70631,, "REDUCTION GEAR ASSY",2,2,,2,2,,,,,,,,,,,,,
4,4,,172137-70461,, "SEAL KIT, REDUCTION",2,2,,2,2,,,,,,,,,,,,,
5,4,,172137-70471,, SPACER,2,2,,2,2,,,,,,,,,,,,,
6,4,,172137-70651,, "GEAR, SUN",2,2,,2,2,,,,,,,,,,,,,
7,4,,172137-70661,, BUSH,2,2,,2,2,,,,,,,,,,,,,
8,4,,172137-70681,, COVER,2,2,,2,2,,,,,,,,,,,,,
9,4,,172137-70741,, HOUSING,2,2,,2,2,,,,,,,,,,,,,
10,4,,172137-70770,, "BEARING, DRIVE MOTOR",4,4,,4,4,,,,,,,,,,,,,
11,4,,172137-70781,, "SEAL W/PLATE KIT",2,2,,2,2,,,,,,,,,,,,,
12,4,,172137-70791,, PIN,2,2,,2,2,,,,,,,,,,,,,
13,4,,172137-70811,, FLANGE,2,2,,2,2,,,,,,,,,,,,,
14,4,,172137-70820,, WASHER,2,2,,2,2,,,,,,,,,,,,,
15,4,,172137-70830,, WASHER,2,2,,2,2,,,,,,,,,,,,,
16,4,,172137-70840,, "CARRIER KIT",2,2,,2,2,,,,,,,,,,,,,
17,4,,22242-001100,, "CIRCLIP 110",2,2,,2,2,,,,,,,,,,,,,
18,4,,23871-030000,, "PLUG PT 3/8",4,4,,4,4,,,,,,,,,,,,,
19,4,,26450-060162,, "BOLT M 6X 16",18,18,,18,18,,,,,,,,,,,,,
20,3,,172137-70641,, "MOTOR SUB ASSY",2,2,,2,2,,,,,,,,,,,,,
21,4,,172137-70451,, "SEAL KIT, MOTOR",2,2,,2,2,,,,,,,,,,,,,
22,4,,172137-70480,, BOLT,8,8,,8,8,,,,,,,,,,,,,
23,4,,172137-70490,, PLUG,2,2,,2,2,,,,,,,,,,,,,
24,4,,172137-70500,, PLUG,2,2,,2,2,,,,,,,,,,,,,
25,4,,172137-70510,, "HOUSING, VALVE",2,2,,2,2,,,,,,,,,,,,,
26,4,,172137-70520,, PLUG,4,4,,4,4,,,,,,,,,,,,,
27,4,,172137-70530,, BALL,4,4,,4,4,,,,,,,,,,,,,
28,4,,172137-70540,, "DRIVE, VALVE",2,2,,2,2,,,,,,,,,,,,,
29,4,,172137-70551,, ROLLER,2,2,,2,2,,,,,,,,,,,,,
30,4,,172137-70561,, DRIVE,2,2,,2,2,,,,,,,,,,,,,
31,4,,172137-70570,, PIN,4,4,,4,4,,,,,,,,,,,,,
32,4,,172137-70580,, SPRING,4,4,,4,4,,,,,,,,,,,,,
33,4,,172137-70590,, PLATE,2,2,,2,2,,,,,,,,,,,,,
34,4,,172137-70600,, VALVE,2,2,,2,2,,,,,,,,,,,,,
35,4,,172137-70610,, "PLATE, VALVE",2,2,,2,2,,,,,,,,,,,,,
36,4,,172137-70620,, "PLATE, SPACER",2,2,,2,2,,,,,,,,,,,,,
37,2,,172137-73370,, "VALVE,COUNTER BALAN.",2,2,,2,2,,,,,,,,,,,,,
38,3,,172137-70850,, "SEAL SET",2,2,,2,2,,,,,,,,,,,,,
39,1,,26013-100252,, "BOLT M10X 25",16,16,,16,16,,,,,,,,,,,,,

Fig. 41 ソウコウモータ TRAVEL MOTOR



1,1,,172131-73800,, "SWIVEL JOINT ASSY",1,1,,1,1,,,,,,,,,,,,,
2,2,,194630-31910,, "LINER 22.5X40X2",1,1,,1,1,,,,,,,,,,,,,
3,2,,172142-73800,, "O-RING 55.76X5.7",8,8,,8,8,,,,,,,,,,,,,
4,2,,172131-73810,, "SHAFT, SWIVEL",1,1,,1,1,,,,,,,,,,,,,
5,2,,172137-73810,, "HUB, SWIVEL JOINT",1,1,,1,1,,,,,,,,,,,,,
6,2,,172131-73830,, "FLANGE, SWIVEL",1,1,,1,1,,,,,,,,,,,,,
7,2,,172137-73860,, "SPACER, SWIVEL",1,1,,1,1,,,,,,,,,,,,,
8,2,,22242-000451,, "CIRCLIP 45",1,1,,1,1,,,,,,,,,,,,,
9,2,,23871-020000,, "PLUG PT 1/4",6,6,,6,6,,,,,,,,,,,,,
10,2,,24311-000750,, "O-RING 1A P-75.0",1,1,,1,1,,,,,,,,,,,,,
11,2,,24321-000700,, "O-RING 1A G-70.0",1,1,,1,1,,,,,,,,,,,,,
12,2,,26013-100252,, "BOLT M10X 25",3,3,,3,3,,,,,,,,,,,,,
13,1,,172149-76100,, "BUSH",1,1,,1,1,,,,,,,,,,,,,
14,1,,26013-100252,, "BOLT M10X 25",4,4,,4,4,,,,,,,,,,,,,

Fig. 42 スイベルジョイント
SWIVEL JOINT



1,1,,172149-74100,, "VALVE ASSY, CONTROL",1,1,,1,1,,,1,,,,,,,,,,,,,
2,2,,172149-74150,, "SECTION ASSY, DRIVE",2,2,,2,2,,,,,,,,,,,,,
4,3,,24325-000550,, "O-RING 1B G-55.0",2,2,,2,2,,,,,,,,,,,,,
5,3,,172137-74440,, "SEAL, OIL",4,4,,4,4,,,,,,,,,,,,,
6,3,,172137-74450,, "PLATE,SEAL",4,4,,4,4,,,,,,,,,,,,,
7,3,,172137-74460,, "SEAT, SPRING",4,4,,4,4,,,,,,,,,,,,,
8,3,,172137-74420,, "SPRING (A), RETURN",2,2,,2,2,,,,,,,,,,,,,
9,3,,172137-74470,,SPACER,2,2,,2,2,,,,,,,,,,,,,
10,3,,172137-74480,, "BOLT, SPOOL",2,2,,2,2,,,,,,,,,,,,,
11,3,,172137-74490,,CAP,2,2,,2,2,,,,,,,,,,,,,
12,3,,172137-74500,, "BOLT, PLATE",4,4,,4,4,,,,,,,,,,,,,
13,3,,172137-74510,, "BOLT, CAP",4,4,,4,4,,,,,,,,,,,,,
14,2,,172149-74360,, "SECTION ASY, TURNING",1,1,,1,1,,,,,,,,,,,,,
16,3,,24325-000550,, "O-RING 1B G-55.0",1,1,,1,1,,,,,,,,,,,,,
17,3,,172137-74440,, "SEAL, OIL",2,2,,2,2,,,,,,,,,,,,,
18,3,,172137-74450,, "PLATE,SEAL",2,2,,2,2,,,,,,,,,,,,,
19,3,,172137-74460,, "SEAT, SPRING",2,2,,2,2,,,,,,,,,,,,,
20,3,,172137-74420,, "SPRING (A), RETURN",1,1,,1,1,,,,,,,,,,,,,
21,3,,172137-74470,,SPACER,1,1,,1,1,,,,,,,,,,,,,
22,3,,172137-74480,, "BOLT,
SPOOL",1,1,,1,1,,,72142372,,72142372,,,,72142372,,72142372,,,,I
23,3,,172137-
74490,,CAP,1,1,,1,1,,,72142372,,72142372,,,,72142372,,72142372,,,,I
24,3,,172137-74500,, "BOLT, PLATE",2,2,,2,2,,,,,,,,,,,,,
25,3,,172137-74510,, "BOLT, CAP",2,2,,2,2,,,,,,,,,,,,,
26,3,,172137-74520,, "VALVE, CHECK",1,1,,1,1,,,,,,,,,,,,,
27,3,,172137-74530,, "GUIDE, VALVE",1,1,,1,1,,,,,,,,,,,,,
28,3,,172137-74540,, "SPRING, VALVE",1,1,,1,1,,,,,,,,,,,,,

Fig. 43 コントロールバルブ(ソウコウ、センカイ) CONTROL VALVE (TRAVEL, TURNING)

コントロールバルブ ASSY
CONTROL VALVE ASSY
(172149-74100)
Fig. 43 Ref. No. 1

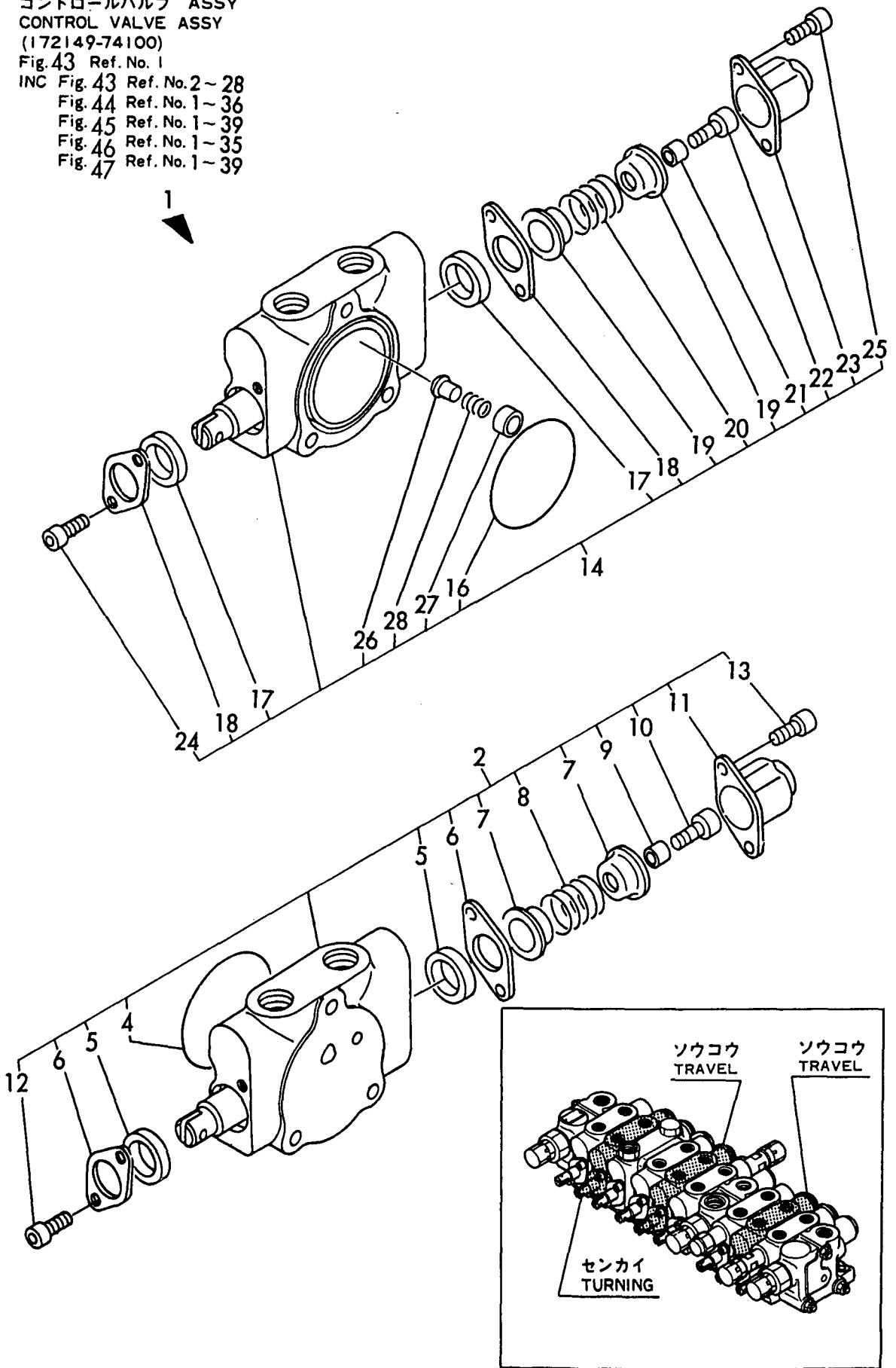
INC Fig. 43 Ref. No. 2 ~ 28

Fig. 44 Ref. No. 1 ~ 36

Fig. 45 Ref. No. 1 ~ 39

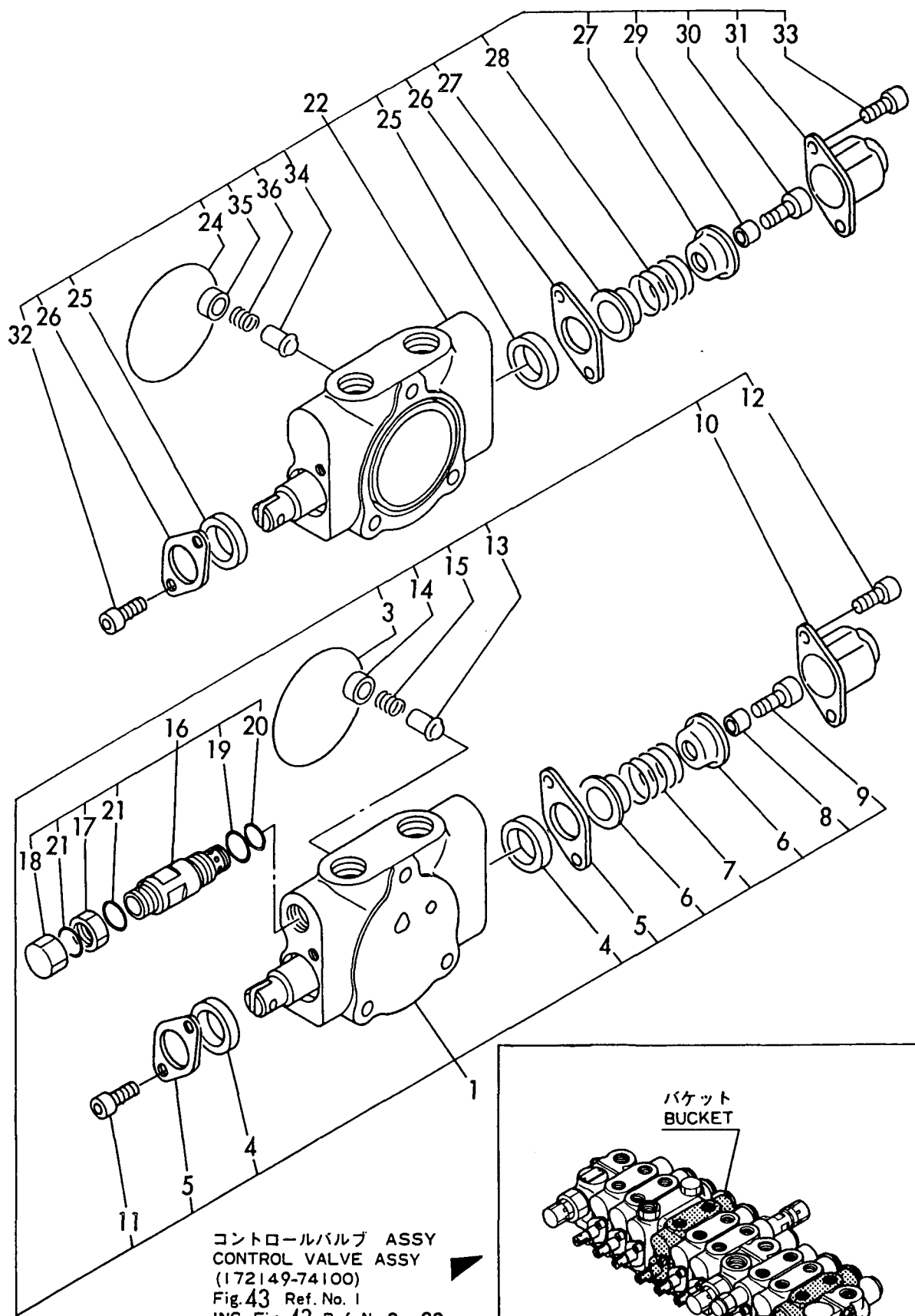
Fig. 46 Ref. No. 1 ~ 35

Fig. 47 Ref. No. 1 ~ 39

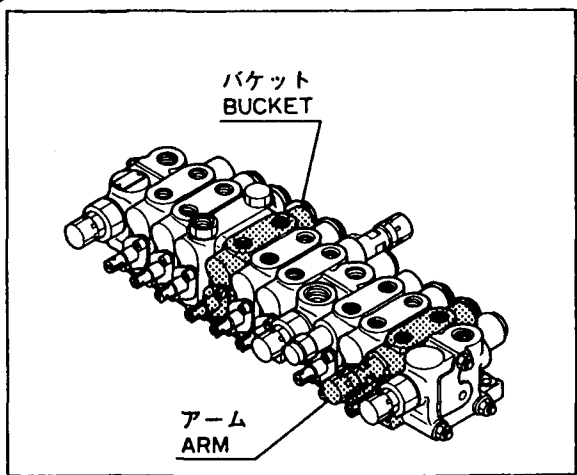


1,2,,172149-74130,, "SECTION ASSY, ARM",1,1,,1,1,,,,,,,,,,,,,
3,3,,24325-000500,, "O-RING 1B G-50.0",1,1,,1,1,,,,,,,,,,,,,
4,3,,172137-74440,, "SEAL, OIL",2,2,,2,2,,,,,,,,,,,,,
5,3,,172137-74450,, "PLATE,SEAL",2,2,,2,2,,,,,,,,,,,,,
6,3,,172137-74460,, "SEAT, SPRING",2,2,,2,2,,,,,,,,,,,,,
7,3,,172137-74420,, "SPRING (A), RETURN",1,1,,1,1,,,,,,,,,,,,,
8,3,,172137-74470,, "SPACER",1,1,,1,1,,,,,,,,,,,,,
9,3,,172137-74480,, "BOLT, SPOOL",1,1,,1,1,,,,,,,,,,,,,
10,3,,172137-74490,, "CAP",1,1,,1,1,,,,,,,,,,,,,
11,3,,172137-74500,, "BOLT, PLATE",2,2,,2,2,,,,,,,,,,,,,
12,3,,172137-74510,, "BOLT, CAP",2,2,,2,2,,,,,,,,,,,,,
13,3,,172137-74520,, "VALVE, CHECK",1,1,,1,1,,,,,,,,,,,,,
14,3,,172137-74530,, "GUIDE, VALVE",1,1,,1,1,,,,,,,,,,,,,
15,3,,172137-74540,, "SPRING, VALVE",1,1,,1,1,,,,,,,,,,,,,
16,2,,172137-74600,, "VALVE ASSY,OVER ROAD",2,2,,2,2,,,,,,,,,,,,,
17,3,,172131-74030,, "NUT M14X1",1,1,,1,1,,,,,,,,,,,,,
18,3,,172131-74050,, "CAP NUT M16X1",1,1,,1,1,,,,,,,,,,,,,
19,3,,24315-000150,, "O-RING 1B P-15.0",1,1,,1,1,,,,,,,,,,,,,
20,3,,172137-74640,, "O-RING 1B S
12.5",1,1,,1,1,,,,,72142372,,72142372,,,,,72142372,,72142372,,,,,I
21,3,,24341-000160,, "O-RING 1A S-16.0",2,2,,2,2,,,,,,,,,,,,,
22,2,,172149-74270,, "SECTION ASSY,
BUCKET",1,1,,1,1,,,,,72142372,,72142372,,,,,72142372,,72142372,,,,,I
24,3,,24325-000500,, "O-RING 1B G-50.0",1,1,,1,1,,,,,,,,,,,,,
25,3,,172137-74440,, "SEAL, OIL",2,2,,2,2,,,,,,,,,,,,,
26,3,,172137-74450,, "PLATE,SEAL",2,2,,2,2,,,,,,,,,,,,,
27,3,,172137-74460,, "SEAT, SPRING",2,2,,2,2,,,,,,,,,,,,,
28,3,,172137-74420,, "SPRING (A), RETURN",1,1,,1,1,,,,,,,,,,,,,
29,3,,172137-74470,, "SPACER",1,1,,1,1,,,,,,,,,,,,,
30,3,,172137-74480,, "BOLT, SPOOL",1,1,,1,1,,,,,,,,,,,,,
31,3,,172137-74490,, "CAP",1,1,,1,1,,,,,,,,,,,,,
32,3,,172137-74500,, "BOLT, PLATE",2,2,,2,2,,,,,,,,,,,,,
33,3,,172137-74510,, "BOLT, CAP",2,2,,2,2,,,,,,,,,,,,,
34,3,,172137-74520,, "VALVE, CHECK",1,1,,1,1,,,,,,,,,,,,,
35,3,,172137-74530,, "GUIDE, VALVE",1,1,,1,1,,,,,,,,,,,,,
36,3,,172137-74540,, "SPRING, VALVE",1,1,,1,1,,,,,,,,,,,,,

Fig. 44 コントロールバルブ(アーム、バケット)
CONTROL VALVE (ARM, BUCKET)



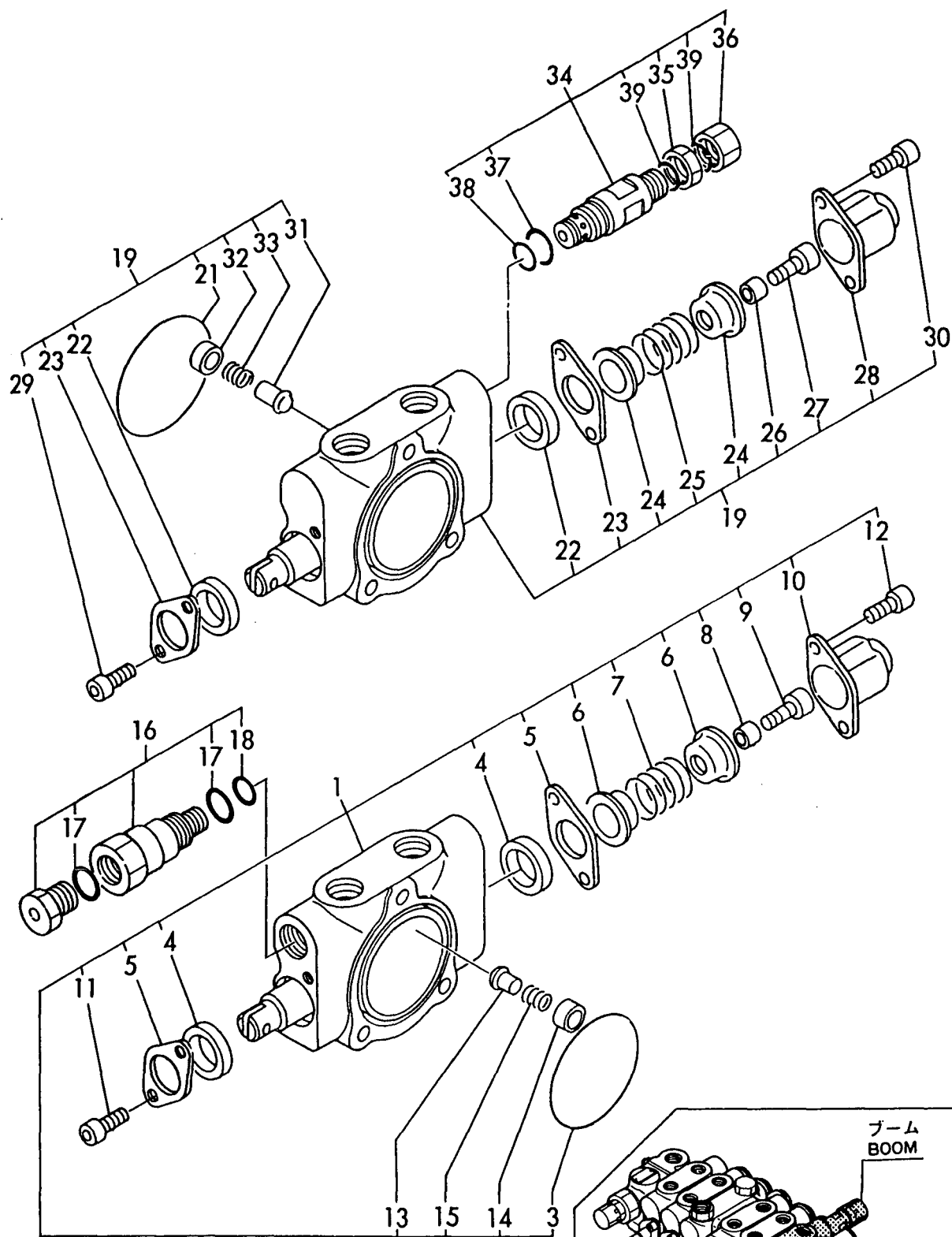
コントロールバルブ ASSY
CONTROL VALVE ASSY
(172149-74100)
Fig. 43 Ref. No. 1
INC Fig. 43 Ref. No. 2 ~ 28
Fig. 44 Ref. No. 1 ~ 36
Fig. 45 Ref. No. 1 ~ 39
Fig. 46 Ref. No. 1 ~ 35
Fig. 47 Ref. No. 1 ~ 39



1,2,,172149-74200,, "SECTION ASSY, SEING",1,1,,1,1,,,,,,,,,,,,,
3,3,,24325-000550,, "O-RING 1B G-55.0",1,1,,1,1,,,,,,,,,,,,,
4,3,,172137-74440,, "SEAL, OIL",2,2,,2,2,,,,,,,,,,,,,
5,3,,172137-74450,, "PLATE,SEAL",2,2,,2,2,,,,,,,,,,,,,
6,3,,172137-74460,, "SEAT, SPRING",2,2,,2,2,,,,,,,,,,,,,
7,3,,172137-74420,, "SPRING (A), RETURN",1,1,,1,1,,,,,,,,,,,,,
8,3,,172137-74470,, "SPACER",1,1,,1,1,,,,,,,,,,,,,
9,3,,172137-74480,, "BOLT, SPOOL",1,1,,1,1,,,,,,,,,,,,,
10,3,,172137-74490,, "CAP",1,1,,1,1,,,,,,,,,,,,,
11,3,,172137-74500,, "BOLT, PLATE",2,2,,2,2,,,,,,,,,,,,,
12,3,,172137-74510,, "BOLT, CAP",2,2,,2,2,,,,,,,,,,,,,
13,3,,172137-74520,, "VALVE, CHECK",1,1,,1,1,,,,,,,,,,,,,
14,3,,172137-74530,, "GUIDE, VALVE",1,1,,1,1,,,,,,,,,,,,,
15,3,,172137-74540,, "SPRING, VALVE",1,1,,1,1,,,,,,,,,,,,,
16,2,,172137-74630,, "VALVE ASSY,
SUCTION",1,1,,1,1,,,,,72142372,,72142372,,,,,72142372,,72142372,,,,,I
17,3,,24315-000150,, "O-RING 1B P-15.0",2,2,,2,2,,,,,,,,,,,,,
18,3,,172137-74640,, "O-RING 1B S 12.5",1,1,,1,1,,,,,,,,,,,,,
19,2,,172149-74250,, "SECTION ASSY, BOOM",1,1,,1,1,,,,,,,,,,,,,
21,3,,24325-000500,, "O-RING 1B G-50.0",1,1,,1,1,,,,,,,,,,,,,
22,3,,172137-74440,, "SEAL, OIL",2,2,,2,2,,,,,,,,,,,,,
23,3,,172137-74450,, "PLATE,SEAL",2,2,,2,2,,,,,,,,,,,,,
24,3,,172137-74460,, "SEAT, SPRING",2,2,,2,2,,,,,,,,,,,,,
25,3,,172137-74420,, "SPRING (A), RETURN",1,1,,1,1,,,,,,,,,,,,,
26,3,,172137-74470,, "SPACER",1,1,,1,1,,,,,,,,,,,,,
27,3,,172137-74480,, "BOLT, SPOOL",1,1,,1,1,,,,,,,,,,,,,
28,3,,172137-74490,, "CAP",1,1,,1,1,,,,,,,,,,,,,
29,3,,172137-74500,, "BOLT, PLATE",2,2,,2,2,,,,,,,,,,,,,
30,3,,172137-74510,, "BOLT, CAP",2,2,,2,2,,,,,,,,,,,,,
31,3,,172137-74520,, "VALVE, CHECK",1,1,,1,1,,,,,,,,,,,,,
32,3,,172137-74530,, "GUIDE, VALVE",1,1,,1,1,,,,,,,,,,,,,
33,3,,172137-74540,, "SPRING, VALVE",1,1,,1,1,,,,,,,,,,,,,
34,2,,172137-74600,, "VALVE ASSY,OVER ROAD",1,1,,1,1,,,,,,,,,,,,,
35,3,,172131-74030,, "NUT M14X1",1,1,,1,1,,,,,,,,,,,,,
36,3,,172131-74050,, "CAP NUT M16X1",1,1,,1,1,,,,,,,,,,,,,
37,3,,24315-000150,, "O-RING 1B P-15.0",1,1,,1,1,,,,,,,,,,,,,
38,3,,172137-74640,, "O-RING 1B S 12.5",1,1,,1,1,,,,,,,,,,,,,
39,3,,24341-000160,, "O-RING 1A S-16.0",2,2,,2,2,,,,,,,,,,,,,

Fig. 45

コントロールバルブ(スイング、ブーム)
CONTROL VALVE (SWING、BOOM)



コントロールバルブ ASSY
CONTROL VALVE ASSY
(172149-74100)

Fig. 43 Ref. No. 1

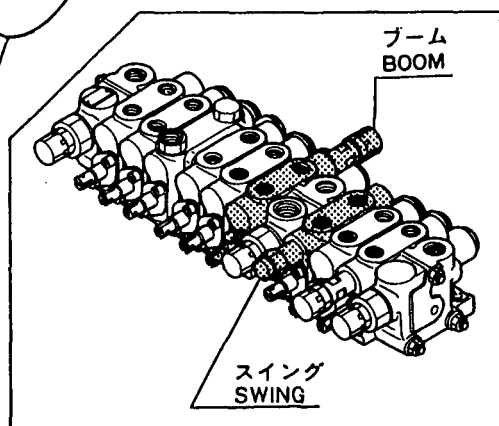
INC Fig. 43 Ref. No. 2~28

Fig. 44 Ref. No. 1~36

Fig. 45 Ref. No. 1~39

Fig. 46 Ref. No. 1~35

Fig. 47 Ref. No. 1~39

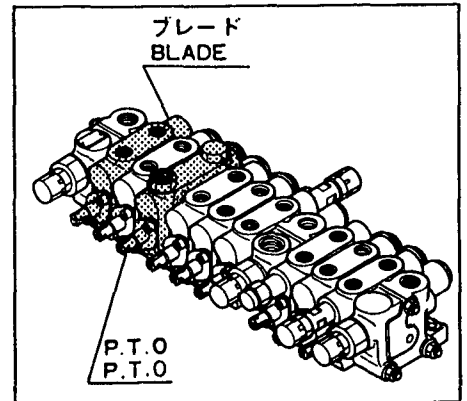
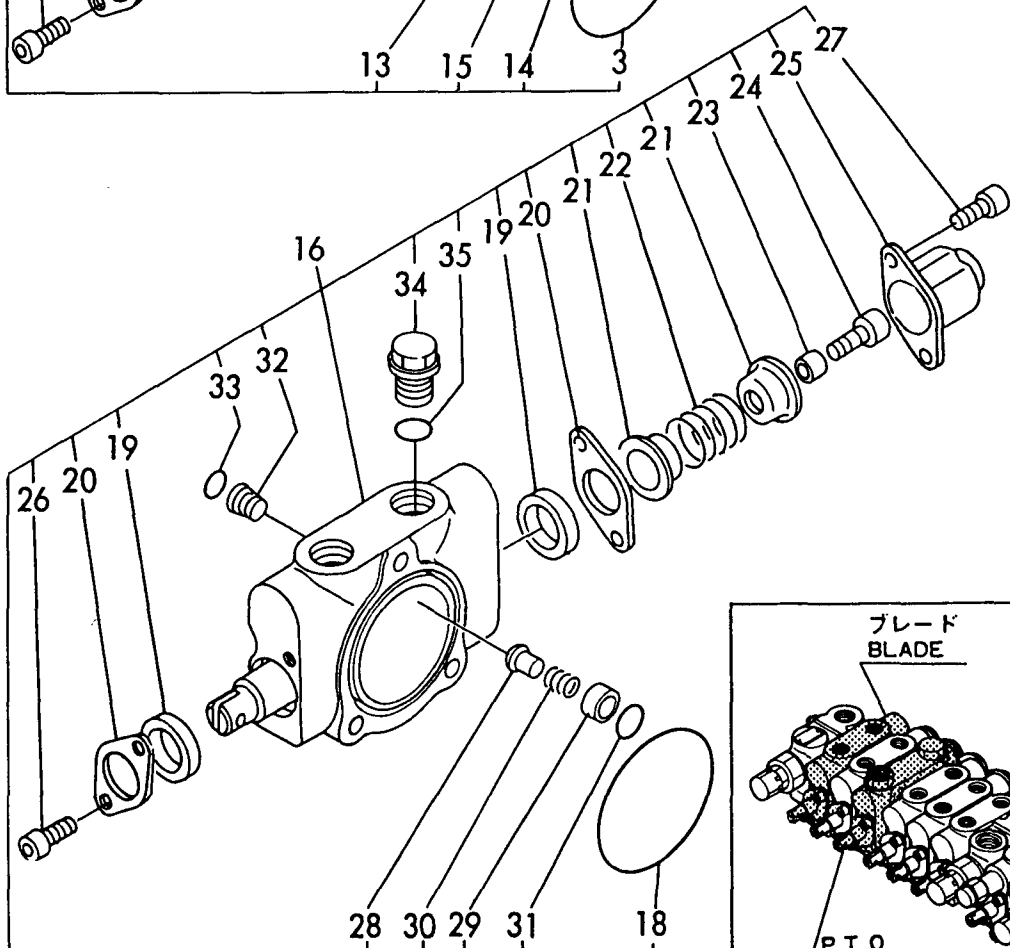
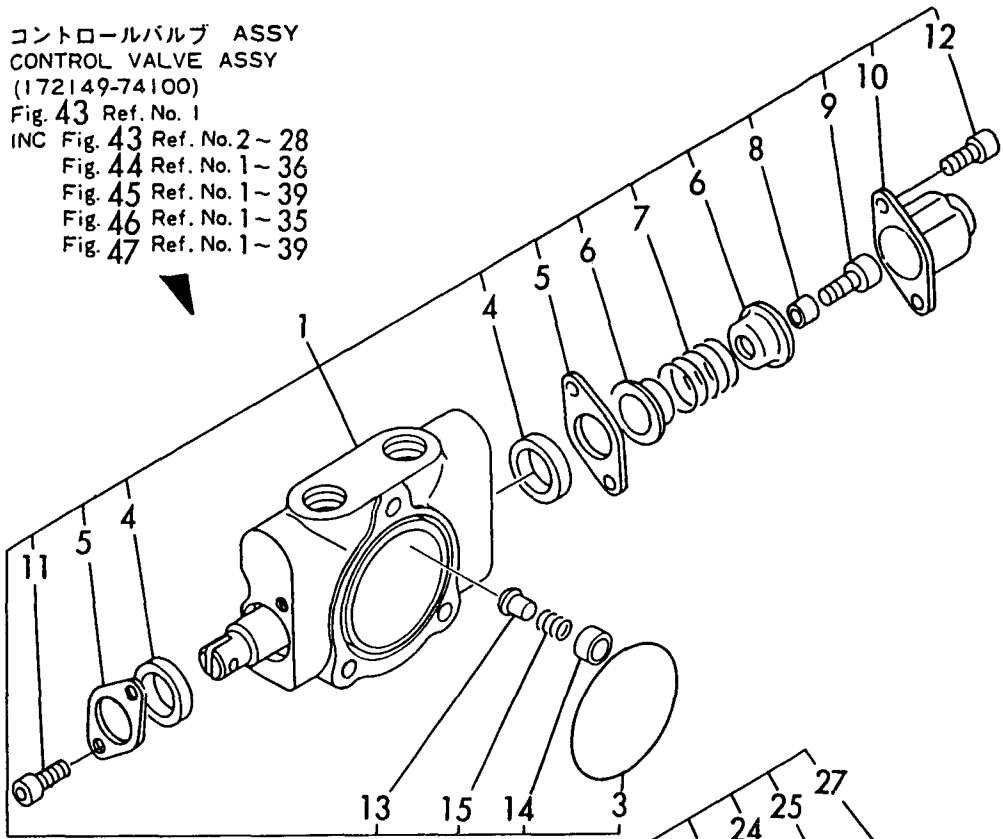


1,2,,172149-74380,, "SECTION ASSY,
BLADE",1,1,,1,1,,,,,72142372,,72142372,,,,,72142372,,72142372,,,,,I
3,3,,24325-000550,, "O-RING 1B G-55.0",1,1,,1,1,,,,,,,,,
4,3,,172137-74440,, "SEAL, OIL",2,2,,2,2,,,,,,,,,
5,3,,172137-74450,, "PLATE,SEAL",2,2,,2,2,,,,,,,,,
6,3,,172137-74460,, "SEAT, SPRING",2,2,,2,2,,,,,,,,,
7,3,,172137-74420,, "SPRING (A), RETURN",1,1,,1,1,,,,,,,,,
8,3,,172137-74470,, "SPACER",1,1,,1,1,,,,,,,,,
9,3,,172137-74480,, "BOLT, SPOOL",1,1,,1,1,,,,,,,,,
10,3,,172137-74490,, "CAP",1,1,,1,1,,,,,,,,,
11,3,,172137-74500,, "BOLT, PLATE",2,2,,2,2,,,,,,,,,
12,3,,172137-74510,, "BOLT, CAP",2,2,,2,2,,,,,,,,,
13,3,,172137-74520,, "VALVE, CHECK",1,1,,1,1,,,,,,,,,
14,3,,172137-74530,, "GUIDE, VALVE",1,1,,1,1,,,,,,,,,
15,3,,172137-74540,, "SPRING, VALVE",1,1,,1,1,,,,,,,,,
16,2,,172149-74320,, "SECTION ASSY, P.T.O",1,1,,1,1,,,,,,,,,
18,3,,24325-000550,, "O-RING 1B G-55.0",1,1,,1,1,,,,,,,,,
19,3,,172137-74440,, "SEAL, OIL",2,2,,2,2,,,,,,,,,
20,3,,172137-
74450,, "PLATE,SEAL",2,2,,2,2,,,,,72142372,,72142372,,,,,72142372,,72142372,,,,,I
21,3,,172137-74460,, "SEAT, SPRING",2,2,,2,2,,,,,,,,,
22,3,,172137-74420,, "SPRING (A), RETURN",1,1,,1,1,,,,,,,,,
23,3,,172137-74470,, "SPACER",1,1,,1,1,,,,,,,,,
24,3,,172137-74480,, "BOLT, SPOOL",1,1,,1,1,,,,,,,,,
25,3,,172137-74490,, "CAP",1,1,,1,1,,,,,,,,,
26,3,,172137-74500,, "BOLT, PLATE",2,2,,2,2,,,,,,,,,
27,3,,172137-74510,, "BOLT, CAP",2,2,,2,2,,,,,,,,,
28,3,,172137-74520,, "VALVE, CHECK",1,1,,1,1,,,,,,,,,
29,3,,172131-74060,, "GUIDE,CHECK VALVE",1,1,,1,1,,,,,,,,,
30,3,,172137-74540,, "SPRING, VALVE",1,1,,1,1,,,,,,,,,
31,3,,172131-74080,, "O-RING 1B S9",1,1,,1,1,,,,,,,,,
32,3,,172149-74340,, "PLUG",1,1,,1,1,,,,,,,,,
33,3,,24315-000070,, "O-RING 1B P-7.0",1,1,,1,1,,,,,,,,,
34,3,,172137-74270,, "PLUG",2,2,,2,2,,,,,,,,,
35,3,,24315-000140,, "O-RING 1B P-14.0",2,2,,2,2,,,,,,,,,

Fig. 46 コントロールバルブ(ブレード、P.T.O) CONTROL VALVE (BLADE、P.T.O)

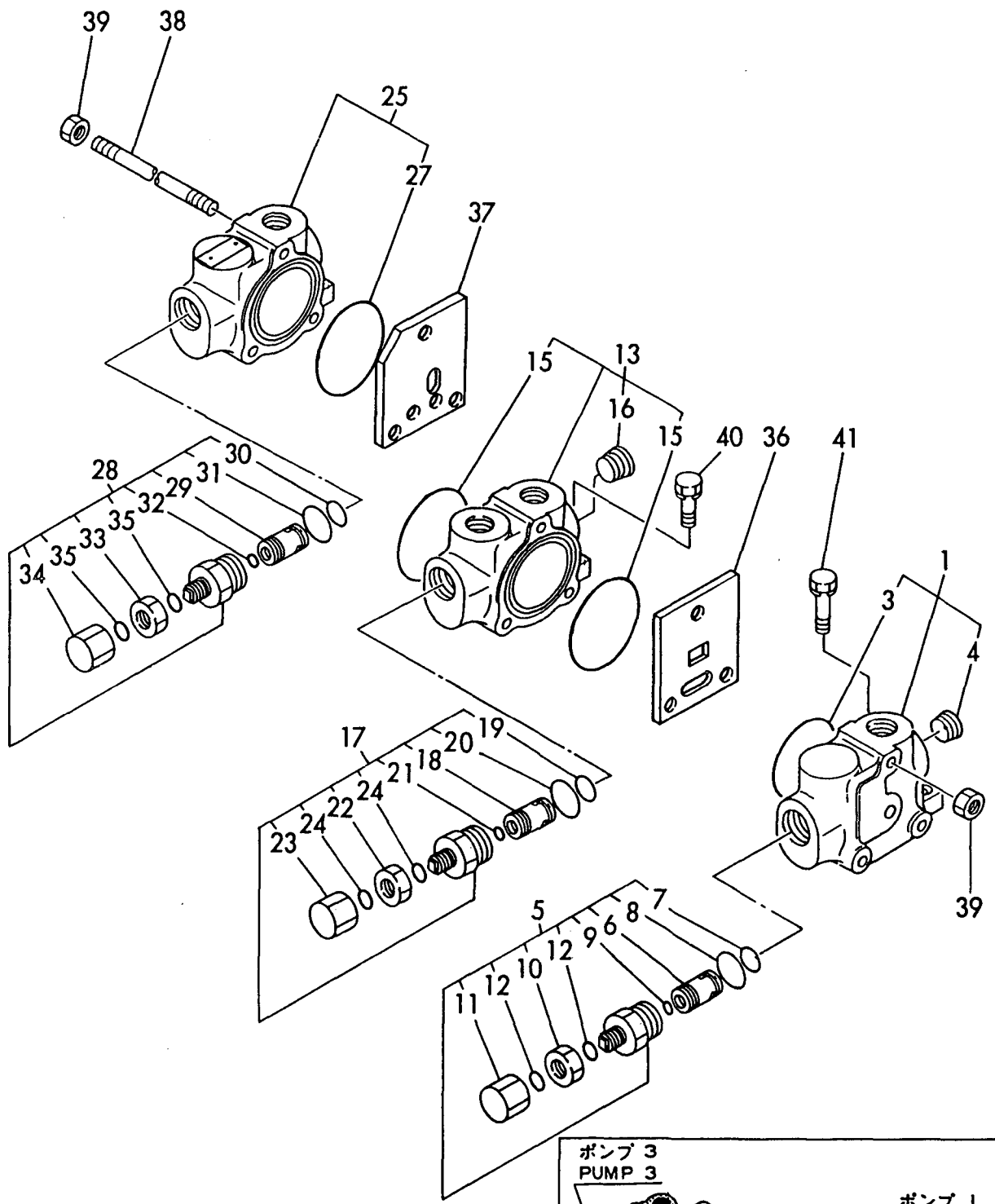
コントロールバルブ ASSY
CONTROL VALVE ASSY
(172149-74100)

- Fig. 43 Ref. No. 1
INC Fig. 43 Ref. No. 2~28
Fig. 44 Ref. No. 1~36
Fig. 45 Ref. No. 1~39
Fig. 46 Ref. No. 1~35
Fig. 47 Ref. No. 1~39



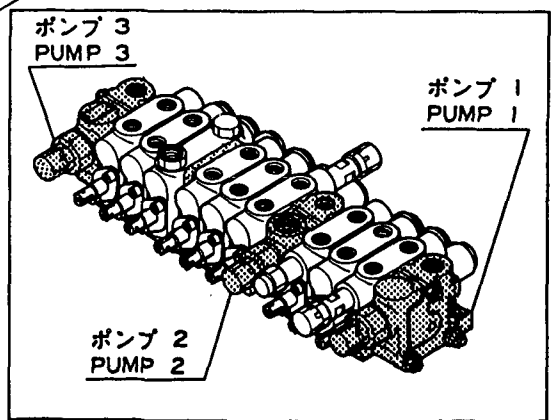
1,2,,172149-74110,, "SECTION ASSY, P1",1,1,,1,1,,,,,,,,,,,,,
3,3,,24325-000500,, "O-RING 1B G-50.0",1,1,,1,1,,,,,,,,,,,,,
4,3,,23871-020000,, "PLUG PT 1/4",1,1,,1,1,,,,,,,,,,,,,
5,2,,172149-74440,, "VALVE, RELIEF",1,1,,1,1,,,,,,,,,,,,,
6,3,,172131-74340,, "VALVE,RELIEF",1,1,,1,1,,,,,,,,,,,,,
7,3,,172137-74580,, "O-RING 15",1,1,,1,1,,,,,,,,,,,,,
8,3,,24315-000220,, "O-RING 1B P-22.0",1,1,,1,1,,,,,,,,,,,,,
9,3,,24315-000100,, "O-RING 1B P-10.0",1,1,,1,1,,,,,,,,,,,,,
10,3,,172137-74040,, "NUT M14",1,1,,1,1,,,,,,,,,,,,,
11,3,,172131-74050,, "CAP NUT M16X1",1,1,,1,1,,,,,,,,,,,,,
12,3,,24341-000160,, "O-RING 1A S-16.0",2,2,,2,2,,,,,,,,,,,,,
13,2,,172149-74220,, "SECTION ASSY, P2",1,1,,1,1,,,,,,,,,,,,,
15,3,,24325-000550,, "O-RING 1B G-55.0",2,2,,2,2,,,,,,,,,,,,,
16,3,,23871-020000,, "PLUG PT 1/4",1,1,,1,1,,,,,,,,,,,,,
17,2,,172149-74440,, "VALVE, RELIEF",1,1,,1,1,,,,,,,,,,,,,
18,3,,172131-74340,, "VALVE,RELIEF",1,1,,1,1,,,,,,,,,,,,,
19,3,,172137-74580,, "O-RING 15",1,1,,1,1,,,,,,,,,,,,,
20,3,,24315-000220,, "O-RING 1B P-22.0",1,1,,1,1,,,,,,,,,,,,,
21,3,,24315-000100,, "O-RING 1B P-10.0",1,1,,1,1,,,,,,,,,,,,,
22,3,,172137-74040,, "NUT M14",1,1,,1,1,,,,,,,,,,,,,
23,3,,172131-74050,, "CAP NUT M16X1",1,1,,1,1,,,,,,,,,,,,,
24,3,,24341-000160,, "O-RING 1A S-16.0",2,2,,2,2,,,,,,,,,,,,,
25,2,,172149-74410,, "SECTION ASSY, P3",1,1,,1,1,,,,,,,,,,,,,
27,3,,24325-000550,, "O-RING 1B G-55.0",1,1,,1,1,,,,,,,,,,,,,
28,2,,172149-74480,, "VALVE, RELIEF",1,1,,1,1,,,,,,,,,,,,,
29,3,,172131-74340,, "VALVE,RELIEF",1,1,,1,1,,,,,,,,,,,,,
30,3,,172137-74580,, "O-RING 15",1,1,,1,1,,,,,,,,,,,,,
31,3,,24315-000220,, "O-RING 1B P-22.0",1,1,,1,1,,,,,,,,,,,,,
32,3,,24315-000100,, "O-RING 1B P-
10.0",1,1,,1,1,,,,,72142372,,72142372,,,,,72142372,,72142372,,,,,I
33,3,,172137-74040,, "NUT M14",1,1,,1,1,,,,,,,,,,,,,
34,3,,172131-74050,, "CAP NUT M16X1",1,1,,1,1,,,,,,,,,,,,,
35,3,,172131-74020,, O-RING,2,2,,2,2,,,,,,,,,,,,,
36,2,,172149-74170,, PLATE,1,1,,1,1,,,,,,,,,,,,,
37,2,,172149-74300,, PLATE,1,1,,1,1,,,,,,,,,,,,,
38,2,,172149-74460,, TIE-ROD,3,3,,3,3,,,,,,,,,,,,,
39,2,,26716-080002,, "NUT M 8",6,6,,6,6,,,,,,,,,,,,,
40,1,,26013-080202,, "BOLT M 8X 20",1,1,,1,1,,,,,,,,,,,,,
41,1,,26013-080252,, "BOLT M 8X 25",2,2,,2,2,,,,,,,,,,,,,

Fig. 47 コントロールバルブ(P1、P2、P3)
CONTROL VALVE (P1、P2、P3)



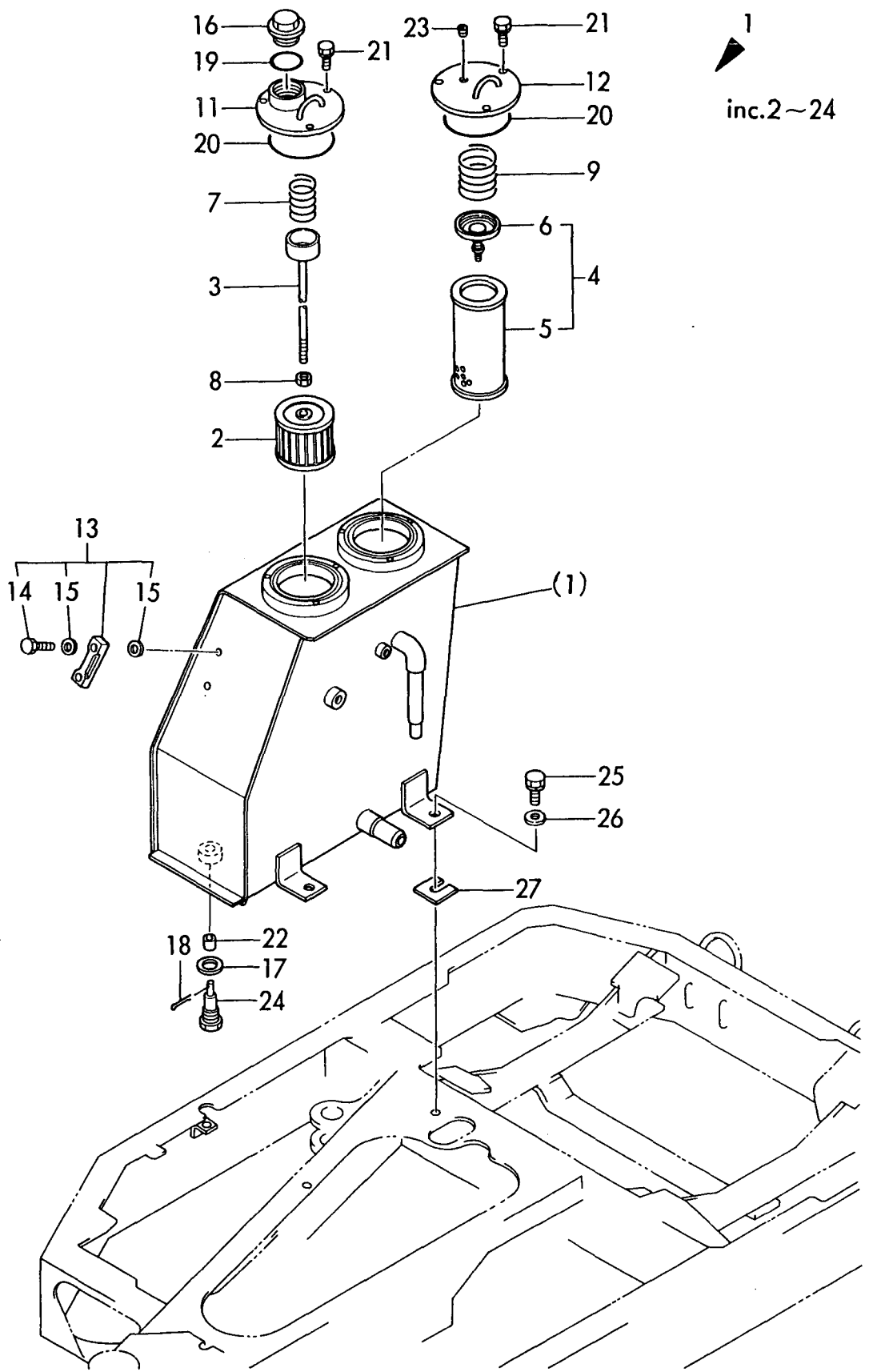
コントロールバルブ ASSY
CONTROL VALVE ASSY
(172149-74100)

- Fig. 43 Ref. No. 1
- INC Fig. 43 Ref. No. 2~28
- Fig. 44 Ref. No. 1~36
- Fig. 45 Ref. No. 1~39
- Fig. 46 Ref. No. 1~35
- Fig. 47 Ref. No. 1~39



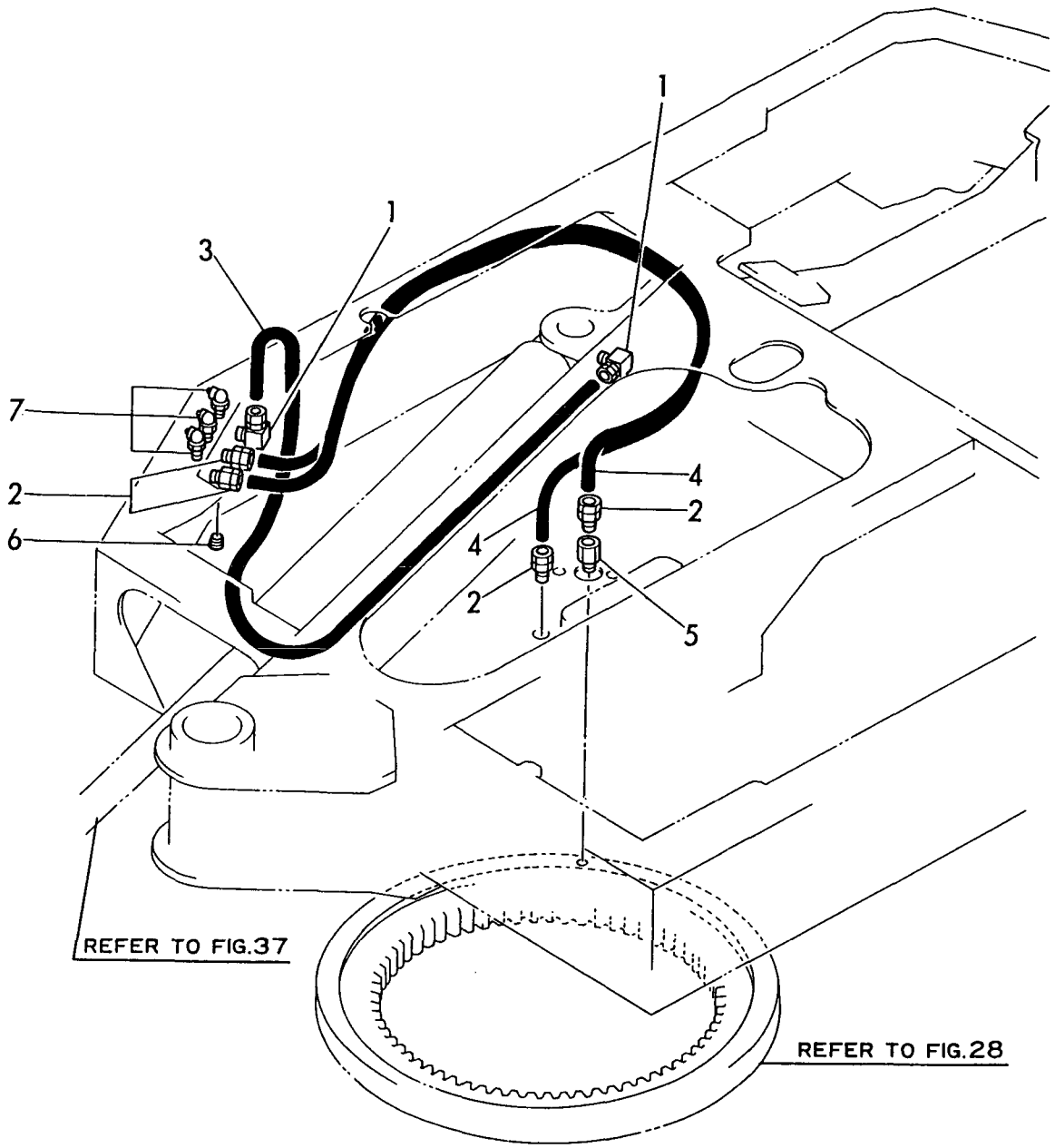
1,1,,772149-75100,, "RESERVOIR ASSY",1,1,,1,1,,,,,,,,,,,,,
2,2,,172137-73700,, "FILTER, SUCTION",1,1,,1,1,,,,,,,,,,,,,
3,2,,172141-73710,, "ROD, STRAINER",1,1,,1,1,,,,,,,,,,,,,
4,2,,172141-73750,, "FILTER ASSY, RETURN",1,1,,1,1,,,,,,,,,,,,,
5,3,,172141-73760,, ELEMENT,1,1,,1,1,,,,,,,,,,,,,
6,3,,172141-73770,, "VALVE ASSY, BYPASS",1,1,,1,1,,,,,,,,,,,,,
7,2,,172112-75780,, "SPRING, STRAINER",1,1,,1,1,,,,,,,,,,,,,
8,2,,26716-100002,, "NUT M10",1,1,,1,1,,,,,,,,,,,,,
9,2,,933152-02710,, "SPRING, SIDE CLUTCH",1,1,,1,1,,,,,,,,,,,,,
11,2,,172141-75400,, "COVER, EXIT",1,1,,1,1,,,,,,,,,,,,,
12,2,,172141-75430,, "COVER, INTAKE",1,1,,1,1,,,,,,,,,,,,,
13,2,,172122-75600,, "GAUGE, OIL LEVEL",1,1,,1,1,,,,,,,,,,,,,
14,3,,172122-75620,, BOLT,2,2,,2,2,,,,,,,,,,,,,
15,3,,172122-75630,, GASKET,4,4,,4,4,,,,,,,,,,,,,
16,2,,172116-75850,, "PLUG, OIL FEED",1,1,,1,1,,,,,,,,,,,,,
17,2,,22134-240000,, "WASHER
24",1,1,,1,1,,,,,72183020,,72183020,,,,,72183020,,72183020,,,,,I
18,2,,22417-200160,, "COTTER PIN
2.0X16",1,1,,1,1,,,,,72422067,,72422067,,,,,72422067,,72422067,,,,,I
19,2,,24311-000380,, "O-RING 1A P-38.0",1,1,,1,1,,,,,,,,,,,,,
20,2,,24321-001050,, "O-RING 1A G-105.0",2,2,,2,2,,,,,,,,,,,,,
21,2,,26013-080202,, "BOLT M 8X 20",6,6,,6,6,,,,,,,,,,,,,
22,2,,933171-
23042,,MAGNET,1,1,,1,1,,,,,72422067,,72422067,,,,,72422067,,72422067,,,,,I
23,2,,933171-23050,, "PLUG 1/4",1,1,,1,1,,,,,,,,,,,,,
24,2,,933171-23062,, "PLUG 24, DRAIN",1,1,,1,1,,,,,,,,,,,,,
25,1,,26013-120302,, "BOLT M12X 30",3,3,,3,3,,,,,,,,,,,,,
26,1,,933152-03700,, "WASHER, SIDE CLUTCH",3,3,,3,3,,,,,,,,,,,,,
27,1,,933169-22940,, "SPACER, RESERVOIR",1,1,,1,1,,,,,,,,,,,,,

Fig. 48 サドウユタンク
HYD.OIL TANK



1,1,,172112-77660,, "L-JOINT 1/8",2,2,,2,2,,,,,,,,,,,,,
2,1,,172141-77800,, "JOINT, GREASE",4,4,,4,4,,,,,,,,,,,,,
3,1,,172137-78520,, "PIPE P202FF095",1,1,,1,1,,,,,,,,,,,,,
4,1,,172149-77811,, HOSE,2,2,,2,2,,,,,,,,,,,,,
5,1,,172312-77820,, "FITTING, GREASE",1,1,,1,1,,,,,,,,,,,,,
6,1,,23871-010000,, "PLUG PT 1/8",1,1,,1,1,,,,,,,,,,,,,
7,1,,24761-020000,, "NIPPLE PT1/8,GREASE",3,3,,3,3,,,,,,,,,,,,,

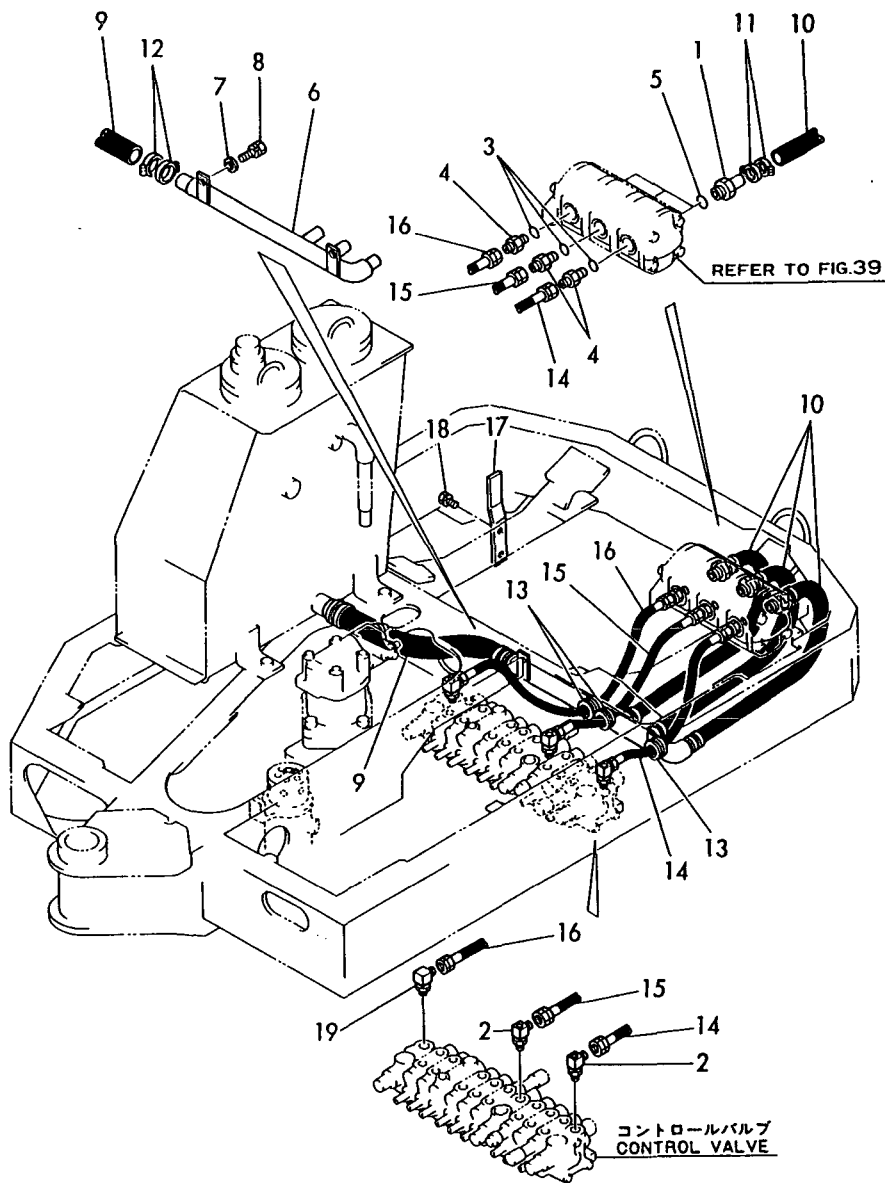
Fig. 49 エンカクキュウシ
GREASING



1,1,,172149-76151,,JOINT,3,3,,3,3,,,,,,,,,,,,,
2,1,,172149-76300,,ELBOW,2,2,,2,2,,,,,,,,,,,,,
3,1,,933152-07400,,,"O-RING (A)",3,3,,3,3,,,,,,,,,,,,,
4,1,,933160-03530,,,"PORT, PUMP EXH.",3,3,,3,3,,,,,,,,,,,,,
5,1,,933160-03570,,,"O-RING (B)",3,3,,3,3,,,,,,,,,,,,,
6,1,,172149-76400,,,"TUBE, SUCTION",1,1,,1,1,,,,,,,,,,,,,
7,1,,22137-100000,,,"WASHER 10",2,2,,2,2,,,,,,,,,,,,,
8,1,,26013-100202,,,"BOLT M10X 20",2,2,,2,2,,,,,,,,,,,,,
9,1,,172149-78100,,HOSE,1,1,,1,1,,,,,,,,,,,,,
10,1,,172149-78110,,HOSE,3,3,,3,3,,,,,,,,,,,,,
11,1,,23000-035000,,,"CLAMP 35",12,12,,12,12,,,,,,,,,,,,,
12,1,,23000-048000,,,"CLAMP 48",4,4,,4,4,,,,,,,,,,,,,
13,1,,933171-15680,,,"GROMMET 40X13",3,3,,3,3,,,,,,,,,,,,,
14,1,,172149-78150,,HOSE,1,1,,1,1,,,,,,,,,,,,,
15,1,,172149-78160,,HOSE,1,1,,1,1,,,,,,,,,,,,,
16,1,,172149-78170,,HOSE,1,1,,1,1,,,,,,,,,,,,,
17,1,,172149-17640,,CLAMP,1,1,,1,1,,,,,,,,,,,,,
18,1,,26013-100202,,,"BOLT M10X 20",2,2,,2,2,,,,,,,,,,,,,
19,1,,172510-76310,,,"ELBOW 3/8",1,1,,1,1,,,,,,,,,,,,,

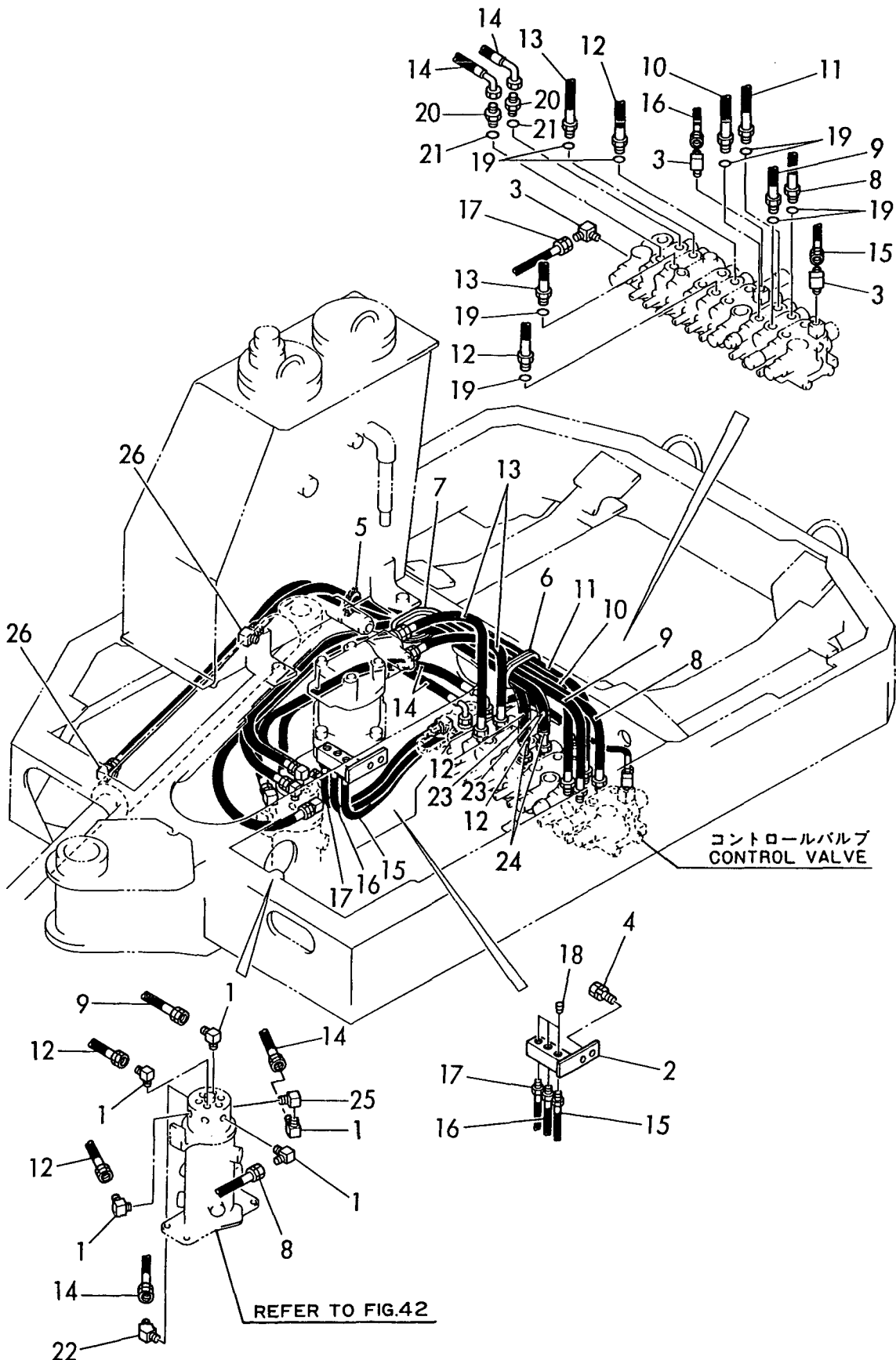
Fig. 50

ユアツハイカン(タンク-バルブ)
HYD. OIL PIPING (TANK-VALVE)



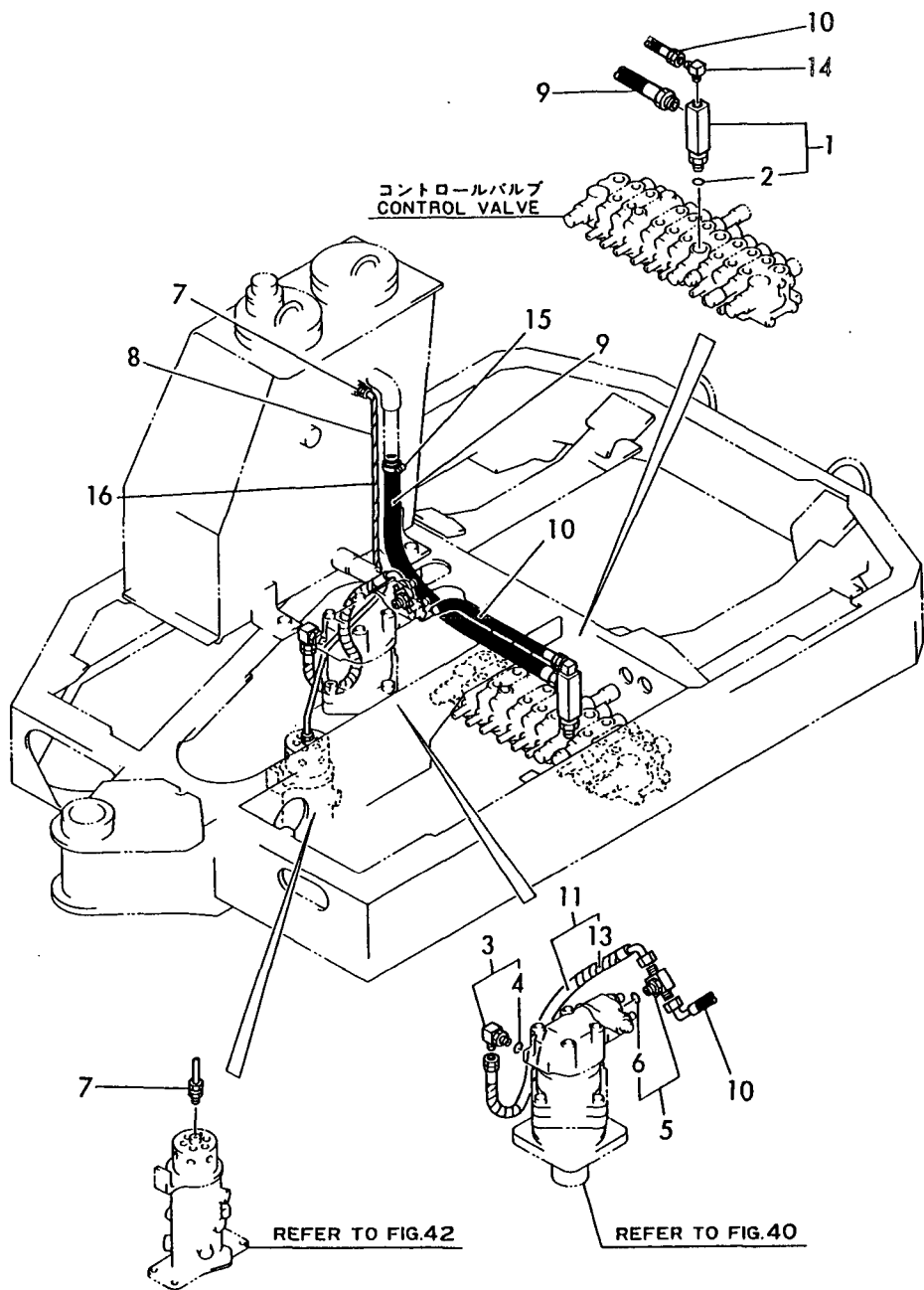
1,1,,23393-020000,, "JOINT 90RGI1/4",5,5,,5,5,,,,,,,,,,,,,
2,1,,172149-76250,, "CONNECTER, GAUGE",1,1,,1,1,,,,,,,,,,,,,
3,1,,172112-77660,, "L-JOINT 1/8",3,3,,3,3,,,,,,,,,,,,,
4,1,,26013-100202,, "BOLT M10X 20",2,2,,2,2,,,,,,,,,,,,,
5,1,,172149-78020,, BUSH,1,1,,1,1,,,,,,,,,,,,,
6,1,,172149-78780,, BUSH,2,2,,2,2,,,,,,,,,,,,,
7,1,,172149-78790,, BUSH,1,1,,1,1,,,,,,,,,,,,,
8,1,,172149-78210,, HOSE,1,1,,1,1,,,,,,,,,,,,,
9,1,,172149-78220,, HOSE,1,1,,1,1,,,,,,,,,,,,,
10,1,,172149-78230,, HOSE,1,1,,1,1,,,,,,,,,,,,,
11,1,,172149-78240,, HOSE,1,1,,1,1,,,,,,,,,,,,,
12,1,,172149-78270,, HOSE,2,2,,2,2,,,,,,,,,,,,,
13,1,,172149-78290,, HOSE,2,2,,2,2,,,,,,,,,,,,,
14,1,,172149-78300,, HOSE,2,2,,2,2,,,,,,,,,,,,,
15,1,,172149-78500,, HOSE,1,1,,1,1,,,,,,,,,,,,,
16,1,,172149-78510,, HOSE,1,1,,1,1,,,,,,,,,,,,,
17,1,,172149-78520,, HOSE,1,1,,1,1,,,,,,,,,,,,,
18,1,,23871-030000,, "PLUG PT 3/8",3,3,,3,3,,,,,,,,,,,,,
19,1,,24315-000110,, "O-RING 1B P-11.0",8,8,,8,8,,,,,,,,,,,,,
20,1,,172123-76120,, "CONNECTOR PF1/4",2,2,,2,2,,,,,,,,,,,,,
21,1,,24315-000110,, "O-RING 1B P-11.0",2,2,,2,2,,,,,,,,,,,,,
22,1,,23394-020000,, "JOINT 45RGI1/4",1,1,,1,1,,,,,,,,,,,,,
23,1,,172149-78350,, "COVER, HOSE",2,2,,2,2,,,,,,,,,,,,,
24,1,,23000-025000,, "CLAMP 25",2,2,,2,2,,,,,,,,,,,,,
25,1,,172312-76250,, "ELBOW PT1/4",1,1,,1,1,,,,,,,,,,,,,
26,1,,23393-020000,, "JOINT 90RGI1/4",2,2,,2,2,,,,,,,,,,,,,

Fig. 51 ユアツハイカン(バルブ スイベル,モータ)
 HYD. OIL PIPING (VALVE-SWIVEL, MOTOR)



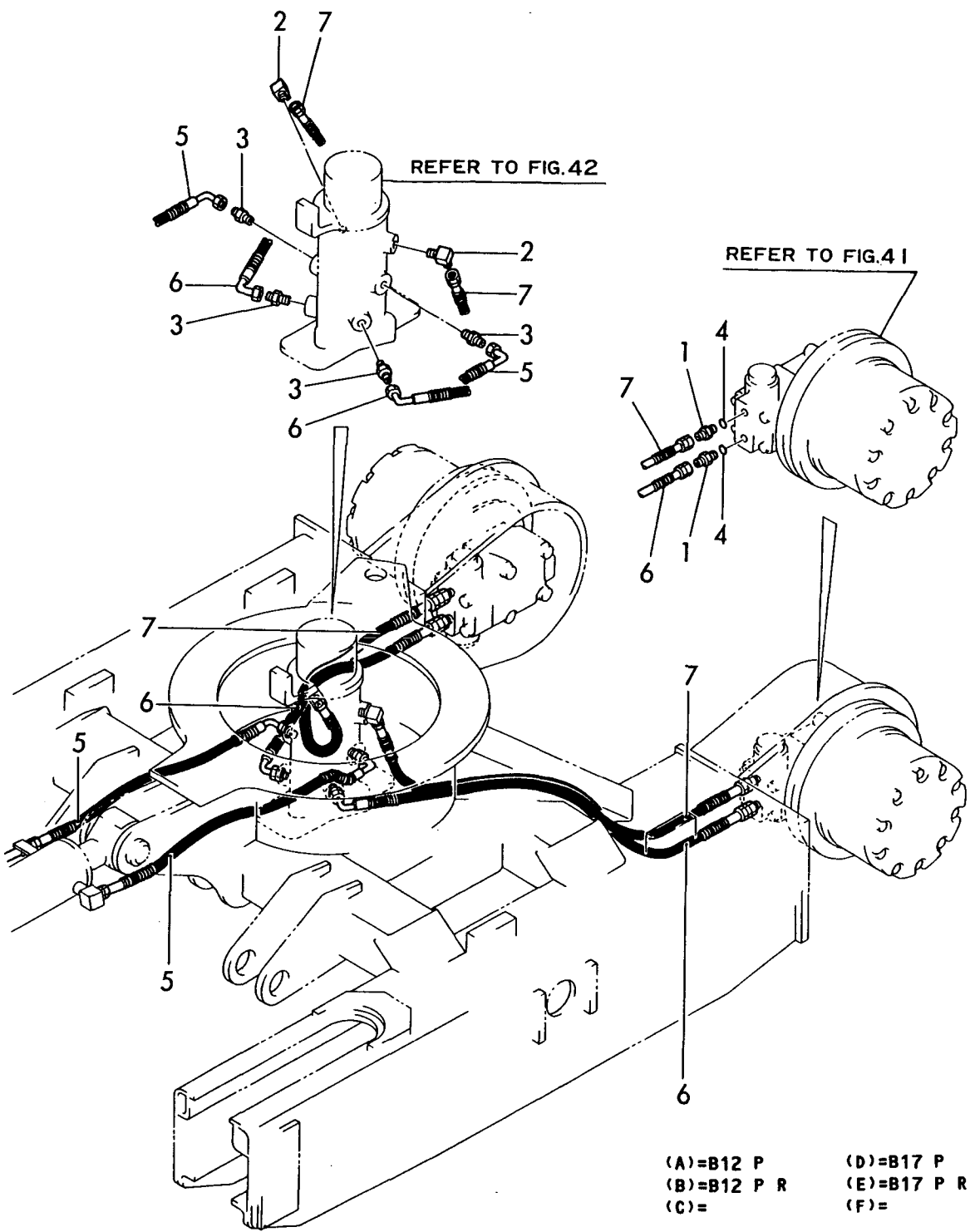
1,1,,172149-76120,,ELBOW,1,1,,1,1,,,,,,,,,,,,,
2,2,,24311-000180,,,"O-RING 1A P-18.0",1,1,,1,1,,,,,,,,,,,,,
3,1,,172141-76180,,CONNECTOR,1,1,,1,1,,,,,,,,,,,,,
4,2,,24315-000110,,,"O-RING 1B P-11.0",1,1,,1,1,,,,,,,,,,,,,
5,1,,172141-76200,,CONNECTOR,1,1,,1,1,,,,,,,,,,,,,
6,2,,24315-000110,,,"O-RING 1B P-11.0",1,1,,1,1,,,,,,,,,,,,,
7,1,,172141-77800,,,"JOINT, GREASE",2,2,,2,2,,,,,,,,,,,,,
8,1,,172142-77810,,HOSE,1,1,,1,1,,,,,,,,,,,,,
9,1,,172149-78120,,HOSE,1,1,,1,1,,,,,,,,,,,,,
10,1,,172149-78130,,HOSE,1,1,,1,1,,,,,,,,,,,,,
11,1,,172141-78500,,HOSE,1,1,,1,1,,,,,,,,,,,,,
13,2,,172141-78900,,,"TUBE, SPIRAL",1,1,,1,1,,,,,,,,,,,,,
14,1,,23393-030000,,,"JOINT 90RGI 3/8",1,1,,1,1,,,,,,,,,,,,,
15,1,,23000-048000,,,"CLAMP 48",1,1,,1,1,,,,,,,,,,,,,
16,1,,172149-78400,,,"TUBE, COIL",1,1,,1,1,,,,,,,,,,,,,

Fig. 52 ユアツハイカン(サドウユタンクモドシ)
 HYD. OIL PIPING(TANK RETURN)



1,1,,172123-76120,, "CONNECTOR PF1/4",4,4,,4,4,,,,,,,,,,,,,
2,1,,23394-020000,, "JOINT 45RGI1/4",2,2,,2,2,,,,,,,,,,,,,
3,1,,172110-76470,, NIPPLE,4,4,,4,4,,,,,,,,,,,,,
4,1,,24315-000110,, "O-RING 1B P-11.0",4,4,,4,4,,,,,,,,,,,,,
5,1,,172149-78330,, HOSE,2,2,,2,2,,,,,,,,,,,,,
6,1,,172149-78310,, HOSE,2,2,,2,2,,,,,,,,,,,,,
7,1,,172149-78320,, HOSE,2,2,,2,2,,,,,,,,,,,,,

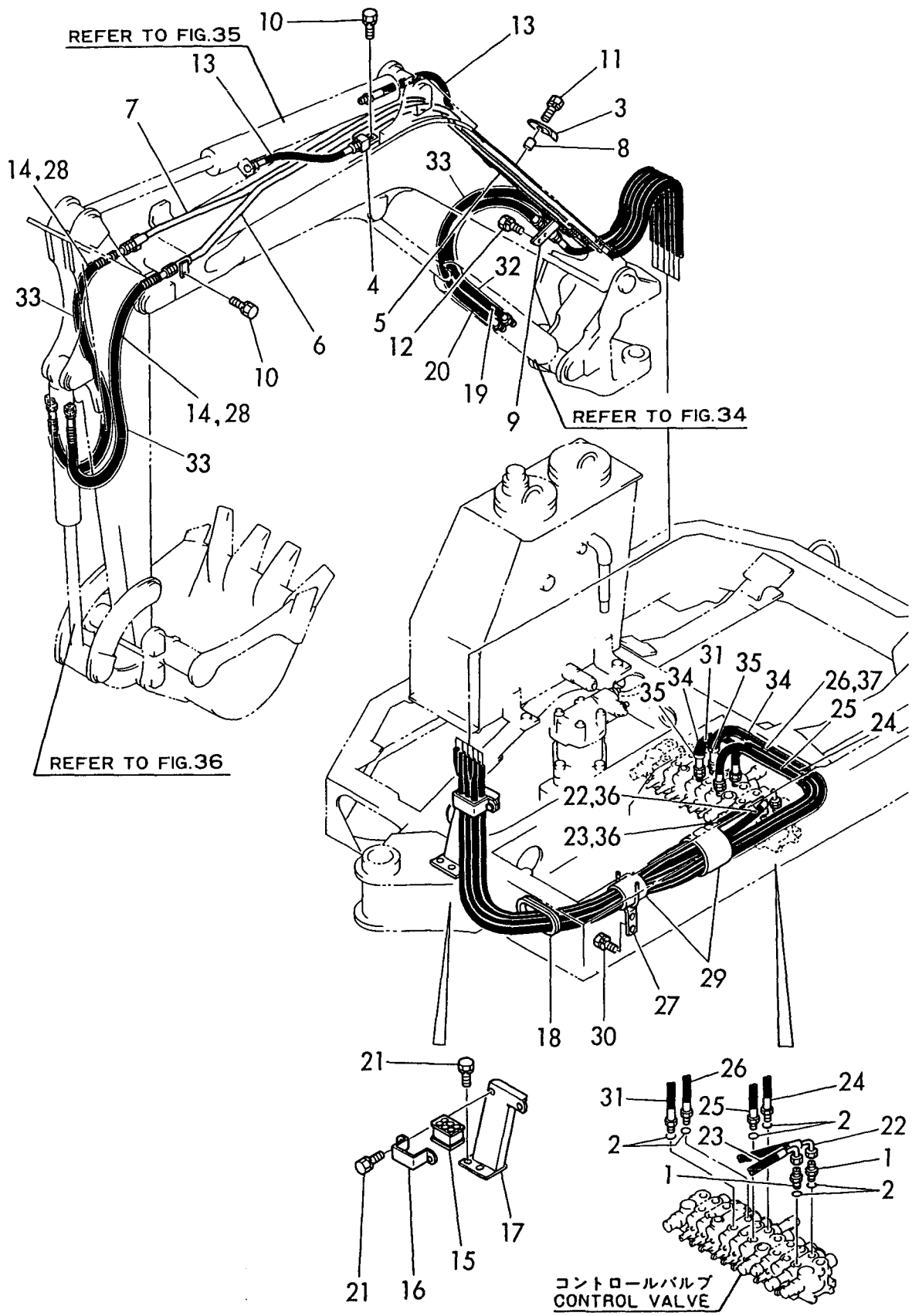
Fig. 53 ユアツハイカン(ソウコウ)
 HYD. OIL PIPING(TRAVEL)



- (A)=B12 P
- (B)=B12 P R
- (C)=
- (D)=B17 P
- (E)=B17 P R
- (F)=

1,1,,172123-76120,, "CONNECTOR PF1/4",2,2,,2,2,,,,,,,,,,,,,
2,1,,24315-000110,, "O-RING 1B P-11.0",6,6,,6,6,,,,,,,,,,,,,
3,1,,172110-76170,, PLATE,4,4,,4,4,,,,,,,,,,,,,
4,1,,172149-76450,, "TUBE(L), ARM",1,1,,1,1,,,,,,,,,,,,,
5,1,,172149-76470,, "TUBE(R), ARM",1,1,,1,1,,,,,,,,,,,,,
6,1,,172149-76490,, "TUBE(L), BUCKET",1,1,,1,1,,,,,,,,,,,,,
7,1,,172149-76520,, "TUBE(R), BUCKET",1,1,,1,1,,,,,,,,,,,,,
8,1,,172137-76580,, "COLLER 9X11",4,4,,4,4,,,,,,,,,,,,,
9,1,,172149-76580,, "JOINT, BOOM",1,1,,1,1,,,,,,,,,,,,,
10,1,,26013-080162,, "BOLT M 8X 16",3,3,,3,3,,,,,,,,,,,,,
11,1,,26013-080252,, "BOLT M 8X 25",4,4,,4,4,,,,,,,,,,,,,
12,1,,26013-100202,, "BOLT M10X 20",2,2,,2,2,,,,,,,,,,,,,
13,1,,172137-78340,, HOSE,2,2,,2,2,,,,,,,,,,,,,
14,1,,172137-78350,, HOSE,2,2,,,,,,,,,,,,,
15,1,,172149-78600,, CLAMP,1,1,,1,1,,,,,,,,,,,,,
16,1,,172149-78620,, "PLATE, CLAMP",1,1,,1,1,,,,,,,,,,,,,
17,1,,172149-78650,, "SUPPORT, HOSE",1,1,,1,1,,,,,,,,,,,,,
18,1,,172149-78760,, GROMMET,1,1,,1,1,,,,,,,,,,,,,
19,1,,23271-020501,, HOSE,1,1,,1,1,,,,,,,,,,,,,
20,1,,23271-020571,, HOSE,1,1,,1,1,,,,,,,,,,,,,
21,1,,26013-100202,, "BOLT M10X 20",4,4,,4,4,,,,,,,,,,,,,
22,1,,172149-78190,, HOSE,1,1,,1,1,,,,,,,,,,,,,
23,1,,172149-78200,, HOSE,1,1,,1,1,,,,,,,,,,,,,
24,1,,172149-78250,, HOSE,1,1,,1,1,,,,,,,,,,,,,
25,1,,172149-78260,, HOSE,1,1,,1,1,,,,,,,,,,,,,
26,1,,172149-78280,, HOSE,1,1,,1,1,,,,,,,,,,,,,
27,1,,172149-78820,, "CLAMP, HOSE",1,1,,1,1,,,,,,,,,,,,,
28,1,,172150-78150,, HOSE,,,,2,2,,,,,,,,,,,,,
29,1,,172149-78870,, CLAMP,2,2,,2,2,,,,,,,,,,,,,
30,1,,26013-100202,, "BOLT M10X 20",2,2,,2,2,,,,,,,,,,,,,
31,1,,172149-78180,, HOSE,1,1,,1,1,,,,,,,,,,,,,
32,1,,172149-78960,, "COVER, HOSE",1,1,,1,1,,1,,,,,,,,,,,,,
33,1,,172149-78970,, "COVER, HOSE",3,3,,3,3,,1,,,,,,,,,,,,,
34,1,,172149-78350,, "COVER, HOSE",2,2,,2,2,,1,,,,,,,,,,,,,
35,1,,23000-025000,, "CLAMP 25",2,2,,2,2,,1,,,,,,,,,,,,,
36,1,,172149-78940,, "COVER, HOSE",2,2,,2,2,,1,,,,,,,,,,,,,
37,1,,172149-78980,, "COVER, HOSE",1,1,,1,1,,1,,,,,,,,,,,,,

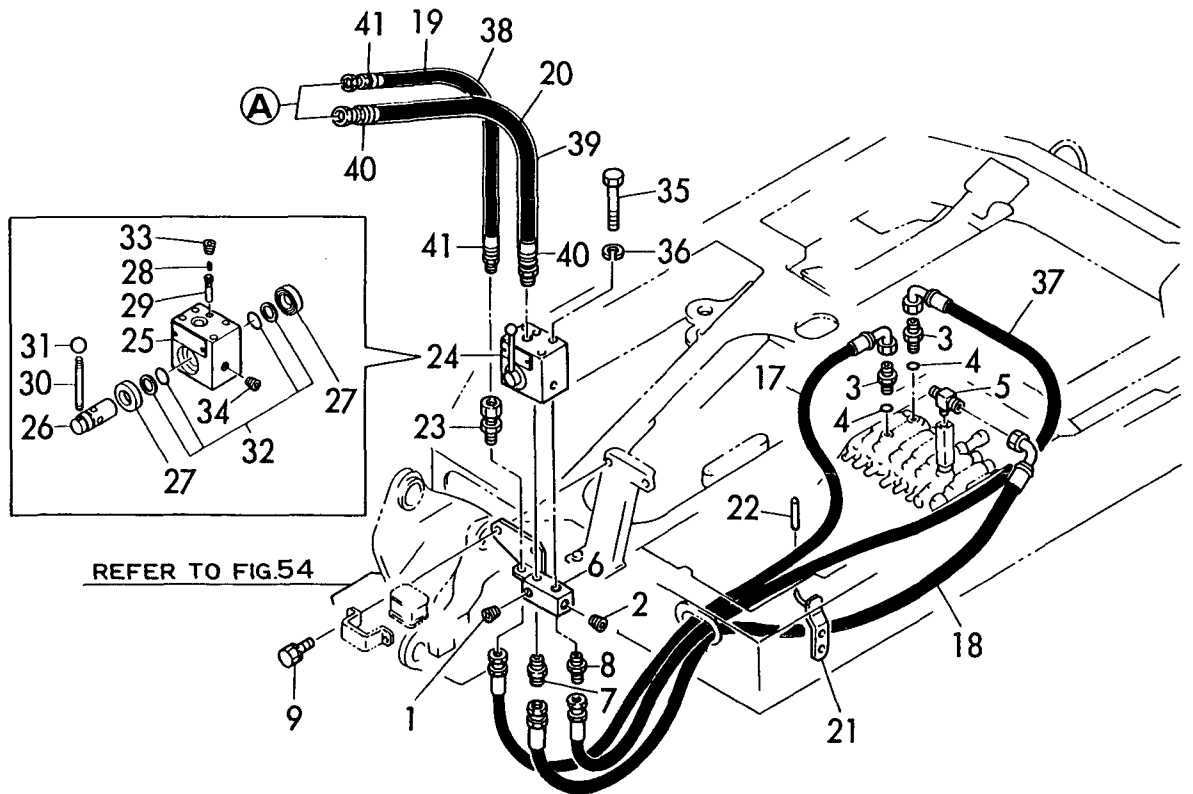
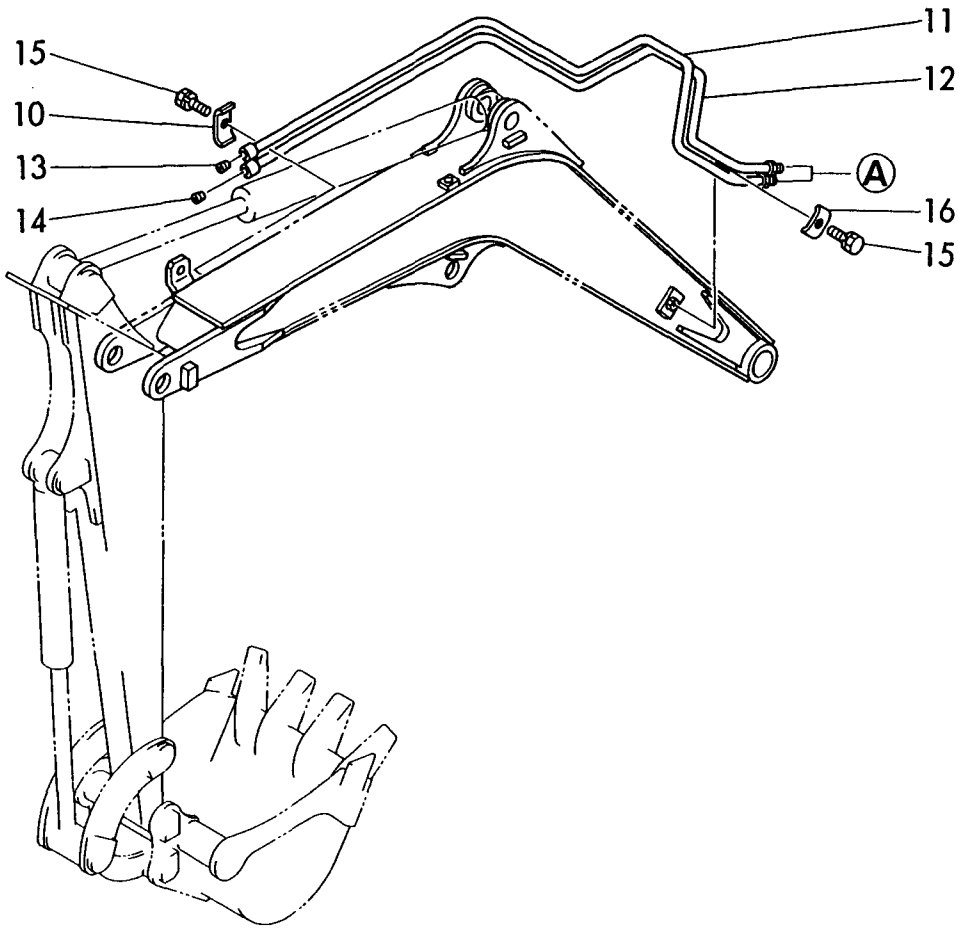
Fig. 54 ユアツハイカン(サギヨウキブ) HYD.OIL PIPING (WORK EQUIPMENT)



1,1,,23871-040000,, "PLUG PT 1/2",1,1,,1,1,,,,,,,,,,,,,
2,1,,23871-030000,, "PLUG PT 3/8",1,1,,1,1,,,,,,,,,,,,,
3,1,,172730-75140,, ADAPTOR,2,2,,2,2,,,,,,,,,,,,,
4,1,,24311-000140,, "O-RING 1A P-14.0",2,2,,2,2,,,,,,,,,,,,,
5,1,,172149-76200,, CONNECTER,1,1,,1,1,,,,,,,,,,,,,
6,1,,172150-76350,, CONNECTOR,1,1,,1,1,,,,,,,,,,,,,
7,1,,933166-25420,, ADAPTER,1,1,,1,1,,,,,,,,,,,,,
8,1,,933152-24410,, "CONNECTOR (A)",1,1,,1,1,,,,,,,,,,,,,
9,1,,26013-100252,, "BOLT M10X 25",2,2,,2,2,,,,,,,,,,,,,
10,1,,172112-76300,, "RETAINER A,BOOM PIPE",1,1,,1,1,,,,,,,,,,,,,
11,1,,172149-76540,, "TUBE, 3RD",1,1,,1,1,,,,,,,,,,,,,
12,1,,172149-76560,, "TUBE, 3RD",1,1,,1,1,,,,,,,,,,,,,
13,1,,23871-030000,, "PLUG PT 3/8",1,1,,1,1,,,,,,,,,,,,,
14,1,,23871-040000,, "PLUG PT 1/2",1,1,,1,1,,,,,,,,,,,,,
15,1,,26013-100402,, "BOLT M10X 40",3,3,,3,3,,,,,,,,,,,,,
16,1,,933155-09670,, "CLAMP, PIPE",2,2,,2,2,,,,,,,,,,,,,
17,1,,172149-78540,, HOSE,1,1,,1,1,,,,,,,,,,,,,
18,1,,172149-78530,, HOSE,1,1,,1,1,,,,,,,,,,,,,
19,1,,172149-78470,, HOSE,1,1,,1,1,,,,,,,,,,,,,
20,1,,172149-78480,, HOSE,1,1,,1,1,,,,,,,,,,,,,
21,1,,172150-78620,, CLAMP,1,1,,1,1,,,,,,,,,,,,,
22,1,,172150-78650,, HOSE,1,1,,1,1,,,,,,,,,,,,,
23,1,,172145-76180,, "JOINT 3/8",1,1,,1,1,,,,,,,,,,,,,
24,1,,172138-74351,, "VALVE ASSY",1,1,,1,1,,,,,,,,,,,,,
25,2,,172138-74360,, BODY,1,1,,1,1,,,,,,,,,,,,,
26,2,,172138-74370,, ROTOR,1,1,,1,1,,,,,,,,,,,,,
27,2,,172138-74380,, "SEAL, OIL",2,2,,2,2,,,,,,,,,,,,,
28,2,,172138-74390,, SPRING,1,1,,1,1,,,,,,,,,,,,,
29,2,,172138-74400,, ROLLER,1,1,,1,1,,,,,,,,,,,,,
30,2,,172138-74411,, LEVER,1,1,,1,1,,,,,,,,,,,,,
31,2,,172138-74420,, "KNOB, LEVER",1,1,,1,1,,,,,,,,,,,,,
32,2,,172138-74470,, "SEAL SET",1,1,,1,1,,,,,,,,,,,,,
33,2,,23871-010000,, "PLUG PT 1/8",1,1,,1,1,,,,,,,,,,,,,
34,2,,23871-020000,, "PLUG PT 1/4",1,1,,1,1,,,,,,,,,,,,,
35,1,,26116-080852,, "BOLT M 8X 85 PLATED",4,4,,4,4,,,,,,,,,,,,,
36,1,,22217-080000,, "SPRING WASHER 8",4,4,,4,4,,,,,,,,,,,,,
37,1,,172149-78550,, HOSE,1,1,,1,1,,,,,,,,,,,,,
38,1,,172142-78770,, "COVER 16-730, HOSE",1,1,,1,1,,,,,,,,,,,,,
39,1,,172149-78950,, "COVER, HOSE",1,1,,1,1,,,,,,,,,,,,,
40,1,,23000-035000,, "CLAMP 35",2,2,,2,2,,,,,,,,,,,,,
41,1,,23000-025000,, "CLAMP 25",2,2,,2,2,,,,,,,,,,,,,

Fig. **55** サードバルブハイカン
3RD VALVE PIPING

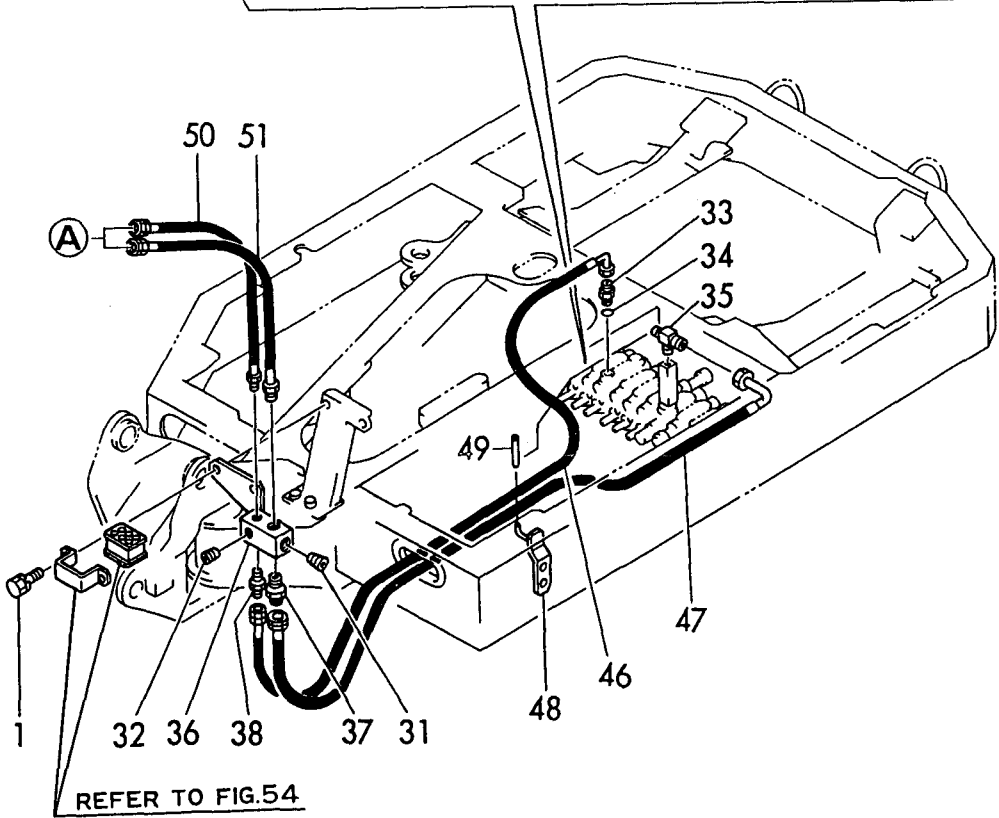
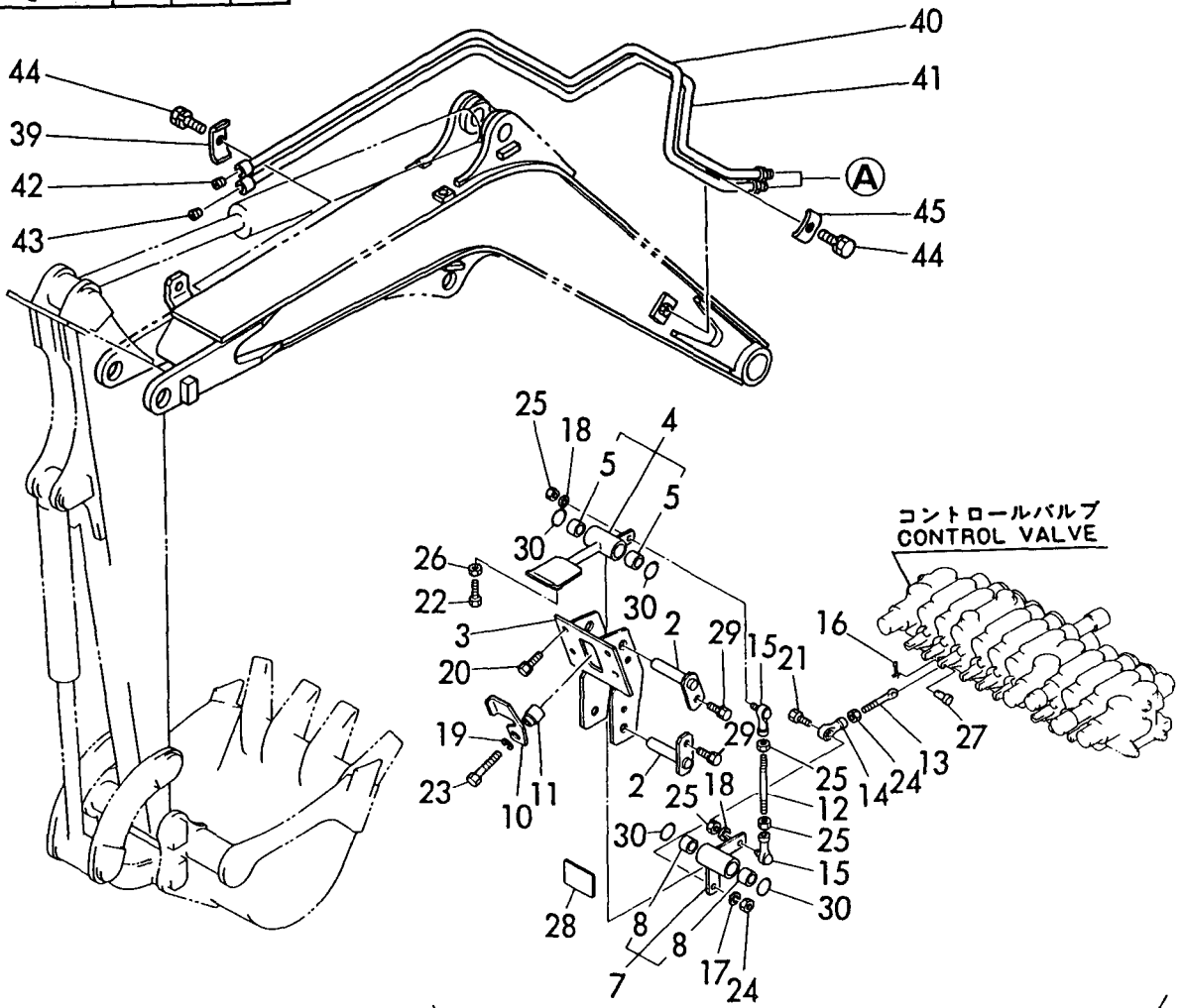
COUNTRY	U	K	A	S	E	X
Fig.No.	55	56	—			



1,1,,26013-100252,, "BOLT M10X 25",2,2,,2,2,,,,,,,,,,,,,
2,1,,172149-41860,, "PIN, BLADE",2,2,,2,2,,,,,,,,,,,,,
3,1,,172149-42750,, "SUPPORT, PEDAL",1,1,,1,1,,,,,,,,,,,,,
4,1,,172149-42800,, "PEDAL, 3RD",1,1,,1,1,,,,,,,,,,,,,
5,2,,172141-41360,, "BUSH 1415",2,2,,2,2,,,,,,,,,,,,,
7,1,,172149-42850,, "LINK, 3RD",1,1,,1,1,,,,,,,,,,,,,
8,2,,172141-41360,, "BUSH 1415",2,2,,2,2,,,,,,,,,,,,,
10,1,,172149-42890,, "LEVER, LOCK",1,1,,1,1,,,,,,,,,,,,,
11,1,,172149-42900,, "COLLAR",1,1,,1,1,,,,,,,,,,,,,
12,1,,172149-42920,, "ROD, 3RD",1,1,,1,1,,,,,,,,,,,,,
13,1,,172146-45690,, "ROD(C), SPOOL",1,1,,1,1,,,,,,,,,,,,,
14,1,,172122-46570,, "ROD-END 8",1,1,,1,1,,,,,,,,,,,,,
15,1,,172122-46590,, "ELBALL 8",2,2,,2,2,,,,,,,,,,,,,
16,1,,1C6281-52310,, "PIN 6,COME-OFF SNAP",1,1,,1,1,,,,,,,,,,,,,
17,1,,22217-080000,, "SPRING WASHER 8",1,1,,1,1,,,,,,,,,,,,,
18,1,,22217-080000,, "SPRING WASHER 8",2,2,,2,2,,,,,,,,,,,,,
19,1,,22217-100000,, "SPRING WASHER 10",1,1,,1,1,,,,,,,,,,,,,
20,1,,26013-100202,, "BOLT M10X 20",4,4,,4,4,,,,,,,,,,,,,
21,1,,26116-080302,, "BOLT M 8X 30 PLATED",1,1,,1,1,,,,,,,,,,,,,
22,1,,26116-100252,, "BOLT M10X 25 PLATED",1,1,,1,1,,,,,,,,,,,,,
23,1,,26116-100352,, "BOLT M10X 35 PLATED",1,1,,1,1,,,,,,,,,,,,,
24,1,,26716-080002,, "NUT M 8",2,2,,2,2,,,,,,,,,,,,,
25,1,,26716-080002,, "NUT M 8",4,4,,4,4,,,,,,,,,,,,,
26,1,,26716-100002,, "NUT M10",1,1,,1,1,,,,,,,,,,,,,
27,1,,933110-54100,, "PIN 4.75X14",1,1,,1,1,,,,,,,,,,,,,
28,1,,172131-03421,, "LABEL, 3RD VALVE",1,1,,1,1,,,,,,,,,,,,,
29,1,,26013-100202,, "BOLT M10X 20",2,2,,2,2,,,,,,,,,,,,,
30,1,,24311-000210,, "O-RING 1A P-21.0",4,4,,4,4,,,,,,,,,,,,,
31,1,,23871-040000,, "PLUG PT 1/2",2,2,,2,2,,,,,,,,,,,,,
32,1,,23871-030000,, "PLUG PT 3/8",2,2,,2,2,,,,,,,,,,,,,
33,1,,172730-75140,, "ADAPTOR",1,1,,1,1,,,,,,,,,,,,,
34,1,,24311-000140,, "O-RING 1A P-14.0",1,1,,1,1,,,,,,,,,,,,,
35,1,,172149-76200,, "CONNECTER",1,1,,1,1,,,,,,,,,,,,,
36,1,,172149-76700,, "CONNECTOR",1,1,,1,1,,,,,,,,,,,,,
37,1,,23391-040000,, "JOINT RGI 1/2",1,1,,1,1,,,,,,,,,,,,,
38,1,,933152-24410,, "CONNECTOR (A)",1,1,,1,1,,,,,,,,,,,,,
39,1,,172112-76300,, "RETAINER A,BOOM PIPE",1,1,,1,1,,,,,,,,,,,,,
40,1,,172149-76540,, "TUBE, 3RD",1,1,,1,1,,,,,,,,,,,,,
41,1,,172149-76560,, "TUBE, 3RD",1,1,,1,1,,,,,,,,,,,,,
42,1,,23871-030000,, "PLUG PT 3/8",1,1,,1,1,,,,,,,,,,,,,
43,1,,23871-040000,, "PLUG PT 1/2",1,1,,1,1,,,,,,,,,,,,,
44,1,,26013-100402,, "BOLT M10X 40",3,3,,3,3,,,,,,,,,,,,,
45,1,,933155-09670,, "CLAMP, PIPE",2,2,,2,2,,,,,,,,,,,,,
46,1,,172149-78450,, "HOSE",1,1,,1,1,,,,,,,,,,,,,
47,1,,172149-78460,, "HOSE",1,1,,1,1,,,,,,,,,,,,,
48,1,,172149-78900,, "CLAMP, HOSE(3RD)",1,1,,1,1,,,,,,,,,,,,,
49,1,,172149-78920,, "HOSE",1,1,,1,1,,,,,,,,,,,,,
50,1,,172149-78470,, "HOSE",1,1,,1,1,,,,,,,,,,,,,
51,1,,172149-78480,, "HOSE",1,1,,1,1,,,,,,,,,,,,,

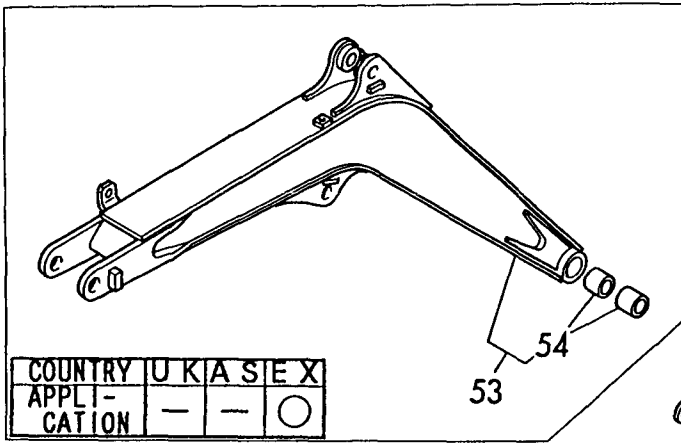
Fig. 56 サードバルブハイカン
3RD VALVE PIPING

COUNTRY	U	K	A	S	E	X
Fig.No.	55	56	—	—	—	—

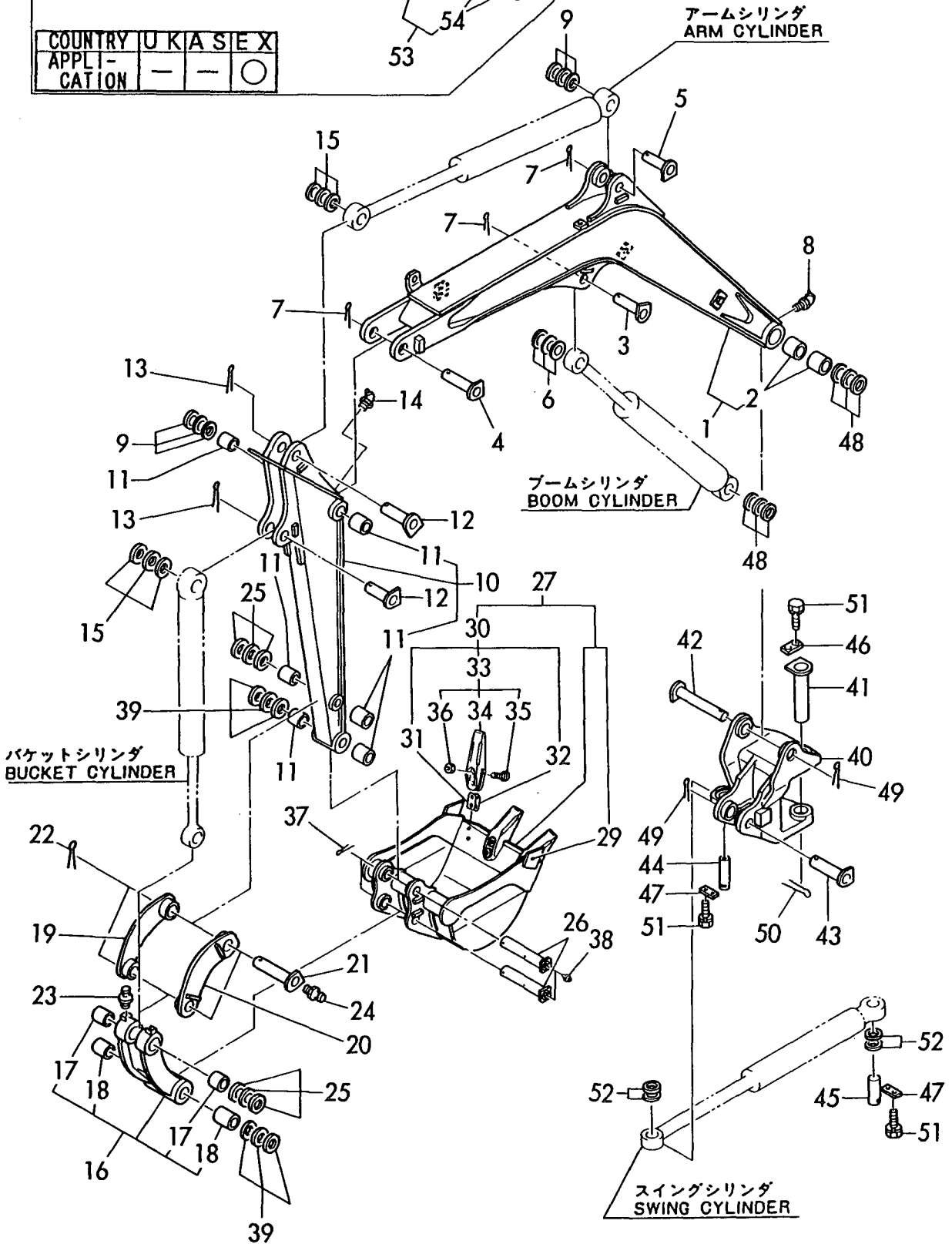


1,1,,172149-81400,, "BOOM, 3RD",1,1,,,,,,,,,,,,,,,,,,,,,
2,2,,172141-82270,, "BUSH 38 45, PIN",2,2,,,,,,,,,,,,,,,,,,,,,
3,1,,172149-81300,, PIN,1,1,,,,,,,,,,,,,,,,,,,,,
4,1,,172149-81320,, PIN,1,1,,,,,,,,,,,,,,,,,,,,,
5,1,,172137-81360,, "PIN 30-109, BOOM",1,1,,,,,,,,,,,,,,,,,,,,,
6,1,,172141-84600,, "SHIM 35",1,1,,,,,,,,,,,,,,,,,,,,,
7,1,,22417-800450,, "COTTER PIN 8.0X45",3,3,,,,,,,,,,,,,,,,,,,,,
8,1,,24761-020000,, "NIPPLE PT1/8,GREASE",1,1,,,,,,,,,,,,,,,,,,,,,
9,1,,933160-06710,, "SHIM 30, PIN ADJUST",2,2,,,,,,,,,,,,,,,,,,,,,
10,1,,172138-82101,, "ARM 780 ASSY",1,1,,,,,,,,,,,,,,,,,,,,,
11,2,,172137-81300,, "BUSH 30X45, PIN",6,6,,,,,,,,,,,,,,,,,,,,,
12,1,,172137-94250,, "PIN 30- 71",2,2,,,,,,,,,,,,,,,,,,,,,
13,1,,22417-800450,, "COTTER PIN 8.0X45",2,2,,,,,,,,,,,,,,,,,,,,,
14,1,,24761-040000,, "NIPPLE B,GREASE",1,1,,,,,,,,,,,,,,,,,,,,,
15,1,,933160-06710,, "SHIM 30, PIN ADJUST",2,2,,,,,,,,,,,,,,,,,,,,,
16,1,,172137-84401,, "LINK, BUCKET",1,1,,,,,,,,,,,,,,,,,,,,,
17,2,,172137-81300,, "BUSH 30X45, PIN",2,2,,,,,,,,,,,,,,,,,,,,,
18,2,,172137-84450,, "BUSH 30X11, PIN",2,2,,,,,,,,,,,,,,,,,,,,,
19,1,,172137-84502,, "ARM (L), BUCKET",1,1,,,,,,,,,,,,,,,,,,,,,
20,1,,172137-84512,, "ARM (R), BUCKET",1,1,,,,,,,,,,,,,,,,,,,,,
21,1,,172137-86250,, "PIN, BUCKET",2,2,,,,,,,,,,,,,,,,,,,,,
22,1,,22417-800450,, "COTTER PIN 8.0X45",2,2,,,,,,,,,,,,,,,,,,,,,
23,1,,24761-020000,, "NIPPLE PT1/8,GREASE",2,2,,,,,,,,,,,,,,,,,,,,,
24,1,,24761-020000,, "NIPPLE PT1/8,GREASE",2,2,,,,,,,,,,,,,,,,,,,,,
25,1,,933160-06710,, "SHIM 30, PIN ADJUST",4,4,,,,,,,,,,,,,,,,,,,,,
26,1,,172137-86250,, "PIN, BUCKET",2,2,,,,,,,,,,,,,,,,,,,,,
27,1,,772137-86100,, "BUCKET ASSY (400",1,1,,,,,,,,,,,,,,,,,,,,,
29,3,,172137-86240,, "TEETH, SIDE",2,2,,,,,,,,,,,,,,,,,,,,,
30,2,,772137-86751,, "TEETE ASSY",3,3,,,,,,,,,,,,,,,,,,,,,
31,3,,172137-86700,, "SHIM 2.3, TEETH",3,3,,,,,,,,,,,,,,,,,,,,,
32,3,,172137-86710,, "TEETH SHIM 17 SET",3,3,,,,,,,,,,,,,,,,,,,,,
33,3,,172137-86751,, "TEETH ASSY",3,3,,,,,,,,,,,,,,,,,,,,,
34,4,,172141-86231,, TEETH,6,6,,,,,,,,,,,,,,,,,,,,,
35,4,,172137-86770,, BOLT,6,6,,,,,,,,,,,,,,,,,,,,,
36,4,,172137-86780,, NUT,6,6,,,,,,,,,,,,,,,,,,,,,
37,1,,22417-800450,, "COTTER PIN 8.0X45",2,2,,,,,,,,,,,,,,,,,,,,,
38,1,,24761-020000,, "NIPPLE PT1/8,GREASE",2,2,,,,,,,,,,,,,,,,,,,,,
39,1,,933160-06710,, "SHIM 30, PIN ADJUST",2,2,,,,,,,,,,,,,,,,,,,,,
40,1,,172149-83100,, "BRACKET, BOOM",1,1,,,,,,,,,,,,,,,,,,,,,
41,1,,172149-83110,, PIN,1,1,,,,,,,,,,,,,,,,,,,,,
42,1,,172149-83130,, PIN,1,1,,,,,,,,,,,,,,,,,,,,,
43,1,,172149-83150,, PIN,1,1,,,,,,,,,,,,,,,,,,,,,
44,1,,172149-83170,, PIN,1,1,,,,,,,,,,,,,,,,,,,,,
45,1,,172149-83180,, PIN,1,1,,,,,,,,,,,,,,,,,,,,,
46,1,,172149-83190,, "PLATE, LOCK",1,1,,,,,,,,,,,,,,,,,,,,,
47,1,,172117-83970,, "PLATE (C), LOCK",2,2,,,,,,,,,,,,,,,,,,,,,
48,1,,172141-84600,, "SHIM 35",2,2,,,,,,,,,,,,,,,,,,,,,
49,1,,22417-800450,, "COTTER PIN 8.0X45",2,2,,,,,,,,,,,,,,,,,,,,,
50,1,,22417-800630,, "COTTER PIN 8.0X63",1,1,,,,,,,,,,,,,,,,,,,,,
51,1,,26013-100252,, "BOLT M10X 25",6,6,,,,,,,,,,,,,,,,,,,,,
52,1,,933171-29750,, "SHIM SET, PIN 38",2,2,,,,,,,,,,,,,,,,,,,,,
53,1,,172149-81100,, "BOOM ASSY",1,1,,,,,1,,,,,,,,,,,,,
54,2,,172141-82270,, "BUSH 38 45, PIN",2,2,,,,,1,,,,,,,,,,,,,

Fig. 57 ブーム&バケット (B12)
BOOM & BUCKET (B12)

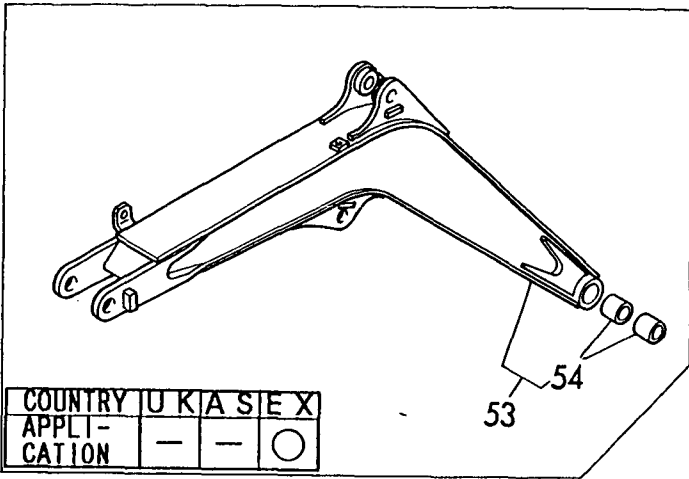


COUNTRY	U	K	A	S	E	X
APPLI-	-	-	-	-	-	-
CATION	-	-	-	-	-	○

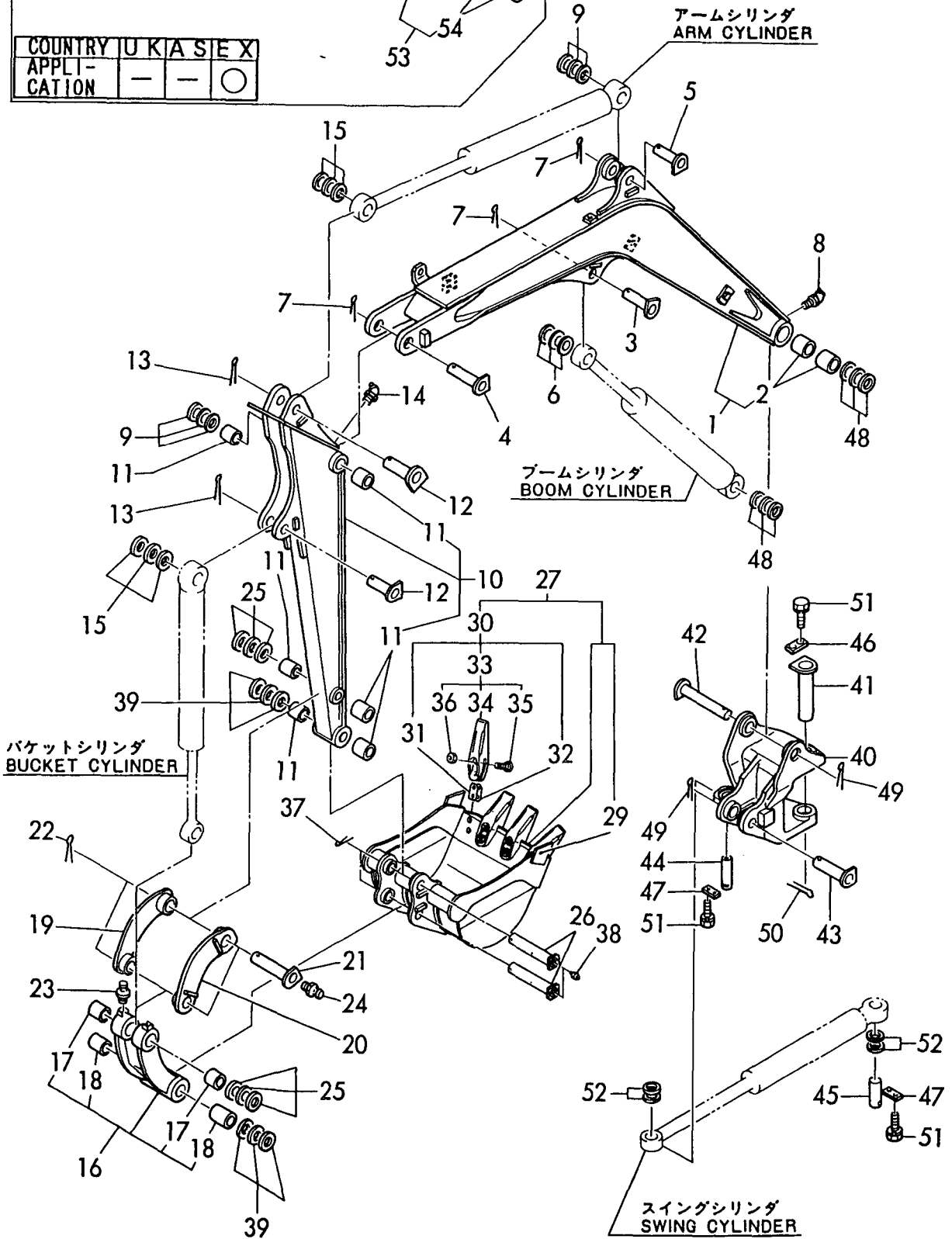


1,1,,172149-81400,, "BOOM, 3RD",,,,,1,1,,,,,,,,,,,,,
2,2,,172141-82270,, "BUSH 38 45, PIN",,,,,2,2,,,,,,,,,,,,,
3,1,,172149-81300,, PIN,,,,,1,1,,,,,,,,,,,,,
4,1,,172149-81320,, PIN,,,,,1,1,,,,,,,,,,,,,
5,1,,172137-81360,, "PIN 30-109, BOOM",,,,,1,1,,,,,,,,,,,,,
6,1,,172141-84600,, "SHIM 35",,,,,1,1,,,,,,,,,,,,,
7,1,,22417-800450,, "COTTER PIN 8.0X45",,,,,3,3,,,,,,,,,,,,,
8,1,,24761-020000,, "NIPPLE PT1/8,GREASE",,,,,1,1,,,,,,,,,,,,,
9,1,,933160-06710,, "SHIM 30, PIN ADJUST",,,,,2,2,,,,,,,,,,,,,
10,1,,172137-82101,, "ARM 950 ASSY",,,,,1,1,,,,,,,,,,,,,
11,2,,172137-81300,, "BUSH 30X45, PIN",,,,,6,6,,,,,,,,,,,,,
12,1,,172137-94250,, "PIN 30- 71",,,,,2,2,,,,,,,,,,,,,
13,1,,22417-800450,, "COTTER PIN 8.0X45",,,,,2,2,,,,,,,,,,,,,
14,1,,24761-040000,, "NIPPLE B,GREASE",,,,,1,1,,,,,,,,,,,,,
15,1,,933160-06710,, "SHIM 30, PIN ADJUST",,,,,2,2,,,,,,,,,,,,,
16,1,,172137-84401,, "LINK, BUCKET",,,,,1,1,,,,,,,,,,,,,
17,2,,172137-81300,, "BUSH 30X45, PIN",,,,,2,2,,,,,,,,,,,,,
18,2,,172137-84450,, "BUSH 30X11, PIN",,,,,2,2,,,,,,,,,,,,,
19,1,,172137-84502,, "ARM (L), BUCKET",,,,,1,1,,,,,,,,,,,,,
20,1,,172137-84512,, "ARM (R), BUCKET",,,,,1,1,,,,,,,,,,,,,
21,1,,172137-86250,, "PIN, BUCKET",,,,,2,2,,,,,,,,,,,,,
22,1,,22417-800450,, "COTTER PIN 8.0X45",,,,,2,2,,,,,,,,,,,,,
23,1,,24761-020000,, "NIPPLE PT1/8,GREASE",,,,,2,2,,,,,,,,,,,,,
24,1,,24761-020000,, "NIPPLE PT1/8,GREASE",,,,,2,2,,,,,,,,,,,,,
25,1,,933160-06710,, "SHIM 30, PIN ADJUST",,,,,4,4,,,,,,,,,,,,,
26,1,,172137-86250,, "PIN, BUCKET",,,,,2,2,,,,,,,,,,,,,
27,1,,772137-86300,, "BUCKET ASSY",,,,,1,1,,,,,,,,,,,,,
29,3,,172137-86240,, "TEETH, SIDE",,,,,2,2,,,,,,,,,72151134,,72151134,,,,,I
30,2,,772137-86751,, "TEETE ASSY",,,,,4,4,,,,,,,,,,,,,
31,3,,172137-86700,, "SHIM 2.3, TEETH",,,,,4,4,,,,,,,,,72151134,,72151134,,,,,I
32,3,,172137-86710,, "TEETH SHIM 17 SET",,,,,4,4,,,,,,,,,72151134,,72151134,,,,,I
33,3,,172137-86751,, "TEETH ASSY",,,,,4,4,,,,,,,,,72151134,,72151134,,,,,I
34,4,,172141-86231,, TEETH,,,,,4,4,,,,,,,,,72151134,,72151134,,,,,I
35,4,,172137-86770,, BOLT,,,,,8,8,,,,,,,,,72151134,,72151134,,,,,I
36,4,,172137-86780,, NUT,,,,,8,8,,,,,,,,,72151134,,72151134,,,,,I
37,1,,22417-800450,, "COTTER PIN 8.0X45",,,,,2,2,,,,,,,,,,,,,
38,1,,24761-020000,, "NIPPLE PT1/8,GREASE",,,,,2,2,,,,,,,,,,,,,
39,1,,933160-06710,, "SHIM 30, PIN ADJUST",,,,,2,2,,,,,,,,,,,,,
40,1,,172149-83100,, "BRACKET, BOOM",,,,,1,1,,,,,,,,,,,,,
41,1,,172149-83110,, PIN,,,,,1,1,,,,,,,,,,,,,
42,1,,172149-83130,, PIN,,,,,1,1,,,,,,,,,,,,,
43,1,,172149-83150,, PIN,,,,,1,1,,,,,,,,,,,,,
44,1,,172149-83170,, PIN,,,,,1,1,,,,,,,,,,,,,
45,1,,172149-83180,, PIN,,,,,1,1,,,,,,,,,,,,,
46,1,,172149-83190,, "PLATE, LOCK",,,,,1,1,,,,,,,,,,,,,
47,1,,172117-83970,, "PLATE (C), LOCK",,,,,2,2,,,,,,,,,,,,,
48,1,,172141-84600,, "SHIM 35",,,,,2,2,,,,,,,,,,,,,
49,1,,22417-800450,, "COTTER PIN 8.0X45",,,,,2,2,,,,,,,,,,,,,
50,1,,22417-800630,, "COTTER PIN 8.0X63",,,,,1,1,,,,,,,,,,,,,
51,1,,26013-100252,, "BOLT M10X 25",,,,,6,6,,,,,,,,,,,,,
52,1,,933171-29750,, "SHIM SET, PIN 38",,,,,2,2,,,,,,,,,,,,,
53,1,,172149-81100,, "BOOM ASSY",,,,,1,1,,1,,,,,,,,,,,,,
54,2,,172141-82270,, "BUSH 38 45, PIN",,,,,2,2,,1,,,,,,,,,,,,,

Fig. 58 ブーム&バケット (B17)
BOOM & BUCKET (B17)



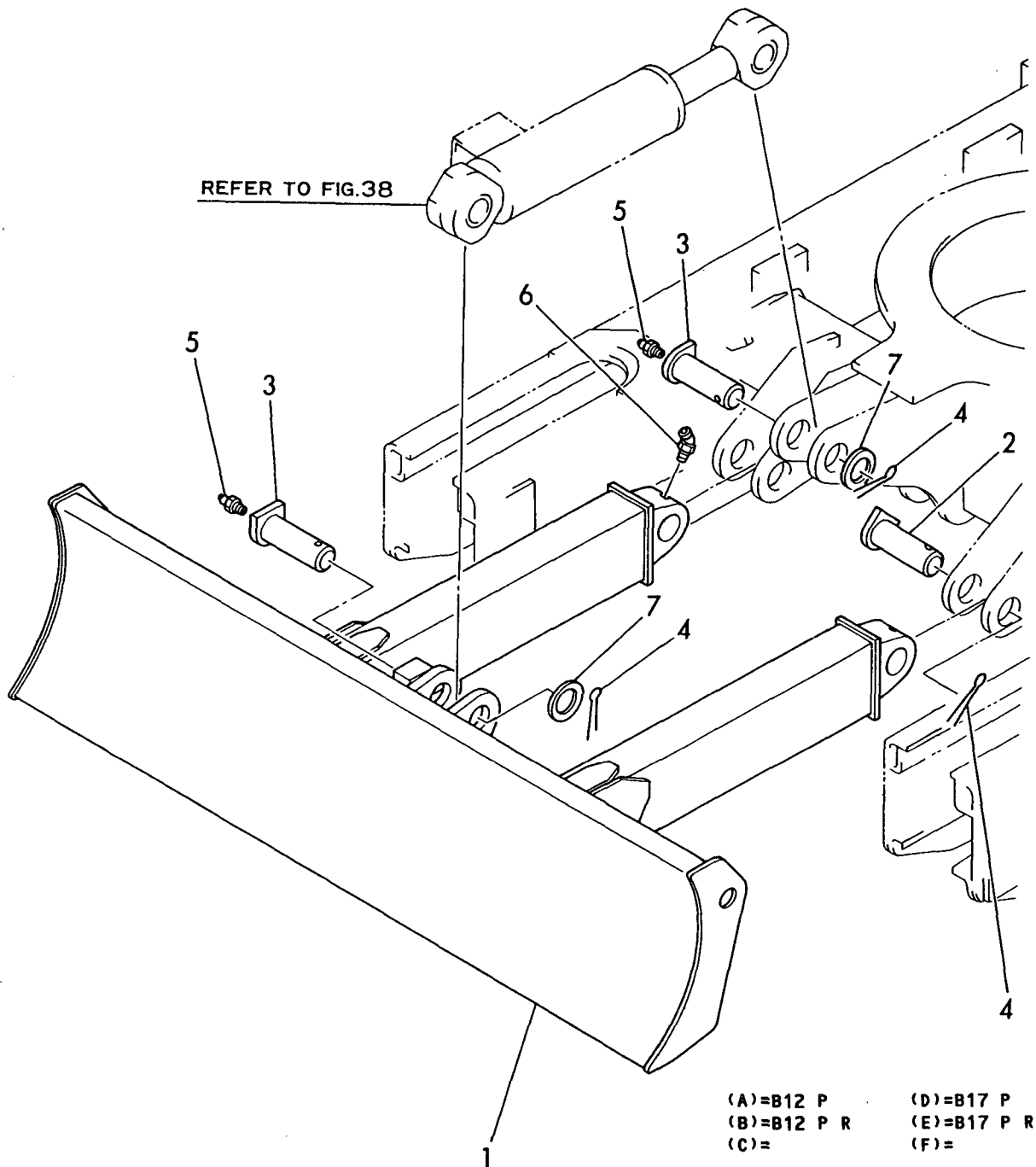
COUNTRY	U	K	A	S	E	X
APPLI- CATION	-	-	-	○	-	-



1,1,,172137-94100,, "BLADE ASSY",1,1,,1,1,,,,,,,,,,,,,
2,1,,172137-94250,, "PIN 30- 71",2,2,,2,2,,,,,,,,,,,,,
3,1,,172137-94270,, "PIN 30-71B, BLADE",2,2,,2,2,,,,,,,,,,,,,
4,1,,22417-800450,, "COTTER PIN 8.0X45",4,4,,4,4,,,,,,,,,,,,,
5,1,,24761-020000,, "NIPPLE PT1/8,GREASE",2,2,,2,2,,,,,,,,,,,,,
6,1,,24761-040000,, "NIPPLE B,GREASE",2,2,,2,2,,,,,,,,,,,,,
7,1,,933160-06710,, "SHIM 30, PIN ADJUST",2,2,,2,2,,,,,,,,,,,,,

Fig. 59 ブレード
BLADE

REFER TO FIG.38



- | | |
|-------------|-------------|
| (A)=B12 P | (D)=B17 P |
| (B)=B12 P R | (E)=B17 P R |
| (C)= | (F)= |

Y00S3000,"Construction equipment",Excavator,B
[Info]
PcNo=Y00S3000
PcName=B12/B17(UK,AS,EX)
JpnUse=0
JpnSec1=
JpnSec2=
JpnSec3=
JpnPreface=0
EngUse=1
EngSec1=CONSTRUCTION
EngSec2=EXCAVATOR (B)
EngSec3=B
EngPreface=1

0,Y00S3000

1,001,, "VEHICLE B12/B17"

2,1,, "LABEL(ENGLAND SPEC.)", "B12 P", "B12 P R",, "B17 P", "B17 P R"

2,2,, "LABEL(AUSTRALIA SPEC.)", "B12 P", "B12 P R",, "B17 P", "B17 P R", "B17 OPTION"

2,3,, "TOOL(ENGLAND SPEC.)", "B12 P", "B12 P R",, "B17 P", "B17 P R"

2,4,, "TOOL(AUSTRALIA SPEC.)", "B12 P", "B12 P R",, "B17 P", "B17 P R", "B17 OPTION"

2,5,, "INLET HOSE & EXHAUST PIPE", "B12 P", "B12 P R",, "B17 P", "B17 P R"

2,6,, "ACCELERATOR", "B12 P", "B12 P R",, "B17 P", "B17 P R"

2,7,, "ENGINE MOUNT & RADIATOR", "B12 P", "B12 P R",, "B17 P", "B17 P R"

2,8,, "FUEL TANK & FUEL LINE", "B12 P", "B12 P R",, "B17 P", "B17 P R"

2,9,, "BATTERY", "B12 P", "B12 P R",, "B17 P", "B17 P R"

2,10,, "ELECTRIC PARTS", "B12 P", "B12 P R",, "B17 P", "B17 P R"

2,11,, "WORK LAMP", "B12 P", "B12 P R",, "B17 P", "B17 P R"

2,12,, "HEATER", "B12 P", "B12 P R",, "B17 P", "B17 P R"

2,13,, "TRACK ROLLER", "B12 P", "B12 P R",, "B17 P", "B17 P R"

2,14,, "TRACK FRAME & IDLER", "B12 P", "B12 P R",, "B17 P", "B17 P R"

2,15,, "CRAWLER", "B12 P", "B12 P R",, "B17 P", "B17 P R"

2,16,, "LINK STAND", "B12 P", "B12 P R",, "B17 P", "B17 P R"

2,17,, "LINK STAND(AUSTRALIA SPEC.)", "B12 P", "B12 P R",, "B17 P", "B17 P R", "B17 OPTION"

2,18,, "CONTROL EQUIPMENT(BOOM&BUCKET)", "B12 P", "B12 P R",, "B17 P", "B17 P R"

2,19,, "CONTROL EQUIPMENT(BOOM&BUCKET)", "B12 P", "B12 P R",, "B17 P", "B17 P R", "B17 OPTION"

2,20,, "CONTROL EQUIPMENT(ARM&TURNING)", "B12 P", "B12 P R",, "B17 P", "B17 P R"

2,21,, "CONTROL EQUIPMENT(ARM&TURNING)", "B12 P", "B12 P R",, "B17 P", "B17 P R", "B17 OPTION"

2,22,, "CONTROL EQUIPMENT(TRAVEL&SWING)", "B12 P", "B12 P R",, "B17 P", "B17 P R"

2,23,, "CONTROL EQUIP.(TRAVEL & SWING)", "B12 P", "B12 P R",, "B17 P", "B17 P R", "B17 OPTION"

2,24,, "CONTROL EQUIPMENT(BLADE)", "B12 P", "B12 P R",, "B17 P", "B17 P R"

2,25,, "OPERATION LEVER STOPPER", "B12 P", "B12 P R",, "B17 P", "B17 P R"

2,26,, "OPERATION LEVER STOPPER", "B12 P", "B12 P R",, "B17 P", "B17 P R", "B17 OPTION"

2,27,, "TURNING FRAME", "B12 P", "B12 P R",, "B17 P", "B17 P R"

2,28,, "TURNING DRIVING GEARS", "B12 P", "B12 P R",, "B17 P", "B17 P R"

2,29,, "BONNET", "B12 P", "B12 P R",, "B17 P", "B17 P R"

2,30,, "SEAT & STEP(ENGLAND SPEC.)", "B12 P", "B12 P R",, "B17 P", "B17 P R"

2,31,, "SEAT & STEP(AUSTRALIA SPEC.)", "B12 P", "B12 P R",, "B17 P", "B17 P R", "B17 OPTION"

2,32,, "ROPS(ENGLAND SPEC.)", "B12 P", "B12 P R",, "B17 P", "B17 P R"

2,33,, "CANOPY(AUSTRALIA SPEC.)", "B12 P", "B12 P R",, "B17 P", "B17 P R", "B17 OPTION"

2,34,, "BOOM CYLINDER", "B12 P", "B12 P R",, "B17 P", "B17 P R"

2,35,, "ARM CYLINDER", "B12 P", "B12 P R",, "B17 P", "B17 P R"

2,36,, "BUCKET CYLINDER", "B12 P", "B12 P R",, "B17 P", "B17 P R"

2,37,, "SWING CYLINDER", "B12 P", "B12 P R",, "B17 P", "B17 P R"

2,38,, "BLADE CYLINDER", "B12 P", "B12 P R",, "B17 P", "B17 P R"

2,39,, "HYD. OIL PUMP & JOINT", "B12 P", "B12 P R",, "B17 P", "B17 P R"

2,40,, "TURNING MOTOR", "B12 P", "B12 P R",, "B17 P", "B17 P R"

2,41,, "TRAVEL MOTOR", "B12 P", "B12 P R",, "B17 P", "B17 P R"

2,42,, "SWIVEL JOINT", "B12 P", "B12 P R",, "B17 P", "B17 P R"

2,43,, "CONTROL VALVE(TRAVEL, TURNING)", "B12 P", "B12 P R",, "B17 P", "B17 P R"

2,44,, "CONTROL VALVE(ARM, BUCKET)", "B12 P", "B12 P R",, "B17 P", "B17 P R"

2,45,, "CONTROL VALVE(SWING, BOOM)", "B12 P", "B12 P R",, "B17 P", "B17 P R"

2,46,, "CONTROL VALVE(BLADE, P.T.O)", "B12 P", "B12 P R",, "B17 P", "B17 P R"

2,47,, "CONTROL VALVE(P1,P2,P3)", "B12 P", "B12 P R",, "B17 P", "B17 P R"

2,48,, "HYD. OIL TANK", "B12 P", "B12 P R",, "B17 P", "B17 P R"

2,49,, "GREASING", "B12 P", "B12 P R",, "B17 P", "B17 P R"

2,50,, "HYD. OIL PIPING (TANK-VALVE)", "B12 P", "B12 P R",, "B17 P", "B17 P R"

2,51,, "HYD. OIL PIPING (VALVE-SWIVEL.)", "B12 P", "B12 P R",, "B17 P", "B17 P R"

2,52,, "HYD. OIL PIPING (TANK RETURN)", "B12 P", "B12 P R",, "B17 P", "B17 P R"

2,53,, "HYD. OIL PIPING (TRAVEL)", "B12 P", "B12 P R",, "B17 P", "B17 P R"

2,54,, "HYD. OIL PIPING (WORK EQUIP.)", "B12 P", "B12 P R",, "B17 P", "B17 P R"

2,55,, "3RD VALVE PIPING(ENGLAND SPEC.", "B12 P", "B12 P R", , "B17 P", "B17 P R"
2,56,, "3RD VALVE PIPING", "B12 P", "B12 P R", , "B17 P", "B17 P R", "B17 OPTION"
2,57,, "BOOM & BUCKET(B12)", "B12 P", "B12 P R", , "B17 P", "B17 P R", "B17 OPTION"
2,58,, "BOOM & BUCKET(B17)", "B12 P", "B12 P R", , "B17 P", "B17 P R", "B17 OPTION"
2,59,, BLADE, "B12 P", "B12 P R", , "B17 P", "B17 P R"