

# P R E F A C E

1. This Parts Catalog is the 2nd revised of Yanmar mini back-hoe B05.

2. Parts catalog history

|             | Parts catalog No. | Published  | Remarks            |
|-------------|-------------------|------------|--------------------|
| 1st edition | 000Y00K 2640      | Jun., 1990 | Disuse old edition |
| 1st revised | 000Y00K 2641      | Nov., 1994 | Disuse old edition |
| 2nd revised | 000Y00K 2642      | Mar., 2000 |                    |

3. Model name

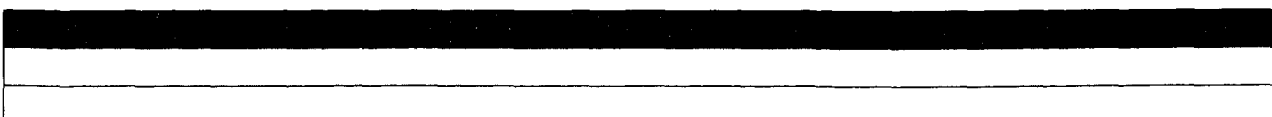
| SECTION     | Column | Model    | Manufactured     | Machine No. |
|-------------|--------|----------|------------------|-------------|
| I (Vehicle) | (A)    | B05 G    | 1990/4 ~         | 00501~      |
|             | (B)    | B05 P    | 1990/4 ~1990/6 ~ | 00506~00604 |
|             | (C)    | B05 Y    | 1990/7 ~         | 00615~      |
|             | (D)    | B05 G EX | 1994/4 ~         | 10660~      |
|             | (E)    | B05 G AY | 1996/10~         | 10955~      |
| II (Engine) | (A)    | L70ADEB  | 1990/3 ~         | 00101~      |

(Note) G:green., P:pink., Y:yellow,  
EX:Export except Europe, AY:Europe.

4. Your understanding is asking that this Parts catalog is not a technical data manual setting forth as servicing procedures, This parts catalog is using simplified illustration.

Be sure to use Yanmar Genuine Parts in your maintenance servicing of Yanmar products.

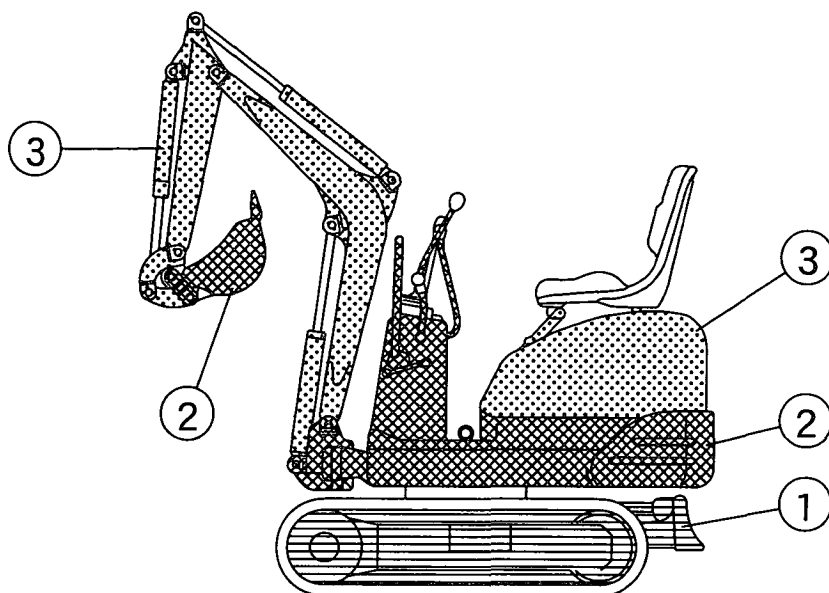
Be careful not to use the simple parts available in the market ; otherwise their use in repairing causes such as an early breakage, for instance.



## SPECIFICATIONS

|                             |                  |                            |                        |
|-----------------------------|------------------|----------------------------|------------------------|
| Name                        |                  |                            | YANMAR CRAWLER BACKHOE |
| Model                       |                  |                            | <b>B05</b>             |
| Engine                      | Model            |                            | L70ADEB                |
|                             | Type             |                            | Air-cooled diesel      |
| Dimensions                  | Transport length | mm                         | 2400                   |
|                             | Transport width  | mm                         | 690                    |
|                             | Transport height | mm                         | 1180                   |
| Std. bucket capacity        |                  | m <sup>3</sup>             | 0.011                  |
| Std. bucket width (Outside) |                  | mm                         | 300                    |
| Max. digging depth          |                  | mm                         | 1350 (1430 ,Blade)     |
| Max. cutting depth          |                  | mm                         | 2260                   |
| Max. dump height            |                  | mm                         | 1570                   |
| Max. reach at ground level  |                  | mm                         | 2370                   |
| Min. swing radius           |                  | mm                         | 960 (830 Boom Swing)   |
| Boom swing angle            |                  | degree                     | Left 70 • Right 70     |
| Max. digging force (Bucket) |                  | kN (kgf)                   | 5.4 (550)              |
| Travel speed                |                  | km/h                       | 1.6                    |
| Gradability                 |                  | degree                     | 30                     |
| Average ground pressure     |                  | kPa (kgf/cm <sup>2</sup> ) | 16.7 (0.17)            |
| Track shoe width            |                  | mm                         | 150                    |
| Blade                       | Width × height   | mm                         | 690×180                |
|                             | Capacity         | m <sup>3</sup>             | 0.025                  |
| Machine mass                |                  | kg                         | 500                    |

1 [ 本機塗装色  
VEHICLE PAINTED COLOR ]



| 部所<br>Part | 塗装色 / 実施号機<br>Painted Color/Effective Machine No. |                                       |                                   |
|------------|---|---------------------------------------|-----------------------------------|
|            | 00501~10500                                       | 10501~10550                           | 10551~                            |
| ①          | ヤンマーチャコールグレー<br>YANMAR Charcoal Gray              | ←                                     | ヤンマーディープグリーン<br>YANMAR Deep Green |
| ②          | ヤンマーワームグレー<br>YANMAR Warm Gray                    | ←                                     | ←                                 |
| ③          | ヤンマーエメラルドグリーン<br>YANMAR Emerald Green             | ←                                     | ←                                 |
|            | ヤンマーローズピンク<br>YANMAR Rose Pink                    | —                                     | —                                 |
|            | —   | ヤンマーサフランイエロー<br>YANMAR Sattron Yellow | ←                                 |

| 部所<br>Part | 表示<br>Desc-<br>ription | 塗装色<br>マンセル記号                       | Painted Color<br>Munsel No.                | 色区分<br>Color<br>Code |
|------------|------------------------|-------------------------------------|--|----------------------|
| ①          |                        | ヤンマーチャコールグレー<br>N2                  | YANMAR Charcoal Gray<br>N2                 | 71                   |
|            |                        | ヤンマーディープグリーン<br>6. 36BG 2. 11/1. 76 | YANMAR Deep Green<br>6. 36BG 2. 11/1. 76   | 82                   |
| ②          |                        | ヤンマーワームグレー<br>5. 52Y 4. 91/1. 09    | YANMAR Warm Gray<br>5. 52Y 4. 91/1. 09     | 73                   |
| ③          |                        | ヤンマーエメラルドグリーン<br>1. 02BG 0. 5/9. 68 | YANMAR Emerald Green<br>1. 02BG 0. 5/9. 68 | 76                   |
|            |                        | ヤンマーローズピンク<br>3R 5. 7/10. 9         | YANMAR Rose Pink<br>3R 5. 7/10. 9          | 77                   |
|            |                        | ヤンマーサフランイエロー<br>0. 94Y 738/10. 59   | YANMAR Sattron Yellow<br>0. 94Y 738/10. 59 | 70                   |

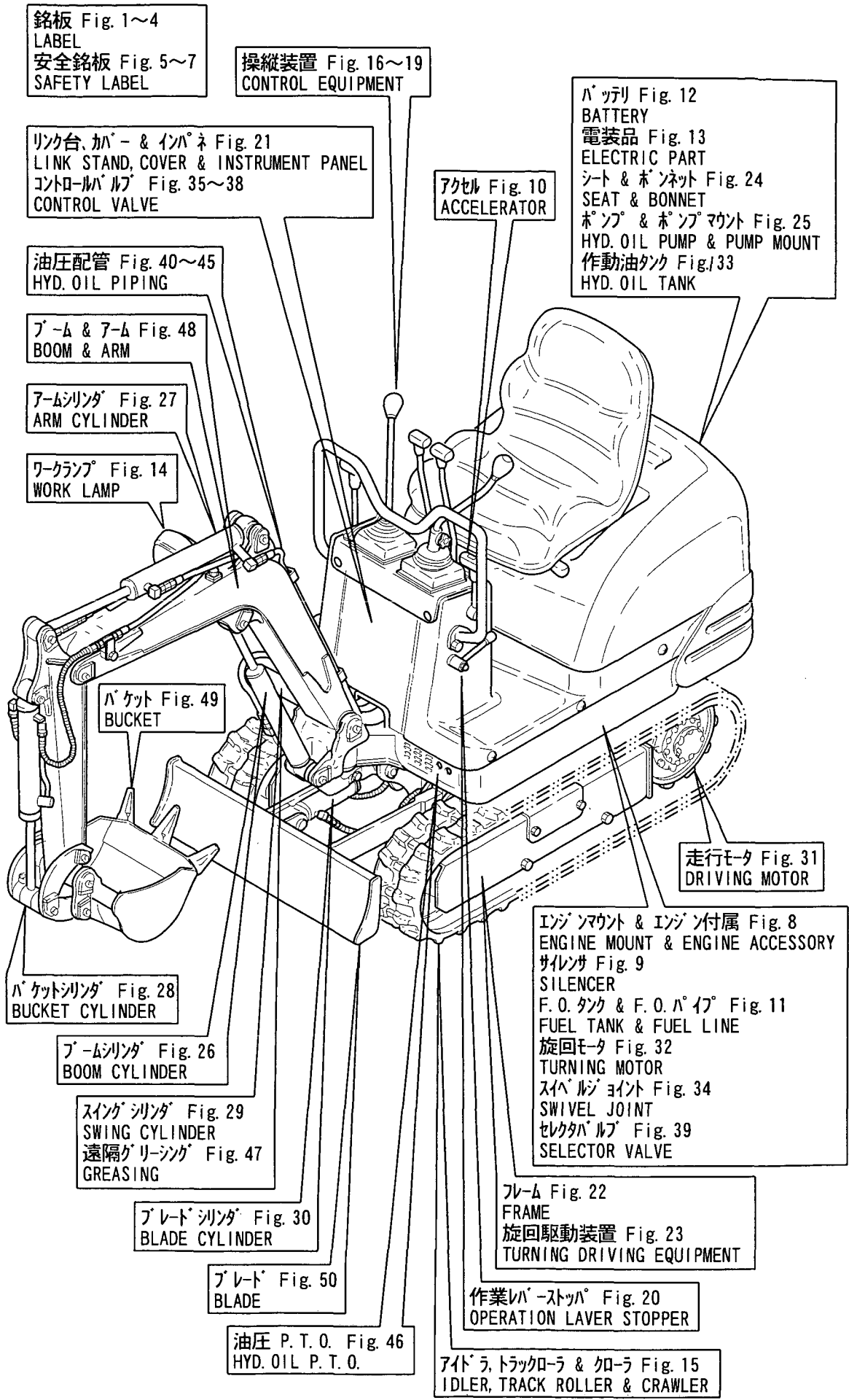
## 2 [ 塗料部品番号 ] PAINT PART NO.

| 部所<br>Part | 塗装色<br>Paint Color                    | 塗料部品番号 (Paint Part No.) |              |              |
|------------|---------------------------------------|-------------------------|--------------|--------------|
|            |                                       | 16L缶(16L Can)           | 4L缶(4L Can)  | スプレー(SPRAY)  |
| ①          | ヤンマーチャコールグレー<br>YANMAR Charcoal Gray  | 981101-09516            | 977620-40710 | 977620-30371 |
|            | ヤンマーディープグリーン<br>YANMAR Deep Green     | 981101-09517            | 977620-40820 | 977620-30N31 |
| ②          | ヤンマーウォームグレー<br>YANMAR Warm Gray       | —                       | —            | TOR-90450003 |
| ③          | ヤンマーエメラルドグリーン<br>YANMAR Emerald Green | 933110-91764            | —            | 977620-30761 |
|            | ヤンマーローズピンク<br>YANMAR Rose Pink        | 933110-91775            | —            | 977620-30771 |
|            | ヤンマーサフランイエロー<br>YANMAR Saffron Yellow | 933110-91603            | —            | 977620-30381 |

## 3 [ 主要部品の塗装色 ] COLOR OF MAIN PARTS

| 部所<br>Part | 塗装色<br>Paint Color                    | 主な部品  | Main Parts  |
|------------|---------------------------------------|---|---|
| ①          | ヤンマーチャコールグレー<br>YANMAR Charcoal Gray  | 走行フレーム部<br>ブレード<br>トラックシュー                  | driving frame part<br>blade<br>track shoe   |
|            | ヤンマーディープグリーン<br>YANMAR Deep Green     |   |   |
| ②          | ヤンマーウォームグレー<br>YANMAR Warm Gray       | 操作部、バケット<br>エンジン廻り<br>燃料タンク、リザーバ<br>旋回フレーム部 | operation part, bucket<br>engine related<br>fuel tank, reserver<br>turning frame part |
| ③          | ヤンマーエメラルドグリーン<br>YANMAR Emerald Green | 作業機部<br>ボンネット                               | operation machine part<br>bonnet  |
|            | ヤンマーローズピンク<br>YANMAR Rose Pink        |   |   |
|            | ヤンマーサフランイエロー<br>YANMAR Saffron Yellow |   |   |

絵目次 (1) . . . . . 主要部品  
 PICTURESQUE INDEX (1) . . . . . MAIN PARTS



銘板 Fig. 1~4  
 LABEL  
 安全銘板 Fig. 5~7  
 SAFETY LABEL

操縦装置 Fig. 16~19  
 CONTROL EQUIPMENT

リンク台、カバー & インパネ Fig. 21  
 LINK STAND, COVER & INSTRUMENT PANEL  
 コントロバルブ Fig. 35~38  
 CONTROL VALVE

アクセル Fig. 10  
 ACCELERATOR

バッテリー Fig. 12  
 BATTERY  
 電装品 Fig. 13  
 ELECTRIC PART  
 シート & ボンネット Fig. 24  
 SEAT & BONNET  
 ポンプ & ポンプマウント Fig. 25  
 HYD. OIL PUMP & PUMP MOUNT  
 作動油タンク Fig. 133  
 HYD. OIL TANK

油圧配管 Fig. 40~45  
 HYD. OIL PIPING

ブーム & アーム Fig. 48  
 BOOM & ARM

アームシリンダ Fig. 27  
 ARM CYLINDER

ワークランプ Fig. 14  
 WORK LAMP

バケット Fig. 49  
 BUCKET

走行モータ Fig. 31  
 DRIVING MOTOR

バケットシリンダ Fig. 28  
 BUCKET CYLINDER

エンジンマウント & エンジン付属 Fig. 8  
 ENGINE MOUNT & ENGINE ACCESSORY  
 サイレンサ Fig. 9  
 SILENCER  
 F.O.タンク & F.O.パイプ Fig. 11  
 FUEL TANK & FUEL LINE  
 旋回モータ Fig. 32  
 TURNING MOTOR  
 スイベルジョイント Fig. 34  
 SWIVEL JOINT  
 セレクトバルブ Fig. 39  
 SELECTOR VALVE

ブームシリンダ Fig. 26  
 BOOM CYLINDER

スイングシリンダ Fig. 29  
 SWING CYLINDER  
 遠隔グリース Fig. 47  
 GREASING

フレーム Fig. 22  
 FRAME  
 旋回駆動装置 Fig. 23  
 TURNING DRIVING EQUIPMENT

ブレードシリンダ Fig. 30  
 BLADE CYLINDER

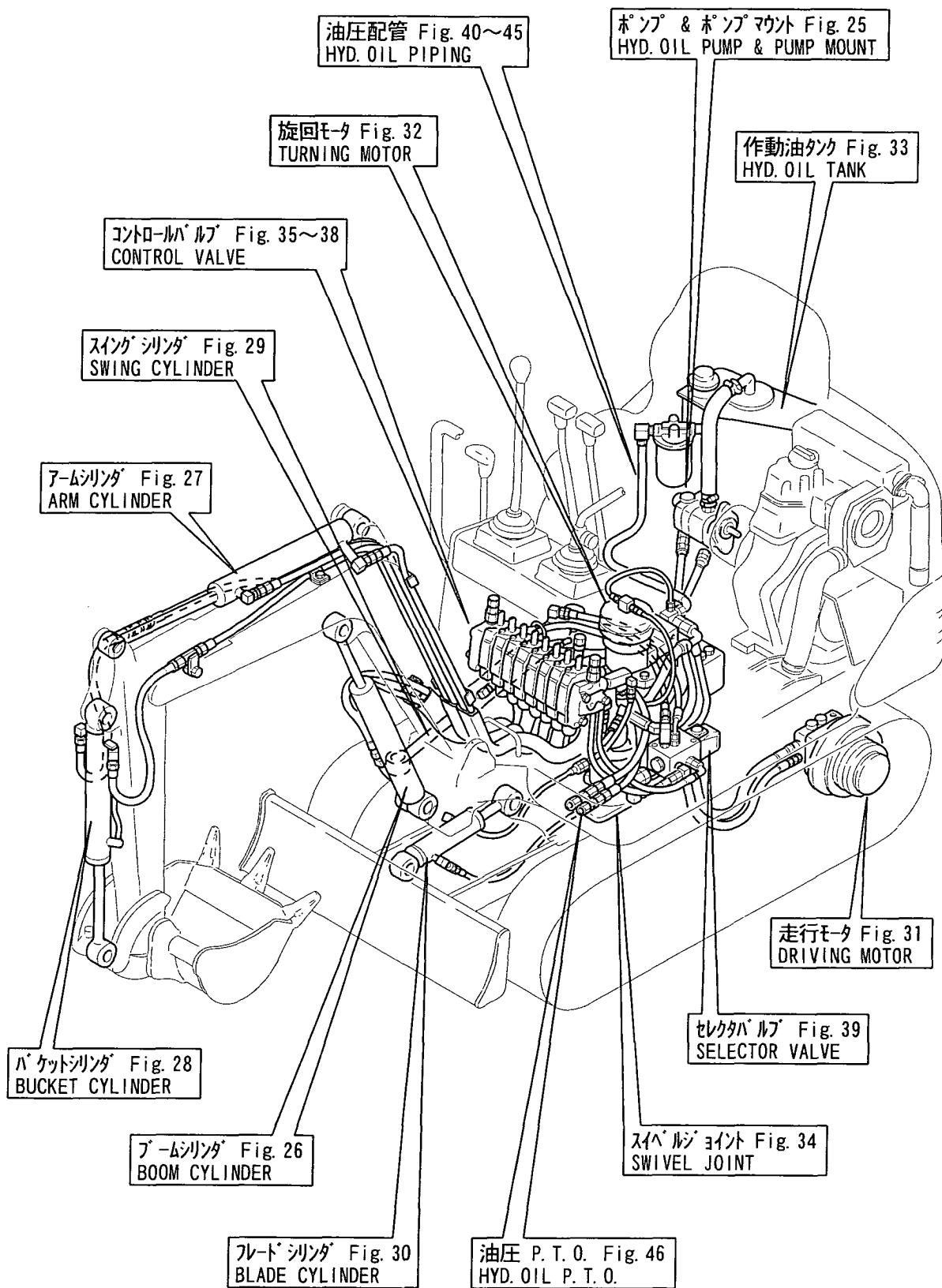
ブレード Fig. 50  
 BLADE

作業レバーストップ Fig. 20  
 OPERATION LAVER STOPPER

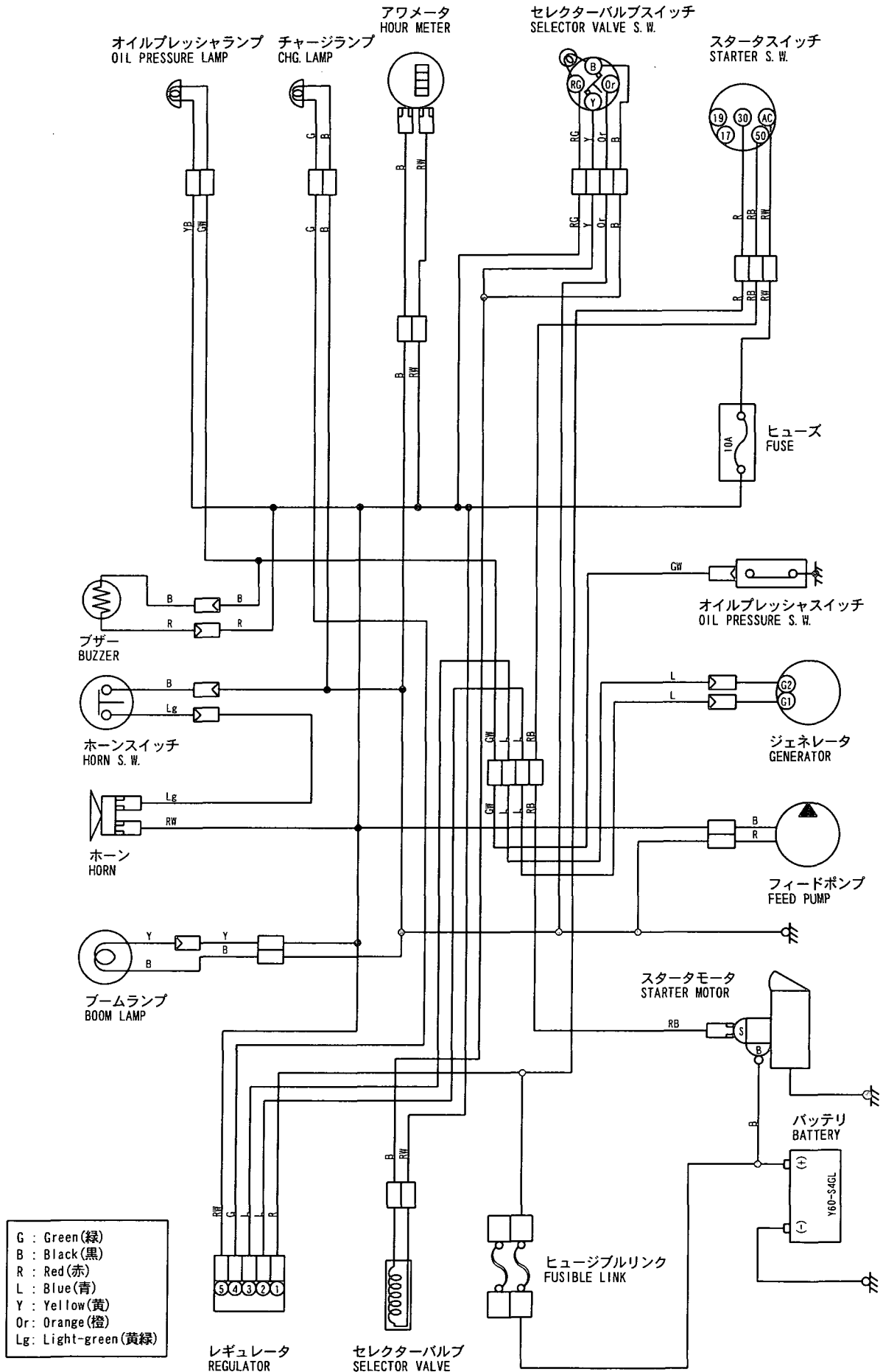
油圧 P. T. O. Fig. 46  
 HYD. OIL P. T. O.

アイドル、トラックローラ & クローラ Fig. 15  
 IDLER, TRACK ROLLER & CRAWLER

絵目次 (2) . . . . . 油圧関係  
PICTURESQUE INDEX (2) . . . . . HYDRAULIC SECTION



# 配線図 WIRING DIAGRAM



[ Info ]

PcNo=Y00K2642

PcName=B05

JpnUse=1

JpnSec1=㊦<@

JpnSec2=f0fbfNfz [

JpnSec3=B

JpnPreface=1

EngUse=1

EngSec1=CONSTRUCTION

EngSec2=EXCAVATOR (B)

EngSec3=B

EngPreface=1



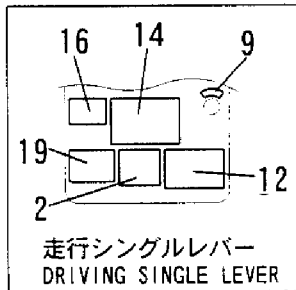
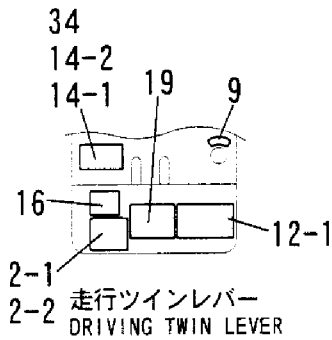
1,1,,772156-03100,, "LABEL SET(GREEN,PINK",1,1,,,,,,,,,,,,,  
1-1,1,,772156-03101,, "LABEL SET(GREEN)",1,,,,,S,,M/#10501,,,,,  
1-2,1,,772156-03102,, "LABEL SET(GREEN)",1,,,,,S,,M/#10609,,,,,  
1-3,1,,772156-03103,, "LABEL SET(GREEN)",1,,,,,S,,M/#10757,,,,,  
2,2,,172156-03110,, "LABEL, SPECIFICATION",1,1,,,,,,,,,,,,,  
2-1,2,,172156-03111,, "LABEL, SPECIFICATION",1,,,,,S,,M/#10501,,,,,  
2-2,2,,172156-03112,, "LABEL, SPECIFICATION",1,,,,,N,,M/#11341,,,,,  
3,2,,172156-03120,, "LABEL, B05(L)",1,1,,,,,,,,,,,,,  
4,2,,172156-03130,, "LABEL, B05(R)",1,1,,,,,,,,,,,,,  
5,2,,172156-03140,, "LABEL, BOOM(R)",1,1,,,,,,,,,,,,,  
6,2,,172156-03150,, "LABEL, BOOM(L)",1,1,,,,,,,,,,,,,  
7,2,,172156-03160,, "LABEL, STRIPE R",1,1,,,,,,,,,,,,,  
8,2,,172156-03170,, "LABEL, STRIPE L",1,1,,,,,,,,,,,,,  
9,2,,172156-03270,, "LABEL, KEY SWITCH",1,1,,,,,,,,,,,,,  
10,2,,172155-03320,, "LABEL, RESERVER(C)",1,1,,,,,,,,,,,,,  
10-1,2,,172155-03310,, "LABEL, OILING",1,1,,,,,R,,M/#00544,,M/#00544,,,,,  
11,2,,172156-03190,, "LABEL, (A)",1,1,,,,,,,,,,,,,  
11-1,2,,172156-03191,, "LABEL, (A)",1,1,,,,,R,,M/#10501,,M/#10501,,,,,  
11-2,2,,172156-03280,, LABEL,1,,,,,N,,M/#10757,,,,,  
12,2,,172156-03200,, "LABEL, OILING",1,1,,,,,,,,,,,,,  
12-1,2,,172156-03201,, "LABEL, OILING",1,,,,,N,,M/#10501,,,,,  
13,2,,172156-03210,, "LABEL, GREASE",1,1,,,,,,,,,,,,,  
14,2,,172156-03220,, "LABEL, OPERATION",1,1,,,,,,,,,,,,,  
14-1,2,,172156-03221,, "LABEL, OPERATION",1,,,,,N,,M/#10501,,,,,  
14-2,2,,172156-03450,, "LABEL, OPERATION",1,,,,,S,,M/#10609,,,,,  
15,2,,172141-03181,, "LABEL, RESERVER(C)",1,1,,,,,,,,,,,,,  
15-1,2,,172141-03182,, LABEL,1,,,,,N,,M/#10757,,,,,  
16,2,,172141-03350,, "LABEL, QUICK(C)",1,1,,,,,,,,,,,,,  
16-1,2,,172141-03350,, "LABEL, QUICK(C)",1,,,,,Z,,M/#10609,,,,,  
17,2,,194940-65510,, "LABEL, ACCEL. LEVER",1,1,,,,,,,,,,,,,  
18,2,,172155-03230,, "LABEL, YANMAR 280",1,1,,,,,,,,,,,,,  
19,2,,172156-03250,, "LABEL, LIFTING",1,1,,,,,,,,,,,,,  
19-1,2,,172156-03251,, LABEL,1,,,,,N,,M/#11220,,,,,  
20,2,,172156-03260,, "LABEL, OILING",1,1,,,,,,,,,,,,,  
20-1,2,,172156-03261,, "LABEL, OILING",1,1,,,,,N,,M/#10501,,M/#10501,,,,,  
20-2,2,,172156-03261,, "LABEL, OILING",1,1,,,,,Z,,M/#10757,,M/#10757,,,,,  
21,2,,114250-07190,, LABEL,1,1,,,,,Z,,M/#00501,,M/#00501,,,,,  
22,2,,172155-03160,, "LABEL, GREASE-SWING",1,1,,,,,,,,,,,,,  
23,2,,172156-03300,, "LABEL, INTAKE",1,1,,,,,W,,M/#00680,,M/#00680,,,,,  
23-1,2,,172156-03301,, LABEL,1,,,,,N,,M/#10757,,,,,  
24,2,,172183-03280,, "LABEL, LOCK",1,1,,,,,W,,M/#10660,,M/#10660,,,,,  
25,2,,172141-03202,, "LABEL, CAUTION",1,,,,,W,,M/#10767,,,,,  
26,2,,172142-03302,, "LABEL, CAUTION",1,,,,,W,,M/#10757,,,,,  
27,2,,172964-03480,, LABEL,1,,,,,W,,M/#10757,,,,,  
27-1,2,,172964-03481,, LABEL,1,,,,,N,,M/#10767,,,,,  
28,2,,172164-03500,, LABEL,1,,,,,W,,M/#10757,,,,,  
29,2,,172164-03510,, LABEL,1,,,,,W,,M/#10757,,,,,  
30,2,,172164-03540,, LABEL,1,,,,,W,,M/#10757,,,,,  
31,2,,172964-03610,, "LABEL A",1,,,,,W,,M/#10757,,,,,  
32,2,,172165-03661,, "LABEL, DANGER",1,,,,,W,,M/#10757,,,,,  
34,1,,172156-03460,, "LABEL, PATTERN B",1,1,,,,,W,,\*1995.10,,\*1995.10,,,,,

Fig. 1

銘板(JP) (ピンク、グリーン)  
 LABEL(JP) (PINK, GREEN)

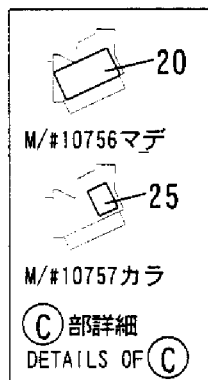
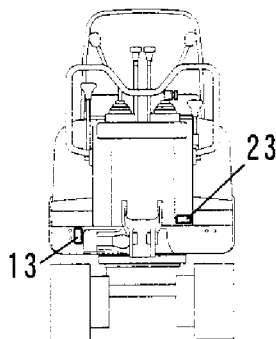
| COUNTRY  | JP   | AY | EX |
|----------|------|----|----|
| Fig. NO. | 1, 2 | 3  | 4  |

見出しNo. 1は見出しNo. 2から22を含みます。  
 見出しNo. 1-1は見出しNo. 2-1から24を含みます。  
 見出しNo. 1-2は見出しNo. 2-1から24を含みます。  
 見出しNo. 1-3は見出しNo. 2-2から32を含みます。  
 1 INC. 2~22.  
 1-1 INC. 2-1~24.  
 1-2 INC. 2-1~24.  
 1-3 INC. 2-2~32.



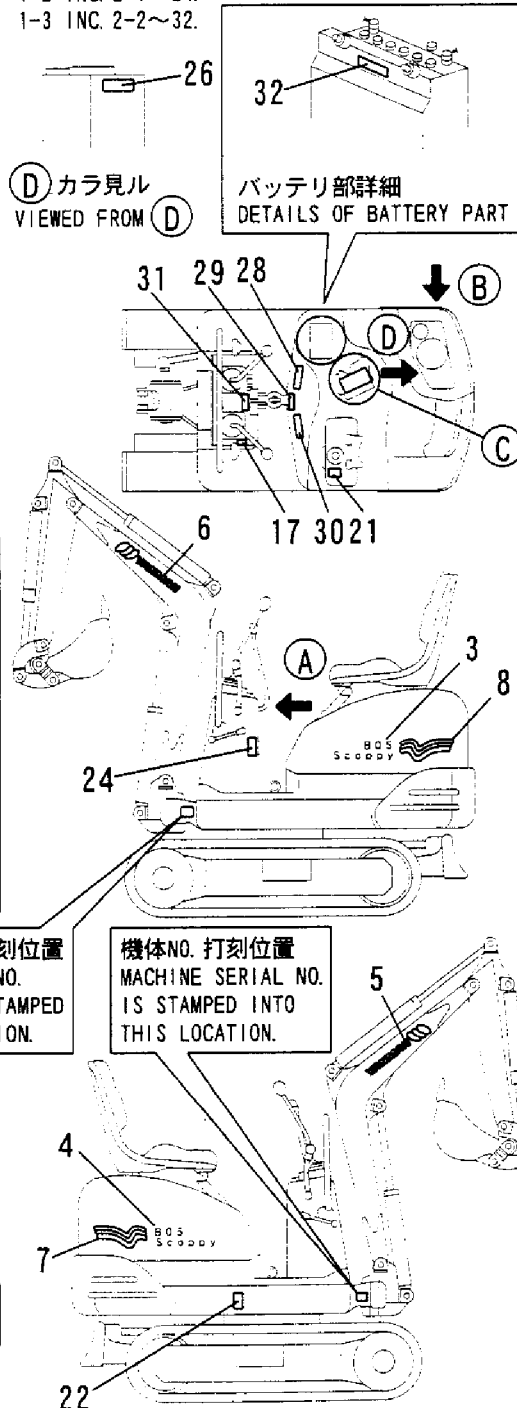
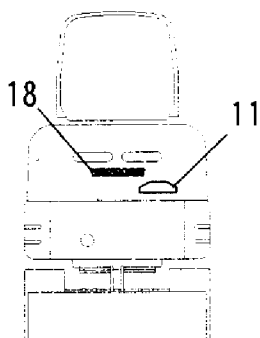
(A) カラ見ル  
VIEWED FROM (A)

(B) カラ見ル  
VIEWED FROM (B)



機体、機関NO. 打刻位置  
 MACHINE SERIAL NO.  
 ENGINE NO. IS STAMPED  
 INTO THIS LOCATION.

機体NO. 打刻位置  
 MACHINE SERIAL NO.  
 IS STAMPED INTO  
 THIS LOCATION.

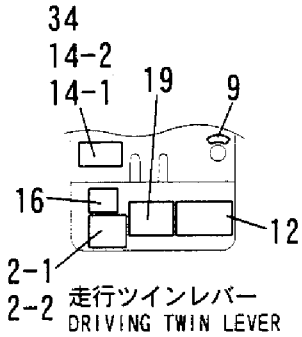


1,1,,772156-03121,, "LABEL SET (YELLOW)",,,1,,,,,,,,,,,,,  
1-1,1,,772156-03122,, "LABEL SET (YELLOW)",,,1,,,,S,,,,,M/#10609,,,,,  
1-2,1,,772156-03122,, "LABEL SET (YELLOW)",,,1,,,,S,,,,,M/#10757,,,,,  
2,2,,172156-03110,, "LABEL, SPECIFICATION",,,1,,,,,,,,,,,,,  
2-1,2,,172156-03111,, "LABEL, SPECIFICATION",,,1,,,,S,,,,,M/#10501,,,,,  
2-2,2,,172156-03112,, "LABEL, SPECIFICATION",,,1,,,,N,,,,,M/#11341,,,,,  
3,2,,172156-03310,, "LABEL, B05(L)(YELLOW)",,,1,,,,,,,,,,,,,  
4,2,,172156-03320,, "LABEL, B05(R)(YELLOW)",,,1,,,,,,,,,,,,,  
5,2,,172156-03340,, "LABEL,BOOM(R)(YELLOW)",,,1,,,,,,,,,,,,,  
6,2,,172156-03330,, "LABEL,BOOM(L)(YELLOW)",,,1,,,,,,,,,,,,,  
7,2,,172156-03160,, "LABEL, STRIPE R",,,1,,,,,,,,,,,,,  
8,2,,172156-03170,, "LABEL, STRIPE L",,,1,,,,,,,,,,,,,  
9,2,,172156-03270,, "LABEL, KEY SWITCH",,,1,,,,,,,,,,,,,  
10,2,,172155-03310,, "LABEL, OILING",,,1,,,,,,,,,,,,,  
11,2,,172156-03191,, "LABEL, (A)",,,1,,,,,,,,,,,,,  
11-1,2,,172156-03280,, LABEL,,1,,,,N,,,,,M/#10757,,,,,  
12,2,,172156-03201,, "LABEL, OILING",,,1,,,,,,,,,,,,,  
13,2,,172156-03210,, "LABEL, GREASE",,,1,,,,,,,,,,,,,  
14,2,,172156-03220,, "LABEL, OPERATION",,,1,,,,,,,,,,,,,  
14-1,2,,172156-03221,, "LABEL, OPERATION",,,1,,,,N,,,,,M/#10501,,,,,  
14-2,2,,172156-03450,, "LABEL, OPERATION",,,1,,,,S,,,,,M/#10609,,,,,  
15,2,,172141-03181,, "LABEL, RESERVER(C)",,,1,,,,,,,,,,,,,  
15-1,2,,172141-03182,, LABEL,,1,,,,N,,,,,M/#10757,,,,,  
16,2,,172141-03350,, "LABEL, QUICK(C)",,,1,,,,,,,,,,,,,  
17,2,,194940-65510,, "LABEL, ACCEL. LEVER",,,1,,,,,,,,,,,,,  
18,2,,172156-03350,, "LABEL, YANMAR 280",,,1,,,,,,,,,,,,,  
19,2,,172156-03250,, "LABEL, LIFTING",,,1,,,,,,,,,,,,,  
19-1,2,,172156-03251,, LABEL,,1,,,,N,,,,,M/#11220,,,,,  
20,2,,172156-03261,, "LABEL, OILING",,,1,,,,Z,,,,,M/#10757,,,,,  
21,2,,114250-07190,, LABEL,,1,,,,Z,,,,,M/#00501,,,,,  
22,2,,172155-03160,, "LABEL, GREASE-SWING",,,1,,,,,,,,,,,,,  
23,2,,172156-03300,, "LABEL, INTAKE",,,1,,,,,,,,,,,,,  
23-1,2,,172156-03301,, LABEL,,1,,,,N,,,,,M/#10757,,,,,  
24,2,,172183-03280,, "LABEL, LOCK",,,1,,,,,,,,,,,,,  
25,2,,172141-03202,, "LABEL, CAUTION",,,1,,,,,,,,,,,,,  
26,2,,172142-03302,, "LABEL, CAUTION",,,1,,,,,,,,,,,,,  
27,2,,172964-03480,, LABEL,,1,,,,,,,,,,,,,  
27-1,2,,172964-03481,, LABEL,,1,,,,N,,,,,M/#10767,,,,,  
28,2,,172164-03500,, LABEL,,1,,,,,,,,,,,,,  
29,2,,172164-03510,, LABEL,,1,,,,,,,,,,,,,  
30,2,,172164-03540,, LABEL,,1,,,,,,,,,,,,,  
31,2,,172964-03610,, "LABEL A",,,1,,,,,,,,,,,,,  
32,2,,172165-03661,, "LABEL, DANGER",,,1,,,,,,,,,,,,,  
34,1,,172156-03460,, "LABEL, PATTERN B",,,1,,,,,,,,,,,,,

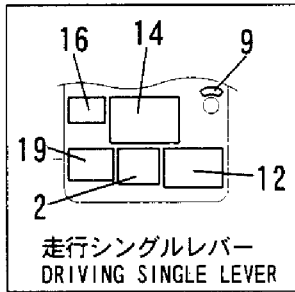
Fig. 2

銘板(JP) (イロ-)  
LABEL(JP) (YELLOW)

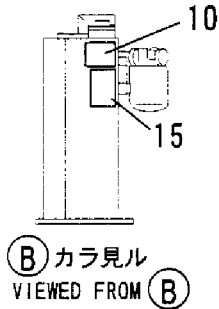
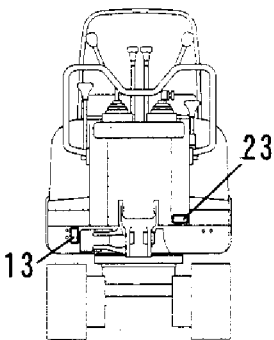
| COUNTRY  | JP   | AY | EX |
|----------|------|----|----|
| Fig. NO. | 1, 2 | 3  | 4  |



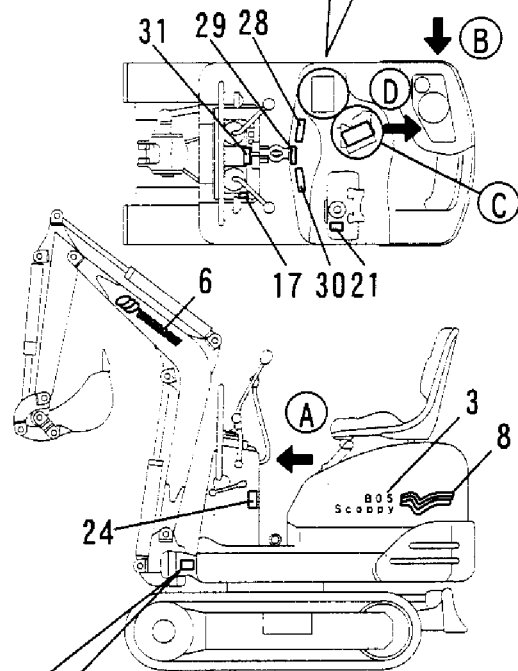
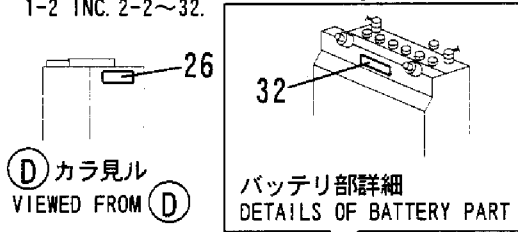
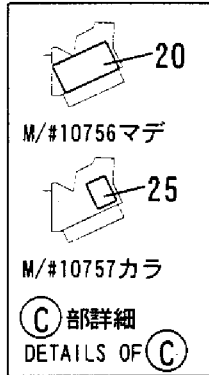
- 1
  - 1-1
  - 1-2
- 見出しNo. 1は見出しNo. 2から22を含みます。  
見出しNo. 1-1は見出しNo. 2-1から24を含みます。  
見出しNo. 1-2は見出しNo. 2-2から32を含みます。  
1 INC. 2~22.  
1-1 INC. 2-1~24.  
1-2 INC. 2-2~32.



(A) カラ見ル  
VIEWED FROM (A)

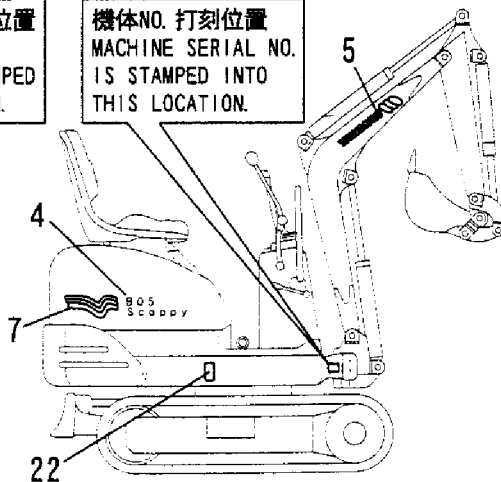
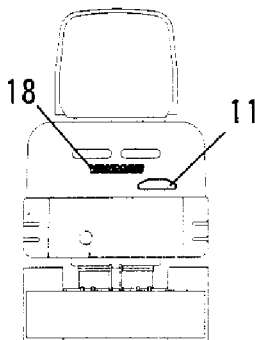


(B) カラ見ル  
VIEWED FROM (B)



機体、機関NO. 打刻位置  
MACHINE SERIAL NO.  
ENGINE NO. IS STAMPED  
INTO THIS LOCATION.

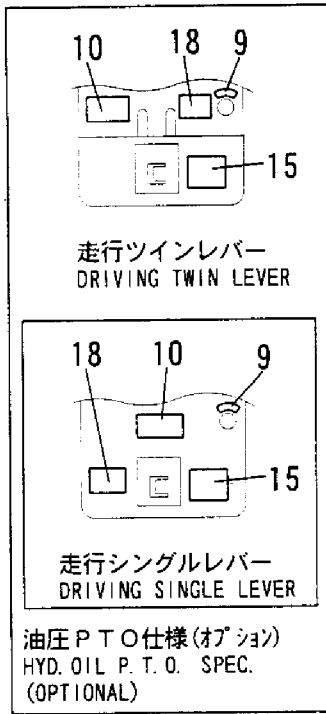
機体NO. 打刻位置  
MACHINE SERIAL NO.  
IS STAMPED INTO  
THIS LOCATION.



1,1,,772156-03150,, "LABEL SET(FR.,GRM)" ,,,,,1,,,,,,,,,,,,,  
2,2,,172156-03120,, "LABEL, B05(L)" ,,,,,1,,,,,,,,,,,,,  
3,2,,172156-03130,, "LABEL, B05(R)" ,,,,,1,,,,,,,,,,,,,  
4,2,,172156-03140,, "LABEL, BOOM(R)" ,,,,,1,,,,,,,,,,,,,  
5,2,,172156-03150,, "LABEL, BOOM(L)" ,,,,,1,,,,,,,,,,,,,  
6,2,,172156-03160,, "LABEL, STRIPE R" ,,,,,1,,,,,,,,,,,,,  
7,2,,172156-03170,, "LABEL, STRIPE L" ,,,,,1,,,,,,,,,,,,,  
8,2,,172155-03230,, "LABEL, YANMAR 280" ,,,,,1,,,,,,,,,,,,,  
9,2,,172156-03270,, "LABEL, KEY SWITCH" ,,,,,1,,,,,,,,,,,,,  
10,2,,172156-03450,, "LABEL, OPERATION" ,,,,,1,,,,,,,,,,,,,  
11,2,,194940-65510,, "LABEL, ACCEL. LEVER" ,,,,,1,,,,,,,,,,,,,  
12,2,,172183-03280,, "LABEL, LOCK" ,,,,,1,,,,,,,,,,,,,  
13,2,,772156-03150,, "LABEL SET(FR.,GRM)" ,,,,,1,,,,,,,,,,,,,  
14,3,,172143-03170,, LABEL ,,,,,1,,,,,,,,,,,,,  
15,3,,172156-03820,, LABEL ,,,,,1,,,,,,,,,,,,,  
16,3,,172156-03830,, "LABEL, GREASE OIL" ,,,,,1,,,,,,,,,,,,,  
17,3,,172156-03840,, LABEL ,,,,,1,,,,,,,,,,,,,  
18,3,,172156-03850,, "LABEL, LIFTING" ,,,,,1,,,,,,,,,,,,,  
19,3,,172156-03860,, "LABEL, OIL FEED" ,,,,,1,,,,,,,,,,,,,  
20,3,,172156-03870,, "LABEL, INTAKE" ,,,,,1,,,,,,,,,,,,,  
21,3,,172155-03890,, "LABEL, GREASE SWING" ,,,,,1,,,,,,,,,,,,,  
22,3,,172155-03930,, "LABEL, OIL SUPPLY" ,,,,,1,,,,,,,,,,,,,  
23,3,,933112-45300,, "LABEL, DANGER (A)" ,,,,,1,,,,,,,,,,,,,  
24,2,,172171-03420,, "CAUTION PLATE ASSY" ,,,,,1,W,,,,,,,,,,,,,M/#10941

Fig. 3

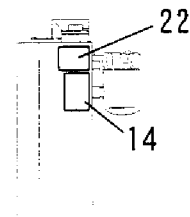
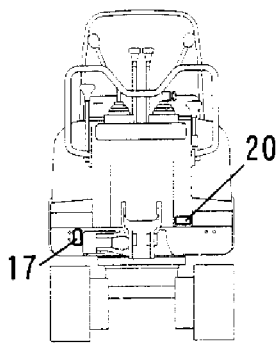
銘板 (AY)  
LABEL (AY)



| COUNTRY  | JP   | AY | EX |
|----------|------|----|----|
| Fig. NO. | 1, 2 | 3  | 4  |

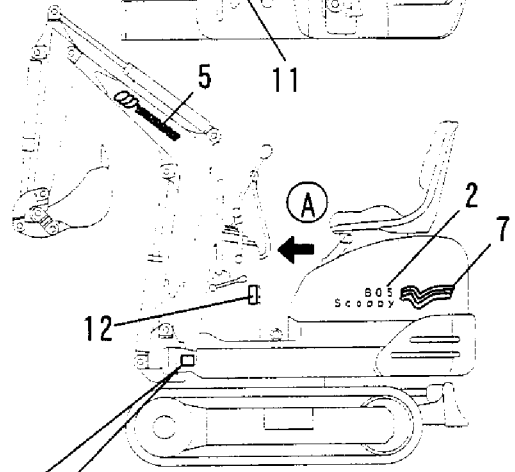
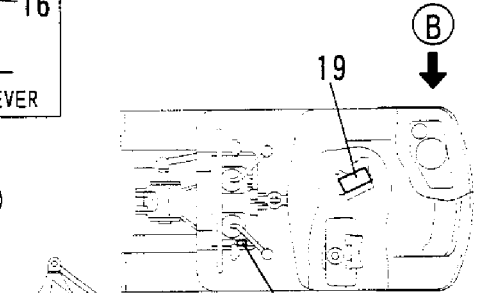
見出しNo. 1は  
見出しNo. 2から24を含みます。  
1 INC. 2~24.

見出しNo. 13は  
見出しNo. 14から23を含みます。  
13 INC. 14~23.



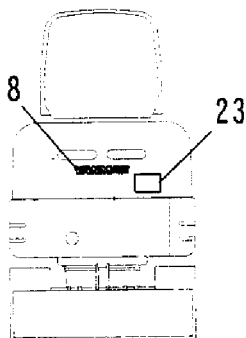
Ⓐ カラ見ル  
VIEWED FROM Ⓐ

Ⓑ カラ見ル  
VIEWED FROM Ⓑ

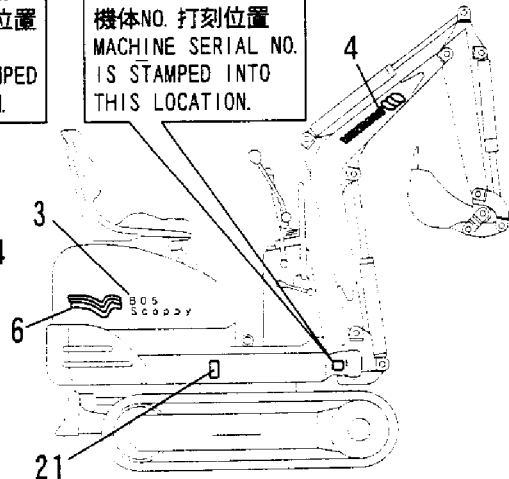


機体、機関NO. 打刻位置  
MACHINE SERIAL NO.  
ENGINE NO. IS STAMPED  
INTO THIS LOCATION.

機体NO. 打刻位置  
MACHINE SERIAL NO.  
IS STAMPED INTO  
THIS LOCATION.



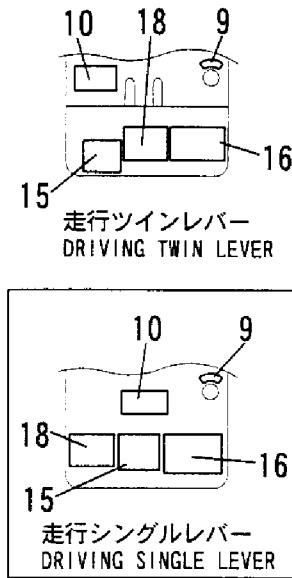
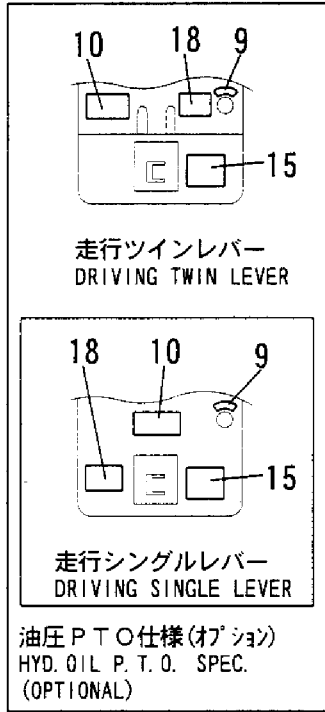
取説収納庫在中  
IN THE OPERATION  
MANUAL CASE



1,1,,772156-03160,, "LABEL SET (ENGLISH)" ,,,,1,,,,,,,,,,,,,  
2,2,,172156-03120,, "LABEL, B05(L)" ,,,,1,,,,,,,,,,,,,  
3,2,,172156-03130,, "LABEL, B05(R)" ,,,,1,,,,,,,,,,,,,  
4,2,,172156-03140,, "LABEL, BOOM(R)" ,,,,1,,,,,,,,,,,,,  
5,2,,172156-03150,, "LABEL, BOOM(L)" ,,,,1,,,,,,,,,,,,,  
6,2,,172156-03160,, "LABEL, STRIPE R" ,,,,1,,,,,,,,,,,,,  
7,2,,172156-03170,, "LABEL, STRIPE L" ,,,,1,,,,,,,,,,,,,  
8,2,,172155-03230,, "LABEL, YANMAR 280" ,,,,1,,,,,,,,,,,,,  
9,2,,172156-03270,, "LABEL, KEY SWITCH" ,,,,1,,,,,,,,,,,,,  
10,2,,172156-03450,, "LABEL, OPERATION" ,,,,1,,,,,,,,,,,,,  
11,2,,194940-65510,, "LABEL, ACCEL. LEVER" ,,,,1,,,,,,,,,,,,,  
12,2,,172183-03280,, "LABEL, LOCK" ,,,,1,,,,,,,,,,,,,  
13,2,,772156-03161,, "LABEL SET (E)" ,,,,1,,,,,,,,,,,,,  
14,3,,172141-03450,, "LABEL, RESERVER(C)" ,,,,1,,,,,,,,,,,,,  
14-1,3,,172171-03720,, LABEL,,,,1,,N,,,,,,,,,M/#11319,,  
15,3,,172156-03720,, "LABEL, SPECIFICATION" ,,,,1,,,,,,,,,,,,,  
16,3,,172156-03730,, "LABEL, GREASE OIL" ,,,,1,,,,,,,,,,,,,  
17,3,,172156-03740,, "LABEL, GREASE" ,,,,1,,,,,,,,,,,,,  
18,3,,172156-03750,, LABEL,,,,1,,,,,,,,,,,,,  
19,3,,172156-03760,, "LABEL, OIL FEED" ,,,,1,,,,,,,,,,,,,  
20,3,,172156-03770,, "LABEL, INTAKE" ,,,,1,,,,,,,,,,,,,  
21,3,,172155-03750,, LABEL,,,,1,,,,,,,,,,,,,  
22,3,,172155-03790,, "LABEL, RE-FUELING" ,,,,1,,,,,,,,,,,,,  
23,3,,172141-03460,, "LABEL, (D)" ,,,,1,,,,,,,,,,,,,  
23-1,3,,172171-03780,, LABEL,,,,1,,N,,,,,,,,,M/#11319,,  
24,2,,172171-03400,, PLATE,,,,1,,W,,,,,,,,,M/#10926,,

Fig. 4

銘板(EX)  
LABEL (EX)



Ⓐ カラ見ル  
VIEWED FROM Ⓐ

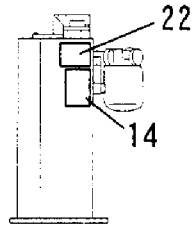
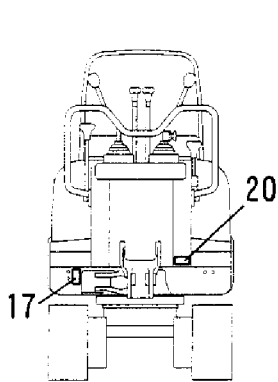
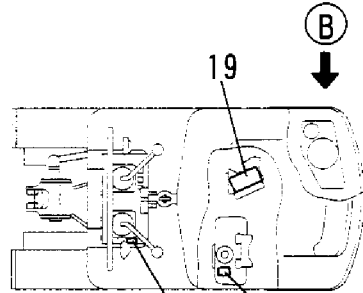
| COUNTRY  | JP   | AY | EX |
|----------|------|----|----|
| Fig. NO. | 1, 2 | 3  | 4  |

見出しNo. 1は  
見出しNo. 2から24を含みます。  
1 INC. 2~24.

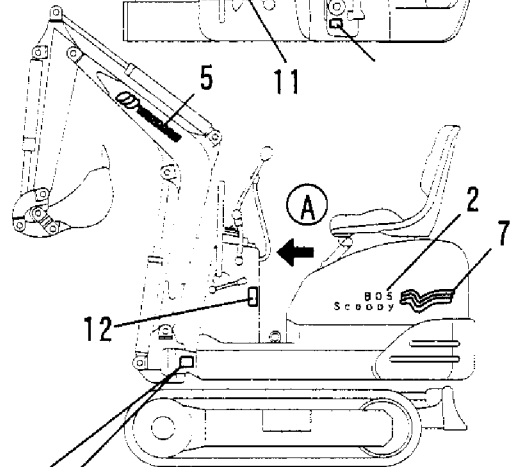
1

見出しNo. 13は  
見出しNo. 14から23-1を含みます。  
13 INC. 14~23-1.

13

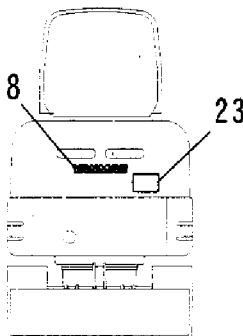


Ⓑ カラ見ル  
VIEWED FROM Ⓑ



機体、機関NO. 打刻位置  
MACHINE SERIAL NO.  
ENGINE NO. IS STAMPED  
INTO THIS LOCATION.

機体NO. 打刻位置  
MACHINE SERIAL NO.  
IS STAMPED INTO  
THIS LOCATION.



取説収納庫在中  
IN THE OPERATION  
MANUAL CASE



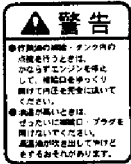
1,1,,172141-03182,,LABEL,1,1,1,,,,,,,,,,,,,  
2,1,,172141-03202,, "LABEL,CAUTION",1,1,1,,,,,,,,,,,,,  
3,1,,172156-03280,,LABEL,1,1,1,,,,,,,,,,,,,  
4,1,,172142-03302,, "LABEL,CAUTION",1,1,1,,,,,,,,,,,,,  
5,1,,172156-03301,,LABEL,1,1,1,,,,,,,,,,,,,  
6,1,,172164-03500,,LABEL,1,1,1,,,,,,,,,,,,,  
7,1,,172164-03510,,LABEL,1,1,1,,,,,,,,,,,,,  
8,1,,172164-03540,,LABEL,1,1,1,,,,,,,,,,,,,  
9,1,,172164-03610,, "LABEL A",1,1,1,,,,,,,,,,,,,  
10,1,,172165-03661,, "LABEL,DANGER",1,1,1,,,,,,,,,,,,,  
11,1,,172964-03480,,LABEL,1,1,1,,,,,,,,,,,,,  
11-1,1,,172964-03481,,LABEL,1,1,1,,,,,N,,,,,M/#10767,,,,,

Fig. 5

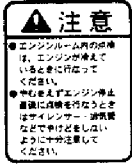
安全銘板(JP)  
SAFETY LABEL(JP)

|          |    |    |    |
|----------|----|----|----|
| COUNTRY  | JP | AY | EX |
| Fig. NO. | 5  | 6  | 7  |

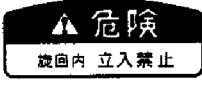
1



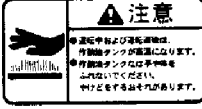
2



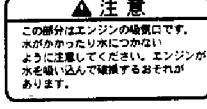
3



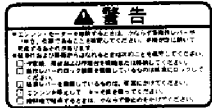
4




5



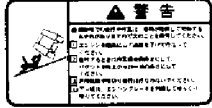
6



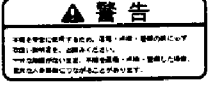
7



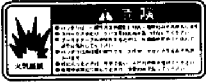
8




9



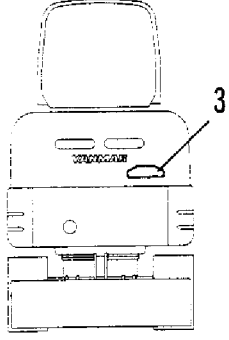
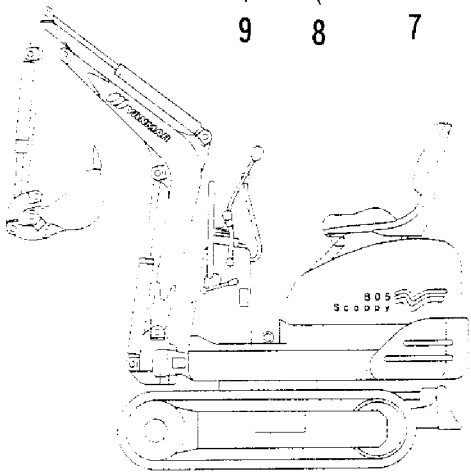
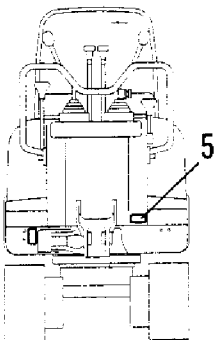
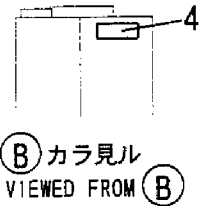
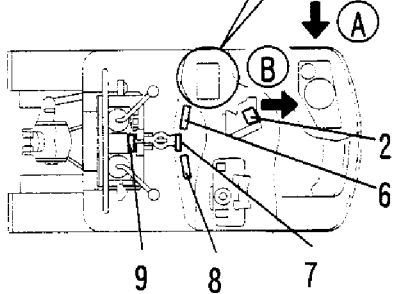
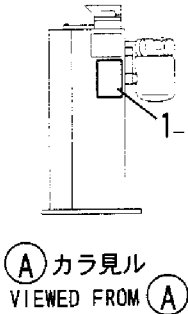
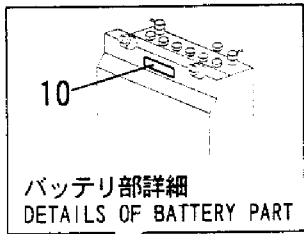
10



11



取説収納庫在中  
IN THE OPERATION  
MANUAL CASE

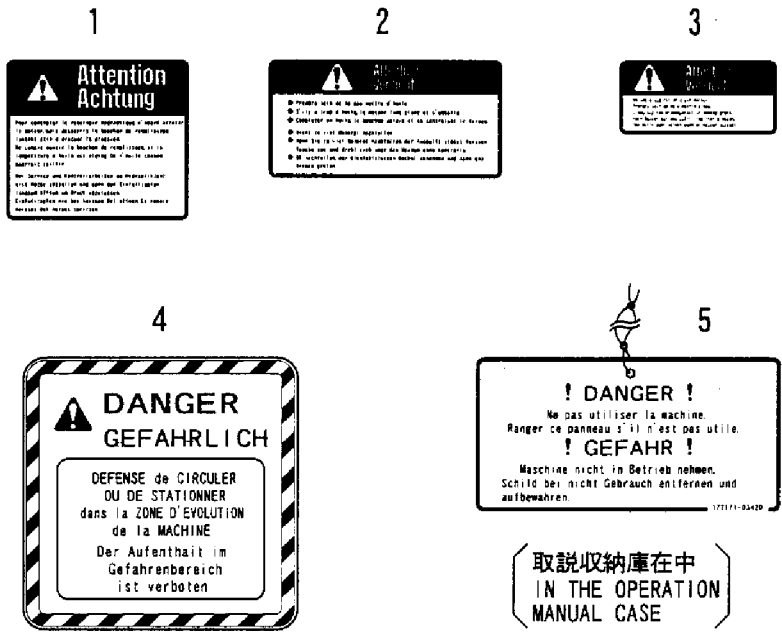


1,1,,172143-03170,,LABEL,,,,,1,,,,,,,,,,,,,  
2,1,,172156-03860,, "LABEL, OIL FEED" ,,,,,1,,,,,,,,,,,,,  
3,1,,172156-03870,, "LABEL, INTAKE" ,,,,,1,,,,,,,,,,,,,  
4,1,,933112-45300,, "LABEL, DANGER (A)" ,,,,,1,,,,,,,,,,,,,  
5,1,,172171-03420,, "CAUTION PLATE ASSY" ,,,,,1,,,,,,,,,,,,,

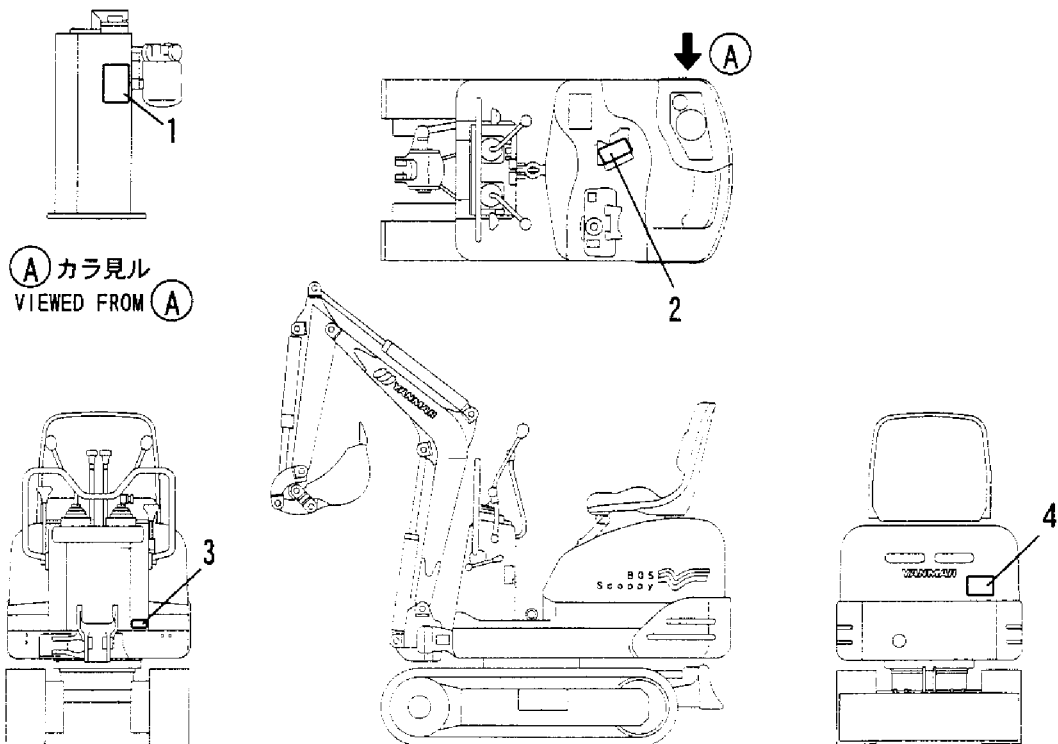
Fig. 6

安全銘板 (AY)  
SAFETY LABEL (AY)

|          |    |    |    |
|----------|----|----|----|
| COUNTRY  | JP | AY | EX |
| Fig. NO. | 5  | 6  | 7  |



取説収納庫在中  
IN THE OPERATION  
MANUAL CASE



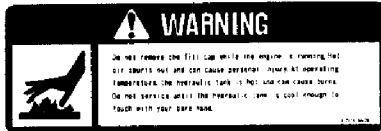
1,1,,172141-03450,, "LABEL, RESERVER(C)",,,,,1,,,,,,,,,,,,,  
1-1,1,,172171-03720,, LABEL,,,,1,,,N,,,,,,,,,,,,M/#11319,,  
2,1,,172141-03460,, "LABEL, (D)",,,,,1,,,,,,,,,,,,,  
2-1,1,,172171-03780,, LABEL,,,,1,,,N,,,,,,,,,,,,M/#11319,,  
3,1,,172156-03760,, "LABEL, OIL FEED",,,,,1,,,,,,,,,,,,,  
4,1,,172156-03770,, "LABEL, INTAKE",,,,,1,,,,,,,,,,,,,  
5,1,,172171-03400,, PLATE,,,,1,,,,,,,,,,,,M/#10926,,

Fig. 7

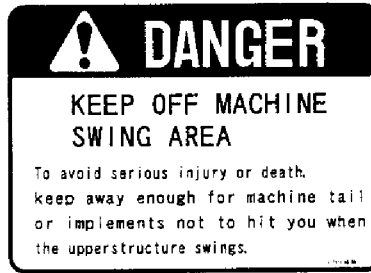
安全銘板(EX)  
SAFETY LABEL (EX)

|          |    |    |    |
|----------|----|----|----|
| COUNTRY  | JP | AY | EX |
| Fig. NO. | 5  | 6  | 7  |

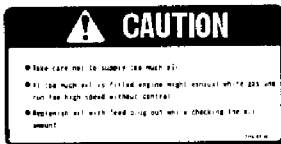
1-1



2-1



3



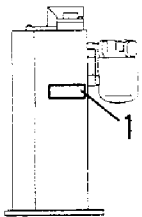
4



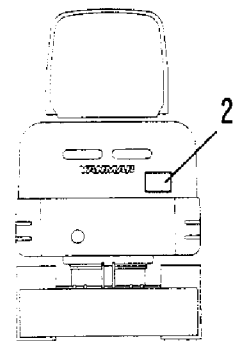
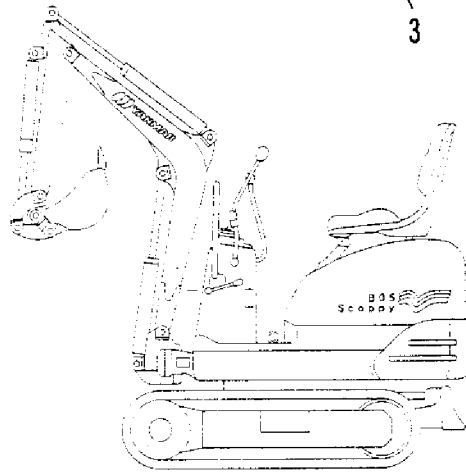
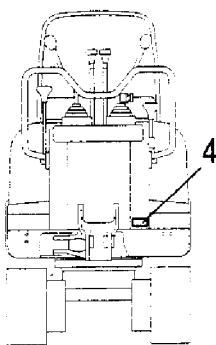
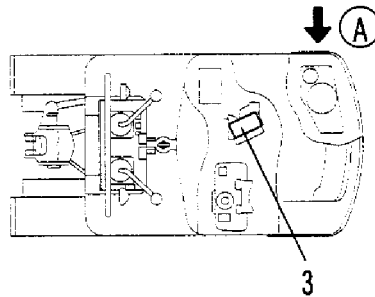
5



取説収納庫在中  
IN THE OPERATION  
MANUAL CASE



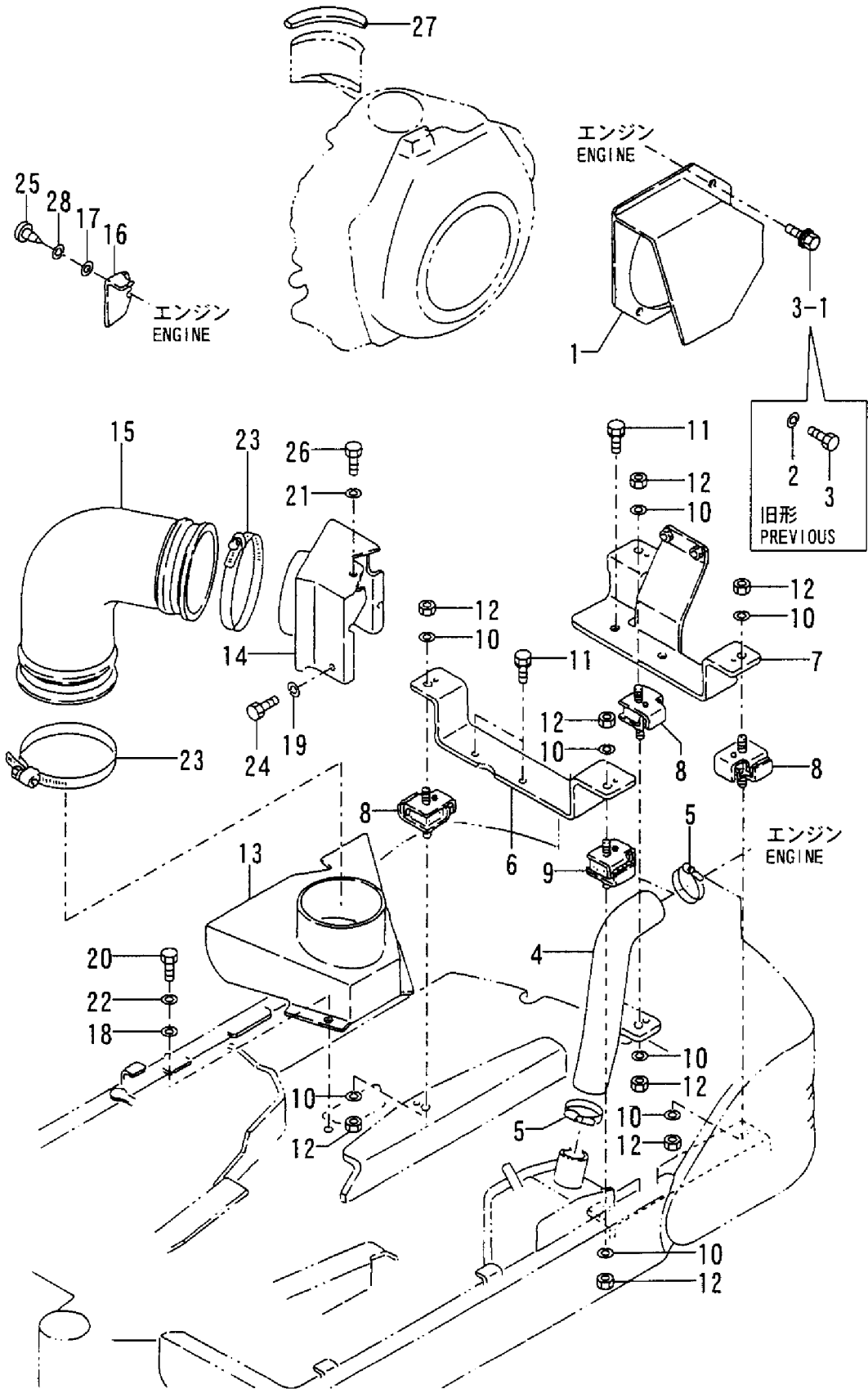
Ⓐ カラ見ル  
VIEWED FROM Ⓐ



1,1,,172156-11100,, "DUCT, INTAKE",1,1,1,1,1,,,,,,,,,,,,,  
2,1,,22217-080000,, "SPRING WASHER 8",4,4,,,,,Z,,,M/#00544,,M/#00544,,,,,,  
3,1,,26116-080122,, "BOLT M 8X 12 PLATED",4,4,,,,,,,,,,,,,  
3-1,1,,26014-060122,, "BOLT M 6X 12",4,4,4,4,4,4,N,,,M/#00501,,M/#00501,,,,,,  
4,1,,172156-11500,,HOSE,1,1,1,1,1,,,,,,,,,,,,,  
5,1,,23000-054000,, "CLAMP 54",2,2,,,,,,,,,,,,,  
5-1,1,,23000-060000,, "CLAMP 60",2,2,2,2,2,2,R,,,M/#00608,,M/#00608,,,,,,  
6,1,,172156-13100,, "MOUNT, ENGINE (F)",1,1,1,1,1,,,,,,,,,,,,,  
7,1,,172156-13110,, "MOUNT, ENGINE (R)",1,1,1,1,1,,,,,,,,,,,,,  
8,1,,172156-13150,, "ABSORBER, SHOCK",3,3,,,,,,,,,,,,,  
8-1,1,,172156-13151,, "RUBBER A,BUFFER",3,3,3,3,3,,F,1,,M/#01624,,M/#01624,,,,,,  
9,1,,172156-13160,, "ABSORBER, SHOCK",1,1,,,,,,,,,,,,,  
9-1,1,,172156-13161,, "RUBBER B,BUFFER",1,1,1,1,1,,F,1,,M/#01624,,M/#01624,,,,,,  
10,1,,22217-100000,, "SPRING WASHER 10",8,8,8,8,8,,,,,,,,,,,,,  
11,1,,26013-100352,, "BOLT M10X 35",4,4,4,4,4,,,,,,,,,,,,,  
12,1,,26716-100002,, "NUT 10",8,8,8,8,8,,,,,,,,,,,,,  
13,1,,172156-65600,, "DUCT, OUT",1,1,1,1,1,,,,,,,,,,,,,  
14,1,,172156-65640,, "DUCT, EXHAUST",1,1,1,1,1,,,,,,,,,,,,,  
15,1,,172156-65670,, "DUCT, EXHAUST",1,1,1,1,1,,,,,,,,,,,,,  
16,1,,172156-65680,,PLATE,1,1,1,1,1,,,,,,,,,,,,,  
17,1,,22137-060000,, "WASHER 6, POLISHED",1,1,1,1,1,,,,,,,,,,,,,  
18,1,,22137-080000,, "WASHER 8, POLISHED",2,2,2,2,2,,,,,,,,,,,,,  
19,1,,22217-060000,, "SPRING WASHER 6",2,2,2,2,2,,,,,,,,,,,,,  
20,1,,26116-080122,, "BOLT M 8X 12 PLATED",2,2,2,2,2,,,,,,,,,,,,,  
21,1,,22217-080000,, "SPRING WASHER 8",1,1,1,1,1,,,,,,,,,,,,,  
22,1,,22217-080000,, "SPRING WASHER 8",2,2,2,2,2,,,,,,,,,,,,,  
23,1,,23000-140000,, "CLAMP 140",2,2,2,2,2,,,,,,,,,,,,,  
24,1,,26116-060122,, "BOLT 6X12",2,2,2,2,2,,,,,,,,,,,,,  
25,1,,22857-600120,, "SCREW 6X12,TAPPING",1,1,1,1,1,,,,,,,,,,,,,  
26,1,,26116-080122,, "BOLT M 8X 12 PLATED",1,1,1,1,1,,,,,,,,,,,,,  
27,1,,172156-11150,, "SEAL, ENGINE",1,1,1,1,1,,W,,,M/#00608,,M/#00608,,,,,,  
28,1,,22217-060000,, "SPRING WASHER 6",1,1,1,1,1,,W,,,M/#00503,,M/#00503,,,,,,

Fig. 8

エンジンマウント & エンジン付属  
ENGINE MOUNT & ENGINE ACCESSORY

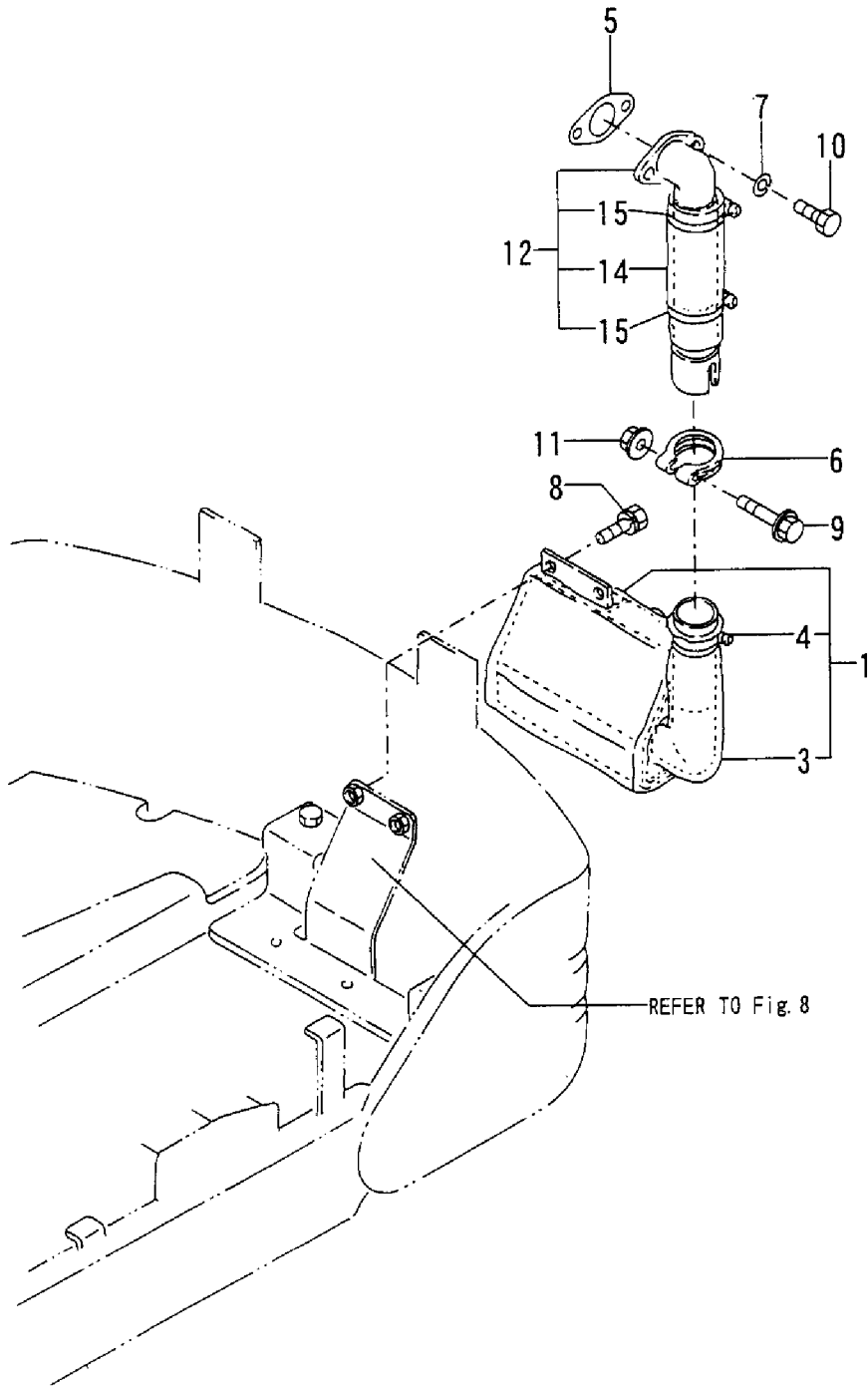




1,1,,172156-11750,, "SILENCER, INSULATOR",1,1,1,1,1,,,,,,,,,,,,,  
3,2,,172156-11760,, "INSULATOR A",1,1,1,1,1,1,,W,,,M/#00501,,M/#00501,,,,,,  
4,2,,23000-048000,, "CLAMP 48",1,1,1,1,1,,,,,,,,,,,,,  
5,1,,114250-13200,, "GASKET, SILENCER",1,1,1,1,1,,,,,,,,,,,,,  
5-1,1,,114250-13201,, "GASKET (NON-  
ASB.)",1,1,1,1,1,1,,N,,,M/#10926,,M/#10926,,M/#10926,,M/#10926,,  
6,1,,124664-13580,,CLAMP,1,1,1,1,1,,,,,,,,,,,,,  
6-1,1,,172168-  
11310,,CLAMP,1,1,1,1,1,1,,N,,,M/#10670,,M/#10670,,M/#10670,,M/#10670,,  
7,1,,22217-080000,, "SPRING WASHER 8",2,2,2,2,2,,,,,,,,,,,,,  
8,1,,26013-080202,, "BOLT W/WASHER M8X20",2,2,2,2,2,,,,,,,,,,,,,  
9,1,,26106-080502,, "BOLT M 8X 50 PLATED",1,1,1,1,1,,,,,,,,,,,,,  
10,1,,26116-080202,, "BOLT M 8X 20 PLATED",2,2,2,2,2,,,,,,,,,,,,,  
11,1,,26366-080002,, "NUT M 8",1,1,1,1,1,,,,,,,,,,,,,  
12,1,,172156-11770,, "TUBE, INSULATOR",1,1,1,1,1,1,,W,,,M/#00501,,M/#00501,,,,,,  
14,2,,172156-11780,,INSULATOR,1,1,1,1,1,1,,W,,,M/#00501,,M/#00501,,,,,,  
15,2,,23000-048000,, "CLAMP 48",2,2,2,2,2,,,,,,,,,,,,,

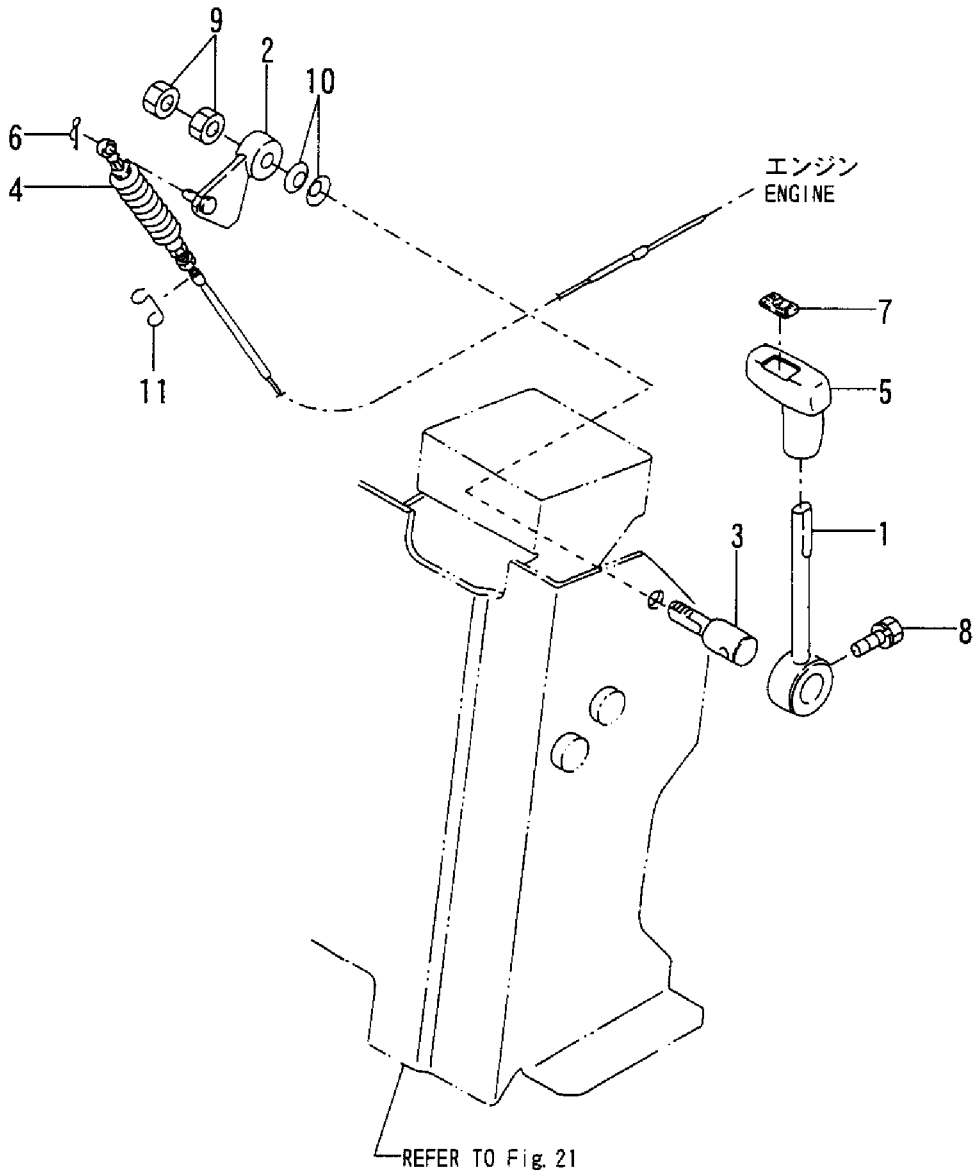
Fig. 9

サイレンサー  
SILENCER



1,1,,172156-12100,, "LEVER W/BUSH ACCEL",1,1,1,1,1,,,,,,,,,,,,,  
2,1,,172156-12130,, "BOSS ASSY, ACCEL",1,1,1,1,1,,,,,,,,,,,,,  
3,1,,172156-12160,, "SHAFT, ACCEL",1,1,1,1,1,,,,,,,,,,,,,  
4,1,,172156-12170,, "CABLE, THROTTLE",1,1,1,1,1,,,,,,,,,,,,,  
5,1,,172156-12180,, "KNOB, ACCEL",1,1,1,1,1,,,,,,,,,,,,,  
6,1,,1C2681-52310,, "PIN, SNAP",1,1,1,1,1,,,,,,,,,,,,,  
7,1,,1E8060-97210,, "MARK "Y", LEVER GRIP",1,1,1,1,1,,,,,,,,,,,,,  
8,1,,26013-080252,, "BOLT M 8X 25",1,1,1,1,1,,,,,,,,,,,,,  
9,1,,26756-120002,, "LOCK NUT 12",2,2,2,2,2,,,,,,,,,,,,,  
10,1,,933170-01490,, "SPRING 12",2,2,2,2,2,,,,,,,,,,,,,  
11,1,,1A1380-55410,, "SPRING,ACCEL.WIRE  
LC",1,1,1,1,1,,W,,M/#11170,,M/#11170,,M/#11170,,M/#11170,,

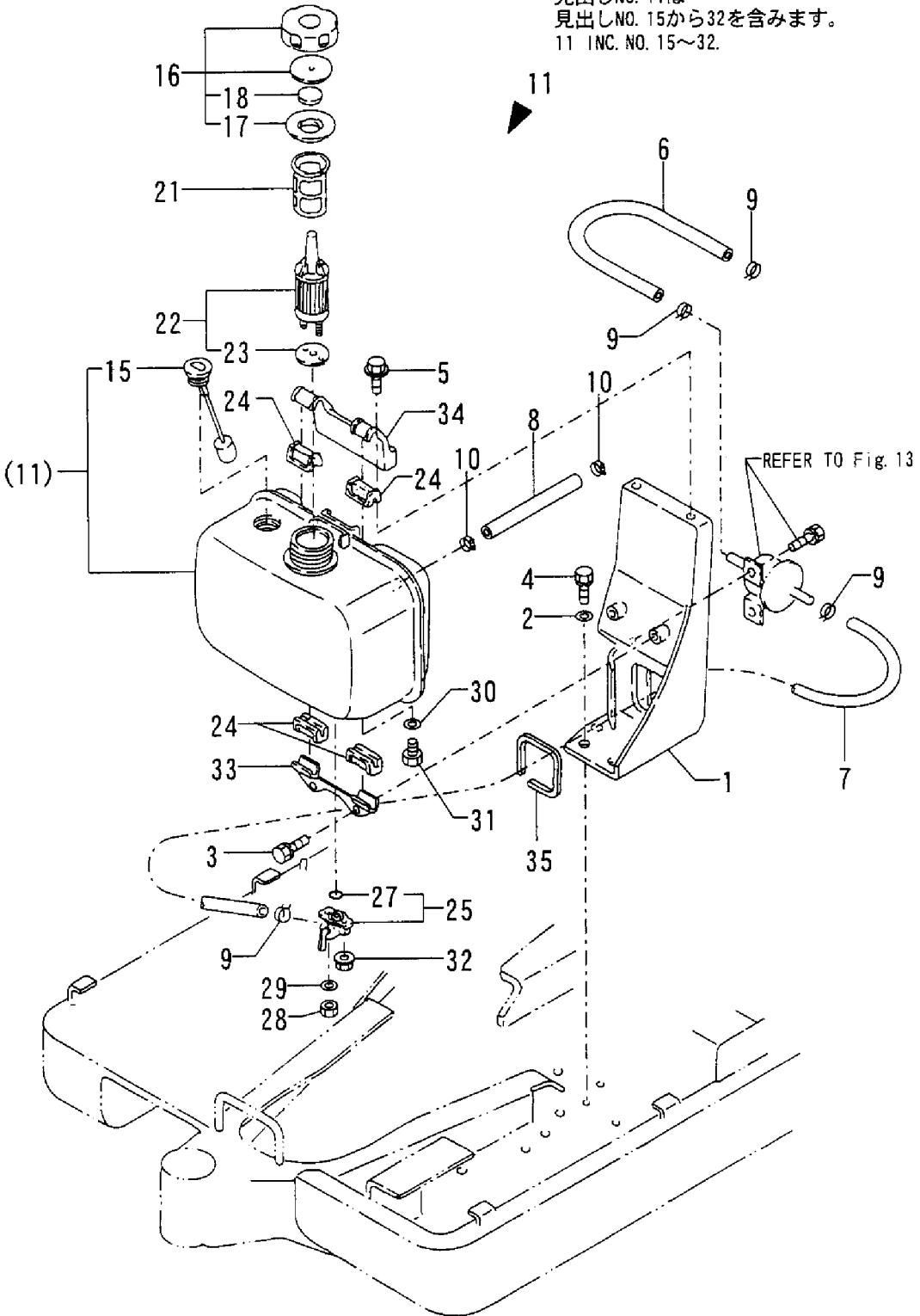
Fig. 10 アクセル  
ACCELERATOR



1,1,,172156-14400,, "BRACKET, FUEL TANK",1,1,1,1,1,,,,,,,,,,,,,  
2,1,,22137-100000,, "WASHER 10,POLISHED",4,4,4,4,4,,,,,,,,,,,,,  
3,1,,26013-060122,, "BOLT M 6X 12",2,2,2,2,2,,,,,,,,,,,,,  
4,1,,26013-100202,, "BOLT W/WASHER M10X20",4,4,4,4,4,,,,,,,,,,,,,  
5,1,,26106-080452,, "BOLT M 8X 45 PLATED",2,2,2,2,2,,,,,,,,,,,,,  
6,1,,172137-14610,, "PIPE (B), FUEL",1,1,1,1,1,,,,,,,,,,,,,  
7,1,,172156-14630,, "PIPE, FUEL L=440",1,1,1,1,1,,,,,,,,,,,,,  
7-1,1,,172156-14631,, "PIPE,  
FUEL",1,1,1,1,1,,R,,M/#10926,,M/#10926,,M/#10926,,M/#10926,,  
8,1,,172156-14640,, "PIPE, FUEL L=170",1,1,1,1,1,,,,,,,,,,,,,  
9,1,,124766-59050,, "CLAMP 12",4,4,4,4,4,,,,,,,,,,,,,  
10,1,,124066-59100,, "CLAMP 8",2,2,2,2,2,,,,,,,,,,,,,  
11,1,,714883-93100,, "TANK, FUEL (RED)(50)",1,1,1,1,1,,,,,,,,,,,,,  
15,3,,105092-55150,, "GAUGE, FUEL",1,1,1,1,1,,,,,,,,,,,,,  
16,2,,114250-55041,, "CAP ASSY, TANK",1,1,1,1,1,,,,,,,,,,,,,  
16-1,2,,114288-55040,, "CAP ASSY,  
TANK",1,1,1,1,1,,N,,M/#11341,,M/#11341,,M/#11341,,M/#11341,,  
17,3,,114250-55050,, "GASKET, TANK CAP",1,1,1,1,1,,,,,,,,,,,,,  
18,3,,114250-55060,, "SEAL",1,1,1,1,1,,,,,,,,,,,,,  
21,2,,114250-55100,, "FILTER, FUEL",1,1,1,1,1,,,,,,,,,,,,,  
22,2,,114650-55120,, "FILTER, FUEL OIL",1,1,1,1,1,,,,,,,,,,,,,  
22-1,2,,114250-55121,, "FILTER, FUEL  
OIL",1,1,1,1,1,,N,,M/#10698,,M/#10698,,M/#10698,,M/#10697,,  
23,3,,114250-55130,, "GASKET",1,1,1,1,1,,,,,,,,,,,,,  
24,2,,114250-55201,, "DAMPER, FUEL TANK",4,4,4,4,4,,,,,,,,,,,,,  
25,2,,114250-55300,, "COCK ASSY, FUEL",1,1,1,1,1,,,,,,,,,,,,,  
27,3,,24341-000150,, "O-RING 1A S-15.0",1,1,1,1,1,,,,,,,,,,,,,  
28,2,,114252-55800,, "NUT",1,1,,,,,,,,,,,,,  
28-1,2,,26366-060002,, "NUT M 6",1,1,1,1,1,,N,,M/#10660,,M/#10660,,,,,  
29,2,,22117-060000,, "WASHER 6",1,1,,,,,Z,,M/#10660,,M/#10660,,,,,  
30,2,,23414-120000,, "GASKET 12, ROUND",1,1,1,1,1,,,,,,,,,,,,,  
31,2,,23887-120002,, "PLUG 12,HEX.",1,1,1,1,1,,,,,,,,,,,,,  
32,2,,26366-060002,, "NUT M 6",1,1,1,1,1,,,,,,,,,,,,,  
33,1,,114250-55211,, "STAY (A)",1,1,1,1,1,,,,,,,,,,,,,  
33-1,1,,114250-55210,, "STAY  
(A)",1,1,1,1,1,,N,,M/#11186,,M/#11186,,M/#11186,,M/#11186,,  
34,1,,114650-55230,, "STAY (B)",1,1,1,1,1,,,,,,,,,,,,,  
35,1,,172149-16550,, "GROMMET 40X13",1,1,1,1,1,,W,,M/#01440,,M/#01440,,,,,

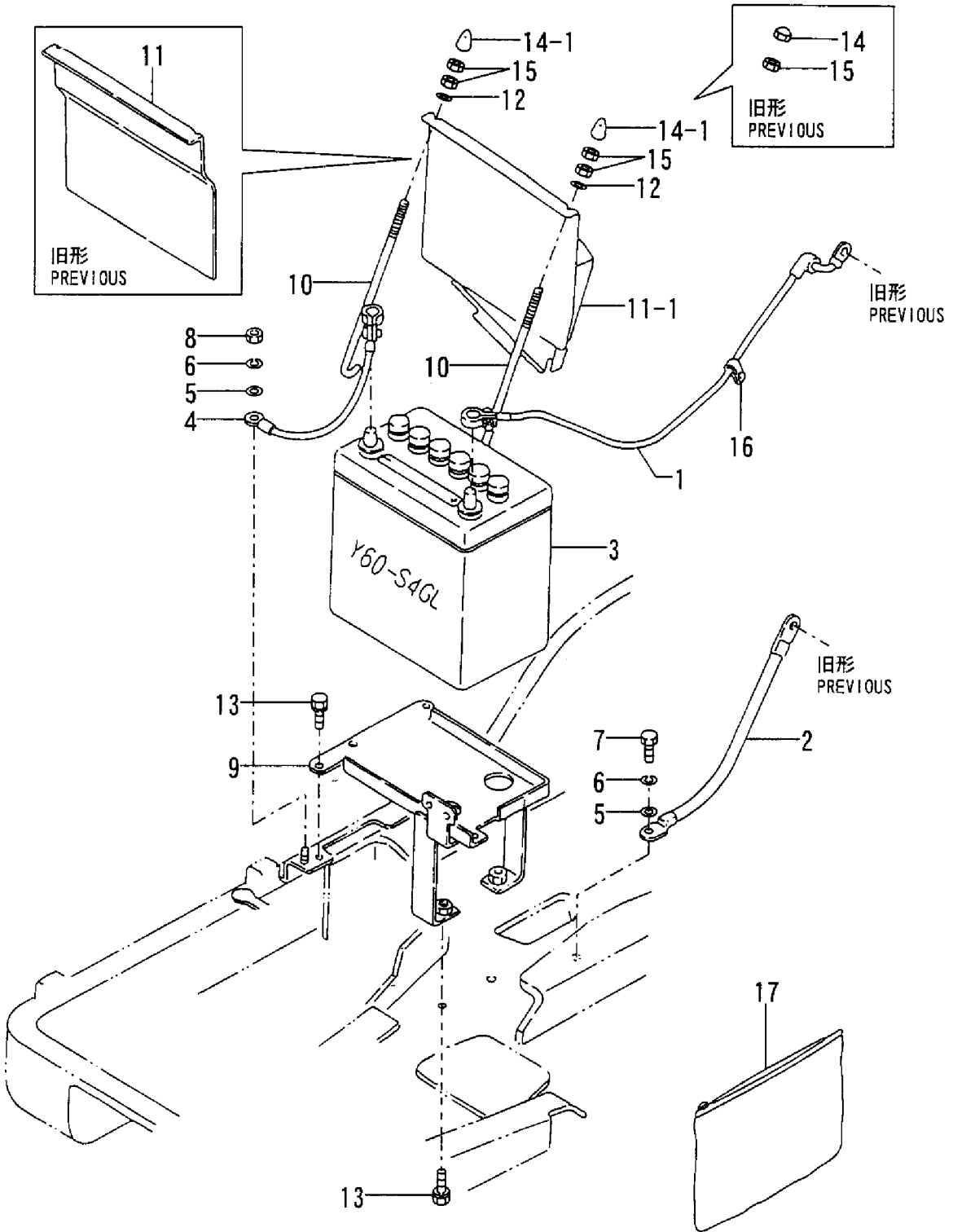
Fig. 11 燃料タンク & 燃料パイプ  
FUEL TANK & FUEL LINE

見出しNO. 11は  
見出しNO. 15から32を含みます。  
11 INC. NO. 15~32.



1,1,,172149-16100,, "HARNESS, BATTERY",1,1,1,1,1,,,,,,,,,,,,,  
2,1,,172156-16100,, "CABLE, EARTH",1,1,1,1,1,,,,,,,,,,,,,  
3,1,,172131-16110,, "BATTERY (Y60-S4GL)",1,1,1,1,1,,,,,,,,,,,,,  
4,1,,172156-16110,, "CABLE(-), BATTERY",1,1,1,1,1,,,,,,,,,,,,,  
5,1,,22137-080000,, "WASHER 8, POLISHED",2,2,2,2,2,,,,,,,,,,,,,  
6,1,,22217-080000,, "SPRING WASHER 8",2,2,2,2,2,,,,,,,,,,,,,  
7,1,,26116-080162,, "BOLT 8X16",1,1,1,1,1,,,,,,,,,,,,,  
8,1,,26716-080002,, "NUT M 8",1,1,1,1,1,,,,,,,,,,,,,  
9,1,,172156-16300,, "SUPPORT, BATTERY",1,1,1,1,1,,,,,,,,,,,,,  
10,1,,172156-16341,, "ROD, BATTERY",2,2,2,2,2,,,,,,,,,,,,,  
11,1,,172156-16370,, "CLAMP, BATTERY",1,1,1,1,1,,,,,,,,,,,,,  
11-1,1,,172156-  
16371,,CLAMP,1,1,1,1,1,,N,,,M/#10767,,M/#10767,,M/#10767,,M/#10767,,  
12,1,,22137-060000,, "WASHER 6, POLISHED",2,2,2,2,2,,,,,,,,,,,,,  
13,1,,26013-080252,, "BOLT M 8X 25",4,4,4,4,4,,,,,,,,,,,,,  
14,1,,26667-060002,, "CAP NUT M 6",2,2,2,2,2,,,,,,,,,,,,,  
14-1,1,,129150-  
59580,,CAP,2,2,2,2,2,,N,,,M/#00791,,M/#00791,,M/#00791,,M/#00791,,  
15,1,,26716-060002,, "NUT 6",4,4,4,4,4,,,,,,,,,,,,,  
16,1,,194440-51620,, "CLAMP, WIRE HARNESS",1,1,1,1,1,,,,,,,,,,,,,  
17,1,,172176-07330,, "BAG,  
MANUAL",1,1,1,1,1,,W,,,M/#10744,,M/#10744,,M/#10744,,M/#10744,,

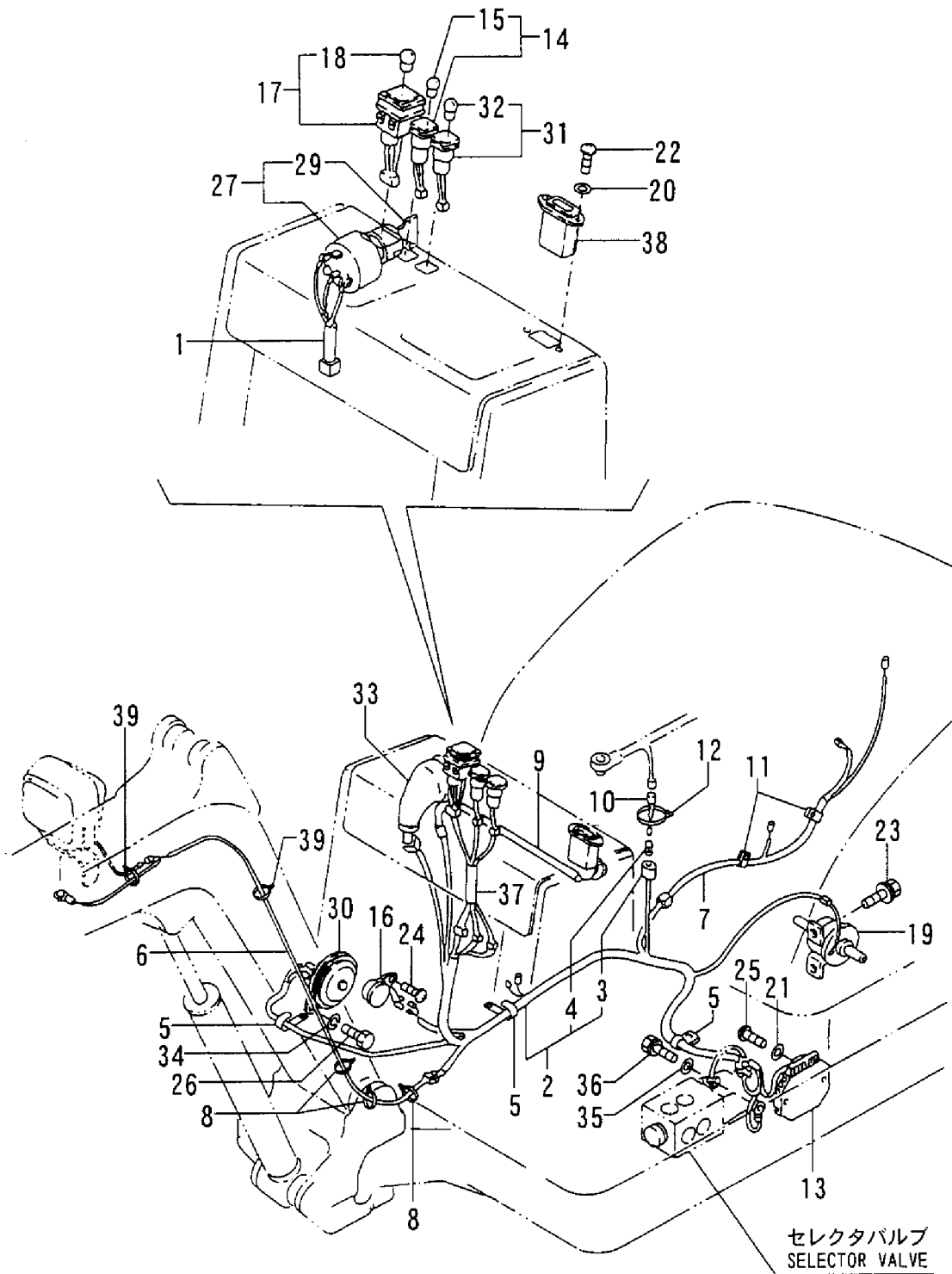
Fig. 12 バッテリ BATTERY





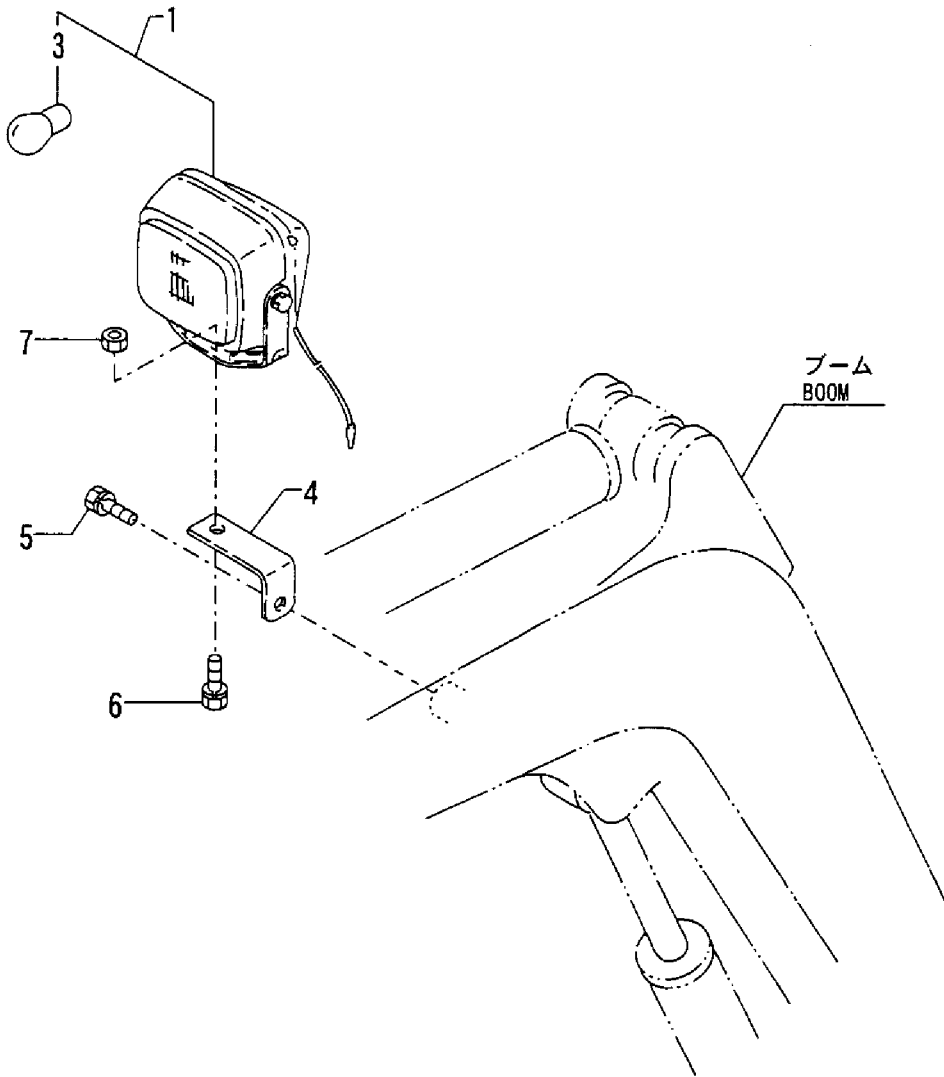
1,1,,172156-16500,,HARNESS(A),1,1,1,1,1,,,,,,,,,,,,,  
2,1,,172156-16510,,HARNESS(B),1,1,1,1,1,,,,,,,,,,,,,  
3,2,,172156-16530,,,"HOLDER, HUSE",1,1,1,1,1,W,,,M/#00791,,M/#00791,,,,,,  
4,2,,29411-100000,,,"FUSE (10A),CARTRIDGE",2,2,2,2,2,,,,,,,,,,,,,  
5,1,,172126-16540,,,"CLAMP 10X70",4,4,4,4,4,,,,,,,,,,,,,  
6,1,,172156-16540,,,"HARNESS, WORK LAMP",1,1,1,1,1,,,,,,,,,,,,,  
7,1,,172156-16550,,HARNESS(C),1,1,1,1,1,,,,,,,,,,,,,  
8,1,,172137-16560,,BAND,3,3,3,3,3,,,,,,,,,,,,,  
9,1,,172156-16560,,HARNESS(D),1,1,1,1,1,,,,,,,,,,,,,  
10,1,,172122-16570,,,"LINK, FUSIBLE",1,1,1,1,1,,,,,,,,,,,,,  
11,1,,194440-51620,,,"CLAMP, WIRE HARNESS",3,3,3,3,3,,,,,,,,,,,,,  
12,1,,933168-55770,,,"BAND 146",1,1,1,1,1,,,,,,,,,,,,,  
13,1,,1E6550-05050,,REGULATOR,1,1,1,1,1,,,,,,,,,,,,,  
14,1,,172149-17120,,LAMP,1,1,1,1,1,,,,,,,,,,,,,  
15,2,,172149-17140,,BULB(12V-3.4W,1,1,1,1,1,,,,,,,,,,,,,  
16,1,,172141-17150,,BUZZER,1,1,1,1,1,,,,,,,,,,,,,  
17,1,,172156-17170,,SWITCH,1,1,1,1,1,,,,,,,,,,,,,  
18,2,,172141-17230,,,"BULB 24V- 6W",1,1,1,1,1,,,,,,,,,,,,,  
19,1,,119225-52102,,,"PUMP ASSY, FUEL FEED",1,1,1,1,1,,,,,,,,,,,,,  
20,1,,22137-030000,,,"WASHER 3",2,2,2,2,2,,,,,,,,,,,,,  
21,1,,22217-060000,,,"SPRING WASHER 6",2,2,,,,,,,,,,,,,  
21-1,1,,22117-060000,,,"WASHER 6",2,2,2,2,2,N,,,M/#00501,,M/#10501,,,,,,  
22,1,,22857-300100,,,"SCREW 3X10,TAPPING",2,2,2,2,2,,,,,,,,,,,,,  
23,1,,26014-060162,,,"BOLT M 6X 16",2,2,2,2,2,,,,,,,,,,,,,  
24,1,,26022-060122,,,"SCREW M 6X 12",1,1,1,1,1,,,,,,,,,,,,,  
25,1,,26022-060252,,,"SCREW M 6X 25",2,2,2,2,2,,,,,,,,,,,,,  
26,1,,26116-060122,,,"BOLT 6X12",2,2,2,2,2,,,,,,,,,,,,,  
27,1,,933110-00100,,,"SWITCH ASSY, STARTER",1,1,1,1,1,,,,,,,,,,,,,  
29,2,,933110-00301,,,"KEY ASSY",1,1,1,1,1,,,,,,,,,,,,,  
30,1,,933110-05300,,HORN,1,1,1,1,,,,,,,,,,,,,  
30-1,1,,933110-05301,,HORN,1,1,1,1,1,N,,,M/#11319,,M/#11319,,M/#11319,,M/#11319,,  
31,1,,933113-05190,,,"LAMP, OIL",1,1,1,1,1,,,,,,,,,,,,,  
32,2,,933113-05180,,,"BULB 12V 3W",1,1,1,1,1,,,,,,,,,,,,,  
33,1,,933113-15900,,,"COVER, SWITCH TERMI.",1,1,1,1,1,,,,,,,,,,,,,  
34,1,,22217-060000,,,"SPRING WASHER 6",2,2,2,2,2,,,,,,,,,,,,,  
35,1,,22137-060000,,,"WASHER 6, POLISHED",1,1,1,1,1,,,,,,,,,,,,,  
36,1,,26022-060122,,,"SCREW M 6X 12",1,1,1,1,1,,,,,,,,,,,,,  
37,1,,172156-16580,,,"HARNESS, JOINT",1,1,1,1,1,,,,,,,,,,,,,  
38,1,,172156-17140,,,"METER, HOUR",1,1,1,1,1,,,,,,,,,,,,,  
39,1,,933168-55770,,,"BAND 146",3,3,3,3,3,W,,,M/#00608,,M/#00608,,,,,,

Fig. 13 電装品  
ELECTRIC PART



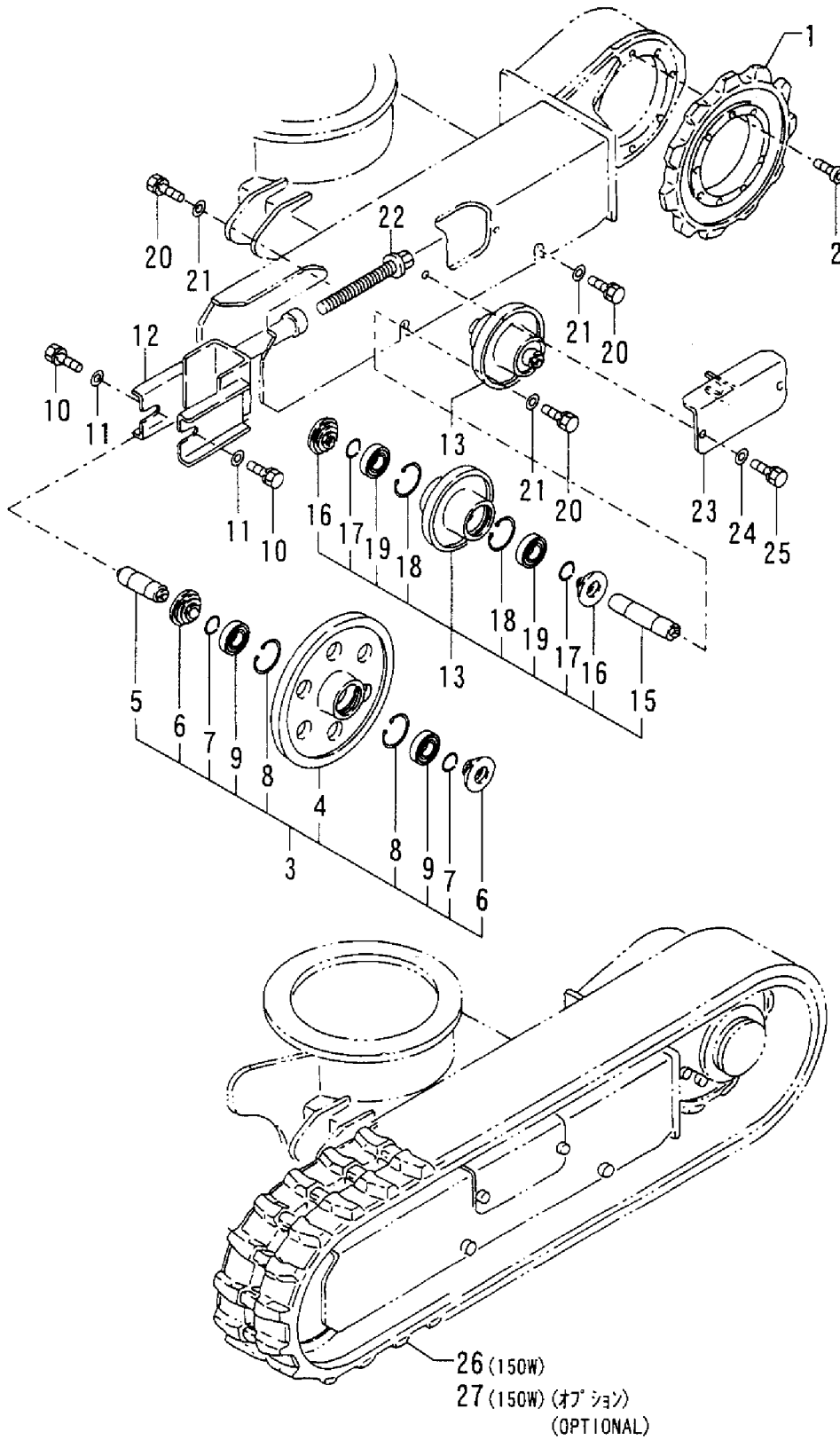
1,1,,172156-17400,, "LAMP, WORK",1,1,,,,,,,,,,,,,  
1-1,1,,172156-17401,, "LAMP, WORK",1,1,1,1,1,1,,R,,M/#01914,,M/#01914,,,,,,  
3,2,,172156-17420,, "BULB 12V-27W",1,1,1,1,1,1,,,,,,,,,,,,,  
4,1,,172156-17430,, "STAY,LAMP (GREEN:76)",1,1,1,1,1,1,,,,,,,,,,,,,  
5,1,,26013-100162,, "BOLT M10X 16",1,1,1,1,1,1,,,,,,,,,,,,,  
6,1,,26013-080162,, "BOLT W/WASHER M8X16",1,1,1,1,1,1,,,,,,,,,,,,,  
7,1,,26716-080002,, "NUT M 8",1,1,1,1,1,1,,,,,,,,,,,,,

Fig. 14 ワークランプ  
WORK LAMP



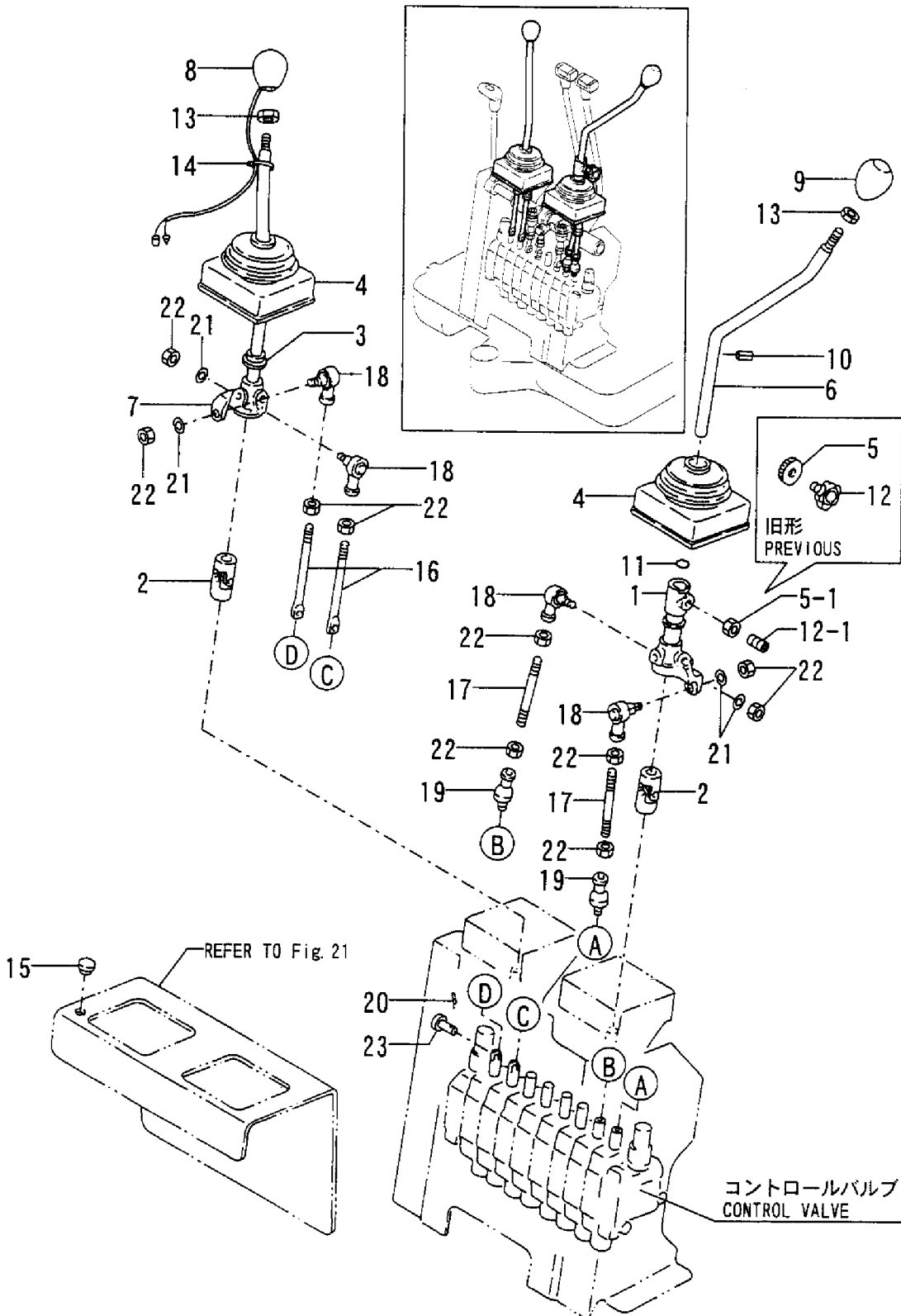
1,1,,172156-29100,, "SPROCKET T=11",2,2,2,2,2,,,,,,,,,,,,,  
2,1,,26450-080252,, "BOLT M 8X 25",18,18,18,18,18,,,,,,,,,,,,,  
3,1,,172156-99490,, "IDLER KIT, FRONT",2,2,2,2,2,,,,,,,,,,,,,  
3-1,1,,772156-37100,, "IDLER ASSY",2,2,,,,,,,,,M,,,,,,,,,,,,,  
3-2,1,,172156-37010,,,,,1,1,1,1,1,,,,,,,,,,,,,  
4,2,,172156-37100,, IDLER,2,2,2,2,2,,,,,,,,,,,,,  
5,2,,172155-37110,, "SHAFT, IDLER",2,2,2,2,2,,,,,,,,,,,,,  
6,2,,172137-37360,, SEAL,4,4,4,4,4,,,,,,,,,,,,,  
7,2,,22242-000250,, "CIRCLIP 25S",4,4,4,4,4,,,,,,,,,,,,,  
8,2,,22252-000470,, "CIRCLIP 47",4,4,4,4,4,,,,,,,,,,,,,  
9,2,,24101-060054,, "BALL BEARING",4,4,4,4,4,,,,,,,,,,,,,  
10,1,,26013-120252,, "BOLT M12X 25",4,4,4,4,4,,,,,,,,,,,,,  
11,1,,933152-03700,, "WASHER, SIDE CLUTCH",4,4,4,4,4,,,,,,,,,,,,,  
12,1,,172155-37150,, "SLIEDER ASSY",2,2,2,2,2,,,,,,,,,,,,,  
13,1,,772156-37300,, "ROLLER ASSY, TRACK",4,4,,,,,,,,,M,,,,,,,,,,,,,  
13-1,1,,172155-37020,, "ROLLER ASSY, TRACK",1,1,1,1,1,,,,,,,,,,,,,  
15,2,,172155-37310,, "SHAFT, ROLLER",4,4,4,4,4,,,,,,,,,,,,,  
16,2,,172137-37360,, SEAL,8,8,8,8,8,,,,,,,,,,,,,  
17,2,,22242-000250,, "CIRCLIP 25S",8,8,8,8,8,,,,,,,,,,,,,  
18,2,,22252-000470,, "CIRCLIP 47",8,8,8,8,8,,,,,,,,,,,,,  
19,2,,24101-060054,, "BALL BEARING",8,8,8,8,8,,,,,,,,,,,,,  
20,1,,26013-120252,, "BOLT M12X 25",8,8,8,8,8,,,,,,,,,,,,,  
21,1,,933152-03700,, "WASHER, SIDE CLUTCH",8,8,8,8,8,,,,,,,,,,,,,  
22,1,,172155-37700,, "BOLT ASSY,AJUST",2,2,2,2,2,,,,,,,,,,,,,  
23,1,,172156-37750,, COVER,2,2,2,2,2,,,,,,,,,,,,,  
24,1,,22137-080000,, "WASHER 8, POLISHED",4,4,4,4,4,,,,,,,,,,,,,  
25,1,,26013-080202,, "BOLT W/WASHER M8X20",4,4,4,4,4,,,,,,,,,,,,,  
26,1,,172156-38600,, "CRAWLER, RUBBER",2,2,2,2,2,,,,,,,,,,,,,  
27,1,,172156-38700,, "CRAWLER, RUBBER",2,2,2,,,,,1,,,,,,,,,,,,,

Fig. 15 アイドラ、トラックローラ & クローラ  
 IDLER, TRACKROLLER & CRAWLER



1,1,,172141-41150,, "LINK(L), LEVER",1,1,1,1,1,,,,,,,,,,,,,  
2,1,,172141-41160,, JOINT,2,2,2,2,2,,,,,,,,,,,,,  
3,1,,172141-41310,, GROMMET,1,1,,,,,,,,,,,,,  
3-1,1,,172141-41311,, GROMMET,1,1,1,1,1,,N,,,M/#02050,,M/#02050,,,,,,  
4,1,,172141-41330,, "BOOTS, LEVER (BLACK)",2,2,,,,,,,,,,,,,  
4-1,1,,172141-41331,, "BOOTS, LEVER  
(GRAY)",2,2,2,2,2,,N,,,M/#02050,,M/#02050,,,,,,  
5,1,,172141-41380,, NUT,1,1,1,1,,,,,,,,,,,,,  
5-1,1,,26756-080002,, "LOCK NUT M 8  
PLATED",1,1,1,1,1,,S,,,M/#10609,,M/#10609,,,,,,  
6,1,,172156-45100,, LEVER(L),1,1,1,1,1,,,,,,,,,,,,,  
7,1,,172156-45110,, LEVER(R),1,1,1,1,1,,,,,,,,,,,,,  
8,1,,172312-46301,, KNOB(A),1,1,1,1,1,,,,,,,,,,,,,  
9,1,,172312-46321,, KNOB(B),1,1,1,1,1,,,,,,,,,,,,,  
10,1,,22351-030010,, "SPRING PIN 3X10",1,1,1,1,1,,,,,,,,,,,,,  
11,1,,24311-000140,, "O-RING 1A P-14.0",1,1,1,1,1,,,,,,,,,,,,,  
12,1,,26064-080201,, "WING BOLT M 8X 20",1,1,1,1,,,,,,,,,,,,,  
12-1,1,,26979-080162,, "SCREW M 8X16",1,1,1,1,1,,S,,,M/#10609,,M/#10609,,,,,,  
13,1,,26757-100002,, "NUT 10",2,2,2,2,2,,,,,,,,,,,,,  
14,1,,933168-55770,, "BAND 146",2,2,2,2,2,,,,,,,,,,,,,  
15,1,,933168-56000,, "GROMMET 17X 9",1,1,1,1,1,,,,,,,,,,,,,  
16,1,,172142-43570,, ROD,2,2,2,2,2,,,,,,,,,,,,,  
17,1,,172156-45820,, "ROD M8X105",2,2,2,2,2,,,,,,,,,,,,,  
18,1,,172122-46590,, "ELBALL 8",4,4,4,4,4,,,,,,,,,,,,,  
19,1,,172122-47250,, "BALL 8, LINK",2,2,2,2,2,,,,,,,,,,,,,  
20,1,,1C6281-52310,, "PIN 6, COME-OFF SNAP",2,2,2,2,2,,,,,,,,,,,,,  
21,1,,22217-080000,, "SPRING WASHER 8",4,4,4,4,4,,,,,,,,,,,,,  
22,1,,26716-080002,, "NUT M 8",10,10,10,10,10,,,,,,,,,,,,,  
23,1,,933110-54100,, "PIN 4.75X14",2,2,2,2,2,,,,,,,,,,,,,

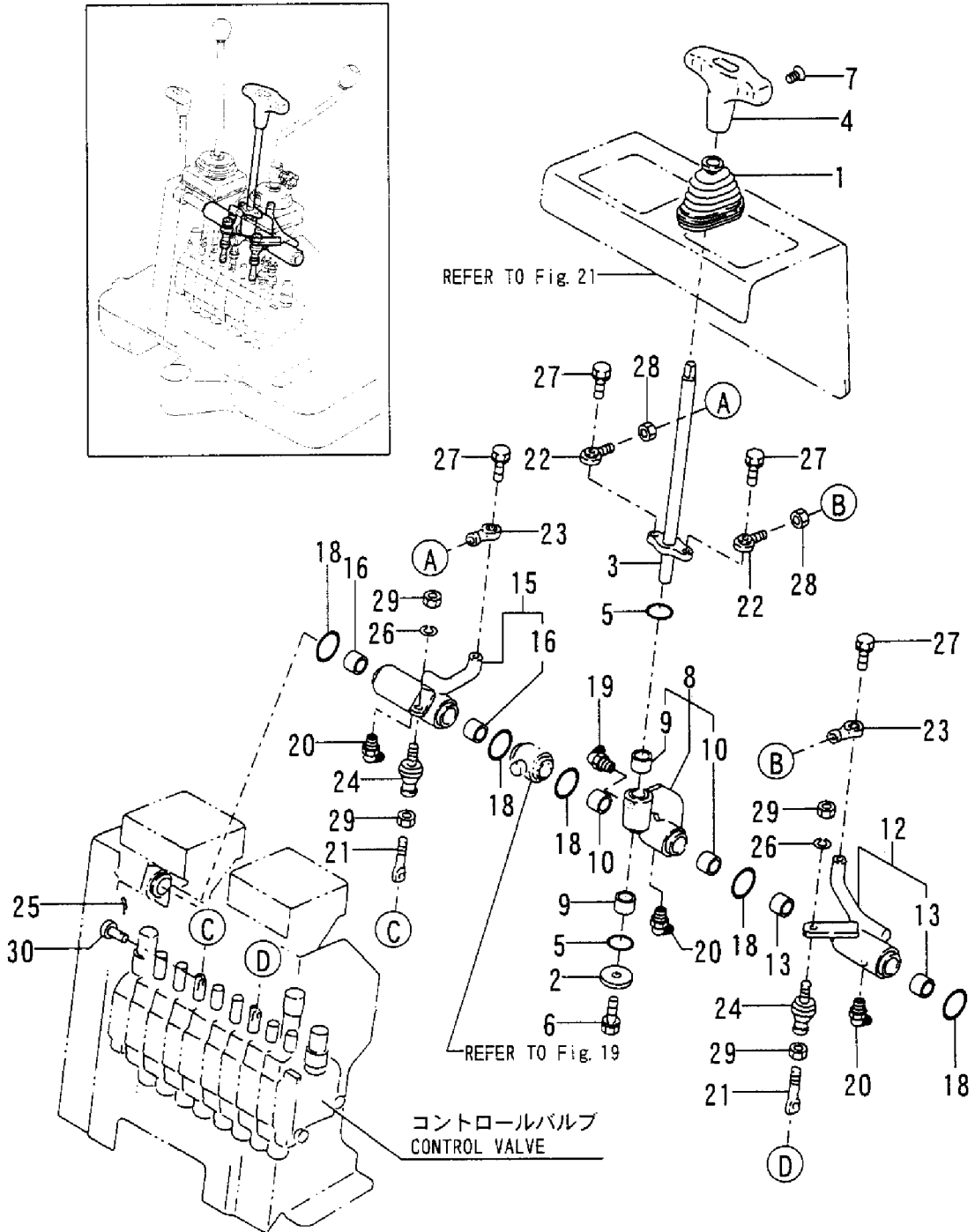
Fig. 16 操縦装置 (作業)  
CONTROL EQUIP. (OPERATION)





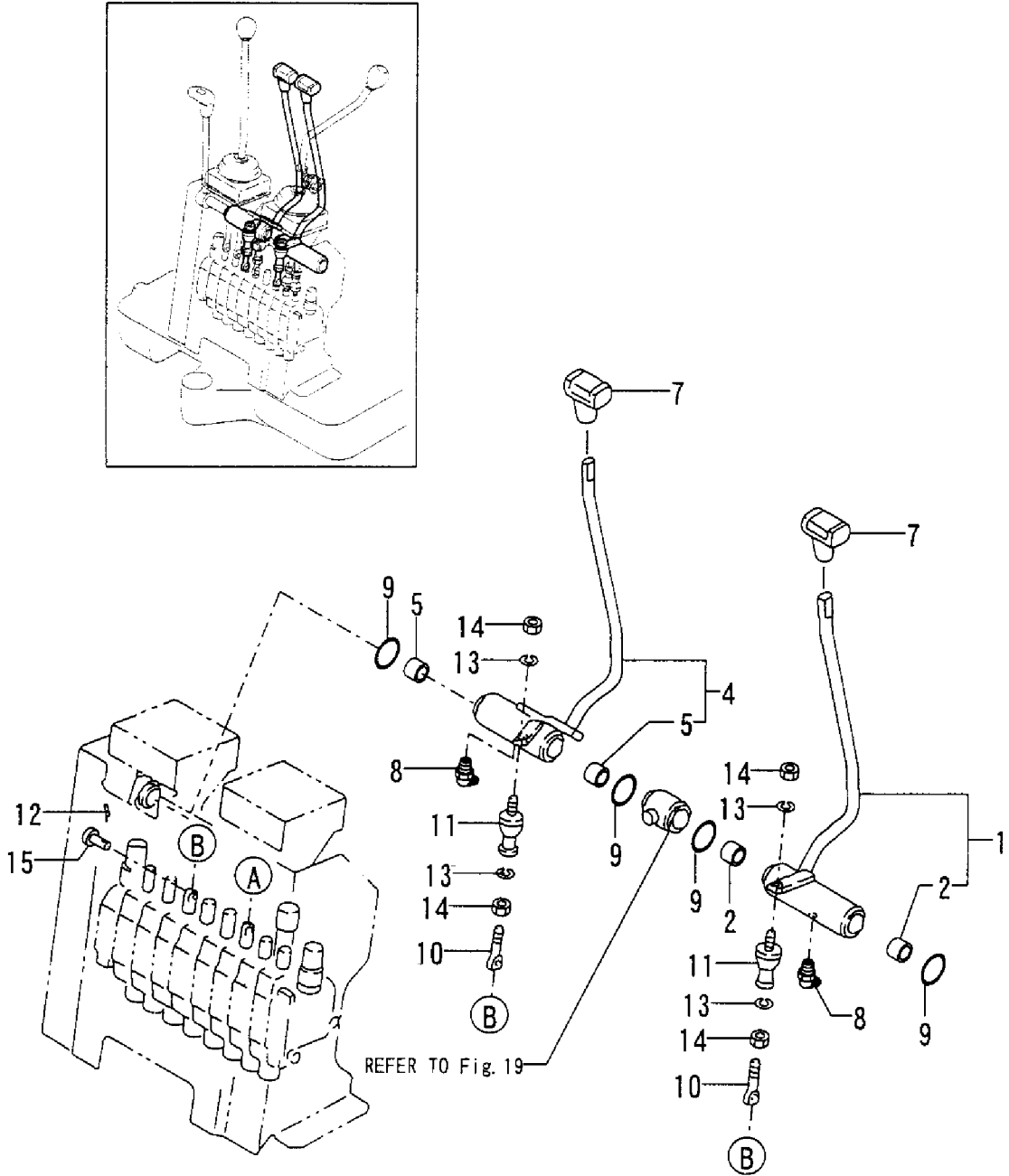
1,1,,172141-41340,,BOOTS,1,1,1,1,,,,,,,,,,,,,  
2,1,,1A1040-43900,,,"SPRING WASHER",1,1,1,1,,,,,,,,,,,,,  
3,1,,172156-45130,,,"LEVER, TRACK",1,1,1,1,,,,,,,,,,,,,  
4,1,,172156-45200,,,"KNOB, TRACK",1,1,1,1,,,,,,,,,,,,,  
5,1,,24311-000210,,,"O-RING 1A P-21.0",2,2,2,2,,,,,,,,,,,,,  
6,1,,26013-080202,,,"BOLT W/WASHER M8X20",1,1,1,1,,,,,,,,,,,,,  
7,1,,26577-060142,,,"SCREW M 6X 14",1,1,1,1,,,,,,,,,,,,,  
8,1,,172156-45270,,,"LINK ASSY, TRACK",1,1,1,1,,,,,,,,,,,,,  
9,2,,172141-41360,,,"BUSH 1415",2,2,2,2,,,,,,,,,,,,,  
10,2,,172141-41370,,,"BUSH 2015",2,2,2,2,,,,,,,,,,,,,  
12,1,,172156-45310,,,"LINK ASSY, TRACK(L)",1,1,1,1,,,,,,,,,,,,,  
13,2,,172141-41370,,,"BUSH 2015",2,2,2,2,,,,,,,,,,,,,  
15,1,,172156-45340,,,"LINK W/BUSH, TRACK R",1,1,1,1,,,,,,,,,,,,,  
16,2,,172141-41370,,,"BUSH 2015",2,2,2,2,,,,,,,,,,,,,  
18,1,,172124-46200,,,"O-RING 27X5.7",5,5,5,5,,,,,,,,,,,,,  
19,1,,24761-040000,,,"NIPPLE B,GREASE",1,1,1,1,,,,,,,,,,,,,  
20,1,,24761-050000,,,"NIPPLE C,GREASE",3,3,3,3,,,,,,,,,,,,,  
21,1,,172146-45691,,,"ROD(C), SPOOL",2,2,2,2,,,,,,,,,,,,,  
22,1,,172156-45800,,,"ROD, END(PO6",2,2,2,2,,,,,,,,,,,,,  
23,1,,172156-45810,,,"ROD, END(PH6",2,2,2,2,,,,,,,,,,,,,  
23-1,1,,172156-45811,,,"ROD,  
END(PH6",2,2,2,2,,N,,M/#01788,,M/#01788,,M/#01788,,M/#01788,,  
24,1,,172122-47250,,,"BALL 8, LINK",2,2,2,2,,,,,,,,,,,,,  
25,1,,1C6281-52310,,,"PIN 6,COME-OFF SNAP",2,2,2,2,,,,,,,,,,,,,  
26,1,,22217-080000,,,"SPRING WASHER 8",2,2,2,2,,,,,,,,,,,,,  
27,1,,26013-060202,,,"BOLT M 6X 20",4,4,4,4,,,,,,,,,,,,,  
28,1,,26716-060002,,,"NUT 6",2,2,2,2,,,,,,,,,,,,,  
29,1,,26716-080002,,,"NUT M 8",4,4,4,4,,,,,,,,,,,,,  
30,1,,933110-54100,,,"PIN 4.75X14",2,2,2,2,,,,,,,,,,,,,

Fig. 17 操縦装置 (走行, シングルバー) (旧形)  
 CONTROL EQUIP. (DRIVE, SINGLE LEVER) (PREVIOUS)



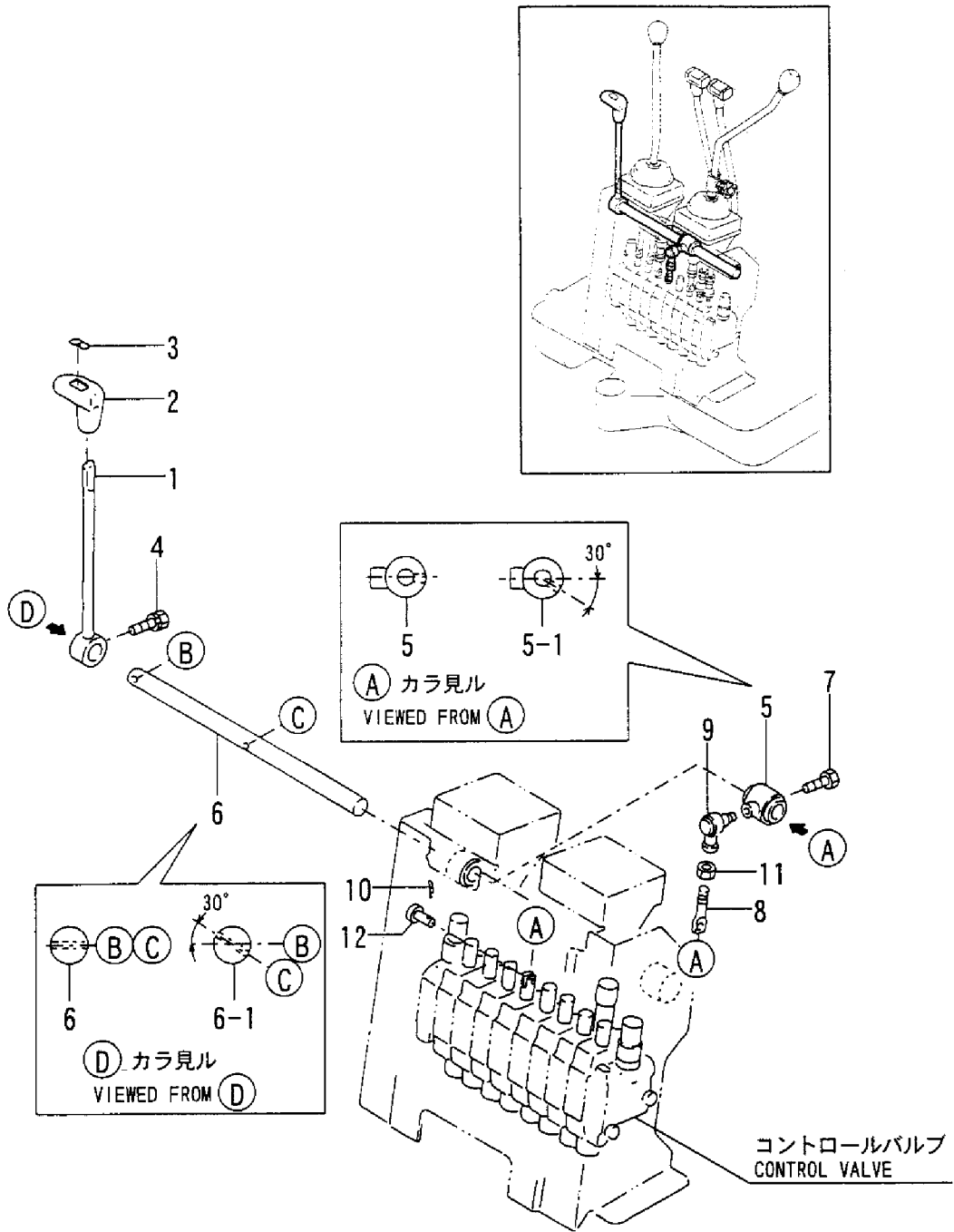
1,1,,172156-45010,, "LEVER(L) ASSY, TRACK",1,,1,1,1,,,,,,,,,,,,,  
2,2,,172141-41370,, "BUSH 2015",2,,2,2,2,,,,,,,,,,,,,  
4,1,,172156-45050,, "LEVER(R) ASSY, TRACK",1,,1,1,1,,,,,,,,,,,,,  
5,2,,172141-41370,, "BUSH 2015",2,,2,2,2,,,,,,,,,,,,,  
7,1,,172137-45080,, "KNOB, LEVER",2,,2,2,2,,,,,,,,,,,,,  
8,1,,24761-050000,, "NIPPLE C,GREASE",2,,2,2,2,,,,,,,,,,,,,  
9,1,,172124-46200,, "O-RING 27X5.7",4,,4,4,4,,,,,,,,,,,,,  
10,1,,172146-45691,, "ROD(C), SPOOL",2,,2,2,2,,,,,,,,,,,,,  
11,1,,172122-47250,, "BALL 8, LINK",2,,2,2,2,,,,,,,,,,,,,  
12,1,,1C6281-52310,, "PIN 6,COME-OFF SNAP",2,,2,2,2,,,,,,,,,,,,,  
13,1,,22217-080000,, "SPRING WASHER 8",4,,4,4,4,,,,,,,,,,,,,  
14,1,,26716-080002,, "NUT M 8",4,,4,4,4,,,,,,,,,,,,,  
15,1,,933110-54100,, "PIN 4.75X14",2,,2,2,2,,,,,,,,,,,,,

Fig. 18 操縦装置 (走行, ツインレバー) (新形)  
 CONTROL EQUIP. (DRIVE, TWIN LEVER) (NEW)



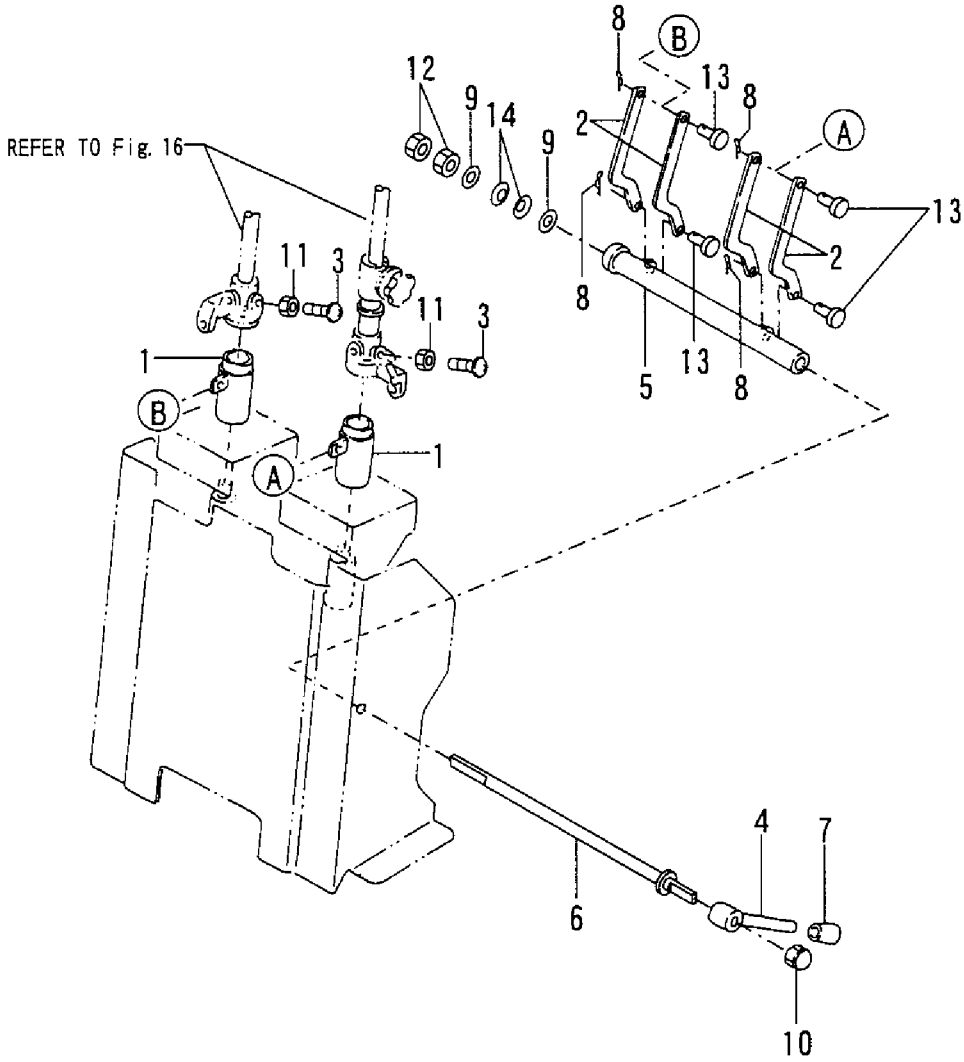
1,1,,172156-45160,, "LEVER, BLADE (GRAY:73)",1,1,1,1,1,1,,,,,,,,,,,,,  
2,1,,1E8060-64750,, "GRIP 13, CHANGE LEVER",1,1,1,1,1,1,,,,,,,,,,,,,  
3,1,,1E8060-97210,, "MARK "Y", LEVER GRIP",1,1,1,1,1,1,,,,,,,,,,,,,  
4,1,,26013-080252,, "BOLT M 8X 25",1,1,1,1,1,1,,,,,,,,,,,,,  
5,1,,172156-45360,, "LINK ASSY, BLADE",1,1,,,,,,,,,,,,,  
5-1,1,,172156-45361,, "LINK ASSY, BLADE",1,1,1,1,1,S,,M/#02050,,,,,,,,,  
6,1,,172156-45430,, "SHAFT, LINK",1,1,1,1,1,,,,,,,,,,,,,  
6-1,1,,172156-45431,, "SHAFT, LINK",1,1,1,1,1,S,,M/#02050,,,,,,,,,  
7,1,,26013-080252,, "BOLT M 8X 25",1,1,1,1,1,1,,,,,,,,,,,,,  
8,1,,172151-46360,, "ROD, SPOOL",1,1,1,1,1,1,,,,,,,,,,,,,  
9,1,,172122-46590,, "ELBALL 8",1,1,1,1,1,1,,,,,,,,,,,,,  
10,1,,1C6281-52310,, "PIN 6, COME-OFF SNAP",1,1,1,1,1,1,,,,,,,,,,,,,  
11,1,,26716-080002,, "NUT M 8",1,1,1,1,1,1,,,,,,,,,,,,,  
12,1,,933110-54100,, "PIN 4.75X14",1,1,1,1,1,1,,,,,,,,,,,,,

Fig. 19 操縦装置(ブレード)  
CONTROL EQUIP. (BLADE)



1,1,,172141-42600,, "PIPE, LOCK",2,2,2,2,2,,,,,,,,,,,,,  
2,1,,172141-42700,, "LINK, LOCK",4,4,4,4,,,,,,,,,,,,,  
2-1,1,,172141-42701,, "LINK,  
LOCK",4,4,4,4,4,,N,,,M/#10785,,M/#10785,,M/#10785,,M/#10785,,  
3,1,,172141-42750,, "BOLT, STOPPER",8,8,8,8,8,,,,,,,,,,,,,  
4,1,,172156-45700,, "LEVER, LOCK (RED:50)",1,1,1,1,1,,,,,,,,,,,,,  
5,1,,172156-45730,, "ARM ASSY, LOCK",1,1,1,1,1,,,,,,,,,,,,,  
6,1,,172156-45750,, "SHAFT, LOCK",1,1,1,1,1,,,,,,,,,,,,,  
7,1,,172116-46630,, "KNOB, LOCK LEVER",1,1,1,1,1,,,,,,,,,,,,,  
8,1,,1C6281-52310,, "PIN 6,COME-OFF SNAP",4,4,4,4,4,,,,,,,,,,,,,  
9,1,,22137-120000,, "WASHER 12,POLISHED",2,2,2,2,2,,,,,,,,,,,,,  
10,1,,26656-120002,, "CAP NUT M12",1,1,1,1,1,,,,,,,,,,,,,  
11,1,,26756-080002,, "LOCK NUT M 8 PLATED",8,8,8,8,8,,,,,,,,,,,,,  
12,1,,26756-120002,, "LOCK NUT 12",2,2,2,2,2,,,,,,,,,,,,,  
13,1,,933110-54100,, "PIN 4.75X14",4,4,4,4,4,,,,,,,,,,,,,  
14,1,,933170-01490,, "SPRING 12",2,2,2,2,2,,,,,,,,,,,,,

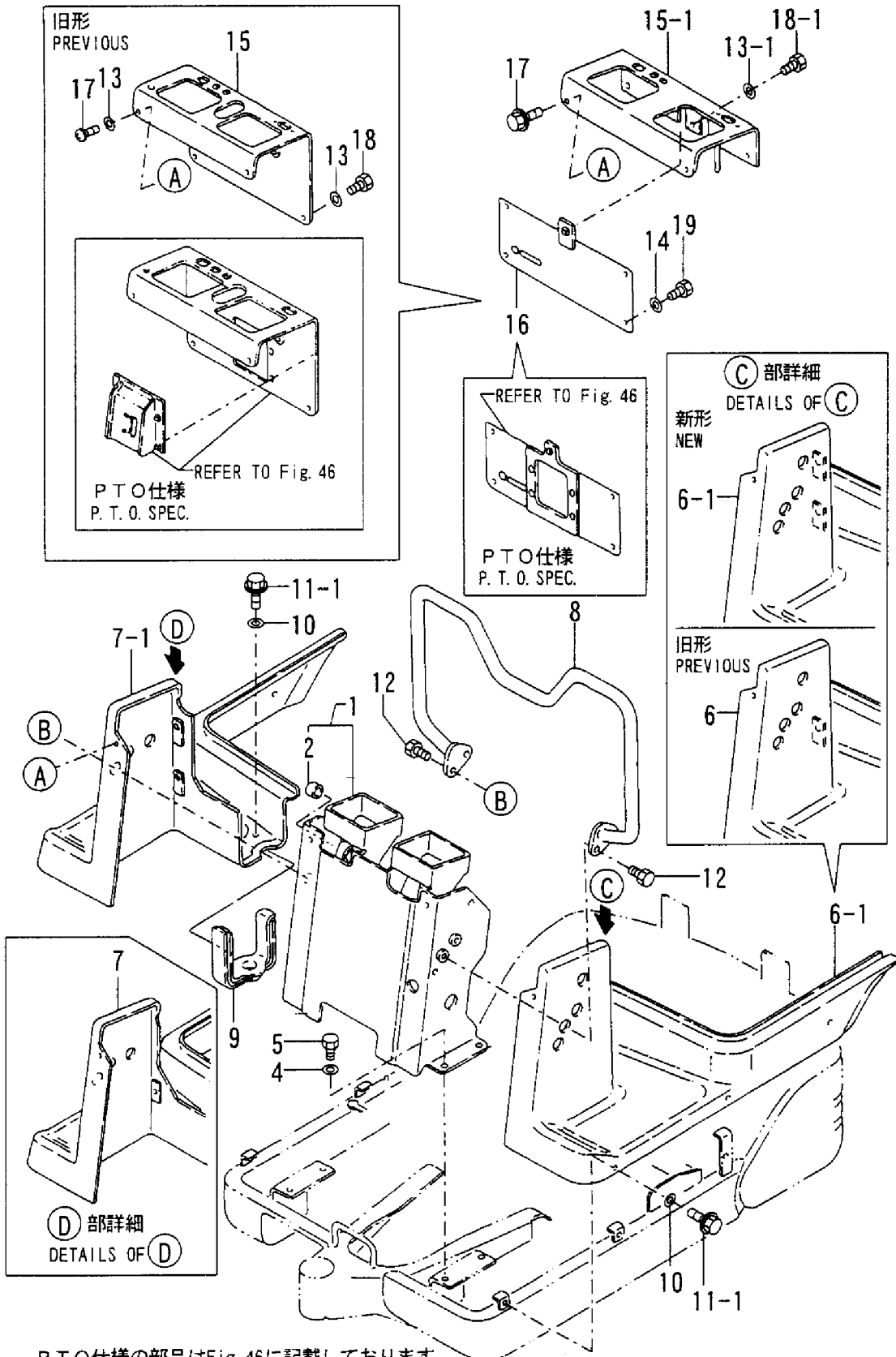
Fig. 20 作業レバーストッパ  
OPERATION LEVER STOPPER





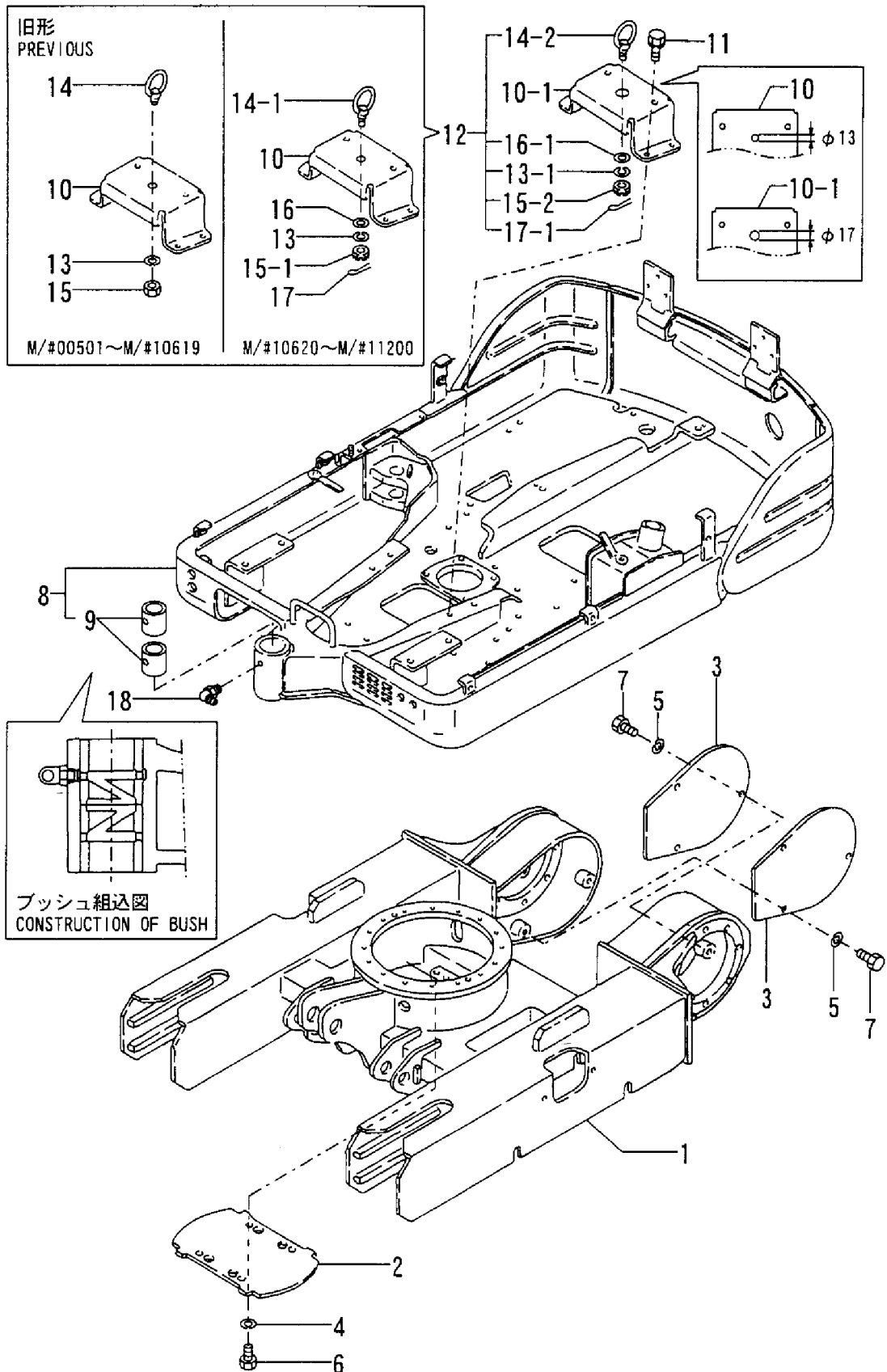
1,1,,772156-45460,, "SUPPORT ASSY, LINK",1,1,1,,,,,,,,,,,,,  
1-1,1,,772156-45461,, "SUPPORT ASSY, LINK",1,1,1,1,N,,,M/#10501,,,,M/#10501,,,,,  
2,2,,172141-41370,, "BUSH 2015",2,2,2,2,2,,,,,,,,,,,,,  
4,1,,194145-04810,, "WASHER 10",4,,4,4,4,,,,,,,,,,,,,  
5,1,,26013-100202,, "BOLT W/WASHER M10X20",4,,4,4,4,,,,,,,,,,,,,  
6,1,,172156-61100,, COVER(L),1,1,1,,,,,,,,,,,,,  
6-1,1,,172156-61101,, COVER(L),1,1,1,,S,,,M/#10501,,,,M/#10501,,,,,  
6-2,1,,172156-61102,, COVER(L),1,1,1,1,N,,,M/#10620,,,,M/#10620,,,,,  
7,1,,172156-61150,, COVER(R),1,1,1,,,,,,,,,,,,,  
7-1,1,,172156-61151,, COVER(R),1,1,1,,S,,,M/#10501,,,,M/#10501,,,,,  
7-2,1,,172156-61152,, COVER(R),1,1,1,1,N,,,M/#10620,,,,M/#10620,,,,,  
8,1,,172156-61200,, "BAR, ASSIST",1,1,1,1,1,,,,,,,,,,,,,  
9,1,,172156-61250,, "COVER, SEAL",1,1,1,1,1,,,,,,,,,,,,,  
10,1,,1A1380-62160,, WASHER,8,8,8,8,8,,,,,,,,,,,,,  
11,1,,172137-69850,, SCREW,8,8,8,8,,,,,,,,,,,,,  
11-1,1,,172519-63240,, "BOLT 8X  
16",8,,8,8,8,,S,,,M/#10860,,,,M/#10860,,M/#10860,,  
12,1,,26013-100202,, "BOLT W/WASHER M10X20",4,4,4,4,4,,,,,,,,,,,,,  
13,1,,1A1380-62160,, WASHER,4,4,4,4,,,,,,,,,,,,,  
13-1,1,,1A1380-62160,, WASHER,3,,3,3,3,K,,,M/#10501,,,,M/#10501,,M/#10501,,  
14,1,,1A1380-62160,, WASHER,4,,4,4,4,W,,,M/#10501,,,,M/#10501,,,,,  
15,1,,172156-63100,, COVER,1,1,1,1,,,,,,,,,,,,,  
15-1,1,,172156-63101,, COVER,1,1,1,1,,S,,,M/#10501,,,,M/#10501,,M/#10501,,  
16,1,,172156-63140,, COVER(B),1,1,1,1,W,,,M/#10501,,,,M/#10501,,M/#10501,,  
17,1,,172137-69850,, SCREW,2,2,2,2,,,,,,,,,,,,,  
17-1,1,,172519-63240,, "BOLT 8X  
16",2,,2,2,2,,S,,,M/#10860,,,,M/#10860,,M/#10860,,  
18,1,,26013-080202,, "BOLT W/WASHER M8X20",2,2,2,,,,,,,,,,,,,  
18-1,1,,26013-080202,, "BOLT W/WASHER  
M8X20",3,,3,3,3,K,,,M/#10501,,,,M/#10501,,,,,  
19,1,,26013-080202,, "BOLT W/WASHER M8X20",4,,4,4,4,W,,,M/#10501,,,,M/#10501,,,,,

Fig. 21 リンク台, カバー & インパネ  
LINK STAND, COVER & INSTRUMENT PANEL



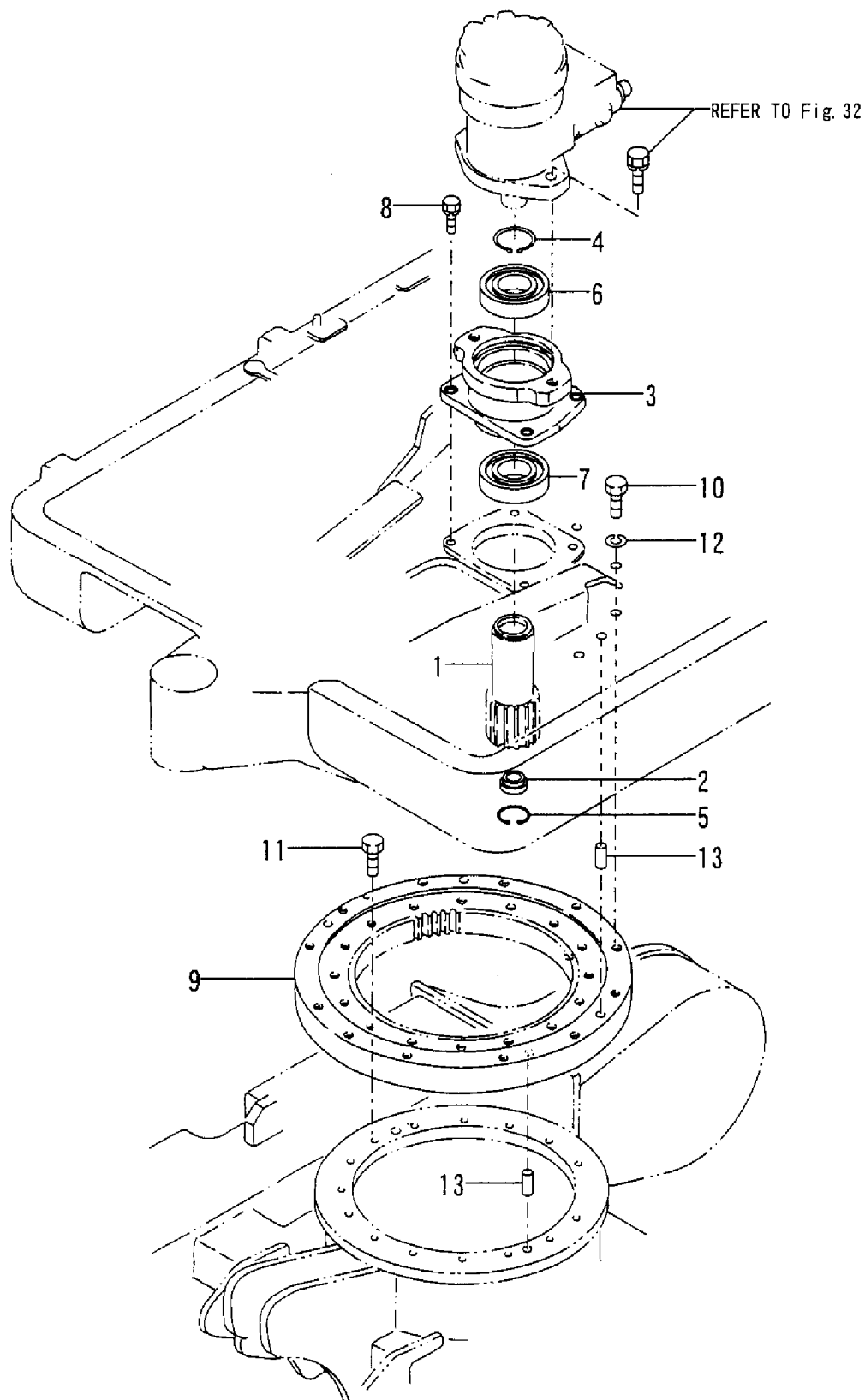
1,1,,172156-50100,, "FRAME, LOWER",1,1,1,1,1,,,,,,,,,,,,,  
2,1,,172156-50450,, "COVER, BOTTOM",1,1,1,1,1,,,,,,,,,,,,,  
3,1,,172156-50460,, "COVER, MOTOR",2,2,2,2,2,,,,,,,,,,,,,  
4,1,,22217-100000,, "SPRING WASHER 10",4,4,4,4,4,,,,,,,,,,,,,  
5,1,,22217-100000,, "SPRING WASHER 10",6,6,6,6,6,,,,,,,,,,,,,  
6,1,,26116-100202,, "BOLT M10X 20 PLATED",4,4,4,4,4,,,,,,,,,,,,,  
7,1,,26116-100202,, "BOLT M10X 20 PLATED",6,6,6,6,6,,,,,,,,,,,,,  
8,1,,172156-54100,, "FRAME, TURNING",1,1,1,1,1,,,,,,,,,,,,,  
9,2,,172156-54080,, "BUSH 35-45",2,2,2,2,2,,,,,,,,,,,,,  
10,1,,172156-54700,, "BRACKET",1,1,1,1,1,,,,,,,,,,,,,  
10-1,1,,172156-54701,, "BRACKET  
ASSY",1,1,1,1,1,, F,1,, M/#11201,, M/#11201,, M/#11201,, M/#11201,,  
11,1,,26013-100202,, "BOLT W/WASHER M10X20",4,4,4,4,4,,,,,,,,,,,,,  
12,1,,172156-61350,, "EYE BOLT  
KIT",1,1,1,1,1,, W,, M/#10963,, M/#10963,, M/#10963,, M/#10963,,  
13,2,,22217-120000,, "SPRING WASHER",1,1,1,1,1,,,,,,,,,,,,,  
13-1,2,,22217-160000,, "SPRING WASHER  
16",1,1,1,1,1,, S,, M/#11208,, M/#11208,, M/#11208,, M/#11208,,  
14,2,,26617-120002,, "EYE BOLT M12",1,1,1,1,1,,,,,,,,,,,,,  
14-1,2,,172156-61300,, "BOLT 12X22",1,1,1,1,1,, N,, M/#10620,, M/#10620,,  
14-2,2,,172157-61301,, "BOLT  
16X37",1,1,1,1,1,, S,1,, M/#11201,, M/#11209,, M/#11201,, M/#11201,,  
15,2,,26716-120002,, "NUT 12",1,1,1,1,1,,,,,,,,,,,,,  
15-1,2,,172156-61310,, "NUT M12",1,1,1,1,1,, S,, M/#10626,, M/#10626,,  
15-2,2,,172157-61310,, "CASTLE NUT  
M16",1,1,1,1,1,, S,, M/#11208,, M/#11208,, M/#11208,, M/#11208,,  
16,2,,172156-61320,, "COLLAR",1,1,1,1,1,, W,, M/#10626,, M/#10626,,  
16-1,2,,172156-  
61321,, "COLLER",1,1,1,1,1,, S,, M/#11208,, M/#11208,, M/#11208,, M/#11208,,  
17,2,,22417-320250,, "COTTER PIN 3.2X25",1,1,1,1,1,, W,, M/#10626,, M/#10626,,  
17-1,2,,22417-400320,, "COTTER PIN  
4.0X32",1,1,1,1,1,, M/#11208,, M/#11208,, M/#11208,, M/#11208,,  
18,1,,24761-050000,, "NIPPLE C, GREASE",1,1,1,1,1,,,,,,,,,,,,,

Fig. 22 フレーム  
FRAME



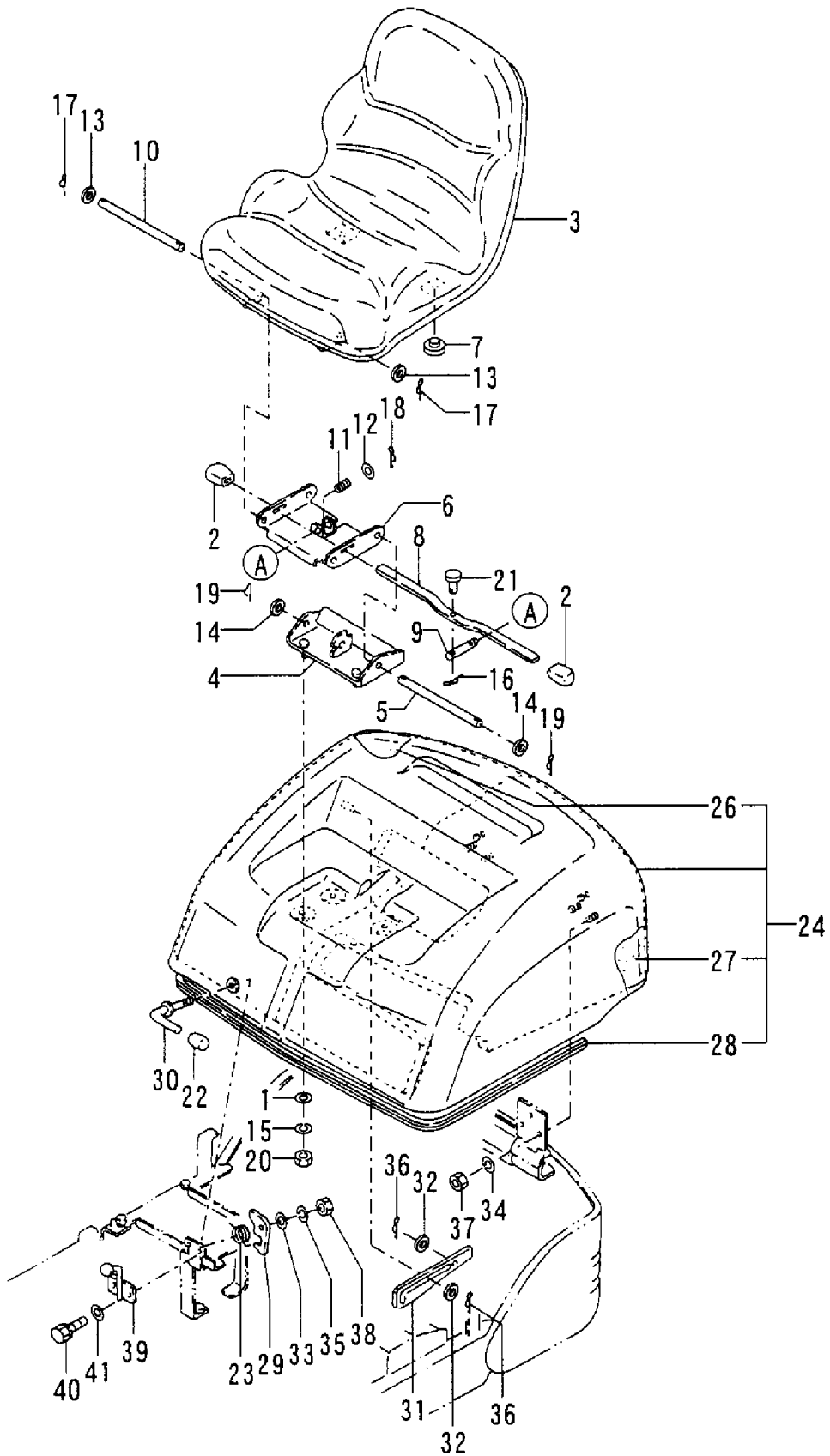
1,1,,172156-57300,, "PINION 14T",1,1,1,1,1,,,,,,,,,,,,,  
2,1,,172131-57310,, "PLUG 26",1,1,,,,,,,,,,,,,  
2-1,1,,27260-260000,, "PLUG 26,BORE",1,1,1,1,1,1,,R,,,M/#00952,,M/#00952,,,,,,  
3,1,,172156-57310,, "RETAINER, BEARING",1,1,1,1,1,,,,,,,,,,,,,  
4,1,,22242-000400,, "CIRCLIP 40",1,1,1,1,1,,,,,,,,,,,,,  
5,1,,22252-000260,, "CIRCLIP 26",1,1,1,1,1,,,,,,,,,,,,,  
6,1,,24101-060084,, "BALL BEARING",1,1,1,1,1,,,,,,,,,,,,,  
7,1,,24102-060084,, "BALL BEARING",1,1,1,1,1,,,,,,,,,,,,,  
8,1,,26013-100252,, "BOLT W/WASHER M10X25",4,4,4,4,4,,,,,,,,,,,,,  
9,1,,172156-57600,, "BEARING, TURNING",1,1,1,1,1,,,,,,,,,,,,,  
10,1,,172156-57610,, "BOLT 8X 30",12,12,12,12,12,,,,,,,,,,,,,  
11,1,,172156-57620,, "BOLT 8X 45",16,16,16,16,16,,,,,,,,,,,,,  
12,1,,22217-080000,, "SPRING WASHER 8",12,12,12,12,12,,,,,,,,,,,,,  
13,1,,22312-100160,, "PARALLEL PIN 10X16",4,4,4,4,4,,,,,,,,,,,,,

Fig. 23 旋回駆動装置  
TURNING DRIVING EQUIPMENT



1,1,,1A1040-43900,, "SPRING WASHER",4,4,4,4,4,,,,,,,,,,,,,  
2,1,,194273-47910,, KNOB,2,2,2,2,2,,,,,,,,,,,,,  
3,1,,172156-64200,, SEAT,1,1,1,1,1,,,,,,,,,,,,,  
3-1,1,,172156-  
64201,, SEAT,1,1,1,1,1,, N,,, M/#10670,, M/#10670,, M/#10670,, M/#10670,,  
4A,1,,172156-64250,, "BRACKET, SEAT (GREEN)",1,,1,1,,,,,,,,,,,,,  
4B,1,,172156-64250-1,, "BRACKET, SEAT (PINK)",,1,,,,,,,,,,,,,  
4C,1,,172156-64250-3,, "BRACKET, SEAT(YELLOW)",,1,,,,,,,,,,,,,  
5,1,,172156-64320,, PIN,1,1,1,1,1,,,,,,,,,,,,,  
6A,1,,172156-64350,, "ARM, SEAT (GREEN)",1,,1,1,,,,,,,,,,,,,  
6B,1,,172156-64350-1,, "ARM, SEAT (PINK)",,1,,,,,,,,,,,,,  
6C,1,,172156-64350-3,, "ARM, SEAT (YELLOW)",,1,,,,,,,,,,,,,  
7,1,,172141-64370,, "CUSHION, SEAT",2,2,2,2,2,,,,,,,,,,,,,  
8,1,,172156-64400,, LEVER,1,1,1,1,1,,,,,,,,,,,,,  
9,1,,172156-64410,, "PIN, ROCK",1,1,1,1,1,,,,,,,,,,,,,  
10,1,,172156-64420,, PIN,1,1,1,1,1,,,,,,,,,,,,,  
11,1,,172156-64430,, "SPRING, LOCK",1,1,1,1,1,,,,,,,,,,,,,  
12,1,,22137-080000,, "WASHER 8, POLISHED",1,1,1,1,1,,,,,,,,,,,,,  
13,1,,22190-080003,, "SEAL WASER 8",2,2,2,2,2,,,,,,,,,,,,,  
14,1,,22190-100003,, "SEAL WASHER 10",2,2,2,2,2,,,,,,,,,,,,,  
15,1,,22217-080000,, "SPRING WASHER 8",4,4,4,4,4,,,,,,,,,,,,,  
16,1,,22372-050000,, "SNAP PIN JASO 5",1,1,1,1,1,,,,,,,,,,,,,  
17,1,,22372-080000,, "SNAP PIN (JASO 8)",2,2,2,2,2,,,,,,,,,,,,,  
18,1,,22372-080000,, "SNAP PIN (JASO 8)",1,1,1,1,1,,,,,,,,,,,,,  
19,1,,22372-100000,, "SNAP PIN 10",2,2,2,2,2,,,,,,,,,,,,,  
20,1,,26716-080002,, "NUT M 8",4,4,4,4,4,,,,,,,,,,,,,  
21,1,,43311-054100,, ,1,1,1,1,1,, M,,,,,,,,,,,,,  
21-1,1,,933110-54100,, "PIN 4.75X14",1,1,1,1,1,,,,,,,,,,,,,  
22,1,,172116-46630,, "KNOB, LOCK LEVER",1,1,1,1,1,,,,,,,,,,,,,  
23,1,,172156-65690,, "TORSION SPRING,STOPR",1,1,1,1,1,,,,,,,,,,,,,  
24A,1,,172156-65160,, "BONNET (GREEN)",1,,1,1,,,,,,,,,,,,,  
24B,1,,172156-65130,, "BONNET (PINK)",,1,,,,,,,,,,,,,  
24C,1,,172156-65270,, "BONNET (YELLOW)",,1,,,,,W,,,,,M/#10501,,,,,  
26,2,,172156-65250,, PAD(A),1,1,1,1,1,,,,,,,,,,,,,  
27,2,,172156-65260,, PAD(B),1,1,1,1,1,,,,,,,,,,,,,  
28,2,,172156-65380,, "RUBBER, BONNET",1,1,1,1,1,,,,,,,,,,,,,  
29,1,,172156-65340,, "PLATE, LOCK",1,1,1,1,1,,,,,,,,,,,,,  
30,1,,172156-65350,, LEVER,1,1,1,1,1,,,,,,,,,,,,,  
31,1,,172156-65400,, LINK,1,1,1,1,1,,,,,,,,,,,,,  
32,1,,22137-080000,, "WASHER 8, POLISHED",4,4,4,4,4,,,,,,,,,,,,,  
33,1,,22137-080000,, "WASHER 8, POLISHED",1,1,1,1,1,,,,,,,,,,,,,  
34,1,,22217-080000,, "SPRING WASHER 8",6,6,6,6,6,,,,,,,,,,,,,  
35,1,,22217-080000,, "SPRING WASHER 8",1,1,1,1,1,,,,,,,,,,,,,  
36,1,,22372-080000,, "SNAP PIN (JASO 8)",2,2,2,2,2,,,,,,,,,,,,,  
37,1,,26717-080002,, "NUT M 8",6,6,,,,,,,,,,,,,  
37-1,1,,26716-080002,, "NUT M 8",6,6,6,6,6,, N,,, M/#00501,, M/#00501,,,,,  
38,1,,26717-080002,, "NUT M 8",1,1,,,,,,,,,,,,,  
38-1,1,,26716-080002,, "NUT M 8",1,1,1,1,1,, N,,, M/#00501,, M/#00501,,,,,  
39,1,,172156-65720,, BAR,1,1,1,1,1,,,,,,,,,,,,,  
40,1,,26013-080202,, "BOLT W/WASHER M8X20",2,2,2,2,2,,,,,,,,,,,,,  
41,1,,22137-080000,, "WASHER 8, POLISHED",2,2,2,2,2,,,,,,,,,,,,,

Fig. 24 シート & ボンネット  
SEAT & BONNET

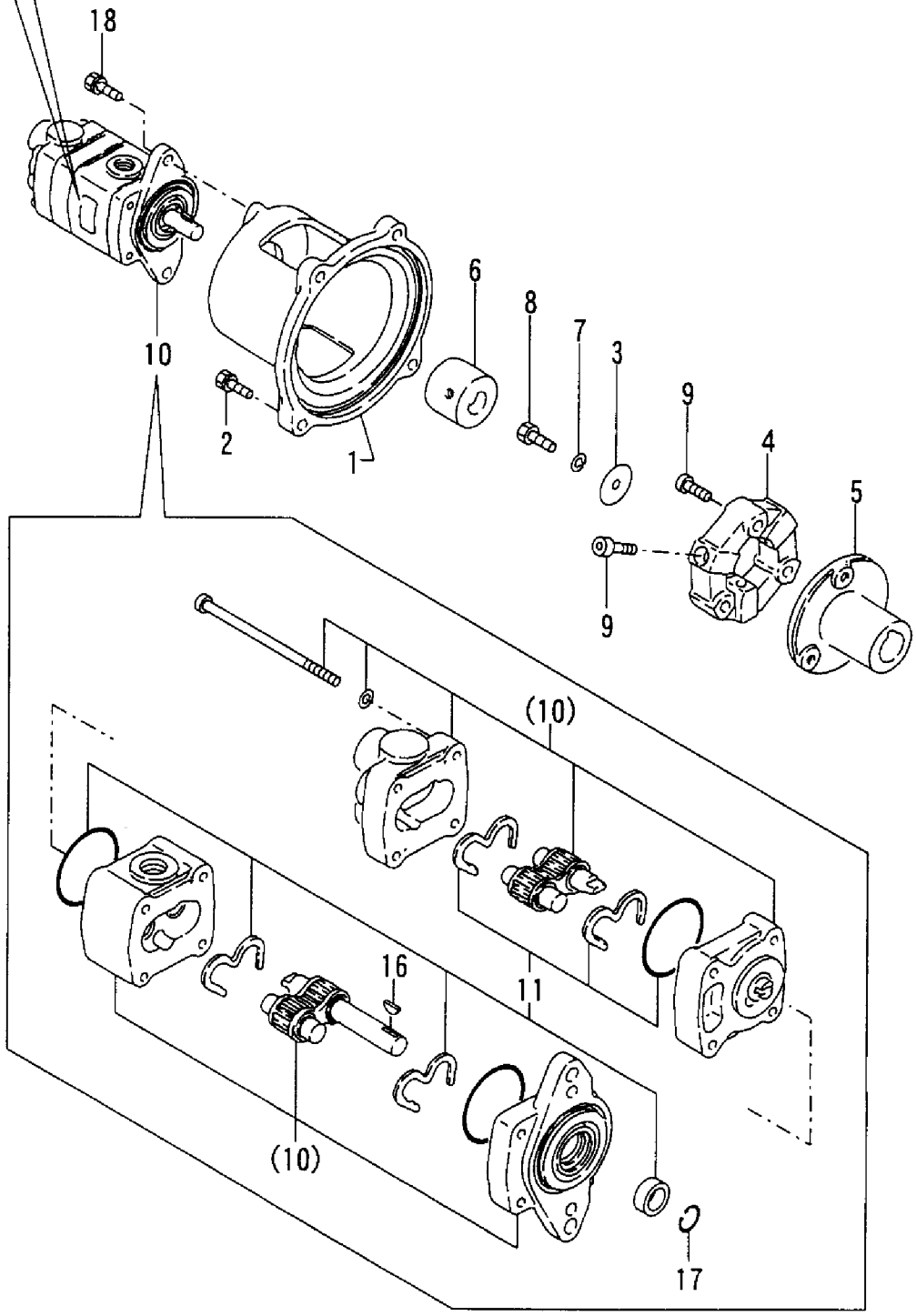




1,1,,172156-71110,, "MOUNT, PUMP",1,1,1,1,1,,,,,,,,,,,,,  
2,1,,26013-080302,, "BOLT M 8X 30",4,4,4,4,4,,,,,,,,,,,,,  
3,1,,1E6021-76370,, "WASHER 9X32X3.2",1,1,1,1,1,,,,,,,,,,,,,  
4,1,,172156-71200,, "COUPLING(CF-A-4",1,1,1,1,1,,,,,,,,,,,,,  
5,1,,172156-71210,, "FLANGE, PUMP",1,1,1,1,1,,,,,,,,,,,,,  
6,1,,172156-71220,, "JOINT, PUMP",1,1,1,1,1,,,,,,,,,,,,,  
7,1,,22217-080000,, "SPRING WASHER 8",1,1,1,1,1,,,,,,,,,,,,,  
8,1,,26116-080202,, "BOLT M 8X 20 PLATED",1,1,1,1,1,,,,,,,,,,,,,  
9,1,,26450-080302,, "BOLT M 8X 30",6,6,6,6,6,,,,,,,,,,,,,  
10,1,,172156-73100,, "BUMP ASSY, HYD. OIL",1,1,1,1,1,,1,,,,,,,,,,,,,  
11,2,,172156-73110,, "SEAL KIT",1,1,1,1,1,,,,,,,,,,,,,  
16,2,,22522-030130,, "WOODRUFF KEY 3X13",1,1,1,1,1,,,,,,,,,,,,,  
17,2,,22252-000220,, "CIRCLIP 22",1,1,1,1,1,,,,,,,,,,,,,  
18,1,,26013-080202,, "BOLT W/WASHER M8X20",2,2,2,2,2,,,,,,,,,,,,,

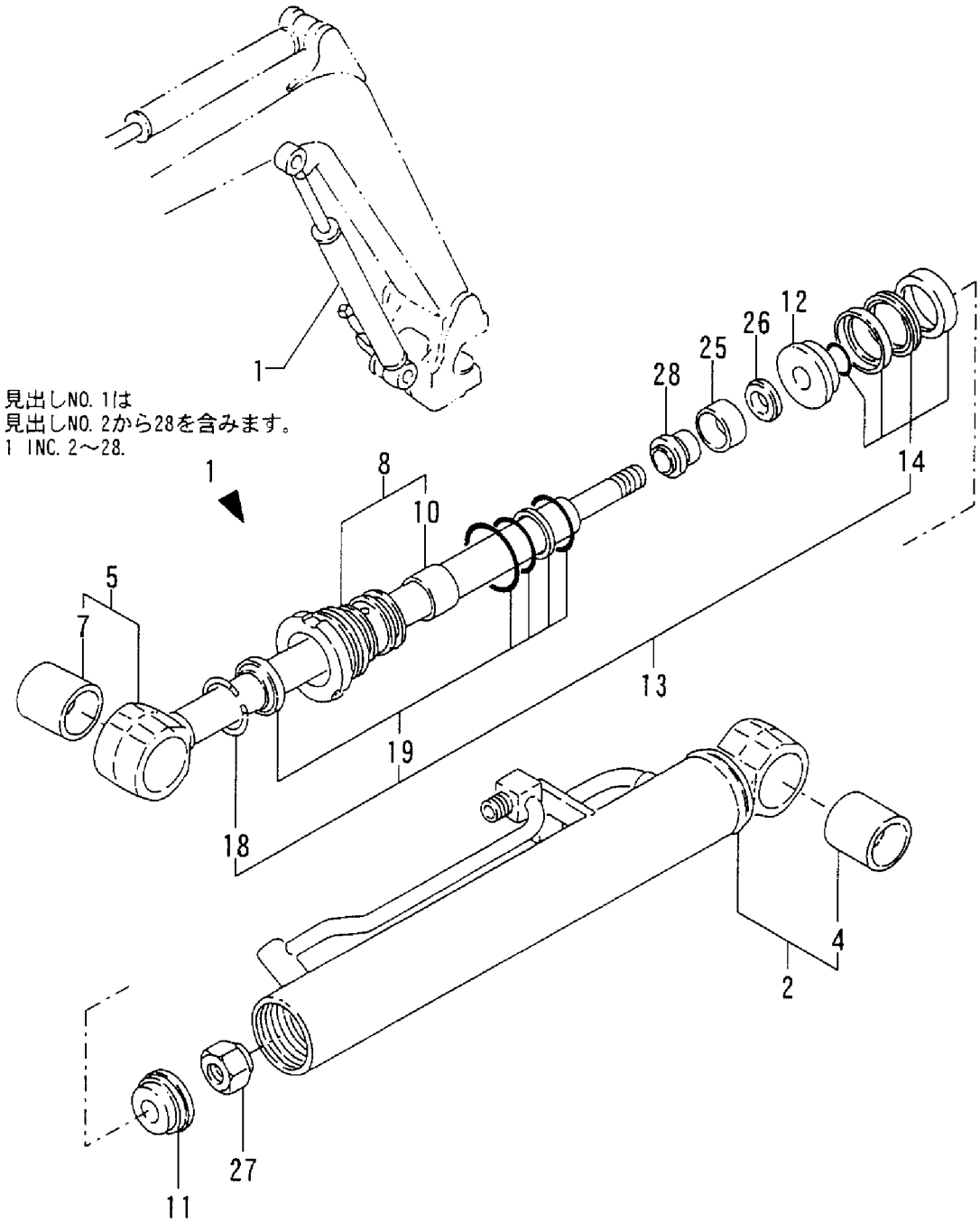
Fig. 25 油圧ポンプ & 軸継手  
HYD. OIL PUMP & JOINT

形式NO. 打刻位置  
MODEL NO. IS  
STAMPED INTO  
THIS LOCATION  
2 5 2 5 R 6 1 2



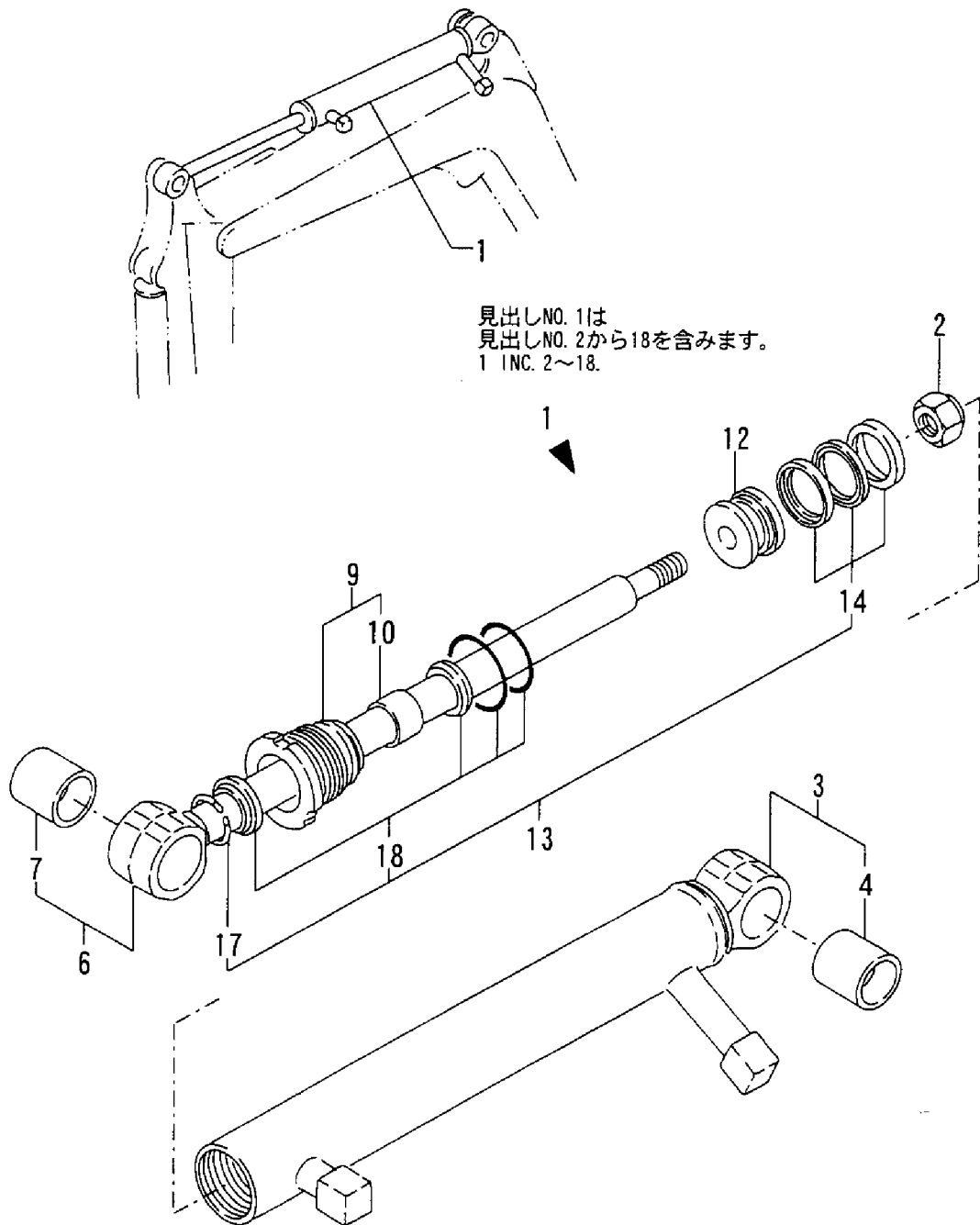
1A,1,,172156-72100,, "CYLINDER,BOOM(GREEN)",1,,,1,1,,,,,,,,,,,,,  
1B,1,,172156-72100-1,, "CYLINDER,BOOM(PINK)",,1,,,,,,,,,,,,,  
1C,1,,172156-72100-3,, "CYLINDER,BOOM(YELLOW",,,1,,,,,,,,,,,,,  
2A,2,,772156-72110,, "TUBE,BOOM(GREEN)(76)",1,,,1,1,,,,,,,,,,,,,  
2B,2,,772156-72110-1,, "TUBE,BOOM (PINK)(77)",,1,,,,,,,,,,,,,  
2C,2,,772156-72110-3,, "TUBE,BOOM(YELLOW:70)",,,1,,,,,,,,,,,,,  
4,3,,172156-72410,, "BUSH, PIN 25 35 A",1,1,1,1,1,,,,,,,,,,,,,  
5,2,,772156-72240,, "ROD ASSY, BOOM",1,1,1,1,1,,,,,,,,,,,,,  
7,3,,172156-72410,, "BUSH, PIN 25 35 A",1,1,1,1,1,,,,,,,,,,,,,  
8,2,,172156-72280,, "HEAD 40 22 W/BUSH",1,1,1,1,1,,,,,,,,,,,,,  
10,3,,172156-72300,, "BUSH 22.4 20, ROD",1,1,1,1,1,,,,,,,,,,,,,  
11,2,,172156-72310,, "PISTON 40 14 A1",1,1,1,1,1,,,,,,,,,,,,,  
12,2,,172156-72320,, "PISTON 40 14 A2",1,1,1,1,1,,,,,,,,,,,,,  
13,2,,172156-99340,, "CYLINDER KIT, BOOM",1,1,1,1,1,W,,M/#00501,,M/#00501,,,,,,  
14,3,,172156-72030,, "SEAL SET, PISTON",1,1,1,1,1,,,,,,,,,,,,,  
18,3,,172156-72380,, "RING, SPRING 37.5",1,1,1,1,1,,,,,,,,,,,,,  
19,3,,172156-72010,, "SEAL SET, HEAD",1,1,1,1,1,,,,,,,,,,,,,  
25,2,,172156-72360,, "RING, CUSHION 25",1,1,1,1,1,,,,,,,,,,,,,  
26,2,,172156-72370,, "COLLAR, CUSHION 27 B",1,1,1,1,1,,,,,,,,,,,,,  
27,2,,172156-72400,, "U-NUT M 14",1,1,1,1,1,,,,,,,,,,,,,  
28,2,,172156-72350,, "COLLAR, CUSHION 27 A",1,1,1,1,1,,,,,,,,,,,,,

Fig. 26 ブームシリンダ  
BOOM CYLINDER



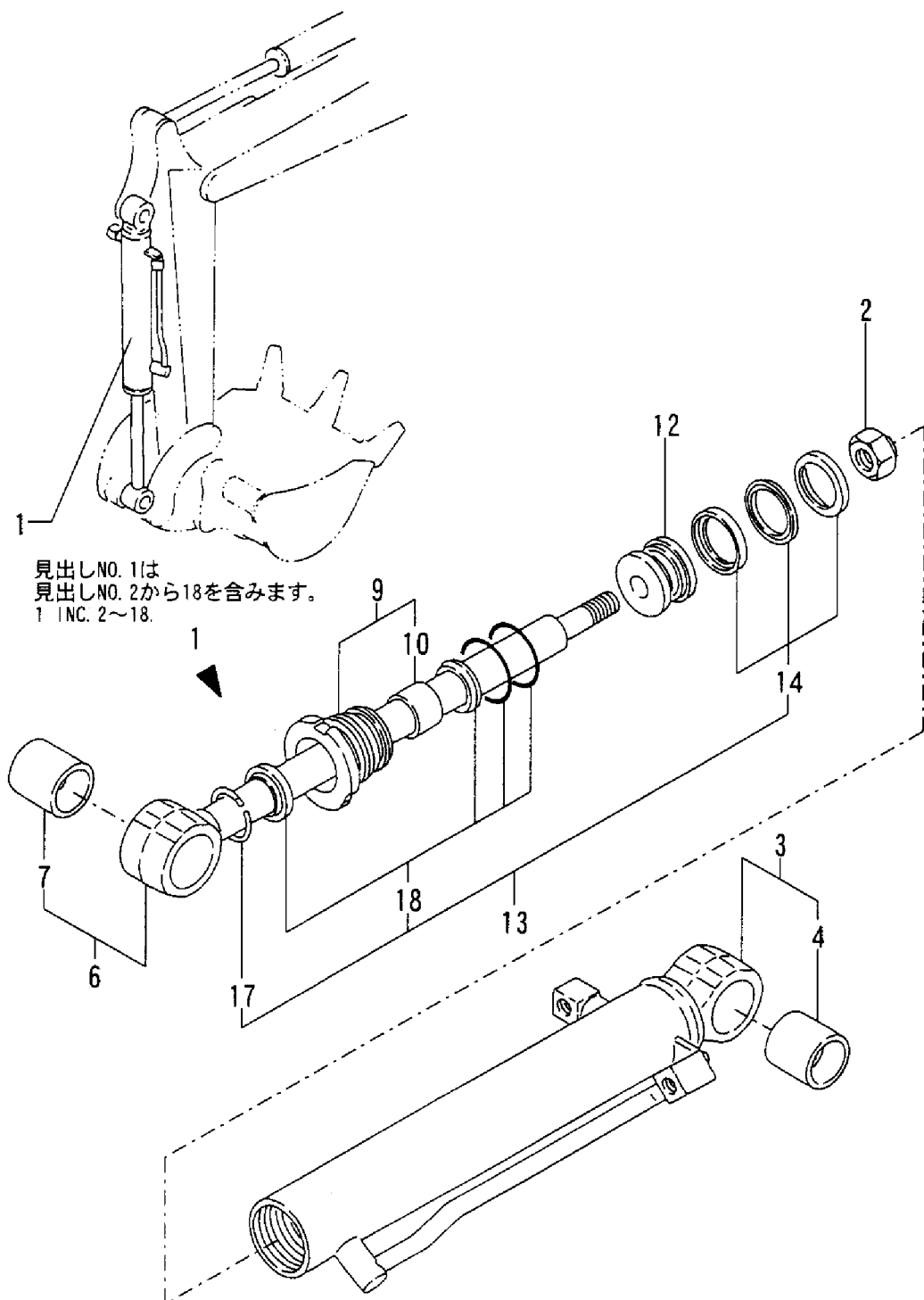
1A,1,,172156-72450,, "CYLINDER,ARM (GREEN)",1,,,1,1,,,,,,,,,,,,,  
1B,1,,172156-72450-1,, "CYLINDER,ARM (PINK)",,1,,,,,,,,,,,,,  
1C,1,,172156-72450-3,, "CYLINDER,ARM(YELLOW)",,,1,,,,,,,,,,,,,  
2,2,,172156-72400,, "U-NUT M 14",1,1,1,1,1,,,,,,,,,,,,,  
3A,2,,772156-72460,, "TUBE,ARM (GREEN)(76)",1,,,1,1,,,,,,,,,,,,,  
3B,2,,772156-72460-1,, "TUBE,ARM (PINK)(77)",,1,,,,,,,,,,,,,  
3C,2,,772156-72460-3,, "TUBE,ARM(YELLOW)(70)",,,1,,,,,,,,,,,,,  
4,3,,172156-72410,, "BUSH, PIN 25 35 A",1,1,,,,,,,,,,,,,  
6,2,,772156-72520,, "ROD ASSY, ARM",1,1,1,1,1,,,,,,,,,,,,,  
7,3,,172156-72410,, "BUSH, PIN 25 35 A",1,1,1,1,1,,,,,,,,,,,,,  
9,2,,172156-72550,, "HEAD 40 22 B W/BUSH",1,1,1,1,1,,,,,,,,,,,,,  
10,3,,172156-72300,, "BUSH 22.4 20, ROD",1,1,1,1,1,,,,,,,,,,,,,  
12,2,,172156-72570,, "PISTON 40 14 B",1,1,1,1,1,,,,,,,,,,,,,  
13,2,,172156-99380,, "CYLINDER KIT, ARM",1,1,1,1,1,W,,M/#00501,,M/#00501,,,,,  
14,3,,172156-72040,, "SEAL SET, PISTON",1,1,1,1,1,,,,,,,,,,,,,  
17,3,,172156-72380,, "RING, SPRING 37.5",1,1,1,1,1,,,,,,,,,,,,,  
18,3,,172156-72020,, "SEAL SET, HEAD",1,1,1,1,1,,,,,,,,,,,,,

Fig. 27 アームシリンダ  
ARM CYLINDER



1A,1,,172156-72600,, "CYLINDER, BUCKET (GREE",1,,,1,1,,,,,,,,,,,,,  
1B,1,,172156-72600-1,, "CYLINDER, BUCKET (PINK",,1,,,,,,,,,,,,,  
1C,1,,172156-72600-3,, "CYLINDER, BUCKET (YELL",,,,1,,,,,,,,,,,,,  
2,2,,172156-72400,, "U-NUT M 14",1,1,1,1,1,,,,,,,,,,,,,  
3A,2,,772156-72610,, "TUBE, BUCKET (GREEN:76",1,,,1,1,,,,,,,,,,,,,  
3B,2,,772156-72610-1,, "TUBE, BUCKET (PINK:77)",,1,,,,,,,,,,,,,  
3C,2,,772156-72610-3,, "TUBE, BUCKET (YELLOW70",,,,1,,,,,,,,,,,,,  
4,3,,172156-72410,, "BUSH, PIN 25 35 A",1,1,,,,,,,,,,,,,  
6,2,,772156-72660,, "ROD ASSY, BUCKET",1,1,1,1,1,,,,,,,,,,,,,  
7,3,,172156-72410,, "BUSH, PIN 25 35 A",1,1,1,1,1,,,,,,,,,,,,,  
9,2,,172156-72550,, "HEAD 40 22 B W/BUSH",1,1,1,1,1,,,,,,,,,,,,,  
10,3,,172156-72300,, "BUSH 22.4 20, ROD",1,1,1,1,1,,,,,,,,,,,,,  
12,2,,172156-72570,, "PISTON 40 14 B",1,1,1,1,1,,,,,,,,,,,,,  
13,2,,172156-99380,, "CYLINDER KIT, ARM",1,1,1,1,1,W,,,M/#00501,,M/#00501,,,,,  
14,3,,172156-72040,, "SEAL SET, PISTON",1,1,1,1,1,,,,,,,,,,,,,  
17,3,,172156-72380,, "RING, SPRING 37.5",1,1,1,1,1,,,,,,,,,,,,,  
18,3,,172156-72020,, "SEAL SET, HEAD",1,1,1,1,1,,,,,,,,,,,,,

Fig. 28 バケットシリンダ  
BUCKET CYLINDER

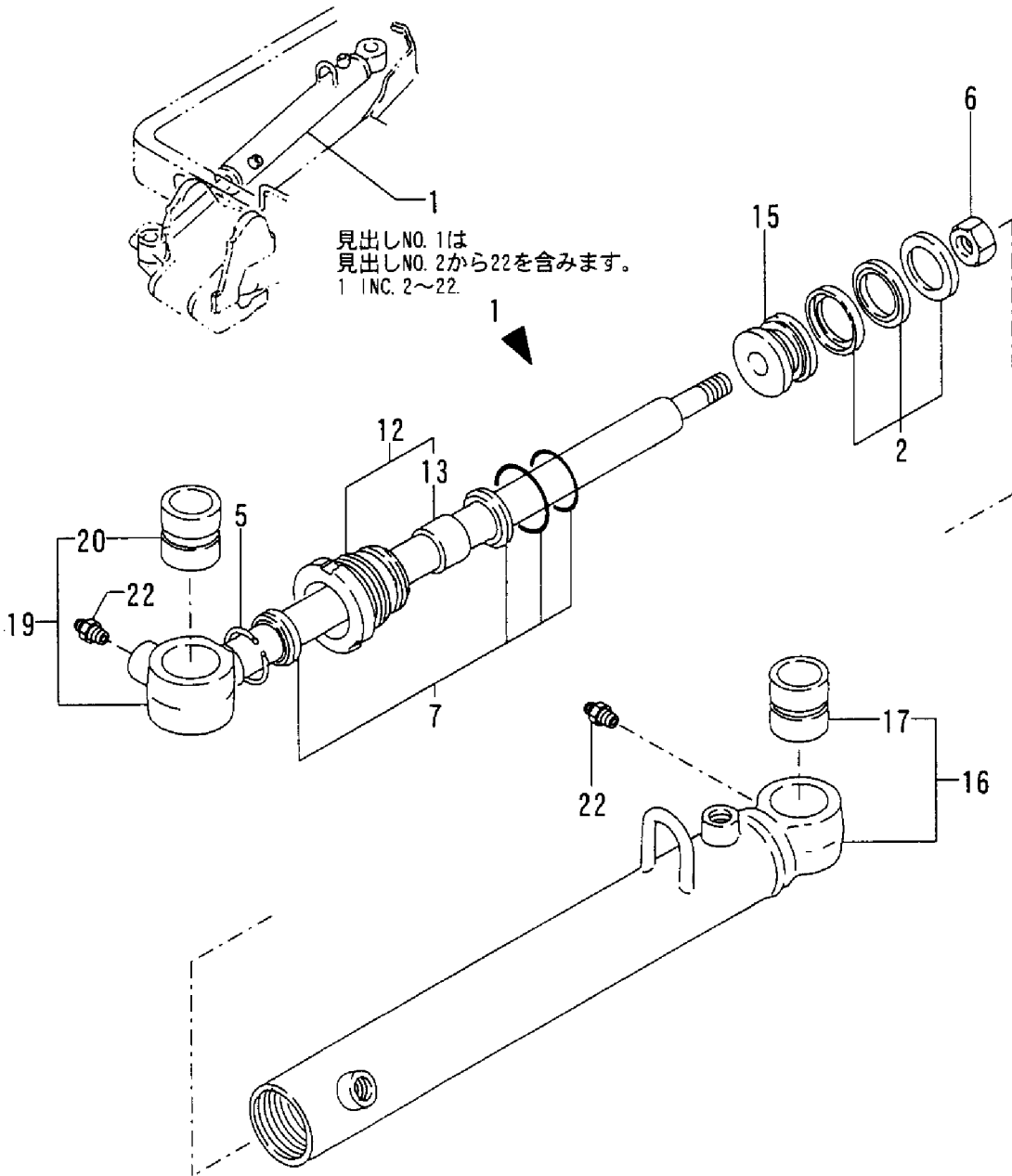


見出しNO. 1は  
見出しNO. 2から18を含みます。  
1 INC. 2~18.



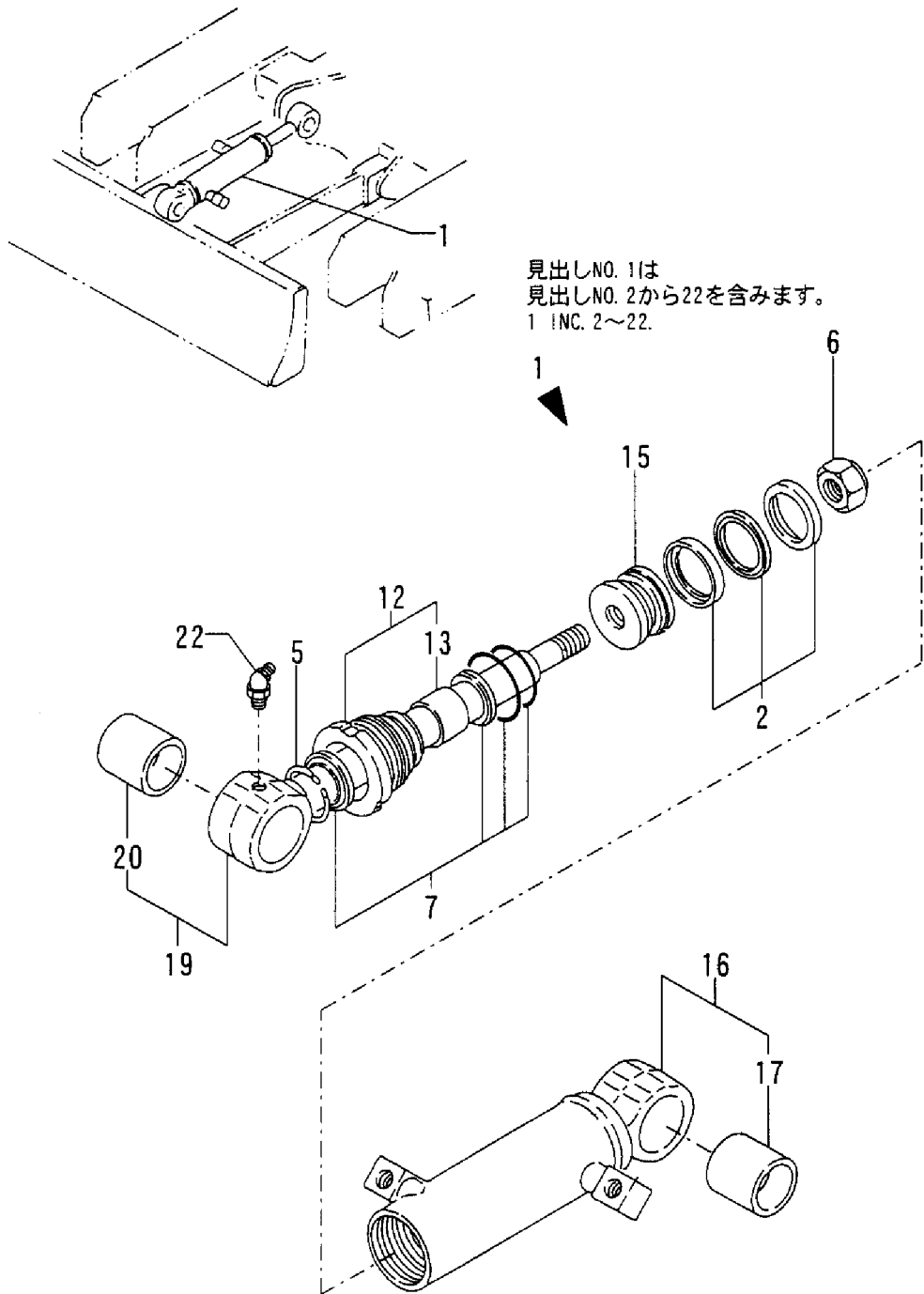
1,1,,172156-72800,, "CYLINDER ASSY, SWING",1,1,1,1,1,,,,,,,,,,,,,  
2,2,,172156-72040,, "SEAL SET, PISTON",1,1,1,1,1,,,,,,,,,,,,,  
5,2,,172156-72380,, "RING, SPRING 37.5",1,1,1,1,1,,,,,,,,,,,,,  
6,2,,172156-72400,, "U-NUT M 14",1,1,1,1,1,,,,,,,,,,,,,  
7,2,,172156-72020,, "SEAL SET, HEAD",1,1,1,1,1,,,,,,,,,,,,,  
12,2,,172156-72550,, "HEAD 40 22 B W/BUSH",1,1,1,1,1,,,,,,,,,,,,,  
13,3,,172156-72300,, "BUSH 22.4 20, ROD",1,1,1,1,1,,,,,,,,,,,,,  
15,2,,172156-72570,, "PISTON 40 14 B",1,1,1,1,1,,,,,,,,,,,,,  
16,2,,772156-72810,, "TUBE ASSY, SWING",1,1,1,1,1,,,,,,,,,,,,,  
17,3,,172156-72770,, "BUSH, PIN 25 35 B",1,1,1,1,1,,,,,,,,,,,,,  
19,2,,772156-72870,, "TUBE ASSY, SWING",1,1,1,1,1,,,,,,,,,,,,,  
20,3,,172156-72770,, "BUSH, PIN 25 35 B",1,1,1,1,1,,,,,,,,,,,,,  
22,2,,24761-020000,, "NIPPLE PT1/8,GREASE",2,2,2,2,2,,,,,,,,,,,,,

Fig. 29 スイングシリンダ  
SWING CYLINDER



1,1,,172156-72700,, "CYLINDER ASSY, BLADE",1,1,1,1,1,,,,,,,,,,,,,  
2,2,,172156-72040,, "SEAL SET, PISTON",1,1,1,1,1,,,,,,,,,,,,,  
5,2,,172156-72380,, "RING, SPRING 37.5",1,1,1,1,1,,,,,,,,,,,,,  
6,2,,172156-72400,, "U-NUT M 14",1,1,1,1,1,,,,,,,,,,,,,  
7,2,,172156-72020,, "SEAL SET, HEAD",1,1,1,1,1,,,,,,,,,,,,,  
12,2,,172156-72550,, "HEAD 40 22 B W/BUSH",1,1,1,1,1,,,,,,,,,,,,,  
13,3,,172156-72300,, "BUSH 22.4 20, ROD",1,1,1,1,1,,,,,,,,,,,,,  
15,2,,172156-72570,, "PISTON 40 14 B",1,1,1,1,1,,,,,,,,,,,,,  
16,2,,772156-72710,, "TUBE W/BUSH, BLADE",1,1,1,1,1,,,,,,,,,,,,,  
17,3,,172156-72410,, "BUSH, PIN 25 35 A",1,1,1,1,1,,,,,,,,,,,,,  
19,2,,772156-72740,, "ROD W/BUSH, BLADE",1,1,1,1,1,,,,,,,,,,,,,  
20,3,,172156-72770,, "BUSH, PIN 25 35 B",1,1,1,1,1,,,,,,,,,,,,,  
22,2,,24761-040000,, "NIPPLE B,GREASE",1,1,1,1,1,,,,,,,,,,,,,

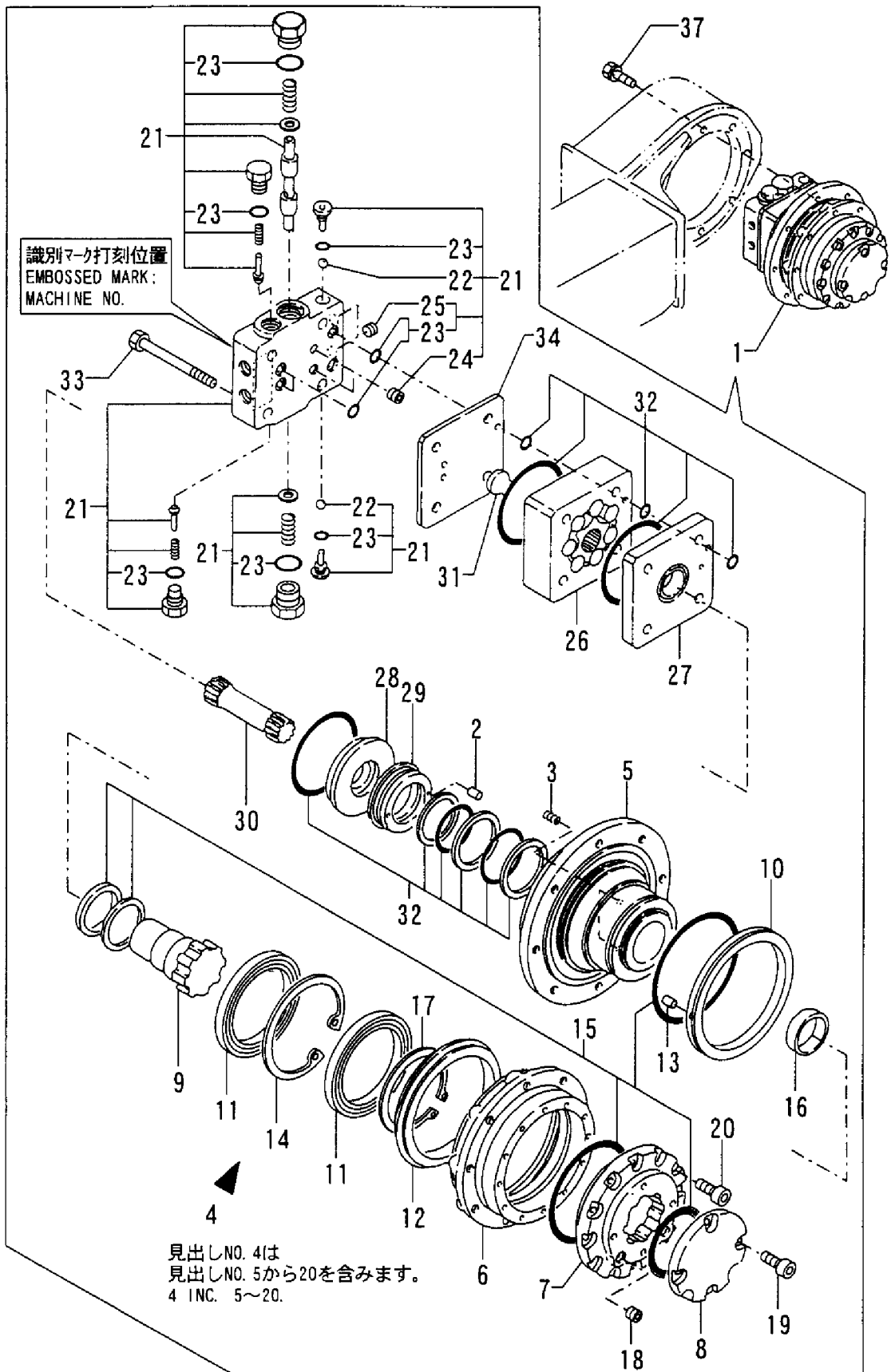
Fig. 30 ブレードシリンダ  
BLADE CYLINDER



見出しNO. 1は  
見出しNO. 2から22を含みます。  
1 INC. 2~22.

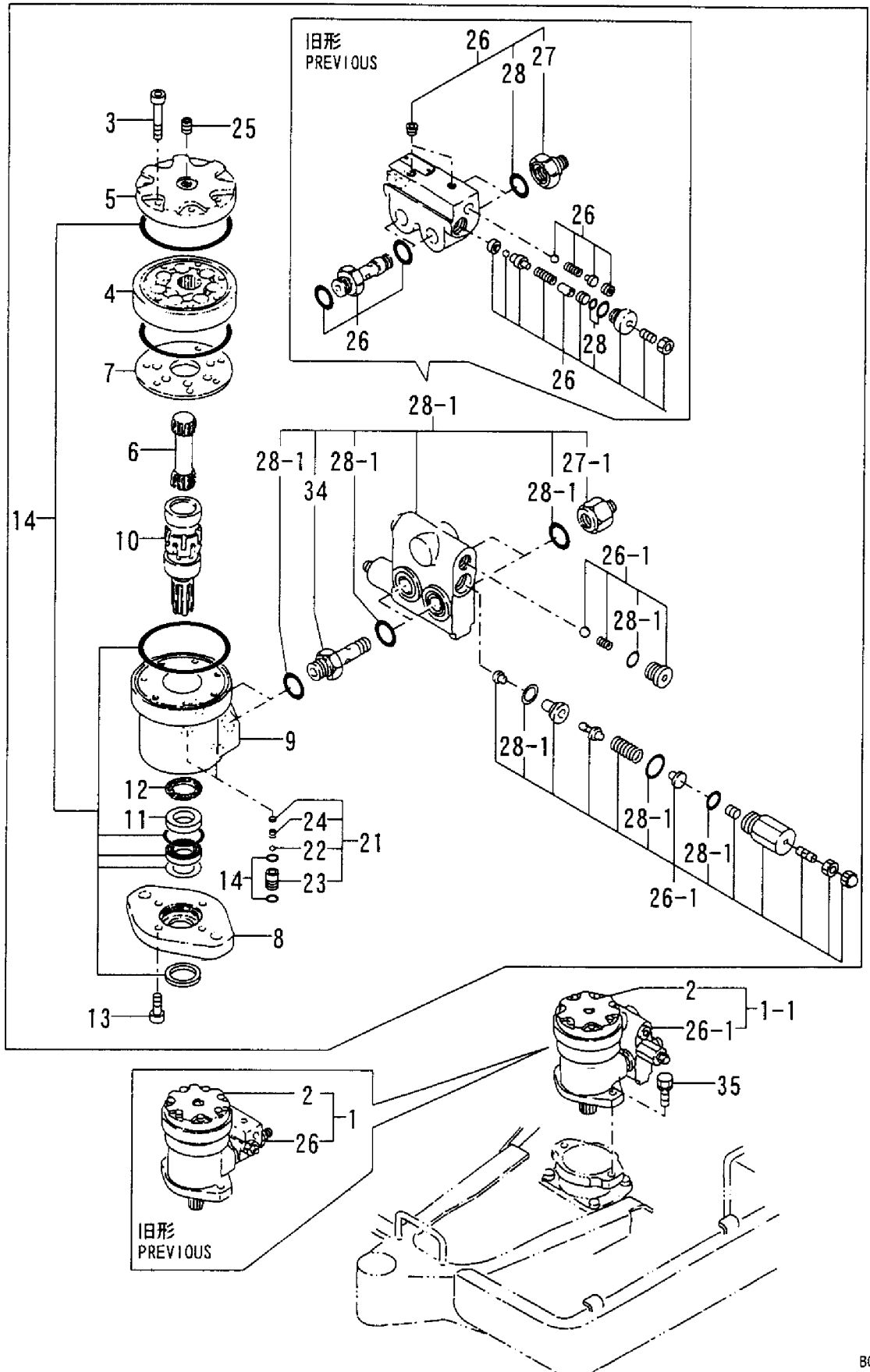
1,1,,172156-73350,, "MOTOR ASSY, DRIVING",2,2,,,,,1,,,,,  
1-1,1,,172156-73351,, "MOTOR ASSY,  
DRIVING",2,2,2,2,2,,N,2,,M/#00544,,M/#00544,,,,,  
2,2,,172137-70570,,PIN,4,4,4,4,4,,,,,  
3,2,,172137-70580,,SPRING,4,4,4,4,4,,,,,  
4,2,,172156-73360,, "MOTOR, SUB ASSY",2,2,2,2,2,,,,,  
5,3,,172156-73370,,CASING,2,2,2,2,2,,,,,  
6,3,,172156-73380,,WHEEL,2,2,2,2,2,,,,,  
7,3,,172156-73390,, "COVER (A)",2,2,2,2,2,,,,,  
8,3,,172156-73400,,COVER,2,2,2,2,2,,,,,  
9,3,,172156-73410,,SHAFT,2,2,2,2,2,,,,,  
10,3,,172156-73420,, "SEAL PLATE",2,2,2,2,2,,,,,  
11,3,,172156-73430,, "BALL BEARING 6201 2N",4,4,4,4,4,,,,,  
12,3,,172156-73440,, "SEAL, FLOATING",2,2,2,2,2,,,,,  
13,3,,172156-73450,,PIN,2,2,2,2,2,,,,,  
14,3,,172156-73950,, "CIRCLIP 100",2,2,2,2,2,,,,,  
15,3,,172156-73960,, "SEAL KIT(A)",2,2,2,2,2,,,,,  
16,3,,172156-73990,,BUSH,2,2,2,2,2,,,,,  
17,3,,22242-000800,, "CIRCLIP 80",2,2,2,2,2,,,,,  
18,3,,23871-010000,, "PLUG PT1/8,SCREW",4,4,4,4,4,,,,,  
19,3,,26450-060122,, "BOLT M 6X 12",8,8,8,8,8,,,,,  
20,3,,26450-060162,, "BOLT M 6X 16",24,24,24,24,24,,,,,  
21,2,,172156-73460,, "COVER ASSY, END",2,2,,,,,1,,,,,  
21-1,2,,172156-73461,, "COVER ASSY, END",2,2,2,2,2,,N,2,,M/#00544,,M/#00544,,,,,  
22,3,,172137-70530,,BALL,4,4,4,4,4,,,,,  
23,3,,172156-73970,, "SEAL KIT",2,2,,,,,  
23-1,3,,172156-73971,, "SEAL KIT",2,2,2,2,2,,S,,M/#00544,,M/#00544,,,,,  
24,3,,23871-010000,, "PLUG PT1/8,SCREW",4,4,4,4,4,,W,,M/#00544,,M/#00544,,,,,  
25,3,,23871-010000,, "PLUG PT1/8,SCREW",4,4,,,,,W,,M/#00501,,M/#00501,,,,,  
25-1,3,,23871-020000,, "PLUG PT1/4,SCREW",4,4,4,4,4,,S,,M/#00544,,M/#00544,,,,,  
26,2,,172156-73490,,ROLLER,2,2,2,2,2,,,,,  
27,2,,172156-73900,, "PLATE, VALVE",2,2,2,2,2,,,,,  
28,2,,172156-73910,,VALVE,2,2,2,2,2,,,,,  
29,2,,172156-73920,,PLATE,2,2,2,2,2,,,,,  
30,2,,172156-73930,,DRIVE,2,2,2,2,2,,,,,  
31,2,,172156-73940,,SPACER,2,2,2,2,2,,,,,  
32,2,,172156-73980,, "SEAL KIT(C)",2,2,2,2,2,,,,,  
33,2,,172156-73470,,BOLT,8,8,8,8,8,,,,,  
34,2,,172156-73480,, "PLATE, SPACER",2,2,2,2,2,,,,,  
37,1,,26013-100252,, "BOLT W/WASHER M10X25",16,16,16,16,16,,,,,

Fig. 31 走行モータ  
DRIVING MOTOR



1,1,,172156-73500,, "MOTOR ASSY, TURNING",1,1,,,,,,,,,,,,,  
1-1,1,,172156-73501,, "MOTOR ASSY,  
TURNING",1,1,1,1,1,,N,,,M/#01215,,M/#01215,,,,,  
2,2,,172156-73510,, "BODY ASSY, TURNING",1,1,1,1,1,,,,,,,,,,,,,  
3,3,,172156-73520,, SCREW,7,7,7,7,7,,,,,,,,,,,,,  
4,3,,172156-73530,, ROLLER,1,1,1,1,1,,,,,,,,,,,,,  
5,3,,172156-73540,, "END CAP",1,1,1,1,1,,,,,,,,,,,,,  
6,3,,172131-73380,, DRIVE,1,1,1,1,1,,,,,,,,,,,,,  
7,3,,172131-73420,, "PLATE, SPACER",1,1,1,1,1,,,,,,,,,,,,,  
8,3,,172131-73431,, FLANGE,1,1,1,1,1,,,,,,,,,,,,,  
9,3,,172131-73450,, HOUSING,1,1,1,1,1,,,,,,,,,,,,,  
10,3,,172131-73460,, "SHAFT, OUT PUT",1,1,1,1,1,,,,,,,,,,,,,  
11,3,,172131-73470,, "BEARING, THRUST RACE",1,1,1,1,1,,,,,,,,,,,,,  
12,3,,172131-73480,, "NEEDLE BEARING",1,1,1,1,1,,,,,,,,,,,,,  
13,3,,172131-73490,, "BOLT, BROACH",4,4,4,4,4,,,,,,,,,,,,,  
14,3,,172156-73570,, "SEAL KIT",1,1,1,1,1,,,,,,,,,,,,,  
21,3,,172131-73680,, "CHECK VALVE ASSY",2,2,2,2,2,,,,,,,,,,,,,  
22,4,,172137-70530,, BALL,2,2,2,2,2,,W,,,M/#00501,,M/#00501,,,,,  
23,4,,172131-73630,, BODY,2,2,2,2,2,,W,,,M/#00501,,M/#00501,,,,,  
24,4,,172131-73640,, SPRING,2,2,2,2,2,,W,,,M/#00501,,M/#00501,,,,,  
25,3,,172141-77400,, "PLUG, BLIND",1,1,1,1,1,,,,,,,,,,,,,  
26,2,,172156-73550,, "VALVE ASSY, BRAKE",1,1,,,,,,,,,,,,,  
26-1,2,,172156-73551,, "VALVE ASSY,  
BRAKE",1,1,1,1,1,,S,,,M/#01215,,M/#01215,,,,,  
27,3,,172156-73560,, BUSHING,2,2,,,,,,,,,,,,,  
27-1,3,,172156-73561,, ADAPTER,2,2,2,2,2,,S,,,M/#01215,,M/#01215,,,,,  
28,3,,172131-73340,, "SEAL KIT",1,1,,,,,,,,,,,,,  
28-1,3,,172156-73580,, "SEAL KIT",1,1,1,1,1,,S,,,M/#01215,,M/#01215,,,,,  
34,3,,172156-73600,, "VALVE FITTING",2,2,2,2,2,,W,,,M/#01215,,M/#01215,,,,,  
35,1,,26013-120352,, "BOLT M12X 35",2,2,,,,,,,,,,,,,

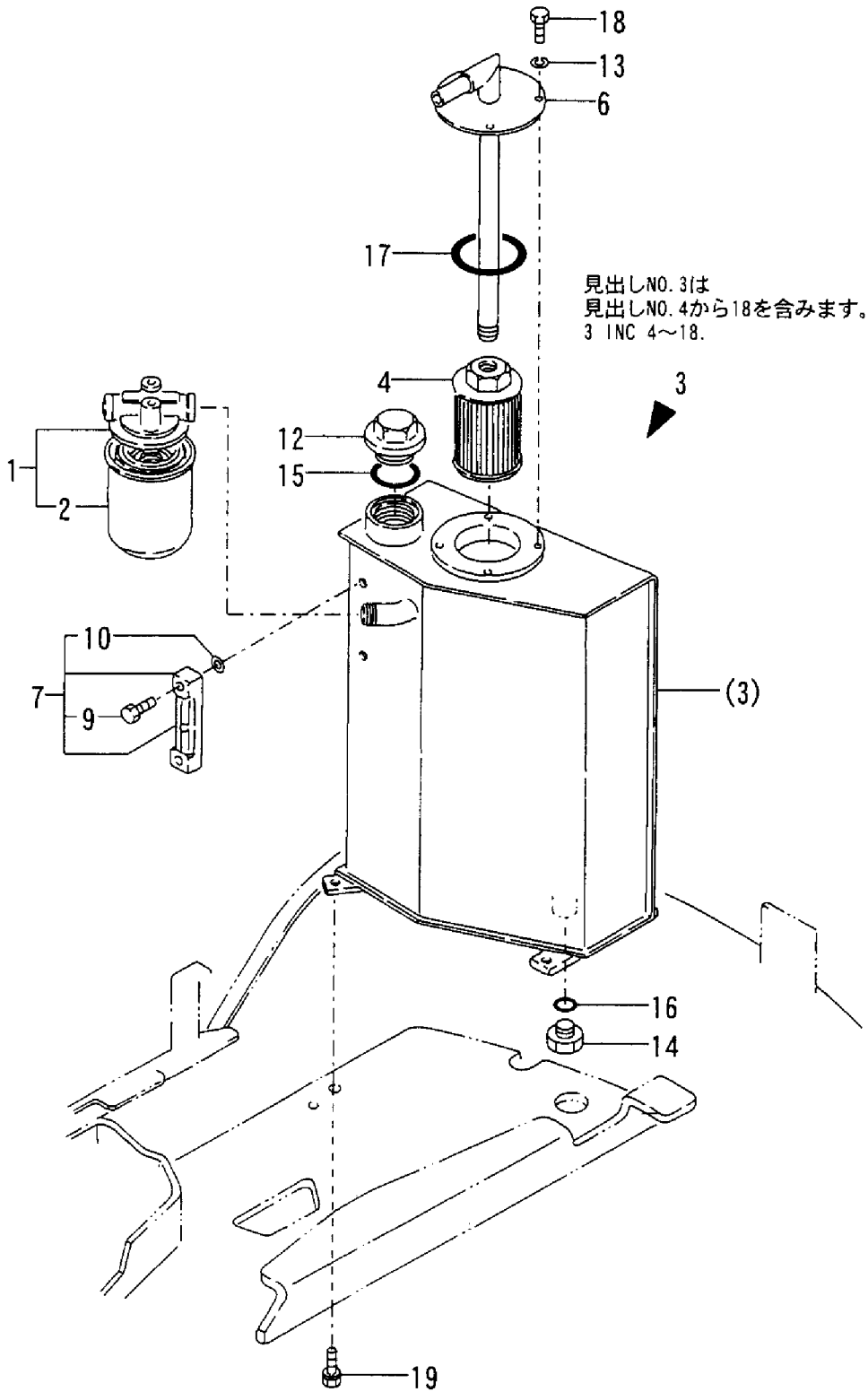
Fig. 32 旋回モータ  
TURNING MOTOR





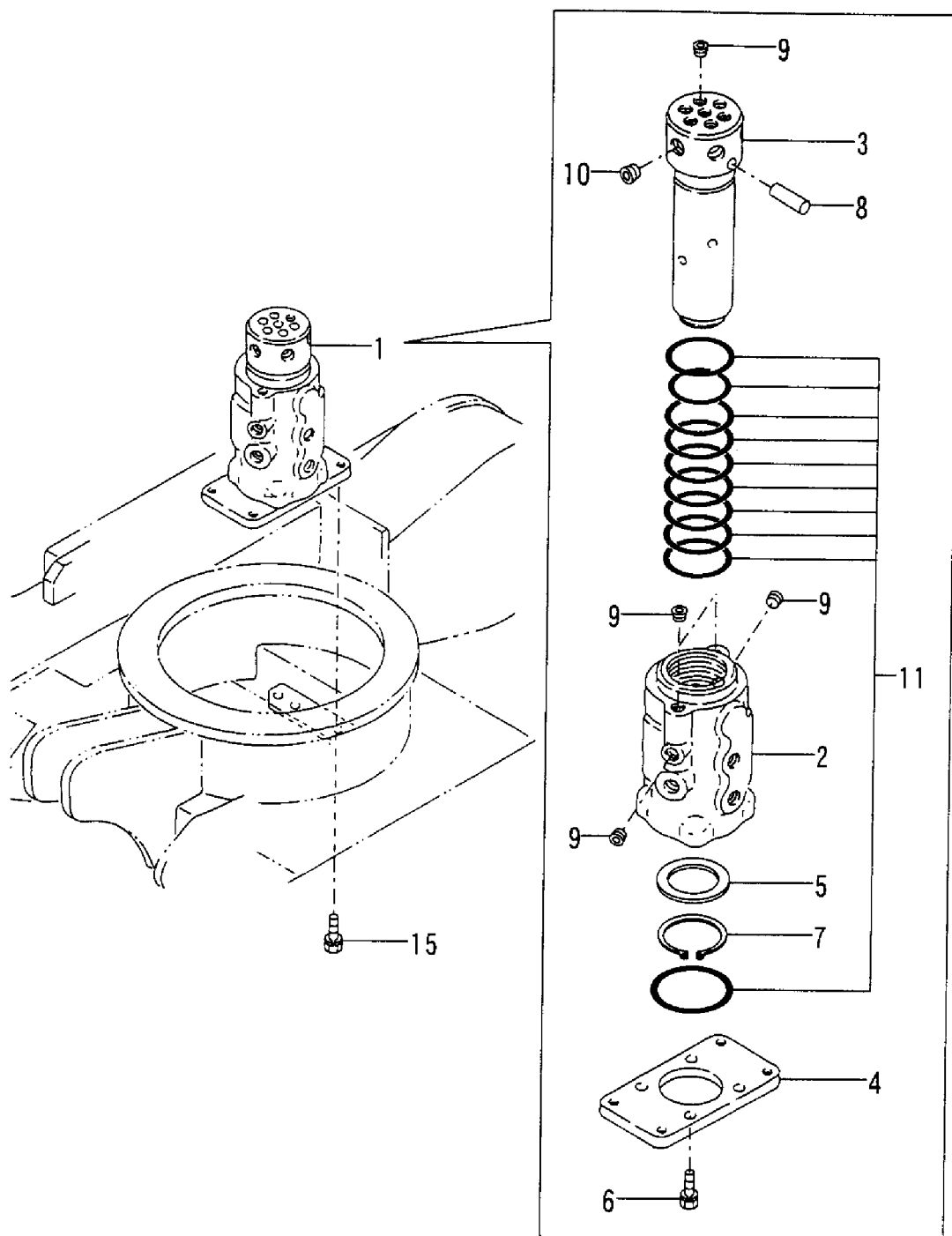
1,1,,172156-73700,, "STRAINER, RETURN",1,1,1,1,1,,,,,,,,,,,,,  
2,2,,172156-73710,, ELEMENT,1,1,1,1,1,,,,,,,,,,,,,  
3,1,,772156-75100,, "RESERVER ASSY",1,1,1,1,1,,,,,,,,,,,,,  
4,2,,172732-73700,, "FILTER, SUCTION",1,1,1,1,1,,,,,,,,,,,,,  
6,2,,172156-75260,, "TUBE, SUCTION",1,1,1,1,1,,,,,,,,,,,,,  
7,2,,172122-75600,, "GAUGE, OIL LEVEL",1,1,1,1,1,,,,,,,,,,,,,  
9,3,,172122-75620,, BOLT,2,2,2,2,2,,,,,,,,,,,,,  
10,3,,172122-75630,, GASKET,4,4,4,4,4,,,,,,,,,,,,,  
12,2,,172116-75850,, "PLUG, OIL FEED",1,1,1,1,1,,,,,,,,,,,,,  
13,2,,22217-080000,, "SPRING WASHER 8",4,4,4,4,4,,,,,,,,,,,,,  
14,2,,23491-140002,, "PLUG 14",1,1,1,1,1,,,,,,,,,,,,,  
15,2,,24311-000380,, "O-RING 1A P-38.0",1,1,1,1,1,,,,,,,,,,,,,  
16,2,,24315-000160,, "O-RING 1B P-16.0",1,1,1,1,1,,,,,,,,,,,,,  
17,2,,24325-000700,, "O-RING 1B G-70.0",1,1,1,1,1,,,,,,,,,,,,,  
18,2,,26116-080162,, "BOLT 8X16",4,4,4,4,4,,,,,,,,,,,,,  
19,1,,26013-100252,, "BOLT W/WASHER M10X25",4,4,4,4,4,,,,,,,,,,,,,

Fig. 33 作動油タンク  
HYD. OIL TANK



1,1,,172156-73800,, "JOINT, SWIVEL",1,1,1,1,1,,,,,,,,,,,,,  
2,2,,172156-73810,, "HUB, SWIVEL",1,1,1,1,1,,,,,,,,,,,,,  
3,2,,172156-73820,, "SHAFT, SWIVEL",1,1,1,1,1,,,,,,,,,,,,,  
4,2,,172156-73830,, "FLANGE, SWIVEL",1,1,1,1,1,,,,,,,,,,,,,  
5,2,,172156-73840,, "SPACER, SWIVEL",1,1,1,1,1,,,,,,,,,,,,,  
6,2,,26013-080252,, "BOLT M 8X 25",4,4,4,4,4,,,,,,,,,,,,,  
7,2,,22242-000401,, "CIRCLIP 40-S",1,1,1,1,1,,,,,,,,,,,,,  
8,2,,22312-100320,, "PARALLEL PIN 10X32",1,1,1,1,1,,,,,,,,,,,,,  
9,2,,23871-010000,, "PLUG PT1/8,SCREW",9,9,9,9,9,,,,,,,,,,,,,  
10,2,,23871-020000,, "PLUG PT1/4,SCREW",1,1,1,1,1,,,,,,,,,,,,,  
11,2,,172156-73010,, "SEAL KIT",1,1,1,1,1,,W,,M/#06608,,M/#06608,,,,,,  
15,1,,26013-100252,, "BOLT W/WASHER M10X25",4,4,4,4,4,,,,,,,,,,,,,

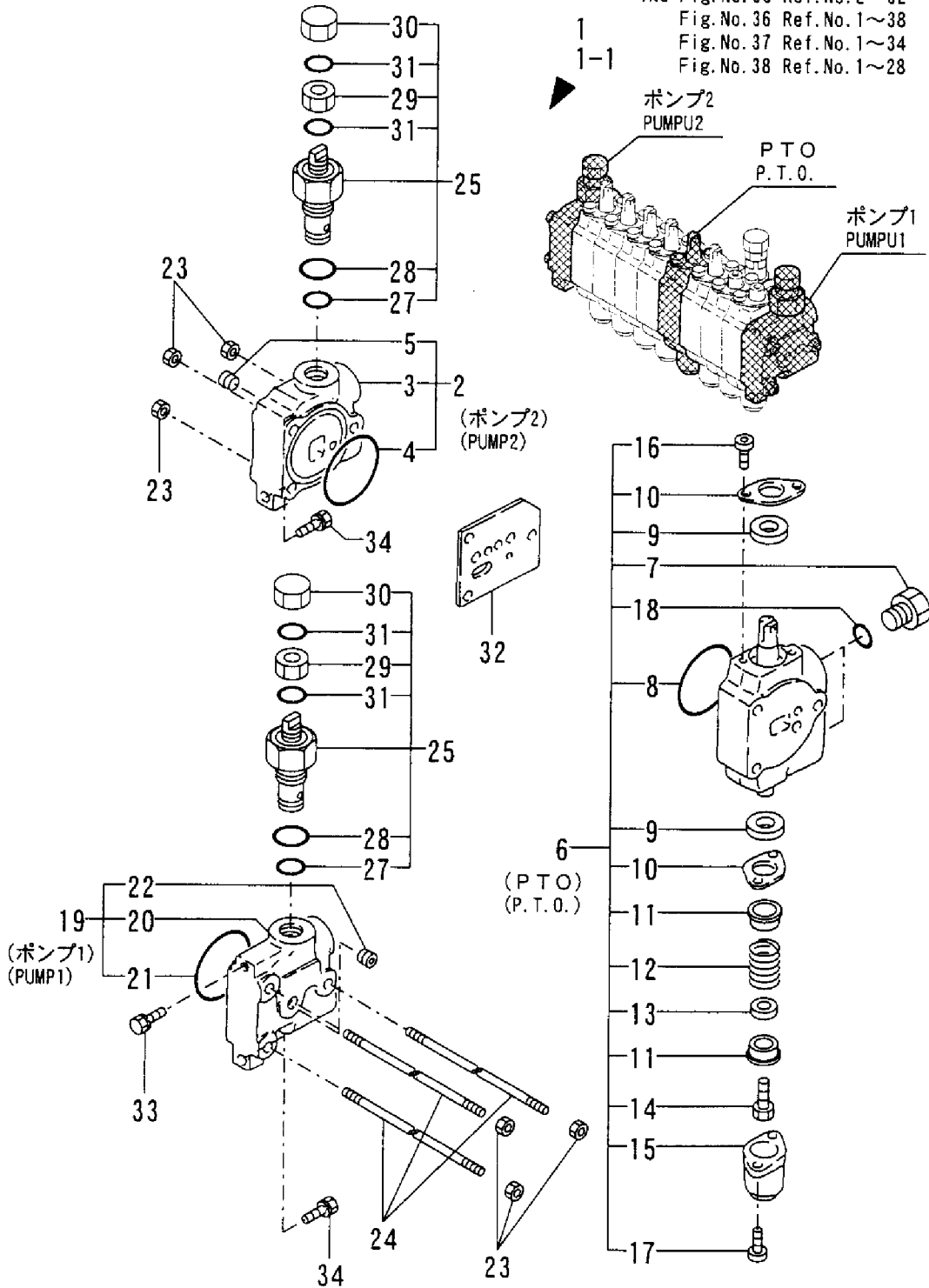
Fig. 34 スイベルジョイント  
SWIVEL JOINT



1,1,,172156-74101,, "VALVE ASSY, CONTROL",1,1,,1,,,,,,,,,,,,,  
1-1,1,,172156-74102,, "VALVE ASSY,  
CONTROL",1,1,1,1,1,,N,,M/#00680,,M/#00680,,,,M/#00680,,  
2,2,,172131-74780,, "SECTION ASSY, P1",1,1,1,1,1,,,,,,,,,,,,,  
3,3,,172131-74870,, "SECTION, P1",1,1,1,1,1,,,,,,,,,,,,,  
4,3,,24325-000550,, "O-RING 1B G-55.0",1,1,1,1,1,,,,,,,,,,,,,  
5,3,,23871-010000,, "PLUG PT1/8,SCREW",1,1,1,1,1,,,,,,,,,,,,,  
6,2,,172156-74140,, "P.T.O.SECTION ASY",1,1,1,1,1,,,,,,,,,,,,,  
7,3,,172137-74270,, PLUG,2,2,2,2,2,,,,,,,,,,,,,  
8,3,,24325-000550,, "O-RING 1B G-55.0",1,1,1,1,1,,,,,,,,,,,,,  
9,3,,172137-74440,, "SEAL, OIL",2,2,2,2,2,,,,,,,,,,,,,  
10,3,,172137-74450,, "PLATE,SEAL",2,2,2,2,2,,,,,,,,,,,,,  
11,3,,172137-74460,, "SEAT, SPRING",2,2,2,2,2,,,,,,,,,,,,,  
12,3,,172137-74420,, "SPRING (A), RETURN",1,1,1,1,1,,,,,,,,,,,,,  
13,3,,172137-74470,, SPACER,1,1,1,1,1,,,,,,,,,,,,,  
14,3,,172137-74480,, "BOLT, SPOOL",1,1,1,1,1,,,,,,,,,,,,,  
15,3,,172137-74490,, CAP,1,1,1,1,1,,,,,,,,,,,,,  
16,3,,172137-74500,, "BOLT, PLATE",2,2,2,2,2,,,,,,,,,,,,,  
17,3,,172137-74510,, "BOLT, CAP",2,2,2,2,2,,,,,,,,,,,,,  
18,3,,24315-000140,, "O-RING 1B P-14.0",1,1,1,1,1,,,,,,,,,,,,,  
19,2,,172131-74850,, "SECTION ASSY, P2",1,1,1,1,1,,,,,,,,,,,,,  
20,3,,172131-74930,, "SECTION, P2",1,1,1,1,1,,,,,,,,,,,,,  
21,3,,24325-000550,, "O-RING 1B G-55.0",1,1,1,1,1,,,,,,,,,,,,,  
22,3,,23871-010000,, "PLUG PT1/8,SCREW",1,1,1,1,1,,,,,,,,,,,,,  
23,2,,26716-080002,, "NUT M 8",6,6,6,6,6,,,,,,,,,,,,,  
24,2,,172156-74220,, TIE-ROD,3,3,,,,,M,,,,,,,,,,,,,  
24-1,2,,172156-74290,, TIE-ROD,3,3,3,3,3,,,,,,,,,,,,,  
25,2,,172156-74200,, "VALVE, RELIEF",2,2,2,2,2,,,,,,,,,,,,,  
27,3,,172137-74580,, "O-RING 15",2,2,2,2,2,,,,,,,,,,,,,  
28,3,,24315-000220,, "O-RING 1B P-22.0",2,2,2,2,2,,,,,,,,,,,,,  
29,3,,172131-74040,, "NUT M14X1",2,2,2,2,2,,,,,,,,,,,,,  
30,3,,172131-74050,, "CAP NUT M16X1",2,2,2,2,2,,,,,,,,,,,,,  
31,3,,24341-000160,, "O-RING 1A S-16.0",4,4,4,4,4,,,,,,,,,,,,,  
32,2,,172131-74820,, SPACER,1,1,1,1,1,,,,,,,,,,,,,  
33,1,,26013-080162,, "BOLT W/WASHER M8X16",1,1,1,1,1,,,,,,,,,,,,,  
34,1,,26013-080302,, "BOLT M 8X 30",2,2,2,2,2,,,,,,,,,,,,,

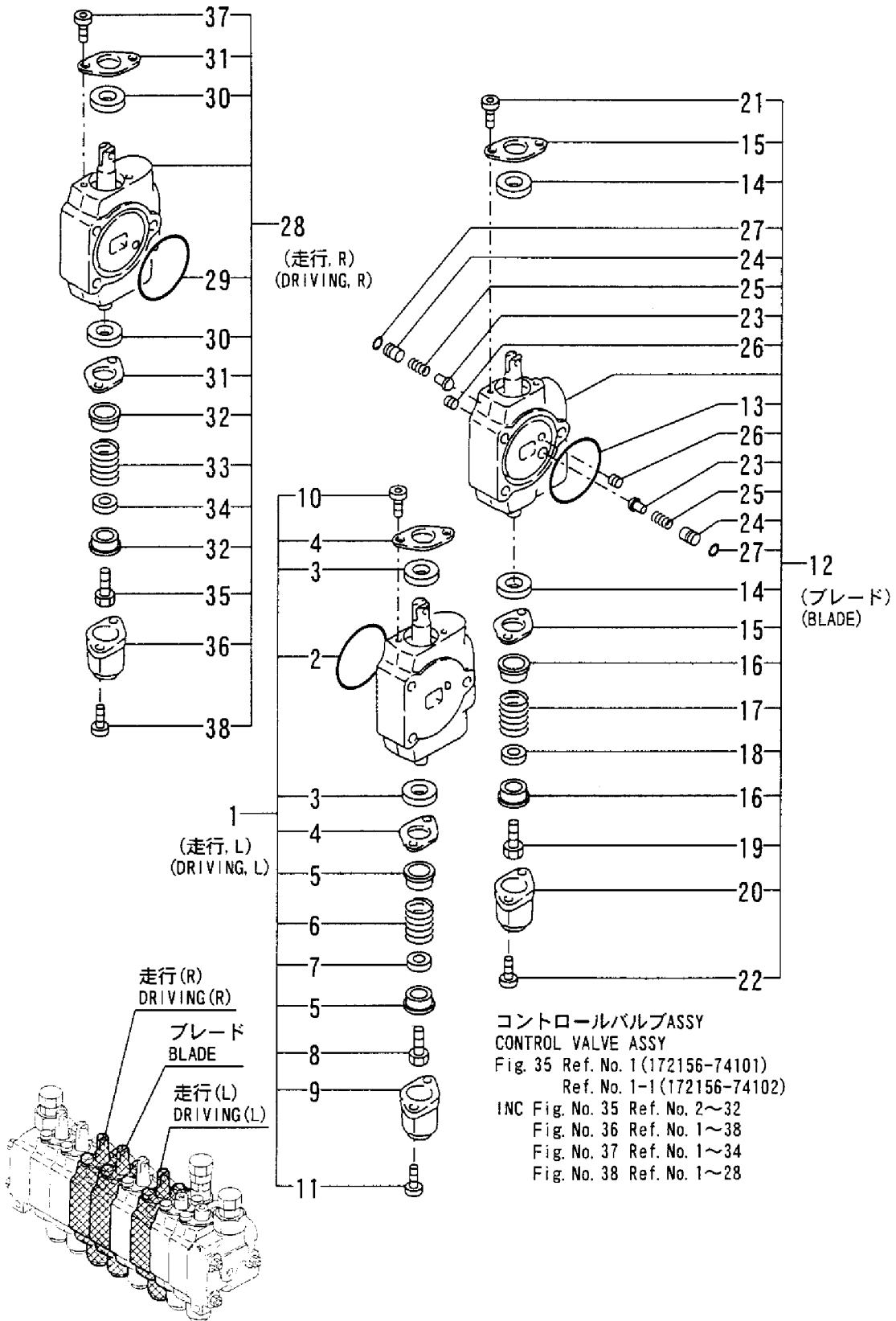
Fig. 35 **35** コントロールバルブ(Pポート & PTO)  
CONTROL VALVE (P PORT & P.T.O.)

コントロールバルブASSY  
CONTROL VALVE ASSY  
Fig. 35 Ref. No. 1(172156-74101)  
Ref. No. 1-1(172156-74102)  
INC Fig. No. 35 Ref. No. 2~32  
Fig. No. 36 Ref. No. 1~38  
Fig. No. 37 Ref. No. 1~34  
Fig. No. 38 Ref. No. 1~28



1,2,,172156-74131,, "SEC.(L) ASSY, TRAVEL",1,1,1,1,1,,,,,,,,,,,,,  
2,3,,24325-000550,, "O-RING 1B G-55.0",1,1,1,1,1,,,,,,,,,,,,,  
3,3,,172137-74440,, "SEAL, OIL",2,2,2,2,2,,,,,,,,,,,,,  
4,3,,172137-74450,, "PLATE,SEAL",2,2,2,2,2,,,,,,,,,,,,,  
5,3,,172137-74460,, "SEAT, SPRING",2,2,2,2,2,,,,,,,,,,,,,  
6,3,,172131-74380,, "SPRING, RETURN",1,1,1,1,1,,,,,,,,,,,,,  
7,3,,172137-74470,, "SPACER,1,1,1,1,1,,,,,,,,,,,,,  
8,3,,172137-74480,, "BOLT, SPOOL",1,1,1,1,1,,,,,,,,,,,,,  
9,3,,172137-74490,, "CAP,1,1,1,1,1,,,,,,,,,,,,,  
10,3,,172137-74500,, "BOLT, PLATE",2,2,2,2,2,,,,,,,,,,,,,  
11,3,,172137-74510,, "BOLT, CAP",2,2,2,2,2,,,,,,,,,,,,,  
12,2,,172156-74150,, "SECTION ASSY, BLADE",1,1,,,,,,,,,,,,,  
12-1,2,,172156-74151,, "SECTION ASSY,  
BLADE",1,1,1,1,1,,N,,M/#00503,,M/#00503,,,,,,,,,  
13,3,,24325-000550,, "O-RING 1B G-55.0",1,1,1,1,1,,,,,,,,,,,,,  
14,3,,172137-74440,, "SEAL, OIL",2,2,2,2,2,,,,,,,,,,,,,  
15,3,,172137-74450,, "PLATE,SEAL",2,2,2,2,2,,,,,,,,,,,,,  
16,3,,172137-74460,, "SEAT, SPRING",2,2,2,2,2,,,,,,,,,,,,,  
17,3,,172137-74420,, "SPRING (A), RETURN",1,1,1,1,1,,,,,,,,,,,,,  
18,3,,172137-74470,, "SPACER,1,1,1,1,1,,,,,,,,,,,,,  
19,3,,172137-74480,, "BOLT, SPOOL",1,1,1,1,1,,,,,,,,,,,,,  
20,3,,172137-74490,, "CAP,1,1,1,1,1,,,,,,,,,,,,,  
21,3,,172137-74500,, "BOLT, PLATE",2,2,2,2,2,,,,,,,,,,,,,  
22,3,,172137-74510,, "BOLT, CAP",2,2,2,2,2,,,,,,,,,,,,,  
23,3,,172137-74520,, "VALVE, CHECK",2,2,2,2,2,,,,,,,,,,,,,  
24,3,,172131-74060,, "GUIDE,CHECK VALVE",2,2,2,2,2,,,,,,,,,,,,,  
25,3,,172137-74540,, "SPRING, VALVE",2,2,2,2,2,,,,,,,,,,,,,  
26,3,,172156-74160,, "PLUG, M6",2,2,2,2,2,,,,,,,,,,,,,  
27,3,,172131-74080,, "O-RING 1B S9",2,2,2,2,2,,,,,,,,,,,,,  
28,2,,172156-74171,, "SEC.(R) ASSY, TRAVEL",1,1,1,1,1,,,,,,,,,,,,,  
29,3,,24325-000550,, "O-RING 1B G-55.0",1,1,1,1,1,,,,,,,,,,,,,  
30,3,,172137-74440,, "SEAL, OIL",2,2,2,2,2,,,,,,,,,,,,,  
31,3,,172137-74450,, "PLATE,SEAL",2,2,2,2,2,,,,,,,,,,,,,  
32,3,,172137-74460,, "SEAT, SPRING",2,2,2,2,2,,,,,,,,,,,,,  
33,3,,172131-74380,, "SPRING, RETURN",1,1,1,1,1,,,,,,,,,,,,,  
34,3,,172137-74470,, "SPACER,1,1,1,1,1,,,,,,,,,,,,,  
35,3,,172137-74480,, "BOLT, SPOOL",1,1,1,1,1,,,,,,,,,,,,,  
36,3,,172137-74490,, "CAP,1,1,1,1,1,,,,,,,,,,,,,  
37,3,,172137-74500,, "BOLT, PLATE",2,2,2,2,2,,,,,,,,,,,,,  
38,3,,172137-74510,, "BOLT, CAP",2,2,2,2,2,,,,,,,,,,,,,

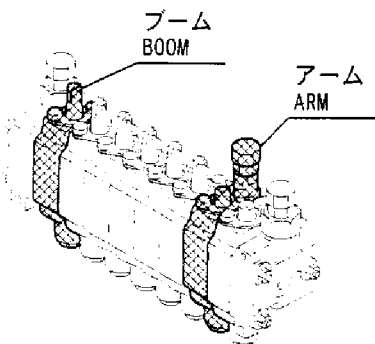
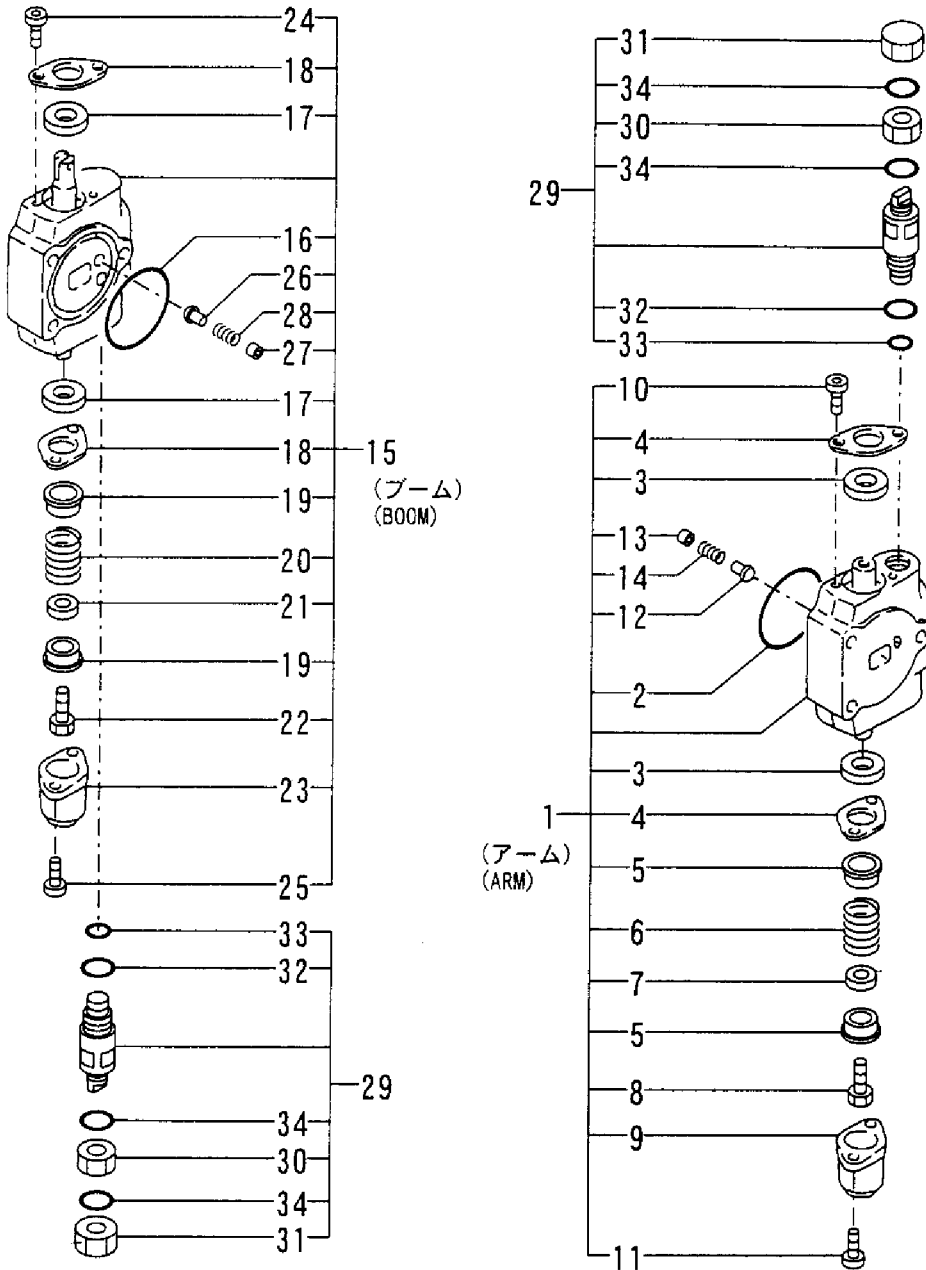
Fig. 36 コントロールバルブ(走行 & ブレード)  
CONTROL VALVE(DRIVING & BLADE)





1,2,,172156-74120,, "SECTION ASSY, ARM",1,1,1,1,1,,,,,,,,,,,,,  
2,3,,24325-000550,, "O-RING 1B G-55.0",1,1,1,1,1,,,,,,,,,,,,,  
3,3,,172137-74440,, "SEAL, OIL",2,2,2,2,2,,,,,,,,,,,,,  
4,3,,172137-74450,, "PLATE, SEAL",2,2,2,2,2,,,,,,,,,,,,,  
5,3,,172137-74460,, "SEAT, SPRING",2,2,2,2,2,,,,,,,,,,,,,  
6,3,,172137-74420,, "SPRING (A), RETURN",1,1,1,1,1,,,,,,,,,,,,,  
7,3,,172137-74470,, "SPACER",1,1,1,1,1,,,,,,,,,,,,,  
8,3,,172137-74480,, "BOLT, SPOOL",1,1,1,1,1,,,,,,,,,,,,,  
9,3,,172137-74490,, "CAP",1,1,1,1,1,,,,,,,,,,,,,  
10,3,,172137-74500,, "BOLT, PLATE",2,2,2,2,2,,,,,,,,,,,,,  
11,3,,172137-74510,, "BOLT, CAP",2,2,2,2,2,,,,,,,,,,,,,  
12,3,,172137-74520,, "VALVE, CHECK",1,1,1,1,1,,,,,,,,,,,,,  
13,3,,172137-74530,, "GUIDE, VALVE",1,1,1,1,1,,,,,,,,,,,,,  
14,3,,172137-74540,, "SPRING, VALVE",1,1,1,1,1,,,,,,,,,,,,,  
15,2,,172156-74180,, "SECTION ASSY, BOOM",1,1,,,,,,,,,,,,,  
15-1,2,,172156-74181,, "SECTION ASSY,  
BOOM",1,1,1,1,1,N,,M/#00680,,M/#00680,,,,,,,,,  
16,3,,24325-000550,, "O-RING 1B G-55.0",1,1,1,1,1,,,,,,,,,,,,,  
17,3,,172137-74440,, "SEAL, OIL",2,2,2,2,2,,,,,,,,,,,,,  
18,3,,172137-74450,, "PLATE, SEAL",2,2,2,2,2,,,,,,,,,,,,,  
19,3,,172137-74460,, "SEAT, SPRING",2,2,2,2,2,,,,,,,,,,,,,  
20,3,,172137-74430,, "SPRING (B), RETURN",1,1,1,1,1,,,,,,,,,,,,,  
21,3,,172137-74470,, "SPACER",1,1,1,1,1,,,,,,,,,,,,,  
22,3,,172137-74480,, "BOLT, SPOOL",1,1,1,1,1,,,,,,,,,,,,,  
23,3,,172137-74490,, "CAP",1,1,1,1,1,,,,,,,,,,,,,  
24,3,,172137-74500,, "BOLT, PLATE",2,2,2,2,2,,,,,,,,,,,,,  
25,3,,172137-74510,, "BOLT, CAP",2,2,2,2,2,,,,,,,,,,,,,  
26,3,,172137-74520,, "VALVE, CHECK",1,1,1,1,1,,,,,,,,,,,,,  
27,3,,172137-74530,, "GUIDE, VALVE",1,1,1,1,1,,,,,,,,,,,,,  
28,3,,172137-74540,, "SPRING, VALVE",1,1,1,1,1,,,,,,,,,,,,,  
29,2,,172156-74210,, "VALVE ASSY, OVER ROAD",2,2,2,2,2,,,,,,,,,,,,,  
30,3,,172131-74030,, "NUT M14X1",2,2,2,2,2,,,,,,,,,,,,,  
31,3,,172131-74050,, "CAP NUT M16X1",2,2,2,2,2,,,,,,,,,,,,,  
32,3,,24315-000150,, "O-RING 1B P-15.0",2,2,2,2,2,,,,,,,,,,,,,  
33,3,,172137-74640,, "O-RING 1B S 12.5",2,2,2,2,2,,,,,,,,,,,,,  
34,3,,172131-74020,, "O-RING",4,4,4,4,4,,,,,,,,,,,,,

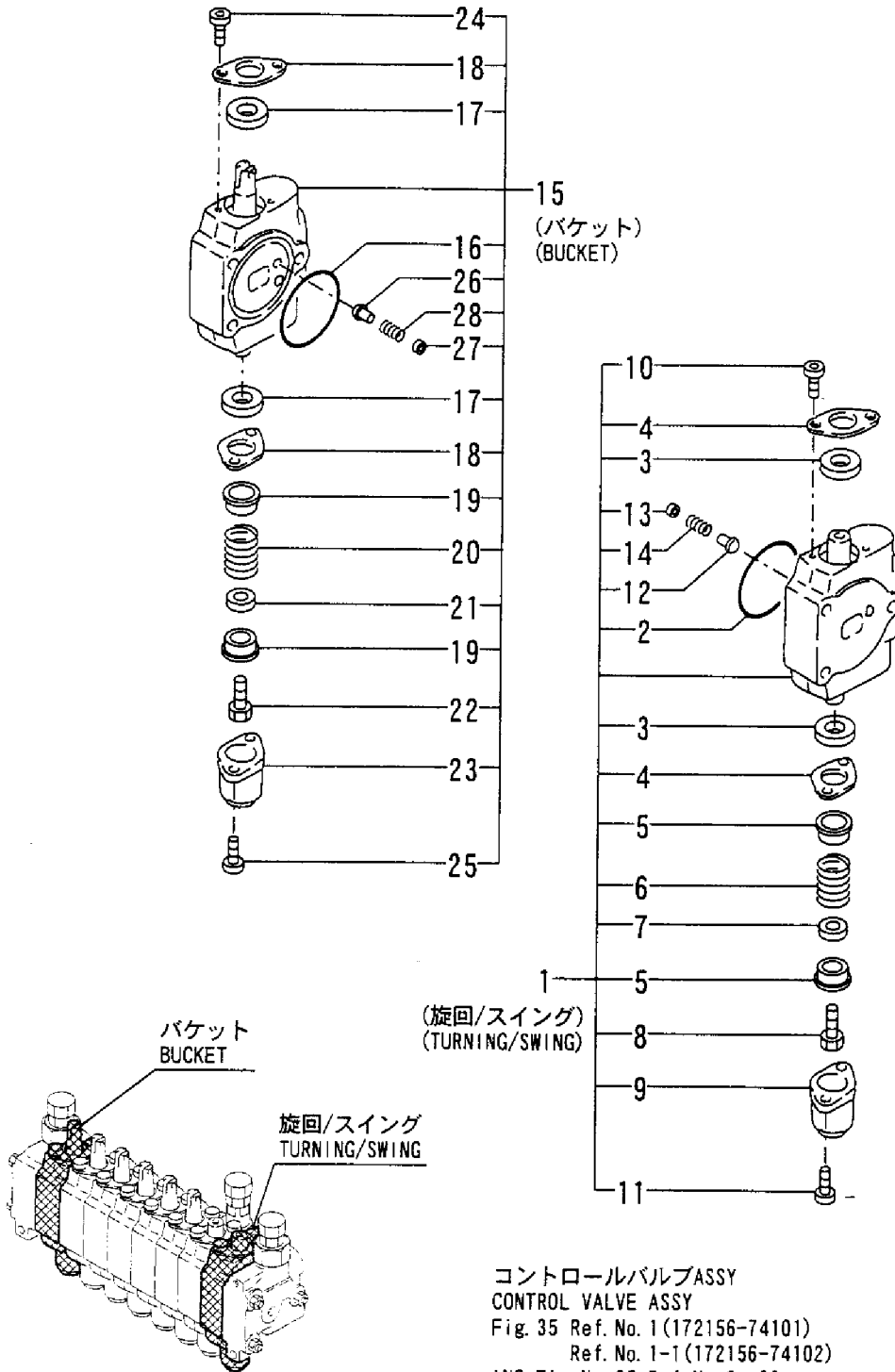
Fig. 37 コントロールバルブ(アーム & ブーム)  
CONTROL VALVE (ARM & BOOM)



コントロールバルブアッシー  
CONTROL VALVE ASSY  
Fig. 35 Ref. No. 1(172156-74101)  
Ref. No. 1-1(172156-74102)  
INC Fig. No. 35 Ref. No. 2~32  
Fig. No. 36 Ref. No. 1~38  
Fig. No. 37 Ref. No. 1~34  
Fig. No. 38 Ref. No. 1~28

1,2,,172156-74110,, "SECTION ASSY,TURNING",1,1,1,1,1,,,,,,,,,,,,,  
2,3,,24325-000550,, "O-RING 1B G-55.0",1,1,1,1,1,,,,,,,,,,,,,  
3,3,,172137-74440,, "SEAL, OIL",2,2,2,2,2,,,,,,,,,,,,,  
4,3,,172137-74450,, "PLATE,SEAL",2,2,2,2,2,,,,,,,,,,,,,  
5,3,,172137-74460,, "SEAT, SPRING",2,2,2,2,2,,,,,,,,,,,,,  
6,3,,172137-74420,, "SPRING (A), RETURN",1,1,1,1,1,,,,,,,,,,,,,  
7,3,,172137-74470,, "SPACER,1,1,1,1,1,,,,,,,,,,,,,  
8,3,,172137-74480,, "BOLT, SPOOL",1,1,1,1,1,,,,,,,,,,,,,  
9,3,,172137-74490,, "CAP,1,1,1,1,1,,,,,,,,,,,,,  
10,3,,172137-74500,, "BOLT, PLATE",2,2,2,2,2,,,,,,,,,,,,,  
11,3,,172137-74510,, "BOLT, CAP",2,2,2,2,2,,,,,,,,,,,,,  
12,3,,172137-74520,, "VALVE, CHECK",1,1,1,1,1,,,,,,,,,,,,,  
13,3,,172137-74530,, "GUIDE, VALVE",1,1,1,1,1,,,,,,,,,,,,,  
14,3,,172137-74540,, "SPRING, VALVE",1,1,1,1,1,,,,,,,,,,,,,  
15,2,,172156-74190,, "SWING SECTION ASY",1,1,1,1,1,,,,,,,,,,,,,  
15A,3,,172156-74280,, "SECTION,BUCKET",1,1,1,1,1,W,,,"FROM 1ST",,"FROM  
1ST",,,,,,  
16,3,,24325-000550,, "O-RING 1B G-55.0",1,1,1,1,1,,,,,,,,,,,,,  
17,3,,172137-74440,, "SEAL, OIL",2,2,2,2,2,,,,,,,,,,,,,  
18,3,,172137-74450,, "PLATE,SEAL",2,2,2,2,2,,,,,,,,,,,,,  
19,3,,172137-74460,, "SEAT, SPRING",2,2,2,2,2,,,,,,,,,,,,,  
20,3,,172137-74420,, "SPRING (A), RETURN",1,1,1,1,1,,,,,,,,,,,,,  
21,3,,172137-74470,, "SPACER,1,1,1,1,1,,,,,,,,,,,,,  
22,3,,172137-74480,, "BOLT, SPOOL",1,1,1,1,1,,,,,,,,,,,,,  
23,3,,172137-74490,, "CAP,1,1,1,1,1,,,,,,,,,,,,,  
24,3,,172137-74500,, "BOLT, PLATE",2,2,2,2,2,,,,,,,,,,,,,  
25,3,,172137-74510,, "BOLT, CAP",2,2,2,2,2,,,,,,,,,,,,,  
26,3,,172137-74520,, "VALVE, CHECK",1,1,1,1,1,,,,,,,,,,,,,  
27,3,,172137-74530,, "GUIDE, VALVE",1,1,1,1,1,,,,,,,,,,,,,  
28,3,,172137-74540,, "SPRING, VALVE",1,1,1,1,1,,,,,,,,,,,,,

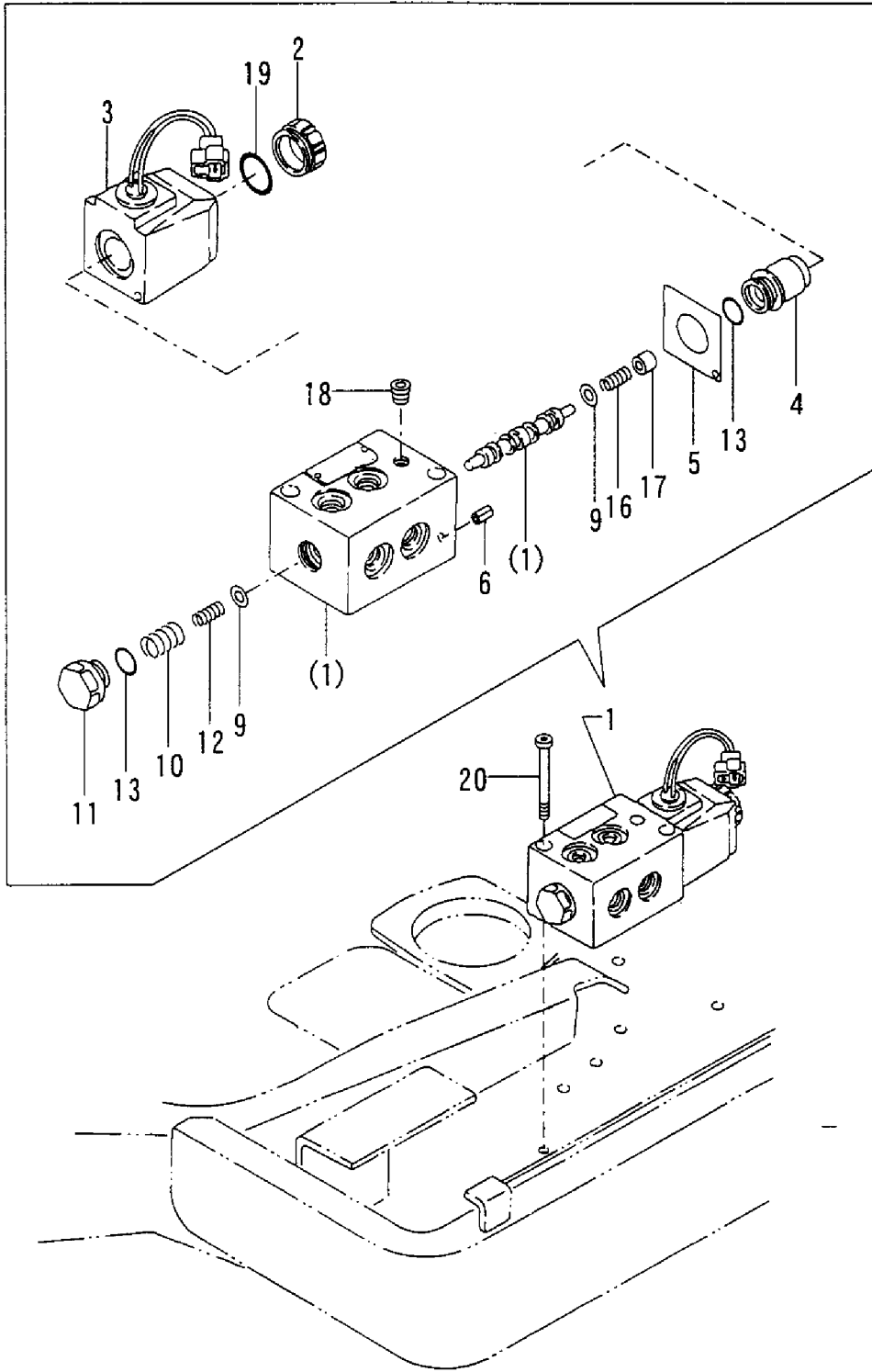
Fig. 38 コントロールバルブ(バケット & 旋回/スイング)  
CONTROL VALVE (BUCKET & TURNING/SWING)



コントロールバルブASSY  
CONTROL VALVE ASSY  
Fig. 35 Ref. No. 1 (172156-74101)  
Ref. No. 1-1 (172156-74102)  
INC Fig. No. 35 Ref. No. 2~32  
Fig. No. 36 Ref. No. 1~38  
Fig. No. 37 Ref. No. 1~34  
Fig. No. 38 Ref. No. 1~28

1,1,,172156-74400,, "VALVE, SELETOR",1,1,1,1,1,,,,,,,,,,,,,  
2,2,,172156-74410,, NUT,1,1,1,1,1,,,,,,,,,,,,,  
3,2,,172156-74420,, "COIL, SOLENOID",1,1,1,1,1,,,,,,,,,,,,,  
4,2,,172156-74430,, "CORE, SOLENOID",1,1,1,1,1,,,,,,,,,,,,,  
5,2,,172156-74440,, GASKET,1,1,1,1,1,,,,,,,,,,,,,  
6,2,,172156-74450,, "PIN, SPRING",1,1,1,1,1,,,,,,,,,,,,,  
9,2,,172156-74480,, WASHER,2,2,2,2,2,,,,,,,,,,,,,  
10,2,,172156-74490,, SPRING,1,1,1,1,1,,,,,,,,,,,,,  
11,2,,172156-74500,, PLUG,1,1,1,1,1,,,,,,,,,,,,,  
12,2,,172156-74510,, SPRING,1,1,1,1,1,,,,,,,,,,,,,  
13,2,,172156-74520,, O-RING,2,2,2,2,2,,,,,,,,,,,,,  
16,2,,172156-74550,, SPRING,1,1,1,1,1,,,,,,,,,,,,,  
17,2,,172156-74560,, SPACER,1,1,1,1,1,,,,,,,,,,,,,  
18,2,,23871-010000,, "PLUG PT1/8, SCREW",1,1,1,1,1,,,,,,,,,,,,,  
19,2,,24311-000210,, "O-RING 1A P-21.0",1,1,1,1,1,,,,,,,,,,,,,  
20,1,,26450-060552,, "BOLT M 6X 55",2,2,2,2,2,,,,,,,,,,,,,

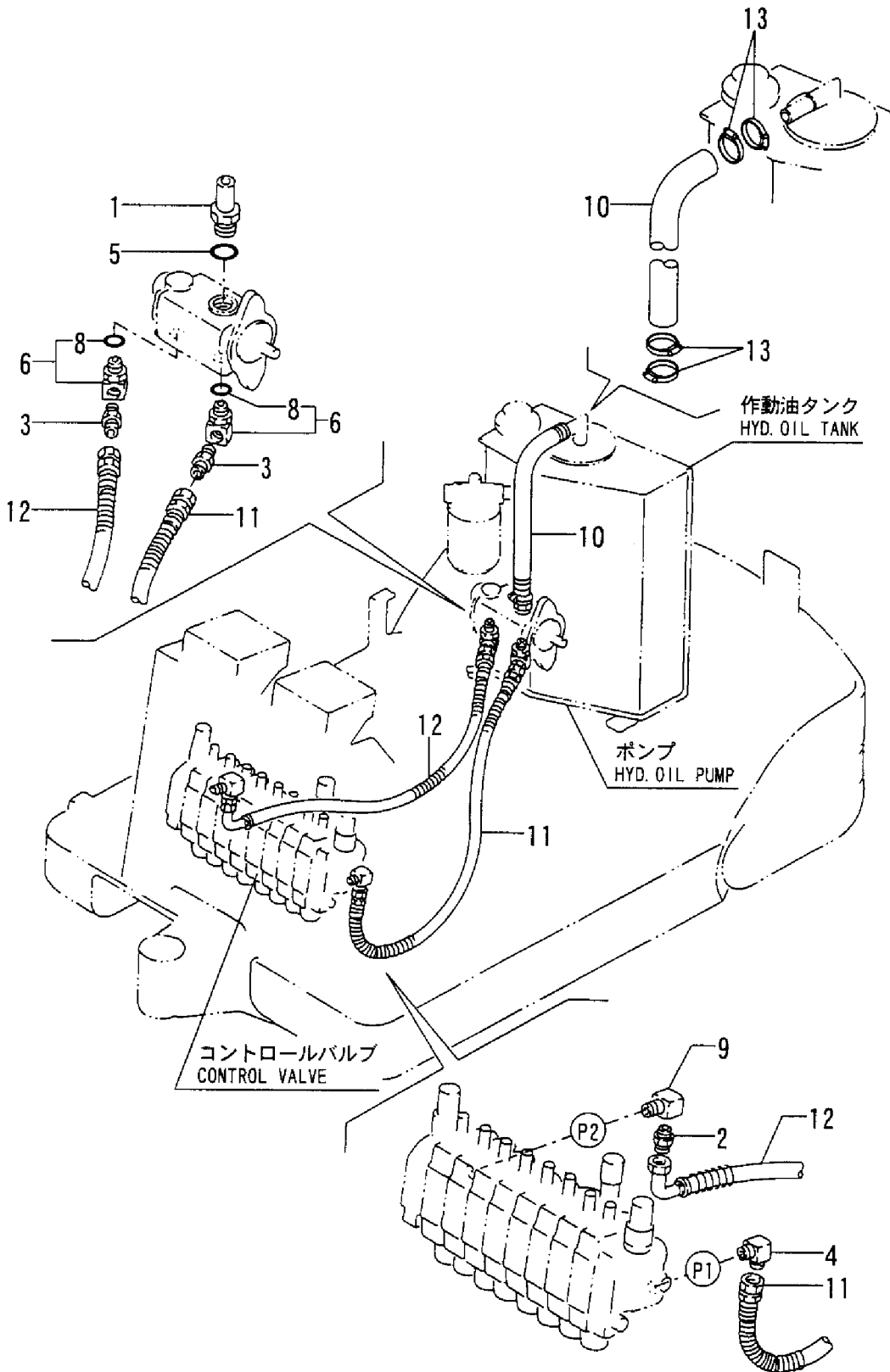
Fig. 39 セレクタバルブ  
SELECTOR VALVE



1,1,,172156-76100,, "JOINT PF1/2-19",1,1,1,1,1,,,,,,,,,,,,,  
2,1,,23391-030000,, "JOINT RGI 3/8",1,1,1,1,1,,,,,,,,,,,,,  
3,1,,23391-030000,, "JOINT RGI 3/8",2,2,2,2,2,,,,,,,,,,,,,  
4,1,,23393-030000,, "JOINT 90RGI 3/8",1,1,1,1,1,,,,,,,,,,,,,  
5,1,,24315-000180,, "O-RING 1B P-18.0",1,1,1,1,1,,,,,,,,,,,,,  
6,1,,933111-50001,,CONNECTOR,2,2,2,2,2,,,,,,,,,,,,,  
8,2,,24315-000140,, "O-RING 1B P-14.0",2,2,2,2,2,,,,,,,,,,,,,  
9,1,,933166-24240,, "ELBOW, SWIVEL JOINT",1,1,1,1,1,,,,,,,,,,,,,  
10,1,,172156-78100,, "HOSE, SUCTION",1,1,1,1,1,,,,,,,,,,,,,  
11,1,,172156-78110,,HOSE,1,1,1,1,1,,,,,,,,,,,,,  
12,1,,172156-78120,,HOSE,1,1,1,1,1,,,,,,,,,,,,,  
13,1,,23000-035000,, "CLAMP 35",4,4,4,4,4,,,,,,,,,,,,,

Fig. 40

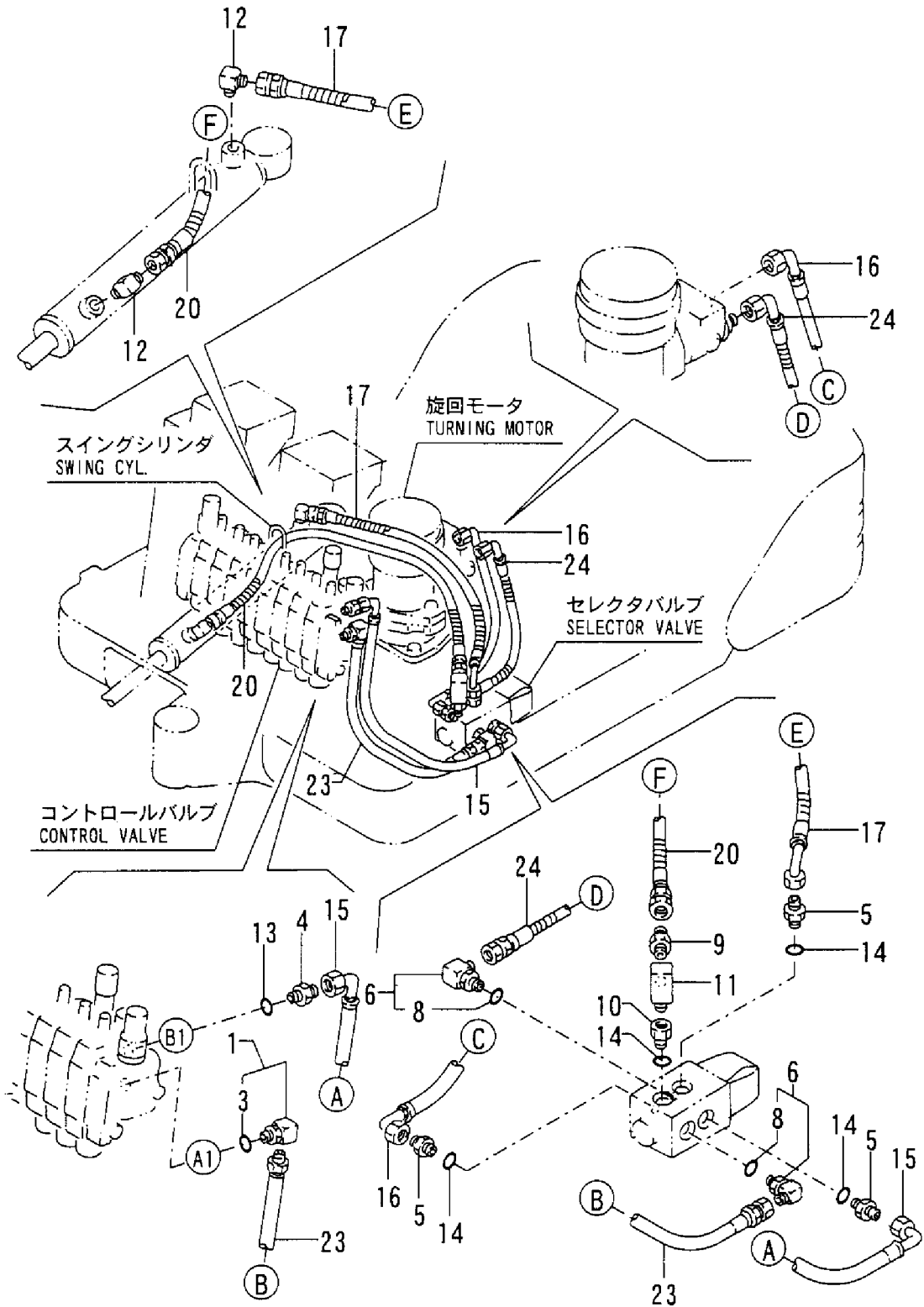
油圧配管(タンク~ポンプ~バルブ)  
HYD. OIL PIPING (TANK~PUMP~VALVE)





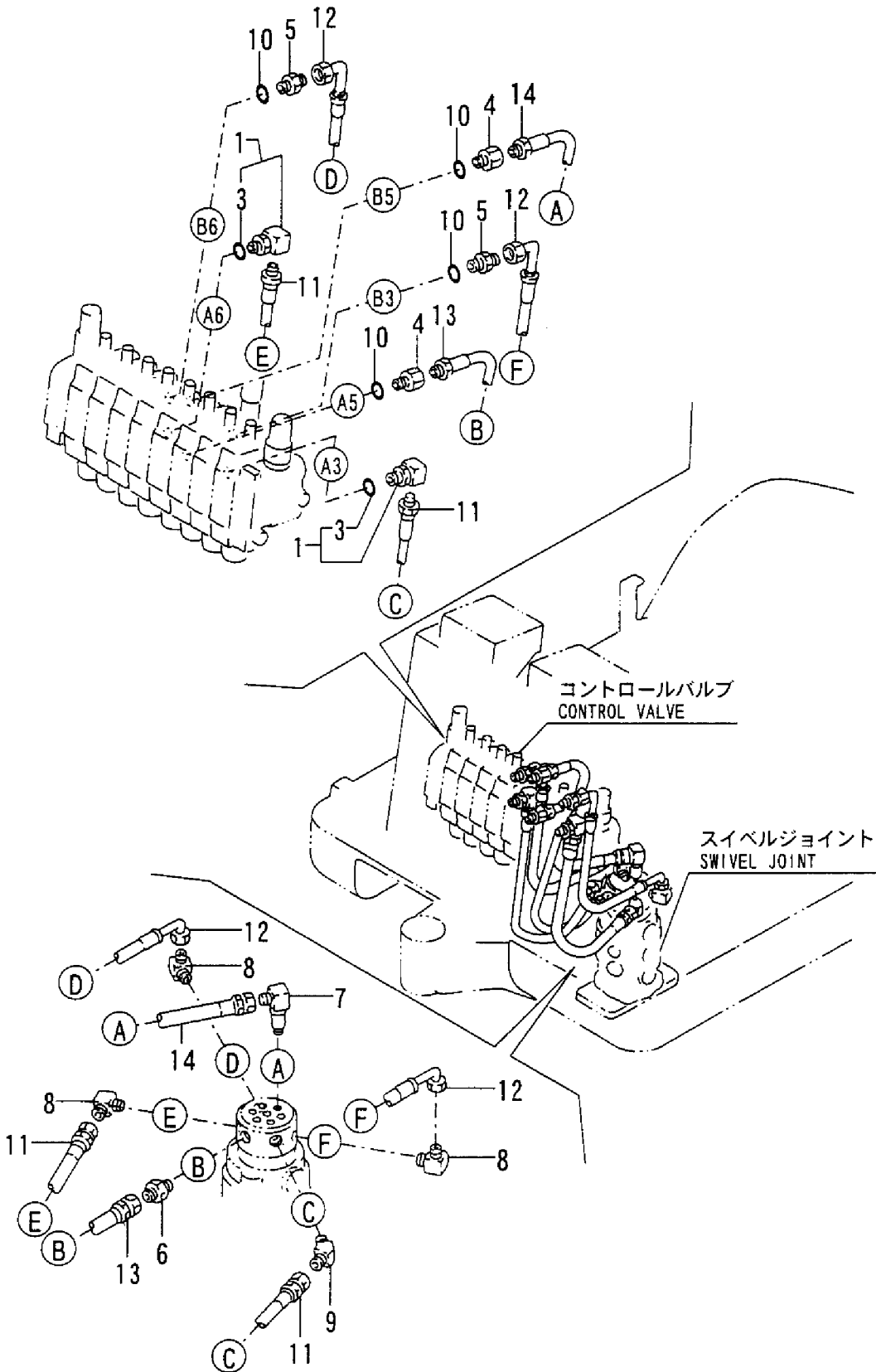
1,1,,172137-76100,, "ELBOW PF1/4",1,1,1,1,1,,,,,,,,,,,,,  
3,2,,24315-000110,, "O-RING 1B P-11.0",1,1,1,1,1,,,,,,,,,,,,,  
4,1,,172123-76120,, "CONNECTOR PF1/4",1,1,1,1,1,,,,,,,,,,,,,  
5,1,,172123-76120,, "CONNECTOR PF1/4",3,3,3,3,3,,,,,,,,,,,,,  
6,1,,172141-76180,,CONNECTOR,2,2,2,2,2,,,,,,,,,,,,,  
8,2,,24315-000110,, "O-RING 1B P-11.0",2,2,2,2,2,,,,,,,,,,,,,  
9,1,,172156-76250,, "NIPPLE PT,PF1/4",1,1,1,1,1,,,,,,,,,,,,,  
10,1,,172156-76300,, "CONNECTOR PF,PT1/4",1,1,1,1,1,,,,,,,,,,,,,  
11,1,,172156-76310,, "ELBOW PT1/4",1,1,1,1,1,,,,,,,,,,,,,  
12,1,,23393-020000,, "JOINT 90RGI1/4",2,2,2,2,2,,,,,,,,,,,,,  
13,1,,24315-000110,, "O-RING 1B P-11.0",1,1,1,1,1,,,,,,,,,,,,,  
14,1,,24315-000110,, "O-RING 1B P-11.0",4,4,4,4,4,,,,,,,,,,,,,  
15,1,,172156-78210,,HOSE,1,1,1,1,1,,,,,,,,,,,,,  
16,1,,172156-78220,,HOSE,1,1,1,1,1,,,,,,,,,,,,,  
17,1,,172156-78360,,HOSE,1,1,,,,,,,,,,,,,  
17-1,1,,172156-78361,, "HOSE P204BC062S",1,1,1,1,1,,S,,M/#01215,,M/#01215,,,,,  
20,1,,172156-78380,,HOSE,1,1,,,,,,,,,,,,,  
20-1,1,,172156-78381,, "HOSE P204BL088S",1,1,1,1,1,,S,,M/#01215,,M/#01215,,,,,  
23,1,,23271-020331,,HOSE,1,1,1,1,1,,,,,,,,,,,,,  
24,1,,172156-78560,,HOSE,1,1,1,1,1,,,,,,,,,,,,,

Fig. 41 油圧配管(バルブ～セクタ～旋回, スイング)  
 HYD. OIL PIPING (VALVE~SELECT~TURNING, SWING)



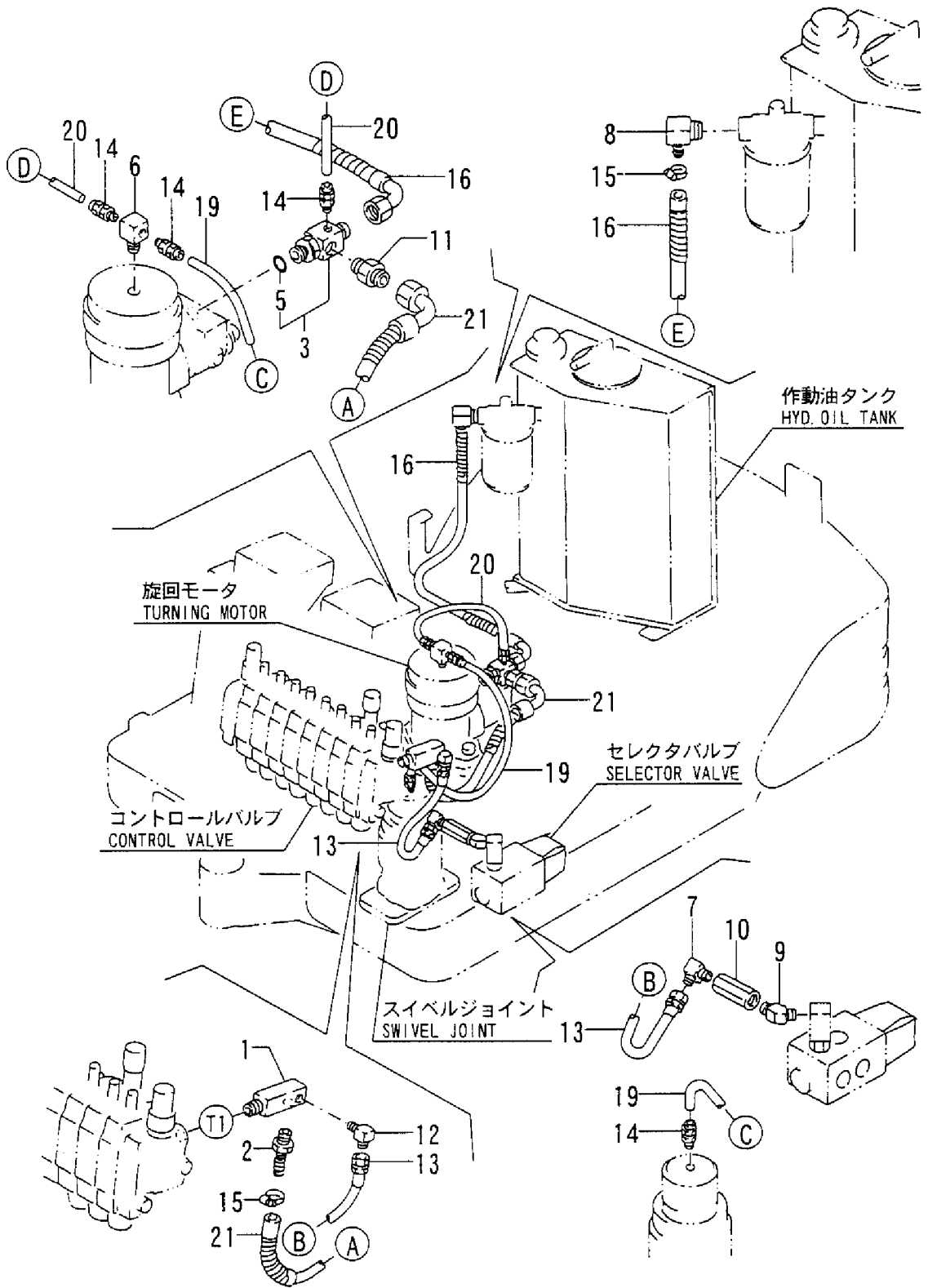
1,1,,172137-76100,, "ELBOW PF1/4",2,2,2,2,2,,,,,,,,,,,,,  
3,2,,24315-000110,, "O-RING 1B P-11.0",2,2,2,2,2,,,,,,,,,,,,,  
4,1,,172156-76110,,CONNECTOR,2,2,2,2,2,,,,,,,,,,,,,  
5,1,,172123-76120,, "CONNECTOR PF1/4",2,2,2,2,2,,,,,,,,,,,,,  
6,1,,172156-76130,, "NIPPLE 1/4,1/8",1,1,1,1,1,,,,,,,,,,,,,  
7,1,,172156-76160,, "ELBOW PT,PT1/8",1,1,1,1,1,,,,,,,,,,,,,  
8,1,,23393-020000,, "JOINT 90RGI1/4",3,3,3,3,3,,,,,,,,,,,,,  
9,1,,23394-020000,, "JOINT 45RGI1/4",1,1,1,1,1,,,,,,,,,,,,,  
10,1,,24315-000110,, "O-RING 1B P-11.0",4,4,4,4,4,,,,,,,,,,,,,  
11,1,,172156-78130,,HOSE,2,2,2,2,2,,,,,,,,,,,,,  
12,1,,172156-78140,,HOSE,2,2,2,2,2,,,,,,,,,,,,,  
13,1,,172156-78150,,HOSE,1,1,1,1,1,,,,,,,,,,,,,  
14,1,,172156-78160,,HOSE,1,1,1,1,1,,,,,,,,,,,,,

Fig. 42 油圧配管(バルブ～スイベル)  
 HYD. OIL PIPING (VALVE~SWIVEL)



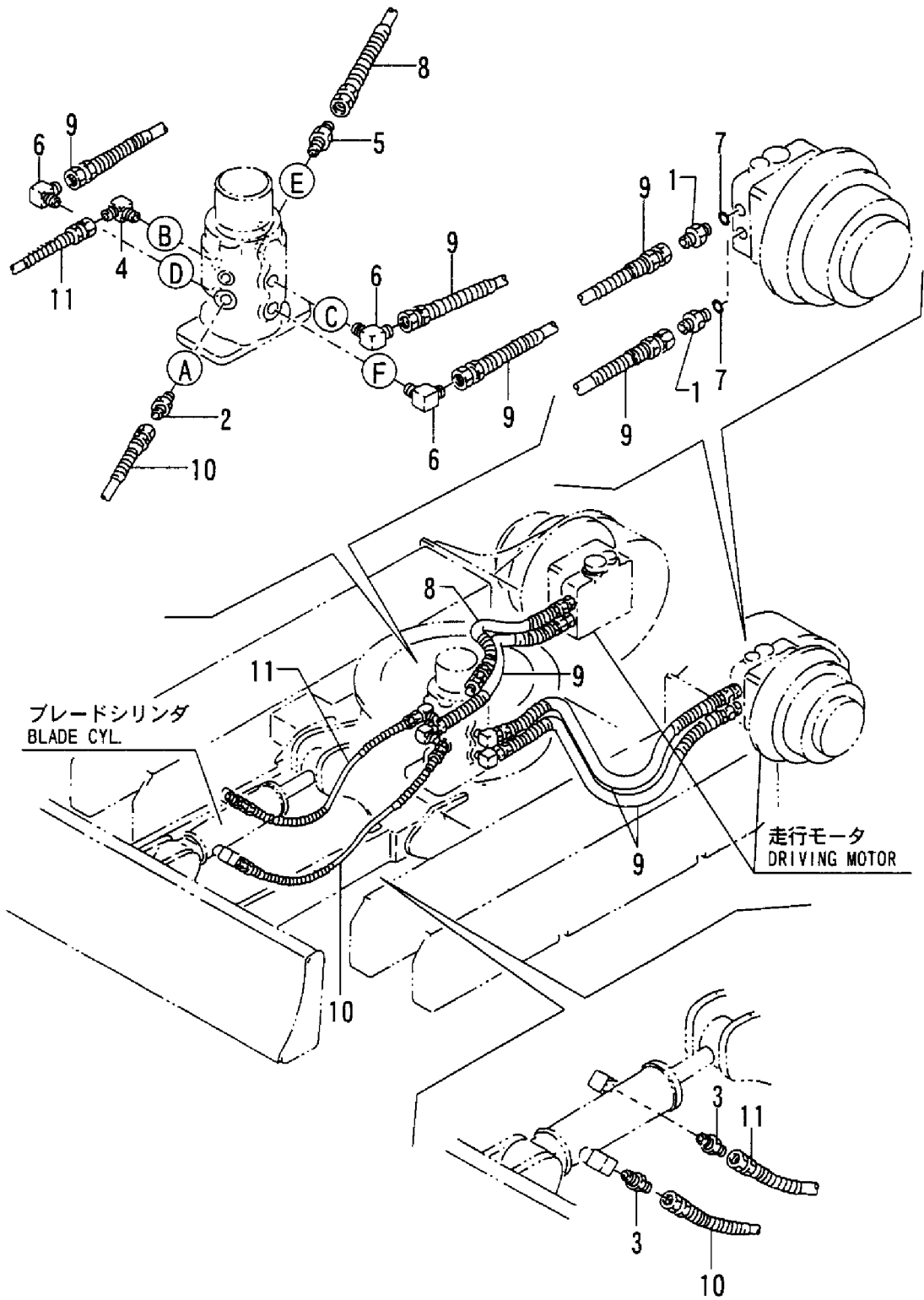
1,1,,172156-76120,, "ELBOW PT3/8-60",1,1,1,1,1,,,,,,,,,,,,,  
2,1,,172131-76150,, "NIPPLE 3/8 1/2",1,1,1,1,1,,,,,,,,,,,,,  
3,1,,172156-76170,,CONNECTOR,1,1,1,1,1,,,,,,,,,,,,,  
5,2,,24315-000140,, "O-RING 1B P-14.0",1,1,1,1,1,,,,,,,,,,,,,  
6,1,,172156-76190,, "JOINT 1/4,1/8",1,1,1,1,1,,,,,,,,,,,,,  
7,1,,172156-76230,,JOINT,1,1,1,1,1,,,,,,,,,,,,,  
8,1,,172156-76240,,ELBOW,1,1,1,1,1,,,,,,,,,,,,,  
9,1,,172156-76260,, "ELBOW PT1/4",1,1,1,1,1,,,,,,,,,,,,,  
10,1,,172156-76290,, "VALVE, CHECK PT1/4",1,1,1,1,1,,,,,,,,,,,,,  
11,1,,172141-76940,, "ADAPTOR 1/2-3/8",1,1,1,1,1,,,,,,,,,,,,,  
12,1,,172112-77660,, "L-JOINT 1/8",1,1,1,1,1,,,,,,,,,,,,,  
13,1,,172156-78410,,HOSE,1,1,1,1,1,,,,,,,,,,,,,  
14,1,,172141-77800,, "JOINT, GREASE",4,4,4,4,4,,,,,,,,,,,,,  
15,1,,23000-016000,, "CLAMP 16",2,2,2,2,2,,,,,,,,,,,,,  
16,1,,172156-78240,,HOSE,1,1,1,1,1,,,,,,,,,,,,,  
19,1,,172156-78270,,HOSE,1,1,1,1,1,,,,,,,,,,,,,  
20,1,,172156-78280,,HOSE,1,1,,,,,,,,,,,,,  
20-1,1,,172156-78281,, "HOSE P602YY025",1,1,1,1,1,,S,,M/#01215,,M/#01215,,,,,  
21,1,,172156-78230,,HOSE,1,1,1,1,1,,,,,,,,,,,,,

Fig. 43 油圧配管(リターン) HYD. OIL PIPING (RETURN)



1,1,,172123-76120,, "CONNECTOR PF1/4",4,4,4,4,4,,,,,,,,,,,,,  
2,1,,172156-76130,, "NIPPLE 1/4,1/8",1,1,1,1,1,,,,,,,,,,,,,  
3,1,,172156-76130,, "NIPPLE 1/4,1/8",2,2,2,2,2,,,,,,,,,,,,,  
4,1,,172156-76230,, JOINT,1,1,1,1,1,,,,,,,,,,,,,  
5,1,,23391-020000,, "JOINT RGI1/4",1,1,1,1,1,,,,,,,,,,,,,  
6,1,,23393-020000,, "JOINT 90RGI1/4",3,3,3,3,3,,,,,,,,,,,,,  
7,1,,24315-000110,, "O-RING 1B P-11.0",4,4,4,4,4,,,,,,,,,,,,,  
8,1,,172156-78170,, HOSE,1,1,1,1,1,,,,,,,,,,,,,  
9,1,,172156-78180,, HOSE,3,3,3,3,3,,,,,,,,,,,,,  
10,1,,172156-78190,, HOSE,1,1,1,1,1,,,,,,,,,,,,,  
11,1,,172156-78200,, HOSE,1,1,1,1,1,,,,,,,,,,,,,

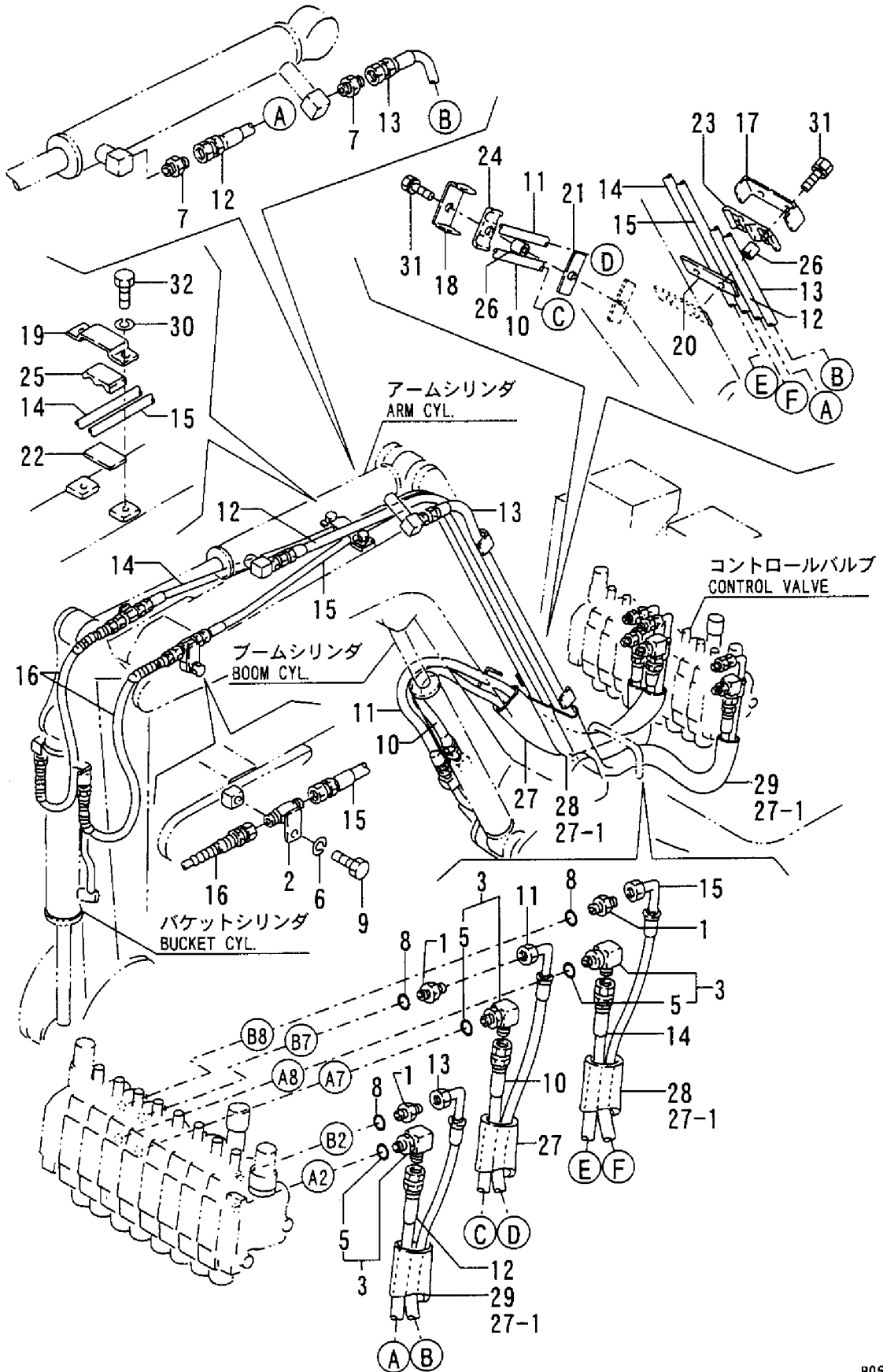
Fig. 44 油圧配管(トラックフレーム)  
HYD. OIL PIPING (TRACK FRAME)





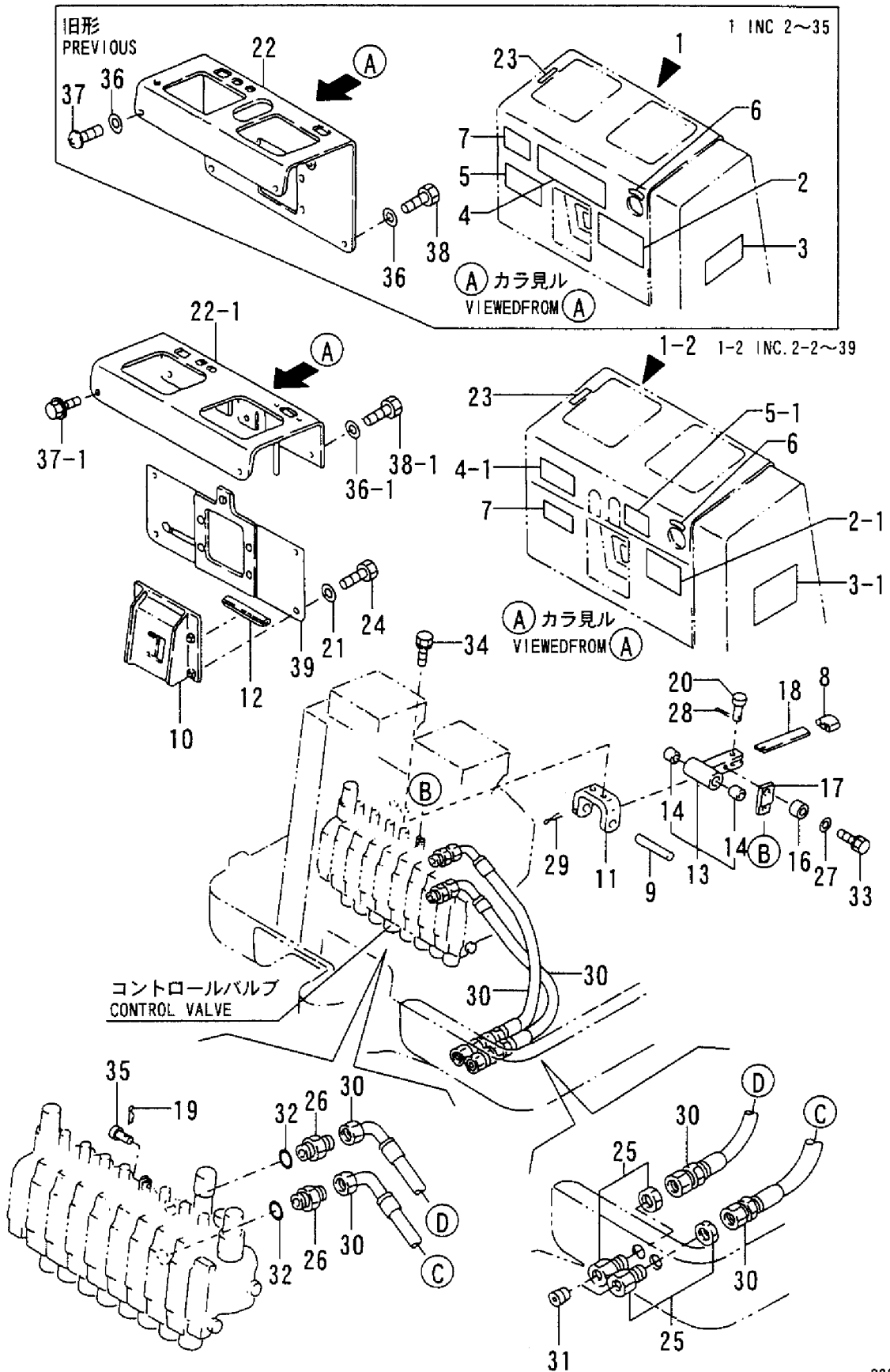
1,1,,172123-76120,, "CONNECTOR PF1/4",3,3,3,3,3,,,,,,,,,,,,,  
2,1,,172155-76120,, "JOINT PF1/4",2,2,2,2,2,,,,,,,,,,,,,  
3,1,,172141-76180,, "CONNECTOR",3,3,3,3,3,,,,,,,,,,,,,  
5,2,,24315-000110,, "O-RING 1B P-11.0",3,3,3,3,3,,,,,,,,,,,,,  
6,1,,22217-100000,, "SPRING WASHER 10",2,2,2,2,2,,,,,,,,,,,,,  
7,1,,23391-020000,, "JOINT RGI1/4",2,2,2,2,2,,,,,,,,,,,,,  
8,1,,24315-000110,, "O-RING 1B P-11.0",3,3,3,3,3,,,,,,,,,,,,,  
9,1,,26116-100162,, "BOLT M10X 16 PLATED",2,2,2,2,2,,,,,,,,,,,,,  
10,1,,172156-78290,, "HOSE",1,1,1,1,1,,,,,,,,,,,,,  
11,1,,172156-78300,, "HOSE",1,1,1,1,1,,,,,,,,,,,,,  
12,1,,172156-78310,, "HOSE",1,1,1,1,1,,,,,,,,,,,,,  
13,1,,172156-78320,, "HOSE",1,1,1,1,1,,,,,,,,,,,,,  
14,1,,172156-78330,, "HOSE",1,1,1,1,1,,,,,,,,,,,,,  
15,1,,172156-78340,, "HOSE",1,1,1,1,1,,,,,,,,,,,,,  
16,1,,172156-78350,, "HOSE",2,2,2,2,2,,,,,,,,,,,,,  
17A,1,,172156-78450,, "CLAMP (GREEN:76)",2,,,2,2,,,,,,,,,,,,,  
17B,1,,172156-78450-1,, "CLAMP (PINK:77)",,2,,,,,,,,,,,,,  
17C,1,,172156-78450-3,, "CLAMP (YELLOW:70)",,2,,,,,,,,,,,,,  
18A,1,,172156-78460,, "CLAMP (GREEN:76)",1,,1,1,,,,,,,,,,,,,  
18B,1,,172156-78460-1,, "CLAMP (PINK:77)",,1,,,,,,,,,,,,,  
18C,1,,172156-78460-3,, "CLAMP (YELLOW:70)",,1,1,,,,,,,,,,,,,  
19A,1,,172156-78470,, "CLAMP (GREEN:76)",1,,1,1,,,,,,,,,,,,,  
19B,1,,172156-78470-1,, "CLAMP (PINK:77)",,1,,,,,,,,,,,,,  
19C,1,,172156-78470-3,, "CLAMP (YELLOW:70)",,1,,,,,,,,,,,,,  
20,1,,172156-78480,, "PLATE, RUBBER (A",2,2,2,2,2,,,,,,,,,,,,,  
21,1,,172156-78490,, "PLATE, RUBBER (B",1,1,1,1,1,,,,,,,,,,,,,  
22,1,,172156-78500,, "PLATE, RUBBER (C",1,1,1,1,1,,,,,,,,,,,,,  
23,1,,172156-78510,, "SUPPORT, HOSE (A",2,2,2,2,2,,,,,,,,,,,,,  
24,1,,172156-78520,, "SUPPORT, HOSE (B",1,1,1,1,1,,,,,,,,,,,,,  
25,1,,172156-78530,, "SUPPORT, HOSE (C",1,1,1,1,1,,,,,,,,,,,,,  
26,1,,172156-78540,, "COLLAR 9X 18",5,5,5,5,5,,,,,,,,,,,,,  
27,1,,172149-78940,, "COVER, HOSE",1,1,1,1,,,,,,,,,,,,,  
27-1,1,,172142-78790,, "COVER 20-600,  
HOSE",3,3,3,3,3,R,,M/#11192,,M/#11192,,M/#11192,,M/#11192,,  
28,1,,172149-78940,, "COVER,  
HOSE",1,1,1,1,,Z,,M/#11192,,M/#11192,,M/#11192,,M/#11192,,  
29,1,,172142-79430,, "COVER,  
HOSE",1,1,1,1,,Z,,M/#11192,,M/#11192,,M/#11192,,M/#11192,,  
30,1,,22217-080000,, "SPRING WASHER 8",2,2,2,2,2,,,,,,,,,,,,,  
31,1,,26013-080302,, "BOLT M 8X 30",5,5,5,5,5,,,,,,,,,,,,,  
32,1,,26116-080122,, "BOLT M 8X 12 PLATED",2,2,2,2,2,,,,,,,,,,,,,

Fig. 45 油圧配管(ブーム)  
HYD. OIL PIPING (BOOM)



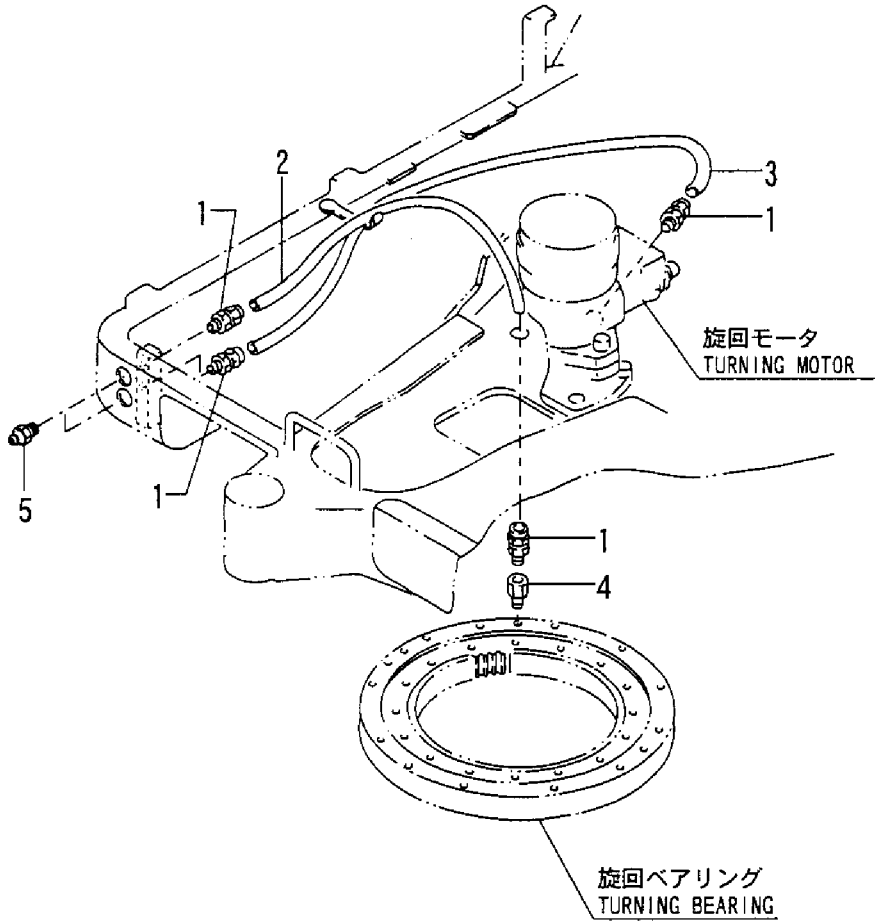
1,1,,772156-74400,, "P.T.O. ASSY, HYD OIL",1,1,1,,,,,M,,,,,  
1-1,1,,172156-74700,, "P.T.O. ASSY, HYD.OIL",1,1,1,,,,,  
1-2,1,,172156-74701,, "P.T.O. (D)  
ASSY",1,,1,1,1,,S,,M/#10501,,M/#10501,,M/#10501,,,,,  
2,2,,172156-03110,, "LABEL, SPECIFICATION",1,1,1,,,,,  
2-1,2,,172156-03111,, "LABEL,  
SPECIFICATION",1,,1,1,1,,S,,M/#10501,,M/#10501,,M/#10501,,,,,  
2-2,2,,172156-03112,, "LABEL,  
SPECIFICATION",1,,1,1,1,,N,,M/#10501,,M/#11341,,M/#11341,,M/#11341,,  
3,2,,172156-03200,, "LABEL, OILING",1,1,1,,,,,  
3-1,2,,172156-03201,, "LABEL,  
OILING",1,,1,1,1,,N,,M/#10501,,M/#10501,,M/#10501,,,,,  
4,2,,172156-03220,, "LABEL, OPERATION",1,1,1,,,,,  
4-1,2,,172156-03221,, "LABEL,  
OPERATION",1,,1,1,1,,N,,M/#10501,,M/#10501,,M/#10501,,,,,  
5,2,,172156-03250,, "LABEL, LIFTING",1,1,1,1,,,,,  
5-1,2,,172156-  
03251,, "LABEL",1,1,1,1,1,,N,,M/#11220,,M/#11220,,M/#11220,,M/#11220,,  
6,2,,172156-03720,, "LABEL, SPECIFICATION",1,1,1,,,,,M,,,,,  
6-1,2,,172156-03270,, "LABEL, KEY SWITCH",1,1,1,1,1,,,,,  
7,2,,172141-03350,, "LABEL, QUICK(C)",1,1,1,1,1,,,,,  
8,2,,1E1060-35171,, "GRIP, ADJUSTING",1,1,1,1,1,,,,,  
9,2,,172112-41380,, "SHAFT, BLADE LEVER",1,1,1,1,1,,,,,  
10,2,,172156-46200,, "COVER ASSY",1,1,1,1,1,,,,,  
11,2,,172156-46250,, "BRACKET",1,1,1,1,1,,,,,  
12,2,,172156-46260,, "RUBBER",1,1,1,1,1,,,,,  
13,2,,172156-46300,, "LEVER P.T.O. W/BUSH",1,1,1,1,1,,,,,  
14,3,,172141-41360,, "BUSH 1415",2,2,2,2,2,,,,,  
16,2,,172156-46330,, "COLLAR",1,1,1,1,1,,,,,  
17,2,,172156-46340,, "ROD, SPOOL",1,1,1,1,1,,,,,  
18,2,,172156-46350,, "SPRING",1,1,1,1,1,,,,,  
19,2,,1C6281-52310,, "PIN 6, COME-OFF SNAP",1,1,1,1,1,,,,,  
20,2,,1A1030-55010,, "PIN 6X24.5, FLAT HD.",1,1,1,1,1,,,,,  
21,2,,1A1380-62160,, "WASHER",4,4,4,4,4,,,,,  
22,2,,172156-63200,, "COVER ASSY",1,1,1,,,,,  
22-1,2,,172156-63101,, "COVER",1,,1,1,1,,S,,M/#10501,,,,M/#10501,,M/#10501,,  
23,2,,194940-65510,, "LABEL, ACCEL. LEVER",1,1,1,1,1,,,,,  
24,2,,26013-080202,, "BOLT W/WASHER M8X20",4,,4,4,4,,,,,  
25,2,,172145-76180,, "JOINT 3/8",2,2,2,2,2,,,,,  
26,2,,172156-76210,, "CONNECTOR PF3/8-38",2,2,2,2,2,,,,,  
27,2,,22137-080000,, "WASHER 8, POLISHED",1,1,1,1,1,,,,,  
28,2,,22417-200160,, "COTTER PIN 2.0X16",1,1,1,1,1,,,,,  
29,2,,22417-400400,, "COTTER PIN 4.0X40",1,1,1,1,1,,,,,  
30,2,,23272-030453,, "HOSE",2,2,2,,,,,M,,,,,  
30-1,2,,23272-030435,, "HOSE",2,2,2,2,2,,,,,  
31,2,,23871-030000,, "PLUG PT3/8, SCREW",2,2,2,2,2,,,,,  
32,2,,24315-000140,, "O-RING 1B P-14.0",2,2,2,2,2,,,,,  
33,2,,26013-080252,, "BOLT M 8X 25",1,1,1,1,1,,,,,  
34,2,,26013-100252,, "BOLT W/WASHER M10X25",2,2,2,2,2,,,,,  
35,2,,933110-54100,, "PIN 4.75X14",1,1,1,1,1,,,,,  
36,2,,1A1380-61160,, "WASHER",4,4,4,,,,,  
36-1,2,,1A1380-62160,, "WASHER",3,,3,3,3,,K,,M/#10501,,,,M/#10501,,,,  
37,2,,172137-69850,, "SCREW",2,2,2,,,,,  
37-1,2,,172519-63240,, "BOLT 8X 16",2,,2,2,2,,S,,M/#10860,,,,M/#10860,,,,  
38,2,,26013-080202,, "BOLT W/WASHER M8X20",2,2,2,,,,,  
38-1,2,,26013-080202,, "BOLT W/WASHER  
M8X20",3,,3,3,3,,K,,M/#10501,,,,M/#10501,,,,  
39,2,,172156-63201,, "COVER, P.T.O.",1,,1,1,1,,W,,M/#10501,,,,M/#10501,,,,

Fig. 46 油圧 PTO  
HYD. OIL P.T.O.



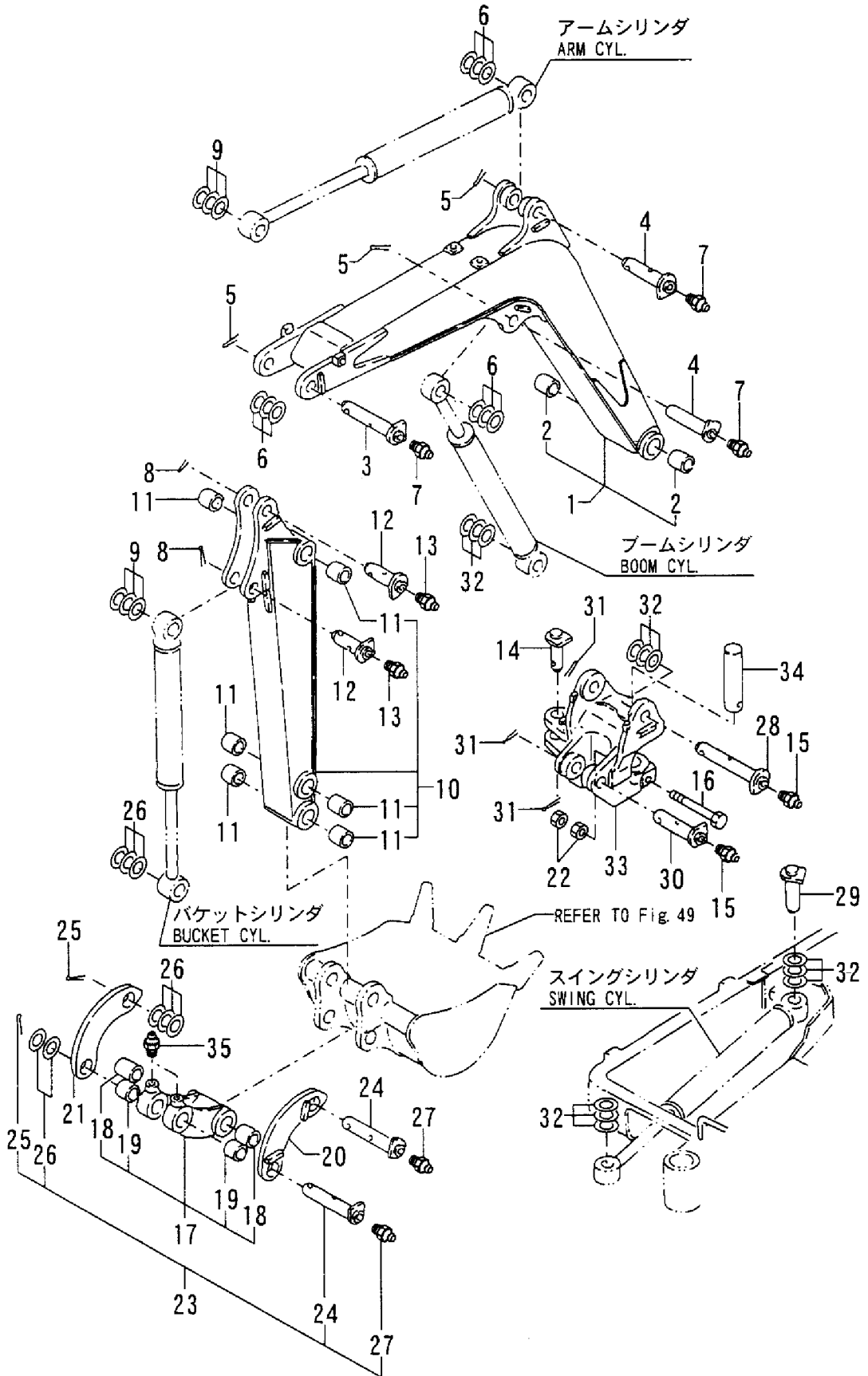
1,1,,172141-77800,, "JOINT, GREASE",4,4,4,4,4,,,,,,,,,,,,,  
2,1,,172146-77801,,HOSE,1,1,1,1,1,,,,,,,,,,,,,  
3,1,,172142-77811,,HOSE,1,1,1,1,1,,,,,,,,,,,,,  
4,1,,172312-77820,, "FITTING, GREASE",1,1,1,1,1,,,,,,,,,,,,,  
5,1,,24761-020000,, "NIPPLE PT1/8,GREASE",2,2,2,2,2,,,,,,,,,,,,,

Fig. 47 遠隔グリーシング  
GREASING



1A,1,,172156-81100,, "BOOM W/BUSH (GREEN)",1,,,1,1,,,,,,,,,,,,,  
1B,1,,172156-81100-1,, "BOOM W/BUSH (PINK)",,1,,,,,,,,,,,,,  
1C,1,,172156-81100-3,, "BOOM W/BUSH (YELLOW)",,1,,,W,,,,,,M/#00615,,,,,  
2,2,,172156-72410,, "BUSH, PIN 25 35 A",2,2,2,2,2,,,,,,,,,,,,,  
3,1,,172156-81330,, "PIN, BOOM 25X124",1,1,1,1,1,,,,,,,,,,,,,  
4,1,,172156-81350,, "PIN, BOOM 25X 98",2,2,2,2,2,,,,,,,,,,,,,  
5,1,,172155-81390,, "COTTER PIN 6X 35",3,3,3,3,3,,,,,,,,,,,,,  
6,1,,172156-81400,, "SHIM 25-45",3,3,3,3,3,,,,,,,,,,,,,  
7,1,,24761-020000,, "NIPPLE PT1/8,GREASE",3,3,3,3,3,,,,,,,,,,,,,  
8,1,,172155-81390,, "COTTER PIN 6X 35",2,2,2,2,2,,,,,,,,,,,,,  
9,1,,172156-81400,, "SHIM 25-45",2,2,2,2,2,,,,,,,,,,,,,  
10A,1,,172156-82100,, "ARM ASSY (GREEN)",1,,,1,1,,,,,,,,,,,,,  
10B,1,,172156-82100-1,, "ARM ASSY (PINK)",,1,,,,,,,,,,,,,  
10C,1,,172156-82100-3,, "ARM ASSY (YELLOW)",,1,,,W,,,,,,M/#00615,,,,,  
11,2,,172156-72410,, "BUSH, PIN 25 35 A",6,6,6,6,6,,,,,,,,,,,,,  
12,1,,172156-82200,, "PIN, ARM 25X 65",2,2,2,2,2,,,,,,,,,,,,,  
13,1,,24761-020000,, "NIPPLE PT1/8,GREASE",2,2,2,2,2,,,,,,,,,,,,,  
14,1,,172156-83160,, "PIN, BRACKET 25X 65",1,1,1,1,1,,,,,,,,,,,,,  
15,1,,24761-020000,, "NIPPLE PT1/8,GREASE",2,2,2,2,2,,,,,,,,,,,,,  
16,1,,26116-100952,, "BOLT M10X 95 PLATED",1,1,1,1,1,,,,,,,,,,,,,  
17A,1,,172156-84400,, "LINK,BUCKET (GREEN)",1,,,1,1,,,,,,,,,,,,,  
17B,1,,172156-84400-1,, "LINK,BUCKET (PINK)",,1,,,,,,,,,,,,,  
17C,1,,172156-84400-3,, "LINK,BUCKET (YELLOW)",,1,,,W,,,,,,M/#00615,,,,,  
18,2,,172156-72410,, "BUSH, PIN 25 35 A",2,2,2,2,2,,,,,,,,,,,,,  
19,2,,172156-84440,, "BUSH 25X 35",2,2,2,2,2,,,,,,,,,,,,,  
20A,1,,172156-84500,, "ARM(L),BUCKET(GREEN)",1,,,1,1,,,,,,,,,,,,,  
20B,1,,172156-84500-1,, "ARM(L),BUCKET (PINK)",,1,,,,,,,,,,,,,  
20C,1,,172156-84500-3,, "ARM(L),BUCKET(YELLOW)",,1,,,W,,,,,,M/#00615,,,,,  
21A,1,,172156-84510,, "ARM(R),BUCKET(GREEN)",1,,,1,1,,,,,,,,,,,,,  
21B,1,,172156-84510-1,, "ARM(R),BUCKET (PINK)",,1,,,,,,,,,,,,,  
21C,1,,172156-84510-3,, "ARM(R),BUCKET(YELLOW)",,1,,,W,,,,,,M/#00615,,,,,  
22,1,,26756-100002,, "LOCK NUT M10 PLATED",2,2,2,2,2,,,,,,,,,,,,,  
23,1,,172156-99450,, "PIN KIT, BUCKET",2,2,2,2,2,W,,M/#00501,M/#00501,,,,,  
24,2,,172156-81330,, "PIN, BOOM 25X124",2,2,2,2,2,,,,,,,,,,,,,  
25,2,,172155-81390,, "COTTER PIN 6X 35",2,2,2,2,2,,,,,,,,,,,,,  
26,2,,172156-81400,, "SHIM 25-45",2,2,2,2,2,,,,,,,,,,,,,  
27,2,,24761-020000,, "NIPPLE PT1/8,GREASE",2,2,2,2,2,,,,,,,,,,,,,  
28,1,,172156-83120,, "PIN, BRACKET 25X152",1,1,1,1,1,,,,,,,,,,,,,  
29,1,,172156-83140,, "PIN 25X 72",1,1,1,1,1,,,,,,,,,,,,,  
30,1,,172156-81350,, "PIN, BOOM 25X 98",1,1,1,1,1,,,,,,,,,,,,,  
31,1,,172155-81390,, "COTTER PIN 6X 35",3,3,3,3,3,,,,,,,,,,,,,  
32,1,,172156-81400,, "SHIM 25-45",4,4,4,4,4,,,,,,,,,,,,,  
33,1,,172156-83100,, "BRACKET, BOOM",1,1,1,1,1,,,,,,,,,,,,,  
34,1,,172156-83110,, "PIN, BRACKET 35X134",1,1,1,1,1,,,,,,,,,,,,,  
35,1,,24761-020000,, "NIPPLE PT1/8,GREASE",2,2,2,2,2,,,,,,,,,,,,,

Fig. 48 **ブーム & アーム**  
**BOOM & ARM**

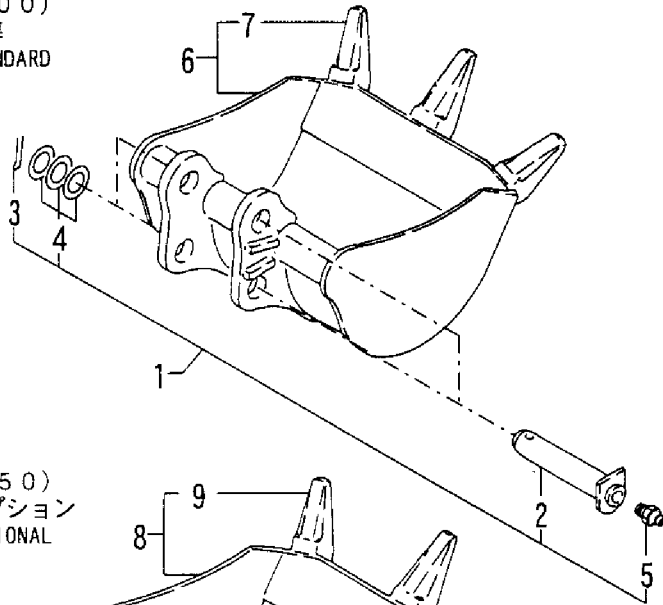




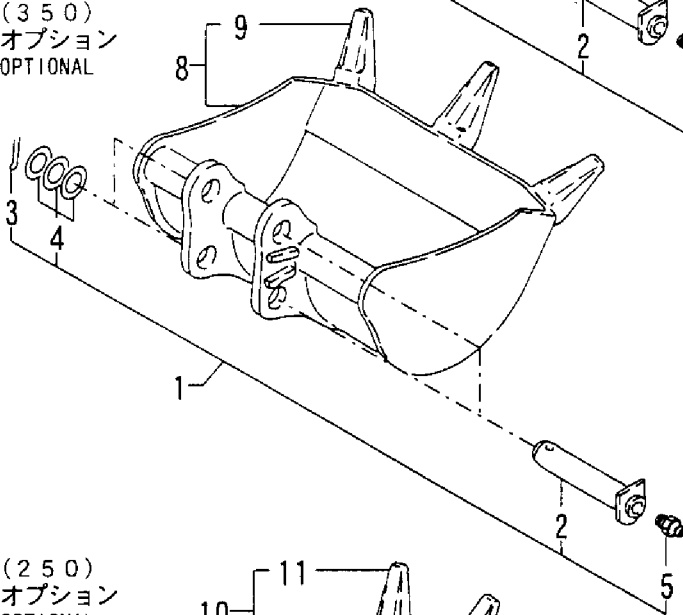
1,1,,172156-99450,, "PIN KIT, BUCKET",1,1,1,1,1,,W,,,M/#00501,,M/#00501,,,,,  
2,2,,172156-81330,, "PIN, BOOM 25X124",2,2,2,2,2,,,,,,,,,,,,,  
3,2,,172155-81390,, "COTTER PIN 6X 35",2,2,2,2,2,,,,,,,,,,,,,  
4,2,,172156-81400,, "SHIM 25-45",2,2,2,2,2,,,,,,,,,,,,,  
5,2,,24761-020000,, "NIPPLE PT1/8,GREASE",2,2,2,2,2,,,,,,,,,,,,,  
6,1,,172156-86100,, "BUCKET ASSY 300",1,1,1,1,1,,,,,,,,,,,,,  
7,2,,172156-86160,, TEETH,3,3,3,3,3,,,,,,,,,,,,,  
8,1,,172156-86200,, "BUCKET 350",1,1,1,,,,,1,,,,,,,,,,,,,  
9,2,,172156-86160,, TEETH,3,3,2,,,,,1,,,,,,,,,,,,,  
10,1,,172156-86300,, "BUCKET 250",1,1,1,,,,,1,,,,,,,,,,,,,  
11,2,,172156-86160,, TEETH,3,3,3,,,,,1,,,,,,,,,,,,,

Fig. 49 バケツ  
BUCKET

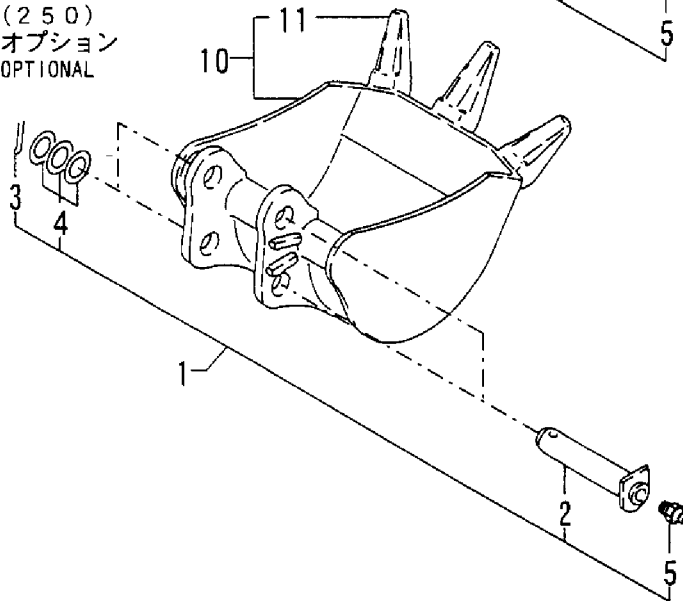
(300)  
標準  
STANDARD



(350)  
オプション  
OPTIONAL

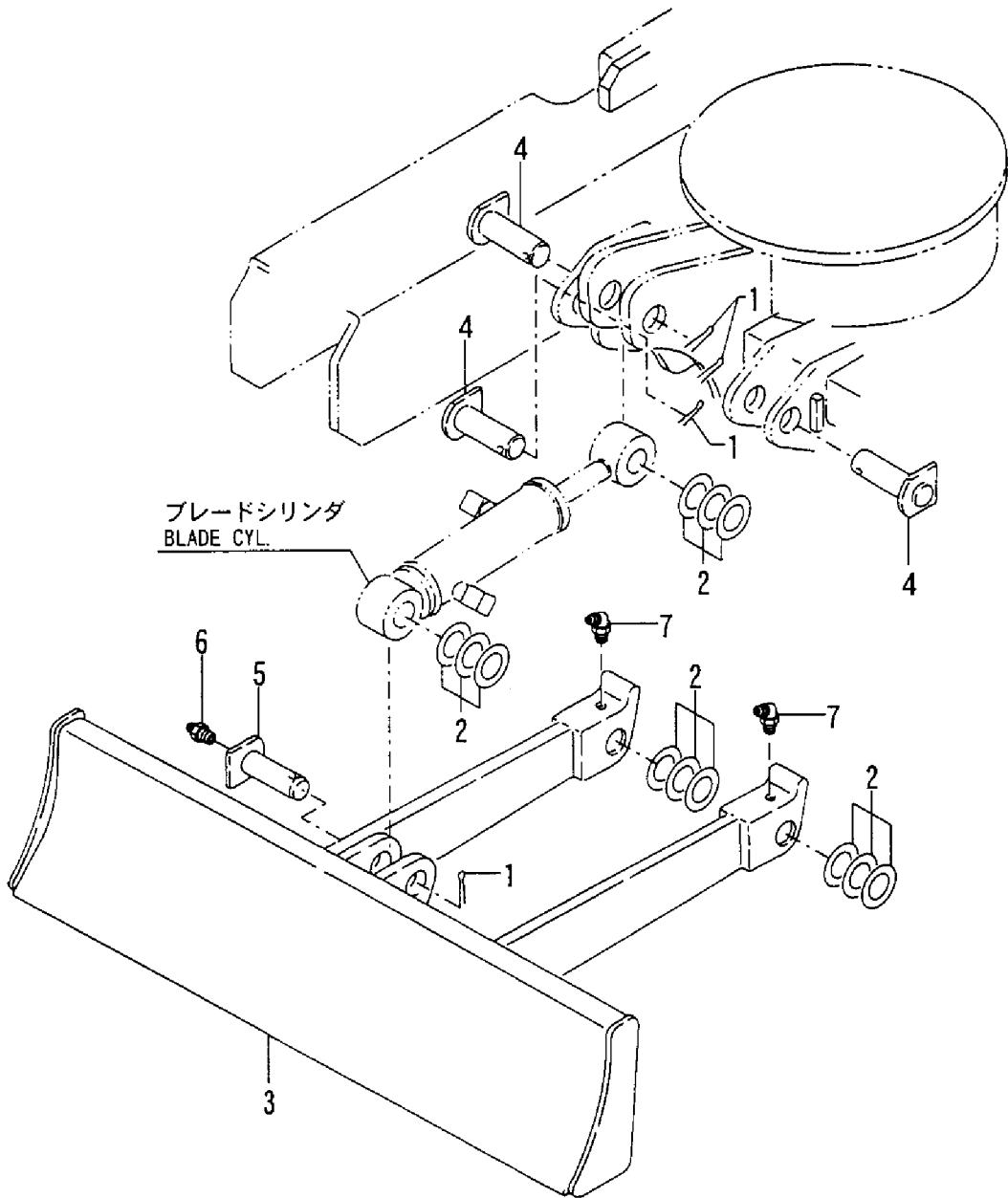


(250)  
オプション  
OPTIONAL



1,1,,172155-81390,, "COTTER PIN 6X 35",4,4,4,4,4,,,,,,,,,,,,,  
2,1,,172156-81400,, "SHIM 25-45",4,4,4,4,4,,,,,,,,,,,,,  
3,1,,172156-94100,, BLADE,1,1,1,1,1,,,,,,,,,,,,,  
4,1,,172156-94250,, "PIN 25X 59A",3,3,3,3,3,,,,,,,,,,,,,  
5,1,,172156-94270,, "PIN 25X 59B",1,1,1,1,1,,,,,,,,,,,,,  
6,1,,24761-020000,, "NIPPLE PT1/8,GREASE",1,1,1,1,1,,,,,,,,,,,,,  
7,1,,24761-040000,, "NIPPLE B,GREASE",2,2,2,2,2,,,,,,,,,,,,,

Fig. 50 ブレード  
BLADE



0,Y00K2642  
1,001,, "VEHICLE B05"  
2,1,, "LABEL(JP)(PINK,GREEN)", "B05 G", "B05 P", "B05 Y", "B05 G EX", "B05 G AY"  
2,2,, "LABEL(JP)(YELLOW)", "B05 G", "B05 P", "B05 Y", "B05G EX", "B05 G AY"  
2,3,, "LABEL(AY)", "B05 G", "B05 P", "B05 Y", "B05 G EX", "B05 G AY"  
2,4,, "LABEL(EX)", "B05 G", "B05 P", "B05 Y", "B05 G EX", "B05 G AY"  
2,5,, "SAFETY LABEL(JP)", "B05 G", "B05 P", "B05 Y", "B05 G EX", "B05 G AY"  
2,6,, "SAFETY LABEL(AY)", "B05 G", "B05 P", "B05 Y", "B05 G EX", "B05 G AY"  
2,7,, "SAFETY LABEL(EX)", "B05 G", "B05 P", "B05 Y", "B05 G EX", "B05 G AY"  
2,8,, "ENGINE MOUNT & ENGINE ACCESSOR", "B05 G", "B05 P", "B05 Y", "B05 G EX", "B05 G AY"  
2,9,, "SILENCER", "B05 G", "B05 P", "B05 Y", "B05 G EX", "B05 G AY"  
2,10,, "ACCELERATOR", "B05 G", "B05 P", "B05 Y", "B05 G EX", "B05 G AY"  
2,11,, "FUEL TANK & FUEL LINE", "B05 G", "B05 P", "B05 Y", "B05 G EX", "B05 G AY"  
2,12,, "BATTERY", "B05 G", "B05 P", "B05 Y", "B05 G EX", "B05 G AY"  
2,13,, "ELECTRIC PART", "B05 G", "B05 P", "B05 Y", "B05 G EX", "B05 G AY"  
2,14,, "WORK LAMP", "B05 G", "B05 P", "B05 Y", "B05 G EX", "B05 G AY"  
2,15,, "IDLER, TRACKROLLER & CRAWLER", "B05 G", "B05 P", "B05 Y", "B05 G EX", "B05 G AY"  
2,16,, "CONTROL EQUIP.(OPERATION)", "B05 G", "B05 P", "B05 Y", "B05 G EX", "B05 G AY"  
2,17,, "CONTROL EQUIP.(DRIVE,SINGLE LE", "B05 G", "B05 P", "B05 Y", "B05 G EX", "B05 G AY"  
2,18,, "CONTROL EQUIP.(DRIVE,TWIN LEVE", "B05 G", "B05 P", "B05 Y", "B05 G EX", "B05 G AY"  
2,19,, "CONTROL EQUIP.(BLADE)", "B05 G", "B05 P", "B05 Y", "B05 G EX", "B05 G AY"  
2,20,, "OPERATION LEVER STOPPER", "B05 G", "B05 P", "B05 Y", "B05 G EX", "B05 G AY"  
2,21,, "LINK STAND,COVER & INSTRUMENT", "B05 G", "B05 P", "B05 Y", "B05 G EX", "B05 G AY"  
2,22,, "FRAME", "B05 G", "B05 P", "B05 Y", "B05 G EX", "B05 G AY"  
2,23,, "TURNING DRIVING EQUIPMENT", "B05 G", "B05 P", "B05 Y", "B05 G EX", "B05 G AY"  
2,24,, "SEAT & BONNET", "B05 G", "B05 P", "B05 Y", "B05 G EX", "B05 G AY"  
2,25,, "HYD.OIL PUMP & PUMP MOUNT", "B05 G", "B05 P", "B05 Y", "B05 G EX", "B05 G AY"  
2,26,, "BOOM CYLINDER", "B05 G", "B05 P", "B05 Y", "B05 G EX", "B05 G AY"  
2,27,, "ARM CYLINDER", "B05 G", "B05 P", "B05 Y", "B05 G EX", "B05 G AY"  
2,28,, "BUCKET CYLINDER", "B05 G", "B05 P", "B05 Y", "B05 G EX", "B05 G AY"  
2,29,, "SWING CYLINDER", "B05 G", "B05 P", "B05 Y", "B05 G EX", "B05 G AY"  
2,30,, "BLADE CYLINDER", "B05 G", "B05 P", "B05 Y", "B05 G EX", "B05 G AY"  
2,31,, "DRIVING MOTOR", "B05 G", "B05 P", "B05 Y", "B05 G EX", "B05 G AY"  
2,32,, "TURNING MOTOR", "B05 G", "B05 P", "B05 Y", "B05 G EX", "B05 G AY"  
2,33,, "HYD.OIL TANK", "B05 G", "B05 P", "B05 Y", "B05 G EX", "B05 G AY"  
2,34,, "SWIVEL JOINT", "B05 G", "B05 P", "B05 Y", "B05 G EX", "B05 G AY"  
2,35,, "CONTROL VALVE(P PORT & P.T.O.)", "B05 G", "B05 P", "B05 Y", "B05 G EX", "B05 G AY"  
2,36,, "CONTROL VALVE(DRIVING & BLADE)", "B05 G", "B05 P", "B05 Y", "B05 G EX", "B05 G AY"  
2,37,, "CONTROL VALVE(ARM & BOOM)", "B05 G", "B05 P", "B05 Y", "B05 G EX", "B05 G AY"  
2,38,, "CONTROL VALVE(BUCKET & TURNING", "B05 G", "B05 P", "B05 Y", "B05 G EX", "B05 G AY"  
2,39,, "SELECTOR VALVE", "B05 G", "B05 P", "B05 Y", "B05 G EX", "B05 G AY"  
2,40,, "HYD.OIL PIPING(TANK-PUMP-VALVE", "B05 G", "B05 P", "B05 Y", "B05 G EX", "B05 G AY"  
2,41,, "HYD.OIL PIPING(VAIVE-SELECT-TU", "B05 G", "B05 P", "B05 Y", "B05 G EX", "B05 G AY"  
2,42,, "HYD.OIL PIPING(VAIVE-SWIVEL)", "B05 G", "B05 P", "B05 Y", "B05 G EX", "B05 G AY"  
2,43,, "HYD.OIL PIPING(RETURN)", "B05 G", "B05 P", "B05 Y", "B05 G EX", "B05 G AY"  
2,44,, "HYD.OIL PIPING(TRACK FRAME)", "B05 G", "B05 P", "B05 Y", "B05 G EX", "B05 G AY"  
2,45,, "HYD.OIL PIPING(BOOM)", "B05 G", "B05 P", "B05 Y", "B05 G EX", "B05 G AY"  
2,46,, "HYD.OIL P.T.O.", "B05 G", "B05 P", "B05 Y", "B05 G EX", "B05 G AY"  
2,47,, "GREASING", "B05 G", "B05 P", "B05 Y", "B05 G EX", "B05 G AY"  
2,48,, "BOOM & ARM", "B05 G", "B05 P", "B05 Y", "B05 G EX", "B05 G AY"  
2,49,, "BUCKET", "B05 G", "B05 P", "B05 Y", "B05 G EX", "B05 G AY"

2,50,,BLADE,"B05 G","B05 P","B05 Y","B05 G EX","B05 G AY"