

Operation & Maintenance Manual

TEN00086-00

GALEO WA250PTL-5

WHEEL LOADER

SERIAL NUMBERS WA250PTL-70025 and up

WARNING

Unsafe use of this machine may cause serious injury or death. Operators and maintenance personnel must read this manual before operating or maintaining this machine. This manual should be kept near the machine for reference and periodically reviewed by all personnel who will come into contact with it.

NOTICE

Komatsu has Operation & Maintenance Manuals written in some other languages. If a foreign language manual is necessary, contact your local distributor for availability.

KOMATSU

FOREWORD

CALIFORNIA

Proposition 65 Warning

Diesel engine exhaust and some of its constituents are known to the State of California to cause cancer, birth defects, and other reproductive harm.

CALIFORNIA

Proposition 65 Warning

Battery posts, terminals and related accessories contain lead and lead compounds, chemicals known to the State of California to cause cancer and birth defects or other reproductive harm.

Wash hands after handling.

FOREWORD

This manual provides rules and guidelines which will help you use this machine safely and effectively. The precautions in this manual must be followed at all times when performing operation and maintenance. Most accidents are caused by the failure to follow fundamental safety rules for the operation and maintenance of machines. Accidents can be prevented by knowing beforehand conditions that may cause a hazard when performing operation and maintenance.



WARNING

Before beginning operation or maintenance, operators and maintenance personnel must always observe the following points.

- Read this manual thoroughly and understand its contents fully.
- Read the safety messages and safety labels given in this manual carefully so that they should be understood fully.

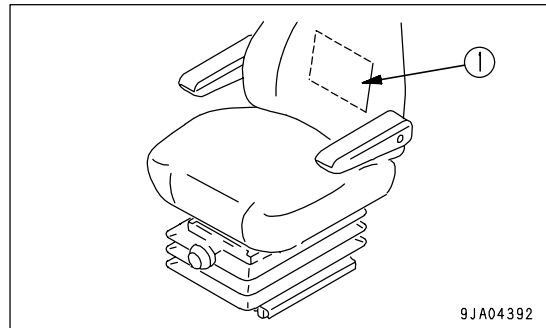
Keep this manual at the storage location for the Operation and Maintenance Manual given below so that all personnel involved in working on the machine can consult it periodically.

In case this manual should be lost or damaged, immediately contact Komatsu or your Komatsu distributor to obtain a new copy.

When you sell the machine, make sure that this manual should be provided to the new owner together with the machine.

In this manual, measurements are expressed in international standard units (SI). For the reference purpose, weight units used in the past are also displayed in { }.

Storage location for the Operation and Maintenance Manual:
Pocket (1) at rear of operator's seat



EMISSION CONTROL WARRANTY**EMISSION CONTROL WARRANTY STATEMENT (APPLIES TO CANADA ONLY)****1. Products Warranted**

Komatsu America International Company, Komatsu Mining Systems Inc. and Komatsu Utility Corporation (collectively "Komatsu") produce and/or market products under brand names of Komatsu, Dresser, Dressta, Haulpak and Galion. This emissions warranty applies to new engines bearing the Komatsu name installed in these products and used in Canada in machines designed for industrial off-highway use. This warranty applies only to these engines produced on or after January 1, 2000. This warranty will be administered by Komatsu distribution in Canada.

2. Coverage

Komatsu warrants to the ultimate purchaser and each subsequent purchaser that the engine is designed, built and equipped so as to conform, at the time of sale by Komatsu, with all U.S. Federal emission regulations applicable at the time of manufacture and that it is free from defects in workmanship or material which would cause it not to meet these regulations within five years or 3,000 hours of operation, whichever occurs first, as measured from the date of delivery of the engine to the ultimate purchaser.

3. Limitations

Failures, other than those resulting from defects in materials or workmanship, are not covered by this warranty. Komatsu is not responsible for failures or damage resulting from what Komatsu determines to be abuse or neglect, including, but not limited to: operation without adequate coolant or lubricants; over fueling; over speeding; lack of maintenance of lubricating, cooling or intake systems; improper storage, starting, warm-up, run-in or shutdown practices; unauthorized modifications of the engine. Komatsu is also not responsible for failures caused by incorrect fuel or by water, dirt or other contaminants in the fuel. Komatsu is not responsible for non-engine repairs, "downtime" expense, related damage, fines, all business costs or other losses resulting from a warrantable failure.

KOMATSU IS NOT RESPONSIBLE FOR INCIDENTAL OR CONSEQUENTIAL DAMAGES.

This warranty, together with the express commercial warranties, are the sole warranties of Komatsu. **THERE ARE NO OTHER WARRANTIES, EXPRESS OR IMPLIED, OR OF MERCHANTABILITY OR FITNESS FOR A PARTICULAR PURPOSE.**

GARANTIE SUR LE CONTRÔLE DES ÉMISSIONS**ÉNONCÉ DE GARANTIE SUR LE CONTRÔLE DES ÉMISSIONS (APPLICABLE AU CANADA SEULEMENT):****1. Produits garantis:**

Komatsu America International Company, Komatsu Mining Systems Inc. et Komatsu Utility Corporation (collectivement Komatsu) produisent et/ou font la mise en marché de produits portant les noms de marque Komatsu, Dresser, Dressta, Haulpak et Galion. Cette garantie sur les émissions s'applique à tous les nouveaux moteurs portant le nom Komatsu, installés dans ces produits et utilisés au Canada dans des machines conçues pour utilisation industrielle non-roulière. Cette garantie s'applique seulement sur les moteurs produits à partir du 1er Janvier 2000. Cette garantie sera administrée par la distribution de Komatsu au Canada.

2. Couverture:

Komatsu garantit à l'acheteur ultime et chaque acheteur subséquent que le moteur est conçu, construit et équipé en toute conformité, au moment de la vente par Komatsu, avec toutes les Réglementations fédérales américaines sur les émissions applicables au moment de la fabrication et qu'il est exempt de défauts de construction ou de matériaux qui auraient pour effet de contrevenir à ces réglementations en dedans de 5 ans ou 3000 heures d'opération, mesuré à partir de la date de livraison du moteur au client ultime.

3. Limitations:

Les bris, autres que ceux résultant de défauts de matériaux ou de construction, ne sont pas couverts par cette Garantie. Komatsu n'est pas responsable pour bris ou dommages résultant de ce que Komatsu détermine comme étant de l'abus ou négligence, incluant mais ne se limitant pas à: l'opération sans lubrifiants ou agent refroidissants adéquats; la suralimentation d'essence; la survitesse; le manque d'entretien des systèmes de lubrification, de refroidissement ou d'entrée; de pratiques non-propices d'entreposage, de mise en marche, de réchauffement, de conditionnement ou d'arrêt; les modifications non-autorisées du moteur. De plus, Komatsu n'est pas responsable de bris causés par de l'essence inadéquate ou de l'eau, des saletés ou autres contaminants dans l'essence. Komatsu n'est pas responsable des réparations non-relées au moteur, des dépenses encourues suite aux temps d'arrêts, des dommages relatifs, amendes, et de tout autre coût d'affaires ou autres pertes résultant d'un bris couvert par la garantie.

KOMATSU N'EST PAS RESPONSABLE DES INCIDENTS OU DOMMAGES CONSÉQUENTS.

Cette garantie, ainsi que les garanties expresses commerciales, sont les seules garanties de Komatsu. **IL N'Y A AUCUNE AUTRE GARANTIE, EXPRESSE OU SOUS-ENTENDUE, MARCHANDABLE OU PROPICE A UNE UTILISATION PARTICULIÈRE.**

INFORMATION IMPORTANTE SUR LE MOTEUR
 CE MOTEUR EST CONFORME AUX NORMES AMÉRICAINES DE L'EPA (ANNÉE DU MODÈLE) ET DE LA CALIFORNIE POUR LES MOTEURS LARGES NON-ROUTIERS À IGNI-
 TION PAR COMPRESSION. CE MOTEUR EST CERTIFIÉ POUR OPÉRER À ESSENCE
 DIESEL.

AVERTISSEMENT
 DES BLESSURES PEUVENT RÉULTER ET LA GARANTIE
 S'ANNULER SI LES RPM DU TAUX D'ESSENCE OU L'ALTITUDE
 EXCÈDENT LES VALEURS MAXIMALES PUBLIÉES POUR CE
 MODÈLE ET SON APPLICATION.

IMPORTANT ENGINE INFORMATION
 THIS ENGINE CONFORMS TO YYYY MODEL YEAR U.S. EPA REGULATION AND THE CALIFORNIA
 REGULATIONS LARGE NON ROAD COMPRESSION IGNITION ENGINES. THIS ENGINE IS CERTI-
 FIED TO OPERATE ON DIESEL FUEL.

WARNING
 INJURY MAY RESULT AND WARRANTY IS VOIDED IF FUEL RATE RPM OR ALTITUDES EXCEED
 PUBLISHED MAXIMUM VALUES FOR THIS MODEL AND APPLICATION.

ENGINE MODEL	SERIAL NO.	LITERS
ENGINE FAMILY	DISPLACEMENT	LITERS
EXHAUST EMISSION CONTROL SYSTEM	FIRING ORDER	1 - 5 - 3 - 6 - 2 - 4
ADV. LOAD OUTPUT	Kw (HP)	RPM
VALVE LASH COLD (mm)	EX. FUEL RATE AT ADV.	mm ³ /STROKE
IDLE SPEED	RPM FAMILY EMISSION LIMIT	TAUX D'ESSENCE À ADV.
INITIAL INJECTION TIMING	DEG. BTDC	LIMITÉ D'ÉMISSION DE LA FAMILLE
KOMATSU LTD. MADE IN JAPAN		

MODÈLE DU MOTEUR
 FAMILLE DU MOTEUR
 SYSTÈME DE CONTRÔLE DES ÉMISSIONS D'ÉCHAPPEMENT
 CHARGE DE SORTIE ADV.
 PORTÉE DE VALVE À FROID (mm)
 VITESSE STATIQUE
 RÉGLAGE DE L'ALLUMAGE - INJECTION INITIALE
 DEG. BTDC

NO. SÉRIE
 DÉPLACEMENT
 LITRES
 SÉQUENCE DE MISE À FEU
 mm³/BAITTEMENT
 TAUX D'ESSENCE À ADV.
 LIMITE D'ÉMISSION DE LA FAMILLE
 DATE DE FABRICATION

KOMATSU LTD.
FABRIQUÉ AU JAPON

ENGINE DATA PLATE - ENGLISH / FRENCH




SAFETY INFORMATION

To enable you to use this machine safely, safety precautions and labels are given in this manual and affixed to the machine to give explanations of situations involving potential hazards and of the methods of avoiding such situations.


Signal words

The following signal words are used to inform you that there is a potential hazardous situation that may lead to personal injury or damage.

In this manual and on machine labels, the following signal words are used to express the potential level of hazard.

- | | |
|--|---|
|  DANGER | Indicates an imminently hazardous situation which, if not avoided, will result in death or serious injury. |
|  WARNING | Indicates a potentially hazardous situation which, if not avoided, could result in death or serious injury. |
|  CAUTION | Indicates a potentially hazardous situation which, if not avoided, may result in minor or moderate injury. This word is used also to alert against unsafe practices that may cause property damage. |

Example of safety message using signal word

 WARNING
When standing up from the operator's seat, always place the work equipment lock lever in the LOCK position. If you accidentally touch the control levers when they are not locked, this may cause a serious injury or death.

Other signal words

In addition to the above, the following signal words are used to indicate precautions that should be followed to protect the machine or to give information that is useful to know.

NOTICE This word is used for precautions that must be taken to avoid actions which could shorten the life of the machine.

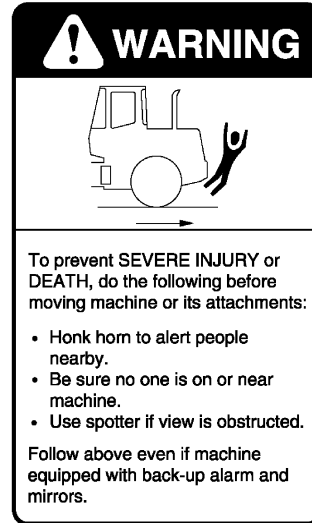
REMARKS This word is used for information that is useful to know.

• Safety labels

Safety labels are affixed to the machine to inform the operator or maintenance worker on the spot when carrying out operation or maintenance of the machine that may involve hazard.

This machine uses "Safety labels using words" and "Safety labels using pictograms" to indicate safety procedures.

Example of safety label using words



Safety labels using pictogram

Safety pictograms use a picture to express a level of hazardous condition equivalent to the signal word. These safety pictograms use pictures in order to let the operator or maintenance worker understand the level and type of hazardous condition at all times. Safety pictograms show the type of hazardous condition at the top or left side, and the method of avoiding the hazardous condition at the bottom or right side. In addition, the type of hazardous condition is displayed inside a triangle and the method of avoiding the hazardous condition is shown inside a circle.



Komatsu cannot predict every circumstance that might involve a potential hazard in operation and maintenance. Therefore, the safety messages in this manual and on the machine may not include all possible safety precautions. If any procedures or actions not specifically recommended or allowed in this manual are used, it is your responsibility to take the necessary steps to ensure safety.

In no event should you engage in prohibited uses or actions described in this manual.

The explanations, values, and illustrations in this manual were prepared based on the latest information available at that time. Continuing improvements in the design of this machine can lead to changes in detail which may not be reflected in this manual. Consult Komatsu or your Komatsu distributor for the latest available information of your machine or for questions regarding information in this manual.

The numbers in circles in the illustrations correspond to the numbers in () in the text. (For example: ① -> (1))

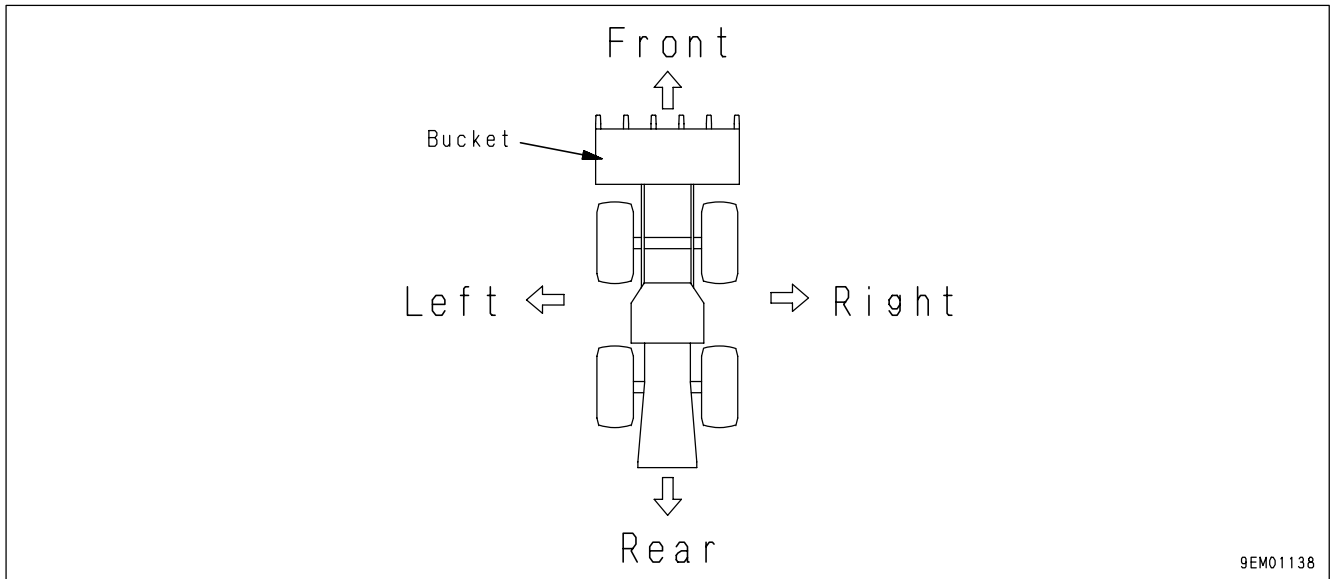
INTRODUCTION

This Komatsu machine is designed to be used mainly for the following work:

- Digging work
- Smoothing
- Pushing work
- Loading work

For details of the operating procedure, see "WORK POSSIBLE USING WHEEL LOADER (PAGE 3-98)".

FRONT/REAR, LEFT/RIGHT DIRECTIONS OF MACHINE



In this manual, the directions of the machine (front, rear, left, right) are determined according to the view from the operator's seat in the direction of travel (front) of the machine.

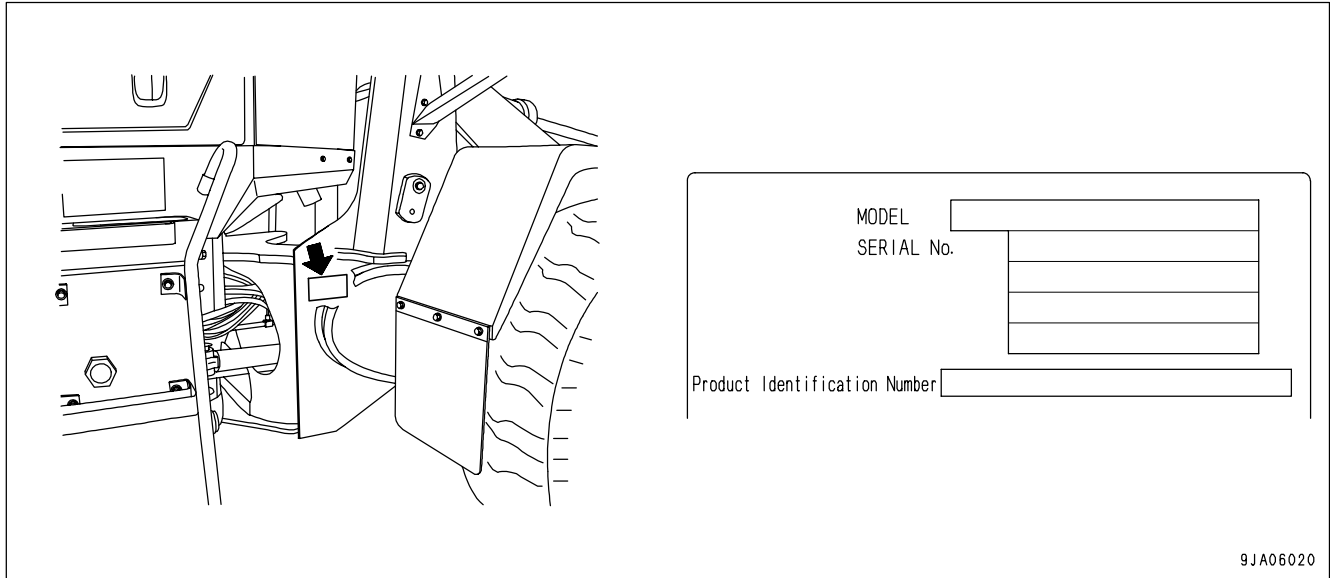
NECESSARY INFORMATION

When requesting service or ordering replacement parts, please inform your Komatsu distributor of the following items.

PRODUCT IDENTIFICATION NUMBER (PIN)/MACHINE SERIAL NO. PLATE

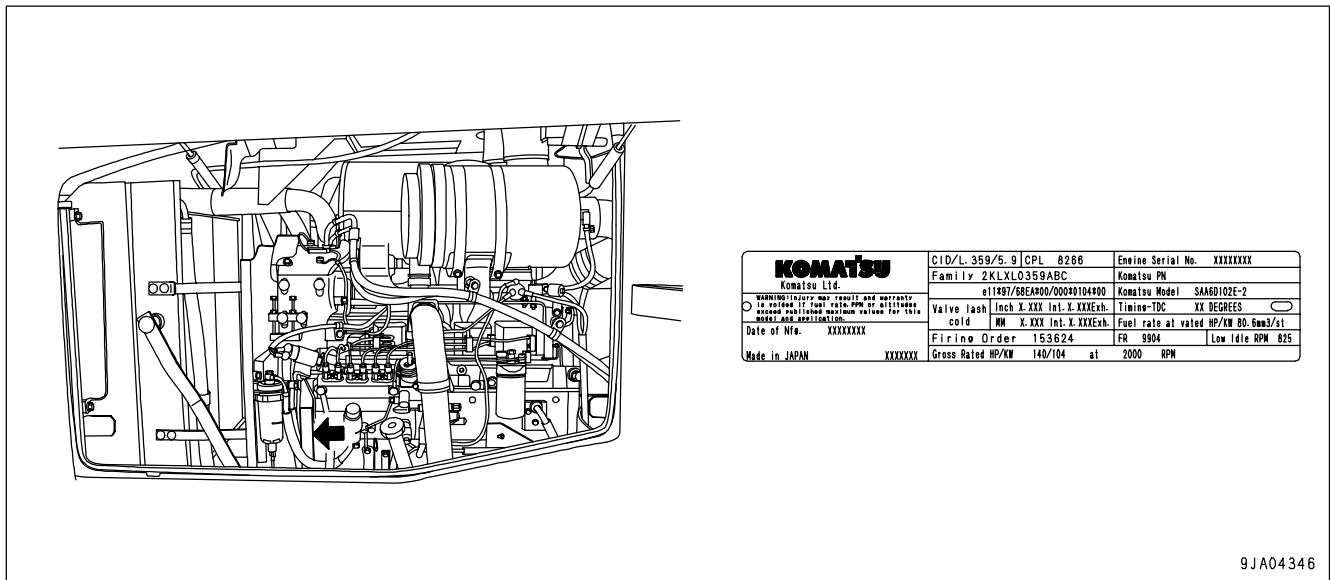
On the center right of the front frame.

The design of the nameplate differs according to the territory.



ENGINE SERIAL NO. PLATE

This is on the side face of the engine cover on the right side of the machine.



EPA: Environmental Protection Agency, U.S.A.

POSITION OF SERVICE METER

It is at the center bottom of the machine monitor.

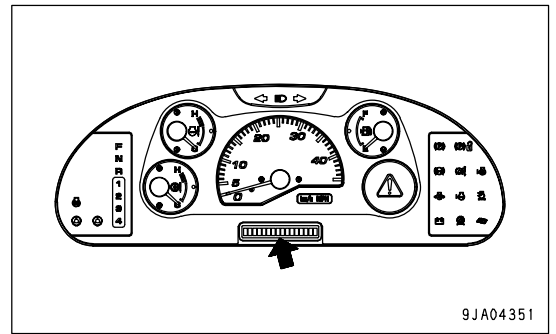


TABLE TO ENTER SERIAL NO. AND DISTRIBUTOR

Machine serial No.	
Engine serial No.	
Product identification number (PIN)	
Distributor name	
Address	-----

Service Personnel	-----
Phone/Fax	

CONTENTS

FOREWORD	1- 1
FOREWORD	1- 2
SAFETY INFORMATION	1- 5
INTRODUCTION	1- 7
FRONT/REAR, LEFT/RIGHT DIRECTIONS OF MACHINE	1- 7
NECESSARY INFORMATION	1- 8
PRODUCT IDENTIFICATION NUMBER (PIN)/MACHINE SERIAL NO. PLATE	1- 8
ENGINE SERIAL NO. PLATE	1- 8
POSITION OF SERVICE METER	1- 9
TABLE TO ENTER SERIAL NO. AND DISTRIBUTOR	1- 9
SAFETY	2- 1
SAFETY	2- 2
SAFETY LABELS	2- 5
LOCATION OF SAFETY LABELS	2- 5
SAFETY LABELS	2- 6
GENERAL PRECAUTIONS	2- 11
PRECAUTIONS FOR OPERATION	2- 20
STARTING ENGINE	2- 20
OPERATION	2- 22
TRANSPORTATION	2- 28
BATTERY	2- 29
TOWING	2- 31
PRECAUTIONS FOR MAINTENANCE	2- 32
PRECAUTIONS WITH TIRES	2- 39
OPERATION	3- 1
GENERAL VIEW	3- 2
GENERAL VIEW OF MACHINE	3- 2
GENERAL VIEW OF CONTROLS AND GAUGES	3- 3
EXPLANATION OF COMPONENTS	3- 5
MACHINE MONITOR	3- 5
SWITCHES	3- 31
CONTROL LEVERS, PEDALS	3- 41
STEERING TILT LOCK LEVER	3- 45
CAP AND COVER WITH LOCK	3- 45
FRAME LOCK BAR	3- 46
TOWING PIN	3- 47
GREASE PUMP	3- 47
CAB DOOR INNER LOCK	3- 47
CAB DOOR OPEN LOCK	3- 48
CAB WINDOW OPEN LOCK CANCEL KNOB	3- 48
FUSE	3- 48
SLOW BLOW FUSE	3- 50
POWER OUTLET	3- 50
STORAGE BOX	3- 50
AM/FM RADIO-CASSETTE STEREO	3- 51
AIR CONDITIONER	3- 59
HANDLING CAB WIPER	3- 64
OPERATION	3- 65
CHECK BEFORE STARTING ENGINE, ADJUST	3- 65

STARTING ENGINE	3- 80
OPERATIONS AND CHECKS AFTER STARTING ENGINE	3- 82
STOPPING ENGINE	3- 84
MOVING THE MACHINE (DIRECTIONAL, SPEED), STOPPING THE MACHINE	3- 85
TURNING	3- 90
OPERATION OF WORK EQUIPMENT	3- 92
HANDLING HYDRAULIC QUICK COUPLER	3- 94
WORK POSSIBLE USING WHEEL LOADER	3- 98
PRECAUTIONS FOR OPERATION	3-103
ADJUSTING WORK EQUIPMENT POSTURE	3-105
PARKING MACHINE	3-109
CHECKS AFTER COMPLETION OF OPERATION	3-111
LOCKING	3-111
HANDLING THE TIRES	3-112
TRANSPORTATION	3-114
TRANSPORTATION PROCEDURE	3-114
LOADING, UNLOADING WORK WITH TRAILERS	3-114
LIFTING MACHINE	3-118
COLD WEATHER OPERATION	3-120
PRECAUTIONS FOR LOW TEMPERATURE	3-120
PRECAUTIONS AFTER COMPLETION OF WORK	3-121
AFTER COLD WEATHER	3-121
WARMING-UP OPERATION FOR STEERING HYDRAULIC CIRCUIT IN COLD WEATHER	3-122
LONG-TERM STORAGE	3-123
BEFORE STORAGE	3-123
DURING STORAGE	3-123
AFTER STORAGE	3-123
TROUBLESHOOTING	3-124
WHEN MACHINE RUNS OUT OF FUEL	3-124
METHOD OF TOWING MACHINE	3-124
IF BATTERY IS DISCHARGED	3-126
OTHER TROUBLE	3-129
MAINTENANCE	4- 1
GUIDES TO MAINTENANCE	4- 2
OUTLINES OF SERVICE	4- 4
HANDLING OIL, FUEL, COOLANT, AND PERFORMING OIL CLINIC	4- 4
OUTLINE OF ELECTRIC SYSTEM	4- 7
WEAR PARTS	4- 8
WEAR PARTS LIST	4- 8
RECOMMENDED FUEL, COOLANT, AND LUBRICANT	4- 9
USE OF FUEL, COOLANT AND LUBRICANTS ACCORDING TO AMBIENT TEMPERATURE	4- 10
RECOMMENDED BRANDS, RECOMMENDED QUALITY FOR PRODUCTS OTHER THAN KOMATSU GENUINE OIL	4- 11
STANDARD TIGHTENING TORQUES FOR BOLTS AND NUTS	4- 12
TORQUE LIST	4- 12
PERIODIC REPLACEMENT OF SAFETY CRITICAL PARTS	4- 13
MAINTENANCE SCHEDULE CHART	4- 14
MAINTENANCE SCHEDULE CHART	4- 14
SERVICE PROCEDURE	4- 16
INITIAL 250 HOURS SERVICE	4- 16

WHEN REQUIRED -----	4- 17
CHECK BEFORE STARTING -----	4- 35
EVERY 50 HOURS SERVICE -----	4- 36
EVERY 100 HOURS SERVICE -----	4- 37
EVERY 250 HOURS SERVICE -----	4- 39
EVERY 500 HOURS SERVICE -----	4- 45
EVERY 1000 HOURS SERVICE -----	4- 48
EVERY 2000 HOURS SERVICE -----	4- 52
EVERY 4000 HOURS SERVICE -----	4- 58
SPECIFICATIONS -----	5- 1
SPECIFICATIONS -----	5- 2
ATTACHMENTS, OPTIONS -----	6- 1
SELECTING BUCKET AND TIRES -----	6- 2
HANDLING FORK TOOL -----	6- 3
EXPLANATION OF COMPONENTS -----	6- 3
OPERATION -----	6- 4
INDEX -----	7- 1

SAFETY

WARNING

Please read and make sure that you fully understand the precautions described in this manual and the safety labels on the machine. When operating or servicing the machine, always follow these precautions strictly.

SAFETY

SAFETY LABELS	2- 5
LOCATION OF SAFETY LABELS	2- 5
SAFETY LABELS	2- 6
 GENERAL PRECAUTION	
SAFETY RULES	2- 11
IF ABNORMALITIES ARE FOUND	2- 11
CLOTHING AND PERSONAL PROTECTIVE ITEMS	2- 11
FIRE EXTINGUISHER AND FIRST AID KIT	2- 11
SAFETY FEATURES	2- 11
KEEP MACHINE CLEAN	2- 12
INSIDE OPERATOR'S COMPARTMENT	2- 12
ALWAYS APPLY LOCK WHEN LEAVING OPERATOR'S SEAT	2- 12
HANDRAILS AND STEPS	2- 13
MOUNTING AND DISMOUNTING	2- 14
NO PEOPLE ON ATTACHMENTS	2- 14
DO NOT GET CAUGHT IN ARTICULATED PORTION	2- 14
PREVENTION OF BURNS	2- 14
FIRE PREVENTION	2- 15
ACTION IF FIRE OCCURS	2- 16
WINDOW WASHER LIQUID	2- 16
PRECAUTIONS WHEN USING ROPS (Roll Over Protective Structure)	2- 16
PRECAUTIONS FOR ATTACHMENTS, OPTIONS	2- 16
UNAUTHORIZED MODIFICATION	2- 16
SAFETY AT WORKSITE	2- 17
WORKING ON LOOSE GROUND	2- 17
DO NOT GO CLOSE TO HIGH-VOLTAGE CABLES	2- 17
ENSURE GOOD VISIBILITY	2- 18
VENTILATION FOR ENCLOSED AREAS	2- 18
CHECKING SIGNALMAN'S SIGNALS AND SIGNS	2- 18
EMERGENCY EXIT FROM OPERATOR'S CAB	2- 18
BE CAREFUL ABOUT ASBESTOS DUST	2- 19

PRECAUTIONS FOR OPERATION	2- 20
STARTING ENGINE	2- 20
CHECKS BEFORE STARTING ENGINE	2- 20
PRECAUTIONS WHEN STARTING	2- 20
PRECAUTIONS IN COLD AREAS	2- 21
OPERATION	2- 22
CHECKS BEFORE OPERATION	2- 22
PRECAUTIONS WHEN TRAVELING IN FORWARD OR REVERSE	2- 22
PRECAUTIONS WHEN TRAVELING	2- 23
TRAVELING ON SLOPES	2- 24
PROHIBITED OPERATIONS	2- 25
PRECAUTIONS WHEN OPERATING	2- 25
METHODS OF USING BRAKE	2- 26
OPERATE CAREFULLY ON SNOW	2- 26
PARKING MACHINE	2- 27
TRANSPORTATION	2- 28
LOADING AND UNLOADING	2- 28
SHIPPING	2- 28
BATTERY	2- 29
BATTERY HAZARD PREVENTION	2- 29
STARTING WITH BOOSTER CABLES	2- 30
TOWING	2- 31
WHEN TOWING	2- 31

PRECAUTIONS FOR MAINTENANCE	2- 32
WARNING TAG	2- 32
KEEP WORK PLACE CLEAN AND TIDY	2- 32
APPOINT LEADER WHEN WORKING WITH OTHERS	2- 32
STOP ENGINE BEFORE CARRYING OUT MAINTENANCE	2- 33
TWO WORKERS FOR MAINTENANCE WHEN ENGINE IS RUNNING	2- 34
INSPECTION AND MAINTENANCE AFTER TURNING E.C.S.S. SWITCH OFF	2- 34
PROPER TOOLS	2- 35
ACCUMULATOR	2- 35
PERSONNEL	2- 35
ATTACHMENTS	2- 35
WORK UNDER THE MACHINE	2- 36
NOISE	2- 36
PRECAUTIONS WHEN USING HAMMER	2- 36
REPAIR WELDING	2- 36
REMOVING BATTERY TERMINAL	2- 36
PRECAUTIONS WITH HIGH-PRESSURE OIL	2- 37
HANDLING HIGH-PRESSURE HOSES	2- 37
WASTE MATERIALS	2- 37
MAINTENANCE OF AIR CONDITIONER	2- 37
COMPRESSED AIR	2- 38
PERIODIC REPLACEMENT OF SAFETY CRITICAL PARTS	2- 38
PRECAUTIONS WITH TIRES	2- 39
HANDLING TIRES	2- 39
PRECAUTIONS WHEN STORING TIRES	2- 39

SAFETY LABELS

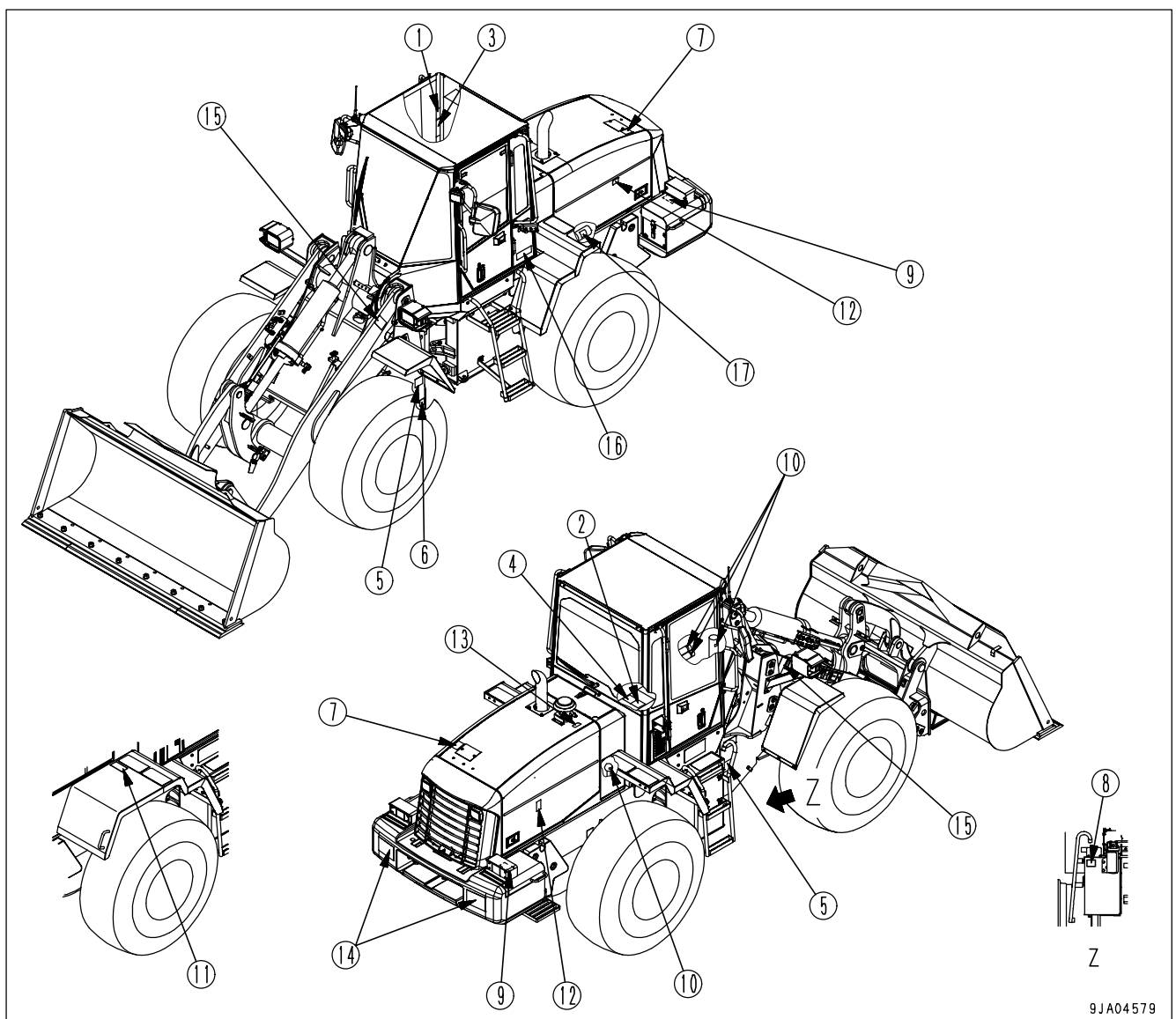
The following safety labels are used on this machine. Be sure that you fully understand the correct position and content of these safety labels.

To ensure that the content of these safety labels can be read properly, be sure that they are in the correct place and always keep them clean. When cleaning them, use soap and water. Do not use organic solvents or gasoline. These may cause the safety labels to peel off.

If the safety labels are damaged or lost, or cannot be read, replace them with new parts. For details of the part numbers, see this manual or check on the actual part, and order the new part from your Komatsu distributor.

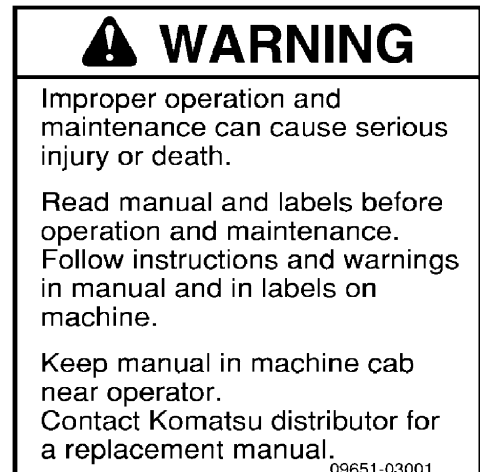
There are also other labels in addition to the safety labels. Handle these labels in the same way.

LOCATION OF SAFETY LABELS

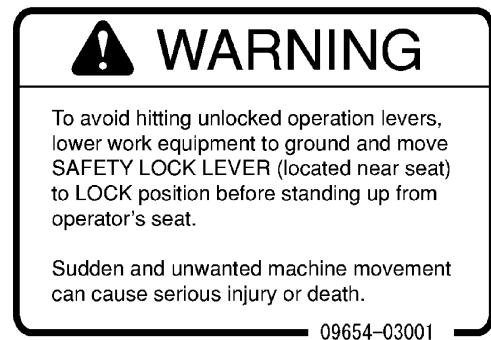


SAFETY LABELS

(1) Caution before starting (09651-03001)

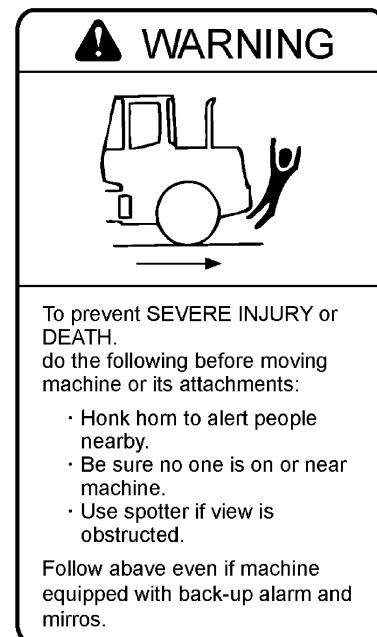


(2) Caution for leaving the operator's seat (09654-03001)



(3) Caution when traveling in reverse

Please request part number 418-93-22273 for this safety label.



(4) Caution for going close to electric cables (09801-13001)

⚠ DANGER

Hazardous voltage hazard
 Serious injury or death can occur if machine or attachments are not kept safe distance away from electric lines

VOLTAGE		SAFE DISTANCE
LOW VOLTAGE	100V 200V	2 m
	6,600V	2 m
	22,000V	3 m
	66,000V	4 m
SPECIAL HIGH VOLTAGE	154,000V	5 m
	187,000V	6 m
	275,000V	7 m
	500,000V	11 m

09801-13001

(5) Do not enter (09162-23000)

⚠ DANGER

Crush Hazard. Can cause severe injury or death.

When machine is being operated, never place yourself in articulated area of machine.

09162-23000

(6) Caution for frame lock bar (09161-23000)

⚠ WARNING

If safety bar is unlocked, machine can jackknife unexpectedly when it is being transported or hoisted. Jackknifing can cause serious injury or death to bystanders.

- Always lock safety bar when machine is being transported or hoisted.
- If necessary, lock safety bar during servicing or maintenance.

09161-23000

(7) Caution when coolant is at high temperature (09668-03001)

⚠ WARNING

Hot water hazard.

To prevent hot water from spurting out:

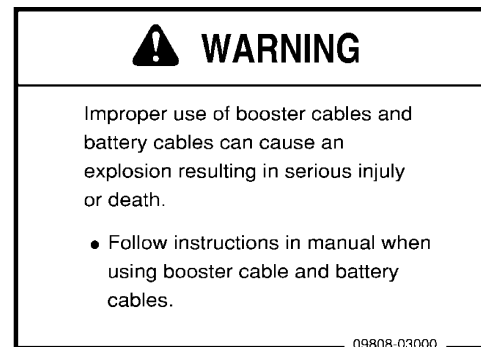
- Turn engine off.
- Allow water to cool.
- Slowly loosen cap to relieve pressure before removing.

09668-03001

(8) Caution when oil is at high temperature (09653-03001)



(9) Caution when handling battery cable (09808-03000)



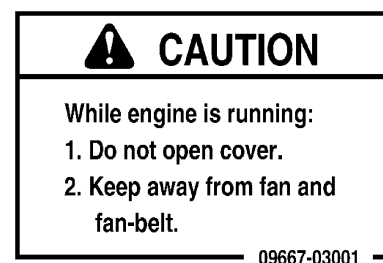
(10) High pressure warning (09659-53000)



(11) Do not climb on fender (09805-03000)
(Machine equipped with rear fender)



(12) "Do not open when engine is running" sign (09667-03001)



(13) Caution to prevent entry of ether (421-93-A1510)



(14) "Do not come near machine" sign (09812-13000)



(15) "Do not go under work equipment" sign (09807-C0883)



Sign indicates a crush hazard from falling off of working device.

Keep away when the working device is raised.

(16) "Do not modify ROPS" sign (09620-30201)



(17) Jump start prohibited (09842-A0481)



Start the engine only after sitting down in the operator's seat.

Do not attempt to start the engine by short-circuiting the engine starting circuit. Such an act may cause a serious bodily injury or fire.

GENERAL PRECAUTIONS

SAFETY RULES

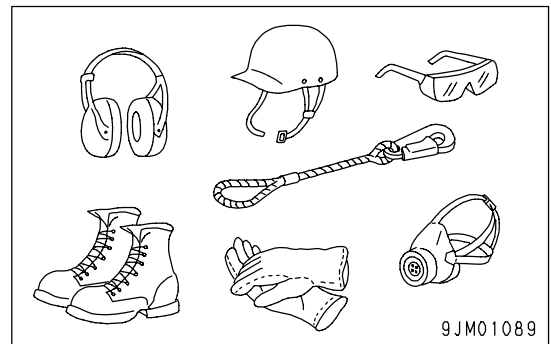
- Only trained and authorized personnel can operate and maintain the machine.
- Follow all safety rules, precautions and instructions when operating or performing maintenance on the machine.
- If you are under the influence of alcohol or medication, your ability to safely operate or repair your machine may be severely impaired putting yourself and everyone else on your jobsite in danger.
- When working with another operator or with a person on worksite traffic duty, be sure that all personnel understand all hand signals that are to be used.

IF ABNORMALITIES ARE FOUND

If you find any problems in the machine during operation or maintenance (noise, vibration, smell, incorrect gauges, smoke, oil leakage, etc., or any abnormal display on the warning devices or monitor), report to the person in charge and have the necessary action taken. Do not operate the machine until the problem has been corrected.

CLOTHING AND PERSONAL PROTECTIVE ITEMS

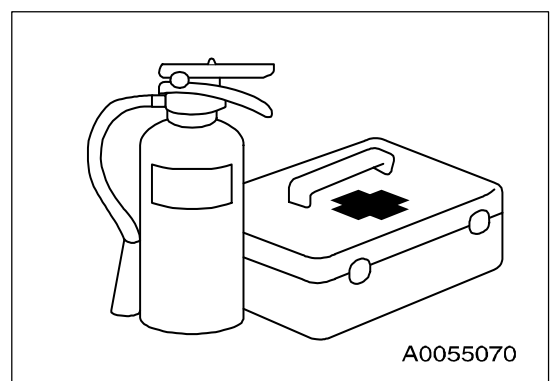
- Do not wear loose clothing and accessories. There is a hazard that they may catch on control levers or other protruding parts.
- If you have long hair and it hangs out from your hard hat, there is a hazard that it may get caught up in the machine, so tie your hair up and be careful not to let it get caught.
- Always wear a hard hat and safety shoes. If the nature of the work requires it, wear safety glasses, mask, gloves, ear plugs, and safety belt when operating or maintaining the machine.
- Check that all protective equipment functions properly before using it.



FIRE EXTINGUISHER AND FIRST AID KIT

Always follow the precautions below to prepare for action if any injury or fire should occur.

- Be sure that fire extinguishers have been provided and read the labels to ensure that you know how to use them in emergencies.
- Carry out periodic inspection and maintenance to ensure that the fire extinguisher can always be used.
- Provide a first aid kit in the storage point. Carry out periodic checks and add to the contents if necessary.

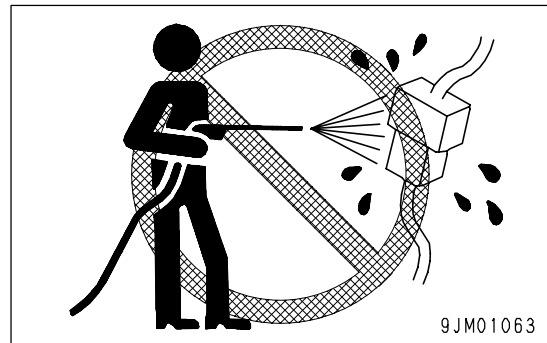


SAFETY FEATURES

- Be sure that all guards and covers are in their proper position. Have guards and covers repaired immediately if they are damaged.
- Understand the method of use of safety features and use them properly.
- Never remove any safety features. Always keep them in good operating condition.

KEEP MACHINE CLEAN

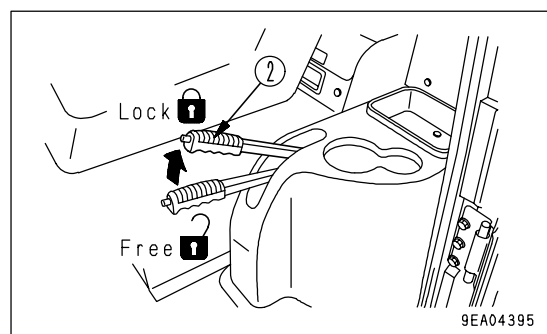
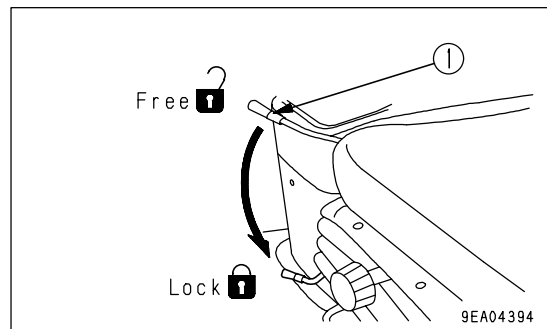
- If water gets into the electrical system, there is a hazard that it will cause malfunctions or misoperation. Do not use water or steam to wash the electrical system (sensors, connectors).
- If inspection and maintenance is carried out when the machine is still dirty with mud or oil, there is a hazard that you will slip and fall, or that dirt or mud will get into your eyes. Always keep the machine clean.

**INSIDE OPERATOR'S COMPARTMENT**

- When entering the operator's compartment, always remove all mud and oil from the soles of your shoes. If you operate the pedal with mud or oil affixed to your shoes, your foot may slip and this may cause a serious accident.
- Do not leave parts or tools lying around the operator's compartment.
- Do not stick suction pads to the window glass. Suction pads act as a lens and may cause fire.
- Do not use cellular telephones inside the operator's compartment when driving or operating the machine.
- Never bring any dangerous objects such as flammable or explosive items into the operator's compartment.

ALWAYS APPLY LOCK WHEN LEAVING OPERATOR'S SEAT

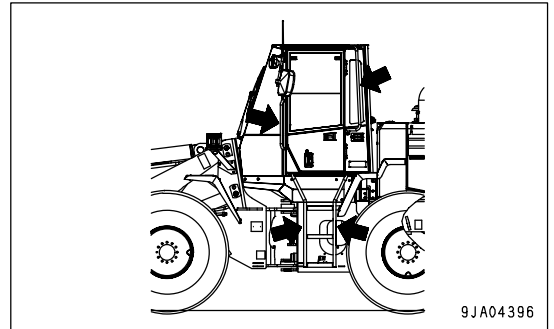
- Before standing up from the operator's seat (such as when adjusting the operator's seat), always lower the work equipment completely to the ground, set work equipment lock lever (1) to the LOCK position, pull parking brake lever (2) to the LOCK position, then stop the engine. If you accidentally touch the levers when they are not locked, there is a hazard that the machine may suddenly move and cause serious injury or property damage.
- When leaving the machine, always lower the work equipment completely to the ground, set work equipment lock lever (1) to the LOCK position, pull parking brake lever (2) to the LOCK position, then stop the engine. Use the key to lock all the equipment. Always remove the key, take it with you, and keep it in the specified place.



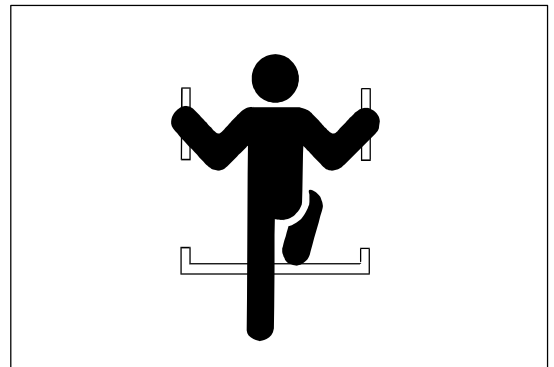
HANDRAILS AND STEPS

To prevent personal injury caused by slipping or falling off the machine, always do as follows.

- Use the handrails and steps marked by arrows in the diagram on the right when getting on or off the machine.



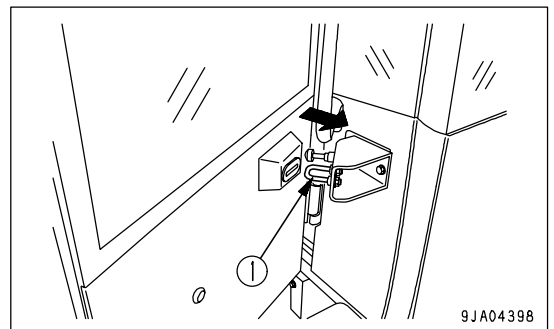
- To ensure safety, always face the machine and maintain three-point contact (both feet and one hand, or both hands and one foot) with the handrails and steps to ensure that you support yourself.



- When entering the cab, open the cab door, push the door securely into catcher (1) to hold in position, then use the handrail on the inside to get on the machine.

For details of the method of releasing the door lock, see "CAB DOOR OPEN LOCK (PAGE 3-48)".

- Do not grip the control levers and work equipment lock lever when getting on or off the machine.
- Never climb on the engine hood or covers where there are no non-slip pads.
- Never move from the step at the rear of the machine or the step at the side of the cab to stand on top of the tire.



- Before getting on or off the machine, check the handrails and steps, and if there is any oil, grease, or mud on them, wipe it off immediately. In addition, repair any damage and tighten any loose bolts.
- Do not get on or off the machine while holding tools in your hand.

MOUNTING AND DISMOUNTING

- Never jump on or off the machine. Never get on or off a moving machine.
- If the machine starts to move when there is no operator on the machine, do not jump on to the machine and try to stop it.

NO PEOPLE ON ATTACHMENTS

Never let anyone ride on the work equipment, or other attachments. There is a hazard of falling and suffering serious injury.

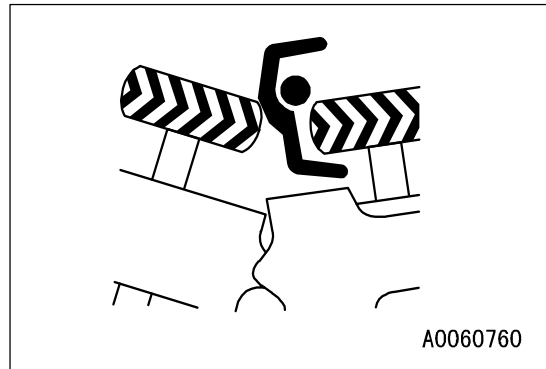
DO NOT GET CAUGHT IN ARTICULATED PORTION

- If the clearance at the articulating portion changes, it will lead to serious personal injury.

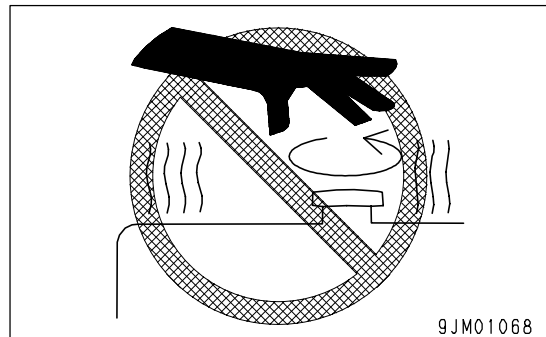
Do not allow anyone to come inside the articulation range.

- Never enter or put your hand, arm, or any part of your body in the movable portion between the work equipment and machine or between the cylinder and the work equipment. If someone operates the control levers by mistake, the gap between the work equipment and machine and between the cylinder and work equipment will change, and you, your hand, or arm will be caught and you may suffer serious injury.

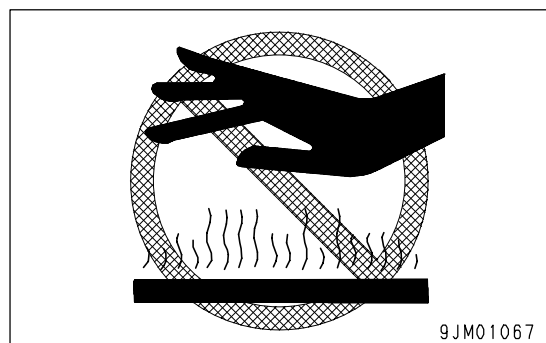
If you have to go into a movable portion, always take action to secure the work equipment and ensure that it cannot move.

**PREVENTION OF BURNS****Hot coolant**

- To prevent burns from hot water or steam spurting out when checking or draining the coolant, wait for the water to cool to a temperature where it is possible to touch the radiator cap by hand before starting the operation. Even when the coolant has cooled down, loosen the cap slowly to relieve the pressure inside the radiator before removing the cap.

**Hot oil**

- To prevent burns from hot oil spurting out when checking or draining the oil, wait for the oil to cool to a temperature where it is possible to touch the cap or plug by hand before starting the operation. Even when the oil has cooled down, loosen the cap or plug slowly to relieve the internal pressure before removing the cap or plug.



FIRE PREVENTION**• Fire caused by fuel or oil**

Fuel, oil, antifreeze, and window washer liquid are particularly flammable and can be hazardous. To prevent fire, always observe the following:

- Do not smoke or use any flame near fuel or oil.
- Stop the engine before refueling.
- Do not leave the machine while adding fuel or oil.
- Tighten all fuel and oil caps securely.
- Do not spill fuel on overheated surfaces or on parts of the electrical system.
- Use well-ventilated areas for adding or storing oil and fuel.
- Keep oil and fuel in the determined place and do not allow unauthorized persons to enter.
- After adding fuel or oil, wipe up any spilled fuel or oil.
- When carrying out grinding or welding work on the chassis, move any flammable materials to a safe place before starting.
- When washing parts with oil, use a non-flammable oil. Diesel oil and gasoline may catch fire, so do not use them.
- Put greasy rags and other flammable materials into a safe container to maintain safety at the work place.
- Do not weld or use a cutting torch to cut any pipes or tubes that contain flammable liquids.

**• Fire caused by accumulation of flammable material.**

Remove any dry leaves, chips, pieces of paper, dust, or any other flammable materials accumulated or affixed around the engine, exhaust manifold, muffler, or battery, or inside the undercovers.

• Fire coming from electric wiring

Short circuits in the electrical system can cause fire.

- Always keep electric wiring connections clean and securely tightened.
- Check the wiring every day for looseness or damage. Tighten any loose connectors or wiring clamps. Repair or replace any damaged wiring.

• Fire coming from hydraulic line

Check that all the hose and tube clamps, guards, and cushions are securely fixed in position.

If they are loose, they may vibrate during operation and rub against other parts. This may lead to damage to the hoses, and cause high-pressure oil to spurt out, leading to fire damage or serious injury.

• Explosion caused by lighting equipment

- When checking fuel, oil, battery electrolyte, window washer fluid, or coolant, always use lighting with anti-explosion specifications. If such lighting equipment is not used, there is danger of explosion that may cause serious injury.
- When taking the electrical power for the lighting from the machine itself, follow the instructions in this manual.

ACTION IF FIRE OCCURS

If a fire occurs, escape from the machine as follows.

- Turn the start switch OFF to stop the engine.
- Use the handrails and steps to get off the machine.

WINDOW WASHER LIQUID

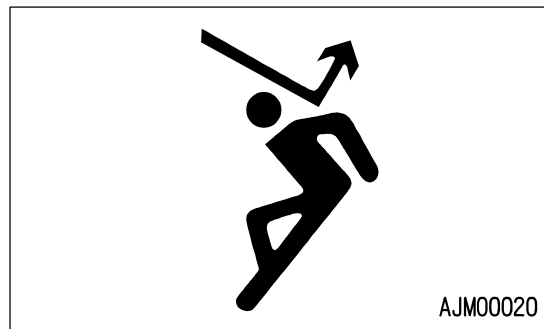
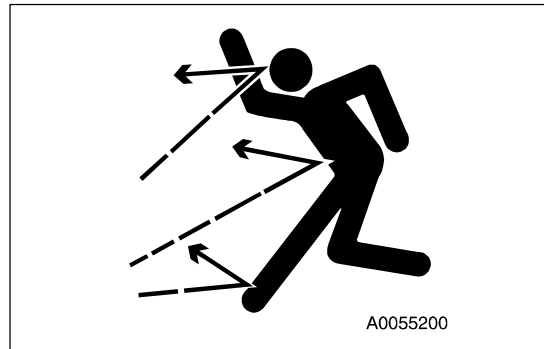
Use an ethyl alcohol base washer liquid.

Methyl alcohol base washer liquid may irritate your eyes, so do not use it.

PRECAUTIONS WHEN USING ROPS (Roll Over Protective Structure)

Install ROPS when working in places where there is danger of falling rocks, such as in mines and quarries, or in places where there is danger of rolling over.

- If ROPS is installed, do not remove it when operating the machine.
 - ROPS is installed to protect the operator when machine rolls over. When machine rolls over, ROPS supports its weight and absorbs its impact energy.
 - If the ROPS is welded, or holes are drilled in it, or it is modified in any other way, its strength may drop. Consult your Komatsu distributor before carrying out any modification.
 - If ROPS is damaged or deformed by falling objects or by rolling over, its strength will be reduced and it will not be able to fulfill its function properly. In such cases, always Komatsu contact your distributor for advice of the method of repair.
- Even if ROPS is installed, always fasten your seat belt properly when operating the machine. If you do not use your fasten your seat belt properly, it cannot display its effect.

**PRECAUTIONS FOR ATTACHMENTS, OPTIONS**

- When installing optional parts or attachments, there may be problems with safety or legal restrictions. Therefore contact your Komatsu distributor for advice.
- Any injuries, accidents, or product failures resulting from the use of unauthorized attachments or parts will not be the responsibility of Komatsu.
- When installing and using optional attachments, read the instruction manual for the attachment, and the general information related to attachments in this manual.

UNAUTHORIZED MODIFICATION

Any modification made without authorization from Komatsu can create hazards. Before making a modification, consult your Komatsu distributor.

- Komatsu will not be responsible for any injuries, accidents, product failures or other property damages resulting from modifications made without authorization from Komatsu.

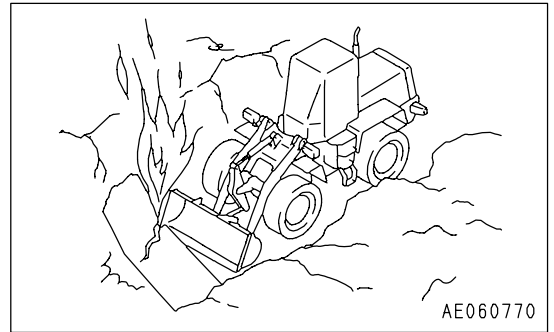
SAFETY AT WORKSITE

Before starting operations, thoroughly check the area for any unusual conditions that could be dangerous.

- When carrying out operations near combustible materials such as thatched roofs, dry leaves or dry grass, there is a hazard of fire, so be careful when operating.
- Check the terrain and condition of the ground at the worksite, and determine the safest method of operation. Do not carry out operations at places where there is a hazard of landslides or falling rocks.
- If water lines, gas lines, or high-voltage electrical lines may be buried under the worksite, contact each utility and identify their locations. Be careful not to sever or damage any of these lines.
- Take action to prevent unauthorized people from approaching the jobsite.

When working on public roads, position flagmen and erect barriers to ensure the safety of passing traffic and pedestrians.

- When traveling or operating in shallow water or on soft ground, check the shape and condition of the bedrock, and the depth and speed of flow of the water before starting operations.
- In order that travel operations can be carried out safely, always keep the roads on the jobsite properly maintained.

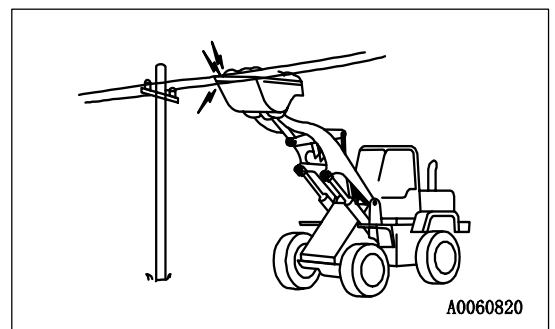
**WORKING ON LOOSE GROUND**

- Avoid traveling or operating your machine too close to the edge of cliffs, overhangs, and deep ditches. The ground may be weak in such areas. If the ground should collapse under the weight or vibration of the machine, there is a hazard that the machine may fall or tip over. Remember that the soil after heavy rain or blasting or after earthquakes is weak in these areas.
- When working on embankments or near excavated ditches, there is a hazard that the weight and vibration of the machine will cause the soil to collapse. Before starting operations, take steps to ensure that the ground is safe and to prevent the machine from rolling over or falling.

DO NOT GO CLOSE TO HIGH-VOLTAGE CABLES

Do not travel or operate the machine near electric cables. There is a hazard of electric shock, which may cause serious injury or property damage. On jobsites where the machine may go close to electric cables, always do as follows.

- Before starting work near electric cables, inform the local power company of the work to be performed, and ask them to take the necessary action.



- Even going close to high-voltage cables can cause electric shock, which may cause serious burns or even death. Always maintain a safe distance (see the table on the right) between the machine and the electric cable. Check with the local power company about safe operating procedure before starting operations.
- To prepare for any possible emergencies, wear rubber shoes and gloves. Lay a rubber sheet on top of the seat, and be careful not to touch the chassis with any exposed part of your body.
- Use a signalman to give warning if the machine approaches too close to the electric cables.
- When carrying out operations near high voltage cables, do not let anyone come close to the machine.
- If the machine should come too close or touch the electric cable, to prevent electric shock, the operator should not leave the operator's compartment until it has been confirmed that the electricity has been shut off. Also, do not let anyone come close to the machine.

Voltage of Cables	Safety Distance
100 V - 200 V	Over 2 m (7 ft)
6,600 V	Over 2 m (7 ft)
22,000 V	Over 3 m (10 ft)
66,000 V	Over 4 m (14 ft)
154,000 V	Over 5 m (17 ft)
187,000 V	Over 6 m (20 ft)
275,000 V	Over 7 m (23 ft)
500,000 V	Over 11 m (36 ft)

ENSURE GOOD VISIBILITY

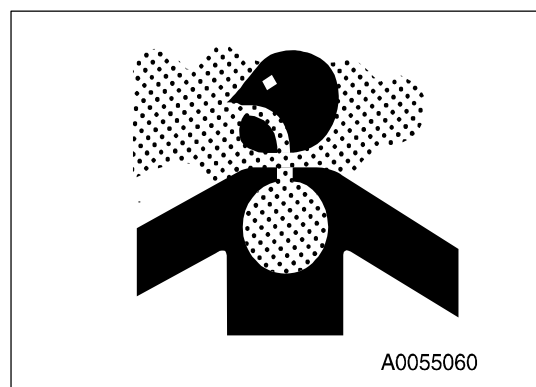
Check for any persons or obstacles in the area around the machine and check the conditions of the jobsite to ensure that operations and travel can be carried out safely. Always do as follows.

- Position a signalman if there are areas at the rear of the machine where the visibility is not good.
- When working in dark places, turn on the working lamp and front lamps installed to the machine, and set up additional lighting in the work area if necessary.
- Stop operations if the visibility is poor, such as in mist, snow, rain, or dust.

VENTILATION FOR ENCLOSED AREAS

Exhaust fumes from the engine can kill.

- If it is necessary to start the engine within an enclosed area, or when handling fuel, flushing oil, or paint, open the doors and windows to ensure that adequate ventilation is provided to prevent gas poisoning.



CHECKING SIGNALMAN'S SIGNALS AND SIGNS

- Set up signs to inform of road shoulders and soft ground. If the visibility is not good, position a signalman if necessary. Operators should pay careful attention to the signs and follow the instructions from the signalman.
- Only one signalman should give signals.
- Make sure that all workers understand the meaning of all signals and signs before starting work.

EMERGENCY EXIT FROM OPERATOR'S CAB

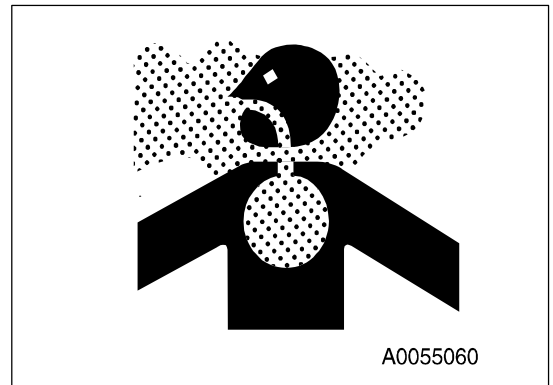
Machines equipped with a cab have doors on the left and right sides. If the door on the one side does not open, escape from the door on the other side.

BE CAREFUL ABOUT ASBESTOS DUST

Asbestos dust in the air can cause lung cancer if it is inhaled. There is danger of inhaling asbestos when working on jobsites handling demolition work or work handling industrial waste. Always observe the following.

- Spray water to keep down the dust when cleaning. Do not use compressed air for cleaning.
- If there is danger that there may be asbestos dust in the air, always operate the machine from an upwind position. All workers should use an approved respirator.
- Do not allow other persons to approach during the operation.
- Always observe the rules and regulations for the work site and environmental standards.

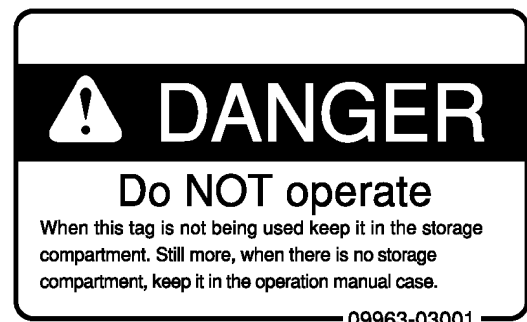
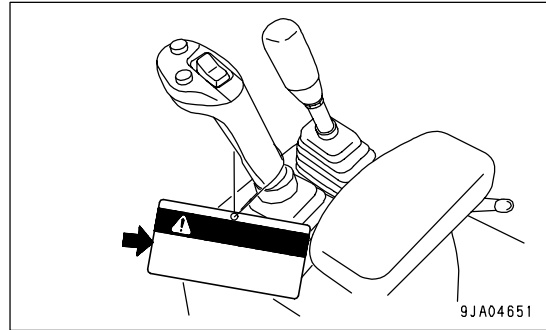
This machine does not use asbestos, but there is a danger that imitation parts may contain asbestos, so always use genuine Komatsu parts.



PRECAUTIONS FOR OPERATION

STARTING ENGINE

If there is a warning tag hanging from the work equipment control lever, do not start the engine or touch the levers .



CHECKS BEFORE STARTING ENGINE

Carry out the following checks before starting the engine at the beginning of the day's work.

- Remove all dirt from the surface of the window glass to ensure a good view.
- Remove all dirt from the surface of the lens of the front lamps, working lamps, and rear combination lamp, and check that they light up correctly.
- Check the coolant level, fuel level, and oil level in engine oil pan, check for clogging of the air cleaner, and check for damage to the electric wiring.
- Check that there is no mud or dust accumulated around the movable parts of the accelerator pedal or brake pedal, and check that the pedals work properly.
- Adjust the operator's seat to a position where it is easy to carry out operations, and check that there is no damage or wear to the seat belt or mounting clamps.
- Check that the gauges work properly, check the angle of the lights and working lamps, and check that the control levers are all at the neutral position.
- Before starting the engine, make sure that the work equipment lock lever is in the LOCK position.
- Before starting the engine, make sure that the lock lever is in the LOCK position.
- Adjust the mirrors so that the rear of the machine can be seen clearly from the operator's seat. See "ADJUST REAR VIEW MIRROR (PAGE 3-77)".
- Check that there are no persons or obstacles above, below, or in the area around the machine.

PRECAUTIONS WHEN STARTING

- Start and operate the machine only while seated.
- Do not attempt to start the engine by short-circuiting the engine starting circuit. Such an act may cause a serious bodily injury or fire.
- When starting the engine, sound the horn as a warning.
- Do not allow anyone apart from the operator to ride on the machine.
- When starting the engine, always check that the work equipment control levers are at the HOLD position.

PRECAUTIONS IN COLD AREAS

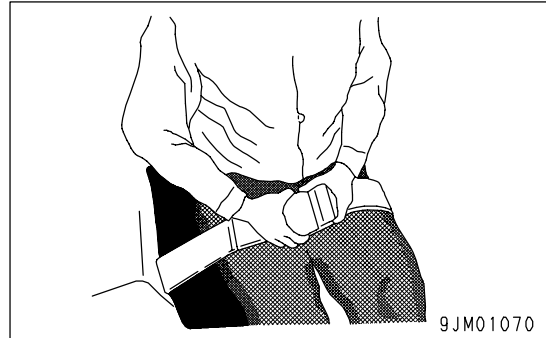
- Carry out the warming-up operation thoroughly. If the machine is not thoroughly warmed up before the control levers are operated, the reaction of the machine will be slow, and this may lead to unexpected accidents.
- If the battery electrolyte is frozen, do not charge the battery or start the engine with a different power source. There is a hazard that this will ignite the battery and cause the battery to explode. Before charging or starting the engine with a different power source, melt the battery electrolyte and check that there is no leakage of electrolyte before starting.

OPERATION

CHECKS BEFORE OPERATION

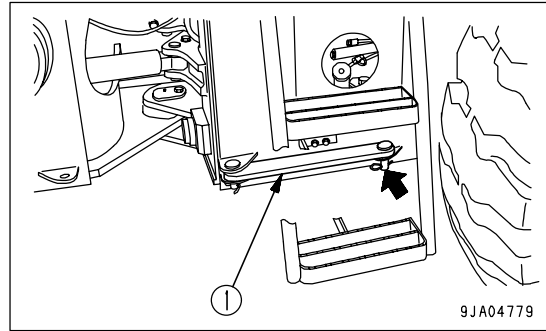
When carrying out the checks, move the machine to a wide area where there are no obstructions, and operate slowly. Do not allow anyone near the machine.

- Always fasten your seat belt.
- Check the operation of travel, steering and brake systems, and work equipment control system.
- Check for any problem in the sound of the machine, vibration, heat, smell, or gauges; check also that there is no leakage of oil or fuel.
- If any problem is found, carry out repairs immediately.



9JM01070

- Before driving the machine or starting operations, check that frame lock bar (1) is securely fixed at the FREE position.



9JA04779

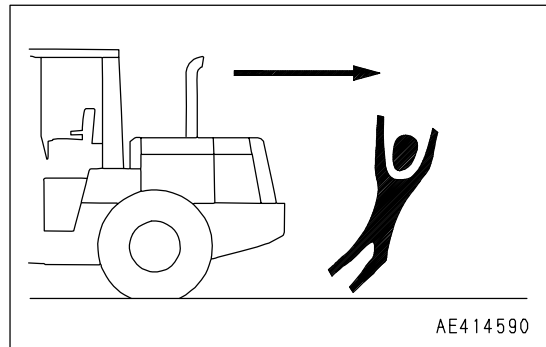
PRECAUTIONS WHEN TRAVELING IN FORWARD OR REVERSE

- Before travelling, check again that there is no one in the surrounding area, and that there are no obstacles.
- Before travelling, sound the horn to warn people in the area.
- Always operate the machine only when seated.
- Do not allow anyone apart from the operator to ride on the machine.
- Check that the backup alarm (alarm buzzer when machine travels in reverse) works properly.
- Always lock the door and windows of the operator's compartment in position (open or closed).

On jobsites where there is a hazard of flying objects or of objects entering the operator's compartment, check that the door and windows are securely closed.

- If there is an area to the rear of the machine which cannot be seen, position a signal person. Take special care not to hit other machines or people when turning or swinging the machine.

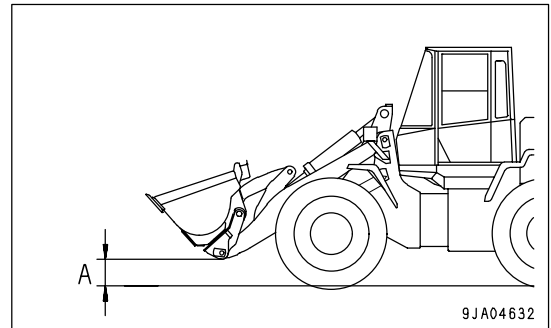
Always be sure to carry out the above precautions even when the machine is equipped with mirrors.



AE414590

PRECAUTIONS WHEN TRAVELING

- Never turn the key in the starting switch to the OFF position. It is dangerous if the engine stops when the machine is traveling, because the steering becomes heavy. If the engine stops, depress the brake pedal immediately to stop the machine.
- When traveling on level ground, keep the work equipment at height "A" of 40 to 50 cm (16 to 20 in) from the ground. When traveling, do not operate the work equipment control levers. If the work equipment control levers have to be operated, stop the machine first, then operate the levers.

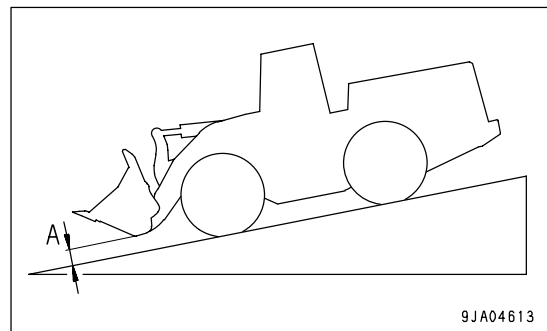
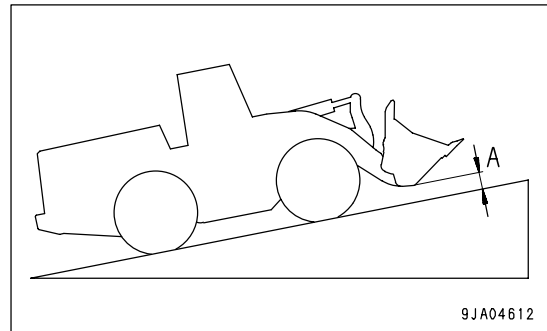


- When traveling on rough ground, travel at low speed and do not operate the steering suddenly. There is danger that the machine may turn over. The work equipment may hit the ground surface and cause the machine to lose its balance, or may damage the machine or structures in the area.
- Avoid traveling over obstacles when possible. If the machine has to travel over an obstacle, keep the work equipment close to the ground and travel at low speed. Never travel over obstacles which make the machine tilt strongly to one side.
- When traveling or carrying out operations, always keep a safe distance from people, structures, or other machines to avoid coming into contact with them.
- When passing over bridges or structures, check first that the structure is strong enough to support the weight of the machine. When traveling on public roads, check first with the relevant authorities and follow their instructions.
- When operating in tunnels, under bridges, under electric wires, or other places where the height is limited, operate slowly and be extremely careful not to let the work equipment hit anything.
- Always obey the traffic regulations when traveling on public roads. This machine travels at a lower speed than normal automobiles, so keep to the side of the road and be careful to leave the center of the road free for other vehicles.
- If you drive the machine at high speed continuously for a long time, the tires will overheat and the internal pressure will become abnormally high. This may cause the tires to burst. If a tire bursts, it produces an extremely large destructive force, and this may cause serious injury or accident.
If you are going to travel continuously, please consult your Komatsu distributor.

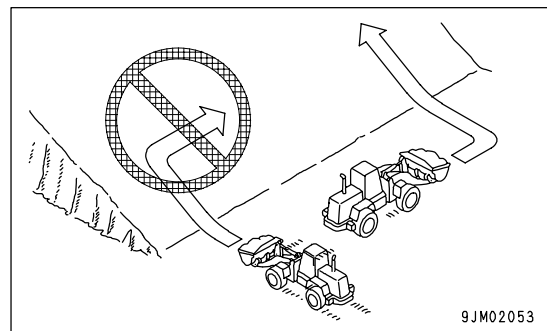
TRAVELING ON SLOPES

To prevent the machine from tipping over or slipping to the side, always do as follows.

- When traveling on slopes, keep the bucket at height "A" of approximately 20 to 30 cm (8 to 12 in) above the ground. In case of emergency, quickly lower the bucket to the ground to help the machine to stop.



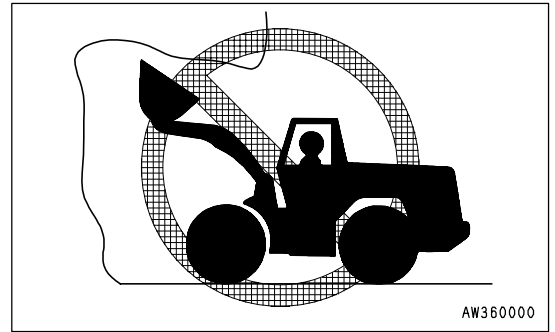
- Always travel straight up or down a slope. Traveling at an angle or across the slope is extremely dangerous.
- Do not turn on slopes or travel across slopes. Always go down to a flat place to change the position of the machine, then travel on to the slope again.



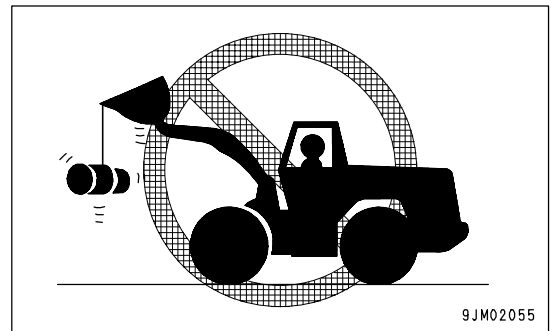
- Travel on grass, fallen leaves, or wet steel plates with low speed. Even with slight slopes there is a hazard that the machine may slip.
- If the engine stops, depress the brake pedal immediately, lower the bucket to the ground, and apply the parking brake to stop the machine.
- When traveling downhill, never shift gear or place the transmission at neutral. It is dangerous not to use the braking force of the engine. Always place the transmission in a low gear before starting to travel downhill.
- When traveling downhill, travel slowly. If necessary, use the braking force of the engine together with the brake pedal to control the travel speed.
- When traveling up or down hills with a loaded bucket, always travel with the bucket facing uphill. If the machine travels with the bucket facing downhill, there is danger that the machine may tip over.

PROHIBITED OPERATIONS

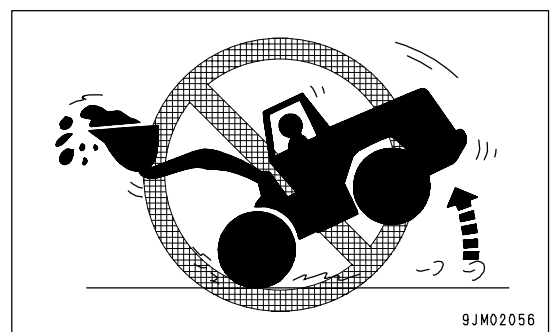
- It is dangerous to excavate the bottom of a rock face. Never do this.



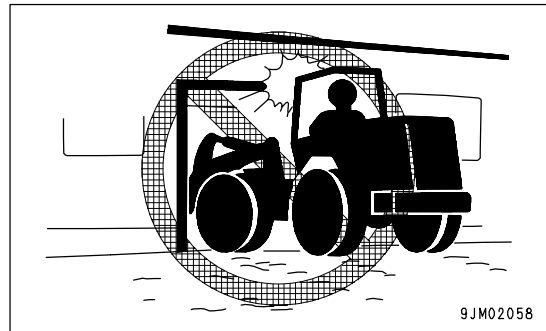
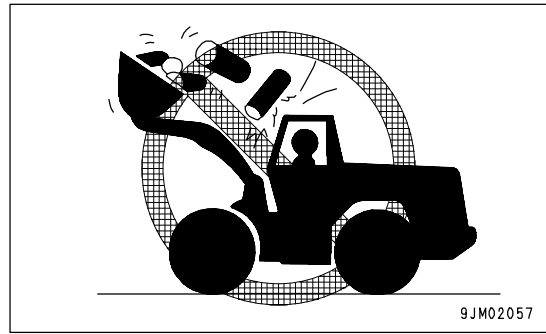
- It is dangerous to use the bucket or lift arm for crane operations, so do not carry out such operations.
- Do not pass the bucket over the head of other workers or over the operator's seat of dump trucks or other hauling equipment. The load may spill or the bucket may hit the dump truck and cause serious injury or property damage.

**PRECAUTIONS WHEN OPERATING**

- When using the machine, to prevent the machine from overturning due to overloading and to avoid damage to the work equipment, do not exceed the maximum permitted load or performance of the machine.
- If the engine cannot be started again after it has stopped, immediately operate the work equipment control levers to lower the work equipment to the ground. (After the engine stops, the accumulator allows the work equipment to be operated for a limited time.)
- Be careful not to approach too close to the edge of cliffs. When making embankments or landfills, or when dropping soil over a cliff, dump one pile, then use the next pile of soil to push the first pile.
- The load suddenly becomes lighter when the soil is pushed over a cliff or when the machine reaches the top of a slope. When this happens, there is danger that the travel speed will suddenly increase, so be sure to reduce the speed.
- When the bucket is fully loaded, never start, turn, or stop the machine suddenly. There is danger of the machine turning over.



- When handling unstable loads, such as round or cylindrical objects, or piled sheets, if the work equipment is raised high, there is danger that the load may fall on top of the operator's compartment and cause serious injury or damage.
- When handling unstable loads, be careful not to raise the work equipment too high or tip the bucket back too much.
- If the work equipment is suddenly lowered or suddenly stopped, the reaction may cause the machine to tip over. Particularly when carrying a load, be sure to operate the work equipment carefully.
- When operating in tunnels, under bridges, under electric wires, or other places where the height is limited, be extremely careful not to let the work equipment hit anything.
- To prevent accidents caused by hitting other objects, always operate the machine at a speed which is safe for operation, particular in confined spaces, indoors, and in places where there are other machines.



METHODS OF USING BRAKE

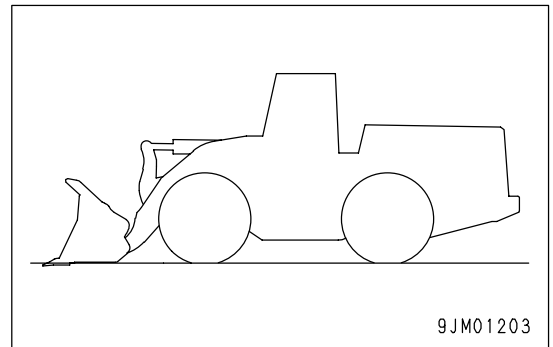
- When the machine is traveling, do not rest your foot on the brake pedal. If you travel with your foot resting on the pedal, the brake will always be applied, and this will cause the brakes to overheat and fail.
- Do not depress the brake pedal repeatedly if not necessary.
- When traveling downhill, use the braking force of the engine. If necessary, use the brake pedal at the same time.

OPERATE CAREFULLY ON SNOW

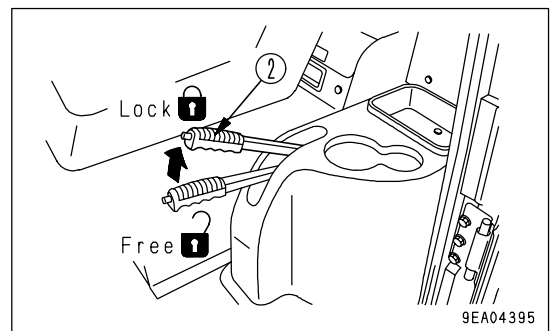
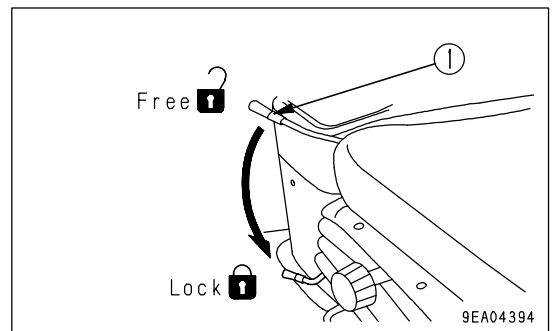
- Snow-covered or frozen surfaces are slippery, so be extremely careful when traveling or operating the machine, and do not operate the levers suddenly. Even a slight slope may cause the machine to slip, so be particularly careful when working on slopes.
- With frozen ground surfaces, the ground becomes soft when the temperature rises, and this may cause the machine to tip over.
- If the machine enters deep snow, there is a hazard that it may tip over or become buried in the snow. Be careful not to leave the road shoulder or to get trapped in a snow drift.
- When clearing snow, the road shoulder and objects placed beside the road are buried in the snow and cannot be seen. There is a hazard of the machine tipping over or hitting covered objects, so always carry out operations carefully.
- When traveling on snow-covered roads, always fit tire chains.
- When traveling on snow-covered slopes, never apply the foot brake suddenly. Reduce the speed and use the engine as a brake while applying the foot brake intermittently (depress the brake intermittently several times). If necessary, lower the bucket to the ground to stop the machine.

PARKING MACHINE

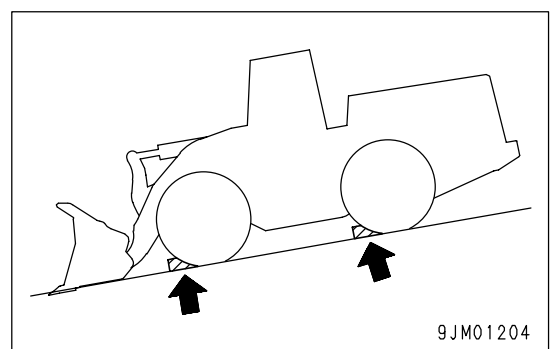
- Park the machine on firm, level ground.
- Select a place where there is no hazard of falling rocks or landslides, or of flooding if the land is low.
- Lower the work equipment completely to the ground.



- When leaving the machine, set work equipment lock lever (1) to the LOCK position, pull parking brake lever (2) to the LOCK position, then stop the engine.
- Always close the operator's cab door, and use the key to lock all the equipment in order to prevent any unauthorized person from moving the machine. Always remove the key, take it with you, and leave it in the specified place.



- If it is necessary to park the machine on a slope, set blocks under the wheels to prevent the machine from moving.



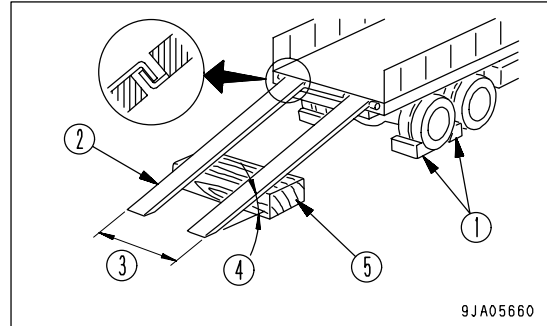
TRANSPORTATION

The machine can be divided into parts for transportation, so when transporting the machine, please contact your Komatsu distributor to have the work carried out.

LOADING AND UNLOADING

When loading or unloading the machine, mistaken operation may bring the hazard of the machine tipping over or falling, so particular care is necessary. Always do as follows.

- Perform loading and unloading on firm, level ground only. Maintain a safe distance from the edge of the road or cliff.
- Always use ramps of adequate strength. Be sure that the ramps are wide, long, and thick enough to provide a safe loading slope. Take suitable steps to prevent the ramps from moving out of position or coming off.
- Be sure the ramp surface is clean and free of grease, oil, ice and loose materials. Remove dirt from the tire of the machine. On a rainy day, in particular, be extremely careful since the ramp surface is slippery.
- Run the engine at low speed and travel slowly.
- Never correct your steering on the ramps. If necessary, drive off the ramps, correct the direction, then enter the ramps again.
- When loading or unloading to an embankment or platform, make sure that it has suitable width, strength, and grade.
- For machines equipped with a cab, always lock the door after boarding the machine. If this is not done, the door may suddenly open during transportation. Refer to "TRANSPORTATION (PAGE 3-114)".



- (1) Blocks
- (2) Ramp
- (3) Width of ramps: Same width as track
- (4) Angle of ramps: 15°
- (5) Block

SHIPPING

When shipping the machine on a trailer, do as follows.

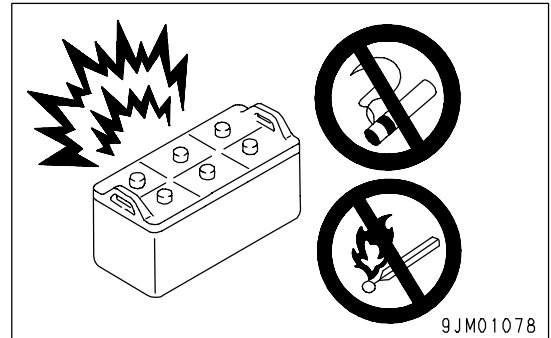
- The weight, transportation height, and overall length of the machine differ according to the work equipment, so be sure to confirm the dimensions.
- When passing over bridges or structures on private land, check first that the structure is strong enough to support the weight of the machine. When traveling on public roads, check first with the relevant authorities and follow their instructions.
- Lock the frame with the frame lock bar to prevent the machine from articulating.
- For details of the shipping procedure, see "TRANSPORTATION (PAGE 3-114)" in the OPERATION section.

BATTERY

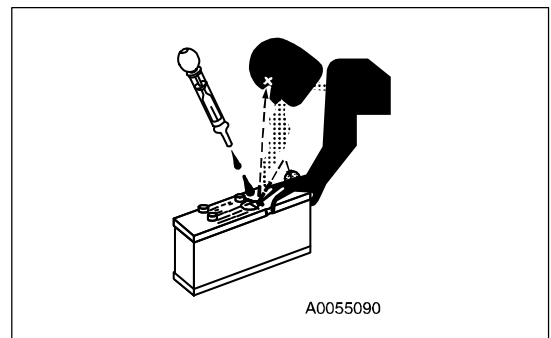
BATTERY HAZARD PREVENTION

Battery electrolyte contains sulphuric acid, and batteries generate flammable hydrogen gas, which may explode. Mistaken handling can lead to serious injury or fire. For this reason, always observe the following precautions.

- Do not use or charge the battery if the battery electrolyte level is below the LOWER LEVEL line. This may cause an explosion. Check the battery electrolyte level periodically and add distilled water to bring the electrolyte level to the UPPER LEVEL line.
- When working with batteries, always wear safety glasses and rubber gloves.
- Never smoke or use any flame near the battery.



- If you spill acid on your clothes or skin, immediately flush the area with large amount of water.
- If acid gets into your eyes, flush them immediately with large amount of water and seek medical attention.



- Before working with batteries, turn the starting switch to the OFF position.

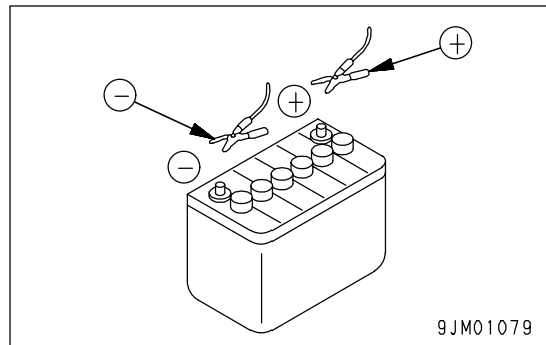
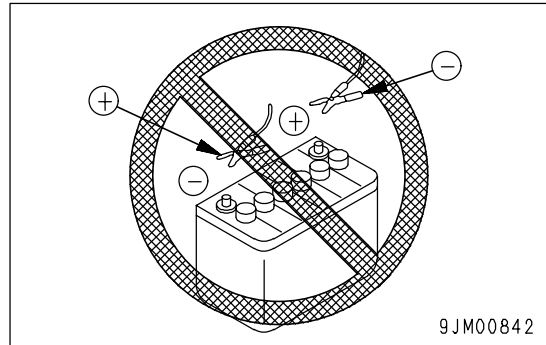
As there is a hazard that sparks will be generated, always do as follows.

- Do not let tools or other metal objects make any contact between the battery terminals. Do not leave tools or other metal objects lying around near the battery.
- Always disconnect the negative (-) terminal (ground side) first when removing the battery; when installing the battery, connect the positive (+) terminal first, and connect the ground last. Tighten the battery terminals securely.
- Flammable hydrogen gas is generated when the battery is charged, so remove the battery from the chassis, take it to a well-ventilated place, and remove the battery caps before charging it.
- Tighten the battery caps securely.
- Install the battery securely to the determined place.

STARTING WITH BOOSTER CABLES

If any mistake is made in the method of connecting the booster cables, it may cause the battery to explode, so always do as follows.

- When starting with a booster cable, carry out the starting operation with two workers (one worker sitting in the operator's seat and the other working with the battery).
- When starting from another machine, do not allow the two machines to touch.
- When connecting the booster cables, turn the starting switch OFF position for both the normal machine and problem machine. There is a hazard that the machine will move when the power is connected.
- Be sure to connect the positive (+) cable first when installing the booster cables. Disconnect the negative (-) cable (ground side) first when removing them.
- When removing the booster cables, be careful not to let the booster cable clips touch each other or to let the clips touch the machine.
- Always wear safety goggles and rubber gloves when starting the engine with booster cables.
- When connecting a normal machine to a problem machine with booster cables, always use a normal machine with the same battery voltage as the problem machine.
- For details of the starting procedure when using booster cables, see "STARTING ENGINE WITH BOOSTER CABLE (PAGE 3-127)" in the OPERATION section.



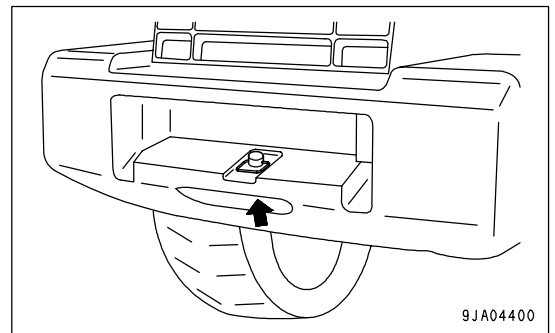
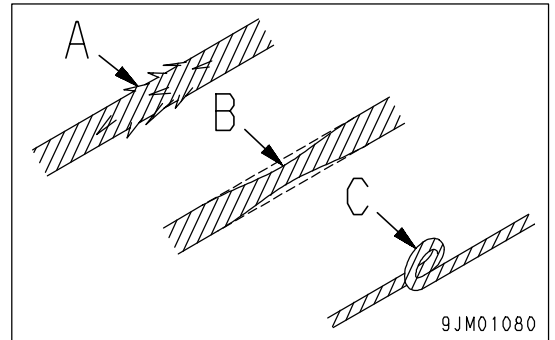
TOWING

WHEN TOWING

Serious injury or death could result if there is any mistake in the selection of wire rope or method of towing a disabled machine.

For towing, see "METHOD OF TOWING MACHINE (PAGE 3-124)".

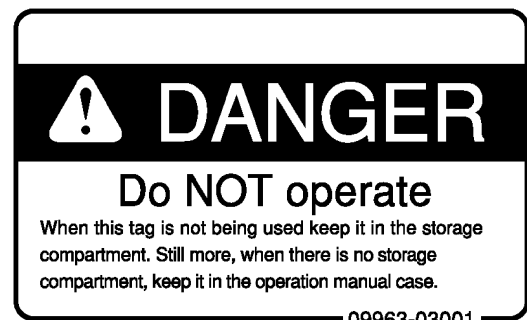
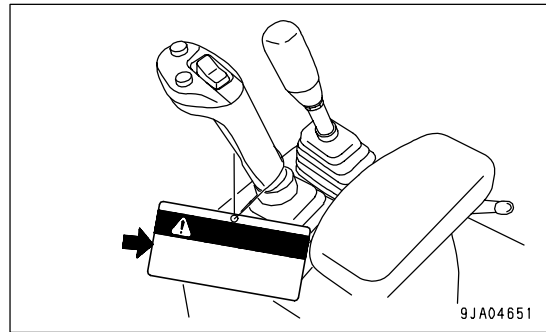
- Always be sure to check carefully that the capacity of the wire rope used for towing is ample for the weight of the towed machine.
 - Never use a wire rope which has cut strands (A), reduced diameter (B), or kinks (C). There is danger that the rope may break during the towing operation.
 - Always wear leather gloves when handling wire rope.
 - Never tow a machine on a slope.
 - During the towing operation, never stand between the towing machine and the machine being towed.
 - Move the machine slowly and be sure not to apply any sudden load on the wire rope.
- Connect a wire rope to the part indicated with the arrow in the diagram at right.



PRECAUTIONS FOR MAINTENANCE

WARNING TAG

- Always attach the "DO NOT OPERATE" warning tag to the work equipment control lever in the operator's cab to alert others that you are performing service or maintenance on the machine. Attach additional warning tags around the machine if necessary. Warning tag Part No. 09963-03001
Keep this warning tag in the tool box while it is not used. If there is no toolbox, keep the tag in the operation manual pocket.
- If others start the engine, or touch or operate the work equipment control lever while you are performing service or maintenance, you could suffer serious injury or property damage.



KEEP WORK PLACE CLEAN AND TIDY

Do not leave hammers or other tools lying around in the work place. Wipe up all grease, oil, or other substances that will cause you to slip. Always keep the work place clean and tidy to enable you to carry out operations safely. If the work place is not kept clean and tidy, there is the danger that you will trip, slip, or fall over and injure yourself.

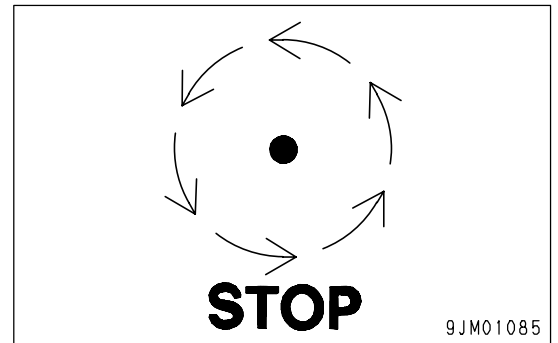
APPOINT LEADER WHEN WORKING WITH OTHERS

When repairing the machine or when removing and installing the work equipment, appoint a leader and follow his instructions during the operation.

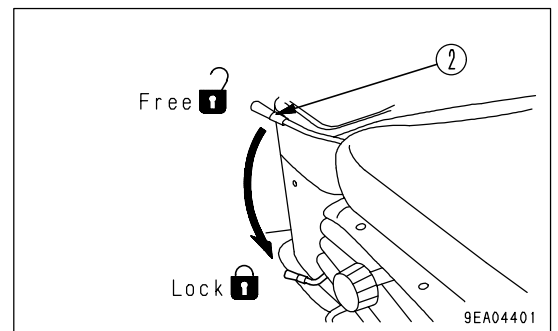
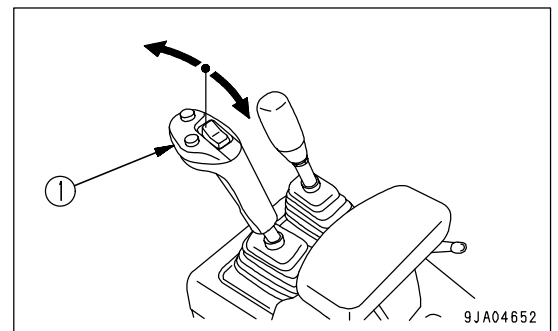
When working with others, misunderstandings between workers can lead to serious accidents.

STOP ENGINE BEFORE CARRYING OUT MAINTENANCE

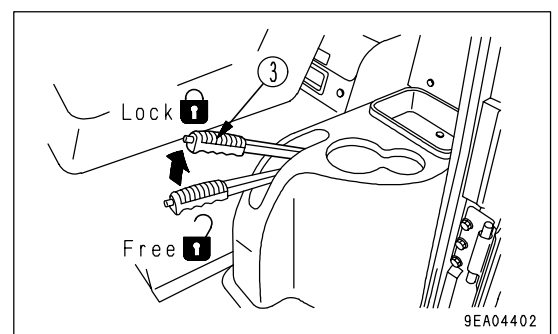
- Stop the machine on firm, level ground.
- Select a place where there is no hazard of falling rocks or landslides, or of flooding if the land is low.
- Lower the work equipment completely to the ground and stop the engine.



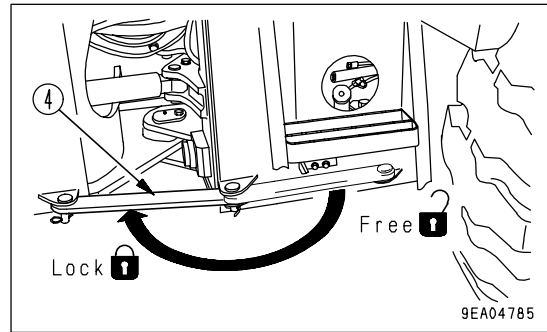
- After stopping the engine, operate work equipment control lever (1) 2 to 3 times fully to the RAISE and LOWER positions to release the pressure inside the hydraulic circuit, then set work equipment lock lever (2) to the LOCK position.



- Pull parking brake lever (3) to the LOCK position, then put blocks under the front and the rear of the tires.



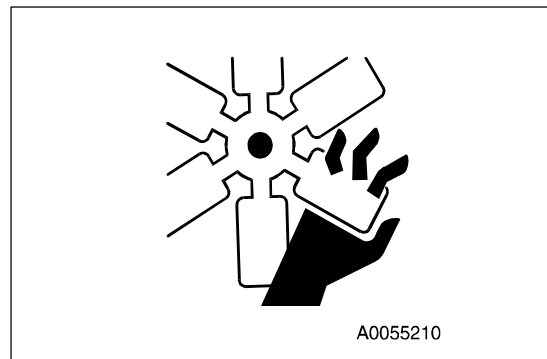
- Lock the front and rear frames with frame lock bar (4).



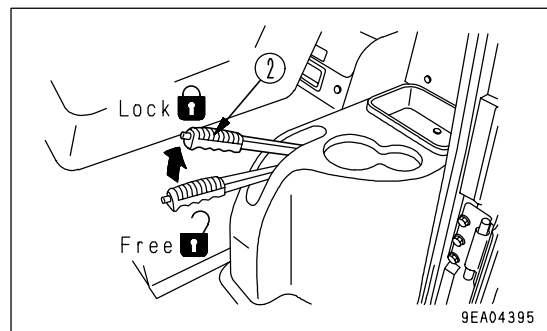
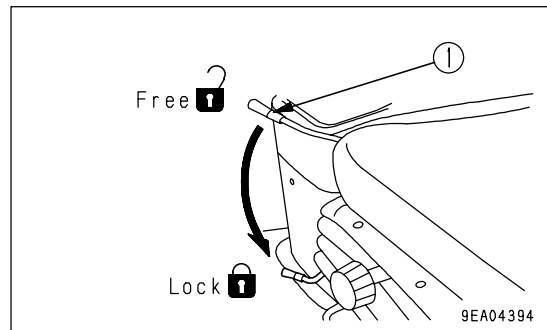
TWO WORKERS FOR MAINTENANCE WHEN ENGINE IS RUNNING

To prevent injury, do not carry out maintenance with the engine running. If maintenance must be carried out with the engine running, carry out the operation with at least two workers and do as follows.

- One worker must always sit in the operator's seat and be ready to stop the engine at any time. All workers must maintain contact with the other workers.
- When carrying out operations near the fan, fan belt, or other rotating parts, there is a hazard of being caught in the parts, so be careful not to come close.
- Never drop or insert tools or other objects into the fan or fan belt. Parts may break or be sent flying.



- Set work equipment lock lever (1) to the LOCK position to prevent the work equipment from moving. Then pull parking brake lever (2) to the position to prevent the machine from moving.
- Do not touch any control levers. If any control lever must be operated, give a signal to the other workers to warn them to move to a safe place.

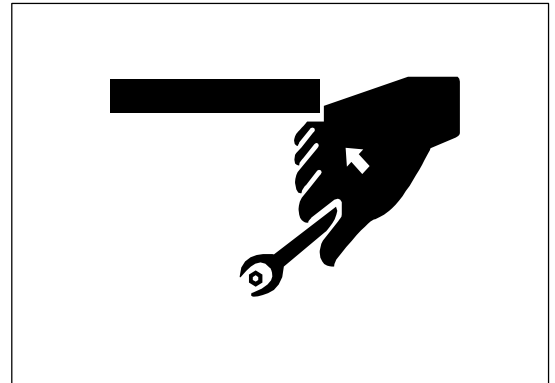


INSPECTION AND MAINTENANCE AFTER TURNING E.C.S.S. SWITCH OFF

For machines equipped with a E.C.S.S. lower the bucket to the ground, turn the E.C.S.S. switch OFF, and stop the engine before starting inspection or maintenance. NEVER turn the switch ON during inspection or maintenance.

PROPER TOOLS

Use only tools suited to the task and be sure to use the tools correctly. Using damaged, low quality, faulty, makeshift tools or improper use of the tools could cause serious personal injury.

**ACCUMULATOR**

The accumulator is charged with high-pressure nitrogen gas. When handling the accumulator, careless procedure may cause an explosion which could lead to serious injury or property damage. For this reason, always observe the following precautions.

- Do not disassemble the accumulator.
- Do not bring it near flame or dispose of it in fire.
- Do not make holes in it, weld it, or use a cutting torch.
- Do not hit or roll the accumulator, or subject it to any impact.
- When disposing of the accumulator, the gas must be released. Please contact your Komatsu distributor to have this work performed.

**PERSONNEL**

Only authorized personnel can service and repair the machine. Do not allow unauthorized personnel into the area. If necessary, employ an observer.

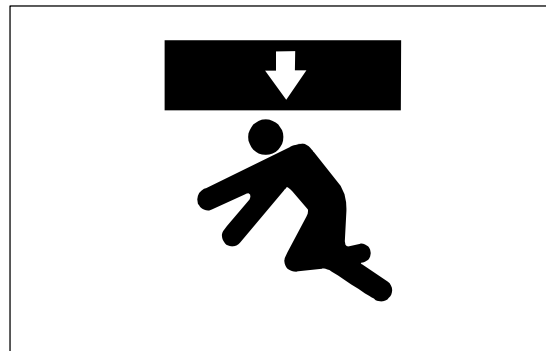
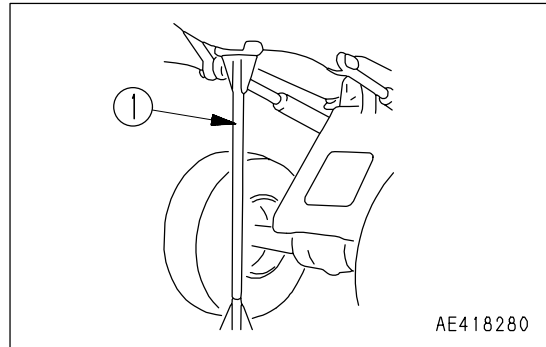
ATTACHMENTS

- Appoint a leader before starting removal or installation operations for attachments.
- Place attachments that have been removed from the machine in a stable condition so that they do not fall. And take steps to prevent unauthorized persons from entering the storage area.



WORK UNDER THE MACHINE

When carrying out inspection and maintenance with the work equipment raised, use strong support (1) that can fully withstand the weight of the work equipment, and be sure to fix the stands in position securely.



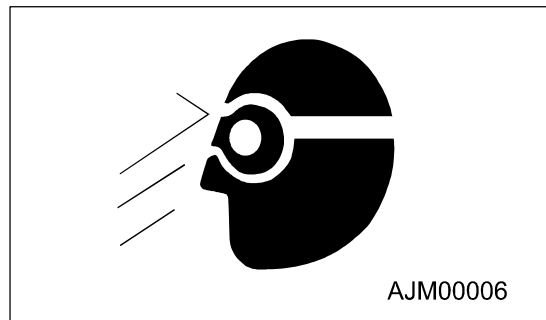
NOISE

If the noise from the machine is too loud, it may cause temporary or permanent hearing problems. When carrying out maintenance of the engine and you are exposed to noise for long periods of time, wear ear covers or ear plugs while working.

PRECAUTIONS WHEN USING HAMMER

When using a hammer, pins may fly out or metal particles may be scattered. This may lead to serious injury. Always do as follows.

- If hard metal parts such as pins, bucket teeth, cutting edges, or bearings are hit with a hammer, there is a hazard that pieces might be scattered and cause injury. Always wear safety goggles and gloves.
- When hitting pins or bucket teeth, there is a hazard that broken pieces might be sent flying and injure people in the surrounding area. Always check that there is no one in the surrounding area.
- There is a hazard that the pin hit with strong force may fly out and injure people in the surrounding area.



REPAIR WELDING

Welding operations must always be carried out by a qualified welder and in a place equipped with proper equipment. There is a hazard of gas, fire, or electrocution when carrying out welding, so never allow any unqualified personnel to carry out welding.

REMOVING BATTERY TERMINAL

When repairing the electrical system or when carrying out electrical welding, remove the negative (-) terminal of the battery to prevent the flow of current.

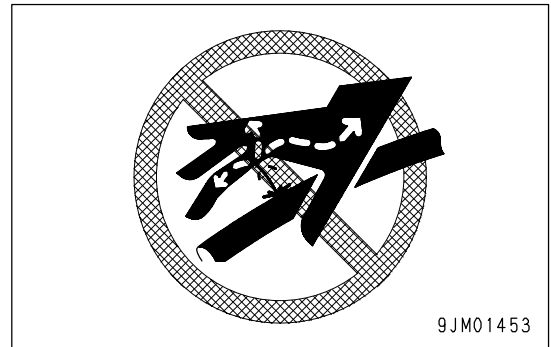
PRECAUTIONS WITH HIGH-PRESSURE OIL

The hydraulic system is always under internal pressure. When inspecting or replacing piping or hoses, always check that the pressure in the hydraulic circuit has been released. If the circuit is still under pressure, it will lead to serious injury, so always do as follows.

- When carrying out inspection and maintenance of the pressure, release the pressure before starting. For details, see "STOP ENGINE BEFORE CARRYING OUT MAINTENANCE (PAGE 2-33)". Do not carry out inspection or replacement work with the circuit under pressure.
- If there is any leakage from the piping or hoses, the surrounding area will be wet, so check for cracks in the piping and hoses and for swelling in the hoses.

When carry out inspection, wear safety glasses and leather gloves.

- There is a hazard that high-pressure oil leaking from small holes may penetrate your skin or cause blindness if it contacts your eyes directly. If you are hit by a jet of high-pressure oil and suffer injury to your skin or eyes, wash the place with clean water, and consult a doctor immediately for medical attention.

**HANDLING HIGH-PRESSURE HOSES**

- If oil or fuel leaks from high-pressure hoses, it may cause fire or defective operation, which may lead to serious injury or property damage. If any loose bolts are found, stop work and tighten to the specified torque.
- If any damaged hoses are found, stop operations immediately and contact your Komatsu distributor.

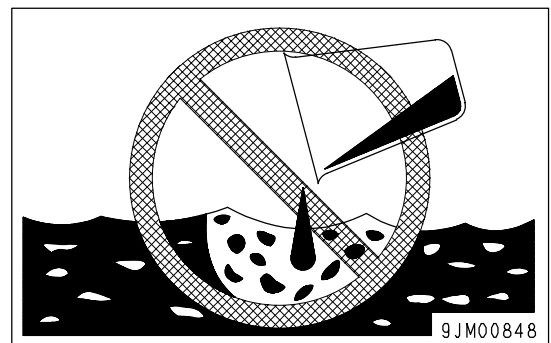
Replace the hose if any of the following problems are found.

- Damaged or leaking hydraulic fitting.
- Frayed or cut covering or exposed reinforcement wire layer.
- Covering swollen in places.
- Twisted or crushed movable portion.
- Foreign material embedded in covering.

WASTE MATERIALS

To prevent pollution, pay careful attention to the method of disposing of waste materials.

- Always put oil drained from your machine in containers. Never drain oil directly onto the ground or dump into the sewage system, rivers, the sea, or lakes.
- Obey appropriate laws and regulations when disposing of harmful objects such as oil, fuel, coolant, solvent, filters, and batteries.

**MAINTENANCE OF AIR CONDITIONER**

If air conditioner refrigerant gets into your eyes, it may cause blindness; if it touches your skin, it may cause frostbite. Never touch refrigerant.

COMPRESSED AIR

- When carrying out cleaning with compressed air, there is a hazard of serious injury caused by flying particles.
- When using compressed air to clean elements or the radiator, always wear safety goggles, dust mask, gloves, and other protective equipment.

PERIODIC REPLACEMENT OF SAFETY CRITICAL PARTS

- In order for the machine to be operated safely for a long time, it is necessary to add oil and to carry out service and maintenance at periodic intervals. In order to further increase safety, components with a strong relationship to safety, such as hoses and seat belts, must be replaced at periodic intervals.

Replacement of safety critical parts: See "PERIODIC REPLACEMENT OF SAFETY CRITICAL PARTS (PAGE 4-13)".

- The material of these components naturally changes over time, and repeated use causes deterioration, wear, and fatigue. As a result, there is a hazard that these components may fail and cause serious injury or death. It is difficult to judge the remaining life of these components from external inspection or the feeling when operating, so always replace them at the specified interval.
- Replace or repair safety-critical parts if any defect is found, even when they have not reached the time specified interval.

PRECAUTIONS WITH TIRES

HANDLING TIRES

If tires or rims are handled mistakenly, there is danger that the tire may explode or be damaged, or that the rim may fly off and cause serious injury or death.

To maintain safety, always do as follows.

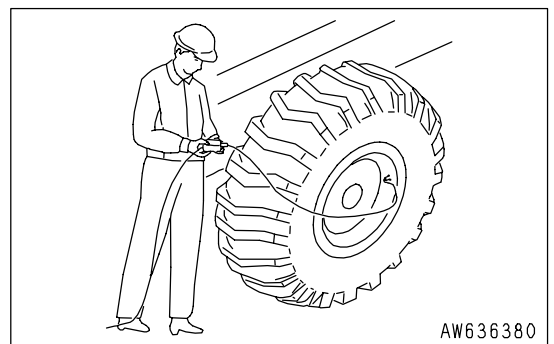
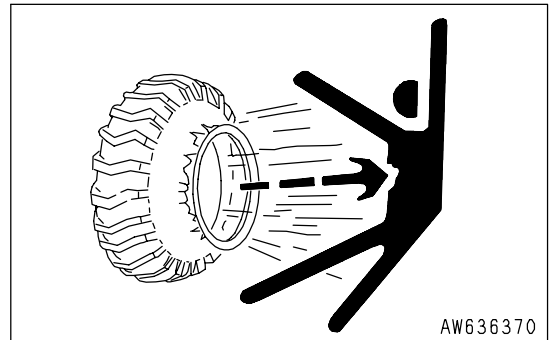
- Maintenance, disassembly, repair, and assembly of the tires and rims requires special equipment and special technology, so always ask your Komatsu distributor to carry out these operations.
- Always use the tires specified by Komatsu and maintain the specified inflation pressure.

Suitable tire inflation pressure: see "HANDLING THE TIRES (PAGE 3-112)"

- When pumping up the tires, check that no other person is standing near the tire, and install an air chuck with a clip that can be secured to the air valve.

To prevent the tire inflation pressure from becoming too high, measure the pressure from time to time with an air gauge while pumping up the tire.

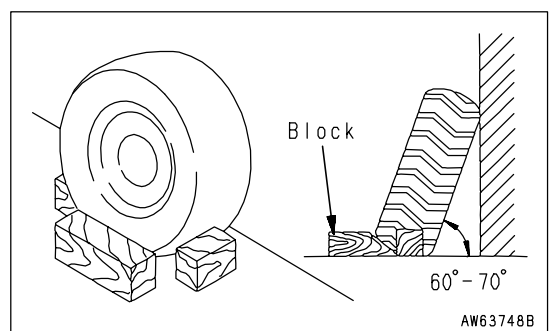
- If the tire pressure goes down abnormally or the rim parts do not fit the tire, there is a problem with the tire or rim parts. Always contact your Komatsu distributor for repairs.
- If the rim parts are not fitted properly when the tire is being pumped up, there is danger that the rim parts may fly off, so set up a protective fence around the tire, and do not stand directly in front of the rim. Stand beside the tread when pumping up the tire.
- Do not adjust the tire inflation pressure immediately after traveling at high speed or carrying out operations under heavy load.
- Never carry out welding or light a fire near the tire.



PRECAUTIONS WHEN STORING TIRES

Tires for construction equipment are extremely heavy, so they may cause serious personal injury.

- As a basic rule, store the tires in a warehouse which unauthorized persons cannot enter.
If the tires must be stored outside, always erect a fence and put up "No Entry" signs.
- Stand the tire on level ground, and block it securely so that it cannot roll or fall over if any person should touch it.
Do not lay the tire on its side. This will deform the tire and cause it to deteriorate.
- If the tire should fall over, do not attempt to stop it. Get out of the way quickly.



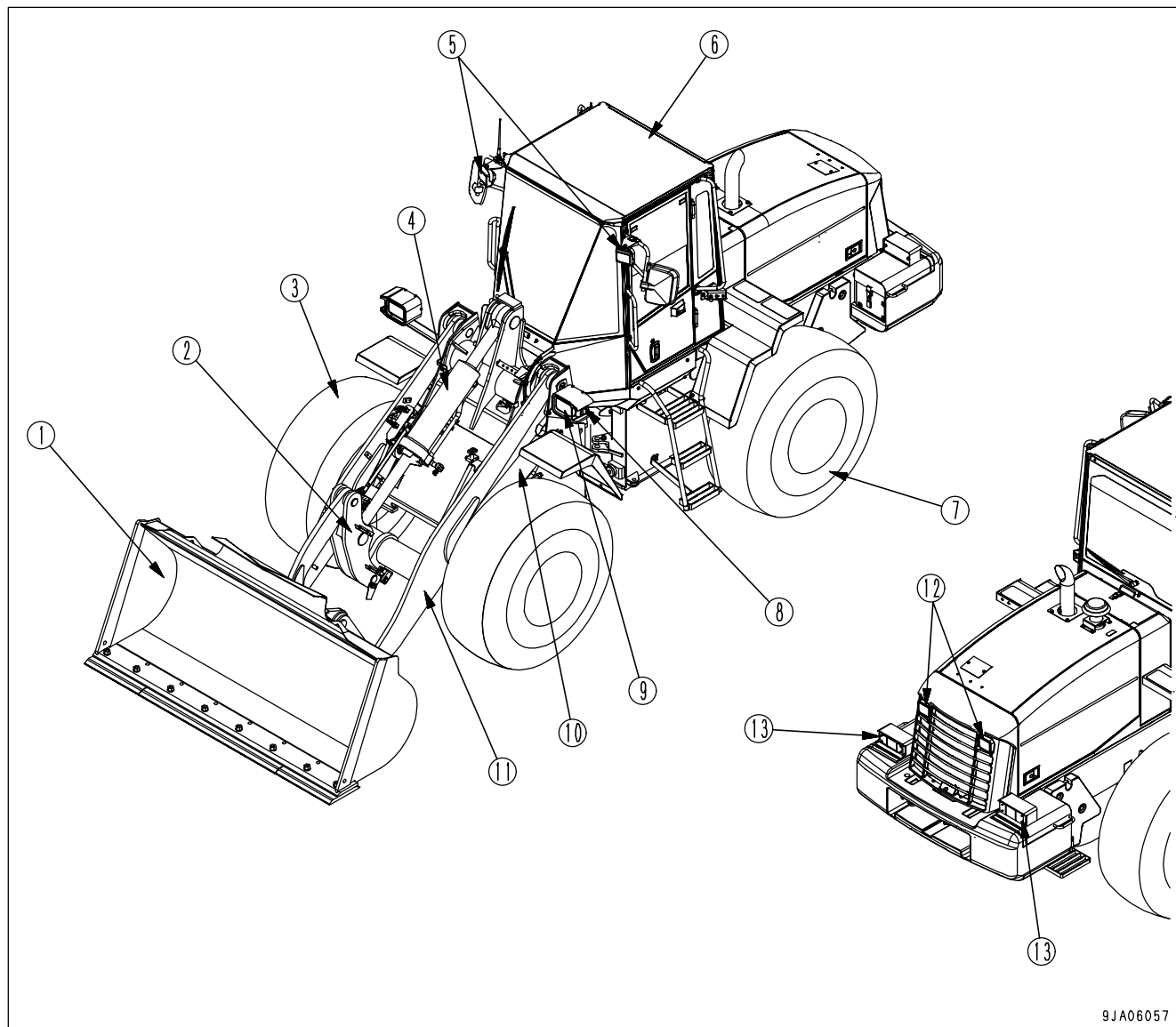
OPERATION

WARNING

Please read and make sure that you understand the SAFETY section before reading this section.

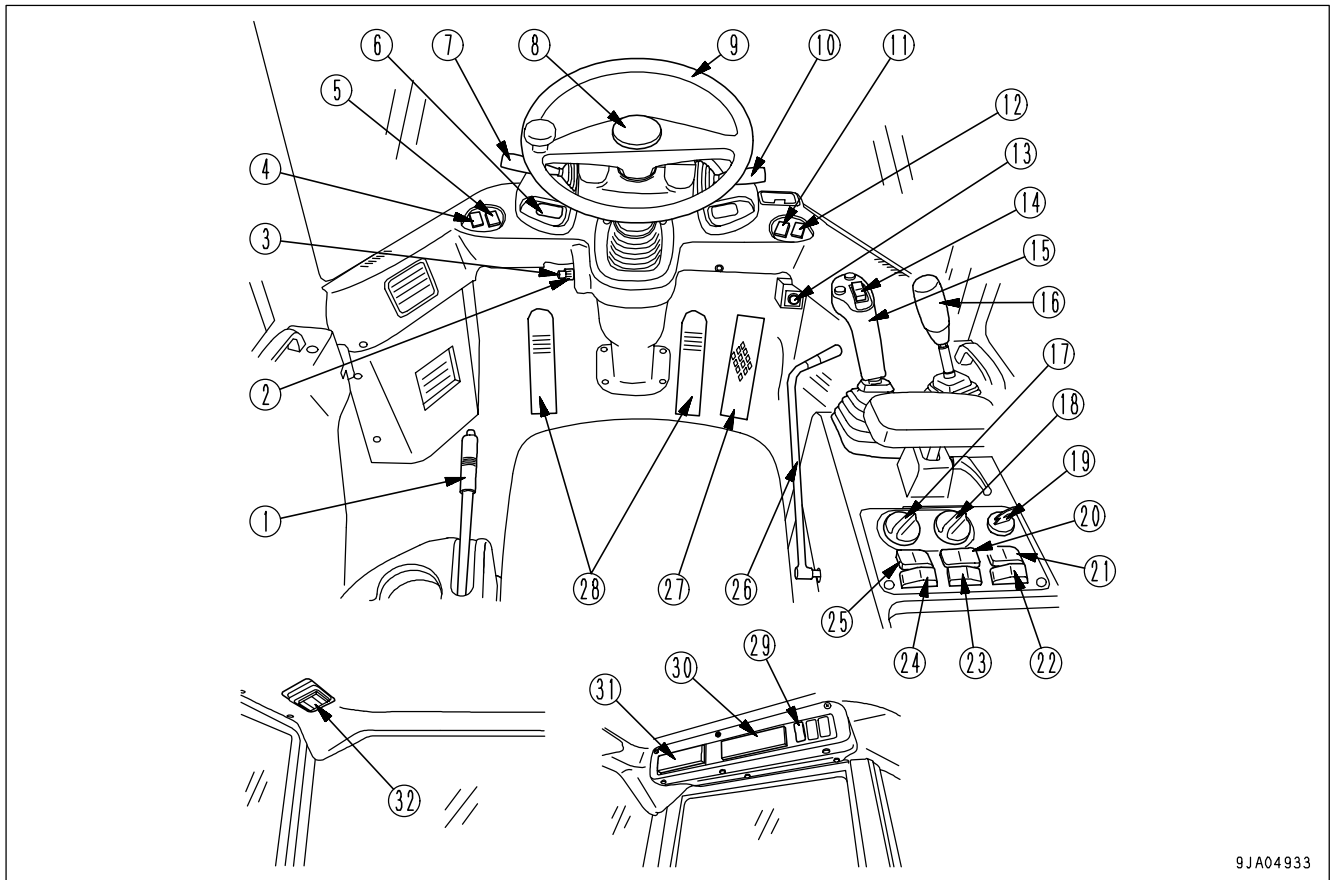
GENERAL VIEW

GENERAL VIEW OF MACHINE



- | | |
|------------------------|----------------------------|
| (1) Bucket | (8) Turn signal lamp |
| (2) Tilt lever | (9) Head lamp |
| (3) Front wheel | (10) Lift cylinder |
| (4) Bucket cylinder | (11) Lift arm |
| (5) Front working lamp | (12) Rear working lamp |
| (6) ROPS cab | (13) Rear combination lamp |
| (7) Rear wheel | |

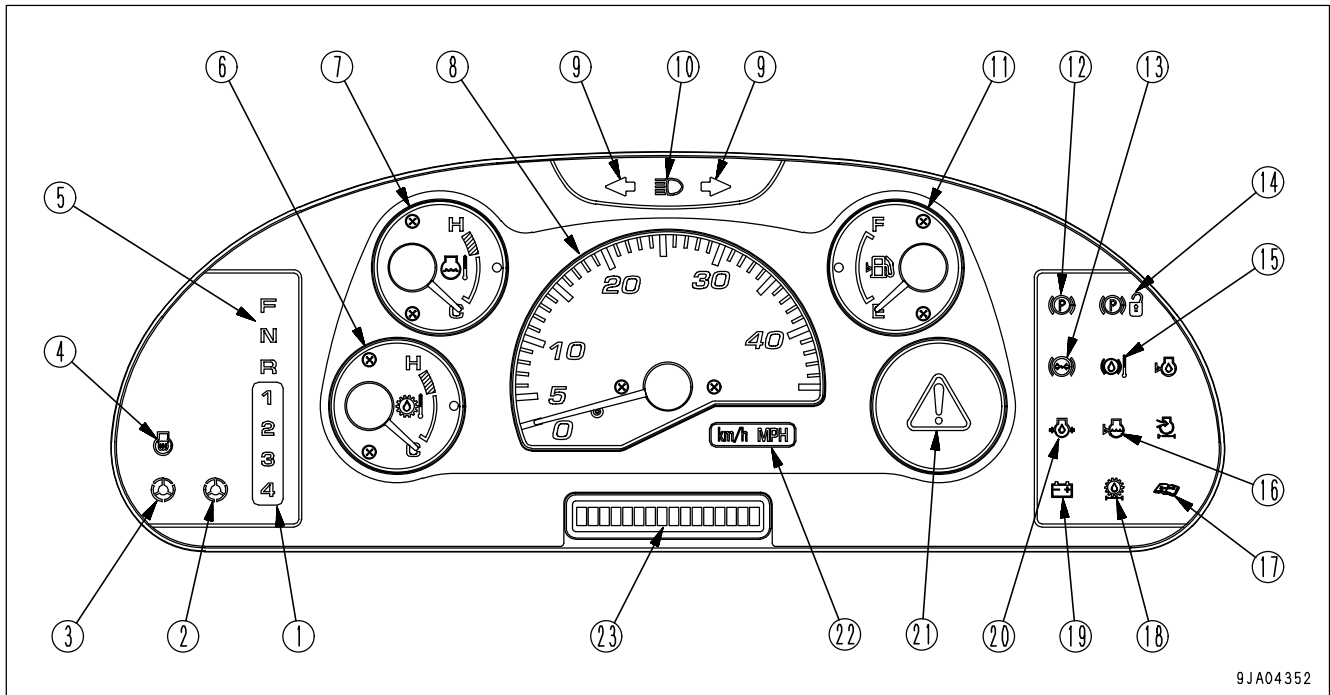
GENERAL VIEW OF CONTROLS AND GAUGES



9JA04933

- | | |
|---|--|
| (1) Parking brake lever | (17) Variable shift control switch |
| (2) Rear wiper switch | (18) Speed range selector switch |
| (3) Front wiper switch | (19) Starting switch |
| (4) Front working lamp switch | (20) E.C.S.S. (electronic controlled suspension system) switch (if equipped) |
| (5) Rear working lamp switch | (21) Traction control switch |
| (6) Hazard lamp switch | (22) Attachment selection switch |
| (7) Directional lever | (23) Dump speed switch |
| (8) Horn switch | (24) Quick coupler attachment switch |
| (9) Steering wheel | (25) Directional selector actuation switch |
| (10) Lamp switch | (26) work equipment lock lever |
| (10) Turn signal lever | (27) Accelerator pedal |
| (10) Dimmer switch | (28) Brake pedal |
| (11) Monitor panel mode selector switch 1 | (29) Rear heated wire glass switch |
| (12) Monitor panel mode selector switch 2 | (30) Air conditioner panel |
| (13) Cigarette lighter | (31) Radio (if equipped) |
| (14) Directional selector switch | (32) Room lamp switch |
| (15) Work equipment control lever | |
| (16) Auxiliary control lever | |

MACHINE MONITOR



9JA04352

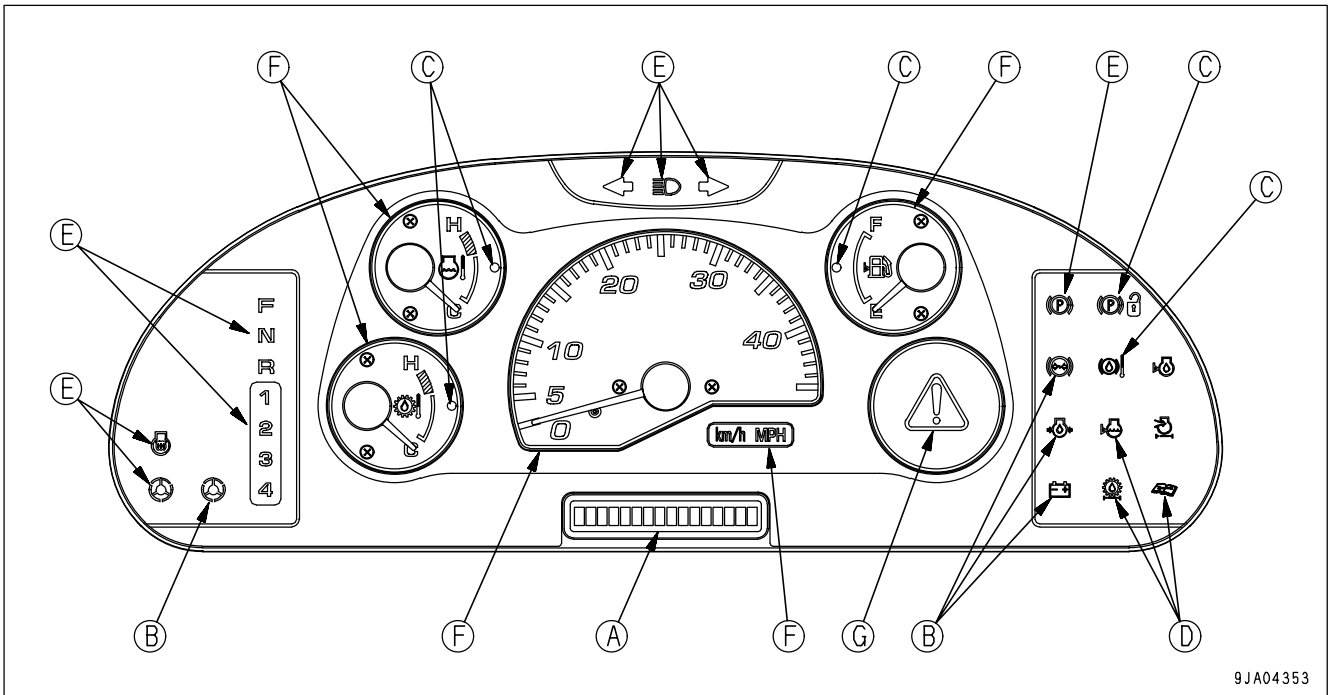
- | | |
|---|---|
| (1) Pilot lamp for speed range selector switch position | (12) Parking brake pilot lamp |
| (2) Steering oil pressure caution lamp
(Machines equipped with Emergency steering) | (13) Brake oil pressure caution lamp |
| (3) Emergency steering pilot lamp
(Machines equipped with Emergency steering) | (14) Parking brake reminder caution lamp |
| (4) Preheating pilot lamp | (15) Axle oil temperature caution lamp |
| (5) Directional lever position pilot lamp | (16) Radiator coolant level caution lamp |
| (6) HST oil temperature gauge | (17) Maintenance caution lamp |
| (7) Engine coolant temperature gauge | (18) HST oil filter clogging caution lamp |
| (8) Speedometer | (19) Battery charge circuit caution lamp |
| (9) Turn signal pilot lamp | (20) Engine oil pressure caution lamp |
| (10) Head lamp high beam pilot lamp | (21) Central warning lamp |
| (11) Fuel gauge | (22) Meter display pilot lamp |
| | (23) Character display portion |

EXPLANATION OF COMPONENTS

The following is an explanation of devices needed for operating the machine.

To perform suitable operations correctly and safely, it is important to completely understand methods of operating the equipment, and the meanings of the displays.

MACHINE MONITOR



9JA04353

- | | |
|--------------------------------------|---------------------------|
| (A) Character display portion | (E) Pilot display portion |
| (B) Emergency stop items | (F) Meter display portion |
| (C) Caution items | (G) Central warning lamp |
| (D) Inspection and maintenance items | |

MONITOR SYSTEM

TESTING ACTUATION OF MACHINE MONITOR SYSTEM

NOTICE

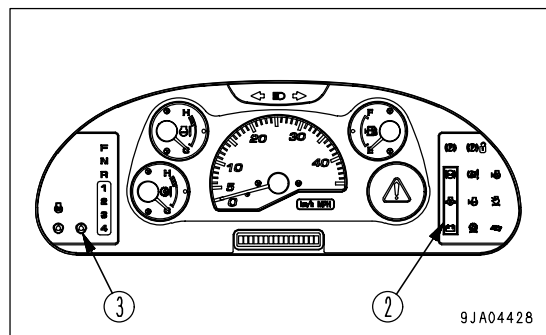
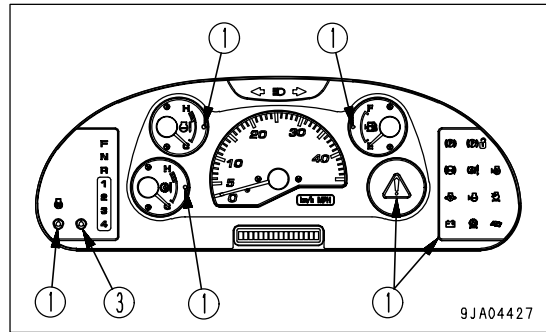
Before starting the engine, with the starting switch in the ON position, lamps (1) and (3) (in the diagram on the right) light up for approx. 3 seconds and the alarm buzzer sounds for approx. 3 seconds.

After 3 seconds all lamps except lamps (2) and (3) go out.

Lamps (2) and (3) stay on until the engine starts.

If any lamps do not light up there is probably a failure or a disconnection. Ask your Komatsu distributor to diagnose the problem.

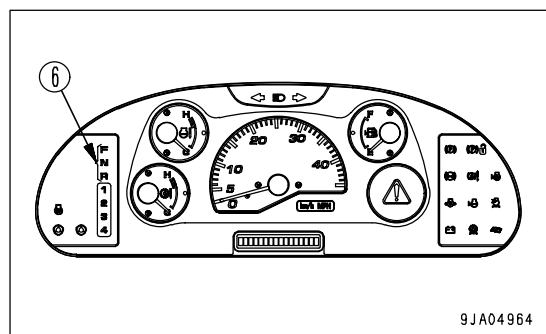
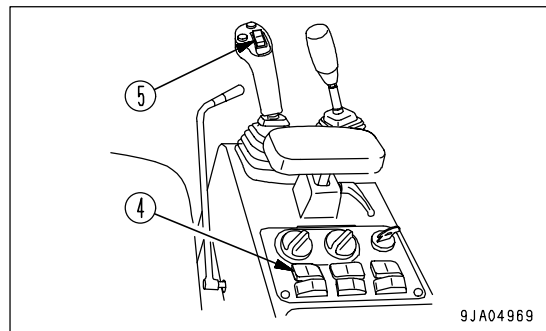
- Lamp (3) lights up only for the emergency steering device.



- When the starting switch is turned ON, if the directional lever is not at the neutral position, the central warning lamp lights up and the alarm buzzer sounds intermittently. If this happens, return the directional lever to the neutral position. The lamp will go out and the buzzer will stop.
- Directional lever: Neutral position
 Directional selector actuation switch (4): ON position
 Directional selector switch (5): Forward or Reverse position

When the starting switch is turned to the ON position with the levers and switches in the following condition, all directional lever positional pilot lamps (6) will go out.

If directional selector switch (5) is then set to the N position, directional lever positional pilot lamps (6) display the normal condition "N".



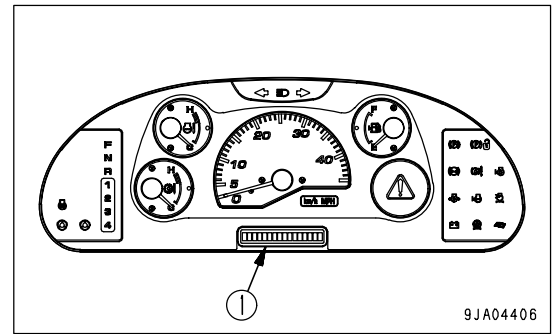
TYPES OF WARNING

If an abnormality occurs on the machine, or if any switch or lever is operated accidentally, the monitor display and buzzer give a warning to inform the operator.

Following are the types of warning depending on the level of danger.

REMARK

For details of action codes "E03" to "E00", see "ACTION CODE DISPLAY (PAGE 3-9)".



EMERGENCY STOP

This warning is given if there is a serious failure that affects the normal operation of the machine or if the setting is incorrect.

The central warning lamp on the monitor and the caution lamp for the location of the abnormality light up. At the same time, the alarm buzzer sounds and action code "E03" is displayed on character display (1).

CAUTION

This warning is given if the coolant or lubricating oil overheat.

The central warning lamp on the monitor and the individual caution lamps light up. At the same time, the alarm buzzer sounds and action code "E02" is displayed on character display (1).

MISTAKEN OPERATION

This warning is given if any switch or lever is operated mistakenly.

The central warning lamp on the monitor lights up and the alarm buzzer sounds at the same time. In addition, if the travel speed is too high, action code "E00" is displayed on character display (1).

INSPECTION AND MAINTENANCE

This warning is given if it is necessary to inspect and maintain wear parts, or if it is necessary to check the oil or coolant level.

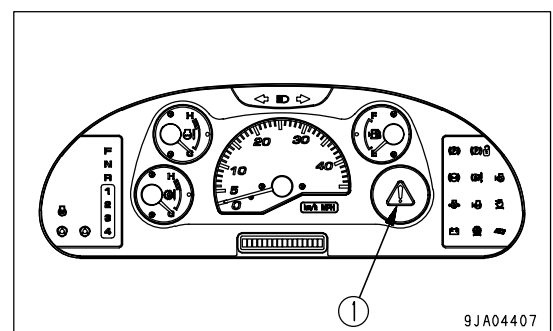
The individual caution lamp on the monitor lights up. At the same time, action code "E01" is displayed on character display (1).

With this warning, the central warning lamp does not light up and the alarm buzzer does not sound.

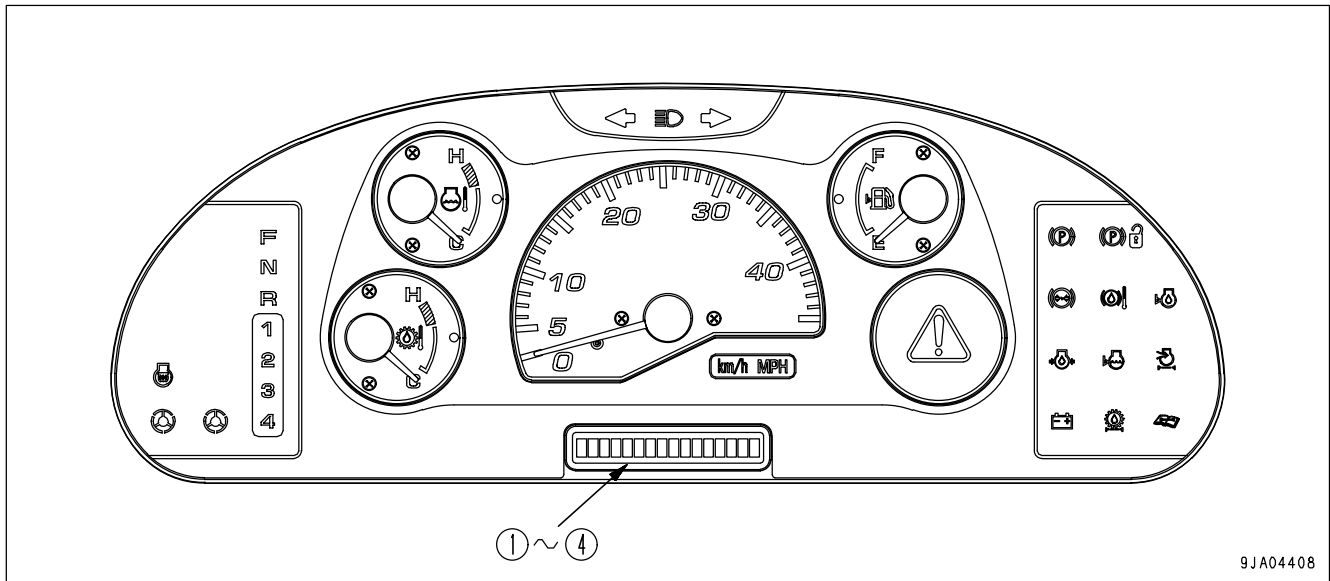
CENTRAL WARNING LAMP

This display (1) lights up if any emergency stop item, caution item, or mistaken operation of any switch or lever occurs. At the same time the alarm buzzer sounds.

Check the display content and perform the specified action for that item.



CHARACTER DISPLAY PORTION



9JA04408

- (1) Service meter
- (2) Action code display
- (3) Failure code display
- (4) Filter, oil replacement time display

Normally, the service meter is displayed on the character display.

If the machine has failed, if there has been an excessive load on the machine, or if inspection and maintenance are necessary, an action code is displayed to recommend suitable action.

When the time for replacing the filter or changing the oil is reached, the filter or oil to be replaced is displayed.

NOTICE

Information regarding the failure of the machine or maintenance is displayed on the character display when the starting switch is at the ON position. Check the display to confirm that there is no abnormality before starting to travel.

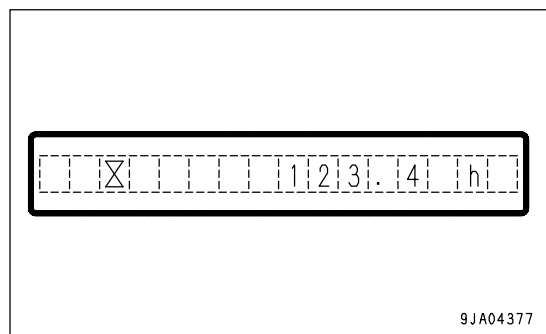
SERVICE METER

This meter (1) shows the total time that the machine has been operating.

The service meter advances while the engine is running, if the machine is moving or not.

The meter advances by 1 for every hour of operation, regardless of the engine speed.

Even if the starting switch is at the OFF position, the service meter will display as long as the top part (◇) of monitor panel mode selector switch 1 is being pressed.



9JA04377

NOTICE

When the starting switch is at the OFF position, if the service meter is displayed even though the top (◇) of monitor panel mode selector switch 1 is not being pressed, there is probably a failure in the machine, so please contact your Komatsu distributor for inspection.

ACTION CODE DISPLAY

 **WARNING**

If action code E03 is displayed, stop the machine immediately and check the failure code. For details, see "FAILURE CODE DISPLAY (PAGE 3-11)".

Inform your Komatsu distributor of the failure code and ask for repairs.

If there is a failure on the machine, if it is necessary to change the method of operation, or if inspection or maintenance must be carried out, action code E00, E01, E02, or E03 is displayed on the character display in display portion (2).

If different failures occur at the same time, the action code for the more serious problem is displayed.

The level of seriousness is as follows, starting with the most serious: E03, E02, E01, E00.

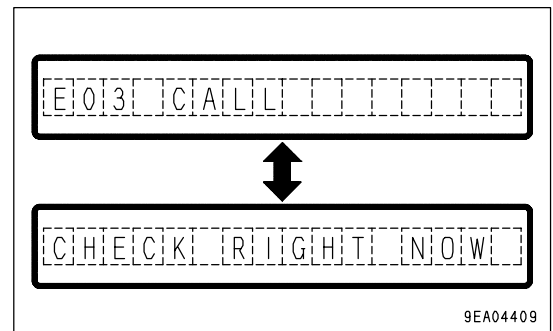
In the case of action codes E00, E02, and E03, the alarm buzzer sounds intermittently and the central warning lamp lights up.

If action codes E00, E01, E02, or E03 are displayed on the character display, stop operations, check the content of the display, and take the following action.

E03: When this code is displayed, stop the machine immediately, check the failure code, and contact your Komatsu distributor for repairs.

REMARK

"E03 CALL" is displayed on the character display, and then "CHECK RIGHT NOW" and "E03 CALL" are displayed in turn for 3 seconds each.



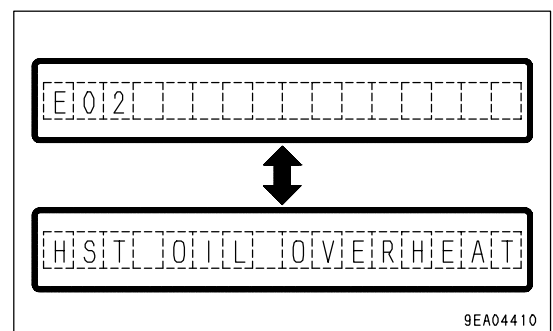
E02: If overrun related information is displayed, reduce the engine speed and the speed of the machine while continuing operations.

If the overheat related display is given, stop the machine and run the engine under no load at a mid-range speed.

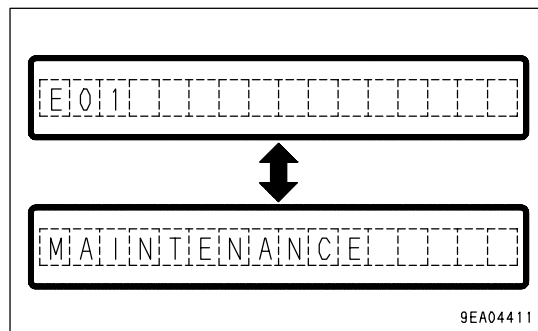
If an action code is still displayed after doing this, check the failure code and contact your Komatsu distributor for repairs.

REMARK

"E02" is displayed on the character display, and then the condition of the machine related to the overheating or overrun is displayed in turn with "E02" for 3 seconds each.



E01: When a failure occurs in the mechanical system, such as a drop in the level of the engine coolant, the maintenance location is displayed. If the maintenance caution lamp lights up at the same time, inspect and perform maintenance of the item indicated after completion of the day's work or when changing shifts. If "MAINTENANCE" is displayed together with E01, check the failure code and ask for repairs to be carried out.



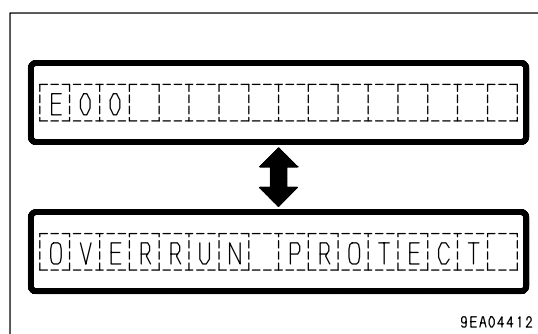
REMARK

"E01" is displayed on the character display, and then "MAINTENANCE" or the part of the machine requiring inspection, filling of fluid, or replacement is displayed on the bottom line.

E00: If travel speed overrun is displayed, ease the accelerator pedal back to reduce speed.

REMARK

"E00" is displayed on the character display, and then "OVERRUN PROTECT" and "E00" are displayed in turn for 3 seconds each.



FAILURE CODE DISPLAY

If an action code is displayed on the character display, check the failure code according to the failure code display method given below.

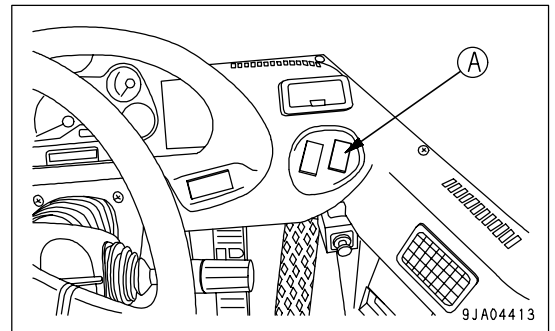
When contacting your Komatsu distributor to request repairs, inform your distributor of the failure code.

Method of displaying failure code

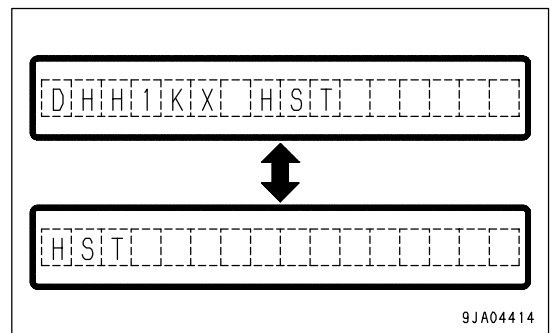
1. If an action code is displayed on the character display of display portion (3), press the top (>) of monitor panel mode selector switch 2 (A).

The action code will change to the failure code.

- The failure code is displayed with the first 6 digits on the left side of the character display.
- The code displayed after the space on the right side of the failure code indicates the controller that detected the failure code.
- The failure code and the component causing the failure are displayed on the character display in turn for 3 seconds each.



Top right code	Controller detecting failure code
MON	Machine monitor
HST	HST controller

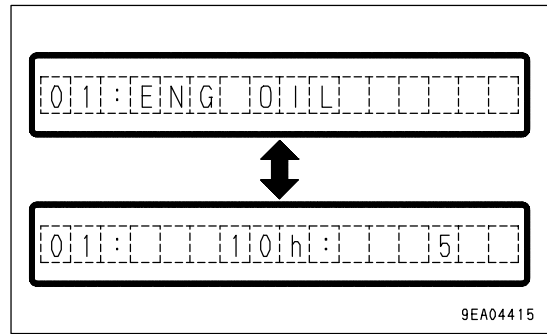


2. Press the top (>) of monitor panel mode selector switch 2 (A) again.
 - If the condition is normal, the service meter is displayed for several seconds, then the display returns to the action code.
 - If more than one failure has occurred at the same time, the next failure code is displayed.

FILTER, OIL REPLACEMENT TIME DISPLAY

After completion of the system check and when the starting switch is in the ON position, if any filter or oil item is approaching the replacement time, this display (4) shows the item for approx. 30 seconds. When this happens, the maintenance caution lamp also flashes or lights up.

After replacing the filter or changing the oil, reset the time for replacement. For details, see "RESET METHOD FOR FILTER, OIL REPLACEMENT TIME (PAGE 3-28)".



REMARK

- The ID number and item name of the item needing replacement are displayed on the character display, and then the remaining time to replacement and the number of times of replacement are displayed in turn for 3 seconds each.
- If the replacement time has already passed, a minus (-) sign appears before the time.
- After the display has been given for 30 seconds, it does not appear again until the starting switch is turned to the ON position.
- The message in the illustration above is not shown on the character display if an action code is being displayed.
- If there are two or more items to be displayed, they are displayed repeatedly in turn. If there are more than 10 items, all the items are displayed once each, then the display returns to the normal display.
- The display appears when there are 30 hours remaining until the filter or oil replacement time. If the replacement time has passed, a minus (-) sign appears before the time for the first 999 hours. When more than 999 hours have passed, the display is no longer given.
- The maintenance caution lamp flashes as the replacement time approaches, and after the replacement time has passed, it lights up.

Items for display of filter, oil replacement time

Item	Replacement interval (H)	Character display	ID number
Engine oil	500	ENG OIL	01
Engine oil filter	500	ENG FILT	02
Fuel filter	500	FUEL FILT	03
Transfer oil	1000	TRANSF OIL	25
HST oil filter	1000	HST FILT	26
Hydraulic filter	2000	HYD FILT	04
Hydraulic oil	2000	HYD OIL	10
Axle oil	2000	AXLE OIL	15

REMARK

See the section below for details of the procedure for replacing the filter and oil.

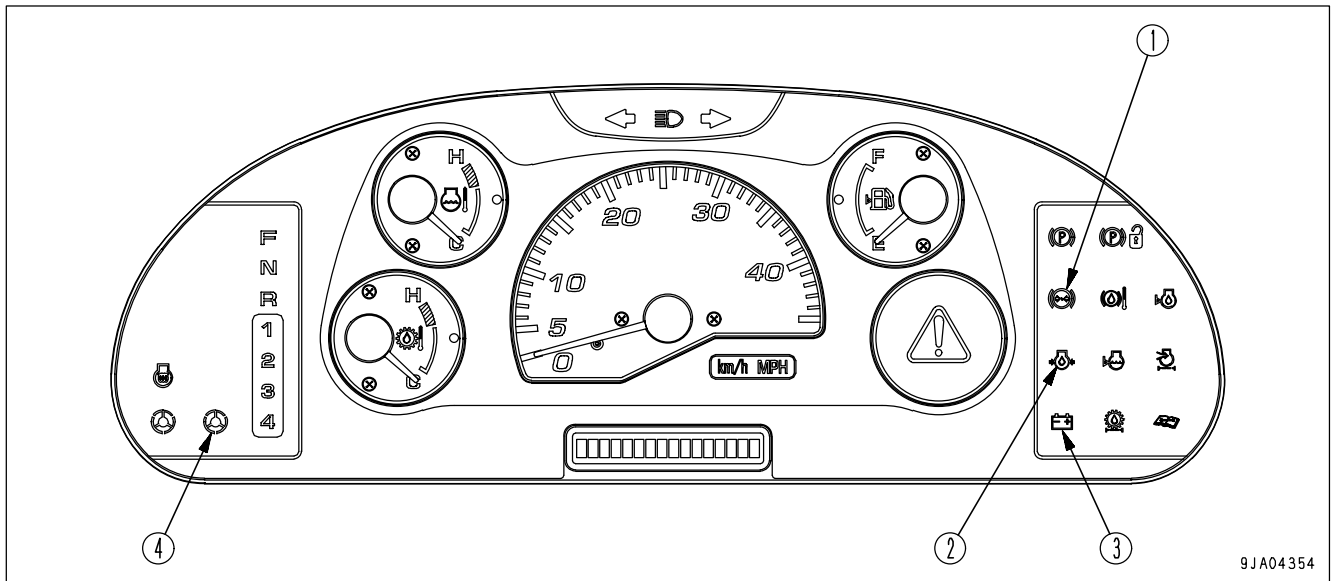
- Engine oil
"CHANGE OIL IN ENGINE OIL PAN, REPLACE ENGINE OIL FILTER CARTRIDGE (PAGE 4-45)"
- Engine oil filter
"CHANGE OIL IN ENGINE OIL PAN, REPLACE ENGINE OIL FILTER CARTRIDGE (PAGE 4-45)"
- Fuel filter
"REPLACE FUEL FILTER CARTRIDGE (PAGE 4-46)"
- Transfer oil
"CHANGE OIL IN TRANSFER CASE (PAGE 4-48)"
- HST oil filter
"REPLACE HST OIL FILTER ELEMENT (PAGE 4-50)"
- Hydraulic filter
"CHANGE OIL IN HYDRAULIC TANK, REPLACE HYDRAULIC FILTER ELEMENT (PAGE 4-52)"
- Hydraulic oil
"CHANGE OIL IN HYDRAULIC TANK, REPLACE HYDRAULIC FILTER ELEMENT (PAGE 4-52)"
- Axle oil
"CHANGE AXLE OIL (PAGE 4-54)"

EMERGENCY STOP ITEMS



If these lamps light up and the buzzer sounds, stop operations immediately and carry out inspection and maintenance of the applicable location.

If any abnormality is found in the emergency stop items, the alarm buzzer will sound intermittently, and the lamp for the location of the abnormality and the central warning lamp will light up. At the same time, "E03 CALL" and "CHECK RIGHT NOW" are displayed on the character display in turn. Stop the machine immediately in a safe place, then stop the engine and inspect it.



- (1) Brake oil pressure caution lamp
- (2) Engine oil pressure caution lamp
- (3) Battery charge circuit caution lamp
- (4) Steering oil pressure caution lamp (Machines equipped with Emergency steering)

BRAKE OIL PRESSURE CAUTION LAMP

This lamp (1) lights up when the brake oil pressure goes below the specified value.

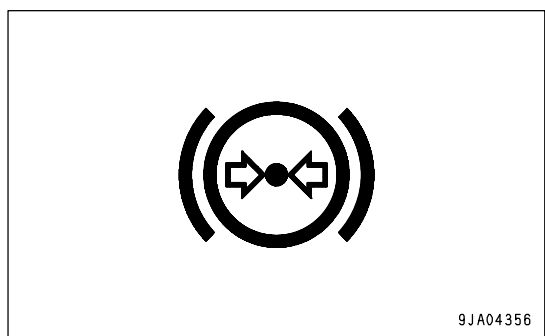
During checks before starting (starting switch at the ON position, engine stopped) the lamps are lighted up, and when the engine is started, the lamps go out.

During operation (engine running) If the brake oil pressure goes down during operation, the brake oil pressure caution lamp and central warning lamp light up and the alarm buzzer sounds intermittently.

At the same time, "E03 CALL" and "CHECK RIGHT NOW" are displayed on the character display in turn. Stop the machine immediately in a safe place, then stop the engine and inspect it.

If the brake oil pressure caution lamp lights up, the footbrake may not work. Keep the parking brake applied to prevent the machine from moving.

Keep the parking brake applied to prevent the machine from moving until the brake pressure becomes normal and the brake oil pressure caution lamp goes out.



ENGINE OIL PRESSURE CAUTION LAMP

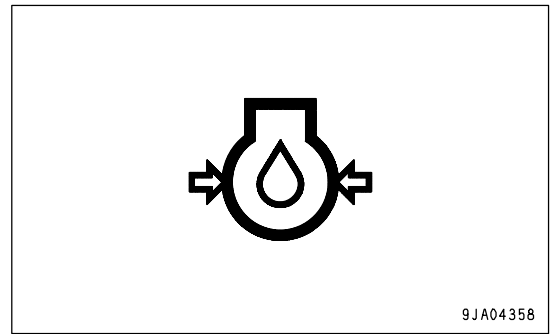
This lamp (2) lights up to warn the operator that the engine lubricating oil pressure has dropped.

During checks before starting (starting switch at the ON position, engine stopped) the lamps are lighted up, and when the engine is started, the lamps go out.

During operation (engine running)

If the engine lubricating oil pressure goes down during operation, the engine lubricating oil pressure caution lamp and central warning lamp light up and the alarm buzzer sounds intermittently.

At the same time, "E03 CALL" and "CHECK RIGHT NOW" are displayed on the character display in turn. Stop the machine immediately in a safe place, then stop the engine and inspect it.

**BATTERY CHARGE CIRCUIT CAUTION LAMP**

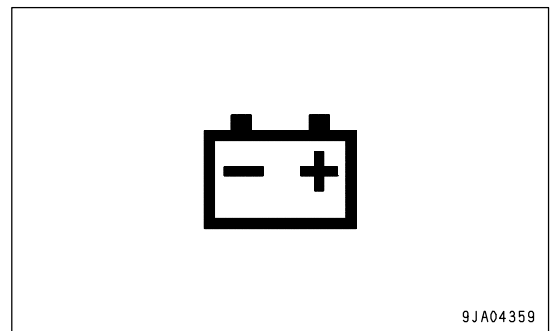
This lamp (3) lights up when the engine is running to warn the operator that an abnormality has occurred in the charging circuit.

During checks before starting (starting switch at the ON position, engine stopped) the lamps are lighted up, and when the engine is started, the lamps go out.

During operation (engine running)

If an abnormality occurs in the charging circuit during operation, the battery charge circuit caution lamp and central warning lamp light up and the alarm buzzer sounds intermittently.

At the same time, "E03 CALL" and "CHECK RIGHT NOW" are displayed on the character display in turn. Stop the machine immediately in a safe place, then stop the engine and inspect it.

**STEERING OIL PRESSURE CAUTION LAMP**

(Red)

(Machines equipped with Emergency steering)

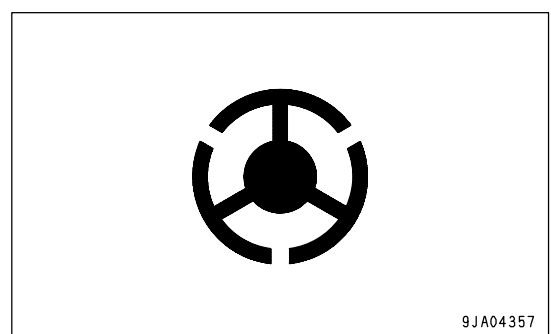
This lamp (4) lights up to warn the operator that the steering oil pressure has dropped.

During checks before starting (starting switch at the ON position, engine stopped) the lamps are lighted up, and when the engine is started, the lamps go out.

During operation (engine running)

If the steering oil pressure goes down during operation, the steering oil pressure caution lamp and central warning lamp light up and the alarm buzzer sounds intermittently.

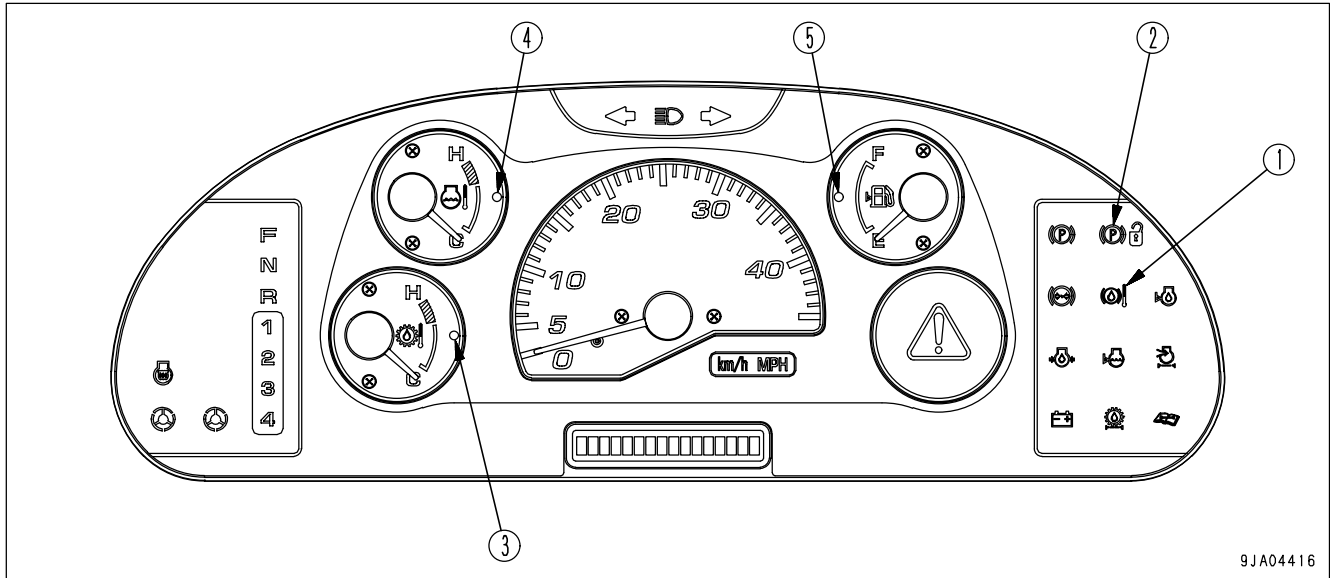
At the same time, "E03 CALL" and "CHECK RIGHT NOW" are displayed on the character display in turn. Stop the machine immediately in a safe place, then stop the engine and inspect it.



CAUTION ITEMS



If these lamps light up, stop operations quickly and carry out the following action.



- (1) Axle oil temperature caution lamp
- (2) Parking brake reminder caution lamp
- (3) HST oil temperature caution lamp
- (4) Engine coolant temperature caution lamp
- (5) Fuel level caution lamp

AXLE OIL TEMPERATURE CAUTION LAMP

This lamp (1) lights up to warn the operator that the brake oil temperature has risen.

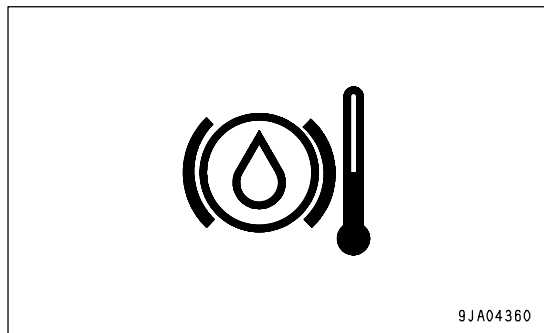
During checks before starting (when the starting switch is turned to the ON position but the engine is not started), this monitor does not light up.

During operation (engine running) In continuous heavy-duty operations or when traveling long distances downhill where the brake is used frequently, the axle oil temperature becomes high. The axle oil temperature caution lamp and central warning lamp light up and the alarm buzzer sounds intermittently.

At the same time, "E02" and "BRAKE OVERHEAT" are displayed on the character display in turn. Take the following action.

1. Release the accelerator pedal and move the speed range selector switch down one range to reduce the travel speed.
2. Avoid using the brake.
 - 1) Do not keep the brake pedal depressed continuously; use the brake only intermittently.

If use of the brake is reduced for a short time in the way recommended above, the axle oil temperature will go down and the caution lamp will go out.



PARKING BRAKE REMINDER CAUTION LAMP

This lamp (2) lights up when the engine is stopped but the parking brake is not applied.

At the same time, the central warning lamp lights up and the alarm buzzer sounds intermittently.

When the parking brake is applied, the lamp goes out and the buzzer stops.

**HST OIL TEMPERATURE CAUTION LAMP**

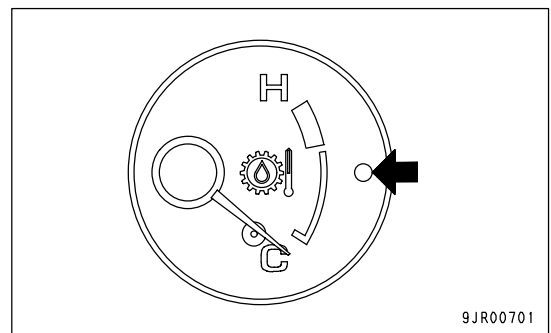
This lamp (3) lights up to warn the operator that the HST oil temperature has risen.

During checks before starting (when the starting switch is turned to the ON position but the engine is not started), this monitor does not light up.

During operation (engine running)

When the HST oil temperature goes up, the HST oil temperature caution lamp and central warning lamp light up, and the alarm buzzer sounds intermittently.

At the same time, "E02" and "HST OVERHEAT" are displayed on the character display in turn. Stop the machine and run the engine at a midrange speed under no load until the lamp goes out.

**ENGINE COOLANT TEMPERATURE CAUTION LAMP**

This lamp (4) lights up to warn the operator that the engine coolant temperature has risen.

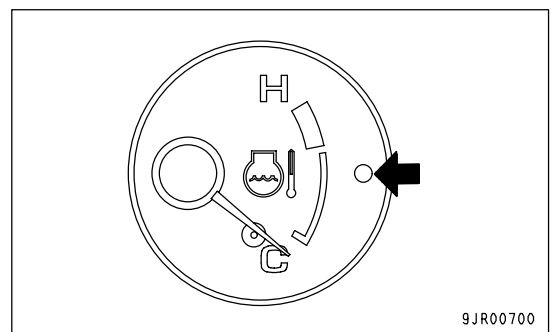
During checks before starting (when the starting switch is turned to the ON position but the engine is not started), this monitor does not light up.

During operation (engine running)

If the engine coolant temperature rises, only the engine coolant water temperature caution lamp will light up.

If the coolant temperature rises further, the central warning lamp will light up and the alarm buzzer will sound intermittently.

At the same time that the central warning lamp lights up, "E02" and "ENGINE OVERHEAT" are displayed on the character display in turn. Stop the machine and run the engine at a mid-range speed under no load until the lamp goes out.



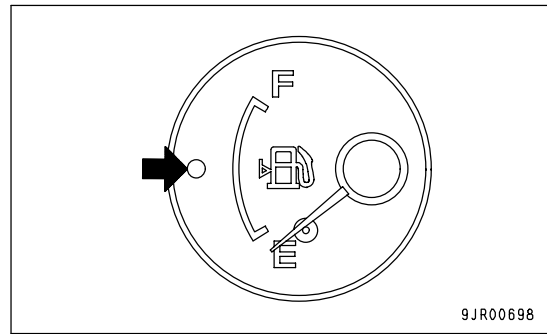
FUEL LEVEL CAUTION LAMP

This monitor (5) lights up if the amount of fuel remaining in the fuel tank goes below 26 liters (6.87 US gal).

If it lights up, check and add fuel as soon as possible.

REMARK

Even if the caution lamp lights up, action code "E02" is not displayed on the character display.

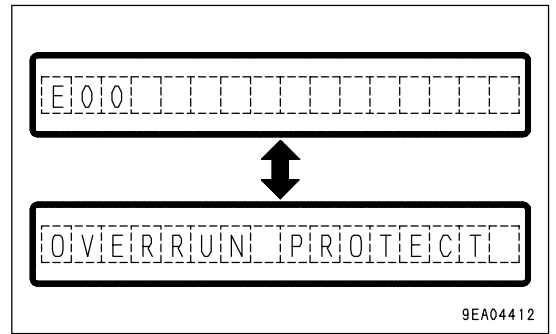


WARNING/LIMIT FUNCTIONS FOR TRAVEL SPEED

When the travel speed goes above 40.0 km/h (24.9 MPH), the central warning lamp lights up and the alarm buzzer sounds.

At the same time, "E00" is displayed on the character display, and then "OVERRUN PROTECT" and "E00" are displayed in turn for 3 seconds each.

If the alarm buzzer sounds, ease the accelerator pedal back and reduce speed.



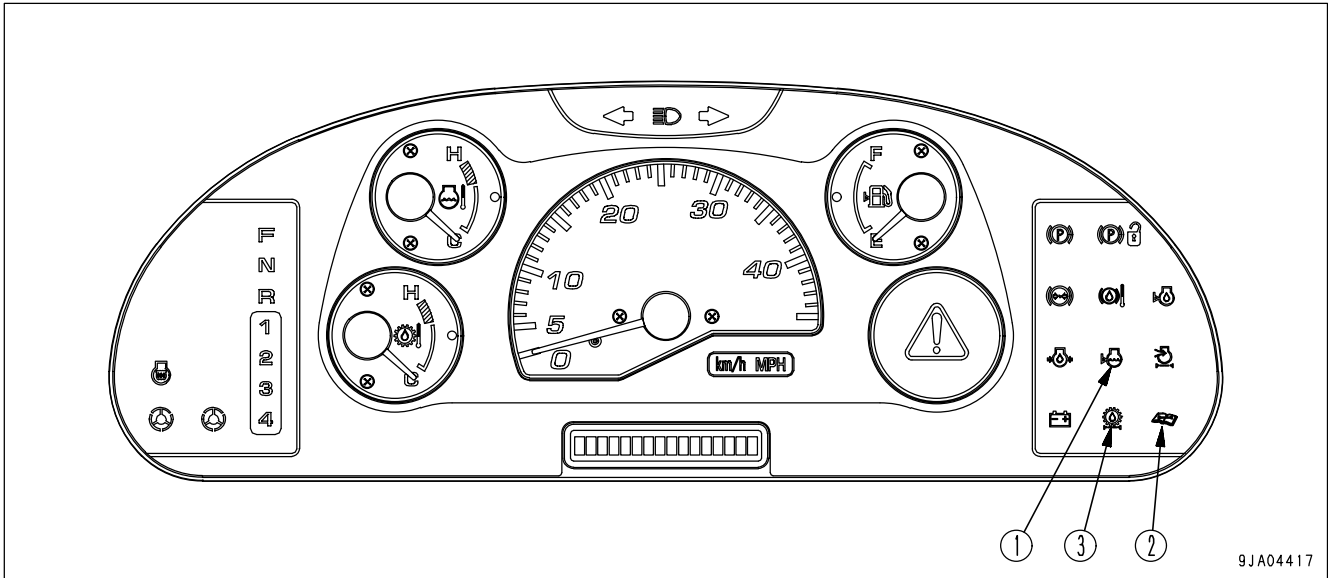
TRAVEL SPEED LIMIT FUNCTION

The travel speed is automatically controlled so that it does not go above approx. 42 km/h (26.1 MPH).

INSPECTION AND MAINTENANCE ITEMS

CAUTION

If these lamps light up, stop operations quickly and carry out the following action.



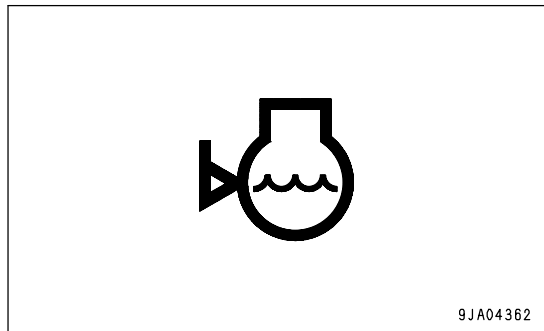
- (1) Radiator coolant level caution lamp
- (2) Maintenance caution lamp
- (3) HST oil filter clogging caution lamp

RADIATOR COOLANT LEVEL CAUTION LAMP

This lamp (1) lights up to warn the operator that the coolant level in the radiator has gone down.

During checks before starting (when the starting switch is turned to the ON position but the engine is not started), this monitor lights up if the coolant level in the radiator is low.

At the same time, "E01" and "COOLANT LOW" are displayed on the character display in turn. Check the coolant level in the radiator sub-tank, and add coolant.



During operation (engine running)

If the coolant level in the radiator becomes too low, the radiator coolant level caution lamp will light up.

At the same time, "E01" and "COOLANT LOW" are displayed on the character display in turn. Stop the engine, check the coolant level in the radiator sub-tank, and add coolant.

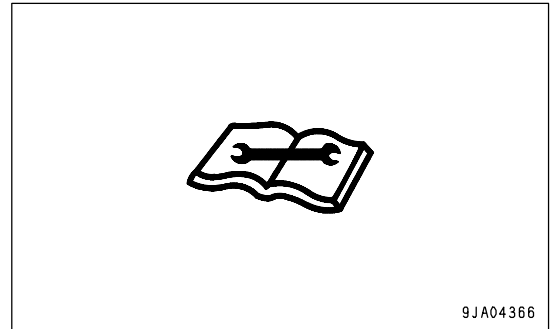
MAINTENANCE CAUTION LAMP**CAUTION**

If the caution lamp lights up, repair the problem as soon as possible. If this is left as it is, it will lead to failure.

When the time for filter and oil change is reached, this lamp (2) flashes or lights up for approx. 30 seconds (after completion of the system check with the starting switch at the ON position).

REMARK

The maintenance caution lamp flashes when there are less than 30 hours to the replacement time, and after the replacement time has passed, it stays on.



9JA04366

For details of the items covered by filter and oil replacement, see "FILTER, OIL REPLACEMENT TIME DISPLAY (PAGE 3-12)".

After replacing the filter or changing the oil, reset time for the replacement. For details, see "RESET METHOD FOR FILTER, OIL REPLACEMENT TIME (PAGE 3-28)".

HST OIL FILTER CLOGGING CAUTION LAMP

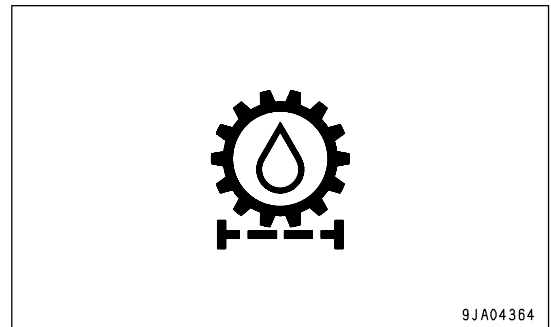
When the engine is running, this lamp (3) lights up if the HST oil filter is clogged.

During checks before starting (when the starting switch is turned to the ON position but the engine is not started), this monitor does not light up.

During operation (engine running)

This lights up if the HST oil filter is clogged.

At the same time, "E01" and "HST OIL FILTER" are displayed on the character display in turn. Replace the oil filter.



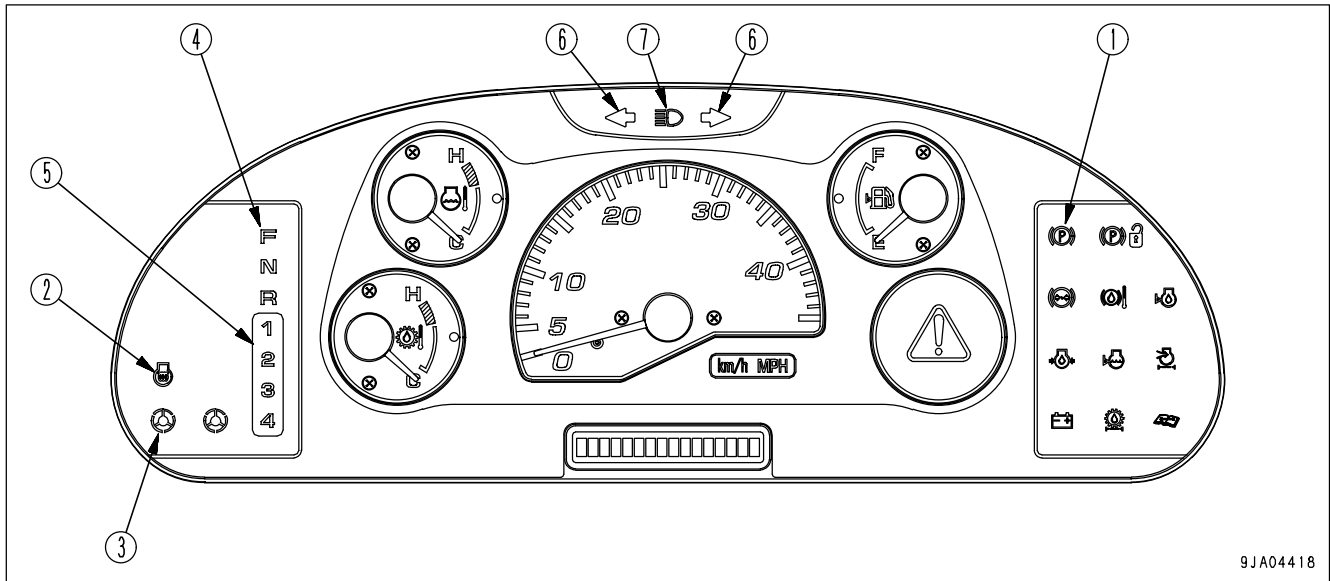
9JA04364

REMARK

The lamp may light up in cold temperatures, but it should go out when the HST oil temperature gauge indicator enters the white range.

PILOT DISPLAY PORTION

When the starting switch is ON, the pilot display lights up when the display items are functioning.

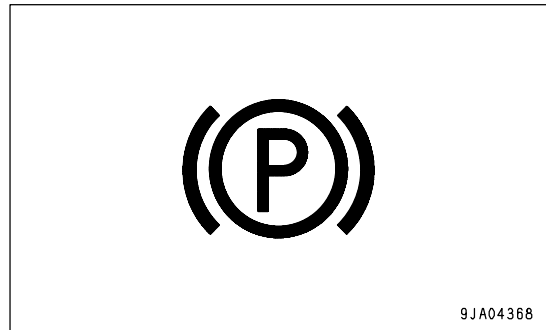


9JA04418

- | | |
|--|---|
| (1) Parking brake pilot lamp | (4) Directional lever position pilot lamp |
| (2) Preheating pilot lamp | (5) Pilot lamp for speed range selector switch position |
| (3) Emergency steering pilot lamp
(Machines equipped with Emergency steering) | (6) Turn signal pilot lamp |
| | (7) Head lamp high beam pilot lamp |

PARKING BRAKE PILOT LAMP

This lamp (1) lights up when the parking brake is applied.



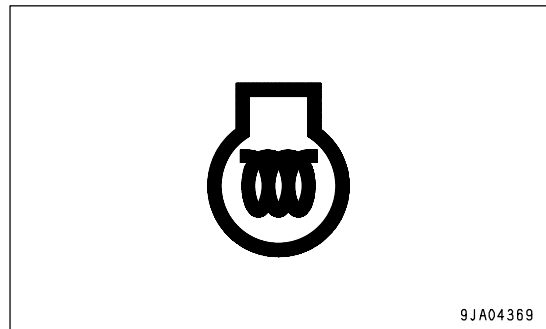
9JA04368

PREHEATING PILOT LAMP

This lamp (2) lights up when the engine preheating electric heater is actuated.

In cold weather, when the starting switch is turned to the ON position, this lamp lights up. When the preheating is completed, it goes out.

The preheating time differs according to the engine coolant temperature.



9JA04369

EMERGENCY STEERING PILOT LAMP

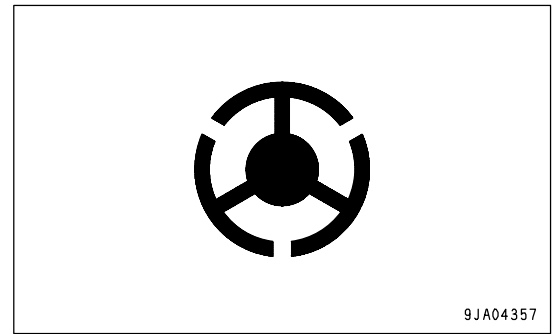
(Green)

(Machines equipped with Emergency steering)

If this lamp (3) lights up when the engine is running or when the machine is operating, it indicates that the condition is normal.

If it does not light up, an abnormality has occurred in the emergency steering circuit.

Move the machine immediately to a safe place, stop the engine, and check the condition.

**DIRECTIONAL LEVER POSITION PILOT LAMP**

This lamp (4) indicates the position of the directional lever.

F lights up: FORWARD

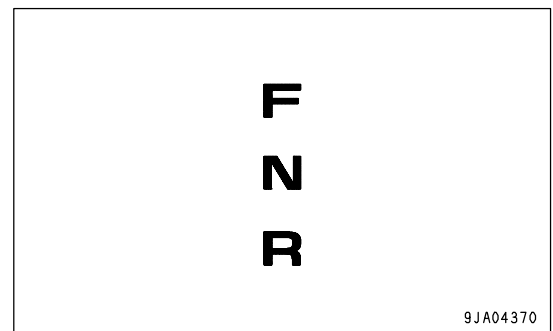
N lights up: NEUTRAL

R lights up: REVERSE

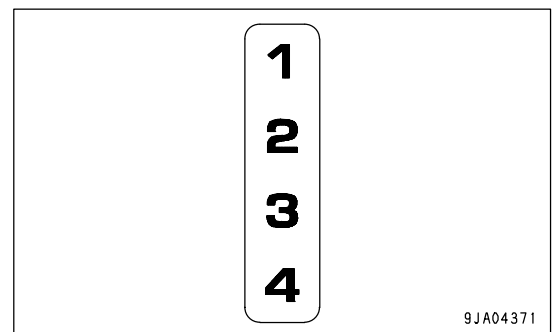
REMARK

In the following conditions, it indicates the position of the directional selector switch.

- Directional selector actuation switch (3): ON position
- Directional lever: Neutral position

**PILOT LAMP FOR SPEED RANGE SELECTOR SWITCH POSITION**

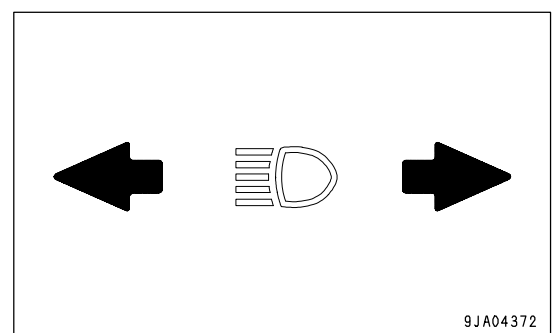
This lamp (5) indicates the position of the speed range selector switch.

**TURN SIGNAL PILOT LAMP**

When the turn signal lamp flashes, this lamp (6) also flashes.

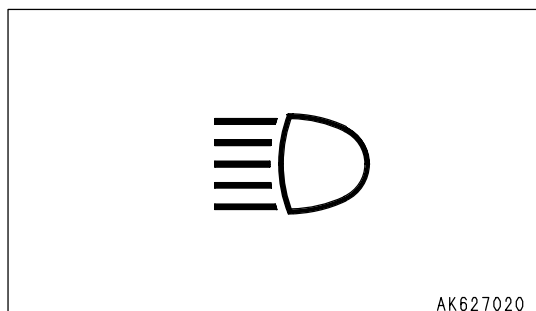
REMARK

If there is a disconnection in the turn signal lamp, the flashing interval becomes shorter.

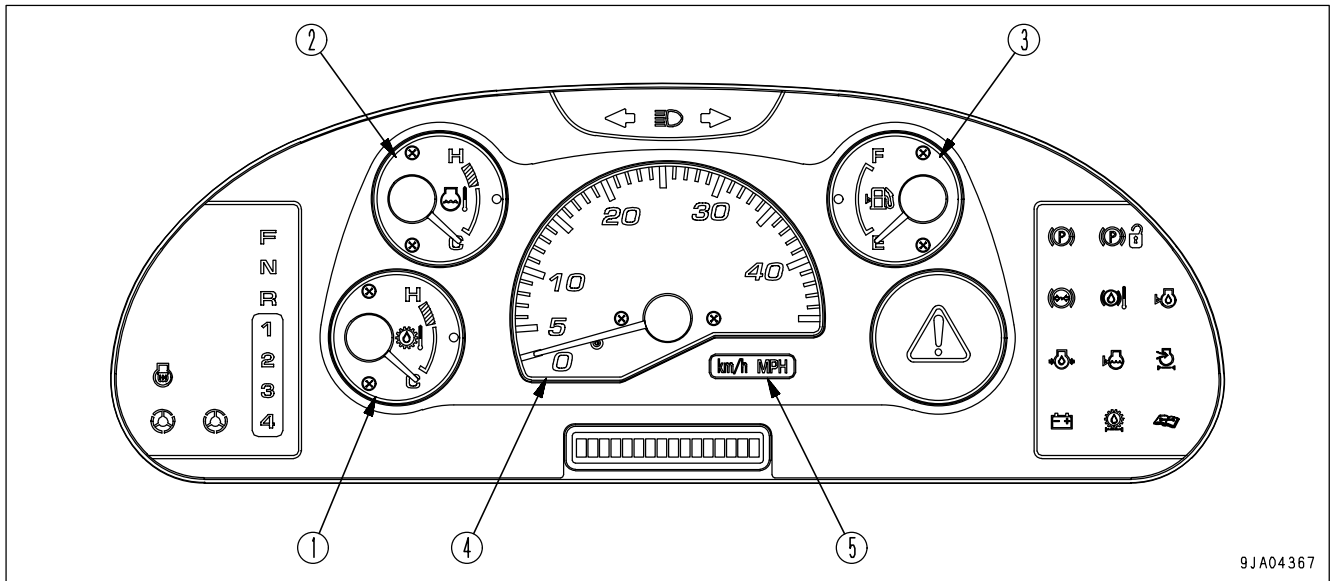


HEAD LAMP HIGH BEAM PILOT LAMP

This lamp (7) lights up when the head lamp is at high beam.



METER DISPLAY PORTION

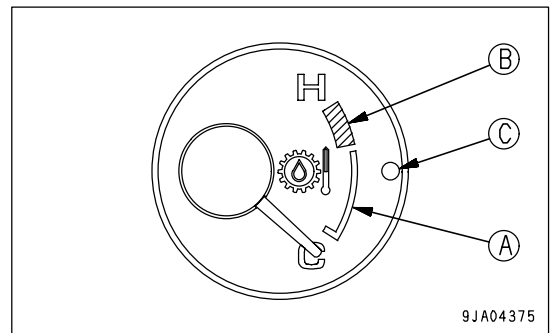


9JA04367

- (1) HST oil temperature gauge
- (2) Engine coolant temperature gauge
- (3) Fuel gauge
- (4) Speedometer
- (5) Meter display pilot lamp

HST OIL TEMPERATURE GAUGE

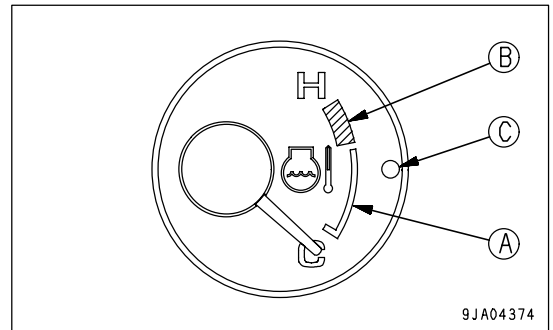
This meter (1) indicates the HST oil temperature. During normal operations, the indicator should be in the white range (A). If the indicator enters the red range (B) during operations, caution lamp (C) inside the HST oil temperature gauge lights up. At the same time, the central warning lamp lights up and the alarm buzzer sounds. In addition, "E02" and "HST OVERHEAT" are displayed on the character display in turn. Run the engine at a midrange speed under no load and wait for the indicator to return to the white range (A).



9JA04375

ENGINE COOLANT TEMPERATURE GAUGE

This meter (2) indicates the engine coolant temperature. During normal operations, the indicator should be in the white range (A). If the indicator enters the red range (B) during operations, caution lamp (C) inside the engine coolant temperature gauge lights up. At the same time, the central warning lamp lights up and the alarm buzzer sounds. In addition, "E02" and "ENGINE OVERHEAT" are displayed on the character display in turn. Run the engine at a midrange speed under no load and wait for the indicator to return to the white range (A).

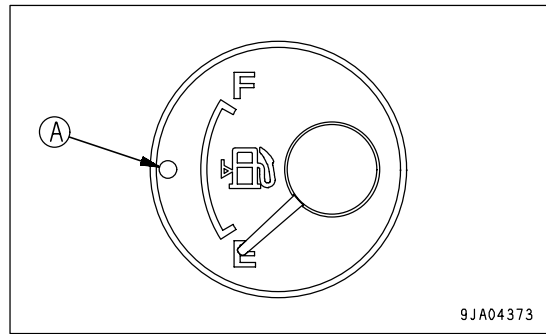


9JA04374

FUEL GAUGE

This meter (3) indicates the amount of fuel remaining in the fuel tank.

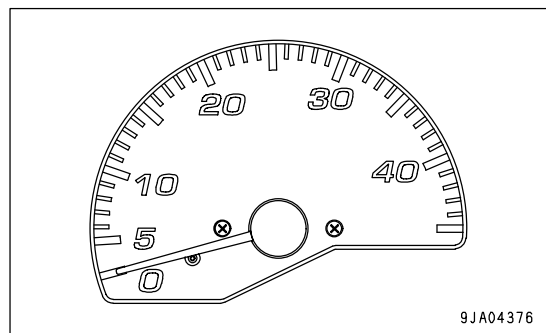
If the indicator is at the F position, it indicates that the tank is full. If the indicator is at the E position, it indicates that there is little fuel remaining. When the amount of remaining fuel goes below 26 liters (6.87 US gal), caution lamp (A) inside the fuel gauge lights up. If it lights up, check the fuel level and add fuel.



9JA04373

SPEEDOMETER

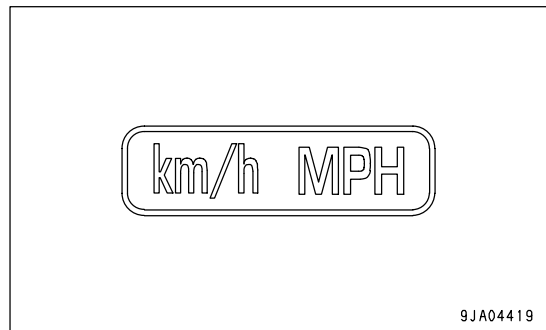
This meter (4) indicates the travel speed of the machine.



9JA04376

METER DISPLAY PILOT LAMP

This lamp (5) displays the unit for the travel speed.



9JA04419

OTHER FUNCTIONS OF MACHINE MONITOR

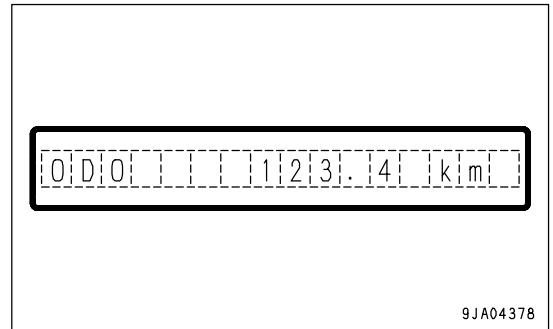
The machine monitor also has the following functions.

Odometer, filter/oil replacement time reset, language selection, HST selector function

METHOD OF DISPLAYING ODOMETER

Use this when checking the total distance that the machine has traveled.

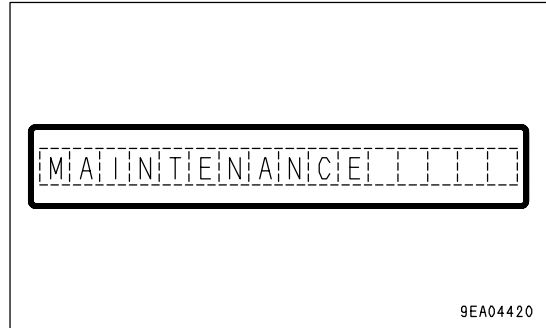
1. Check that the character display is displaying the service meter or an action code. If there is any other display, turn the starting switch OFF, then turn the starting switch ON again and wait for the service meter display or action code display to appear.
2. Press the (◇) of monitor panel mode selector switch 1. It displays the odometer.
3. When completing the operation, press (■) of monitor panel mode selector switch 1 or turn the starting switch OFF.



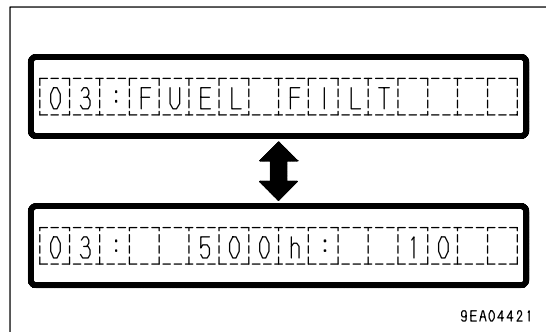
RESET METHOD FOR FILTER, OIL REPLACEMENT TIME

The filter and oil replacement time is displayed on the character display, so if the filter and oil have been replaced, reset the filter and oil change time.

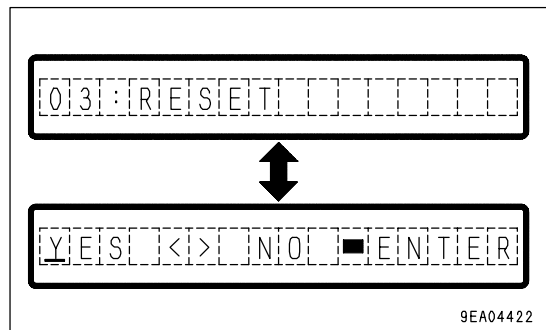
- 1. Press the (◁) of monitor panel mode selector switch 1, and display the odometer.
- 2. Press (→) or (←) of monitor panel mode selector switch 2 and display "MAINTENANCE".



- 3. Press the (◁) of monitor mode selector switch 1. The item is displayed, and then the replacement interval is displayed in the center and the number of times of replacement is displayed on the right in turn for 3 seconds each.
- 4. Press the (→) or (←) of monitor panel mode selector switch 2 to display the item (filter or oil) which has reached the replacement time.



- 5. Press the (◁) of monitor mode selector switch 1. [RESET] and [YES <-> NO] are displayed in turn.
- 6. When resetting the replacement time, press (→) or (←) of monitor panel mode selector switch 2, align the cursor with "YES", then press (■) of machine monitor mode selector switch 1. It will reset and return to the previous screen. To abort, align the cursor with "NO", then press (■) of monitor panel mode selector switch 1.



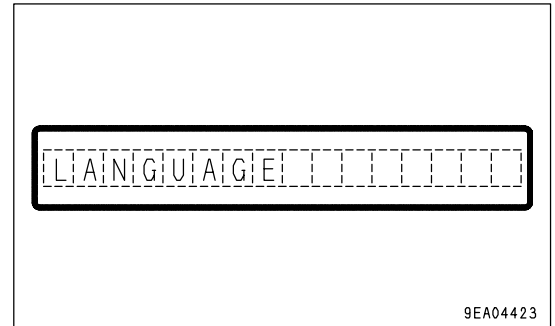
- 7. When resetting the replacement time for another item, use the procedure in Step 4. After completing, press (■) of monitor panel mode selector switch 1 twice or turn the starting switch OFF.

METHOD FOR SELECTING LANGUAGE

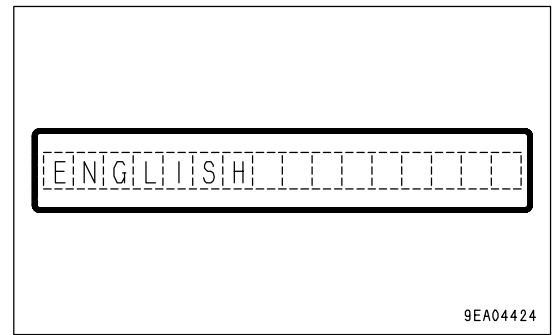
Use this when switching the language displayed on the character display.

The following explanation is for when English is set as the language for the character display.

1. Press the (◇) of monitor panel mode selector switch 1, and display the odometer.
2. Press (>) or (<) of monitor panel mode selector switch 2 and display "LANGUAGE".



3. Press the (◇) of machine mode panel selector switch 1. The presently selected language is displayed.
4. Press (>) or (<) of monitor panel mode selector switch 2 and select the language.



The available languages are English, Japanese, German, French, Italian, Spanish, and Swedish.

5. After selecting the language, press the (◇) of monitor mode selector switch 1. This confirms the language. To abort, press the (■) of monitor mode selector switch 1.
6. When completing the operation, press (■) of monitor panel mode selector switch 1 twice or turn the starting switch OFF.

METHOD OF SELECTING HST CHANGING FUNCTION

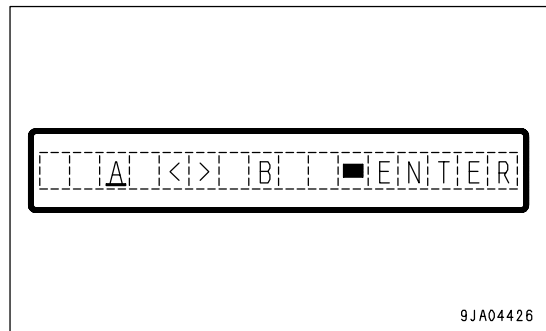
When the speed range selector switch is in 3rd or 4th position, there are two selections available for the HST. Use this when changing the selection.

Function	Speed range selector switch position	
	3rd position	4th position
A (default setting)	F3, R3	F4, R4
B	F3, R2	F4, R2

1. Press the (◇) of monitor panel mode selector switch 1, and display the odometer.
2. Press (>) or (<) of monitor panel mode selector switch 2 and display "SELECT HST".

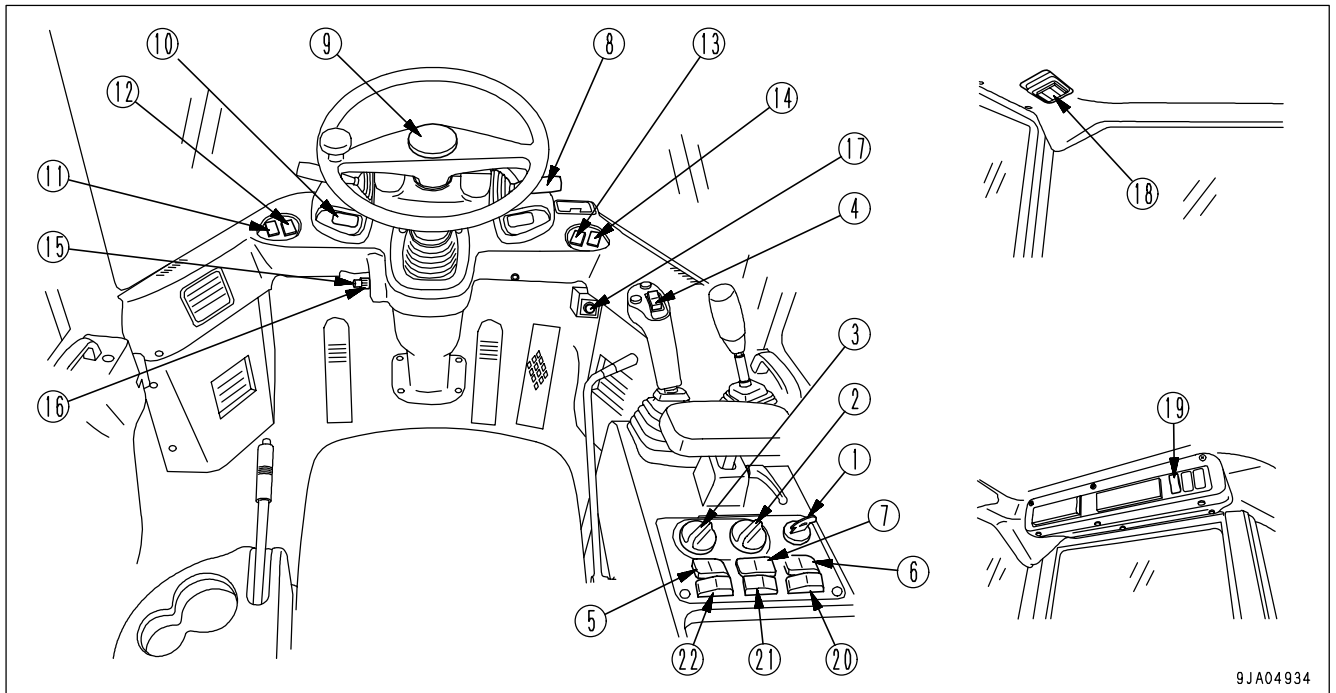


3. Press the (◇) of monitor mode selector switch 1. The present HST selection is displayed.
4. Press the (<) or (>) of monitor mode selector switch 2, and align the cursor with A or B.
5. Press the (■) of monitor mode selector switch 1. The HST selection is confirmed and the screen returns to the previous screen.



6. When completing the operation, press (■) of monitor panel mode selector switch 1 twice or turn the starting switch OFF.

SWITCHES



9JA04934

- | | |
|---|---|
| (1) Starting switch | (11) Front working lamp switch |
| (2) Speed range selector switch | (12) Rear working lamp switch |
| (3) Variable shift control switch | (13) Monitor panel mode selector switch 1 |
| (4) Directional selector switch | (14) Monitor panel mode selector switch 2 |
| (5) Directional selector actuation switch | (15) Front wiper switch |
| (6) Traction control switch | (16) Rear wiper switch |
| (7) E.C.S.S. (electronic controlled suspension system) switch (if equipped) | (17) Cigarette lighter |
| (8) Lamp switch | (18) Room lamp switch |
| (8) Turn signal lever | (19) Rear heated wire glass switch |
| (8) Dimmer switch | (20) Attachment selection switch |
| (9) Horn switch | (21) Dump speed switch |
| (10) Hazard lamp switch | (22) Quick coupler attachment switch |

STARTING SWITCH

This switch (1) is used to start or stop the engine.

OFF position

In this position, it is possible to insert or remove the starting switch key. All the electric system switches are off, and the engine will stop.

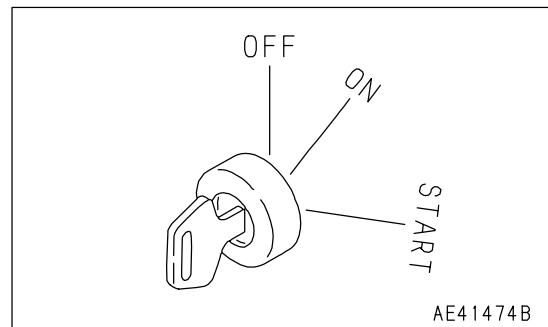
ON position

In this position, electric current flows to the charging circuit, lamp circuit, and accessory circuit.

Keep the starting switch key at the ON position while the engine is running.

START position

This is the position to start the engine. Hold the key at this position while cranking. Release the key immediately after the engine has been started. The key will return to the ON position when released.

**SPEED RANGE SELECTOR SWITCH**

Use this switch (2) to switch the speed range.

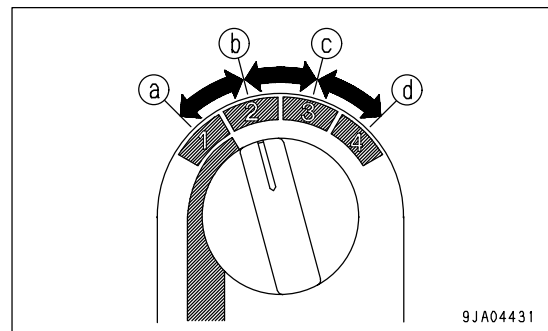
Use 1st and 2nd for operations, and 3rd and 4th for travel.

Position (a): 1st

Position (b): 2nd

Position (c): 3rd

Position (d): 4th

**REMARK**

When traveling at high speed in 3rd or 4th (travel speed: 10 km/h (6.2 MPH) or more), even if the transmission speed is shifted to 1st or 2nd, the motor overrun prevention system will prevent the transmission from shifting to 1st or 2nd. In this case, the central warning lamp will light and the alarm buzzer will sound. At the same time, "E00" and "Overrun prevention" are displayed on the character display in turn for 3 seconds each.

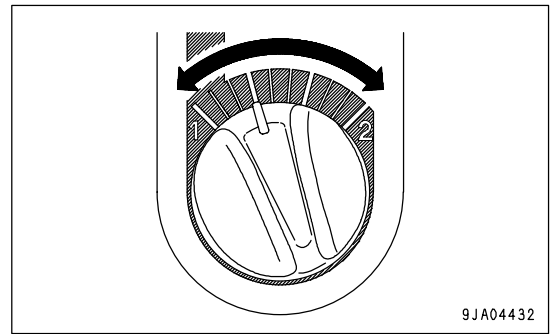
The following methods can be used to cancel the alarm buzzer.

- Reduce speed so that the travel speed is 9 km/h (5.6 MPH) or less. If the actual speed range is 1st or 2nd, the alarm buzzer is canceled.
- Return the speed selector switch to 3rd or 4th.

VARIABLE SHIFT CONTROL SWITCH

When the speed range is in 1st, it is possible to use this dial (3) to set the maximum speed as desired.

Turn the dial to the right to increase the setting; turn it to the left to decrease the setting.



The conditions for use may differ according to the condition of the road surface.

Installed tire	Max. speed [km/h (MPH)]
Standard tire (20.5-25)	4.0 - 13.0 (2.5 - 8.1)
Small diameter tire (17.5-25)	3.6 - 11.7 (2.2 - 7.3)

DIRECTIONAL SELECTOR SWITCH

This switch (4) is used to switch the direction of travel of the machine between forward and reverse.

F Position: FORWARD

N Position: Neutral

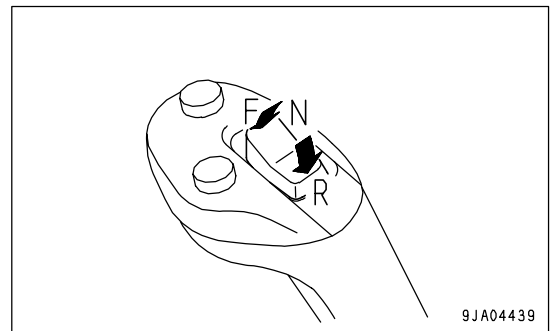
R Position: REVERSE

Before operating this switch, check that the condition is as follows.

- Directional lever is at N
- Directional selector switch actuation switch is at ON

If the condition is not as above, the switch will not work.

For details, see "CHANGING DIRECTION (PAGE 3-87)".



DIRECTIONAL SELECTOR SWITCH ACTUATION SWITCH

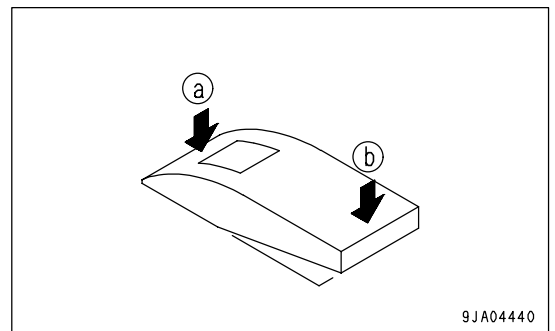
When this switch (5) is turned on, the directional selector switch is actuated.

Position (a): ON

The directional selector switch is actuated.

Position (b): OFF

The directional selector switch is turned off.



REMARK

- Turn this switch ON when the directional lever and directional selector switch are at the neutral position. At any other position, this switch does not work.
- Even if the directional selector switch is functioning, when the directional lever is operated, the operation of the directional lever is given priority.

TRACTION CONTROL SWITCH

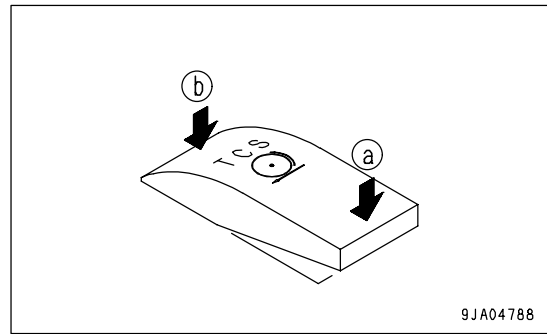
When the speed range selector switch is at 2nd or 4th, this switch (6) can be used to actuate the traction control and reduce the maximum rimpull.

Position (a): ON

Traction control is activated.

Position (b): OFF

Traction control is deactivated.

**REMARK**

Traction control is effective in preventing the tires from slipping during light-duty operations.

E.C.S.S. (ELECTRONIC CONTROLLED SUSPENSION SYSTEM) SWITCH

(If equipped)

! WARNING

- If the machine is traveling or the work equipment is raised, the moment the E.C.S.S. switch is turned ON, the work equipment will move.
- If operations are carried out with the E.C.S.S. switch at the ON position, the moment the E.C.S.S. switch is operated, the work equipment may move.
- Never turn the E.C.S.S. switch ON during inspection or maintenance. The work equipment will move and this will create a dangerous situation.

NOTICE

- Always stop the machine and lower the work equipment to the ground before operating the E.C.S.S. switch.
- When carrying out inspection and maintenance, first lower the work equipment to the ground, then turn the E.C.S.S. switch OFF before starting the inspection and maintenance operation.
- When carrying out leveling work, turn the E.C.S.S. switch OFF.

The E.C.S.S. is a device that uses the hydraulic spring effect of an accumulator to absorb the vibration of the chassis during travel, allowing the machine to travel smoothly at high speeds.

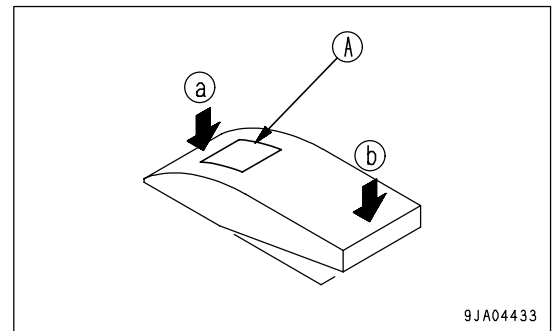
This switch (7) is used to turn the E.C.S.S. ON and OFF.

Position (a): ON

The pilot lamp (A) lights up and the E.C.S.S. is actuated.

Position (b): OFF

The E.C.S.S. is not actuated.



REMARK

The travel damper is automatically actuated when the travel speed becomes more than 6 km/h (3.7 MPH); when the travel speed goes below 5 km/h (3.1 MPH) it is automatically disengaged (when 20.5-25 tires are used).

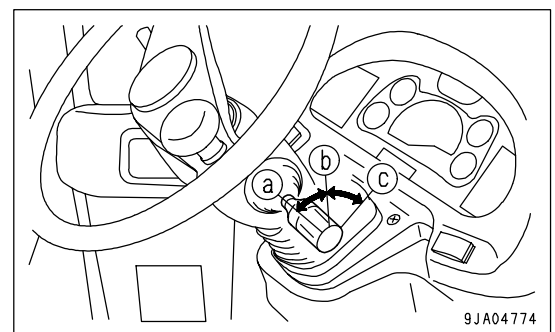
LAMP SWITCH

This switch (8) is used to light up the front lamps, side clearance lamps, tail lamps, and instrument panel.

Position (a): OFF (Lamps go out)

Position (b): Side clearance lamps, tail lamps, and instrument panel light up

Position (c): Head lamps light up in addition to lamps at (b) position



REMARK

The lamp switch can be operated regardless of the position of the lever.

TURN SIGNAL LEVER

This switch (8) is used to operate the turn signal lamp.

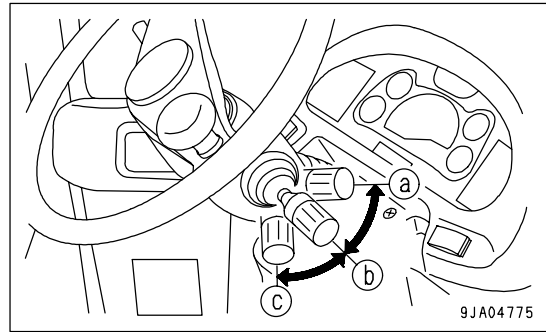
Position (a): LEFT TURN (Push lever FORWARD)

Position (b): OFF

Position (c): RIGHT TURN (Pull lever BACK)

REMARK

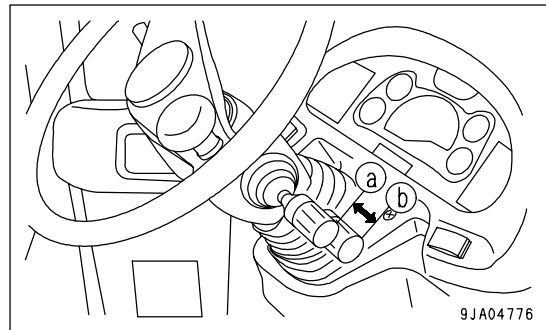
- When the lever is operated, the turn signal pilot lamp also flashes.
- When the steering wheel is turned back, the lever automatically returns to its original position. If it does not return, return it manually.

**DIMMER SWITCH**

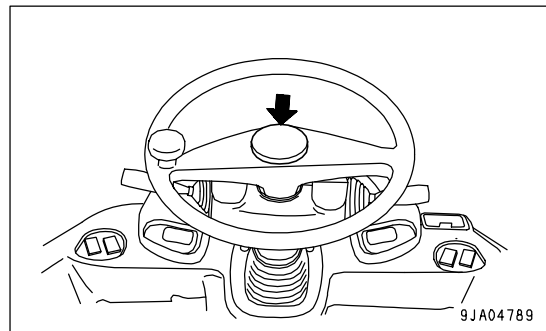
This switch (8) is used to switch the head lamps between high beam and low beam.

Position (a): Low beam

Position (b): High beam

**HORN BUTTON**

When the horn button (9) in the center of the steering wheel is pressed, the horn will sound.



HAZARD LAMP SWITCH

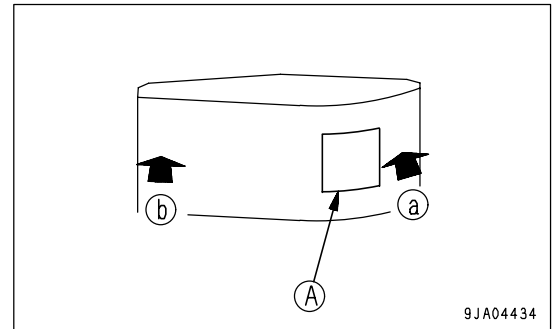
**WARNING**

Use the hazard lamp only in emergencies. Using the hazard lamp when traveling may cause confusion for other machine operators.

This switch (10) is used in emergencies, such as when the machine breaks down and has to be parked on the road.

Position (a): Direction indicator lamp and directional indicator pilot lamp flash, and pilot lamp (A) lights up at the same time

Position (b): Lamps go out



FRONT WORKING LAMP SWITCH

**WARNING**

Always turn the working lamp off before traveling on public roads.

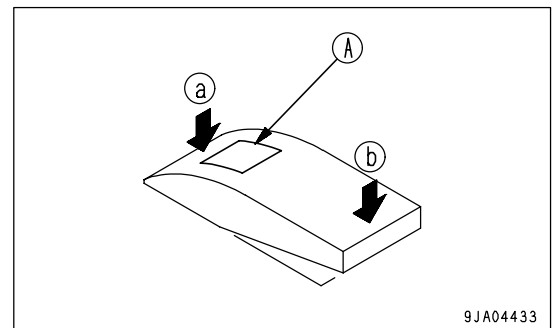
This switch (11) is used to light up the front working lamp.

Position (a): Working lamp and pilot lamp (A) light up

Position (b): Working lamp goes out

REMARK

If the lamp switch is not at the ON position for the side clearance lamp or head lamp, the working lamp will not light up.



REAR WORKING LAMP SWITCH

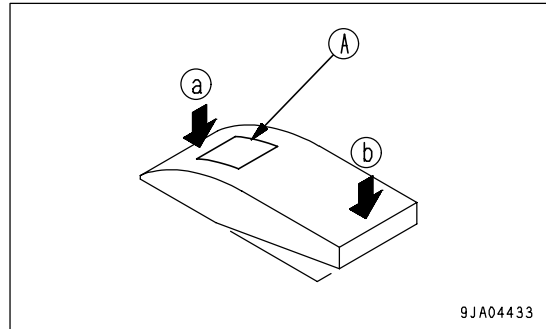


Always turn the working lamp off before traveling on public roads.

This switch (12) is used to light up the rear working lamp.
 Position (a): Working lamp and pilot lamp (A) light up
 Position (b): Working lamp goes out

REMARK

If the lamp switch is not at the ON position for the side clearance lamp or head lamp, the working lamp will not light up.



9JA04433

MONITOR PANEL MODE SELECTOR SWITCH 1

This switch (13) is used to switch the function of the character display.
 When the switch is released, it automatically returns to its original position.

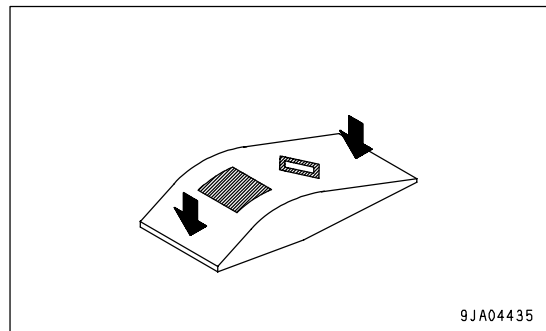
The basic operation is as follows.

Position (◊):

Press here to select (confirm) each mode or operation

Position (■):

Press here to cancel each mode or operation



9JA04435

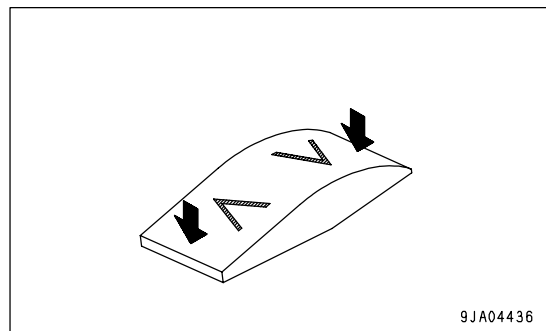
MONITOR PANEL MODE SELECTOR SWITCH 2

This switch (14) is used to switch the function of the character display.
 When the switch is released, it automatically returns to its original position.

The basic operation is as follows.

Position (>): Press here to go on to the next screen, or to move the cursor forward, or to increase the number when entering numerals

Position (<): Press here to go back to the previous screen, or to move the cursor back, or to reduce the number when entering numerals



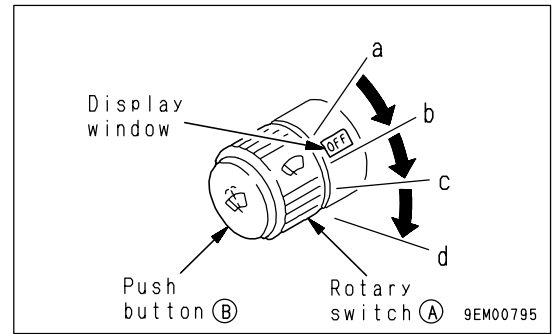
9JA04436

FRONT WIPER SWITCH

When rotary switch (A) of this switch (15) is turned, the front wiper will move.

If push button (B) is pressed, washer liquid will be sprayed out onto the front glass while the button is being pressed.

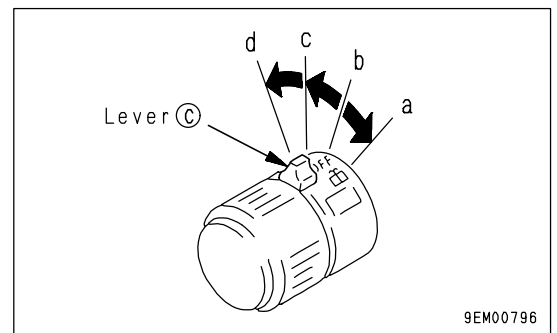
- Position (a): (OFF) Stop
- Position (b): (INT) Intermittent wiper
- Position (c): Low-speed wiper
- Position (d): High-speed wiper



REAR WIPER SWITCH

When lever (C) of this switch (16) is turned, the rear wiper will move.

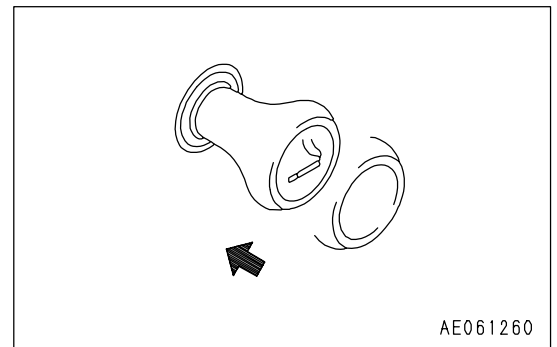
- Position (a): Washer liquid is sprayed out
- Position (b): OFF
- Position (c): Wiper is operated
- Position (d): Washer liquid is sprayed out, wiper is operated



CIGARETTE LIGHTER

This is used to light cigarettes.

After cigarette lighter (17) is pushed in, it will return to its original position after a few seconds, then you may pull it out and light a cigarette.



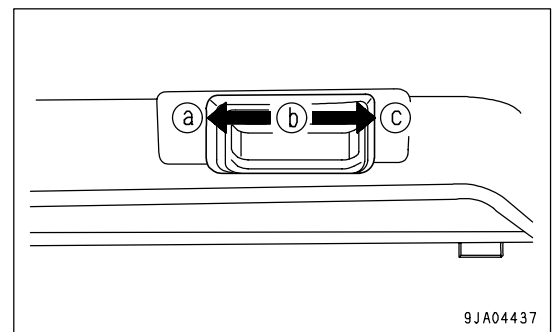
ROOM LAMP SWITCH

The switch (18) is used to turn the room lamp ON and OFF.

- Position (a): OFF
- Position (b): Lights up when the cab door opens
- Position (c): Lights up

REMARK

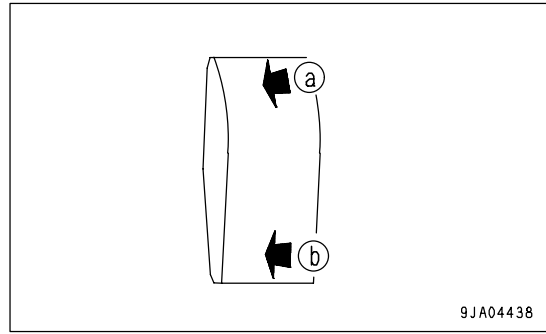
- The room lamp lights up even when the main switch is OFF, so when leaving the operator's compartment, turn the switch to position (a) (OFF) or (b).
- When operating with the cab door fully open, set the switch to position (a) (OFF).



REAR HEATED WIRE GLASS SWITCH

When this switch (19) is pressed, electric current flows through the heated wire glass at the rear and the mist is removed from the glass.

- Position (a): ON (removes mist from glass)
- Position (b): OFF

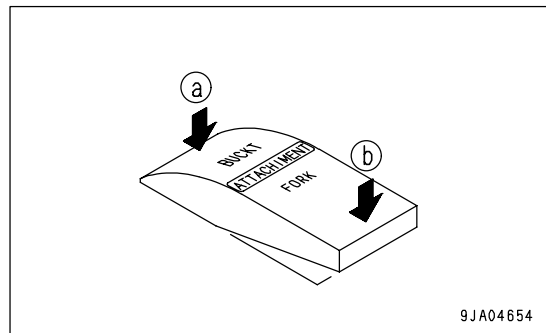


9JA04438

ATTACHMENT SELECTION SWITCH

This switch (20) switches the bucket positioner and fork positioner.

- Position (a): When using the bucket, set to this position.
- Position (b): When using the fork, set to this position.



9JA04654

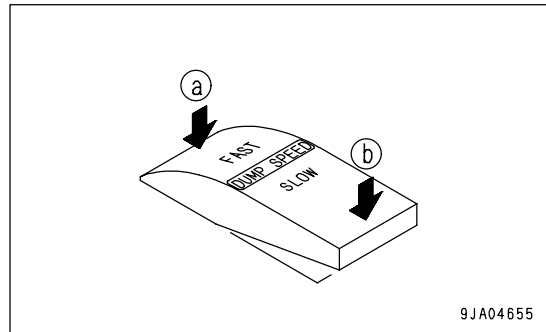
DUMP SPEED SWITCH

Use this switch (21) to select the bucket dump speed.

- Position (a): High speed
- Position (b): Low speed

REMARK

The bucket tilt speed is not affected by this switch.

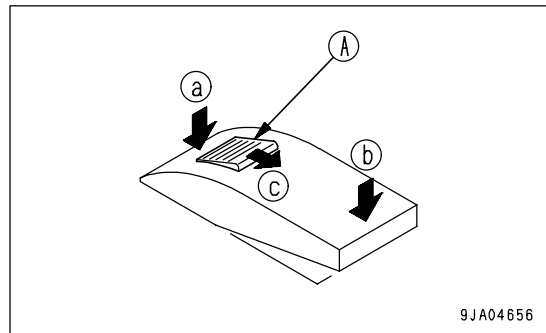


9JA04655

QUICK COUPLER ATTACHMENT SWITCH

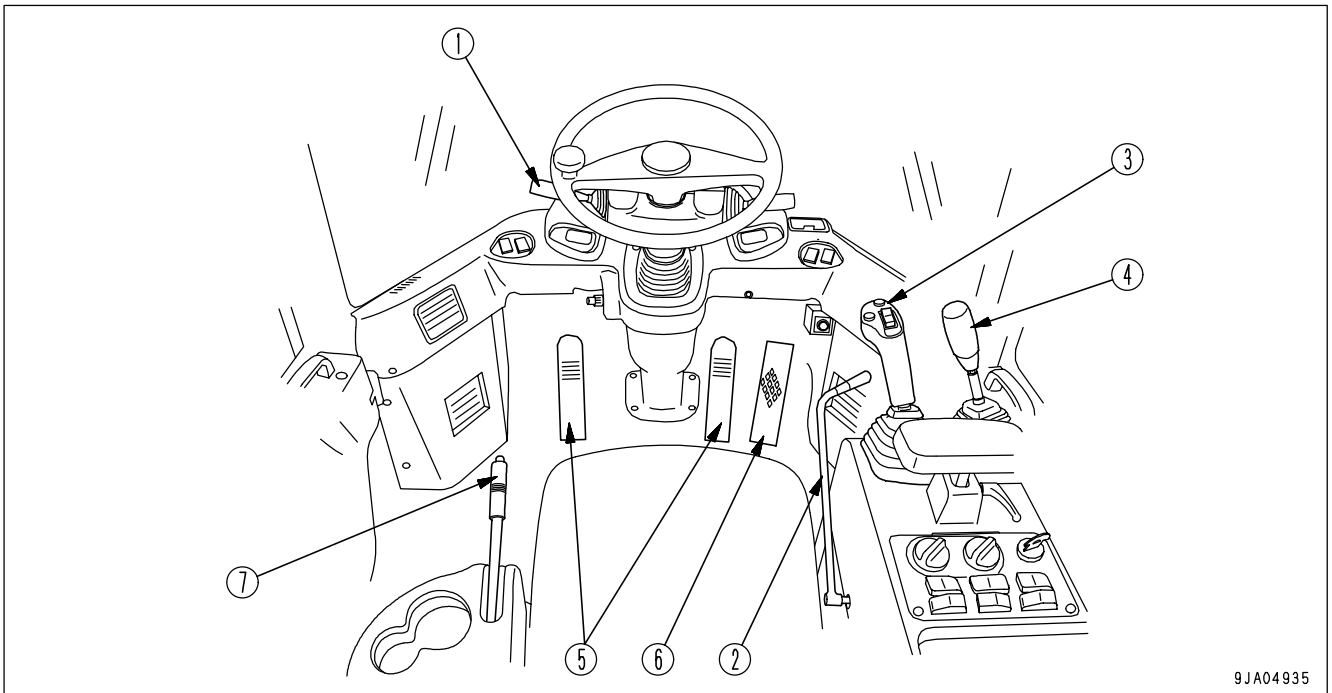
Use this switch (22) to connect and release the connection of the coupler and attachment when installing or removing the attachment.

- Position (a): Release
 - Push the switch in to this position, then pull lock (A) in the direction of the arrow (c) and release the connection.
- Position (b): Connect



9JA04656

CONTROL LEVERS, PEDALS



9JA04935

- | | |
|-------------------------------|-------------------------|
| (1) Directional lever | (5) Brake pedal |
| (2) work equipment lock lever | (6) Accelerator pedal |
| (3) Work equipment lever | (7) Parking brake lever |
| (4) Auxiliary control lever | |

DIRECTIONAL LEVER

This lever (1) is used to switch the direction of travel of the machine between forward and reverse.

When starting the engine, if the directional lever is not at the N position, the engine will not start.

Position (a): FORWARD

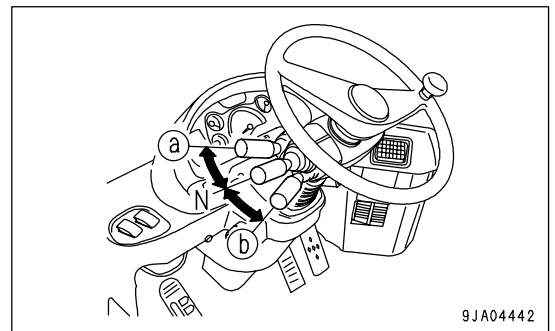
Position N: NEUTRAL

Position (b): REVERSE

REMARK

When the starting switch is turned to the ON position, if the directional lever is not at the N position, the central warning lamp lights up and the alarm buzzer sounds intermittently.

When the directional lever is set to the N position, the central warning lamp goes out and the alarm buzzer stops.



9JA04442

WORK EQUIPMENT LOCK LEVER

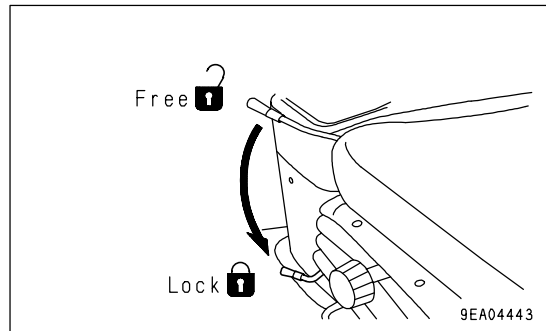
! WARNING

- Before leaving the operator's seat, set the work equipment lock lever securely to the LOCK position. If the work equipment lock lever is not at the LOCK position, and work equipment control lever is touched by mistake, it may lead to a serious accident.
- If the work equipment lock lever is not placed securely at the LOCK position, the work equipment control lever may move, and this may lead to a serious accident or personal injury. Check that the lever is in the LOCK position.
- When operating the work equipment lock lever, check that the work equipment control lever is held securely at the HOLD position.
- When pulling up or pushing down the work equipment lock lever, be careful not to touch work equipment control lever.

This lever (2) is a lock device for the work equipment control lever. Push the work equipment lock lever down to lock it.

REMARK

If the work equipment lock lever is at the LOCK position, the work equipment will not move even when the work equipment control lever is operated.



WORK EQUIPMENT LEVER

Use this lever (3) to operate the lift arm and bucket.

NOTICE

Do not use the FLOAT position when lowering the bucket. Use the FLOAT position when leveling, see "LEVELING OPERATIONS (PAGE 3-100)".

Position (a): RAISE

When the work equipment control lever is pulled further beyond the RAISE position, the lever is stopped in this position until the lift arm reaches the preset position of the kickout, and the lever is returned to the HOLD position.

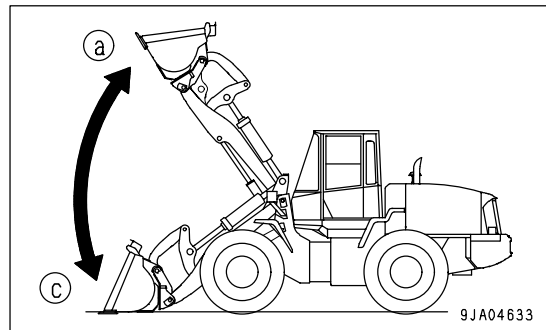
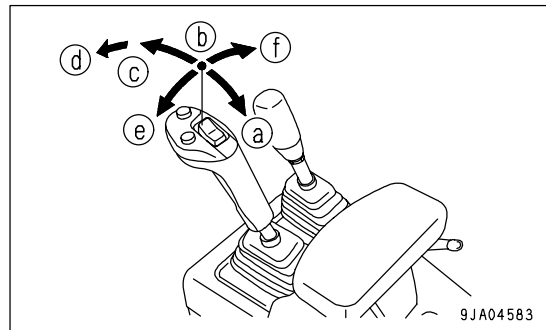
Position (b): HOLD

The lift arm and bucket stop and remain in the same position.

Position (c): LOWER

Position (d): FLOAT

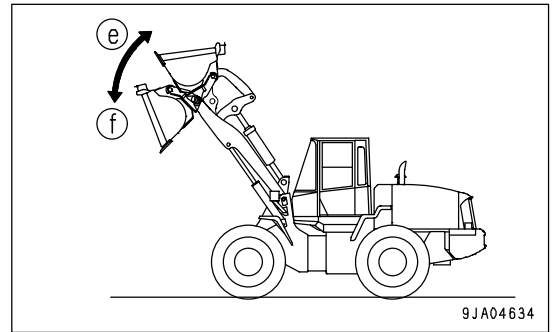
The lift arm moves freely under external force.



Position (e): TILT

When the work equipment control lever is pulled further beyond the TILT position, the lever is stopped in this position until the bucket reaches the preset position of the positioner, and the lever is returned to the HOLD position.

Position (f): DUMP



AUXILIARY CONTROL LEVER

(When multi-purpose bucket is installed)

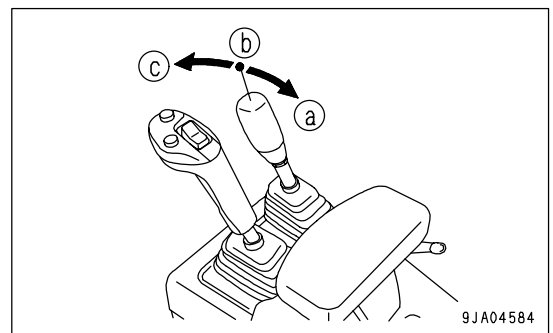
This lever (4) operates the clam on the multi-purpose bucket.

Position (a): Clam closes

Position (b): HOLD

The clam stops and remains in the same position.

Position (c): Clam opens



BRAKE PEDAL



WARNING

- When traveling downhill, always use the right brake pedal, and use the braking force of the engine together with the brake.
- Do not use the brake pedal excessively. If the brake is used too frequently, the brake will overheat. If this happens, the brakes will not work and may lead to a serious accident.
- Do not put your foot on the brake pedal unless necessary.

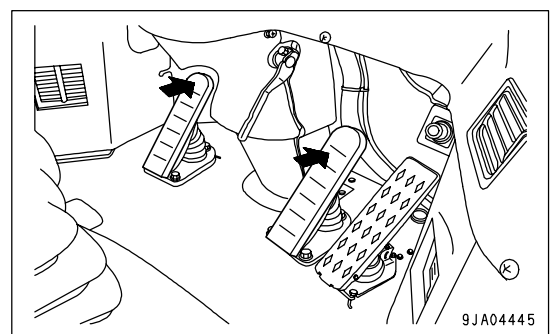
These pedals (5) operate the brakes.

Use the brake pedal for normal braking operations.

The left and right pedals are interconnected and work together.

REMARK

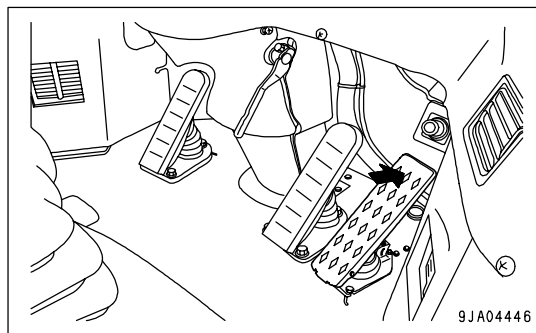
When using the brake pedal and accelerator pedal together (applying the brake and easing the accelerator) to reduce the travel speed or stop the machine, it is more convenient to use the left brake pedal.



ACCELERATOR PEDAL

This pedal (6) controls the engine speed and output.

The engine speed can be freely controlled between low idling and full speed.

**PARKING BRAKE LEVER****WARNING**

Always apply the parking brake when leaving the machine or when parking it.

NOTICE

- Never use the parking brake lever to slow the machine when traveling except in an emergency. The parking brake may be damaged and this may lead to a serious accident. Apply the parking brake only after the machine has stopped.
- If the parking brake has been used as an emergency brake when traveling at high speed (near the maximum speed), contact your Komatsu distributor to have the parking brake checked for any abnormality.

This lever (7) operates the parking brake.

Pull the lever up to the LOCK position to actuate the parking brake.

At the same time, the parking brake pilot lamp will light up.

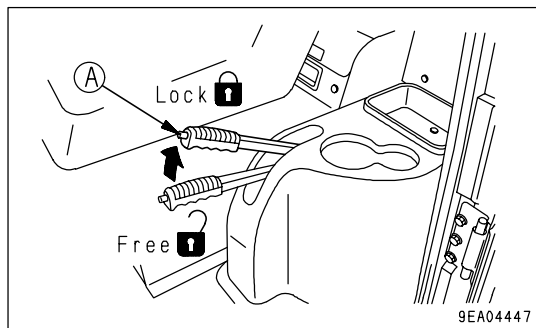
To release the brake, pull the lever, then press button (A) at the tip of the lever and return the lever to the FREE position. At the same time, the parking brake pilot lamp will go out.

REMARK

If the directional lever is placed at the FORWARD or REVERSE position with the parking brake still applied, the central warning lamp will light up and the buzzer will sound.

Before operating the directional lever, check that the parking brake lever is at the FREE position.

When the parking brake is applied, the machine will not move even if the directional lever is operated.



STEERING TILT LOCK LEVER



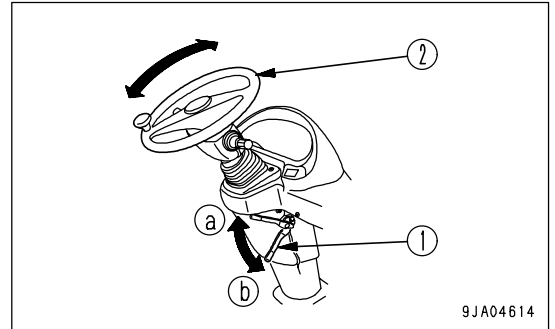
WARNING

Stop the machine before adjusting the tilt of the steering wheel. If this operation (adjustment) is carried out while the machine is moving, it may lead to a serious accident or personal injury.

This lever allows the steering column to be tilted forward or backward.

The amount of adjustment is 8° to the front and 10° to the rear (stepless) from the neutral position.

1. Set the lever (1) to FREE position (a).
2. Set the steering wheel (2) to the desired position, then set lever (1) to LOCK position (b).

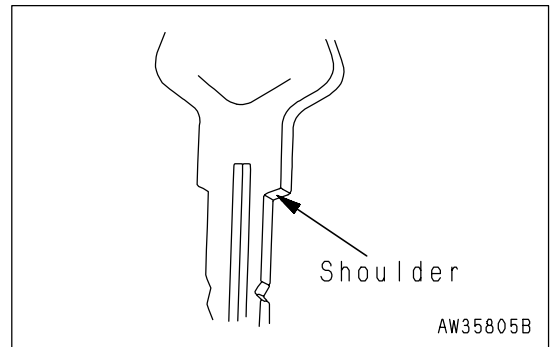


CAP AND COVER WITH LOCK

Use the starting key to open and close the locks on the caps and covers.

For details of the locations of the caps and covers with locks, see "LOCKING (PAGE 3-111)".

Insert the key as far as it will go, then turn it. If the key is turned before it is inserted fully, it may break.

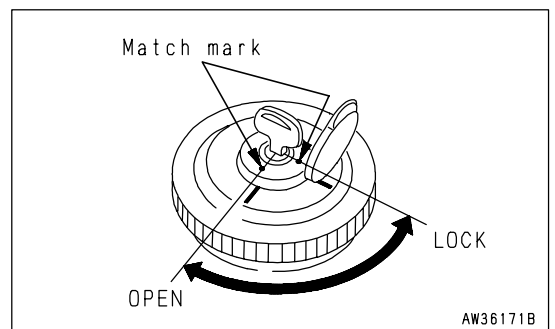


METHOD OF OPENING AND CLOSING CAP WITH LOCK

(FOR THE FUEL TANK FILLER PORT)

TO OPEN THE CAP

1. Insert the key into the key slot.
2. Turn the key clockwise, align the key slot with the match mark on the cap, then open the cap.



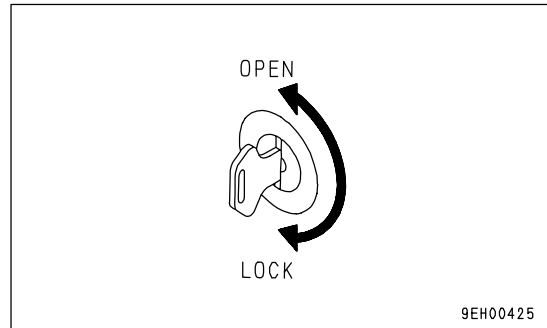
TO LOCK THE CAP

1. Turn the cap until tight, then insert the key into the key slot.
2. Turn the key counterclockwise and take the key out.

METHOD OF OPENING AND CLOSING COVER WITH LOCK (ENGINE SIDE COVER)

TO OPEN THE COVER

1. Insert the key into the key slot.
2. Turn the key counterclockwise and open the cover by pulling the cover grip.



TO LOCK THE COVER

1. Close the cover and insert the key into the key slot.
2. Turn the key clockwise and take the key out.

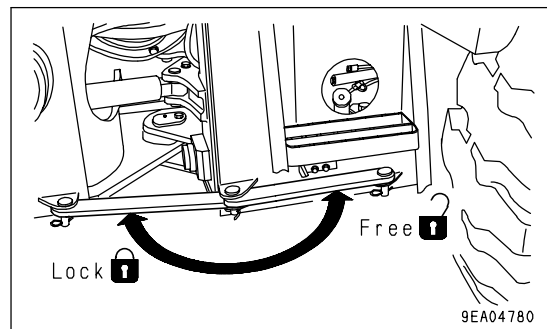
FRAME LOCK BAR



WARNING

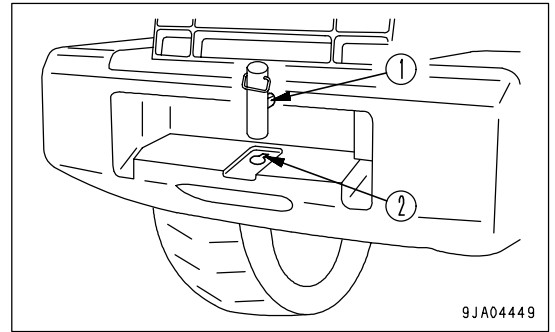
- When carrying out maintenance or transporting the machine, always set the frame lock bar to the LOCK position.
- Always remove the frame lock bar for travel operations. If it is not removed, the steering wheel cannot be used for steering, and this may lead to serious damage or injury.

This is a device used to lock the front and rear frames during maintenance or when transporting the machine. It prevents the front and rear frames from articulating.



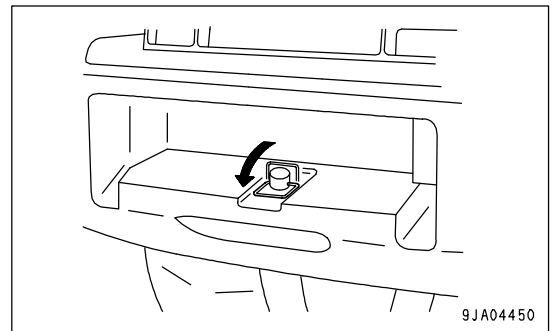
TOWING PIN

1. Align protrusion (1) in the towing pin with groove (2) in the counterweight, then insert the pin and turn it 180°.



2. To prevent the towing pin from turning, fold the handle of the towing pin and set it in position.

Reverse this operation to remove the pin.

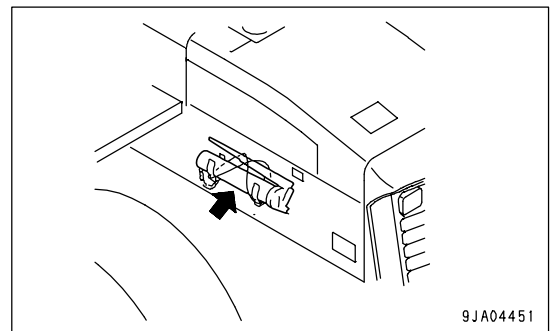


GREASE PUMP

The grease pump is stowed inside the left engine side cover at the rear of the machine.

After using the pump, wipe off all the grease stuck to the pump, set it in the clamp inside the cover, then fit the chain to the clamp to prevent the pump from moving.

In addition, form the rubber ring into a figure of 8 as shown in the diagram on the right, and secure in position.



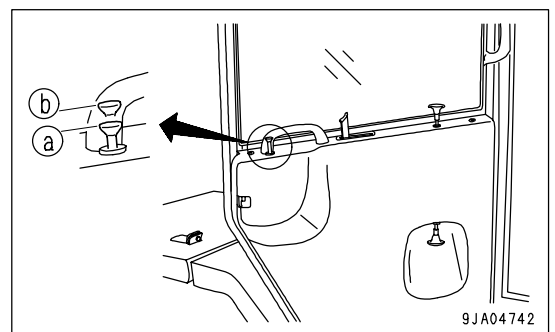
CAB DOOR INNER LOCK

(Right door)

Press cab door inner lock to lock the door.

Position (a): Lock

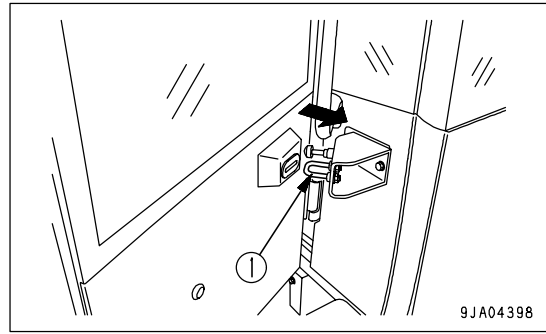
Position (b): Release



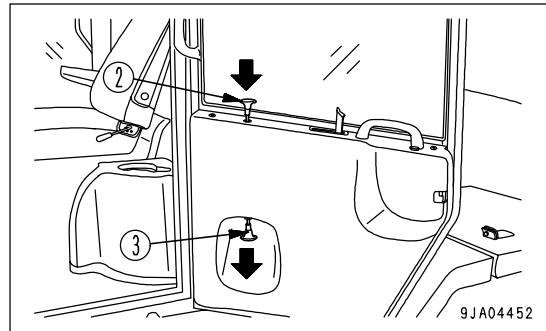
CAB DOOR OPEN LOCK

When getting in or out of the operator's compartment, or when operating with the door open, use this lock to hold the door in position.

1. Push the door against catch (1) to lock it in position.
2. When attaching the door in position, lock it firmly to the catch.
3. When getting on or off the machine, hold the handrail on the inside.



4. When closing the door from the operator's seat, push knob (2) to release the catch.
5. When closing the door after getting off the machine, pull knob (3) to release the catch.

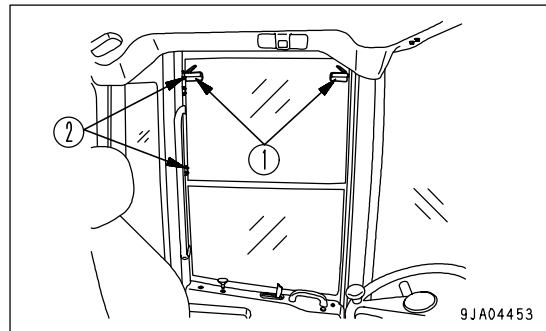


CAB WINDOW OPEN LOCK CANCEL KNOB

Use this knob when you want to move the door window glass up or down to open or close it.

Grip lock cancel knob (1) to release the lock, and move it down to a lower lock position. Release lock cancel knob (1).

There is 1 point for lock position (2).



FUSE

NOTICE

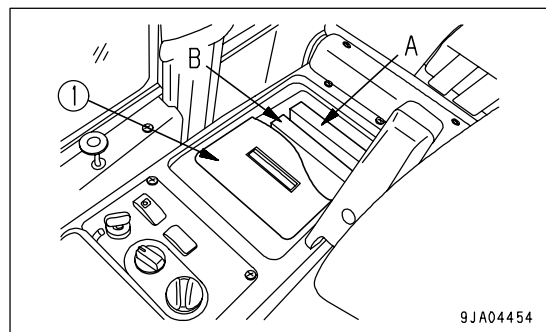
Before replacing a fuse, be sure to turn off the starting switch.

The fuses protect the electrical equipment and wiring from burning out.

If the fuse becomes corroded, or white powder can be seen, or the fuse is loose in the fuse holder, replace the fuse.

Replace the fuse with another of the same capacity.

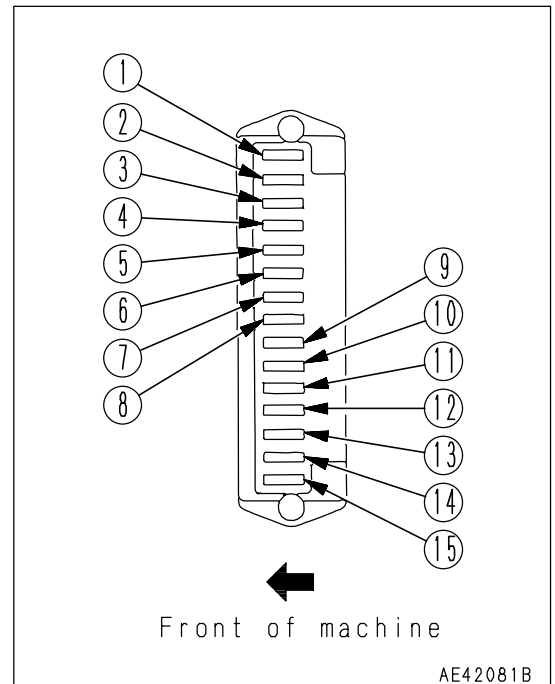
Remove cover (1). The fuse boxes are A and B.



FUSE CAPACITY AND NAME OF CIRCUIT

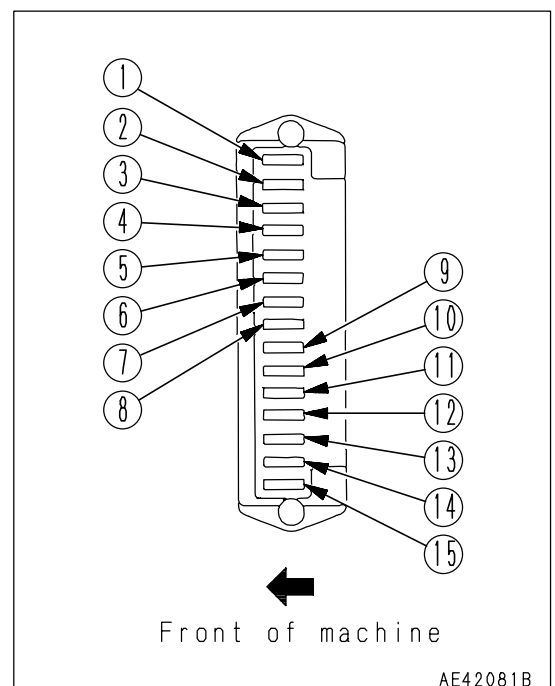
FUSE BOX A

No.,	Fuse capacity	Name of circuit
(1)	20A	Starting switch
(2)	10A	Hazard warning flashing lamp
(3)	10A	HST control A
(4)	10A	Parking brake A
(5)	10A	Instrument panel
(6)	10A	Radio A, Room lamp
(7)	10A	Auxiliary pwr (Battery +24V)
(8)	10A	Head Lamp L.H.
(9)	10A	Head Lamp R.H.
(10)	10A	Turn signal lamp
(11)	10A	Back lamp, Stop lamp
(12)	20A	HST control B
(13)	10A	Work equipment positioner
(14)	10A	Wiper
(15)	10A	Radio B



FUSE BOX B

No.,	Fuse capacity	Name of circuit
(1)	20A	Air conditioner A
(2)	20A	Air conditioner B
(3)	10A	Beacon lamp (if equipped)
(4)	10A	KOMTRAX
(5)	10A	Load meter (if equipped)
(6)	20A	Auxiliary pwr (Key on +24V)
(7)	10A	D/C converter (if equipped)
(8)	10A	Parking brake B
(9)	10A	Horn
(10)	10A	Side marker lamp L.H.
(11)	10A	Side marker lamp R.H.
(12)	20A	Front work lamp
(13)	20A	Rear work lamp
(14)	10A	Auxiliary
(15)	10A	Auxiliary



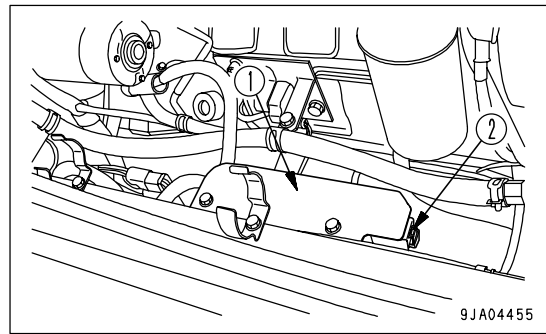
SLOW BLOW FUSE

If the power does not come on when the starting switch is turned ON, the slow blow fuse may be blown. Check and replace it.

The slow blow fuse is beside the engine on the left side of the machine.

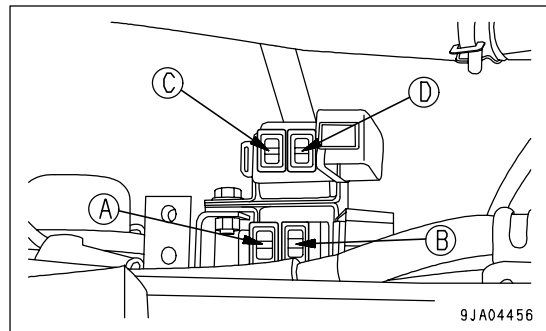
1. Open the cover (1).
2. Open the cover of slow blow fuse box (2) and inspect.

For details of the method of replacing the slow blow fuse, see Section "REPLACE SLOW BLOW FUSE (PAGE 4-31)".



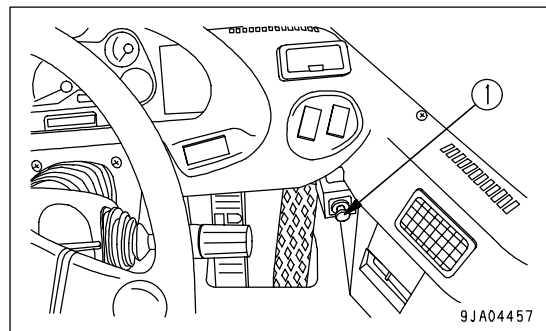
SLOW BLOW FUSE

- (A) 80A: Chassis power source
- (B) 120A: Engine preheating power source
- (C) 30A: Battery power (starting switch, hazard)
- (D) 30A: Fuel solenoid power source



POWER OUTLET

Removing the cigarette lighter (1) allows use of its power. The maximum electric current is 7A (168 W).



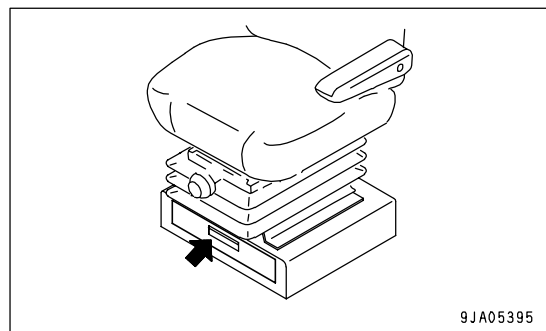
STORAGE BOX

This is under the operator's seat.

Use this box to keep small items and tools.

REMARK

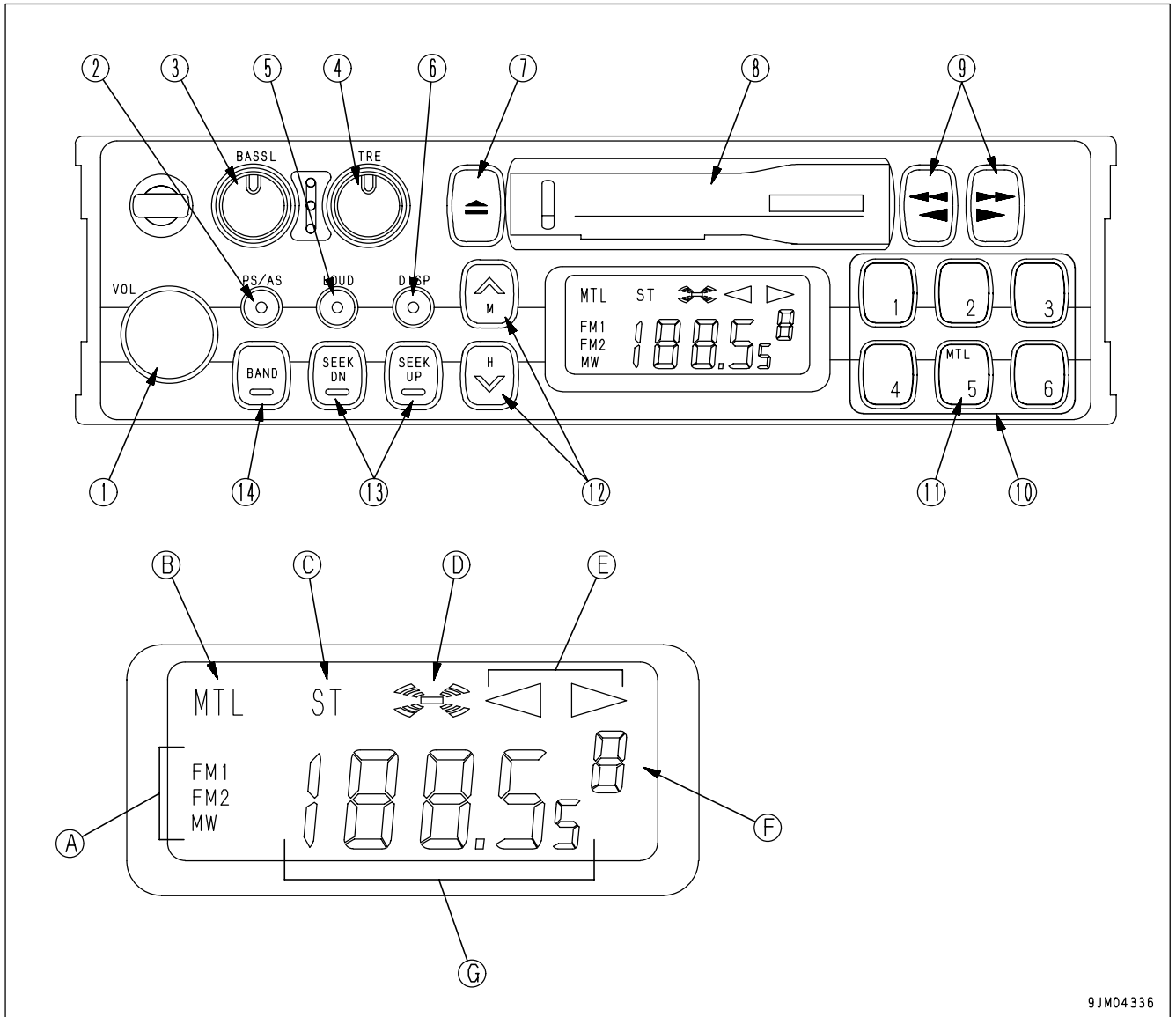
The storage box is not waterproof. When washing the floor, remove all documents and other items that may be damaged by water, and keep them in a waterproof bag.



AM/FM RADIO-CASSETTE STEREO

(If equipped)

EXPLANATION OF COMPONENTS

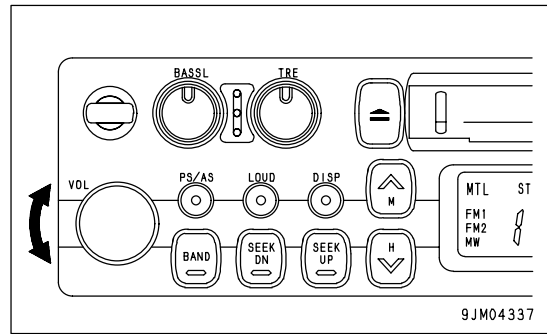


9JM04336

- | | |
|--|----------------------------------|
| (1) Power switch/volume | (8) Cassette door |
| (2) Auto-store/preset scan button | (9) Fast forward, rewind buttons |
| (3) Bass control knob | (10) Preset buttons |
| (4) Treble control knob | (11) Metal tape button |
| (5) Loudness button | (12) Manual tuning buttons |
| (6) Time/radio display selector button | (13) Seek tuning buttons |
| (7) Tape eject button | (14) Band selector button |
-
- | | |
|---------------------------------|----------------------------|
| (A) Band display | (E) Tape direction display |
| (B) Metal tape display | (F) Preset channel display |
| (C) FM stereo reception display | (G) Time/frequency display |
| (D) Loudness display | |

POWER SWITCH/VOLUME

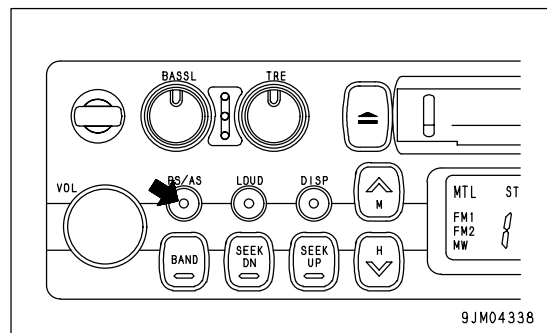
Turn this knob (1) to the right until it clicks to turn the power on.
Turn it further to increase the volume.



AUTO-STORE/PRESET SCAN BUTTON

Use this button (2) to actuate the preset scan and auto-store functions.

- Auto-store
Each time this button is pressed for more than 2 seconds while in radio reception, this auto-store function automatically starts to search for the desired station within a receivable band, and memorize the frequency in the preset memory. During this scanning process, the frequency shown in the right side of display continues to change. This indicates that each frequency is memorized in the auto-store.



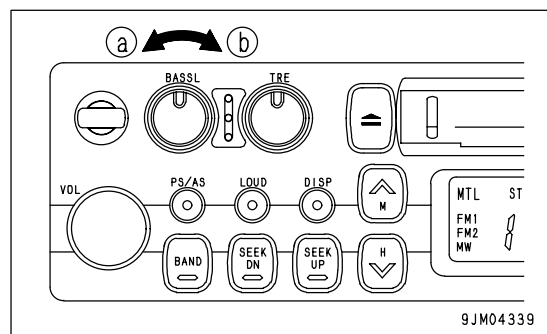
REMARK

The auto-store function cannot be used when the channel display is flashing.
When the display is flashing, the preset scan function is being used.

- Preset scan
If this button is pressed for less than 0.5 second while in radio reception, programs from the six preset stations in the same band will be broadcast one after another for 5 seconds each, starting from No. 1 through No. 6 stations consecutively.
When the desired station is found, press the button again. This stops the preset scan tuning process and switches to ordinary broadcasting. The same process will be repeated continuously until the button is pressed again.

BASS CONTROL KNOB

Turn this button (3) to the left to reduce the low tones; turn it to the right to emphasize the low tones.
Direction (a): Low tone reduced
Direction (b): Low tone emphasized

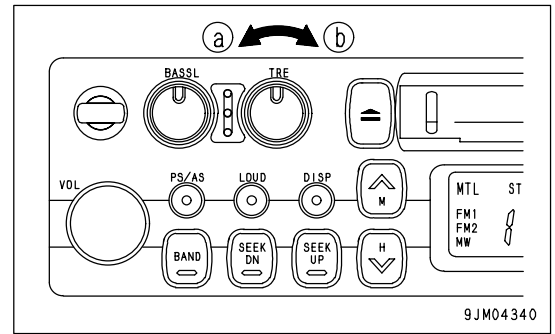


TREBLE CONTROL KNOB

Turn this button (4) to the left to reduce the low tones; turn it to the right to emphasize the high tones.

Direction (a): High tone reduced

Direction (b): High tone emphasized

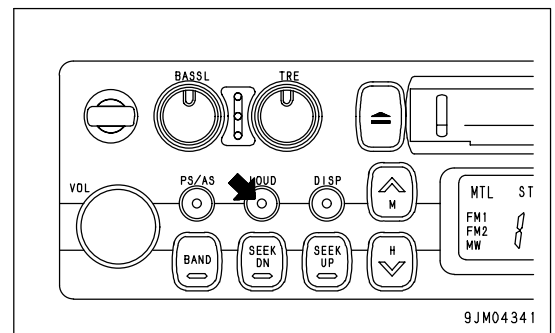


LOUDNESS BUTTON

This button (5) is used when playing at low volume. It makes it possible to hear more easily by emphasizing the low tone when the low tones are weak.

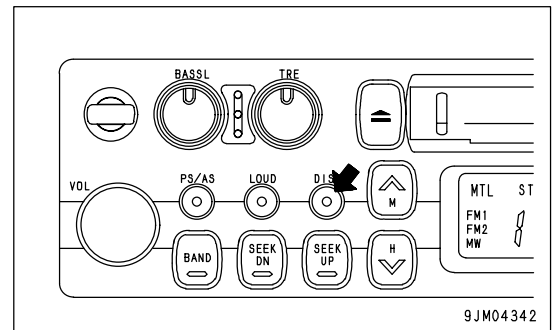
Push button: Actuated (ON)

Push button again: Canceled (OFF)



TIME/RADIO DISPLAY SELECTOR BUTTON

This button (6) is used to switch between the "Radio/tape display" and the "Time display".



- Correcting the time

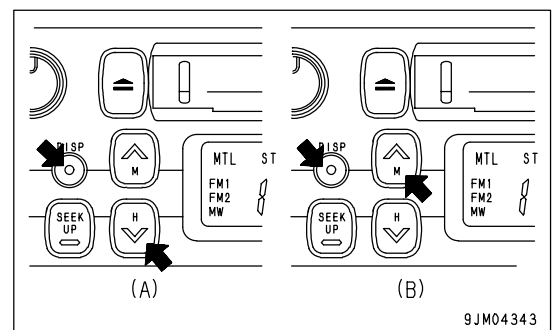
Press the button to set the time display.

(A) Correcting hour:

Keep the DISP button pressed and press the bottom (H) of the TUNING button to correct the hour.

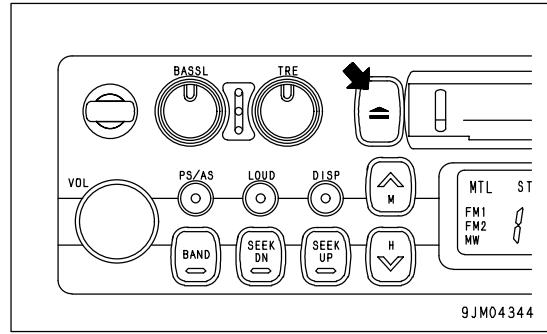
(B) Correcting minute:

Keep the DISP button pressed and press the top (M) of the TUNING button to correct the minute.



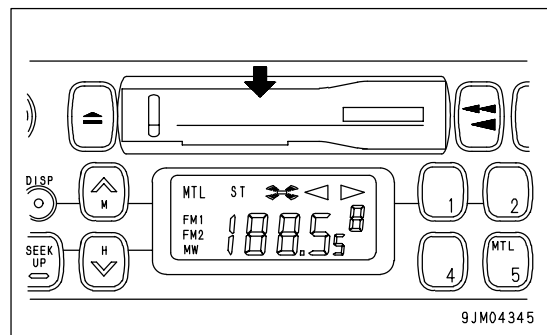
TAPE EJECT BUTTON

This button (7) is used to stop the tape and to eject the cassette. When this button is pressed, the tape is ejected and the radio plays.



CASSETTE DOOR

Set the cassette with the exposed portion of the tape on the right side and insert it through the cassette door (8).



FAST-FORWARD, REWIND BUTTONS

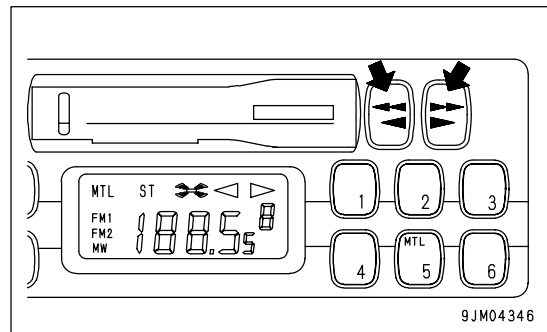
These buttons (9) are used to fast-forward or rewind the tape.

- Fast-forward/rewind

If you press the button pointing in the same direction as the lighted arrow indicating the direction of play, the tape will be fast-forwarded; if you press the button pointing in the opposite direction, the tape will rewind.

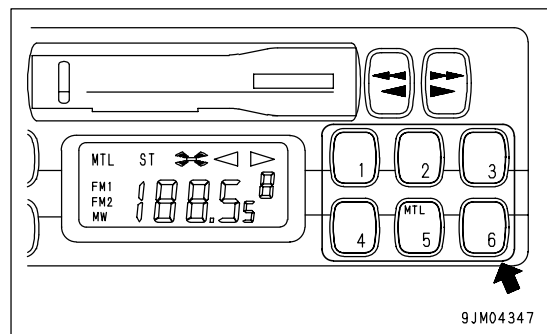
To stop the tape, lightly press the button that is not locked. The fast-forward or rewind operation will be canceled.

If the fast forward and rewind buttons are pressed at the same time, the tape will change sides.



PRESET BUTTONS

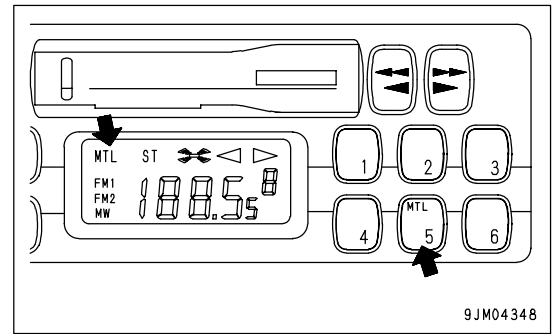
These buttons (10) are used to call up the broadcast station frequencies preset in memory for each of buttons No. 1 to No. 6. It is possible to preset 18 stations (FM: 12; AM: 6) with these buttons.



METAL TAPE BUTTON

(used also for preset button No. 5)

This button (11) is used when playing a metal or chrome tape. This button is also used for preset button No. 5. When it is pressed, "MTL" appears on the display.

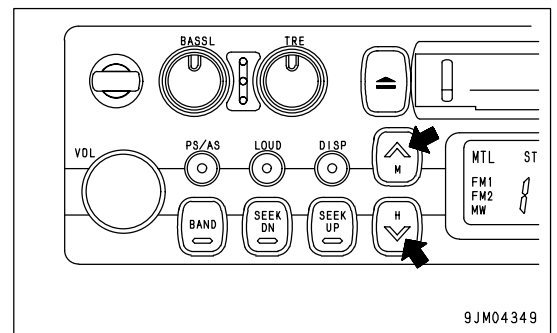


9JM04348

MANUAL TUNING BUTTONS

These buttons (12) are used for manual tuning.

When "TUN ^" button is pressed, the frequency goes up; when "TUN v" button is pressed, the frequency goes down. If the button is pressed down and held, the frequency will change continuously.



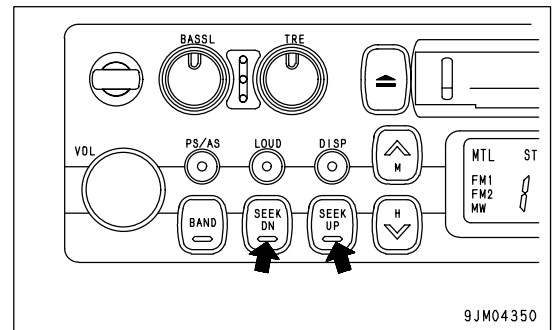
9JM04349

SEEK TUNING BUTTONS

These buttons (13) are used to seek tuning.

When the "SEEK UP" button is pressed, the search automatically goes up; when the "SEEK DOWN" button is pressed, the search automatically goes down.

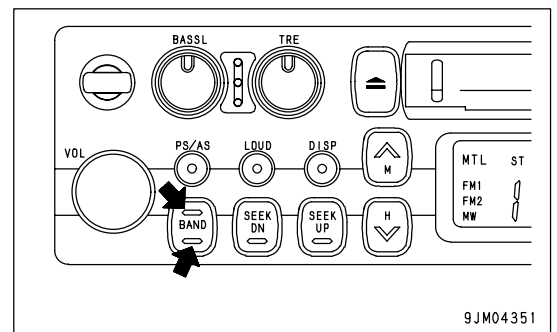
When the next station that can be received is found, it automatically stops.



9JM04350

BAND SELECTOR BUTTON

When this button (14) is pressed, the band is switched between FM1, FM2, and MW (AM). The band is shown on the display.



9JM04351

METHOD OF OPERATION

METHOD OF SETTING PRESET BUTTONS

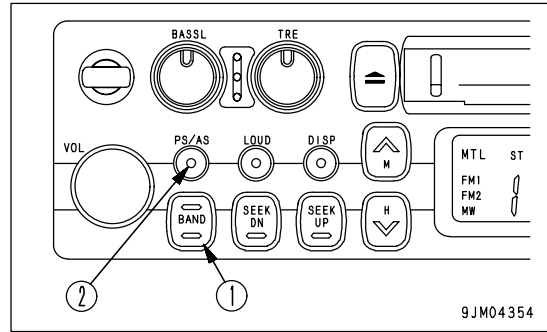
It is possible to preset 6 MW (AM) stations and 12 FM stations (FM1: 6 stations, FM2: 6 stations).

REMARK

If you are playing the cassette, press the tape eject button to stop the tape.

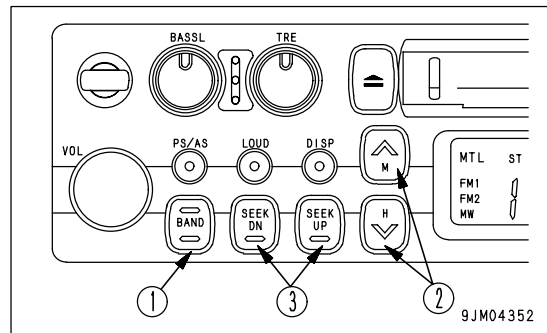
METHOD OF AUTO PRESET

1. Use band selector button (1) to select MW (AM), FM1 or FM2.
2. Press auto-store/preset scan button (2) for less than 0.5 second.
3. The preset scan tuning function automatically searches for the desired station within the same band and can memorize as many as 6 stations in the preset memory.



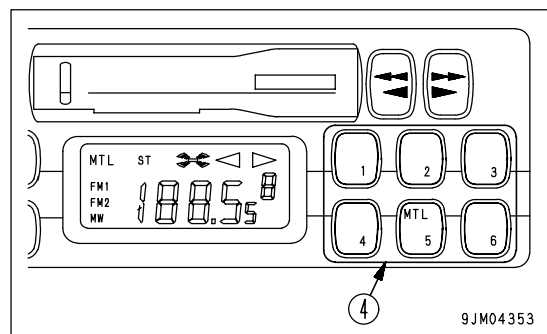
METHOD OF MANUAL PRESET

1. Use band selector button (1) to select MW (AM), FM1 or FM2.
2. Press manual tuning buttons (2) or seek tuning buttons (3).
3. Press preset button (4) of the number to be preset for 2 seconds while the frequency display is being shown on the display. (The preset channel and frequency are displayed and the presetting is completed).
4. Repeat the steps explained in Item 2 and 3 above to preset other stations to the subsequent numbers.
5. If you want to preset a station in the other bands, follow the steps explained in Item 1 through 4 above.



REMARK

- Also, use Steps 2 and 3 when changing the setting of a preset switch to another station.
- When the power is disconnected, such as when the battery is replaced, all the settings are deleted, so preset the stations again.



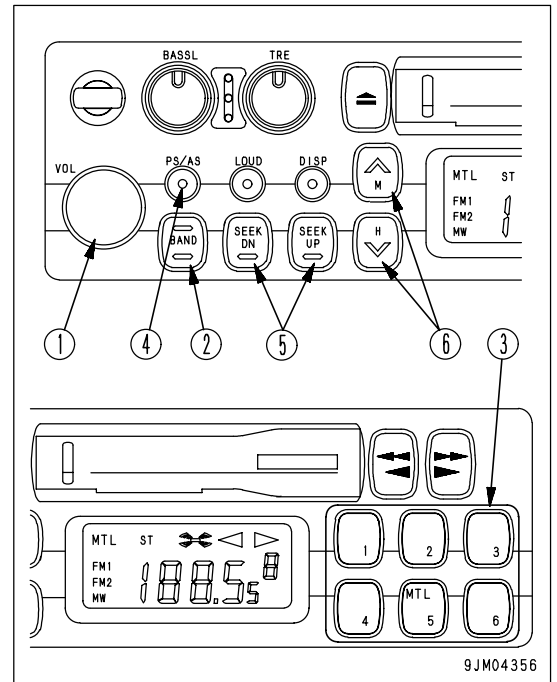
LISTENING TO RADIO

1. Turn the starting switch ON, then turn power switch (1) ON.
2. Use band selector button (2) to select MW (AM), FM1 or FM2.
3. Select the station with the preset buttons (3).

REMARK

In case you do not promptly remember the number assigned to a certain preset station, press auto-store/preset scan button (4) for less than 0.5 second. The preset 6 stations will broadcast one after another for 5 seconds each. When the desired station broadcasts, press the button again and scan tuning stops.

4. If you want to tune in to a station that is not preset, use either seek tuning button (5) or manual tuning button (6).
5. Adjust the volume, balance, and tone as desired.
6. When turning the radio OFF, turn power switch (1) to the left until it clicks.



REMARK

- To switch to the radio when listening to a cassette, press the cassette eject button to stop the tape.
- If you insert a cassette when listening to the radio, the tape will start to play.

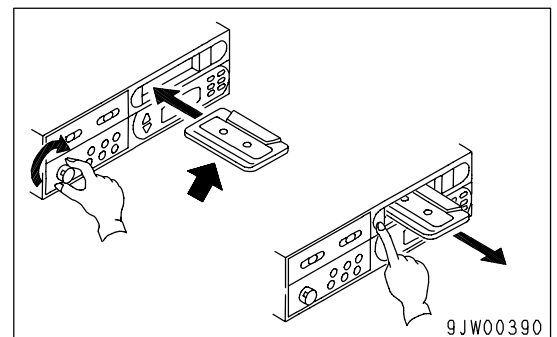
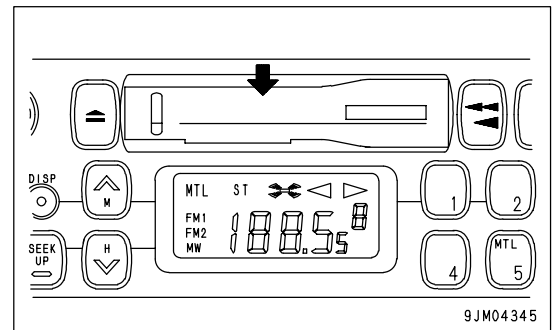
LISTENING TO CASSETTE TAPE

1. Turn the starting switch ON, then turn power switch (1) ON.
2. Set the cassette with the exposed portion of the tape on the right side and push it past the cassette door. The tape will automatically start playing.

If the arrow indicating the direction of play is pointing to the right, the top side is being played; if the arrow is pointing to the left, the bottom side is being played.

When the tape reaches the end, it is automatically reversed and the other side starts to play.

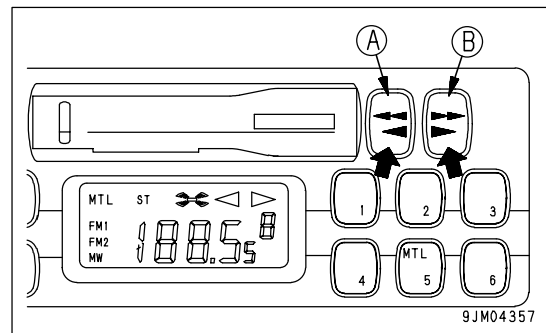
3. When finished with the tape, press the cassette eject button to eject the tape and automatically switch to the radio.



REVERSING TAPE

When listening to the tape, press both FAST FORWARD, REWIND buttons (A) and (B) at the same time lightly.

When this is done, the tape direction display will be reversed.

**PRECAUTIONS WHEN USING****WARNING**

- If a voltage greater than the specified voltage is input, it may cause fire, electrocution, or other failure. Never input any voltage other than the specified voltage.
- Places inside the radio are under high voltage. Do not remove the cover.
- Do not carry out any modifications. This may cause fire, electrocution, or other failure.
- If the sound cannot be heard, nothing is displayed, or any other problem occurs, turn off the power switch and ask your Komatsu distributor to make repairs without delay.

- Stow the antenna when traveling in places with low overhead clearance.
- To ensure safety during operations, keep the volume at a level where it is possible to hear other machines.
- If water gets inside the speaker case or radio (auto tuning), it may cause a serious problem, take care not to let water get in these items.
- Do not wipe the scales or buttons with benzene, thinner, or any other solvent. Wipe with a soft dry cloth. Use a cloth soaked in alcohol if the equipment is extremely dirty.

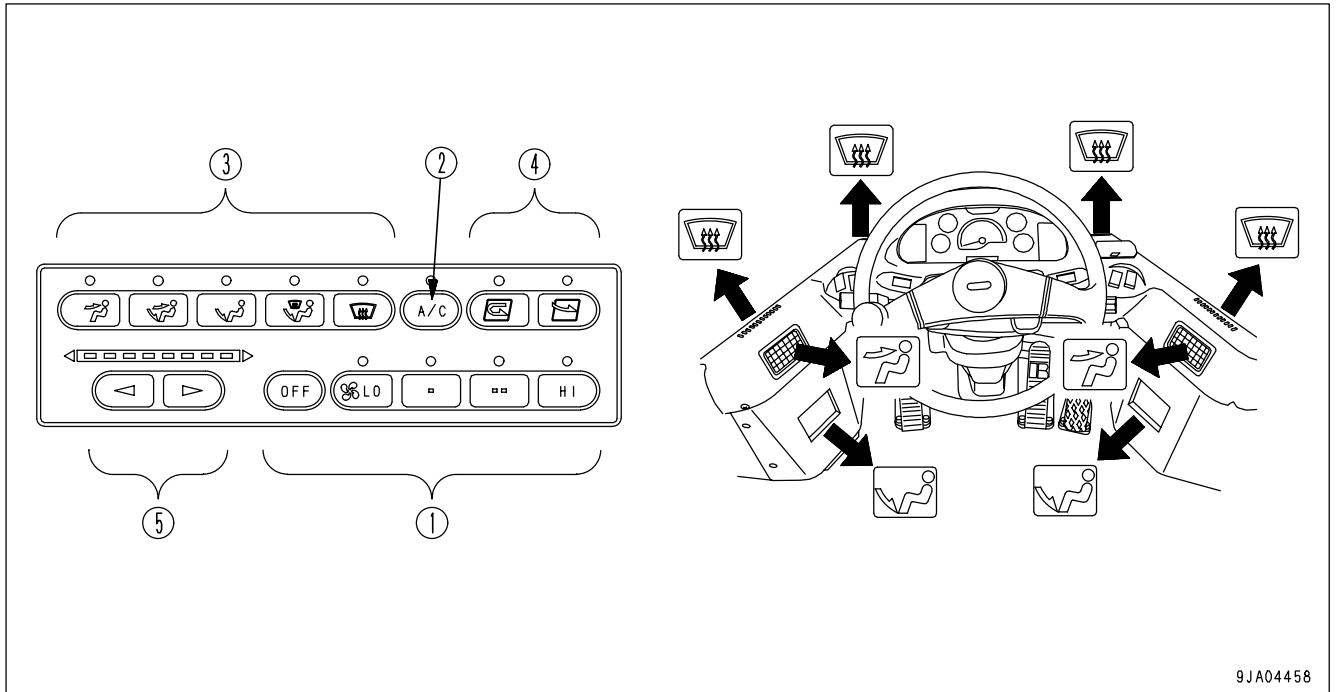
NOTICE**Handling cassette tape**

- Clean the tape head approx. once a month with a commercially available head cleaning tape.
- Do not leave the tape any place where it is exposed to direct sunlight, any place that is excessively dusty, or any place where there is a magnetic field.
- Do not use 120-minute tapes. The tape is thin and it easily gets caught up inside the machine.
- If the tape is slack, it easily gets caught up inside the machine. Use a pencil to wind in the tape to remove any slack.
- Do not use any cassette tape if the label has started to come off. It may cause defective rotation, or it may be impossible to get the tape out of the machine.

AIR CONDITIONER

By taking fresh air into the cab through a filter, it is possible to raise the pressure inside the cab. This makes it possible to provide a pleasant working environment even on dusty jobsites.

GENERAL LOCATIONS AND FUNCTION OF CONTROL PANEL

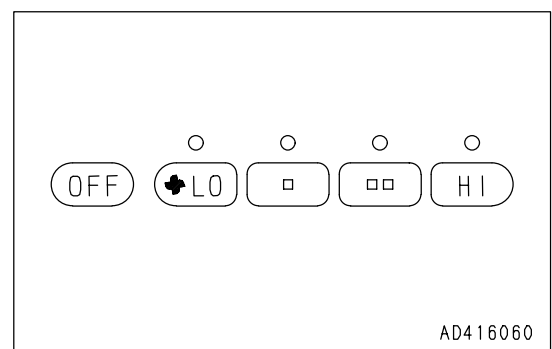


9JA04458

- (1) Fan switch
- (2) Air conditioner switch
- (3) Mode selector switch
- (4) FRESH/RECIRC selector switch
- (5) Temperature control switch

FAN SWITCH

This switch (1) can be used to adjust the airflow in four stages. It also acts as the main switch for the air conditioner. When the OFF switch is pressed, the fan stops. When the switch is pressed, the indicator lamp above the switch lights up to display the airflow.

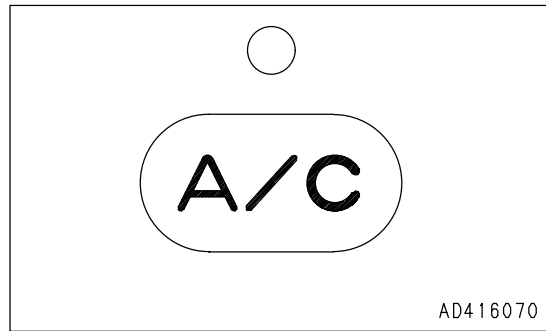


AD416060

AIR CONDITIONER SWITCH

This switch (2) is used to start or stop the cooling or dehumidifying function.

When the fan switch is turned ON and the air conditioner switch is pressed, the indicator lamp above the switch lights up. When the switch is pressed again, the switch is turned OFF and the indicator lamp goes out.

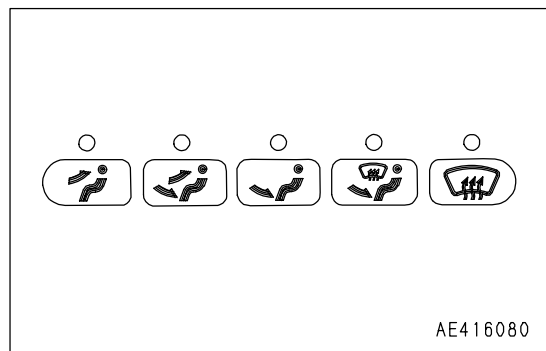


MODE SELECTOR SWITCH

This switch (3) is used to select the vents.

The following five vent modes are available: FACE, FACE/FOOT, FOOT, FOOT/DEF, DEF.

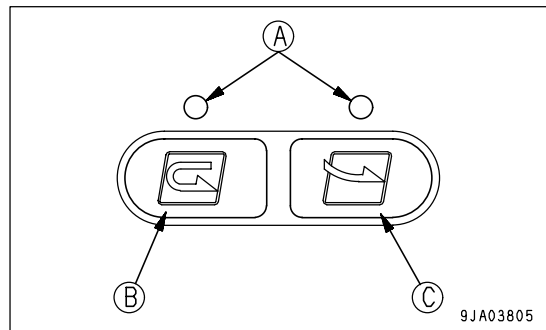
When the switch is pressed, the indicator lamp above the switch lights up to display the vent mode.



FRESH/RECIRC SELECTOR SWITCH

This switch (4) is used to select between recirculation of the air inside the cab or intake of fresh air from outside.

When the switch is pressed, indicator lamp (A) at the top of the switch lights up.



Recirculation of air inside cab

Press this switch (B) to use only the air inside the cab. Use this position to carry out rapid heating or cooling of the cab or when the outside air is dirty.

Intake of fresh air from outside

Press this switch (C) to carry out heating or cooling with fresh air taken in from the outside. Use this position when fresh air is taken in from outside the cab, or when removing the mist from the cab windows.

REMARK

When fresh air is taken into the cab, air pressure in the cab increases, which prevents the dust from entering. When neither heating nor cooling is needed, bring in clean fresh air, with your preferred air flow, to prevent dust from entering the cab.

TEMPERATURE CONTROL SWITCH

The temperature can be adjusted with this switch (5) by pressing and holding the up or down button.

The temperature level indicator lamps (A) light up to display the temperature of the air coming from the vents.

The more blue lamps on, the lower the temperature is.

The color of the indicator lamp (A) changes while the switch is being pressed.

When the temperature reaches the desired level, release the switch to set the temperature.

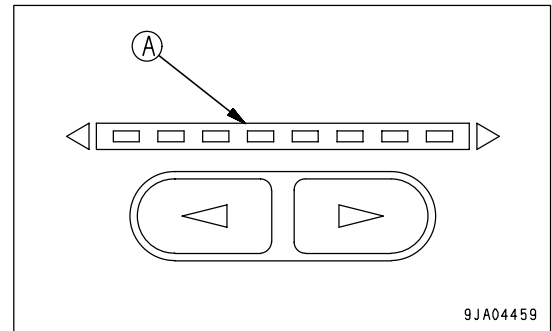
The settings for each mode are retained in memory even when the starting switch is turned OFF.

However, in the following cases, the settings must be reset.

- When the machine has been out of use for more than 7 days
- When the battery voltage is extremely low
- When there has been abnormal interference from outside
- When the fan switch is turned OFF (the setting is not kept in memory with only the air conditioner switch)

If the air conditioner is used in the FRESH position, the inside of the cab will be pressurized and this will prevent the entry of dust.

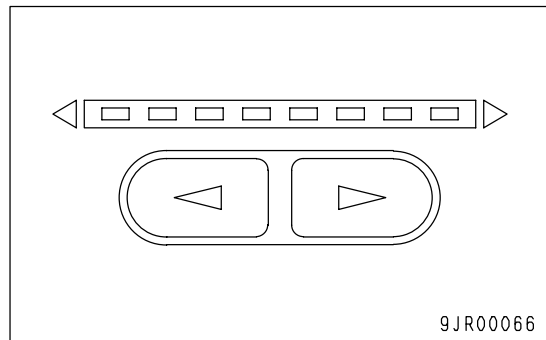
The higher the position of the fan switch, the more effective the pressurizing becomes.



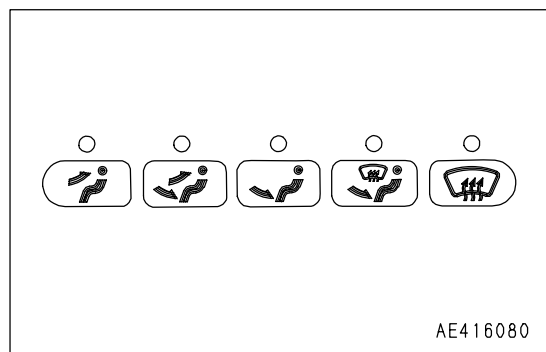
METHOD OF OPERATION

Switch		Condition of use				
		Fan switch	Air conditioner switch	Temperature control switch	FRESH/RECIRC selector switch	Mode selector switch
Cooling	Rapid	HI	ON	All blue	RECIRC	FACE
	Normal	HI - LO	ON	More than half are blue	FRESH	FACE
Dehumidifying, heating		HI - LO	ON	More than half are red	FRESH	FOOT
Heating	Rapid	HI	OFF	All red	RECIRC	FOOT
	Normal	HI - LO	OFF	More than half are red	FRESH	FOOT
Defroster		HI	ON	More than half are red	FRESH	DEF
Ventilation or pressurizing		HI - LO	OFF	All blue	FRESH	FACE

When defrosting, set the temperature control switch so that all lamps are red. This will improve defrosting and demisting.



Set the vent mode selector switch to the intermediate position to give the desired condition. With the FACE vents, it is possible to adjust the direction of the air flow and to turn it on or off. However, do not set to the FACE mode with the vents closed.



WHEN NOT USING THE AIR CONDITIONER REGULARLY

Run the air conditioner in cooling or dehumidification + heating mode for several minutes from time to time to prevent the loss of the oil film in various parts of the compressor.

REMARK

If the temperature inside the cab is low, the air conditioner may not work. In such cases, use the recirculated air to warm up the inside of the cab, then turn the air conditioner switch on. The air conditioner will be run.

COOL BOX

When the cooling is being used, this can be used for keeping drinks and other things cool.

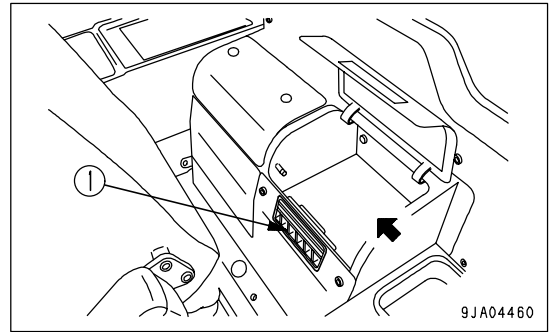
When the heating is being used, it can be used to keep things warm.

When using the box, open the vent grill (1).

When not using the box, close the grill (1).

Do not use the cool box for things which smell or leak water or break easily.

Do not use it as a holder for tools or other small objects.

**PRECAUTIONS WHEN USING****PRECAUTIONS WHEN USING THE COOLING**

- If you smoke when using the air conditioner in the RECIRC mode, your eyes may start to itch or burn. Ventilate the cab ever so often to remove the smoke.
 - When using the air conditioner for a long period of time, carry out ventilation process at least once every hour.
- When using the air conditioner, it is recommended for health reasons, that it should only feel slightly cooler (5 or 6 °C (9 or 10.8°F) lower than the outside temperature) when you enter the cab. Therefore, adjust the temperature to a suitable level.

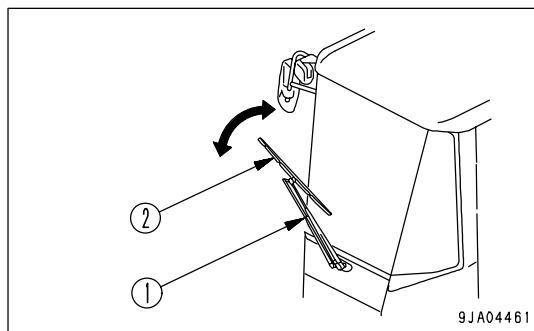
HANDLING CAB WIPER

PREVENTING DAMAGE TO WIPER ARM BRACKET

NOTICE

When angling the wiper arm (1) to the front, check that the wiper blade (2) is hanging free.

When angling the wiper arm (1) to the front, such as when wiping the glass clean, if the wiper arm (1) is angled with the wiper blade (2) locked to the arm (the bottom of the blade is caught on the arm), abnormal force is brought to bear on the mounting bracket and the bracket may break.



OPERATION

CHECK BEFORE STARTING ENGINE, ADJUST

WALK-AROUND CHECK

Before starting the engine, walk around the machine and look at the underside of chassis for anything unusual like loose bolts and nuts, leakage of fuel, oil and coolant. Also check the condition of the work equipment and the hydraulic system.

Also check for loose wiring, play, and collection of dust at places that reach high temperature.



WARNING

Remove any flammable materials from around the battery, engine, muffler, turbocharger, or other high temperature engine parts. Leakage of fuel or oil will cause the machine to catch fire. Check carefully, be sure to repair any problem, or contact your Komatsu distributor.

If the machine is at an angle, reposition it level before checking.

Perform the following inspections and cleaning every day before starting engine for the day's work.

1. Check for damage, wear, play in work equipment, cylinders, linkage and hoses.
Check that there are no cracks, excessive wear, or play in the work equipment, cylinders, linkage or hoses. If any abnormality is found, repair it.
2. Remove dirt and dust from around engine, battery and radiator.
Check if there is any dirt or dust accumulated around the engine or radiator. Also check if there is any flammable material (dead leaves, twigs, etc.) accumulated around the battery or high temperature engine parts, such as the engine muffler or turbocharger. Remove all such dirt or flammable material.
3. Check for coolant or oil leakage around the engine.
Check that there is no oil leakage from the engine or coolant leakage from the cooling system. If any problem is found, repair it.
4. Check for oil leakage from HST piping, transfer case, axle, hydraulic tank, hoses and joints.
Check that there is no oil leakage. If any abnormality is found, repair the leakage.
5. Check for oil leakage from the brake line.
Check that there is no oil leakage. If any abnormality is found, repair the leakage.
6. Check for damage or wear to tires and loose mounting bolts.
Check for cracks or peeling of the tires and for cracks or wear to the wheels (side rim, rim base, lock ring). Tighten any loose wheel nuts. If any abnormality is found, repair or replace the part.
If any valve caps are missing, install new caps.
7. Check for damage and loose bolts on the handrail and steps.
Repair any damage and tighten any loose bolts.
8. Check for damage to gauges, lamps on the instrument panel and loose bolts.
Check for damage to the panel, gauges and lamps. If any problem is found, replace the parts. Clean off any dirt on the surface. Tighten any loose bolts.

9. Check for loose air cleaner mounting bolts.
Check for the loose bolts. If loose, tighten them.

10. Check for loose battery terminals.
Tighten any loose terminal.

11. Check for damage to the seat belt and mounting clamps.

! WARNING

Even if there appears to be no abnormality with the seat belt, replace it once every three years.

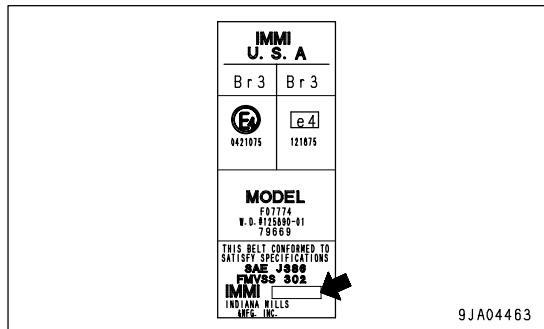
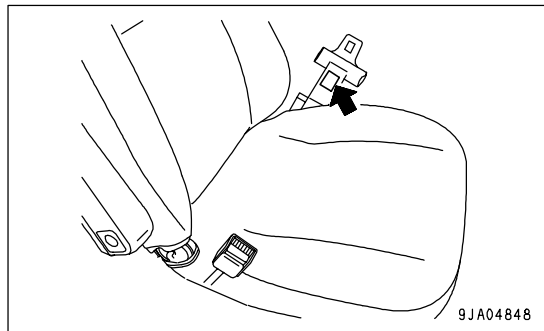
REMARK

The date of manufacture of the seat belt is marked on the belt at the place indicated by the arrow in the diagram on the right.

Check that there are no loose bolts on the equipment mounting the seat belt to the machine, and tighten if necessary.

Tightening torque: 24.5 ± 4.9 N·m (2.5 ± 0.5 kgf·m, 18.1 ± 3.6 lbft)

If the belt is damaged or fluff is starting to form, or if there is any damage or deformation of the seat belt holders, replace the seat belt.



12. Clean cab window.
Clean the cab window to ensure good visibility when operating the machine.

13. Inspect tires.

**WARNING**

If worn or damaged tires are used, they may burst and cause serious injury or death.

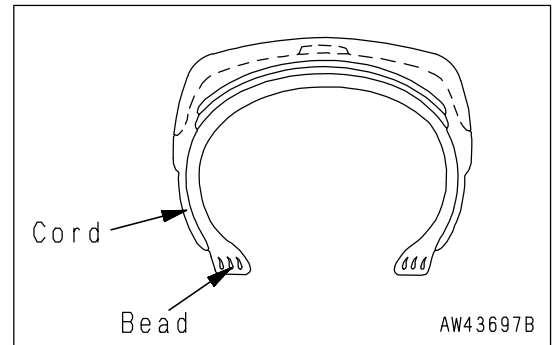
To ensure safety, do not use the following tires.

Wear:

- Tires with a tread grooves of less than 15% of that of a new tire
- Tires with extreme uneven wear or with stepped-type wear

Damage:

- Tires with damage that has reached the cords, or with cracks in the rubber
- Tires with cut or pulled cords
- Tires with peeled (separated) surface
- Tires with damaged bead
- Leaking or improperly repaired tubeless tires
- Deteriorated, deformed or abnormally damaged tires, which do not seem usable



14. Inspect rims.

**WARNING**

Check the rims (wheels) and rings for deformation, corrosion and cracks.

In particular, check the side rings, lock rings and rim flanges thoroughly.

CHECK BEFORE STARTING

Always perform the procedures in this section before starting the engine each day.

CHECK OIL LEVEL IN ENGINE OIL PAN, ADD OIL



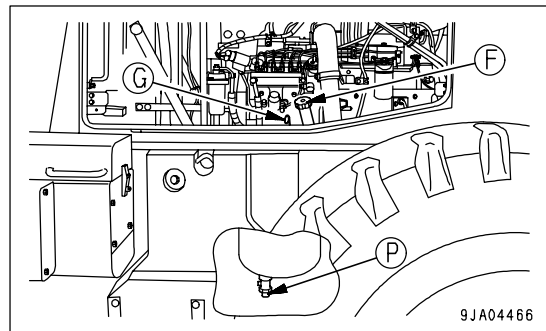
WARNING

Parts and oil are at high temperature immediately after the engine is stopped and may cause serious burns. Wait for the oil temperature to go down before performing this operation.

1. Open the engine side cover on the right side of the chassis.
2. Take out the dipstick (G) and wipe off the oil with cloth.
3. Fully insert dipstick (G) into filler pipe (F), then remove it.
4. The oil level should be between the H and L marks on dipstick (G).

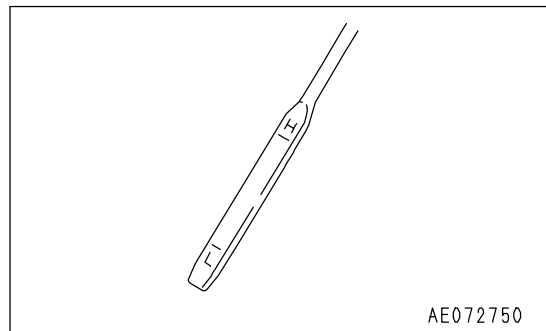
If the oil level is below the L mark, add oil through oil filler (F).

5. If the oil is above the H line, open drain valve (P), drain the excess engine oil, then check the oil level again.
6. If the oil level is correct, tighten oil filler cap (F) securely and close the inspection window.



REMARK

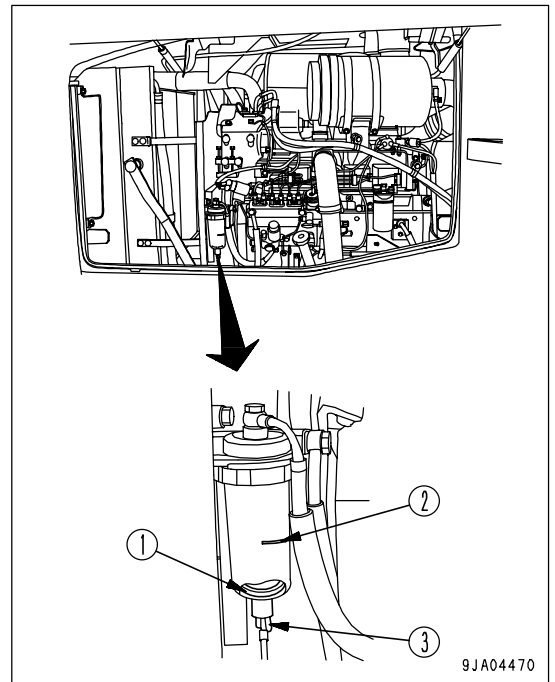
- Wait for at least 15 minutes, after stopping the engine, before checking the oil level.
- If the machine is at an angle, make it horizontal before checking.



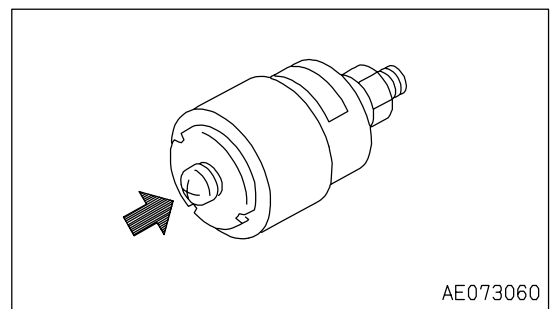
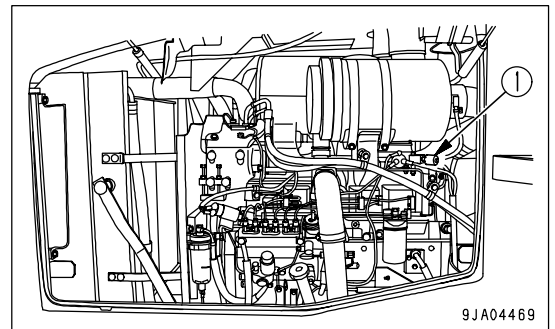
CHECK WATER SEPARATOR

The water separator separates water mixed in the fuel. If float (1) goes above water drain line (2), drain the water as follows.

1. Loosen drain plug (3) and drain the accumulated water until the float (1) reaches the bottom.
2. Tighten drain plug (3).
3. If the air is sucked into the fuel line when draining water, be sure to bleed air in the same manner as for the fuel filter. See "REPLACE FUEL FILTER CARTRIDGE (PAGE 4-46)".

**CHECK DUST INDICATOR**

1. Check that the red piston has not appeared in the transparent portion of dust indicator (1).
2. If the red piston has appeared, clean or replace the element immediately.
For details on cleaning the element, see "CHECK, CLEAN, OR REPLACE AIR CLEANER ELEMENT (PAGE 4-17)".
3. After checking, cleaning, or replacing the air cleaner element, press the knob of dust indicator (1) to return the red piston to its original position.



CHECK COOLANT LEVEL, ADD COOLANT

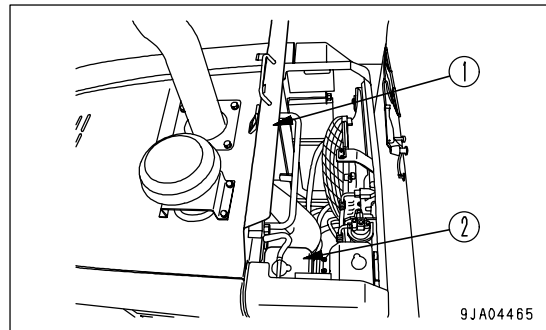
! WARNING

- Do not open the radiator cap unless necessary. Wait for the engine to cool down before checking the coolant in the sub-tank.
- Immediately after the engine is stopped, the coolant is at a high temperature and the radiator is under high internal pressure. If the cap is removed to check the coolant level in this condition, there is a hazard of burns. Wait for the temperature to go down, then turn the cap slowly to release the pressure before removing it.

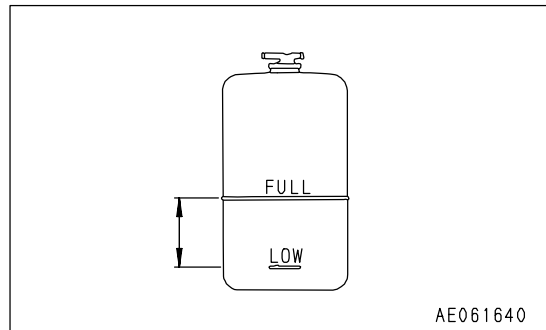
! CAUTION

When adding coolant, use the step and handrail provided. Support your body securely.

1. Open top cover (1) at the front of the engine hood.
2. Check that the coolant level is between the FULL and LOW marks on radiator sub-tank (2). If the coolant level is low, add coolant through the coolant filler of sub-tank (2) to the FULL level.
3. After adding coolant, tighten the cap securely.
4. If sub tank (2) is empty, check for coolant leakage, then check the coolant level in the radiator. If the coolant level is low, add coolant to the radiator, then add coolant to sub tank (2).



9JA04465



AE061640

If the volume of coolant added is more than usual, check for possible leakage. Confirm that there is no oil in the coolant.

CHECK INFLATION PRESSURE OF TIRES

Measure the inflation pressure with a tire pressure gauge, while the tires are cool, before starting work.

Check for damage or wear to the tires and the rims. Check for loose wheel hub nuts (bolts).

The appropriate inflation pressure differs according to the type of work. See Section "HANDLING THE TIRES (PAGE 3-112)" for details.

CHECK ELECTRIC WIRING


CAUTION

- If fuses are frequently blown or if there are traces of short-circuiting on the electrical wiring, promptly ask your Komatsu distributor to locate the cause and make the repair.
- Keep the top surface of the battery clean and check the breather hole in the battery cap. If it is clogged with dirt or dust, wash the battery cap to clear the breather hole.

Check for damage, wrong fuse capacity, and any sign of disconnection or short circuit in the electric wiring. Also, check and tighten any loose terminals.

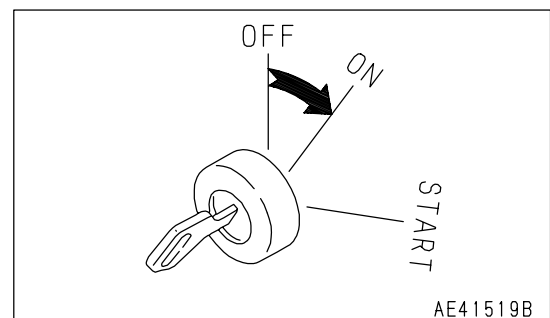
Particularly, check the wiring of the "battery", "starting motor" and "alternator" carefully.

When checking around the battery, make sure there is no accumulation of flammable materials. Remove all flammable materials.

Please contact your Komatsu distributor for investigation and correction of the cause.

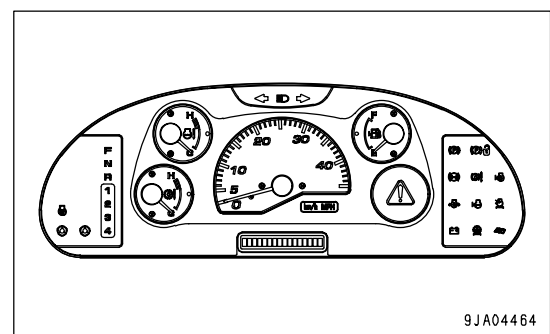
CHECK MONITOR PANEL

1. Turn the starting switch to the ON position.



2. Check that all the monitors, gauges, and the central warning lamp light up for approx. 3 seconds and the alarm buzzer sounds for approx. 1 sec.

If the lamps do not light up, there is probably a failure or disconnection. Contact your Komatsu distributor for inspection.



CHECK FUEL LEVEL, ADD FUEL

**WARNING**

When adding fuel, never let the fuel overflow. This may cause a fire. If any fuel is spilled, wipe it up completely. Never bring flames near fuel because it is highly flammable and dangerous.

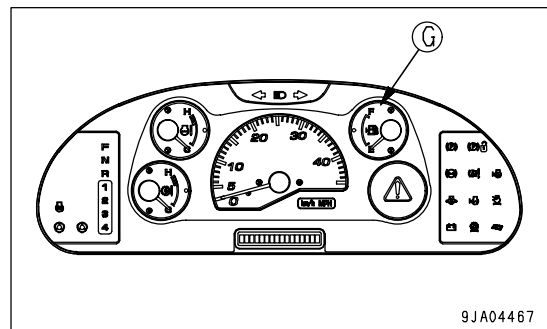
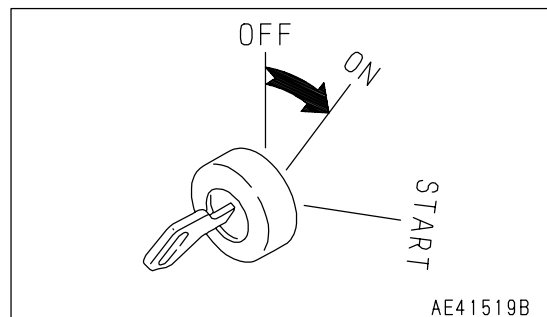
NOTICE

If the engine has run out of fuel and has stopped, it is necessary to operate the priming pump to bleed the air completely from the fuel line before starting the engine again.

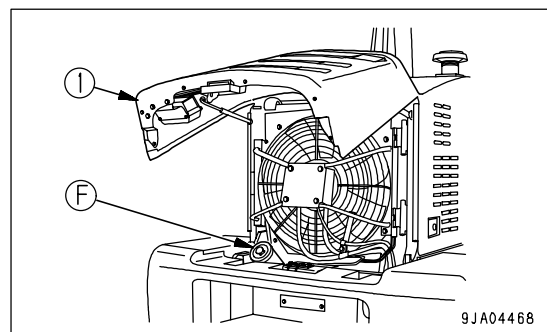
Take care not to let the engine stop because of lack of fuel.

If the engine has run out of fuel, the air bleeding operation can be carried out more quickly on a full tank of fuel.

1. Turn the engine starting switch to the ON position and check the fuel level with fuel level gauge (G).
After checking, turn the switch back to the OFF position.



2. If the fuel level is low, open rear grill (1) and add fuel through the filler port (F) to fill the tank.
For details of the method for opening and closing the cap, see "METHOD OF OPENING AND CLOSING CAP WITH LOCK (PAGE 3-45)".
3. After adding fuel, tighten the cap securely.
Fuel tank capacity: 181 liters (47.82 US gal)



CHECK PARKING BRAKE

Check that the parking brake works properly.

If there is any abnormality in the operation of the parking brake or the brake does not provide the proper braking effect, please contact your Komatsu distributor for adjustment.

CHECK BRAKE PEDAL

Drive the machine forward and check the effect of the brakes.

If there is any problem in the actuation of the brakes, please contact your Komatsu distributor to have the brakes adjusted.

ADJUSTMENT

SEAT ADJUSTMENT



When adjusting the position of the operator's seat, always set the work equipment lock lever to the LOCK position to prevent any accidental contact with the control levers.

- Always adjust the operator's seat before starting each operation or when the operators change shift.
- When adjusting the seat, put your back against the backrest and adjust to a position where the brake pedal can be fully depressed.

STANDARD TYPE SEAT

(A) Fore-and-aft adjustment

Pull lever (1) up, set the seat to the desired position, then release the lever.

Fore-and-aft adjustment: 120 mm (4.7 in)

(B) Adjusting seat angle

Move lever (2) up and push down on the rear of the seat to tilt it backward.

Move lever (2) down and push down on the front of the seat to tilt it forward.

Adjustment range: 13 degrees (Tilt forward/tilt back angle)

(C) Adjusting height of seat

Move lever (2) up or down to move the seat up or down. This lever is also used to adjust the seat angle. Adjust the seat angle and height.

Amount of adjustment: 50 mm (2.0 in)

(D) Setting seat for weight

Turn grip (3) to adjust the strength of the suspension.

Adjustment range: (Target) 50 to 120 kg (110 to 265 lb)

(E) Adjusting reclining angle

Move lever (4) up and move the backrest to the front or rear.

Adjustment range: Front 24 degrees , Rear 3 degrees

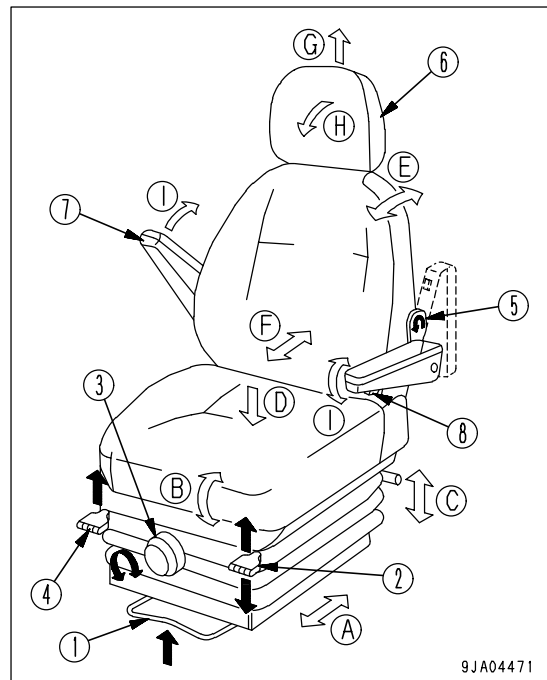
(F) Lumbar support

Turn grip (5) to adjust the tension applied to the lower back.

(G) Adjusting headrest height

Move the headrest (6) up or down.

Amount of adjustment: 50 mm (2.0 in)



9JA04471

(H) Adjusting headrest angle

Rotate the headrest (6) to the front or rear.

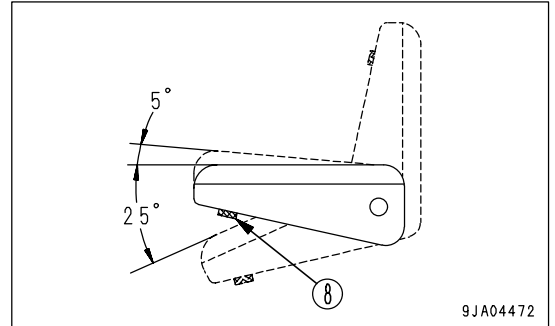
Adjustment range: 60 degrees

(I) Adjusting armrest angle

Armrest (7) can be operated by hand to spring up approx. 90 degrees (both left and right).

In addition, dial (8) under the armrest can be operated by hand to make fine adjustments of the armrest in the up or down direction (left side only).

Adjustment range: forward tilt 25 degrees, backward tilt 5 degrees



AIR SUSPENSION SEAT

(A) Fore-and-aft adjustment

Pull lever (1) up, set the seat to the desired position, then release the lever.

Fore-and-aft adjustment: 120 mm (4.7 in)

(B) Adjusting seat angle

Move lever (2) up and push down on the rear of the seat to tilt it backward.

Move lever (2) down and push down on the front of the seat to tilt it forward.

Adjustment range: 13 degrees (Tilt forward/tilt back angle)

(C) Adjusting height of seat

Move lever (2) up or down to move the seat up or down. This lever is also used to adjust the seat angle. Adjust the seat angle and height.

Amount of adjustment: 50 mm (2.0 in)

(D) Setting seat for weight

Knob (3) controls the air suspension system's air valve. Push or pull the knob to adjust the suspension's strength and compensate for operator weight and/or preference.

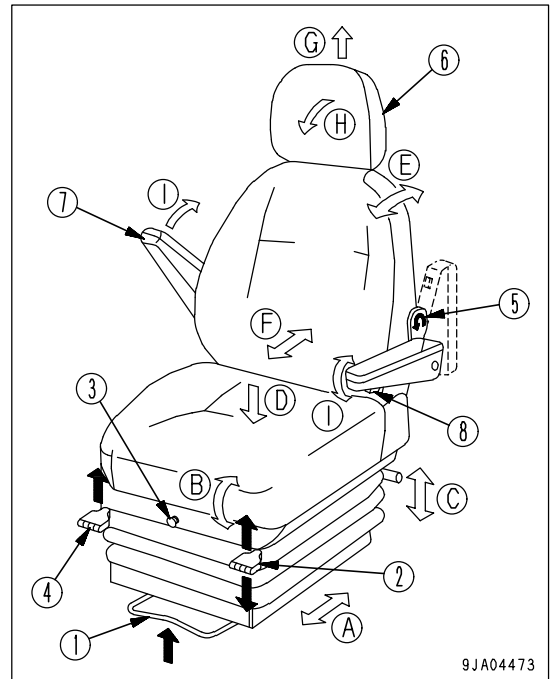
(E) Adjusting reclining angle

Move lever (4) up and move the backrest to the front or rear.

Adjustment range: Front 24 degrees , Rear 3 degrees

(F) Lumbar support

Turn grip (5) to adjust the tension applied to the lower back.



(G) Adjusting headrest height

Move the headrest (6) up or down.

Amount of adjustment: 50 mm (2.0 in)

(H) Adjusting headrest angle

Rotate the headrest (6) to the front or rear.

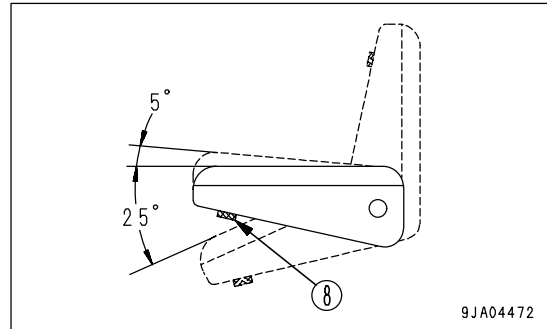
Adjustment range: 60 degrees

(I) Adjusting armrest angle

Armrest (7) can be operated by hand to spring up approx. 90 degrees (both left and right).

In addition, dial (8) under the armrest can be operated by hand to make fine adjustments of the armrest in the up or down direction (left side only).

Adjustment range: forward tilt 25 degrees, backward tilt 5 degrees



ADJUST SEAT BELT

Always wear the seat belt.

 **WARNING**

- Before fastening the seat belt, check that there is no abnormality in the belt-mounting bracket or mounting of the belt. If the belt is worn or damaged, replace it.
- Fasten the seat belt before starting operations.
- Always wear the seat belt during operations.
- Make sure that the left and right belts are not twisted when fastening the seat belt.

FASTENING AND REMOVING BELT

Fastening seat belt

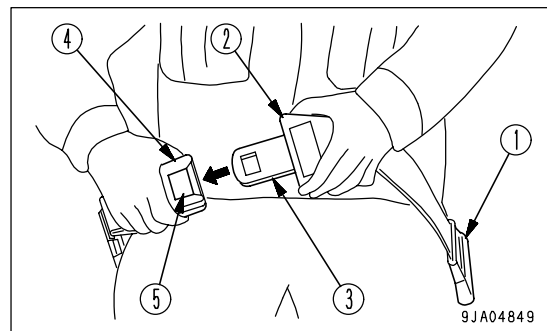
Hold grip (2) and pull the belt out from wind-in device (1), check that the belt is not twisted, then insert tongue (3) into buckle (4) securely.

When doing this, pull the belt lightly to check that it is properly locked.

Removing belt

Press button (5) in buckle (4), and remove tongue (3) from buckle (4).

The belt is automatically wound in, so hold grip (2) and return the belt slowly to wind-in device (1).

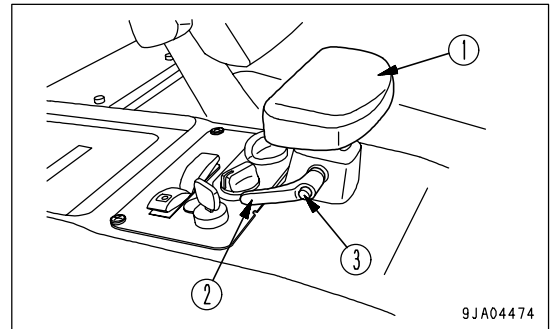


ADJUST LEVER STAND**ADJUST HEIGHT OF WRIST REST**

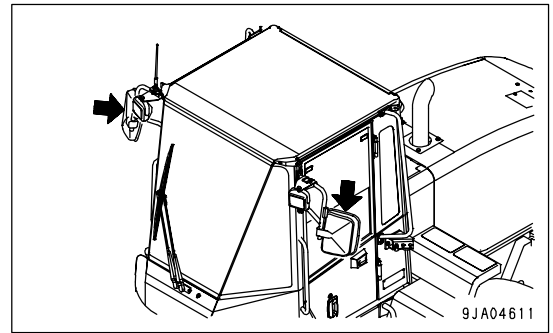
Loosen lock lever (2) and adjust the height of wrist rest (1).
Amount of adjustment: 60 mm (2.4 in)

REMARK

Keep button (3) pressed and operate lock lever (2) to the FREE position. The lever can be turned in the desired direction.

**ADJUST REAR VIEW MIRROR**

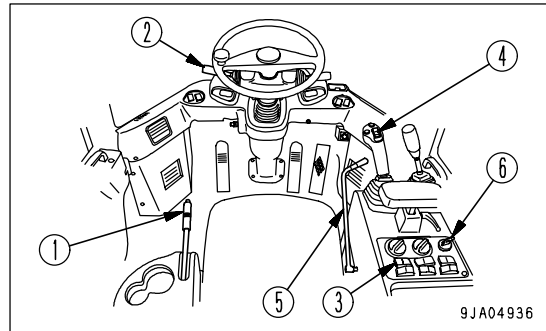
Sit in the operator's seat and adjust the rear view mirror so that you can see properly to the rear.



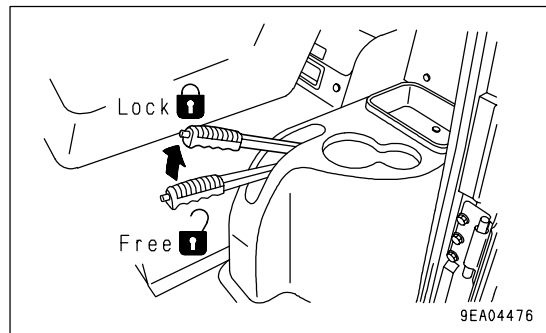
OPERATIONS AND CHECKS BEFORE STARTING ENGINE

! WARNING

When starting the engine, check that the work equipment lock lever are placed securely at the LOCK position. If the work equipment control lever is touched by accident when the engine is started, the work equipment may move unexpectedly and cause serious injury or damage.



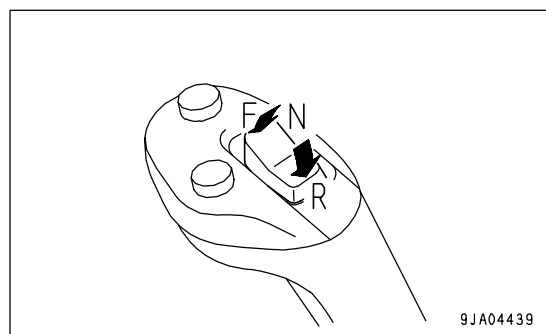
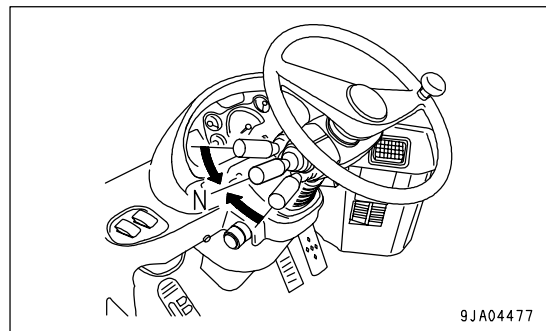
1. Check that parking brake lever (1) is at the LOCK position.



2. Check that directional lever (2) is at the N position.

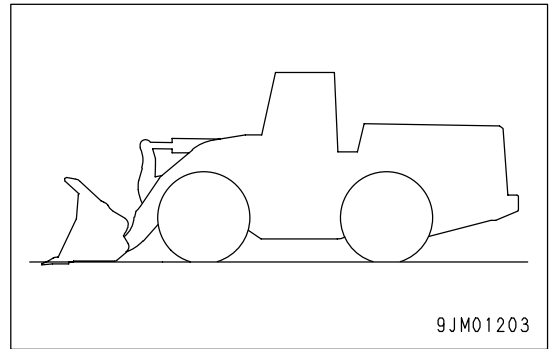
REMARK

- If directional lever (2) is not set to the N position, the engine will not start.
- When directional selector switch actuation switch (3) is ON, the engine will not start if directional lever (2) and directional selector switch (4) are not both at the N position.

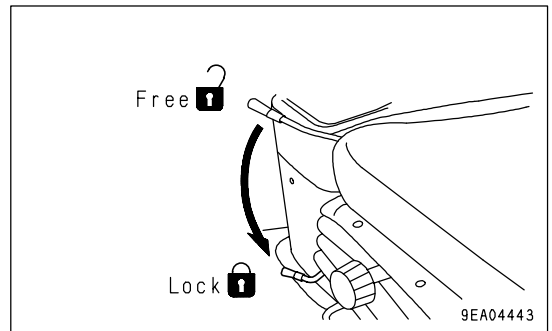


3. Check that the bucket is completely lowered to the ground.
If it is not completely lowered, lower the bucket to the ground as follows.

- 1) Check that the work equipment control lever is at the HOLD position, then set the work equipment lock lever to the FREE position.
- 2) Operate the work equipment control lever to lower the bucket to the ground.
- 3) Check that the work equipment control lever is at the HOLD position, then set the work equipment lock lever to the LOCK position.



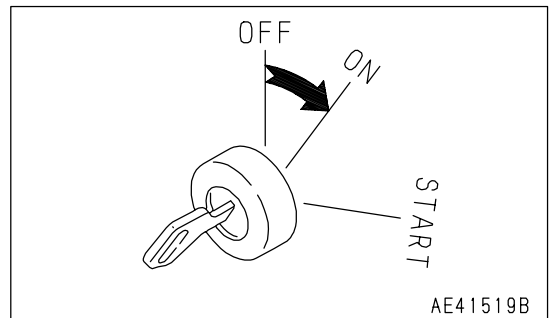
4. Check that work equipment lock lever (5) is at the LOCK position.



5. Insert the key in starting switch (6), turn the key to the ON position, and check that the machine monitor system works.

When the starting switch is turned to the ON position before starting the engine, monitors, gauges, and central warning lamp light up for approx. 3 seconds, and the alarm buzzer sounds for approx. 1 sec.

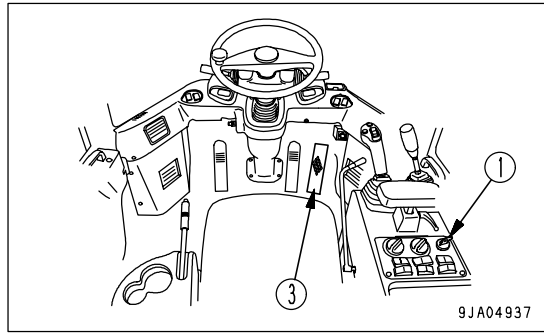
If any monitor does not light up, there is probably a failure or disconnection. Contact your Komatsu distributor for inspection.



STARTING ENGINE

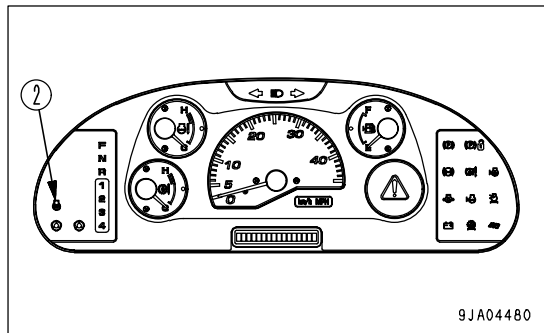
WARNING

- Sit down in the operator's seat before starting the engine.
- Do not attempt to start the engine by short-circuiting the engine starting circuit. Such an act may cause serious bodily injury or fire.
- Check that there are no persons or obstacles in the surrounding area, then sound the horn and start the engine.
- Exhaust gas is toxic. When starting the engine in confined spaces, be particularly careful to ensure good ventilation.

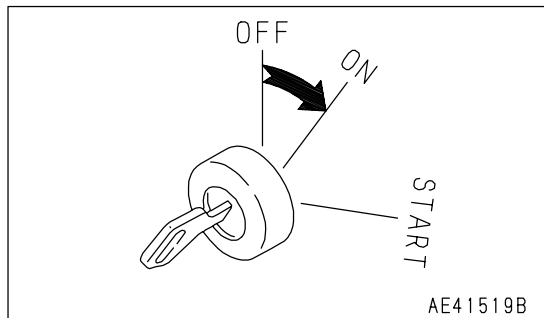


NOTICE

- Do not start the engine with the accelerator pedal fully depressed. There is danger that the engine parts may be damaged.
- Do not keep the starting motor rotating continuously for more than 20 seconds.
If the engine does not start, wait for at least 2 minutes before trying to start the engine again.



1. Turn the key of starting switch (1) to the ON position. The automatic preheating will start and the preheating pilot lamp (2) will light up.

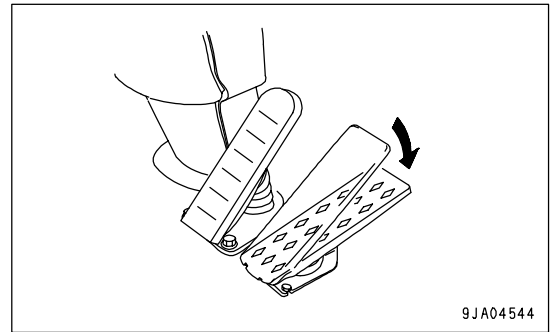


The preheating time varies according to the engine coolant temperature when the engine is started.

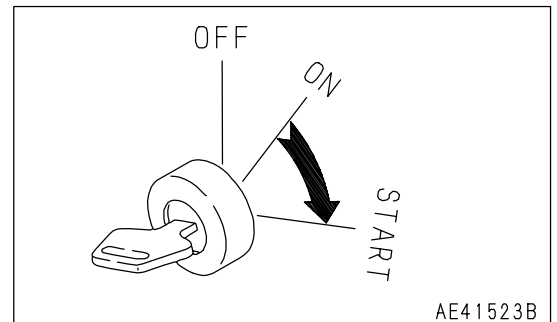
The table on the right gives a guide to the preheating time (sec) in cold weather.

Engine coolant temperature [°C (°F)]	Preheating time (sec)
below -30 (-22)	45
-25 (-13)	38
-20 (-4)	30
-15 (5)	23
-10 (14)	15
-5 (23)	8
0 (32)	1
above 0 (32)	1

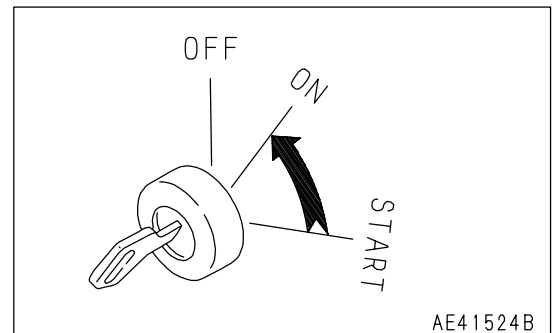
2. Depress accelerator pedal (3) lightly.



3. After the pre-heating pilot lamp (2) goes out, turn the key of starting switch (1) to the START position to start the engine.



4. After the engine starts, release the key in starting switch (1). The key will automatically return to the ON position.



OPERATIONS AND CHECKS AFTER STARTING ENGINE



WARNING

- **Emergency stop**
If the operation is abnormal or any other trouble occurs, turn the key in the starting switch to the OFF position.
- If the work equipment is operated without warming up the machine sufficiently, the response of the work equipment to the movement of the control lever will be slow. The work equipment may not move as the operator desires. Follow all warm-up procedures. Particularly in cold areas, make sure to warm up the machine properly.

NOTICE

When the hydraulic oil temperature is low, do not operate under heavy load or at high speed. There is danger that the pump may break.

BREAKING-IN THE MACHINE



CAUTION

Your Komatsu machine has been thoroughly adjusted and tested before shipment. However, operating the machine under severe conditions at the beginning can adversely affect the performance and shorten the machine life.

Be sure to break-in the machine for the initial 100 hours (as indicated by the service meter).

During break-in operations, follow the precautions described in this manual.

- Idle the engine for 5 minutes after starting it up.
- Avoid operation with heavy loads or at high speeds.
- Immediately after starting the engine, avoid sudden starts, sudden acceleration, unnecessary sudden stops, and sudden changes in direction.

NORMAL OPERATION

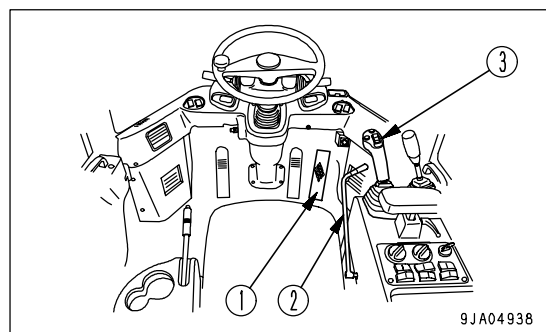
After starting the engine, do not immediately start operations. First, perform the following operations and checks.

NOTICE

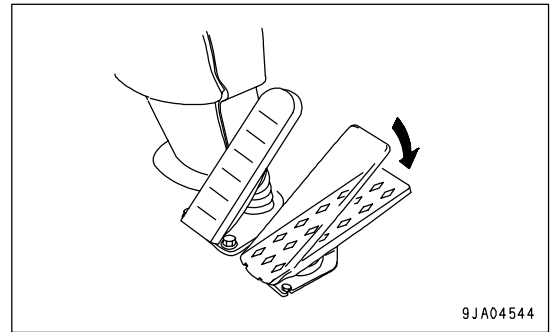
Do not suddenly accelerate the engine before the warming-up operation is completed.

Do not run the engine at low idle or high idle continuously for more than 20 minutes.

If it is necessary to run the engine at idle, apply a load from time to time or run the engine at a mid-range speed.

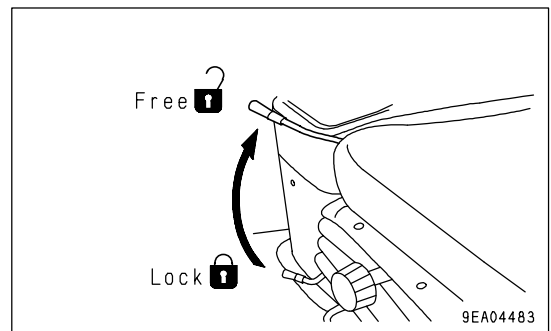


1. Depress accelerator pedal (1) lightly and run the engine with no load at midrange speed for about 5 minutes.



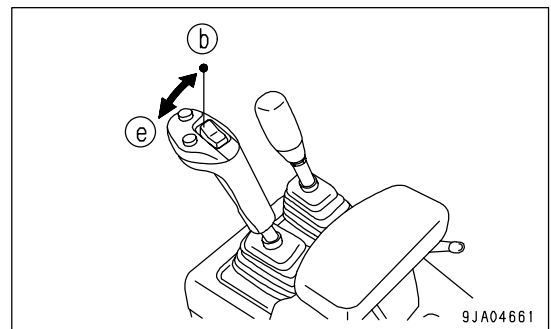
To warm up the hydraulic oil in cold areas, do as follows.

2. After completing the warming-up operation, check that the engine rotation is smooth, then check that the work equipment control lever is at the HOLD position and set work equipment lock lever (2) to the FREE position.

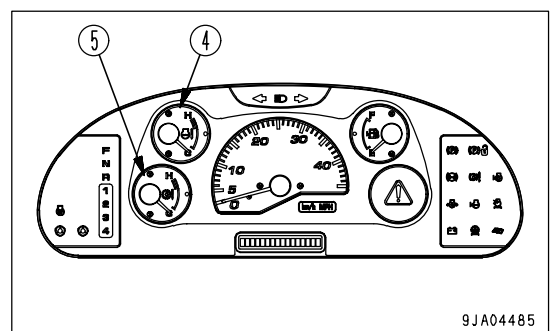


3. Depress accelerator pedal (1) lightly and run the engine at a mid-range speed.
4. Operate work equipment control lever (3) to TILT position (e) and return it to HOLD position (b) to warm up the hydraulic oil. The relief time at the tilt position (e) should be a maximum of 10 seconds.

With this operation, the oil will reach the relief pressure and this will warm up the hydraulic oil more quickly.



5. After carrying out the warming-up operation, check that the gauges and pilot lamps are normal. If there is any abnormality, carry out maintenance or repair. Run the engine under a light load until engine coolant temperature gauge (4) and HST oil temperature gauge (5) are in the white range.
6. Check for abnormal exhaust gas color, noise, or vibration. If any problem is found, contact your Komatsu distributor.



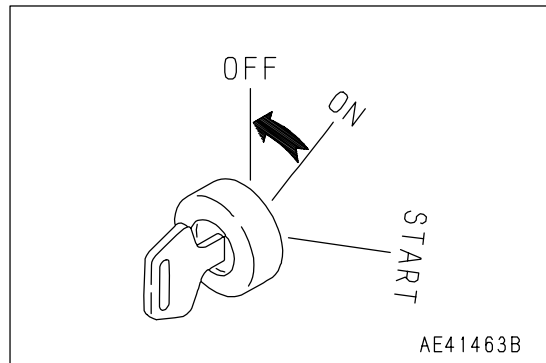
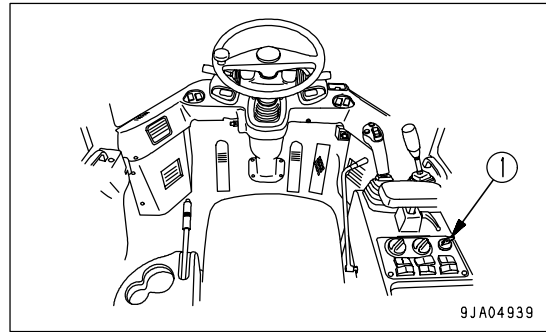
STOPPING ENGINE

NOTICE

If the engine is abruptly stopped before it has cooled down, engine life may be greatly shortened. Consequently, do not abruptly stop the engine except for an emergency.

In particular, if the engine has overheated, do not abruptly stop it but run it at medium speed to allow it to cool gradually, then stop it.

1. Run the engine at low idle for about 5 minutes to cool down gradually.
2. Turn the key of starting switch (1) to the OFF position to stop the engine.
3. Remove the key from starting switch (1).



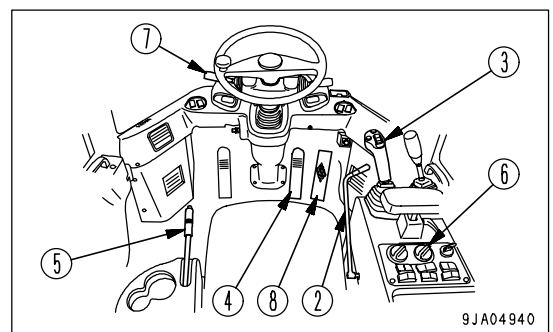
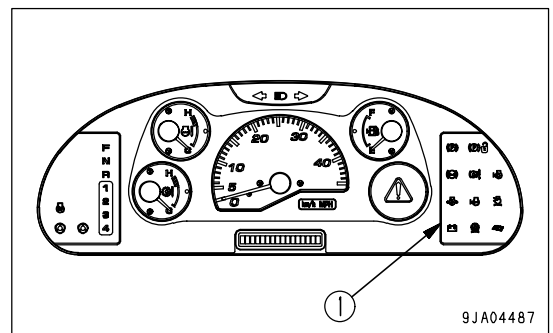
MOVING THE MACHINE (DIRECTIONAL, SPEED), STOPPING THE MACHINE

**WARNING**

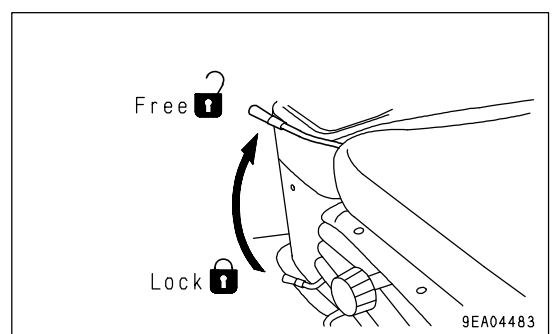
- Always remove the frame lock bar for travel operations. If it is not removed, the steering wheel cannot be used for steering, and this may lead to serious damage or injury.
- When moving the machine, check that the area around the machine is safe, then sound the horn before starting.
- Do not allow people to get near the machine.
- Clear the machine's travel path of any obstacle.
- Pay particular attention to the blind spot at the rear of the machine when traveling in reverse.

MOVING THE MACHINE

1. Check that caution lamp (1) is not lighted up.

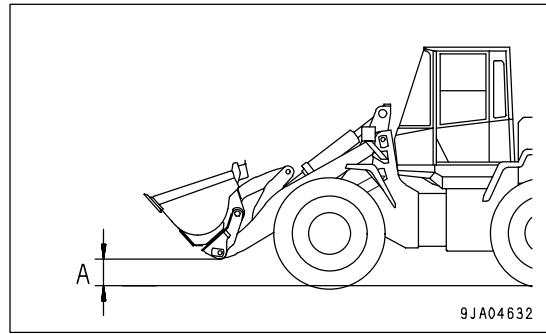


2. Check that the work equipment control lever (3) is at the HOLD position, then set work equipment lock lever (2) to the FREE position.

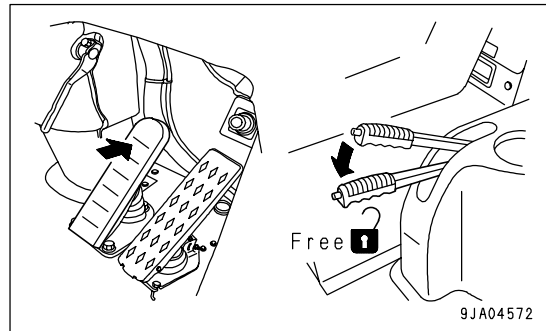


- Operate work equipment control lever (3) to set the work equipment to the travel posture shown in the diagram on the right.

A: 40 to 50cm (16 to 20 in)

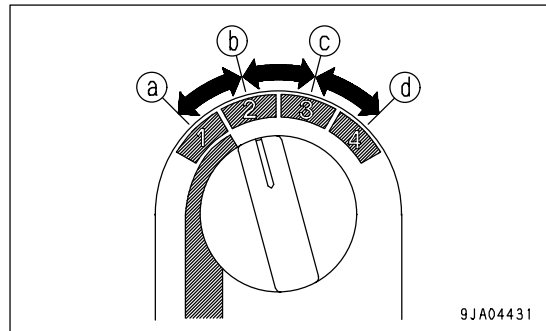


- Depress brake pedal (4) and turn parking brake lever (5) to the FREE position to release the parking brake. Keep brake pedal (4) depressed.



- Set speed range selector switch (6) to the desired position.

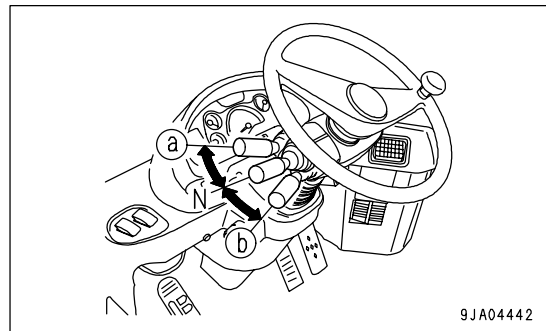
- Position (a): 1st
- Position (b): 2nd
- Position (c): 3rd
- Position (d): 4th



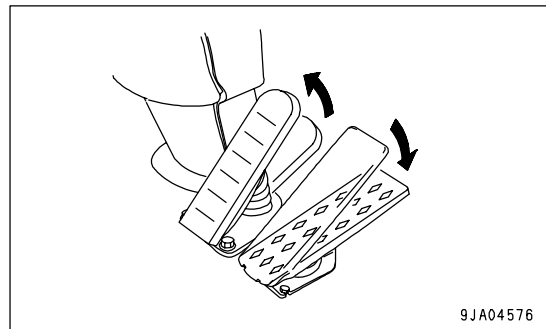
- Set directional lever (7) to the desired position.

- Position (a): FORWARD
- Position N: NEUTRAL
- Position (b): REVERSE

- Check that the backup alarm sounds when the directional lever is set to REVERSE. If the backup alarm does not sound, please contact your Komatsu distributor for repairs.



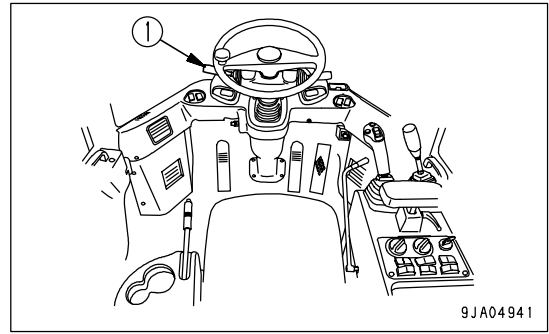
- Release brake pedal (4), then depress accelerator pedal (8) to move the machine.



CHANGING DIRECTION

⚠ WARNING

- When changing direction between FORWARD and REVERSE, check that the new direction of travel is safe. There is a blind spot behind the machine, so be particularly careful when changing direction to travel in reverse.
- Do not switch between FORWARD and REVERSE when traveling at high speed.
When switching between FORWARD and REVERSE, depress the brake to reduce the travel speed sufficiently, then change the direction of travel. (Max.speed for changing direction: 13 km/h (8.1 MPH))



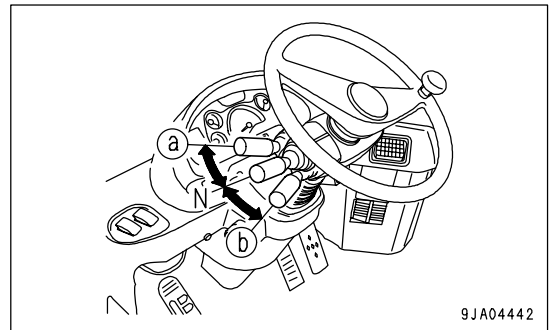
There is no need to stop the machine even when switching between FORWARD and REVERSE.

Place directional lever (1) in the desired position.

Position (a): FORWARD

Position N: NEUTRAL

Position (b): REVERSE



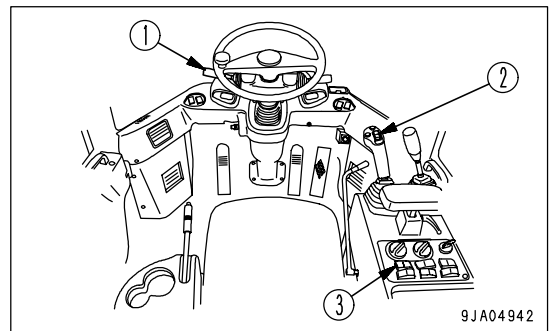
- Check that the backup alarm sounds when the directional lever is set to REVERSE. If the backup alarm does not sound, please contact your Komatsu distributor for repairs.

USING SWITCH TO CHANGE BETWEEN FORWARD AND REVERSE

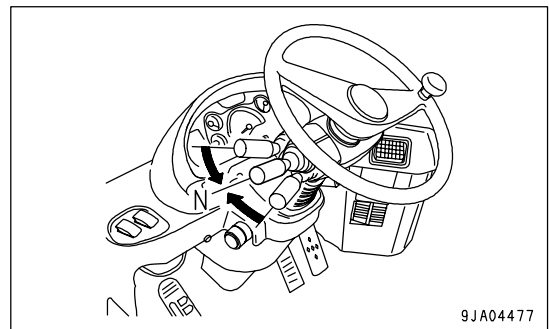
⚠ WARNING

When the directional selector switch actuation switch (3) is at the ON position, if the directional lever (1) is operated to FORWARD or REVERSE, the machine will travel in forward or reverse according to the operation of the directional lever, regardless of the position of the directional selector switch (2).

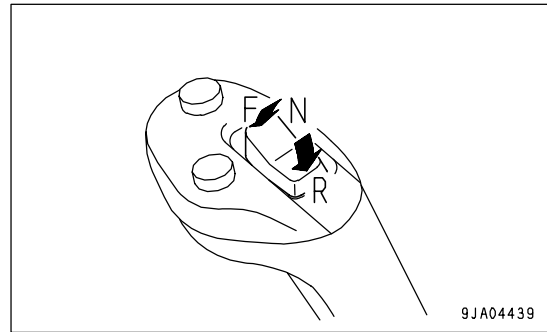
Priority is given to the operation of the directional lever, so be careful when operating.



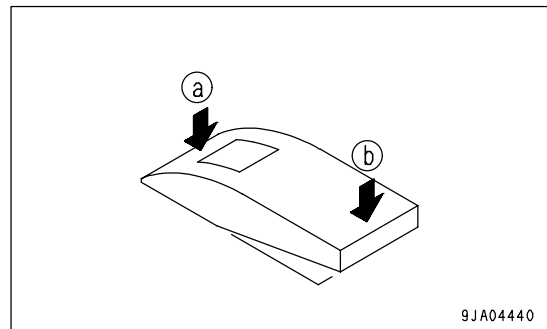
1. Place the directional lever (1) at the N position.



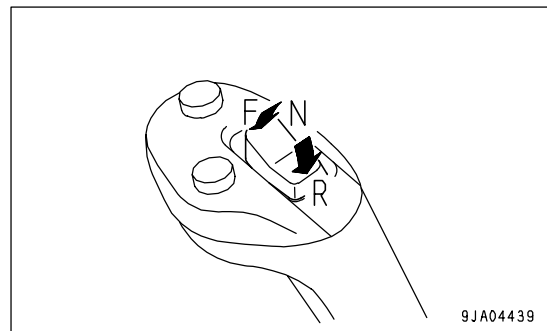
2. Place the directional selector switch (2) at the N position.



3. Place the directional selector switch actuation switch (3) at the ON position (a).



4. Place the directional selector switch (2) at the F (forward) or R (reverse) position.



REMARK

When the directional selector switch actuation switch (3) is at the ON position, if the directional lever (1) is operated to FORWARD or REVERSE, the machine will travel in forward or reverse according to the operation of the directional lever, regardless of the position of the directional selector switch (2).

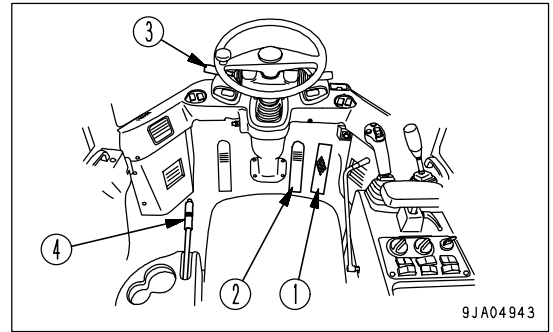
Priority is given to the operation of the directional lever.

When using directional selector switch (2) again, set directional lever (1) and directional selector switch (2) to the N position.

STOPPING THE MACHINE

**WARNING**

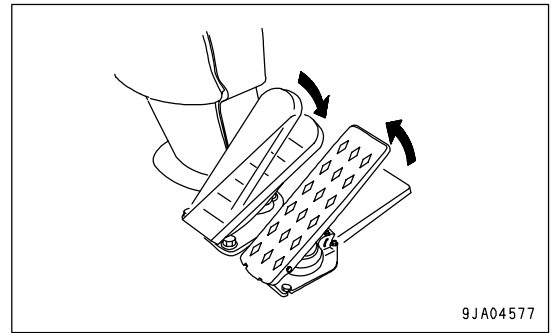
- Avoid stopping suddenly. Give yourself ample room when stopping.
- Even if the parking brake lever is pulled and set to the LOCK position, there is a danger of the machine moving until the parking brake pilot lamp lights up, so keep the brake pedal depressed.



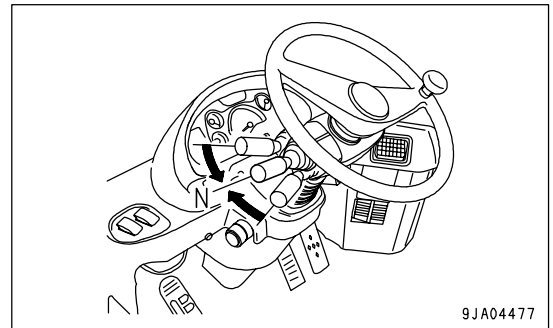
NOTICE

Never use the parking brake lever to slow the machine when traveling except in an emergency. Apply the parking brake only after the machine has stopped.

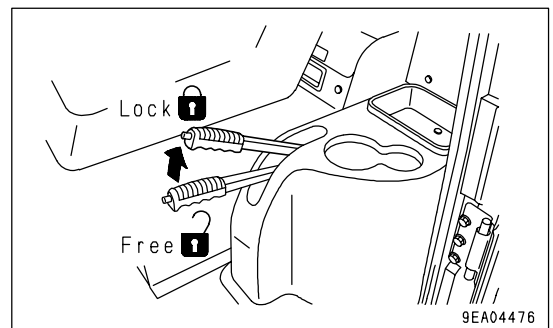
1. Release accelerator pedal (1), then depress brake pedal (2) to stop the machine.



2. Place directional lever (3) in N (neutral) position.



3. Pull parking brake lever (4) and set it to the LOCK position to apply the parking brake.



TURNING



WARNING

- Operating the steering wheel suddenly at high speed or operating the steering wheel on steep slopes is dangerous. Do not operate the steering wheel in such situations.
- If the engine stops when the machine is traveling, the steering becomes heavy, so never stop the engine while traveling. It is particularly dangerous if the engine stops when the machine is traveling on slopes, so never let the engine stop when traveling on slopes.
If the engine stops, stop the machine immediately at a safe place.

When traveling, use steering wheel (1) to turn the machine.

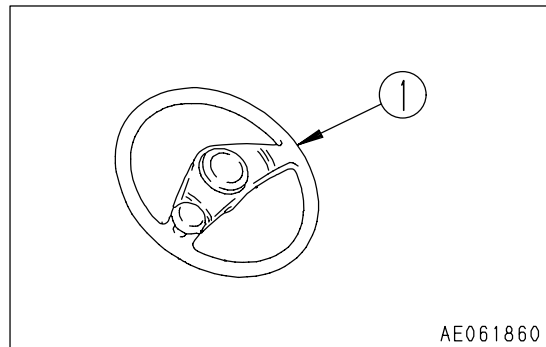
With this machine, the front frame is joined to the rear frame at the center of the machine by the center pin. The front and rear frames bend at this point, and the rear wheels follow in the same track as the front wheels when turning.

Turn the steering wheel lightly to follow the machine as it turns.

NOTICE

When the steering wheel is turned fully, if it reaches the end of its stroke, do not try to turn it further.

Check that there is a play of 50 to 100 mm (2.0 to 3.9 in) in the steering wheel. Check also that the steering works properly. If any abnormality is found, please contact your Komatsu distributor for inspection.



EMERGENCY STEERING

(If equipped)



CAUTION

- Never actuate the emergency steering except during emergencies or when checking the function.
- When using the emergency steering, travel at a speed of less than 5 km/h (3.1 MPH).

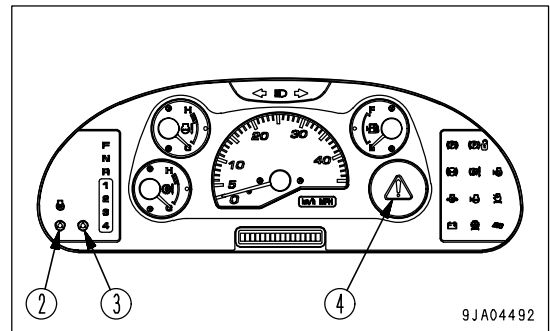
Emergency steering pilot lamp (green) (2) lights up to inform the operator that the emergency steering system is normal.

The emergency steering system is provided to enable the machine to be steered under the following conditions.

- Traveling when there is a failure in the steering system
- Coasting with the engine stopped

REMARK

The emergency steering does not work when the machine is stopped.



9JA04492

When the emergency steering system detects lack of oil pressure in the steering system, steering oil pressure caution lamp (red) (3) and central warning lamp (4) light up, and the alarm buzzer sounds intermittently.

Steering oil pressure caution lamp (red) (3) lights up to inform the operator that there is a failure in the steering system.

If steering oil pressure caution lamp (red) (3) lights up, move the machine immediately to a safe place and stop it. Locate the cause and do not operate the machine until it has been repaired.

REMARK

If any function of the oil pressure system is used when the engine is running at low speed, steering oil pressure caution lamp (red) (3) may light up for a moment, but if the lamp goes out again soon, there is no problem.

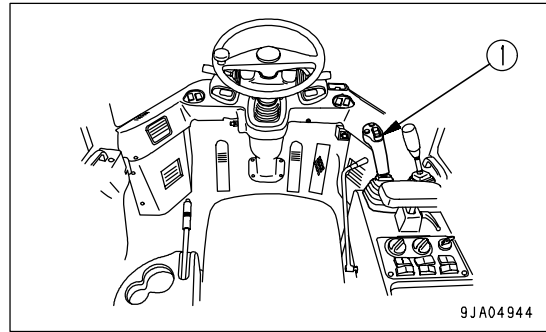
When the emergency steering system detects that the oil pressure in the steering circuit has been restored, the actuation of the emergency steering system is stopped.

OPERATION OF WORK EQUIPMENT

WARNING

Never raise the boom with the bucket fully loaded when the machine is articulated. There is danger that the machine may tip over.

Work equipment control lever (1) can be used to operate the lift arm and bucket as follows.



LIFT ARM OPERATION

NOTICE

Do not use the FLOAT position when lowering the bucket. Use the FLOAT position when leveling, see "LEVELING OPERATIONS (PAGE 3-100)".

Position (a): RAISE

When the work equipment control lever is pulled further beyond the RAISE position, the lever is stopped in this position until the lift arm reaches the preset position of the kickout, and the lever is returned to the HOLD position.

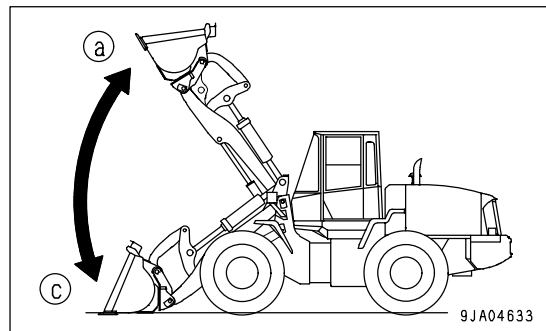
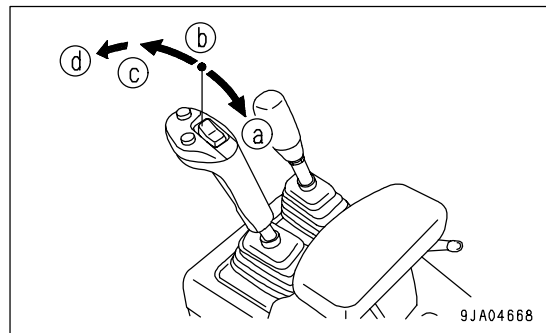
Position (b): HOLD

The lift arm is kept in the same position.

Position (c): LOWER

Position (d): FLOAT

The lift arm moves freely under external force.



BUCKET OPERATION

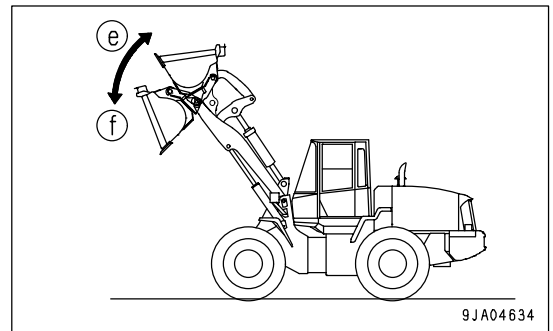
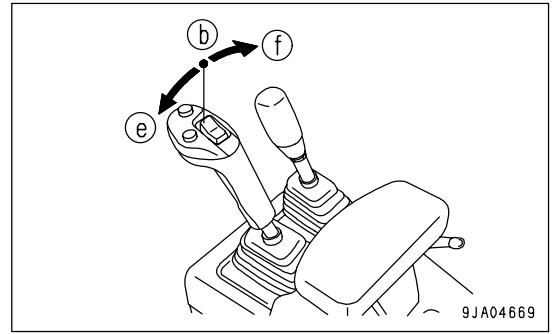
Position (e): TILT

When the work equipment control lever is pulled further beyond the TILT position, the lever is stopped in this position until the bucket reaches the preset position of the positioner, and the lever is returned to the HOLD position.

Position (b): HOLD

The bucket is kept in the same position.

Position (f): DUMP



HANDLING HYDRAULIC QUICK COUPLER



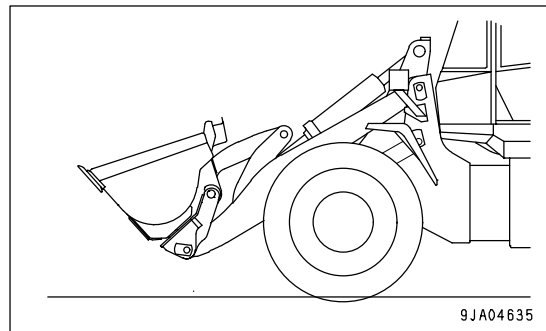
WARNING

Before operating the machine, check that the attachment is correctly connected. If it is not correctly installed, the attachment may fall off and cause serious injury.

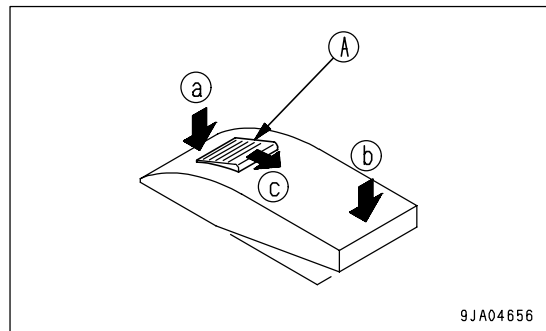
- Check that the quick coupler attachment switch is at the CONNECT position.
- Check that the coupler plunger is completely inserted into the attachment.

REMOVING THE ATTACHMENT

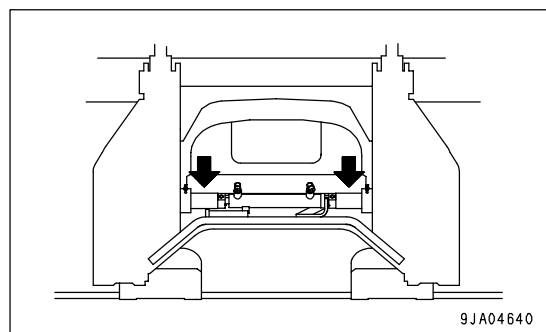
1. Tilt the attachment.



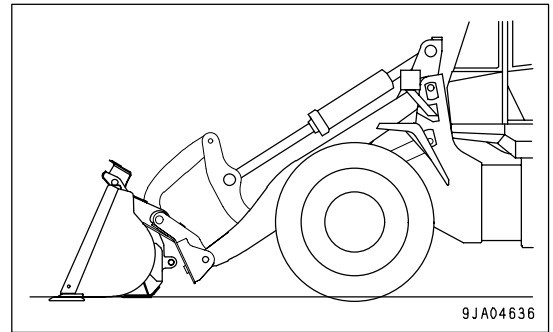
2. Keep the control lever at the TILT position, pull lock (A) of the quick coupler attachment switch in the direction of the arrow (c), and push in to RELEASE position (a) to release the connection.



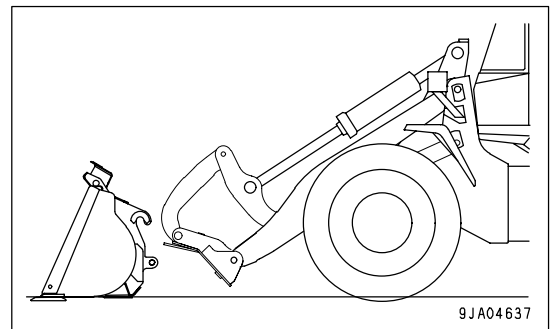
3. Check that the coupler plunger is completely pulled in.



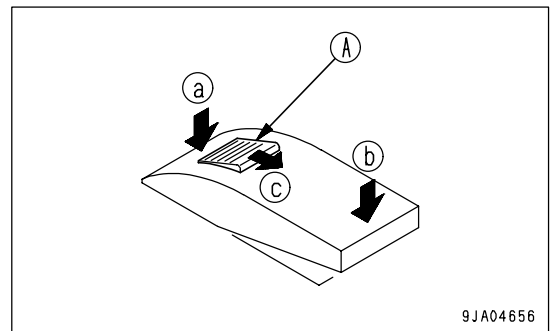
- Lower the attachment completely to the ground and set it in a stable position.



- Tilt the coupler forward slowly and lower it slowly so that it separates from the attachment hook.
- Drive the machine slowly in reverse and separate the attachment from the machine.

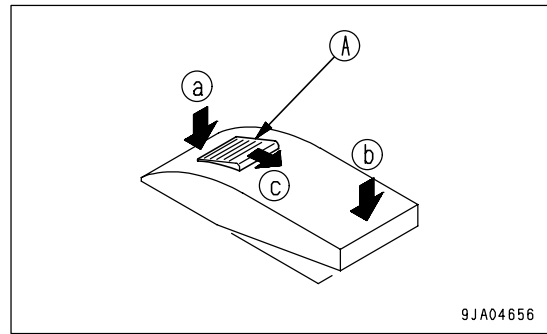


- Push in the quick coupler attachment switch to CONNECT position (b).

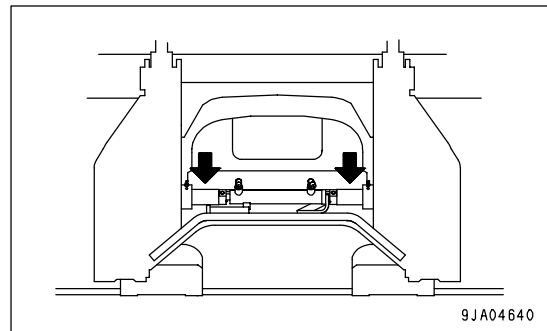


INSTALLING THE ATTACHMENT

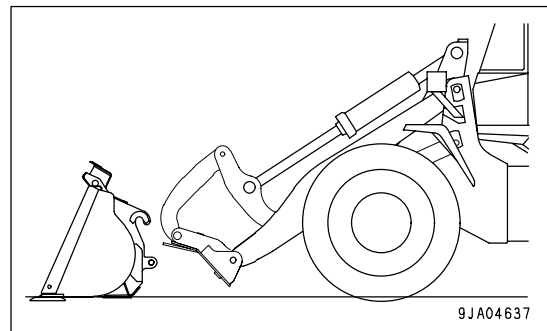
1. Pull lock (A) of the quick coupler attachment switch in the direction of the arrow (c), and push in to RELEASE position (a).



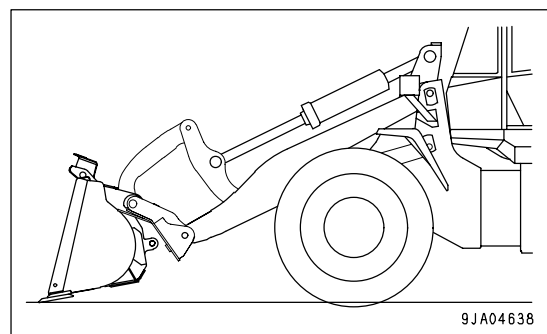
2. Check that the coupler plunger is completely pulled in.



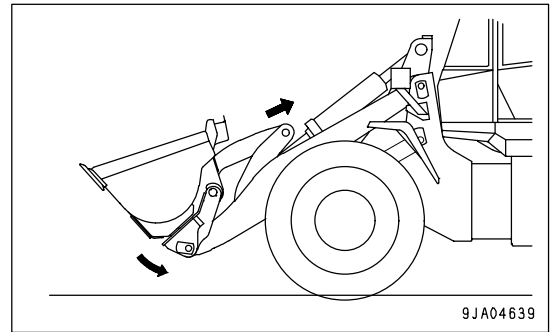
3. Tilt the coupler forward, drive the machine slowly forward and set so that the attachment hook is aligned with the puller tube.



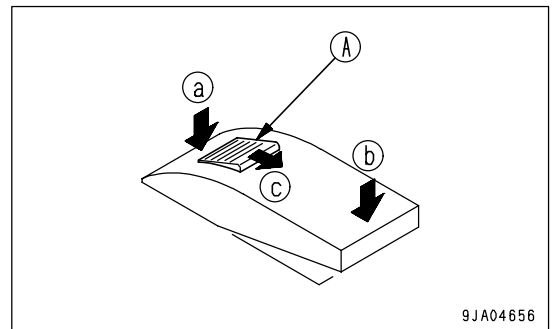
4. Raise the coupler slowly, connect the coupler tube to the attachment hook, then raise the coupler until the attachment rises slightly off the ground.
5. Check that the attachment is horizontal to the left and right and that each hook is correctly inserted.



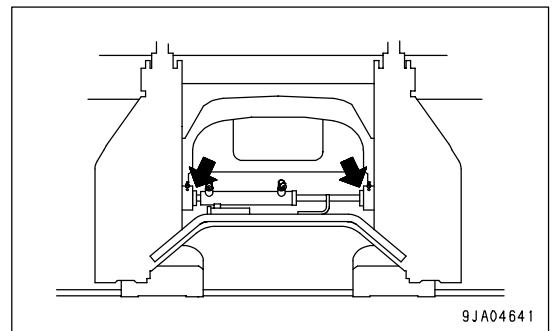
6. Tilt the coupler fully.



7. Keep the control lever at the TILT position, and push in the quick coupler attachment switch to CONNECT position (b).



8. Check that the coupler plunger is completely inserted.



WORK POSSIBLE USING WHEEL LOADER

In addition to the following, it is possible to further increase the range of applications by using various attachments.

DIGGING OPERATIONS



WARNING

- Never dig or scoop with the machine articulated. There is danger that the machine may tip over.
- Never raise the boom with the bucket fully loaded when the machine is articulated. There is danger that the machine may tip over.
- When the machine is traveling or the work equipment is raised, the moment that the E.C.S.S. switch (if equipped) is turned ON, the work equipment will move.
- If operations are carried out with the E.C.S.S. switch (if equipped) left at the ON position, the moment that the travel damper switch is turned ON, the work equipment will move.

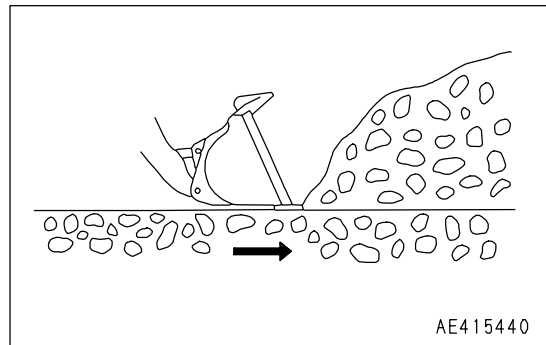
NOTICE

If the tires slip, the tire life will be reduced, so do not allow the tires to slip during operation.

LOADING PILED SOIL

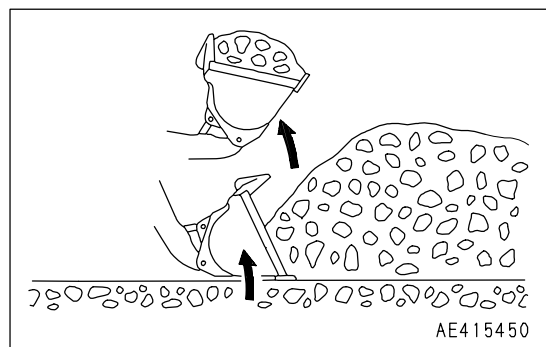
- Scoop up the piled soil by moving the machine forward as shown below. If the tires begin slipping under heavy load, raise the bucket slightly to reduce the load.

1. Force the bucket into the pile of soil while moving the machine forward.

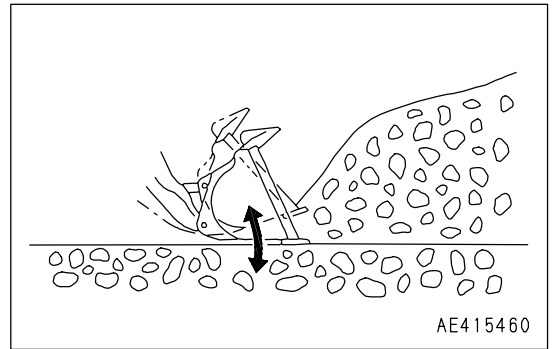


2. Thrust the bucket fully into the soil, then drive the machine forward and operate the work equipment control lever to raise the lift arm. In addition, operate the work equipment control lever occasionally to tilt the bucket so that the bucket can be fully loaded.

Try to keep the load in the center of the bucket; if the load is on one side of the bucket, the load will be unbalanced.



- If it is difficult to thrust the bucket into the soil, operate the work equipment control lever to the left and right to move the cutting edge of the bucket up and down.



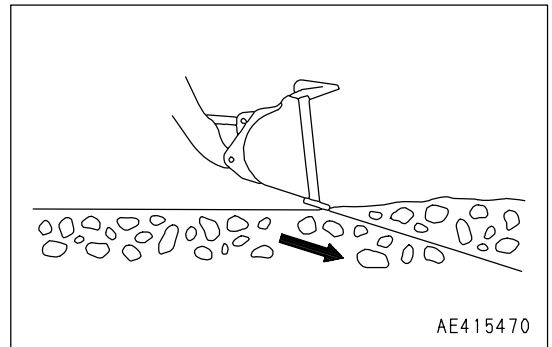
DIGGING AND LOADING ON LEVEL GROUND

- When digging and loading on level ground, set the bucket edge facing down slightly as follows and drive the machine forward. Always be careful not to load the bucket on one side and cause an unbalanced load. This operation should be carried out in 1st gear.

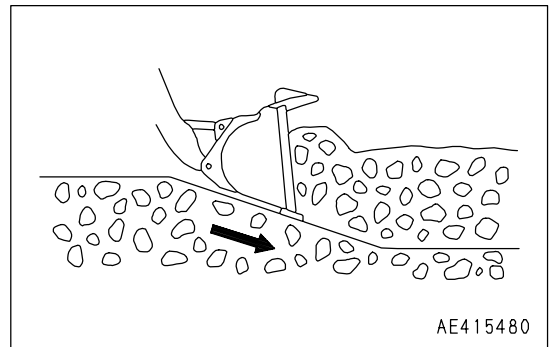
 **CAUTION**

Do not set the bucket facing down more than 20 degrees.

- Set the edge of the bucket facing slightly down.

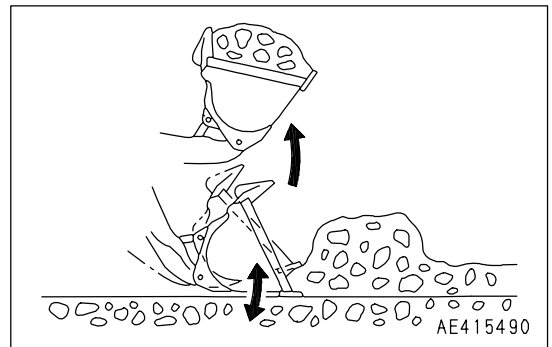


- Drive the machine forward and operate the work equipment control lever forward to cut a thin layer of the surface each time when excavating the soil.



- Operate the work equipment control lever slightly up and down to reduce the resistance when driving the machine forward.

When digging with the bucket, avoid imposing the digging force on one side of the bucket.



LEVELING OPERATIONS

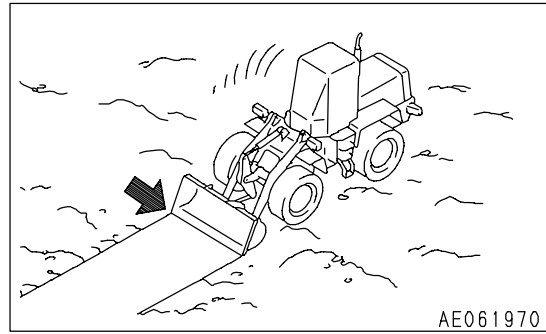
NOTICE

- Always operate the machine in reverse when carrying out leveling operations.

If it is necessary to carry out leveling operations when traveling forward, do not set the bucket-dump angle to more than 20 degrees.

- Turn the E.C.S.S. switch (if equipped) OFF when carrying out leveling operations.

1. Scoop soil into the bucket. Move the machine backward while spreading soil from the bucket little by little.
2. Go over the spread soil with the bucket teeth touching the ground and level the ground by back-dragging.
3. Scoop some more soil into the bucket, put the lift arm control lever in FLOAT position, level the bucket at ground level, and smooth the ground by moving backward.



PUSHING OPERATION



CAUTION

Never set the bucket to the DUMP position when carrying out pushing operation.

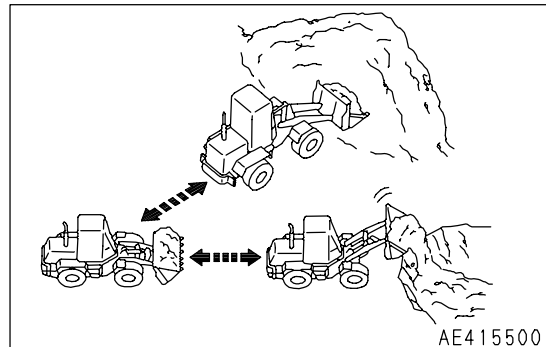
When carrying out pushing operations, set the bottom of the bucket parallel to the ground surface.

LOAD AND CARRY OPERATIONS



WARNING

- When carrying a load, lower the bucket to lower the center of gravity when traveling.
- When the machine is traveling or the work equipment is raised, the moment that the E.C.S.S. switch (if equipped) is turned ON, the work equipment will move.
- If operations are carried out with the E.C.S.S. switch (if equipped) left at the ON position, the moment that the travel damper is actuated, the work equipment will move.



The load and carry method for wheel loaders consists of a cycle of scooping -> hauling -> loading (into a hopper, truck, etc.).

Always keep the travel path properly maintained.

When using the load and carry method, see "PRECAUTIONS FOR USING LOAD AND CARRY METHOD (PAGE 3-113)".

LOADING OPERATIONS

Select the method of operation which will give the minimum amount of turning and travel in order to provide the most efficient method for the jobsite.



WARNING

- Always keep the jobsite flat, and do not operate the steering wheel suddenly or apply the brakes suddenly when the lift arm is raised with a loaded bucket. This is dangerous.
- Never thrust the bucket in when traveling at high speed (when loading soil or crushed rock). This is dangerous.
- When the machine is traveling or the work equipment is raised, the moment that the E.C.S.S. switch (if equipped) is turned ON, the work equipment will move.
- If operations are carried out with the E.C.S.S. switch (if equipped) left at the ON position, the moment that the travel damper is actuated, the work equipment will move.

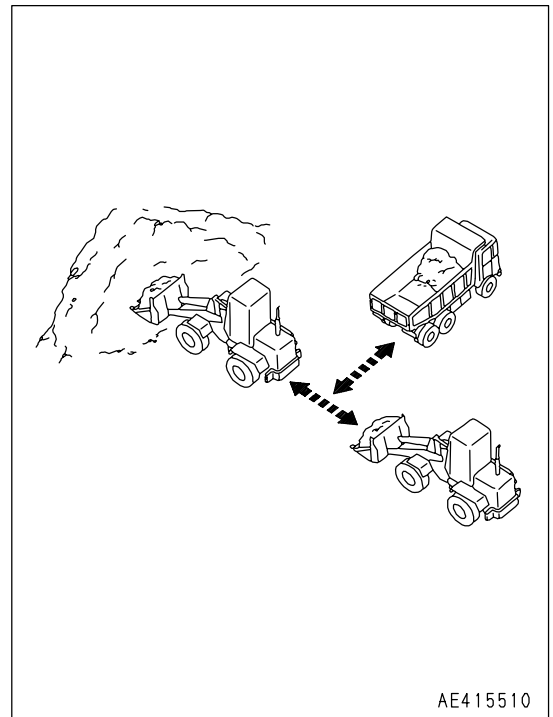
NOTICE

- If the tires slip, the tire life will be reduced, so do not allow the tires to slip during operation.
- Avoid excessive bucket shaking.

CROSS DRIVE LOADING

Always set the wheel loader facing at a right angle to the stockpile. After digging in and scooping up the load, drive the machine straight back in reverse, then bring the dump truck in between the stock pile and the wheel loader.

This method requires the least time for loading, and is extremely effective in reducing the cycle time.

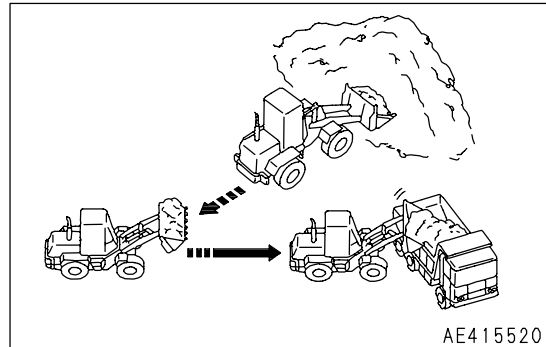


V-SHAPE LOADING

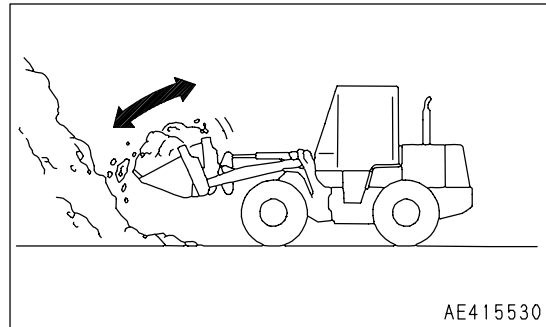
Position the dump truck so that the direction of approach of the wheel loader is approx. 60 degrees from the direction of approach to the stockpile. After loading the bucket, drive the wheel loader in reverse, then turn it to face the dump truck and travel forward to load the dump truck.

The smaller the turning angle of the wheel loader is, the more efficient the operation becomes.

When loading a full bucket and raising it to the maximum height, first shake the bucket to stabilize the load before raising the bucket. This will prevent the load from spilling to the rear.



AE415520



AE415530

PRECAUTIONS WHEN PILING UP LOADS

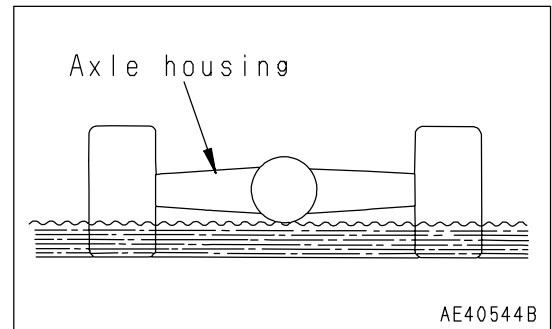
When forming products into a pile, be careful not to let the rear counterweight come into contact with the ground. Do not set the bucket to the DUMP position when piling-up loads.

PRECAUTIONS FOR OPERATION

PERMISSIBLE WATER DEPTH

When working in water or on swampy ground, do not let the water come above the bottom of the axle housing.

After finishing the operation, wash and check the lubricating points.



IF WHEEL BRAKE DOES NOT WORK

If the machine is not stopped by depressing the brake pedal, use the parking brake to stop the machine.

NOTICE

If the parking brake has been used as an emergency brake, contact your Komatsu distributor to have the parking brake checked for any abnormality.

PRECAUTIONS WHEN DRIVING UP OR DOWN SLOPES

LOWER THE CENTER OF GRAVITY WHEN TURNING

When turning on slopes, lower the work equipment to lower the center of gravity before turning. It is dangerous to turn the machine suddenly on slopes.

BREAKING ON DOWNHILL SLOPE

If the foot brake is used frequently when traveling downhill, the brake will overheat and may be damaged. Release the accelerator pedal to make full use of the braking force of the engine when traveling downhill.

Use the right brake pedal for braking.

If the brakes are used excessively, the axle oil temperature caution lamp may light up and the alarm buzzer may sound intermittently. For details of the necessary action to take, see "AXLE OIL TEMPERATURE CAUTION LAMP (PAGE 3-16)" in EXPLANATION OF COMPONENTS.

IF ENGINE STOPS

If the engine stops on a slope, apply the parking brake immediately, and lower the work equipment to the ground and stop the machine. Then put the directional lever in neutral position, and start the engine again.

PRECAUTIONS WHEN DRIVING MACHINE

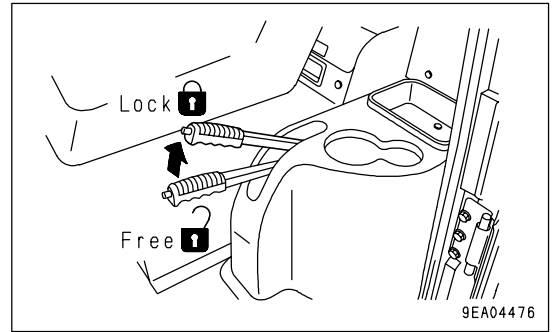
When the machine travels at high speed for a long distance, the tires become extremely hot. This causes early wear of the tires and should be avoided as much as possible. If the machine must be driven for a long distance, take the following precautions.

- Follow the regulations related to this machine, and drive carefully.
- Before driving the machine, carry out the checks before starting.
- The most suitable tire pressure, travel speed, or tire type differ according to the condition of the travel surface. Contact your Komatsu distributor or tire dealer for information.
- The following is a guide to suitable tire pressures and speeds when traveling on a paved surface with standard tires. (20.5-25-12PR)
Tire pressure: 0.27 MPa (2.8 kgf/cm², 39.8 PSI)
Speed: 14 km/h (8.7 MPH)
- Check the tire pressure before starting, when the tire is cool.
- After traveling for 1 hour, stop for 30 minutes. Check the tires and other parts for damage; also check the oil and coolant levels.
- Always travel with the bucket empty.
- Never put "calcium chloride" or "dry ballast" in the tires when traveling.

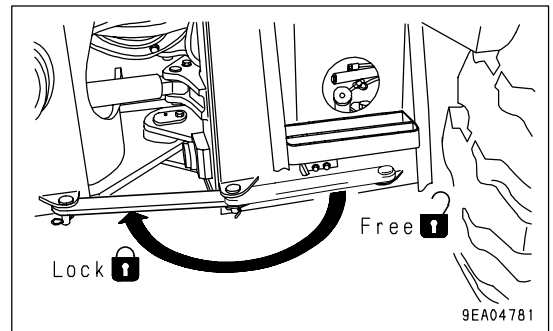
ADJUSTING WORK EQUIPMENT POSTURE

WARNING

- Stop the machine on flat ground and put blocks in front and behind the wheels.
- Set parking brake lever to the LOCK position.
- Secure the front and rear frames with the frame lock bar.
- Always attach the warning tag to the work equipment control lever.
- Do not go under the work equipment when the arm is raised. To support the work equipment securely, use a strong support that can withstand the weight of the work equipment and prevent the arm coming from down.

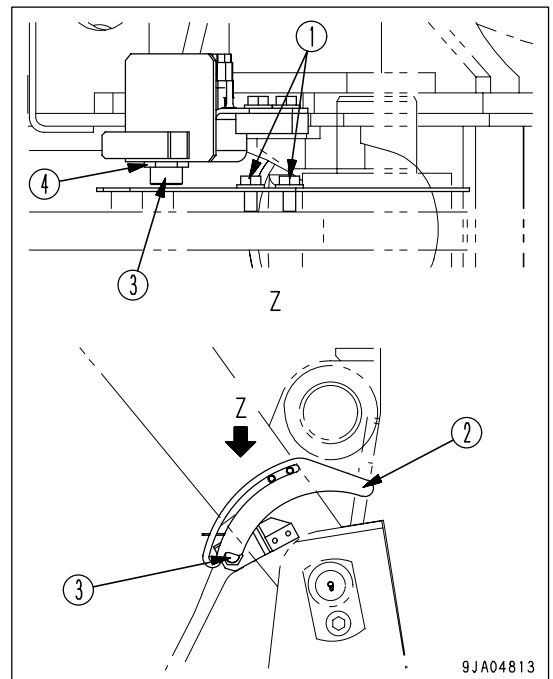


The boom kickout makes it possible to set the bucket so that it automatically stops at the desired lifting height (lift arm higher than horizontal) and the bucket positioner makes it possible to set the bucket so that it automatically stops at the desired digging angle. The setting can be adjusted to match the working conditions.



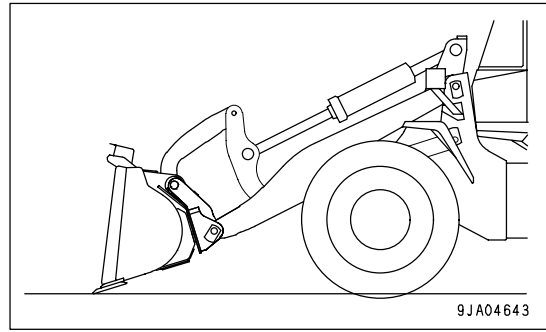
ADJUSTING BOOM KICKOUT

1. Raise the bucket to the desired height, set the work equipment control lever at HOLD, then set the work equipment lock lever to the LOCK position and stop the engine.
2. Loosen two bolts (1), and adjust plate (2) so that the bottom edge is in line with the center of the sensing surface of proximity switch (3). Then tighten the bolts to hold the plate in position.
3. Loosen two nuts (4) to make a clearance of 3 to 5 mm (0.118 to 0.197 in) between plate (2) and the sensing surface of proximity switch (3). Then tighten the nuts to hold in position. Tightening torque: 14.7 to 19.6 N·m (1.5 to 2.0 kgf·m, 10.8 to 14.5 lbft)
4. After adjusting, start the engine and operate the lift arm control lever. Check that the lever is automatically returned to HOLD when the bucket reaches the desired height.

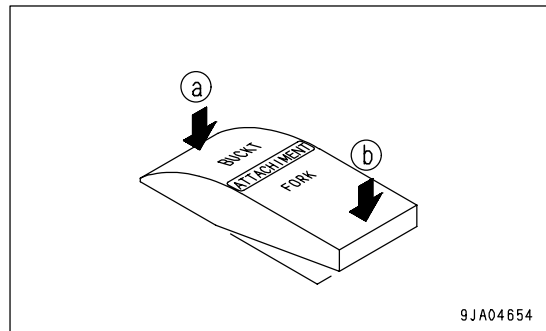


ADJUSTING BUCKET POSITIONER

1. Lower the bucket to the ground, set to the desired digging angle, return the work equipment control lever to HOLD, then set the work equipment lock lever to the LOCK position and stop the engine.



2. Set the attachment selector switch to bucket position (a).



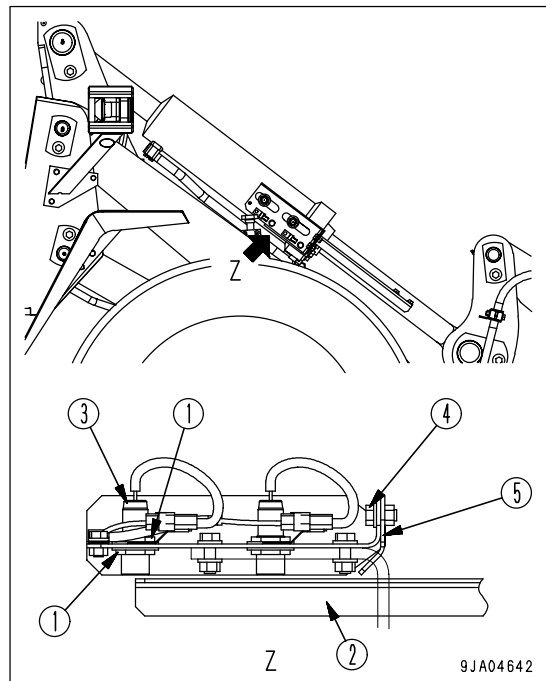
3. Loosen nut (1), then adjust the position of the proximity switch so that the rear tip of bar (2) is in line with the center of the sensing surface of proximity switch (3).

4. Adjust nut (1) so that the clearance between bar (2) and the sensing surface of proximity switch (3) is 3 to 5 mm, then tighten the nut to hold in position.

Tightening torque: 14.7 to 19.6 N·m (1.5 to 2.0 kgf·m, 10.8 to 14.5 lbf)

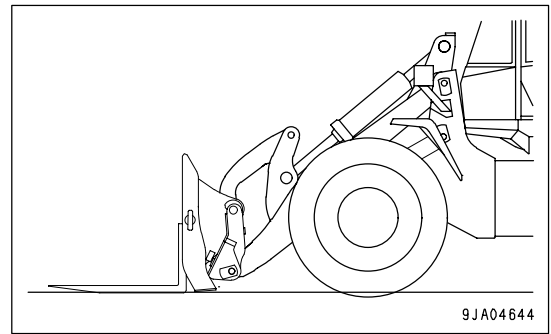
5. Loosen bolt (4) and adjust so that the tip of protector (5) extends 0.5 to 1.0 mm from the sensing surface of proximity switch (3), then tighten the bolt to hold in position.

6. After adjusting, start the engine and raise the lift arm. Operate the bucket control lever to the DUMP position, then operate it to the TILT BACK position and check that the lever is automatically returned to the HOLD position when the bucket reaches the desired digging angle.

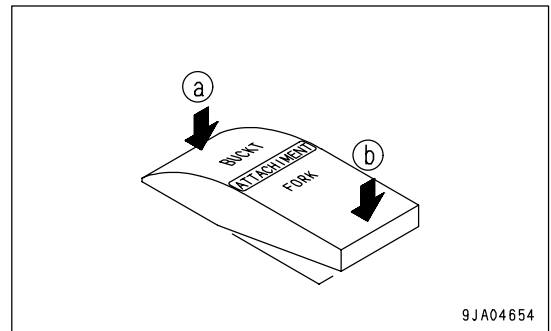


ADJUSTING FORK POSITIONER

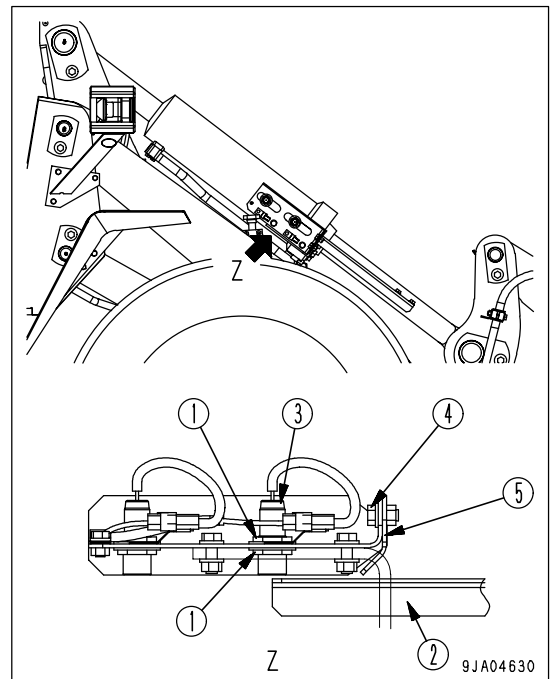
1. Lower the forks to the ground, set to the horizontal position, return the work equipment control lever to the HOLD position, then set the work equipment lock lever to the LOCK position and stop the engine.



2. Set the attachment selector switch to fork position (b).



3. Loosen nut (1), then adjust the position of the proximity switch so that the rear tip of bar (2) is in line with the center of the sensing surface of proximity switch (3).
4. Adjust nut (1) so that the clearance between bar (2) and the sensing surface of proximity switch (3) is 3 to 5 mm, then tighten the nut to hold in position.
Tightening torque: 14.7 to 19.6 N·m (1.5 to 2.0 kgf·m, 10.8 to 14.5 lbft)
5. Loosen bolt (4) and adjust so that the tip of protector (5) extends 0.5 to 1.0 mm from the sensing surface of proximity switch (3), then tighten the bolt to hold in position.
6. After adjusting, start the engine, and raise the lift arm. Dump the fork, then tilt back and check that the lever returns automatically to the HOLD position when the fork is horizontal.

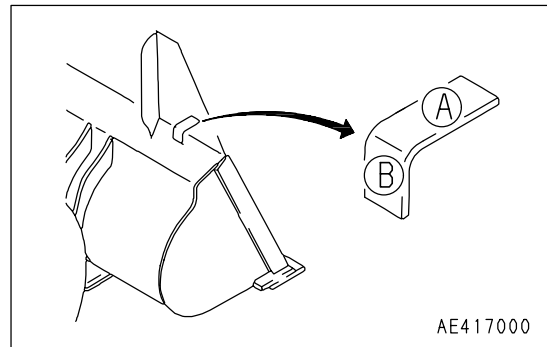


BUCKET LEVEL INDICATOR

(A) and (B) at the top rear of the bucket are the level indicators.
They check the bucket angle during operations.

(A): Parallel with cutting edge

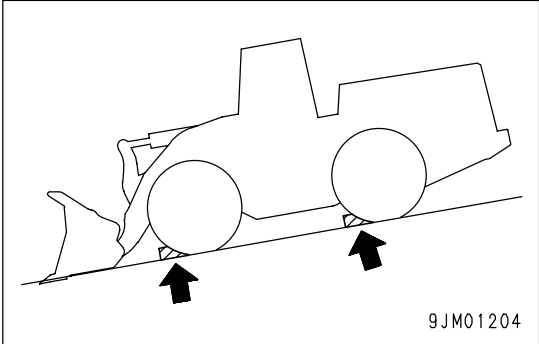
(B): 90 degrees to cutting edge



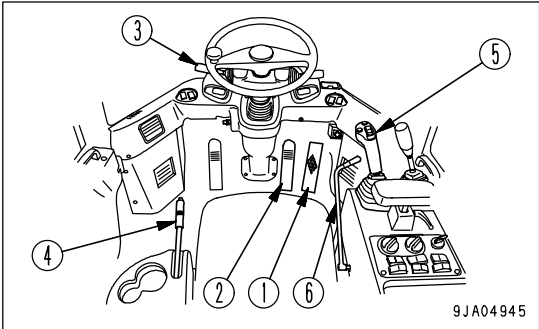
PARKING MACHINE

⚠ WARNING

- Avoid stopping suddenly. Give yourself ample room when stopping.
- Do not park the machine on slopes.
If the machine has to be parked on a slope, set it facing directly down the slope, then dig the bucket into the ground and put blocks under the tires to prevent the machine from moving.
- If the control lever is touched by accident, the work equipment or the machine may move suddenly, and this may lead to a serious accident. Before leaving the operator's compartment, always set the work equipment lock lever securely to the LOCK position.
- Even if the parking brake lever is pulled and set to the LOCK position, there is a danger of the machine moving until the parking brake lamp lights, therefore keep the brake pedal depressed.



9JM01204

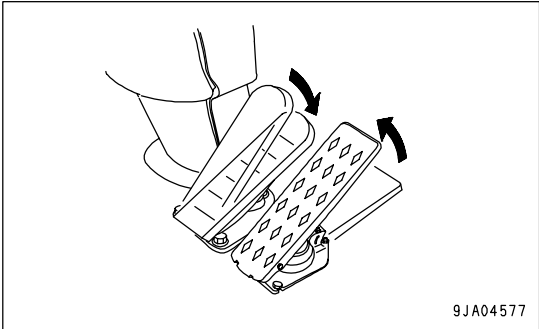


9JA04945

NOTICE

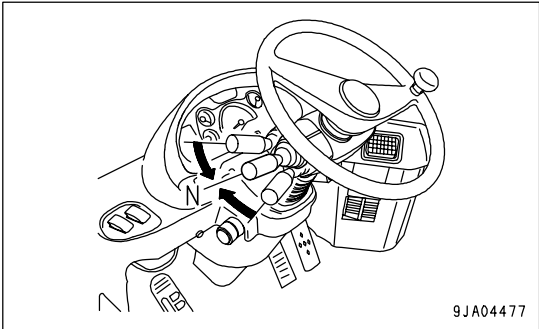
Never use the parking brake lever to slow the machine when traveling except in an emergency. Apply the parking brake only after the machine has stopped.

1. Release accelerator pedal (1), then depress brake pedal (2) to stop the machine.



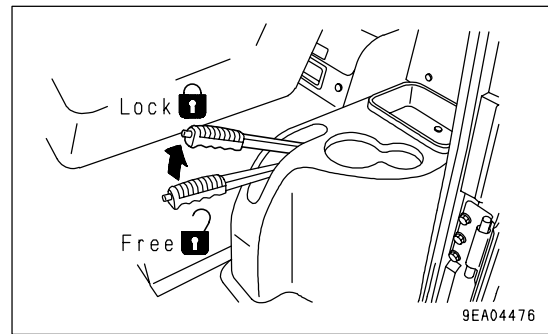
9JA04577

2. Place directional lever (3) in N (neutral) position.

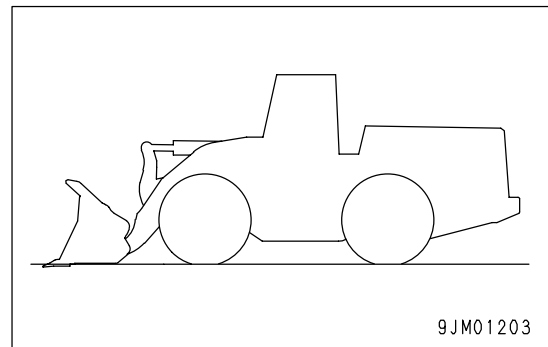


9JA04477

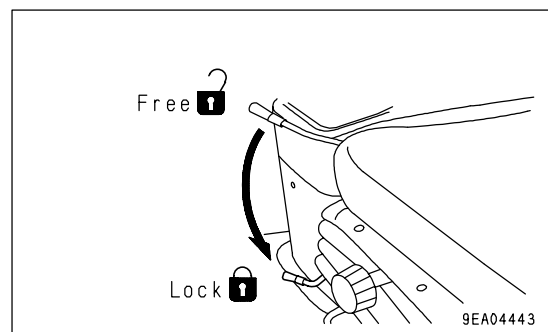
3. Pull parking brake lever (4) and set it to the LOCK position.



4. Operate work equipment control lever (5) to lower the bucket to the ground.



5. Check that the work equipment control lever (5) is at the HOLD position, then set work equipment lock lever (6) to the LOCK position.



CHECKS AFTER COMPLETION OF OPERATION

BEFORE STOPPING ENGINE

Check the engine water temperature, engine oil pressure, HST oil temperature, and fuel level with the meters and lamps.

If the engine has overheated, do not stop it suddenly. Run the engine at a midrange speed to allow the engine to cool down before stopping it.

AFTER STOPPING ENGINE

1. Walk around the machine and check the work equipment, bodywork, and undercarriage, and check also for oil and water leakage.
2. Fill the fuel tank.
3. Check the engine compartment for paper and debris. Clean out any paper and debris to avoid a fire hazard.
4. Remove any mud affixed to the undercarriage.

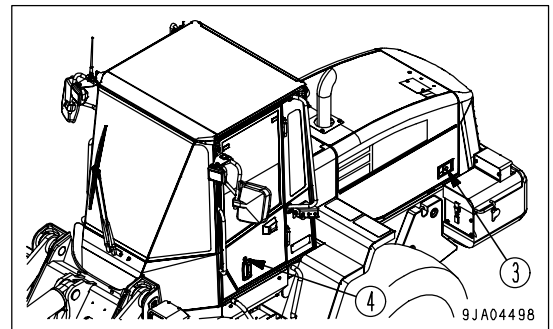
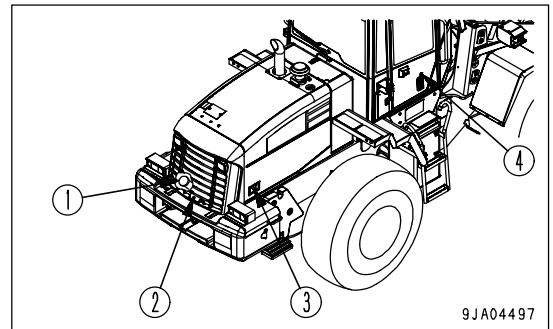
LOCKING

Always lock the following parts.

- (1) Fuel filler cap
- (2) Rear grill
- (3) Engine side cover (2 places)
- (4) Cab door (2 places)

REMARK

The starting switch key is used also for locks (1), (2), (3) and (4).



HANDLING THE TIRES

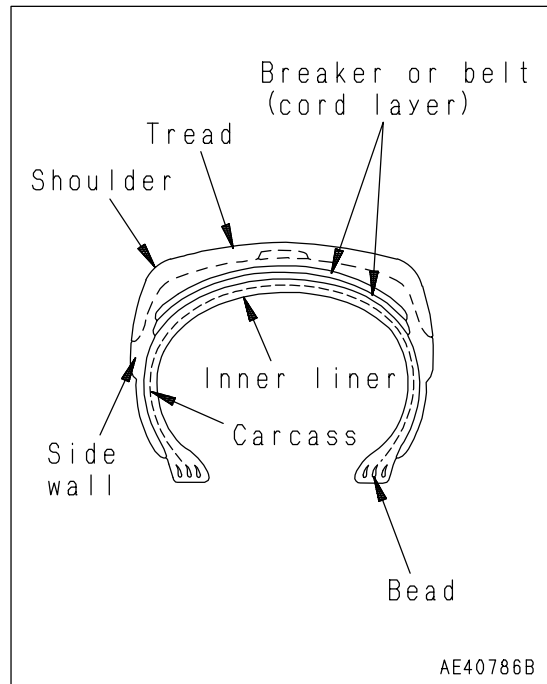
PRECAUTIONS WHEN HANDLING TIRES



CAUTION

If a tire has reached any of the following service limits, there is danger that the tire may burst or cause an accident, so to ensure safety, replace it with a new tire.

- Service limits for wear
 - When the remaining depth of the grooves on construction equipment tires (at a point approx. 1/4 of the tread width) is 15% of the groove depth on a new tire.
 - When the tire shows marked uneven wear, stepped wear or other abnormal wear, or when the cord layer is exposed.
- Service limits for damage
 - When there is external damage extending to the cord or when the cord is broken
 - When the cord is cut or there is dragging
 - When the tire is peeling (there is separation)
 - When the bead is damaged
 - For tubeless tires, when there is air leakage or improper repair



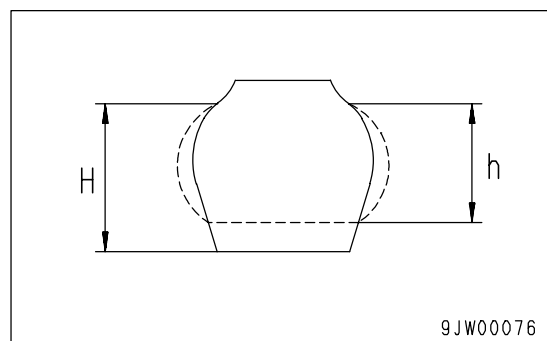
Please contact your Komatsu distributor when replacing the tires. It is dangerous to jack up the machine without taking due care.

TIRE PRESSURE

Measure the tire pressure before starting operations, when the tires are cool.

If the tire inflation pressure is too low, there will be overload; if it is too high, it will cause tire cuts and shock burst. To prevent these problems, adjust the tire inflation pressure according to the table on the next page.

Deflection ratio = $H - h / H \times 100$



As a guideline that can be checked visibly, the deflection ratio of the front tire (deflection/free height) is as follows.

When carrying normal load (lift arm horizontal): Approx. 15 to 25 %

When digging (rear wheels off ground): Approx. 25 to 35 %

When checking the tire inflation pressure, check also for small scratches or peeling of the tire, for nails or pieces of metal which may cause punctures, and for any abnormal wear.

Clearing fallen stones and rocks from the operating area and maintaining the surface will extend the tire life and give improved economy.

- For operations on normal road surfaces, rock digging operations: High end of range in air pressure chart
- Stockpile operations on soft ground: Average pressure in air pressure chart
- Operations on sand (operations not using much digging force): Low end of range in air pressure chart

If the deflection of the tire is excessive, raise the inflation pressure within the limits given in the table to give a suitable deflection (see deflection ratio).

Tire size (Pattern)	Inflation pressure MPa (kgf/cm ² , PSI)			
	Soft ground (sandy ground)	Normal road		When shipped from factory
		Stockpile	Digging	
17.5-25-16PR (L2: Traction)	0.18 - 0.31 (1.8 - 3.2, 25.6 - 45.5)	0.18 - 0.34 (1.8 - 3.5, 25.6 - 49.7)	0.20 - 0.34 (2.0 - 3.5, 28.4 - 49.7)	Front and Rear Tire: 0.29 (3.0, 42.6)
17.5-25-16PR (L3: Rock)	0.18 - 0.31 (1.8 - 3.2, 25.6 - 45.5)	0.18 - 0.34 (1.8 - 3.5, 25.6 - 49.7)	0.20 - 0.34 (2.0 - 3.5, 28.4 - 49.7)	Front and Rear Tire: 0.29 (3.0, 42.6)
20.5-25-12PR (L2: Traction)	0.19 - 0.32 (1.9 - 3.3, 27.0 - 46.9)	0.19 - 0.32 (1.9 - 3.3, 27.0 - 46.9)	0.21 - 0.34 (2.1 - 3.5, 29.8 - 49.7)	Front and Rear Tire: 0.27 (2.8, 39.8)
20.5-25-12PR (L3: Rock)	0.19 - 0.32 (1.9 - 3.3, 27.0 - 46.9)	0.19 - 0.32 (1.9 - 3.3, 27.0 - 46.9)	0.21 - 0.34 (2.1 - 3.5, 29.8 - 49.7)	Front and Rear Tire: 0.27 (2.8, 39.8)

Stockpile operations mean the loading of sand and other loose materials.

PRECAUTIONS FOR USING LOAD AND CARRY METHOD

When traveling continuously with load and carry operations, choose the correct tires to match the operating conditions, or choose the operating conditions to match the tires. If this is not done, the tires will be damaged, so contact your Komatsu distributor or tire dealer when selecting tires.

TRANSPORTATION

When transporting the machine, observe all related laws and regulations, and be careful to assure safety.

TRANSPORTATION PROCEDURE

As a basic rule, always transport the machine on a trailer.

When selecting the trailer, see the weights and dimensions given in Section "SPECIFICATIONS (PAGE 5-2)".

Note that the specifications for the weights and dimensions for transportation differ according to the type of tires and type of bucket.

LOADING, UNLOADING WORK WITH TRAILERS



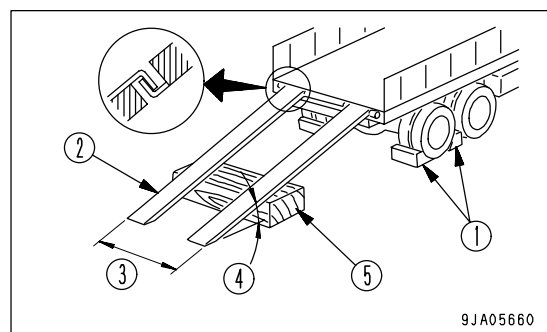
WARNING

- When loading or unloading the machine, run the engine at low speed, travel at low speed, and operate slowly.
- When loading or unloading the machine, stop the trailer on firm level ground.
In addition, keep well away from the road shoulder.
- Use ramps of ample width, length, thickness, and strength, and install them securely at an angle of less than 15°. When using an embankment, compact the fill soil thoroughly and make sure that the slope face does not collapse.
- Remove the mud stuck to the undercarriage to prevent the machine from slipping to the side on the ramps.
In addition, remove any water, snow, ice, grease, or oil from the ramps.
- Never change direction on the ramps. There is danger that the machine may tip over.
If it is necessary to change direction, return to the ground surface or the trailer platform, correct the direction, and start again.
- The position of the center of gravity of the machine will change suddenly at the connection of the ramp and trailer, and there is danger of the machine losing its balance. Always drive slowly over this point.

When loading or unloading, always use ramps or a platform. Proceed as follows.

LOADING

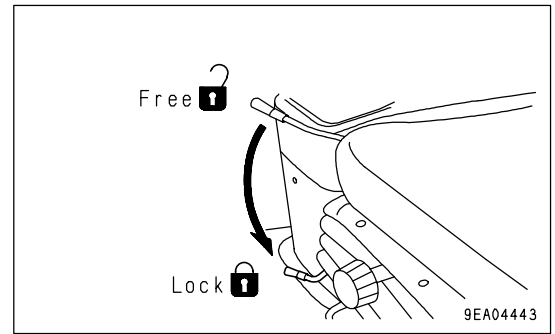
1. Load and unload on firm level ground only.
Maintain a safe distance from the edge of a road.
2. Apply the brakes on the trailer securely and insert locks (1) under the tires to hold the trailer in position.
Set the distance (3) between ramps (2) to match the distance between the left and right tires, and make angle (4) of the ramps a maximum of 15°.
If ramps (2) sag appreciably under the weight of the machine, put wooden blocks (5) under the ramps to support them.
3. Determine the direction of the ramp, then slowly load the machine.
4. Load the machine correctly in the specified position on the trailer.



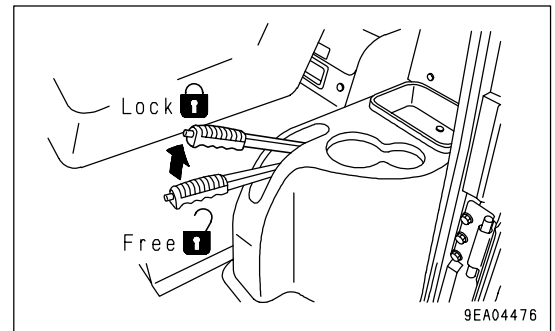
SECURING MACHINE

Load the machine onto a trailer as follows:

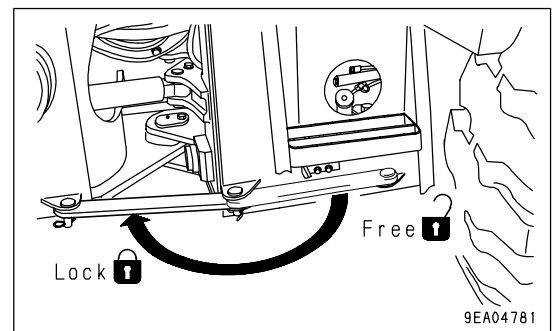
1. Lower the work equipment slowly.
2. Check that the work equipment control lever is at the HOLD position, then set the work equipment lock lever to the LOCK position.



3. Set the parking brake lever to the LOCK position, then apply the parking brake securely.
4. Turn the starting switch to the OFF position to stop the engine, and pull out the starting switch key.

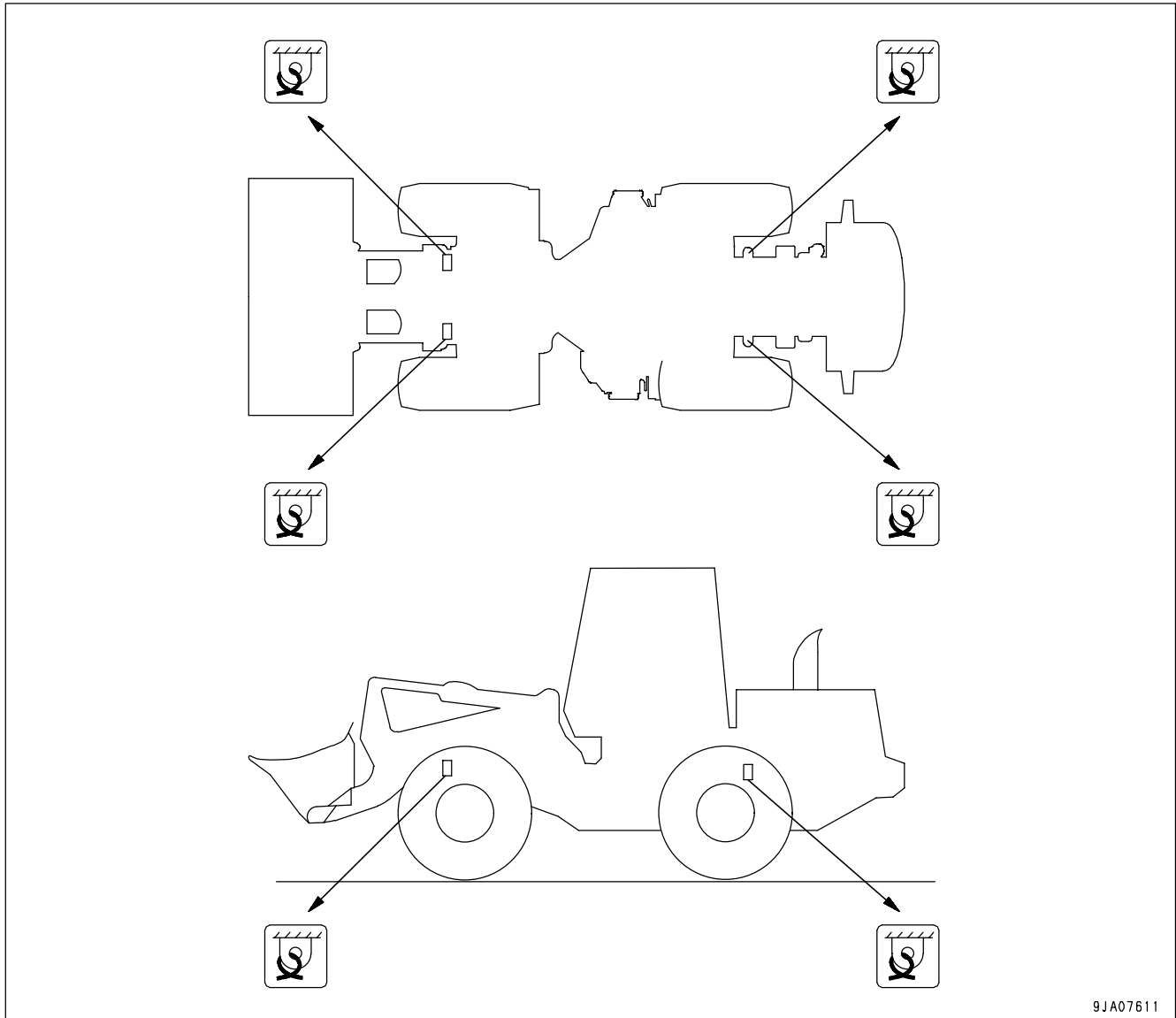


5. Set the frame lock bar to the LOCK position to lock the front frame and rear frame.



- Put blocks in front and behind the wheels, and secure the machine with chains or wire rope to prevent the machine from moving during transportation.
In particular, attach the machine securely to prevent it from slipping sideways.

Fastening positions



9JA07611

- Stow the antenna away.

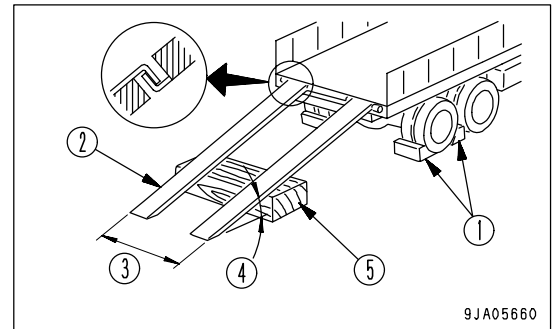
UNLOADING

1. Load and unload on firm level ground only. Maintain a safe distance from the edge of a road.

2. Apply the brakes on the trailer securely and insert locks (1) under the tires to hold the trailer in position.

Set the distance (3) between ramps (2) to match the distance between the left and right tires, and make angle (4) of the ramps a maximum of 15°.

If ramps (2) sag appreciably under the weight of the machine, put wooden blocks (5) under the ramps to support them.

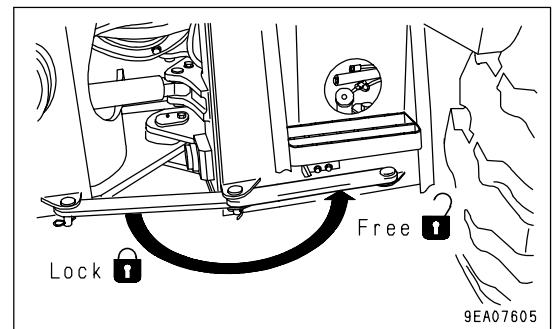


3. Remove the chains and wire ropes fastening the machine.

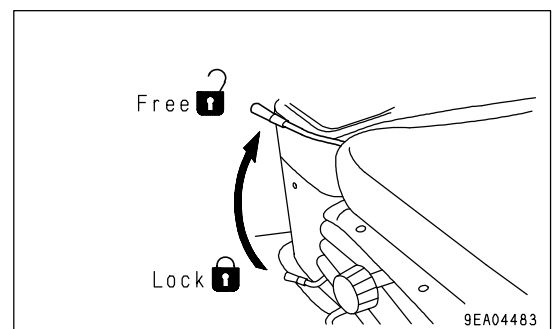
4. Set the frame lock bar to the FREE position.

5. Start the engine.

Warm the engine up fully.

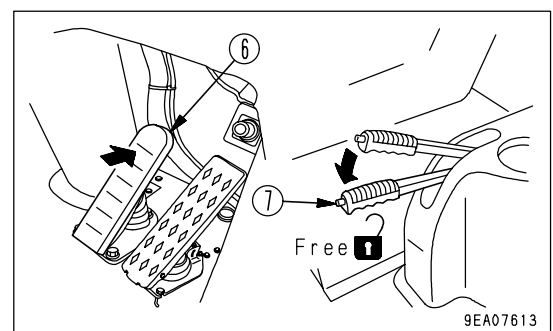


6. Check that the work equipment control lever is at the HOLD position, then set the work equipment lock lever to the FREE position.



7. Depress brake pedal (6) and turn parking brake lever (7) to the FREE position to release the parking brake. Keep brake pedal (6) depressed.

8. Determine the direction of the ramps, then drive the machine slowly down the ramps to unload the machine.



LIFTING MACHINE



WARNING

- The person using the crane to carry out lifting operations must be a qualified crane operator.
- Never carry out lifting operations if any person is on the machine being lifted.
- Always use a wire rope that has ample strength for the weight of the machine being lifted.
- Keep the machine horizontal when lifting it.
- When carrying out lifting operations, do as follows to prevent the machine from moving unexpectedly.
 - Set the parking brake lever to the LOCK position.
 - Set the work equipment lock lever to the LOCK position.
 - Set the frame lock bar to the LOCK position.
- Never enter the area under or around a raised machine.
- There is danger of the machine losing its balance.
 - Use the procedure below to set the machine in the proper posture and use the lifting equipment when lifting the machine.

NOTICE

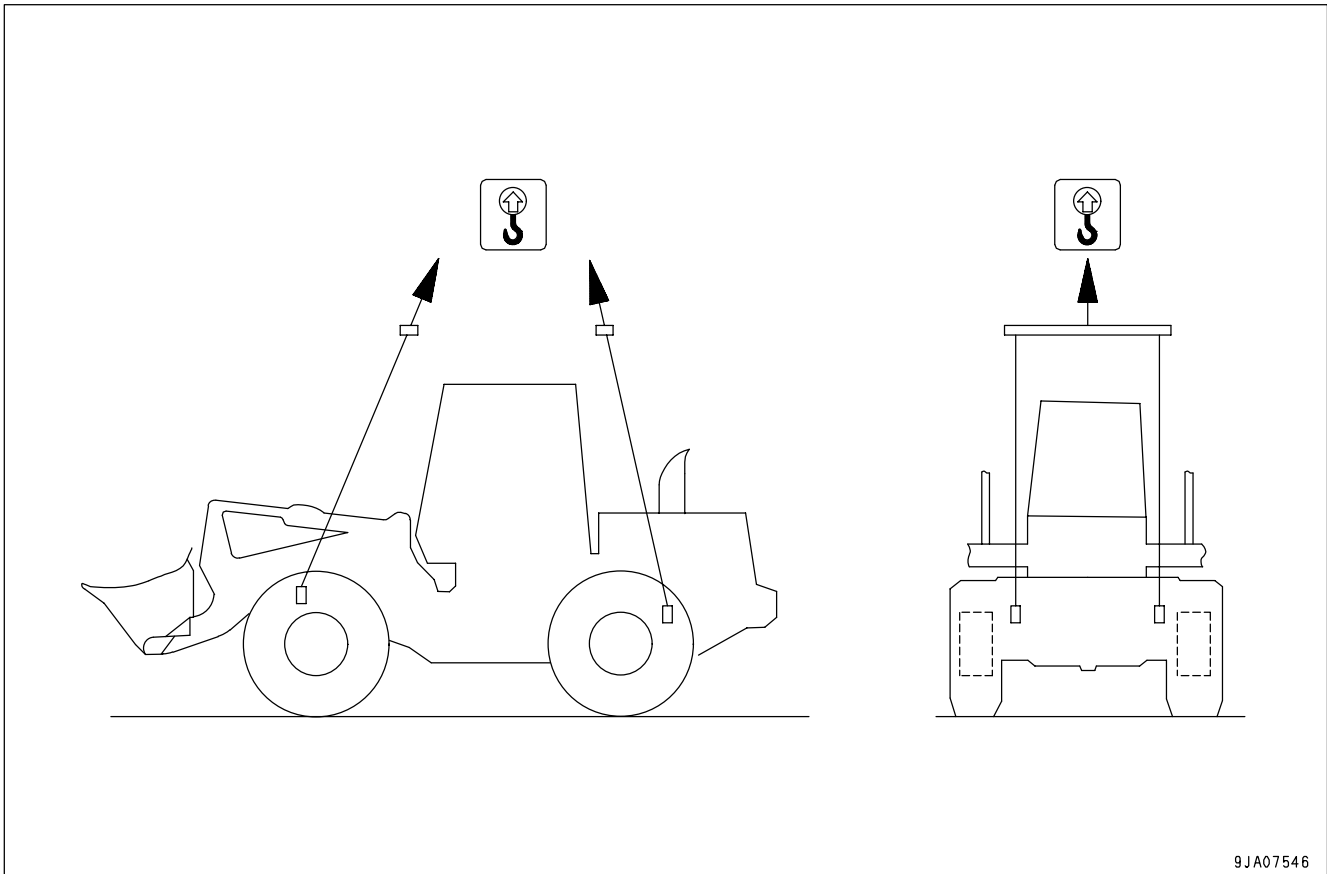
The lifting procedure applies to machines with standard specifications.

The method of lifting differs according to attachments and options actually installed on the machine. For the proper lifting procedures, contact your Komatsu distributor.

For details of the weight, see "SPECIFICATIONS (PAGE 5-2)".

LIFTING PROCEDURE

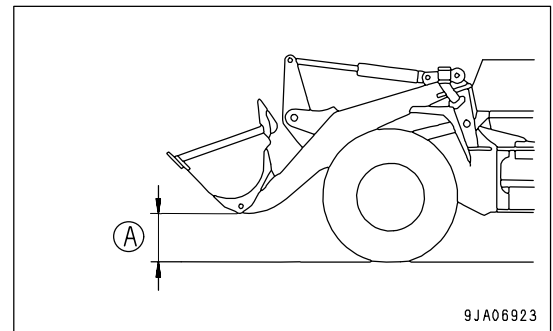
Lifting position



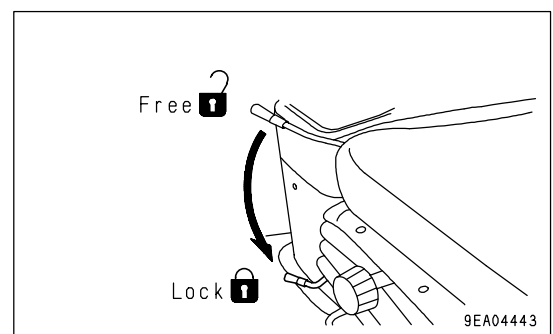
9JA07546

Lifting work can be carried out only for machines with lifting marks. Before starting the lifting operation, stop the machine in a horizontal place and do as follows.

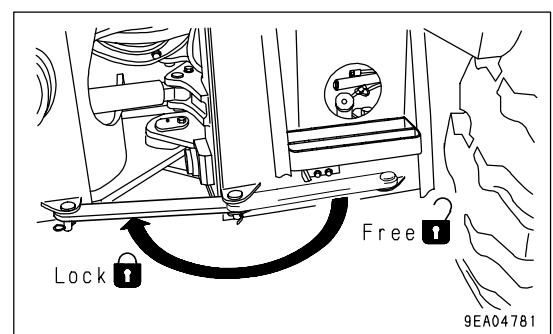
1. Start the engine, make sure that the machine is horizontal, then set the work equipment to the travel posture.
For details, see "MOVING THE MACHINE (PAGE 3-85)".
(A): 40 - 50 cm (16 - 20 in)



2. Check that the work equipment control lever is at the HOLD position, then set the work equipment lock lever to the LOCK position.



3. Stop the engine, check that the area around the operator's compartment is safe, then lock with the frame lock bar so that the front frame and rear frame do not articulate.



4. Use wire ropes and slings that match the weight of the machine, and wind the wire rope and fix it to the lifting points as shown in the figure.

NOTICE

- Use protectors, etc. so that the wire ropes will not be broken at sharp edges or narrow places.
- Use spreaders and bars having sufficient width so that they will not touch the machine.
- For machines equipped with a rear full fender, remove the rear full fender before carrying out the operation.

5. After setting the wire ropes, lift up the machine and stop at 100 to 200 mm (3.9 to 7.9 in) above the ground, and check that the wire ropes are not slack and the machine is level, then lift up slowly.

COLD WEATHER OPERATION

PRECAUTIONS FOR LOW TEMPERATURE

If the temperature becomes low, it becomes difficult to start the engine, and the coolant may freeze, so do as follows.

FUEL AND LUBRICANTS

Change to fuel and oil with low viscosity for all components.

For details of the specified viscosity, see "RECOMMENDED FUEL, COOLANT, AND LUBRICANT (PAGE 4-9)".

COOLANT



WARNING

- Antifreeze is toxic. Be careful not to get it into your eyes or on your skin. If it should get into your eyes or on your skin, wash it off with large amounts of fresh water and see a doctor at once.
- When changing the coolant or when handling coolant containing antifreeze that has been drained when repairing the radiator, please contact your Komatsu distributor or request a specialist company to carry out the operation. Antifreeze is toxic. Do not let it flow into drainage ditches or spray it onto the ground surface.
- Antifreeze is flammable. Do not bring any flame close. Do not smoke when handling antifreeze.

NOTICE

- Use Komatsu Supercoolant wherever available, or use permanent type antifreeze coolant.
- Never use methanol, ethanol, or propanol-based antifreeze.
- Do not use any water leakage prevention agent, either alone, or in combination with antifreeze.
- Do not mix one brand of antifreeze with a different brand.

For details of the antifreeze mixture when changing the coolant, see "CLEAN INSIDE OF COOLING SYSTEM (PAGE 4-20)".

BATTERY

 **WARNING**

- The battery generates flammable gas. Do not bring fire or sparks near the battery.
- Battery electrolyte is dangerous. If it gets in your eyes or on your skin, wash it off with a large amount of water and consult a doctor.
- Battery electrolyte dissolves paint. If it gets on the bodywork, wash it off immediately with water.
- If the battery electrolyte is frozen, do not charge the battery or start the engine with a different power source. There is danger that the battery may explode.
- Battery electrolyte is toxic. Do not let it flow into drainage ditches or spray it on to the ground surface.

When the ambient temperature drops, the capacity of the battery will also drop. If the battery charge ratio is low, the battery electrolyte may freeze. Maintain the battery charge as close as possible to 100%. Insulate it against cold temperature to ensure the machine can be started easily the next morning.

REMARK

Measure the specific gravity and calculate the charging rate from the following conversion table.

Electrolyte Temperature (°C)	20	0	-10	-20
Charging Rate (%)				
100	1.28	1.29	1.30	1.31
90	1.26	1.27	1.28	1.29
80	1.24	1.25	1.26	1.27
75	1.23	1.24	1.25	1.26

- As the battery capacity drastically drops in low temperatures, cover or remove the battery from the machine, store the battery in a warm place, and install it again the next morning.
- If the electrolyte level is low, add distilled water in the morning before beginning work. Do not add water after the day's work to prevent diluted electrolyte in the battery from freezing during the night.

PRECAUTIONS AFTER COMPLETION OF WORK

To prevent mud, water, or the undercarriage from freezing and making it impossible for the machine to move on the following morning, observe the following precautions.

- Remove all the mud and water from the machine body. In particular, wipe the hydraulic cylinder rods clean to prevent damage to the seal caused by mud, dirt, or drops of water on the rod from getting inside the seal.
- Park the machine on hard, dry ground.
If this is impossible, park the machine on boards.
The boards prevent the tracks from freezing to the ground, and allow the machine to be moved the next morning.
- Open the drain valve and drain any water collected in the fuel system to prevent it from freezing.
- Fill the fuel tank to capacity. This minimizes moisture condensation in the tank when the temperature drops.

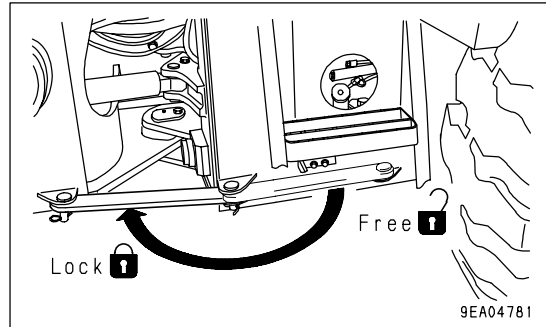
AFTER COLD WEATHER

When the season changes and the weather becomes warmer, do as follows.

- Replace all fuel and oil with fuel and oil of the specified viscosity. For details, see "RECOMMENDED FUEL, COOLANT, AND LUBRICANT (PAGE 4-9)".

WARMING-UP OPERATION FOR STEERING HYDRAULIC CIRCUIT IN COLD WEATHER**WARNING**

If the steering wheel is operated and stopped while the oil temperature is low, there may be a time lag before the machine stops turning. In this case, use the frame lock bar to ensure safety, and perform the warm-up operation in a wide place. Do not relieve the hydraulic oil in the circuit continuously for more than 5 seconds.



When the temperature is low, do not start the operation of the machine immediately after starting the engine.

Warming up steering hydraulic circuit

Slowly operate the steering wheel to the left and right to warm up the oil in the steering valve. (Repeat this operation for about 10 minutes to warm up the oil.)

NOTICE

Turn the steering wheel a little and stop in that position. Confirm that the machine turns by an angle equivalent to the amount that the steering wheel is turned.

LONG-TERM STORAGE

BEFORE STORAGE

When keeping in long-term storage (more than one month), store as follows.

- Clean and wash all parts, then store the machine indoors. If the machine has to be stored outdoors, select level ground and cover the machine with a sheet.
- Completely fill the fuel tank. This prevents moisture from collecting.
- Lubricate and change the oil before storage.
- Coat the exposed portion of the hydraulic cylinder piston rod with grease.
- Disconnect the negative terminals of the battery and cover it or remove it from the machine and store it separately.
- Set the work equipment lock lever to the LOCK position to prevent the machine from moving.
- To prevent corrosion, be sure to fill the cooling system with Supercoolant (AF-NAC) or permanent type antifreeze (density between 30% and 68%).

DURING STORAGE



WARNING

If it is necessary to perform the rust-prevention operation while the machine is indoors, open the doors and windows to improve ventilation and prevent gas poisoning.

- During storage, operate and move the machine for a short distance once a month so that a new film of oil will coat moving parts. At the same time, also charge the battery.
- When operating the work equipment, wipe off all the grease from the hydraulic cylinder rods.
- If the machine is equipped with an air conditioner, operate the air conditioner for 3 to 5 minutes once a month to lubricate all parts of the air conditioner compressor. Always run the engine at low idle when doing this. In addition, check the refrigerant level twice a year.

AFTER STORAGE

NOTICE

If the machine has been stored without carrying out the monthly rust-prevention operation, consult your Komatsu distributor before using it.

When using the machine after long-term storage, do as follows before using it.

- Wipe off the grease from the hydraulic cylinder rods.
- Add oil and grease at all lubrication points.
- When the machine is stored for a long period, moisture in the air will mix with the oil. Check the oil before and after starting the engine. If there is water in the oil, change all the oil.

TROUBLESHOOTING

WHEN MACHINE RUNS OUT OF FUEL



WARNING

When starting the engine again, check carefully that the area around the engine is safe before cranking the engine.

When starting the engine after running out of fuel, fill with fuel and bleed the air from the fuel system before starting. For details of bleeding the air, see "REPLACE FUEL FILTER CARTRIDGE (PAGE 4-46)".

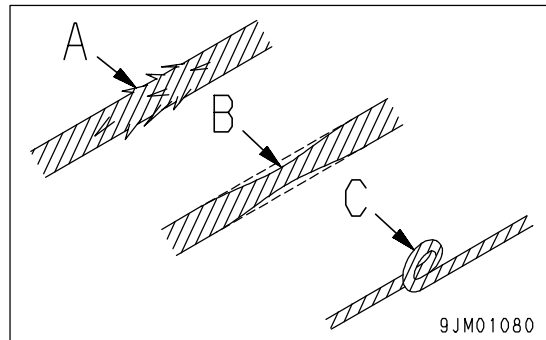
METHOD OF TOWING MACHINE



WARNING

Serious injury or death could result if there is any mistake in the selection of wire rope or method of towing a disabled machine.

- Always be sure to check carefully that the capacity of the wire rope used for towing is ample for the weight of the towed machine.
- Never use a wire rope which has cut strands (A), reduced diameter (B), or kinks (C). There is danger that the rope may break during the towing operation.
- Always wear leather gloves when handling wire rope.
- Never tow a machine on a slope.
- During the towing operation, never stand between the towing machine and the machine being towed.
- Move the machine slowly and be sure not to apply any sudden load on the wire rope.
- If there is a failure in the brake line, the brakes cannot be used, so be extremely careful when towing.



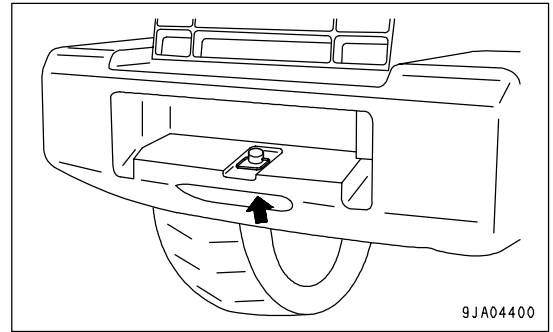
NOTICE

- Only tow the machine for a short distances, such as to a place for inspection or maintenance. The machine must not be towed for long distances.
- For details of the permissible towing load for this machine, see Section "SPECIFICATIONS (PAGE 5-2)".
- For details of the procedure for towing a machine when it has broken down, please contact your Komatsu distributor.

This machine must not be towed except in emergencies. When towing the machine, take the following precautions.

- Before releasing the brakes, put blocks under the wheels to prevent the machine from moving. If the wheels are not blocked, the machine may suddenly move.
- When towing a machine, tow it at a low speed of less than 2 km/h (1.2 MPH), and for a distance of a few meters to a place where repairs can be carried out. The machine should be towed only in emergencies. If the machine must be moved long distances, use a transporter.
- If it is impossible to operate the steering and brakes of the machine being towed, do not let anyone ride on the machine.
- Keep the angle of the towrope as small as possible. Keep the angle between the centerlines of the two machines to within 30 degrees.
- The towing machine should normally be of the same class as the machine being towed. Check that the towing machine and towed machine both have ample braking power and that the towing machine has ample rimpull to control both machines on the slopes or on the tow road.

- When towing a machine downhill, it may be necessary to connect another machine to the rear of the machine being towed in order to provide ample rimpull and braking power. This makes it possible to prevent the machine from losing control.
- Towing may be carried out under various differing conditions, so it is impossible to determine beforehand the requirements for towing. Towing on flat horizontal roads will require the minimum rimpull, while towing on slopes or on uneven road surfaces will require the maximum rim pull.
- Connect a wire rope to the part indicated with the arrow in the diagram at right.



WHEN ENGINE CAN BE USED

- If the transmission and steering wheel can be operated, and the engine is running, it is possible to tow the machine out of mud or to move it for a short distance to the edge of the road.
- The operator should sit on the machine being towed and operate the steering in the direction that the machine is towed.

WHEN ENGINE CANNOT BE USED

When towing a machine with the engine stopped, use the following procedure.

1. The transfer oil does not lubricate the system, so remove the front and rear drive shafts. If necessary, block the tires to prevent the machine from moving.
2. The steering cannot be operated, so remove the steering cylinder.
Even if the brakes are in good condition, the brakes can only be used a limited number of times. There is no change in the operating force for the brake pedal, but the braking force is reduced each time the pedal is depressed.
3. Connect the towing equipment securely. When carrying out towing operations, use two machines of at least the same class as the machine being towed. Connect one machine each to the front and rear of the machine being towed, then remove the blocks from the tires and tow the machine.

EMERGENCY TRAVEL OPERATION

The normal gear shifting operation is carried out by electric signals. If there should be a failure in the electrical system and the machine does not move, please contact your Komatsu distributor to have the machine moved.

NOTICE

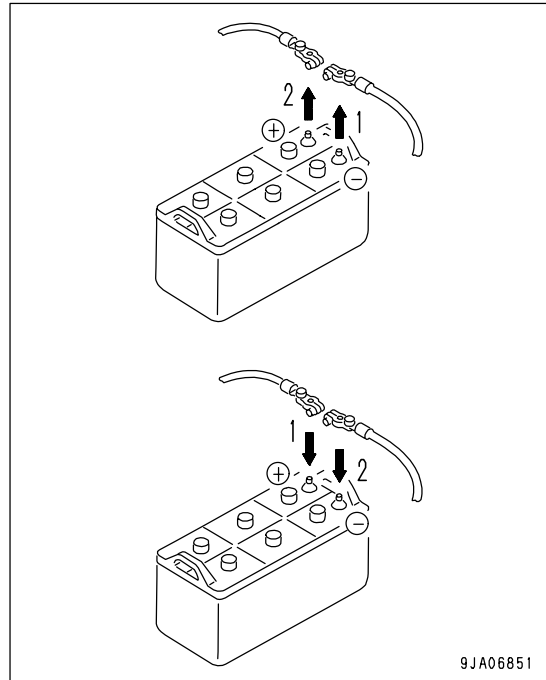
Always request your Komatsu distributor to carry out the emergency travel operation.

IF BATTERY IS DISCHARGED



WARNING

- It is dangerous to charge a battery when mounted on a machine. Make sure that it is dismantled before charging.
- When checking or handling the battery, stop the engine and turn the starting switch key to the OFF position.
- The battery generates hydrogen gas, so there is a hazard of explosion. Do not bring lighted cigarettes near the battery, or do anything that will cause sparks.
- Battery electrolyte is dilute sulfuric acid, and it will attack your clothes and skin. If it gets on your clothes or on your skin, immediately wash it off with a large amount of water. If it gets in your eyes, wash it out with fresh water and consult a doctor.
- When handling batteries, always wear protective goggles and rubber gloves.
- When removing the battery, first disconnect the cable from the ground (normally the negative (-) terminal). When installing, install the positive (+) terminal first.
If a tool touches the positive terminal and the chassis, there is danger that it will cause a spark, so be extremely careful.
- If the terminals are loose, there is danger that the defective contact may generate sparks that will cause an explosion.
- When removing or installing the terminals, check which is the positive (+) terminal and which is the negative (-) terminal.



9JA06851

REMOVAL AND INSTALLATION OF BATTERY

1. Before removing battery, remove the ground cable (normally connected to the negative (-) terminal). If any tool touches between the positive terminal and the chassis, there is danger of sparks being generated. Loosen the nuts of the terminal and remove the wires from the battery.
Tightening torque: 5.9 to 9.8 N·m
(0.6 to 1.0 kgf·m, 4.3 to 7.2 lbft)
2. After installing the battery, fix it with the battery hold down.
Tightening torque: 5.9 to 9.8 N·m
(0.6 to 1.0 kgf·m, 4.3 to 7.2 lbft)
3. When installing the battery, connect the ground cable last.
Insert the hole of the terminal on the battery and tighten the nut.
Tightening torque: 5.9 to 9.8 N·m
(0.6 to 1.0 kgf·m, 4.3 to 7.2 lbft)

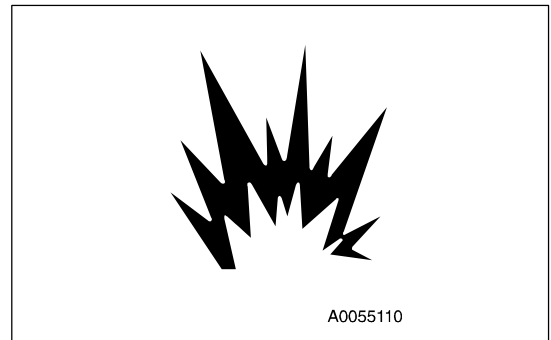
REMARK

The batteries are on both sides at the rear of the machine. The battery used for the ground is on the right side of the machine.

PRECAUTIONS FOR CHARGING BATTERY

When charging the battery, if the battery is not handled correctly, there is danger that the battery may explode. Always follow the instructions in "BATTERY (PAGE 3-121)" and the instruction manual accompanying the charger, and do as follows.

- Do not use or charge the battery if the battery electrolyte level is below the LOWER LEVEL line. This may cause an explosion. Check the battery electrolyte level periodically and add distilled water to bring the electrolyte level to the UPPER LEVEL line.
- Set the voltage of the charger to match the voltage of the battery to be charged. If the correct voltage is not selected, the charger may overheat and cause an explosion.
- Connect the positive (+) charger clip of the charger to the positive (+) terminal of the battery, then connect the negative (-) charger clip of the charger to the negative (-) terminal of the battery. Be sure to attach the clips securely.
- Set the charging current to 1/10 of the value of the rated battery capacity; when carrying out rapid charging, set it to less than the rated battery capacity.
If the charger current is too high, the electrolyte will leak or dry up, and this may cause the battery to catch fire and explode.
- If the battery electrolyte is frozen, do not charge the battery or start the engine with a different power source. There is a danger that this will ignite the battery electrolyte and cause the battery to explode.



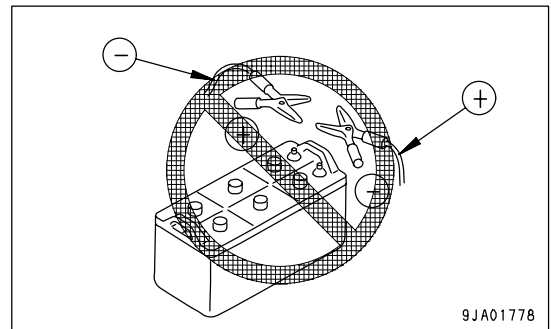
STARTING ENGINE WITH BOOSTER CABLE

When starting the engine with a booster cable, do as follows:

PRECAUTIONS WHEN CONNECTING AND DISCONNECTING BOOSTER CABLE

WARNING

- When connecting the cables, never contact the positive (+) and negative (-) terminals.
- When starting the engine with a booster cable, wear safety glasses and rubber gloves.
- Be careful not to let the normal machine and problem machine contact each other. This prevents sparks from generating near the battery which could ignite the hydrogen gas given off by the battery.
- Make sure that there is no mistake in the booster cable connections. The final connection is to the engine block of the problem machine, but sparks will be generated when this is done, so connect to a place as far as possible from the battery.
- When disconnecting the booster cable, take care not to bring the clips in contact with each other or with the machine body.



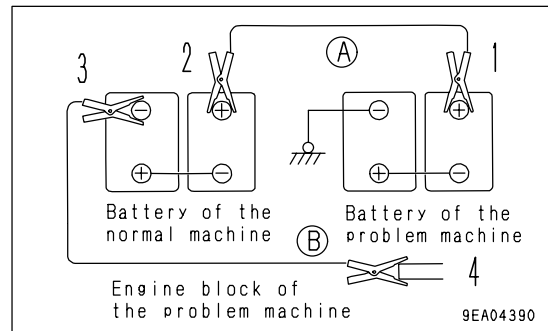
NOTICE

- Use a booster cable and clip of a thickness to match the size of the battery.
- The battery on the normal machine must be the same capacity as the battery on the failed machine.
- Check that there is no breakage or corrosion of the cable or clip.
- Connect the clip securely.
- Check that the work equipment lock levers on both the machines are at the LOCK position and that the parking brake is applied.
- Check that all levers are at the Neutral position.

CONNECTING THE BOOSTER CABLE

Keep the starting switch of the normal machine and problem machine in the OFF position.
Connect the booster cable as follows, in the order of the numbers marked in the diagram.

1. Connect one clip of booster cable (A) to the positive (+) terminal of the problem machine.
2. Connect the other clip of booster cable (A) to the positive (+) terminal of the normal machine.
3. Connect one clip of booster cable (B) to the negative (-) terminal of the normal machine.
4. Connect the other clip of booster cable (B) to the engine block of the problem machine.



STARTING ENGINE



WARNING

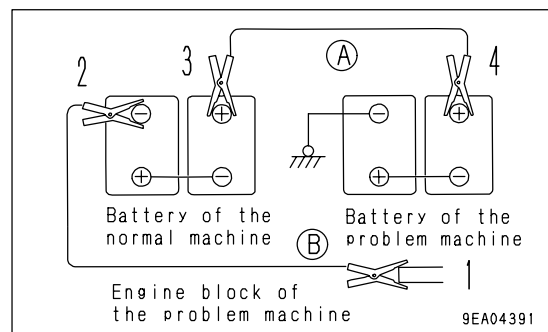
Always check that the work equipment lock lever is set to the LOCK position, regardless of whether the machine is working normally or has failed. Check also that all the control levers are in the HOLD or NEUTRAL position.

1. Make sure the clips are firmly connected to the battery terminals.
2. Start engine of the normal machine and run it at high idle speed.
3. Turn the starting switch of the problem machine to the START position and start the engine.
If the engine doesn't start at first, wait for at least 2 minutes before trying again.

DISCONNECTING THE BOOSTER CABLE

After the engine has started, disconnect booster cables in the reverse order in which they were connected.

1. Remove one clip of booster cable (B) from the engine block of the problem machine.
2. Remove the other clip of booster cable (B) from the negative (-) terminal of the normal machine.
3. Remove one clip of booster cable (A) from the positive (+) terminal of the normal machine.
4. Remove the other clip of booster cable (A) from the positive (+) terminal of the problem machine.



OTHER TROUBLE

ELECTRICAL SYSTEM

- (): Always contact your Komatsu distributor when dealing with these items.
- In cases of problems or causes which are not listed below, contact your Komatsu distributor for repairs.

Problem	Main causes	Remedy
Lamp does not glow brightly even when the engine runs at high speed Lamp flickers while engine is running	<ul style="list-style-type: none"> • Defective wiring • Defective adjustment of belt tension 	<ul style="list-style-type: none"> (• Check, repair loose terminals, disconnections) • Check, Adjust alternator driving belt tension For details, see EVERY 1000
Even when the engine is rotating, the battery charge circuit caution pilot lamp does not go out	<ul style="list-style-type: none"> • Defective alternator • Defective wiring • Defective adjustment of alternator driving belt tension 	<ul style="list-style-type: none"> (• Replace) (• Check, repair) • Check, Adjust alternator driving belt tension For details, see EVERY 1000
Abnormal noise is generated from alternator	<ul style="list-style-type: none"> • Defective alternator 	<ul style="list-style-type: none"> (• Replace)
Starting motor does not turn when starting switch is turned to ON	<ul style="list-style-type: none"> • Defective wiring • Insufficient battery charge 	<ul style="list-style-type: none"> (• Check, repair) • Charge
Pinion of starting motor keeps going in and out	<ul style="list-style-type: none"> • Insufficient battery charge 	<ul style="list-style-type: none"> • Charge
Starting motor turns engine sluggishly	<ul style="list-style-type: none"> • Insufficient battery charge 	<ul style="list-style-type: none"> • Charge
Starting motor disengages before engine starts	<ul style="list-style-type: none"> • Defective wiring 	<ul style="list-style-type: none"> (• Check, repair)
Preheating pilot lamp does not light up	<ul style="list-style-type: none"> • Defective wiring • Defective heater relay, preheating water temperature sensor 	<ul style="list-style-type: none"> (• Check, repair) (• Replace) (• Replace)
Even when engine is stopped, the battery charge circuit caution pilot lamp does not light up (starting switch at ON position)	<ul style="list-style-type: none"> • Defective wiring • Defective monitor 	<ul style="list-style-type: none"> (• Check, repair) (• Replace)
Even when engine is stopped, engine oil pressure caution lamp does not light up (starting switch at ON position)	<ul style="list-style-type: none"> • Defective lamp • Defective lamp switch • Defective monitor 	<ul style="list-style-type: none"> (• Replace) (• Replace) (• Replace)

CHASSIS

- (): Always contact your Komatsu distributor when dealing with these items.
- In cases of problems or causes which are not listed below, contact your Komatsu distributor for repairs.

Problem	Main causes	Remedy
HST		
Engine is running but machine does not move	<ul style="list-style-type: none"> • Parking brake is applied • Directional lever is not shifted properly • No electricity is flowing to directional lever (electrical type) 	<ul style="list-style-type: none"> • Release parking brake • Shift lever properly • Check fuse and wiring harness connector
Even when engine is run at full throttle, machine only moves slowly and lacks power	<ul style="list-style-type: none"> • Lack of oil in hydraulic tank 	<ul style="list-style-type: none"> • Add oil to specified level. See EVERY 100 HOURS SERVICE
Oil overheats	<ul style="list-style-type: none"> • Too much oil or too little oil in hydraulic tank 	<ul style="list-style-type: none"> • Add or drain oil to specified level See EVERY 100 HOURS SERVICE
Noise generated	<ul style="list-style-type: none"> • Lack of transfer oil 	<ul style="list-style-type: none"> • Add oil to specified level. See
Axle		
Noise generated	<ul style="list-style-type: none"> • Lack of oil • Improper oil used (for machines 	<ul style="list-style-type: none"> • Add oil to specified level. See WHEN REQUIRED • Change to specified oil
Brake		
Brake is not applied when pedal is depressed	<ul style="list-style-type: none"> • Disc has reached wear limit • Lack of oil in hydraulic tank 	<ul style="list-style-type: none"> (• Replace disc) • Add oil to specified level. See EVERY 100 HOURS SERVICE
Brake drags or not applied	<ul style="list-style-type: none"> • Defective adjustment of brake pedal linkage • Vent hole of brake valve is 	<ul style="list-style-type: none"> (• Check, repair) • Clean
Brakes squeal	<ul style="list-style-type: none"> • Disc is worn • Large amount of water in axle oil • Deteriorated axle oil due to 	<ul style="list-style-type: none"> (• Replace disc) • Change axle oil • Change axle oil
Parking brake		
Poor braking effect	<ul style="list-style-type: none"> • Linkage is loose 	<ul style="list-style-type: none"> • Adjust
Steering		
Steering wheel is heavy	<ul style="list-style-type: none"> • Lack of oil in hydraulic tank 	<ul style="list-style-type: none"> • Add oil to specified level. See
There is play in steering wheel	<ul style="list-style-type: none"> • Steering cylinder pin is loose • Lack of oil in hydraulic tank 	<ul style="list-style-type: none"> • Grease bearing. Or replace pin and bushing where there is play • Add oil to specified level. See

Problem	Main causes	Remedy
Hydraulic system		
Bucket lacks lifting power Bucket takes time to go up	<ul style="list-style-type: none"> • Lack of oil in hydraulic tank • Clogged hydraulic filter 	<ul style="list-style-type: none"> • Add oil to specified level. See EVERY 100 HOURS SERVICE • Replace cartridge, see EVERY
Excessive bubbles in oil	<ul style="list-style-type: none"> • Poor quality oil • Lack of oil in hydraulic tank • Air entering oil line 	<ul style="list-style-type: none"> • Replace with good quality oil • Add oil to specified level. See EVERY 100 HOURS SERVICE • Bleed air. See EVERY 2000
Lack of oil pressure	<ul style="list-style-type: none"> • Lack of oil in hydraulic tank causes pump to suck in air 	<ul style="list-style-type: none"> • See EVERY 100 HOURS SERVICE for details of adding oil, then see EVERY 2000 HOURS
Irregular movement of cylinder	<ul style="list-style-type: none"> • Lack of oil in hydraulic tank 	<ul style="list-style-type: none"> • Add oil to specified level. See

ENGINE

- (): Always contact your Komatsu distributor when dealing with these items.
- In cases of problems or causes which are not listed below, contact your Komatsu distributor for repairs.

Problem	Main causes	Remedy
Engine oil pressure caution lamp lights up	<ul style="list-style-type: none"> • Low engine oil pan oil level (sucking in air) • Clogged oil filter cartridge • Defective tightening of oil pipe joint, oil leakage from damaged part 	<ul style="list-style-type: none"> • Add oil to specified level, see CHECK BEFORE STARTING • Replace cartridge, see EVERY 500 HOURS SERVICE (• Check, repair)
Steam is emitted from top part of radiator (pressure valve) Engine coolant temperature gauge is in red range Engine coolant temperature caution lamp lights up	<ul style="list-style-type: none"> • Low coolant level, leakage of water • Defective fan pump motor • Dirt or scale accumulated in cooling system • Clogged radiator fin or damaged fin • Defective thermostat • Loose radiator filler cap (high 	<ul style="list-style-type: none"> • Check, add coolant, repair, see WHEN REQUIRED (• Check, repair) • Change coolant, clean inside of cooling system, see WHEN REQUIRED • Clean or repair, see WHEN REQUIRED (• Replace thermostat) • Tighten cap or replace packing
Engine coolant temperature gauge is in white range	<ul style="list-style-type: none"> • Defective thermostat 	(• Replace thermostat)
Engine does not start when starting motor is turned	<ul style="list-style-type: none"> • Lack of fuel • Air in fuel system • No fuel in fuel filter • Defective injection pump or nozzle • Starting motor cranks engine too slowly • Starting motor does not turn • Preheating pilot lamp does not 	<ul style="list-style-type: none"> • Add fuel, see CHECK BEFORE STARTING • Repair place where air is sucked in • Fuel filter with fuel. See EVERY 500 HOURS SERVICE (• Replace pump or nozzle) • See ELECTRICAL SYSTEM • See ELECTRICAL SYSTEM • See ELECTRICAL SYSTEM
Exhaust gas is white or blue	<ul style="list-style-type: none"> • Too much oil in oil pan 	<ul style="list-style-type: none"> • Add oil to specified level, see CHECK BEFORE STARTING
Exhaust gas occasionally turns black	<ul style="list-style-type: none"> • Clogged air cleaner element • Defective nozzle • Defective compression 	<ul style="list-style-type: none"> • Clean or replace, see WHEN REQUIRED (• Replace nozzle) (• See defective compression above)
Combustion noise occasionally makes breathing sound	<ul style="list-style-type: none"> • Defective nozzle 	(• Replace nozzle)

Problem	Main causes	Remedy
Abnormal noise generated (combustion or mechanical)	<ul style="list-style-type: none">• Low grade fuel being used• Overheating • Damage inside muffler	<ul style="list-style-type: none">• Change to specified fuel• Refer to "Engine coolant temperature gauge is in red range" as above(• Replace muffler)

MAINTENANCE

WARNING

Please read and make sure that you understand the SAFETY section before reading this section.

GUIDES TO MAINTENANCE

Do not perform any inspection and maintenance operation that is not found in this manual.

CHECK SERVICE METER:

Check the service meter reading every day to see if the time has come for any necessary maintenance to be performed.

KOMATSU GENUINE REPLACEMENT PARTS:

Use Komatsu genuine parts specified in the Parts Book as replacement parts.

KOMATSU GENUINE OILS:

Use Komatsu genuine oils and grease. Choose oils and grease with proper viscosities specified for ambient temperature.

ALWAYS USE CLEAN WASHER FLUID:

Use automobile window washer fluid, and be careful not to let any dirt get into it.

ALWAYS USE CLEAN OIL AND GREASE:

Use clean oil and grease. Also, keep the containers of the oil and grease clean. Keep foreign materials away from oil and grease.

CHECKING FOR FOREIGN MATERIALS IN DRAINED OIL AND ON FILTERS:

After oil is changed or filters are replaced, check the old oil and filters for metal particles and foreign materials. If large quantity of metal particles or foreign materials are found, always report to the person in charge, and carry out suitable action.

FUEL STRAINER:

Do not remove the strainer from the filler port when adding fuel.

WELDING INSTRUCTIONS:

- Turn off the engine starting switch.
- Do not apply more than 200 V continuously.
- Connect grounding cable within 1 m (3.3 ft) of the area to be welded. If grounding cable is connected near instruments, connectors, etc., the instruments may malfunction.
- If a seal or bearing happens to come between the part being welded and grounding point, change the grounding point to avoid such parts.
- Do not use the area around the work equipment pins or the hydraulic cylinders as the grounding point.

DO NOT DROP THINGS INSIDE MACHINE:

- When opening inspection windows or the oil filler port of the tank to carry out inspection, be careful not to drop nuts, bolts, or tools inside the machine.
If such things are dropped inside the machine, it may cause damage and/or malfunction of the machine, and will lead to failure. If you drop anything inside the machine, always remove it immediately.
- Do not put unnecessary things in your pockets. Carry only things which are necessary for inspection.

DUSTY WORKSITES:

When working at dusty worksites, do as follows:

- Inspect the dust indicator frequently to see if the air cleaner is dirty or clogged.
- Clean the radiator core frequently to avoid clogging.
- Clean and replace the fuel filter frequently.
- Clean electrical components, especially the starting motor and alternator, to avoid accumulation of dust.
- When inspecting or changing the oil, move the machine to a place that is free of dust to prevent dirt from getting into the oil.

AVOID MIXING OIL:

If a different brand or grade of oil has to be added, drain the old oil and replace all the oil with the new brand or grade of oil. Never mix different brand or grade of oil.

LOCKING INSPECTION COVERS:

Lock inspection cover securely into position with the lock bar. If inspection or maintenance is performed with inspection cover not locked in position, there is a danger that it may be suddenly blow shut by the wind and cause injury to the worker.

BLEEDING AIR FROM HYDRAULIC CIRCUIT:

If the hydraulic oil equipments have been repaired or replaced and if the hydraulic hoses, pipes, etc. have been disconnected, it is necessary to bleed air from the circuit. See "CHANGE OIL IN HYDRAULIC TANK, REPLACE HYDRAULIC FILTER ELEMENT (PAGE 4-52)".

PRECAUTIONS WHEN INSTALLING HYDRAULIC HOSES:

- When removing parts at locations where there are O-rings or gasket seals, clean the mounting surface, and replace with new parts.
When doing this, be careful not to forget to assemble the O-rings and gaskets.
- When installing the hoses, do not twist or bend them into loops with a small radius.
This will cause damage to the hose and drastically reduce its service life.

CHECKS AFTER INSPECTION AND MAINTENANCE:

If you forget to perform the checks after inspection and maintenance, unexpected problems may occur, and this may lead to serious injury or property damage. Always do the following:

- Checks after operation (with engine stopped)
 - Have any inspection and maintenance points been forgotten?
 - Have all inspection and maintenance items been performed correctly?
 - Have any tools or parts been dropped inside the machine? It is particularly dangerous if parts are dropped inside the machine and get caught in the lever linkage mechanism.
 - Are there any leakage of coolant or oil? Have all nuts and bolts been tightened?
- Check when the engine is running
 - See "TWO WORKERS FOR MAINTENANCE WHEN ENGINE IS RUNNING (PAGE 2-34)" in the section on safety for checking when the engine is running. Pay attention to safety.
 - Check if the inspected and maintenance area is operating normally.
 - Increase the engine speed to check for fuel and oil leakage.

OUTLINES OF SERVICE

- Always use Komatsu genuine parts for replacement parts, grease or oil.
- When changing the oil or adding oil, do not mix different types of oil. When changing the type of oil, drain all the old oil and fill completely with the new oil. Always replace the filter at the same time. (There is no problem if the small amount of oil remaining in the piping mixes with the new oil.)

HANDLING OIL, FUEL, COOLANT, AND PERFORMING OIL CLINIC

OIL

- Oil is used in the engine and hydraulic equipment under extremely severe conditions (high temperature, high pressure), and deteriorates with use.
Always use oil that matches the grade and maximum and minimum ambient temperatures recommended in the Operation and Maintenance Manual. Even if the oil is not dirty, always change the oil at the specified interval.
- Oil corresponds to blood in the human body, always be careful when handling it to prevent any impurities (water, metal particles, dirt, etc.) from getting in.
The majority of problems with the machine are caused by the entry of such impurities.
Take particular care not to let any impurities get in when storing or adding oil.
- Never mix oils of different grades or brands.
- Always add the specified amount of oil.
Having too much oil or too little oil are both causes of problems.
- If the oil in the work equipment is not clear, there is probably water or air getting into the circuit. In such cases, please contact your Komatsu distributor.
- When changing the oil, always replace the related filters at the same time.
- We recommend you have an analysis made of the oil periodically to check the condition of the machine. For those who wish to use this service, please contact your Komatsu distributor.
- When using commercially available oil, it may be necessary to reduce the oil change interval.
We recommend that you use the Komatsu oil clinic to carry out a detailed checks of the characteristics of the oil.

FUEL

- To prevent the moisture in the air from condensing and forming water inside the fuel tank, always fill the fuel tank after completing the day's work.
- The fuel pump is a precision instrument, and if fuel containing water or dirt is used, it cannot work properly.
- Be extremely careful not to let impurities get in when storing or adding fuel.
- Always use the fuel specified in the Operation and Maintenance Manual.
Fuel may congeal depending on the temperature when it is used (particularly in low temperatures below -15°C (5°F)), so it is necessary to use the fuel that is suitable for the temperature.
- Before starting the engine, or when 10 minutes have passed after adding fuel, drain the sediment and water from the fuel tank.
- If the engine runs out of fuel, or if the filters have been replaced, it is necessary to bleed the air from the circuit.

COOLANT AND WATER FOR DILUTION

- The coolant has the important function of preventing corrosion as well as preventing freezing. Even in the areas where freezing is not an issue, the use of antifreeze coolant is essential. Komatsu machines are supplied with Komatsu Supercoolant (AF-NAC). Komatsu Supercoolant (AF-NAC) has excellent anticorrosion, antifreeze and cooling properties and can be used continuously for 2 years or 4000 hours. Komatsu Supercoolant (AF-NAC) is strongly recommended wherever available.
- When diluting the antifreeze coolant, use distilled water or tap water (soft water). Natural water, such as a river water or well water (hard water), contains large amounts of minerals (calcium, magnesium, etc.), and this makes it easier for scale to form inside the engine or radiator. Once scale is deposited inside the engine or radiator, it is extremely difficult to remove. It also causes overheating due to poor heat exchange, so when you dilute the coolant, we recommend that you use water with an overall hardness of less than 100 PPM.
- When using antifreeze, always observe the precautions given in the Operation and Maintenance Manual.
- Antifreeze coolant is flammable, so be sure to keep it away from flame.
- The ratio of Supercoolant (AF-NAC) to water differs according to the ambient temperature. For details of the ratio when mixing, see "CLEAN INSIDE OF COOLING SYSTEM (PAGE 4-20)". Supercoolant (AF-NAC) may be supplied already mixed. In such cases, never dilute with water.
- If the engine overheats, wait for the engine to cool before adding coolant.
- If the coolant level is low, it will cause overheating, and will also cause problems with corrosion due to air entering the coolant.

GREASE

- Grease is used to prevent seizure and noises at the joints.
- This construction equipment is used under heavy-duty conditions. Always use the recommended grease and follow the change intervals and recommended ambient temperatures given in this Operation and Maintenance Manual.
- The nipples not included in the maintenance section are nipples for overhaul, so they do not need grease. If any part becomes stiff after being used for long time, add grease.
- Always wipe off all of the old grease that is pushed out when greasing. Be particularly careful to wipe off the old grease in places where sand or dirt sticking in the grease would cause wear of the rotating parts.

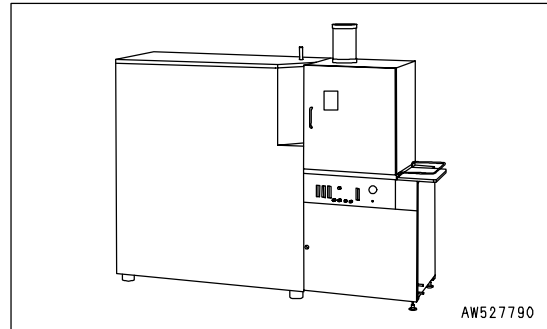
CARRYING OUT KOWA (Komatsu Oil Wear Analysis)

KOWA is a maintenance service that makes it possible to prevent machine failures and downtime. With KOWA, the oil is periodically sampled and analyzed. This enables early detection of wear of the machine drive parts and other problems.

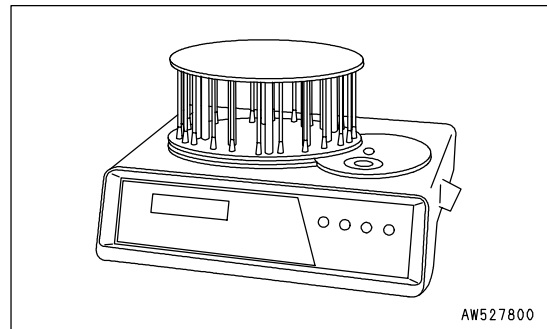
We strongly recommend you to use this service. The oil analysis is carried out at actual cost, so the cost is low, and the results of the analysis are reported together with recommendations which will reduce repair costs and machine downtime.

KOWA ANALYSIS ITEMS

- Measurement of density of metal wear particles
This uses an ICP (Inductively Coupled Plasma) analyzer to measure the density of iron, copper, and other metal wear particles in the oil.



- Measurement of quantity of particles
This uses a particle quantifier index measurement machine to measure the quantity of iron particles of 5 μ or more, enabling early detection of failures.



- Others
Measurements are made of items such as the ratio of water in the oil, density of the antifreeze coolant, ratio of fuel in the oil, and dynamic viscosity, enabling a highly precise diagnosis of the machine's health.

OIL SAMPLING

- Sampling interval
250 hours: Engine
500 hours: Other components
- Precautions when sampling
 - Make sure that the oil is well mixed before sampling.
 - Perform sampling at regular fixed intervals.
 - Do not perform sampling on rainy or windy days when water or dust can get into the oil.

For further details of KOWA, please contact your Komatsu distributor.

STORING OIL AND FUEL

- Keep indoors to prevent any water, dirt, or other impurities from getting in.
- When keeping drum cans for a long period, put the drum on its side so that the filler port of the drums is at the side to prevent moisture from being sucked in.
If drums have to be stored outside, cover them with a waterproof sheet or take other measures to protect them.
- To prevent any change in quality during long-term storage, be sure to use in the order of first in - first out (use the oldest oil or fuel first).

FILTERS

- Filters are extremely important safety parts. They prevent impurities in the fuel and air circuits from entering important equipment and causing problems.
Replace all filters periodically. For details, see the Operation and Maintenance Manual.
However, when working in severe conditions, replace the filters at shorter intervals according to the oil and fuel (sulfur content) being used.
- Never try to clean the filters (cartridge type) and use them again. Always replace with new filters.
- When replacing oil filters, check if any metal particles are attached to the old filter. If any metal particles are found, contact your Komatsu distributor.
- Do not open packs of spare filters until just before they are to be used.
- Always use Komatsu genuine filters.

OUTLINE OF ELECTRIC SYSTEM

- It is extremely dangerous if the electrical equipment becomes wet or the covering of the wiring is damaged. This will cause an electrical short circuit and may lead to malfunction of the machine. Do not wash the inside of the operator's cab with water. When washing the machine, be careful not to let water get into the electrical components.
- Service relating to the electric system is checking fan belt tension, checking damage or wear to the fan belt and checking battery fluid level.
- Never install any electric components other than those specified by Komatsu.
- External electro-magnetic interference may cause malfunction of the control system controller, before installing a radio receiver or other wireless equipment, contact your Komatsu distributor.
- When working at the seashore, carefully clean the electric system to prevent corrosion.
- The optional power source must never be connected to the fuse, starting switch, or battery relay.

WEAR PARTS

Replace wear parts such as the filter element or air cleaner element at the time of periodic maintenance or before they reach the wear limit. The wear parts should be replaced correctly in order to ensure more economic use of the machine. When replacing parts, always use Komatsu genuine parts.

As a result of our continuous efforts to improve product quality, the part number may change, so inform your Komatsu distributor of the machine serial number and check for the latest part number when ordering parts.

WEAR PARTS LIST

The parts in parentheses are to be replaced at the same time.

Item	Part No.	Part Name	Q'ty	Replacement frequency	
Engine oil filter	6736-51-5142	Cartridge	1	EVERY 500 HOURS	
Fuel filter	6732-71-6112	Cartridge	1	EVERY 500 HOURS	
HST filter	418-18-34160	Cartridge	1	EVERY 1000 HOURS	
Transfer strainer	07000-13042	O-ring	1	EVERY 1000 HOURS	
Hydraulic filter	419-60-35152	Cartridge	1	EVERY 2000 HOURS	
Hydraulic tank breather	417-60-15380	Element	1	EVERY 2000 HOURS	
Air cleaner	600-185-3100	Element ass'y	1	-	
Air conditioner filter	fresh	427-07-22120	Element	1	EVERY 2000 HOURS
	recirc	20Y-979-6261	Element	2	EVERY 2000 HOURS
PPC accumulator	20Y-60-11410 (07002-12034)	Accumulator (O-ring)	1 (1)	EVERY 4000 HOURS	
Bolt on cutting edge	418-815-1211	Center edge	1	-	
	418-815-1221	Side edge	2		
	(02090-11685)	(Bolt)	(8)		
	(02290-11625)	(Nut)	(8)		
	(01643-32460)	(Washer)	(8)		
Electrical intake airheater	6732-11-4811	Gasket	2	-	

RECOMMENDED FUEL, COOLANT, AND LUBRICANT

- Komatsu genuine oils are adjusted to maintain the reliability and durability of Komatsu construction equipment and components.

In order to keep your machine in the best conditioner for long periods of time, it is essential to follow the instructions in this Operation and Maintenance Manual.

- Failure to follow these recommendations may result in shortened life or excess wear of the engine, power train, cooling system, and/or other components.
- Commercially available lubricant additives may be good for the machine, but they may also cause harm. Komatsu does not recommend any commercially available lubricant additive.
- Use the oil recommended according to the ambient temperature in the chart below.
- Specified capacity means the total amount of oil including the oil in the tank and the piping. Refill capacity means the amount of oil needed to refill the system during inspection and maintenance.
- When starting the engine in temperatures below 0°C (32°F), be sure to use the recommended multi-grade oil, even if the ambient temperature may become higher during the course of the day.
- If the machine is operated at a temperature below -20°C (-4°F), a separate device is needed, so consult your Komatsu distributor.
- When the fuel sulfur content is less than 0.5%, change the engine oil according to the period inspection table given in this Operation and Maintenance Manual.

If the fuel sulfur content is more than 0.5%, change the oil according to the following table.

Fuel sulfur content	Engine oil change interval
0.5 to 1.0%	1/2 of regular interval
Above 1.0%	1/4 of regular interval

USE OF FUEL, COOLANT AND LUBRICANTS ACCORDING TO AMBIENT TEMPERATURE

Reservoir	Fluid Type	Ambient Temperature									Recommended Komatsu Fluids
		-22 -30	-4 -20	14 -10	32 0	50 10	68 20	86 30	104 40	122 °F 50 °C	
Engine Oil Pan	Engine oil	SAE10W30									Komatsu EO10W30-DH API CH-4 API CI-4
		SAE15W40									
		SAE30DH									
Transfer case	Power train oil (Note.1)	TO10									TO10
Hydraulic System	Engine oil	SAE10W30DH									Komatsu EO10W30-DH
Axle	Axle oil (Note.2)	AXO80									AXO80
	Engine oil	(Note.3)									EO50-CD
Grease fitting	Hyper grease (Note.4)	G2-T, G2-TE									G2-T, G2-TE
	Lithium EP grease	G2-LI									G2-LI
Cooling system	Supercoolant AF-NAC	AF-NAC (Note.5)									AF-NAC
Fuel tank	Diesel fuel	No.2-D									ASTM No.2-D
		No.1-D									ASTM No.1-D

Reservoir		Engine oil pan	Transfer case	Hydraulic system	Axle (front and rear) (each)	Cooling system	Fuel tank
		Capacity					
Specified	Liters	20	7.0	135	18	19	184
	US gal	5.28	1.85	35.67	4.76	5.02	48.61
Refill	Liters	19.5	5.5	67	18	-	-
	US gal	5.15	1.45	17.70	4.76	-	-

Note .1: Power train oil has different properties from engine oil. Be sure to use the recommended oil.

Note .2: Axle oil AXO80 has the function of preventing squealing from the brakes and LSD (Limited Slip Differential).
If only AXO80 is recommended, use Komatsu genuine AXO80 or equivalent.

Note .3: When the ambient temperature is higher than 45°C (113°F) and the machine operation hour is longer than 12 hours/day, then the use of EO50-CD instead of AXO80 is recommended.
Squealing of the brakes may occur with EO50-CD, but there is no problem with the brake performance or durability.

Note 4: Hyper grease (G2-T, G2-TE) has a high performance.
When it is necessary to improve the lubricating ability of the grease in order to prevent squeaking of pins and bushings, the use of G2-T or G2-TE is recommended.

Note 5: Supercoolant (AF-NAC)

- 1) The coolant has the important function of preventing corrosion as well as preventing freezing.
Even in the areas where freezing is not an issue, the use of antifreeze coolant is essential.
Komatsu machines are supplied with Komatsu Supercoolant (AF-NAC). Komatsu Supercoolant (AF-NAC) has excellent anticorrosion, antifreeze and cooling properties and can be used continuously for 2 years or 4000 hours.
Komatsu Supercoolant (AF-NAC) is strongly recommended wherever available.
- 2) For details of the ratio when diluting super coolant with water, see "CLEAN INSIDE OF COOLING SYSTEM (PAGE 4-20)".
When the machine is shipped from the factory, it may be filled with coolant containing 30% or more Supercoolant (AF-NAC). In this case, no adjustment is needed for temperatures down to -10°C (14°F). (never dilute with water)
- 3) To maintain the anticorrosion properties of Supercoolant (AF-NAC), always keep the density of Supercoolant between 30% and 68%.

RECOMMENDED BRANDS, RECOMMENDED QUALITY FOR PRODUCTS OTHER THAN KOMATSU GENUINE OIL

When using commercially available oils other than Komatsu genuine oil, or when checking the latest specifications, refer to the Komatsu web page or consult your Komatsu distributor.

STANDARD TIGHTENING TORQUES FOR BOLTS AND NUTS

TORQUE LIST

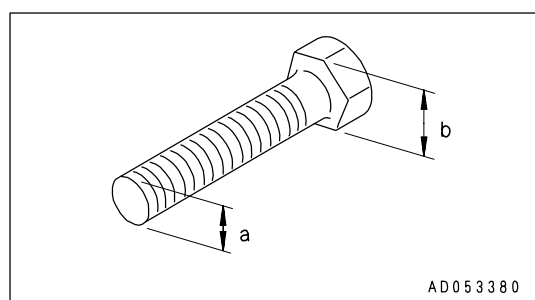


If nuts, bolts, or other parts are not tightened to the specified torque, it will cause looseness or damage to the tightened parts, and this will cause failure of the machine or problems with operation.

Always pay careful attention when tightening parts.

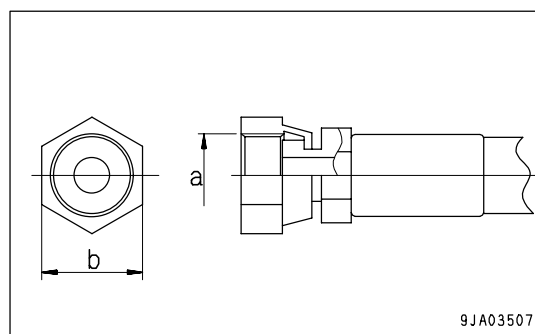
Unless otherwise specified, tighten the metric nuts and bolts to the torque shown in the table below. If it is necessary to replace any nut or bolt, always use a Komatsu genuine part of the same size as the part that was replaced.

Thread diameter of bolt (a)(mm)	Width across flats (b)(mm)	Tightening torque					
		Target value			Service limit		
		N·m	kgf·m	lbft	N·m	kgf·m	lbft
6	10	13.2	1.35	9.8	11.8-14.7	1.2-1.5	8.7-10.8
8	13	31	3.2	23.1	27-34	2.8-3.5	20.3-25.3
10	17	66	6.7	48.5	59-74	6.0-7.5	43.4-54.2
12	19	113	11.5	83.2	98-123	10.0-12.5	72.3-90.4
14	22	172	17.5	126.6	153-190	15.5-19.5	112.1-141
16	24	260	26.5	191.7	235-285	23.5-29.5	170.0-213.4
18	27	360	37	267.6	320-400	33.0-41.0	238.7-296.6
20	30	510	52.3	378.3	455-565	46.5-58.0	336.3-419.5
22	32	688	70.3	508.5	610-765	62.5-78.0	452.1-564.2
24	36	883	90	651	785-980	80.0-100.0	578.6-723.3
27	41	1295	132.5	958.4	1150-1440	118.0-147.0	853.5-1063.3
30	46	1720	175.0	1265.8	1520-1910	155.0-195.0	1121.1-1410.4
33	50	2210	225.0	1627.4	1960-2450	200.0-250.0	1446.6-1808.3
36	55	2750	280.0	2025.2	2450-3040	250.0-310.0	1808.3-2242.2
39	60	3280	335.0	2423.1	2890-3630	295.0-370.0	2133.7-2676.2



Apply the following table for Hydraulic Hose.

Nominal - No. of threads (a)	Width across flats (b) (mm)	Tightening torque					
		Target value			Permissible range		
		N·m	kgf·m	lbft	N·m	kgf·m	lbft
9/16 -18UNF	19	44	4.5	32.5	35 - 63	3.5 - 6.5	25.3 - 47.0
11/16 -16UN	22	74	7.5	54.2	54 - 93	5.5 - 9.5	39.8 - 68.7
13/16 -16UN	27	103	10.5	75.9	84 - 132	8.5 - 13.5	61.5 - 97.6
1 -14UNS	32	157	16.0	115.7	128 - 186	13.0 - 19.0	94.0 - 137.4
13/16 -12UN	36	216	22.0	159.1	177 - 245	18.0 - 25.0	130.2 - 180.8



PERIODIC REPLACEMENT OF SAFETY CRITICAL PARTS

For using the machine safely for an extended period of time, you must periodically replace the safety critical and fire prevention-related parts listed in the table of important parts.

Material quality of these parts can change as time passes and they are likely to wear out or deteriorate. However, it is difficult to determine the extent of wear or deterioration at the time of periodic maintenance. Hence, it is required to replace them with new ones regardless of their condition after a certain period of usage. This is important to ensure that these parts maintain their full performance at all times.

Furthermore, should anything abnormal be found on any of these parts, replace it with a new one even if the periodic replacement time for the part has not yet arrived.

If any of the hose clamps show deterioration like deformation or cracking, replace the clamps at the same time as the hoses.

Also perform the following checks with hydraulic hoses which need to be replaced periodically. Tighten all loose clamps and replace defective hoses, as required.

When replacing hoses, always replace O-rings, gaskets, and other such parts at the same time.

Have your Komatsu distributor replace the critical parts.

No.	Safety critical parts for periodic replacement	Q'ty	Replacement interval
1	Fuel hose (fuel tank - water separator)	1	Every 2 years or every 4000 hours, whichever comes first
2	Fuel hose (water separator - pump)	1	
3	Fuel return hose (pump - fuel tank)	1	
4	Fuel spill hose (tube - fuel tank)	1	
5	Turbocharger lubricating hose	1	
6	Steering hose (pump - priority valve)	1	
7	Steering hose (priority valve - orbitrol valve)	1	
8	Steering hose (orbitrol valve - steering cylinder)	6	
9	Steering hose (steering cylinder line - cushion valve)	2	
10	Packings, seals, O-rings of steering cylinder	2	
11	Brake hose (gear pump - master cylinder)	1	
12	Brake hose (master cylinder - front brake)	2	
13	Brake hose (master cylinder - rear brake)	2	
14	Brake hose (master cylinder - accumulator)	2	
15	Brake hose (accumulator - charge valve)	2	
16	Brake hose (master cylinder - hydraulic tank)	1	
17	Brake hose (charge valve - hydraulic tank)	1	
18	O-rings and oil seals of brake valve	7	
19	Accumulator (For PPC)	1	
20	Seat belt	1	Every 3 years

MAINTENANCE SCHEDULE CHART

MAINTENANCE SCHEDULE CHART

INITIAL 250 HOURS SERVICE (ONLY AFTER THE FIRST 250 HOURS)

REPLACE HST OIL FILTER ELEMENT	4- 50
REPLACE HYDRAULIC TANK FILTER ELEMENT	4- 52

WHEN REQUIRED

CHECK, CLEAN, OR REPLACE AIR CLEANER ELEMENT	4- 17
CLEAN INSIDE OF COOLING SYSTEM	4- 20
CHECK OIL LEVEL IN TRANSFER CASE, ADD OIL	4- 23
CHECK AXLE OIL LEVEL, ADD OIL	4- 24
CLEAN AXLE CASE BREATHER	4- 25
CLEAN AIR CONDITIONER CONDENSER	4- 26
CHECK WINDOW WASHING FLUID LEVEL, ADD FLUID	4- 26
CLEAN RADIATOR FINS AND COOLER FINS	4- 27
CLEAN TRANSFER OIL COOLER FINS	4- 27
CHECK ELECTRICAL INTAKE AIR HEATER	4- 27
TURN, REPLACE BOLT-ON CUTTING EDGE	4- 28
REPLACE BUCKET TEETH	4- 29
CHECK AIR CONDITIONER	4- 30
REPLACE SLOW BLOW FUSE	4- 31
CHECKING FUNCTION OF ACCUMULATOR	4- 32
SELECTION AND INSPECTION OF TIRES	4- 33

CHECK BEFORE STARTING

EVERY 50 HOURS SERVICE

DRAIN WATER, SEDIMENT FROM FUEL TANK	4- 36
--	-------

EVERY 100 HOURS SERVICE

LUBRICATE REAR AXLE PIVOT PIN	4- 37
CLEAN ELEMENT IN AIR CONDITIONER FRESH AIR FILTER	4- 37
CHECK OIL LEVEL IN HYDRAULIC TANK, ADD OIL	4- 38

EVERY 250 HOURS SERVICE

CHECK BATTERY ELECTROLYTE LEVEL	4- 39
CHECK PARKING BRAKE	4- 41
CHECK AIR CONDITIONER COMPRESSOR BELT TENSION, ADJUST	4- 41
CHECK FOR LOOSE WHEEL HUB BOLTS, TIGHTEN	4- 42
CLEAN ELEMENT IN AIR CONDITIONER RECIRCULATION FILTER	4- 43
CHECKING FUNCTION OF ACCUMULATOR	4- 43
LUBRICATING	4- 44

EVERY 500 HOURS SERVICE

CHANGE OIL IN ENGINE OIL PAN, REPLACE ENGINE OIL FILTER CARTRIDGE	4- 45
REPLACE FUEL FILTER CARTRIDGE	4- 46
CLEAN WATER SEPARATOR STRAINER	4- 47

EVERY 1000 HOURS SERVICE

CHANGE OIL IN TRANSFER CASE -----	4- 48
CLEAN TRANSFER CASE BREATHER -----	4- 49
REPLACE HST OIL FILTER ELEMENT -----	4- 50
LUBRICATING -----	4- 51
CHECK TIGHTENING PARTS OF TURBOCHARGER -----	4- 51
CHECK PLAY OF TURBOCHARGER ROTOR -----	4- 51
CHECK ALTERNATOR DRIVING BELT TENSION AND REPLACEMENT -----	4- 51

EVERY 2000 HOURS SERVICE

CHANGE OIL IN HYDRAULIC TANK, REPLACE HYDRAULIC FILTER ELEMENT -----	4- 52
REPLACE HYDRAULIC TANK BREATHER ELEMENT -----	4- 53
CHANGE AXLE OIL(*) -----	4- 54
REPLACE ELEMENT IN AIR CONDITIONER RECIRCULATION AIR FILTER, FRESH AIR FILTER ----	4- 54
CLEAN BRAKE CIRCUIT STRAINER -----	4- 55
CHECK BRAKE DISC WEAR -----	4- 56
CHECKING FUNCTION OF ACCUMULATOR -----	4- 57
CHECK ALTERNATOR, STARTING MOTOR -----	4- 57
CHECK ENGINE VALVE CLEARANCE, ADJUST -----	4- 57
CLEAN AND CHECK TURBOCHARGER -----	4- 57
CHECK VIBRATION DAMPER -----	4- 57

*: The interval of 2000 hours for changing the axle oil is for standard operations. If the brake is used frequently or the brakes make a sound, change the oil after a shorter interval.

EVERY 4000 HOURS SERVICE

LUBRICATING -----	4- 58
CHECK WATER PUMP -----	4- 58

SERVICE PROCEDURE

INITIAL 250 HOURS SERVICE

Perform the following maintenance only after the first 250 hours.

- Replace HST oil filter element
- Replace hydraulic tank filter element

For details of the method of replacing or maintaining, see the section on EVERY 1000 HOURS and 2000 HOURS SERVICE.

WHEN REQUIRED

CHECK, CLEAN, OR REPLACE AIR CLEANER ELEMENT

WARNING

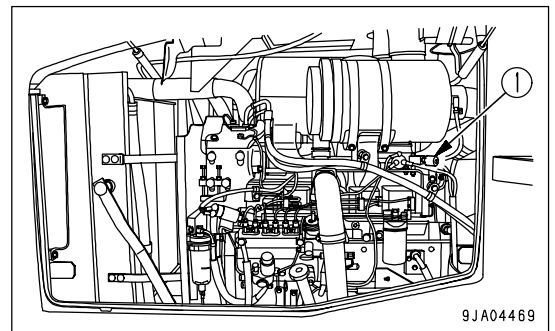
- If inspection, cleaning, or maintenance is carried out with the engine running, dirt will get into the engine and damage it. Always stop the engine before carrying out these operations.
- When using compressed air, there is danger that dirt may be blown around and cause serious injury. Always use protective glasses, dust mask, and other protective equipment.

CHECKING

Whenever the red piston in dust indicator (1) appears, clean the air cleaner element.

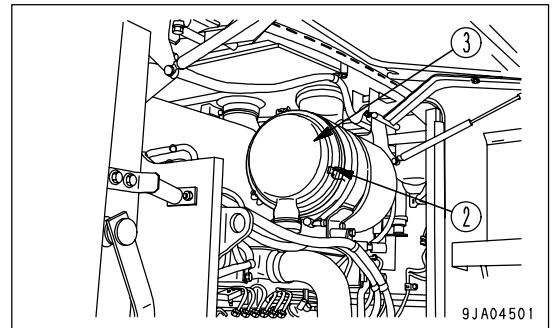
NOTICE

Do not clean the air cleaner element before the dust indicator becomes red. If the element is cleaned frequently before the dust indicator becomes red, the performance of the air cleaner is diminished and the cleaning effect is lowered. In addition, dust sticking to the element falls into the inner element each time the element is cleaned.



CLEANING OUTER ELEMENT

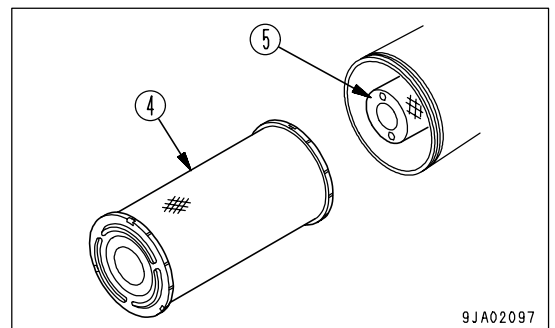
1. Open the engine side cover on the right side of the machine.
2. Remove three clips (2), then remove cover (3).



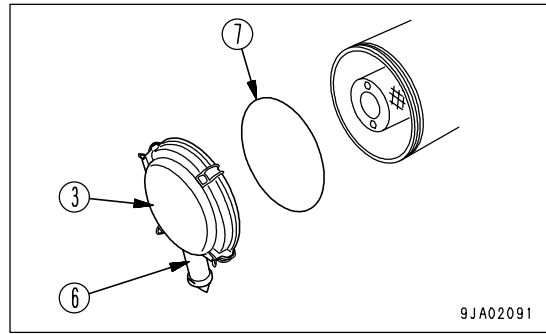
NOTICE

Never remove inner element (5). If it is removed, dust will enter and cause engine trouble.

3. Remove outer element (4).



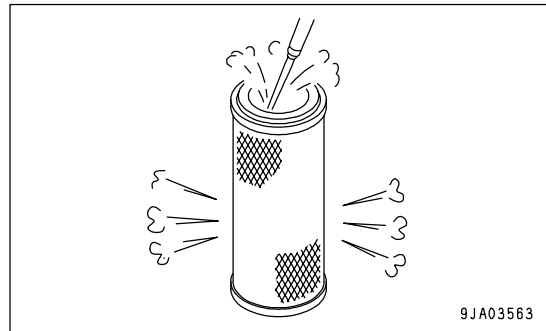
4. Clean the interior of the air cleaner body, cover (3) and evacuator valve (6).



NOTICE

The inner element must not be used again even after cleaning. When replacing the outer element, replace the inner element at the same time.

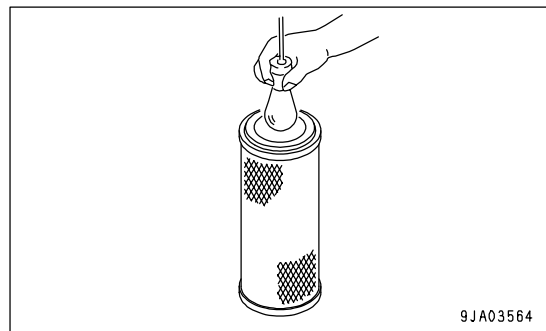
5. Direct dry compressed air (Max. 0.69 MPa (7 kgf/cm², 99.4 PSI)) from the inside of the outer element along its folds. Then direct the compressed air from the outside along the folds, and again from the inside.



1) Replace any outer element which has been cleaned 6 times or used for 1 year. Replace the inner element at the same time.

2) Replace both inner and outer elements when the dust indicator red piston appears soon after installing the cleaned outer element even though it has not been cleaned 6 times.

6. If small holes or thinner parts are found on the element when it is checked by shining a light through it after cleaning, replace the element.



NOTICE

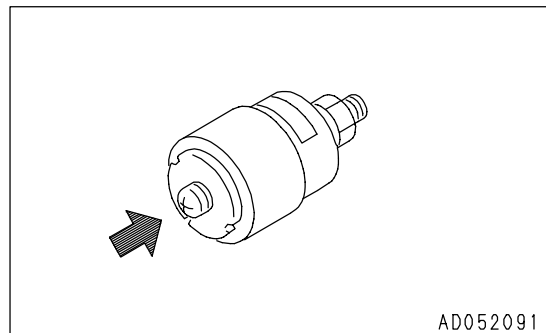
When cleaning the element, do not hit or beat it against anything. Do not use an element whose folds, gasket or seal are damaged.

 **CAUTION**

When installing the cover (3), check O-ring (7) and replace it if there are any scratches or damage.

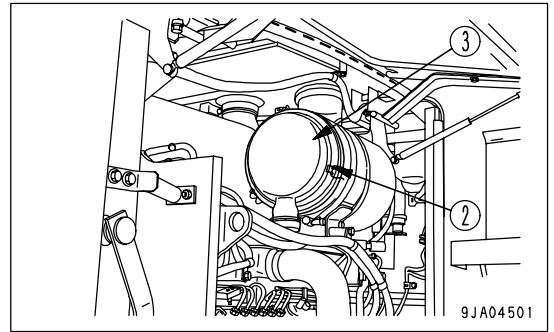
7. Set the cleaned outer element in position, then secure cover (3) with mounting clips (2).

8. Press the button of dust indicator (1) to return the red piston to its original position.

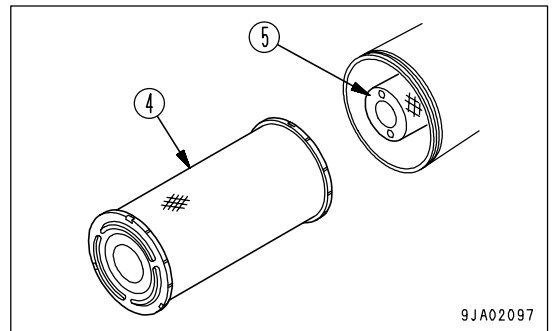


REPLACING ELEMENT

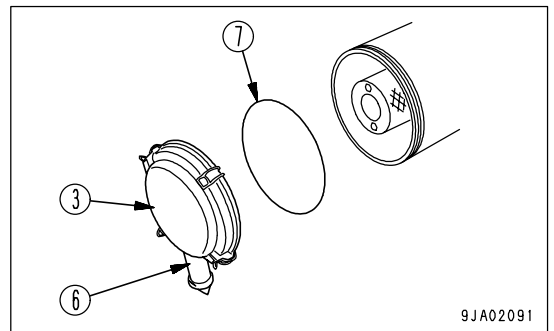
1. Open the engine side cover on the right side of the machine.
2. Remove three clips (2), then remove cover (3).



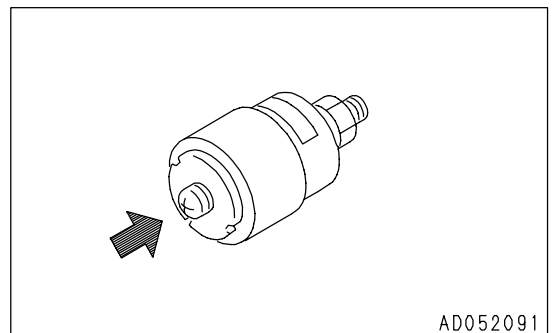
3. Remove outer element (4).
Do not remove inner element (5) at this time, however.



4. Clean the interior of the air cleaner body, cover (3) and evacuator valve (6).



5. Remove inner element (5), then install a new inner element immediately.
6. Fit new outer element (4), replace O-ring (7) with a new part, install cover (3), then secure with clips (2).
7. Return the red piston in the dust indicator (1) to its original position.



CLEAN INSIDE OF COOLING SYSTEM



WARNING

- Immediately after the engine is stopped, the engine coolant is hot and the pressure inside the radiator is high. Removing the cap and draining the water under this condition could cause burns. Allow the engine to cool down, then turn the cap slowly to release the pressure.
- Start the engine and flush the system. Before standing up or leaving the operator's seat, set the work equipment lock lever to the LOCK position.
- For details of starting the engine, see "CHECK BEFORE STARTING ENGINE, ADJUST (PAGE 3-65)" and "STARTING ENGINE (PAGE 3-80)" in the OPERATION section of the Operation and Maintenance Manual.
- When the undercover is removed, there is danger of touching the fan.
Never enter the rear of the machine when the engine is running.

Clean the inside of the cooling system, change the coolant according to the table below.

Antifreeze coolant	Interval of cleaning inside of cooling system and changing antifreeze coolant
Komatsu supercoolant (AF-NAC)	Every two years or every 4000 hours whichever comes first
Permanent type antifreeze (All-season type, *)	Every year (autumn) or every 2000 hours whichever comes first

*: Permanent type antifreeze shall meet the requirements of ASTM D3306-03.

Stop the machine on level ground when cleaning or changing the coolant.

The coolant has the important function of preventing corrosion as well as preventing freezing.

Even in the areas where freezing is not an issue, the use of antifreeze coolant is essential.

Komatsu machines are supplied with Komatsu Supercoolant (AF-NAC). Komatsu Supercoolant (AF-NAC) has excellent anticorrosion, antifreeze and cooling properties and can be used continuously for 2 years or 4000 hours. Komatsu Supercoolant (AF-NAC) is strongly recommended wherever available.

To maintain the anticorrosion properties of Supercoolant (AF-NAC), always keep the density of Supercoolant between 30% and 68%.

When deciding the ratio of antifreeze to water, check the lowest temperature in the past, and decide from the mixing table given below.

It is actually better to estimate and temperature about 10°C (18°F) lower when deciding the mixing ratio.

The mixing ratio depends on the ambient temperature, but it should always be a minimum of 30% by volume (antifreeze/total amount of coolant x 100).

The freezing temperature of undiluted antifreeze is -15°C (5°F). Do not store undiluted antifreeze at a temperature of below -15°C (5°F).

Mixing rate of water and antifreeze

Min. atmospheric temperature	°C	Above -10	-15	-20	-25	-30
	°F	Above 14	5	-4	-13	-22
Amount of antifreeze	Liters	5.70	6.84	7.79	8.74	9.50
	US gal	1.51	1.81	2.06	2.31	2.51

Amount of water	Liters	13.30	12.16	11.21	10.26	9.50
	US gal	3.51	3.21	2.96	2.71	2.51
Ratio	%	30	36	41	46	50



WARNING

Antifreeze is flammable, so keep it away from flame.

Antifreeze is toxic. When removing the drain plug, be careful not to get water containing antifreeze on you. If it gets in your eyes, flush your eyes with large amount of fresh water and see a doctor at once.

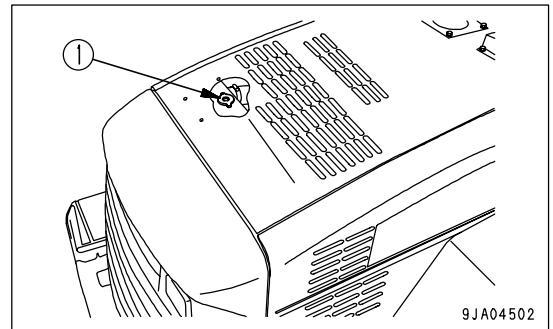
Use antifreeze and appropriate water for diluting (for details, see "COOLANT AND WATER FOR DILUTION (PAGE 4-5)")

We recommend use of an antifreeze density gauge to control the mixing proportions.

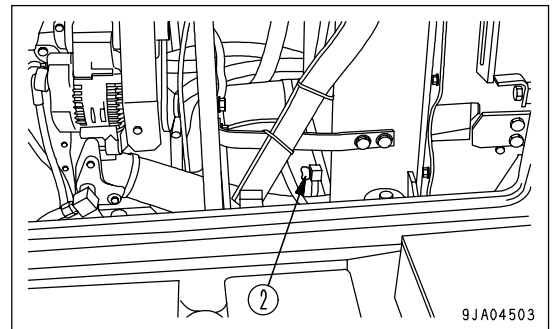
Prepare a container whose capacity is larger than the specified coolant volume to catch drained coolant.

Prepare a hose to supply antifreeze coolant and water.

1. Stop the engine.
2. Check that the coolant temperature has gone down enough to make it possible to touch the radiator cap surface by hand, then turn radiator cap (1) slowly until it contacts the stopper to release the pressure.
3. Following this, push radiator cap (1), turn it until it contacts the stopper, then remove it.

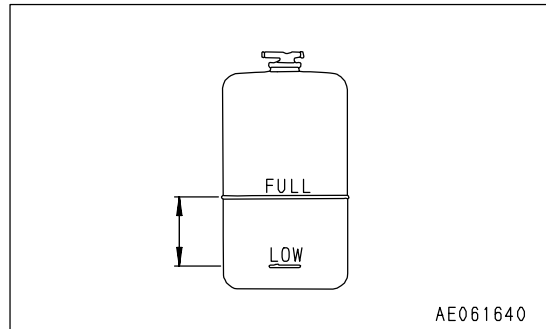
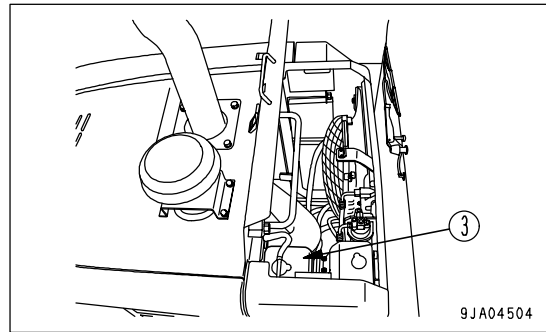


4. Set a container in position to catch drained antifreeze mixture, then open valve (2) under the radiator to drain coolant.
5. After draining the coolant, close drain valve (2) and fill with tap water.
6. When the radiator is full, start the engine, and run it at low idle. Keep the engine running at low idle for 10 minutes until the coolant temperature reaches more than 90°C (194°F).
7. Stop the engine, open drain valves (2), drain the water, then tighten them again.



8. After draining the water, clean the cooling system with cleaning agent. For the cleaning method, see the instructions for the cleaning agent.
9. Add coolant mixed with antifreeze until it overflows from the water filler. Decide the proportions of antifreeze and water according to the table for the mixing rate of water and antifreeze.
10. To bleed the air from the cooling system, run the engine at low idle for 5 minutes, and for a further 5 minutes at high idle. (When doing this, leave the radiator cap off.)

11. Drain the coolant from sub-tank (3), clean the inside of the sub-tank, then add water until the coolant level is between the FULL and LOW marks.
12. Stop the engine, wait for approx. 3 minutes, then add coolant until the coolant level is near the coolant filler port, and tighten the cap. Check the coolant level and add coolant if necessary.



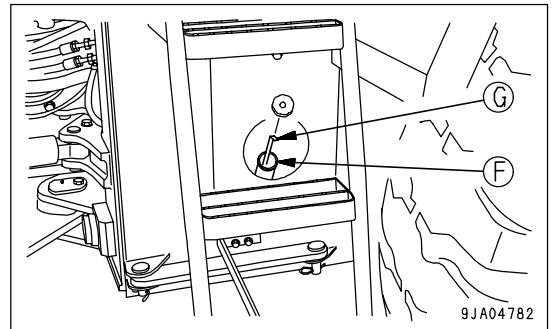
CHECK OIL LEVEL IN TRANSFER CASE, ADD OIL

 **WARNING**

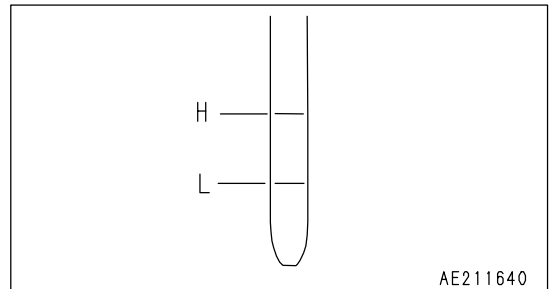
The parts and oil are at high temperature immediately after the engine is stopped, and may cause burns. Wait for the temperature to go down before starting the work.

Carry out this procedure if there is any sign of oil on the transfer case.

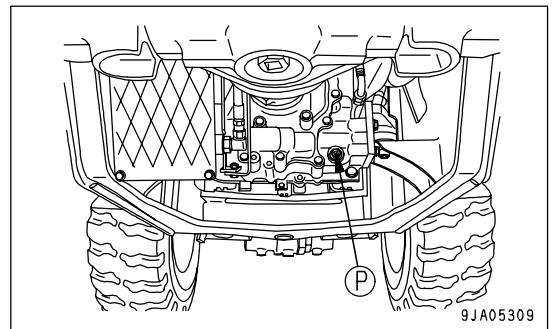
1. Start the engine and run it at low idle for at least 5 minutes.
2. Open the cap of oil filler port (F), remove dipstick (G), and wipe the oil off with a cloth.
3. Insert dipstick (G) fully in the oil filler pipe, then take it out again.



4. The oil level should be between the H and L marks on dipstick (G).
If the oil level is below the L mark, add oil through oil filler (F).



5. If the oil is above the H mark, drain the excess engine oil from drain plug (P), and check the oil level again.
6. If the oil level is correct, insert dipstick (G) in the dipstick guide, then tighten the cap.



CHECK AXLE OIL LEVEL, ADD OIL

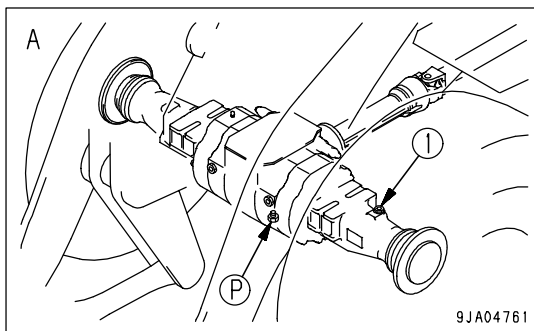
! WARNING

- When checking the oil level, apply the parking brake and secure the front and rear frames with the frame lock bar.
- After stopping the engine, the parts and oil are at a high temperature. Wait for the temperature to go down before starting the operation.

Perform this procedure if there is any sign of oil on the axle case.
 Inspect the machine on a horizontal surface.
 (If the road surface is at an angle, the oil level cannot be checked correctly.)

- A: Front B: Rear

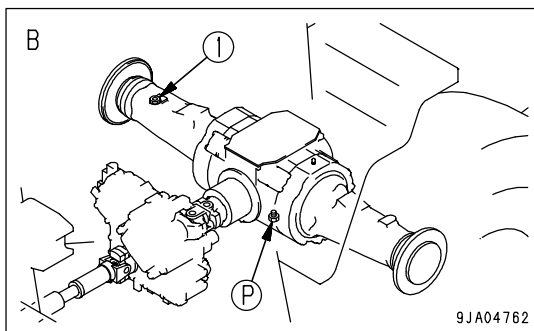
1. Stop the engine and remove oil level plug (1).



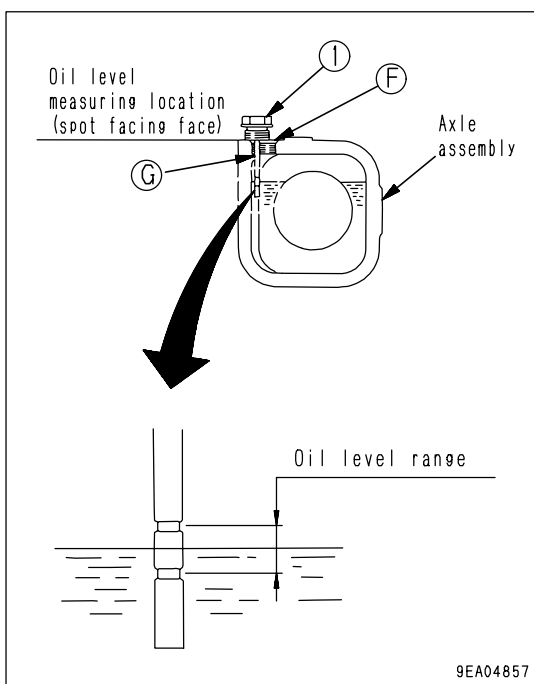
REMARK

Remove the mud and dirt from around plug (1), then remove the plug.

2. With cloth, wipe off any oil adhering to the oil level gauge attached to plug (1).



3. Set the oil level gauge (G) as shown in the right diagram.
4. The oil level is correct when it is between the two lines provided on the oil level gauge.
 If the oil level does not reach the lower line, add oil through filler port (F).
5. If the oil level is above the upper line, drain off the excess oil through drain plug (P) and check the oil level again.
6. If the oil level is correct, install plug (1).
 Tightening torque: 93 to 123 N·m (9.5 to 12.5 kgf·m, 68.7 to 90.4 lbf·ft)



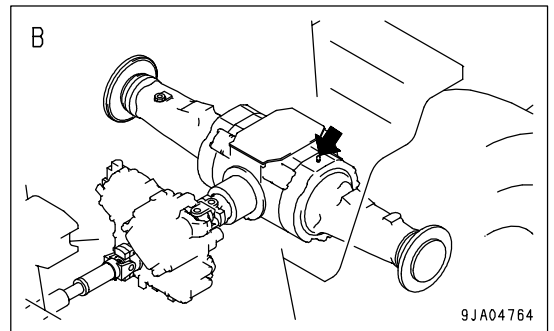
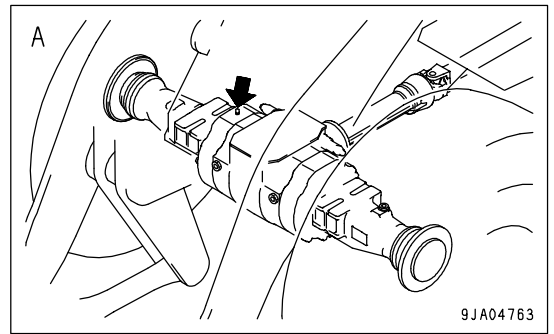
CLEAN AXLE CASE BREATHER

⚠ WARNING

When cleaning the axle breather, apply the parking brake and secure the front and rear frames with the frame lock bar.

- A: Front B: Rear

Remove all mud and dirt from around the breather with a brush.
 After removing the mud or dirt from around the breather, remove the breather, immerse it in cleaning fluid and clean it.
 When cleaning the breather, clean the breathers at two places (front and rear).
 After removing the breather, take steps to prevent dirt or dust from entering the mount.



CLEAN AIR CONDITIONER CONDENSER



WARNING

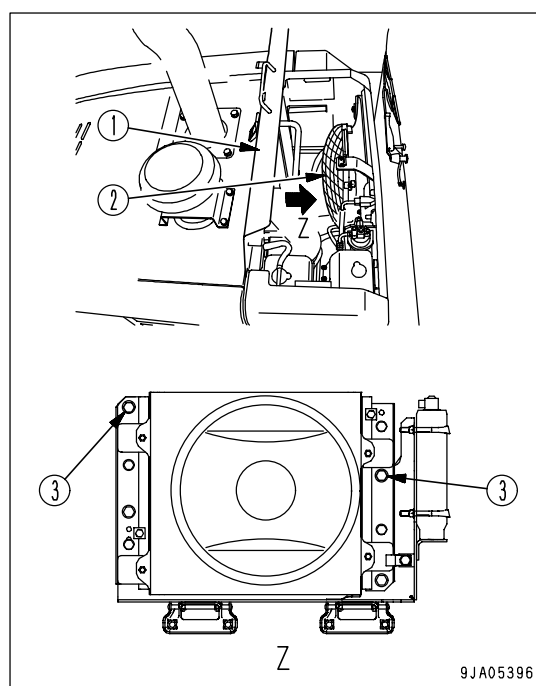
- Do not wash the condenser with a steam cleaner. There is danger that the condenser could overheat.
- If high-pressure water hits your body directly or dirt is sent flying, there is danger of personal injury. Always wear protective glasses, dust mask, and other protective equipment.

If there is mud or dust on the air conditioner condenser, clean it with water.

If the water pressure is too high, the fins may get deformed. When washing with a high pressure washing machine, apply the water from a reasonable distance.

WASHING METHOD

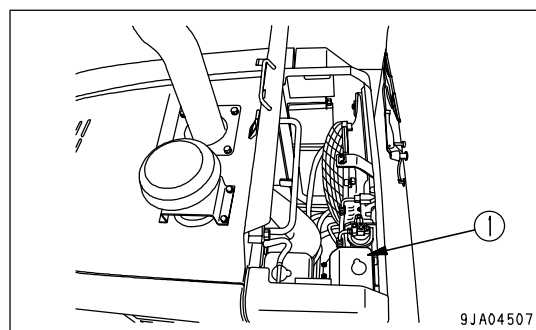
1. Open top cover (1) at the front of the engine hood.
2. Remove 2 mounting bolts (3) at the top of condenser (2).
3. Hold the top of condenser (2) and tip it to the rear. A gap is formed between the engine hood and condenser.
4. Wash with water from the top.
5. Pull condenser (2) back to the original position and fit bolt (3).



CHECK WINDOW WASHING FLUID LEVEL, ADD FLUID

Check the washing fluid levels in washer tank (1). When the fluid has run low, add automotive window washing fluid.

Be careful not to let dust get into the fluid.



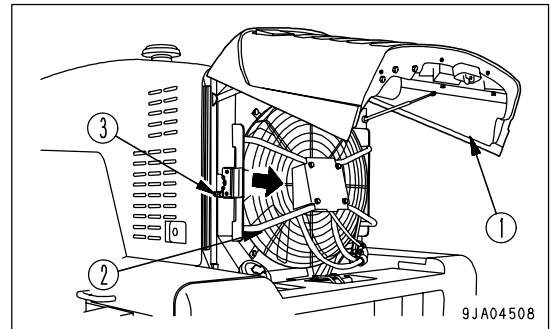
CLEAN RADIATOR FINS AND COOLER FINS

! WARNING

- Never open the engine side cover when the engine is running. Stop the engine completely before starting the cleaning operation.
- If compressed air, pressurized water, or steam hits your body directly, or causes dirt to fly, it may lead to personal injury. Always wear safety glasses, dust mask, or other protective equipment.

Clean the radiator or cleaner if mud or dirt is stuck to it.

1. Open rear grill (1).
2. Move lever (3) of fan guard (2) down to release the lock, then open fan guard (2).
3. Use compressed air to clean the mud, dust, and leaves from the radiator and oil cooler fins. Steam or water may be used instead of compressed air.



NOTICE

If the steam jet nozzle is brought too close to the radiator fins, it may damage the fins, so keep the nozzle a suitable distance away from the fins when cleaning.

4. Check the rubber hose. Replace with a new one if the hose is found to have cracks or to be hardened by aging. Also, check hose clamps for looseness.
5. After cleaning, close fan guard (2), apply the lock, then close rear grill (1).

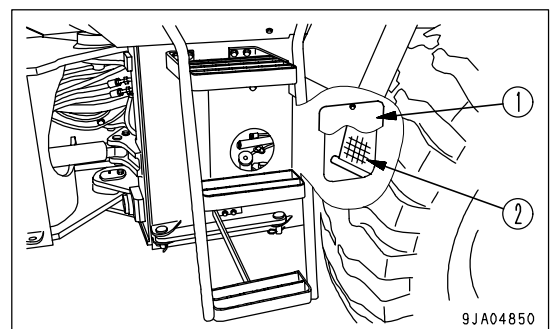
CLEAN TRANSFER OIL COOLER FINS

! WARNING

If compressed air, high-pressure water, or steam hits your body directly or dirt is sent flying by the compressed air, high-pressure water, or steam, there is danger of personal injury. Always wear protective glasses, dust mask, and other protective equipment.

Clean the oil cooler if mud or dirt is stuck to it.

1. Remove cover (1).
2. Use compressed air to clean the mud, dust, and leaves from the oil cooler fins (2). Steam or water may be used instead of compressed air.
3. After cleaning, install the cover (1).



NOTICE

If the steam jet nozzle is brought too close to the oil cooler fins, it may damage the fins, so keep the nozzle a suitable distance away from the fins when cleaning.

CHECK ELECTRICAL INTAKE AIR HEATER

Before the start of the cold season (once a year), contact your Komatsu distributor to have the electrical intake air heater checked for dirt or disconnections.

TURN, REPLACE BOLT-ON CUTTING EDGE

**WARNING**

It is dangerous if the work equipment moves by mistake during the turning or replacement operation.

Set the work equipment in a stable condition, stop the engine, then set the work equipment lock lever securely to the LOCK position.

Turn or replace the cutting edge before the wear reaches the edge of the bucket.

1. Raise the bucket to a suitable height, then put blocks (A) under the bucket to prevent the bucket from coming down.

Raise the bucket so that the bottom surface of the bucket is horizontal.

2. Remove nuts and bolts (1), then remove cutting edge (2).
3. Clean the mounting surface of cutting edge (2).
4. Turn cutting edge (2) and install it to the bucket. When turning the edge, install it to the opposite side (left edge to right side, right edge to left side).

If both sides of the cutting edge are worn, replace with a new part.

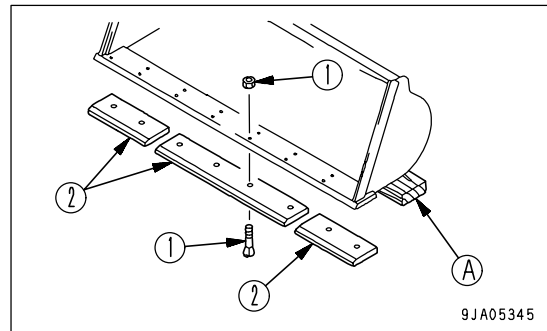
If the wear extends to the mounting surface, repair the mounting surface before installing the cutting edge.

5. Tighten nuts and bolts (1) uniformly so that there is no gap between the bucket and cutting edge.

Tightening torque for mounting bolt: 883 to 1196 N·m

(90 to 122 kgf·m, 651 to 882 lbft)

6. Tighten the mounting bolts again after operating for several hours.



9JA05345

REPLACE BUCKET TEETH

(If equipped)

BUCKET WITH TIP TOOTH

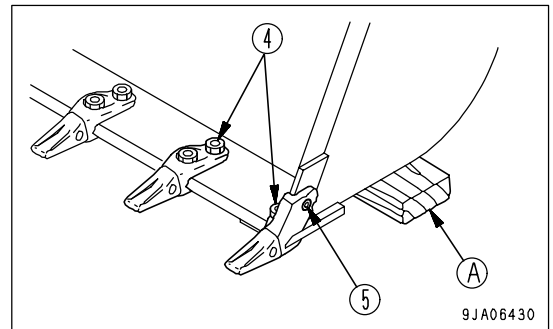


WARNING

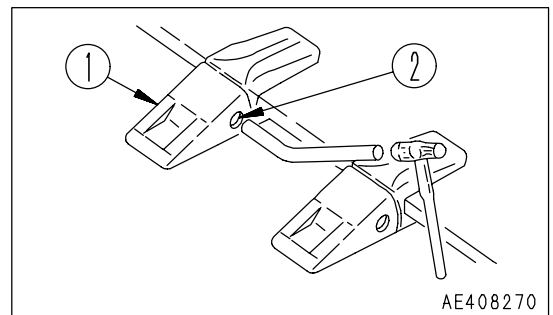
- If the pin is hit out with strong force, there is danger that the pin may fly out. Check that there is no one in the surrounding area.
- There is danger of pieces flying during the replacement operation, so always wear protective clothing, such as safety glasses and gloves.

Replace the teeth before they wear down as far as the adapter.

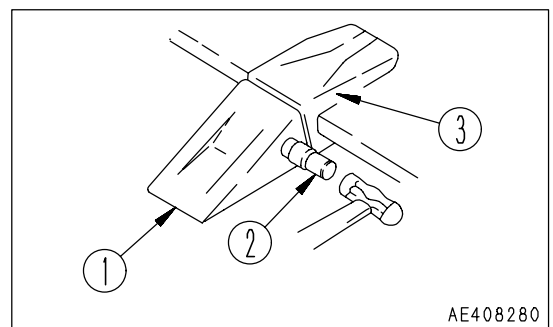
1. Raise the bucket to a suitable height, then put blocks (A) under the bucket to prevent the bucket from coming down. Raise the bucket so that the bottom surface of the bucket is horizontal.



2. Remove pin (2) installed to the bucket, then remove tooth (1). Put a rod (slightly narrower than the pin) in contact with the hatched portion (either left or right) and tap pin (2) out to the opposite side.



3. Fit new tooth (1) in adapter (3), push in pin (2) partially by hand, then knock it in with a hammer.
4. After operating the machine for a few hours, check that the pin does not come out.



5. If mounting bolts (4) or (5) of adapter (3) are loose, tighten them.
Tightening torque of mounting bolt
(4): 1200 to 1330 N·m (122 to 136 kgf·m, 882.4 to 983.7 lbf)
(5): 814 to 912 N·m (83 to 93 kgf·m, 600.3 to 672.7 lbf)

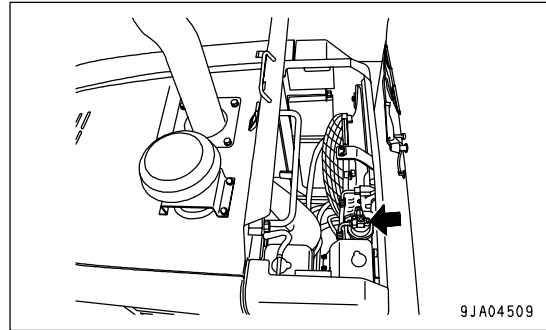
CHECK AIR CONDITIONER

CHECK LEVEL OF REFRIGERANT (GAS)



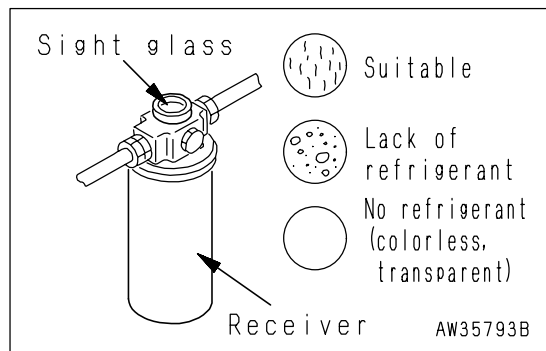
WARNING

If the refrigerant used in the air conditioner gets into your eyes or on your hands, it may cause loss of sight or frostbite. Do not touch the refrigerant. Never loosen any part of the refrigerant circuit. Do not bring any flame close to any point where the refrigerant gas is leaking.



If there is a lack of refrigerant (gas), the cooling performance will be poor. When operating the air conditioner at high speed with the engine at full throttle, use the receiver sight glass (inspection window) to check the condition of the refrigerant gas (R134a) flowing in the refrigerant circuit.

- No bubbles in refrigerant flow: Suitable
- Some bubbles in flow
(bubbles pass continuously): Lack of refrigerant
- Colorless, transparent: No refrigerant



REMARK

When there are bubbles, the refrigerant gas level is low, so contact your Komatsu distributors to have refrigerant added. If the air conditioner is run with the refrigerant gas level low, it will cause damage to the compressor.

OPERATING THE AIR CONDITIONER OFF-SEASON

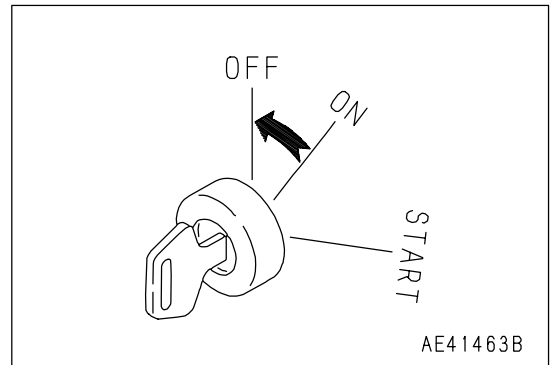
Even during the off-season, operate the air conditioner for 3 to 5 minutes once a month to maintain the oil film at all parts of the compressor.

REPLACE SLOW BLOW FUSE

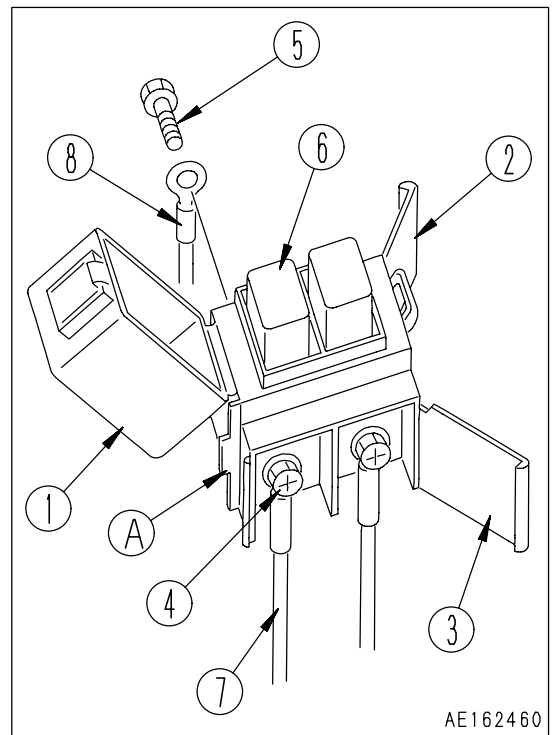
NOTICE

- Always turn the power OFF when replacing the slow blow fuse (turn the starting switch to the OFF position).
- Always replace the slow blow fuse with a fuse of the same capacity.

1. Turn the starting switch to the OFF position.
2. Remove the slow blow fuse box from the chassis.



3. Open covers (1), (2), and (3) of the slow blow fuse box. Covers (2) and (3) can be removed easily by using protrusion (A) on the body as a fulcrum and levering the catch of the cover with a flat-headed screwdriver to release it.
4. Loosen screws (4) and (5), and remove. When screws (4) and (5) are removed, slow blow fuse (6) will also come off together with electric wiring (7) and (8).
5. Using screws (4) and (5), install a new slow blow fuse together with electric wiring (7) and (8) to the slow blow fuse box, then close covers (1), (2), and (3).
6. Install the slow blow fuse box to the chassis.



CHECKING FUNCTION OF ACCUMULATOR

For details of handling the accumulator, see Section "ACCUMULATOR (PAGE 2-35)".

ACCUMULATOR FOR TRAVEL DAMPER

When the travel damper switch is ON, the hydraulic spring effect of the accumulator absorbs the up-and-down motion of the machine during travel and reduces the swaying.

Drive the machine and compare the up-and-down movement of the machine during travel when the travel damper switch is ON and when it is OFF.

If there is no change in the up-and-down movement of the machine, the gas pressure in the accumulator has probably dropped.

Please contact your Komatsu distributor to have the accumulator inspected.

REMARK

Carry out the inspection when the machine is traveling at a speed of at least 10 km/h (6.2 MPH). Even if the travel damper switch is ON, the travel damper is not actuated if the travel speed is less than 10 km/h (6.2 MPH).

ACCUMULATOR FOR BRAKE DAMPER

When the brake pedal is depressed, the hydraulic spring effect of the accumulator actuates the brake smoothly.

If any change is felt in the smoothness of the brake operation during daily operations, the gas pressure in the accumulator has probably dropped.

Please contact your Komatsu distributor to have the accumulator inspected.

REMARK

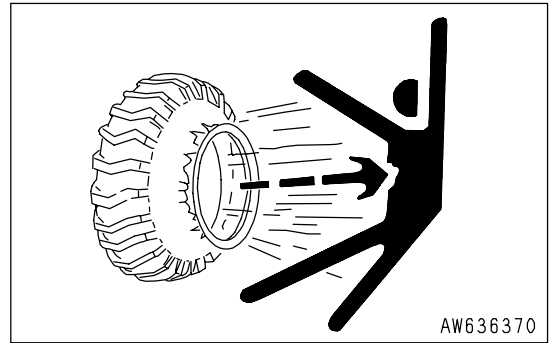
Even if there is any change in the smoothness, there is no drop in the braking force or brake performance.

SELECTION AND INSPECTION OF TIRES

! WARNING

If a tire or a rim is handled improperly, the tire may burst or may be damaged and the rim may be broken and scattered, and that can cause serious injury or death.

- Since maintenance, disassembly, repair and assembly of the tires and rims require special equipment and skill, be sure to ask a tire repair shop to do the work.
- Do not heat or weld the rim to which the tire is installed. Do not make a fire near the tire.



SELECTION OF TIRES

! WARNING

Select the tires according to the conditions of use and the weight of the attachments on the machine. Use only specified tires and inflate them to the specified pressure.

Select the tires according to the conditions of use and the weight of the attachments of the machine. Use the following table.

Since the travel speed indicated on the speedometer varies with the tire size, consult your Komatsu distributor when using optional tires.

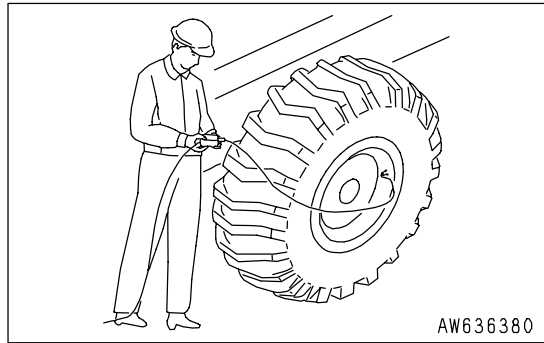
		Tire size	Maximum load [kg (lb)]
Standard	Front and Rear	20.5-25-12PR	6,775 (14939)
Option	Front and Rear	17.5-25-16PR	6,070 (13384)

CHECK INFLATION PRESSURE OF TIRES

! WARNING

When inflating a tire, check that no one will enter the working area. Use an air chuck which has a clip and which can be fixed to the air valve.

- While inflating the tire, check the inflation pressure occasionally so that it will not rise too high.
- If the rim is not fitted normally, it may be broken and scattered while the tire is inflated. To ensure safety, place a guard around the tire and do not work in front of the rim but work on the tread side of the tire.
- Abnormal drop of inflation pressure and abnormal fitting of the rim indicate trouble in the tire or rim. In this case, be sure to ask a tire repair shop to carry out repairs.
- Be sure to observe the specified inflation pressure.
- Do not adjust the inflation pressure of the tires just after high-speed travel or heavy-duty work.



CHECK

Measure the inflation pressure with a tire pressure gauge, while the tires are cool, before starting work.

INFLATION OF TIRES

Adjust the inflation pressure properly.

When inflating a tire, use an air chuck which can be fixed to the air valve of the tire as shown in the figure. Do not work in front of the rim but work on the tread side of the tire.

The proper inflation pressure is shown below.

	Tire size	Inflation pressure
Standard	20.5-25-12PR	Front tire: 0.27 MPa (2.8 kgf/cm ² , 39.8 PSI) Rear tire: 0.27 MPa (2.8 kgf/cm ² , 39.8 PSI)
Option	17.5-25-16PR	Front tire: 0.29 MPa (3.0 kgf/cm ² , 42.6 PSI) Rear tire: 0.29 MPa (3.0 kgf/cm ² , 42.6 PSI)

NOTICE

The optimum inflation pressure differs according to the type of work. For details, see "HANDLING THE TIRES (PAGE 3-112)".

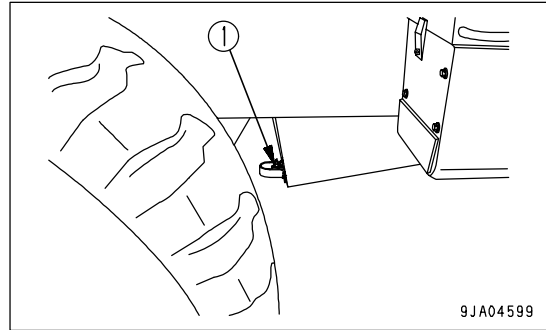
CHECK BEFORE STARTING

For the following items, see "CHECK BEFORE STARTING (PAGE 3-68)".

- Check oil level in engine oil pan, add oil
- Check water separator
- Check dust indicator
- Check coolant level, add coolant
- Check inflation pressure of tires
- Check electric wiring
- Check monitor panel
- Check fuel level, add fuel
- Check parking brake
- Check brake pedal

EVERY 50 HOURS SERVICE**DRAIN WATER, SEDIMENT FROM FUEL TANK**

Loosen valve (1) on the left side of the tank so that the sediment and water will be drained together with fuel.



9JA04599

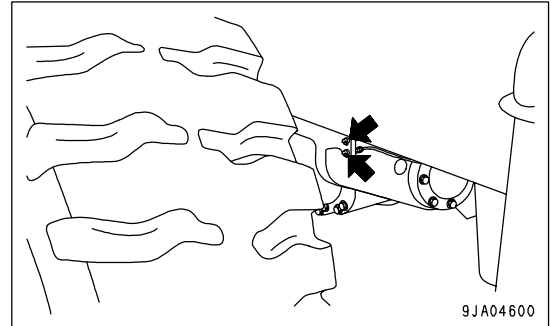
EVERY 100 HOURS SERVICE

Maintenance for every 50 hours service should be carried out at the same time.

LUBRICATE REAR AXLE PIVOT PIN

(2 places)

1. Using a grease pump, pump in grease through the grease fittings marked by the arrows.
2. After greasing, wipe off any old grease that was pushed out.



CLEAN ELEMENT IN AIR CONDITIONER FRESH AIR FILTER

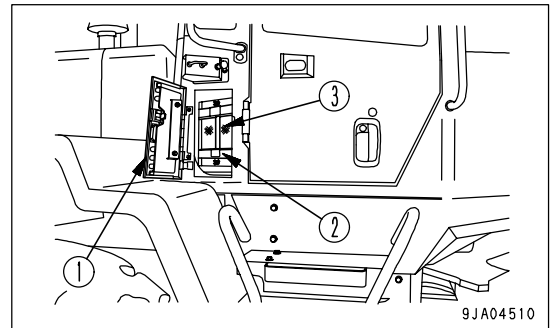


WARNING

If compressed air is used, there is danger that dirt may fly and cause personal injury.
Always wear protective glasses, dust mask, and other protective equipment.

If the air conditioner has been used, the air filter should be cleaned.
Stop the air conditioner before cleaning the element.

1. Open cover (1).
2. Remove bracket (2) and filter (3) as one unit.
3. Direct dry compressed air (less than 0.69 MPa (7 kgf/cm², 99.4 PSI)) to the element from inside along its folds, then direct it from outside along its folds and again from inside.
4. When installing, fit filter (3) into bracket (2), then install.



CHECK OIL LEVEL IN HYDRAULIC TANK, ADD OIL


WARNING

- The parts and oil are at high temperature immediately after the engine is stopped, and may cause burns. Wait for the temperature to go down before starting the work.
- When removing the oil filler cap, turn it slowly to release the internal pressure, then remove it.

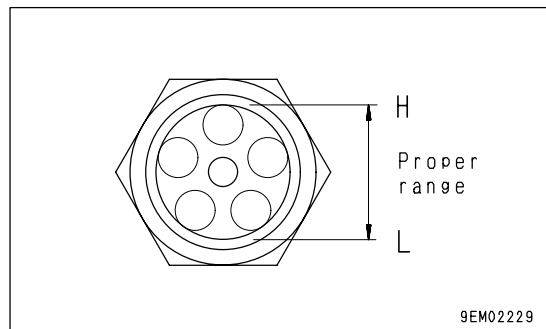
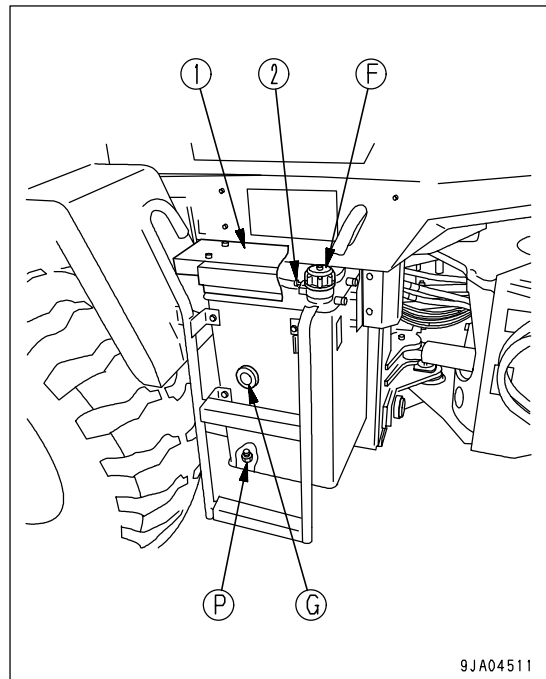
1. Lower the bucket horizontally to the ground and stop the engine. Wait for 5 minutes, then check sight gauge (G). The oil level should be between the H and L marks.

NOTICE

Do not add oil above the H line. This will damage the hydraulic circuit or cause the oil to spurt out. If oil has been added to above the H level, stop the engine and wait for the hydraulic oil to cool down, then drain the excess oil from drain plug (P).

2. If the oil is below the L level, add oil to the hydraulic tank as follows.

- 1) Remove cover (1).
- 2) Keep grip (2) pulled, then turn oil filler cap (F) counterclockwise and remove it.
- 3) Refill the specified quantity of oil through oil filler (F).
- 4) After adding oil, install oil filler cap (F) and cover (1).



EVERY 250 HOURS SERVICE

Maintenance for every 50 and 100 hours service should be carried out at the same time.

CHECK BATTERY ELECTROLYTE LEVEL

Perform this check before operating the machine.



WARNING

- Do not use the battery if the battery electrolyte level is below the LOWER LEVEL line. This will accelerate deterioration of the inside of the battery and reduce the service life of the battery. In addition, it may cause an explosion.
- The battery generates flammable gas and there is danger of explosion, do not bring fire or sparks near the battery.
- Battery electrolyte is dangerous. If it gets in your eyes or on your skin, wash it off with a large amount of water and consult a doctor.
- When adding distilled water to the battery, do not allow the battery electrolyte to go above the UPPER LEVEL line. If the electrolyte level is too high, it may leak and cause damage to the paint surface or corrode other parts.

NOTICE

When adding distilled water in cold weather, add it before starting operations in the morning to prevent the electrolyte from freezing.

Inspect the battery electrolyte level at least once a month and follow the basic safety procedures given below.

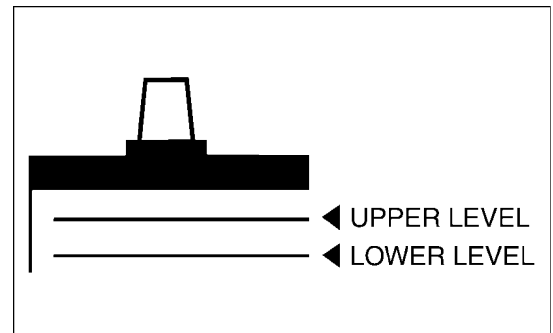
WHEN CHECKING ELECTROLYTE LEVEL FROM SIDE OF BATTERY

If it is possible to check the electrolyte level from the side of the battery, check as follows.

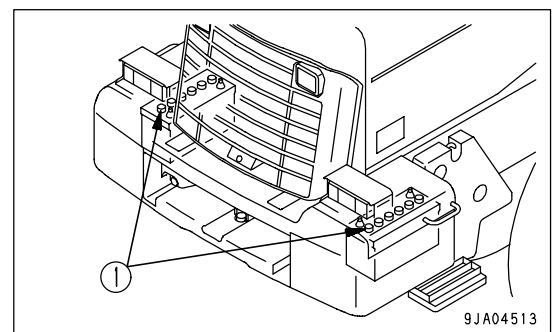
1. Open the cover of the battery box.

There are two battery boxes: One on each side at the rear of the machine.

2. Use a wet cloth to clean the area around the electrolyte level lines and check that the electrolyte level is between the UPPER LEVEL (U.L.) and LOWER LEVEL (L.L.) lines.
If the battery is wiped with a dry cloth, static electricity may cause a fire or explosion.



3. If the electrolyte level is below the midway point between the U.L. and L.L. lines, remove cap (1) and add distilled water to the U.L. line.
4. If distilled water has been added to any cell of cap (1), add distilled water also to the other cells.
5. Clean the vents of the battery caps, then close the caps securely.
Keep the top of the battery clean and wipe it with a wet cloth.



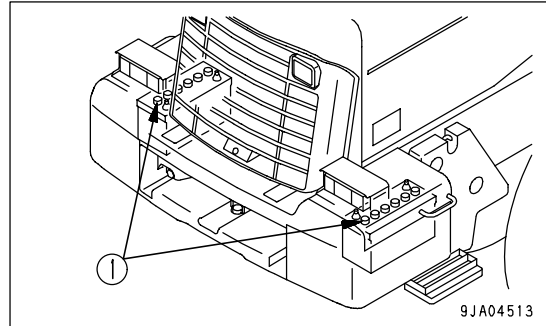
REMARK

If distilled water is added to above the U.L. line, use a syringe to lower the level to the U.L. line. Neutralize the removed fluid with baking soda (sodium bicarbonate), then flush it away with a large amount of water or consult your Komatsu distributor or battery maker.

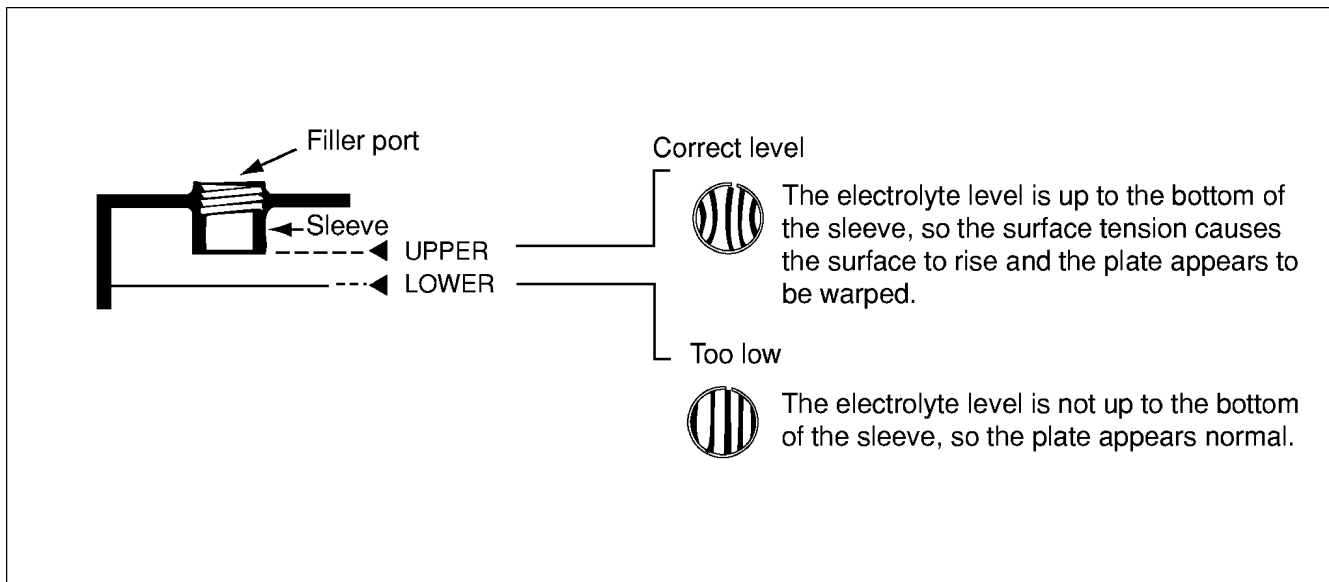
WHEN IT IS IMPOSSIBLE TO CHECK ELECTROLYTE LEVEL FROM SIDE OF BATTERY

If it is impossible to check the electrolyte level from the side of the battery, or there is no display of the UPPER LEVEL line on the side of the battery, check as follows.

1. Open the cover of the battery box.
There are two battery boxes: One on each side at the rear of the machine.
2. Remove cap (1) at the top of the battery, look through the water filler port, and check the electrolyte surface. If the electrolyte does not reach the sleeve, add distilled water so that the level reaches the bottom of the sleeve (UPPER LEVEL line) without fail.
3. If distilled water has been added to any cell of cap (1), add distilled water also to the other cells.



Use the diagram below for reference, and check if the electrolyte reaches the bottom of the sleeve.



4. After adding distilled water, tighten cap (1) securely.

REMARK

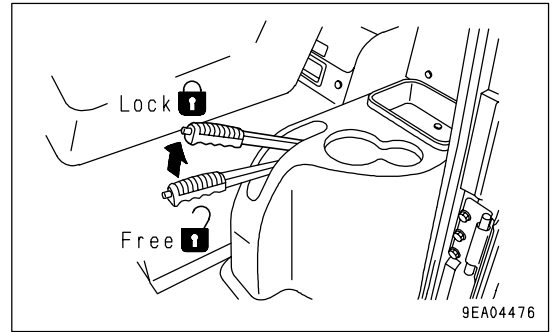
If distilled water is added to above the bottom of the sleeve, use a syringe to lower the level to the bottom of the sleeve. Neutralize the removed fluid with baking soda (sodium bicarbonate), then flush it away with a large amount of water or consult your Komatsu distributor or battery maker.

WHEN IT IS POSSIBLE TO USE INDICATOR TO CHECK ELECTROLYTE LEVEL

If it is possible to use an indicator to check the electrolyte level, follow the instructions given.

CHECK PARKING BRAKE

1. On dry downhill slopes, use the brake pedal to stop the machine.
2. Pull the parking brake lever fully to the LOCK position, and check if the parking brake can hold the machine in position.
3. If any problem is found, please contact your Komatsu distributor.

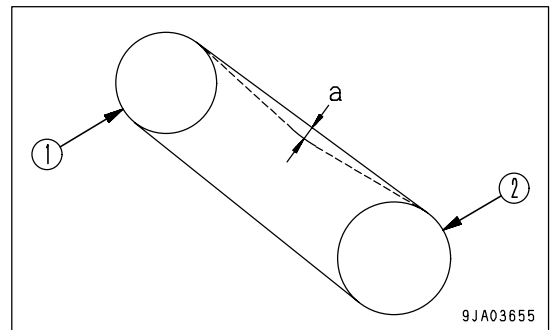
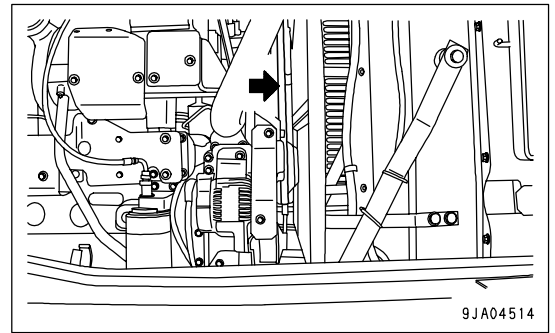


CHECK AIR CONDITIONER COMPRESSOR BELT TENSION, ADJUST

CHECKING

1. Open the engine side cover on the left side of the chassis.
2. Standard deflection "a" between air conditioner compressor pulley (1) and drive pulley (2) when pressed with a thumb (approx. 98 N (10 kgf)) should be approx. 9.5 to 13.5 mm (0.4 to 0.5 in).

When a belt tension gauge is used, the standard tension is within a range of 353 to 530 N (36 to 54 kgf).



CHECK WHEN CHANGING THE V-BELT

The standard deflection "a" between air conditioner compressor pulley (1) and fan pulley (2) when pressed with a thumb (approx. 98 N (10 kgf)) should be approx. 7 to 10 mm (0.28 to 0.4 in).

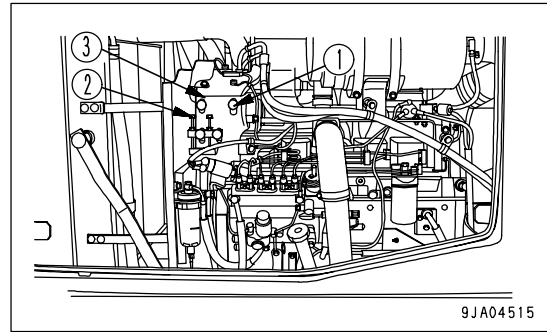
When a belt tension gauge is used, the standard tension is within a range of 533 to 745 N (54 to 76 kgf).

REMARK

When the belt has been replaced with a new part, a high tension is necessary, so the initial tension is in the value given above.

ADJUSTING

1. Open the engine side cover on the right side of the machine.
2. When adjusting, loosen 4 bolts (1), turn 2 adjustment bolts (2), and move bracket (3) and the compressor as one unit.
3. After adjusting, tighten bolt (1) and the locknut of bolt (2).

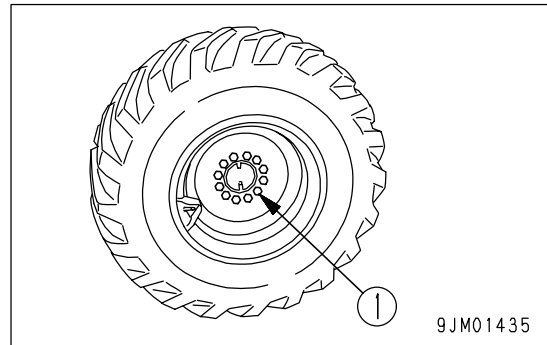
**NOTICE**

- Check each pulley for damage, wear of the V-groove, and wear of the V-belt. In particular, be sure to check that the V-belt is not touching the bottom of the V-groove.
- In case any of the following occurs, ask the Komatsu distributor in your territory to replace the belts with new ones.
 - The fan belt has elongated, leaving little allowance for adjustment.
 - A cut or crack is found on the belt.
 - Slipping or creaking sound is heard coming from the belt.
- When the new V-belt is set, readjust it after one hour of operation.

CHECK FOR LOOSE WHEEL HUB BOLTS, TIGHTEN

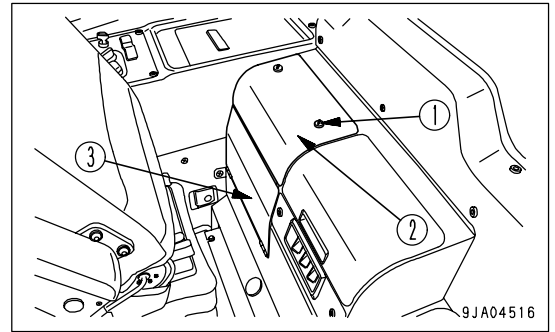
If wheel hub nuts (1) are loose, tire wear will be increased and may cause accidents.

1. Check for loose nuts, and tighten if necessary.
 When checking for loose nuts, always turn the nuts in the direction of tightening to check.
 Tightening torque: 785 to 980 N·m (80 to 100 kgf·m, 578.6 to 723.3 lbft)
2. If any stud bolt is broken, replace all the stud bolts for that wheel.

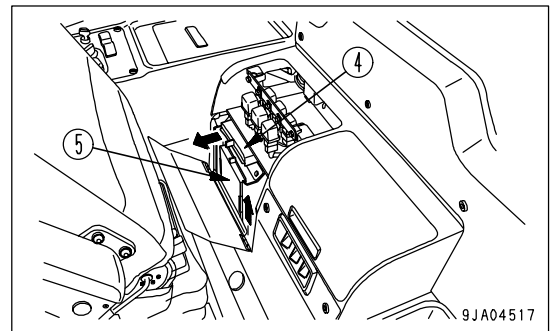


CLEAN ELEMENT IN AIR CONDITIONER RECIRCULATION FILTER

1. Loosen knob (1), remove filter inspection cover (2), then open filter inspection cover (3).



2. Pull out filters (4) and (5) in the direction of the arrow.
3. Clean with compressed air in the same way as for the fresh air filter.
If the filter is extremely dirty, rinse it in water.
After rinsing the filter, dry it completely before installing it again.



CHECKING FUNCTION OF ACCUMULATOR

For details of handling the accumulator, see Section "ACCUMULATOR (PAGE 2-35)".

BRAKE ACCUMULATOR

If the engine stops when the machine is traveling, the oil pressure in the accumulator can be used to apply the brake as an emergency measure.

1. Stop the machine on level ground and lower the work equipment completely to the ground.
2. Apply the parking brake.
3. Start the engine, run it at a mid-range speed for 1 minute, then stop the engine.
4. Turn the starting switch key to the ON position and depress the brake pedal repeatedly.
 - If the brake oil pressure caution lamp does not light up even when the brake is depressed 6 times, the gas pressure in the accumulator is normal.
 - If the brake oil pressure caution lamp lights up when the brake has been depressed 5 or less times, the gas pressure in the accumulator has probably dropped. Please contact your Komatsu distributor to have the accumulator inspected.

REMARK

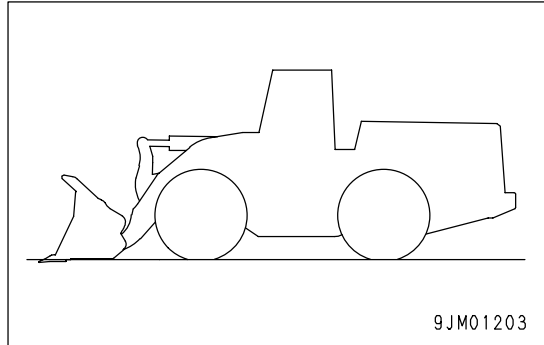
Carry out the check within 5 minutes after stopping the engine. If the machine is left with the engine stopped, the accumulator pressure will drop and it will be impossible to check the cause of the problem.

LUBRICATING

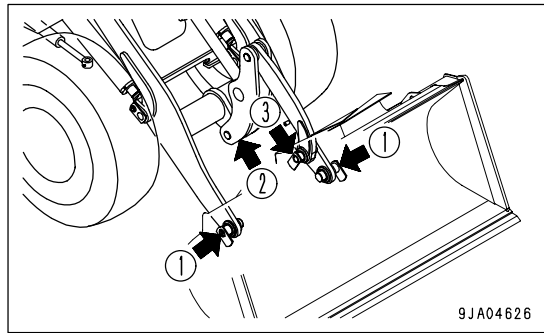
NOTICE

On jobsites where there is a lot of heavy-duty work, or on jobsites where operations are carried out continuously for more than eight hours, reduce the greasing interval and carry out greasing more frequently.

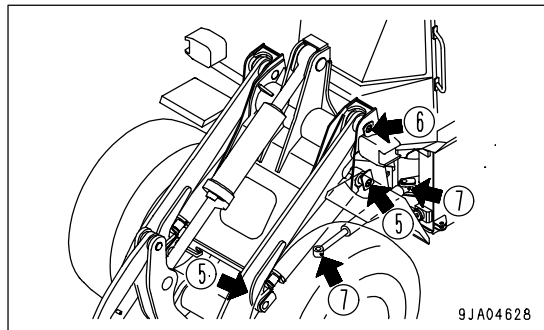
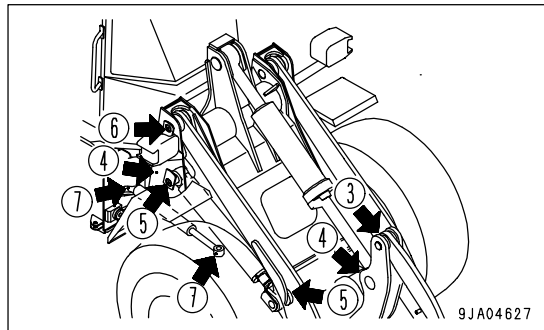
1. Put the work equipment horizontally in contact with the ground, then stop the engine.
2. Using a grease pump, pump in grease through the grease fittings marked by the arrows.
3. After greasing, wipe off any old grease that was pushed out.



- (1) Bucket pin (2 places)
- (2) Tilt lever pin (1 place)
- (3) Bucket link pin (2 places)



- (4) Dump cylinder pin (2 places)
- (5) Lift cylinder pin (4 places)
- (6) Lift arm pivot pin (2 places)
- (7) Steering cylinder pin (4 places)



EVERY 500 HOURS SERVICE

Maintenance for every 50, 100 and 250 hours service should be carried out at the same time.

CHANGE OIL IN ENGINE OIL PAN, REPLACE ENGINE OIL FILTER CARTRIDGE

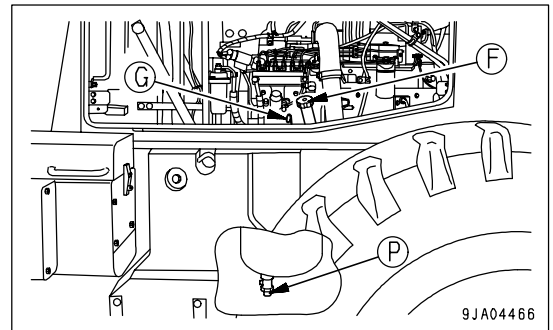


WARNING

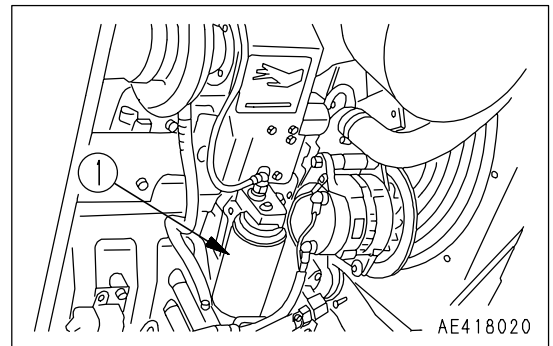
- The parts and oil are at high temperature immediately after the engine is stopped, and may cause burns. Wait for the temperature to go down before starting the work.
- When removing the oil filler cap, turn it slowly to release the internal pressure, then remove it.

- Refill capacity: 19.5 liters (5.15 US gal)
- Filter wrench

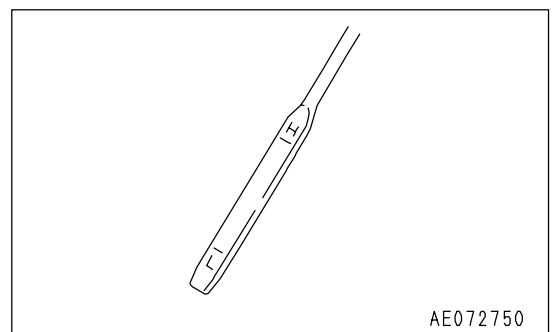
1. Open the engine side cover on the right side of the chassis.
2. Remove oil filler cap (F).
3. Place a container to catch the oil under drain plug (P).
4. Loosen drain plug (P) and drain the oil. Be careful not to get oil on yourself.
5. Check the drained oil, and if there are excessive metal particles or foreign material, please contact your Komatsu distributor.
6. Tighten drain plug (P).



7. Open the engine side cover on the left side of the chassis.
8. Using the filter wrench, turn filter cartridge (1) counterclockwise to remove it.
9. Clean the filter holder, fill the new filter cartridge with engine oil, then coat the seal and thread of the filter cartridge with engine oil (or coat thinly with grease) and install.
10. When installing the seal, tighten it so its surface comes into contact with the filter holder, then tighten another 3/4 turn.



11. After replacing the filter cartridge, add oil through oil filler (F) until the oil level is between the H and L marks on the dipstick (G).
12. Run the engine at idle for short time, then stop the engine, and check that the oil is between the H and L marks on the dipstick. For details, see "CHECK OIL LEVEL IN ENGINE OIL PAN, ADD OIL (PAGE 3-68)".



REPLACE FUEL FILTER CARTRIDGE


WARNING

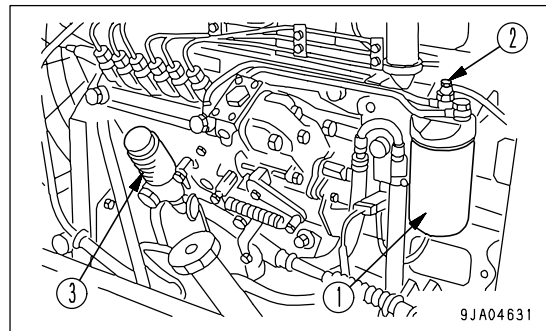
- The engine is at high temperature immediately after the machine has been operated. Wait for the engine to cool down before replacing the filter.
- Do not bring fire or sparks near the fuel.

REMARK

If the machine has run out of fuel, use Steps 6 to 9 to bleed the air.

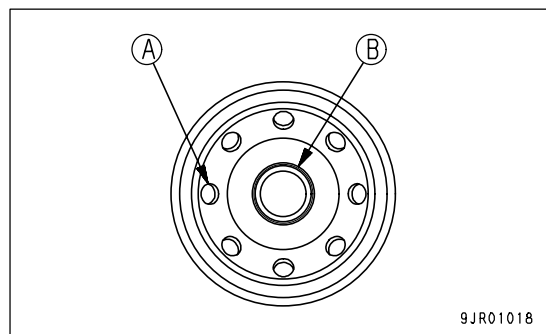
- Container to catch the fuel
- Filter wrench

1. Open the engine side cover on the right side of the chassis.
2. Set the container to catch the fuel under the filter cartridge.
3. Using a filter wrench, turn filter cartridge (1) counterclockwise to remove it.
4. Clean the filter holder. Fill a new filter cartridge with clean fuel. Coat the packing surface with engine oil. Then install the new cartridge into the filter holder. Add fuel from small hole (A) (dirty side) at eight places. Do not add fuel from hole (B) (clean side) at the center.

**NOTICE**

If the filter cartridge is tightened excessively, the packing will be damaged and fuel will leak. If the filter cartridge is too loose, fuel will also leak from the packing, so always tighten to the correct amount.

5. When installing, screw in cartridge until seal comes in contact with sealing surface, then tighten approx. an additional 1/2 turn.
6. Add fuel to the fuel tank until full (to FULL mark on the fuel gauge).
7. Loosen air bleed plug (2).
8. Loosen the knob of feed pump (3), then pump it up and down until no more bubbles come out with the fuel from air bleed plug (2).
9. After bleeding the air, tighten air bleed plug (2), then push in the knob of priming pump (3) and tighten it. Tightening torque for air bleed plug: 7.8 to 11.8 N·m (0.8 to 1.2 kgf·m, 5.8 to 8.7 lbf)
10. After bleeding the air, start the engine and check that there is no fuel leakage from the filter seal surface. If there is any leakage, check the tightening of the filter cartridge. If there is still leakage, follow Step 2 and 3 to remove the filter cartridge, then check the packing surface for damage or foreign material. If any damage or foreign material is found in the packing, replace the cartridge with a new part, then repeat Steps 4 to 10 to install the filter cartridge.



CLEAN WATER SEPARATOR STRAINER



WARNING

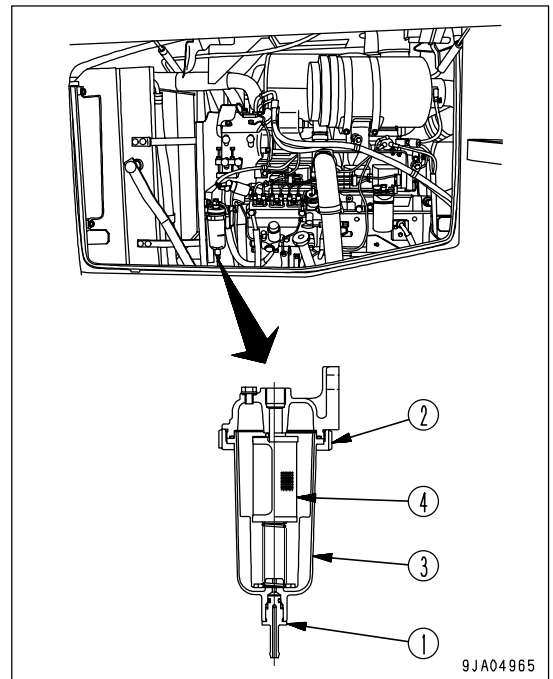
- The engine is at high temperature immediately after the machine has been operated. Wait for the engine to cool down before replacing the filter.
- Do not bring fire or sparks near the fuel.

1. Open the engine side cover on the right side of the chassis.
2. Prepare a container to catch the drained fuel and set it under the water separator.
3. Loosen drain valve (1) at the bottom of the water separator and drain the fuel into the container.
4. Loosen ring nut (2), then remove cup (3).
5. Remove strainer (4) from the separator base.
6. Wash the interior of strainer (4) and cup (3) with clean fuel.
7. Check strainer (4) and replace it if it is damaged.
8. Clean the separator base and wash strainer (4), then install the strainer to the separator base.
9. Coat the threaded portion of ring nut (2) thinly with grease.
10. Fill cup (3) with clean fuel, install it to the separator base, then tighten it with ring nut (2).

The specified tightening torque of ring nut (2):

37 to 43 N·m (3.8 to 4.4 kgf·m, 27.5 to 31.8 lbft)

If the ring is loose, it will cause leakage of fuel, so always tighten it to the specified torque.

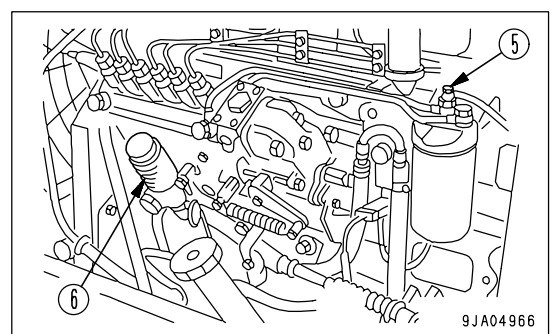


9JA04965

REMARK

Be careful not to lose the O-ring, float, or spring. Be sure to assemble them after washing.

11. After installing filter cup (3), bleed air in the following manner.
 12. Loosen air bleed plug (5) of the fuel filter.
 13. Loosen the knob of feed pump (6), then pump it up and down until no more bubbles come out with the fuel from air bleed plug (5).
 14. After bleeding the air, tighten air bleed plug (5), then push in the knob of priming pump (6) and tighten it.
- Tightening torque for air bleed plug: 7.8 to 11.8 N·m (0.8 to 1.2 kgf·m, 5.8 to 8.7 lbft)



9JA04966

EVERY 1000 HOURS SERVICE

Maintenance for every 50, 100, 250 and 500 hours service should be carried out at the same time.

CHANGE OIL IN TRANSFER CASE

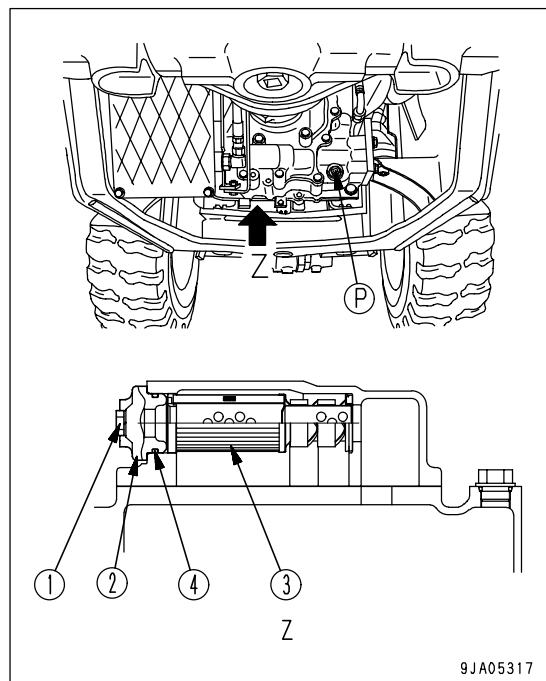


WARNING

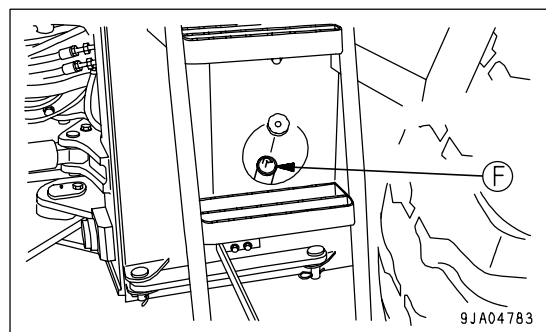
- The parts and oil are at high temperature immediately after the engine is stopped, and may cause burns. Wait for the temperature to go down before starting the work.
- When removing the oil filler cap, turn it slowly to release the internal pressure, then remove it.

- Refill capacity: 5.5 liters (1.45 US gal)

1. Set a container to catch the oil under drain plug (P), then remove drain plug (P) and drain the oil.
To prevent the oil from pouring out suddenly, loosen drain plug (P) and remove it gradually.
2. After draining the oil, install drain plug (P).
3. Loosen bolt (1), remove cover (2), then take out strainer (3).
4. Remove any dirt stuck to strainer (3), then wash it with clean diesel oil or flushing oil. If the strainer is damaged, replace it with a new part.
5. Replace O-ring (4) of cover (2) with a new part, then install.



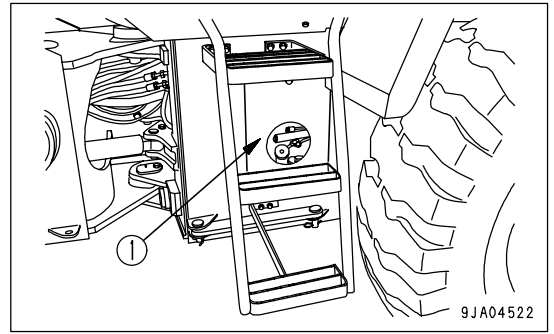
6. Refill the specified quantity of oil through oil filler (F).
7. After filling with oil, check that the oil is at the specified level.
For details, see "CHECK OIL LEVEL IN TRANSFER CASE, ADD OIL (PAGE 4-23)".



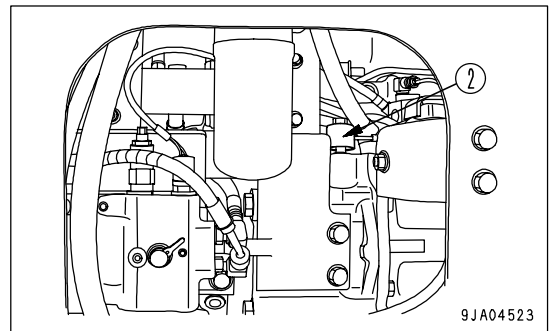
8. Check that there is no oil leakage from the transfer case.

CLEAN TRANSFER CASE BREATHER

1. Remove cover (1).



2. Remove the mud and dirt from around the breather (2), then remove breather (2).
 After removing the breather, take steps to prevent dirt or dust from entering the mount.
3. Soak the breather (2) in washing liquid and wash it.

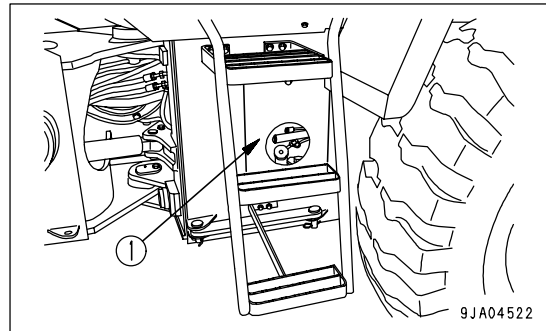


REPLACE HST OIL FILTER ELEMENT

**WARNING**

- The parts and oil are at high temperature immediately after the engine is stopped, and may cause burns. Wait for the temperature to go down before starting the work.
- When removing the oil filler cap, turn it slowly to release the internal pressure, then remove it.

1. Remove cover (1).



2. Using a filter wrench, turn filter cartridge (2) to the left to remove it.

3. Install the new filter cartridge.

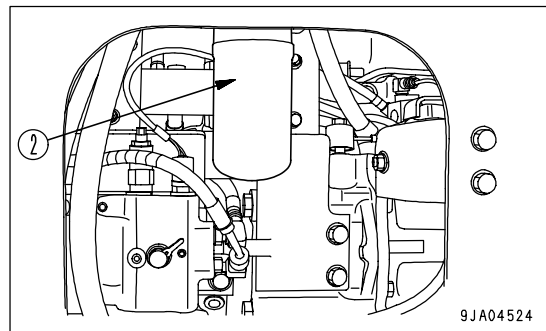
When the packing surface comes into contact with the seal surface of the filter holder, tighten a further 1/2 turn.

Tightening torque: 29 to 39 N·m (3.0 to 4.0 kgf·m, 21.7 to 28.9 lbft)

4. Run the engine at low idle for 5 minutes to bleed the air from the HST circuit.

5. Check that the hydraulic oil is at the specified level. For details, see "CHECK OIL LEVEL IN HYDRAULIC TANK, ADD OIL (PAGE 4-38)".

6. Run the engine at low idle, and extend and retract the steering, bucket, and lift arm cylinders 4 to 5 times. Be careful not to operate the cylinder to the end of its stroke (stop approx. 100 mm (3.9 in) before the end of stroke).

**NOTICE**

If the engine is run immediately at high speed or the cylinder is operated to the end of its stroke, the air inside the cylinder will cause damage to the piston packing.

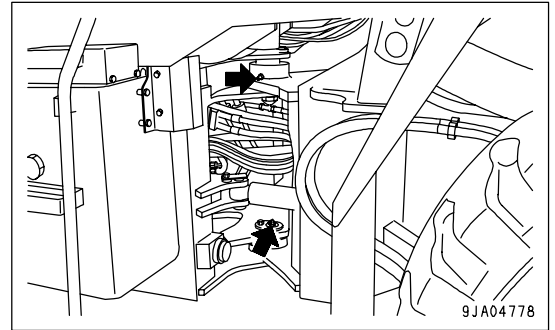
7. Operate the steering, bucket, and lift arm cylinders to the end of their stroke 3 to 4 times, then stop the engine and loosen filler cap to bleed the air from the hydraulic tank.
8. Check that the hydraulic oil is at the specified level. For details, see "CHECK OIL LEVEL IN HYDRAULIC TANK, ADD OIL (PAGE 4-38)".
9. After completing the air bleed operation, install cover (2).

Replace the HST filter element if the HST oil filter clogging warning pilot lamp lights up, even if 1000 hours or 1 year has not passed.

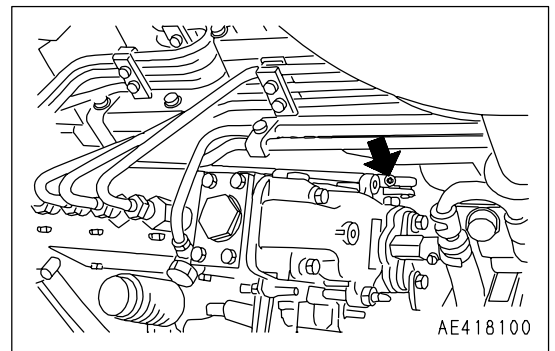
LUBRICATING

1. Using a grease pump, pump in grease through the grease fittings marked by the arrows.
2. After greasing, wipe off any old grease that was pushed out.

(1) Center hinge pin (2 places)



(2) Engine stop solenoid linkage (1 place)



CHECK TIGHTENING PARTS OF TURBOCHARGER

Contact your Komatsu distributor to have the tightening portions checked.

CHECK PLAY OF TURBOCHARGER ROTOR

Contact your Komatsu distributor to have the rotor play checked.

CHECK ALTERNATOR DRIVING BELT TENSION AND REPLACEMENT

Since inspection and replacement of the fan belt requires special tools, contact your Komatsu distributor.

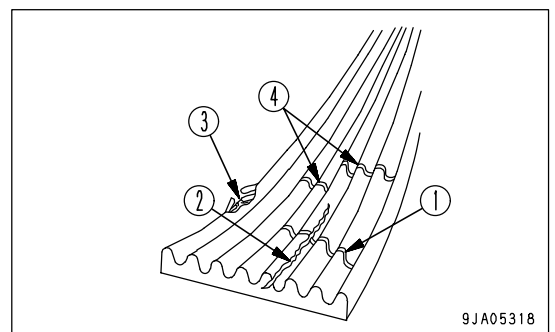
REMARK

The machine is equipped with an auto tensioner, so there is no need to adjust the tension.

If the alternator drive belt is in the following condition, the belt must be replaced. Please ask your Komatsu distributor to replace the belt.

- When horizontal scratch (1) crosses vertical scratch (2)
- When there are tears (3) in part of the belt

In case (4) where there are horizontal scratches only, there is no need to replace the belt.



EVERY 2000 HOURS SERVICE

Maintenance for every 50, 100, 250, 500 and 1000 hours service should be carried out at the same time.

CHANGE OIL IN HYDRAULIC TANK, REPLACE HYDRAULIC FILTER ELEMENT**WARNING**

- The parts and oil are at high temperature immediately after the engine is stopped, and may cause burns. Wait for the temperature to go down before starting the work.
- When removing the oil filler cap, turn it slowly to release the internal pressure, then remove it.

- Refill capacity: 67 liters (17.70 US gal)

1. Lower the bucket horizontally to the ground and apply the parking brake, then stop the engine.

2. Remove covers (1) and (2).

3. Keep grip (3) pulled, then turn oil filler cap (F) counterclockwise and remove it.

4. Set a container to catch the oil under drain plug (P).

5. Loosen drain plug (P), drain the oil, then tighten drain plug (P) again.

6. Using a filter wrench, turn cartridge (4) to the left to remove it.

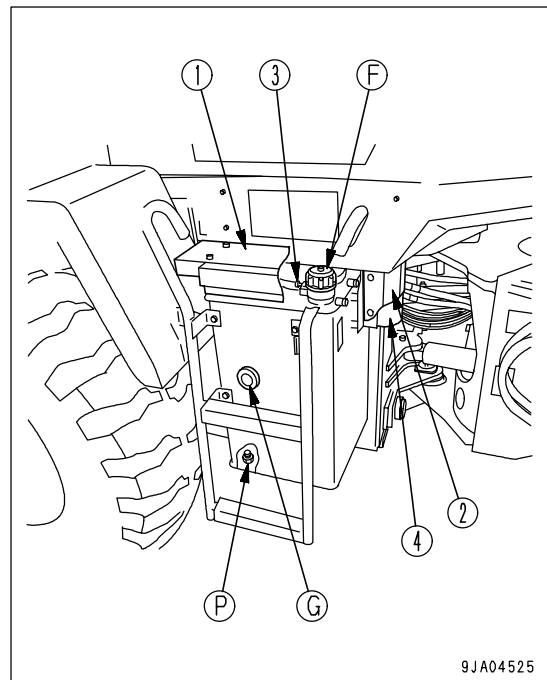
7. Clean the filter holder, fill the new filter cartridge with oil, then coat the seal and thread of the filter cartridge with oil (or coat thinly with grease) and install.

When installing the seal, tighten it until its surface comes into contact with the filter holder, then tighten it 1/3 turn more.

8. Refill the specified quantity of oil through oil filler (F).

9. Check that the hydraulic oil is at the specified level. For details, see "CHECK OIL LEVEL IN HYDRAULIC TANK, ADD OIL (PAGE 4-38)".

10. Run the engine at low idle, and extend and retract the steering, bucket, and lift arm cylinders 4 to 5 times. Be careful not to operate the cylinder to the end of its stroke (stop approx. 100 mm (3.9 in) before the end of stroke).



9JA04525

NOTICE

If the engine is run immediately at high speed or the cylinder is operated to the end of its stroke, the air inside the cylinder will cause damage to the piston packing.

11. Operate the steering, bucket, and lift arm cylinders to the end of their stroke 3 to 4 times, then stop the engine and loosen filler cap to bleed the air from the hydraulic tank.

12. Check that the hydraulic oil level and add oil to the specified level. For details, see "CHECK OIL LEVEL IN HYDRAULIC TANK, ADD OIL (PAGE 4-38)".

13. Next, raise the engine speed and follow the procedure in Step 11 to bleed the air. Repeat this process until no more air comes out.

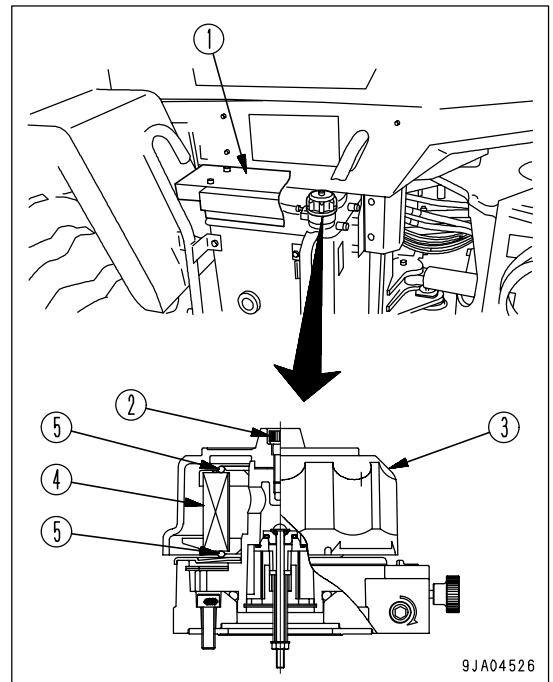
14. After completing the air bleed operation, install cover (1) and (2).

REPLACE HYDRAULIC TANK BREATHER ELEMENT

! WARNING

- The parts and oil are at high temperature immediately after the engine is stopped, and may cause burns. Wait for the temperature to go down before starting the work.
- When removing the oil filler cap, turn it slowly to release the internal pressure, then remove it.

1. Remove cover (1).
2. Loosen bolt (2) at the top of the filler cap, then remove cap cover (3).
3. Remove element (4).
4. Coat O-ring (5) of the new element with grease, then install.
5. Align cap cover (3) with the grooves in the body, then tighten with bolt (2).
6. Install cover (1).



CHANGE AXLE OIL

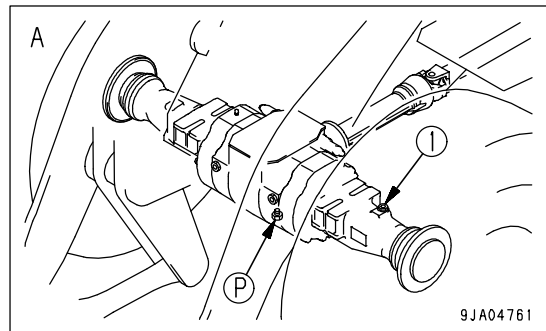
WARNING

- When changing the oil, apply the parking brake and secure the front and rear frames with the frame lock bar.
- After the engine is stopped, the parts and oil are at high temperature, and may cause burns. Wait for the temperature to go down before starting the operation.
- When the plug is removed, oil may spurt out, so turn it slowly to release the internal pressure, then remove it carefully.

- Refill capacity (front and rear, each): 18.0 liters (4.76 US gal)

- A: Front B: Rear

1. Set a container to catch the oil under drain plug (P).
2. Remove plug (1), then remove drain plug (P) to drain the oil.



REMARK

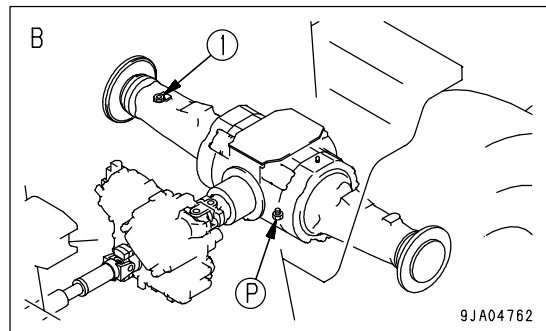
Remove the mud and dirt from around plug (1), then remove the plug.

3. After draining the oil, clean drain plug (P) and install it again.
4. Add oil through plug hole (1) at the refill level.

REMARK

For axles with ASD (Limited-Slip Differential), the brand of lubricating oil is different. Use the specified lubricating oil.

5. After adding oil, check that the oil is at the specified level. For details, see "CHECK AXLE OIL LEVEL, ADD OIL (PAGE 4-24)".



REMARK

For operations where the brake is used frequently, change the axle oil at shorter intervals.

REPLACE ELEMENT IN AIR CONDITIONER RECIRCULATION AIR FILTER, FRESH AIR FILTER

Remove both the recirculation air filter and fresh air filter in the same way as when cleaning, and replace them with new parts.

For details of cleaning the recirculation air filter, see "CLEAN ELEMENT IN AIR CONDITIONER RECIRCULATION FILTER (PAGE 4-43)".

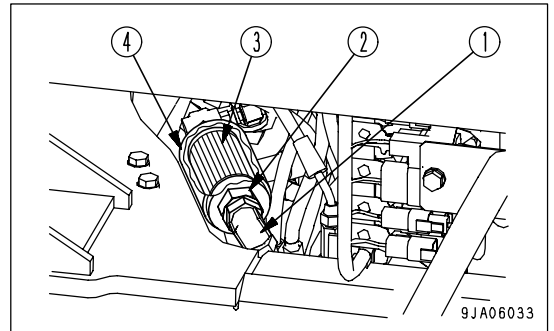
For details of cleaning the fresh air filter, see "CLEAN ELEMENT IN AIR CONDITIONER FRESH AIR FILTER (PAGE 4-37)".

CLEAN BRAKE CIRCUIT STRAINER

**WARNING**

- After the engine is stopped, the parts and oil are at high temperature, and may cause burns. Wait for the temperature to go down before starting the operation.
- When the rubber hose is removed, oil may spurt out, so turn it slowly to release the internal pressure, then remove it carefully.

1. Remove a cover under the floor frame at the left side of machine.
2. When rubber hose (1) and flange (2) are removed, oil will spill out, so set a container (capacity: approx. 300 cc) in position to catch the oil.
3. Remove rubber hose (1) and flange (2).
4. Remove strainer (3) and wash it in clean diesel oil.
5. Assemble strainer (3) in strainer case (4) with the strainer protrusion side (O-ring side) facing the front and fix it with flange (2).
6. Install rubber hose (1).
7. Install the cover.



CHECK BRAKE DISC WEAR

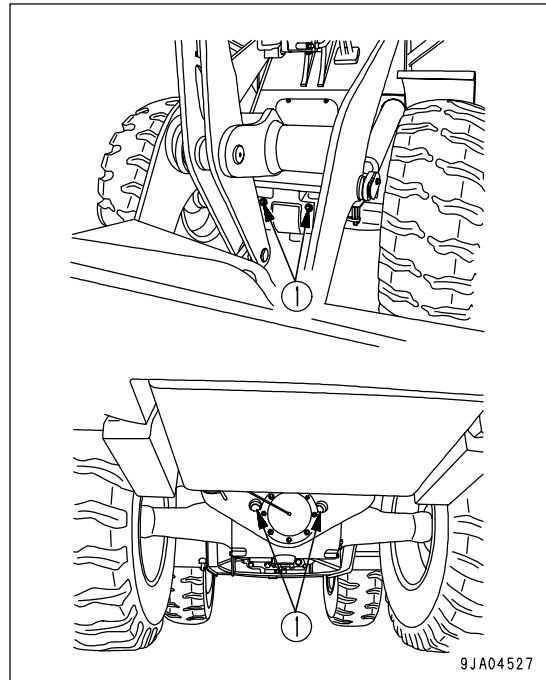
**WARNING**

- When checking the brake disc wear, apply the parking brake and secure the front and rear frames with the frame lock bar.
- Make sure that the brake oil temperature is less than 60°C (140°F) before checking the brake wear.
- If the disc is near the wear limit, carry out inspection at shorter intervals, regardless of the specified inspection interval.

When checking the brake disc for wear, there are 4 places (front axle and rear axle, left and right), so use the same procedure to check all 4 places.

- Prepare an inspection gauge.

1. Remove check plug (1).



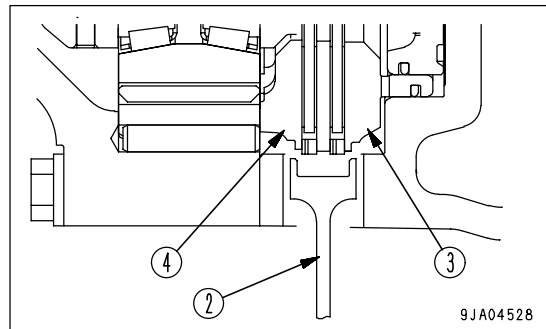
2. With the brake pedal depressed, insert inspection gauge (2) into the tooth portion of piston (3) and plate (4).

3. If the inspection gauge can be inserted into the tooth portion, the disc has reached the wear limit.

Please ask your Komatsu distributor to carry out the replacement.

4. After checking, install check plug (1).

Tightening torque: 127 to 177 N·m (13 to 18 kgf·m, 94.0 to 130.2 lbf)



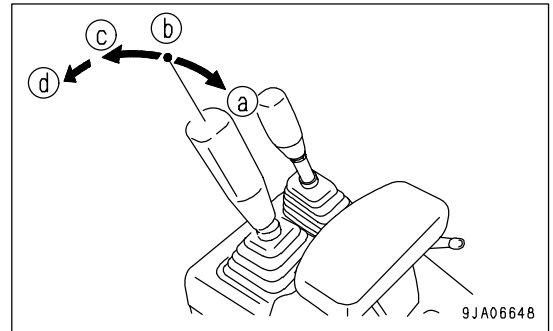
CHECKING FUNCTION OF ACCUMULATOR

For details of handling the accumulator, see Section "ACCUMULATOR (PAGE 2-35)".

PPC ACCUMULATOR

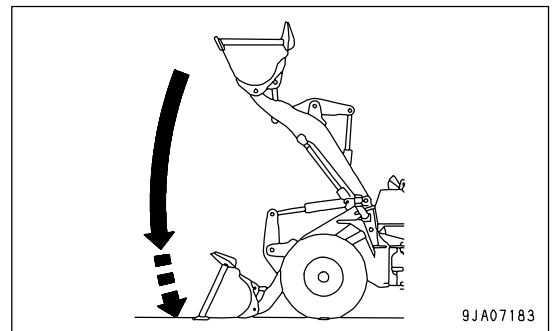
If the engine stops with the work equipment raised, and it is impossible to start the engine again, it is possible as an emergency measure to actuate the valve with the oil pressure stored in the accumulator and lower the work equipment to the ground.

1. Apply the parking brake.
2. Raise the work equipment to the maximum height, then operate the lift arm control lever to HOLD position (b).
3. Stop the engine.
4. Leave the work equipment lock lever in the FREE position.
5. Check that the area around the machine is safe, then operate the lift arm control lever to FLOAT position (d) and lower the work equipment to a point 1m above the ground.
6. When the lift arm comes to the 1m position, return the lift arm control lever to LOWER position (c), and lower the work equipment slowly to the ground.



REMARK

Carry out the check within 2 minutes after stopping the engine. If the machine is left with the engine stopped, the accumulator pressure will drop and it will be impossible to check the cause of the problem.



If the work equipment stops while it is moving, the gas pressure in the accumulator has probably dropped. Please contact your Komatsu distributor to have the accumulator inspected. Replace the accumulator every 4000 hours or every 2 years.

CHECK ALTERNATOR, STARTING MOTOR

The brush may be worn or have no grease on the bearing, so contact your Komatsu distributor for inspection or repair.

If the engine is started frequently, carry out inspection every 1000 hours.

CHECK ENGINE VALVE CLEARANCE, ADJUST

As special tool is required for removing and adjusting the parts, request your Komatsu distributor for service.

CLEAN AND CHECK TURBOCHARGER

If there is carbon or oil sludge stuck to the blower impeller, it will lower the performance of the turbocharger or cause it to break, so ask your Komatsu distributor to carry out the cleaning.

CHECK VIBRATION DAMPER

Check that there are no cracks or peeling in the outside surface of the rubber.

If any cracks or peeling are found, contact your Komatsu distributor to have the parts replaced.

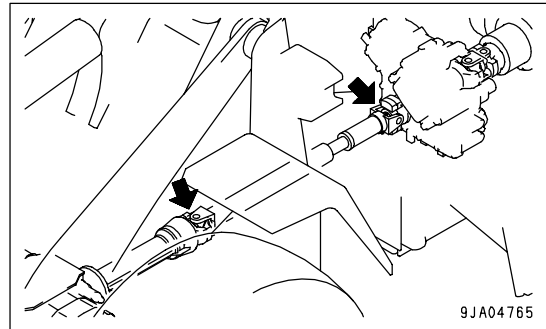
EVERY 4000 HOURS SERVICE

Maintenance for every 50, 100, 250, 500, 1000 and 2000 hours service should be carried out at the same time.

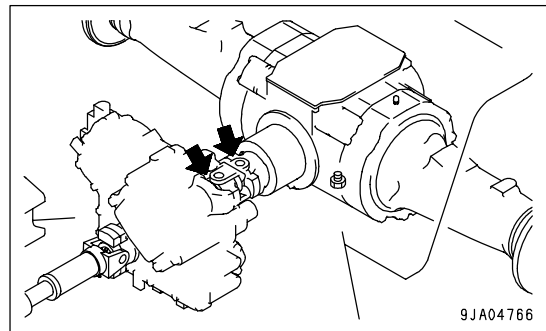
LUBRICATING

1. Using a grease pump, pump in grease through the grease fittings marked by the arrows.
2. After greasing, wipe off any old grease that was pushed out.

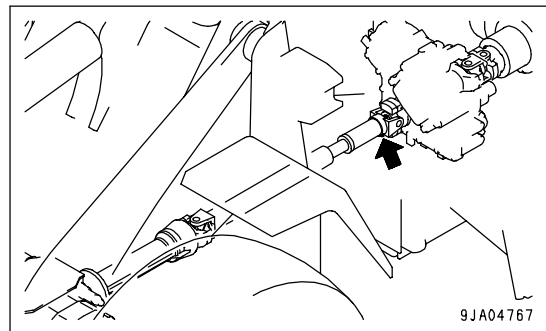
(1) Front drive shaft (2 places)



(2) Rear drive shaft (2 places)



(3) Drive shaft spline (1 place)



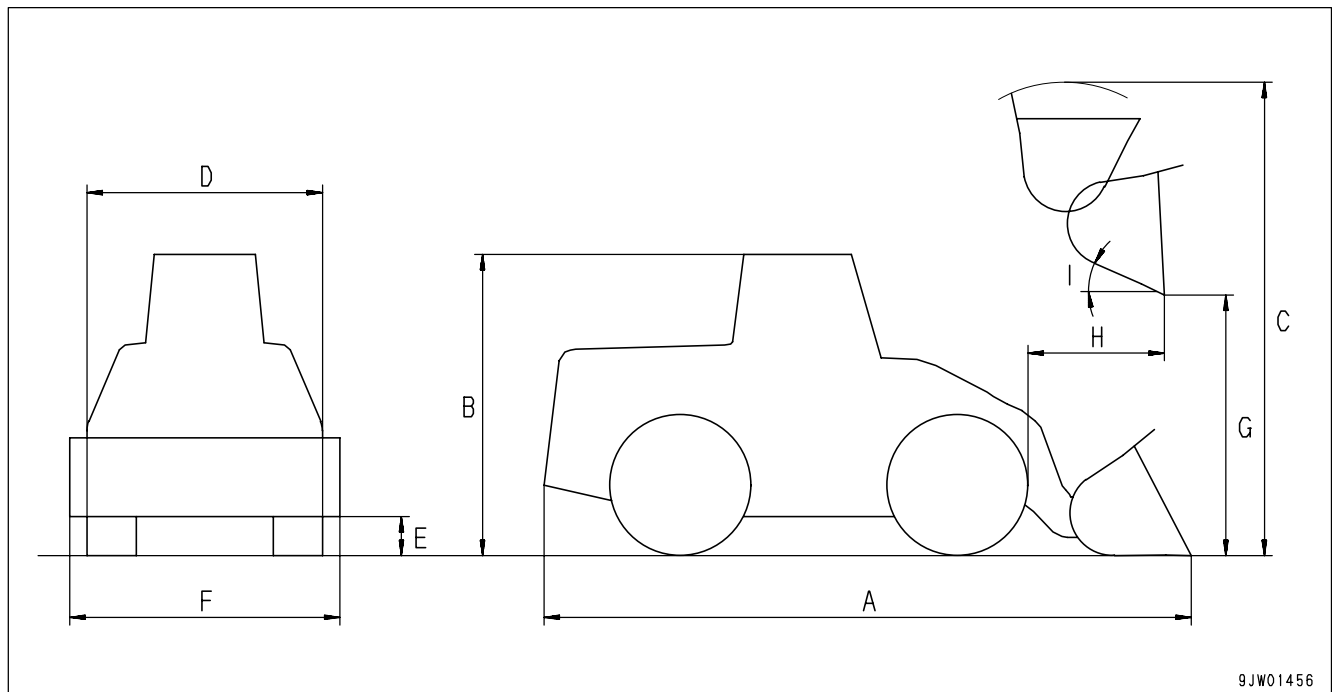
CHECK WATER PUMP

Check that there is no play in the pulley or any grease leakage, water leakage, or clogging of the drain hole. If any problem is found, contact your Komatsu distributor for disassembly and repair or replacement.

SPECIFICATIONS

SPECIFICATIONS

Item		Unit		
Operating weight n(including 1 o perator: 75 kg (165 lb))(With bolt on cutting edge)		kg(lb)	12,275(27,066)	
Normal load		kg(lb)	3,540(7,806)	
Bucket capacity	Heaped	m ³ (cu.yd)	2.0(2.6)	
Engine model		-	Komatsu SAA6D102E diesel engine	
Flywheel horsepower		kW{HP}/rpm	101{135}/2000	
A	Overall length	mm(ft in)	7,310(24')	
B	Overall height	mm(ft in)	3,200(10'6")	
C	Max. dimension when shaking bucket	mm(ft in)	5,195(17'1")	
D	Overall width	mm(ft in)	2,470(8'1")	
E	Min. ground clearance	mm(ft in)	465(1'6")	
F	Bucket width	mm(ft in)	2,685(8'10")	
G	Clearance	BOC tip	mm(ft in)	2,905(9'6")
H	Reach	BOC tip	mm(ft in)	1,025(3'4")
I	Dump angle	degrees	45	
Min. turning radius	Out of chassis	mm(ft in)	5,880(19'3")	
	Center of outside tire	mm(ft in)	4,950(16'3")	
Permissible towing load		kg(N)	8,400(82,400)	
Travel speed	Forward	1st	km/h	4.0 - 13.0(2.5 - 8.1)
		2nd	km/h	13.0(8.1)
		3rd	km/h	18.0(11.2)
		4th	km/h	38.0(23.6)
	Reverse	1st	km/h	4.0 - 13.0(2.5 - 8.1)
		2nd	km/h	13.0(8.1)
		3rd	km/h	18.0(11.2)
		4th	km/h	38.0(23.6)



9JW01456

ATTACHMENTS, OPTIONS

 **WARNING**

Please read and make sure that you understand the SAFETY section before reading this section.

SELECTING BUCKET AND TIRES

Select the most suitable bucket and tires for the type of work and the ground conditions on the jobsite.

Type of work	Bucket	Ground conditions	Tire
Loading products	Stockpile bucket (2.0 m ³ (2.6 cu.yd))	General ground conditions	20.5-25-12PR (L3: Rock)
			17.5-25-16PR (L3: Rock)
Leveled ground		20.5-25-12PR (L2: Traction)	
		17.5-25-16PR (L2: Traction)	
Soft ground		20.5-25-12PR (L2: Traction)	
		17.5-25-16PR (L2: Traction)	
Loading and carrying products			

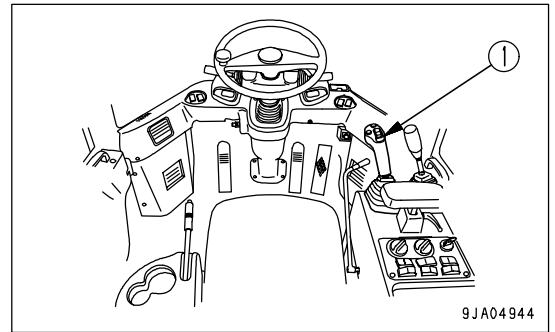
BOC indicates a bolt-on type cutting edge.

The displayed travel speed changes according to the tire size, so when installing optional tires, please contact your Komatsu distributor.

HANDLING FORK TOOL

EXPLANATION OF COMPONENTS

(1) Work equipment control lever



WORK EQUIPMENT LEVER

Use this lever (1) to operate the lift arm and fork.

NOTICE

Do not use the FLOAT position when lowering the fork.

Position (a): RAISE

When the work equipment control lever is pulled further beyond the RAISE position, the lever is stopped in this position until the lift arm reaches the preset position of the kickout, and the lever is returned to the HOLD position.

Position (b): HOLD

The lift arm and fork stop and remain in the same position.

Position (c): LOWER

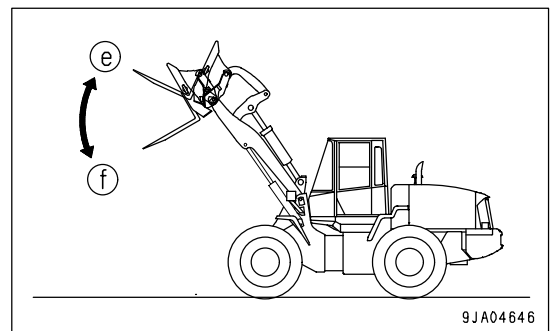
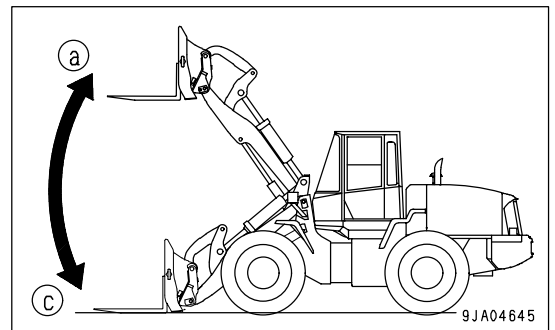
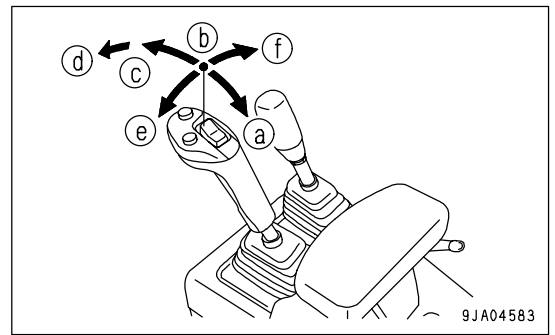
Position (d): FLOAT

The lift arm moves freely under external force.

Position (e): TILT

When the work equipment control lever is pulled further from the TILT position, the lever is stopped in this position until the fork reaches the preset position of the positioner, and the lever is returned to the HOLD position.

Position (f): DUMP



OPERATION

The operating speed of the forklift is determined according to the configuration of the ground, condition under foot, and size of the operating area.

When operating the forklift, maintain the engine speed at near full speed, and carry out the operation with the speed range in 1st or 2nd.

Use 3rd or 4th speed when traveling without a load.

LOADING OPERATION

The following explanation of the method of operating the forklift does not cover all situations. The operating method differs according to each operating condition.

When operating the forklift, use the safest and most efficient method.

LOADING



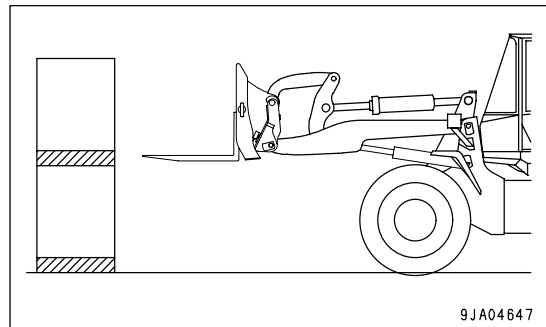
WARNING

- When traveling with a load, do not turn suddenly or accelerate or decelerate suddenly. There is danger that the load will fall off or the machine will tilt.
- The fork tilt angle differs according to the load. If loads are stacked on top of each other, and the tilt angle is excessive, there is danger that the top load will extend over the backrest of the carriage and slip to the rear.

1. Adjust the distance between the forks to match the size of the load.

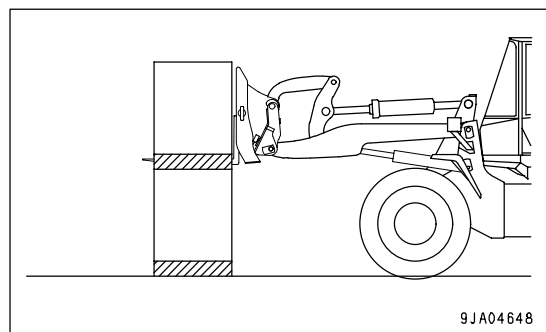
To ensure the stability of the load, make the distance between the forks as large as possible.

2. Set the forks horizontal, drive forward slowly so that the load is centered on the forks, and insert the forks under the load.

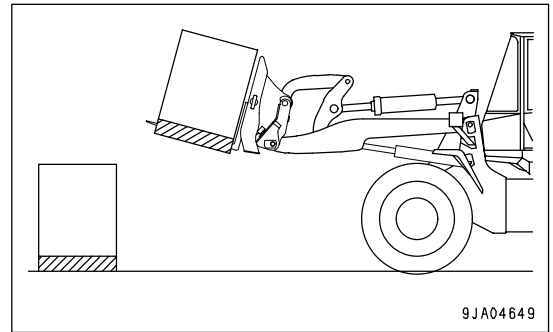


3. Insert the forks completely under the load and drive forward until the load is in contact with the backrest of the carriage.

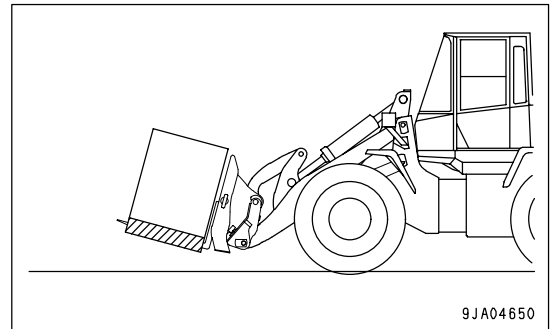
4. Raise the forks so that they are several inches above the ground or the load under the forks, then tilt the forks and set so that the load rests against the backrest of the carriage.



5. Check that there is no obstacle behind the machine, lower the load as far as possible, then drive the machine slowly in reverse.



6. Lower the load until it is close to the ground surface (30 inches from the ground surface).



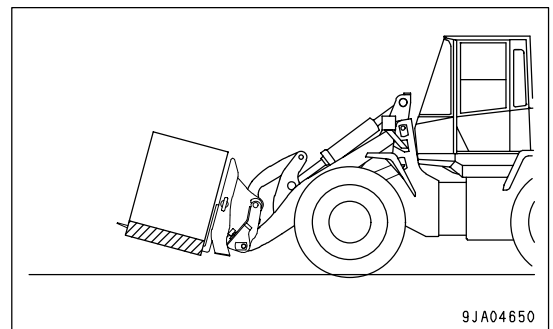
TRANSPORTING



WARNING

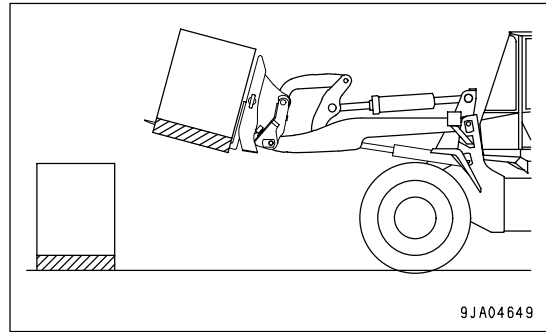
- When traveling with a load, do not turn suddenly or accelerate or decelerate suddenly. There is danger that the load will fall off or the machine will tilt.
- The fork tilt angle differs according to the load. If loads are stacked on top of each other, and the tilt angle is excessive, there is danger that the top load will extend over the backrest of the carriage and slip to the rear.

- Normally, keep the load near the ground surface when transporting. If the load must be transported when raised, be extremely careful when operating the steering.
- When transporting a load, carry out the operation with the speed range in 1st or 2nd. Use 3rd or 4th speed when traveling without a load.
- The travel speed when transporting differs according to the conditions. Always travel at a speed that ensures safety. When transporting on rough ground or slopes, travel at low speed.
- When transporting on slopes, travel with the load on the uphill side.
- If the load obstructs the view to the front, travel facing in reverse.

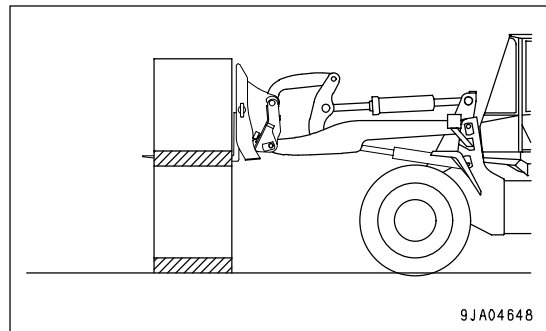


UNLOADING

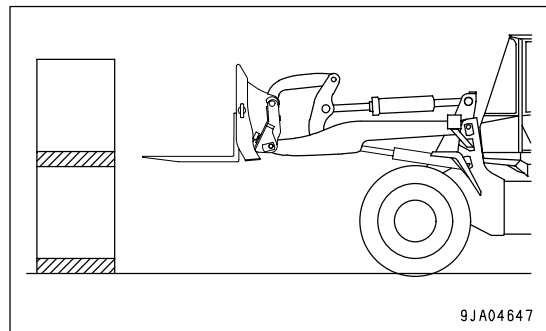
1. Set several inches above the position of the stacked load.



2. Drive slowly forward to the stacking point with the forks horizontal.
3. Lower the load.



4. Drive the machine slowly in reverse and remove the forks from the load.
5. Lower the forks.



PRECAUTIONS FOR OPERATION -----	2- 20	<T>	
BATTERY -----	2- 29	TABLE TO ENTER SERIAL NO. AND	
OPERATION -----	2- 22	DISTRIBUTOR -----	1- 9
STARTING ENGINE -----	2- 20	TORQUE LIST -----	4- 12
TOWING -----	2- 31	TOWING PIN -----	3- 47
TRANSPORTATION -----	2- 28	TRANSPORTATION -----	3-114
PRECAUTIONS FOR OPERATION -----	3-103	TRANSPORTATION PROCEDURE -----	3-114
PRECAUTIONS WITH TIRES -----	2- 39	TROUBLESHOOTING -----	3-124
PRODUCT IDENTIFICATION NUMBER		IF BATTERY IS DISCHARGED -----	3-126
(PIN)/MACHINE SERIAL NO. PLATE -----	1- 8	METHOD OF TOWING MACHINE -----	3-124
		OTHER TROUBLE -----	3-129
<R>		WHEN MACHINE RUNS OUT OF	
RECOMMENDED FUEL, COOLANT,		FUEL -----	3-124
AND LUBRICANT -----	4- 9	TURNING -----	3- 90
RECOMMENDED BRANDS,			
RECOMMENDED QUALITY FOR		<W>	
PRODUCTS OTHER THAN		WEAR PARTS -----	4- 8
KOMATSU GENUINE OIL -----	4- 11	WEAR PARTS LIST -----	4- 8
USE OF FUEL, COOLANT AND		WORK POSSIBLE USING WHEEL	
LUBRICANTS ACCORDING TO		LOADER -----	3- 98
AMBIENT TEMPERATURE -----	4- 10		
<S>			
SAFETY -----	2- 2		
SAFETY INFORMATION -----	1- 5		
SAFETY LABELS -----	2- 5		
LOCATION OF SAFETY LABELS -----	2- 5		
SAFETY LABELS -----	2- 6		
SELECTING BUCKET AND TIRES -----	6- 2		
SERVICE PROCEDURE -----	4- 16		
CHECK BEFORE STARTING -----	4- 35		
EVERY 100 HOURS SERVICE -----	4- 37		
EVERY 1000 HOURS SERVICE -----	4- 48		
EVERY 2000 HOURS SERVICE -----	4- 52		
EVERY 250 HOURS SERVICE -----	4- 39		
EVERY 4000 HOURS SERVICE -----	4- 58		
EVERY 50 HOURS SERVICE -----	4- 36		
EVERY 500 HOURS SERVICE -----	4- 45		
INITIAL 250 HOURS SERVICE -----	4- 16		
WHEN REQUIRED -----	4- 17		
SLOW BLOW FUSE -----	3- 50		
SPECIFICATIONS -----	5- 2		
STANDARD TIGHTENING TORQUES			
FOR BOLTS AND NUTS -----	4- 12		
STARTING ENGINE -----	3- 80		
STEERING TILT LOCK LEVER -----	3- 45		
STOPPING ENGINE -----	3- 84		
STORAGE BOX -----	3- 50		
SWITCHES -----	3- 31		

WA250PTL-5 GALEO WHEEL LOADER

Form No. TEN00086-00

©2005 KOMATSU
All Rights Reserved
Printed in Japan 08-05
