

This service bulletin complements Service Handbook Group 37 TSP88917352

Wiring diagram
Language version
FL
CHID B685456

Wiring diagram, Facelift

Contents

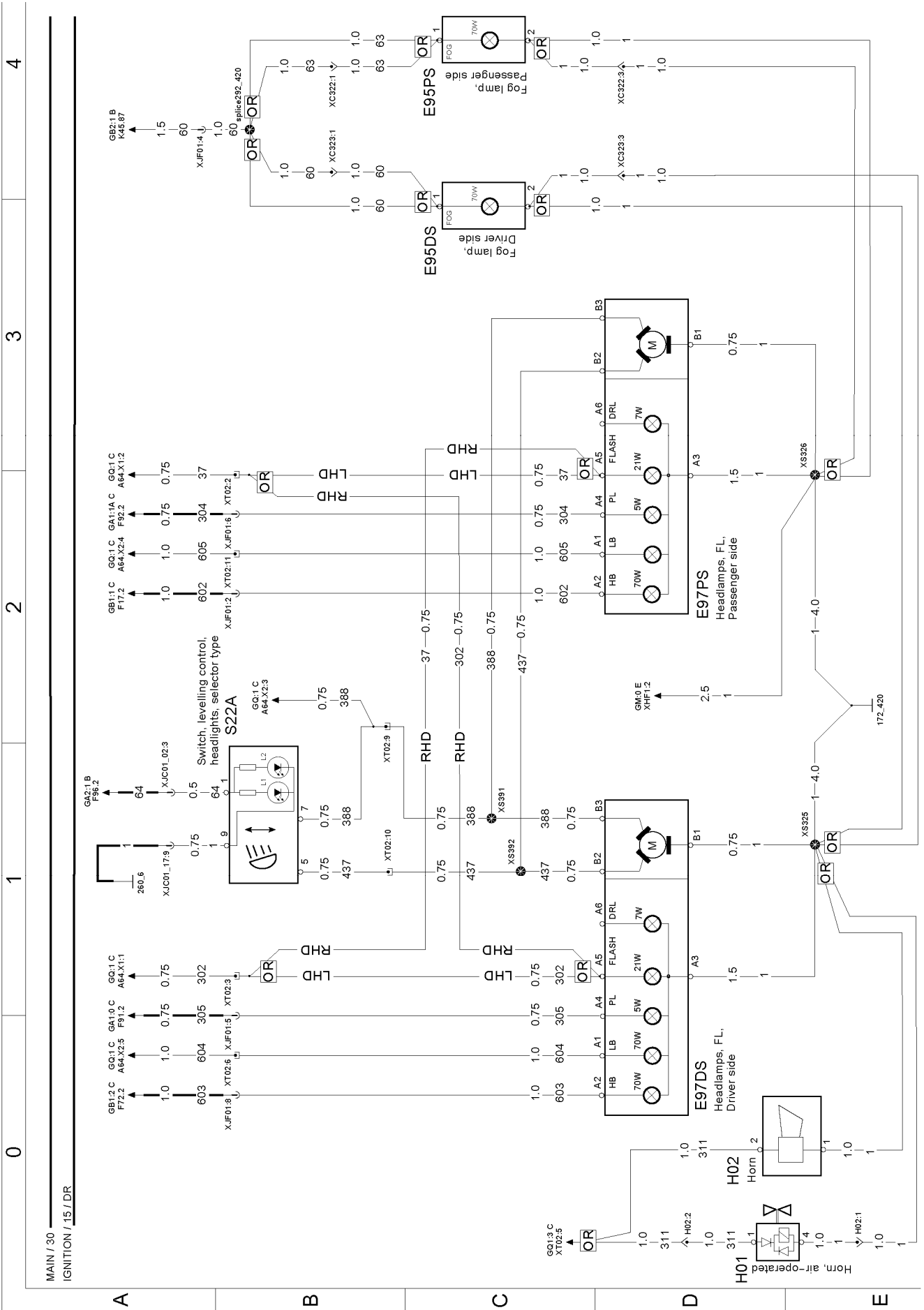
Diagram GC1

Diagram IA

Wiring harness bumper

Component number

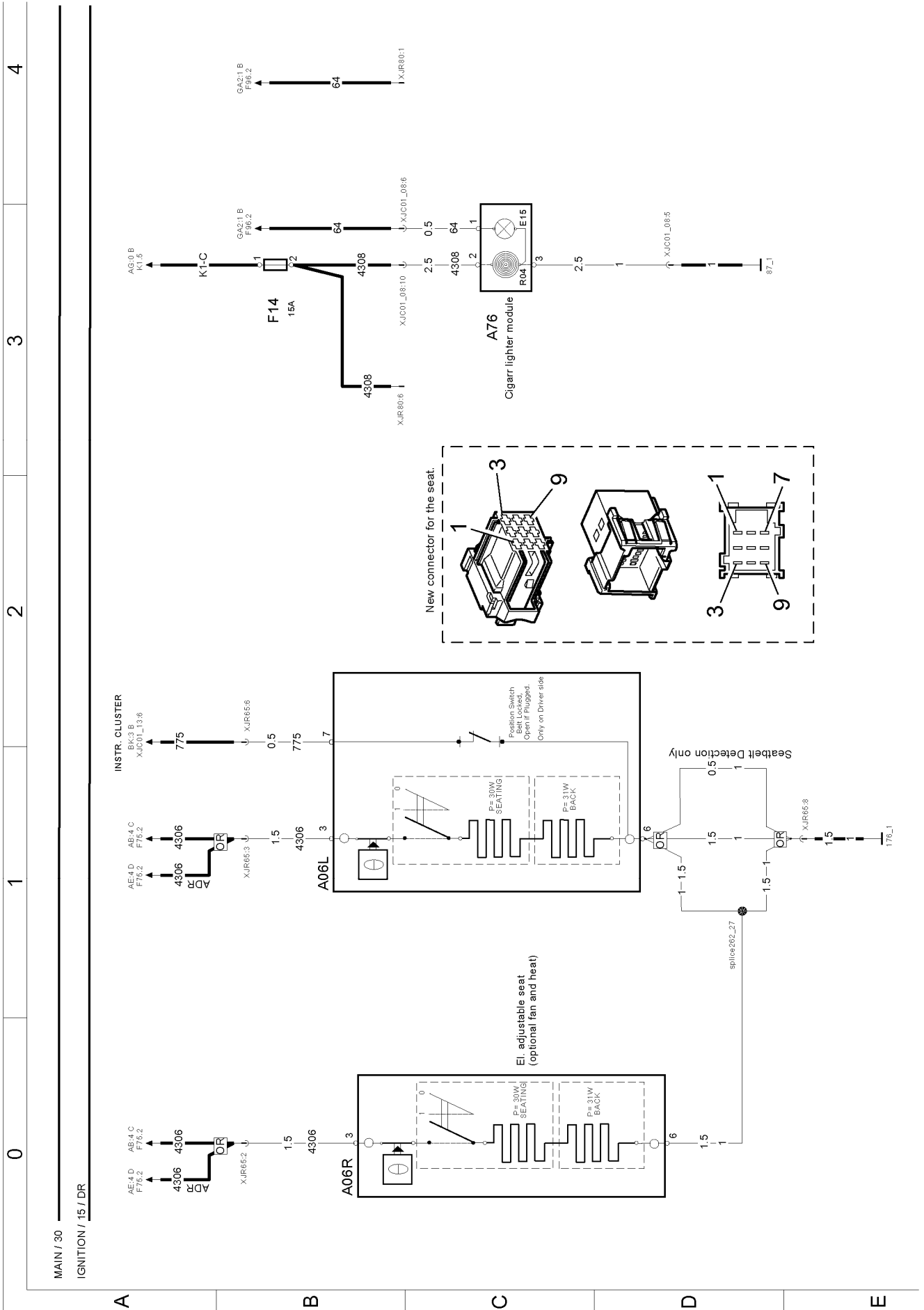
Headlights lamps Facelift for FL WIRING DIAGRAM GC1



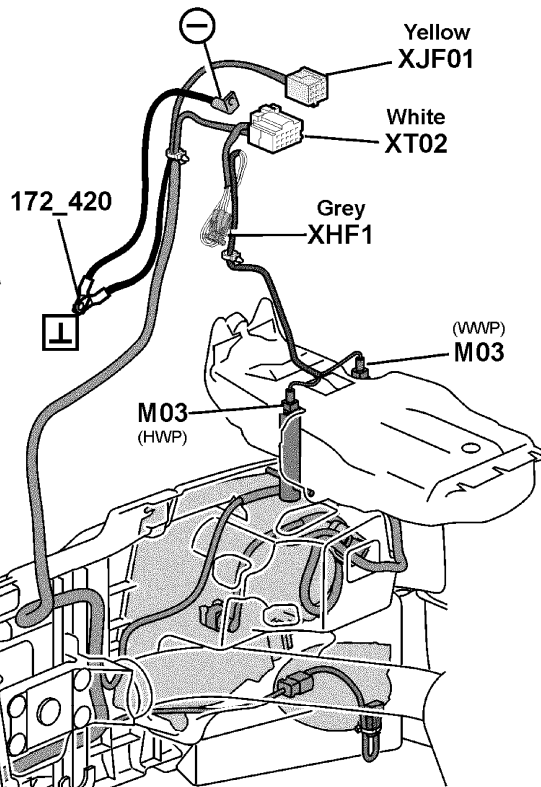
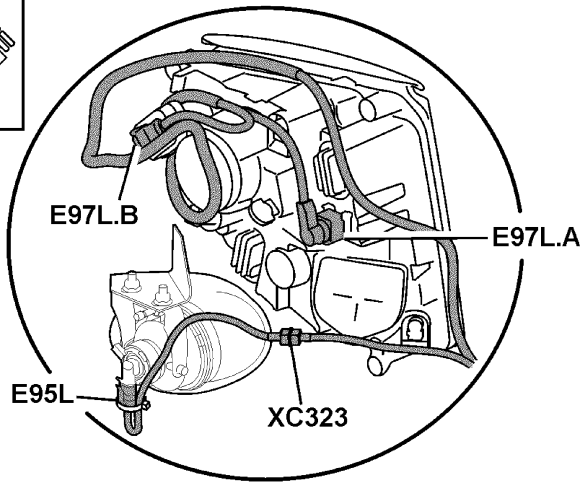
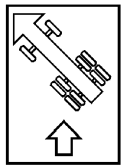
Heated seat/buzzer belt/cigar lighter

Facelift for FL/FE

WIRING DIAGRAM IA



Wiring harnesses bumper



1447

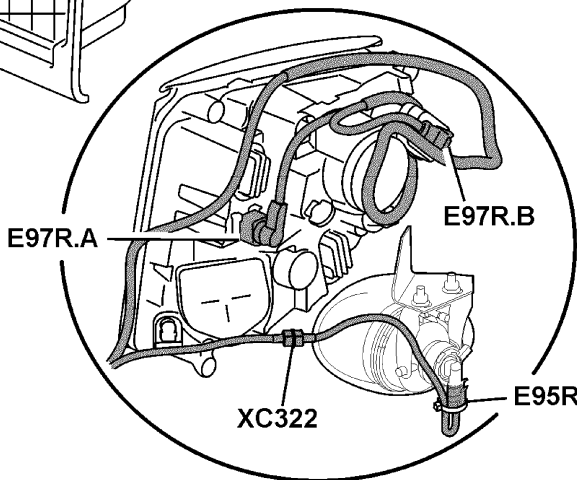
(AIR Horn)
H02

H02
(Electrical)

1447

Alt.1
H01
(AIR Horn)

Alt.2
H01
(AIR Horn)



Component number

A06L	El. adjustable seat
A06R	El. adjustable seat
A76	Cigarette lighter module
E13LS	Lamp, direction indicator, left side
E13RS	Lamp, direction indicator, right side
E95DS	Lamp, fog lamp, Driver side
E95L	Lamp, fog lamp, left
E95PS	Lamp, fog lamp, Passenger side
E95R	Lamp, fog lamp, right
E97DS	Headlamps, FL, Driver side
E97L	Lamp, fog and corner light, left
E97PS	Headlamps, FL, Passenger side
E97R	Lamp, fog and corner light, right
F14	Cigarette lighter
H01	Horn, air-operated
H02	Horn
M02	Motor, windscreen washer pump
M03	Motor, headlamp high pressure washer pump
S22A	Switch, levelling control, headlights, selector type