

Service Manual Trucks

Group **37**

Version **01**

Wiring diagram

FH12, FH16 RHD

To be inserted into the binders for FM, FH.

Foreword

The descriptions and service procedures contained in this manual are based on designs and methods studies carried out up to November 1998.

The products are under continuous development. Vehicles and components produced after the above date may therefore have different specifications and repair methods. When this is judged to have a significant bearing on this manual, supplementary service bulletins will be issued to cover the changes.

The new edition of this manual will update the changes.

In service procedures where the title incorporates an operation number, this is a reference to V.S.T. (Volvo Standard Times).

Service procedures which do not include an operation number in the title are for general information and no reference is made to V.S.T.

The following levels of observations, cautions and warnings are used in this Service Documentation:

Note: Indicates a situation, handling or circumstance which should be observed.

Important: Indicates a situation, handling or circumstance which should be emphasized so as not to lead to personal injury or damage to property.

Caution: Indicates a potentially hazardous situation which, if not avoided, may result in minor or moderate injury or damage to property.

Warning: Indicates a potentially hazardous situation which, if not avoided, could result in death, serious injury or major damage to property.

Danger: Indicates an imminently hazardous situation which, if not avoided, will result in death or serious injury.

Volvo Truck Corporation
Göteborg, Sweden

Order number: TSP104002

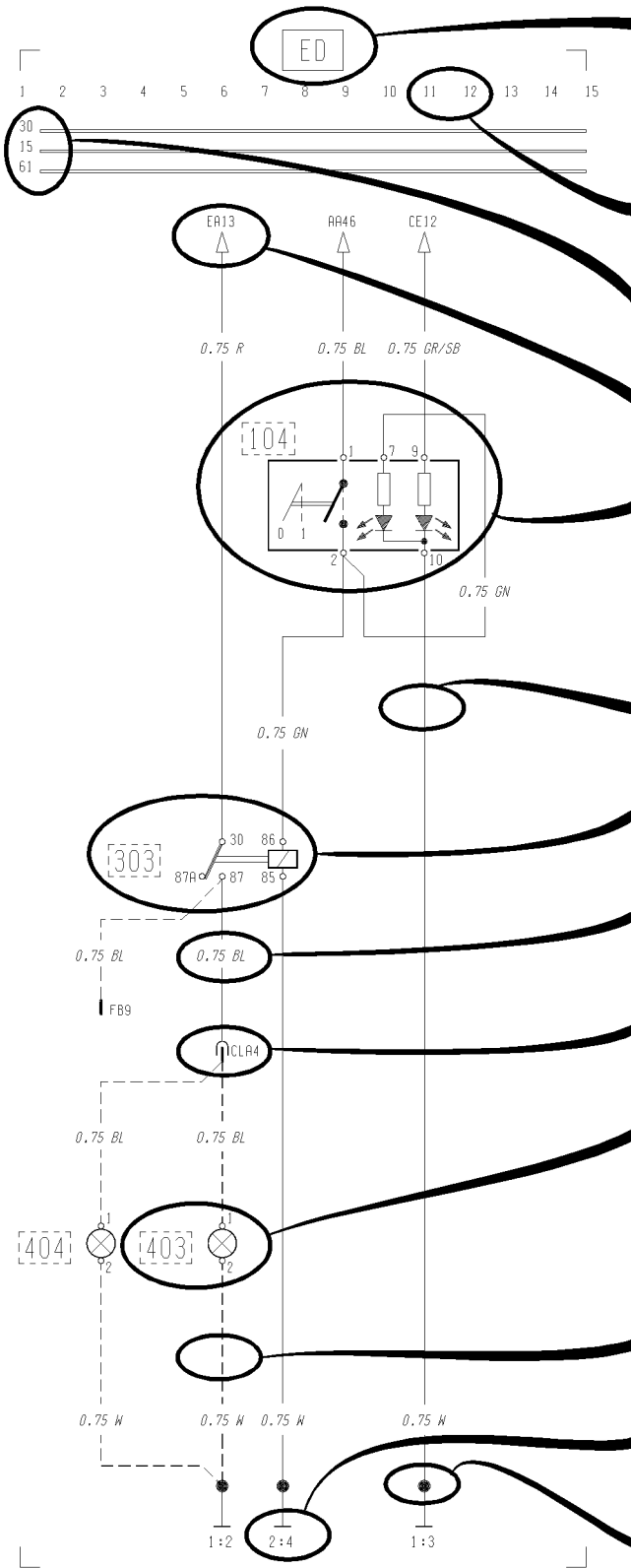
© 1998 Volvo Truck Corporation, Göteborg, Sweden

All rights reserved. No part of this publication may be reproduced, stored in retrieval system, or transmitted in any forms by any means, electronic, mechanical, photocopying, recording or otherwise, without the prior written permission of Volvo Truck Corporation.

Contents

Example of wiring diagram	2
Examples of symbols on wiring diagram	3
Component wiring diagram index	5
Component wiring diagrams	7
Illustrations index	44
Illustrations	45
Circuit card electrical centre	90
Fuses on circuit card electrical centre	91
Relays on circuit card electrical centre	92
Cable harness illustration index	93
List of connectors	96
List of components	102
Abbreviations	108
Cable colour code	109
Feedback	

Example of wiring diagram



Refer to the list of contents for the designation of the circuit diagram. If the circuit diagram designation is boxed in with broken lines this means that the circuit diagram is not standard on all market or vehicle models.

Seek column.

30 Voltage battery, kl.30.
 15 Voltage with starting key in drive position, kl.15.
 61 Voltage when alternator charges, kl.61.

Reference arrow (for circuit diagram EA, seek column 13).

Switch, comp. no. (104).

Single lines, cables.

Relay, comp. no. (303).

Cable area and colour (0.75 mm² blue).

Connector (CLA terminal 4).

Bulb, comp. no. (403)
 A broken line box round the component number shows that the component is not standard on all markets or vehicle models.

If the line is broken this means the cable is not standard on all markets or vehicle model.

Earth connection point no: 2. and earth terminal no: 4. (see diagram Earth Connections).

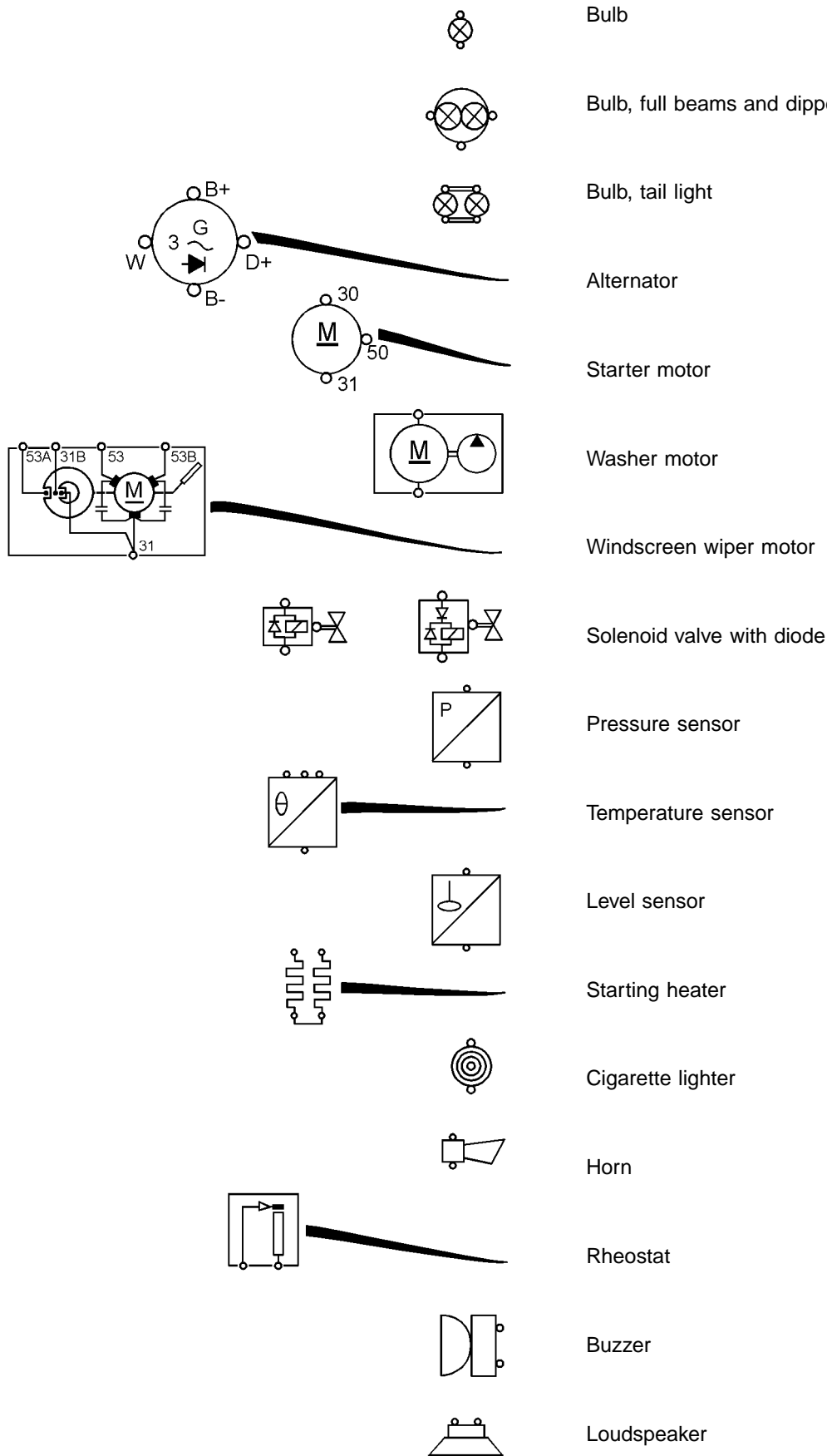
Joint sleeve.

T3009608

Examples of symbols on wiring diagram

	<p>Battery</p>
	<p>Connector</p>
	<p>Junktion</p>
	<p>Fuse</p>
	<p>Joint sleeve</p>
	<p>Cable</p>
	<p>Twisted cables</p>
	<p>Conductor on circuit card</p>
	<p>Earth connection and cable</p>
	<p>Switch</p>
	<p>Switch, starting switch</p>
	<p>Closing kontakt</p>
	<p>Closing kontakt, pressure-regulated</p>
	<p>Break kontakt, temperature-regulated</p>
	<p>Closing kontakt, time-regulated</p>
	<p>Slip kontakt, horn</p>
	<p>Relay</p>
	<p>Relay with internal circuit diagram</p>

T3009609



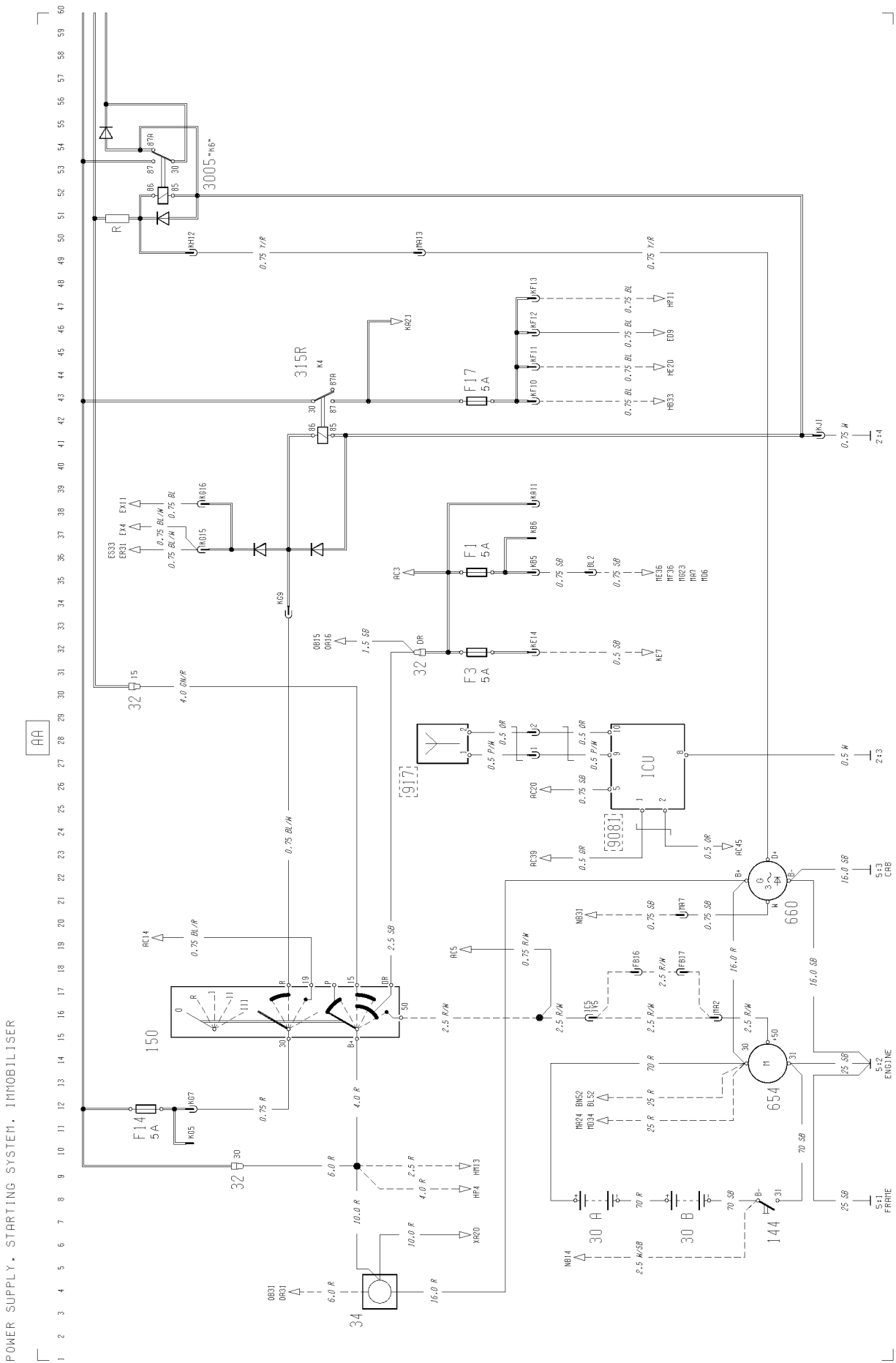
T3009610

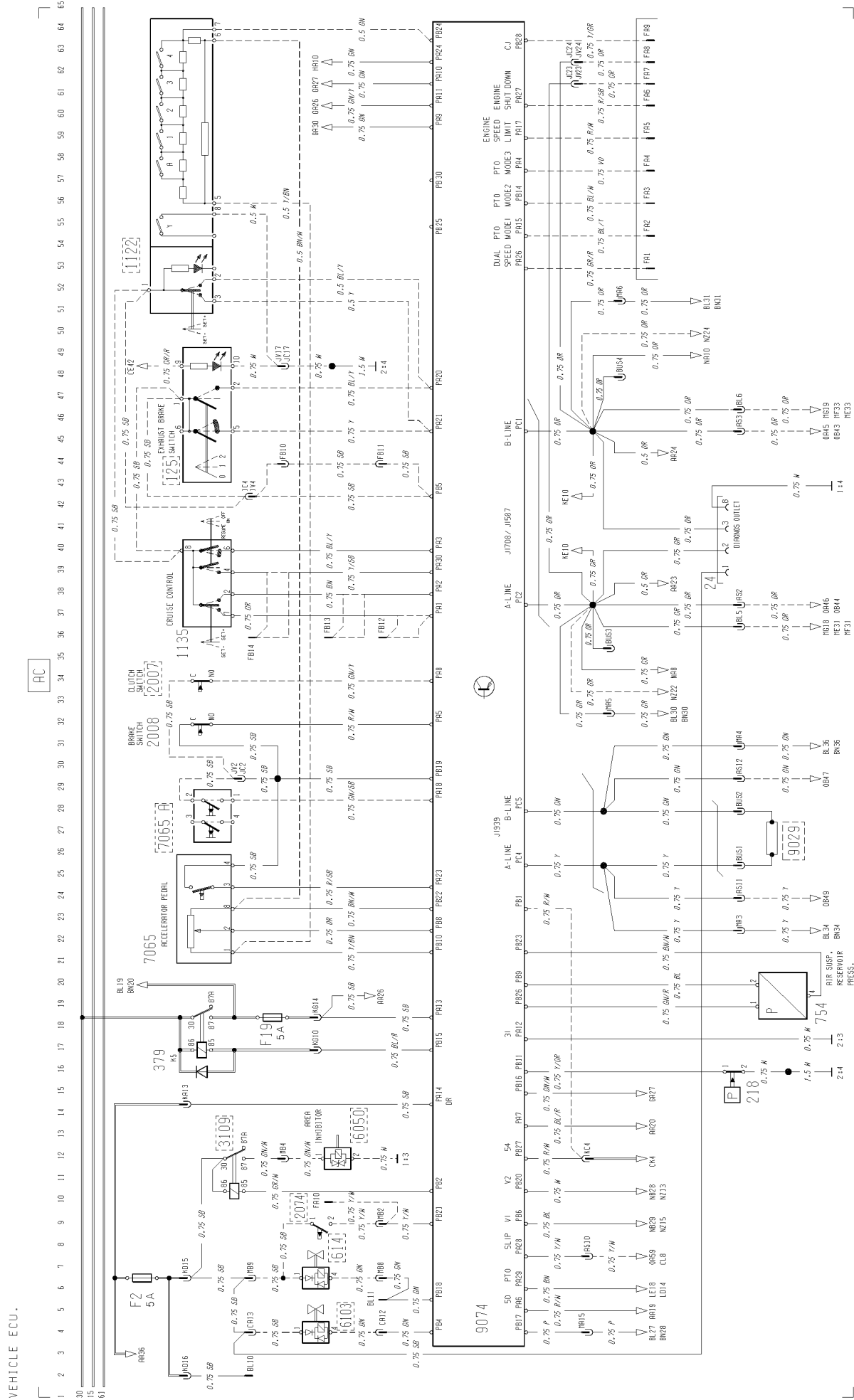
Component wiring diagram index

AA	Power supply, starting system, immobiliser	page 7
AC	Vehicle ECU	page 8
BL	Engine ECU, fuel injection system, preheating, FH12	page 9
BN	Engine ECU, fuel injection system, preheating, FH16	page 10
CE	Head light, parking light, dim-dip	page 11
CG	Fog light, rear fog light	page 12
CH	Spot light (STD) DRIVL2	page 12
CI	Spot light (EU) DRIVL2EC	page 12
CK	Brake light	page 13
CL	Trailer controlled exhaust brake	page 13
CN	Direction indicator, hazard warning light	page 14
EA	Reversing light, reversing warning alarm	page 14
ED	Loading light, fifth wheel light	page 15
EJ	Roof sign light, L1H1/L2H1	page 15
EK	Roof sign light, L2H2	page 16
EN	Beacon warning light	page 16
ER	Interior light, L1H1/ L2H1, alarm clock/timer	page 17
ES	Interior light, L2H2/L2H3, alarm clock/timer	page 18
EV	Cigarette lighter	page 19
EX	12 V power supply	page 19
FA	Horn	page 19
GA	Wiper, washer	page 20
HA	Climate unit	page 21
HB	Cab heater, EBERSPÄCHER D1LCC, PH-CAB	page 22
HE	Electrically heated and adjusted seat	page 23
HG	Electrically heated mirrors	page 23
HH	Electrically operated mirrors	page 24
HK	Air dryer	page 24
HM	Fuel filter heater	page 24
HO	Water separator heater	page 24
HP	Electrically cab tilt	page 25
JA	Radio	page 25
KA	Electrically operated window winders	page 26
KB	Electrically sunroof	page 26

KE	SRS, air-bag	page 27
KH	Central door lock	page 27
LD	Power take-off	page 28
LE	Double power take-off	page 28
LG	Differential lock	page 29
MA	Bogie lift hydraulic, RADT-AR	page 29
MD	Bogie lift hydraulic, with axle load limiter, RADT-AR	page 30
ME	Air suspension, 6x2/6x4/8x2/8x4, SUSPL-EC	page 31
MF	Air suspension, 4x2, SUSPL-EC	page 32
MG	Rear air suspension, 4x2, TRACTOR, SUSPL-EC	page 33
NA	Instrument LHS module	page 34
NB	Instrument central module with tachograph	page 35
NC	Instrument RHS module	page 36
NZ	Instrument central module without tachograph	page 37
OA	Basic ABS, D-version	page 38
OB	ABS/ASR, D-version	page 39
PA	Headlight level control	page 40
TA	Refrigerator	page 40
TB	Central lubrication system	page 40
XA	Extra fuses, key switch relay	page 41
ZA	Earth connections	page 42
ZB	Earth connections	page 43

Component wiring diagrams

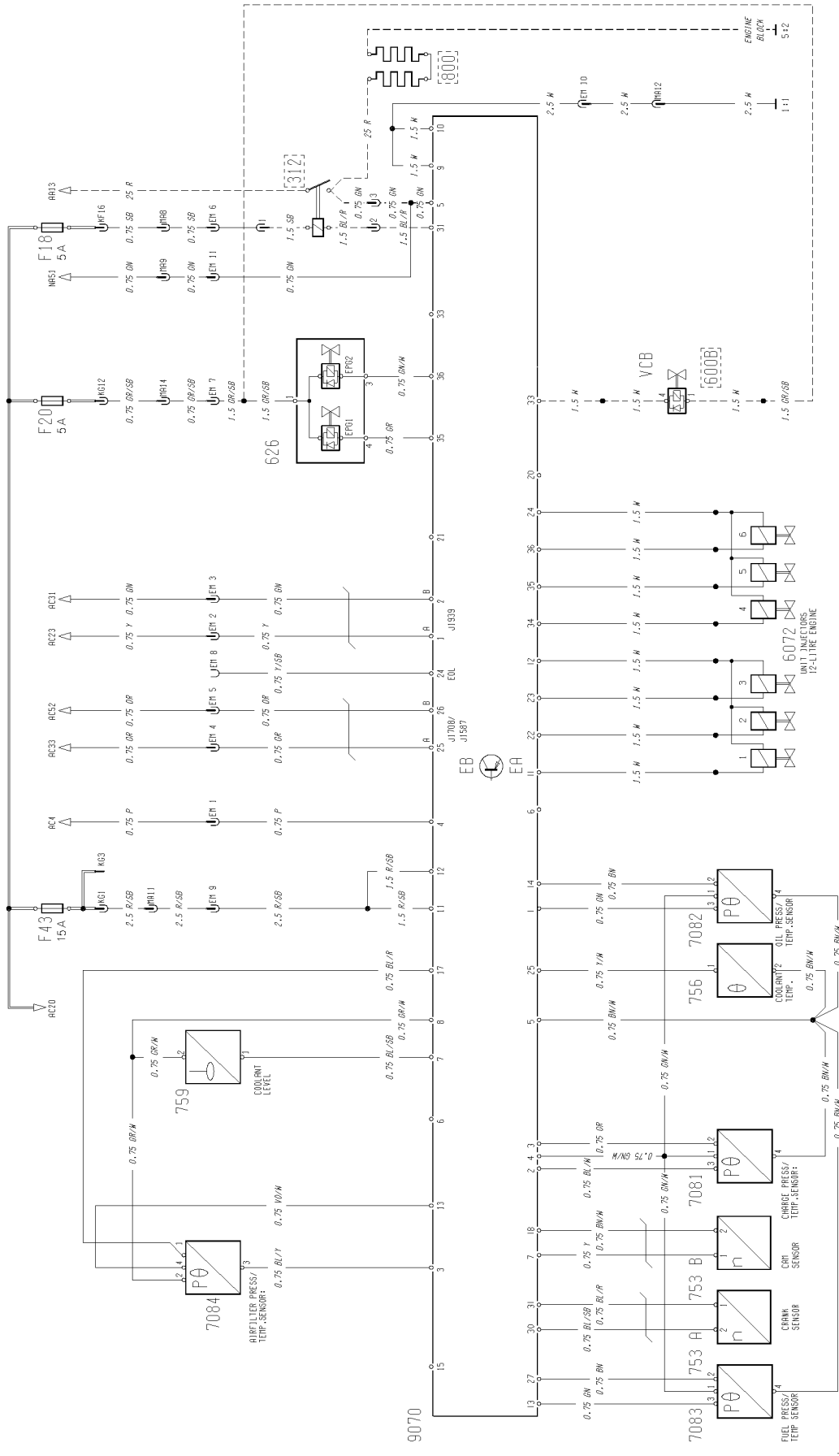




ENGINE ECU. FUEL INJECTION SYSTEM, PREHEATING, FH12.

[BL]

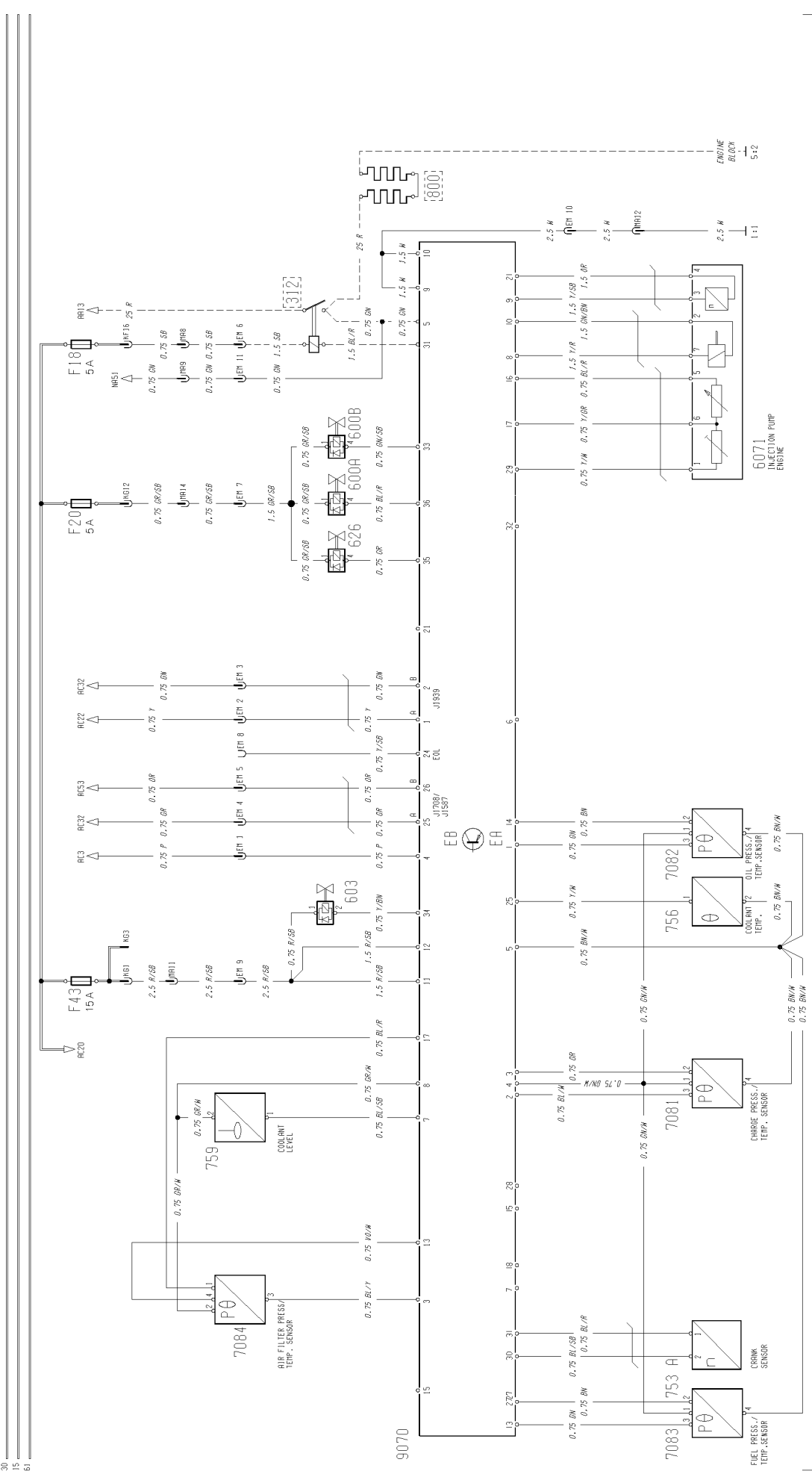
1 2 3 4 5 6 7 8 9 10 11 12 13 14 15 16 17 18 19 20 21 22 23 24 25 26 27 28 29 30 31 32 33 34 35 36 37 38 39 40 41 42 43 44 45 46 47 48 49 50 51 52 53 54 55 56 57 58 59 60 61 62 63 64 65

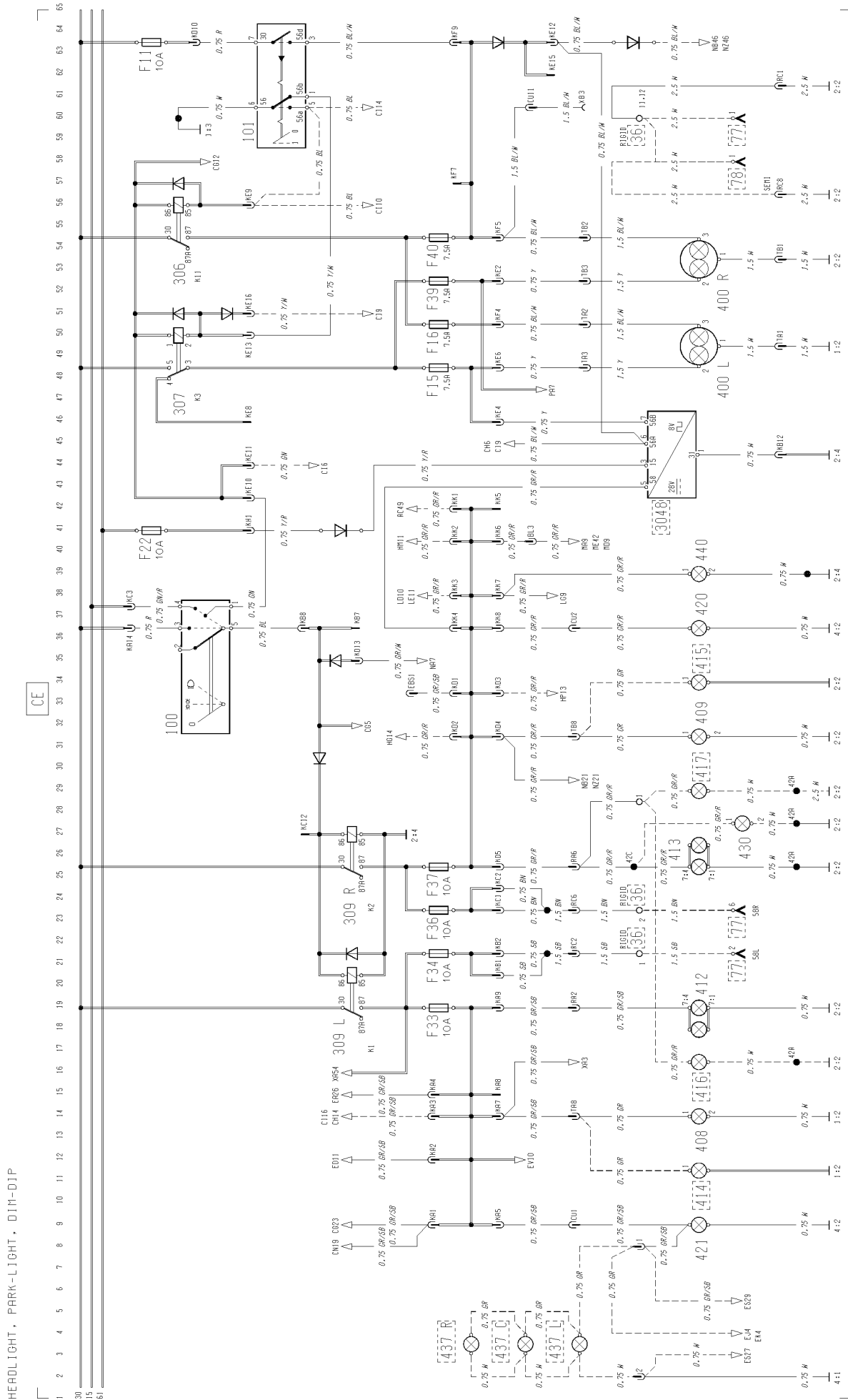


ENGINE ECU. FUEL INJECTION SYSTEM, PREHEATING, FH16.

1 2 3 4 5 6 7 8 9 10 11 12 13 14 15 16 17 18 19 20 21 22 23 24 25 26 27 28 29 30 31 32 33 34 35 36 37 38 39 40 41 42 43 44 45 46 47 48 49 50 51 52 53 54 55 56 57 58 59 60 61 62 63 64 65

[BN]

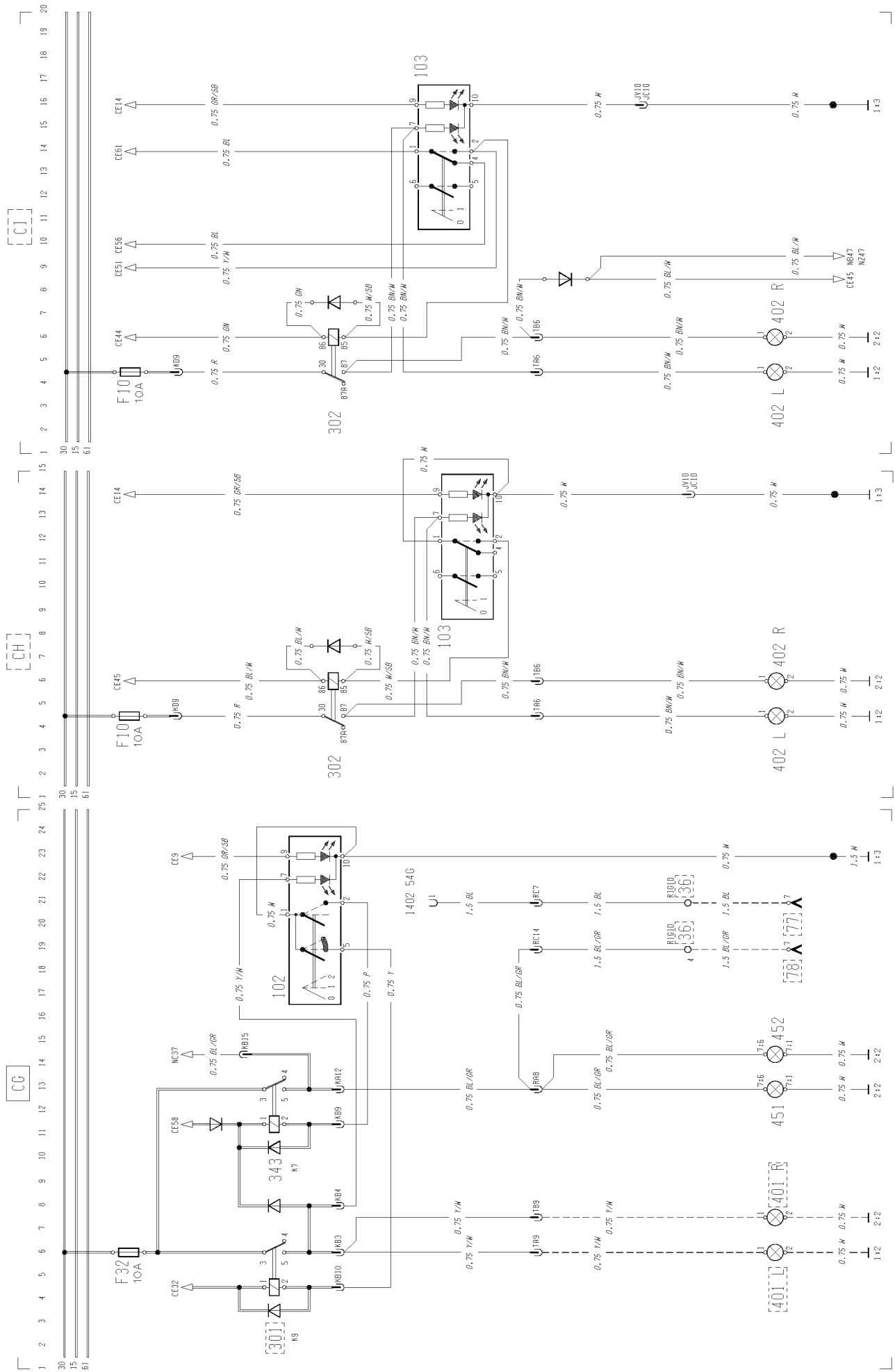


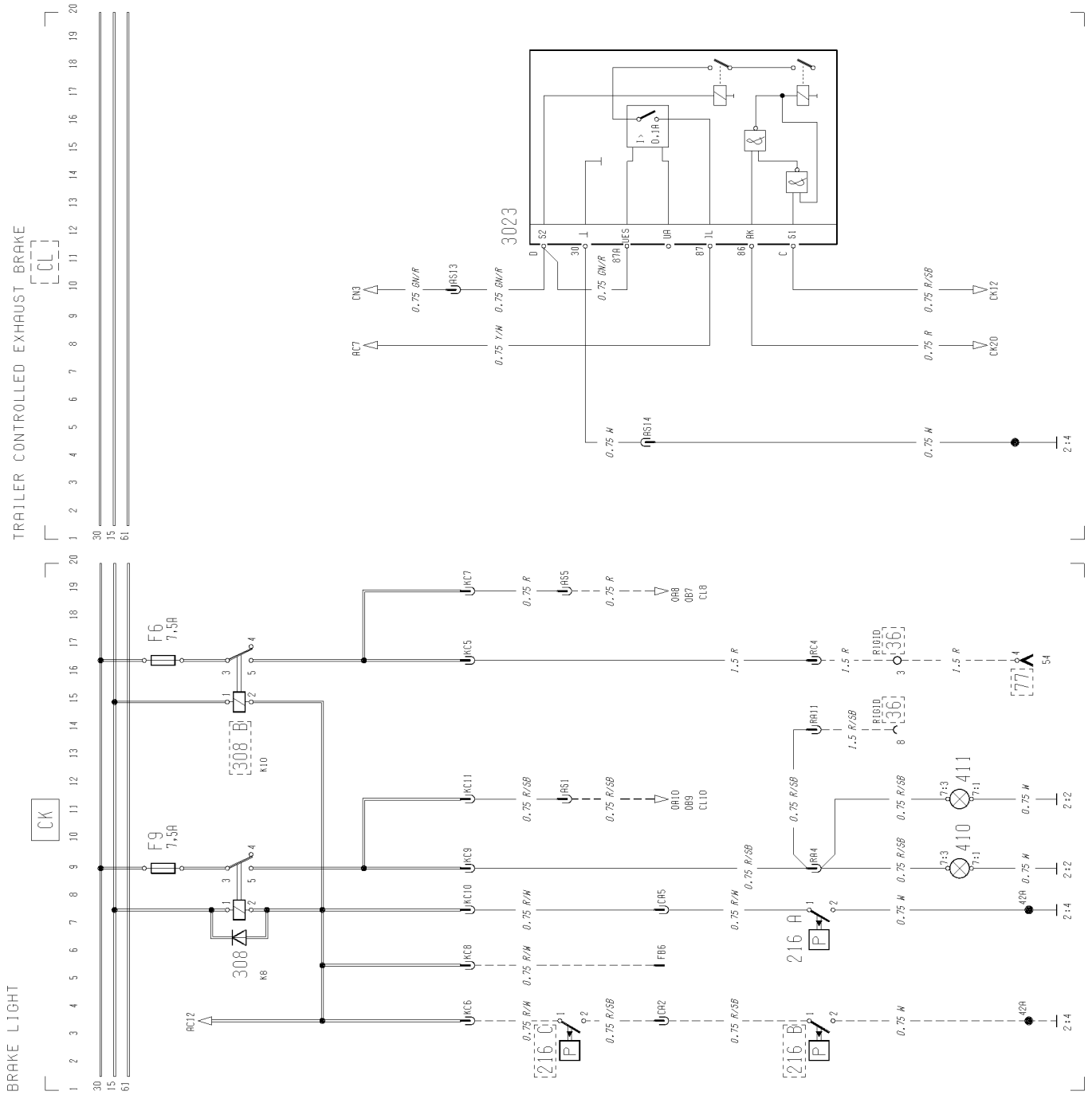


FOG LIGHT • REAR FOG LIGHT

SPOTLIGHT (STD) DRIVL2

SPOTLIGHT (EUI) DRIVL2C

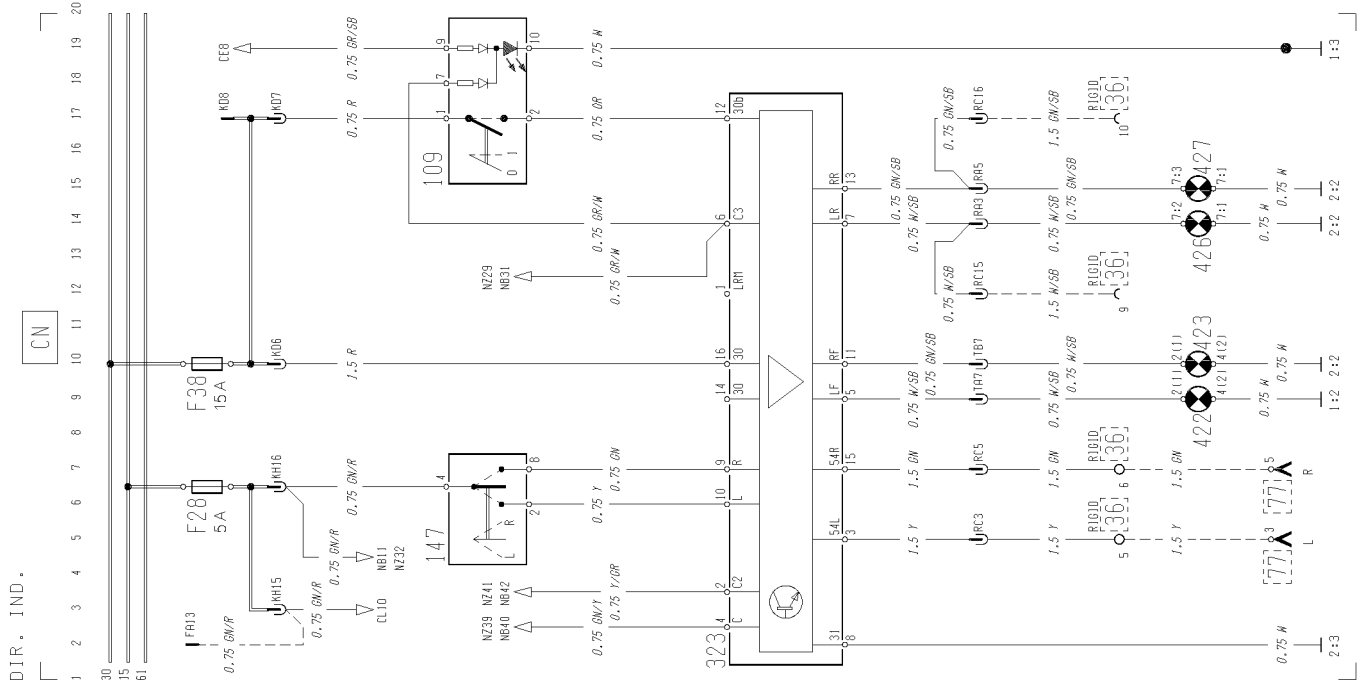




T3010564

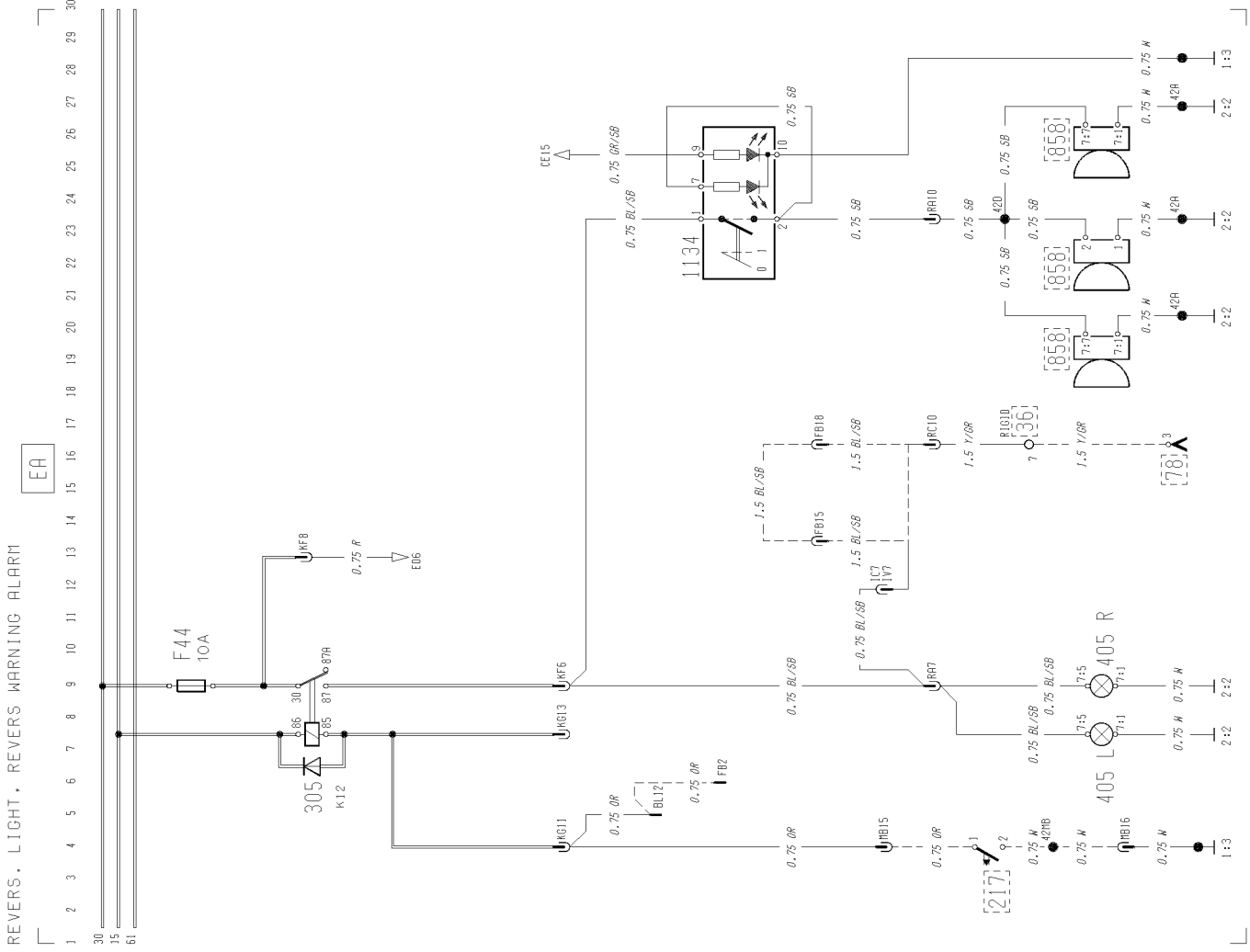
DIR. IND.

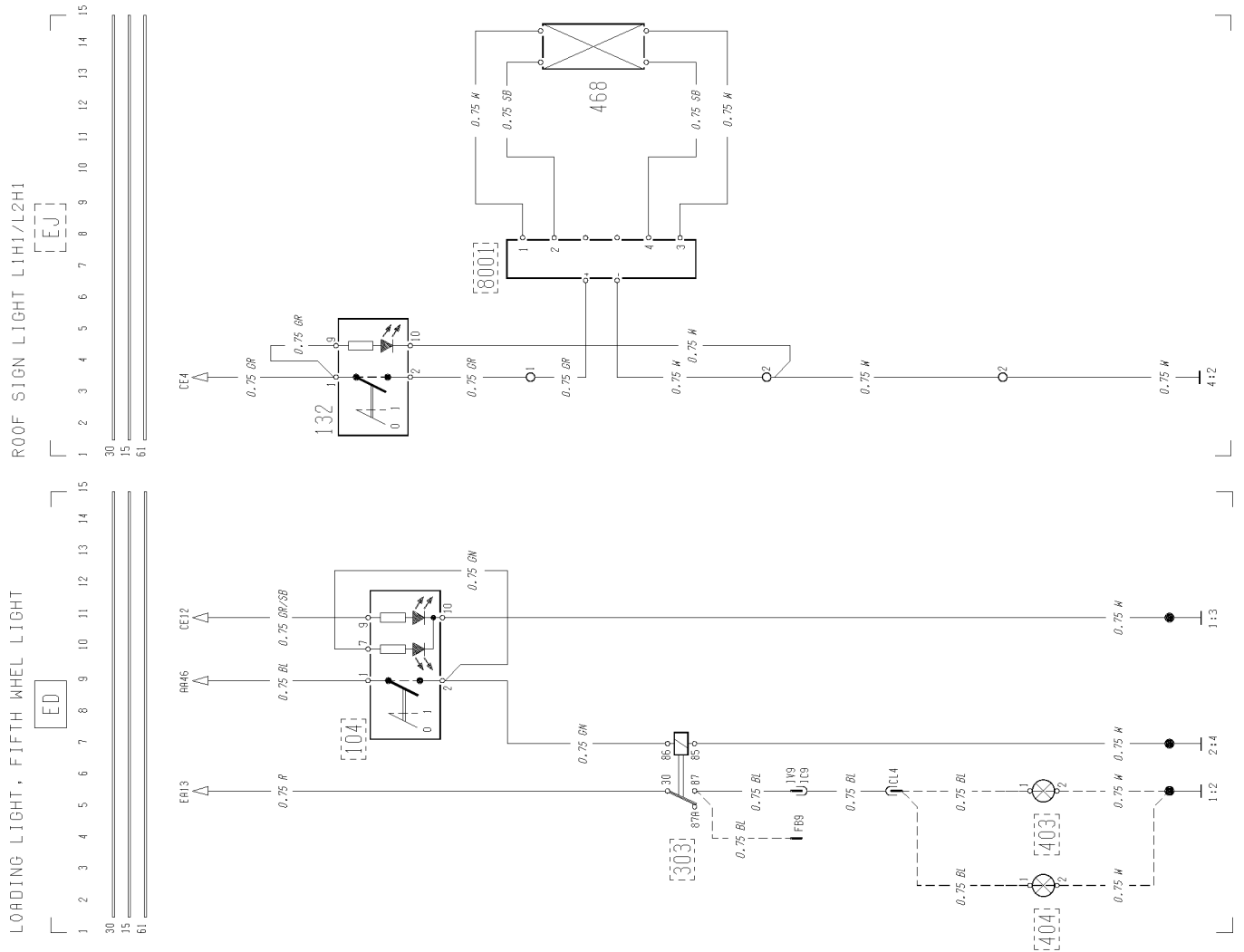
CN



REVERS. LIGHT, REVERS. WARNING ALARM

EA





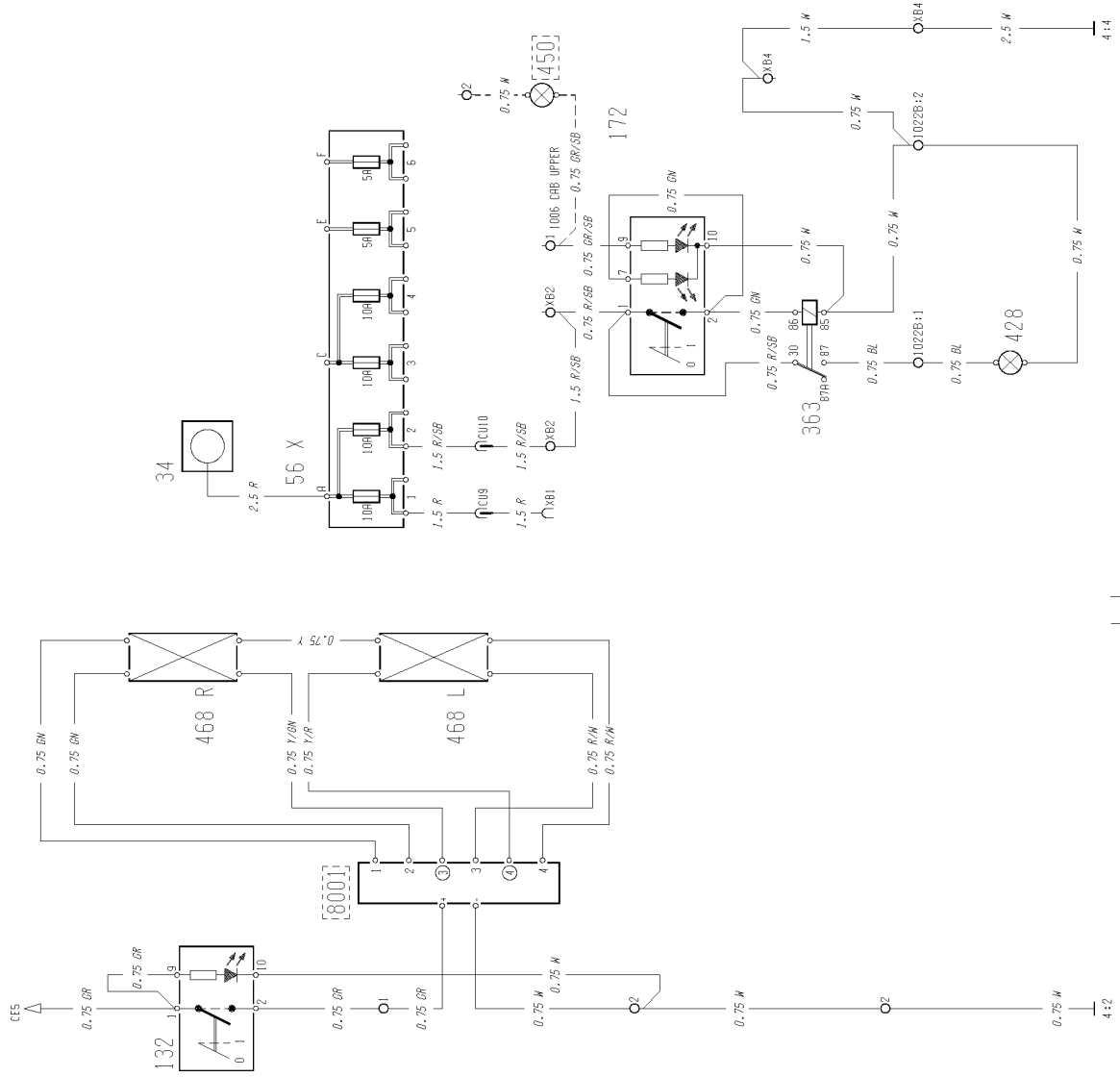
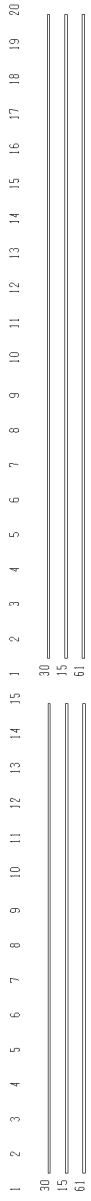
T3010566

ROOF SIGN LIGHT L2H2

[EK]

BEACON WARNING LIGHT

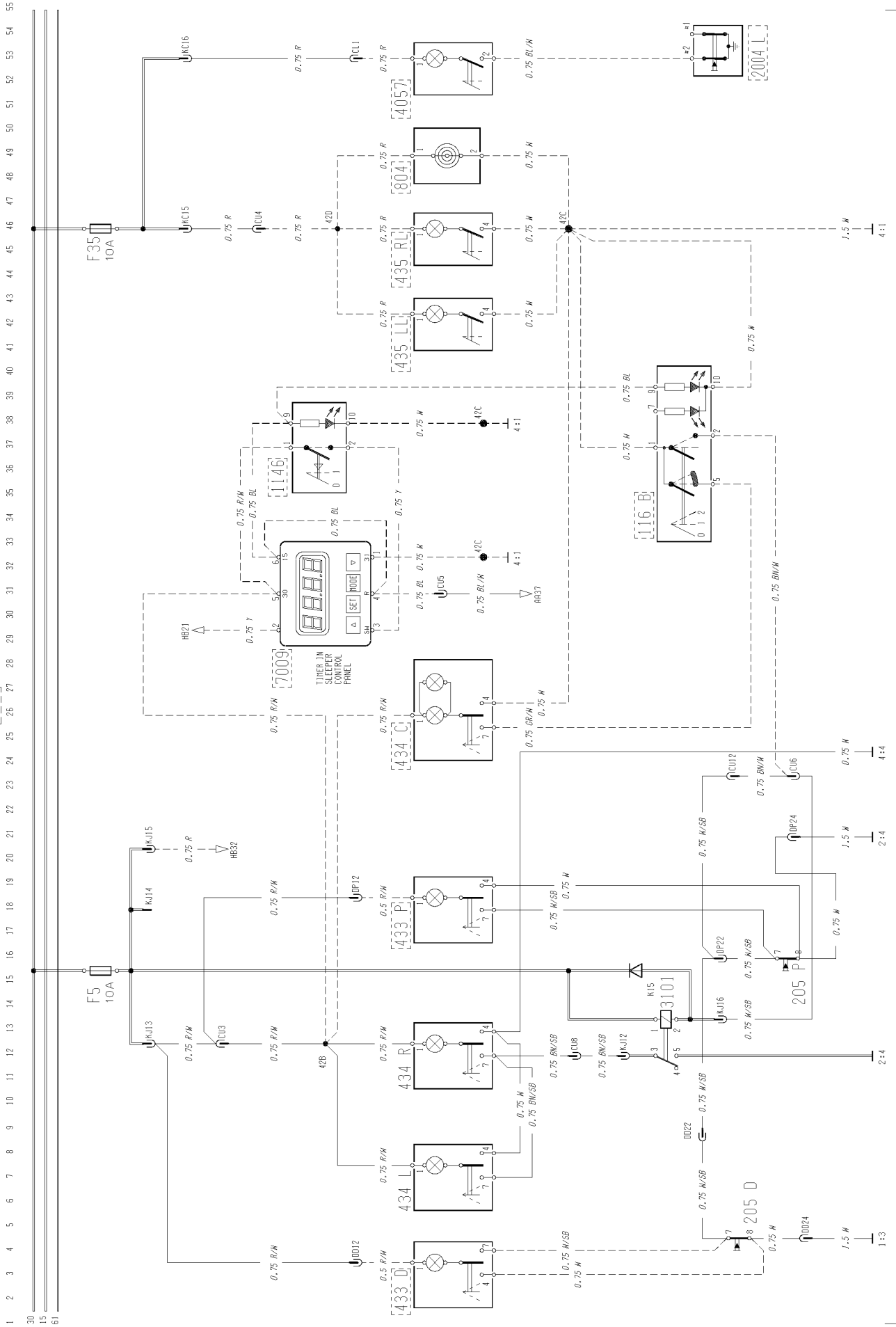
[EN]



T3010567

INTERIOR LIGHTING, LH1-CAB, L2H1-CAB, ALARM CLOCK/TIMER

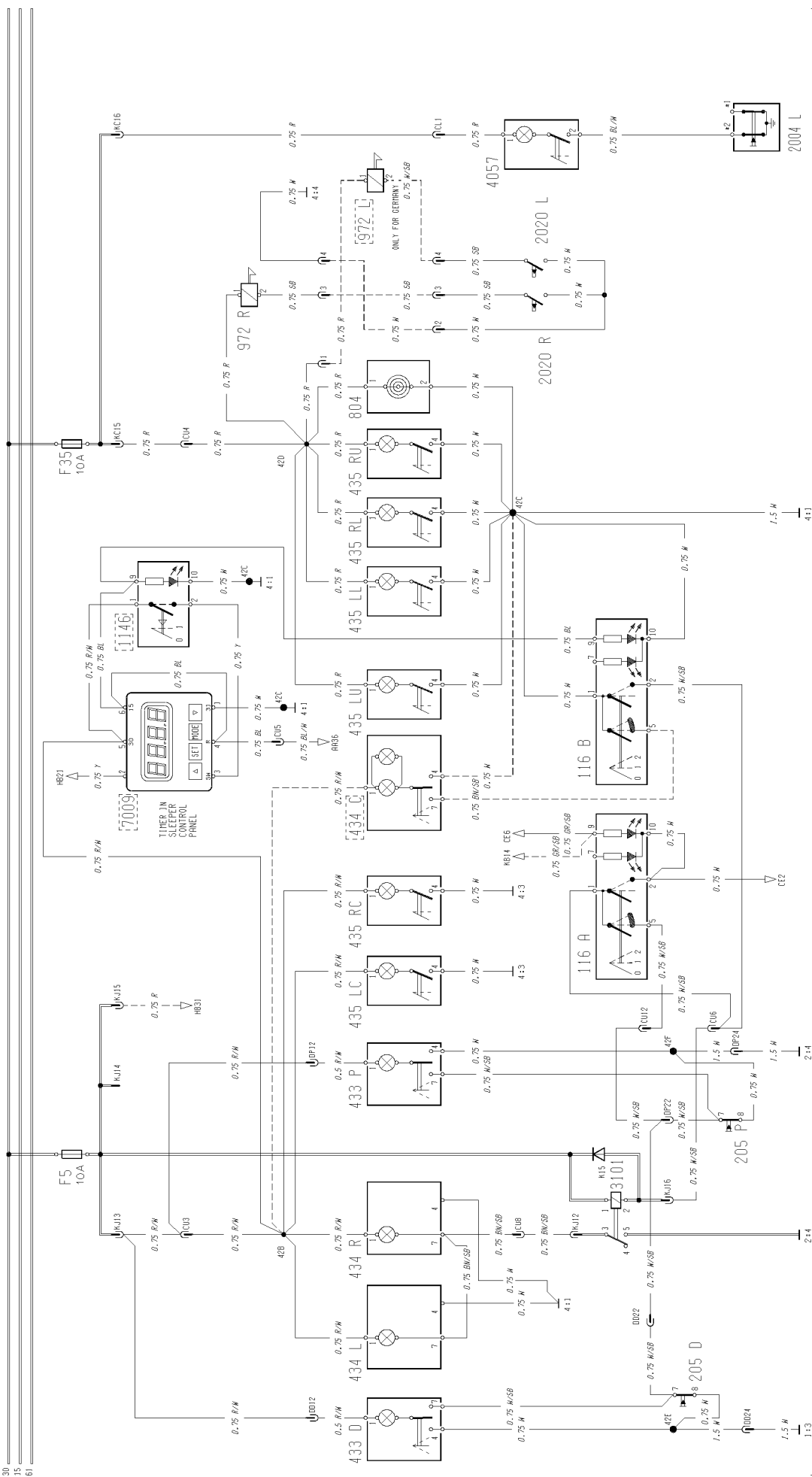
[ER]

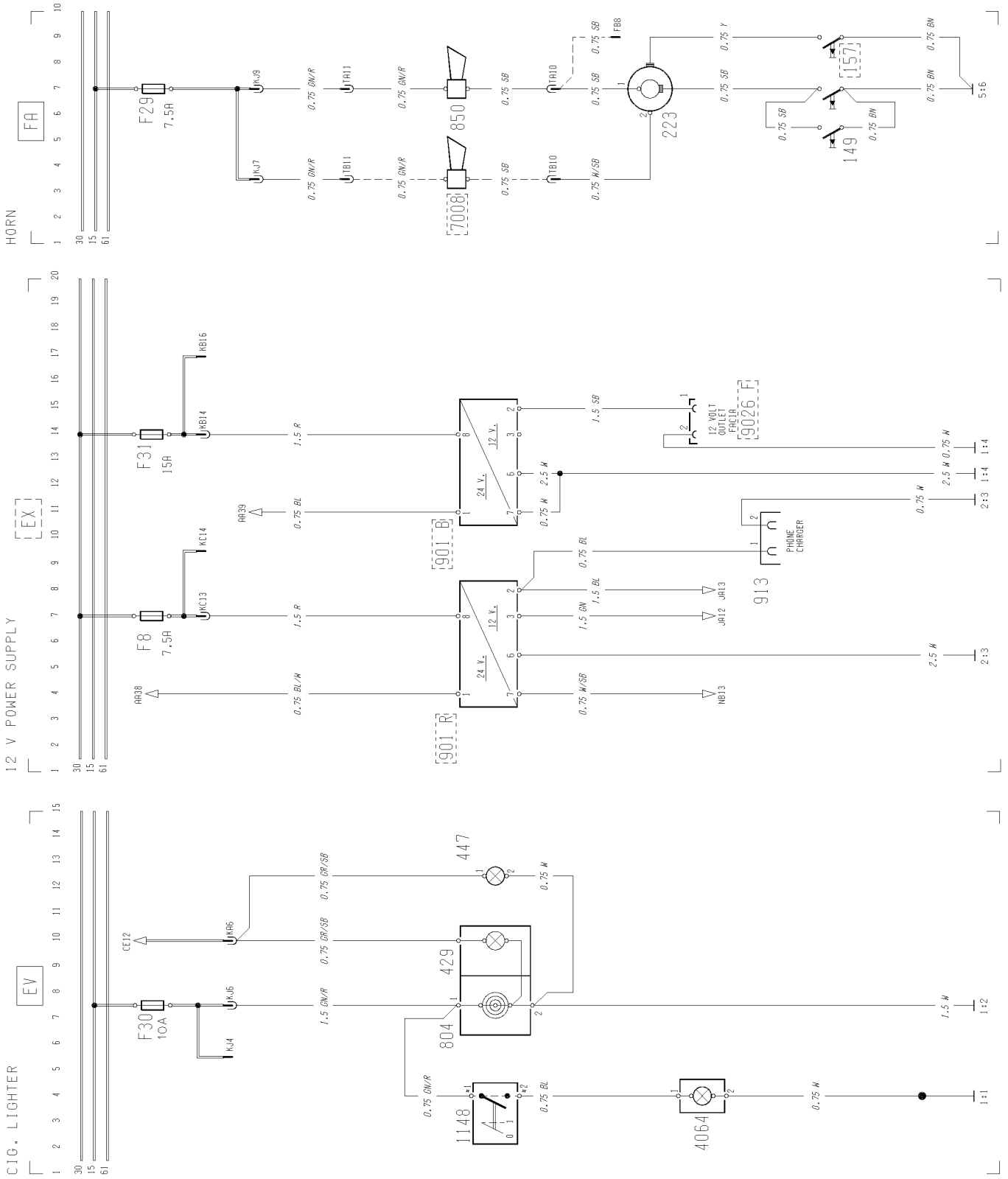


INTERIOR LIGHTING, L2H3-CAB, L2H3-CAB, ALARM CLOCK/TIMER

[ES]

1 2 3 4 5 6 7 8 9 10 11 12 13 14 15 16 17 18 19 20 21 22 23 24 25 26 27 28 29 30 31 32 33 34 35 36 37 38 39 40 41 42 43 44 45 46 47 48 49 50 51 52 53 54 55 56 57 58 59 60 61 62 63 64 65

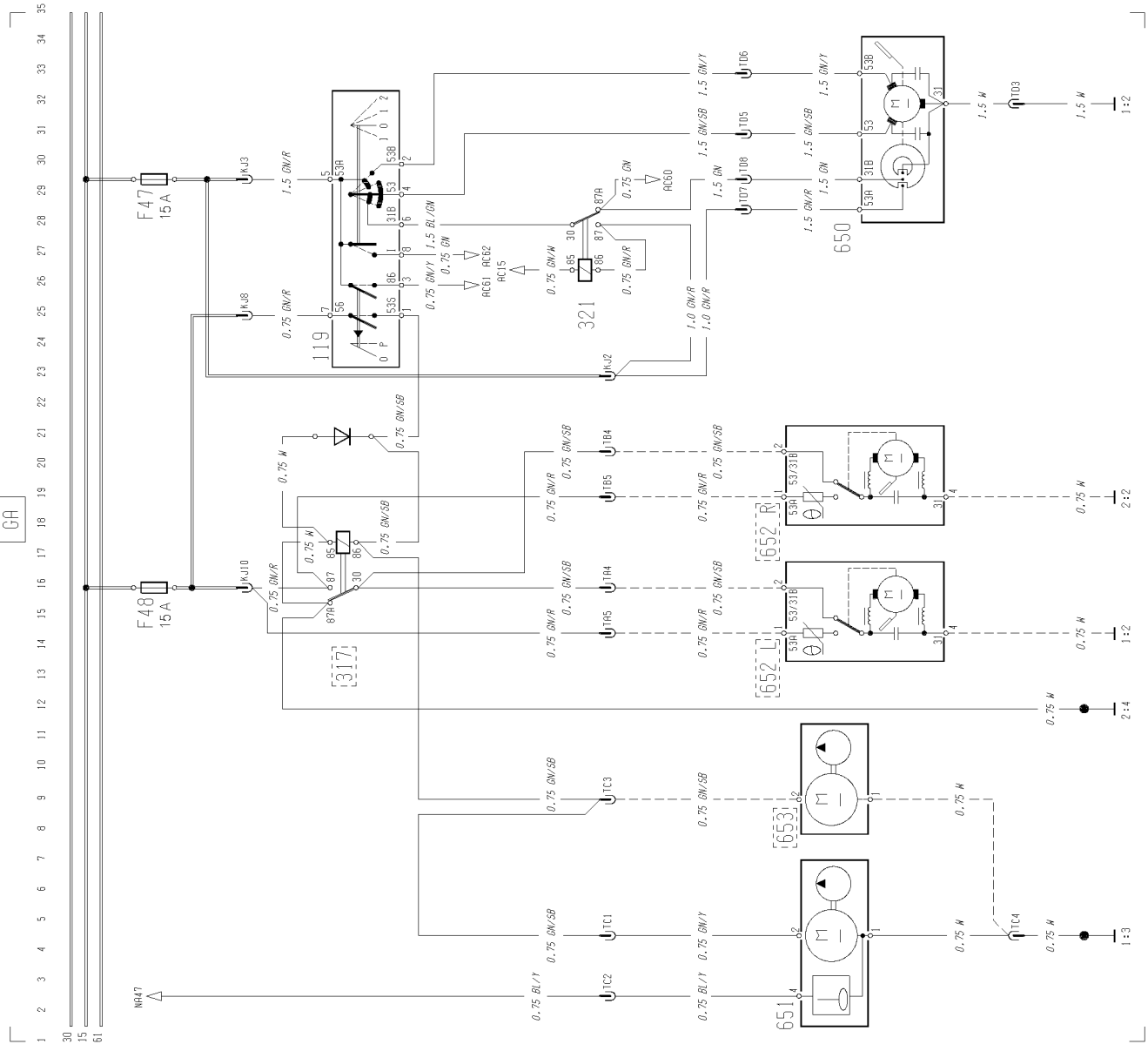




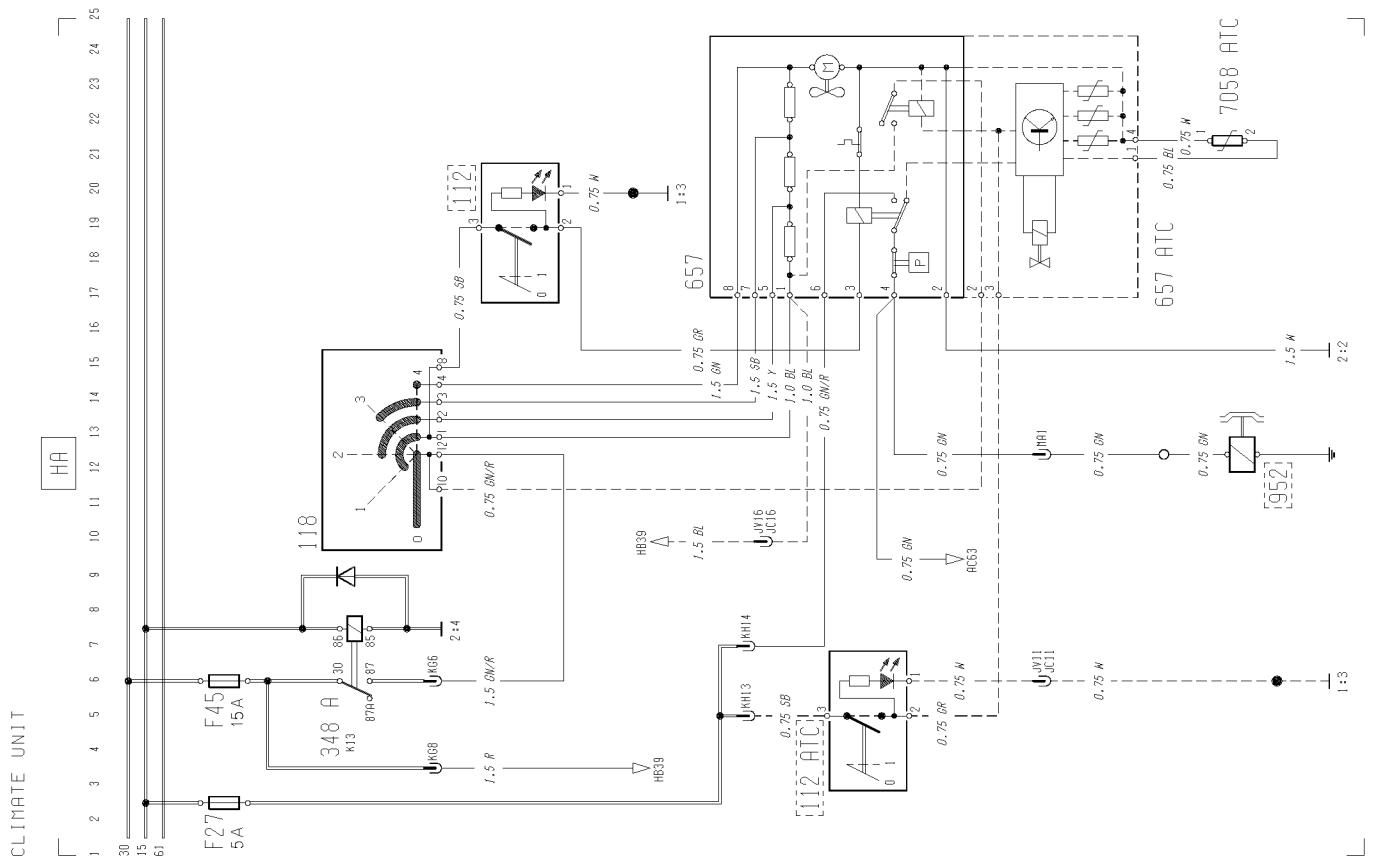
T3010570

WIPER, WASHER

GA



T3010571

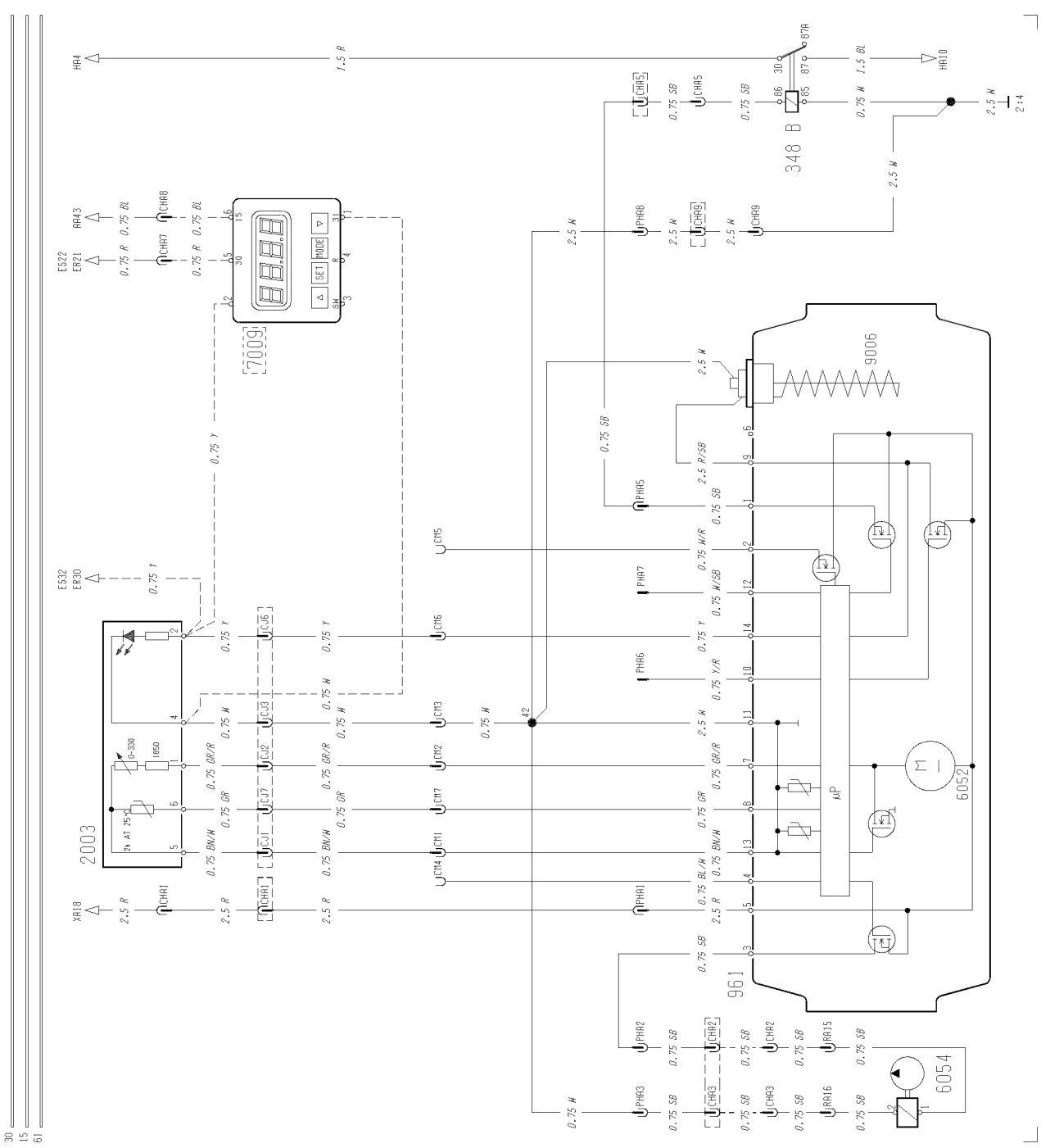


T3010572

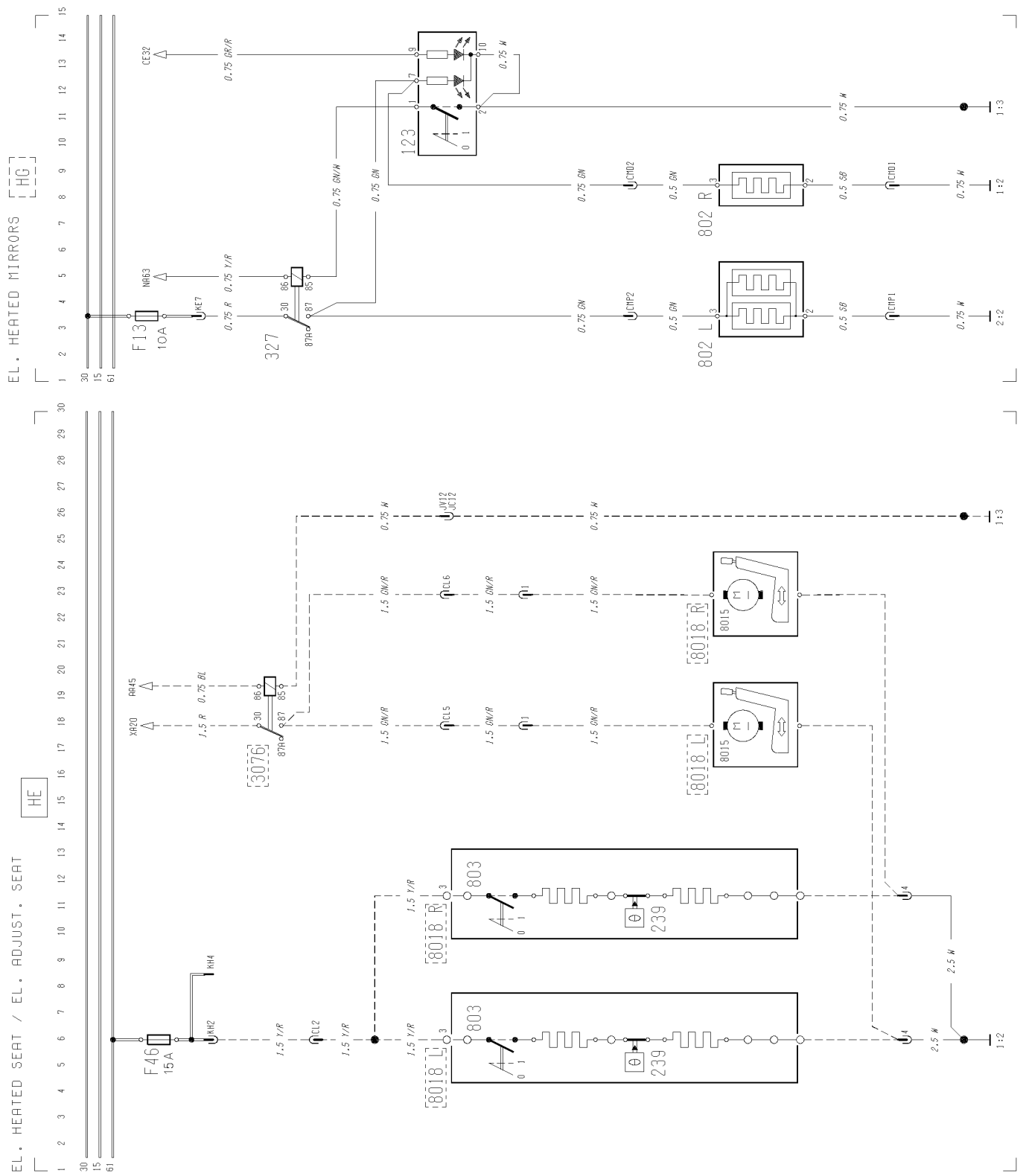
CAB HEATER, EBERSPACHER D1LCC, PH-CAB

HB

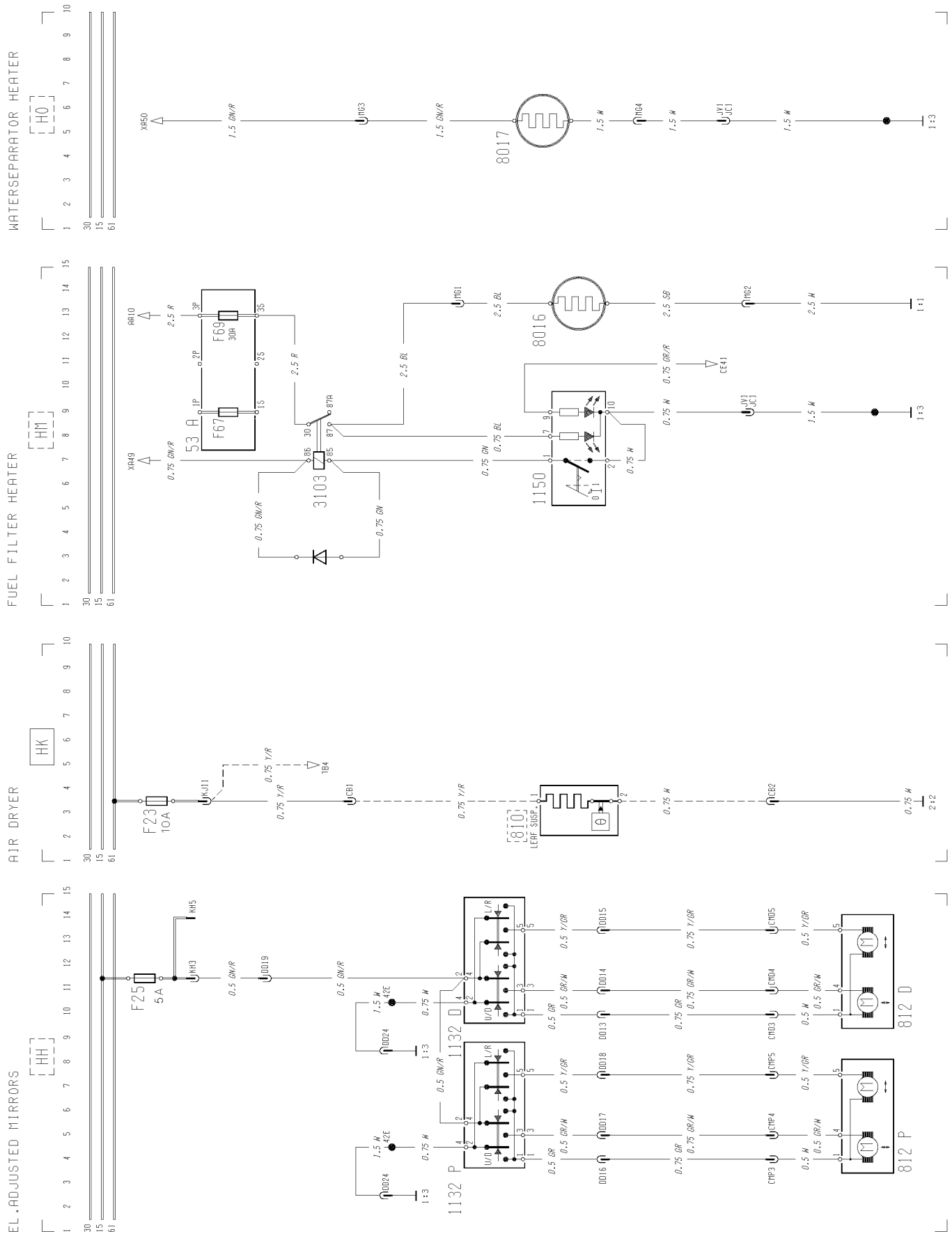
1 2 3 4 5 6 7 8 9 10 11 12 13 14 15 16 17 18 19 20 21 22 23 24 25 26 27 28 29 30 31 32 33 34 35 36 37 38 39 40



T3010573

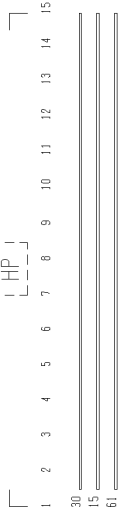


T3010574

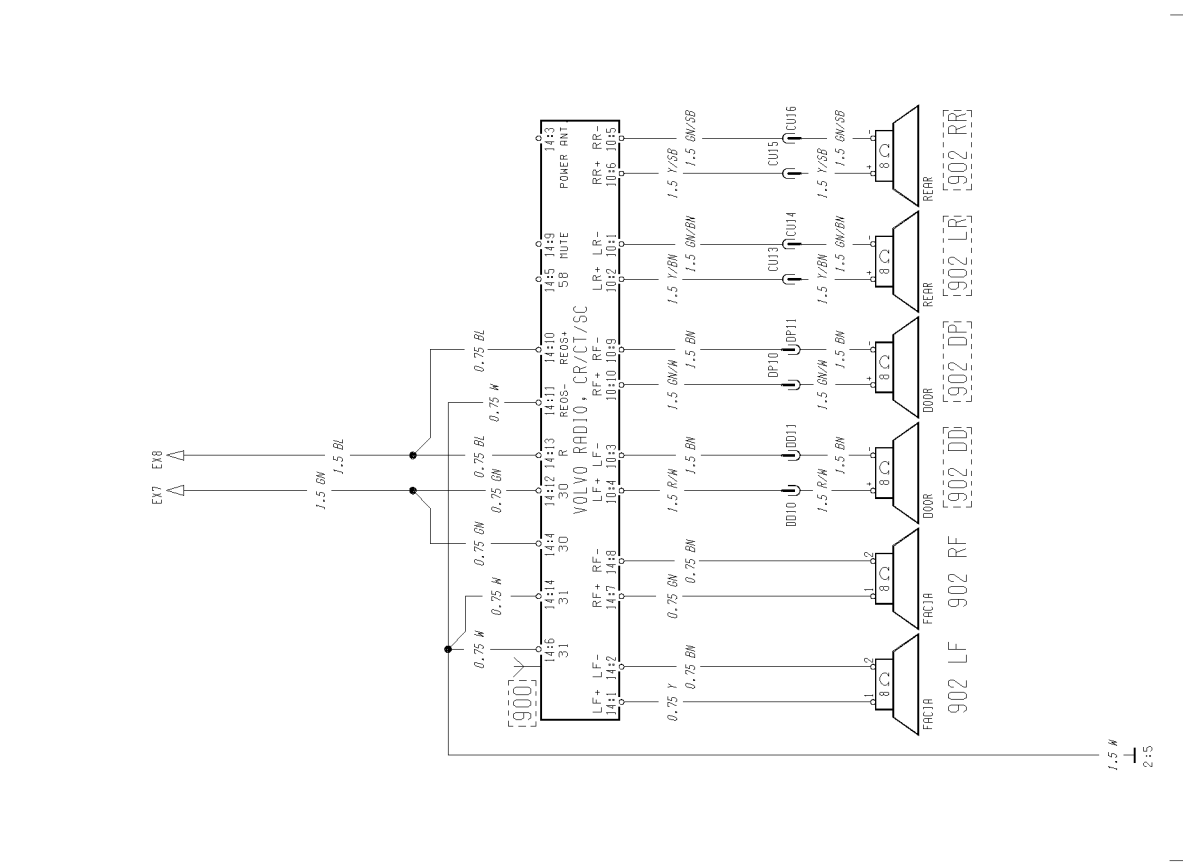
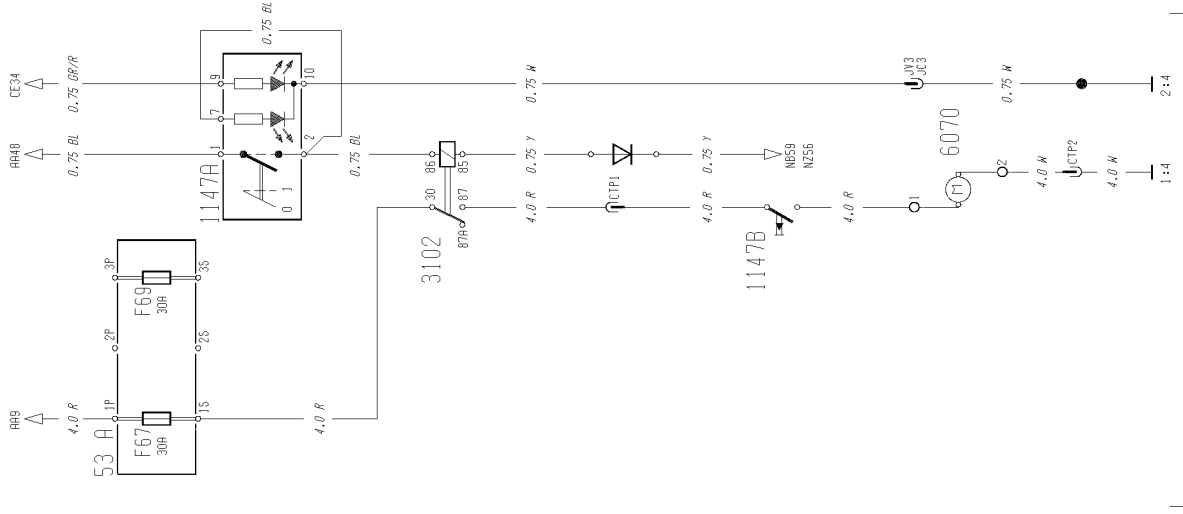


T3010575

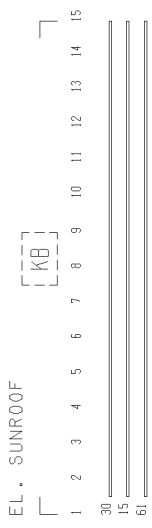
CAB TILT



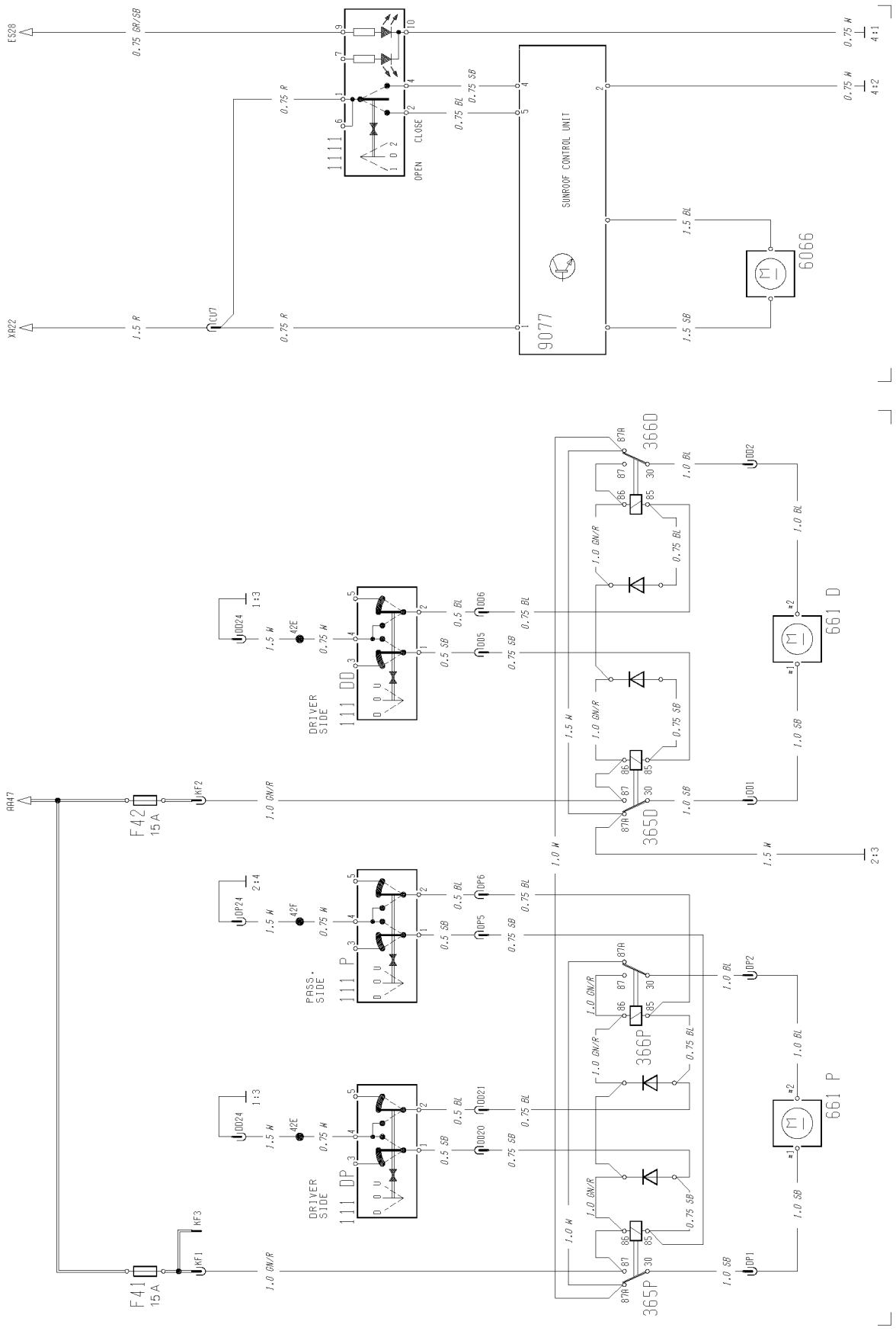
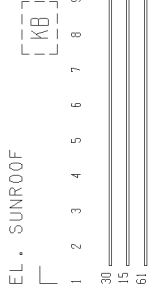
RADIO

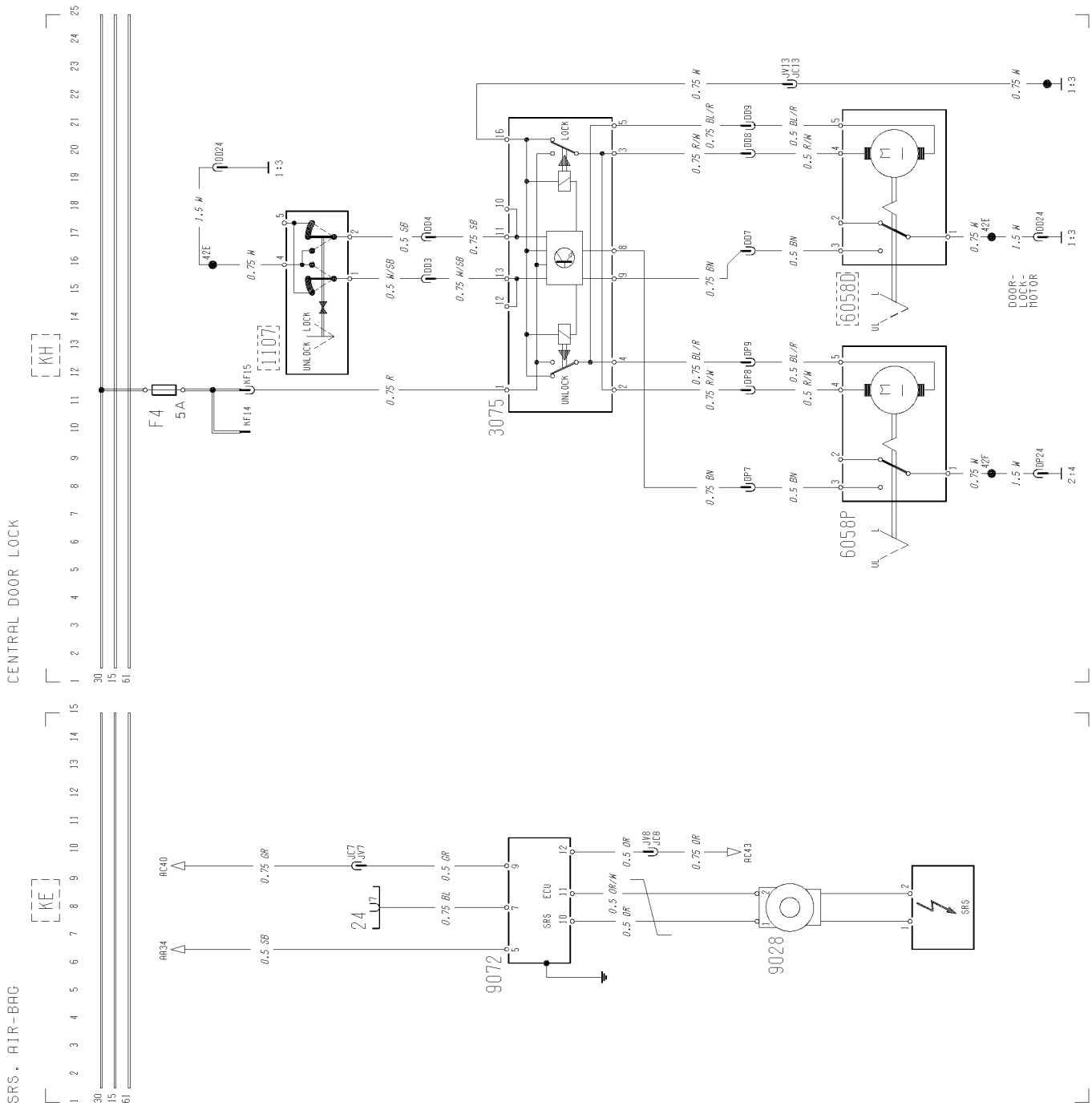


EL. OPERATED WINDOW WINDERS

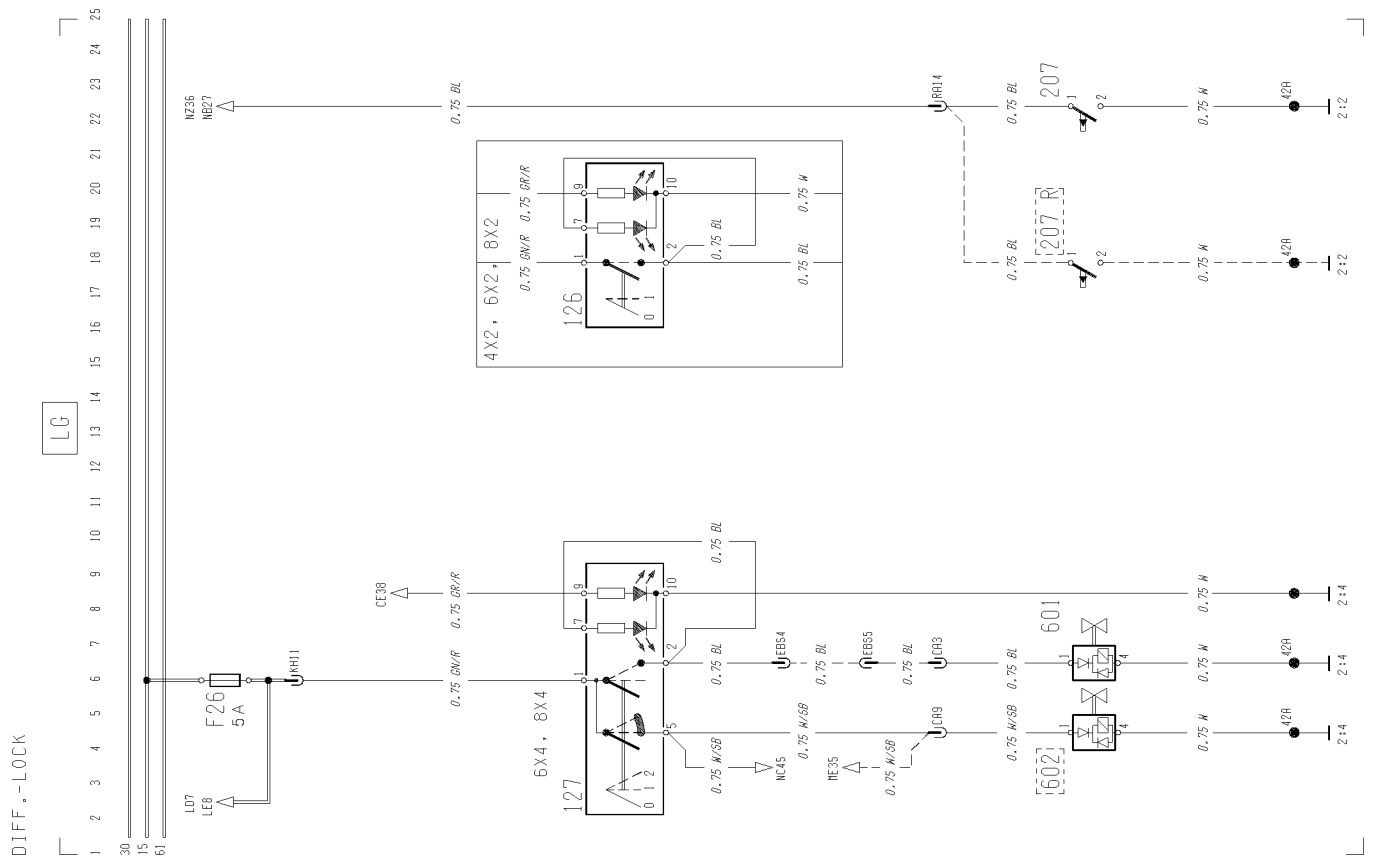
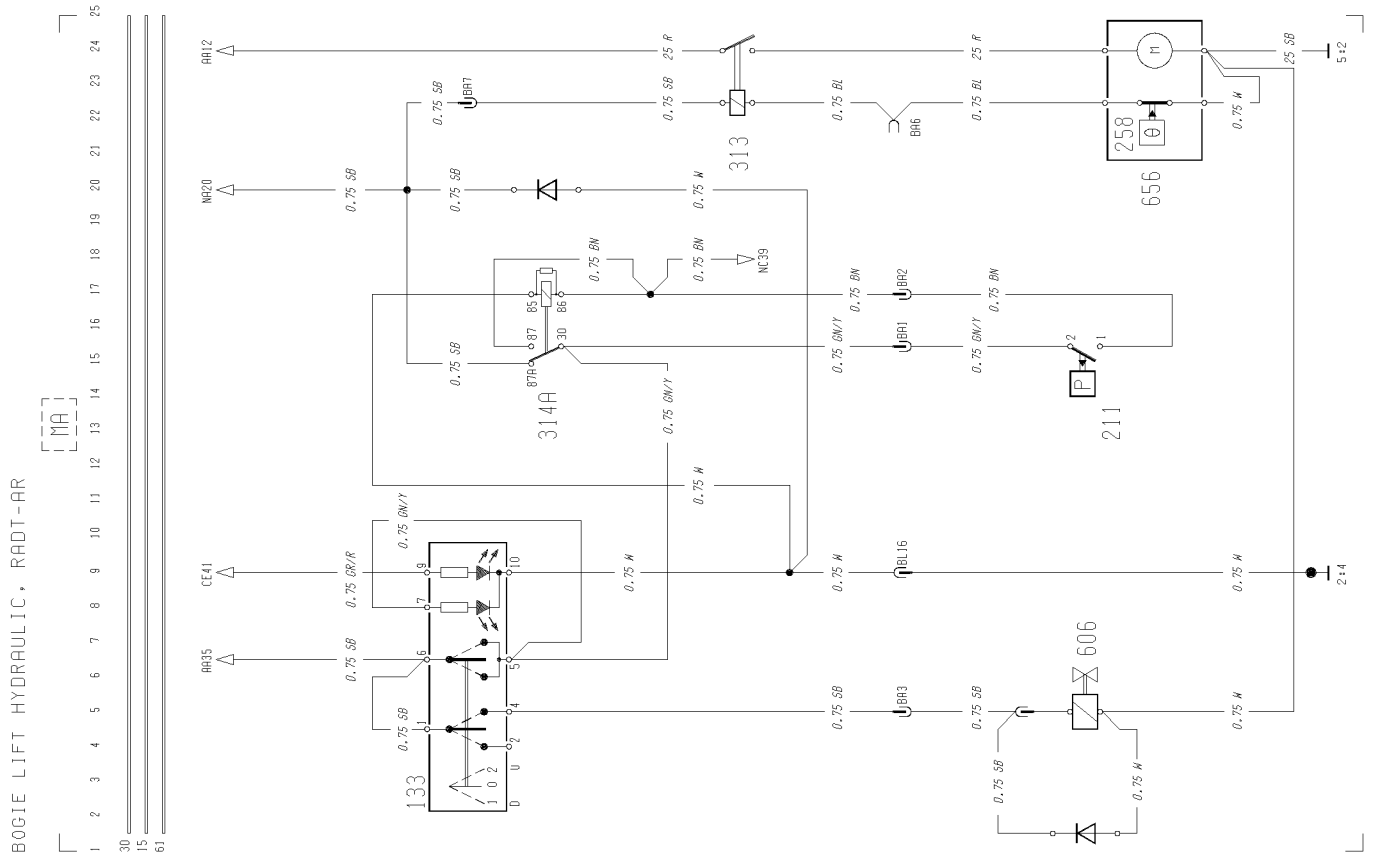


EL. SUNROOF



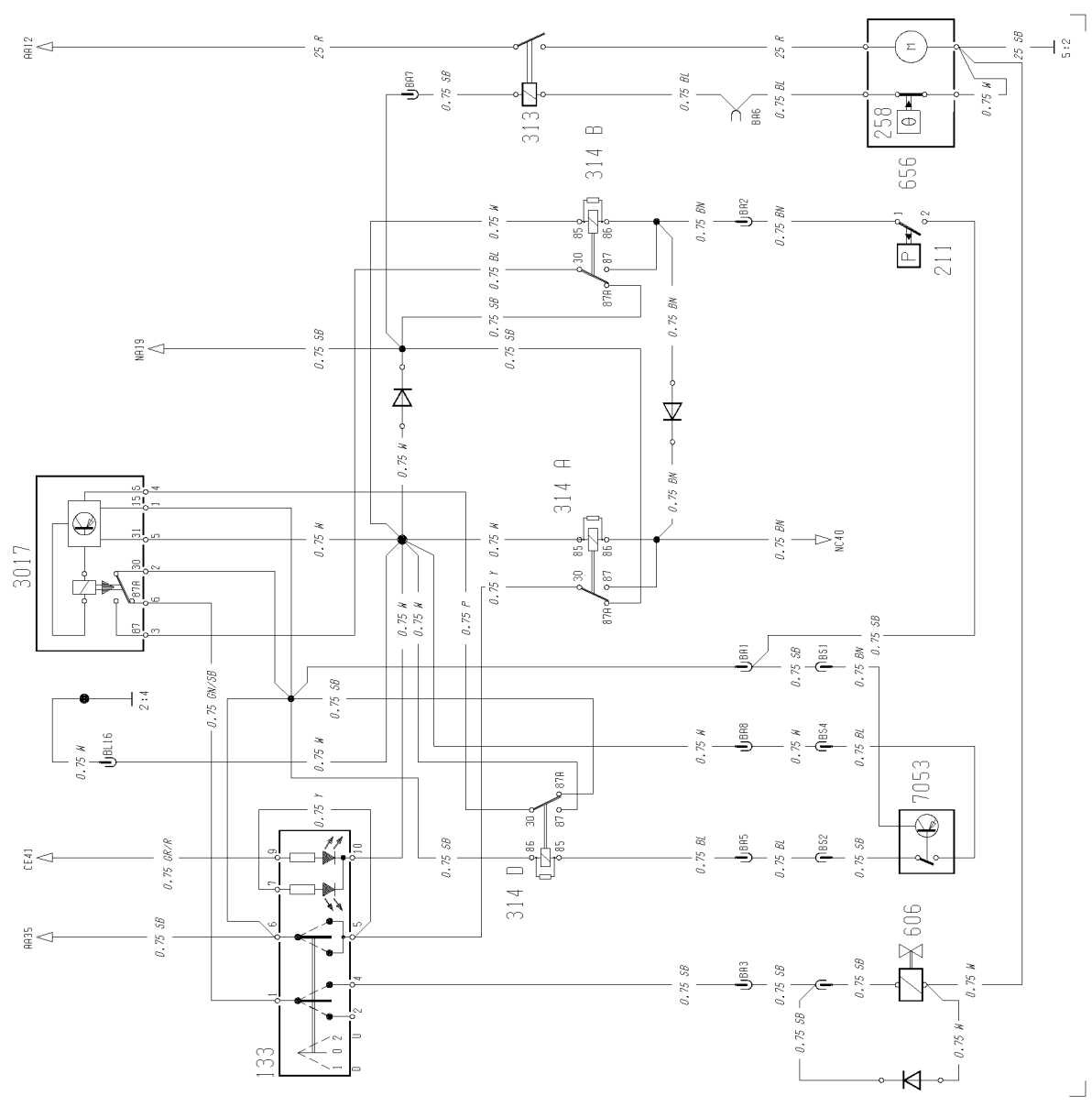
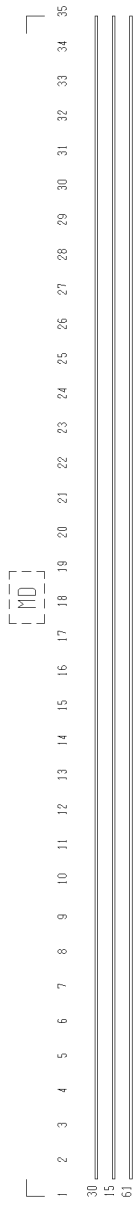


T3010578

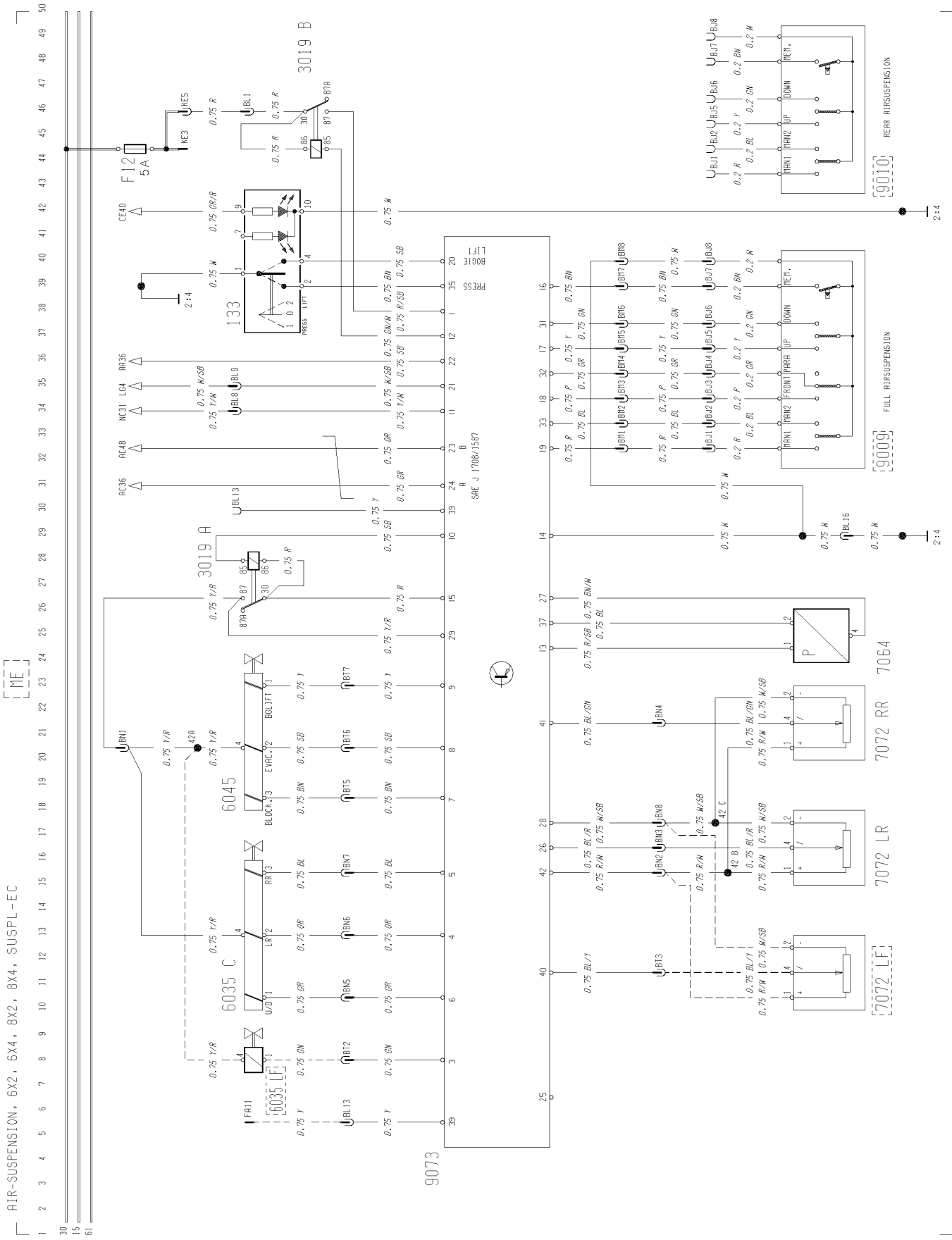


T3010580

BOGIE LIFT, HYDRAULIC, WITH AXLE LOAD LIMITER, RADT-AR



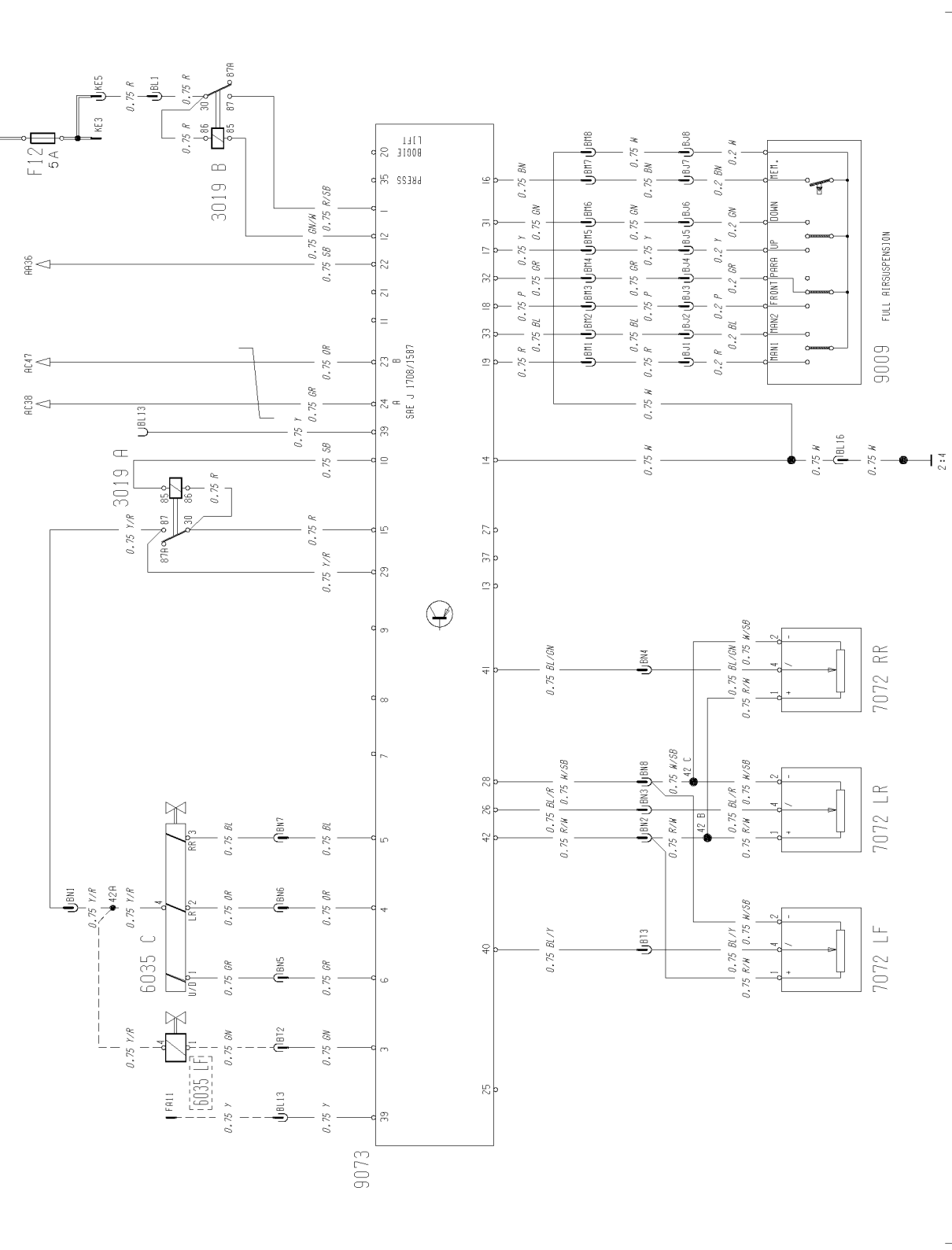
T3010581



AIR-SUSPENSION 4X2. SUSPL-EC

MF

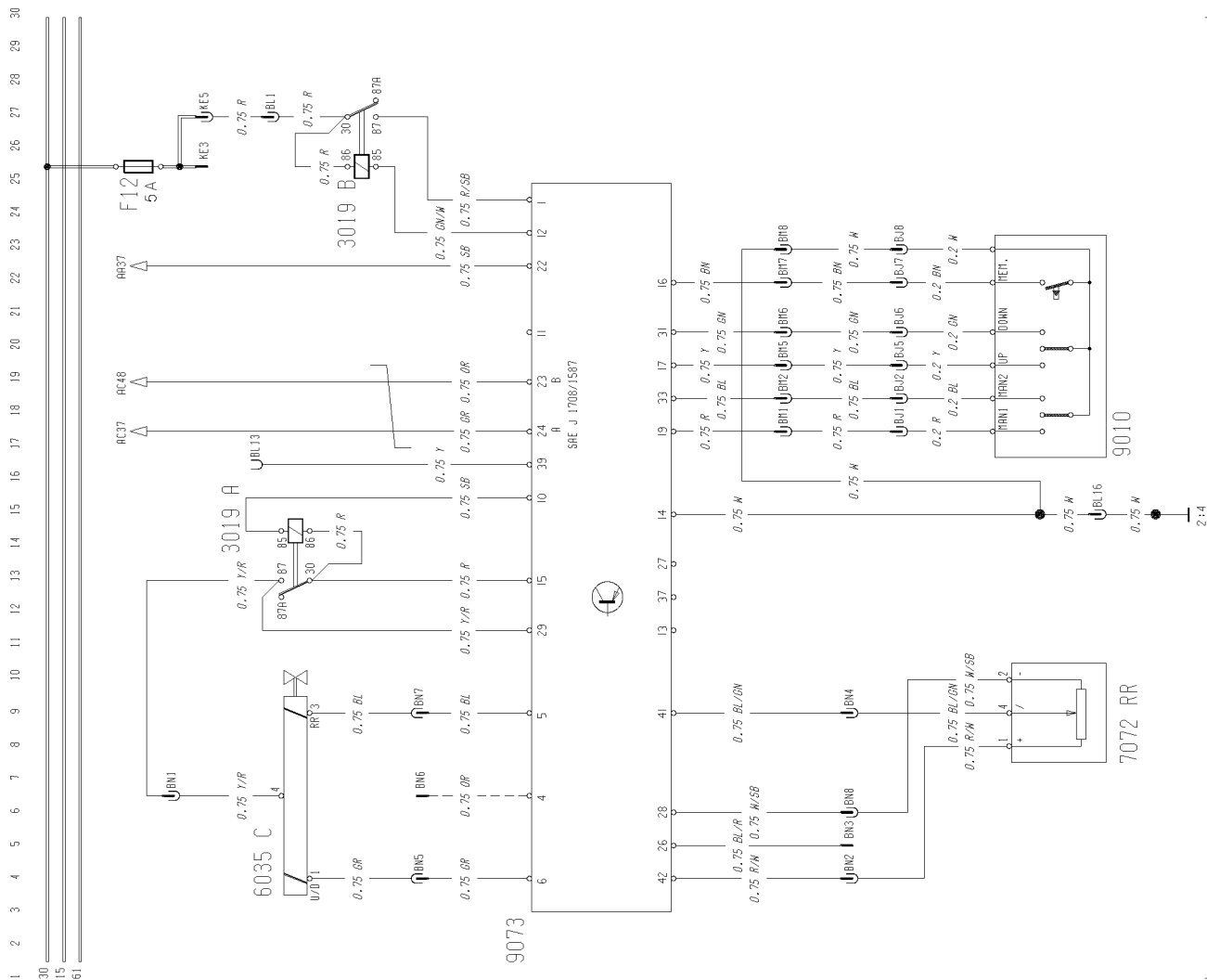
1 2 3 4 5 6 7 8 9 10 11 12 13 14 15 16 17 18 19 20 21 22 23 24 25 26 27 28 29 30 31 32 33 34 35 36 37 38 39 40 41 42 43 44 45



T3010583

[MG]

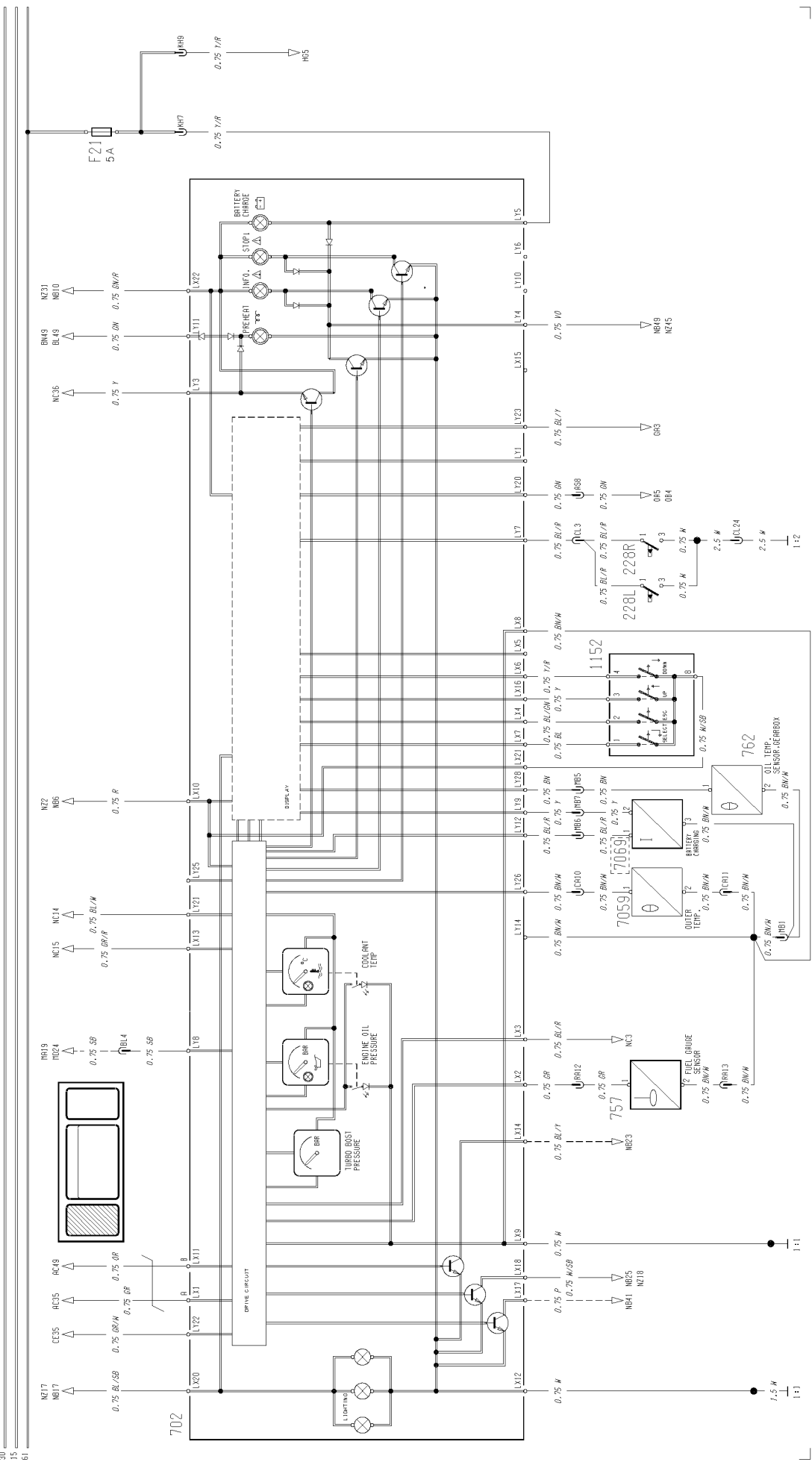
REAR AIR-SUSPENSION, 4X2 TRACTOR, SUSPL-EC



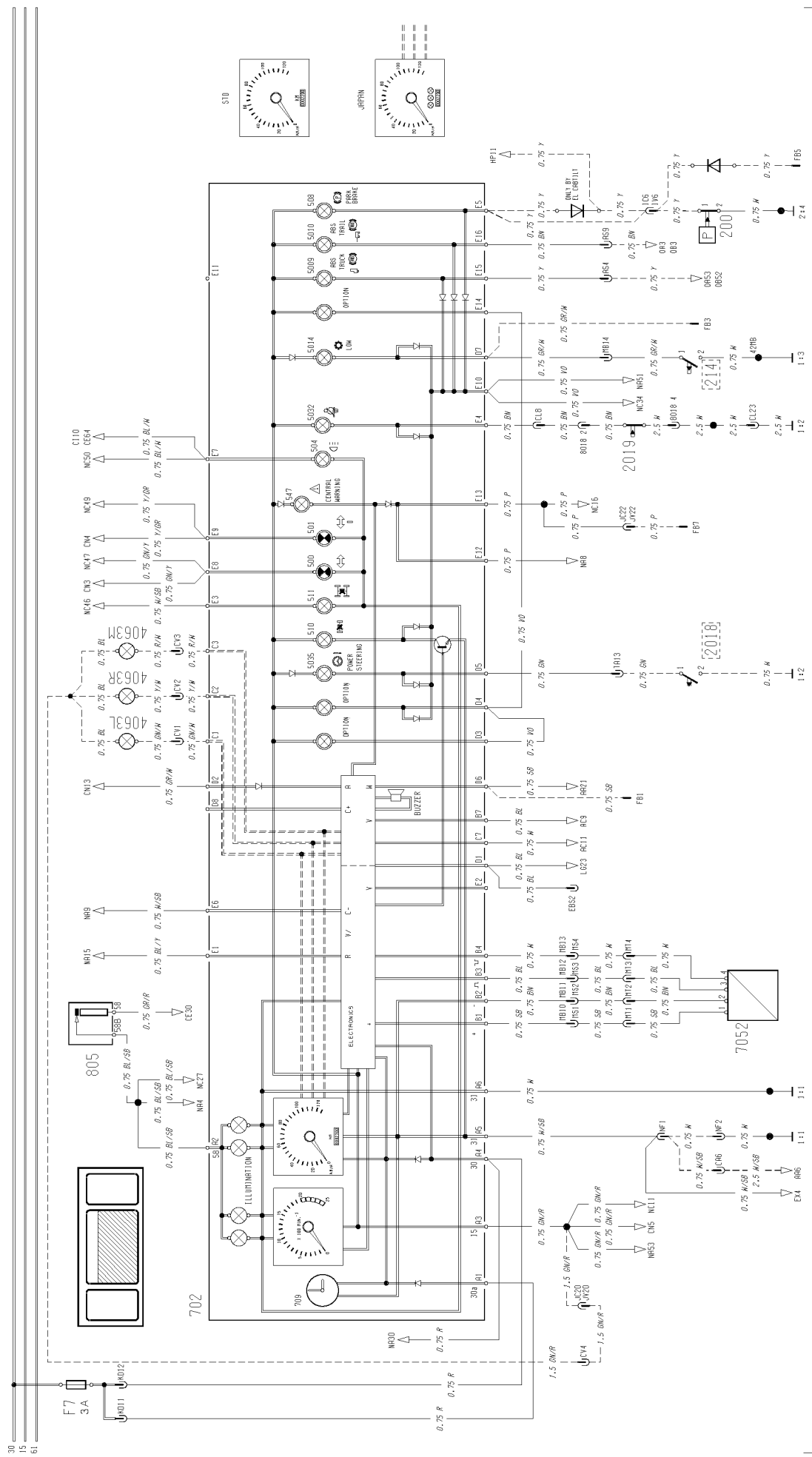
INSTRUMENT, LHS. MODULE

NA

1 2 3 4 5 6 7 8 9 10 11 12 13 14 15 16 17 18 19 20 21 22 23 24 25 26 27 28 29 30 31 32 33 34 35 36 37 38 39 40 41 42 43 44 45 46 47 48 49 50 51 52 53 54 55 56 57 58 59 60 61 62 63 64 65



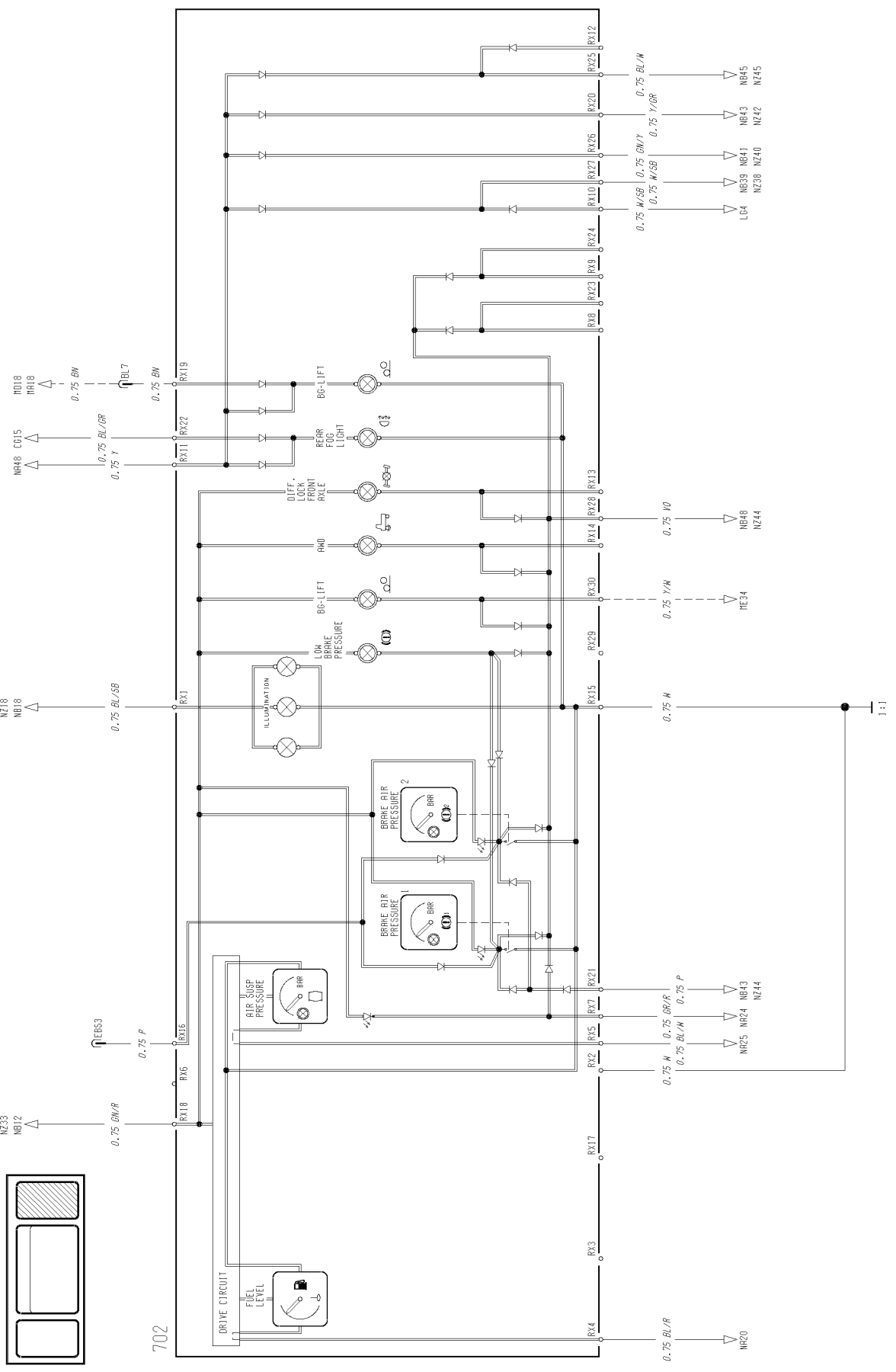
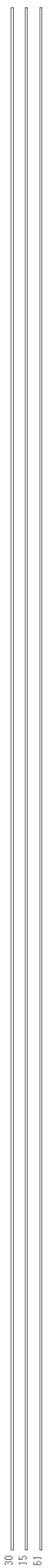
INSTRUMENT, CENTRE MODULE WITH TACHOGRAPH (INCL. KOREA CIVIL)



INSTRUMENT, RHS. MODULE.

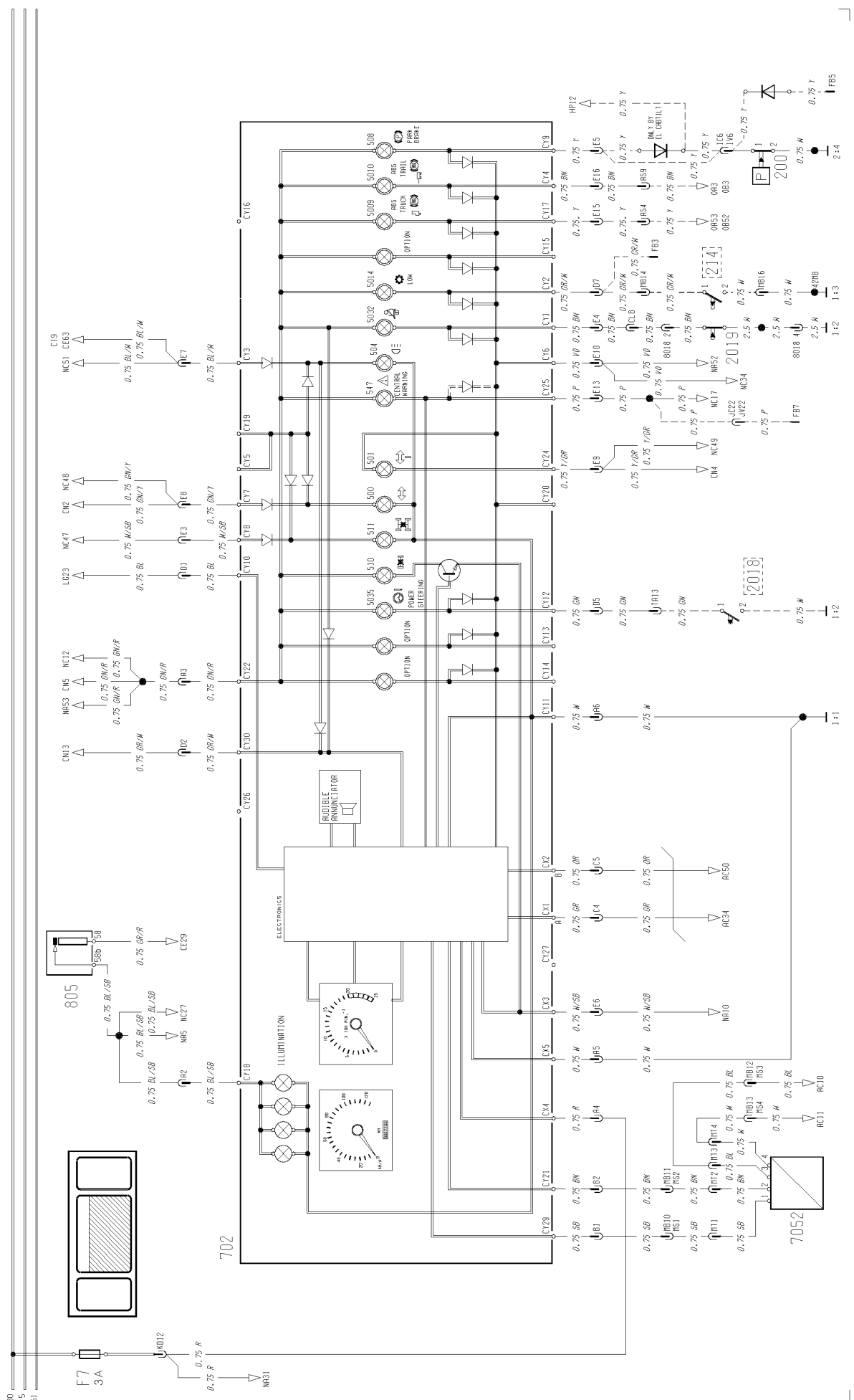
NC

1 2 3 4 5 6 7 8 9 10 11 12 13 14 15 16 17 18 19 20 21 22 23 24 25 26 27 28 29 30 31 32 33 34 35 36 37 38 39 40 41 42 43 44 45 46 47 48 49 50 51 52 53 54 55

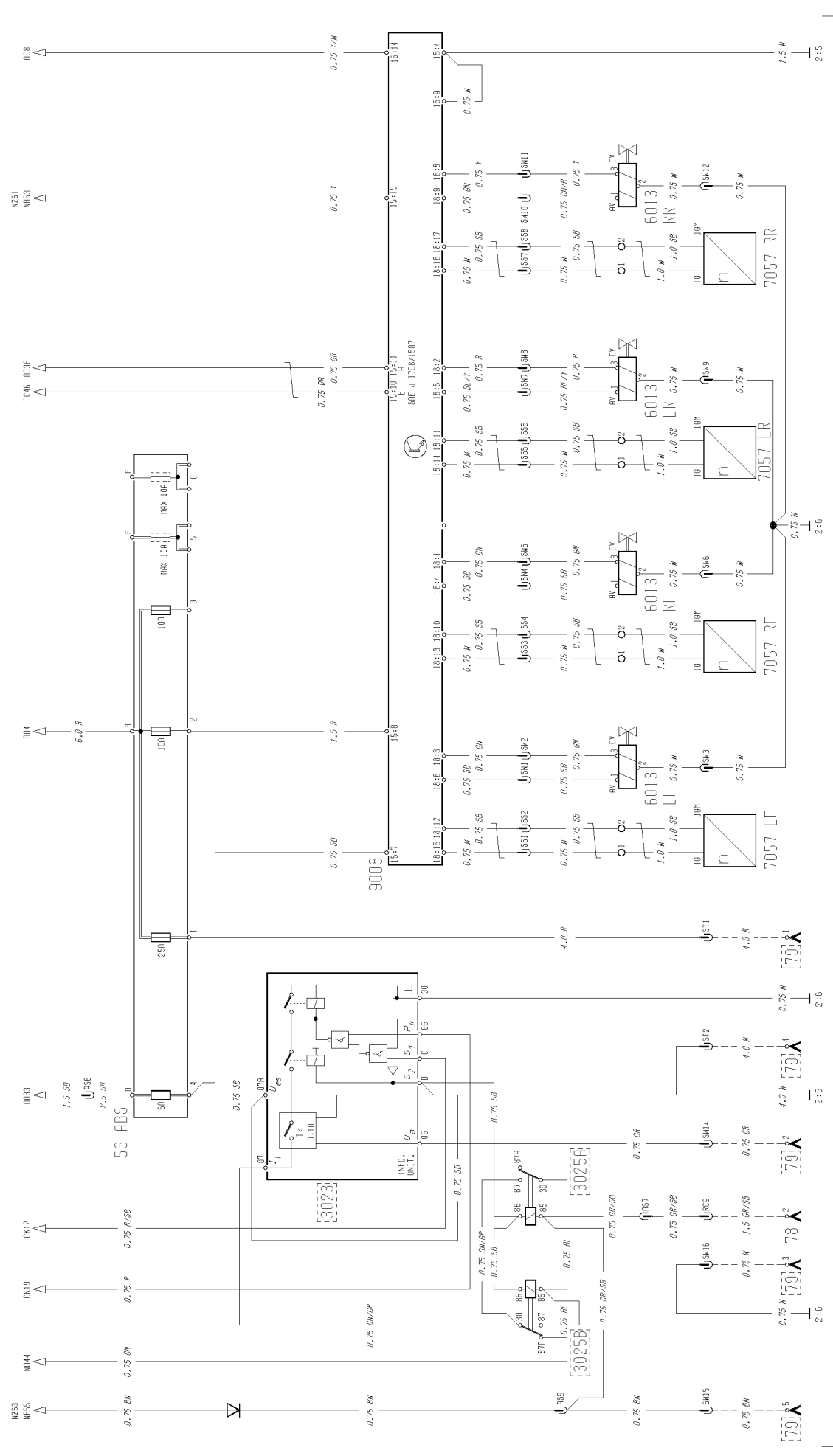


INSTRUMENT, CENTRE MODULE WITHOUT TACHOGRAPH

1 2 3 4 5 6 7 8 9 10 11 12 13 14 15 16 17 18 19 20 21 22 23 24 25 26 27 28 29 30 31 32 33 34 35 36 37 38 39 40 41 42 43 44 45 46 47 48 49 50 51 52 53 54 55 56 57 58 59 60



1 2 3 4 5 6 7 8 9 10 11 12 13 14 15 16 17 18 19 20 21 22 23 24 25 26 27 28 29 30 31 32 33 34 35 36 37 38 40 41 42 43 44 45 46 47 48 49 50 51 52 53 54 55 56 57 58 59 60

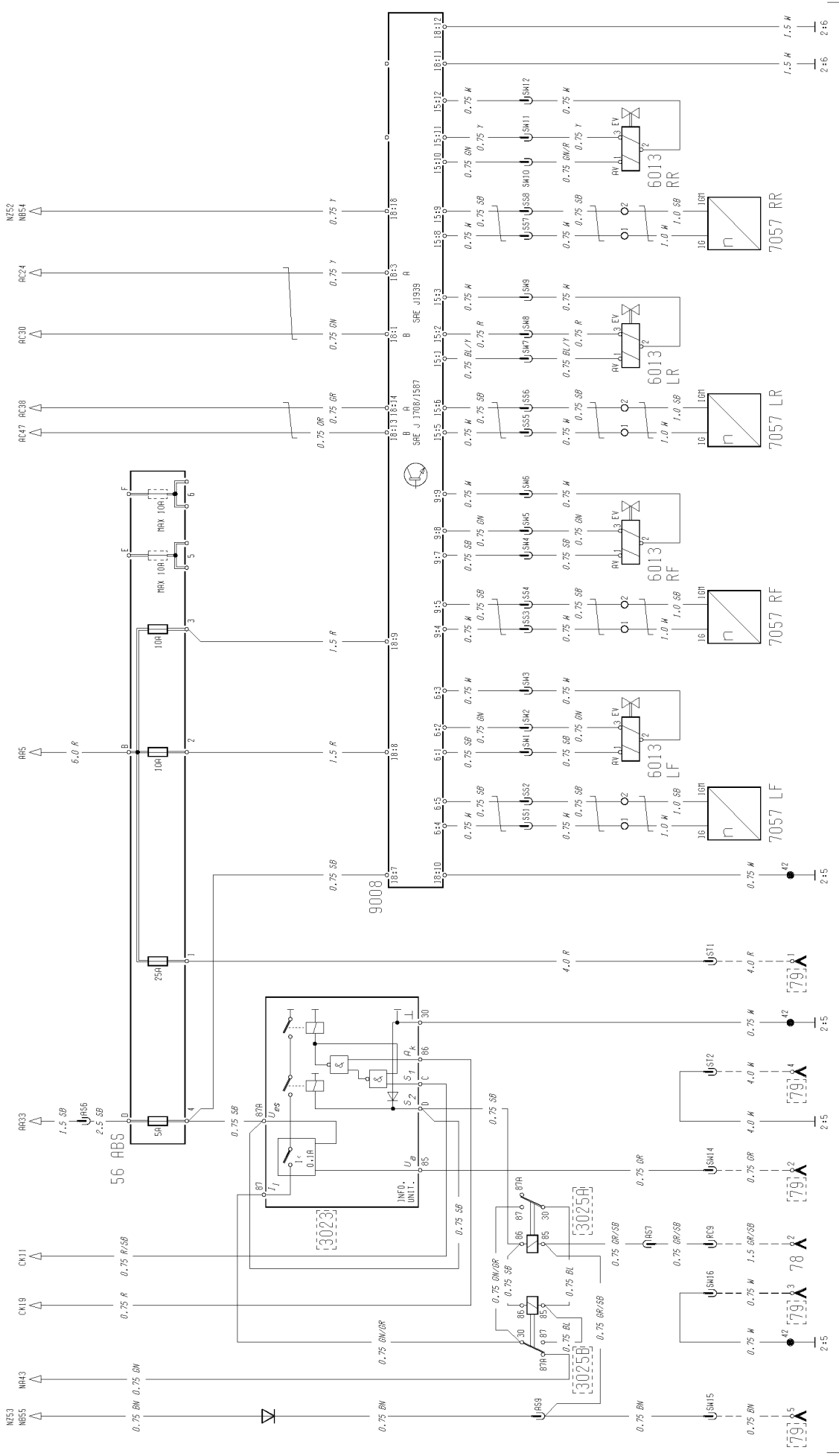


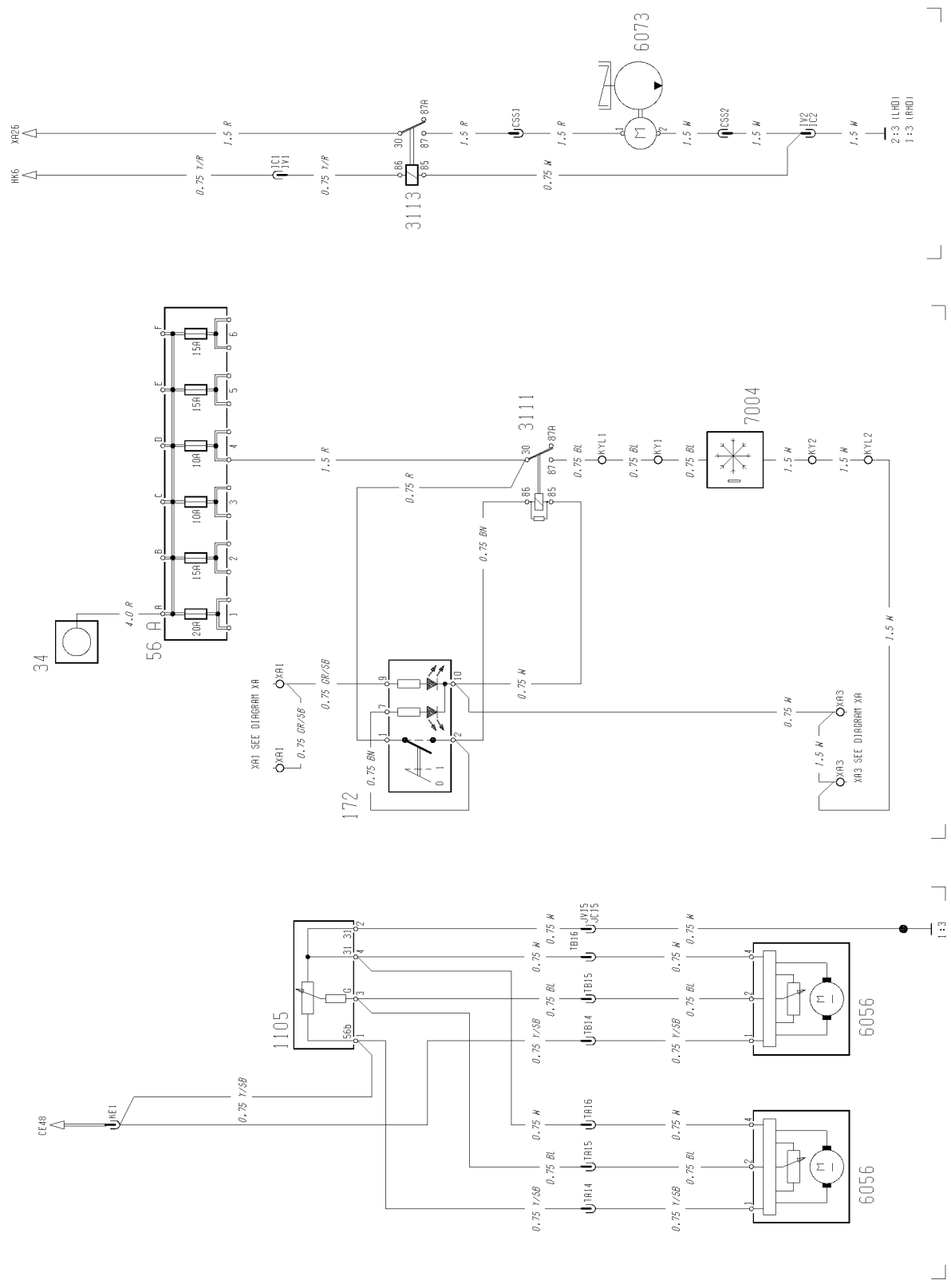
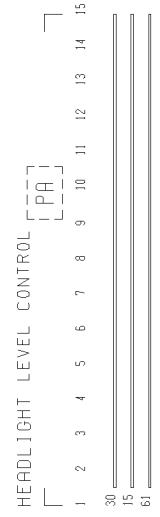
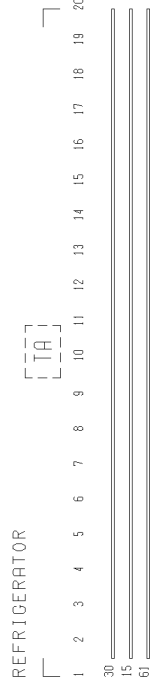
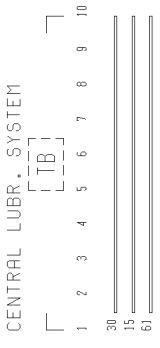
ABS/ASR... D-VERSION

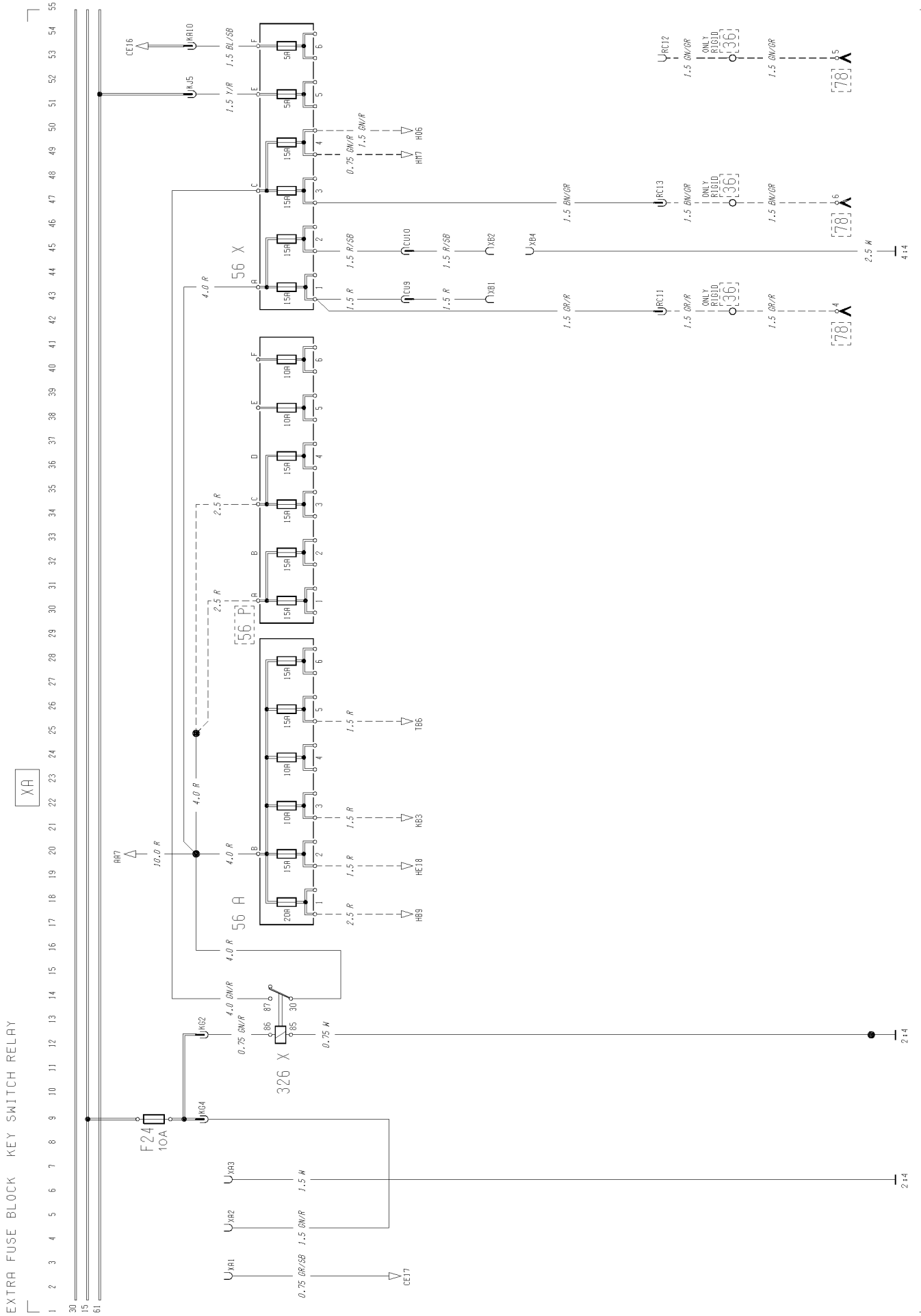
OB

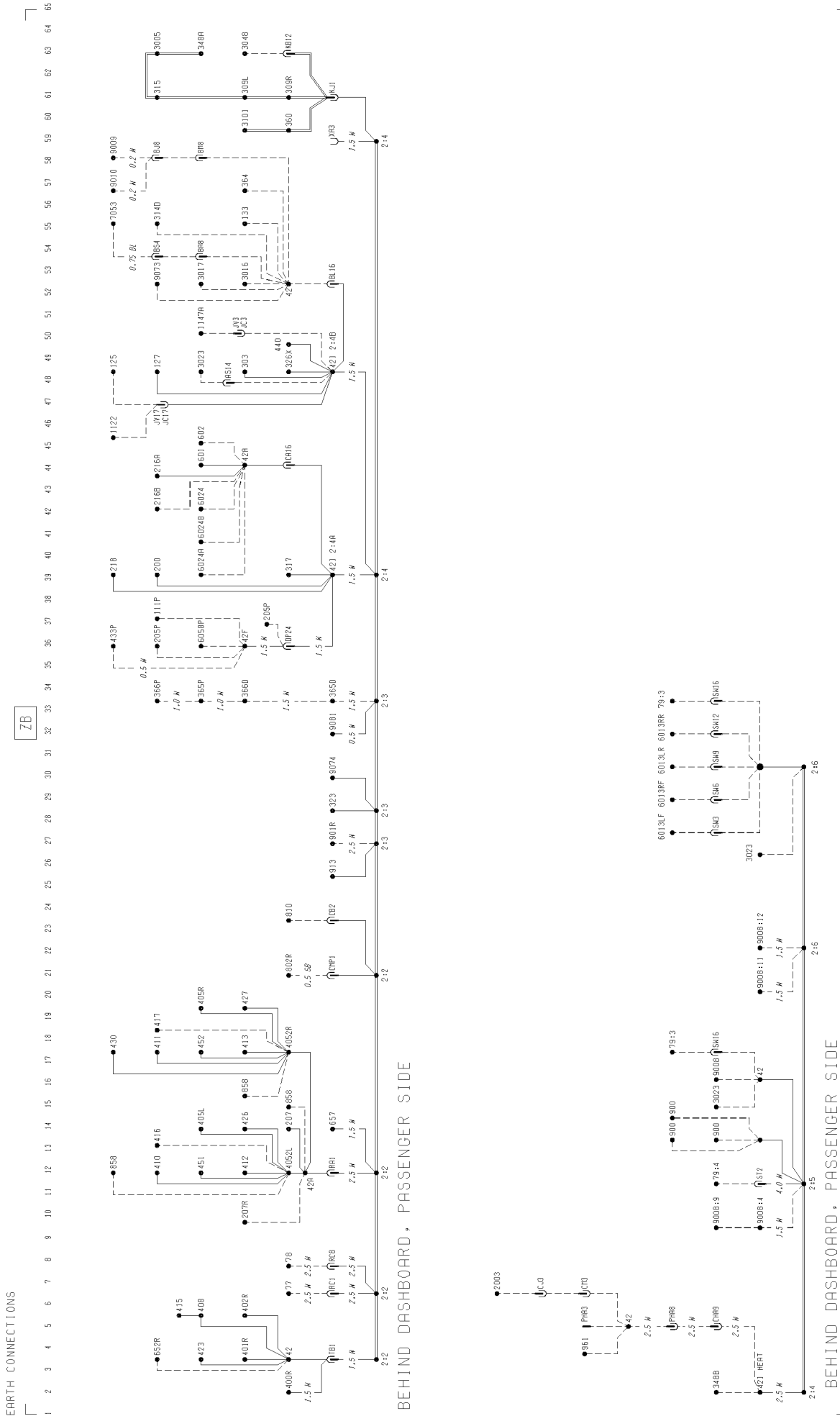
1 2 3 4 5 6 7 8 9 10 11 12 13 14 15 16 17 18 19 20 21 22 23 24 25 26 27 28 29 30 31 32 33 34 35 36 37 38 39 40 41 42 43 44 45 46 47 48 49 50 51 52 53 54 55 56 57 58 59 60

30
15
61





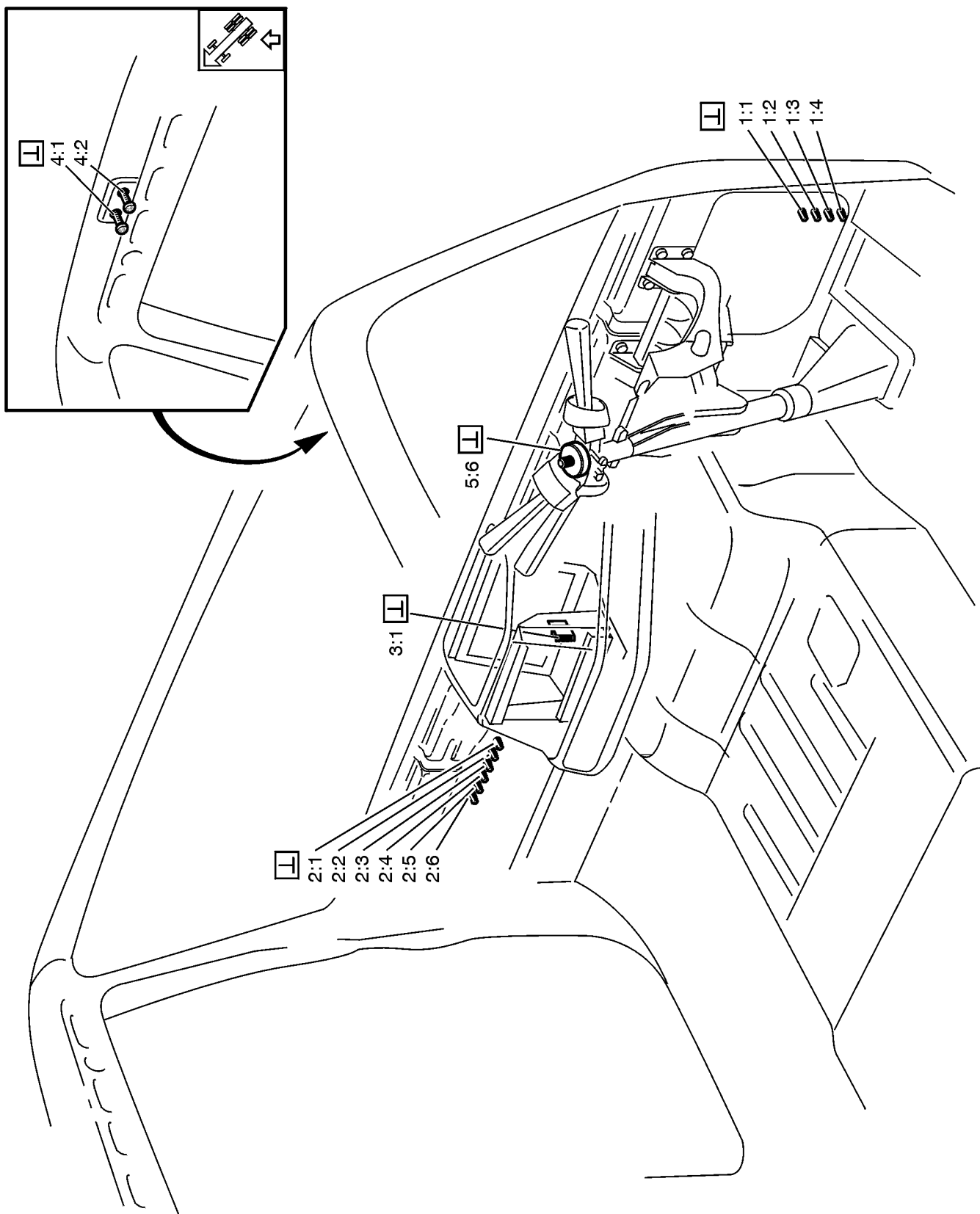




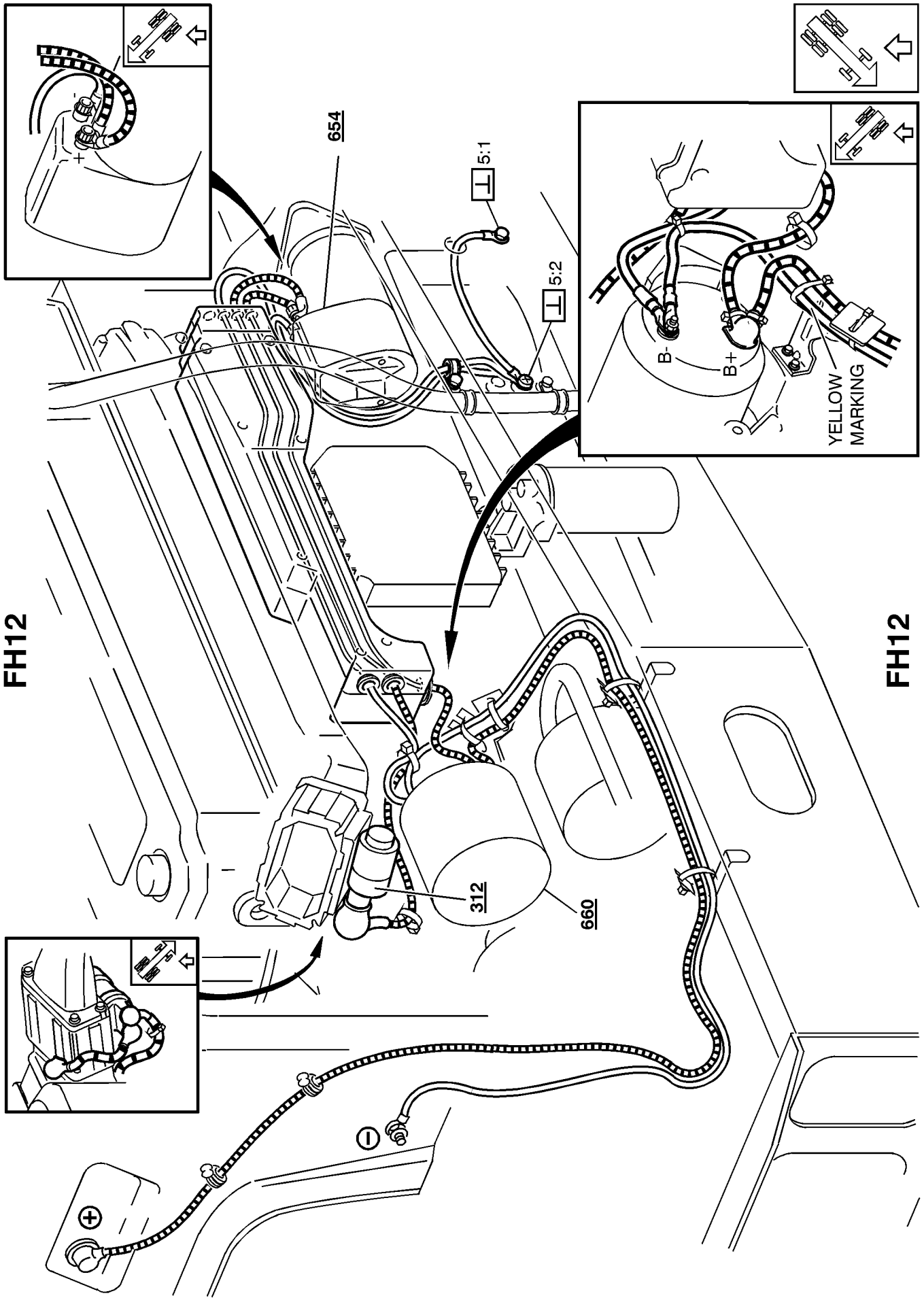
Illustrations index

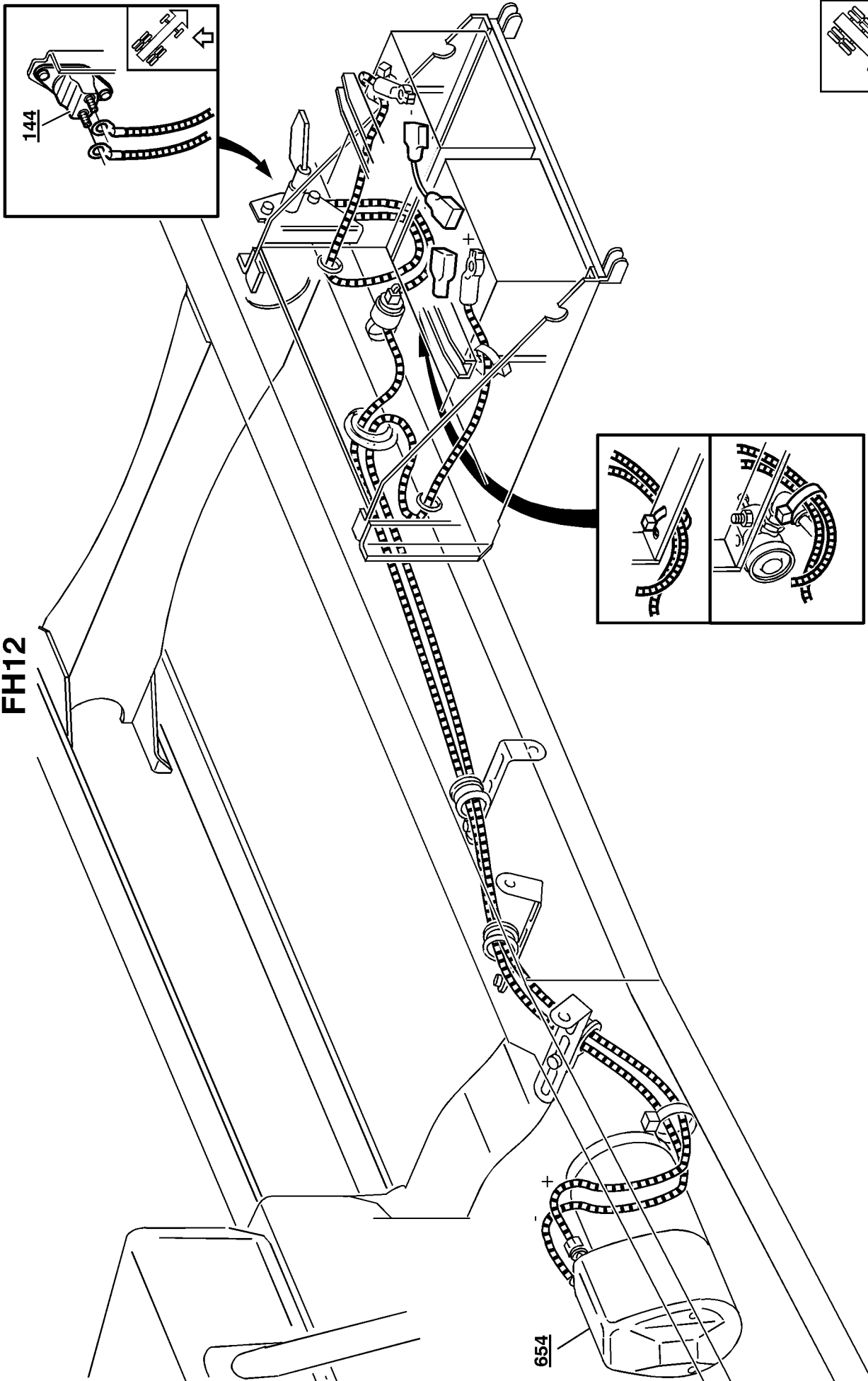
-	Earth connections	page 45
-	Battery cables	page 46
650	Windscreen wiper motor	page 79
1000	Cable harness, instruments	page 50
1002	Cable harness, tachograph (CABLE-EC)	page 55
1006	Cable harness, cab, upper	page 56
1007	Cable harness, cab, lower	page 58
1017	Cable harness, engine/cab heater	page 60
1020	Cable harness, cowl	page 61
1030	Cable harness, engine	page 62
1037	Cable harness, bogie lift	page 65
1042	Cable harness, tail lights	page 66
1056	Cable harness, air dryer	page 67
1057	Cable harness, chassis	page 68
1072	Cable harness, air suspension	page 69
1074	Cable harness, hydraulic bogie lift with axle load limiter	page 71
1077	Cable harness, side marking lamp	page 73
1083	Cable harness, door	page 74
1084	Cable harness, cab, ABS	page 77
1086	Cable harness, solenoid valve, ABS	page 78
1097	Cable harness, bogie lift feeder cable	page 72
1402	Cable harness, windscreen washers	page 79
1420	Cable harness, speed warning-roof lamps	-
1425	Cable harness, pulse sensor - tachograph (CABLE-B)	page 55
1440	Cable harness, el. operated rearview mirror	page 80
1454	Cable harness, cab tilt pump	page 81
1465	Cable harness, additional accessories	page 82
1468	Cable harness, water separator	page 83
1469	Cable harness, fuel filter heater	page 84
1476	Cable harness, engine, cab	page 85
1488	Cable harness, central lubrication system	page 89
1489	Cable harness, adapter, no tachograph	page 50

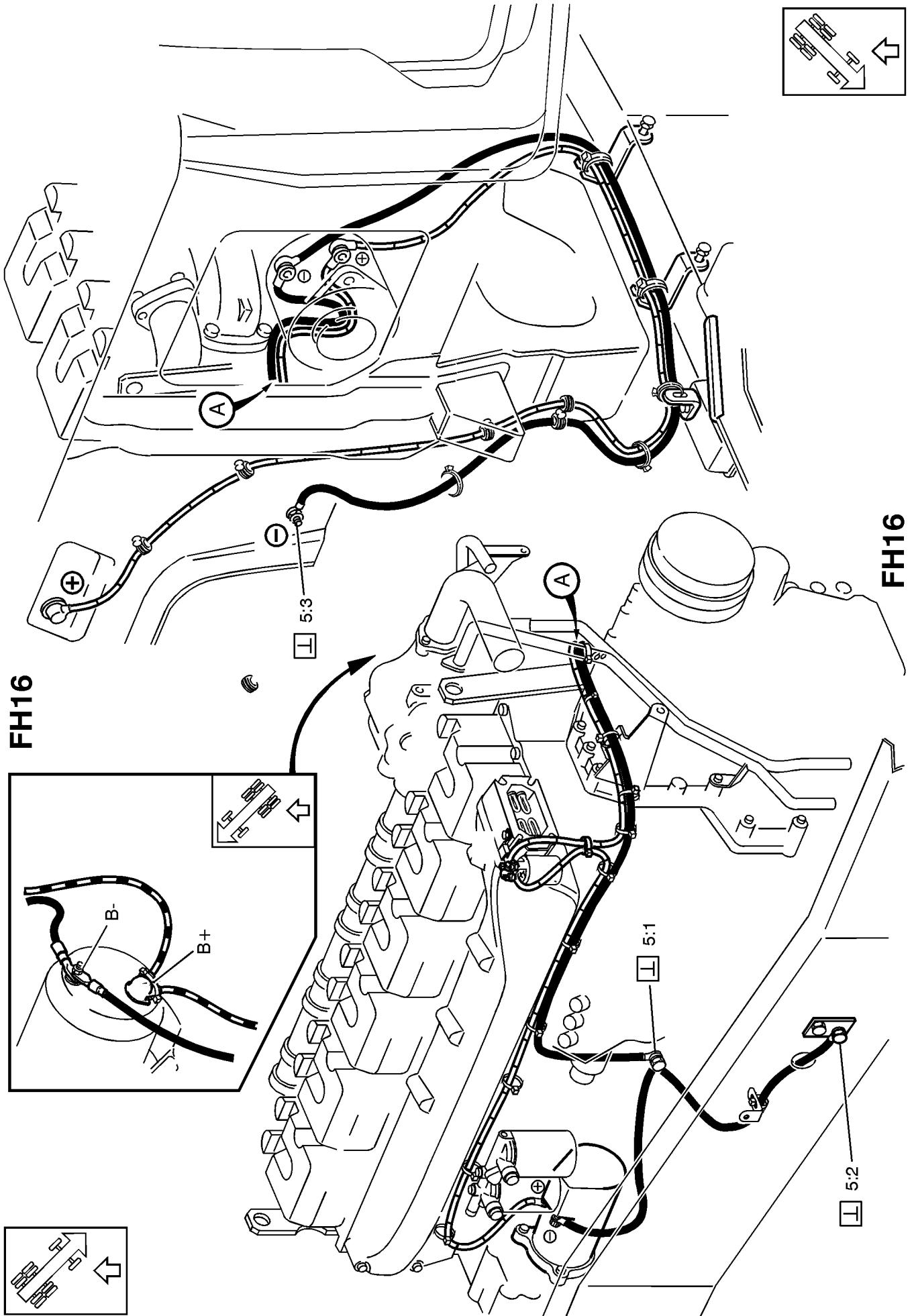
Illustrations

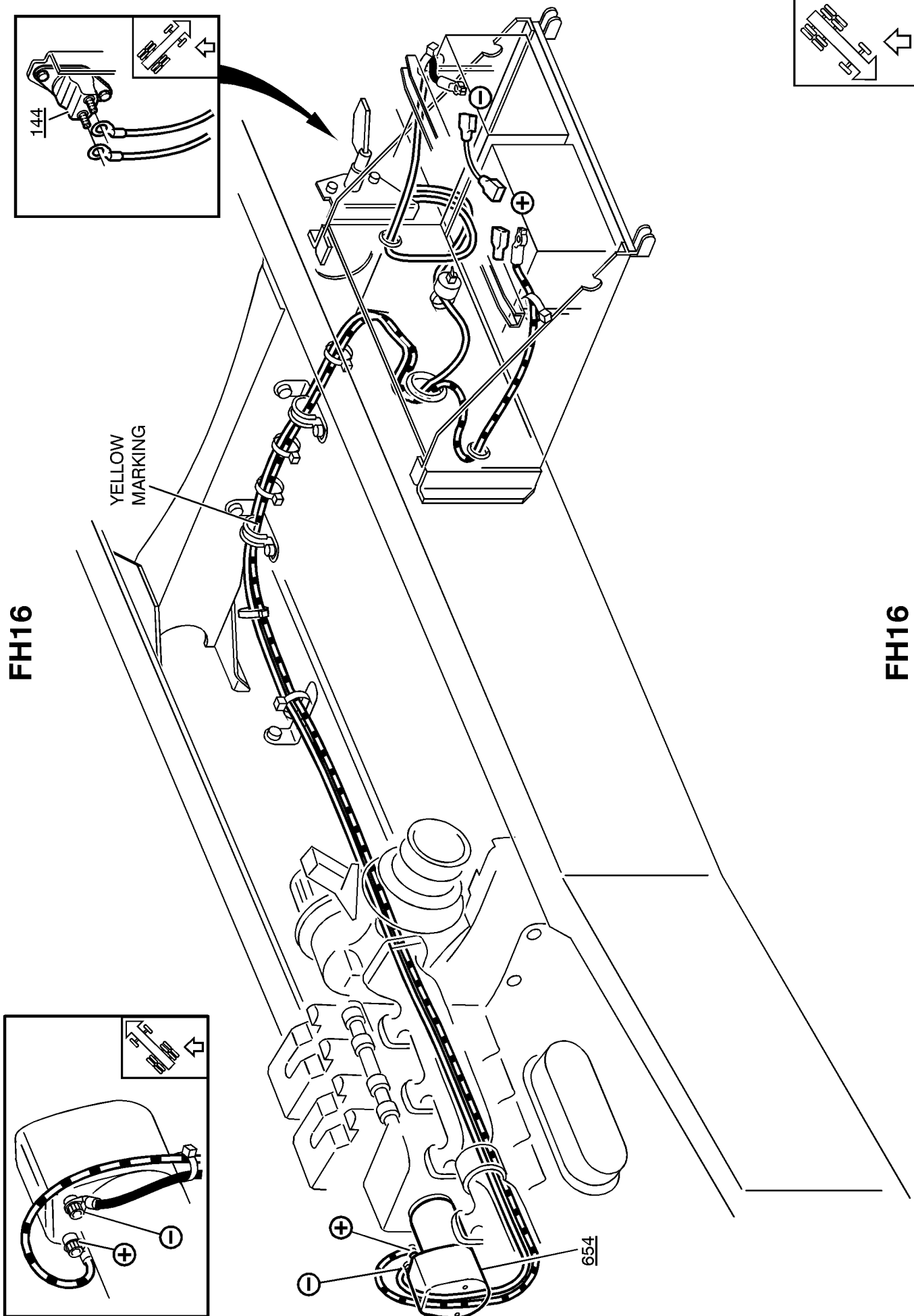


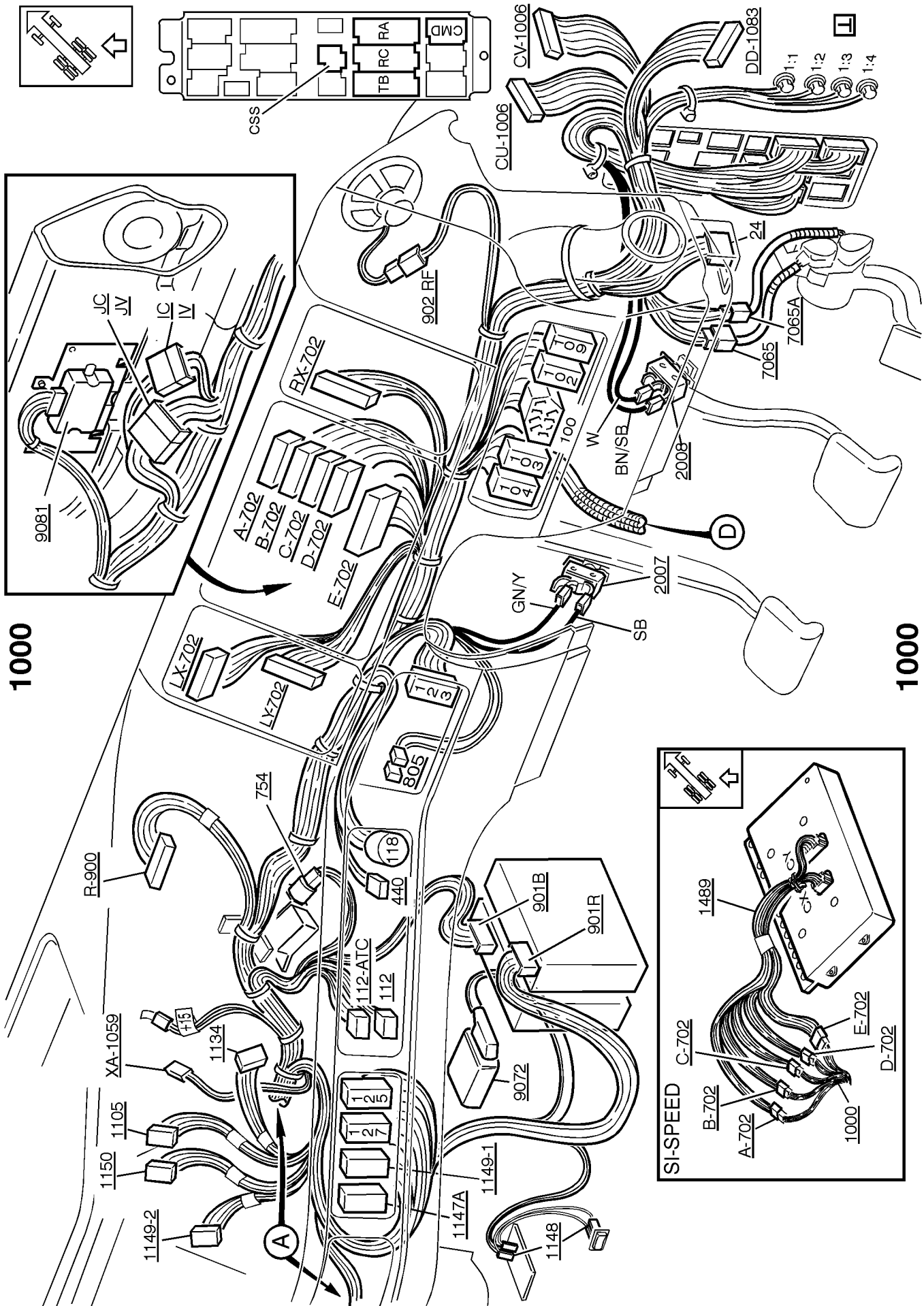
T3011290

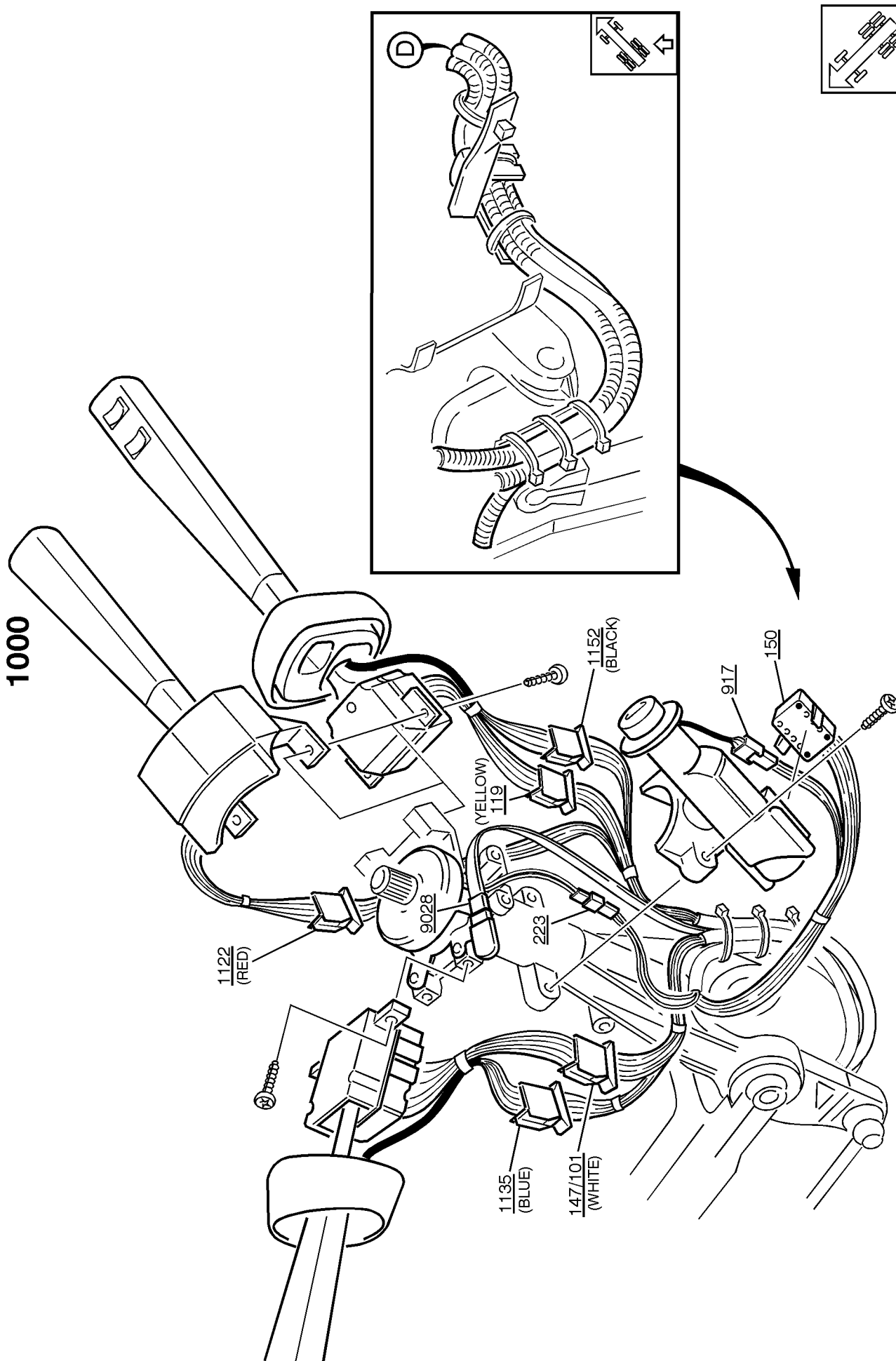




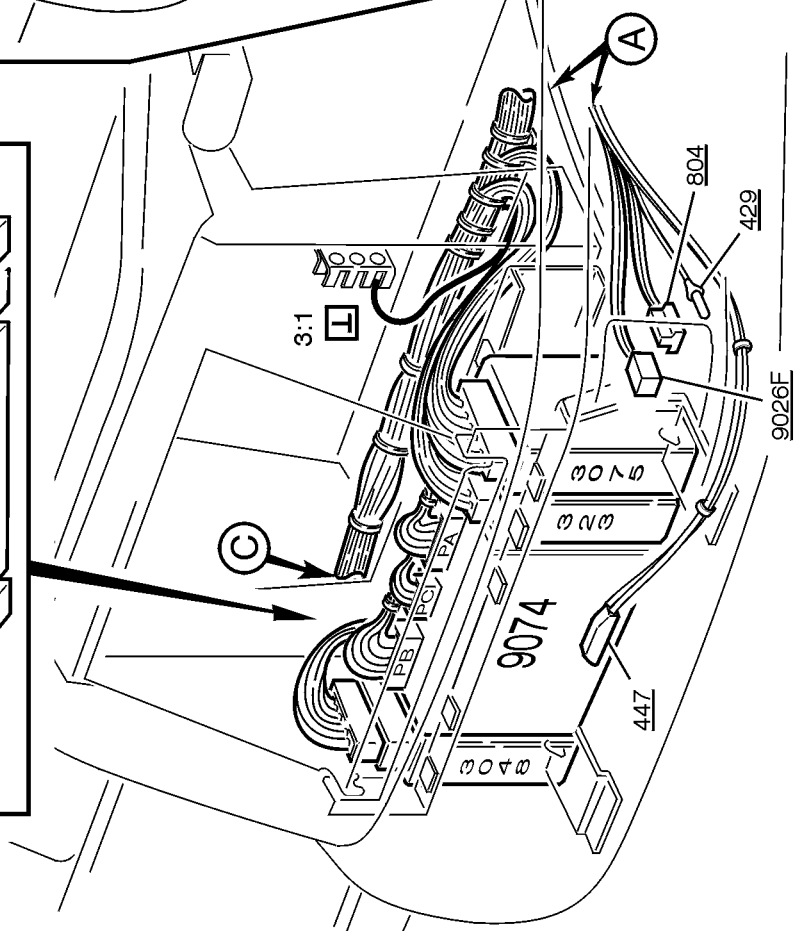
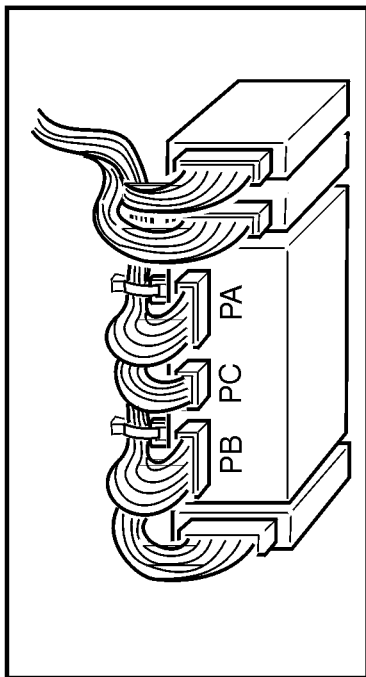
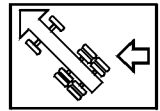
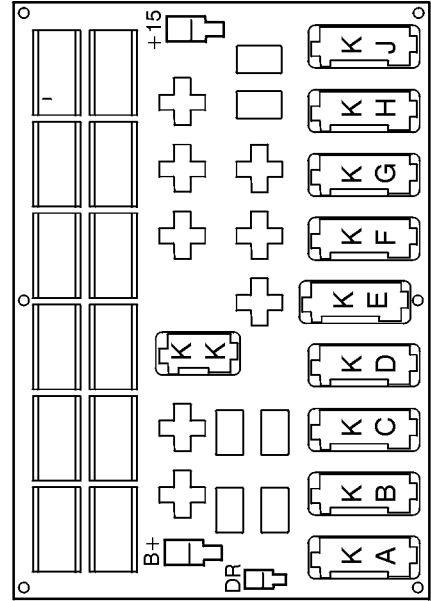
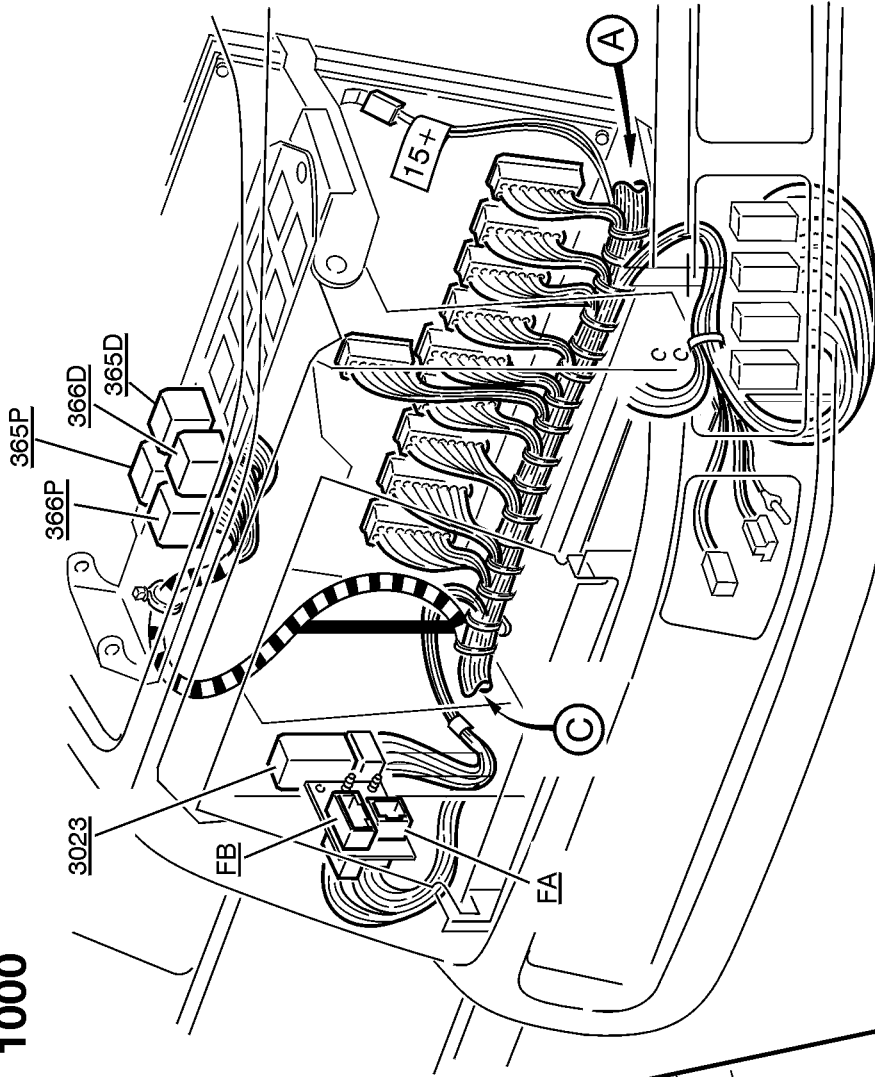






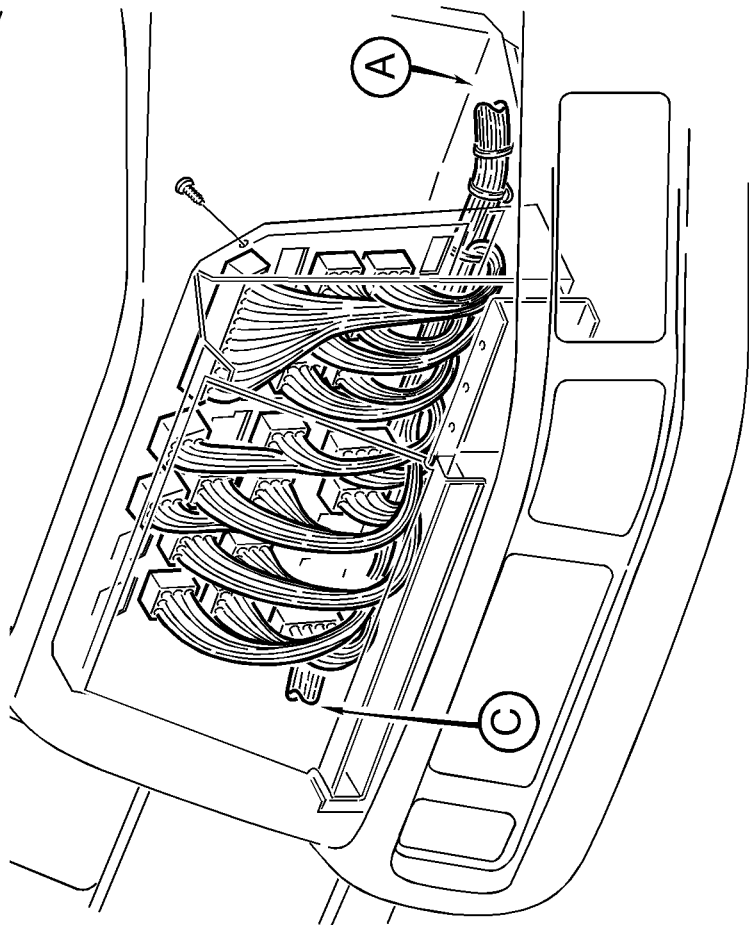
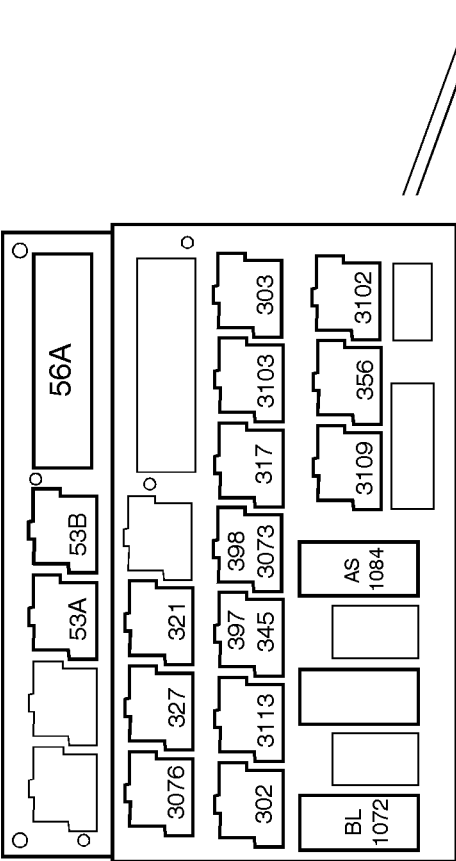


1000

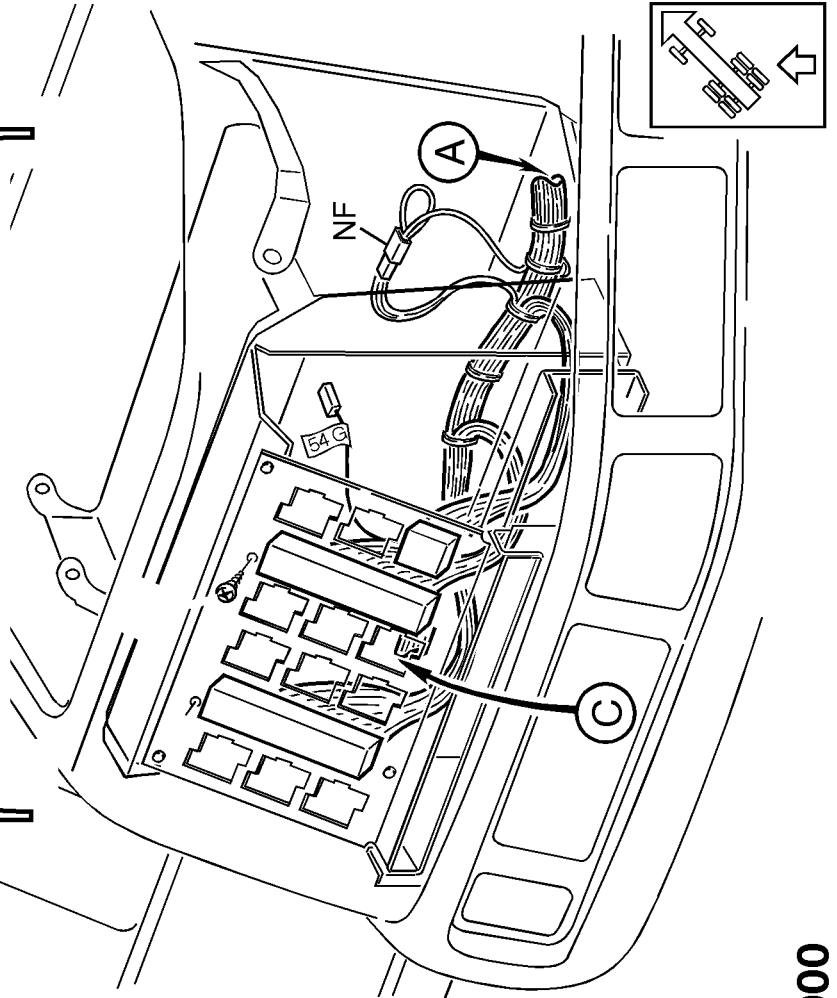
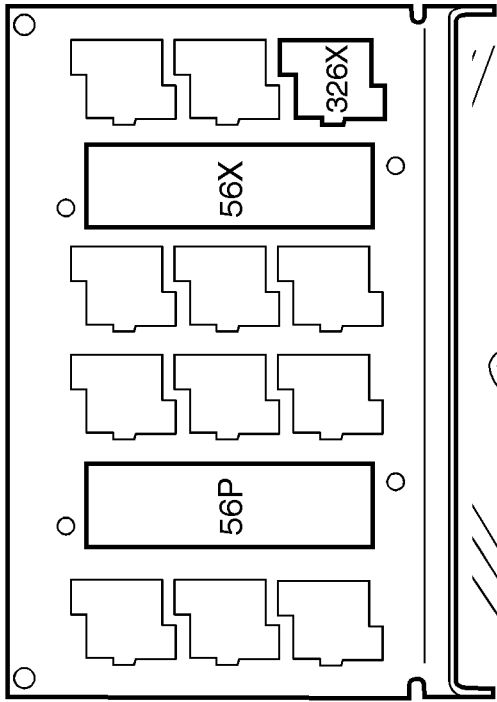


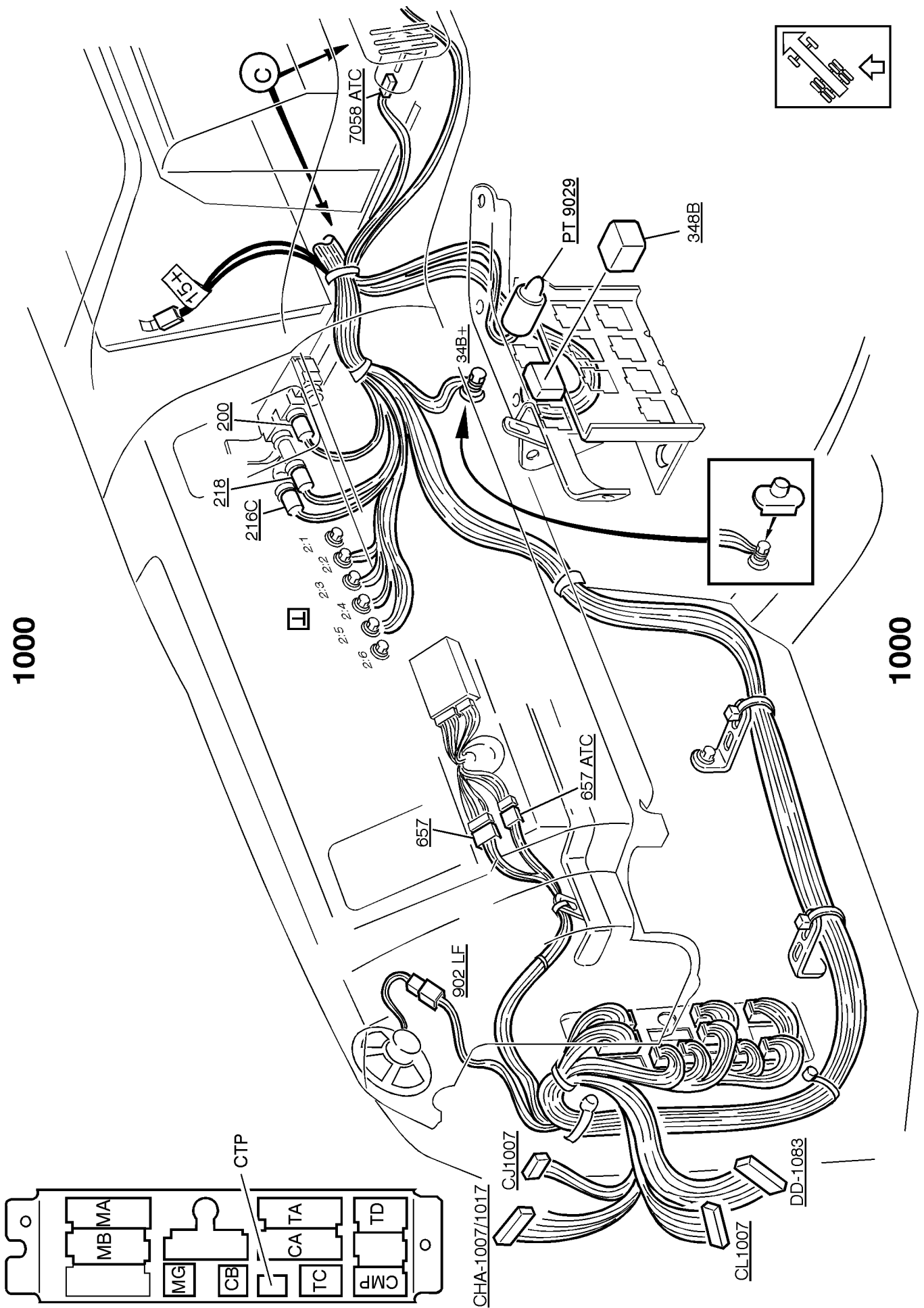
1000

1000



1000

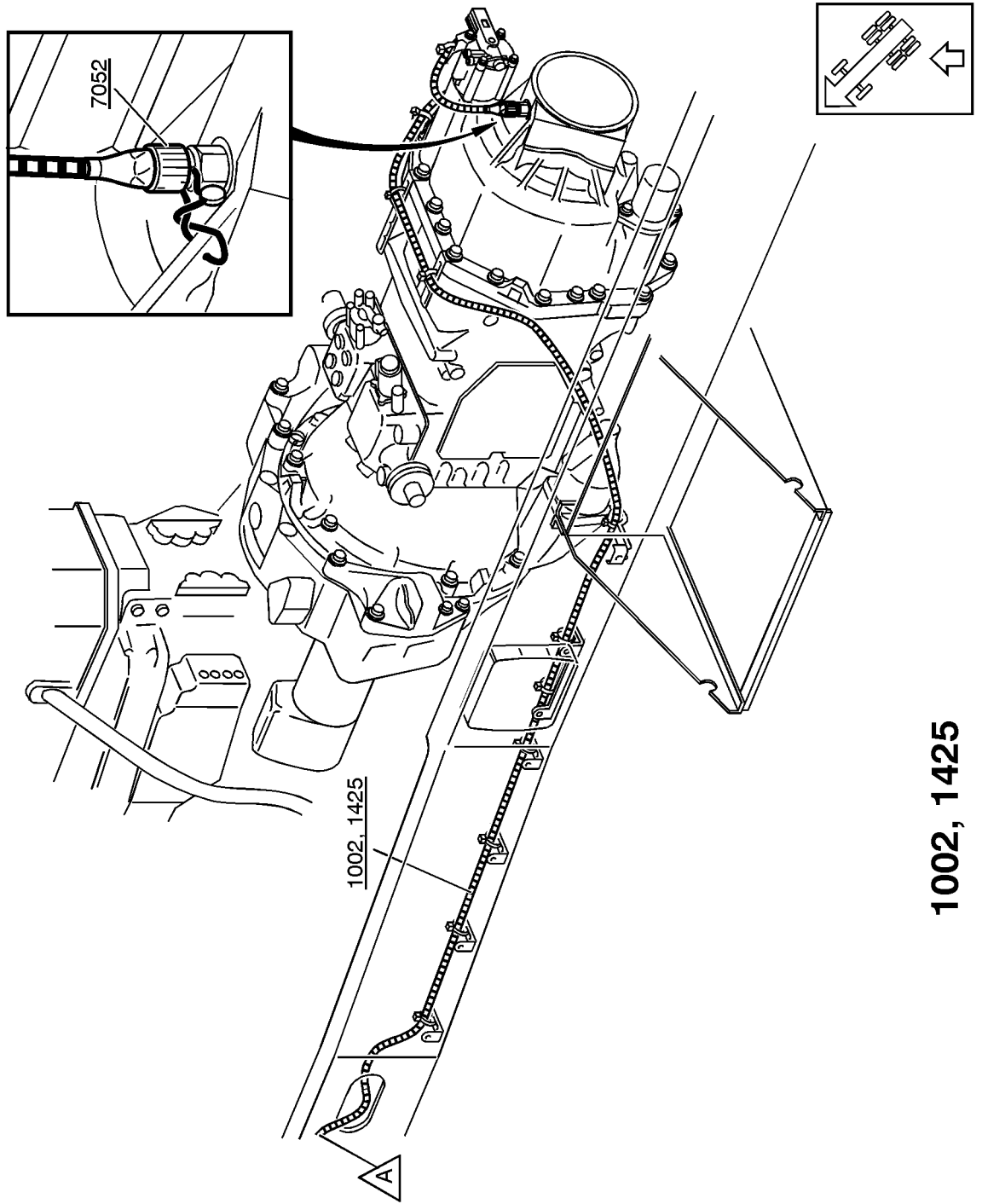




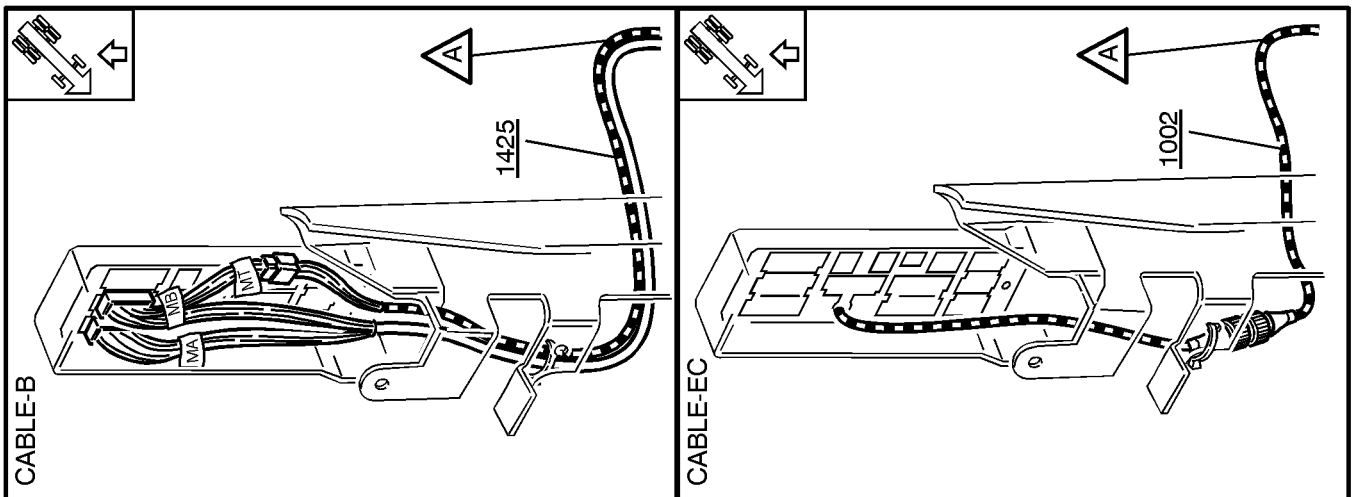
1000

1000

1002, 1425

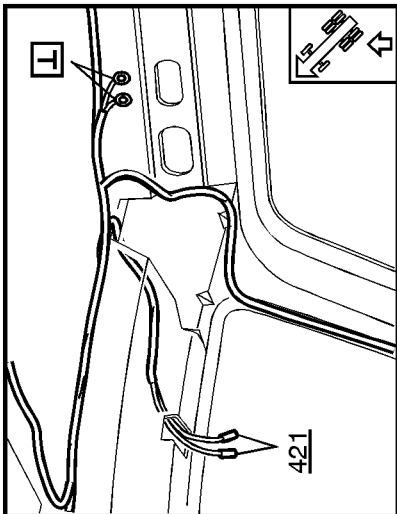
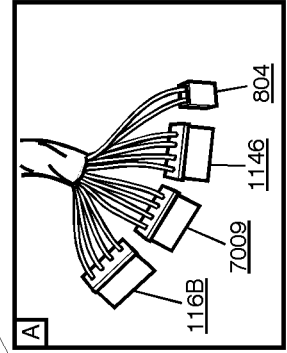
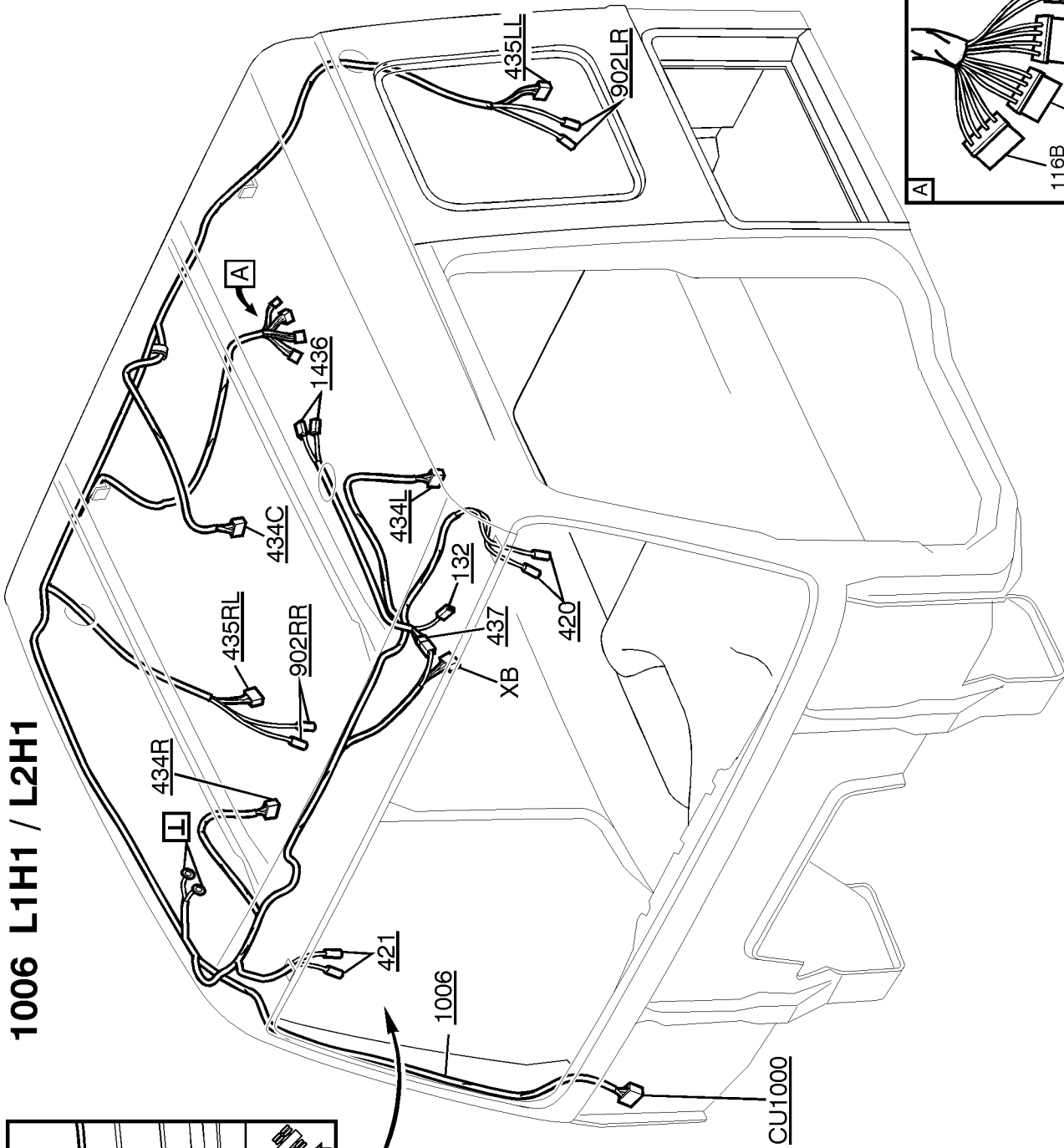


1002, 1425

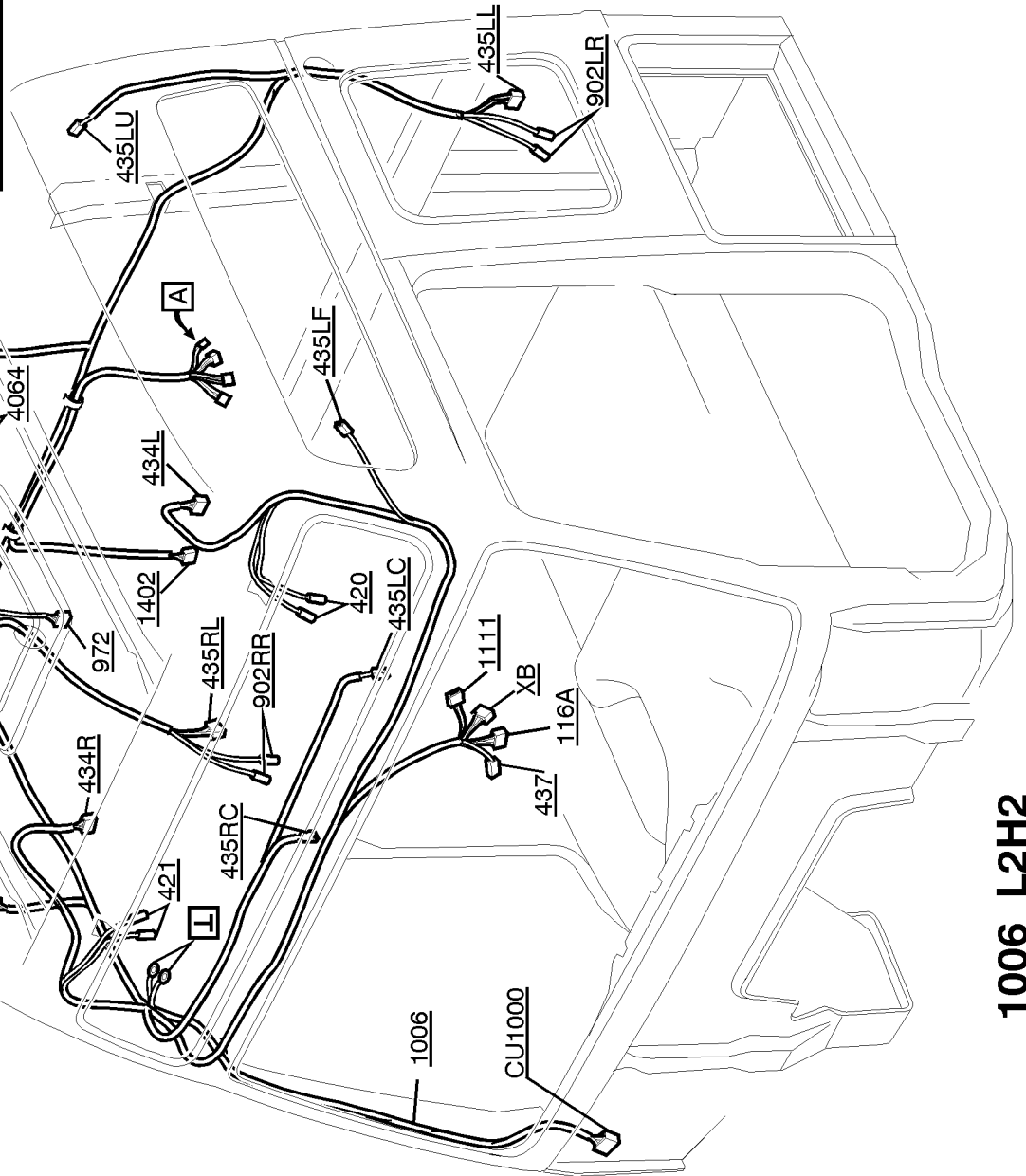
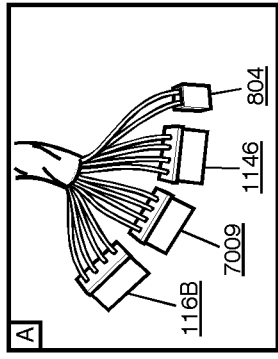
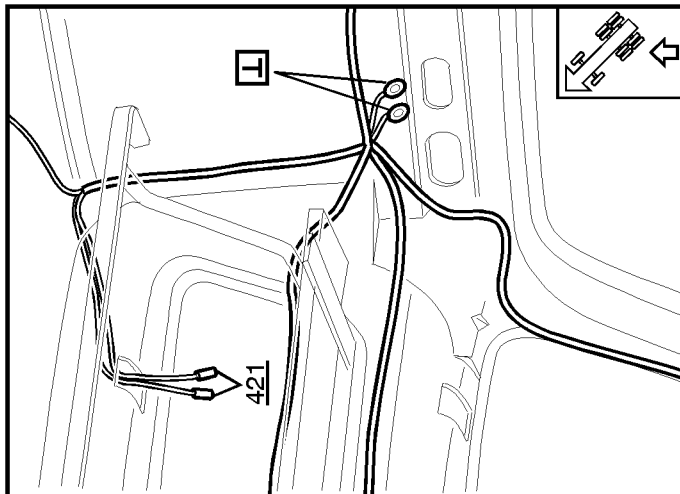


1006 L1H1 / L2H1

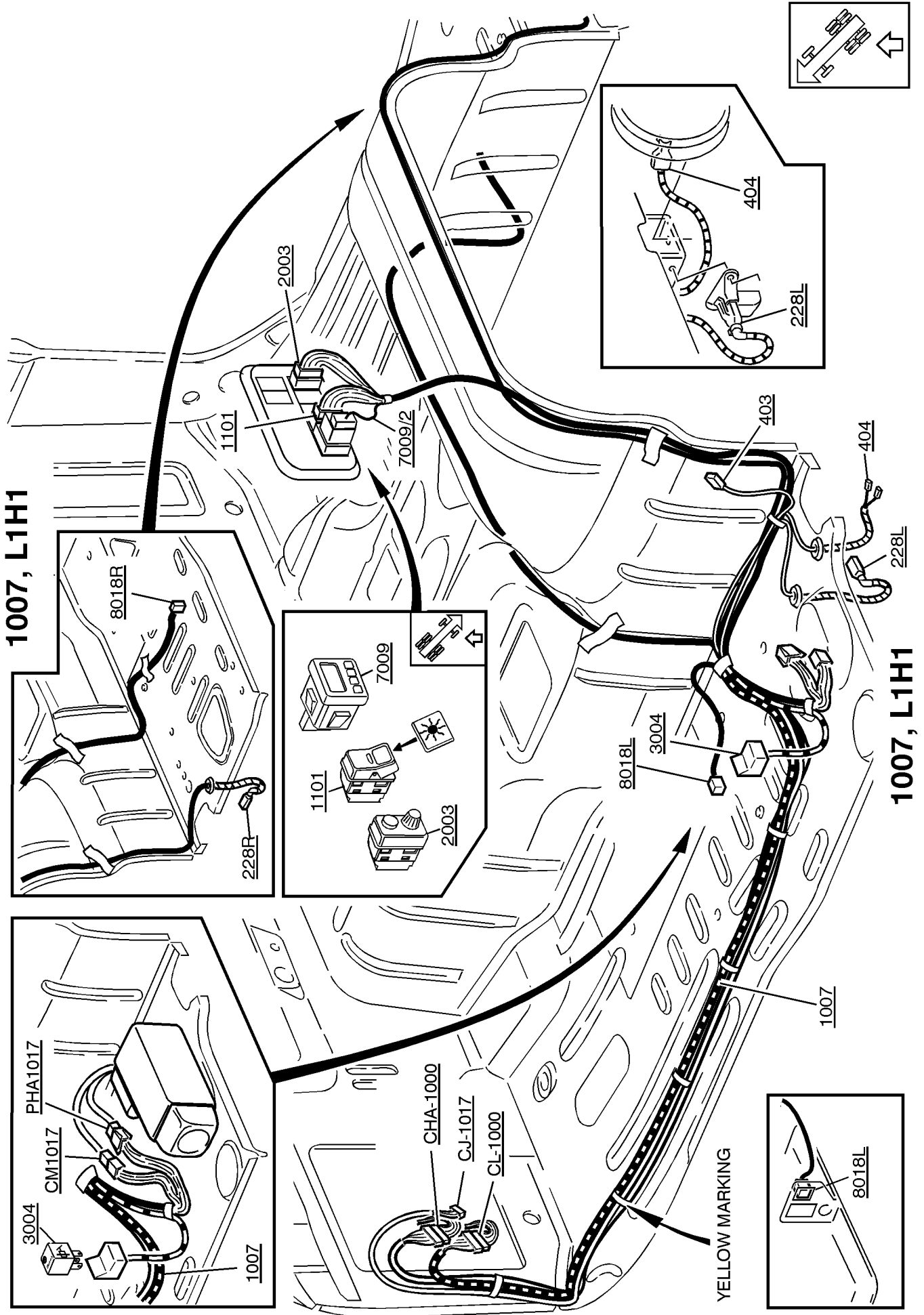
1006 L1H1 / L2H1

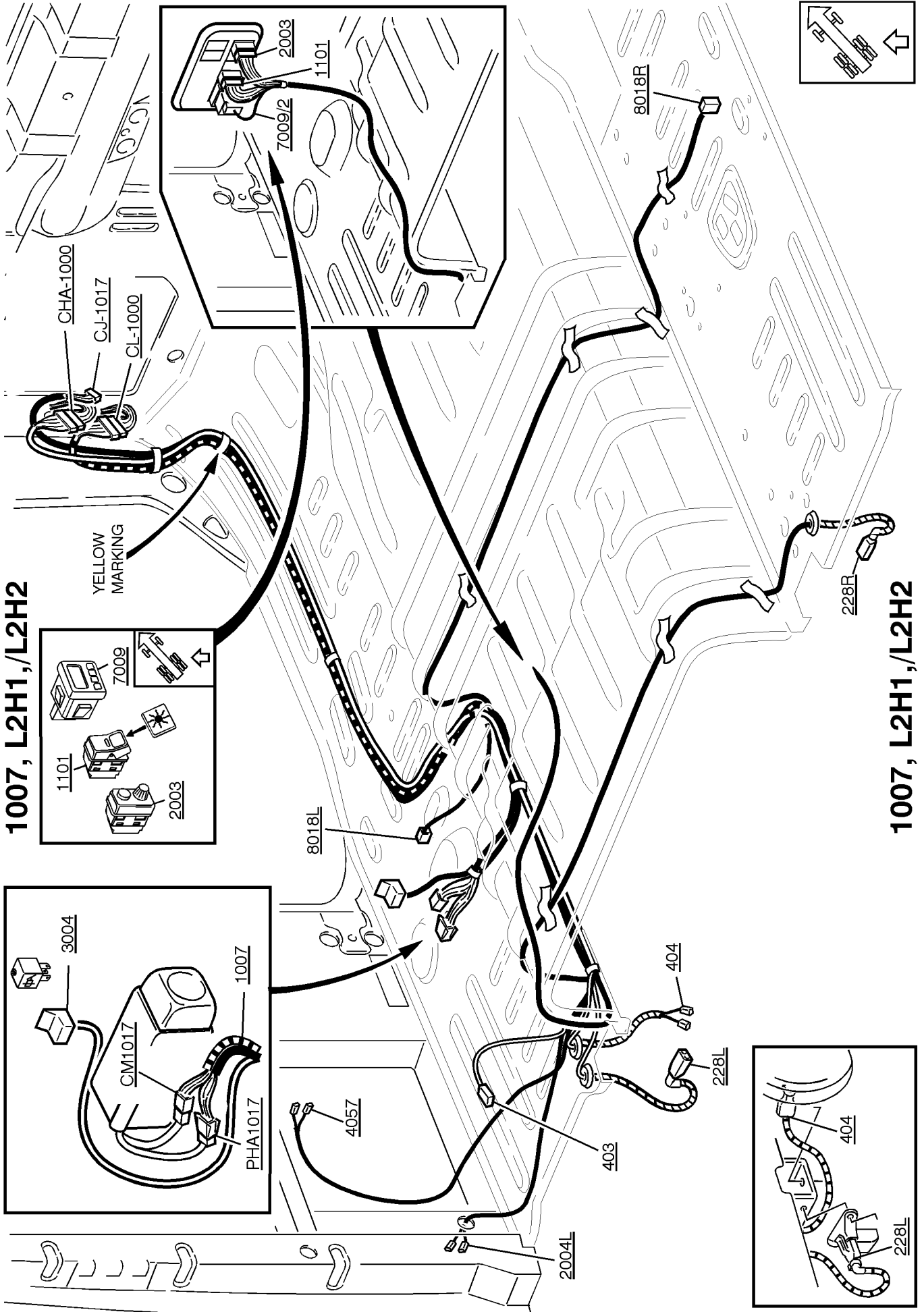


1006 L2H2



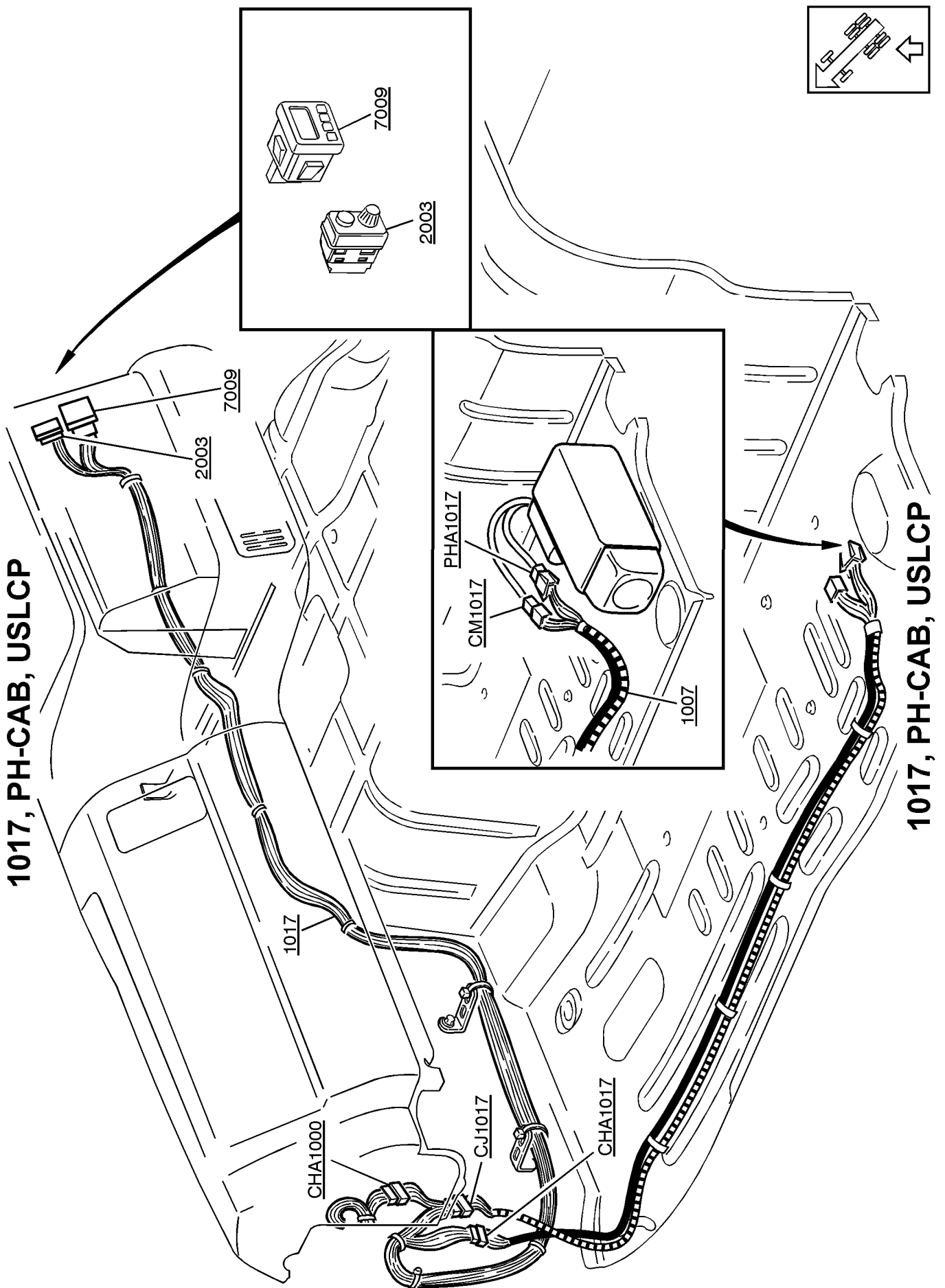
1006 L2H2

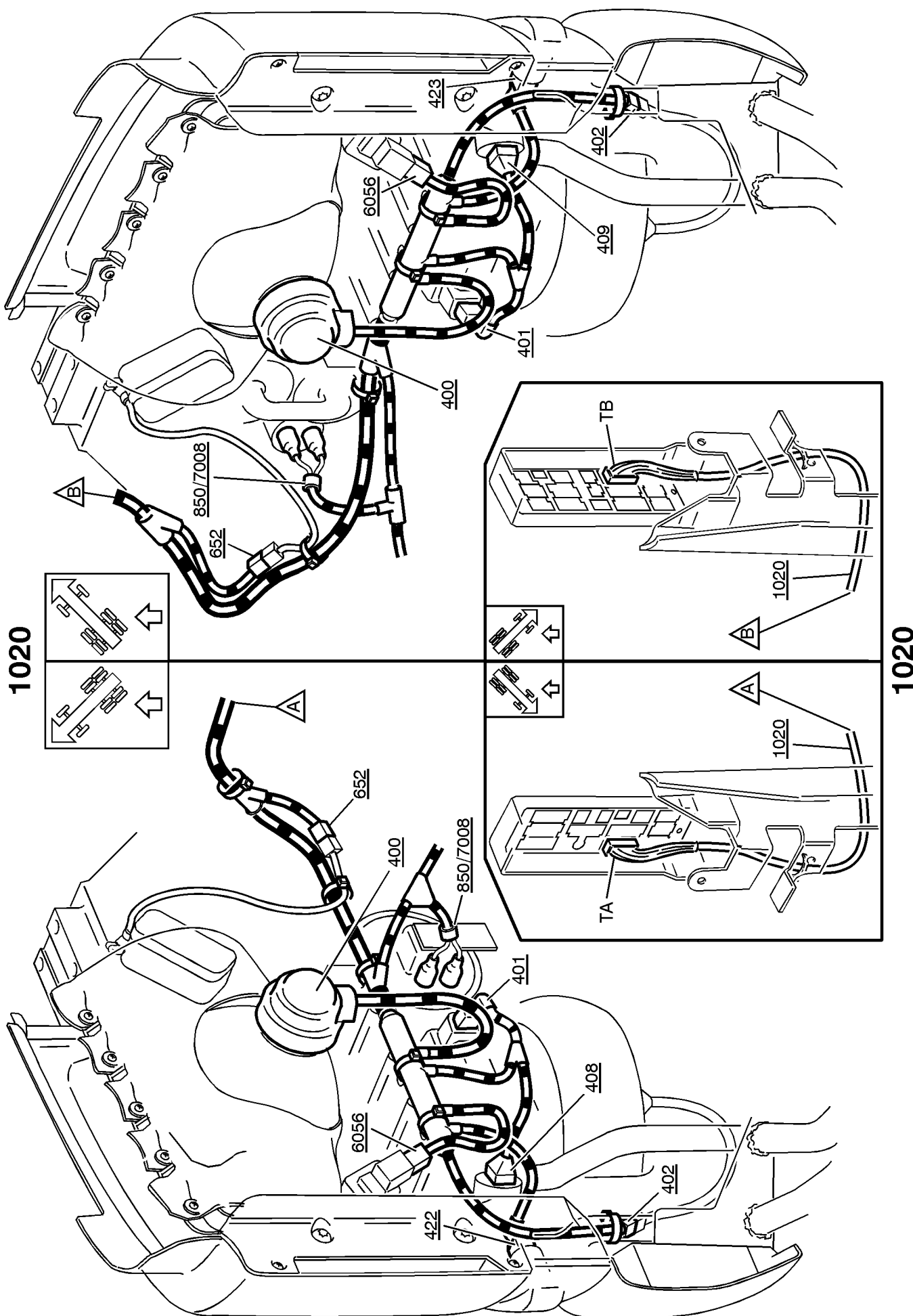




1007, L2H1, /L2H2

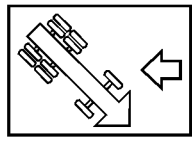
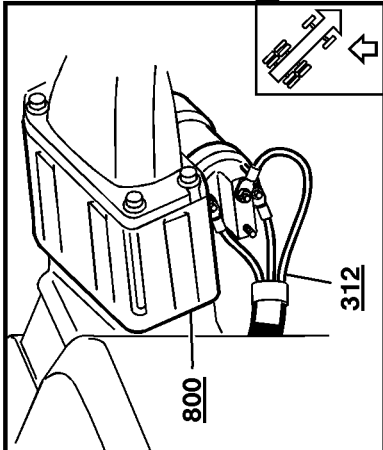
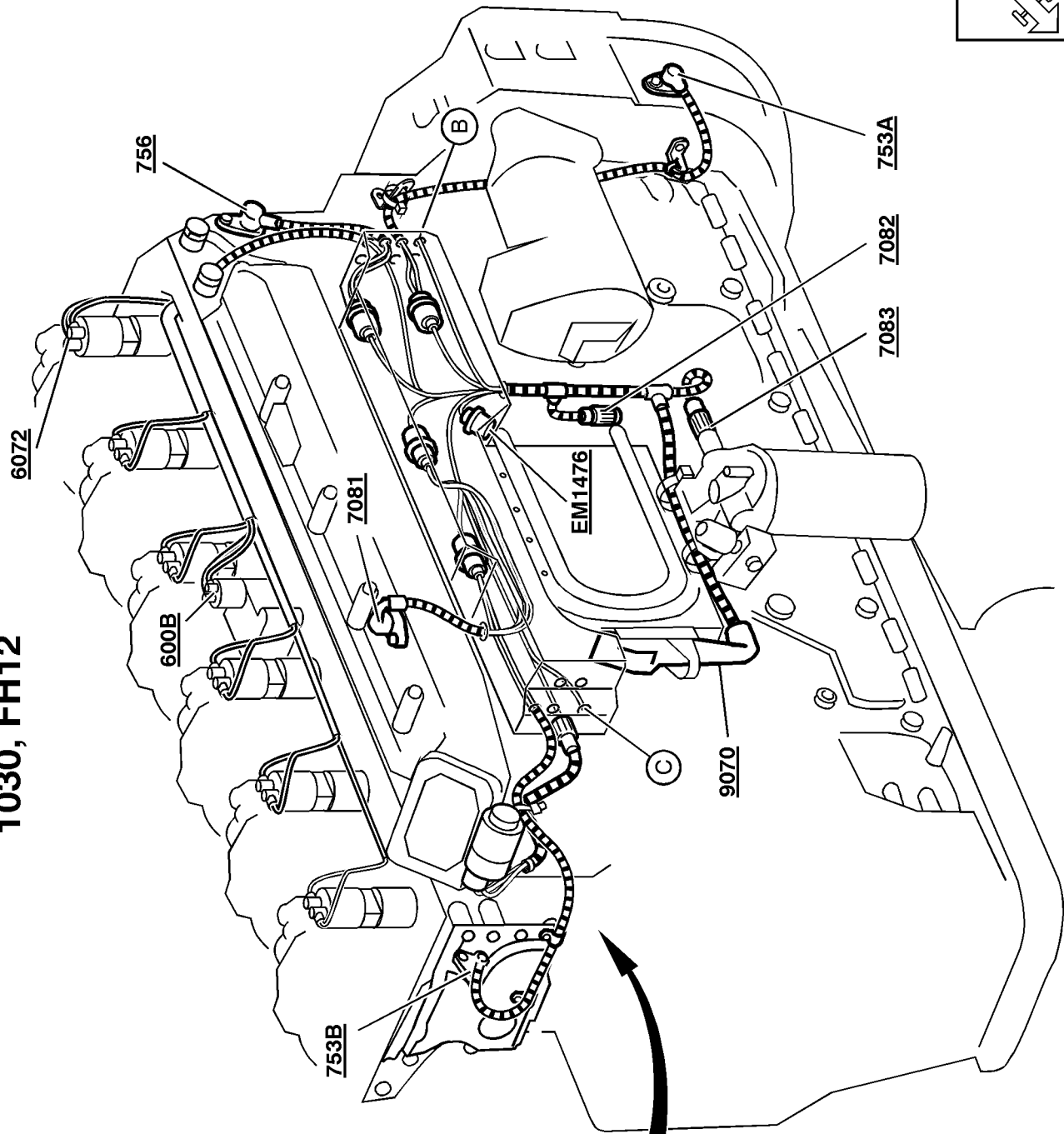
1007, L2H1, /L2H2





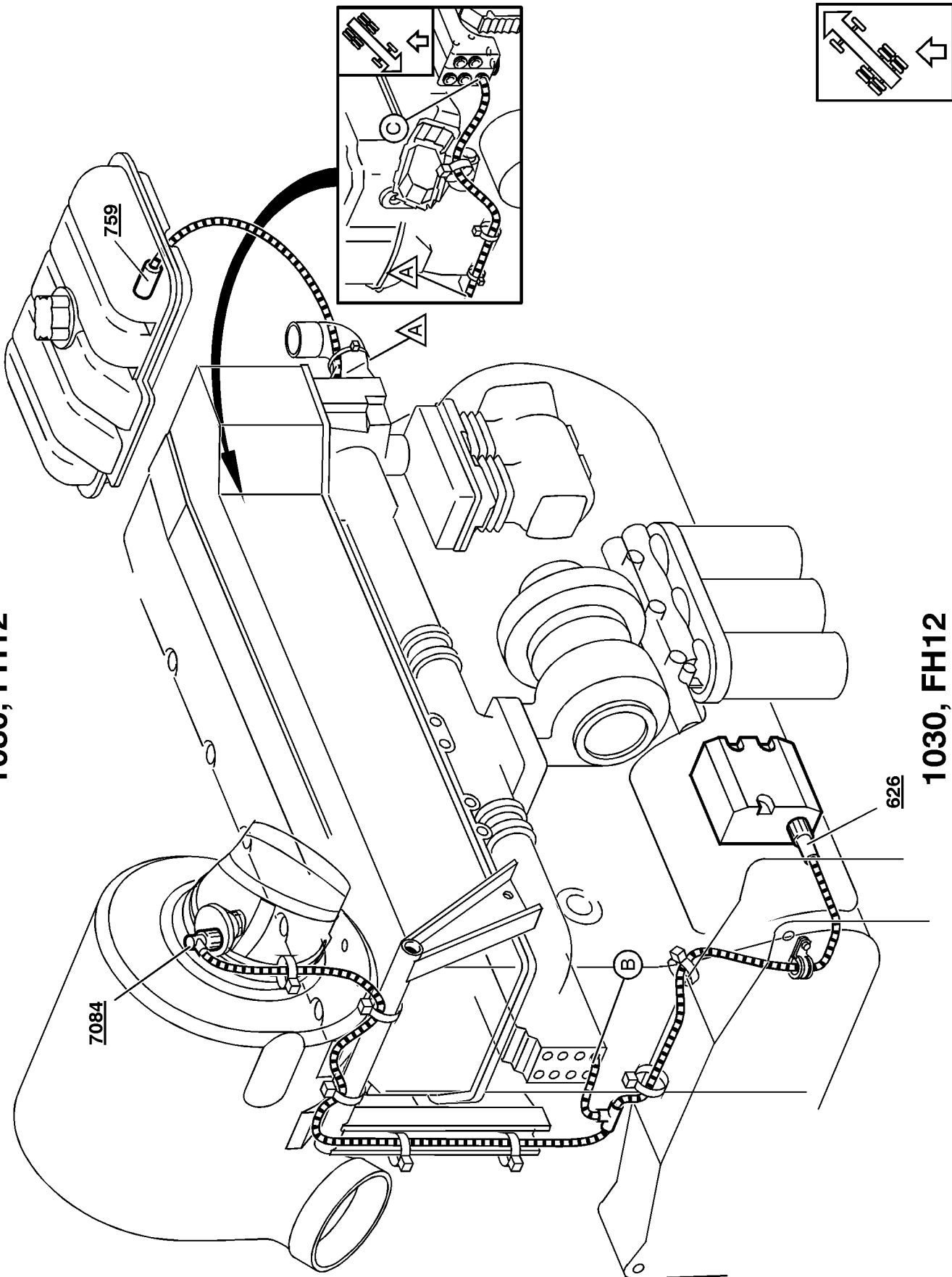
1030, FH12

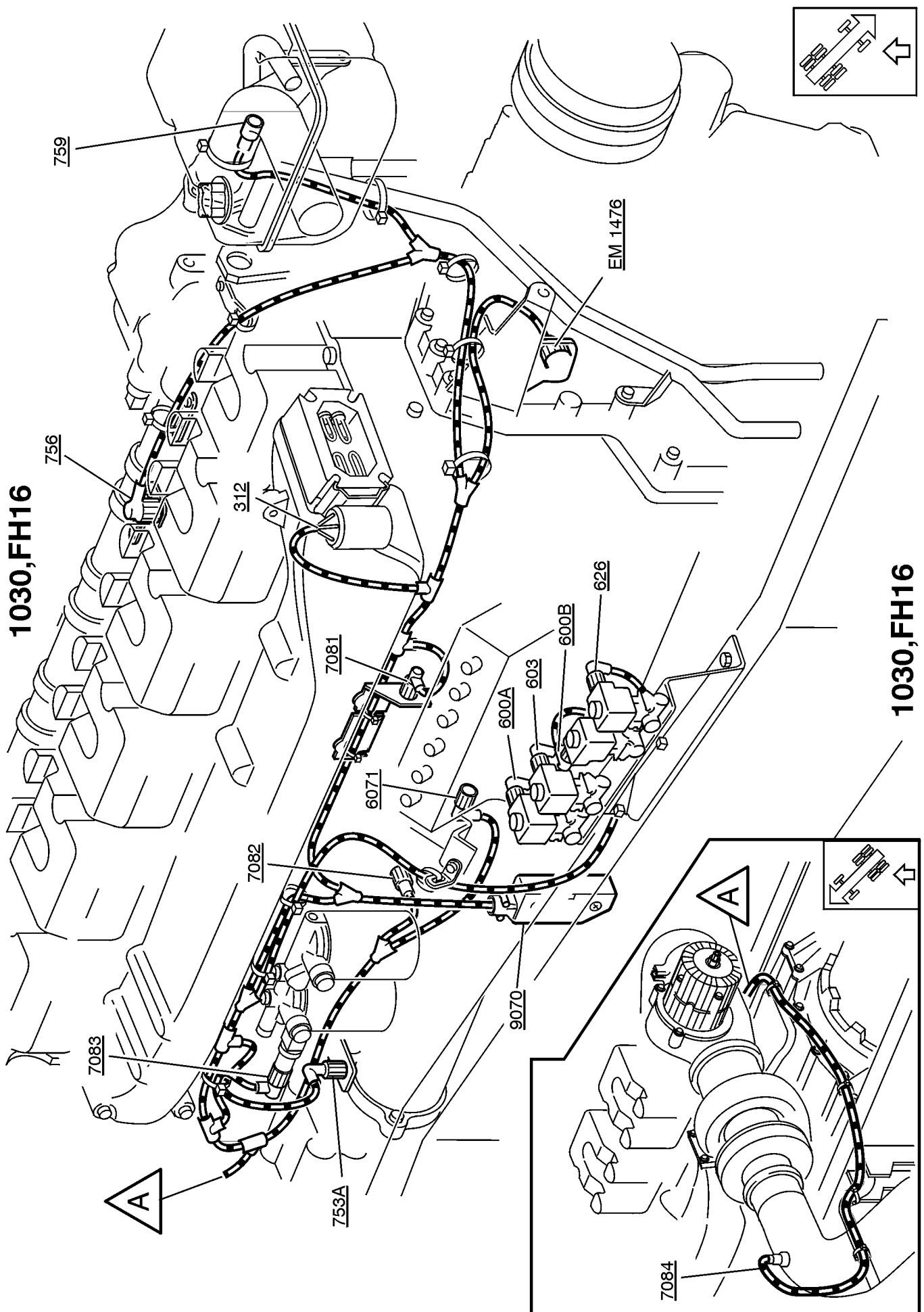
1030, FH12

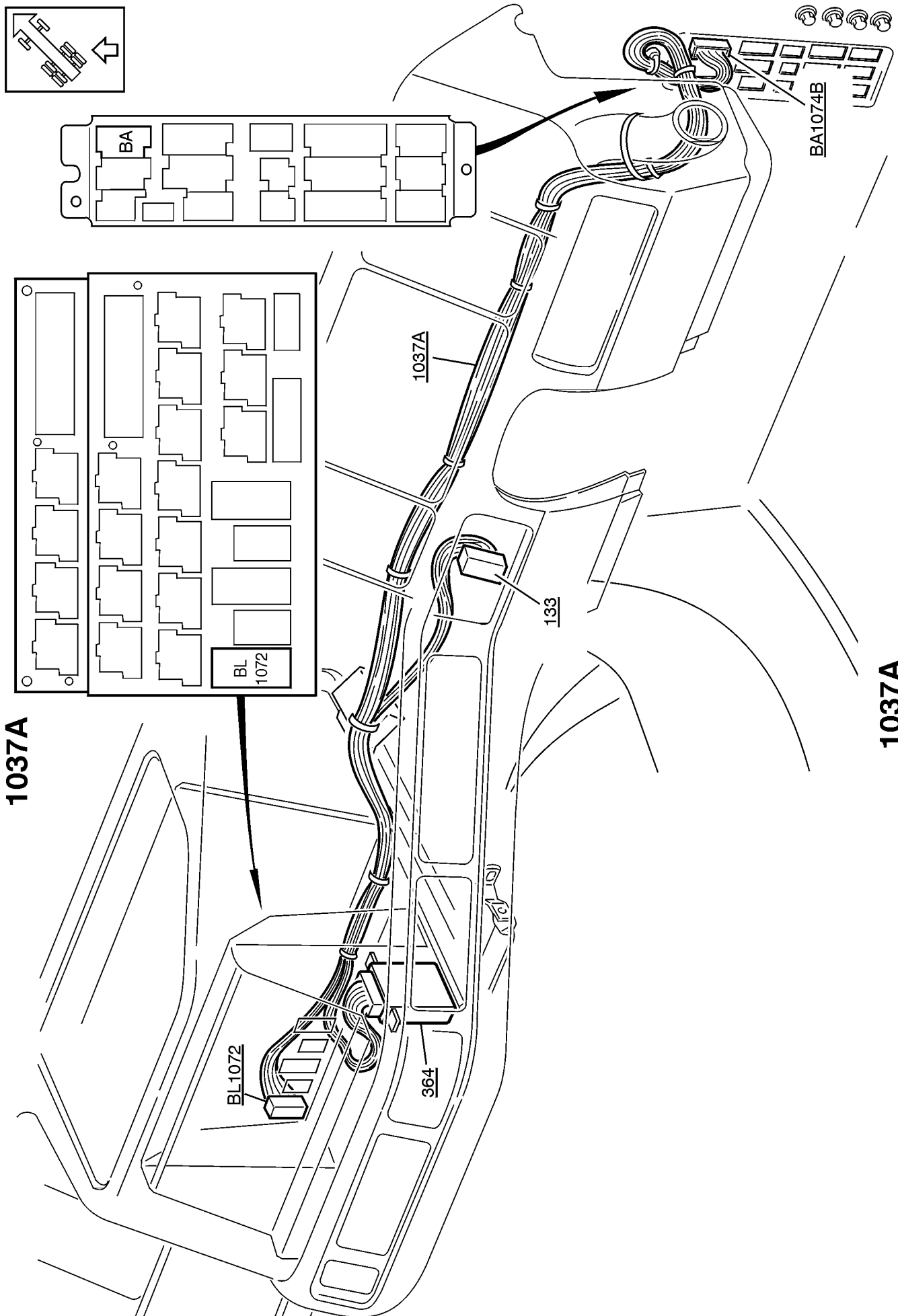


1030, FH12

1030, FH12

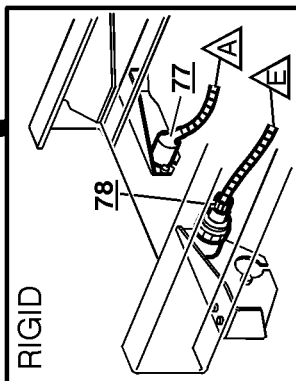
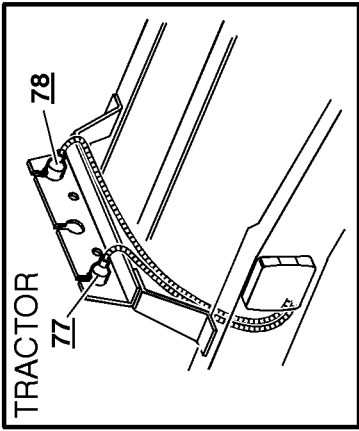
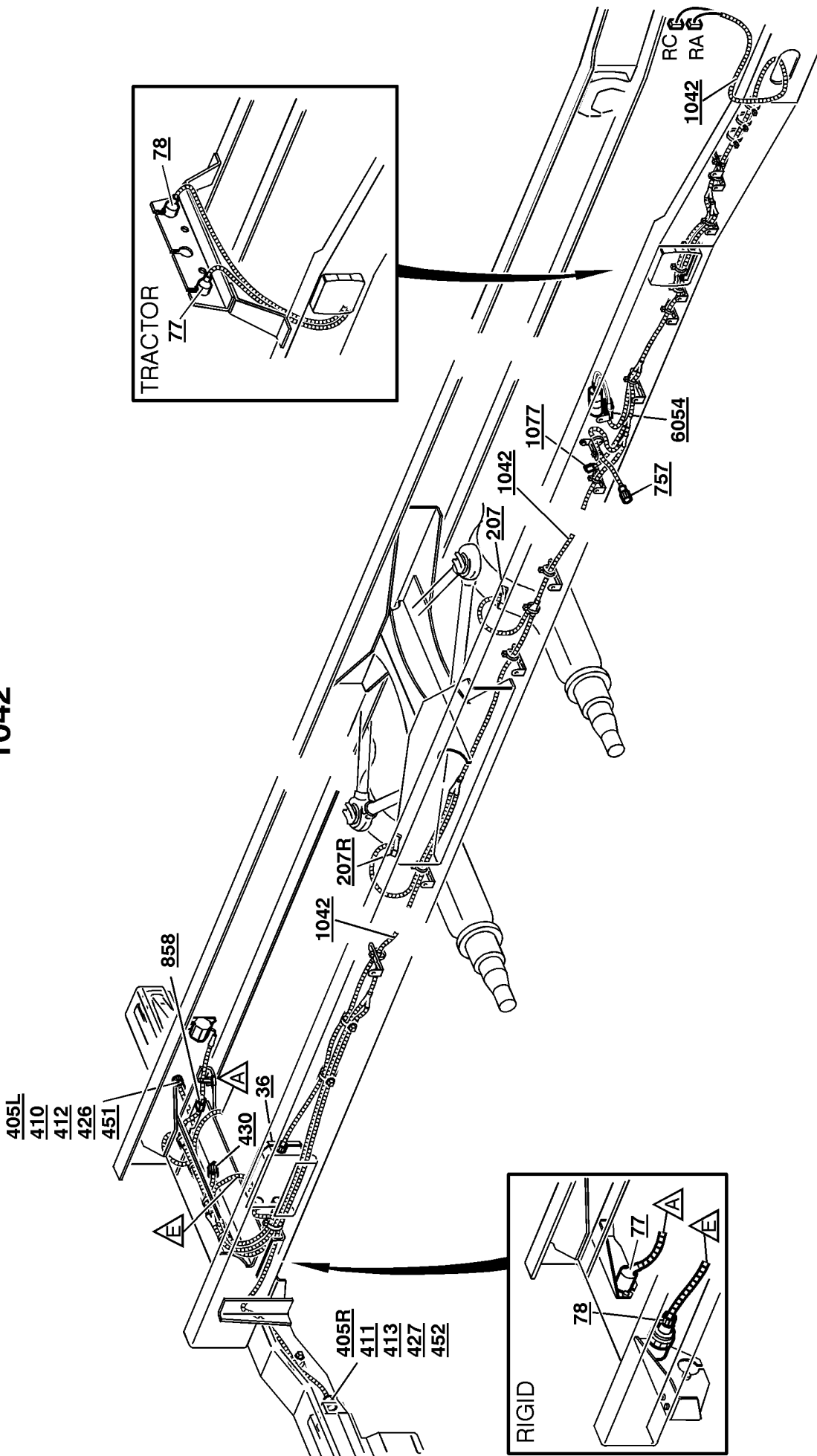




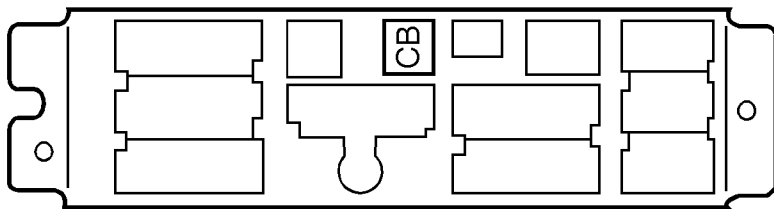


1042

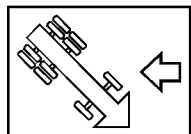
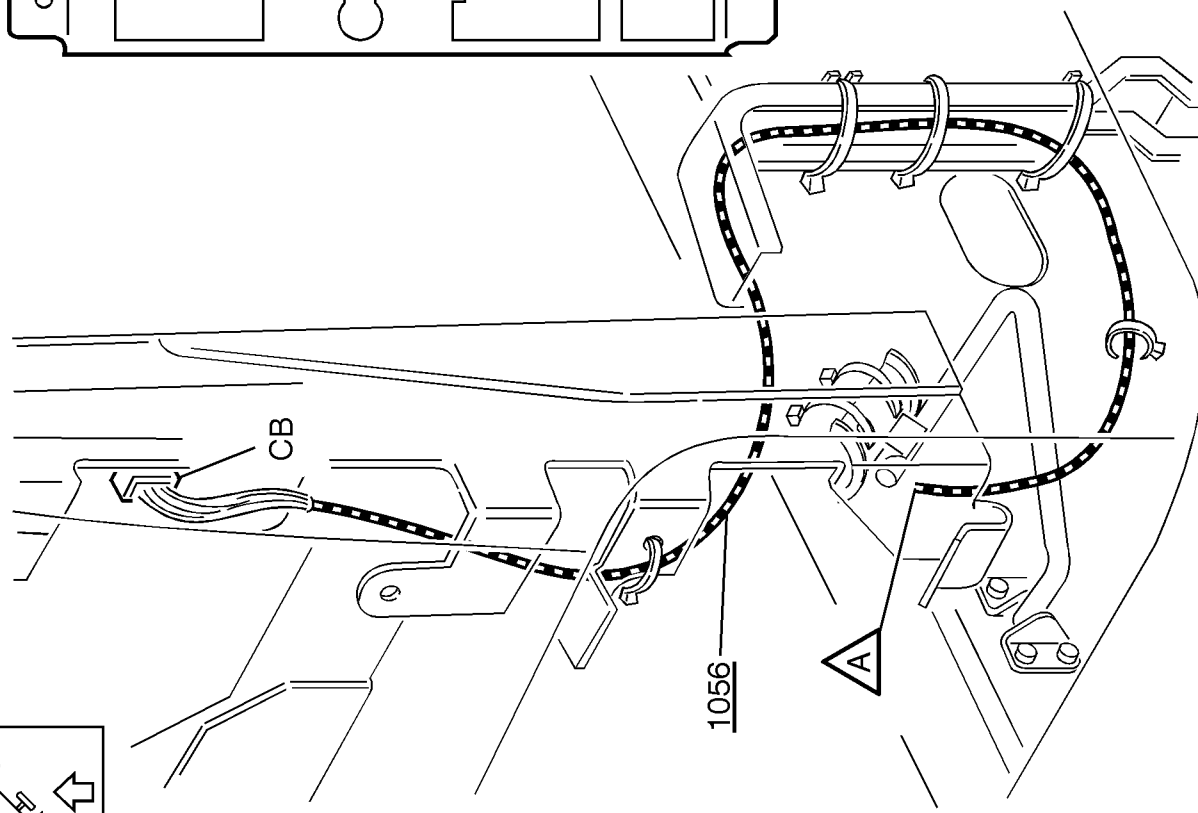
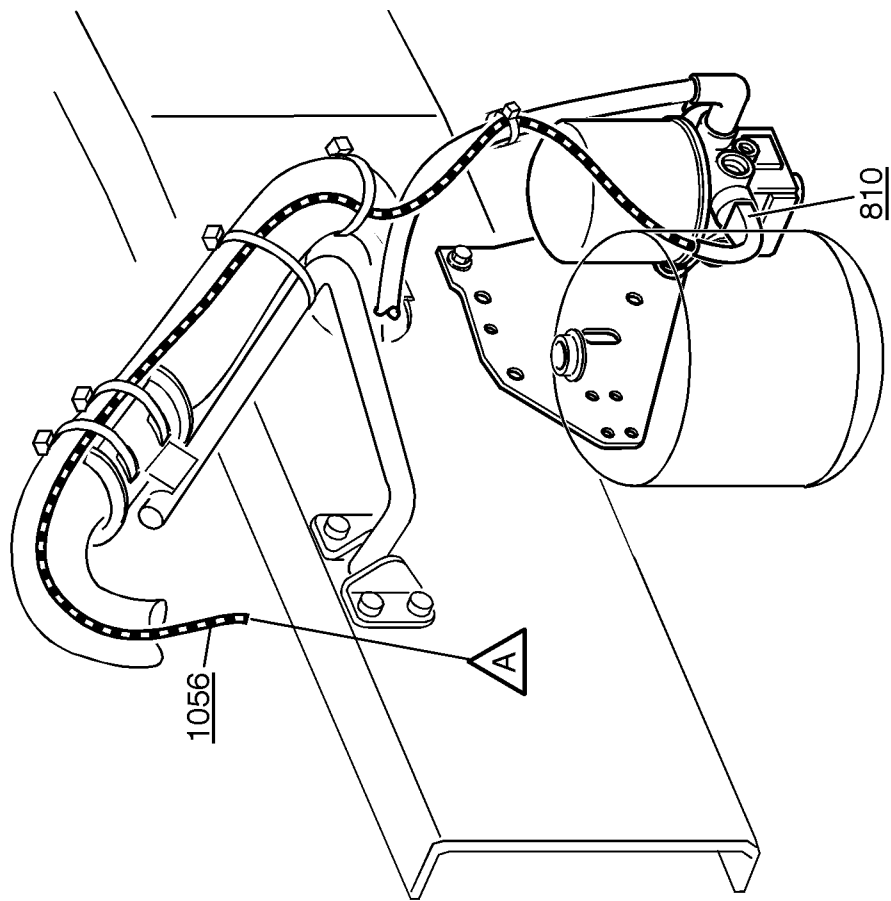
1042



1056

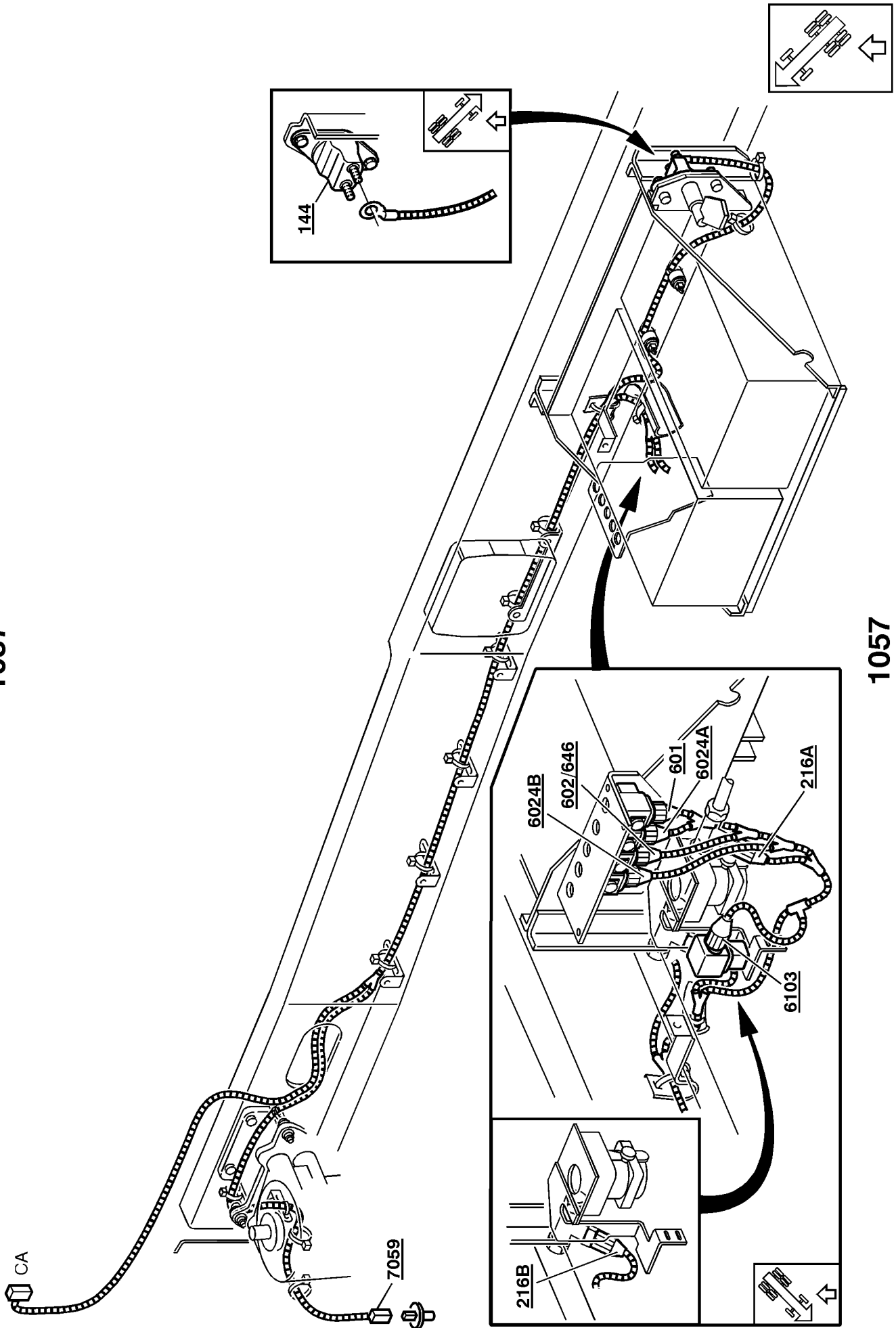


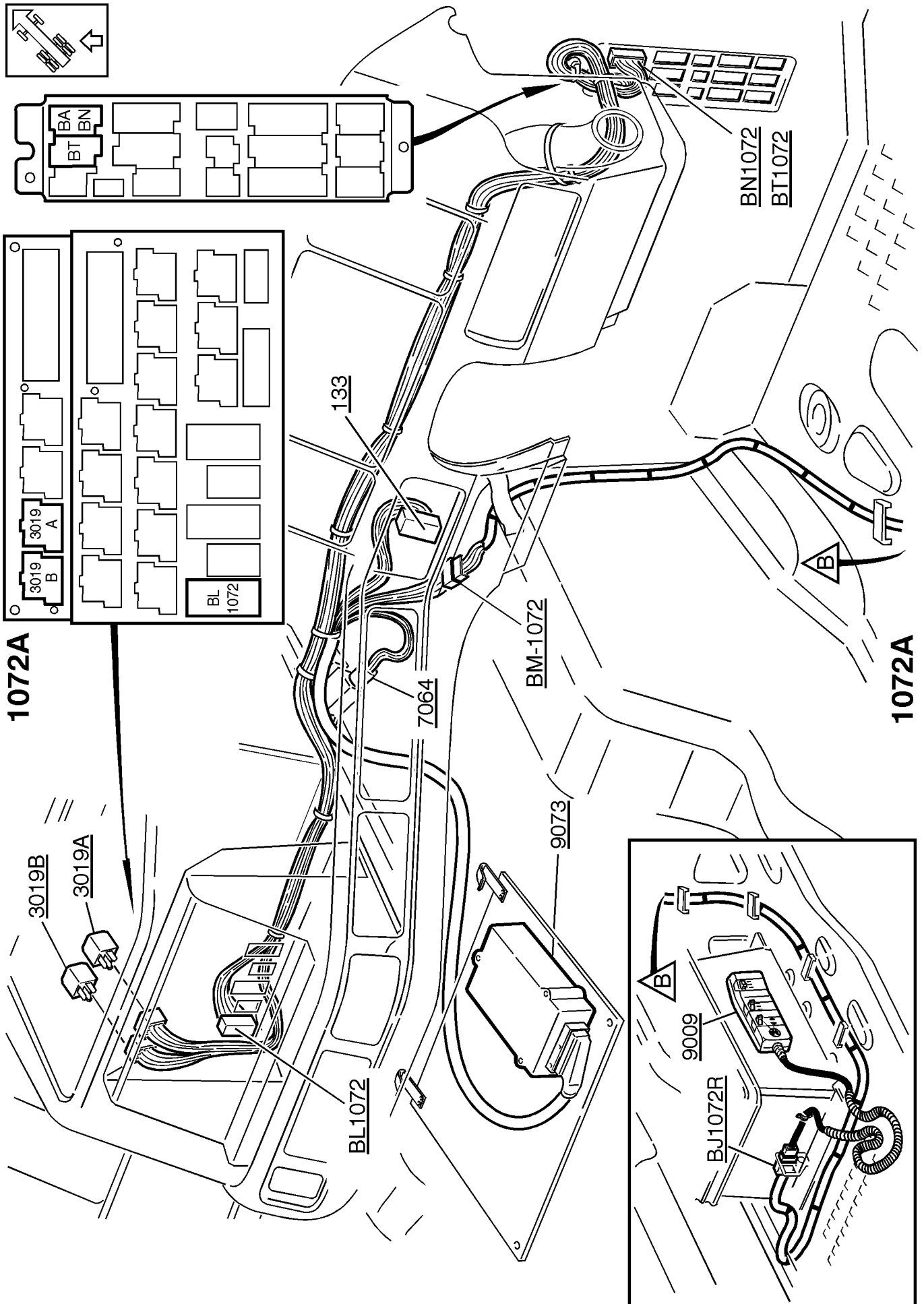
1056



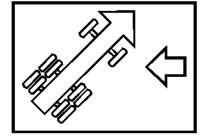
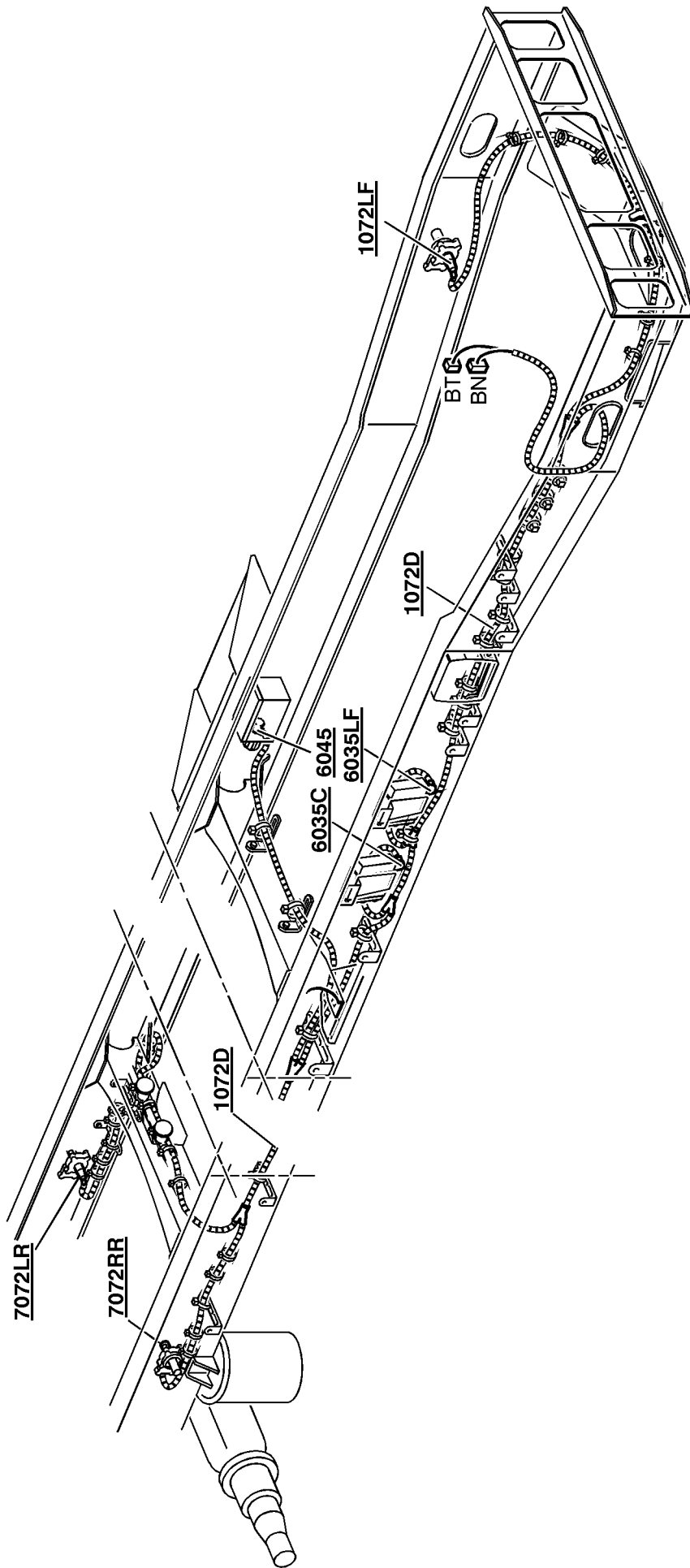
1057

1057

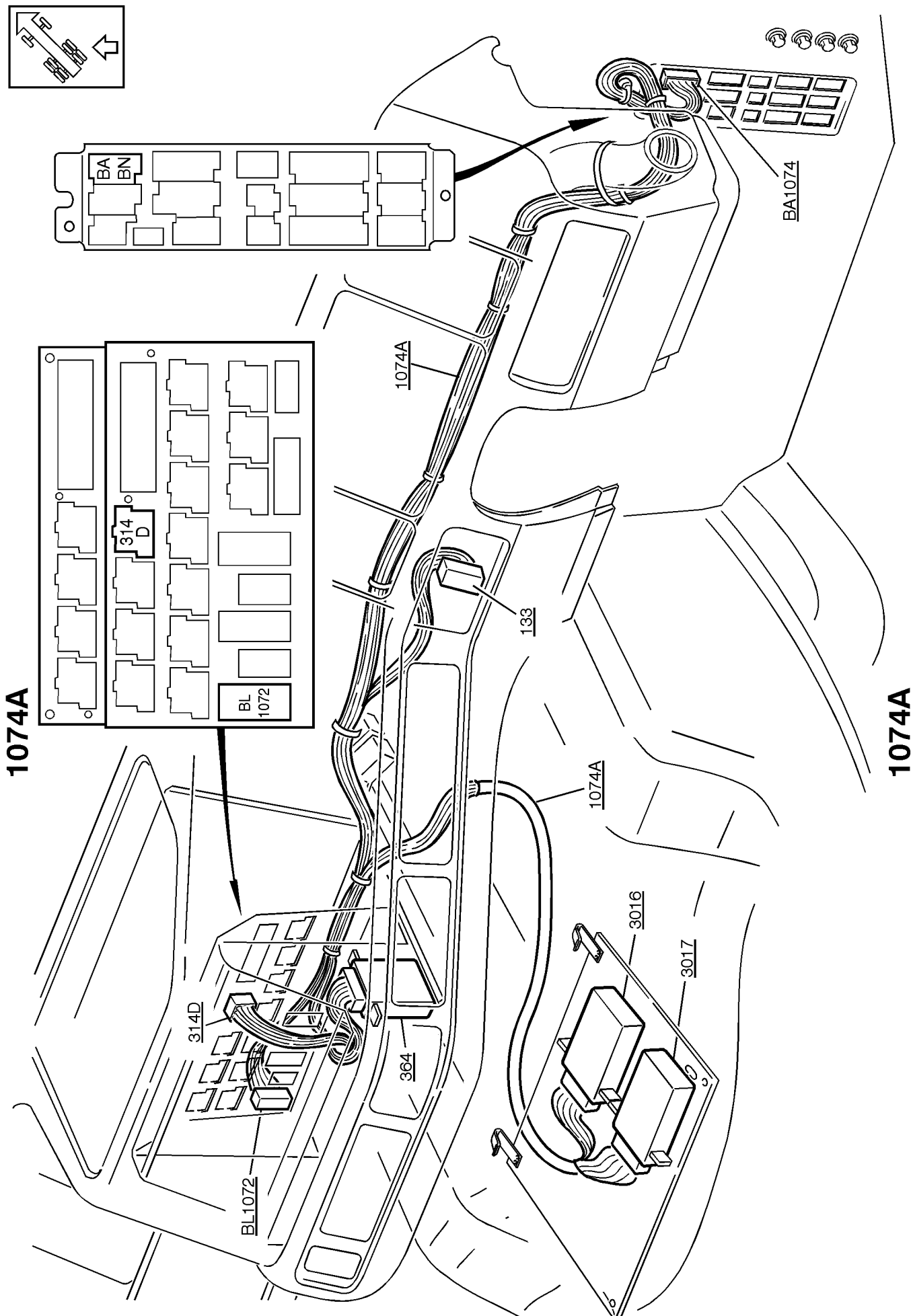




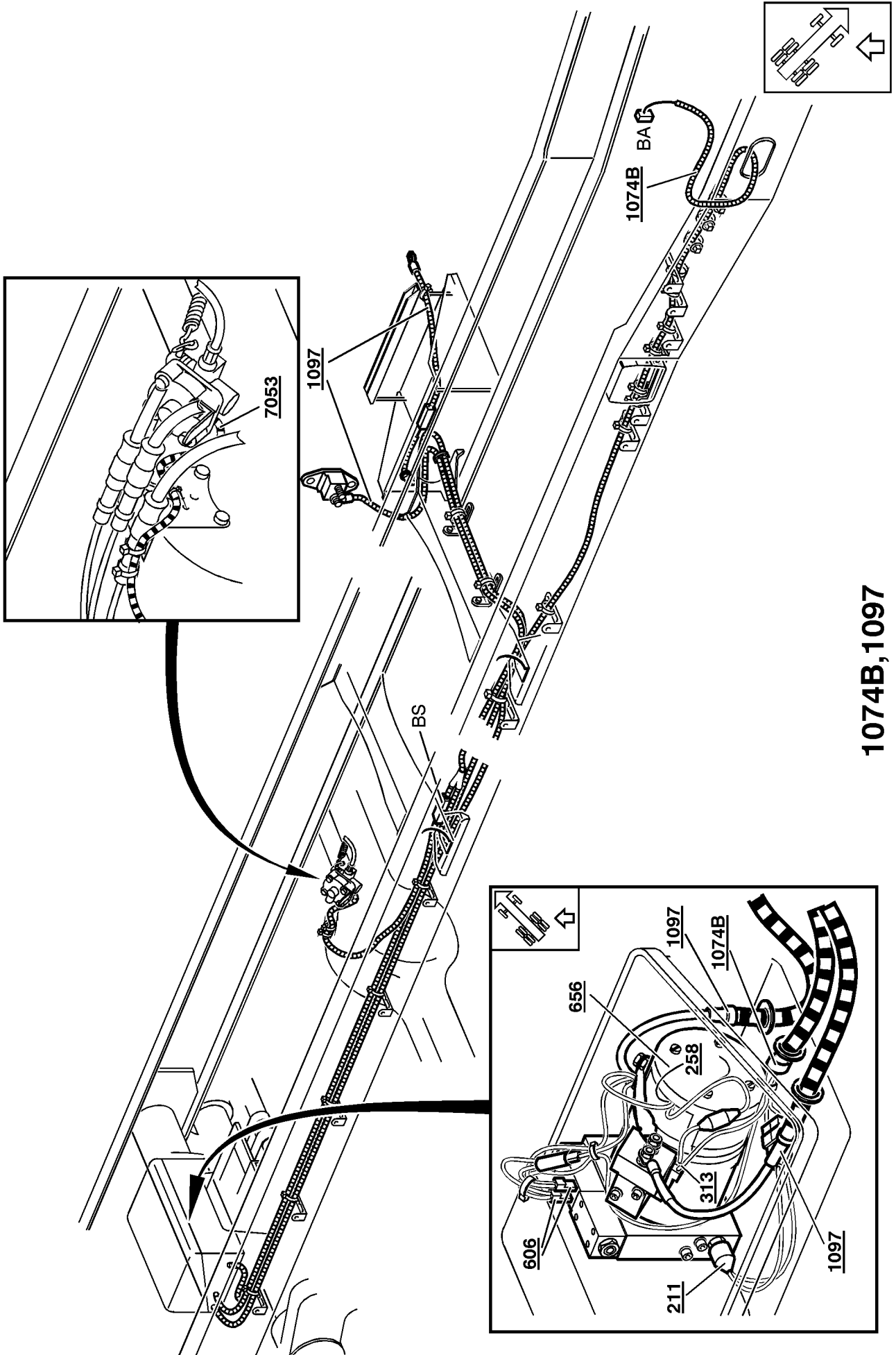
1072D



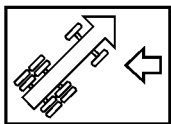
1072D



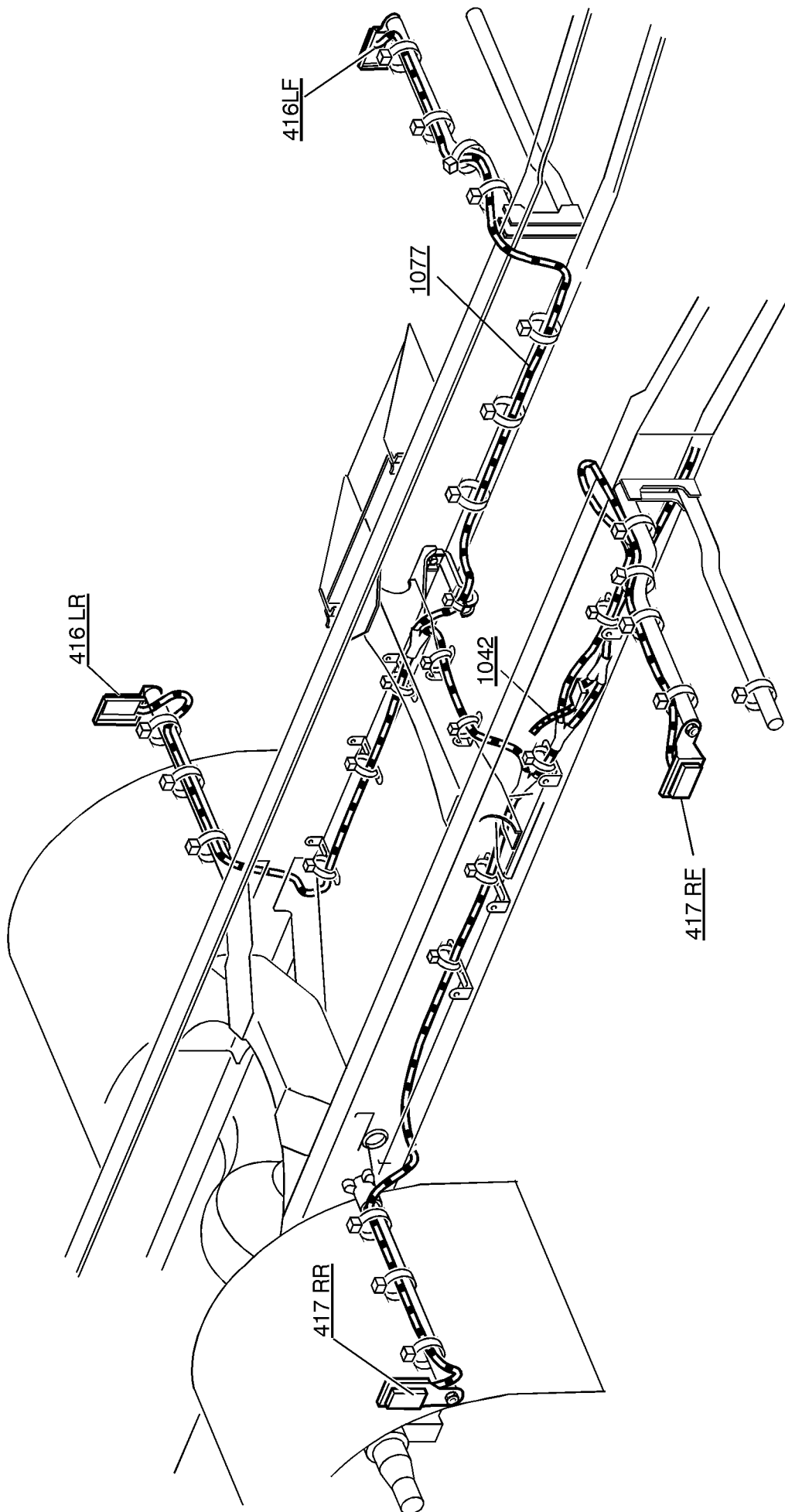
1074B,1097



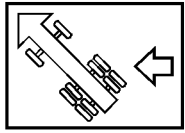
1074B,1097



1077

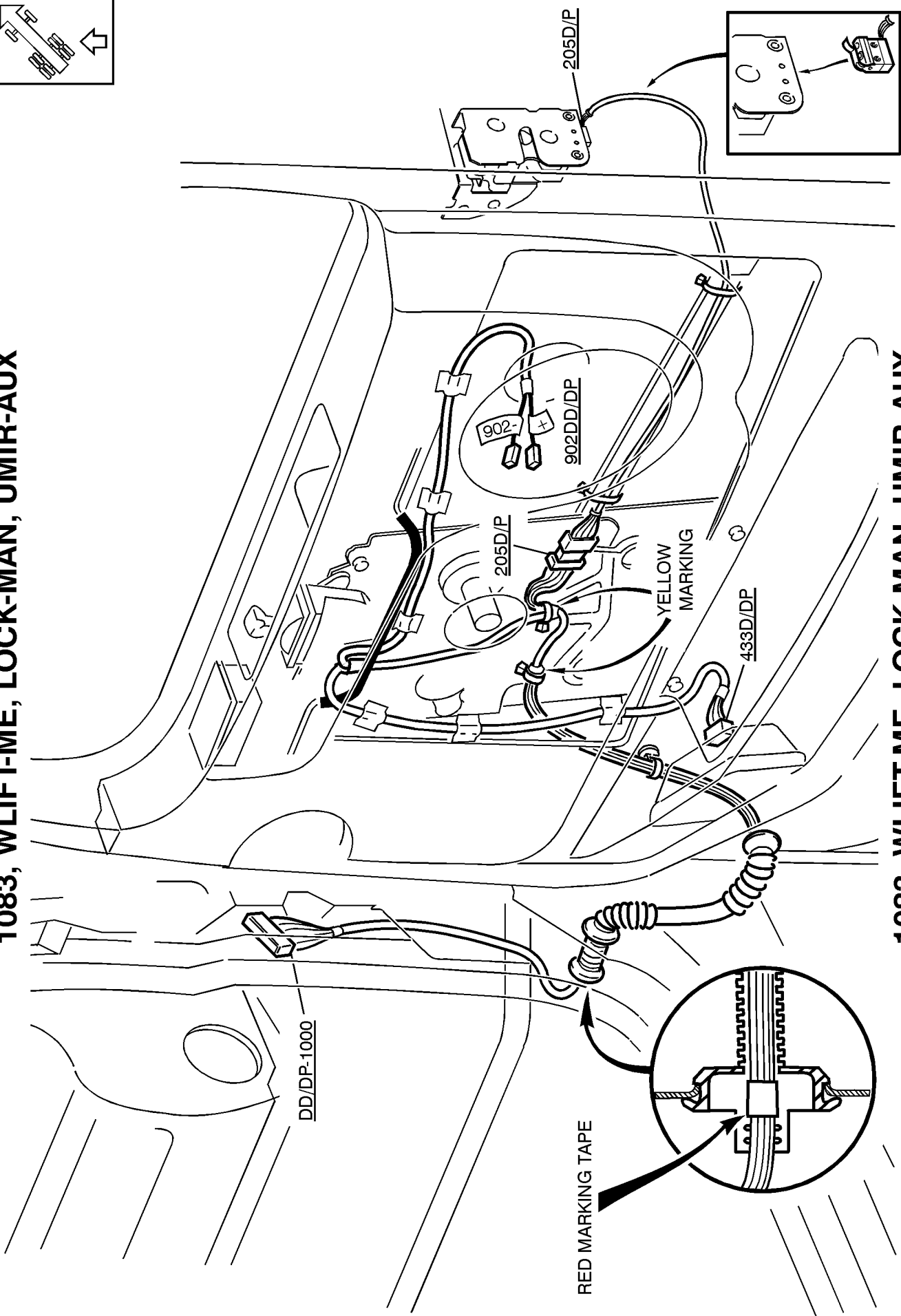


1077

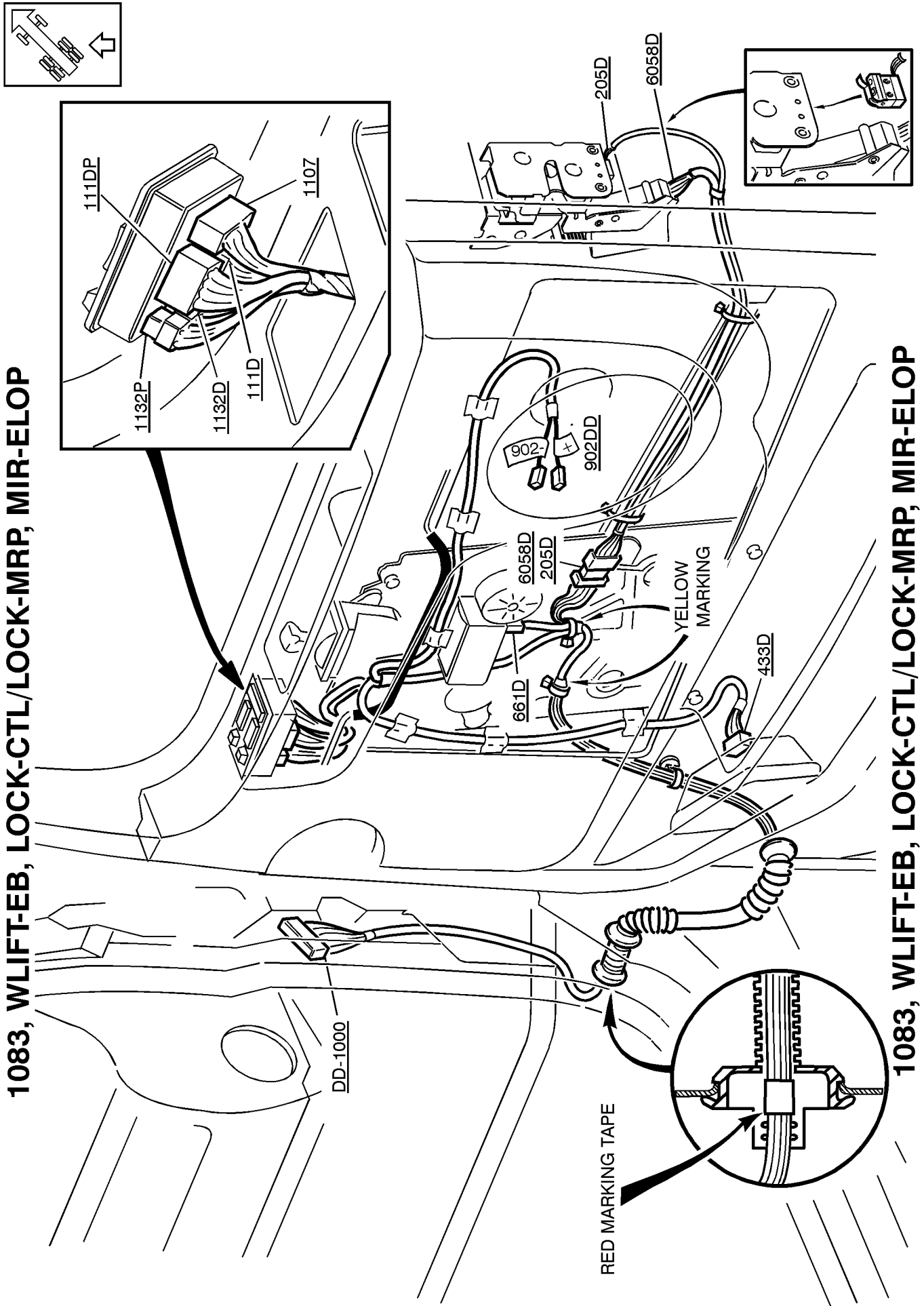


1083, WLIFT-ME, LOCK-MAN, UMIR-AUX

1083, WLIFT-ME, LOCK-MAN, UMIR-AUX



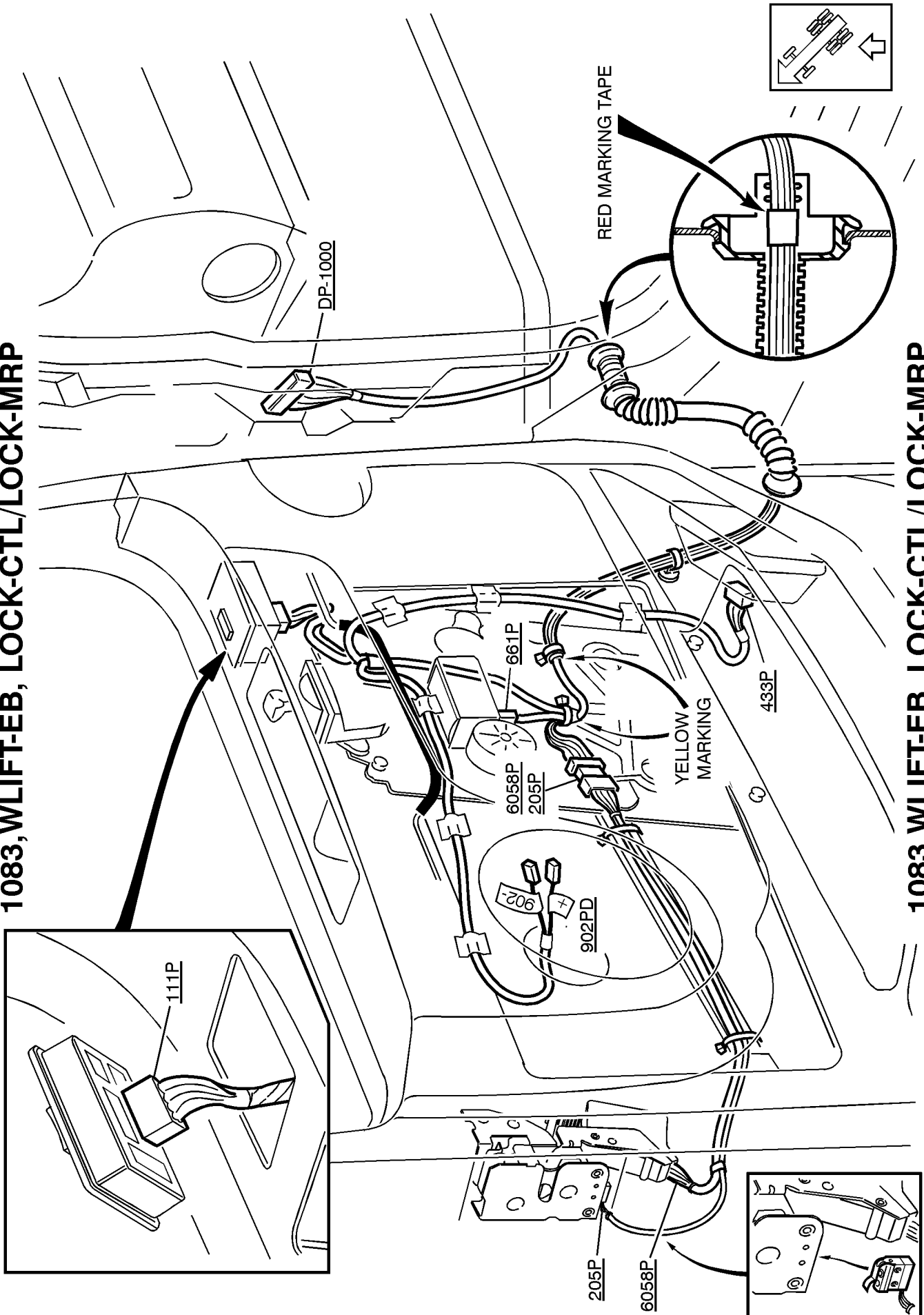
1083, WLIFT-EB, LOCK-CTL/LOCK-MRP, MIR-ELOP

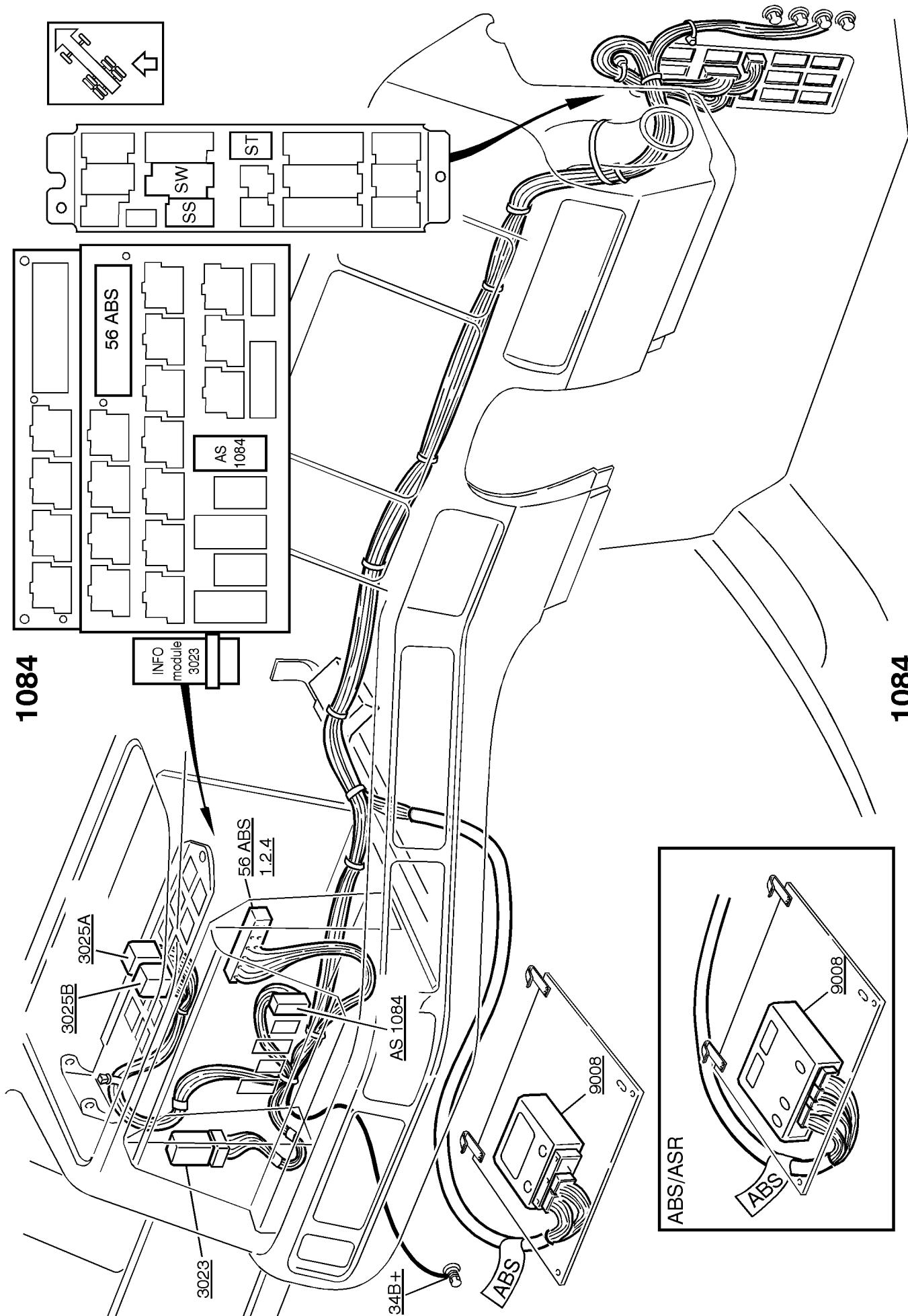


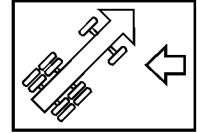
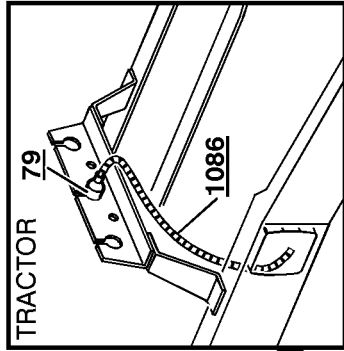
1083, WLIFT-EB, LOCK-CTL/LOCK-MRP, MIR-ELOP

1083, WLIFT-EB, LOCK-CTL/LOCK-MRP

1083, WLIFT-EB, LOCK-CTL/LOCK-MRP

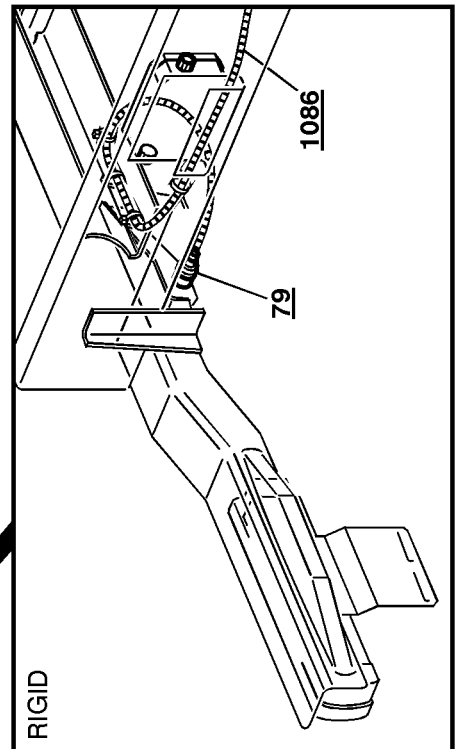
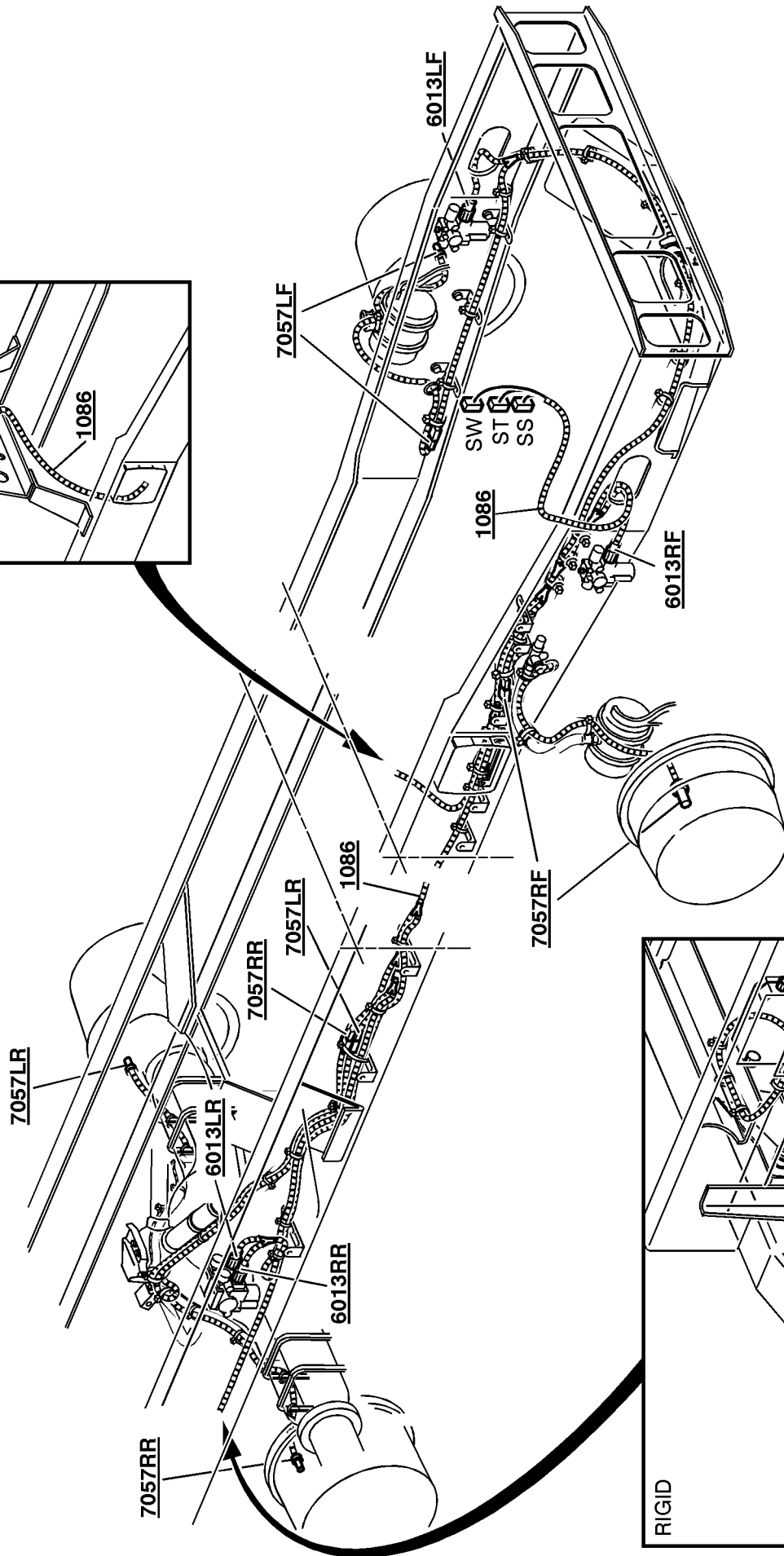


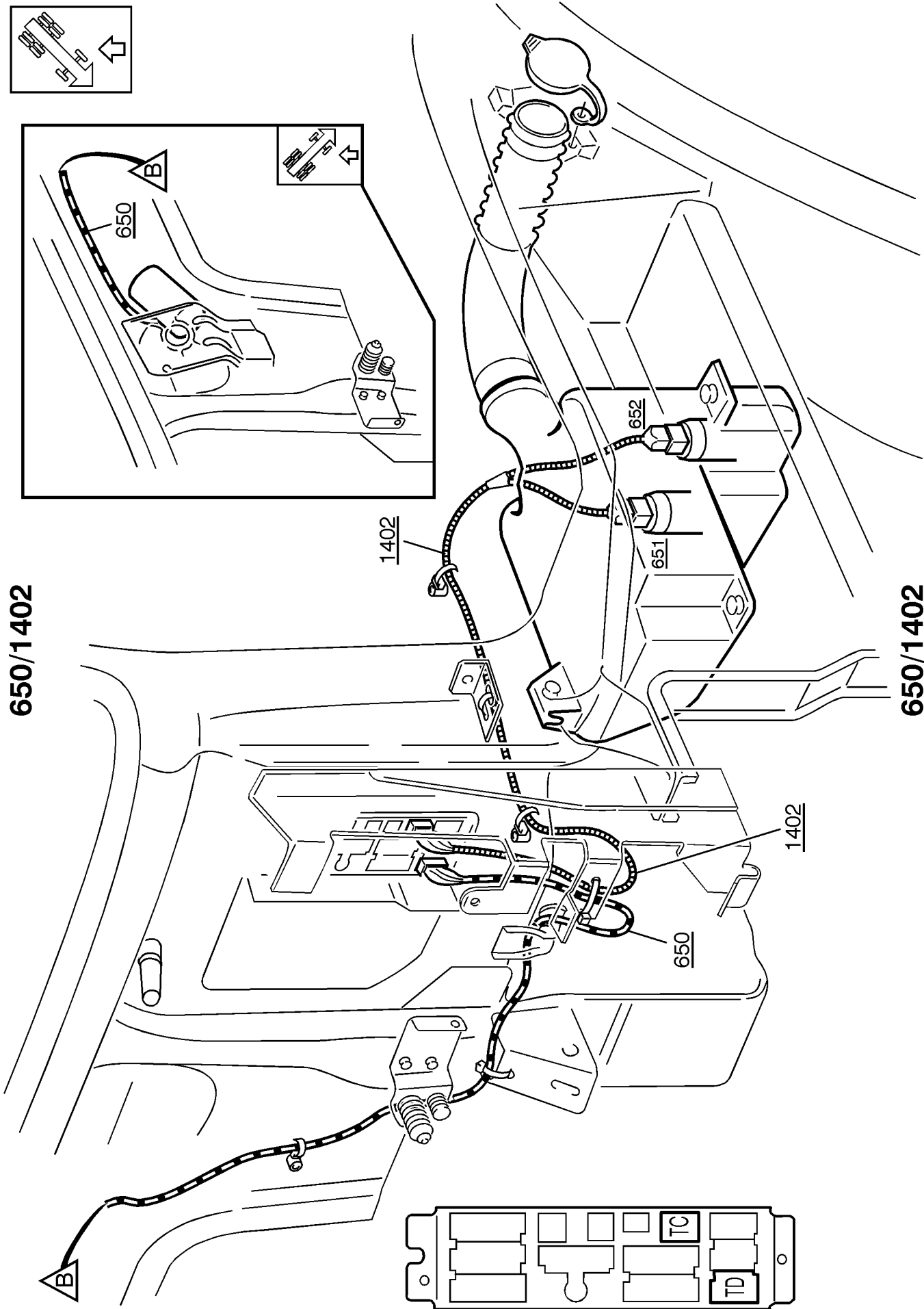




1086

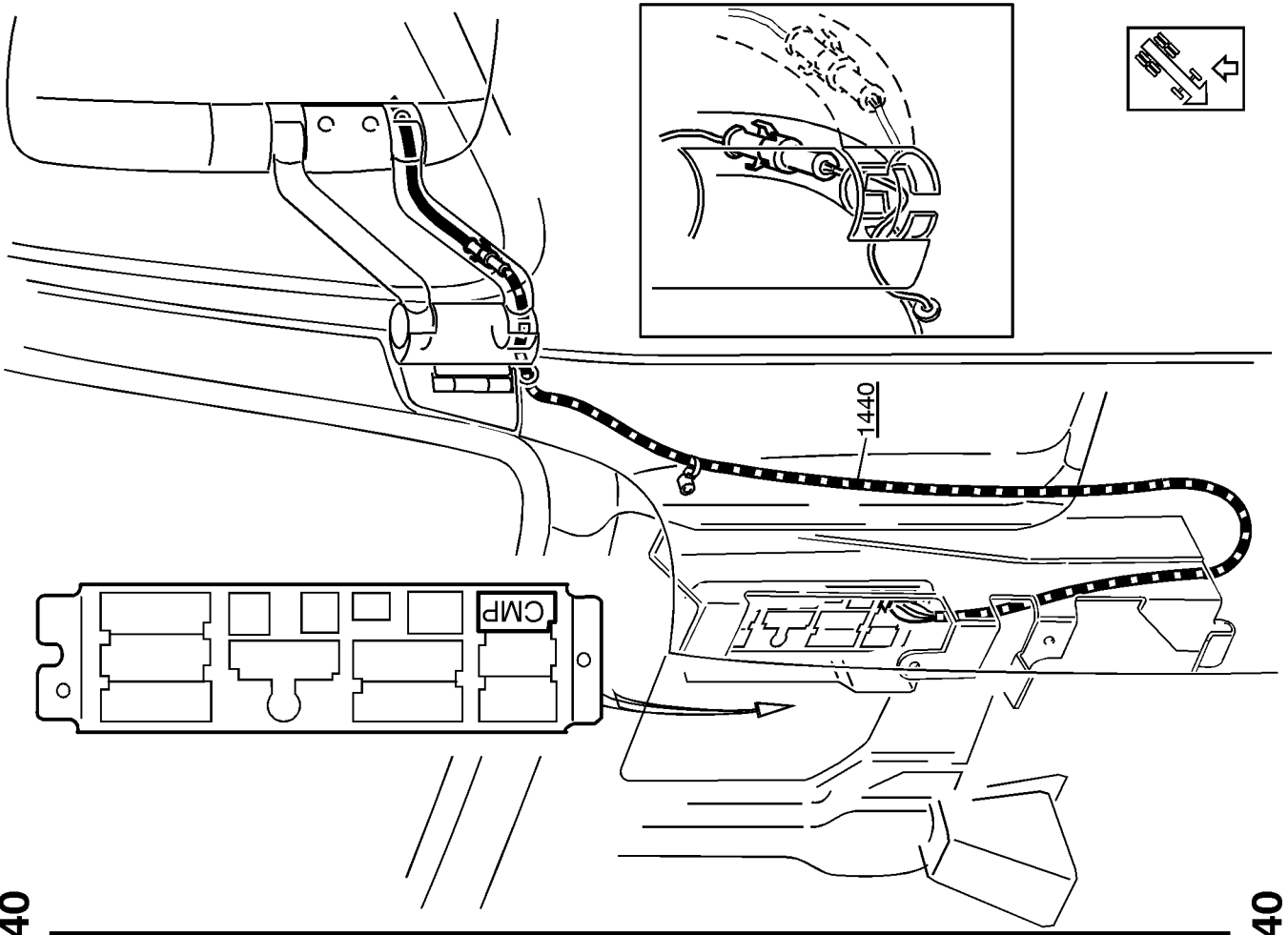
1086





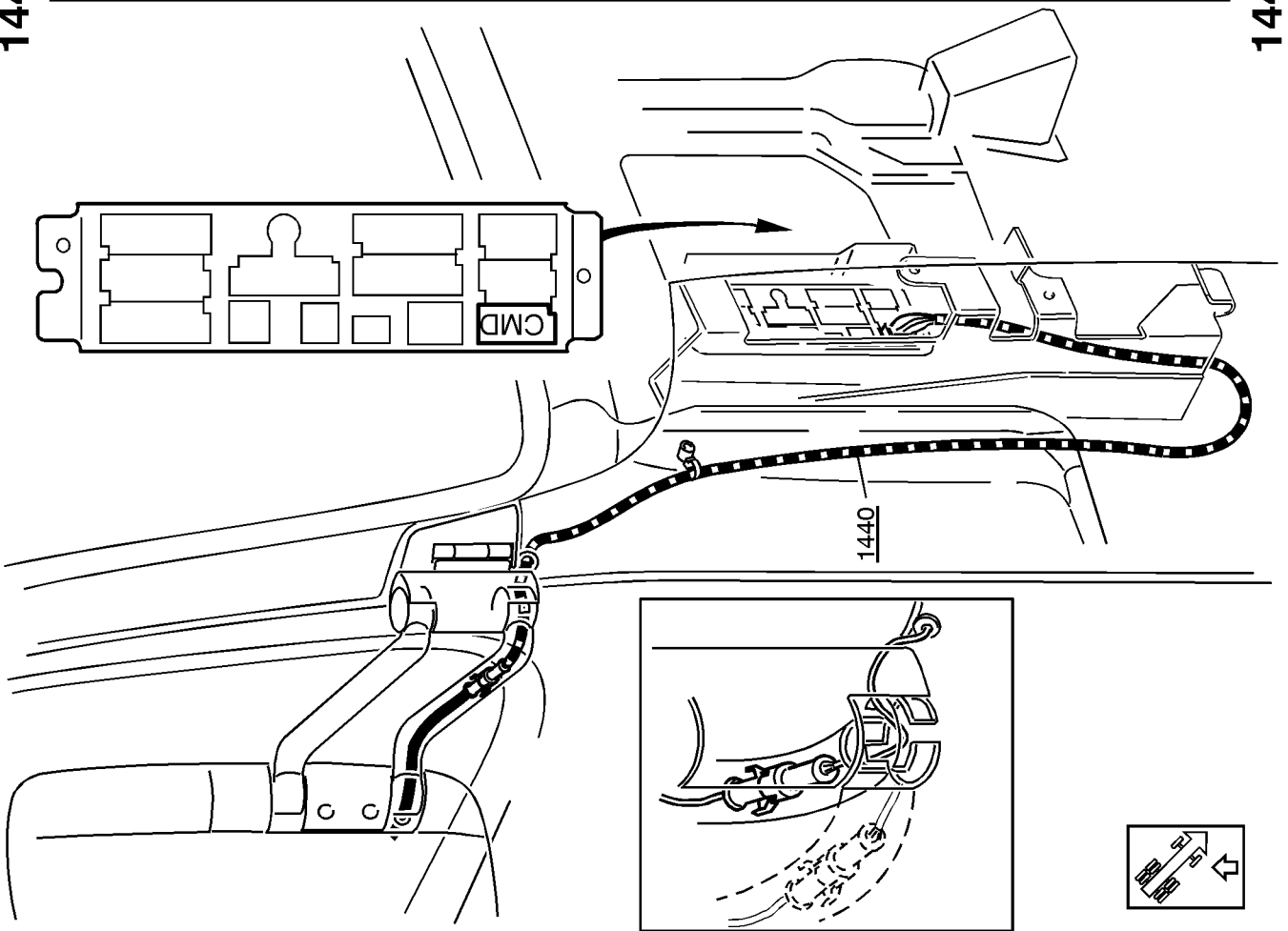
650/1402

650/1402

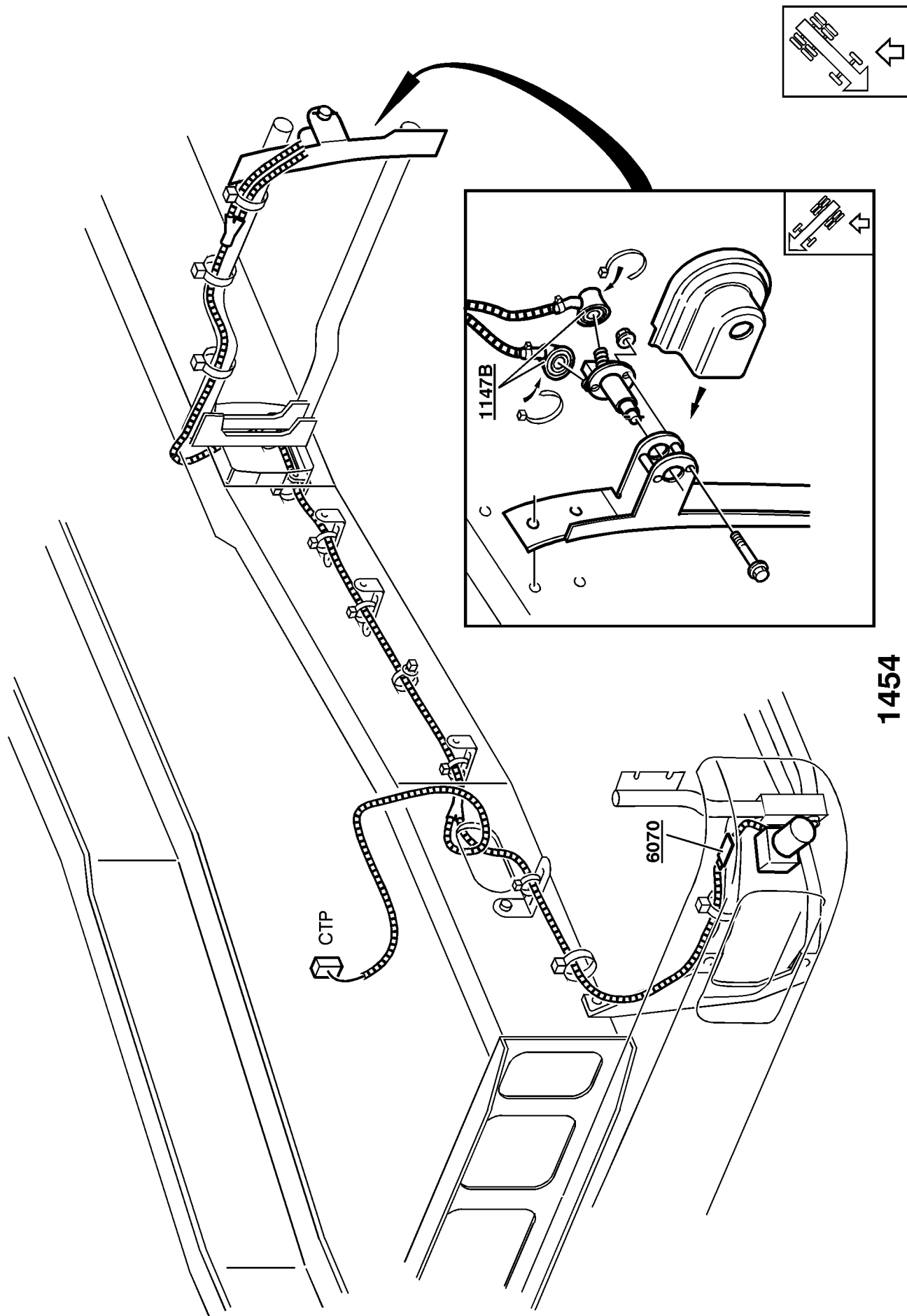


1440

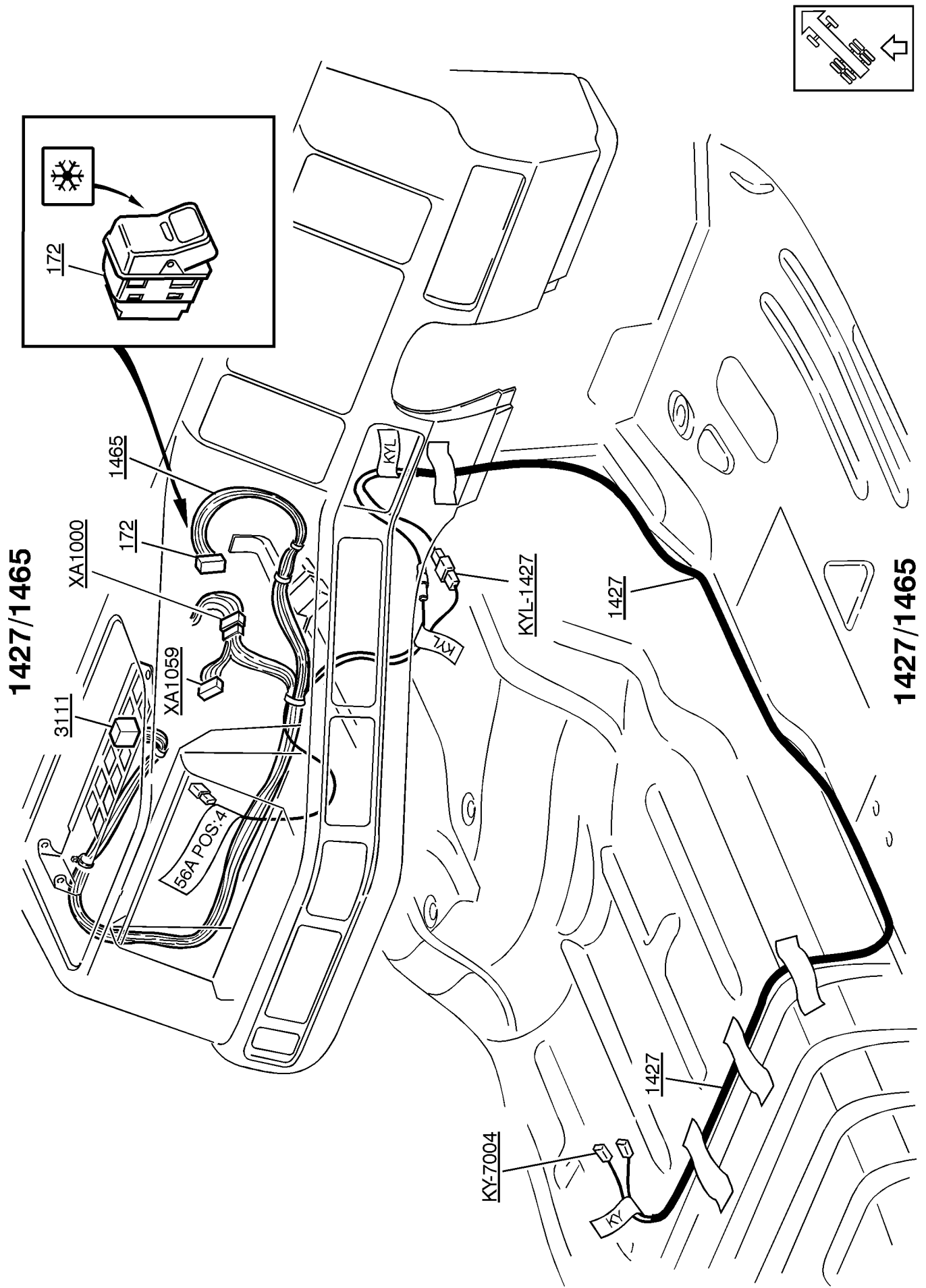
1440

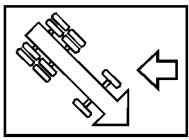


1454

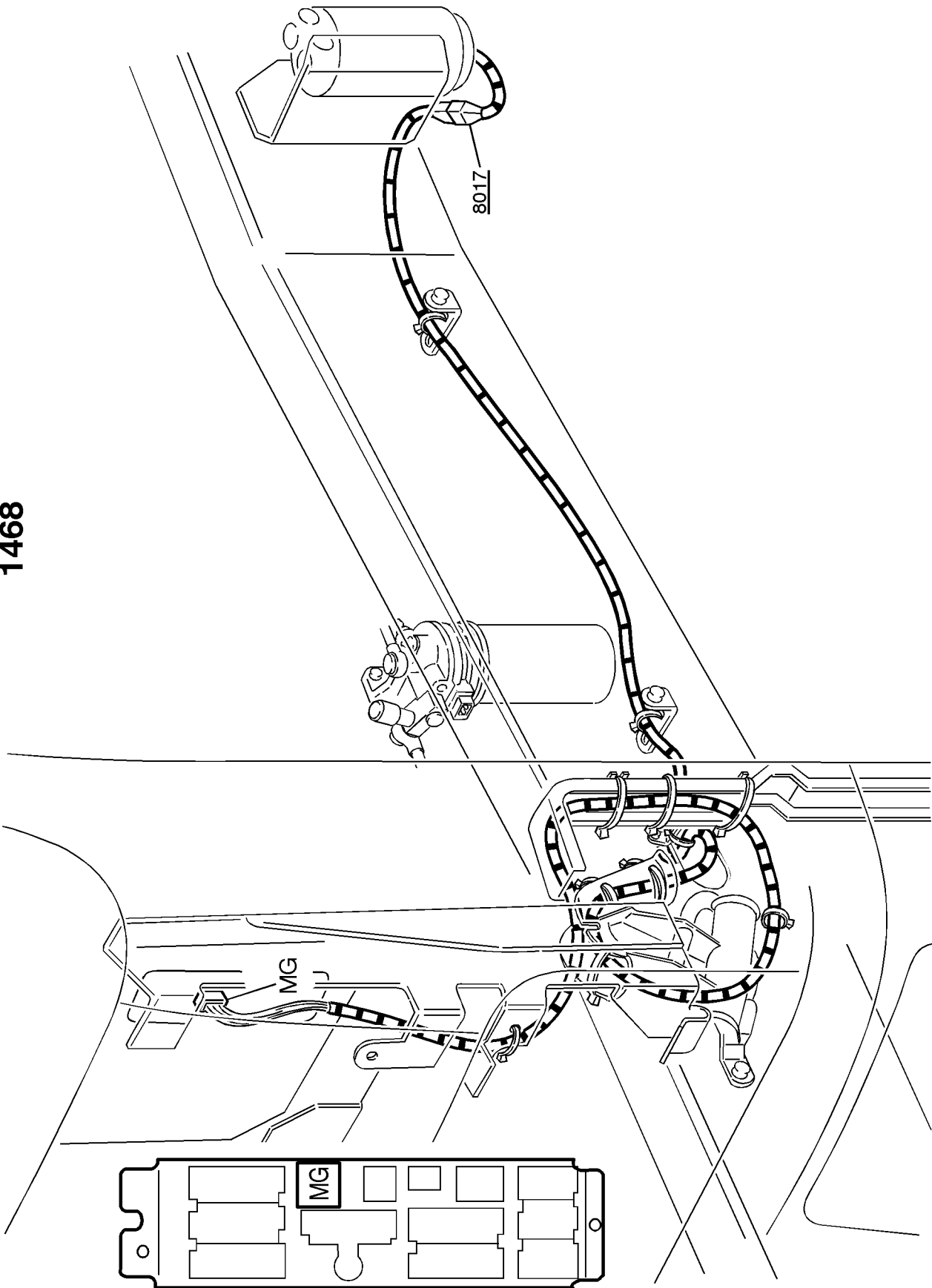


1454

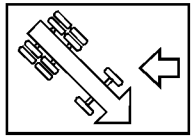




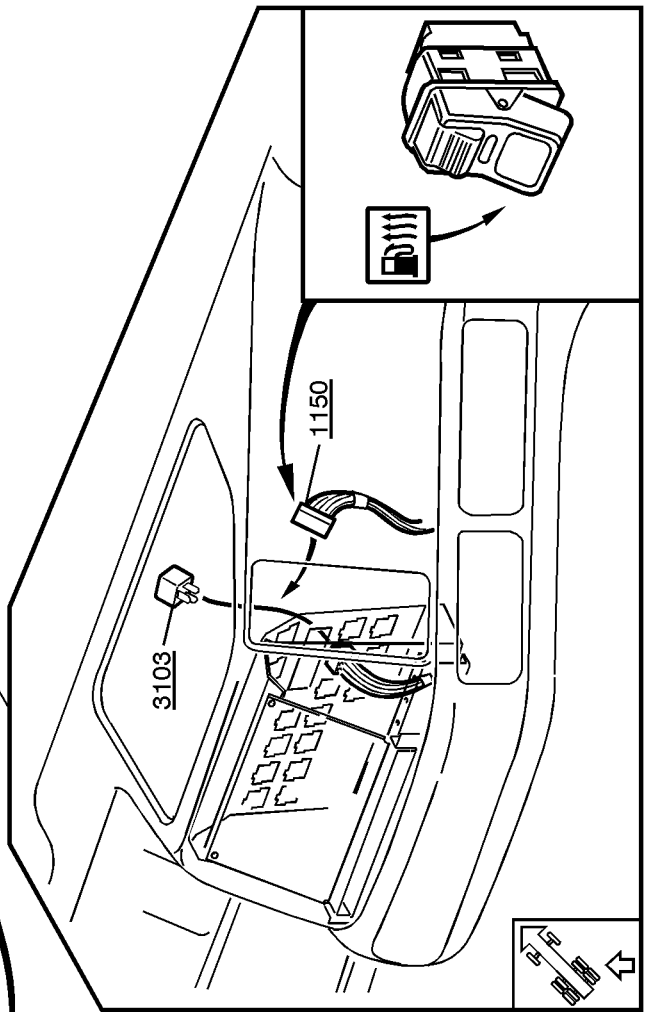
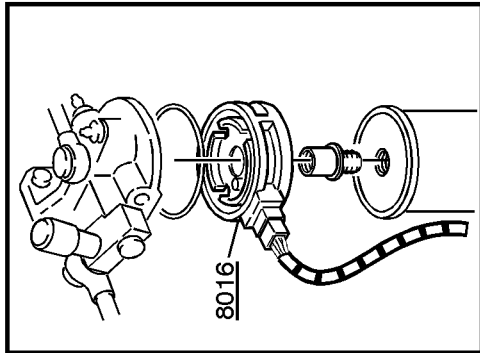
1468



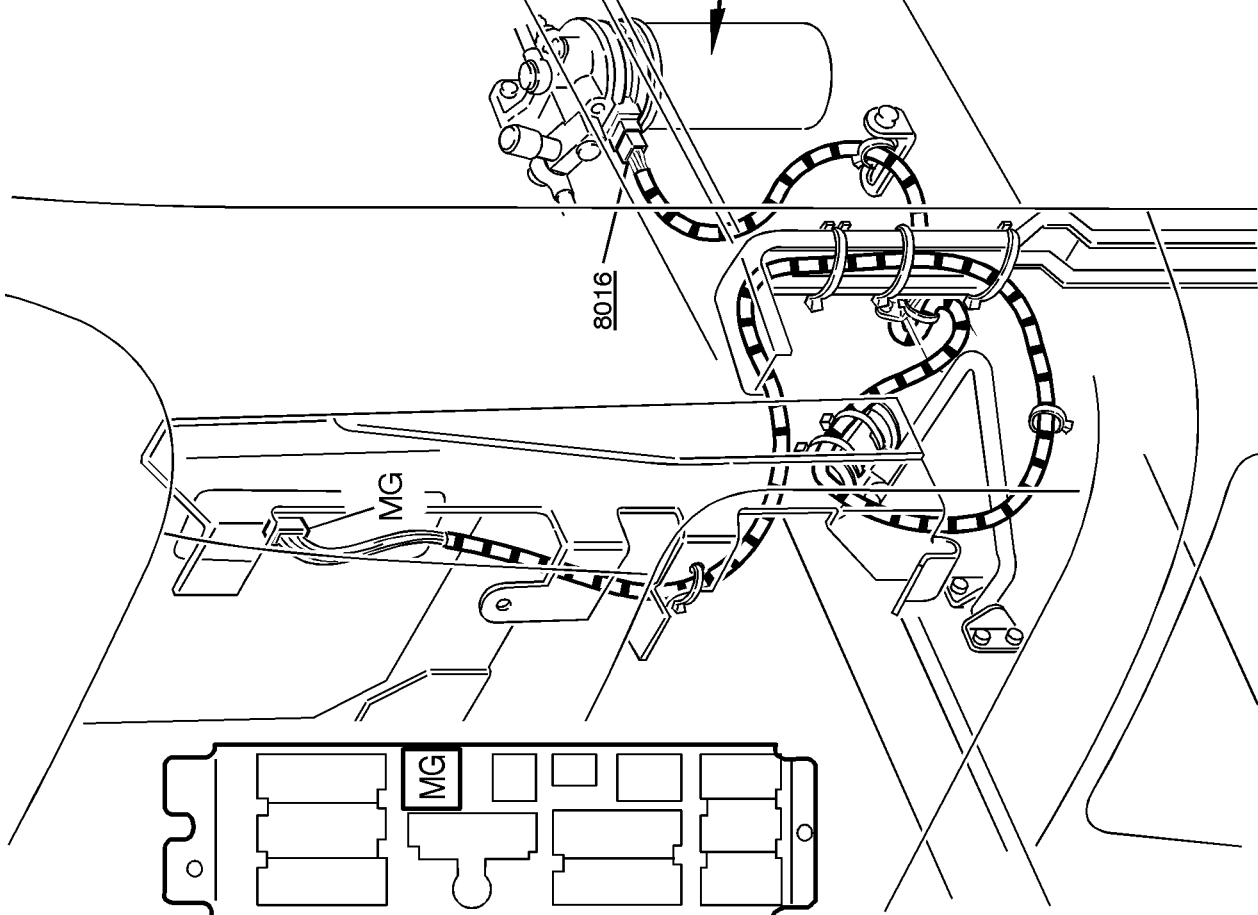
1468



1469

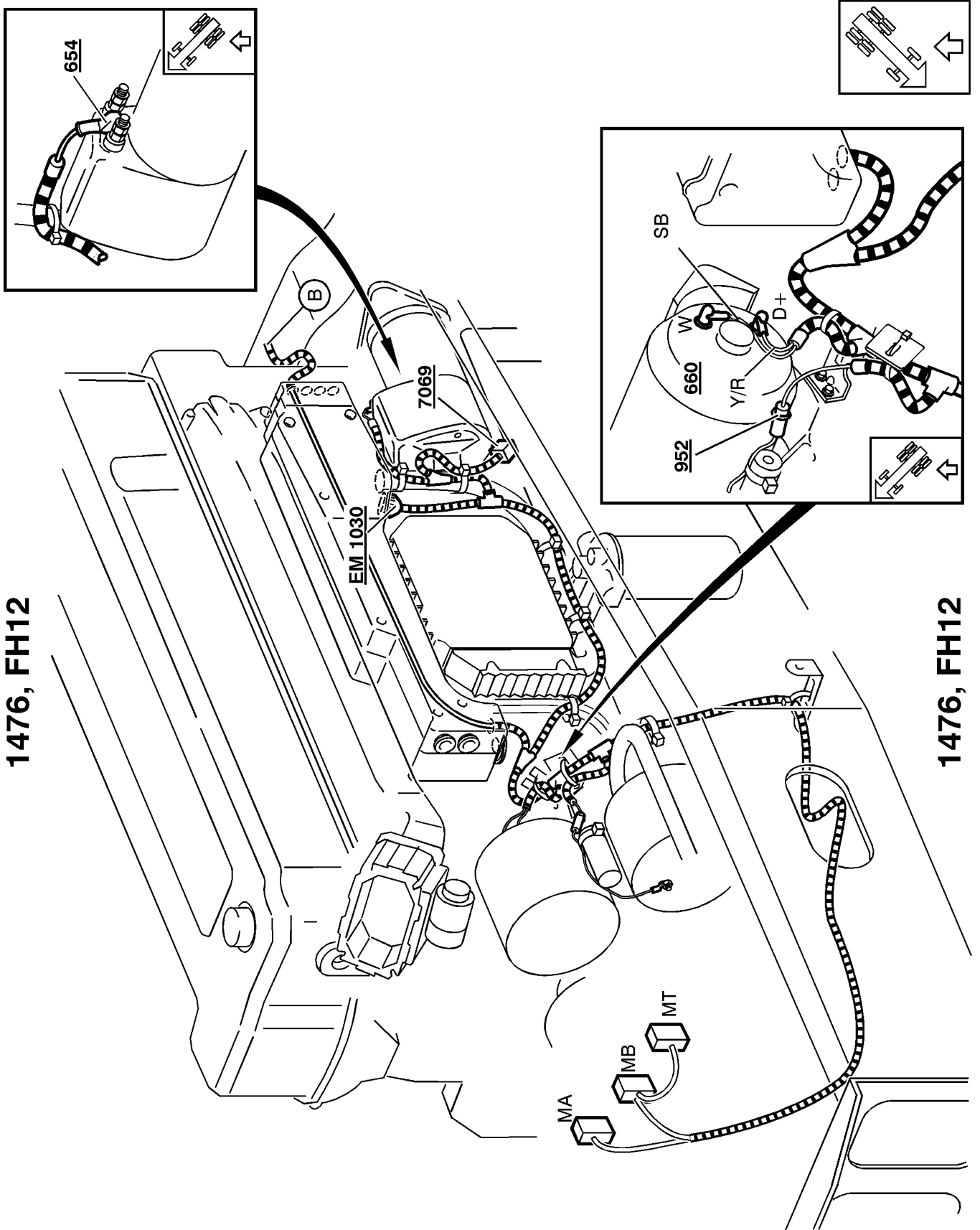


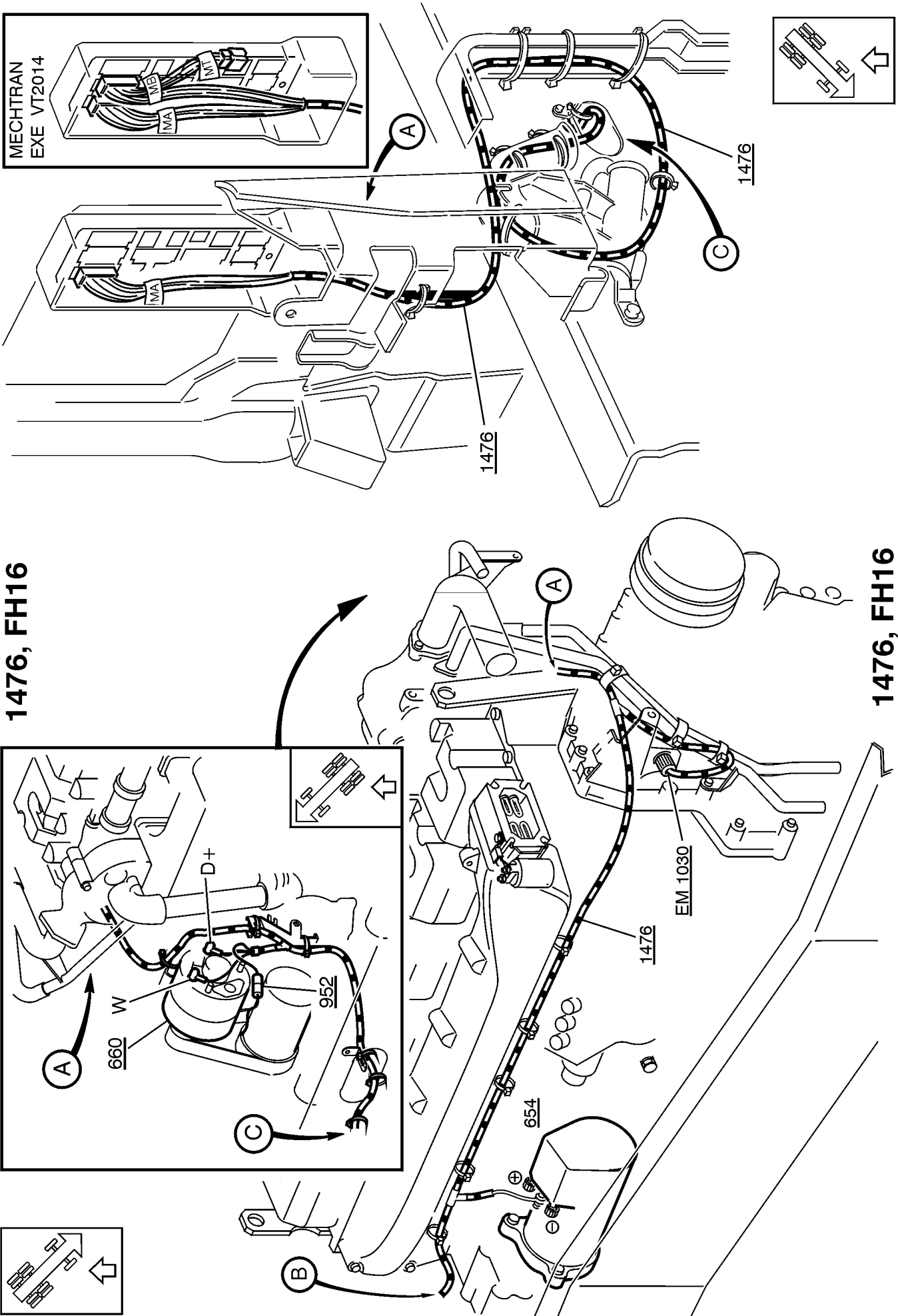
1469



1476, FH12

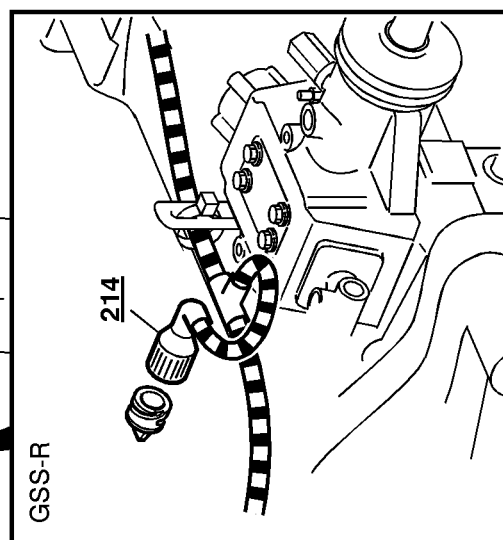
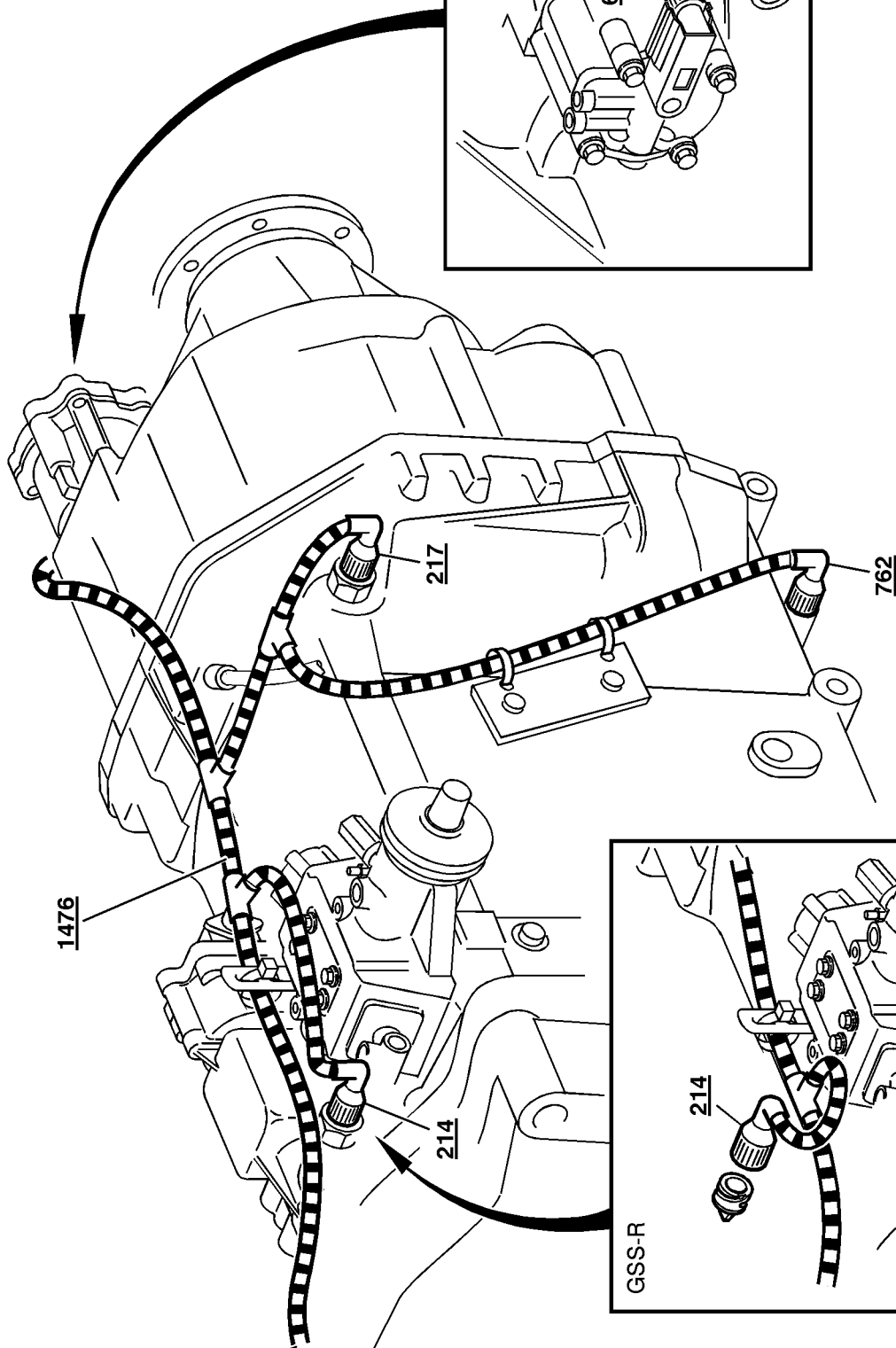
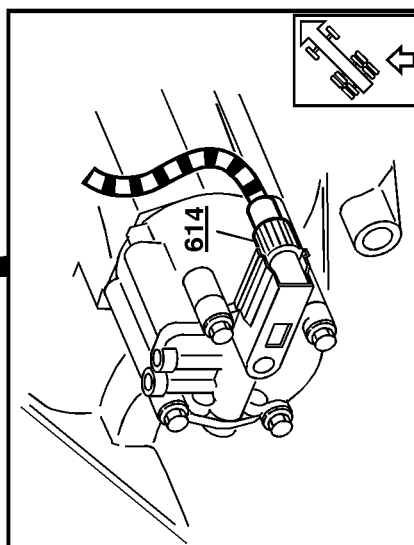
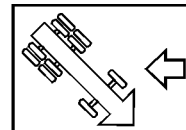
1476, FH12





1476, FH16

1476, FH16

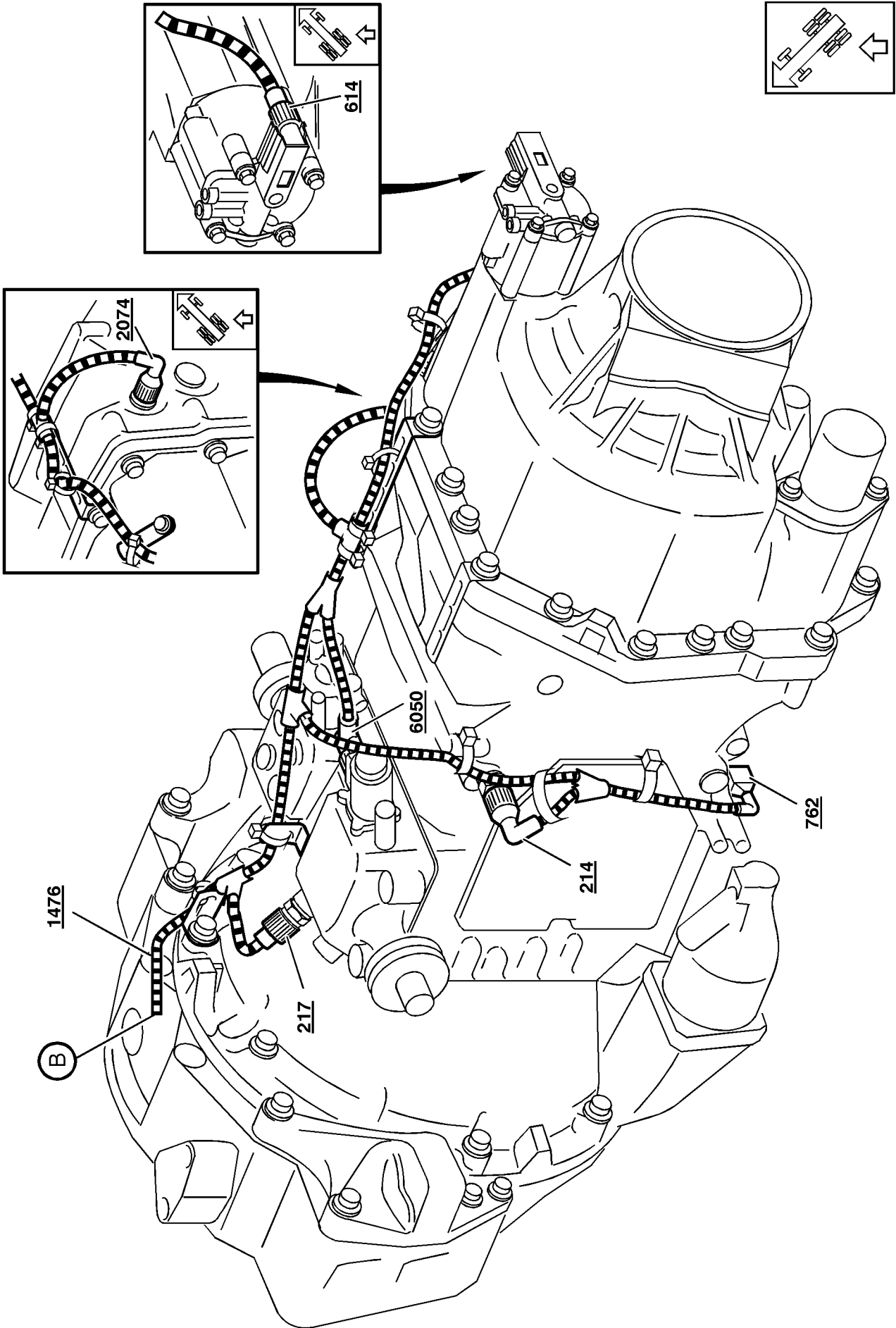


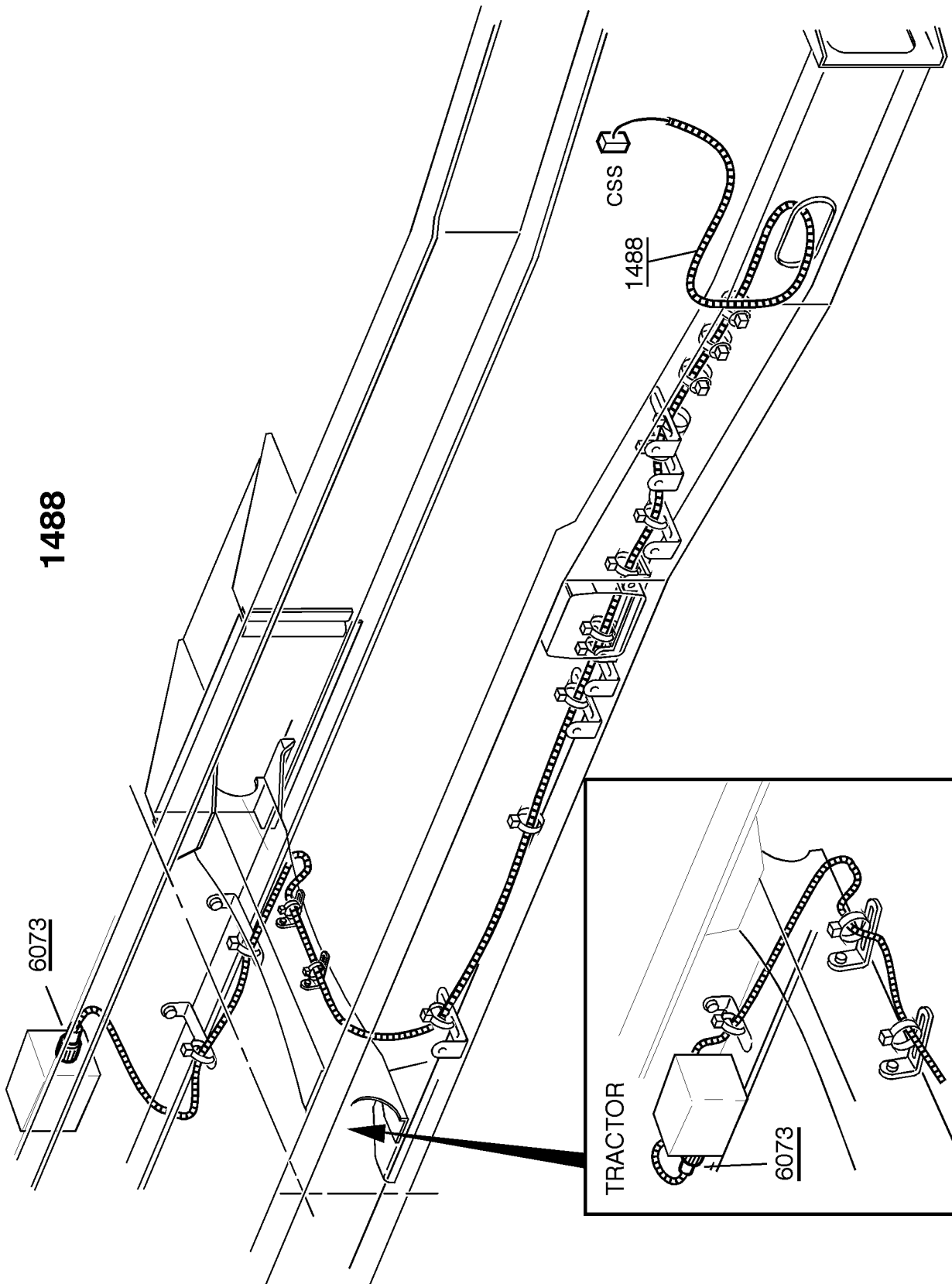
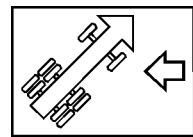
1476

1476

1476, VT2014

1476, VT2014

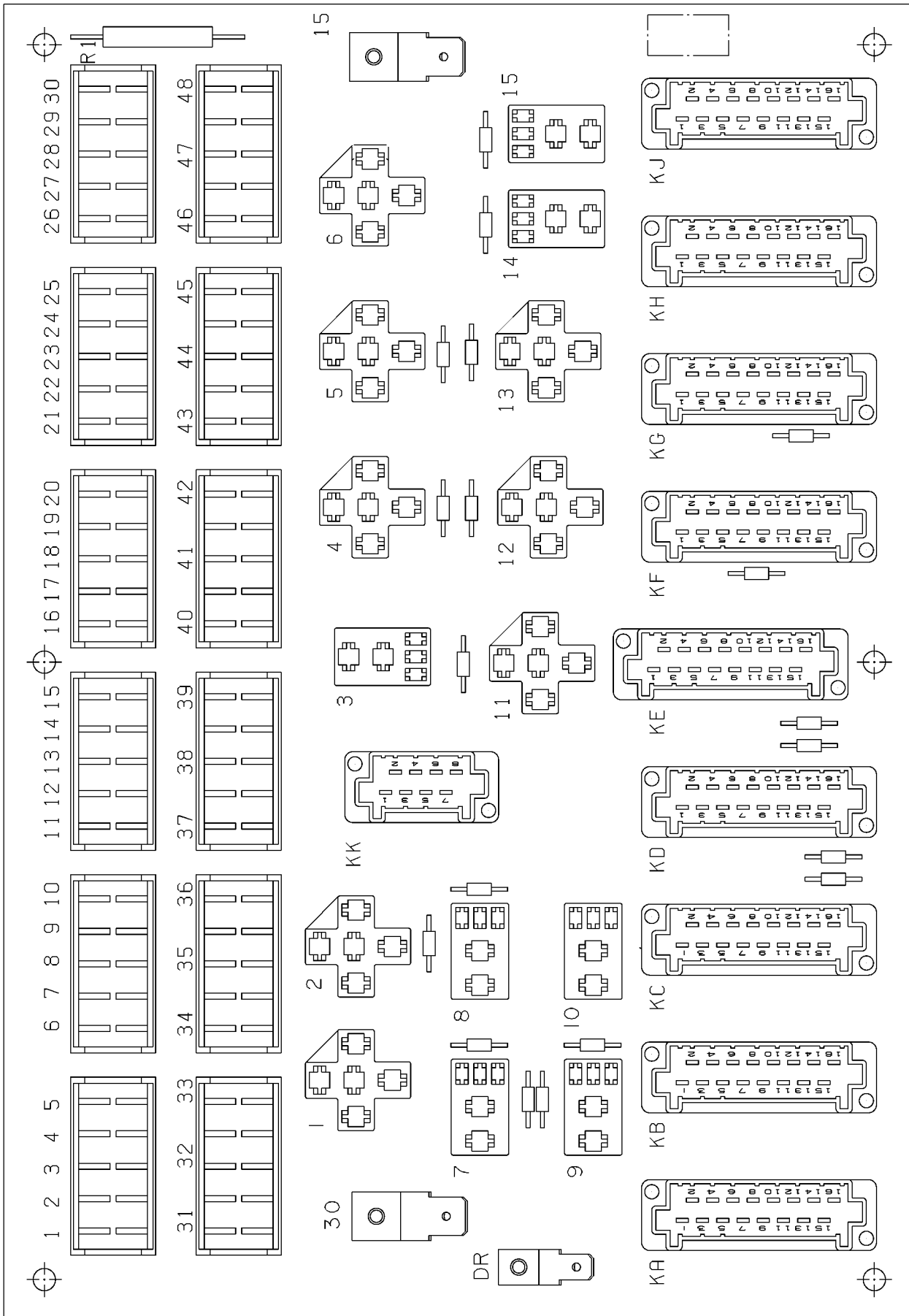




1488

1488

Circuit card electrical centre



Fuses on circuit card electrical centre

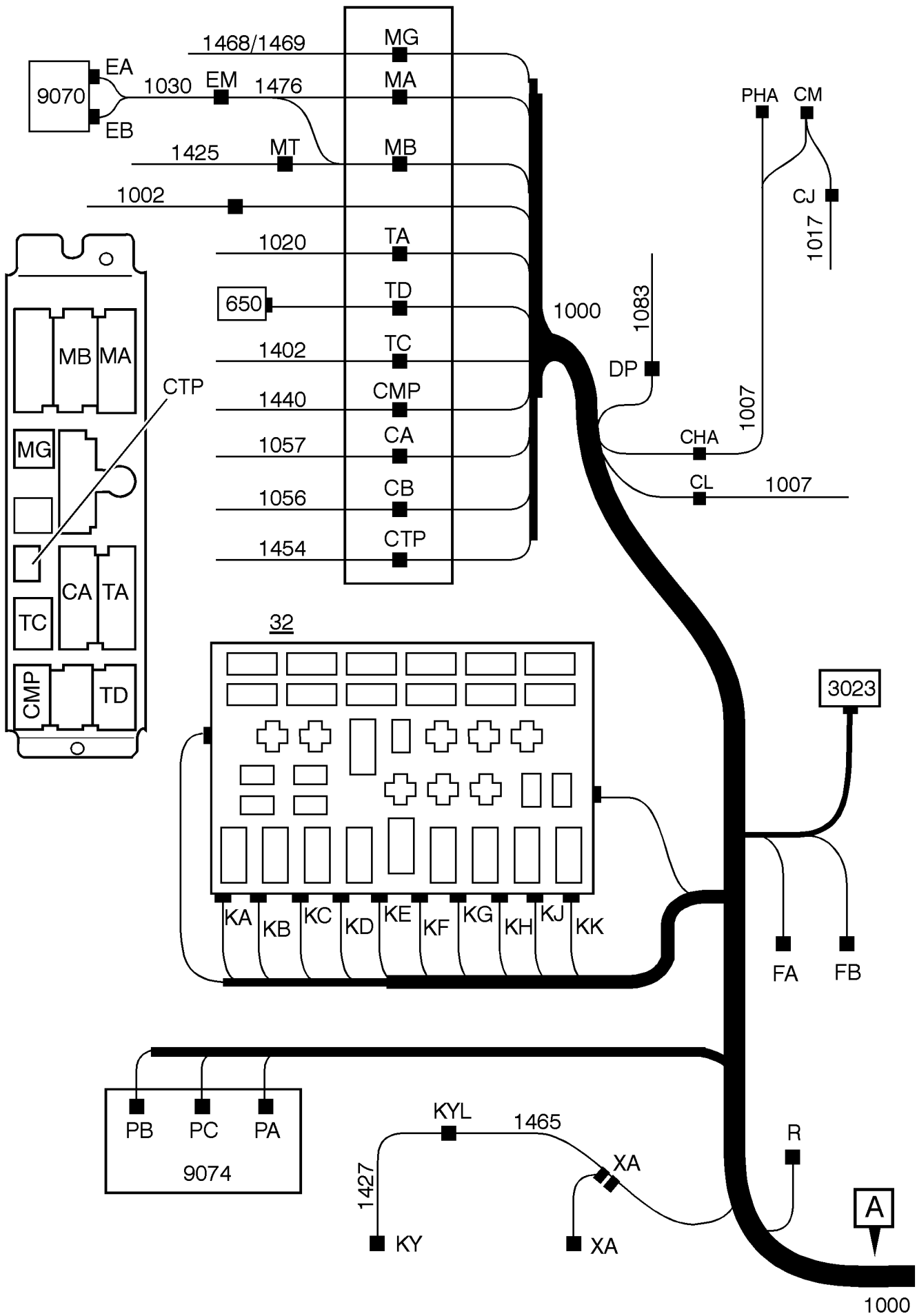
F1	Air suspension/Hydraulic bogielift (kl.DR)	(AA36)	F26	Differential lock, power take off ..	(LG6)
F2	Range-,area-inhibitors, compressor control	(AC7)	F27	Electronic climate control	(HA3)
F3	SRS airbag, Immobiliser	(AA32)	F28	Direction indicator, Instrumentation (kl.15)	(CN7)
F4	Central door lock	(KH8)	F29	Horn, solenoid valve for airhorn ..	(FA7)
F5	Interior light, timer	(ER16)(ES15)	F30	Cigarette lighter, centre section storagelamp	(EV8)
F6	Brake light trailer	(CK17)	F31	Voltage divider for 12V. outlets ...	(EX14)
F7	Instrumentation (kl.30)	(NB4)(NZ3)	F32	Foglight, rear foglight	(CG6)
F8	Voltage divider for radio	(EX7)	F33	Park. light truck lhs	(CE19)
F9	Brake light truck	(CK9)	F34	Park. light trailer lhs	(CE22)
F10	Spotlight	(CH5)(CI4)	F35	Bedlamps, luggage comp. lamp, bedlock	(ER46)(ES46)
F11	Fullbeam flash	(CE64)	F36	Park. light trailer rhs	(CE24)
F12	Air suspension (kl.30)	(ME45)(MF41)(MG26)	F37	Park. light truck rhs	(CE26)
F13	El. heated rearview mirrors ..	(HG4)	F38	Direction indicator, hazard warning light (kl.30)	(CN10)
F14	Preheating, relay "radiopos."	(AA12)	F39	Dipped beam rhs	(CE53)
F15	Dipped beam lhs	(CE49)	F40	Fullbeam rhs	(CE55)
F16	Fullbeam lhs, fullbeam ind. lamp	(CE51)	F41	El. window winder, passenger side	(KA22)
F17	Radiopos. startswitch	(AA43)	F42	El. window winder, driver side	(KA4)
F18	Cooling fan control, preheat relay	(BL51)(BN51)	F43	Engine ECU	(BL23)(BN23)
F19	Vehicle ECU	(AC19)	F44	Revers light, revers warning alarm	(EA9)
F20	Engine solenoid valves	(BL44)(BN44)	F45	Fan, climate unit	(HA6)
F21	Instrumentation, el. heated mirror relay (kl.61)	(NA60)	F46	El heated seat, park. heater	(HE6)
F22	DRL (day running light/Dim-dip)	(CE41)	F47	Windscreen wiper	(GA30)
F23	El. heated airdryer	(HK5)	F48	Headlamp wiper, windscreen and headlamp washer	(GA16)
F24	Extra equipment "XA", relay bodybuilder fusebox (kl.15) ..	(XA9)			
F25	El. adjustable mirrors	(HH5)			

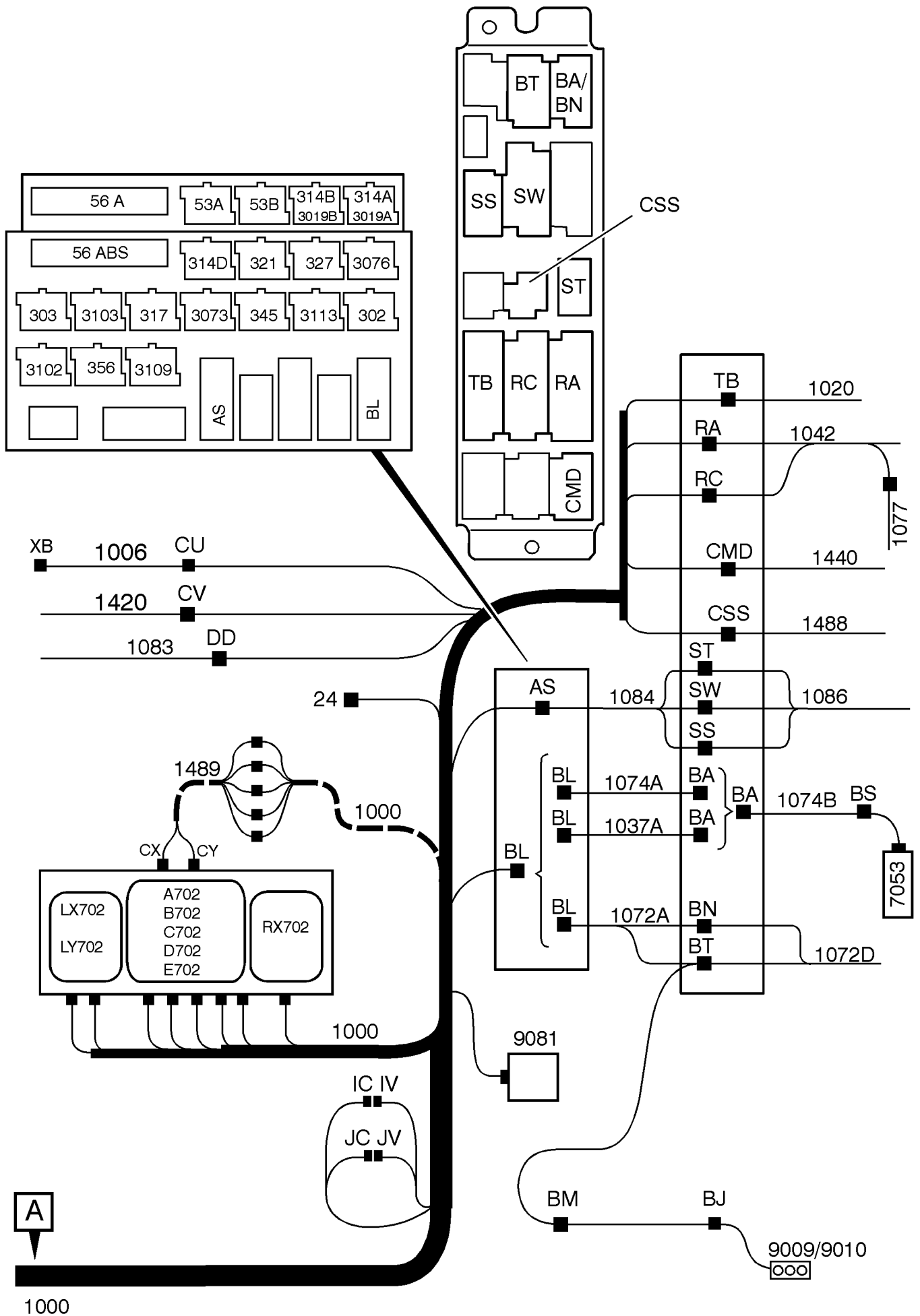
Relays on circuit card electrical centre

301	Relay, fog lights"9"	(CG5)	315R	Relay, starting switch"4"	(AA42)
305	Relay, reversing lights"12"	(EA7)	343	Relay, rear fog lights"7"	(CG12)
306	Relay, full beams"11"	(CE55)	348A	Relay, fan,climate unit"13"	(HA6)
307	Relay, dipped beams"3"	(CE48)	360	Relay, power take off in- hibitor"14"	(LD3)(LE4)
308	Relay, brake lights truck"8"	(CK8)	379	Relay, fuel injection"5"	(AC17)
308B	Relay, brake lights trailer"10"	(CK15)	3005	Alternator-controlled relay"6"	(AA52)
309L	Relay, parking lights lhs"1"	(CE19)	3101	Relay, interior lamps"15"	(ER13)(ES13)
309R	Relay, parking lights rhs"2"	(CE26)			

Cable harness illustration index

650	Windscreen wiper motor	page 79
1000	Cable harness, instruments	page 50
1002	Cable harness, tachograph (CABLE-EC)	page 55
1006	Cable harness, cab, upper	page 56
1007	Cable harness, cab, lower	page 58
1017	Cable harness, engine/cab heater	page 60
1020	Cable harness, cowl	page 61
1030	Cable harness, engine	page 62
1037	Cable harness, bogie lift	page 65
1042	Cable harness, tail lights	page 66
1056	Cable harness, air dryer	page 67
1057	Cable harness, chassis	page 68
1072	Cable harness, air suspension	page 69
1074	Cable harness, hydraulic bogie lift with axle load limiter	page 71
1077	Cable harness, side marking lamp	page 73
1083	Cable harness, door	page 74
1084	Cable harness, cab, ABS	page 77
1086	Cable harness, solenoid valve, ABS	page 78
1097	Cable harness, bogie lift feeder cable	page 72
1402	Cable harness, windscreen washers	page 79
1420	Cable harness, speed warning-roof lamps	-
1425	Cable harness, pulse sensor - tachograph (CABLE-B)	page 55
1440	Cable harness, el. operated rearview mirror	page 80
1454	Cable harness, cab tilt pump	page 81
1465	Cable harness, additional accessories	page 82
1468	Cable harness, water separator	page 83
1469	Cable harness, fuel filter heater	page 84
1476	Cable harness, engine, cab	page 85
1488	Cable harness, central lubrication system	page 89
1489	Cable harness, adapter, no tachograph	page 50





List of connectors

A1	(NB9)	BJ4	(ME36)	BM8	(MG23)
A2	(NB15)	BJ4	(MF36)	BM8	(ZB58)
A2	(NZ15)	BJ5	(ME37)	BN1	(ME21)
A3	(NB11)	BJ5	(ME46)	BN1	(MF13)
A3	(NZ32)	BJ5	(MF37)	BN1	(MG7)
A4	(NB14)	BJ5	(MG20)	BN2	(ME16)
A4	(NZ13)	BJ6	(ME38)	BN2	(MF16)
A5	(NB15)	BJ6	(ME47)	BN2	(MG4)
A5	(NZ16)	BJ6	(MF38)	BN3	(ME17)
A6	(NB17)	BJ6	(MG21)	BN3	(MF17)
A6	(NZ31)	BJ7	(ME39)	BN3	(MG5)
AS1	(CK12)	BJ7	(ME48)	BN4	(ME22)
AS2	(AC38)	BJ7	(MF39)	BN4	(MF22)
AS3	(AC46)	BJ7	(MG22)	BN4	(MG9)
AS4	(NB53)	BJ8	(ME40)	BN5	(ME11)
AS4	(NZ51)	BJ8	(ME49)	BN5	(MF11)
AS5	(CK19)	BJ8	(MF40)	BN5	(MG4)
AS6	(OA16)	BJ8	(MG23)	BN6	(ME13)
AS6	(OB15)	BJ8	(ZB58)	BN6	(MF13)
AS7	(OA11)	BL1	(ME46)	BN6	(MG7)
AS7	(OB10)	BL1	(MF42)	BN7	(ME16)
AS8	(NA44)	BL1	(MG27)	BN7	(MF16)
AS9	(NB55)	BL2	(AA36)	BN7	(MG9)
AS9	(NZ53)	BL3	(CE41)	BN8	(ME18)
AS9	(OA3)	BL4	(NA19)	BN8	(MF18)
AS9	(OB3)	BL5	(AC37)	BN8	(MG6)
AS10	(AC8)	BL6	(AC47)	BS1	(MD15)
AS11	(AC24)	BL7	(NC39)	BS2	(MD9)
AS12	(AC30)	BL8	(ME34)	BS4	(MD12)
AS13	(CL10)	BL9	(ME35)	BS4	(ZB54)
AS14	(CL5)	BL10	(AC2)	BT2	(ME8)
AS14	(ZB48)	BL11	(AC6)	BT2	(MF8)
B1	(NB20)	BL12	(EA5)	BT3	(ME12)
B1	(NZ7)	BL13	(ME30)	BT3	(MF12)
B1	(NZ8)	BL13	(ME6)	BT5	(ME19)
B2	(NB21)	BL13	(MF6)	BT6	(ME21)
B2	(NZ10)	BL13	(MF30)	BT7	(ME23)
B2	(NZ9)	BL13	(MG17)	BUS1	(AC26)
B3	(NB22)	BL16	(MA9)	BUS2	(AC28)
B4	(NB23)	BL16	(MD12)	BUS3	(AC36)
B7	(NB29)	BL16	(ME29)	BUS4	(AC48)
BA1	(MA16)	BL16	(MF29)	C1	(NB33)
BA1	(MD15)	BL16	(MG15)	C2	(NB35)
BA2	(MA17)	BL16	(ZB53)	C3	(NB37)
BA2	(MD29)	BM1	(ME33)	C4	(NZ22)
BA3	(MA5)	BM1	(MF33)	C5	(NZ24)
BA3	(MD5)	BM1	(MG18)	C7	(NB28)
BA5	(MD9)	BM2	(ME34)	CA1	(LE19)
BA6	(MA22)	BM2	(MF34)	CA2	(CK4)
BA6	(MD32)	BM2	(MG19)	CA3	(LG7)
BA7	(MA23)	BM3	(ME35)	CA4	(LD8)
BA7	(MD33)	BM3	(MF35)	CA4	(LE9)
BA8	(MD12)	BM4	(ME36)	CA5	(CK8)
BA8	(ZB54)	BM4	(MF36)	CA6	(NB14)
BJ1	(ME33)	BM5	(ME37)	CA6	(ZA4)
BJ1	(ME44)	BM5	(MF37)	CA9	(LG5)
BJ1	(MF33)	BM5	(MG20)	CA10	(NA26)
BJ1	(MF43)	BM6	(ME38)	CA11	(NA26)
BJ1	(MG18)	BM6	(MF38)	CA12	(AC4)
BJ2	(ME34)	BM6	(MG21)	CA13	(AC4)
BJ2	(ME45)	BM7	(ME39)	CA16	(LD8)
BJ2	(MF34)	BM7	(MF39)	CA16	(ZB44)
BJ2	(MG19)	BM7	(MG22)	CB1	(HK4)
BJ3	(ME35)	BM8	(ME40)	CB2	(HK4)
BJ3	(MF35)	BM8	(MF40)	CB2	(ZB24)

CHA1	(HB9)	CU9	(XA43)	DD8	(KH20)
CHA2	(HB4)	CU10	(EN6)	DD9	(KH21)
CHA3	(HB2)	CU10	(XA45)	DD10	(JA12)
CHA5	(HB37)	CU11	(CE61)	DD11	(JA13)
CHA7	(HB32)	CU12	(ER24)	DD12	(ER4)
CHA8	(HB33)	CU12	(ES21)	DD12	(ES4)
CHA9	(HB33)	CU13	(JA18)	DD13	(HH10)
CHA9	(ZB5)	CU14	(JA19)	DD14	(HH11)
CJ1	(HB11)	CU15	(JA21)	DD15	(HH14)
CJ2	(HB14)	CU16	(JA22)	DD16	(HH4)
CJ3	(HB16)	CV1	(NB33)	DD17	(HH5)
CJ3	(ZB7)	CV2	(NB35)	DD18	(HH8)
CJ6	(HB19)	CV3	(NB37)	DD19	(HH12)
CJ7	(HB13)	CV4	(NB5)	DD20	(KA8)
CL1	(ER53)	CX1	(NZ22)	DD21	(KA9)
CL1	(ES60)	CX2	(NZ24)	DD22	(ER9)
CL2	(HE6)	CX3	(NZ18)	DD22	(ES8)
CL3	(NA42)	CX4	(NZ13)	DD24	(ER5)
CL4	(ED6)	CX5	(NZ16)	DD24	(ES3)
CL5	(HE18)	CY1	(NZ47)	DD24	(HH3)
CL6	(HE23)	CY2	(NZ48)	DD24	(HH9)
CL8	(NB47)	CY3	(NZ45)	DD24	(KA27)
CL8	(NZ47)	CY4	(NZ53)	DD24	(KA8)
CL23	(NB47)	CY5	(NZ41)	DD24	(KH17)
CL23	(ZA31)	CY6	(NZ45)	DD24	(KH20)
CL24	(NA42)	CY7	(NZ39)	DD24	(ZA50)
CL24	(ZA34)	CY8	(NZ38)	DP1	(KA3)
CM1	(HB11)	CY9	(NZ54)	DP2	(KA14)
CM2	(HB14)	CY10	(NZ36)	DP5	(KA16)
CM3	(HB16)	CY11	(NZ31)	DP6	(KA17)
CM3	(ZB7)	CY11	(ZA2)	DP7	(KH8)
CM4	(HB10)	CY12	(NZ35)	DP8	(KH12)
CM5	(HB22)	CY13	(NZ33)	DP9	(KH13)
CM6	(HB19)	CY14	(NZ32)	DP10	(JA15)
CM7	(HB13)	CY15	(NZ50)	DP11	(JA16)
CMD1	(HG9)	CY16	(NZ51)	DP12	(ER19)
CMD1	(ZA26)	CY17	(NZ51)	DP12	(ES19)
CMD2	(HG9)	CY18	(NZ15)	DP22	(ER16)
CMD3	(HH10)	CY19	(NZ42)	DP22	(ES17)
CMD4	(HH11)	CY20	(NZ39)	DP24	(ER21)
CMD5	(HH14)	CY21	(NZ10)	DP24	(ES20)
CMP1	(HG4)	CY22	(NZ32)	DP24	(KA16)
CMP1	(ZB21)	CY24	(NZ41)	DP24	(KH9)
CMP2	(HG4)	CY25	(NZ44)	DP24	(ZB36)
CMP3	(HH4)	CY26	(NZ26)	E1	(NB23)
CMP4	(HH5)	CY27	(NZ20)	E2	(NB26)
CMP5	(HH8)	CY29	(NZ8)	E3	(NB39)
CSS1	(TB6)	CY30	(NZ29)	E3	(NZ38)
CSS2	(TB6)	D1	(NB27)	E4	(NB47)
CSS2	(ZB37)	D1	(NZ36)	E4	(NZ47)
CTP1	(HP10)	D2	(NB31)	E5	(NB56)
CTP2	(HP11)	D2	(NZ29)	E5	(NZ54)
CTP2	(ZA6)	D3	(NB33)	E6	(NB25)
CU1	(CE9)	D4	(NB34)	E6	(NZ18)
CU2	(CE37)	D5	(NB36)	E7	(NB45)
CU3	(ER13)	D5	(NZ35)	E7	(NZ45)
CU3	(ES12)	D6	(NB31)	E8	(NB40)
CU4	(ER46)	D7	(NB50)	E8	(NZ39)
CU4	(ES46)	D7	(NZ48)	E9	(NB42)
CU5	(ER31)	D8	(NB30)	E9	(NZ41)
CU5	(ES33)	DD1	(KA21)	E10	(NB48)
CU6	(ER24)	DD2	(KA33)	E10	(NZ45)
CU6	(ES21)	DD3	(KH16)	E11	(NB53)
CU7	(KB3)	DD4	(KH17)	E12	(NB41)
CU8	(ER12)	DD5	(KA26)	E13	(NB43)
CU8	(ES12)	DD6	(KA28)	E13	(NZ44)
CU9	(EN4)	DD7	(KH17)	E14	(NB52)

E15	(NB53)	EB13	(BN11)	FB6	(CK6)
E15	(NZ51)	EB15	(BL5)	FB7	(NB42)
E16	(NB55)	EB15	(BN4)	FB7	(NZ43)
E16	(NZ53)	EB17	(BL21)	FB8	(FA9)
EA1	(BL23)	EB17	(BN20)	FB9	(ED4)
EA1	(BN29)	EB21	(BL38)	FB10	(AC44)
EA2	(BL12)	EB21	(BN38)	FB11	(AC44)
EA2	(BN17)	EB24	(BL33)	FB12	(AC36)
EA3	(BL13)	EB24	(BN33)	FB13	(AC36)
EA3	(BN18)	EB25	(BL30)	FB14	(AC36)
EA4	(BL13)	EB25	(BN30)	FB15	(EA14)
EA4	(BN18)	EB26	(BL31)	FB16	(AA18)
EA5	(BL18)	EB26	(BN32)	FB17	(AA18)
EA5	(BN24)	EB31	(BL51)	FB18	(EA17)
EA7	(BL9)	EB31	(BN51)	IC1	(TB4)
EA7	(BN8)	EB35	(BL42)	IC2	(TB6)
EA9	(BN52)	EB35	(BN41)	IC2	(ZB37)
EA10	(BN52)	EB36	(BL45)	IC3	(LD14)
EA11	(BL28)	EB36	(BN43)	IC3	(LE15)
EA12	(BL33)	EBS1	(CE34)	IC4	(AC43)
EA13	(BL3)	EBS2	(NB26)	IC5	(AA16)
EA13	(BN3)	EBS3	(NC14)	IC6	(NB56)
EA14	(BL24)	EBS4	(LG7)	IC6	(NZ54)
EA14	(BN29)	EBS5	(LG7)	IC7	(EA12)
EA16	(BN49)	EM1	(BL27)	IC9	(ED6)
EA17	(BN47)	EM1	(BN28)	IV1	(TB4)
EA18	(BL10)	EM2	(BL34)	IV2	(TB6)
EA18	(BN9)	EM2	(BN34)	IV2	(ZB37)
EA22	(BL30)	EM3	(BL36)	IV3	(LD14)
EA23	(BL32)	EM3	(BN36)	IV3	(LE15)
EA24	(BL39)	EM4	(BL30)	IV4	(AC43)
EA25	(BL21)	EM4	(BN30)	IV5	(AA16)
EA25	(BN26)	EM5	(BL31)	IV6	(NB56)
EA27	(BL4)	EM5	(BN31)	IV6	(NZ54)
EA27	(BN4)	EM6	(BL51)	IV7	(EA12)
EA29	(BN45)	EM6	(BN51)	IV9	(ED6)
EA30	(BL6)	EM7	(BL44)	JC1	(HM9)
EA30	(BN6)	EM7	(BN44)	JC1	(HO6)
EA31	(BL7)	EM8	(BL33)	JC1	(ZA64)
EA31	(BN7)	EM8	(BN33)	JC2	(AC30)
EA33	(BL44)	EM9	(BL23)	JC3	(HP13)
EA34	(BL35)	EM9	(BN23)	JC3	(ZB50)
EA35	(BL37)	EM10	(BL56)	JC4	(LD17)
EA36	(BL38)	EM10	(BN56)	JC4	(LE10)
EB1	(BL34)	EM11	(BL49)	JC5	(LE21)
EB1	(BN34)	EM11	(BN49)	JC6	(LD19)
EB2	(BL36)	FA1	(AC53)	JC6	(LE15)
EB2	(BN36)	FA2	(AC55)	JC7	(KE10)
EB3	(BL9)	FA3	(AC56)	JC8	(KE10)
EB3	(BN9)	FA4	(AC58)	JC10	(CH14)
EB4	(BL27)	FA5	(AC59)	JC10	(CI14)
EB4	(BN27)	FA6	(AC61)	JC10	(ZA60)
EB5	(BL52)	FA7	(AC62)	JC11	(HA6)
EB5	(BN52)	FA8	(AC63)	JC11	(ZA57)
EB7	(BL17)	FA9	(AC64)	JC12	(HE26)
EB7	(BN17)	FA10	(AC10)	JC12	(ZA55)
EB8	(BL19)	FA11	(ME6)	JC13	(KH23)
EB8	(BN18)	FA11	(MF6)	JC13	(ZA54)
EB9	(BL53)	FA13	(CN2)	JC14	(LD10)
EB9	(BN53)	FB1	(NB30)	JC14	(LE11)
EB10	(BL55)	FB2	(EA6)	JC14	(ZA62)
EB10	(BN55)	FB3	(NB51)	JC15	(PA14)
EB11	(BL23)	FB3	(NZ50)	JC15	(ZA59)
EB11	(BN23)	FB4	(LD14)	JC16	(HA10)
EB12	(BL25)	FB4	(LE15)	JC17	(AC49)
EB12	(BN24)	FB5	(NB58)	JC17	(ZB47)
EB13	(BL11)	FB5	(NZ57)	JC20	(NB8)

JC22	(NB42)	KC2	(CE25)	KF14	(KH10)
JC22	(NZ43)	KC3	(CE38)	KF15	(KH12)
JC23	(AC62)	KC4	(AC12)	KF16	(BL51)
JC24	(AC63)	KC5	(CK17)	KF16	(BN51)
JV1	(HM9)	KC6	(CK4)	KG1	(BL23)
JV1	(HO6)	KC7	(CK19)	KG1	(BN23)
JV1	(ZA64)	KC8	(CK6)	KG2	(XA13)
JV2	(AC30)	KC9	(CK9)	KG3	(BL25)
JV3	(HP13)	KC10	(CK8)	KG3	(BN24)
JV3	(ZB50)	KC11	(CK12)	KG4	(XA9)
JV4	(LD17)	KC12	(CE27)	KG5	(AA11)
JV4	(LE10)	KC13	(EX7)	KG6	(HA6)
JV5	(LE21)	KC14	(EX10)	KG7	(AA12)
JV7	(KE10)	KC15	(ER46)	KG8	(HA4)
JV8	(KE10)	KC15	(ES46)	KG9	(AA34)
JV10	(CH14)	KC16	(ER53)	KG10	(AC17)
JV10	(CI16)	KC16	(ES60)	KG11	(EA4)
JV10	(ZA60)	KD1	(CE34)	KG12	(BL44)
JV11	(HA6)	KD2	(CE32)	KG12	(BN44)
JV11	(ZA57)	KD3	(CE34)	KG13	(EA8)
JV12	(HE26)	KD4	(CE32)	KG14	(AC19)
JV12	(ZA55)	KD5	(CE26)	KG15	(AA37)
JV13	(KH23)	KD6	(CN10)	KG16	(AA39)
JV13	(ZA54)	KD7	(CN17)	KH1	(CE41)
JV14	(LD10)	KD8	(CN17)	KH2	(HE6)
JV14	(LE11)	KD9	(CH5)	KH3	(HH12)
JV14	(ZA62)	KD9	(C15)	KH4	(HE9)
JV15	(PA14)	KD10	(CE64)	KH5	(HH14)
JV15	(ZA59)	KD11	(NB3)	KH6	(LD5)
JV16	(HA10)	KD12	(NB4)	KH6	(LE6)
JV17	(AC49)	KD12	(NZ3)	KH7	(NA60)
JV17	(ZB47)	KD13	(CE35)	KH8	(LD7)
JV20	(NB8)	KD15	(AC7)	KH8	(LE8)
JV22	(NB42)	KD16	(AC2)	KH9	(NA63)
JV22	(NZ43)	KE1	(PA7)	KH10	(LD7)
JV23	(AC62)	KE2	(CE53)	KH10	(LE8)
JV24	(AC63)	KE3	(ME45)	KH11	(LG6)
KA1	(CE9)	KE3	(MF41)	KH12	(AA50)
KA2	(CE12)	KE3	(MG26)	KH13	(HA5)
KA3	(CE14)	KE4	(CE46)	KH14	(HA7)
KA4	(CE15)	KE5	(ME46)	KH15	(CN3)
KA5	(CE9)	KE5	(MF42)	KH16	(CN7)
KA6	(EV10)	KE5	(MG27)	KJ1	(AA42)
KA7	(CE14)	KE6	(CE49)	KJ1	(ZB61)
KA8	(CE15)	KE7	(HG4)	KJ2	(GA23)
KA9	(CE19)	KE8	(CE46)	KJ3	(GA30)
KA10	(XA54)	KE9	(CE56)	KJ4	(EV6)
KA11	(AA39)	KE10	(CE43)	KJ5	(XA52)
KA12	(CG13)	KE11	(CE44)	KJ6	(EV8)
KA13	(AC15)	KE12	(CE64)	KJ7	(FA4)
KA14	(CE37)	KE13	(CE50)	KJ8	(GA25)
KB1	(CE21)	KE14	(AA32)	KJ9	(FA7)
KB2	(CE22)	KE15	(CE62)	KJ10	(GA16)
KB3	(CG6)	KE16	(CE51)	KJ11	(HK4)
KB4	(CG8)	KF1	(KA3)	KJ12	(ER12)
KB5	(AA36)	KF2	(KA21)	KJ12	(ES12)
KB6	(AA37)	KF3	(KA5)	KJ13	(ER13)
KB7	(CE37)	KF4	(CE51)	KJ13	(ES12)
KB8	(CE37)	KF5	(CE55)	KJ14	(ER18)
KB9	(CG12)	KF6	(EA9)	KJ14	(ES18)
KB10	(CG5)	KF7	(CE57)	KJ15	(ER21)
KB12	(CE45)	KF8	(EA13)	KJ15	(ES22)
KB12	(ZB63)	KF9	(CE64)	KJ16	(ER14)
KB14	(EX14)	KF10	(AA43)	KJ16	(ES13)
KB15	(CG15)	KF11	(AA45)	KK1	(CE42)
KB16	(EX17)	KF12	(AA46)	KK2	(CE41)
KC1	(CE24)	KF13	(AA48)	KK3	(CE38)

KK4	(CE37)	MA13	(AA50)	PA21	(AC46)
KK5	(CE42)	MA14	(BL44)	PA23	(AC25)
KK6	(CE41)	MA14	(BN44)	PA24	(AC63)
KK7	(CE38)	MA15	(AC4)	PA26	(AC53)
KK8	(CE37)	MB1	(NA24)	PA27	(AC61)
KY1	(TA15)	MB2	(AC9)	PA28	(AC8)
KY2	(TA15)	MB4	(AC12)	PA29	(AC6)
KYL1	(TA15)	MB5	(NA31)	PA30	(AC39)
KYL2	(TA15)	MB6	(NA29)	PB1	(AC24)
LX1	(NA8)	MB7	(NA30)	PB2	(AC11)
LX2	(NA18)	MB8	(AC7)	PB4	(AC4)
LX3	(NA20)	MB9	(AC7)	PB5	(AC43)
LX4	(NA34)	MB10	(NB20)	PB6	(AC9)
LX5	(NA37)	MB10	(NZ8)	PB8	(AC23)
LX6	(NA36)	MB11	(NB21)	PB9	(AC20)
LX7	(NA33)	MB11	(NZ10)	PB10	(AC22)
LX8	(NA38)	MB12	(NB22)	PB11	(AC16)
LX9	(NA11)	MB12	(NZ15)	PB14	(AC56)
LX9	(ZA10)	MB13	(NB23)	PB15	(AC17)
LX10	(NA30)	MB13	(NZ13)	PB16	(AC15)
LX11	(NA10)	MB14	(NB50)	PB17	(AC4)
LX12	(NA4)	MB14	(NZ48)	PB18	(AC6)
LX12	(ZA4)	MB15	(EA4)	PB19	(AC30)
LX13	(NA24)	MB16	(EA4)	PB20	(AC11)
LX14	(NA15)	MB16	(NZ48)	PB21	(AC9)
LX15	(NA49)	MB16	(ZA52)	PB22	(AC24)
LX16	(NA35)	MG1	(HM14)	PB23	(AC22)
LX17	(NA8)	MG2	(HM14)	PB24	(AC64)
LX18	(NA9)	MG2	(ZA15)	PB26	(AC19)
LX20	(NA4)	MG3	(HO6)	PB27	(AC12)
LX21	(NA32)	MG4	(HO6)	PB28	(AC64)
LX22	(NA53)	MS1	(NB18)	PC1	(AC46)
LY1	(NA45)	MS1	(NZ7)	PC2	(AC38)
LY3	(NA48)	MS2	(NB19)	PC4	(AC26)
LY4	(NA51)	MS2	(NZ9)	PC5	(AC28)
LY5	(NA56)	MS3	(NB24)	PHA1	(HB9)
LY6	(NA54)	MS4	(NB25)	PHA2	(HB4)
LY7	(NA42)	MT1	(NB20)	PHA3	(HB2)
LY8	(NA19)	MT1	(NZ8)	PHA3	(ZB5)
LY9	(NA30)	MT2	(NB21)	PHA5	(HB23)
LY10	(NA53)	MT2	(NZ10)	PHA6	(HB17)
LY11	(NA51)	MT3	(NB22)	PHA7	(HB20)
LY12	(NA29)	MT3	(NZ11)	PHA8	(HB33)
LY14	(NA24)	MT4	(NB23)	PHA8	(ZB5)
LY20	(NA44)	MT4	(NZ12)	RA1	(ZB12)
LY21	(NA25)	NF1	(NB15)	RA2	(CE19)
LY22	(NA7)	NF1	(ZA6)	RA3	(CN14)
LY23	(NA47)	NF2	(NB15)	RA4	(CK9)
LY25	(NA27)	NF2	(ZA6)	RA5	(CN15)
LY26	(NA26)	PA1	(AC37)	RA6	(CE26)
LY28	(NA31)	PA2	(AC38)	RA7	(EA9)
MA1	(HA13)	PA3	(AC40)	RA8	(CG13)
MA2	(AA16)	PA4	(AC58)	RA10	(EA24)
MA3	(AC23)	PA5	(AC32)	RA11	(CK14)
MA4	(AC31)	PA6	(AC5)	RA12	(NA18)
MA5	(AC33)	PA7	(AC14)	RA13	(NA18)
MA6	(AC52)	PA8	(AC34)	RA14	(LG23)
MA7	(AA21)	PA9	(AC60)	RA15	(HB4)
MA8	(BL51)	PA10	(AC62)	RA16	(HB2)
MA8	(BN51)	PA11	(AC61)	RC1	(CE62)
MA9	(BL49)	PA12	(AC18)	RC1	(ZB7)
MA9	(BN49)	PA13	(AC19)	RC2	(CE22)
MA11	(BL23)	PA14	(AC15)	RC3	(CN5)
MA11	(BN23)	PA15	(AC55)	RC4	(CK17)
MA12	(BL56)	PA17	(AC59)	RC5	(CN7)
MA12	(BN56)	PA18	(AC29)	RC6	(CE24)
MA12	(ZA13)	PA20	(AC48)	RC7	(CG21)

RC8	(CE57)	SS8	(OA51)	TA9	(CG6)
RC8	(ZB8)	SS8	(OB52)	TA10	(FA7)
RC10	(EA17)	ST1	(OA22)	TA11	(FA7)
RC11	(XA43)	ST1	(OB21)	TA13	(NB36)
RC12	(XA53)	ST2	(OA18)	TA13	(NZ35)
RC13	(XA47)	ST2	(OB17)	TA14	(PA4)
RC14	(CG19)	ST2	(ZB12)	TA15	(PA5)
RC15	(CN12)	SW1	(OA29)	TA16	(PA7)
RC16	(CN17)	SW1	(OB31)	TB1	(CE54)
RX1	(NC27)	SW2	(OA31)	TB1	(ZB4)
RX2	(NC13)	SW2	(OB31)	TB2	(CE55)
RX3	(NC6)	SW3	(OA29)	TB3	(CE53)
RX4	(NC3)	SW3	(OB32)	TB4	(GA21)
RX5	(NC14)	SW3	(ZB28)	TB5	(GA19)
RX6	(NC13)	SW4	(OA37)	TB6	(CH6)
RX7	(NC15)	SW4	(OB38)	TB6	(CI6)
RX8	(NC41)	SW5	(OA38)	TB7	(CN10)
RX9	(NC43)	SW5	(OB39)	TB8	(CE32)
RX10	(NC45)	SW6	(OA37)	TB9	(CG8)
RX11	(NC36)	SW6	(OB40)	TB10	(FA4)
RX12	(NC51)	SW6	(ZB29)	TB11	(FA4)
RX13	(NC35)	SW7	(OA45)	TB14	(PA10)
RX14	(NC33)	SW7	(OB46)	TB15	(PA11)
RX15	(NC27)	SW8	(OA46)	TB16	(PA13)
RX15	(ZA9)	SW8	(OB47)	TC1	(GA5)
RX16	(NC14)	SW9	(OA45)	TC2	(GA3)
RX17	(NC10)	SW9	(OB48)	TC3	(GA9)
RX18	(NC11)	SW9	(ZB31)	TC4	(GA5)
RX19	(NC39)	SW10	(OA53)	TC4	(ZA43)
RX20	(NC49)	SW10	(OB54)	TD3	(GA32)
RX21	(NC16)	SW11	(OA54)	TD3	(ZA22)
RX22	(NC37)	SW11	(OB55)	TD5	(GA31)
RX23	(NC42)	SW12	(OA53)	TD6	(GA33)
RX24	(NC44)	SW12	(OB56)	TD7	(GA29)
RX25	(NC50)	SW12	(ZB32)	TD8	(GA30)
RX26	(NC47)	SW14	(OA14)	XA1	(TA4)
RX27	(NC46)	SW14	(OB13)	XA1	(TA7)
RX28	(NC34)	SW15	(OA3)	XA1	(XA3)
RX29	(NC29)	SW15	(OB3)	XA2	(XA5)
RX30	(NC31)	SW16	(OA9)	XA3	(TA3)
SS1	(OA26)	SW16	(OB8)	XA3	(TA6)
SS1	(OB27)	SW16	(ZB18)	XA3	(XA7)
SS2	(OA27)	SW16	(ZB34)	XA3	(ZB59)
SS2	(OB28)	TA1	(CE50)	XB1	(EN4)
SS3	(OA34)	TA1	(ZA19)	XB1	(XA43)
SS3	(OB35)	TA2	(CE51)	XB2	(EN10)
SS4	(OA35)	TA3	(CE49)	XB2	(EN6)
SS4	(OB36)	TA4	(GA16)	XB2	(XA45)
SS5	(OA42)	TA5	(GA15)	XB3	(CE61)
SS5	(OB43)	TA6	(CH5)	XB4	(EN17)
SS6	(OA43)	TA6	(CI5)	XB4	(EN18)
SS6	(OB44)	TA7	(CN9)	XB4	(XA45)
SS7	(OA50)	TA8	(CE14)	XB4	(ZA39)
SS7	(OB51)				

List of components

24	Connector, socket/diagnostics (AC39)	78	Extra plug socket, 7-unit (EA17)
24	Connector, socket/diagnostics (KE8)	78	Extra plug socket, 7-unit (OA11)
24: 8	Connector, socket/diagnostics (ZA4)	78	Extra plug socket, 7-unit (OB10)
30	Battery (ZA43)	78	Extra plug socket, 7-unit (XA43)
30 A	Battery (AA8)	78	Extra plug socket, 7-unit (XA47)
30 B	Battery (AA8)	78	Extra plug socket, 7-unit (XA53)
32	Circuit card, electrical centre (AA10)	78	Extra plug socket, 7-unit (ZB8)
32	Circuit card, electrical centre (AA31)	79	Plug socket, ABS/EBS (OA3)
32	Circuit card, electrical centre (AA32)	79	Plug socket, ABS/EBS (OA9)
34	Connector (AA4)	79	Plug socket, ABS/EBS (OA14)
34	Connector (EN6)	79	Plug socket, ABS/EBS (OA18)
34	Connector (TA8)	79	Plug socket, ABS/EBS (OA22)
36	Connector, tail lamp junction box (CE22)	79	Plug socket, ABS/EBS (OB3)
36	Connector, tail lamp junction box (CE24)	79	Plug socket, ABS/EBS (OB8)
36	Connector, tail lamp junction box (CE60)	79	Plug socket, ABS/EBS (OB13)
36	Connector, tail lamp junction box (CG19)	79	Plug socket, ABS/EBS (OB17)
36	Connector, tail lamp junction box (CG21)	79	Plug socket, ABS/EBS (OB21)
36	Connector, tail lamp junction box (CK14)	79:3	Plug socket, ABS/EBS (ZB18)
36	Connector, tail lamp junction box (CK17)	79:3	Plug socket, ABS/EBS (ZB34)
36	Connector, tail lamp junction box (CN5)	79:4	Plug socket, ABS/EBS (ZB12)
36	Connector, tail lamp junction box (CN7)	100	Switch, headlights (CE36)
36	Connector, tail lamp junction box (CN12)	101	Switch, full beams and dipped beams (CE61)
36	Connector, tail lamp junction box (CN17)	101	Switch, full beams and dipped beams (ZA57)
36	Connector, tail lamp junction box (EA17)	102	Switch, fog lights (CG21)
36	Connector, tail lamp junction box (XA43)	102	Switch, fog lights (ZA41)
36	Connector, tail lamp junction box (XA47)	103	Switch, spot lights (CH11)
36	Connector, tail lamp junction box (XA53)	103	Switch, spot lights (CI13)
42	Joint sleeve (ZA19)	103	Switch, spot lights (ZA60)
42	Joint sleeve (ZB4)	104	Switch, loading lights (ED9)
42	Joint sleeve (ZB5)	104	Switch, loading lights (ZA41)
42	Joint sleeve (ZB16)	109	Switch, hazard warning lights (CN17)
42	Joint sleeve (ZA34)	109	Switch, hazard warning lights (ZA41)
42	Joint sleeve (ZB53)	111 DD	Switch, window winder (KA26)
42 A	Joint sleeve (ZB12)	111 DP	Switch, window winder (KA7)
42 A	Joint sleeve (ZB44)	111 P	Switch, window winder (KA15)
42 C	Joint sleeve (ZA19)	111 DD	Switch, window winder (ZA45)
42 CL 1:2B	Joint sleeve (ZA31)	111 DP	Switch, window winder (ZA47)
42 E	Joint sleeve (ZA48)	111 P	Switch, window winder (ZB37)
42 F	Joint sleeve (ZB36)	112	Switch, air conditioning (HA19)
42 I 1:1	Joint sleeve (ZA5)	112	Switch, air conditioning (ZA57)
42 I 1:3A	Joint sleeve (ZA41)	112 ATC	Switch, air conditioning (HA5)
42 I 1:3B	Joint sleeve (ZA57)	112 ATC	Switch, air conditioning (ZA57)
42 I 2:4A	Joint sleeve (ZB39)	116 A	Switch, interior light (ES27)
42 I 2:4B	Joint sleeve (ZB49)	116 A	Switch, interior light (ZA26)
42 I HEAT	Joint sleeve (ZB2)	116 B	Switch, interior light (ER37)
42 MB	Joint sleeve (ZA52)	116 B	Switch, interior light (ES35)
53 A	Fuse holder 3-unit (HM9)	116 B	Switch, interior light (ZA18)
53 A	Fuse holder 3-unit (HP4)	116 B	Switch, interior light (ZA19)
56 A	Fuse holder 6-unit (TA9)	118	Switch, fan (HA13)
56 A	Fuse holder 6-unit (XA18)	119	Switch, windscreen wiper (GA25)
56 P	Fuse holder, 6-unit (XA31)	123	Switch, heated rearview mirror (HG12)
56 X	Fuse holder, 6-unit (EN4)	123	Switch, heated rearview mirror (ZA41)
56 X	Fuse holder, 6-unit (XA44)	125	Switch, exhaust brake (AC46)
56 ABS	Fuse holder, 6-unit (OA14)	125	Switch, exhaust brake (ZB49)
56 ABS	Fuse holder, 6-unit (OB12)	126	Switch, diff. lock wheels, rear (LG18)
77	Plug socket, 7-unit (CE22)	127	Switch, diff. lock inter axles (LG6)
77	Plug socket, 7-unit (CE24)	127	Switch, diff. lock inter axles (ZB49)
77	Plug socket, 7-unit (CE60)	132	Switch, roof sign light (EJ4)
77	Plug socket, 7-unit (CG21)	132	Switch, roof sign light (EK4)
77	Plug socket, 7-unit (CK17)	132	Switch, roof sign light (ZA32)
77	Plug socket, 7-unit (CN5)	133	Switch, bogie lift (MA5)
77	Plug socket, 7-unit (CN7)	133	Switch, bogie lift (MD4)
77	Plug socket, 7-unit (ZB7)	133	Switch, bogie lift (ME40)
78	Extra plug socket, 7-unit (CE58)	133	Switch, bogie lift (ZB55)
78	Extra plug socket, 7-unit (CG19)	144	Switch, battery master switch (AA8)

144	Switch, battery master switch (ZA4)	217	Closing contact, reversing lights (EA4)
144	Switch, battery master switch (ZA43)	217	Closing contact, reversing lights (ZA52)
147	Switch, direction indicators (CN7)	218	Break contact, exh-pressure governor (AC16)
149	Switch, horn (FA6)	218	Break contact, exh-pressure governor (ZB39)
149	Switch, horn (ZA55)	223	Slip contact, horn (FA7)
150	Switch, starting switch (AA15)	223	Slip contact, horn (ZA56)
157	Switch, air horn (FA9)	228 L	Closing contact, cab lock (NA40)
157	Switch, air horn (ZA55)	228 L	Closing contact, cab lock (ZA34)
172	Switch, extra (EN10)	228 R	Closing contact, cab lock (NA42)
172	Switch, extra (TA5)	228 R	Closing contact, cab lock (ZA34)
1105	Switch, levelling control, headlights (PA10)	258	Break contact, thermal, bogie lift (ZA47)
1105	Switch, levelling control, headlights (ZA59)	2003	Thermostat, parking heater (HB11)
1107	Switch, door lock (KH16)	2003	Thermostat, parking heater (ZB7)
1107	Switch, door lock (ZA48)	2004 L	Break contact, lighting luggage compartment (ER53)
1111	Switch, roof hatch (KB11)		
1111	Switch, roof hatch (ZA27)	2004 L	Break contact, lighting luggage compartment (ES60)
1122	Switch, retarder (AC52)		
1122	Switch, retarder (ZB46)	2007	Break contact, clutch pedal (AC34)
1132 D	Switch, el. operated rearview mirror (HH11)	2008	Break contact, brake pedal (AC32)
1132 D	Switch, el. operated rearview mirror (ZA45)	2018	Contact, oil pressure, power steering (NB36)
1132 P	Switch, el. operated rearview mirror (HH5)	2018	Contact, oil pressure, power steering (NZ35)
1132 P	Switch, el. operated rearview mirror (ZA50)	2018	Contact, oil pressure, power steering (ZA21)
1134	Switch, reverse warner (EA24)	2019	Contact, lock, seat belt (NB47)
1134	Switch, reverse warner (ZA39)	2019	Contact, lock, seat belt (NZ47)
1135	Switch, cruise control (AC40)	2019	Contact, lock, seat belt (ZA27)
1146	Switch, snooze function/radio (ER37)	2020 L	Contact, bunk lock (ES54)
1146	Switch, snooze function/radio (ES39)	2020 L	Contact, bunk lock (ZA41)
1146	Switch, snooze function/radio (ZA22)	2020 R	Contact, bunk lock (ES53)
1147 A	Switch, cab tilt pump (HP11)	2074	Contact, low range (AC9)
1147 A	Switch, cab tilt pump (ZB50)	301	Relay, fog lights (CG5)
1147 B	Switch, cab tilt pump (HP10)	302	Relay, spot lights (CH5)
1148	Switch, storage compartment lighting (EV4)	302	Relay, spot lights (CI5)
1149	Switch, PTO (ZA62)	303	Relay, loading lights (ED6)
1149 1	Switch, PTO (LD7)	303	Relay, loading lights (ZB49)
1149 1	Switch, PTO (LE8)	305	Relay, reversing lights (EA8)
1149 2	Switch, PTO (LE19)	306	Relay, full beams (CE55)
1150	Switch, fuel filter heater (HM7)	307	Relay, dipped beams (CE48)
1150	Switch, fuel filter heater (ZA64)	308	Relay, brake lights (CK8)
1152	Switch, multi-function display (NA33)	308 B	Relay, brake lights (CK15)
200	Break contact, warning light, parking brake (NB56)	309 L	Relay, parking lights (CE19)
200	Break contact, warning light, parking brake (NZ54)	309 L	Relay, parking lights (ZB61)
200	Break contact, warning light, parking brake (ZB39)	309 R	Relay, parking lights (CE26)
205 D	Break contact, interior light (ER5)	309 R	Relay, parking lights (ZB61)
205 D	Break contact, interior light (ES5)	312	Relay, starting heater (BL51)
205 D	Break contact, interior light (ZA47)	312	Relay, starting heater (BN51)
205 D	Break contact, interior light (ZA50)	313	Relay, bogie lift motor (MA23)
205 P	Break contact, interior light (ER16)	313	Relay, bogie lift motor (MD33)
205 P	Break contact, interior light (ES17)	314 A	Relay, bogie lift (MD17)
205 P	Break contact, interior light (ZB36)	314 A	Relay, bogie lift (MA15)
207	Closing contact, indicator light, diff. lock, rear wheels (LG23)	314 B	Relay, bogie lift (MD27)
207	Closing contact, indicator light, diff. lock, rear wheels (ZB14)	314 D	Relay, bogie lift (MD9)
207 R	Closing contact, indicator light, diff. lock, rear wheels (LG18)	314 D	Relay, bogie lift (ZB55)
207 R	Closing contact, indicator light, diff. lock, rear wheels (ZB10)	315 R	Relay, starting switch (AA42)
211	Closing contact, indicator light, bogie lift (MA16)	315 R	Relay, starting switch (ZB61)
211	Closing contact, indicator light, bogie lift (MD29)	317	Relay, headlamp wiper (GA16)
214	Closing contact, indicator light, low split (NB50)	317	Relay, headlamp wiper (ZB39)
214	Closing contact, indicator light, low split (NZ48)	321	Relay, interval wipe (GA27)
214	Closing contact, indicator light, low split (ZA52)	323	Relay, flasher unit (CN3)
216 A	Closing contact, brake lights (CK8)	323	Relay, flasher unit (ZB29)
216 A	Closing contact, brake lights (ZB44)	326 X	Relay, extra fuse holder (XA13)
216 B	Closing contact, brake lights (CK4)	326 X	Relay, extra fuse holder (ZB49)
216 B	Closing contact, brake lights (ZB42)	327	Relay, heated rearview mirror (HG4)
216 C	Closing contact, brake lights (CK4)	343	Relay, fog lights, rear (CG12)
		348 A	Relay, fan (HA6)
		348 A	Relay, fan (ZB63)
		348 B	Relay, fan (HB37)
		348 B	Relay, fan (ZB2)

360	Relay, engage inhibitor, power take-off (LD3)	403	Bulb, loading light (ZA36)
360	Relay, engage inhibitor, power take-off (LE4)	404	Bulb, fifth wheel light (ED3)
360	Relay, engage inhibitor, power take-off (ZB60)	404	Bulb, fifth wheel light (ZA36)
363	Relay, extra equipment (EN8)	405 L	Bulb, reversing lights (EA8)
365 D	Relay, electrical window winder, up (KA20)	405 L	Bulb, reversing lights (ZB14)
365 D	Relay, electrical window winder, up (ZB34)	405 R	Bulb, reversing lights (EA9)
365 P	Relay, electrical window winder, up (KA3)	405 R	Bulb, reversing lights (ZB20)
365 P	Relay, electrical window winder, up (ZB34)	408	Bulb, parking light, left front (CE14)
366 D	Relay, electrical window winder, down (KA32)	408	Bulb, parking light, left front (ZB6)
366 D	Relay, electrical window winder, down (ZB34)	408/409	Bulb, parking light, left front (ZA19)
366 P	Relay, electrical window winder, down (KA13)	409	Bulb, parking light, right front (CE32)
366 P	Relay, electrical window winder, down (ZB34)	410	Bulb, brake light, left (CK9)
379	Relay, injection pump (AC17)	410	Bulb, brake light, left (ZB12)
3005	Alternator-controlled relay (AA52)	411	Bulb, brake light, right (CK12)
3005	Alternator-controlled relay (ZB63)	411	Bulb, brake light, right (ZB18)
3016	Relay, control device, bogie lift with axle-load limiter (MD25)	412	Bulb, tail light, left (CE18)
		412	Bulb, tail light, left (ZB12)
3016	Relay, control device, bogie lift with axle-load limiter (ZB53)	413	Bulb, tail light, right (CE26)
		413	Bulb, tail light, right (ZB18)
3017	Time relay, axle-load limiter (MD16)	414	Bulb, side marker light, left, front (CE12)
3017	Time relay, axle-load limiter (ZB53)	414	Bulb, side marker light, left, front (ZA19)
3019 A	Relay box, air suspension (ME26)	415	Bulb, side marker light, right, front (CE34)
3019 A	Relay box, air suspension (MF26)	415	Bulb, side marker light, right, front (ZB6)
3019 A	Relay box, air suspension (MG13)	416	Bulb, side marker light, left, centre (CE17)
3019 B	Relay box, air suspension (ME45)	416	Bulb, side marker light, left, centre (ZB13)
3019 B	Relay box, air suspension (MF41)	417	Bulb, side marker light, right, centre (CE29)
3019 B	Relay box, air suspension (MG26)	417	Bulb, side marker light, right, centre (ZB19)
3023	Relay, information ABS (CL12)	420	Bulb, position light, roof, left (CE37)
3023	Relay, information ABS (OA13)	420	Bulb, position light, roof, left (ZA31)
3023	Relay, information ABS (OB12)	421	Bulb, position light, roof, right (CE9)
3023	Relay, information ABS (ZB15)	421	Bulb, position light, roof, right (ZA30)
3023	Relay, information ABS (ZB27)	422	Bulb, dir. indicator, left, front (CN9)
3023	Relay, information ABS (ZB49)	422	Bulb, dir. indicator, left, front (ZA21)
3025A	Relay, indicator lamp ABS (OA11)	423	Bulb, dir. indicator, right, front (CN10)
3025A	Relay, indicator lamp ABS (OB10)	423	Bulb, dir. indicator, right, front (ZB4)
3025B	Relay, indicator lamp ABS (OA6)	426	Bulb, dir. indicator, left, rear (CN14)
3025B	Relay, indicator lamp ABS (OB6)	426	Bulb, dir. indicator, left, rear (ZB14)
3075	Relay, central lock (KH12)	427	Bulb, dir. indicator, right, rear (CN15)
3075	Relay, central lock (ZA54)	427	Bulb, dir. indicator, right, rear (ZB20)
3076	Relay, adjustable seat (HE18)	428	Bulb, rotating warning lamp (EN8)
3076	Relay, adjustable seat (ZA55)	429	Bulb, cigarette lighter lighting (EV10)
3101	Relay, interior lighting (ER12)	430	Bulb, licence plate light (CE28)
3101	Relay, interior lighting (ES12)	430	Bulb, licence plate light (ZB18)
3101	Relay, interior lighting (ZB60)	433 D	Bulb, instep light (ER4)
3102	Relay, cab tilt pump (HP10)	433 D	Bulb, instep light (ES4)
3102A	Relay, cab tilt pump (NB56)	433 D	Bulb, instep light (ZA50)
3102A	Relay, cab tilt pump (NZ54)	433 P	Bulb, instep light (ER19)
3103	Relay, fuel filter heater (HM7)	433 P	Bulb, instep light (ES19)
3109	Relay, range restriction (AC11)	433 P	Bulb, instep light (ZB36)
3111	Relay, refrigerator (TA13)	434 C	Bulb, interior light (ER26)
3113	Relay, Central lubrication system (TB4)	434 C	Bulb, interior light (ES31)
3113	Relay, Central lubrication system (ZA38)	434 C	Bulb, interior light (ZA22)
400 L	Bulb, full beams and dipped beams (CE49)	434 L	Bulb, interior light (ER8)
400 L	Bulb, full beams and dipped beams (ZA21)	434 L	Bulb, interior light (ZA38)
400 R	Bulb, full beams and dipped beams (CE53)	434 R	Bulb, interior light (ER13)
400 R	Bulb, full beams and dipped beams (ZB2)	434 R	Bulb, interior light (ZA38)
401 L	Bulb, fog lights (CG6)	435 LC	Bulb, bunk light (ES23)
401 L	Bulb, fog lights (ZA19)	435 LC	Bulb, bunk light (ZA35)
401 R	Bulb, fog lights (CG8)	435 LL	Bulb, bunk light (ER43)
401 R	Bulb, fog lights (ZB4)	435 LL	Bulb, bunk light (ES40)
402 L	Bulb, spot lights (CH5)	435 LL	Bulb, bunk light (ZA19)
402 L	Bulb, spot lights (CI5)	435 LU	Bulb, bunk light (ES36)
402 L	Bulb, spot lights (ZA21)	435 LU	Bulb, bunk light (ZA19)
402 R	Bulb, spot lights (CH6)	435 RC	Bulb, bunk light (ES27)
402 R	Bulb, spot lights (CI6)	435 RC	Bulb, bunk light (ZA36)
402 R	Bulb, spot lights (ZB6)	435 RL	Bulb, bunk light (ER46)
403	Bulb, loading light (ED6)	435 RL	Bulb, bunk light (ES43)

435 RL	Bulb, bunk light (ZA22)	606	Solenoid valve, bogie lift, up (MD5)
435 RU	Bulb, bunk light (ES46)	606	Solenoid valve, bogie lift, up (ZA47)
435 RU	Bulb, bunk light (ZA19)	614	Solenoid valve, range inhibitor (AC7)
437 C	Bulb, identification light, front (CE3)	626	Solenoid valve, exh. pressure governor (BL44)
437 C	Bulb, identification light, front (ZA24)	626	Solenoid valve, exh. pressure governor (BN41)
437 L	Bulb, identification light, front (CE3)	650	Windscreen wiper motor (GA29)
437 L	Bulb, identification light, front (ZA24)	650	Windscreen wiper motor (ZA22)
437 R	Bulb, identification light, front (CE3)	651	Windscreen washer motor (GA3)
437 R	Bulb, identification light, front (ZA24)	651	Windscreen washer motor (ZA43)
440	Bulb, heater control light (CE39)	652 L	Headlamp wiper motor (GA15)
440	Bulb, heater control light (ZB50)	652 L	Headlamp wiper motor (ZA19)
447	Bulb, ashtray light (EV13)	652 R	Headlamp wiper motor (GA19)
447	Bulb, ashtray light (ZA24)	652 R	Headlamp wiper motor (ZB4)
450	Bulb, roof sign light (EN16)	653	Headlamp washer motor (GA9)
451	Bulb, rear fog light, left (CG13)	653	Headlamp washer motor (ZA43)
451	Bulb, rear fog light, left (ZB12)	654	Starter motor (AA14)
452	Bulb, rear fog light, right (CG15)	654	Starter motor (ZA45)
452	Bulb, rear fog light, right (ZB18)	656	Bogie lift motor (MA23)
468	Fluorescent tube, roof lighting (EJ14)	656	Bogie lift motor (MD33)
468 L	Fluorescent tube, roof lighting (EK14)	657	Fan (heater) (HA17)
468 R	Fluorescent tube, roof lighting (EK14)	657	Fan (heater) (ZB14)
4052 L	Combination lamp, rear (ZB12)	657 ATC	Fan (heater) (HA17)
4052 R	Combination lamp, rear (ZB18)	660	Alternator with charging regulator (AA22)
4057	Lighting, storage compartment (ER53)	660	Alternator with charging regulator (ZA49)
4057	Lighting, storage compartment (ES60)	661 D	Window winder motor (KA26)
4063L	Bulb, speed warning (NB33)	661 P	Window winder motor (KA8)
4063M	Bulb, speed warning (NB37)	6013 LF	Solenoid control valve, ABS (OA29)
4063R	Bulb, speed warning (NB35)	6013 LF	Solenoid control valve, ABS (OB31)
4064	Bulb, storage tray light (EV4)	6013 LF	Solenoid control valve, ABS (ZB28)
4064	Bulb, storage tray light (ZA11)	6013 LR	Solenoid control valve, ABS (OA45)
500	Indicator light, dir. indicator, tractor (NB40)	6013 LR	Solenoid control valve, ABS (OB46)
500	Indicator light, dir. indicator, tractor (NZ39)	6013 LR	Solenoid control valve, ABS (ZB31)
501	Indicator light, dir. indicator, trailer 1 (NB42)	6013 RF	Solenoid control valve, ABS (OA37)
501	Indicator light, dir. indicator, trailer 1 (NZ41)	6013 RF	Solenoid control valve, ABS (OB38)
504	Indicator light, full beams (NB46)	6013 RF	Solenoid control valve, ABS (ZB29)
504	Indicator light, full beams (NZ46)	6013 RR	Solenoid control valve, ABS (OA53)
508	Warning light, parking brake (NB56)	6013 RR	Solenoid control valve, ABS (OB54)
508	Warning light, parking brake (NZ54)	6013 RR	Solenoid control valve, ABS (ZB32)
510	Indicator light, diff. lock, rear wheels (NB37)	6024	Solenoid valve, pto (LD6)
510	Indicator light, diff. lock, rear wheels (NZ36)	6024	Solenoid valve, pto (ZB42)
511	Indicator light, diff. lock, inter-axles (NB39)	6024 A	Solenoid valve, pto (LE8)
511	Indicator light, diff. lock, inter-axles (NZ38)	6024 A	Solenoid valve, pto (ZB39)
547	Central warning for indicator and warning lights (NB43)	6024 B	Solenoid valve, pto (LE18)
547	Central warning for indicator and warning lights (NZ44)	6024 B	Solenoid valve, pto (ZB41)
5009	Indicator lamp, vehicle, ABS (NB53)	6035 C	Solenoid valve, level control, electronic (ME13)
5009	Indicator lamp, vehicle, ABS (NZ51)	6035 C	Solenoid valve, level control, electronic (MF13)
5010	Indicator lamp, trailer, ABS (NB55)	6035 C	Solenoid valve, level control, electronic (MG7)
5010	Indicator lamp, trailer, ABS (NZ53)	6035 LF	Solenoid valve, level control, electronic (ME8)
5014	Indicator lamp, split (NB50)	6035 LF	Solenoid valve, level control, electronic (MF8)
5014	Indicator lamp, split (NZ48)	6045	Solenoid valve, trailing axle (ME21)
5032	Warning lamp, seat belt (NB47)	6050	Solenoid valve, range restriction (AC12)
5032	Warning lamp, seat belt (NZ47)	6050	Solenoid valve, range restriction (ZA53)
5035	Warning lamp, steering servo circuit 2 (PSS-DUAL) (NB36)	6052	Fan motor, parking heater (HB13)
5035	Warning lamp, steering servo circuit 2 (PSS-DUAL) (NZ35)	6054	Fuel pump, parking heater (HB2)
600 A	Solenoid valve, exhaust brake (BN44)	6056	Motor, levelling control, headlights (PA4)
600 B	Solenoid valve, exhaust brake (BN46)	6056	Motor, levelling control, headlights (PA10)
601	Solenoid valve, diff. lock, rear wheels (LG7)	6058 D	Motor, door lock (KH17)
601	Solenoid valve, diff. lock, rear wheels (ZB44)	6058 D	Motor, door lock (ZA49)
602	Solenoid valve, diff. lock inter axles (LG5)	6058 P	Motor, door lock (KH8)
602	Solenoid valve, diff. lock inter axles (ZB45)	6058 P	Motor, door lock (ZB36)
603	Solenoid valve, engine shut-down (BN26)	6066	Motor, el. operated roof hatch (KB4)
606	Solenoid valve, bogie lift, up (MA5)	6070	Motor, cab tilt pump (HP10)
		6070	Motor, cab tilt pump (ZA7)
		6071	Injection pump (BN45)
		6072	Unit injectors, UI (BL29)
		6073	Pump, chassis lubrication, automatic (TB6)
		6073	Pump, chassis lubrication, automatic (ZA37)

6103	Solenoid valve, compressor (AC4)	802 R	Heated rearview mirror (ZB21)
702	Combined instrument (NA4)	803	Heated seat (HE7)
702	Combined instrument (NB7)	803	Heated seat (HE12)
702	Combined instrument (NC3)	803 L	Heated seat (ZA29)
702	Combined instrument (NZ15)	803 R	Heated seat (ZA31)
702 A5	Combined instrument (ZA6)	804	Cigarette lighter (ER49)
702 A6	Combined instrument (ZA7)	804	Cigarette lighter (ES49)
709	Combined instrument (NB8)	804	Cigarette lighter (EV8)
753 A	Engine, speed sensor (BL6)	804	Cigarette lighter (ZA22)
753 A	Engine, speed sensor (BN6)	804	Cigarette lighter (ZA24)
753 B	Engine, speed sensor (BL9)	805	Rheostat (NB20)
754	Pressure sensor air (AC19)	805	Rheostat (NZ20)
756	Temperature sensor, coolant (BL21)	810	Heated air dryer (HK4)
756	Temperature sensor, coolant (BN26)	810	Heated air dryer (ZB24)
757	Fuel gauge sensor (NA18)	812 D	El. operated rearview mirror (HH10)
759	Level indicator, coolant (BL17)	812 D	El. operated rearview mirror (ZA26)
759	Level indicator, coolant (BN17)	812 L	El. operated rearview mirror (ZA26)
7004	Refrigerator (TA15)	812 P	El. operated rearview mirror (HH4)
7008	Air-operated horn (FA4)	850	Horn (FA7)
7009	Alarm clock/timer (ER30)	858	Buzzer, reverse warner (EA20)
7009	Alarm clock/timer (ES32)	858	Buzzer, reverse warner (EA23)
7009	Alarm clock/timer (HB30)	858	Buzzer, reverse warner (EA27)
7009	Alarm clock/timer (ZA19)	858	Buzzer, reverse warner (ZB12)
7052	Sensor, speedometer (NB21)	858	Buzzer, reverse warner (ZB15)
7052	Sensor, speedometer (NZ10)	858	Buzzer, reverse warner (ZB16)
7053	Inductive sensor, bogie lift (MD9)	8001	Inductor, sign lighting (EJ8)
7053	Inductive sensor, bogie lift (ZB55)	8001	Inductor, sign lighting (EK8)
7057 LF	Sensor, wheel speed (OA26)	8001	Inductor, sign lighting (ZA33)
7057 LF	Sensor, wheel speed (OB27)	8015 L	El. operated seat (ZA29)
7057 LR	Sensor, wheel speed (OA42)	8015 R	El. operated seat (ZA31)
7057 LR	Sensor, wheel speed (OB43)	8016	Fuel filter heater (HM14)
7057 RF	Sensor, wheel speed (OA34)	8016	Fuel filter heater (ZA15)
7057 RF	Sensor, wheel speed (OB35)	8017	Water separator (HO6)
7057 RR	Sensor, wheel speed (OA50)	8017	Water separator (ZA63)
7057 RR	Sensor, wheel speed (OB51)	8018 2	El. connected seat (NB47)
7058 ATC	Sensor, inner temperature (HA22)	8018 2	El. connected seat (NZ47)
7059	Sensor, outer temperature (NA26)	8018 4	El. connected seat (NB47)
7064	Sensor, air pressure-air suspension (ME25)	8018 4	El. connected seat (NZ47)
7065	Sensor, accelerator pedal (AC22)	8018 L	El. connected seat (HE6)
7065 A	Sensor, accelerator pedal (AC28)	8018 L	El. connected seat (HE18)
7069	Sensor, battery charging (NA29)	8018 L4	El. connected seat (ZA29)
7072 LF	Sensor, level control (ME11)	8018 R	El. connected seat (HE12)
7072 LF	Sensor, level control (MF11)	8018 R	El. connected seat (HE23)
7072 LR	Sensor, level control (ME16)	8018 R4	El. connected seat (ZA31)
7072 LR	Sensor, level control (MF16)	900	Radio (JA7)
7072 RR	Sensor, level control (ME21)	900	Radio (ZB14)
7072 RR	Sensor, level control (MF21)	901 B	Voltage converter (EX11)
7072 RR	Sensor, level control (MG8)	901 B	Voltage converter (ZA9)
7081	Sensor, boost pressure and boost temperature (BL13)	901 R	Voltage converter (EX4)
7081	Sensor, boost pressure and boost temperature (BN13)	901 R	Voltage converter (ZA5)
7081	Sensor, boost pressure and boost temperature (BN13)	901 R	Voltage converter (ZB27)
7082	Sensor, oil pressure and oil temperature (BL23)	902 DD	Loudspeaker (JA12)
7082	Sensor, oil pressure and oil temperature (BN29)	902 DP	Loudspeaker (JA15)
7083	Sensor, fuel pressure and fuel pump (BL3)	902 LF	Loudspeaker (JA6)
7083	Sensor, fuel pressure and fuel pump (BN3)	902 LR	Loudspeaker (JA18)
7084	Sensor, air filter pressure and air filter temperature (BL8)	902 RF	Loudspeaker (JA9)
7084	Sensor, air filter pressure and air filter temperature (BN8)	902 RR	Loudspeaker (JA21)
800	Starting heater (BL57)	913	Mobile telephone (EX10)
800	Starting heater (BN57)	913	Mobile telephone (ZB26)
800	Starting heater (ZA51)	917	Aerial (AA28)
802 L	Heated rearview mirror (HG4)	952	Magnetic clutch, air conditioning (HA13)
802 L	Heated rearview mirror (ZA27)	961	Engine/cab heater (HB8)
802 R	Heated rearview mirror (HG9)	961	Engine/cab heater (ZB4)
		972 L	Lock, bunk (ES58)
		9006	Glow plug, parking heater (HB29)
		9006	Glow plug, parking heater (ZE28)
		9008	Control unit, ABS (OA26)

9008	Control unit, ABS (OB25)	9070	Control unit, unit injector (BL5)
9008	Control unit, ABS (ZB16)	9070	Control unit, unit injector (BN5)
9008:4	Control unit, ABS (ZB10)	9070	Control unit, unit injector (ZA13)
9008:9	Control unit, ABS (ZB10)	9072	Control unit, air bag (KE7)
9008:11	Control unit, ABS (ZB20)	9073	Control unit, air suspension (ME6)
9008:12	Control unit, ABS (ZB22)	9073	Control unit, air suspension (MF6)
9009	Control box, air suspension, rigids (ME33)	9073	Control unit, air suspension (MG4)
9009	Control box, air suspension, rigids (MF33)	9073	Control unit, air suspension (ZB53)
9009	Control box, air suspension, rigids (ZB58)	9074	Control unit, Vehicle ECU (AC4)
9010	Control box, air suspension, tractors (ME44)	9074	Control unit, Vehicle ECU (ZB30)
9010	Control box, air suspension, tractors (MG18)	9077	Control unit, sun roof (ZA29)
9010	Control box, air suspension, tractors (ZB57)	9081	Control unit, electronic immobiliser (AA26)
9026 F	Socket, 12 V (EX14)	9081	Control unit, electronic immobiliser (ZB32)
9026 F	Socket, 12 V (ZA11)		
9028	Contact roller, air bag (KE8)		
9029	Termination resistor, comm. bus (AC27)		

Abbreviations

ABS	Antilock brake system	MIR-ELOP	El. heated and operated exterior mirror
ATC	Automatic temperature control	PH-CAB	Cab parking heater
CABLE-B	Tachograph cable, basic	PTO	Power take off
CABLE-EC	Tachograph cable, European Community	RADT-AR	6x2, leaf spring
DRIVL2	Two driving lamps	RF	Right front
DRIVL2EC	Two driving lamps with dipped beam	RHS	Right hand side
DRL	Day running light	RIGID	Platform or tipper truck
EXE	Except	RR	Right rear
FSS-AIR	Front spring system, air	RSS-AIR	Rear spring system, air
FSS-LEAF	Front spring system, leaf	SI-SPEED	Speedometer
GSS-R	Range gear shifting	SLCP-BAS	Basic version sleeper control panel
HYDRTRAN	Hydraulic transmission	SLCP-LUX	Luxury version sleeper control panel
L1H1	Short cab	SUSPL-EC	Air suspension, electronic control system levelling device
L2H1	Long cab	TRACTOR	Semi-trailer tractor
L2H2	Long high cab (Globetrotter)	UMIR-AUX	Without exterior mirror features
LF	Left front	USLCP	Without sleeper control panel
LHS	Left hand side	VT2014	Volvo transmission 2200NM 14 speed
LR	Left rear	WLIFT-EB	Electrical window lift, both doors
LOCK-CTL	Central door locking	WLIFT-ME	Manual window lift
LOCK-MAN	Manual door locking		
LOCK-MRP	Manual door locking plus remote control of passenger door		
MECHTRAN	Mechanical transmission		

Cable colour code

BL	Blue	PU	Purple
BN	Brown	R	Red
GN	Green	SB	Black
GR	Grey	VO	Violet
I	Ivory	W	White
LBL	Light blue	Y	Yellow
LBN	Light brown		
OR	Orange		
P	Pink		

Note: If a cable has two colours, this is written out like the following example: Y/R = Yellow/Red.

Feedback

One of our objectives is that workshop personnel should have access to correct and appropriate service manuals where it concerns fault tracing, repairs and maintenance of Volvo trucks.
In order to maintain the high standards of our literature, your opinions and experience when using this manual would be greatly appreciated.
If you have any comments or suggestions, make a copy of this page, write down your comments and send them to us, either via telefax or mailing directly to the address listed below.

To
Volvo Parts Corporation
Dept. Market Support 31100
S-405 08 GÖTEBORG
SWEDEN

From
.....
.....
.....
.....
.....
.....
.....

Fax +46 31 661055

Comments/proposals

.....
.....
.....
.....
.....
.....
.....
.....
.....
.....
.....
.....
.....
.....
.....
.....
.....
.....
.....
.....
.....
.....
.....
.....
.....

Concerns Service Manual:

VOLVO
Volvo Truck Corporation
Göteborg, Sweden