

# Service Manual

# Buses

Group **37**

Release **01**

Multiplex electrical system Version 2  
Wiring Diagram

B9TL with D9B (chno 115594-118654)



# Foreword

The information in this manual is based on present design in November 2006.

The products are under continuous development. This may effect the correctness of the information in this manual. If the differences are significant, new editions of this manual will be released to cover the changes.

**Volvo Bus Corporation**

Göteborg, Sweden

**Order number: TP 17033**

© 2006 Volvo Bus Corporation, Göteborg, Sweden

All rights reserved. No part of this publication may be reproduced, stored in retrieval system, or transmitted in any forms by any means, electronic, mechanical, photocopying, recording or otherwise, without the prior written permission of Volvo Bus Corporation.

Engineering Release Notice (ERN)	Location	Change Description	A = Added U = Deleted	W = Was	Document Release Status <b>RELEASED</b>
D-13395-52					Date 2006-11-09 Modification Count

## WIRING DIAGRAM INDEX, B7, B9, B12

NAME	DESCRIPTION	PAGE		NAME	DESCRIPTION	PAGE
AA	IGNITION AND STARTING SYSTEM	02		EO	EBS, ELECTRONIC BRAKE SYSTEM	31
AB	POWER SUPPLY	03		EP	EBS, ELECTRONIC BRAKE SYSTEM	32
AC	STARTER AND ALTERNATOR	04		EX	PARKING BRAKE RELEASE	33
AD	STARTER AND ALTERNATOR D7E : B7R	05				
AE	STARTER AND ALTERNATOR D9B G9A : B9L, B9TL, B9R	06		FA	ECS, AIR SUSPENSION	34
AF	STARTER AND ALTERNATOR D12D DH12E : B12B, B12M, B12R	07		FB	ECS, AIR SUSPENSION	35
AG	START/STOP SWITCHES REAR	08		FC	AMECU	36
AH	STARTER AND ALTERNATOR D9B : B9S	09				
				GA	LCM, REAR LIGHTS	37
BA	VECU, VEHICLE ECU	10		GB	LCM, FRONT LIGHTS	38
BB	BBM, BODY BUILDER MODULE	11		GC	LCM, REAR LIGHTS	39
BC	BBM, BODY BUILDER MODULE	12		GD	LCM, ARTIC LIGHTS	40
BD	FIRE ALARM	13		GE	LCM, BI-XENON LIGHT	41
				GM	WIPER, WASHER	42
CA	EECU D9B, ENGINE	14		GN	LCM, XENON LIGHT RELAY	43
CB	EECU G9A, ENGINE	15				
CC	EECU D12D, ENGINE	16		IS	HORN SWM, STEERING WHEEL MODULE	44
CG	FTM, FUEL TANK MONITOR	17		IU	AUDIO	45
CL	BIO, BUS I/O	18				
CM	EECU DH12E, ENGINE	19		NA	BIC, BUS INSTRUMENT CLUSTER	46
CN	EECU D7E, ENGINE	20		NB	TACHOGRAPH	47
CO	OILMASTER	21		NC	DYNAFLEET	48
CU	UDS, UREA DOSING SYSTEM	22		ND	FMS 200, FLEET MANAGEMENT SYSTEM	49
CV	UDS, UREA DOSING SYSTEM	23		NE	FMS GATEWAY, FLEET MANAGEMENT SYSTEM	50
DA	G8-EGS	24		XC	CAN SAE1939	51
DB	ECOMAT 4 ZF	25		XD	CAN SAE1587	52
DC	VOITH, DIWA5	26				
DD	ECOLIFE ZF	27		ZC	GROUND	53
DM	RECU, RETARDER	28				
DN	I-SHIFT	29				
DO	VOITH, DIWA5 ARTIC	30				

VOLUME NO	CONTENT	PAGES
01	WIRING DIAGRAM	1-53
02	BILL OF MATERIAL/COMPONENT LIST	1-55

The copying, distribution and utilization of this document as well as the communication of its contents to others without expressed authorization is prohibited. Offenders will be held liable for payment of damages. All rights reserved in the event of the grant of a patent, utility model or ornamental design registration.

Document Title  
**WIRING DIAGRAM  
B7, B9, B12**

**VOLVO**  
Volvo Bus Corporation

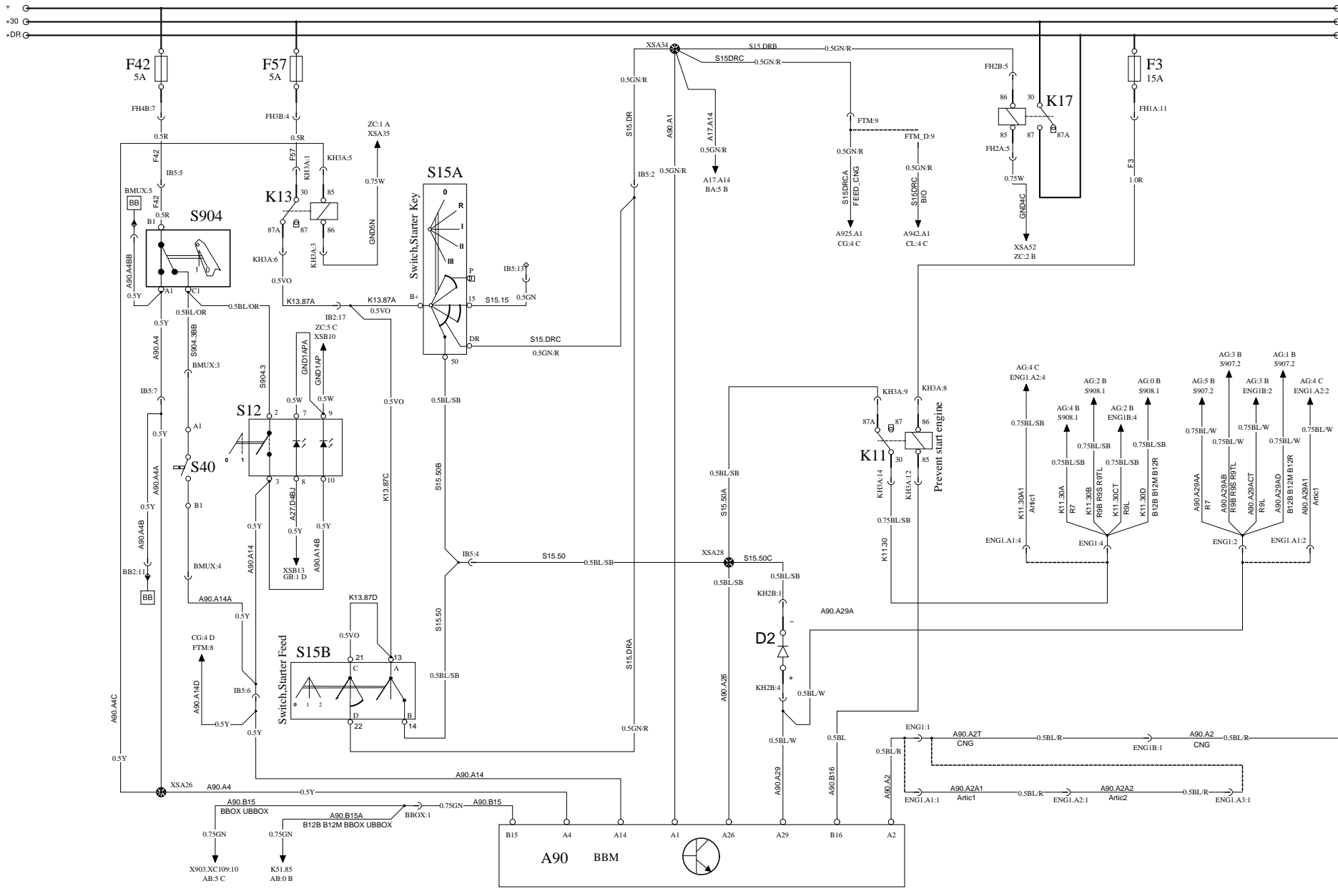
Document Type  
**PRODUCT SCHEMATIC**

Owner Domain: Document Prefix

Document No <b>20904123</b>	Issue Index <b>03</b>	Volume No 01(02)	Page No <b>1(53)</b>
--------------------------------	--------------------------	---------------------	-------------------------

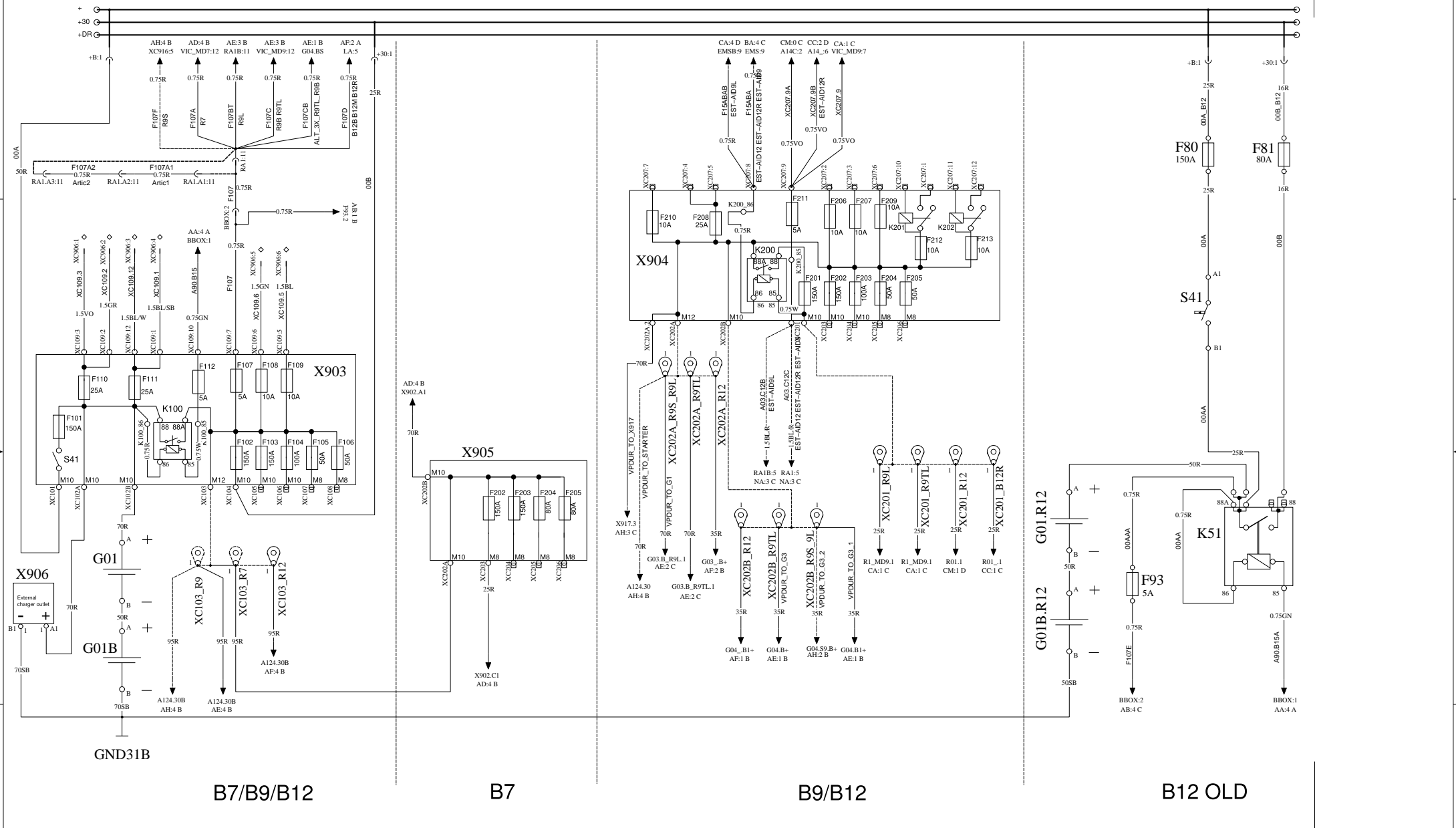
# IGNITION AND STARTING SYSTEM

# WIRING DIAGRAM AA



POWER SUPPLY

WIRING DIAGRAM AB



Volvo Bus Corporation

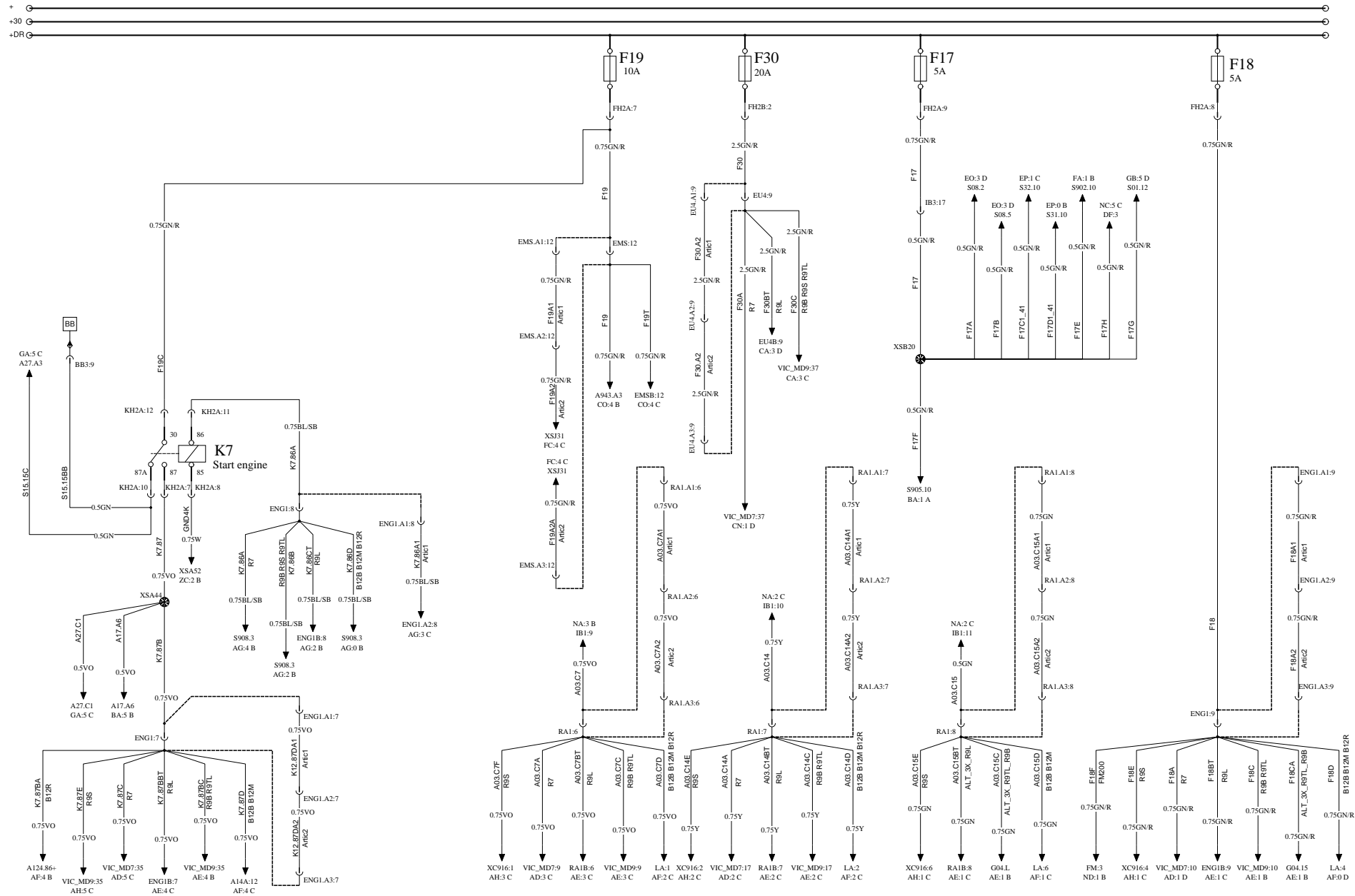
Document title  
WIRING DIAGRAM AB  
Document type  
PRODUCT SCHEMATIC

Document No  
20904123

Issue  
03  
Volume  
01(02)  
Page  
03(53)

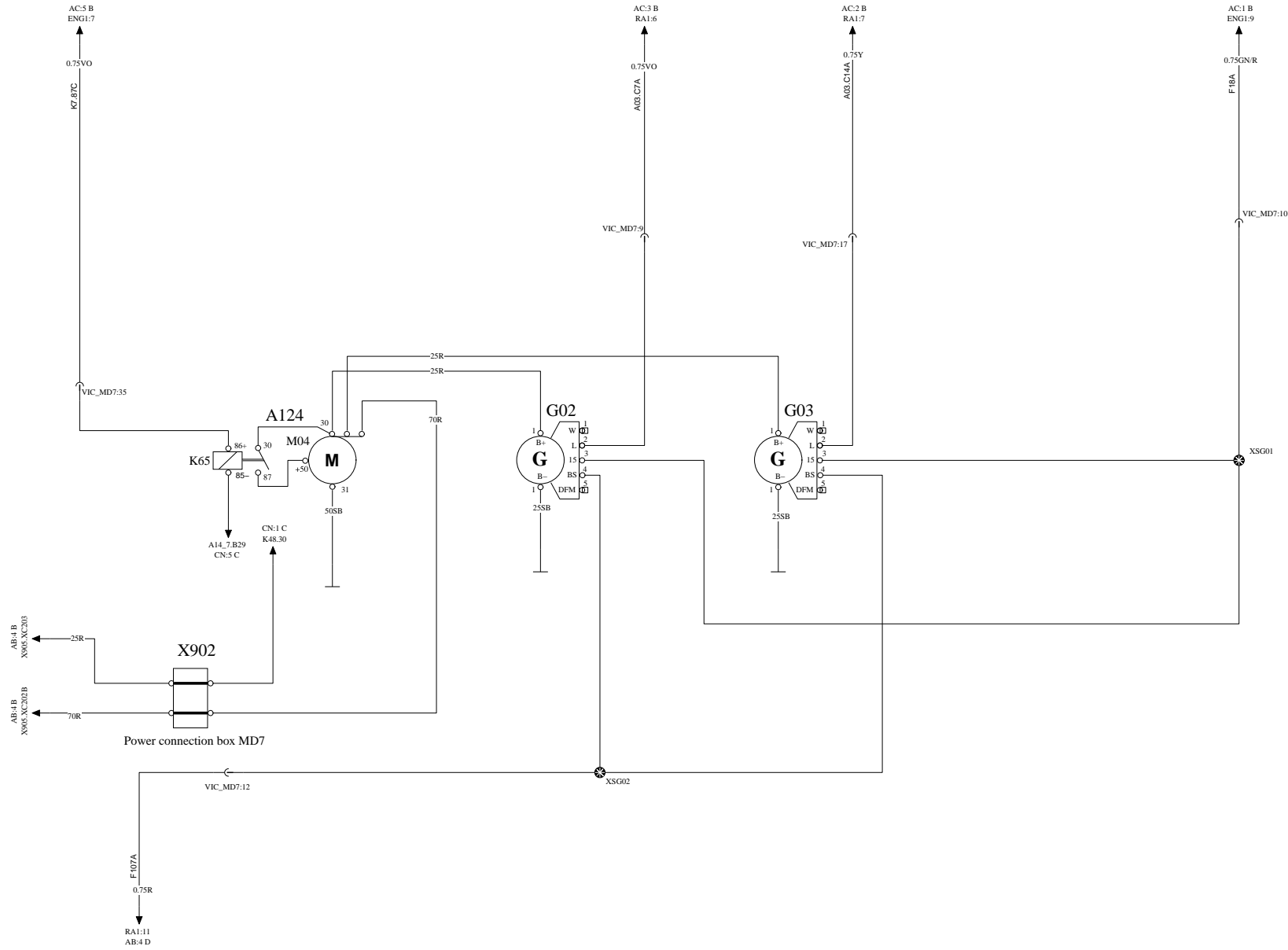
# START ENGINE AND ALTERNATORS

# WIRING DIAGRAM AC



# STARTER MOTOR AND ALTERNATORS D7E: B7R

# WIRING DIAGRAM AD



Volvo Bus Corporation

Document title  
WIRING DIAGRAM AD

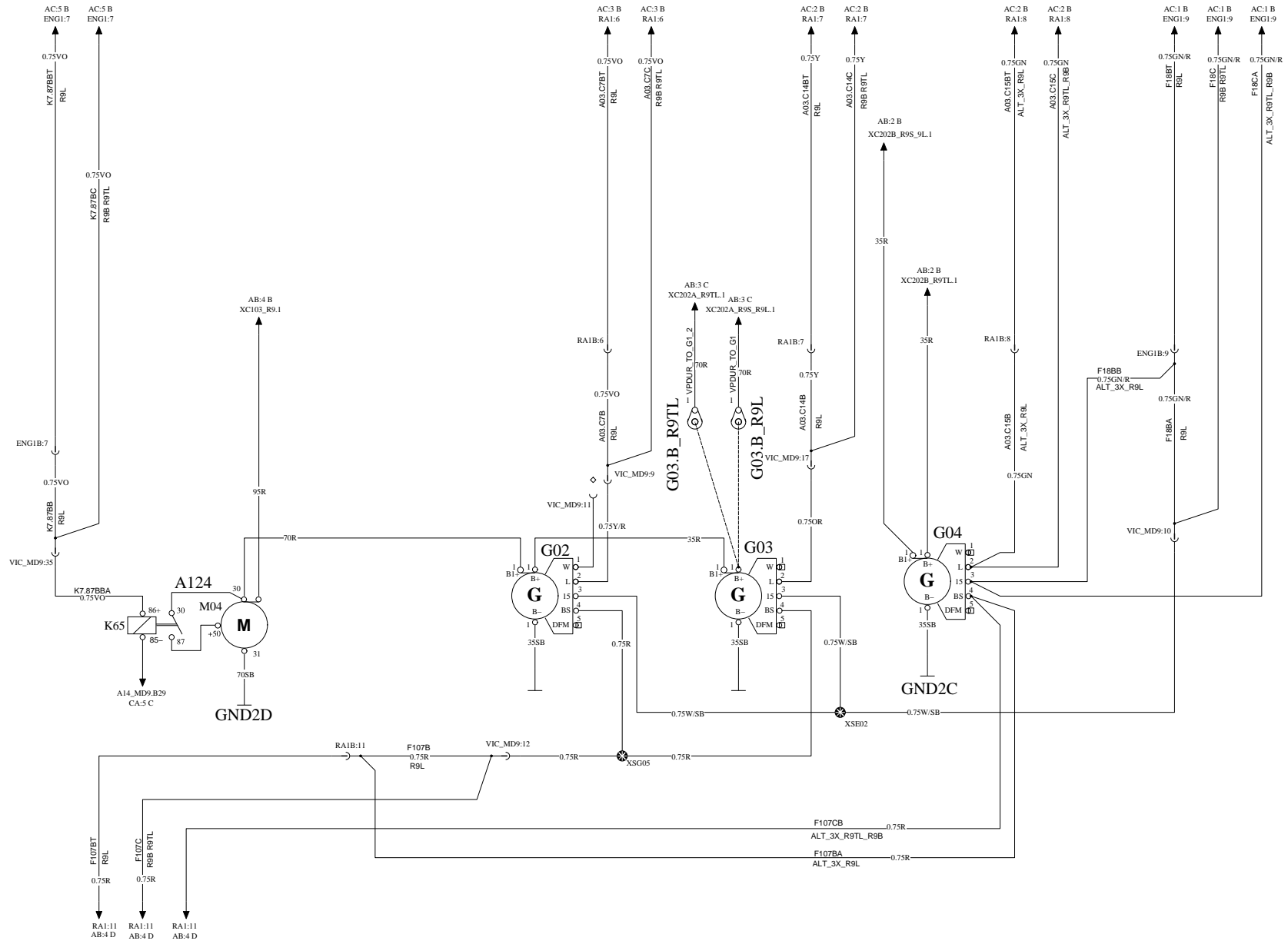
Document type  
PRODUCT SCHEMATIC

Document No  
**20904123**

Issue	Volume	Page
03	01(02)	05(53)

# STARTER MOTOR AND ALTERNATORS D9B, G9A: R9L, R9TL, B9R

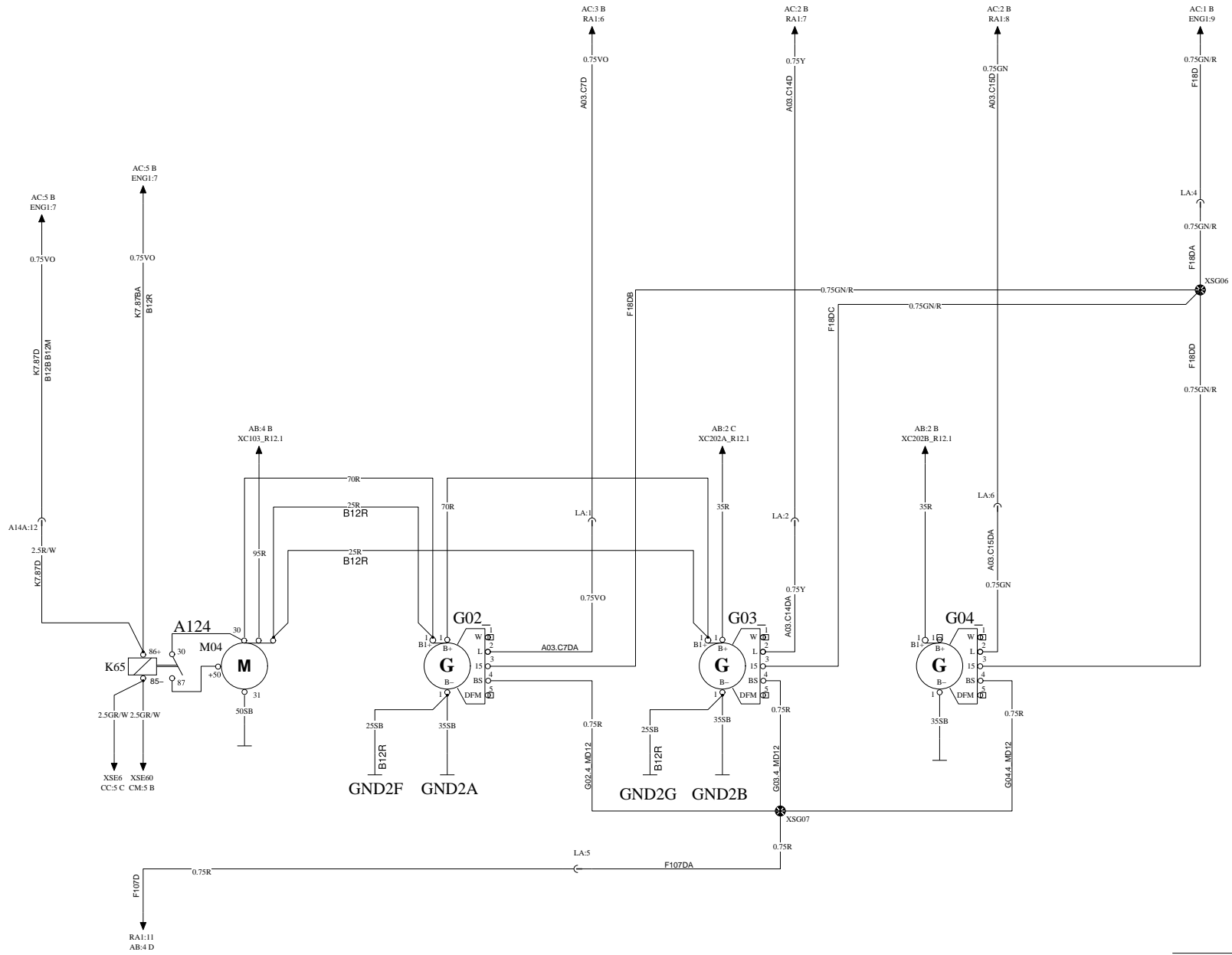
# WIRING DIAGRAM AE





# STARTER MOTOR AND ALTERNATORS D12D, DH12E: B12B, B12M, B12R

# WIRING DIAGRAM AF



Volvo Bus Corporation

Document title  
WIRING DIAGRAM AF

Document type  
PRODUCT SCHEMATIC

Document No

20904123

Issue

03

Volume

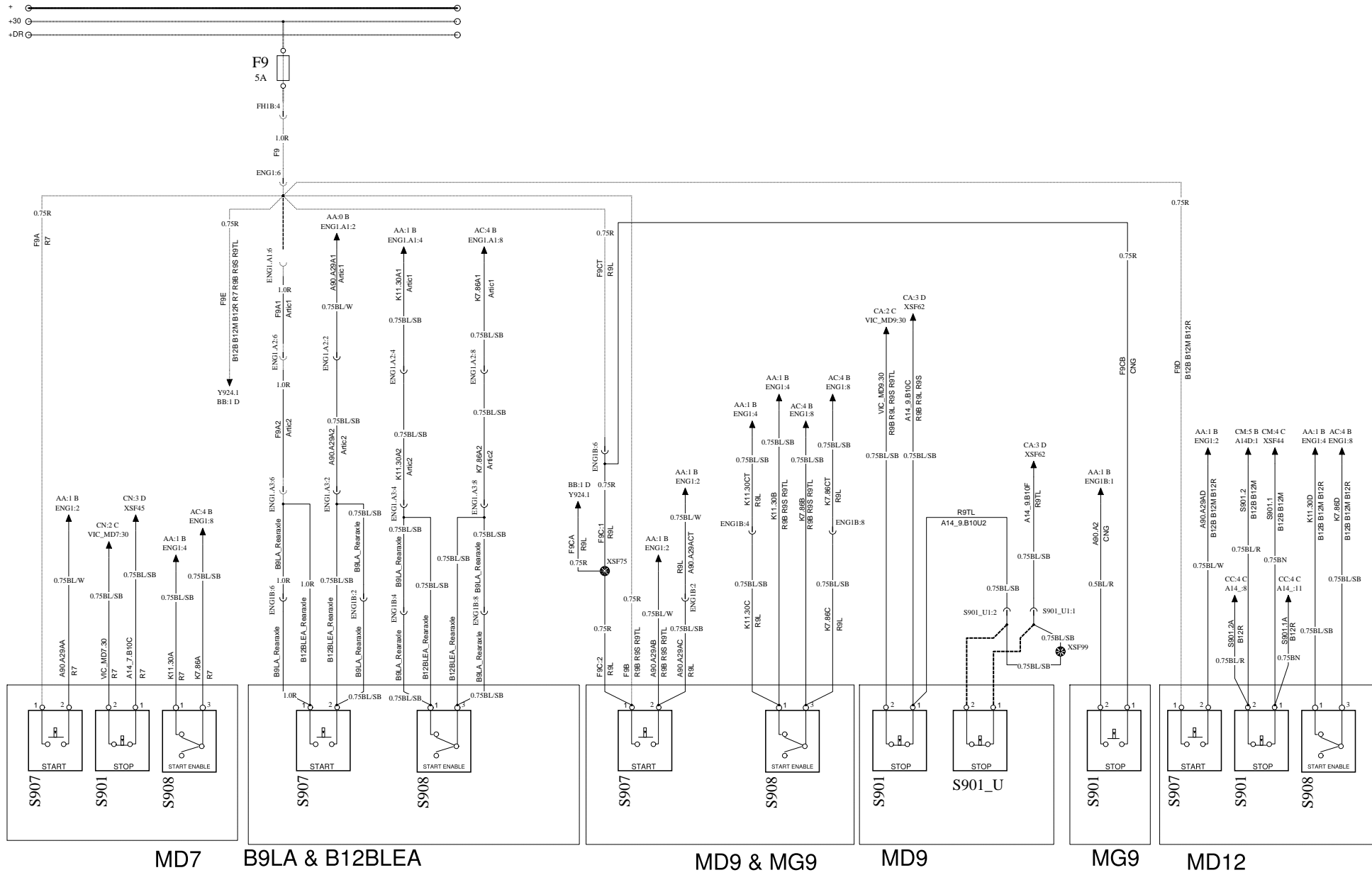
01(02)

Page

07(53)

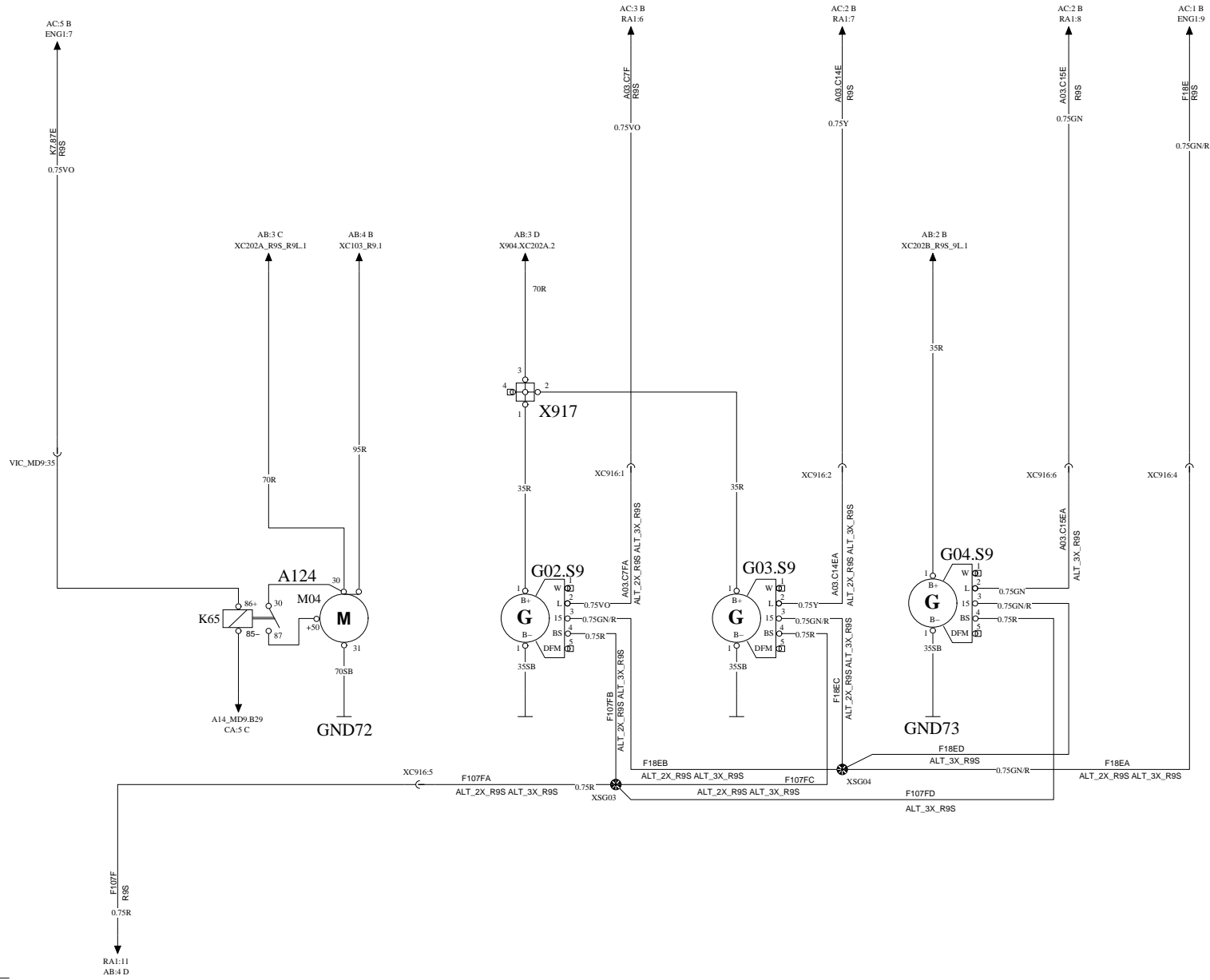
# START/STOP SWITCHES REAR

# WIRING DIAGRAM AG



# STARTER MOTOR AND ALTERNATOR D9B: B9S

# WIRING DIAGRAM AH



Volvo Bus Corporation

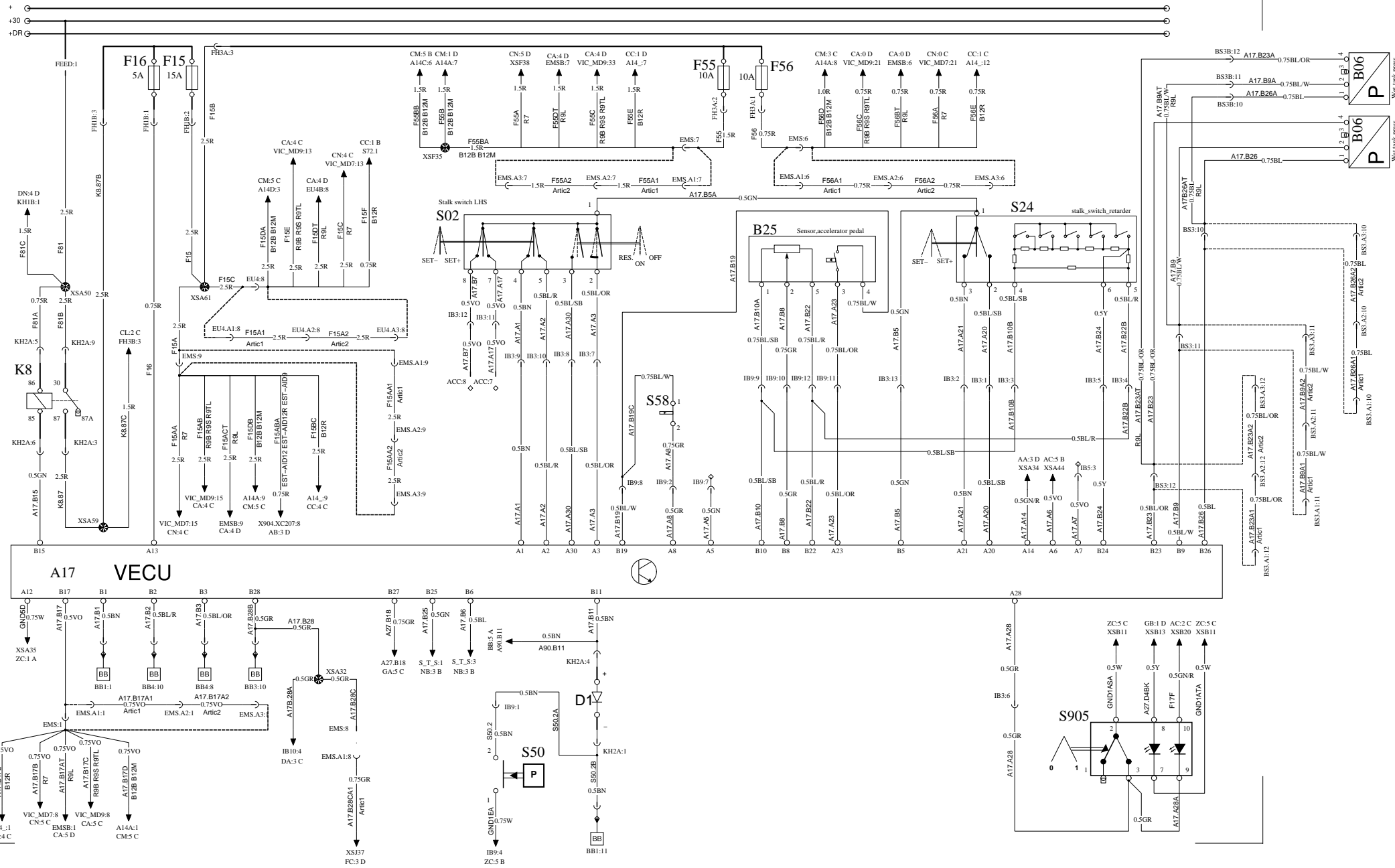
Document title  
WIRING DIAGRAM AH  
Document type  
PRODUCT SCHEMATIC

Document No  
**20904123**

Issue	Volume	Page
03	01(02)	09(53)

# VECU, VEHICLE ECU

# WIRING DIAGRAM BA



Volvo Bus Corporation

Document title  
WIRING DIAGRAM BA  
Document type  
PRODUCT SCHEMATIC

Document No

20904123

Issue

03

Volume

01(02)

Page

10(53)

# BBM WIRING DIAGRAM BB

D

C

B

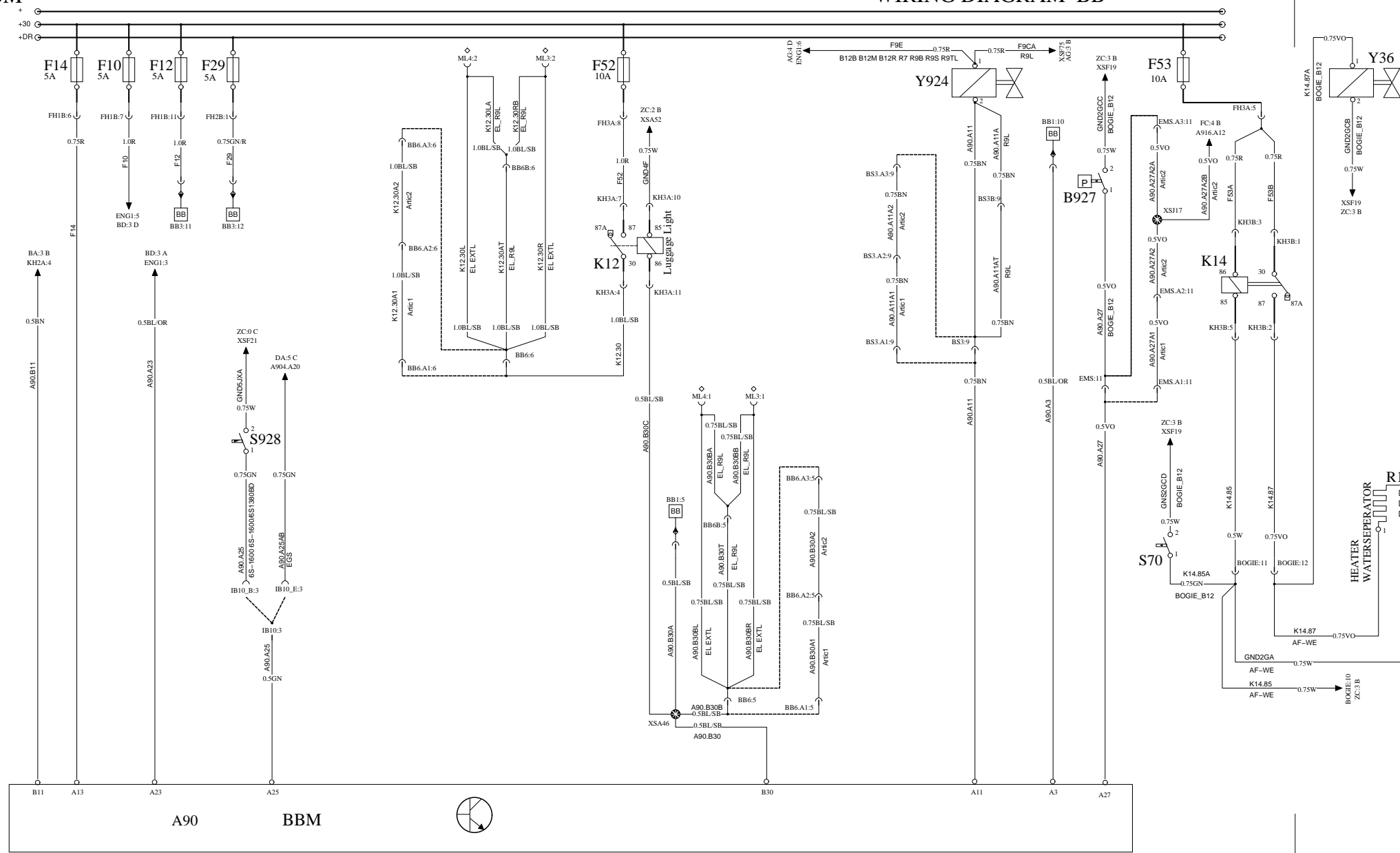
A

D

C

B

A



5

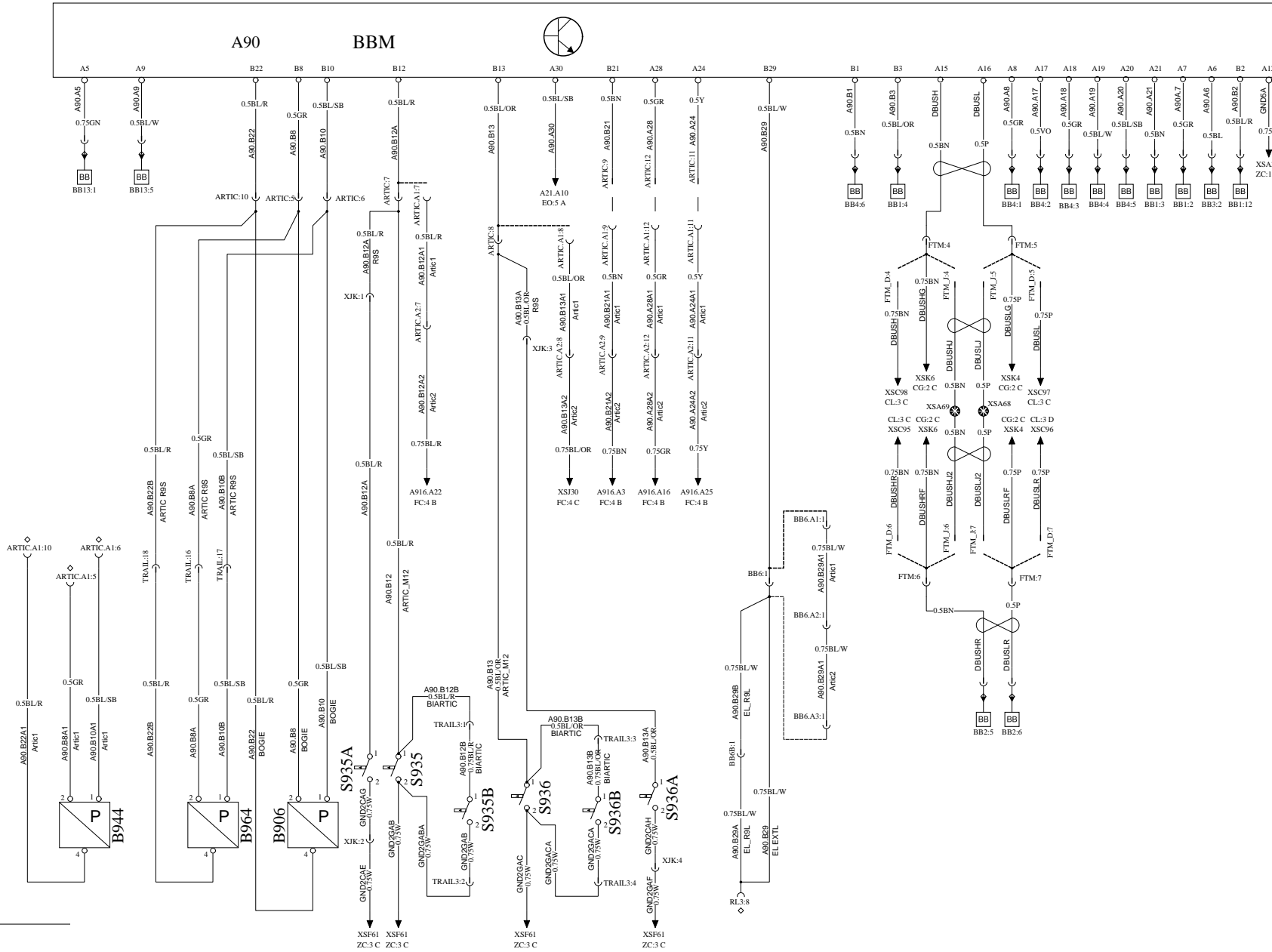
4

3

2

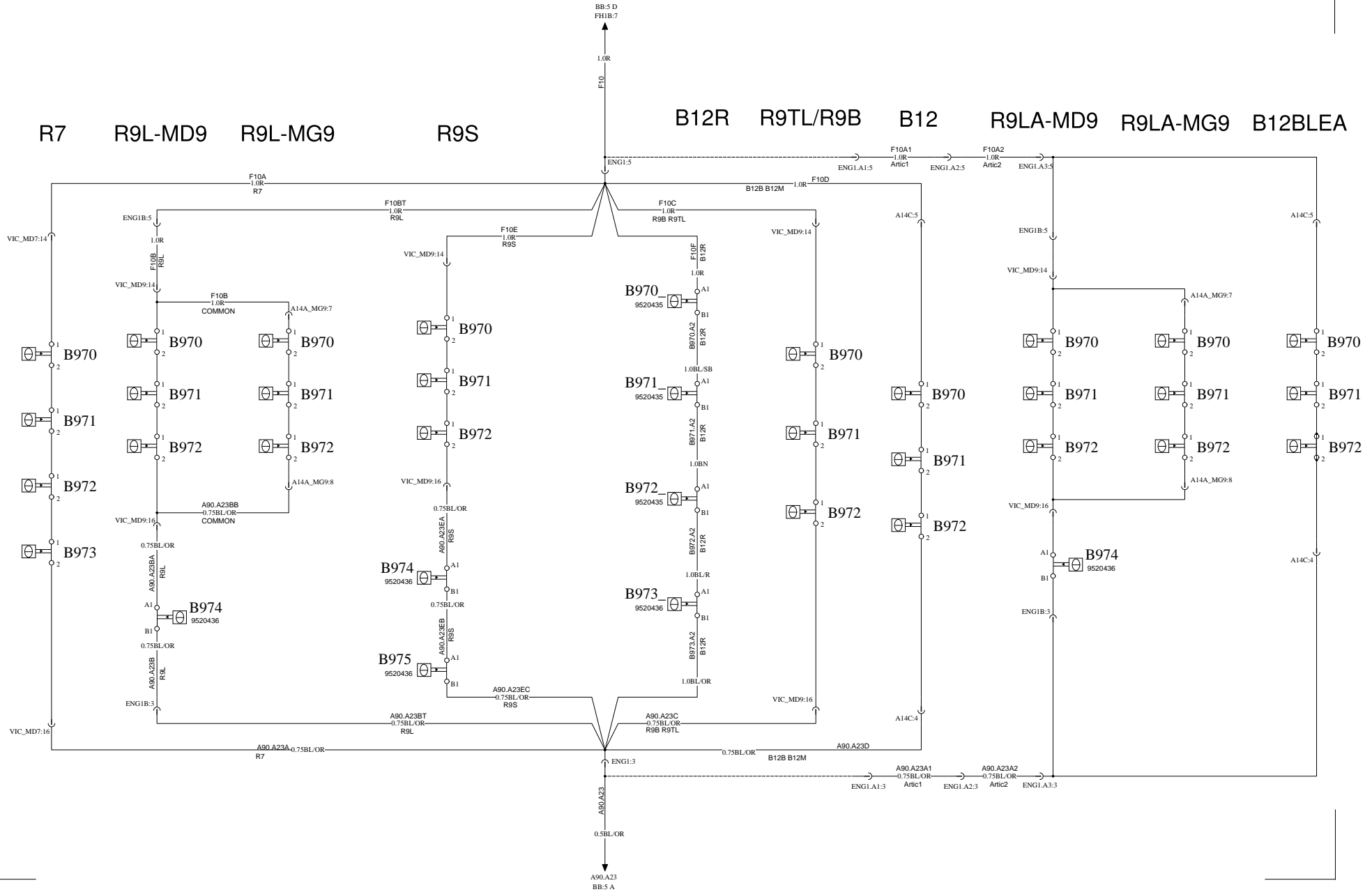
1

0



FIRE ALARM

WIRING DIAGRAM BD



Volvo Bus Corporation

Document title  
WIRING DIAGRAM BD

Document type  
PRODUCT SCHEMATIC

Document No

20904123

Issue

03

Volume

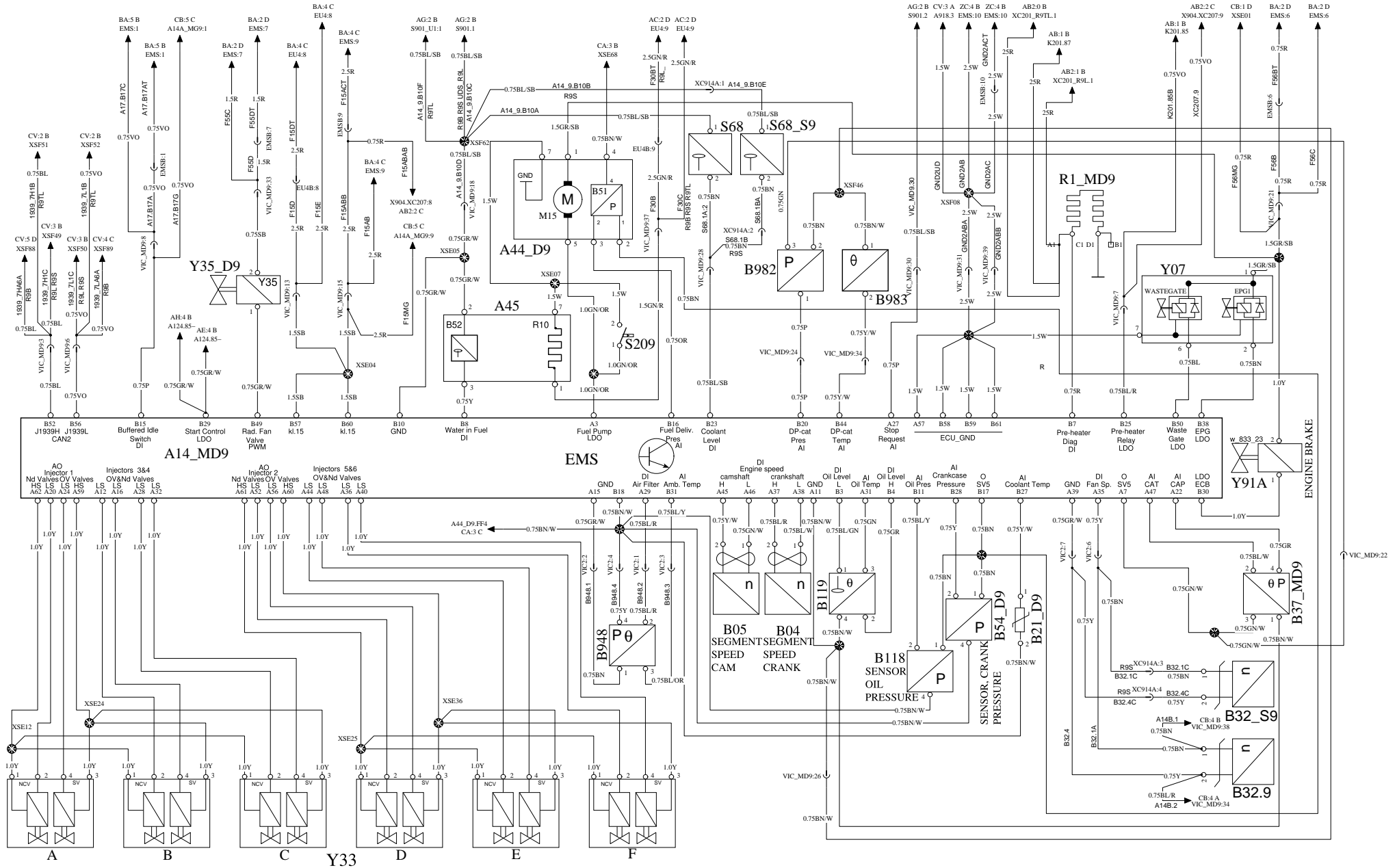
01(02)

Page

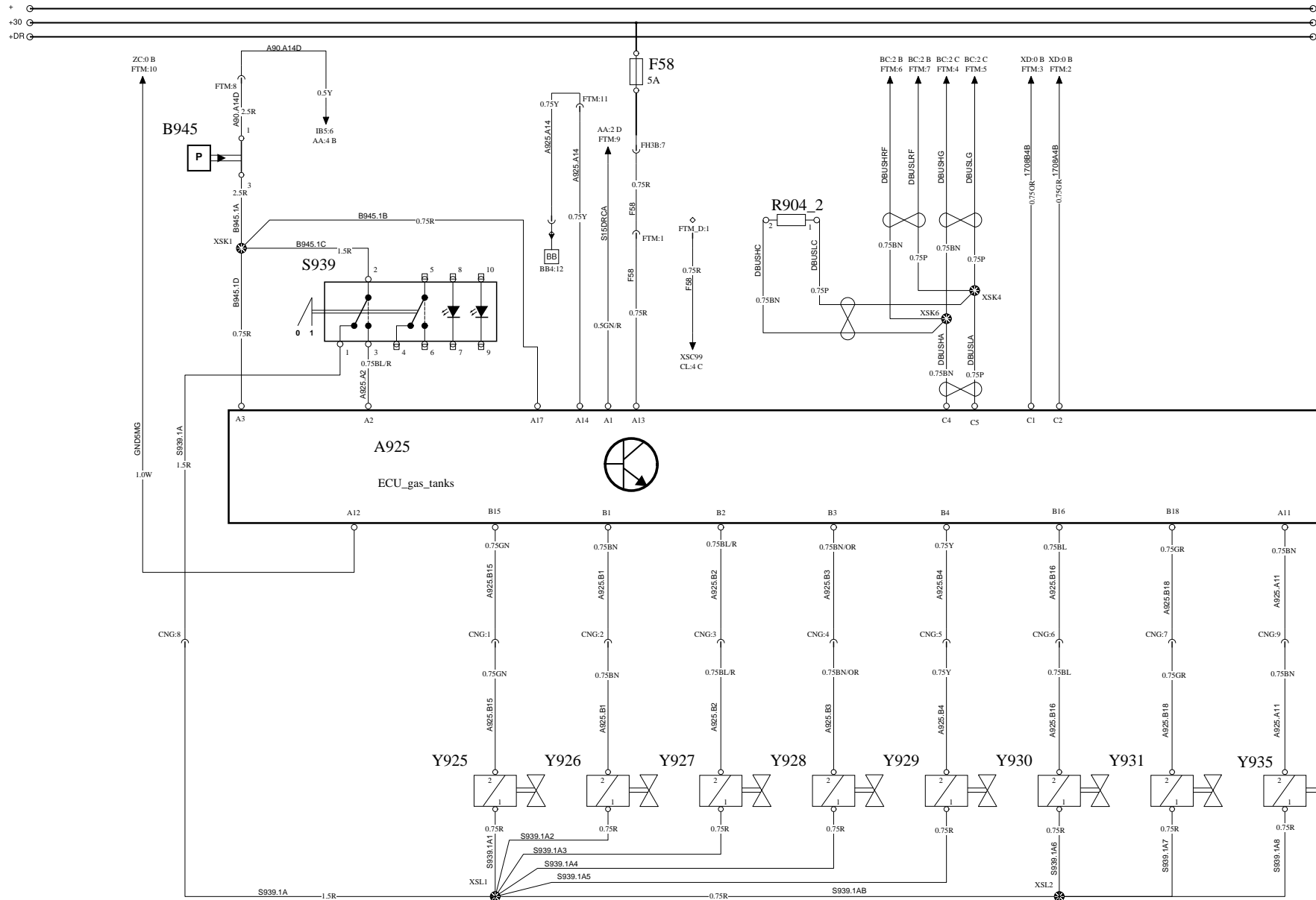
13(53)

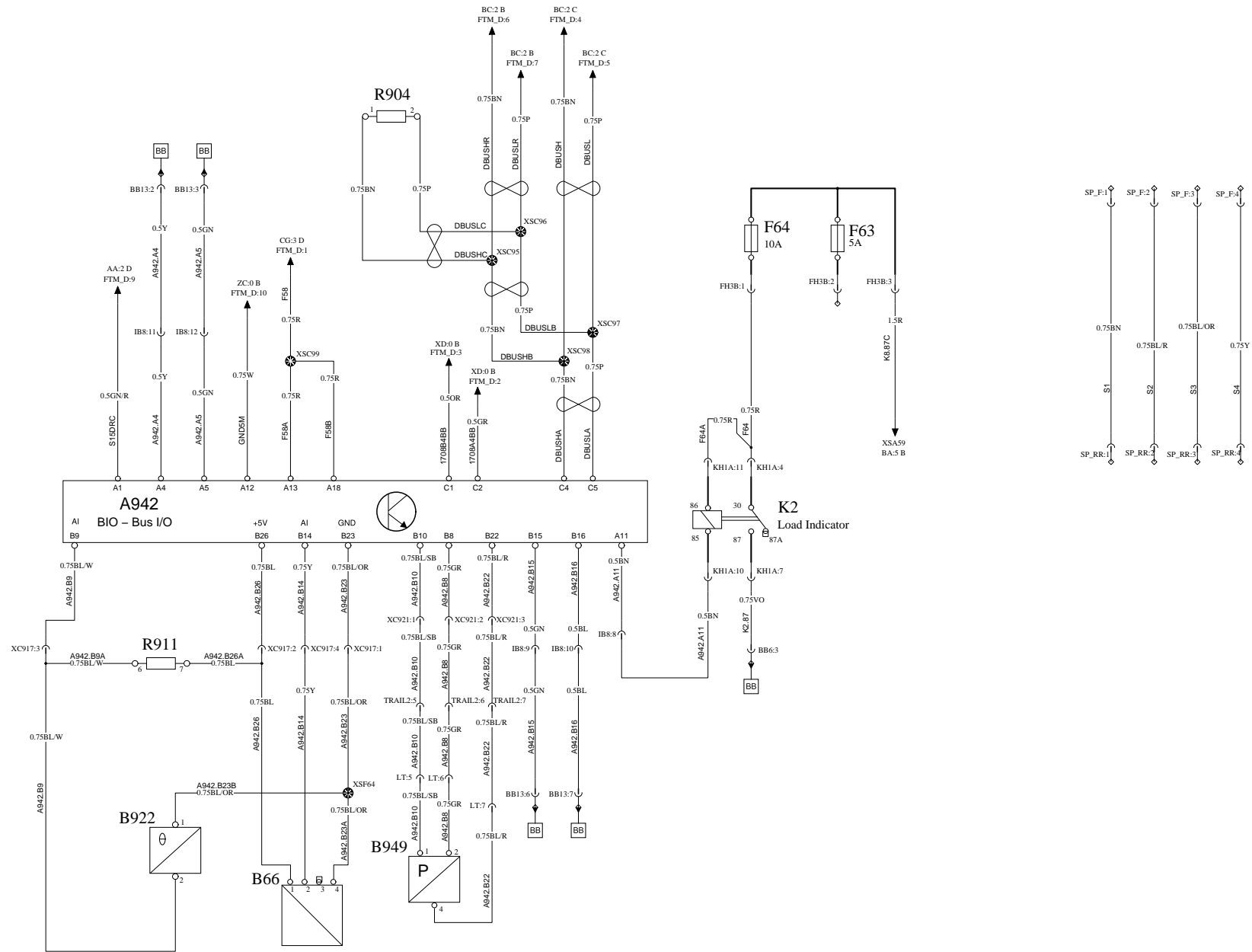
EECU D9B

WIRING DIAGRAM CA



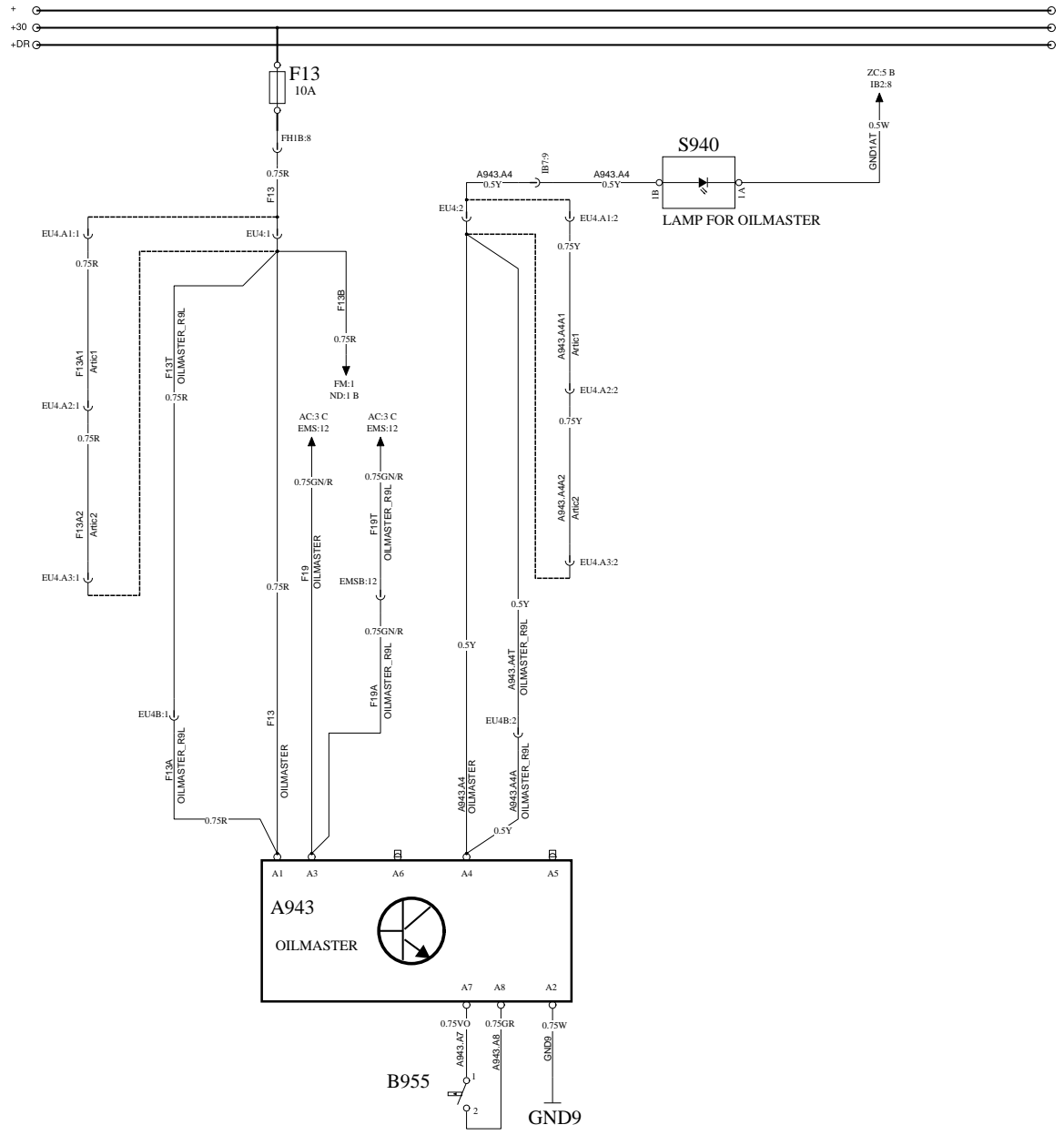






# OILMASTER

# WIRING DIAGRAM CO



Volvo Bus Corporation

Document title  
WIRING DIAGRAM CO

Document type  
PRODUCT SCHEMATIC

Document No

20904123

Issue

03

Volume

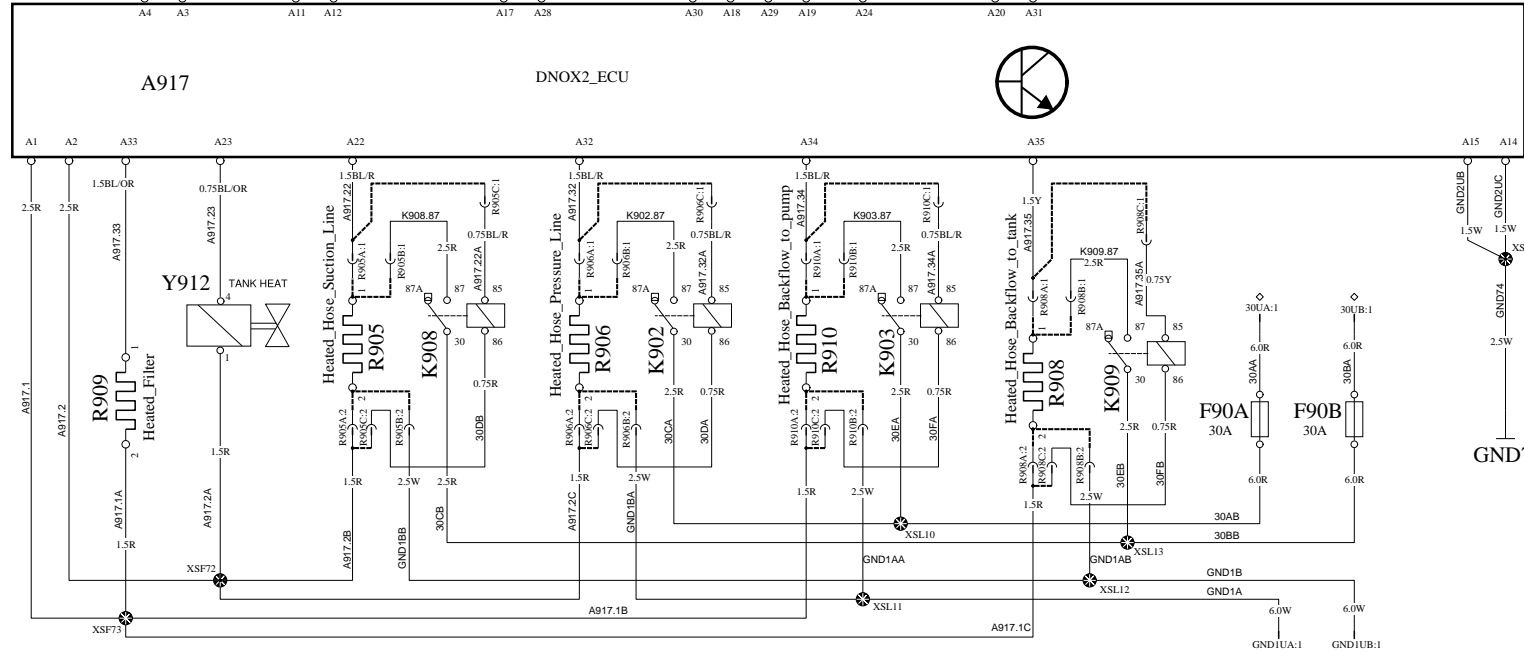
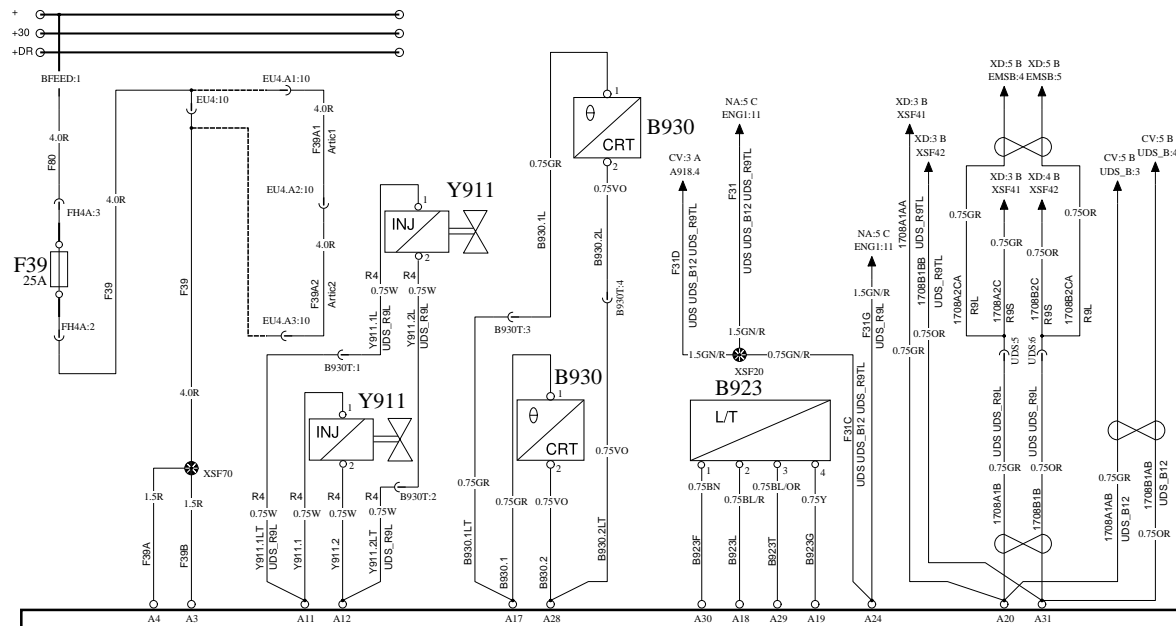
01(02)

Page

21(53)

UDS

WIRING DIAGRAM CU



Volvo Bus Corporation

Document title  
WIRING DIAGRAM CU

Document type  
PRODUCT SCHEMATIC

Document No

20904123

Issue

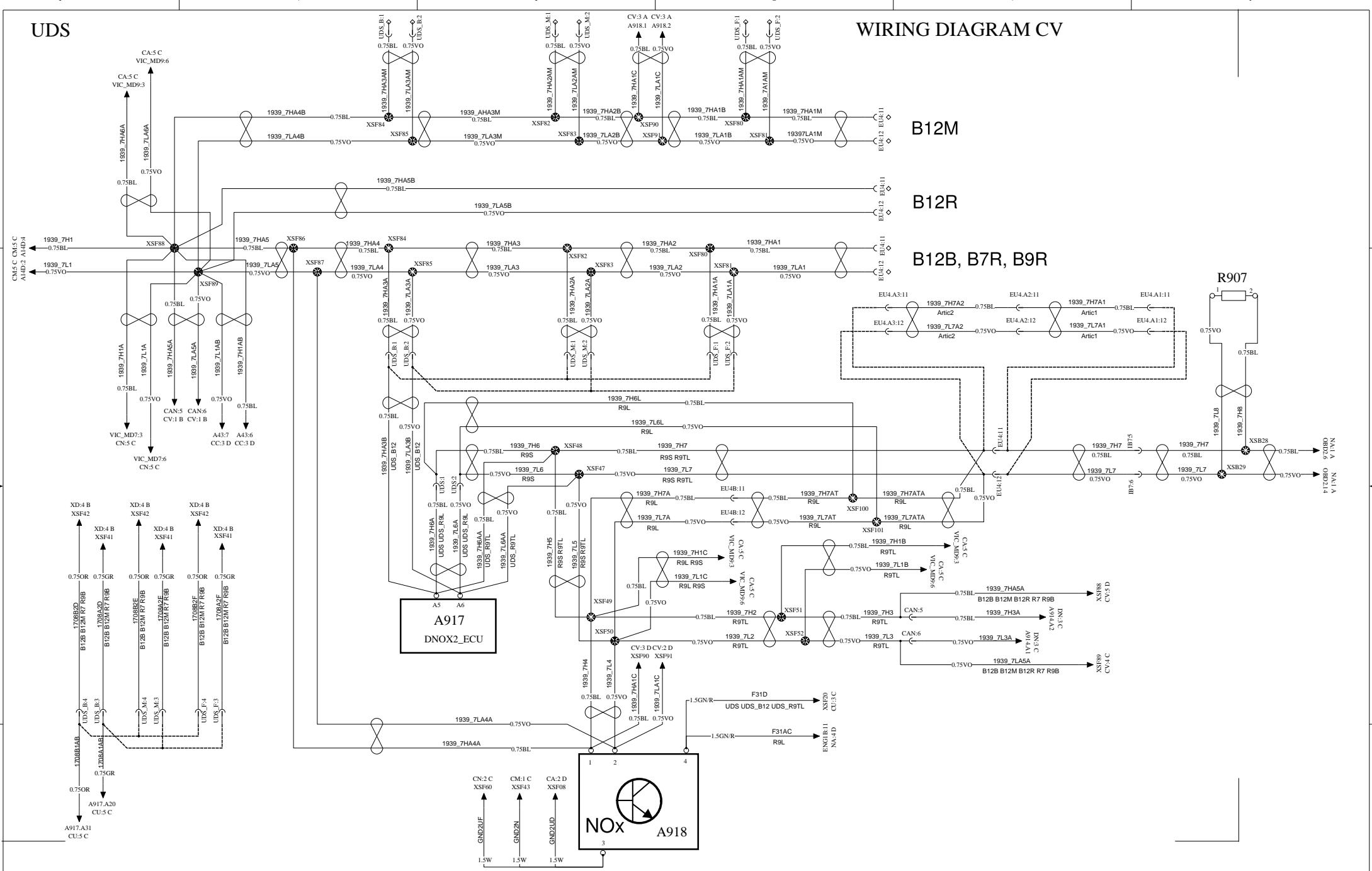
03

Volume

01(02)

Page

22(53)



B12M

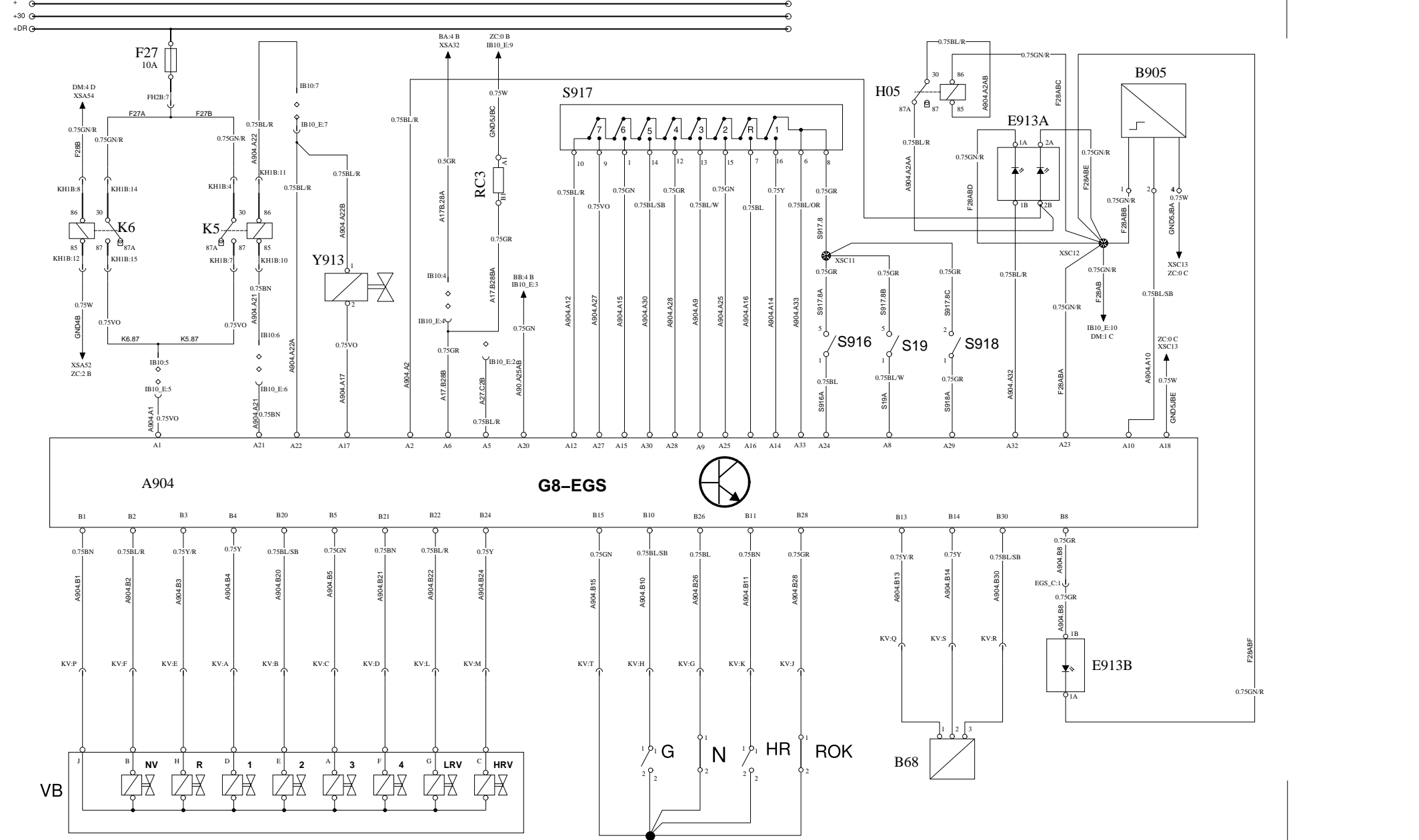
B12R

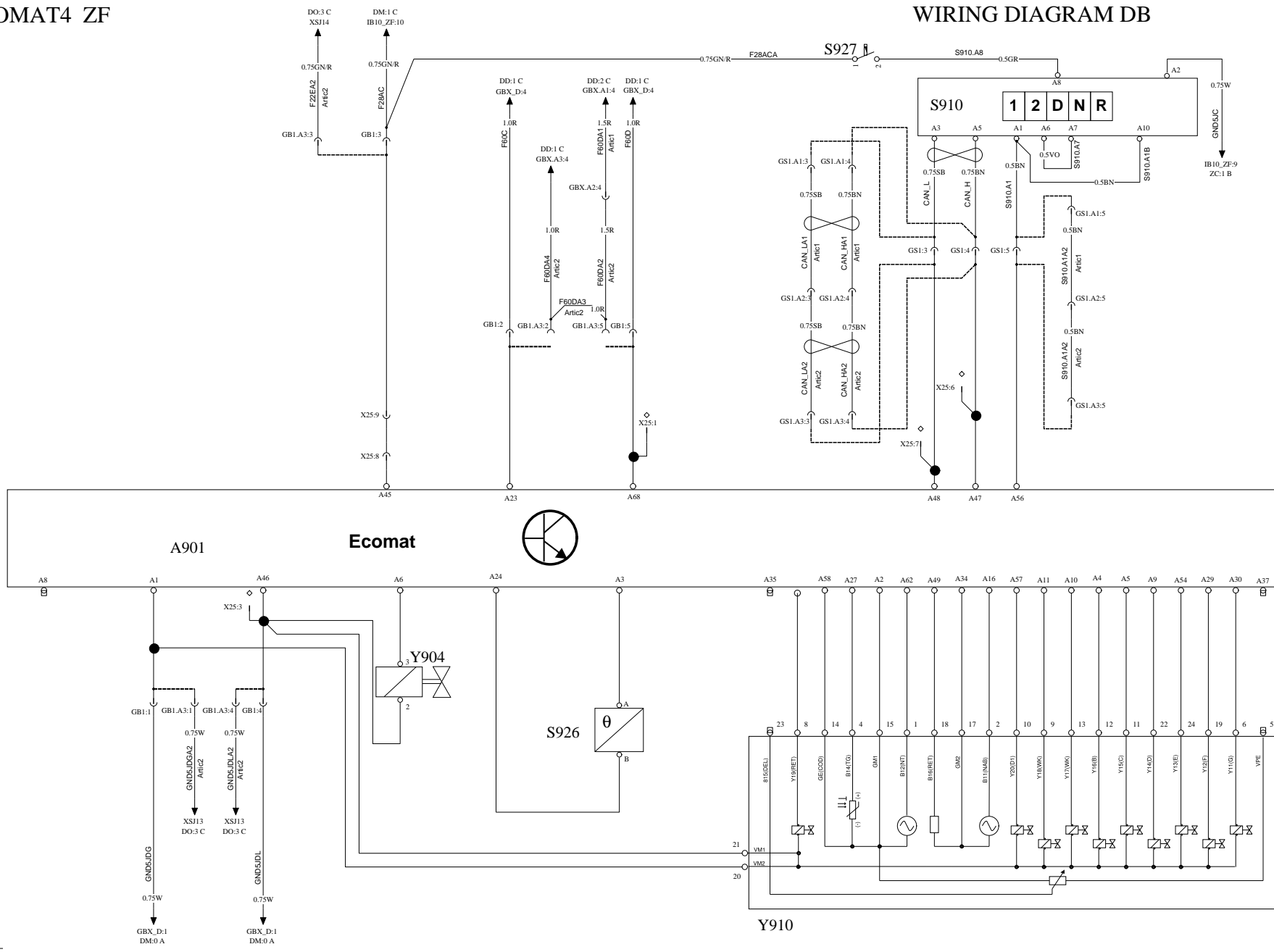
B12B, B7R, B9R

R907

G8-EGS

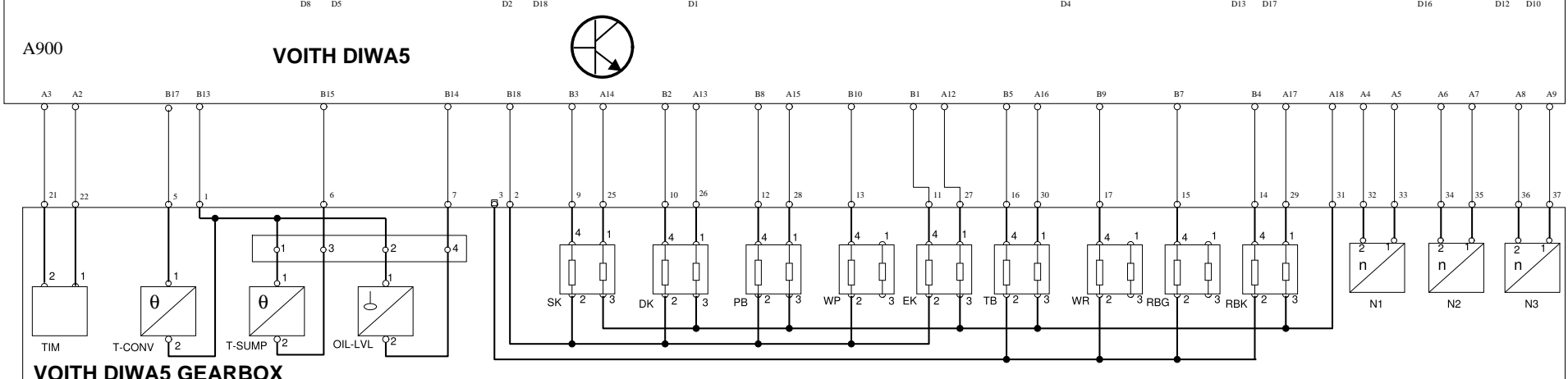
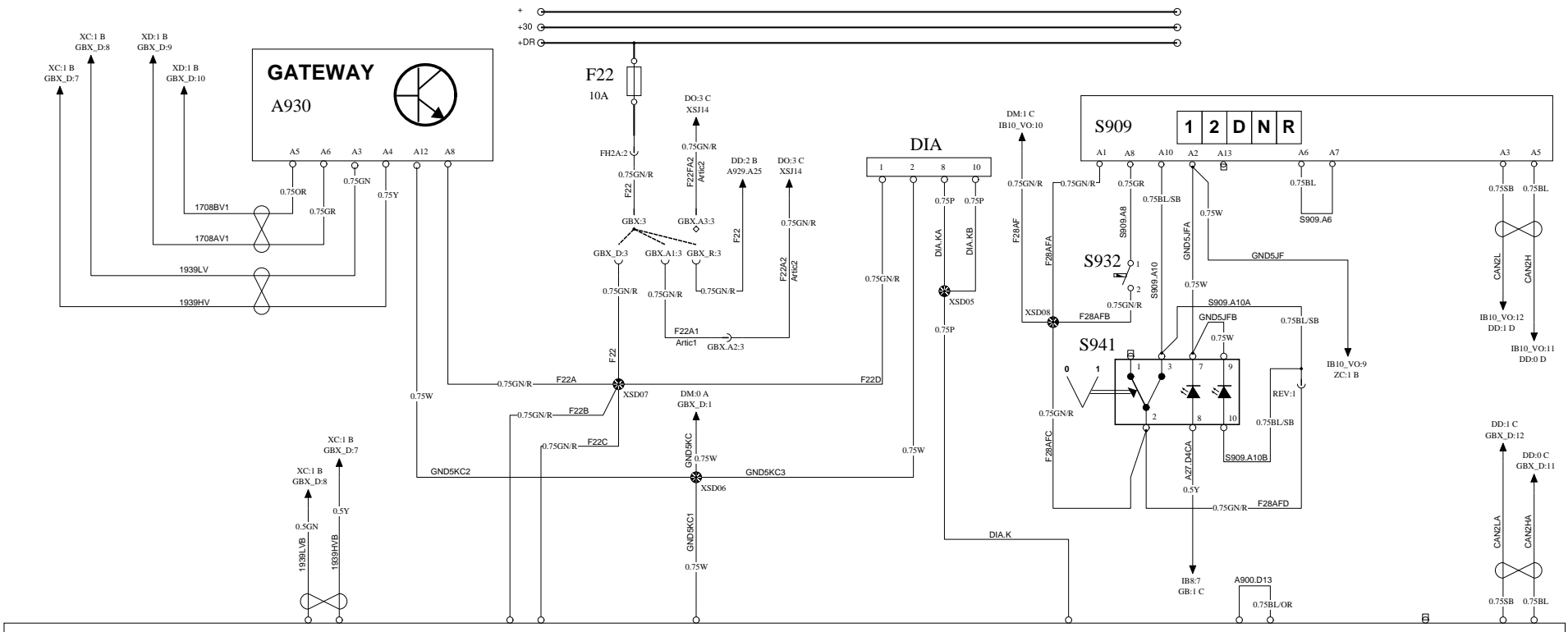
WIRING DIAGRAM DA





VOITH DIWA5

WIRING DIAGRAM DC



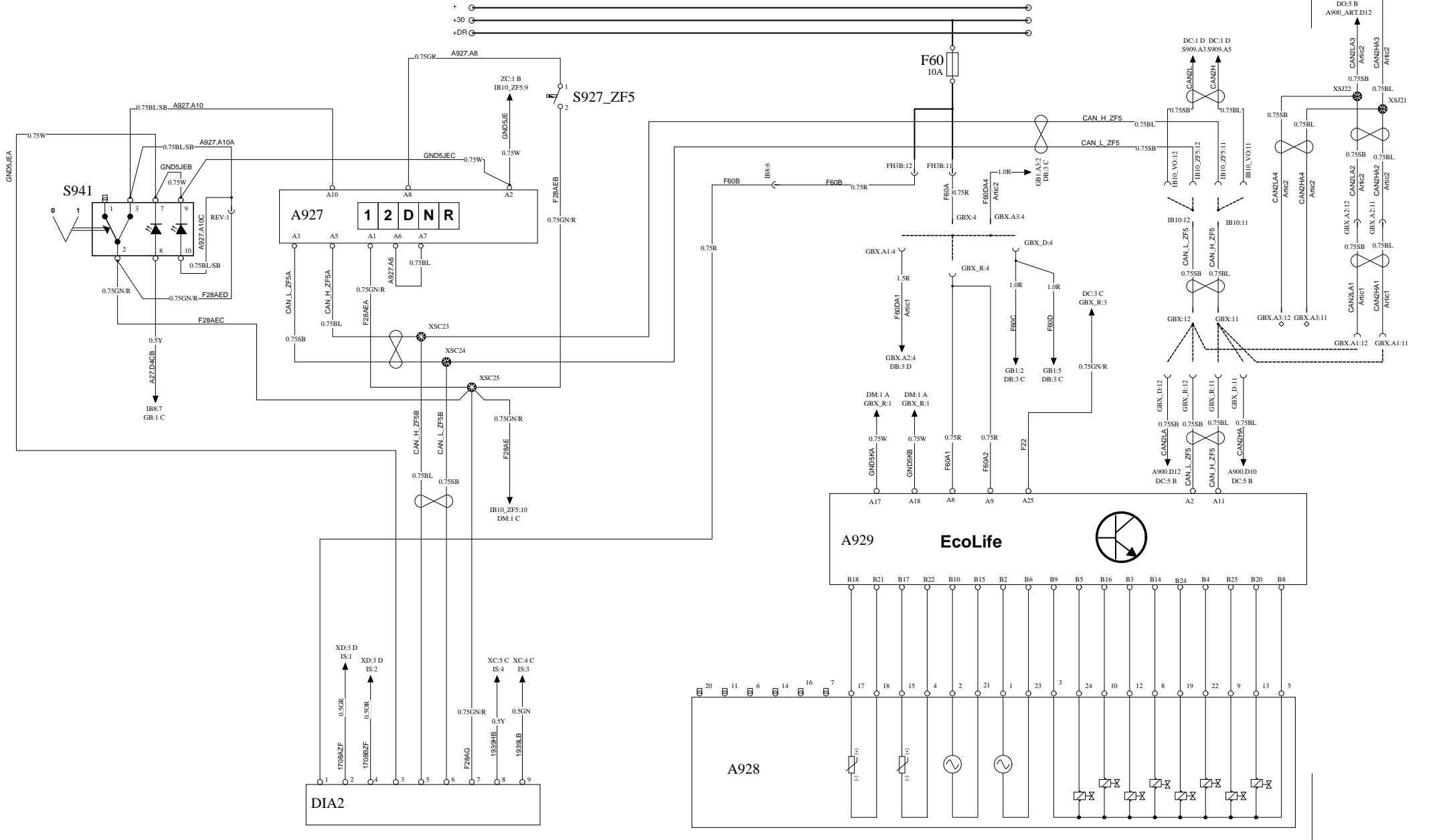
VOITH DIWA5 GEARBOX



Volvo Bus Corporation

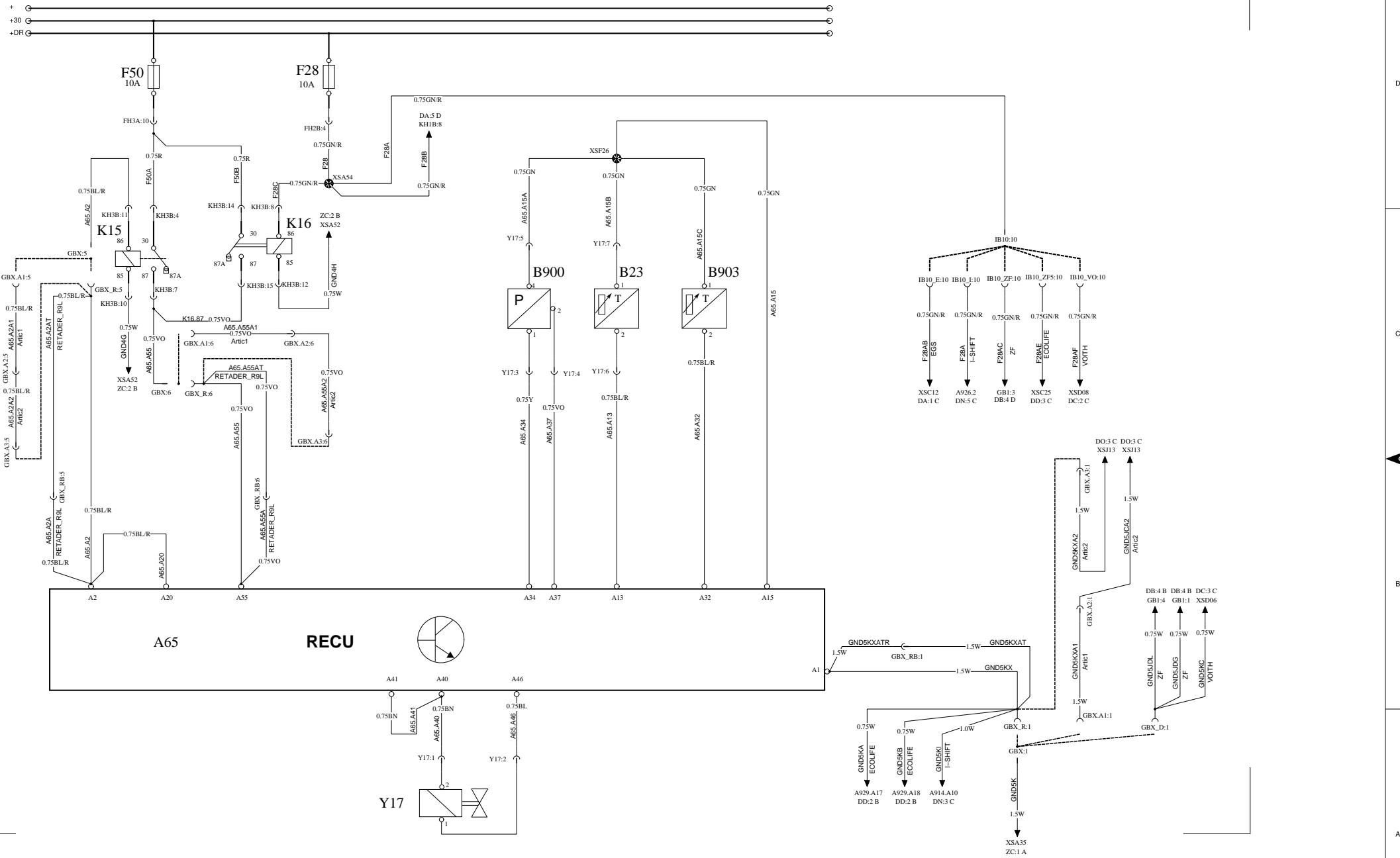
Document title WIRING DIAGRAM DC	Document No <b>20904123</b>	Issue <b>03</b>	Volume <b>01(02)</b>	Page <b>26(53)</b>





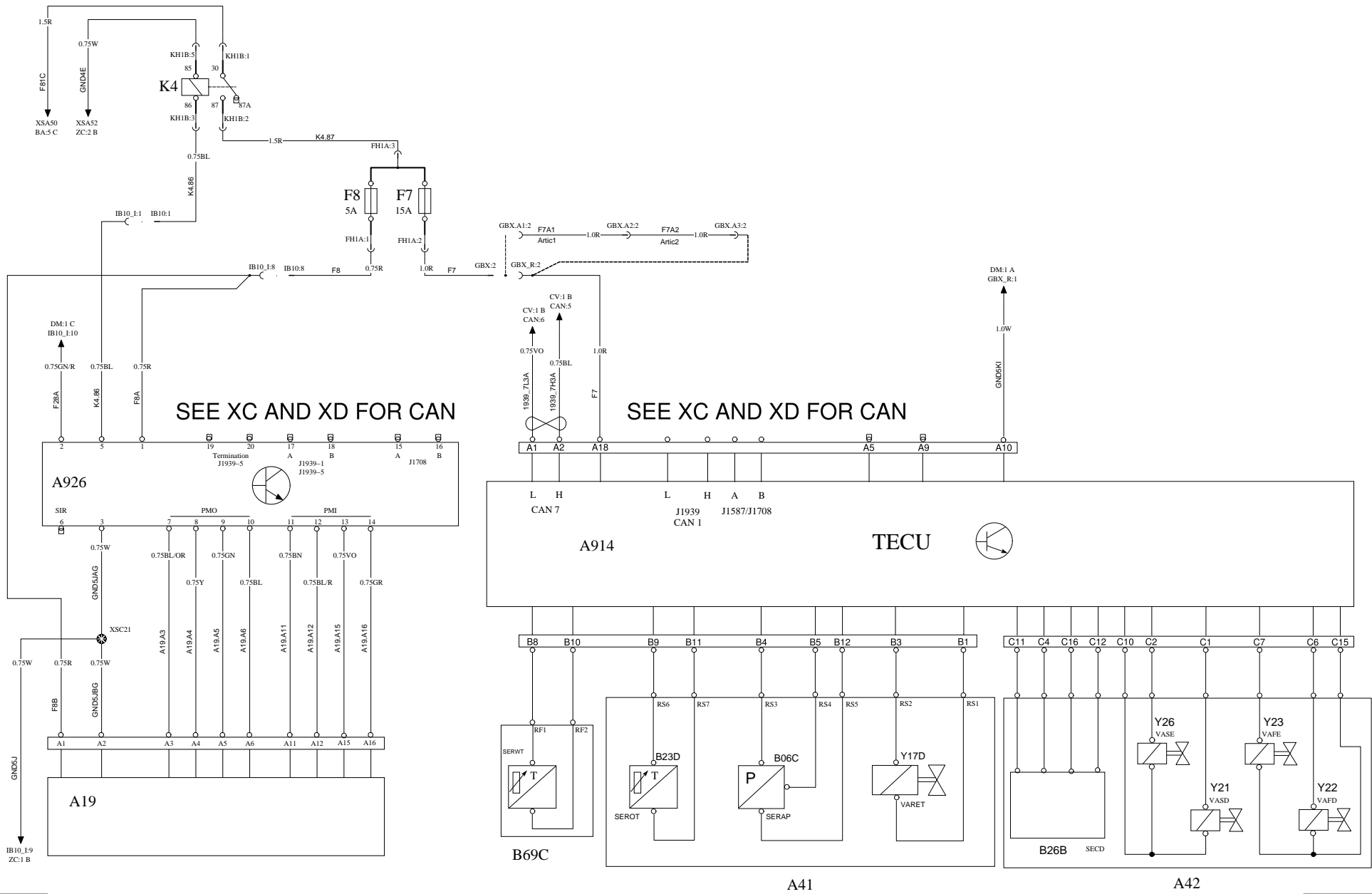
# RETARDER

# WIRING DIAGRAM DM



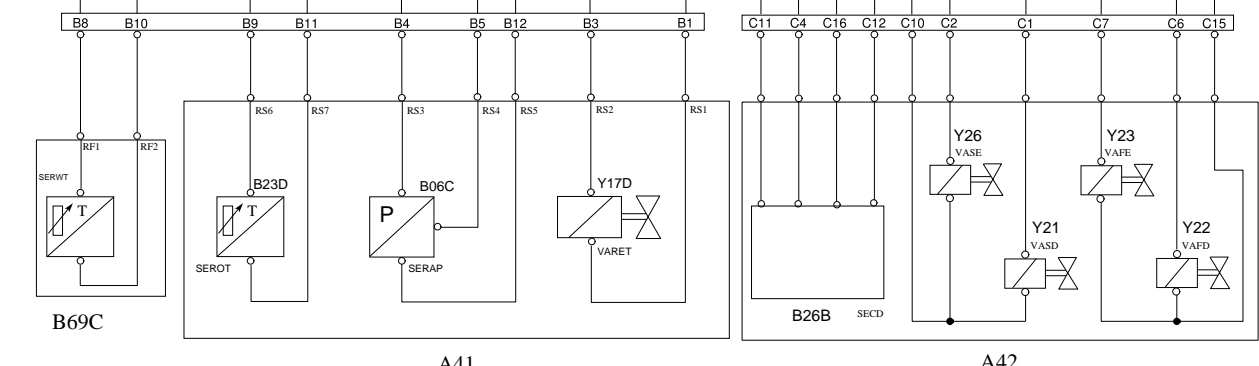
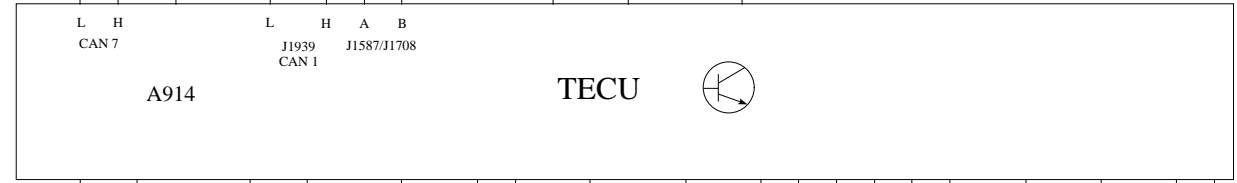
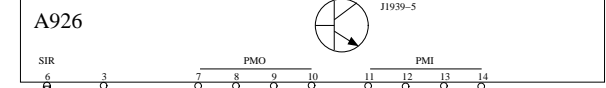
I-SHIFT

WIRING DIAGRAM DN



SEE XC AND XD FOR CAN

SEE XC AND XD FOR CAN



Volvo Bus Corporation

Document title  
WIRING DIAGRAM DN  
Document type  
PRODUCT SCHEMATIC

Document No  
20904123

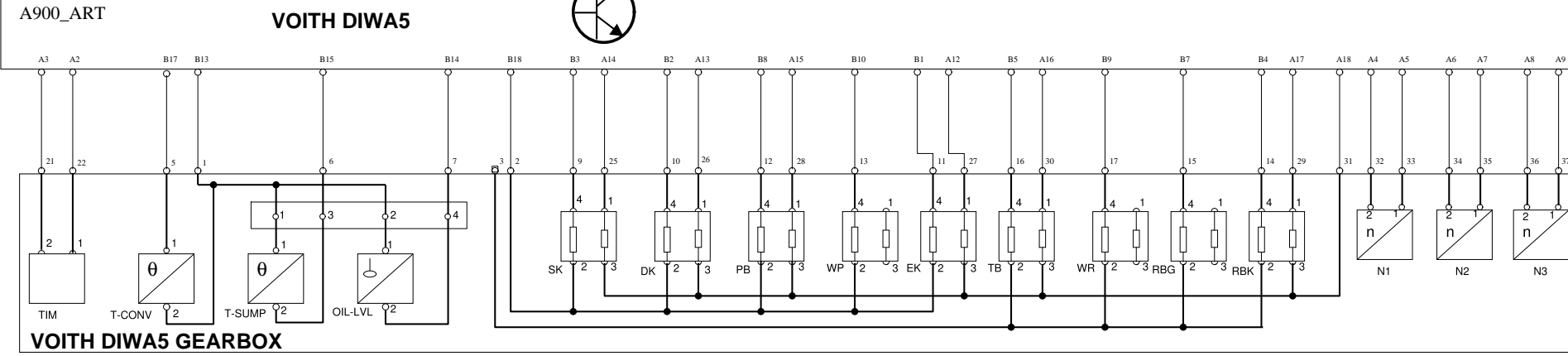
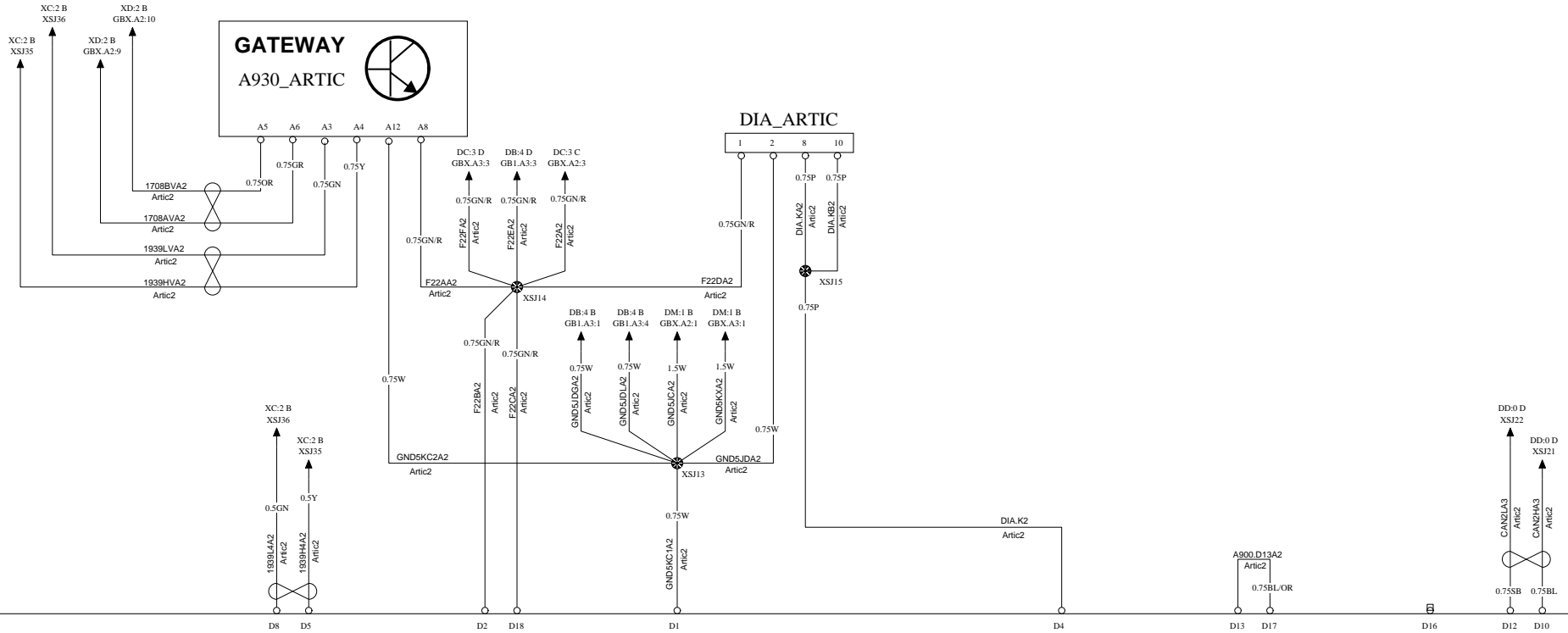
Issue  
03

Volume  
01(02)

Page  
29(53)

VOITH DIWA5 ARTIC

WIRING DIAGRAM DO



Volvo Bus Corporation

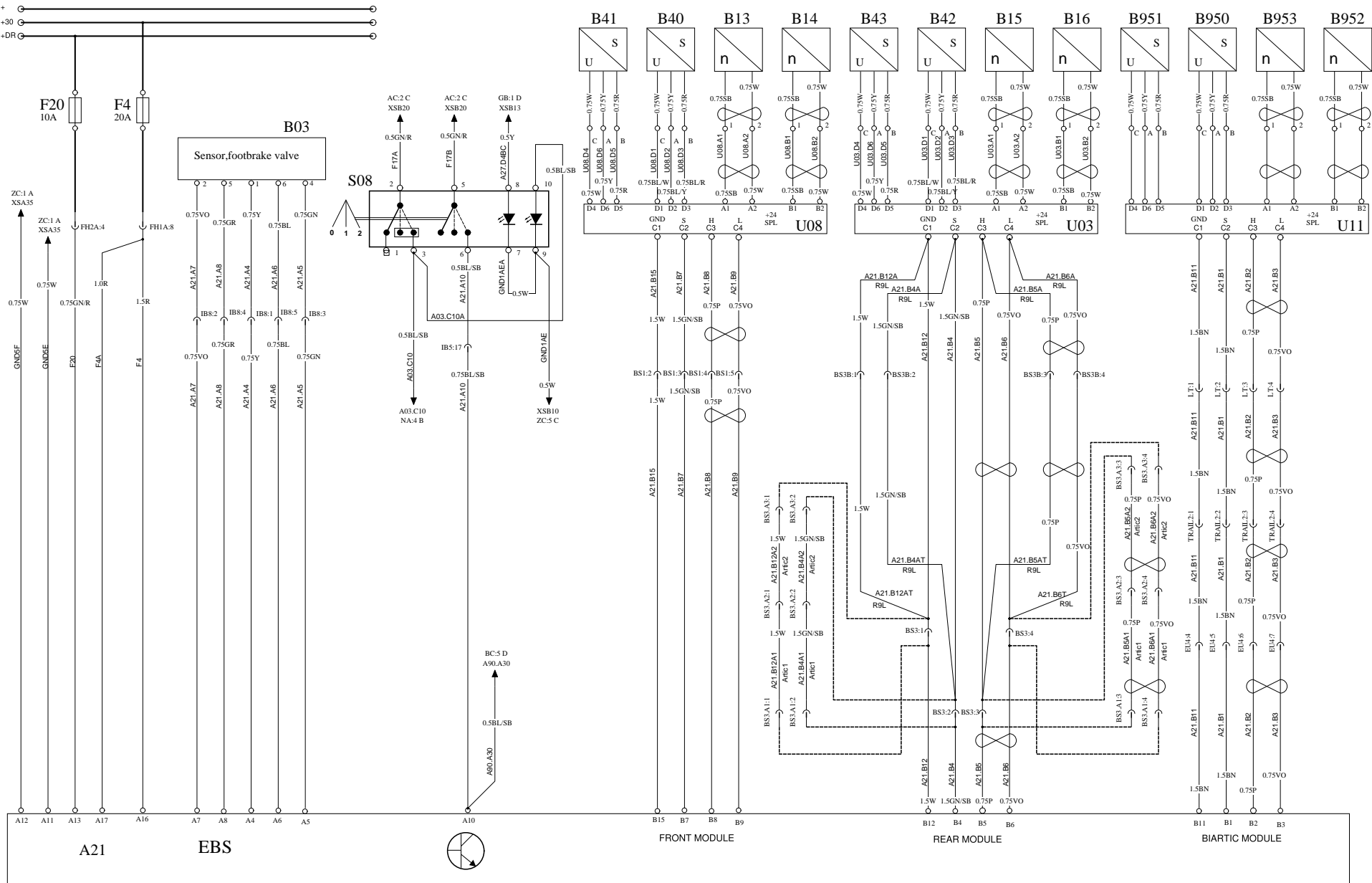
Document title  
WIRING DIAGRAM DO  
Document type  
PRODUCT SCHEMATIC

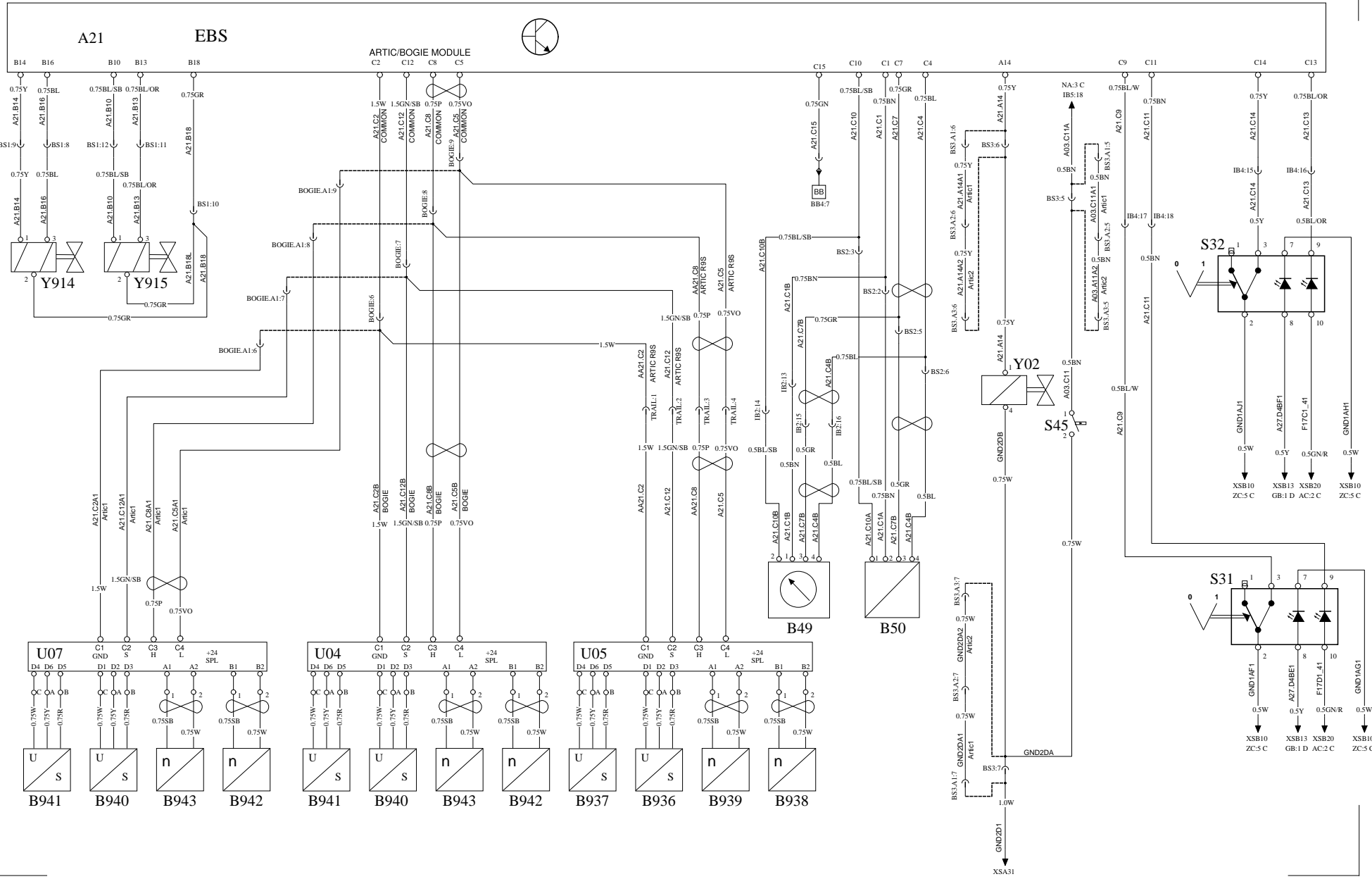
Document No  
**20904123**

Issue  
**03**  
Volume  
**01(02)**  
Page  
**30(53)**

EBS

WIRING DIAGRAM EO

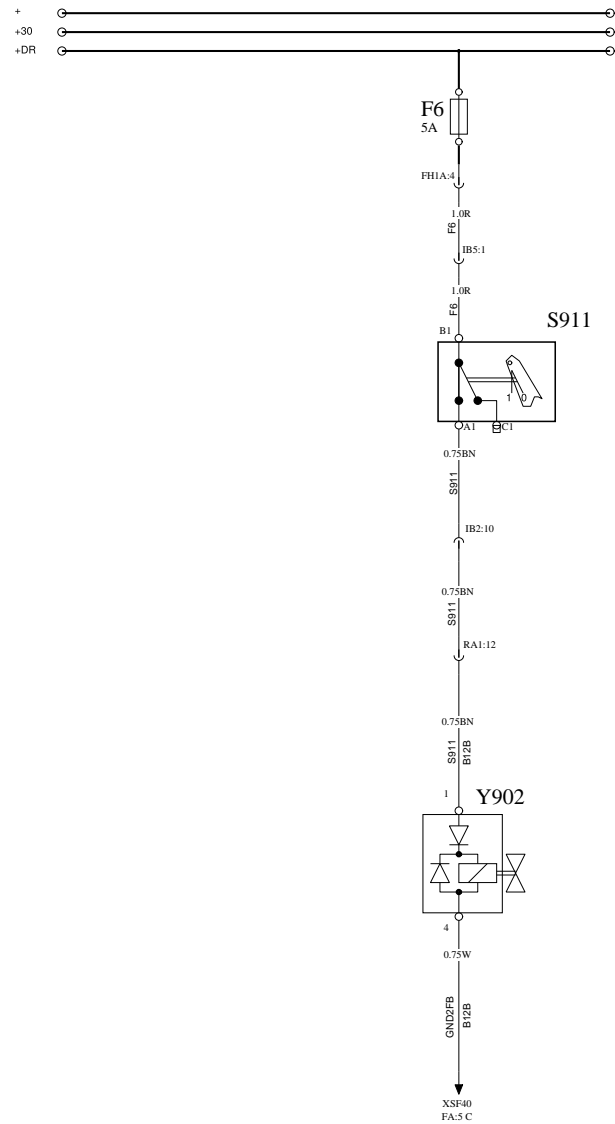




Document title WIRING DIAGRAM EP	Document No	Issue	Volume	Page
	Document type PRODUCT SCHEMATIC	20904123	03	01(02)

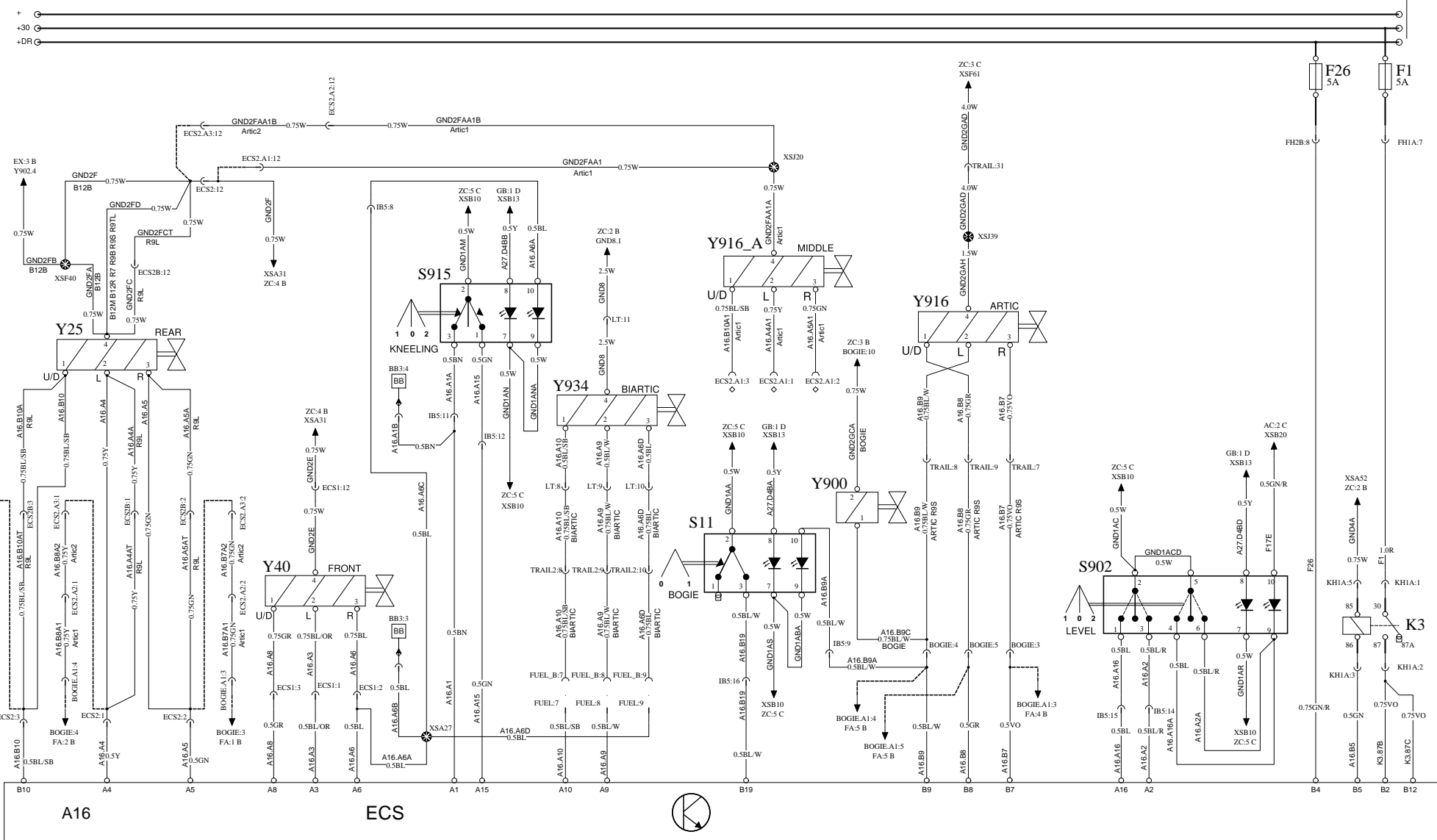
PARKING BRAKE RELEASE

WIRING DIAGRAM EX



# AIR SUSPENSION ECS

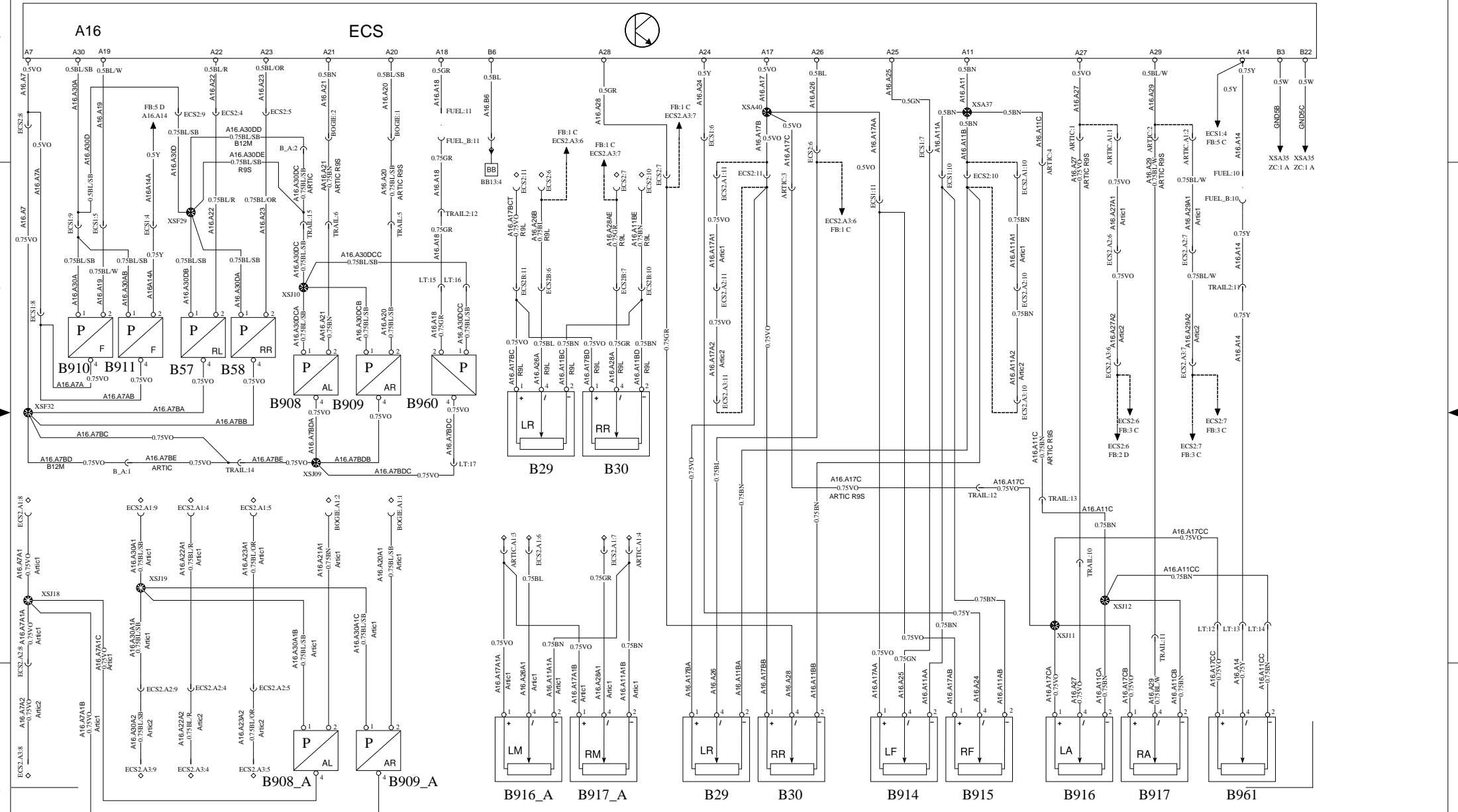
# WIRING DIAGRAM FA



Volvo Bus Corporation

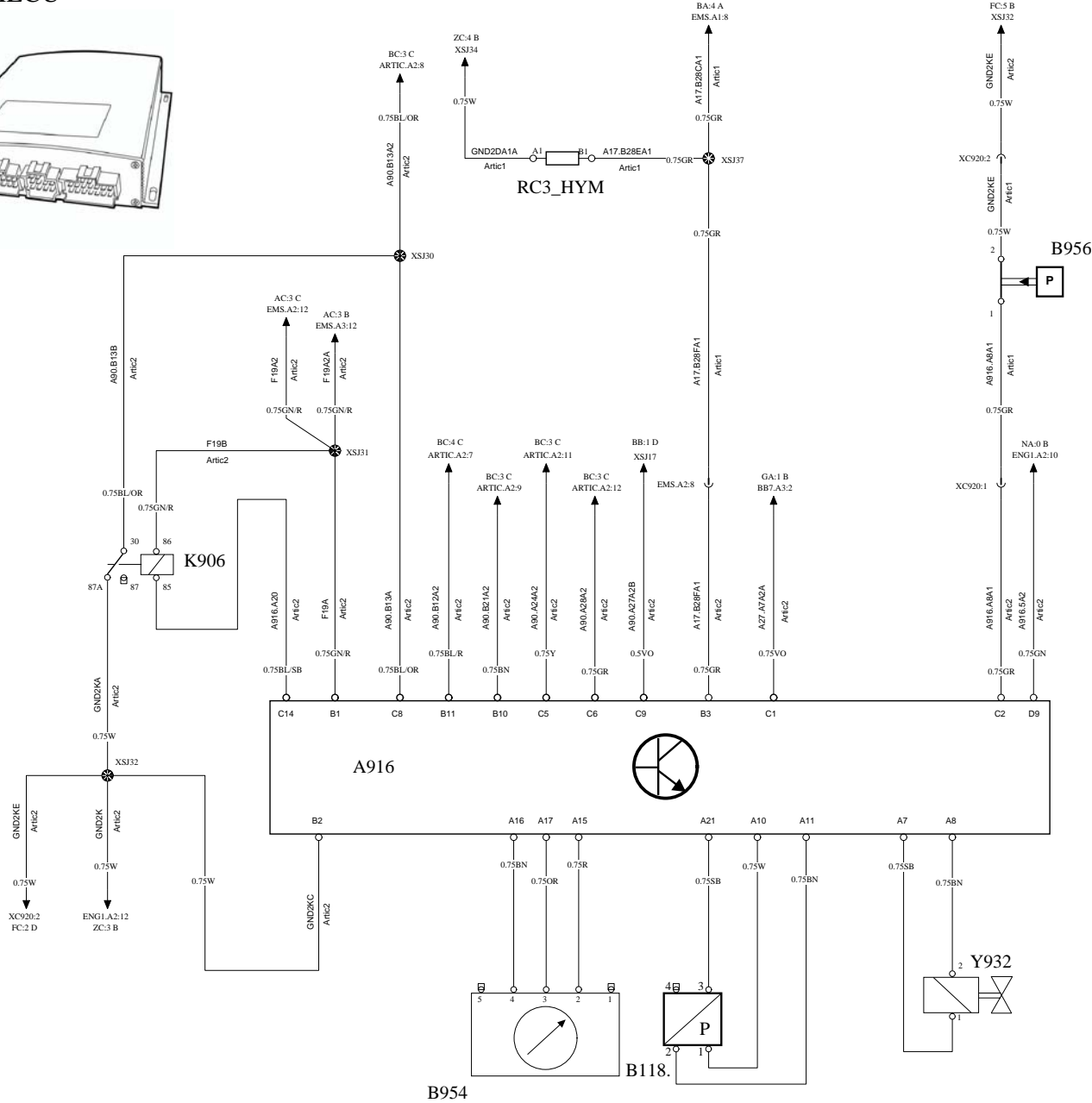
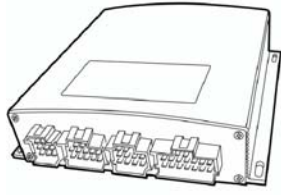
Document title WIRING DIAGRAM FA	Document No 20904123	Issue 03	Volume 01(02)	Page 34(53)
Document type PRODUCT SCHEMATIC				

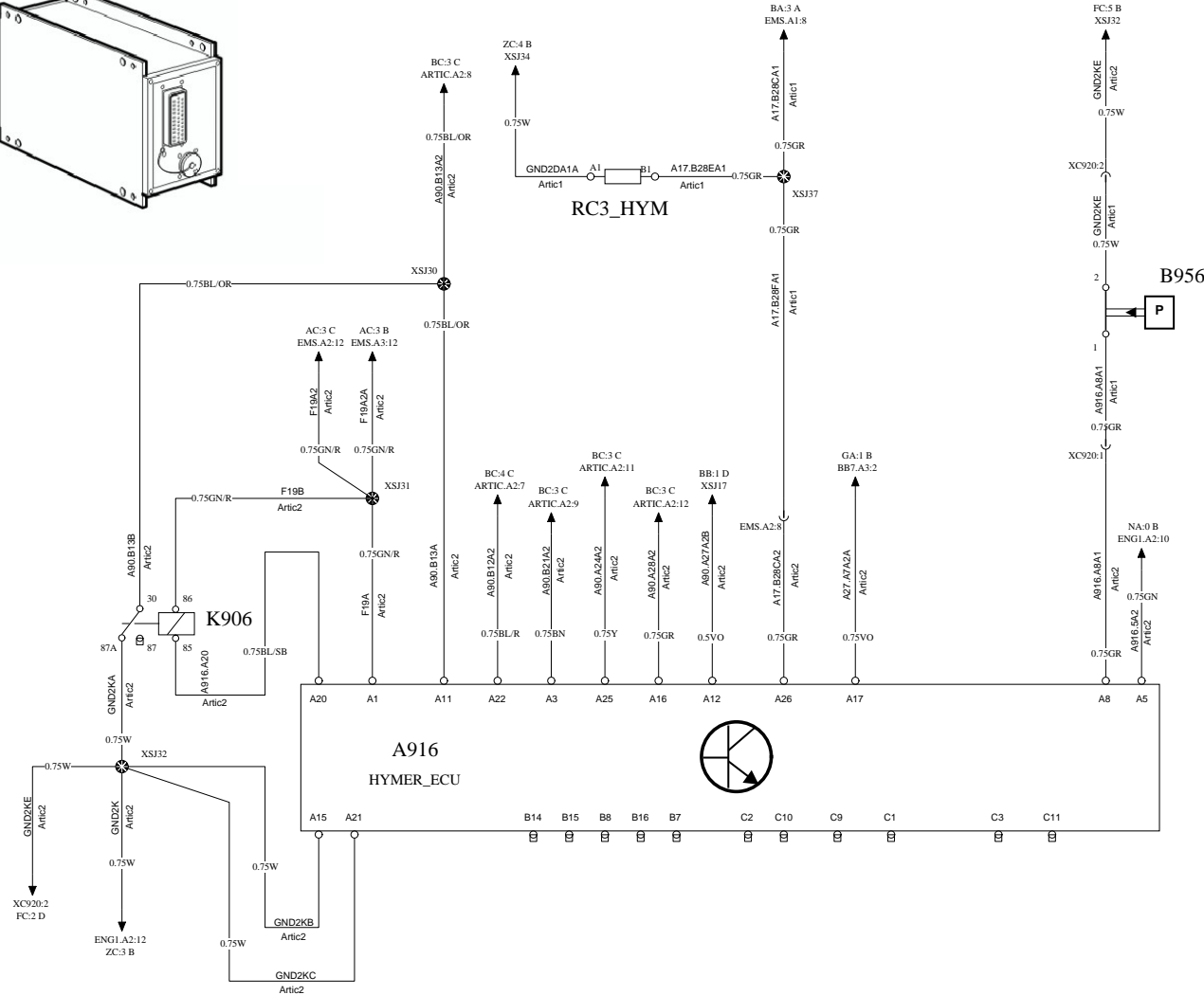
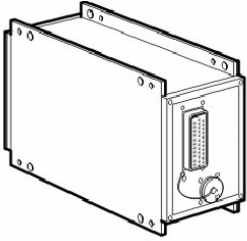




Volvo Bus Corporation

Document title WIRING DIAGRAM FB	Document No 20904123	Issue 03	Volume 01(02)	Page 35(53)
Document type PRODUCT SCHEMATIC				

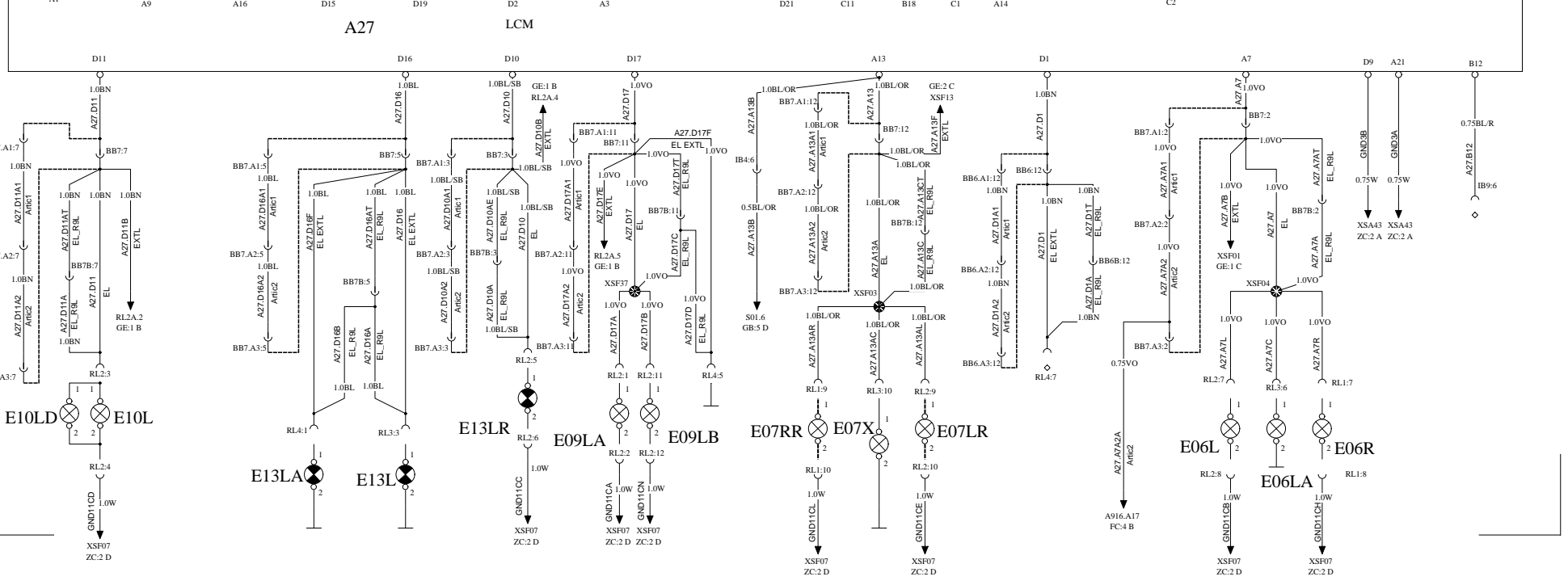
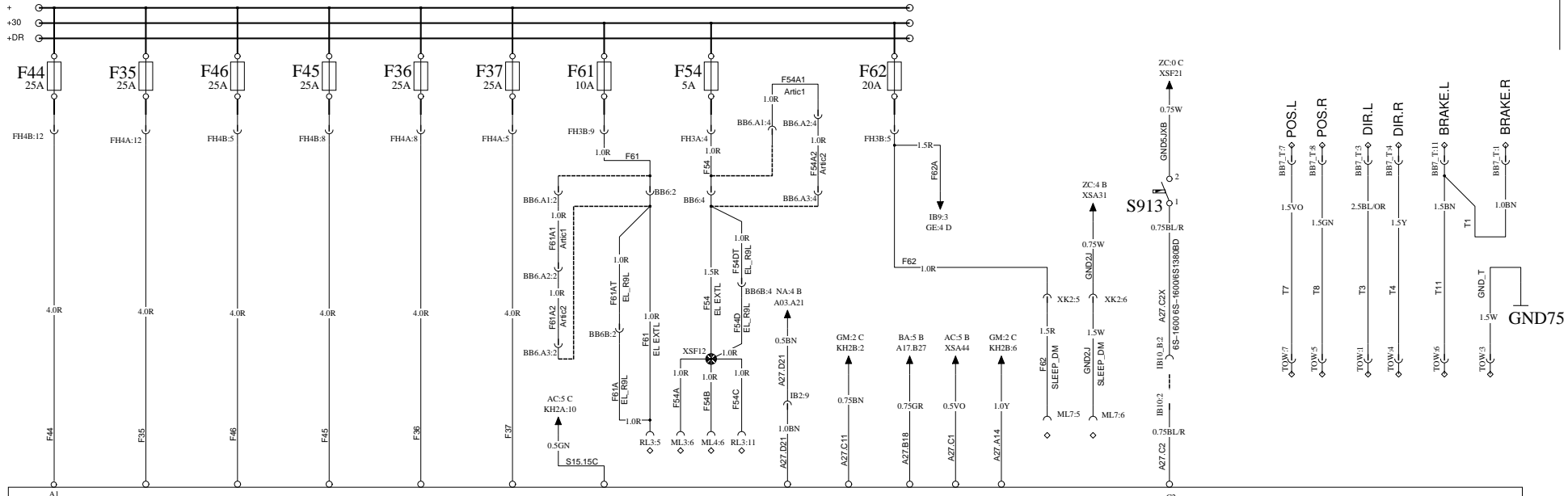




LCM

REAR LIGHTS

WIRING DIAGRAM GA



Volvo Bus Corporation

Document title  
WIRING DIAGRAM GA

Document type  
PRODUCT SCHEMATIC

Document No

20904123

Issue

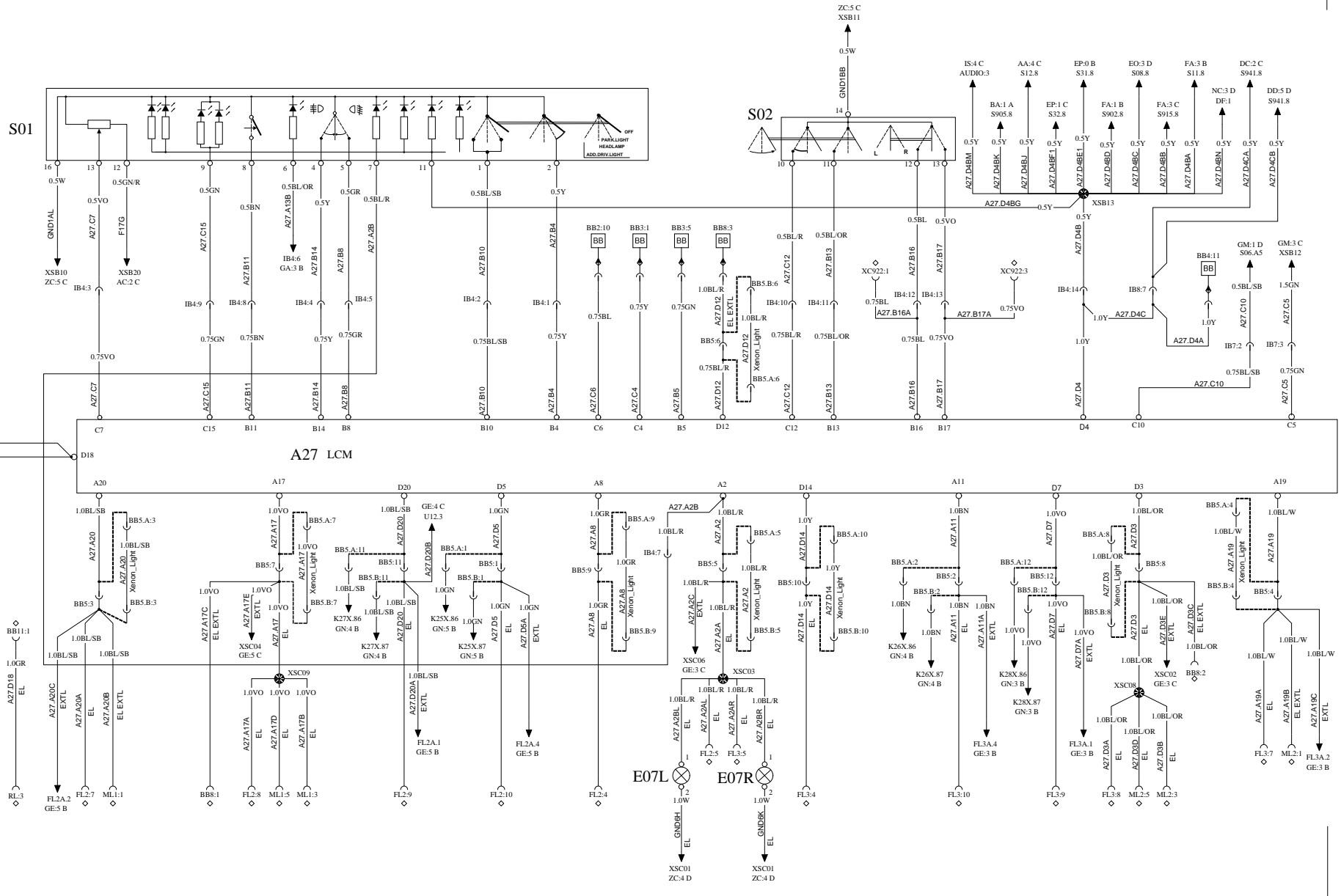
03

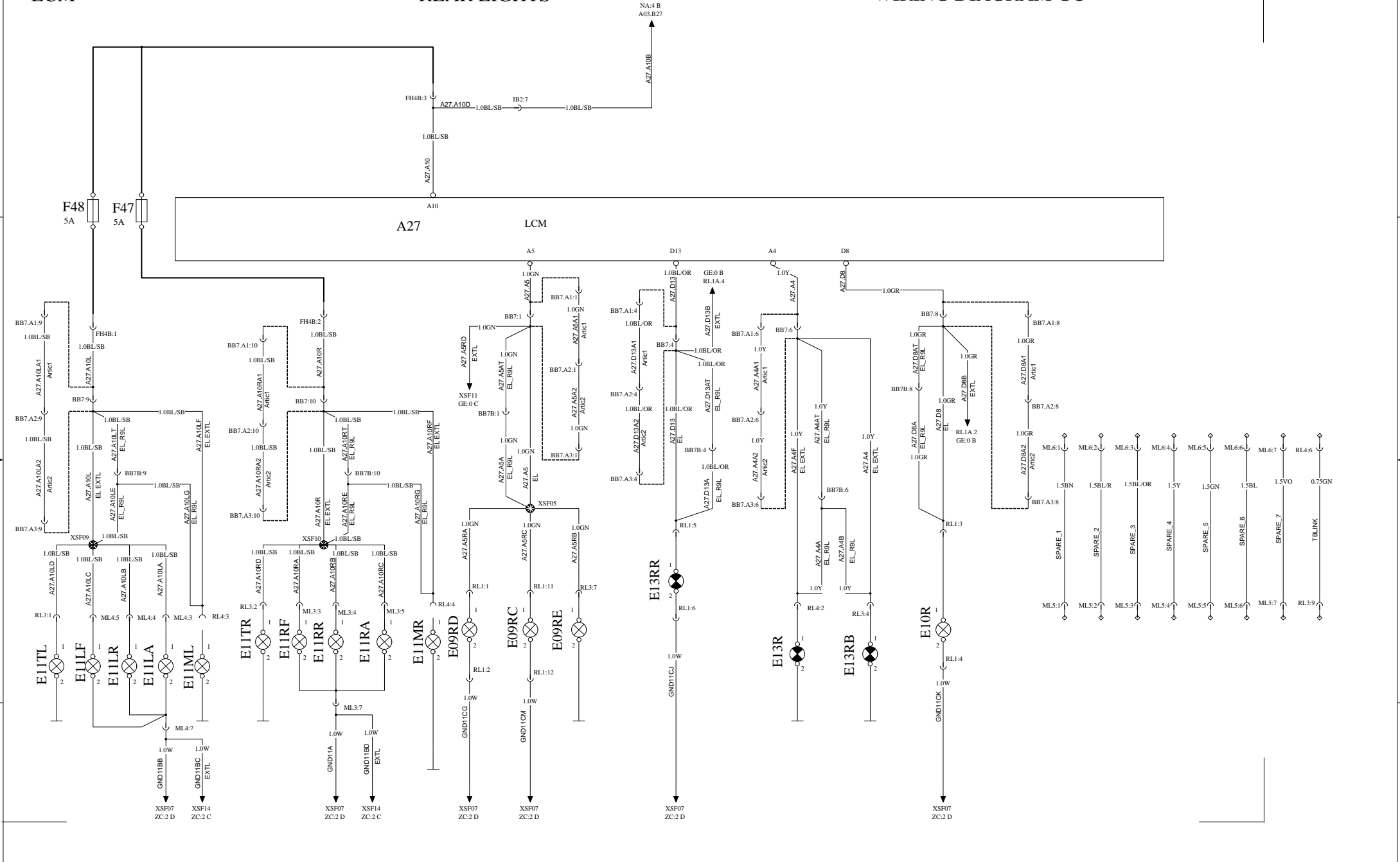
Volume

01(02)

Page

37(53)

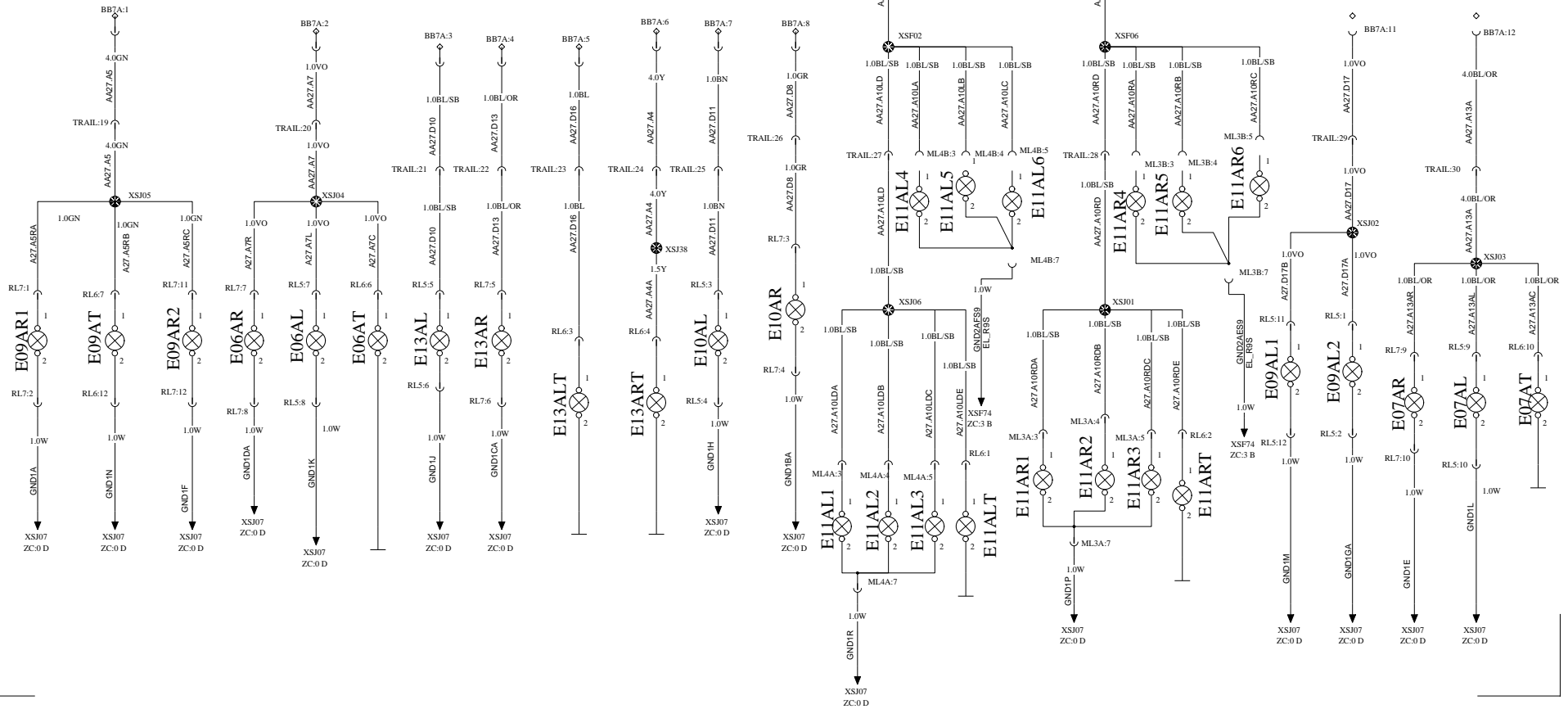
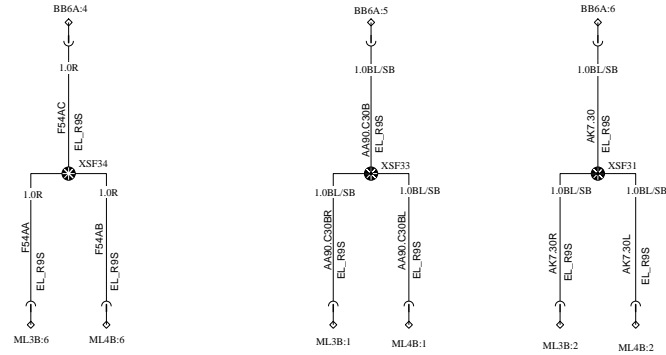




LCM

ARTIC LIGHTS PULLER

WIRING DIAGRAM GD



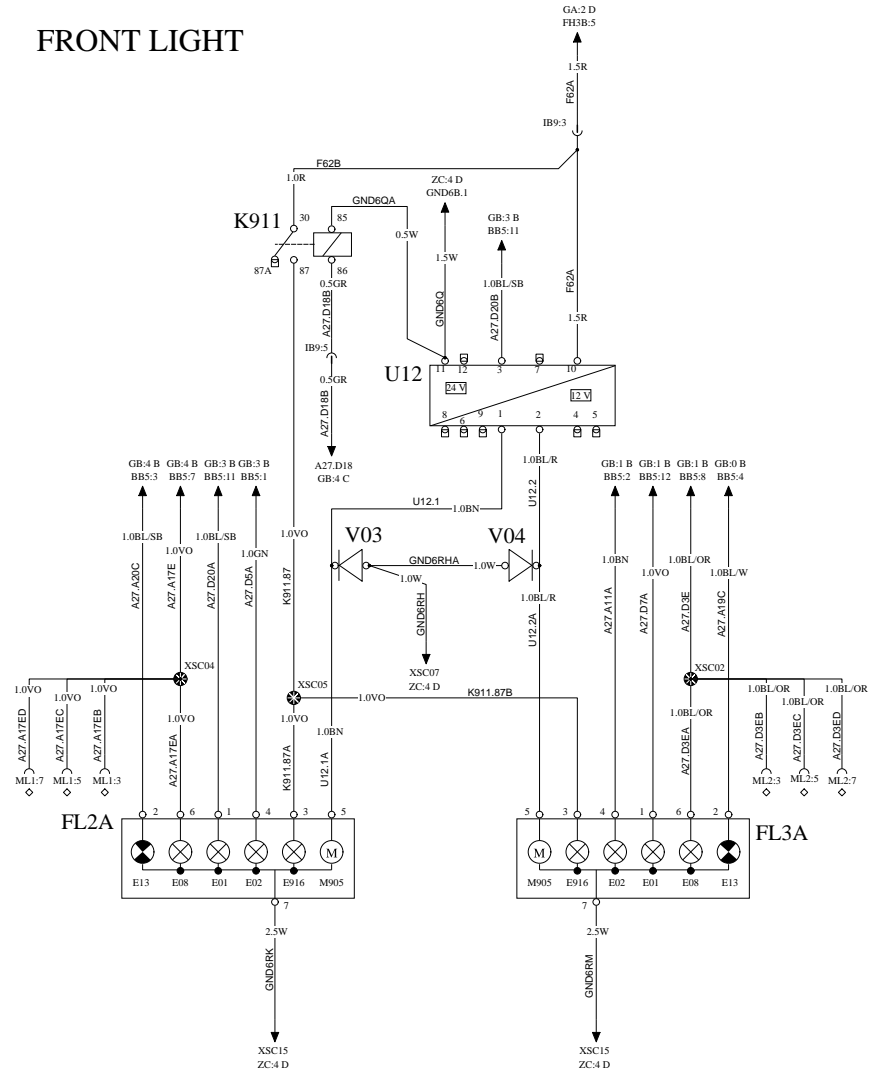
Volvo Bus Corporation

Document title  
WIRING DIAGRAM GD  
Document type  
PRODUCT SCHEMATIC

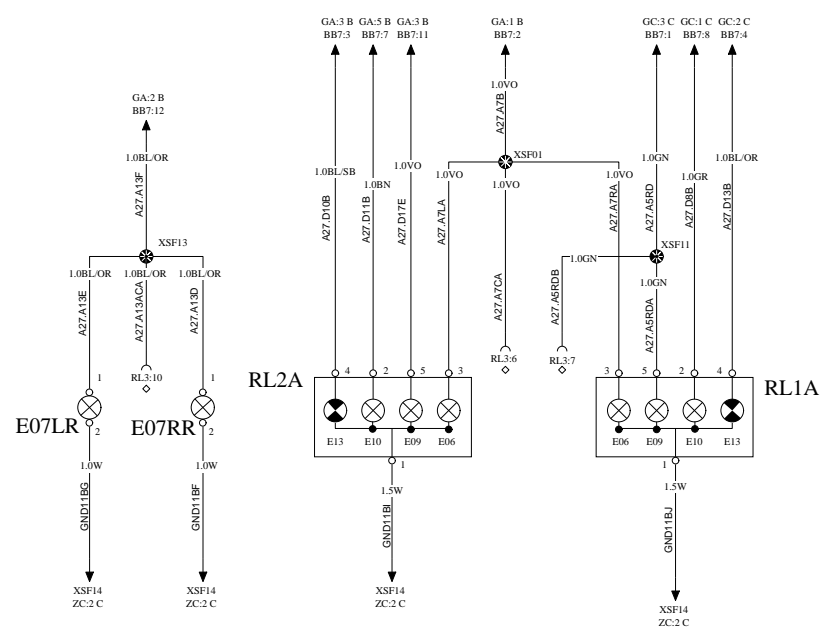
Document No  
20904123

Issue  
03  
Volume  
01(02)  
Page  
40(53)

FRONT LIGHT



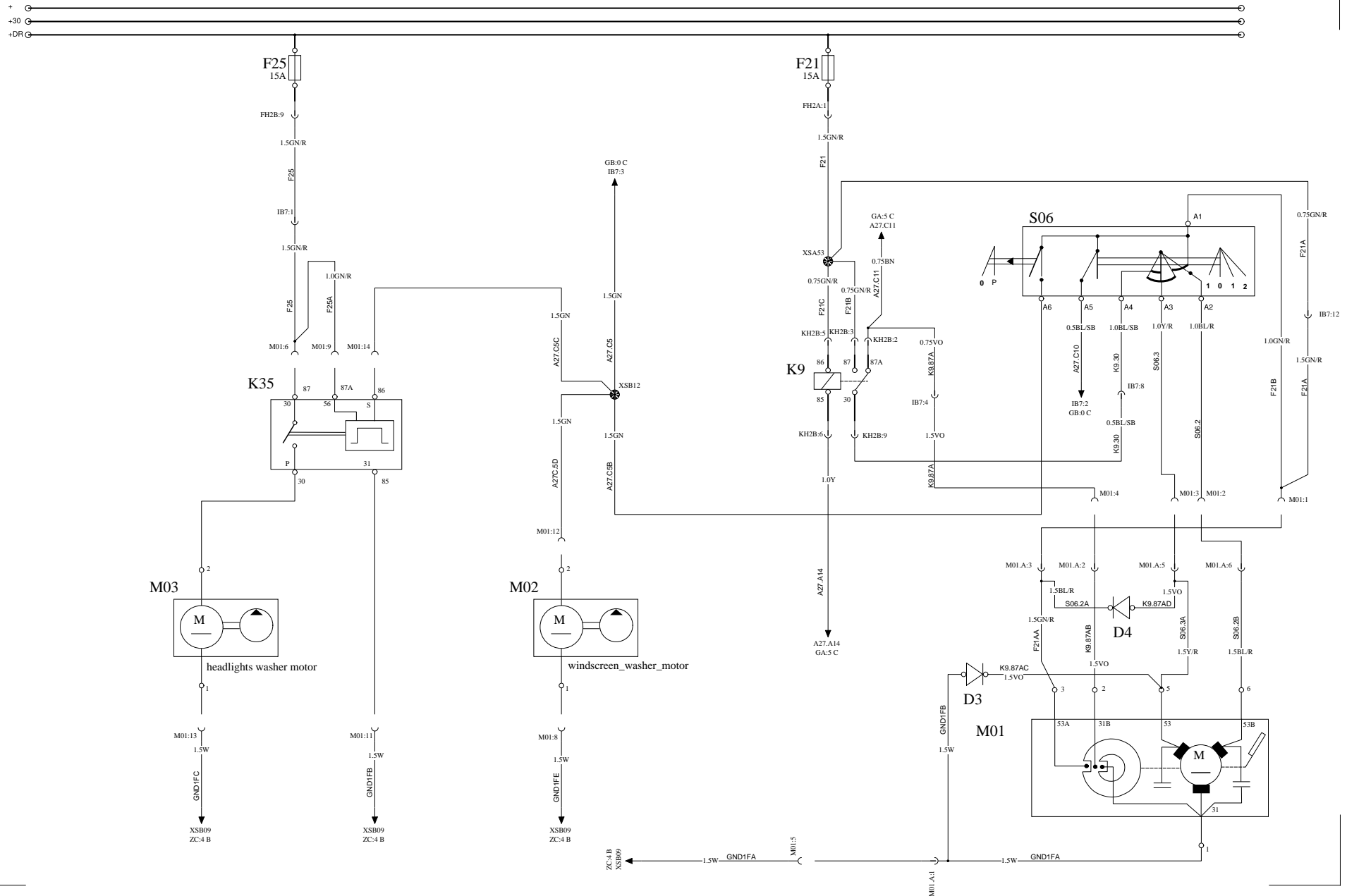
REAR LIGHT



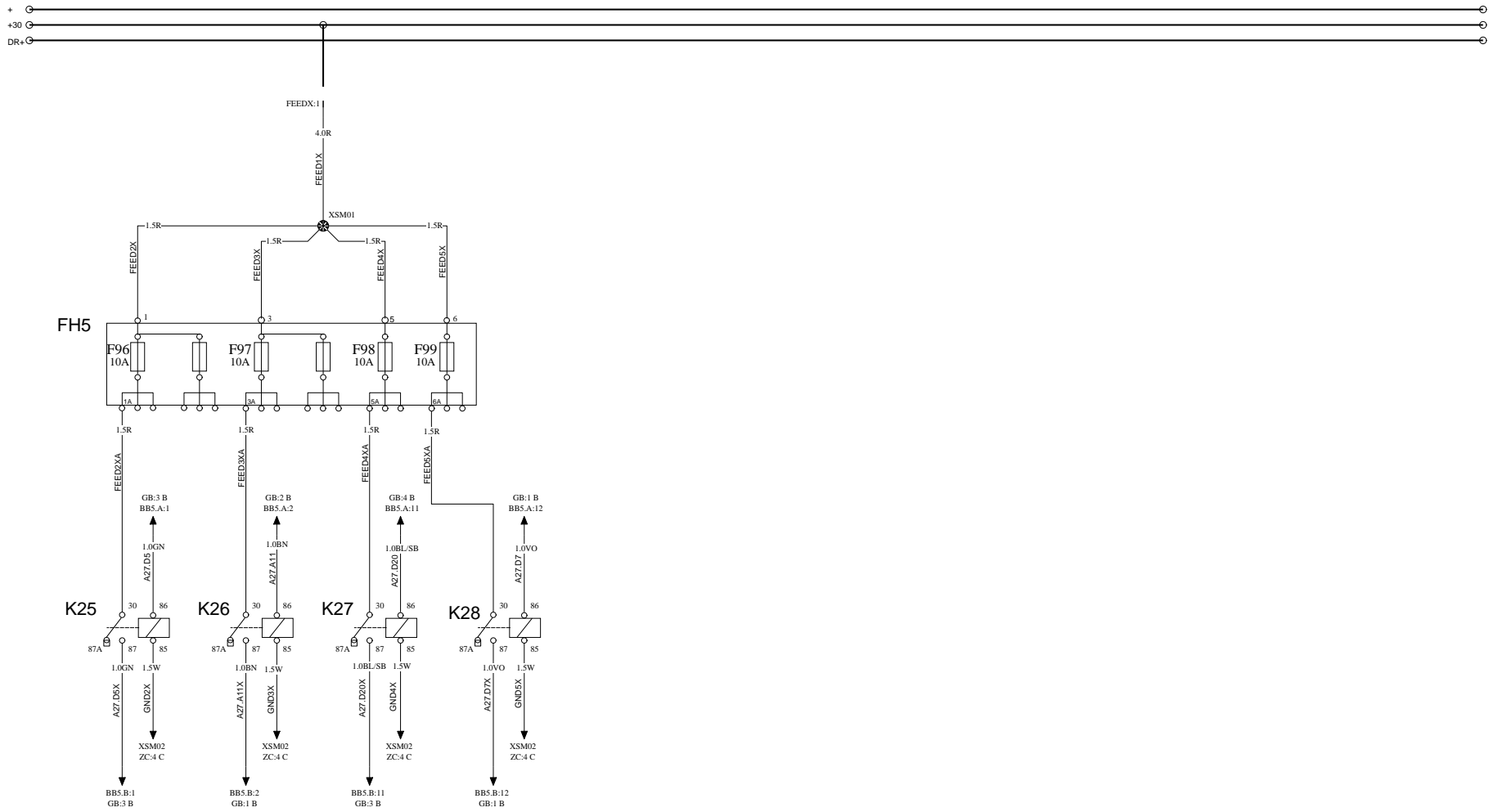


# WIPER, WASHER

# WIRING DIAGRAM GM



LCM XENON LIGHT WIRING DIAGRAM GN



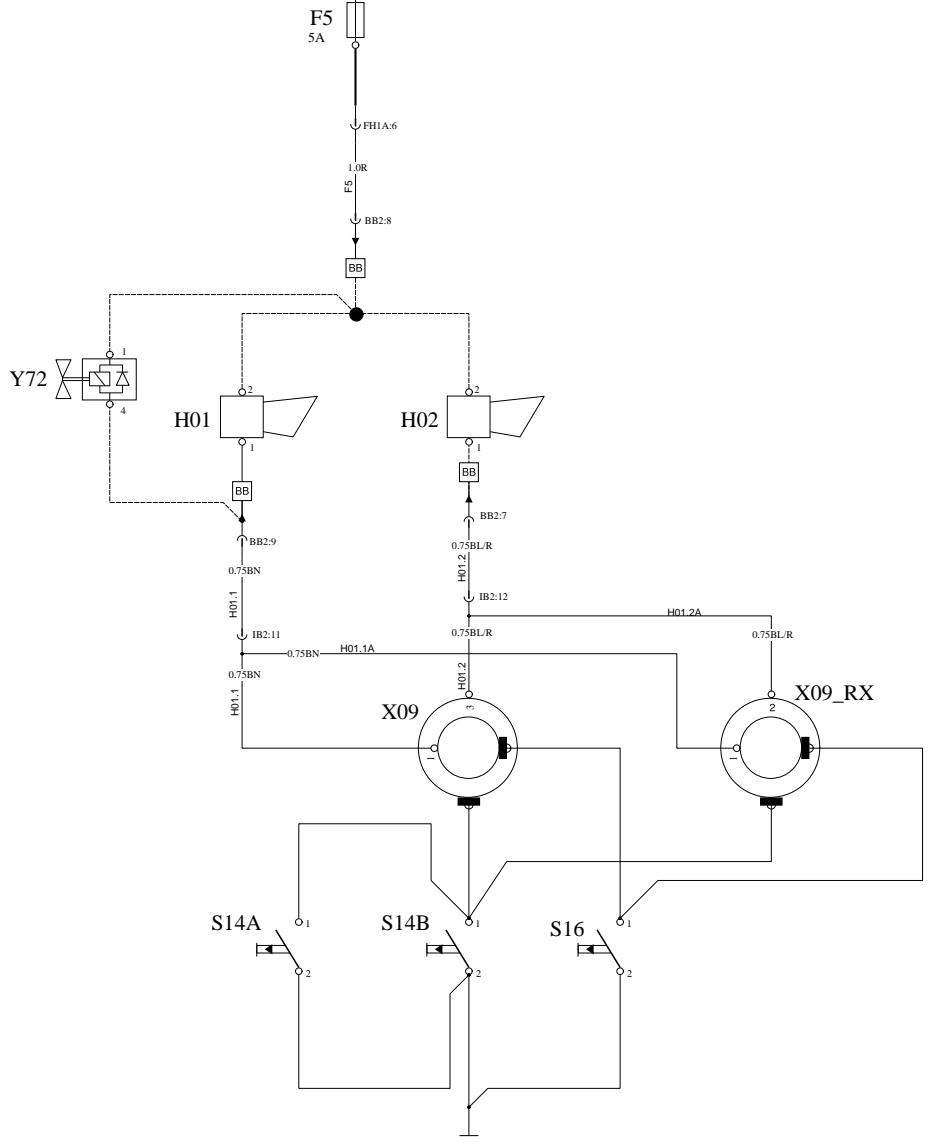
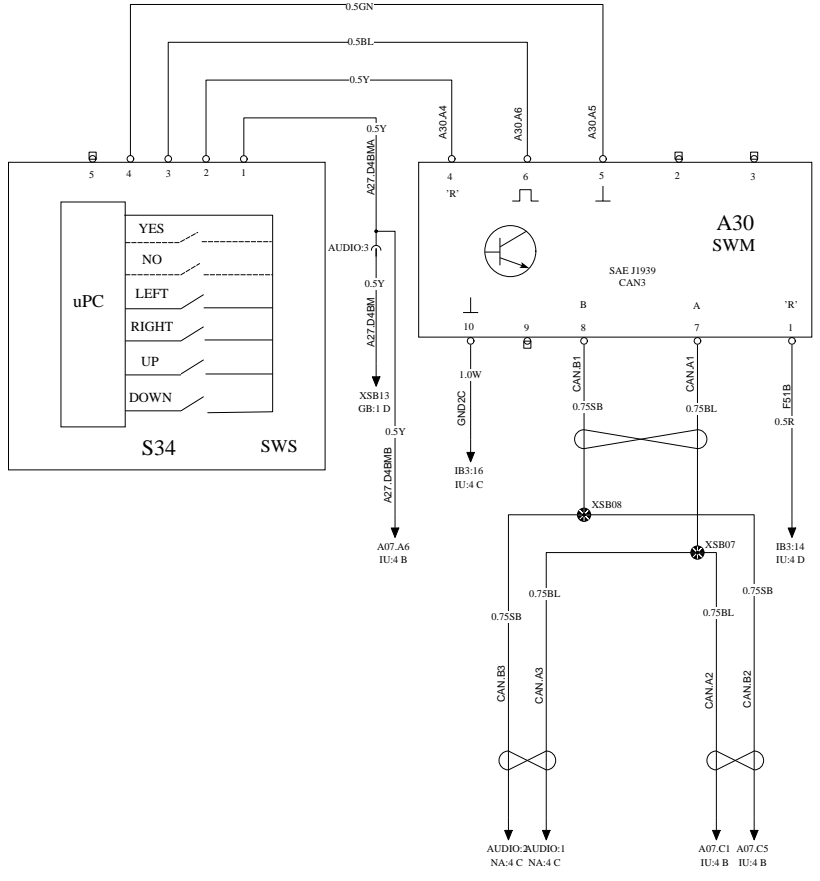
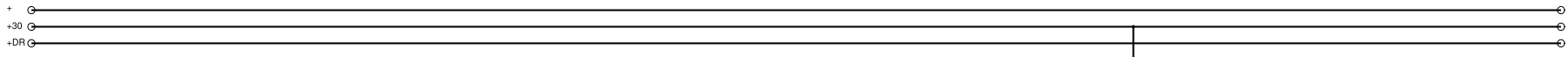
Volvo Bus Corporation

Document title WIRING DIAGRAM GN
Document type PRODUCT SCHEMATIC

Document No	Issue	Volume	Page
20904123	03	01(02)	43(53)

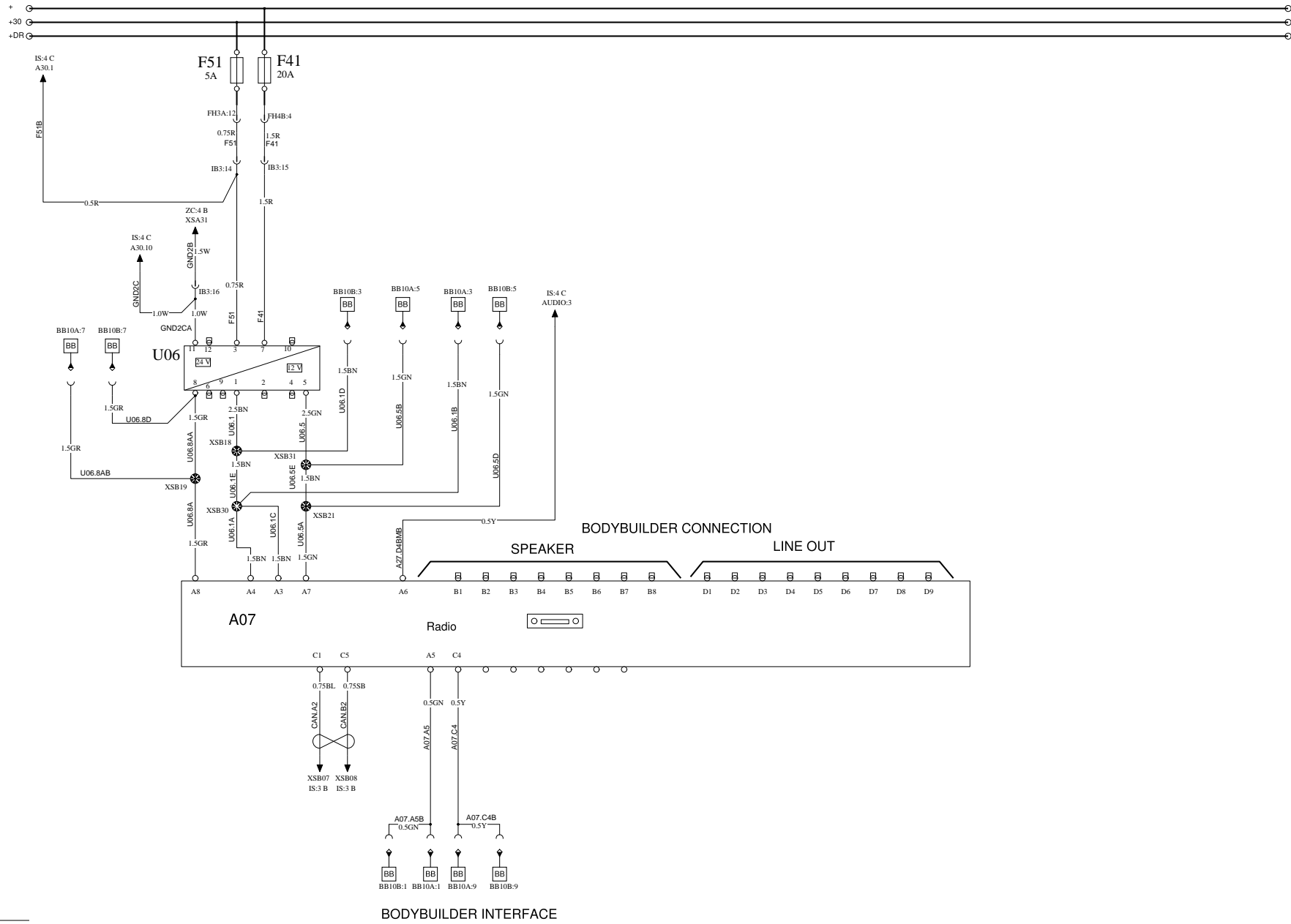
# HORN, SWM

# WIRING DIAGRAM IS



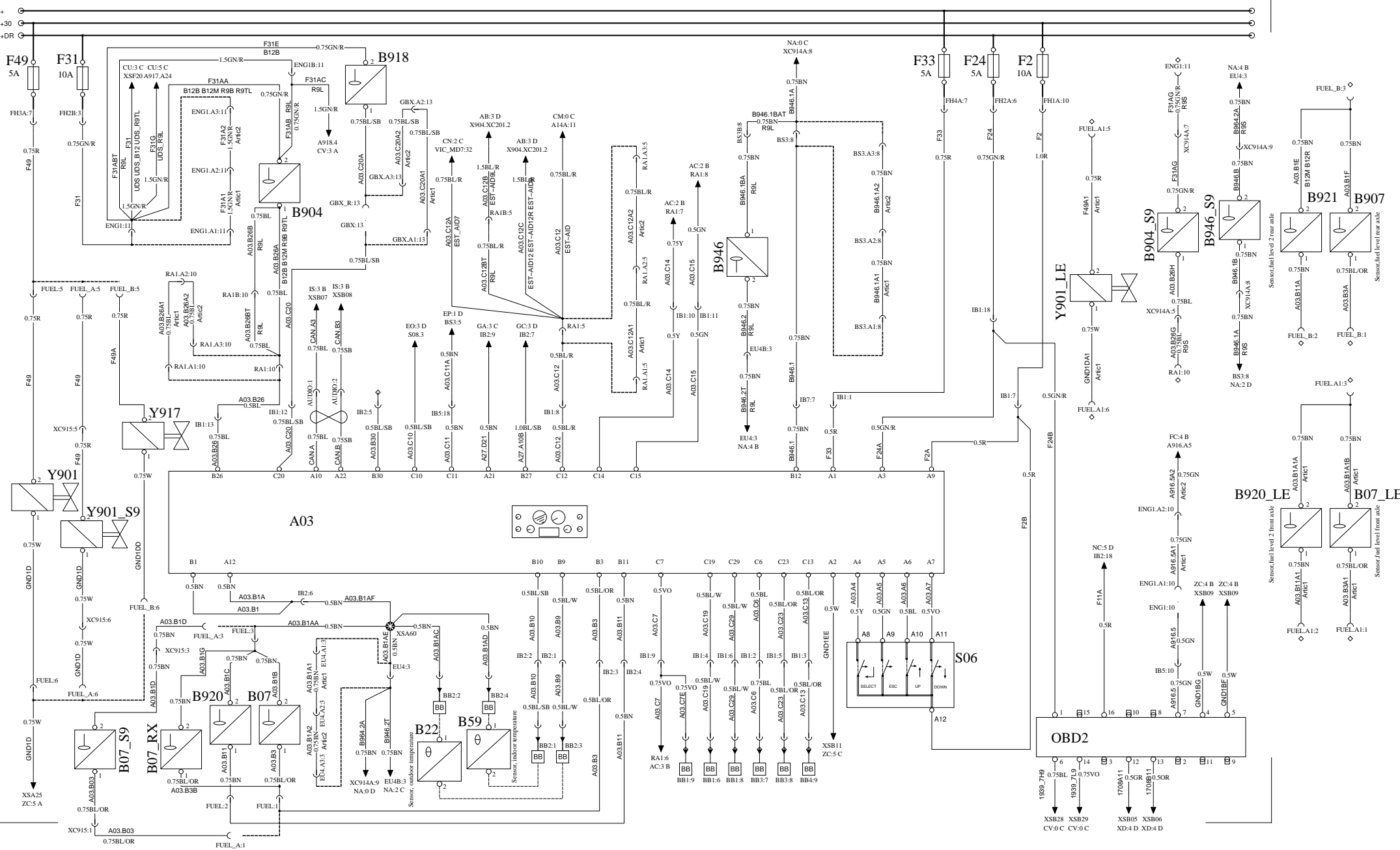
# AUDIO

# WIRING DIAGRAM IU



# BIC, BUS INSTRUMENT CLUSTER

# WIRING DIAGRAM NA

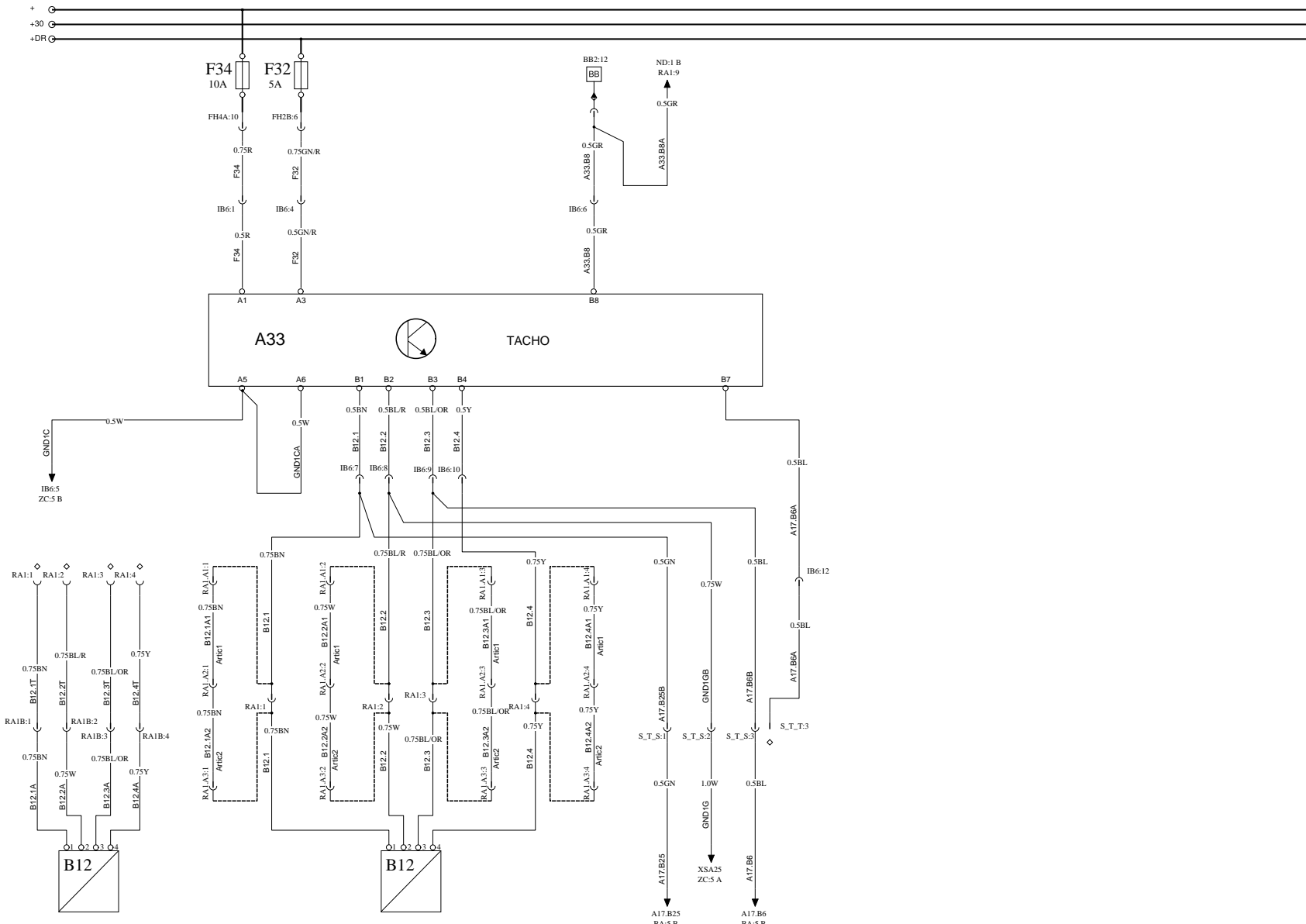


Volvo Bus Corporation

Document title WIRING DIAGRAM NA	Document No 20904123	Issue 03	Volume 01(02)	Page 46(53)
Document type PRODUCT SCHEMATIC				

# TACHOGRAPH

# WIRING DIAGRAM NB



Volvo Bus Corporation

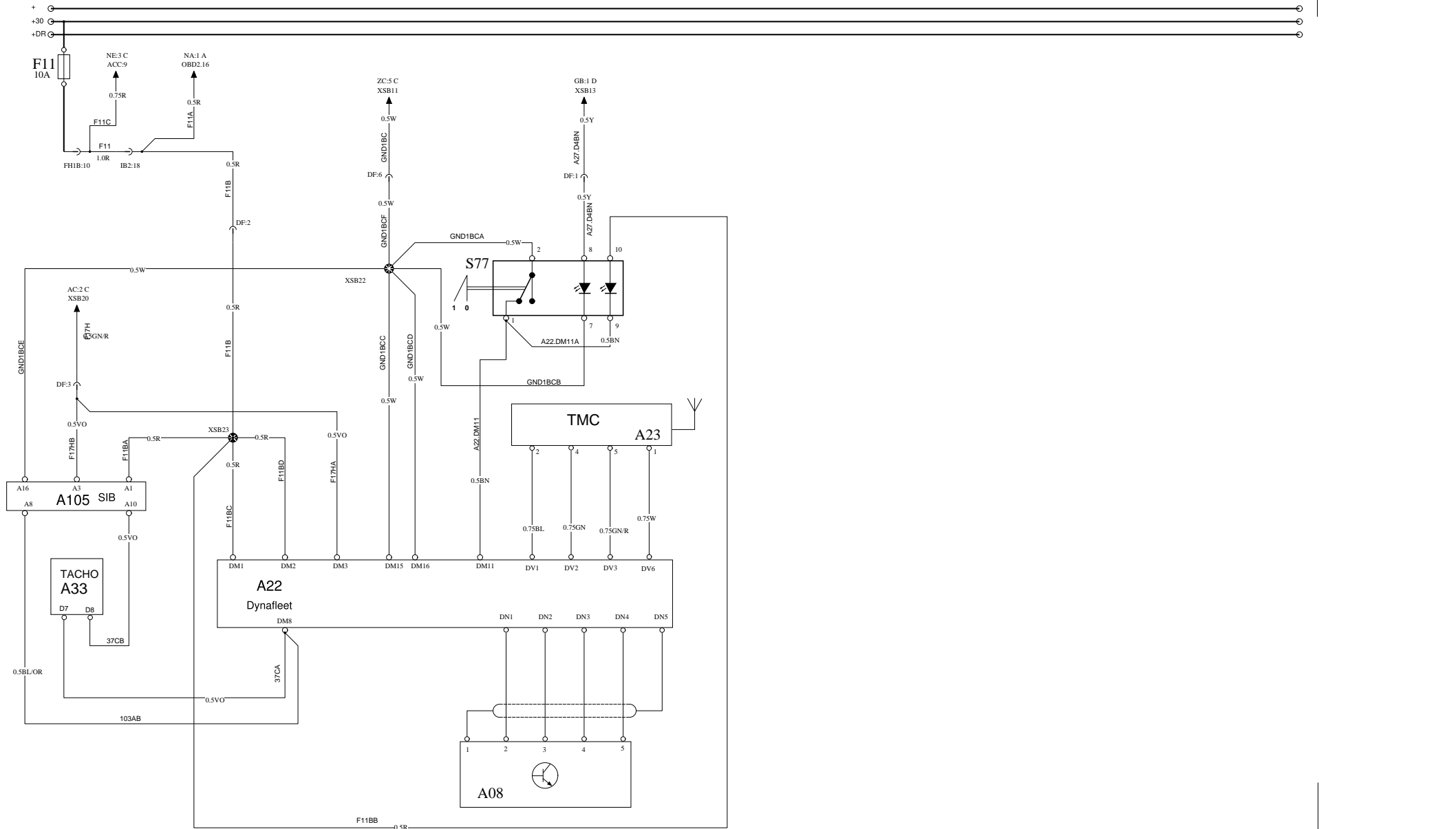
Document title  
WIRING DIAGRAM NB  
Document type  
PRODUCT SCHEMATIC

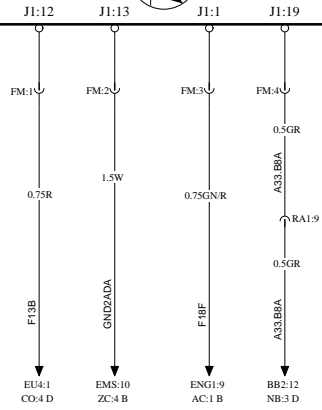
Document No  
**20904123**

Issue  
**03**

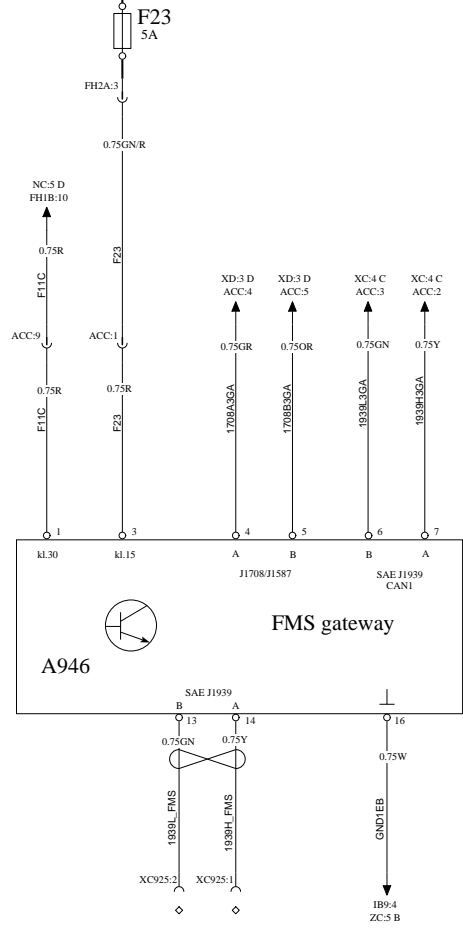
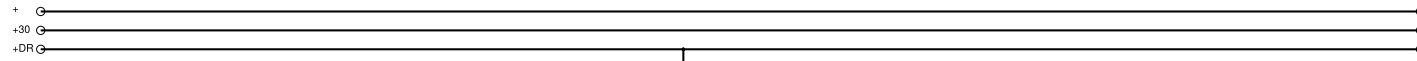
Volume  
**01(02)**

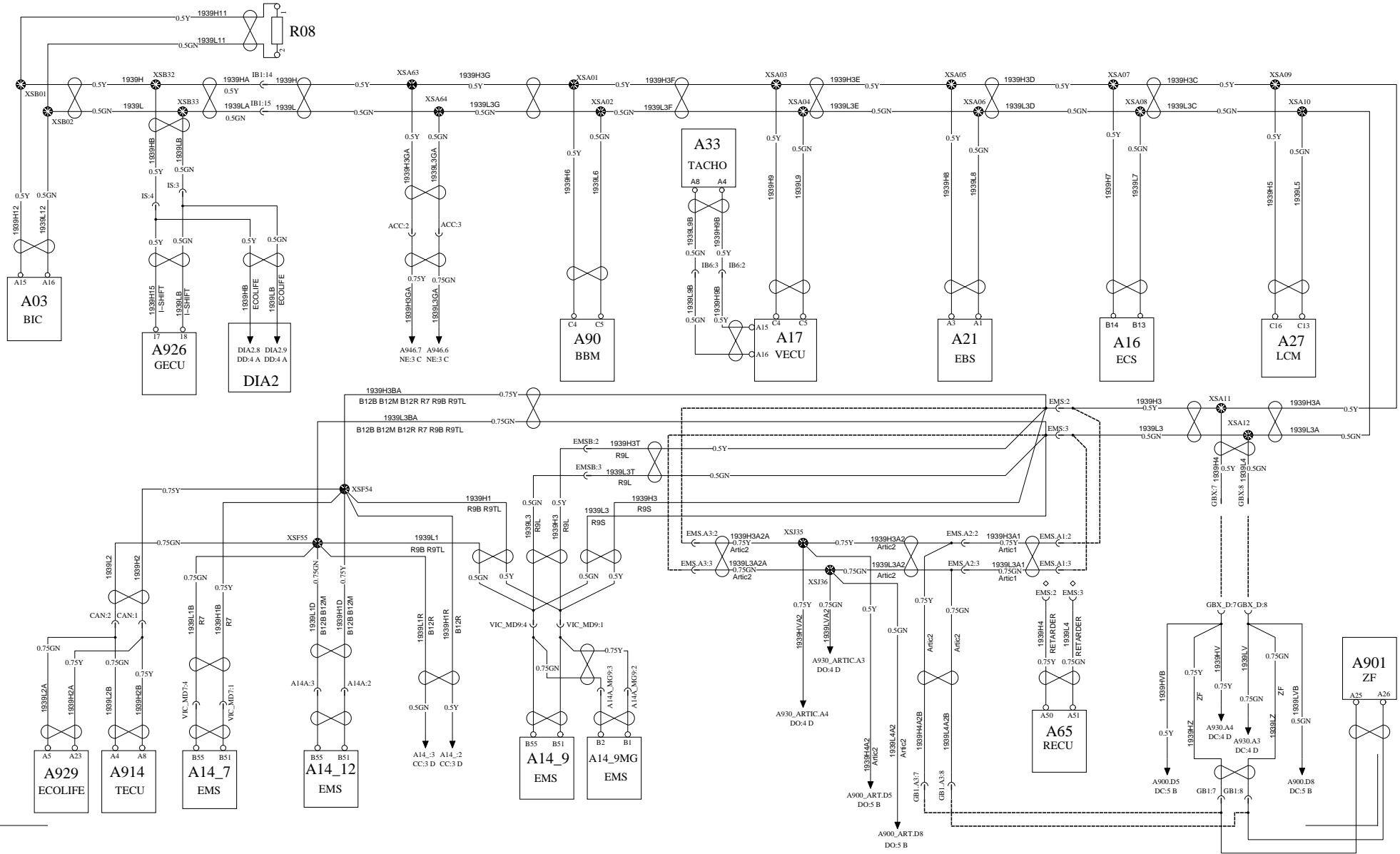
Page  
**47(53)**

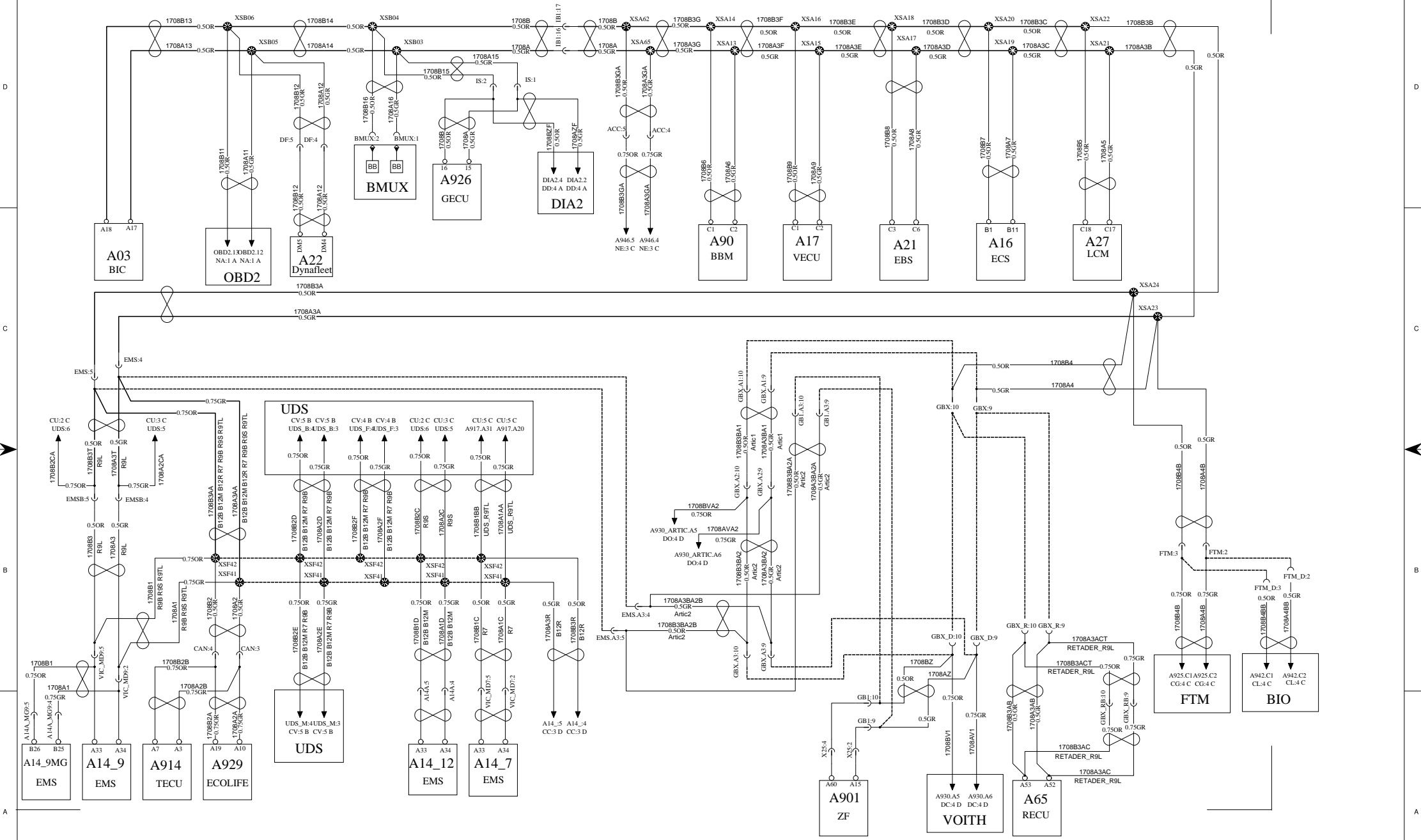






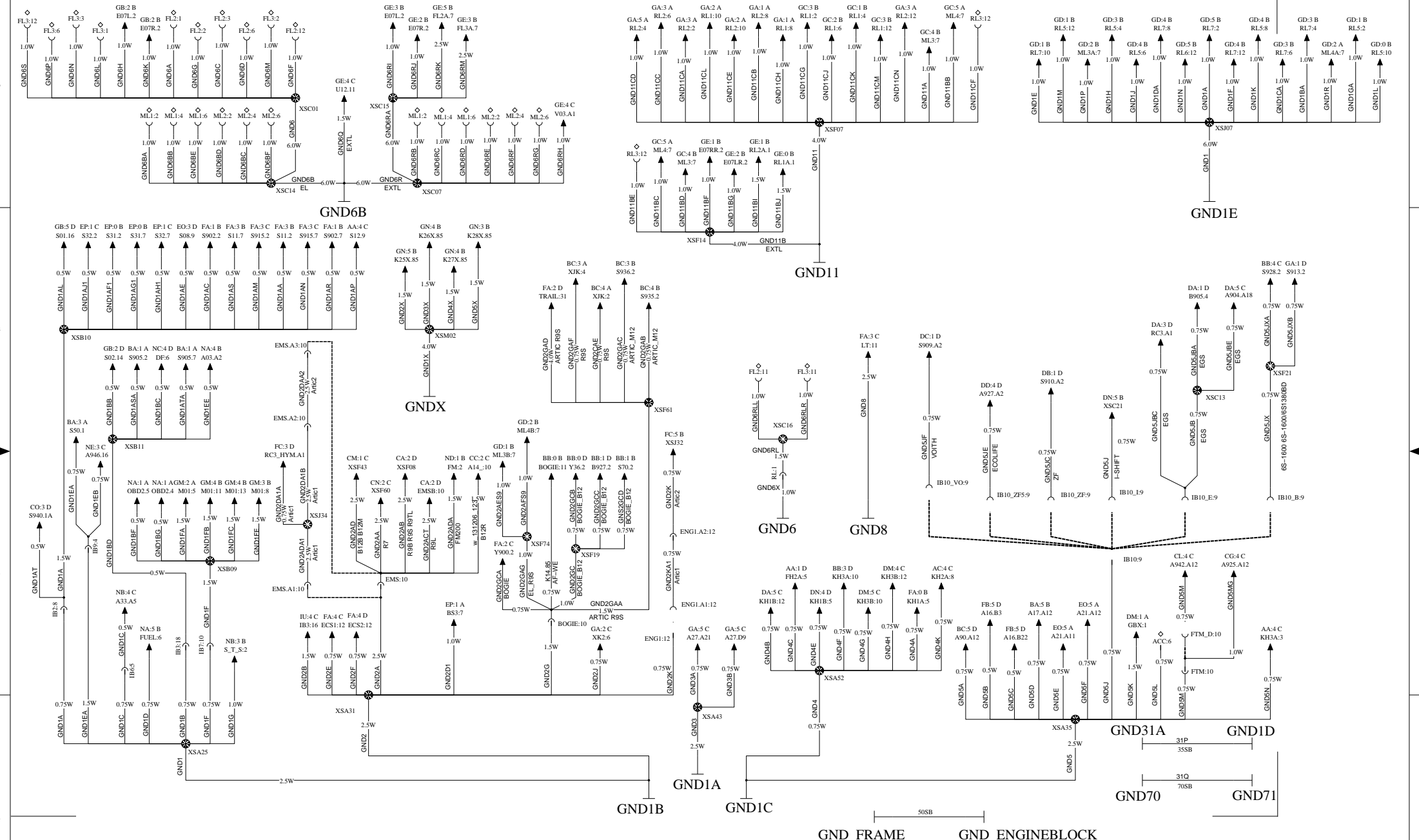






# GROUND

# WIRING DIAGRAM ZC



Volvo Bus Corporation

Document title WIRING DIAGRAM ZC	Document No 20904123	Issue 03	Volume 01(02)	Page 53(53)
Document type PRODUCT SCHEMATIC				

More component placement information, see: .....2  
Symbol explanations .....4  
Placement of intermediate connector pieces and control units on the chassis .....6  
Placement of sensors and actuators on the chassis.....9  
1 (driver environment) .....28  
Electrical distribut.unit, chassis.....32  
Relay.....35  
Fuses.....37  
Intermediate connector pieces .....41  
Control units .....47  
Diagnostic connector .....56  
Electrical distribution units .....58

**More component placement information, see:**



Language	Function group	Title
Arabic	300	تانوكمل اعضو
Brazilian/Portuguese	300	Localização do componente
Canadian/French	300	Emplacement des composants
Chinese (simple.)	300	部件位置
Chinese (trad)	300	部件位置
Czech	300	Umístění komponenty
German	300	Platzierung der Bauteile
Danish	300	Komponentplacering
English	300	Component placement
Spanish	300	Colocación del componente
Estonian	300	Komponentide asukoht
Finnish	300	Komponenttien sijoittaminen
French	300	Emplacement des composants
Greece	300	Τοποθέτηση εξαρτήματος
Hungarian	300	Alkatrész-elhelyezés
Indonesian	300	Penggantian komponen

**See also, 300, Component placement, Description, Design and function**

The reader is advised that printed copies are uncontrolled.

## Component Placement

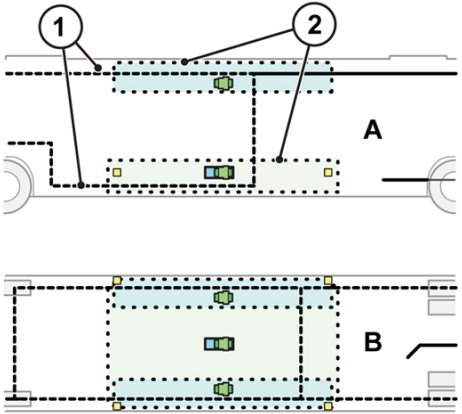

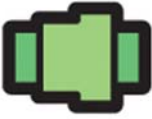

## Volvo Bus Corporation

Farsi/Persian	300	هعطق نداد اج
Hebrew	300	מוקמב החנה, ביכר
Italian	300	Posizionamento dei componenti.
Japanese	300	コンポーネント配置
Korean	300	구성부품 배치
Lithuanian	300	Komponento išdėstymas
Latvian	300	Daļu izvietojums
Mexican/Spanish	300	Colocación de componente
Dutch	300	Lokatie van componenten
Norwegian	300	Komponentplassering
Polish	300	Rozmieszczenie komponentów
Portuguese	300	Colocação de componentes
Romanian	300	Plasare componentă
Russian	300	Размещение компонентов
Serbian	300	Raspored komponenti
Slovak	300	Umiestnenie komponentu
Slovenian	300	Zamenjava sestavnih delov
Swedish	300	Komponentplacering
Thai	300	การติดตั้งอุปกรณ์
Turkish	300	Parça deęiřtirme
American/English	300	Component Placement

**See also, 300, Component placement, Description, Design and function**

The reader is advised that printed copies are uncontrolled.



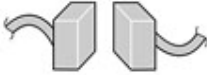
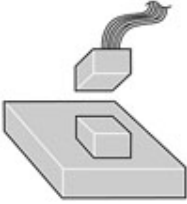
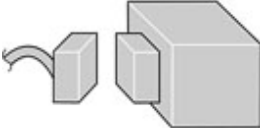


## Symbol explanations

Symbol	Explanations
	<p><b>A:</b> View from side</p> <p><b>B:</b> View from above</p> <p><b>1:</b> Alternative cable routing</p> <p><b>2:</b> Area marked with light colour and dashed lines. The area shows where a control unit and /or a connector piece can be located</p>
	<p>Symbol for electrical distribution unit</p>
	<p>Symbol for intermediate connector piece</p>
	<p>Symbol for intermediate connector piece in grey to show that it is placed behind a component (e.g. the engine).</p>

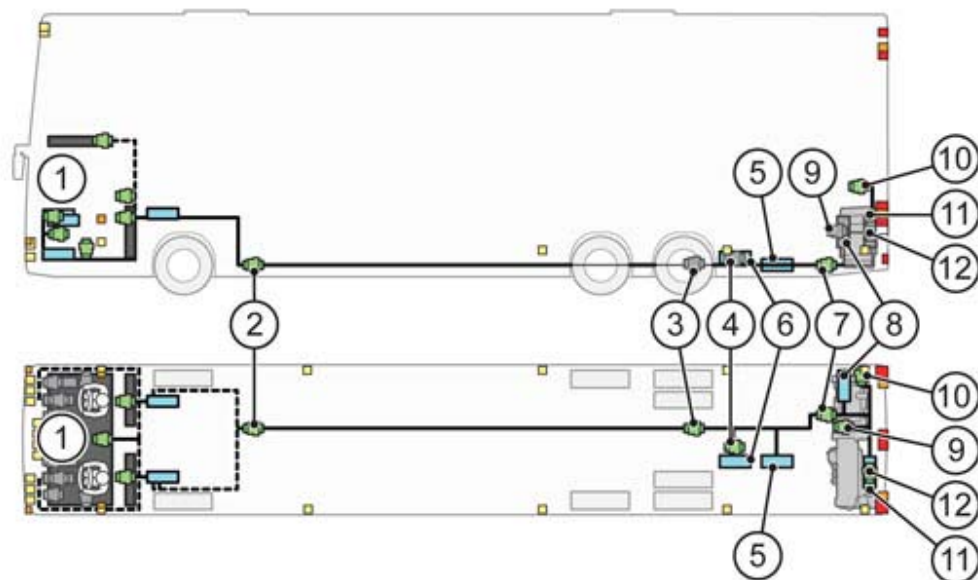
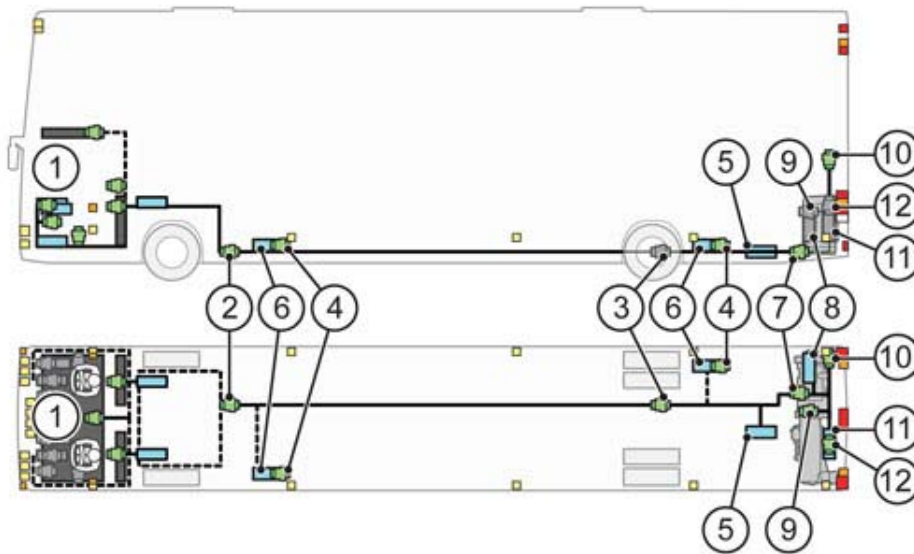
See also, 300, Component placement, Description, Design and function

The reader is advised that printed copies are uncontrolled.



	<p>Symbol for control unit</p>
	<p>Symbol for intermediate connector piece in grey to show that it is placed behind a component (e.g. the engine).</p>
	<p>Symbol for intermediate connector piece that is shown where another illustration is missing.</p>
	<p>Symbol for control unit that is shown where another illustration is missing.</p>
	<p>Symbol for sensor/actuator that is shown where another illustration is missing.</p>
	<p>Symbol for branching point</p>
	<p>Symbol for branching point in grey to show that it is placed behind a component (e.g. the electrical distribution unit).</p>

### Placement of intermediate connector pieces and control units on the chassis



See also, 300, Component placement, Description, Design and function

The reader is advised that printed copies are uncontrolled.

The illustration shows in principle how the chassis cabling is routed and where the intermediate connector pieces, control units and electrical distribution units are located. If the vehicle is not built by a Volvo body builder, then the cabling to the lamps is probably routed in another way than shown in the illustration. The dashed lines show alternative cable routings.

[Symbol explanations](#)

Note: For naming of components, see wiring diagram.

Placement	Components named according to wiring diagram	Component appearance and associated adapter <sup>1</sup>
<a href="#">1 (driver environment)</a>	A27 (LCM), A21 (EBS), A16 (ECS), A90 (BBM), A17 (VECU), A943 (BIO), A946 (FMS), A65 (RECU), A125 (Dynafleet), K1-K17, K25-K28, F1-F64, FH5 (F96, F97, F98, F99), U06, IB10_B, IB10_E, BB5.A, BB10B, BB11, XC925, ACC, BBOX , XC921 , XC917, XC927, EMS, ENG1, ARTIC, BOGIE , RA1, ECS2, BS3, FUEL, EU4, ECS1, BS1, BS2, FH1A – FH4A , FH1B – FH4B, KH1A - KH3A, KH1B - KH3B, S_TS, S_T_T , XC922, BB13, FTM , XC926, XC930, BB8, BB11, XK2, XK1, IS, GB1, IB1 – IB5, BB7, BB6, GBX, GS1, ARTIC, BOGIE, IB6 – IB10, BB1 – BB5, A03 (BIC), A07 (Radio), A33 (TACHO), OBD2 , BMUX, A30 (SWM), X25, AUDIO, DF, BB10A, A926 (GSECU), A900 (Voith TECU), A901 (ZF ECOMAT TECU), A65 (RECU)	See, <a href="#">1 (driver environment)</a>
2	UDS_TLA	<a href="#">Fig.</a> (4 pole, early vehicles with EU4) <a href="#">Fig.</a> (12 pole)
3	UDS_TL	<a href="#">Fig.</a> (4 pole, early vehicles with EU4) <a href="#">Fig.</a> (12 pole)
4	R905A, R906A, R907A, R908, R909A, R910A	<a href="#">Fig.</a>
5	A918 (NOx)	<a href="#">Fig.</a>
6	A917	<a href="#">Fig.</a>
7	CAN	<a href="#">Fig.</a>

See also, 300, Component placement, Description, Design and function

The reader is advised that printed copies are uncontrolled.

## Component Placement

Volvo Bus Corporation

8	A929	<a href="#">Fig.</a>
9	VIC2	<a href="#">Fig.</a>
10	S901_U1	<a href="#">Fig.</a>
11	A14 (EECU)	<a href="#">Fig.</a>
12	VIC/EI	<a href="#">Fig.</a>
Left side rear (Volvo body)	RL2, RL5, RL8	<a href="#">Fig.</a>
Right side rear (Volvo body)	RL1, RL7, RL10	<a href="#">Fig.</a>
Rear, often located towards the centre (Volvo body)	RL3	<a href="#">Fig.</a>

**See also, 300, Component placement, Description, Design and function**

The reader is advised that printed copies are uncontrolled.

Placement of sensors and actuators on the chassis

4x2



The figure illustrates where chassis components are located on a B9TL 4x2. The table contains the designations and coordinates for the components on the chassis.

6x  
2



The reader is advised that printed copies are uncontrolled.

*List of components*

Component	Description	Placement	Component appearance and associated adapter <a href="#">Symbol explanations</a> <sup>1</sup>
A03	Instrument (BIC)	1 – A	<a href="#">Fig.</a>
A07	Radio	1 – A	<a href="#">Fig.</a>
A08	Control unit, GPS	1 – A	
A14_MD9	Engine control unit (EECU)	12 – C <b>6x2</b>	<a href="#">Fig.</a>
		9 – C <b>4x2</b>	
A16	Control unit, air suspension (ECS)	1 <b>electrical distribution unit</b>	<a href="#">Fig.</a>
A17	Vehicle control unit (VECU)	1 <b>electrical distribution unit</b>	<a href="#">Fig.</a>
A19	Control unit gear selector (GECU)	1 – A	
A21	Control unit brake system (EBS)	1 <b>electrical distribution unit</b>	<a href="#">Fig.</a>
A22	Dynafleet	1 – A	
A23	Fuel monitoring system (FMS)	1 <b>electrical distribution unit</b>	
A27	Control unit lighting (LCM)	1 <b>electrical distribution unit</b>	<a href="#">Fig.</a>
A30	Control unit steering wheel buttons (SWM)	1 – C	<a href="#">Fig.</a>

**See also, 300, Component placement, Description, Design and function**

The reader is advised that printed copies are uncontrolled.

<b>Component</b>	<b>Description</b>	<b>Placement</b>	<b>Component appearance and associated adapter</b> <a href="#">Symbol explanations</a> <sup>1</sup>
A33	Tachograph	1 – A	<a href="#">Fig.</a>
A44_D9	Fuel pump	12 – B <b>6x2</b>	<a href="#">Fig.</a>
		9 – B <b>4x2</b>	
A45	Water separator	12 – B <b>6x2</b>	<a href="#">Fig.</a>
		9 – B <b>4x2</b>	
A65	Control unit compact retarder (RECU)	12 – A <b>6x2</b>	<a href="#">Fig.</a>
		9 – A <b>4x2</b>	
A90	Control unit body builder (BBM)	1 <b>electrical distribution unit</b>	<a href="#">Fig.</a>
A105	Dynafleet (SIB)	1 – A	
A900	Control unit gearbox VOITH	12 – A <b>6x2</b>	<a href="#">Fig.</a>
		9 – A <b>4x2</b>	
A917	Control unit SCR	10 – B <b>6x2</b>	<a href="#">Fig.</a>
		5 – C or 9– A <b>4x2</b>	
A918	Control unit, NOx sensor	12 – B <b>4x2</b>	<a href="#">Fig.</a>
		9 – B <b>4x2</b>	
A927	Control unit gear selector ZF (GECU)	1 – A	<a href="#">Fig.</a>

**See also, 300, Component placement, Description, Design and function**

The reader is advised that printed copies are uncontrolled.

<b>Component</b>	<b>Description</b>	<b>Placement</b>	<b>Component appearance and associated adapter</b> <a href="#">Symbol explanations</a> <sup>1</sup>
A928	Gearbox Ecomat 5	12 – A6x2	
		9 – A4x2	
A929	Control unit gearbox ZF (TECU)	12 – A6x2	<a href="#">Fig.</a>
		9 – A4x2	
A930	Gateway, Voith	1 <b>electrical distribution unit</b>	
A942	Control unit Bus I/O	1 <b>electrical distribution unit</b>	<a href="#">Fig.</a>
A946	FMS	1 <b>electrical distribution unit</b>	<a href="#">Fig.</a>
B03	Sensor, brake pedal	1 – A	<a href="#">Fig.</a>
B04	Engine rpm, camshaft sensor	12 – C 6x2	<a href="#">Fig.</a>
		9 – C 4x2	
B05	Engine rpm, crankshaft sensor	12 – C 6x2	<a href="#">Fig.</a>
		9 – C 4x2	
B06	Pressure sensor, wet tank	5 – A	<a href="#">Fig.</a>
B07	Fuel level sensor, front axle	2 - A	<a href="#">Fig.</a>
B12	Speed sensor, speedometer	12 – A6x2	<a href="#">Fig.</a>

**See also, 300, Component placement, Description, Design and function**

The reader is advised that printed copies are uncontrolled.



<b>Component</b>	<b>Description</b>	<b>Placement</b>	<b>Component appearance and associated adapter</b> <a href="#">Symbol explanations</a> <sup>1</sup>
	and tachograph	9 – A <b>4x2</b>	
B13	Wheel speed sensor, left front	3 – C	<a href="#">Fig.</a>
B14	Wheel speed sensor, right front	3 – A	<a href="#">Fig.</a>
B15	Wheel speed sensor, left drive wheel	7 – C	<a href="#">Fig.</a>
B16	Wheel speed sensor, right drive wheel	7 – A	<a href="#">Fig.</a>
B21	Coolant temperature sensor	12 – C <b>6x2</b>	<a href="#">Fig.</a>
		9 – C <b>4x2</b>	
B22	Temperature sensor, outside temperature	1 – C	<a href="#">Fig.</a>
B23	Temperature sensor oil temperature, retarder	12 – A <b>6x2</b>	<a href="#">Fig.</a>
		9 – A <b>4x2</b>	
B25	Accelerator pedal	1 – A	<a href="#">Fig.</a>
B29	Level sensor air suspension, left rear	6 – C <b>4x2</b>	<a href="#">Fig.</a>
		9 – C <b>6x2</b>	
B30	Level sensor air suspension, right rear	6 – A <b>4x2</b>	<a href="#">Fig.</a>
		9 – A <b>6x2</b>	

**See also, 300, Component placement, Description, Design and function**

The reader is advised that printed copies are uncontrolled.

<b>Component</b>	<b>Description</b>	<b>Placement</b>	<b>Component appearance and associated adapter</b> <a href="#">Symbol explanations</a> <sup>1</sup>
B32	Sensor fan speed	12 – A <b>6x2</b>	<a href="#">Fig.</a>
		9 – A <b>4x2</b>	
B37_MD9	Sensor charge air temperature and charge pressure	12 – C <b>6x2</b>	<a href="#">Fig.</a>
		9 – C <b>4x2</b>	
B40	Wear sensor for brakes, left front wheel	3 – C	<a href="#">Fig.</a>
B41	Wear sensor for brakes, right front wheel	3 – A	<a href="#">Fig.</a>
B42	Wear sensor for brakes, left drive wheel	7 – C <b>4x2</b>	<a href="#">Fig.</a>
		10 – C <b>6x2</b>	
B43	Wear sensor for brakes, right drive wheel	7 – A <b>4x2</b>	<a href="#">Fig.</a>
		10 – A <b>6x2</b>	
B59	Temperature sensor, inside temperature	1 – A	<a href="#">Fig.</a>
B68	Speed sensor output shaft transmission	12 – A <b>6x2</b>	<a href="#">Fig.</a>
		9 – A <b>4x2</b>	
B68C	Temperature sensor, coolant retarder	12 – A <b>6x2</b>	<a href="#">Fig.</a>
		9 – A <b>4x2</b>	

**See also, 300, Component placement, Description, Design and function**

The reader is advised that printed copies are uncontrolled.

<b>Component</b>	<b>Description</b>	<b>Placement</b>	<b>Component appearance and associated adapter</b> <a href="#">Symbol explanations</a> <sup>1</sup>
B904	Level sensor, hydraulic oil	12 – B <b>6x2</b>	<a href="#">Fig.</a>
		9 – B <b>4x2</b>	
B923	Sensor AdBlue tank, temperature and level	5 – C	<a href="#">Fig.</a>
B930	Temperature sensor, catalytic convertor	12 – B <b>6x2</b>	<a href="#">Fig.</a>
		9 – B <b>4x2</b>	
B948	Sensor air filter temperature and air filter pressure	12 – C <b>6x2</b>	<a href="#">Fig.</a>
		9 – C <b>4x2</b>	
B970	Fire sensor, engine	12 – C <b>6x2</b>	<a href="#">Fig.</a>
		9 – C <b>4x2</b>	
B971	Fire sensor, engine	12 – C <b>6x2</b>	<a href="#">Fig.</a>
		9 – C <b>4x2</b>	
B972	Fire sensor, engine	12 – C <b>6x2</b>	<a href="#">Fig.</a>
		9 – C <b>4x2</b>	
D1	Diode, parking brake	1 <b>electrical distribution unit</b>	<a href="#">Fig.</a>
D2	Diode, start button rear	1 <b>electrical distribution unit</b>	<a href="#">Fig.</a>

**See also, 300, Component placement, Description, Design and function**

The reader is advised that printed copies are uncontrolled.

<b>Component</b>	<b>Description</b>	<b>Placement</b>	<b>Component appearance and associated adapter</b> <a href="#">Symbol explanations</a> <sup>1</sup>
D3	Diode, windscreen wiper motor	1	<a href="#">Fig.</a>
D4	Diode, windscreen wiper motor	1	<a href="#">Fig.</a>
DIA	Diagnostics contact	1 – A	<a href="#">Fig.</a>
DIA2	Diagnostics contact for Ecomat 5	12 – A <b>6x2</b>	<a href="#">Fig.</a>
		9 – A <b>4x2</b>	
E06L	Reversing light, left	12 – C <b>6x2</b>	<a href="#">Fig.</a>
		9 – C <b>4x2</b>	
E06LA	Extra reversing light, left	12 – C <b>6x2</b>	<a href="#">Fig.</a>
		9 – C <b>4x2</b>	
E06R	Reversing light, right	12 – A <b>6x2</b>	<a href="#">Fig.</a>
		9 – A <b>4x2</b>	
E07L	Fog light, left front	1 – C	<a href="#">Fig.</a>
E07LR	Fog light, left rear	12 – C <b>6x2</b>	<a href="#">Fig.</a>
		9 – C <b>4x2</b>	
E07R	Fog light, right front	1 – A	<a href="#">Fig.</a>
E07RR	Fog light, right rear	12 – A <b>6x2</b>	<a href="#">Fig.</a>

**See also, 300, Component placement, Description, Design and function**

The reader is advised that printed copies are uncontrolled.

<b>Component</b>	<b>Description</b>	<b>Placement</b>	<b>Component appearance and associated adapter</b> <a href="#">Symbol explanations</a> <sup>1</sup>
		9 – A 4x2	
E09LA	Brake light, left	12 – C 6x2	<a href="#">Fig.</a>
		9 – C 4x2	
E09LB	Brake light, left	12 – C 6x2	<a href="#">Fig.</a>
		9 – C 4x2	
E09RA	Brake light, right, extra	12 – A6x2	<a href="#">Fig.</a>
		9 – A 4x2	
E09RC	Brake light, right	12 – A6x2	<a href="#">Fig.</a>
		9 – A 4x2	
E09RD	Brake light, right rear	12 – A6x2	<a href="#">Fig.</a>
		9 – A 4x2	
E09RE	Brake light, left centre	12 – B 6x2	<a href="#">Fig.</a>
		9 – B 4x2	
E11LF	Side position light, left front	1 – C	<a href="#">Fig.</a>
E11LR	Side position light, left rear	12 – C 6x2	<a href="#">Fig.</a>
		9 – C 4x2	

**See also, 300, Component placement, Description, Design and function**

The reader is advised that printed copies are uncontrolled.

<b>Component</b>	<b>Description</b>	<b>Placement</b>	<b>Component appearance and associated adapter</b> <a href="#">Symbol explanations</a> <sup>1</sup>
E11ML	Side position light, centre left	4 - C	<a href="#">Fig.</a>
E11MR	Side position light, centre right	4 - A	<a href="#">Fig.</a>
E11RF	Side position light, right front	1 - A	<a href="#">Fig.</a>
E11RR	Side position light, right rear	12 – A <b>6x2</b>	<a href="#">Fig.</a>
		9 – A <b>4x2</b>	
E13L	Direction indicator, left	1 - C	<a href="#">Fig.</a>
E13LA	Direction indicator, left	1 - C	<a href="#">Fig.</a>
E13LR	Direction indicator, left rear	12 – C <b>6x2</b>	<a href="#">Fig.</a>
		9 – C <b>4x2</b>	
E13R	Direction indicator, right	1 - A	<a href="#">Fig.</a>
E13RB	Direction indicator, right	12 – A <b>6x2</b>	<a href="#">Fig.</a>
		9 – A <b>4x2</b>	
E13RR	Direction indicator, right rear	12 – A <b>6x2</b>	<a href="#">Fig.</a>
		9 – A <b>4x2</b>	
F90A	Fuse, hose heater, SCR	1 <b>electrical distribution unit</b>	
F90B	Fuse, hose heater, SCR	1 <b>electrical distribution</b>	

**See also, 300, Component placement, Description, Design and function**

The reader is advised that printed copies are uncontrolled.

<b>Component</b>	<b>Description</b>	<b>Placement</b>	<b>Component appearance and associated adapter</b> <a href="#">Symbol explanations</a> <sup>1</sup>
		<b>unit</b>	
F101	Fuse, chassis B+, 150A	1 – A	
F102	Fuse, chassis +30, 150A	1 – A	
F103	Fuse, body +30, 150A	1 – A	
F104	Fuse, body +30, 100A	1 – A	
F105	Fuse, body +30, 50A	1 – A	
F106	Fuse, body +30, 50A	1 – A	
F107	Fuse, alternator, 5A	1 – A	
F108	Fuse, body +30, 10A	1 – A	
F109	Fuse, body +30, 10A	1 – A	
F110	Fuse, body +30, 25A	1 – A	
F111	Fuse, body +30, 25A	1 – A	
F112	Fuse, main relay, 5A	1 – A	
F202	Fuse, body +30, 150 A	12 – A <b>6x2</b>	
		9 – A <b>4x2</b>	
F203	Fuse, body +30, 100 A	12 – A <b>6x2</b>	
		9 – A <b>4x2</b>	

**See also, 300, Component placement, Description, Design and function**

The reader is advised that printed copies are uncontrolled.

<b>Component</b>	<b>Description</b>	<b>Placement</b>	<b>Component appearance and associated adapter</b> <a href="#">Symbol explanations</a> <sup>1</sup>
F204	Fuse, body +30, 50 A	12 – A <b>6x2</b>	
		9 – A <b>4x2</b>	
F205	Fuse, body +30, 50 A	12 – A <b>6x2</b>	
		9 – A <b>4x2</b>	
F206	Fuse, body +30, 10 A	12 – A <b>6x2</b>	
		9 – A <b>4x2</b>	
F207	Fuse, body +30, 10 A	12 – A <b>6x2</b>	
		9 – A <b>4x2</b>	
F208	Fuse, body +30, 25 A	12 – A <b>6x2</b>	
		9 – A <b>4x2</b>	
F209	Fuse, body +30, 10 A	12 – A <b>6x2</b>	
		9 – A <b>4x2</b>	
F210	Fuse, body +30, 10 A	12 – A <b>6x2</b>	
		9 – A <b>4x2</b>	
F211	Fuse, preheating, 5 A	12 – A <b>6x2</b>	
		9 – A <b>4x2</b>	

**See also, 300, Component placement, Description, Design and function**

The reader is advised that printed copies are uncontrolled.



<b>Component</b>	<b>Description</b>	<b>Placement</b>	<b>Component appearance and associated adapter</b> <a href="#">Symbol explanations</a> <sup>1</sup>
F212	Fuse, body +30, 10 A	12 – A <b>6x2</b>	
		9 – A <b>4x2</b>	
F213	Fuse, body +30, 10 A	12 – A <b>6x2</b>	
		9 – A <b>4x2</b>	
G01	Battery	1 – A	<a href="#">Fig.</a>
G01B	Battery	1 – A	<a href="#">Fig.</a>
G02	Alternator 1	12 – C <b>6x2</b>	<a href="#">Fig.</a>
		9 – C <b>4x2</b>	
G03	Alternator 2	12 – C <b>6x2</b>	<a href="#">Fig.</a>
		9 – C <b>4x2</b>	
G04	Alternator 4	12 – C <b>6x2</b>	<a href="#">Fig.</a>
		9 – C <b>4x2</b>	
H01	Horn	1	<a href="#">Fig.</a>
H02	Horn	1	<a href="#">Fig.</a>
K35	Disconnection of headlamp washers	1	<a href="#">Fig.</a>
K902	Relay, hose heater	1 <b>electrical distribution unit</b>	<a href="#">Fig.</a>

**See also, 300, Component placement, Description, Design and function**

The reader is advised that printed copies are uncontrolled.

<b>Component</b>	<b>Description</b>	<b>Placement</b>	<b>Component appearance and associated adapter</b> <a href="#">Symbol explanations</a> <sup>1</sup>
K903	Relay, hose heater	1 <b>electrical distribution unit</b>	<a href="#">Fig.</a>
K906	Relay, hose heater	1 <b>electrical distribution unit</b>	<a href="#">Fig.</a>
K908	Relay, hose heater	1 <b>electrical distribution unit</b>	<a href="#">Fig.</a>
K909	Relay, hose heater	1 <b>electrical distribution unit</b>	<a href="#">Fig.</a>
M01	Windscreen wiper motor	1	<a href="#">Fig.</a>
M02	Motor windscreen washer	1	<a href="#">Fig.</a>
M03	Motor headlamp washers	1 – A/C	<a href="#">Fig.</a>
M04	Starter motor	12 – B <b>6x2</b>	<a href="#">Fig.</a>
		9 – B <b>4x2</b>	
OBD2	Diagnostic outlet	1 – A	<a href="#">Fig.</a>
R1_MD9	Preheating element, engine	12 – A <b>6x2</b>	<a href="#">Fig.</a>
		9 – A <b>4x2</b>	
R08	Termination resistor SAE J1939	1 – A	<a href="#">Fig.</a>
R904	Termination resistor DBUS	1 <b>electrical distribution unit</b>	<a href="#">Fig.</a>

**See also, 300, Component placement, Description, Design and function**

The reader is advised that printed copies are uncontrolled.

<b>Component</b>	<b>Description</b>	<b>Placement</b>	<b>Component appearance and associated adapter</b> <a href="#">Symbol explanations</a> <sup>1</sup>
R905	Heater suction hose (SCR)	Between SCR control unit and AdBlue-tank	<a href="#">Fig.</a>
R906	Heater pressure hose (SCR)	Between SCR control unit and injector	<a href="#">Fig.</a>
R907	Termination resistor SAE J1939	1 – A	<a href="#">Fig.</a>
R908	Heater return hose to tank (SCR)	Between SCR control unit and injector	<a href="#">Fig.</a>
R909	Heated filter	12 – A6x2	<a href="#">Fig.</a>
		9 – A 4x2	
R910	Heater return hose to pump	Between SCR control unit and AdBlue-tank	<a href="#">Fig.</a>
S01	Light switch, lighting	1 – A	<a href="#">Fig.</a>
S02	Stalk direction indicators	1 – A	<a href="#">Fig.</a>
S06	Stalk windscreen wiper	1 – A	<a href="#">Fig.</a>
S07	Switch, engine brake	1 – A	<a href="#">Fig.</a>
S08	Switch differential lock rear wheels	1 – A	<a href="#">Fig.</a>
S12	Main switch	1 – A	<a href="#">Fig.</a>
S14A	Switch horn	1 – A	<a href="#">Fig.</a>

**See also, 300, Component placement, Description, Design and function**

The reader is advised that printed copies are uncontrolled.

<b>Component</b>	<b>Description</b>	<b>Placement</b>	<b>Component appearance and associated adapter</b> <a href="#">Symbol explanations</a> <sup>1</sup>
S14B	Switch horn	1 – A	<a href="#">Fig.</a>
S15A	Starter key, key position	1 – A	<a href="#">Fig.</a>
S15B	Starter key, supply	1 – A	<a href="#">Fig.</a>
S16	Switch compressed air horns	1 – A	<a href="#">Fig.</a>
S19	Switch, accessories	1 – A	<a href="#">Fig.</a>
S24	Stalk retarder	1 – A	<a href="#">Fig.</a>
S31	Switch traction control (TCS)	1 – A	<a href="#">Fig.</a>
S32	Switch hill start aid	1 – A	<a href="#">Fig.</a>
S34	Steering wheel buttons	1 – A	<a href="#">Fig.</a>
S50	Press contact, parking brake	1 – C	<a href="#">Fig.</a>
S68	Temperature sensor, coolant	12 – A <b>6x2</b>	<a href="#">Fig.</a>
		9 – A <b>4x2</b>	
S77	Switch emergency call	1 – A	<a href="#">Fig.</a>
S901	Engine stop, engine compartment	12 – B <b>6x2</b>	<a href="#">Fig.</a>
		9 – B <b>4x2</b>	
S902	Switch level retention	1 – A	<a href="#">Fig.</a>

**See also, 300, Component placement, Description, Design and function**

The reader is advised that printed copies are uncontrolled.

<b>Component</b>	<b>Description</b>	<b>Placement</b>	<b>Component appearance and associated adapter</b> <a href="#">Symbol explanations</a> <sup>1</sup>
S904	Switch emergency stop	12 – B <b>6x2</b>	<a href="#">Fig.</a>
		9 – B <b>4x2</b>	
S905	Switch retarder	1 – A	<a href="#">Fig.</a>
S907	Start in engine compartment	12 – B <b>6x2</b>	<a href="#">Fig.</a>
		9 – B <b>4x2</b>	
S908	Inhibit start from engine compartment	12 – B <b>6x2</b>	<a href="#">Fig.</a>
		9 – B <b>4x2</b>	
S909	Gear selector VOITH	1 – A	<a href="#">Fig.</a>
S910	Gear selector Ecomat	1 – A	<a href="#">Fig.</a>
S915	Switch kneeling	1 – A	<a href="#">Fig.</a>
S918	Switch extra gear EGS	1 – C	<a href="#">Fig.</a>
S926	Oil temperature, retarder	12 – A <b>6x2</b>	<a href="#">Fig.</a>
		9 – A <b>4x2</b>	
S927	Switch alternative gear program ZF	1 – A	<a href="#">Fig.</a>
S932	Switch alternative gear change program VOITH	1 – A	<a href="#">Fig.</a>
U03	Modulator EBS, drive wheel	8 – B	<a href="#">Fig.</a>

**See also, 300, Component placement, Description, Design and function**

The reader is advised that printed copies are uncontrolled.

<b>Component</b>	<b>Description</b>	<b>Placement</b>	<b>Component appearance and associated adapter</b> <a href="#">Symbol explanations</a> <sup>1</sup>
U06	Voltage converter	1 <b>electrical distribution unit</b>	<a href="#">Fig.</a>
U08	Modulator EBS, front	1 – B	<a href="#">Fig.</a>
X09	Slide ring horn	1 – A	<a href="#">Fig.</a>
X906	External charging outlet	1 – A	<a href="#">Fig.</a>
Y25	Solenoid valve assembly for ECS, rear	6 – A	<a href="#">Fig.</a>
Y35	Solenoid valve cooling fan	12 – B <b>6x2</b>	<a href="#">Fig.</a>
		9 – B <b>4x2</b>	
Y40	Solenoid valve ECS, front axle	1 – B	<a href="#">Fig.</a>
Y72	Valve, horn	1 – A/B/C	<a href="#">Fig.</a>
Y91A	Solenoid valve engine brake	12 – C <b>6x2</b>	<a href="#">Fig.</a>
		9 – C <b>4x2</b>	
Y904	Valve retarder, ZF	12 – A <b>6x2</b>	<a href="#">Fig.</a>
		9 – A <b>4x2</b>	
Y910	Operation valve retarder, ZF	12 – A <b>6x2</b>	<a href="#">Fig.</a>
		9 – A <b>4x2</b>	

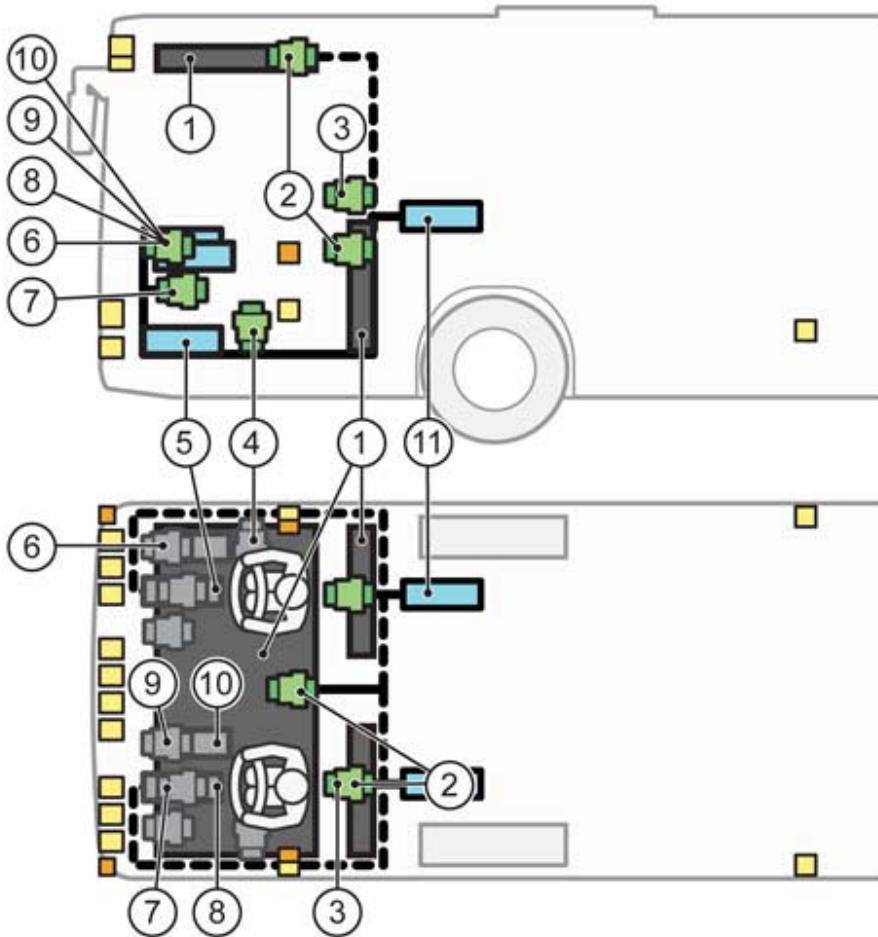
**See also, 300, Component placement, Description, Design and function**

The reader is advised that printed copies are uncontrolled.

Component	Description	Placement	Component appearance and associated adapter <a href="#">Symbol explanations</a> <sup>1</sup>
Y911	Dosing valve (SCR)	12 – A <b>6x2</b>	<a href="#">Fig.</a>
		9 – A <b>4x2</b>	
Y912	Solenoid valve, heater AdBlue tank	5 – A	<a href="#">Fig.</a>
Y924	Solenoid valve oil separator	8 – C	<a href="#">Fig.</a>

<sup>1</sup> The illustrations show examples of the appearance of the components

# 1 (driver environment)



The illustration shows in principle how the chassis cabling is routed and where the intermediate connector pieces, control units and electrical distribution units are located. The dashed lines show alternative cable routings. The illustration is used for both right-hand drive and left-hand drive vehicles, where of certain components are drawn in two places.

*Note: The table includes components that the vehicle is not equipped with.*

Placement	Components named according to wiring diagram
1	A16 (ECS)
	A17 (VECU)

**See also, 300, Component placement, Description, Design and function**

The reader is advised that printed copies are uncontrolled.



	A21 (EBS)
	A27 (LCM)
	A65 (RECU)
	A90 (BBM)
	A125 (Dynafleet)
	A943 (BIO)
	A946 (FMS)
	K1– K17, K25 – K28
	F1 – F64, F96 – F99, F90A, F90B
	FH1A, FH1B
	FH2A, FH2B
	FH3A, FH3B, FH4A, FH4B
	U06
	S_T_S, S_T_T
<b>2</b>	ACC, BB10B, XC937, DEV-CAN
	ARTIC, BB1, BS1, ENG1, IB10
	BB2, BOGIE, BS2, IB9, EMS
	BB3, ECS1, IB8, RA1

	BB4, BB6, BB6A, BB6B, ECS2, EU4, IB7
	BB5, BB5A, BB5B, BS3, FUEL, IB6, BB7
	IB1
	IB2
	GBX, IB3
	IB4
	IB5
	BB11, BBOX
	BB13
	FTM, KH2A, KH2B, GS1, XC933
	GB1
	IS, XC925, SP_F, SP_RR
	KH1A, KH1B, KH3A, KH3B
	RL4 (B6R/B7R, B9R, B12M, B12B)
	XC917, XC921, XC935, XK2
<b>3</b>	X25
<b>4</b>	BMUX
<b>5</b>	A30 (SWM)

**See also, 300, Component placement, Description, Design and function**

The reader is advised that printed copies are uncontrolled.

**Component Placement****Volvo Bus Corporation**

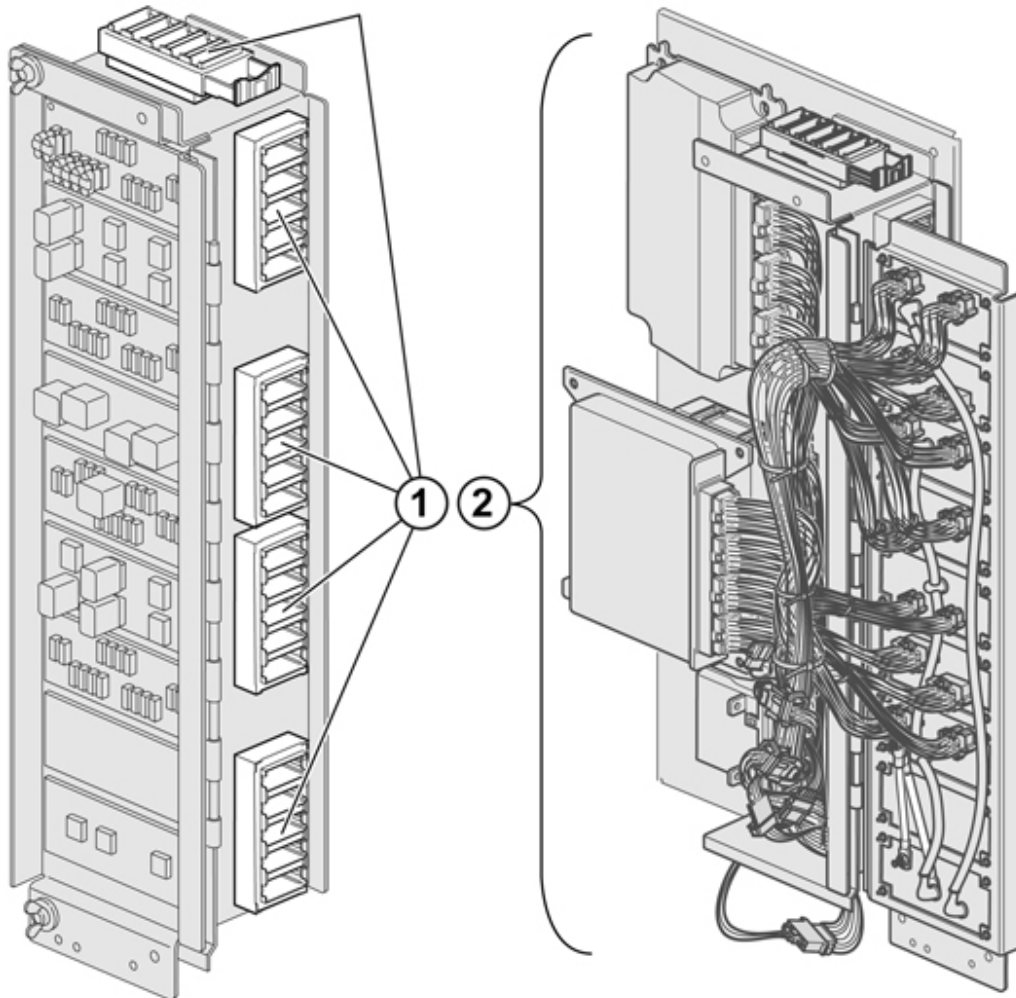
<b>6</b>	DF
<b>7</b>	OBD2
<b>8</b>	A03 (BIC)
	A07 (Radio)
	A33 (TACHO)
<b>9</b>	AUDIO, BB10A
	BB10A
<b>10</b>	A926 (GSECU)
<b>11</b>	A900 (Voith TECU)
	A901 (ZF ECOMAT TECU)
Left front	FL2
	FL2A
Right front	FL3
	FL3A

**See also, 300, Component placement, Description, Design and function**

31

The reader is advised that printed copies are uncontrolled.

**Electrical distribut.unit, chassis**



*Note: The table includes components that the vehicle is not equipped with.*

Placement	Components named according to wiring diagram
1	ARTIC, BB1, BS1, ENG1, IB10
	BB2, BOGIE, BS2, IB9, EMS
	BB3, ECS1, IB8, RA1

**See also, 300, Component placement, Description, Design and function**

The reader is advised that printed copies are uncontrolled.

	BB4, BB6, BB6A, BB6B, ECS2, EU4, IB7
	BB5, BB5A, BB5B, BS3, FUEL, IB6, BB7
	IB1
	IB2
	GBX, IB3
	IB4
	IB5
<b>2</b>	A16 (ECS)
	A17 (VECU)
	A21 (EBS)
	A27 (LCM)
	A65 (RECU)
	A90 (BBM)
	A125 (Dynafleet)
	A943 (BIO)
	A946 (FMS)
	K1– K17, K25 – K28
	F1 – F64, F96 – F99, F90A, F90B

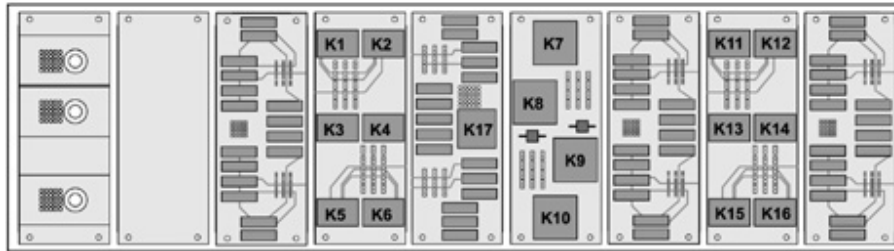
**See also, 300, Component placement, Description, Design and function**

The reader is advised that printed copies are uncontrolled.

FH1A, FH1B
FH2A, FH2B
FH3A, FH3B, FH4A, FH4B
U06
BB11, BBOX
BB13
FTM, KH2A, KH2B, GS1, XC933
GB1
IS, XC925, SP_F, SP_RR
KH1A, KH1B, KH3A, KH3B
RL4 (B6R/B7R, B9R, B12M, B12B)
XC917, XC921, XC935, XK2
ACC, BB10B, XC937
S_T_S, S_T_T

## Relay

The placement of the relays in the electrical distribution unit is described below.



Relay	Designation
K1	—
K2	Overload indicator (option)
K3	ECS (air suspension control unit)
K4 <sub>1</sub>	TECU (gearbox control unit), GECU (gear selector control unit), gearbox I-Shift
K5 <sub>1</sub>	EGS manual gearbox
K6 <sub>1</sub>	EGS manual gearbox
K7	Starter motor
K8 <sub>1</sub>	VECU (vehicle control unit), EECU (motor control unit)
K9	Wiper motor intermittent relay
K10	Inverting relay, neutral signal (only automatic gearboxes)
K11	Start inhibit relay
K12	Stowage compartment lighting
K13	Emergency cut-out
K14 <sub>1</sub>	Bogie axle

**See also, 300, Component placement, Description, Design and function**

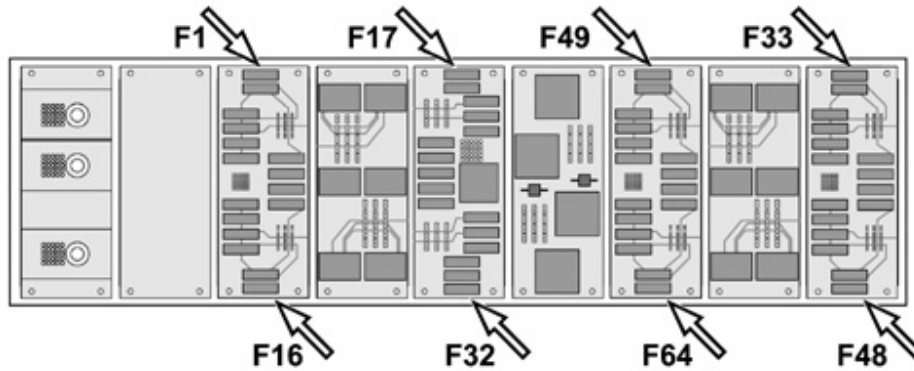
The reader is advised that printed copies are uncontrolled.

K15 <sup>1</sup>	RECU (retarder control unit)
K16 <sup>1</sup>	RECU (retarder control unit)
K17	Ignition relay (+15)

<sup>1</sup> Dependent on variant



## Fuses



Fuse	Rating	Designation
F1	5 A	ECS (air suspension control unit)
F2	10 A	BIC (instrument panel), lamp check switch
F3	15 A	Starting signal, starter motor
F4	20 A	EBS (brake control unit)
F5	5 A	Horn
F6	5 A	Emergency parking brake release
F7 <sub>1</sub>	15 A	TECU (transmission electronic control unit), gearbox I-shift
F8 <sub>1</sub>	5 A	GECU (gear selection control unit) I-shift
F9	5 A	Start switch, engine compartment
F10	5 A	Fire Alarm
F11 <sub>1</sub>	10 A	Dynafleet (option)
F12	5 A	Supply, main switch (+30) to body-builder outlet
F13	10 A	Automatic oil filling (option)
F14	5 A	BBM (Body Builder Module)
F15	15 A	EECU (Engine Electronic Control Unit), control valve, cooling fan
F16	5 A	VECU (Vehicle Electronic Control Unit)

**See also, 300, Component placement, Description, Design and function**

The reader is advised that printed copies are uncontrolled.

Fuse	Rating	Designation
F17	5 A	Lighting, level control switch
F18	5 A	Alternator 1, 2, 3
F19 <sup>1</sup>	10 A	Control unit, turntable
F20	10 A	EBS (brake control unit)
F21	15 A	Wiper motor, windscreen
F22 <sup>1</sup>	5 A	TECU (Transmission Electronic Control Unit), Voith automatic transmission
F24	5 A	BIC (instrument)
F25	15 A	Wiper motor, headlights
F26	5 A	ECS (air suspension control unit)
F27 <sup>1</sup>	10 A	EGS manual gearbox
F28 <sup>1</sup>	10 A	RECU (Retarder Electronic Control Unit)
F29	5 A	Supply, ignition (+15) to body-builder outlet
F30 <sup>1</sup>	5 A	Fuel heater (D7E engine)
F31 <sup>1</sup>	10 A	Hydraulic oil level, SCR (control unit exhaust cleaning)
F32 <sup>1</sup>	5 A	Tachograph
F33	5 A	BIC (instrument)
F34 <sup>1</sup>	10 A	Tachograph
F35	25 A	LCM (external lighting control unit)
F36	25 A	LCM (external lighting control unit)
F37	25 A	LCM (external lighting control unit)
F38	5 A	Inverted +15
F39	25 A	SCR (control unit exhaust cleaning)

**See also, 300, Component placement, Description, Design and function**

The reader is advised that printed copies are uncontrolled.

Fuse	Rating	Designation
F41	20 A	Radio
F42	5 A	Main switch
F44	25 A	LCM (external lighting control unit)
F45	25 A	LCM (external lighting control unit)
F46	25 A	LCM (external lighting control unit)
F47	5 A	Side position light, right
F48	5 A	Side position light, left
F49	5 A	Fuel shut-off valve
F50 <sup>1</sup>	10 A	RECU (Retarder Electronic Control Unit)
F51	5 A	Radio
F52 <sup>1</sup>	10 A	Stowage compartment lighting
F53 <sup>1</sup>	5 A	Trailing axle, water separator heater
F54 <sup>1</sup>	5 A	Engine/luggage compartment door
F55 <sup>1</sup>	10 A	Engine brake, cooling fan solenoid valve, pre-heater relay
F56 <sup>1</sup>	10 A	Engine brake
F57	5 A	Supply, ignition lock
F58 <sup>1</sup>	5 A	Control unit, tank valves (only gas buses)
F60 <sup>1</sup>	10 A	TECU (Transmission Electronic Control Unit), Voith automatic transmission
F61 <sup>1</sup>	10 A	Stowage compartment lighting
F62 <sup>1</sup>	5 A	Sleeping bunk lighting
F63	5 A	Starter motor
F64 <sup>1</sup>	10 A	Indicates overload

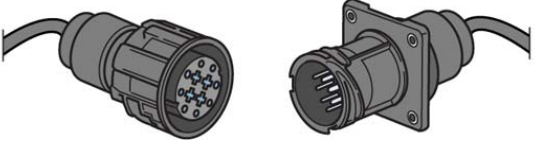
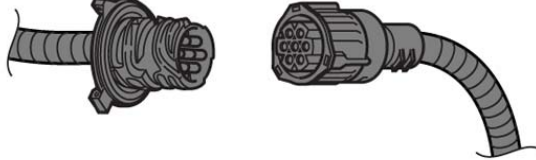
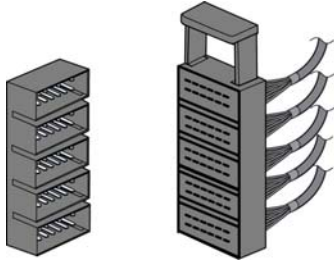
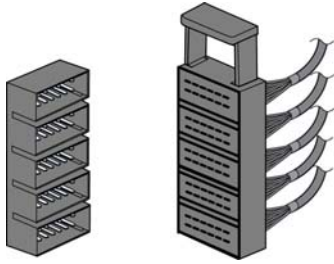
**See also, 300, Component placement, Description, Design and function**

The reader is advised that printed copies are uncontrolled.

<sup>1</sup> Dependent on variant.

Note: The table includes components that the vehicle is not equipped with. When there is no illustration for a component, a symbol illustration is shown. More adapters than those stated can fit the connector pieces.

### Intermediate connector pieces

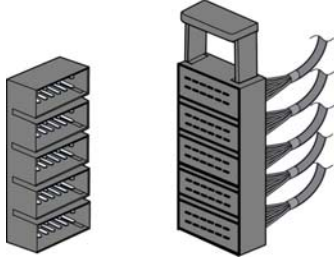
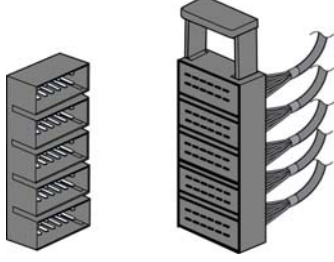
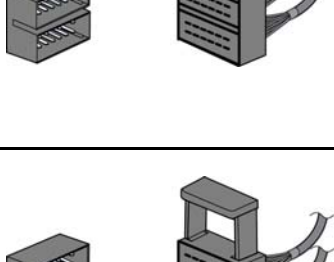
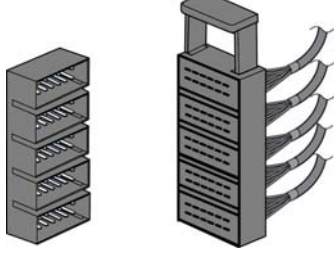
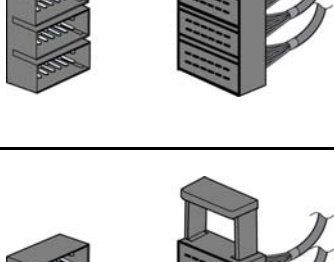
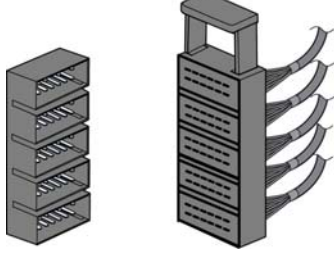
Wiring diagram designation, component/connector piece	Illustration	Adapter	Index in breakout box
A14_, A14A, FL2, FL3, LT1, MEDA, RL1, RL2, RL3, RL5, RL6, RL7, TRAIL2, UDS, XC914A		<a href="#">9998563</a>	1 – 12
A14B, A14C, A14D, A43, BMUX, CAN, FL2A, FL3A, LA, ML1, ML2, ML3, ML3B, ML4, ML4A, ML4B, ML5, ML6, ML7, RL1A, RL2A, RL4, TRAIL3, VIC2, XC915, XC916, XC931, Y17		<a href="#">88890053</a>	1– 7
ARTIC, BB1, BS1, IB10		<a href="#">9990805</a> or <a href="#">88890116</a>	1 – 12
ENG1, ENG1B		<a href="#">9990008,</a> <a href="#">9990805</a> or <a href="#">88890116</a>	– or 1 – 12
BB2, BOGIE, BS2, IB9		<a href="#">9990805</a> or <a href="#">88890116</a>	13 – 24 or 19 – 30 (88890116)
EMS, EMSB		<a href="#">9990008,</a> <a href="#">9990805</a> or <a href="#">88890116</a>	– or 19 – 30 (88890116)

See also, **300, Component placement, Description, Design and function**

The reader is advised that printed copies are uncontrolled.

## Component Placement

Volvo Bus Corporation

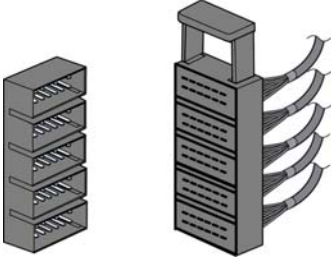
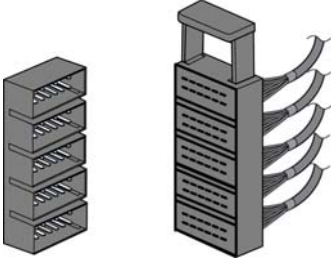
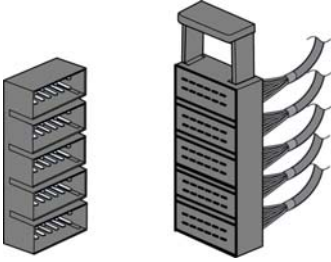
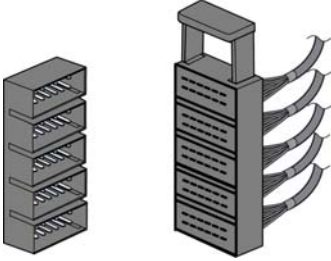
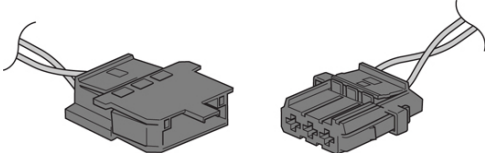
BB3, ECS1, IB8, RA1, RA1B		<a href="#">9990805</a> or <a href="#">88890116</a>	25 – 36 or 37 – 48 (88890116)
BB4, ECS2, ECS2B, EU4, IB7		<a href="#">9990805</a> or <a href="#">88890116</a>	37 – 48 or 55 – 62 plus 1 – 10 (88890116)
BB6, BB6A, BB6B		<a href="#">9990008</a> , <a href="#">9990805</a> or <a href="#">88890116</a>	– or 55 – 62 plus 1 – 4 (88890116)
BB5, BB5.A, BB5.B, BS3, BS3B, FUEL, IB6		<a href="#">9990805</a> or <a href="#">88890116</a>	49 – 60
BB7, BB7A, BB7B		<a href="#">9990008</a> , <a href="#">9990805</a> or <a href="#">88890116</a>	– or 11 – 22 (88890116)
IB1		<a href="#">9990008</a> or <a href="#">88890116</a>	– or 11 – 28 (88890116)

See also, 300, Component placement, Description, Design and function

The reader is advised that printed copies are uncontrolled.

## Component Placement

Volvo Bus Corporation



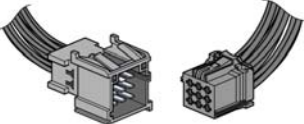

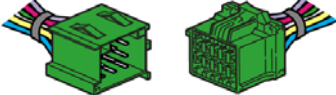


<p>IB2</p>		<p><a href="#">9990008</a> or <a href="#">88890116</a></p>	<p>— or 55 – 62, 1–10 (88890116)</p>
<p>GBX, IB3</p>		<p><a href="#">9990008</a> or <a href="#">88890116</a></p>	<p>— or 37 – 54 (88890116)</p>
<p>IB4</p>		<p><a href="#">9990008</a> or <a href="#">88890116</a></p>	<p>— or 19 – 36 (88890116)</p>
<p>IB5</p>		<p><a href="#">9990008</a> or <a href="#">88890116</a></p>	<p>— or 1 – 18 (88890116)</p>
<p>AUDIO, BB11, BB8, BBOX, RL, XC927, BBOX, S_T_S, S_T_T, XC922</p>		<p><a href="#">9990008</a></p>	<p>—</p>

**See also, 300, Component placement, Description, Design and function**

The reader is advised that printed copies are uncontrolled.

## Component Placement

Volvo Bus Corporation

<p>B_A, B930T, IS, LT2, R905A, R905B, R906A, R906B, R906C, R908A, R908B, R908C, R910A, R910B, R910C, S901_U1, S908, SP_F, SP_RR, UDS, XC925, XC932A, XC934, XJK</p>		<p><a href="#">88890039</a></p>	<p>1 – 4</p>
<p>KH1A, KH1B, KH3A, KH3B</p>		<p><a href="#">9998596</a></p>	<p>18 – 32</p>
<p>ACC, BB10A, BB10B, DEV-CAN, FH2A, FH2B, XC937</p>		<p><a href="#">9998596</a></p>	<p>33 – 41</p>
<p>XC917, XC921, XC935, XK2</p>		<p><a href="#">9998596</a></p>	<p>42 – 47</p>
<p>CNG, DF, EU4B, FH1A, FH3A, FH3B, FH4A, FH4B, FTM, GS1, KH2A, KH2B, XC926, XC930, XC933</p>		<p><a href="#">9998596</a></p>	<p>49 – 60</p>
<p>FM</p>			
<p>LT_, TRAIL, TRAIL1</p>		<p><a href="#">9990090</a></p>	<p>1 – 31</p>


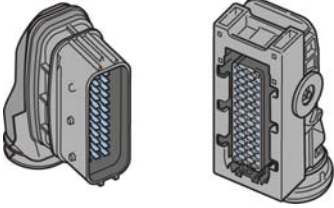
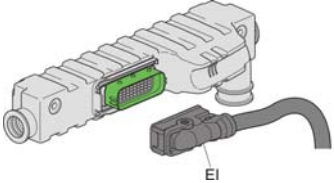
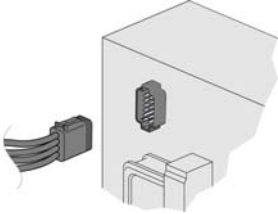




**See also, 300, Component placement, Description, Design and function**

The reader is advised that printed copies are uncontrolled.



## Component Placement

Volvo Bus Corporation

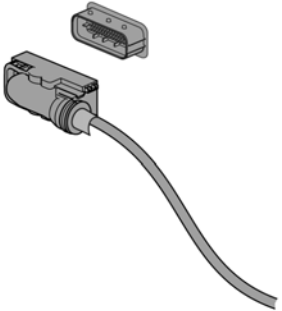
REV			
VIC/EI (D7E), MED, XC941		<a href="#">88890025</a>	1 – 39
VIC/EI		<a href="#">88890025</a>	1 – 39
X904.XC207		<a href="#">9990008</a>	—
BB13			
GB1			
X25			
DPF			

**See also, 300, Component placement, Description, Design and function**

The reader is advised that printed copies are uncontrolled.

## Component Placement

## Volvo Bus Corporation

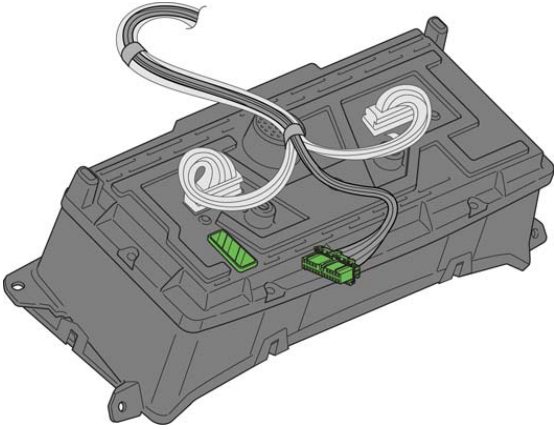
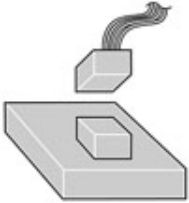
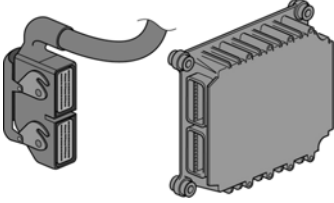
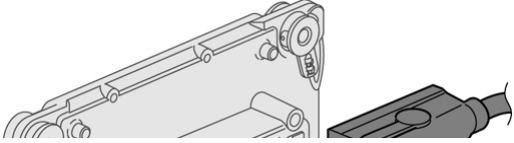
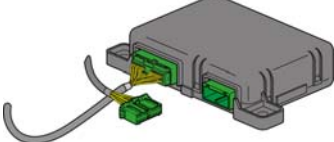
XC940		<a href="#">9990014</a>	1 – 62
-------	---	-------------------------	--------

*Note: The table includes components that the vehicle is not equipped with. The illustrations show examples of the components' appearance. When there is no illustration for a component, a symbol illustration is shown. More adapters than those stated can fit the connector pieces.*

**See also, 300, Component placement, Description, Design and function**

The reader is advised that printed copies are uncontrolled.

**Control units**

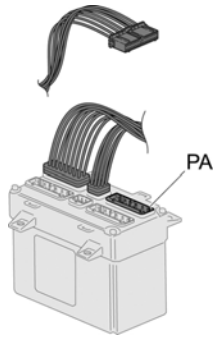
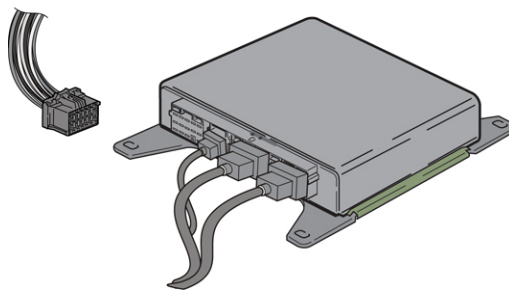
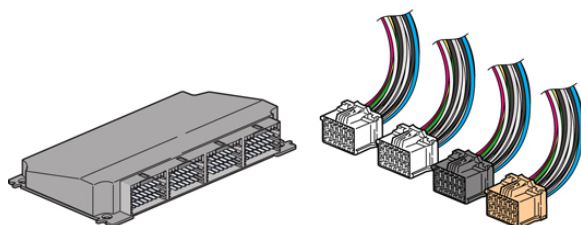
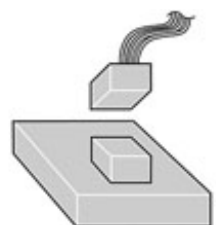
Wiring diagram designation, component/connector piece	Illustration	Adapter	Index in breakout box
A03.A		<a href="#">9998533</a>	31 – 52
A03.B		<a href="#">9813194</a>	1 – 30
A03.C		<a href="#">9998533</a>	1 – 30
A07.A			
A07.B			
A07.C			
A14.A (EMS1)		<a href="#">9998505</a>	1 – 36
A14.B (EMS1)		<a href="#">9998505</a>	1 – 36
A14.A (EMS2)		<a href="#">9990014</a>	1 – 62
A14.B (EMS2)		<a href="#">9990014</a>	1 – 62
A16.A		<a href="#">9813194</a>	1 – 30
A16.B		<a href="#">9998533</a>	31 – 52

**See also, 300, Component placement, Description, Design and function**

The reader is advised that printed copies are uncontrolled.

## Component Placement

Volvo Bus Corporation

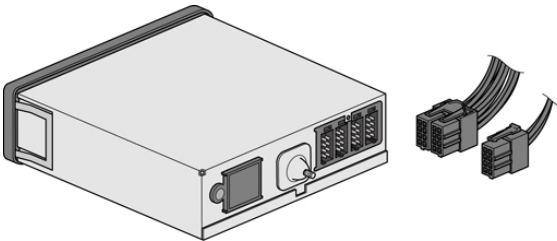
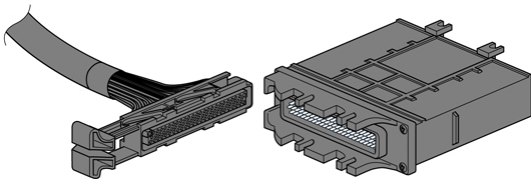
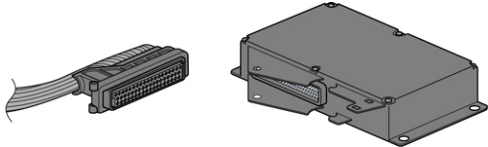
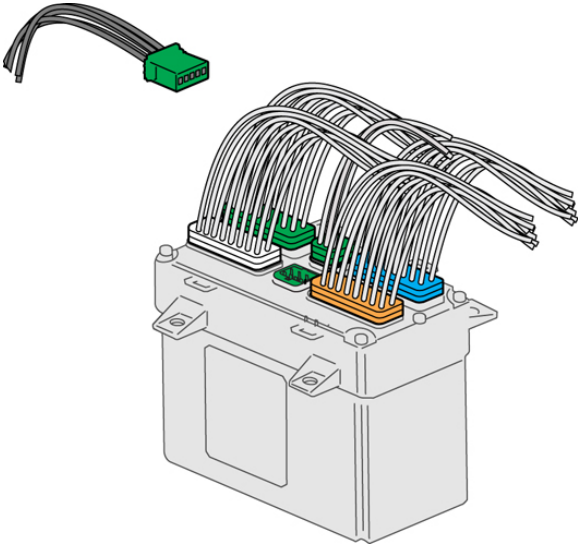
A17.A		<a href="#">9813194</a>	1 – 30
A17.B		<a href="#">9998533</a>	1 – 30
A17.C		<a href="#">9998604</a>	26 – 30
A21.A		<a href="#">9998596</a>	1 – 17
A21.B		<a href="#">9990025</a>	1 – 18
A21.C		<a href="#">9998596</a>	18 – 32
A21.D		—	—
A27.A		<a href="#">9990025</a>	19 – 39
A27.B		<a href="#">9990025</a>	1 – 18
A27.C		<a href="#">9990025</a>	1 – 18
A27.D		<a href="#">9990025</a>	19 – 39
A30		<a href="#">9813194</a>	47 – 56

**See also, 300, Component placement, Description, Design and function**

The reader is advised that printed copies are uncontrolled.

## Component Placement

Volvo Bus Corporation

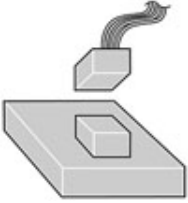
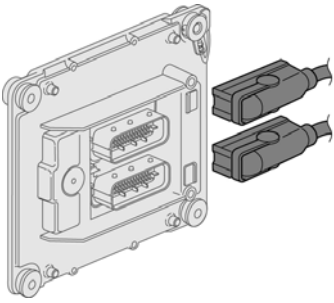
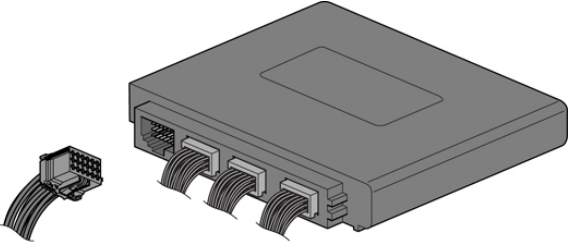
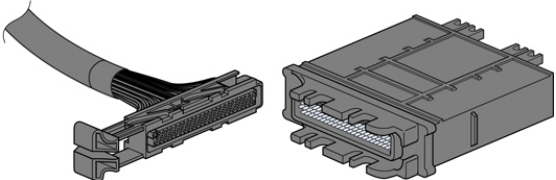
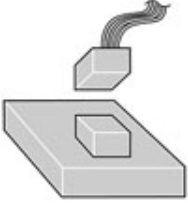

A33.A		<a href="#">9990008</a>	—
A33.B		<a href="#">9990008</a>	—
A33.C		<a href="#">9990008</a>	—
A33.D		<a href="#">9990008</a>	—
A59A		<a href="#">9990155</a>	1 – 62, 1 – 6
A65		<a href="#">9998543</a>	1 – 55
A90.A		<a href="#">9998533</a>	1 – 30
A90.B		<a href="#">9813194</a>	1 – 30
A90.C		<a href="#">9998604</a>	26 – 30

**See also, 300, Component placement, Description, Design and function**

The reader is advised that printed copies are uncontrolled.

**Component Placement**

**Volvo Bus Corporation**

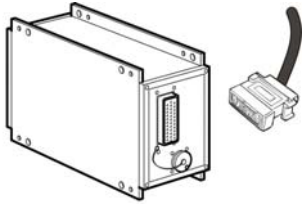
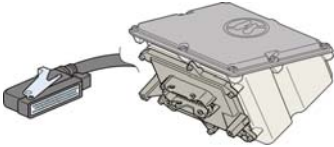
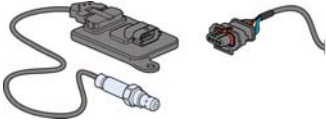
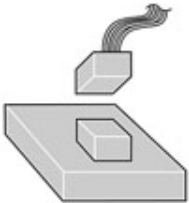
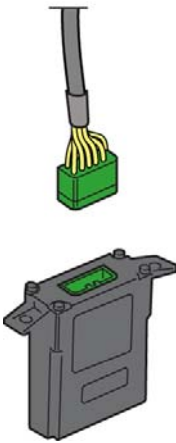
A125			
A141.A		<a href="#">9990014</a>	1 – 62
A141.B		<a href="#">9990014</a>	1 – 62
A900.A (VOITH)		<a href="#">9990025</a>	1 – 18
A900.B (VOITH)		<a href="#">9990025</a>	1 – 18
A900.C (VOITH)		<a href="#">9998596</a>	18 – 32
A900.D (VOITH)		<a href="#">9990025</a>	1 – 18
A901		<a href="#">9990155</a>	1 – 61, 1 – 6
A904			
A914.A		<a href="#">9990041</a>	1 – 20

**See also, 300, Component placement, Description, Design and function**

The reader is advised that printed copies are uncontrolled.

**Component Placement**

**Volvo Bus Corporation**

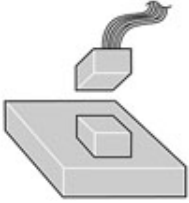
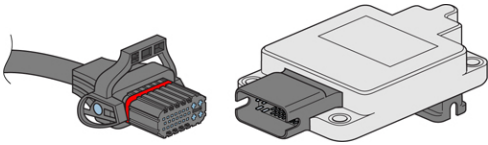
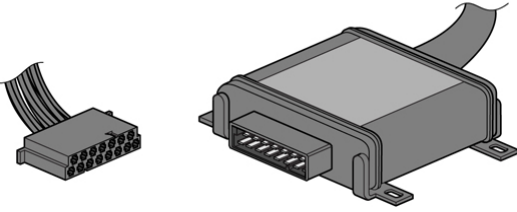
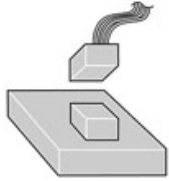
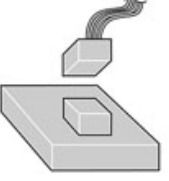
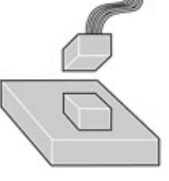
A914.B		<a href="#">9990041</a>	1 – 20
A914.C		<a href="#">9990041</a>	1 – 20
A916.A		<a href="#">9998996</a>	1 – 29
A916.B		<a href="#">9998996</a>	31 – 46
A916.C		<a href="#">9998996</a>	31 – 46
A917		<a href="#">88890052</a>	1 – 35
A918		<a href="#">9990216</a>	1 – 4
A925.A		<a href="#">9813194</a>	1 – 30
A925.B		<a href="#">9998533</a>	1 – 30
A925.C		<a href="#">9998604</a>	26 – 30
A926		<a href="#">9998533</a>	31 – 52

**See also, 300, Component placement, Description, Design and function**

The reader is advised that printed copies are uncontrolled.

## Component Placement

Volvo Bus Corporation

A927			
A929.A		<a href="#">88810020</a>	1 – 25
A929.B		<a href="#">88810020</a>	26 – 50
A930			
A942.A		<a href="#">9813194</a>	1 – 30
A942.B		<a href="#">9998533</a>	1 – 30
A942.C		<a href="#">9998604</a>	26 – 30
A943			
A945			

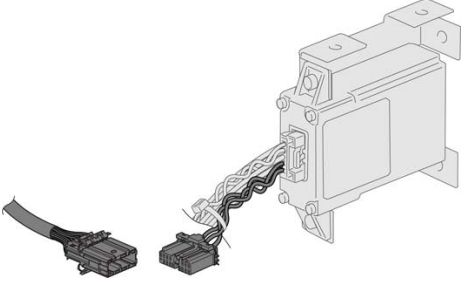
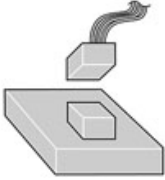
**See also, 300, Component placement, Description, Design and function**

The reader is advised that printed copies are uncontrolled.



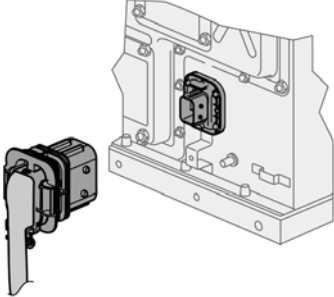
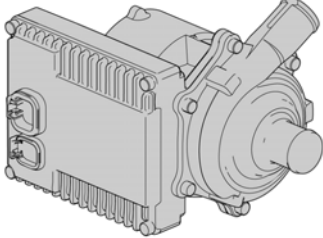
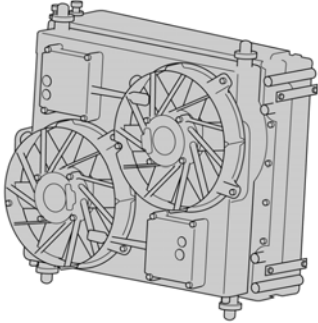
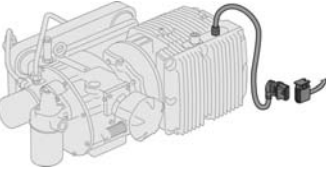
## Component Placement

Volvo Bus Corporation

A946	 A technical drawing of a rectangular electronic component with mounting tabs on top and bottom. A multi-wire cable is connected to the front of the component. To the left of the component, there is a separate cable with a connector.	<a href="#">9813194</a>	31 – 46
A952	 A technical drawing showing a small rectangular component being inserted into a larger rectangular base. A cable is attached to the top of the small component.		

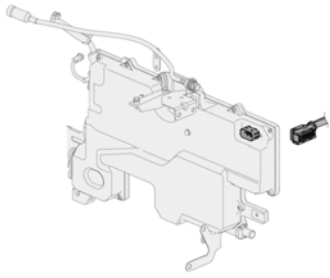
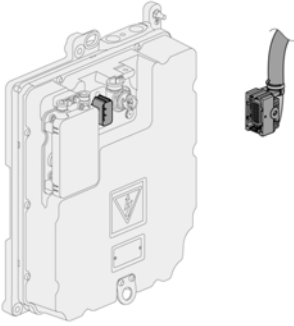
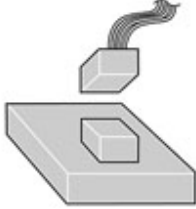
**See also, 300, Component placement, Description, Design and function**

The reader is advised that printed copies are uncontrolled.

G07.A			
G07.B		<a href="#">88890093</a>	1 – 15
M30, M33		<a href="#">9990008</a>	—
M31, M32		<a href="#">9990008</a>	—
M35, M36			

## Component Placement

Volvo Bus Corporation

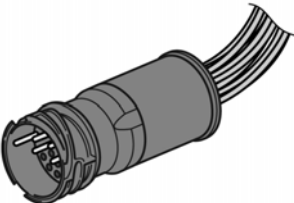
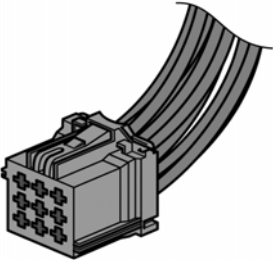
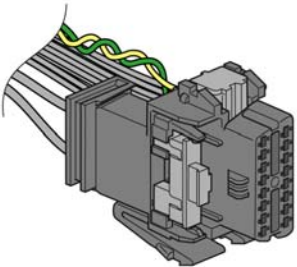
U23		<a href="#">88890094</a>	1 – 21
U24		<a href="#">88890094</a>	1 – 21
Y54		<a href="#">88890053</a>	1 – 7

*Note: The table includes components that the vehicle is not equipped with. More adapters than those stated can fit the connector pieces.*

**See also, 300, Component placement, Description, Design and function**

The reader is advised that printed copies are uncontrolled.

### Diagnostic connector

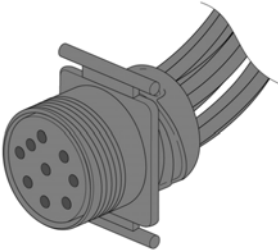
Wiring diagram designation, component/connector piece	Illustration	Adapter	Index in breakout box
DIA			
DIA2		<a href="#">9998596</a>	33 – 41
DIA-16, OBD2		<a href="#">88890018</a> <a href="#">9998960</a>	

See also, 300, Component placement, Description, Design and function

The reader is advised that printed copies are uncontrolled.

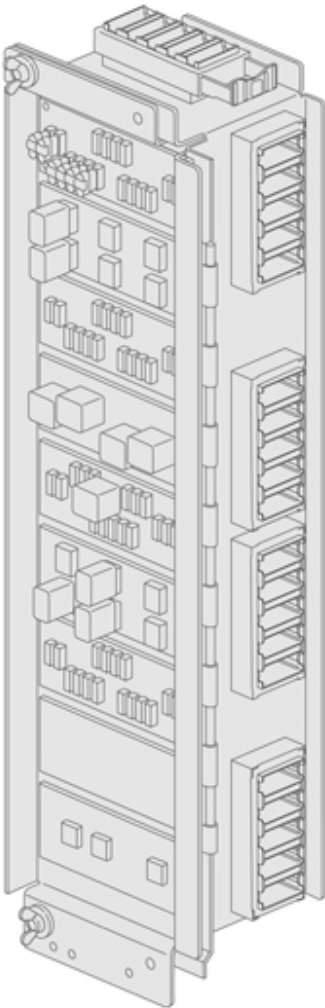
**Component Placement**

**Volvo Bus Corporation**

		<a href="#">9990137</a>	
--	---	-------------------------	--

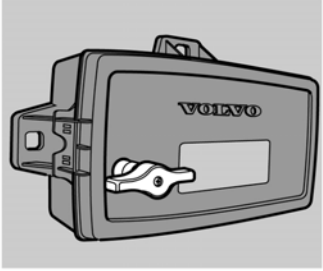
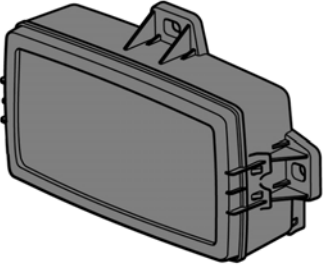
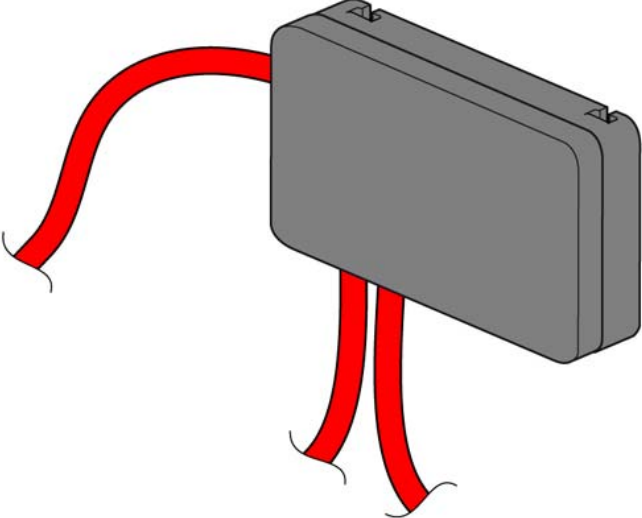
**See also, 300, Component placement, Description, Design and function**  
The reader is advised that printed copies are uncontrolled.

## Electrical distribution units

Wiring diagram designation, component/connector piece	Illustration
Electrical distribution unit	

**See also, 300, Component placement, Description, Design and function**

The reader is advised that printed copies are uncontrolled.

X903	 A grey, rectangular component box with a handle on top. The word "VOLVO" is printed on the front. A metal terminal is attached to the front panel.
X904	 A grey, rectangular component box shown from a side perspective, highlighting its depth and the mounting tabs on the top.
X905	 A grey, rectangular component box with three red cables connected to it. One cable enters from the left, and two cables exit from the bottom.

**See also, 300, Component placement, Description, Design and function**  
The reader is advised that printed copies are uncontrolled.

Engineering Release Notice (ERN)	Location	Change Description	A = Added U = Deleted	W = Was	Document Release Status
D-13395-52					Date 2006-11-09 Modification Count

**BILL OF MATERIAL/COMPONENT LIST**

Part Name	Description	Location	Part Type
A03	BIC	{NA 4 B} {XC 5 C} {XD 5 C}	componentSymbol
A07	Radio	{IU 4 B}	componentSymbol
A08	Control unit GPS	{NC 3 A}	componentSymbol
A14	EMS	{CC 5 C}	componentSymbol
A14_7	EMS	{XC 4 A} {CN 5 C} {XD 3 A}	componentSymbol
A14_9	EMS	{XC 3 A} {XD 5 A}	componentSymbol
A14_9MG	EMS	{XC 3 A} {CB 5 C} {XD 5 A}	componentSymbol
A14_12	EMS	{XC 4 A} {CM 5 C} {XD 3 A}	componentSymbol
A14_MD9		{CA 5 C}	componentSymbol
A16	ECS	{FA 5 B} {XC 1 C} {XD 1 C} {FB 5 D}	componentSymbol
A17	VECU	{BA 5 B} {XC 2 C} {XD 2 C}	componentSymbol
A19	GECU	{DN 5 B}	componentSymbol
A21	EBS	{XC 2 C} {EO 5 A} {XD 2 C} {EP 5 D}	componentSymbol
A22	Dynafleet	{NC 4 B} {XD 4 C}	componentSymbol
A23	FMS	{NC 3 C}	componentSymbol
A27	LCM	{XC 0 C} {GA 5 C} {GB 4 C} {GC 4 C} {XD 1 C}	componentSymbol
A30	Control unite,SWM(Steering Wheel Module)	{IS 4 C}	componentSymbol

The copying, distribution and utilization of this document as well as the communication of its contents to others without expressed authorization is prohibited. Offenders will be held liable for payment of damages. All rights reserved in the event of the grant of a patent, utility model or ornamental design registration.

Document Title  
**WIRING DIAGRAM**  
B7, B9, B12

**VOLVO**  
Volvo Bus Corporation

Document Type  
**PRODUCT SCHEMATIC**

Owner Domain:Document Prefix

Document No <b>20904123</b>	Issue Index <b>03</b>	Volume No <b>02(02)</b>	Page No <b>1(55)</b>
--------------------------------	--------------------------	----------------------------	-------------------------



Part Name	Description	Location	Part Type
A33	TACHO	{NB 4 C} {XC 3 C} {NC 5 B}	componentSymbol
A41	Component group transmission.Contains B23,B06 and Y17.	{DN 3 B}	componentSymbol
A42	Component group transmission.Contains B26, Y21,Y22, Y23 and Y26.	{DN 1 B}	componentSymbol
A43_		{CC 4 B}	componentSymbol
A44	Fuel_Pump	{CM 3 D}	componentSymbol
A44_	Fuel_Pump	{CC 3 B}	componentSymbol
A44_D9	Fuel_Pump	{CA 3 C}	componentSymbol
A45	Fuel_Water_Separator	{CA 3 C}	componentSymbol
A45_	Fuel_Water_Separator	{CC 1 C}	componentSymbol
A45_MD12	Fuel_Water_Separator	{CM 3 D}	componentSymbol
A65	RECU	{DM 5 B} {XC 1 A} {XD 1 A}	componentSymbol
A90	BBM	{BB 5 A} {XC 3 C} {AA 4 A} {XD 2 C} {BC 5 D}	componentSymbol
A105	SIB	{NC 5 B}	componentSymbol
A124		{AD 4 C} {AE 4 B} {AF 4 B} {AH 4 B}	componentSymbol
A900	VOITH	{DC 5 B}	componentSymbol
A900_ART	VOITH ECU, ARTIC	{DO 5 B}	componentSymbol
A901	ZF	{DB 5 C} {XC 0 A} {XD 2 A}	componentSymbol
A904	Volvo EGS gearbox control unit	{DA 5 C}	componentSymbol
A914	TECU	{XC 5 A} {DN 3 C} {XD 5 A}	componentSymbol
A916	HYMER_ECU	{FC 4 B}	componentSymbol
A917	DNOX2_ECU	{CU 5 C} {CV 3 B}	componentSymbol
A918	NOx-sensor	{CV 3 A}	componentSymbol
A925	ECU_gas_tanks	{CG 4 C}	componentSymbol
A926	GearShift_ECU	{XC 5 C} {DN 5 C} {XD 3 D}	componentSymbol
A927	GECU - Ecomat 5	{DD 4 D}	componentSymbol
A928	Gearbox Ecomat 5	{DD 2 B}	componentSymbol
A929	TECU - Ecomat 5	{XC 5 A} {DD 2 B} {XD 4 A}	componentSymbol
A930	Gateway DIWA5	{DC 4 D}	componentSymbol
A930_ARTIC	Gateway DIWA5	{DO 4 D}	componentSymbol
A942	BIO - Bus I/O	{CL 4 C}	componentSymbol

# VOLVO

Volvo Bus Corporation

Document Title

**WIRING DIAGRAM**

Document Type

**PRODUCT SCHEMATIC**

Document No

**20904123**

Issue Index

**03**

Volume No

**02(02)**

Page No

**2(55)**

Part Name	Description	Location	Part Type
A943	OILMASTER	{CO 4 B}	componentSymbol
A945	Control unit, VDO FM200	{ND 0 A}	componentSymbol
A946	FMS GATEWAY	{NE 3 C}	componentSymbol
B03	Sensor,footbrake valve	{EO 4 D}	componentSymbol
B04	Sensor,engine speed,crankshaft	{CM 4 A}	componentSymbol
B04_	Sensor,engine speed,crankshaft	{CC 5 B}	componentSymbol
B05	Sensor,engine speed,camshaft	{CM 3 A}	componentSymbol
B05_	Sensor,engine speed,camshaft	{CC 5 B}	componentSymbol
B06	Wet tank press	{BA 0 D} {BA 0 D}	componentSymbol
B07	Sensor,fuel level front axle	{NA 4 A}	componentSymbol
B07_LE	Sensor,fuel level front axle	{NA 0 B}	componentSymbol
B07_RX	Sensor,fuel level front axle	{NA 4 A}	componentSymbol
B07_S9	Sensor,fuel level	{NA 5 A}	componentSymbol
B12	Sensor,tachograph/speedometer	{NB 5 A} {NB 4 A}	componentSymbol
B13	Sensor,wheel speed, lhs. 1:st front axle	{EO 2 D}	componentSymbol
B14	Sensor,wheel speed, rhs. 1:st front axle	{EO 2 D}	componentSymbol
B15	Sensor,Wheel speed, lhs. 1:st driven rear axle	{EO 1 D}	componentSymbol
B16	Sensor,Wheel speed, rhs. 1:st driven rear axle	{EO 1 D}	componentSymbol
B21	Sensor,coolant temperature	{CM 4 D}	componentSymbol
B21_	Sensor,coolant temperature	{CC 4 B}	componentSymbol
B21_D9	Sensor,coolant temperature	{CA 1 B}	componentSymbol
B22	Sensor, outdoor temperature	{NA 3 A}	componentSymbol
B23	Sensor,oil temperature,retarder	{DM 3 C}	componentSymbol
B25	Sensor,accelerator pedal	{BA 2 C}	componentSymbol
B29	sensor chassis level rear axle LHS	{FB 3 C} {FB 3 A}	componentSymbol
B30	sensor chassis level rear axle RHS	{FB 3 C} {FB 2 A}	componentSymbol
B32	Sensor,engine cooling fan speed	{CM 5 B}	componentSymbol
B32.9	Sensor,engine cooling fan speed	{CA 1 A}	componentSymbol
B32_S9	Sensor,engine cooling fan speed	{CA 1 B}	componentSymbol
B37	Sensor,boots pressure and boots temperature	{CM 4 A}	componentSymbol
B37_	Sensor,boots pressure and boots temperature	{CC 4 B}	componentSymbol
B37_MD9	Sensor,boots pressure and boots temperature	{CA 0 B}	componentSymbol
B39	Sensor,air filter pressure and air filter temperature	{CM 4 D}	componentSymbol
B39_	Sensor,air filter pressure and air filter temperature	{CC 5 C}	componentSymbol
B40	Sensor,brake lining wear indicator,lhs. 1:st front axle	{EO 3 D}	componentSymbol
B41	Sensor,brake lining wear indicator,rhs. 1:st front axle	{EO 3 D}	componentSymbol
B42	Sensor,brake lining wear indicator,lhs. 1:st driven rear axle	{EO 2 D}	componentSymbol

# VOLVO

Volvo Bus Corporation

Document Title

**WIRING DIAGRAM**

Document Type

**PRODUCT SCHEMATIC**

Document No

**20904123**

Issue Index

**03**

Volume No

**02(02)**

Page No

**3(55)**

Part Name	Description	Location	Part Type
B43	Sensor,brake lining wear indicator,rhs.1:st driven rear axle	{EO 2 D}	componentSymbol
B48		{CN 1 B}	componentSymbol
B49	Sensor,steering angle	{EP 2 B}	componentSymbol
B50	Sensor,yaw-rate	{EP 2 B}	componentSymbol
B52	FUEL FILTER	{CN 3 C}	componentSymbol
B54	Sensor,pressure crankhouse	{CM 4 D} {CB	componentSymbol
B54_	Sensor,pressure crankhouse	{CC 5 C}	componentSymbol
B54_D9	Sensor,pressure crankhouse	{CA 1 B}	componentSymbol
B57	Sensor,air pressure, suspension bellows,lhs.rear	{FB 5 C}	componentSymbol
B58	Sensor,air perssure,suspension bellow,rhs. rear	{FB 4 C}	componentSymbol
B59	Sensor, indoor temperature	{NA 3 A}	componentSymbol
B66		{CL 4 A}	componentSymbol
B68	Sensor,output shaft speed, gearbox	{DA 1 A}	componentSymbol
B69C	Sensor,coolant temperature, retarder	{DN 3 B}	componentSymbol
B118	Sensor, oil pressure	{CB 2 B}	componentSymbol
B118_	Sensor, oil pressure	{CC 4 A}	componentSymbol
B118_MD12	Sensor, oil pressure	{CM 3 D}	componentSymbol
B119	Sensor_oil_level_and_oil_temp	{CM 4 A} {CB 1 C} {CB 4 B}	componentSymbol
B119_	Sensor_oil_level_and_oil_temp	{CC 5 B}	componentSymbol
B122	Sensor,catalyst temperature 2	{CB 3 C}	componentSymbol
B160	Sensor, knock 2 cyl 4, 5, 6	{CB 5 B}	componentSymbol
B161	Sensor, cam speed	{CB 4 B}	componentSymbol
B162	Sensor, crank speed	{CB 4 B}	componentSymbol
B163	Sensor, knock 1 cyl 1, 2, 3	{CB 1 C}	componentSymbol
B164		{CB 3 C}	componentSymbol
B166	Sensor, gas pressure and temperature	{CB 2 B} {CB 4 B}	componentSymbol
B167	Throttle motor and pot	{CB 3 B}	componentSymbol
B168	Sensor, lambda sond	{CB 1 B}	componentSymbol
B169	Pressure regulator	{CB 2 B} {CB 4 D}	componentSymbol
B170	Sensor, air flow meter	{CB 4 C}	componentSymbol
B182	Sensor, exhaust manifold temperature 1	{CB 3 C}	componentSymbol
B900	Manual gearbox retarder pressre sensor	{DM 3 C}	componentSymbol
B903	Manuel gearbox retarder water temperature	{DM 2 C}	componentSymbol
B904	hydr_oil_level_sens	{NA 4 D}	componentSymbol
B904_S9	hydr_oil_level_sens	{NA 0 C}	componentSymbol
B905	Clutch pedal position inductive sensor	{DA 1 D}	componentSymbol
B906	Sensor,Brake Press ( 6*2 )	{BC 4 A}	componentSymbol
B907	Sensor,fuel level rear axle	{NA 0 C}	componentSymbol
B908	sensor air press. ECS AL	{FB 4 C}	componentSymbol
B908_A	sensor air press. ECS AL	{FB 4 A}	componentSymbol
B909	sensor air press. ECS AR	{FB 4 C}	componentSymbol
B909_A	sensor air press. ECS AR	{FB 4 A}	componentSymbol
B910	sensor air press. ECS port 21	{FB 5 C}	componentSymbol

# VOLVO

Volvo Bus Corporation

Document Title

**WIRING DIAGRAM**

Document Type

**PRODUCT SCHEMATIC**

Document No

**20904123**

Issue Index

**03**

Volume No

**02(02)**

Page No

**4(55)**

Part Name	Description	Location	Part Type
B911	sensor air press. ECS port 22	{FB 5 C}	componentSymbol
B914	sensor chassis level front axle LHS	{FB 2 A}	componentSymbol
B915	sensor chassis level front axle RHS	{FB 1 A}	componentSymbol
B916	sensor chassis level artic axle LHS	{FB 1 A}	componentSymbol
B916_A	sensor chassis level artic axle LHS	{FB 3 A}	componentSymbol
B917	sensor chassis level artic axle LHS	{FB 1 A}	componentSymbol
B917_A	sensor chassis level artic axle LHS	{FB 3 A}	componentSymbol
B918	Hydraulic oil press. sensor2	{NA 4 D}	componentSymbol
B920	Sensor,fuel level 2 front axle	{NA 4 A}	componentSymbol
B920_LE	Sensor,fuel level 2 front axle	{NA 0 B}	componentSymbol
B921	Sensor,fuel level 2 rear axle	{NA 0 C}	componentSymbol
B922	Sensor_temp_downstream_scrtd_DNOX2	{CL 4 B}	componentSymbol
B923	Sensor_temp/level_adblue_tank_SCRT_DNOX2	{CU 3 C}	componentSymbol
B927	Sensor Hydr.oil press	{BB 1 D}	componentSymbol
B930	Sensor_temp_upstream_scrtd_DNOX2	{CU 4 D} {CU 4 C}	componentSymbol
B936	Sensor,brake lining wear indicator Artic, A/B R	{EP 3 B}	componentSymbol
B937	Sensor,brake lining wear indicator Artic, A/B L	{EP 3 B}	componentSymbol
B938	Sensor, wheel speed Artic, A/B R	{EP 2 B}	componentSymbol
B939	Sensor,wheel speed Artic, A/B L	{EP 2 B}	componentSymbol
B940	sensor_brake_lining_wear_ind_A/B_R	{EP 5 B} {EP 4 B}	componentSymbol
B941	sensor_brake_lining_wear_ind_A/B_L	{EP 5 B} {EP 4 B}	componentSymbol
B942	sensor_wheel_speed_A/B_R	{EP 4 B} {EP 3 B}	componentSymbol
B943	sensor_wheel_speed_A/B_L	{EP 5 B} {EP 3 B}	componentSymbol
B944	Trailer air brake pressure sensor	{BC 5 A}	componentSymbol
B945	Crash Sensor	{CG 4 D}	componentSymbol
B946	Sensor, coolant level	{NA 2 C}	componentSymbol
B946_S9	Sensor, coolant level	{NA 0 C}	componentSymbol
B948		{CA 3 B}	componentSymbol
B949	Last trailer air brake pressure sensor (biartic)	{CL 3 A}	componentSymbol
B950	Sensor,brake lining wear indicator Biartic, A/B R	{EO 1 D}	componentSymbol
B951	Sensor,brake lining wear indicator Biartic, A/B L	{EO 1 D}	componentSymbol
B952	Sensor, wheel speed Biartic, A/B R	{EO 0 D}	componentSymbol
B953	Sensor,wheel speed Biartic, A/B L	{EO 0 D}	componentSymbol
B955	OIL LEVEL SENSOR	{CO 4 A}	componentSymbol
B956	Brake pressure to AMEC	{FC 2 C}	componentSymbol
B960	Sensor, Air Pressure ECS, Last Trailer (Biartic)	{FB 3 C}	componentSymbol
B961	Sensor, chassi level last trailer (Biartic)	{FB 0 A}	componentSymbol
B964	TRAIL AIR BRAKE PRESSOR SENSOR2	{BC 4 A}	componentSymbol

# VOLVO

Volvo Bus Corporation

Document Title

**WIRING DIAGRAM**

Document Type

**PRODUCT SCHEMATIC**

Document No

**20904123**

Issue Index

**03**

Volume No

**02(02)**

Page No

**5(55)**

Part Name	Description	Location	Part Type
B970	Fire sensor	{BD 0 C} {BD 1 C} {BD 1 C} {BD 3 C} {BD 4 C} {BD 2 C} {BD 2 C} {BD 5 C} {BD 5 C}	componentSymbol
B970_	Fire sensor, 110°C	{BD 2 C}	componentSymbol
B971	Fire sensor	{BD 0 C} {BD 1 C} {BD 1 C} {BD 3 C} {BD 4 C} {BD 2 C} {BD 2 C} {BD 5 C} {BD 5 C}	componentSymbol
B971_	Fire Sensor, 110°C	{BD 2 C}	componentSymbol
B972	Fire sensor	{BD 0 C} {BD 2 B} {BD 1 C} {BD 1 C} {BD 3 C} {BD 4 C} {BD 2 B} {BD 5 C} {BD 5 C}	componentSymbol
B972_	Fire Sensor, 110°C	{BD 2 C}	componentSymbol
B973	Fire sensor	{BD 5 B}	componentSymbol
B973_	Fire Sensor, 150°C	{BD 2 B}	componentSymbol
B974	Fire sensor	{BD 1 B} {BD 3 B} {BD 5 B}	componentSymbol
B975	Fire sensor	{BD 3 B}	componentSymbol
D1	Diod	{BA 3 B}	componentSymbol
D2	Diod	{AA 2 B}	componentSymbol
D3	Diod	{GM 1 B}	componentSymbol
D4	Diod	{GM 1 B}	componentSymbol
DIA	Diagnostic connector for Voith Diwa5	{DC 2 D}	componentSymbol
DIA2	Diagnostic connector for Ecomat 5	{DD 4 A}	componentSymbol
DIA_ARTIC	Diagnostic connector for Voith Diwa5	{DO 3 D}	componentSymbol
E01	Lamp, Full beam	[GE 4 B]	componentSymbol
E02	Lamp, Dipped beam	[GE 4 B]	componentSymbol
E4	Fuel heater	{CN 0 D}	componentSymbol
E06AL	Reverse Light(Left),Artic	{GD 4 B}	componentSymbol
E06AR	Reverse Light(Right),Artic	{GD 4 B}	componentSymbol
E06AT	Reverse Light(Triler),Artic	{GD 4 B}	componentSymbol
E06L	Reversing light left	{GA 1 A}	componentSymbol
E06LA	Reversing light left optional	{GA 1 A}	componentSymbol
E06R	Reversing light right	{GA 1 A}	componentSymbol

**VOLVO**

Volvo Bus Corporation

Document Title

**WIRING DIAGRAM**

Document Type

**PRODUCT SCHEMATIC**

Document No

**20904123**

Issue Index

**03**

Volume No

**02(02)**

Page No

**6(55)**

Part Name	Description	Location	Part Type
E07AL	Fog Light(Left),Artic	{GD 0 B}	componentSymbol
E07AR	Fog Light(Right),Artic	{GD 1 B}	componentSymbol
E07AT	Fog Light,Trailer,Artic	{GD 0 B}	componentSymbol
E07L	Fog light left	{GB 2 B} {GE 3 B}	componentSymbol
E07LR	Fog light left rear	{GA 2 A} {GE 2 B}	componentSymbol
E07R	Fog light right	{GB 2 B} {GE 2 B}	componentSymbol
E07RR	Fog light right rear	{GA 2 A} {GE 1 B}	componentSymbol
E07X	Fog light, Extra	{GA 2 A}	componentSymbol
E08	Parking light front	[GE 4 B]	componentSymbol
E09AL1	Brake Light(left),Artic	{GD 1 B}	componentSymbol
E09AL2	Brake Light(left),Artic	{GD 1 B}	componentSymbol
E09AR1	Brake Light (Right),Artic	{GD 5 B}	componentSymbol
E09AR2	Brake Light(Right),Artic	{GD 4 B}	componentSymbol
E09AT	Brake Light,Centre(Artic ,Trailer)	{GD 5 B}	componentSymbol
E09LA	Brake light left	{GA 3 A}	componentSymbol
E09LB	Brake light left	{GA 3 A}	componentSymbol
E09RC	Brake light right	{GC 3 B}	componentSymbol
E09RD	Brake light right(Rear)	{GC 3 B}	componentSymbol
E09RE	Brake light left,Centre	{GC 3 B}	componentSymbol
E10AL	Tail Light(left),Artic	{GD 3 B}	componentSymbol
E10AR	Tail Light(Right),Artic	{GD 3 B}	componentSymbol
E10L	tail light left	{GA 5 A}	componentSymbol
E10LD	Tail light left	{GA 5 A}	componentSymbol
E10R	tail light right	{GC 1 B}	componentSymbol
E11AL1	Side marker(Left)Artic	{GD 2 B}	componentSymbol
E11AL2	Side marker((Left),Artic	{GD 2 B}	componentSymbol
E11AL3	Side marker(Left),Artic	{GD 2 B}	componentSymbol
E11AL4	Side marker(Left),Artic	{GD 2 C}	componentSymbol
E11AL5	Side marker(Left),Artic	{GD 2 C}	componentSymbol
E11AL6	Side marker(Left),Artic	{GD 2 C}	componentSymbol
E11ALT	Position Light,Left(Trailer),Artic	{GD 2 B}	componentSymbol
E11AR1	Side marker(Right),Artic	{GD 2 B}	componentSymbol
E11AR2	Side marker(Right),Artic	{GD 2 B}	componentSymbol
E11AR3	Side marker(Right),Artic	{GD 1 B}	componentSymbol
E11AR4	Side marker(Right),Artic	{GD 1 C}	componentSymbol
E11AR5	Side marker(Right),Artic	{GD 1 C}	componentSymbol
E11AR6	Side marker(Right),Artic	{GD 1 C}	componentSymbol
E11ART	Side marker(Right) ,trailer,Artic	{GD 1 B}	componentSymbol
E11LA		{GC 5 B}	componentSymbol
E11LF	Side marker light left front	{GC 5 B}	componentSymbol
E11LR	Side marker light left rear	{GC 5 B}	componentSymbol
E11ML	Side marker light middle left	{GC 4 B}	componentSymbol
E11MR	Side marker light middle right	{GC 3 B}	componentSymbol
E11RA		{GC 4 B}	componentSymbol
E11RF	Side marker light right front	{GC 4 B}	componentSymbol
E11RR	Side marker light right rear	{GC 4 B}	componentSymbol
E11TL	Position Light,Left(Trailer)	{GC 5 B}	componentSymbol
E11TR	Position Light,Right(Trailer)	{GC 4 B}	componentSymbol

# VOLVO

Volvo Bus Corporation

Document Title

**WIRING DIAGRAM**

Document Type

**PRODUCT SCHEMATIC**

Document No

**20904123**

Issue Index

**03**

Volume No

**02(02)**

Page No

**7(55)**

Part Name	Description	Location	Part Type
E13AL	Direction indicator (left),Artic	{GD 4 B}	componentSymbol
E13ALT	Direction indicator,Left(trailer),Artic	{GD 3 B}	componentSymbol
E13AR	Direction indicator,(Left),Artic	{GD 3 B}	componentSymbol
E13ART	Direction indicator,Right,(Artic)	{GD 3 B}	componentSymbol
E13L	Lamp direction indicator left	{GA 4 A}	componentSymbol
E13LA	Dir.indicator left	{GA 4 A}	componentSymbol
E13LR	Dir. indicator left rear	{GA 3 B}	componentSymbol
E13R	Dir. indicator right	{GC 2 B}	componentSymbol
E13RB	Dir.indicator right	{GC 2 B}	componentSymbol
E13RR	Dir. indicator right rear	{GC 2 B}	componentSymbol
E913A	EGS gearbox diagnostics lamp	{DA 1 D}	componentSymbol
E913B	EGS gearbox diagnostics lamp	{DA 1 B}	componentSymbol
E916	Day runing light	{GE 4 B}	componentSymbol
F1	ECS, 5A	{FA 0 D}	componentSymbol
F2	BIC2,10A	{NA 1 D}	componentSymbol
F3	Starter motor,15A	{AA 1 D}	componentSymbol
F4	EBS,20A	{EO 5 D}	componentSymbol
F5	Horn,5A	{IS 2 D}	componentSymbol
F6	Emg. Parking brake release, 5A	{EX 3 D}	componentSymbol
F7	Gearbox ECU I-Shift, ZF4, 15A	{DN 4 D}	componentSymbol
F8	Gear selector ,I-Shift,5A	{DN 4 D}	componentSymbol
F9	Switchbox start/stop rear, 5A	{AG 4 D}	componentSymbol
F10	Fire Alarm,5A	{BB 5 D}	componentSymbol
F11	Dyna fleet, FMS, 10A	{NC 5 D}	componentSymbol
F12	Body +30,5A	{BB 4 D}	componentSymbol
F13	Oilmaster, 10A	{CO 4 D}	componentSymbol
F14	BBM,5A	{BB 5 D}	componentSymbol
F15	EECU,15A	{BA 4 D}	componentSymbol
F16	VECU,5A	{BA 4 D}	componentSymbol
F17	Switch feed,5A	{AC 2 D}	componentSymbol
F18	Alternature,5A	{AC 1 D}	componentSymbol
F19	Hymner / Pre-heat relay,10A	{AC 3 D}	componentSymbol
F20	EBS,10A	{EO 5 D}	componentSymbol
F21	Wiper,Washer,15A	{GM 2 D}	componentSymbol
F22	Diva 5, Ecolife, Ecomat4 ZF, 10A	{DC 3 D}	componentSymbol
F23	ACC, FMS,5A	{NE 3 D}	componentSymbol
F24	BIC 2,5A	{NA 1 D}	componentSymbol
F25	Washer motor, 15A	{GM 4 D}	componentSymbol
F26	ECS,5A	{FA 0 D}	componentSymbol
F27	G8-EGS,10A	{DA 4 D}	componentSymbol
F28	Retarder,10A	{DM 4 D}	componentSymbol
F29	Body +DR, 5A	{BB 4 D}	componentSymbol
F30	Fuel heater DH7, 20A	{AC 2 D}	componentSymbol
F31	Hydraulic oil, DNOx2, 10A	{NA 5 D}	componentSymbol
F32	Tachograph,5A	{NB 4 D}	componentSymbol
F33	BIC 2,5A	{NA 1 D}	componentSymbol
F34	Tachograph,10A	{NB 4 D}	componentSymbol
F35	LCM ,25A	{GA 5 D}	componentSymbol
F36	LCM,25A	{GA 4 D}	componentSymbol
F37	LCM,25A	{GA 3 D}	componentSymbol
F39	DNOx2, 25A	{CU 5 D}	componentSymbol

# VOLVO

Volvo Bus Corporation

Document Title

**WIRING DIAGRAM**

Document Type

**PRODUCT SCHEMATIC**

Document No

**20904123**

Issue Index

**03**

Volume No

**02(02)**

Page No

**8(55)**

Part Name	Description	Location	Part Type
F41	Radio,20A	{IU 4 D}	componentSymbol
F42	Maine Switch,5A	{AA 5 D}	componentSymbol
F44	LCM,25A	{GA 5 D}	componentSymbol
F45	LCM,25A	{GA 4 D}	componentSymbol
F46	LCM,25A	{GA 4 D}	componentSymbol
F47	Side marker L,5A	{GC 5 D}	componentSymbol
F48	Side marker R,5A	{GC 5 D}	componentSymbol
F49	Fuel cut off valve,5A	{NA 5 D}	componentSymbol
F50	Retarder,10A	{DM 4 D}	componentSymbol
F51	Radio,5A	{IU 4 D}	componentSymbol
F52	Luggage Light,10A	{BB 3 D}	componentSymbol
F53	Bogie Valve, Heater waterseperator, 5A	{BB 0 D}	componentSymbol
F54	Engine/Luggage hatch,5A	{GA 3 D}	componentSymbol
F55	Engine brake valve, Preheat relay, Fan speed clutch,10A	{BA 2 D}	componentSymbol
F56	Engine brake, 10A	{BA 2 D}	componentSymbol
F57	Key switch,5A	{AA 4 D}	componentSymbol
F58	FTM,5A	{CG 3 D}	componentSymbol
F60	Ecolife,10A	{DD 1 D}	componentSymbol
F61	Light, luggageroom,10A	{GA 3 D}	componentSymbol
F62	Light sleep department and voltage converter,20A	{GA 2 D}	componentSymbol
F63		{CL 2 D}	componentSymbol
F64	Load Indicator	{CL 2 D}	componentSymbol
F80	Fuse +	{AB 0 D}	componentSymbol
F81	Fuse +30	{AB 0 D}	componentSymbol
F90A	Fuse heated hose, 30A	{CU 2 B}	componentSymbol
F90B	Fuse heated hose, 30A	{CU 2 B}	componentSymbol
F93	Fuse,Alternator	{AB 1 B}	componentSymbol
F96	Fuse, Xenon low beam L, 10A	{GN 5 C}	componentSymbol
F97	Fuse, Xenon low beam R, 10A	{GN 4 C}	componentSymbol
F98	Fuse, Xenon high beam L, 10A	{GN 4 C}	componentSymbol
F99	Fuse, Xenon high beam R,10A	{GN 4 C}	componentSymbol
F101	B+, 150A	{AB 5 C}	componentSymbol
F102	+30, 150A	{AB 4 C}	componentSymbol
F103	Body +30, 150A	{AB 4 C}	componentSymbol
F104	Body +30, 100A	{AB 4 C}	componentSymbol
F105	Body +30, 50A	{AB 4 C}	componentSymbol
F106	Body +30, 50A	{AB 4 C}	componentSymbol
F107	Sens to altenator BS, 5A	{AB 4 C}	componentSymbol
F108	Body +30, 10A	{AB 4 C}	componentSymbol
F109	Body +30, 10A	{AB 4 C}	componentSymbol
F110	Body B+, 25A	{AB 5 C}	componentSymbol
F111	Body B+, 25A	{AB 5 C}	componentSymbol
F112	Maine Switch,5A	{AB 5 C}	componentSymbol
F201	Preheating, 150A	{AB 2 C}	componentSymbol
F202	Body +30, 150A Preheating, 150A	{AB 2 C} {AB 3 B}	componentSymbol
F203	Body +30	{AB 2 C} {AB 3 B}	componentSymbol
F204	Body +30	{AB 2 C} {AB 3 B}	componentSymbol

**VOLVO**

Volvo Bus Corporation

Document Title

**WIRING DIAGRAM**

Document Type

**PRODUCT SCHEMATIC**

Document No

**20904123**

Issue Index

**03**

Volume No

**02(02)**

Page No

**9(55)**



Part Name	Description	Location	Part Type
F205	Body +30	{AB 2 C} {AB 3 B}	componentSymbol
F206	Body +30, 10A	{AB 2 C}	componentSymbol
F207	Body +30, 10A	{AB 2 C}	componentSymbol
F208	Body +30, 25A	{AB 2 C}	componentSymbol
F209	Body +30, 10A	{AB 2 C}	componentSymbol
F210	Body +30, 10A	{AB 3 C}	componentSymbol
F211	Preheating, 5A	{AB 2 C}	componentSymbol
F212	Body +30, 10A	{AB 2 C}	componentSymbol
F213	Body +30, 10A	{AB 2 C}	componentSymbol
FH5	Fuse house, Xenon light	{GN 5 C}	componentSymbol
FL2A	Front light, L	{GE 5 B}	componentSymbol
FL3A	Front light, R	{GE 3 B}	componentSymbol
G01	Battery	{AB 5 B}	componentSymbol
G01.R12	Battery	{AB 1 B}	componentSymbol
G01B	Battery	{AB 5 B}	componentSymbol
G01B.R12	Battery	{AB 1 B}	componentSymbol
G02	Alternator 1	{AD 3 C} {AE 3 B}	componentSymbol
G02.S9	Alternator 1	{AH 3 B}	componentSymbol
G02_	Alternator 1	{AF 3 B}	componentSymbol
G03	Alternator 2	{AD 2 C} {AE 2 B}	componentSymbol
G03.B_R9L	Alternator 2	{AE 2 C}	componentSymbol
G03.B_R9TL	Alternator 2	{AE 2 C}	componentSymbol
G03.S9	Alternator 2	{AH 3 B}	componentSymbol
G03_	Alternator 2	{AF 2 B}	componentSymbol
G04	Alternator 3	{AE 1 B}	componentSymbol
G04.S9	Alternator 3	{AH 2 B}	componentSymbol
G04_	Alternator 3	{AF 1 B}	componentSymbol
GND1A		{ZC 2 A}	componentSymbol
GND1B		{ZC 3 A}	componentSymbol
GND1C		{ZC 2 A}	componentSymbol
GND1D		{ZC 0 A}	componentSymbol
GND1E		{ZC 0 D}	componentSymbol
GND2A		{AF 3 B}	componentSymbol
GND2B		{AF 2 B}	componentSymbol
GND2C		{AE 1 B}	componentSymbol
GND2D		{AE 4 B}	componentSymbol
GND2F		{AF 3 B}	componentSymbol
GND2G		{AF 2 B}	componentSymbol
GND6		{ZC 2 B}	componentSymbol
GND6B		{ZC 4 D}	componentSymbol
GND8		{ZC 2 B}	componentSymbol
GND9		{CO 3 A}	componentSymbol
GND11		{ZC 2 C}	componentSymbol
GND31A		{ZC 1 A}	componentSymbol
GND31B		{AB 5 A}	componentSymbol
GND70		{ZC 1 A}	componentSymbol
GND71		{ZC 0 A}	componentSymbol
GND72		{AH 4 B}	componentSymbol
GND73		{AH 2 B}	componentSymbol

**VOLVO**

Volvo Bus Corporation

Document Title

**WIRING DIAGRAM**

Document Type

**PRODUCT SCHEMATIC**

Document No

**20904123**

Issue Index

**03**

Volume No

**02(02)**

Page No

**10(55)**

Part Name	Description	Location	Part Type
GND74		{CU 1 B}	componentSymbol
GND75	GND_term_for_Towing_WH	{GA 0 C}	componentSymbol
GNDX		{ZC 4 C}	componentSymbol
GND_ENGINEBLOCK		{ZC 1 A}	componentSymbol
GND_F		{FH 3 D}	componentSymbol
GND_FRAME		{ZC 2 A}	componentSymbol
H01	Air,Operated	{IS 2 C}	componentSymbol
H02	Diaphragm horn	{IS 1 C}	componentSymbol
H05	Buzzer,H05	{DA 1 D}	componentSymbol
K2	Load Indicator	{CL 2 C}	componentSymbol
K3	ECS	{FA 0 B}	componentSymbol
K4	I-Shift/Voith	{DN 4 D}	componentSymbol
K5	EGS	{DA 4 D}	componentSymbol
K6	EGS	{DA 5 D}	componentSymbol
K7	Start engine	{AC 5 C}	componentSymbol
K8	VECU/EMS	{BA 5 C}	componentSymbol
K9	Wiper/Washer	{GM 2 C}	componentSymbol
K11	Prevent start engine	{AA 2 C}	componentSymbol
K12	Luggage Light	{BB 3 C}	componentSymbol
K13	Emergency switch relay	{AA 4 D}	componentSymbol
K14	Bogie	{BB 0 C}	componentSymbol
K15	RECU	{DM 4 C}	componentSymbol
K16	RECU	{DM 4 C}	componentSymbol
K17	Ignition +15	{AA 1 D}	componentSymbol
K25	EXHAUST FLAP	{CN 1 C}	componentSymbol
K25X	Xenon light low beam L	{GN 5 B}	componentSymbol
K26X	Xenon light low beam R	{GN 4 B}	componentSymbol
K27X	Xenon light high beam L	{GN 4 B}	componentSymbol
K28X	Xenon light high beam R	{GN 3 B}	componentSymbol
K35	relay_disconn_headlight_wash	{GM 4 C}	componentSymbol
K48	Relay Engine Preheating	{CN 1 C}	componentSymbol
K51	Power relay,battery main switch	{AB 0 B}	componentSymbol
K100	Main Relay	{AB 5 C}	componentSymbol
K200	Relay Engine Preheating	{AB 2 C}	componentSymbol
K200_	Fan control	{CN 4 D}	componentSymbol
K201	Relay in X904	{AB 2 C}	componentSymbol
K202	Relay in X904	{AB 1 C}	componentSymbol
K902	Relay heated hose pressure line	{CU 3 B}	componentSymbol
K903	Relay heated hose backflow to pump line	{CU 3 B}	componentSymbol
K906	Relay_Turntable_failure	{FC 5 C}	componentSymbol
K908	Relay heated hose suction line	{CU 4 B}	componentSymbol
K909	Relay heated hose backflow to tank line	{CU 2 B}	componentSymbol
K911	Relay, DRL Light	{GE 4 D}	componentSymbol
K985	Relay Air bellow fan	{FH 3 C}	componentSymbol
M01	Motor, windscreen wiper	{GM 1 B}	componentSymbol
M02	windscreen_washer_motor	{GM 3 B}	componentSymbol
M03	headlights washer motor	{GM 4 B}	componentSymbol
M905	Motor, Bi-xenon	{GE 4 B}	componentSymbol
OBD2		{NA 1 A}	componentSymbol
R1	Heater_Engine_Preheat	{CN 1 C}	componentSymbol
R01	Heater_Engine_Preheat	{CM 1 D}	componentSymbol

# VOLVO

Volvo Bus Corporation

Document Title

**WIRING DIAGRAM**

Document Type

**PRODUCT SCHEMATIC**

Document No

**20904123**

Issue Index

**03**

Volume No

**02(02)**

Page No

**11(55)**

Part Name	Description	Location	Part Type
R01_	Heater_Engine_Preheat	{CC 1 C}	componentSymbol
R1_MD9	Heater_Engine_Preheat	{CA 1 C}	componentSymbol
R08	Termination resistor,CAN-bus	{XC 4 D}	componentSymbol
R10	HEATER WATERSEPERATOR	{BB 0 B}	componentSymbol
R904	Resistor_DBUS	{CL 3 D}	componentSymbol
R904_2	Resistor_DBUS	{CG 2 D}	componentSymbol
R905	Heated_Hose_Suction_Line	{CU 4 B}	componentSymbol
R906	Heated_Hose_Pressure_Line	{CU 4 B}	componentSymbol
R907	Resistor, Can7	{CV 0 C}	componentSymbol
R908	Heated_Hose_Backflow_to_tank	{CU 2 B}	componentSymbol
R909	Heated_Filter	{CU 5 B}	componentSymbol
R910	Heated_Hose_Backflow_to_pump	{CU 3 B}	componentSymbol
R911	Resistor CRT	{CL 4 B}	componentSymbol
RC3	Resistor	{DA 3 D}	componentSymbol
RC3_HYM	Resistor	{FC 3 D}	componentSymbol
RL1A	Rear light, R	{GE 0 B}	componentSymbol
RL2A	Rear light, L	{GE 1 B}	componentSymbol
S01	Switch,main lighting,selector type	{GB 5 D}	componentSymbol
S02	Stalk switch LHS	{BA 3 D} {GB 2 D}	componentSymbol
S06	Stalk switch , windscreen wiper, selector type	{NA 2 B} {GM 1 D}	componentSymbol
S07	Engine_Brake_Switch	{CM 3 C}	componentSymbol
S08	Switch,differential gear lock,rear wheels	{EO 3 D}	componentSymbol
S11	switch bogie lift	{FA 3 B}	componentSymbol
S12	Main switch	{AA 4 C}	componentSymbol
S14A	Switch, push button, horn	{IS 2 B}	componentSymbol
S14B	Switch, push button, horn	{IS 1 B}	componentSymbol
S15A	Switch,Starter Key	{AA 3 D}	componentSymbol
S15B	Switch,Starter Feed	{AA 4 B}	componentSymbol
S16	Switch,push button,air horn	{IS 1 B}	componentSymbol
S19	Switch,extra	{DA 2 C}	componentSymbol
S24	stalk_switch_retarder	{BA 1 D}	componentSymbol
S31	TCS	{EP 0 B}	componentSymbol
S32	Brake hold	{EP 1 C}	componentSymbol
S34	Switch unit, steering wheel push buttons	{IS 5 C}	componentSymbol
S40	Switch, battery main switch	{AA 5 C}	componentSymbol
S41	Switch, battery main switch control	{AB 0 C}	componentSymbol
S45	Position switch,differential gear lock indicator,rear wheels,NC.or NO.	{EP 1 C}	componentSymbol
S50	Presure switch, exhaust pressure governor,NC	{BA 3 A}	componentSymbol
S58	clutch_switch	{BA 2 C}	componentSymbol
S68	coolant_level	{CN 3 C} {CM 2 D} {CA 2 D}	componentSymbol
S68_	coolant_level	{CC 4 C}	componentSymbol
S68_S9	coolant_level	{CA 2 D}	componentSymbol
S70	Switch Hydr.oil ,Flow sensor	{BB 1 B}	componentSymbol
S72	Switch, water separator draining	{CC 1 B}	componentSymbol
S77	Assistantnce call	{NC 3 C}	componentSymbol
S209	Switch fule pump	{CA 3 C}	componentSymbol

# VOLVO

Volvo Bus Corporation

Document Title

**WIRING DIAGRAM**

Document Type

**PRODUCT SCHEMATIC**

Document No

**20904123**

Issue Index

**03**

Volume No

**02(02)**

Page No

**12(55)**

Part Name	Description	Location	Part Type
S901	eng_stop_rear	{AG 0 B} {AG 5 B} {AG 2 B} {AG 1 B}	componentSymbol
S901_U	Eng_stop_switch_outside	{AG 1 B}	componentSymbol
S902	switch leveling	{FA 1 B}	componentSymbol
S904	Switch,emergency cut-out	{AA 4 D}	componentSymbol
S905	switch_retarder	{BA 1 A}	componentSymbol
S907	eng_start_rear	{AG 4 B} {AG 1 B} {AG 3 B} {AG 5 B}	componentSymbol
S908	eng_start_enable_rear	{AG 3 B} {AG 0 B} {AG 2 B} {AG 4 B}	componentSymbol
S909	Gear selector Voith	{DC 1 D}	componentSymbol
S910	Switch group, Ecomat transmission gear selector	{DB 1 D}	componentSymbol
S911	Switch,EGG	{EX 3 C}	componentSymbol
S913	Switch,cl.cont/rev.l man.transm	{GA 1 D}	componentSymbol
S915	switch kneeling	{FA 3 C}	componentSymbol
S916	Switch,Fault EGS	{DA 2 C}	componentSymbol
S917	Switch,Gear selector EGS	{DA 3 D}	componentSymbol
S918	Switch,EGS extra gear	{DA 1 C}	componentSymbol
S926	Ecomat_trans_ret_oil_temp_sens	{DB 3 B}	componentSymbol
S927	Switch,alternative gearshift program,ZF	{DB 2 D}	componentSymbol
S927_ZF5	Switch,alternative gearshift program,ZF	{DD 3 D}	componentSymbol
S928	Switch_Position_Neutral	{BB 4 C}	componentSymbol
S932	Switch_alternativ gearshift program,Voith	{DC 2 C}	componentSymbol
S935	Jack-knife warning	{BC 4 B}	componentSymbol
S935A	Jack-knife warning	{BC 4 B}	componentSymbol
S935B	Jack-knife warning (last trailer)	{BC 4 A}	componentSymbol
S936	Jack-knife stop	{BC 3 B}	componentSymbol
S936A	Jack-knife stop	{BC 3 B}	componentSymbol
S936B	Jack-knife stop (last trailer)	{BC 3 A}	componentSymbol
S939	Switch_service_gas_system	{CG 4 C}	componentSymbol
S940	LAMP FOR OILMASTER	{CO 3 D}	componentSymbol
S941	Reverse gearselector	{DC 2 C} {DD 5 D}	componentSymbol
U03	Modulator,EBS,rear axle(drive axle)	{EO 2 C}	componentSymbol
U04	Modulator EBS, bogie	{EP 4 B}	componentSymbol
U05	Modulator EBS, trailer	{EP 3 B}	componentSymbol
U06	Voltage converter	{IU 4 C}	componentSymbol
U06_	Voltage converter	{CB 4 C}	componentSymbol
U07	Modulator,EBS,Bogie/Artic	{EP 5 B}	componentSymbol
U08	Modulator,EBS,front	{EO 3 C}	componentSymbol
U11	Modulator,EBS, last-trailer, biartic	{EO 1 C}	componentSymbol
U12	Voltage converter, Bi-xenon	{GE 4 C}	componentSymbol
V03	Diod, Light	{GE 4 C}	componentSymbol
V04	Diod, Light	{GE 4 C}	componentSymbol
X09	Slip contact/Horne	{IS 1 B}	componentSymbol

# VOLVO

Volvo Bus Corporation

Document Title

**WIRING DIAGRAM**

Document Type

**PRODUCT SCHEMATIC**

Document No

**20904123**

Issue Index

**03**

Volume No

**02(02)**

Page No

**13(55)**

Part Name	Description	Location	Part Type
X09_RX		{IS 1 B}	componentSymbol
X902	Power connection box MD7	{AD 4 B}	componentSymbol
X903	VPCU Front with main relay and main switch	{AB 5 C}	componentSymbol
X904	VPCU Rear with preheat relay	{AB 3 D}	componentSymbol
X905		{AB 4 B}	componentSymbol
X906	EXTERNAL CHARGER OUTLET	{AB 5 B}	componentSymbol
X917	POWER JUNCTION R9S	{AH 3 C}	componentSymbol
XC103_R7		{AB 4 B}	componentSymbol
XC103_R9		{AB 4 B}	componentSymbol
XC103_R12		{AB 4 B}	componentSymbol
XC201_B12R		{AB 1 B}	componentSymbol
XC201_R9L		{AB 2 B}	componentSymbol
XC201_R9TL		{AB 2 B}	componentSymbol
XC201_R12		{AB 1 B}	componentSymbol
XC202A_R9S_R9L		{AB 3 C}	componentSymbol
XC202A_R9TL		{AB 3 C}	componentSymbol
XC202A_R12		{AB 2 C}	componentSymbol
XC202B_R9S_9L		{AB 2 B}	componentSymbol
XC202B_R9TL		{AB 2 B}	componentSymbol
XC202B_R12		{AB 2 B}	componentSymbol
Y02	Solenoid valve,Differential lock,rear wheels	{EP 1 C}	componentSymbol
Y07	sol_valve_EPG	{CA 0 C}	componentSymbol
Y17	Solenoid valve,Retarder (manual gearbox)	{DM 3 A}	componentSymbol
Y17.1		{CN 1 B}	componentSymbol
Y17.2		{CN 1 B}	componentSymbol
Y25	Solenoid valve unit, ECS, Rear axle	{FA 5 C}	componentSymbol
Y33	sol_valve_unit_injector	{CM 3 B}	componentSymbol
Y33_	sol_valve_unit_injector	{CC 2 B}	componentSymbol
Y34	Solenoid valve, EGR	{CB 1 C}	componentSymbol
Y35	Solenoid valve, Fan control	{CN 5 D}	componentSymbol
Y35.1	Solenoid valve, Fan control	{CB 2 C}	componentSymbol
Y35_D9	Solenoid valve, Fan control	{CA 4 C}	componentSymbol
Y36	Solenoid valve,Steerable axle,Bogie	{BB 0 D}	componentSymbol
Y37	Solenoid valve unit, engine brake/EPG	{CM 1 C}	componentSymbol
Y37_	Solenoid valve unit, engine brake/EPG	{CC 2 C}	componentSymbol
Y39	Solenoid valve,Volvo Engine Brake(VEB)	{CM 1 D}	componentSymbol
Y39_	Solenoid valve,Volvo Engine Brake(VEB)	{CC 1 C}	componentSymbol
Y40	Solenoid valve unit, ECS, Front axle	{FA 4 B}	componentSymbol
Y46	sol_valve_piston_cooling	{CM 2 C}	componentSymbol
Y47	sol_valve_engine_cooling_fan	{CM 5 B}	componentSymbol
Y72	Valve, Horn	{IS 2 C}	componentSymbol
Y90	Solenoid valve, idle	{CB 5 B}	componentSymbol
Y91	Solenoid valve, injection 1	{CB 2 D}	componentSymbol
Y91A		{CA 0 C}	componentSymbol
Y92	Solenoid valve, injection 2	{CB 2 D}	componentSymbol
Y93	Solenoid valve, injection 3	{CB 2 D}	componentSymbol
Y94	Solenoid valve, injection 4	{CB 2 D}	componentSymbol
Y95	Solenoid valve, turbo wastegate	{CB 1 D}	componentSymbol
Y96	Solenoid valve, ignition 1	{CB 1 B}	componentSymbol

# VOLVO

Volvo Bus Corporation

Document Title

**WIRING DIAGRAM**

Document Type

**PRODUCT SCHEMATIC**

Document No

**20904123**

Issue Index

**03**

Volume No

**02(02)**

Page No

**14(55)**

Part Name	Description	Location	Part Type
Y97	Solenoid valve, ignition 2	{CB 1 B}	componentSymbol
Y98	Solenoid valve, ignition 3	{CB 1 B}	componentSymbol
Y99	Solenoid valve, ignition 4	{CB 1 B}	componentSymbol
Y100	Solenoid valve, ignition 5	{CB 1 B}	componentSymbol
Y101	Solenoid valve, ignition 6	{CB 1 B}	componentSymbol
Y900	solenoid valve unit, ECS, Bogie axle	{FA 2 C}	componentSymbol
Y901	Fuel cut off valve front axle	{NA 5 B}	componentSymbol
Y901_LE	Fuel cut off valve	{NA 1 C}	componentSymbol
Y901_S9	Fuel cut off valve	{NA 5 B}	componentSymbol
Y902	Solenoid Valve,EGG	{EX 3 B}	componentSymbol
Y904	X9/Y1 Ecomat	{DB 4 B}	componentSymbol
Y910	X6/A4 Ecomat	{DB 2 B}	componentSymbol
Y911	sol_valve_inj_SCRT_DNOX2	{CU 4 D} {CU 4 C}	componentSymbol
Y912	sol_valve_adblue_tank_heating_SCRT_D NOX2	{CU 5 B}	componentSymbol
Y913	Solenoid valve,EGS	{DA 4 C}	componentSymbol
Y914	Pressure control valve(PCU/R)	{EP 5 C}	componentSymbol
Y915	Pressure controll valve (PCU/R)	{EP 5 C}	componentSymbol
Y916	Solenoid valve unit, ECS, Artic Axle	{FA 2 C}	componentSymbol
Y916_A	Solenoid valve unit, ECS, Artic Axle	{FA 2 C}	componentSymbol
Y917	Fuel cut off valve rear axle	{NA 5 C}	componentSymbol
Y924	Solenoid,Oil seperator	{BB 1 D}	componentSymbol
Y925	Sol_valve_gas_tank1	{CG 3 B}	componentSymbol
Y926	Sol_valve_gas_tank2	{CG 3 B}	componentSymbol
Y927	Sol_valve_gas_tank3	{CG 3 B}	componentSymbol
Y928	Sol_valve_gas_tank4	{CG 2 B}	componentSymbol
Y929	Sol_valve_gas_tank5	{CG 2 B}	componentSymbol
Y930	Sol_valve_gas_tank6	{CG 1 B}	componentSymbol
Y931	Sol_valve_gas_tank7	{CG 1 B}	componentSymbol
Y934	Solenoid valve unit, ECS, last trailer (Biartic)	{FA 3 C}	componentSymbol
Y935	Sol_Valve_Gas_Tank8	{CG 1 B}	componentSymbol
Engine_block	Grund	{CM 1 C}	global_terminal_connector
+30:1		{AB 0 D} {AB 4 D}	inline_connector
+B:1		{AB 0 D} {AB 5 D}	inline_connector
30UA:1		{CU 2 B}	inline_connector
30UB:1		{CU 2 B}	inline_connector
A14A:1		{CM 5 C}	inline_connector
A14A:2		{XC 4 B}	inline_connector
A14A:3		{XC 4 B}	inline_connector
A14A:4		{XD 3 B}	inline_connector
A14A:5		{XD 4 B}	inline_connector
A14A:7		{CM 1 D}	inline_connector
A14A:8		{CM 3 C}	inline_connector
A14A:9		{CM 5 C}	inline_connector
A14A:10		{CM 1 C}	inline_connector
A14A:11		{CM 0 C}	inline_connector
A14A:12		{AF 4 C}	inline_connector
A14A_MG9:1		{CB 5 C}	inline_connector

**VOLVO**

Volvo Bus Corporation

Document Title

**WIRING DIAGRAM**

Document Type

**PRODUCT SCHEMATIC**

Document No

**20904123**

Issue Index

**03**

Volume No

**02(02)**

Page No

**15(55)**

Part Name	Description	Location	Part Type
A14A_MG9:2		{XC 3 B}	inline_connector
A14A_MG9:3		{XC 3 B}	inline_connector
A14A_MG9:4		{XD 5 A}	inline_connector
A14A_MG9:5		{XD 5 A}	inline_connector
A14A_MG9:6		{CB 1 A}	inline_connector
A14A_MG9:7		{BD 1 C} {BD 4 C}	inline_connector
A14A_MG9:8		{BD 1 C} {BD 4 C}	inline_connector
A14A_MG9:9		{CB 5 C}	inline_connector
A14A_MG9:10		{CB 1 D}	inline_connector
A14A_MG9:12		{CB 1 D}	inline_connector
A14B:1		{CM 4 C}	inline_connector
A14B:2		{CM 4 C}	inline_connector
A14B:3		{CM 4 C}	inline_connector
A14B:4		{CM 4 C}	inline_connector
A14B:5		{CM 2 C}	inline_connector
A14B:6		{CM 2 C}	inline_connector
A14B:7		{CM 5 B}	inline_connector
A14B_MG9:1		{CB 4 B}	inline_connector
A14B_MG9:2		{CB 4 A}	inline_connector
A14B_MG9:3		{CB 2 D}	inline_connector
A14B_MG9:4		{CB 2 C}	inline_connector
A14C:1		{CM 5 C}	inline_connector
A14C:2		{CM 0 C}	inline_connector
A14C:3		{CM 0 C}	inline_connector
A14C:4		{BD 0 B} {BD 2 B}	inline_connector
A14C:5		{BD 0 D} {BD 2 D}	inline_connector
A14C:6		{CM 5 B}	inline_connector
A14C:7		{CM 5 B}	inline_connector
A14D:1		{CM 5 B}	inline_connector
A14D:2		{CM 5 C}	inline_connector
A14D:3		{CM 5 C}	inline_connector
A14D:4		{CM 5 C}	inline_connector
A14_:1		{CC 4 C}	inline_connector
A14_:2		{CC 3 D}	inline_connector
A14_:3		{CC 3 D}	inline_connector
A14_:4		{CC 3 D}	inline_connector
A14_:5		{CC 3 D}	inline_connector
A14_:6		{CC 2 D}	inline_connector
A14_:7		{CC 1 D}	inline_connector
A14_:8		{CC 4 C}	inline_connector
A14_:9		{CC 4 C}	inline_connector
A14_:10		{CC 2 C}	inline_connector
A14_:11		{CC 4 C}	inline_connector
A14_:12		{CC 1 C}	inline_connector
A43:1		{CC 4 B}	inline_connector
A43:2		{CC 4 A}	inline_connector
A43:3		{CC 3 A}	inline_connector
A43:4		{CC 3 A}	inline_connector

**VOLVO**

Volvo Bus Corporation

Document Title

**WIRING DIAGRAM**

Document Type

**PRODUCT SCHEMATIC**

Document No

**20904123**

Issue Index

**03**

Volume No

**02(02)**

Page No

**16(55)**

Part Name	Description	Location	Part Type
A43:5		{CC 4 B}	inline_connector
A43:6		{CC 3 D}	inline_connector
A43:7		{CC 3 D}	inline_connector
ACC:1		{NE 3 C}	inline_connector
ACC:2		{XC 4 C}	inline_connector
ACC:3		{XC 4 C}	inline_connector
ACC:4		{XD 3 D}	inline_connector
ACC:5		{XD 3 D}	inline_connector
ACC:6		{ZC 1 B}	inline_connector
ACC:7		{BA 3 C}	inline_connector
ACC:8		{BA 3 C}	inline_connector
ACC:9		{NE 3 C}	inline_connector
ARTIC.A1:1		{FB 1 D}	inline_connector
ARTIC.A1:2		{FB 1 D}	inline_connector
ARTIC.A1:3		{FB 3 B}	inline_connector
ARTIC.A1:4		{FB 3 B}	inline_connector
ARTIC.A1:5		{BC 5 B}	inline_connector
ARTIC.A1:6		{BC 5 B}	inline_connector
ARTIC.A1:7		{BC 4 D}	inline_connector
ARTIC.A1:8		{BC 3 C}	inline_connector
ARTIC.A1:9		{BC 3 C}	inline_connector
ARTIC.A1:10		{BC 5 B}	inline_connector
ARTIC.A1:11		{BC 3 C}	inline_connector
ARTIC.A1:12		{BC 3 C}	inline_connector
ARTIC.A2:7		{BC 4 C}	inline_connector
ARTIC.A2:8		{BC 3 C}	inline_connector
ARTIC.A2:9		{BC 3 C}	inline_connector
ARTIC.A2:11		{BC 3 C}	inline_connector
ARTIC.A2:12		{BC 3 C}	inline_connector
ARTIC:1		{FB 1 D}	inline_connector
ARTIC:2		{FB 1 D}	inline_connector
ARTIC:3		{FB 2 C}	inline_connector
ARTIC:4		{FB 1 D}	inline_connector
ARTIC:5		{BC 4 D}	inline_connector
ARTIC:6		{BC 4 D}	inline_connector
ARTIC:7		{BC 4 D}	inline_connector
ARTIC:8		{BC 3 C}	inline_connector
ARTIC:9		{BC 3 D}	inline_connector
ARTIC:10		{BC 4 D}	inline_connector
ARTIC:11		{BC 3 D}	inline_connector
ARTIC:12		{BC 3 D}	inline_connector
AUDIO:1		{NA 4 C}	inline_connector
AUDIO:2		{NA 4 C}	inline_connector
AUDIO:3		{IS 4 C}	inline_connector
B930T:1		{CU 4 C}	inline_connector
B930T:2		{CU 4 C}	inline_connector
B930T:3		{CU 4 D}	inline_connector
B930T:4		{CU 4 D}	inline_connector
BB1:1	Idle switch	{BA 5 B}	inline_connector
BB1:2	Start disable	{BC 1 D}	inline_connector
BB1:3	Fire alarm,body	{BC 1 D}	inline_connector

**VOLVO**

Volvo Bus Corporation

Document Title

**WIRING DIAGRAM**

Document Type

**PRODUCT SCHEMATIC**

Document No

**20904123**

Issue Index

**03**

Volume No

**02(02)**

Page No

**17(55)**



Part Name	Description	Location	Part Type
BB1:4	Low priority loads, relay	{BC 2 D}	inline_connector
BB1:5	Luggage hatch ,open	{BB 2 B}	inline_connector
BB1:6	Safety belt indicator	{NA 2 A}	inline_connector
BB1:8	Washer fluid low level	{NA 2 A}	inline_connector
BB1:9	Alternator charging	{NA 2 A}	inline_connector
BB1:10	AC 1	{BB 1 D}	inline_connector
BB1:11	Parking brake applied	{BA 3 A}	inline_connector
BB1:12	AC Disable	{BC 1 D}	inline_connector
BB2:1	Indoor temperator +	{NA 3 A}	inline_connector
BB2:2	Indoor temperature -	{NA 3 B}	inline_connector
BB2:3	Out door temperator +	{NA 3 A}	inline_connector
BB2:4	Out door temperatur-	{NA 3 B}	inline_connector
BB2:5	D-CAN H	{BC 2 B}	inline_connector
BB2:6	D-CAN L	{BC 2 B}	inline_connector
BB2:7	Horn(contacts steering wheelside)	{IS 1 C}	inline_connector
BB2:8	Horn supply	{IS 2 D}	inline_connector
BB2:9	Horn (contacts steer.wheel centre)	{IS 2 C}	inline_connector
BB2:10	Alarm	{GB 3 C}	inline_connector
BB2:11	Emergency switch	{AA 5 B}	inline_connector
BB2:12	Signal 4 pulses/meter C6	{NB 3 D}	inline_connector
BB3:1	Head lamps off	{GB 3 C}	inline_connector
BB3:2	Prevent ECS action	{BC 1 D}	inline_connector
BB3:3	Kneeling position	{FA 4 B}	inline_connector
BB3:4	Cancel kneeling	{FA 4 C}	inline_connector
BB3:5	Hazard warning lamps	{GB 2 C}	inline_connector
BB3:6	N/A	{GB 5 B}	inline_connector
BB3:7	Next stop indicator	{NA 2 A}	inline_connector
BB3:8	pram indicator	{NA 2 A}	inline_connector
BB3:9	N/A	{AC 5 C}	inline_connector
BB3:10	Speed signal C3	{BA 4 B}	inline_connector
BB3:11	+30 main switch (fuse F12)	{BB 4 D}	inline_connector
BB3:12	+15 ignition(fuse F29)	{BB 4 D}	inline_connector
BB4:1	Glass heating	{BC 2 D}	inline_connector
BB4:2	Host call	{BC 2 D}	inline_connector
BB4:3	Toilet fluid level	{BC 1 D}	inline_connector
BB4:4	Toilet occupied	{BC 1 D}	inline_connector
BB4:5	Door failure	{BC 1 D}	inline_connector
BB4:6	Door brake, status	{BC 2 D}	inline_connector
BB4:7	Door brake,request	{EP 2 D}	inline_connector
BB4:8	Speed signal 5 km/h	{BA 4 B}	inline_connector
BB4:9	Any door open	{NA 2 A}	inline_connector
BB4:10	Speed signal X km/h	{BA 4 B}	inline_connector
BB4:11	Dimmer,dashboard illumination	{GB 0 C}	inline_connector
BB4:12	N/A	{CG 3 D}	inline_connector
BB5.A:1		{GB 3 B}	inline_connector
BB5.A:2		{GB 2 B}	inline_connector
BB5.A:3		{GB 4 B}	inline_connector
BB5.A:4		{GB 0 B}	inline_connector
BB5.A:5		{GB 2 B}	inline_connector
BB5.A:6		{GB 2 C}	inline_connector
BB5.A:7		{GB 4 B}	inline_connector

**VOLVO**

Volvo Bus Corporation

Document Title

**WIRING DIAGRAM**

Document Type

**PRODUCT SCHEMATIC**

Document No

**20904123**

Issue Index

**03**

Volume No

**02(02)**

Page No

**18(55)**

Part Name	Description	Location	Part Type
BB5.A:8		{GB 1 B}	inline_connector
BB5.A:9		{GB 3 B}	inline_connector
BB5.A:10		{GB 2 B}	inline_connector
BB5.A:11		{GB 4 B}	inline_connector
BB5.A:12		{GB 1 B}	inline_connector
BB5.B:1		{GB 3 B}	inline_connector
BB5.B:2		{GB 1 B}	inline_connector
BB5.B:3		{GB 4 B}	inline_connector
BB5.B:4		{GB 0 B}	inline_connector
BB5.B:5		{GB 2 B}	inline_connector
BB5.B:6		{GB 2 C}	inline_connector
BB5.B:7		{GB 4 B}	inline_connector
BB5.B:8		{GB 1 B}	inline_connector
BB5.B:9		{GB 3 B}	inline_connector
BB5.B:10		{GB 2 B}	inline_connector
BB5.B:11		{GB 3 B}	inline_connector
BB5.B:12		{GB 1 B}	inline_connector
BB5:1	dipped beam.Left	{GB 3 B}	inline_connector
BB5:2	Dipped beam.Right	{GB 1 B}	inline_connector
BB5:3	Direction indicator,front and side.Left	{GB 4 B}	inline_connector
BB5:4	Direction indicator,Front and side. Right	{GB 0 B}	inline_connector
BB5:5	Fog lamps,front	{GB 2 B}	inline_connector
BB5:6	Additional main beam	{GB 2 C}	inline_connector
BB5:7	End-outline maker,side marker,position lamps.Left	{GB 4 B}	inline_connector
BB5:8	End-outline marker,side marker, position lamps.Right	{GB 1 B}	inline_connector
BB5:9	Main beam 2. Left	{GB 3 B}	inline_connector
BB5:10	Main beam 2.Right	{GB 2 B}	inline_connector
BB5:11	Main beam 1.Left	{GB 3 B}	inline_connector
BB5:12	Main beam 1.Right	{GB 1 B}	inline_connector
BB6.A1:1		{BC 2 B}	inline_connector
BB6.A1:2		{GA 3 D}	inline_connector
BB6.A1:4		{GA 3 D}	inline_connector
BB6.A1:5		{BB 2 B}	inline_connector
BB6.A1:6		{BB 3 C}	inline_connector
BB6.A1:12		{GA 2 B}	inline_connector
BB6.A2:1		{BC 2 B}	inline_connector
BB6.A2:2		{GA 3 D}	inline_connector
BB6.A2:4		{GA 2 D}	inline_connector
BB6.A2:5		{BB 2 B}	inline_connector
BB6.A2:6		{BB 3 C}	inline_connector
BB6.A2:12		{GA 2 B}	inline_connector
BB6.A3:1		{BC 2 B}	inline_connector
BB6.A3:2		{GA 3 C}	inline_connector
BB6.A3:4		{GA 2 D}	inline_connector
BB6.A3:5		{BB 2 C}	inline_connector
BB6.A3:6		{BB 3 D}	inline_connector
BB6.A3:12		{GA 2 B}	inline_connector
BB6:1	Starter inhibitor, engine hatch	{BC 3 B}	inline_connector
BB6:2	N/A	{GA 3 D}	inline_connector
BB6:3	AC compressor 3	{CL 2 B}	inline_connector

**VOLVO**

Volvo Bus Corporation

Document Title

**WIRING DIAGRAM**

Document Type

**PRODUCT SCHEMATIC**

Document No

**20904123**

Issue Index

**03**

Volume No

**02(02)**

Page No

**19(55)**

Part Name	Description	Location	Part Type
BB6:4	+30 main swith(fuse F54)	{GA 3 D}	inline_connector
BB6:5	Luggage hatch, open	{BB 2 B}	inline_connector
BB6:6	Luggage compartment light	{BB 3 C}	inline_connector
BB6:12	Reverse warning signal	{GA 2 B}	inline_connector
BB6A:4	+30 main swith(fuse F54)	{GD 5 D}	inline_connector
BB6A:5	Luggage hatch, open	{GD 4 D}	inline_connector
BB6A:6	Luggage compartment light	{GD 3 D}	inline_connector
BB6B:1	Starter inhibitor, engine hatch	{BC 3 B}	inline_connector
BB6B:2	N/A	{GA 3 C}	inline_connector
BB6B:4	+30 main swith(fuse F54)	{GA 3 C}	inline_connector
BB6B:5	Luggage hatch, open	{BB 2 B}	inline_connector
BB6B:6	Luggage compartment light	{BB 3 D}	inline_connector
BB6B:12	Reverse warning signal	{GA 2 B}	inline_connector
BB7.A1:1		{GC 3 C}	inline_connector
BB7.A1:2		{GA 1 B}	inline_connector
BB7.A1:3		{GA 4 B}	inline_connector
BB7.A1:4		{GC 3 C}	inline_connector
BB7.A1:5		{GA 4 B}	inline_connector
BB7.A1:6		{GC 2 C}	inline_connector
BB7.A1:7		{GA 5 B}	inline_connector
BB7.A1:8		{GC 1 C}	inline_connector
BB7.A1:9		{GC 5 C}	inline_connector
BB7.A1:10		{GC 4 C}	inline_connector
BB7.A1:11		{GA 3 B}	inline_connector
BB7.A1:12		{GA 2 B}	inline_connector
BB7.A2:1		{GC 3 C}	inline_connector
BB7.A2:2		{GA 1 B}	inline_connector
BB7.A2:3		{GA 4 B}	inline_connector
BB7.A2:4		{GC 3 C}	inline_connector
BB7.A2:5		{GA 4 B}	inline_connector
BB7.A2:6		{GC 2 C}	inline_connector
BB7.A2:7		{GA 5 B}	inline_connector
BB7.A2:8		{GC 1 C}	inline_connector
BB7.A2:9		{GC 5 C}	inline_connector
BB7.A2:10		{GC 4 C}	inline_connector
BB7.A2:11		{GA 3 B}	inline_connector
BB7.A2:12		{GA 2 B}	inline_connector
BB7.A3:1		{GC 3 C}	inline_connector
BB7.A3:2		{GA 1 B}	inline_connector
BB7.A3:3		{GA 4 B}	inline_connector
BB7.A3:4		{GC 3 B}	inline_connector
BB7.A3:5		{GA 4 B}	inline_connector
BB7.A3:6		{GC 2 B}	inline_connector
BB7.A3:7		{GA 5 B}	inline_connector
BB7.A3:8		{GC 1 B}	inline_connector
BB7.A3:9		{GC 5 B}	inline_connector
BB7.A3:10		{GC 4 B}	inline_connector
BB7.A3:11		{GA 3 B}	inline_connector
BB7.A3:12		{GA 2 B}	inline_connector
BB7:1	Stop lamp.Right	{GC 3 C}	inline_connector
BB7:2	Reversing lamps	{GA 1 B}	inline_connector

**VOLVO**

Volvo Bus Corporation

Document Title

**WIRING DIAGRAM**

Document Type

**PRODUCT SCHEMATIC**

Document No

**20904123**

Issue Index

**03**

Volume No

**02(02)**

Page No

**20(55)**

Part Name	Description	Location	Part Type
BB7:3	Direction indicator.Rear left	{GA 3 B}	inline_connector
BB7:4	Direction indicator.Rear right	{GC 2 C}	inline_connector
BB7:5	Extra direction indicator.Left	{GA 4 B}	inline_connector
BB7:6	Extra direction indicator.Right	{GC 2 C}	inline_connector
BB7:7	Rear position lamps.Left	{GA 5 B}	inline_connector
BB7:8	Rear position lamp.Right	{GC 1 C}	inline_connector
BB7:9	End-outline marker,sidemarkers.Rear left	{GC 5 C}	inline_connector
BB7:10	End-outline marker,side marker lamps.Rear right	{GC 4 C}	inline_connector
BB7:11	Stop lamp,left and Category S3 stop lamps	{GA 3 B}	inline_connector
BB7:12	Fog lamps,Rear	{GA 2 B}	inline_connector
BB7A:1		{GD 5 C}	inline_connector
BB7A:2		{GD 4 C}	inline_connector
BB7A:3		{GD 4 C}	inline_connector
BB7A:4		{GD 3 C}	inline_connector
BB7A:5		{GD 3 C}	inline_connector
BB7A:6		{GD 3 C}	inline_connector
BB7A:7		{GD 3 C}	inline_connector
BB7A:8		{GD 3 C}	inline_connector
BB7A:9		{GD 2 D}	inline_connector
BB7A:10		{GD 2 D}	inline_connector
BB7A:11		{GD 1 C}	inline_connector
BB7A:12		{GD 0 C}	inline_connector
BB7B:1		{GC 3 C}	inline_connector
BB7B:2		{GA 1 B}	inline_connector
BB7B:3		{GA 4 B}	inline_connector
BB7B:4		{GC 2 C}	inline_connector
BB7B:5		{GA 4 B}	inline_connector
BB7B:6		{GC 2 B}	inline_connector
BB7B:7		{GA 5 B}	inline_connector
BB7B:8		{GC 1 C}	inline_connector
BB7B:9		{GC 5 B}	inline_connector
BB7B:10		{GC 4 B}	inline_connector
BB7B:11		{GA 3 B}	inline_connector
BB7B:12		{GA 2 B}	inline_connector
BB7_T:1		{GA 0 D}	inline_connector
BB7_T:3		{GA 1 D}	inline_connector
BB7_T:4		{GA 1 D}	inline_connector
BB7_T:7		{GA 1 D}	inline_connector
BB7_T:8		{GA 1 D}	inline_connector
BB7_T:11		{GA 0 D}	inline_connector
BB8:1	End-outline marker lamp.Front left	{GB 4 A}	inline_connector
BB8:2	End-outline marker lamp.Front right	{GB 1 B}	inline_connector
BB8:3	Extra main beam	{GB 2 C}	inline_connector
BB10A:1	remote control of extra power amplifier(12V)	{IU 4 A}	inline_connector
BB10A:3	+15(12V)	{IU 3 C}	inline_connector

**VOLVO**

Volvo Bus Corporation

Document Title

**WIRING DIAGRAM**

Document Type

**PRODUCT SCHEMATIC**

Document No

**20904123**

Issue Index

**03**

Volume No

**02(02)**

Page No

**21(55)**

Part Name	Description	Location	Part Type
BB10A:5	+30(12V)	{IU 4 C}	inline_connector
BB10A:7	Ground	{IU 5 C}	inline_connector
BB10A:9	N/A	{IU 3 A}	inline_connector
BB10B:1	remote control of extra power amplifier (12V)	{IU 4 A}	inline_connector
BB10B:3	+15(12V)	{IU 4 C}	inline_connector
BB10B:5	+30(12V)	{IU 3 C}	inline_connector
BB10B:7	Ground	{IU 5 C}	inline_connector
BB10B:9	N/A	{IU 3 A}	inline_connector
BB11:1	Connected to RL:3	{GB 5 B}	inline_connector
BB13:1	AC 1 - 50%	{BC 5 D}	inline_connector
BB13:2	AC compressor 2	{CL 4 D}	inline_connector
BB13:3	AC compressor 3	{CL 4 D}	inline_connector
BB13:4		{FB 3 D}	inline_connector
BB13:5	TORQUE REDUCTION	{BC 5 D}	inline_connector
BB13:6	AC compressor 2	{CL 3 B}	inline_connector
BB13:7	AC compressor 3	{CL 3 B}	inline_connector
BBOX:1		{AA 4 A}	inline_connector
BBOX:2		{AB 4 C}	inline_connector
BFEED:1		{CU 5 D}	inline_connector
BMUX:1		{XD 4 D}	inline_connector
BMUX:2		{XD 4 D}	inline_connector
BMUX:3	Externa main switch	{AA 5 C}	inline_connector
BMUX:4	Externa main switch	{AA 5 B}	inline_connector
BMUX:5		{AA 5 C}	inline_connector
BOGIE.A1:1		{FB 4 B}	inline_connector
BOGIE.A1:2		{FB 4 B}	inline_connector
BOGIE.A1:3		{FA 4 B}	inline_connector
BOGIE.A1:4		{FA 5 B}	inline_connector
BOGIE.A1:5		{FA 5 B}	inline_connector
BOGIE.A1:6		{EP 4 C}	inline_connector
BOGIE.A1:7		{EP 4 C}	inline_connector
BOGIE.A1:8		{EP 4 C}	inline_connector
BOGIE.A1:9		{EP 4 D}	inline_connector
BOGIE:1		{FB 4 D}	inline_connector
BOGIE:2		{FB 4 D}	inline_connector
BOGIE:3		{FA 1 B}	inline_connector
BOGIE:4		{FA 2 B}	inline_connector
BOGIE:5		{FA 2 B}	inline_connector
BOGIE:6		{EP 4 C}	inline_connector
BOGIE:7		{EP 4 C}	inline_connector
BOGIE:8		{EP 4 D}	inline_connector
BOGIE:9		{EP 3 D}	inline_connector
BOGIE:10		{ZC 3 B}	inline_connector
BOGIE:11		{BB 0 B}	inline_connector
BOGIE:12		{BB 0 B}	inline_connector
BS1:2		{EO 3 C}	inline_connector
BS1:3		{EO 3 C}	inline_connector
BS1:4		{EO 3 C}	inline_connector
BS1:5		{EO 2 C}	inline_connector
BS1:8		{EP 5 D}	inline_connector

**VOLVO**

Volvo Bus Corporation

Document Title

**WIRING DIAGRAM**

Document Type

**PRODUCT SCHEMATIC**

Document No

**20904123**

Issue Index

**03**

Volume No

**02(02)**

Page No

**22(55)**

Part Name	Description	Location	Part Type
BS1:9		{EP 5 D}	inline_connector
BS1:10		{EP 4 D}	inline_connector
BS1:11		{EP 5 D}	inline_connector
BS1:12		{EP 5 D}	inline_connector
BS2:2		{EP 2 C}	inline_connector
BS2:3		{EP 2 C}	inline_connector
BS2:5		{EP 2 C}	inline_connector
BS2:6		{EP 2 C}	inline_connector
BS3.A1:1		{EO 2 B}	inline_connector
BS3.A1:2		{EO 2 B}	inline_connector
BS3.A1:3		{EO 1 B}	inline_connector
BS3.A1:4		{EO 1 B}	inline_connector
BS3.A1:5		{EP 1 D}	inline_connector
BS3.A1:6		{EP 2 D}	inline_connector
BS3.A1:7		{EP 2 A}	inline_connector
BS3.A1:8		{NA 2 C}	inline_connector
BS3.A1:9		{BB 2 C}	inline_connector
BS3.A1:10		{BA 0 C}	inline_connector
BS3.A1:11		{BA 0 B}	inline_connector
BS3.A1:12		{BA 0 B}	inline_connector
BS3.A2:1		{EO 2 B}	inline_connector
BS3.A2:2		{EO 2 B}	inline_connector
BS3.A2:3		{EO 1 B}	inline_connector
BS3.A2:4		{EO 1 B}	inline_connector
BS3.A2:5		{EP 1 C}	inline_connector
BS3.A2:6		{EP 2 C}	inline_connector
BS3.A2:7		{EP 2 B}	inline_connector
BS3.A2:8		{NA 2 C}	inline_connector
BS3.A2:9		{BB 2 C}	inline_connector
BS3.A2:10		{BA 0 C}	inline_connector
BS3.A2:11		{BA 0 C}	inline_connector
BS3.A2:12		{BA 0 B}	inline_connector
BS3.A3:1		{EO 2 B}	inline_connector
BS3.A3:2		{EO 2 B}	inline_connector
BS3.A3:3		{EO 1 C}	inline_connector
BS3.A3:4		{EO 1 C}	inline_connector
BS3.A3:5		{EP 1 C}	inline_connector
BS3.A3:6		{EP 2 C}	inline_connector
BS3.A3:7		{EP 2 B}	inline_connector
BS3.A3:8		{NA 2 D}	inline_connector
BS3.A3:9		{BB 2 D}	inline_connector
BS3.A3:10		{BA 0 C}	inline_connector
BS3.A3:11		{BA 0 C}	inline_connector
BS3.A3:12		{BA 0 C}	inline_connector
BS3:1		{EO 2 B}	inline_connector
BS3:2		{EO 2 B}	inline_connector
BS3:3		{EO 2 B}	inline_connector
BS3:4		{EO 1 B}	inline_connector
BS3:5		{EP 1 D}	inline_connector
BS3:6		{EP 1 D}	inline_connector
BS3:7		{EP 1 A}	inline_connector

**VOLVO**

Volvo Bus Corporation

Document Title

**WIRING DIAGRAM**

Document Type

**PRODUCT SCHEMATIC**

Document No

**20904123**

Issue Index

**03**

Volume No

**02(02)**

Page No

**23(55)**

Part Name	Description	Location	Part Type
BS3:8		{NA 2 D}	inline_connector
BS3:9		{BB 1 C}	inline_connector
BS3:10		{BA 0 C}	inline_connector
BS3:11		{BA 0 C}	inline_connector
BS3:12		{BA 0 B}	inline_connector
BS3B:1		{EO 2 C}	inline_connector
BS3B:2		{EO 2 C}	inline_connector
BS3B:3		{EO 1 C}	inline_connector
BS3B:4		{EO 1 C}	inline_connector
BS3B:8		{NA 2 D}	inline_connector
BS3B:9		{BB 1 D}	inline_connector
BS3B:10		{BA 0 D}	inline_connector
BS3B:11		{BA 0 D}	inline_connector
BS3B:12		{BA 0 D}	inline_connector
B_A:1		{FB 5 B}	inline_connector
B_A:2		{FB 4 D}	inline_connector
CAN:1		{XC 5 B}	inline_connector
CAN:2		{XC 5 B}	inline_connector
CAN:3		{XD 4 B}	inline_connector
CAN:4		{XD 4 B}	inline_connector
CAN:5		{CV 1 B}	inline_connector
CAN:6		{CV 1 B}	inline_connector
CNG:1		{CG 3 B}	inline_connector
CNG:2		{CG 3 B}	inline_connector
CNG:3		{CG 3 B}	inline_connector
CNG:4		{CG 2 B}	inline_connector
CNG:5		{CG 2 B}	inline_connector
CNG:6		{CG 1 B}	inline_connector
CNG:7		{CG 1 B}	inline_connector
CNG:8		{CG 4 B}	inline_connector
CNG:9		{CG 1 B}	inline_connector
DF:1		{NC 3 D}	inline_connector
DF:2		{NC 4 C}	inline_connector
DF:3		{NC 5 C}	inline_connector
DF:4		{XD 4 D}	inline_connector
DF:5		{XD 4 D}	inline_connector
DF:6		{NC 4 D}	inline_connector
ECS1:1		{FA 4 B}	inline_connector
ECS1:2		{FA 4 B}	inline_connector
ECS1:3		{FA 4 B}	inline_connector
ECS1:4		{FB 5 C}	inline_connector
ECS1:5		{FB 5 C}	inline_connector
ECS1:6		{FB 2 D}	inline_connector
ECS1:7		{FB 2 D}	inline_connector
ECS1:8		{FB 5 C}	inline_connector
ECS1:9		{FB 5 C}	inline_connector
ECS1:10		{FB 2 C}	inline_connector
ECS1:11		{FB 2 C}	inline_connector
ECS1:12		{FA 4 C}	inline_connector
ECS2.A1:1		{FA 2 C}	inline_connector
ECS2.A1:2		{FA 2 C}	inline_connector

**VOLVO**

Volvo Bus Corporation

Document Title

**WIRING DIAGRAM**

Document Type

**PRODUCT SCHEMATIC**

Document No

**20904123**

Issue Index

**03**

Volume No

**02(02)**

Page No

**24(55)**

Part Name	Description	Location	Part Type
ECS2.A1:3		{FA 2 C}	inline_connector
ECS2.A1:4		{FB 5 B}	inline_connector
ECS2.A1:5		{FB 4 B}	inline_connector
ECS2.A1:6		{FB 3 B}	inline_connector
ECS2.A1:7		{FB 3 B}	inline_connector
ECS2.A1:8		{FB 5 B}	inline_connector
ECS2.A1:9		{FB 5 B}	inline_connector
ECS2.A1:10		{FB 1 C}	inline_connector
ECS2.A1:11		{FB 2 C}	inline_connector
ECS2.A1:12		{FA 4 D}	inline_connector
ECS2.A2:1		{FA 5 B}	inline_connector
ECS2.A2:2		{FA 4 B}	inline_connector
ECS2.A2:3		{FA 5 B}	inline_connector
ECS2.A2:4		{FB 5 A}	inline_connector
ECS2.A2:5		{FB 4 A}	inline_connector
ECS2.A2:6		{FB 1 C}	inline_connector
ECS2.A2:7		{FB 1 C}	inline_connector
ECS2.A2:8		{FB 5 B}	inline_connector
ECS2.A2:9		{FB 5 A}	inline_connector
ECS2.A2:10		{FB 1 C}	inline_connector
ECS2.A2:11		{FB 2 C}	inline_connector
ECS2.A2:12		{FA 4 D}	inline_connector
ECS2.A3:1		{FA 5 C}	inline_connector
ECS2.A3:2		{FA 4 C}	inline_connector
ECS2.A3:3		{FA 5 C}	inline_connector
ECS2.A3:4		{FB 5 A}	inline_connector
ECS2.A3:5		{FB 4 A}	inline_connector
ECS2.A3:6		{FB 1 C}	inline_connector
ECS2.A3:7		{FB 1 C}	inline_connector
ECS2.A3:8		{FB 5 A}	inline_connector
ECS2.A3:9		{FB 5 A}	inline_connector
ECS2.A3:10		{FB 1 C}	inline_connector
ECS2.A3:11		{FB 2 C}	inline_connector
ECS2.A3:12		{FA 4 D}	inline_connector
ECS2:1		{FA 5 B}	inline_connector
ECS2:2		{FA 4 B}	inline_connector
ECS2:3		{FA 5 B}	inline_connector
ECS2:4		{FB 4 D}	inline_connector
ECS2:5		{FB 4 D}	inline_connector
ECS2:6		{FB 3 C} {FB 2 D}	inline_connector
ECS2:7		{FB 3 C} {FB 3 C}	inline_connector
ECS2:8		{FB 5 D}	inline_connector
ECS2:9		{FB 5 D}	inline_connector
ECS2:10		{FB 1 C} {FB 3 C}	inline_connector
ECS2:11		{FB 2 C} {FB 3 C}	inline_connector
ECS2:12		{FA 4 D}	inline_connector
ECS2B:1		{FA 5 C}	inline_connector
ECS2B:2		{FA 4 C}	inline_connector

**VOLVO**

Volvo Bus Corporation

Document Title

**WIRING DIAGRAM**

Document Type

**PRODUCT SCHEMATIC**

Document No

**20904123**

Issue Index

**03**

Volume No

**02(02)**

Page No

**25(55)**



Part Name	Description	Location	Part Type
ECS2B:3		{FA 5 C}	inline_connector
ECS2B:6		{FB 3 C}	inline_connector
ECS2B:7		{FB 3 C}	inline_connector
ECS2B:10		{FB 3 C}	inline_connector
ECS2B:11		{FB 3 C}	inline_connector
ECS2B:12		{FA 5 C}	inline_connector
EGS_C:1		{DA 1 B}	inline_connector
EMS.A1:1		{BA 5 B}	inline_connector
EMS.A1:2		{XC 1 B}	inline_connector
EMS.A1:3		{XC 1 B}	inline_connector
EMS.A1:6		{BA 2 D}	inline_connector
EMS.A1:7		{BA 2 D}	inline_connector
EMS.A1:8		{BA 4 A}	inline_connector
EMS.A1:9		{BA 3 C}	inline_connector
EMS.A1:10		{ZC 4 B}	inline_connector
EMS.A1:11		{BB 1 C}	inline_connector
EMS.A1:12		{AC 3 C}	inline_connector
EMS.A2:1		{BA 4 B}	inline_connector
EMS.A2:2		{XC 2 B}	inline_connector
EMS.A2:3		{XC 2 B}	inline_connector
EMS.A2:6		{BA 2 D}	inline_connector
EMS.A2:7		{BA 3 D}	inline_connector
EMS.A2:8		{FC 3 C}	inline_connector
EMS.A2:9		{BA 3 C}	inline_connector
EMS.A2:10		{ZC 4 C}	inline_connector
EMS.A2:11		{BB 1 C}	inline_connector
EMS.A2:12		{AC 3 C}	inline_connector
EMS.A3:1		{BA 4 B}	inline_connector
EMS.A3:2		{XC 3 B}	inline_connector
EMS.A3:3		{XC 3 B}	inline_connector
EMS.A3:4		{XD 3 B}	inline_connector
EMS.A3:5		{XD 3 B}	inline_connector
EMS.A3:6		{BA 1 D}	inline_connector
EMS.A3:7		{BA 3 D}	inline_connector
EMS.A3:9		{BA 3 B}	inline_connector
EMS.A3:10		{ZC 4 C}	inline_connector
EMS.A3:11		{BB 1 D}	inline_connector
EMS.A3:12		{AC 3 B}	inline_connector
EMS:1		{BA 5 B}	inline_connector
EMS:2		{XC 1 B} {XC 1 C}	inline_connector
EMS:3		{XC 1 B} {XC 1 B}	inline_connector
EMS:4		{XD 5 C}	inline_connector
EMS:5		{XD 5 C}	inline_connector
EMS:6		{BA 2 D}	inline_connector
EMS:7		{BA 2 D}	inline_connector
EMS:8		{BA 4 A}	inline_connector
EMS:9		{BA 4 C}	inline_connector
EMS:10		{ZC 4 B}	inline_connector
EMS:11		{BB 1 C}	inline_connector
EMS:12		{AC 3 C}	inline_connector

**VOLVO**

Volvo Bus Corporation

Document Title

**WIRING DIAGRAM**

Document Type

**PRODUCT SCHEMATIC**

Document No

**20904123**

Issue Index

**03**

Volume No

**02(02)**

Page No

**26(55)**

Part Name	Description	Location	Part Type
EMSB:1		{CA 5 D}	inline_connector
EMSB:2		{XC 3 B}	inline_connector
EMSB:3		{XC 3 B}	inline_connector
EMSB:4		{XD 5 B}	inline_connector
EMSB:5		{XD 5 B}	inline_connector
EMSB:6		{CA 0 D}	inline_connector
EMSB:7		{CA 4 D}	inline_connector
EMSB:9		{CA 4 D}	inline_connector
EMSB:10		{CA 2 D}	inline_connector
EMSB:12		{CO 4 C}	inline_connector
ENG1.A1:1		{AA 2 A}	inline_connector
ENG1.A1:2		{AA 0 B}	inline_connector
ENG1.A1:3		{BD 2 A}	inline_connector
ENG1.A1:4		{AA 1 B}	inline_connector
ENG1.A1:5		{BD 2 D}	inline_connector
ENG1.A1:6		{AG 4 C}	inline_connector
ENG1.A1:7		{AC 4 B}	inline_connector
ENG1.A1:8		{AC 4 B}	inline_connector
ENG1.A1:9		{AC 0 C}	inline_connector
ENG1.A1:10		{NA 0 B}	inline_connector
ENG1.A1:11		{NA 4 C}	inline_connector
ENG1.A1:12		{ZC 3 B}	inline_connector
ENG1.A2:1		{AA 1 A}	inline_connector
ENG1.A2:2		{AG 4 C}	inline_connector
ENG1.A2:3		{BD 1 A}	inline_connector
ENG1.A2:4		{AG 4 C}	inline_connector
ENG1.A2:5		{BD 2 D}	inline_connector
ENG1.A2:6		{AG 4 C}	inline_connector
ENG1.A2:7		{AC 4 A}	inline_connector
ENG1.A2:8		{AG 3 C}	inline_connector
ENG1.A2:9		{AC 0 B}	inline_connector
ENG1.A2:10		{NA 0 B}	inline_connector
ENG1.A2:11		{NA 4 D}	inline_connector
ENG1.A2:12		{ZC 3 B}	inline_connector
ENG1.A3:1		{AA 1 A}	inline_connector
ENG1.A3:2		{AG 4 B}	inline_connector
ENG1.A3:3		{BD 1 A}	inline_connector
ENG1.A3:4		{AG 4 B}	inline_connector
ENG1.A3:5		{BD 1 D}	inline_connector
ENG1.A3:6		{AG 4 B}	inline_connector
ENG1.A3:7		{AC 4 A}	inline_connector
ENG1.A3:8		{AG 3 B}	inline_connector
ENG1.A3:9		{AC 0 B}	inline_connector
ENG1.A3:11		{NA 4 D}	inline_connector
ENG1:1		{AA 2 B}	inline_connector
ENG1:2		{AA 1 B}	inline_connector
ENG1:3		{BD 3 A}	inline_connector
ENG1:4		{AA 1 B}	inline_connector
ENG1:5		{BD 3 D}	inline_connector
ENG1:6		{AG 4 D}	inline_connector
ENG1:7		{AC 5 B}	inline_connector

**VOLVO**

Volvo Bus Corporation

Document Title

**WIRING DIAGRAM**

Document Type

**PRODUCT SCHEMATIC**

Document No

**20904123**

Issue Index

**03**

Volume No

**02(02)**

Page No

**27(55)**

Part Name	Description	Location	Part Type
ENG1:8		{AC 4 B}	inline_connector
ENG1:9		{AC 1 B}	inline_connector
ENG1:10		{NA 0 B}	inline_connector
ENG1:11		{NA 0 D} {NA 5 C}	inline_connector
ENG1:12		{ZC 3 B}	inline_connector
ENG1B:1		{AA 1 B}	inline_connector
ENG1B:2		{AG 4 B} {AG 3 B}	inline_connector
ENG1B:3		{BD 1 B} {BD 5 B}	inline_connector
ENG1B:4		{AG 4 B} {AG 2 B}	inline_connector
ENG1B:5		{BD 1 C} {BD 5 D}	inline_connector
ENG1B:6		{AG 4 B} {AG 3 C}	inline_connector
ENG1B:7		{AE 4 C}	inline_connector
ENG1B:8		{AG 3 B} {AG 2 B}	inline_connector
ENG1B:9		{AE 1 C}	inline_connector
ENG1B:11		{NA 4 D}	inline_connector
EU4.A1:1		{CO 5 D}	inline_connector
EU4.A1:2		{CO 3 D}	inline_connector
EU4.A1:3		{NA 4 B}	inline_connector
EU4.A1:8		{BA 4 C}	inline_connector
EU4.A1:9		{AC 3 D}	inline_connector
EU4.A1:10		{CU 4 D}	inline_connector
EU4.A1:11		{CV 0 C}	inline_connector
EU4.A1:12		{CV 0 C}	inline_connector
EU4.A2:1		{CO 5 C}	inline_connector
EU4.A2:2		{CO 3 C}	inline_connector
EU4.A2:3		{NA 4 A}	inline_connector
EU4.A2:8		{BA 4 C}	inline_connector
EU4.A2:9		{AC 3 C}	inline_connector
EU4.A2:10		{CU 4 D}	inline_connector
EU4.A2:11		{CV 1 C}	inline_connector
EU4.A2:12		{CV 1 C}	inline_connector
EU4.A3:1		{CO 5 C}	inline_connector
EU4.A3:2		{CO 3 C}	inline_connector
EU4.A3:3		{NA 4 A}	inline_connector
EU4.A3:8		{BA 3 C}	inline_connector
EU4.A3:9		{AC 3 C}	inline_connector
EU4.A3:10		{CU 4 C}	inline_connector
EU4.A3:11		{CV 2 C}	inline_connector
EU4.A3:12		{CV 2 C}	inline_connector
EU4:1		{CO 4 D}	inline_connector
EU4:2		{CO 4 D}	inline_connector
EU4:3		{NA 4 B}	inline_connector
EU4:4		{EO 1 B}	inline_connector
EU4:5		{EO 1 B}	inline_connector
EU4:6		{EO 1 B}	inline_connector

**VOLVO**

Volvo Bus Corporation

Document Title

**WIRING DIAGRAM**

Document Type

**PRODUCT SCHEMATIC**

Document No

**20904123**

Issue Index

**03**

Volume No

**02(02)**

Page No

**28(55)**

Part Name	Description	Location	Part Type
EU4:7		{EO 0 B}	inline_connector
EU4:8		{BA 4 C}	inline_connector
EU4:9		{AC 2 D}	inline_connector
EU4:10		{CU 5 D}	inline_connector
EU4:11		{CV 2 D} {CV 2 D} {CV 2 D} {CV 1 C}	inline_connector
EU4:12		{CV 2 D} {CV 2 D} {CV 2 C} {CV 1 C}	inline_connector
EU4B:1		{CO 5 B}	inline_connector
EU4B:2		{CO 4 B}	inline_connector
EU4B:3		{NA 2 C}	inline_connector
EU4B:8		{CA 4 D}	inline_connector
EU4B:9		{CA 3 D}	inline_connector
EU4B:11		{CV 2 B}	inline_connector
EU4B:12		{CV 2 B}	inline_connector
FAN:1		{FH 3 B}	inline_connector
FAN:2		{FH 3 B}	inline_connector
FEED:1		{BA 5 D}	inline_connector
FEEDX:1		{GN 4 D}	inline_connector
FH1A:1		{DN 4 C}	inline_connector
FH1A:2		{DN 4 C}	inline_connector
FH1A:3		{DN 4 D}	inline_connector
FH1A:4		{EX 3 D}	inline_connector
FH1A:6		{IS 2 D}	inline_connector
FH1A:7		{FA 0 D}	inline_connector
FH1A:8		{EO 5 D}	inline_connector
FH1A:10		{NA 1 D}	inline_connector
FH1A:11		{AA 1 D}	inline_connector
FH1B:1		{BA 4 D}	inline_connector
FH1B:2		{BA 4 D}	inline_connector
FH1B:3		{BA 5 D}	inline_connector
FH1B:4		{AG 4 D}	inline_connector
FH1B:6		{BB 5 D}	inline_connector
FH1B:7		{BB 5 D}	inline_connector
FH1B:8		{CO 4 D}	inline_connector
FH1B:10		{NC 5 D}	inline_connector
FH1B:11		{BB 4 D}	inline_connector
FH2A:1		{GM 2 D}	inline_connector
FH2A:2		{DC 3 D}	inline_connector
FH2A:3		{NE 3 D}	inline_connector
FH2A:4		{EO 5 D}	inline_connector
FH2A:5		{AA 1 D}	inline_connector
FH2A:6		{NA 1 D}	inline_connector
FH2A:7		{AC 3 D}	inline_connector
FH2A:8		{AC 1 D}	inline_connector
FH2A:9		{AC 2 D}	inline_connector
FH2B:1		{BB 4 D}	inline_connector
FH2B:2		{AC 2 D}	inline_connector

**VOLVO**

Volvo Bus Corporation

Document Title

**WIRING DIAGRAM**

Document Type

**PRODUCT SCHEMATIC**

Document No

**20904123**

Issue Index

**03**

Volume No

**02(02)**

Page No

**29(55)**

Part Name	Description	Location	Part Type
FH2B:3		{NA 5 D}	inline_connector
FH2B:4		{DM 4 D}	inline_connector
FH2B:5		{AA 1 D}	inline_connector
FH2B:6		{NB 4 D}	inline_connector
FH2B:7		{DA 4 D}	inline_connector
FH2B:8		{FA 0 D}	inline_connector
FH2B:9		{GM 4 D}	inline_connector
FH3A:1		{BA 2 D}	inline_connector
FH3A:2		{BA 2 D}	inline_connector
FH3A:3		{BA 4 D}	inline_connector
FH3A:4		{GA 3 D}	inline_connector
FH3A:5		{BB 0 D}	inline_connector
FH3A:7		{NA 5 D}	inline_connector
FH3A:8		{BB 3 D}	inline_connector
FH3A:10		{DM 4 D}	inline_connector
FH3A:12		{IU 4 D}	inline_connector
FH3B:1		{CL 2 C}	inline_connector
FH3B:2		{CL 2 C}	inline_connector
FH3B:3		{CL 2 C}	inline_connector
FH3B:4		{AA 4 D}	inline_connector
FH3B:5		{GA 2 D}	inline_connector
FH3B:7		{CG 3 D}	inline_connector
FH3B:9		{GA 3 D}	inline_connector
FH3B:11		{DD 1 D}	inline_connector
FH3B:12		{DD 2 D}	inline_connector
FH4A:2		{CU 5 C}	inline_connector
FH4A:3		{CU 5 D}	inline_connector
FH4A:5		{GA 3 D}	inline_connector
FH4A:7		{NA 1 D}	inline_connector
FH4A:8		{GA 4 D}	inline_connector
FH4A:10		{NB 4 D}	inline_connector
FH4A:12		{GA 5 D}	inline_connector
FH4B:1		{GC 5 C}	inline_connector
FH4B:2		{GC 4 C}	inline_connector
FH4B:3		{GC 3 D}	inline_connector
FH4B:4		{IU 4 D}	inline_connector
FH4B:5		{GA 4 D}	inline_connector
FH4B:7		{AA 5 D}	inline_connector
FH4B:8		{GA 4 D}	inline_connector
FH4B:12		{GA 5 D}	inline_connector
FL2:1		{ZC 5 D}	inline_connector
FL2:2		{ZC 4 D}	inline_connector
FL2:3		{ZC 4 D}	inline_connector
FL2:4		{GB 3 A}	inline_connector
FL2:5		{GB 2 B}	inline_connector
FL2:6		{ZC 4 D}	inline_connector
FL2:7		{GB 5 A}	inline_connector
FL2:8		{GB 4 A}	inline_connector
FL2:9		{GB 3 A}	inline_connector
FL2:10		{GB 3 A}	inline_connector
FL2:11		{ZC 2 C}	inline_connector

**VOLVO**

Volvo Bus Corporation

Document Title

**WIRING DIAGRAM**

Document Type

**PRODUCT SCHEMATIC**

Document No

**20904123**

Issue Index

**03**

Volume No

**02(02)**

Page No

**30(55)**

Part Name	Description	Location	Part Type
FL2:12		{ZC 4 D}	inline_connector
FL3:1		{ZC 5 D}	inline_connector
FL3:2		{ZC 4 D}	inline_connector
FL3:3		{ZC 5 D}	inline_connector
FL3:4		{GB 2 A}	inline_connector
FL3:5		{GB 2 B}	inline_connector
FL3:6		{ZC 5 D}	inline_connector
FL3:7		{GB 0 B}	inline_connector
FL3:8		{GB 1 A}	inline_connector
FL3:9		{GB 1 A}	inline_connector
FL3:10		{GB 1 A}	inline_connector
FL3:11		{ZC 2 C}	inline_connector
FL3:12		{ZC 5 D}	inline_connector
FM:1		{ND 1 B}	inline_connector
FM:2		{ND 1 B}	inline_connector
FM:3		{ND 1 B}	inline_connector
FM:4		{ND 1 B}	inline_connector
FTM:1		{CG 3 D}	inline_connector
FTM:2		{XD 0 B}	inline_connector
FTM:3		{XD 0 B}	inline_connector
FTM:4		{BC 2 C}	inline_connector
FTM:5		{BC 2 C}	inline_connector
FTM:6		{BC 2 B}	inline_connector
FTM:7		{BC 2 B}	inline_connector
FTM:8		{CG 4 D}	inline_connector
FTM:9		{AA 2 D}	inline_connector
FTM:10		{ZC 0 B}	inline_connector
FTM:11		{CG 3 D}	inline_connector
FTM_D:1		{CG 3 D}	inline_connector
FTM_D:2		{XD 0 B}	inline_connector
FTM_D:3		{XD 0 B}	inline_connector
FTM_D:4		{BC 2 C}	inline_connector
FTM_D:5		{BC 2 C}	inline_connector
FTM_D:6		{BC 2 B}	inline_connector
FTM_D:7		{BC 2 B}	inline_connector
FTM_D:9		{AA 2 D}	inline_connector
FTM_D:10		{ZC 0 B}	inline_connector
FTM_J:4		{BC 2 C}	inline_connector
FTM_J:5		{BC 2 C}	inline_connector
FTM_J:6		{BC 2 B}	inline_connector
FTM_J:7		{BC 2 B}	inline_connector
FUEL.A1:1		{NA 0 B}	inline_connector
FUEL.A1:2		{NA 0 B}	inline_connector
FUEL.A1:3		{NA 0 C}	inline_connector
FUEL.A1:5		{NA 1 D}	inline_connector
FUEL.A1:6		{NA 1 C}	inline_connector
FUEL:1		{NA 4 A}	inline_connector
FUEL:2		{NA 4 A}	inline_connector
FUEL:3		{NA 4 B}	inline_connector
FUEL:5		{NA 5 C}	inline_connector
FUEL:6		{NA 5 B}	inline_connector

**VOLVO**

Volvo Bus Corporation

Document Title

**WIRING DIAGRAM**

Document Type

**PRODUCT SCHEMATIC**

Document No

**20904123**

Issue Index

**03**

Volume No

**02(02)**

Page No

**31(55)**

Part Name	Description	Location	Part Type
FUEL:7		{FA 3 B}	inline_connector
FUEL:8		{FA 3 B}	inline_connector
FUEL:9		{FA 3 B}	inline_connector
FUEL:10		{FB 0 C}	inline_connector
FUEL:11		{FB 4 D}	inline_connector
FUEL_A:1		{NA 4 A}	inline_connector
FUEL_A:3		{NA 4 B}	inline_connector
FUEL_A:5		{NA 5 C}	inline_connector
FUEL_A:6		{NA 5 B}	inline_connector
FUEL_B:1		{NA 0 C}	inline_connector
FUEL_B:2		{NA 0 C}	inline_connector
FUEL_B:3		{NA 0 D}	inline_connector
FUEL_B:5		{NA 5 C}	inline_connector
FUEL_B:6		{NA 5 B}	inline_connector
FUEL_B:7		{FA 3 B}	inline_connector
FUEL_B:8		{FA 3 B}	inline_connector
FUEL_B:9		{FA 3 B}	inline_connector
FUEL_B:10		{FB 0 C}	inline_connector
FUEL_B:11		{FB 4 D}	inline_connector
GB1.A3:1		{DB 4 B}	inline_connector
GB1.A3:2		{DB 3 C}	inline_connector
GB1.A3:3		{DB 4 D}	inline_connector
GB1.A3:4		{DB 4 B}	inline_connector
GB1.A3:5		{DB 3 C}	inline_connector
GB1.A3:7		{XC 2 A}	inline_connector
GB1.A3:8		{XC 2 A}	inline_connector
GB1.A3:9		{XD 2 C}	inline_connector
GB1.A3:10		{XD 2 C}	inline_connector
GB1:1		{DB 4 B}	inline_connector
GB1:2		{DB 3 C}	inline_connector
GB1:3		{DB 4 D}	inline_connector
GB1:4		{DB 4 B}	inline_connector
GB1:5		{DB 3 C}	inline_connector
GB1:7		{XC 1 A}	inline_connector
GB1:8		{XC 1 A}	inline_connector
GB1:9		{XD 2 A}	inline_connector
GB1:10		{XD 2 A}	inline_connector
GBX.A1:1		{DM 1 A}	inline_connector
GBX.A1:2		{DN 3 C}	inline_connector
GBX.A1:3		{DC 3 C}	inline_connector
GBX.A1:4		{DD 2 C}	inline_connector
GBX.A1:5		{DM 5 C}	inline_connector
GBX.A1:6		{DM 4 C}	inline_connector
GBX.A1:9		{XD 2 C}	inline_connector
GBX.A1:10		{XD 2 C}	inline_connector
GBX.A1:11		{DD 0 C}	inline_connector
GBX.A1:12		{DD 0 C}	inline_connector
GBX.A1:13		{NA 3 C}	inline_connector
GBX.A2:1		{DM 1 B}	inline_connector
GBX.A2:2		{DN 3 C}	inline_connector
GBX.A2:3		{DC 3 C}	inline_connector

**VOLVO**

Volvo Bus Corporation

Document Title

**WIRING DIAGRAM**

Document Type

**PRODUCT SCHEMATIC**

Document No

**20904123**

Issue Index

**03**

Volume No

**02(02)**

Page No

**32(55)**

Part Name	Description	Location	Part Type
GBX.A2:4		{DB 3 D}	inline_connector
GBX.A2:5		{DM 5 C}	inline_connector
GBX.A2:6		{DM 4 C}	inline_connector
GBX.A2:9		{XD 2 B}	inline_connector
GBX.A2:10		{XD 2 B}	inline_connector
GBX.A2:11		{DD 0 C}	inline_connector
GBX.A2:12		{DD 0 C}	inline_connector
GBX.A2:13		{NA 4 D}	inline_connector
GBX.A3:1		{DM 1 B}	inline_connector
GBX.A3:2		{DN 2 C}	inline_connector
GBX.A3:3		{DC 3 D}	inline_connector
GBX.A3:4		{DD 1 C}	inline_connector
GBX.A3:5		{DM 5 C}	inline_connector
GBX.A3:6		{DM 4 C}	inline_connector
GBX.A3:9		{XD 2 B}	inline_connector
GBX.A3:10		{XD 2 B}	inline_connector
GBX.A3:11		{DD 0 C}	inline_connector
GBX.A3:12		{DD 0 C}	inline_connector
GBX.A3:13		{NA 4 D}	inline_connector
GBX:1		{DM 1 A}	inline_connector
GBX:2		{DN 3 C}	inline_connector
GBX:3		{DC 3 D}	inline_connector
GBX:4		{DD 1 C}	inline_connector
GBX:5		{DM 5 C}	inline_connector
GBX:6		{DM 4 C}	inline_connector
GBX:7		{XC 1 B}	inline_connector
GBX:8		{XC 1 B}	inline_connector
GBX:9		{XD 1 C}	inline_connector
GBX:10		{XD 1 C}	inline_connector
GBX:11		{DD 0 C}	inline_connector
GBX:12		{DD 1 C}	inline_connector
GBX:13		{NA 4 C}	inline_connector
GBX:14		{CC 1 B}	inline_connector
GBX_D:1		{DM 0 A}	inline_connector
GBX_D:3		{DC 3 C}	inline_connector
GBX_D:4		{DD 1 C}	inline_connector
GBX_D:7		{XC 1 B}	inline_connector
GBX_D:8		{XC 1 B}	inline_connector
GBX_D:9		{XD 1 B}	inline_connector
GBX_D:10		{XD 1 B}	inline_connector
GBX_D:11		{DD 0 C}	inline_connector
GBX_D:12		{DD 1 C}	inline_connector
GBX_R:1		{DM 1 A}	inline_connector
GBX_R:2		{DN 3 C}	inline_connector
GBX_R:3		{DC 3 C}	inline_connector
GBX_R:4		{DD 1 C}	inline_connector
GBX_R:5		{DM 5 C}	inline_connector
GBX_R:6		{DM 4 C}	inline_connector
GBX_R:9		{XD 1 B}	inline_connector
GBX_R:10		{XD 1 B}	inline_connector
GBX_R:11		{DD 0 C}	inline_connector

**VOLVO**

Volvo Bus Corporation

Document Title

**WIRING DIAGRAM**

Document Type

**PRODUCT SCHEMATIC**

Document No

**20904123**

Issue Index

**03**

Volume No

**02(02)**

Page No

**33(55)**



Part Name	Description	Location	Part Type
GBX_R:12		{DD 1 C}	inline_connector
GBX_R:13		{NA 4 D}	inline_connector
GBX_R:14		{CC 1 B}	inline_connector
GBX_RB:1		{DM 1 B}	inline_connector
GBX_RB:5		{DM 5 B}	inline_connector
GBX_RB:6		{DM 4 B}	inline_connector
GBX_RB:9		{XD 1 A}	inline_connector
GBX_RB:10		{XD 1 A}	inline_connector
GND1UA:1		{CU 2 A}	inline_connector
GND1UB:1		{CU 2 A}	inline_connector
GS1.A1:3		{DB 2 D}	inline_connector
GS1.A1:4		{DB 2 D}	inline_connector
GS1.A1:5		{DB 1 D}	inline_connector
GS1.A2:3		{DB 2 C}	inline_connector
GS1.A2:4		{DB 2 C}	inline_connector
GS1.A2:5		{DB 1 C}	inline_connector
GS1.A3:3		{DB 2 C}	inline_connector
GS1.A3:4		{DB 2 C}	inline_connector
GS1.A3:5		{DB 1 C}	inline_connector
GS1:3		{DB 2 D}	inline_connector
GS1:4		{DB 1 D}	inline_connector
GS1:5		{DB 1 D}	inline_connector
IB1:1		{NA 2 C}	inline_connector
IB1:2		{NA 2 B}	inline_connector
IB1:3		{NA 2 B}	inline_connector
IB1:4		{NA 2 B}	inline_connector
IB1:5		{NA 2 B}	inline_connector
IB1:6		{NA 2 B}	inline_connector
IB1:7		{NA 1 C}	inline_connector
IB1:8		{NA 3 C}	inline_connector
IB1:9		{NA 3 B}	inline_connector
IB1:10		{NA 2 C}	inline_connector
IB1:11		{NA 2 C}	inline_connector
IB1:12		{NA 4 C}	inline_connector
IB1:13		{NA 4 C}	inline_connector
IB1:14		{XC 4 D}	inline_connector
IB1:15		{XC 4 D}	inline_connector
IB1:16		{XD 3 D}	inline_connector
IB1:17		{XD 3 D}	inline_connector
IB1:18		{NA 1 C}	inline_connector
IB2:1		{NA 3 B}	inline_connector
IB2:2		{NA 3 B}	inline_connector
IB2:3		{NA 3 B}	inline_connector
IB2:4		{NA 3 B}	inline_connector
IB2:5		{NA 4 C}	inline_connector
IB2:6		{NA 4 B}	inline_connector
IB2:7		{GC 3 D}	inline_connector
IB2:8		{ZC 5 B}	inline_connector
IB2:9		{GA 3 C}	inline_connector
IB2:10		{EX 3 C}	inline_connector
IB2:11		{IS 2 B}	inline_connector

**VOLVO**

Volvo Bus Corporation

Document Title

**WIRING DIAGRAM**

Document Type

**PRODUCT SCHEMATIC**

Document No

**20904123**

Issue Index

**03**

Volume No

**02(02)**

Page No

**34(55)**

Part Name	Description	Location	Part Type
IB2:12		{IS 1 C}	inline_connector
IB2:13		{EP 2 C}	inline_connector
IB2:14		{EP 2 C}	inline_connector
IB2:15		{EP 2 C}	inline_connector
IB2:16		{EP 2 C}	inline_connector
IB2:17		{AA 4 C}	inline_connector
IB2:18		{NC 5 D}	inline_connector
IB3:1		{BA 1 C}	inline_connector
IB3:2		{BA 1 C}	inline_connector
IB3:3		{BA 1 C}	inline_connector
IB3:4		{BA 1 C}	inline_connector
IB3:5		{BA 1 C}	inline_connector
IB3:6		{BA 1 B}	inline_connector
IB3:7		{BA 3 C}	inline_connector
IB3:8		{BA 3 C}	inline_connector
IB3:9		{BA 3 C}	inline_connector
IB3:10		{BA 3 C}	inline_connector
IB3:11		{BA 3 C}	inline_connector
IB3:12		{BA 3 C}	inline_connector
IB3:13		{BA 1 C}	inline_connector
IB3:14		{IU 4 D}	inline_connector
IB3:15		{IU 4 D}	inline_connector
IB3:16		{IU 4 C}	inline_connector
IB3:17		{AC 2 D}	inline_connector
IB3:18		{ZC 5 B}	inline_connector
IB4:1		{GB 3 C}	inline_connector
IB4:2		{GB 3 C}	inline_connector
IB4:3		{GB 4 C}	inline_connector
IB4:4		{GB 4 C}	inline_connector
IB4:5		{GB 4 C}	inline_connector
IB4:6		{GA 3 B}	inline_connector
IB4:7		{GB 2 B}	inline_connector
IB4:8		{GB 4 C}	inline_connector
IB4:9		{GB 4 C}	inline_connector
IB4:10		{GB 2 C}	inline_connector
IB4:11		{GB 2 C}	inline_connector
IB4:12		{GB 2 C}	inline_connector
IB4:13		{GB 1 C}	inline_connector
IB4:14		{GB 1 C}	inline_connector
IB4:15		{EP 0 D}	inline_connector
IB4:16		{EP 0 D}	inline_connector
IB4:17		{EP 1 C}	inline_connector
IB4:18		{EP 1 C}	inline_connector
IB5:1		{EX 3 C}	inline_connector
IB5:2		{AA 3 D}	inline_connector
IB5:3		{BA 1 B}	inline_connector
IB5:4		{AA 3 B}	inline_connector
IB5:5		{AA 5 D}	inline_connector
IB5:6		{AA 4 B}	inline_connector
IB5:7		{AA 5 C}	inline_connector
IB5:8		{FA 4 D}	inline_connector

**VOLVO**

Volvo Bus Corporation

Document Title

**WIRING DIAGRAM**

Document Type

**PRODUCT SCHEMATIC**

Document No

**20904123**

Issue Index

**03**

Volume No

**02(02)**

Page No

**35(55)**

Part Name	Description	Location	Part Type
IB5:9		{FA 2 B}	inline_connector
IB5:10		{NA 0 B}	inline_connector
IB5:11		{FA 3 C}	inline_connector
IB5:12		{FA 3 C}	inline_connector
IB5:13		{AA 3 C}	inline_connector
IB5:14		{FA 1 B}	inline_connector
IB5:15		{FA 1 B}	inline_connector
IB5:16		{FA 2 B}	inline_connector
IB5:17		{EO 3 C}	inline_connector
IB5:18		{NA 3 C}	inline_connector
IB6:1		{NB 4 D}	inline_connector
IB6:2		{XC 2 C}	inline_connector
IB6:3		{XC 3 C}	inline_connector
IB6:4		{NB 4 D}	inline_connector
IB6:5		{ZC 5 B}	inline_connector
IB6:6		{NB 3 D}	inline_connector
IB6:7		{NB 4 C}	inline_connector
IB6:8		{NB 4 C}	inline_connector
IB6:9		{NB 4 C}	inline_connector
IB6:10		{NB 4 C}	inline_connector
IB6:12		{NB 2 B}	inline_connector
IB7:1		{GM 4 D}	inline_connector
IB7:2		{GB 0 C}	inline_connector
IB7:3		{GB 0 C}	inline_connector
IB7:4		{GM 2 C}	inline_connector
IB7:5		{CV 0 C}	inline_connector
IB7:6		{CV 0 C}	inline_connector
IB7:7		{NA 2 C}	inline_connector
IB7:8		{GM 1 C}	inline_connector
IB7:9		{CO 4 D}	inline_connector
IB7:10		{ZC 4 B}	inline_connector
IB7:12		{GM 0 C}	inline_connector
IB8:1		{EO 4 C}	inline_connector
IB8:2		{EO 4 C}	inline_connector
IB8:3		{EO 4 C}	inline_connector
IB8:4		{EO 4 C}	inline_connector
IB8:5		{EO 4 C}	inline_connector
IB8:6		{DD 2 D}	inline_connector
IB8:7		{GB 1 C}	inline_connector
IB8:8	AC compressor 3	{CL 3 B}	inline_connector
IB8:9	AC compressor 2	{CL 3 B}	inline_connector
IB8:10	AC compressor 3	{CL 3 B}	inline_connector
IB8:11	AC compressor 2	{CL 4 C}	inline_connector
IB8:12	AC compressor 3	{CL 4 C}	inline_connector
IB9:1		{BA 3 B}	inline_connector
IB9:2		{BA 2 B}	inline_connector
IB9:3		{GE 4 D}	inline_connector
IB9:4		{ZC 5 B}	inline_connector
IB9:5		{GE 4 C}	inline_connector
IB9:6		{GA 0 B}	inline_connector
IB9:7		{BA 2 B}	inline_connector

**VOLVO**

Volvo Bus Corporation

Document Title

**WIRING DIAGRAM**

Document Type

**PRODUCT SCHEMATIC**

Document No

**20904123**

Issue Index

**03**

Volume No

**02(02)**

Page No

**36(55)**

Part Name	Description	Location	Part Type
IB9:8		{BA 3 B}	inline_connector
IB9:9		{BA 2 C}	inline_connector
IB9:10		{BA 2 C}	inline_connector
IB9:11		{BA 2 C}	inline_connector
IB9:12		{BA 2 C}	inline_connector
IB10:1		{DN 5 D}	inline_connector
IB10:2		{GA 1 C}	inline_connector
IB10:3		{BB 4 B}	inline_connector
IB10:4		{DA 3 C}	inline_connector
IB10:5		{DA 5 C}	inline_connector
IB10:6		{DA 4 C}	inline_connector
IB10:7		{DA 4 D}	inline_connector
IB10:8		{DN 4 C}	inline_connector
IB10:9		{ZC 1 B}	inline_connector
IB10:10		{DM 1 C}	inline_connector
IB10:11		{DD 0 C}	inline_connector
IB10:12		{DD 1 C}	inline_connector
IB10_B:2		{GA 1 C}	inline_connector
IB10_B:3		{BB 4 B}	inline_connector
IB10_B:9		{ZC 0 B}	inline_connector
IB10_E:2		{DA 3 C}	inline_connector
IB10_E:3		{BB 4 B}	inline_connector
IB10_E:4		{DA 3 C}	inline_connector
IB10_E:5		{DA 5 C}	inline_connector
IB10_E:6		{DA 4 C}	inline_connector
IB10_E:7		{DA 4 D}	inline_connector
IB10_E:9		{ZC 0 B}	inline_connector
IB10_E:10		{DM 1 C}	inline_connector
IB10_I:1		{DN 5 D}	inline_connector
IB10_I:8		{DN 4 C}	inline_connector
IB10_I:9		{ZC 1 B}	inline_connector
IB10_I:10		{DM 1 C}	inline_connector
IB10_VO:9		{ZC 1 B}	inline_connector
IB10_VO:10		{DM 1 C}	inline_connector
IB10_VO:11		{DD 0 D}	inline_connector
IB10_VO:12		{DD 1 D}	inline_connector
IB10_ZF5:9		{ZC 1 B}	inline_connector
IB10_ZF5:10		{DM 1 C}	inline_connector
IB10_ZF5:11		{DD 0 D}	inline_connector
IB10_ZF5:12		{DD 1 D}	inline_connector
IB10_ZF:9		{ZC 1 B}	inline_connector
IB10_ZF:10		{DM 1 C}	inline_connector
IS:1		{XD 3 D}	inline_connector
IS:2		{XD 3 D}	inline_connector
IS:3		{XC 4 C}	inline_connector
IS:4		{XC 5 C}	inline_connector
KH1A:1		{FA 0 B}	inline_connector
KH1A:2		{FA 0 B}	inline_connector
KH1A:3		{FA 0 B}	inline_connector
KH1A:4		{CL 2 C}	inline_connector
KH1A:5		{FA 0 B}	inline_connector

**VOLVO**

Volvo Bus Corporation

Document Title

**WIRING DIAGRAM**

Document Type

**PRODUCT SCHEMATIC**

Document No

**20904123**

Issue Index

**03**

Volume No

**02(02)**

Page No

**37(55)**

Part Name	Description	Location	Part Type
KH1A:7		{CL 2 B}	inline_connector
KH1A:10		{CL 2 B}	inline_connector
KH1A:11		{CL 2 C}	inline_connector
KH1B:1		{DN 4 D}	inline_connector
KH1B:2		{DN 4 D}	inline_connector
KH1B:3		{DN 4 D}	inline_connector
KH1B:4		{DA 4 D}	inline_connector
KH1B:5		{DN 4 D}	inline_connector
KH1B:7		{DA 4 C}	inline_connector
KH1B:8		{DA 5 D}	inline_connector
KH1B:10		{DA 4 C}	inline_connector
KH1B:11		{DA 4 D}	inline_connector
KH1B:12		{DA 5 C}	inline_connector
KH1B:14		{DA 5 D}	inline_connector
KH1B:15		{DA 5 C}	inline_connector
KH2A:1		{BA 3 A}	inline_connector
KH2A:3		{BA 5 C}	inline_connector
KH2A:4		{BA 3 B}	inline_connector
KH2A:5		{BA 5 C}	inline_connector
KH2A:6		{BA 5 C}	inline_connector
KH2A:7		{AC 5 C}	inline_connector
KH2A:8		{AC 4 C}	inline_connector
KH2A:9		{BA 5 C}	inline_connector
KH2A:10		{AC 5 C}	inline_connector
KH2A:11		{AC 4 C}	inline_connector
KH2A:12		{AC 5 C}	inline_connector
KH2B:1		{AA 2 B}	inline_connector
KH2B:2		{GM 2 C}	inline_connector
KH2B:3		{GM 2 C}	inline_connector
KH2B:4		{AA 2 B}	inline_connector
KH2B:5		{GM 2 C}	inline_connector
KH2B:6		{GM 2 C}	inline_connector
KH2B:9		{GM 2 C}	inline_connector
KH3A:1		{AA 4 D}	inline_connector
KH3A:3		{AA 4 C}	inline_connector
KH3A:4		{BB 3 C}	inline_connector
KH3A:5		{AA 4 D}	inline_connector
KH3A:6		{AA 4 C}	inline_connector
KH3A:7		{BB 3 D}	inline_connector
KH3A:8		{AA 2 C}	inline_connector
KH3A:9		{AA 2 C}	inline_connector
KH3A:10		{BB 3 D}	inline_connector
KH3A:11		{BB 3 C}	inline_connector
KH3A:12		{AA 2 C}	inline_connector
KH3A:14		{AA 2 C}	inline_connector
KH3B:1		{BB 0 D}	inline_connector
KH3B:2		{BB 0 C}	inline_connector
KH3B:3		{BB 0 D}	inline_connector
KH3B:4		{DM 4 D}	inline_connector
KH3B:5		{BB 0 C}	inline_connector
KH3B:7		{DM 4 C}	inline_connector

**VOLVO**

Volvo Bus Corporation

Document Title

**WIRING DIAGRAM**

Document Type

**PRODUCT SCHEMATIC**

Document No

**20904123**

Issue Index

**03**

Volume No

**02(02)**

Page No

**38(55)**

Part Name	Description	Location	Part Type
KH3B:8		{DM 4 D}	inline_connector
KH3B:10		{DM 5 C}	inline_connector
KH3B:11		{DM 5 D}	inline_connector
KH3B:12		{DM 4 C}	inline_connector
KH3B:14		{DM 4 D}	inline_connector
KH3B:15		{DM 4 C}	inline_connector
KV:A		{DA 4 B}	inline_connector
KV:B		{DA 4 B}	inline_connector
KV:C		{DA 4 B}	inline_connector
KV:D		{DA 4 B}	inline_connector
KV:E		{DA 4 B}	inline_connector
KV:F		{DA 5 B}	inline_connector
KV:G		{DA 2 B}	inline_connector
KV:H		{DA 3 B}	inline_connector
KV:J		{DA 2 B}	inline_connector
KV:K		{DA 2 B}	inline_connector
KV:L		{DA 3 B}	inline_connector
KV:M		{DA 3 B}	inline_connector
KV:P		{DA 5 B}	inline_connector
KV:Q		{DA 2 B}	inline_connector
KV:R		{DA 1 B}	inline_connector
KV:S		{DA 1 B}	inline_connector
KV:T		{DA 3 B}	inline_connector
LA:1		{AF 2 C}	inline_connector
LA:2		{AF 2 C}	inline_connector
LA:4		{AF 0 D}	inline_connector
LA:5		{AF 2 A}	inline_connector
LA:6		{AF 1 C}	inline_connector
LT:1		{EO 1 C}	inline_connector
LT:2		{EO 1 C}	inline_connector
LT:3		{EO 1 C}	inline_connector
LT:4		{EO 0 C}	inline_connector
LT:5		{CL 3 B}	inline_connector
LT:6		{CL 3 B}	inline_connector
LT:7		{CL 3 B}	inline_connector
LT:8		{FA 3 C}	inline_connector
LT:9		{FA 3 C}	inline_connector
LT:10		{FA 3 C}	inline_connector
LT:11		{FA 3 C}	inline_connector
LT:12		{FB 0 B}	inline_connector
LT:13		{FB 0 B}	inline_connector
LT:14		{FB 0 B}	inline_connector
LT:15		{FB 4 C}	inline_connector
LT:16		{FB 3 C}	inline_connector
LT:17		{FB 3 B}	inline_connector
M01.A:1		{GM 2 A}	inline_connector
M01.A:2		{GM 1 B}	inline_connector
M01.A:3		{GM 1 B}	inline_connector
M01.A:5		{GM 1 B}	inline_connector
M01.A:6		{GM 0 B}	inline_connector
M01:1		{GM 0 B}	inline_connector

**VOLVO**

Volvo Bus Corporation

Document Title

**WIRING DIAGRAM**

Document Type

**PRODUCT SCHEMATIC**

Document No

**20904123**

Issue Index

**03**

Volume No

**02(02)**

Page No

**39(55)**

Part Name	Description	Location	Part Type
M01:2		{GM 1 B}	inline_connector
M01:3		{GM 1 B}	inline_connector
M01:4		{GM 1 B}	inline_connector
M01:5		{GM 2 A}	inline_connector
M01:6		{GM 4 C}	inline_connector
M01:8		{GM 3 B}	inline_connector
M01:9		{GM 4 C}	inline_connector
M01:11		{GM 4 B}	inline_connector
M01:12		{GM 3 B}	inline_connector
M01:13		{GM 4 B}	inline_connector
M01:14		{GM 4 C}	inline_connector
ML1:1		{GB 4 A}	inline_connector
ML1:2		{ZC 4 D} {ZC 5 D}	inline_connector
ML1:3		{GB 4 A} {GE 5 B}	inline_connector
ML1:4		{ZC 3 D} {ZC 5 D}	inline_connector
ML1:5		{GB 4 A} {GE 5 B}	inline_connector
ML1:6		{ZC 3 D} {ZC 4 D}	inline_connector
ML1:7		{GE 5 B}	inline_connector
ML2:1		{GB 0 B}	inline_connector
ML2:2		{ZC 3 D} {ZC 4 D}	inline_connector
ML2:3		{GB 1 A} {GE 3 B}	inline_connector
ML2:4		{ZC 3 D} {ZC 4 D}	inline_connector
ML2:5		{GB 1 A} {GE 3 B}	inline_connector
ML2:6		{ZC 3 D} {ZC 4 D}	inline_connector
ML2:7		{GE 3 B}	inline_connector
ML3:1		{BB 2 C}	inline_connector
ML3:2		{BB 3 D}	inline_connector
ML3:3		{GC 4 B}	inline_connector
ML3:4		{GC 4 B}	inline_connector
ML3:5		{GC 4 B}	inline_connector
ML3:6		{GA 3 C}	inline_connector
ML3:7		{GC 4 B}	inline_connector
ML3A:3		{GD 2 B}	inline_connector
ML3A:4		{GD 2 B}	inline_connector
ML3A:5		{GD 1 B}	inline_connector
ML3A:7		{GD 2 B}	inline_connector
ML3B:1		{GD 4 C}	inline_connector
ML3B:2		{GD 3 C}	inline_connector
ML3B:3		{GD 1 C}	inline_connector
ML3B:4		{GD 1 C}	inline_connector
ML3B:5		{GD 1 C}	inline_connector
ML3B:6		{GD 5 C}	inline_connector

**VOLVO**

Volvo Bus Corporation

Document Title

**WIRING DIAGRAM**

Document Type

**PRODUCT SCHEMATIC**

Document No

**20904123**

Issue Index

**03**

Volume No

**02(02)**

Page No

**40(55)**

Part Name	Description	Location	Part Type
ML3B:7		{GD 1 B}	inline_connector
ML4:1		{BB 2 C}	inline_connector
ML4:2		{BB 3 D}	inline_connector
ML4:3		{GC 5 B}	inline_connector
ML4:4		{GC 5 B}	inline_connector
ML4:5		{GC 5 B}	inline_connector
ML4:6		{GA 3 C}	inline_connector
ML4:7		{GC 5 A}	inline_connector
ML4A:3		{GD 2 B}	inline_connector
ML4A:4		{GD 2 B}	inline_connector
ML4A:5		{GD 2 B}	inline_connector
ML4A:7		{GD 2 A}	inline_connector
ML4B:1		{GD 4 C}	inline_connector
ML4B:2		{GD 3 C}	inline_connector
ML4B:3		{GD 2 C}	inline_connector
ML4B:4		{GD 2 C}	inline_connector
ML4B:5		{GD 2 C}	inline_connector
ML4B:6		{GD 5 C}	inline_connector
ML4B:7		{GD 2 B}	inline_connector
ML5:1		{GC 1 B}	inline_connector
ML5:2		{GC 1 B}	inline_connector
ML5:3		{GC 1 B}	inline_connector
ML5:4		{GC 0 B}	inline_connector
ML5:5		{GC 0 B}	inline_connector
ML5:6		{GC 0 B}	inline_connector
ML5:7		{GC 0 B}	inline_connector
ML6:1		{GC 1 C}	inline_connector
ML6:2		{GC 1 C}	inline_connector
ML6:3		{GC 1 C}	inline_connector
ML6:4		{GC 0 C}	inline_connector
ML6:5		{GC 0 C}	inline_connector
ML6:6		{GC 0 C}	inline_connector
ML6:7		{GC 0 C}	inline_connector
ML7:5		{GA 2 C}	inline_connector
ML7:6		{GA 2 C}	inline_connector
R905A:1		{CU 4 B}	inline_connector
R905A:2		{CU 4 B}	inline_connector
R905B:1		{CU 4 B}	inline_connector
R905B:2		{CU 4 B}	inline_connector
R905C:1		{CU 4 B}	inline_connector
R905C:2		{CU 4 B}	inline_connector
R906A:1		{CU 4 B}	inline_connector
R906A:2		{CU 4 B}	inline_connector
R906B:1		{CU 4 B}	inline_connector
R906B:2		{CU 3 B}	inline_connector
R906C:1		{CU 3 B}	inline_connector
R906C:2		{CU 4 B}	inline_connector
R908A:1		{CU 2 B}	inline_connector
R908A:2		{CU 2 B}	inline_connector
R908B:1		{CU 2 B}	inline_connector
R908B:2		{CU 2 B}	inline_connector

**VOLVO**

Volvo Bus Corporation

Document Title

**WIRING DIAGRAM**

Document Type

**PRODUCT SCHEMATIC**

Document No

**20904123**

Issue Index

**03**

Volume No

**02(02)**

Page No

**41(55)**



Part Name	Description	Location	Part Type
R908C:1		{CU 2 B}	inline_connector
R908C:2		{CU 2 B}	inline_connector
R910A:1		{CU 3 B}	inline_connector
R910A:2		{CU 3 B}	inline_connector
R910B:1		{CU 3 B}	inline_connector
R910B:2		{CU 3 B}	inline_connector
R910C:1		{CU 3 B}	inline_connector
R910C:2		{CU 3 B}	inline_connector
RA1.A1:1		{NB 4 B}	inline_connector
RA1.A1:2		{NB 4 B}	inline_connector
RA1.A1:3		{NB 3 B}	inline_connector
RA1.A1:4		{NB 3 B}	inline_connector
RA1.A1:5		{NA 3 C}	inline_connector
RA1.A1:6		{AC 3 C}	inline_connector
RA1.A1:7		{AC 2 C}	inline_connector
RA1.A1:8		{AC 1 C}	inline_connector
RA1.A1:10		{NA 5 C}	inline_connector
RA1.A1:11		{AB 4 D}	inline_connector
RA1.A2:1		{NB 4 B}	inline_connector
RA1.A2:2		{NB 4 B}	inline_connector
RA1.A2:3		{NB 3 B}	inline_connector
RA1.A2:4		{NB 3 B}	inline_connector
RA1.A2:5		{NA 3 C}	inline_connector
RA1.A2:6		{AC 3 B}	inline_connector
RA1.A2:7		{AC 2 B}	inline_connector
RA1.A2:8		{AC 1 B}	inline_connector
RA1.A2:10		{NA 4 C}	inline_connector
RA1.A2:11		{AB 5 D}	inline_connector
RA1.A3:1		{NB 4 B}	inline_connector
RA1.A3:2		{NB 4 B}	inline_connector
RA1.A3:3		{NB 3 B}	inline_connector
RA1.A3:4		{NB 3 B}	inline_connector
RA1.A3:5		{NA 3 D}	inline_connector
RA1.A3:6		{AC 3 B}	inline_connector
RA1.A3:7		{AC 2 B}	inline_connector
RA1.A3:8		{AC 1 B}	inline_connector
RA1.A3:10		{NA 4 C}	inline_connector
RA1.A3:11		{AB 5 D}	inline_connector
RA1:1		{NB 5 B} {NB 4 B}	inline_connector
RA1:2		{NB 5 B} {NB 4 B}	inline_connector
RA1:3		{NB 5 B} {NB 4 B}	inline_connector
RA1:4		{NB 5 B} {NB 3 B}	inline_connector
RA1:5		{NA 3 C}	inline_connector
RA1:6		{AC 3 B}	inline_connector
RA1:7		{AC 2 B}	inline_connector
RA1:8		{AC 2 B}	inline_connector
RA1:9		{ND 1 B}	inline_connector

**VOLVO**

Volvo Bus Corporation

Document Title

**WIRING DIAGRAM**

Document Type

**PRODUCT SCHEMATIC**

Document No

**20904123**

Issue Index

**03**

Volume No

**02(02)**

Page No

**42(55)**

Part Name	Description	Location	Part Type
RA1:10		{NA 0 C} {NA 4 C}	inline_connector
RA1:11		{AB 4 D}	inline_connector
RA1:12		{EX 3 B}	inline_connector
RA1B:1		{NB 5 B}	inline_connector
RA1B:2		{NB 5 B}	inline_connector
RA1B:3		{NB 5 B}	inline_connector
RA1B:4		{NB 5 B}	inline_connector
RA1B:5		{NA 3 C}	inline_connector
RA1B:6		{AE 3 C}	inline_connector
RA1B:7		{AE 2 C}	inline_connector
RA1B:8		{AE 1 C}	inline_connector
RA1B:10		{NA 4 C}	inline_connector
RA1B:11		{AE 3 B}	inline_connector
REV:1		{DC 1 C} {DD 4 D}	inline_connector
RL1:1		{GC 3 B}	inline_connector
RL1:2		{GC 3 B}	inline_connector
RL1:3		{GC 1 B}	inline_connector
RL1:4		{GC 1 B}	inline_connector
RL1:5		{GC 2 B}	inline_connector
RL1:6		{GC 2 B}	inline_connector
RL1:7		{GA 1 B}	inline_connector
RL1:8		{GA 1 A}	inline_connector
RL1:9		{GA 2 B}	inline_connector
RL1:10		{GA 2 A}	inline_connector
RL1:11		{GC 3 B}	inline_connector
RL1:12		{GC 3 B}	inline_connector
RL2:1		{GA 3 B}	inline_connector
RL2:2		{GA 3 A}	inline_connector
RL2:3		{GA 5 B}	inline_connector
RL2:4		{GA 5 A}	inline_connector
RL2:5		{GA 3 B}	inline_connector
RL2:6		{GA 3 A}	inline_connector
RL2:7		{GA 1 B}	inline_connector
RL2:8		{GA 1 A}	inline_connector
RL2:9		{GA 2 B}	inline_connector
RL2:10		{GA 2 A}	inline_connector
RL2:11		{GA 3 B}	inline_connector
RL2:12		{GA 3 A}	inline_connector
RL3:1		{GC 5 B}	inline_connector
RL3:2		{GC 4 B}	inline_connector
RL3:3		{GA 4 A}	inline_connector
RL3:4		{GC 2 B}	inline_connector
RL3:5		{GA 3 C}	inline_connector
RL3:6		{GA 1 B} {GE 1 C}	inline_connector
RL3:7		{GC 3 B} {GE 0 C}	inline_connector
RL3:8		{BC 3 A}	inline_connector
RL3:9		{GC 0 B}	inline_connector

**VOLVO**

Volvo Bus Corporation

Document Title

**WIRING DIAGRAM**

Document Type

**PRODUCT SCHEMATIC**

Document No

**20904123**

Issue Index

**03**

Volume No

**02(02)**

Page No

**43(55)**

Part Name	Description	Location	Part Type
RL3:10		{GA 2 B} {GE 2 B}	inline_connector
RL3:11		{GA 3 C}	inline_connector
RL3:12		{ZC 3 D} {ZC 1 D}	inline_connector
RL4:1		{GA 4 A}	inline_connector
RL4:2		{GC 2 B}	inline_connector
RL4:3		{GC 4 B}	inline_connector
RL4:4		{GC 3 B}	inline_connector
RL4:5		{GA 3 B}	inline_connector
RL4:6		{GC 0 C}	inline_connector
RL4:7		{GA 2 B}	inline_connector
RL5:1		{GD 1 B}	inline_connector
RL5:2		{GD 1 B}	inline_connector
RL5:3		{GD 3 B}	inline_connector
RL5:4		{GD 3 B}	inline_connector
RL5:5		{GD 4 B}	inline_connector
RL5:6		{GD 4 B}	inline_connector
RL5:7		{GD 4 B}	inline_connector
RL5:8		{GD 4 B}	inline_connector
RL5:9		{GD 0 B}	inline_connector
RL5:10		{GD 0 B}	inline_connector
RL5:11		{GD 1 B}	inline_connector
RL5:12		{GD 1 B}	inline_connector
RL6:1		{GD 2 B}	inline_connector
RL6:2		{GD 1 B}	inline_connector
RL6:3		{GD 3 B}	inline_connector
RL6:4		{GD 3 B}	inline_connector
RL6:6		{GD 4 B}	inline_connector
RL6:7		{GD 5 B}	inline_connector
RL6:10		{GD 0 B}	inline_connector
RL6:12		{GD 5 B}	inline_connector
RL7:1		{GD 5 B}	inline_connector
RL7:2		{GD 5 B}	inline_connector
RL7:3		{GD 3 B}	inline_connector
RL7:4		{GD 3 B}	inline_connector
RL7:5		{GD 3 B}	inline_connector
RL7:6		{GD 3 B}	inline_connector
RL7:7		{GD 4 B}	inline_connector
RL7:8		{GD 4 B}	inline_connector
RL7:9		{GD 1 B}	inline_connector
RL7:10		{GD 1 B}	inline_connector
RL7:11		{GD 4 B}	inline_connector
RL7:12		{GD 4 B}	inline_connector
RL:1		{ZC 2 B}	inline_connector
RL:3		{GB 5 A}	inline_connector
S901_U1:1		{AG 1 B}	inline_connector
S901_U1:2		{AG 1 B}	inline_connector
SP_F:1	AC compressor 2	{CL 1 D}	inline_connector
SP_F:2	AC compressor 3	{CL 1 D}	inline_connector
SP_F:3	AC compressor 2	{CL 1 D}	inline_connector
SP_F:4	AC compressor 3	{CL 0 D}	inline_connector

**VOLVO**

Volvo Bus Corporation

Document Title

**WIRING DIAGRAM**

Document Type

**PRODUCT SCHEMATIC**

Document No

**20904123**

Issue Index

**03**

Volume No

**02(02)**

Page No

**44(55)**

Part Name	Description	Location	Part Type
SP_RR:1	AC compressor 2	{CL 1 C}	inline_connector
SP_RR:2	AC compressor 3	{CL 1 C}	inline_connector
SP_RR:3	AC compressor 2	{CL 1 C}	inline_connector
SP_RR:4	AC compressor 3	{CL 0 C}	inline_connector
S_T_S:1		{NB 3 B}	inline_connector
S_T_S:2		{NB 3 B}	inline_connector
S_T_S:3		{NB 3 B}	inline_connector
S_T_T:3		{NB 3 B}	inline_connector
TOW:1	Rear position lamp.Right	{GA 1 C}	inline_connector
TOW:3	Rear position lamp.Right	{GA 0 C}	inline_connector
TOW:4	Rear position lamp.Right	{GA 1 C}	inline_connector
TOW:5	Rear position lamp.Right	{GA 1 C}	inline_connector
TOW:6	Rear position lamp.Right	{GA 0 C}	inline_connector
TOW:7	Rear position lamp.Right	{GA 1 C}	inline_connector
TRAIL2:1		{EO 1 B}	inline_connector
TRAIL2:2		{EO 1 B}	inline_connector
TRAIL2:3		{EO 1 B}	inline_connector
TRAIL2:4		{EO 0 B}	inline_connector
TRAIL2:5		{CL 3 B}	inline_connector
TRAIL2:6		{CL 3 B}	inline_connector
TRAIL2:7		{CL 3 B}	inline_connector
TRAIL2:8		{FA 3 B}	inline_connector
TRAIL2:9		{FA 3 B}	inline_connector
TRAIL2:10		{FA 3 B}	inline_connector
TRAIL2:11		{FB 0 C}	inline_connector
TRAIL2:12		{FB 4 C}	inline_connector
TRAIL3:1		{BC 4 B}	inline_connector
TRAIL3:2		{BC 4 A}	inline_connector
TRAIL3:3		{BC 3 B}	inline_connector
TRAIL3:4		{BC 3 A}	inline_connector
TRAIL:1		{EP 3 C}	inline_connector
TRAIL:2		{EP 3 C}	inline_connector
TRAIL:3		{EP 3 C}	inline_connector
TRAIL:4		{EP 2 C}	inline_connector
TRAIL:5		{FB 4 C}	inline_connector
TRAIL:6		{FB 4 C}	inline_connector
TRAIL:7		{FA 1 C}	inline_connector
TRAIL:8		{FA 2 C}	inline_connector
TRAIL:9		{FA 2 C}	inline_connector
TRAIL:10		{FB 1 B}	inline_connector
TRAIL:11		{FB 1 B}	inline_connector
TRAIL:12		{FB 1 B}	inline_connector
TRAIL:13		{FB 1 B}	inline_connector
TRAIL:14		{FB 4 B}	inline_connector
TRAIL:15		{FB 4 C}	inline_connector
TRAIL:16		{BC 5 B}	inline_connector
TRAIL:17		{BC 4 B}	inline_connector
TRAIL:18		{BC 5 B}	inline_connector
TRAIL:19		{GD 5 C}	inline_connector
TRAIL:20		{GD 4 C}	inline_connector
TRAIL:21		{GD 4 C}	inline_connector

**VOLVO**

Volvo Bus Corporation

Document Title

**WIRING DIAGRAM**

Document Type

**PRODUCT SCHEMATIC**

Document No

**20904123**

Issue Index

**03**

Volume No

**02(02)**

Page No

**45(55)**

Part Name	Description	Location	Part Type
TRAIL:22		{GD 3 C}	inline_connector
TRAIL:23		{GD 3 C}	inline_connector
TRAIL:24		{GD 3 C}	inline_connector
TRAIL:25		{GD 3 C}	inline_connector
TRAIL:26		{GD 3 C}	inline_connector
TRAIL:27		{GD 2 C}	inline_connector
TRAIL:28		{GD 2 C}	inline_connector
TRAIL:29		{GD 1 C}	inline_connector
TRAIL:30		{GD 0 C}	inline_connector
TRAIL:31		{FA 2 D}	inline_connector
UDS:1		{CV 3 C}	inline_connector
UDS:2		{CV 3 C}	inline_connector
UDS:5		{CU 3 C}	inline_connector
UDS:6		{CU 2 C}	inline_connector
UDS_B:1		{CV 4 D} {CV 4 C}	inline_connector
UDS_B:2		{CV 4 D} {CV 4 C}	inline_connector
UDS_B:3		{CV 5 B}	inline_connector
UDS_B:4		{CV 5 B}	inline_connector
UDS_F:1		{CV 2 D} {CV 2 C}	inline_connector
UDS_F:2		{CV 2 D} {CV 2 C}	inline_connector
UDS_F:3		{CV 4 B}	inline_connector
UDS_F:4		{CV 4 B}	inline_connector
UDS_M:1		{CV 3 D} {CV 3 C}	inline_connector
UDS_M:2		{CV 3 D} {CV 3 C}	inline_connector
UDS_M:3		{CV 5 B}	inline_connector
UDS_M:4		{CV 5 B}	inline_connector
VIC2:1		{CA 3 B}	inline_connector
VIC2:2		{CA 3 B}	inline_connector
VIC2:3		{CA 3 B}	inline_connector
VIC2:4		{CA 3 B}	inline_connector
VIC2:6		{CA 1 B}	inline_connector
VIC2:7		{CA 1 B}	inline_connector
VIC_MD7:1		{XC 4 A}	inline_connector
VIC_MD7:2		{XD 3 B}	inline_connector
VIC_MD7:3		{CN 5 C}	inline_connector
VIC_MD7:4		{XC 4 A}	inline_connector
VIC_MD7:5		{XD 3 B}	inline_connector
VIC_MD7:6		{CN 5 C}	inline_connector
VIC_MD7:7		{CN 1 C}	inline_connector
VIC_MD7:8		{CN 5 C}	inline_connector
VIC_MD7:9		{AD 3 C}	inline_connector
VIC_MD7:10		{AD 1 D}	inline_connector
VIC_MD7:12		{AD 4 B}	inline_connector
VIC_MD7:13		{CN 4 C}	inline_connector
VIC_MD7:14		{BD 5 C}	inline_connector
VIC_MD7:15		{CN 4 C}	inline_connector

**VOLVO**

Volvo Bus Corporation

Document Title

**WIRING DIAGRAM**

Document Type

**PRODUCT SCHEMATIC**

Document No

**20904123**

Issue Index

**03**

Volume No

**02(02)**

Page No

**46(55)**

Part Name	Description	Location	Part Type
VIC_MD7:16		{BD 5 B}	inline_connector
VIC_MD7:17		{AD 2 C}	inline_connector
VIC_MD7:18		{CN 4 C}	inline_connector
VIC_MD7:20		{CN 3 C}	inline_connector
VIC_MD7:21		{CN 0 C}	inline_connector
VIC_MD7:28		{CN 3 C}	inline_connector
VIC_MD7:30		{CN 2 C}	inline_connector
VIC_MD7:31		{CN 2 C}	inline_connector
VIC_MD7:32		{CN 2 C}	inline_connector
VIC_MD7:33		{CN 4 C}	inline_connector
VIC_MD7:35		{AD 5 C}	inline_connector
VIC_MD7:37		{CN 1 D}	inline_connector
VIC_MD7:39		{CN 2 C}	inline_connector
VIC_MD9:1		{XC 3 B}	inline_connector
VIC_MD9:2		{XD 5 B}	inline_connector
VIC_MD9:3		{CA 5 C}	inline_connector
VIC_MD9:4		{XC 3 B}	inline_connector
VIC_MD9:5		{XD 5 B}	inline_connector
VIC_MD9:6		{CA 5 C}	inline_connector
VIC_MD9:7		{CA 1 C}	inline_connector
VIC_MD9:8		{CA 5 C}	inline_connector
VIC_MD9:9		{AE 3 C}	inline_connector
VIC_MD9:10		{AE 1 B}	inline_connector
VIC_MD9:11		{AE 3 C}	inline_connector
VIC_MD9:12		{AE 3 B}	inline_connector
VIC_MD9:13		{CA 4 C}	inline_connector
VIC_MD9:14		{BD 1 C} {BD 3 C} {BD 2 D} {BD 5 C}	inline_connector
VIC_MD9:15		{CA 4 C}	inline_connector
VIC_MD9:16		{BD 1 B} {BD 3 C} {BD 2 B} {BD 5 B}	inline_connector
VIC_MD9:17		{AE 2 C}	inline_connector
VIC_MD9:18		{CA 3 D}	inline_connector
VIC_MD9:21		{CA 0 D}	inline_connector
VIC_MD9:28		{CA 2 C}	inline_connector
VIC_MD9:30		{CA 2 C}	inline_connector
VIC_MD9:31		{CA 2 C}	inline_connector
VIC_MD9:33		{CA 4 D}	inline_connector
VIC_MD9:34		{CB 4 A}	inline_connector
VIC_MD9:35		{AE 4 B} {AH 5 C}	inline_connector
VIC_MD9:37		{CA 3 C}	inline_connector
VIC_MD9:38		{CB 4 B}	inline_connector
VIC_MD9:39		{CA 2 C}	inline_connector
X25:1		{DB 3 C}	inline_connector
X25:2		{XD 2 A}	inline_connector
X25:3		{DB 4 B}	inline_connector
X25:4		{XD 2 A}	inline_connector

**VOLVO**

Volvo Bus Corporation

Document Title

**WIRING DIAGRAM**

Document Type

**PRODUCT SCHEMATIC**

Document No

**20904123**

Issue Index

**03**

Volume No

**02(02)**

Page No

**47(55)**

Part Name	Description	Location	Part Type
X25:6		{DB 1 C}	inline_connector
X25:7		{DB 2 C}	inline_connector
X25:8		{DB 4 C}	inline_connector
X25:9		{DB 4 C}	inline_connector
XC906:1		{AB 5 C}	inline_connector
XC906:2		{AB 5 C}	inline_connector
XC906:3		{AB 5 C}	inline_connector
XC906:4		{AB 5 C}	inline_connector
XC906:5		{AB 4 C}	inline_connector
XC906:6		{AB 4 C}	inline_connector
XC914A:1		{CA 2 D}	inline_connector
XC914A:2		{CA 2 C}	inline_connector
XC914A:3		{CA 1 B}	inline_connector
XC914A:4		{CA 1 B}	inline_connector
XC914A:5		{NA 0 C}	inline_connector
XC914A:7		{NA 0 D}	inline_connector
XC914A:8		{NA 0 C}	inline_connector
XC914A:9		{NA 0 D}	inline_connector
XC915:1		{NA 5 A}	inline_connector
XC915:3		{NA 5 B}	inline_connector
XC915:5		{NA 5 C}	inline_connector
XC915:6		{NA 5 B}	inline_connector
XC916:1		{AH 3 C}	inline_connector
XC916:2		{AH 2 C}	inline_connector
XC916:4		{AH 1 C}	inline_connector
XC916:5		{AH 4 B}	inline_connector
XC916:6		{AH 1 C}	inline_connector
XC917:1		{CL 3 B}	inline_connector
XC917:2		{CL 4 B}	inline_connector
XC917:3		{CL 5 B}	inline_connector
XC917:4		{CL 4 B}	inline_connector
XC920:1		{FC 2 C}	inline_connector
XC920:2		{FC 2 D}	inline_connector
XC921:1		{CL 3 B}	inline_connector
XC921:2		{CL 3 B}	inline_connector
XC921:3		{CL 3 B}	inline_connector
XC922:1		{GB 2 C}	inline_connector
XC922:3		{GB 1 C}	inline_connector
XC925:1		{NE 3 B}	inline_connector
XC925:2		{NE 3 B}	inline_connector
XJK:1		{BC 4 C}	inline_connector
XJK:2		{BC 4 A}	inline_connector
XJK:3		{BC 3 C}	inline_connector
XJK:4		{BC 3 A}	inline_connector
XK2:5		{GA 2 C}	inline_connector
XK2:6		{GA 2 C}	inline_connector
Y17:1		{DM 3 A}	inline_connector
Y17:2		{DM 3 A}	inline_connector
Y17:3		{DM 3 C}	inline_connector
Y17:4		{DM 3 C}	inline_connector
Y17:5		{DM 3 C}	inline_connector

**VOLVO**

Volvo Bus Corporation

Document Title

**WIRING DIAGRAM**

Document Type

**PRODUCT SCHEMATIC**

Document No

**20904123**

Issue Index

**03**

Volume No

**02(02)**

Page No

**48(55)**

Part Name	Description	Location	Part Type
Y17:6		{DM 3 C}	inline_connector
Y17:7		{DM 3 C}	inline_connector
splice315_115		{CA 4 C}	physical_splice_connector
splice318_115		{CA 3 C}	physical_splice_connector
splice320_115		{CA 3 C}	physical_splice_connector
splice321_115		{CA 3 C}	physical_splice_connector
splice325_115		{CA 5 A}	physical_splice_connector
splice326_115		{CA 5 B}	physical_splice_connector
splice328_115		{CA 4 A}	physical_splice_connector
splice329_115		{CA 4 B}	physical_splice_connector
XE1		{CB 5 C}	physical_splice_connector
XE5		{CB 3 D}	physical_splice_connector
XE8		{CB 1 C}	physical_splice_connector
XE10		{CB 1 A}	physical_splice_connector
XSA01		{XC 3 D}	physical_splice_connector
XSA02		{XC 3 D}	physical_splice_connector
XSA03		{XC 2 D}	physical_splice_connector
XSA04		{XC 2 D}	physical_splice_connector
XSA05		{XC 2 D}	physical_splice_connector
XSA06		{XC 2 D}	physical_splice_connector
XSA07		{XC 1 D}	physical_splice_connector
XSA08		{XC 1 D}	physical_splice_connector
XSA09		{XC 0 D}	physical_splice_connector
XSA10		{XC 0 D}	physical_splice_connector
XSA11		{XC 1 C}	physical_splice_connector
XSA12		{XC 1 B}	physical_splice_connector
XSA13		{XD 2 D}	physical_splice_connector
XSA14		{XD 2 D}	physical_splice_connector
XSA15		{XD 2 D}	physical_splice_connector
XSA16		{XD 2 D}	physical_splice_connector
XSA17		{XD 2 D}	physical_splice_connector
XSA18		{XD 2 D}	physical_splice_connector
XSA19		{XD 1 D}	physical_splice_connector
XSA20		{XD 1 D}	physical_splice_connector
XSA21		{XD 1 D}	physical_splice_connector
XSA22		{XD 1 D}	physical_splice_connector
XSA23		{XD 1 C}	physical_splice_connector
XSA24		{XD 1 C}	physical_splice_connector
XSA25		{ZC 5 A}	physical_splice_connector
XSA26		{AA 5 A}	physical_splice_connector
XSA27		{FA 4 B}	physical_splice_connector
XSA28		{AA 3 B}	physical_splice_connector
XSA31		{ZC 4 B}	physical_splice_connector
XSA32		{BA 4 B}	physical_splice_connector
XSA34		{AA 3 D}	physical_splice_connector
XSA35		{ZC 1 A}	physical_splice_connector
XSA37		{FB 1 D}	physical_splice_connector
XSA40		{FB 2 D}	physical_splice_connector
XSA43		{ZC 2 A}	physical_splice_connector
XSA44		{AC 5 B}	physical_splice_connector
XSA46		{BB 2 B}	physical_splice_connector

**VOLVO**

Volvo Bus Corporation

Document Title

**WIRING DIAGRAM**

Document Type

**PRODUCT SCHEMATIC**

Document No

**20904123**

Issue Index

**03**

Volume No

**02(02)**

Page No

**49(55)**



Part Name	Description	Location	Part Type
XSA50		{BA 5 C}	physical_splice_connector
XSA52		{ZC 2 B}	physical_splice_connector
XSA53		{GM 2 C}	physical_splice_connector
XSA54		{DM 4 D}	physical_splice_connector
XSA59		{BA 5 B}	physical_splice_connector
XSA60		{NA 4 B}	physical_splice_connector
XSA61		{BA 4 C}	physical_splice_connector
XSA62		{XD 3 D}	physical_splice_connector
XSA63		{XC 4 D}	physical_splice_connector
XSA64		{XC 4 D}	physical_splice_connector
XSA65		{XD 3 D}	physical_splice_connector
XSA68		{BC 2 C}	physical_splice_connector
XSA69		{BC 2 C}	physical_splice_connector
XSB01		{XC 5 D}	physical_splice_connector
XSB02		{XC 5 D}	physical_splice_connector
XSB03		{XD 4 D}	physical_splice_connector
XSB04		{XD 4 D}	physical_splice_connector
XSB05		{XD 4 D}	physical_splice_connector
XSB06		{XD 4 D}	physical_splice_connector
XSB07		{IS 3 B}	physical_splice_connector
XSB08		{IS 3 B}	physical_splice_connector
XSB09		{ZC 4 B}	physical_splice_connector
XSB10		{ZC 5 C}	physical_splice_connector
XSB11		{ZC 5 C}	physical_splice_connector
XSB12		{GM 3 C}	physical_splice_connector
XSB13		{GB 1 D}	physical_splice_connector
XSB18		{IU 4 C}	physical_splice_connector
XSB19		{IU 4 C}	physical_splice_connector
XSB20		{AC 2 C}	physical_splice_connector
XSB21		{IU 4 C}	physical_splice_connector
XSB22		{NC 4 C}	physical_splice_connector
XSB23		{NC 4 C}	physical_splice_connector
XSB28		{CV 0 C}	physical_splice_connector
XSB29		{CV 0 C}	physical_splice_connector
XSB30		{IU 4 C}	physical_splice_connector
XSB31		{IU 4 C}	physical_splice_connector
XSB32		{XC 5 D}	physical_splice_connector
XSB33		{XC 4 D}	physical_splice_connector
XSC01		{ZC 4 D}	physical_splice_connector
XSC02		{GE 3 C}	physical_splice_connector
XSC03		{GB 2 B}	physical_splice_connector
XSC04		{GE 5 C}	physical_splice_connector
XSC05		{GE 4 B}	physical_splice_connector
XSC06		{GE 3 C}	physical_splice_connector
XSC07		{ZC 4 D}	physical_splice_connector
XSC08		{GB 1 B}	physical_splice_connector
XSC09		{GB 4 B}	physical_splice_connector
XSC11		{DA 2 C}	physical_splice_connector
XSC12		{DA 1 C}	physical_splice_connector
XSC13		{ZC 0 C}	physical_splice_connector
XSC14		{ZC 4 D}	physical_splice_connector

**VOLVO**

Volvo Bus Corporation

Document Title

**WIRING DIAGRAM**

Document Type

**PRODUCT SCHEMATIC**

Document No

**20904123**

Issue Index

**03**

Volume No

**02(02)**

Page No

**50(55)**

Part Name	Description	Location	Part Type
XSC15		{ZC 4 D}	physical_splice_connector
XSC16		{ZC 2 C}	physical_splice_connector
XSC21		{DN 5 B}	physical_splice_connector
XSC23		{DD 4 C}	physical_splice_connector
XSC24		{DD 3 C}	physical_splice_connector
XSC25		{DD 3 C}	physical_splice_connector
XSC95		{CL 3 C}	physical_splice_connector
XSC96		{CL 3 D}	physical_splice_connector
XSC97		{CL 3 C}	physical_splice_connector
XSC98		{CL 3 C}	physical_splice_connector
XSC99		{CL 4 C}	physical_splice_connector
XSD05		{DC 2 C}	physical_splice_connector
XSD06		{DC 3 C}	physical_splice_connector
XSD07		{DC 3 C}	physical_splice_connector
XSD08		{DC 2 C}	physical_splice_connector
XSE01		{CB 1 D} {CM 5 C}	physical_splice_connector
XSE01_	Unit injector cylider 1	{CC 2 B}	physical_splice_connector
XSE02		{AE 2 B}	physical_splice_connector
XSE02_	Unit injector cylider 2	{CC 2 B}	physical_splice_connector
XSE03		{CM 4 C}	physical_splice_connector
XSE03_	Unit injector cylider 3	{CC 2 B}	physical_splice_connector
XSE04_	Unit injector cylider 1 2 3	{CC 2 B}	physical_splice_connector
XSE05_	Unit injector cylider 1 2 3	{CC 2 B}	physical_splice_connector
XSE6		{CC 5 C}	physical_splice_connector
XSE06		{CM 4 C}	physical_splice_connector
XSE06_	Unit injector cylider 4	{CC 2 B}	physical_splice_connector
XSE07_	Unit injector cylider 5	{CC 1 B}	physical_splice_connector
XSE08_	Unit injector cylider 6	{CC 1 B}	physical_splice_connector
XSE09		{CM 2 C}	physical_splice_connector
XSE09_	Unit injector cylider 4 5 6	{CC 1 B}	physical_splice_connector
XSE10		{CM 1 D}	physical_splice_connector
XSE10_	Unit injector cylider 4 5 6	{CC 1 B}	physical_splice_connector
XSE11		{CM 1 C}	physical_splice_connector
XSE11_		{CC 1 C}	physical_splice_connector
XSE12_		{CC 1 D}	physical_splice_connector
XSE13		{CM 4 B}	physical_splice_connector
XSE13_		{CC 1 C}	physical_splice_connector
XSE14		{CM 3 B}	physical_splice_connector
XSE14_	GND	{CC 2 C}	physical_splice_connector
XSE15		{CM 3 B}	physical_splice_connector
XSE15_	+30 main switch (F15 15A)	{CC 4 C}	physical_splice_connector
XSE16		{CM 3 B}	physical_splice_connector
XSE16_		{CC 4 C}	physical_splice_connector
XSE17		{CM 3 B}	physical_splice_connector
XSE17_		{CC 5 D}	physical_splice_connector
XSE18		{CM 2 B}	physical_splice_connector
XSE18_	Ground for sensors	{CC 4 A}	physical_splice_connector
XSE19		{CM 2 B}	physical_splice_connector
XSE19_	Power supply 5V	{CC 4 B}	physical_splice_connector
XSE20		{CM 2 B}	physical_splice_connector

**VOLVO**

Volvo Bus Corporation

Document Title

**WIRING DIAGRAM**

Document Type

**PRODUCT SCHEMATIC**

Document No

**20904123**

Issue Index

**03**

Volume No

**02(02)**

Page No

**51(55)**

Part Name	Description	Location	Part Type
XSE20_		{CC 4 A}	physical_splice_connector
XSE21		{CM 2 B}	physical_splice_connector
XSE22		{CM 3 B}	physical_splice_connector
XSE23		{CM 3 B}	physical_splice_connector
XSE26		{CM 2 B}	physical_splice_connector
XSE27		{CM 2 B}	physical_splice_connector
XSE28		{CM 1 B}	physical_splice_connector
XSE29		{CM 1 B}	physical_splice_connector
XSE30		{CM 1 B}	physical_splice_connector
XSE31		{CM 1 B}	physical_splice_connector
XSE32		{CM 1 B}	physical_splice_connector
XSE33		{CM 1 B}	physical_splice_connector
XSE34		{CM 2 B}	physical_splice_connector
XSE35		{CM 1 B}	physical_splice_connector
XSE39		{CM 1 D}	physical_splice_connector
XSE40		{CM 1 C}	physical_splice_connector
XSE41		{CN 2 C}	physical_splice_connector
XSE42		{CN 1 C}	physical_splice_connector
XSE43		{CN 0 B}	physical_splice_connector
XSE44		{CN 2 B}	physical_splice_connector
XSE45		{CN 3 B}	physical_splice_connector
XSE46		{CN 5 B}	physical_splice_connector
XSE47		{CN 5 B}	physical_splice_connector
XSE48		{CN 4 B}	physical_splice_connector
XSE49		{CN 2 A}	physical_splice_connector
XSE50		{CM 0 C}	physical_splice_connector
XSE51		{CM 3 C}	physical_splice_connector
XSE52		{CM 3 C}	physical_splice_connector
XSE53		{CB 2 D}	physical_splice_connector
XSE54		{CB 1 D}	physical_splice_connector
XSE55		{CB 4 C}	physical_splice_connector
XSE56		{CB 4 D}	physical_splice_connector
XSE57		{CB 4 A}	physical_splice_connector
XSE58		{CB 2 B}	physical_splice_connector
XSE59		{CB 2 B}	physical_splice_connector
XSE60		{CM 5 B}	physical_splice_connector
XSE61		{CA 0 C}	physical_splice_connector
XSE63		{CA 2 C}	physical_splice_connector
XSE68		{CA 3 B}	physical_splice_connector
XSE70		{CA 2 B}	physical_splice_connector
XSE71		{CA 1 B}	physical_splice_connector
XSF01		{GE 1 C}	physical_splice_connector
XSF02		{GD 2 C}	physical_splice_connector
XSF03		{GA 2 B}	physical_splice_connector
XSF04		{GA 1 B}	physical_splice_connector
XSF05		{GC 3 B}	physical_splice_connector
XSF06		{GD 2 C}	physical_splice_connector
XSF07		{ZC 2 D}	physical_splice_connector
XSF08		{CA 2 D}	physical_splice_connector
XSF09		{GC 5 B}	physical_splice_connector
XSF10		{GC 4 B}	physical_splice_connector

**VOLVO**

Volvo Bus Corporation

Document Title

**WIRING DIAGRAM**

Document Type

**PRODUCT SCHEMATIC**

Document No

**20904123**

Issue Index

**03**

Volume No

**02(02)**

Page No

**52(55)**

Part Name	Description	Location	Part Type
XSF11		{GE 0 C}	physical_splice_connector
XSF12		{GA 3 C}	physical_splice_connector
XSF13		{GE 2 C}	physical_splice_connector
XSF14		{ZC 2 C}	physical_splice_connector
XSF19		{ZC 3 B}	physical_splice_connector
XSF20		{CU 3 C}	physical_splice_connector
XSF21		{ZC 0 C}	physical_splice_connector
XSF26		{DM 3 D}	physical_splice_connector
XSF29		{FB 5 C}	physical_splice_connector
XSF31		{GD 3 D}	physical_splice_connector
XSF32		{FB 5 C}	physical_splice_connector
XSF33		{GD 4 D}	physical_splice_connector
XSF34		{GD 5 D}	physical_splice_connector
XSF35		{BA 3 D}	physical_splice_connector
XSF37		{GA 3 B}	physical_splice_connector
XSF38		{CN 5 D}	physical_splice_connector
XSF40		{FA 5 C}	physical_splice_connector
XSF41		{XD 4 B} {XD 4 B} {XD 4 B} {XD 3 B} {XD 3 B}	physical_splice_connector
XSF42		{XD 4 B} {XD 4 B} {XD 4 B} {XD 4 B} {XD 3 B}	physical_splice_connector
XSF43		{CM 1 C}	physical_splice_connector
XSF44		{CM 4 C}	physical_splice_connector
XSF45		{CN 3 D}	physical_splice_connector
XSF47		{CV 3 C}	physical_splice_connector
XSF48		{CV 3 C}	physical_splice_connector
XSF49		{CV 3 B}	physical_splice_connector
XSF50		{CV 3 B}	physical_splice_connector
XSF51		{CV 2 B}	physical_splice_connector
XSF52		{CV 2 B}	physical_splice_connector
XSF54		{XC 4 B}	physical_splice_connector
XSF55		{XC 4 B}	physical_splice_connector
XSF60		{CN 2 C}	physical_splice_connector
XSF61		{ZC 3 C}	physical_splice_connector
XSF62		{CA 3 D}	physical_splice_connector
XSF64		{CL 3 B}	physical_splice_connector
XSF70		{CU 5 C}	physical_splice_connector
XSF71		{CU 1 B}	physical_splice_connector
XSF72		{CU 5 A}	physical_splice_connector
XSF73		{CU 5 A}	physical_splice_connector
XSF74		{ZC 3 B}	physical_splice_connector
XSF75		{AG 3 B}	physical_splice_connector
XSF80		{CV 2 D} {CV 2 D}	physical_splice_connector
XSF81		{CV 2 D} {CV 2 C}	physical_splice_connector

**VOLVO**

Volvo Bus Corporation

Document Title

**WIRING DIAGRAM**

Document Type

**PRODUCT SCHEMATIC**

Document No

**20904123**

Issue Index

**03**

Volume No

**02(02)**

Page No

**53(55)**

Part Name	Description	Location	Part Type
XSF82		{CV 3 D} {CV 3 D}	physical_splice_connector
XSF83		{CV 3 D} {CV 3 C}	physical_splice_connector
XSF84		{CV 4 D} {CV 4 D}	physical_splice_connector
XSF85		{CV 4 D} {CV 4 C}	physical_splice_connector
XSF86		{CV 4 D}	physical_splice_connector
XSF87		{CV 4 C}	physical_splice_connector
XSF88		{CV 5 D}	physical_splice_connector
XSF89		{CV 4 C}	physical_splice_connector
XSF90		{CV 3 D}	physical_splice_connector
XSF91		{CV 2 D}	physical_splice_connector
XSF99		{AG 1 B}	physical_splice_connector
XSF100		{CV 2 B}	physical_splice_connector
XSF101		{CV 2 B}	physical_splice_connector
XSG01		{AD 1 C}	physical_splice_connector
XSG02		{AD 3 B}	physical_splice_connector
XSG03		{AH 3 B}	physical_splice_connector
XSG04		{AH 2 B}	physical_splice_connector
XSG05		{AE 3 B}	physical_splice_connector
XSG06		{AF 0 C}	physical_splice_connector
XSG07		{AF 2 B}	physical_splice_connector
XSJ01		{GD 2 B}	physical_splice_connector
XSJ02		{GD 1 C}	physical_splice_connector
XSJ03		{GD 0 B}	physical_splice_connector
XSJ04		{GD 4 C}	physical_splice_connector
XSJ05		{GD 5 C}	physical_splice_connector
XSJ06		{GD 2 B}	physical_splice_connector
XSJ07		{ZC 0 D}	physical_splice_connector
XSJ09		{FB 4 B}	physical_splice_connector
XSJ10		{FB 4 C}	physical_splice_connector
XSJ11		{FB 1 B}	physical_splice_connector
XSJ12		{FB 1 B}	physical_splice_connector
XSJ13		{DO 3 C}	physical_splice_connector
XSJ14		{DO 3 C}	physical_splice_connector
XSJ15		{DO 3 C}	physical_splice_connector
XSJ17		{BB 1 D}	physical_splice_connector
XSJ18		{FB 5 B}	physical_splice_connector
XSJ19		{FB 5 B}	physical_splice_connector
XSJ20		{FA 2 D}	physical_splice_connector
XSJ21		{DD 0 D}	physical_splice_connector
XSJ22		{DD 0 D}	physical_splice_connector
XSJ30		{FC 4 C}	physical_splice_connector
XSJ31		{FC 4 C}	physical_splice_connector
XSJ32		{FC 5 B}	physical_splice_connector
XSJ34		{ZC 4 B}	physical_splice_connector
XSJ35		{XC 2 B}	physical_splice_connector
XSJ36		{XC 2 B}	physical_splice_connector
XSJ37		{FC 3 D}	physical_splice_connector
XSJ38		{GD 3 B}	physical_splice_connector

**VOLVO**

Volvo Bus Corporation

Document Title

**WIRING DIAGRAM**

Document Type

**PRODUCT SCHEMATIC**

Document No

**20904123**

Issue Index

**03**

Volume No

**02(02)**

Page No

**54(55)**

Part Name	Description	Location	Part Type
XSJ39		{FA 2 D}	physical_splice_connector
XSK1		{CG 4 C}	physical_splice_connector
XSK4		{CG 2 C}	physical_splice_connector
XSK6		{CG 2 C}	physical_splice_connector
XSL1		{CG 3 A}	physical_splice_connector
XSL2		{CG 1 A}	physical_splice_connector
XSL10		{CU 3 A}	physical_splice_connector
XSL11		{CU 3 A}	physical_splice_connector
XSL12		{CU 2 A}	physical_splice_connector
XSL13		{CU 2 A}	physical_splice_connector
XSM01		{GN 4 D}	physical_splice_connector
XSM02		{ZC 4 C}	physical_splice_connector

**VOLVO**

Volvo Bus Corporation

Document Title

**WIRING DIAGRAM**

Document Type

**PRODUCT SCHEMATIC**

Document No

**20904123**

Issue Index

**03**

Volume No

**02(02)**

Page No

**55(55)**

**VOLVO**

**Volvo Bus Corporation**

Göteborg, Sweden