

This service bulletin complements Service Handbook Group 37 TSP89141432

Wiring diagram
AMT-PS
FH (4)
CHID A740874–
CHID B645496–
CHID D200003–
CHID W112925–

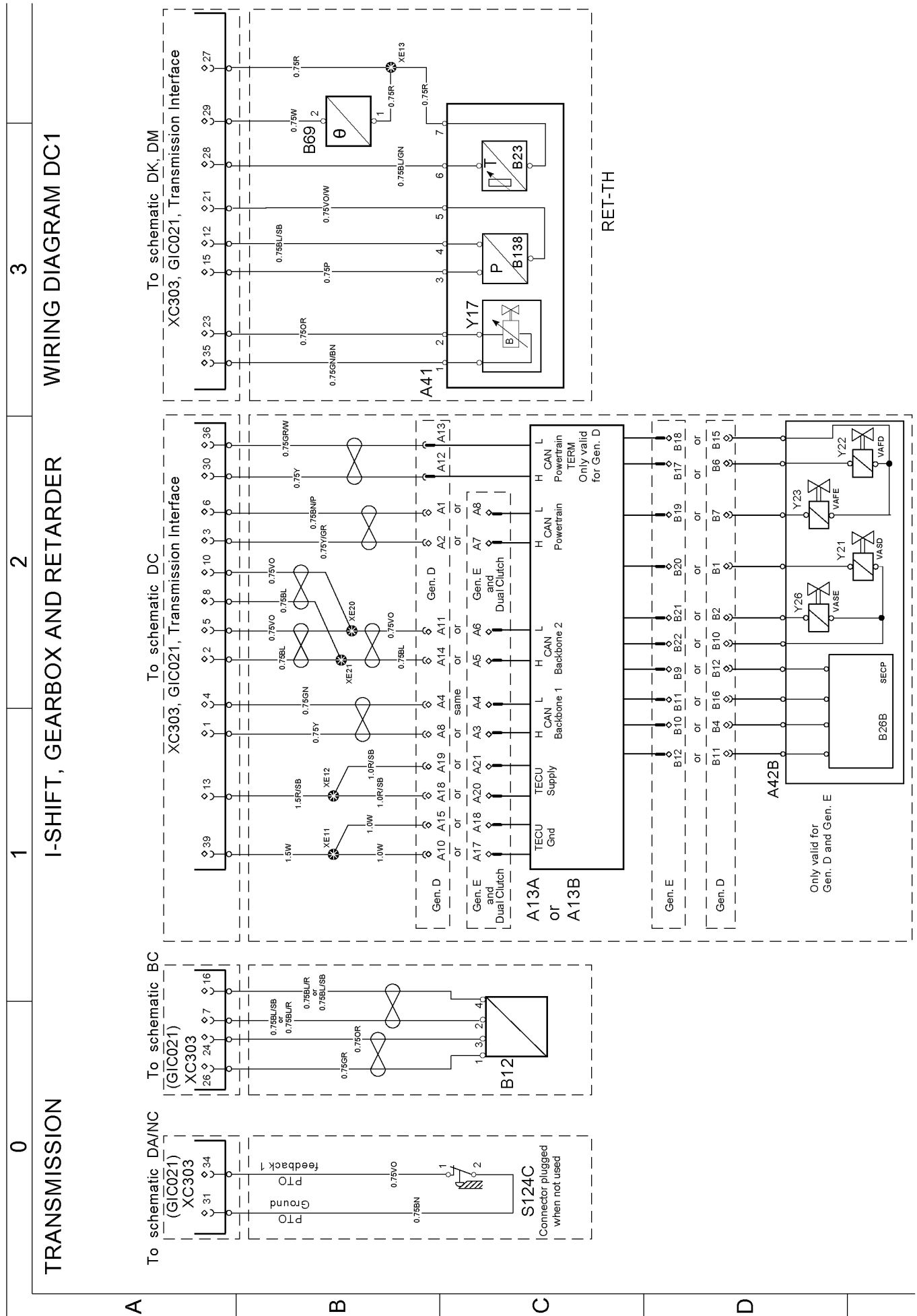
Wiring diagram, I-Shift Dual Clutch

Contents

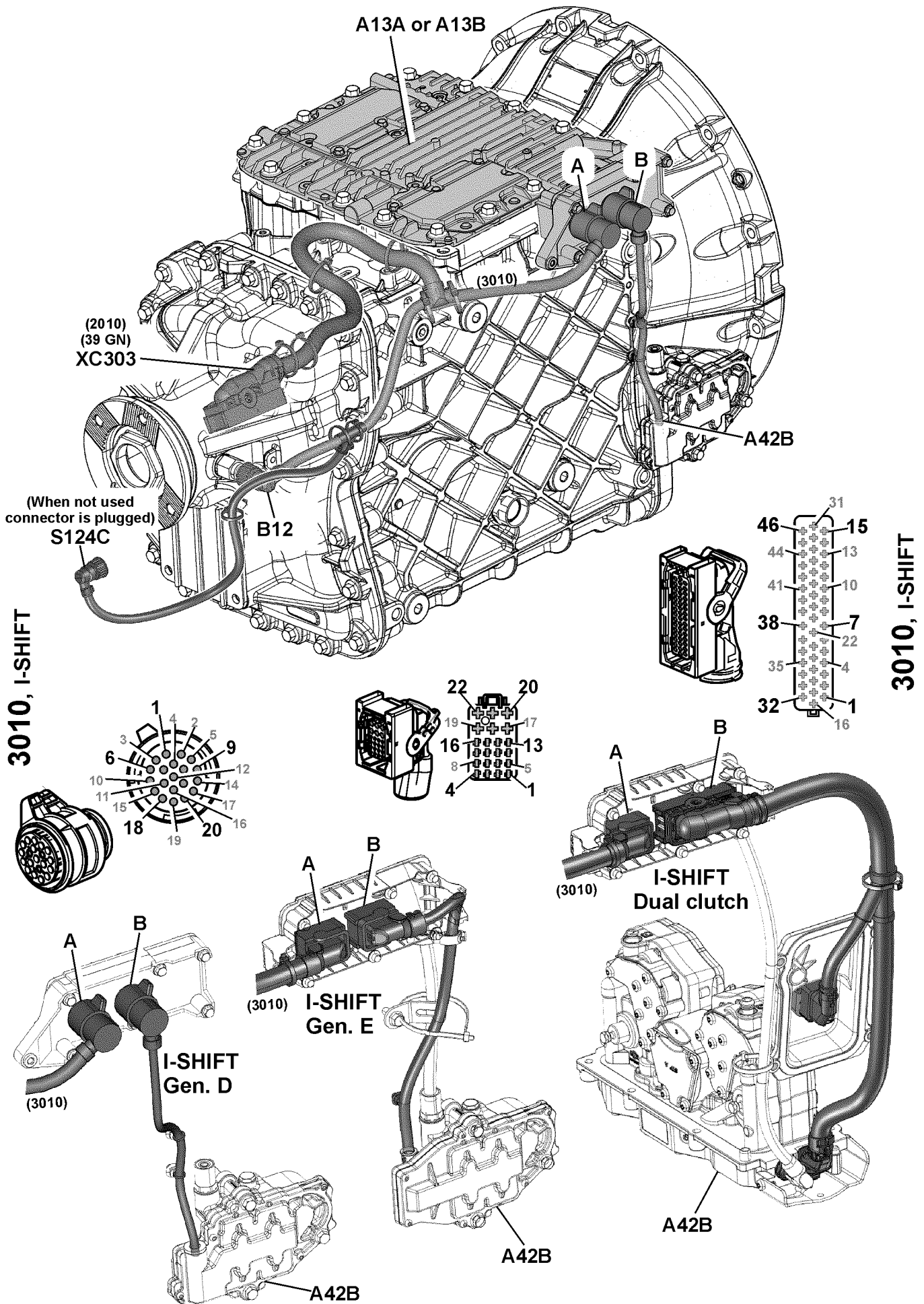
Diagram DC1 page 2

Wiring harness gearbox page 3

Component number page 5

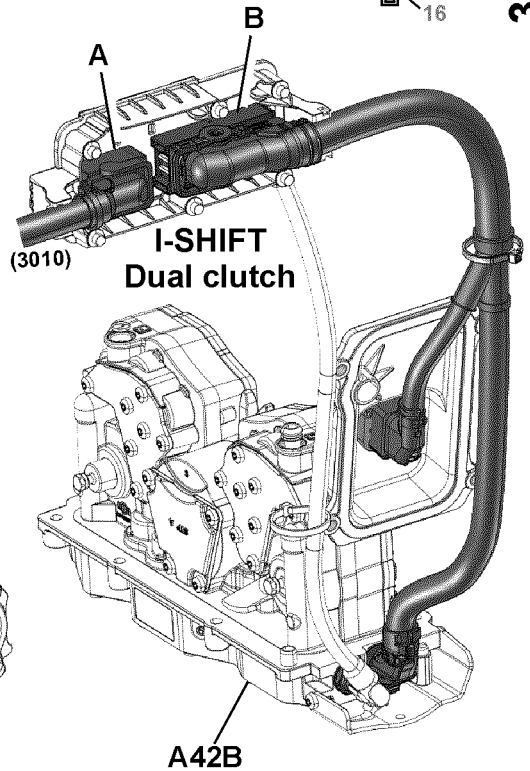
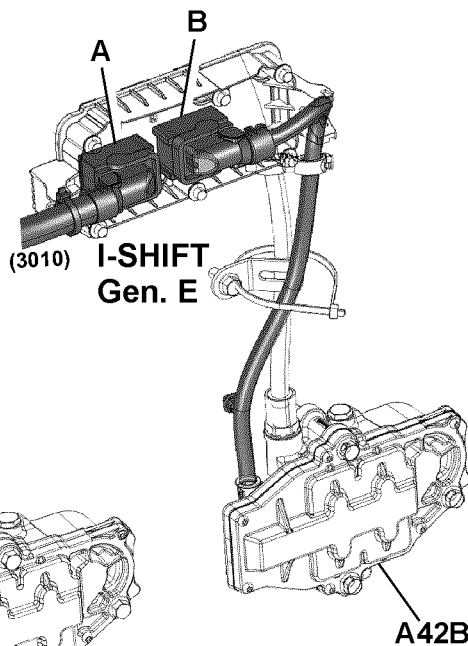
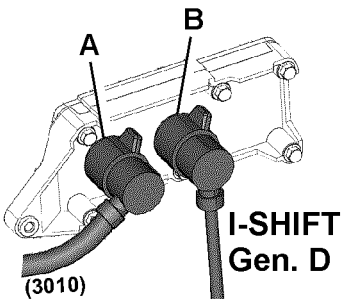
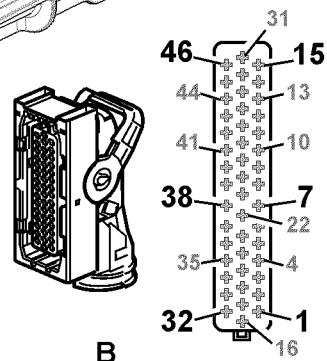
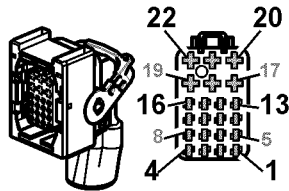
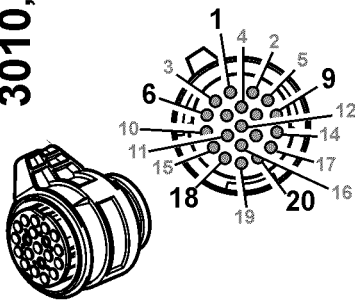
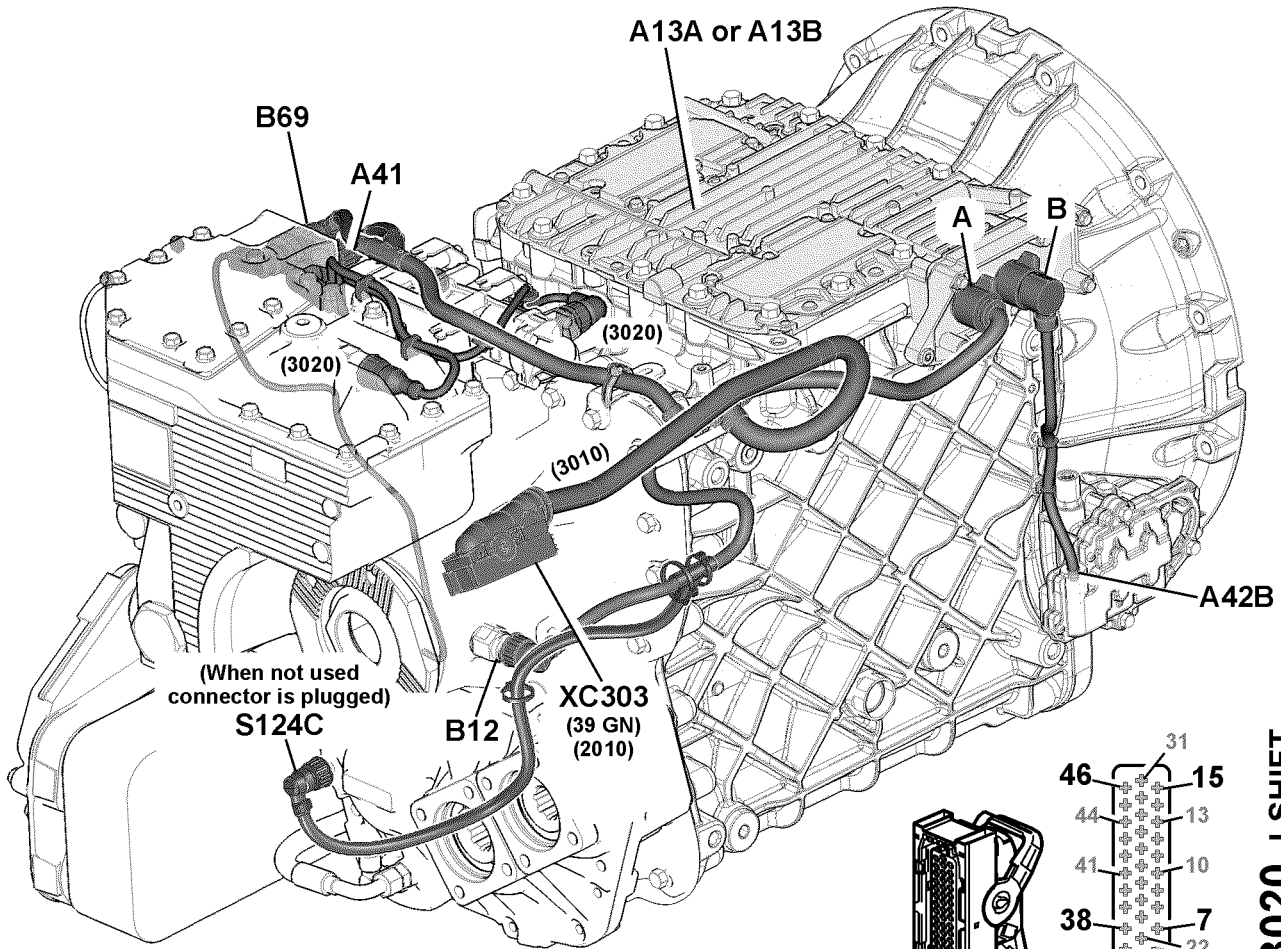


Wiring harnesses gearbox



3010, 3020, I-SHIFT

3010, 3020, I-SHIFT



Component number

A13A or A13B	Control unit, TECU (Transmission Electrical Control Unit) (DC1:1 C)
A41	Component group transmission. Con- tains B23, B138 and Y17 (DA1:3 C/ DC1:3 C)
A42B	Component group transmission. Con- tains B26B, Y21, Y22, Y23 and Y26 (DC1:1 D)
B12	Sensor, tachograph/speedometer (DA1:0 C/DC1:0 C)
B69	Sensor, coolant temperature, retarder (DA1:3 B/DC1:3 B)
S124C	PTO-Feedback (DC1:0 C)