

Service Manual Trucks

Group **37**

Release **01**

Wiring diagram

FM

FH

CHID A689836-

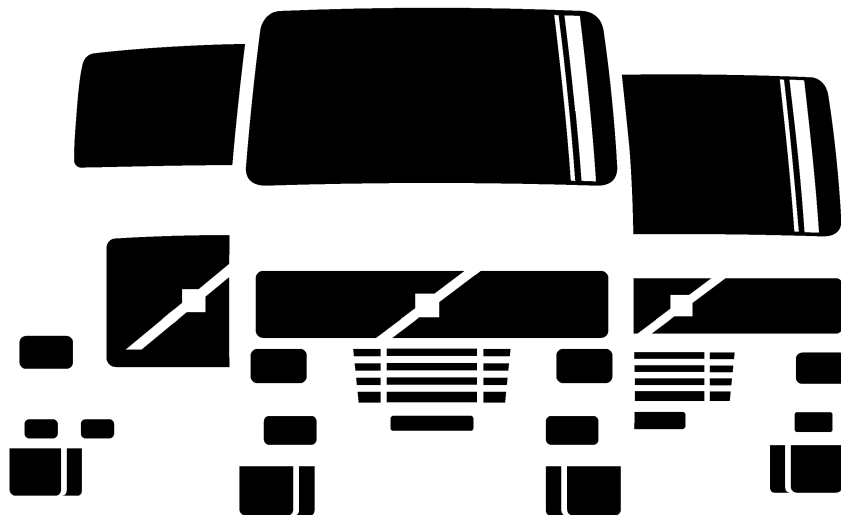
CHID B548688-

CHID D131669-

CHID E750419-

CHID W100028-

CHID CKD887300-



Foreword

The descriptions and service procedures contained in this manual are based on designs and methods studies carried out up to June 09.

The products are under continuous development. Vehicles and components produced after the above date may therefore have different specifications and repair methods. When this is judged to have a significant bearing on this manual, supplementary service bulletins will be issued to cover the changes.

The new edition of this manual will update the changes.

In service procedures where the title incorporates an operation number, this is a reference to V.S.T. (Volvo Standard Times).

Service procedures which do not include an operation number in the title are for general information and no reference is made to V.S.T.

The following levels of observations, cautions and warnings are used in this Service Documentation:

Note: Indicates a procedure, practice, or condition that must be followed in order to have the vehicle or component function in the manner intended.

Caution: Indicates an unsafe practice where damage to the product could occur.

Warning: Indicates an unsafe practice where personal injury or severe damage to the product could occur.

Danger: Indicates an unsafe practice where serious personal injury or death could occur.

Volvo Truck Corporation

Göteborg, Sweden

Order number: 20186030

© 09 Volvo Truck Corporation, Göteborg, Sweden

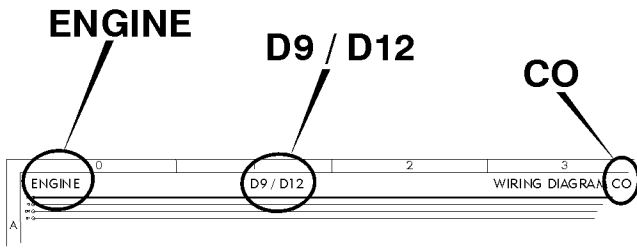
All rights reserved. No part of this publication may be reproduced, stored in retrieval system, or transmitted in any forms by any means, electronic, mechanical, photocopying, recording or otherwise, without the prior written permission of Volvo Truck Corporation.

ENG32943.ihval

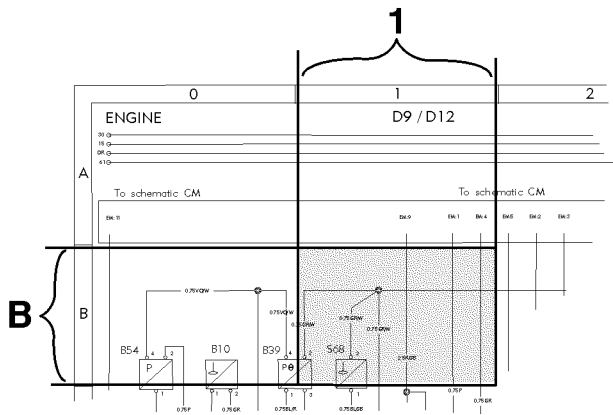
Contents

Example of wiring diagram	2
Component wiring diagram index	5
Component wiring diagrams	9
Illustrations index	131
Illustrations	132
Fuses	235
Relays	237
Wiring harness illustration index	239
Ground connections	242
List of ground connections	244
List of connectors	245
List of components	256
Abbreviations	263
Cable colour code	265
Feedback	

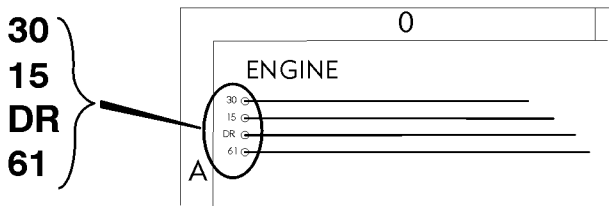
Example of wiring diagram



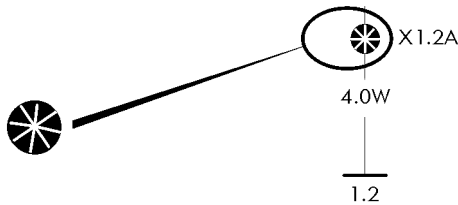
Component wiring diagram title, variant/subtitle and symbol.



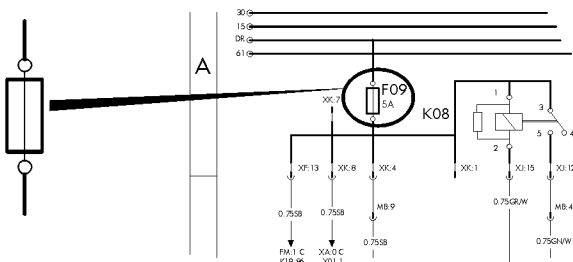
Coordinates (B 1).



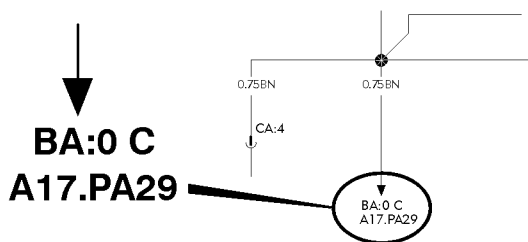
30 Voltage battery, kl.30.
 15 Voltage with starter key in drive position, kl.15.
 DR Voltage with starter key in drive position, preheat position and start position, kl.DR.
 61 Voltage when alternator charges, kl.61.



Splice.

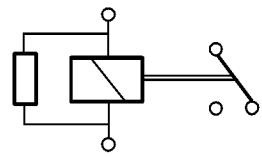
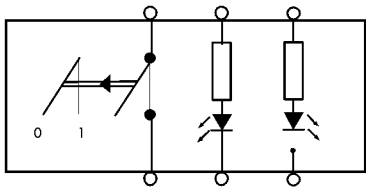
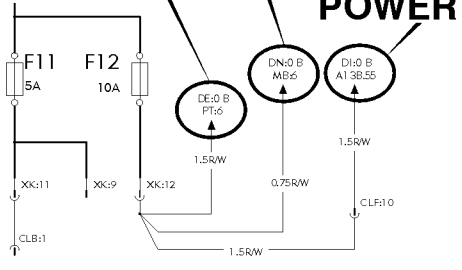


Fuse.



Reference arrow, for diagram BA, coordinates 0 C, component A17, connector PA pin 29.

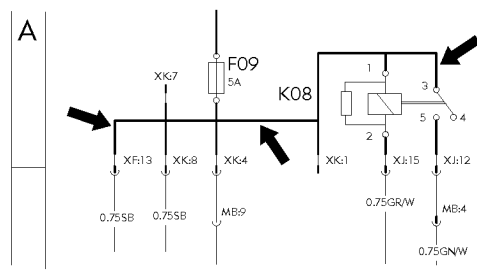
GEARTRONIC
I-SHIFT
POWERTRONIC



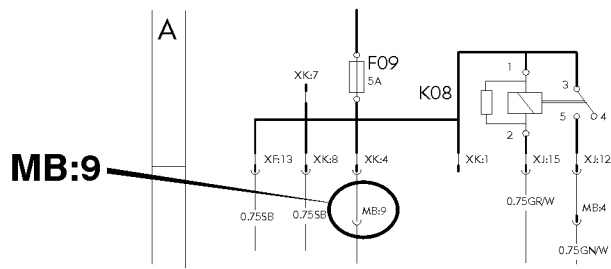
The maximum of variants are drawn, think about that all wires and components are not standard for all markets or vehicle models.

Switch.

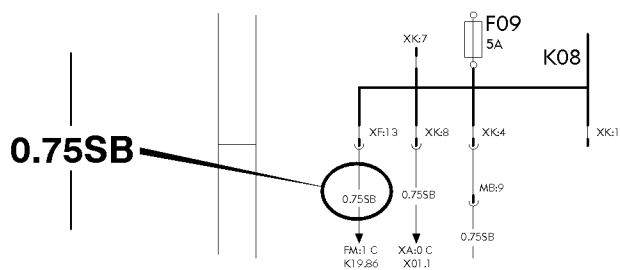
Relay.



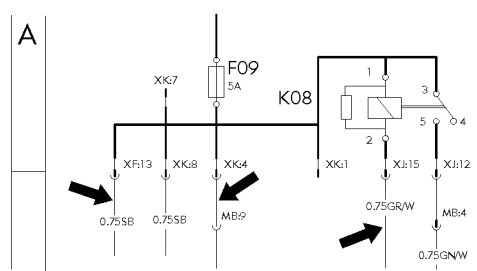
Conductor on circuit card.



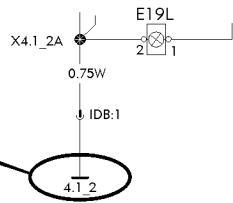
Connector MB terminal 9.



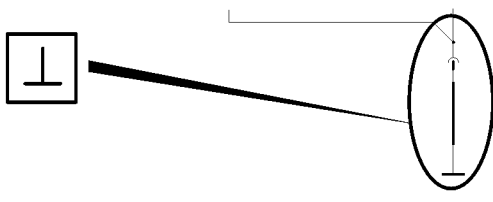
Wire area and colour.



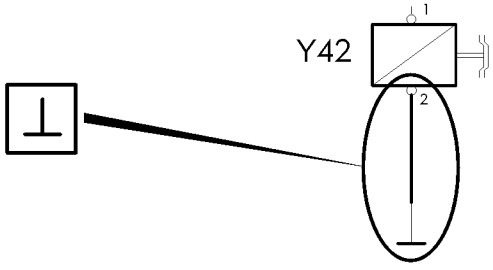
Thin lines, wires.



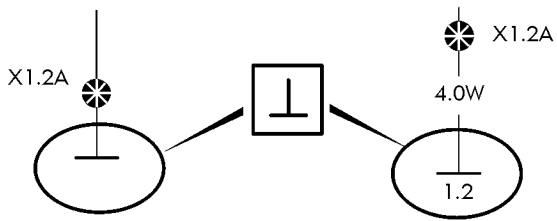
Earth connection point 4, earth connection 1 and wire 2.



Earth connection to circuit card.



Earth connection without wire.



Same splice can be drawn on several diagrams. The wire from the splice to the earth connection point will only be drawn and coded on one diagram. On the other diagrams will only the earth connection point be written besides the splice.

Component wiring diagram index

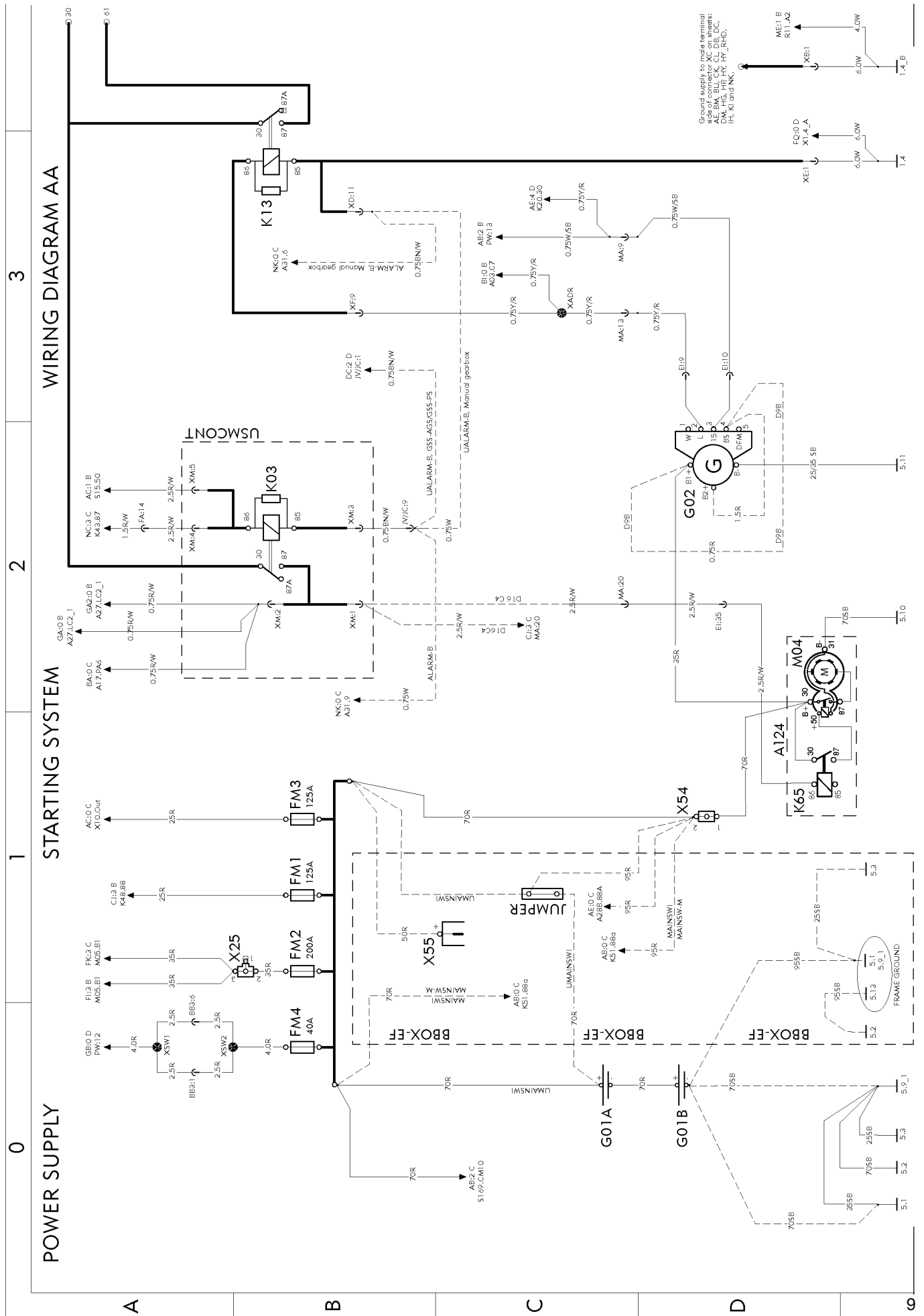
AA	Power supply, starting system	page 9
AB	Main switch	page 10
AC	Power distribution	page 11
AE	ADR, main switch	page 12
AF	ADR, main switch, ADR3	page 13
BA	Vehicle ECU	page 14
BE	Driver Assistance System, ACC	page 15
BI	Instrument cluster	page 16
BM	Tachograph in dash	page 17
BN	Tachograph in shelf	page 18
BU	Dynafleet TIS-BAS/TIS-MED/TIS-HIGH	page 19
BX	FMS Gateway	page 20
BZ	Toll collect	page 21
BZ RHD	Toll collect	page 22
CH	Engine interface EM-JPN07	page 23
CJ	Engine interface	page 24
CO	Engine D9B, D11A, D11B, D13A	page 25
	Engine D11C, EM-EU5	page 26
	Engine D11C, EM-EU5	page 27
	Engine D13B, EGR-C, EM-EC06	page 28
	Engine D13B, EGR-C, EM-EC06	page 29
	Engine D13B, EM-JPN07	page 30
	Engine D13B, EM-JPN07	page 31
	Engine D13C, EM-EU5	page 32
	Engine D13C, EM-EU5	page 33
	Engine D16C4	page 34
	Engine D16E	page 35
	Engine D16G, EM-EU5	page 36
	Engine D16G, EM-EU5	page 37
CP	12V trailer ABS converter, VERS-AUS, TABS-12V	page 38
CV	SCR	page 39
DC	Gear selector ECU (I-SHIFT/POWERTRONIC)	page 40
DI	Powertronic	page 41
DM	Retarder manual gearshift	page 42
DP	I-shift	page 43
DQ	Power take off	page 44
DU	Diff-lock	page 45
EE	ABS basic, E-version	page 46

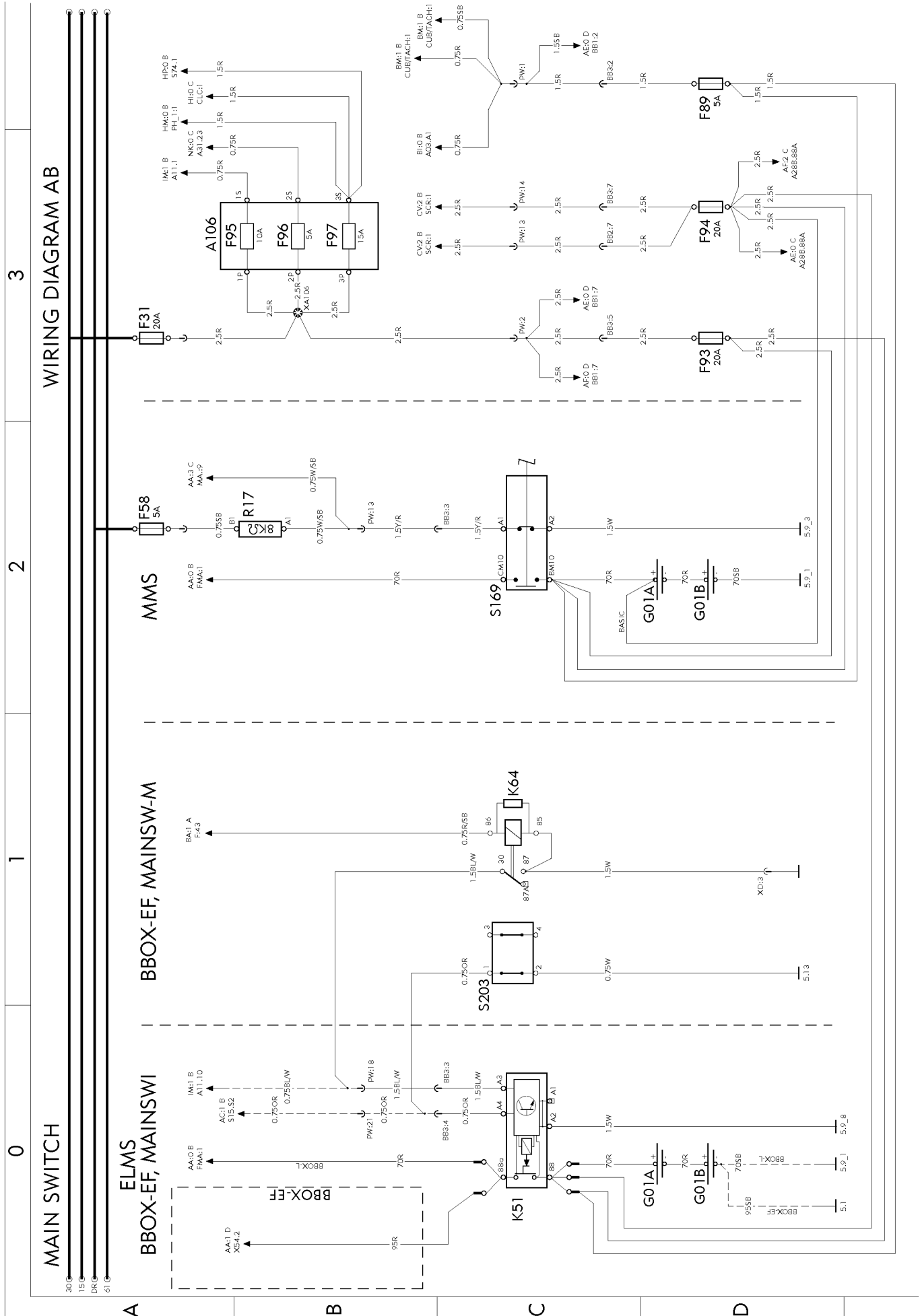
EE RHD	ABS basic, E-version	page 47
EF	ABS 6x2 VERS-SAM	page 48
EO	EBS ECU	page 49
EO RHD	EBS ECU	page 50
EP	EBS modulators	page 51
FA	Air-suspension	page 52
FA RHD	Air-suspension	page 53
FB	Air-suspension	page 54
FB RHD	Air-suspension	page 55
FG	Load indicator	page 56
FI	Bogie lift A-ride	page 57
FK	Bogie lift A-ride with axle load limiter	page 58
FL	Bogie lift J-ride 6x2	page 59
FM	Axle lock, self steered axle	page 60
FO	Electronic steered axle	page 61
FP	Dual steered front axle	page 62
FQ	Air dryer	page 63
FU	Central lubrication system	page 64
FX	Fuel heater, Thermoline	page 65
GA	LCM head lights, FH	page 66
GA2	LCM head lights, FM	page 67
GA3	LCM head lights, FM VAL-BAS2	page 68
GB	LCM trailer	page 69
GB2	LCM trailer, VAL-BAS2	page 70
GC	LCM rear lights	page 71
GC RHD	LCM rear lights	page 72
GE	Rear lights overhang	page 73
GF	Rear lights, India/Korea	page 74
GG	Trailer connections, RIGID	page 75
GH	Trailer connections, TRACTOR	page 76
GK	Trailer connections (AUS only)	page 77
GL	Identification lamps	page 78
GL2	Identification lamps, sunvisor H1	page 79
GM	Wiper, rainsensor	page 80
GQ	Horn	page 81
GR	Trailer connections TREL14	page 82
GU	Headlights adjust	page 83

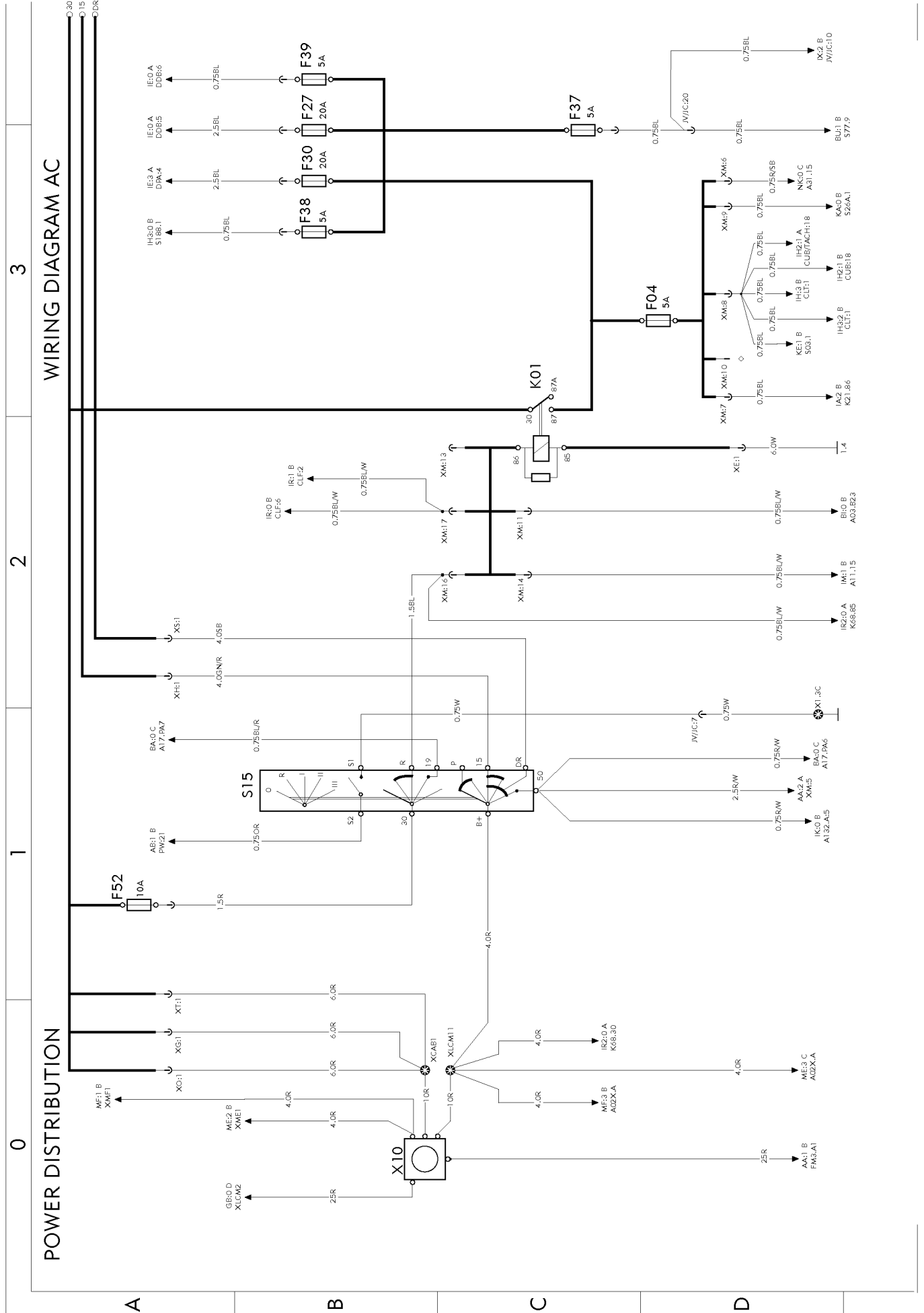
HE	Fan in dash board	page 84
HG	Climate unit, CU,-BAS,-MCC,-ECC	page 85
HI	Air heater, UADR	page 86
HI2	Air heater, ADR	page 87
HM	Water heater	page 88
HP	Short stop cab heater	page 89
HY	Climat unit, CU,-HEAT,-ACMAN,-ACAUT.	page 90
HY RHD	Climat unit, CU,-HEAT,-ACMAN,-ACAUT.	page 91
HZ	Air cooler, Brazil	page 92
IA	El. heated/adj. seat	page 93
IE	El. heat/adj. mirrors, El. window winders	page 94
IF	Foldable mirror bracket	page 95
IH	Interior light, FM, FH H1	page 96
IH2	Interior light, FH, INLI-NLD	page 97
IH3	Interior light, FM, FH INLI-NL/INLI-BAS	page 98
IH4	Interior light, H2/H3	page 99
IK	Alcolock, start prevention system	page 100
IM	Central locking, immobiliser	page 101
IQ	El. sunroof, cig. lighter, refrigerator	page 102
IQ2	Cig. lighter VAL-BAS2	page 103
IR	12V power supply	page 104
IR2	Power outlets	page 105
IS	SRS. Air-bag	page 106
IU	Audio	page 107
IU RHD	Audio	page 108
IV	Amplifier	page 109
IX	Integrated telephone	page 110
IZ	Backup camera	page 111
KA	Cab tilt	page 112
KE	Load light, 5:th wheel lamp	page 113
KI	Light sign	page 114
KM	Beacon warning light	page 115
ME	Extra fuse block, key switch relay	page 116
MF	Extra fuse block, SPDU-S	page 117
NA	Body builder (BB), auxsw-6 and swapbody	page 118
NB	Body builder (BB), tailprep and swapbody	page 119
NC	Body builder (BB), ELCE-CK, BBM, PTO2	page 120
NI	Extra spotlamps front/roof, max 4x70W	page 121

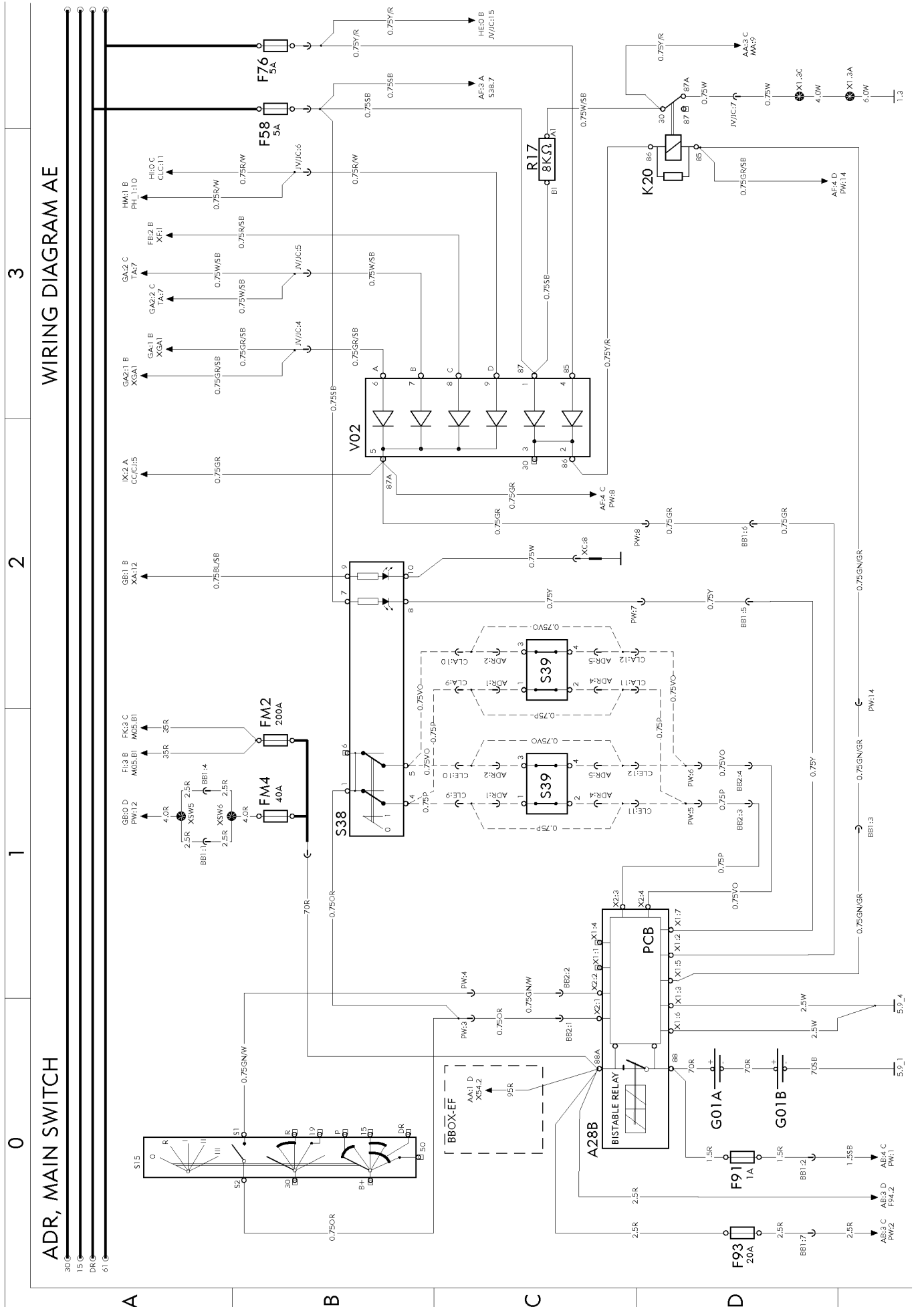
NK	Burglar alarm	page 122
NU	Body builder (BB), SPEED-DU	page 123
NX	Body builder (BB), SPDU-S	page 124
OA	Tyre pressure monitoring (TPM)	page 125
XA	Bus J1708/J1587	page 126
XB	Bus J1939	page 127
XC	Bus J1939-7, OBD	page 128
YA	Ground connector	page 129
ZA RHD	Ground/Misc.	page 130

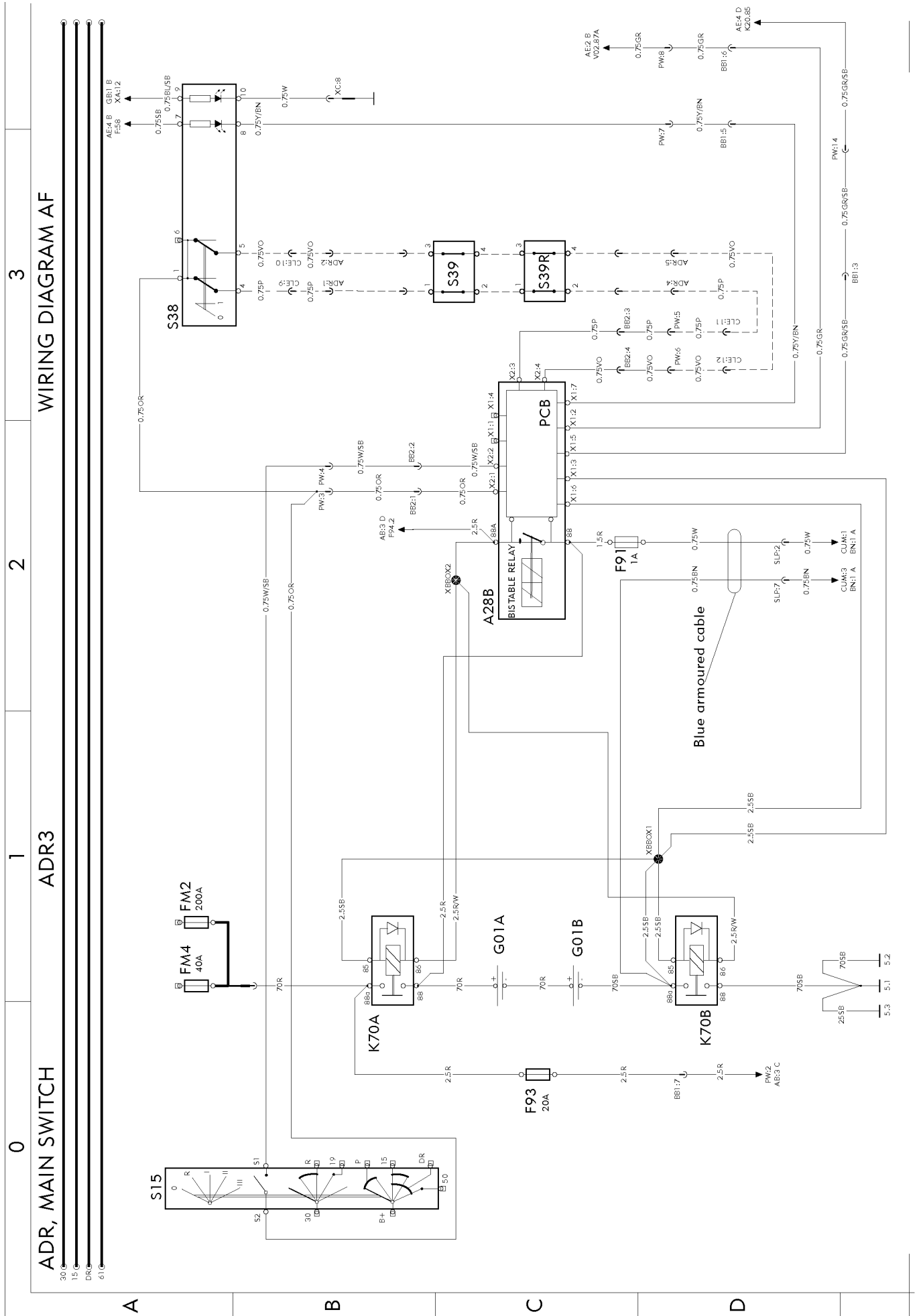
Component wiring diagrams

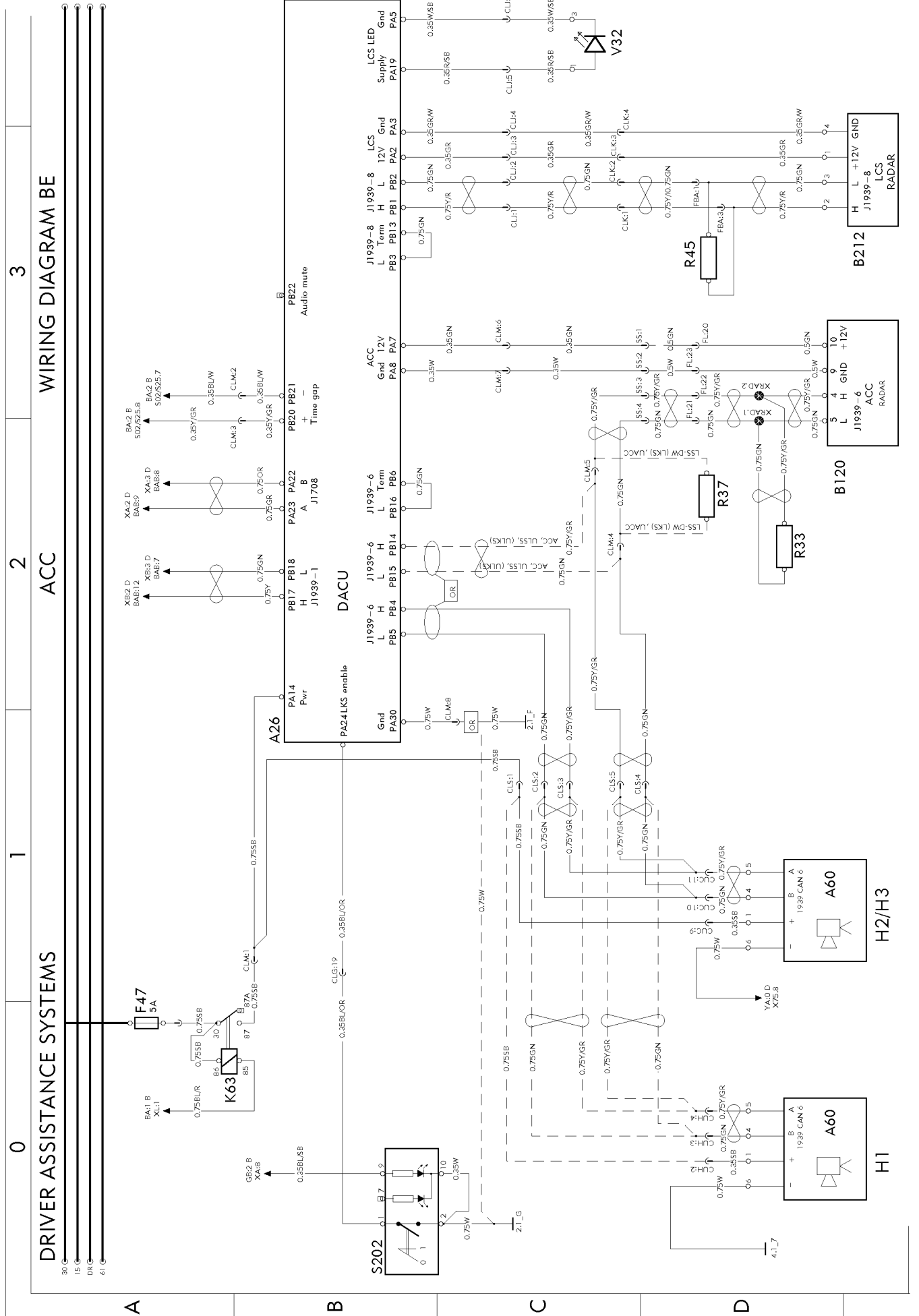


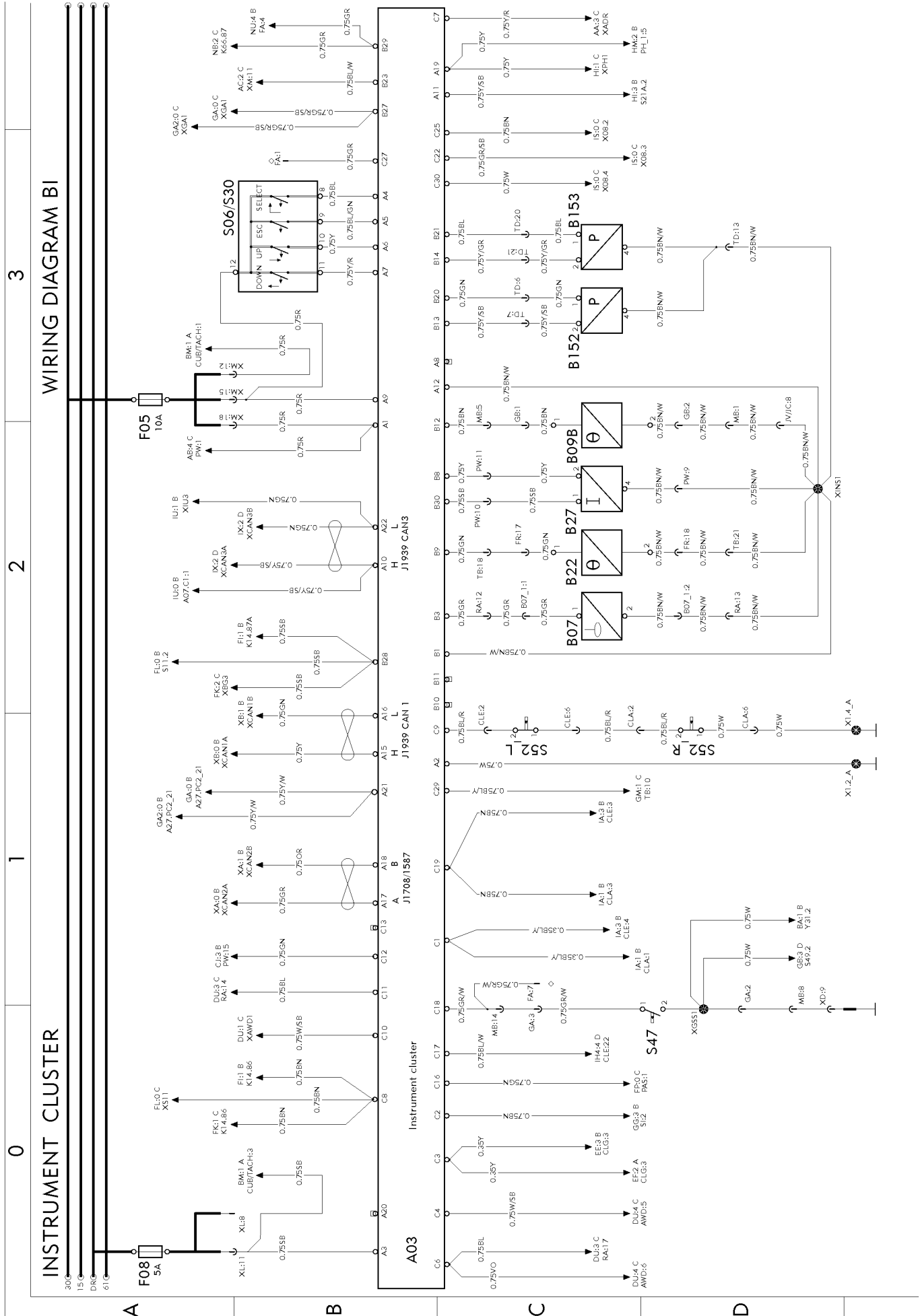


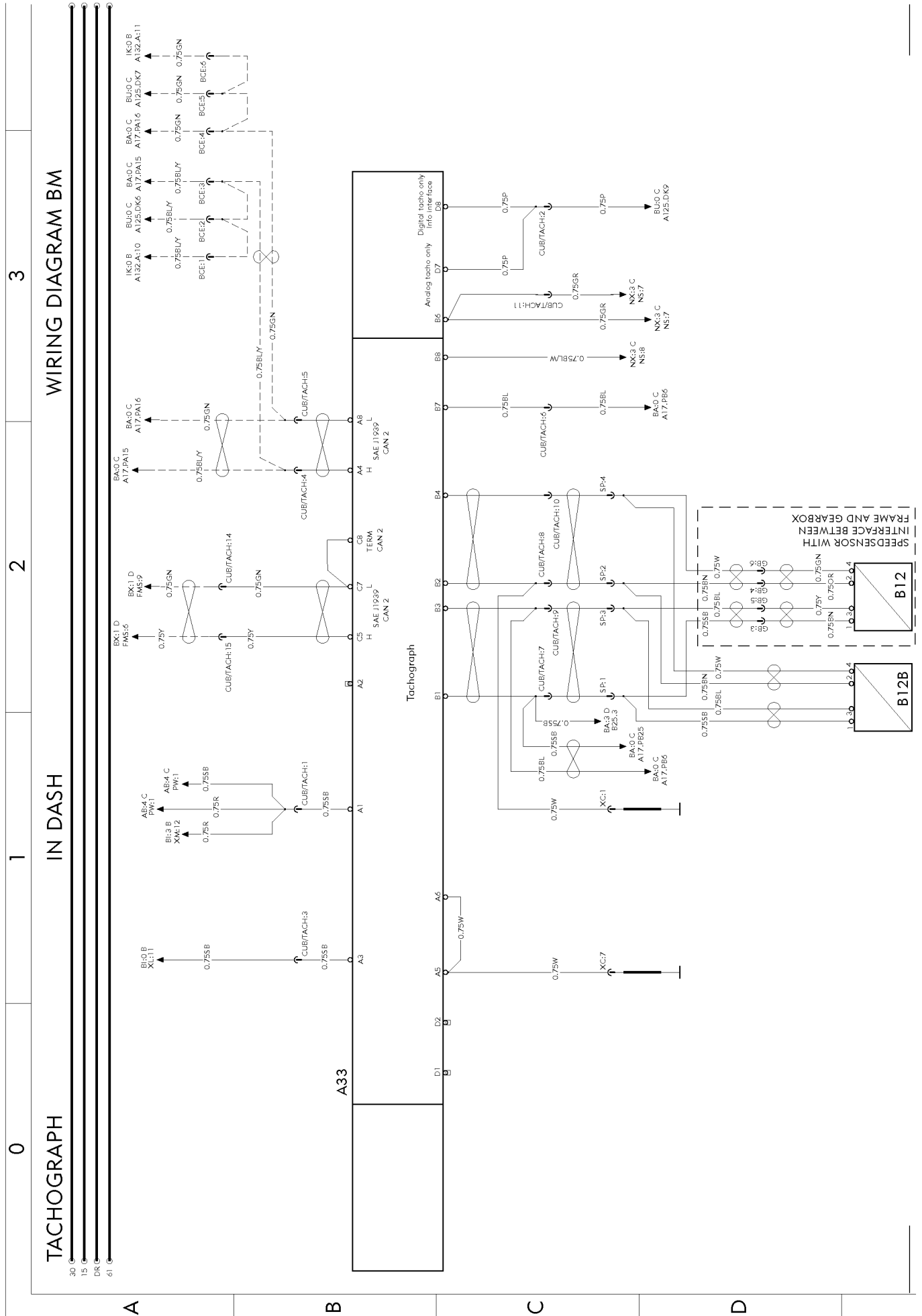


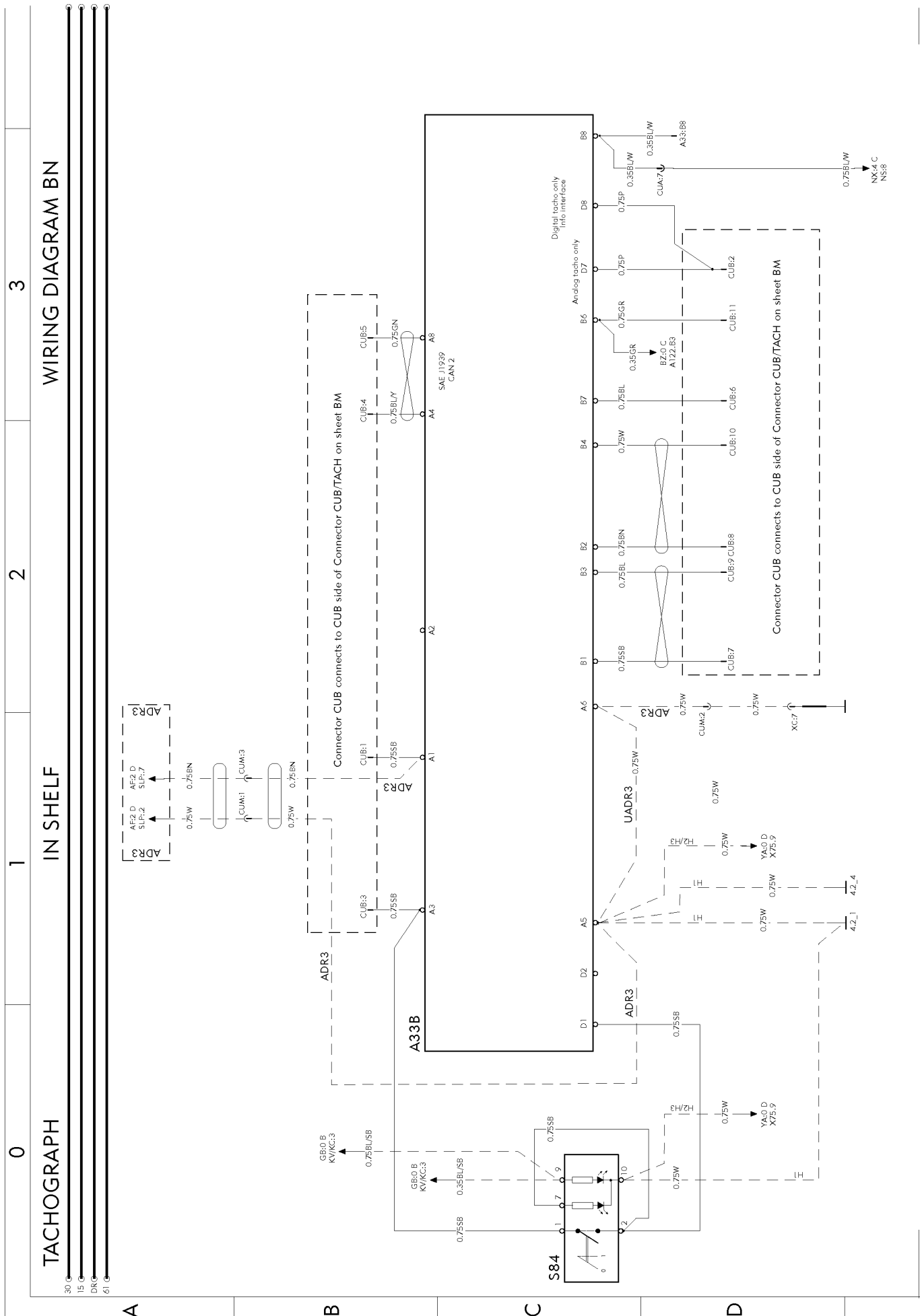


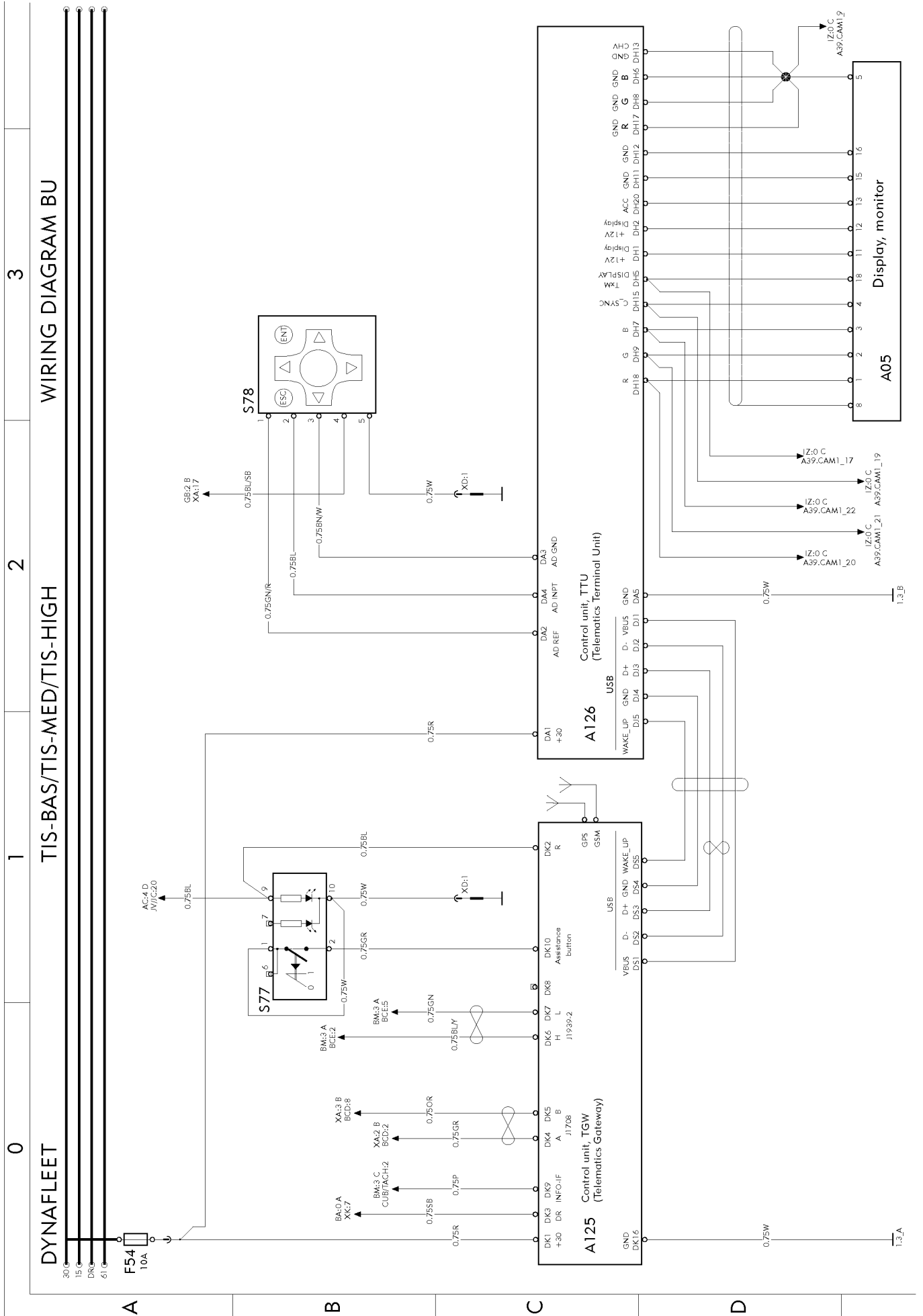


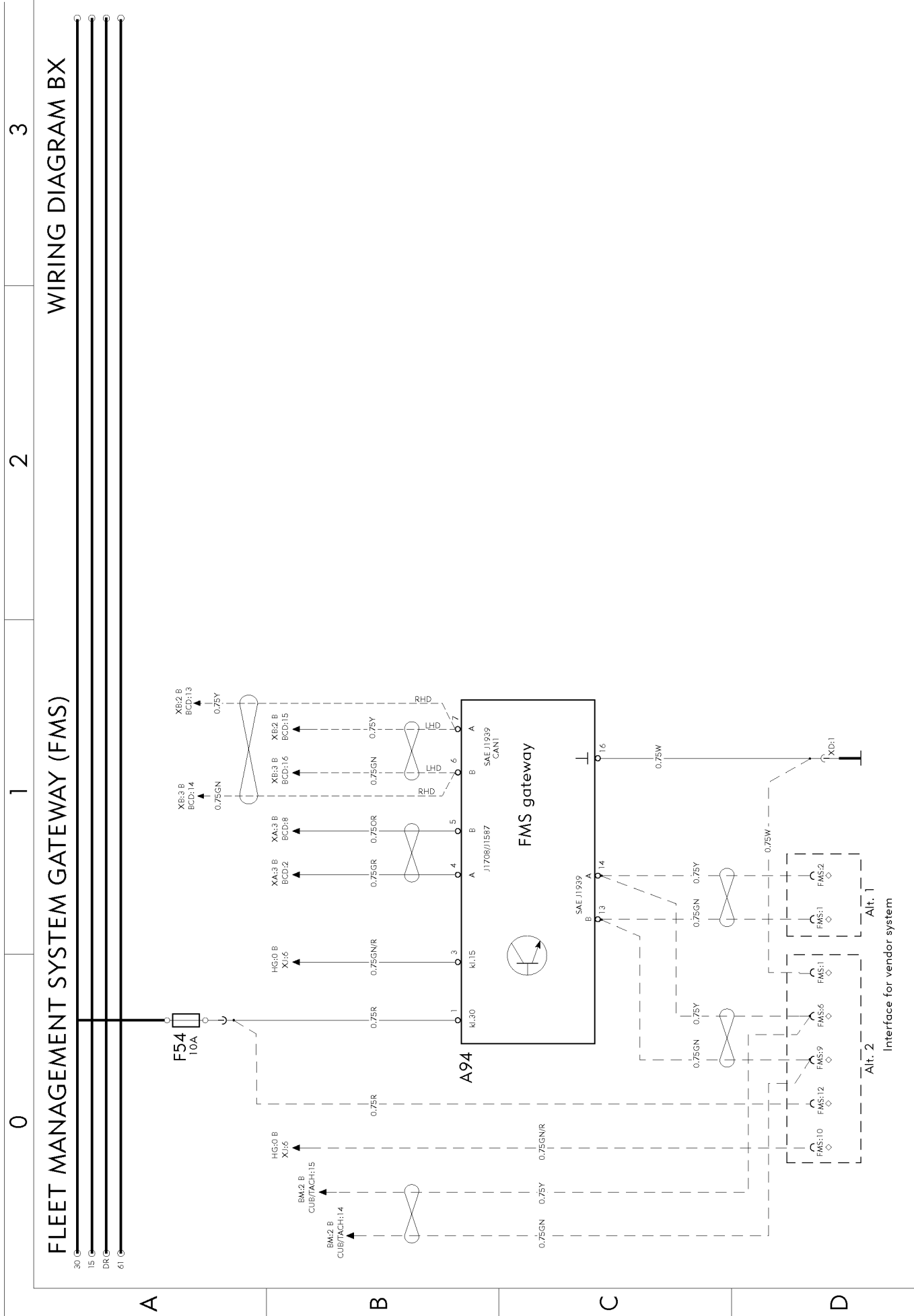


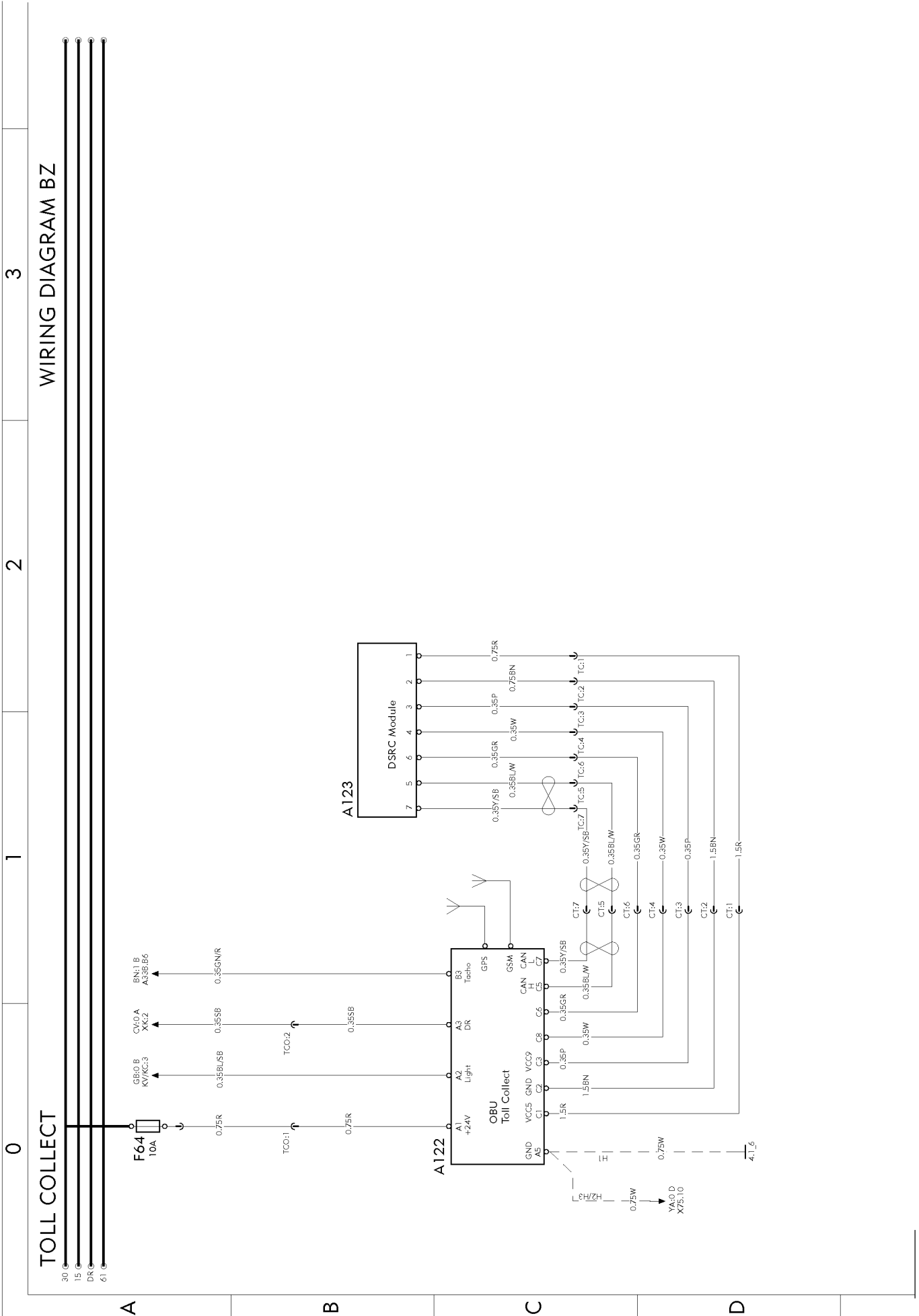


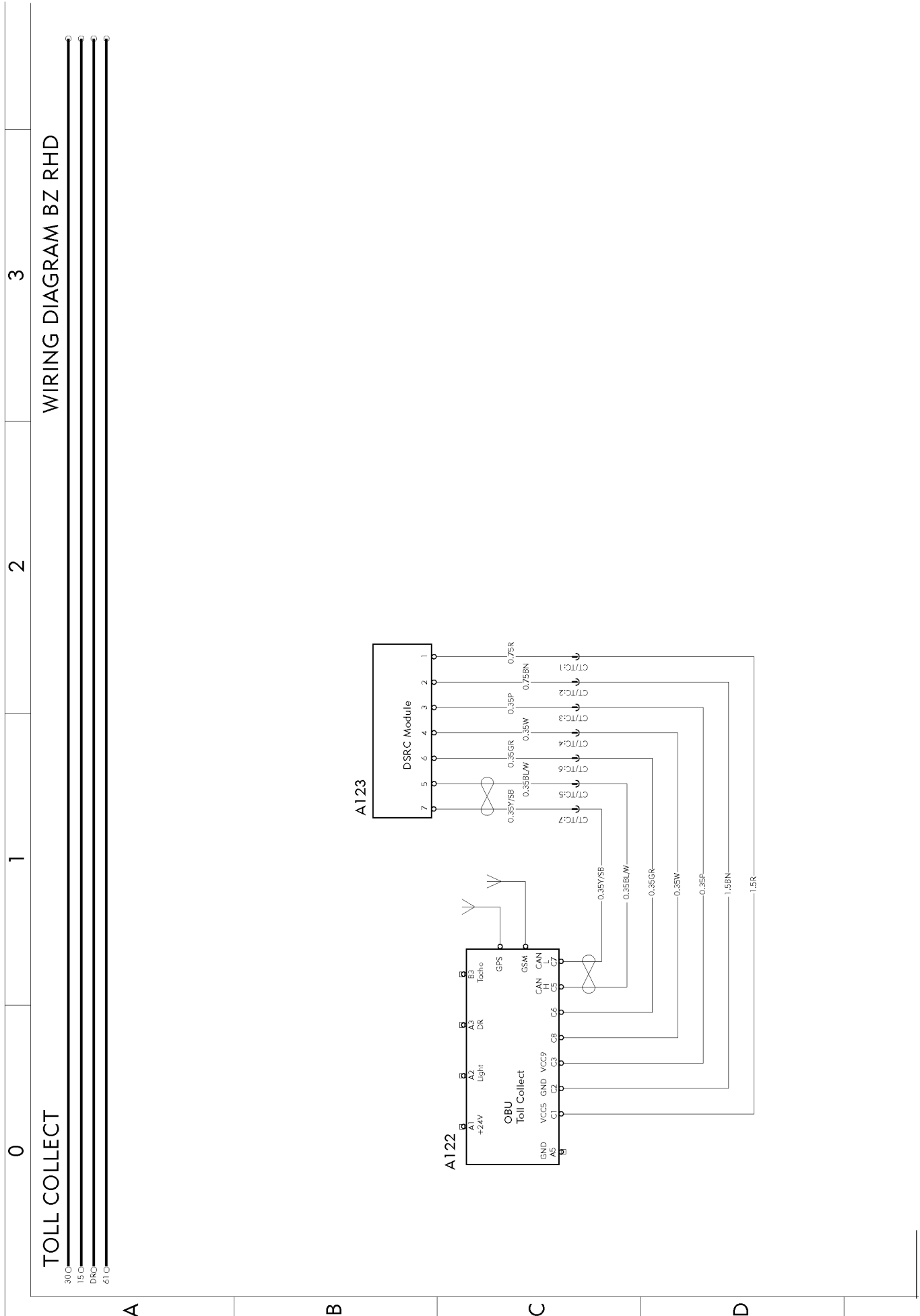


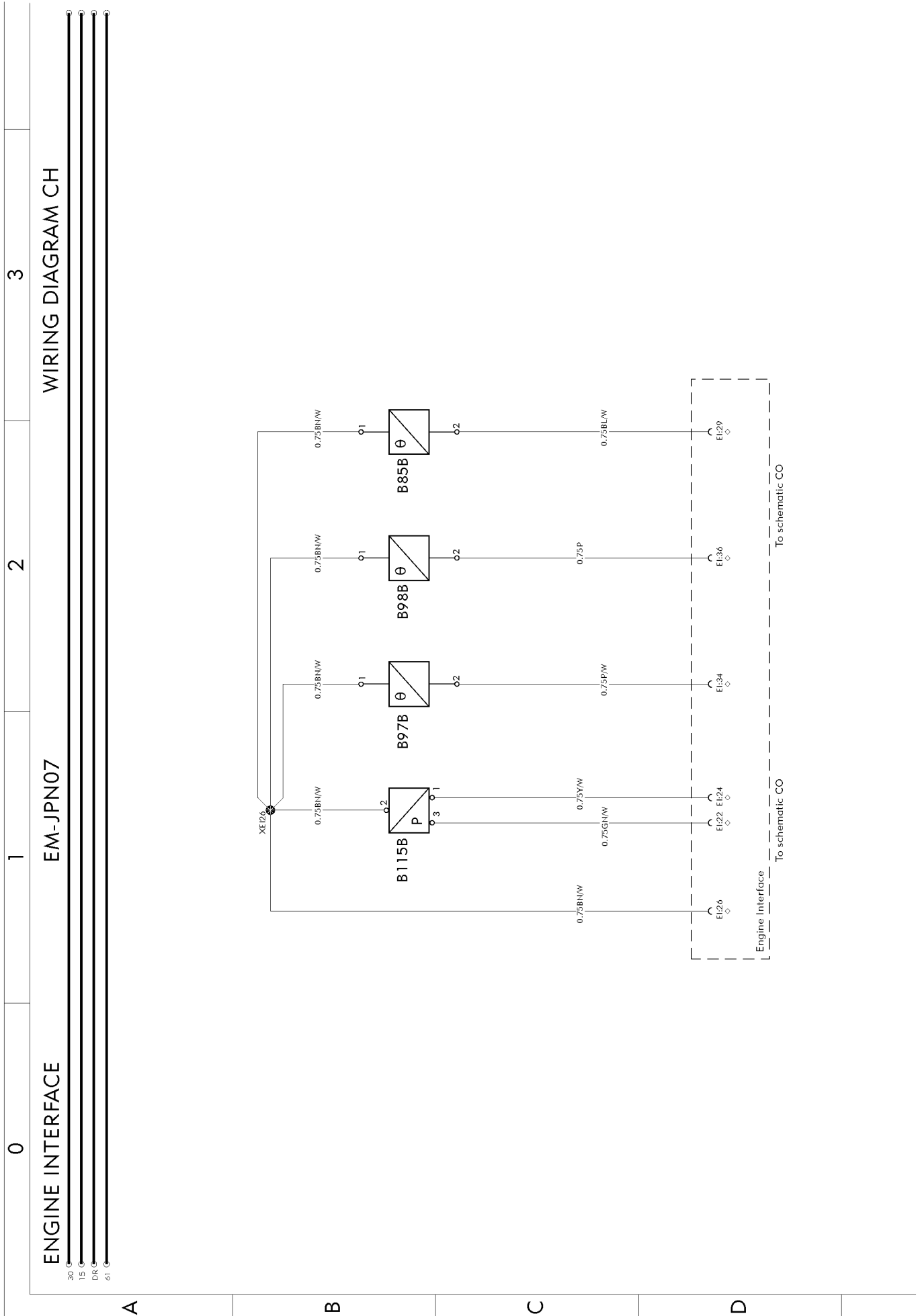


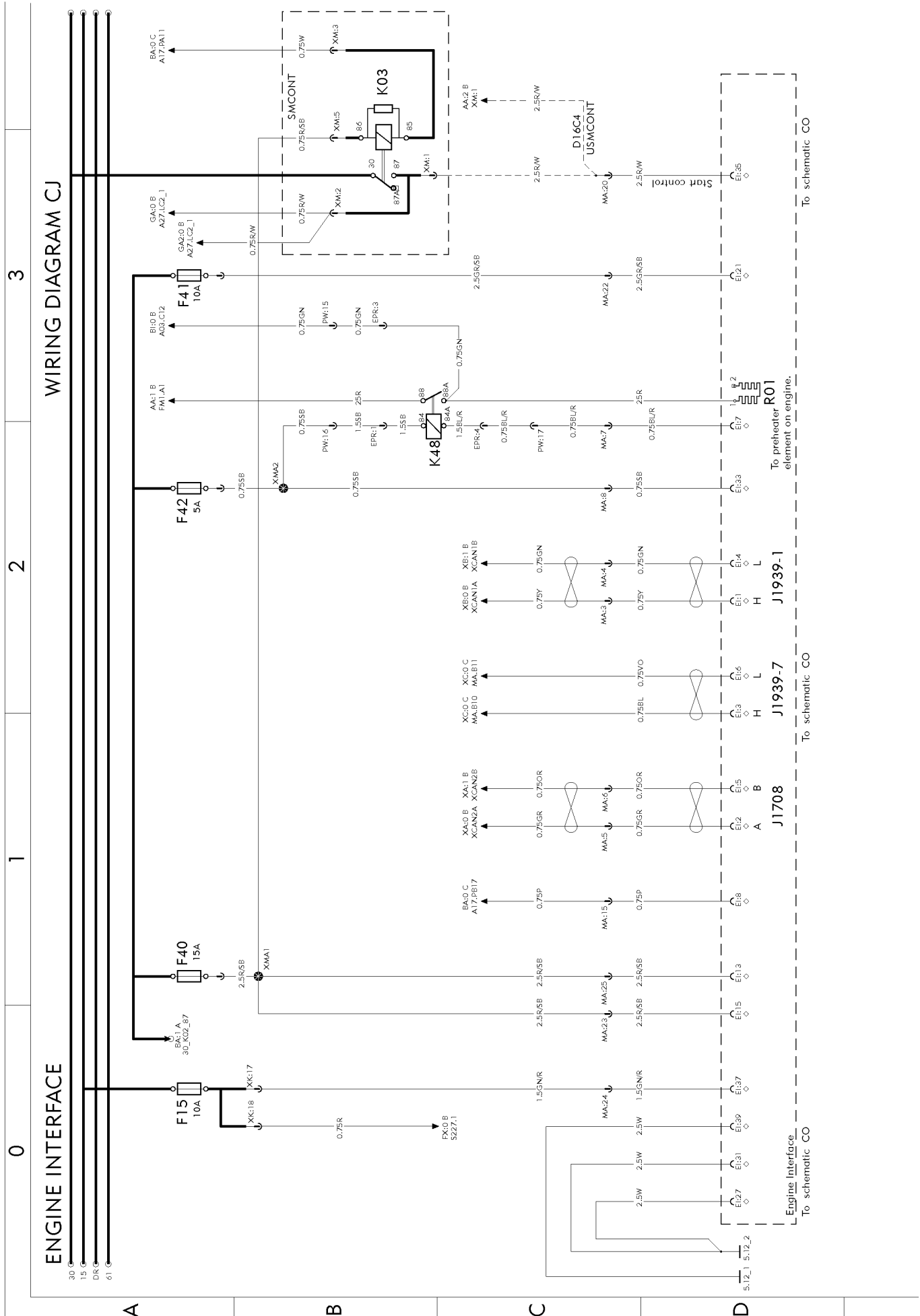


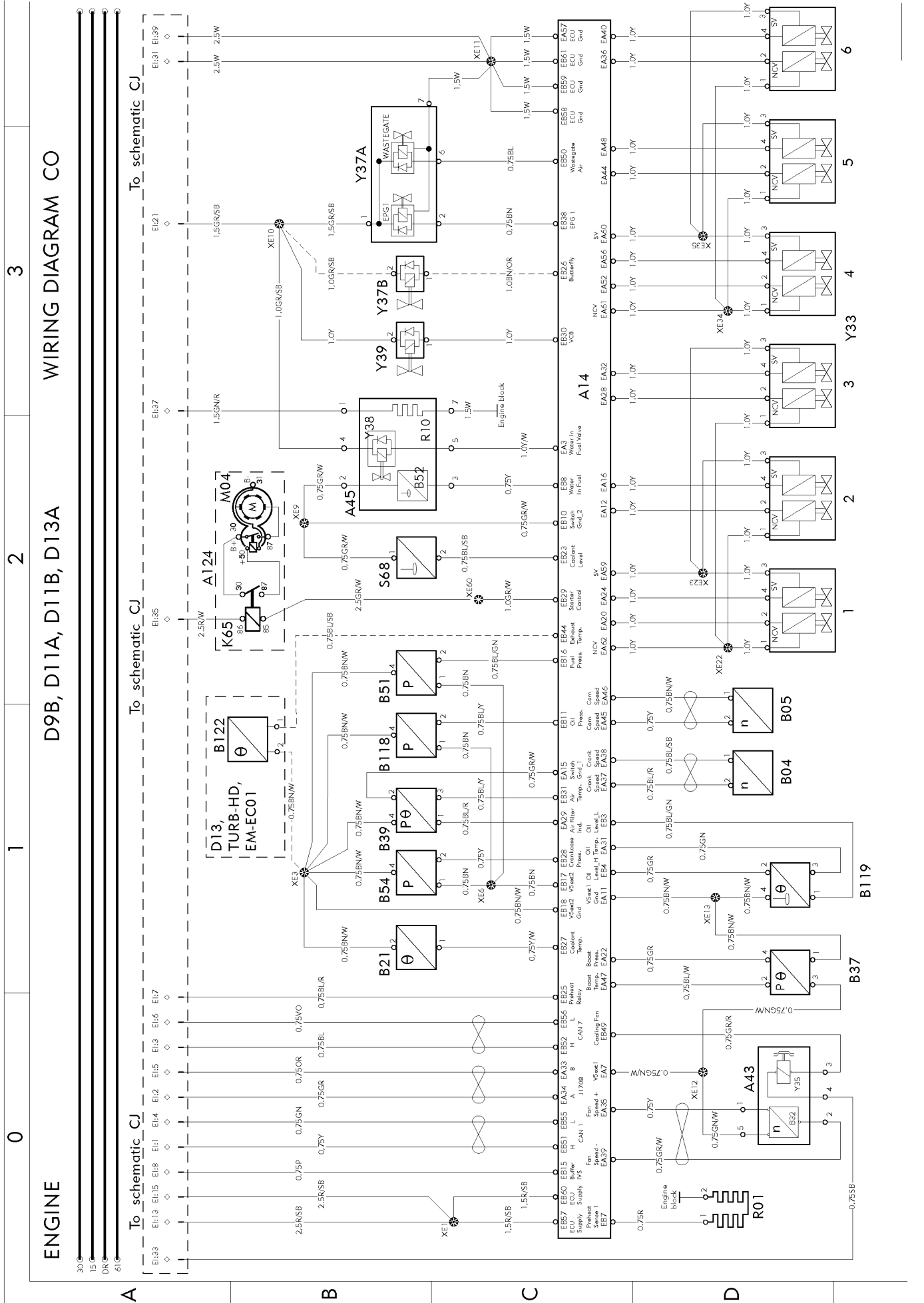












WIRING DIAGRAM CO Page 1

3

2

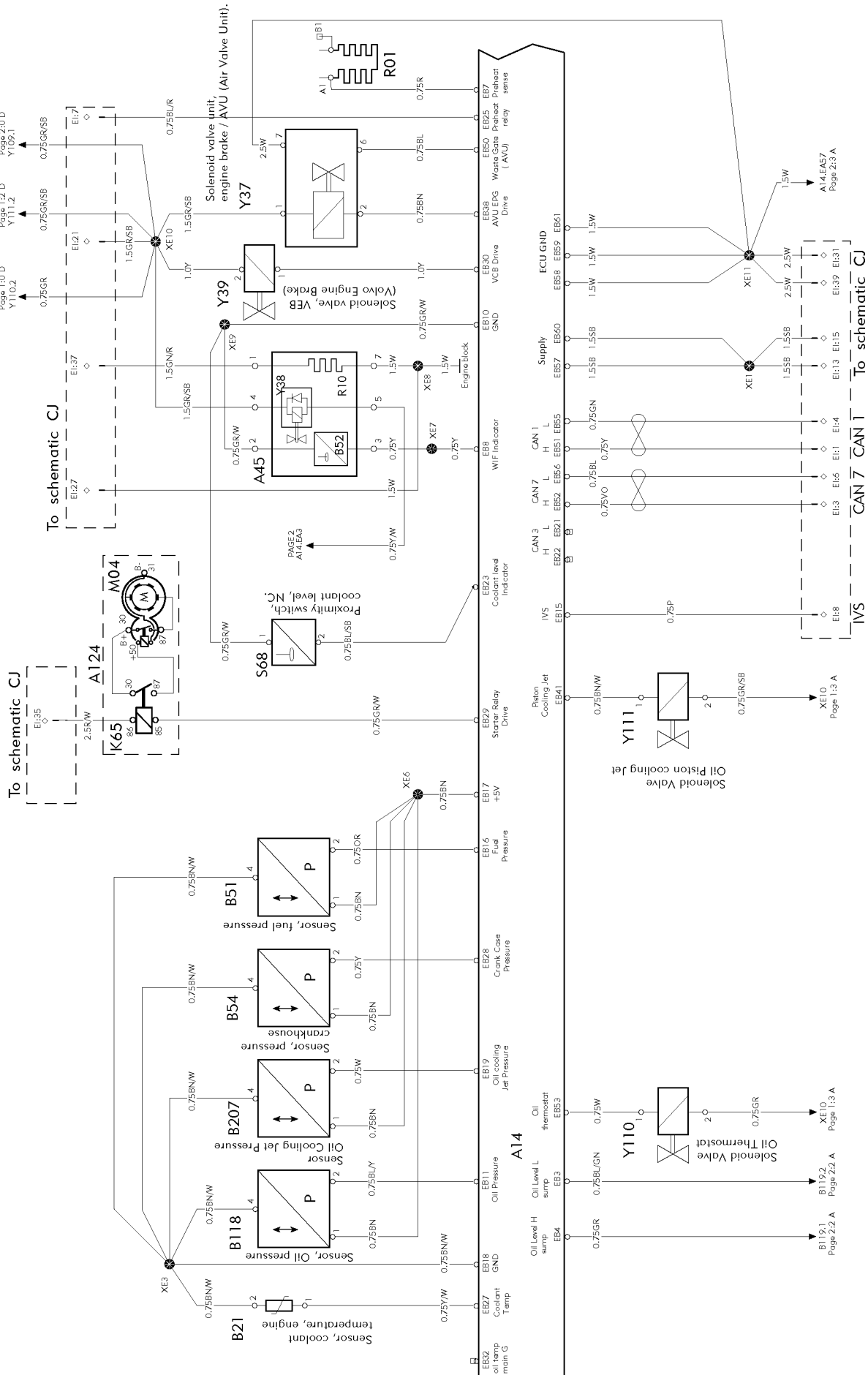
1

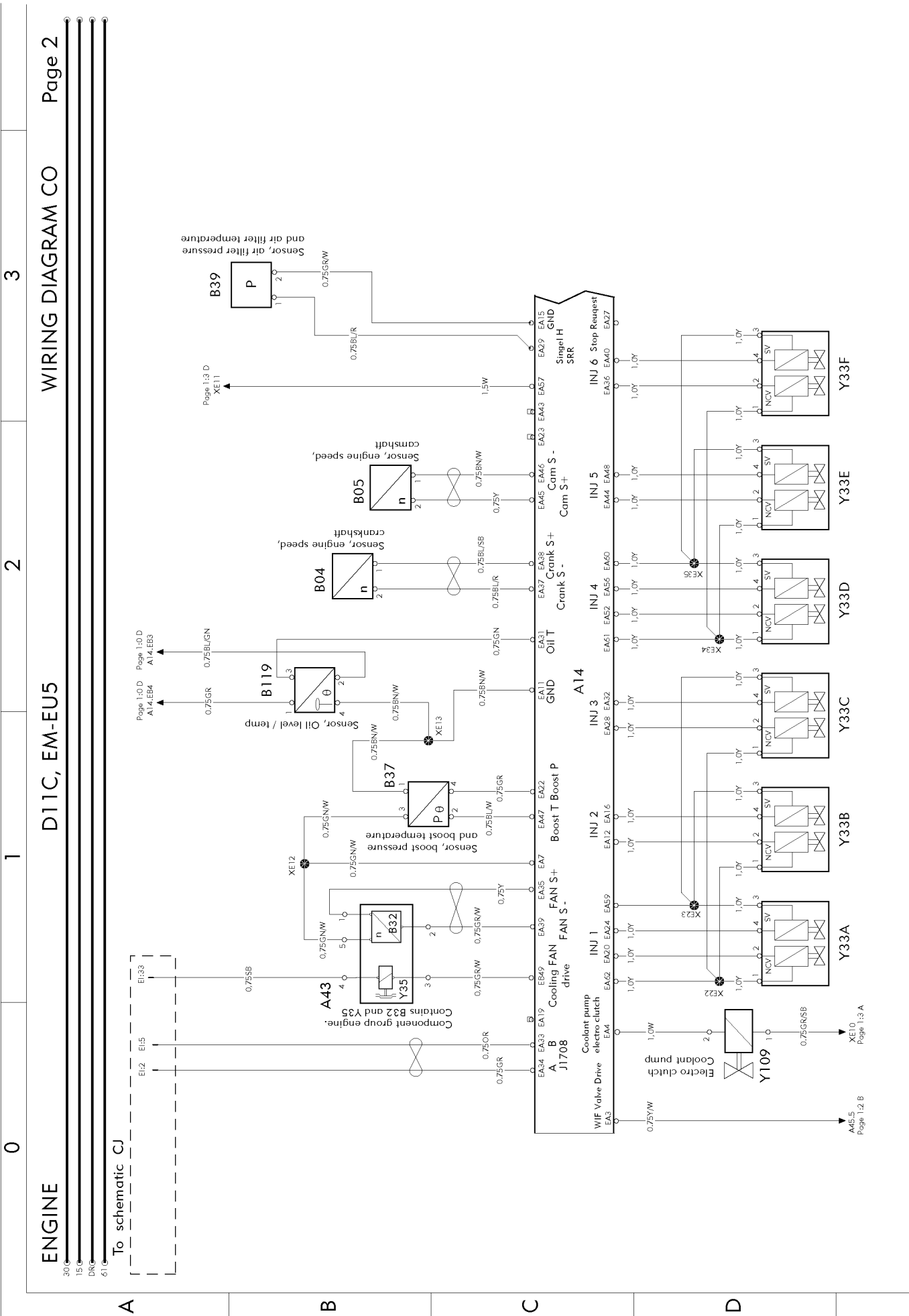
0

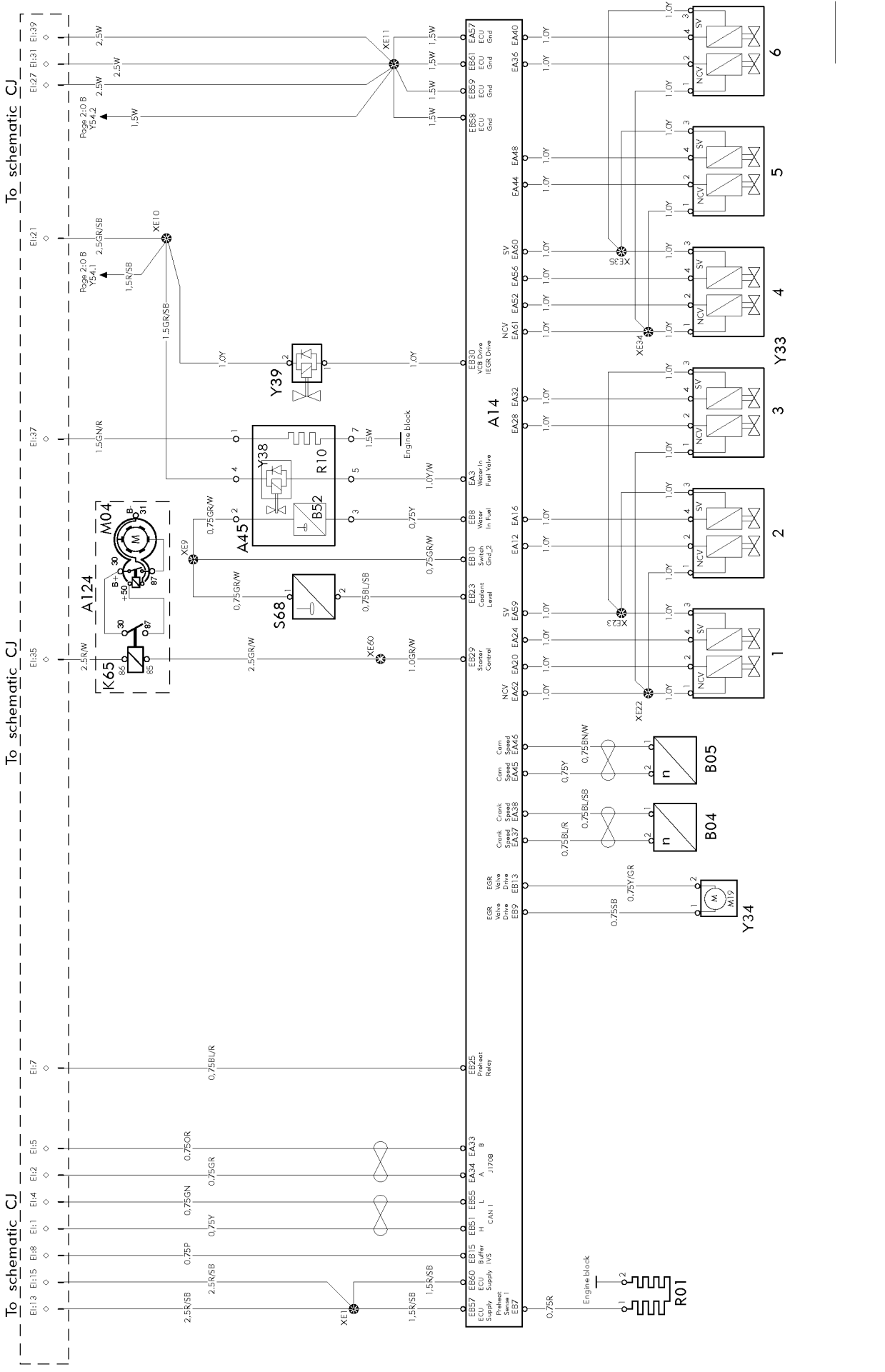
D11C, EM-EU5

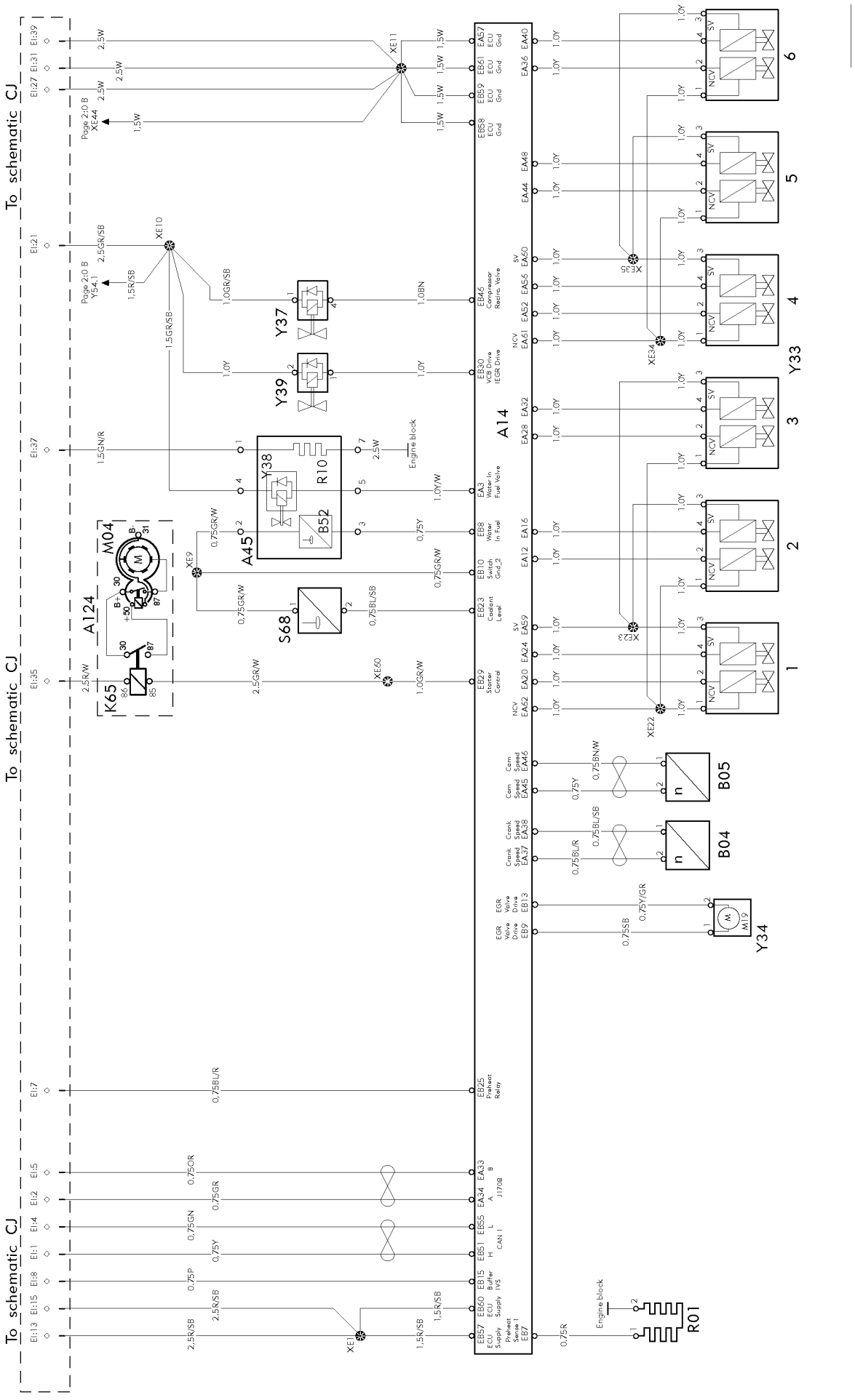
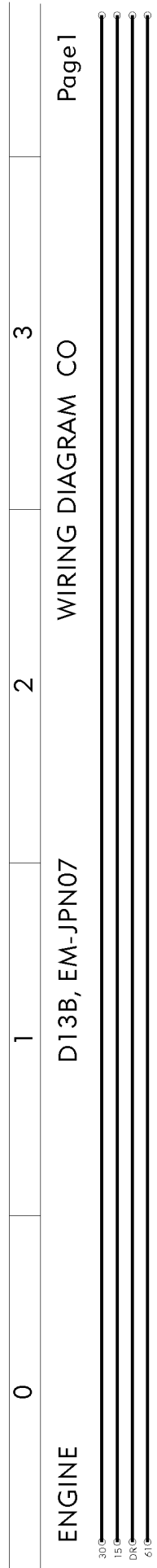
ENGINE

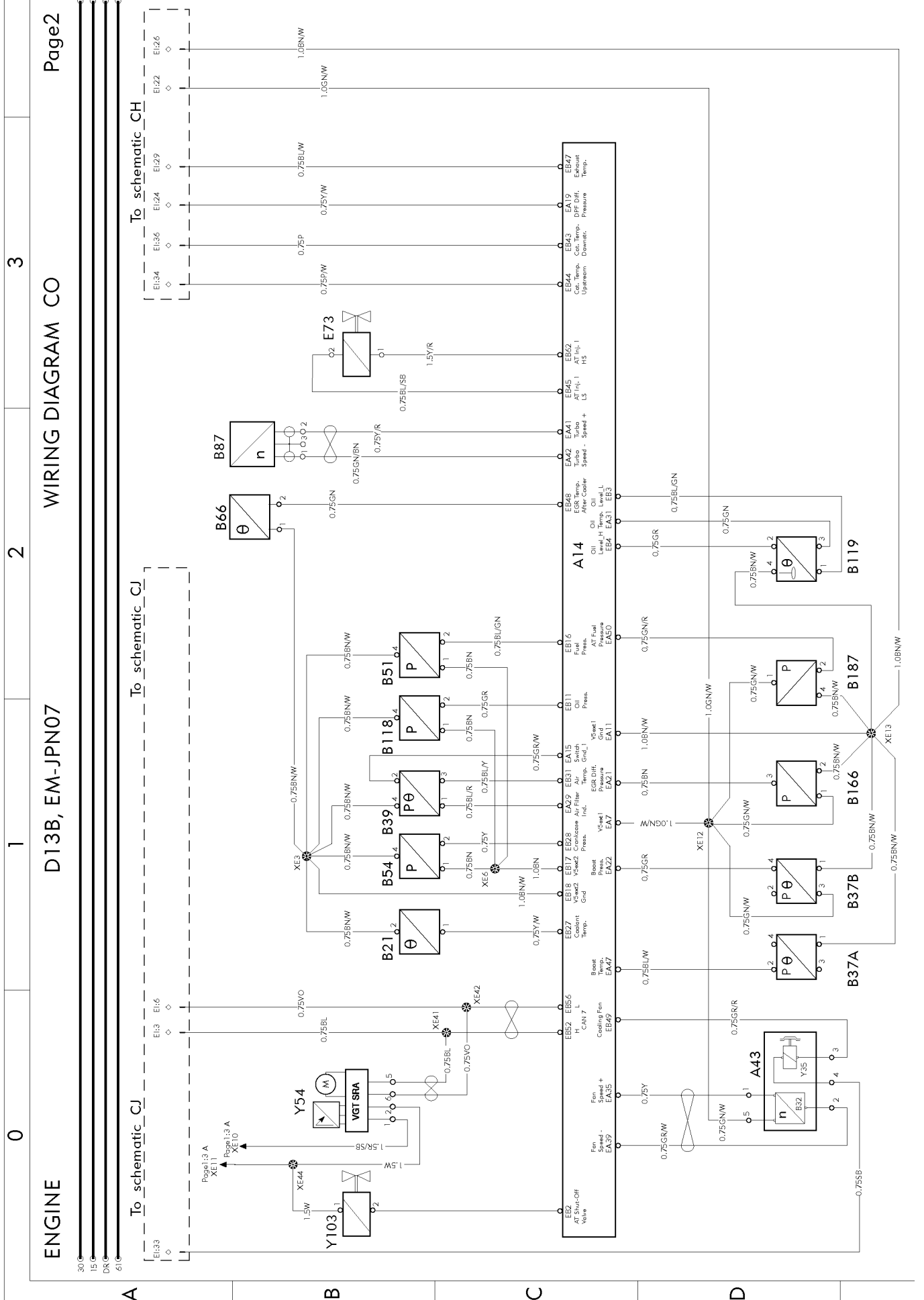
30 G
15 C
DR C
61 C











ENGINE

D13B, EM-JPN07

WIRING DIAGRAM CO

Page 2

0

1

2

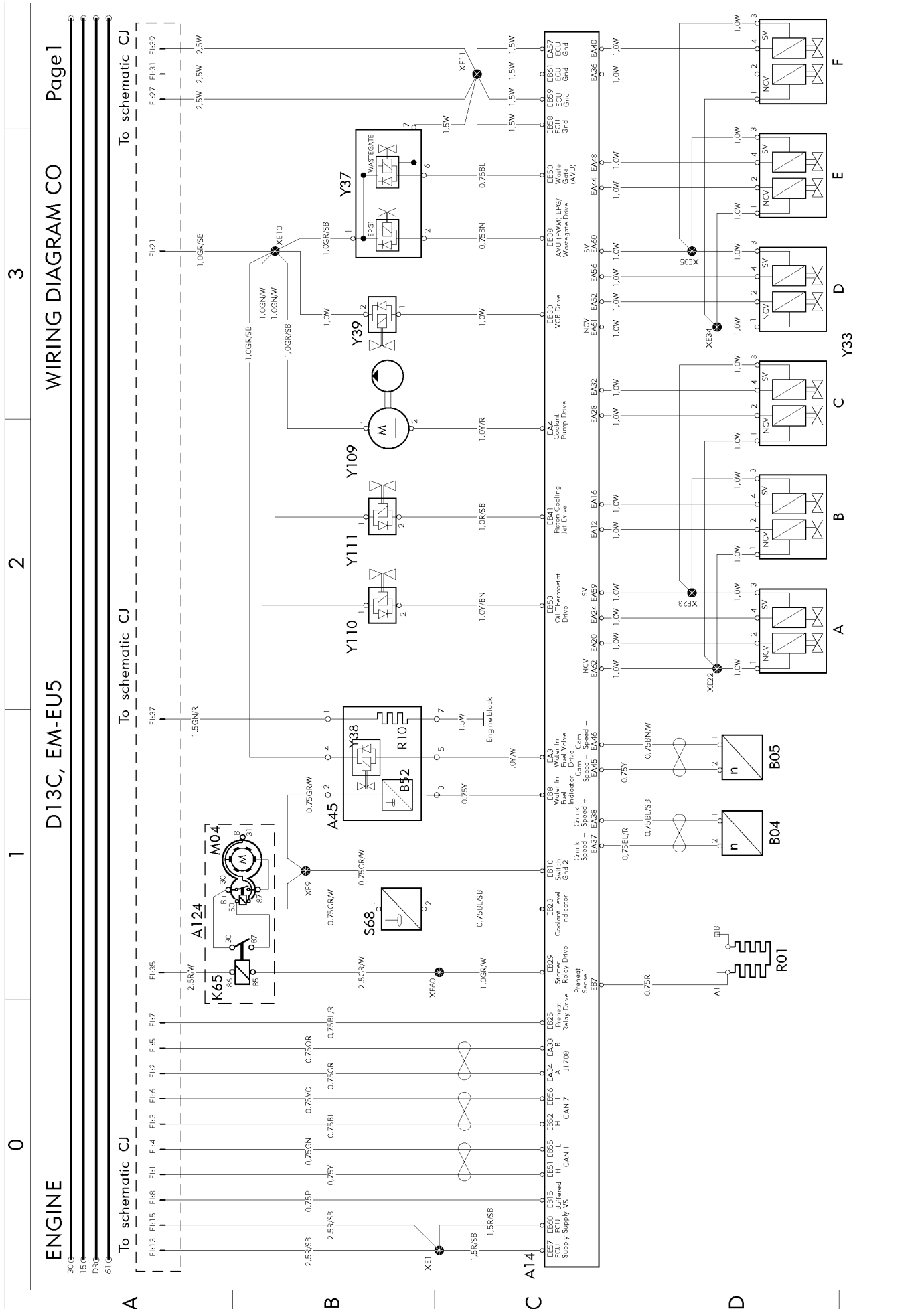
3

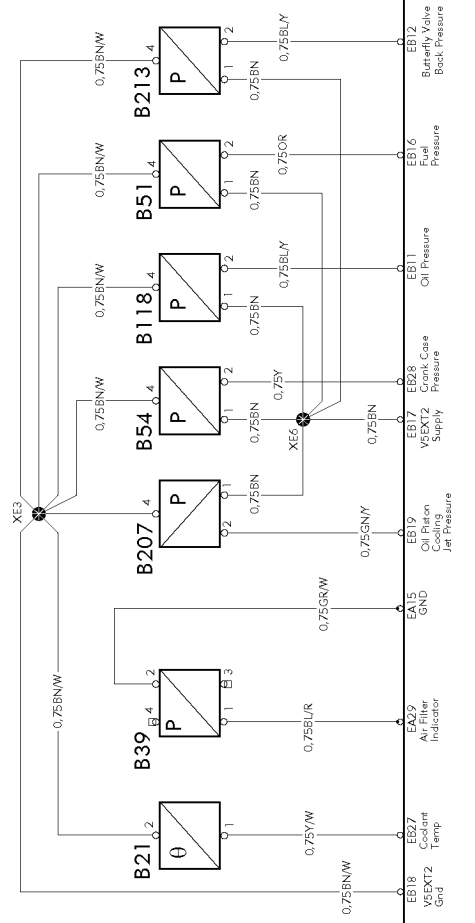
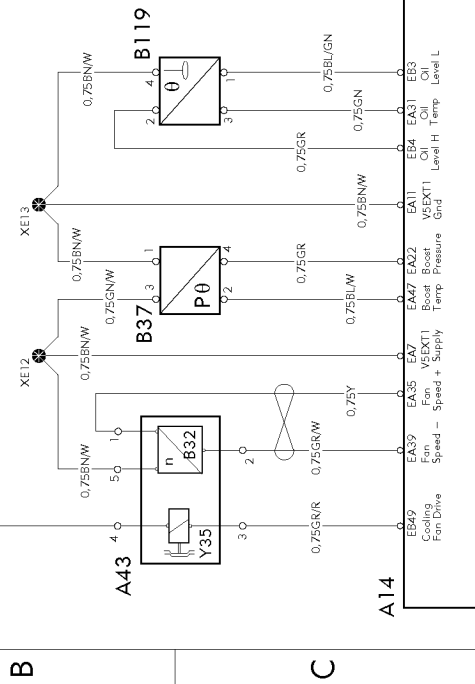
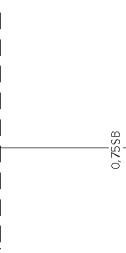
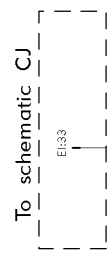
A

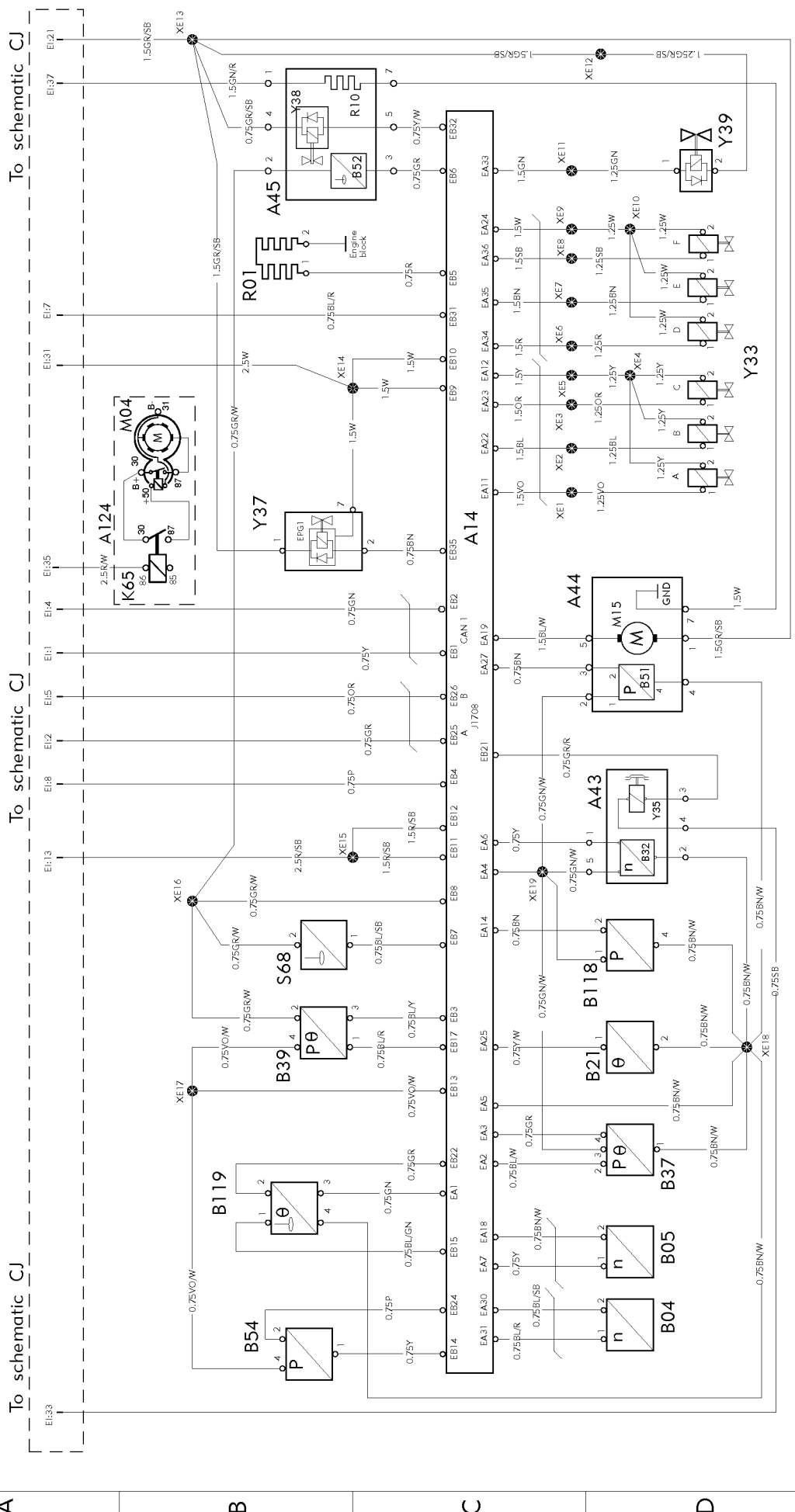
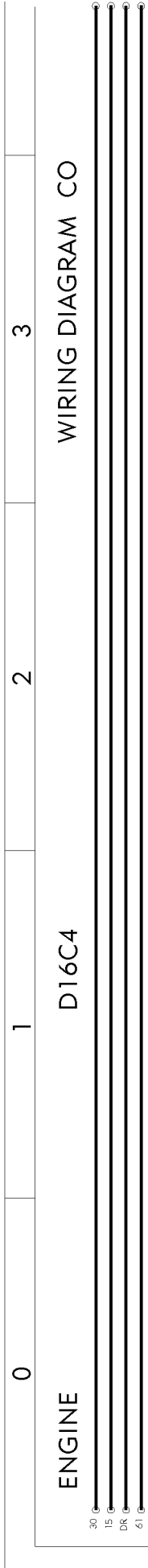
B

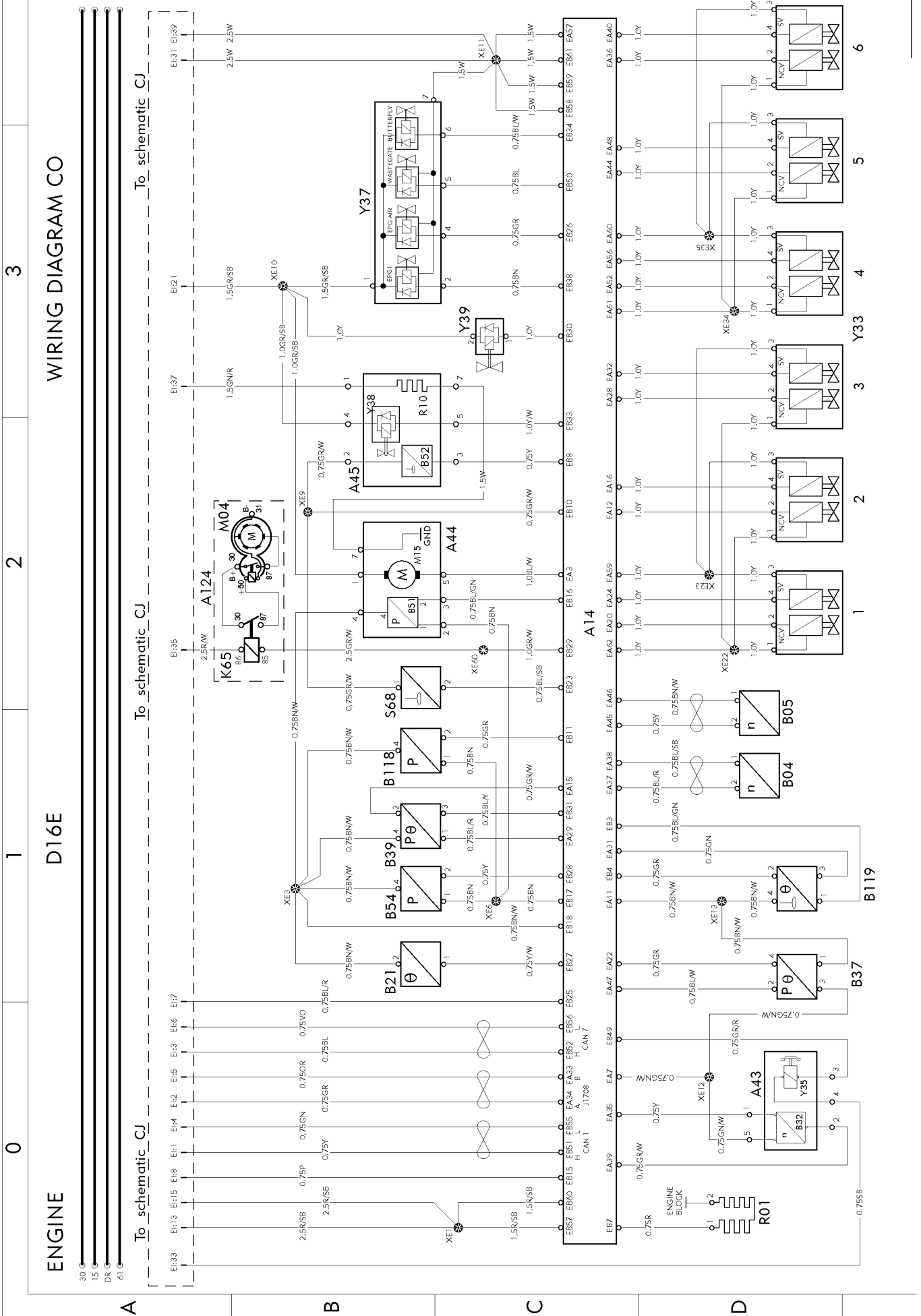
C

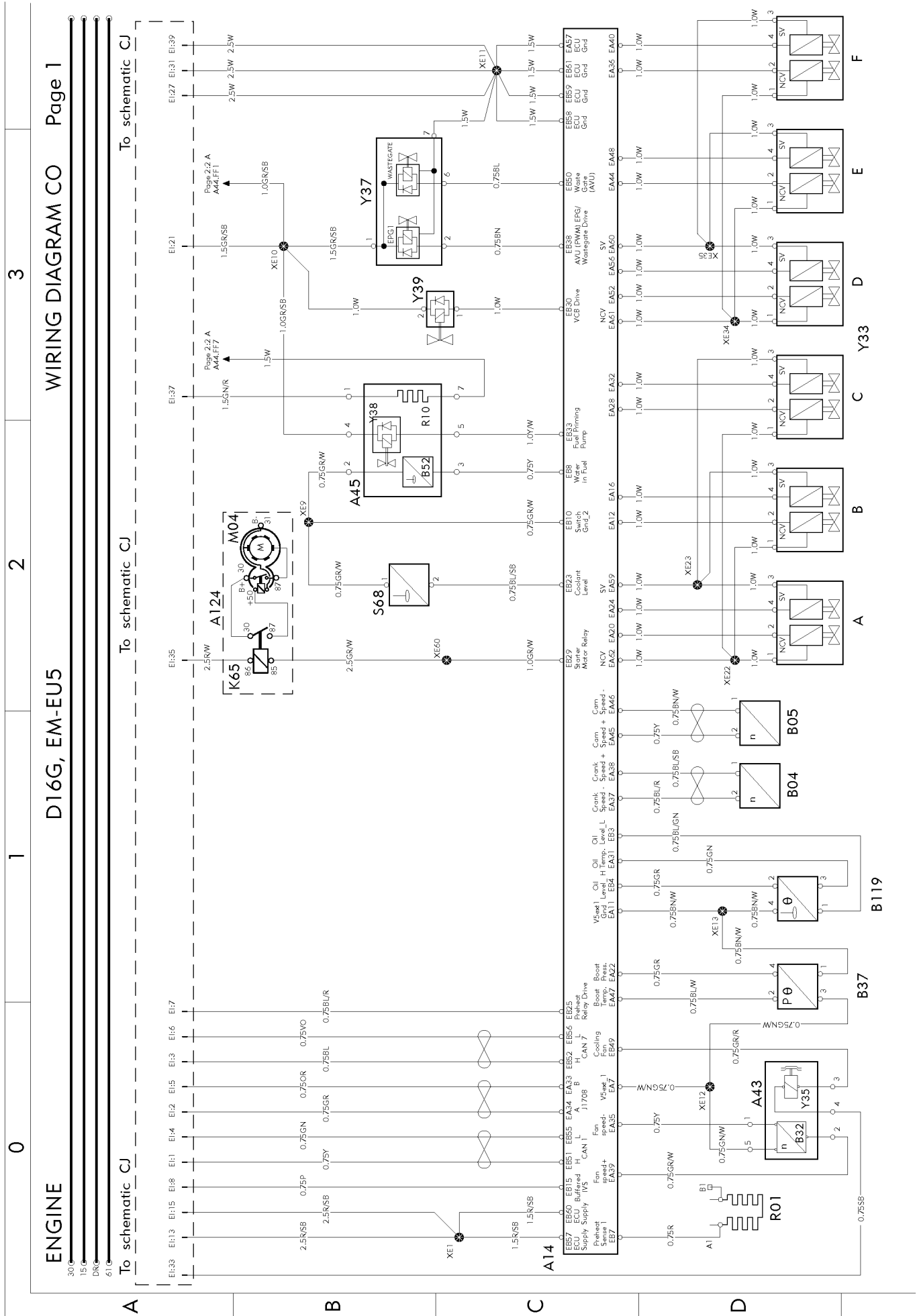
D

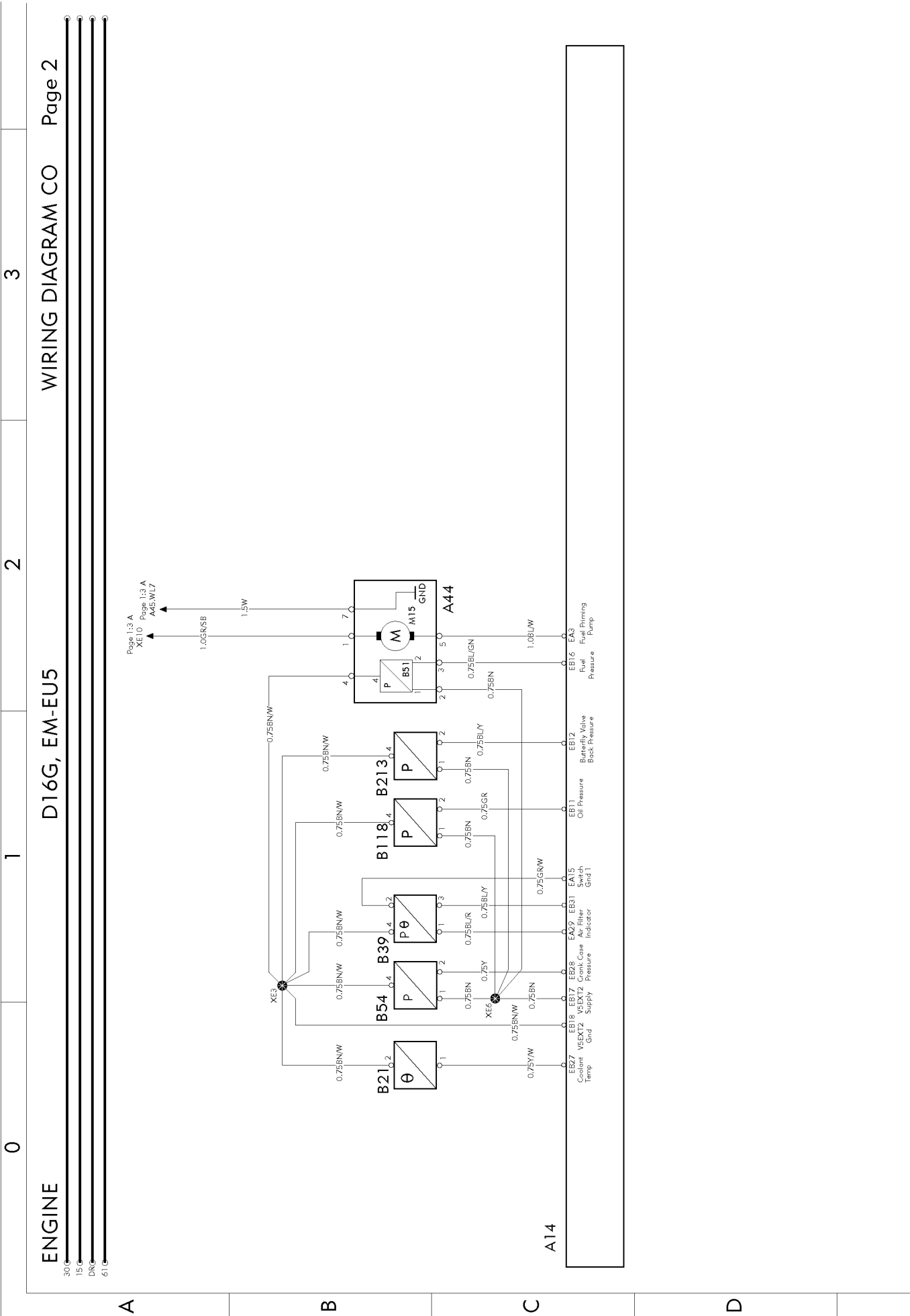


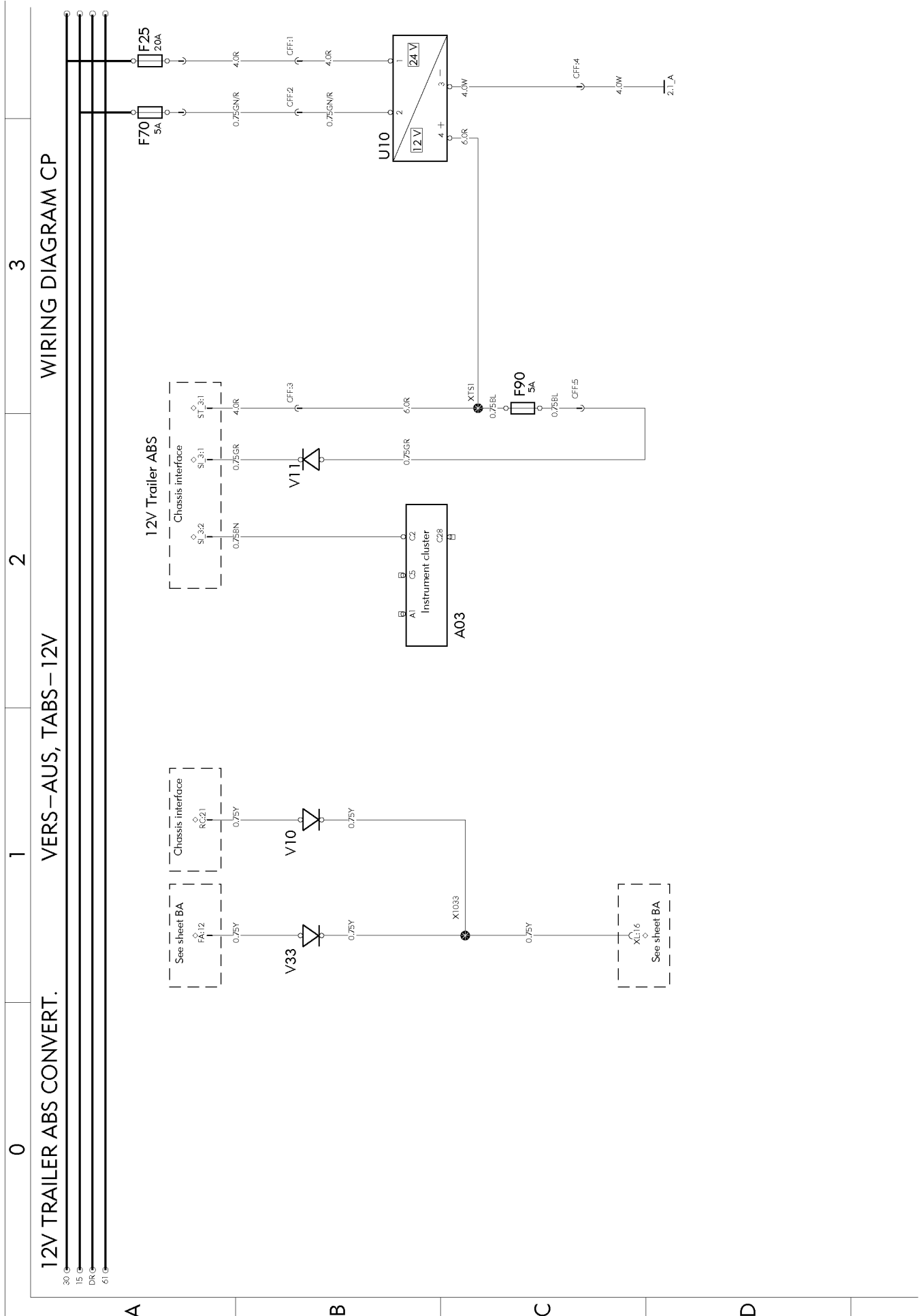








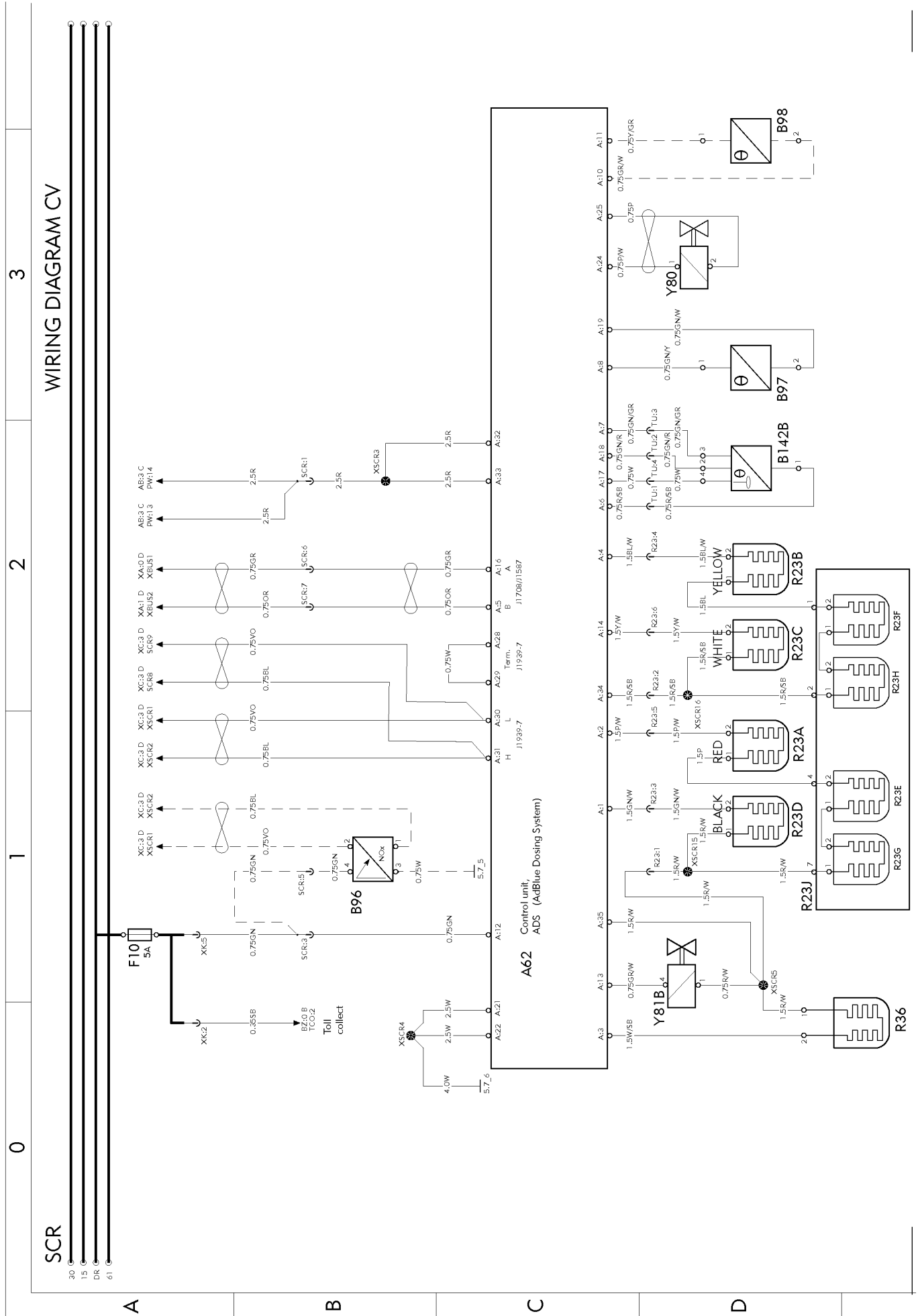


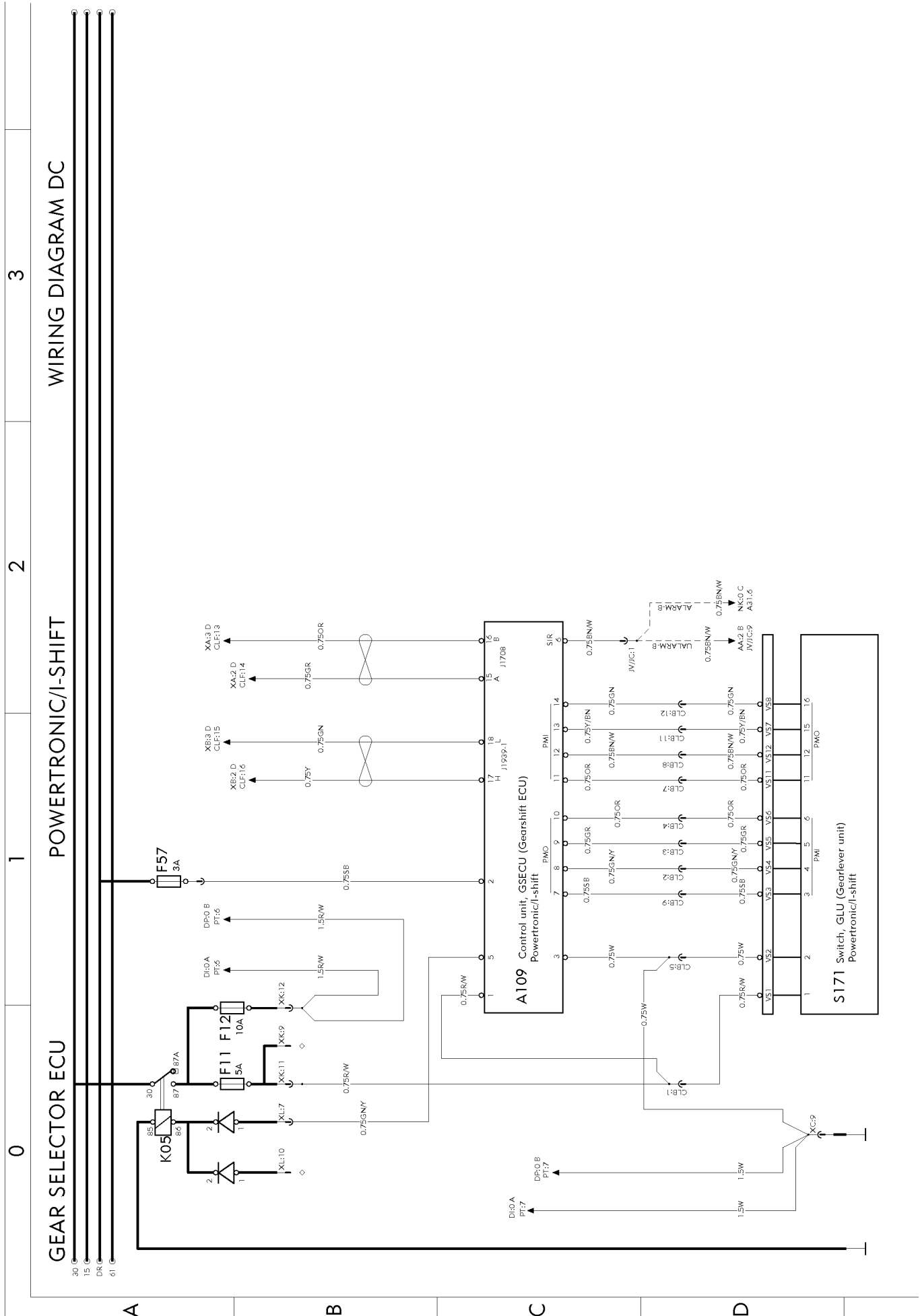


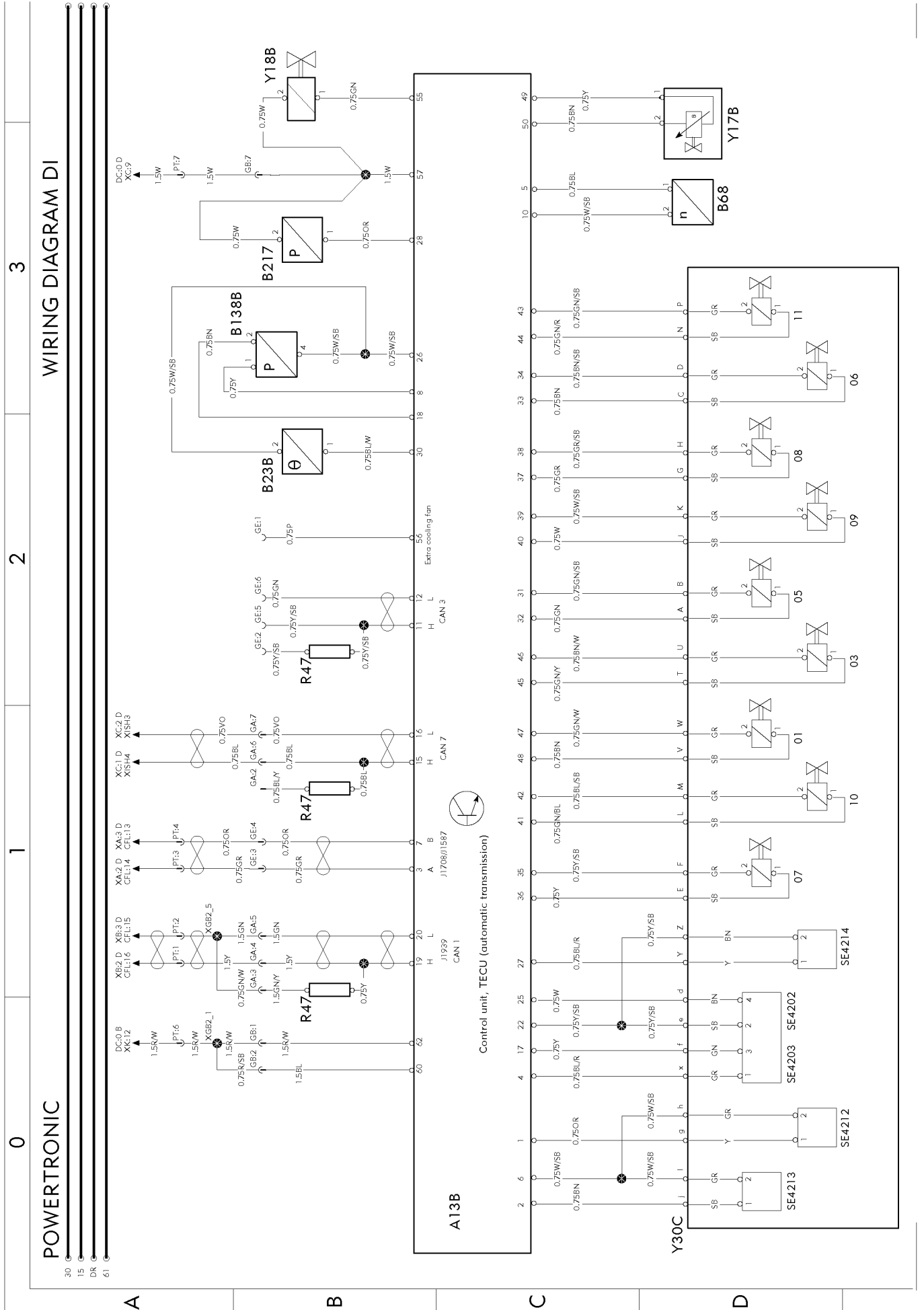
12V TRAILER ABS CONVERT.

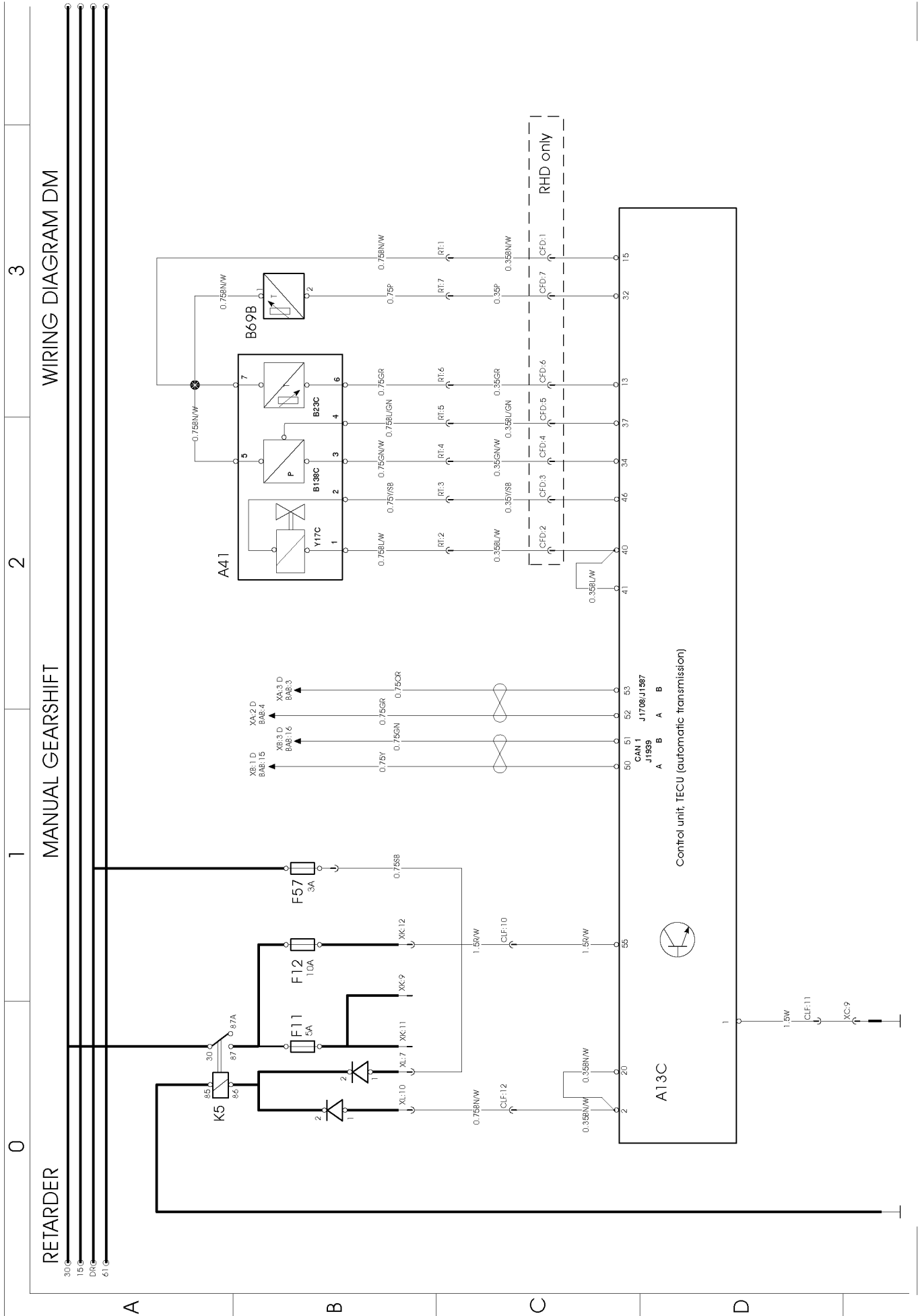
VERS-AUS, TABS-12V

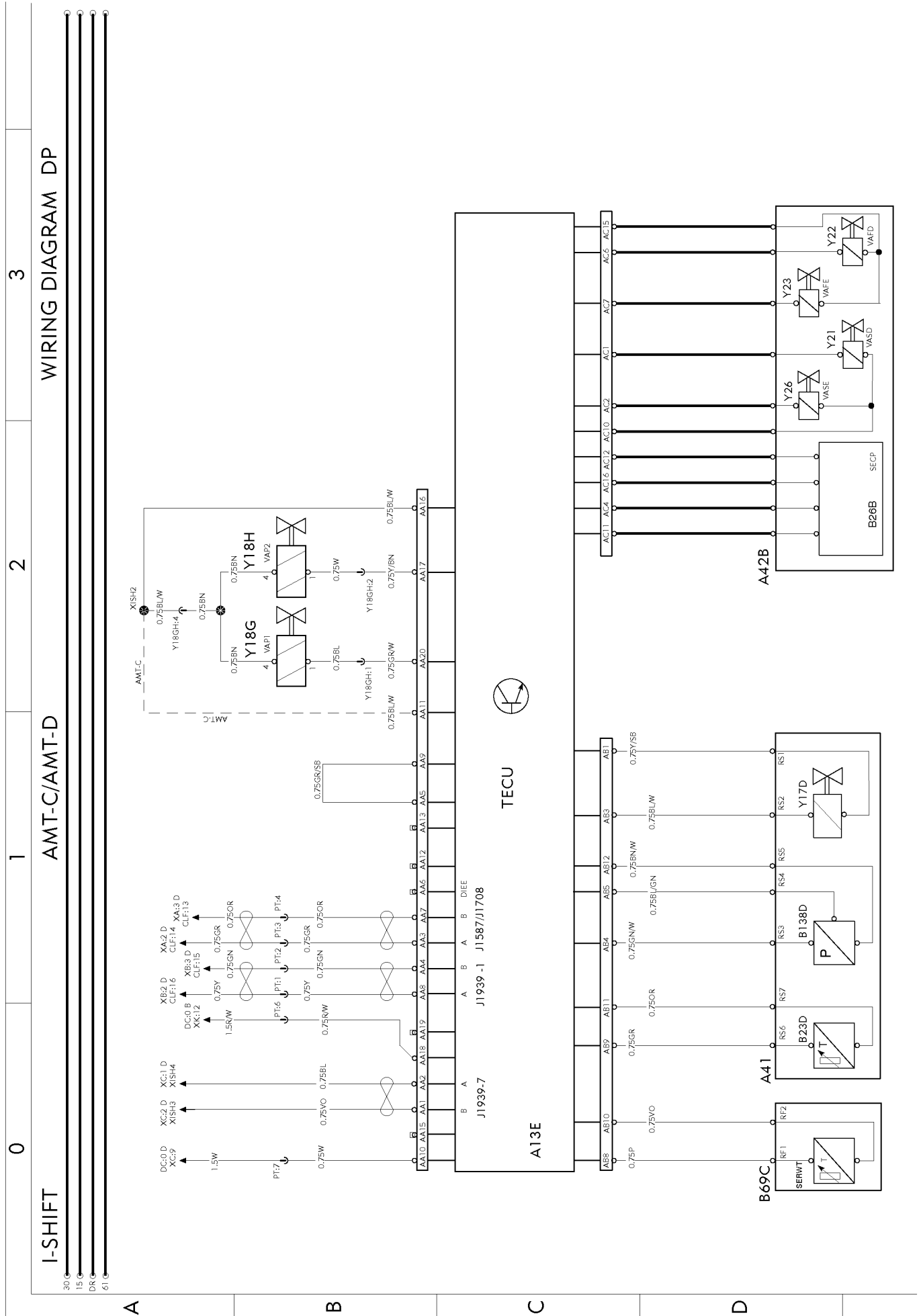
WIRING DIAGRAM CP

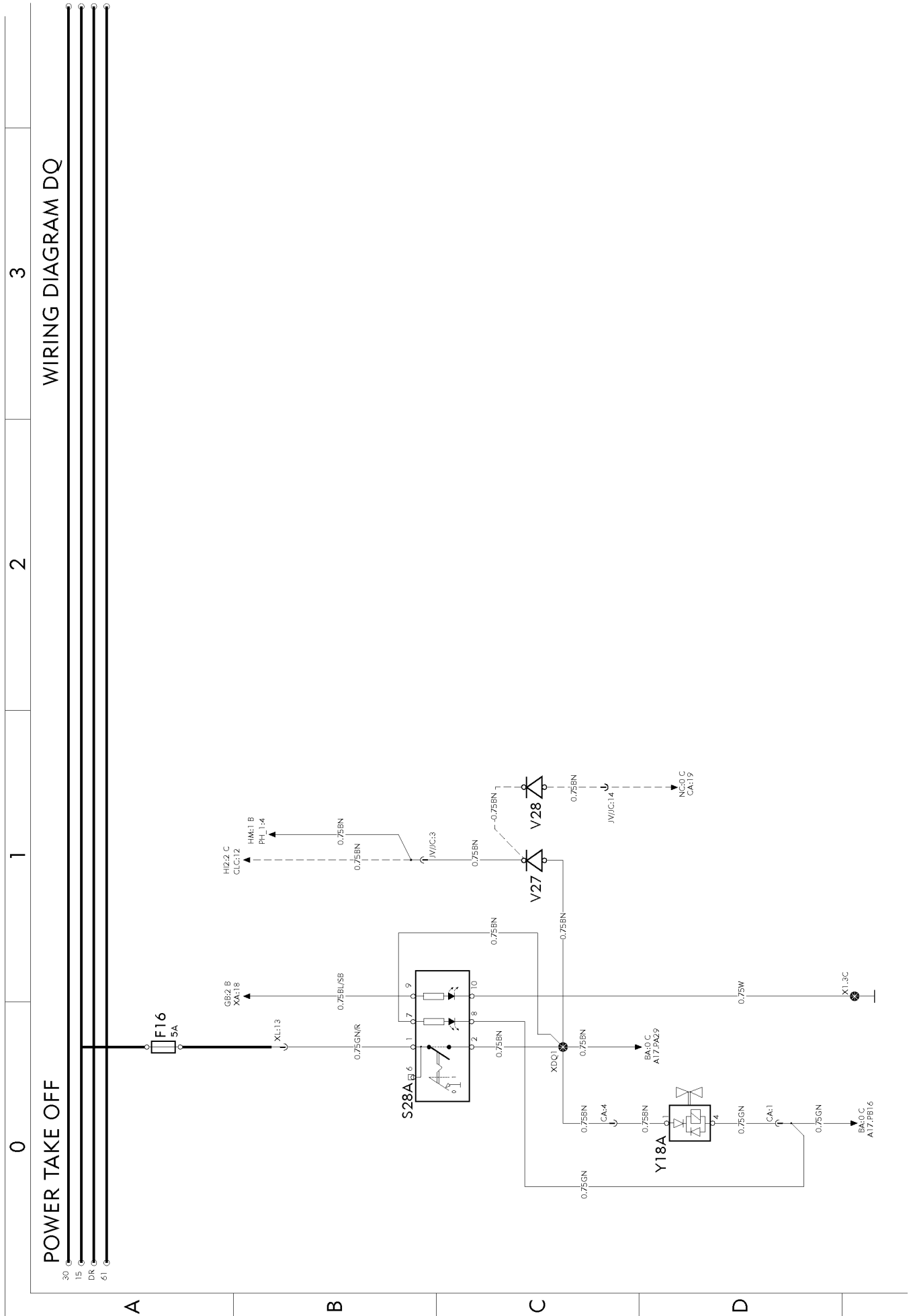


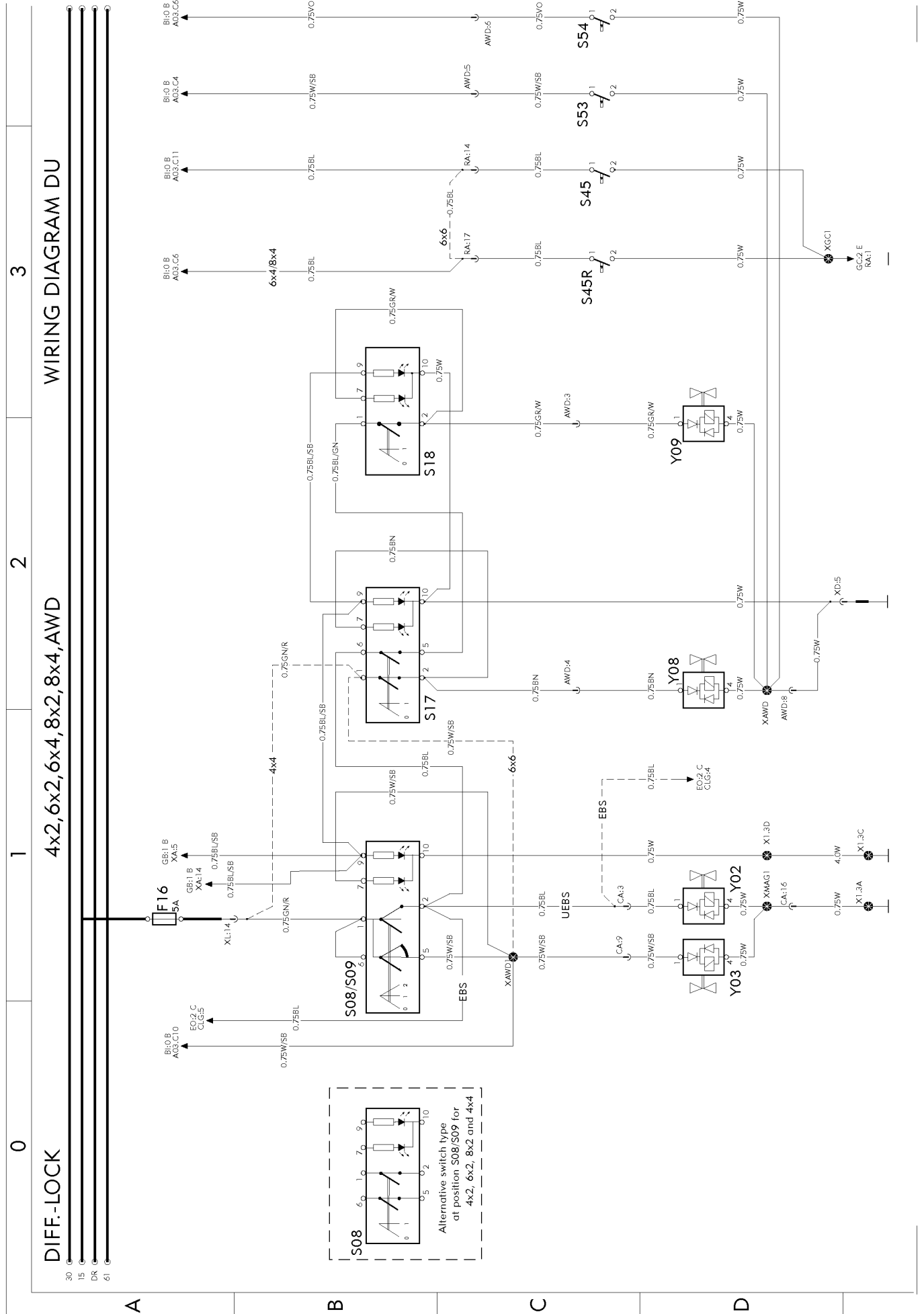


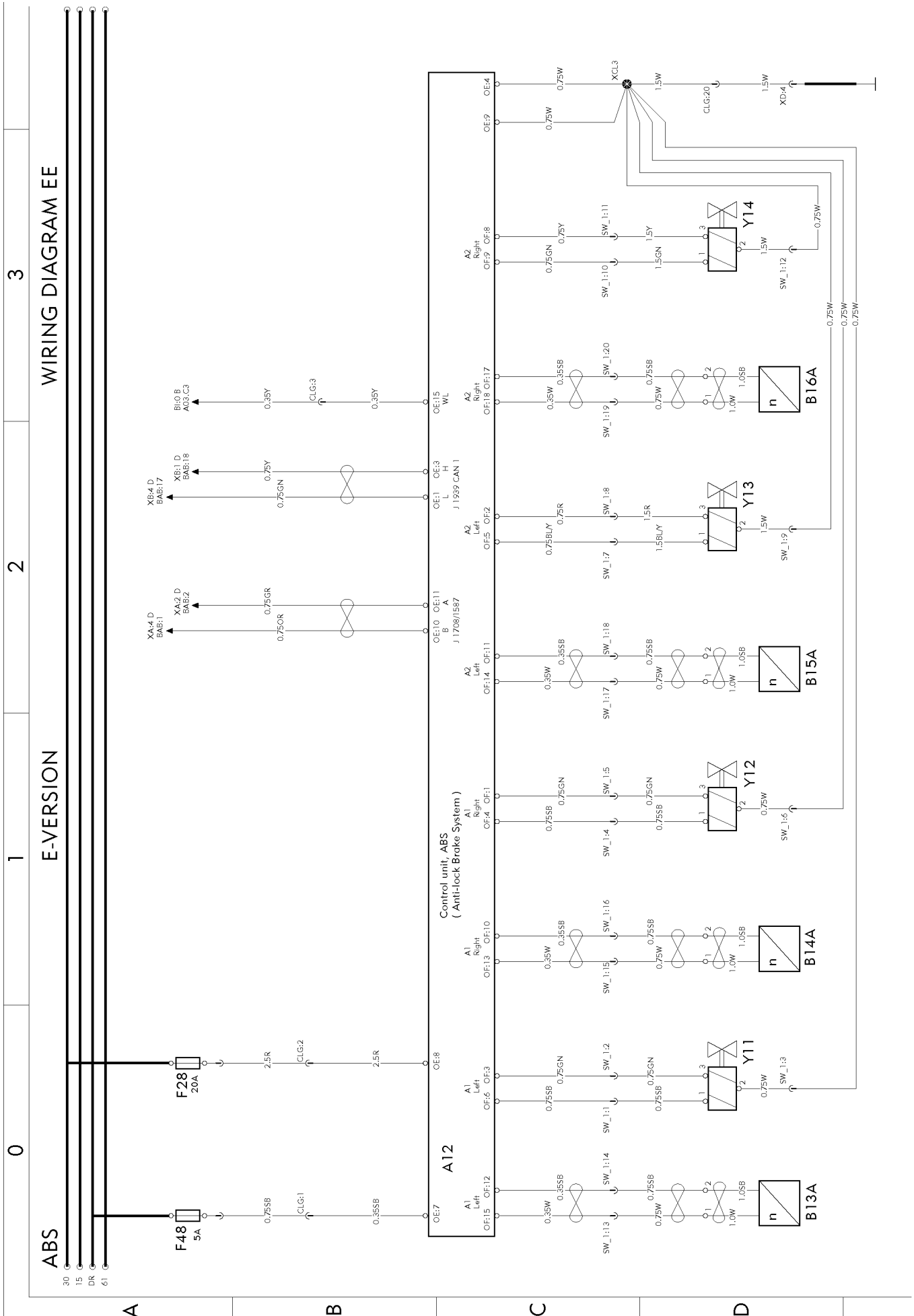


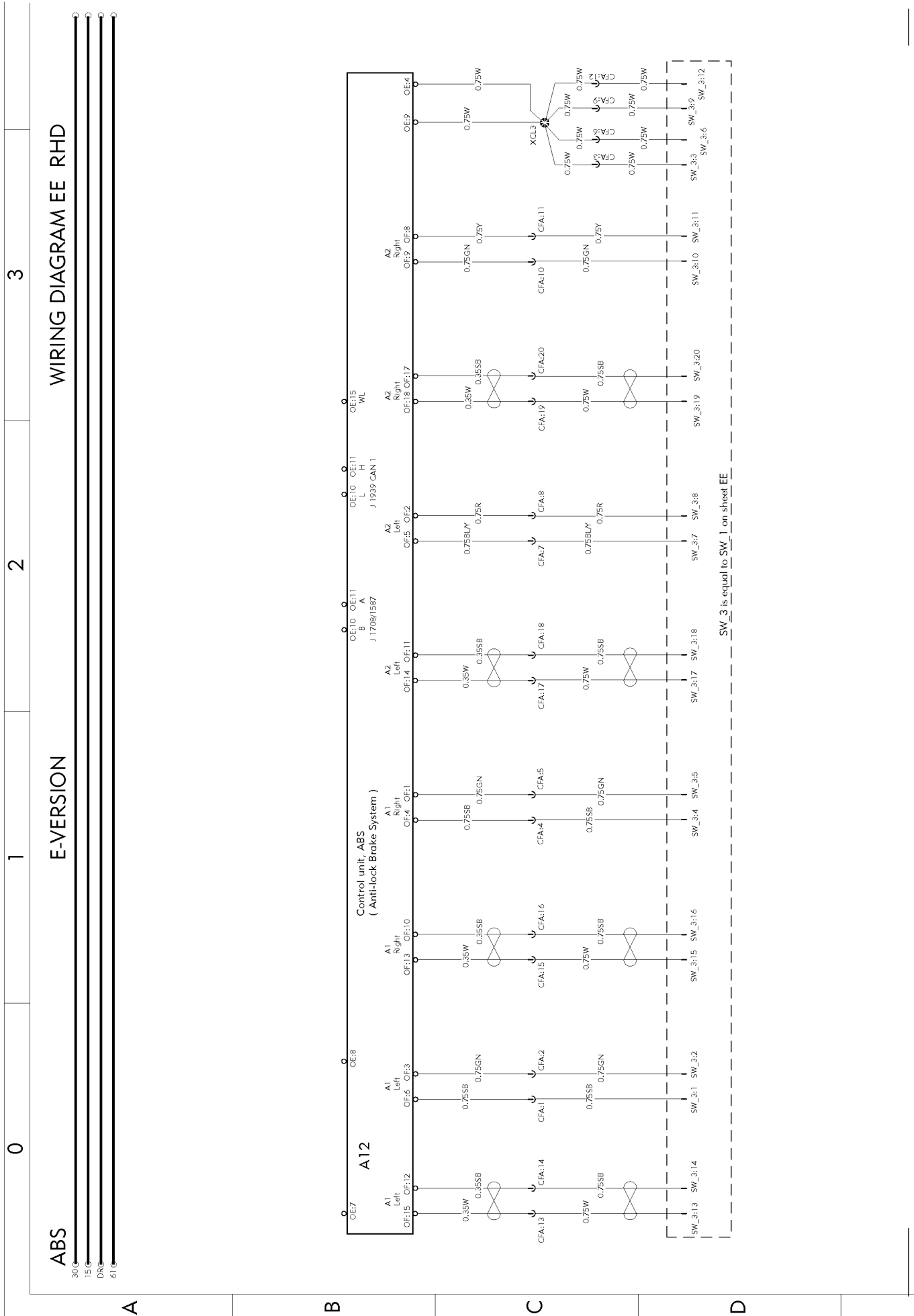


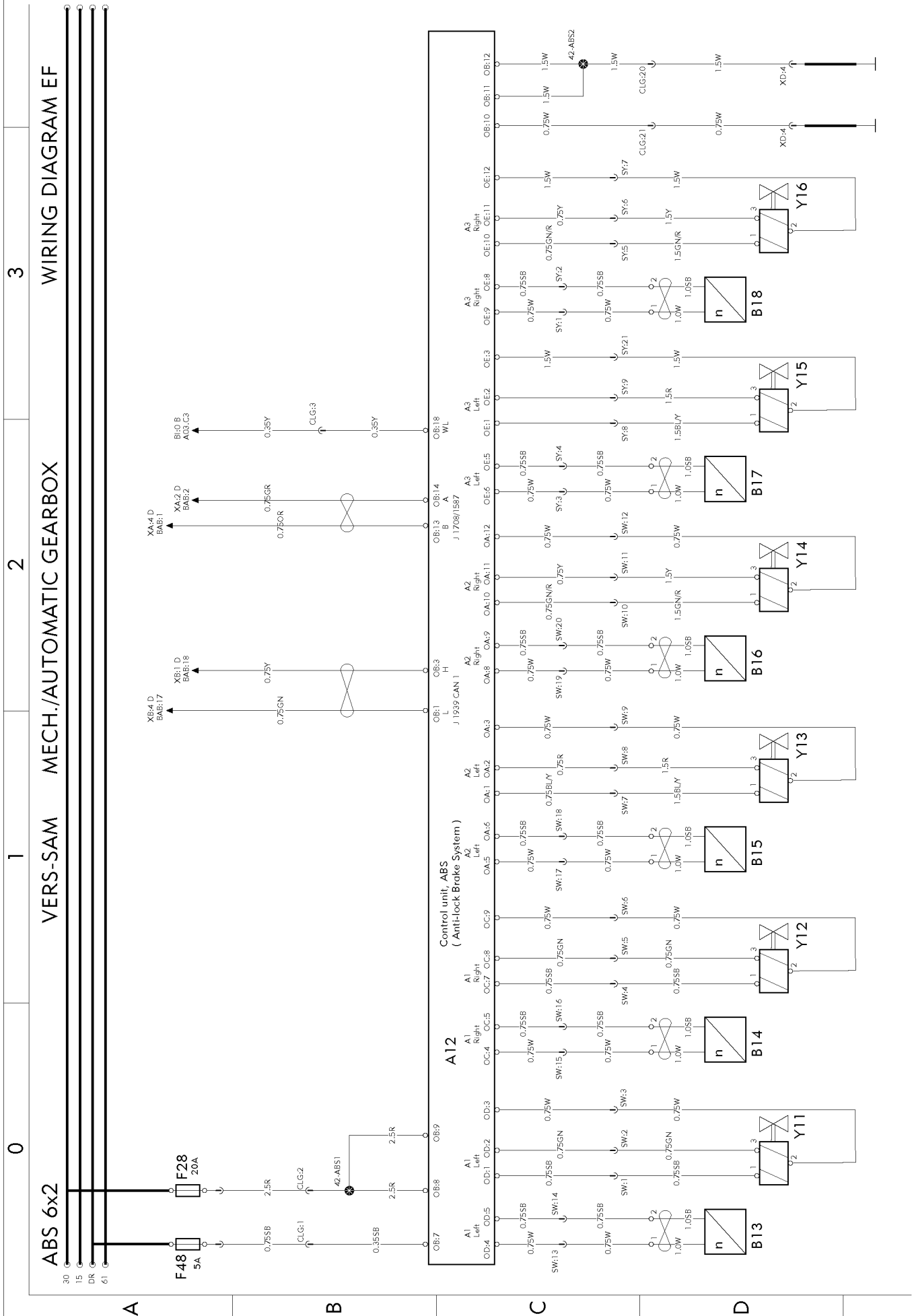




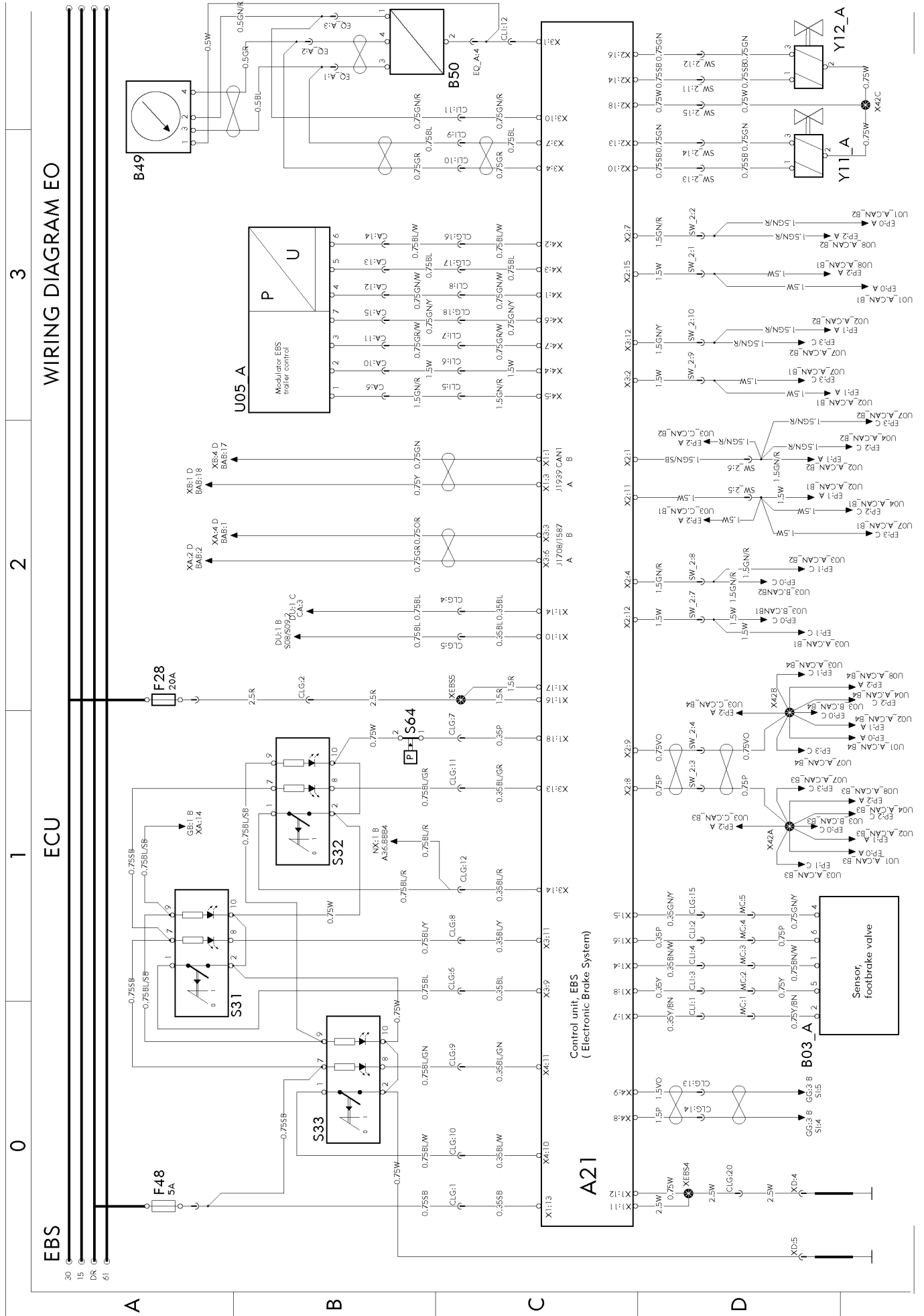


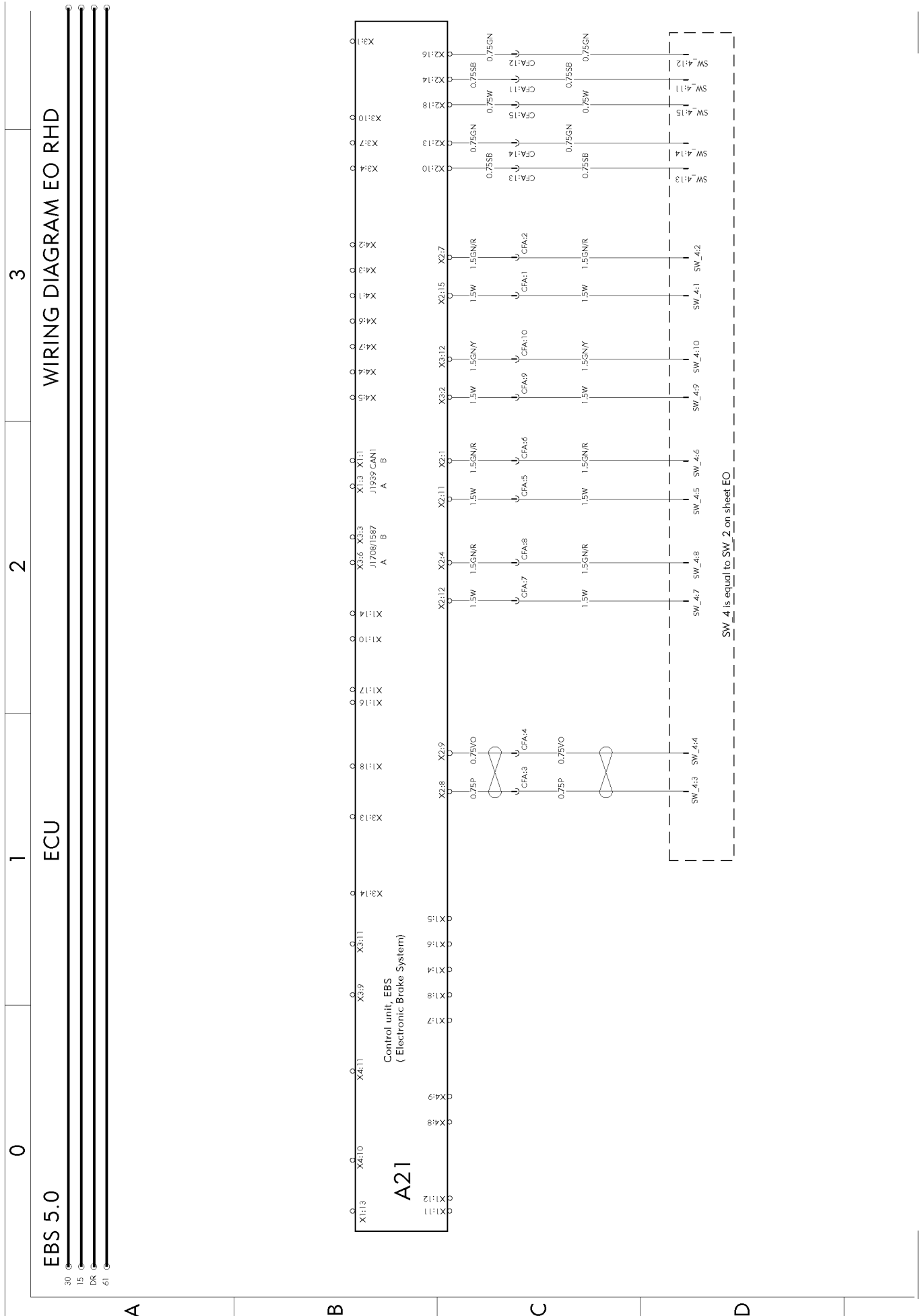


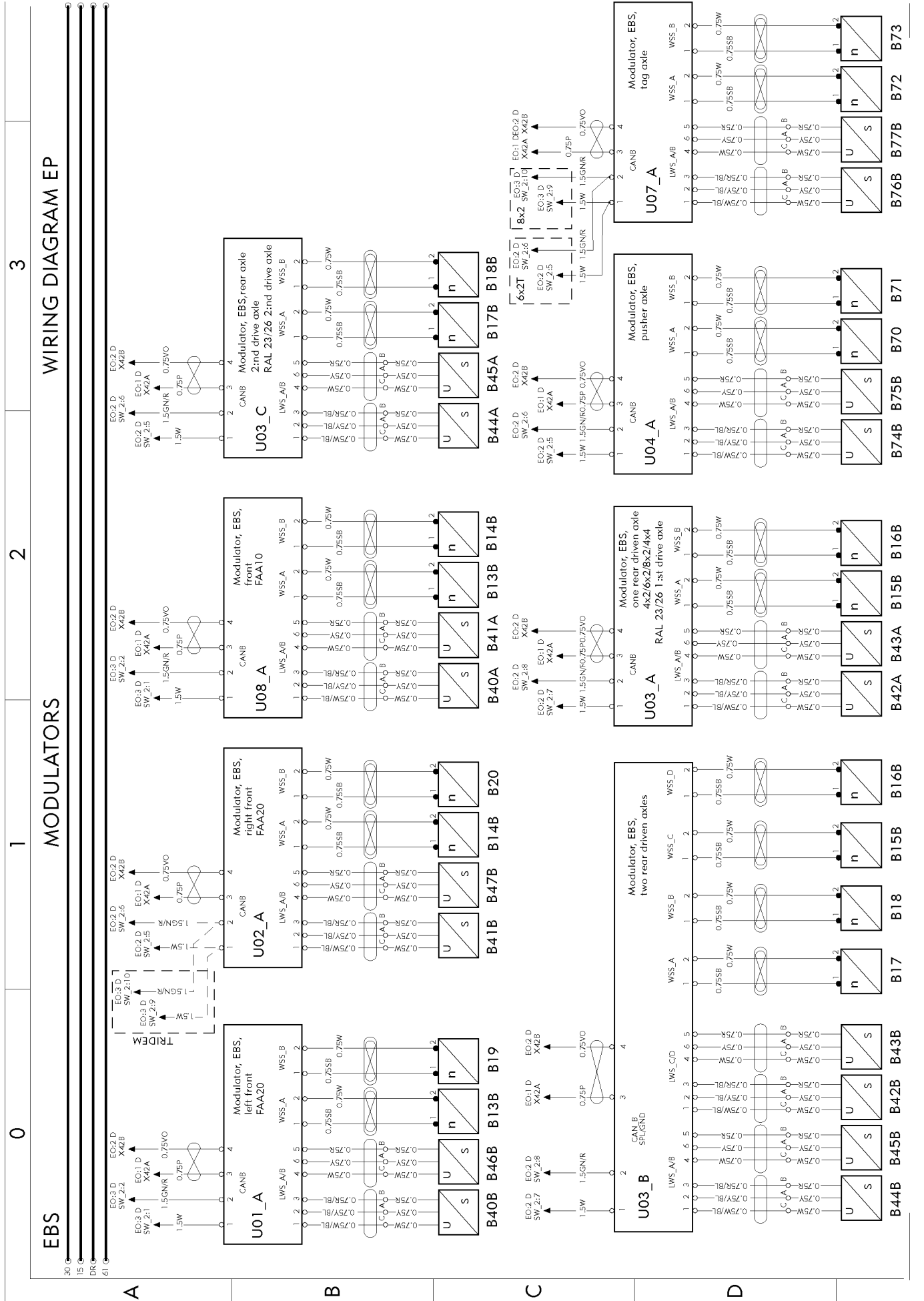




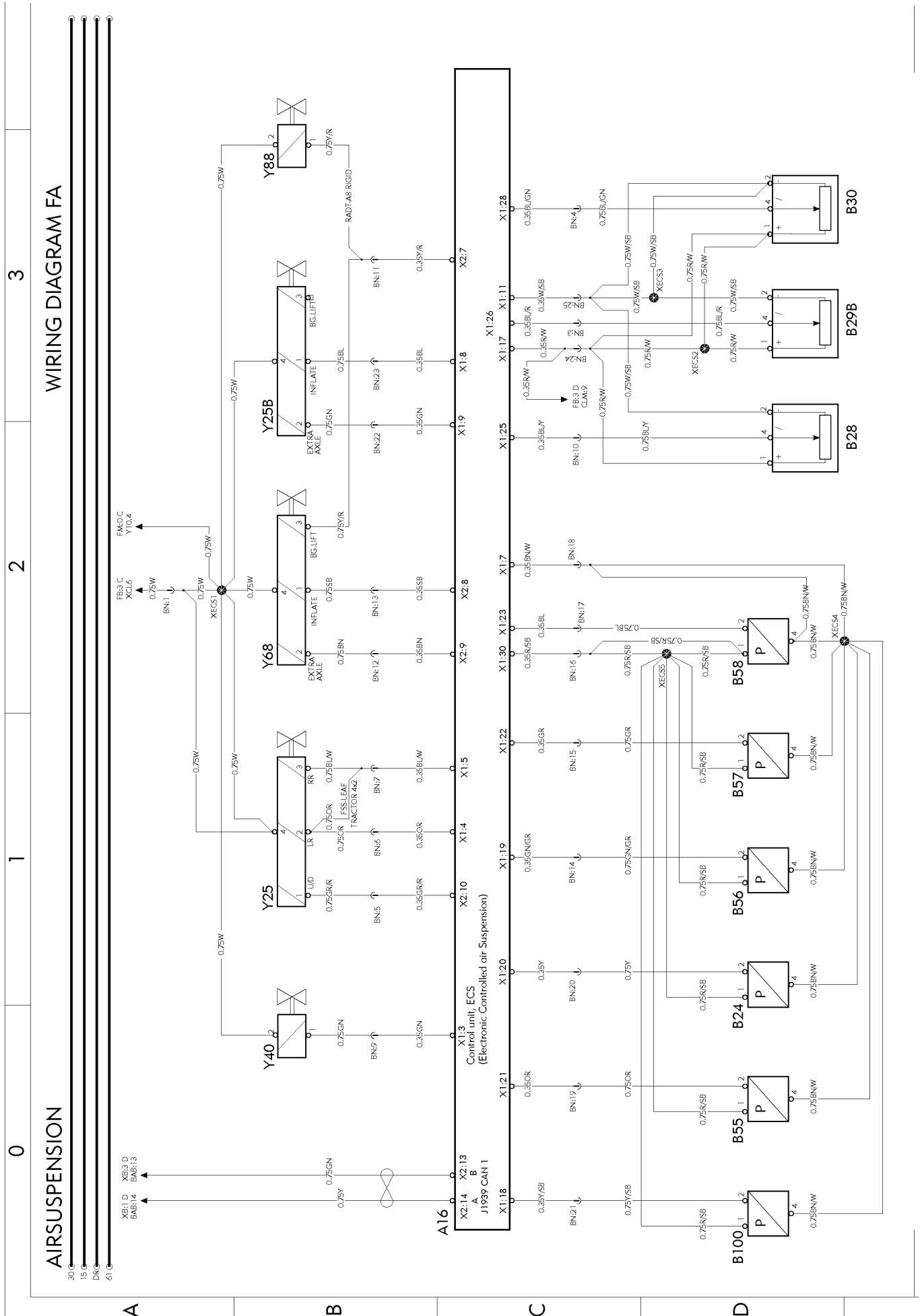
WIRING DIAGRAM EO

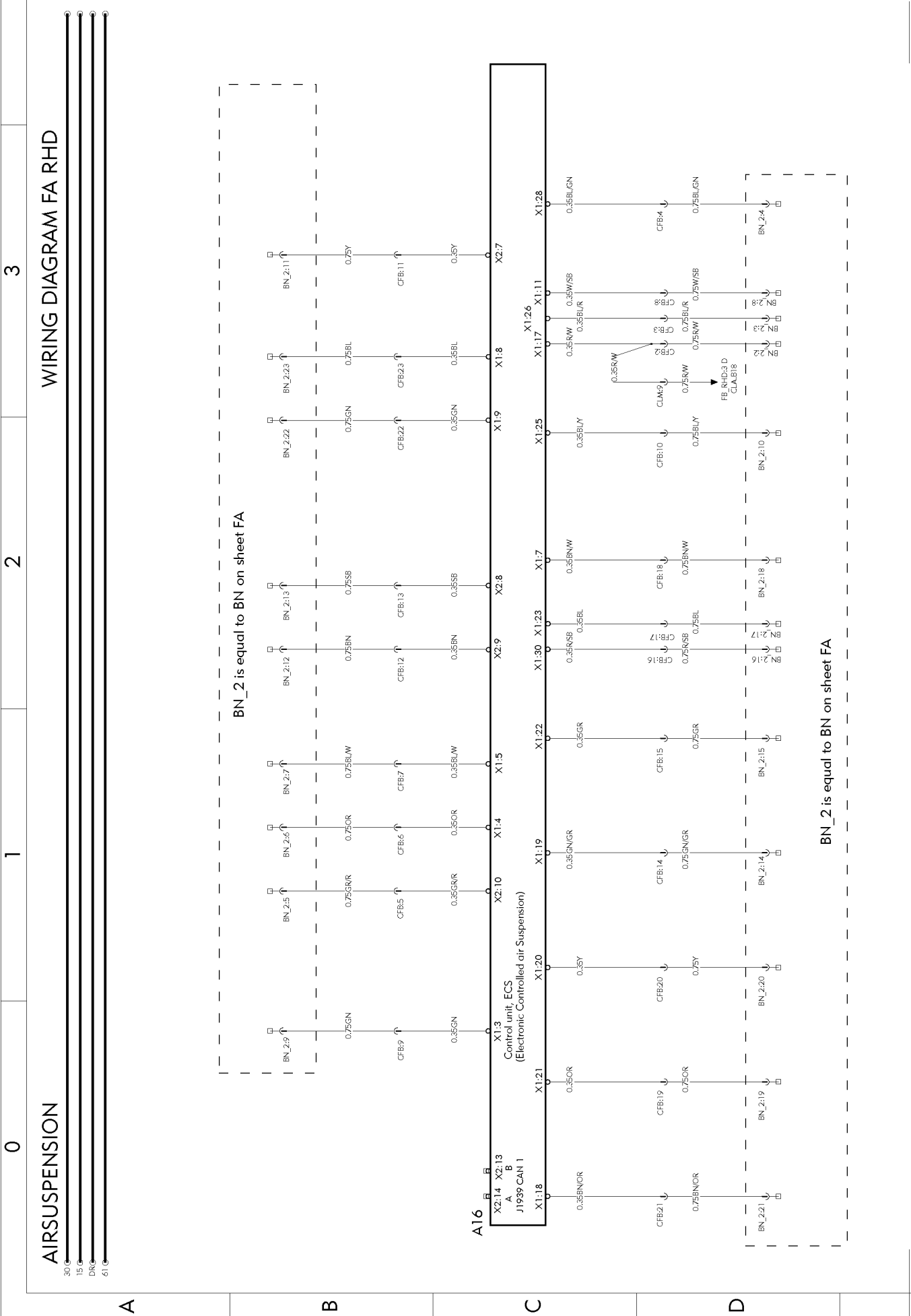


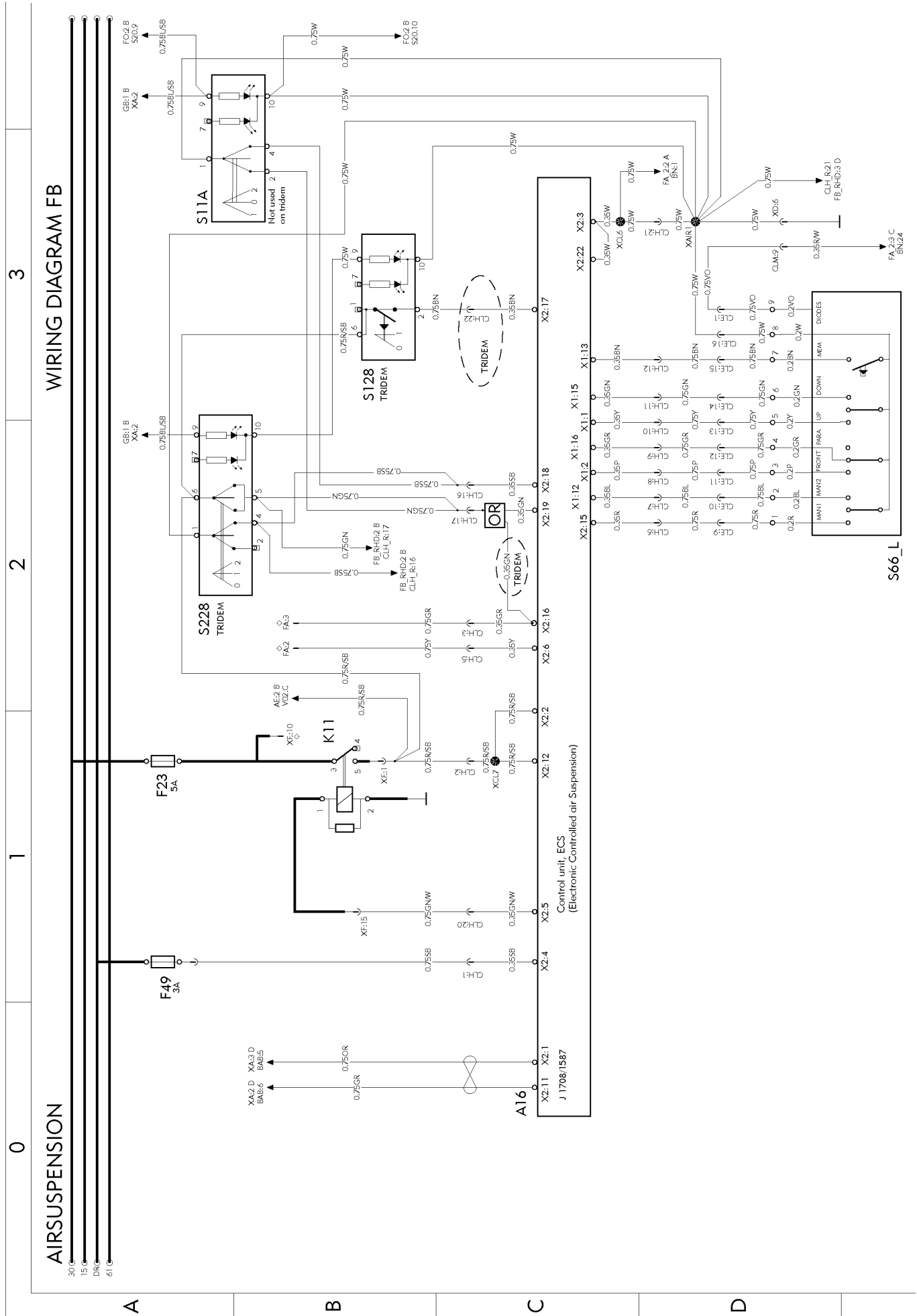


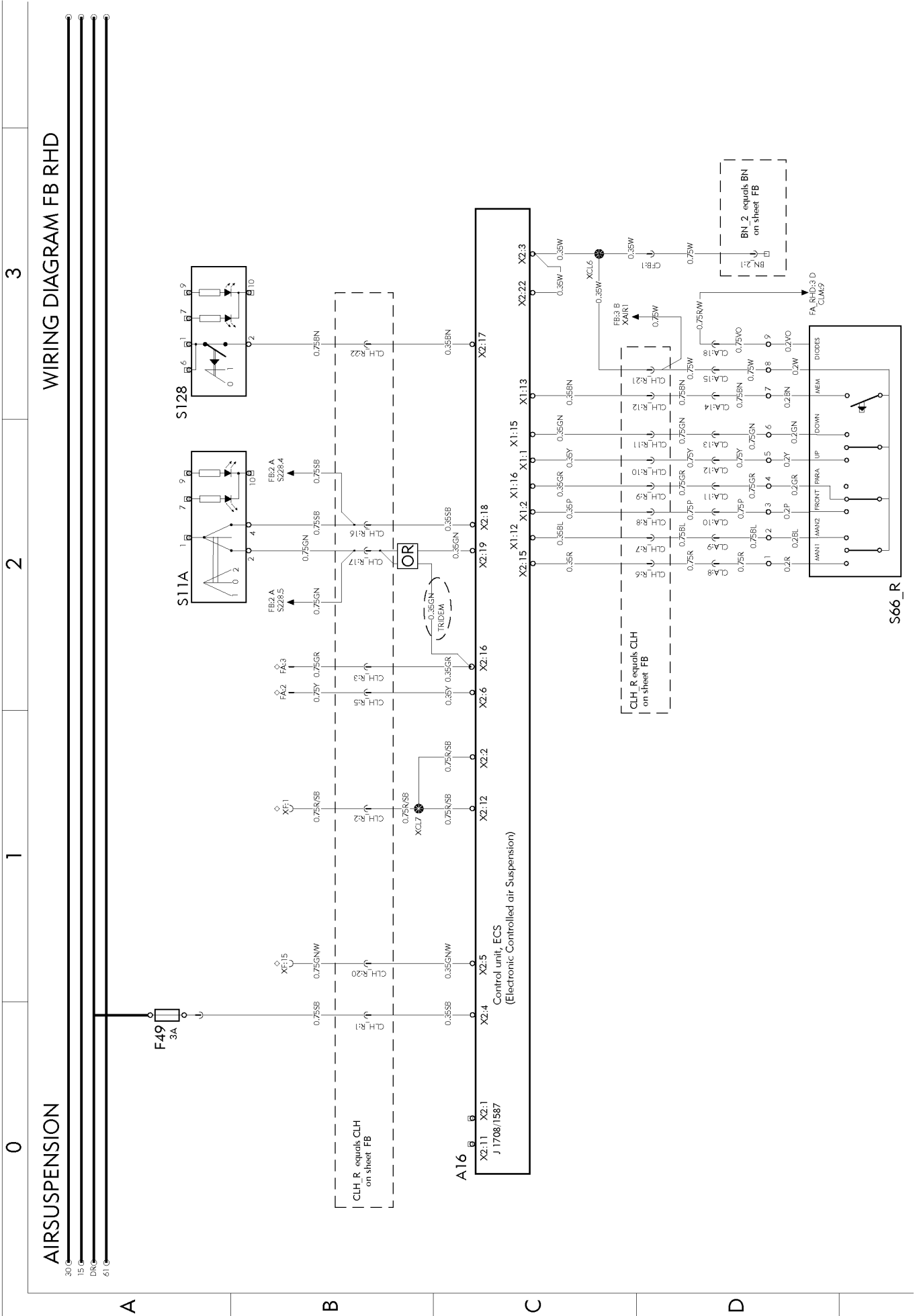


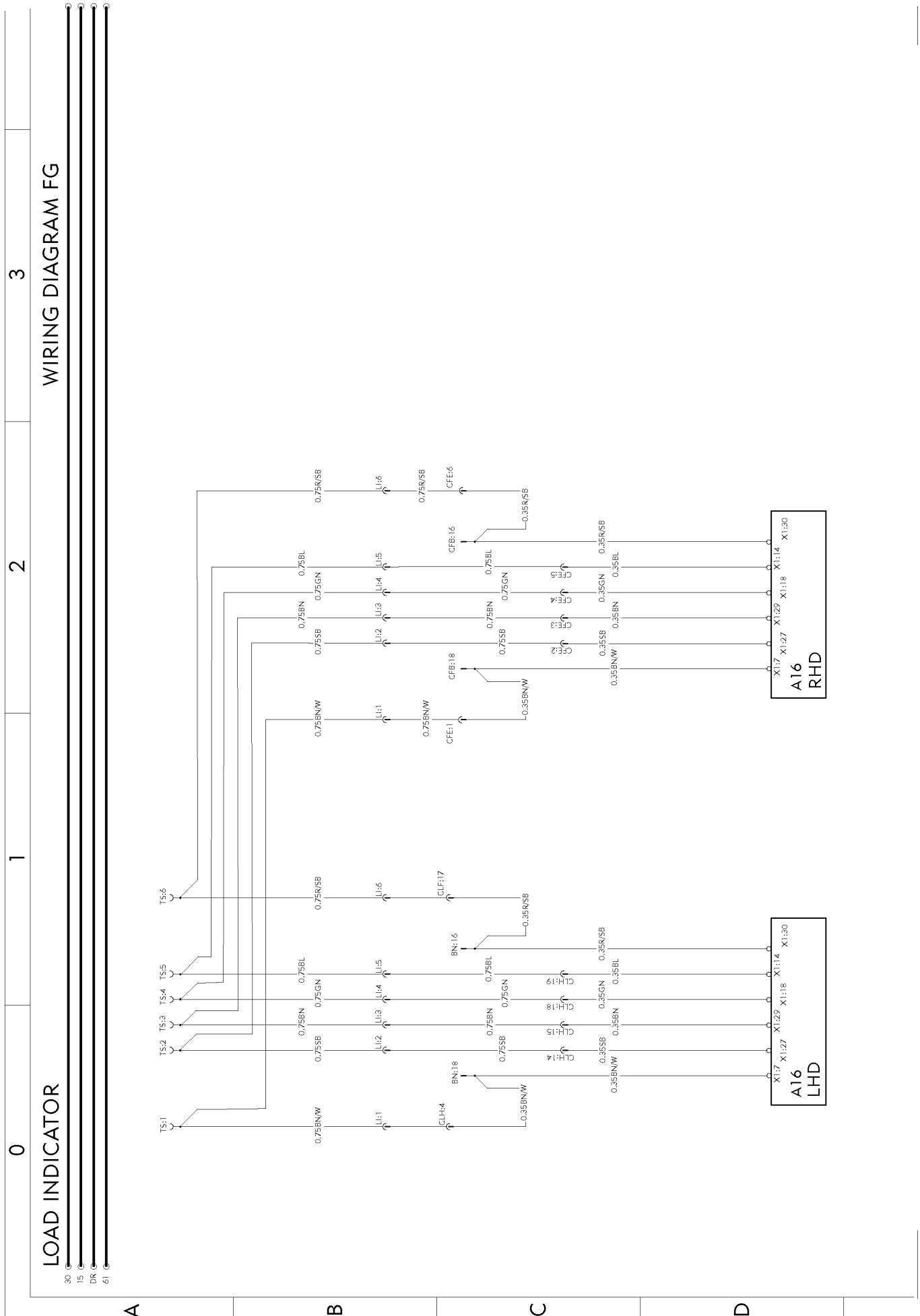
WIRING DIAGRAM FA

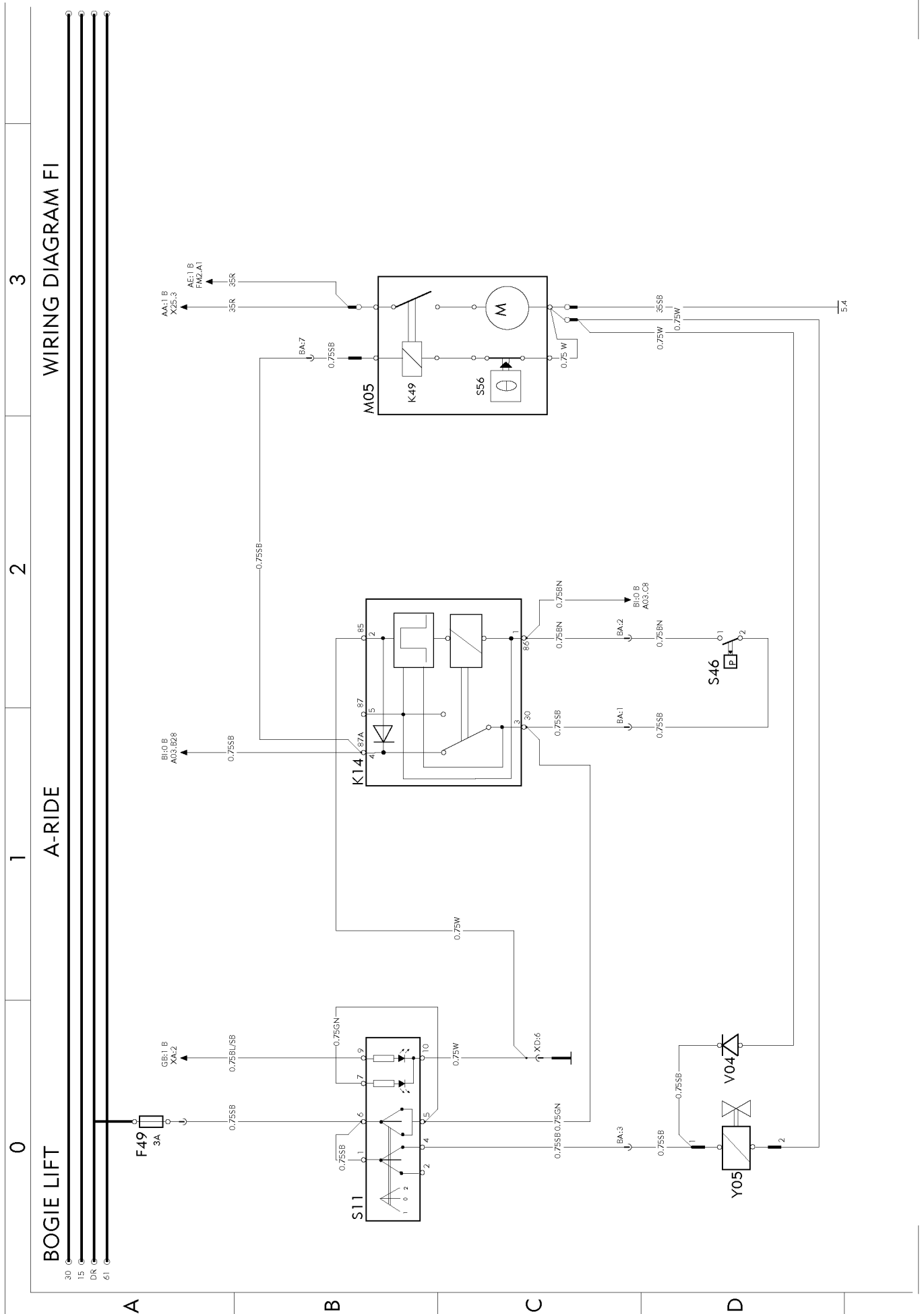


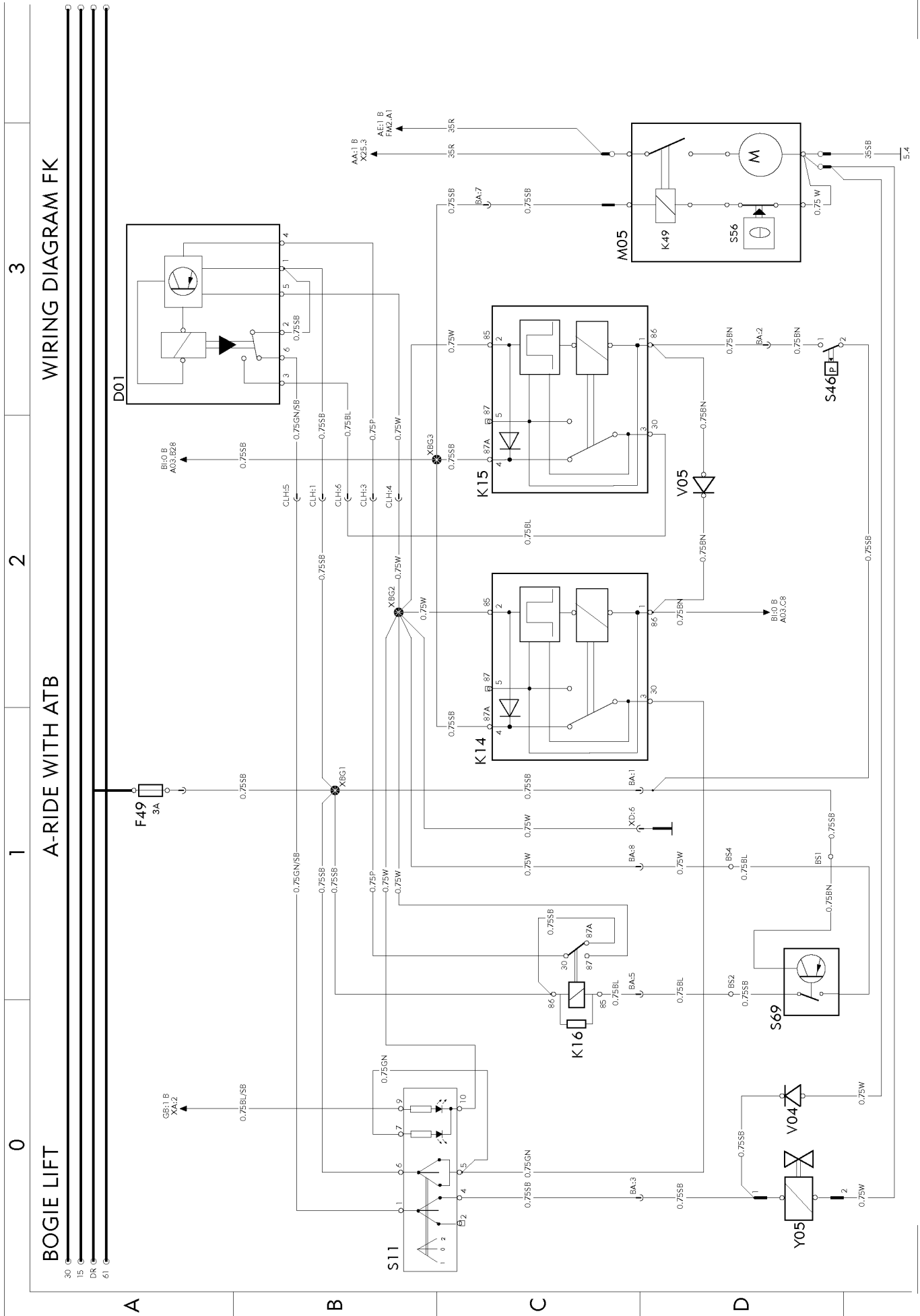


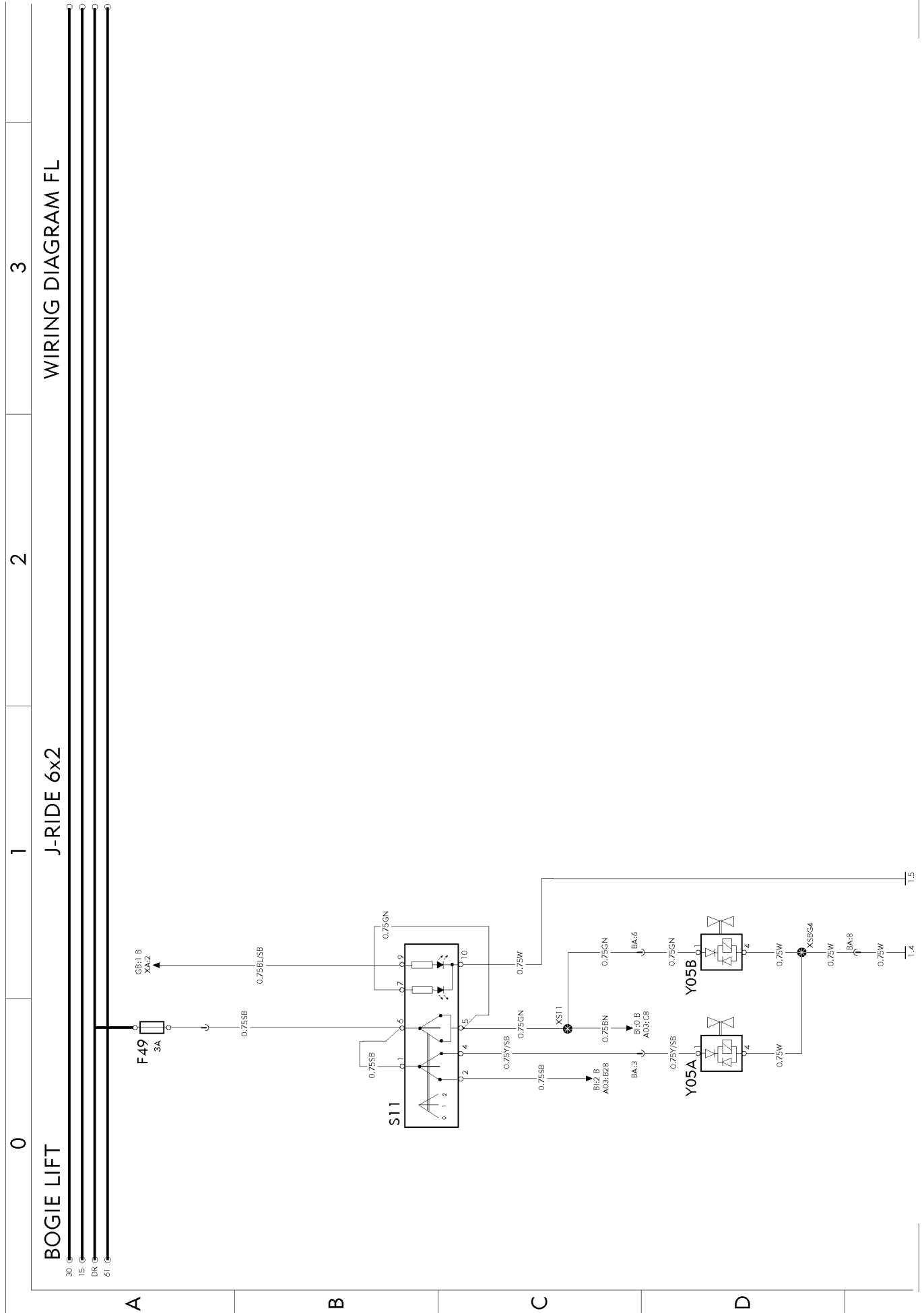


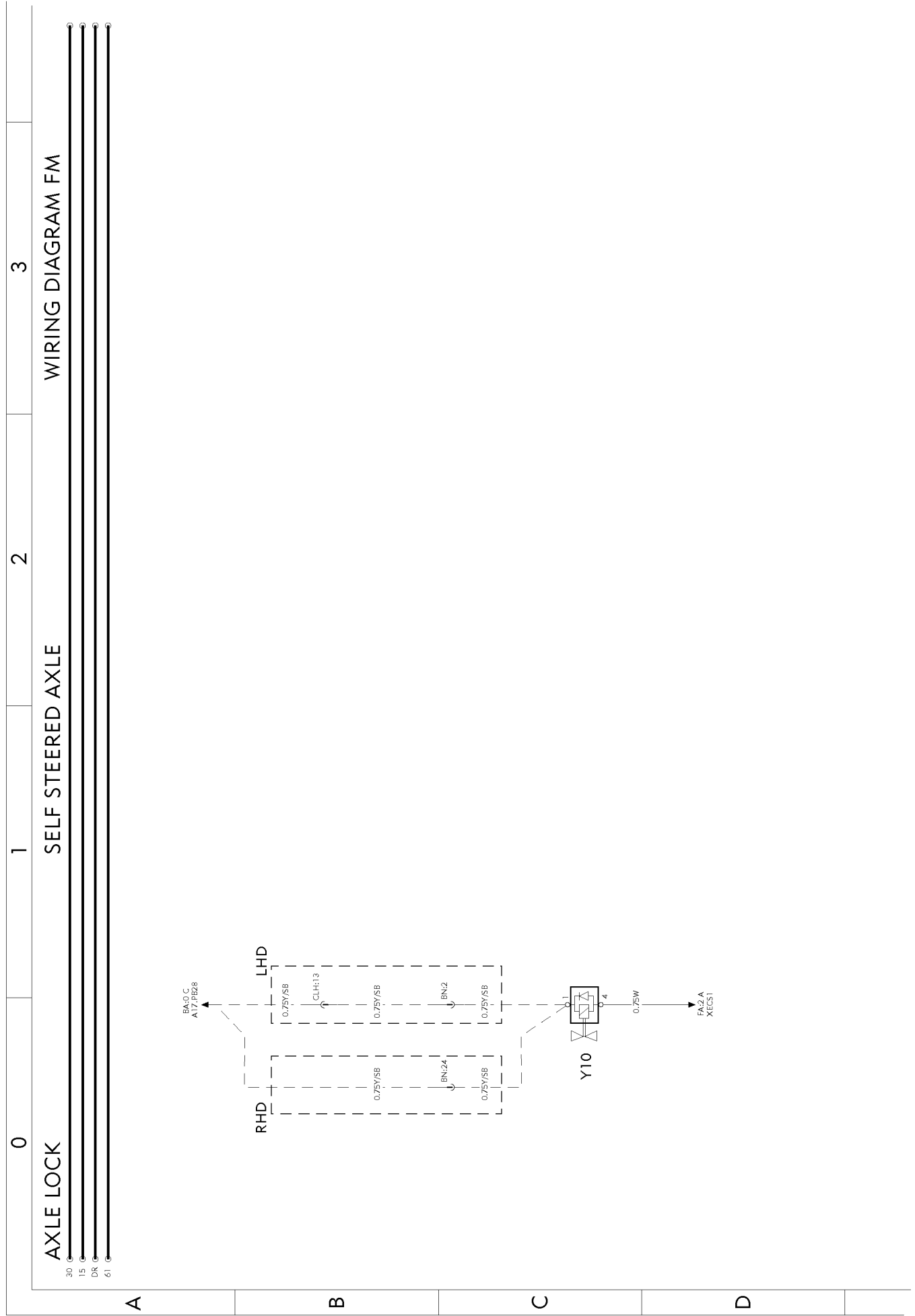


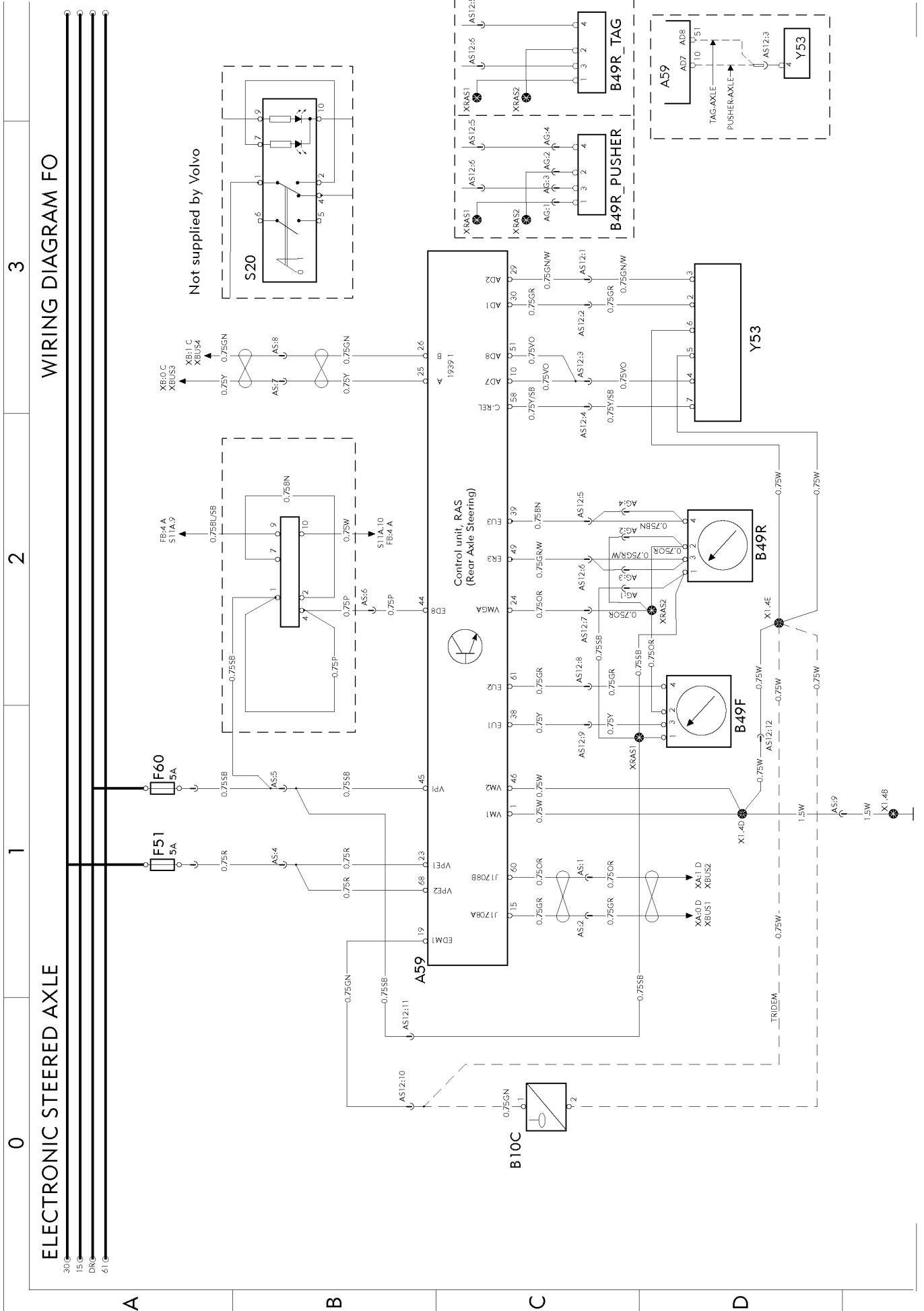


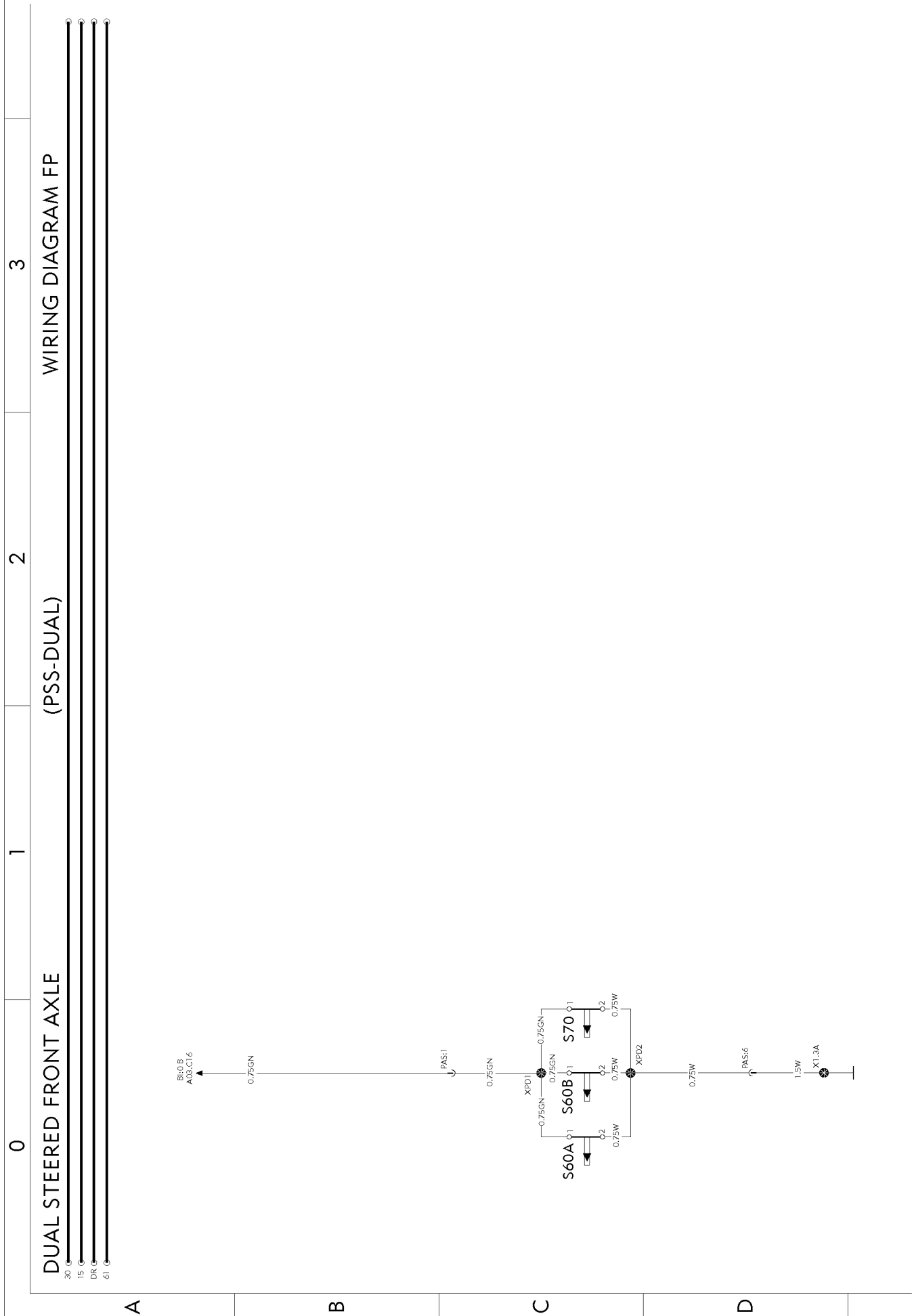


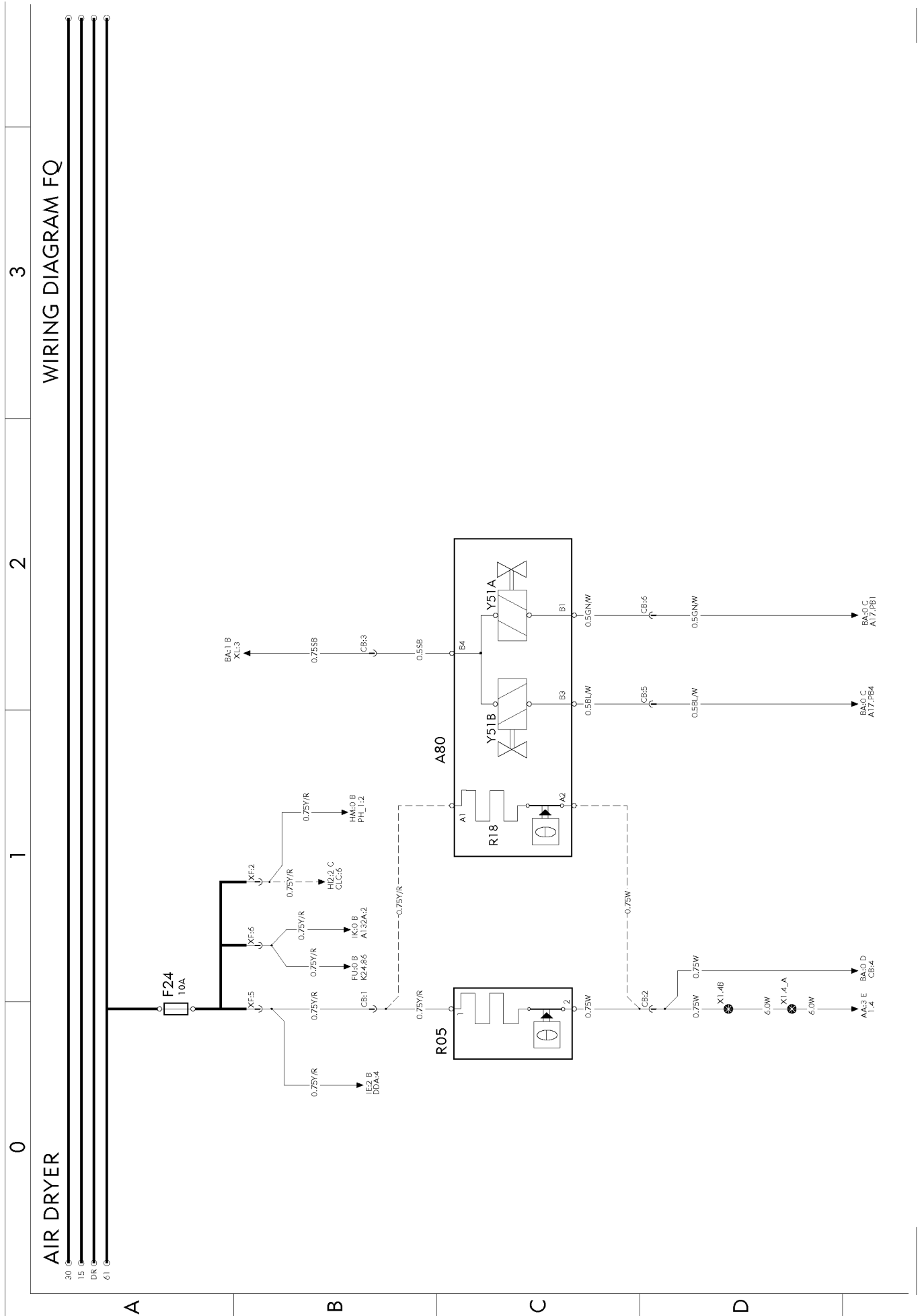


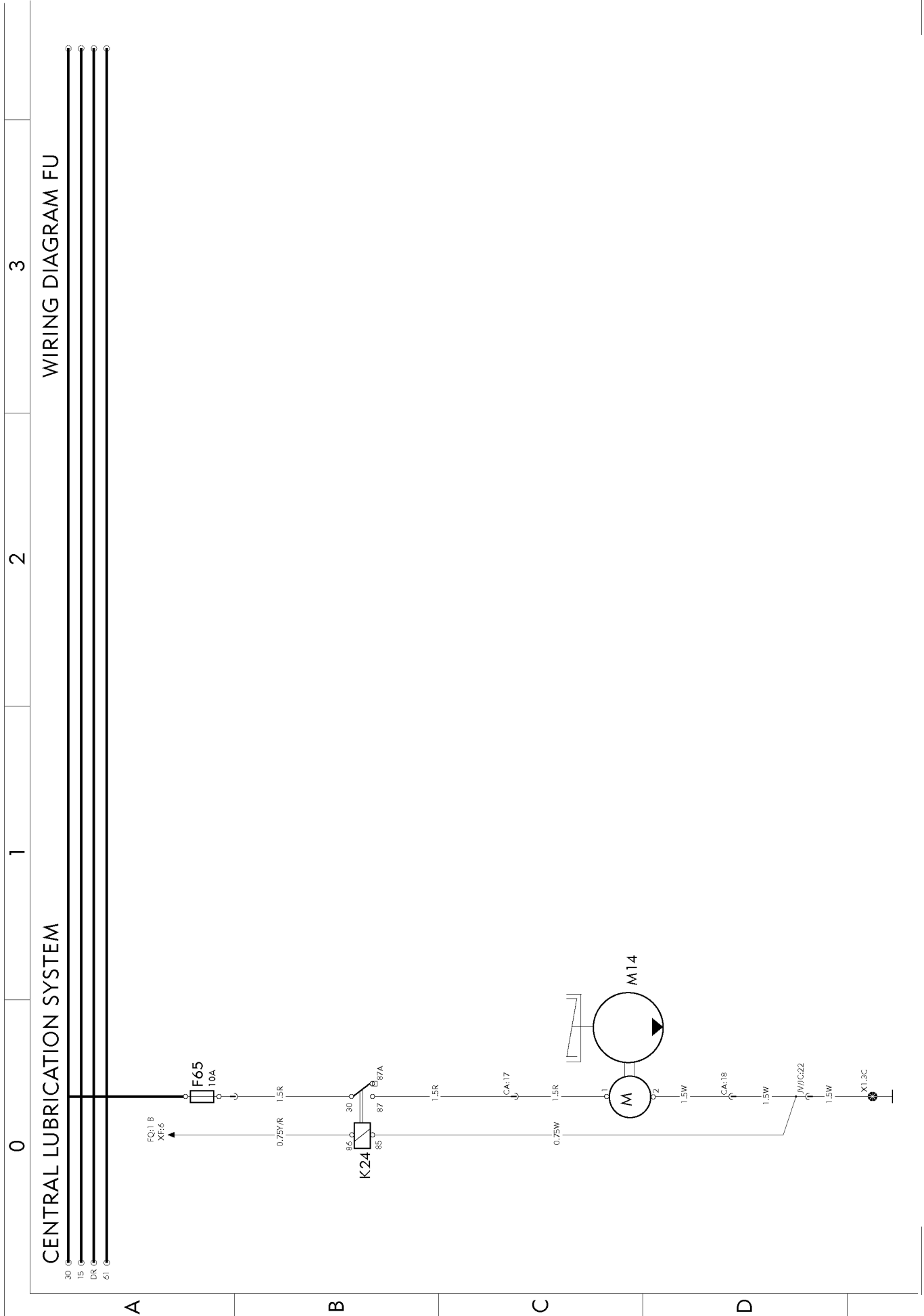


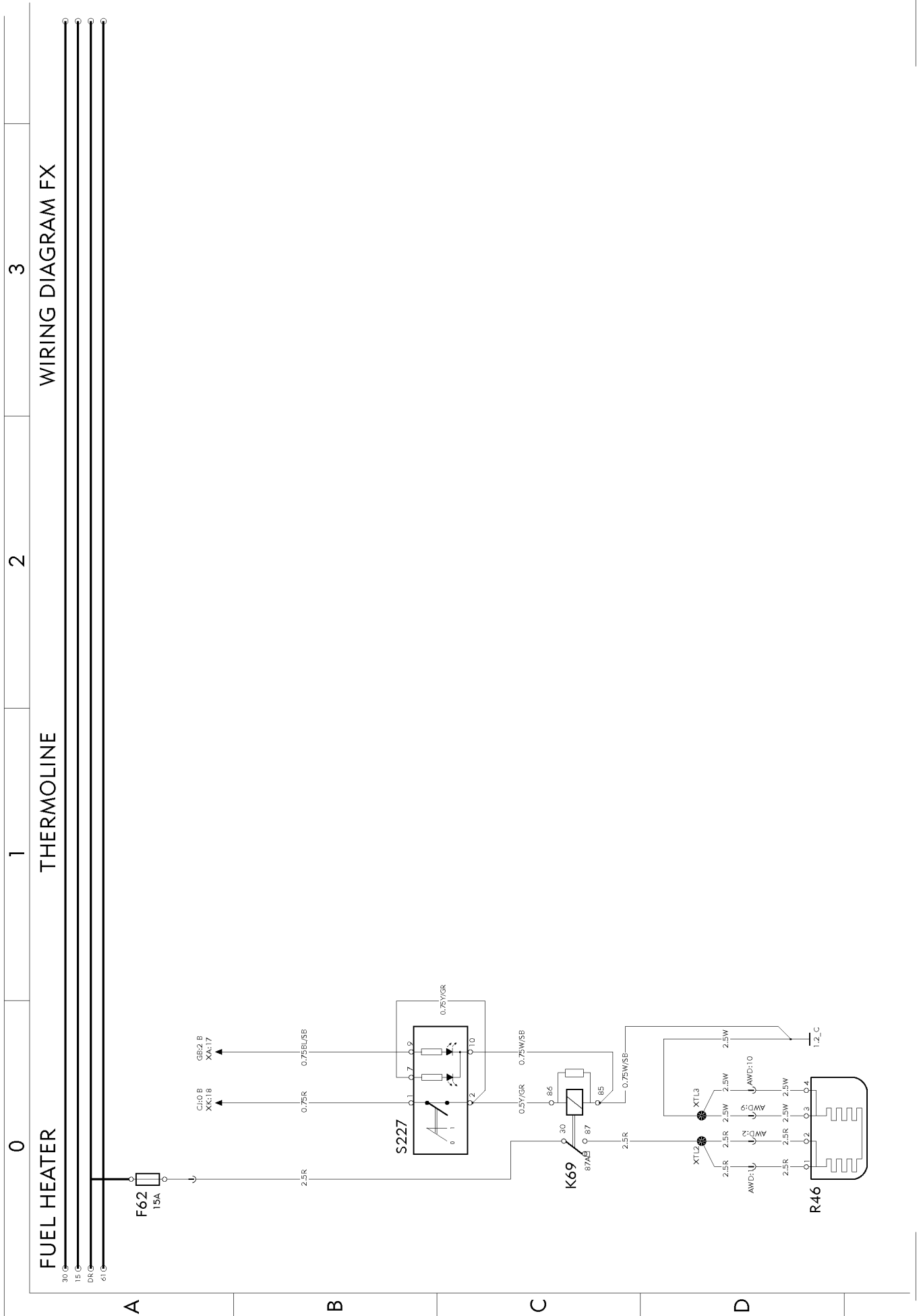


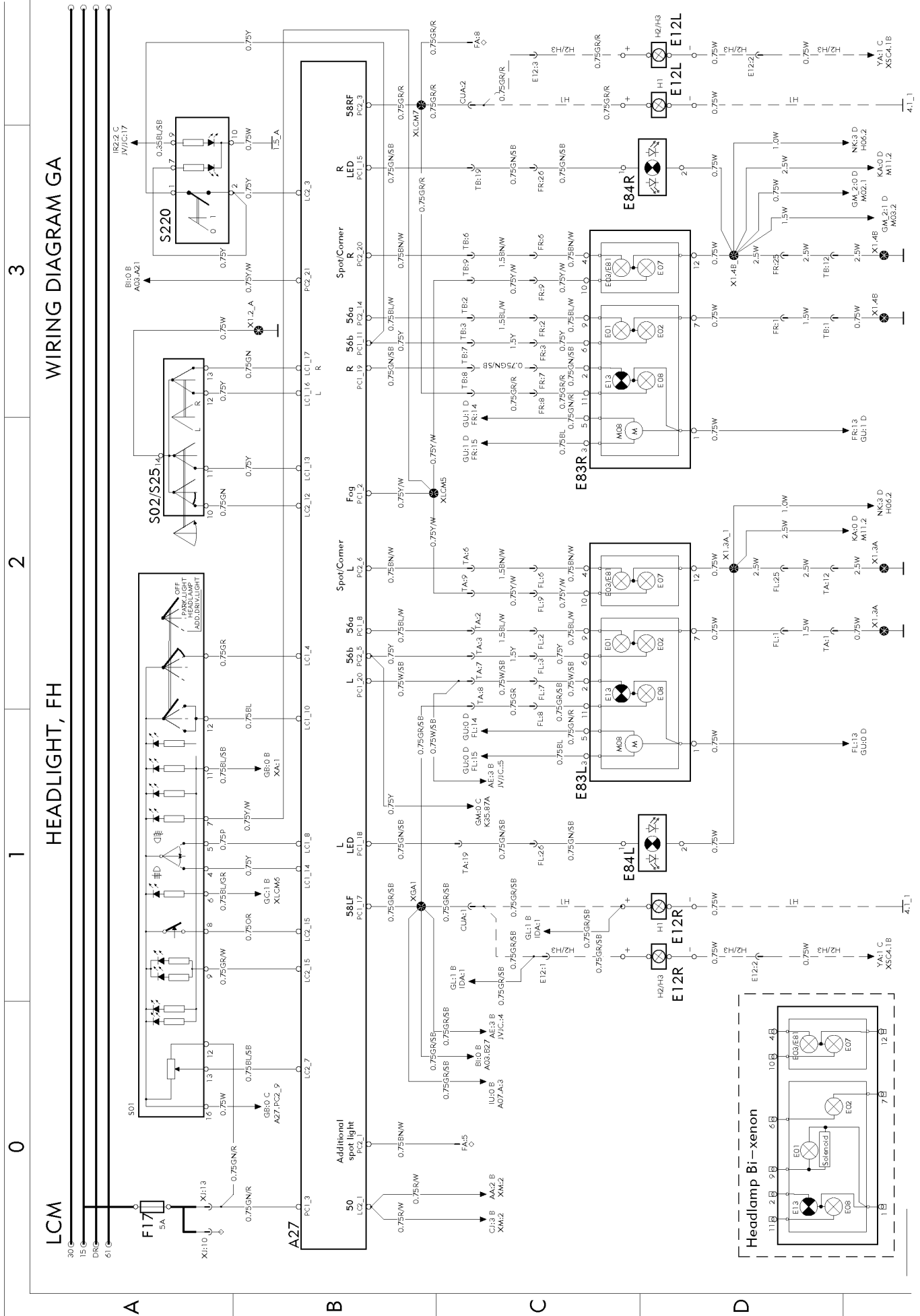


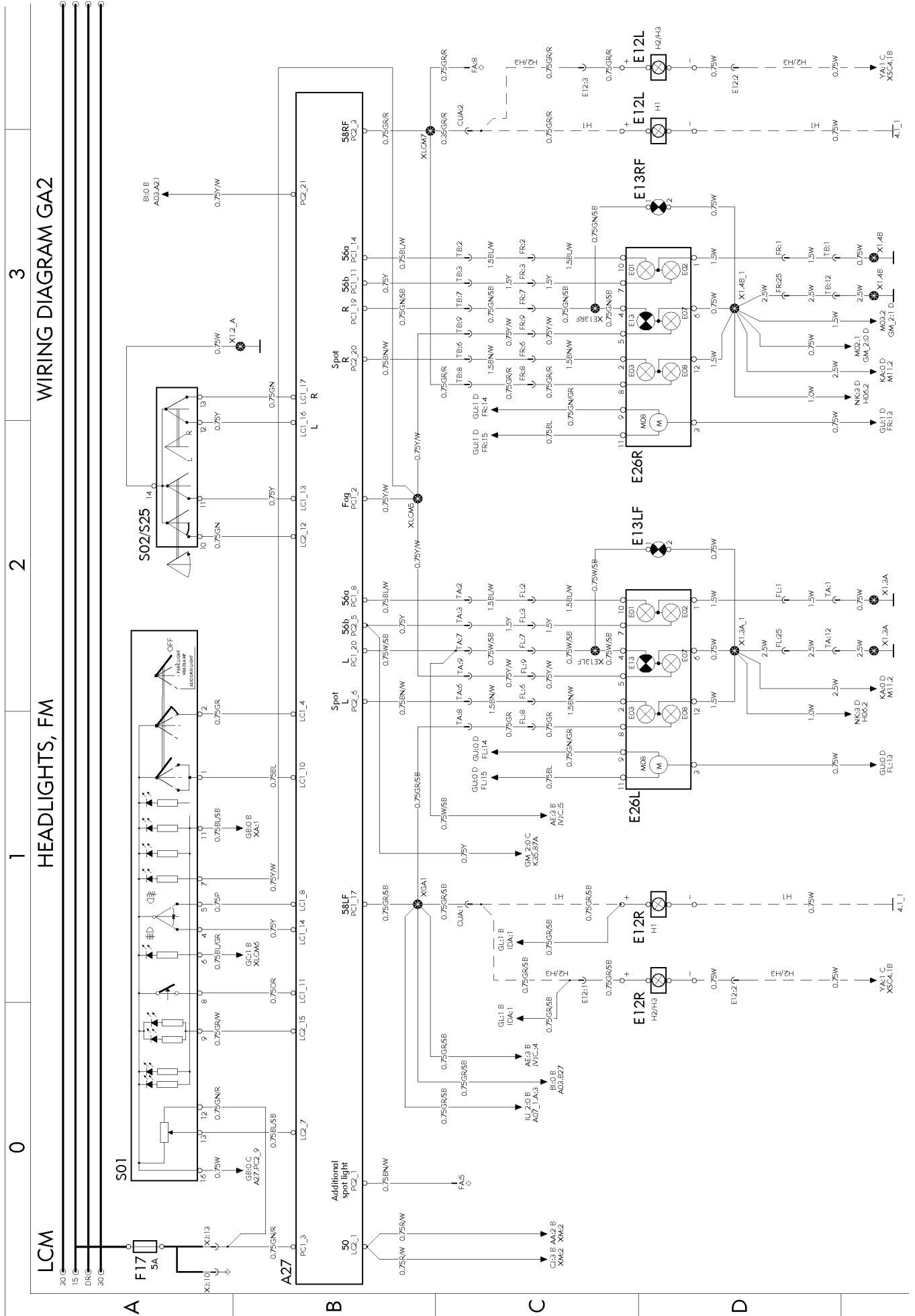


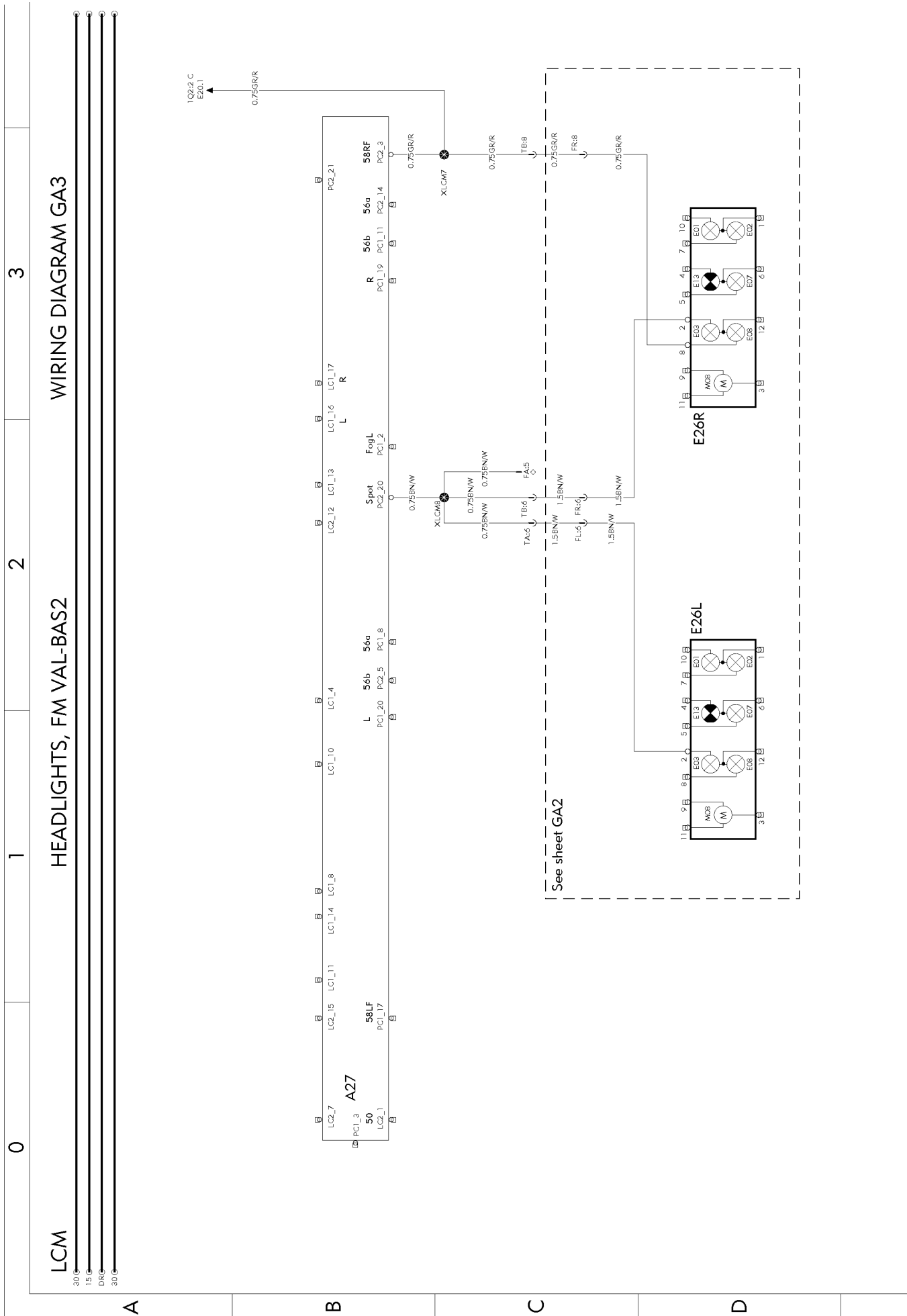


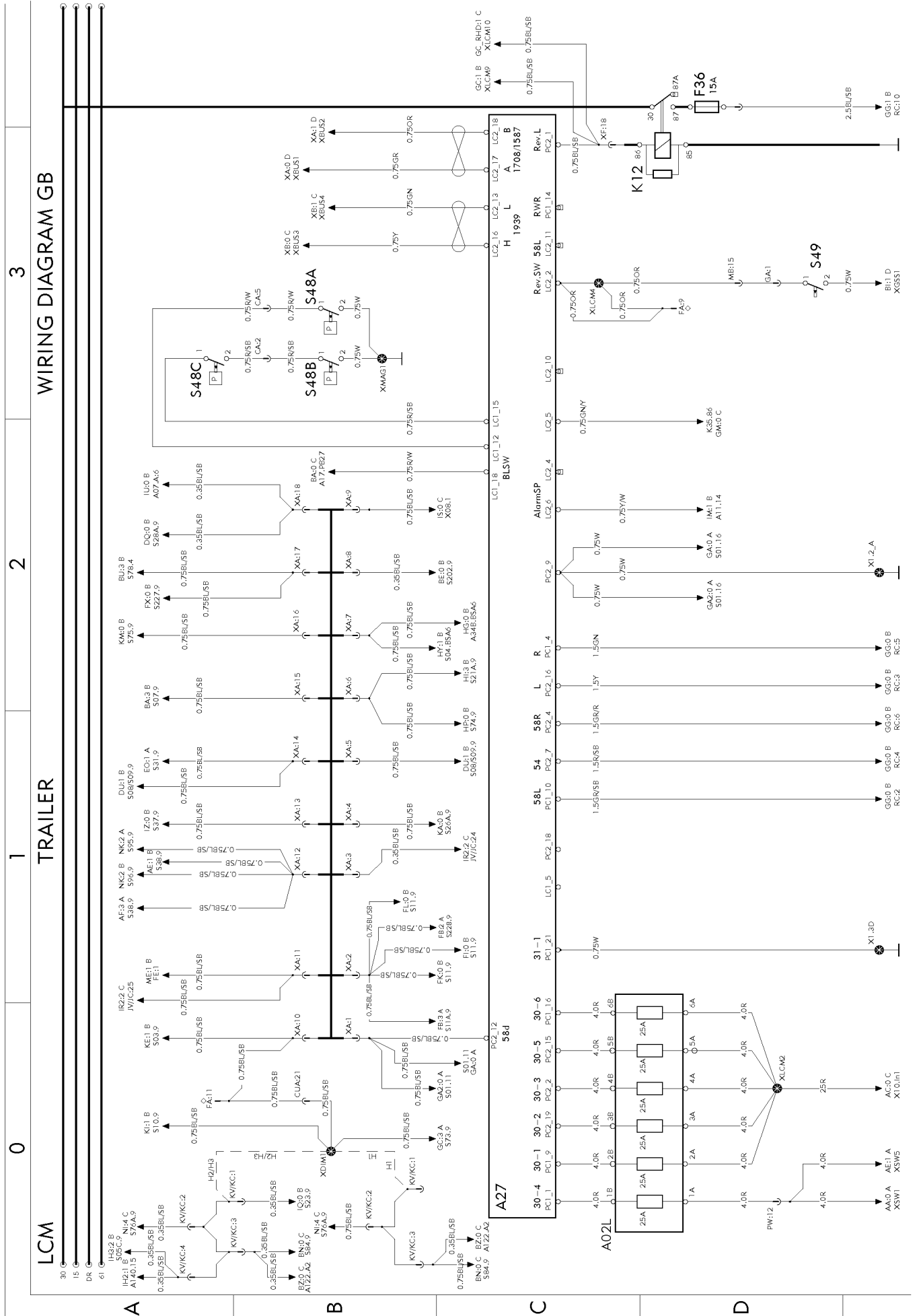












3

WIRING DIAGRAM GB

2

TRAILER

1

0

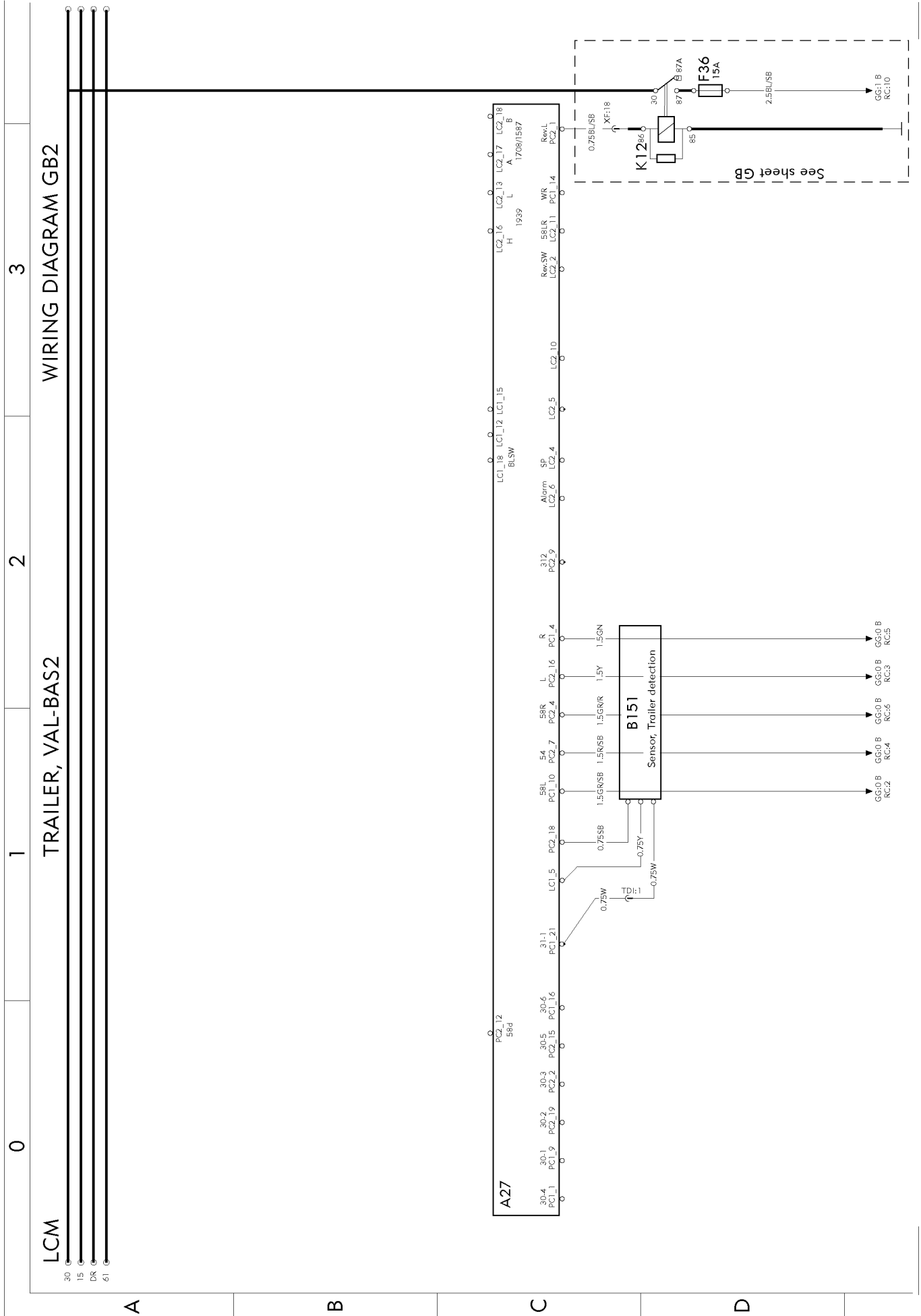
LCM

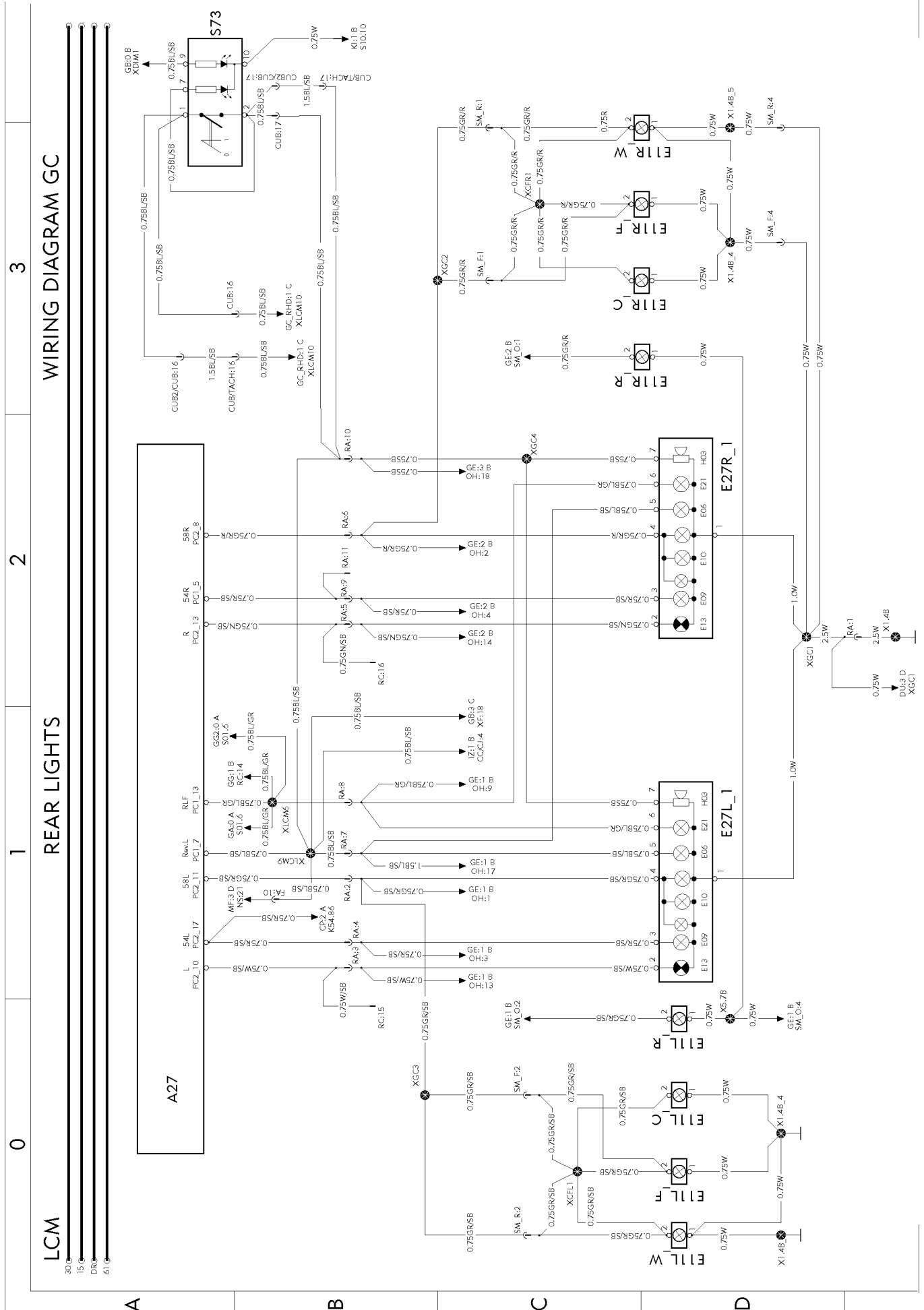
A

B

C

D





WIRING DIAGRAM GC

REAR LIGHTS

3

2

1

0

LCM

30

15

DR

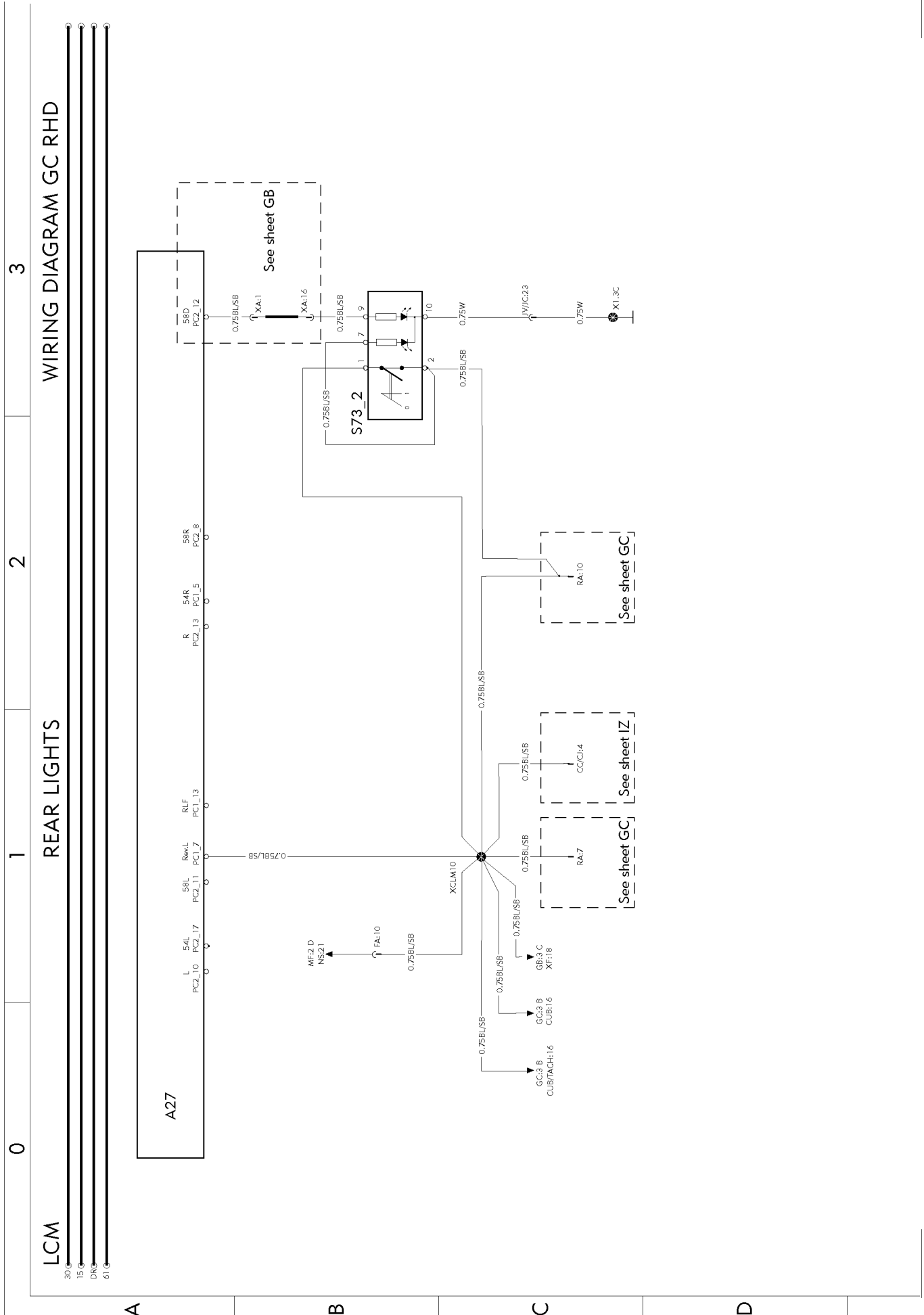
61

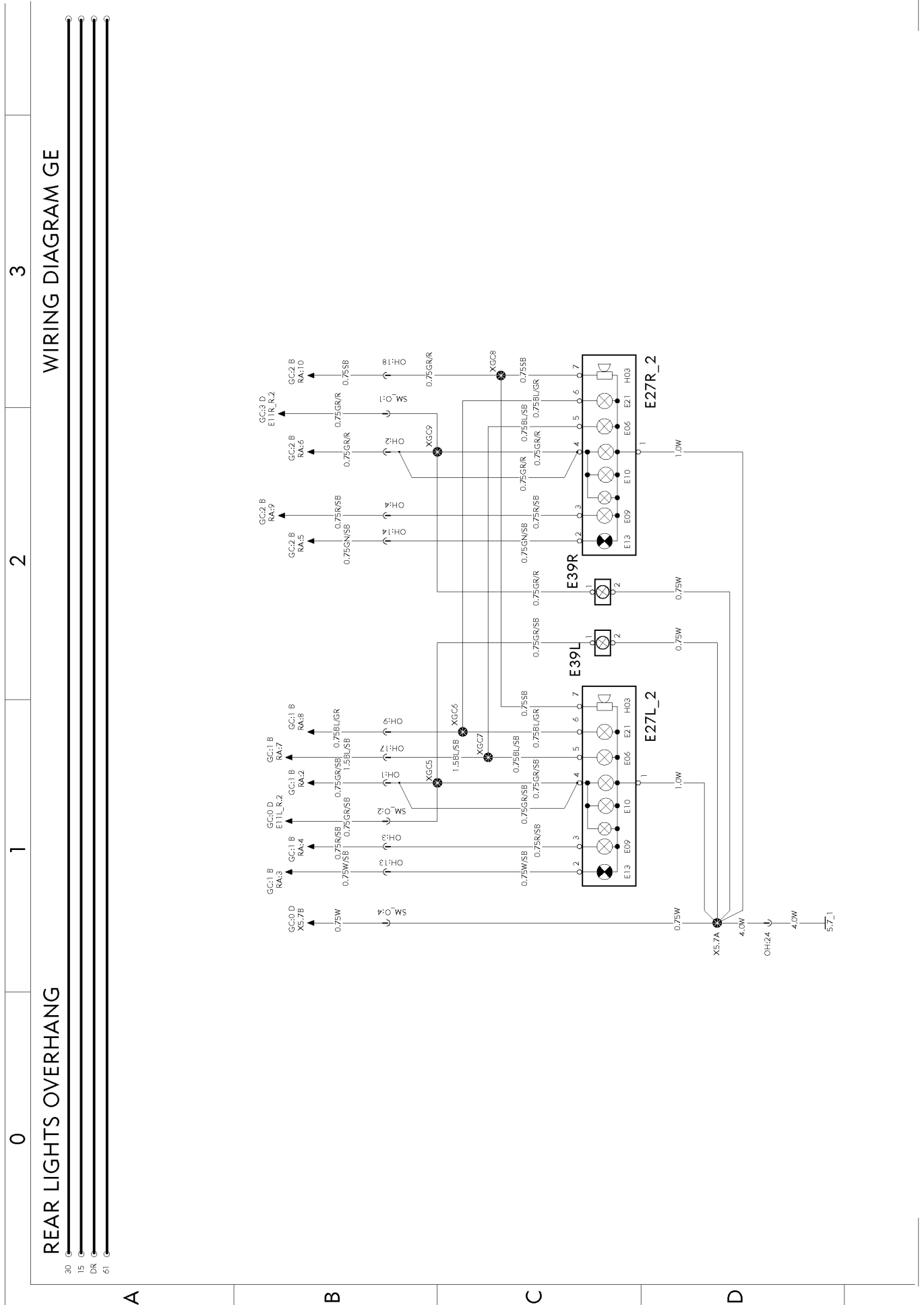
A

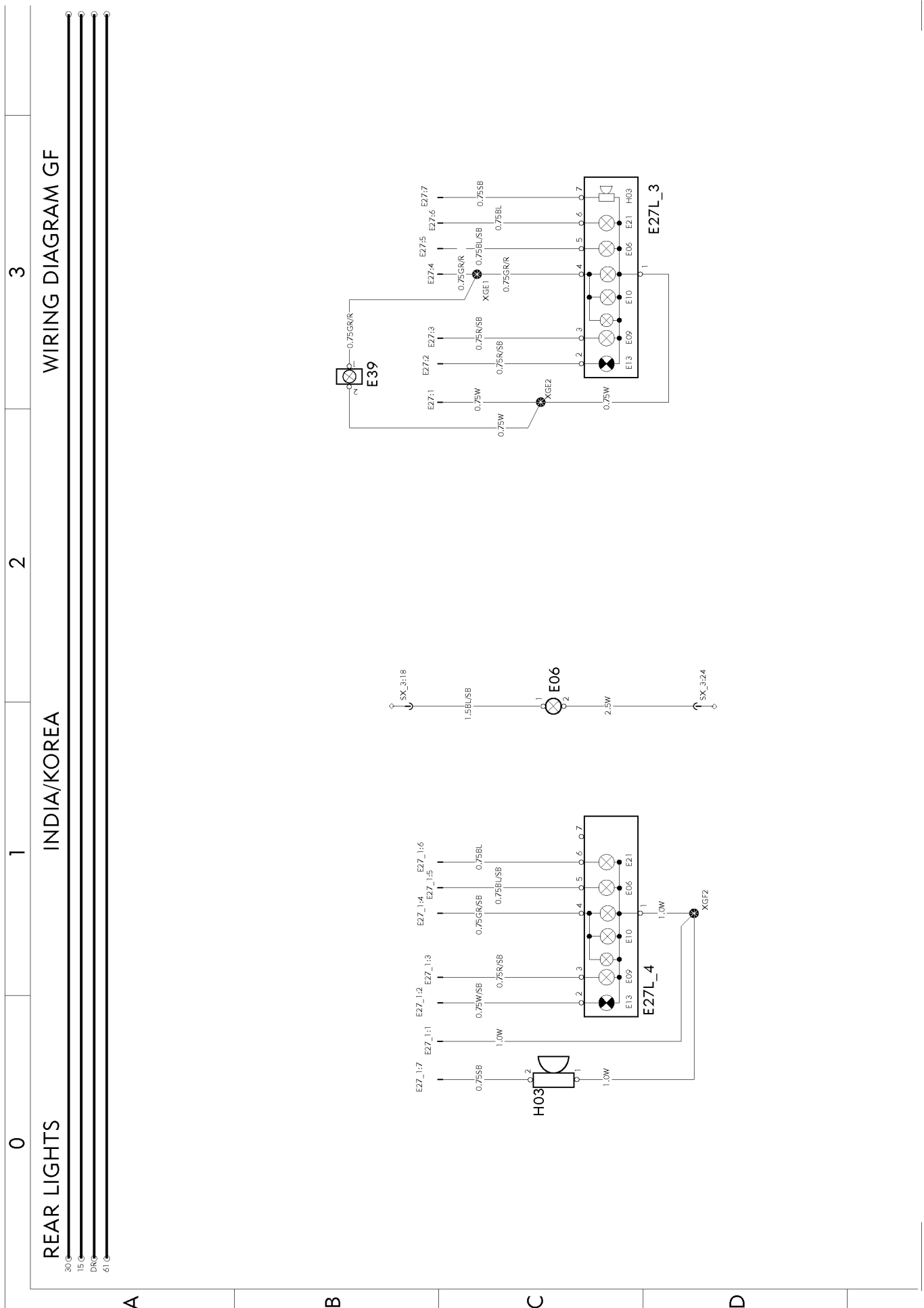
B

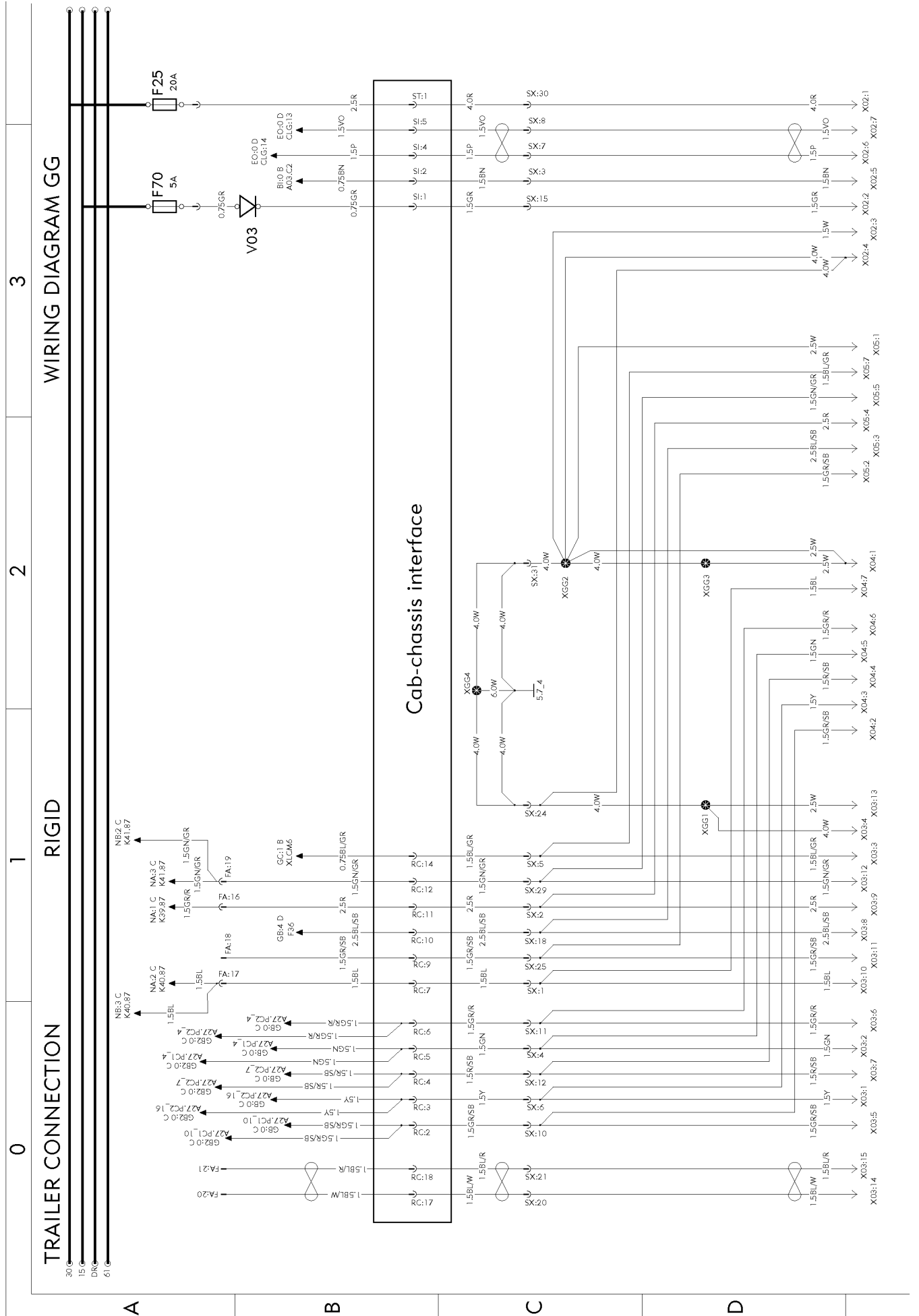
C

D









TRAILER CONNECTIONS (AUS ONLY)

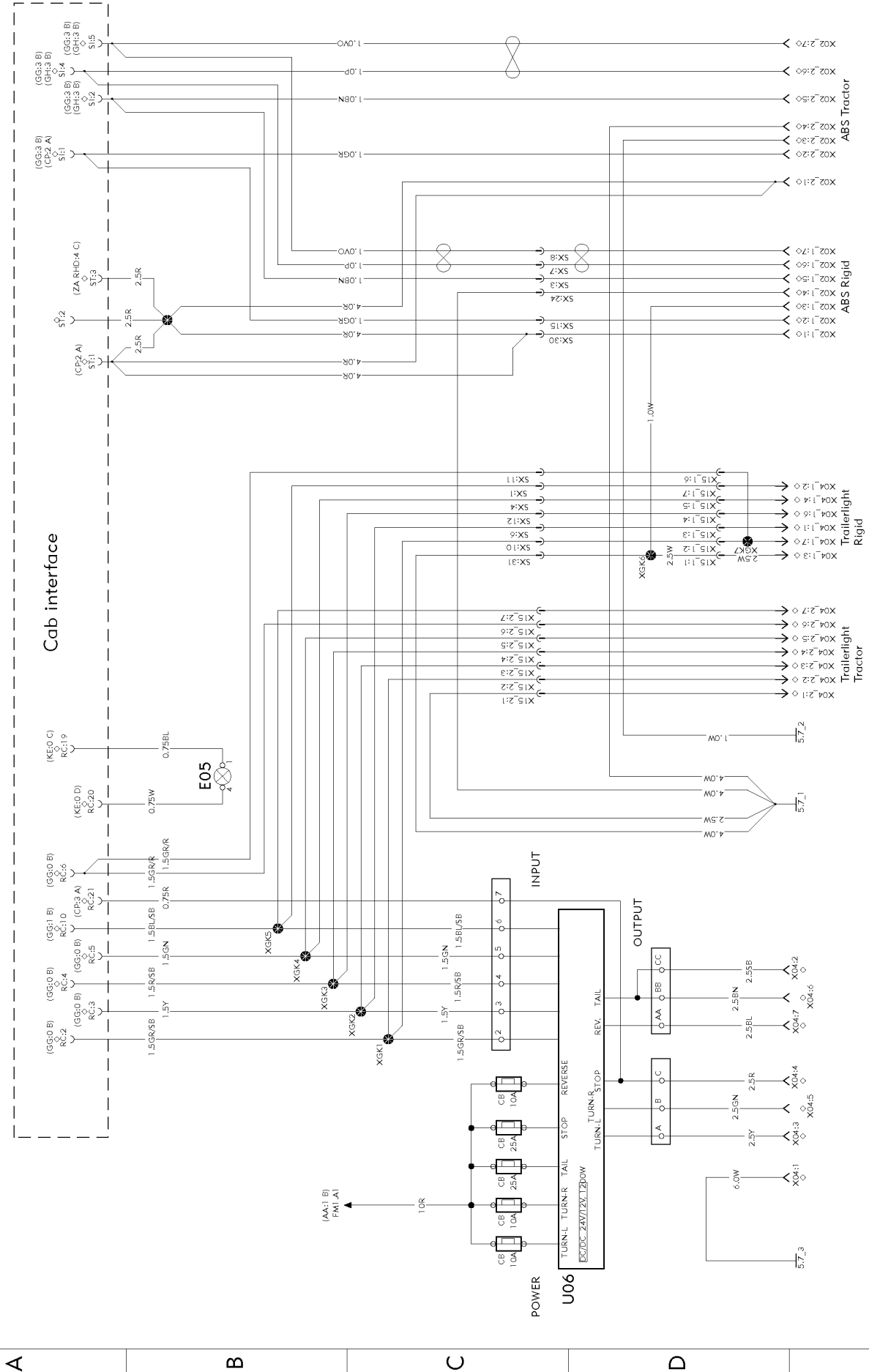
WIRING DIAGRAM GK

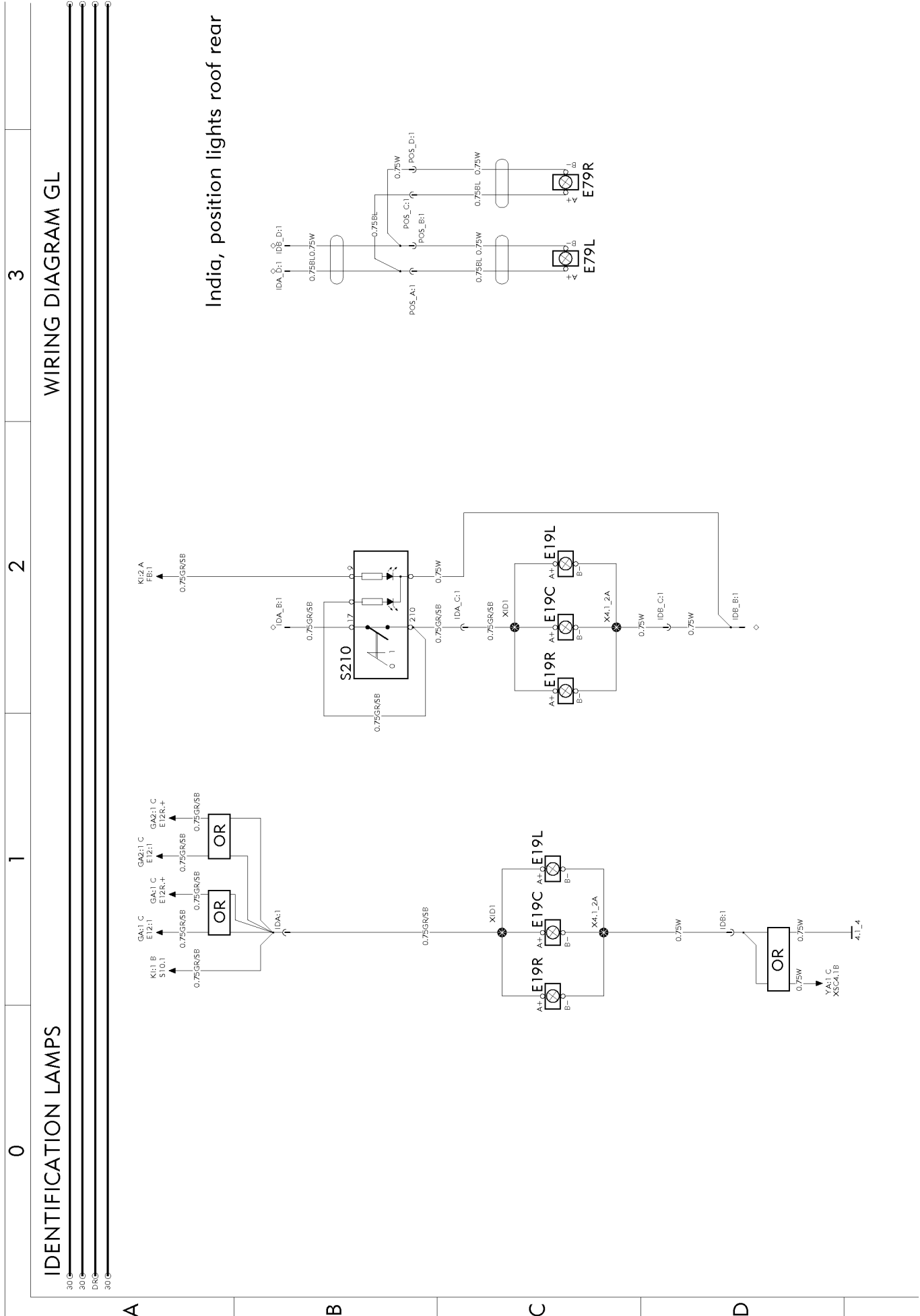
0

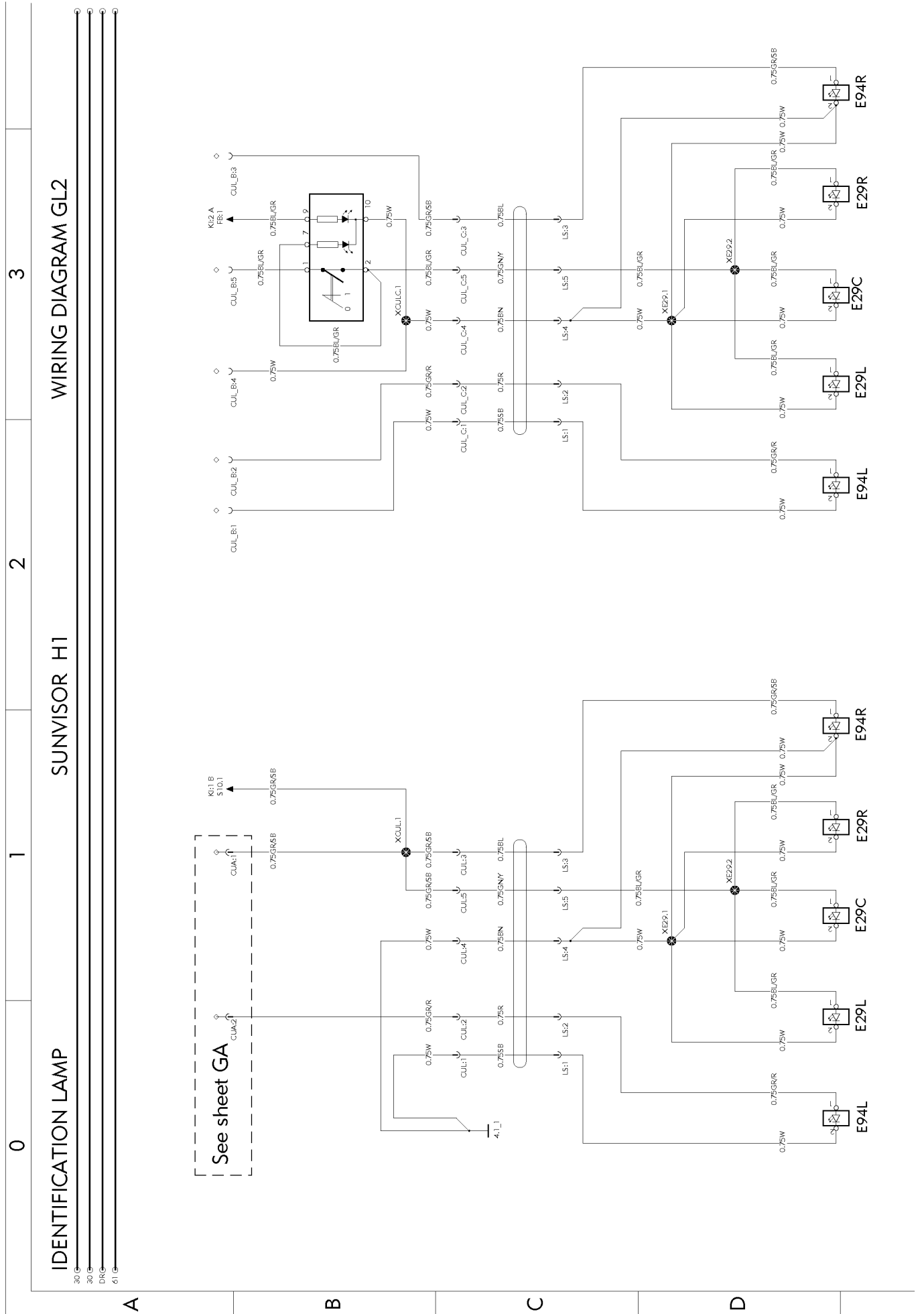
1

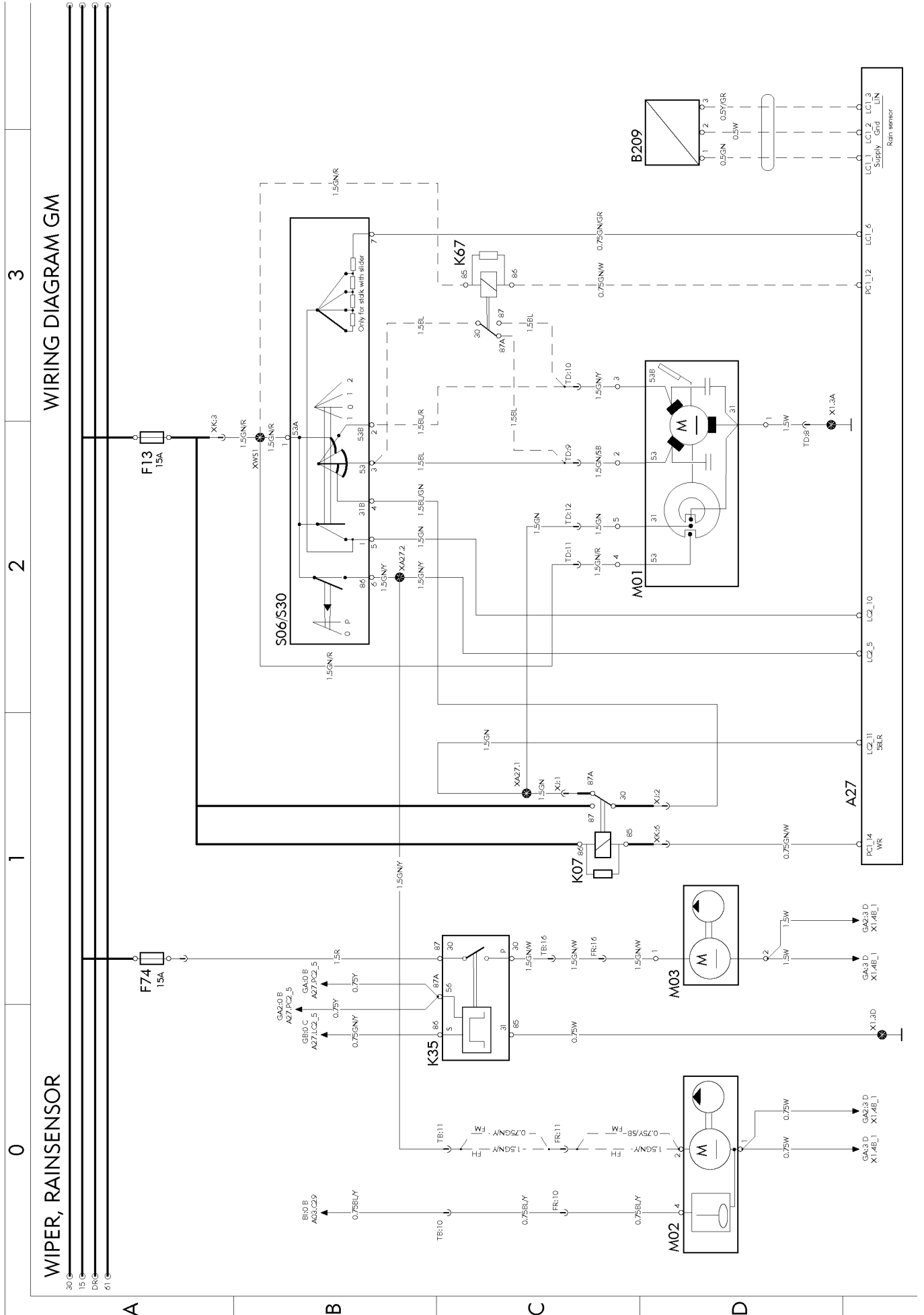
2

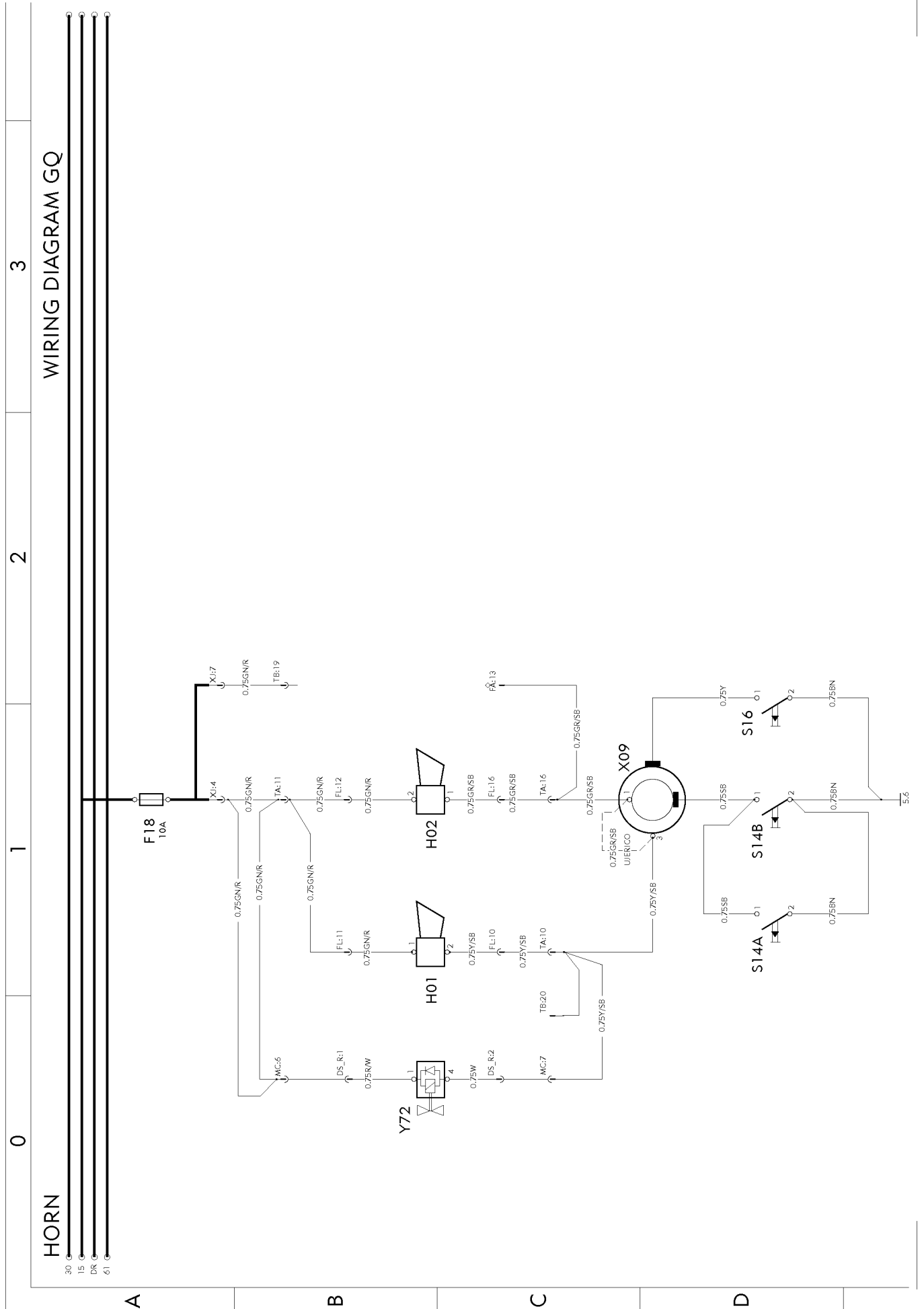
3

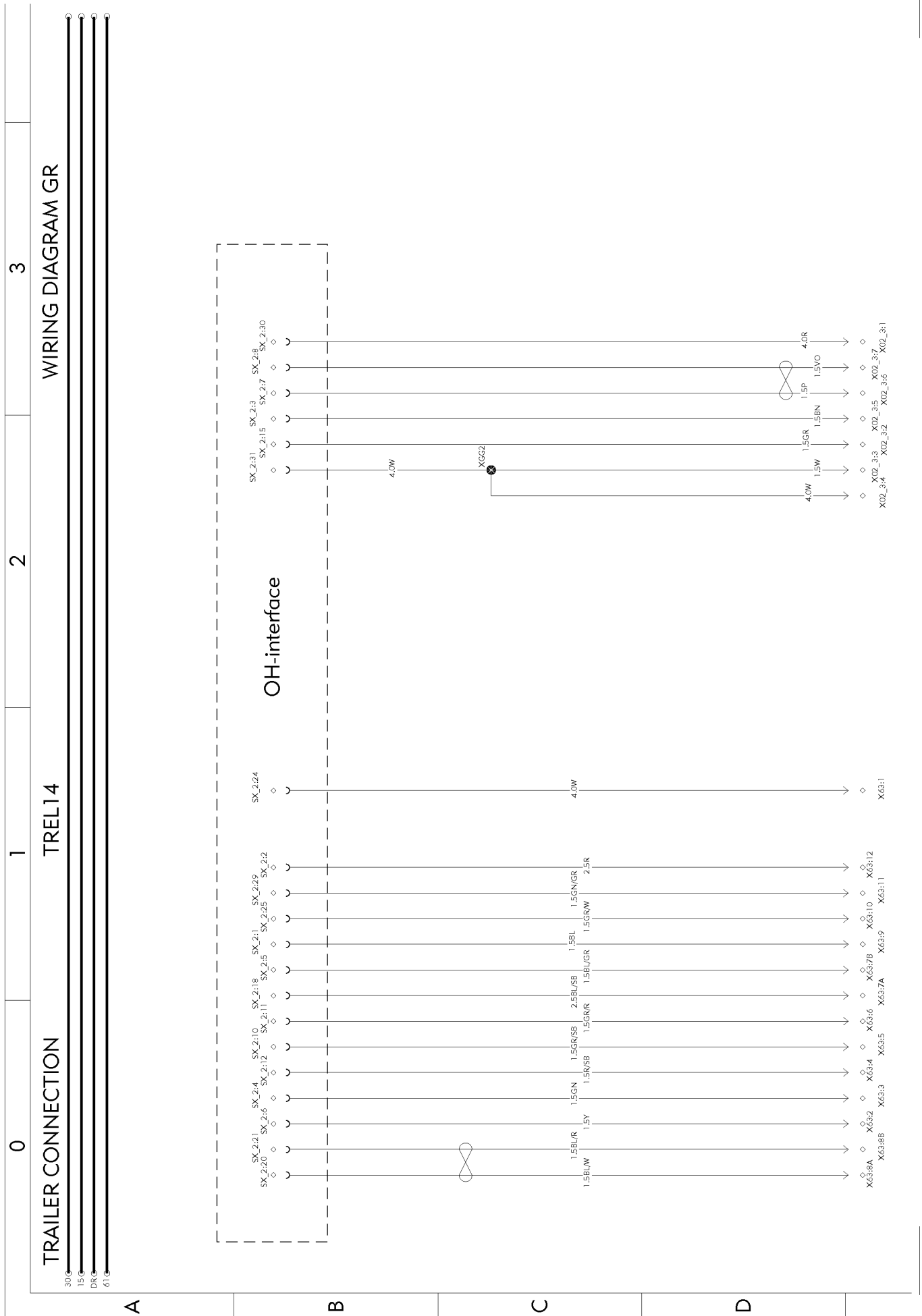


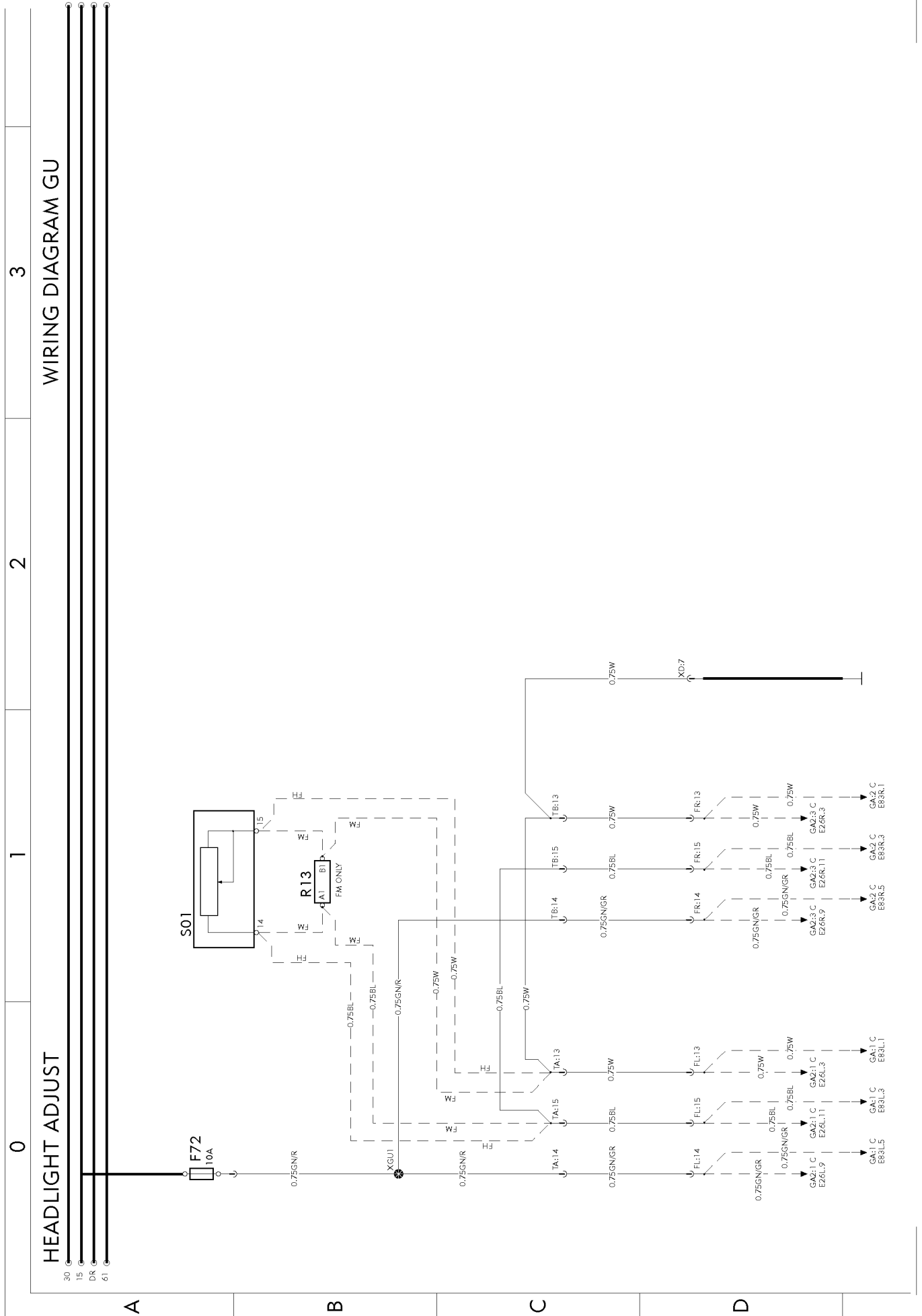


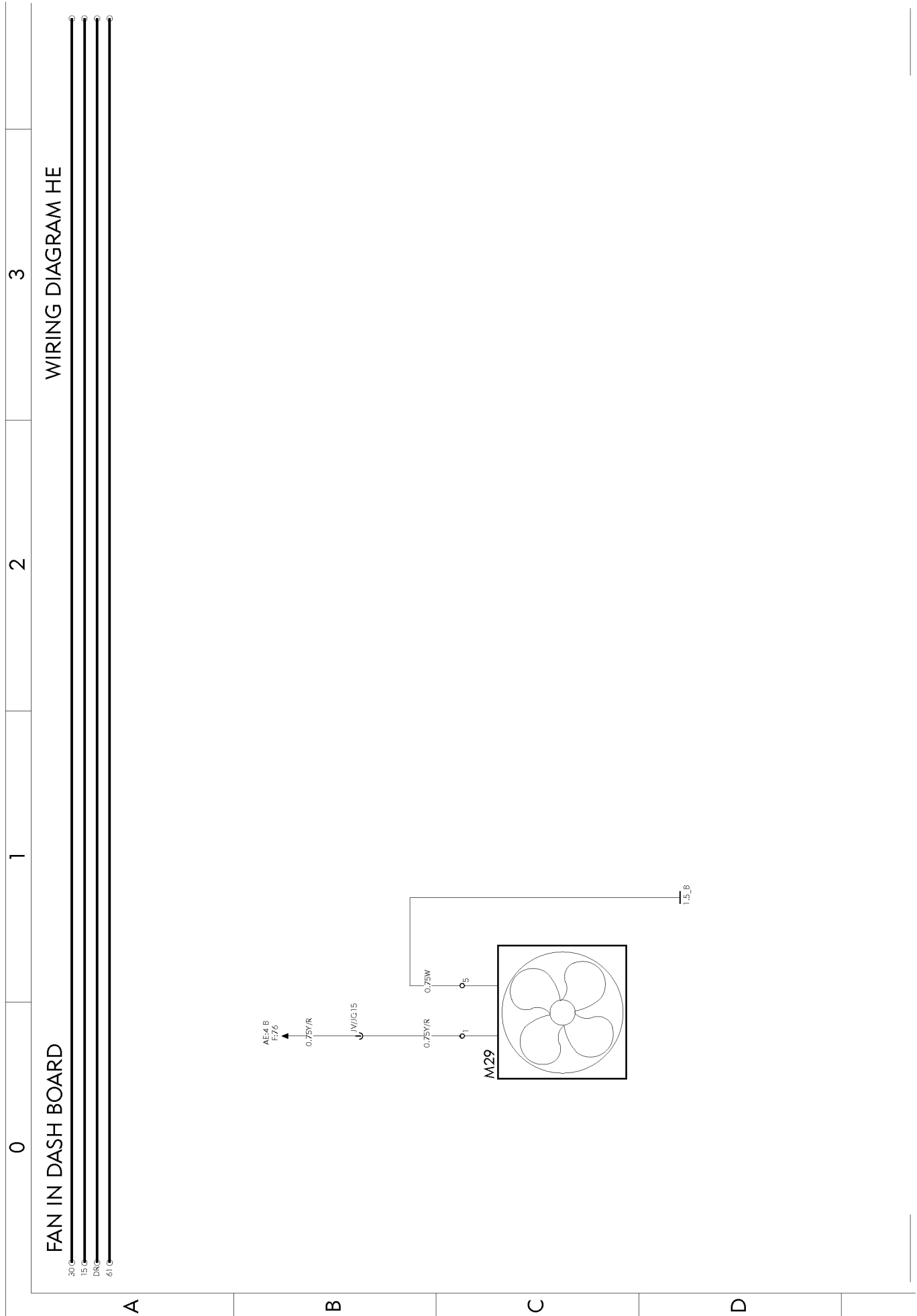


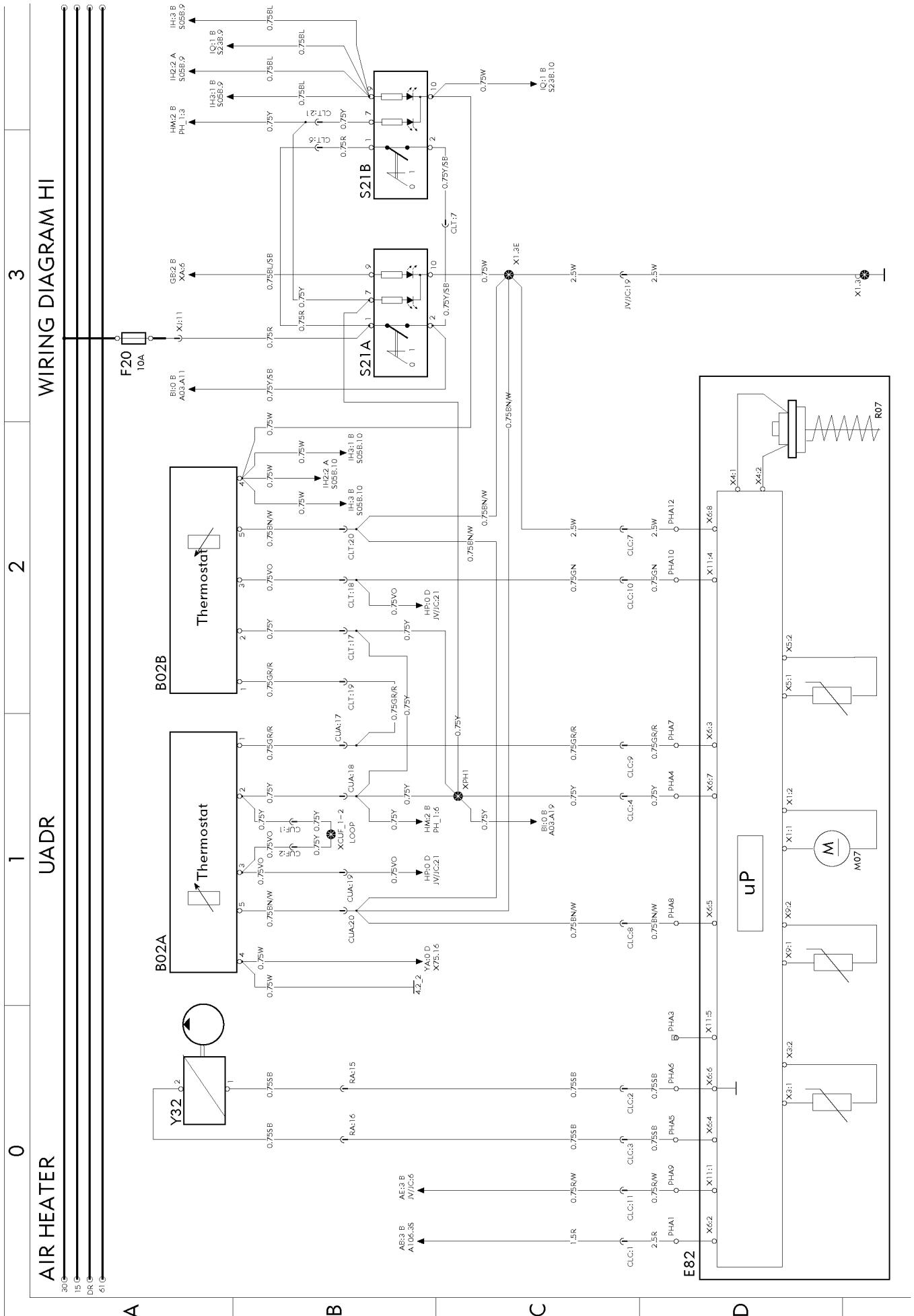


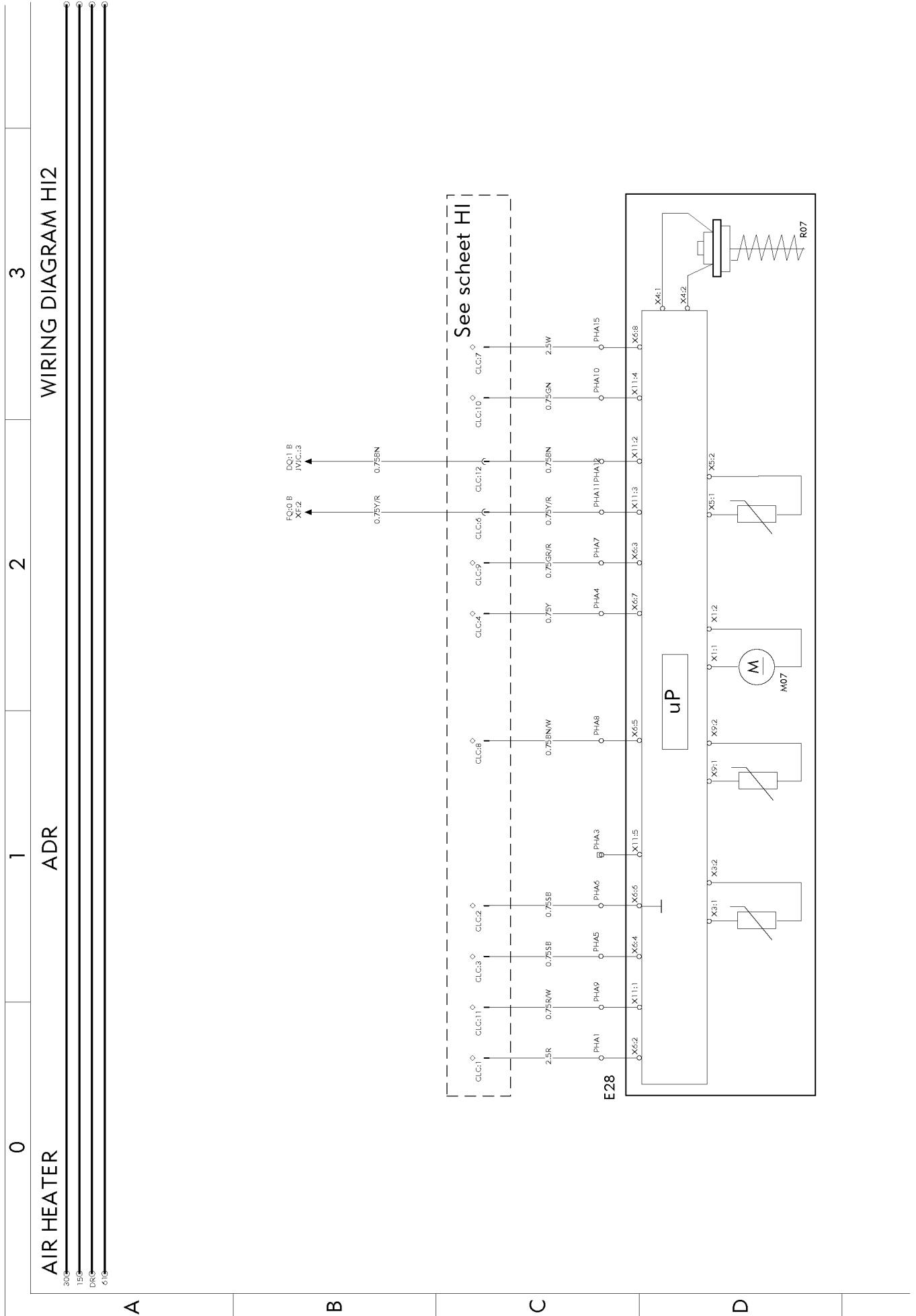




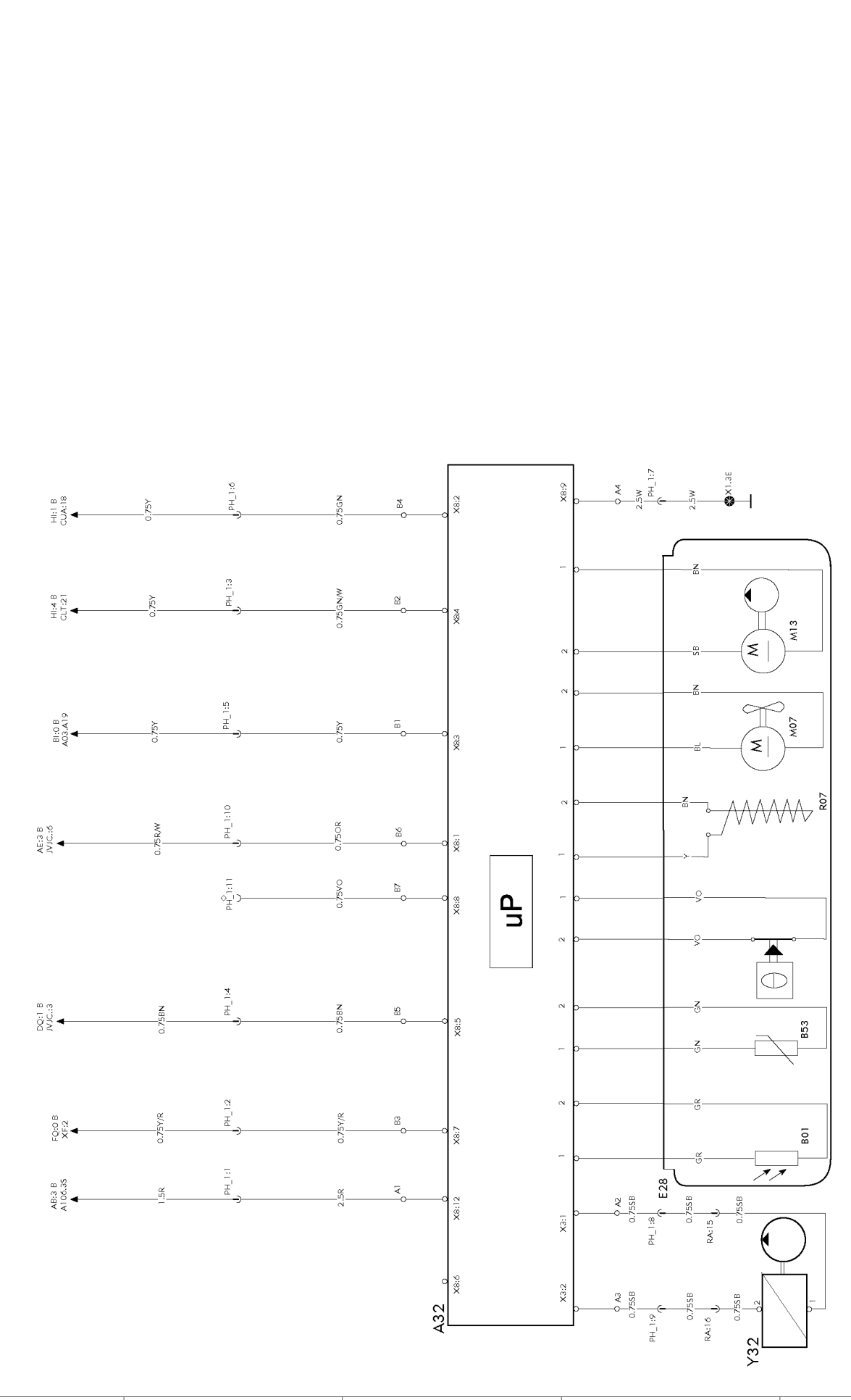


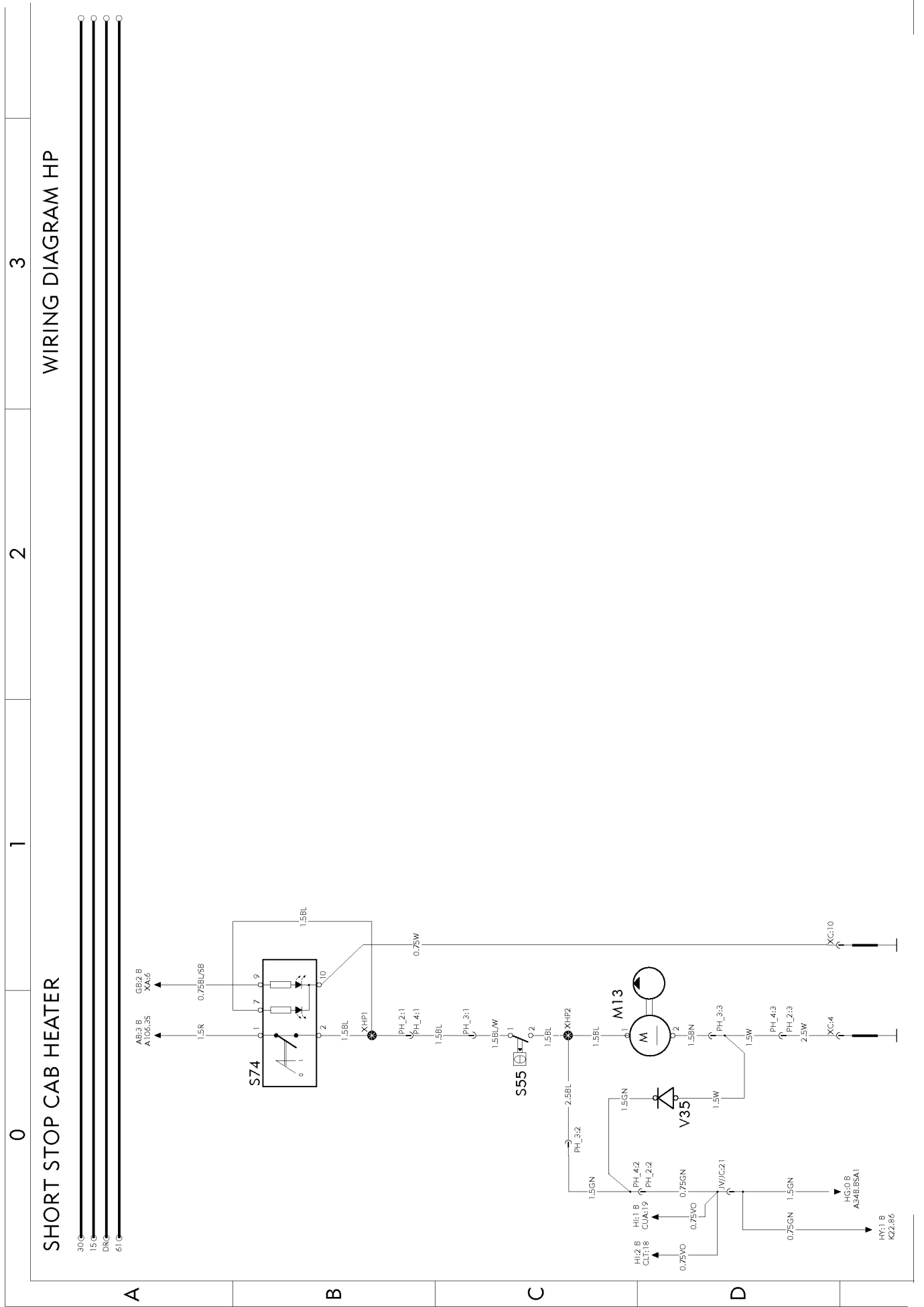


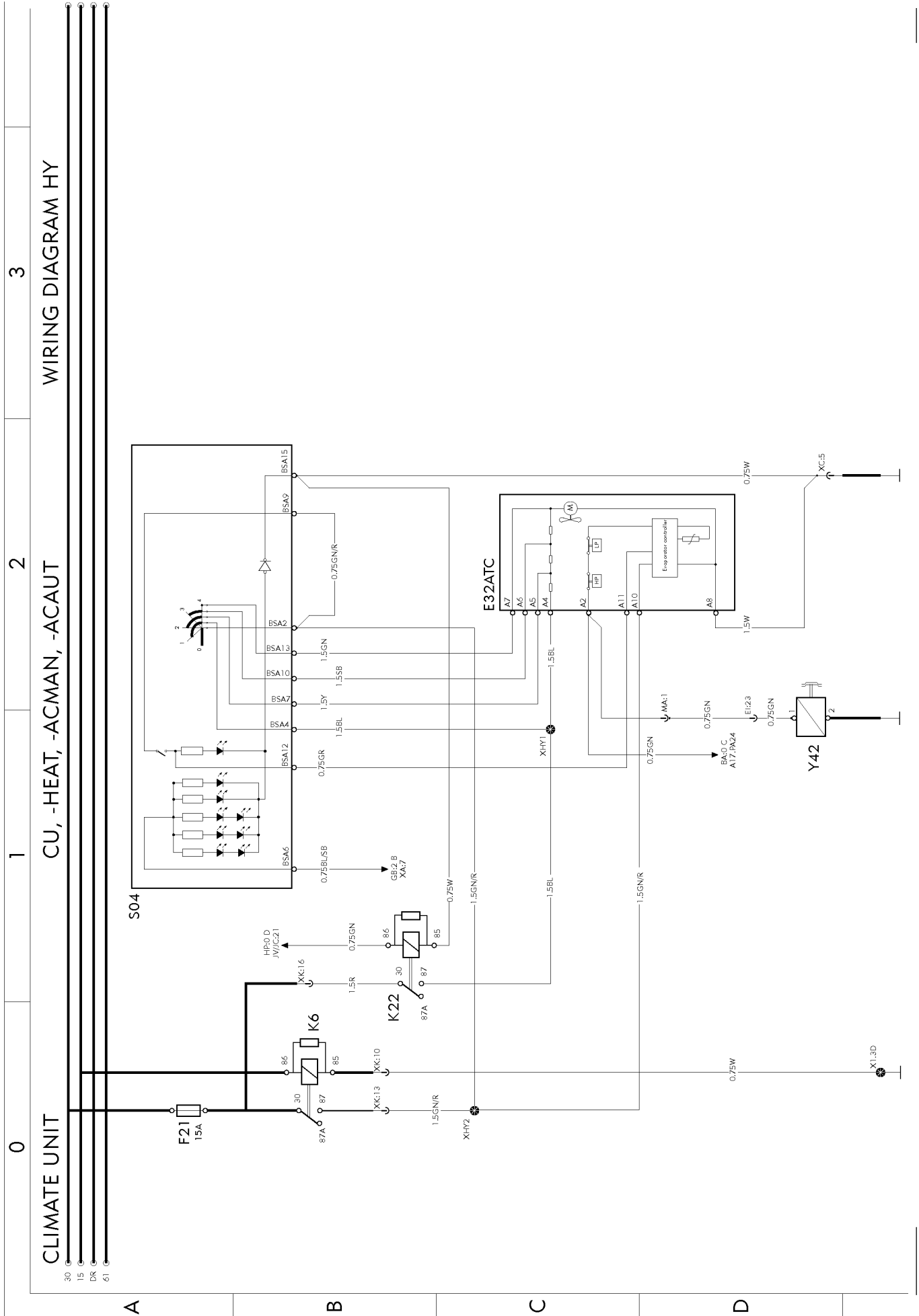


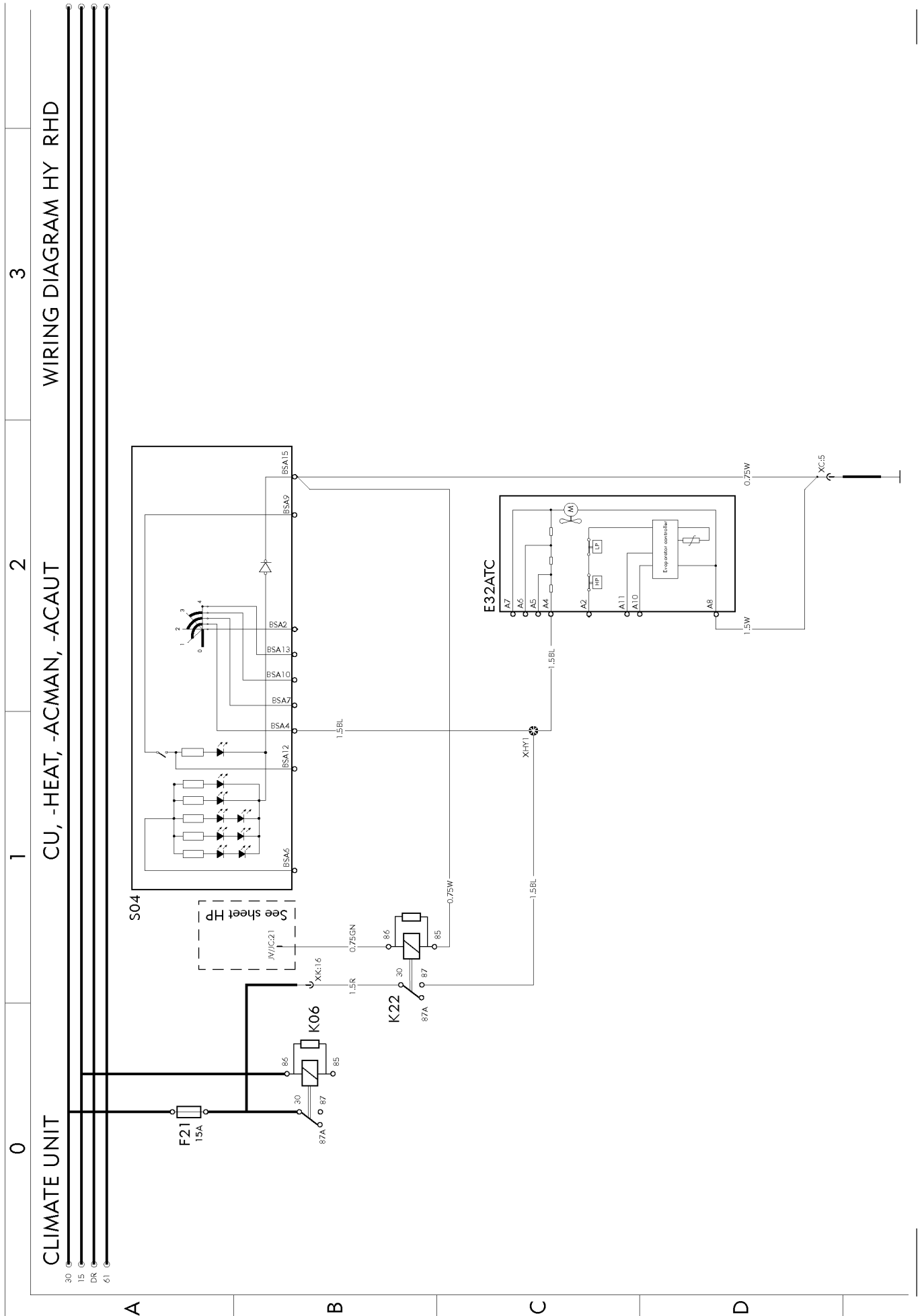


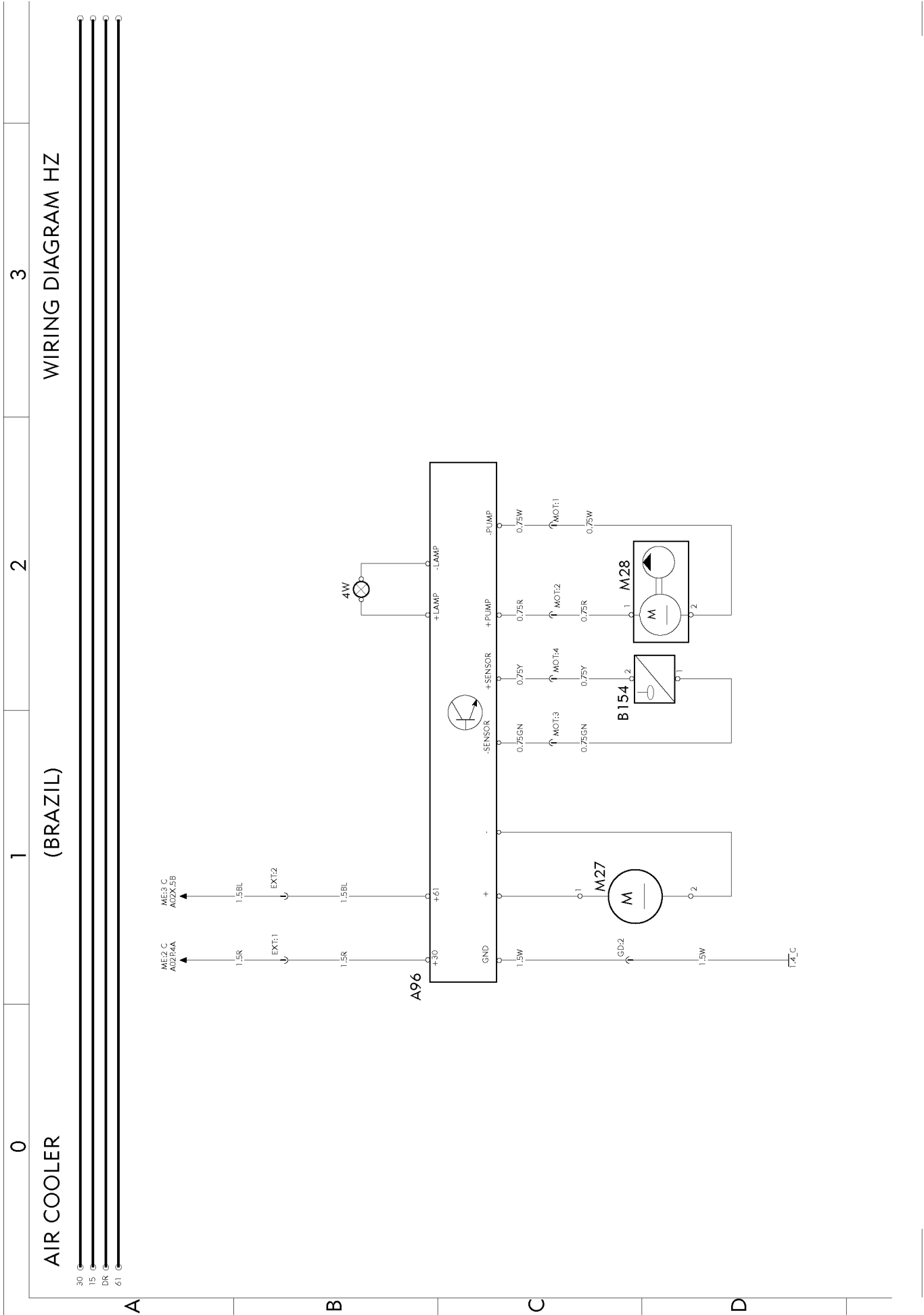
0	1	2	3
WATER HEATER			
WIRING DIAGRAM HM			
30			
15			
DR			
60			

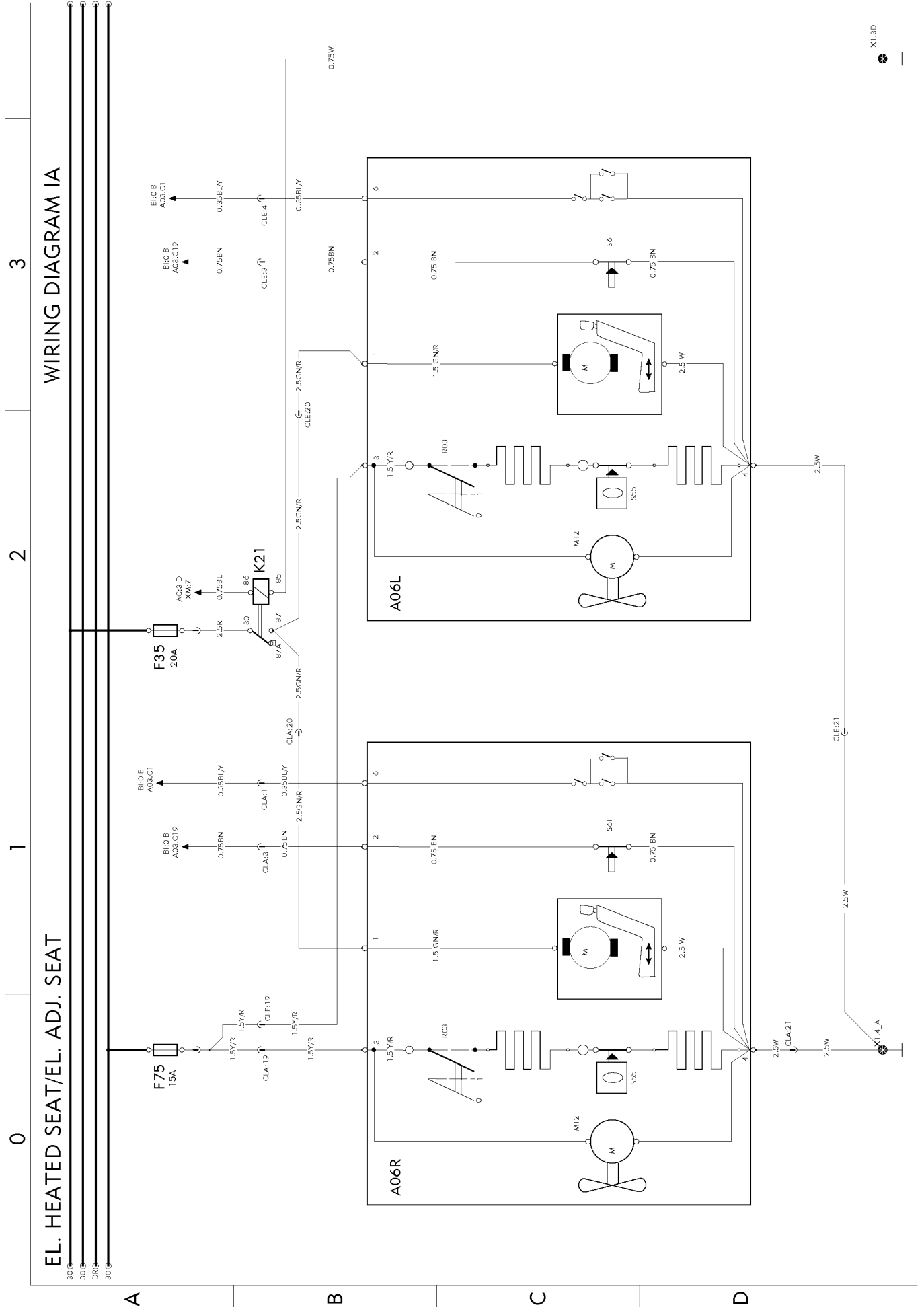


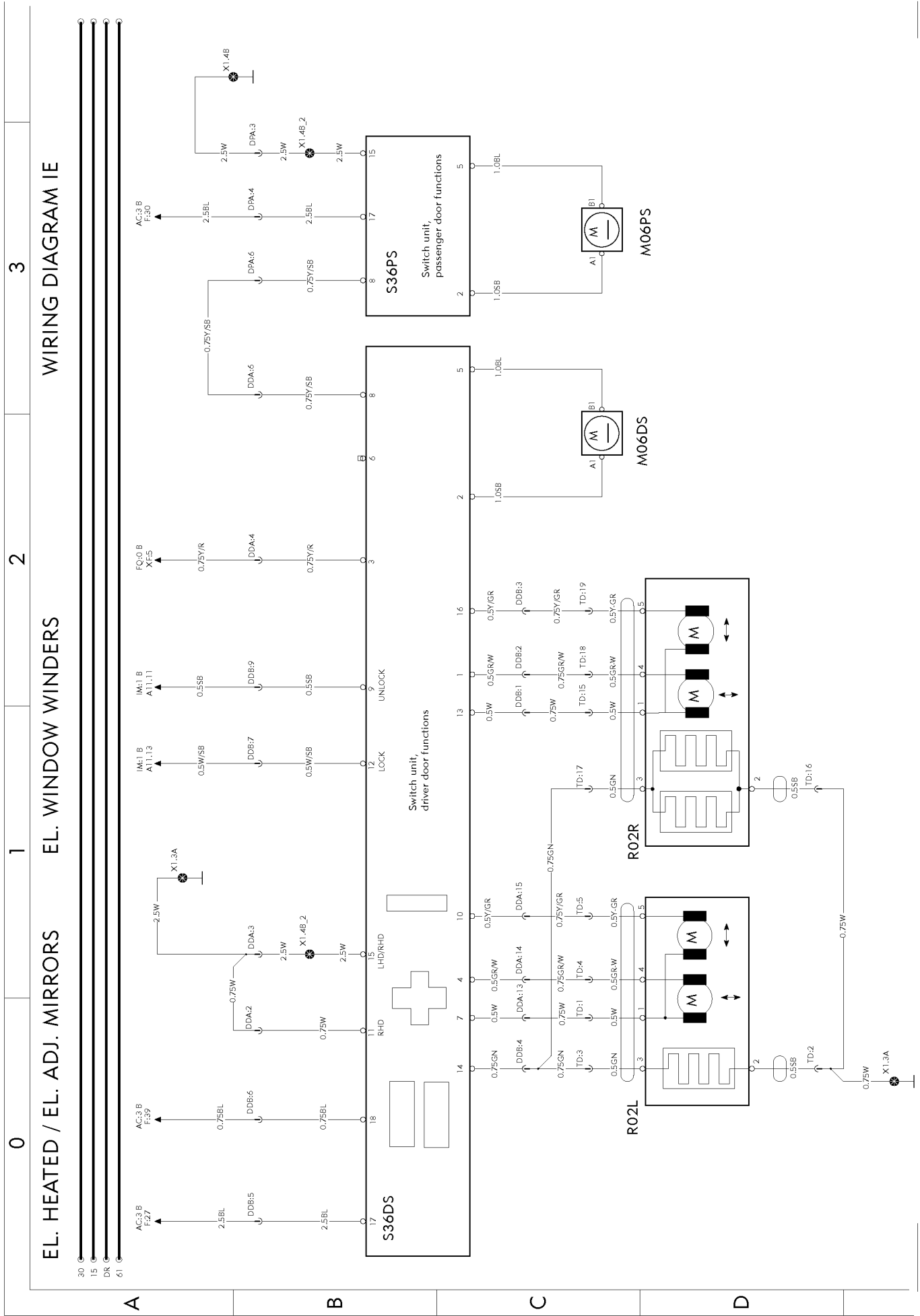


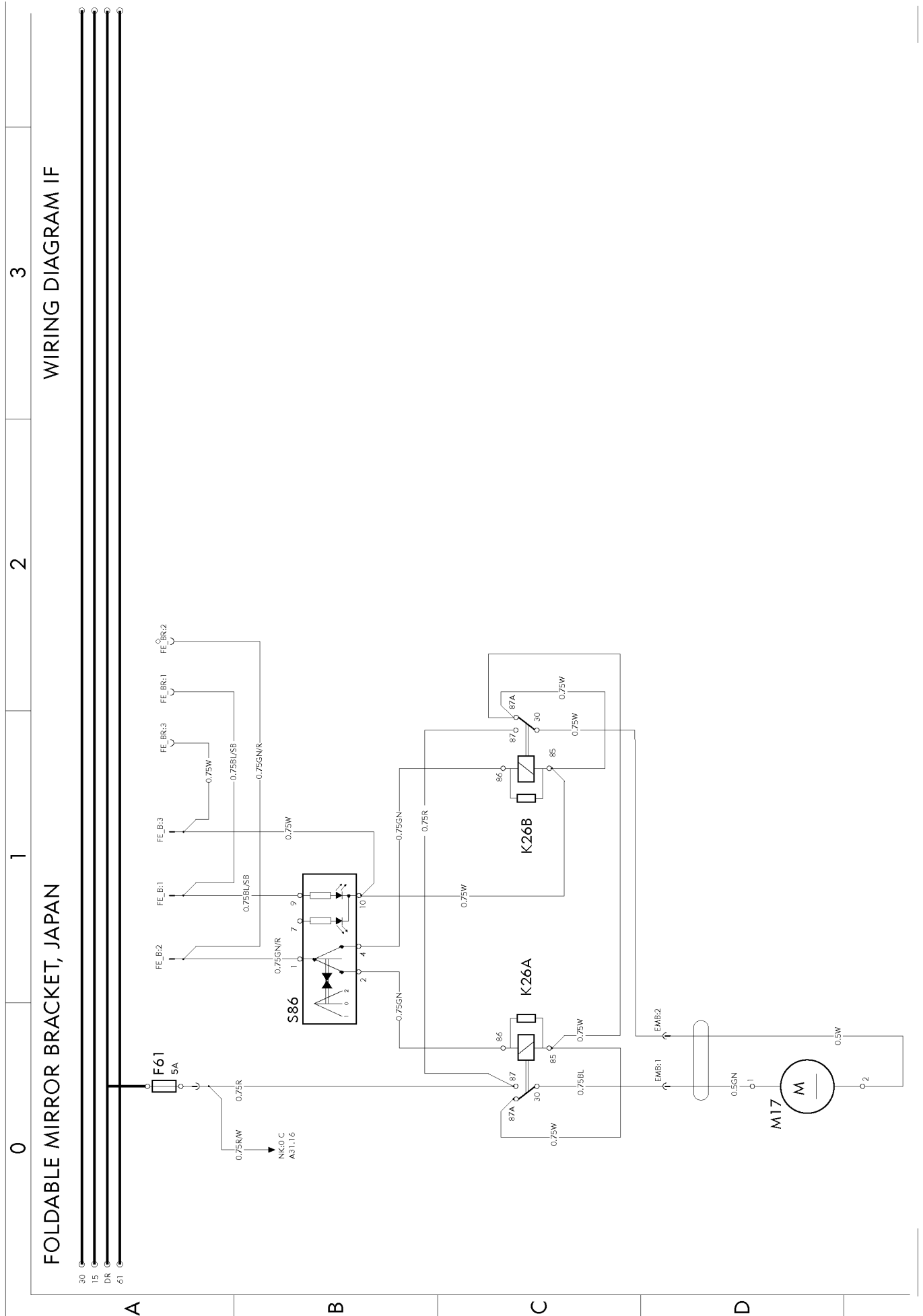


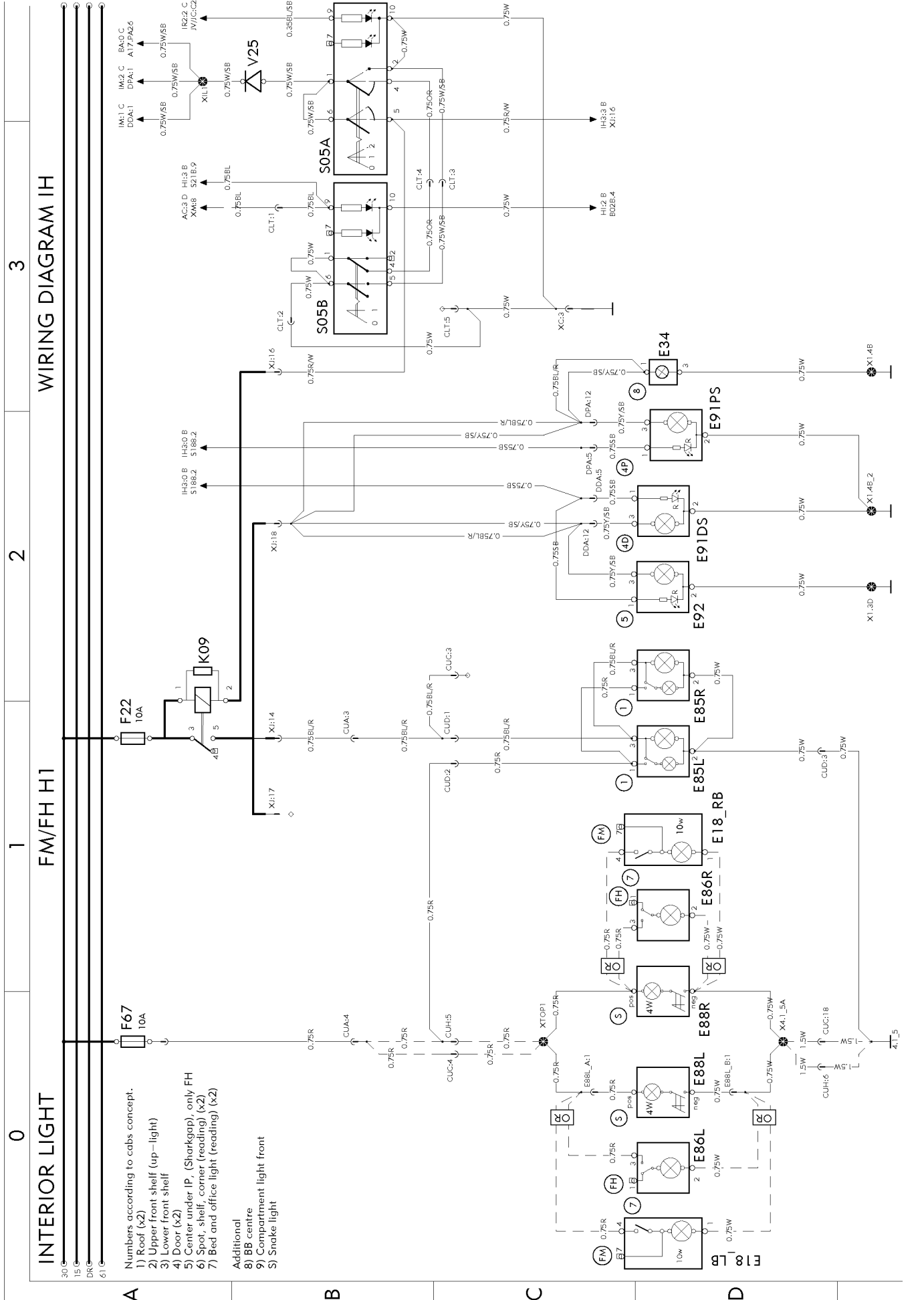










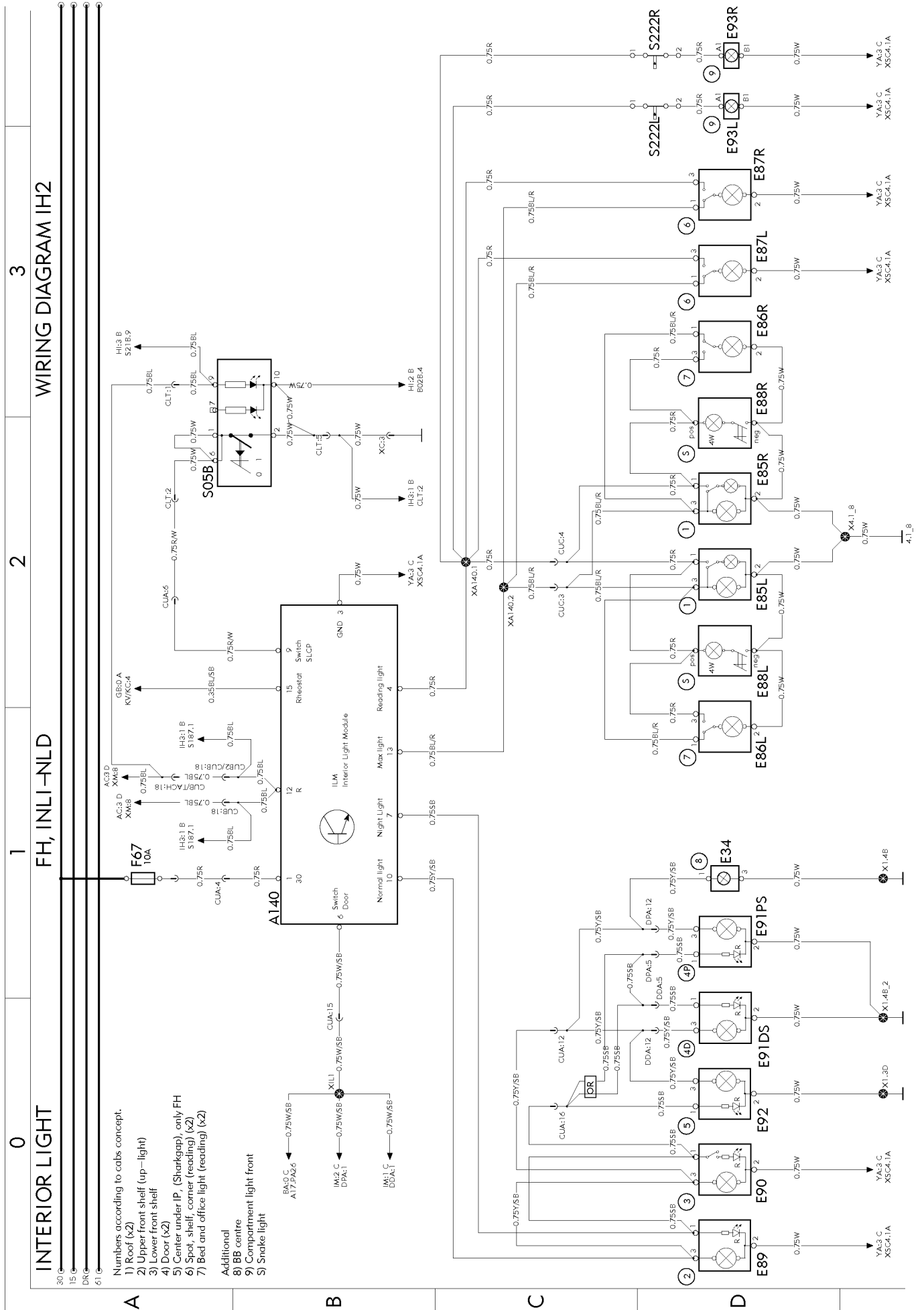


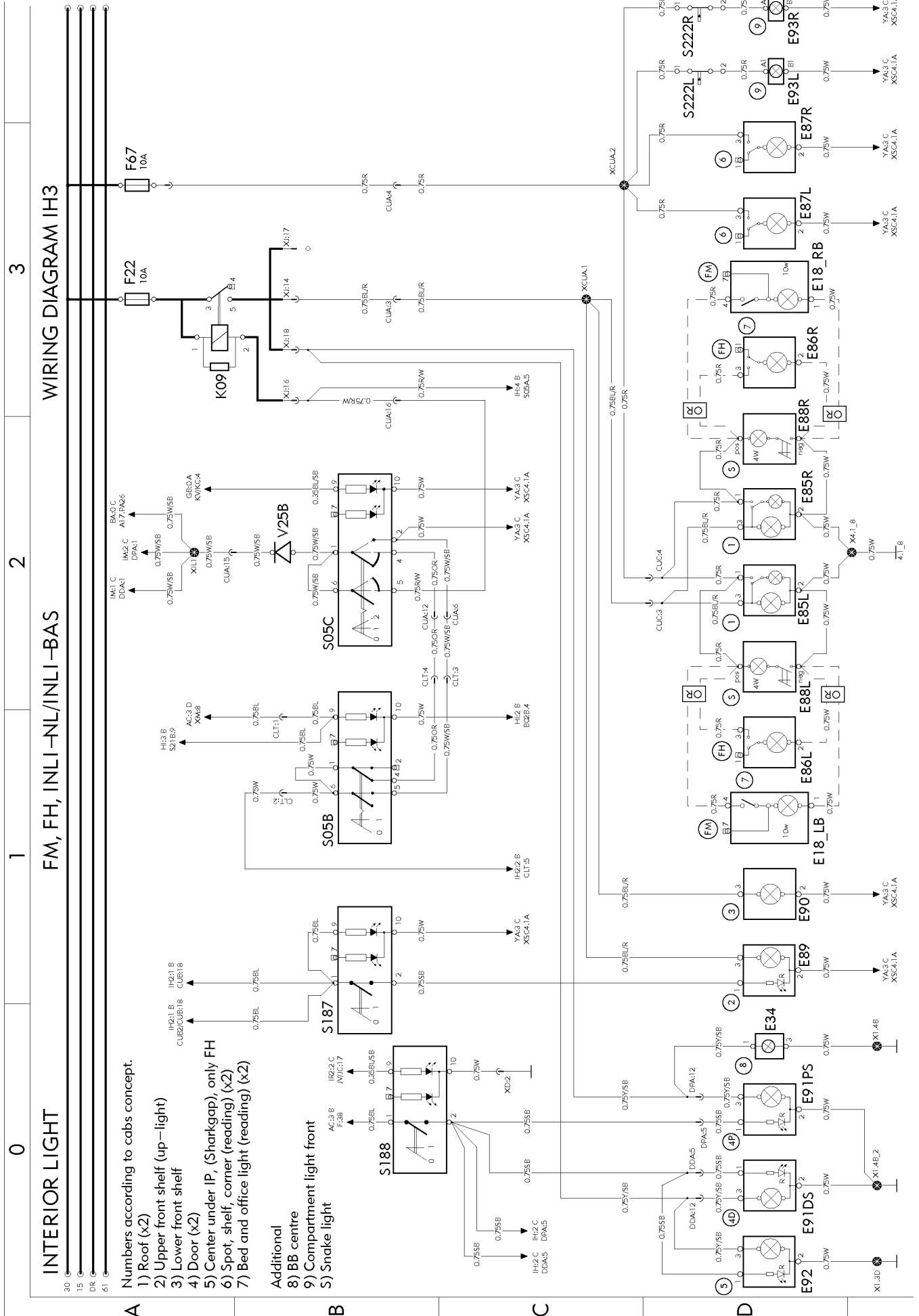
INTERIOR LIGHT

FM/FH H1

WIRING DIAGRAM IH

- Numbers according to cabs concept.
- 1) Roof (x2)
 - 2) Upper front shelf (up-light)
 - 3) Lower front shelf
 - 4) Door (x2)
 - 5) Center under IP, (Sharkgap), only FH
 - 6) Spot, shelf, corner (reading) (x2)
 - 7) Bed and office light (reading) (x2)
- Additional
- 8) BB centre
 - 9) Compartment light front
 - S) Snake light

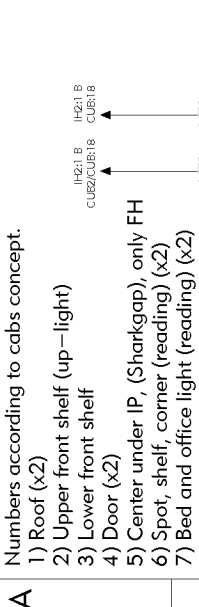
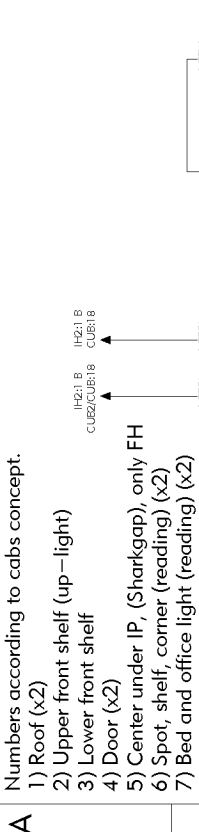
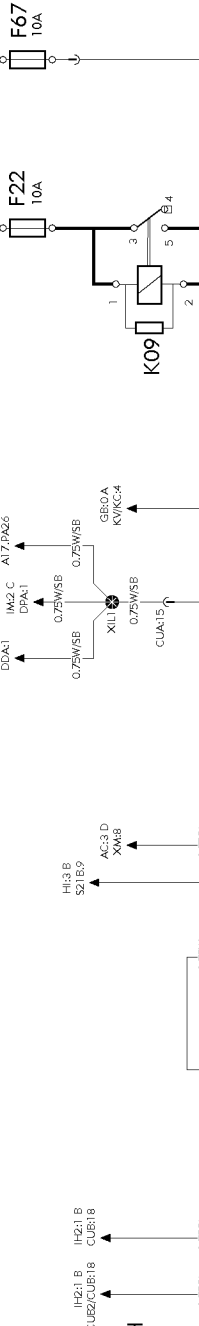


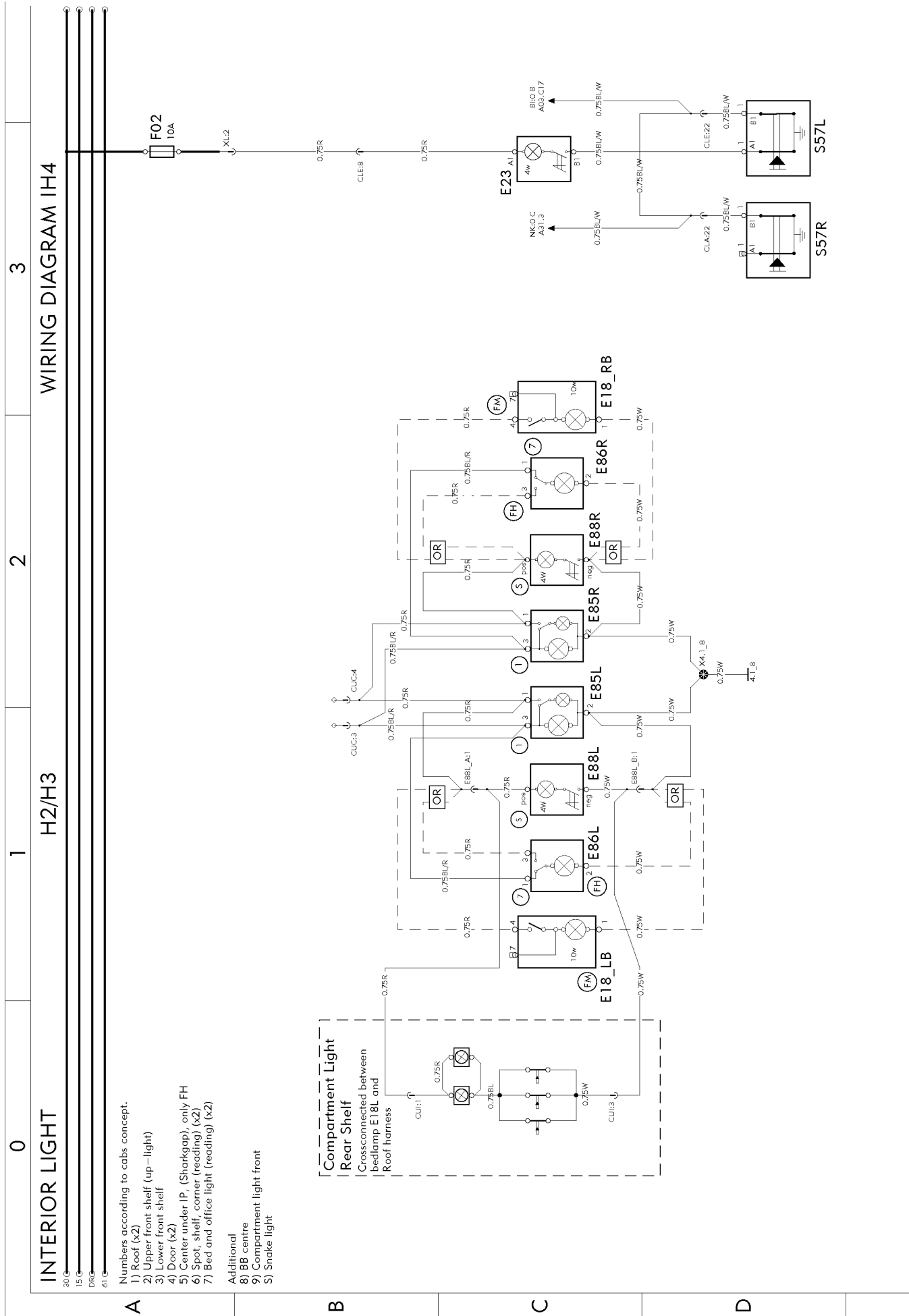


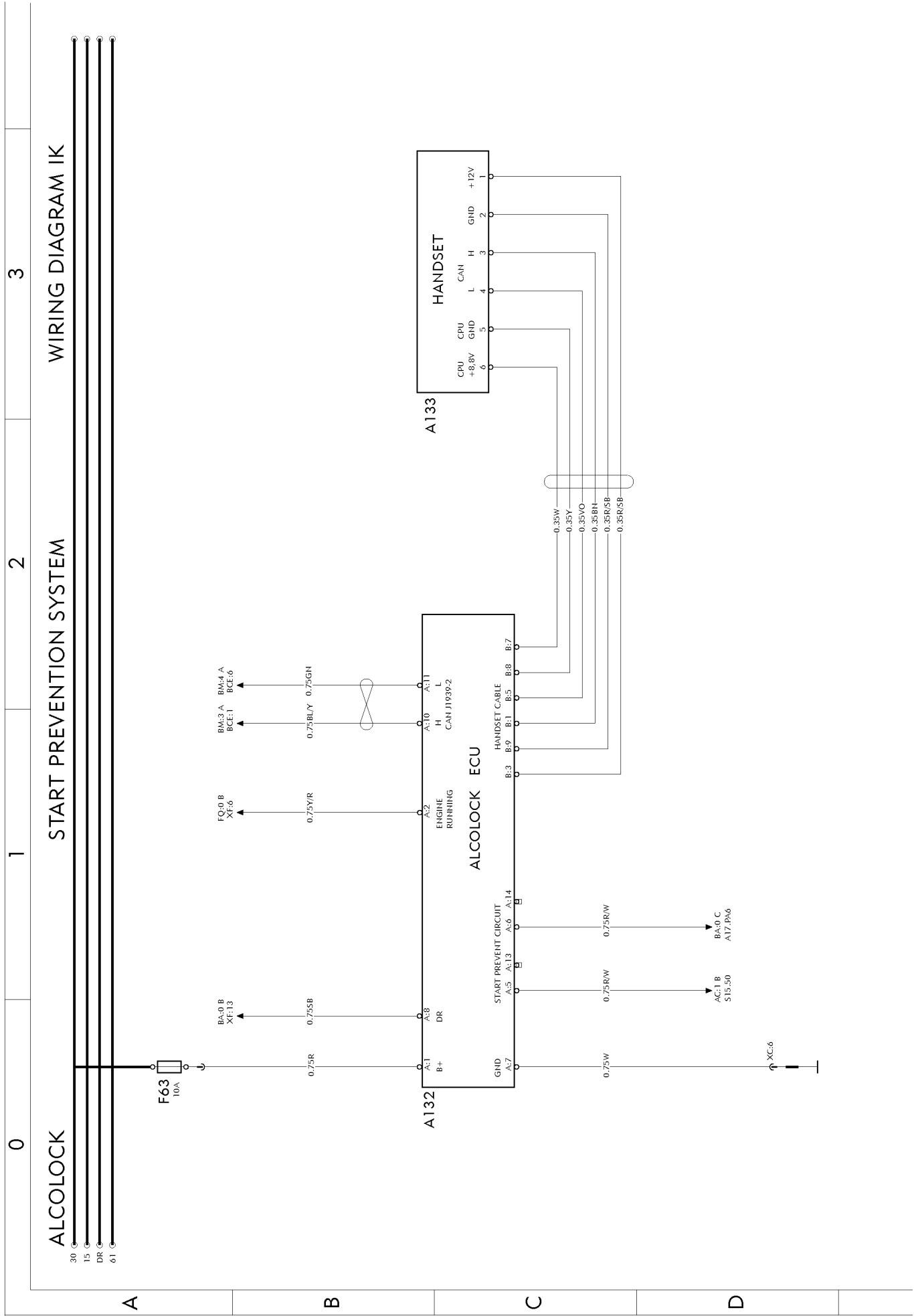
INTERIOR LIGHT

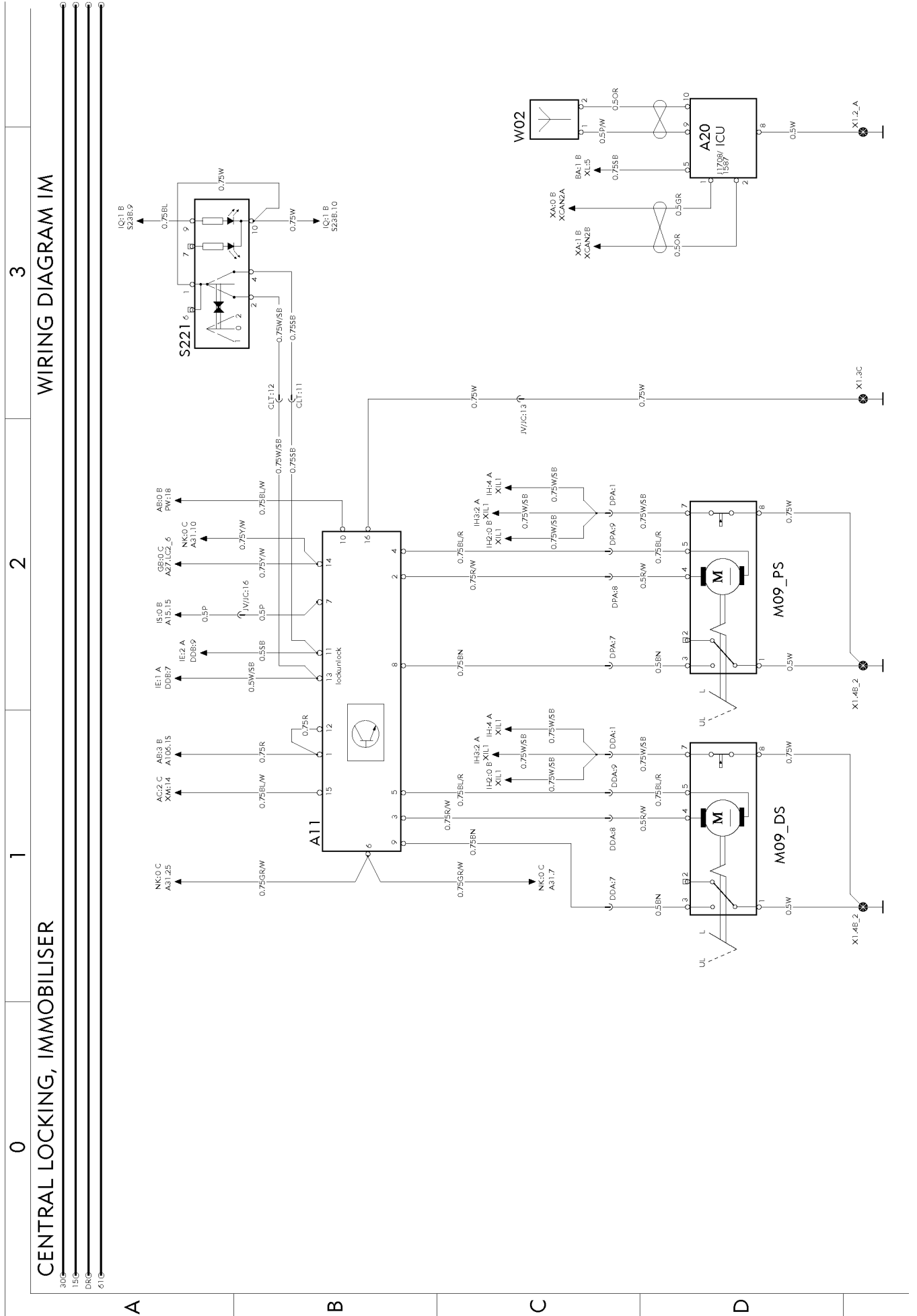
WIRING DIAGRAM IH3

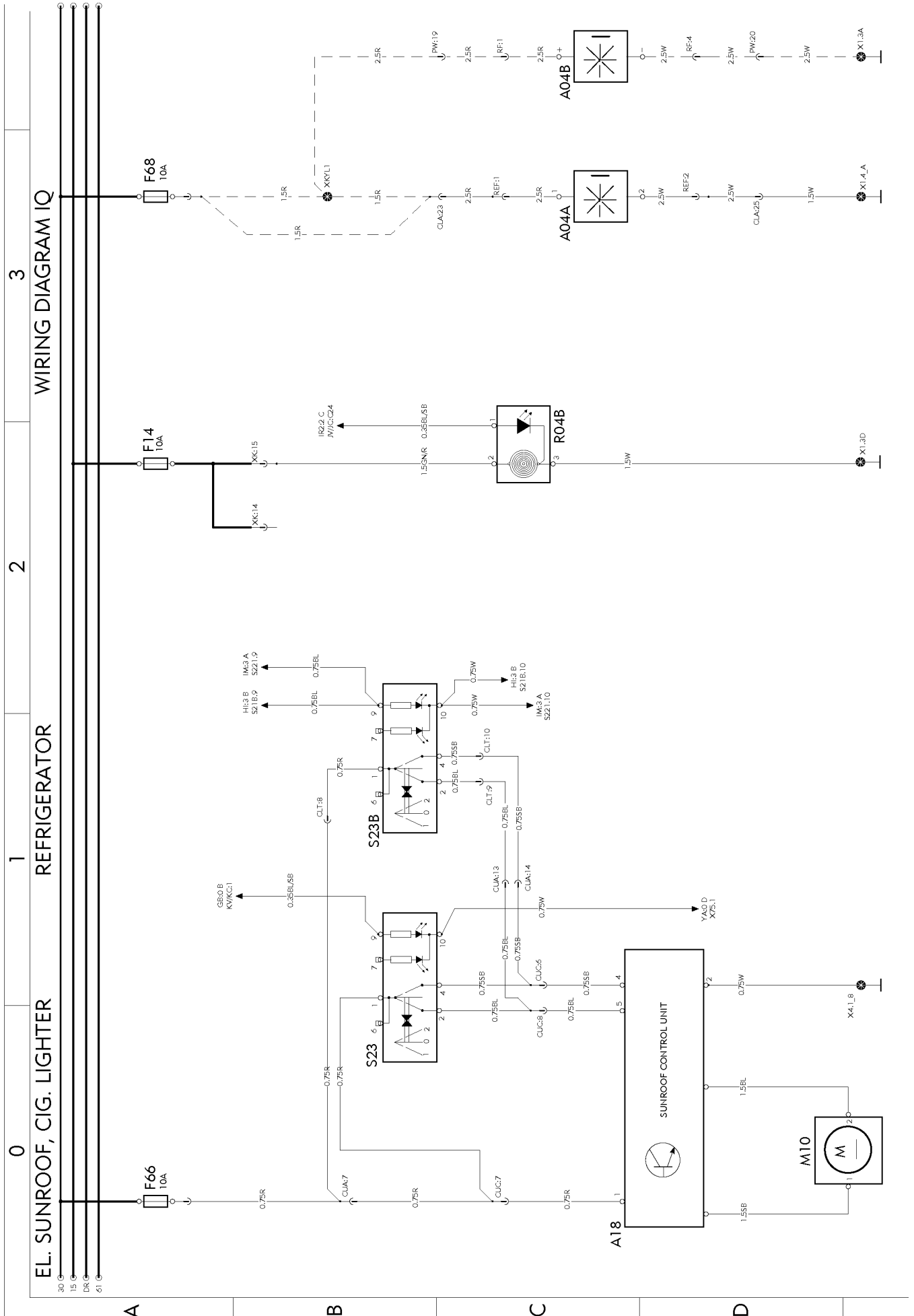
- A** Numbers according to cabs concept.
- 1) Roof (x2)
 - 2) Upper front shelf (up—light)
 - 3) Lower front shelf
 - 4) Door (x2)
 - 5) Center under IP, (Sharkgap), only FH
 - 6) Spot, shelf, corner (reading) (x2)
 - 7) Bed and office light (reading) (x2)
- Additional**
- 8) BB centre
 - 9) Compartment light front
 - S) Snake light

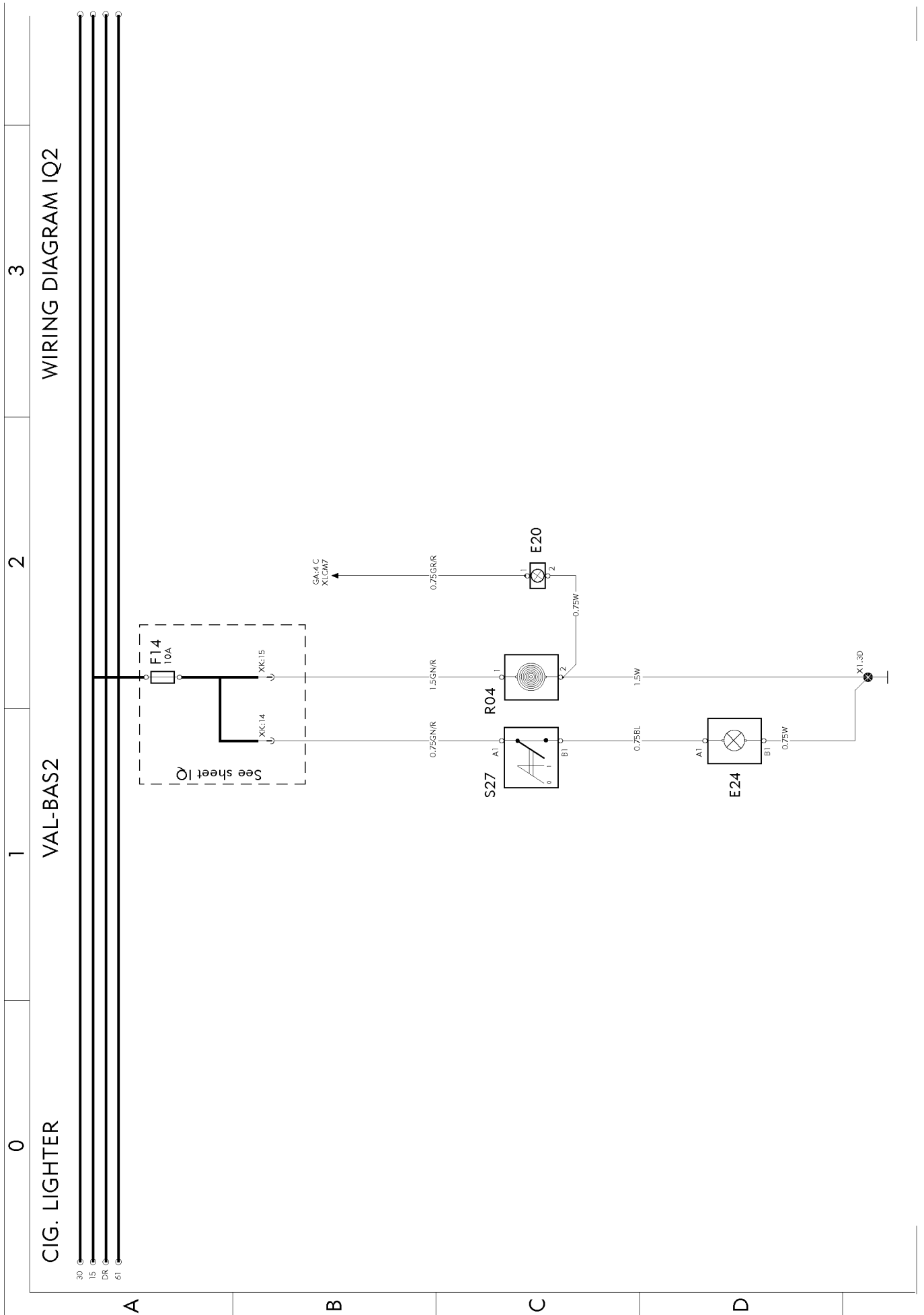


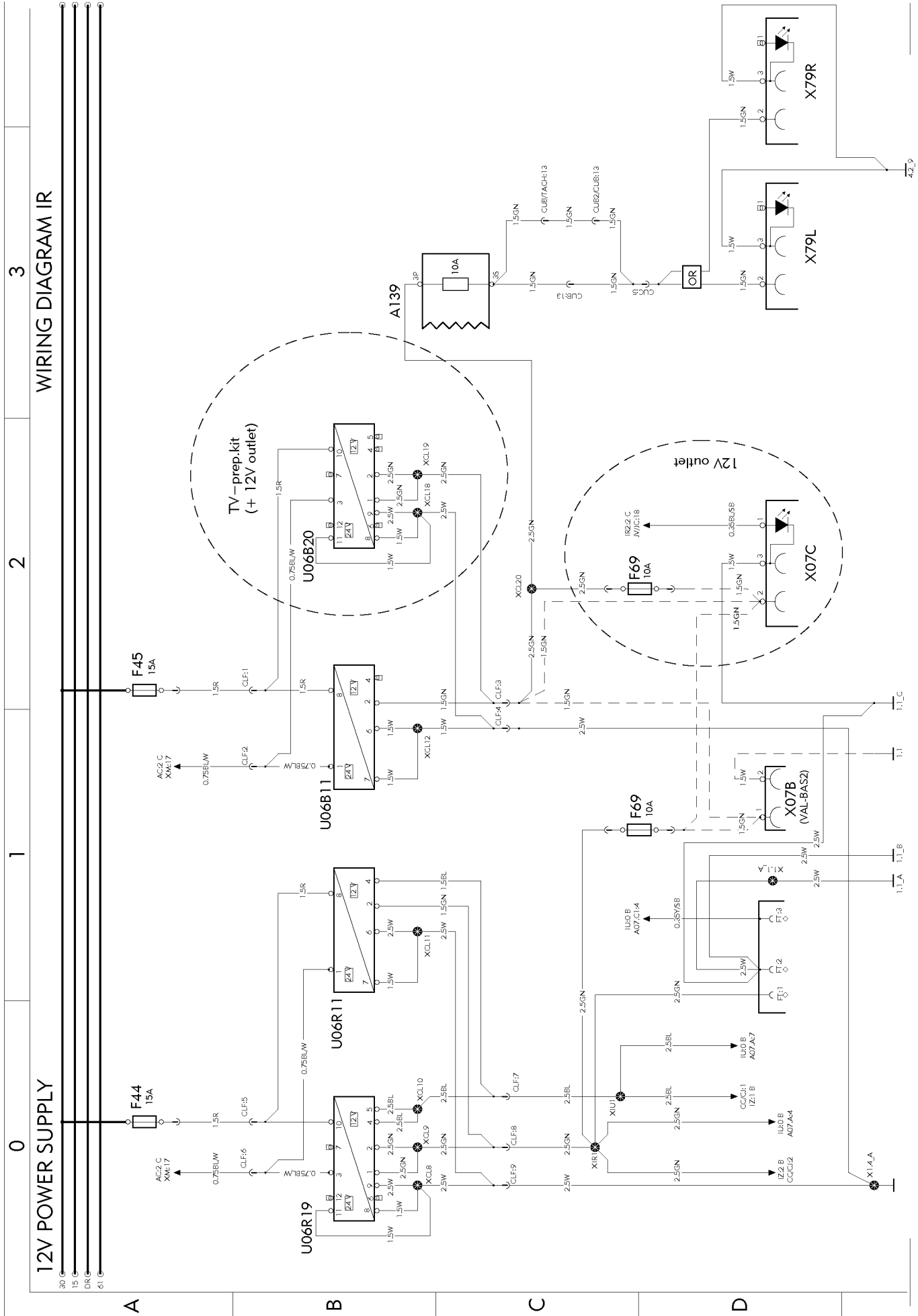


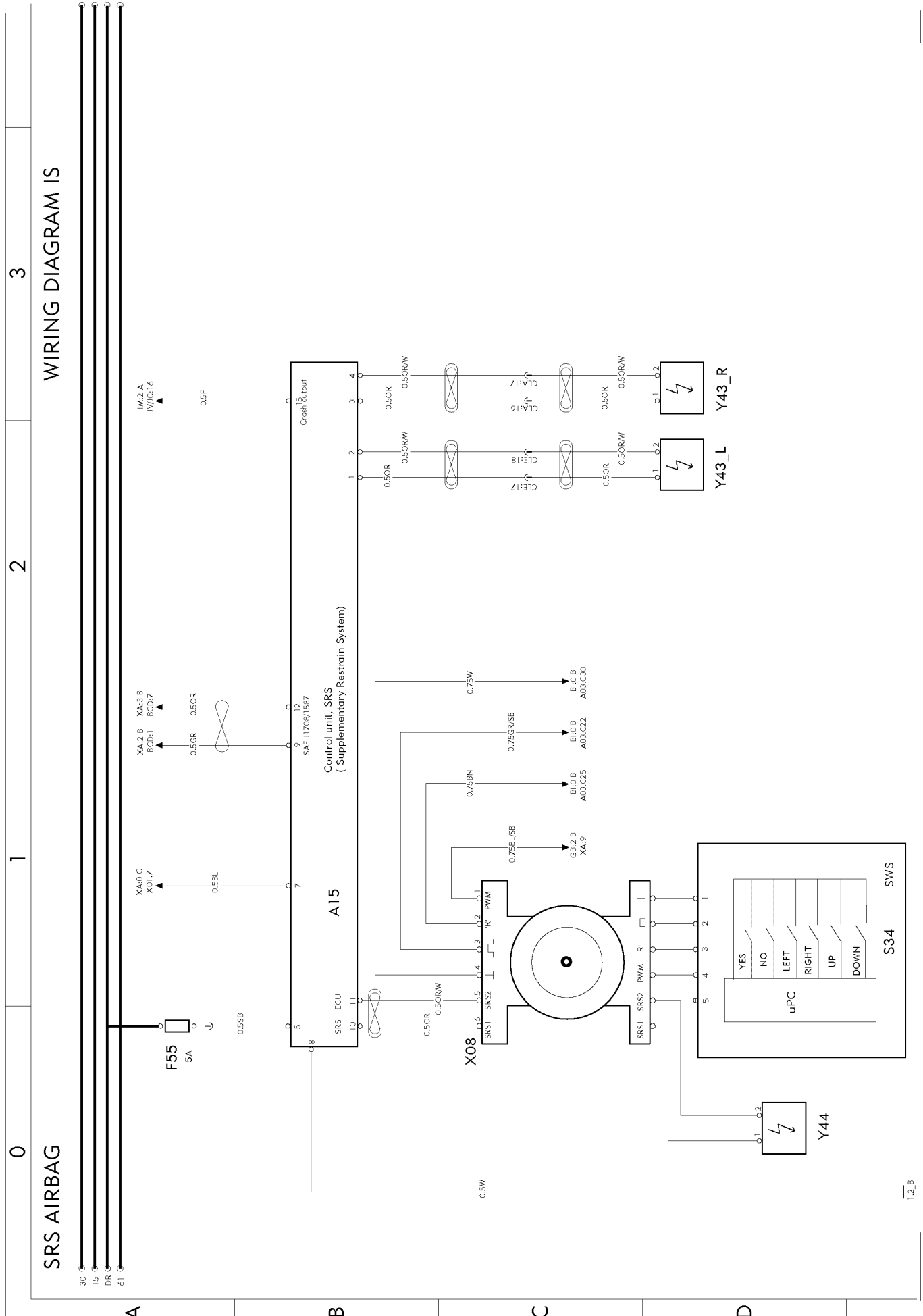


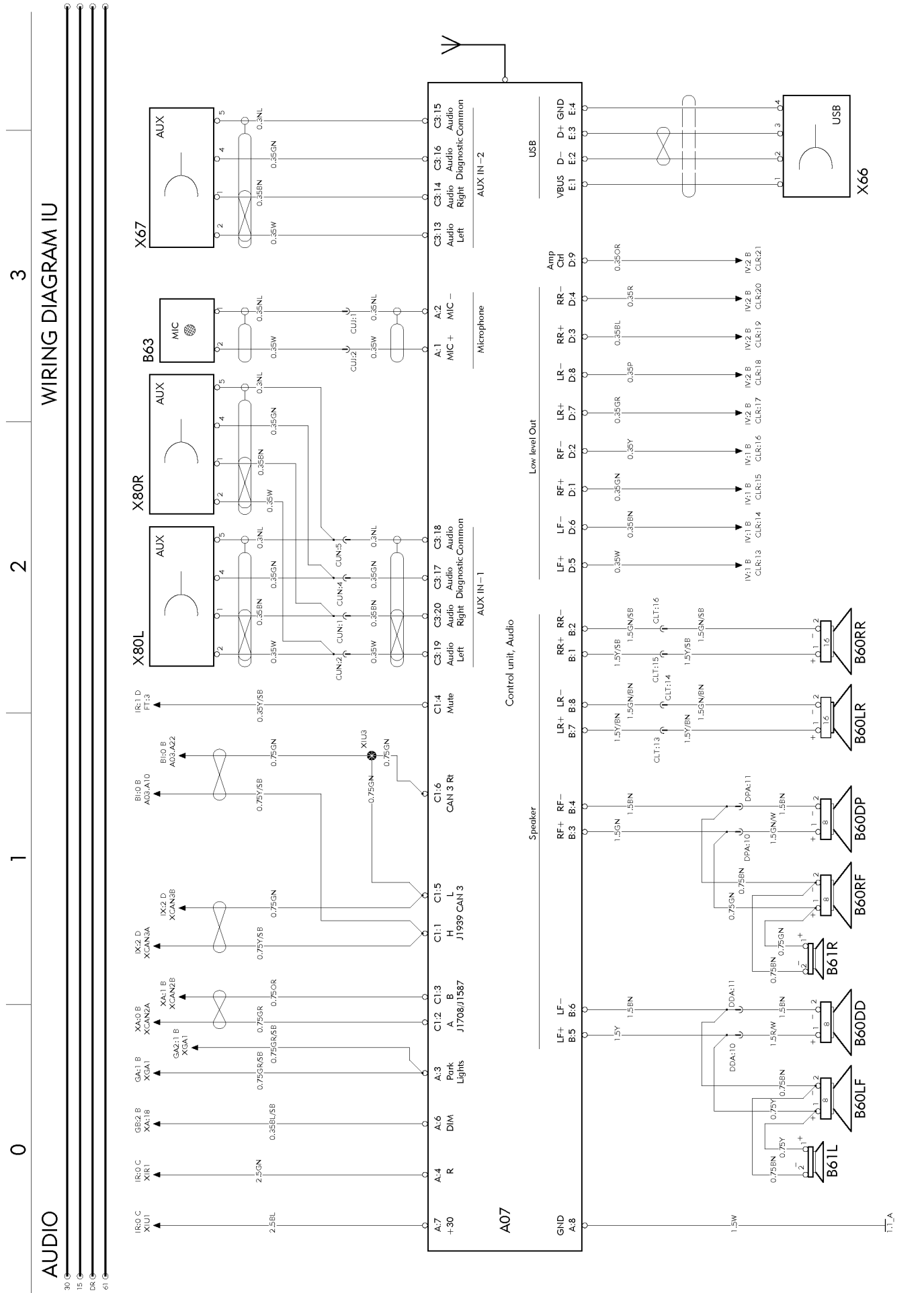


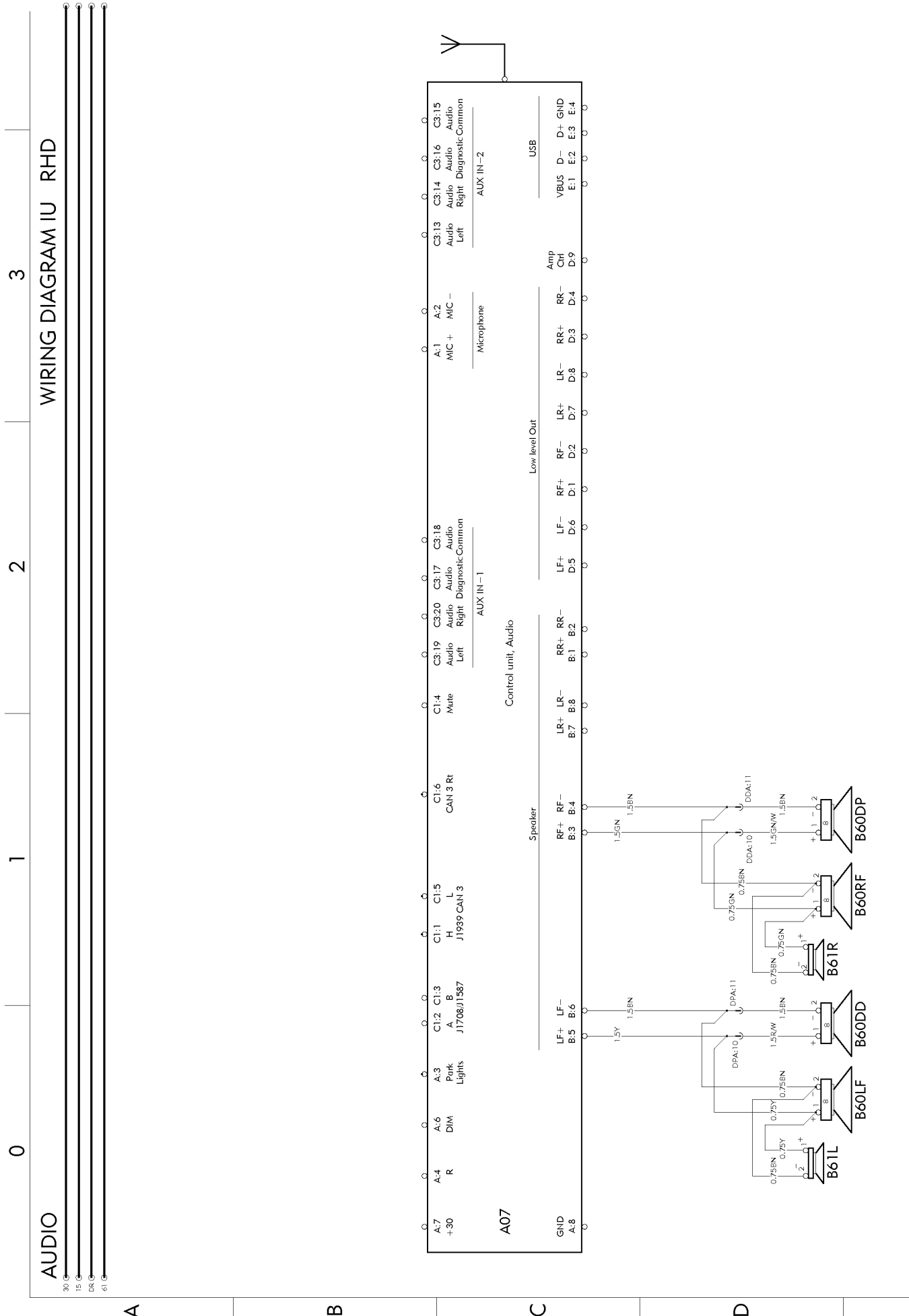


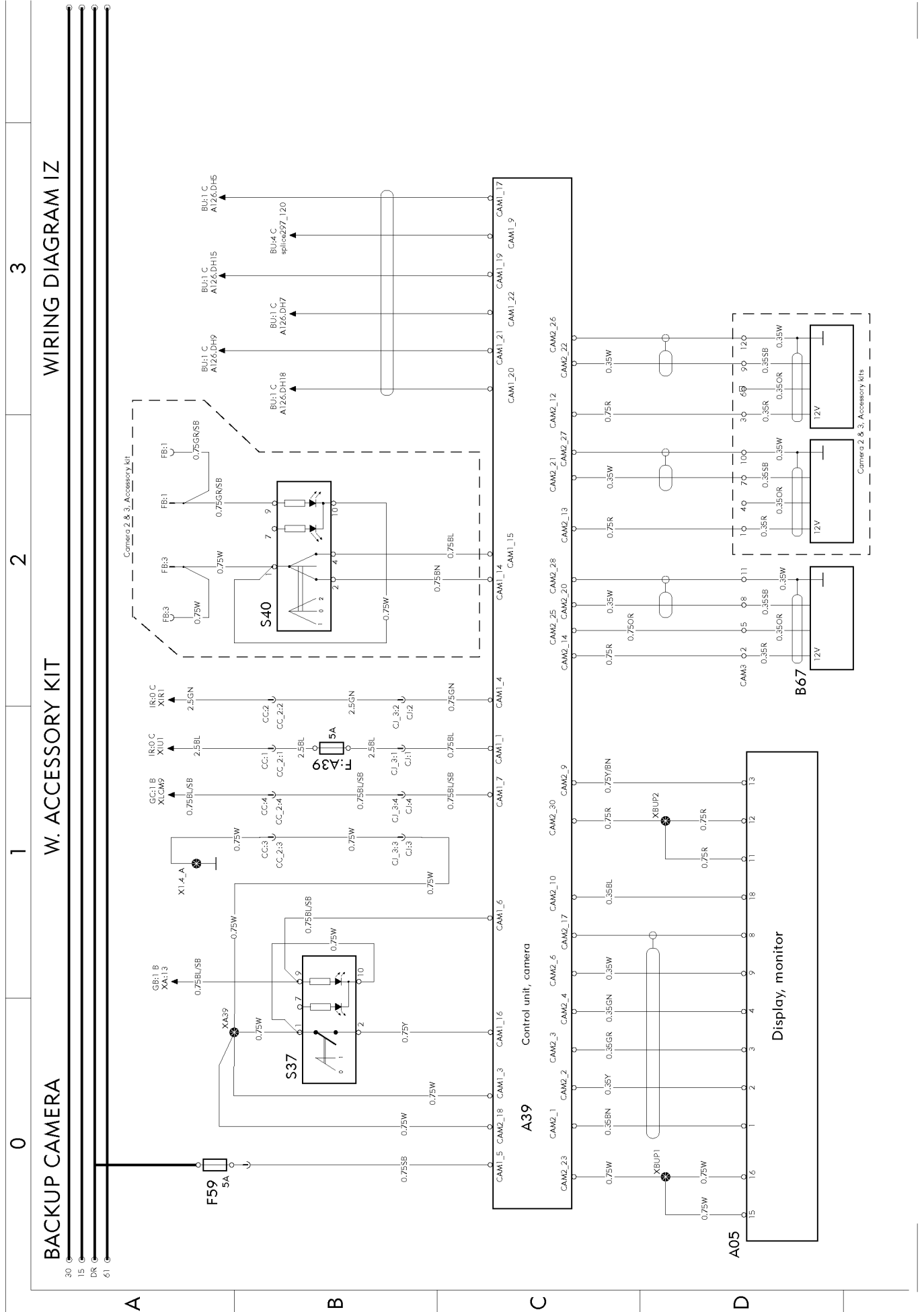












3

2

1

0

WIRING DIAGRAM IZ

W. ACCESSORY KIT

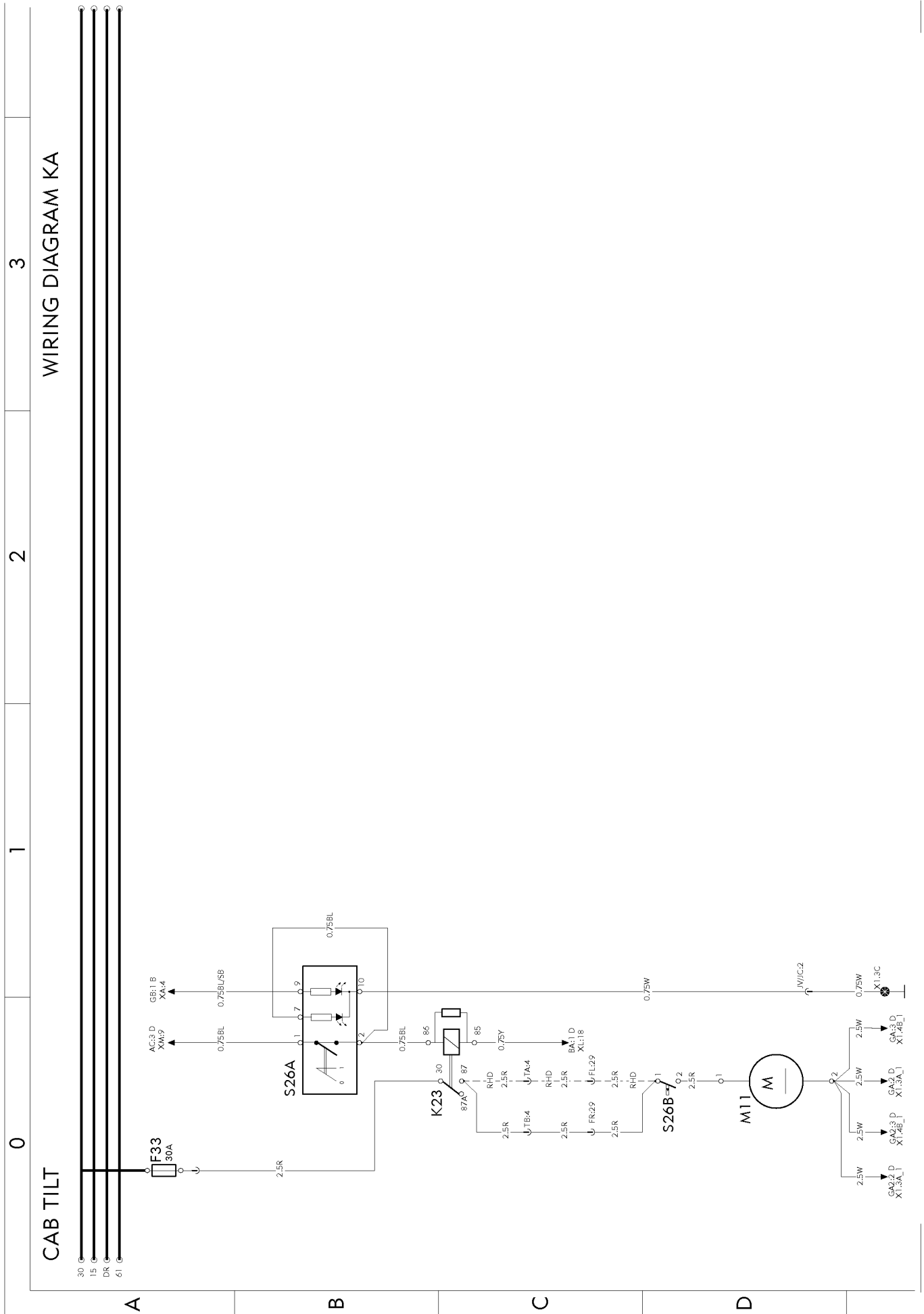
BACKUP CAMERA

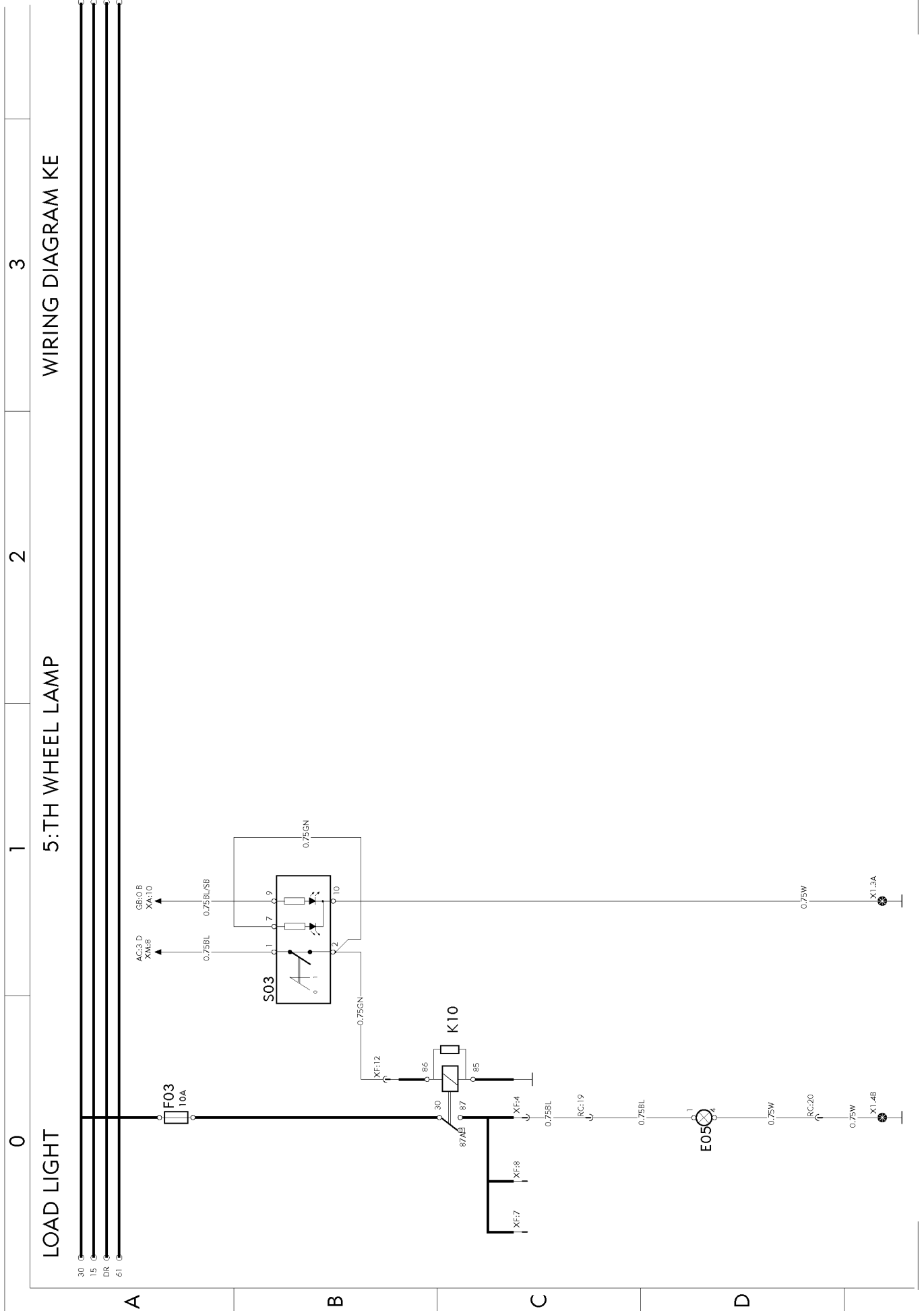
A

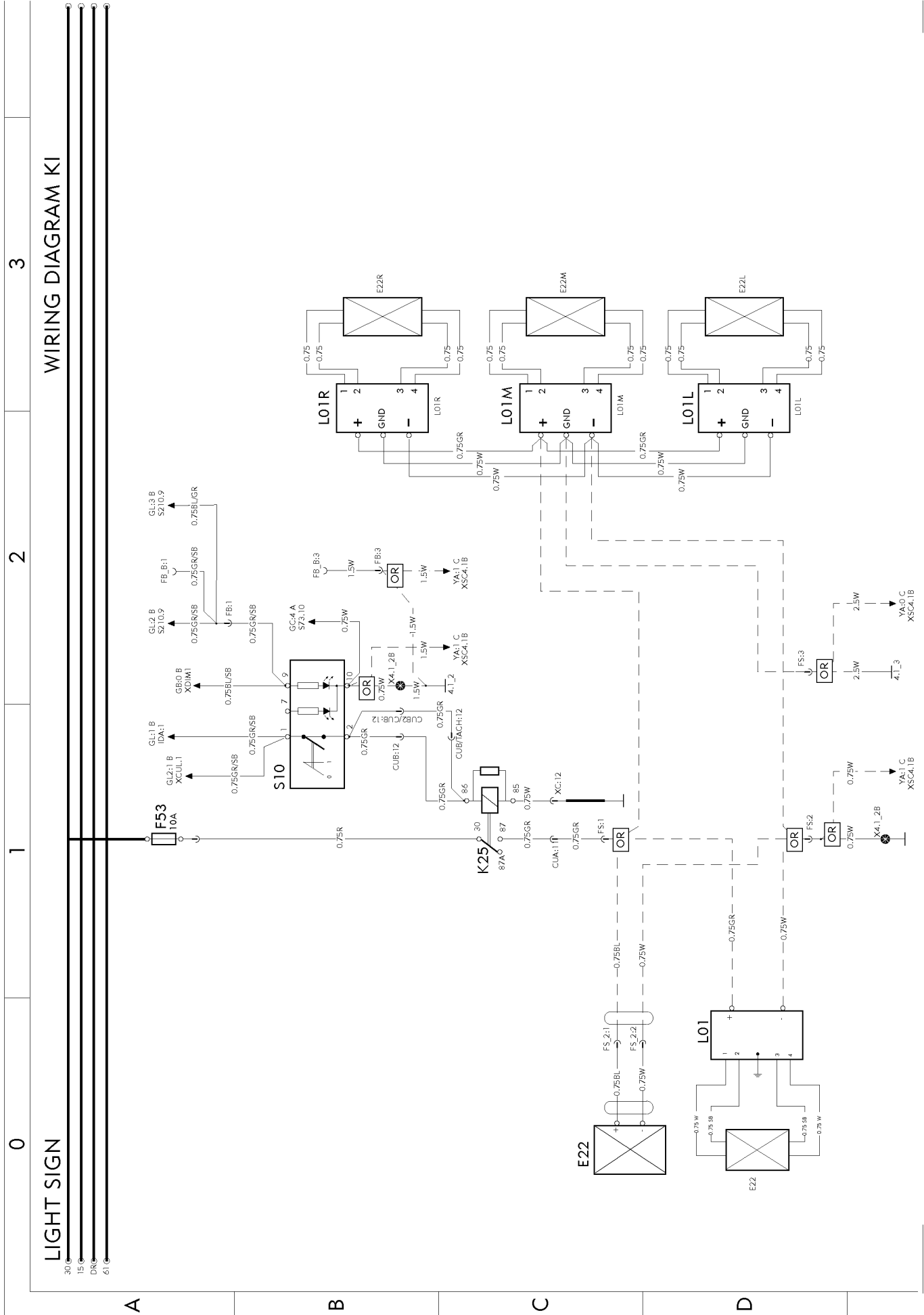
B

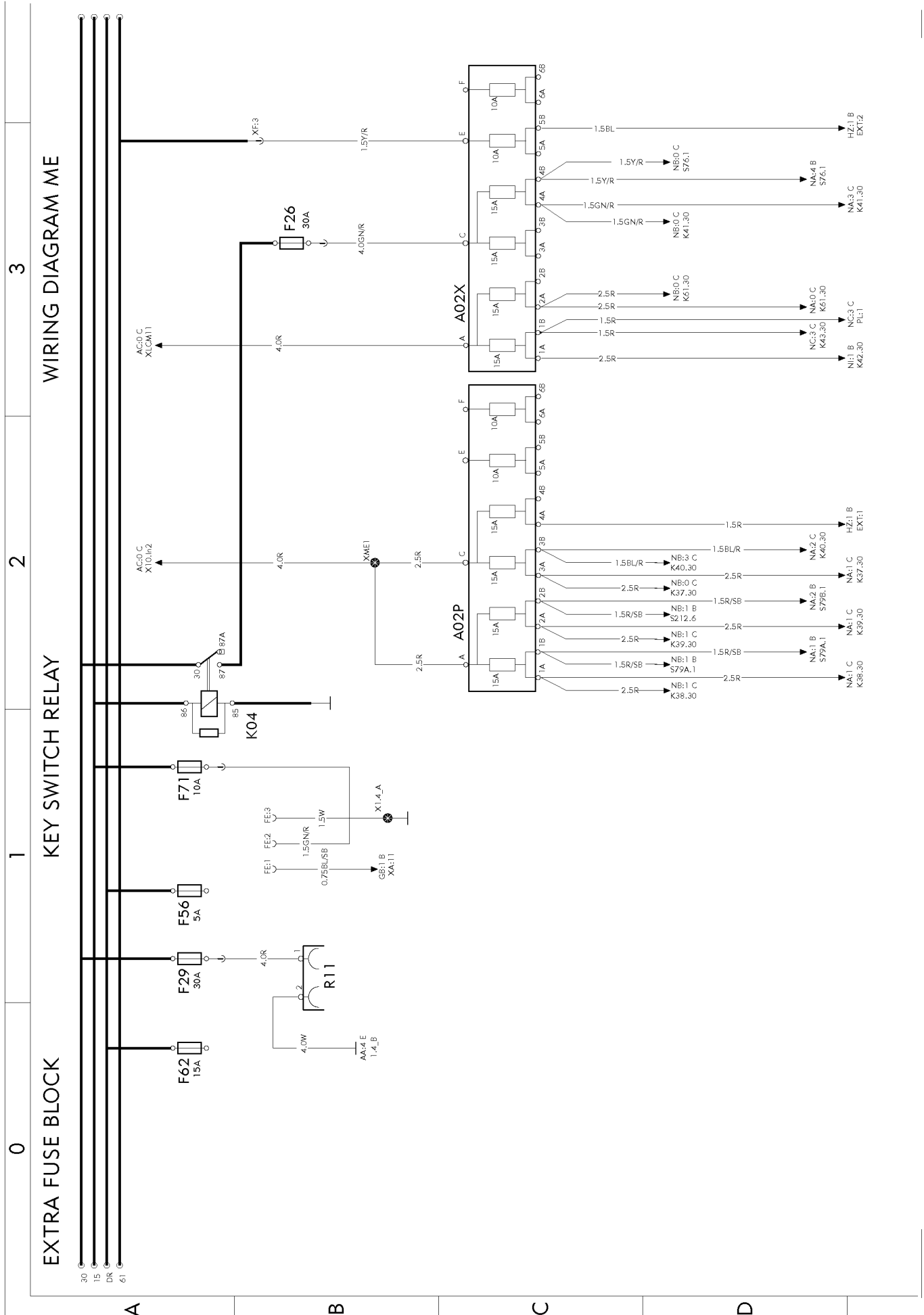
C

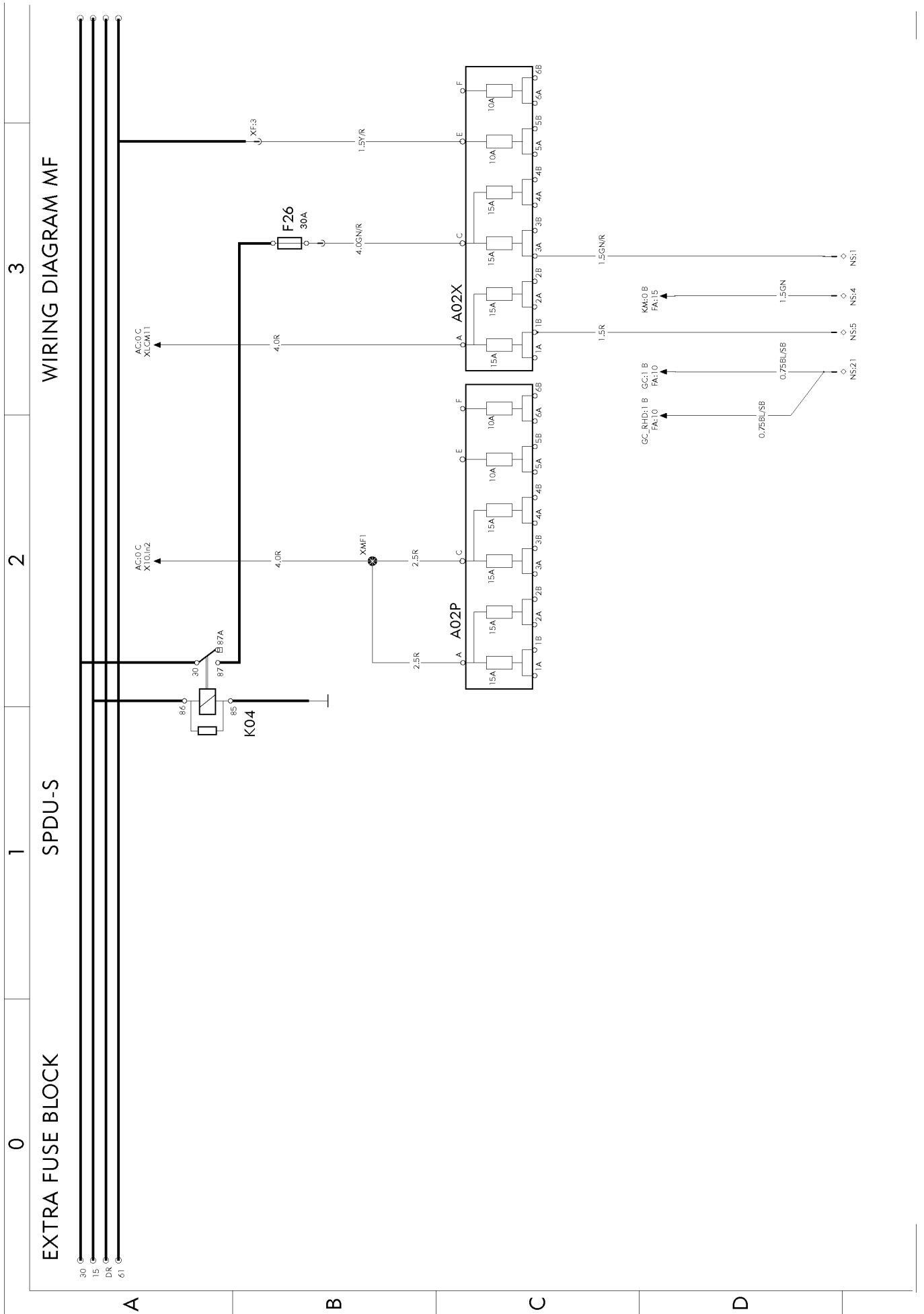
D

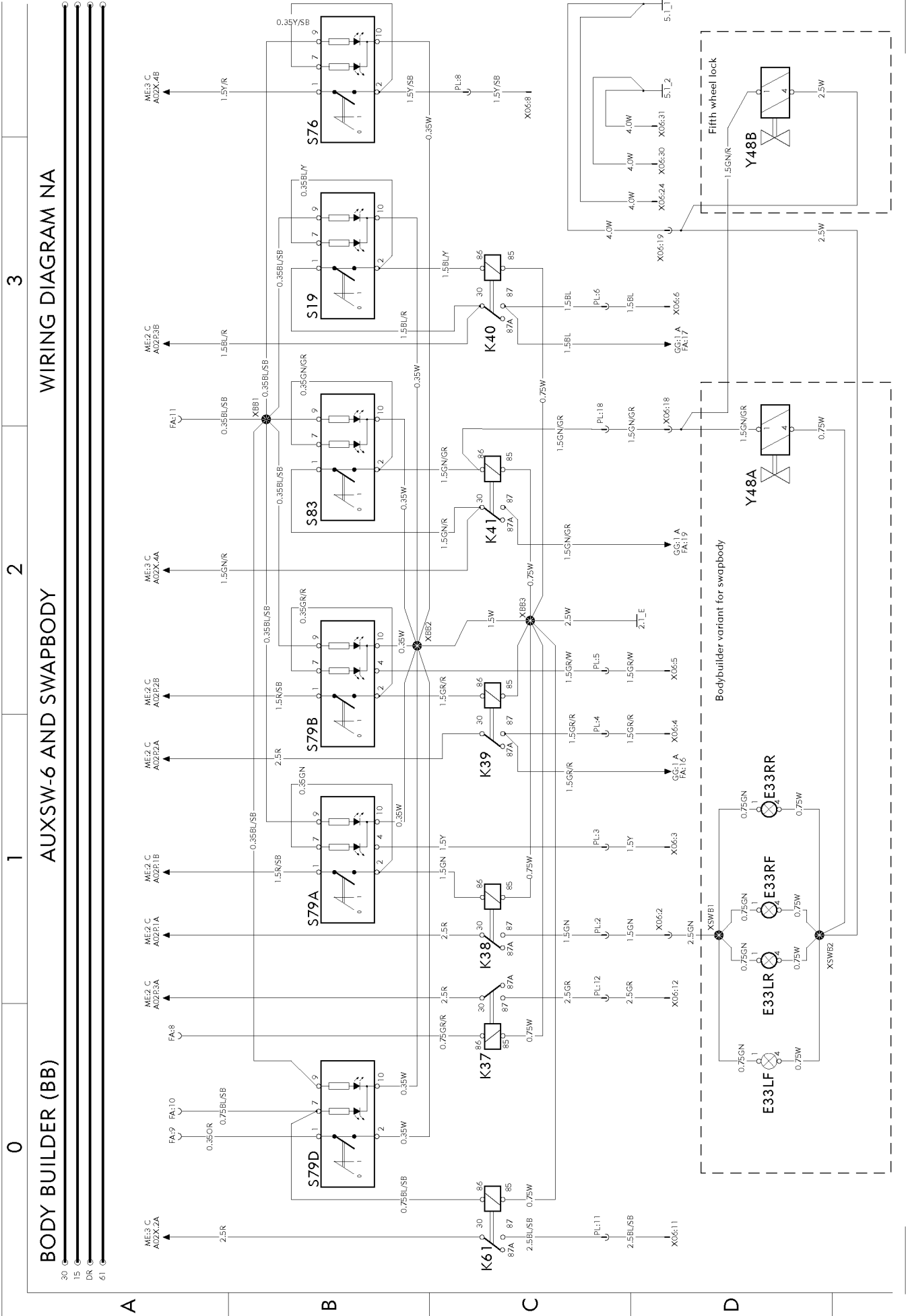


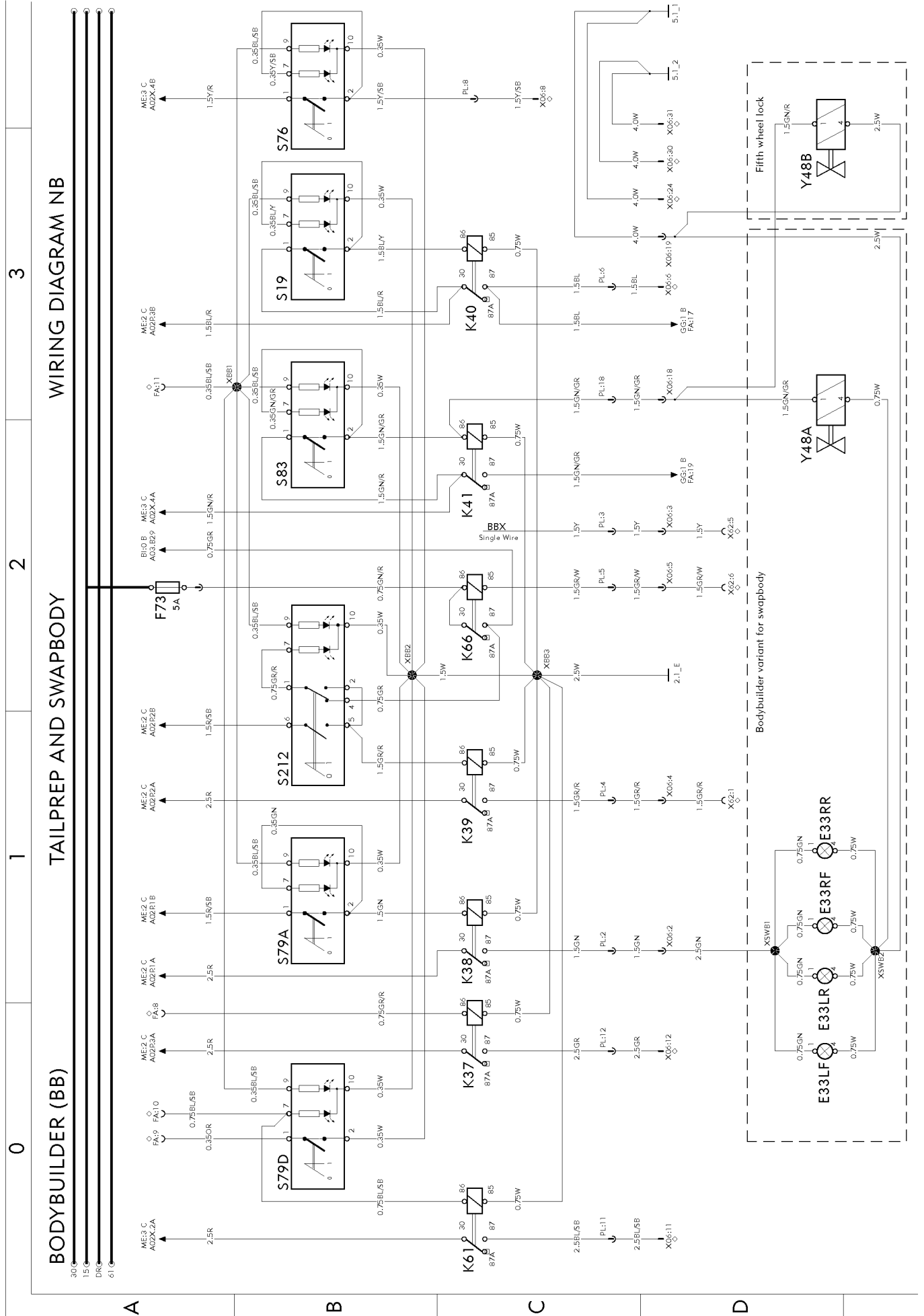


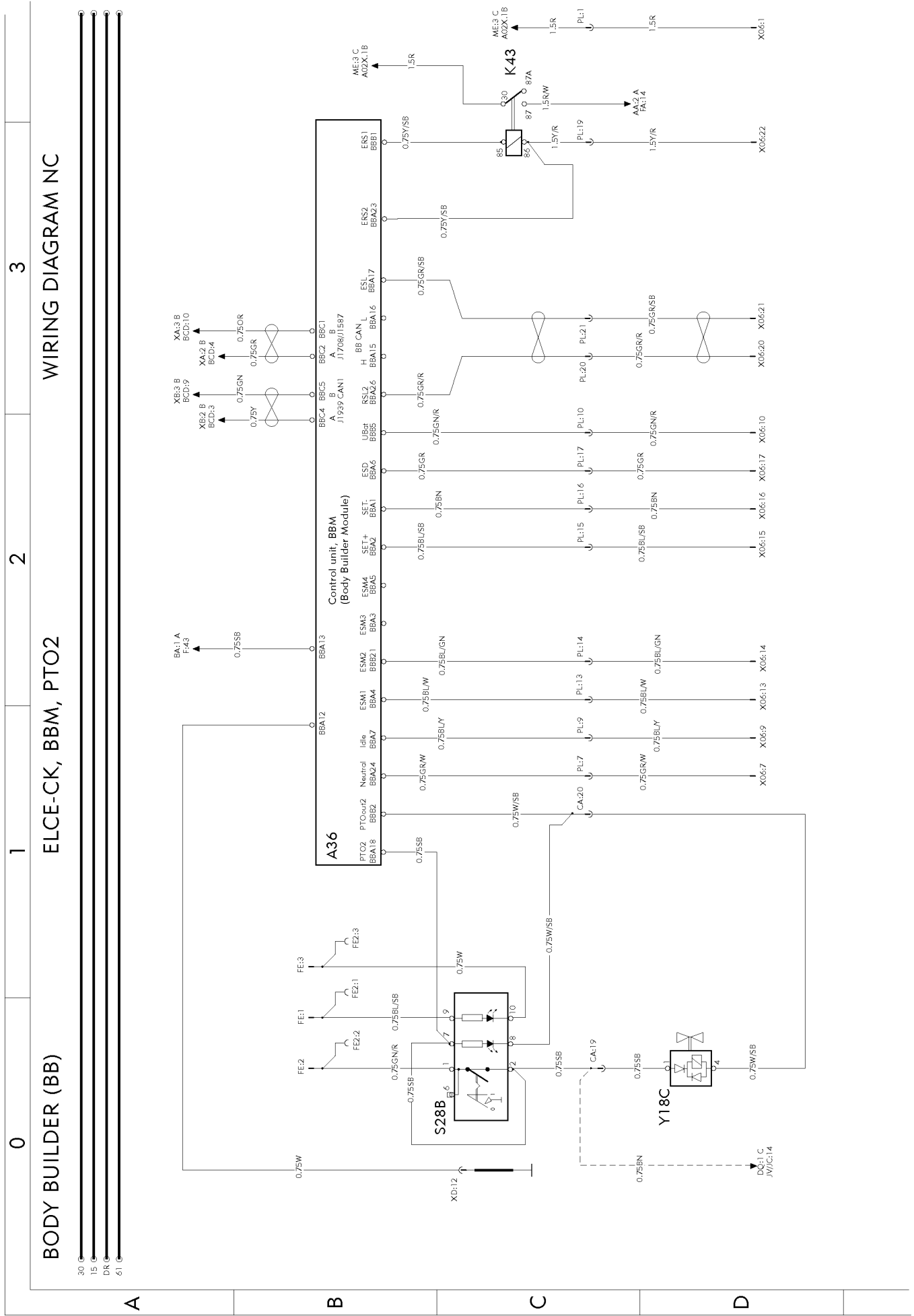


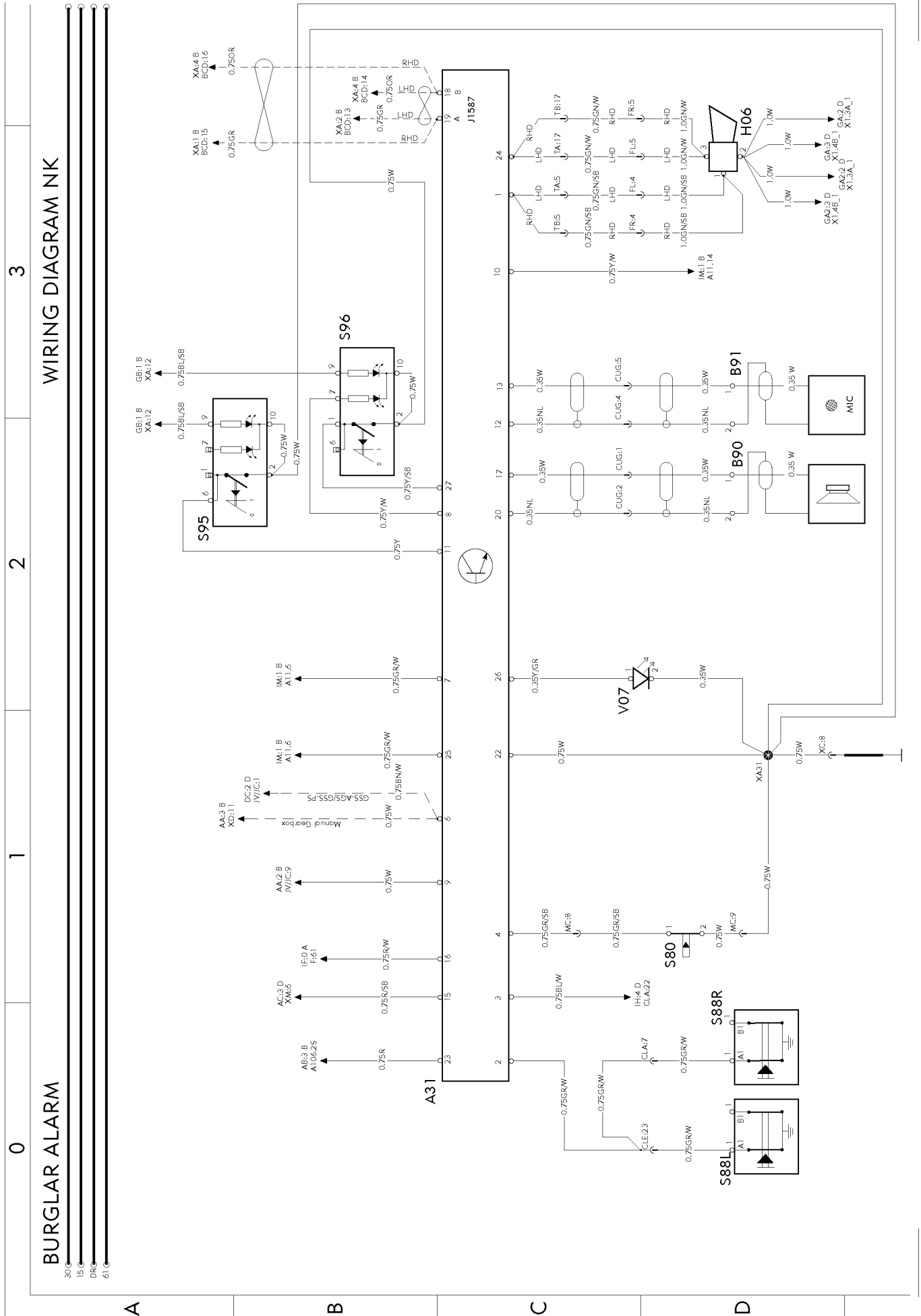


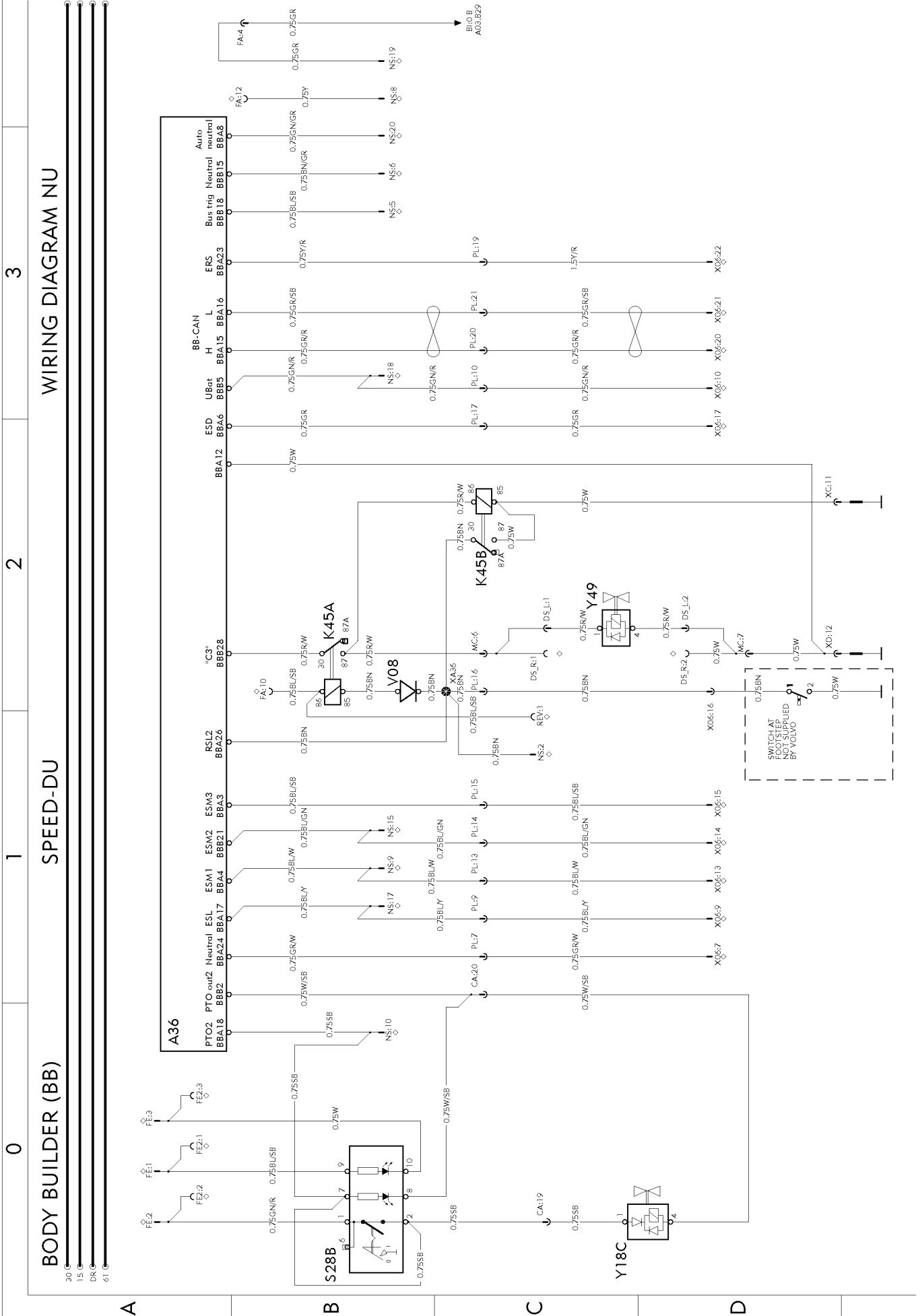












WIRING DIAGRAM NU

SPEED-DU

BODY BUILDER (BB)

3

2

1

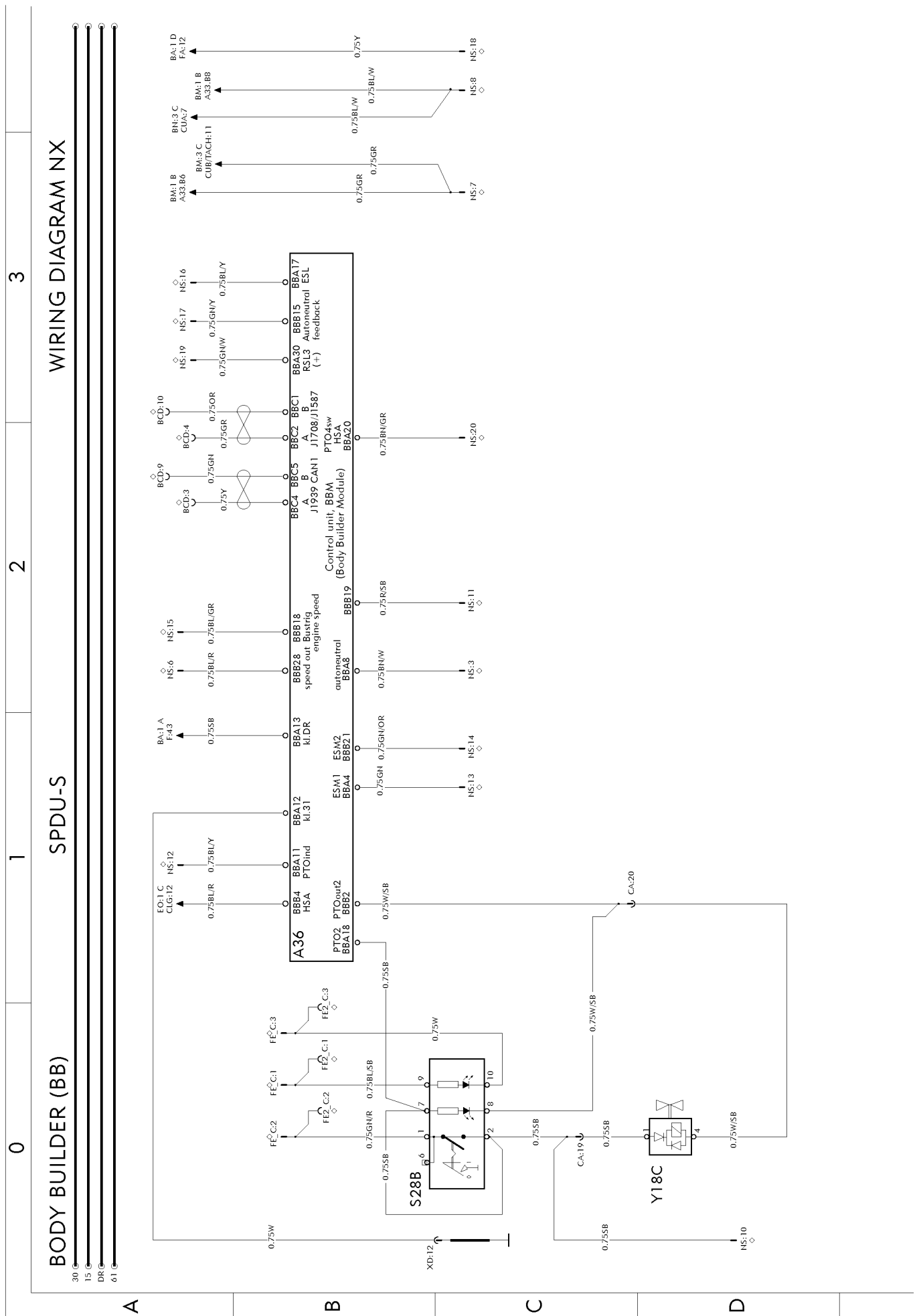
0

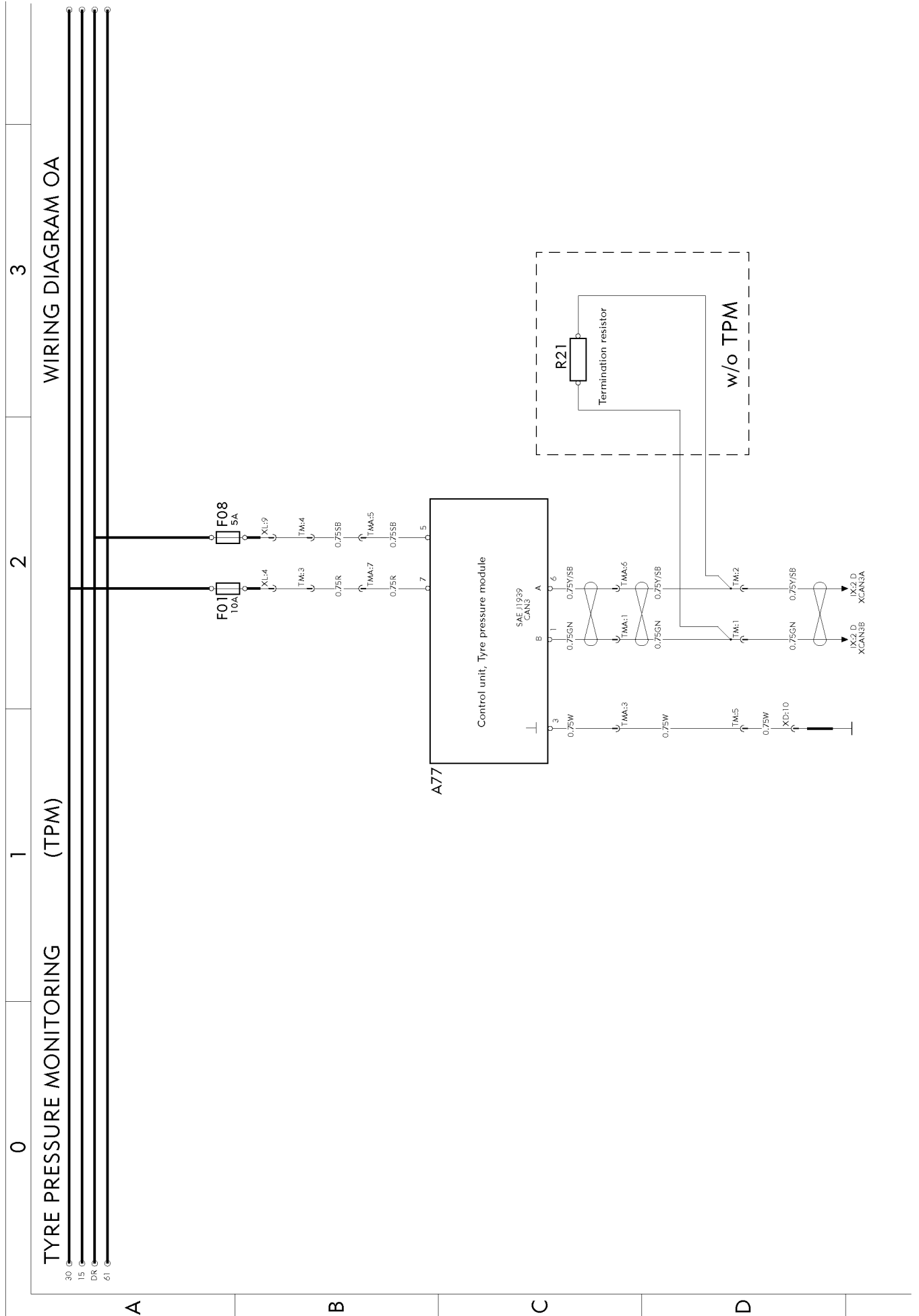
A

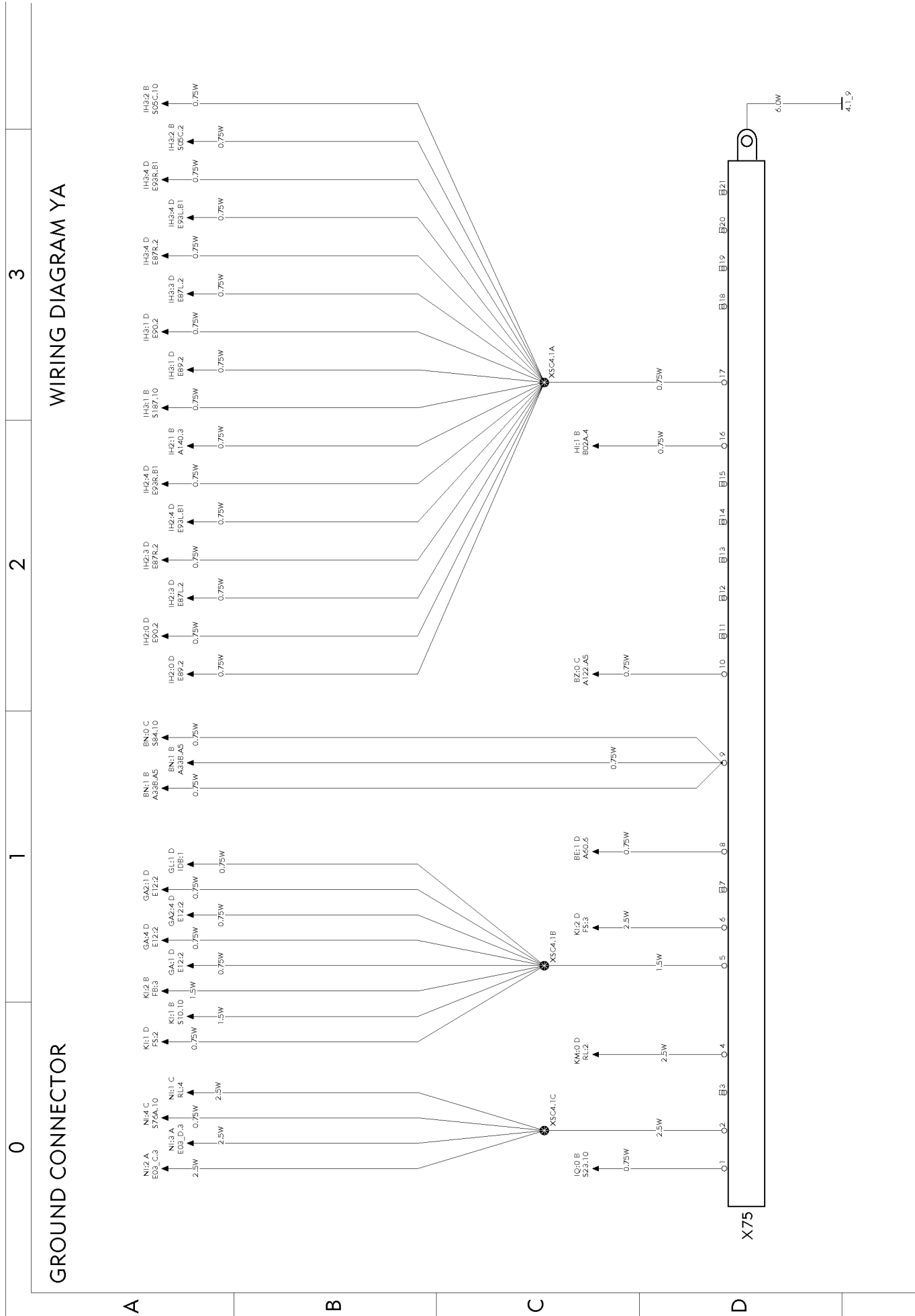
B

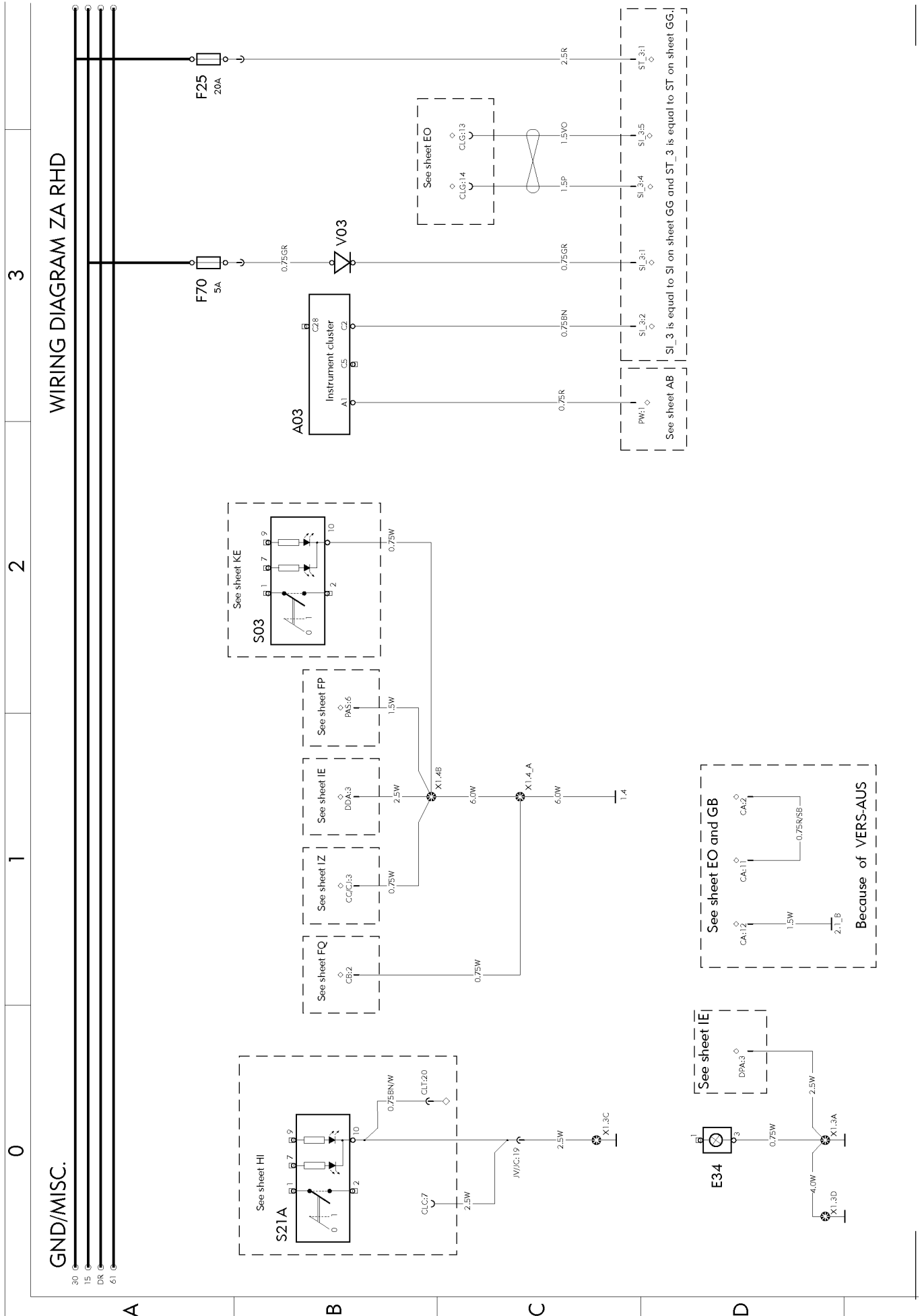
C

D





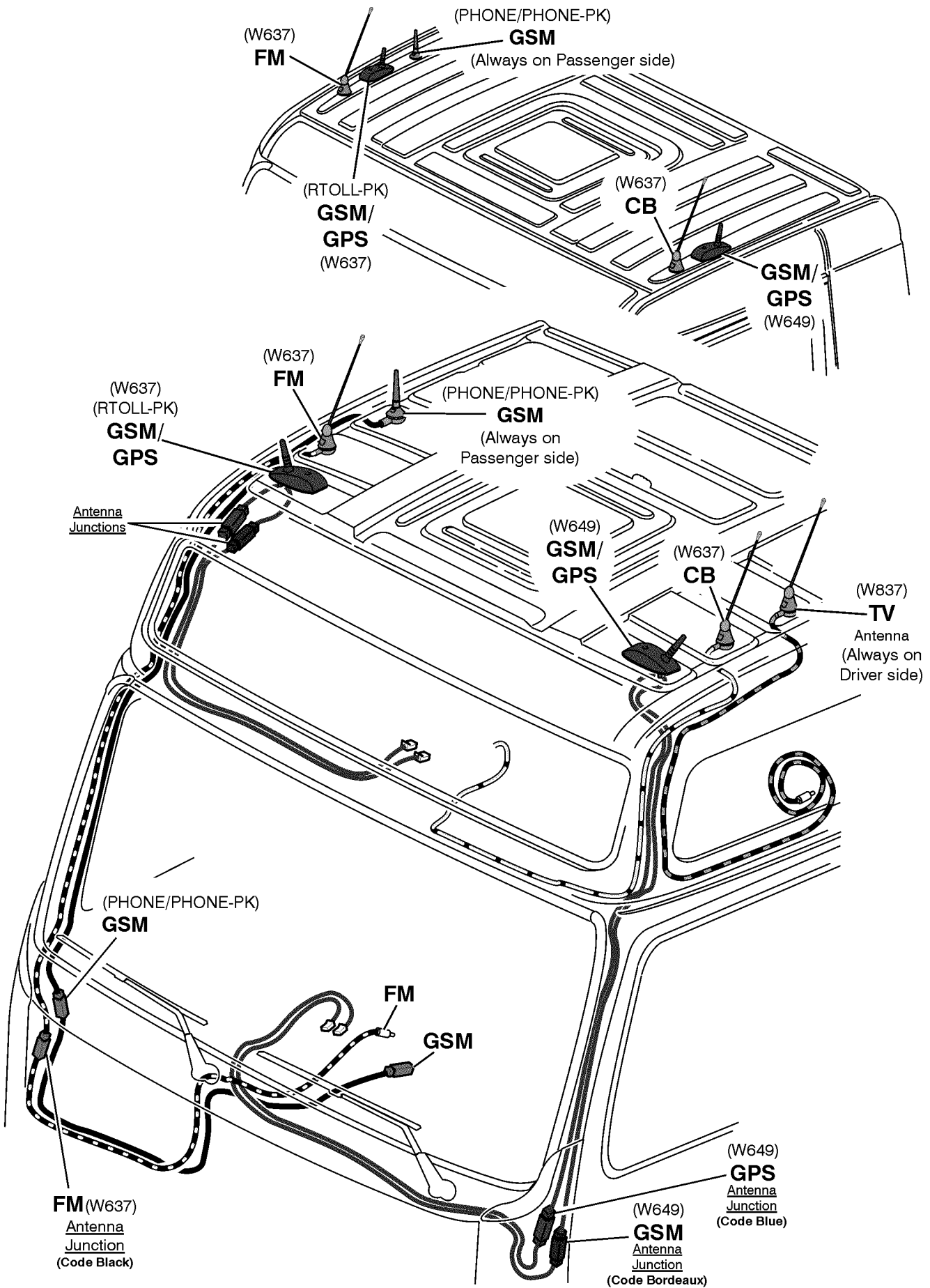




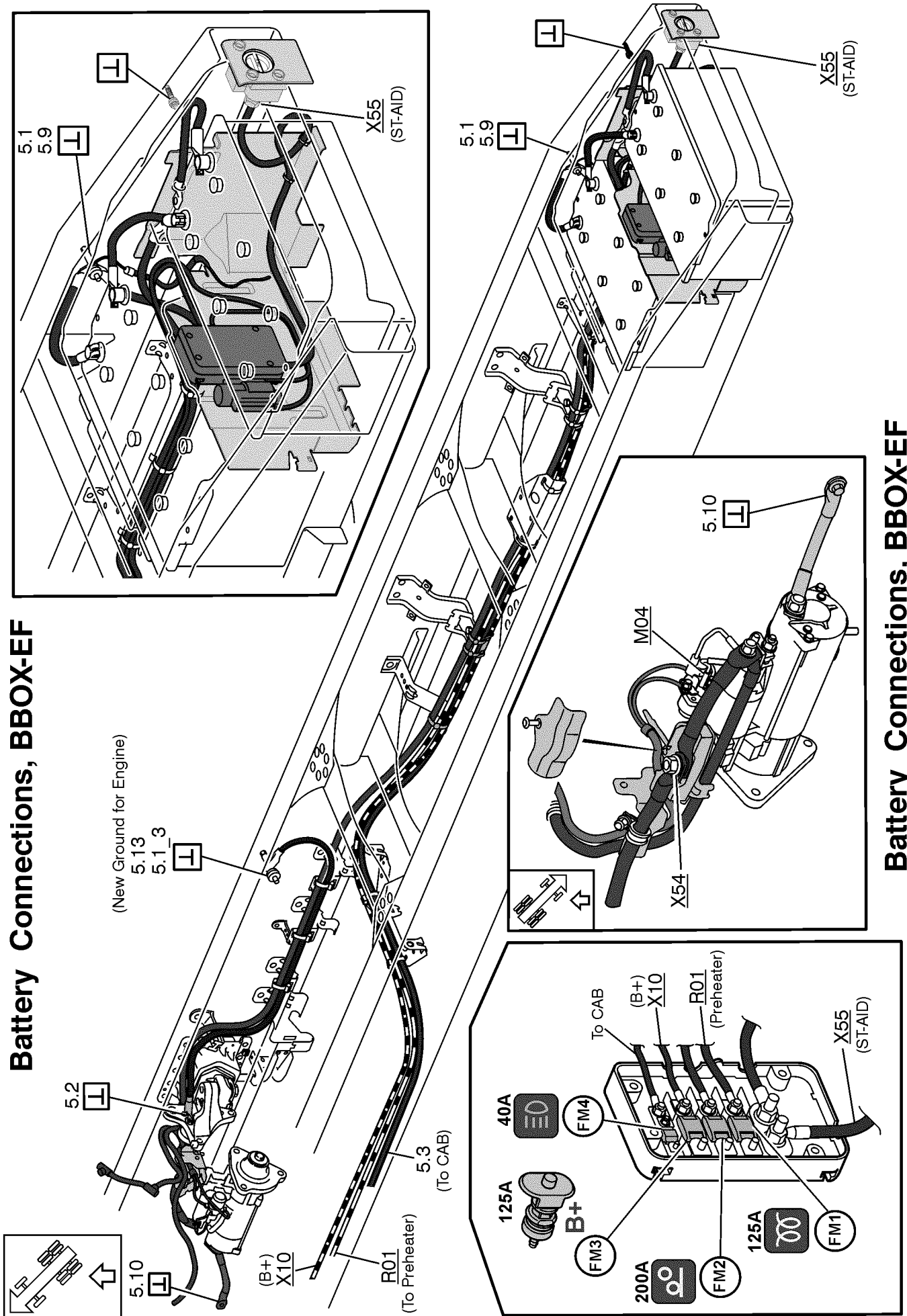
Illustrations index

-	Aerial	page 132
-	Battery cables	page 133
-	Cab/chassis interface	page 136
-	ECU in cab	page 138
-	Switches	page 140
1000	Wiring harness, instruments	page 142
1006	Wiring harness, roof	page 151
1007	Wiring harness, floor	page 155
1018	Wiring harness, air conditioning	page 161
1030	Wiring harness, engine	page 162
1037	Wiring harness, bogie lift	page 174
1040	Wiring harness, frame	page 176
1047	Wiring harness, roof beacon light	page 178
1056	Wiring harness, air dryer	page 180
1062	Wiring harness, parking heater, frame	page 181
1063	Wiring harness, trailer connections	page 182
1072	Wiring harness, air suspension chassis	page 187
1077	Wiring harness, side marking lamps	page 192
1083	Wiring harness, door	page 193
1086	Wiring harness, ABS chassis	page 195
1401	Wiring harness, solenoid valves	page 204
1403	Wiring harness, retarder	page 208
1435	Wiring harness, main switch	page 209
1436	Wiring harness, roof sign lighting	page 178
1458	Wiring harness, front wheel drive	page 216
1460	Wiring harness, cab-battery box	page 209
1470	Wiring harness, el.operated mirror arch	page 228
1472	Wiring harness, load indicator	page 217
1476	Wiring harness, cab-engine	page 162
1493	Wiring harness, power steering	page 218
1494	Wiring harness, gearbox	page 221
1499	Wiring harness, cab-gearbox	page 221
1501	Wiring harness, upper front	page 224
1502	Wiring harness, lower front left	page 224
1503	Wiring harness, lower front right	page 226
1504	Wiring harness, firewall	page 228
1505	Wiring harness, body builder connections	page 229
1506	Wiring harness, demountable (swap-body)	page 229
1507	Wiring harness, ESP chassis	page 230
1508	Wiring harness, TPM	page 231
1510	Wiring harness, SCR	page 232

Illustrations

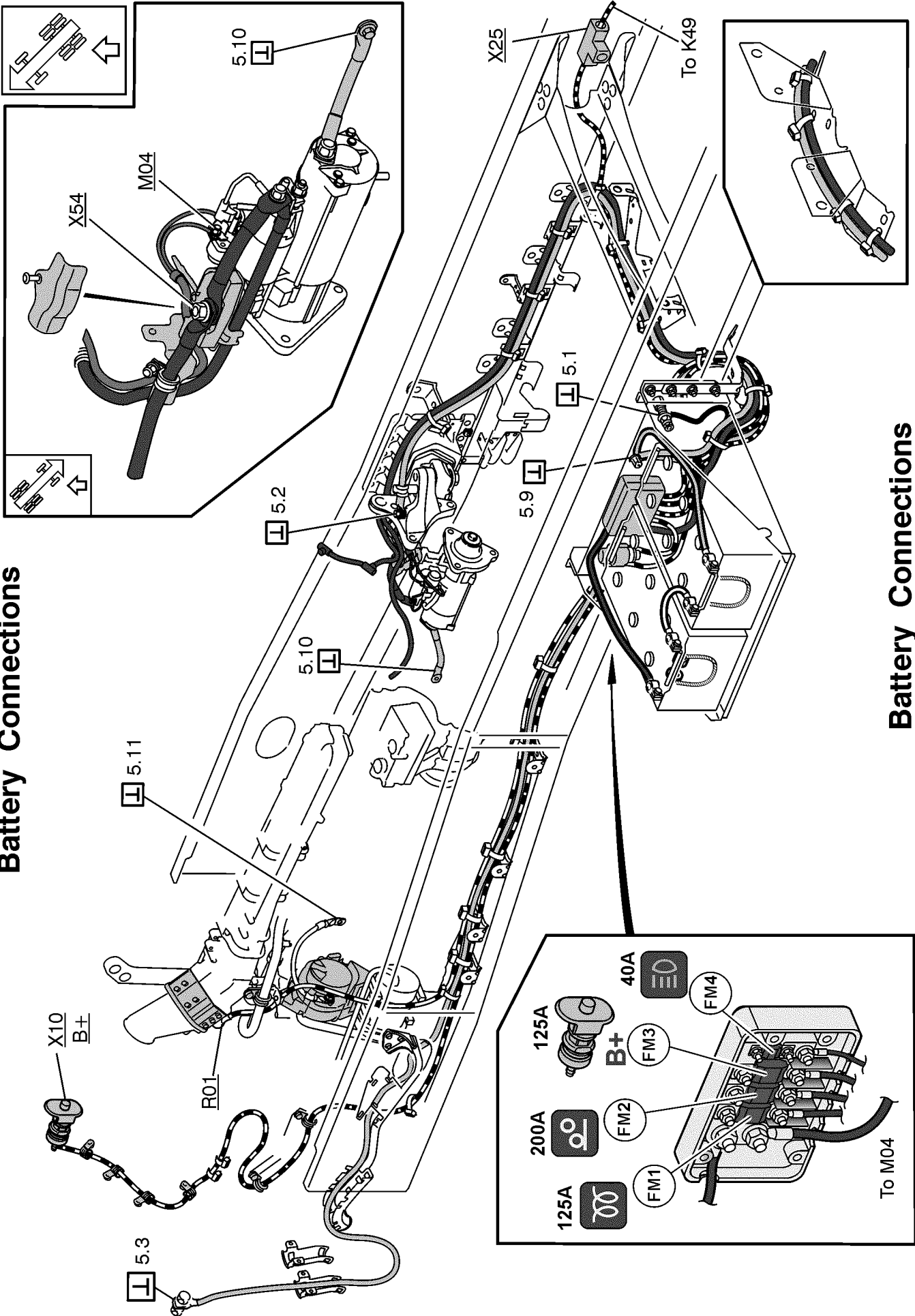


Battery Connections, BBOX-EF



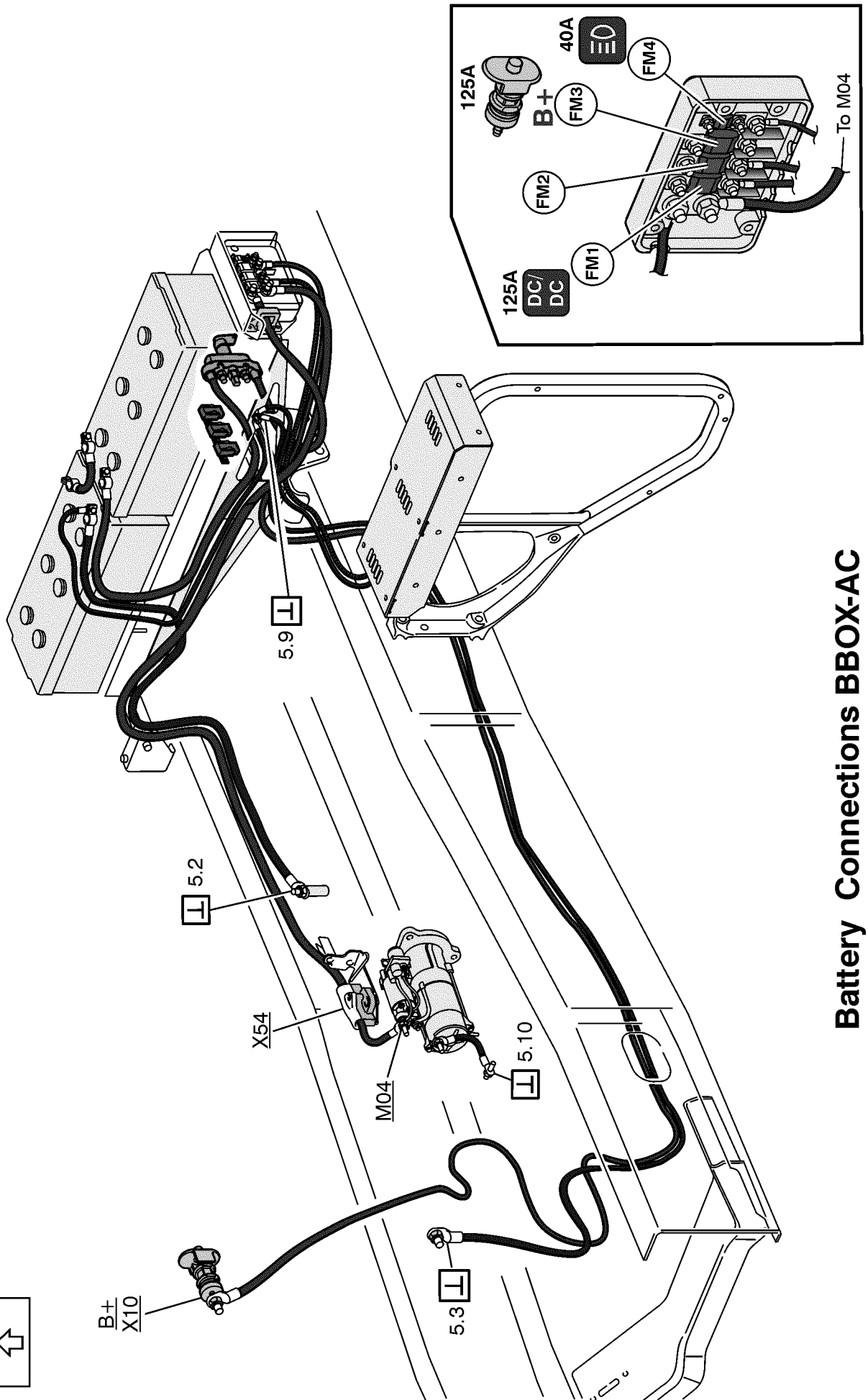
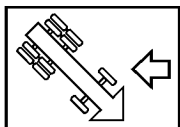
Battery Connections, BBOX-EF

Battery Connections



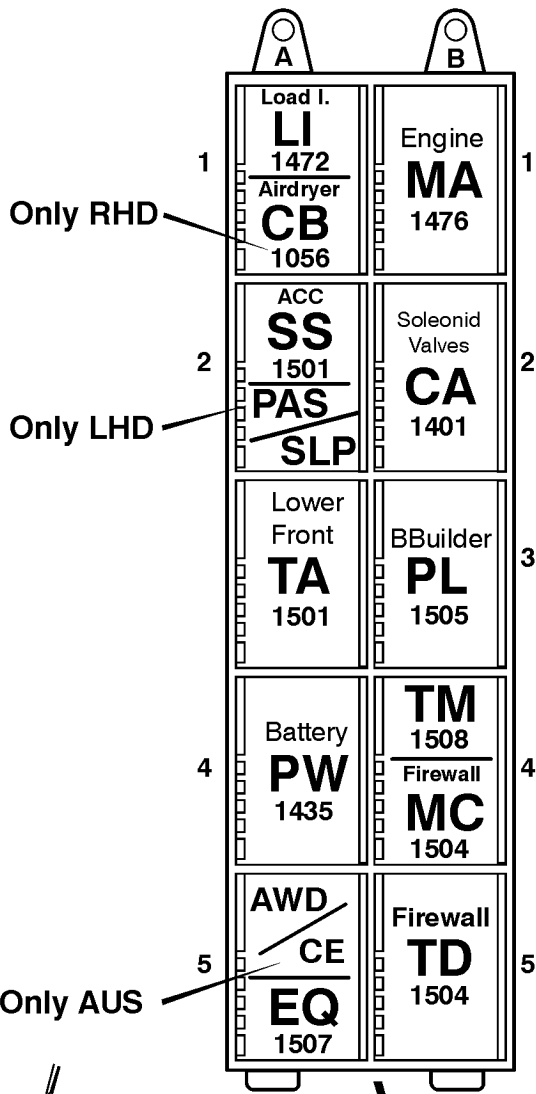
Battery Connections

Battery Connections BBOX-AC



Battery Connections BBOX-AC

CAB Inlets LHS

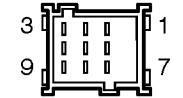
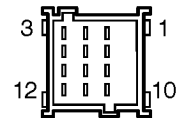
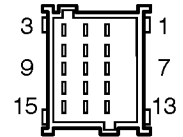
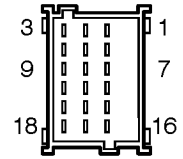
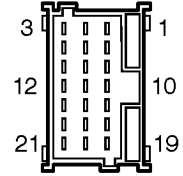
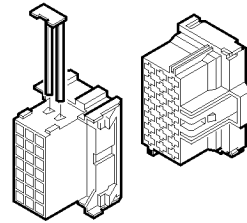
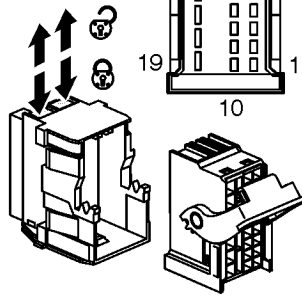


Only RHD

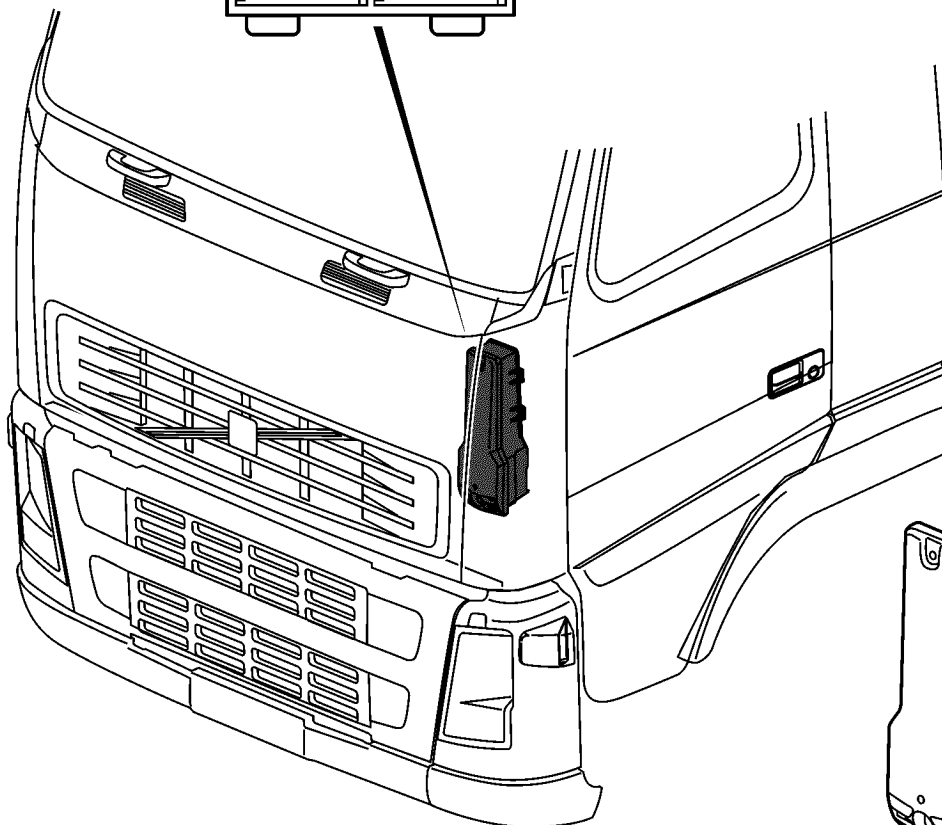
Only LHD

Only AUS

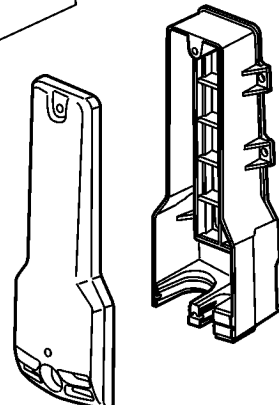
New MA



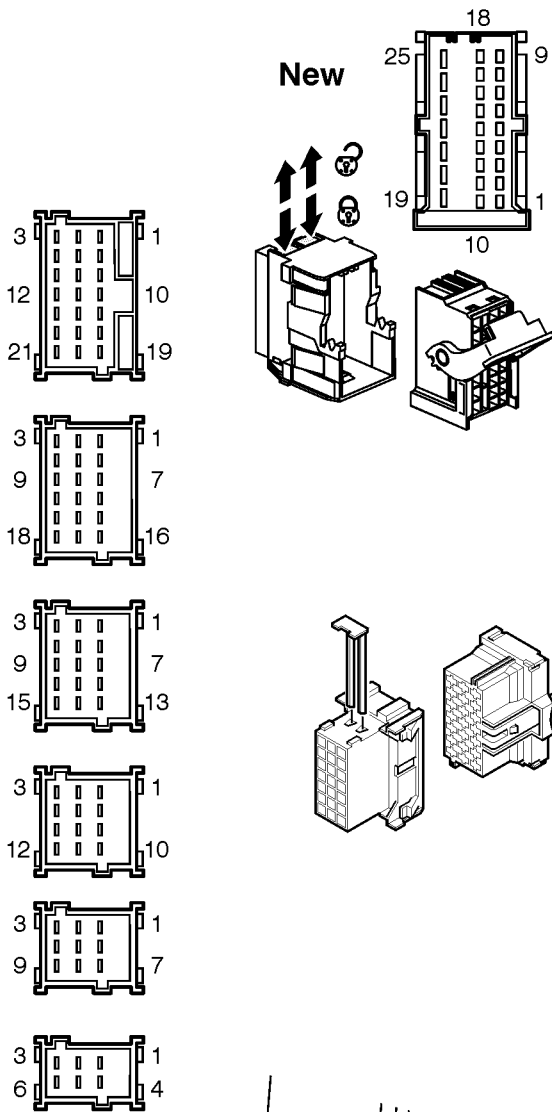
CAB Inlets LHS



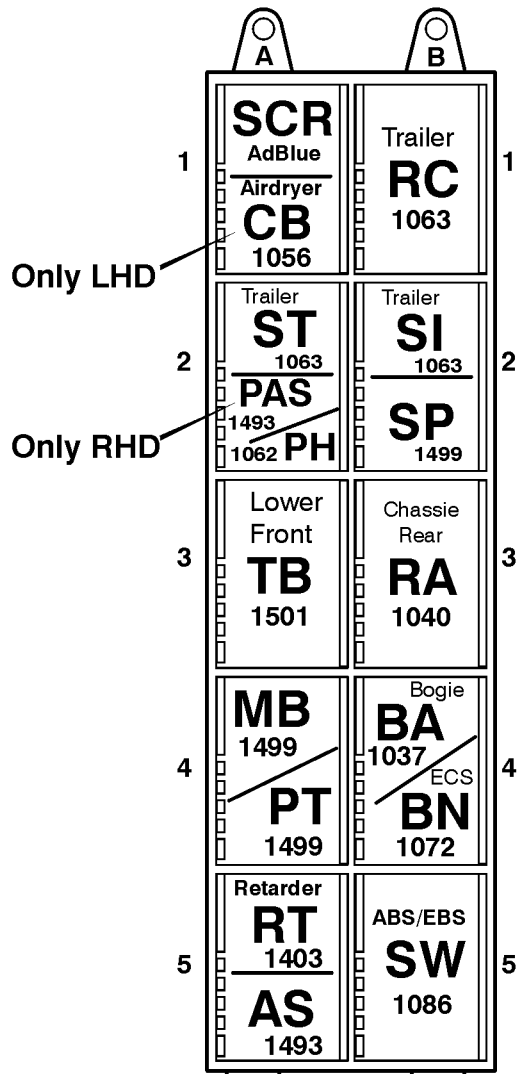
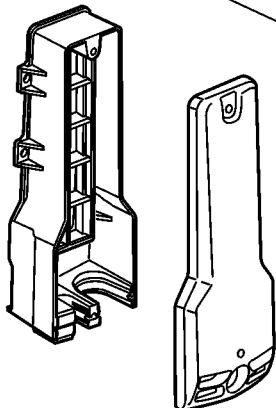
New BOX



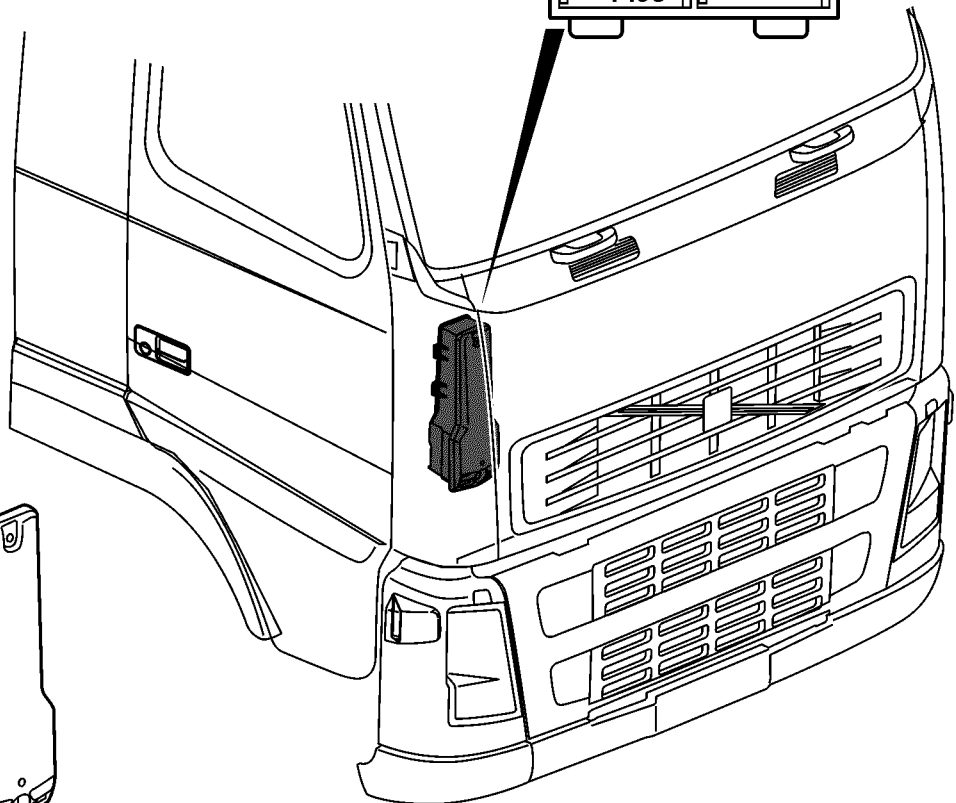
CAB Inlets RHS

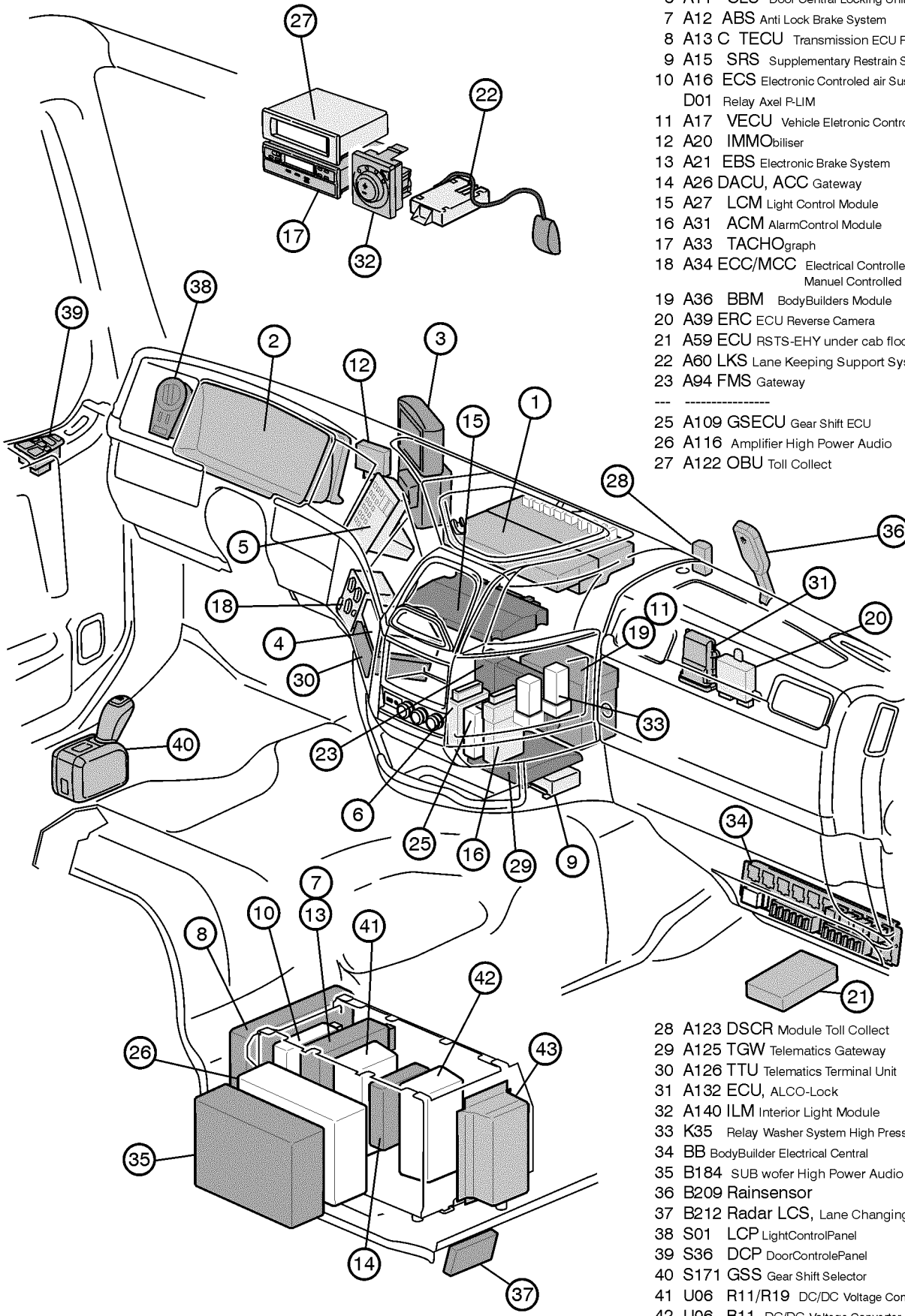


New BOX



CAB Inlets RHS

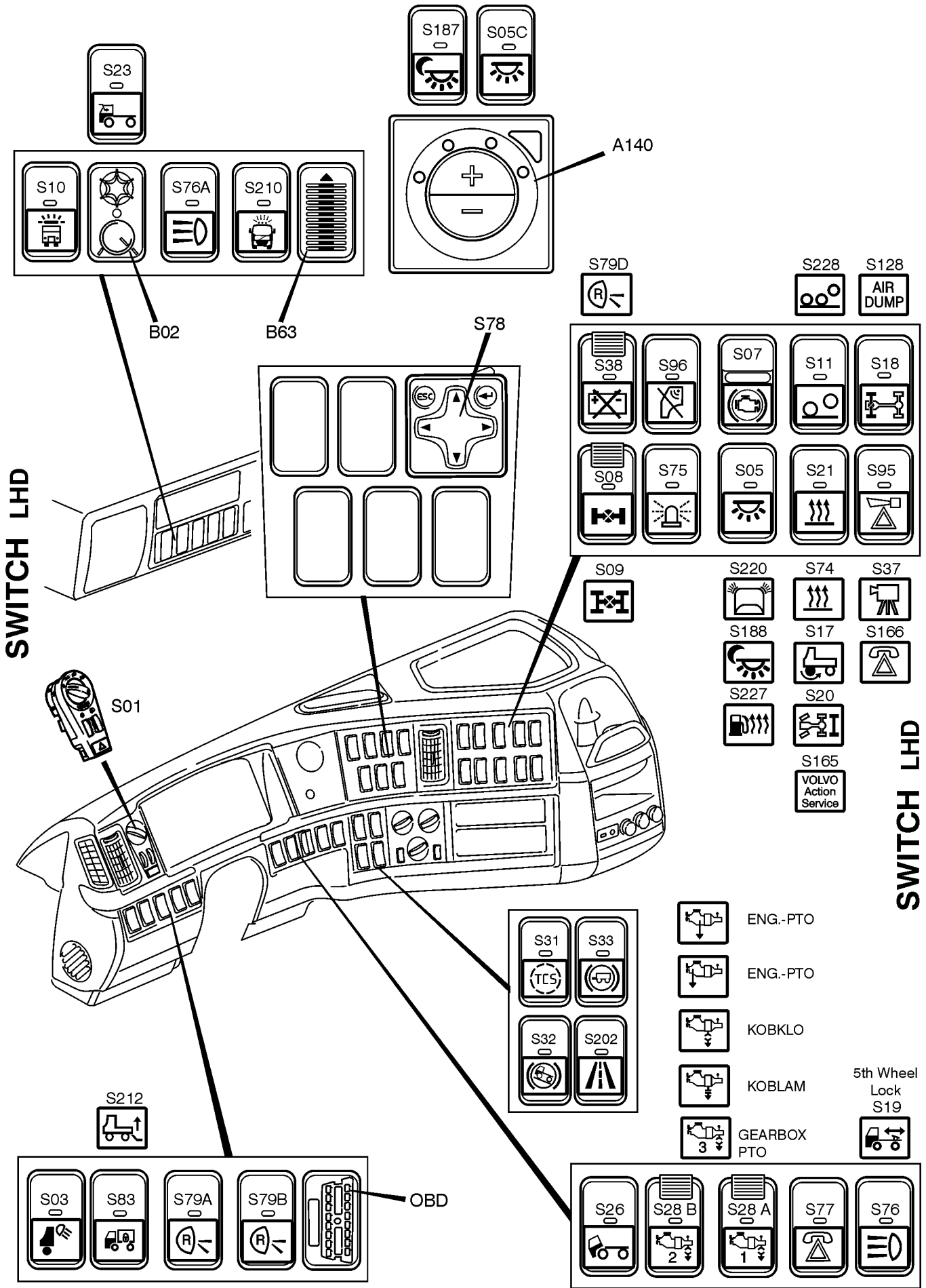


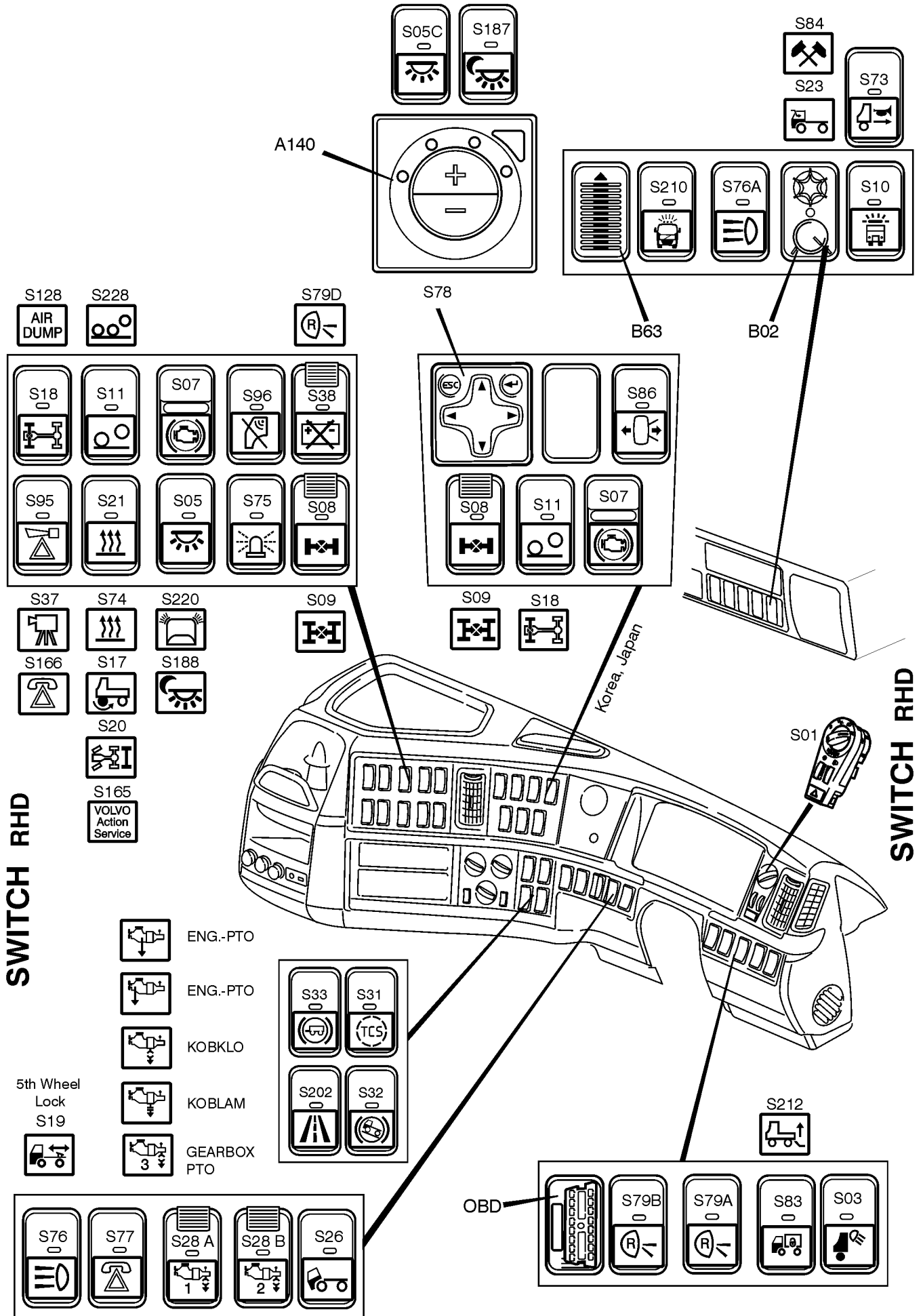


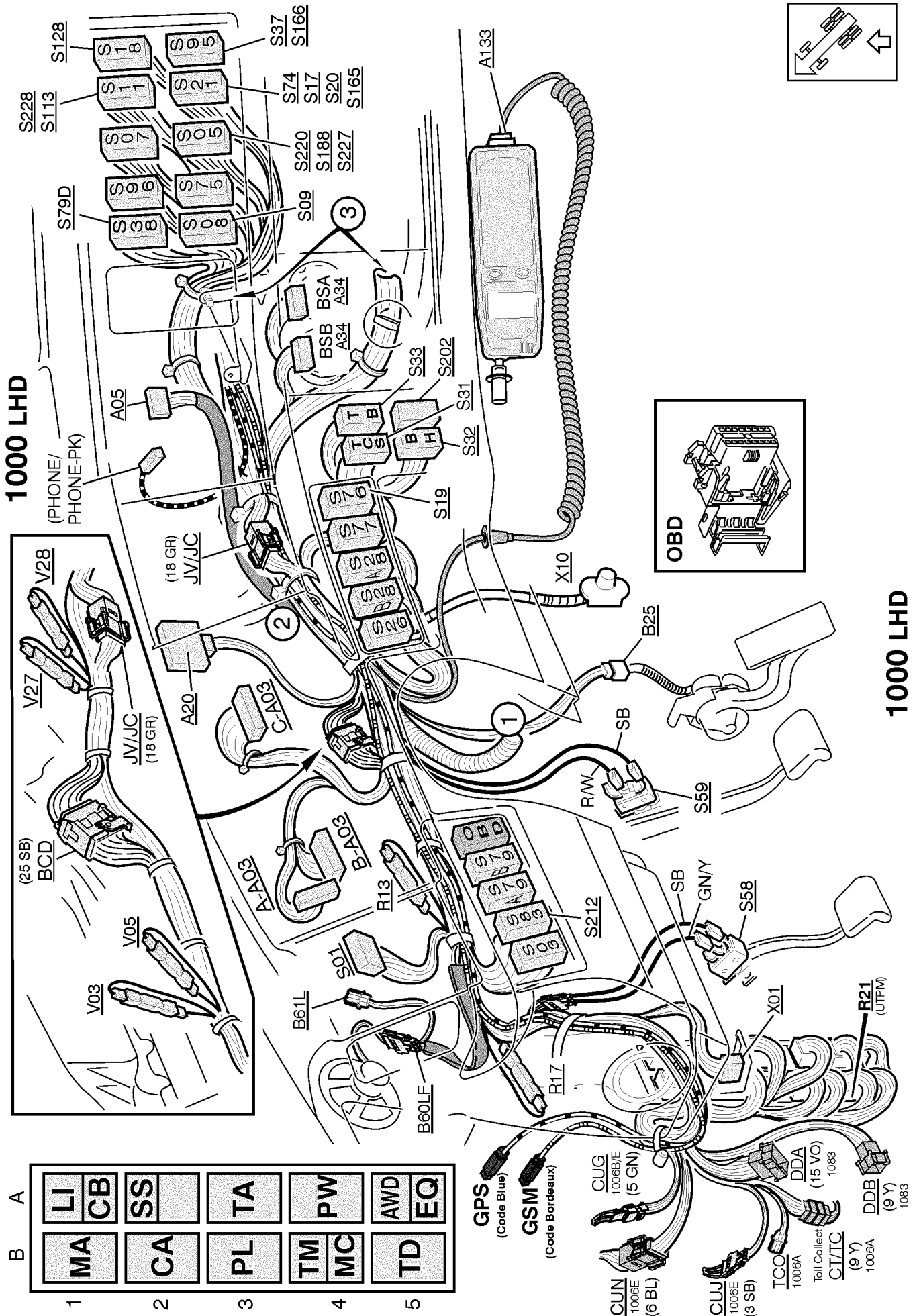
- 1 A01 FRC Fuse and Relay Center
- 2 A03 Instrument Cluster
- 3 A05 SID Secondary Info. Display
- 4 A07 Radio
- 5 A09 Telephone
- 6 A11 CLU Door Central Locking Unit
- 7 A12 ABS Anti Lock Brake System
- 8 A13 C TECU Transmission ECU Retarder
- 9 A15 SRS Supplementary Restrain System
- 10 A16 ECS Electronic Controlled air Suspension
D01 Relay Axel P-LIM
- 11 A17 VECU Vehicle Electronic Control Unite
- 12 A20 IMMObiliser
- 13 A21 EBS Electronic Brake System
- 14 A26 DACU, ACC Gateway
- 15 A27 LCM Light Control Module
- 16 A31 ACM Alarm Control Module
- 17 A33 TACHOgraph
- 18 A34 ECC/MCC Electrical Controlled Climate/
Manual Controlled Climate
- 19 A36 BBM BodyBuilders Module
- 20 A39 ERC ECU Reverse Camera
- 21 A59 ECU RSTS-EHY under cab floor
- 22 A60 LKS Lane Keeping Support System
- 23 A94 FMS Gateway
-
- 25 A109 GSECU Gear Shift ECU
- 26 A116 Amplifier High Power Audio
- 27 A122 OBU Toll Collect
- 28 A123 DSCR Module Toll Collect
- 29 A125 TGW Telematics Gateway
- 30 A126 TTU Telematics Terminal Unit
- 31 A132 ECU, ALCO-Lock
- 32 A140 ILM Interior Light Module
- 33 K35 Relay Washer System High Pressure
- 34 BB BodyBuilder Electrical Central
- 35 B184 SUB wofer High Power Audio
- 36 B209 Rainsensor
- 37 B212 Radar LCS, Lane Changing Support System
- 38 S01 LCP Light Control Panel
- 39 S36 DCP Door Control Panel
- 40 S171 GSS Gear Shift Selector
- 41 U06 R11/R19 DC/DC Voltage Converter
- 42 U06 B11 DC/DC Voltage Converter
- 43 U10 DC/DC Voltage Converter ABS Australia

Cross index component number-MID number

<i>Component number</i>	<i>MID number</i>
A03 Instrument cluster	MID 140
A07 Radio	MID 206
A09 Telephone	MID 231
A12 Control unit ABS (Anti-lock Brake System)	MID 136
A13B Control unit TECU (Automatic transmission)	MID 130
A13C Control unit Retarder	MID 222
A13E Control unit TECU (Automatic transmission)	MID 130
A14 Control unit EMS (Engine Management System)	MID 128
A15 Control unit SRS (Supplementary Restrain System)	MID 232
A16 Control unit ECS (Electronic Controlled air Suspension)	MID 150
A17 Control unit VECU (Vehicle ECU)	MID 144
A20 Control unit Immobiliser	MID 163
A21 Control unit EBS (Electronic Brake System)	MID 136
A22 Control unit FMS (Fleet Management System)	MID 203
A26 Control unit DACU	MID 238
A27 Control unit LCM (Light Control Module)	MID 216
A31 Control unit burglar alarm	MID 214
A33 Tachograph	MID 220
A34 Control unit climate unit	MID 146
A36 Control unit BBM (Body Builder Module)	MID 249
A59 Control unit RAS (Rear Axle Steering)	MID 184
A60 Control unit LKS (Lane Keeping Support System)	MID 248
A77 Control unit TPM (Tyre pressure monitoring)	MID 166
A94 Control unit FMS Gateway (Fleet Management System)	MID 179
A102 Control unit Volvo Link	MID 142
A109 Control unit GSECU (Gearshift ECU)	MID 223
A125 Control unit TGW (Telematics Gateway)	MID 141
A126 Control unit TTU (Telematics Terminal Unit)	MID 203
B120 Radar ACC (Adaptive Cruise Control)	MID 219
B212 Radar LCS (Lane Change Support)	MID 204



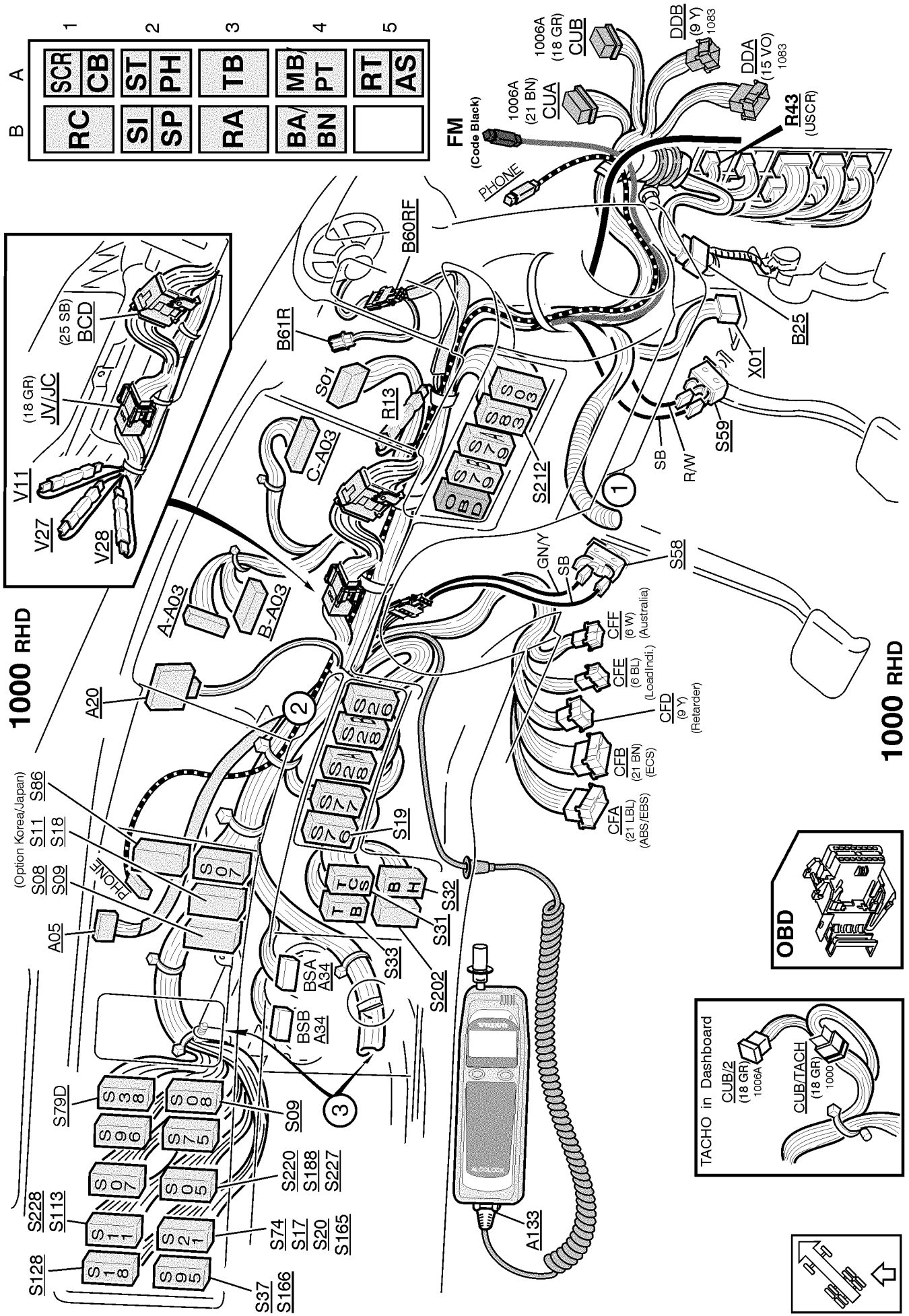




1000 LHD

1000 LHD

		A		B	
1	MA	LI	CB	SS	TA
2	CA				PW
3	PL				AWD
4	TM				EQ
5	MC				
	TD				

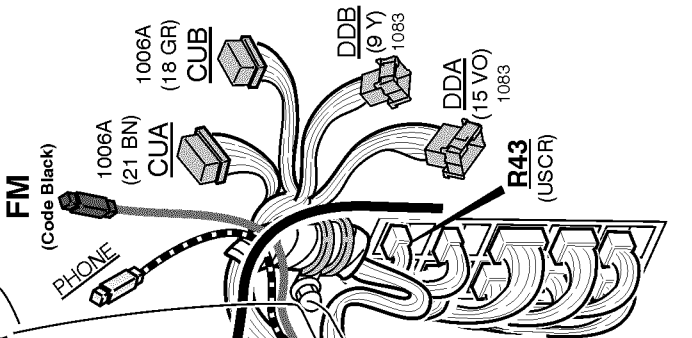
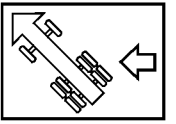
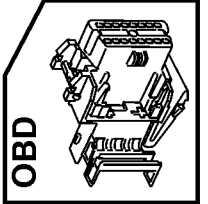
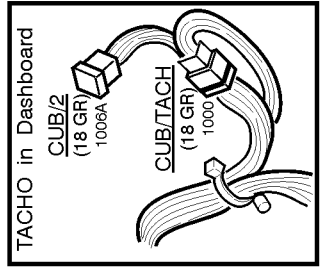


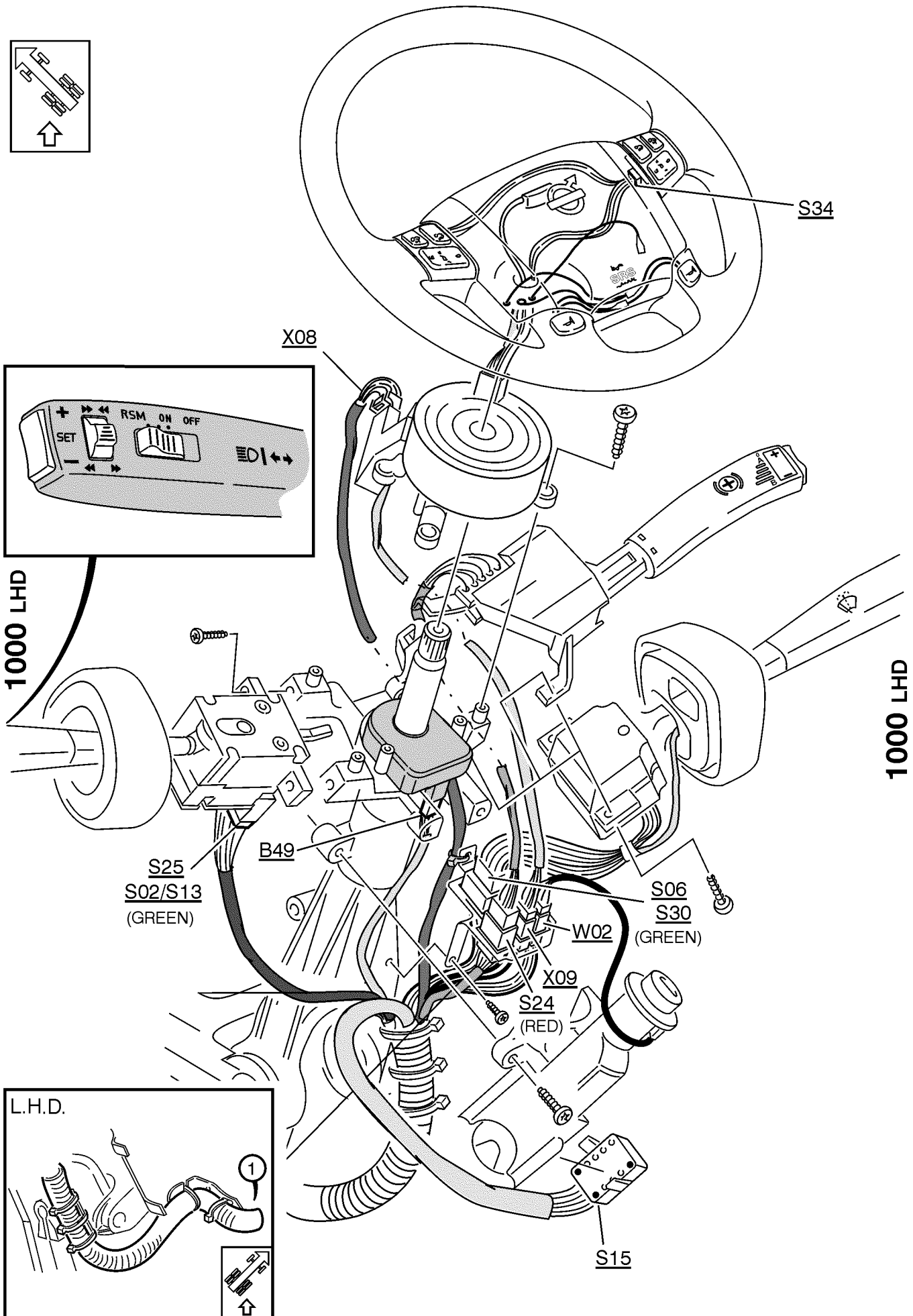
1000 RHD

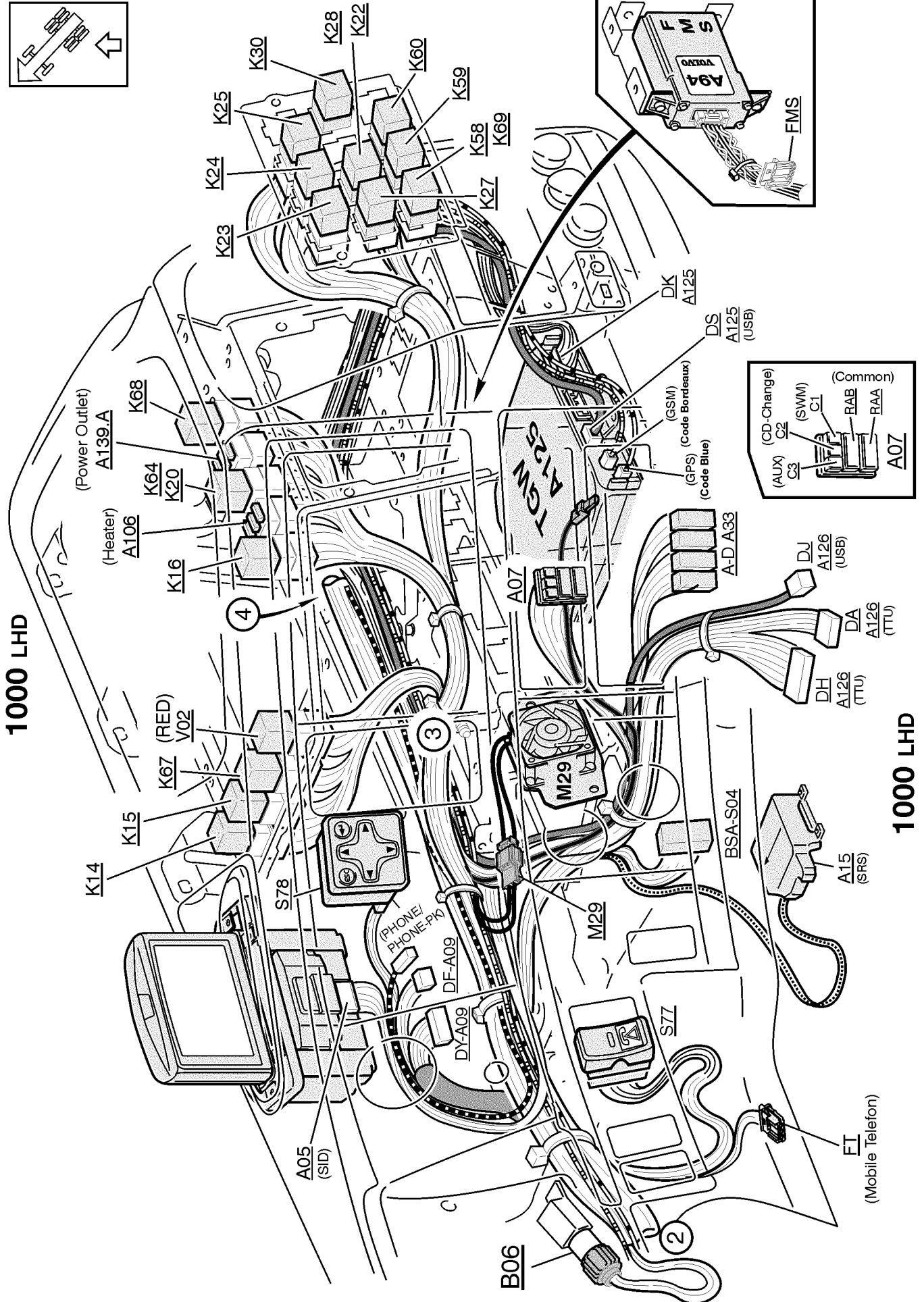
1000 RHD

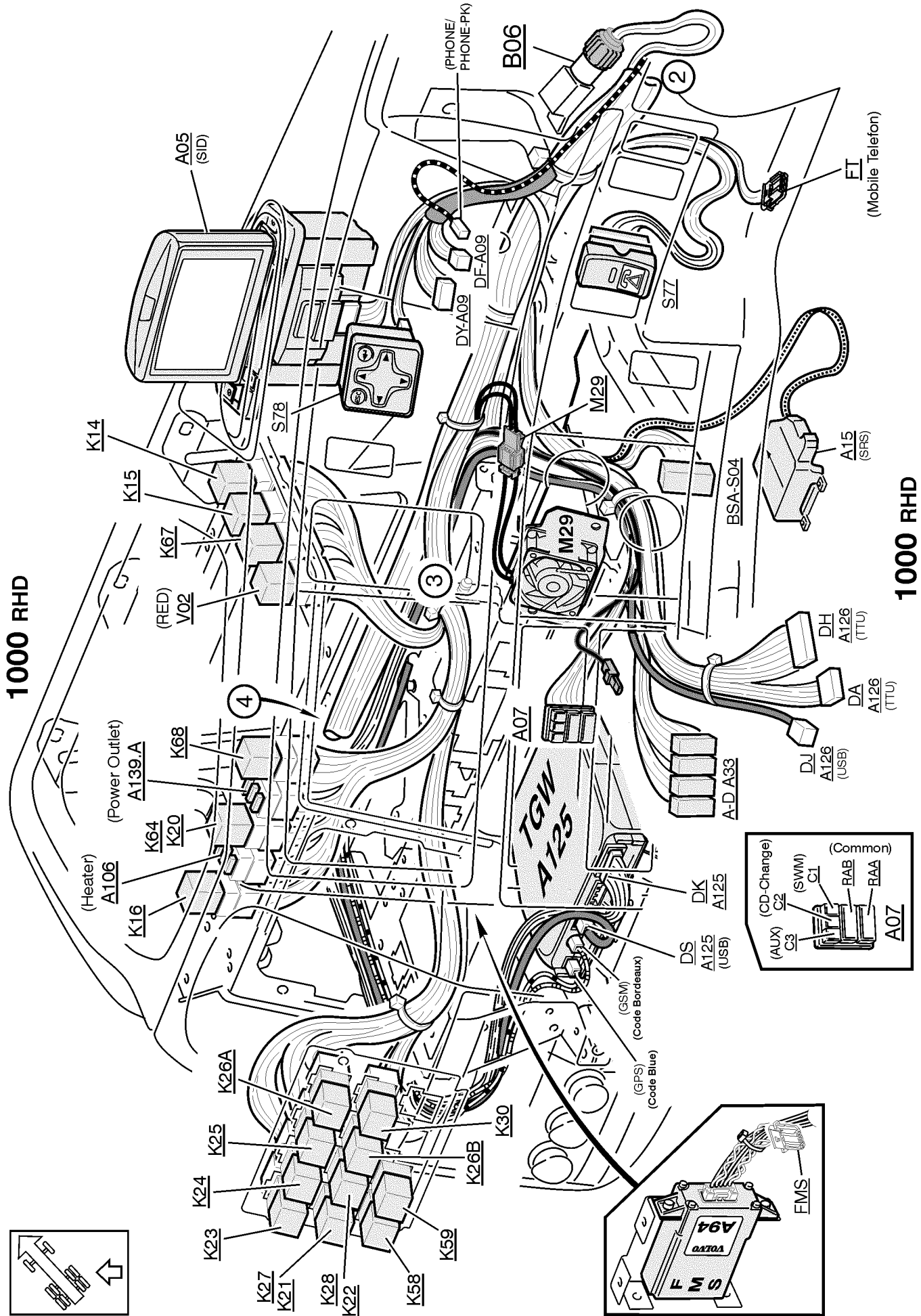
(Option Korea/Japan)
S08 S11 S86
S09 S18
PHONE

	1	2	3	4	5			
A	SCR	CB	ST	PH	TB	MB/PT	RT	AS
B	RC	SI	SP	RA	BA	BN		



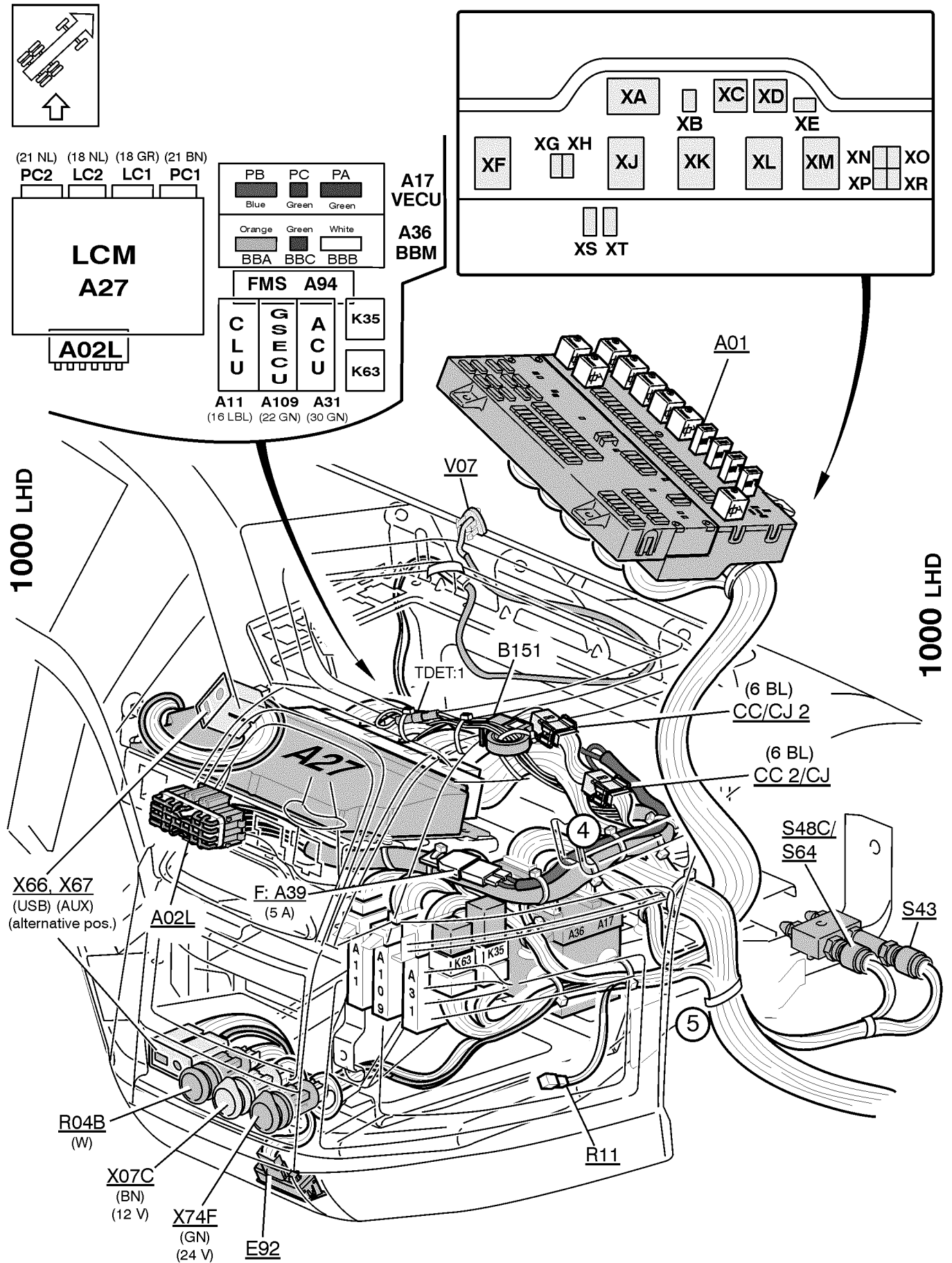


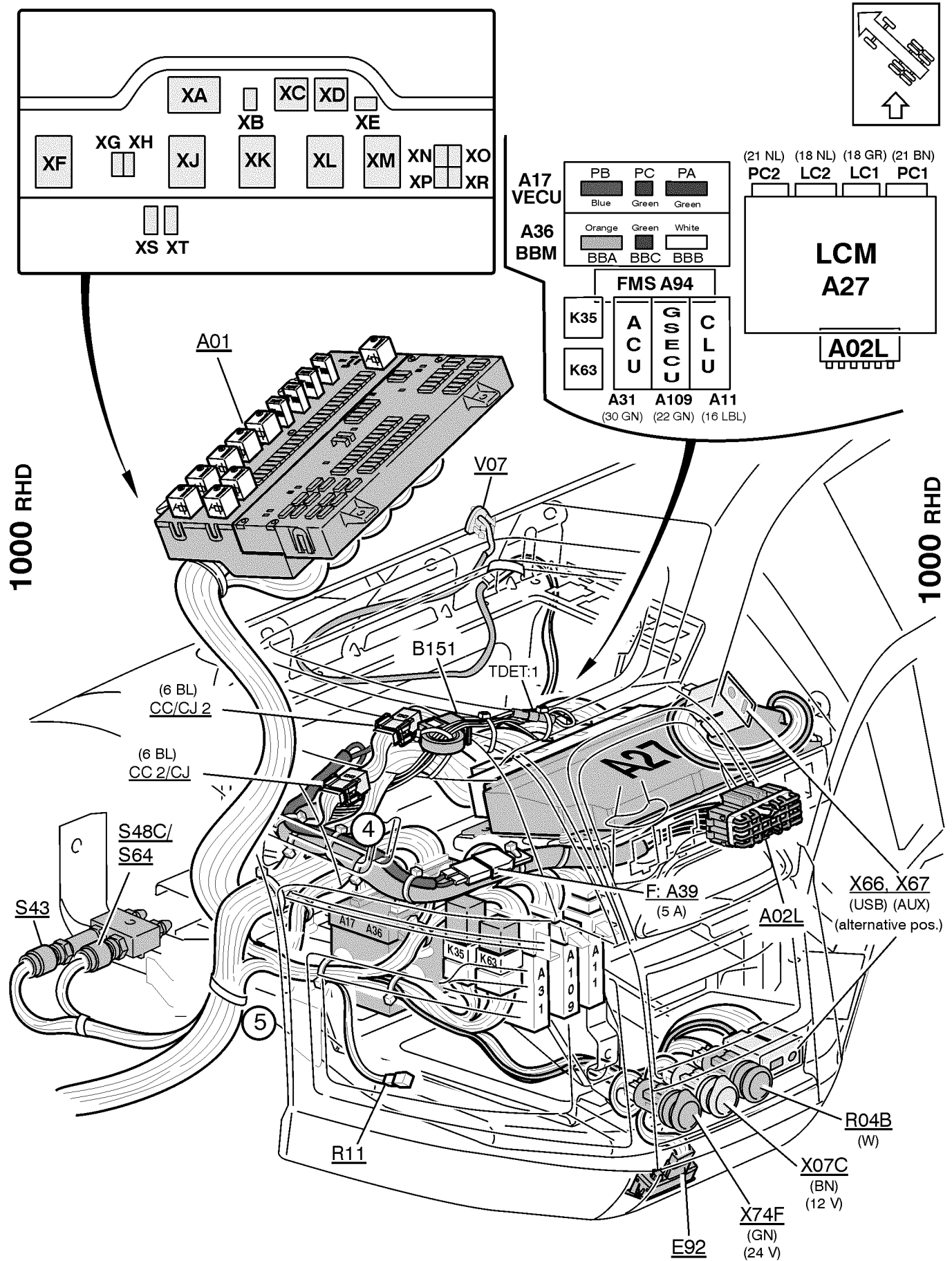


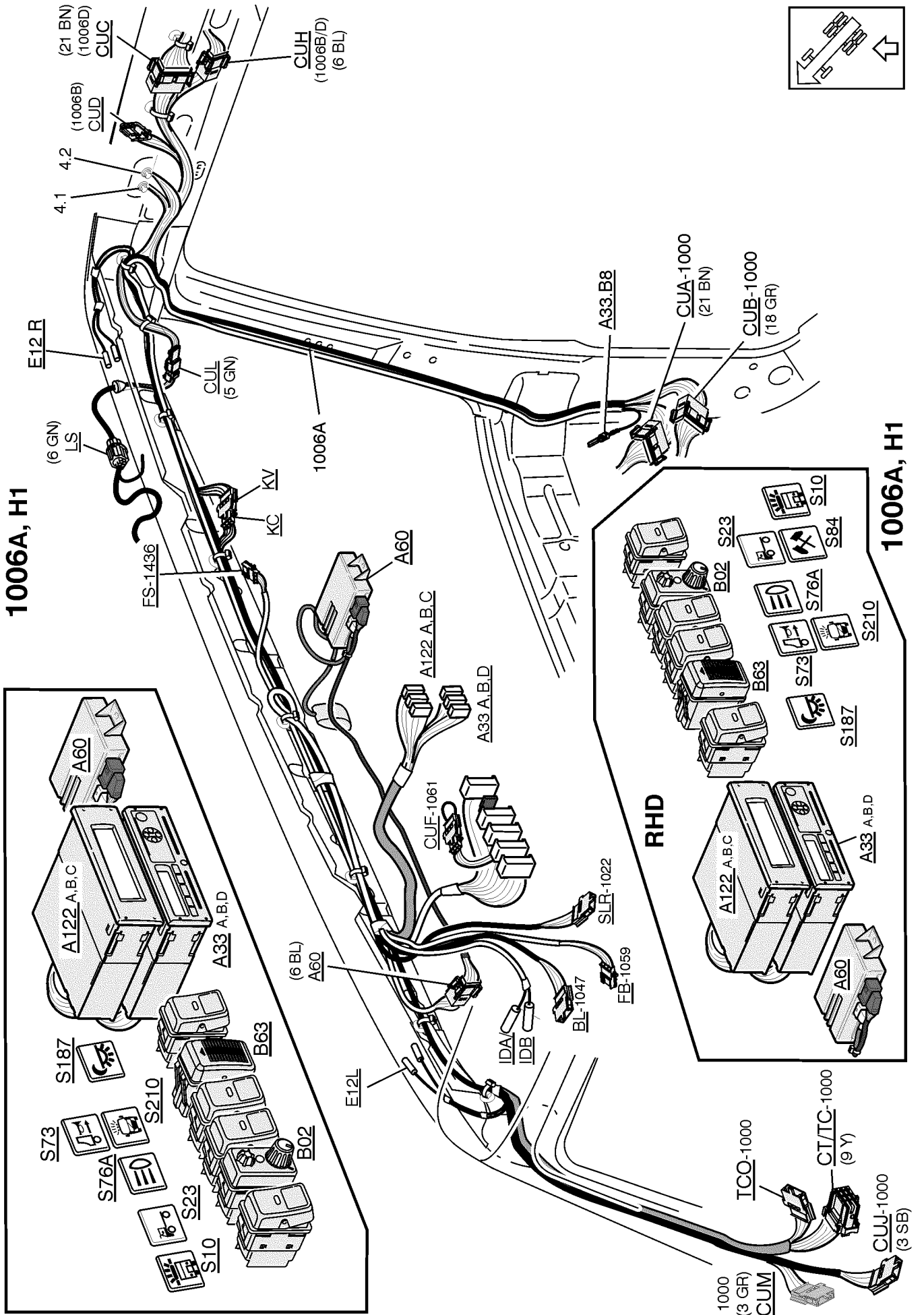


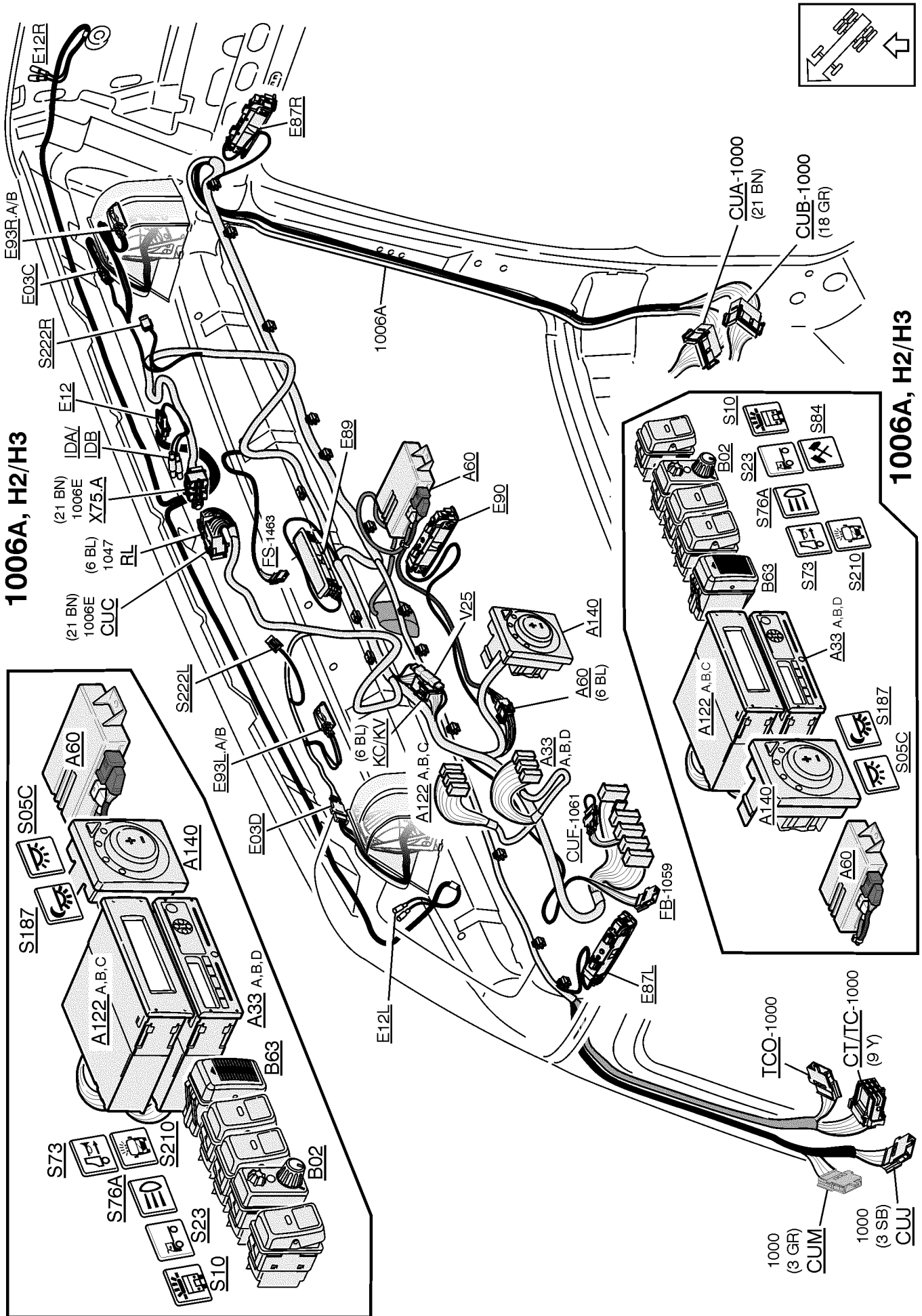
1000 RHD

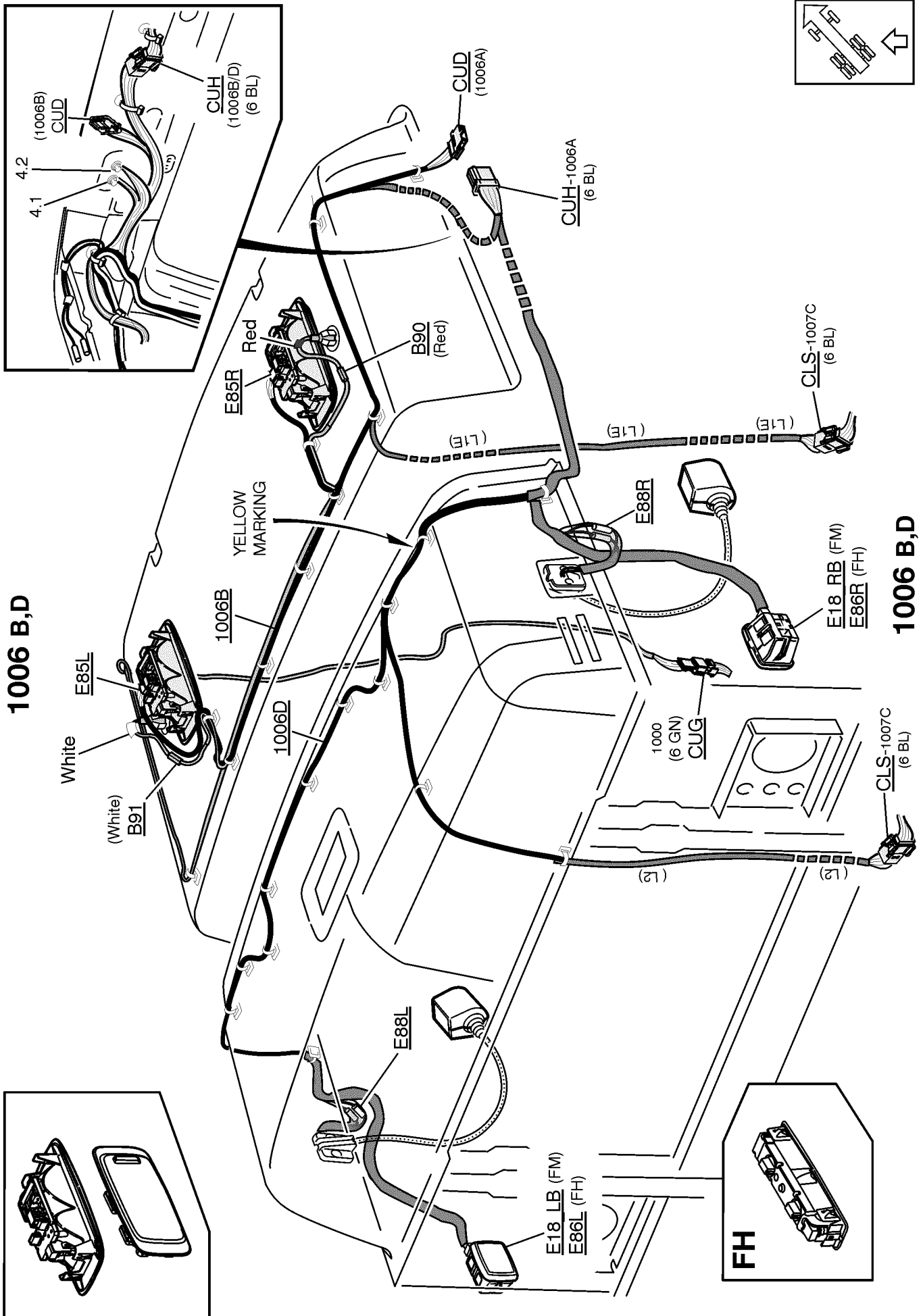
1000 RHD

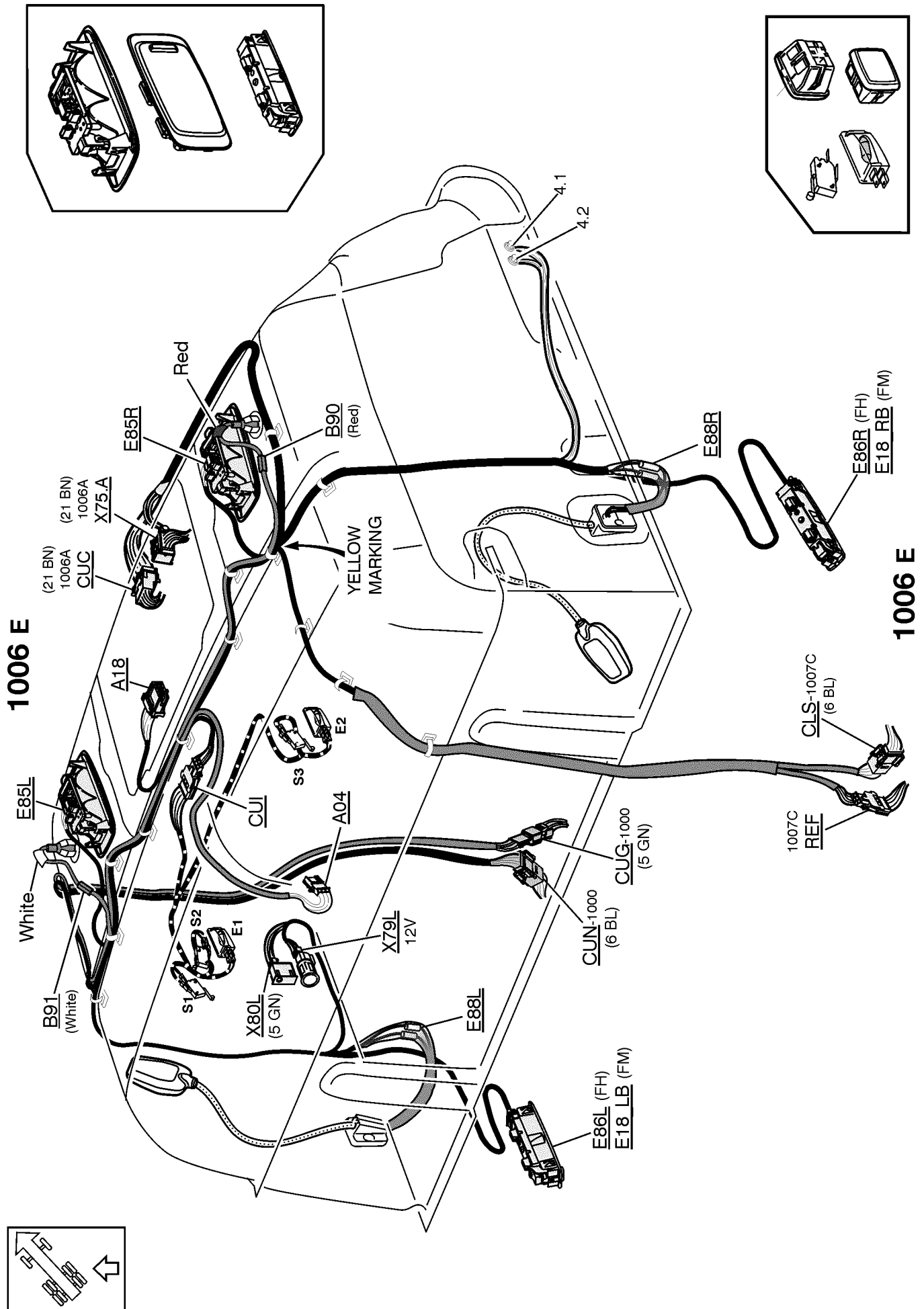


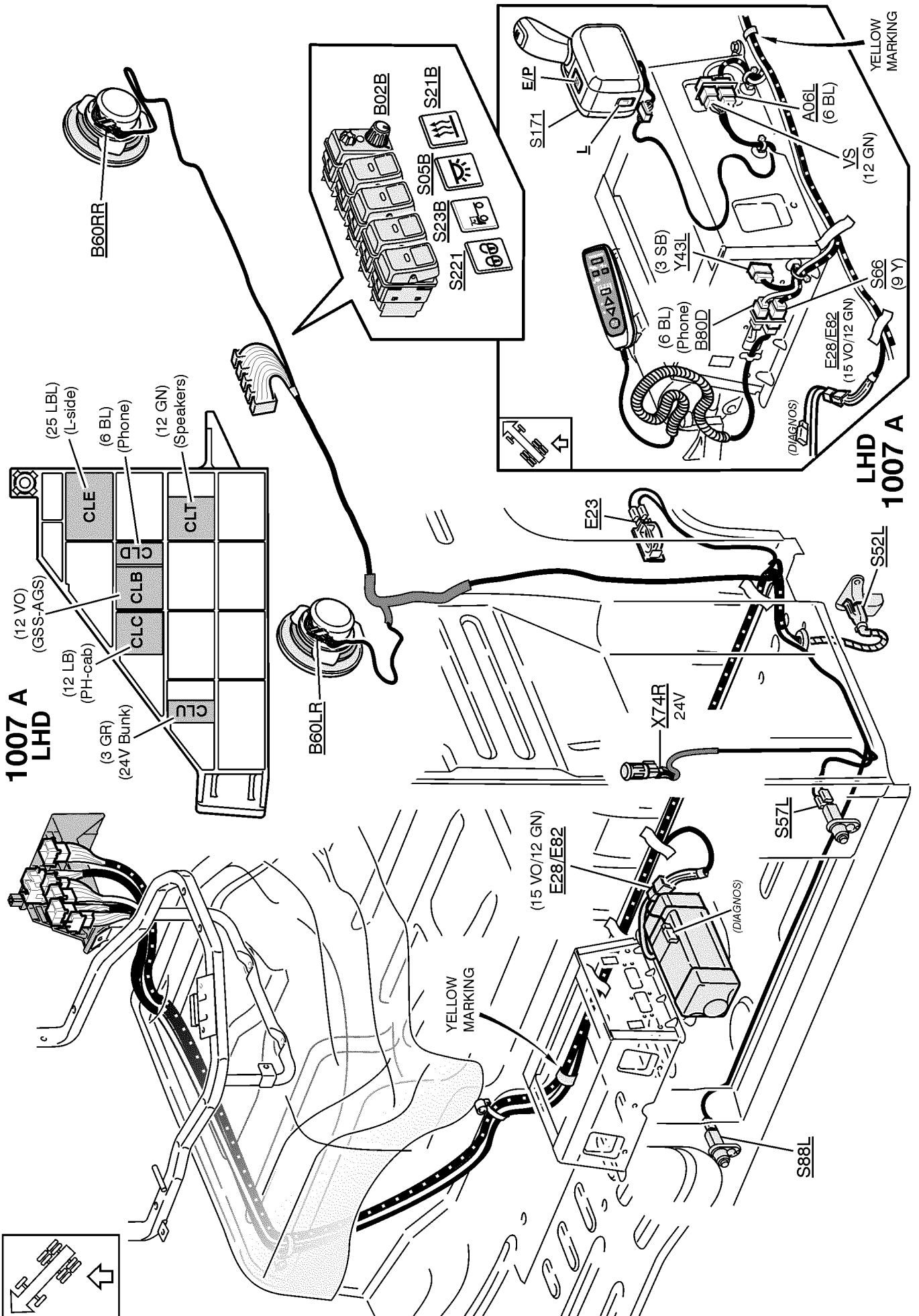


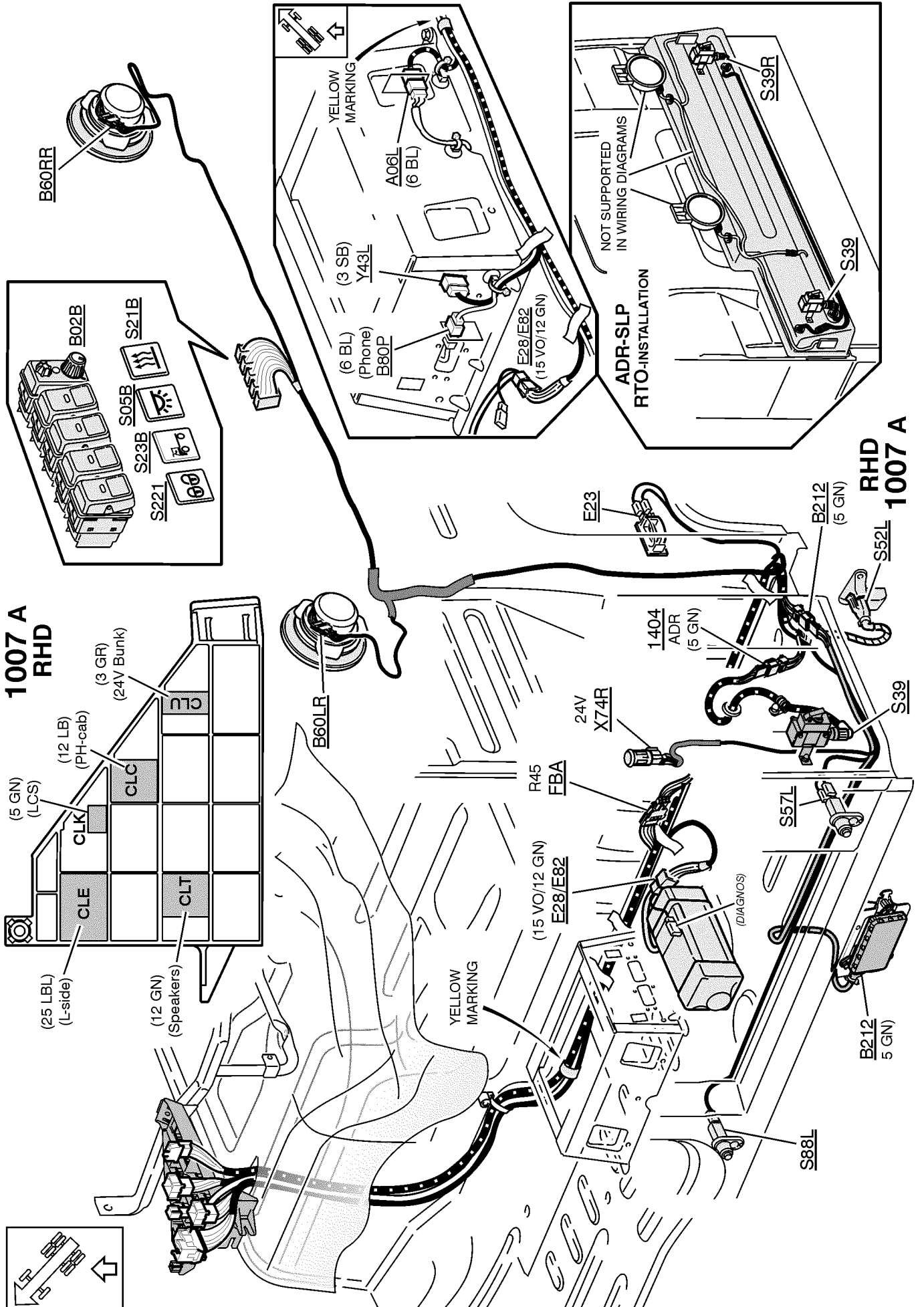


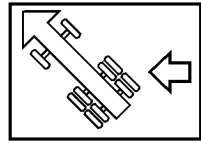




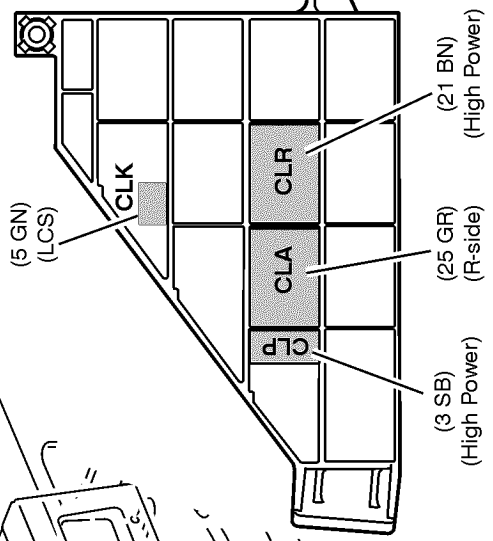
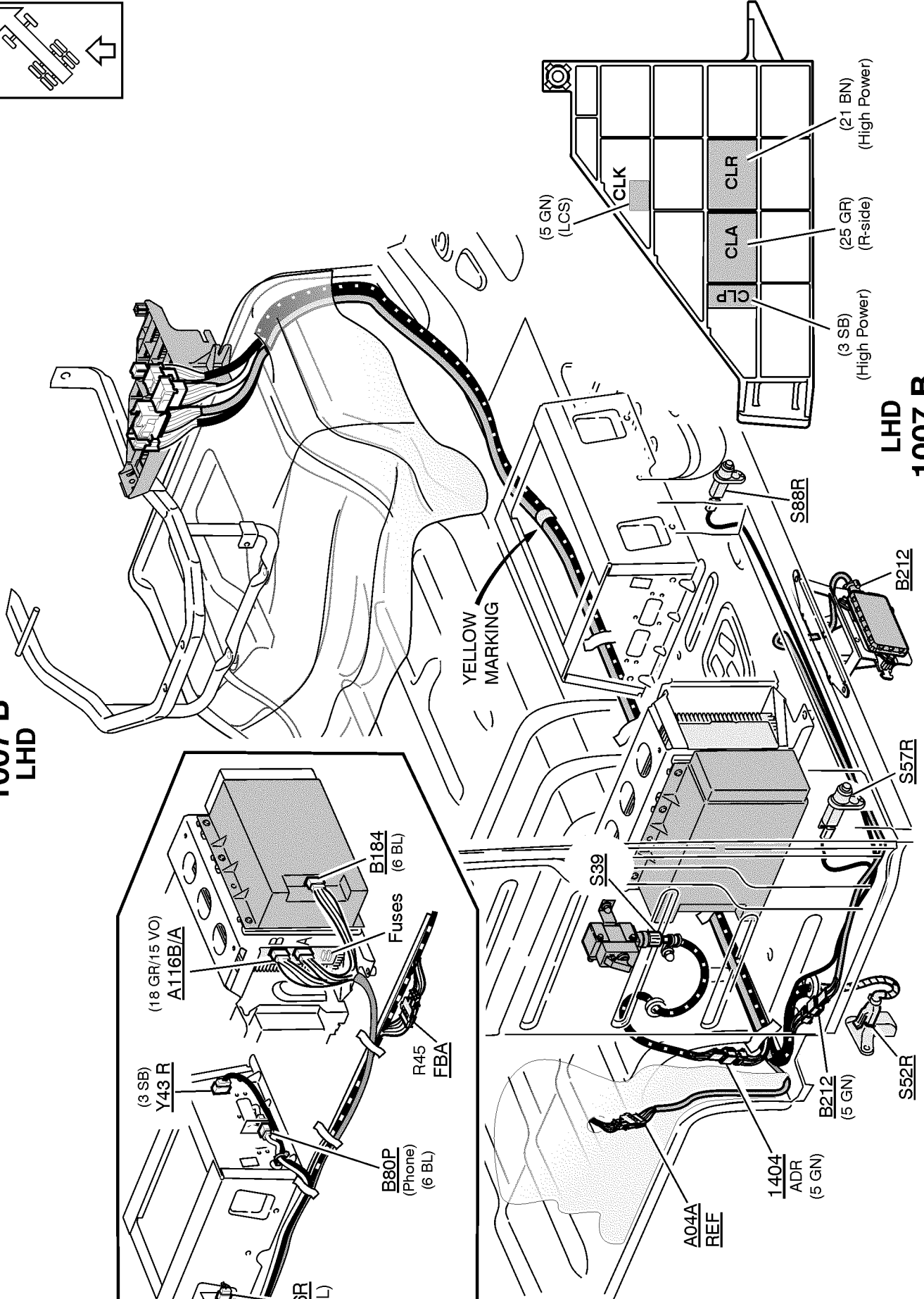
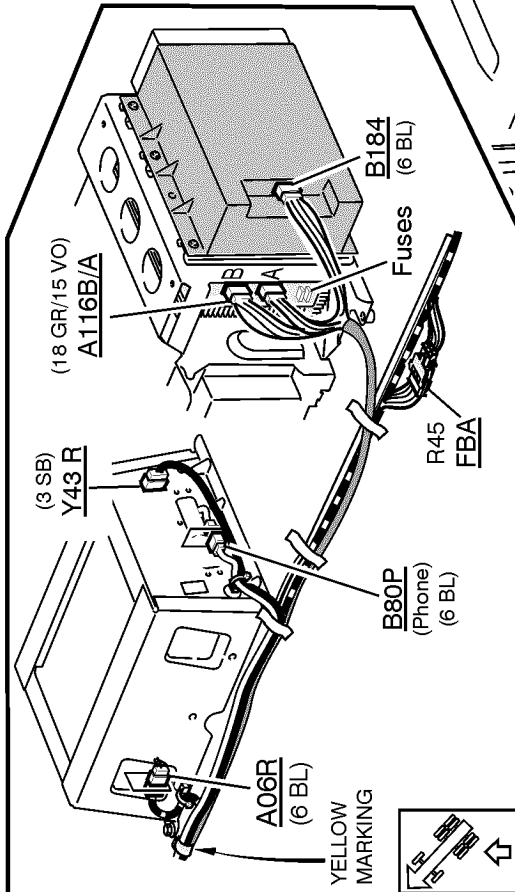




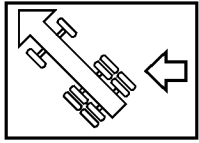




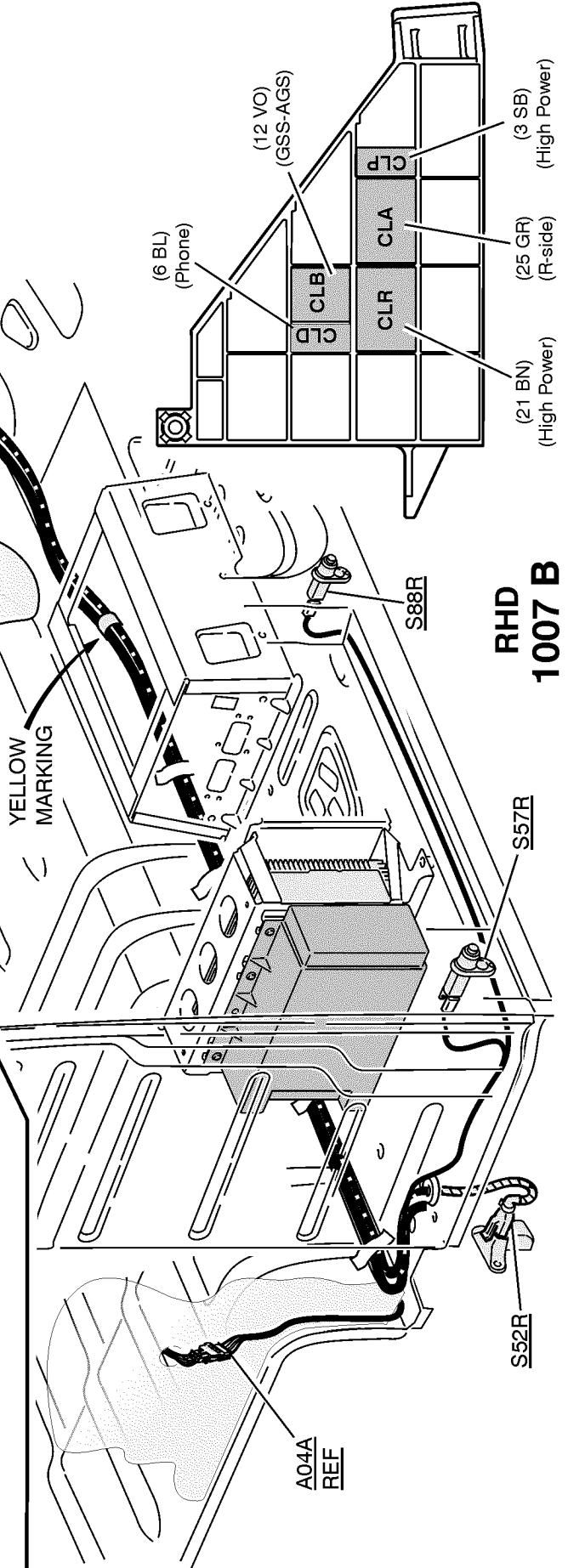
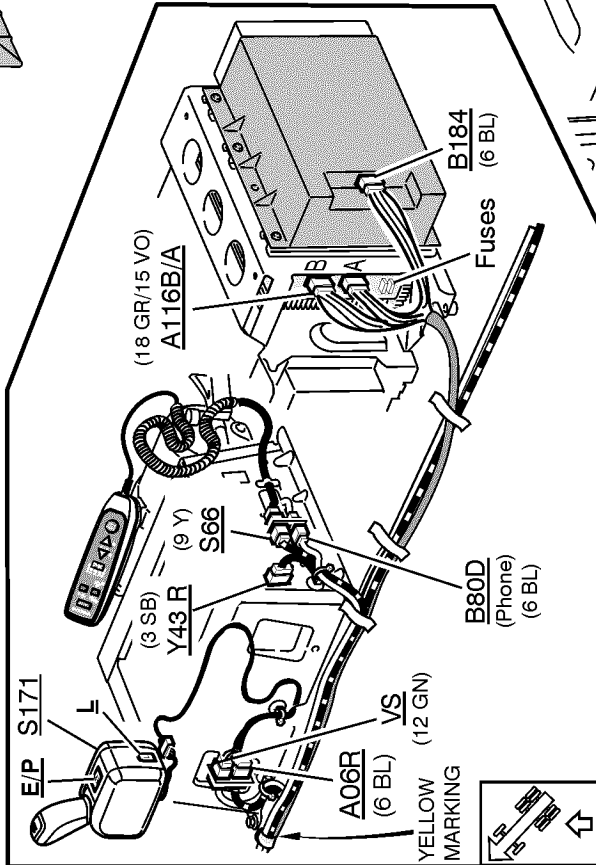
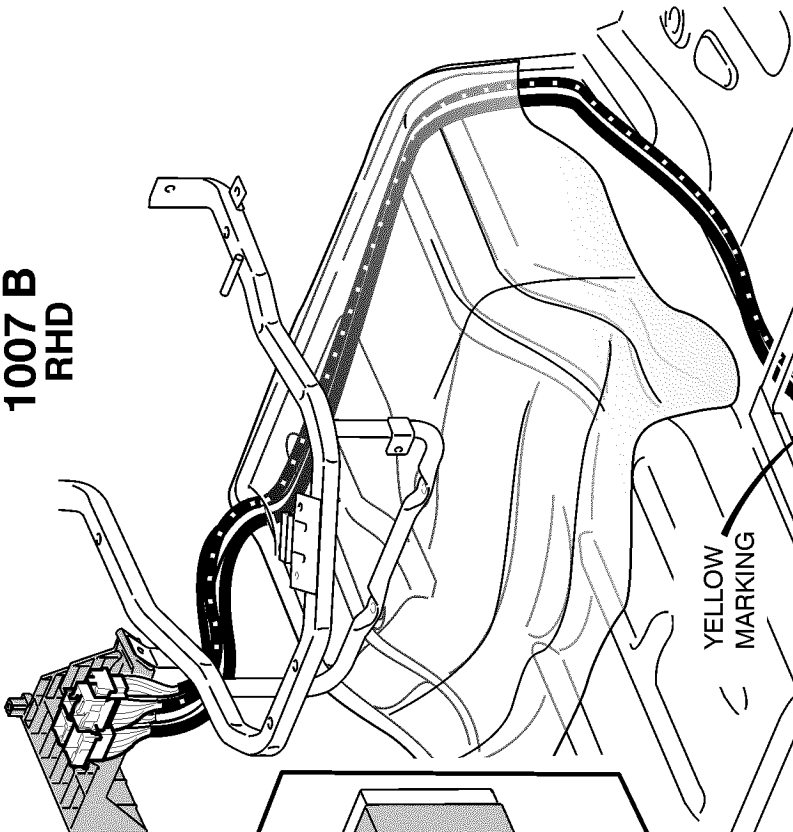
**1007 B
LHD**



**LHD
1007 B**

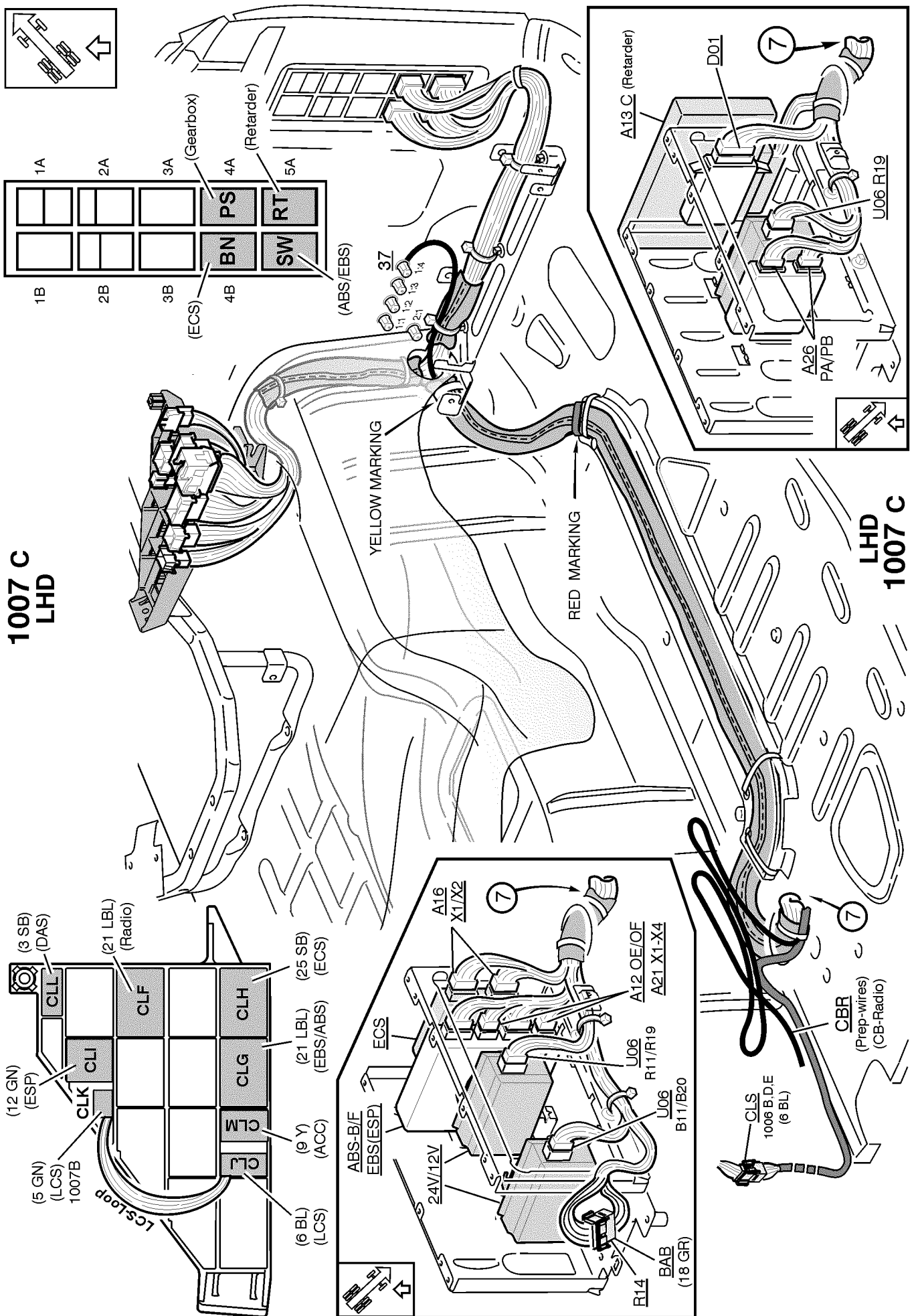


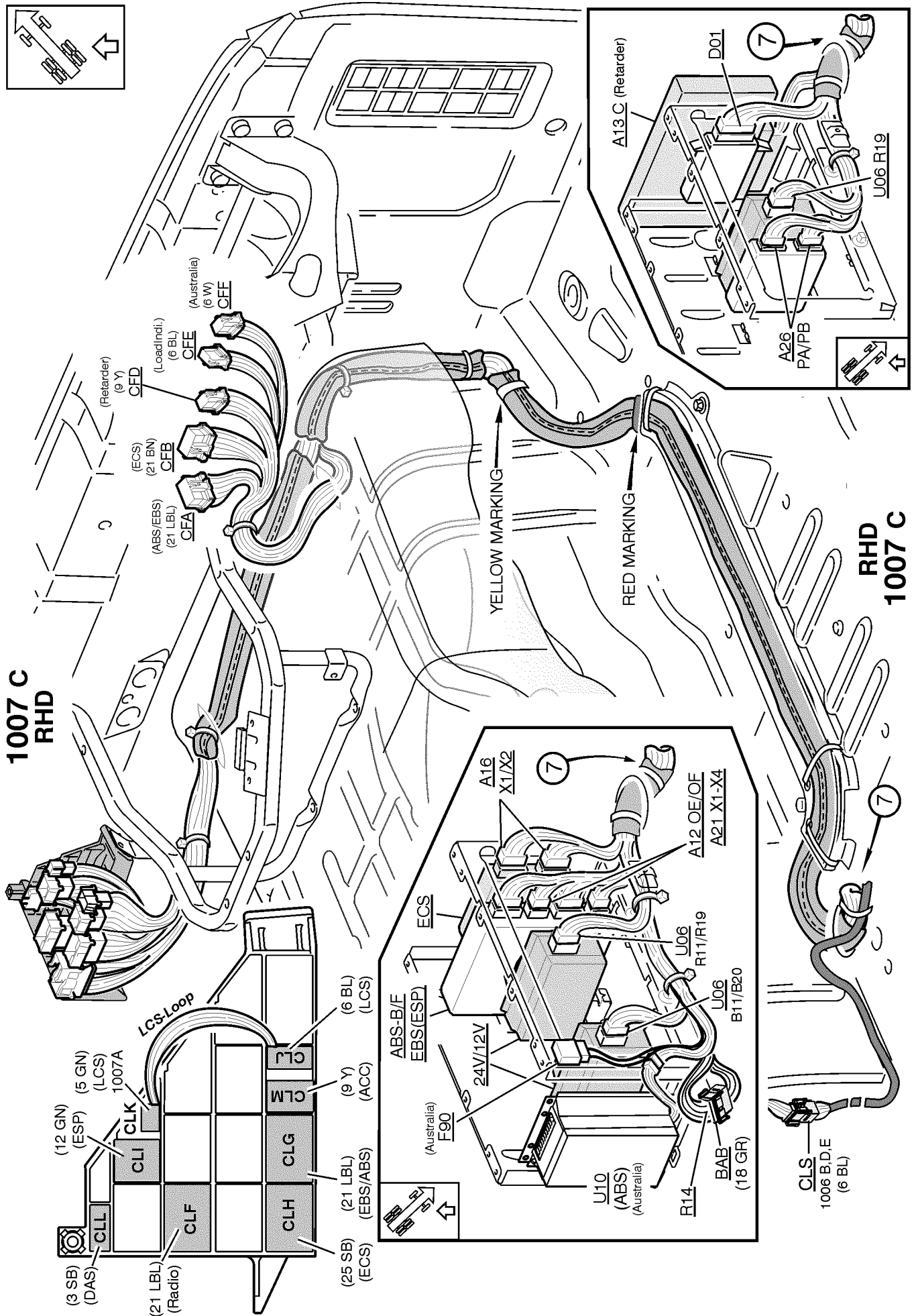
1007 B
RHD

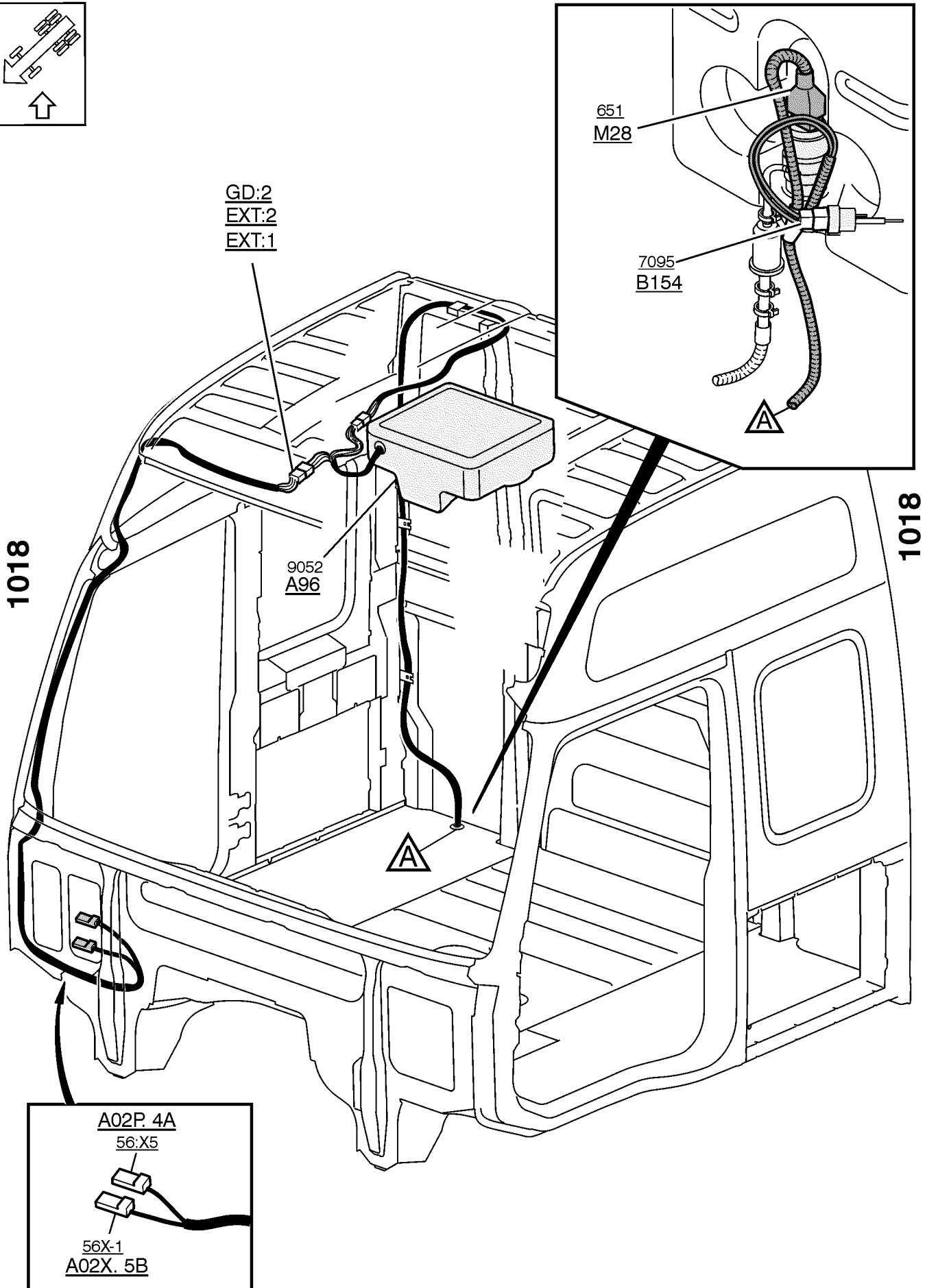
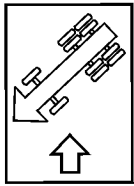


RHD
1007 B

1007 C
LHD

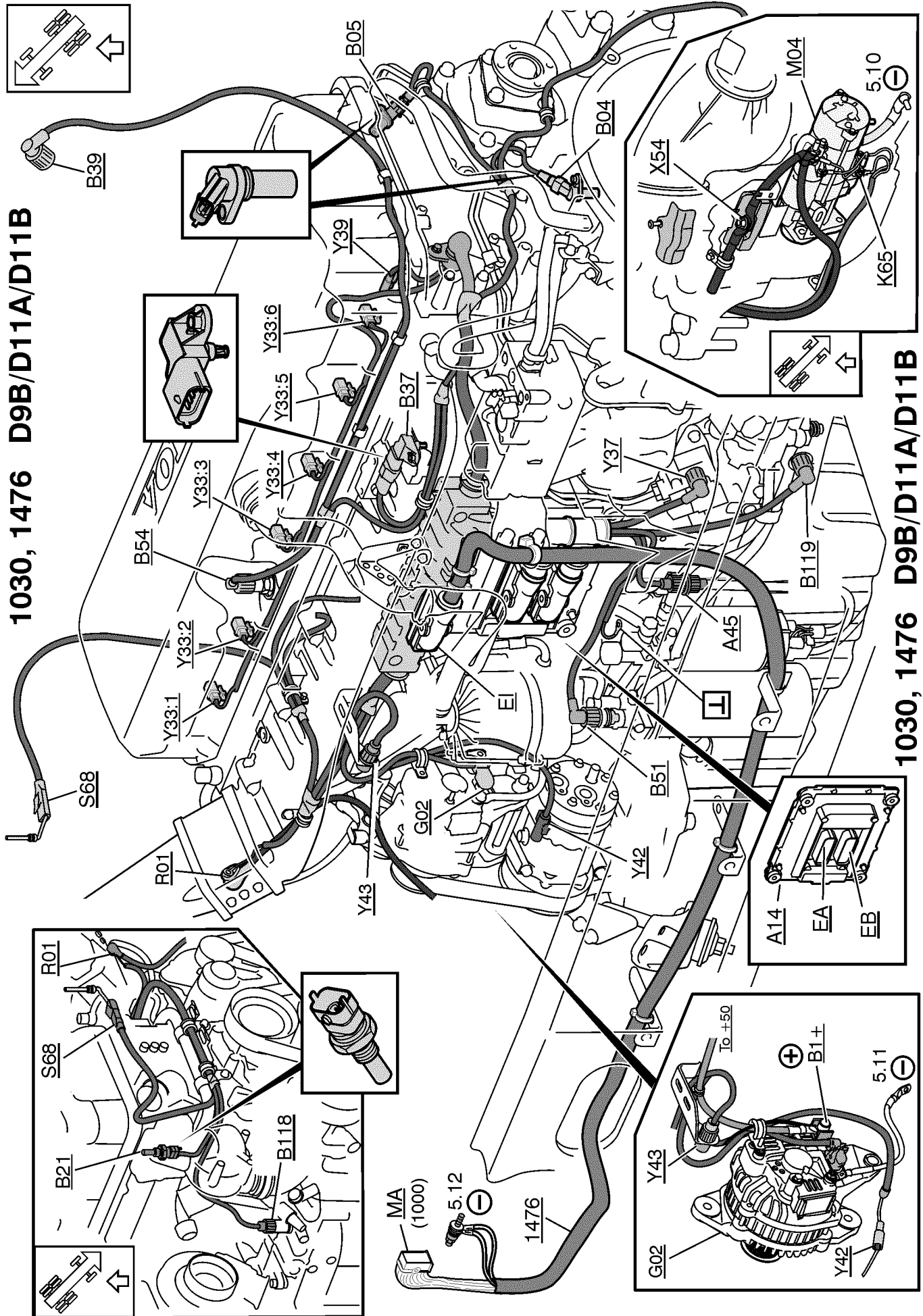


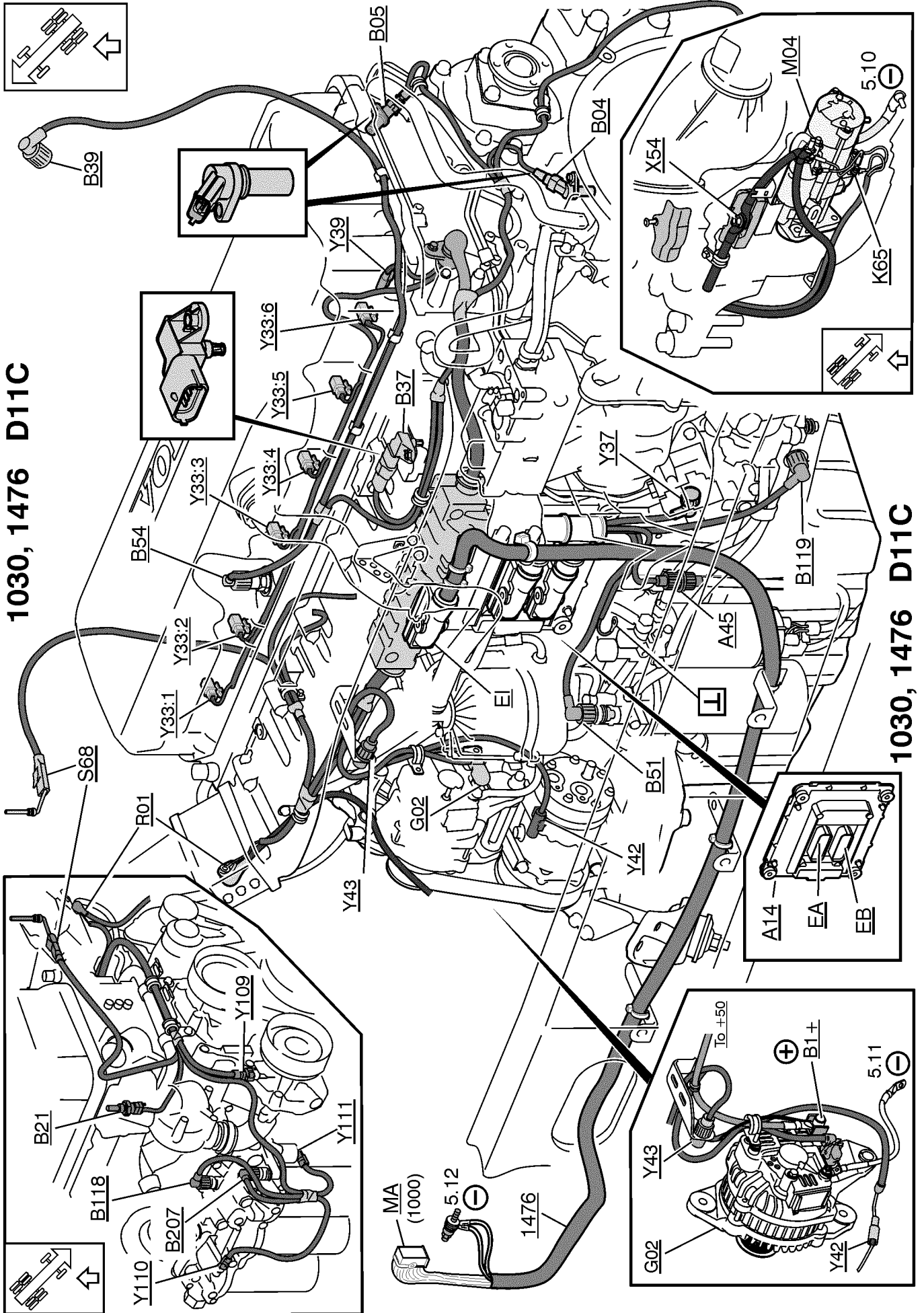


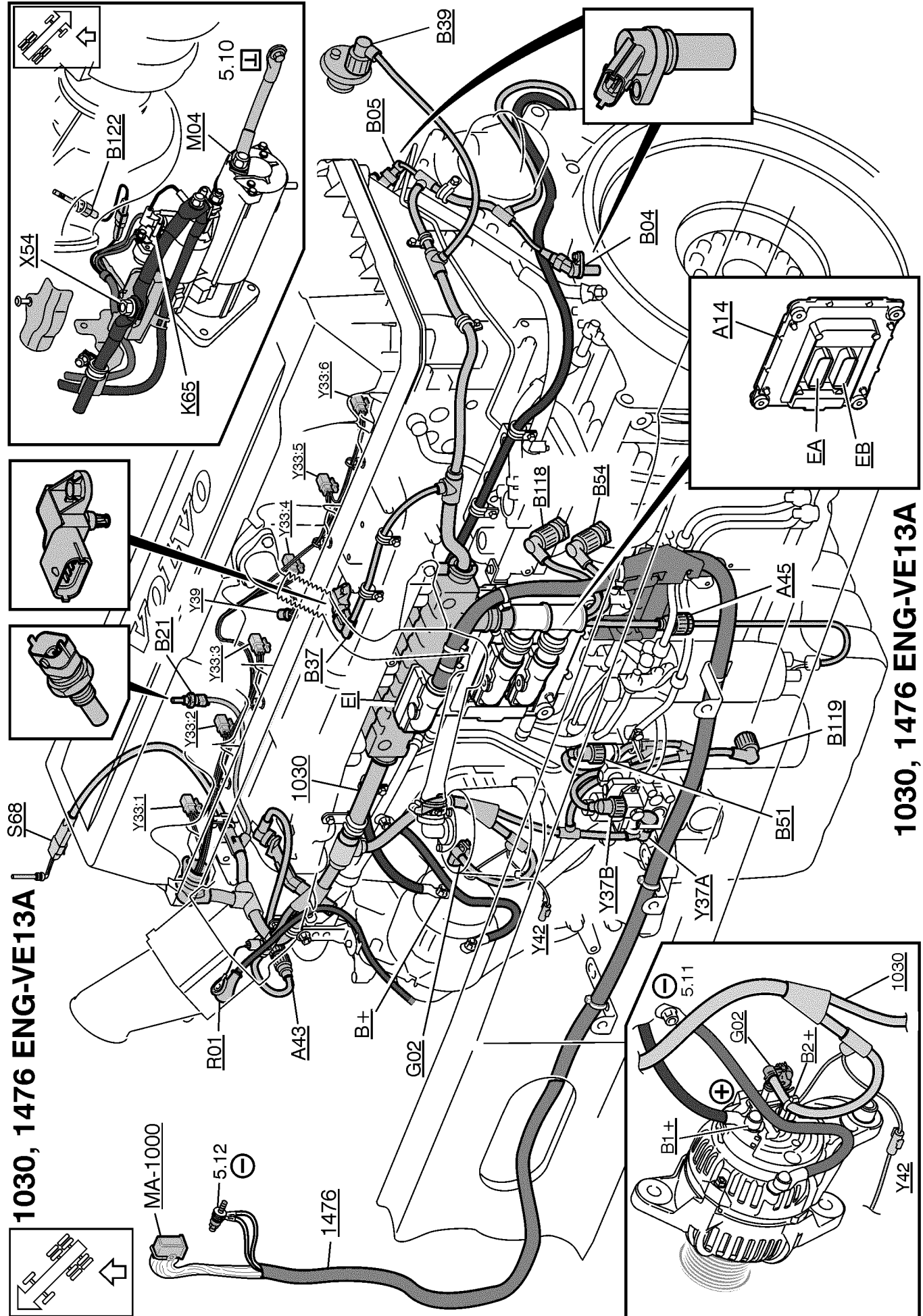


1030, 1476 D9B/D11A/D11B

1030, 1476 D9B/D11A/D11B

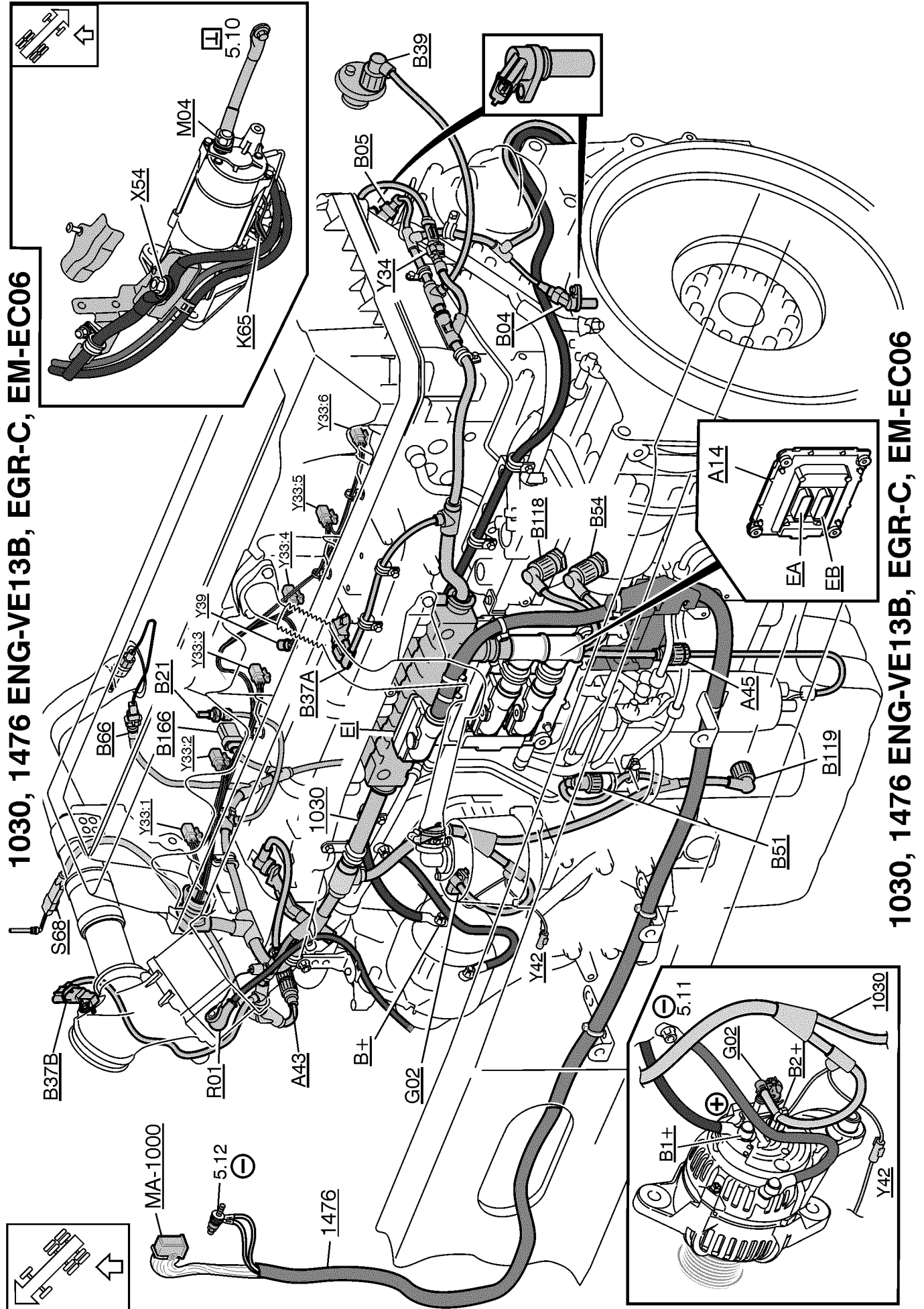






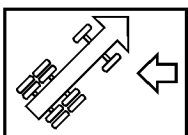
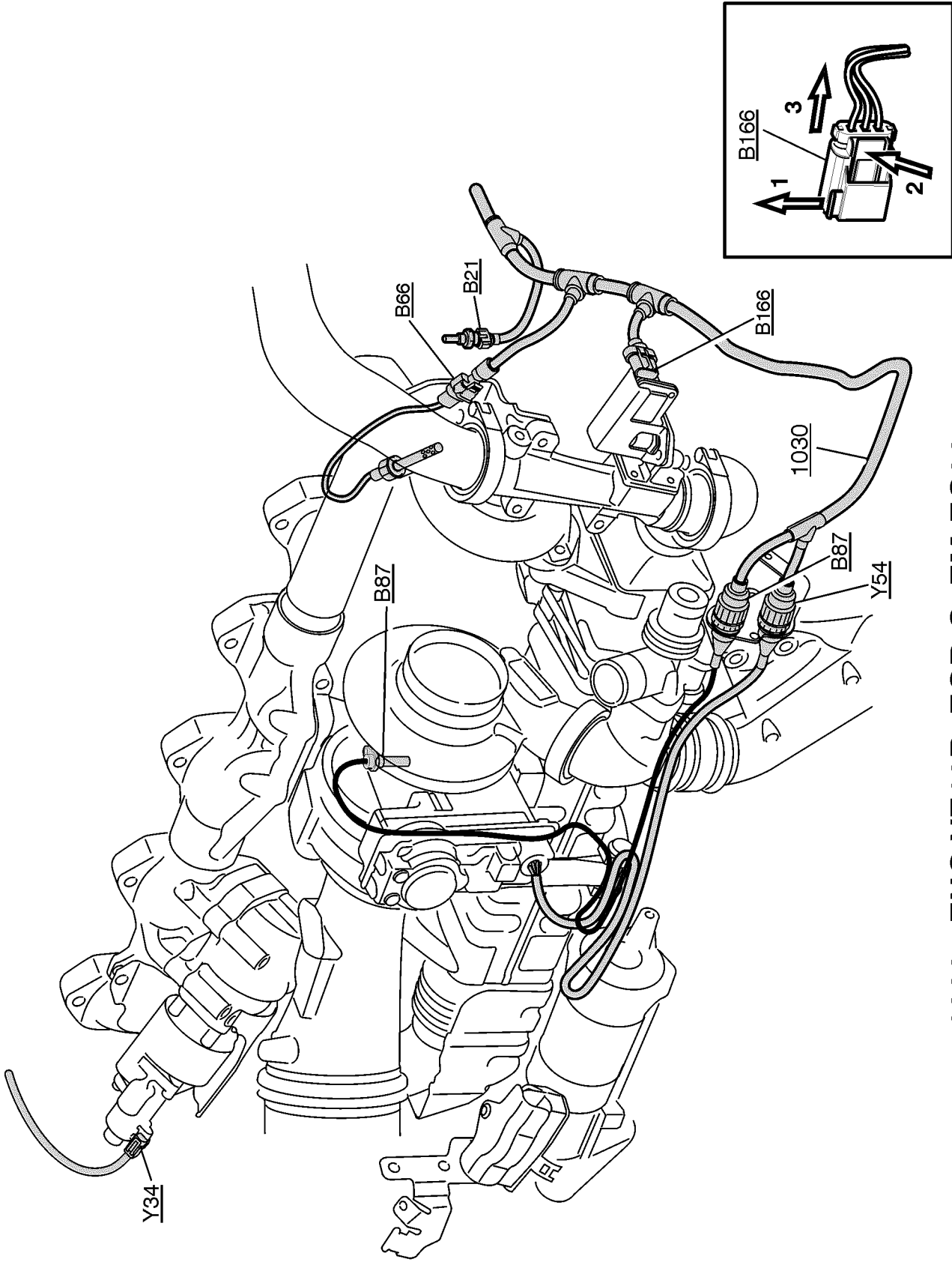
1030, 1476 ENG-VE13A

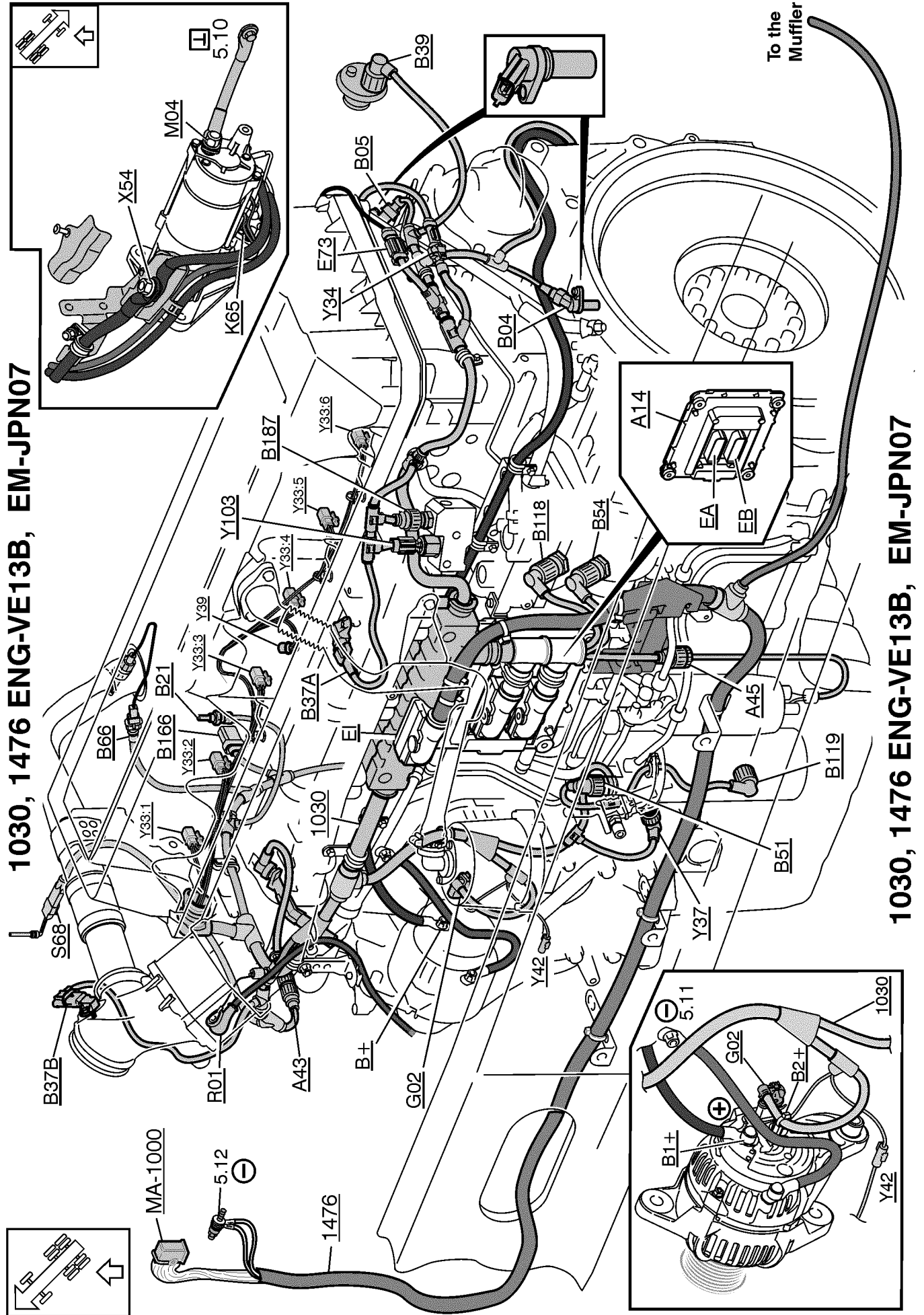
1030, 1476 ENG-VE13A



1030 ENG-VE13B, EGR-C, EM-EC06

1030 ENG-VE13B, EGR-C, EM-EC06



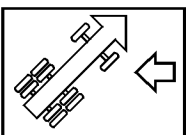
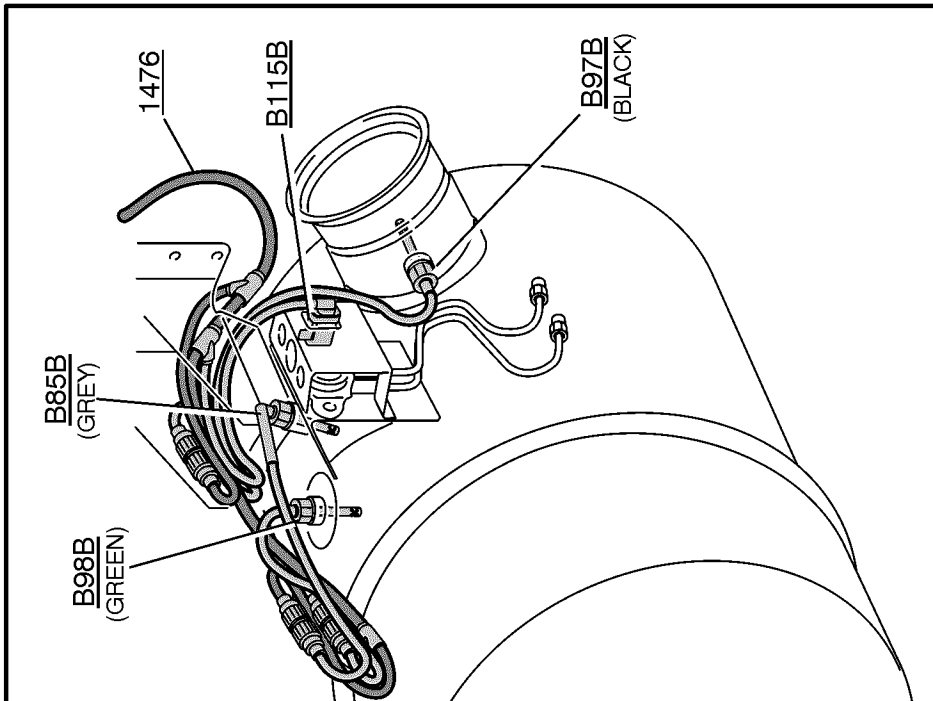
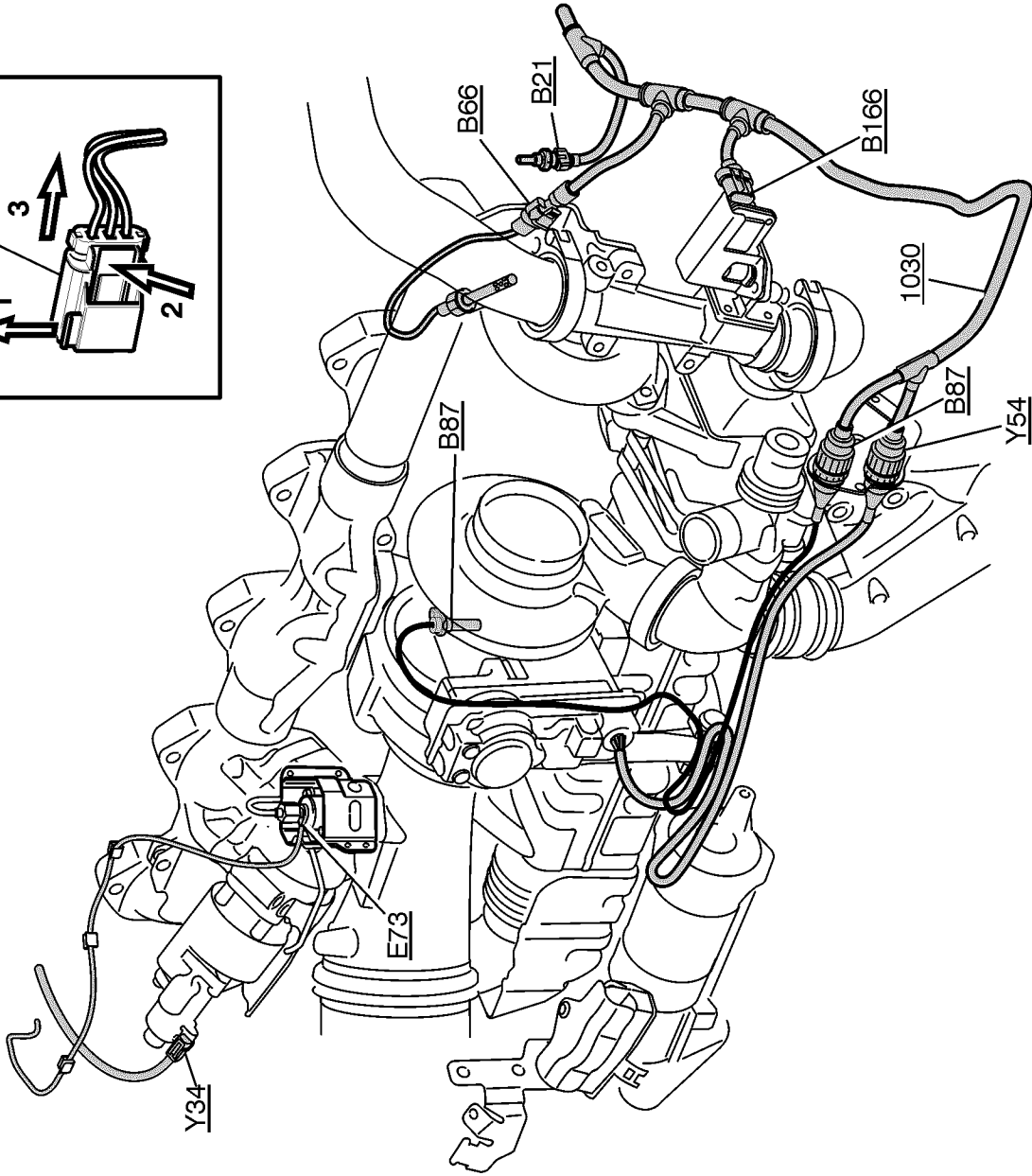
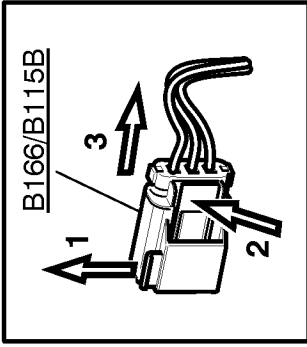


1030, 1476 ENG-VE13B, EM-JPN07

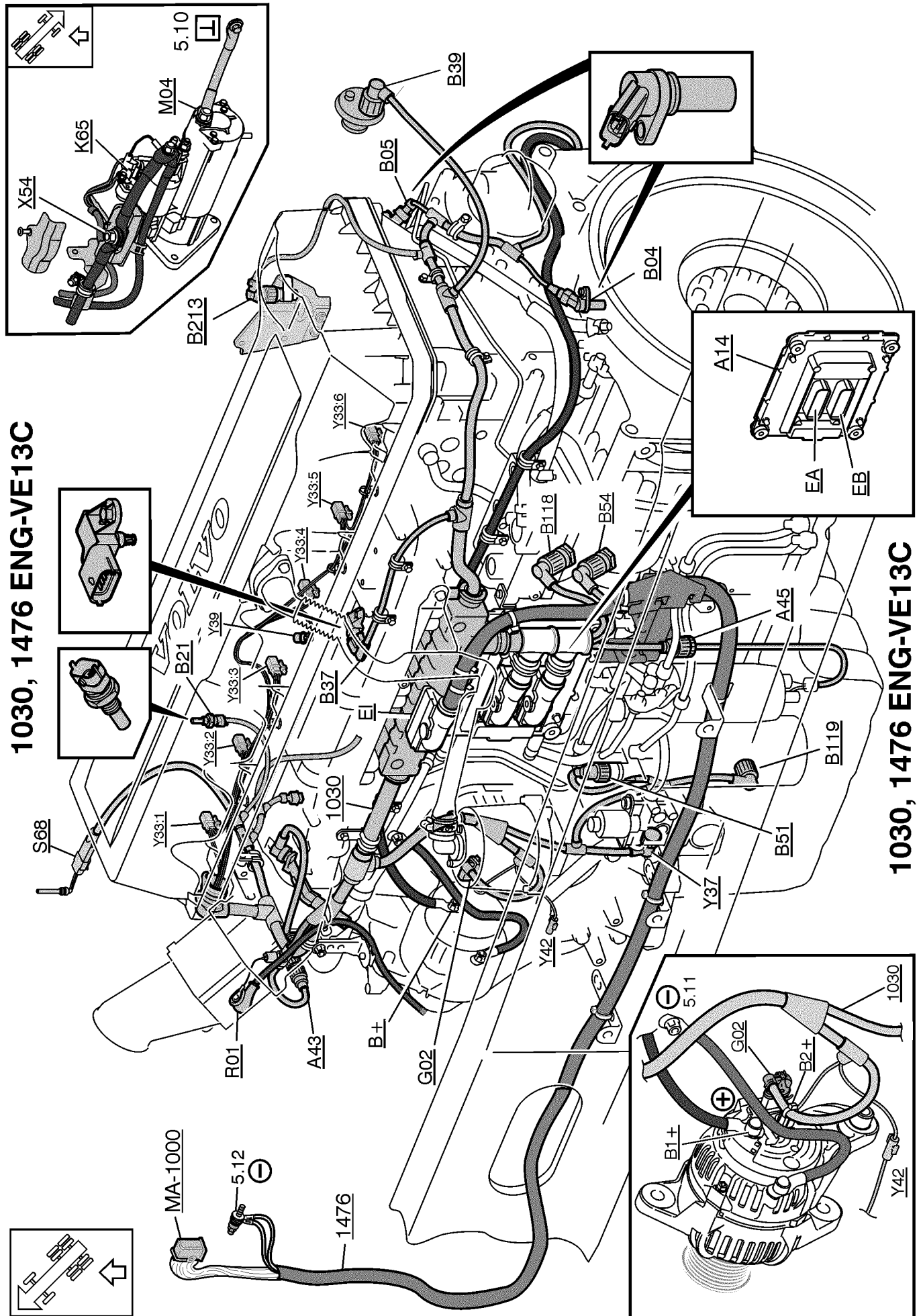
1030, 1476 ENG-VE13B, EM-JPN07

1030, 1476 ENG-VE13B, EM-JPN07

1030, 1476 ENG-VE13B, EM-JPN07

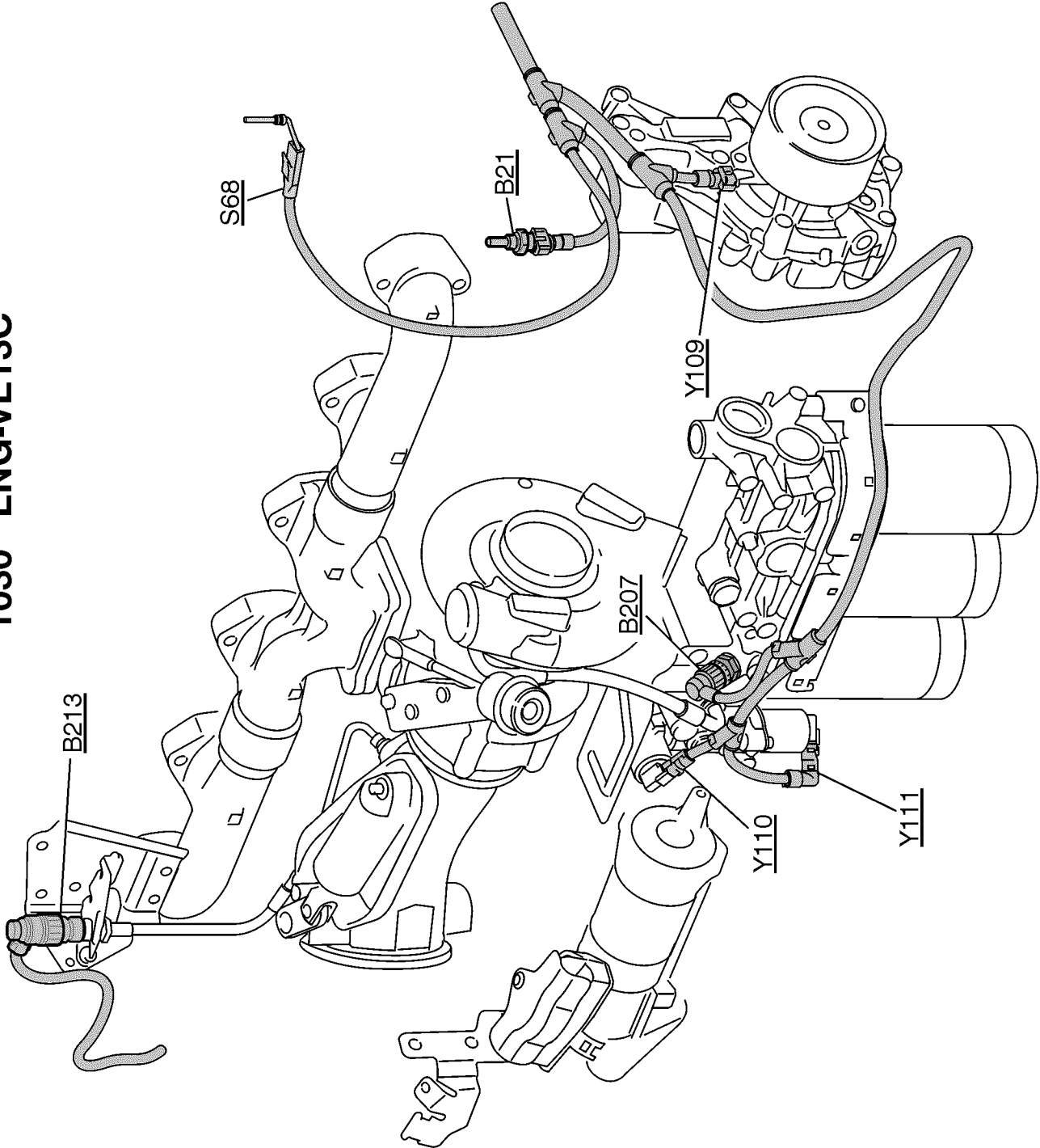


1030, 1476 ENG-VE13C

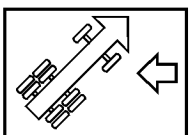


1030, 1476 ENG-VE13C

1030 ENG-VE13C

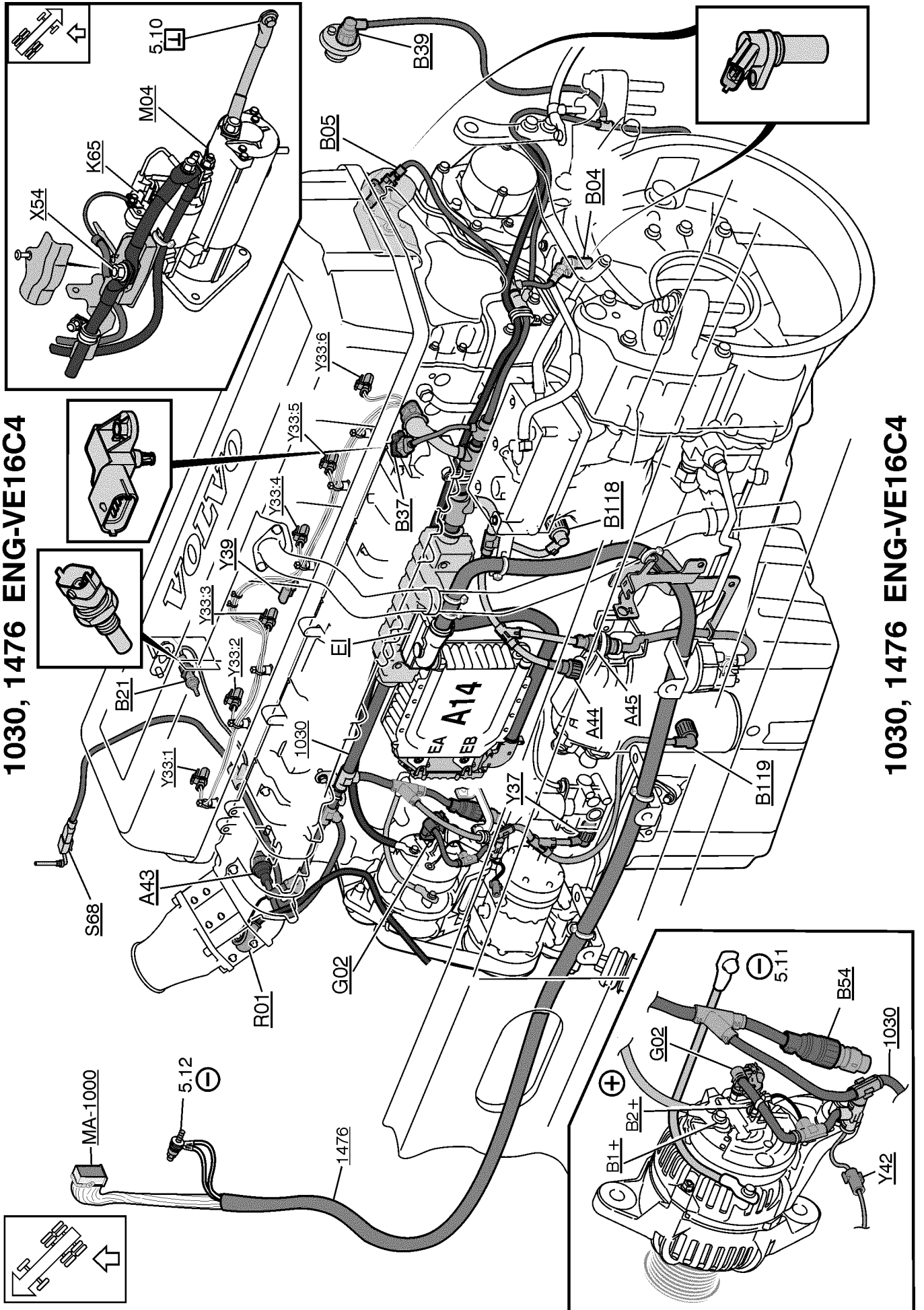


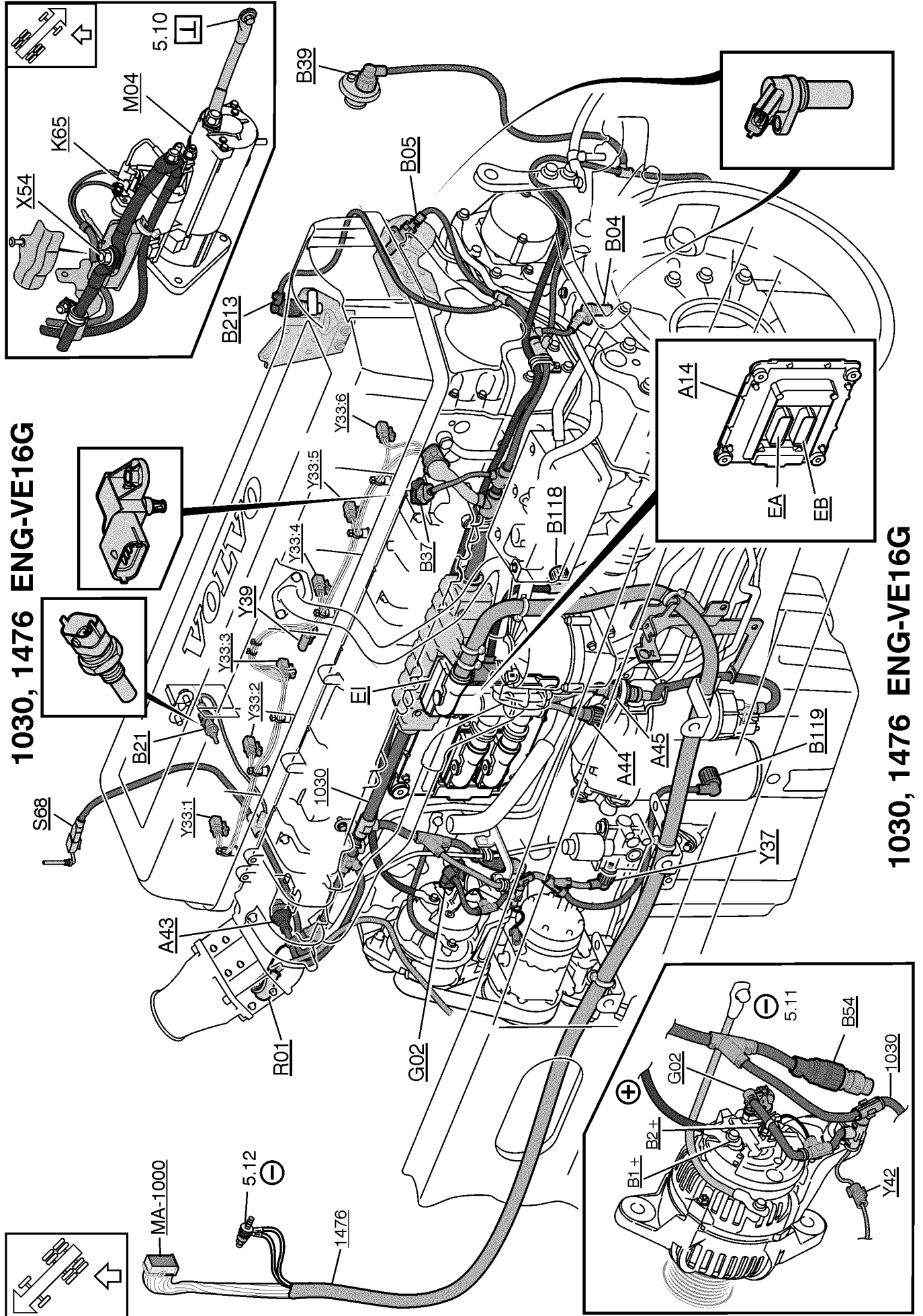
1030 ENG-VE13C



1030, 1476 ENG-VE16C4

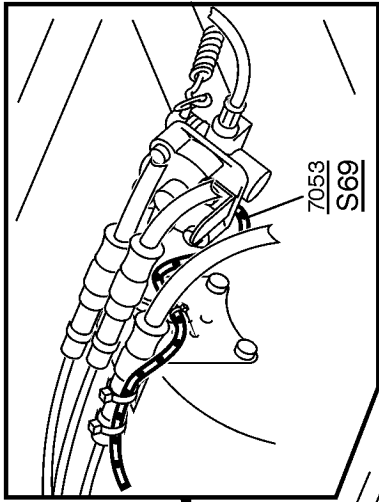
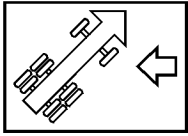
1030, 1476 ENG-VE16C4



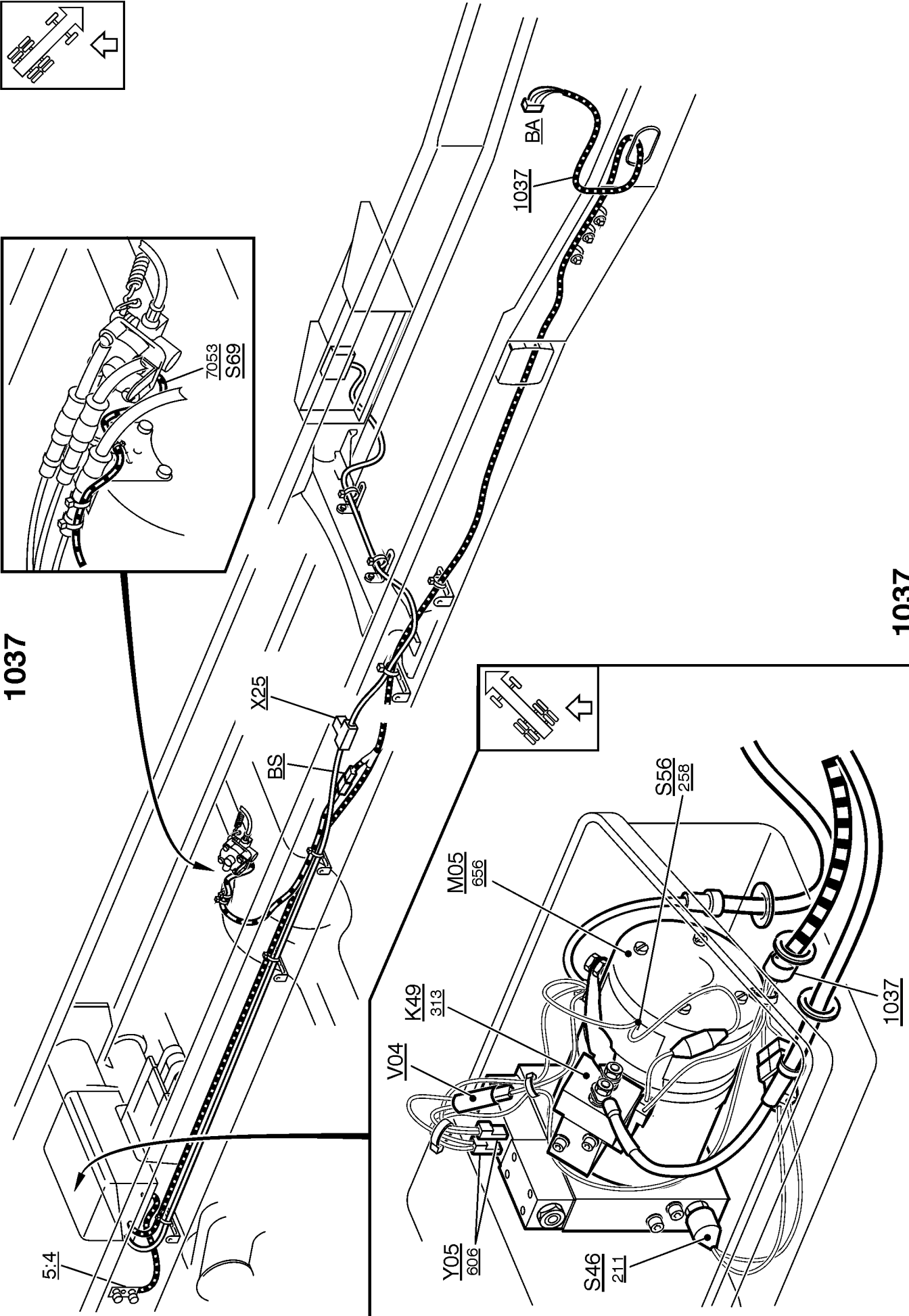


1030, 1476 ENG-VE16G

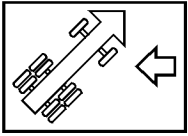
1030, 1476 ENG-VE16G



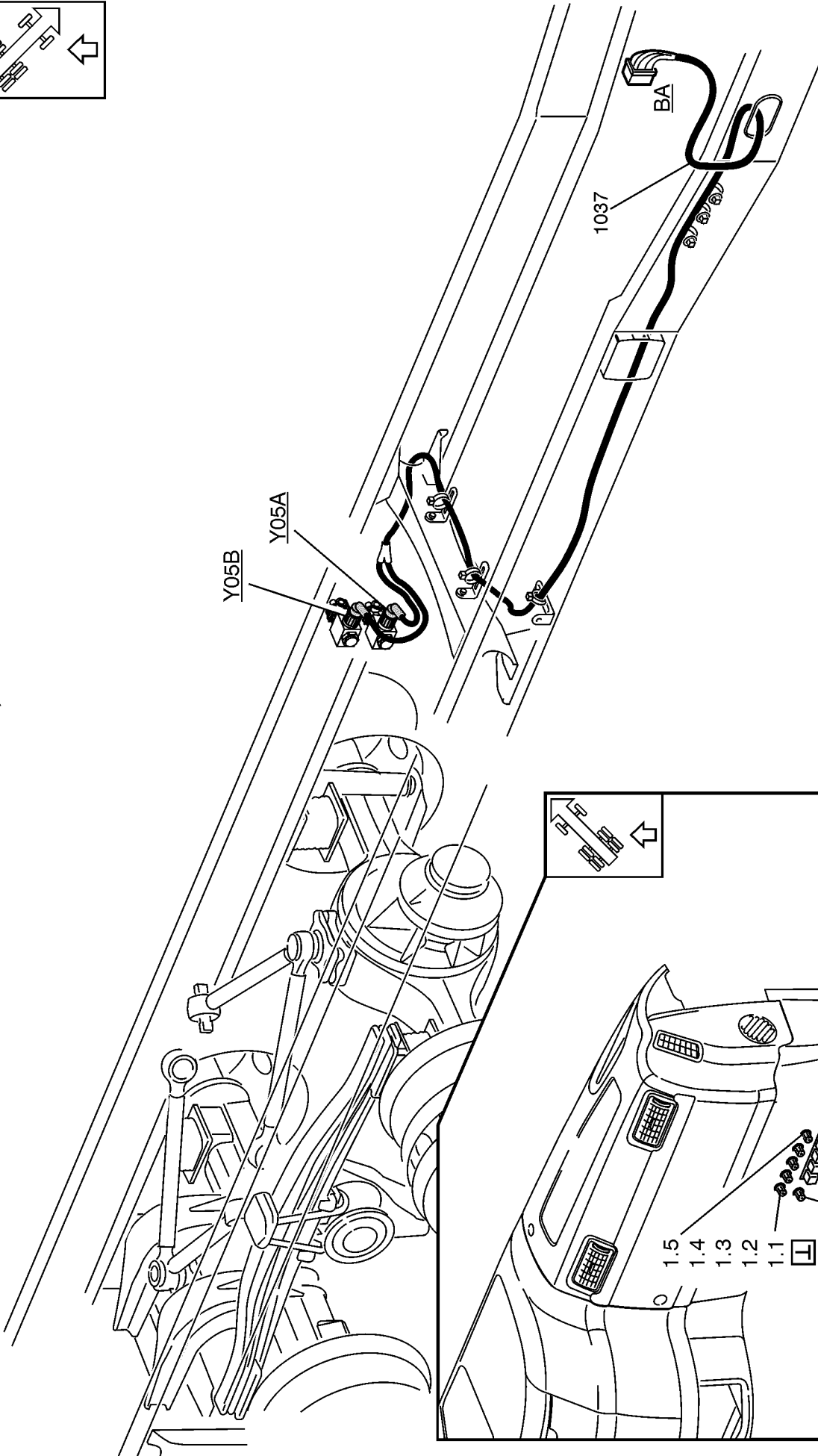
1037



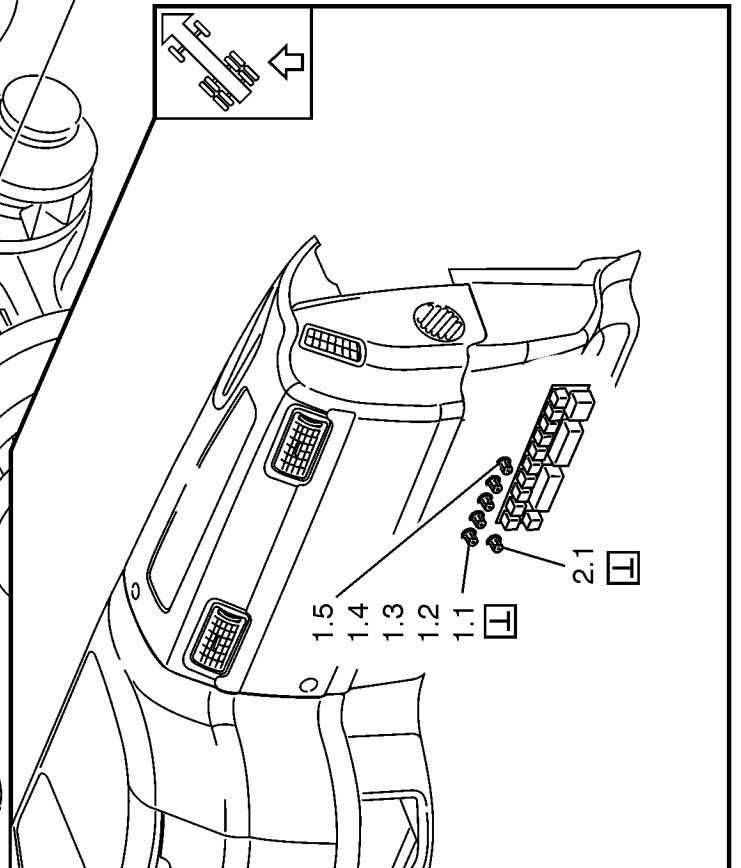
1037



1037, J-RIDE

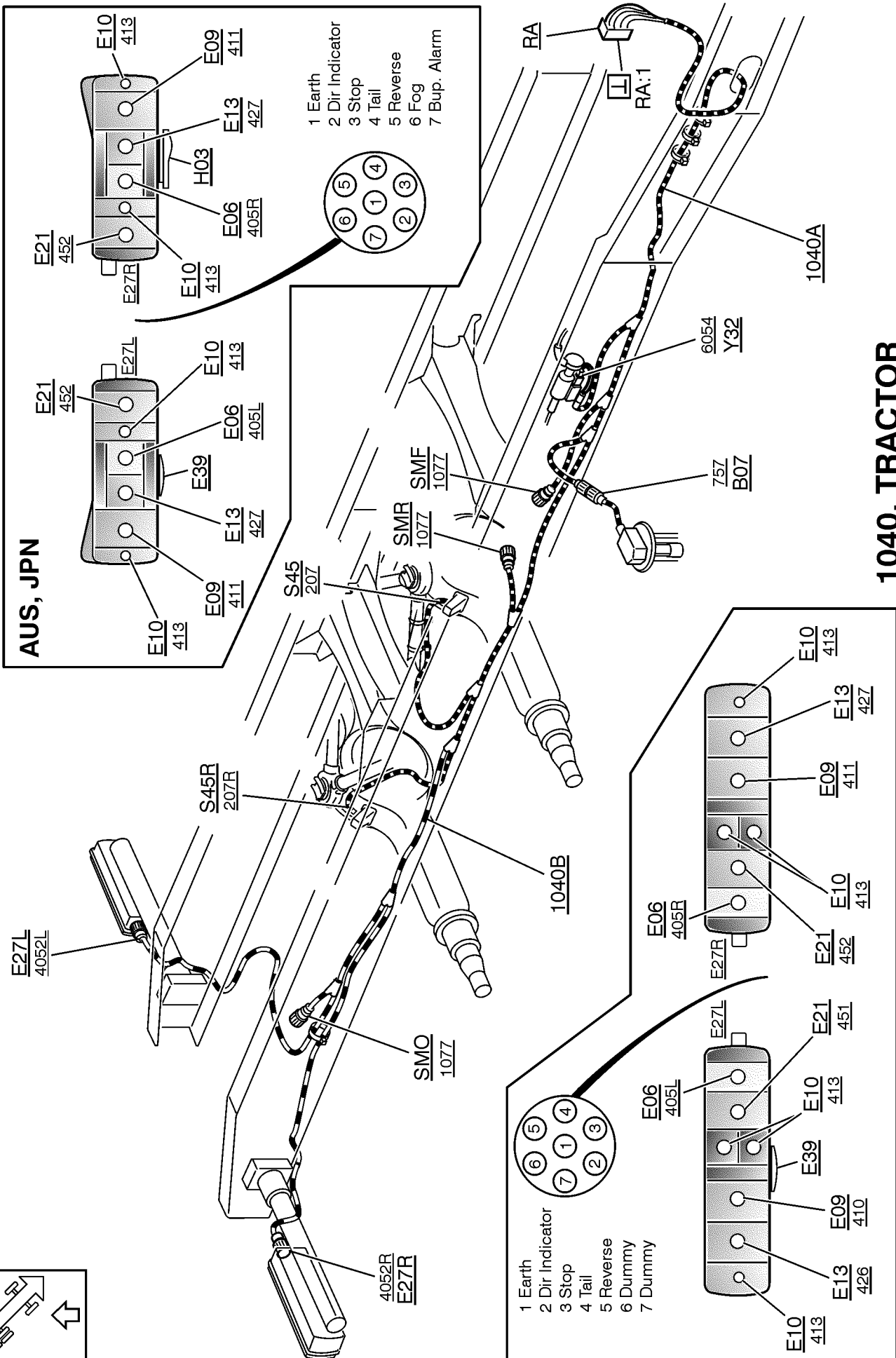
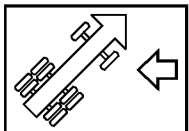


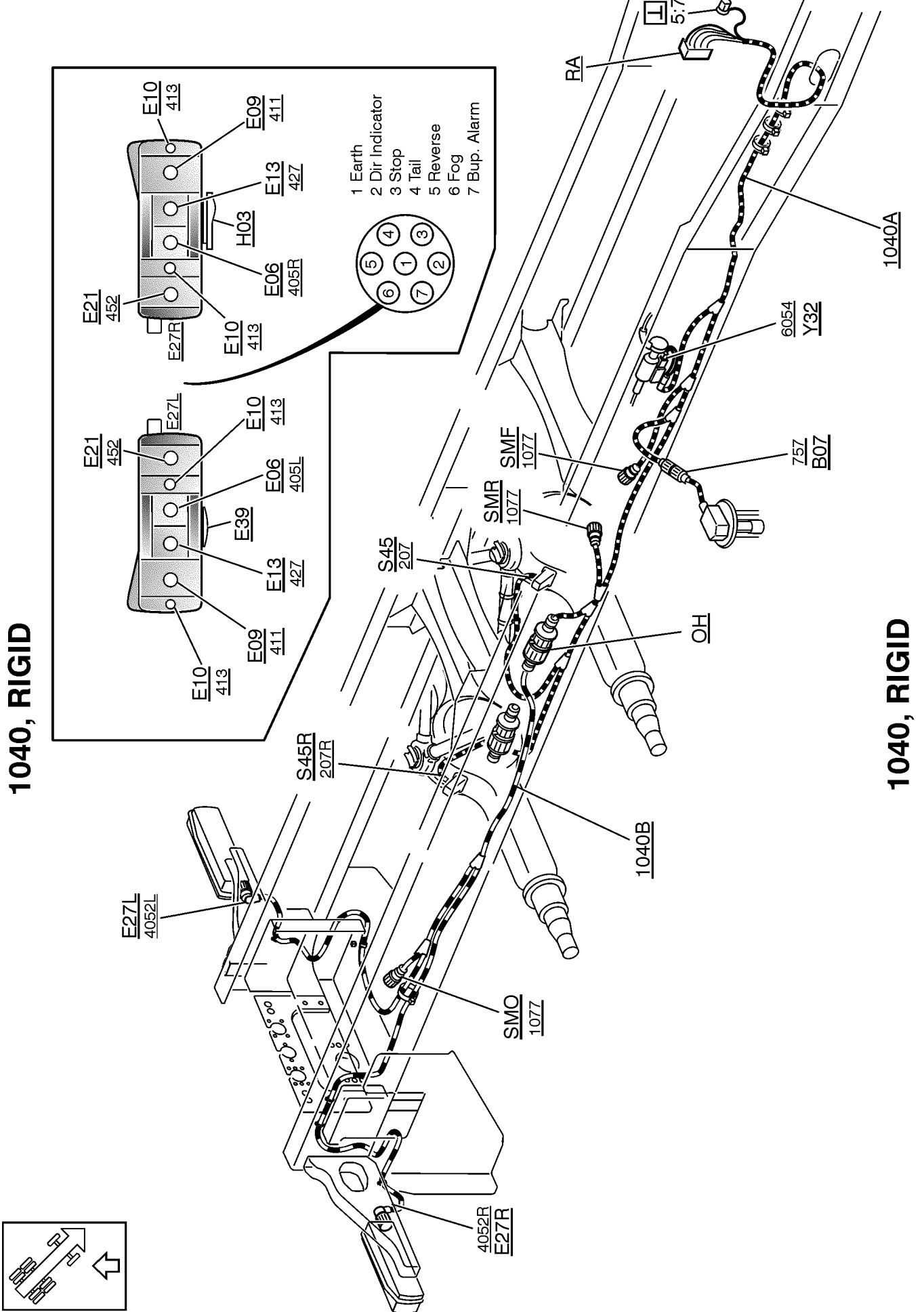
1037, J-RIDE

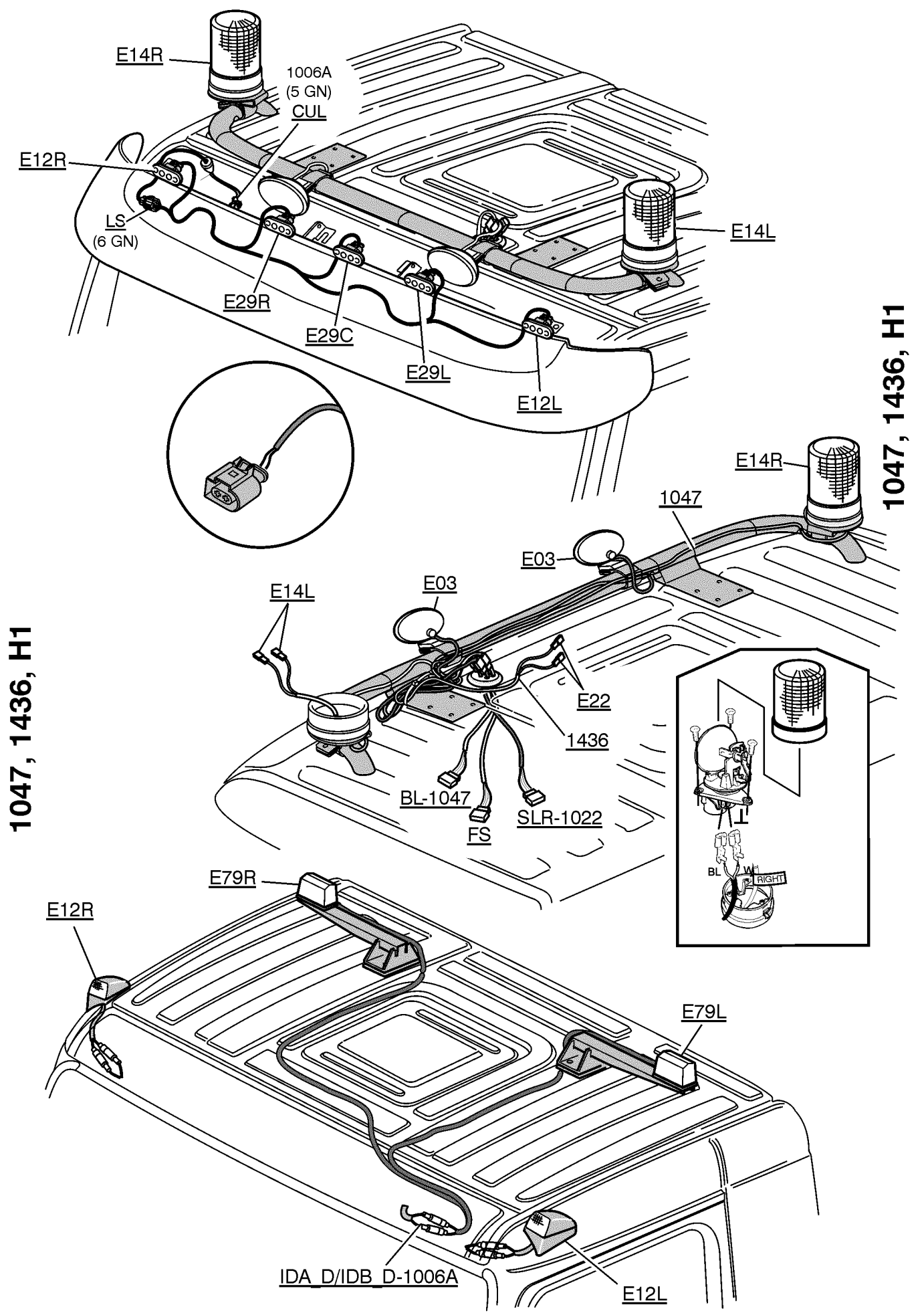


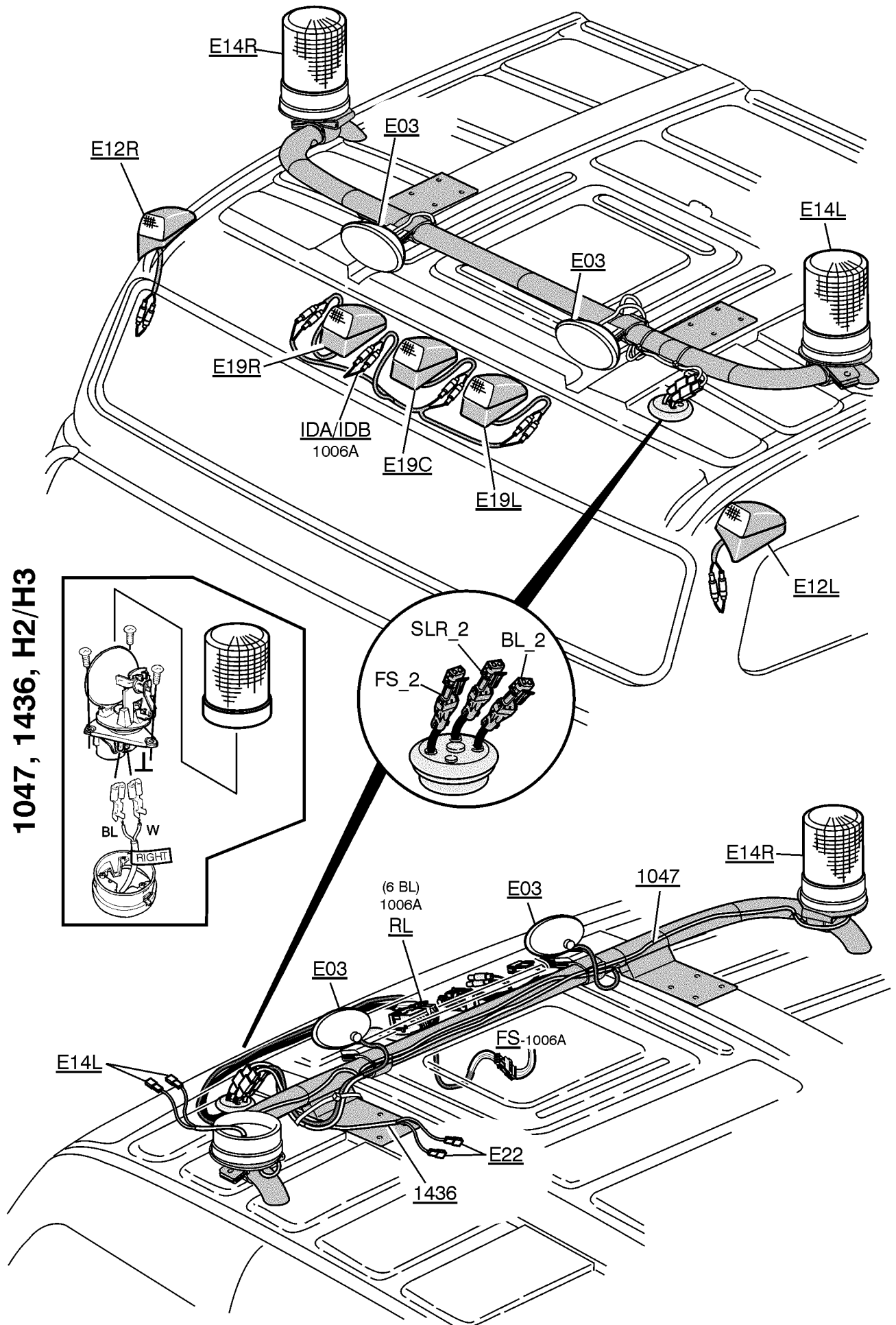
1040, TRACTOR

1040, TRACTOR



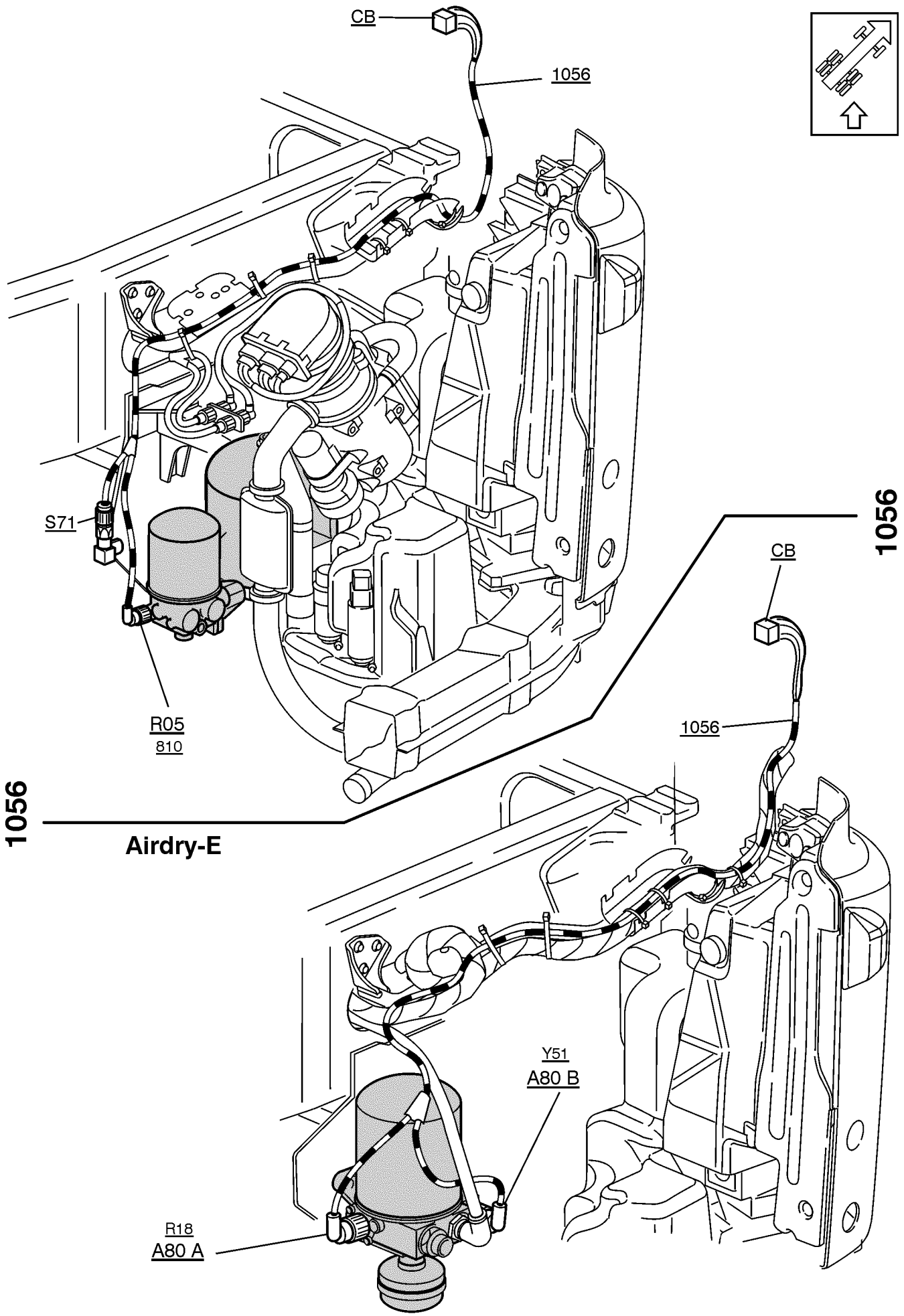


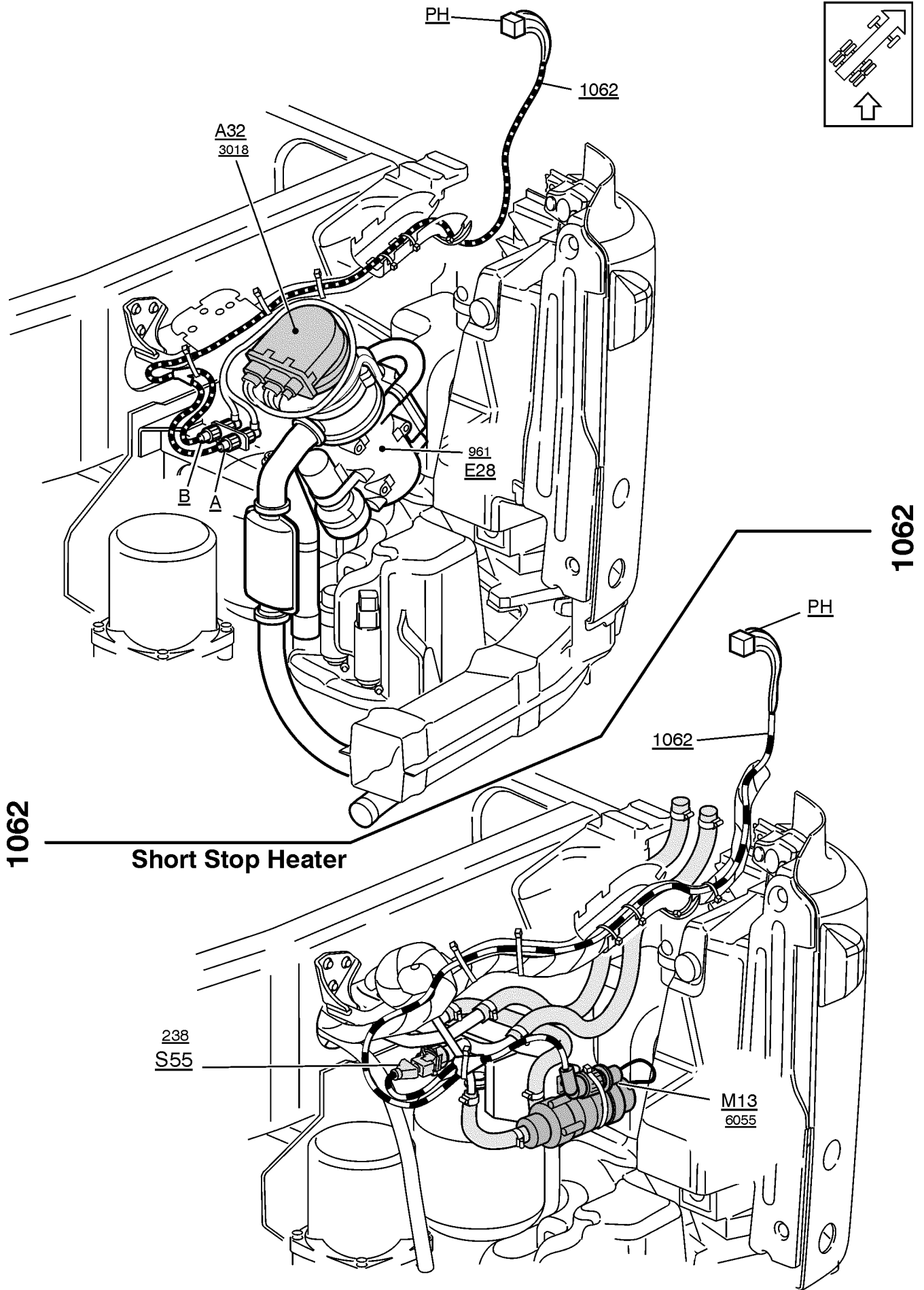




1047, 1436, H2/H3

1047, 1436, H2/H3

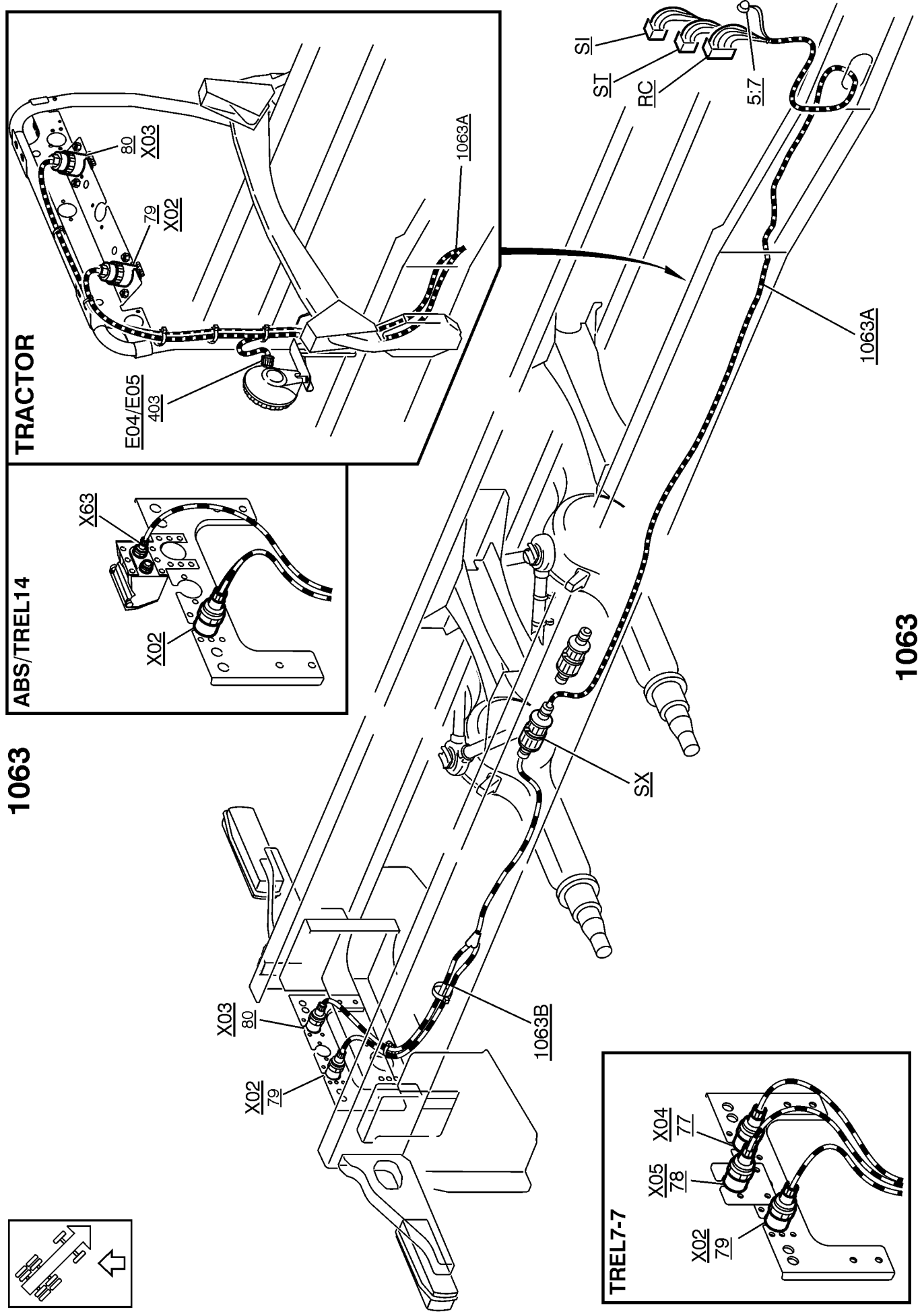




1062

1062

Short Stop Heater

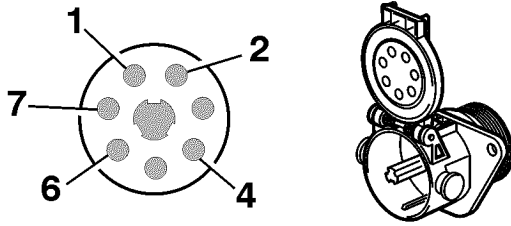


1063

ABS/TREL14

TRACTOR

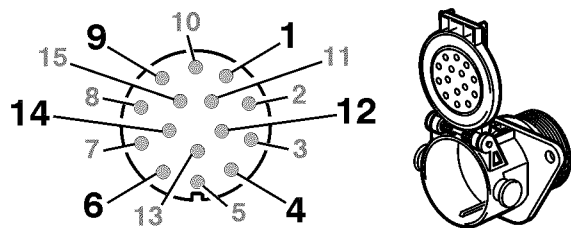
1063

X02

T3019932

Pin no:	Circuit function	Colour	Diagram
1	Power supply kl. 30	OR	GG:4 E/ GH:3 D/ GK:3 E/ GR:3 E
2	Power supply kl. 15	GR	GG:3 E/ GH:3 D/ GK:3 E/ GR:2 E
3	Ground	W	GG:3 E/ GH:3 D/ GK:3 E/ GR:2 E
4	Ground	W	GG:3 E/ GH:3 D/ GK:3 E/ GR:2 E
5	ABS trailer status	BN	GG:3 E/ GH:3 D/ GK:3 E/ GR:3 E
6	Trailer CAN bus A	P	GG:3 E/ GH:3 D/ GK:4 E/ GR:3 E
7	Trailer CAN bus B	VO	GG:3 E/ GH:3 D/ GK:4 E/ GR:3 E

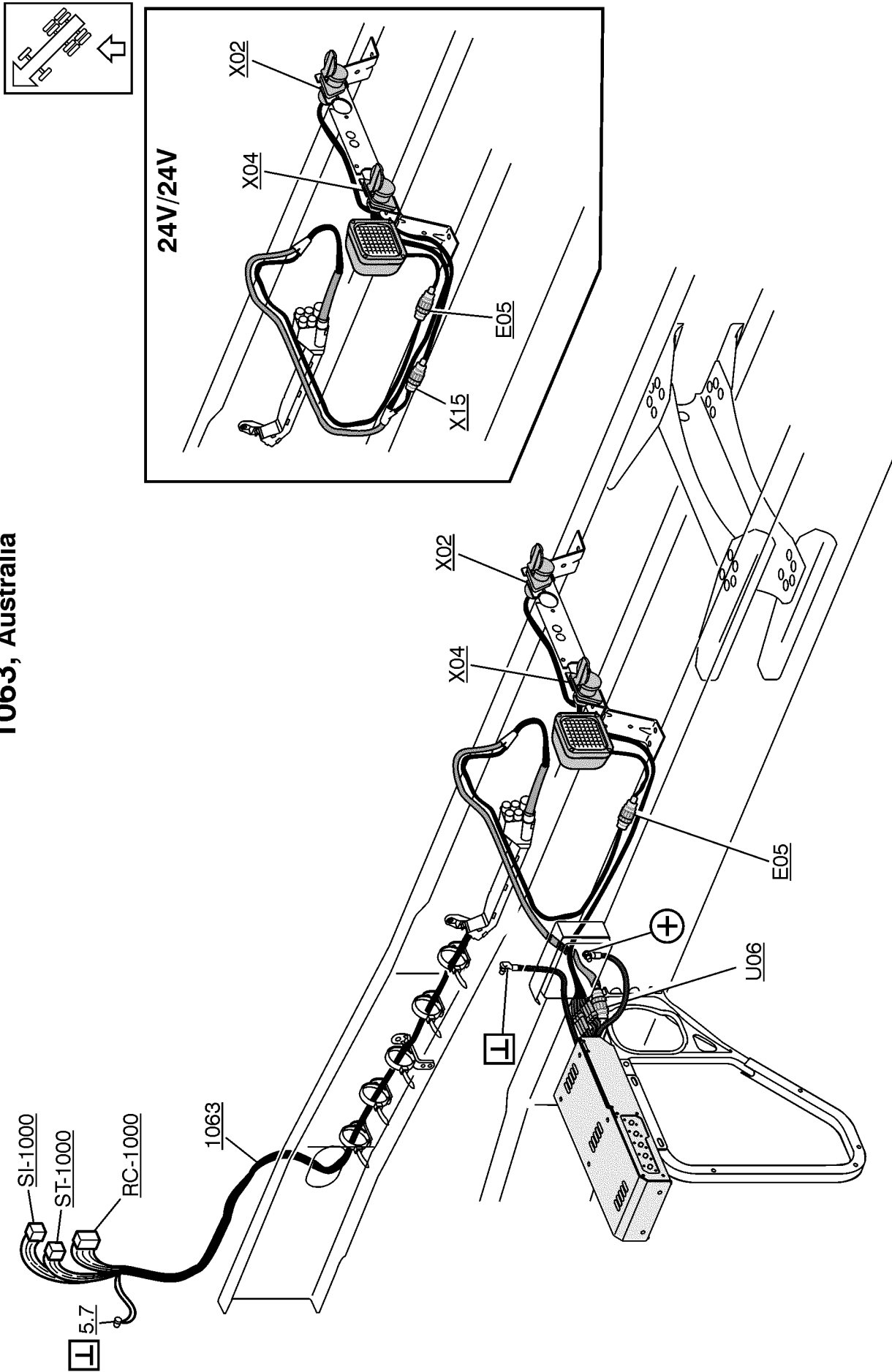
X03



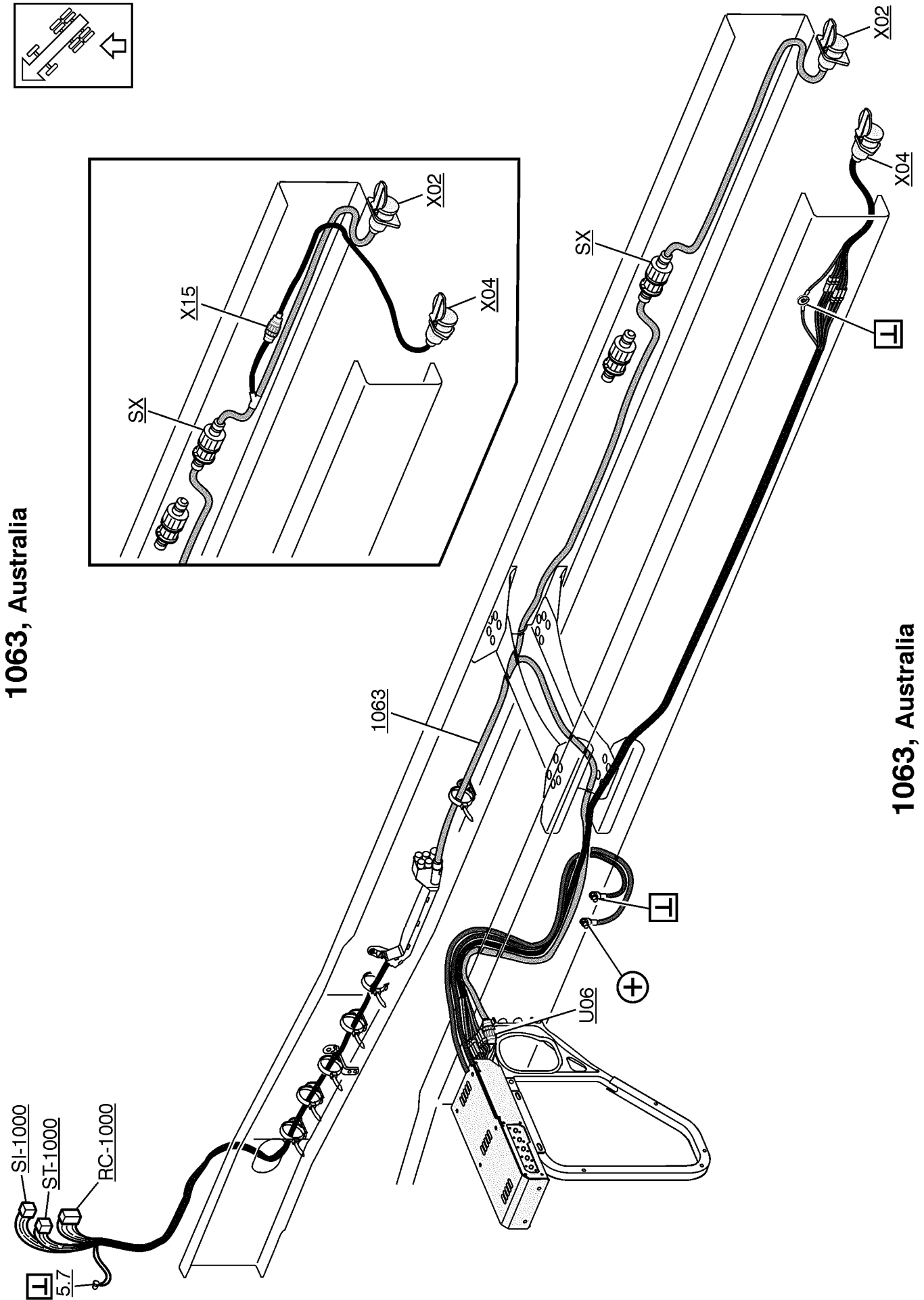
T3019833

Pin no:	Circuit function	Colour	Diagram
1	Direction indicator left, trailer	Y	GG:0 E/ GH:1 D
2	Direction indicator right, trailer	GN	GG:0 E/ GH:1 D
3	Rear fog lights, trailer	BL/GR	GG:1 E/ GH:0 D
4	Ground	W	GG:1 E/ GH:1 D
5	Parking lights left, trailer	GR/SB	GG:0 E/ GH:1 D
6	Parking lights right, trailer	GR/R	GG:0 E/ GH:1 D
7	Brake lights, trailer	R/SB	GG:0 E/ GH:1 D
8	Reverse lights, trailer	BL/SB	GG:0 E/ GH:1 D
9	Body builder preparation	R	GG:1 E/ GH:1 D
10	Body builder preparation	BL	GG:1 E/ GH:1 D
11	Body builder preparation	GR/SB	GG:1 E/ GH:1 D
12	Body builder preparation	GN/GR	GG:1 E/ GH:1 D
13	Ground	W	GG:0 E/ GH:1 D
14	Body builder preparation	BL/W	GG:0 E/ GH:0 D
15	Body builder preparation	BL/R	GG:0 E/ GH:0 D

1063, Australia



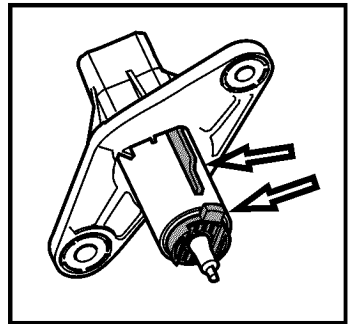
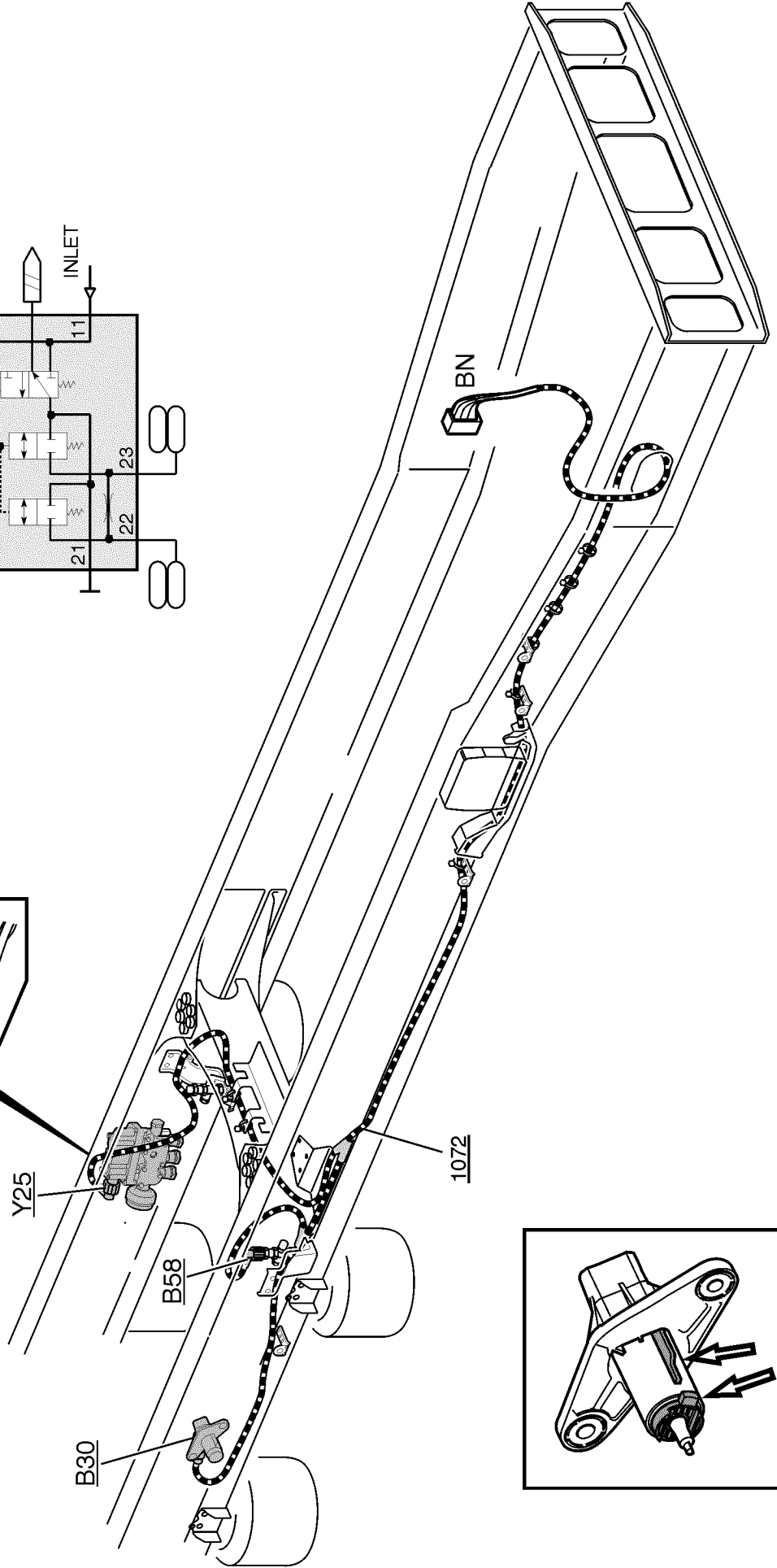
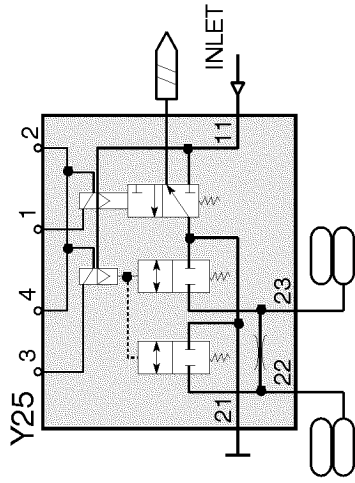
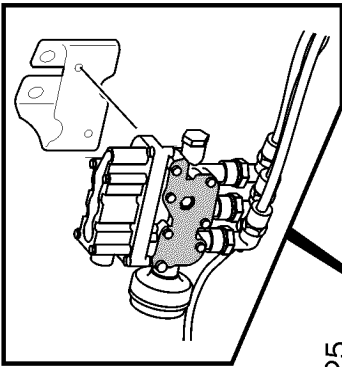
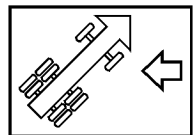
1063, Australia



1063, Australia

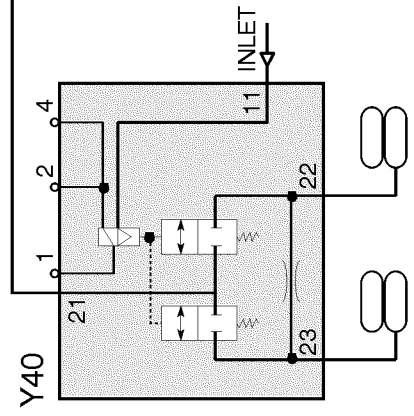
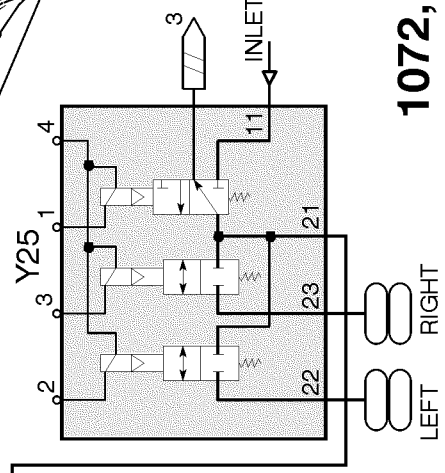
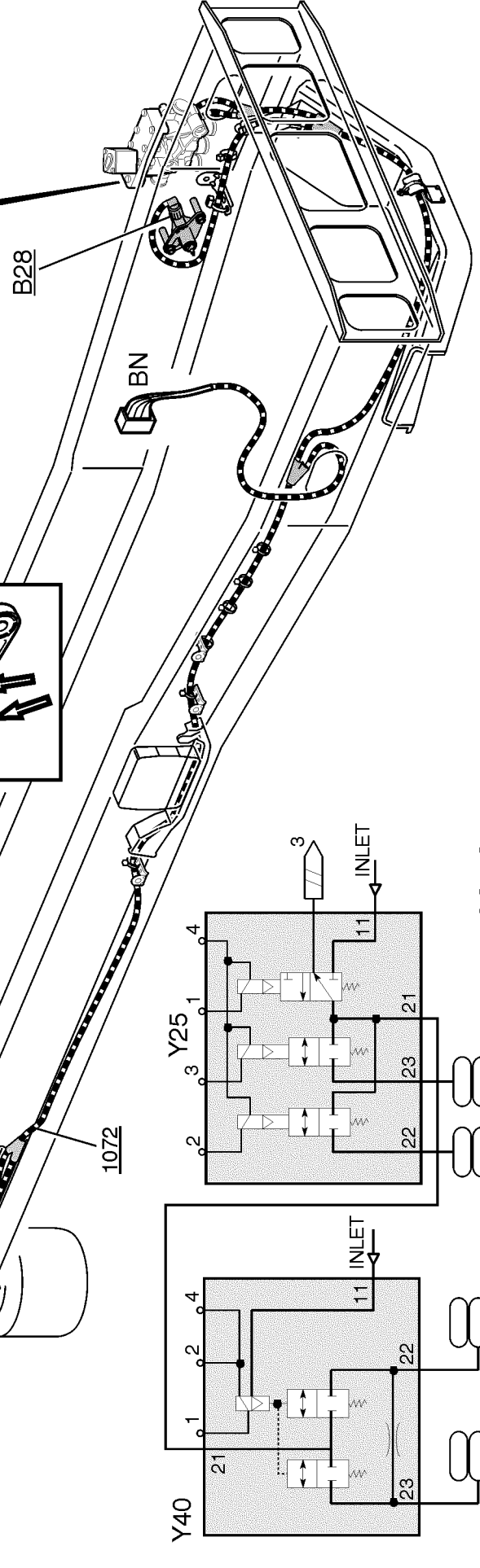
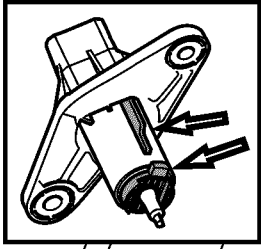
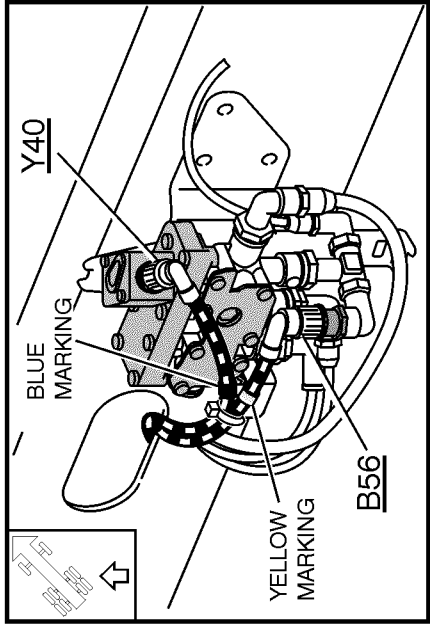
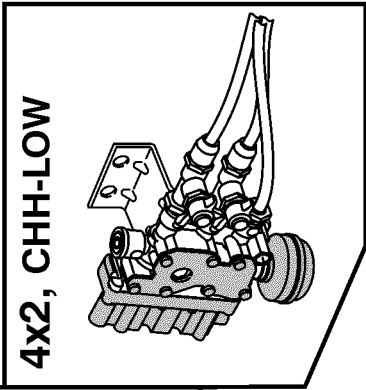
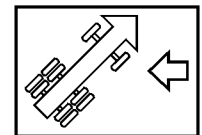
1063, Australia

1072, RAD-A4, 1-Channel



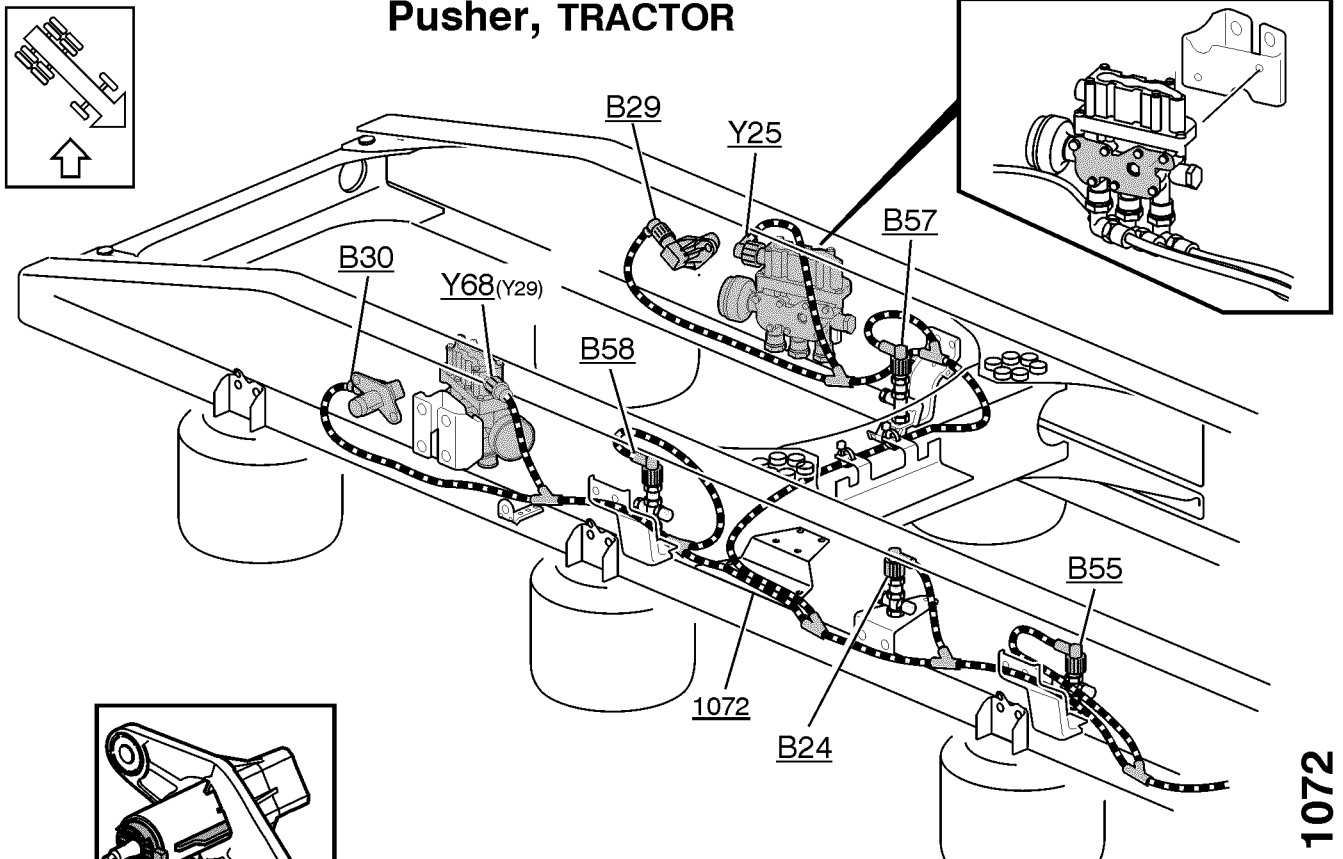
1072, RAD-A4, 1-Channel

1072, RAD-A4, 2-Channel

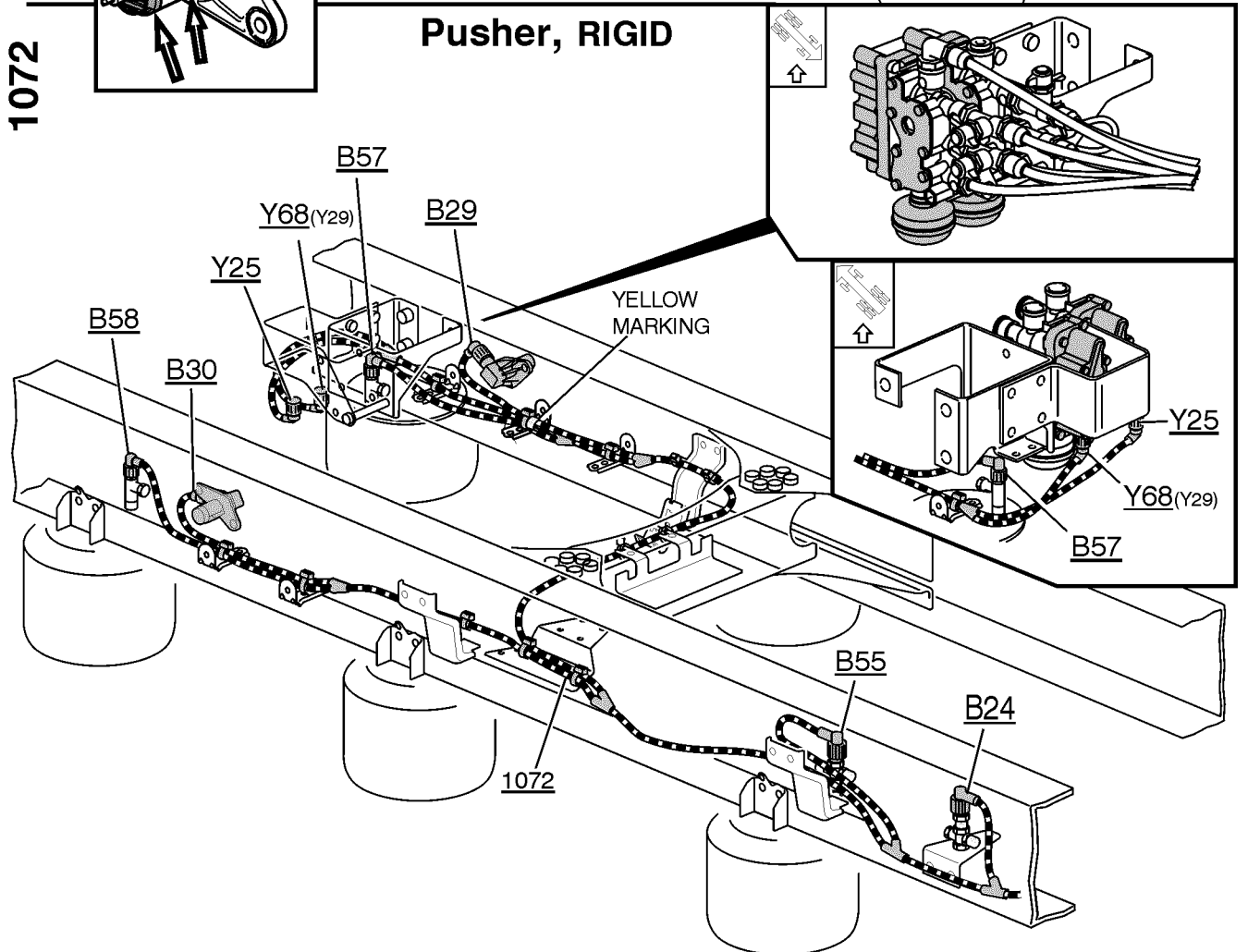


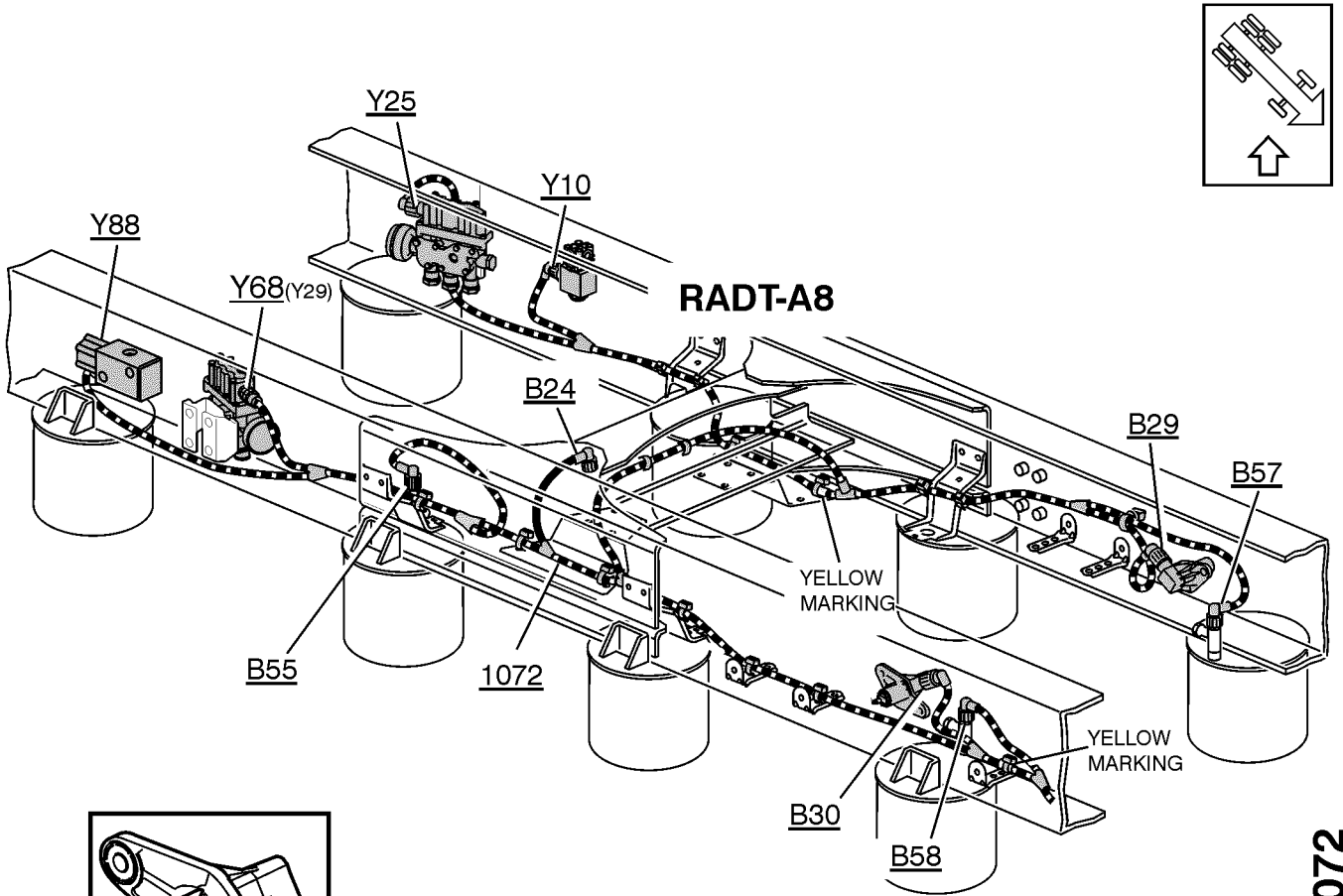
1072, RAD-A4, 2-Channel

Pusher, TRACTOR

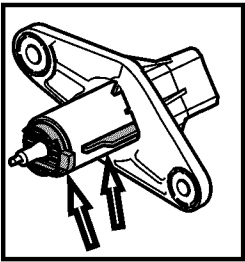


Pusher, RIGID

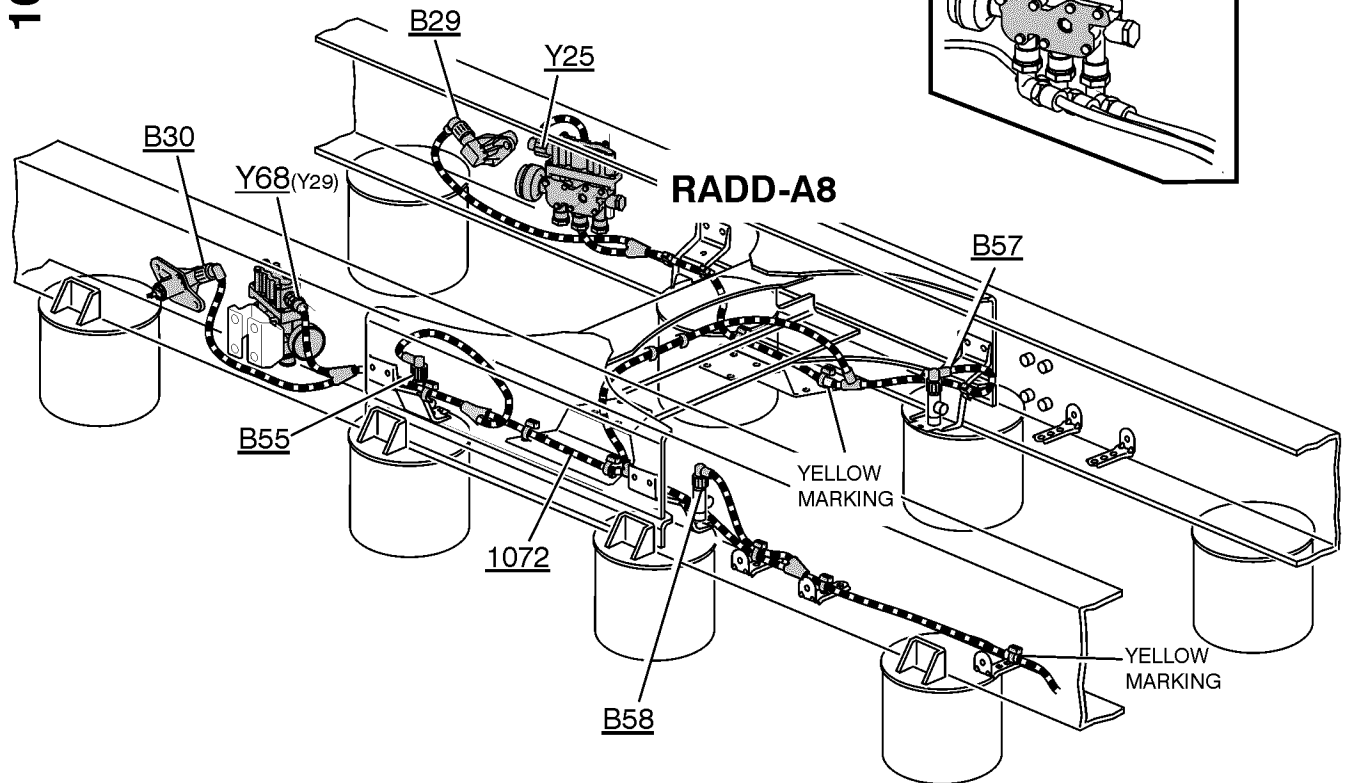
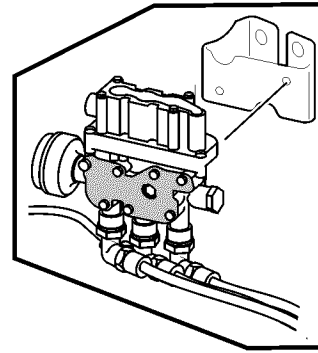




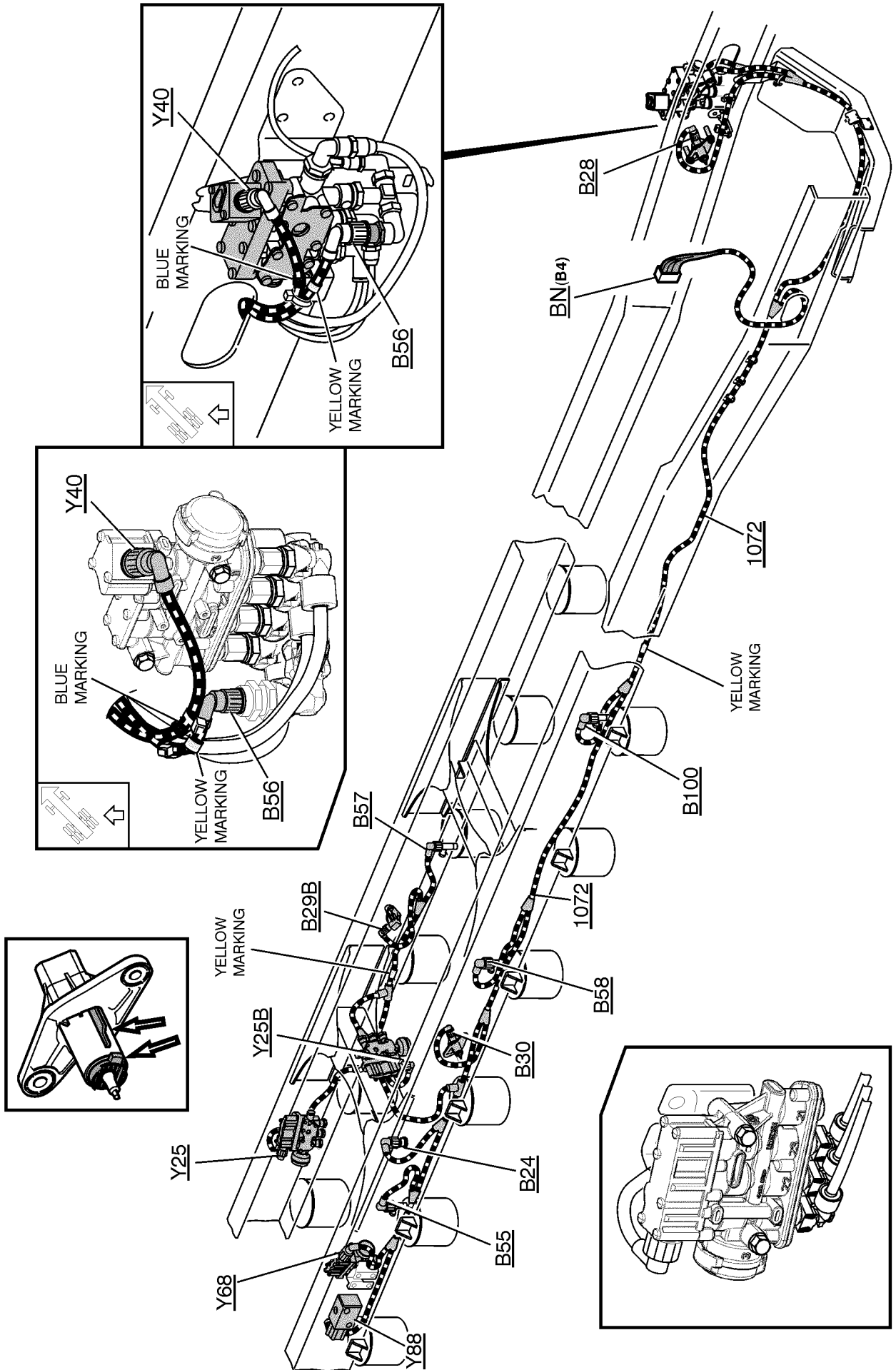
1072



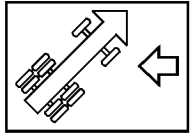
1072



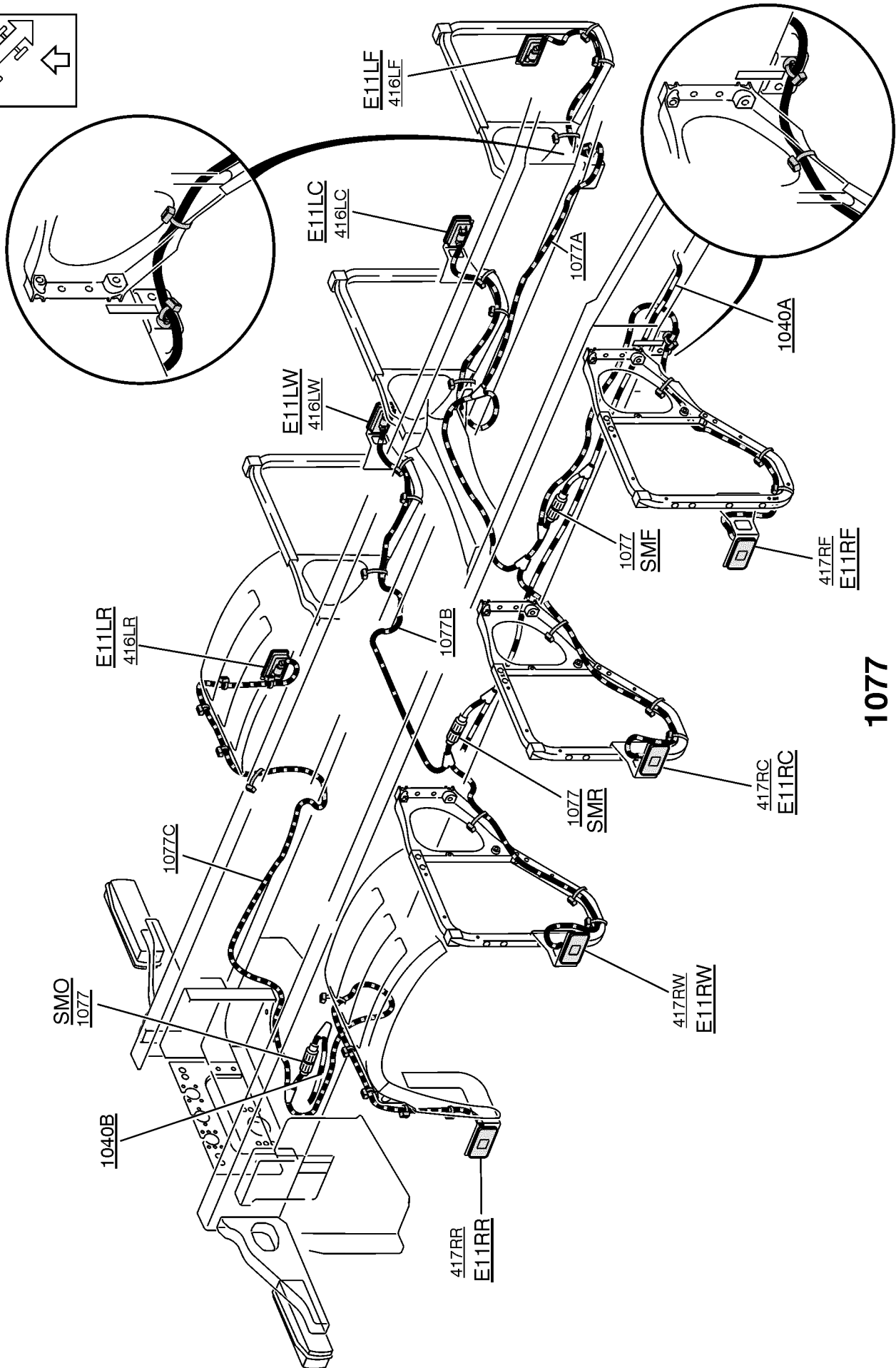
1072, TRIDEM



1072, TRIDEM

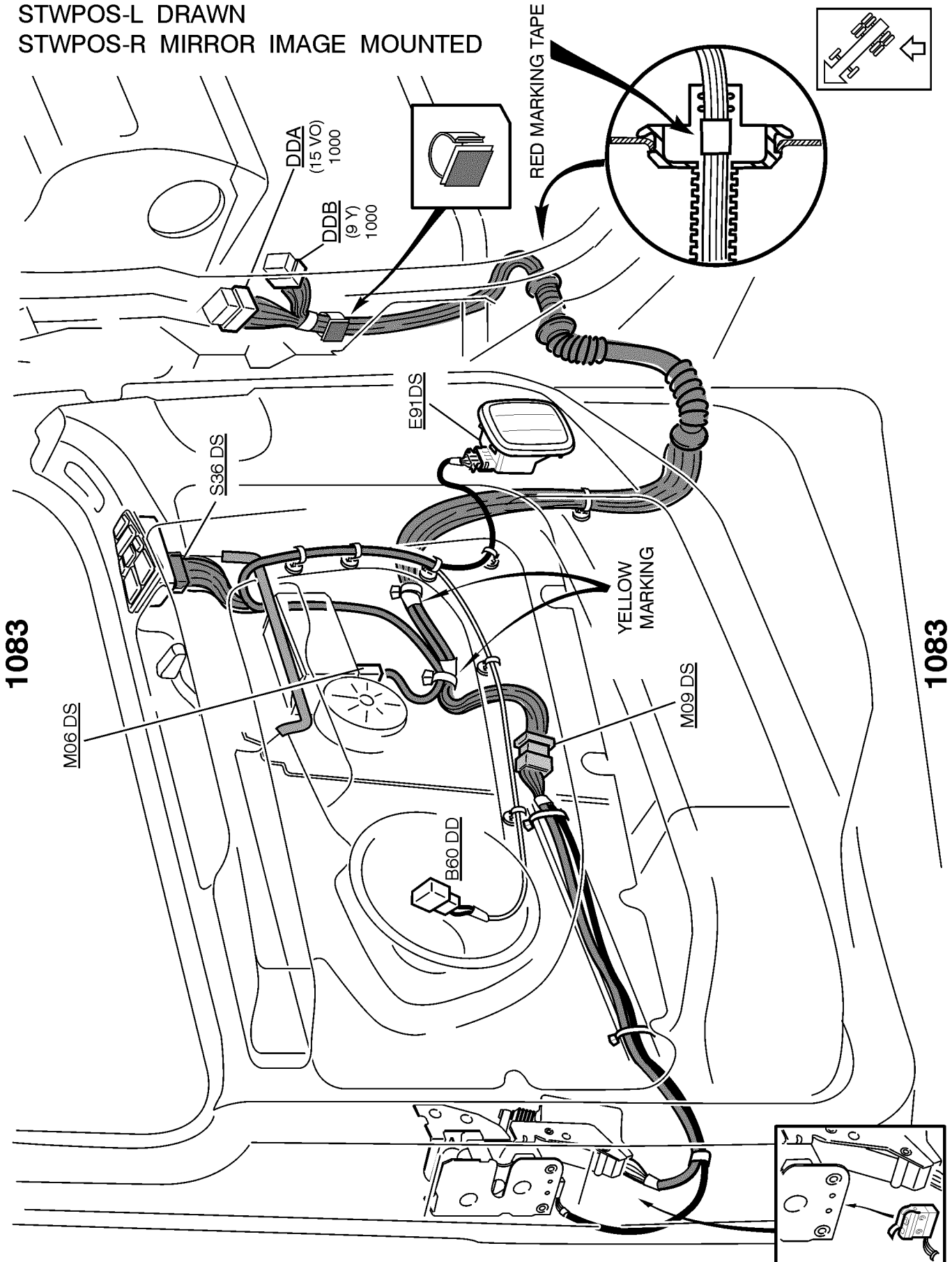


1077

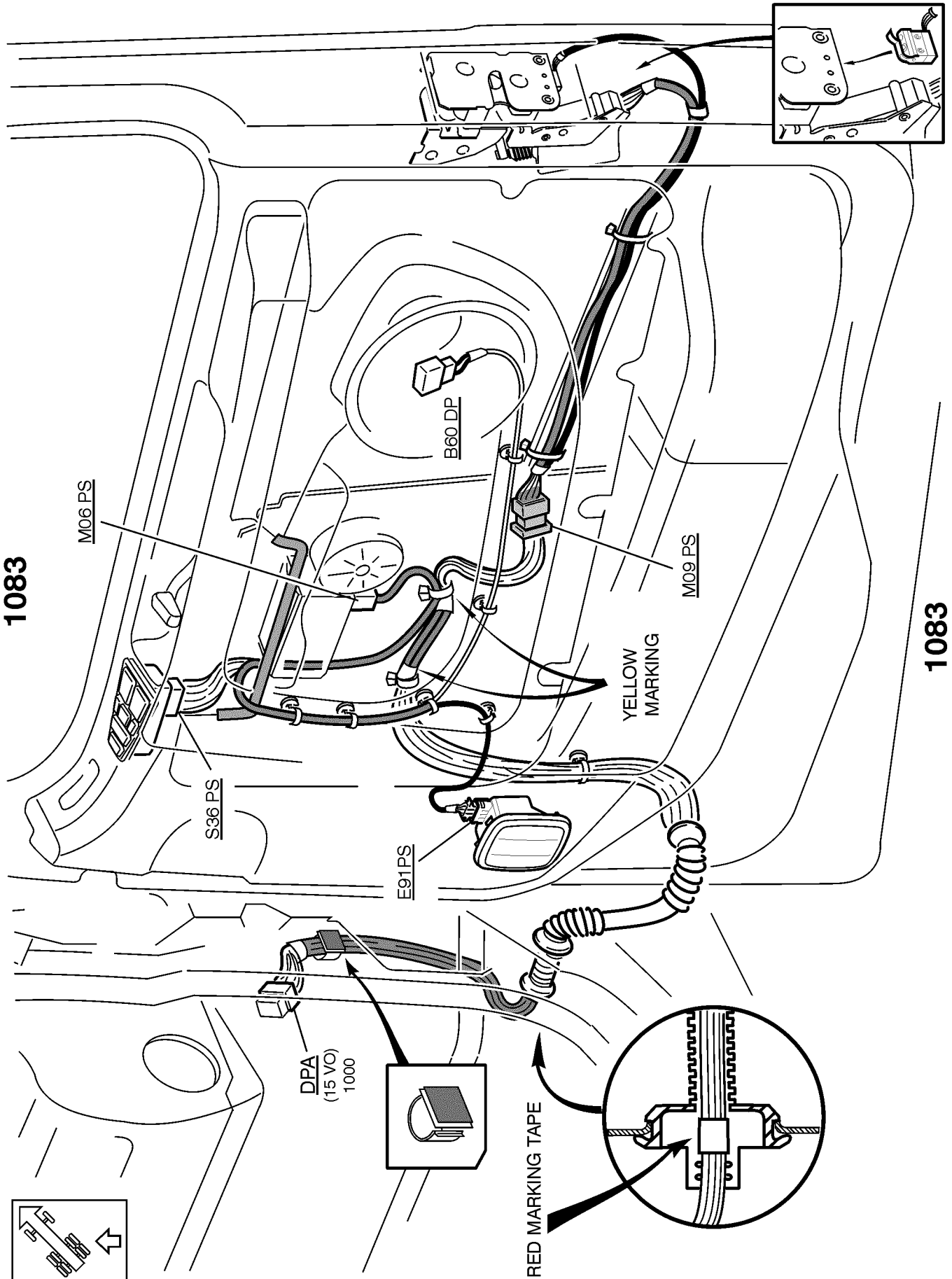


1077

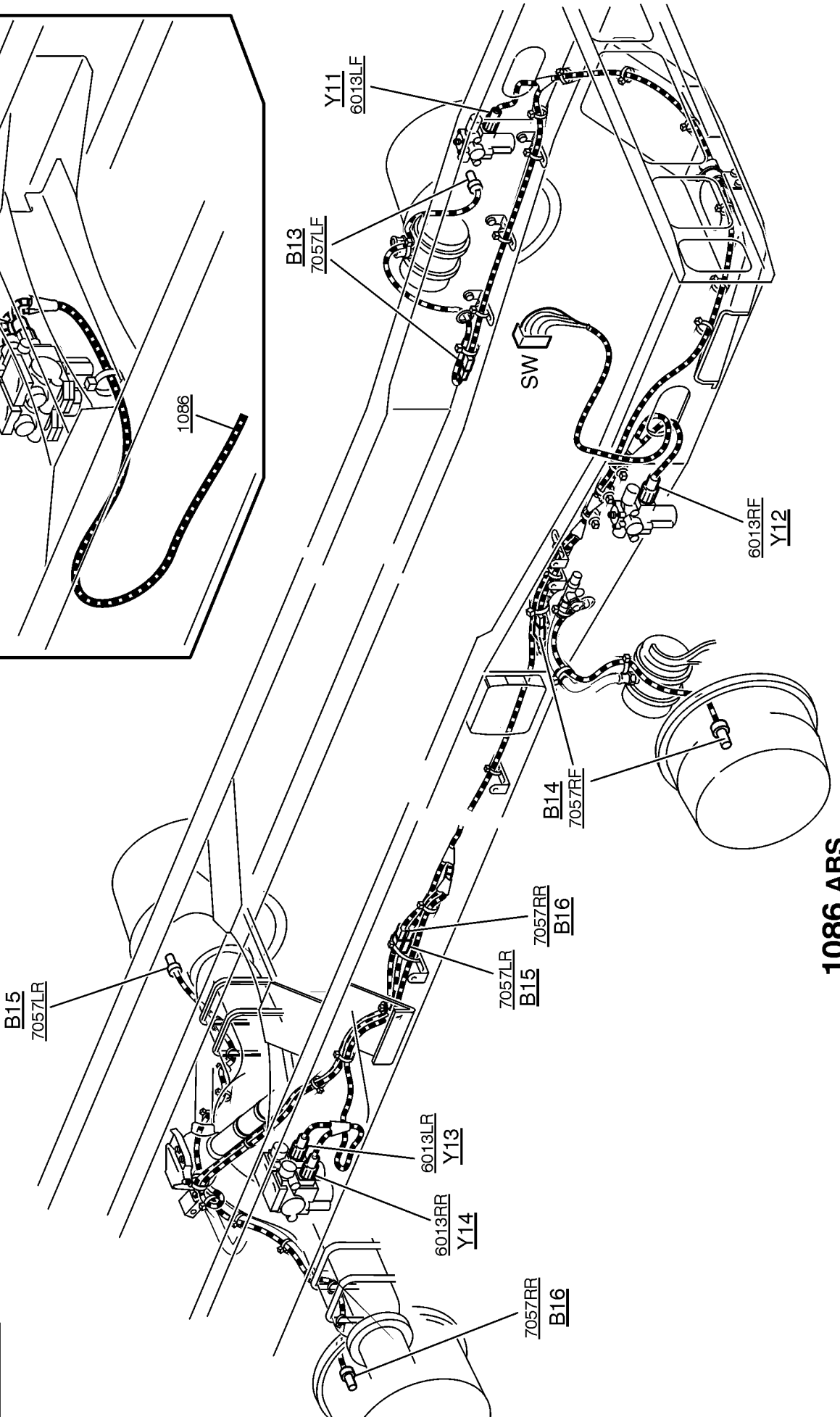
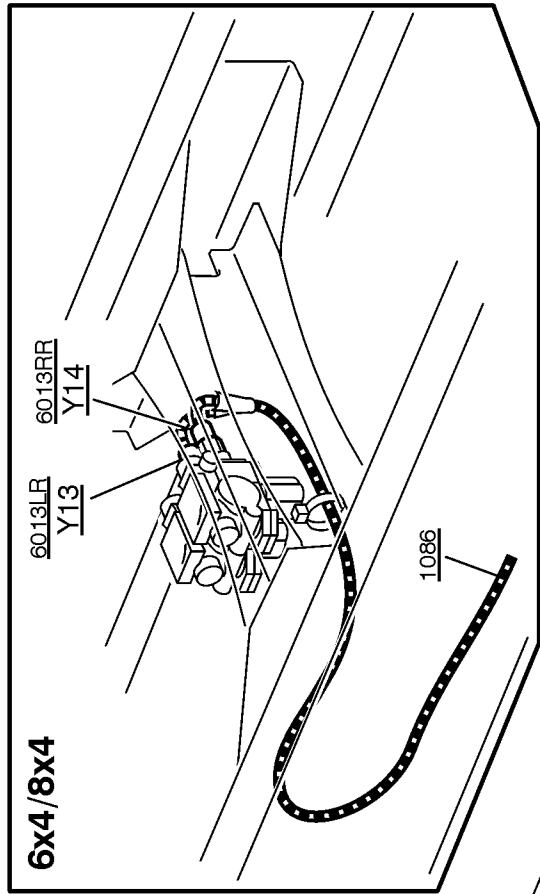
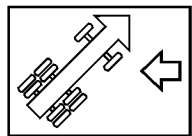
STWPOS-L DRAWN
STWPOS-R MIRROR IMAGE MOUNTED



STWPOS-L DRAWN
STWPOS-R MIRROR IMAGE MOUNTED

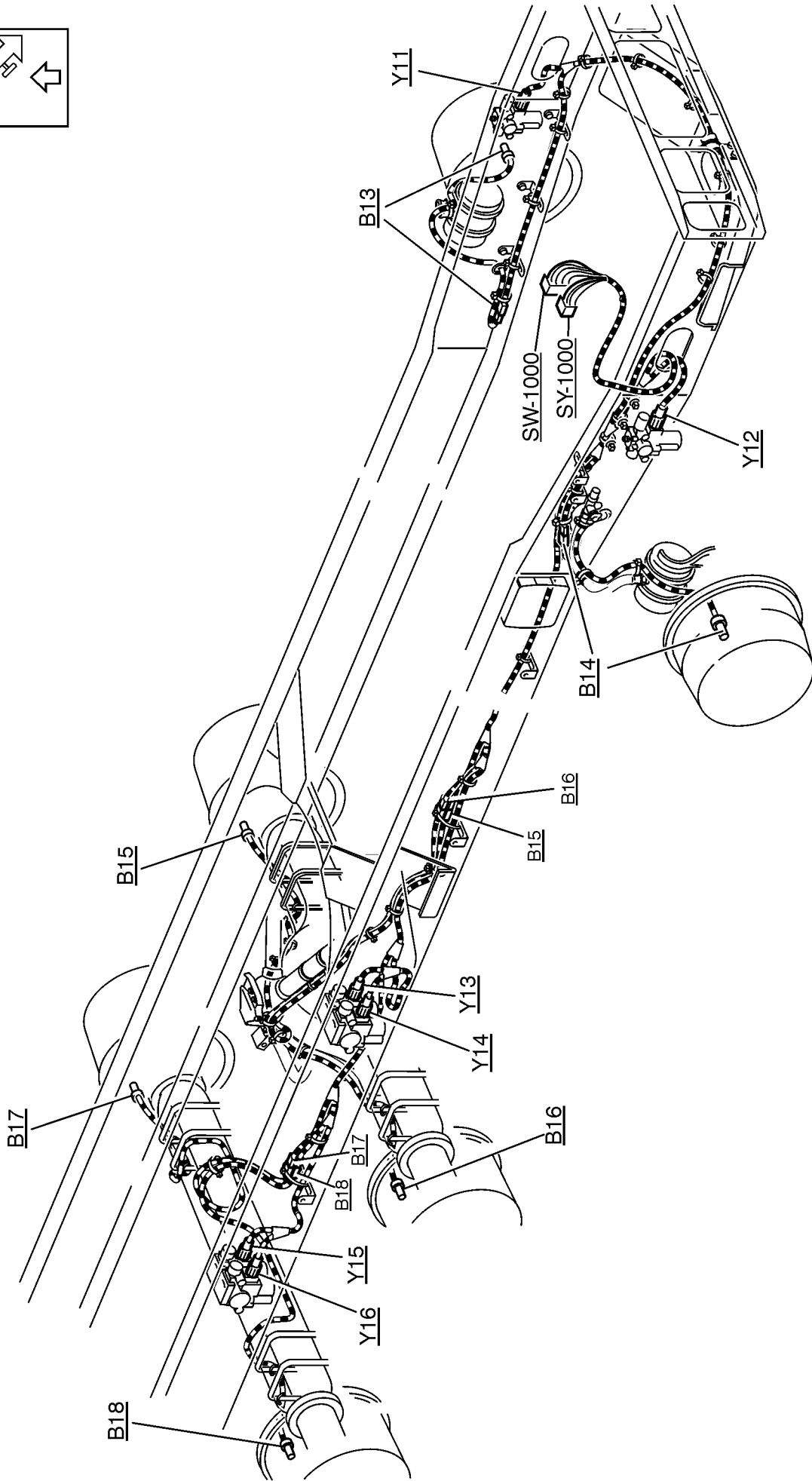
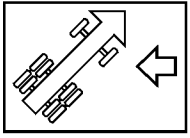


1086 ABS



1086 ABS

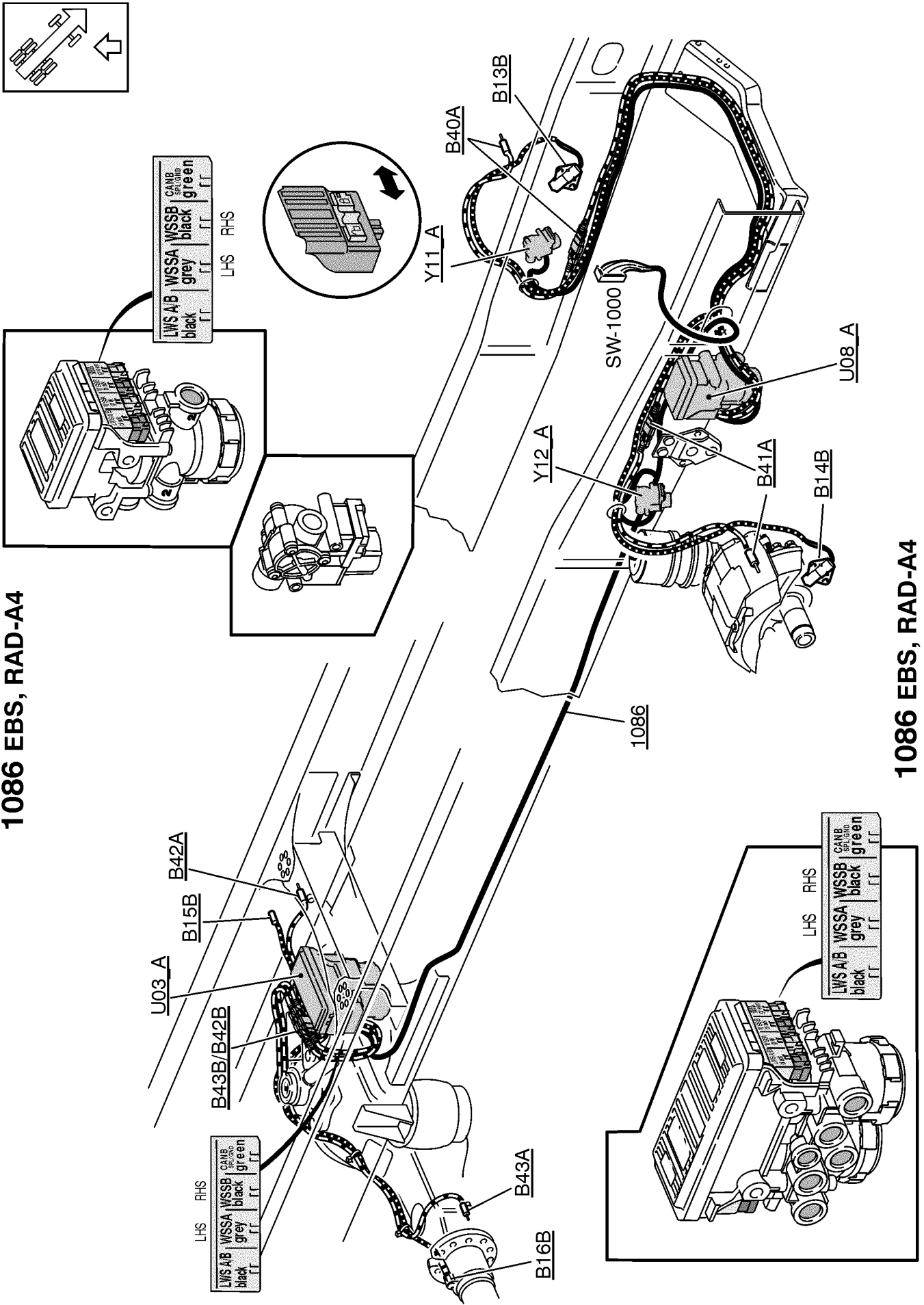
1086 ABS, 6x2, VERS-SAM

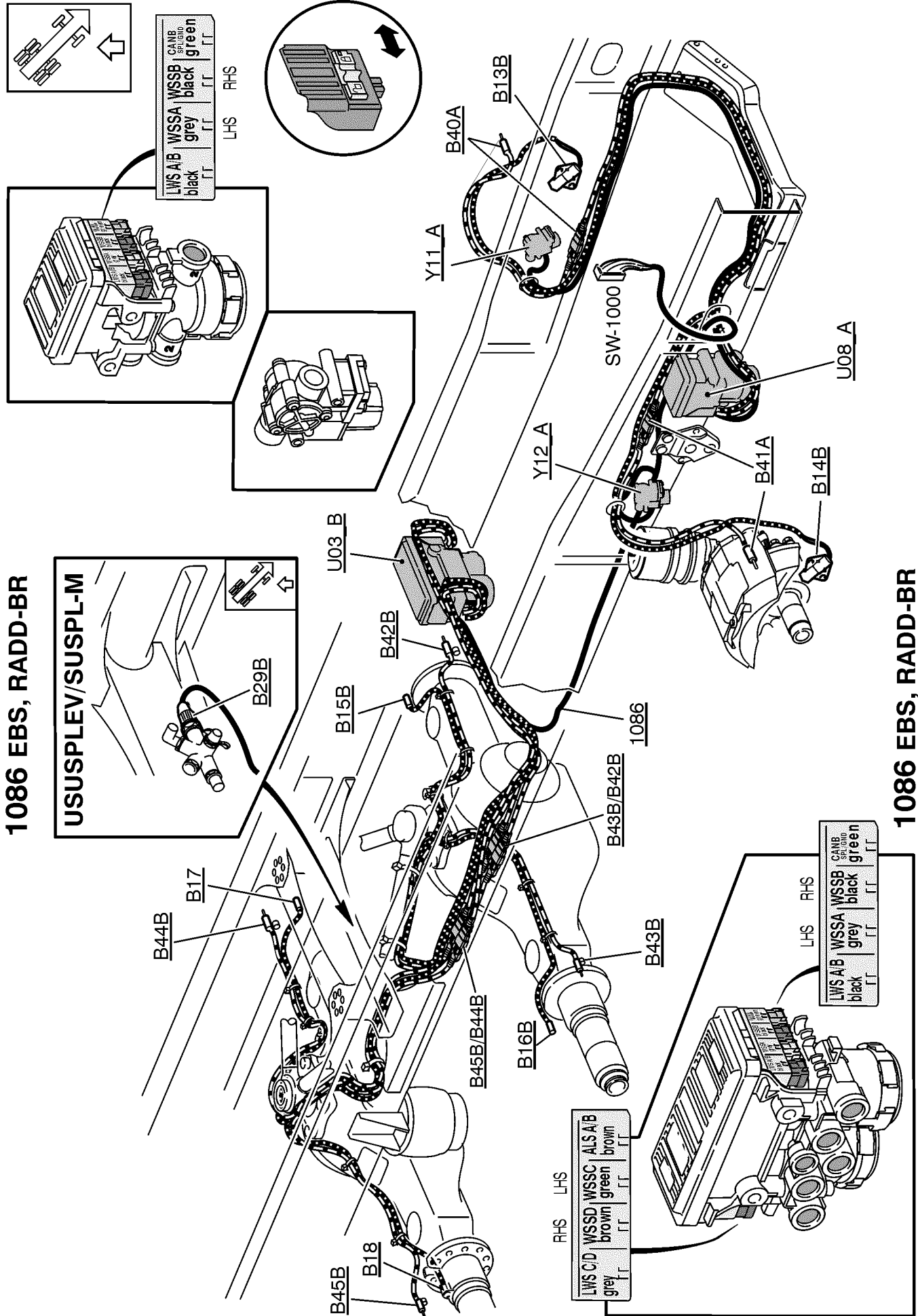


1086 ABS, 6x2, VERS-SAM

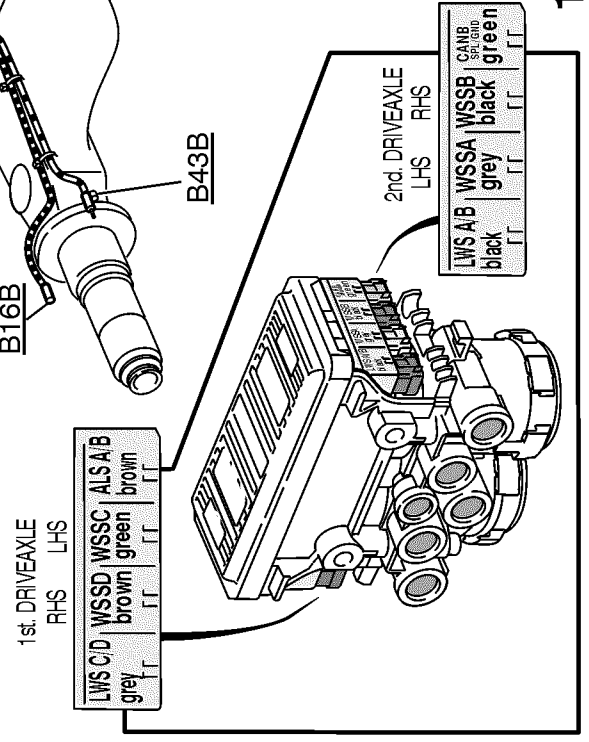
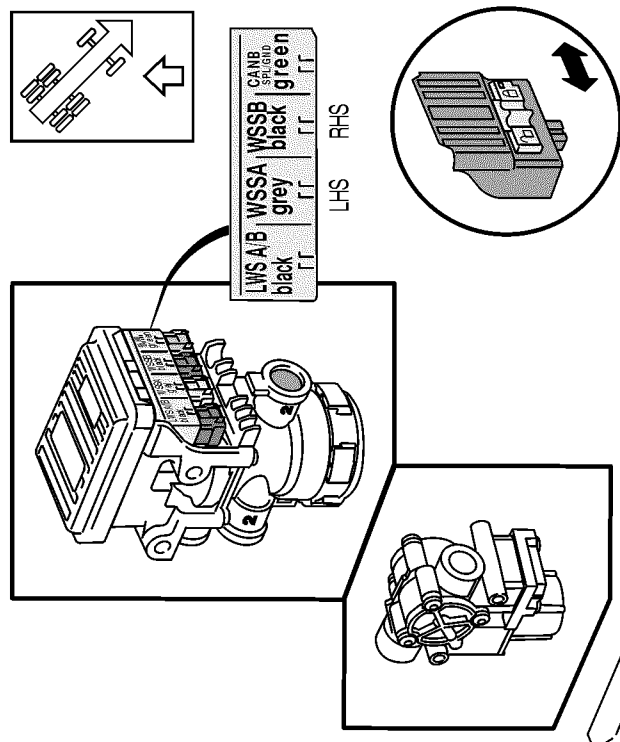
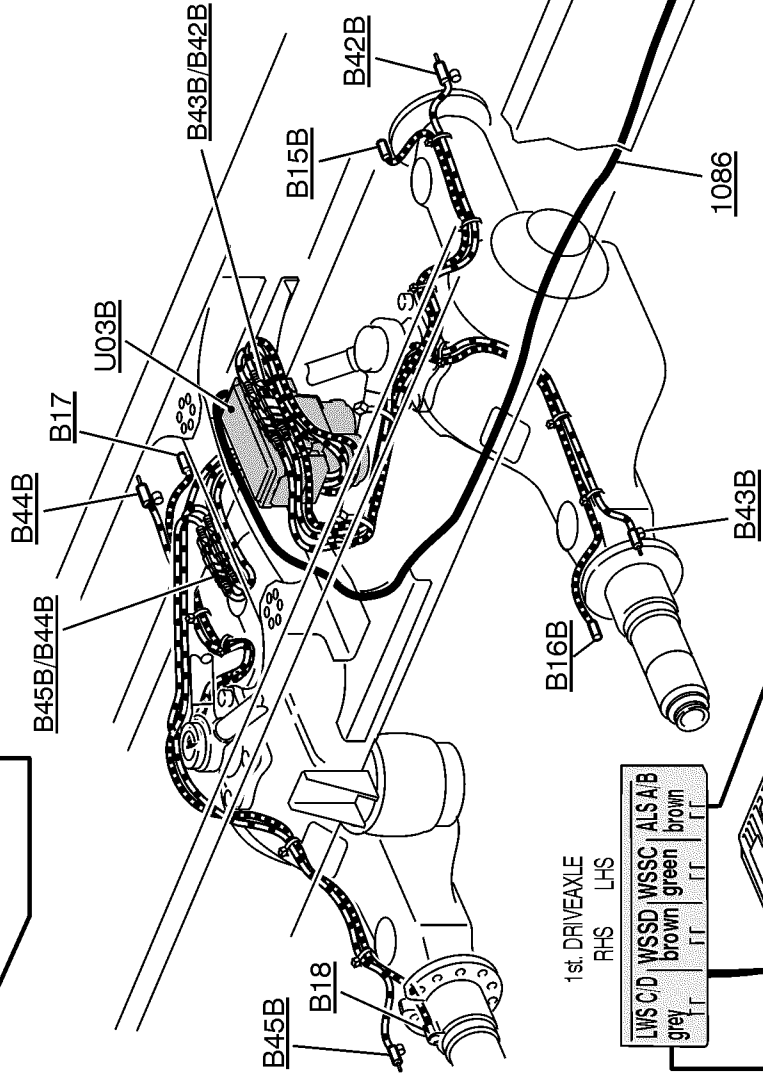
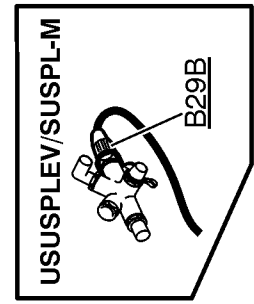
1086 EBS, RAD-A4

1086 EBS, RAD-A4

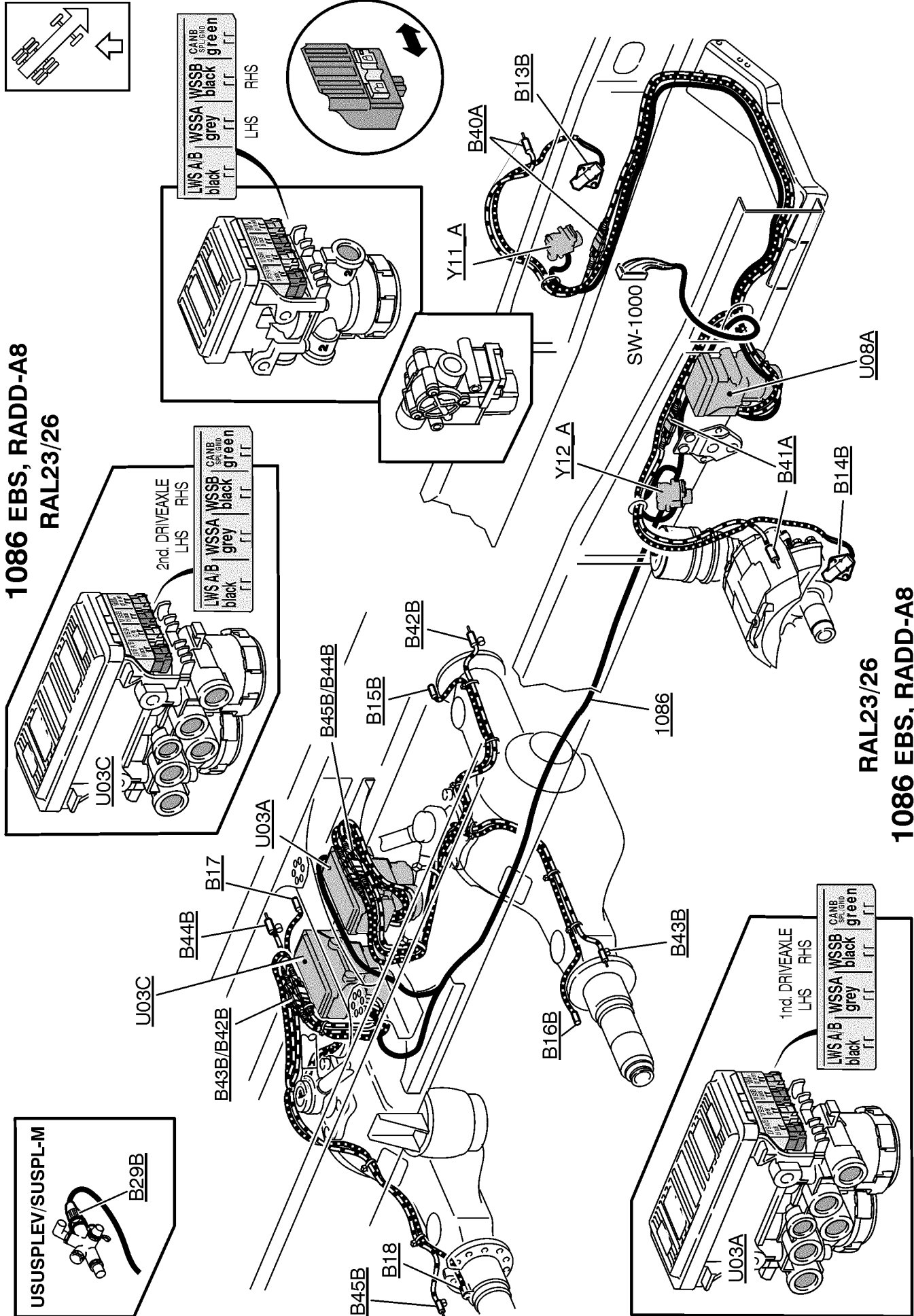


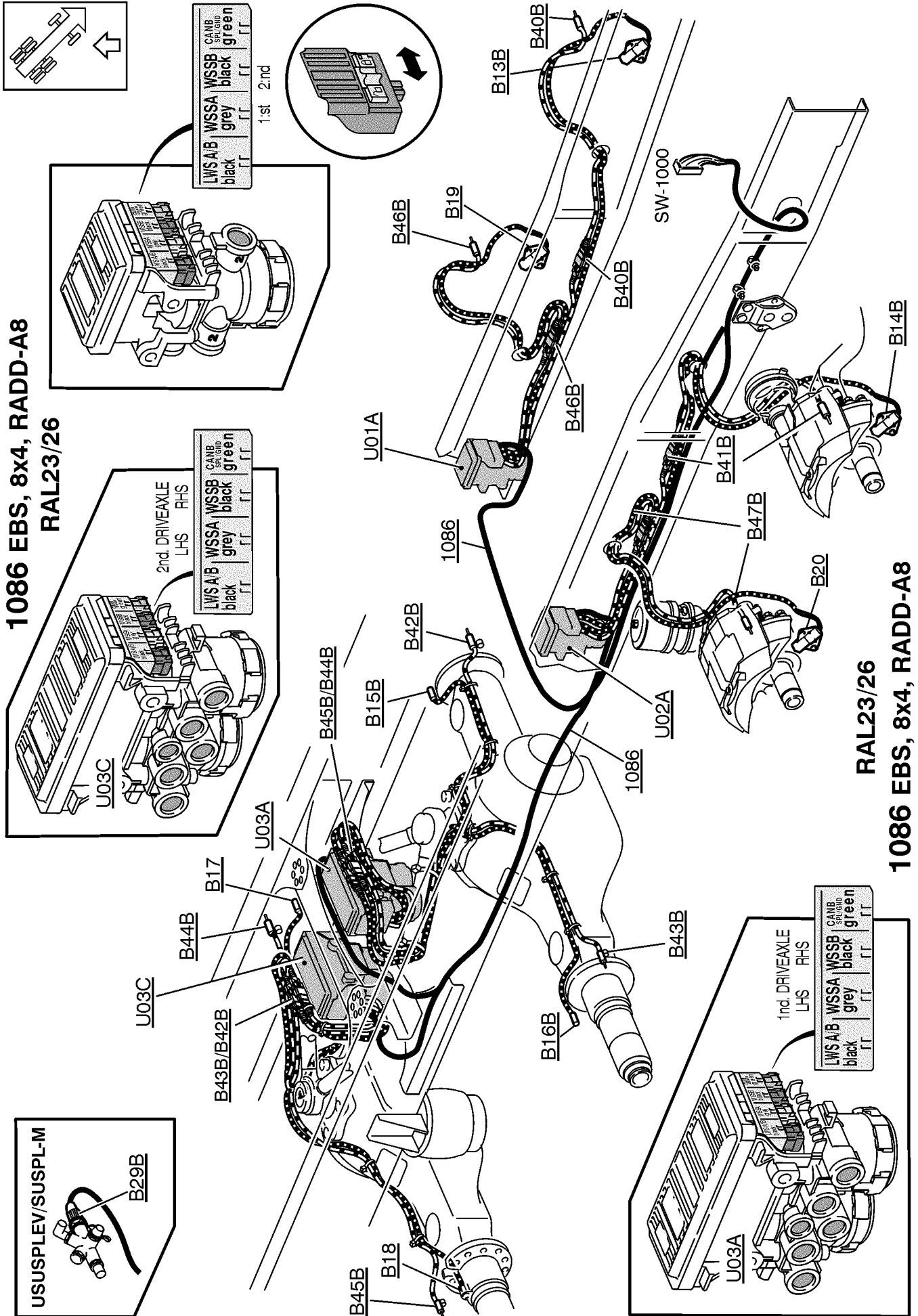


**1086 EBS, RADD-A8
RAL17/21**



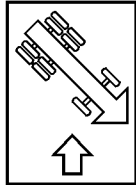
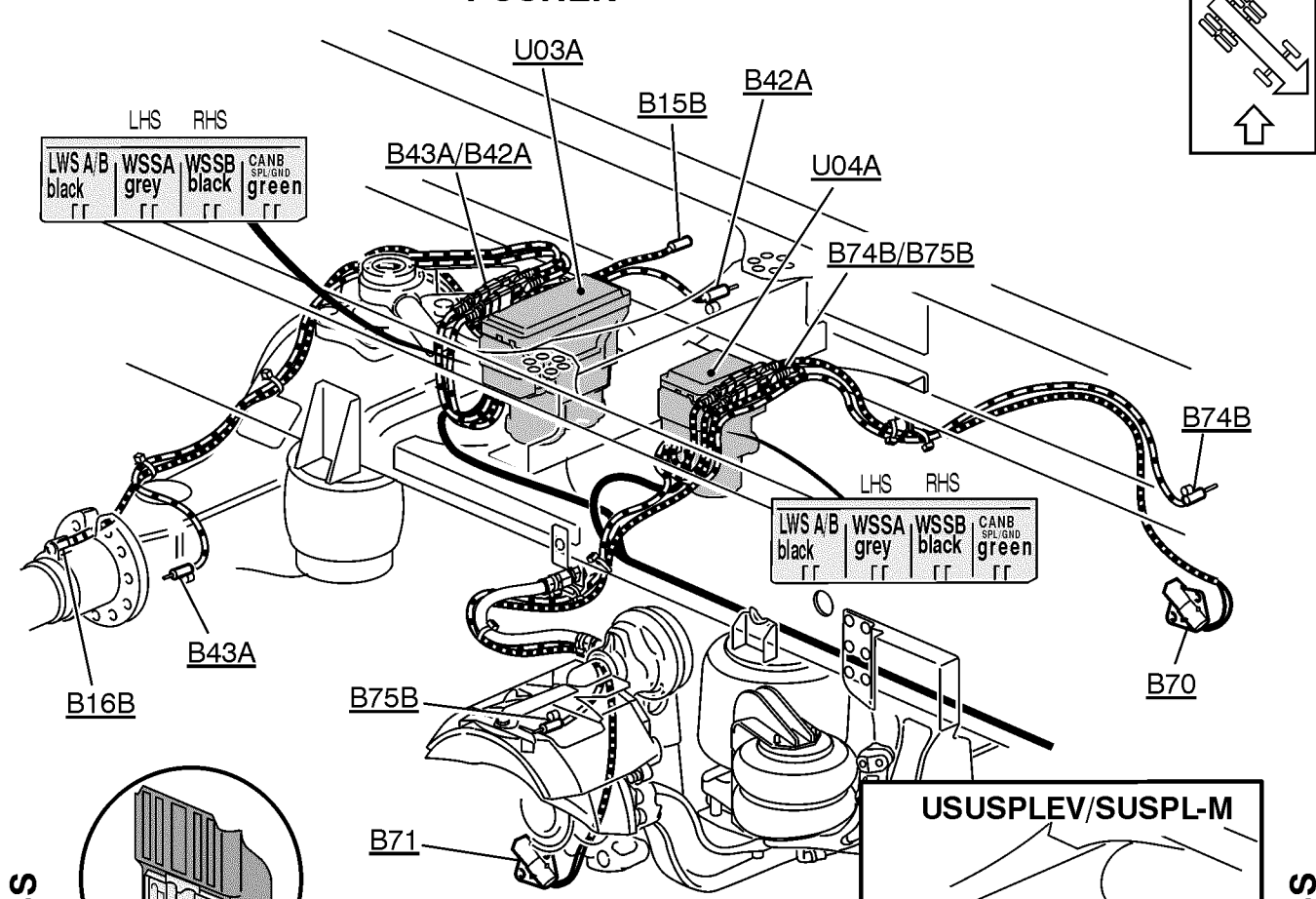
**1086 EBS, RADD-A8
RAL17/21**





1086 EBS, 8x4, RADD-A8

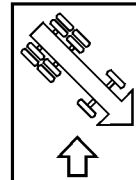
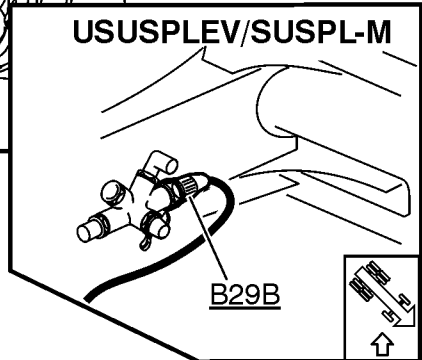
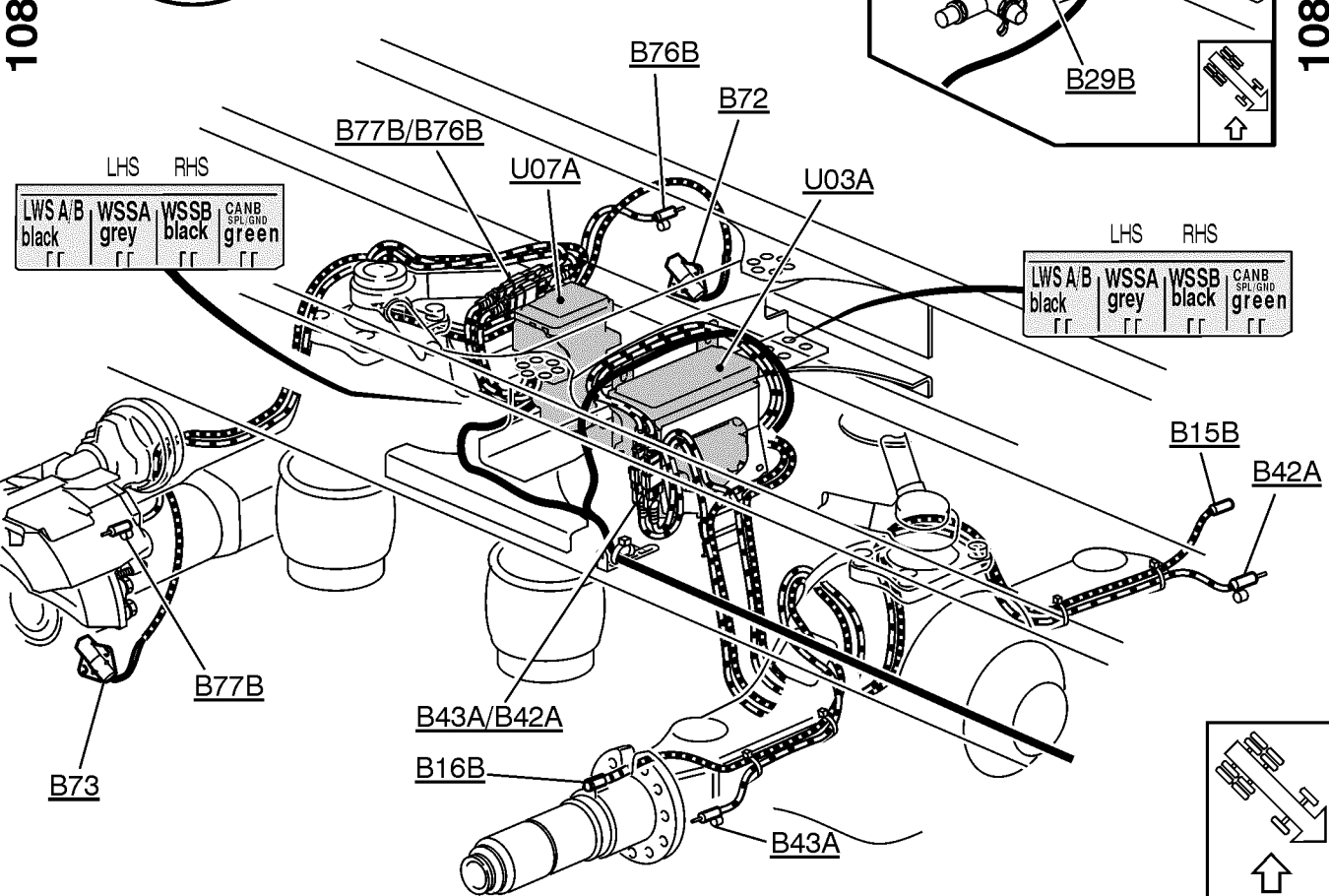
PUSHER



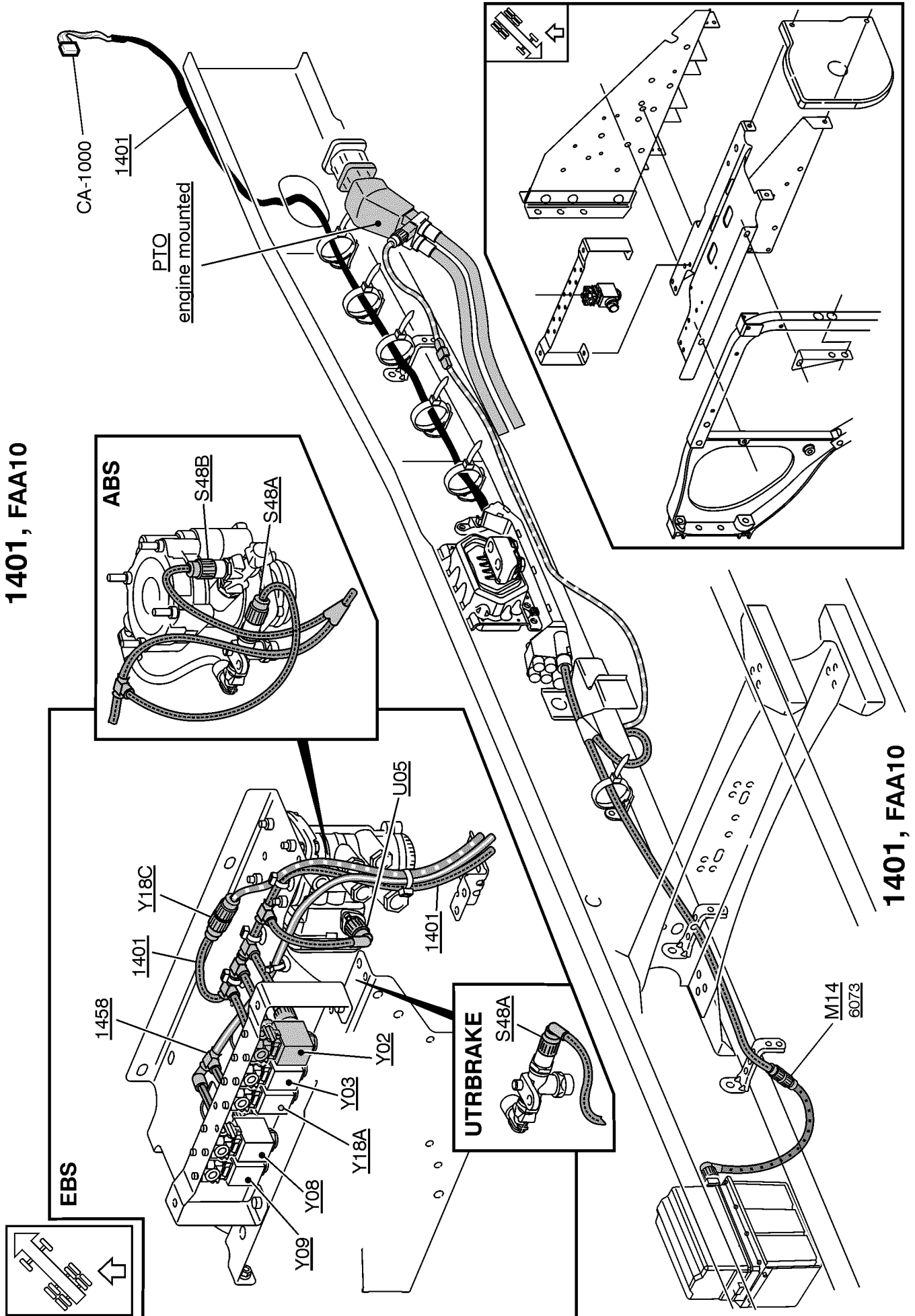
1086 EBS

1086 EBS

TAG



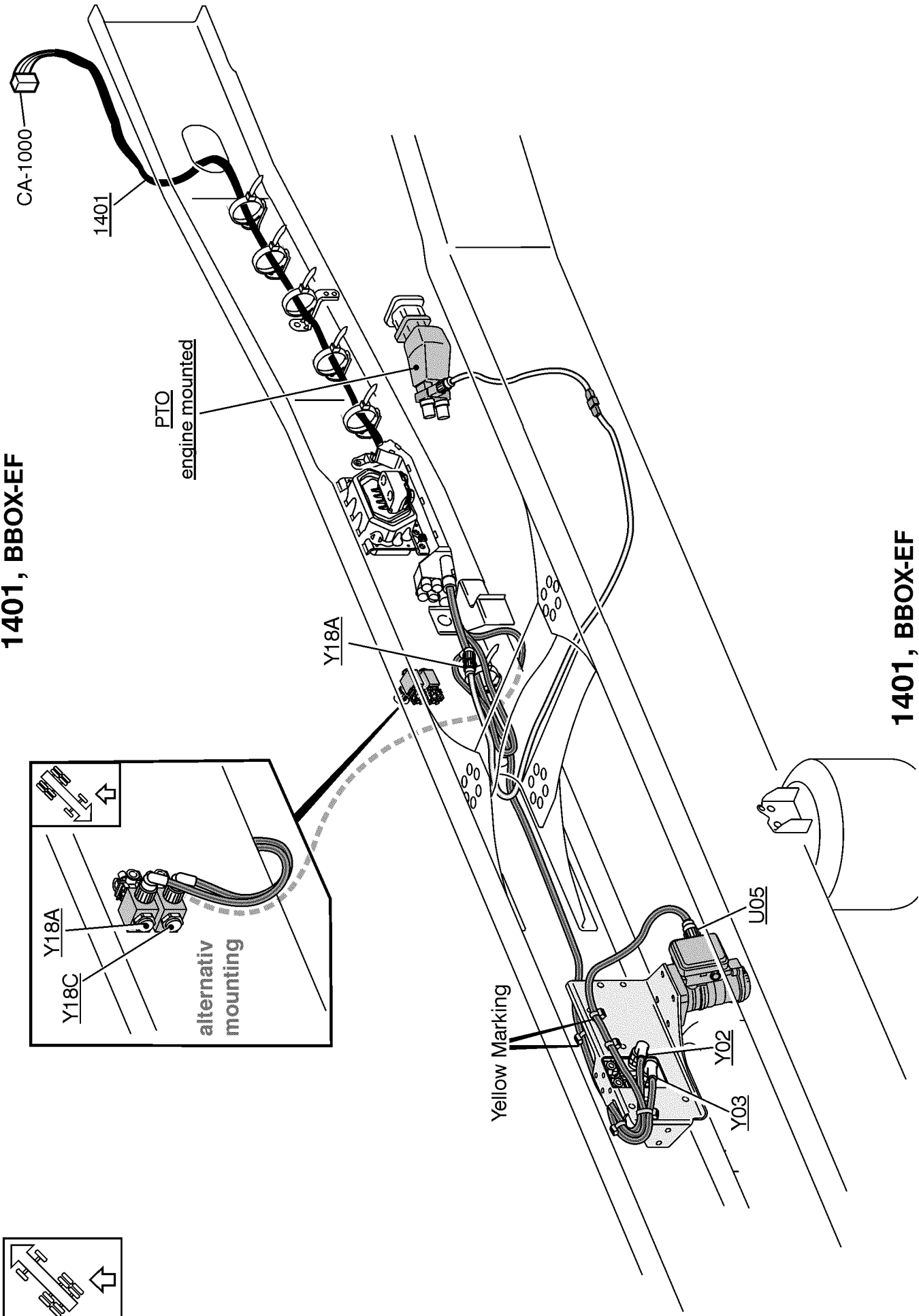
1401, FAA10

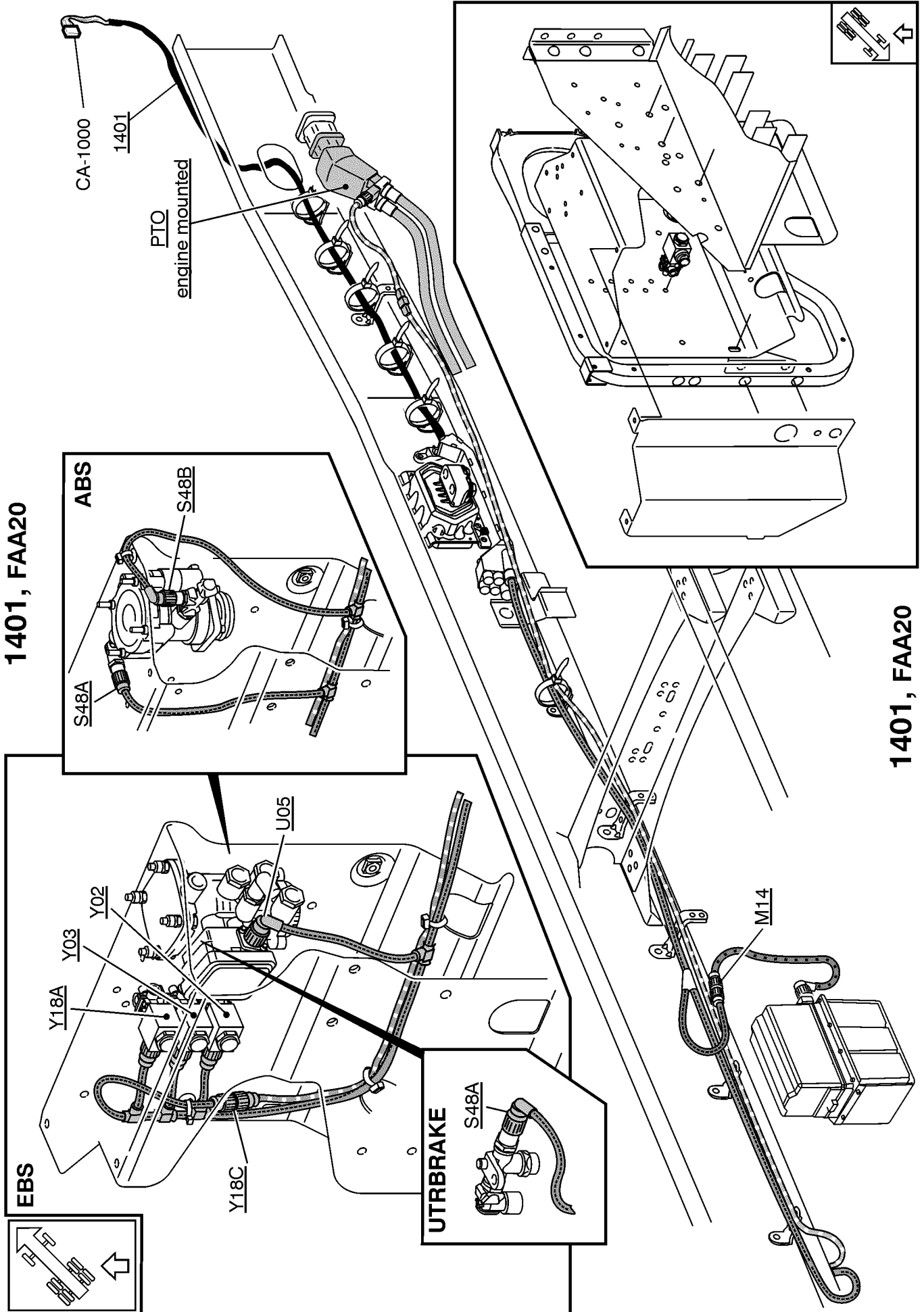


1401, FAA10

1401, BBOX-EF

1401, BBOX-EF



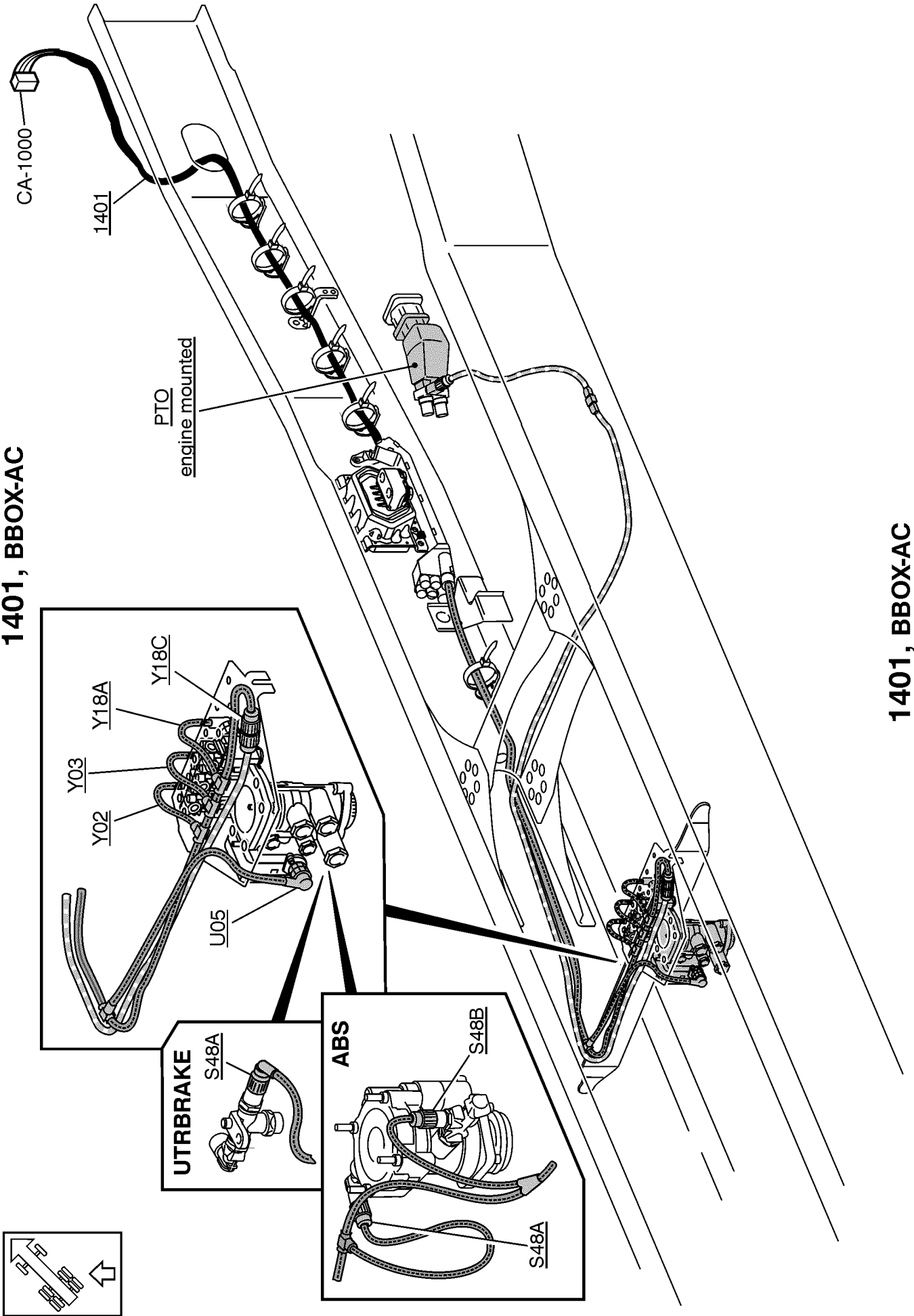


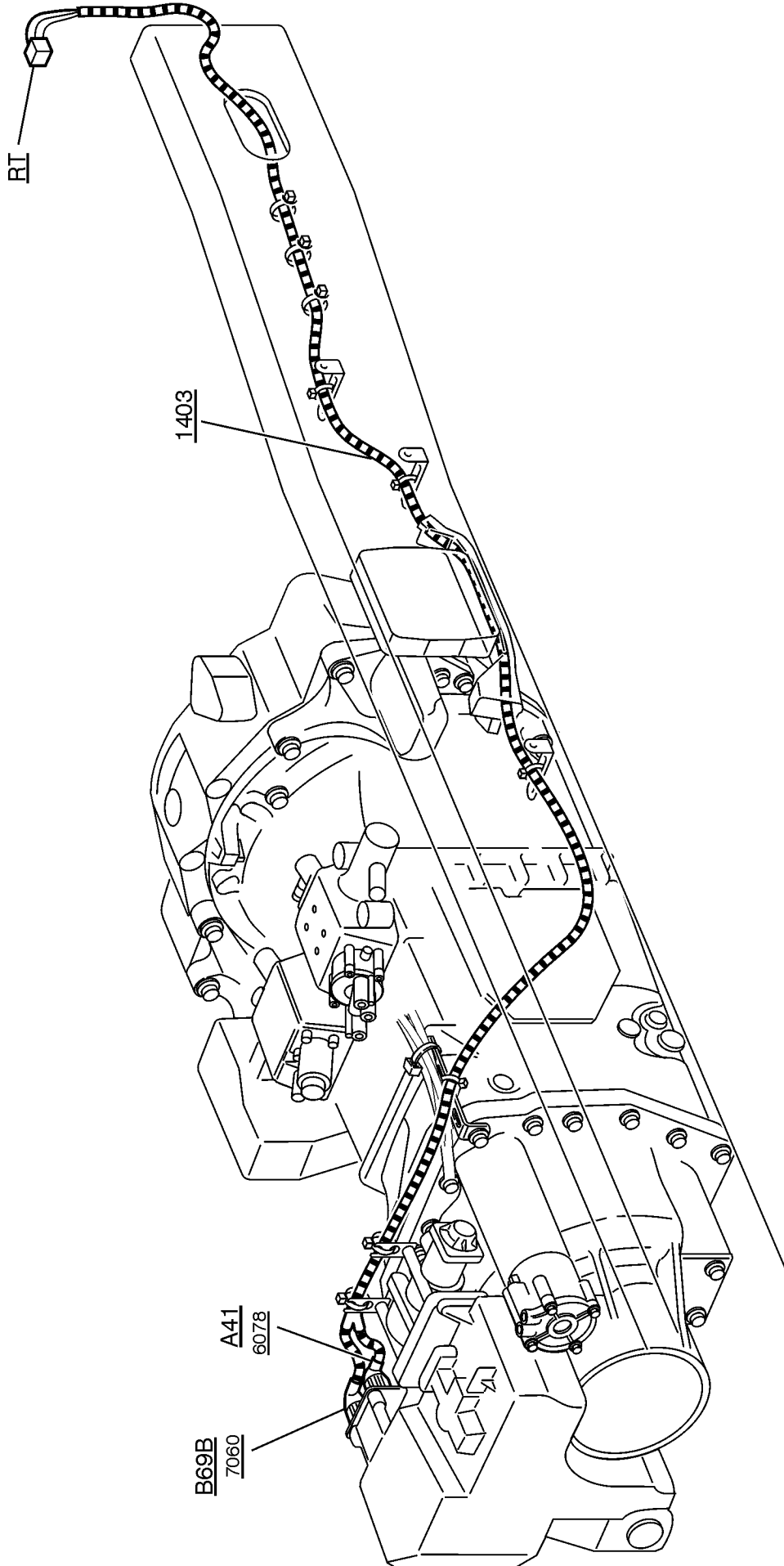
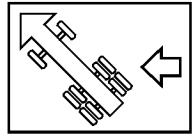
1401, FAA20

1401, FAA20

1401, BBOX-AC

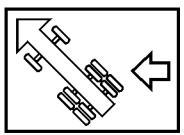
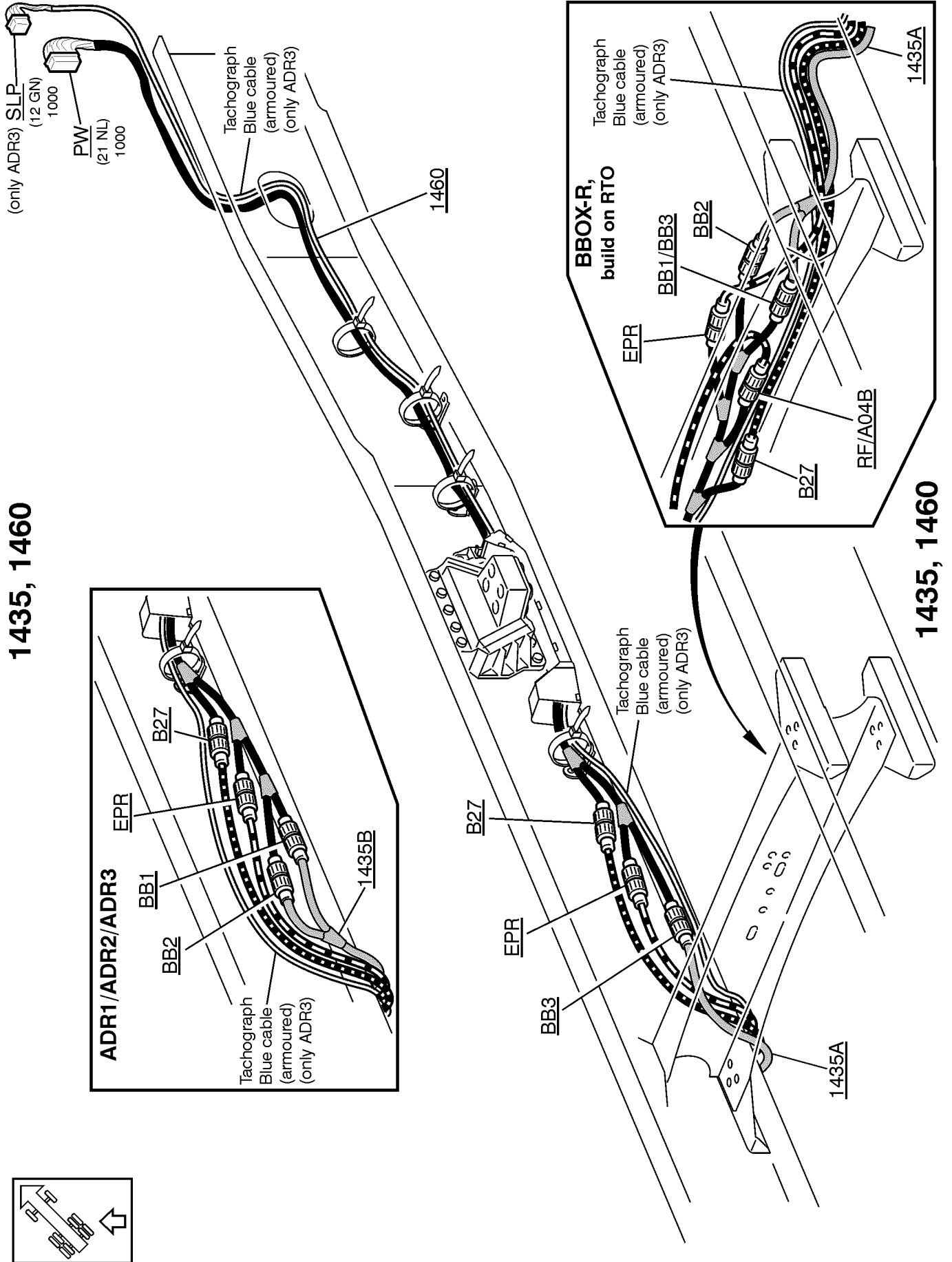
1401, BBOX-AC

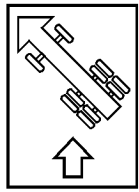




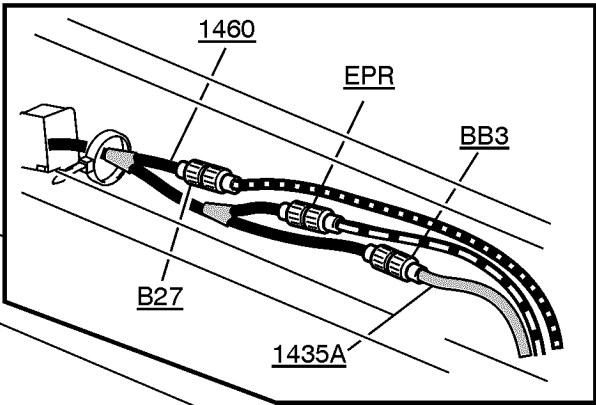
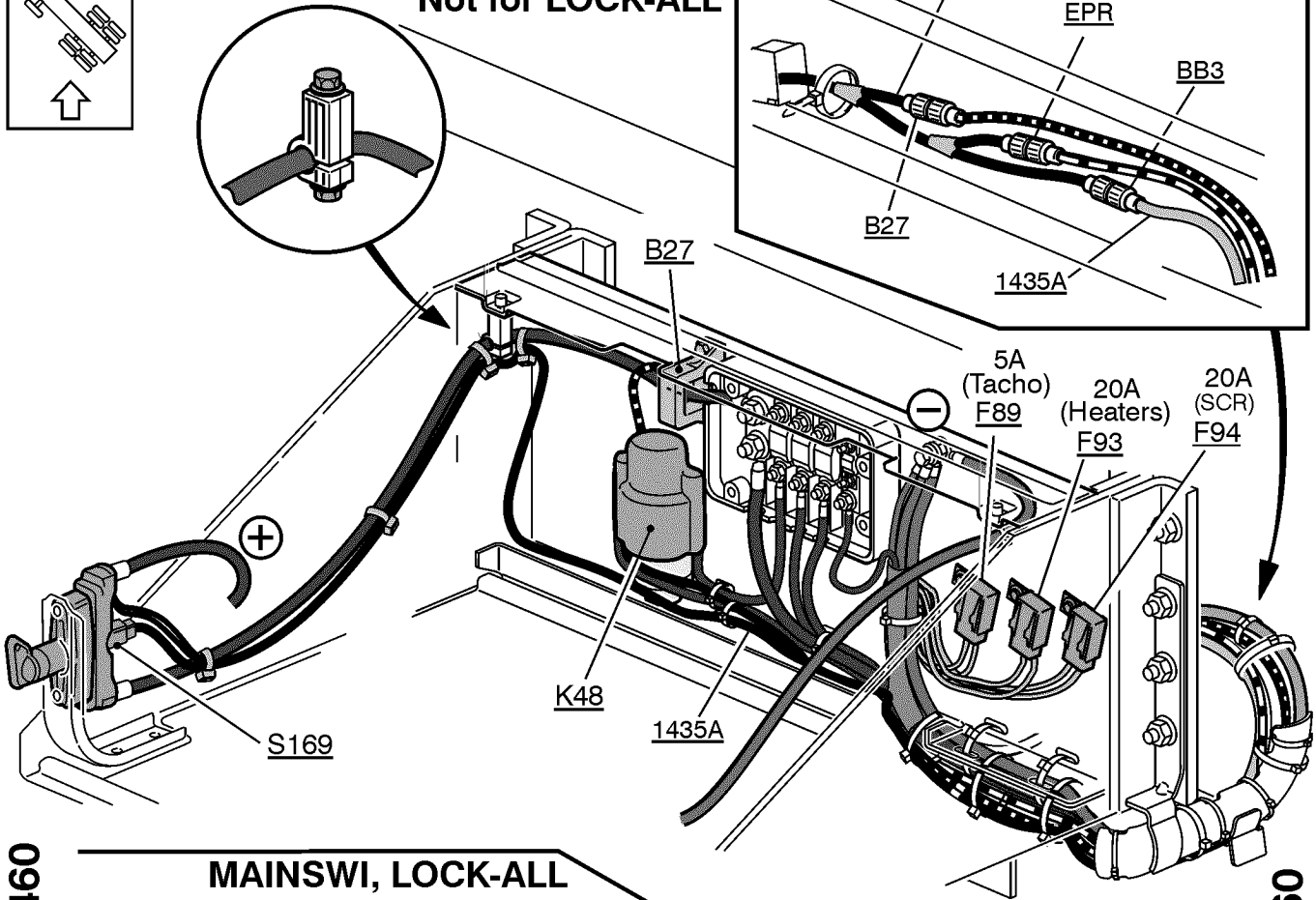
1403

1403





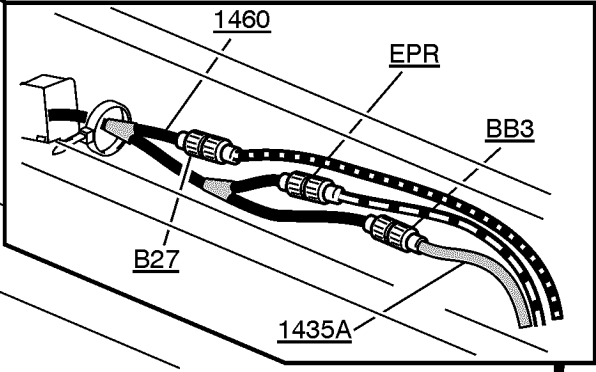
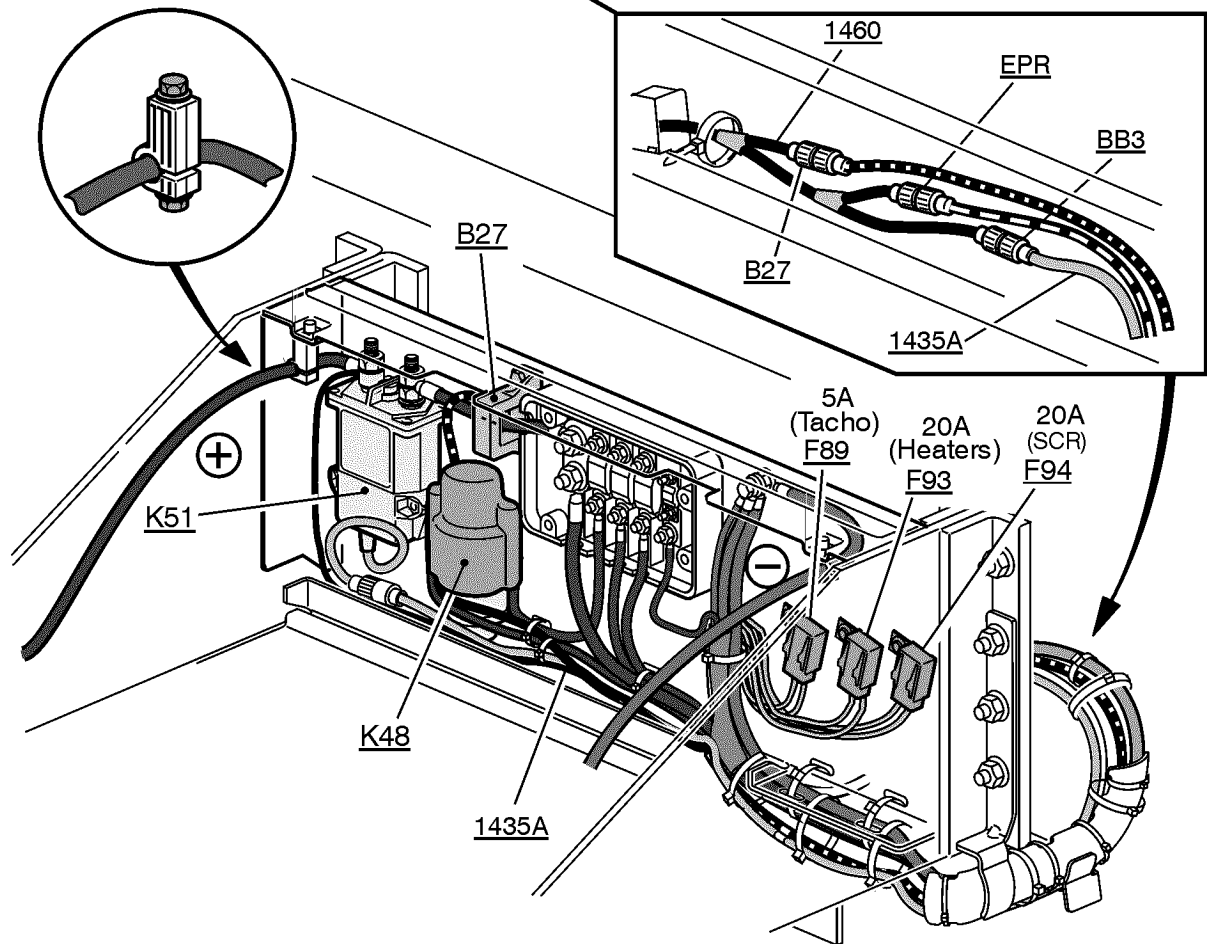
UADR
Not for LOCK-ALL

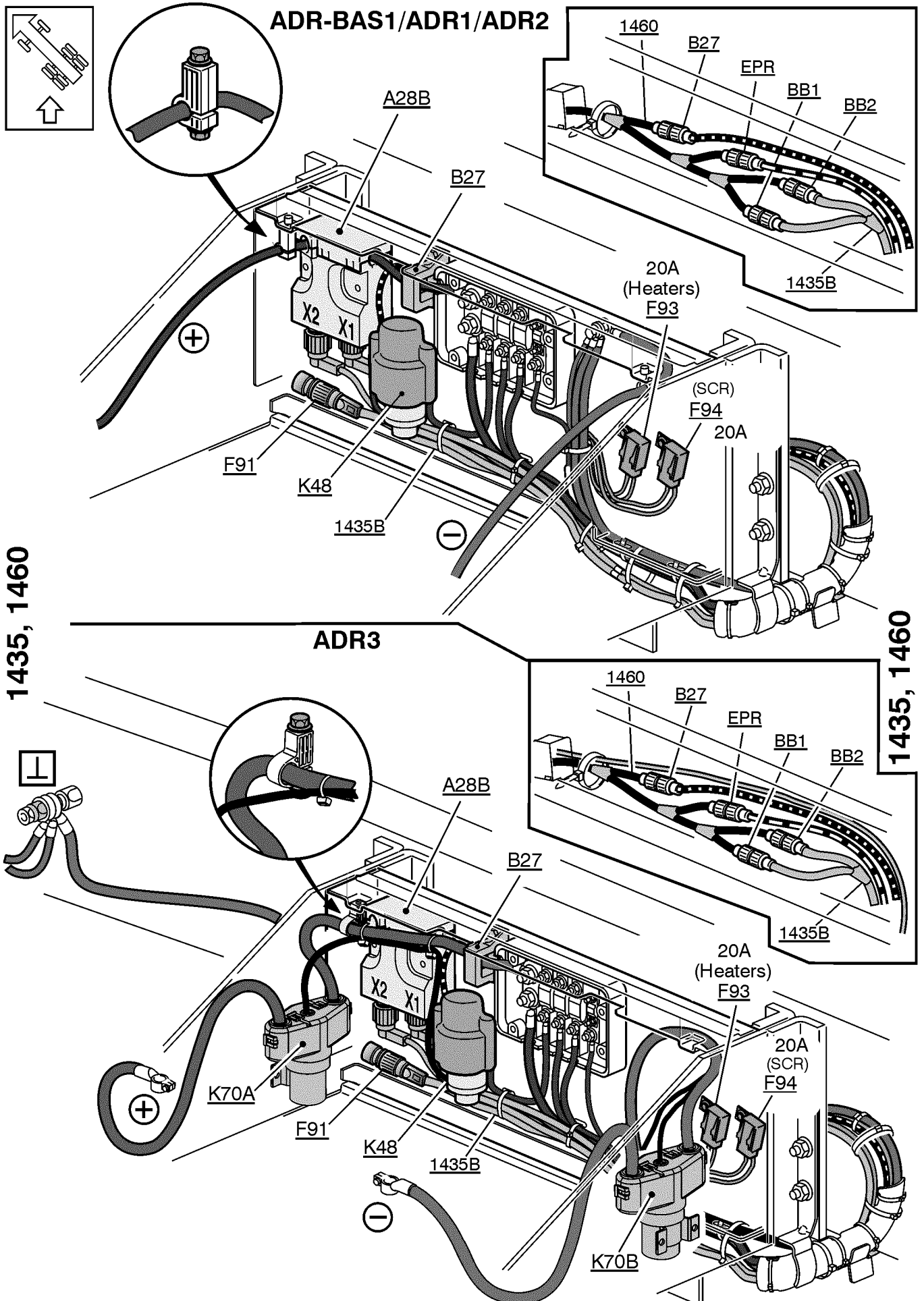


MAINSWI, LOCK-ALL

1435, 1460

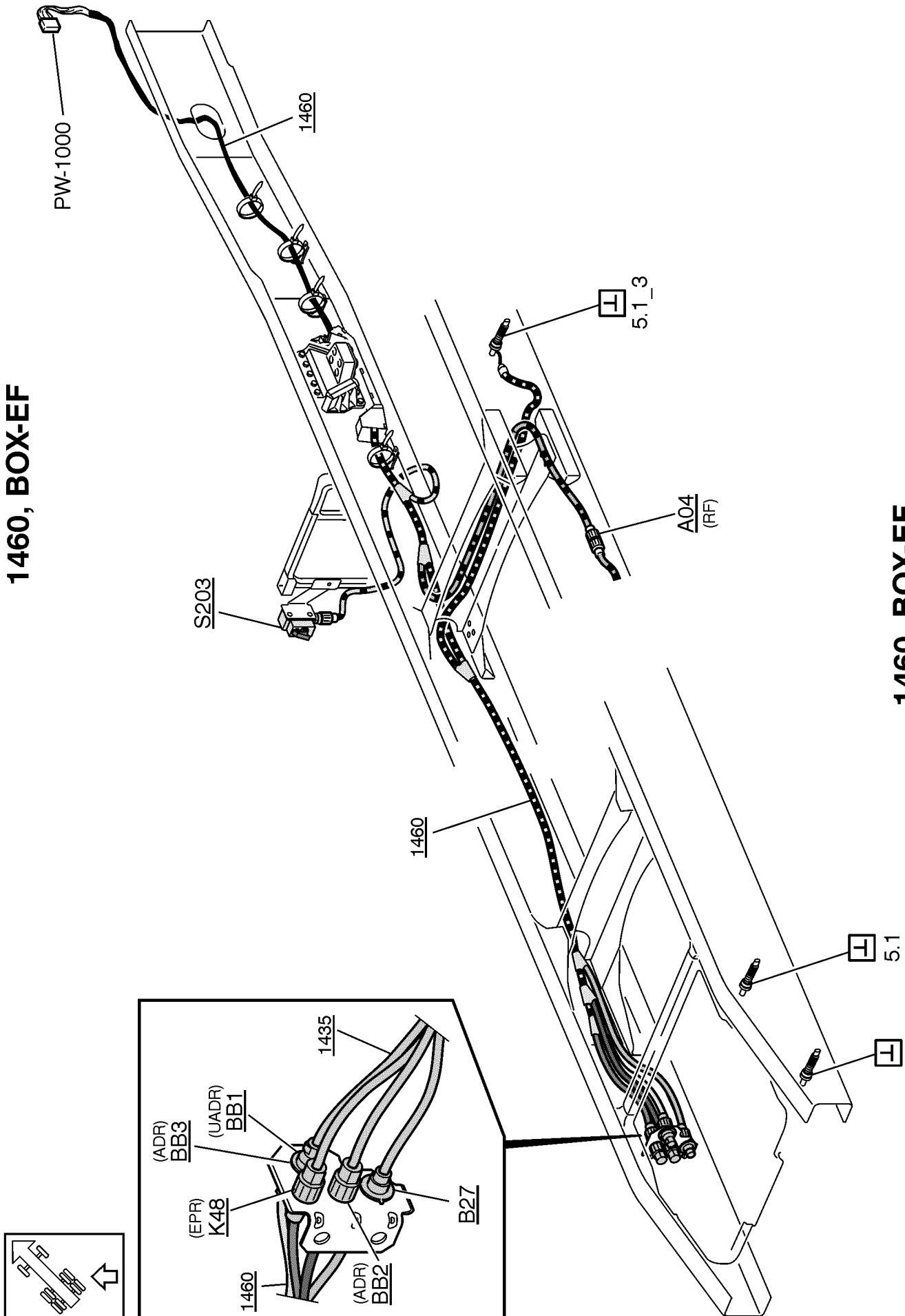
1435, 1460

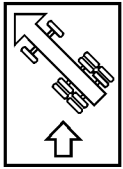




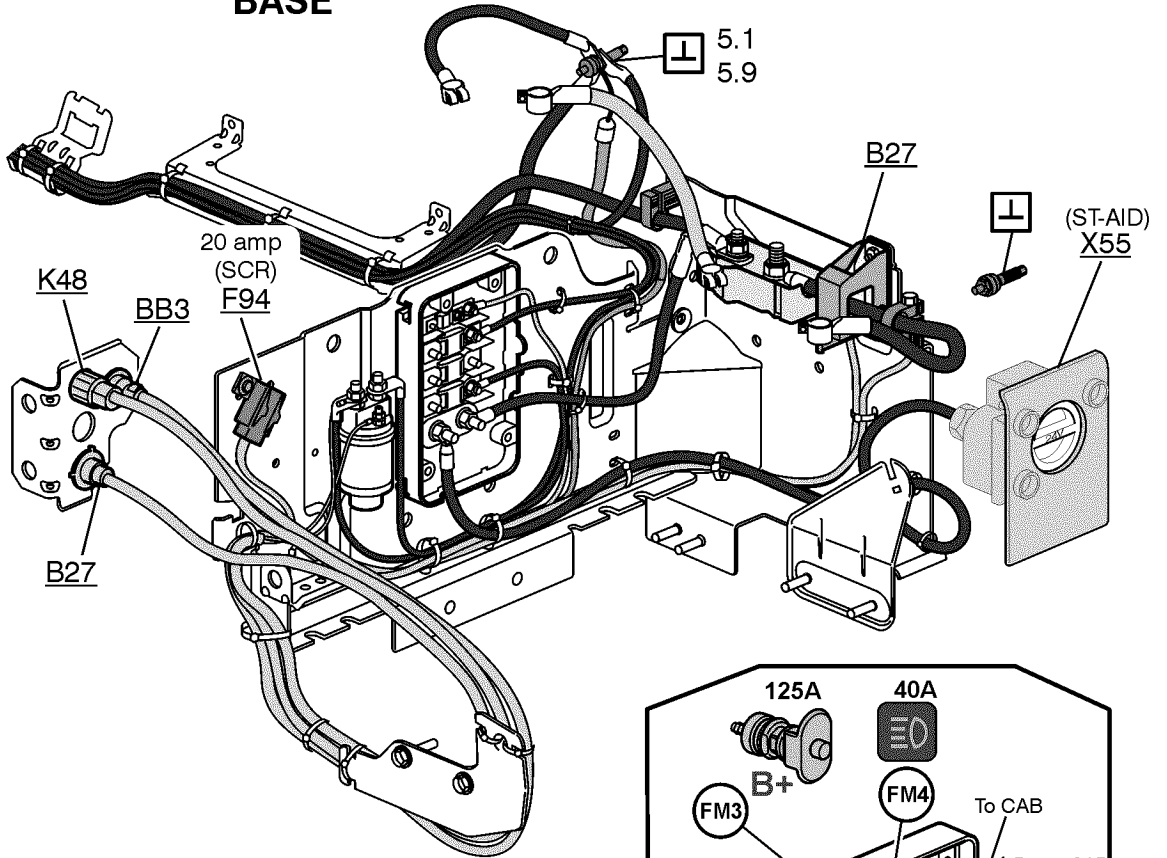
1460, BOX-EF

1460, BOX-EF

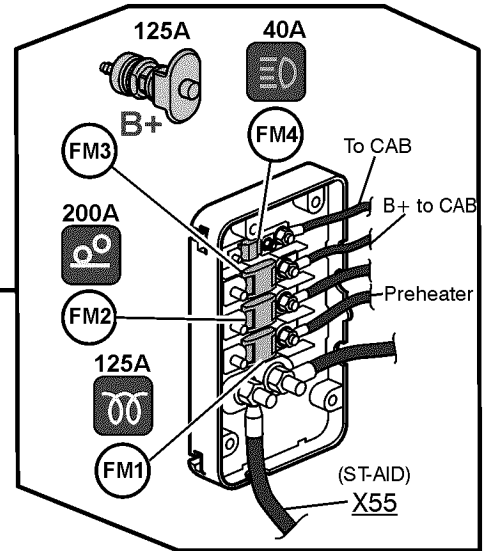




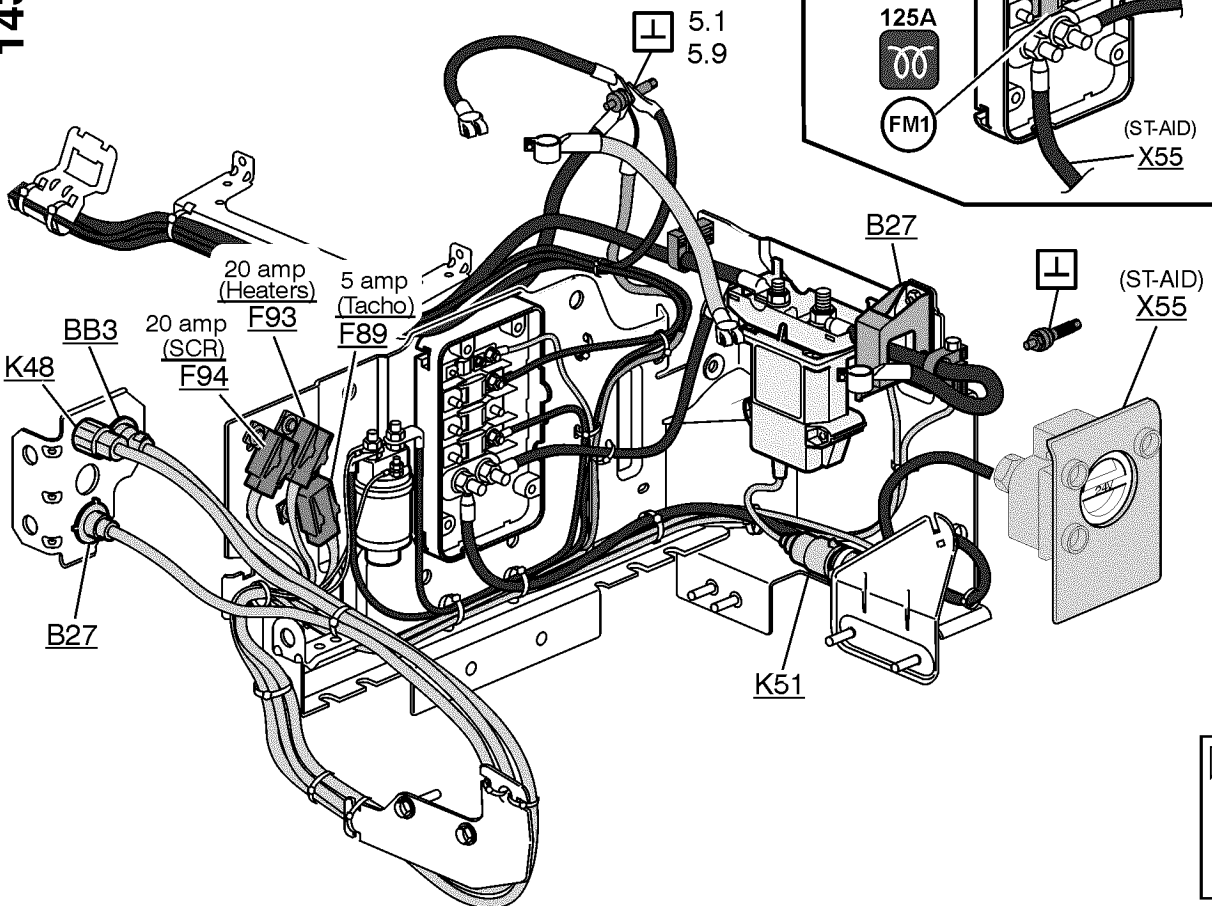
BASE



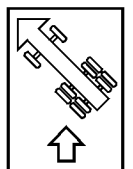
1435, BBOX-EF



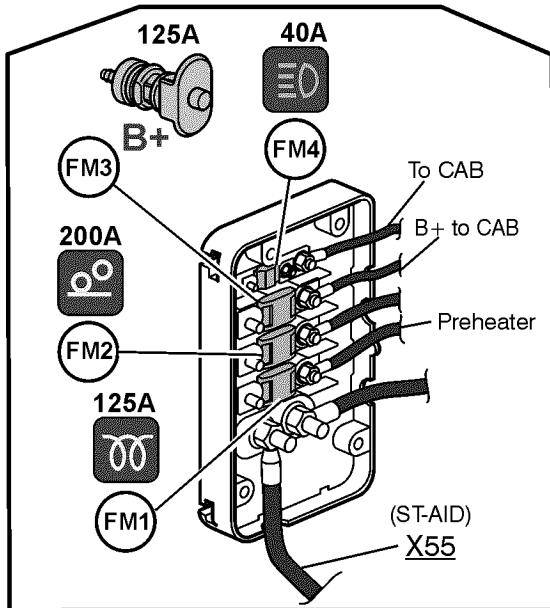
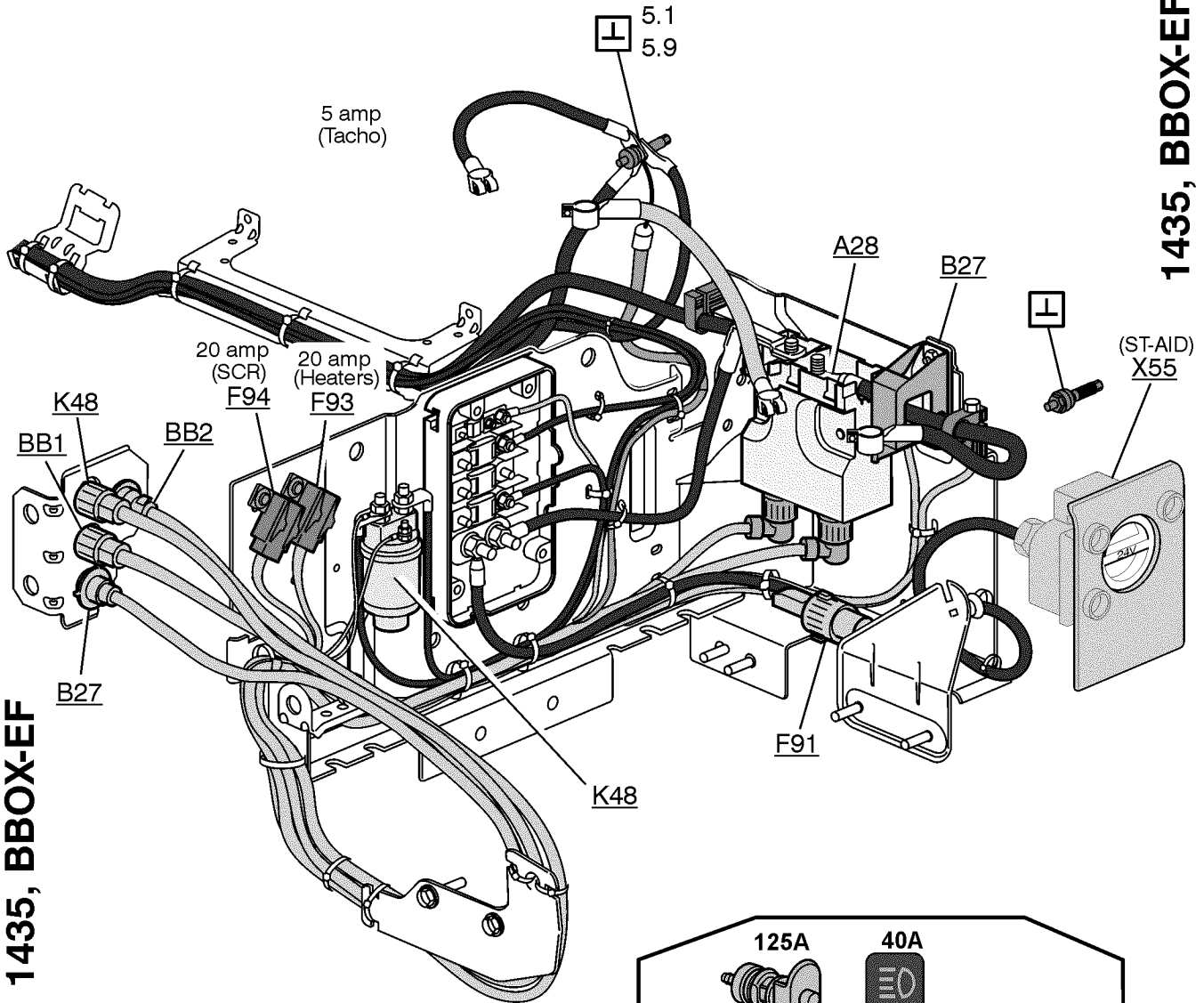
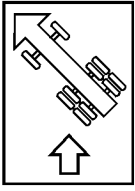
LOCK-ALL



1435, BBOX-EF

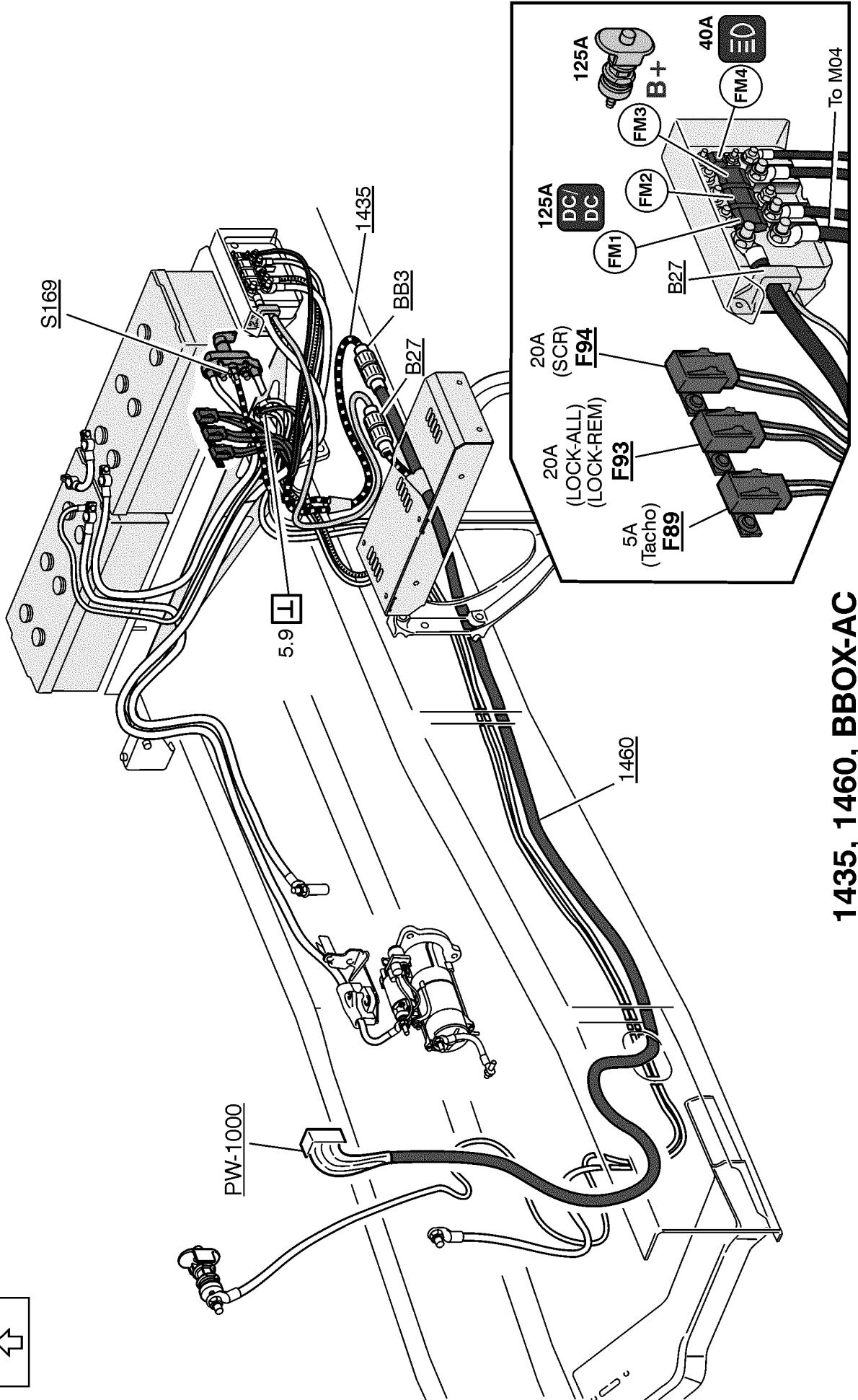
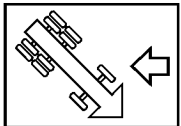


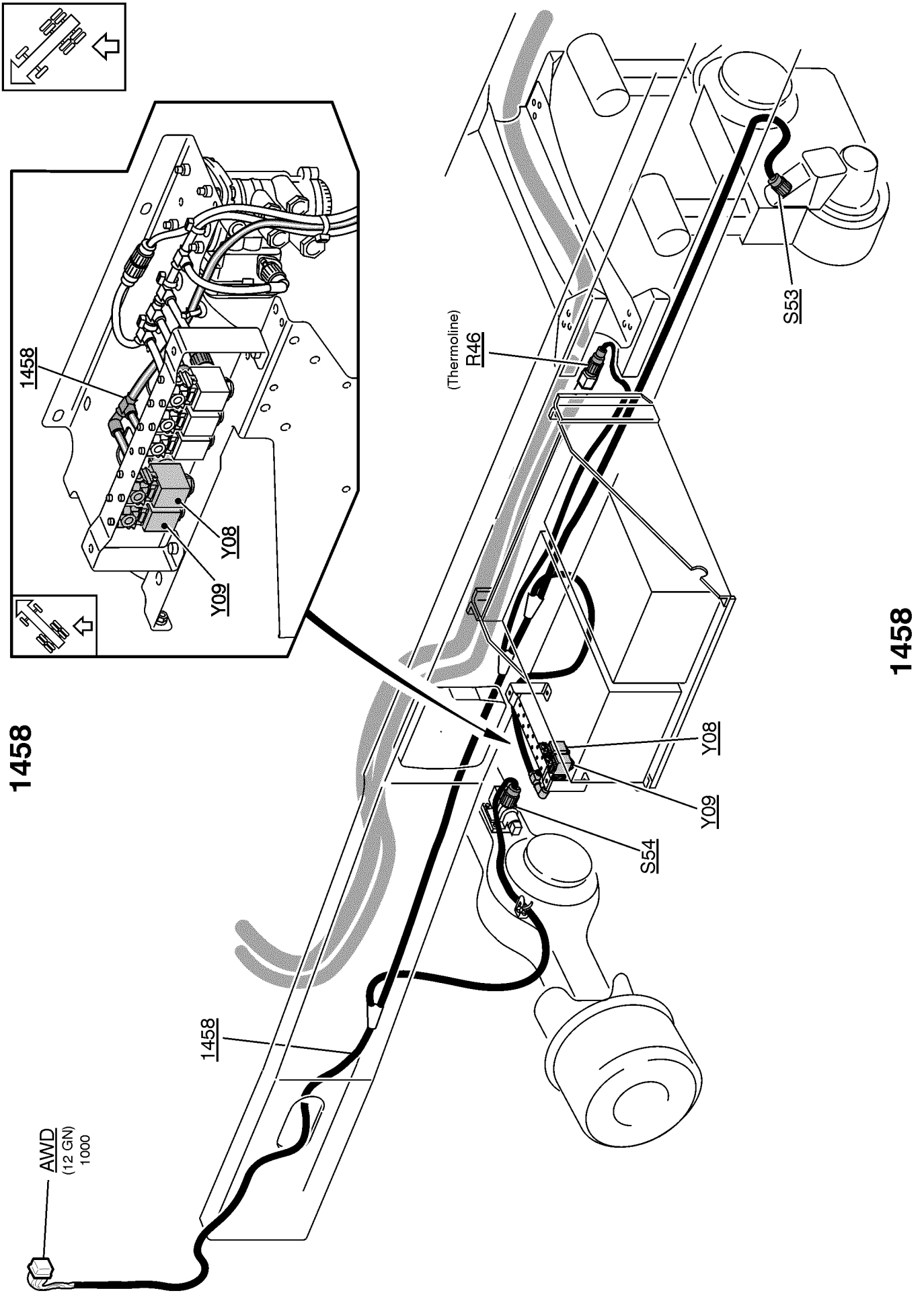
ADR



1435, 1460, BBOX-AC

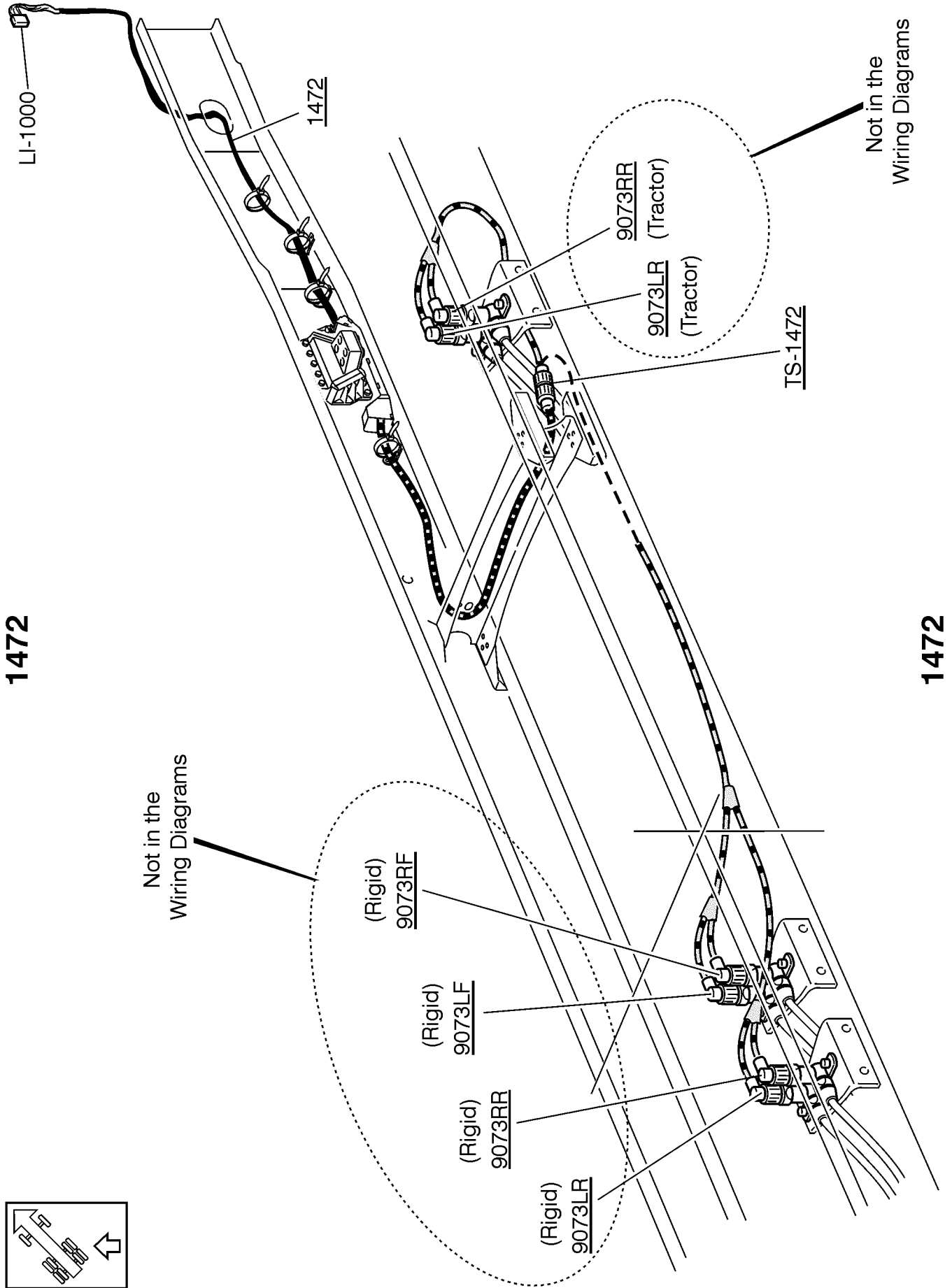
1435, 1460, BBOX-AC





1458

1458

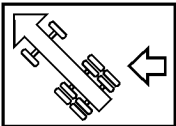


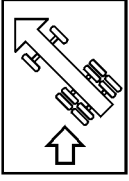
1472

1472

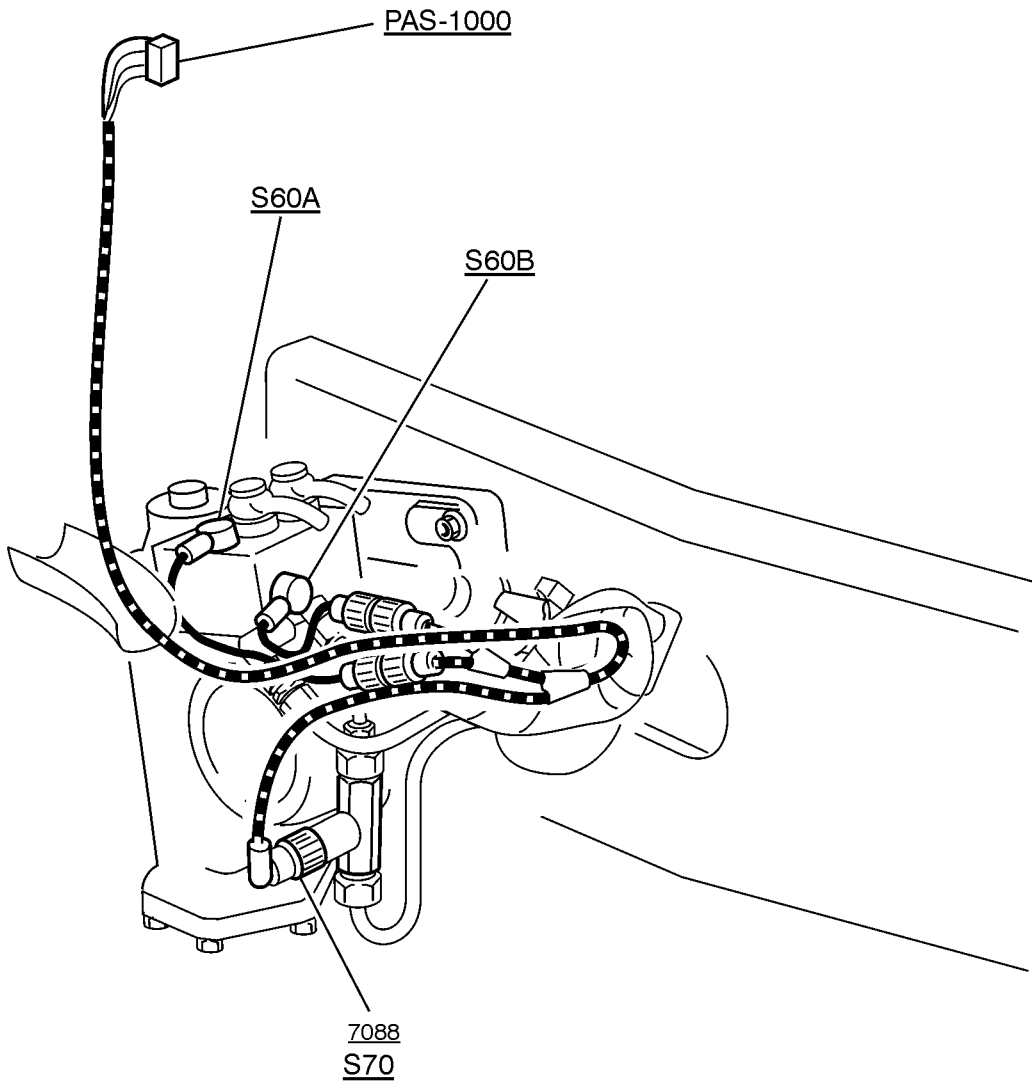
Not in the
Wiring Diagrams

Not in the
Wiring Diagrams

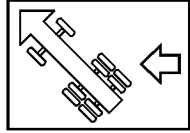




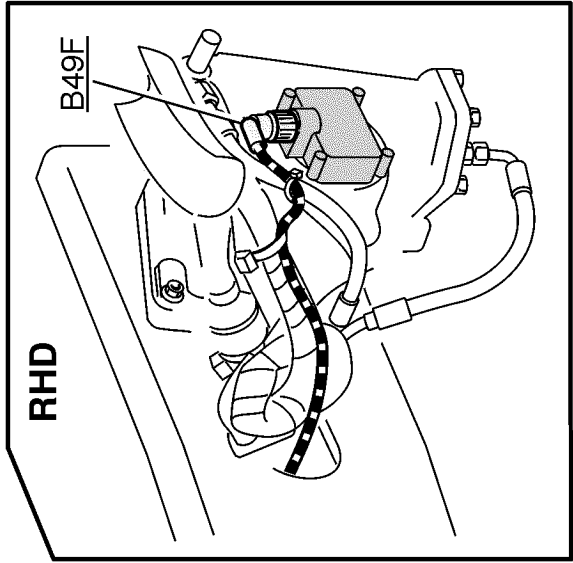
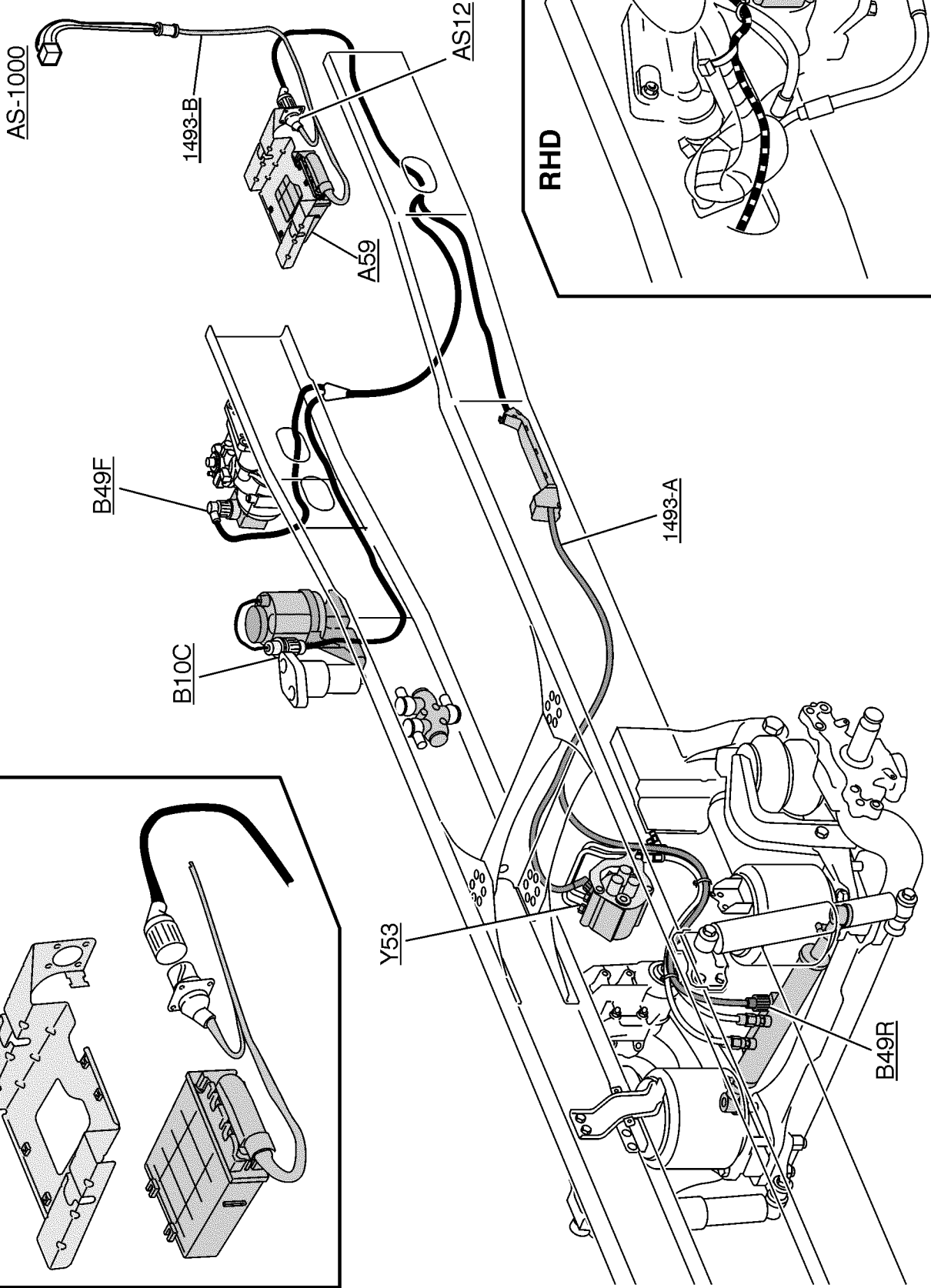
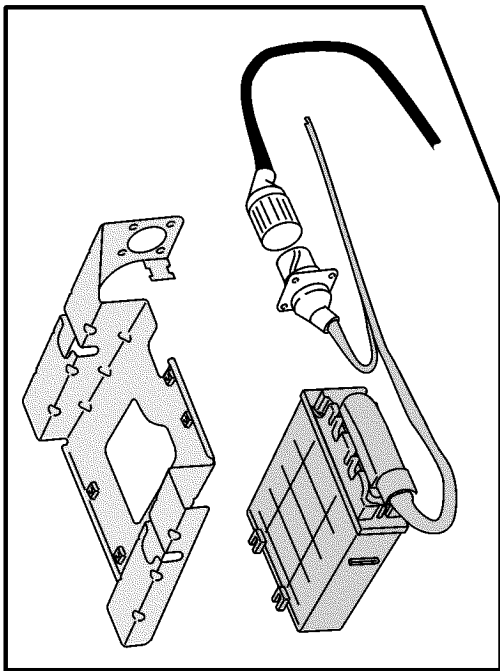
1493 LHD, PSS-DUAL



1493 LHD, PSS-DUAL

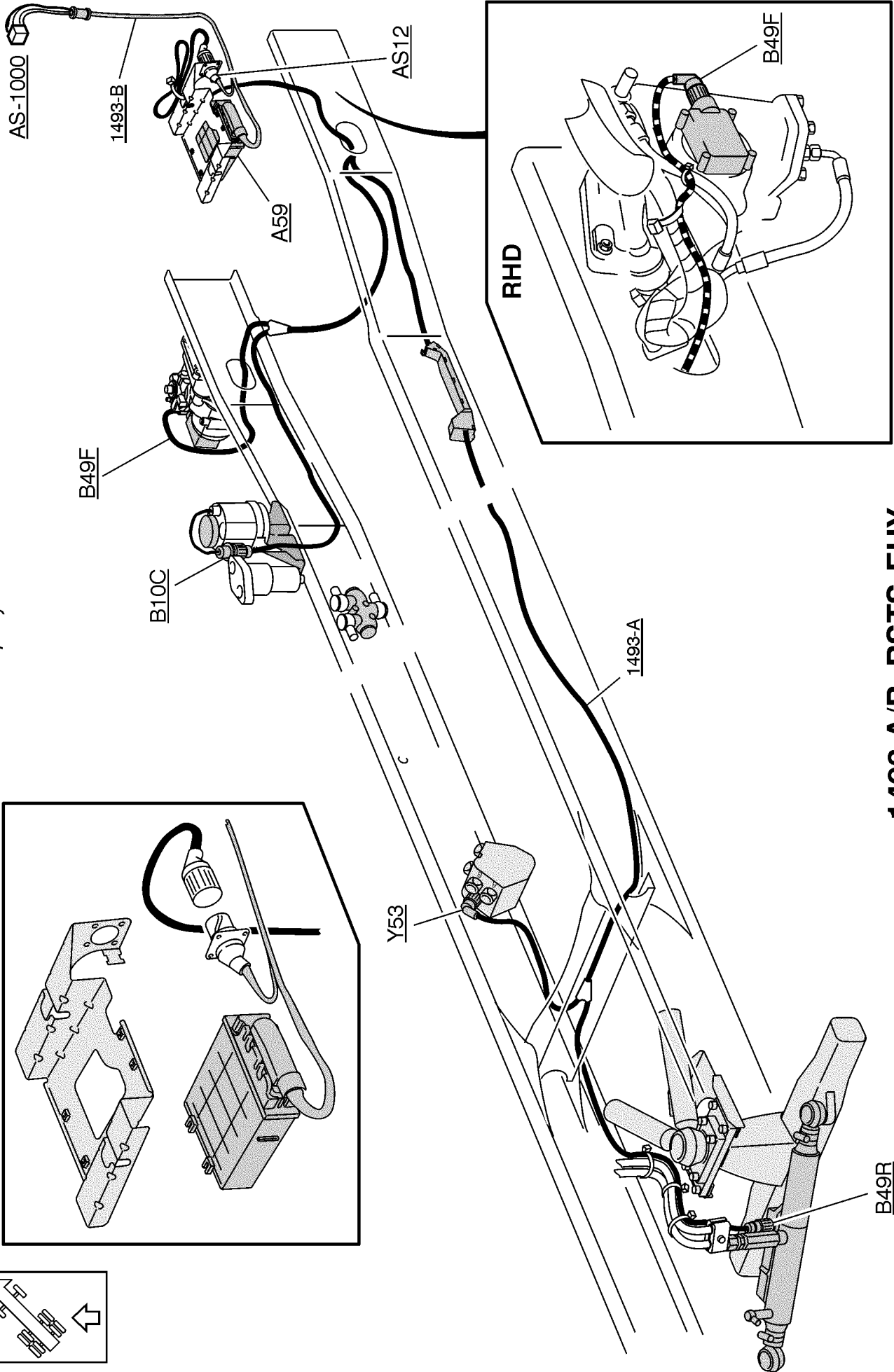
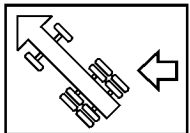


1493 A/B, RSTS-EHY



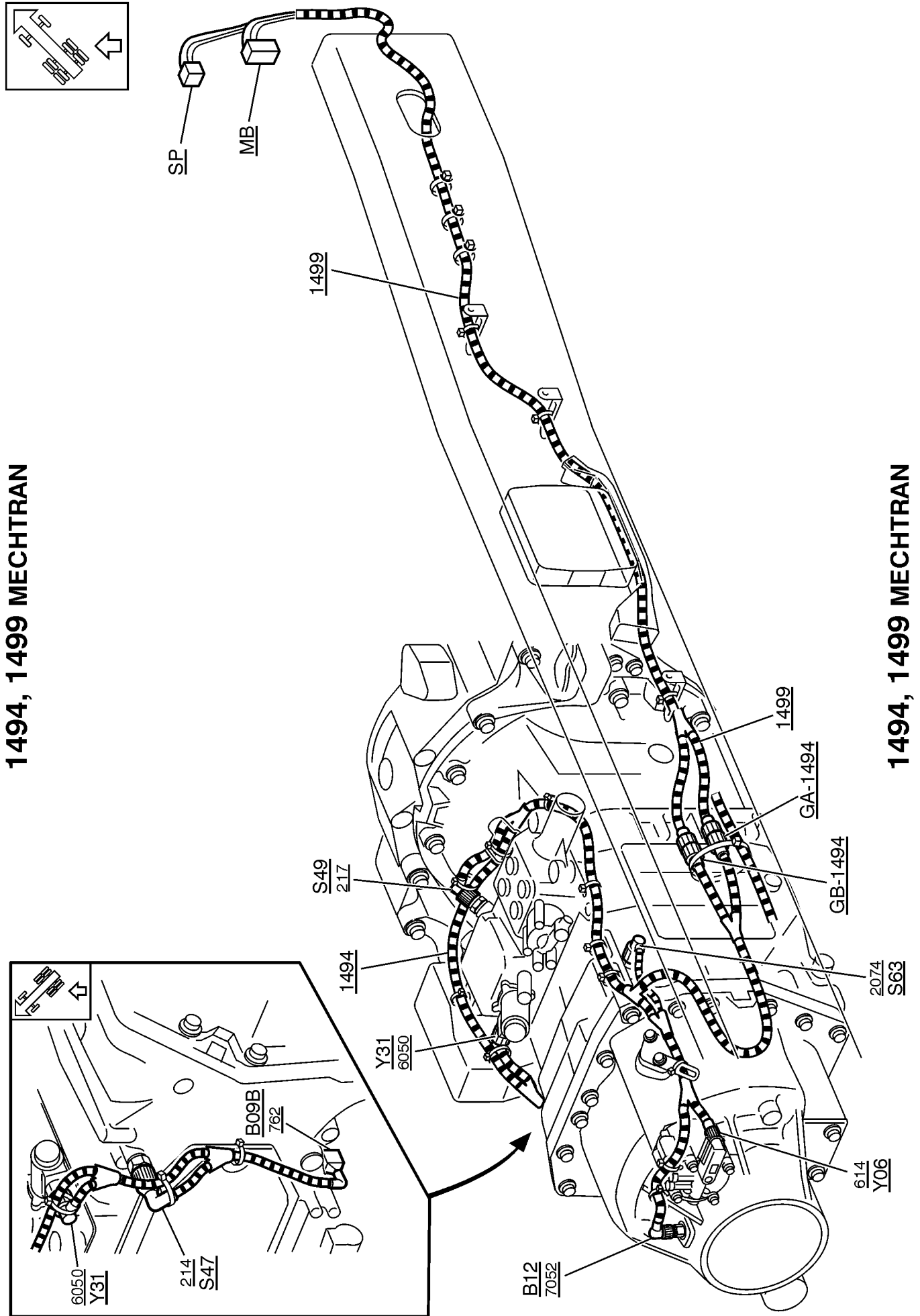
1493 A/B, RSTS-EHY

1493 A/B, RSTS-EHY



1493 A/B, RSTS-EHY

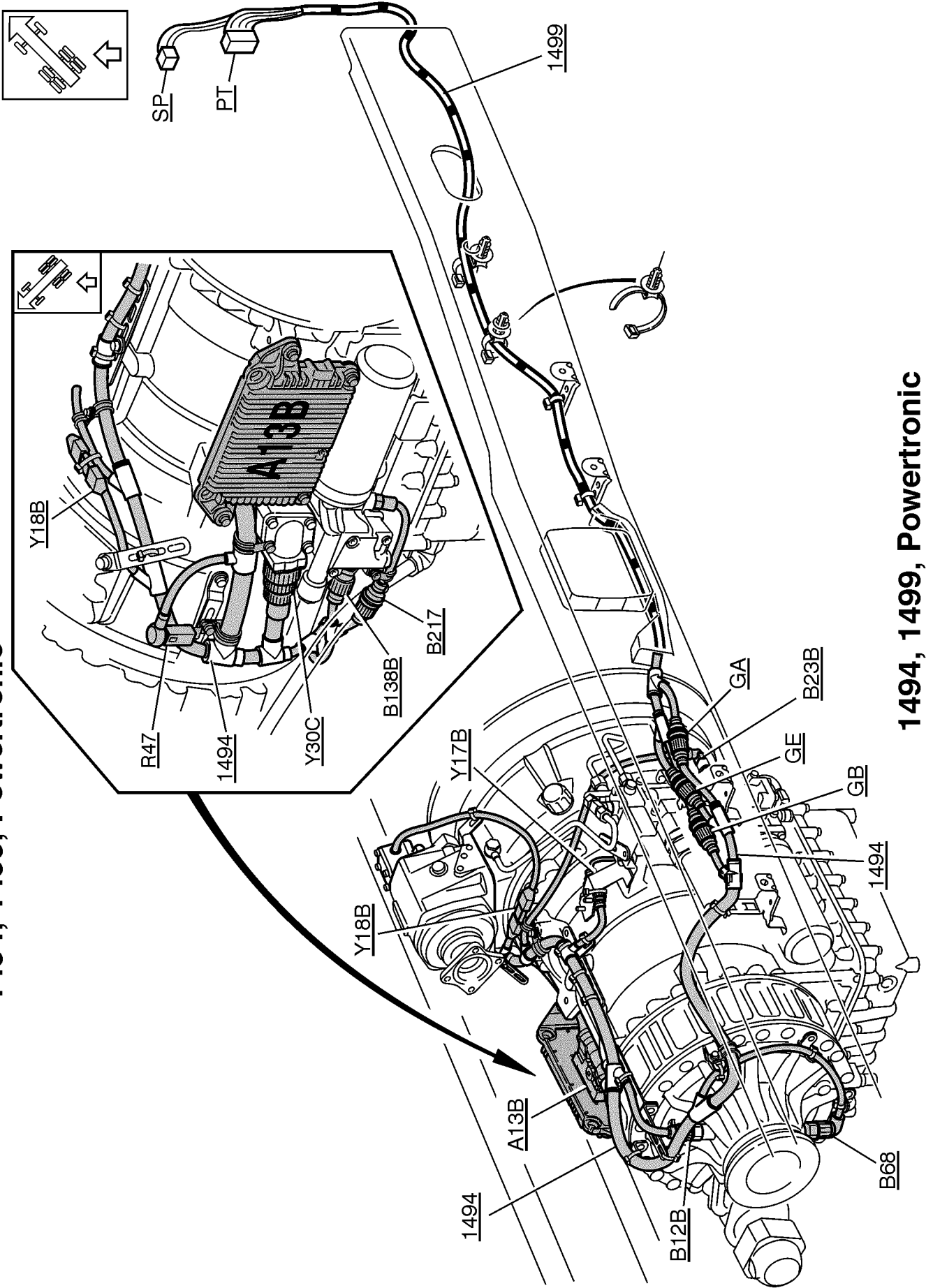
1494, 1499 MECHTRAN

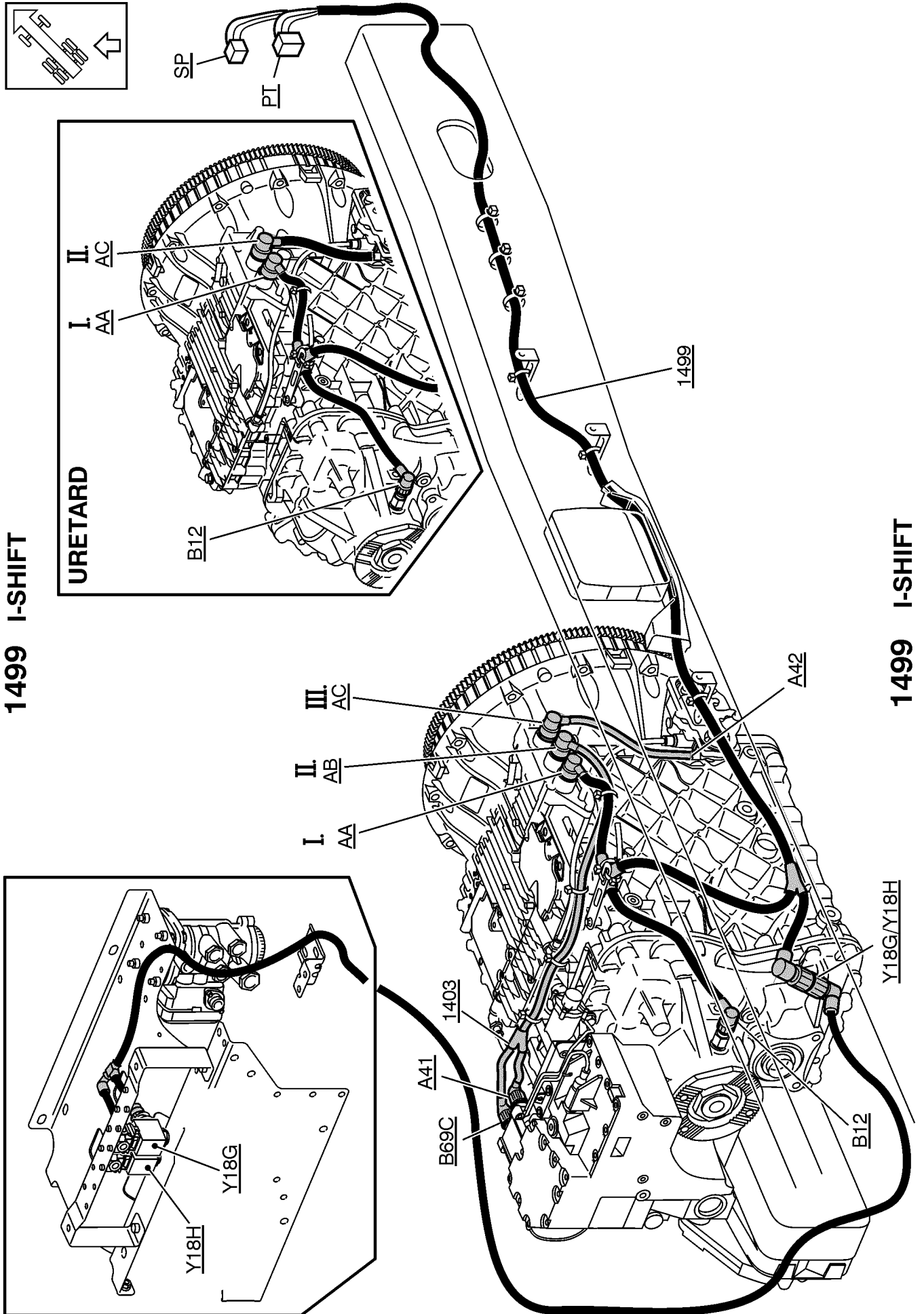


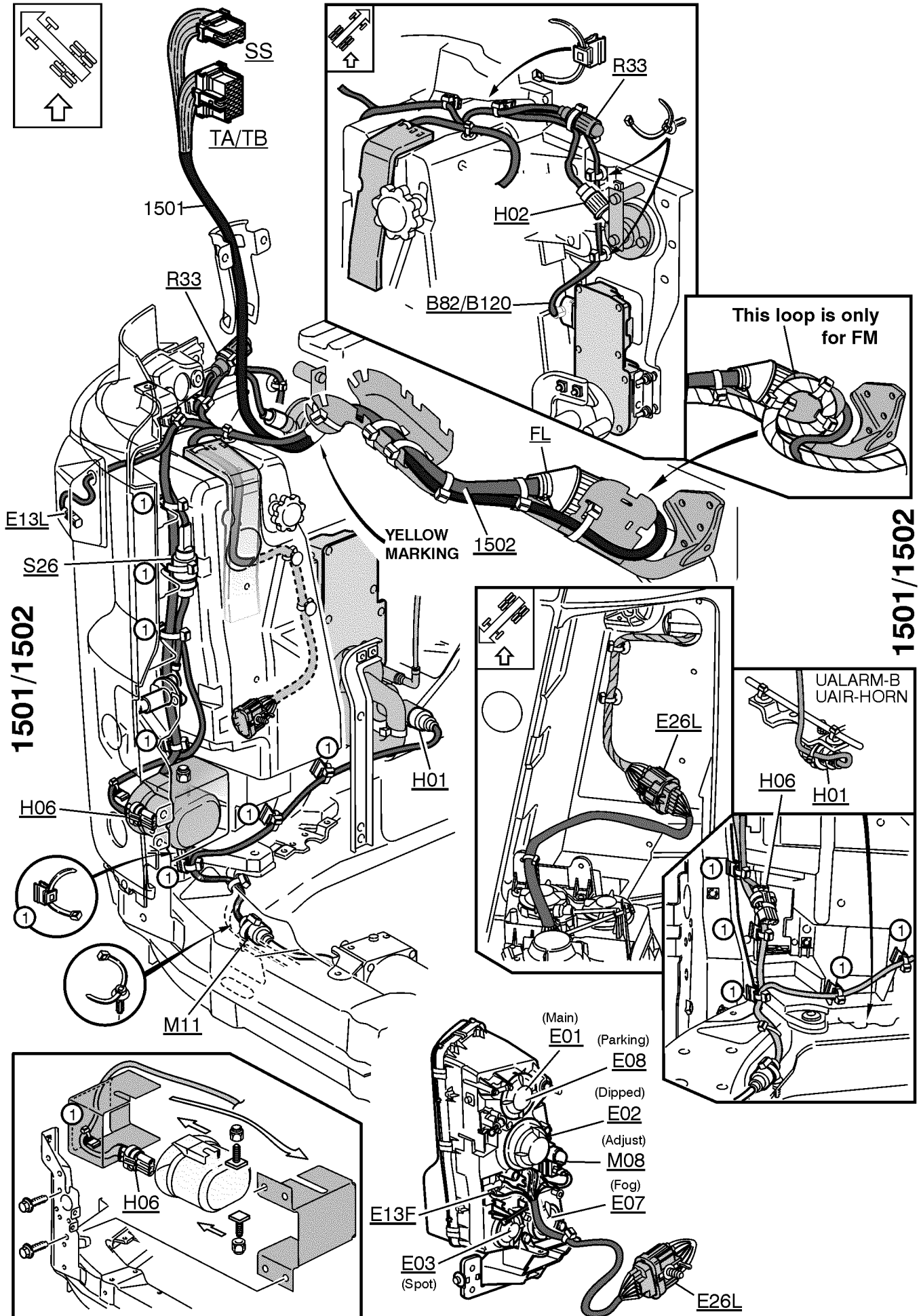
1494, 1499 MECHTRAN

1494, 1499, Powertronic

1494, 1499, Powertronic

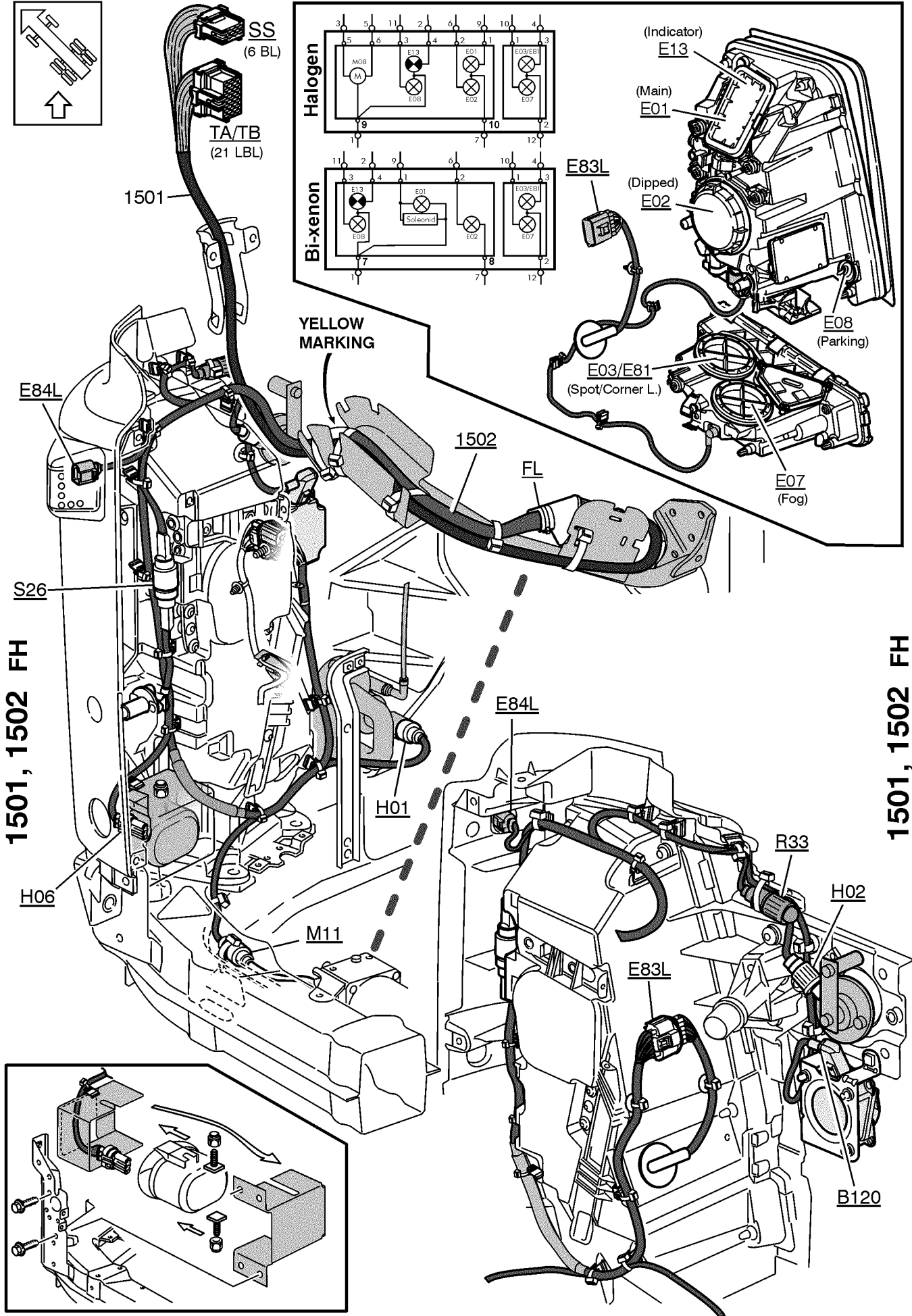






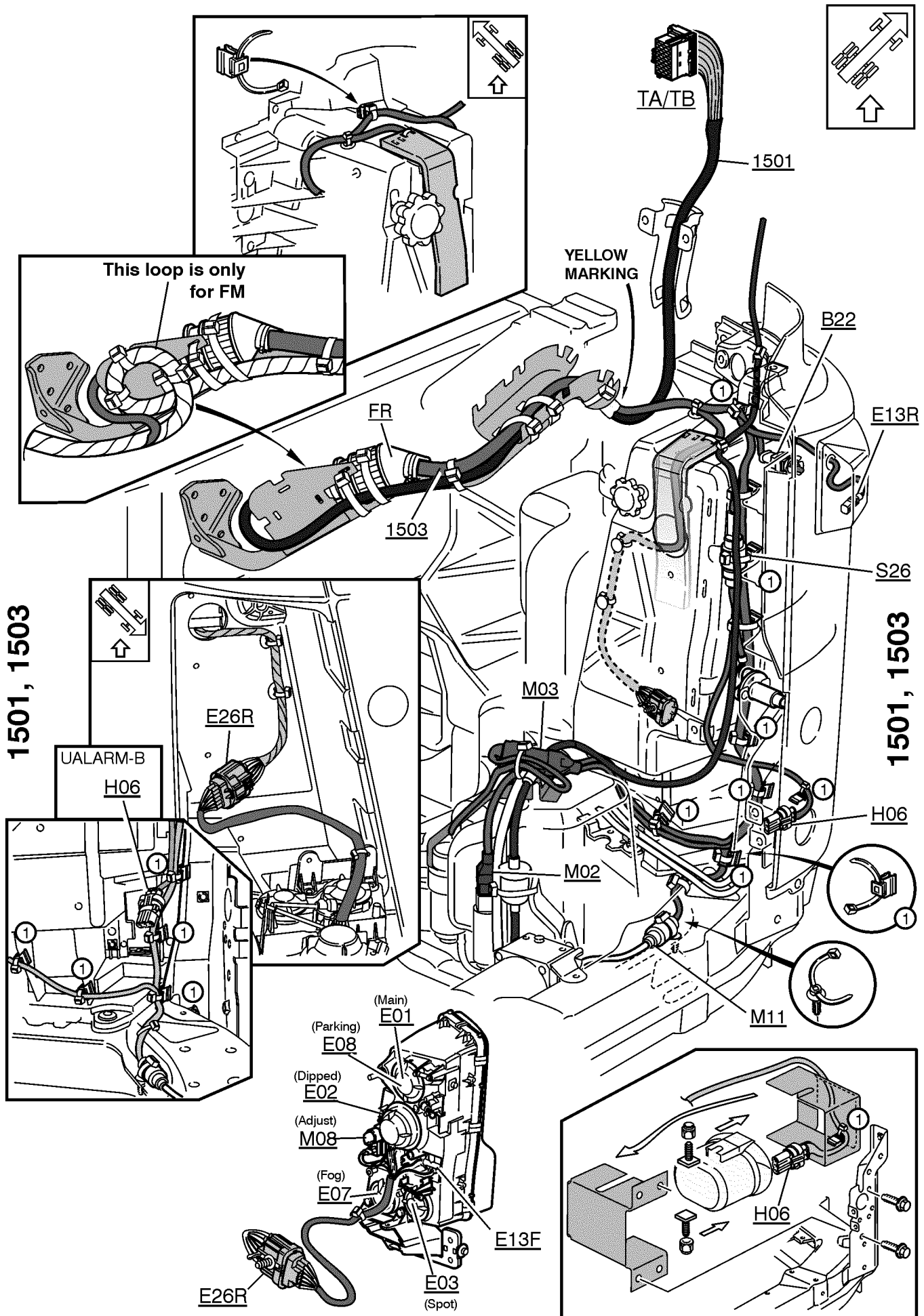
1501/1502

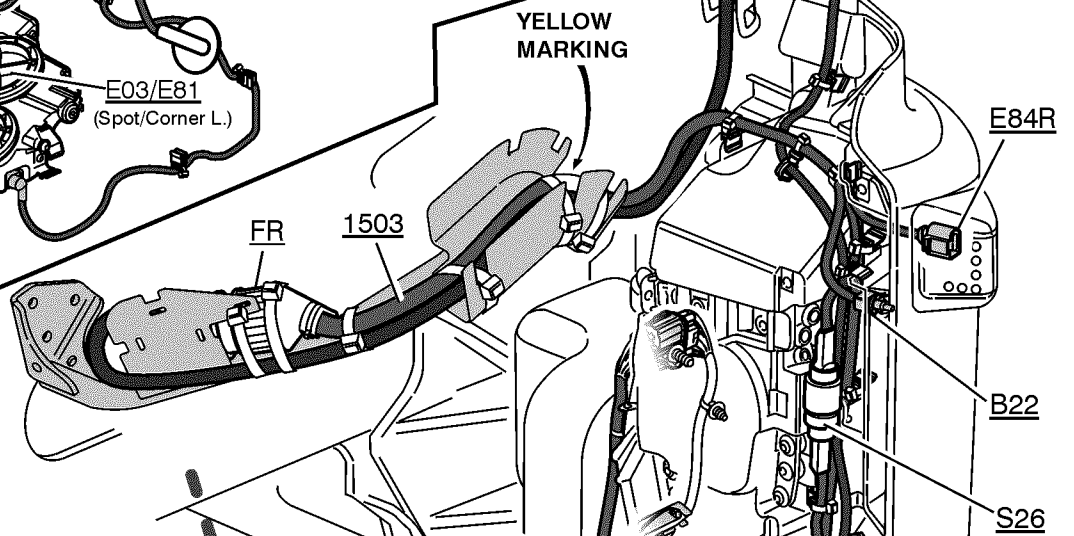
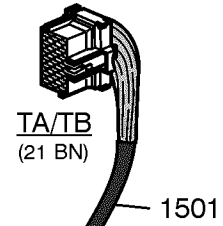
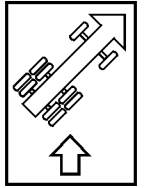
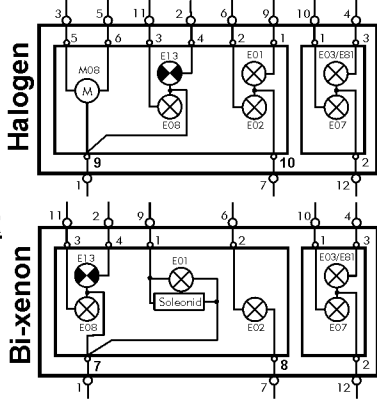
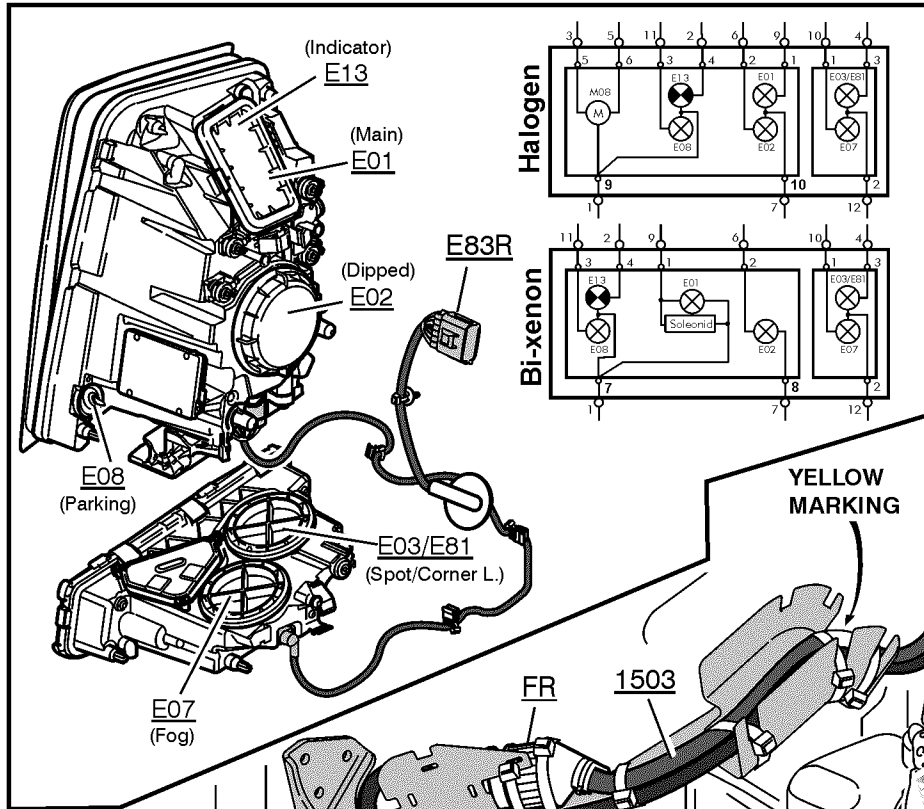
1501/1502



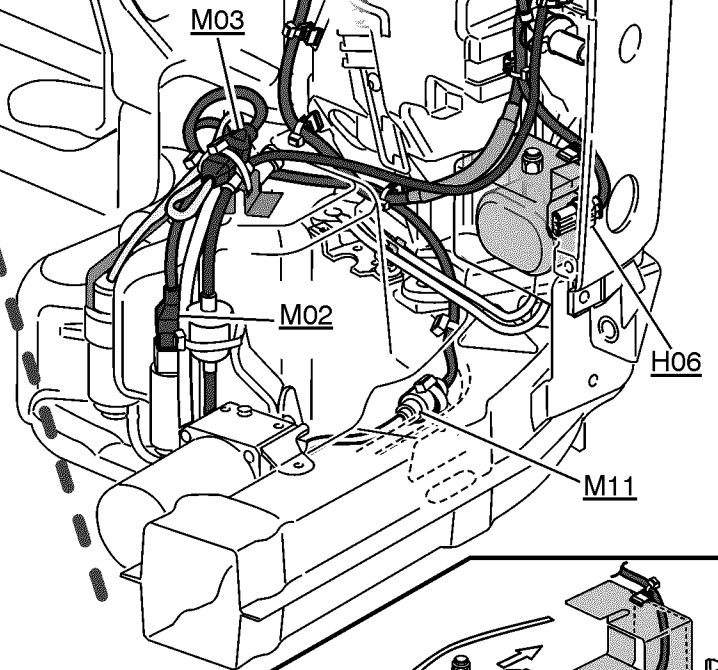
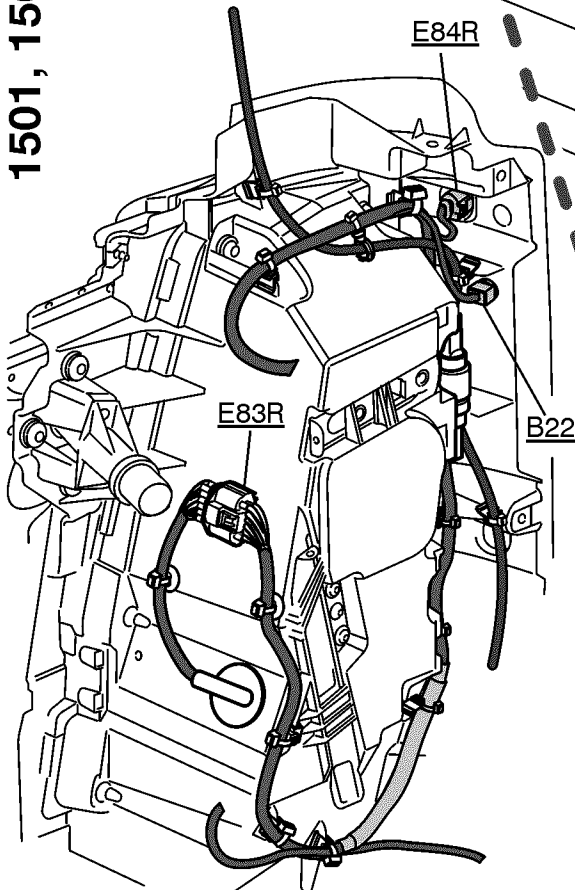
1501, 1502 FH

1501, 1502 FH

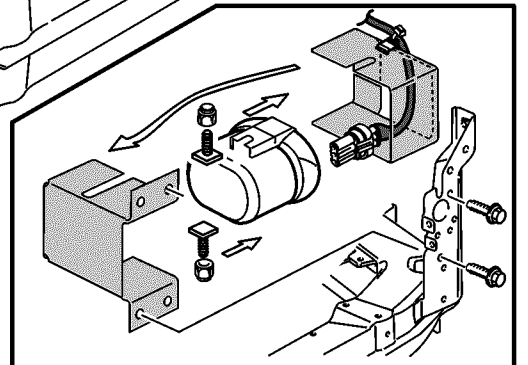


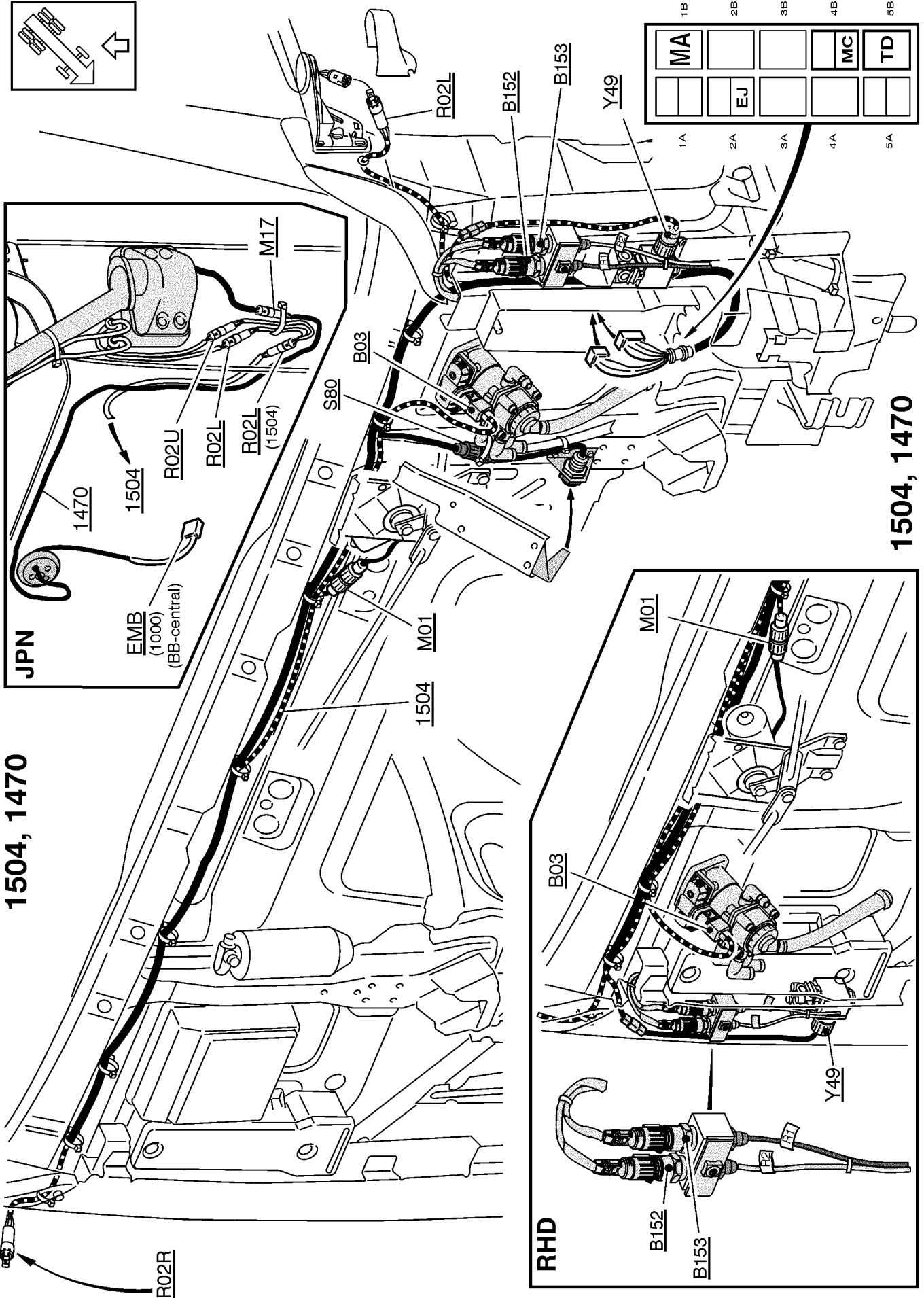


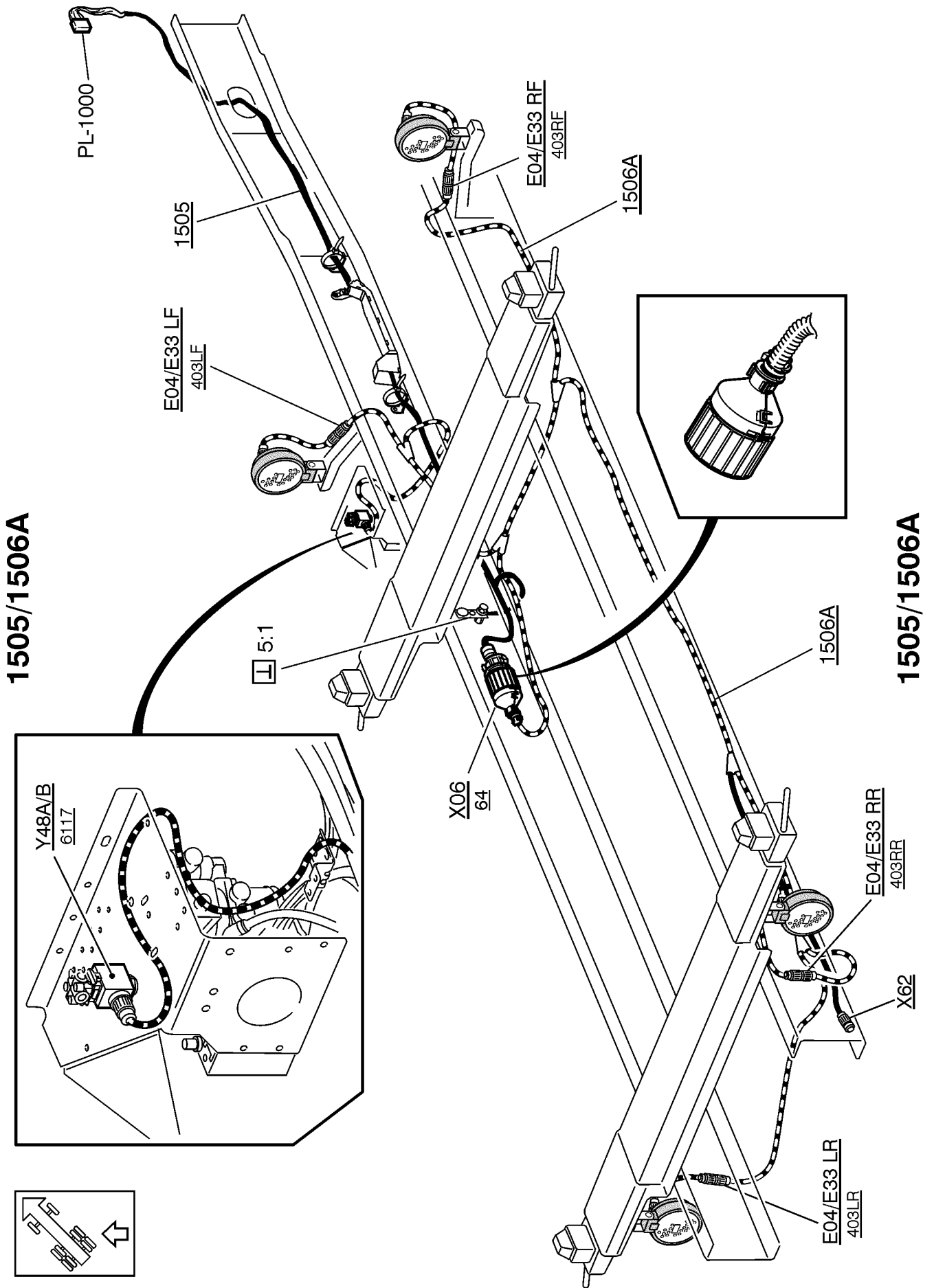
1501, 1503 FH

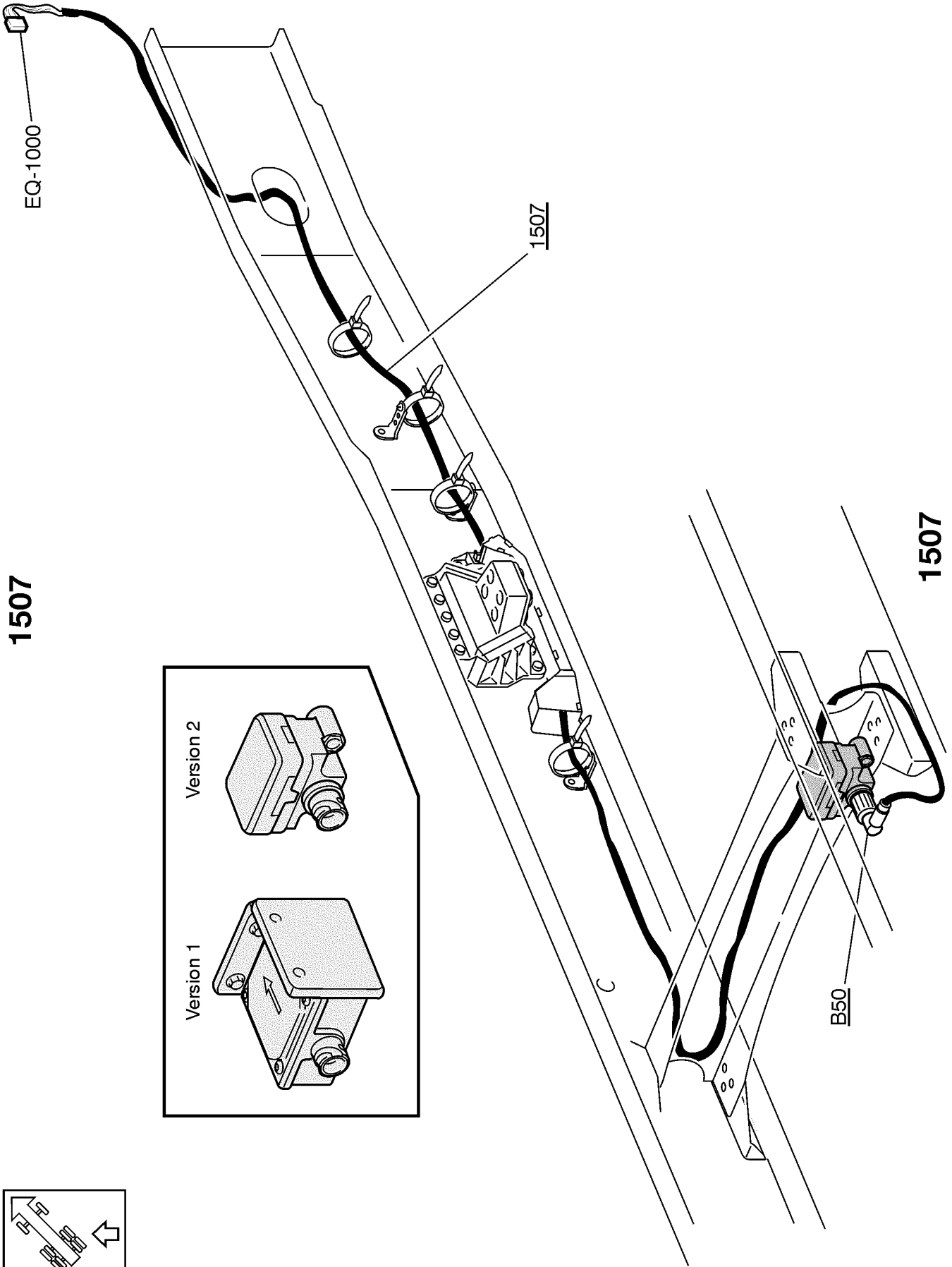


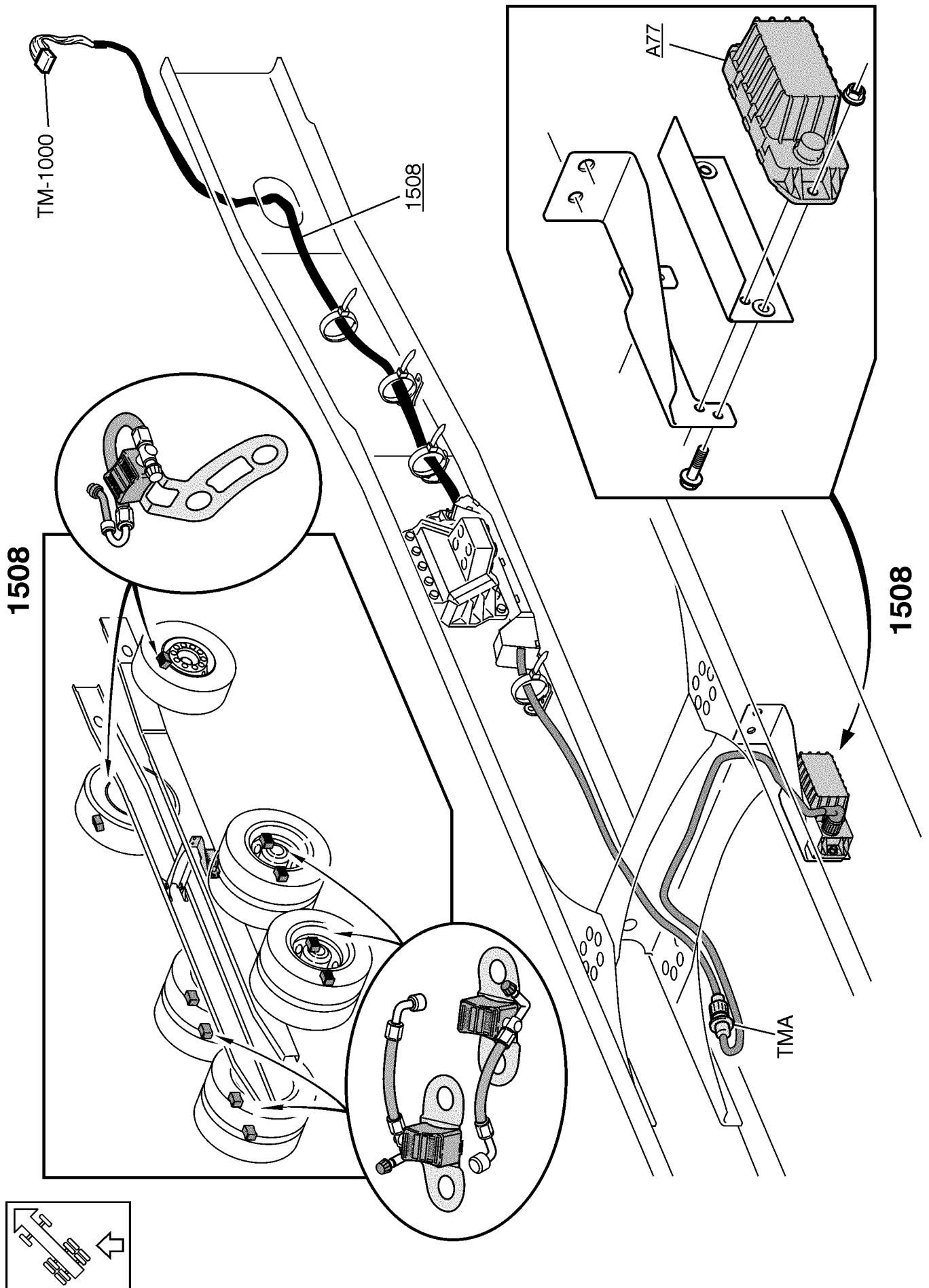
1501, 1503 FH

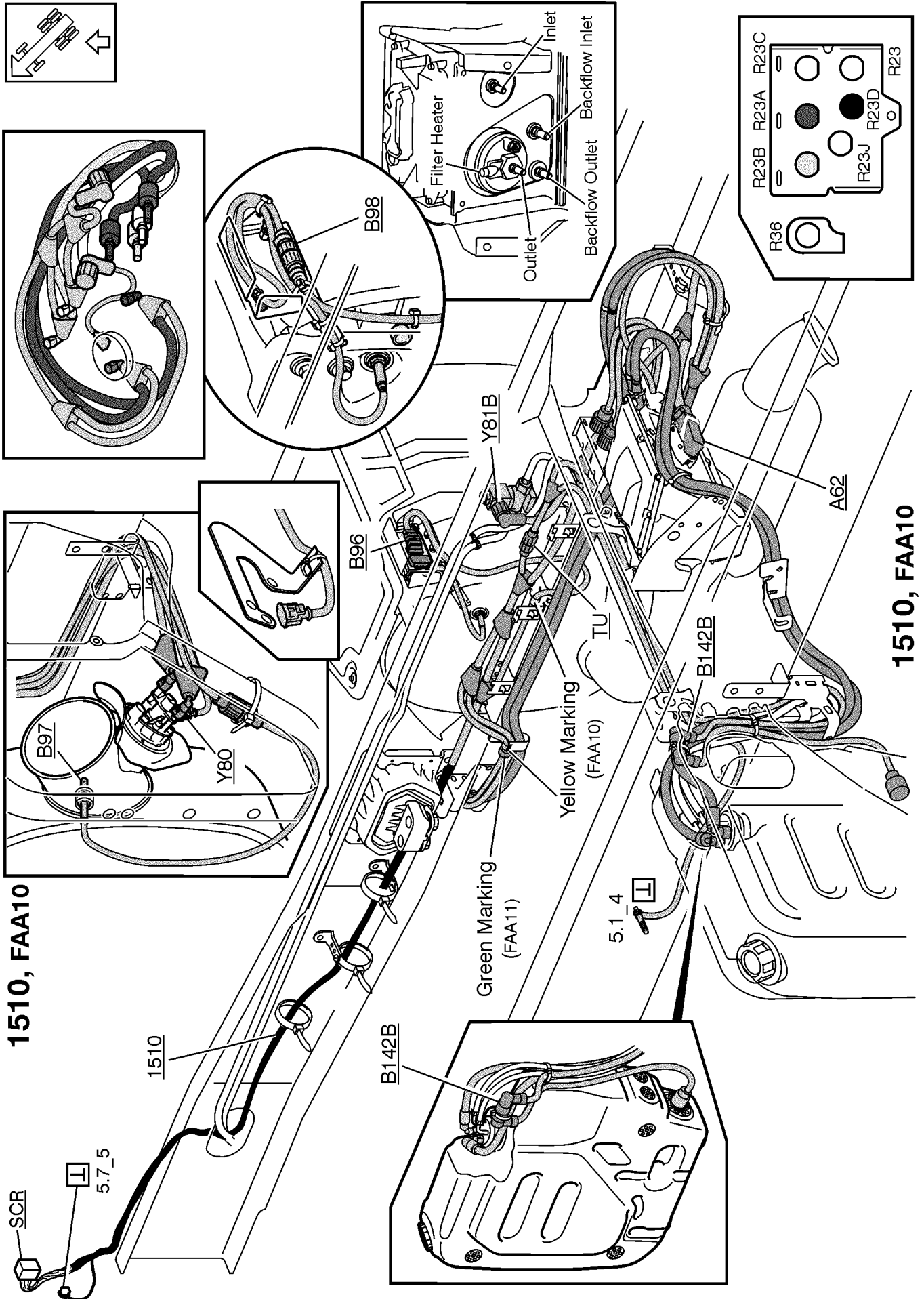


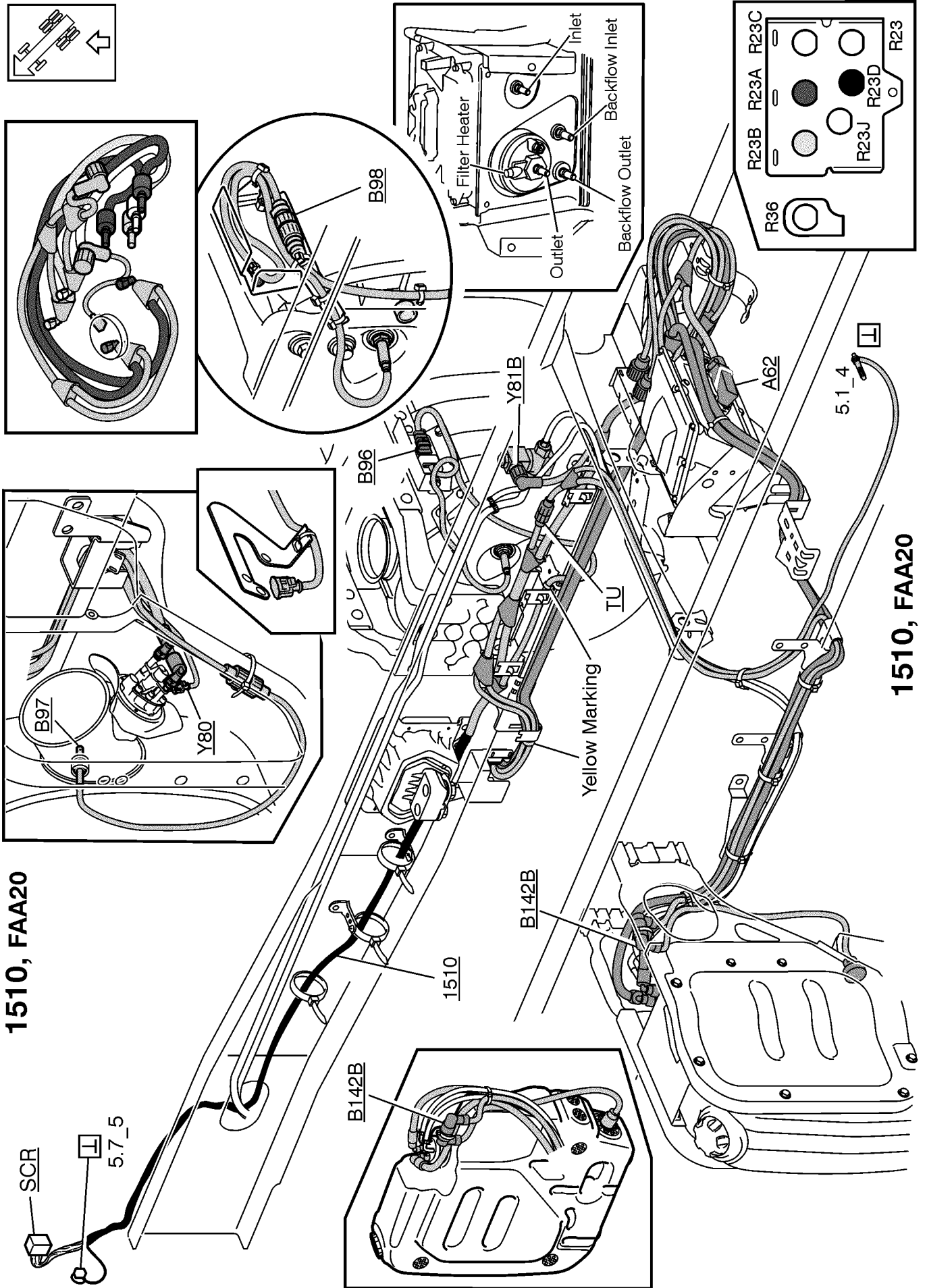




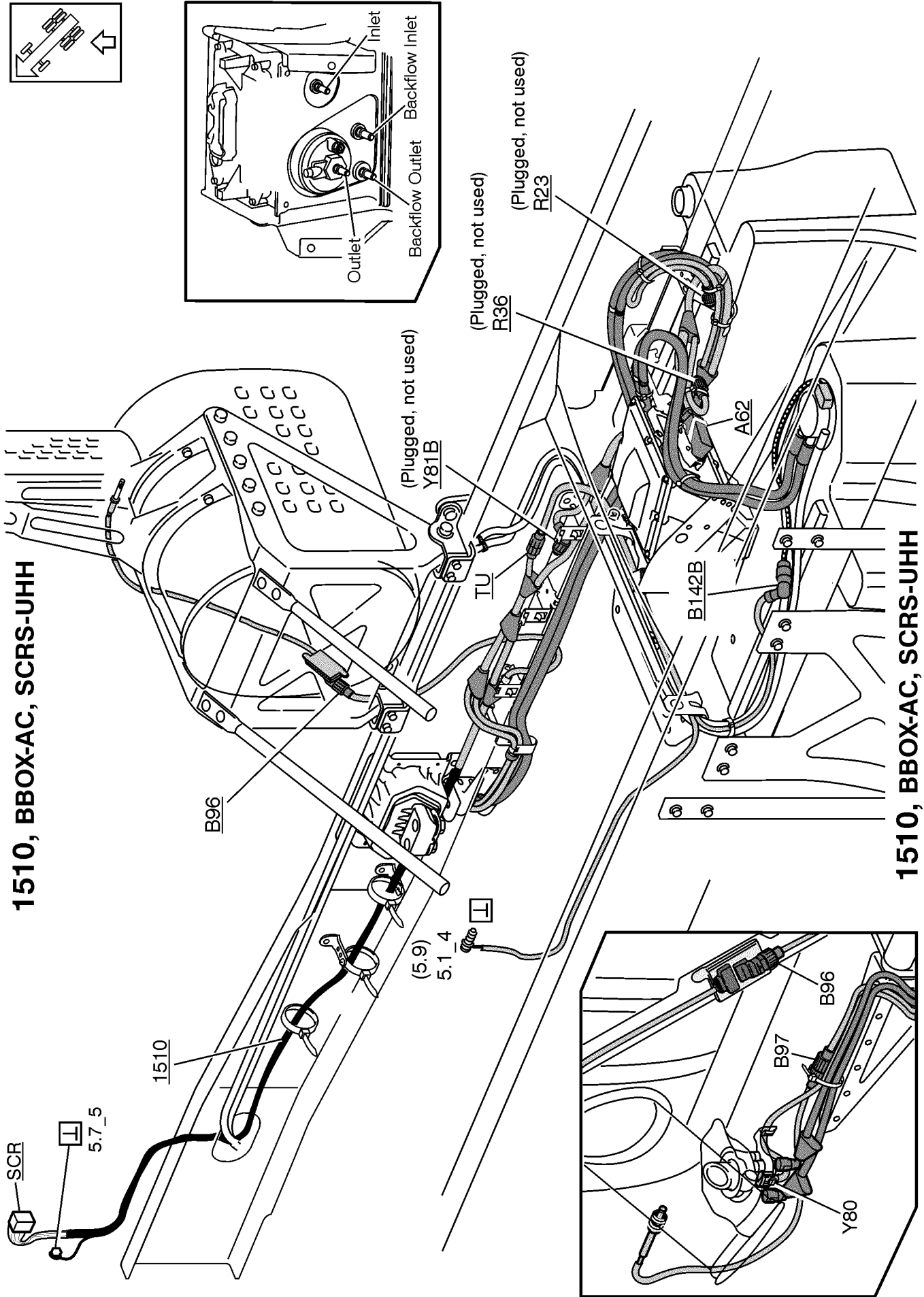








1510, FAA20



1510, BBOX-AC, SCRS-UHH

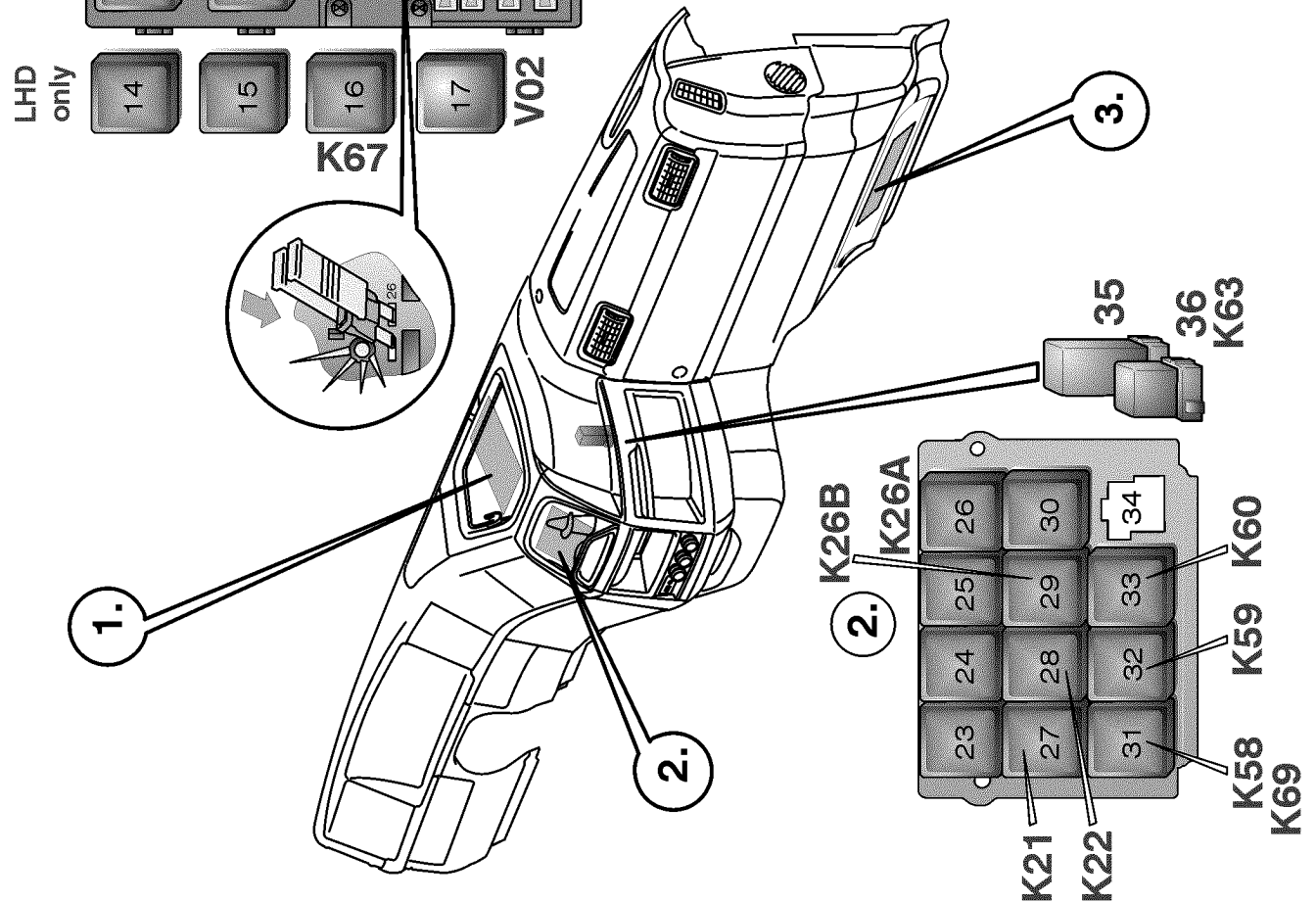
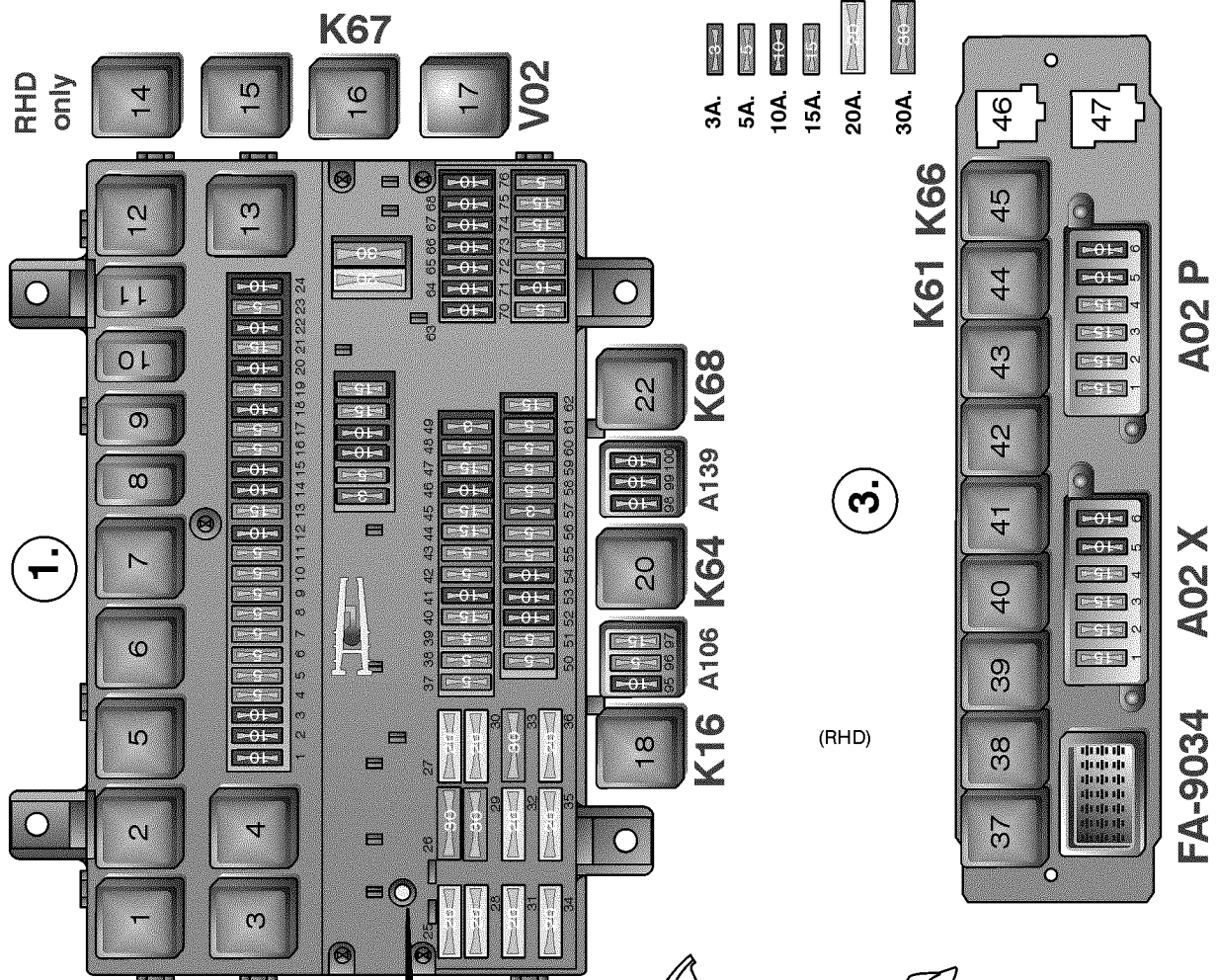
1510, BBOX-AC, SCRS-UHH

Fuses

F1	TPM (Tyre pressure Monitoring)	(OA:2 A)	F28	Supply ABS/EBS truck	(EE:0 A/ EF:0 A/ EO:2 A)
F2	Luggage compartment lamp	(AF:1 A/ IH:4 A/ IH4:3 A)	F29	Coffee maker	(ME:1 A)
F3	Loadlight, 5:th wheel lamp	(KE:0 A)	F30	El. window winder, rhs	(AC:3 B)
F4	Key switch, radiopos.	(AC:3 D/ AF:1 A)	F31	Main fuse for fuses 95–97	(AB:3 A)
F5	Instrumentation, (kl.30)	(BI:3 A)	F32	ECC climate unit	(HG:0 A)
F6	Air dryer	(BA:1 B)	F33	El. cab tilt	(KA:0 A)
F7	Vehicle ECU, immobiliser	(BA:1 B)	F34	High power amplifier	(IV:1 A)
F8	Instrumentation, TPM (Tyre Pressure Monitoring), Tachograph	(BI:0 A/ OA:2 A)	F35	El. adjustable seat	(IA:2 A)
F9	Range-, area-inhibitors	(BA:0 A)	F36	Reverse lamp circuit trailer	(GB:4 D/ GB2:4 D)
F10	NOx sensor, Road toll system	(CV:1 A)	F37	Dynafleet	(AC:3 C)
F11	Gear selector ECU	(DC:1 B/ DM:0 B)	F38	Instep lamps	(AC:3 B)
F12	Transmission ECU/retarder	(DB:0 A/ DM:1 B)	F39	El. adjustable rear view mirrors	(AC:3 B)
F13	Windscreen wiper	(GM:2 A)	F40	Engine ECU, engine preheating relay	(CJ:1 A)
F14	Cigarette lighter, centre section storage lamp	(IQ:2 A/ IQ2:A 2)	F41	Engine solenoid valves, el. fuel pump	(CJ:3 A)
F15	Water separator heater and water in fuel drain	(CJ:0 A)	F42	Cooling fan clutch	(CJ:2 A)
F16	Differential lock, power take off	(DQ:0 A/ DU:1 A)	F43	BBM (body builder module), Man. main switch BBOX-EF	(BA:1 A)
F17	LCM control	(GA:0 A/GA:0 A)	F44	Voltage converter for radio, 12V outlet	(IR:0 A)
F18	Horn, solenoid valve for air horn	(GQ:1 A)	F45	Voltage divider for 12V. outlet	(IR:1 A)
F19	Climate unit, FMS gateway	(HG:0 A)	F46	Beacon warning light	(KM:0 A)
F20	Parking heater control	(HI:3 A)	F47	ACC	(BE:0 A)
F21	Fan, climate unit	(HY:0 A/ HY RHD:0 A)	F48	ABS/EBS, EBS switches	(EE:0 A/ EF:0 A/ EO:0 A)
F22	Interior lamps	(IH:1 A/ IH3:3 A)	F49	Air suspension/A-ride/J-ride	(FB:1 A/ FB RHD:1 A/ FI:0 A/ FK:1 A/ FL:0 A)
F23	Air suspension	(FB:1 A)	F50	Telephone	(IX:0 A)
F24	Air dryer, parking heater ADR, el. heated mirrors	(FQ:0 A)	F51	Hydraulic steered axle	(FO:1 A)
F25	Supply ABS/EBS trailer	(GG:4 A/ CP:4 A/ ZA RHD:4 A)	F52	Control circuit engine preheating, radio position relay	(AC:1 A)
F26	Body builder fuse box	(ME:3 B/ MF:3 B)	F53	Light sign	(KI:1 A)
F27	El. window winder lhs, el. heated mirrors	(AC:3 B)	F54	Dynafleet, FMS gateway	(BU:0 A/ BU_2:0 A/ BX:0 A)
			F55	SRS airbag, safety belt tensioner	(IS:0 A)
			F56	Free	(ME:1 A)
			F57	Gear selector ECU/retarder	(DC:1 A/ DM:1 B)

F58	ADR, D+ short circuit relay	(AB:2 A/ AE:4 B)	F74	Headlamp high-pressure washer	(GM:1 A)
F59	Rear view camera	(IZ:0 A)	F75	El. heated seat and el. ventilated seat	(IA:0 A)
F60	Hydraulic steered axle	(FO:1 A)	F76	ADR, D+ short circuit relay	(AE:4 B)
F61	Foldable rear view mirror arm, Japan, burglar alarm, Volvo link ..	(IF:0 A)	F89	Tachograph	(AB:4 D) (1435)
F62	Fuel heater, thermoline	(FX:0 A/ ME:0 A)	F90	12V converter, ABS trailer/info-module	(CP:3 C)
F63	Alcolock system	(IK:0 A)	F91	Tachograph, ADR	(AE:0 D/ AF:2 C)
F64	Road toll system	(BZ:0 A)	F93	Main fuse for fuses 95–97	(AB:3 D/ AE:0 D/ AF:0 C)
F65	Central lubrication system	(FU:0 A)	F94	AdBlue system	(AB:3 D)
F66	Roof hatch	(IQ:0 A)	F95	Central door lock	(AB:3 B)
F67	Reading lamps, bedlamps	(IH2:1 A/ IH3:3 A)	F96	Burglar alarm	(AB:3 B)
F68	Refrigerator	(IQ:3 A)	F97	Parking heater	(AB:3 B)
F69	12-volt outlet	(IR:1 C/ IR:2 C)	F:A39	Fuse in wiring harness	(IZ:1 B)
F70	Supply ABS/EBS trailer, (kl.15) ..	(CP:3 A/ GG:3 A/ ZA RHD:3 A)	FM1	Fuse, main, preheating	(AA:1 B)
F71	Extra equipment	(ME:1 A)	FM2	Fuse, main, bogie lift/extra equipment	(AA:1 B/ AE:1 B)
F72	Headlamp level regulation system	(GU:0 A)	FM3	Fuse, main, cab and chassis	(AA:1 B)
F73	Tail lift indication	(NB:2 A)	FM4	Fuse, main, LCM (Light Control Module) partly	(AA:0 B/ AE:1 B)

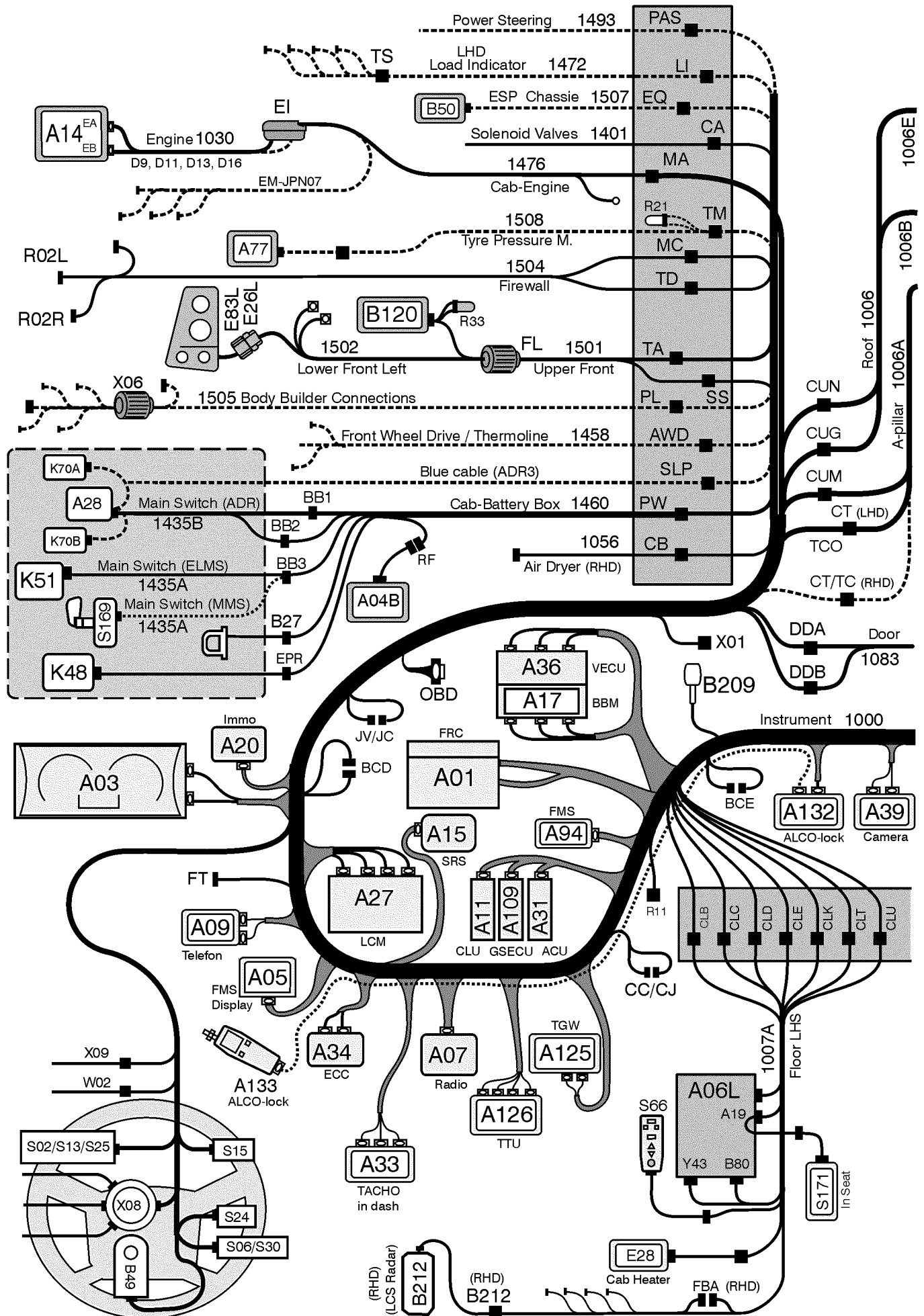
Relays

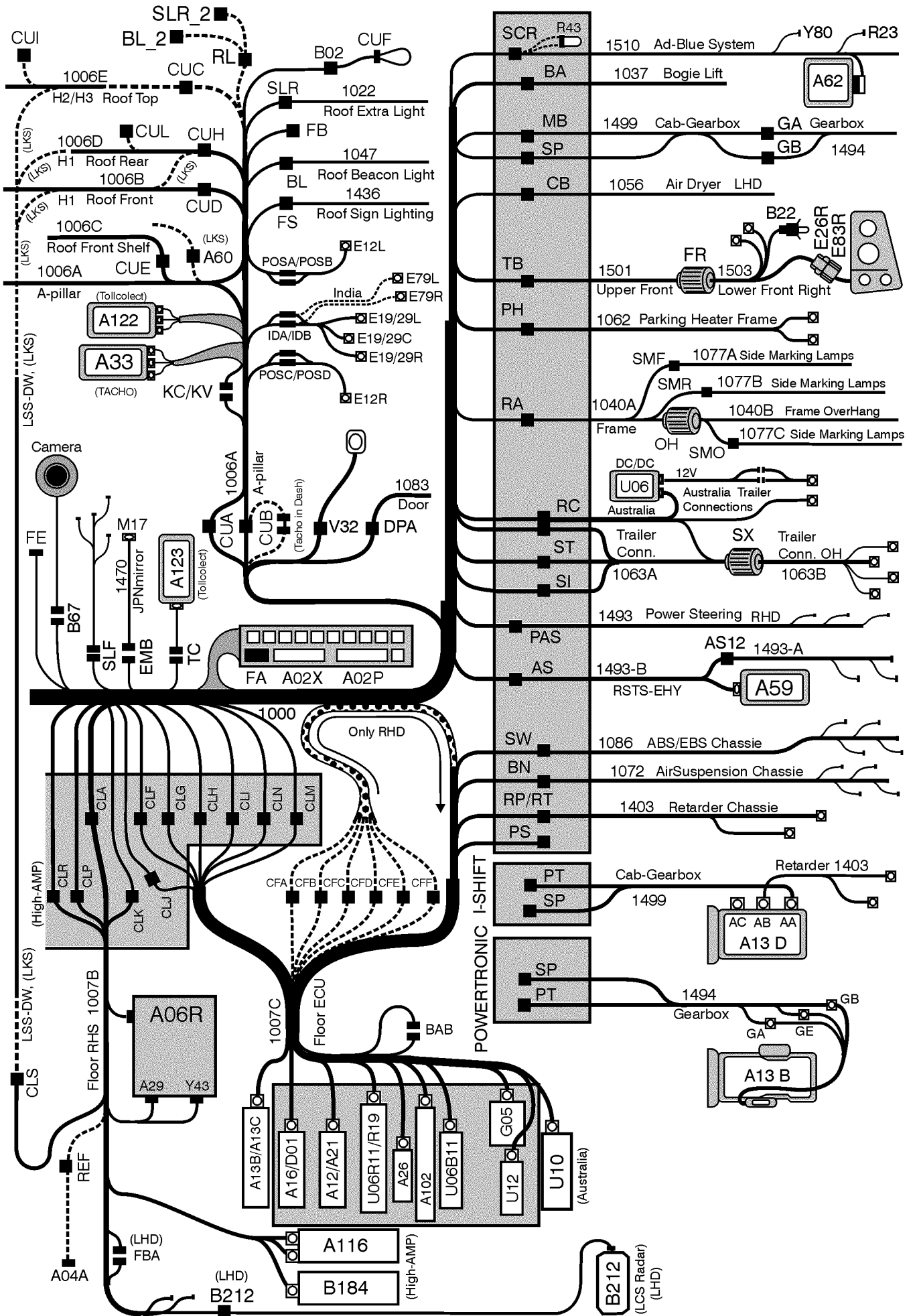


K1	Relay, starting switch, radio position	(AC:3 C)	K30	Relay, beacon warning light	(KM:0 B)
K2	Relay, EMS (Engine Management System)	(BA:1 A)	K35	Relay, headlamp high pressure wash	(GM:0 B)
K3	Relay, starter motor	(AA:2 B/ CJ:4 B)	K37	Relay, parking light	(NA:1 C/ NB:0 C)
K4	Relay, body builder fuse box (kl.15)	(ME:2 A/ MF:1 A)	K38	Relay, body builder preparation, swapbody lamps	(NA:1 C/ NB:1 C)
K5	Relay, I-shift/Powertronic/Retarder	(DC:0 A/ DM:0 A)	K39	Relay, body builder preparation, plough light, spotlights	(NA:1 C/ NB:1 C)
K6	Relay, fan climate unit	(HY:0 B/ HY RHD:0 B)	K40	Relay, body builder preparation ..	(NA:3 C/ NB:3 C)
K7	Relay, intermittent wiper	(GM:1 C)	K41	Relay, body builder preparation, swapbody	(NA:2 C/ NB:2 C)
K8	Relay, gearbox area inhibitor	(BA:1 A)	K42	Relay, body builder preparation, spotlights	(NI:1 B)
K9	Relay, interior lamps	(IH:2 A)	K43	Relay, body builder preparation, external start	(NC:3 C)
K10	Relay, fifth wheel-, working-light	(KE:0 C)	K45	Relay, body builder preparation, dual speed	(NU:2 B)
K11	Relay, air suspension	(FB:2 B)	K48	Power relay, engine preheating ...	(CJ:3 B)
K12	Relay, reverse light, trailer	(GB:4 D/ GB2:3 D)	K49	Power relay, bogie lift motor	(FI:3 B/ FK:3 D)
K13	Relay, alternator controlled	(AA:4 B)	K51	Power relay, battery main switch .	(AB:0 C)
K14	Time delay relay, bogie lift, A-ride	(FI:1 B/ FK:1 C)	K61	Relay, auxiliary reverse light, truck	(NA:0 C/ NB:0 C)
K15	Time delay relay, bogie lift, A-ride, with axle load limiter	(FK:2 C)	K63	Relay, ACC Adaptive cruise control	(BE:0 B)
K16	Relay, bogie lift, A-ride, with axle load limiter	(FK:1 C)	K64	Relay, man. main switch BBOX-EF	(AB:1 C)
K20	Relay, D+ short-circuit, (ADR-trucks only)	(AE:4 D)	K65	Power relay, starter motor pre-relay	(AA:1 D/ CO:2 B)
K21	Relay, el. adjustable seat	(IA:2 B)	K66	Relay, tail lift indication	(NB:2 C)
K22	Relay, climate fan, 1:st speed (by parking heater)	(HY:1 B)	K67	Relay, rainsensor, high speed wiper	(GM:2 C)
K22_	Relay, climate fan, 1:st speed (by RHD parking heater)	(HY RHD:0 B)	K68	Relay, 24V, outlet	(IR2:1 A/ IR3:1 A)
K23	Relay, cab tilt	(KA:0 C)	K69	Relay, fuel heater, thermoline	(FX:0 C)
K24	Relay, central lubrication	(FU:0 B)	K70A	Relay, ADR/SLP	(AF:0 B)
K25	Relay, light sign	(KI:1 C)	K70B	Relay, ADR/SLP	(AF:0 D)
K26A	Relay, foldable rear view mirror arm, Japan	(IF:0 C)			
K26B	Relay, foldable rear view mirror arm, Japan	(IF:1 C)			

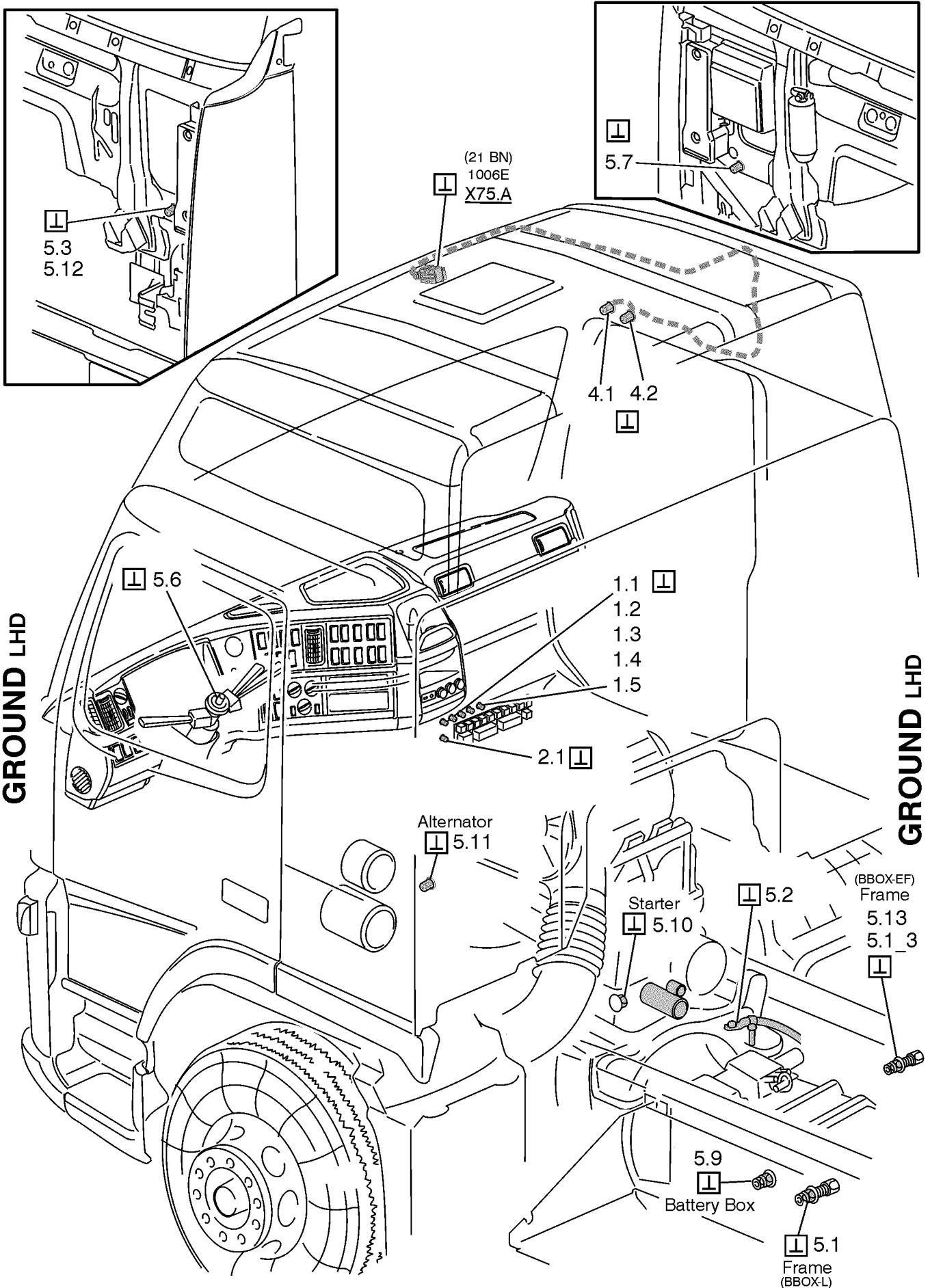
Wiring harness illustration index

1000	Wiring harness, instruments	page 142
1006	Wiring harness, roof	page 151
1007	Wiring harness, floor	page 155
1018	Wiring harness, air conditioning	page 161
1030	Wiring harness, engine	page 162
1037	Wiring harness, bogie lift	page 174
1040	Wiring harness, frame	page 176
1047	Wiring harness, roof beacon light	page 178
1056	Wiring harness, air dryer	page 180
1062	Wiring harness, parking heater, frame	page 181
1063	Wiring harness, trailer connections	page 182
1072	Wiring harness, air suspension chassis	page 187
1077	Wiring harness, side marking lamps	page 192
1083	Wiring harness, door	page 193
1086	Wiring harness, ABS chassis	page 195
1401	Wiring harness, solenoid valves	page 204
1403	Wiring harness, retarder	page 208
1435	Wiring harness, main switch	page 209
1436	Wiring harness, roof sign lighting	page 178
1458	Wiring harness, front wheel drive	page 216
1460	Wiring harness, cab-battery box	page 209
1470	Wiring harness, el.operated mirror arch	page 228
1472	Wiring harness, load indicator	page 217
1476	Wiring harness, cab-engine	page 162
1493	Wiring harness, power steering	page 218
1494	Wiring harness, gearbox	page 221
1499	Wiring harness, cab-gearbox	page 221
1501	Wiring harness, upper front	page 224
1502	Wiring harness, lower front left	page 224
1503	Wiring harness, lower front right	page 226
1504	Wiring harness, firewall	page 228
1505	Wiring harness, body builder connections	page 229
1506	Wiring harness, demountable (swap-body)	page 229
1507	Wiring harness, ESP chassis	page 230
1508	Wiring harness, TPM	page 231
1510	Wiring harness, SCR	page 232

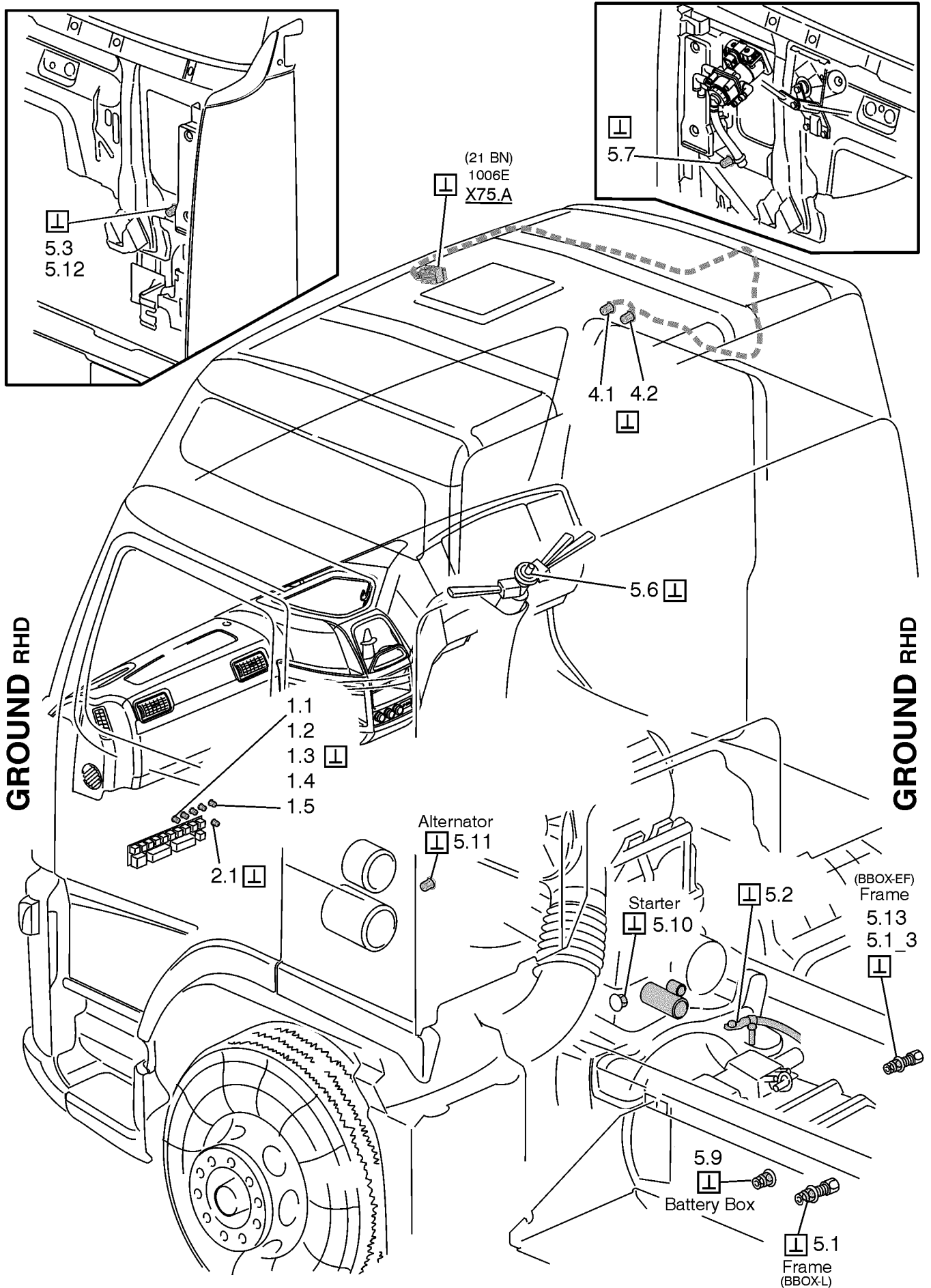




Ground connections



T3021593



T3021594

List of ground connections

1.1	(IR:1 E)	4.1_1	(GA2:1 E)	5.1_2	(NB:4 D)
1.1_B	(IR:1 E)	4.1_1	(GA:4 E)	5.1_3	(AB:1 D)
1.1_C	(IR:2 E)	4.1_1	(GA2:4 E)	5.12_1	(CJ:0 D)
1.1_D	(IR2:1 E)	4.1_1	(GL2:0 C)	5.12_2	(CJ:0 D)
1.1_D	(IR3:1 E)	4.1_4	(GL:1 D)	5.13	(AA:0 D)
1.2_A	(BA:2 E)	4.1_4	(IH:1 E)	5.2	(AA:0 E)
1.2_B	(IS:0 E)	4.1_5	(IH:0 E)	5.2	(AF:1 E)
1.2_C	(FX:0 D)	4.1_6	(BZ:0 D)	5.3	(AA:0 E)
1.3	(AE:4 E)	4.1_7	(BE:0 D)	5.3	(AF:0 E)
1.3_A	(BU:0 E)	4.1_8	(IH2:2 E)	5.4	(FI:3 D)
1.3_B	(BU:2 E)	4.1_8	(IH3:2 E)	5.4	(FK:3 E)
1.4	(AA:3 E)	4.1_8	(IH4:2 D)	5.6	(GQ:1 E)
1.4	(AC:2 D)	4.1_9	(YA:4 E)	5.7_1	(GE:1 D)
1.4	(FL:0 E)	4.2_1	(BN:0 D)	5.7_2	(GH:2 D)
1.4	(ZA RHD:1 C)	4.2_1	(BN:1 D)	5.7_3	(GH:2 D)
1.4_B	(AA:4 E)	4.2_2	(HI:1 B)	5.7_4	(GG:2 C)
1.4_C	(HZ:1 D)	4.2_3	(IQ:1 E)	5.7_5	(CV:1 C)
1.4_D	(IR2:3 E)	4.2_4	(BN:1 D)	5.7_6	(CV:0 C)
1.5	(FL:1 E)	4.2_5	(KM:0 D)	5.9_1	(AA:0 E)
1.5_A	(GA:3 B)	4.2_8	(IJ:3 B)	5.9_1	(AB:0 D)
2.1_A	(CP:4 D)	4.2_9	(IR:3 E)	5.9_1	(AB:2 D)
2.1_B	(ZA RHD:1 D)	5.1	(AA:0 E)	5.9_1	(AE:0 E)
2.1_C	(NI:0 E)	5.1	(AF:1 E)	5.9_3	(AB:2 D)
2.1_D	(ME:0 B)	5.10	(AA:1 E)	5.9_4	(AE:0 E)
2.1_E	(NA:2 D)	5.11	(AA:2 E)	5.9_8	(AB:0 D)
2.1_E	(NB:2 D)	5.1_1	(NA:4 D)		
2.1_F	(BE:1 C)	5.1_1	(NB:4 D)		
4.1_1	(GA:1 E)	5.1_2	(NA:4 D)		

List of connectors

ADR:1	(AE:1 C)	BAB:7	(XB:3 D)	BL_2:1	(KM:1 D)
ADR:1	(AE:2 C)	BAB:8	(XA:3 C)	BL_2:2	(KM:1 D)
ADR:1	(AF:3 B)	BAB:9	(XA:2 C)	BL:3:1	(KM:0 C)
ADR:2	(AE:1 C)	BAB:10	(XB:3 D)	BN:1	(FA:2 A)
ADR:2	(AE:2 C)	BAB:11	(XB:2 D)	BN:2	(FM:1 C)
ADR:2	(AF:3 B)	BAB:12	(XB:2 D)	BN:3	(FA:3 C)
ADR:4	(AE:1 C)	BAB:13	(XB:3 D)	BN:4	(FA:3 C)
ADR:4	(AE:2 C)	BAB:14	(XB:1 D)	BN:5	(FA:1 B)
ADR:4	(AF:3 D)	BAB:15	(XB:1 D)	BN:6	(FA:1 B)
ADR:5	(AE:1 C)	BAB:16	(XB:3 D)	BN:7	(FA:1 B)
ADR:5	(AE:2 C)	BAB:17	(XB:4 D)	BN:9	(FA:0 B)
ADR:5	(AF:3 D)	BAB:18	(XB:1 D)	BN:10	(FA:2 C)
AG:1	(FO:2 D)	BB1:1	(AE:1 A)	BN:11	(FA:3 B)
AG:2	(FO:2 D)	BB1:2	(AE:0 D)	BN:12	(FA:2 B)
AG:3	(FO:2 D)	BB1:3	(AE:1 E)	BN:13	(FA:2 B)
AG:4	(FO:2 D)	BB1:3	(AF:3 E)	BN:14	(FA:1 C)
AS:1	(FO:1 C)	BB1:4	(AE:1 A)	BN:15	(FA:1 C)
AS:2	(FO:1 C)	BB1:5	(AE:2 D)	BN:16	(FA:2 C)
AS:4	(FO:1 B)	BB1:5	(AF:3 D)	BN:16	(FG:1 C)
AS:5	(FO:1 B)	BB1:6	(AE:2 D)	BN:17	(FA:2 C)
AS:6	(FO:2 B)	BB1:6	(AF:4 D)	BN:18	(FA:2 C)
AS:7	(FO:3 B)	BB1:7	(AE:0 D)	BN:18	(FG:0 C)
AS:8	(FO:3 B)	BB1:7	(AF:0 D)	BN:19	(FA:0 C)
AS:9	(FO:1 E)	BB2:1	(AE:0 C)	BN:20	(FA:1 C)
AS12:1	(FO:3 C)	BB2:1	(AF:2 B)	BN:21	(FA:0 C)
AS12:2	(FO:3 C)	BB2:2	(AE:1 C)	BN:22	(FA:2 B)
AS12:3	(FO:3 C)	BB2:2	(AF:2 B)	BN:23	(FA:3 B)
AS12:4	(FO:3 C)	BB2:3	(AE:1 D)	BN:24	(FA:3 C)
AS12:5	(FO:2 C)	BB2:3	(AF:3 C)	BN:24	(FM:0 C)
AS12:6	(FO:2 C)	BB2:4	(AE:1 D)	BN:25	(FA:3 C)
AS12:7	(FO:2 C)	BB2:4	(AF:3 C)	BN:25	(FM:0 C)
AS12:8	(FO:2 C)	BB3:1	(AB:0 B)	BN_2:1	(FB RHD:3 D)
AS12:9	(FO:1 C)	BB3:2	(AB:1 C)	BN_2:2	(FA RHD:3 D)
AS12:10	(FO:0 B)	BB3:3	(AB:1 D)	BN_2:3	(FA RHD:3 D)
AS12:11	(FO:0 B)	BB3:3	(AB:2 C)	BN_2:4	(FA RHD:3 D)
AS12:12	(FO:1 D)	BB3:4	(AB:0 B)	BN_2:5	(FA RHD:1 B)
AWD:1	(FX:0 D)	BB3:5	(AB:3 C)	BN_2:6	(FA RHD:1 B)
AWD:2	(FX:0 D)	BB3:6	(AB:0 B)	BN_2:7	(FA RHD:1 B)
AWD:3	(DU:2 C)	BCD:1	(XA:2 B)	BN_2:8	(FA RHD:3 D)
AWD:4	(DU:2 C)	BCD:2	(XA:3 B)	BN_2:9	(FA RHD:0 B)
AWD:5	(DU:4 C)	BCD:3	(NX:2 A)	BN_2:10	(FA RHD:3 D)
AWD:6	(DU:4 C)	BCD:3	(XB:0 B)	BN_2:11	(FA RHD:3 B)
AWD:8	(DU:2 D)	BCD:4	(NX:2 A)	BN_2:12	(FA RHD:2 B)
AWD:9	(FX:0 D)	BCD:4	(XA:2 B)	BN_2:13	(FA RHD:2 B)
AWD:10	(FX:0 D)	BCD:5	(XA:2 B)	BN_2:14	(FA RHD:1 D)
B07_1:1	(BI:2 C)	BCD:6	(IX:2 D)	BN_2:15	(FA RHD:1 D)
B07_1:2	(BI:2 D)	BCD:7	(XA:3 B)	BN_2:16	(FA RHD:2 D)
BA:1	(FI:1 C)	BCD:8	(XA:3 B)	BN_2:17	(FA RHD:2 D)
BA:1	(FK:1 D)	BCD:9	(NX:2 A)	BN_2:18	(FA RHD:2 D)
BA:2	(FI:2 C)	BCD:9	(XB:0 B)	BN_2:19	(FA RHD:0 D)
BA:2	(FK:3 D)	BCD:10	(NX:2 A)	BN_2:20	(FA RHD:1 D)
BA:3	(FI:0 C)	BCD:10	(XA:3 B)	BN_2:21	(FA RHD:0 D)
BA:3	(FK:0 D)	BCD:11	(XA:4 B)	BN_2:22	(FA RHD:3 B)
BA:3	(FL:0 C)	BCD:12	(IX:2 D)	BN_2:23	(FA RHD:3 B)
BA:5	(FK:1 D)	BCD:13	(XA:2 B)	CA:1	(DQ:0 D)
BA:6	(FL:0 C)	BCD:14	(XA:4 B)	CA:2	(GB:3 B)
BA:7	(FI:3 B)	BCD:15	(XB:0 C)	CA:2	(ZA RHD:1 D)
BA:7	(FK:3 C)	BCD:16	(XB:0 C)	CA:3	(DU:1 C)
BA:8	(FK:1 D)	BCE:1	(BM:3 A)	CA:4	(DQ:0 C)
BA:8	(FL:0 D)	BCE:2	(BM:3 A)	CA:5	(GB:3 B)
BAB:1	(XA:4 D)	BCE:3	(BM:3 A)	CA:6	(EO:3 B)
BAB:2	(XA:2 D)	BCE:4	(BM:4 A)	CA:9	(DU:1 C)
BAB:3	(XA:3 D)	BCE:5	(BM:4 A)	CA:10	(EO:3 B)
BAB:4	(XA:2 D)	BCE:6	(BM:4 A)	CA:11	(EO:3 B)
BAB:5	(XA:3 D)	BL:1	(KM:0 C)	CA:11	(ZA RHD:1 D)
BAB:6	(XA:2 D)	BL:3	(KM:0 D)	CA:12	(EO:3 B)

CA:12	(ZA RHD:1 D)	CFA:13	(EO RHD:3 C)	CLA:14	(FB RHD:3 D)
CA:13	(EO:3 B)	CFA:14	(EE RHD:0 C)	CLA:15	(FB RHD:3 D)
CA:14	(EO:3 B)	CFA:14	(EOI RHD:3 C)	CLA:16	(IS:3 C)
CA:15	(EO:3 B)	CFA:15	(EE RHD:1 C)	CLA:17	(IS:3 C)
CA:16	(DU:1 D)	CFA:15	(EO RHD:4 C)	CLA:18	(FB RHD:3 D)
CA:17	(FU:0 C)	CFA:16	(EE RHD:1 C)	CLA:19	(IA:0 B)
CA:18	(FU:0 D)	CFA:17	(EE RHD:2 C)	CLA:19	(IQ:3 C)
CA:19	(NC:0 C)	CFA:18	(EE RHD:2 C)	CLA:20	(IA:1 B)
CA:19	(NU:0 C)	CFA:19	(EE RHD:3 C)	CLA:21	(IA:0 D)
CA:19	(NX:0 C)	CFA:20	(EE RHD:3 C)	CLA:21	(IQ:3 D)
CA:20	(NC:1 C)	CFB:1	(FB RHD:3 C)	CLA:22	(IH4:3 D)
CA:20	(NU:1 C)	CFB:2	(FA RHD:3 D)	CLA:23	(IQ:3 C)
CA:20	(NX:1 C)	CFB:3	(FA RHD:3 D)	CLA:25	(IQ:3 D)
CB:1	(FQ:0 B)	CFB:4	(FA RHD:3 D)	CLB:1	(DC:1 D)
CB:2	(FQ:0 D)	CFB:5	(FA RHD:1 B)	CLB:2	(DC:2 D)
CB:2	(ZA RHD:1 B)	CFB:6	(FA RHD:1 B)	CLB:3	(DC:2 D)
CB:3	(BA:0 D)	CFB:7	(FA RHD:1 B)	CLB:4	(DC:2 D)
CB:3	(FQ:2 B)	CFB:8	(FA RHD:3 D)	CLB:5	(DC:1 D)
CB:4	(BA:0 D)	CFB:9	(FA RHD:0 B)	CLB:5	(XB:2 E)
CB:5	(FQ:2 D)	CFB:10	(FA RHD:2 D)	CLB:6	(DC:0 B)
CB:6	(FQ:2 D)	CFB:11	(FA RHD:3 B)	CLB:6	(XB:2 E)
CC:1	(IZ:1 B)	CFB:12	(FA RHD:2 B)	CLB:7	(DC:2 D)
CC:2	(IZ:1 B)	CFB:13	(FA RHD:2 B)	CLB:8	(DC:2 D)
CC:3	(IZ:1 B)	CFB:14	(FA RHD:1 D)	CLB:9	(DC:2 D)
CC:4	(IZ:1 B)	CFB:15	(FA RHD:1 D)	CLB:11	(DC:2 D)
CC:5	(IX:2 A)	CFB:16	(FG:2 C)	CLB:12	(DC:2 D)
CC_2:1	(IZ:1 B)	CFB:16	(FA RHD:2 D)	CLB_2:1	(DC:1 D)
CC_2:2	(IZ:1 B)	CFB:17	(FA RHD:2 D)	CLB_2:2	(DC:2 D)
CC_2:3	(IZ:1 B)	CFB:18	(FG:2 C)	CLB_2:3	(DC:2 D)
CC_2:4	(IZ:1 B)	CFB:18	(FA RHD:2 D)	CLB_2:4	(DC:2 D)
CC_2:5	(IX:2 A)	CFB:19	(FA RHD:0 D)	CLB_2:7	(DC:2 D)
CC/CJ:3	(ZA RHD:1 B)	CFB:20	(FA RHD:1 D)	CLB_2:8	(DC:2 D)
CC/CJ:4	(GC RHD:1 C)	CFB:21	(FA RHD:0 D)	CLB_2:9	(DC:2 D)
CJ:1	(IZ:1 B)	CFB:22	(FA RHD:3 B)	CLB_2:11	(DC:2 D)
CJ:2	(IZ:1 B)	CFB:23	(FA RHD:3 B)	CLB_2:12	(DC:2 D)
CJ:3	(IZ:1 B)	CFD:1	(DM:3 C)	CLB_2:15	(DC:2 D)
CJ:4	(IZ:1 B)	CFD:2	(DM:2 C)	CLC:1	(HI:0 C)
CJ:5	(IX:2 B)	CFD:3	(DM:2 C)	CLC:1	(HI2:0 C)
CJ_3:1	(IZ:1 B)	CFD:4	(DM:2 C)	CLC:2	(HI:0 C)
CJ_3:2	(IZ:1 B)	CFD:5	(DM:2 C)	CLC:2	(HI2:1 C)
CJ_3:3	(IZ:1 B)	CFD:6	(DM:3 C)	CLC:3	(HI:0 C)
CJ_3:4:1	(IZ:1 B)	CFD:7	(DM:3 C)	CLC:3	(HI2:1 C)
CJ_3:5	(IX:2 B)	CFE:1	(FG:1 C)	CLC:4	(HI:1 C)
CFA:1	(EE RHD:0 C)	CFE:2	(FG:2 C)	CLC:4	(HI2:2 C)
CFA:1	(EO RHD:3 C)	CFE:3	(FG:2 C)	CLC:6	(HI2:2 C)
CFA:2	(EE RHD:0 C)	CFE:4	(FG:2 C)	CLC:7	(HI:2 C)
CFA:2	(EO RHD:3 C)	CFE:5	(FG:2 C)	CLC:7	(HI2:3 C)
CFA:3	(EE RHD:3 C)	CFE:6	(FG:2 C)	CLC:7	(ZA RHD:0 B)
CFA:3	(EO RHD:1 C)	CFF:1	(CP:4 B)	CLC:8	(HI:1 C)
CFA:4	(EE RHD:1 C)	CFF:2	(CP:4 B)	CLC:8	(HI2:1 C)
CFA:4	(EO RHD:1 C)	CFF:3	(CP:3 B)	CLC:9	(HI:1 C)
CFA:5	(EE RHD:1 C)	CFF:4	(CP:4 C)	CLC:9	(HI2:2 C)
CFA:5	(EO RHD:2 C)	CFF:5	(CP:3 C)	CLC:10	(HI:2 C)
CFA:6	(EE RHD:3 C)	CLA:2	(BI:1 D)	CLC:10	(HI2:3 C)
CFA:6	(EO RHD:2 C)	CLA:3	(IA:1 B)	CLC:11	(HI:0 C)
CFA:7	(EE RHD:2 C)	CLA:5	(IH:4 D)	CLC:11	(HI2:0 C)
CFA:7	(EO RHD:2 C)	CLA:6	(BI:1 D)	CLC:12	(HI2:2 C)
CFA:8	(EE RHD:2 C)	CLA:7	(NK:0 D)	CLD:1	(IX:0 C)
CFA:8	(EO RHD:2 C)	CLA:8	(FB RHD:2 D)	CLD:2	(IX:0 C)
CFA:9	(EE RHD:4 C)	CLA:9	(AE:2 C)	CLD:3	(IX:1 C)
CFA:9	(EO RHD:3 C)	CLA:9	(FB RHD:2 D)	CLD:4	(IX:1 C)
CFA:10	(EE RHD:3 C)	CLA:10	(AE:2 C)	CLE:1	(FB:3 D)
CFA:10	(EO RHD:3 C)	CLA:10	(FB RHD:2 D)	CLE:2	(BI:1 C)
CFA:11	(EE RHD:3 C)	CLA:11	(AE:2 C)	CLE:3	(IA:3 B)
CFA:11	(EO RHD:4 C)	CLA:11	(FB RHD:2 D)	CLE:4	(IA:3 B)
CFA:12	(EE RHD:3 C)	CLA:12	(AE:2 C)	CLE:5	(IH:4 D)
CFA:12	(EO RHD:4 C)	CLA:12	(FB RHD:3 D)	CLE:6	(BI:1 C)
CFA:13	(EE RHD:0 C)	CLA:13	(FB RHD:3 D)	CLE:8	(IH:4 C)

CLE:8	(IH4:3 B)	CLG:14	(ZA RHD:3 C)	CLJ:2	(BE:3 C)
CLE:9	(AE:1 C)	CLG:15	(EO:1 D)	CLJ:3	(BE:3 C)
CLE:9	(AF:3 B)	CLG:16	(EO:3 C)	CLJ:4	(BE:3 C)
CLE:9	(FB:2 D)	CLG:17	(EO:3 C)	CLJ:5	(BE:3 C)
CLE:10	(AE:1 C)	CLG:18	(EO:3 C)	CLJ:6	(BE:3 C)
CLE:10	(AF:3 B)	CLG:19	(BE:1 B)	CLK:1	(BE:3 C)
CLE:10	(FB:2 D)	CLG:20	(EE:4 D)	CLK:2	(BE:3 C)
CLE:11	(AE:1 C)	CLG:20	(EF:4 C)	CLK:3	(BE:3 C)
CLE:11	(AF:3 D)	CLG:20	(EO:0 D)	CLK:4	(BE:3 C)
CLE:11	(FB:2 D)	CLG:21	(EF:4 C)	CLM:1	(BE:1 B)
CLE:12	(AE:1 C)	CLH:1	(FB:1 C)	CLM:2	(BE:2 B)
CLE:12	(AF:3 D)	CLH:1	(FK:2 B)	CLM:3	(BE:2 B)
CLE:12	(FB:2 D)	CLH:2	(FB:1 C)	CLM:4	(BE:2 C)
CLE:13	(FB:3 D)	CLH:3	(FB:2 C)	CLM:5	(BE:2 C)
CLE:14	(FB:3 D)	CLH:3	(FK:2 B)	CLM:6	(BE:2 C)
CLE:15	(FB:3 D)	CLH:4	(FG:0 C)	CLM:7	(BE:2 C)
CLE:16	(FB:3 D)	CLH:4	(FK:2 B)	CLM:8	(BE:3 C)
CLE:17	(IS:2 C)	CLH:5	(FB:2 C)	CLM:9	(FB:3 D)
CLE:18	(IS:2 C)	CLH:5	(FK:2 B)	CLM:9	(FA RHD:3 D)
CLE:19	(IA:0 B)	CLH:6	(FB:2 D)	CLR:1	(IV:1 C)
CLE:21	(IA:1 D)	CLH:6	(FK:2 B)	CLR:2	(IV:1 C)
CLE:22	(IH4:4 D)	CLH:7	(FB:2 D)	CLR:3	(IV:1 C)
CLE:23	(NK:0 D)	CLH:8	(FB:2 D)	CLR:4	(IV:1 C)
CLF:1	(IR:1 B)	CLH:9	(FB:2 D)	CLR:5	(IV:1 C)
CLF:1	(IR1:2 B)	CLH:10	(FB:3 D)	CLR:6	(IV:1 C)
CLF:2	(IR:1 B)	CLH:11	(FB:3 D)	CLR:7	(IV:1 C)
CLF:3	(IR:1 C)	CLH:12	(FB:3 D)	CLR:8	(IV:2 C)
CLF:4	(IR:1 C)	CLH:13	(FM:0 B)	CLR:9	(IV:2 C)
CLF:5	(IR:0 B)	CLH:14	(FG:0 C)	CLR:10	(IV:2 C)
CLF:6	(IR:0 B)	CLH:15	(FG:0 C)	CLR:11	(IV:2 C)
CLF:7	(IR:0 C)	CLH:16	(FB:2 C)	CLR:12	(IV:2 C)
CLF:8	(IR:0 C)	CLH:17	(FB:2 C)	CLR:13	(IV:1 B)
CLF:9	(IR:0 C)	CLH:18	(FG:1 C)	CLR:14	(IV:1 B)
CLF:10	(DC:1 B)	CLH:19	(FG:1 C)	CLR:15	(IV:1 B)
CLF:10	(DB:2 B)	CLH:20	(FB:1 C)	CLR:16	(IV:1 B)
CLF:10	(DM:1 C)	CLH:21	(FB:3 D)	CLR:17	(IV:2 B)
CLF:11	(DC:0 D)	CLH:22	(FB:3 C)	CLR:18	(IV:2 B)
CLF:11	(DM:0 D)	CLH:25	(FB:2 C)	CLR:19	(IV:2 B)
CLF:12	(DM:0 C)	CLH_R:1	(FB RHD:1 B)	CLR:20	(IV:2 B)
CLF:13	(XA:3 D)	CLH_R:2	(FB RHD:1 B)	CLR:21	(IV:2 B)
CLF:14	(XA:2 D)	CLH_R:3	(FB RHD:2 B)	CLS:1	(BE:1 C)
CLF:15	(XB:3 D)	CLH_R:5	(FB RHD:2 B)	CLS:2	(BE:1 C)
CLF:16	(XB:2 D)	CLH_R:6	(FB RHD:2 C)	CLS:3	(BE:1 C)
CLF:17	(FG:1 C)	CLH_R:7	(FB RHD:2 C)	CLS:4	(BE:1 C)
CLF:18	(XA:2 C)	CLH_R:8	(FB RHD:3 C)	CLS:5	(BE:1 C)
CLF:19	(XA:2 C)	CLH_R:9	(FB RHD:3 C)	CLT:1	(IH:3 B)
CLF:20	(XB:1 C)	CLH_R:10	(FB RHD:3 C)	CLT:1	(IH2:3 A)
CLF:21	(XB:1 C)	CLH_R:11	(FB RHD:3 C)	CLT:1	(IH3:2 B)
CLG:1	(EE:0 B)	CLH_R:12	(FB RHD:3 C)	CLT:2	(IH:3 B)
CLG:1	(EF:0 B)	CLH_R:16	(FB RHD:2 B)	CLT:2	(IH2:2 A)
CLG:1	(EO:0 C)	CLH_R:17	(FB RHD:2 B)	CLT:2	(IH3:1 B)
CLG:2	(EE:0 B)	CLH_R:20	(FB RHD:1 B)	CLT:3	(IH:3 C)
CLG:2	(EF:0 B)	CLH_R:21	(FB RHD:3 C)	CLT:3	(IH3:2 C)
CLG:2	(EO:2 B)	CLH_R:22	(FB RHD:3 B)	CLT:4	(IH:3 C)
CLG:3	(EE:3 B)	CLH_R:25	(FB RHD:2 B)	CLT:4	(IH3:2 C)
CLG:3	(EF:2 B)	CLI:1	(EO:0 D)	CLT:5	(IH:3 C)
CLG:4	(EO:2 C)	CLI:2	(EO:1 D)	CLT:5	(IH2:2 B)
CLG:5	(EO:2 C)	CLI:3	(EO:1 D)	CLT:6	(HI:3 B)
CLG:6	(EO:1 C)	CLI:4	(EO:1 D)	CLT:7	(HI:3 B)
CLG:7	(EO:1 C)	CLI:5	(EO:3 C)	CLT:8	(IQ:1 B)
CLG:8	(EO:1 C)	CLI:6	(EO:3 C)	CLT:9	(IQ:1 C)
CLG:9	(EO:0 C)	CLI:7	(EO:3.C)	CLT:10	(IQ:1 C)
CLG:10	(EO:0 C)	CLI:8	(EO:3 C)	CLT:11	(IM:3 B)
CLG:11	(EO:1 C)	CLI:9	(EO:3 C)	CLT:12	(IM:3 B)
CLG:12	(EO:1 C)	CLI:10	(EO:3 C)	CLT:13	(IV:1 D)
CLG:13	(EO:0 D)	CLI:11	(EO:4 C)	CLT:14	(IV:1 D)
CLG:13	(ZA RHD:3 C)	CLI:12	(EO:4 C)	CLT:15	(IV:2 D)
CLG:14	(EO:0 D)	CLJ:1	(BE:3 C)	CLT:16	(IV:2 D)

CLT:17	(HI:2 B)	CUB:8	(BN:2 C)	CUH:3	(BE:0 D)
CLT:18	(HI:2 B)	CUB:9	(BN:2 C)	CUH:4	(BE:0 D)
CLT:19	(HI:1 B)	CUB:10	(BN:2 C)	CUH:5	(IH:0 C)
CLT:20	(HI:2 B)	CUB:11	(BN:3 C)	CUH:6	(IH:0 D)
CLT:20	(ZA RHD:0 B)	CUB:12	(KI:1 B)	CUI:1	(IH4:0 B)
CLT:21	(HI:4 B)	CUB:13	(IM:0 B)	CUI:3	(IH4:0 C)
CLU:1	(IR2:1 C)	CUB:13	(IR:3 C)	CUL:1	(GL2:0 C)
CLU:1	(IR3:1 C)	CUB:16	(GC:3 A)	CUL:2	(GL2:0 C)
CLU:3	(IR2:1 D)	CUB:17	(GC:3 B)	CUL:3	(GL2:1 C)
CLU:3	(IR3:1 D)	CUB:18	(IH:3 B)	CUL:4	(GL2:1 C)
CT:1	(BZ:1 D)	CUB:18	(IH2:1 A)	CUL:5	(GL2:1 C)
CT:2	(BZ:1 D)	CUB2/CUB:12	(KI:1 B)	CUL_B:1	(GL2:2 A)
CT:3	(BZ:1 D)	CUB2/CUB:13	(IM:0 B)	CUL_B:2	(GL2:2 A)
CT:4	(BZ:1 D)	CUB2/CUB:13	(IR:3 C)	CUL_B:3	(GL2:3 A)
CT:5	(BZ:1 C)	CUB2/CUB:18	(IH:3 B)	CUL_B:4	(GL2:3 A)
CT:6	(BZ:1 C)	CUB2/CUB:18	(IH2:1 A)	CUL_B:5	(GL2:3 A)
CT:7	(BZ:1 C)	CUB/TACH:1	(BM:1 A)	CUL_C:1	(GL2:2 C)
CT/TC:1	(BZ RHD:2 C)	CUB/TACH:2	(BM:3 C)	CUL_C:2	(GL2:3 C)
CT/TC:2	(BZ RHD:2 C)	CUB/TACH:3	(BM:1 A)	CUL_C:3	(GL2:3 C)
CT/TC:3	(BZ RHD:1 C)	CUB/TACH:4	(BM:2 A)	CUL_C:4	(GL2:3 C)
CT/TC:4	(BZ RHD:1 C)	CUB/TACH:5	(BM:3 A)	CUL_C:5	(GL2:3 C)
CT/TC:5	(BZ RHD:1 C)	CUB/TACH:6	(BM:3 C)	CUM:1	(BN:1 B)
CT/TC:6	(BZ RHD:1 C)	CUB/TACH:7	(BM:2 C)	CUM:3	(BN:1 B)
CT/TC:7	(BZ RHD:1 C)	CUB/TACH:8	(BM:2 C)	DDA:1	(IM:1 C)
CUA:1	(GA:1 C)	CUB/TACH:9	(BM:2 C)	DDA:2	(IE:0 B)
CUA:1	(GL2:1 A)	CUB/TACH:10	(BM:2 C)	DDA:3	(IE:1 A)
CUA:2	(GA:4 C)	CUB/TACH:11	(BM:3 C)	DDA:3	(ZA RHD:1 B)
CUA:2	(GL2:0 A)	CUB/TACH:11	(IU:0 B)	DDA:4	(IE:2 B)
CUA:3	(IH:1 B)	CUB/TACH:12	(KI:1 C)	DDA:5	(IH:2 C)
CUA:3	(IH3:3 B)	CUB/TACH:13	(IM:0 B)	DDA:5	(IH2:1 D)
CUA:4	(IH:0 B)	CUB/TACH:13	(IR:3 C)	DDA:5	(IH3:0 D)
CUA:4	(IH2:1 A)	CUB/TACH:14	(BM:2 B)	DDA:6	(IE:3 B)
CUA:4	(IH3:3 B)	CUB/TACH:15	(BM:2 B)	DDA:7	(IM:1 C)
CUA:5	(IH:3 B)	CUB/TACH:16	(GC:3 B)	DDA:8	(IM:1 C)
CUA:6	(IH:3 C)	CUB/TACH:17	(GC:3 B)	DDA:9	(IM:1 C)
CUA:6	(IH2:2 A)	CUB/TACH:18	(IH:3 A)	DDA:10	(IU:0 D)
CUA:6	(IH3:2 C)	CUB/TACH:18	(IH2:1 A)	DDA:10	(IU RHD:0 D)
CUA:7	(BN:2 C)	CUC:1	(IH:3 C)	DDA:10	(IV:1 D)
CUA:7	(IQ:0 B)	CUC:2	(IH:3 C)	DDA:11	(IU:1 D)
CUA:8	(KM:0 C)	CUC:3	(IH:2 C)	DDA:11	(IU RHD:1 D)
CUA:9	(NI:1 B)	CUC:3	(IH2:2 C)	DDA:11	(IV:1 D)
CUA:10	(NI:1 B)	CUC:3	(IH3:2 D)	DDA:12	(IH:2 C)
CUA:11	(KI:1 C)	CUC:3	(IH4:1 B)	DDA:12	(IH2:0 D)
CUA:12	(IH:3 C)	CUC:4	(IH:0 C)	DDA:12	(IH3:0 D)
CUA:12	(IH2:0 C)	CUC:4	(IH2:2 C)	DDA:13	(IE:0 C)
CUA:12	(IH3:2 B)	CUC:4	(IH3:2 D)	DDA:14	(IE:1 C)
CUA:13	(IQ:1 C)	CUC:4	(IH4:2 B)	DDA:15	(IE:1 C)
CUA:14	(IQ:1 C)	CUC:5	(IH:3 B)	DDB:1	(IE:1 C)
CUA:15	(IH2:0 B)	CUC:5	(IR:3 D)	DDB:2	(IE:2 C)
CUA:15	(IH3:2 A)	CUC:6	(IQ:1 C)	DDB:3	(IE:2 C)
CUA:16	(IH2:0 C)	CUC:7	(IQ:0 C)	DDB:4	(IE:0 C)
CUA:16	(IH3:3 B)	CUC:8	(IQ:1 C)	DDB:5	(IE:0 B)
CUA:17	(HI:1 B)	CUC:9	(BE:0 D)	DDB:6	(IE:0 B)
CUA:17	(HI2:1 B)	CUC:10	(BE:0 D)	DDB:7	(IE:1 B)
CUA:18	(HI:1 B)	CUC:11	(BE:0 D)	DDB:9	(IE:2 B)
CUA:18	(HI2:0 B)	CUC:18	(IH:0 D)	DPA:1	(IM:2 C)
CUA:19	(HI:1 B)	CUD:1	(IH:1 C)	DPA:3	(IE:3 B)
CUA:19	(HI2:0 C)	CUD:2	(IH:1 C)	DPA:3	(ZA RHD:0 D)
CUA:20	(HI:1 B)	CUD:3	(IH:1 D)	DPA:4	(IE:3 B)
CUA:20	(HI2:1 B)	CUF:1	(HI:1 B)	DPA:5	(IH:2 C)
CUA:21	(GB:0 B)	CUF:1	(HI2:0 B)	DPA:5	(IH2:1 D)
CUB:1	(BN:1 B)	CUF:2	(HI:1 B)	DPA:5	(IH3:0 D)
CUB:2	(BN:3 C)	CUF:2	(HI2:0 B)	DPA:6	(IE:3 B)
CUB:3	(BN:1 B)	CUG:1	(NK:2 C)	DPA:7	(IM:2 C)
CUB:4	(BN:3 B)	CUG:2	(NK:2 C)	DPA:8	(IM:2 C)
CUB:5	(BN:3 B)	CUG:4	(NK:2 C)	DPA:9	(IM:2 C)
CUB:6	(BN:3 C)	CUG:5	(NK:3 C)	DPA:10	(IU:1 D)
CUB:7	(BN:2 C)	CUH:2	(BE:0 D)	DPA:10	(IU RHD:1 D)

DPA:10	(IV:1 D)	EI:31	(CO:4 A)	FA:16	(GG:1 A)
DPA:11	(IU:1 D)	EI:33	(CJ:2 D)	FA:17	(GG:1 A)
DPA:11	(IU RHD:1 D)	EI:33	(CO:0 A)	FA:18	(GG:1 A)
DPA:11	(IV:1 D)	EI:34	(CH:2 D)	FA:19	(GG:1 A)
DPA:12	(IH:3 C)	EI:35	(CJ:3 D)	FA:20	(GG:0 A)
DPA:12	(IH2:1 D)	EI:35	(CO:2 A)	FA:21	(GG:0 A)
DPA:12	(IH3:0 D)	EI:36	(CH:2 D)	FB:1	(KI:2 A)
DS_L:1	(NU:2 C)	EI:37	(CJ:0 D)	FB:3	(KI:2 B)
DS_L:2	(NU:2 D)	EI:37	(CO:3 A)	FBA:1	(BE:3 D)
DS_R:1	(GQ:0 B)	EI:39	(CJ:0 D)	FBA:3	(BE:3 D)
DS_R:1	(NU:2 C)	EI:39	(CO:4 A)	FE:1	(ME:1 B)
DS_R:2	(GQ:0 C)	EI2:1	(GA:1 C)	FE:1	(NC:0 B)
DS_R:2	(NU:2 D)	EI2:2	(GA:1 D)	FE:1	(NU:0 A)
E03_L-:1	(NI:2 D)	EI2:2	(GA:4 D)	FE:2	(ME:1 B)
E03_L+:1	(NI:2 D)	EI2:3	(GA:4 C)	FE:2	(NC:0 B)
E03_R-:1	(NI:2 D)	EMB:1	(IF:0 D)	FE:2	(NU:0 A)
E03_R+:1	(NI:2 D)	EMB:2	(IF:1 D)	FE:3	(ME:1 B)
E27:1	(GF:3 C)	EP:1	(CL:4 D)	FE:3	(NC:1 B)
E27:2	(GF:3 C)	EP:1	(CO:2 A)	FE:3	(NU:0 A)
E27:3	(GF:3 C)	EP:2	(CL:4 D)	FE_B:1	(IF:1 A)
E27:4	(GF:3 C)	EP:2	(CO:1 A)	FE_B:2	(IF:1 A)
E27:5	(GF:3 C)	EP:4	(CL:4 D)	FE_B:3	(IF:1 A)
E27:6	(GF:3 C)	EP:4	(CO:1 A)	FE_BR:1	(IF:2 A)
E27:7	(GF:3 C)	EP:7	(CL:3 D)	FE_BR:2	(IF:2 A)
E27_1:1	(GF:0 C)	EP:7	(CO:2 A)	FE_BR:3	(IF:1 A)
E27_1:2	(GF:0 C)	EPR:1	(CJ:2 B)	FE_C:1	(NX:0 B)
E27_1:3	(GF:1 C)	EPR:3	(CJ:3 B)	FE_C:2	(NX:0 B)
E27_1:4	(GF:1 C)	EPR:4	(CJ:3 C)	FE_C:3	(NX:0 B)
E27_1:5	(GF:1 C)	EQ_A:1	(EO:4 B)	FE2_C:1	(NX:0 B)
E27_1:7	(GF:0 C)	EQ_A:2	(EO:4 B)	FE2_C:2	(NX:0 B)
E88L_A:1	(IH:0 C)	EQ_A:3	(EO:4 B)	FE2_C:3	(NX:0 B)
E88L_A:1	(IH4:1 C)	EQ_A:4	(EO:4 C)	FE2:1	(NC:1 B)
E88L_B:1	(IH:0 D)	EXT:1	(HZ:1 B)	FE2:1	(NU:0 B)
E88L_B:1	(IH4:1 C)	EXT:2	(HZ:1 B)	FE2:2	(NC:0 B)
EI:1	(CJ:2 D)	FA:1	(BI:4 B)	FE2:2	(NU:0 B)
EI:1	(CO:0 A)	FA:2	(FB:2 B)	FE2:3	(NC:1 B)
EI:2	(CJ:1 D)	FA:2	(FB RHD:2 B)	FE2:3	(NU:0 B)
EI:2	(CO:0 A)	FA:3	(FB:2 B)	FL:1	(GA:2 D)
EI:3	(CJ:2 D)	FA:3	(FB RHD:2 B)	FL:2	(GA:2 C)
EI:3	(CO:0 A)	FA:4	(NU:4 B)	FL:3	(GA:2 C)
EI:4	(CJ:2 D)	FA:5	(GA:0 C)	FL:4	(NK:3 D)
EI:4	(CO:0 A)	FA:5	(GA2:0 C)	FL:5	(NK:3 D)
EI:5	(CJ:1 D)	FA:5	(GA3:2 C)	FL:6	(GA:2 C)
EI:5	(CO:0 A)	FA:5	(NI:1 A)	FL:6	(GA3:2 C)
EI:6	(CJ:2 D)	FA:6	(BA:0 C)	FL:7	(GA:2 C)
EI:6	(CO:0 A)	FA:7	(BI:1 C)	FL:8	(GA:1 C)
EI:7	(CJ:3 D)	FA:8	(GA:4 C)	FL:9	(GA:2 C)
EI:7	(CO:1 A)	FA:8	(GA2:4 C)	FL:10	(GQ:1 C)
EI:8	(CJ:1 D)	FA:8	(NA:0 A)	FL:11	(GQ:1 B)
EI:8	(CO:0 A)	FA:8	(NB:0 A)	FL:12	(GQ:1 B)
EI:9	(AA:3 D)	FA:9	(GB:3 D)	FL:13	(GU:0 D)
EI:10	(AA:3 D)	FA:9	(NA:0 A)	FL:14	(GU:0 D)
EI:13	(CJ:1 D)	FA:9	(NB:0 A)	FL:15	(GU:0 D)
EI:13	(CO:0 A)	FA:10	(GC:3 B)	FL:16	(GQ:1 C)
EI:15	(CJ:0 D)	FA:10	(NA:0 A)	FL:20	(BE:2 D)
EI:15	(CO:0 A)	FA:10	(NB:0 A)	FL:21	(BE:2 D)
EI:21	(CJ:3 D)	FA:10	(NU:2 B)	FL:22	(BE:2 D)
EI:21	(CO:3 A)	FA:10	(NU:2 B)	FL:23	(BE:2 D)
EI:22	(CH:1 D)	FA:10	(GC RHD:1 B)	FL:25	(GA:2 D)
EI:22	(CO:3 A)	FA:11	(GB:0 A)	FL:26	(GA:1 C)
EI:23	(HG:0 D)	FA:11	(NA:3 A)	FL:29	(KA:0 C)
EI:24	(CH:1 D)	FA:11	(NB:3 A)	FMS:1	(BX:0 D)
EI:23	(HY:2 D)	FA:12	(BA:1 D)	FMS:1	(BX:1 D)
EI:26	(CH:1 D)	FA:12	(CP:1 A)	FMS:2	(BX:1 D)
EI:26	(CH:4 A)	FA:12	(NU:4 B)	FMS:6	(BX:0 D)
EI:27	(CJ:0 D)	FA:13	(GQ:2 C)	FMS:9	(BX:0 D)
EI:29	(CH:2 D)	FA:14	(AA:2 A)	FMS:10	(BX:0 D)
EI:31	(CJ:0 D)	FA:15	(KM:0 B)	FMS:12	(BX:0 D)

FR:1	(GA:3 D)	JV/JC:2	(KA:1 D)	MA:24	(CJ:0 C)
FR:2	(GA:3 C)	JV/JC:3	(DQ:1 B)	MA:25	(CJ:1 C)
FR:3	(GA:3 C)	JV/JC:4	(AE:3 B)	MB:1	(BI:2 D)
FR:4	(NK:3 D)	JV/JC:5	(AE:3 B)	MB:2	(BA:0 C)
FR:5	(NK:4 D)	JV/JC:6	(AE:3 B)	MB:4	(BA:1 B)
FR:6	(GA:3 C)	JV/JC:7	(AC:1 D)	MB:5	(BI:2 C)
FR:6	(GA3:2 C)	JV/JC:7	(AE:4 D)	MB:8	(BI:1 D)
FR:7	(GA:2 C)	JV/JC:8	(BI:3 D)	MB:9	(BA:0 B)
FR:8	(GA:3 C)	JV/JC:8	(CP:1 B)	MB:14	(BI:1 C)
FR:8	(GA3:3 C)	JV/JC:9	(AA:3 B)	MB:15	(GB:3 D)
FR:9	(GA:3 C)	JV/JC:9	(BA:0 C)	MB:16	(BA:0 C)
FR:10	(GM:0 C)	JV/JC:11	(BA:3 C)	MC:1	(EO:0 D)
FR:11	(GM:0 C)	JV/JC:12	(BA:3 D)	MC:2	(EO:1 D)
FR:13	(GU:1 D)	JV/JC:13	(IM:2 C)	MC:3	(EO:1 D)
FR:14	(GU:1 D)	JV/JC:14	(DQ:1 C)	MC:4	(EO:1 D)
FR:15	(GU:1 D)	JV/JC:16	(IM:2 A)	MC:5	(EO:1 D)
FR:16	(GM:1 C)	JV/JC:17	(IR2:2 C)	MC:6	(GQ:0 B)
FR:17	(BI:2 C)	JV/JC:18	(IR2:2 C)	MC:6	(NU:2 C)
FR:18	(BI:2 D)	JV/JC:18	(KM:1 C)	MC:7	(GQ:0 C)
FR:25	(GA:3 D)	JV/JC:19	(HI:3 C)	MC:7	(NU:2 D)
FR:26	(GA:3 C)	JV/JC:19	(ZA RHD:0 C)	MC:8	(NK:1 C)
FR:29	(KA:0 C)	JV/JC:20	(AC:3 D)	MC:9	(NK:1 D)
FS:1	(KI:1 C)	JV/JC:21	(HI2:2 B)	MOT:1	(HZ:2 C)
FS:2	(KI:1 D)	JV/JC:21	(HP:0 D)	MOT:2	(HZ:2 C)
FS:3	(KI:1 D)	JV/JC:21	(HY RHD:1 B)	MOT:3	(HZ:1 C)
FS_2:1	(KI:0 C)	JV/JC:21	(IX:2 B)	MOT:4	(HZ:2 C)
FS_2:2	(KI:0 D)	JV/JC:22	(FU:0 D)	MP:1	(CO:3 C)
FT:1	(IR:0 D)	JV/JC:23	(GC RHD:3 C)	NS:1	(MF:3 D)
FT:2	(IR:0 D)	JV/JC:23	(KM:1 C)	NS:2	(NU:2 C)
FT:3	(IR:1 D)	JV/JC:24	(IR2:2 C)	NS:3	(NX:2 C)
GA:1	(GB:3 D)	JV/JC:25	(IR2:2 C)	NS:4	(MF:3 D)
GA:2	(BI:1 D)	KV/KC:1	(GB:0 B)	NS:5	(MF:3 D)
GA:2	(D1:1 B)	KV/KC:2	(GB:0 A)	NS:5	(NU:3 B)
GA:3	(BI:1 C)	KV/KC:2	(GB:0 B)	NS:6	(NU:3 B)
GA:3	(D1:1 B)	KV/KC:3	(GB:0 B)	NS:6	(NX:2 A)
GA:4	(BA:1 B)	KV/KC:4	(GB:0 A)	NS:7	(NX:3 C)
GA:4	(D1:1 B)	LI:1	(FG:0 B)	NS:8	(NU:4 B)
GA:5	(BA:0 B)	LI:2	(FG:0 B)	NS:8	(NX:3 C)
GA:5	(D1:1 B)	LI:3	(FG:0 B)	NS:9	(NU:1 B)
GA:6	(BA:0 C)	LI:4	(FG:1 B)	NS:10	(NU:1 B)
GA:6	(D1:1 B)	LI:5	(FG:1 B)	NS:10	(NX:0 D)
GA:7	(BA:0 C)	LI:6	(FG:1 B)	NS:11	(NX:2 C)
GA:7	(D1:1 B)	LS:1	(GL2:0 C)	NS:13	(NX:1 C)
GB:1	(BI:2 C)	LS:1	(GL2:2 C)	NS:14	(NX:1 C)
GB:1	(DI:0 B)	LS:2	(GL2:0 C)	NS:15	(NU:1 B)
GB:2	(BI:2 D)	LS:2	(GL2:3 C)	NS:15	(NX:2 A)
GB:2	(DI:0 B)	LS:3	(GL2:1 C)	NS:16	(NX:3 A)
GB:3	(BM:2 D)	LS:3	(GL2:3 C)	NS:17	(NU:1 B)
GB:4	(BM:2 D)	LS:4	(GL2:1 C)	NS:17	(NX:3 A)
GB:5	(BM:2 D)	LS:4	(GL2:3 C)	NS:18	(NU:3 B)
GB:6	(BM:2 D)	LS:5	(GL2:1 C)	NS:187	(NX:4 C)
GB:7	(DI:3 B)	LS:5	(GL2:3 C)	NS:19	(NU:4 B)
GE:1	(DI:2 B)	MA:1	(HG:0 C)	NS:19	(NU:3 A)
GE:2	(DI:2 B)	MA:1	(HY:2 D)	NS:20	(NU:4 B)
GE:3	(DI:1 B)	MA:3	(CJ:2 C)	NS:20	(NX:2 C)
GE:4	(DI:1 B)	MA:4	(CJ:2 C)	NS:21	(MF:3 D)
GE:5	(DI:2 B)	MA:6	(CJ:1 C)	OBD:4	(XC:0 B)
GE:6	(DI:21 B)	MA:7	(CJ:2 C)	OBD:5	(XC:0 B)
IDA:1	(GL:1 B)	MA:8	(CJ:2 C)	OBD:6	(XC:1 B)
IDA_2:1	(GL:0 B)	MA:9	(AC:4 D)	OBD:14	(XC:1 B)
IDA_C:1	(GL:2 B)	MA:10	(XC:0 C)	OBD:16	(XC:0 B)
IDA_D:1	(GL:3 A)	MA:11	(XC:0 C)	OH:1	(GE:1 B)
IDB:1	(GL:1 D)	MA:13	(AA:3 D)	OH:2	(GE:2 B)
IDB_2:1	(GL:0 B)	MA:15	(CJ:1 C)	OH:3	(GE:1 B)
IDB_B:1	(GL:2 D)	MA:20	(AA:2 C)	OH:4	(GE:2 B)
IDB_C:1	(GL:2 D)	MA:20	(CJ:3 C)	OH:9	(GE:1 B)
IDB_D:1	(GL:3 A)	MA:22	(CJ:3 C)	OH:13	(GE:1 B)
JV/JC:1	(DC:2 D)	MA:23	(CJ:0 C)	OH:14	(GE:2 B)

OH:17	(GE:1 B)	PT:1	(D1:1 A)	RA:15	(HM:0 D)
OH:18	(GE:3 B)	PT:1	(DP:0 B)	RA:16	(HI:0 B)
OH:24	(GE:1 D)	PT:2	(D1:1 A)	RA:16	(HM:0 D)
PAS:1	(FP:0 C)	PT:2	(DP:1 B)	RA:17	(DU:3 C)
PAS:6	(FP:0 D)	PT:3	(D1:1 A)	RC:2	(GG:0 B)
PAS:6	(ZA RHD:1 B)	PT:3	(DP:1 B)	RC:2	(GK:0 A)
PH_1:1	(HM:0 B)	PT:4	(D1:1 A)	RC:3	(GG:0 B)
PH_1:2	(HM:0 B)	PT:4	(DP:1 B)	RC:3	(GK:1 A)
PH_1:3	(HM:2 B)	PT:6	(D1:0 A)	RC:4	(GG:0 B)
PH_1:4	(HM:1 B)	PT:6	(DP:0 B)	RC:4	(GK:1 A)
PH_1:5	(HM:2 B)	PT:7	(D1:3 A)	RC:5	(GG:0 B)
PH_1:6	(HM:2 B)	PT:7	(DP:0 B)	RC:5	(GK:1 A)
PH_1:10	(HM:1 B)	PT:8	(XC:2 D)	RC:6	(GG:0 B)
PH_1:11	(HM:1 B)	PT:9	(XC:1 D)	RC:6	(GK:1 A)
PH_2:1	(HP:0 B)	PT:12	(XC:2 D)	RC:7	(GG:1 B)
PH_2:2	(HP:0 D)	PT:13	(XC:2 D)	RC:9	(GG:1 B)
PH_2:3	(HP:0 D)	PW:1	(AB:4 C)	RC:10	(GG:1 B)
PH_3:1	(HP:0 C)	PW:1	(ZA RHD:3 C)	RC:10	(GK:1 A)
PH_3:2	(HP:0 C)	PW:2	(AB:3 C)	RC:11	(GG:1 B)
PH_3:3	(HP:0 D)	PW:3	(AE:0 C)	RC:12	(GG:1 B)
PH_4:1	(HP:0 B)	PW:3	(AF:2 B)	RC:14	(GG:1 B)
PH_4:2	(HP:0 C)	PW:4	(AE:1 C)	RC:15	(GC:0 B)
PH_4:3	(HP:0 D)	PW:4	(AF:2 B)	RC:16	(GC:2 B)
PL:1	(NC:3 C)	PW:5	(AE:1 D)	RC:17	(GG:0 B)
PL:2	(NA:1 C)	PW:5	(AF:3 D)	RC:18	(GG:0 B)
PL:2	(NB:1 C)	PW:6	(AE:1 D)	RC:19	(GK:1 A)
PL:3	(NA:1 C)	PW:6	(AF:3 D)	RC:19	(KE:0 C)
PL:3	(NB:2 C)	PW:7	(AE:2 D)	RC:20	(GK:1 A)
PL:4	(NA:1 C)	PW:7	(AF:3 D)	RC:20	(KE:0 D)
PL:4	(NB:1 C)	PW:8	(AE:2 D)	RC:21	(CP:1 A)
PL:5	(NA:2 C)	PW:8	(AF:4 D)	RC:21	(GK:1 A)
PL:5	(NB:2 C)	PW:9	(BI:2 D)	RC_2:2	(GH:1 B)
PL:6	(NA:3 C)	PW:10	(BI:2 C)	RC_2:3	(GH:1 B)
PL:6	(NB:3 C)	PW:11	(BI:2 C)	RC_2:4	(GH:1 B)
PL:7	(NC:1 C)	PW:12	(GB:0 D)	RC_2:5	(GH:1 B)
PL:7	(NU:1 C)	PW:13	(AB:2 B)	RC_2:6	(GH:1 B)
PL:8	(NA:4 C)	PW:14	(AE:2 D)	RC_2:7	(GH:1 B)
PL:8	(NB:4 C)	PW:14	(AF:3 D)	RC_2:9	(GH:1 B)
PL:9	(NC:1 C)	PW:15	(CJ:3 B)	RC_2:10	(GH:1 B)
PL:9	(NU:1 C)	PW:16	(CJ:3 B)	RC_2:11	(GH:1 B)
PL:10	(NC:2 C)	PW:17	(CJ:2 C)	RC_2:12	(GH:1 B)
PL:10	(NU:2 C)	PW:18	(AB:0 B)	RC_2:14	(GH:0 B)
PL:11	(NA:0 C)	PW:19	(IQ:3 C)	RC_2:17	(GH:0 B)
PL:11	(NB:0 C)	PW:20	(IQ:3 D)	RC_2:18	(GH:0 B)
PL:12	(NA:1 C)	PW:21	(AB:0 B)	RC_2:19	(GH:0 B)
PL:12	(NB:0 C)	R23:1	(CV:1 D)	RC_2:20	(GH:0 B)
PL:13	(NC:2 C)	R23:2	(CV:2 D)	REF:1	(IQ:3 C)
PL:13	(NU:1 C)	R23:3	(CV:1 D)	REF:2	(IQ:3 D)
PL:14	(NC:2 C)	R23:4	(CV:2 D)	REV:1	(NU:2 C)
PL:14	(NU:1 C)	R23:5	(CV:1 D)	RF:1	(IQ:3 C)
PL:15	(NC:2 C)	R23:6	(CV:3 D)	RF:4	(IQ:3 D)
PL:15	(NU:2 C)	RA:1	(GC:2 E)	RL:1	(KM:0 C)
PL:16	(NC:2 C)	RA:2	(GC:1 B)	RL:2	(KM:0 D)
PL:16	(NU:2 C)	RA:3	(GC:1 B)	RL:3	(NI:1 C)
PL:17	(NC:2 C)	RA:4	(GC:1 B)	RL:4	(NI:1 C)
PL:17	(NU:2 C)	RA:5	(GC:2 B)	RT:1	(DM:3 C)
PL:18	(NA:2 C)	RA:6	(GC:2 B)	RT:2	(DM:2 C)
PL:18	(NB:3 C)	RA:7	(GC:1 B)	RT:3	(DM:2 C)
PL:19	(NC:3 C)	RA:7	(GC RHD:1 C)	RT:4	(DM:2 C)
PL:19	(NU:3 C)	RA:8	(GC:1 B)	RT:5	(DM:2 C)
PL:20	(NC:3 C)	RA:9	(GC:2 B)	RT:6	(DM:3 C)
PL:20	(NU:2 C)	RA:10	(GC:2 B)	RT:7	(DM:3 C)
PL:21	(NC:3 C)	RA:10	(GC RHD:2 C)	SCR:1	(CV:2 B)
PL:21	(NU:3 C)	RA:11	(GC:2 B)	SCR:3	(CV:1 B)
POS_A:1	(GL:3 B)	RA:12	(BI:2 C)	SCR:5	(CV:1 B)
POS_B:1	(GL:3 B)	RA:13	(BI:2 D)	SCR:6	(CV:2 B)
POS_C:1	(GL:4 B)	RA:14	(DU:3 C)	SCR:7	(CV:2 B)
POS_D:1	(GL:4 B)	RA:15	(HI:0 B)	SCR:8	(XC:3 D)

SCR:9	(XC:3 D)	SW:18	(EF:1 C)	SW_4:11	(EO RHD:4 C)
SCR_2:8	(XC:4 D)	SW:19	(EF:2 C)	SW_4:12	(EO RHD:4 C)
SCR_2:9	(XC:4 D)	SW:20	(EF:2 C)	SW_4:13	(EO RHD:3 C)
SI:1	(GG:3 B)	SW_1:1	(EE:0 C)	SW_4:14	(EO RHD:3 C)
SI:1	(GK:3 A)	SW_1:2	(EE:0 C)	SW_4:15	(EO RHD:4 C)
SI:2	(GG:3 B)	SW_1:3	(EE:0 D)	SX:1	(GG:1 C)
SI:2	(GK:3 A)	SW_1:4	(EE:1 C)	SX:1	(GK:2 C)
SI:4	(GG:3 B)	SW_1:5	(EE:1 C)	SX:2	(GG:1 C)
SI:4	(GK:4 A)	SW_1:6	(EE:1 D)	SX:3	(GG:3 C)
SI:5	(GG:3 B)	SW_1:7	(EE:2 C)	SX:3	(GK:3 C)
SI:5	(GK:4 A)	SW_1:8	(EE:2 C)	SX:4	(GG:0 C)
SI_2:1	(GH:3 B)	SW_1:9	(EE:2 D)	SX:4	(GK:2 C)
SI_2:2	(GH:3 B)	SW_1:10	(EE:3 C)	SX:5	(GG:1 C)
SI_2:4	(GH:3 B)	SW_1:11	(EE:3 C)	SX:6	(GG:0 C)
SI_2:5	(GH:3 B)	SW_1:12	(EE:3 D)	SX:6	(GK:2 C)
SI_3:1	(CP:2 A)	SW_1:13	(EE:0 C)	SX:7	(GG:3 C)
SI_3:1	(ZA RHD:3 C)	SW_1:14	(EE:0 C)	SX:7	(GK:3 C)
SI_3:2	(CP:2 A)	SW_1:15	(EE:1 C)	SX:8	(GG:3 C)
SI_3:2	(ZA RHD:3 C)	SW_1:16	(EE:1 C)	SX:8	(GK:3 C)
SI_3:4	(ZA RHD:3 C)	SW_1:17	(EE:2 C)	SX:10	(GG:0 C)
SI_3:5	(ZA RHD:3 C)	SW_1:18	(EE:2 C)	SX:10	(GK:2 C)
SLF:1	(NI:0 D)	SW_1:19	(EE:3 C)	SX:11	(GG:0 C)
SLF:2	(NI:0 E)	SW_1:20	(EE:3 C)	SX:11	(GK:2 C)
SLP:2	(AF:2 D)	SW_2:1	(EO:3 D)	SX:12	(GG:0 C)
SLP:7	(AF:2 D)	SW_2:10	(EO:3 D)	SX:12	(GK:2 C)
SLR:1	(NI:1 C)	SW_2:11	(EO:4 D)	SX:15	(GG:3 C)
SLR:2	(NI:1 C)	SW_2:12	(EO:4 D)	SX:15	(GK:3 C)
SLR_2:1	(NI:1 C)	SW_2:13	(EO:3 D)	SX:18	(GG:1 C)
SLR_2:2	(NI:1 C)	SW_2:14	(EO:3 D)	SX:20	(GG:0 C)
SM_F:1	(GC:3 C)	SW_2:15	(EO:4 D)	SX:21	(GG:0 C)
SM_F:2	(GC:0 C)	SW_2:2	(EO:3 D)	SX:24	(GG:1 C)
SM_F:4	(GC:3 D)	SW_2:3	(EO:1 D)	SX:24	(GK:3 C)
SM_O:1	(GE:2 B)	SW_2:4	(EO:1 D)	SX:25	(GG:1 C)
SM_O:2	(GE:1 B)	SW_2:5	(EO:2 D)	SX:29	(GG:1 C)
SM_O:4	(GE:1 B)	SW_2:6	(EO:2 D)	SX:30	(GG:4 C)
SM_R:1	(GC:3 C)	SW_2:7	(EO:2 D)	SX:30	(GK:3 C)
SM_R:2	(GC:0 C)	SW_2:8	(EO:2 D)	SX:31	(GG:2 C)
SM_R:4	(GC:3 D)	SW_2:9	(EO:3 D)	SX:31	(GK:2 C)
SP:1	(BM:2 C)	SW_3:1	(EE RHD:0 D)	SX_2:1	(GR:1 B)
SP:2	(BM:2 C)	SW_3:2	(EE RHD:0 D)	SX_2:2	(GR:1 B)
SP:3	(BM:2 C)	SW_3:3	(EE RHD:3 D)	SX_2:3	(GR:2 B)
SP:4	(BM:2 C)	SW_3:4	(EE RHD:1 D)	SX_2:4	(GR:0 B)
SS:1	(BE:2 D)	SW_3:5	(EE RHD:1 D)	SX_2:5	(GR:1 B)
SS:2	(BE:2 D)	SW_3:6	(EE RHD:3 D)	SX_2:6	(GR:0 B)
SS:3	(BE:2 D)	SW_3:7	(EE RHD:2 D)	SX_2:7	(GR:3 B)
SS:4	(BE:2 D)	SW_3:8	(EE RHD:2 D)	SX_2:8	(GR:3 B)
ST:1	(GG:4 B)	SW_3:9	(EE RHD:4 D)	SX_2:10	(GR:0 B)
ST:1	(GK:3 A)	SW_3:10	(EE RHD:3 D)	SX_2:11	(GR:0 B)
ST_2:1	(GH:3 B)	SW_3:11	(EE RHD:3 D)	SX_2:12	(GR:0 B)
ST_3:1	(CP:3 A)	SW_3:12	(EE RHD:4 D)	SX_2:15	(GR:2 B)
ST_3:1	(ZA RHD:4 C)	SW_3:13	(EE RHD:0 D)	SX_2:18	(GR:1 B)
SW:1	(EF:0 C)	SW_3:14	(EE RHD:0 D)	SX_2:20	(GR:0 B)
SW:2	(EF:0 C)	SW_3:15	(EE RHD:1 D)	SX_2:21	(GR:0 B)
SW:3	(EF:0 C)	SW_3:16	(EE RHD:1 D)	SX_2:24	(GR:1 B)
SW:4	(EF:1 C)	SW_3:17	(EE RHD:2 D)	SX_2:25	(GR:1 B)
SW:5	(EF:1 C)	SW_3:18	(EE RHD:2 D)	SX_2:29	(GR:1 B)
SW:6	(EF:1 C)	SW_3:19	(EE RHD:3 D)	SX_2:30	(GR:3 B)
SW:7	(EF:1 C)	SW_3:20	(EE RHD:3 D)	SX_2:31	(GR:2 B)
SW:8	(EF:1 C)	SW_4:1	(EO RHD:3 C)	SY:1	(EF:3 C)
SW:9	(EF:1 C)	SW_4:2	(EO RHD:3 C)	SY:2	(EF:3 C)
SW:10	(EF:2 C)	SW_4:3	(EO RHD:1 C)	SY:3	(EF:2 C)
SW:11	(EF:2 C)	SW_4:4	(EO RHD:1 C)	SY:4	(EF:2 C)
SW:12	(EF:2 C)	SW_4:5	(EO RHD:2 C)	SY:5	(EF:3 C)
SW:13	(EF:0 C)	SW_4:6	(EO RHD:2 C)	SY:6	(EF:3 C)
SW:14	(EF:0 C)	SW_4:7	(EO RHD:2 C)	SY:7	(EF:3 C)
SW:15	(EF:0 C)	SW_4:8	(EO RHD:2 C)	SY:8	(EF:3 C)
SW:16	(EF:0 C)	SW_4:9	(EO RHD:3 C)	SY:9	(EF:3 C)
SW:17	(EF:1 C)	SW_4:10	(EO RHD:3 C)	SY:21	(EF:3 C)

TA:1	(GA:2 D)	TD:17	(IE:1 C)	X03:14	(GG:0 E)
TA:2	(GA:2 C)	TD:18	(IE:2 C)	X03:15	(GG:0 E)
TA:3	(GA:2 C)	TD:19	(IE:2 C)	X03:2	(GG:0 E)
TA:4	(KA:0 C)	TD:20	(BI:3 C)	X03:3	(GG:1 E)
TA:5	(NK:3 C)	TD:21	(BI:3 C)	X03:4	(GG:1 E)
TA:6	(GA:2 C)	TDET:1	(GB:1 D)	X03:5	(GG:0 E)
TA:6	(GA3:2 C)	TDI:1	(GB2:1 C)	X03:6	(GG:0 E)
TA:7	(GA:2 C)	TM:1	(OA:2 D)	X03:7	(GG:0 E)
TA:8	(GA:1 C)	TM:2	(OA:2 D)	X03:8	(GG:1 E)
TA:9	(GA:2 C)	TM:3	(OA:2 B)	X03:9	(GG:1 E)
TA:10	(GQ:1 C)	TM:4	(OA:2 B)	X03:10	(GG:1 E)
TA:11	(GQ:1 B)	TM:5	(OA:1 D)	X03:11	(GG:1 E)
TA:12	(GA:2 D)	TMA:1	(OA:2 C)	X03:12	(GG:1 E)
TA:13	(GU:0 C)	TMA:3	(OA:1 C)	X03:13	(GG:1 E)
TA:14	(GU:0 C)	TMA:5	(OA:2 B)	X03:15	(GG:0 E)
TA:15	(GU:0 C)	TMA:6	(OA:2 C)	X03_2:1	(GH:1 D)
TA:16	(GQ:1 C)	TMA:7	(OA:2 B)	X03_2:2	(GH:1 D)
TA:17	(NK:3 C)	TS:1	(FG:0 A)	X03_2:3	(GH:0 D)
TA:19	(GA:1 C)	TS:2	(FG:0 A)	X03_2:4	(GH:1 D)
TB:1	(GA:3 D)	TS:3	(FG:0 A)	X03_2:5	(GH:1 D)
TB:2	(GA:3 C)	TS:4	(FG:1 A)	X03_2:6	(GH:1 D)
TB:3	(GA:3 C)	TS:5	(FG:1 A)	X03_2:7	(GH:1 D)
TB:4	(KA:0 C)	TS:6	(FG:1 A)	X03_2:8	(GH:1 D)
TB:5	(NK:3 C)	TU:1	(CV:2 D)	X03_2:9	(GH:1 D)
TB:6	(GA:3 C)	TU:2	(CV:2 D)	X03_2:10	(GH:1 D)
TB:6	(GA3:2 C)	TU:3	(CV:2 D)	X03_2:11	(GH:1 D)
TB:7	(GA:3 C)	TU:4	(CV:2 D)	X03_2:12	(GH:1 D)
TB:8	(GA:3 C)	X02:1	(GG:4 E)	X03_2:13	(GH:1 D)
TB:8	(GA3:3 C)	X02:1	(GK:3 E)	X03_2:14	(GH:0 D)
TB:9	(GA:3 C)	X02:2	(GG:3 E)	X03_2:15	(GH:0 D)
TB:10	(GM:0 C)	X02:2	(GK:3 E)	X04:1	(GG:2 E)
TB:11	(GM:0 C)	X02:3	(GG:3 E)	X04:1	(GK:2 E)
TB:12	(GA:3 D)	X02:3	(GK:3 E)	X04:2	(GG:1 E)
TB:13	(GU:1 C)	X02:4	(GG:3 E)	X04:2	(GK:2 E)
TB:14	(GU:1 C)	X02:4	(GK:3 E)	X04:3	(GG:2 E)
TB:15	(GU:1 C)	X02:5	(GG:3 E)	X04:3	(GK:2 E)
TB:16	(GM:1 C)	X02:5	(GK:3 E)	X04:4	(GG:2 E)
TB:17	(NK:4 C)	X02:6	(GG:3 E)	X04:4	(GK:2 E)
TB:18	(BI:2 D)	X02:6	(GK:3 E)	X04:5	(GG:2 E)
TB:19	(GA:3 C)	X02:7	(GG:3 E)	X04:5	(GK:2 E)
TB:20	(GQ:0 C)	X02:7	(GK:3 E)	X04:6	(GG:2 E)
TB:21	(BI:2 D)	X02_2:1	(GH:3 D)	X04:6	(GK:2 E)
TB_2:18	(BI:0 E)	X02_2:2	(GH:3 D)	X04:6	(GG:2 E)
TB_2:21	(BI:0 D)	X02_2:3	(GH:3 D)	X04:7	(GK:2 E)
TC:1	(BZ:2 B)	X02_2:4	(GH:3 D)	X04_2:1	(GH:2 D)
TC:2	(BZ:2 B)	X02_2:5	(GH:3 D)	X04_2:2	(GH:2 D)
TC:3	(BZ:2 B)	X02_2:6	(GH:3 D)	X04_2:3	(GH:2 D)
TC:4	(BZ:1 B)	X02_2:7	(GH:3 D)	X04_2:4	(GH:2 D)
TC:5	(BZ:1 B)	X02_3:1	(GR:3 E)	X04_2:5	(GH:2 D)
TC:6	(BZ:1 B)	X02_3:2	(GR:2 E)	X04_2:6	(GH:3 D)
TC:7	(BZ:1 B)	X02_3:3	(GR:2 E)	X04_2:7	(GH:3 D)
TCO:1	(BZ:0 B)	X02_3:4	(GR:2 E)	X05:1	(GG:3 E)
TCO:2	(BZ:0 B)	X02_3:5	(GR:2 E)	X05:2	(GG:2 E)
TD:1	(IE:0 C)	X02_3:6	(GR:3 E)	X05:3	(GG:2 E)
TD:2	(IE:0 D)	X02_3:7	(GR:3 E)	X05:4	(GG:2 E)
TD:3	(IE:0 C)	X03:1	(GG:0 E)	X05:5	(GG:3 E)
TD:4	(IE:1 C)	X03:2	(GG:0 E)	X05:7	(GG:3 E)
TD:5	(IE:1 C)	X03:3	(GG:1 E)	X06:1	(NC:3 D)
TD:6	(BI:3 C)	X03:4	(GG:1 E)	X06:2	(NA:1 D)
TD:7	(BI:3 C)	X03:5	(GG:0 E)	X06:2	(NB:1 D)
TD:8	(GM:3 D)	X03:6	(GG:0 E)	X06:3	(NA:1 D)
TD:9	(GM:2 C)	X03:7	(GG:0 E)	X06:3	(NB:2 D)
TD:10	(GM:3 C)	X03:8	(GG:1 E)	X06:4	(NA:1 D)
TD:11	(GM:2 C)	X03:9	(GG:1 E)	X06:4	(NB:1 D)
TD:12	(GM:2 C)	X03:10	(GG:1 E)	X06:5	(NA:2 D)
TD:13	(BI:3 D)	X03:11	(GG:1 E)	X06:5	(NB:2 D)
TD:15	(IE:1 C)	X03:12	(GG:1 E)	X06:6	(NA:3 D)
TD:16	(IE:1 D)	X03:13	(GG:1 E)	X06:6	(NB:3 D)

X06:7	(NC:1 D)	XA:13	(GB:1 B)	XG:1	(AC:0 A)
X06:7	(NU:1 D)	XA:14	(GB:1 B)	XH:1	(AC:2 A)
X06:8	(NB:4 C)	XA:15	(GB:1 B)	XJ:1	(GM:2 C)
X06:8	(NC:4 C)	XA:16	(GB:2 B)	XJ:2	(GM:1 C)
X06:9	(NC:1 D)	XA:16	(GC RHD:3 B)	XJ:3	(HG:0 B)
X06:9	(NU:1 D)	XA:17	(GB:2 B)	XJ:4	(GQ:1 A)
X06:10	(NC:2 D)	XA:18	(GB:2 B)	XJ:6	(HG:0 B)
X06:10	(NU:2 D)	XB:1	(AA:4 D)	XJ:7	(GQ:2 A)
X06:11	(NA:0 D)	XC:1	(BM:1 C)	XJ:10	(GA:0 B)
X06:11	(NB:0 D)	XC:2	(CK:1 B)	XJ:11	(HI:3 A)
X06:12	(NA:1 D)	XC:2	(CL:1 B)	XJ:12	(BA:1 B)
X06:12	(NB:0 D)	XC:3	(IH:3 C)	XJ:13	(GA:0 B)
X06:13	(NC:2 D)	XC:3	(IH2:2 B)	XJ:14	(IH:1 B)
X06:13	(NU:1 D)	XC:4	(HP:0 E)	XJ:14	(IH3:3 B)
X06:14	(NC:2 D)	XC:5	(HG:0 D)	XJ:15	(BA:0 B)
X06:14	(NU:1 D)	XC:5	(HY:2 D)	XJ:16	(IH:3 B)
X06:15	(NC:2 D)	XC:5	(HY RHD:2 D)	XJ:16	(IH3:3 B)
X06:15	(NU:2 D)	XC:6	(IK:0 D)	XJ:17	(IH:1 B)
X06:16	(NC:2 D)	XC:7	(BM:1 C)	XJ:18	(IH:2 B)
X06:16	(NU:2 D)	XC:8	(AE:2 C)	XJ:18	(IH3:3 B)
X06:17	(NC:2 D)	XC:8	(AF:4 B)	XK:1	(BA:0 B)
X06:17	(NU:2 D)	XC:8	(NK:1 D)	XK:2	(CV:0 A)
X06:18	(NA:2 D)	XC:9	(DM:0 E)	XK:3	(GM:3 A)
X06:18	(NB:3 D)	XC:10	(HP:1 E)	XK:4	(BA:0 B)
X06:19	(NA:3 D)	XC:12	(KI:1 C)	XK:5	(CV:1 A)
X06:19	(NB:3 D)	XD:1	(BU:1 C)	XK:6	(GM:1 D)
X06:20	(NC:3 D)	XD:1	(BU_1:2 C)	XK:7	(BA:0 A)
X06:20	(NU:2 D)	XD:1	(BU_2:2 C)	XK:8	(BA:0 B)
X06:21	(NC:3 D)	XD:1	(BX:1 D)	XK:9	(DM:1 B)
X06:21	(NU:3 D)	XD:2	(CU:1 C)	XK:10	(HY:0 B)
X06:22	(NC:3 D)	XD:2	(IH3:0 C)	XK:11	(DM:0 B)
X06:22	(NU:3 D)	XD:3	(AB:1 D)	XK:12	(DC:1 B)
X06:24	(NA:3 D)	XD:4	(EE:4 D)	XK:12	(DM:1 B)
X06:24	(NB:3 D)	XD:4	(EF:4 D)	XK:13	(HY:0 B)
X06:30	(NA:3 D)	XD:4	(EO:0 D)	XK:14	(IQ:1 B)
X06:30	(NB:3 D)	XD:5	(DU:2 E)	XK:14	(IQ2:1 B)
X06:31	(NA:4 D)	XD:5	(EO:0 D)	XK:15	(IQ:2 B)
X06:31	(NB:4 D)	XD:6	(FB:3 D)	XK:15	(IQ2:2 B)
X62:1	(NB:1 D)	XD:6	(FI:0 C)	XK:16	(HY:1 B)
X62:5	(NB:2 D)	XD:6	(FK:1 D)	XK:16	(HY RHD:0 B)
X62:6	(NB:2 D)	XD:7	(GU:2 D)	XK:17	(CJ:0 B)
X63:1	(GR:1 E)	XD:8	(IX:2 D)	XK:18	(CJ:0 B)
X63:2	(GR:0 E)	XD:9	(BI:1 E)	XL:1	(BA:1 B)
X63:3	(GR:0 E)	XD:10	(IS:1 D)	XL:2	(IH:4 B)
X63:4	(GR:0 E)	XD:10	(OA:1 D)	XL:2	(IH4:3 A)
X63:5	(GR:0 E)	XD:11	(AA:2 C)	XL:3	(BA:1 B)
X63:6	(GR:0 E)	XD:12	(NC:0 C)	XL:4	(OA:2 B)
X63:7A	(GR:0 E)	XD:12	(NU:2 D)	XL:5	(BA:1 B)
X63:7B	(GR:1 E)	XD:12	(NX:0 B)	XL:6	(BA:1 B)
X63:8A	(GR:0 E)	XE:1	(AA:3 D)	XL:7	(DM:0 B)
X63:8B	(GR:0 E)	XE:1	(AC:2 D)	XL:8	(BI:0 B)
X63:9	(GR:1 E)	XF:1	(FB:1 B)	XL:9	(BI:0 B)
X63:10	(GR:1 E)	XF:1	(FB RHD:13 B)	XL:9	(OA:2 B)
X63:11	(GR:1 E)	XF:2	(FQ:1 B)	XL:10	(DM:0 B)
X63:12	(GR:1 E)	XF:3	(ME:3 B)	XL:11	(BI:0 B)
XA:1	(GB:0 B)	XF:4	(KE:0 C)	XL:12	(BA:1 B)
XA:1	(GC RHD:3 B)	XF:5	(FQ:0 B)	XL:13	(DQ:0 B)
XA:2	(GB:1 B)	XF:6	(FQ:1 B)	XL:14	(DU:1 B)
XA:3	(GB:1 B)	XF:7	(KE:0 C)	XL:15	(BA:1 D)
XA:4	(GB:1 B)	XF:8	(KE:0 C)	XL:16	(BA:1 D)
XA:5	(GB:1 B)	XF:9	(AA:3 C)	XL:17	(BA:1 D)
XA:6	(GB:1 B)	XF:10	(FB:2 B)	XL:18	(BA:1 D)
XA:7	(GB:2 B)	XF:12	(KE:0 B)	XM:1	(AA:2 B)
XA:8	(GB:2 B)	XF:13	(BA:0 B)	XM:1	(CJ:3 B)
XA:9	(GB:2 B)	XF:15	(FB:1 B)	XM:2	(AA:2 B)
XA:10	(GB:0 B)	XF:15	(FB RHD:1 B)	XM:2	(CJ:3 B)
XA:11	(GB:1 B)	XF:18	(GB:3 C)	XM:3	(AA:2 B)
XA:12	(GB:1 B)	XF:18	(GB2:3 C)	XM:3	(CJ:4 B)

XM:4	(AA:2 A)	XM:11	(AC:2 C)	XO:1	(AC:0 A)
XM:5	(AA:3 A)	XM:12	(BI:3 B)	XS:1	(AC:2 A)
XM:5	(CJ:4 B)	XM:13	(AC:2 B)	XT:1	(AC:1 A)
XM:6	(AC:3 D)	XM:14	(AC:2 C)	Y18GH:1	(DP:2 B)
XM:7	(AC:3 D)	XM:15	(BI:3 B)	Y18GH:2	(DP:2 B)
XM:8	(AC:3 D)	XM:16	(AC:2 B)	Y18GH:4	(DP:2 A)
XM:9	(AC:3 D)	XM:17	(AC:2 B)		
XM:10	(AC:3 D)	XM:18	(BI:3 B)		

List of components

A01	Fuse and Relay Centre (1000)	A62	Control unit, ADS (AdBlue Dosing System) (CV:1 C) (1510)
A02L	Fuse holder, 6-fuses (GB:0 D) (1000)	A77	Control unit, Tyre pressure monitoring (OA:1 B) (1508)
A02P	Fuse holder, 6-fuses (ME:2 C/MF:1 B) (1000)	A80	Airdryer, electrical controlled (FQ:1 C) (1056)
A02X	Fuse holder, 6-fuses (ME:3 C/MF:3 B) (1000)	A94	Control unit, FMS Gateway (Fleet Management System) (BX:0 B) (1000)
A03	Instrument cluster (BI:0 B/CP:2 C/ZA RHD:2 B) (1000)	A96	Control unit, Roof cooler (HZ:1 B) (1018)
A04A	Refrigerator (IQ:3 C) (1006E/1007B)	A106	Fuse holder, 3-fuses, not mainswitch dependent (AB:3 B) (1000)
A04B	Refrigerator (IQ:3 C) (1460)	A109	Control unit, GSECU (Gearshift ECU) (DC:1 C) (1000)
A05	Display, FMS (Fleet Management System) (BU:3 D/IZ:0 D) (1000)	A116	Control unit, amplifier (IV:1 B) (1007B)
A06L	El. adjustable seat (IA:2 B) (1007A)	A122	Control unit, toll collect OBU (BZ:0 C/BZ RHD:0 C) (1006A)
A06R	El. adjustable seat (IA:0 B) (1007B)	A123	Control unit toll collect DSRC (BZ:1 B/BZ RHD:1 B) (1000)
A07	Radio (IU:0 B/IU RHD:0 C) (1000)	A124	Component group engine (K65 power relay, starter motor pre-relay M04 starter motor) (AA:1 D/CO:2 A) (1000)
A09	Telephone (IX:0 C) (1000)	A125	Control unit, TGW (Telematics Gateway) (BU:0 C) (1000)
A11	Control unit, door lock (IM:1 B) (1000)	A126	Control unit, TTU (Telematics Terminal Unit) (BU:2 C) (1000)
A12	Control unit, ABS (Anti-lock Brake System) (EE:0 B/EE RHD:0 B/EF:0 C) (1007C)	A132	Control unit, alcolock (IK:0 B) (1000)
A13B	Control unit, TECU (automatic transmission) (DI:0 C) (1494)	A133	Handset, alcolock (IK:3 C) (1000)
A13C	Control unit, TECU (automatic transmission) (DM:0 C) (1007C)	A139	Fuseholder, 3-fuses (IR:3 B/IR2:0 B/IR3:0 B) (1000)
A13E	Control unit, TECU (automatic transmission) (DP:0 C) (1000)	A140	Control unit, ILM (Interior Light Module) (IH:2:1 B) (1006A)
A14	Control unit, EMS (Engine Management System) (CO:2 C) (1030)	B02A	Thermostat, parking heater (HI:1 A) (1006A/1006E)
A15	Control unit, SRS (Supplementary Restrain System) (IS:0 B) (1000)	B02B	Thermostat, parking heater (HI:2 B) (1007A)
A16	Control unit, ECS (Electronic Controlled air Suspension) (FA:0 C/FA RHD:0 C/FB:0 C/FB RHD:0 C/FG:0 D/FG:2 D) (1007C)	B03_A	Sensor, footbrake valve (EO:0 D) (1504)
A17	Control unit, VECU (Vehicle ECU) (BA:0 C) (1000)	B04	Sensor, engine speed, crankshaft (CO:0 D) (1030)
A18	Control unit, roof hatch (IQ:0 C) (1006E)	B05	Sensor, engine speed, camshaft (CO:0 D) (1030)
A20	Control unit, Immobiliser (IM:3 C) (1000)	B06	Sensor, air pressure, air tank (BA:2 D) (1000)
A21	Control unit, EBS (Electronic Brake System) (EO:0 C) (EO RHD:0 B) (1007C)	B07	Sensor, fuel level (BI:2 C) (1040)
A26	Control unit, DACU (Driver Assistance Control Unit) (BE:1 B) (1007C)	B09B	Sensor, oil temperature, gearbox (BI:2 C) (1494)
A27	Control unit, LCM (Light Control Module) (GA:0 B/GA2:0 A/GA3:0 B/GB:0 C/GB2:0 C/GC:0 A/GC RHD:0 A/GM:1 E) (1000)	B10	Sensor, oil level (CO:0 B) (1030)
A28B	Control unit, ADR main switch, integrated power relay (AE:0 C/AF:2 C) (1435B)	B10C	Sensor, oil level (FO:0 C) (1493)
A29	Telephone handset, secrecy receiver (IX:1 B) (1000)	B12	Sensor, tachograph/speedometer (BM:2 D) (1494)
A31	Control unit, burglar alarm (NK:0 C) (1000)	B12B	Sensor, tachograph/speedometer (BM:1 D) (1494)
A32	Control unit, parking heater (HM:0 C) (1062)	B13	Sensor, wheel speed, lhs. 1:st front axle (EF:0 D) (1086)
A33	Tachograph (BM:1 B) (1000)	B13A	Sensor, wheel speed, lhs. 1:st front axle (EE:0 D) (1086)
A33B	Tachograph (BN:1 B) (1006A)	B13B	Sensor, wheel speed, lhs. 1:st front axle (EP:1 B/EP:3 B) (1086)
A34B	Control unit, climate unit (HG:0 B) (1000)	B14	Sensor, wheel speed, rhs. 1:st front axle (EF:0 D) (1086)
A36	Control unit, BBM (Body Builder Module) (NC:1 B/NU:1 B/NX:1 B) (1000)	B14A	Sensor, wheel speed, rhs. 1:st front axle (EE:1 D) (1086)
A39	Control unit, camera (IZ:0 C) (1000)	B14B	Sensor, wheel speed, rhs. 1:st front axle (EP:2 B/EP:3 B) (1086)
A41	Component group transmission. Contains B23, B138 and Y17 (DM:2 B/DP:0 D) (1403)	B15	Sensor, wheel speed, lhs. 1:st driven rear axle (EF:1 D) (1086)
A42B	Component group transmission. Contains B26, Y21, Y22, Y23 and Y26 (DP:2 D) (1494/1499)	B15A	Sensor, wheel speed, lhs. 1:st driven rear axle (EE:2 D) (1086)
A43	Electric fan control (B32 fan speed sensor, Y35 visco clutch) (CO:1 D) (1030)	B15B	Sensor, wheel speed, lhs. 1:st driven rear axle (EP:1 D/EP:2 D) (1086)
A44	Fuel filter bracket (B51 fuel pressure sensor, M15 priming pump) (CO:2 D) (CO:2 C) (1030)	B16	Sensor, wheel speed, rhs. 1:st driven rear axle (EF:2 D) (1086)
A45	Fuel pre filter (B52 water level sensor, R10 heater, Y38 water drain solenoid (CO:3 B) (1030)	B16A	Sensor, wheel speed, rhs. 1:st driven rear axle (EE:3 D) (1086)
A59	Control unit, RAS (Rear Axle Steering) (FO:1 B) (1493)	B16B	Sensor, wheel speed, rhs. 1:st driven rear axle (EP:1 D/EP:2 D) (1086)
A60	Control unit, LDWS (Lane Departure Warning System) (BE:0 E) (1006A)		

B17	Sensor, wheel speed, lhs. 2:nd driven rear axle (EF:2 D) (1086)	B49R	Sensor, steering angle (FO:2 D) (1493)
B17	Sensor, wheel speed, lhs. 2:nd driven rear axle (EP:1 D) (1086)	B50	Sensor, yaw-rate (EO:4 B) (1507)
B17B	Sensor, wheel speed, lhs. 2:nd driven rear axle (EP:3 C) (1086)	B51	Sensor, fuel pressure (CO:2 D) (1030)
B18	Sensor, wheel speed, rhs. 2:nd driven rear axle (EF:3 D) (1086)	B52	Sensor, water level (CO:3 B)
B18	Sensor, wheel speed, rhs. 2:nd driven rear axle (EP:1 D) (1086)	B54	Sensor, crank case pressure (CO:0 B) (1030)
B18B	Sensor, wheel speed, rhs. 2:nd driven rear axle (EP:3 C) (1086)	B55	Sensor, air pressure, suspension bellows, 3:rd axle (FA:0 D) (1072)
B19	Sensor, wheel speed, lhs. 2:nd front axle (EP:1 B) (1086)	B56	Sensor, air pressure, suspension bellows, front axle (FA:1 D) (1072)
B20	Sensor, wheel speed, rhs. 2:nd front axle (EP:2 B) (1086)	B57	Sensor, air pressure, suspension bellows, lhs. rear (FA:1 D) (1072)
B21	Sensor, coolant temperature, engine (CO:1 D) (1030)	B58	Sensor, air pressure, suspension bellows, rhs. rear (FA:2 D) (1072)
B22	Sensor, outdoor temperature (BI:2 C) (1503)	B60DD	Loudspeaker (IU RHD:1 D/IV:1 D) (1083)
B23B	Sensor, oil temperature, retarder (DI:2 B) (1494)	B60DP	Loudspeaker (IU RHD:1 D/IV:1E) (1083)
B24	Sensor, air pressure, bogie lift bellow (FA:0 D) (1072)	B60LF	Loudspeaker (IU RHD:O D) (1000)
B25	Sensor, accelerator pedal (BA:4 D) (1000)	B60RF	Loudspeaker (IU RHD:1 D) (1000)
B27	Sensor, battery charging (BI:2 C) (1435A/1435B)	B60DD	Loudspeaker (IU:1 D) (1083)
B28	Sensor, chassis level, front axle (FA:2 D) (1072)	B60DP	Loudspeaker (IU:1 D) (1083)
B29B	Sensor, chassis level, lhs. rear axle (FA:3 D) (1072)	B60LF	Loudspeaker (IU:0 D/IV:2 E) (1000)
B30	Sensor, chassis level, rhs. rear axle (FA:3 D) (1072)	B60LR	Loudspeaker (IU:2 D/IV:1 D) (1007A)
B32	Sensor, engine cooling fan speed (Included in A43) (CO:0 B)	B60RF	Loudspeaker (IU:1 D/IV:2 E) (1000)
B37	Sensor, boost pressure and boost temperature (CO:0 D) (1030)	B60RR	Loudspeaker (IU:2 D/IV:2 E) (1007A)
B37A	Sensor, boost temperature (CO:2 B) (1030)	B61L	Loudspeaker, treble (IU RHD:0 D) (1000)
B37B	Sensor, boost pressure (EGR Mixer position) (CO:1 B) (1030)	B61R	Loudspeaker, treble (IU RHD:1 D) (1000)
B38	Sensor, oil pressure and oil temperature (CO:1 D) (1030)	B61L	Loudspeaker, treble (IU:0 D) (1000)
B39	Sensor, air filter pressure and air filter temperature (CO:1 B) (1030)	B61R	Loudspeaker, treble (IU:1 D) (1000)
B40A	Sensor, brake lining wear indicator, lhs. 1:st front axle (EP:2 B) (1086)	B63	Microphone, (handsfree) (IU:3 A) (1006A)
B40B	Sensor, brake lining wear indicator, lhs. 1:st front axle (EP:0 B) (1086)	B66	Sensor, temperature EGR (CO:0 D) (1030)
B41A	Sensor, brake lining wear indicator, rhs. 1:st front axle (EP:3 B) (1086)	B67	Rear view camera (IZ:2 D) (1000)
B41B	Sensor, brake lining wear indicator, rhs. 1:st front axle (EP:1 B) (1086)	B68	Sensor, output shaft speed, gearbox (DI:3 D) (1494)
B42A	Sensor, brake lining wear indicator, lhs. 1:st driven rear axle (EP:1 D) (1086)	B69B	Sensor, coolant temperature, retarder (DM:3 B) (1403)
B42B	Sensor, brake lining wear indicator, lhs. 1:st driven rear axle (EP:0 D) (1086)	B69C	Sensor, coolant temperature, retarder (DP:0 D) (1403)
B43A	Sensor, brake lining wear indicator, rhs. 1:st driven rear axle (EP:2 D) (1086)	B70	Sensor, wheel speed, lhs., pusher axle (EP:3 D) (1086)
B43B	Sensor, brake lining wear indicator, rhs. 1:st driven rear axle (EP:2 D) (1086)	B71	Sensor, wheel speed, rhs., pusher axle (EP:3 D) (1086)
B44A	Sensor, brake lining wear indicator, lhs. 2:nd driven rear axle (EP:2 C) (1086)	B72	Sensor, wheel speed, lhs., tag axle (EP:4 D) (1086)
B44B	Sensor, brake lining wear indicator, lhs. 2:nd driven rear axle (EP:0 D) (1086)	B73	Sensor, wheel speed, rhs., tag axle (EP:4 D) (1086)
B45A	Sensor, brake lining wear indicator, rhs. 2:nd driven rear axle (EP:3 C) (1086)	B74B	Sensor, brake lining wear indicator, lhs., pusher axle (EP:2 D) (1086)
B45B	Sensor, brake lining wear indicator, rhs. 2:nd driven rear axle (EP:0 D) (1086)	B75B	Sensor, brake lining wear indicator, rhs., pusher axle (EP:3 D) (1086)
B46B	Sensor, brake lining wear indicator, lhs. 2:nd front axle (EP:0 B) (1086)	B76B	Sensor, brake lining wear indicator, lhs., tag axle (EP:3 D) (1086)
B47B	Sensor, brake lining wear indicator, rhs. 2:nd front axle (EP:2 B) (1086)	B77B	Sensor, brake lining wear indicator, rhs., tag axle (EP:3 D) (1086)
B49	Sensor, steering angle (EO:3 A) (1000)	B80	Handsfree, Loudspeaker, Microphone (IX:0 B) (1007A/1007B)
B49F	Sensor, steering angle (FO:1 D) (1493)	B85B	Sensor, temp, downstream particle filter (CH:2 B) (1476)
		B87	Sensor, turbo speed (CO:1 D) (1030)
		B90	Transmitter, movement sensor (NK:2 D) (1006B/1006E)
		B91	Receiver, movement sensor (NK:3 D) (1006B/1006E)
		B96	Sensor, NOx (CAN based) (CV:1 B) (1510)
		B97	Sensor, exhaust temp (before catalyst) (CV:3 D) (1510)
		B97B	Sensor, exhaust temp (before catalyst) (CH:2 B) (1476)
		B98	Sensor, exhaust temp (after catalyst) (CV:3 D) (1510)
		B98B	Sensor, exhaust temp (after catalyst) (CH:2 B) (1476)

B100	Sensor, air pressure, suspension bellows, tridem (FA:0 D)	E18_LB	Lamp, reading light (IH:0 D/IH3:1 D/IH4:1 C) (1006D/1006E)
B115B	Sensor, DPF pressure (CH:1 B) (1476)	E18_RB	Lamp, reading light (IH:1 D/IH3:3 D/IH4:3 C) (1006D/1006E)
B118	Sensor, oil pressure (CO:1 D) (1030)	E19C	Lamp, identification light, roof (GL:1 C/GL:2 C) (1006A/1436)
B119	Sensor, oil level and oil temp (CO:0 B) (1030)	E19L	Lamp, identification light, roof (GL:1 C/GL:2 C) (1006A/1436)
B120	Radar ACC, Adaptive Cruise Control (BE:2 D) (1502)	E19R	Lamp, identification light, roof (GL:1 C/GL:2 C) (1006A/1436)
B122	Sensor, exhaust temp, engine mounted (CO:2 A) (1030)	E20	Lamp, ashtray illumination (IQ2:2 C)
B138A	Sensor, Control pressure retarder (DE:0 D) (1494)	E21	Lamp, rear fog light (GC:1 D/GC:2 D) (1040)
B138B	Sensor, Control pressure retarder (DI:3 B) (1494)	E22	Lamp, roof sign illumination (KI:0 C) (1436)
B142B	Sensor, AdBlue level and temperature (CV:2 D) (1510)	E23	Lamp, luggage compartment illumination (IH:4 C7IH4:3 C) (1007A)
B151	Sensor, trailer detection (GB2:1 D) (1000)	E24	Lamp, storage tray illumination (IQ2:1 D)
B152	Sensor, brake airpressure, front (BI:3 C) (1504)	E26L	Headlight module (GA2:1 D/GA3:2 D) (1502)
B153	Sensor, brake airpressure, rear (BI:3 C) (1504)	E26R	Headlight module (GA2:2 D/GA3:3 D) (1503)
B154	Sensor, water level roof cooler (HZ:2 C) (1018)	E27L_1	Tail lamp module (GC:1 D) (1040)
B166	Sensor, EGR Differential pressure (Venturi) (CO:2 B) (1030)	E27L_2	Tail lamp module (GE:1 C) (1040)
B184	Loudspeaker, subwofer (IV:3 D) (1007B)	E27L_3	Tail lamp module (GF:3 C) (1040)
B187	Sensor, after treatment fuel pressure (CO:3 B) (1030)	E27L_4	Tail lamp module (GF:0 C) (1040)
B207	Sensor, oil cooling jet pressure (CO:1 B) (1030)	E27R_1	Tail lamp module (GC:2 D) (1040)
B209	Sensor, rainsensor (GM:3 D) (1000)	E27R_2	Tail lamp module (GE:2 C) (1040)
B212	Radar, LCS (Lane Change Support) (BE:3 E) (1007A/1007B)	E28	Parking heater, UADR (HI2:0 C/HM:0 D) (1007A/1062)
B213	Sensor, pressure, butterfly valve backpressure (CO:4 B)	E29C	Lamp, external speed indication (GL:0 C/GL2:1 D/GL2:3 D) (1436)
B217	Sensor, Diff. pressure (DI:3 B) (1494)	E29L	Lamp, external speed indication (GL:0 D/GL2:0 D/GL2:3 D) (1436)
D01	Time delay relay, bogie lift, axle load limiter (FK:3 B) (1007C)	E29R	Lamp, external speed indication (GL:0 C/GL2:1 D/GL2:3 D) (1436)
E01	Lamp, full beams (GA:2 C/GA:3 C) (1502/1503)	E32ATC	Climate unit (HY:2 C/HY RHD:2 C) (1000)
E02	Lamp, dipped beams (GA:2 D/GA:3 D) (1502/1503)	E32ECC	Climate unit (HG:1 C) (1000)
E03	Lamp, spot light (GA:2 C/GA:3 C) (1502/1503)	E33LF	Lamp, additional load lamps (reverse lamps) (NA:0 D/NB:0 D) (1506A)
E03A	Lamp, spot light (NI:2 C)	E33LR	Lamp, additional load lamps (reverse lamps) (NA:1 D/NB:1 D) (1506A)
E03B	Lamp, spot light (NI:2 C)	E33RF	Lamp, additional load lamps (reverse lamps) (NA:1 D/NB:1 D) (1506A)
E03L	Lamp, spot light (NI:2 D)	E33RR	Lamp, additional load lamps (reverse lamps) (NA:1 D/NB:1 D) (1506A)
E03R	Lamp, spot light (NI:2 D)	E34	Lamp, body builder centre light (IH:3 D/IH2:1 D/IH3:0 D/ZA RHD:0 D) (1000)
E03_C	Lamp, spot light (NI:2 A) (1006A)	E39	Lamp, Licence Plate Illumination (GF:3 B) (1040)
E03_D	Lamp, spot light (NI:3 A) (1006A)	E39L	Lamp, Licence Plate Illumination (GE:2 C) (1040)
E05	Lamp, 5:th wheel light (KE:0 D/GH:0 D/GF:1 C) (1063)	E39R	Lamp, Licence Plate Illumination (GE:2 C) (1040)
E06	Lamp, reversing light (GC:1 D/GC:2 D/GF:1 C) (1040)	E73	7th injector (CO:1 D) (1030)
E07	Lamp, fog light (GA:1 C/GA:3 C) (1502/1503)	E79L	Lamp, roof position light, rear, left (GL:3 C) (1436)
E08	Lamp, parking light, front (GA:1 D/GA:3 D) (1502/1503)	E79R	Lamp, roof position light, rear, right (GL:4 C) (1436)
E09	Lamp, brake light (GC:1 D/GC:2 D) (1040)	E81	Lamp, static corner light (GA:2 C/GA:3 C) (1502/1503)
E10	Lamp, tail light (GC:1 D/GC:2 D) (1040)	E82	Parking heater, ADR (HI:0 C) (1007A)
E11L_C	Lamp, side marker light (GC:0 D) (1077)	E83L	Headlight module (GA:1 C) (1502)
E11L_F	Lamp, side marker light (GC:0 D) (1077)	E83R	Headlight module (GA:21 C) (1503)
E11L_R	Lamp, side marker light (GC:0 D) (1077)	E84L	Lamp, direction indicator, LED (GA:1 D) (1502)
E11L_W	Lamp, side marker light (GC:0 D) (1077)	E84R	Lamp, direction indicator, LED (GA:3 D) (1503)
E11R_C	Lamp, side marker light (GC:3 D) (1077)	E85L	Lamp, interior light, roof (IH:1 D/IH2:2 D/IH3:2 D/IH4:2 C) (1006B/1006E)
E11R_F	Lamp, side marker light (GC:3 D) (1077)	E85R	Lamp, interior light, roof (IH:2 D/IH2:2 D/IH3:2 D/IH4:2 C) (1006B/1006E)
E11R_R	Lamp, side marker light (GC:3 D) (1077)	E86L	Lamp, interior light, reading light, lower bunk (IH:0 D/IH2:1 D/IH3:1 D/IH4:1 C) (1006D/1006E)
E11R_W	Lamp, side marker light (GC:3 D) (1077)	E86R	Lamp, interior light, reading light, lower bunk (IH:1 D/IH2:3 D/IH3:3 D/IH4:2 C) (1006D/1006E)
E12L	Lamp, roof position light (GA:4 D/GA2:3 D) (1006A)	E87L	Lamp, interior light, reading light, front shelf (IH2:3 D/IH3:3 D) (1006A)
E12L_FL	Lamp, roof position light (GA:4 D/GA2:4 D) (1006A)		
E12R	Lamp, roof position light (GA:1 D/GA2:1 D) (1006A)		
E12R_FL	Lamp, roof position light (GA:1 D/GA2:1 D) (1006A)		
E13	Lamp, direction indicator (GC:1 D/GC:2 D) (1040)		
E13LF	Lamp, direction indicator (GA2:2 D) (1502)		
E13RF	Lamp, direction indicator (GA2:3 D) (1503)		
E14_A	Lamp, beacon warning lamp (KM:2 D) (1047)		
E14_AR	Lamp, beacon warning lamp (KM:1 C) (1047)		
E14_B	Lamp, beacon warning lamp (KM:1 D) (1047)		
E14_BR	Lamp, beacon warning lamp (KM:2 C) (1047)		

E87R	Lamp, interior light, reading light, front shelf (IH2:3 D/IH3:3 D) (1006A)	K37	Relay, parking light (NA:1 C/NB:0 C) (1000)
E88L	Lamp, interior light, snake lamp (IH:0 D/IH2:2 D/IH3:2 D/IH4:1 C) (1006D/1006E)	K38	Relay, body builder preparation, pressure sel./switch 2/free (NA:1 C/NB:1 C) (1000)
E88R	Lamp, interior light, snake lamp (IH:1 D/IH2:2 D/IH3:2 D/IH4:2 C) (1006D/1006E)	K39	Relay, body builder preparation, plough light, spotlights (NA:1 C/NB:1 C) (1000)
E89	Lamp, interior light, overall storage, midsection (IH2:0 D/IH3:1 D) (1006A)	K40	Relay, body builder preparation (NA:3 C/NB:3 C) (1000)
E90	Lamp, interior light, map/reading light, midsection (IH2:0 D/IH3:1 D) (1006A)	K41	Relay, body builder preparation, swapbody (NA:2 C/NB:2 C) (1000)
E91DS	Lamp, interior light, door (IH:2 D/IH2:0 D/IH3:0 D) (1083)	K42	Relay, body builder preparation, spotlights/free (NI:1 B) (1000)
E91PS	Lamp, interior light, door (IH:2 D/IH2:1 D/IH3:0 D) (1083)	K43	Relay, body builder preparation, external start/free (NC:3 C) (1000)
E92	Lamp, interior light, drawer/floor light (IH:2 D/IH2:0 D/IH3:0 D) (1000)	K45A	Relay, body builder preparation, dual speed (NU:2 B) (1000)
E93L	Lamp, interior light, compartment light, front (IH2:4 D/IH3:4 D) (1006A)	K45B	Relay, body builder preparation, dual speed (NU:2 C) (1000)
E93R	Lamp, interior light, compartment light, front (IH2:4 D/IH3:4 D) (1006A)	K48	Power relay, engine preheating (CJ:3 C) (1435A/1435B)
E94L	Lamp, position light, sunvisor (GL2:0 D/GL2:2 D)	K49	Power relay, bogie lift motor (FI:3 B/FK:3 D) (1037)
E94R	Lamp, position light, sunvisor (GL2:1 D/GL2:4 D)	K51	Power relay, battery main switch (AB:0 C/CS:0 C) (1435A)
G01A	Battery (AA:0 D/AB:1 D/AE:0 C/AF:1 C)	K61	Relay, auxiliary revers light, truck (NA:0 C/NB:0 C) (1000)
G01B	Battery (AA:0 D/AB:1 D/AE:0 D/AF:1 C)	K63	Relay, ACC Adaptive cruise control (BE:1 B) (1000)
G02	Alternator (AA:3 D) (1025)	K64	Relay, man. main switch BBOX-EF (AB:1 C) (1000)
H01	Horn, air-operated (GQ:1 B) (1502)	K65	Power relay, starter motor pre-relay (AA:1 D/CO:2 B)
H02	Horn (GQ:1 B) (1502)	K66	Relay, tail lift indication (NB:2 C) (1000)
H03	Reverse warner, acoustic (GF:0 C) (1040)	K67	Relay, rainsensor, high speed wiper (GM:3 C) (1000)
H06	Siren (NK:3 D) (1502/1503)	K68	Relay, power outlets (IR2:1 B) (1000)
K1	Relay, starting switch, radio position (AC:3 C) (1000)	K69	Relay, fuel heater, thermoline (FX:0 C) (1000)
K2	Relay, EMS (Engine Management System) (BA:1 A) (1000)	K70A	Relay, ADR/SLP (AF:0 B) (1435)
K3	Relay, starter motor (AA:2 B/CJ:4 B) (1000)	K70B	Relay, ADR/SLP (AF:0 D) (1435)
K4	Relay, body builder fuse box (kl.15) (ME:2 A) (1000)	L01	Reactor, light sign illumination (KI:0 D)
K5	Relay, I-shift/Powertronic/Retarder (DC:0 A/DM:0 A) (1000)	L01L	Reactor, light sign illumination (KI:2 C)
K6	Relay, fan climate unit (HY:0 B/HY RHD:0 B) (1000)	L01R	Reactor, light sign illumination (KI:2 D)
K7	Relay, intermittent wiper (GM:1 C) (1000)	M01	Motor, windscreen wiper (GM:2 C) (1504)
K8	Relay, gearbox area inhibitor (BA:1 A) (1000)	M02	Motor, windscreen washer pump (GM:0 D) (1503)
K9	Relay, interior lamps (IH:1 A) (1000)	M03	Motor, headlamp high pressure washer pump (GM:1 D) (1503)
K10	Relay, fifth wheel-, working-light (KE:0 C) (1000)	M04	Motor, starter motor (AA:1 D/CO:2 A) (1025)
K11	Relay, air suspension (FA:4 B) (1000)	M05	Motor, hydraulic bogie lift pump unit (FI:3 B/FK:3 C) (1037)
K12	Relay, reverse light, trailer (GB:4 D/GB2:3 D) (1000)	M06DS	Motor, window winder (IE:2 C) (1083)
K13	Relay, alternator controlled (AA:4 B) (1000)	M06PS	Motor, window winder (IE:3 C) (1083)
K14	Time delay relay, bogie lift, A-ride (FI:1 B/FK:1 C) (1000)	M08	Motor, levelling control, headlights (GA:1 C/GA:3 C) (1502/1503)
K15	Time delay relay, bogie lift, A-ride, with axle load limiter (FK:2 C) (1000)	M09DS	Motor, door lock (IM:1 D) (1083)
K16	Relay, bogie lift, A-ride, with axle load limiter (FK:1 C) (1000)	M09PS	Motor, door lock (IM:2 D) (1083)
K20	Relay, D+ short-circuit, (ADR-trucks only) (AE:4 D) (1000)	M10	Motor, roof hatch (IQ:0 E)
K21	Relay, el. adjustable seat (IA:2 B) (1000)	M11	Motor, cab tilt pump (KA:0 D) (1502/1503)
K22	Relay, climate fan, 1:st speed (by parking heater) (HY:1 B) (1000)	M13	Motor, coolant pump, parking heater (HP:0 C) (1062)
K22	Relay, climate fan, 1:st speed (by parking heater) (HY RHD:1 B) (1000)	M14	Motor, central lubrication pump (FU:0 C) (1401)
K23	Relay, cab tilt (KA:0 C) (1000)	M15	Motor, fuel priming pump (CO:2 C)
K24	Relay, central lubrication (FU:0 B) (1000)	M17	Motor, foldable rear view mirror arm, Japan (IF:0 D) (1470)
K25	Relay, light sign (KI:1 C) (1000)	M27	Motor, roof cooler fan (HZ:1 C)
K26A	Relay, foldable rear view mirror arm, Japan (IF:0 C) (1000)	M28	Motor, washer, roof cooler (HZ:2 C) (1018)
K26B	Relay, foldable rear view mirror arm, Japan (IF:1 C) (1000)	M29	Motor, fan in dash board (HE:0 C) (1000)
K30	Relay, beacon warning light (KM:0 B) (1000)	R01	Heater, engine preheat (CO:0 D) (1030)
K35	Relay, headlamp high pressure wash (GM:0 B) (1000)	R02L	Heater, rear-view mirror (IE:0 D) (1504)
		R02R	Heater, rear-view mirror (IE:1 D) (1504)
		R04	Cigarette lighter (IQ2:2 C)
		R04B	Cigarette lighter (IQ:3 C) (1000)
		R05	Heater, air dryer (FQ:0 C) (1056)

R10	Heater, fuel pre filter (Included in A45) (CO:2 B)	S31	Switch, TCS (Traction Control System) (EO:1 A) (1000)
R11	Heater, coffee maker (ME:1 B) (1000)	S32	Switch, brake hold (EO:1 B) (1000)
R13	Resistor, LCP headlight adjust (GU:1 B) (1000)	S33	Switch, trailer brake (EO:0 B) (1000)
R14	Termination resistor (XB:2 D) (1007C)	S34	Switch unit, steering wheel push buttons (IS:1 D) (1000)
R17	Resistor (AB:2 B/AE:3 C) (1000)	S36DS	Switch unit, door functions (IE:0 B) (1083)
R18	Heater, electronic controlled air dryer (FQ:1 C) (1056)	S36PS	Switch unit, door functions (IE:3 B) (1083)
R21	Termination resistor (OA:3 C) (1000)	S37	Switch, rear view camera, camera activation (IZ:1 B) (1000)
R23A	Heater, AdBlue hose (CV:1 D) (1510)	S38	Switch, ADR, emergency switch, cab (AE:1 B/AF:3 A) (1000)
R23B	Heater, AdBlue hose (CV:2 D) (1510)	S39	Switch, ADR, emergency switch, exterior (AE:1 C/AF:3 C) (1007A)
R23C	Heater, AdBlue hose (CV:2 D) (1510)	S39	Switch, ADR, emergency switch, exterior (AE:2 C) (1007A/1007B)
R23D	Heater, AdBlue hose (CV:1 D) (1510)	S39R	Switch, ADR, emergency switch, exterior (AF:3 C) (1007A)
R23J	Heater, AdBlue hose (CV:1 D) (1510)	S40	Switch, rear view camera, camera selection (IZ:2 B)
R33	Termination resistor (BE:2 D) (1502)	S43	Pressure switch, parking brake indicator, NC. (BA:1 D) (1000)
R35	Termination resistor (XC:2 C)	S45	Position switch, differential gear lock indicator, rear wheels, NC. or NO. (DU:3 C) (1040)
R36	Heater, AdBlue filter housing (CV:0 E) (1510)	S45R	Position switch, differential gear lock indicator, rear wheels, NC. or NO. (DU:3 C) (1040)
R37	Termination resistor, Can-bus (BE:2 D)	S46	Pressure switch, bogie lift indicator, NO. (FI:2 D/FK:3 E) (1037)
R43	Termination resistor (XC:4 D) (1000)	S47	Position switch, low split indicator, NO. (BI:1 D) (1494)
R45	Termination resistor (BE:3 D) (1007B)	S48A	Pressure switch, brake light, NO. (ABS/UABS) (GB:3 B) (1401)
R46	Heater, fuel hose, thermoline (FX:0 D) (1458)	S48B	Pressure switch, brake light, NO. (ABS/UABS trailer control valve) (GB:3 B) (1401)
R47	Termination resistor (DI:1 B) (1494)	S48C	Pressure switch, brake light, NO. (ABS/UABS trailer control valve) (GB:3 A) (1000)
S01	Switch, main lighting, selector type (GA:0 A/GA2:0 A/GU:1 B) (1000)	S49	Position switch, reverse lamps, NO (GB:3 D) (1494)
S02	Stalk switch, full-dipped beam, direction indicator (GA:2 A/GA2:2 A) (1000)	S52_L	Proximity switch, cab lock, NO. (BI:1 C) (1007A)
S03	Switch, loading lamps/working lamps (KE:1 B/ZA RHD:2 B) (1000)	S52_R	Proximity switch, cab lock, NO. (BI:1 D) (1007B)
S04	Switch unit, climate fan (HY:1 B/HY RHD:1 A) (1000)	S53	Position switch, front-wheel drive indication, NO. (DU:4 C) (1458)
S05A	Switch, interior light, selector type (IH:3 B) (1000)	S54	Position switch, differential gear lock, front-wheels, NO. (DU:4 C) (1458)
S05B	Switch, interior light, selector type (IH:3 B/IH2:2 A/IH3:1 B) (1007A)	S55	Thermal switch (HP:0 C) (1062)
S05C	Switch, interior light, selector type (IH3:2 B) (1006A)	S56	Thermal switch, bogie lift, NC (FI:3 C/FK:3 D) (1037)
S06	Stalk switch, windscreen wiper, selector type (BI:3 B/GM:2 B) (1000)	S57L	Position switch, luggage compartment lighting, NC. (IH:4 D/IH4:3 D) (1007A)
S07	Switch, engine brake, selector type (BA:3 B) (1000)	S57R	Position switch, luggage compartment lighting, NC. (IH:3 D/IH4:3 D) (1007B)
S08	Switch, differential gear lock, rear wheels (DU:1 B) (1000)	S58	Position switch, clutch pedal, NO. (BA:3 D) (1000)
S09	Switch, differential gear locks, inter axles and rear wheels, selector type (DU:1 B) (1000)	S59	Position switch, brake pedal, NO. (BA:3 D) (1000)
S10	Switch, sign light, roof (KI:1 B) (1006A)	S60A	Pressure switch, oil, power steering, NC. (FP:0 C) (1493)
S11	Switch, bogie lift, selector type (FI:0 B/FK:0 B/FL:0 B) (1000)	S60B	Pressure switch, oil, power steering, NC. (FP:0 C) (1493)
S11A	Switch, bogie lift, selector type (FB:3 A/FA RHD:2 A) (1000)	S63	Position switch, low range gear (BA:0 B) (1494)
S14A	Switch, push button, horn (GQ:1 D)	S64	Pressure switch, air pressure, parking brake tank, NC. (EO:1 B) (1000)
S14B	Switch, push button, horn (GQ:1 D)	S66_L	Switch unit, ECS (electronic controlled susp.), full air suspension (FB:2 E) (1007A/1007B)
S15	Switch, starting (AC:1 B/AE:0 B/AF:0 A) (1000)	S66_R	Switch unit, ECS (electronic controlled susp.), full air suspension (FA RHD:2 E) (1007B)
S16	Switch, push button, air horn (GQ:2 D)	S68	Sensor, coolant level (CO:1 C) (1030)
S17	Switch, front wheel drive (DU:2 B) (1000)	S69	Proximity switch, bogie lift position, NO. (FK:1 D) (1037)
S18	Switch, differential gear lock, front (DU:2 B) (1000)	S70	Position switch, flow sensor, power-steering, NC. (FP:0 C) (1493)
S19	Switch, extra (NA:3 B/NB:3 B) (1000)		
S20	Switch, 3:rd axle lock (FO:2 B) (1000)		
S21A	Switch, parking heater (HI:3 B/ZA RHD:0 B) (1000)		
S21B	Switch, parking heater (HI:3 B) (1007A)		
S23	Switch, roof hatch, selector type (IQ:0 B) (1006A)		
S23B	Switch, roof hatch, selector type (IQ:1 B) (1007A)		
S24	Stalk switch, retarder, selector type (BA:3 B) (1000)		
S25	Switch unit, cruise control (BA:2 B/GA:2 A/GA2:2 A) (1000)		
S26A	Switch, cab tilt pump (KA:0 B) (1000)		
S26B	Switch, cab tilt pump (KA:0 D) (1502/1503)		
S27	Switch, storage tray illumination (IQ:2:1 C))		
S28A	Switch, power take off (DQ:0 B) (1000)		
S28B	Switch, power take off (NC:0 C/NU:0 B/NX:0 B) (1000)		
S30	Switch unit, multi-function display (BI:3 B/GM:2 B) (1000)		

S71	Pressure switch, compressor charging, NO. (BA:0 D) (1056)	V10	Diode (CP:1 B) (1000)
S73	Switch, acoustic reverse warning (GC:4 A) (1006A)	V11	Diode (CP:2 B) (1000)
S73_2	Switch, acoustic reverse warning (GC RHD:3 B) (1006A)	V25	Diode (IH:4 B) (1000)
S74	Switch, short stop cab heater (HP:0 B) (1000)	V25B	Diode (IH3:2 B) (1006A)
S75	Switch, beacon warning light (KM:0 B) (1000)	V27	Diode (DQ:1 C) (1000)
S76	Switch, spotlights (NA:4 B/NB:4 B) (1000)	V28	Diode (DQ:1 C) (1000)
S76A	Switch, spotlights (NI:4 C) (1006A)	V32	LED, indicator, LCS (Lane Change Support) (BE:3 C) (1000)
S77	Switch, emergency call (BU:1 B) (1000)	V33	Diode (CP:1 B)
S78	Switch unit, TIS (Traffic Information System) (BU:3 B) (1000)	V35	Diode (HP:0 D)
S79A	Switch, additional work lamps (reverse lamps), manual turn on (NA:1 B/NB:1 B) (1000)	W02	Antenna, immobiliser (IM:3 B) (1000)
S79B	Switch, additional work lamps (reverse lamps), manual turn on (NA:2 B) (1000)	X01	Connector, vehicle diagnostics (XA:0 C) (1000)
S79D	Switch, additional work lamps (reverse lamps), manual turn on (NA:0 B/NB:0 B) (1000)	X02	Trailer connection, ABS/EBS (1063)
S80	Position switch, front hatch (NK:1 D) (1504)	X03	Trailer connection, 15-pole unit (1063)
S83	Switch, container lock (NA:2 B/NB:2 B) (1000)	X04	Trailer connection, 7-pole unit, 24 N (1063)
S84	Switch, tachograph mode (BN:0 C) (1006A)	X05	Trailer connection, 7-pole unit, 24 S (1063)
S86	Switch, foldable rear view mirror arm, Japan (IF:1 B) (1000)	X06	Connector, 31-pole, in lhs. frame side, for body builder preparations (1505)
S88L	Position switch, door, NC (NK:0 D) (1007A)	X07B	Socket, 12V (IR:1 D) (1000)
S88R	Position switch, door, NC (NK:0 D) (1007B)	X07C	Socket, 12V (IR:2 D) (1000)
S95	Switch, Panic alarm (NK:2 A) (1000)	X08	Contact reel, air bag (IS:0 C) (1000)
S96	Switch, Reduced set, Alarm (NK:2 B) (1000)	X09	Slip contact, horn (GQ:1 C) (1000)
S128	Switch, Axle pressure divider (FB:3 B/FB RHD:3 A) (1000)	X10	B+ pass through, cab (AC:0 B) (1000)
S169	Switch, battery main switch (AB:2 C) (1435)	X25	Power connector, bogie lift/extra equipment (AA:1 B) (1037)
S171	Switch, GLU (Gearlever unit) (DC:1 D) (1007A/1007B)	X54	Power connector, Engine (B+) (AA:1 D) (1030)
S187	Switch, night driving light roof (IH3:0 B) (1006A)	X55	Plug, start aid (AA:1 C) (1435)
S188	Switch, night driving light dash (IH3:0 B) (1000)	X66	Connector, USB, Audio (IU:3 D) (1000)
S202	Switch, LDWS (Lane Departure Warning System) (BE:0 B) (1000)	X67	Connector, USB, AUX (IU:3 A) (1000)
S203	Switch, BBOX-EF manual el/mek (AB:1 C) (1460)	X74F	Power outlet, 24V (IR2:0 D) (1000)
S210	Switch, ID-lamps (GL:2 B/GL2:3 B) (1006A)	X74R	Power outlet, 24V (IR2:1 D) (1007A)
S212	Switch, tail lift (NB:1 B) (1000)	X75	Split connector, ground (YA:0 D) (1006A/1006E)
S220	Switch, static corner light (GA:2 A) (1000)	X79L	Connector, 12V, TV preparation kit (IR:3 D) (1006E)
S221	Switch, door lock/unlock (IM:3 A) (1007A)	X79R	Connector, 12V, TV preparation kit (IR:4 D)
S222L	Switch, interior light, compartment light, front (IH2:4 D/IH3:4 D) (1006A)	X80L	Connector, AUX, Audio, TV preparation kit (IU:2 A) (1006E)
S222R	Switch, interior light, compartment light, front (IH2:4 D/IH3:4 D) (1006A)	X80R	Connector, AUX, Audio, TV preparation kit (IU:2 A)
S227	Switch, fuel heater, thermoline (FX:0 B) (1000)	Y02	Solenoid valve, differential lock, rear wheels (DU:1 D) (1401)
S228	Switch, tridem bogie control (FB:2 A) (1000)	Y03	Solenoid valve, differential lock, inter axles, rear (DU:1 D/ZA RHD:3 B) (1401)
U01_A	Modulator, EBS, left front (EP:0 B) (1086)	Y05	Solenoid valve, bogie lift (FI:0 D/FK:0 D) (1037)
U02_A	Modulator, EBS, right front (EP:1 B) (1086)	Y05A	Solenoid valve, bogie lift (FL:0 D) (1037)
U03_A	Modulator, EBS, rear axle (EP:2 D) (1086)	Y05B	Solenoid valve, bogie lift (FL:0 D) (1037)
U03_B	Modulator, EBS, rear axle (EP:0 D) (1086)	Y06	Solenoid valve, range inhibitor (BA:0 B) (1494)
U03_C	Modulator, EBS, rear axle (EP:2 B) (1086)	Y08	Solenoid valve, front-wheel drive (DU:2 D) (1458)
U04_A	Modulator, EBS, pusher axle (EP:2 D) (1086)	Y09	Solenoid valve, differential lock, front axle (DU:2 D) (1458)
U05_A	Modulator, EBS, trailer (EO:3 B) (1401)	Y10	Solenoid valve, 3:rd axle lock (FM:0 C) (1072)
U06B11	Voltage converter (IR:1 B) (1007C)	Y11	Solenoid valve unit, ABS, lhs. front (EE:0 D) (1086)
U06B20	Voltage converter (IR:2 B) (1007C)	Y11	Solenoid valve unit, ABS, lhs. front (EF:0 D) (1086)
U06R11	Voltage converter (IR:1 B) (1007C)	Y11_A	Solenoid valve unit, ABS, lhs. front (EO:3 D) (1086)
U06R19	Voltage converter (IR:0 B) (1007C)	Y12	Solenoid valve unit, ABS, rhs. front (EE:1 D) (1086)
U07_A	Modulator, EBS, tag axle (EP:3 D) (1086)	Y12	Solenoid valve unit, ABS, rhs. front (EF:1 D) (1086)
U08_A	Modulator, EBS, front (EP:2 B) (1086)	Y12_A	Solenoid valve unit, ABS, rhs. front (EO:4 D) (1086)
U10	Voltage converter, 12V ABS Trailer (CP:3 B) (1007C)	Y13	Solenoid valve unit, ABS, lhs. rear (EE:2 D) (1086)
V02	Diode module (AE:2 B) (1000)	Y13	Solenoid valve unit, ABS, lhs. rear (EF:1 D) (1086)
V03	Diode (GG:3 B) (1000)	Y14	Solenoid valve unit, ABS, rhs. rear (EE:3 D) (1086)
V04	Diode (FI:0 D/FK:0 D) (1037)	Y14	Solenoid valve unit, ABS, rhs. rear (EF:2 D) (1086)
V05	Diode (FK:2 D) (1000)	Y15	Solenoid valve unit, ABS, rhs. rear (EF:3 D) (1086)
V07	LED, indicator, Alarm (NK:2 C) (1000)	Y16	Solenoid valve unit, ABS, rhs. rear (EF:3 D) (1086)
V08	Diode (NU:2 B) (1000)	Y17A	Solenoid valve, retarder (DE:0 D)
		Y17B	Solenoid valve, retarder (DI:3 D) (1494)
		Y18A	Solenoid valve, PTO (Power Take Off) (DQ:0 D) (1401)
		Y18B	Solenoid valve, PTO (Power Take Off) (DI:4 B) (1494)

Y18C	Solenoid valve, PTO (Power Take Off) (NC:0 D/NU:0 C/NX:0 D)	Y40	Solenoid valve unit, front axle, air suspension (FA:0 B) (1072)
Y18G	Solenoid valve, PTO (Power Take Off) (DP:2 B) (1499)	Y42	Clutch, magnetic, air conditioning compressor (HG:0 D/HY:2 D) (1025)
Y18H	Solenoid valve, PTO (Power Take Off) (DP:2 B) (1499)	Y43L	Seat belt tensioner, pyrotechnical (IS:2 D) (1007A)
Y21	Solenoid valve, slow clutch disengage (DE:2 D)	Y43R	Seat belt tensioner, pyrotechnical (IS:3 D) (1007B)
Y22	Solenoid valve, fast clutch disengage (DE:3 D)	Y44	Air-bag, pyrotechnical (IS:0 D)
Y23	Solenoid valve, fast clutch engage (DE:3 D)	Y48A	Solenoid valve, container lock (NA:3 D/NB:2 D) (1506A)
Y25	Solenoid valve unit, level control, air suspension (FA:1 B) (1072)	Y48B	Solenoid valve, fifth wheel lock (NA:4 D/NB:3 D) (1506A)
Y25B	Solenoid valve unit, level control, air suspension (FA:2 B) (1072)	Y49	Solenoid valve, parking brake (NU:2 C) (1504)
Y26	Solenoid valve, slow clutch control (DE:2 D)	Y51A	Solenoid valve, regeneration (FQ:2 C) (1056)
Y30C	Solenoid valve unit, gearbox (DI:0 D) (1494)	Y51B	Solenoid valve, compressor control (FQ:2 C) (1056)
Y31	Solenoid valve, area inhibitor (BA:1 B) (1494)	Y53	Control valve block , RAS (FO:3 D) (1493)
Y32	Fuel dosing pump, parking heater (HI:0 A/HM:0 D) (1040)	Y54	Control module VGT (Variable Geometry Turbine) (CO:0 B) (1030)
Y33	Solenoid valve, UI (Unit Injectors) (CO:3 D) (1030)	Y68	Solenoid valve, tridemaxle (FA:2 B) (1072)
Y34	Actuator, EGR system (Lisk) (CO:1 D) (1030)	Y72	Solenoid valve, Airhorn (GQ:0 B) (1504)
Y35	Solenoid valve, engine cooling fan (Included in A43) (CO:0 B)	Y80	Solenoid valve, AdBlue dosing unit (CV:3 D) (1510)
Y37	Solenoid valve unit, AVU (CO:2 B) (1030)	Y81B	Solenoid valve, AdBlue tank heating (CV:0 D) (1510)
Y37A	Solenoid valve unit, AVU (Air Valve Unit) (CO:3 B) (1030)	Y88	Solenoid valve, trailing axle, air suspension, bogie lift (FA:3 B) (1072)
Y37B	Solenoid valve unit, AVU (Butterfly) (CO:3 B) (1030)	Y103	Safety valve, fuel system, ATI (CO:0 B) (1030)
Y38	Solenoid valve, fuel water separator (Included in A45) (CO:3 B)	Y109	Electro clutch, coolant pump (CO:1 D)
Y39	Solenoid valve, VCB (CO:3 D) (1030)	Y110	Solenoid valve, oil thermostat (CO:0 D)
		Y111	Solenoid valve, oil piston cooling jet (CO:2 D)

Abbreviations

ABS	Antilock brake system	EM-EU5	Engine emission control, EURO5
ACC	Adaptive cruise control	EM-JPN07	Emission control Japan community 2007
ACU	Alarm control unit	ENG-VE9	Volvo engine 9 litre
ADR-BAS1/ ADR1	ADR adaptation, 1 switch	ENG-VE11	Volvo engine 11 litre
ADR2	ADR adaptation, 2 switches	ENG-VE13	Volvo engine 13 litre
ADR3	ADR adaptation, 3 switches	ENG-VE16	Volvo engine 16 litre
AIRDRY-E	Electric airdryer	EPG	Exhaust pressure governor
ATB	Axle load limiter	ESP	Electronic stability program
ATC	Automatic temperature control	FAA10	1 front axle, non driven
ATO2512C	Gearbox variant	FAA20	2 front axle, non driven
AT2412C	Gearbox variant	FMS	Fleet management system
AT2512C	Gearbox variant	FSS-LEAF	Leaf suspension, front
AUS	Australia	GSS-AGS	Automatic gear shifting system (I-shift)
AUXSW-6	Wiring for six auxiliary switches for body building	GSS-PS	Automatic transmission, automatic gear shifting system (Powertronic)
AWD	All wheel drive	GSS-RC	Range gear shifting, cable manoeuvred
BBM	Body builder module	GSS-SRC	Split and range gear shifting, cable manoeuvred
BBOX-AC	Battery box across framerails	JPN	Japan
BBOX-EF	Battery box end of frame	L	Left
BBOX-R	Battery box right hand side	LCM	Light control module
CHH-LOW	Chassis height low	L1H1	Short cab
CLU	Central locking unit	L2H1	Long cab
CU-ACAUT	Air condition, automatic	L2H2	Long high cab (Globetrotter)
CU-ACMAN	Air condition, manual	LF	Left front
CU-BAS	Basic version with stepper motor without air condition	LHD	Left hand drive
CU-ECC	Electronic controlled climate control air condition	LHS	Left hand side
CU-HEAT	Heater unit	LKS	Lane keeping support
CU-MCC	Manual controlled climate control air condition	LOCK-ALL	Central door lock and cut off electricity of truck
DACU	Driver assistance control unit	LR	Left rear
DS	Driver side	LSS-DW	Lane support system departure warning
EBS	Electronic brake system	MAINSW-M	Mechanical main switch
ECS	Electronic controlled air suspension	MAINSWI	Main switch
EGR-C	Exhaust gas regulation, cooled	MECHTRAN	Mechanical transmission
ELCE-CK	Electrical complete kit for body builder	MMS	Mechanical main switch
ELMS	Electrical main switch	ODB	On Board Diagnostic
EM-EC01	European community 2001 level EURO3	PH-CAB	Cab parking heater
EM-EC06	European community 2006 level EURO4	PH-ENGCA	Engine and cab parking heater

PS	Passenger side	SWAPBODY	Swap body
PSS-DUAL	Power steering system dual	TECU	Transmission electronic control unit
PTO	Power take off	TIS-BAS	Transport information system, Logger and Positioning
R	Right	TIS-HIGH	Transport information system, Logg. Pos. and Adv. message system
RAD-A4	4x2, air spring, 4bellows	TIS-MED	Transport information system, Logg. Pos. and message
RADD-A8	6x4, air spring, 8 bellows	TMC	Traffic message channel
RADT-A8	6x2, air spring, 8 bellows, tag axle	TPM	Tyre pressure monitoring
RADT-AR	6x2, leaf spring (A-ride)	TRACTOR	Semi-trailer tractor
RAL23	Rear axle load 23 tonnes	TREL7-7	Trailer connectors 2x7-pole unit
RAL26	Rear axle load 26 tonnes	TREL14	Trailer connectors 14-pole unit
RF	Right front	TURB-HD	Turbo heavy duty design
RHD	Right hand drive	UACC	Without adaptive cruise control
RHS	Right hand side	UADR	Without ADR adaptation
RIGID	Platform or tipper truck	UALARMB	Without alarm
RR	Right rear	UJERICO	Without Jerico horn
RSTS-EHY	Rear steering system, electrical controlled, hydraulic	ULKS	Without lane keeping support
SCR	Selective Catalyst Reduction	ULSS	Without lane support system
SCRS-UHH	SCR system equipment, without heated hose	UMAINSWI	Without main switch
SI-GRAF	Tachograph	URETARD	Without retarder
SI-GRAFR	Tachograph	USMCONT	Without starter motor control
SI-SPEED	Speedometer	USUSPLEV	Without air suspension levelling device
SMCONT	Starter motor control	UTPM	Without tyre pressure monitoring
SPDU-S	Dual speed limiter for side mounted	UTRBRAKE	Without trailer brake valve
SPEED-DU	Dual speed limiter	VECU	Vehicle electronic control unit
SRS	Supplementary restrain system	VERS-SAM	South American Version
STWPOS-L	Steering wheel position left hand side	VT2412B	Gearbox variant
STWPOS-R	Steering wheel position right hand side	ZT1816	Gearbox variant (South America only)
SUSPL-EC	Air suspension, electronic control system levelling device		
SUSPL-M	Air suspension, manual regulation levelling device		

Cable colour code

BL	Blue
BN	Brown
GN	Green
GR	Grey
OR	Orange
P	Pink
R	Red

SB	Black
VO	Violet
W	White
Y	Yellow

Note: If a wire have two colours, this is written out like the following example: Y/R = Yellow/Red.

VOLVO

Volvo Truck Corporation

Göteborg, Sweden