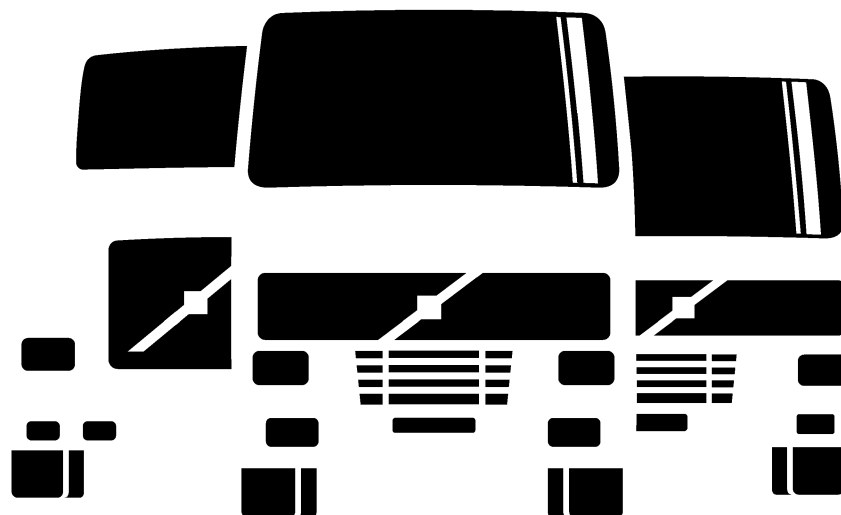


Service Manual Trucks

Group **37**
Release **01**

Wiring diagram
FM, FH, VERSION2

CHID A652195–
CHID B486535–
CHID E735697–
CHID CKD875563–



Foreword

The descriptions and service procedures contained in this manual are based on designs and methods studies carried out up to September 07.

The products are under continuous development. Vehicles and components produced after the above date may therefore have different specifications and repair methods. When this is judged to have a significant bearing on this manual, supplementary service bulletins will be issued to cover the changes.

The new edition of this manual will update the changes.

In service procedures where the title incorporates an operation number, this is a reference to V.S.T. (Volvo Standard Times).

Service procedures which do not include an operation number in the title are for general information and no reference is made to V.S.T.

The following levels of observations, cautions and warnings are used in this Service Documentation:

Note: Indicates a procedure, practice, or condition that must be followed in order to have the vehicle or component function in the manner intended.

Caution: Indicates an unsafe practice where damage to the product could occur.

Warning: Indicates an unsafe practice where personal injury or severe damage to the product could occur.

Danger: Indicates an unsafe practice where serious personal injury or death could occur.

Volvo Truck Corporation

Göteborg, Sweden

Order number: 20177893

© 07 Volvo Truck Corporation, Göteborg, Sweden

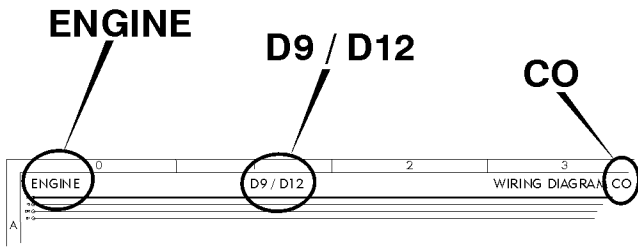
All rights reserved. No part of this publication may be reproduced, stored in retrieval system, or transmitted in any forms by any means, electronic, mechanical, photocopying, recording or otherwise, without the prior written permission of Volvo Truck Corporation.

ENG23681.ihval

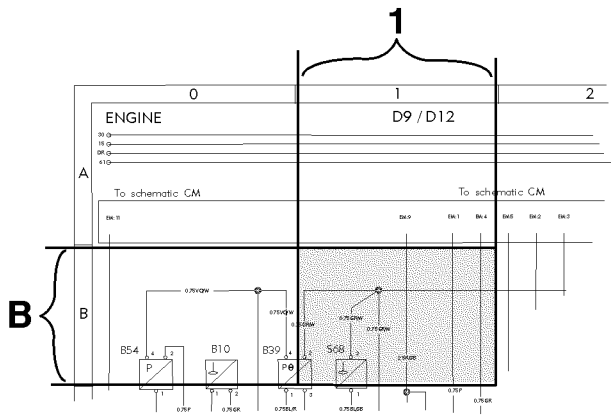
Contents

Example of wiring diagram	2
Component wiring diagram index	5
Component wiring diagrams	8
Illustrations index	111
Illustrations	112
Fuses	209
Relays	211
Wiring harness illustration index	213
Ground connections	216
List of ground connections	218
List of connectors	219
List of components	229
Abbreviations	235
Cable colour code	237
Feedback	

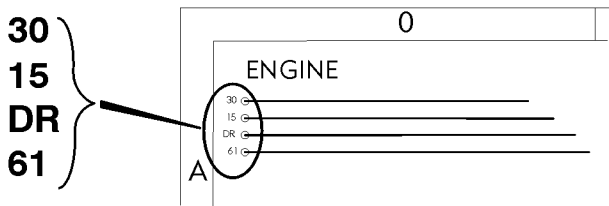
Example of wiring diagram



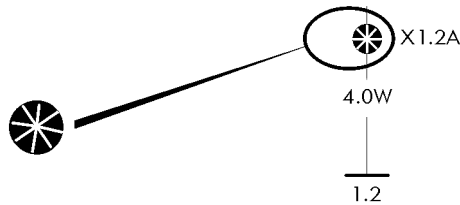
Component wiring diagram title, variant/subtitle and symbol.



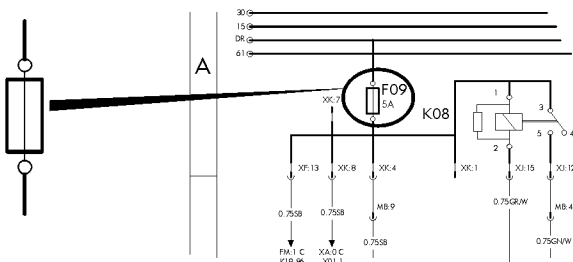
Coordinates (B 1).



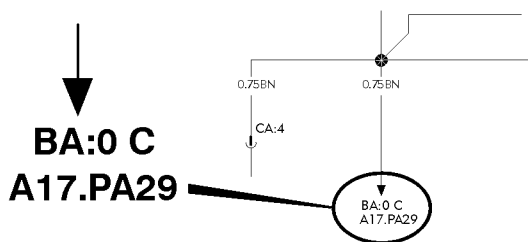
30 Voltage battery, kl.30.
 15 Voltage with starter key in drive position, kl.15.
 DR Voltage with starter key in drive position, preheat position and start position, kl.DR.
 61 Voltage when alternator charges, kl.61.



Splice.

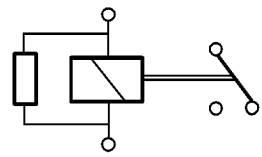
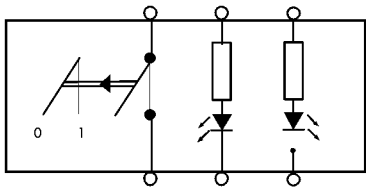
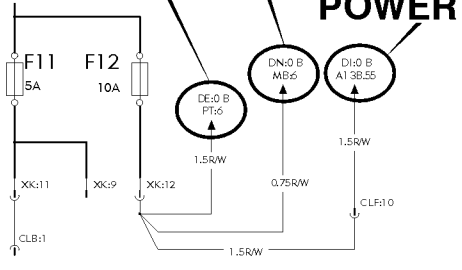


Fuse.



Reference arrow, for diagram BA, coordinates 0 C, component A17, connector PA pin 29.

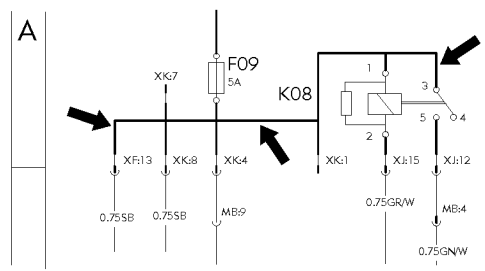
GEARTRONIC
I-SHIFT
POWERTRONIC



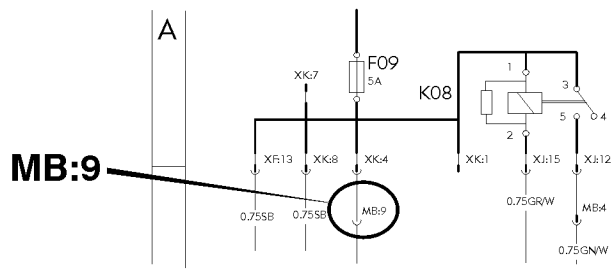
The maximum of variants are drawn, think about that all wires and components are not standard for all markets or vehicle models.

Switch.

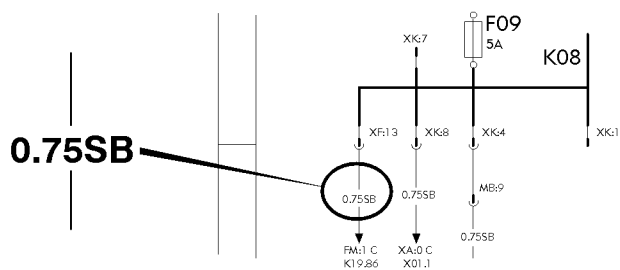
Relay.



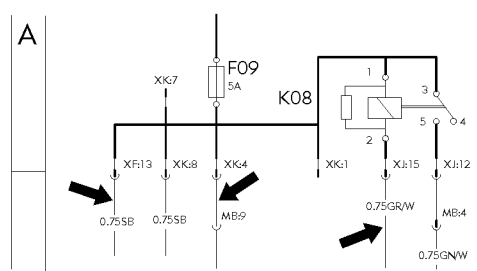
Conductor on circuit card.



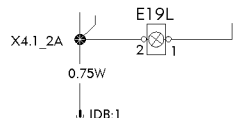
Connector MB terminal 9.



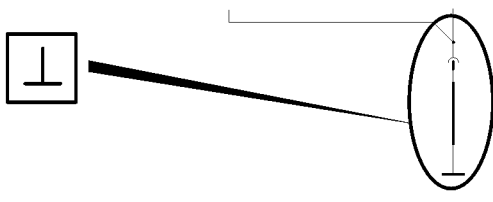
Wire area and colour.



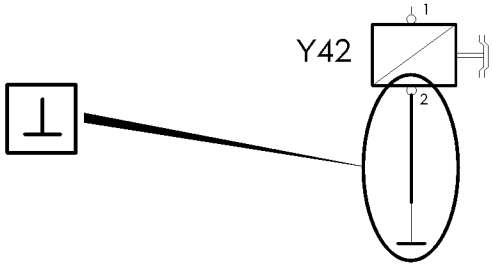
Thin lines, wires.



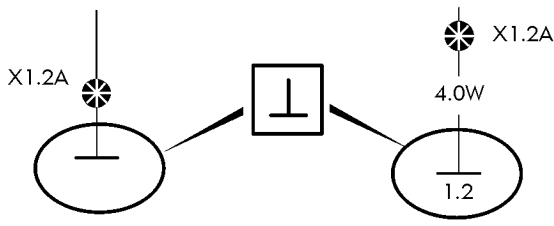
Earth connection point 4, earth connection 1 and wire 2.



Earth connection to circuit card.



Earth connection without wire.



Same splice can be drawn on several diagrams. The wire from the splice to the earth connection point will only be drawn and coded on one diagram. On the other diagrams will only the earth connection point be written besides the splice.

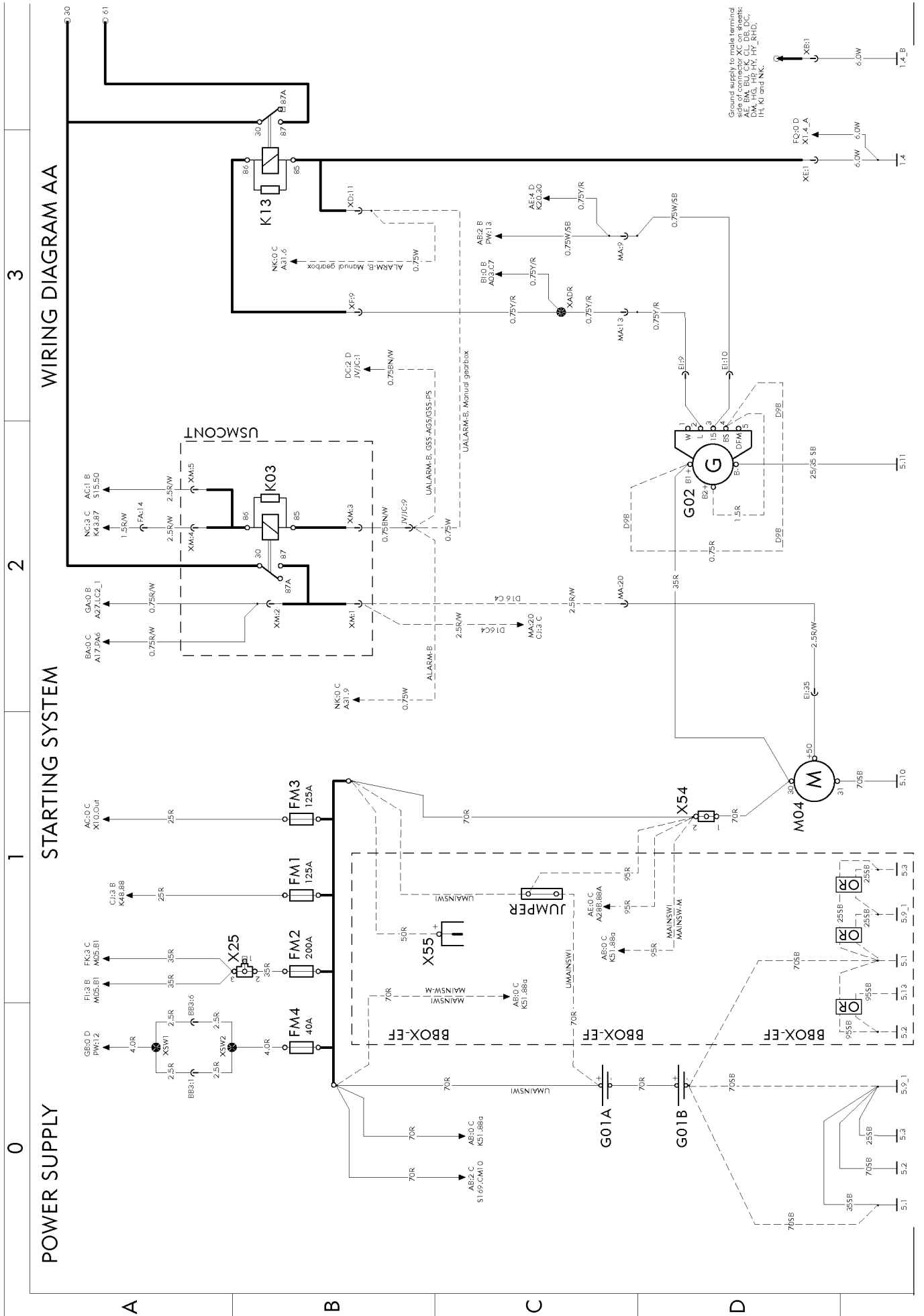
Component wiring diagram index

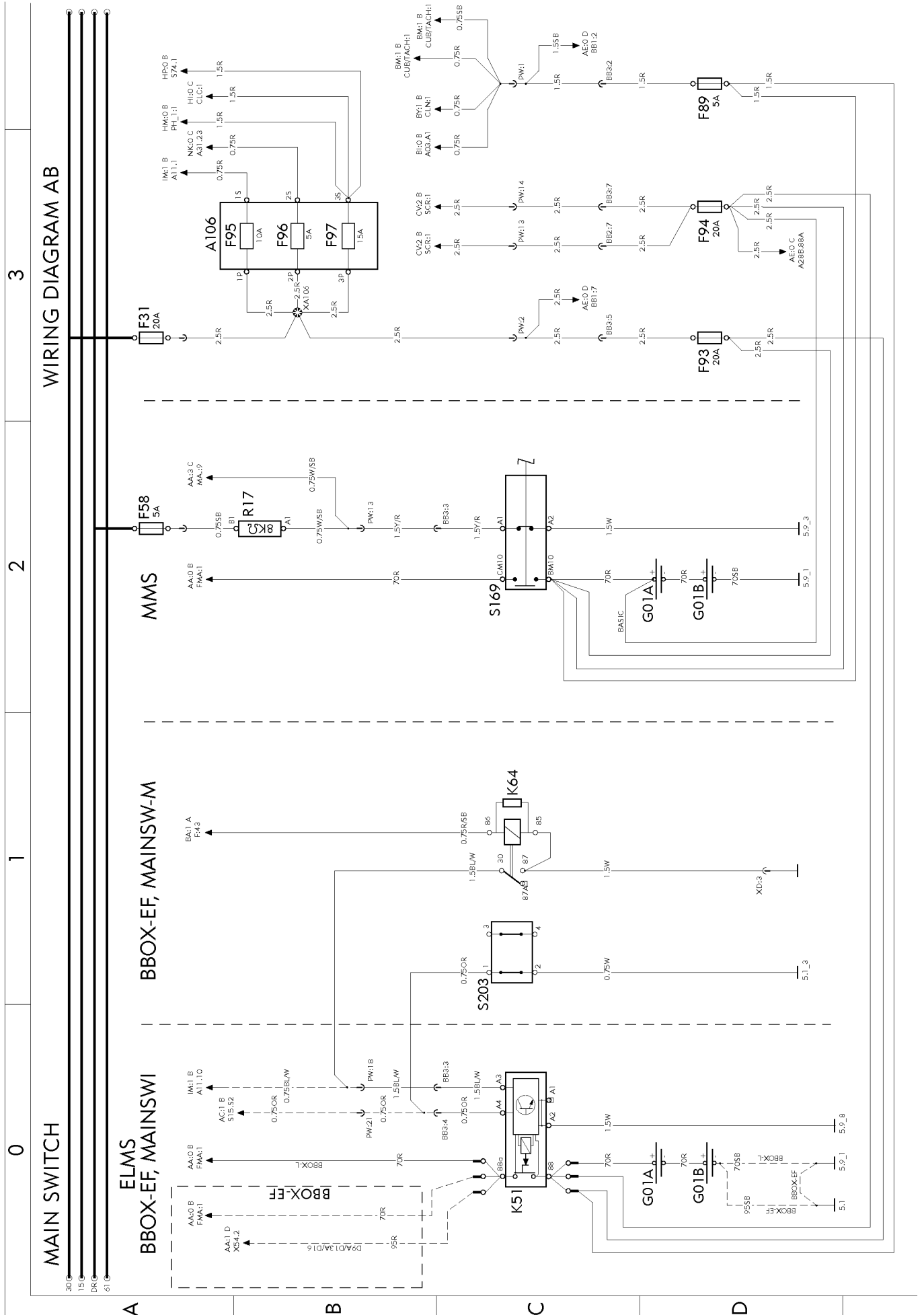
AA	Power supply, starting system	page 9
AB	Main switch	page 10
AC	Power distribution	page 11
AE	ADR, main switch	page 12
BA	Vehicle ECU	page 13
BE	Lane keeping system, ACC Adaptive cruise control	page 14
BI	Instrument cluster	page 15
BM	Tachograph in dash	page 16
BN	Tachograph in shelf	page 17
BU	Dynafleet TIS-BAS/TIS-MED/TIS-HIGH	page 18
BX	FMS Gateway	page 19
BY	Volvo link (VERS-SAM)	page 20
BZ	Toll collect	page 21
BZ RHD	Toll collect	page 22
CH	Engine interface D13B, EM-JPN07	page 23
CJ	Engine interface D9B, D13A, D13B, D16C4, D16E	page 24
CO	Engine D9B, D13A	page 25
	Engine D13B, EGR-C, EM-EC06	page 26
	Engine D13B, EGR-C, EM-EC06	page 27
	Engine D13B, EM-JPN07	page 28
	Engine D13B, EM-JPN07	page 29
	Engine D16C4	page 30
	Engine D16E	page 31
CP	12V trailer ABS converter (AUS only)	page 32
CV	SCR	page 33
DC	Gear selector ECU (I-SHIFT/POWERTRONIC)	page 34
DI	Powertronic	page 35
DI RHD	Powertronic	page 36
DM	Retarder manual gearshift	page 37
DP	I-shift AT2412C/AT2512C/ATO2512C	page 38
DQ	Power take off	page 39
DU	Diff-lock	page 40
EE	ABS basic, E-version	page 41
EE RHD	ABS basic, E-version	page 42
EF	ABS 6x2 VERS-SAM	page 43
EO	EBS ECU	page 44
EO RHD	EBS ECU	page 45

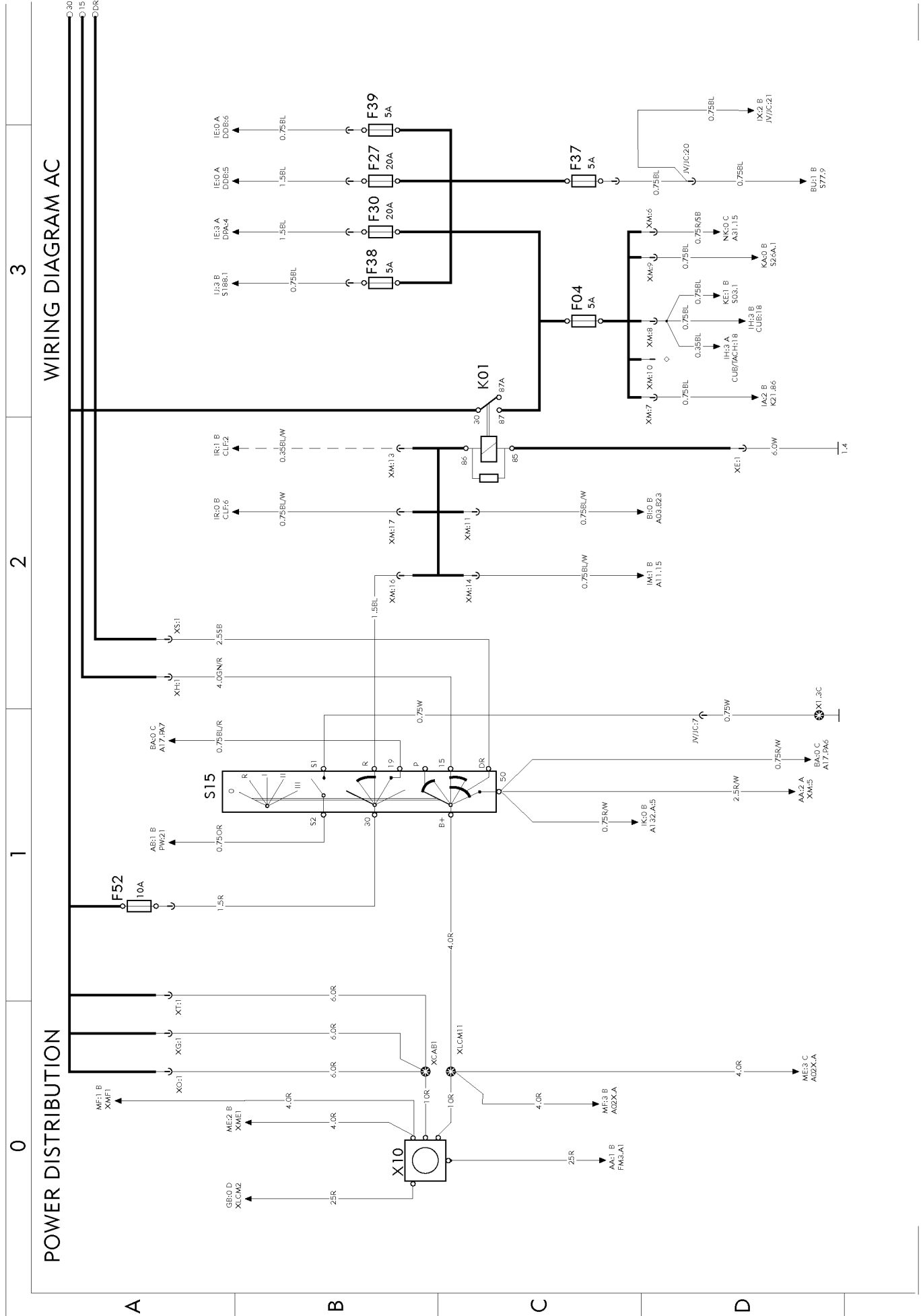
EP	EBS modulators	page 46
FA	Air-suspension	page 47
FA RHD	Air-suspension	page 48
FG	Load indicator	page 49
FI	Bogie lift A-ride	page 50
FK	Bogie lift A-ride with axle load limiter	page 51
FM	Axle lock, self steered axle	page 52
FO	Electronic steered axle	page 53
FP	Dual steered front axle	page 54
FQ	Air dryer	page 55
FU	Central lubrication system	page 56
GA	LCM head lights	page 57
GB	LCM trailer	page 58
GC	LCM rear lights	page 59
GC RHD	LCM rear lights	page 60
GE	Rear lights overhang	page 61
GF	Rear lights, India/Korea	page 62
GG	Trailer connections, RIGID	page 63
GH	Trailer connections, TRACTOR	page 64
GK	Trailer connections (AUS only)	page 65
GL	Identification lamps	page 66
GM	Wiper, washer	page 67
GQ	Horn	page 68
GR	Trailer connections TREL14	page 69
GU	Headlights adjust	page 70
HG	Climate unit, CU,-BAS,-MCC,-ECC	page 71
HI	Air heater	page 72
HM	Water heater	page 73
HP	Short stop cab heater	page 74
HY	Climat unit, CU,-HEAT,-ACMAN,-ACAUT.	page 75
HY RHD	Climat unit, CU,-HEAT,-ACMAN,-ACAUT.	page 76
HZ	Air cooler, Brazil	page 77
IA	El. heated/adj. seat	page 78
IE	El. heat/adj. mirrors, El. window winders	page 79
IF	Foldable mirror bracket	page 80
IH	Interior light	page 81
IJ	Interior light, storage	page 82
IK	Alcolock, start prevention system	page 83

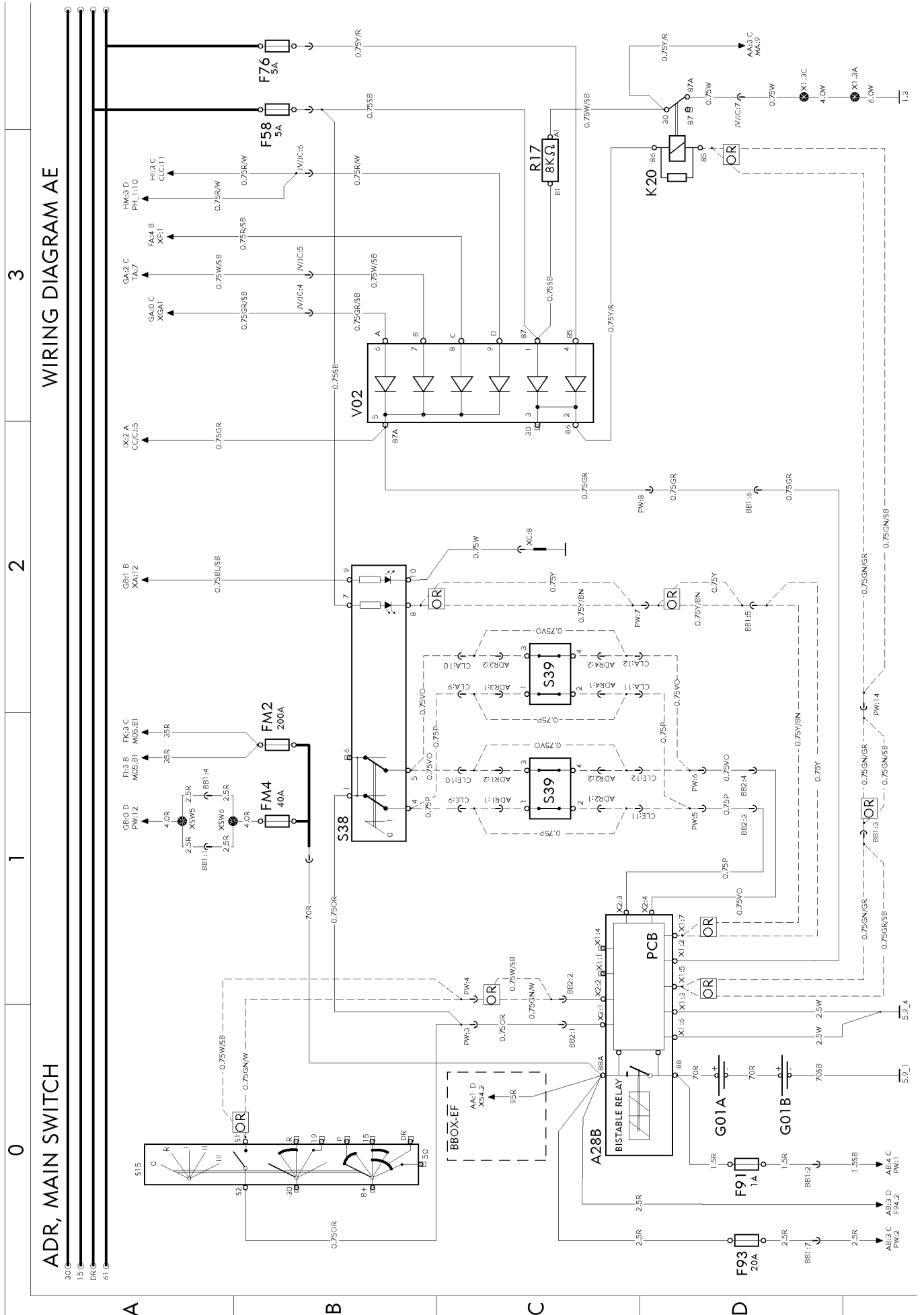
IM	Central locking, immobiliser	page 84
IQ	El. sunroof, cig. lighter, refrigerator	page 85
IR	12V power supply	page 86
IS	SRS. Air-bag	page 87
IU	Radio	page 88
IU RHD	Radio	page 89
IV	Amplifier	page 90
IX	Integrated telephone	page 91
IZ	Backup camera	page 92
KA	Cab tilt	page 93
KE	Load light, 5:th wheel lamp	page 94
KI	Light sign	page 95
KM	Beacon warning light	page 96
ME	Extra fuse block, key switch relay	page 97
MF	Extra fuse block, SPDU-S	page 98
NA	Body builder (BB), auxsw-6 and swapbody	page 99
NB	Body builder (BB), tailprep and swapbody	page 100
NC	Body builder (BB), ELCE-CK, BBM, PTO2	page 101
NI	Extra spotlamps front/roof, max 4x70W	page 102
NK	Burglar alarm	page 103
NU	Body builder (BB), SPEED-DU	page 104
NX	Body builder (BB), SPDU-S	page 105
OA	Tyre pressure monitoring (TPM)	page 106
XA	Bus J1708/J1587	page 107
XB	Bus J1939	page 108
XC	Bus J1939-7, OBD	page 109
ZA RHD	Ground/Misc.	page 110

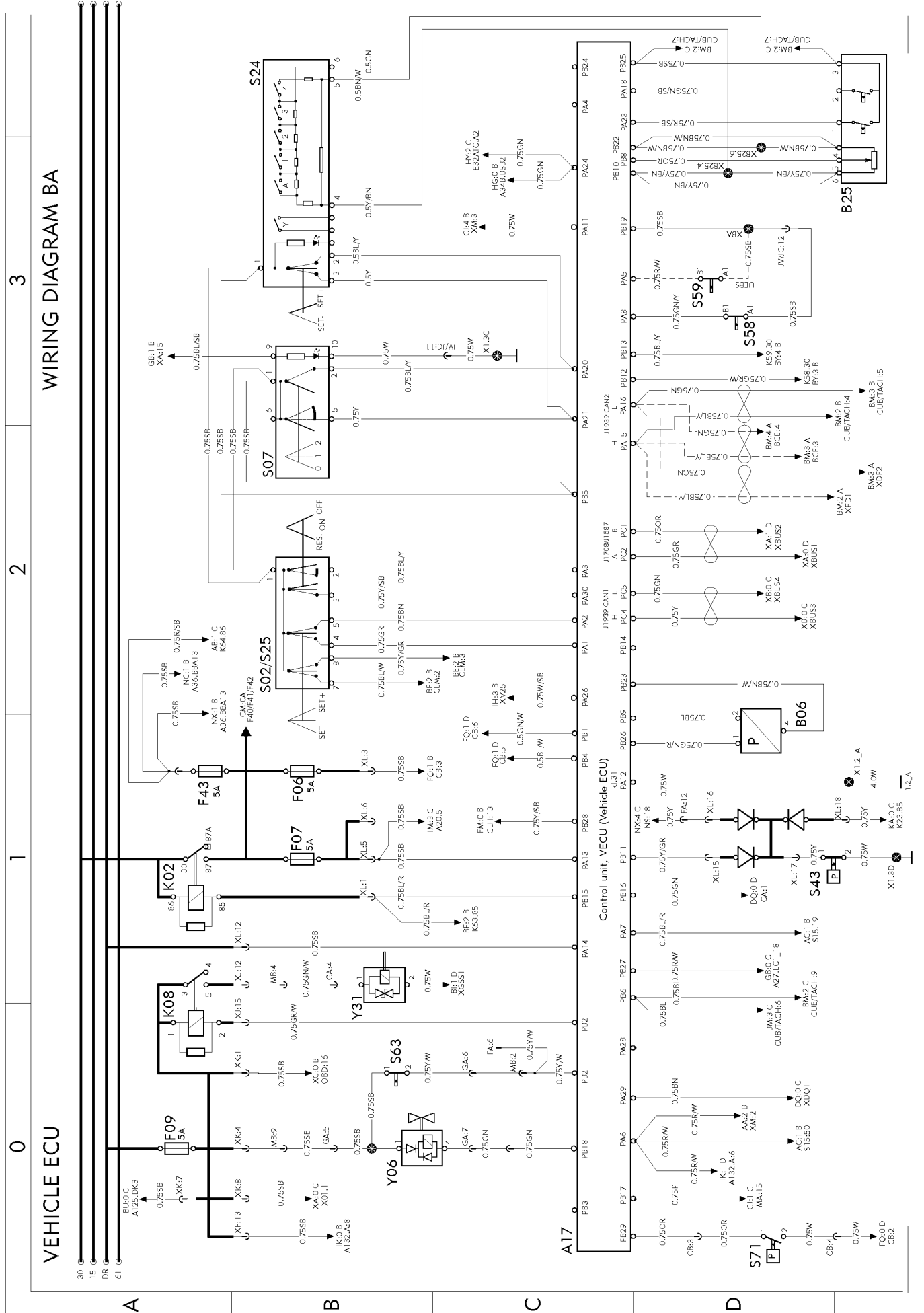
Component wiring diagrams

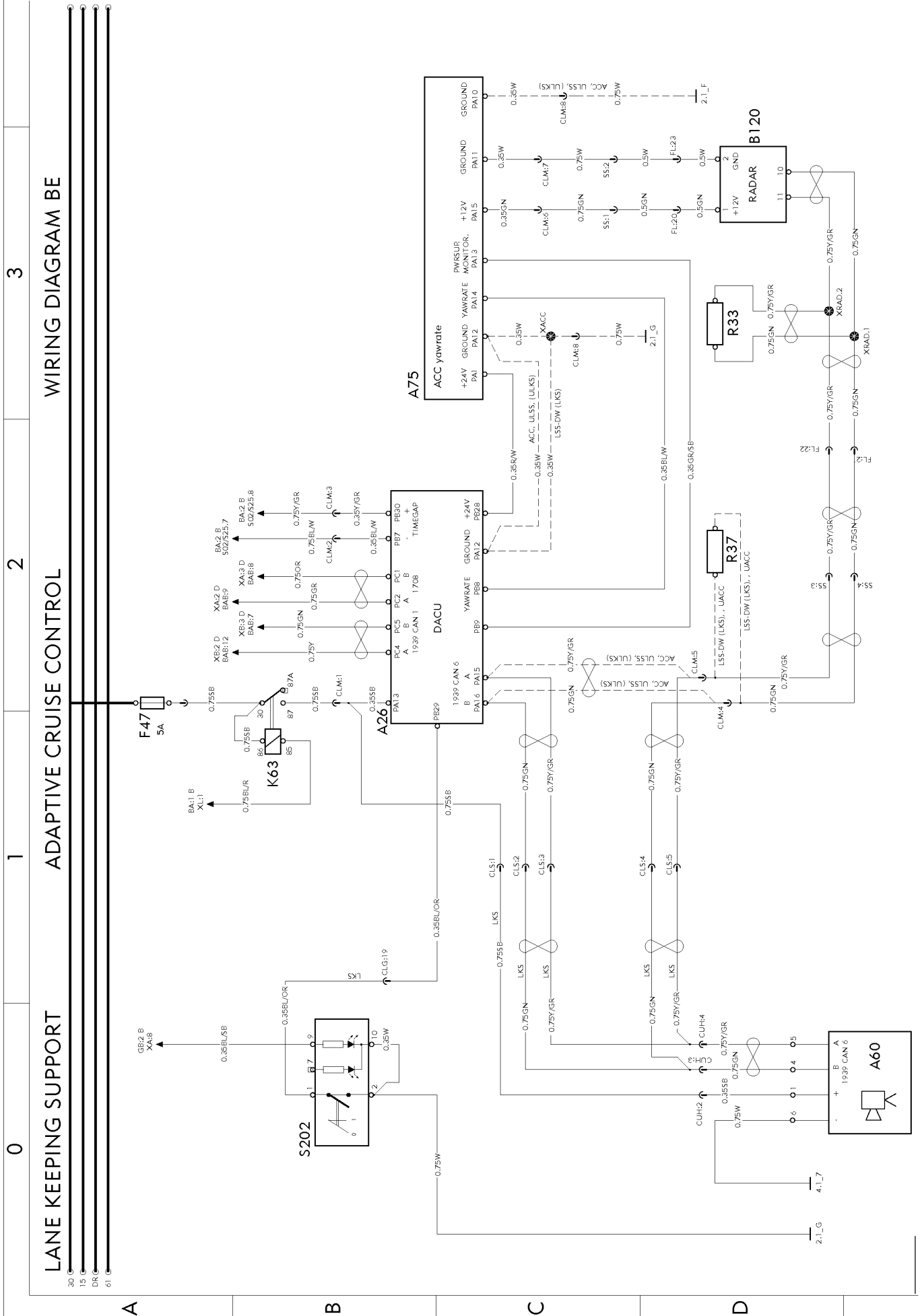


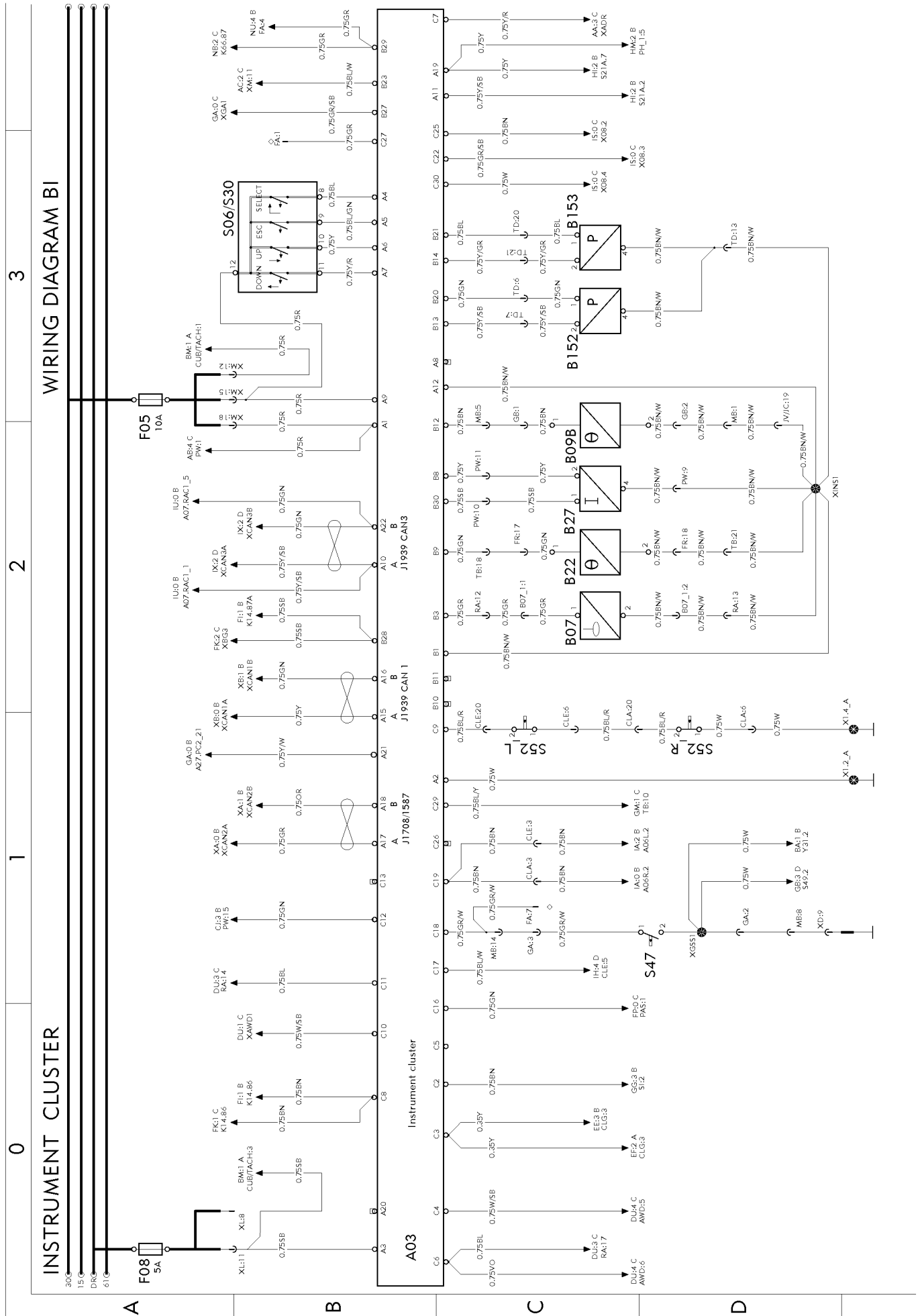


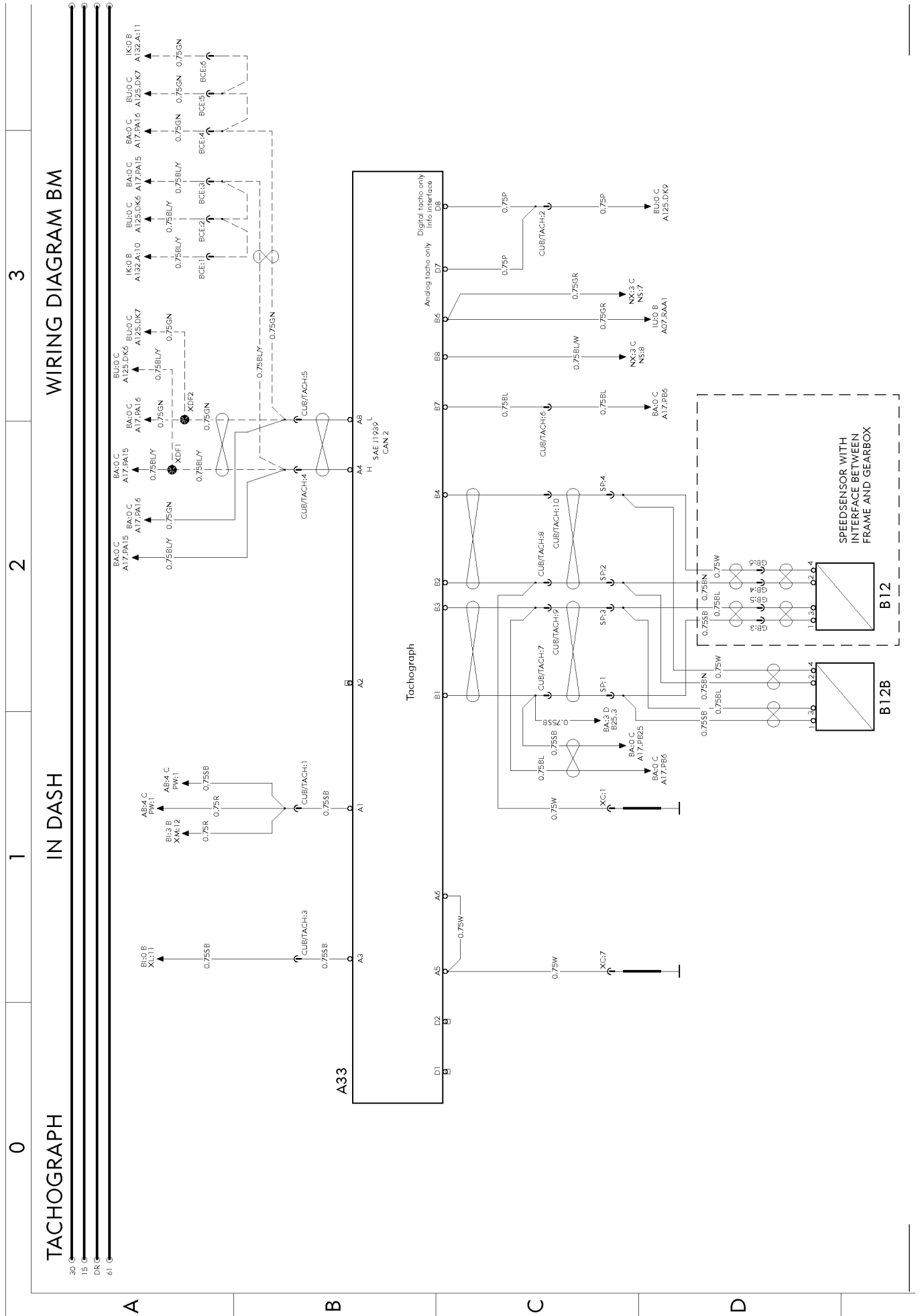


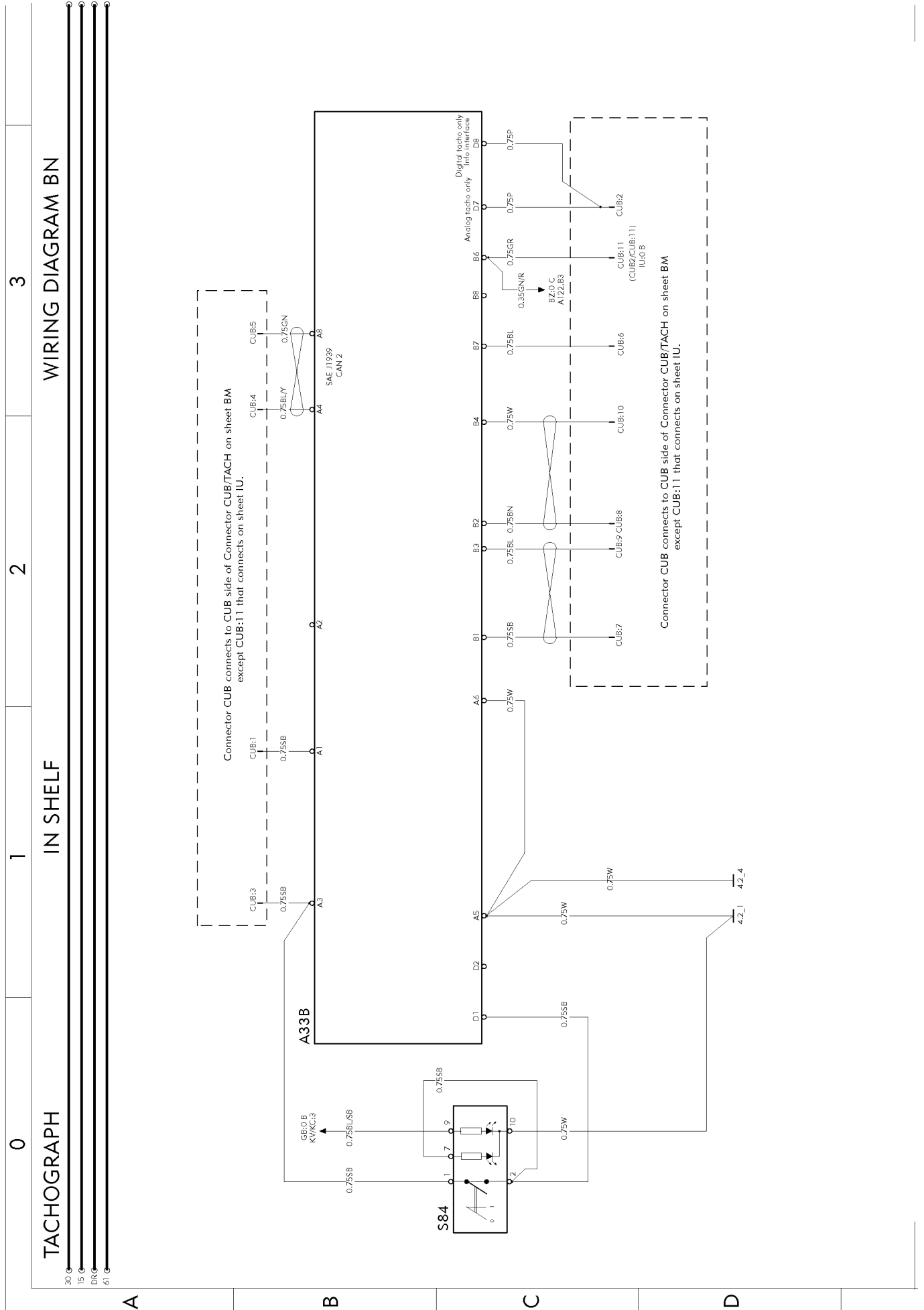


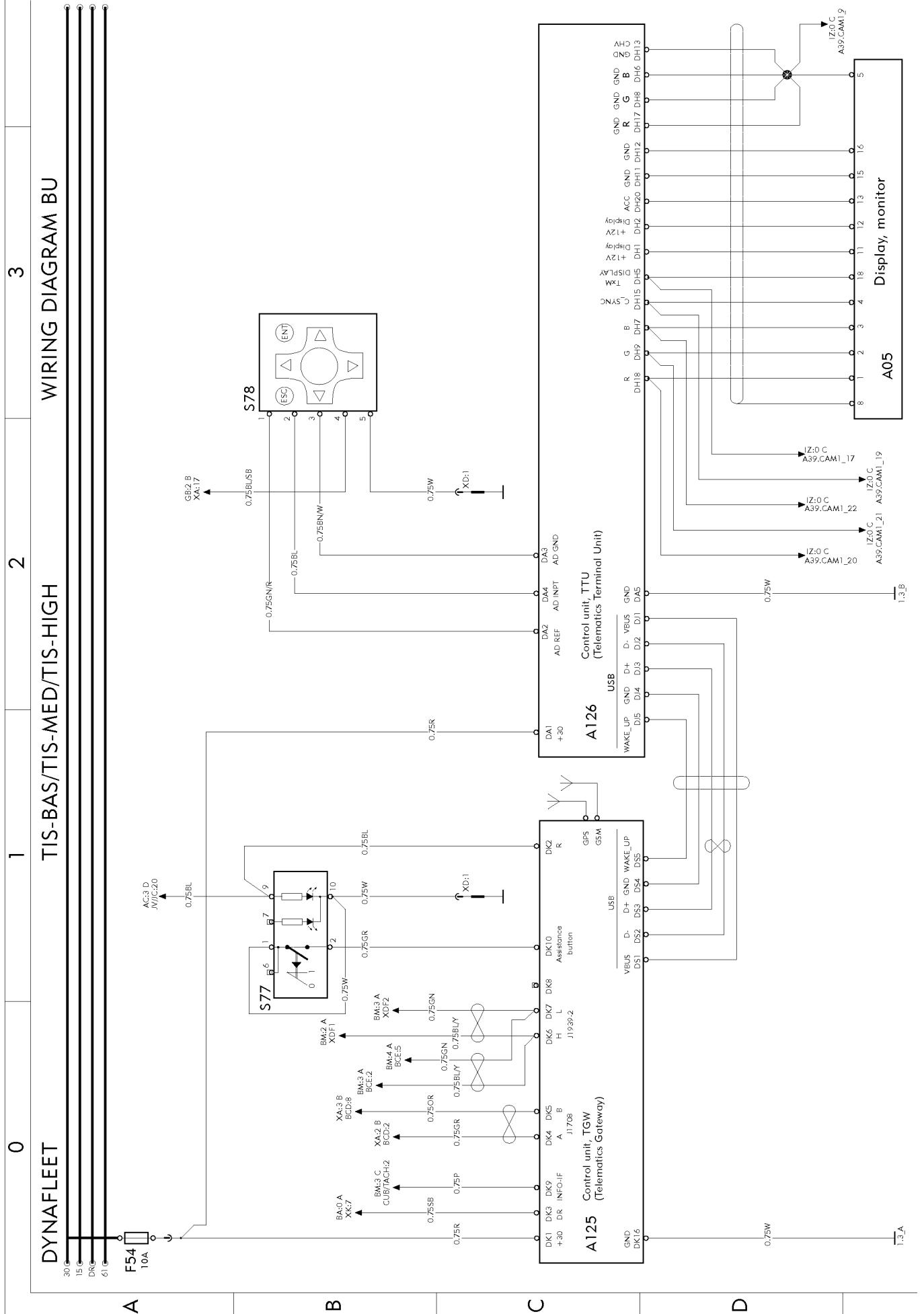


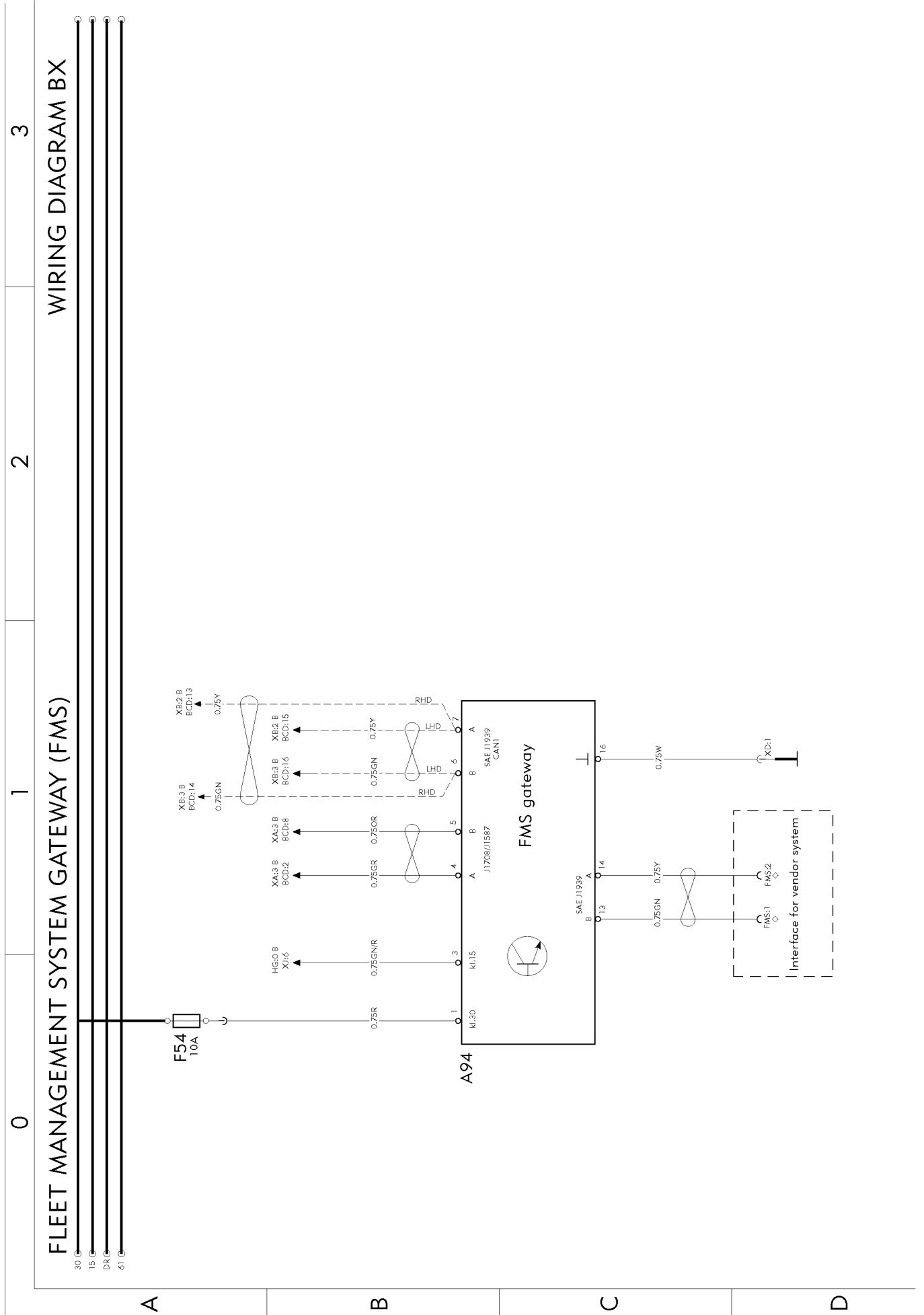


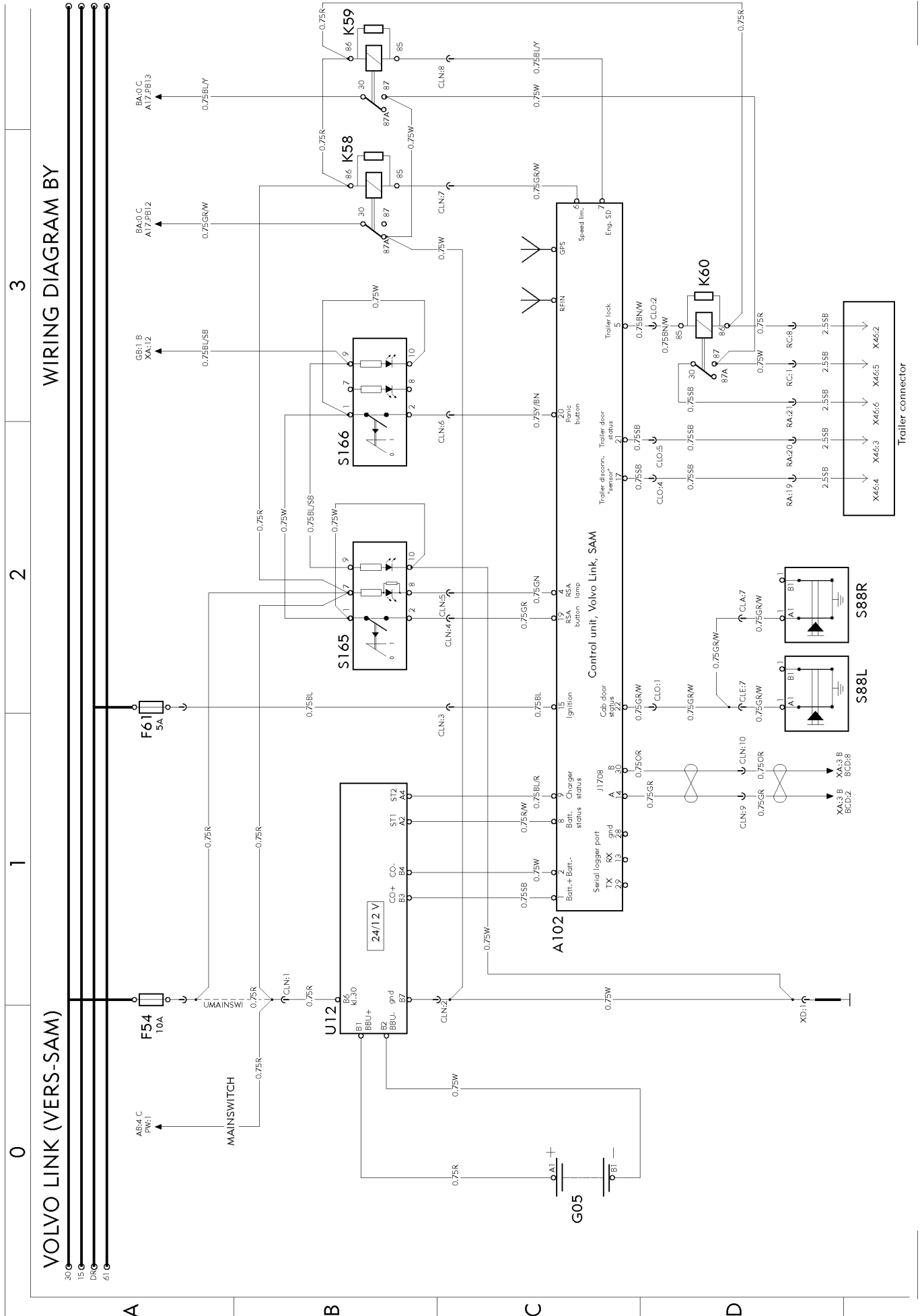


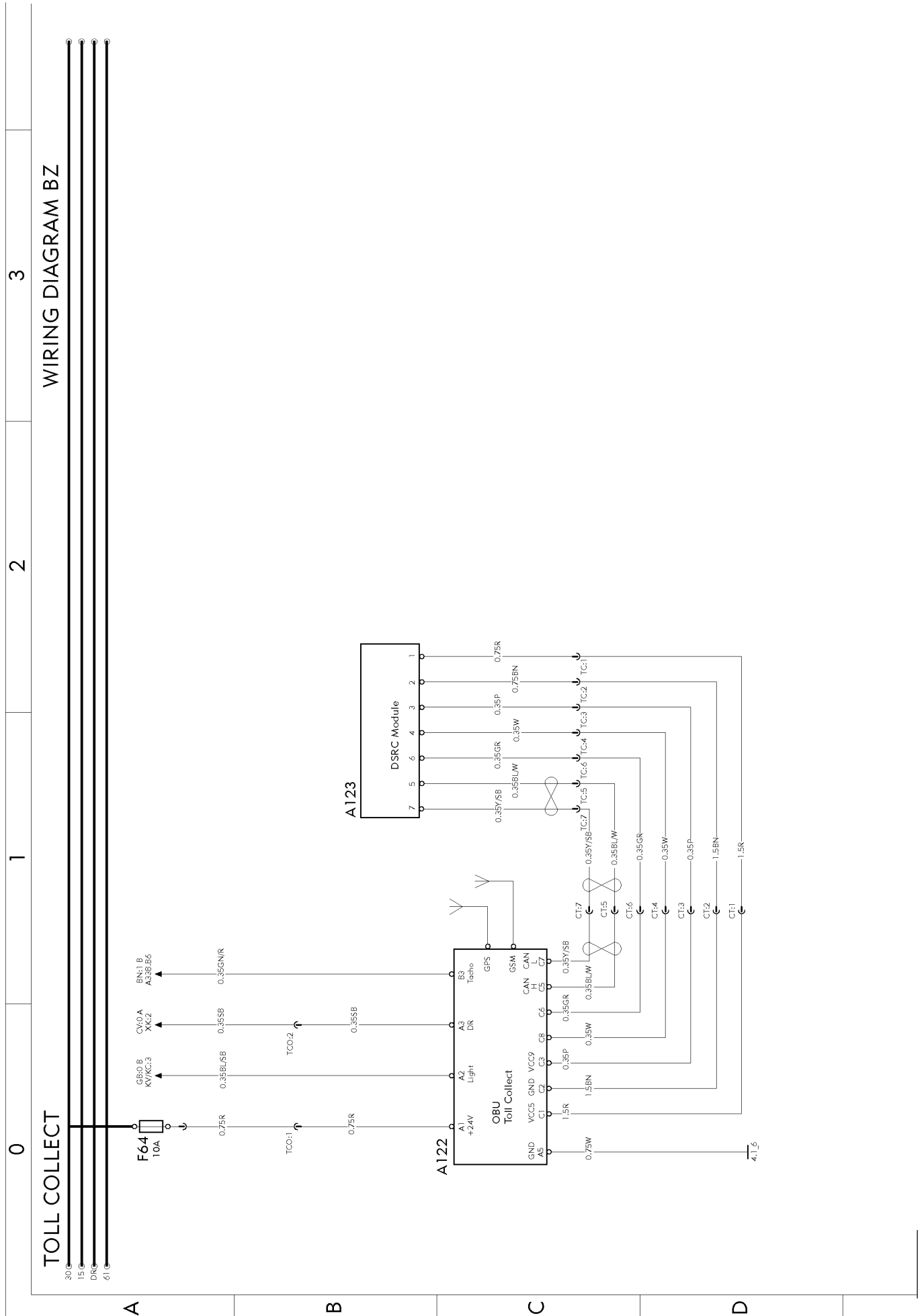


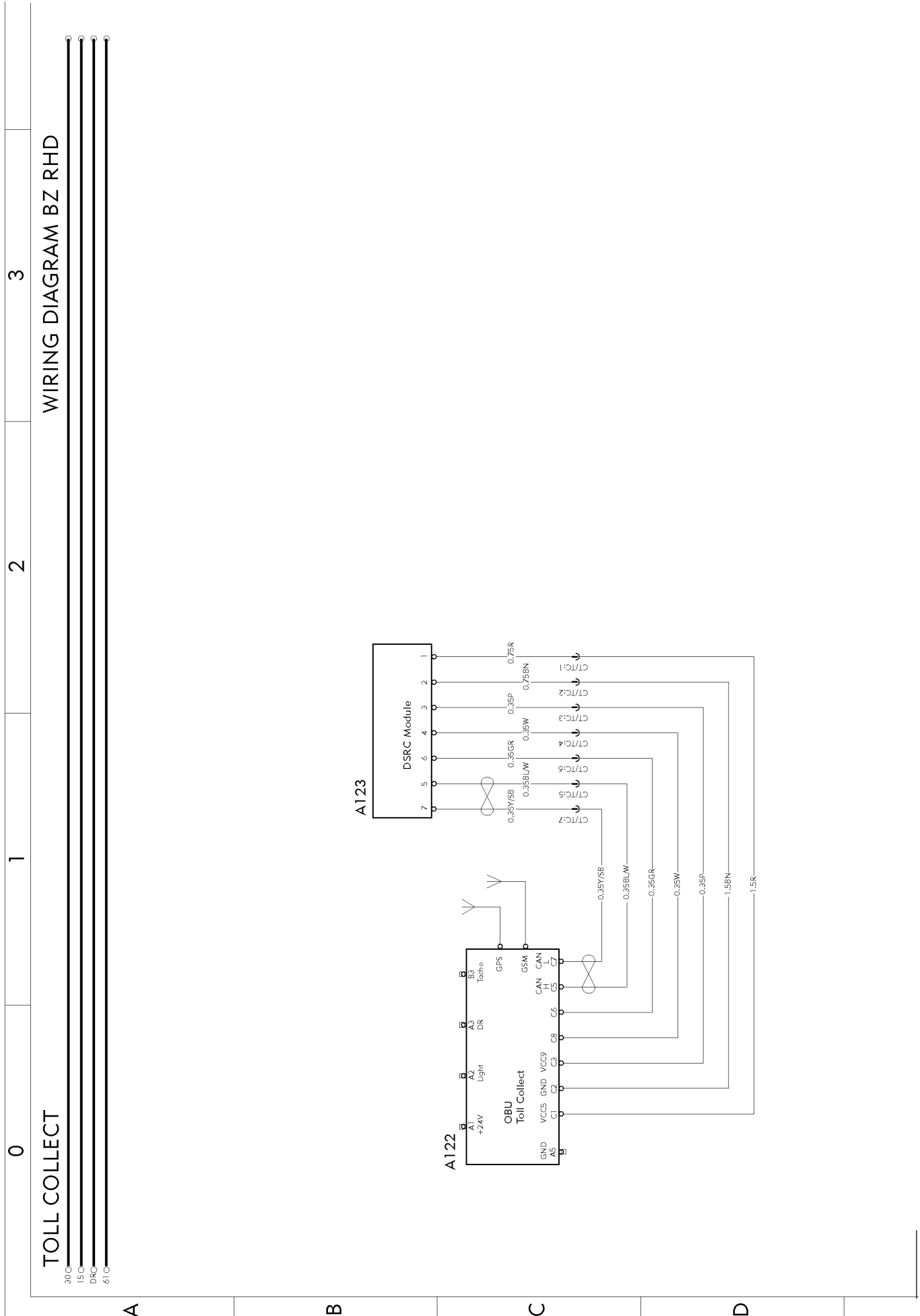


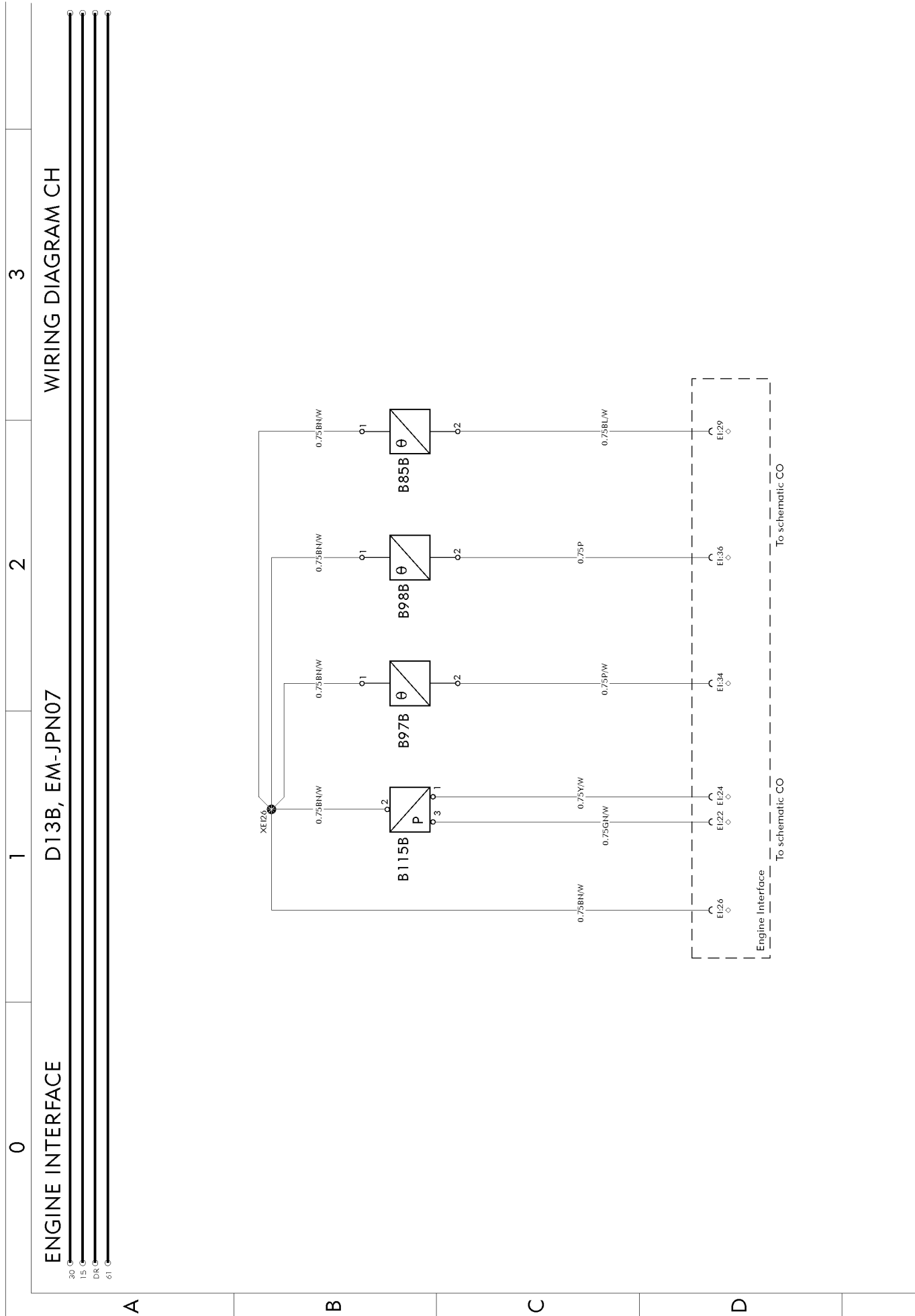


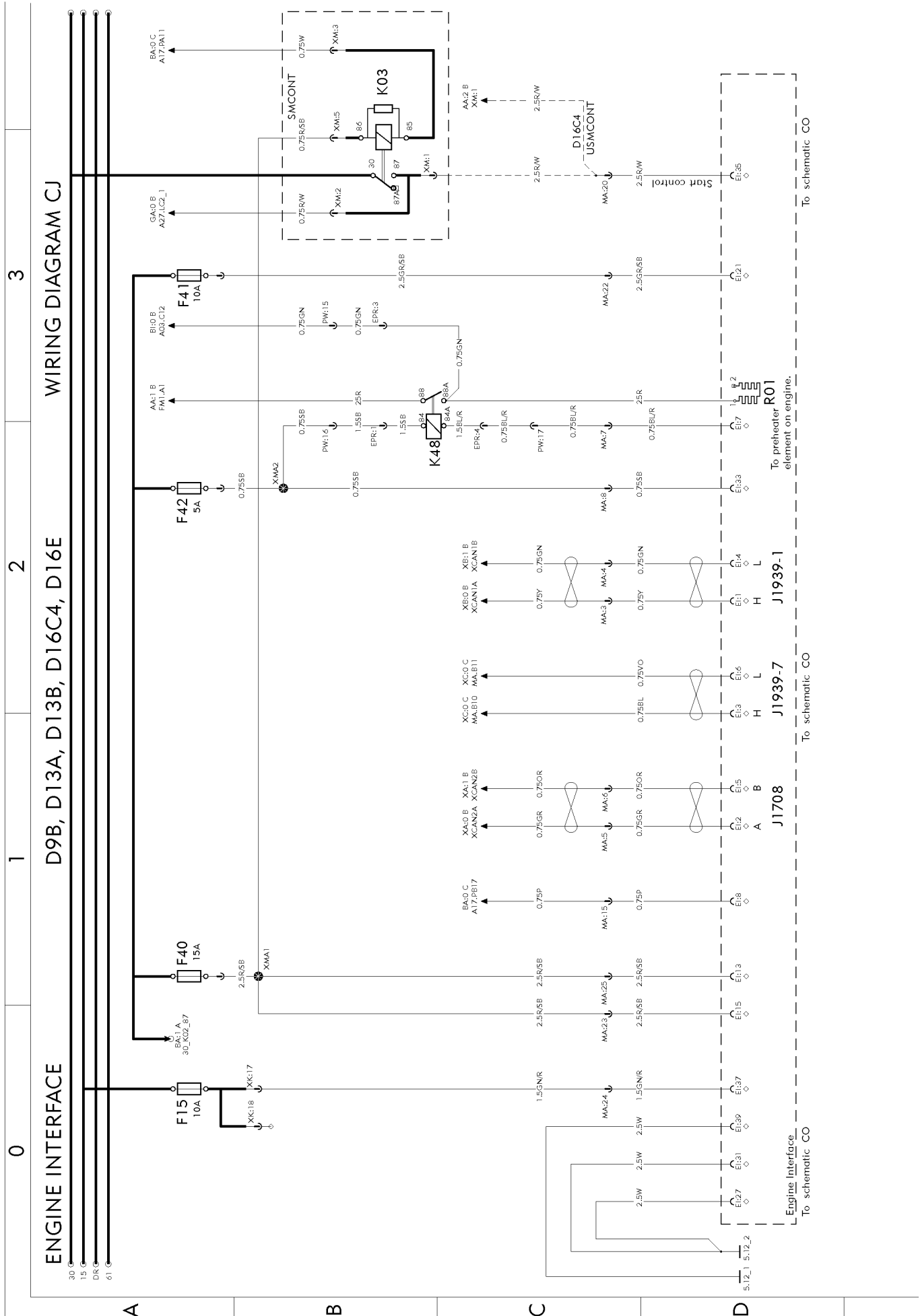


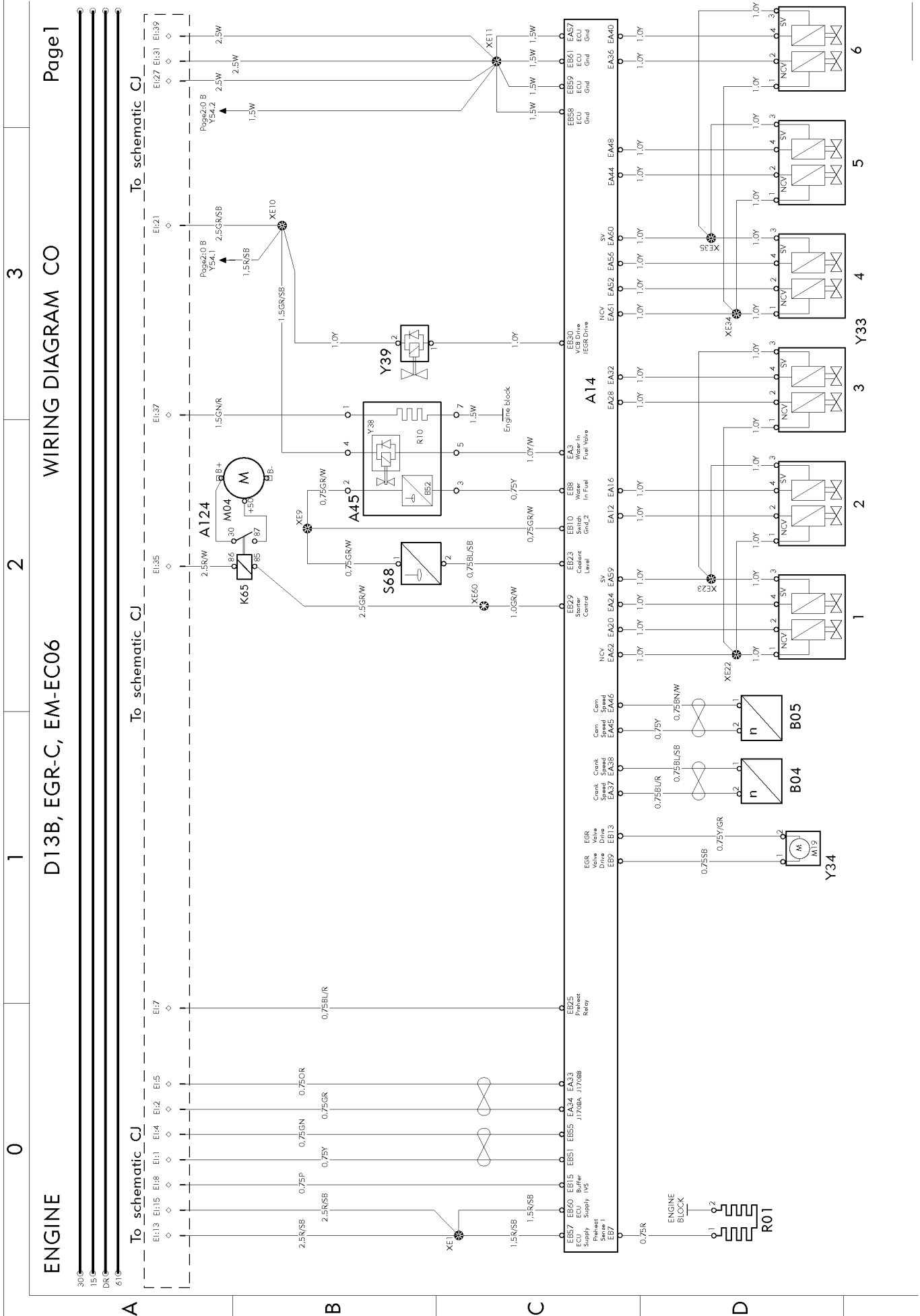


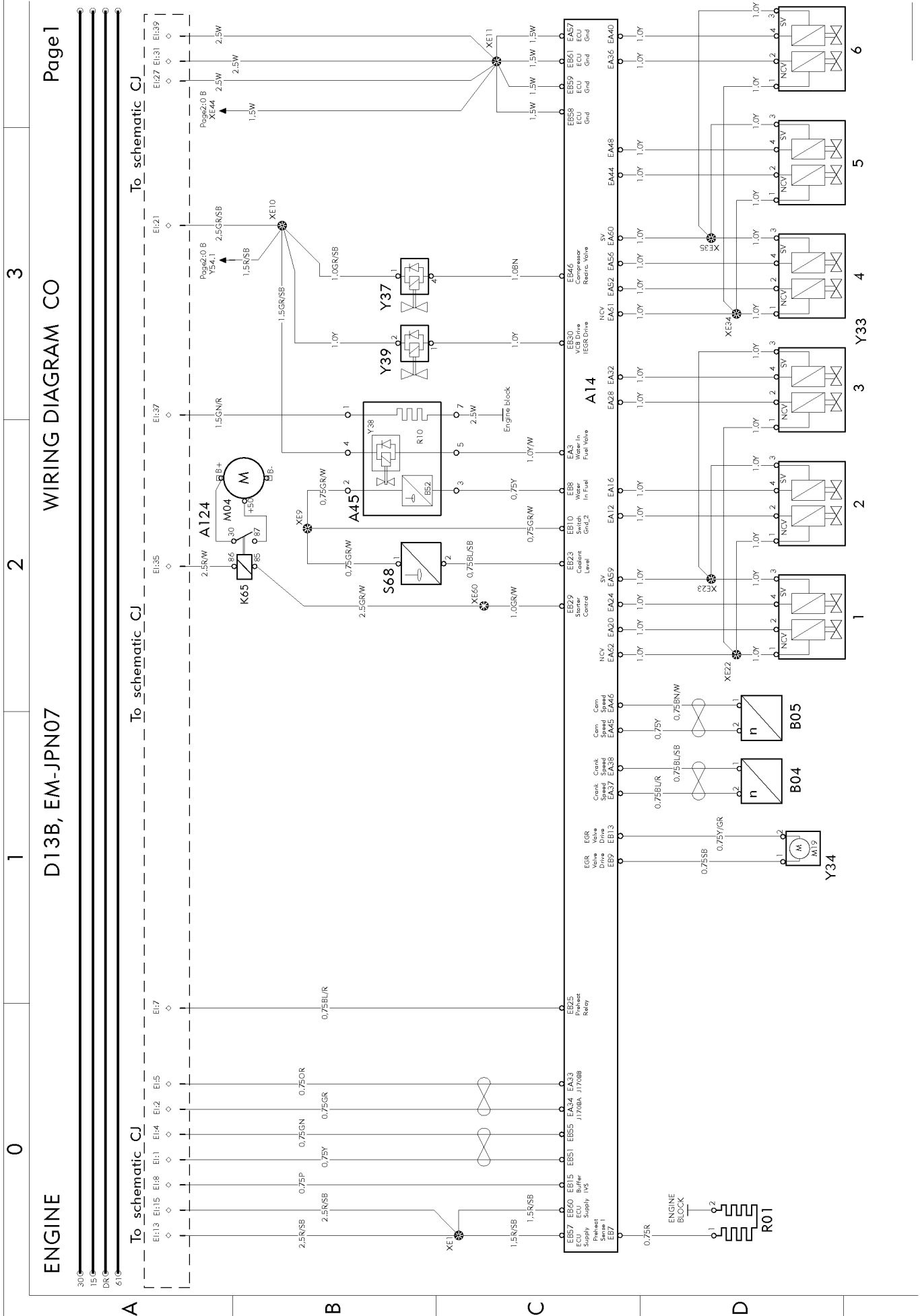


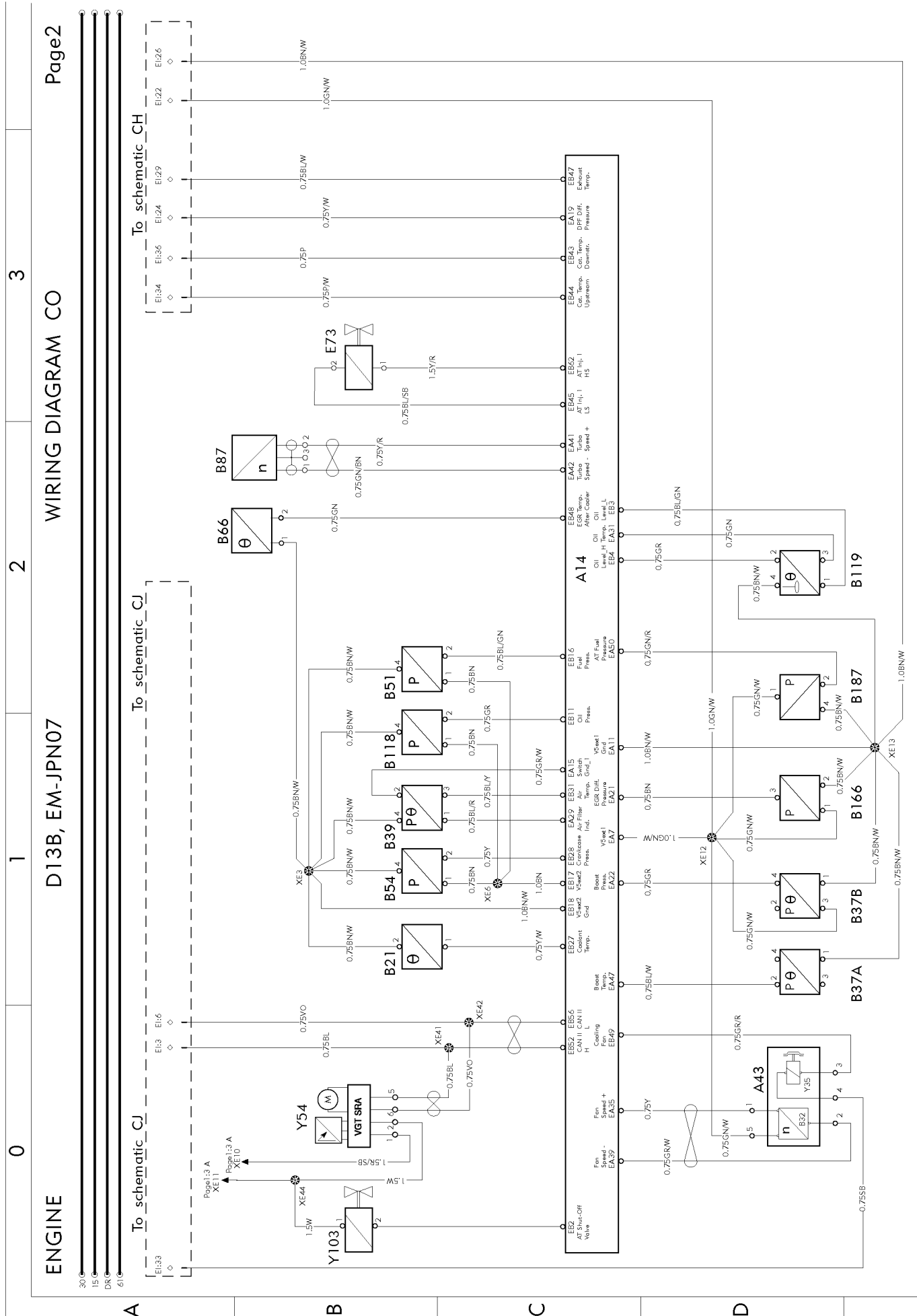


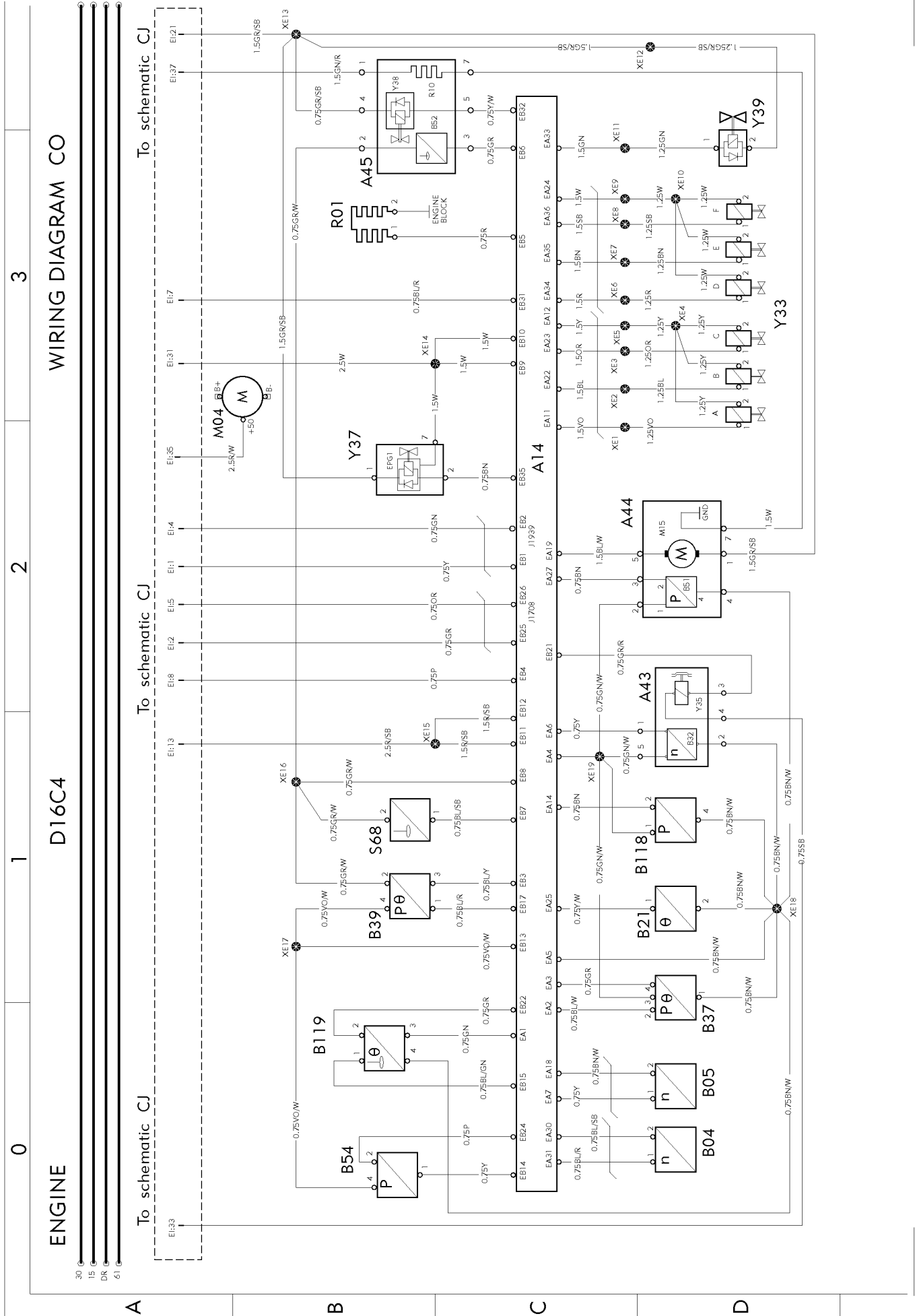


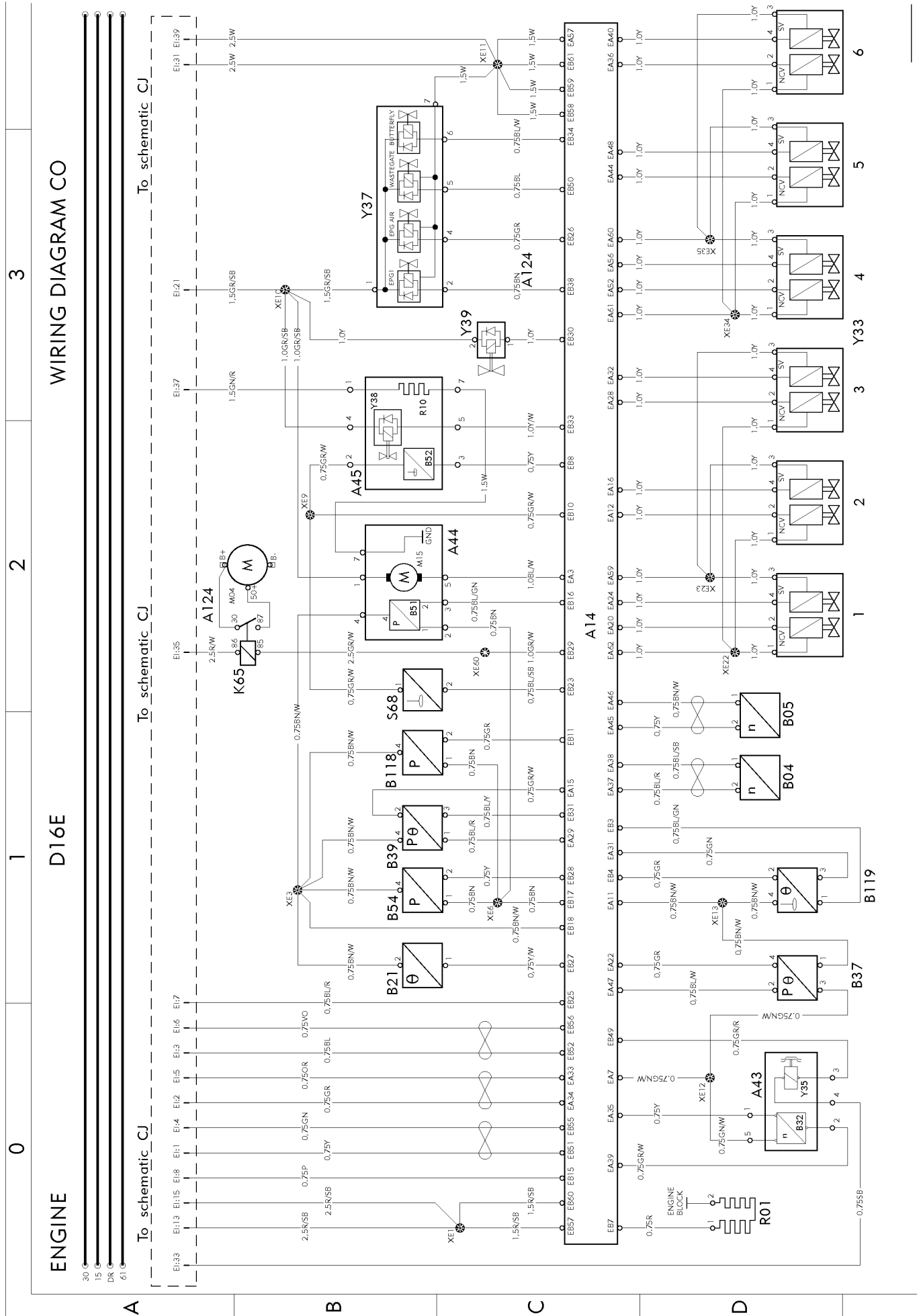


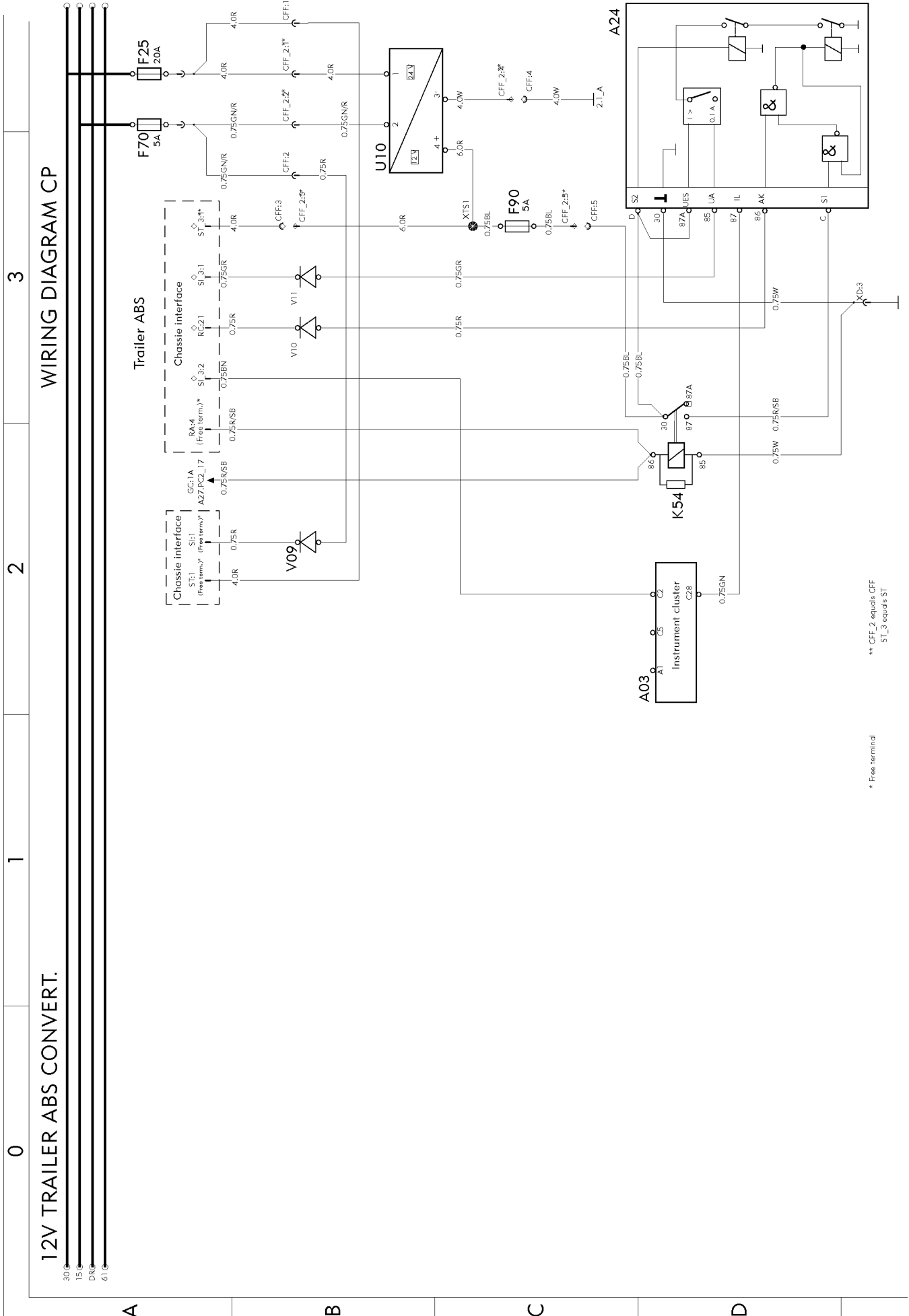


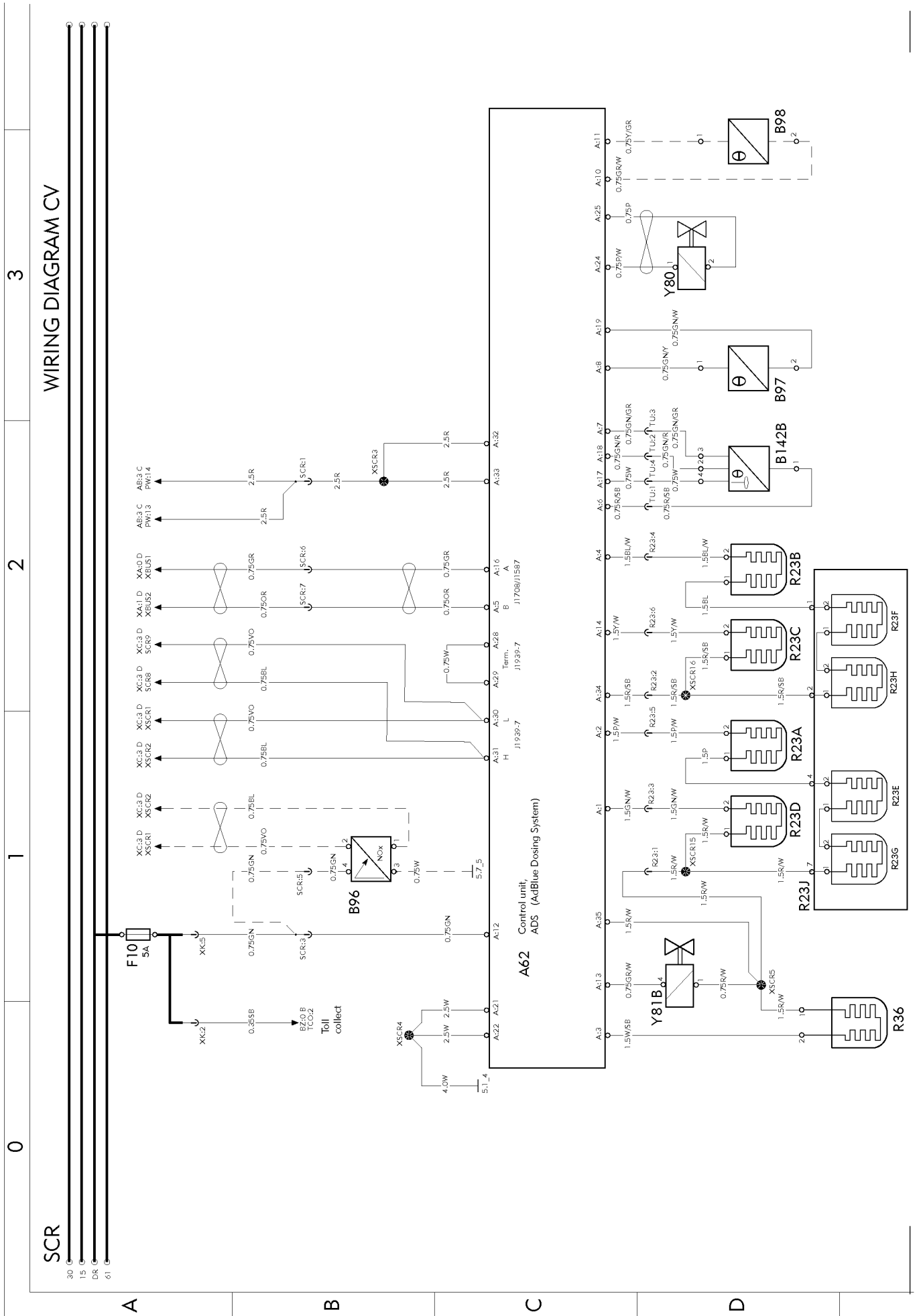


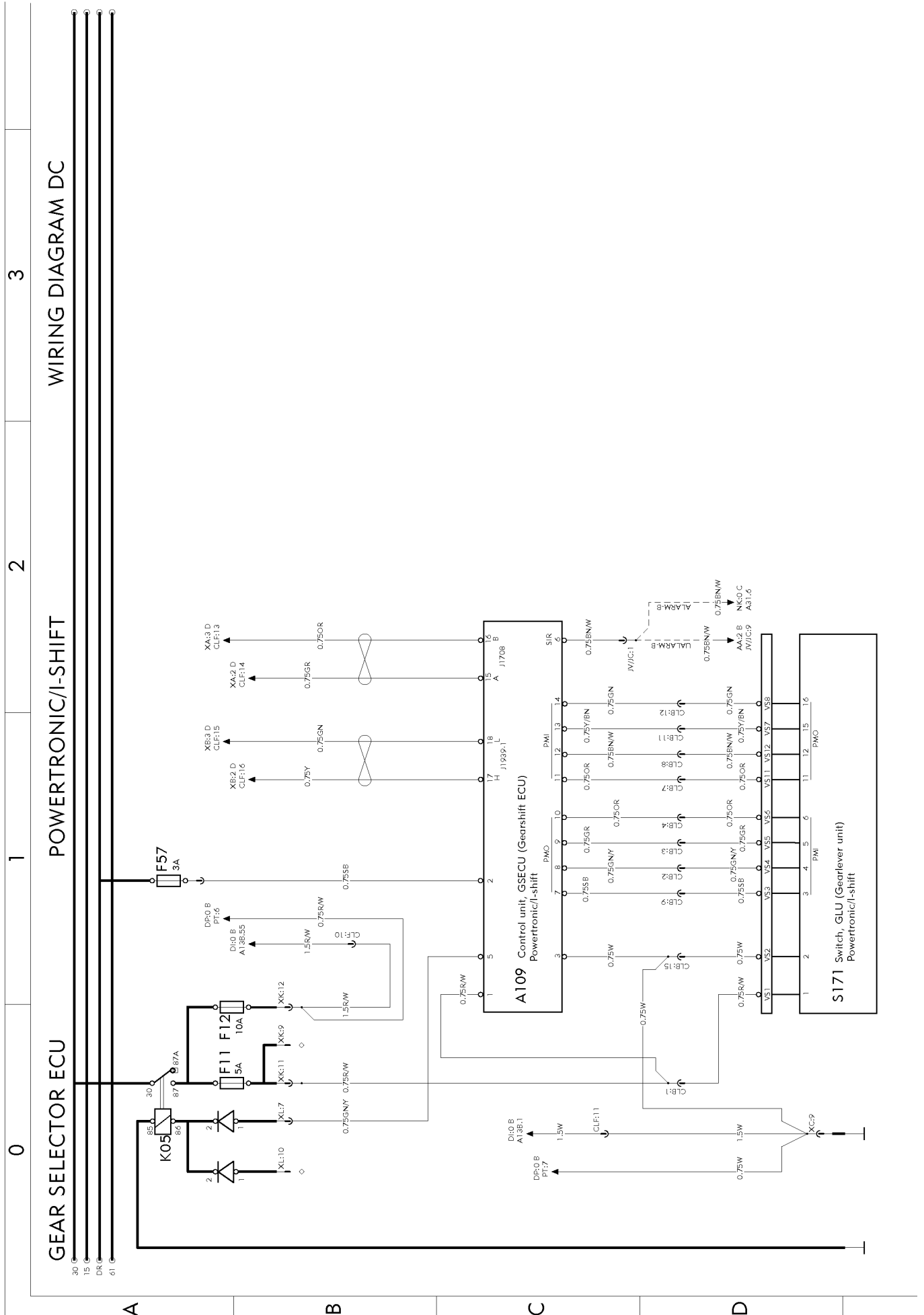


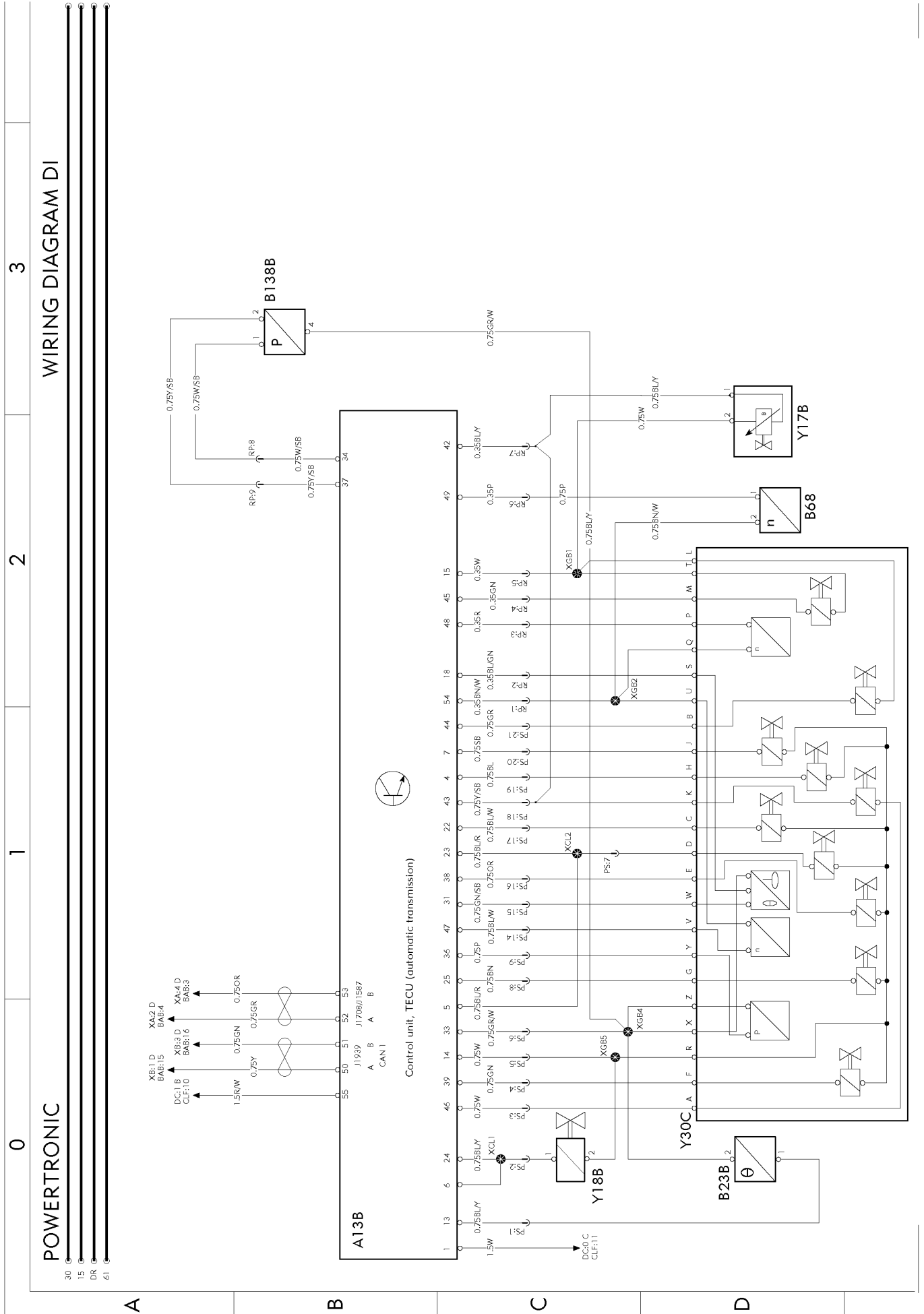


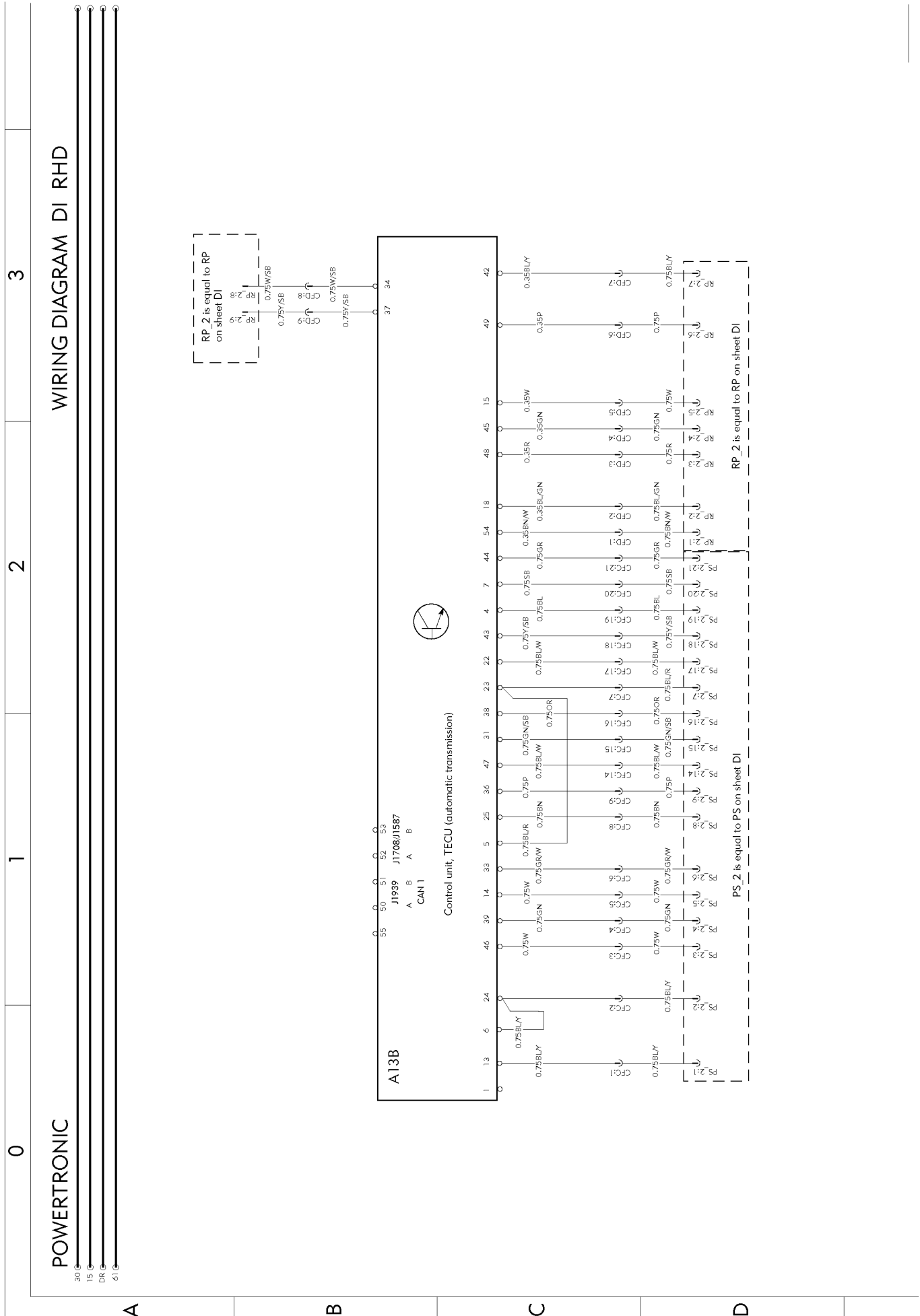


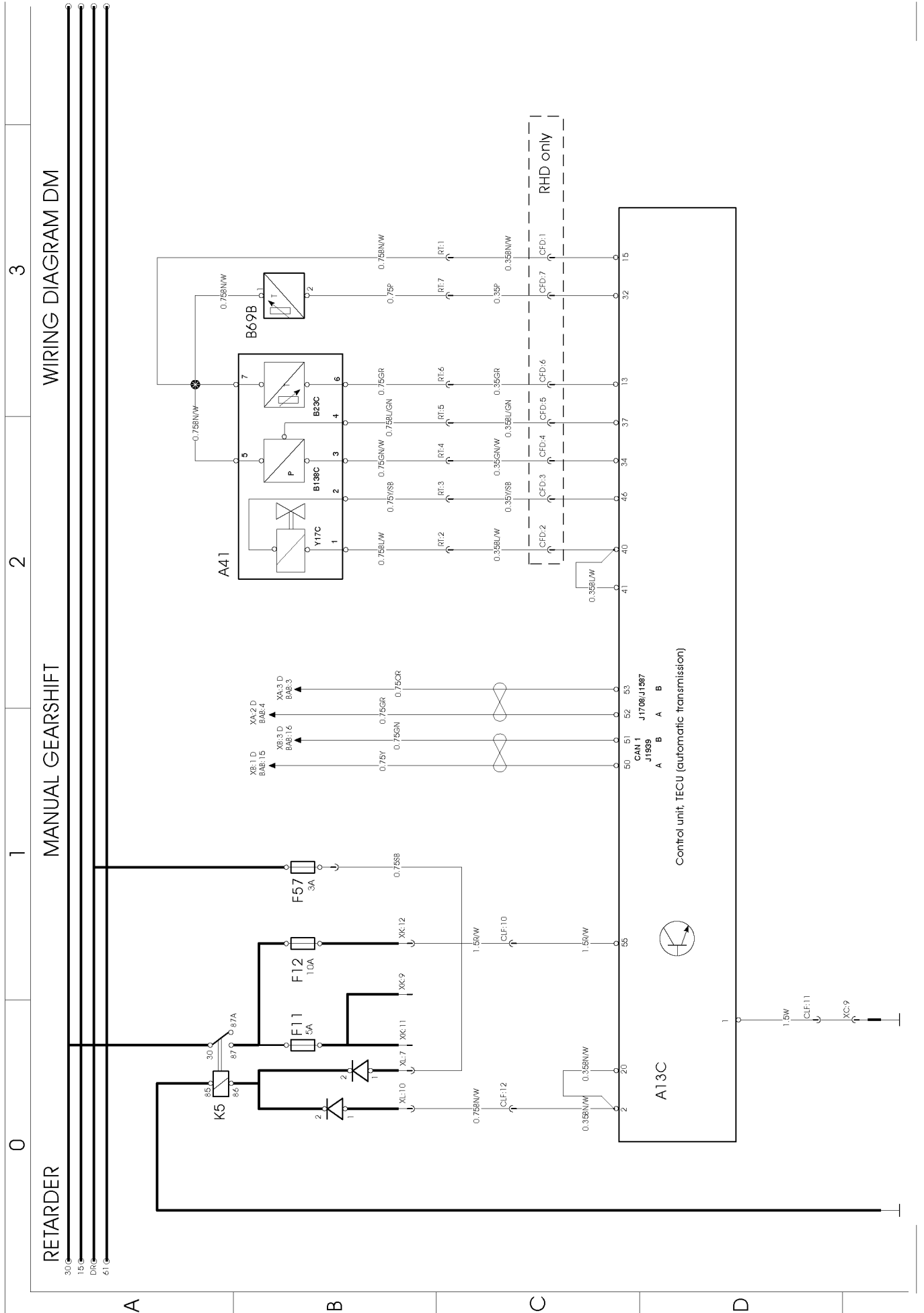


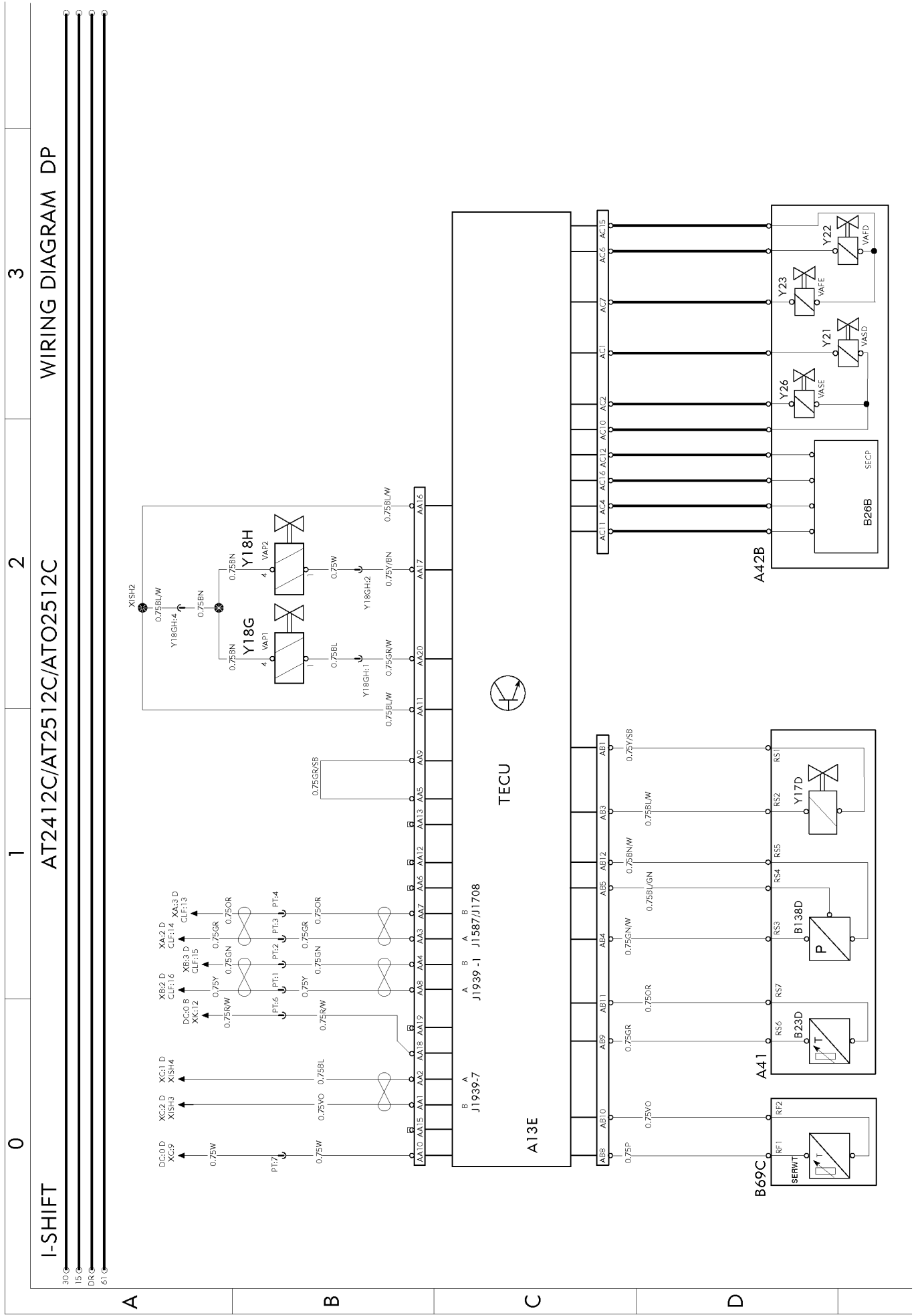


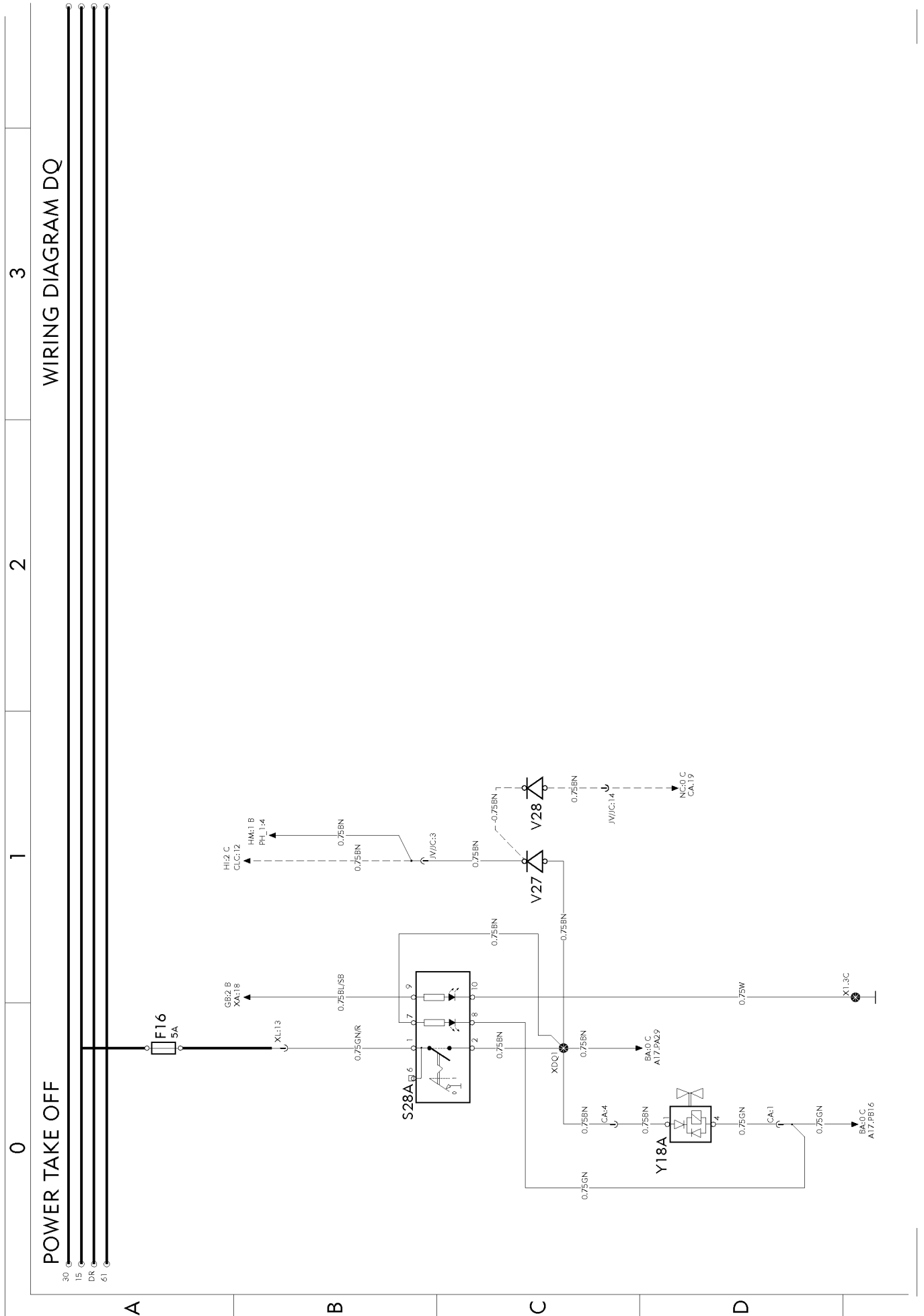


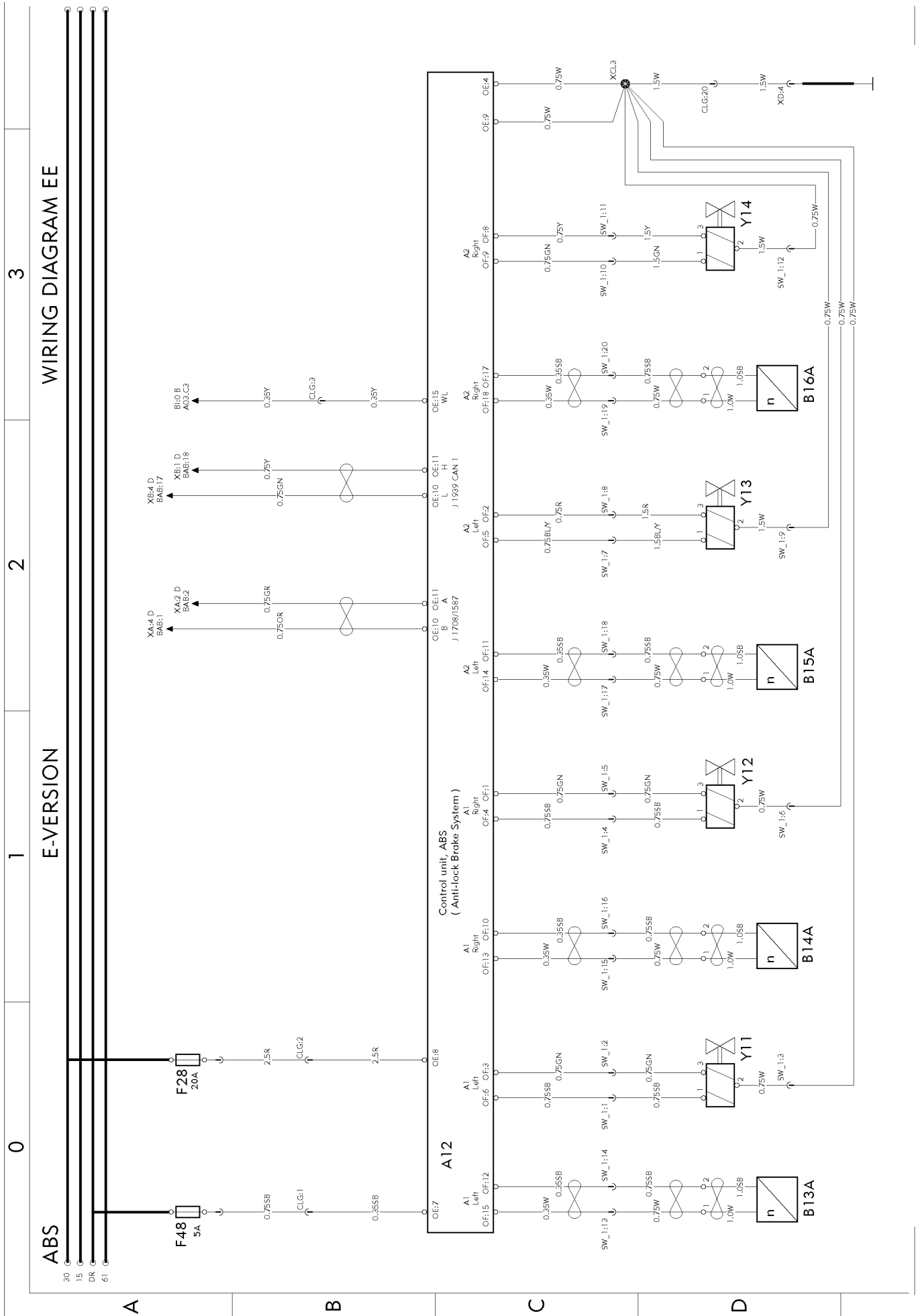


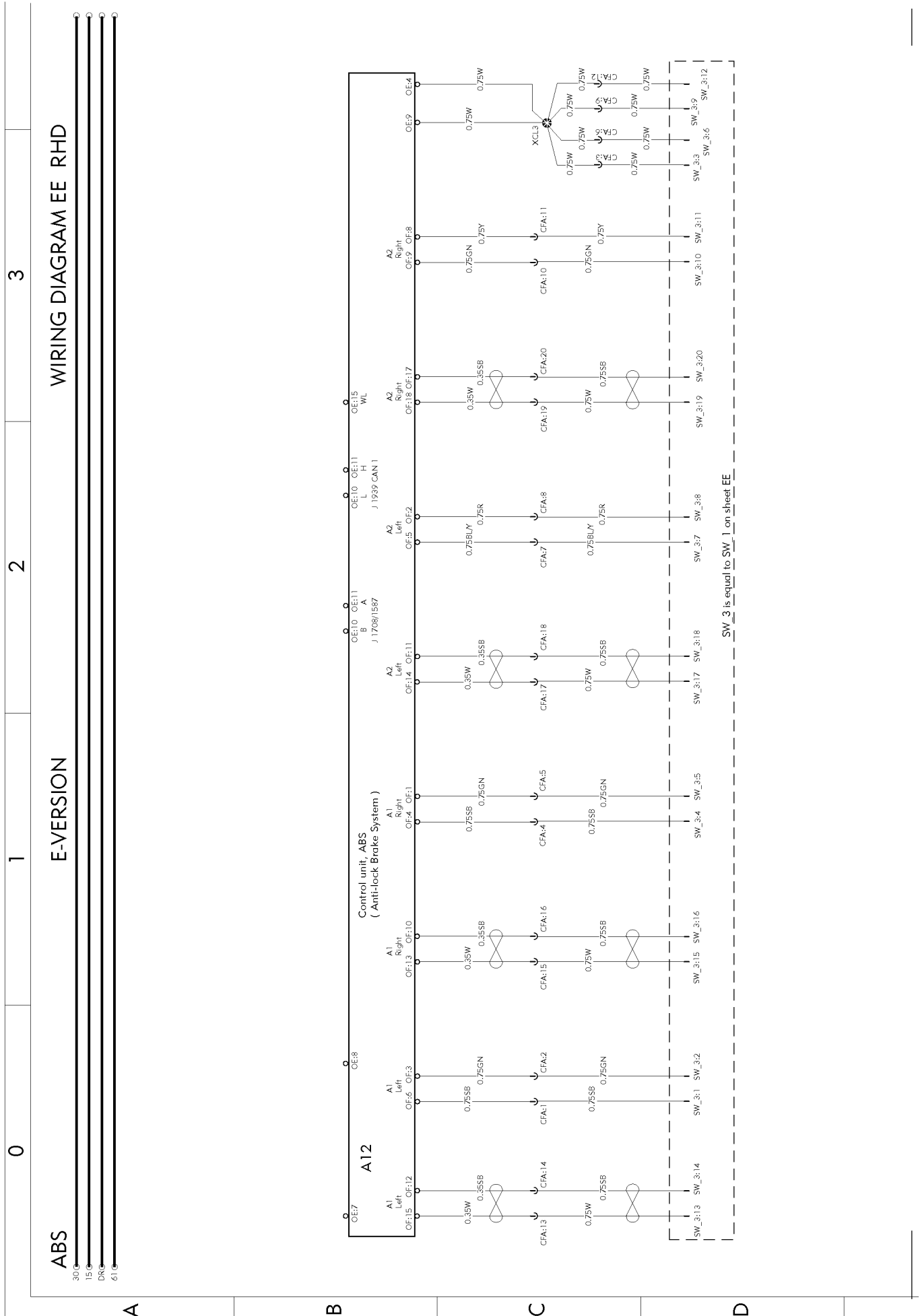


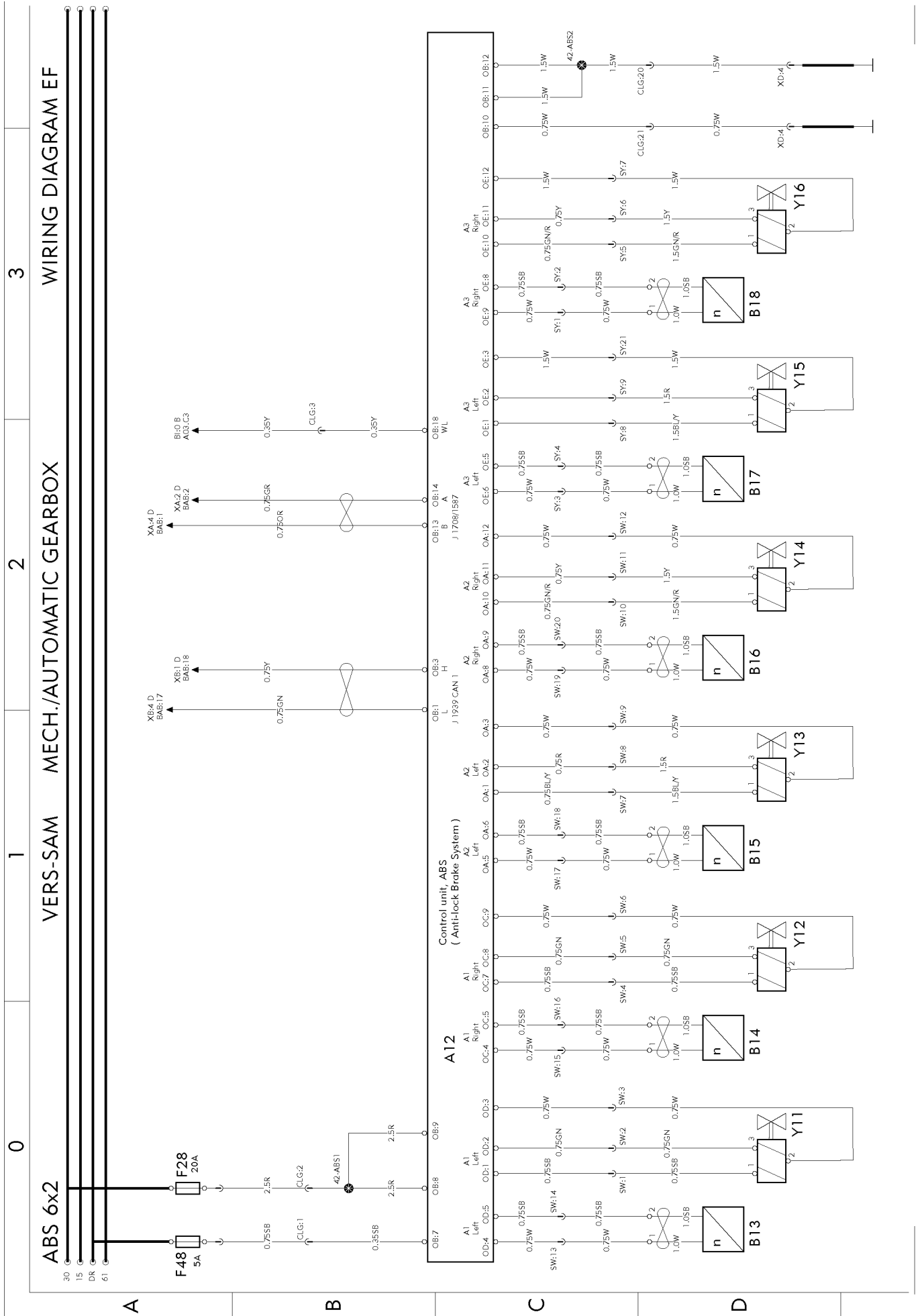




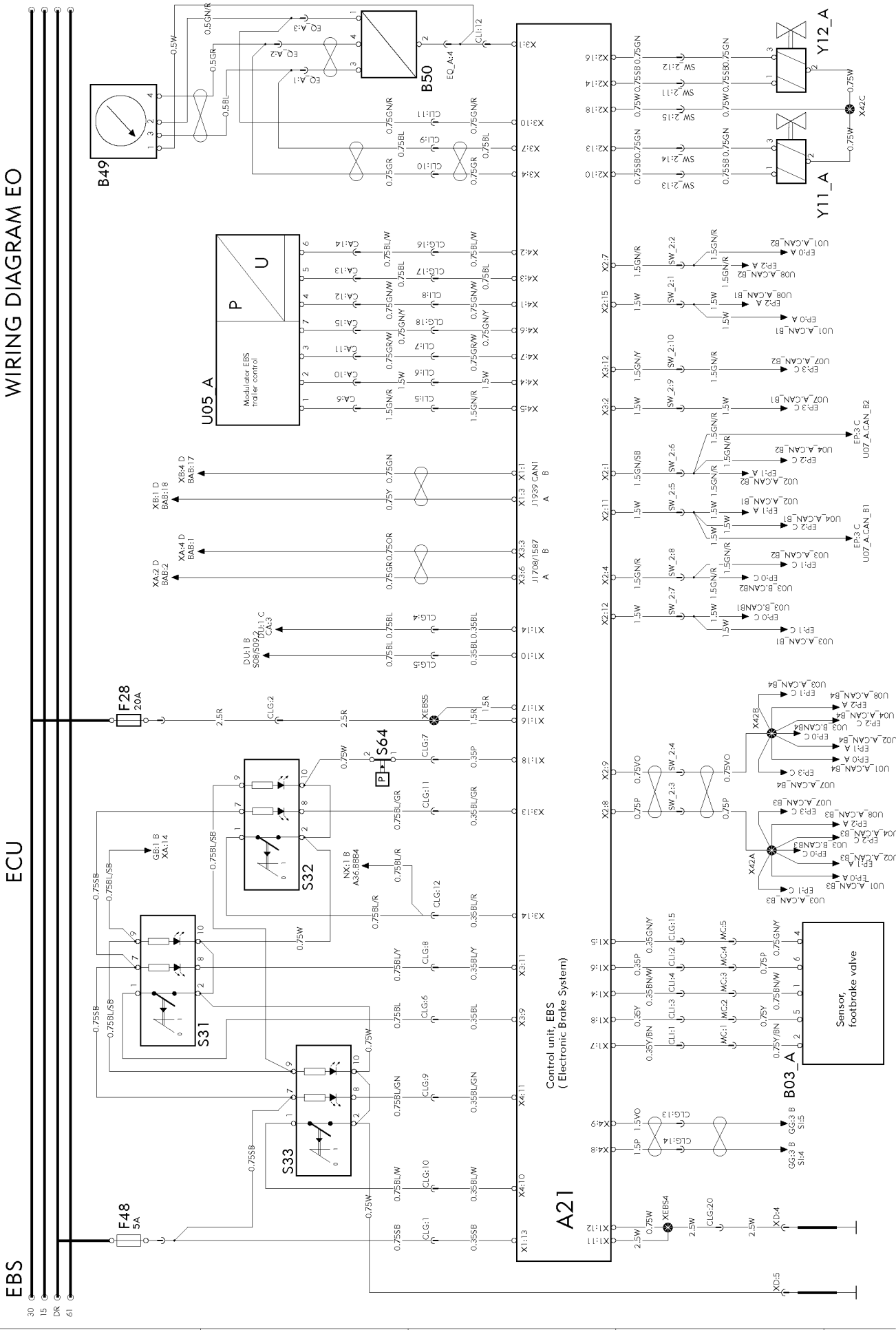


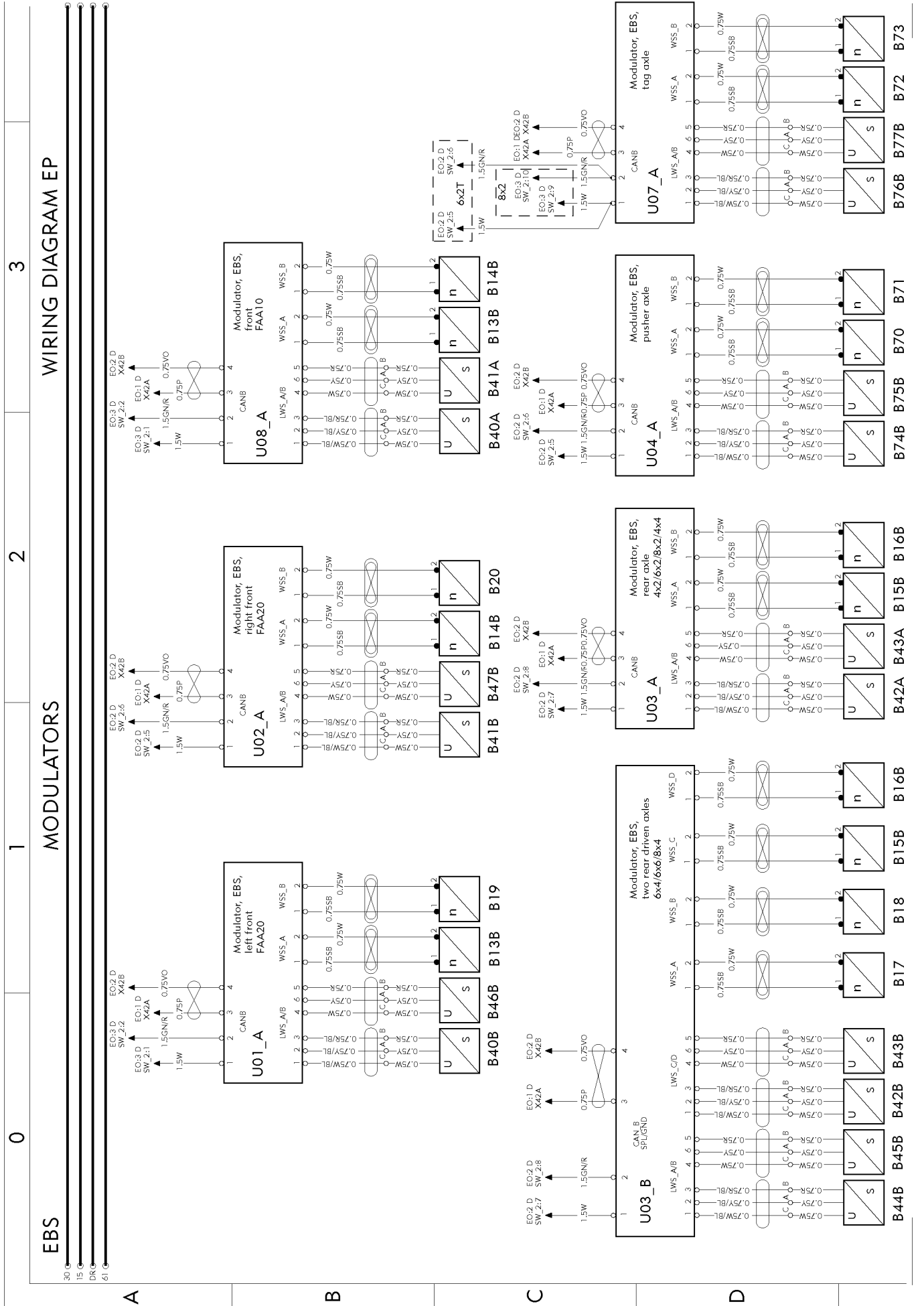


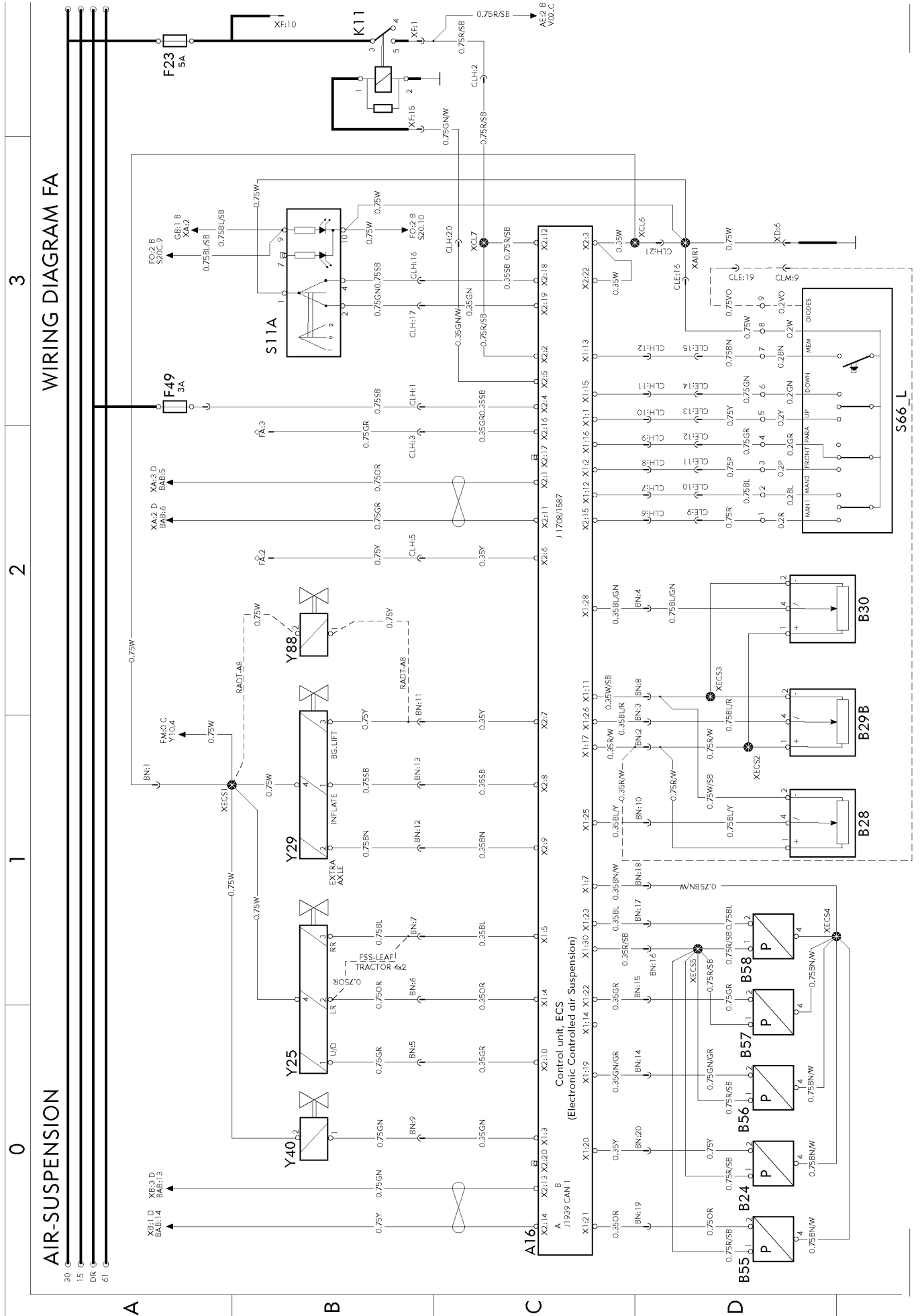


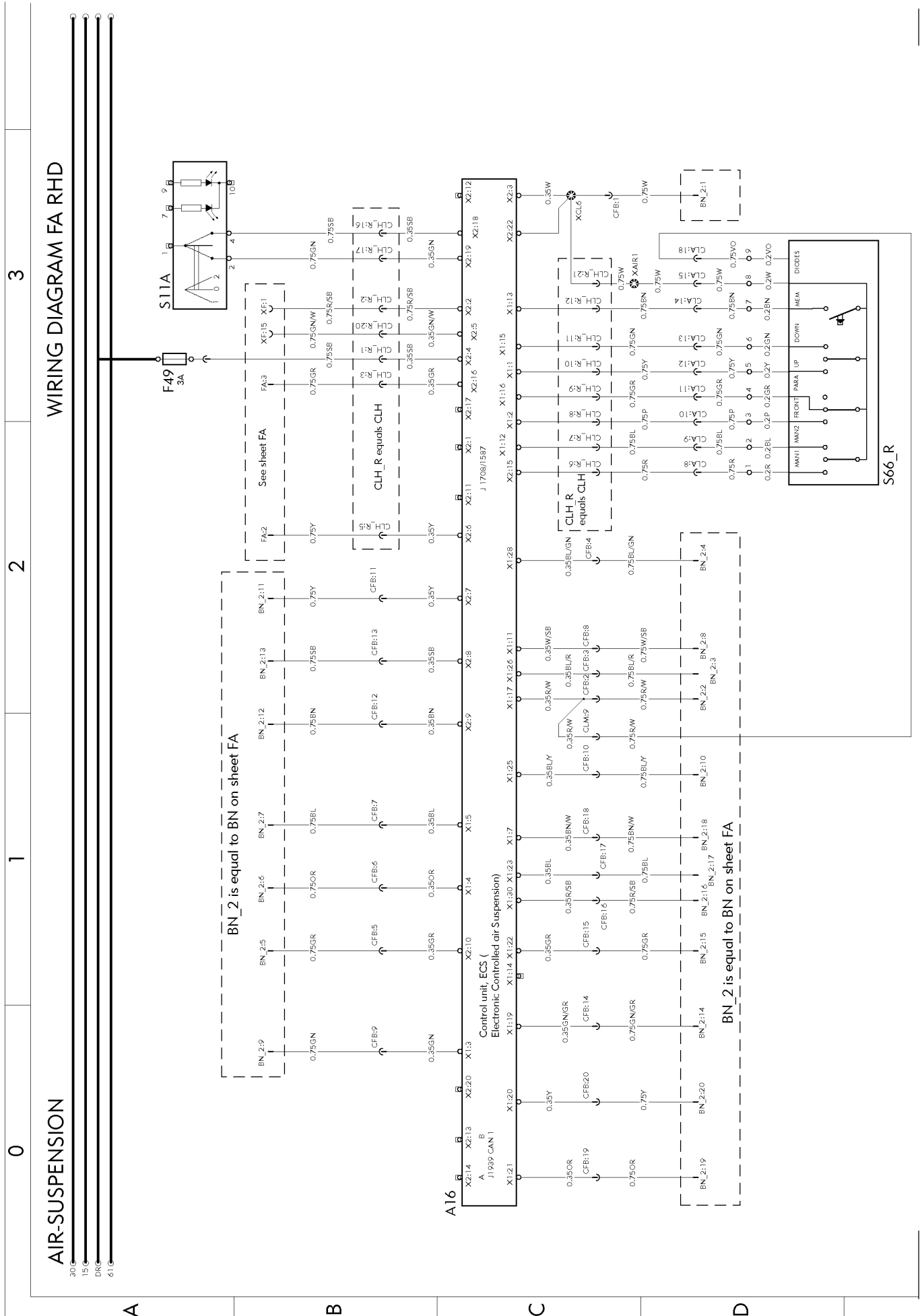


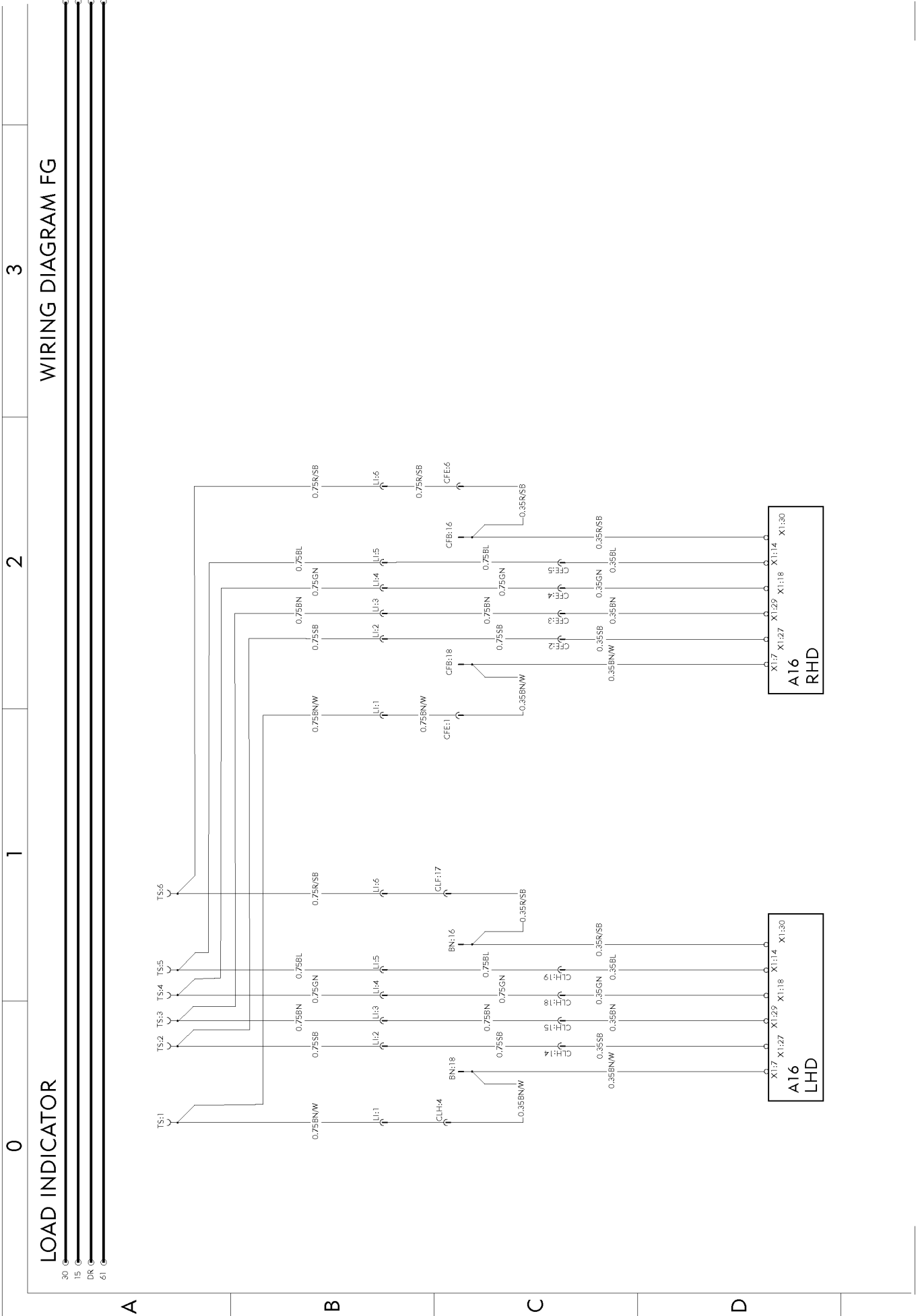
WIRING DIAGRAM EO

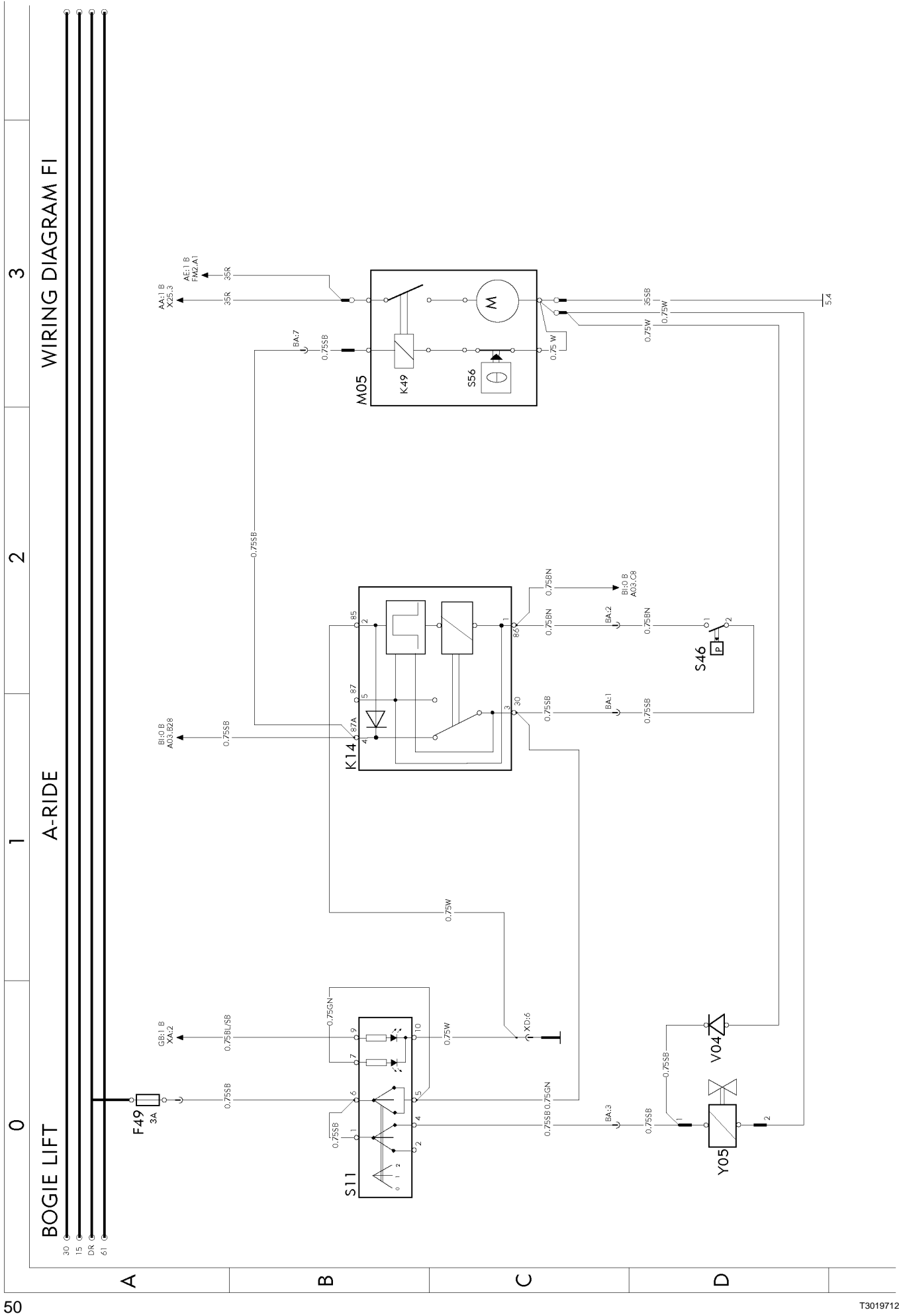


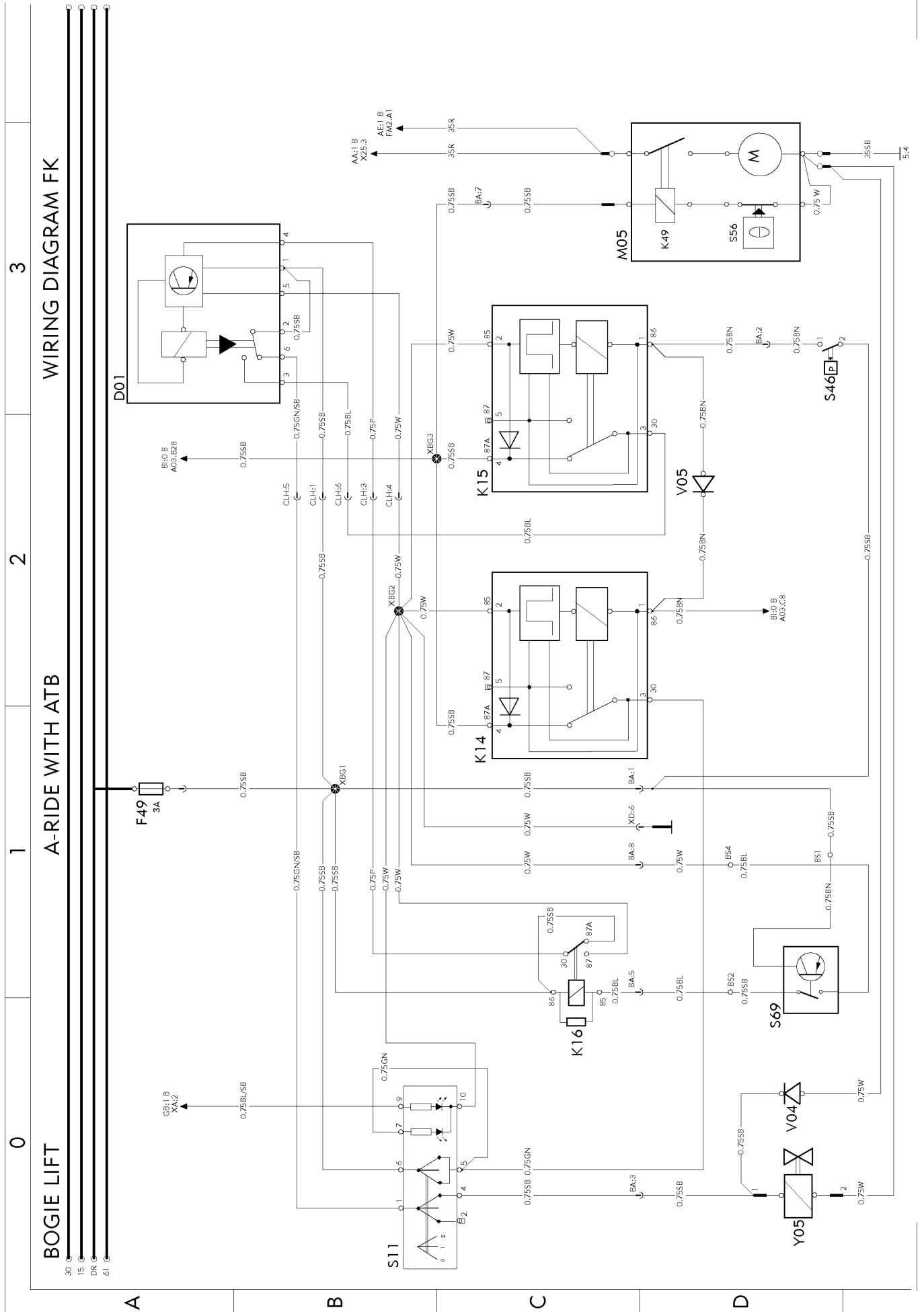


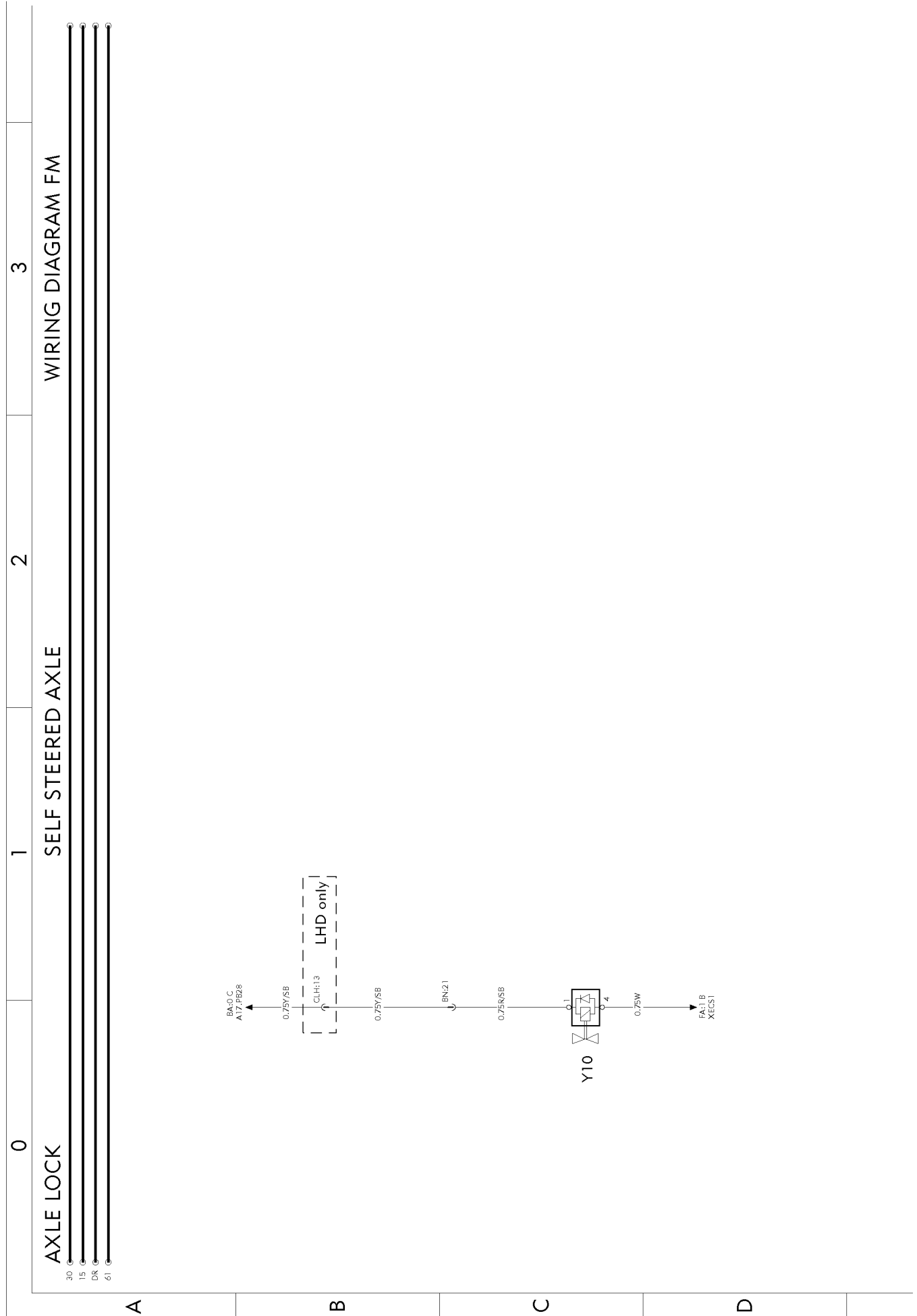


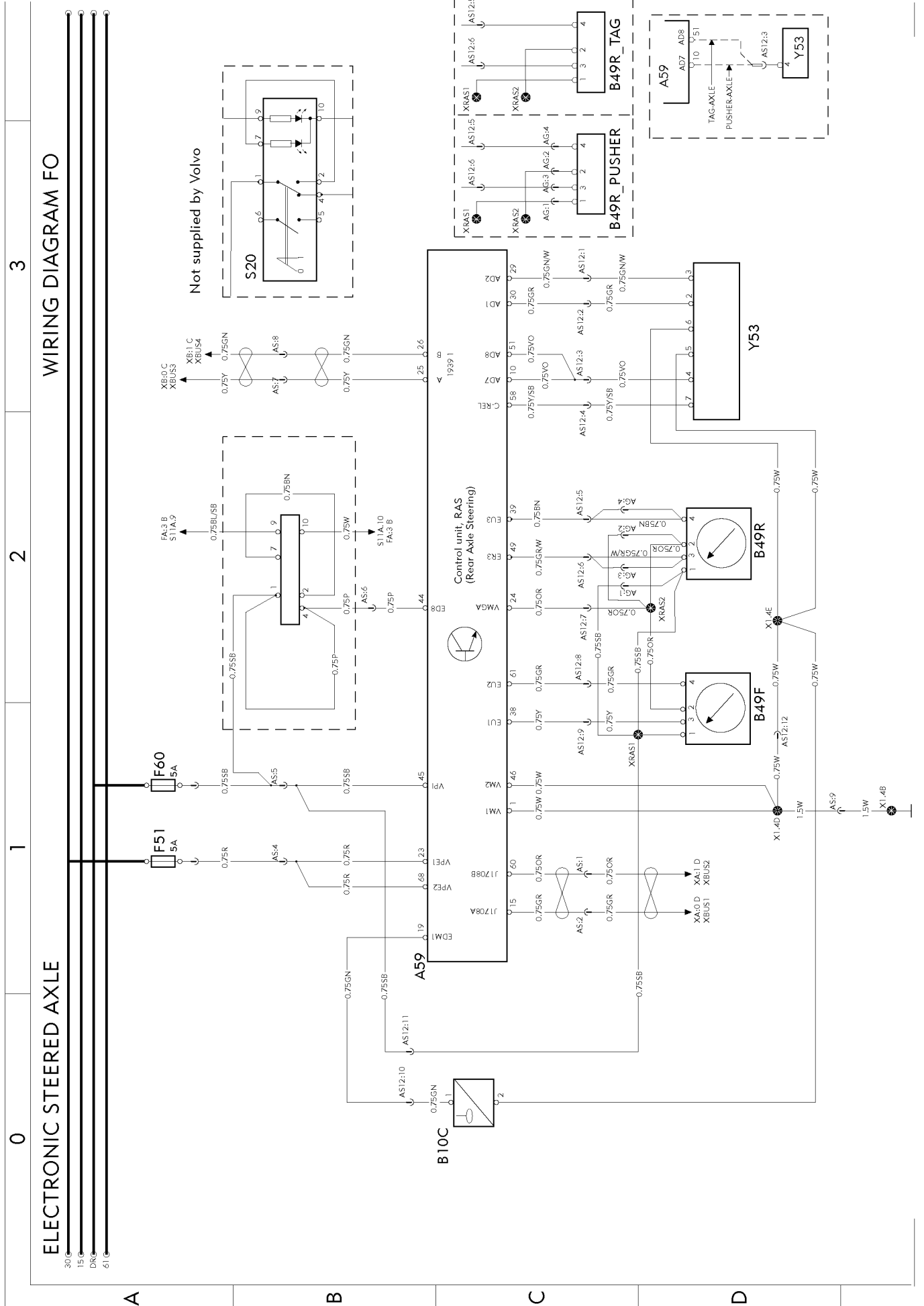


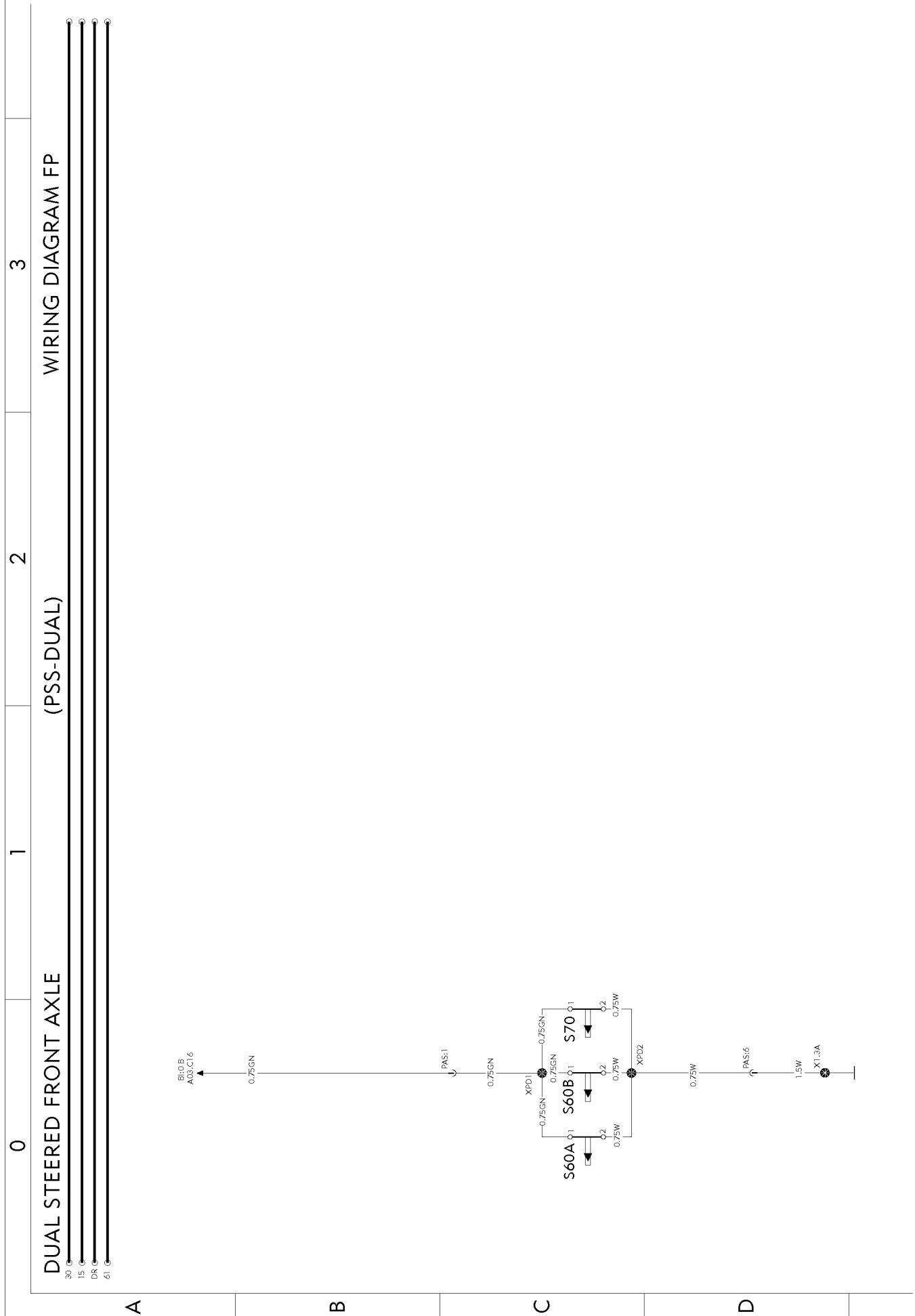


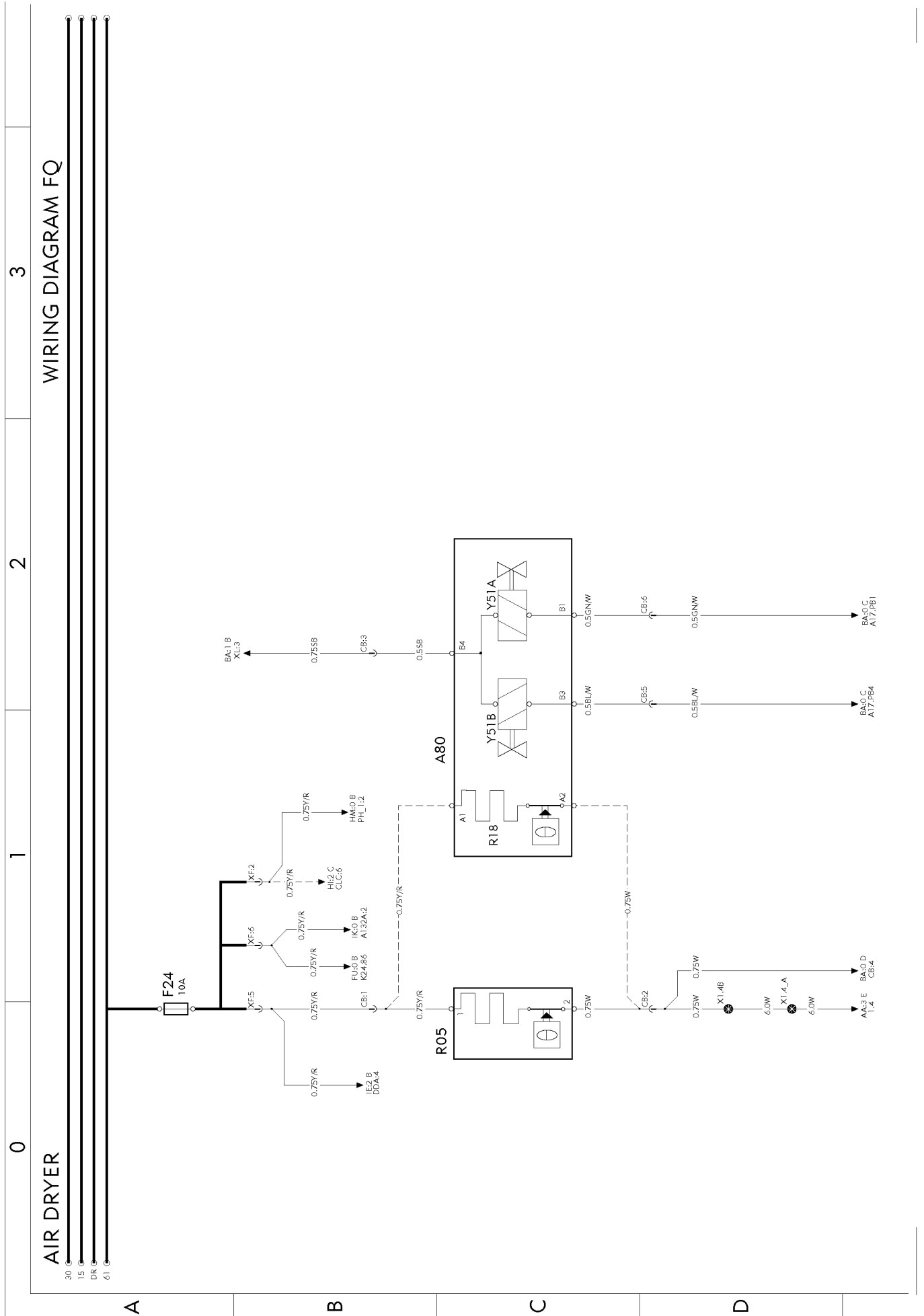


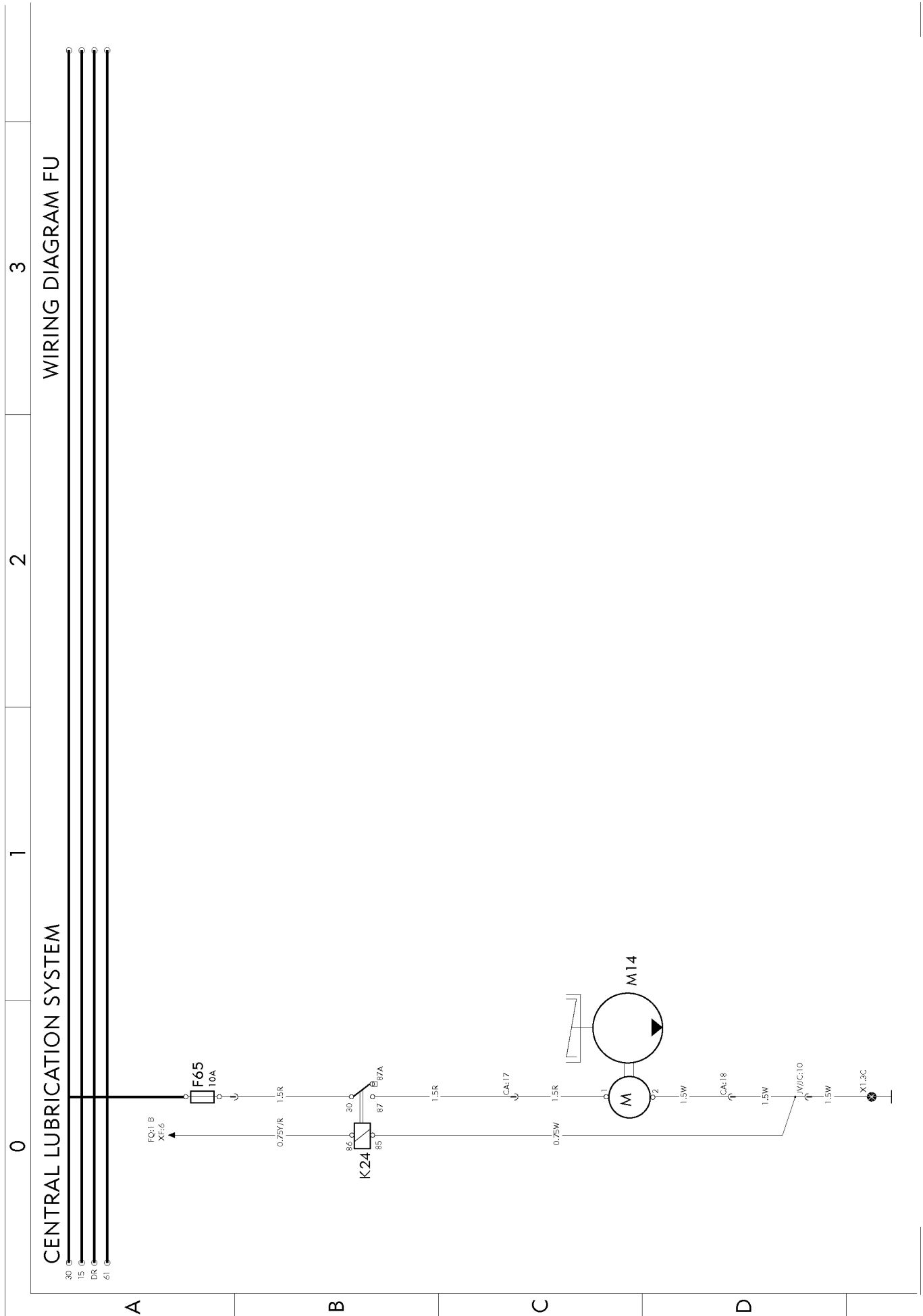


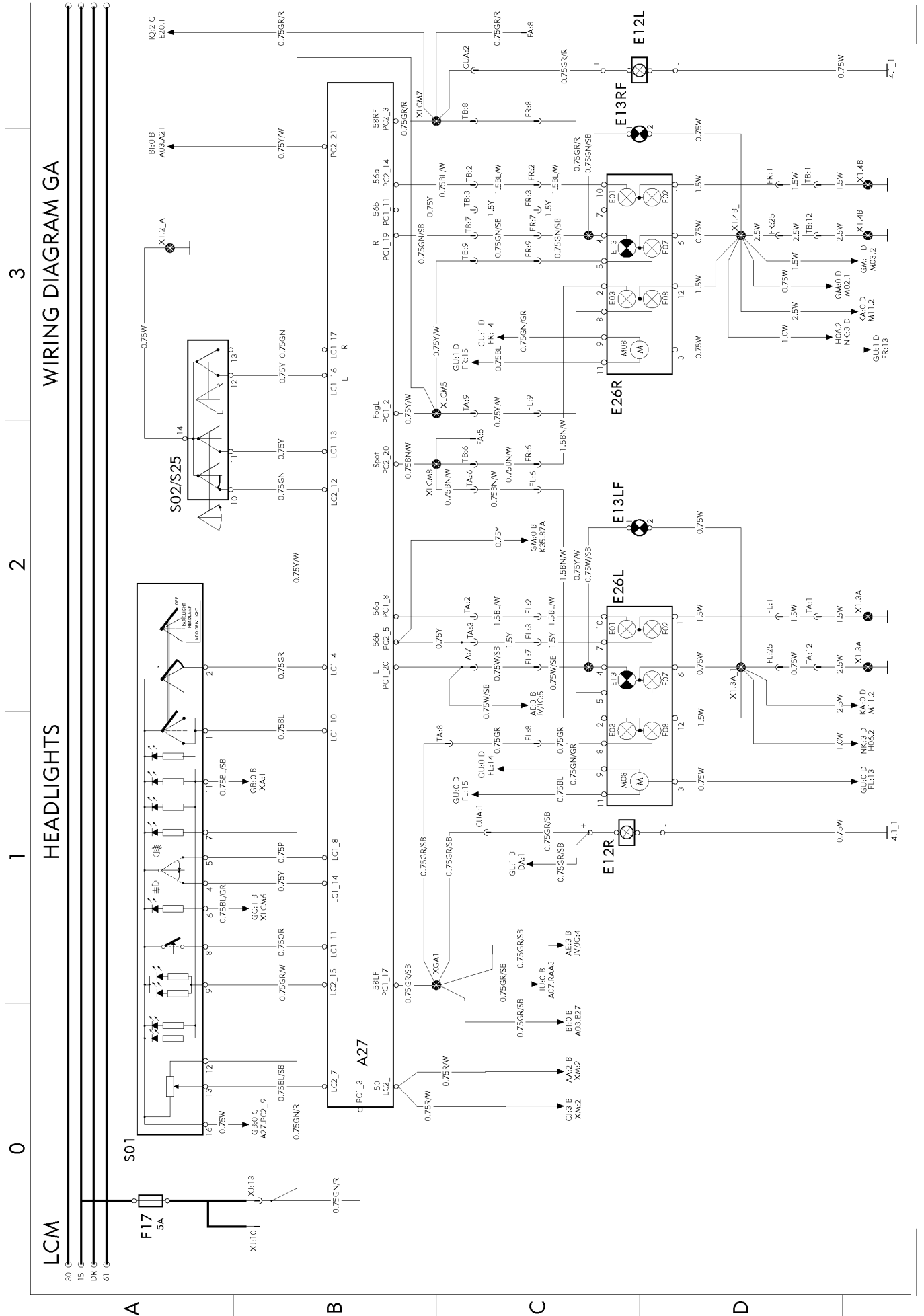


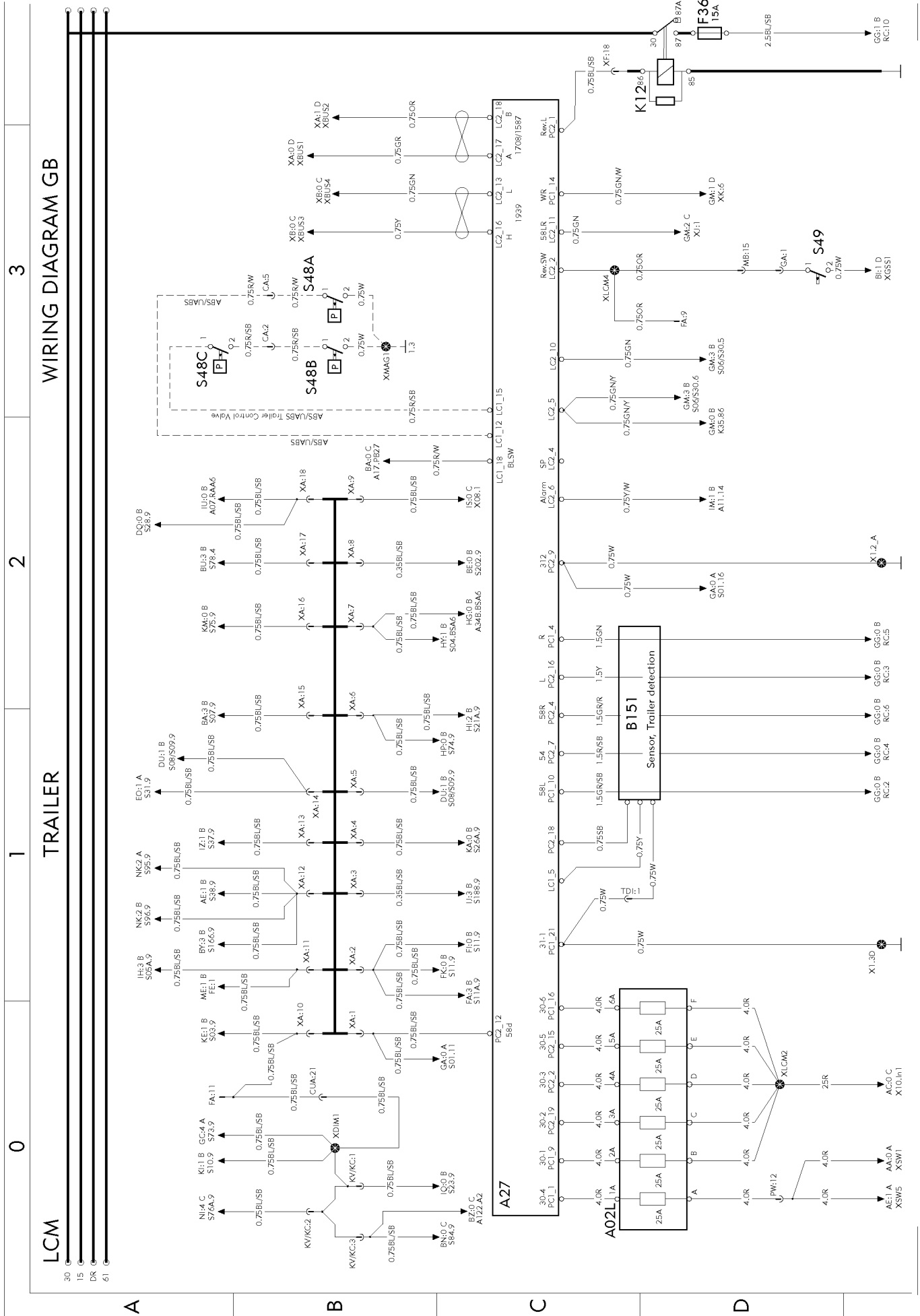


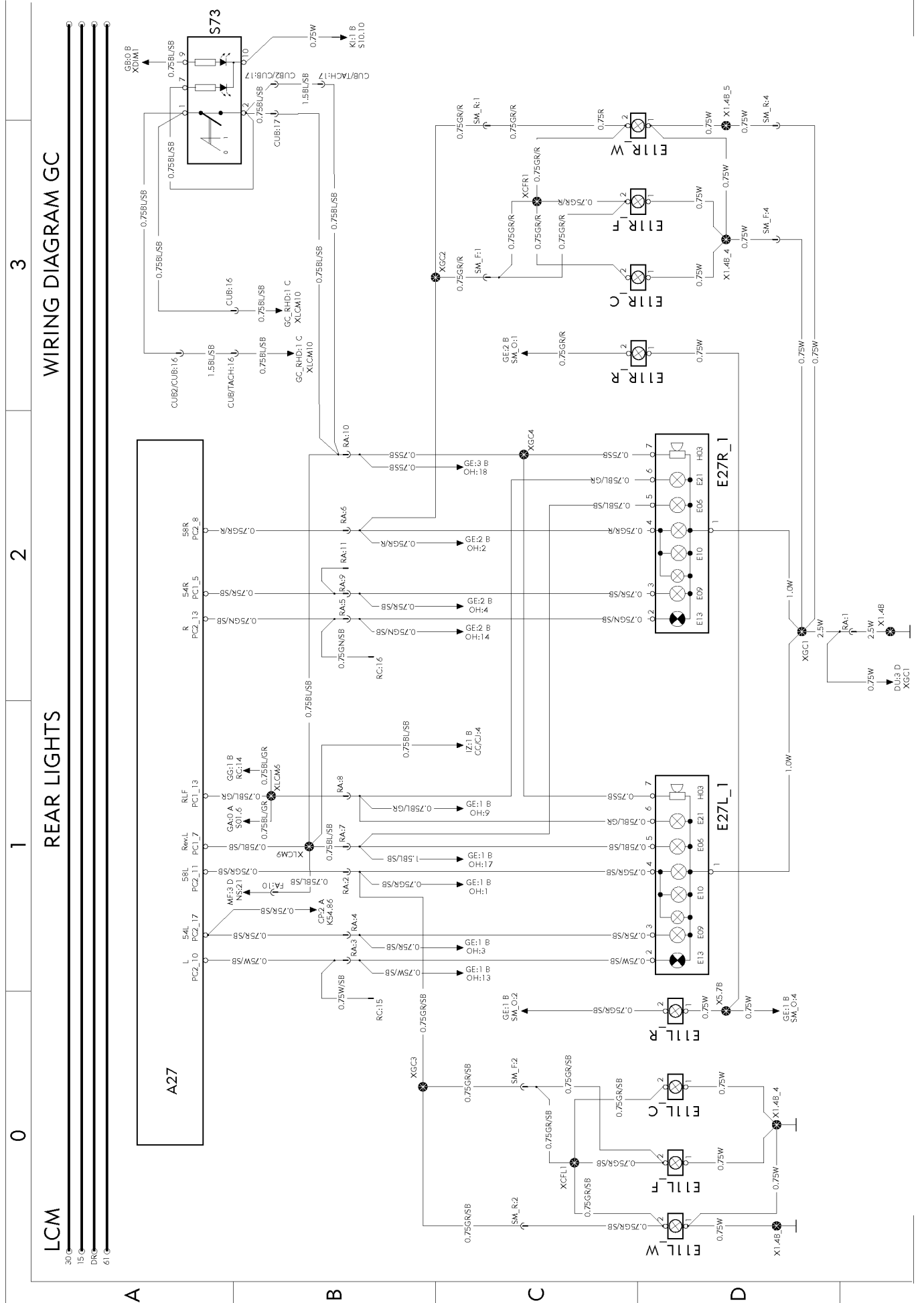


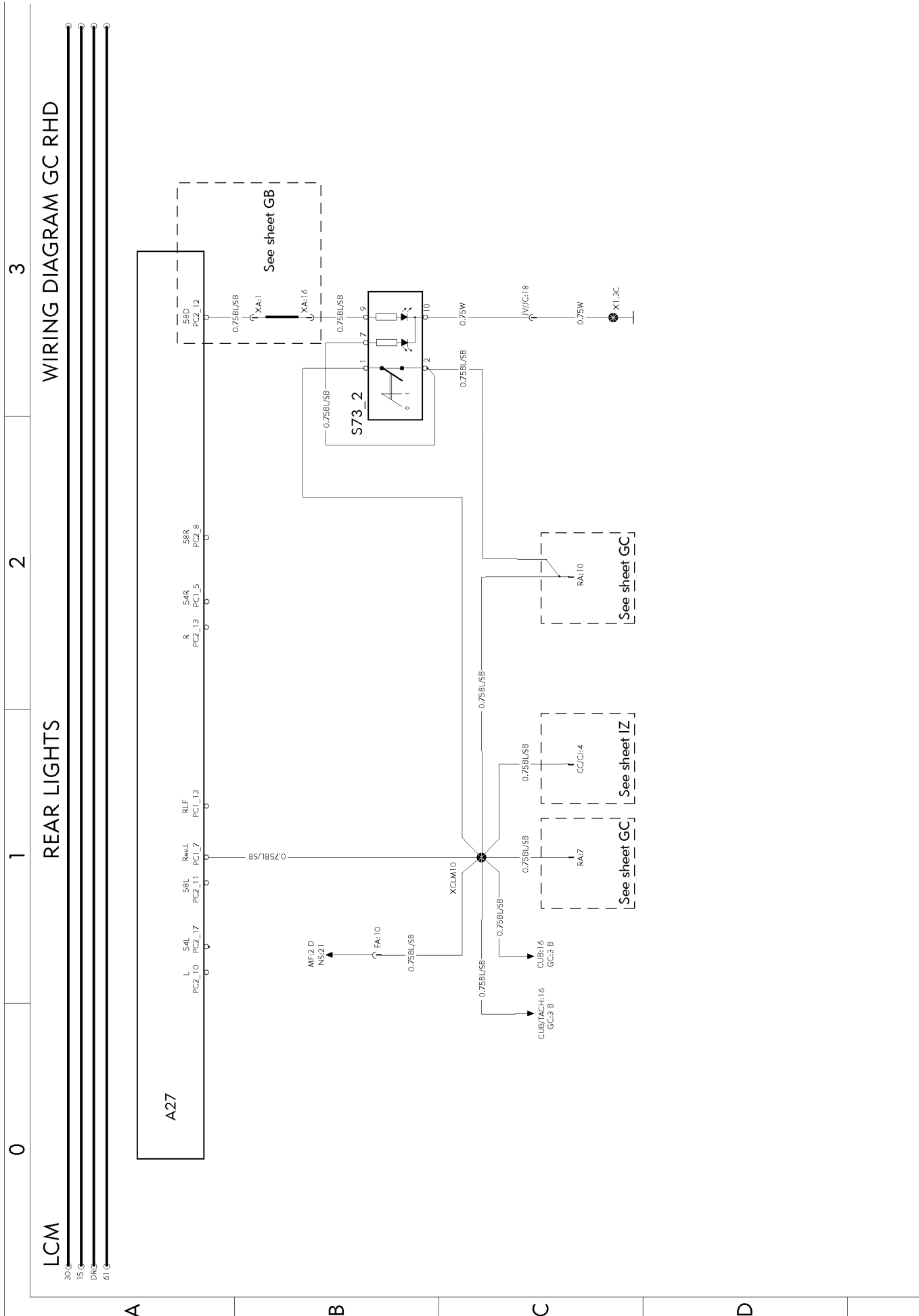


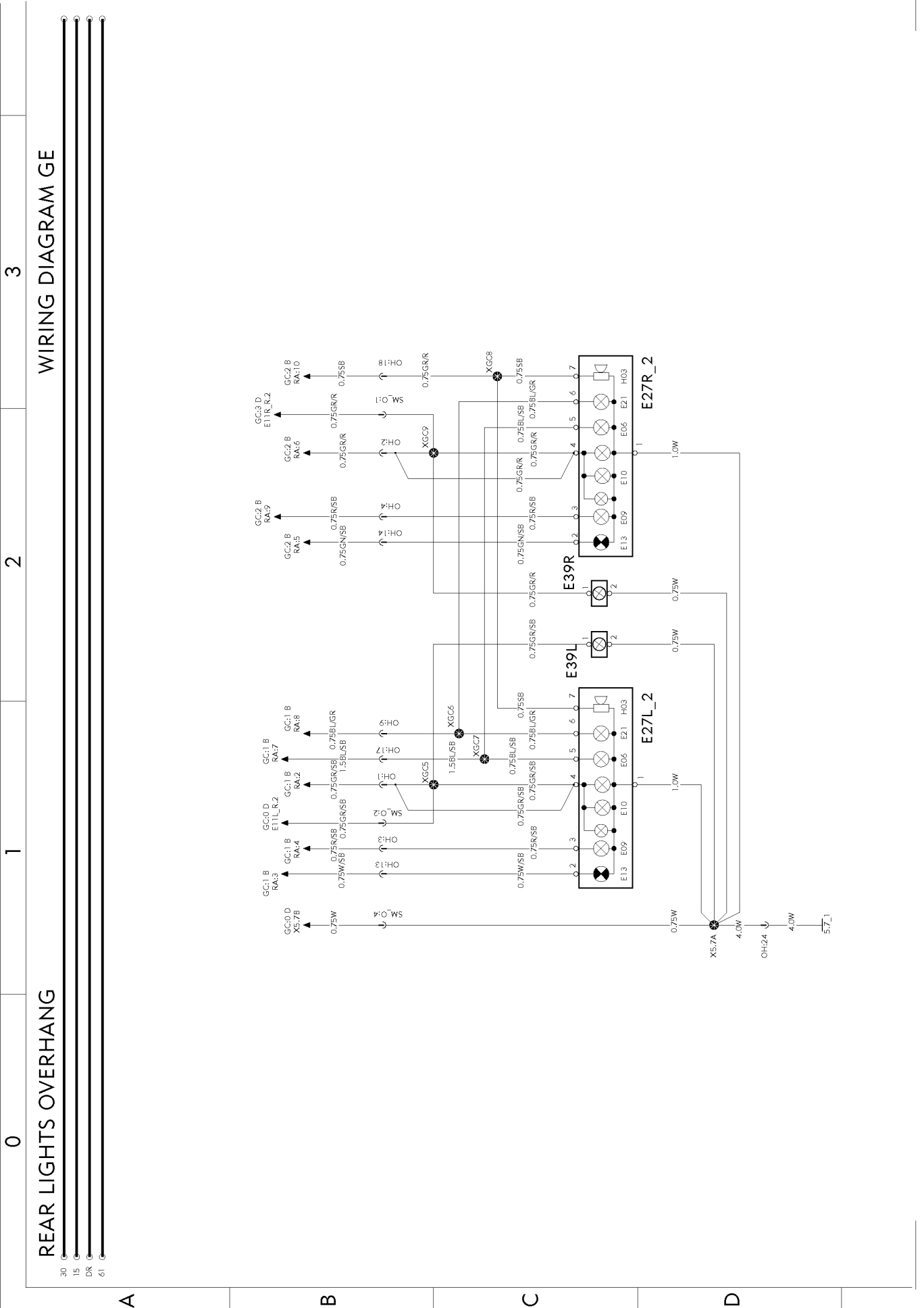


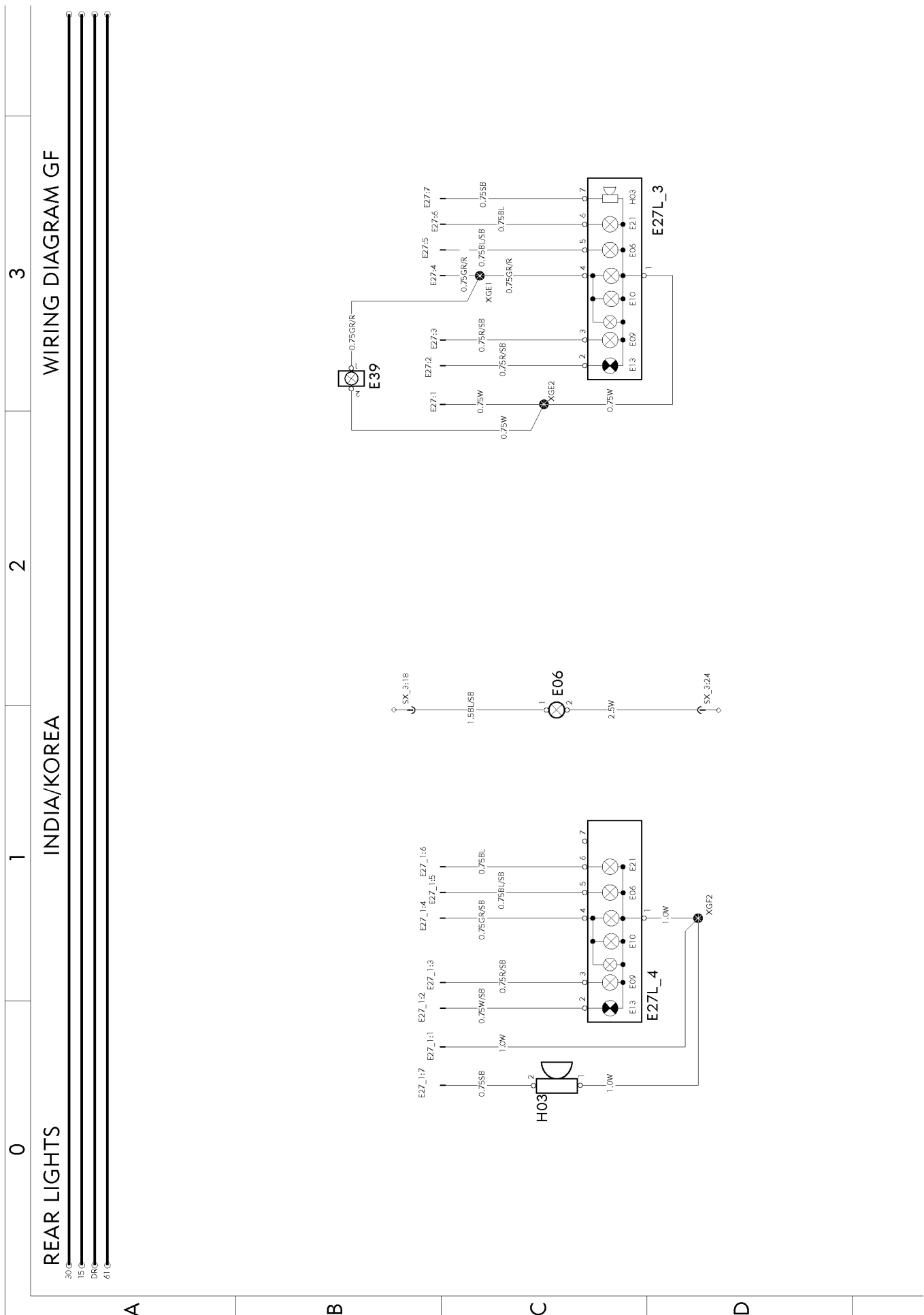


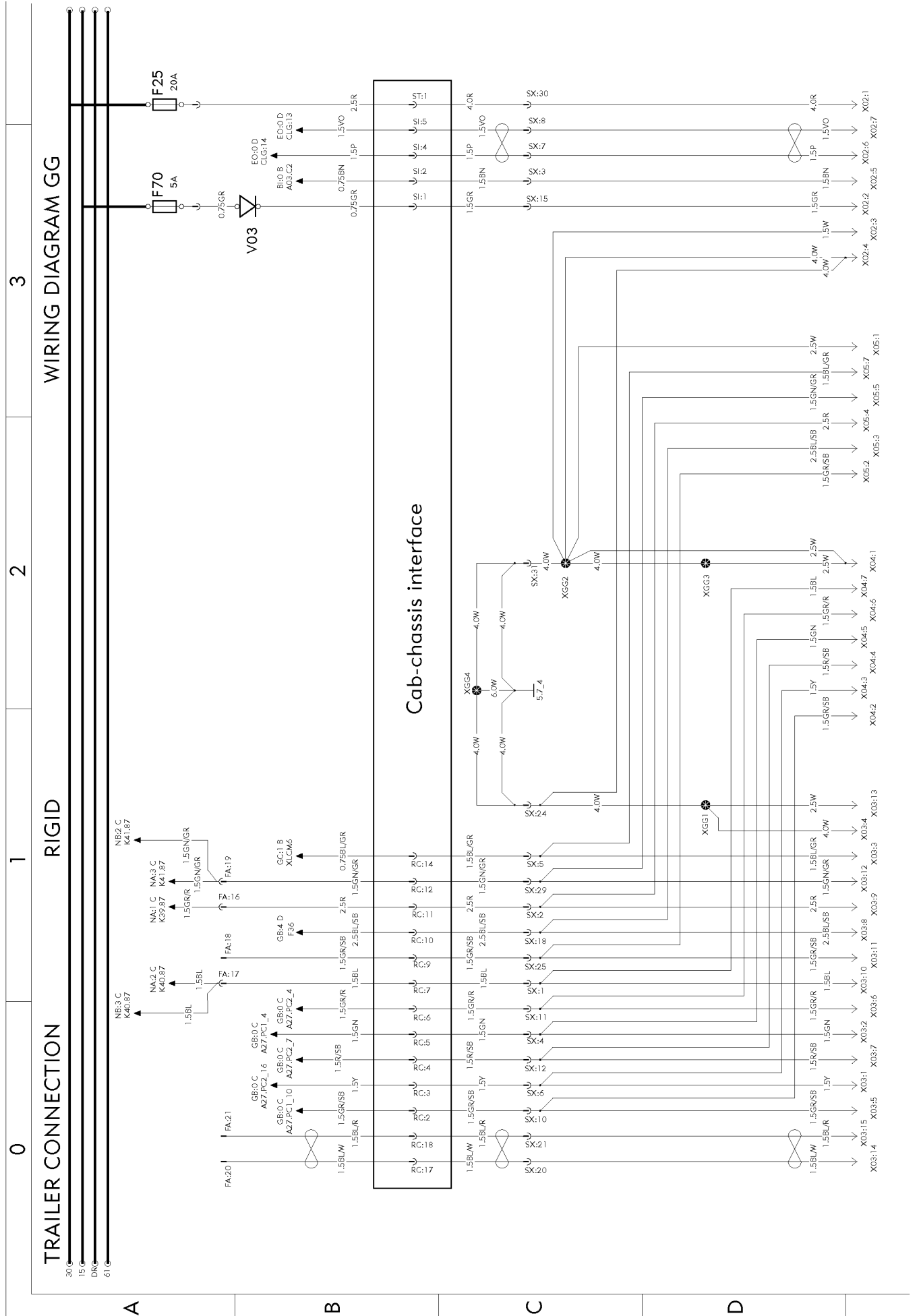


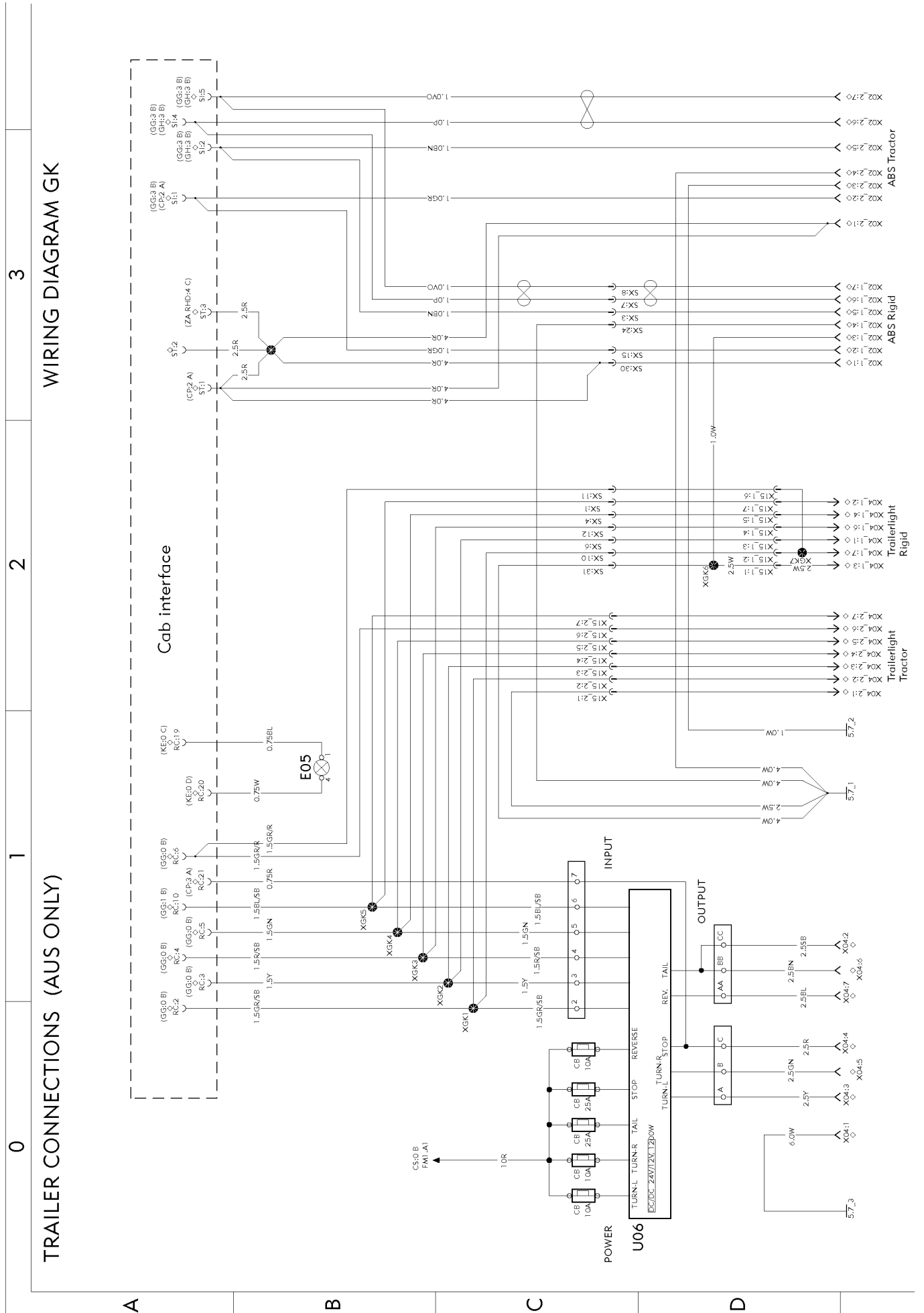




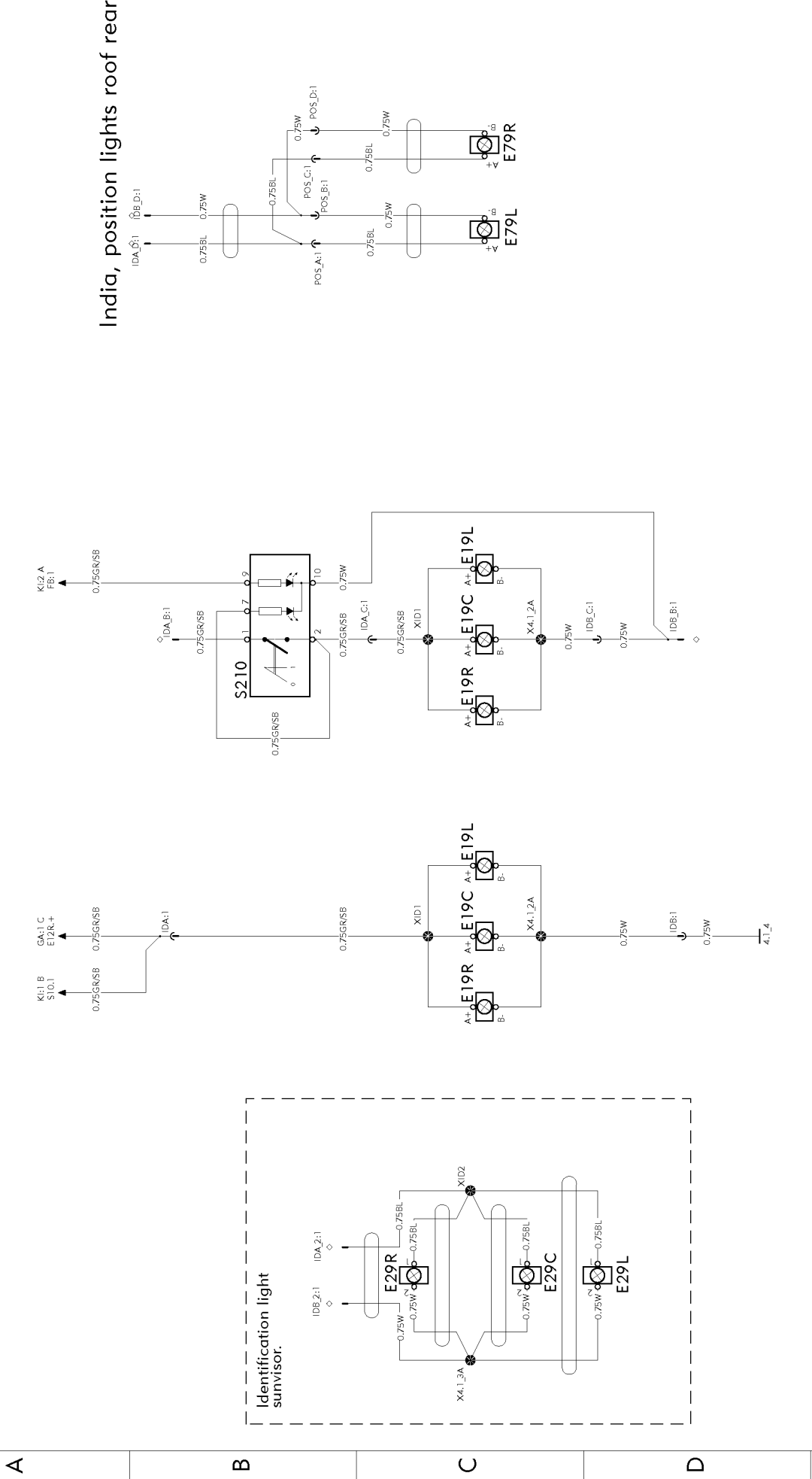




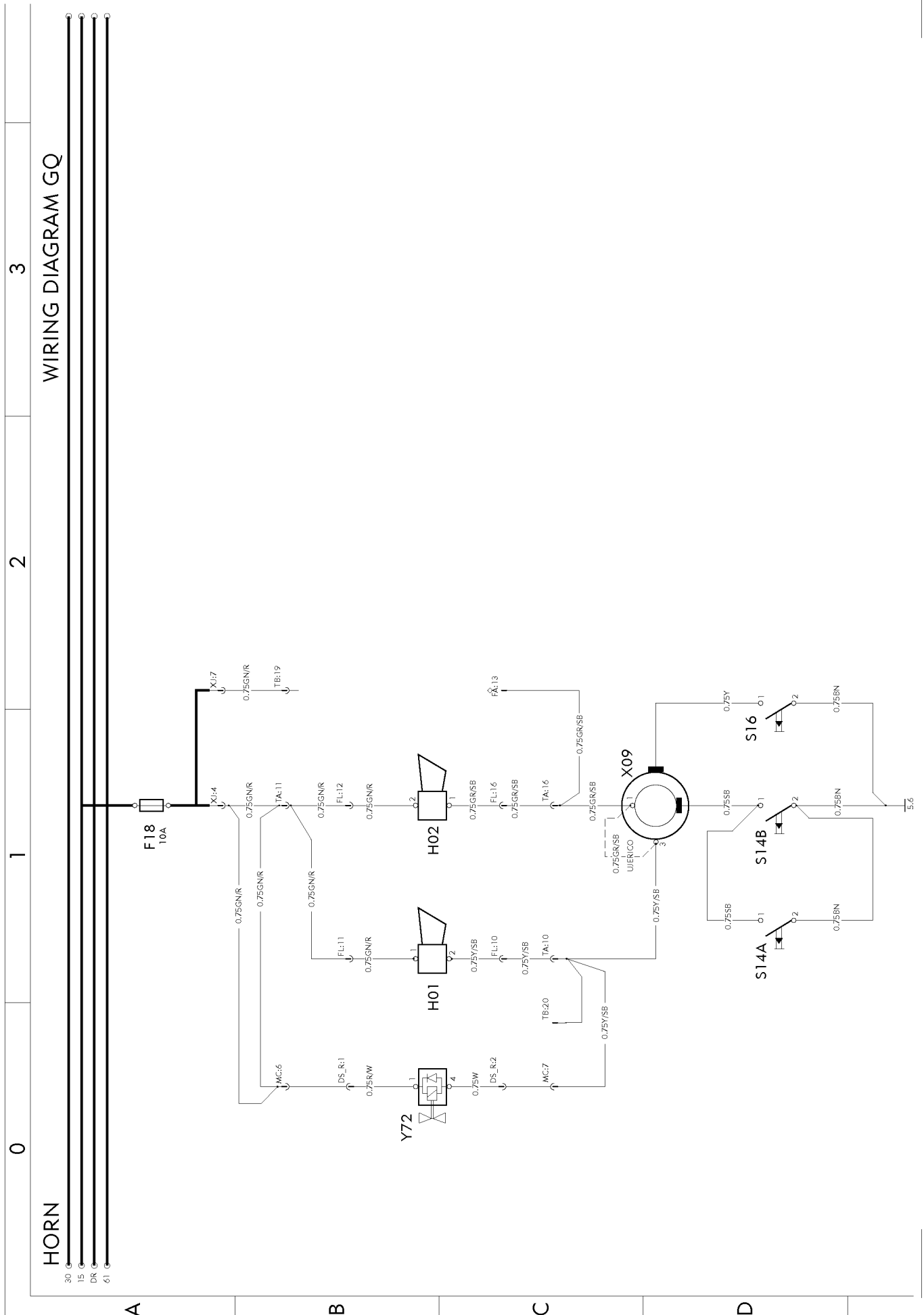


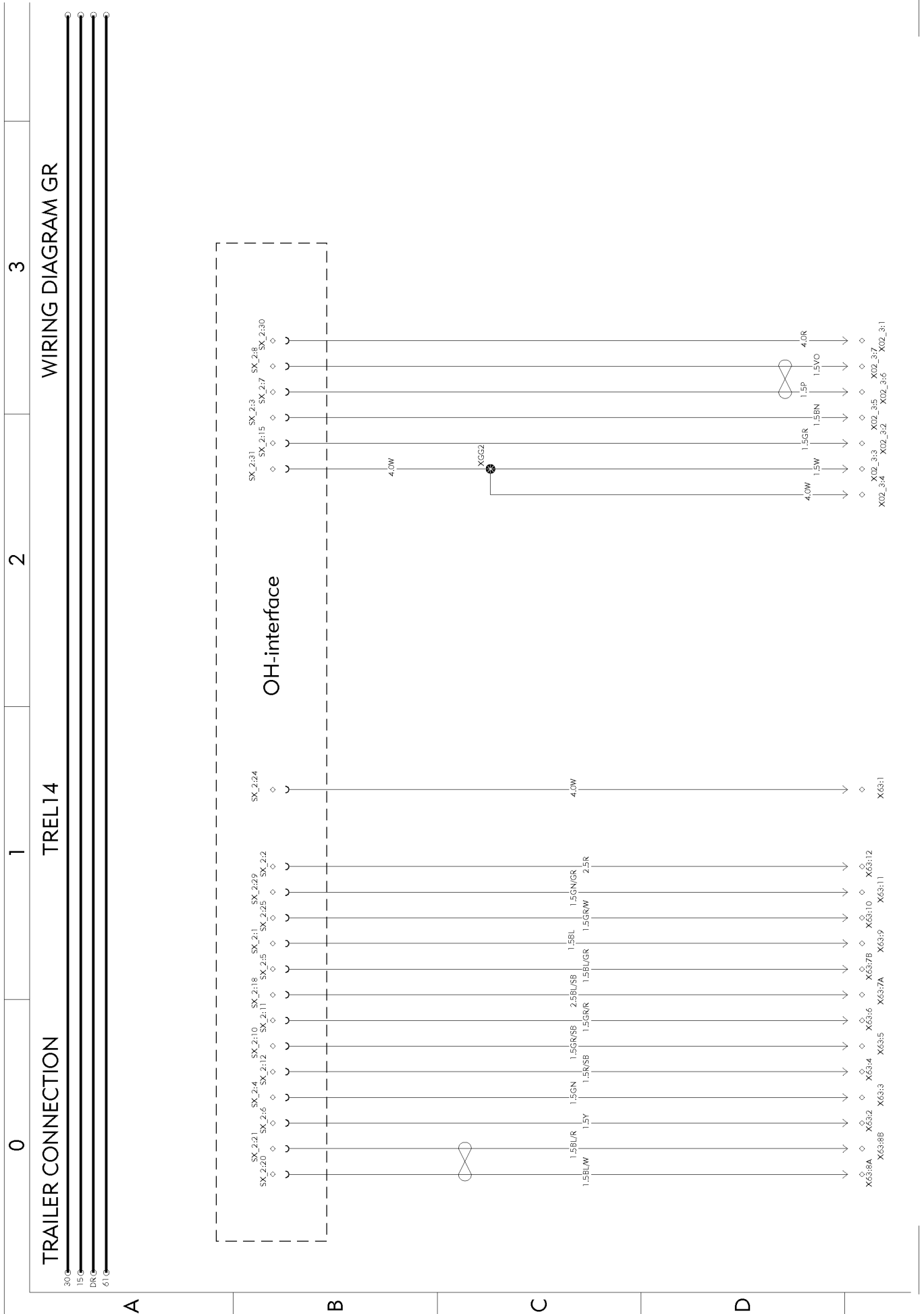


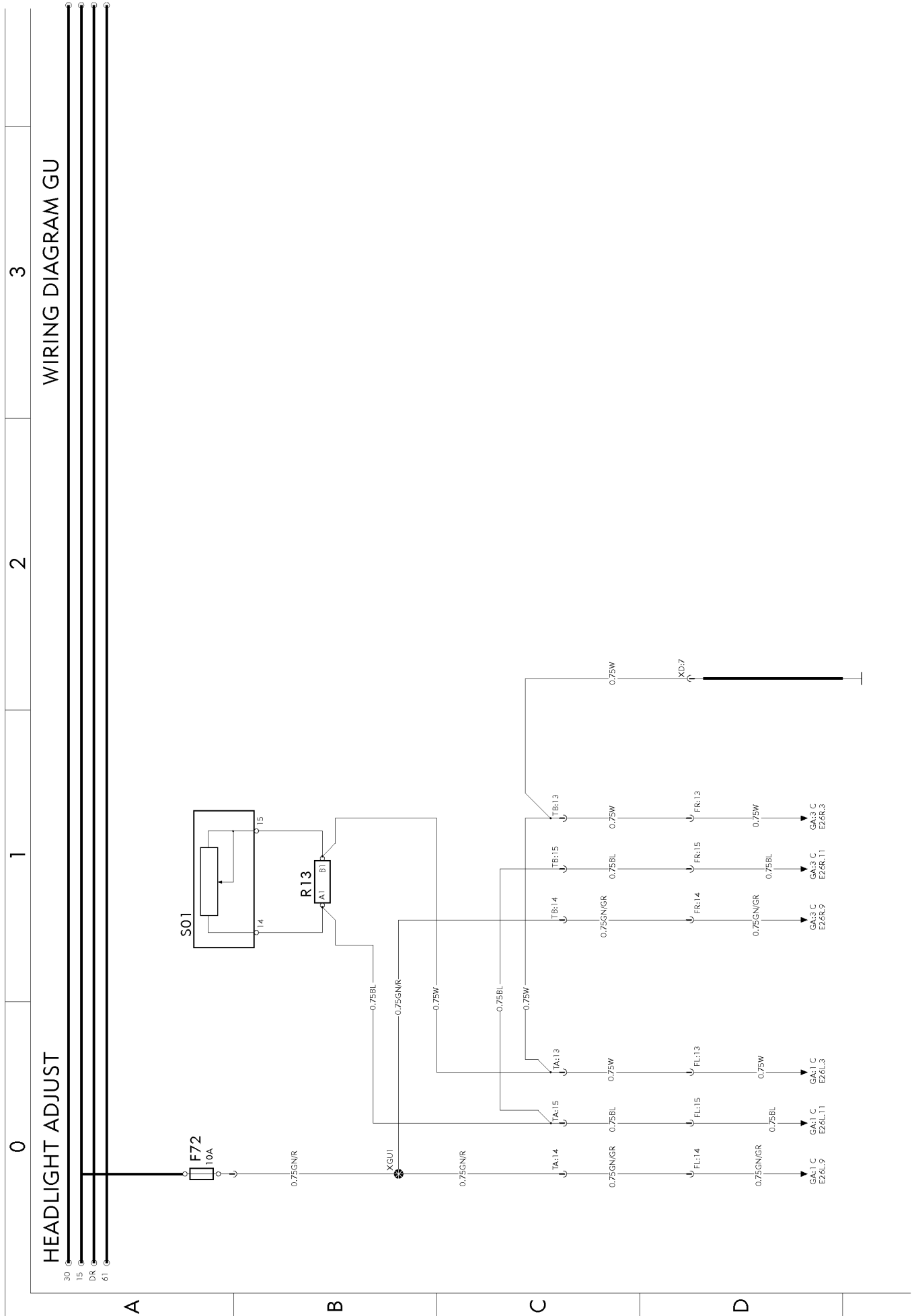
	0	1	2	3
IDENTIFICATION LAMPS	WIRING DIAGRAM GL			
30G				
15G				
DRG				
61G				

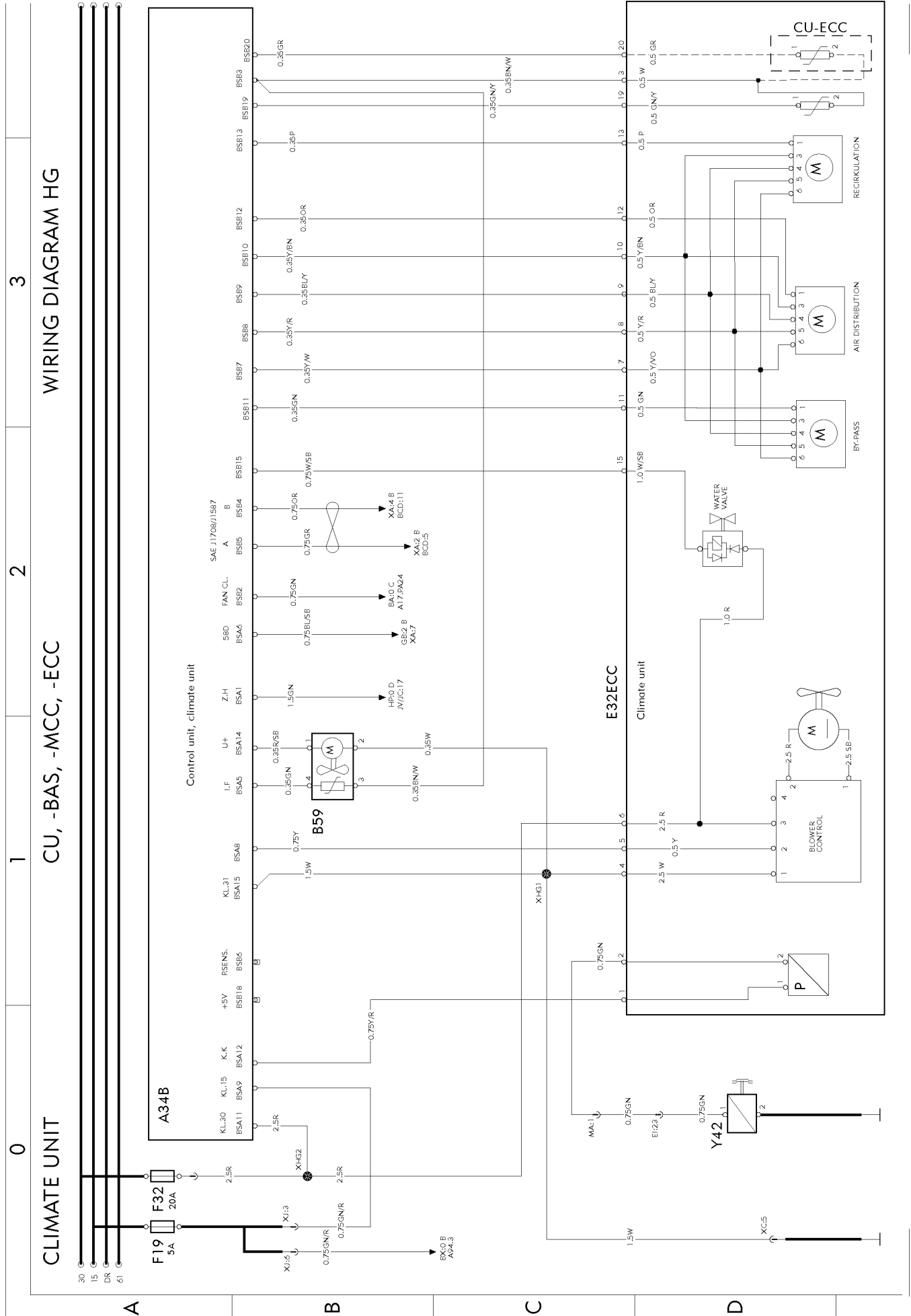


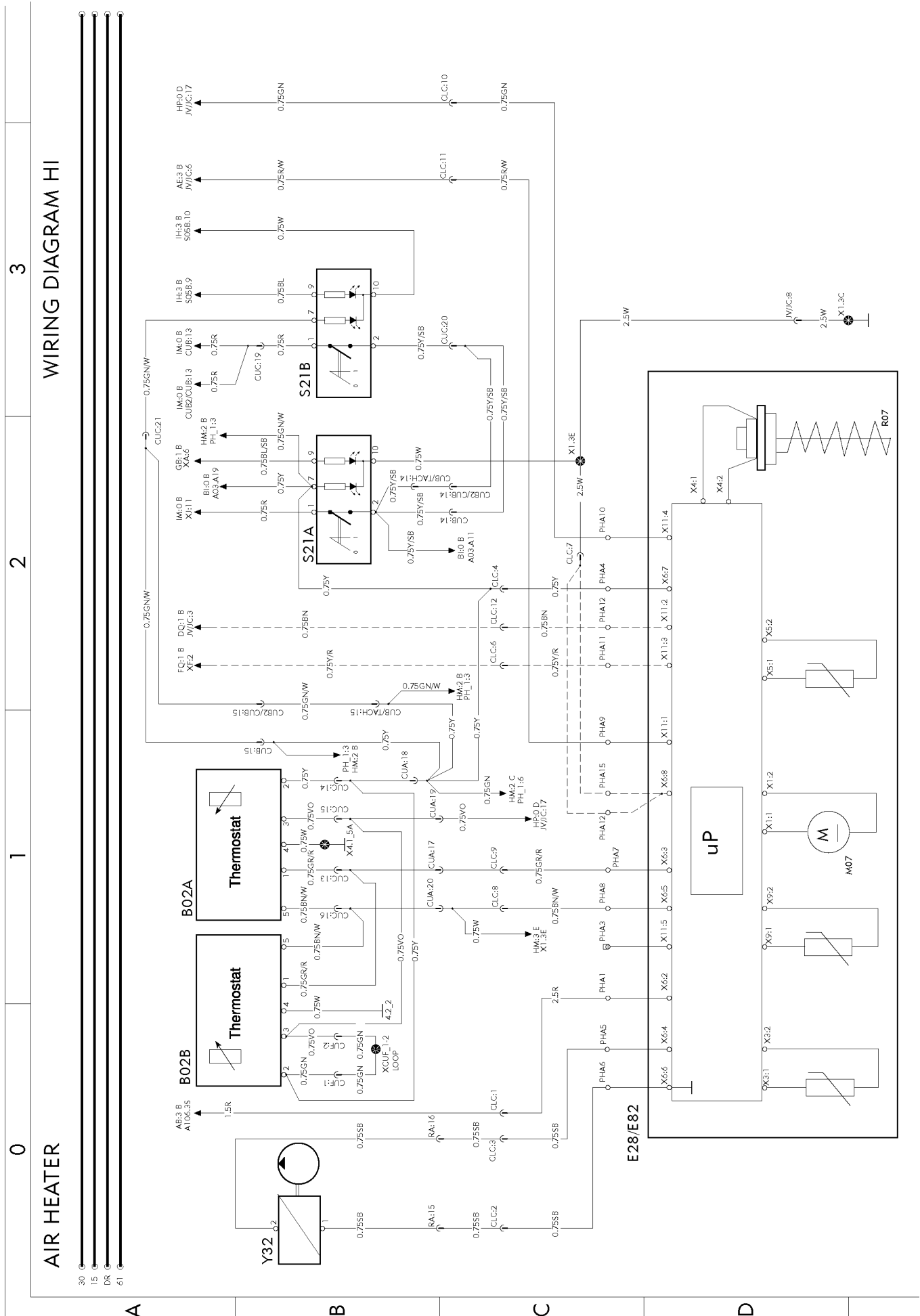
India, position lights roof rear

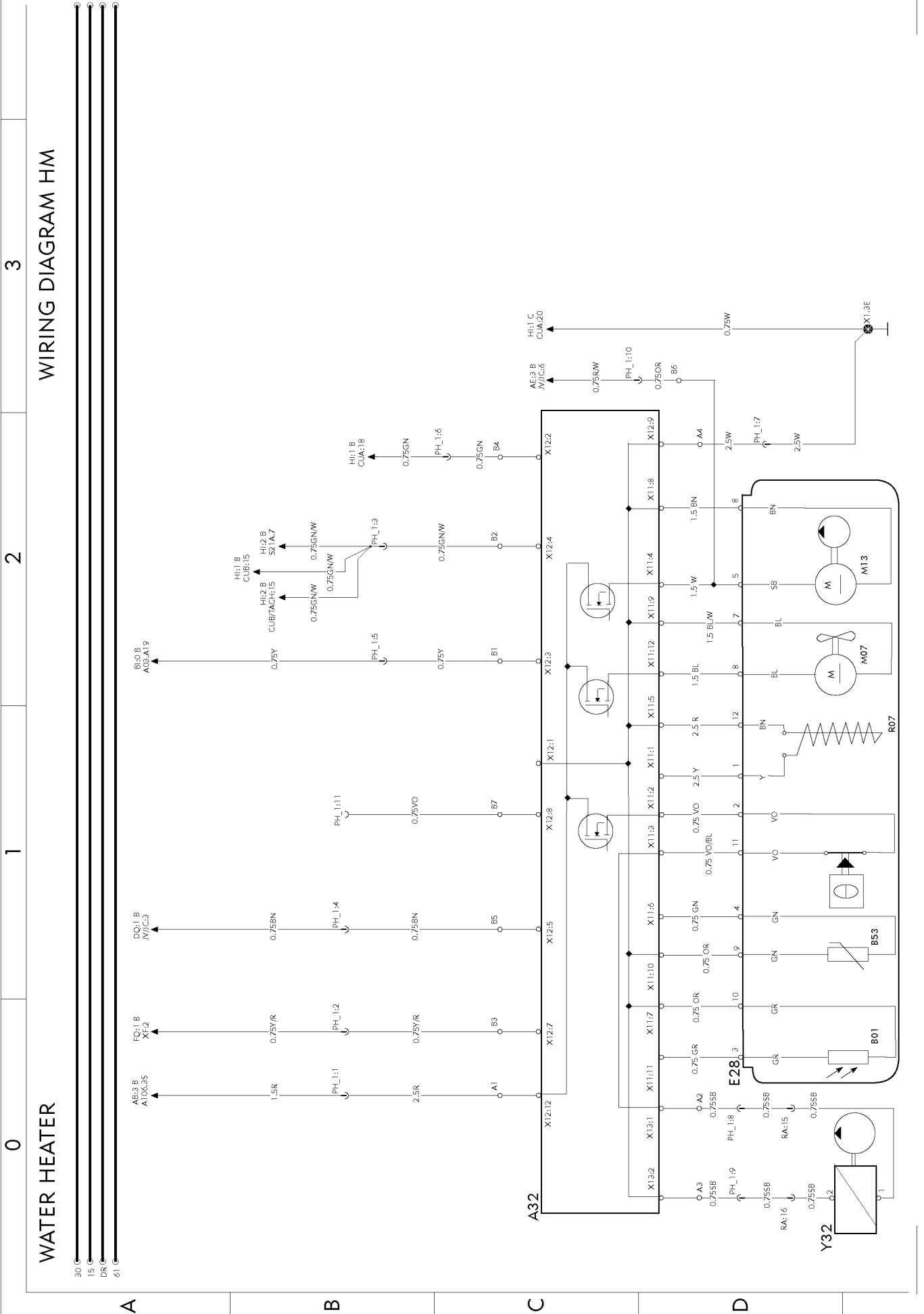


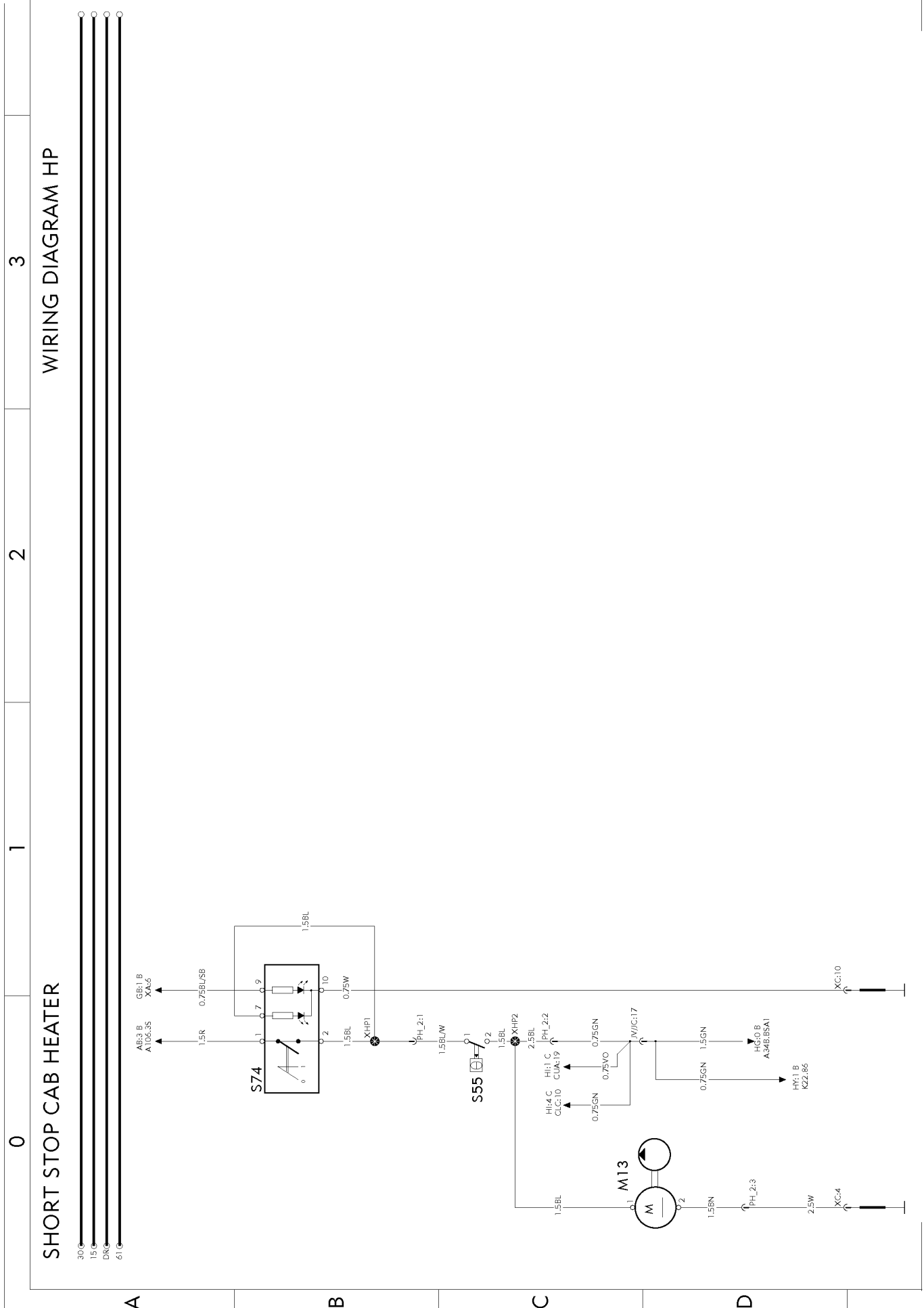


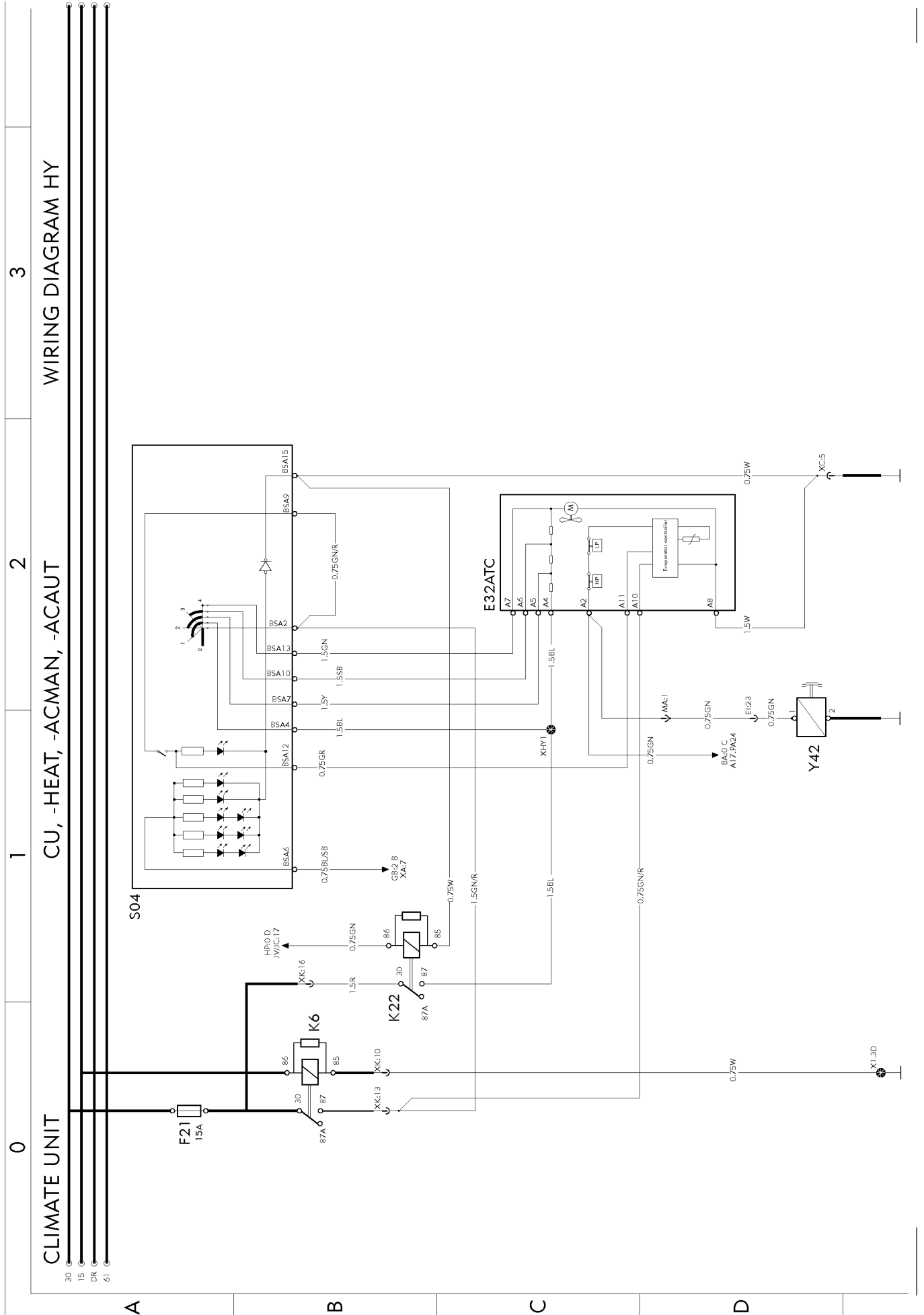


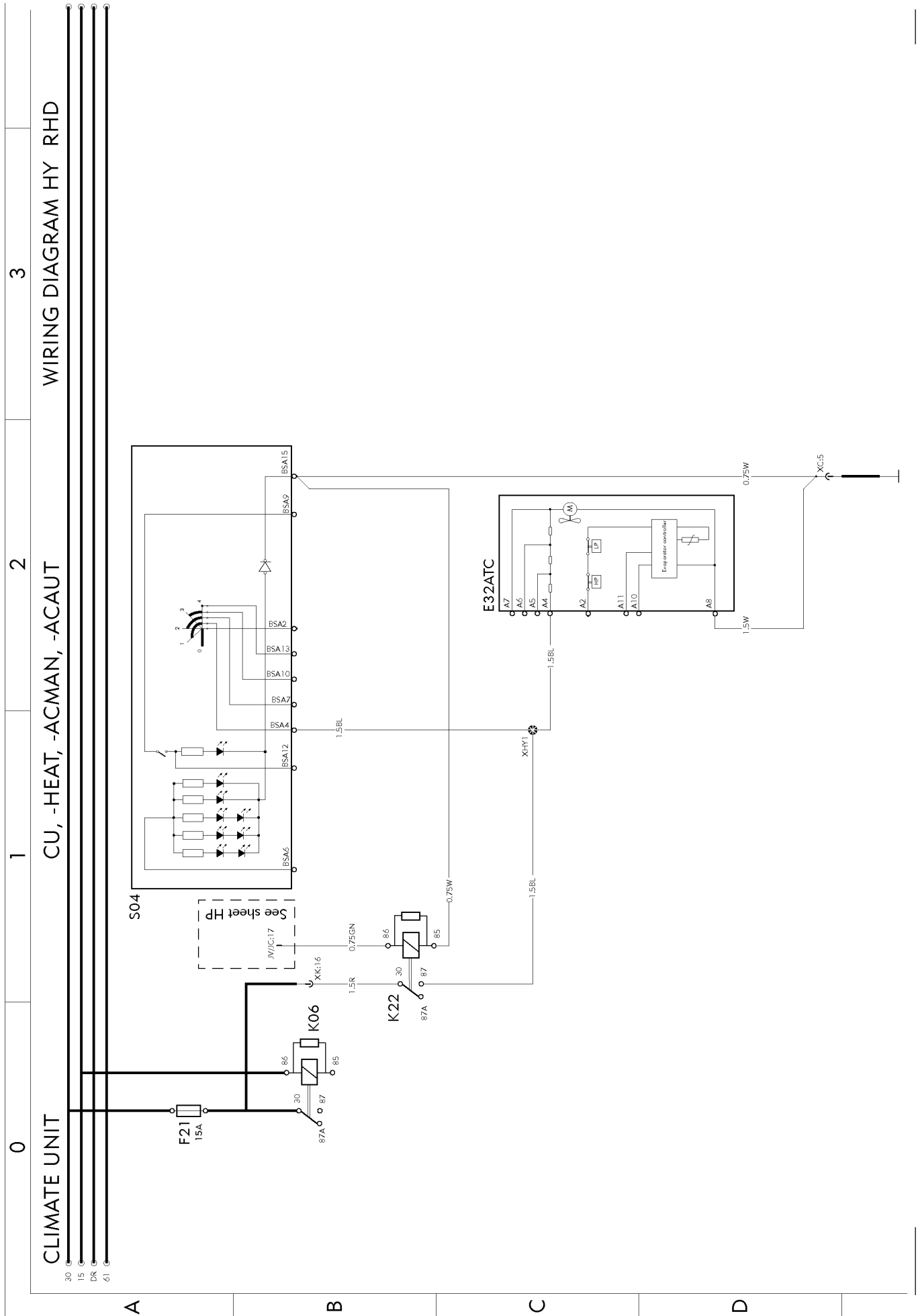


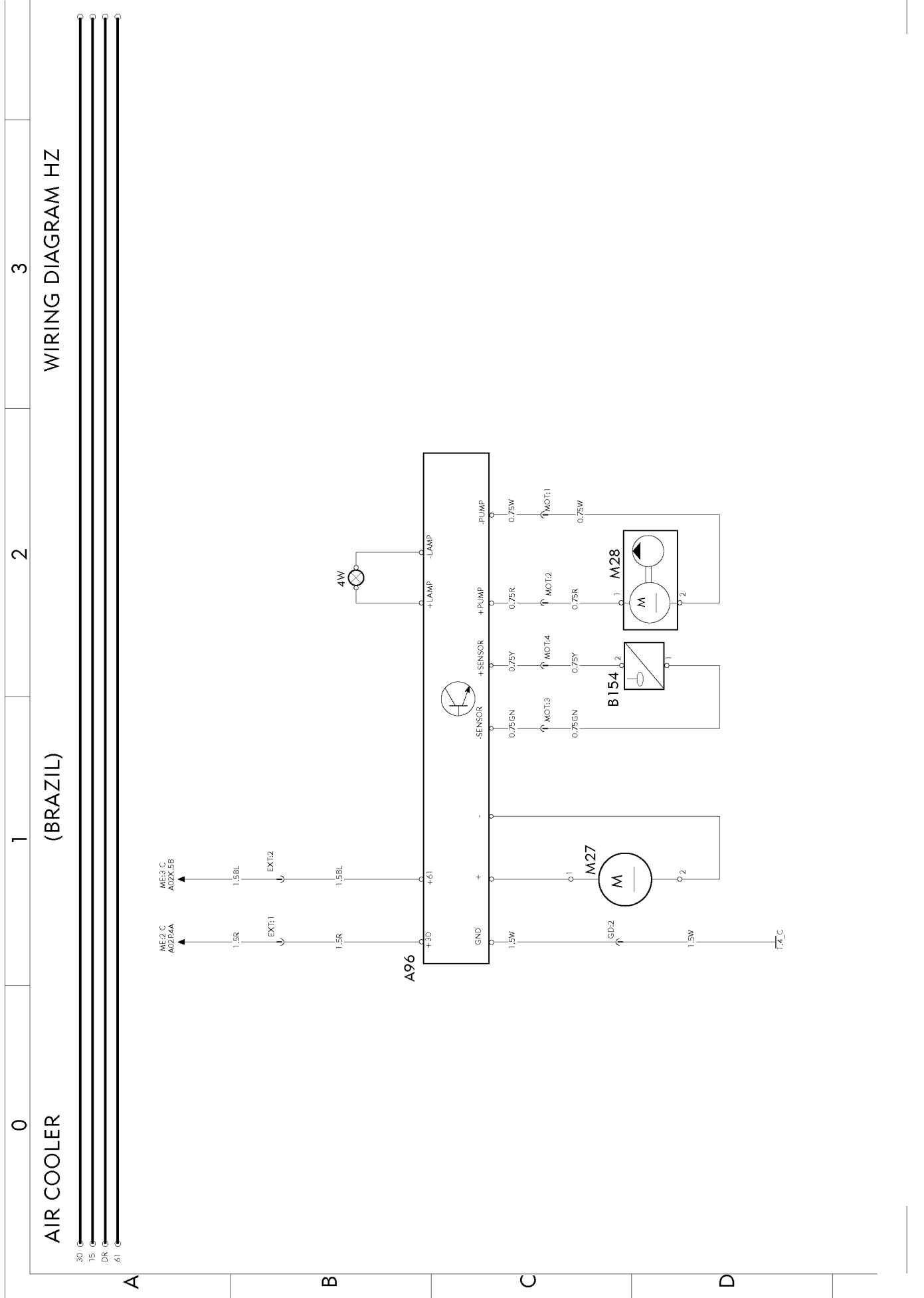


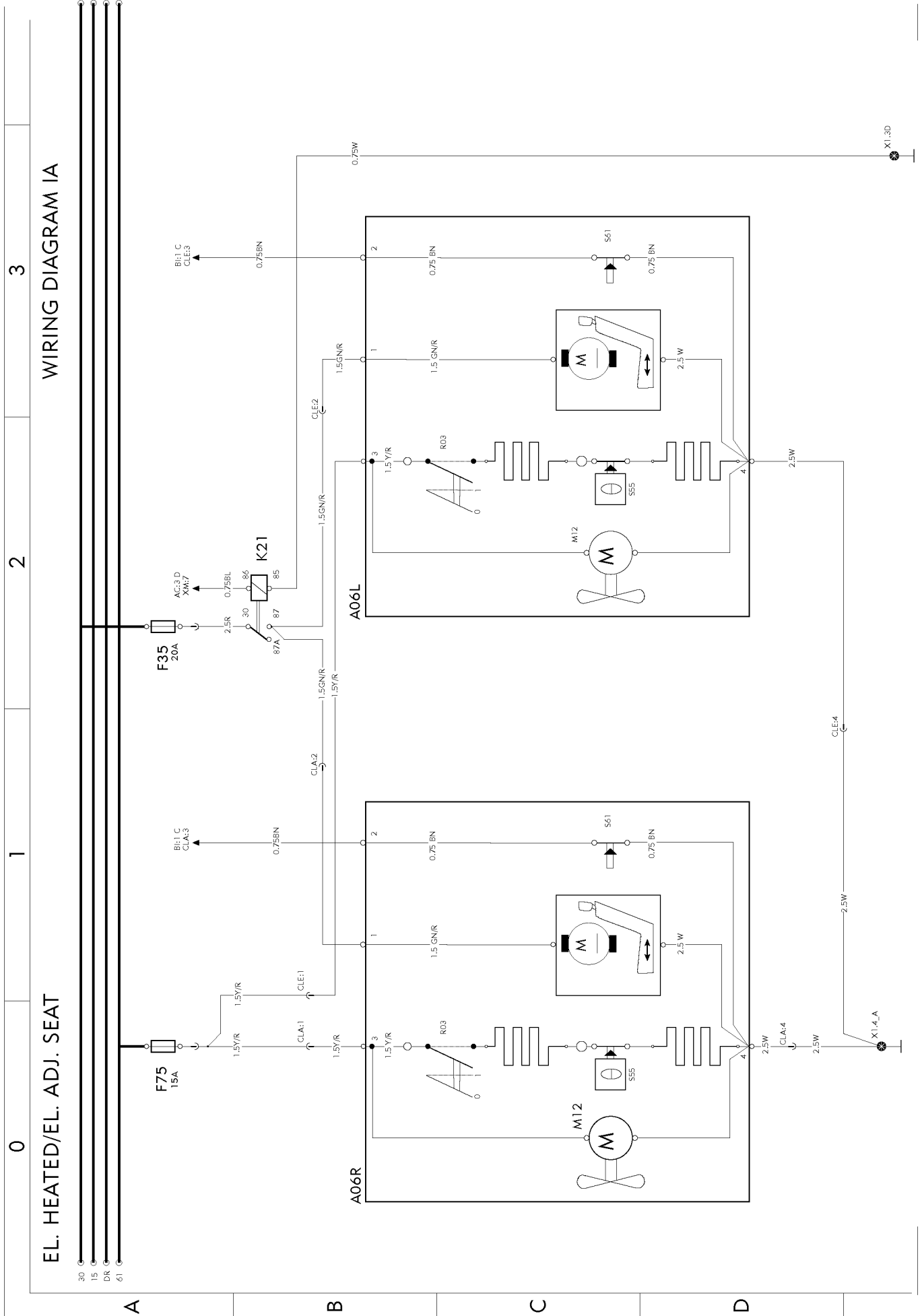


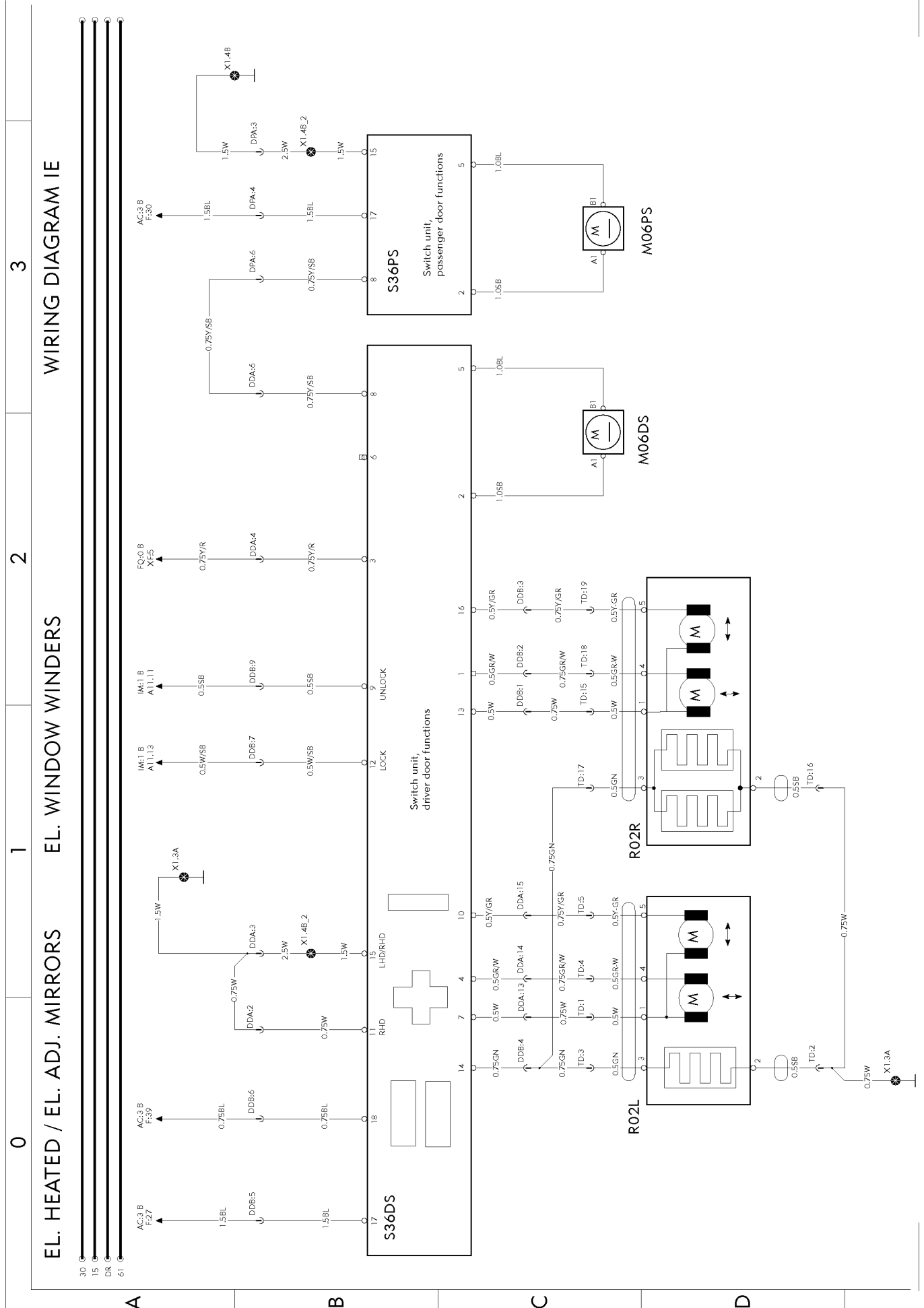


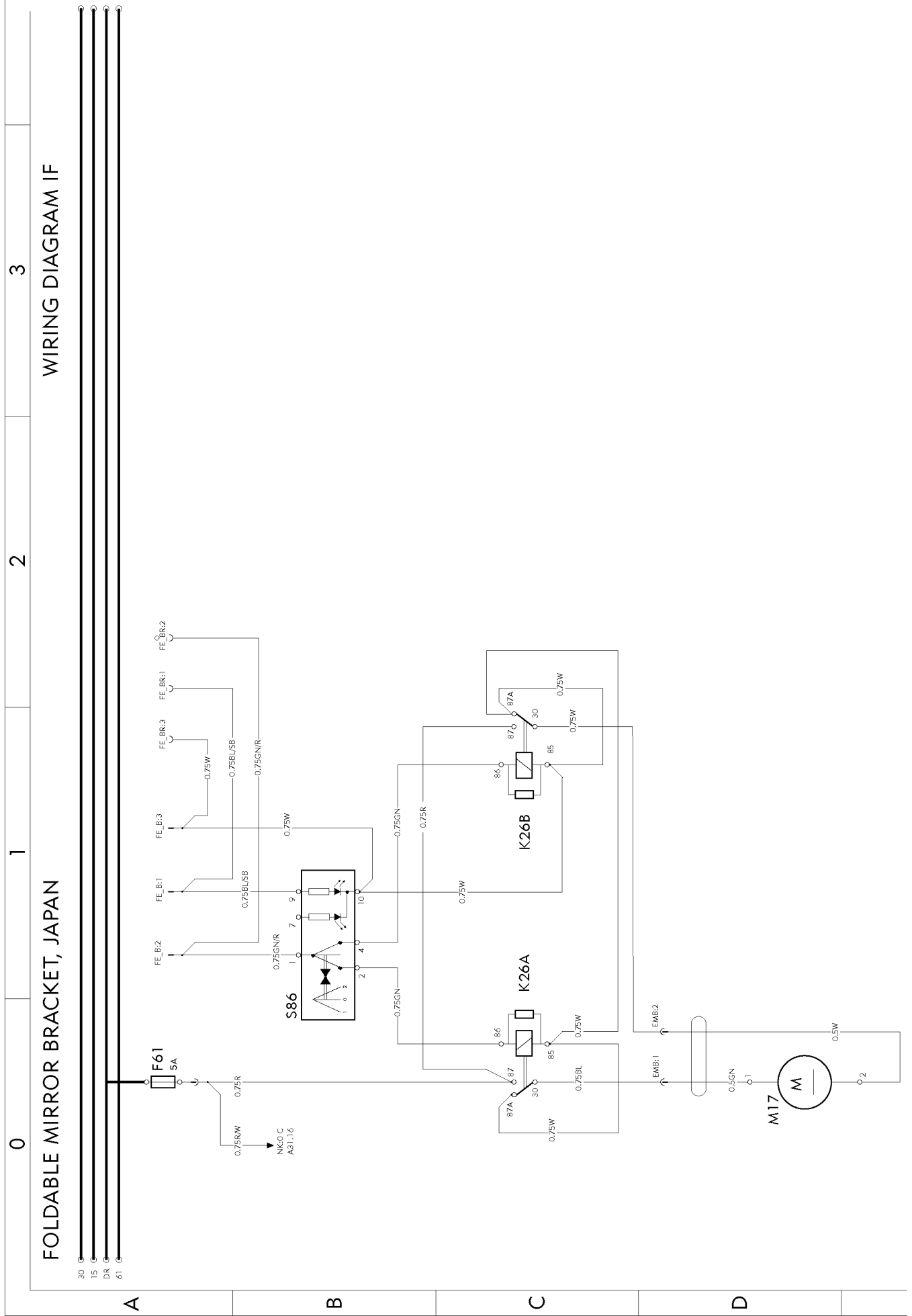


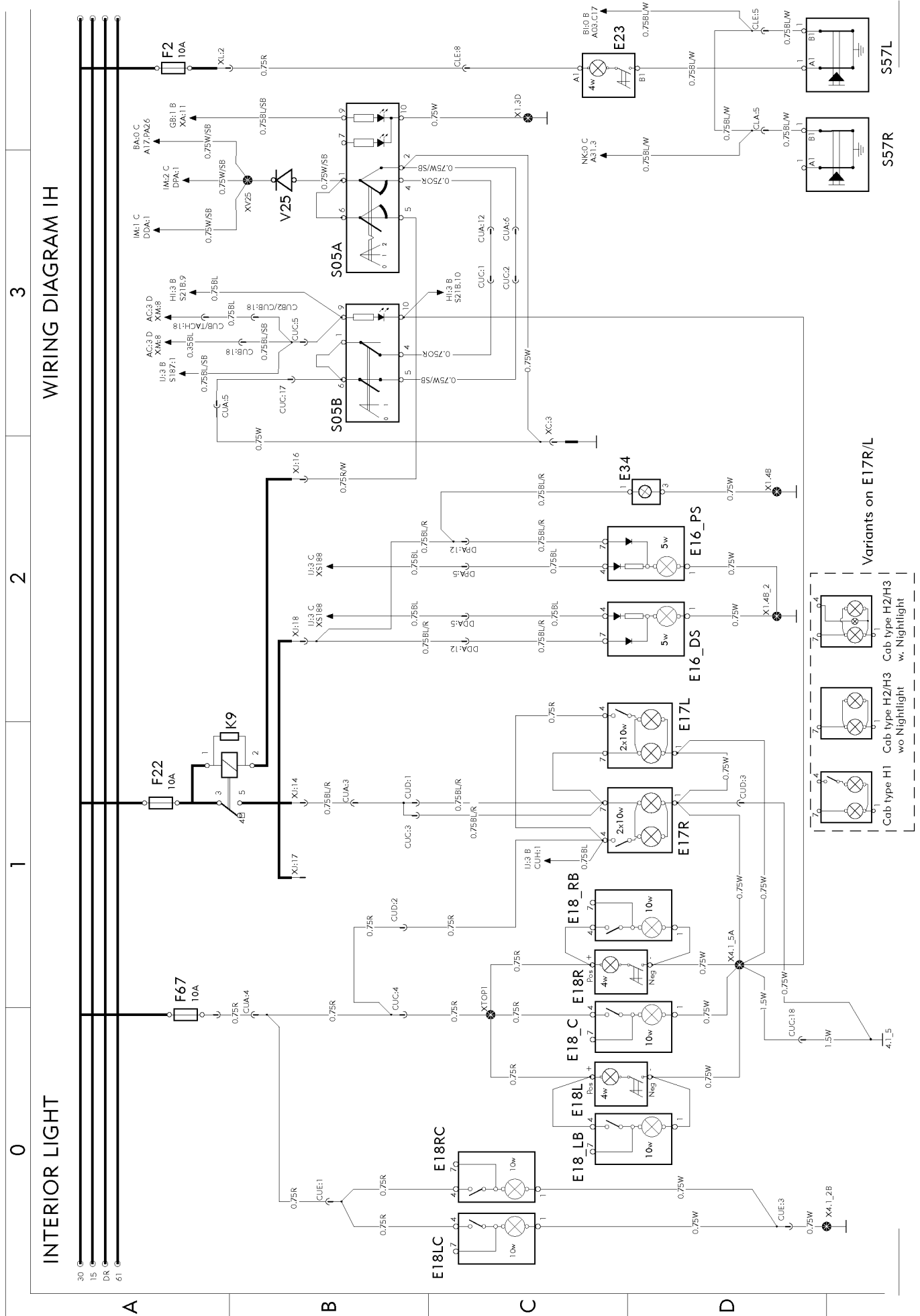


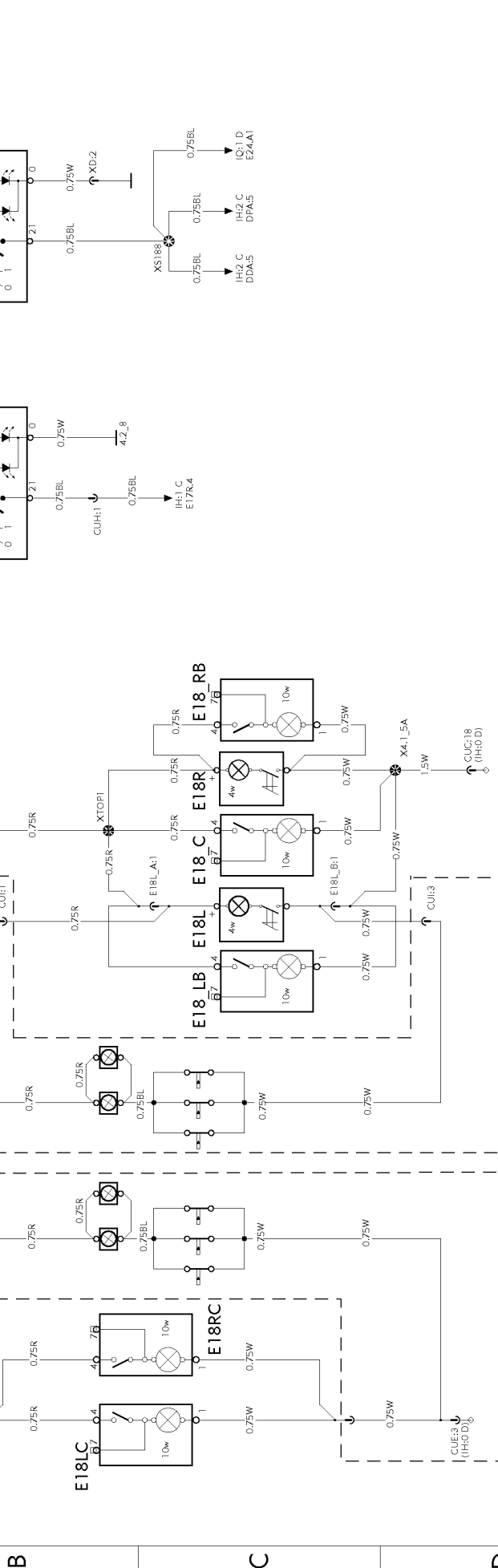
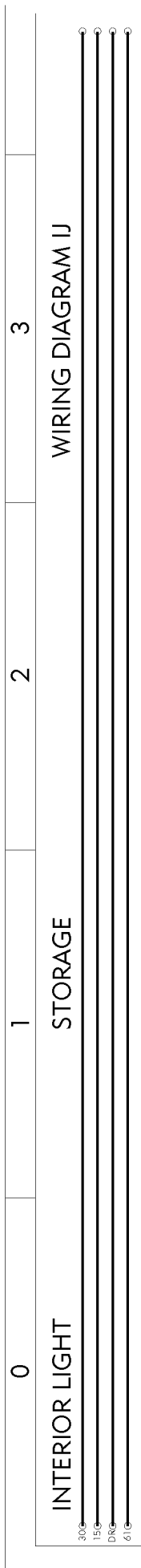


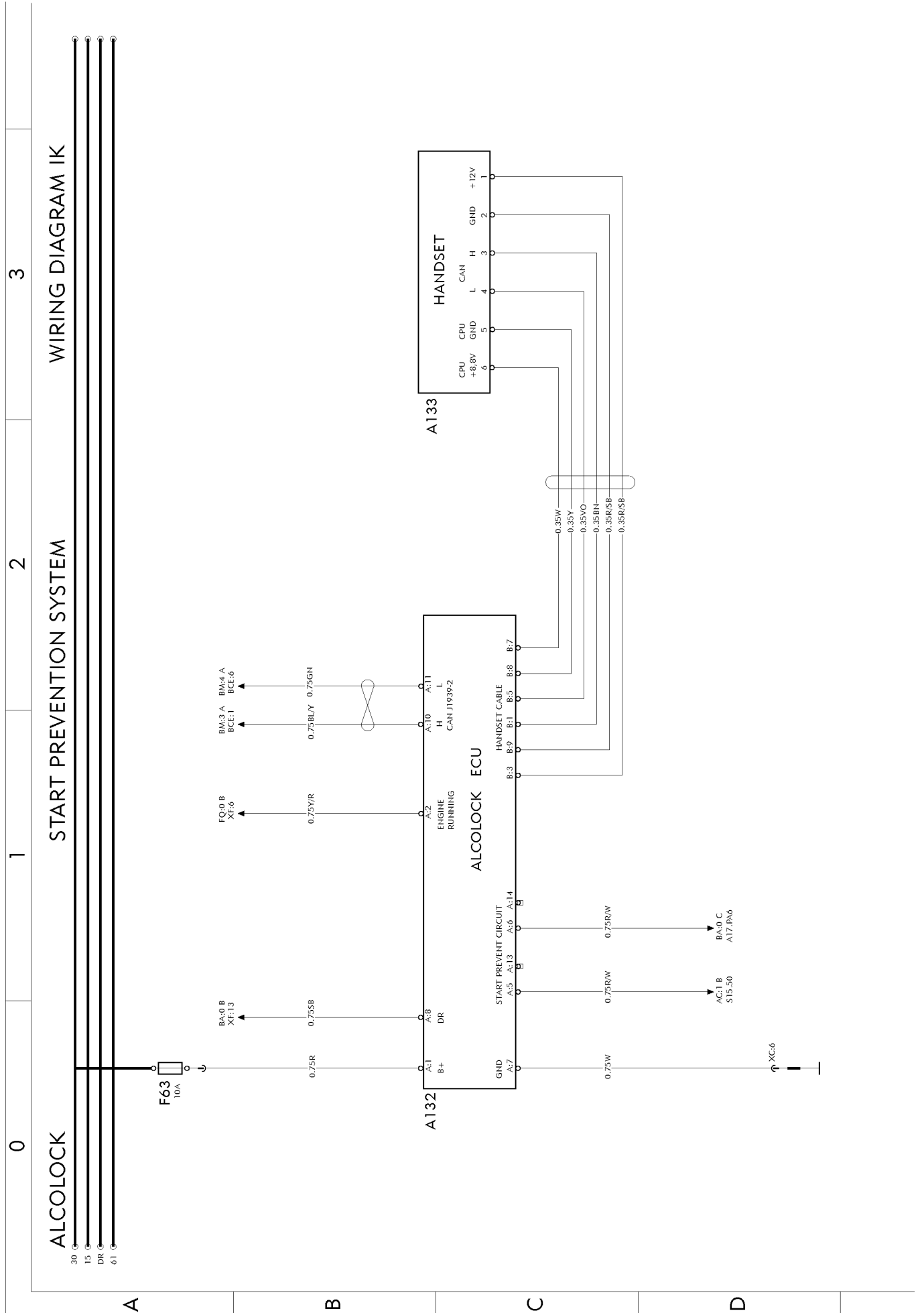


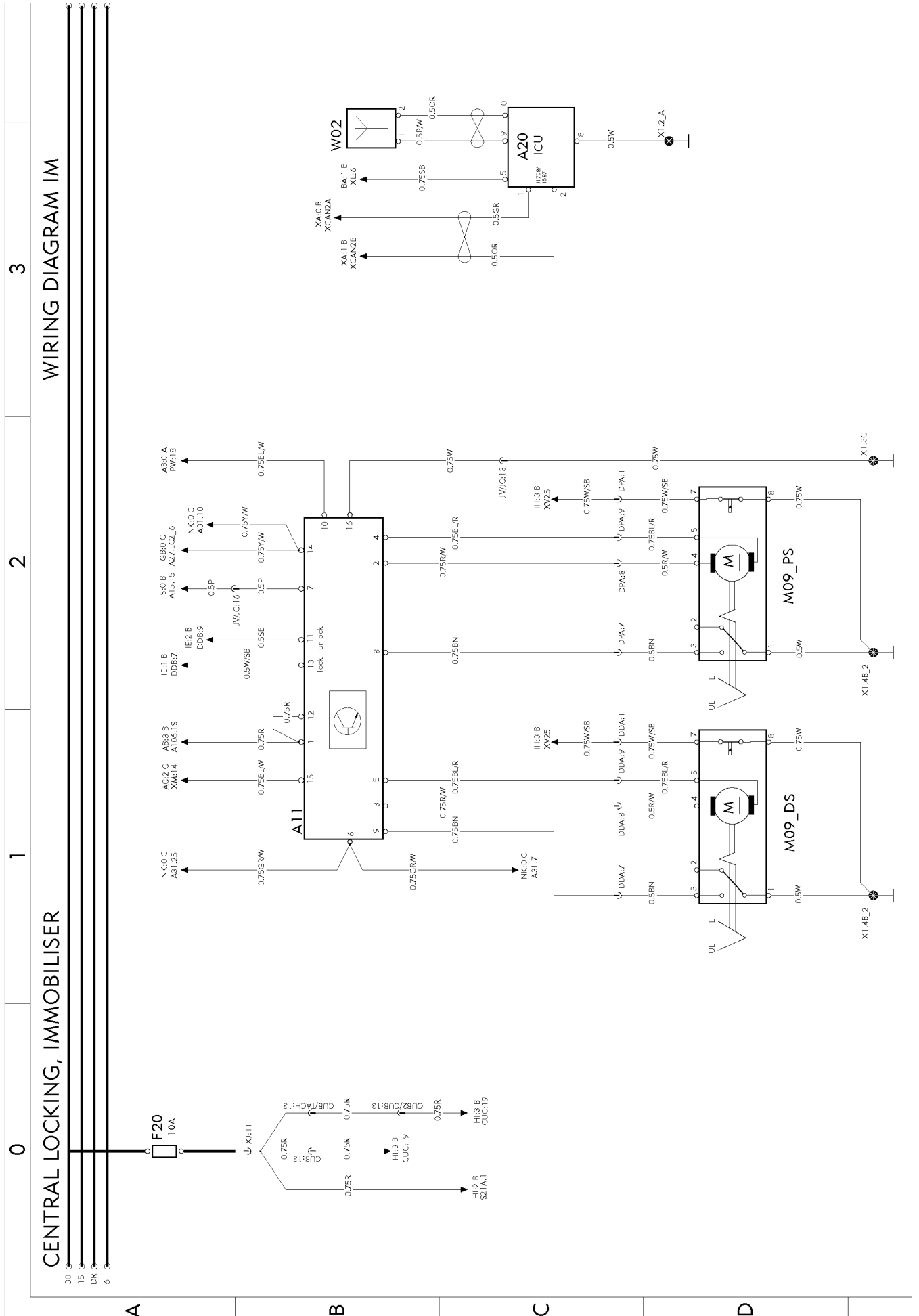


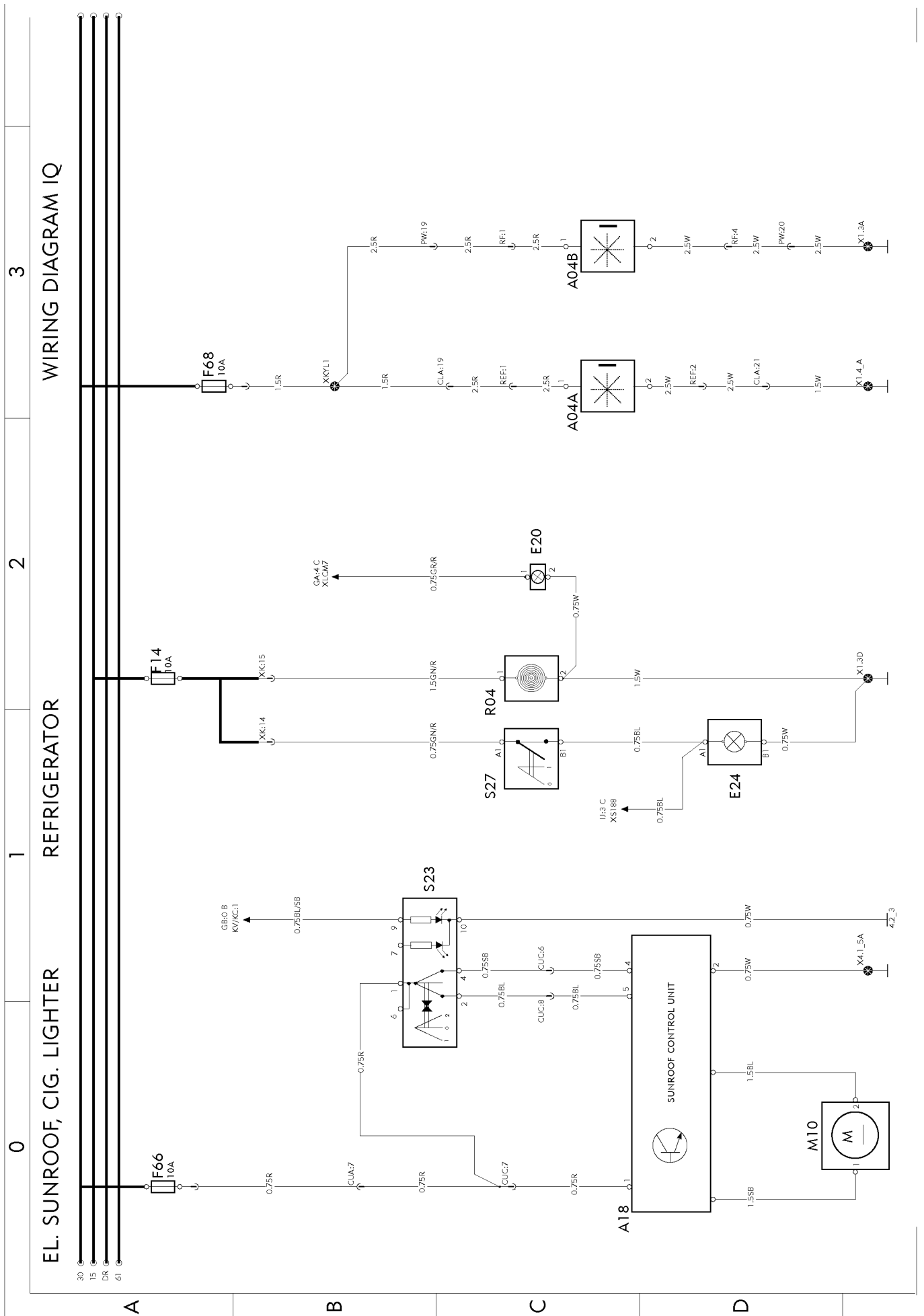


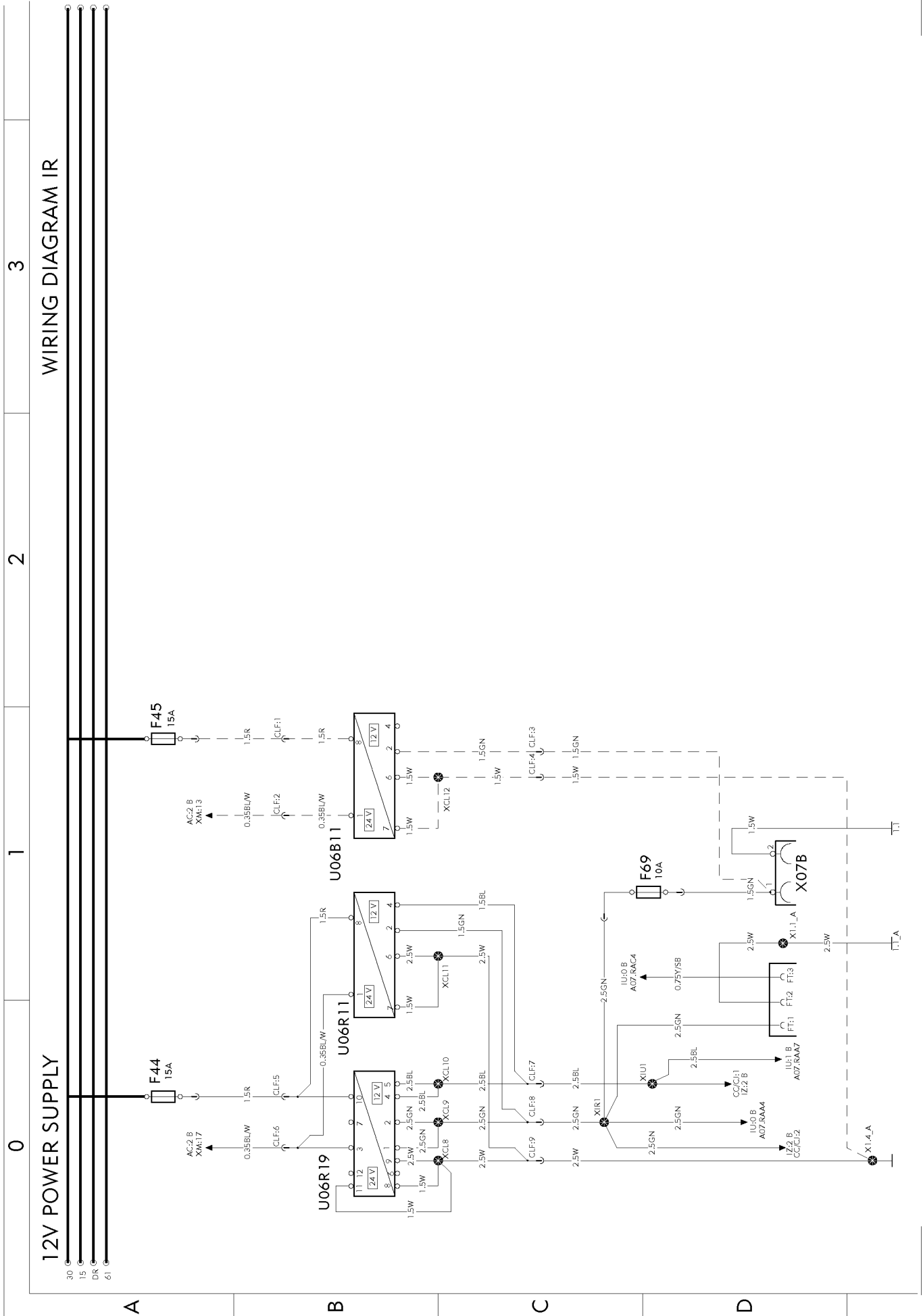


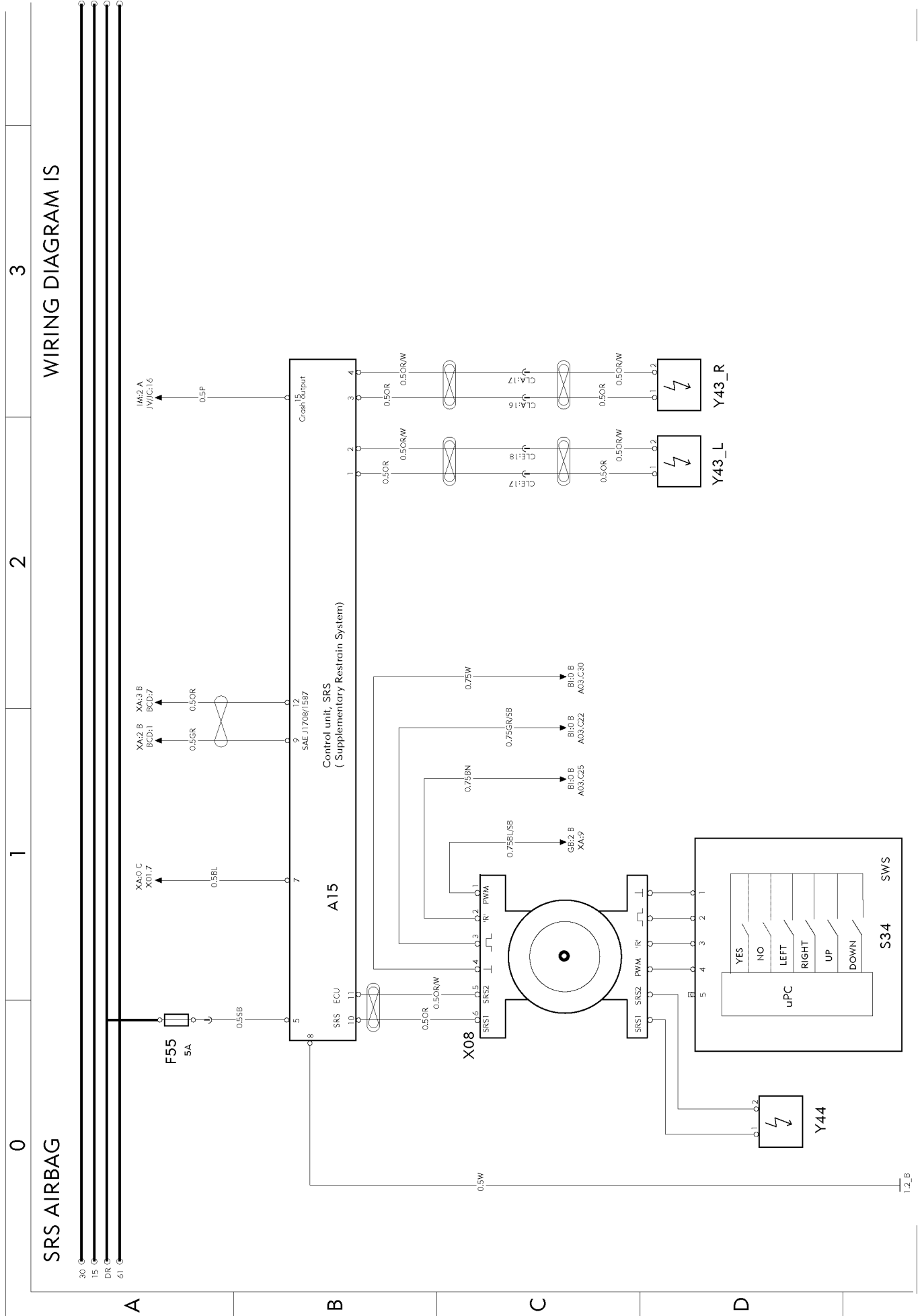


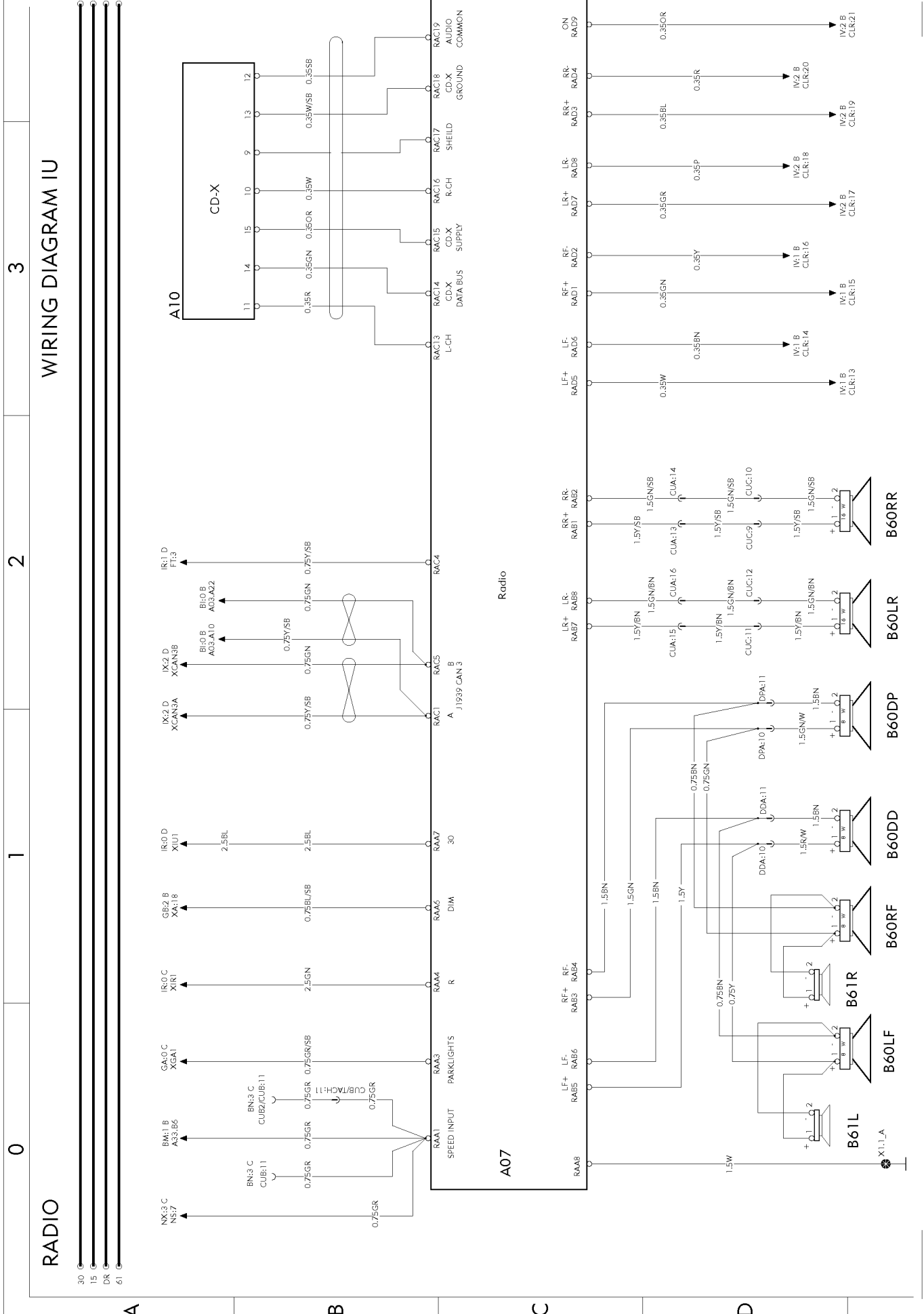


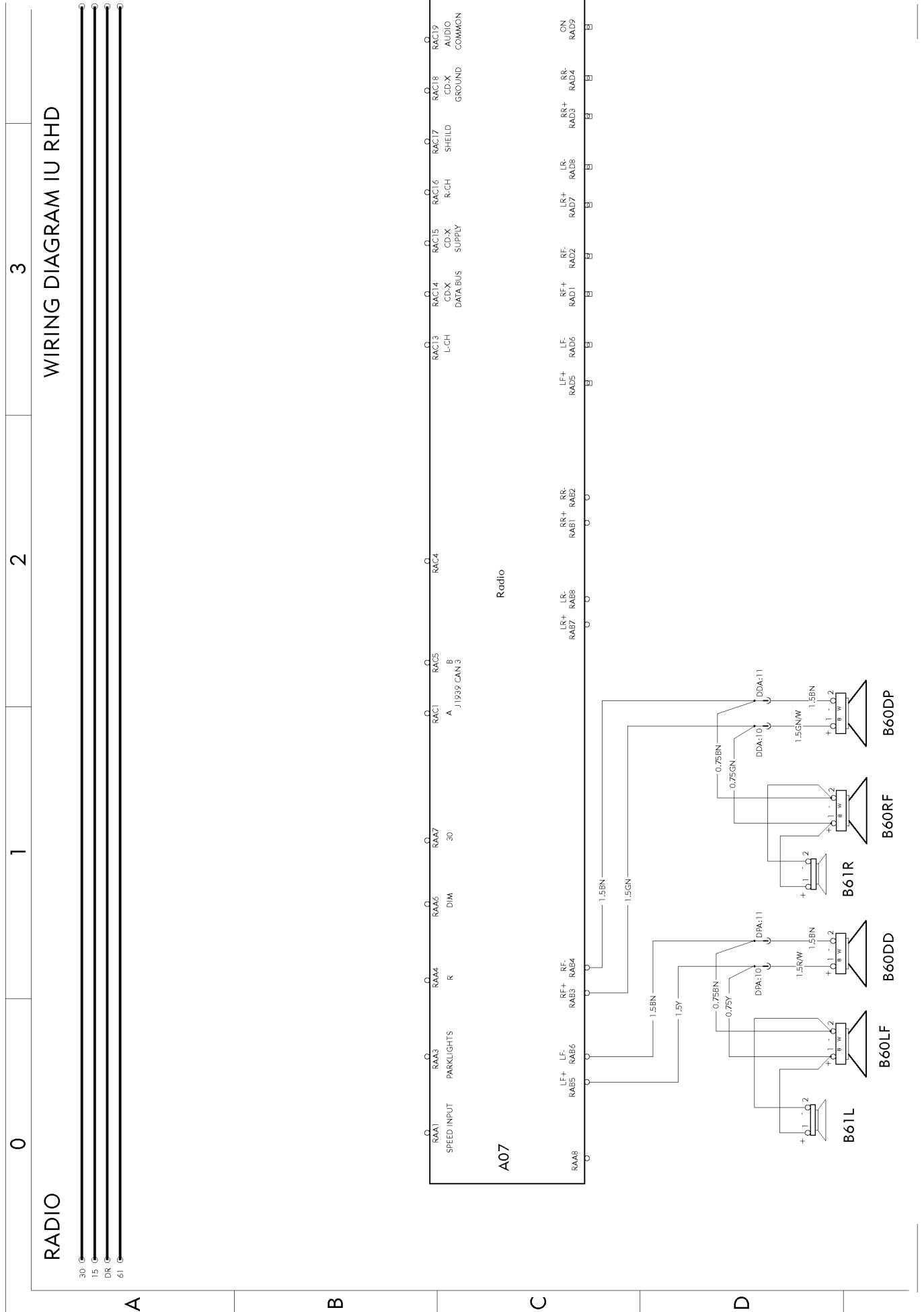


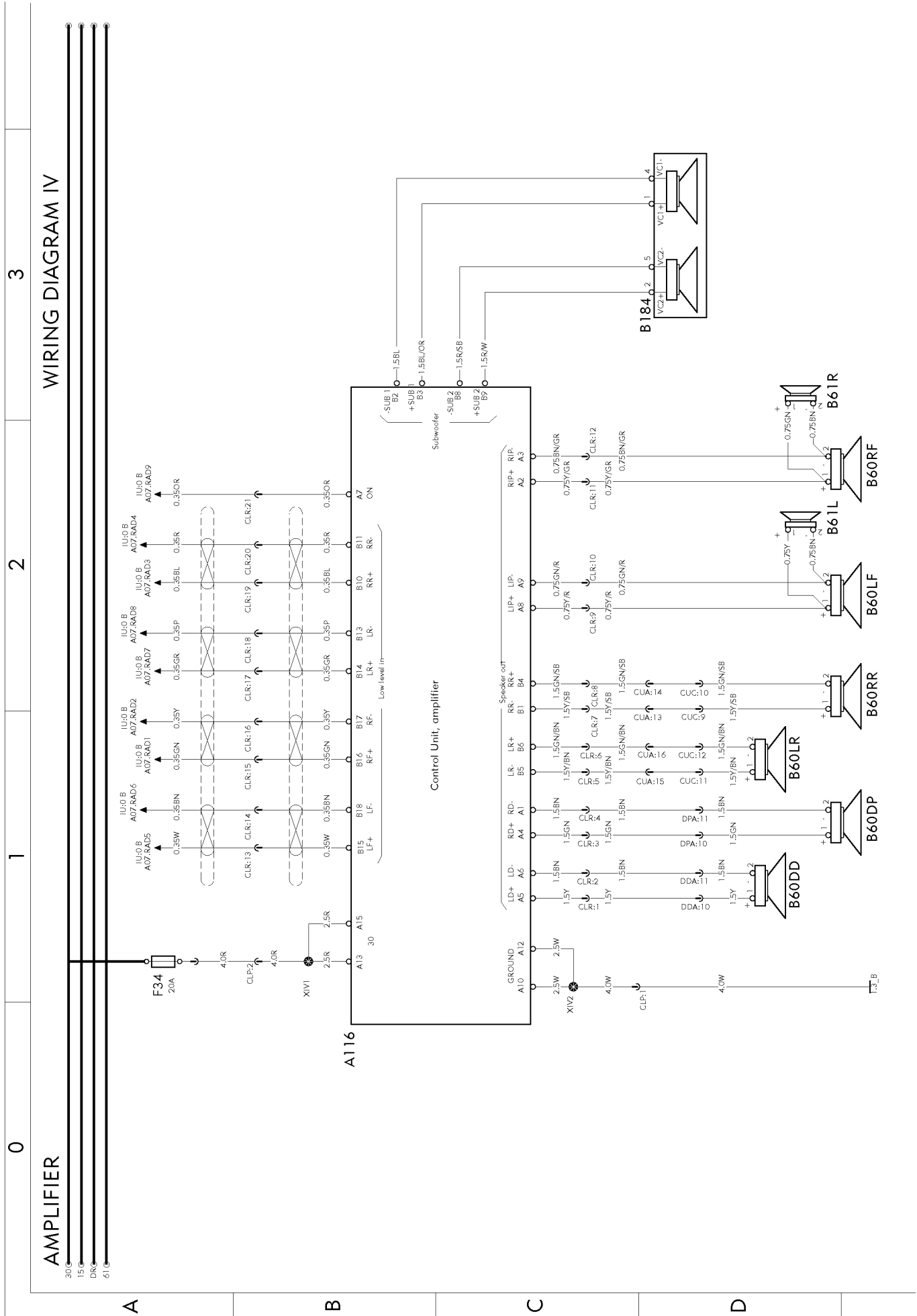


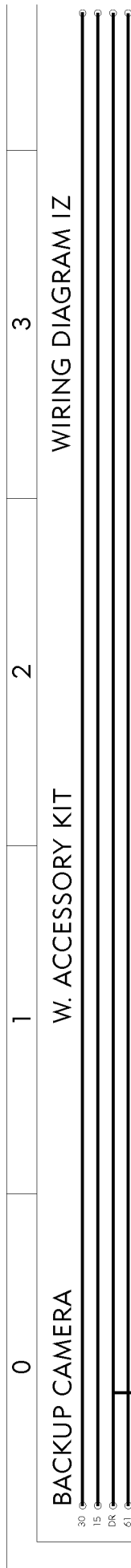








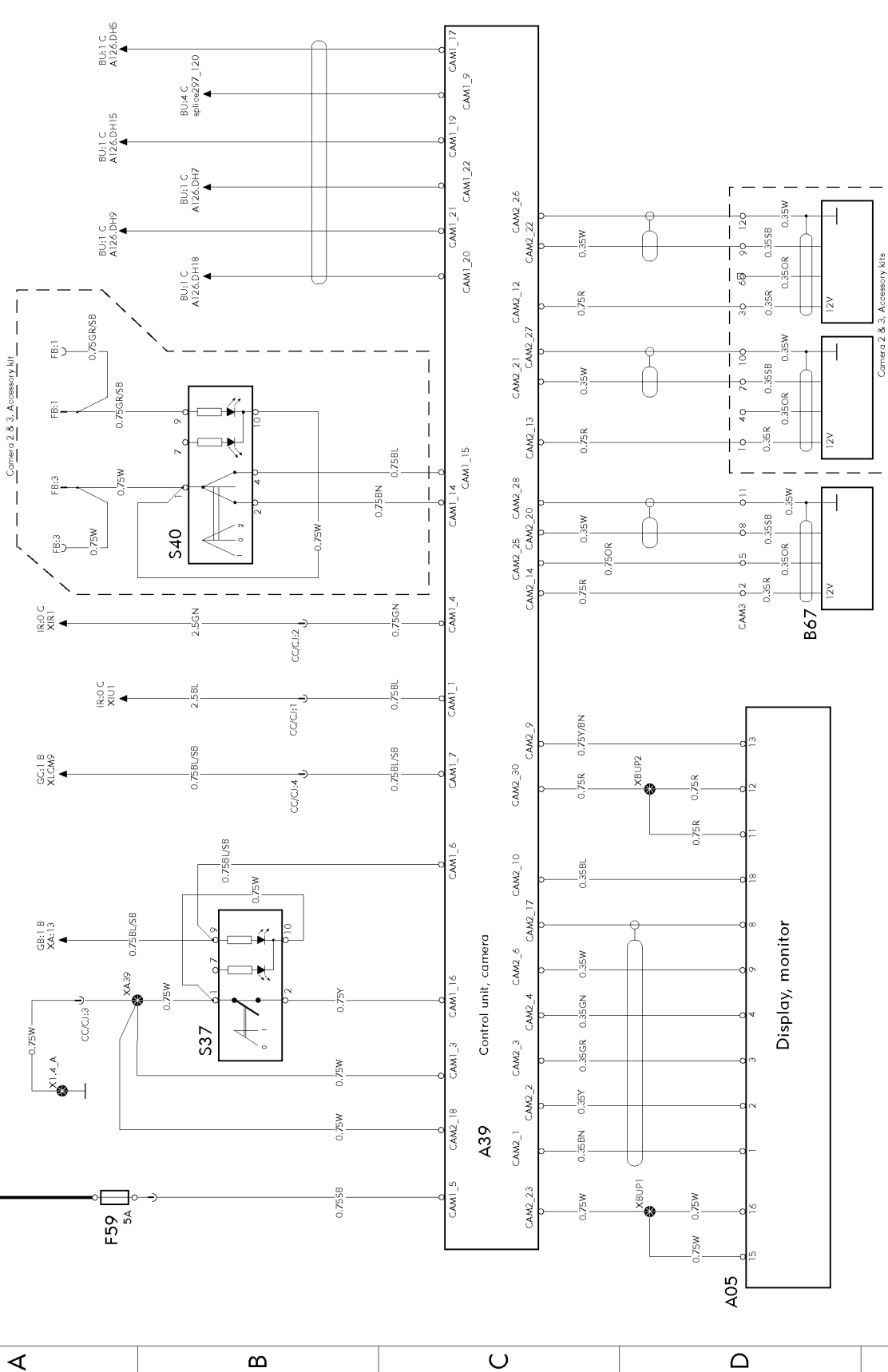


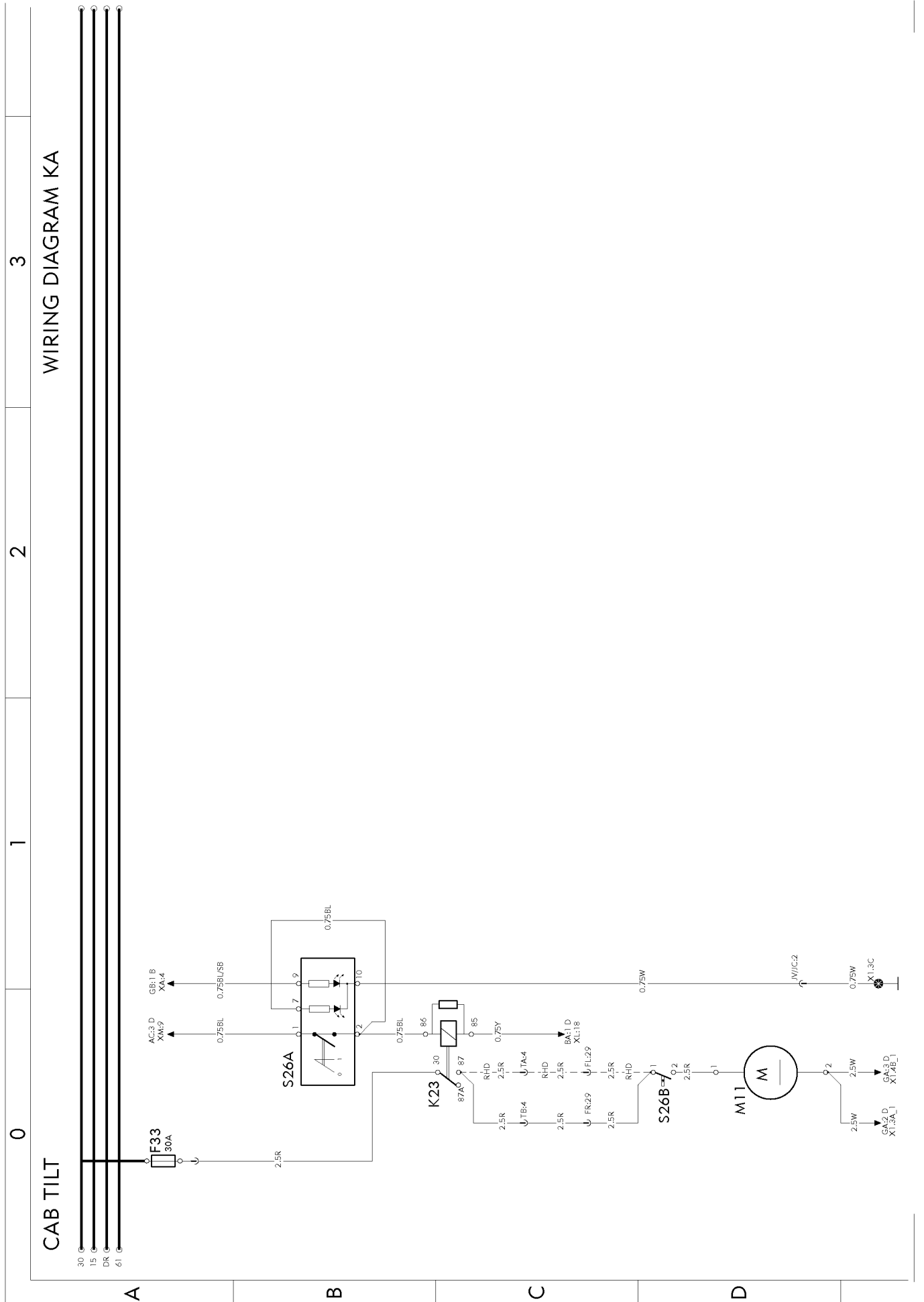


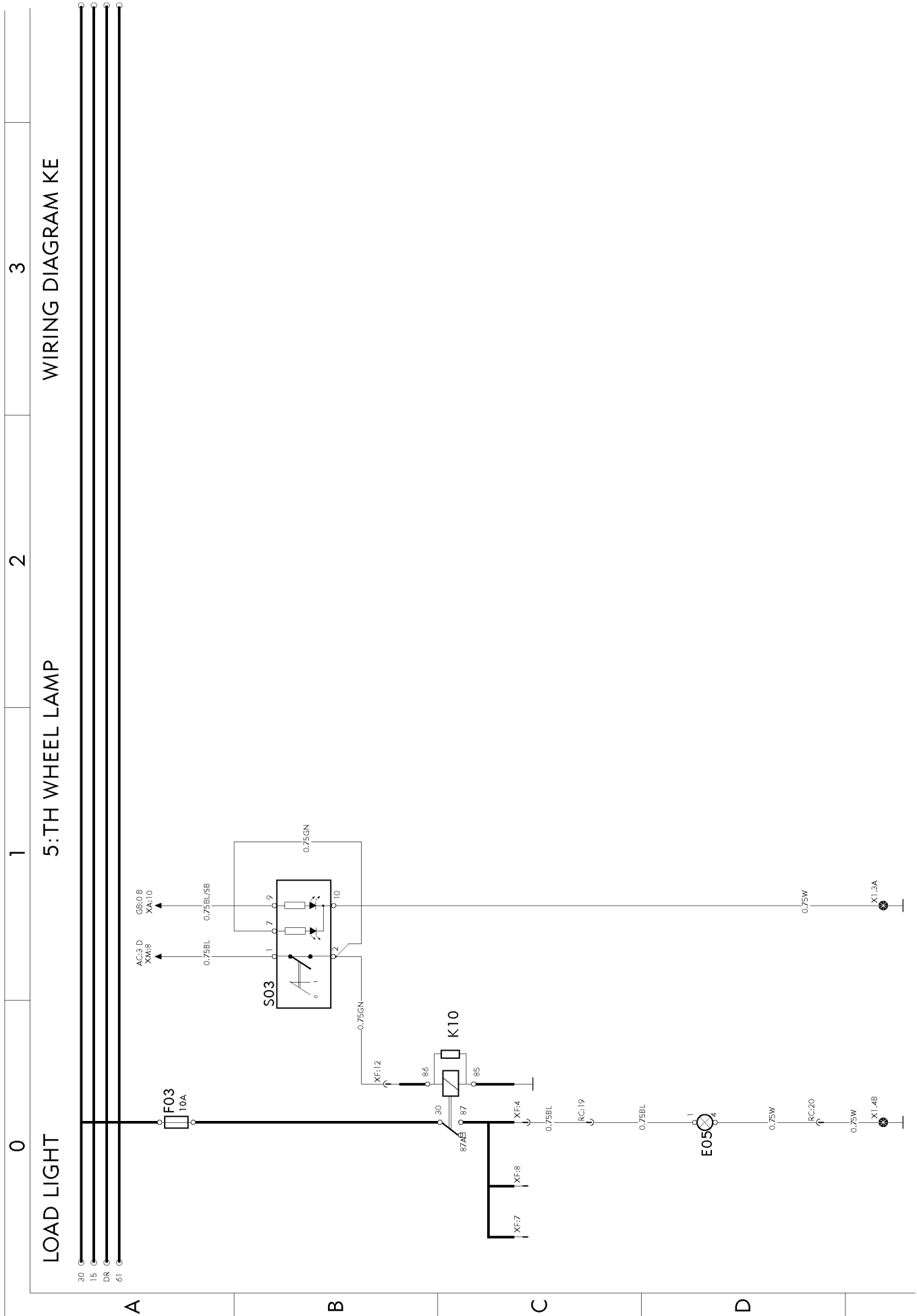
BACKUP CAMERA

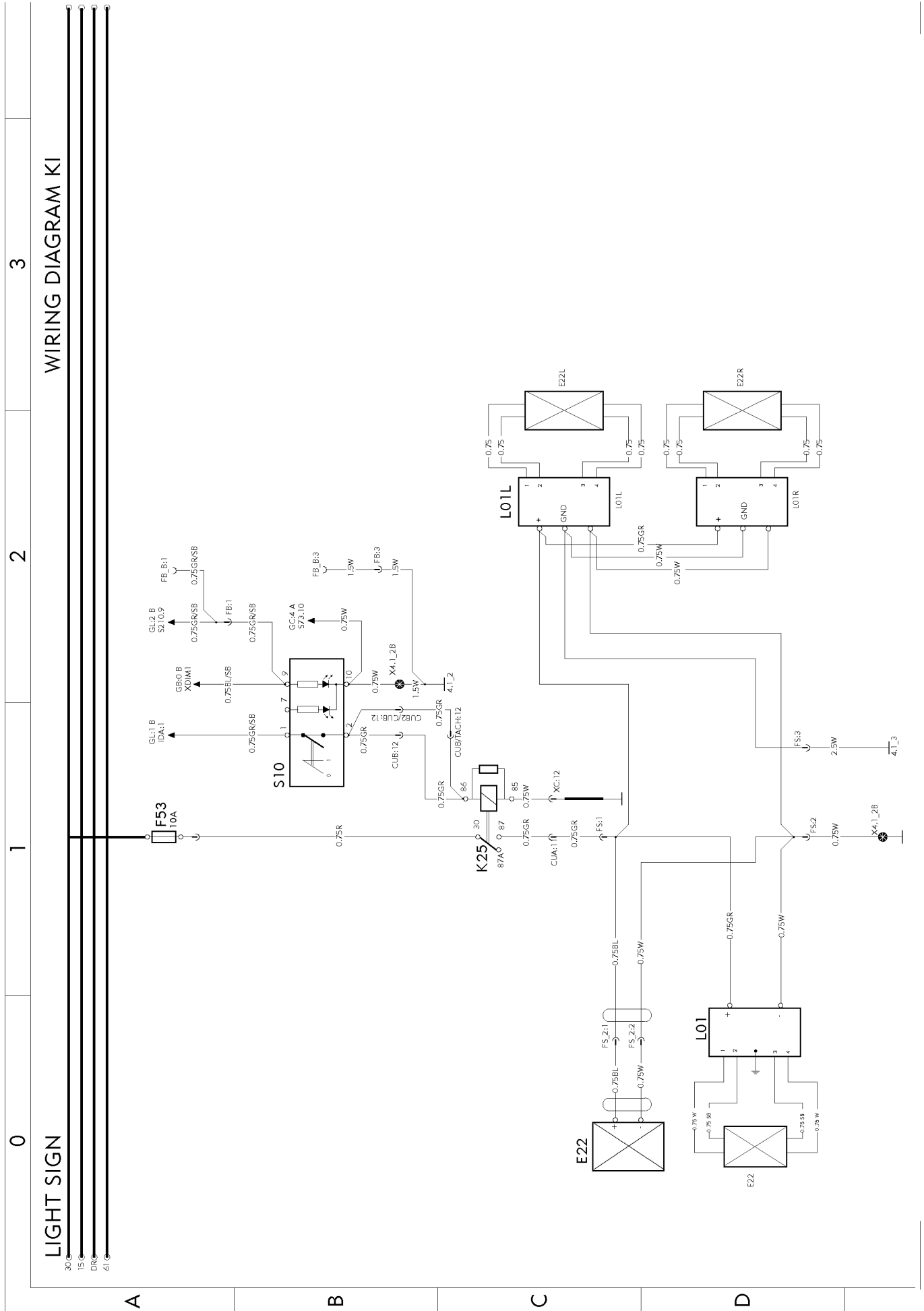
W. ACCESSORY KIT

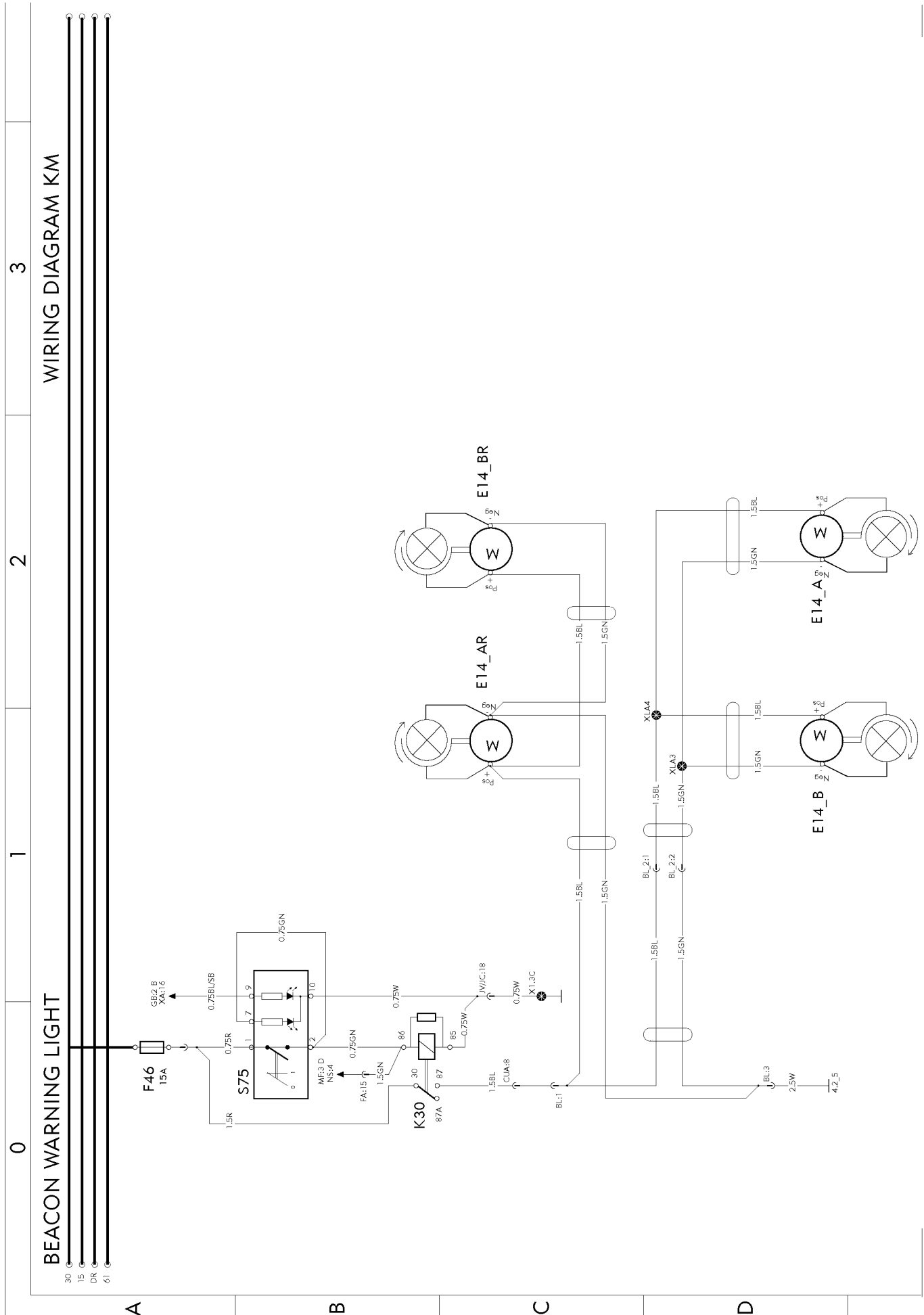
WIRING DIAGRAM IZ

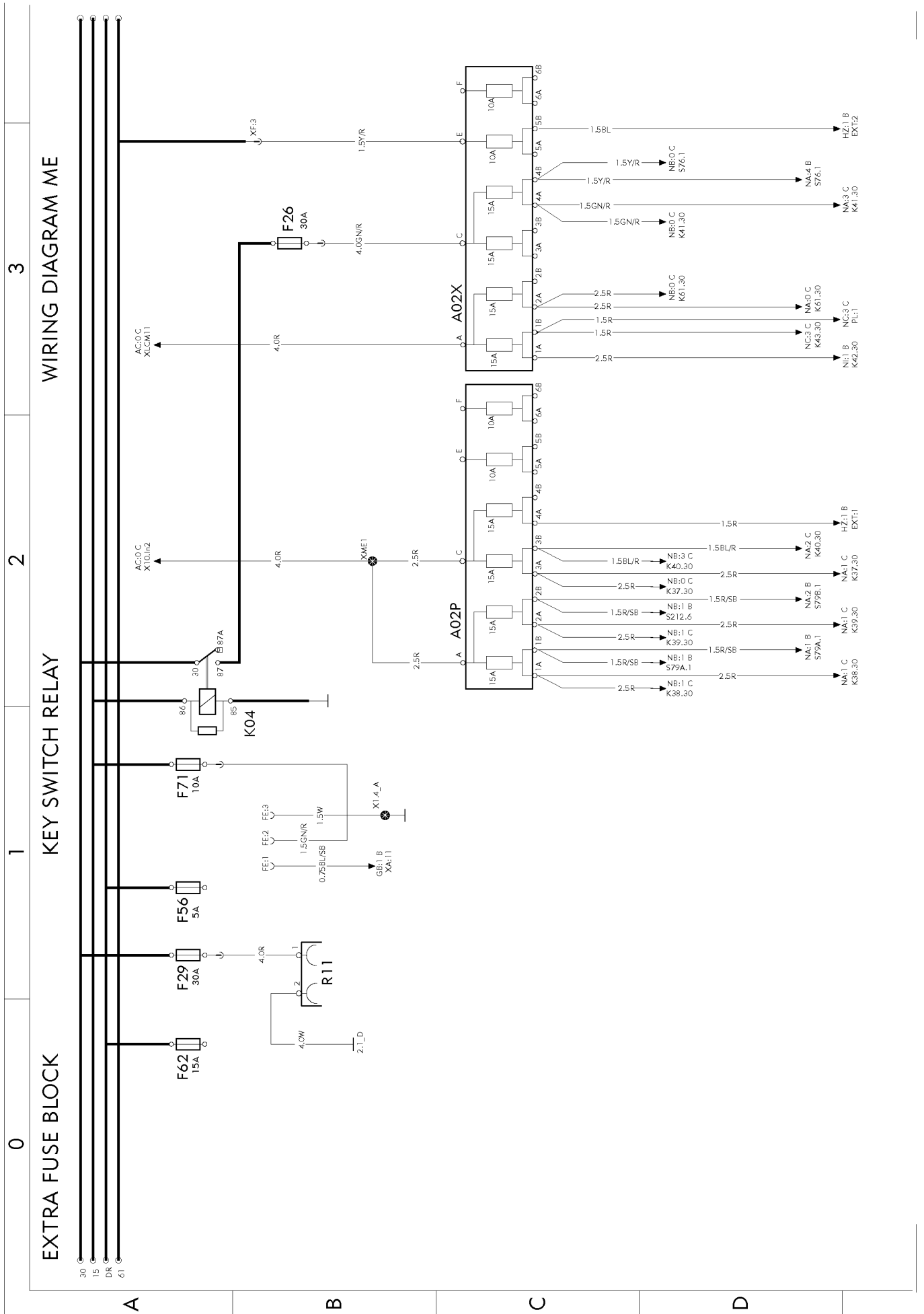


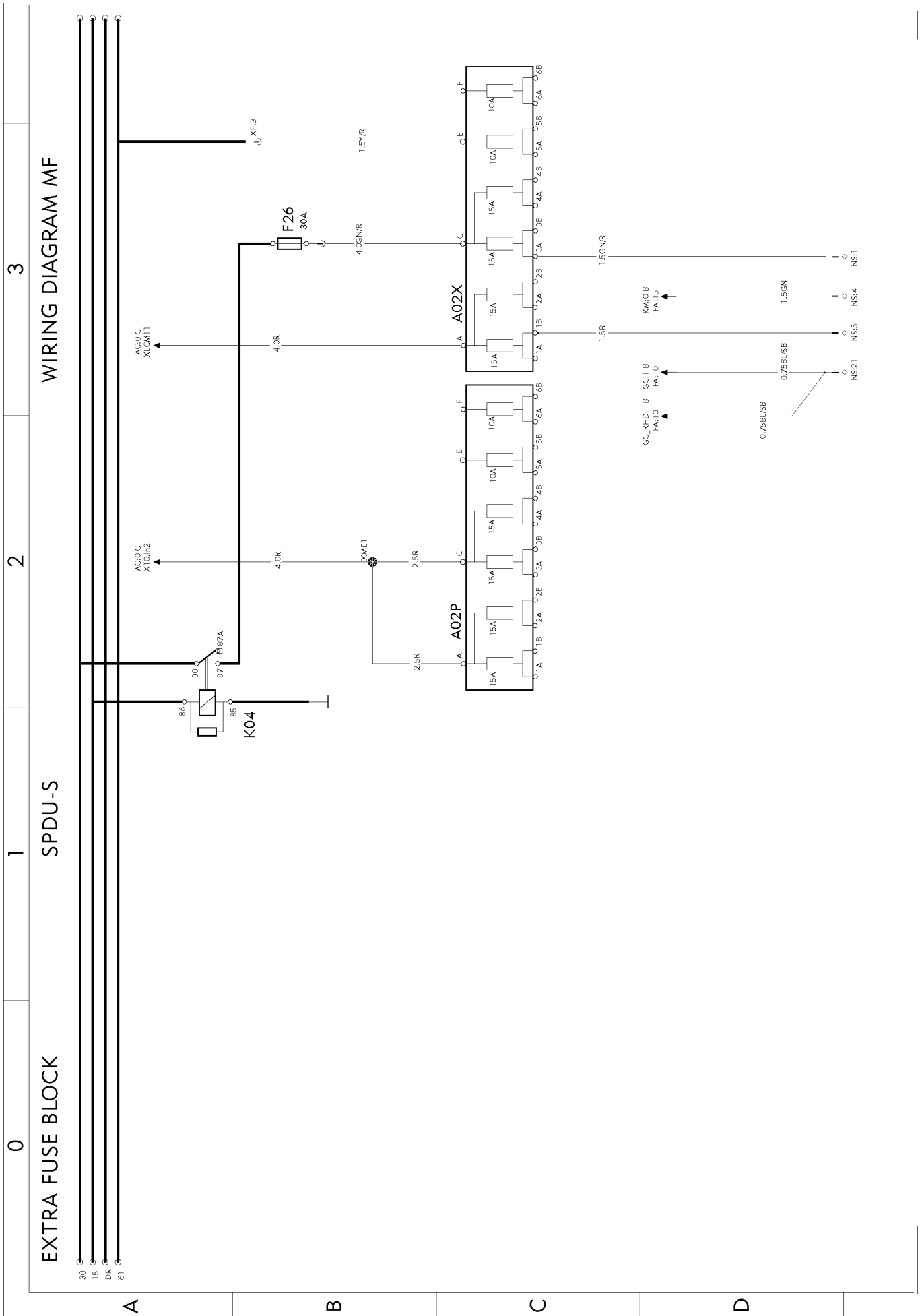


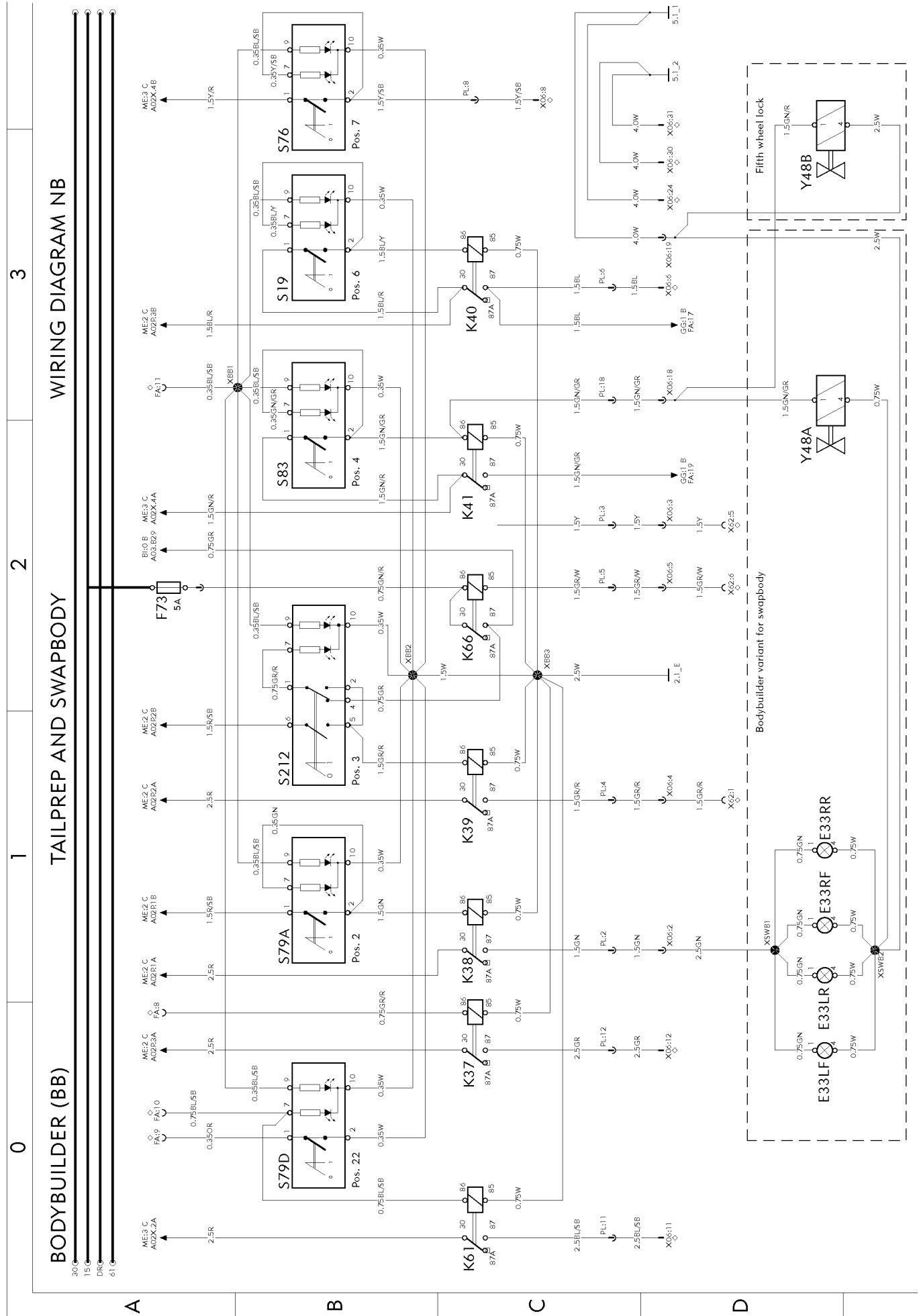


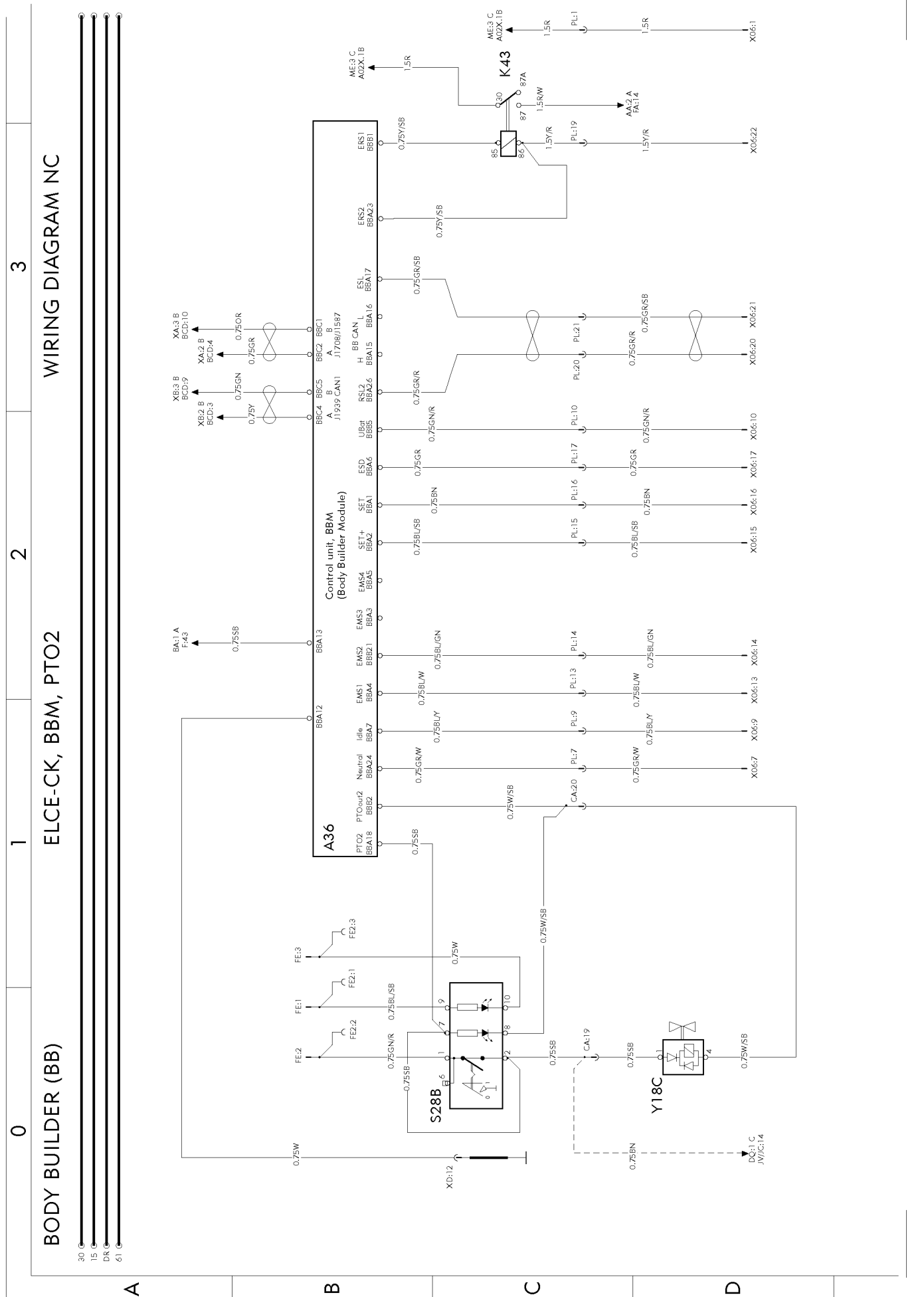


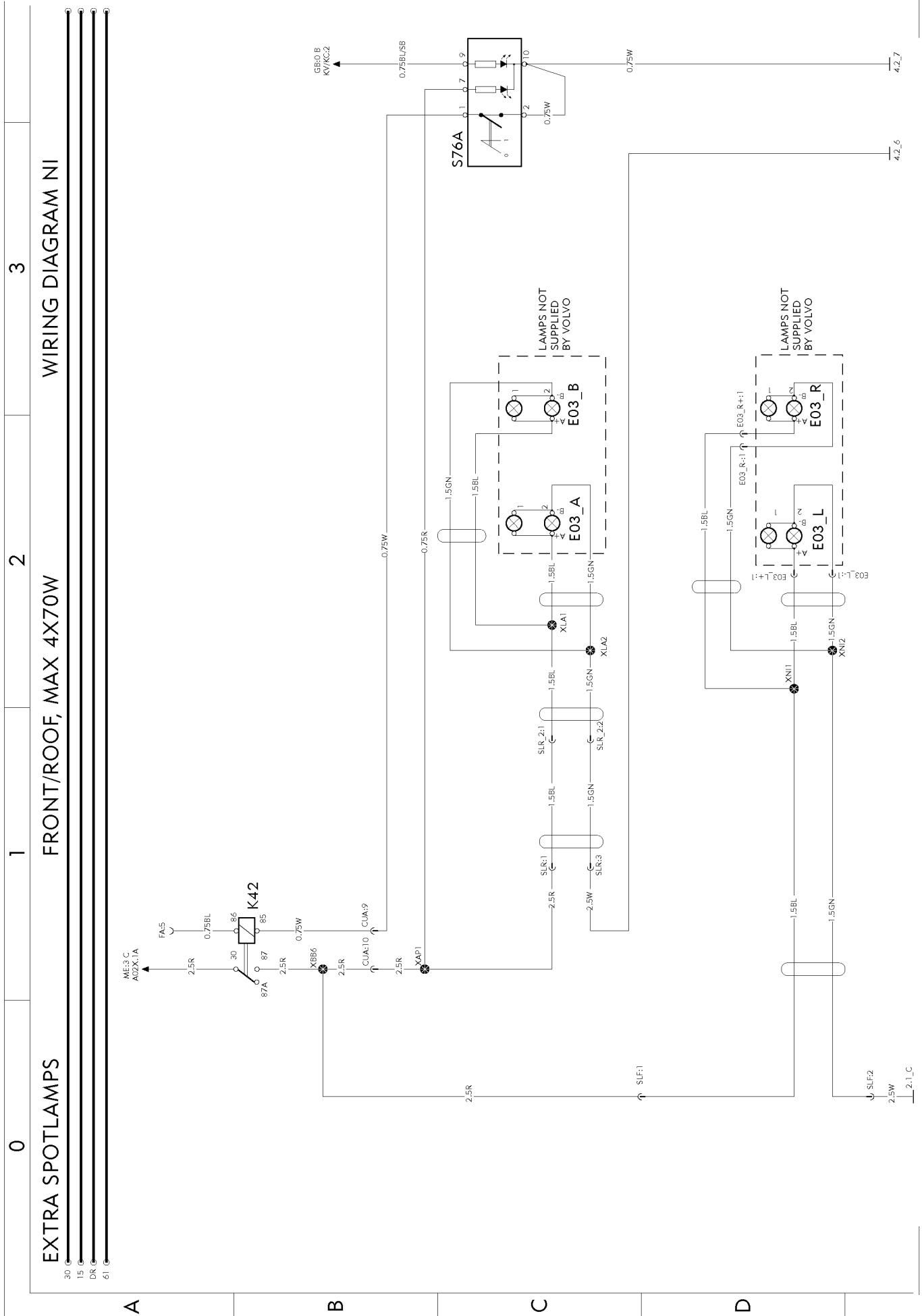


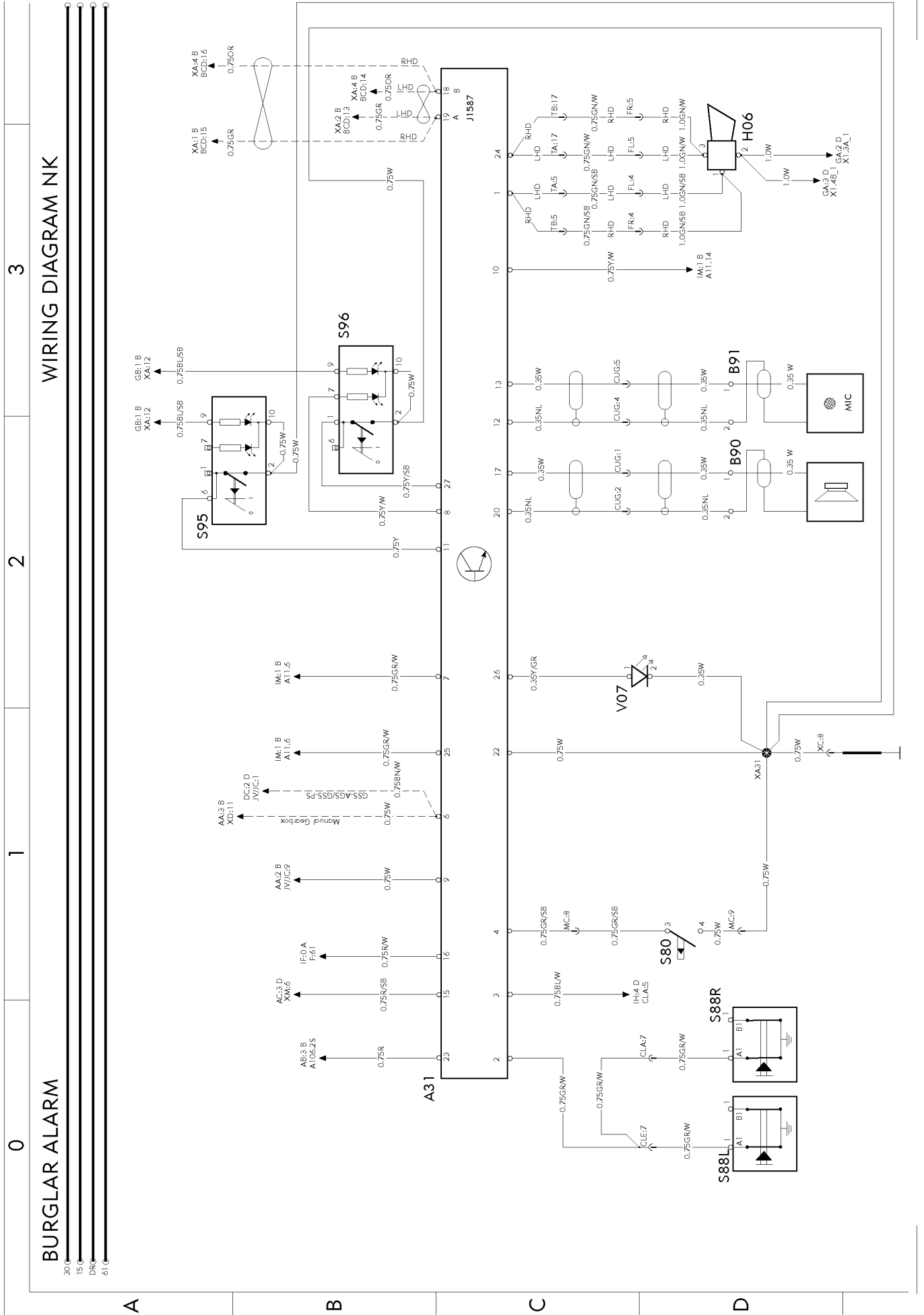


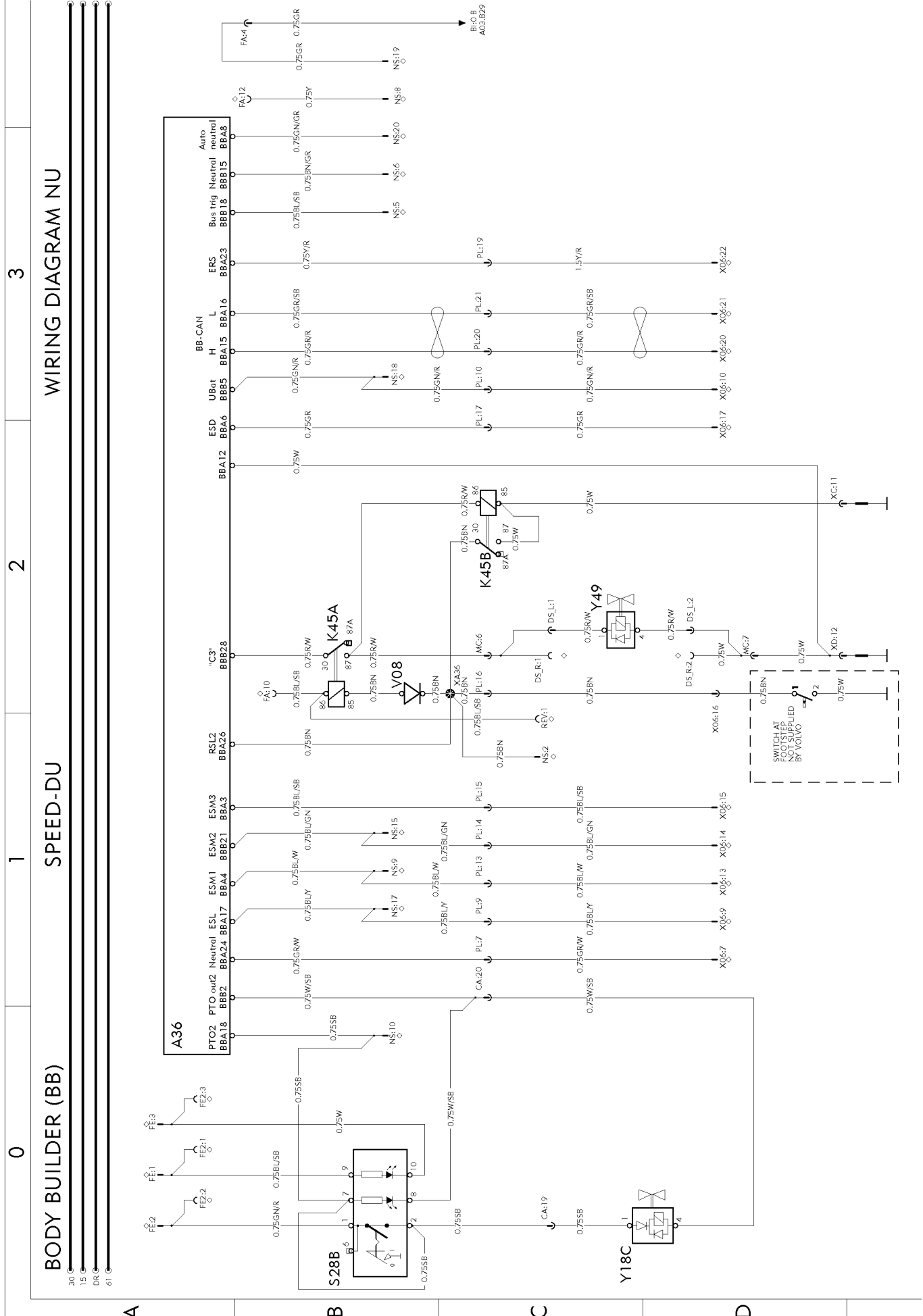


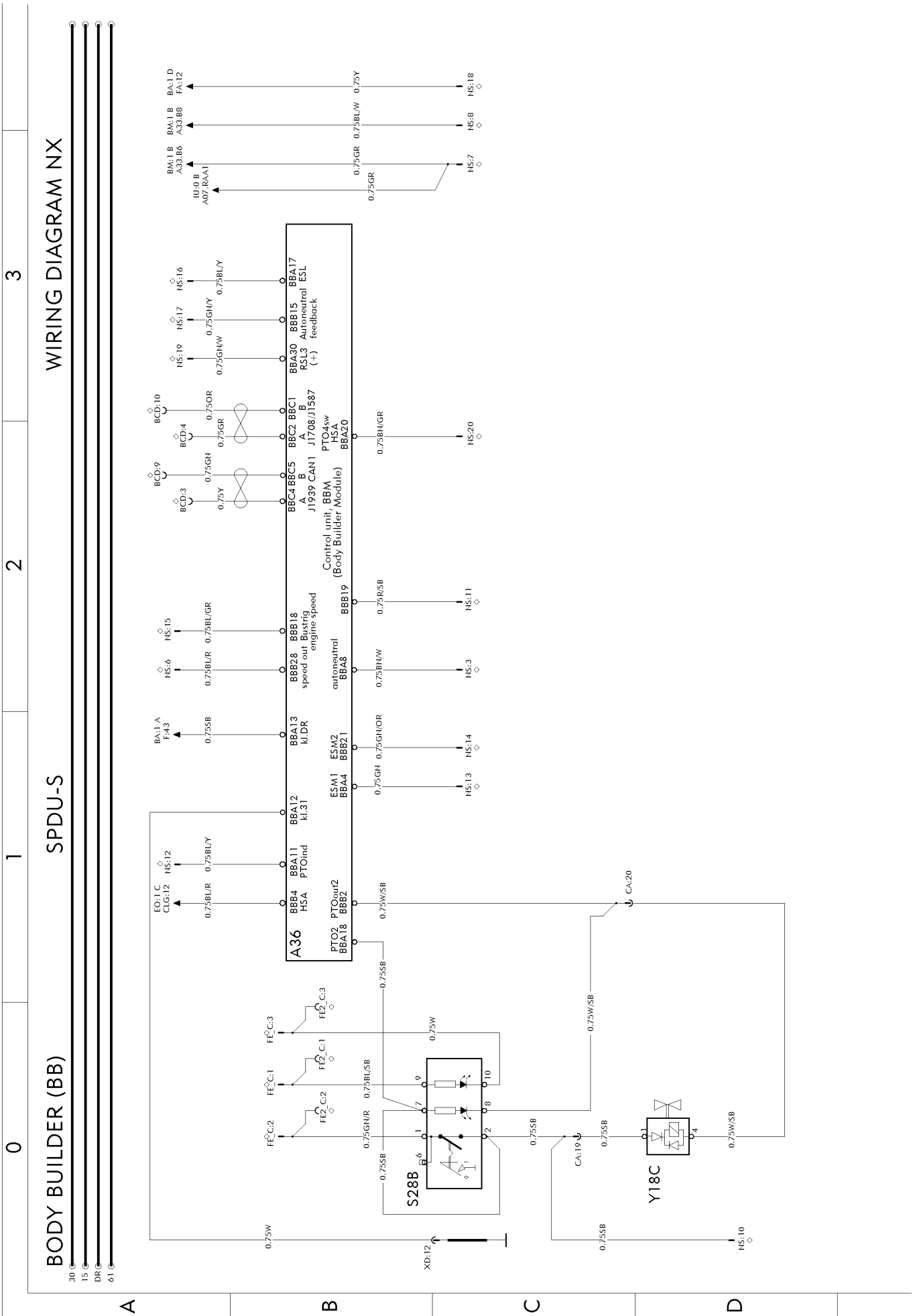


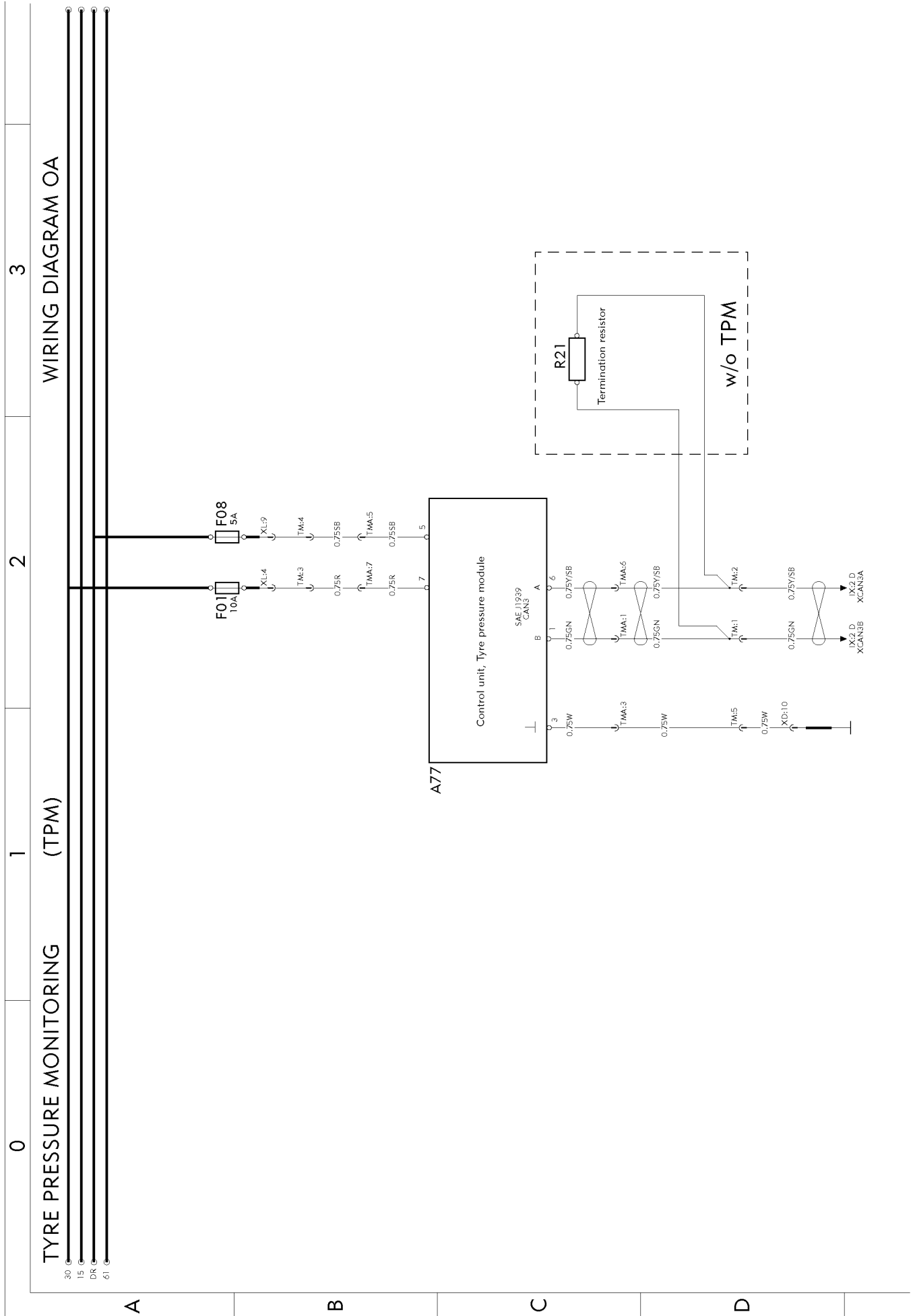


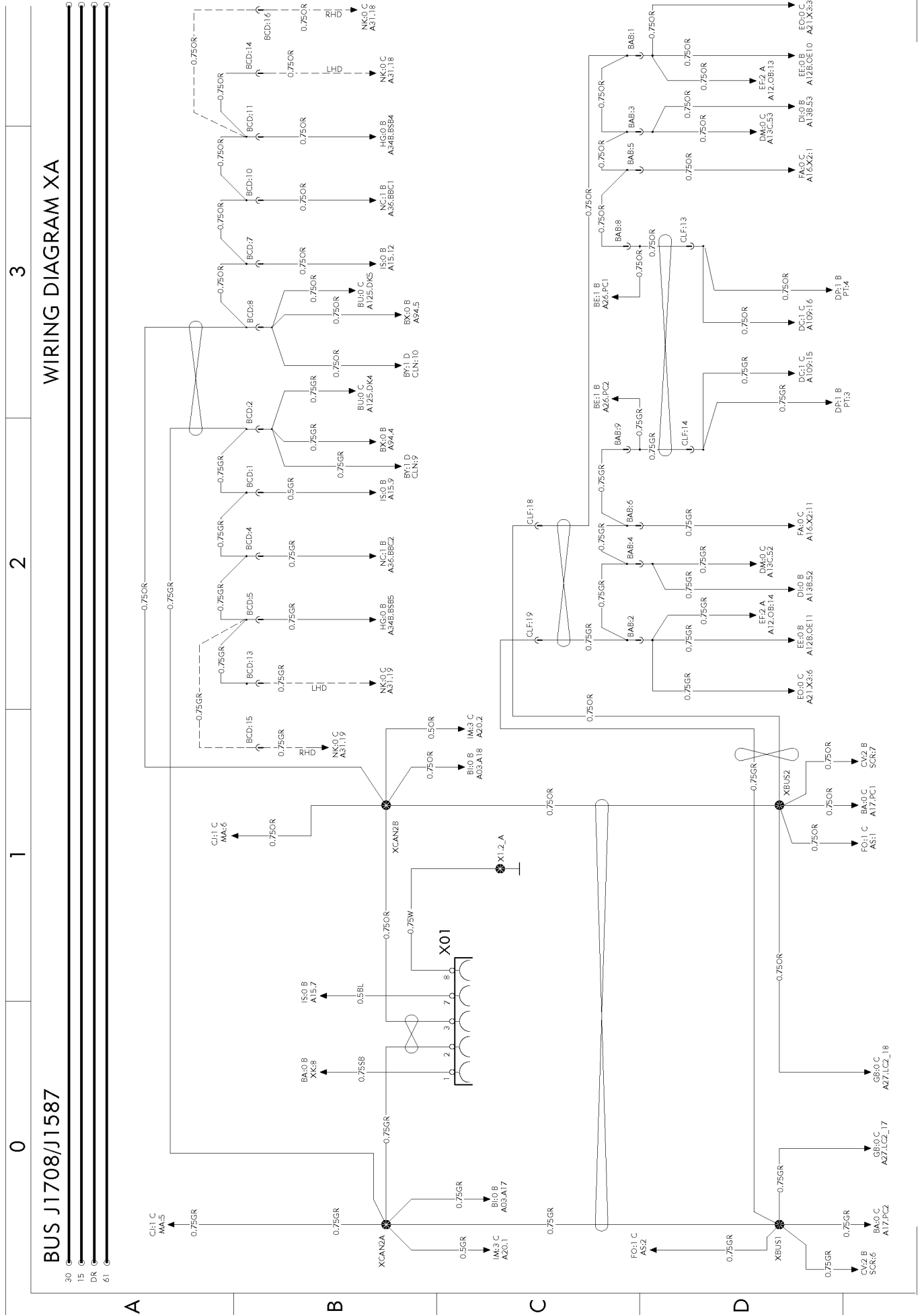


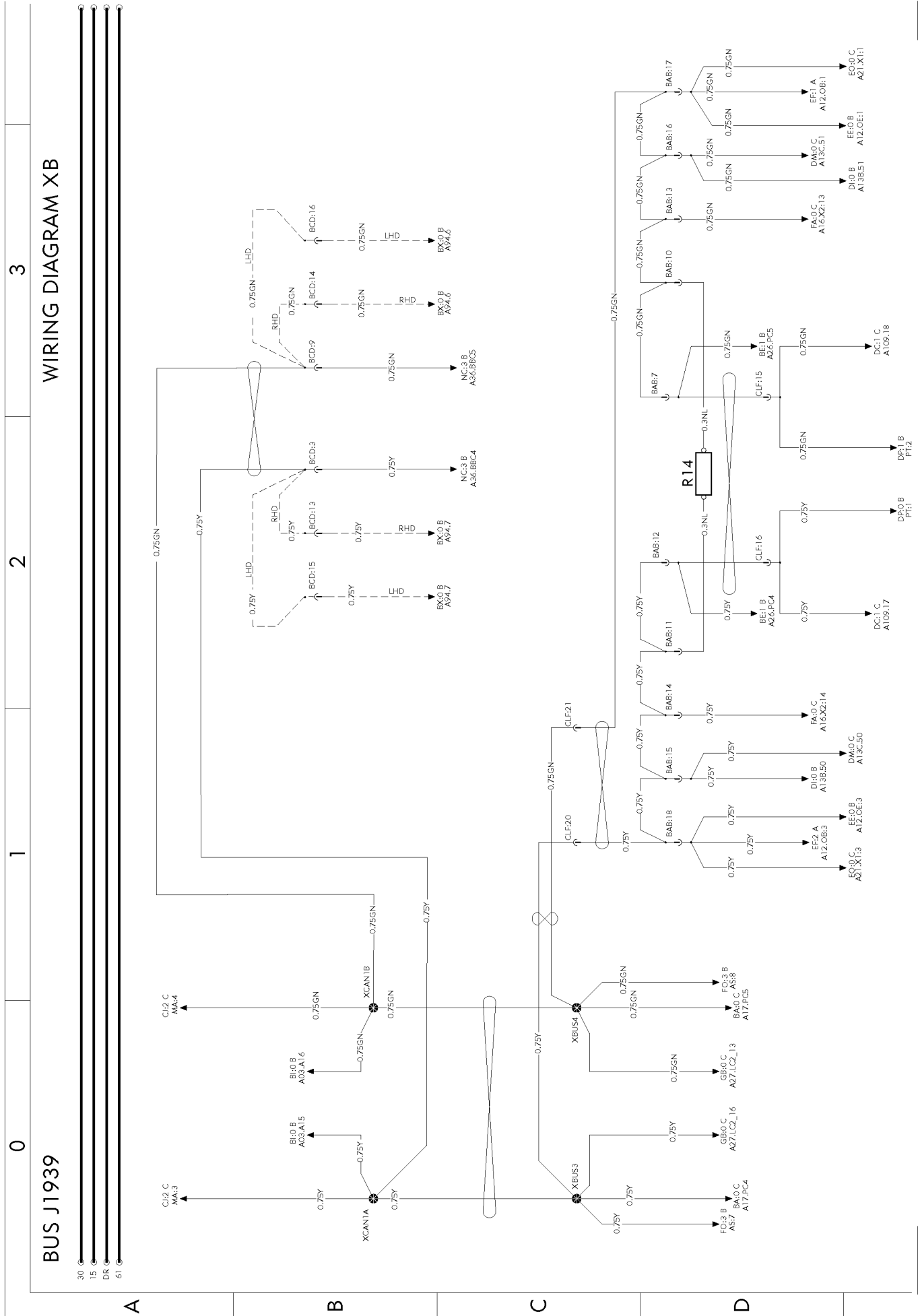


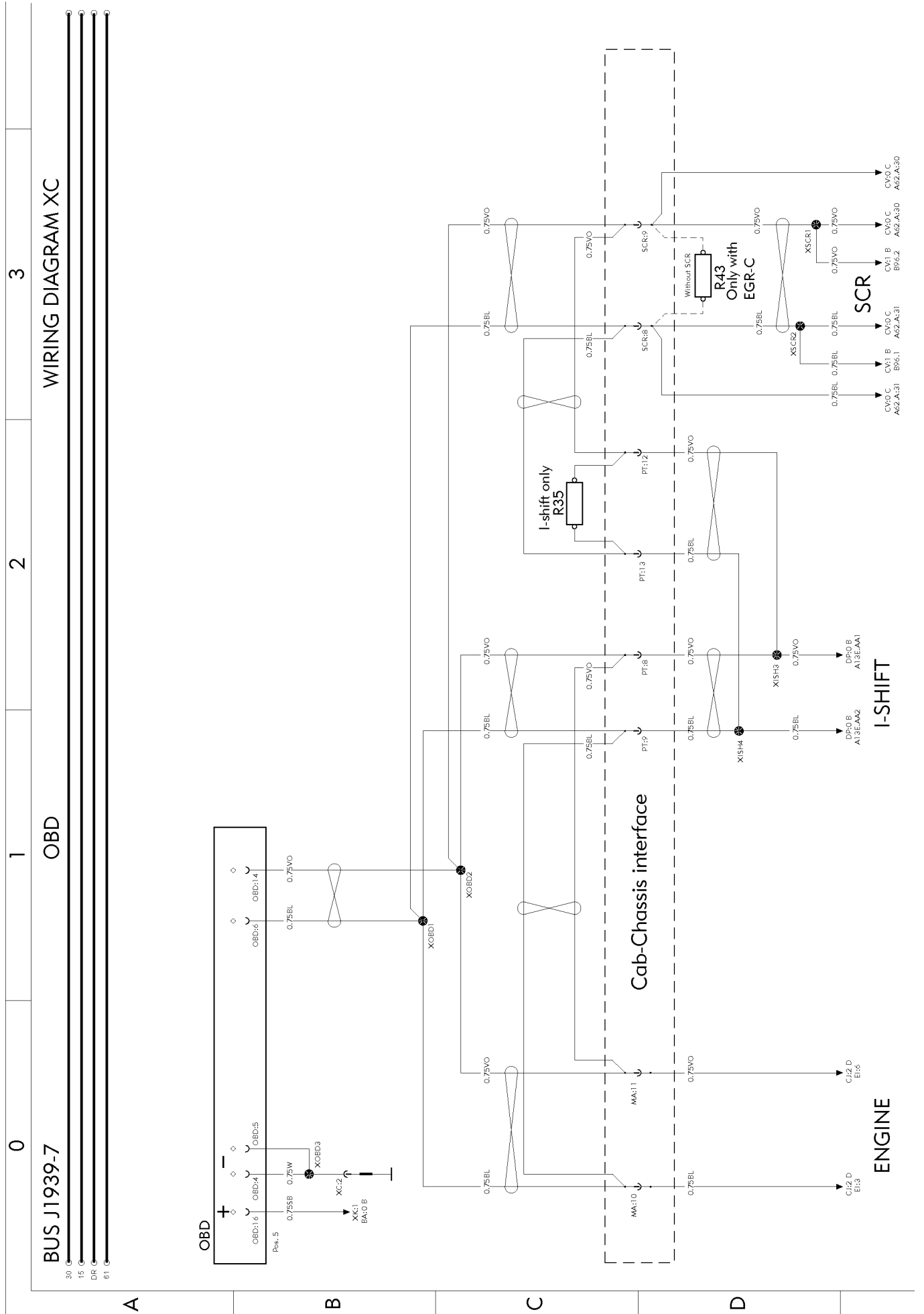


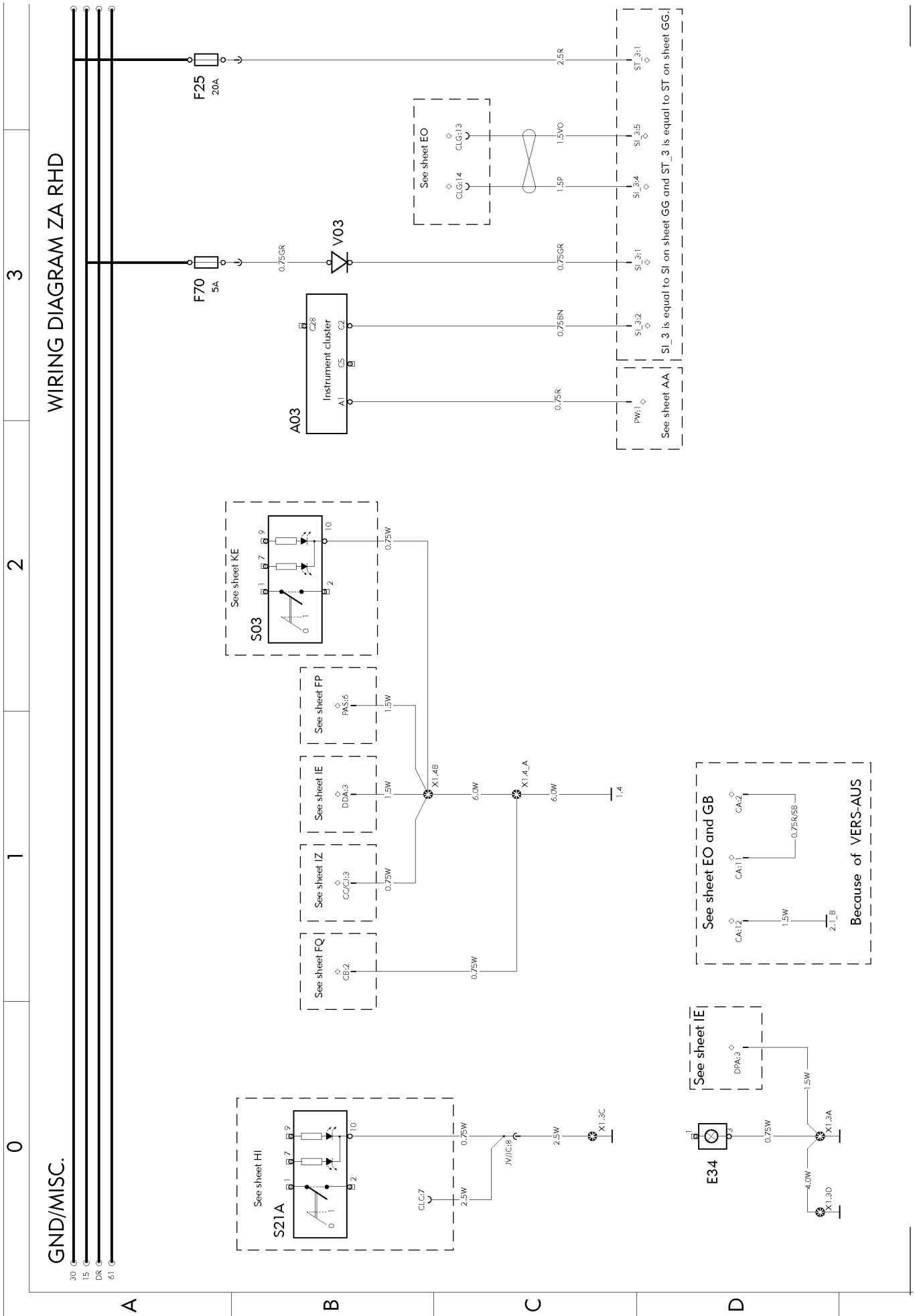








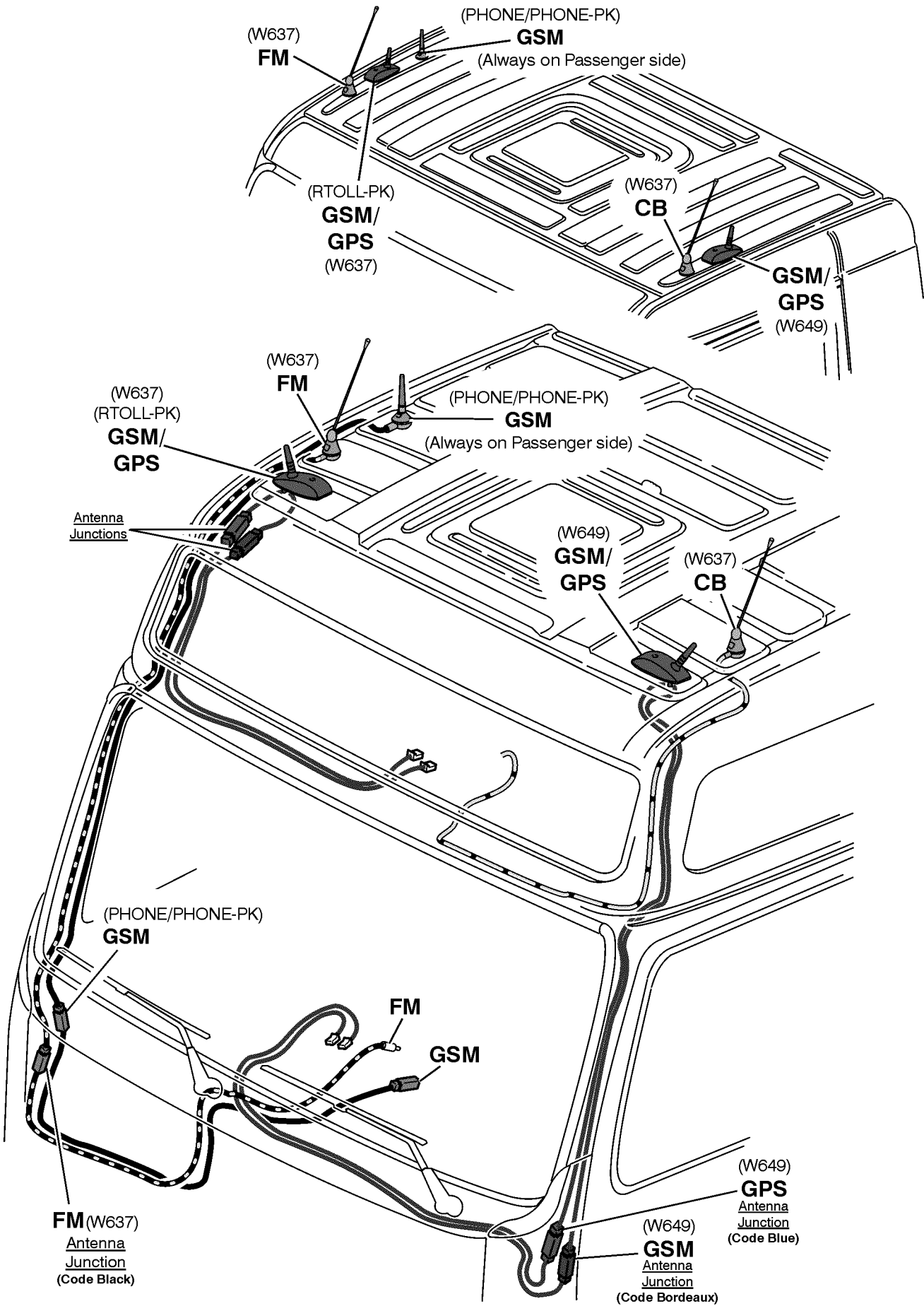




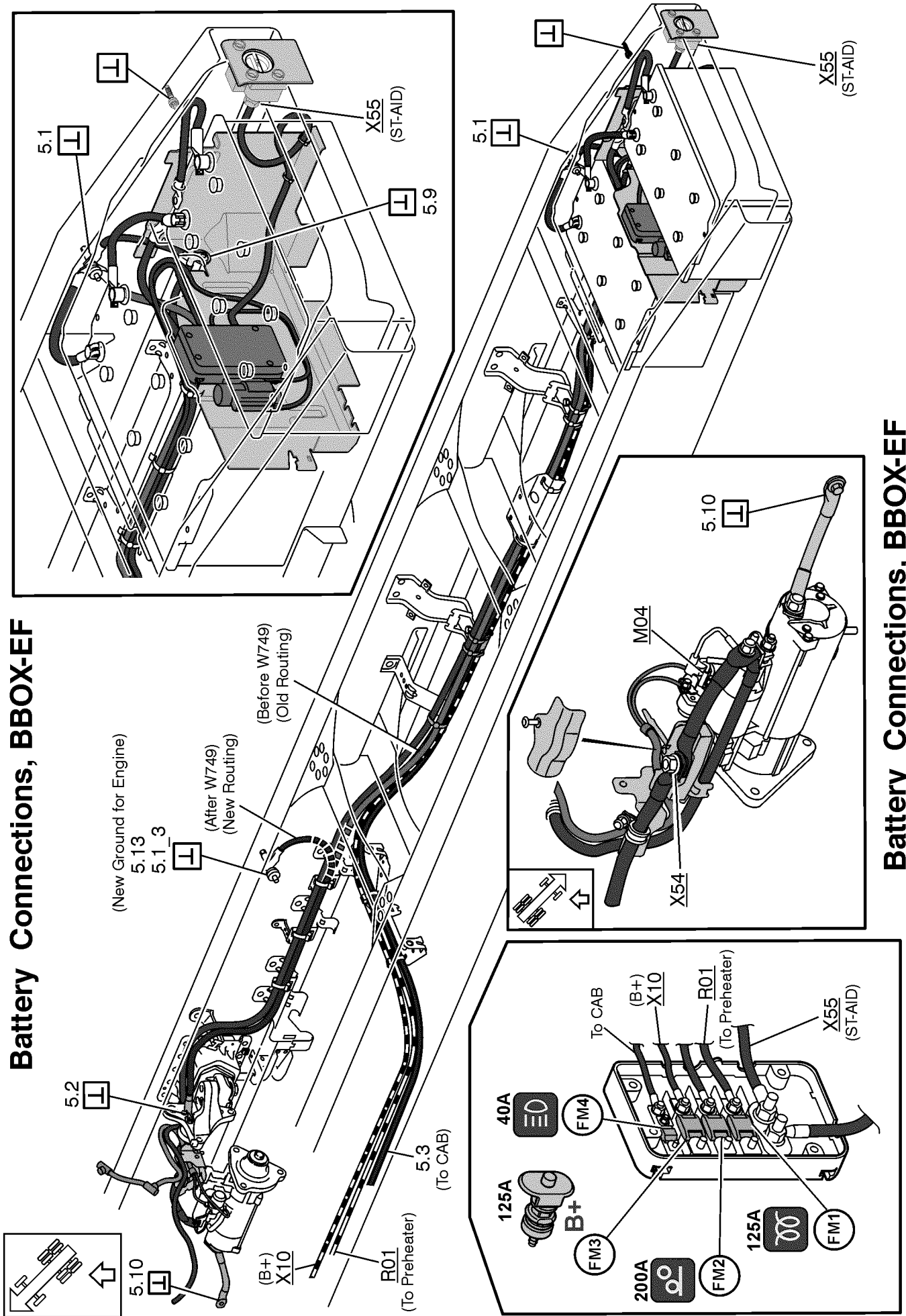
Illustrations index

-	Aerial	page 112
-	Battery cables	page 113
-	Cab/chassis interface	page 116
-	ECU in cab	page 118
-	Switches	page 120
1000	Wiring harness, instruments	page 122
1006	Wiring harness, roof	page 132
1007	Wiring harness, floor	page 137
1018	Wiring harness, air conditioning	page 147
1030	Wiring harness, engine	page 148
1037	Wiring harness, bogie lift	page 156
1040	Wiring harness, frame	page 157
1047	Wiring harness, roof beacon light	page 159
1056	Wiring harness, air dryer	page 161
1062	Wiring harness, parking heater, frame	page 162
1063	Wiring harness, trailer connections	page 163
1072	Wiring harness, air suspension chassis	page 166
1077	Wiring harness, side marking lamps	page 170
1083	Wiring harness, door	page 171
1086	Wiring harness, ABS chassis	page 173
1401	Wiring harness, solenoid valves	page 179
1403	Wiring harness, retarder	page 183
1435	Wiring harness, main switch	page 184
1436	Wiring harness, roof sign lighting	page 159
1458	Wiring harness, front wheel drive	page 191
1460	Wiring harness, cab-battery box	page 184
1470	Wiring harness, el.operated mirror arch	page 202
1472	Wiring harness, load indicator	page 192
1476	Wiring harness, cab-engine	page 148
1493	Wiring harness, power steering	page 193
1494	Wiring harness, gearbox	page 196
1499	Wiring harness, cab-gearbox	page 196
1501	Wiring harness, upper front	page 200
1502	Wiring harness, lower front left	page 200
1503	Wiring harness, lower front right	page 201
1504	Wiring harness, firewall	page 202
1505	Wiring harness, body builder connections	page 203
1506	Wiring harness, demountable (swap-body)	page 203
1507	Wiring harness, ESP chassis	page 204
1508	Wiring harness, TPM	page 205
1510	Wiring harness, SCR	page 206

Illustrations

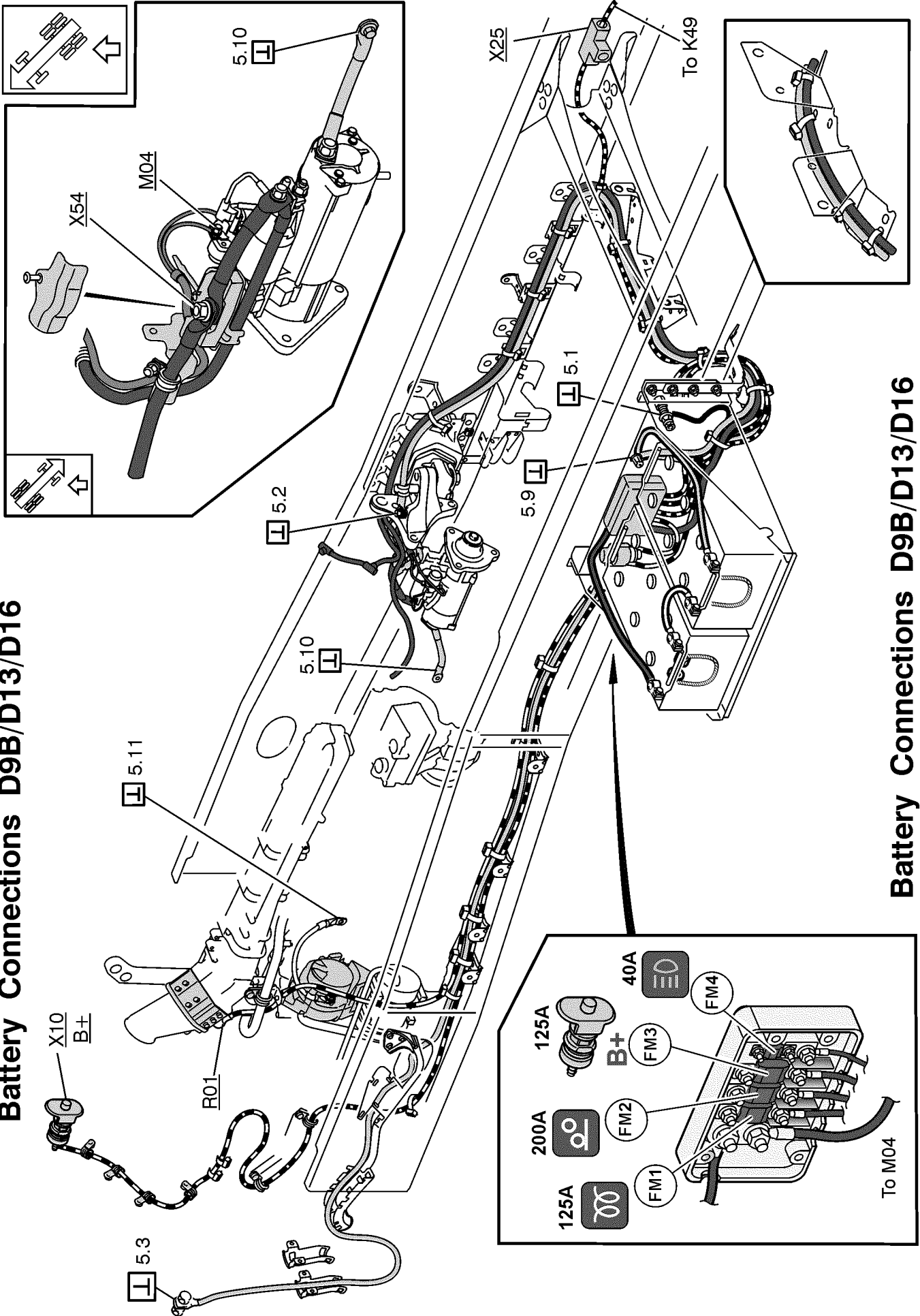


Battery Connections, BBOX-EF



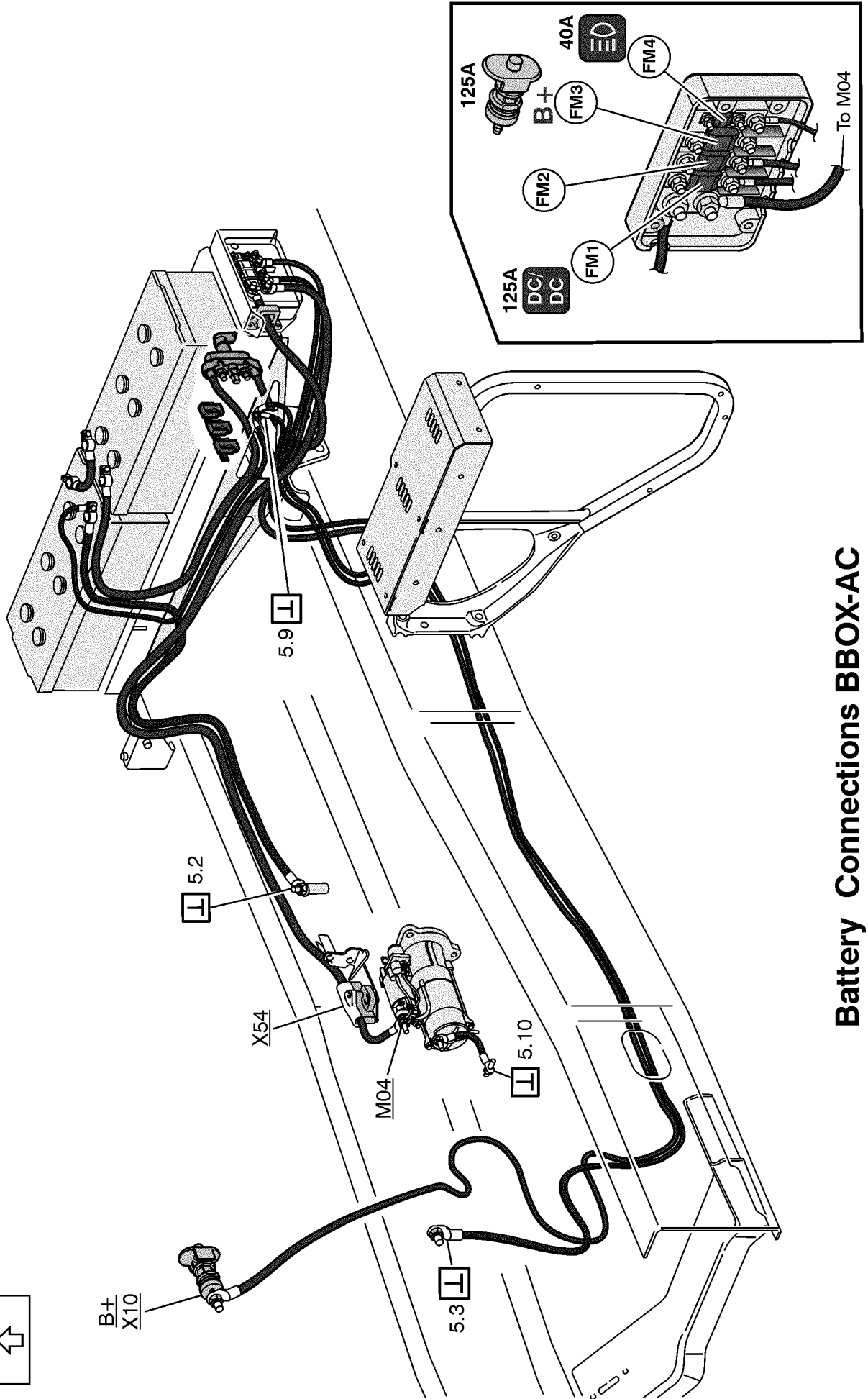
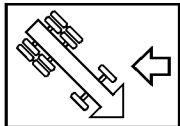
Battery Connections, BBOX-EF

Battery Connections D9B/D13/D16

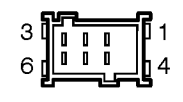
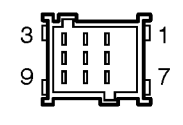
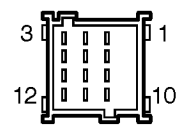
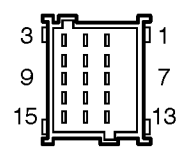
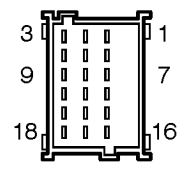
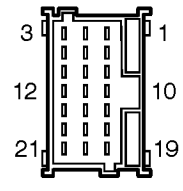
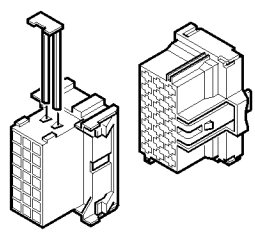
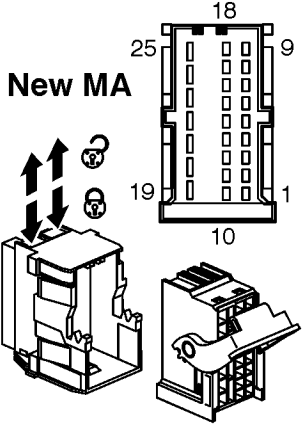
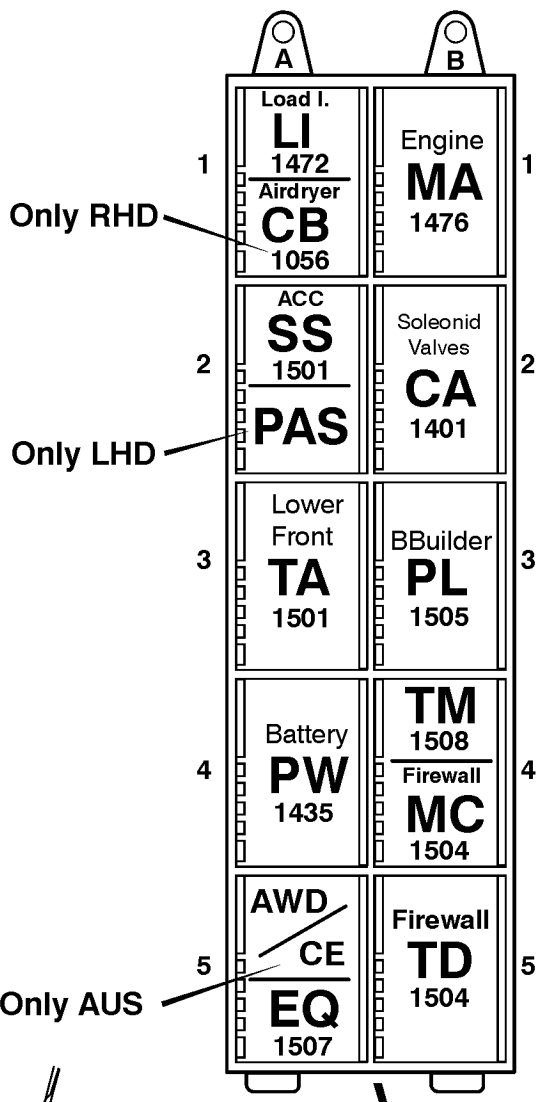


Battery Connections D9B/D13/D16

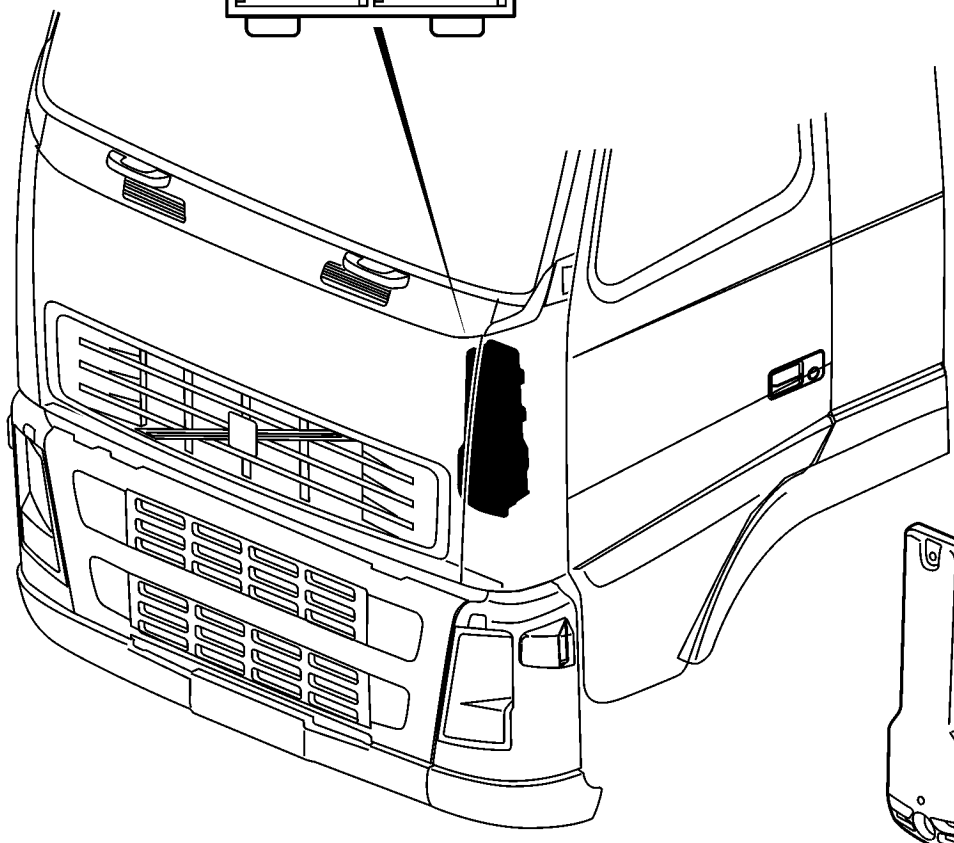
Battery Connections BBOX-AC



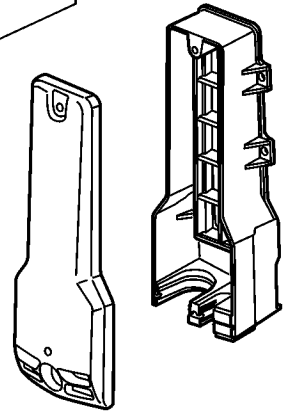
Battery Connections BBOX-AC

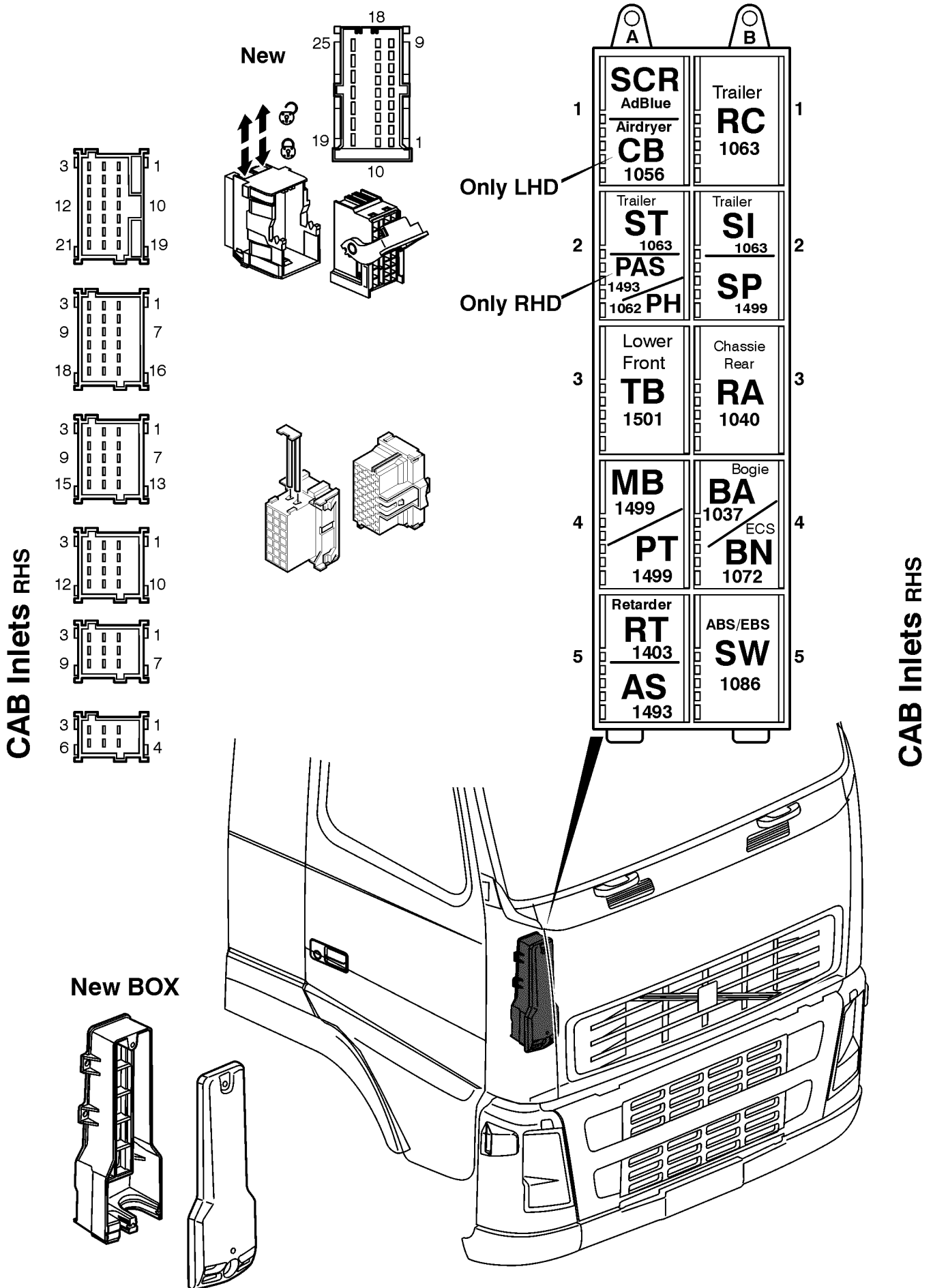


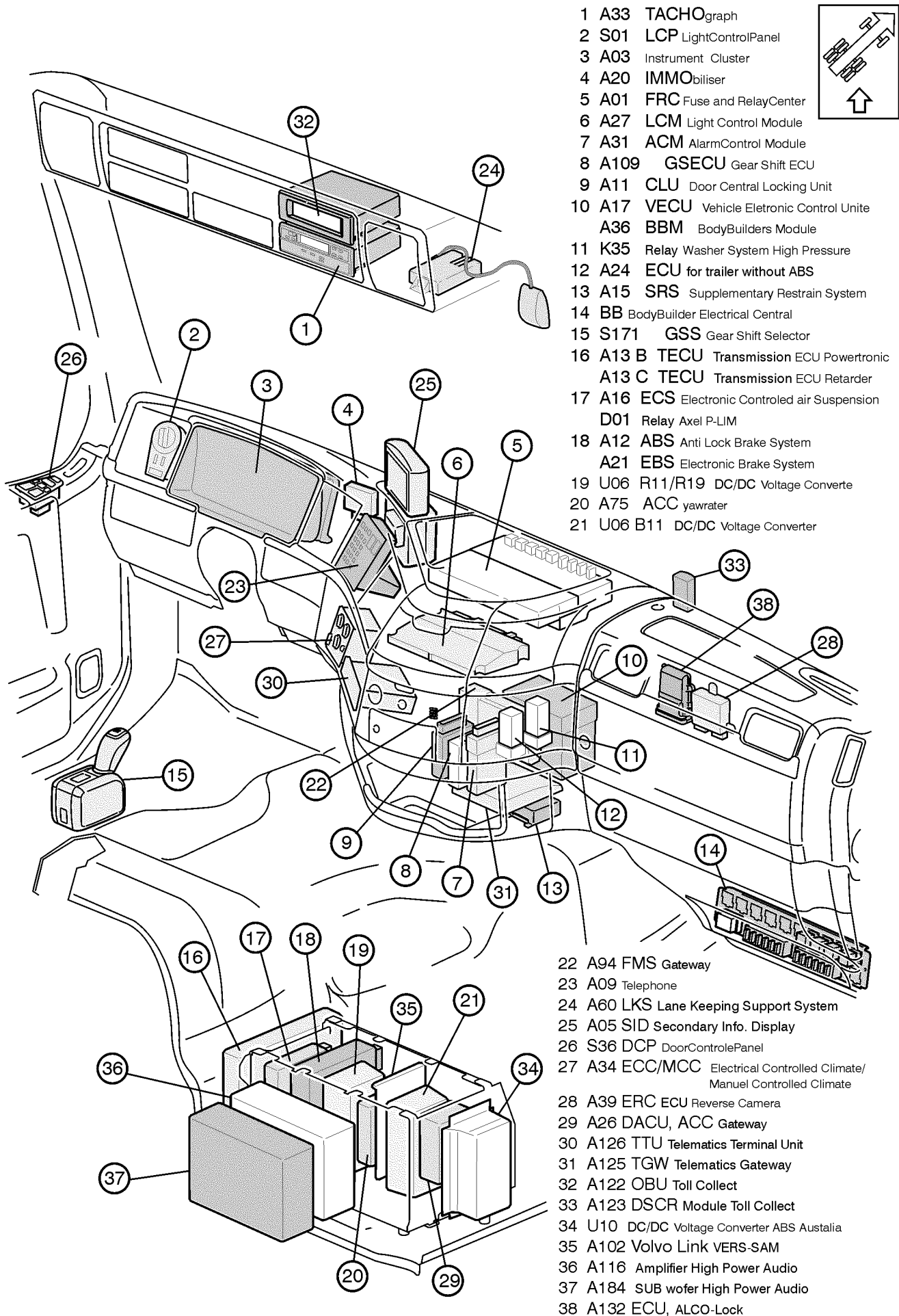
CAB Inlets LHS



New BOX

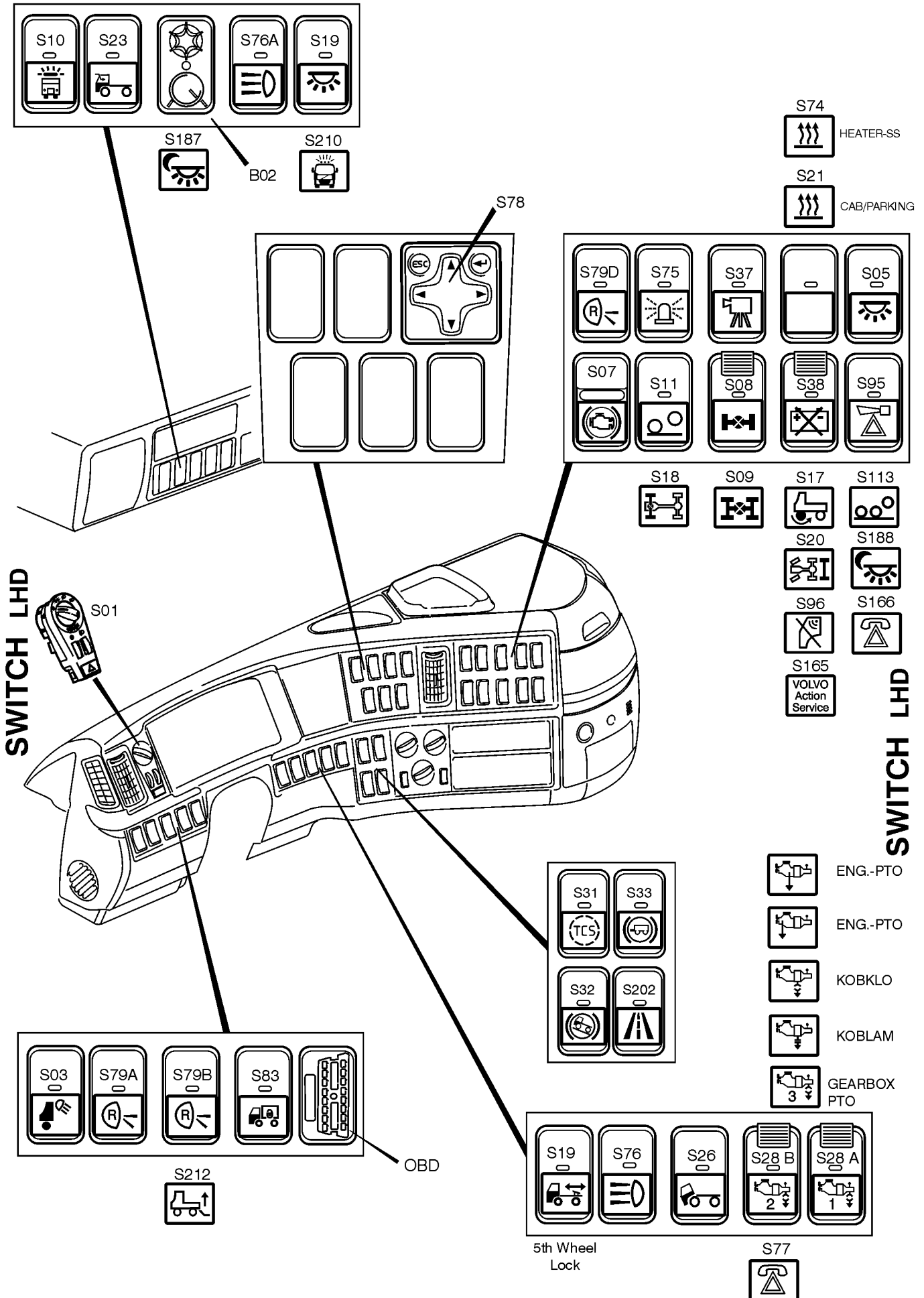


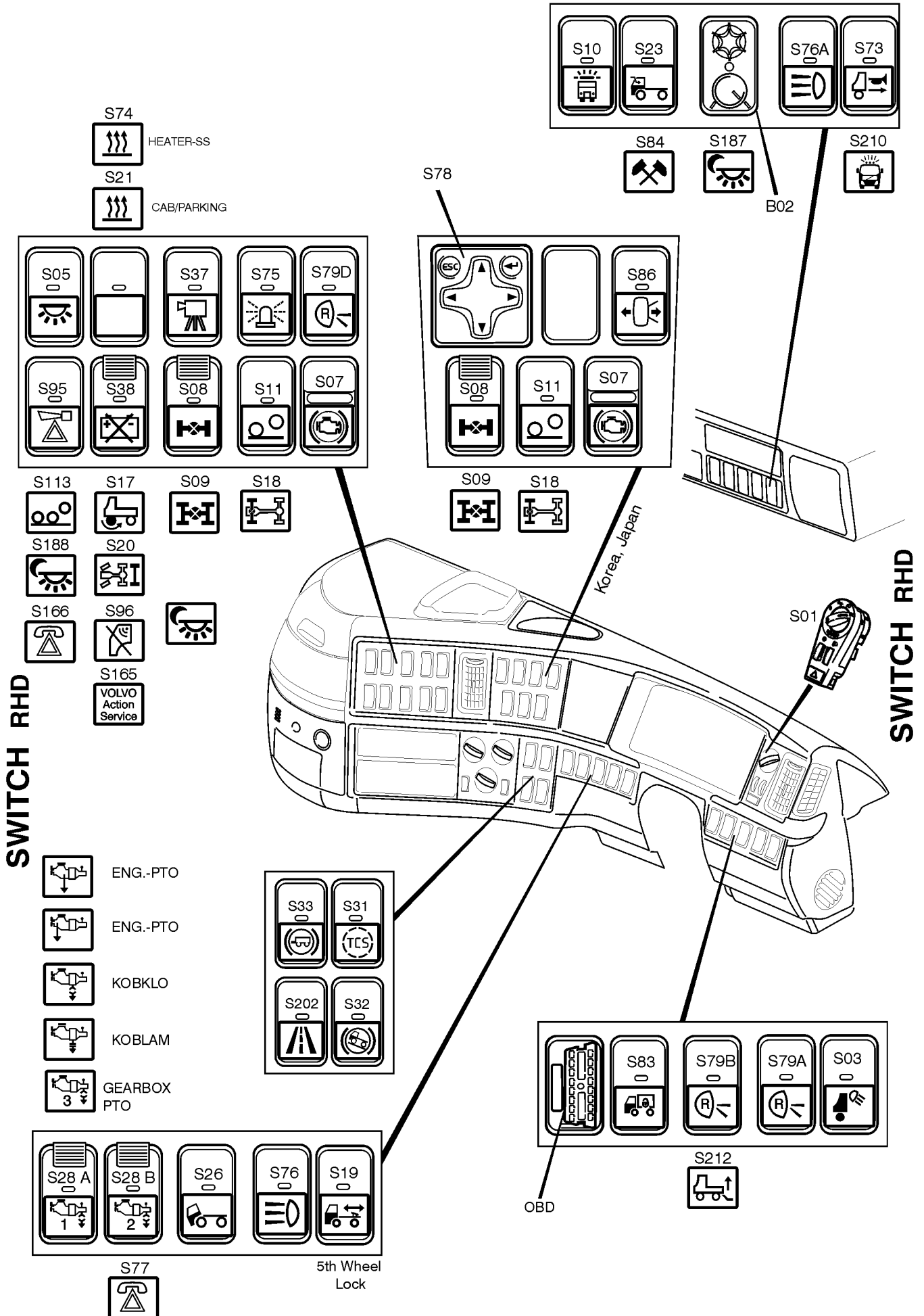


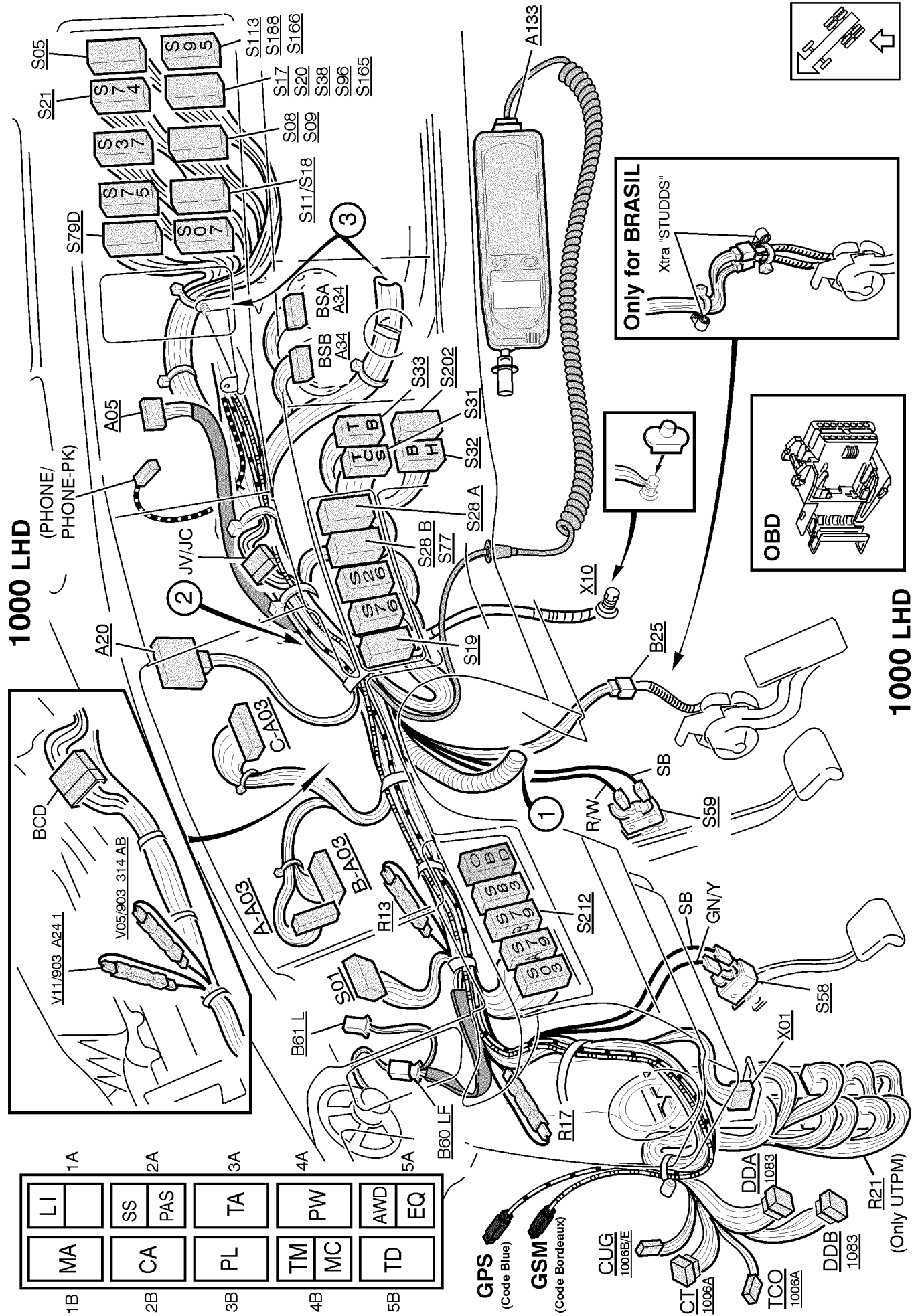


Cross index component number-MID number

<i>Component number</i>	<i>MID number</i>
A03 Instrument cluster	MID 140
A07 Radio	MID 206
A09 Telephone	MID 231
A12 Control unit ABS (Anti-lock Brake System)	MID 136
A13B Control unit TECU (Automatic transmission)	MID 130
A13C Control unit Retarder	MID 222
A14 Control unit EMS (Engine Management System)	MID 128
A15 Control unit SRS (Supplementary Restrain System)	MID 232
A16 Control unit ECS (Electronic Controlled air Suspension)	MID 150
A17 Control unit VECU (Vehicle ECU)	MID 144
A20 Control unit Immobiliser	MID 163
A21 Control unit EBS (Electronic Brake System)	MID 136
A22 Control unit FMS (Fleet Management System)	MID 203
A26 Control unit DACU	MID 238
A27 Control unit LCM (Light Control Module)	MID 216
A31 Control unit burglar alarm	MID 214
A33 Tachograph	MID 220
A34 Control unit climate unit	MID 146
A36 Control unit BBM (Body Builder Module)	MID 249
A59 Control unit RAS (Rear Axle Steering)	MID 184
A60 Control unit LKS (Lane Keeping Support System)	MID 248
A77 Control unit TPM (Tyre pressure monitoring)	MID 166
A94 Control unit FMS Gateway (Fleet Management System)	MID 179
A102 Control unit Volvo Link	MID 142
A109 Control unit GSECU (Gearshift ECU)	MID 223
A125 Control unit TGW (Telematics Gateway)	MID 141
A126 Control unit TTU (Telematics Terminal Unit)	MID 203
B120 Radar ACC Adaptive Cruise Control	MID 219



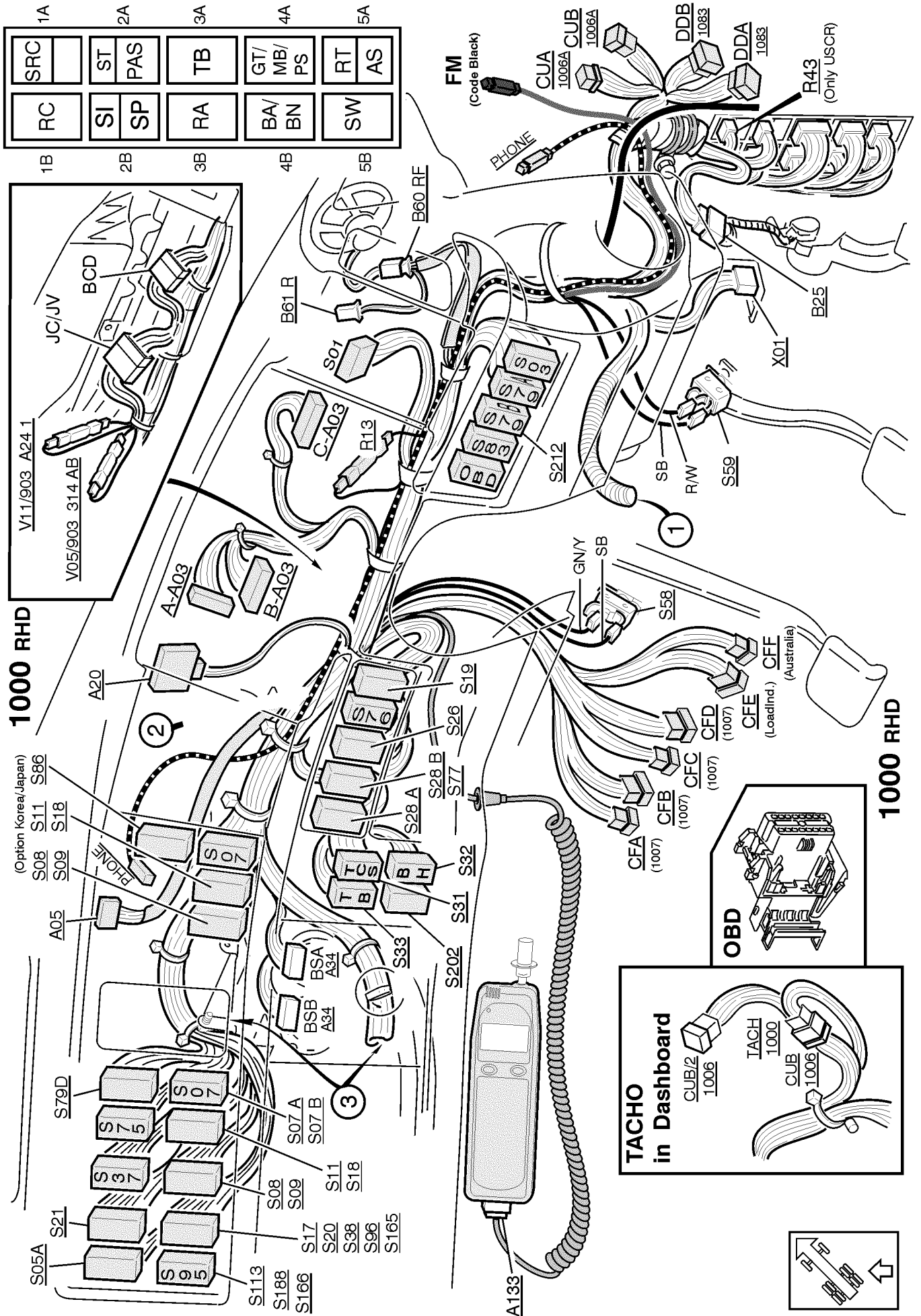


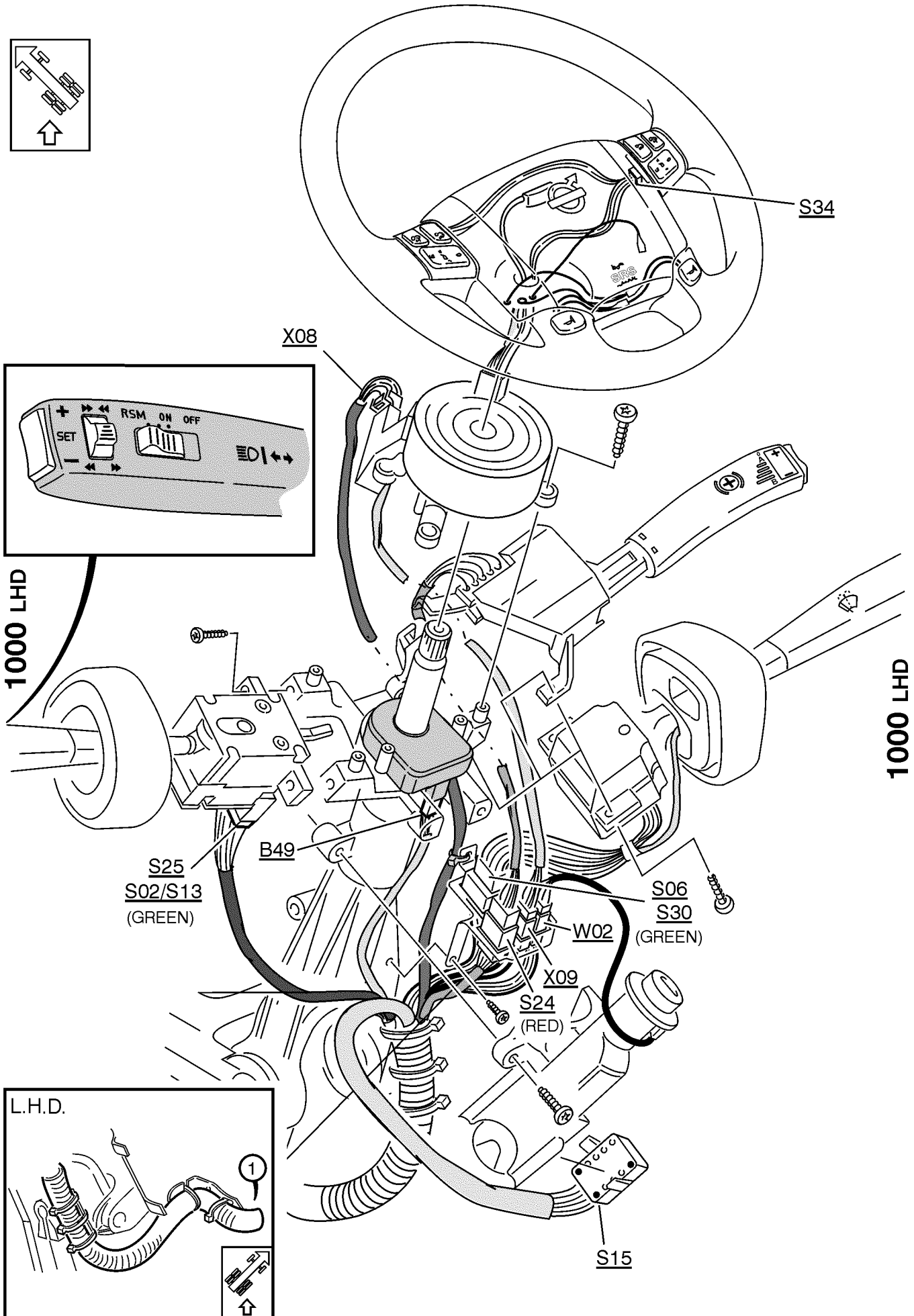


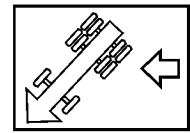
1000 LHD

1000 LHD

1A	2A	3A	4A	5A
LI	SS	PAS	TA	PW
MA	CA	PL	TM	MC
1B	2B	3B	4B	5B
AWD	EQ	TD		

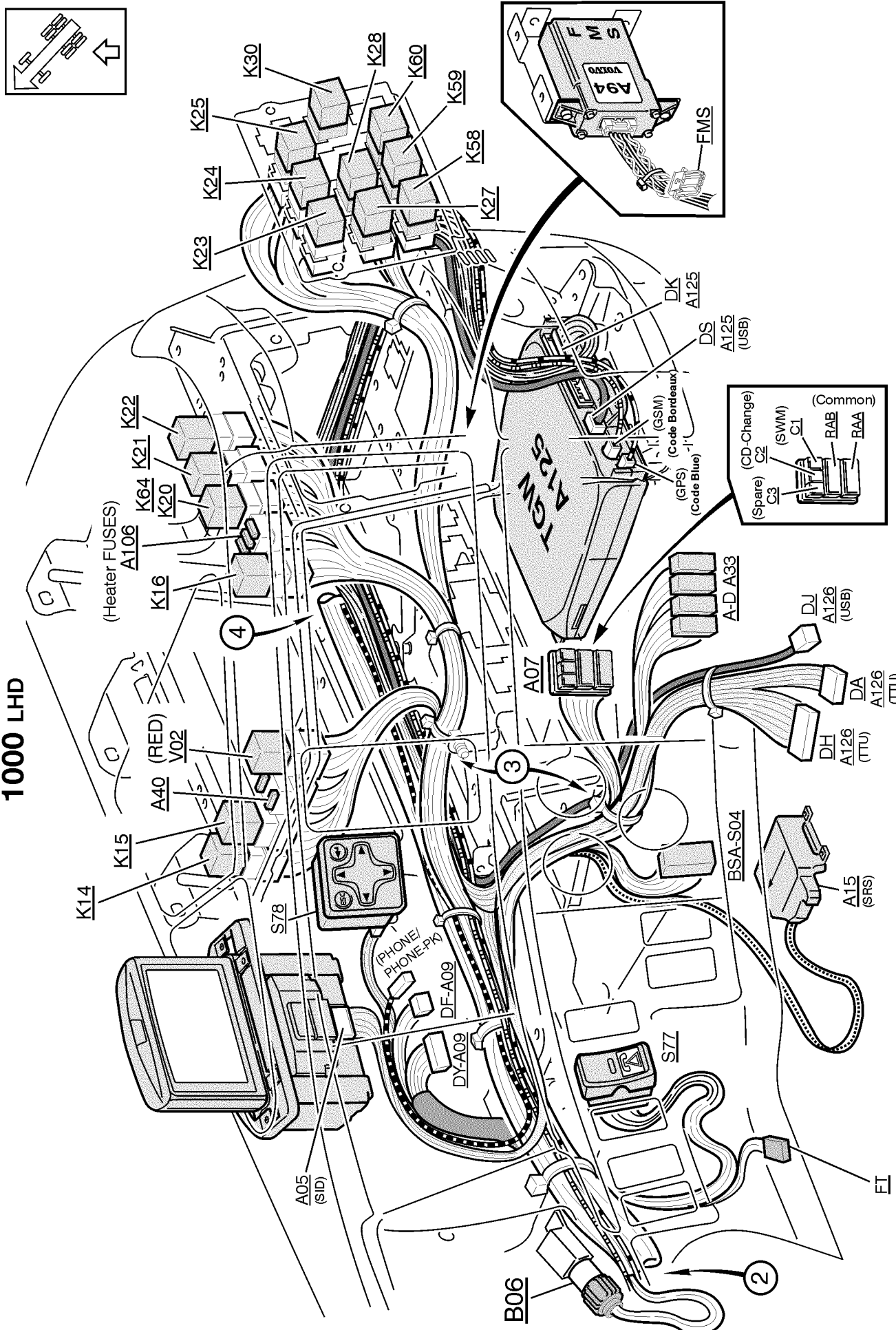




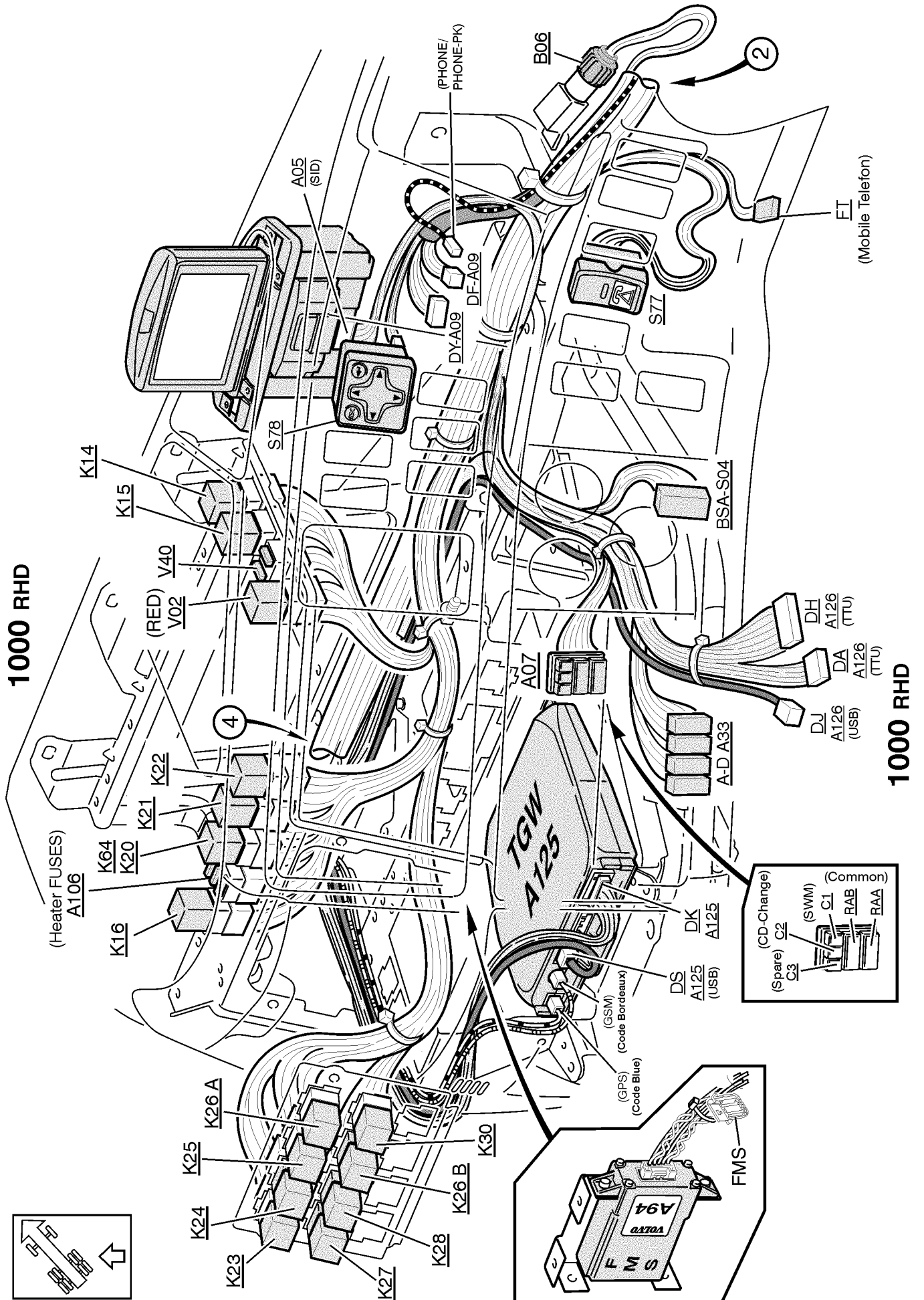


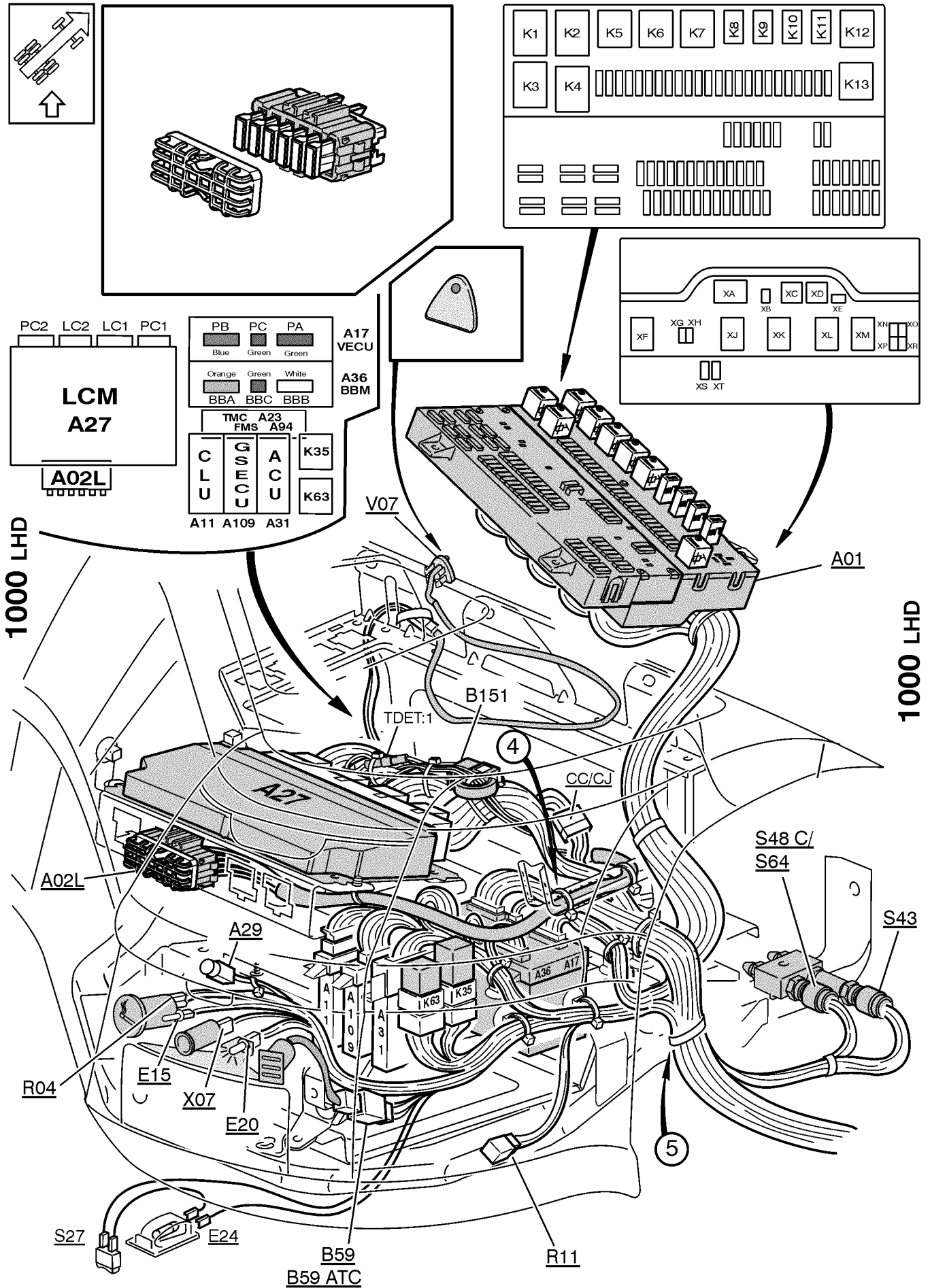
1000 LHD

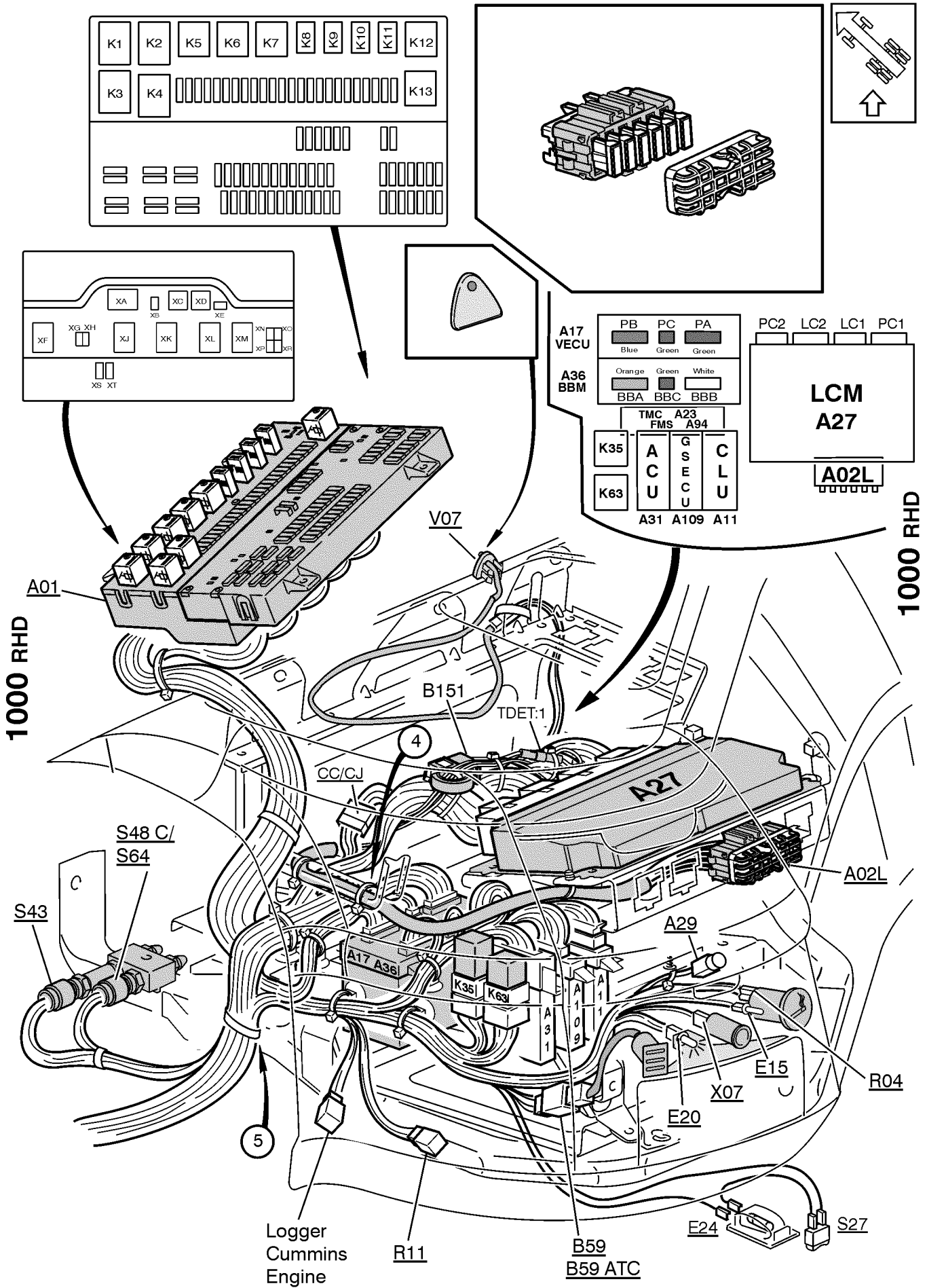
1000 LHD

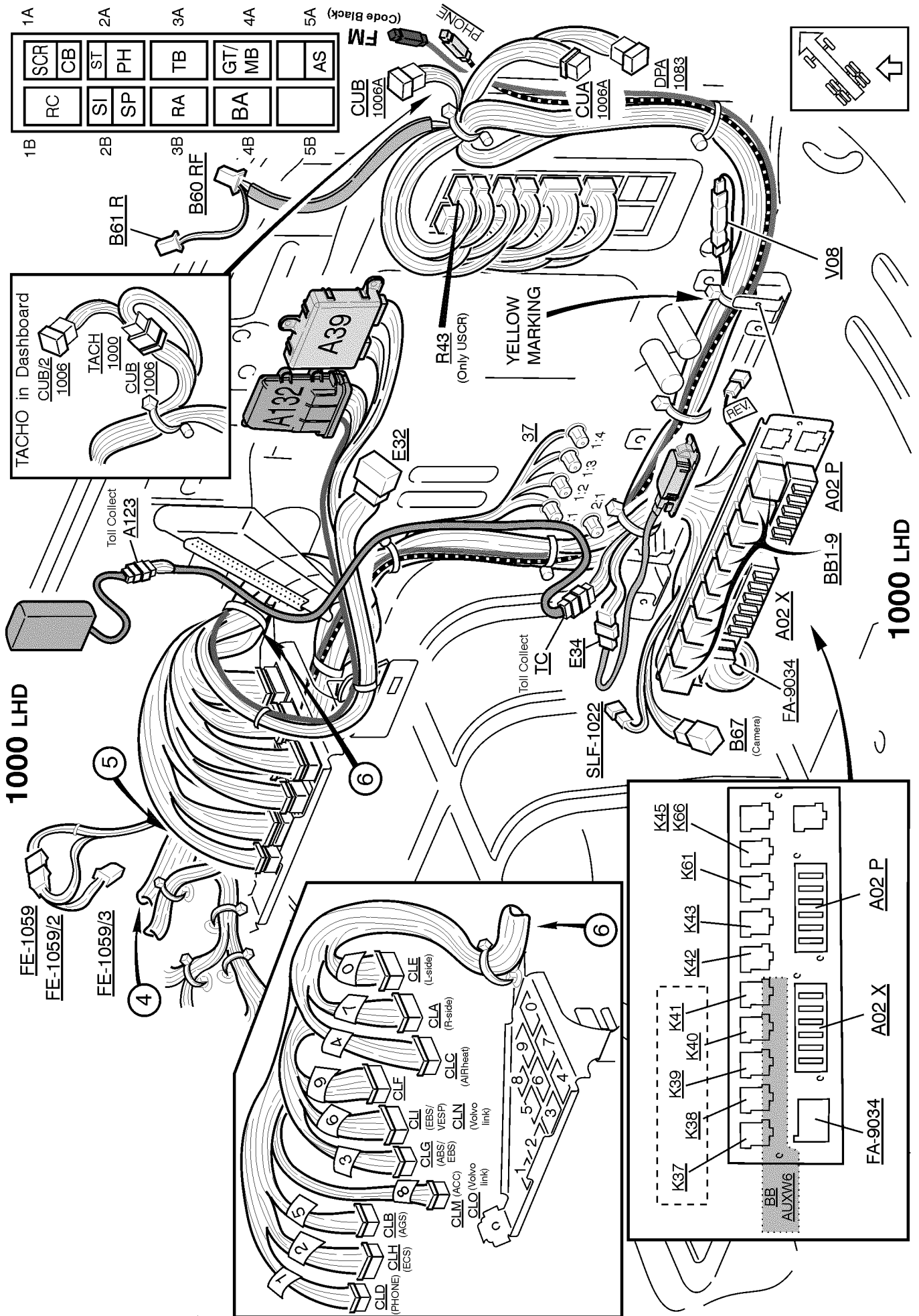


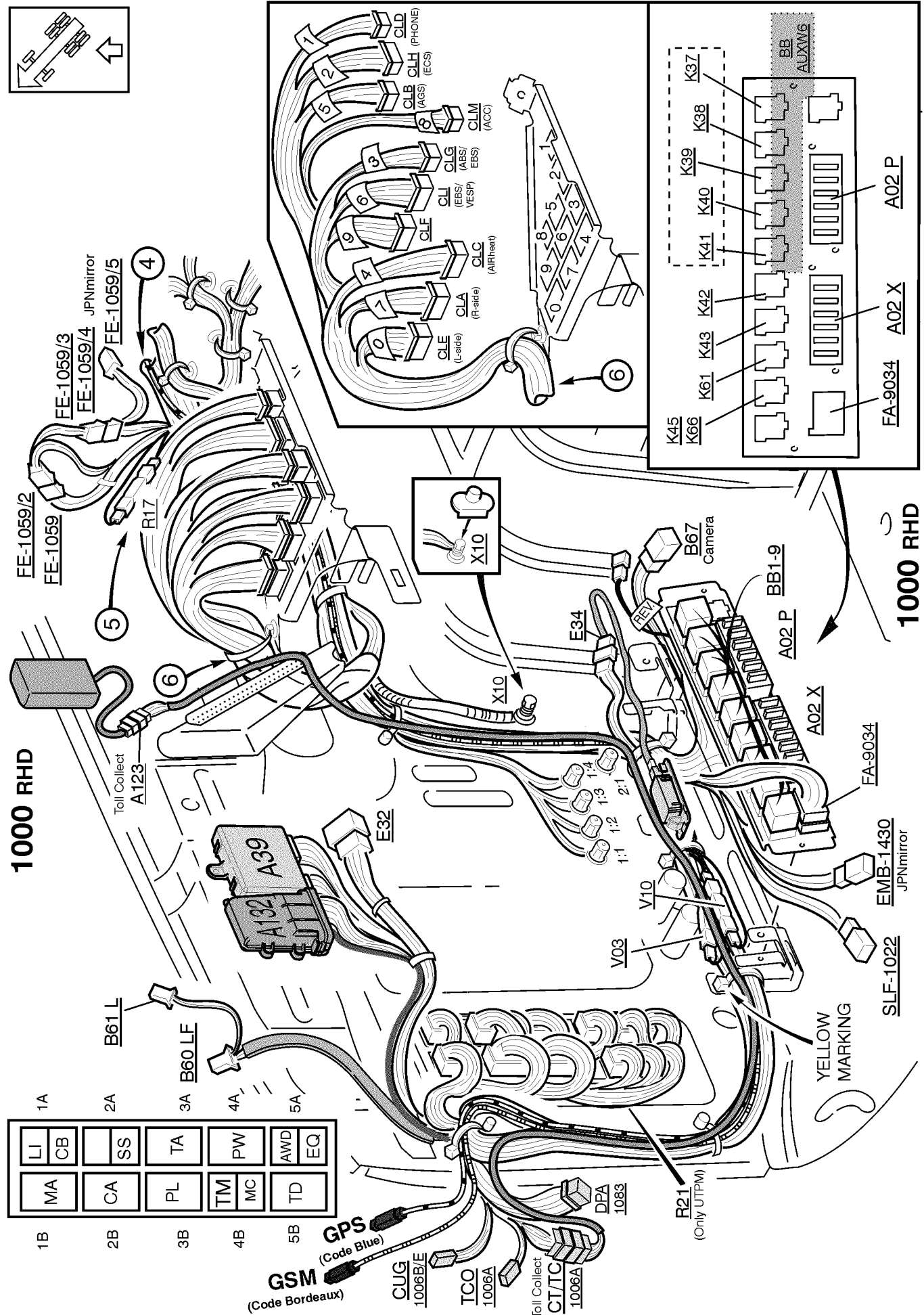
ET (Mobile Telephone)

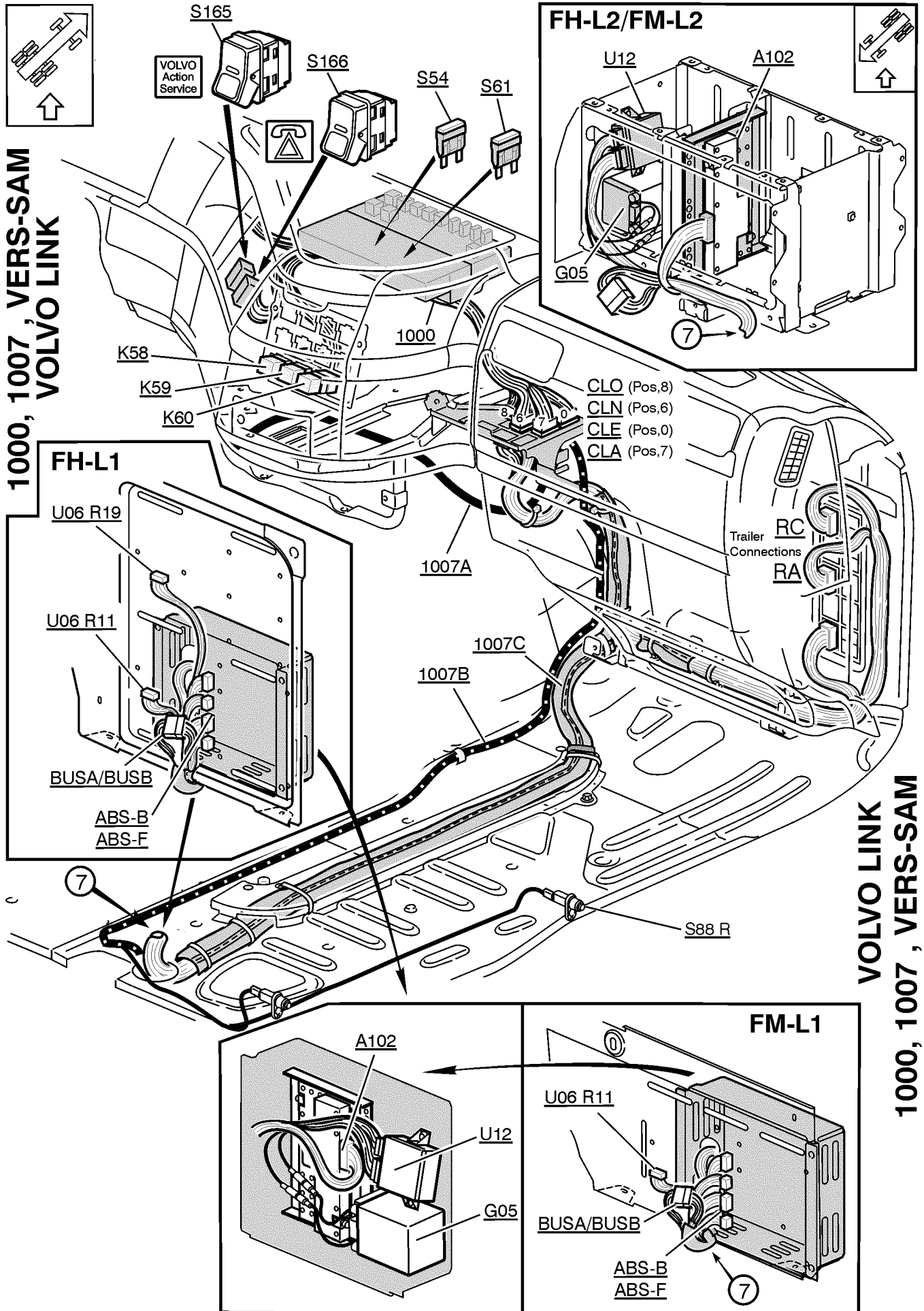




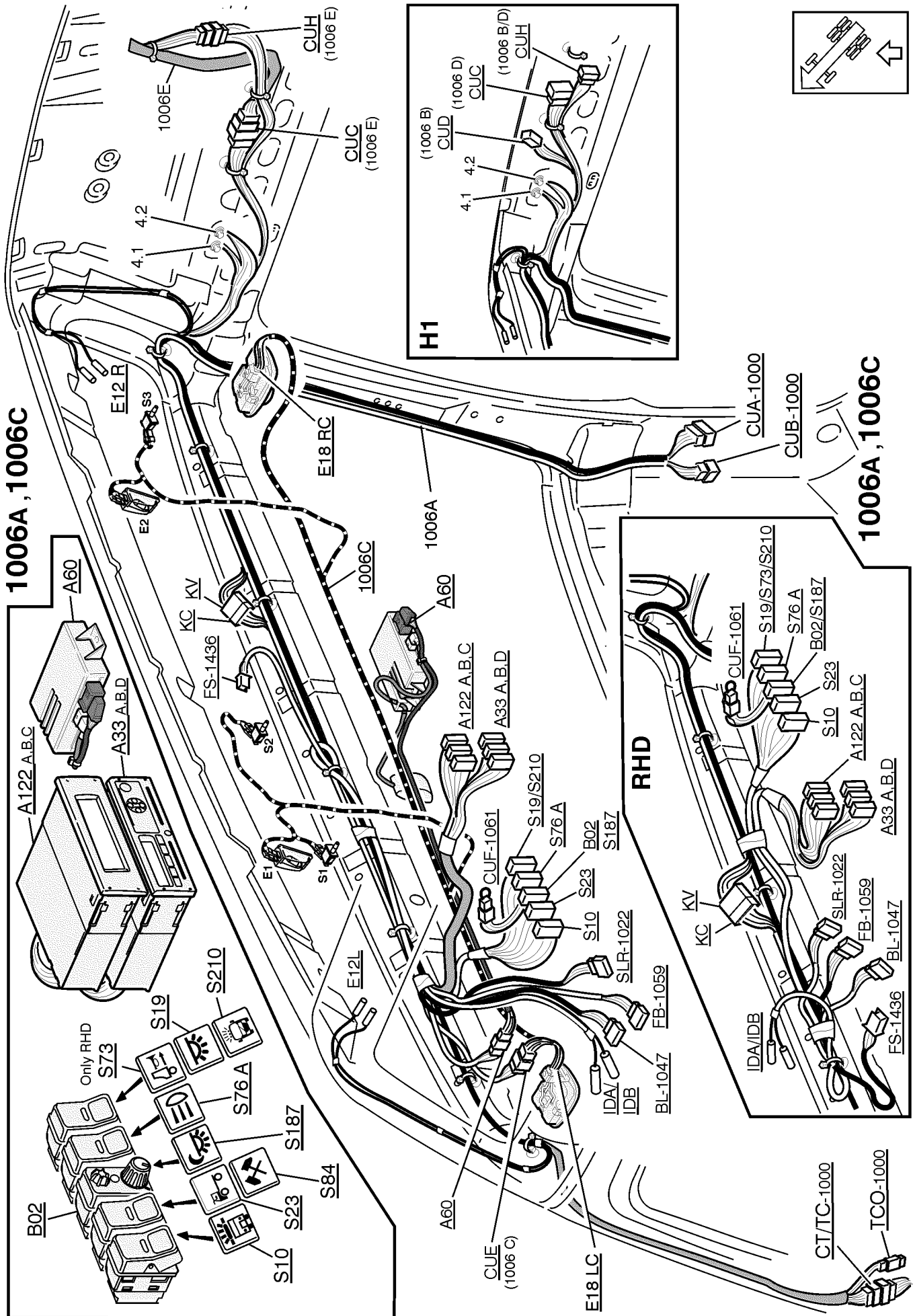


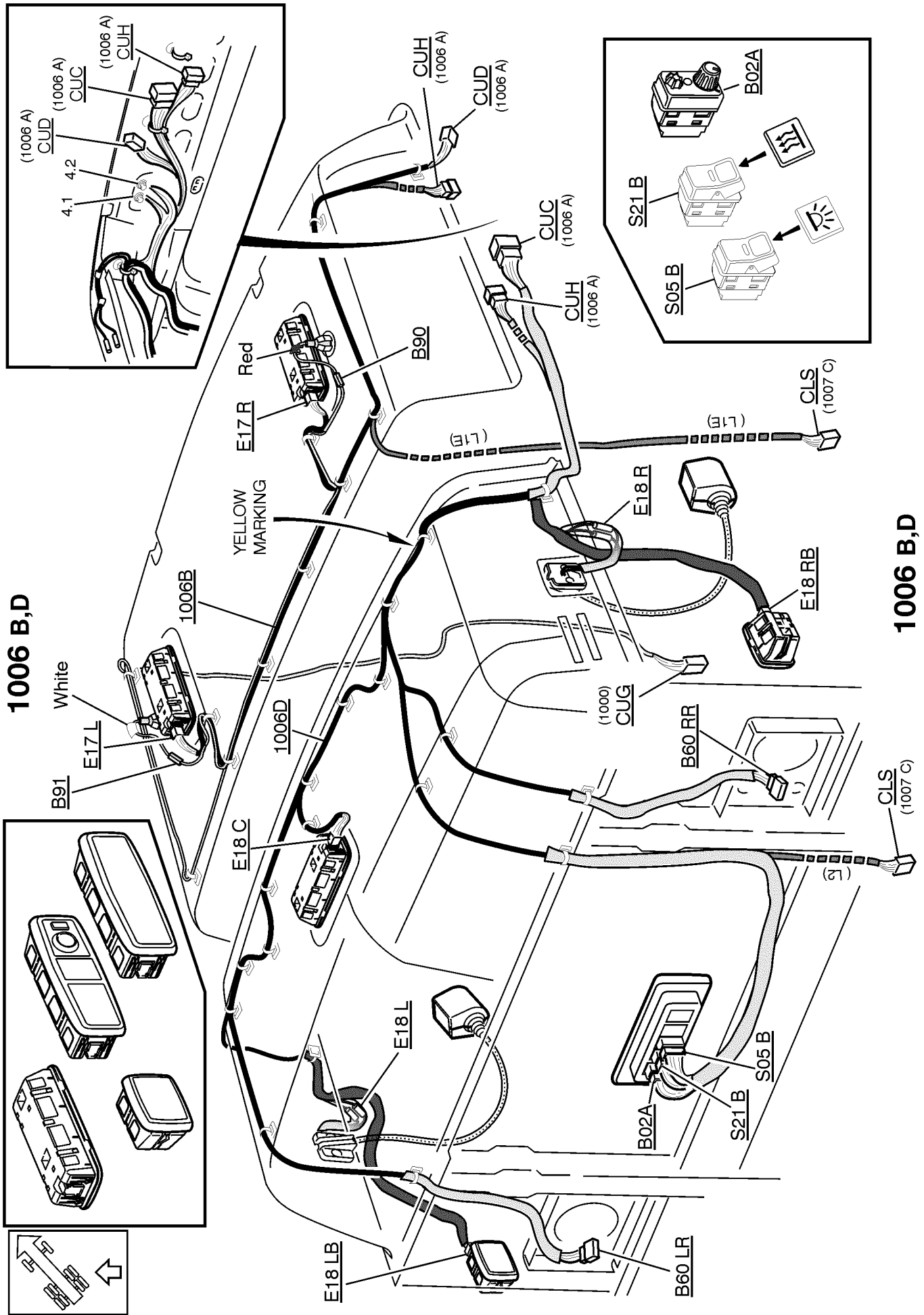




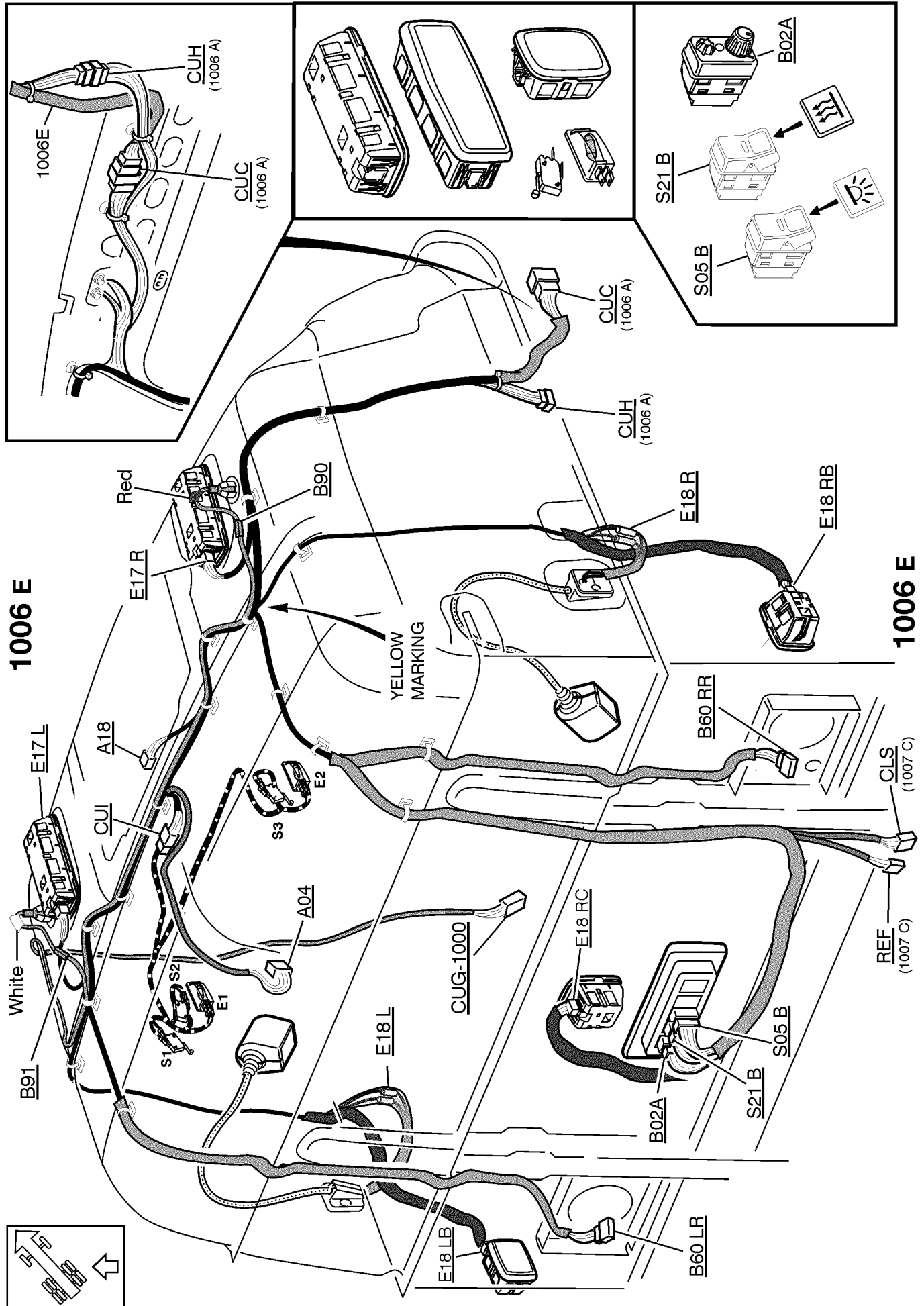


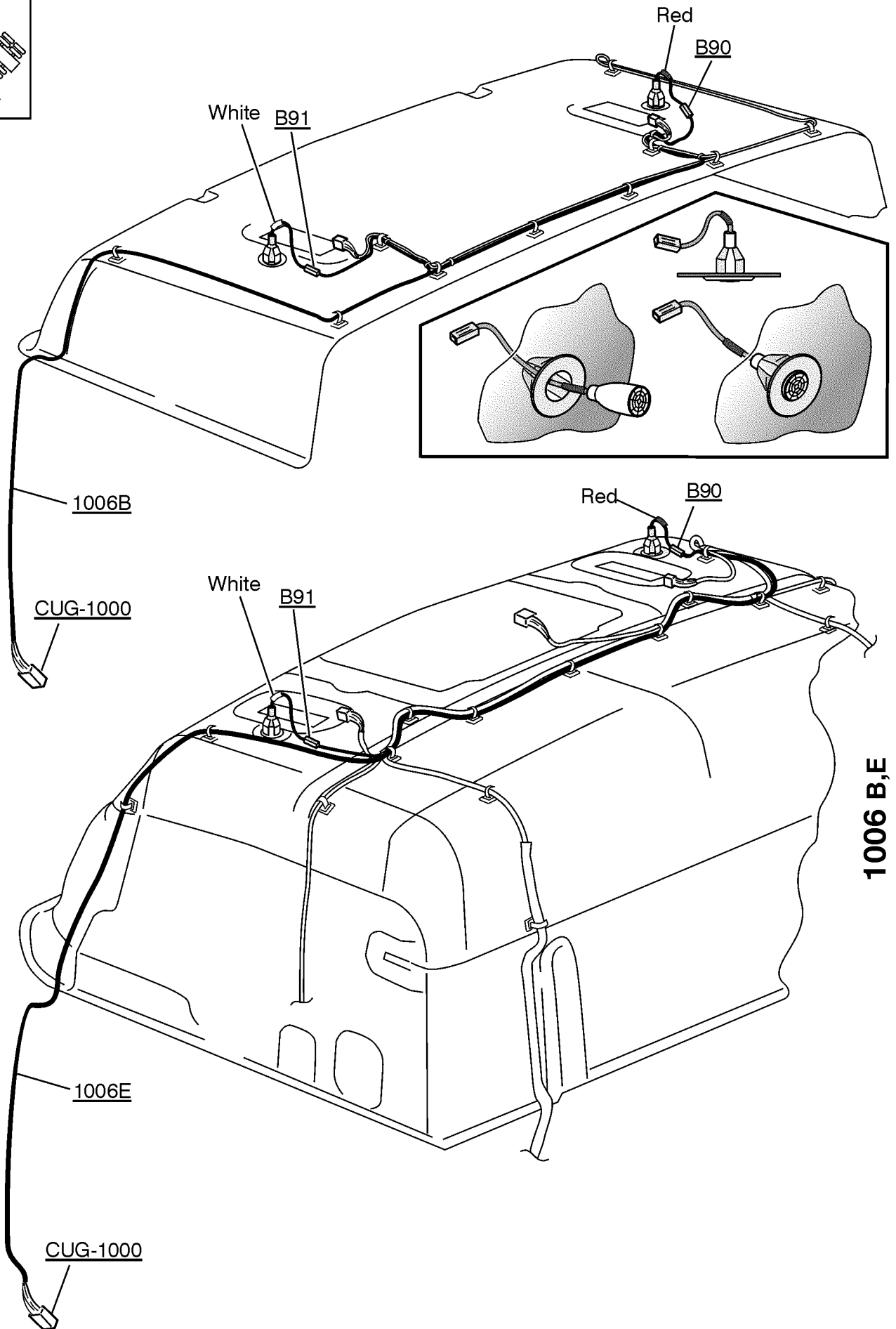
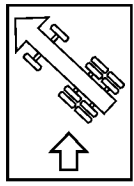
VOLVO LINK
1000, 1007, VERS-SAM

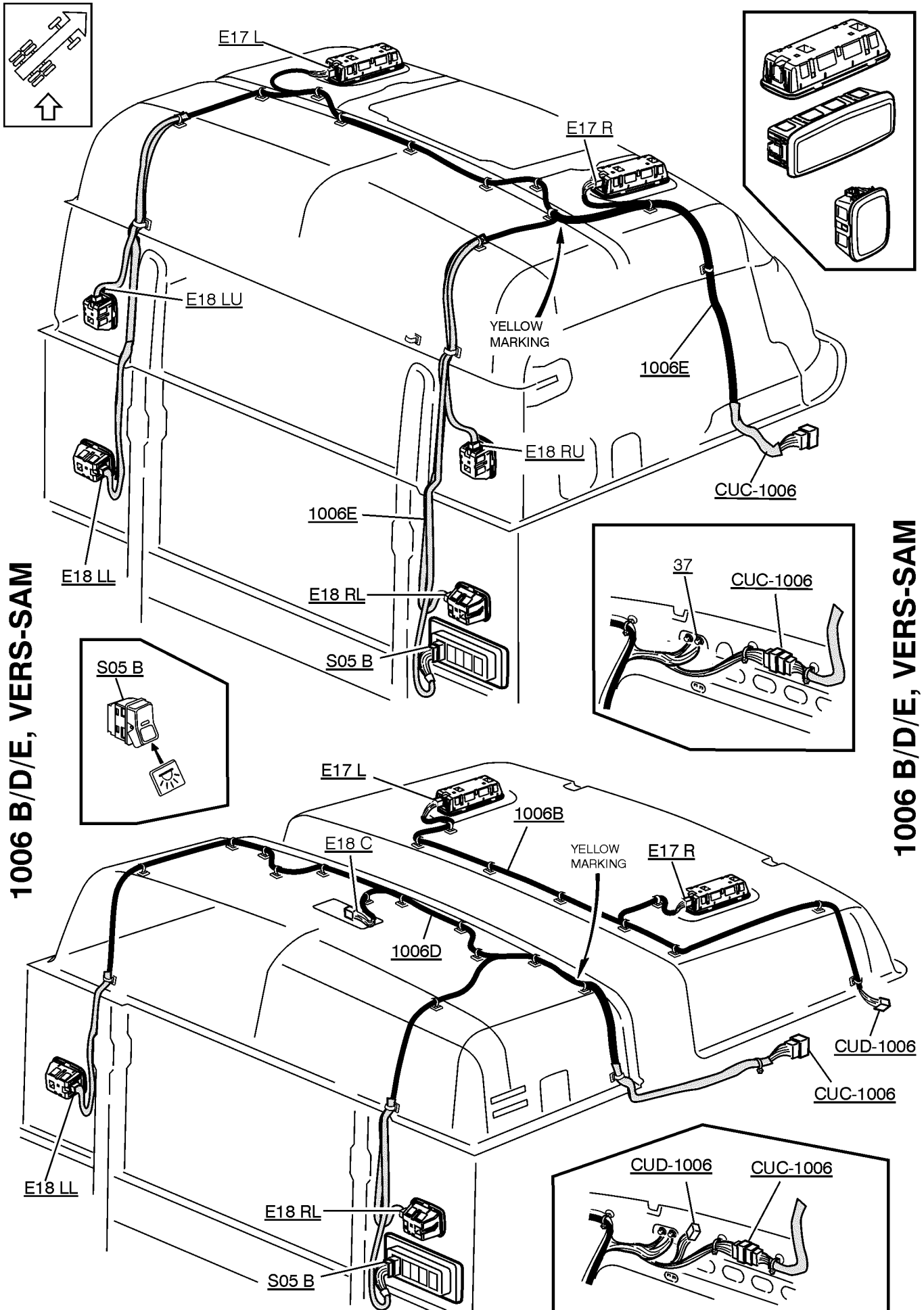


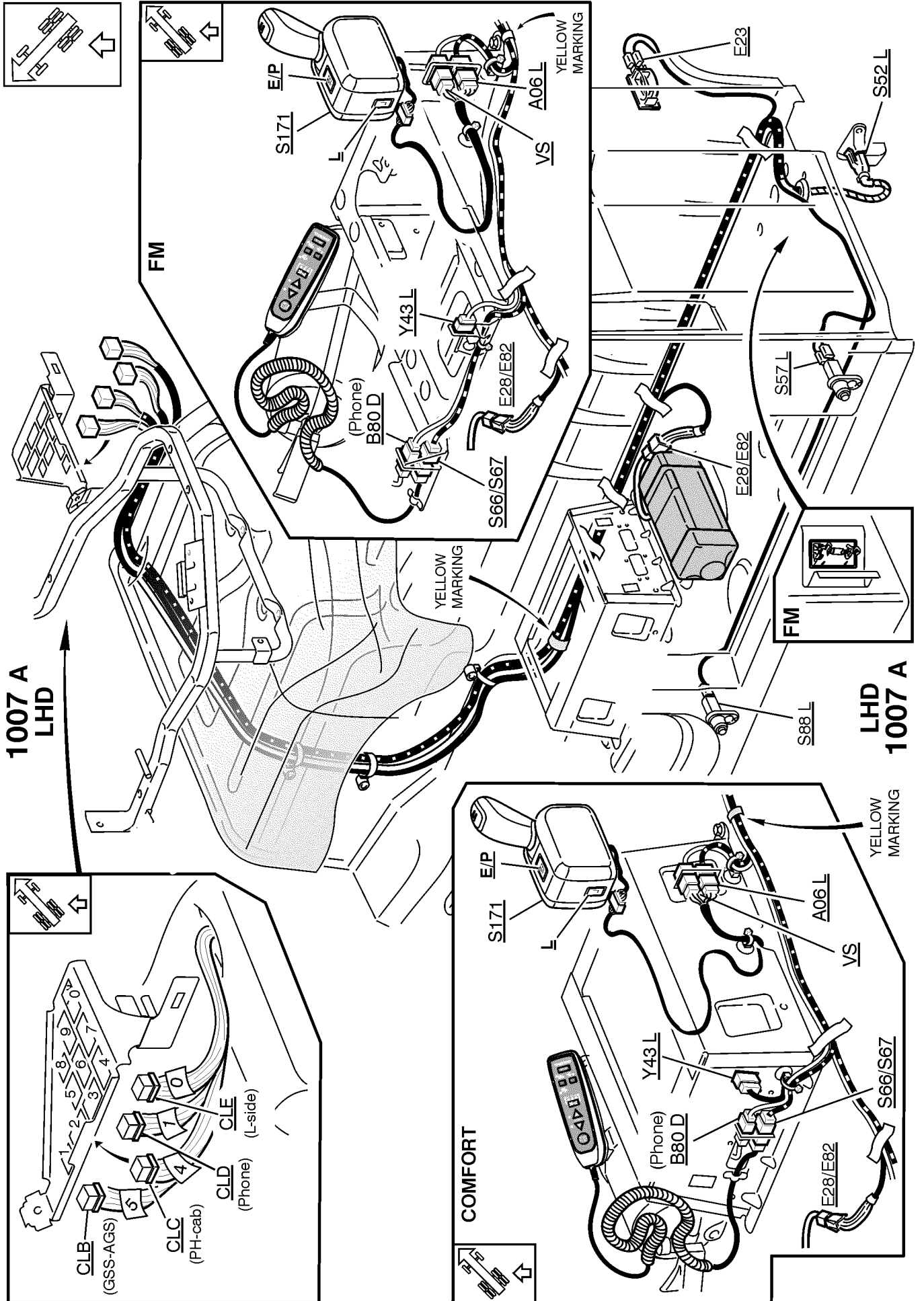


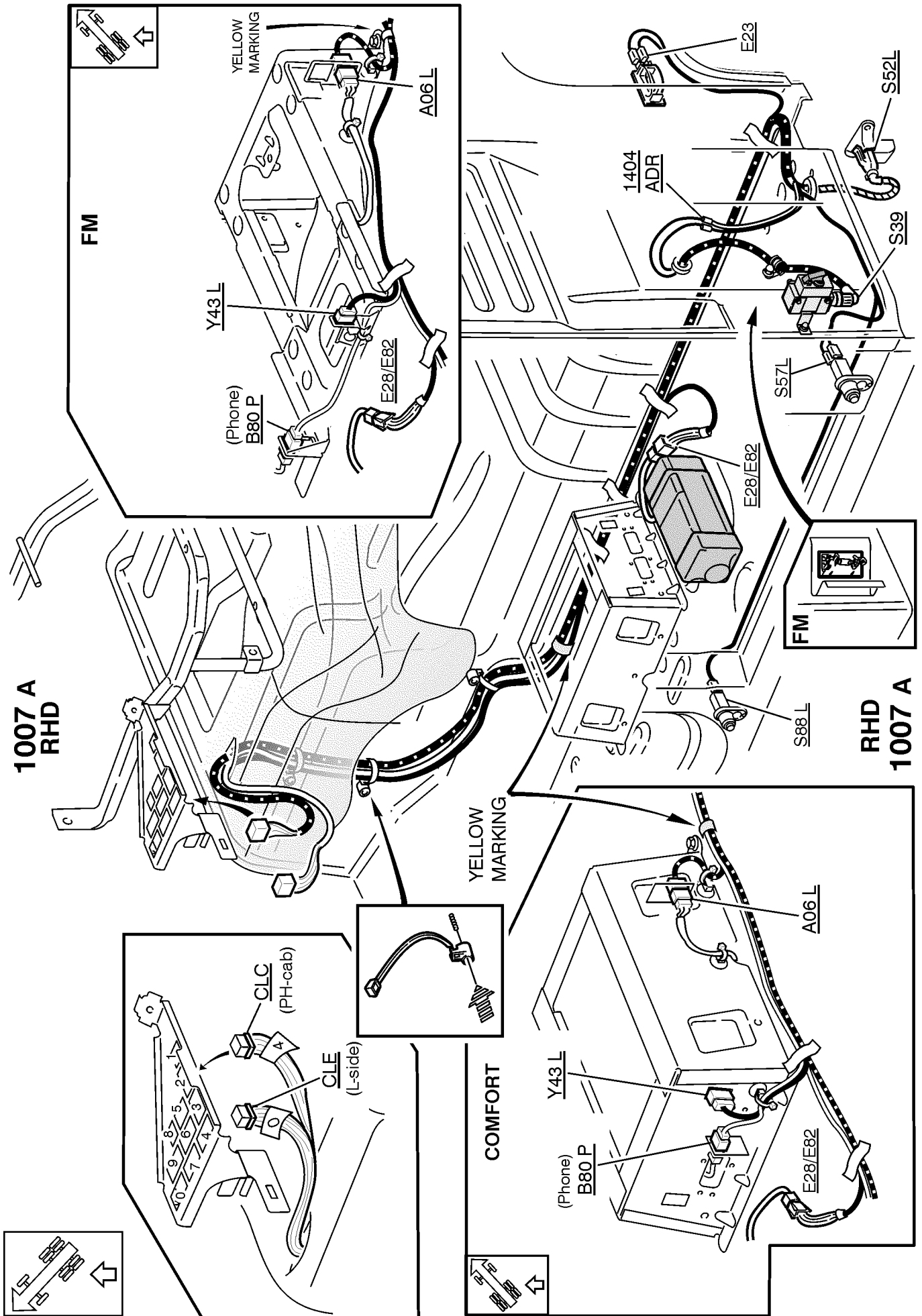
1006 B,D

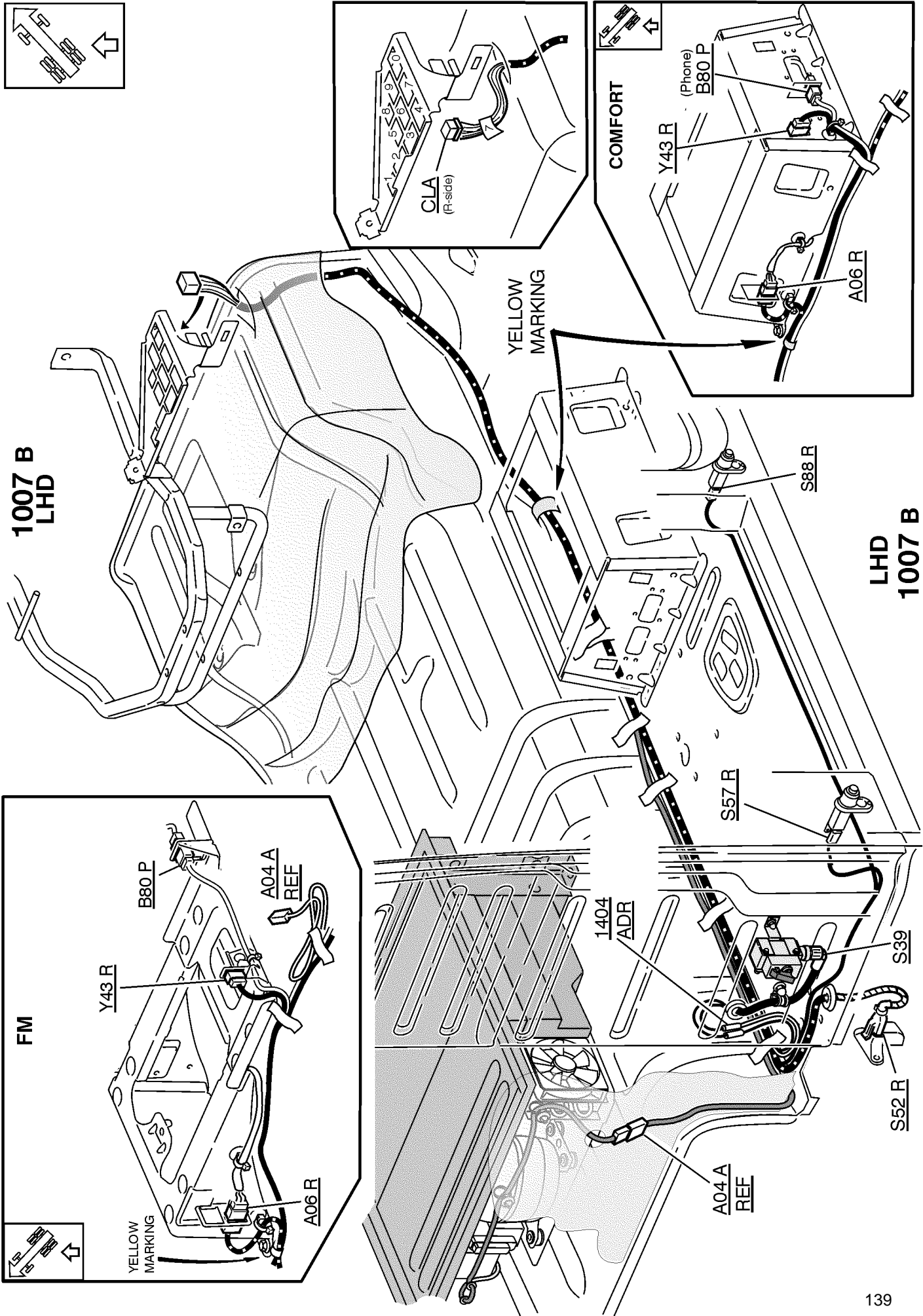


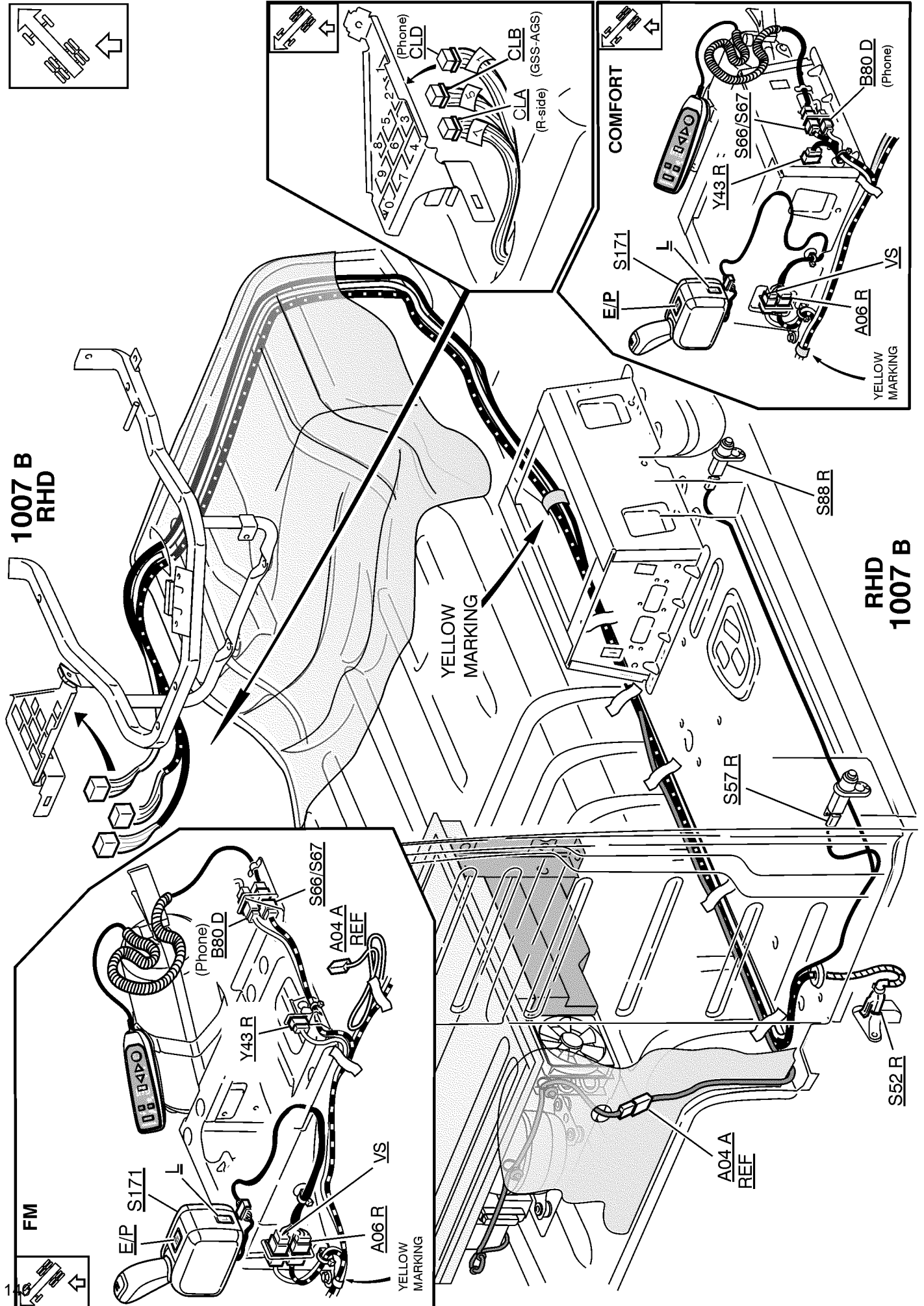


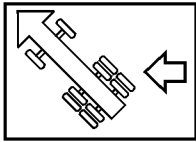




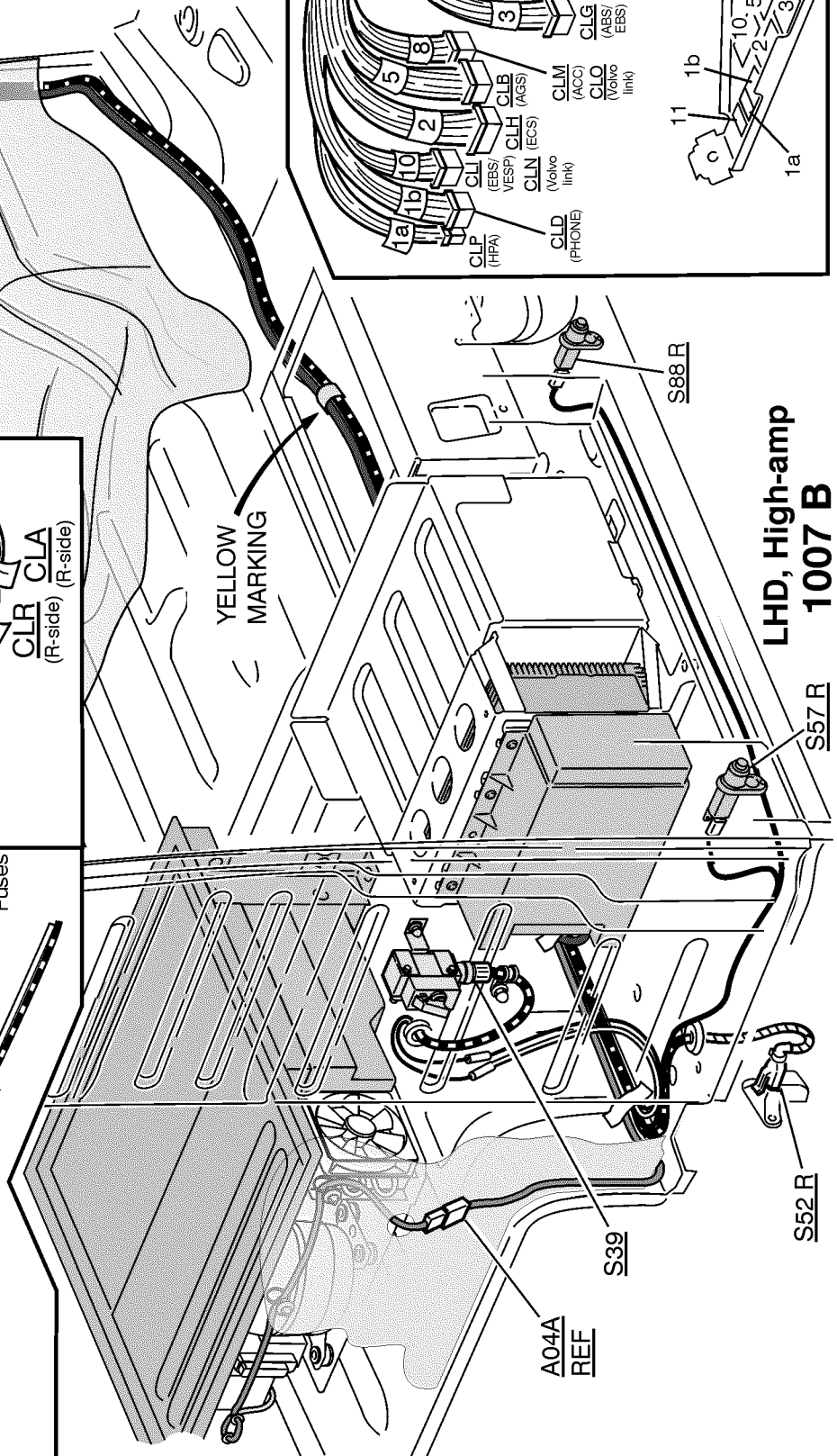
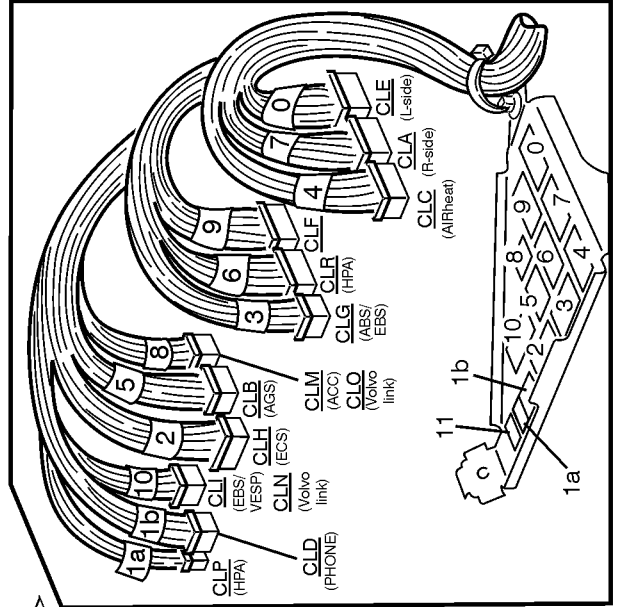
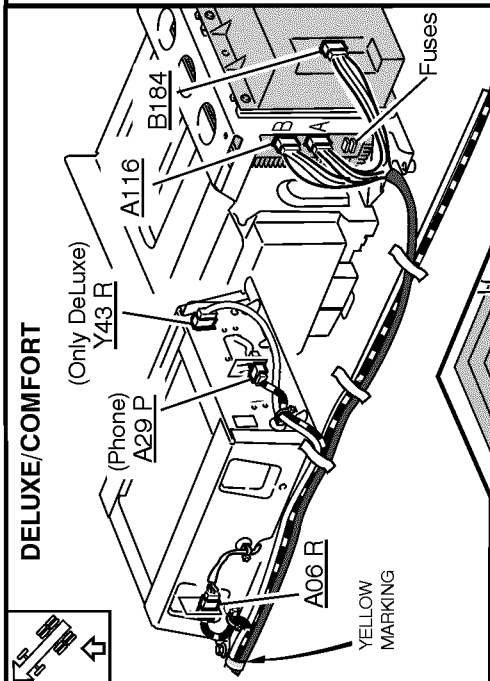
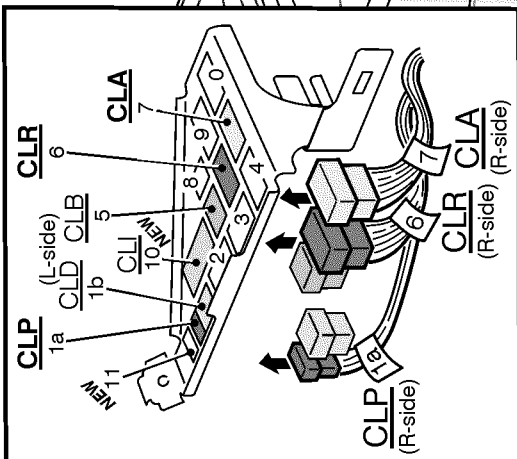




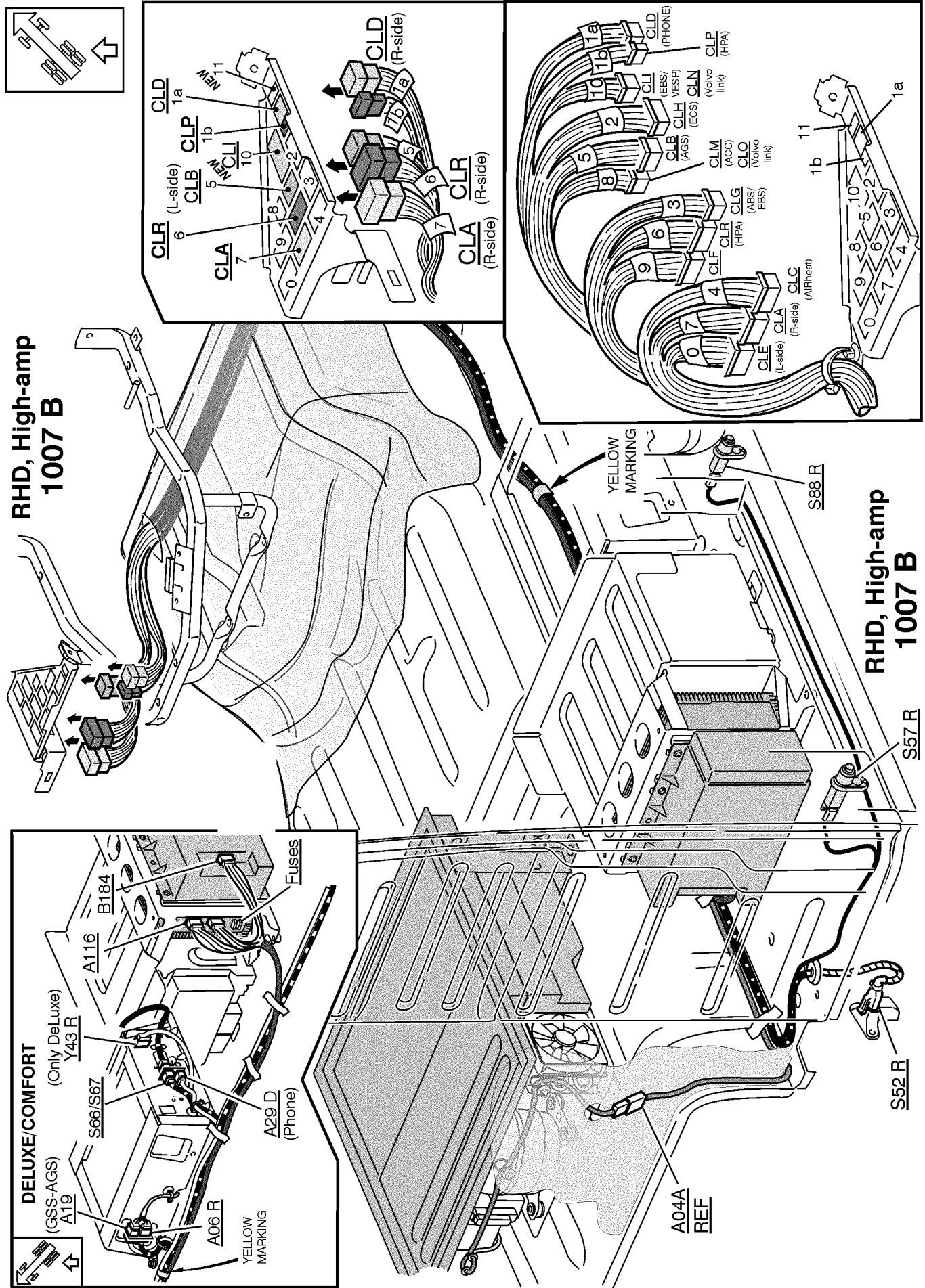


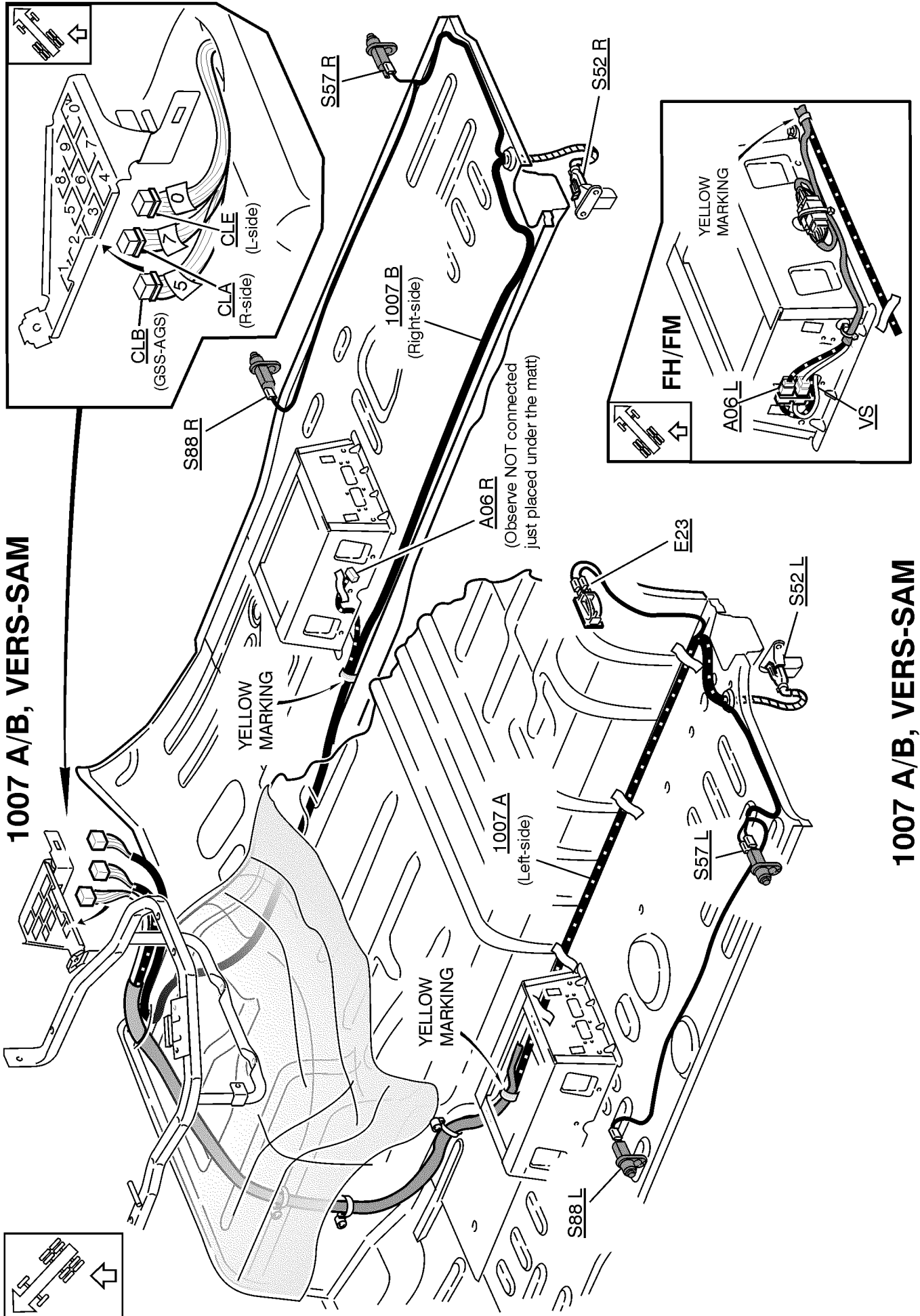


1007 B
LHD, High-amp



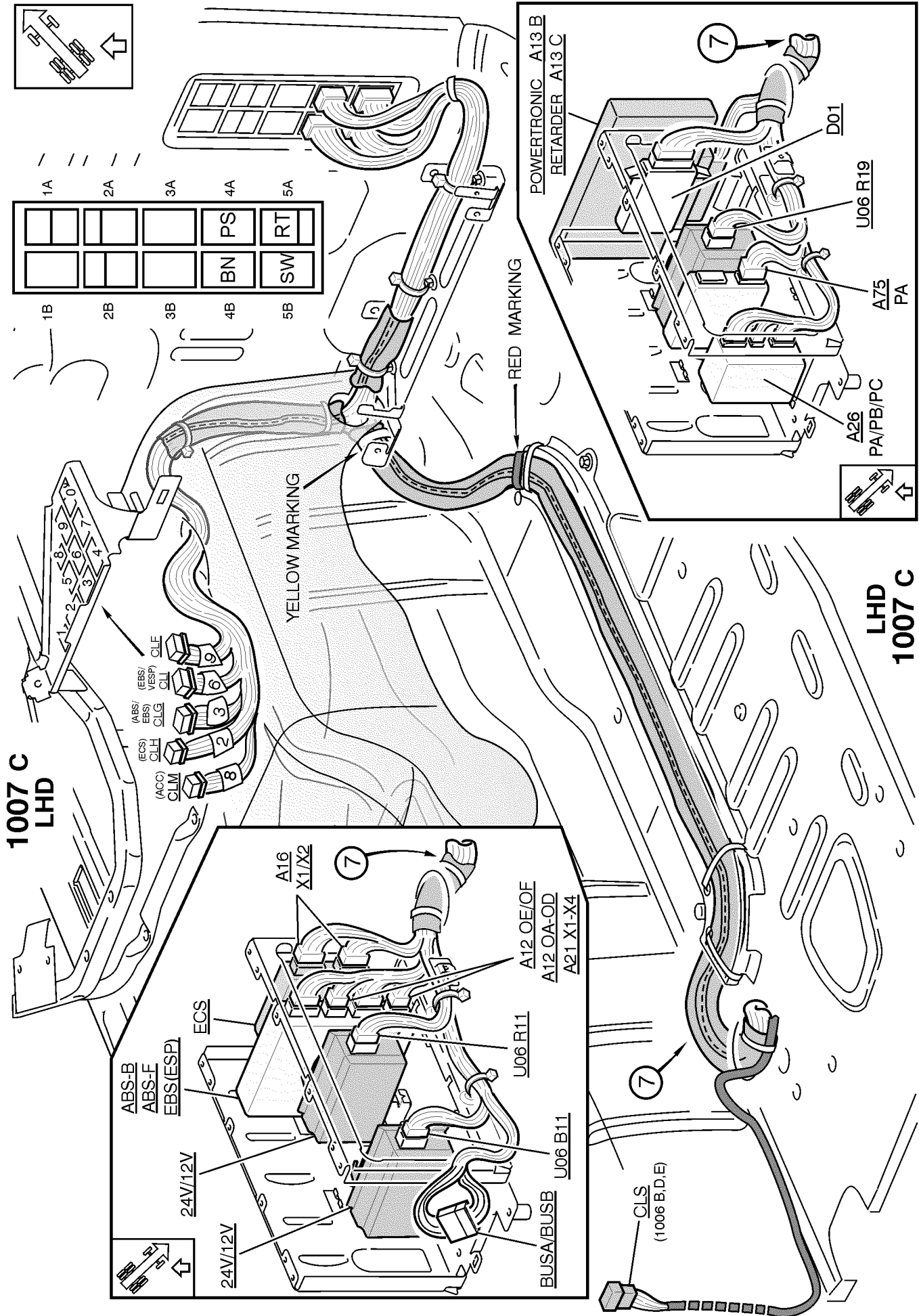
LHD, High-amp
1007 B

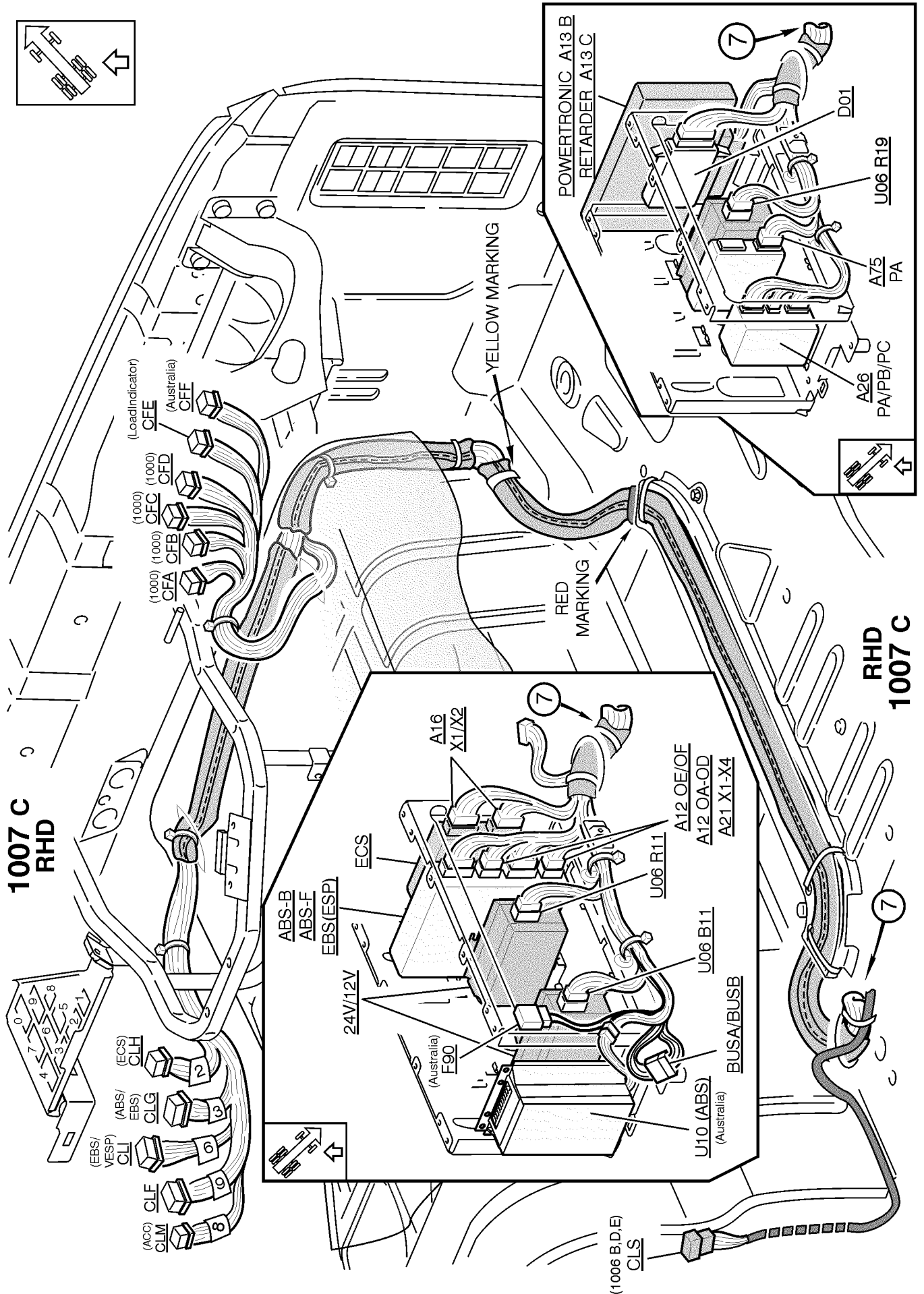




1007 A/B, VERS-SAM

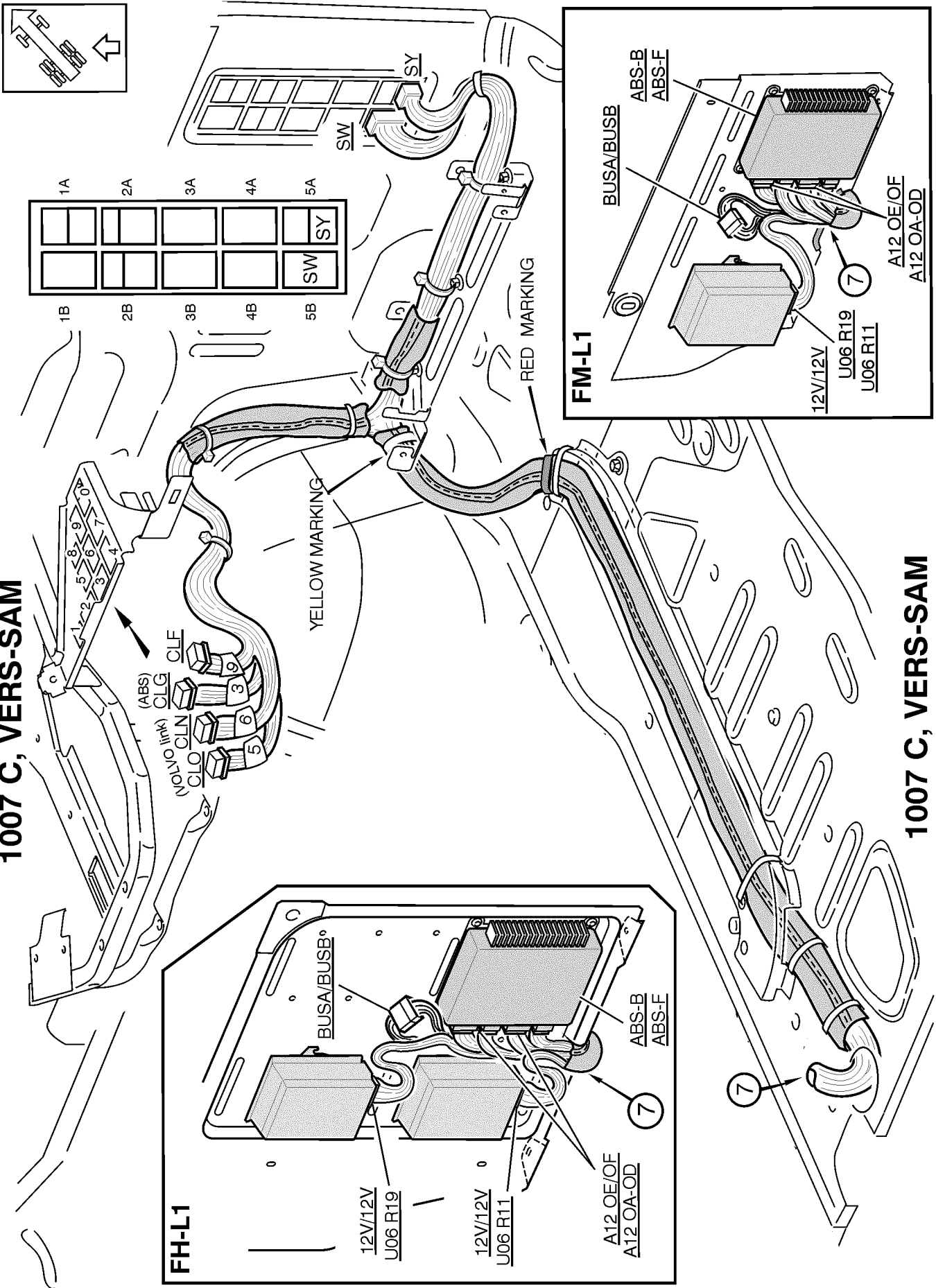
1007 A/B, VERS-SAM

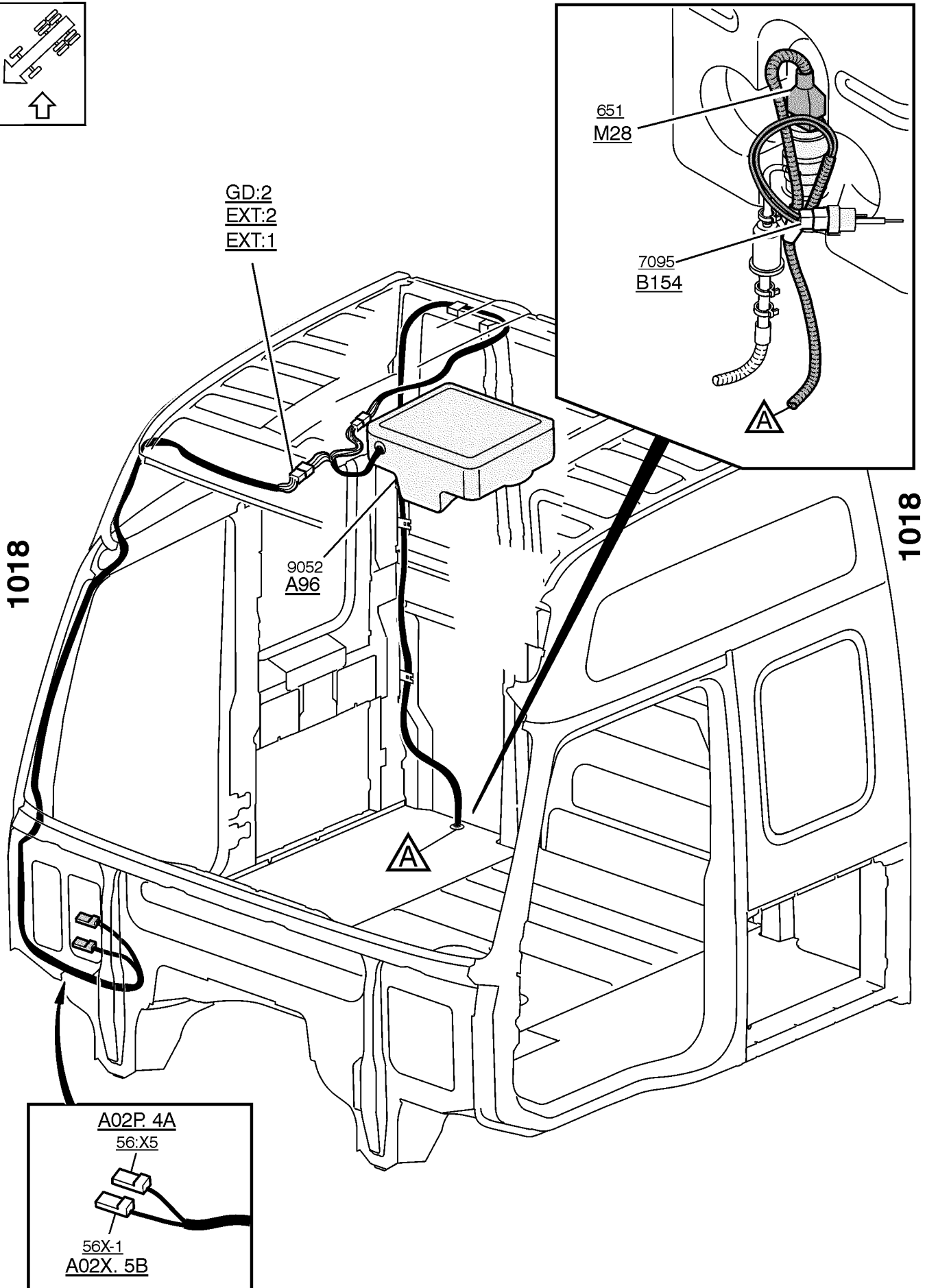
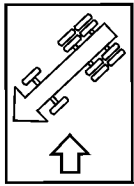




1007 C, VERS-SAM

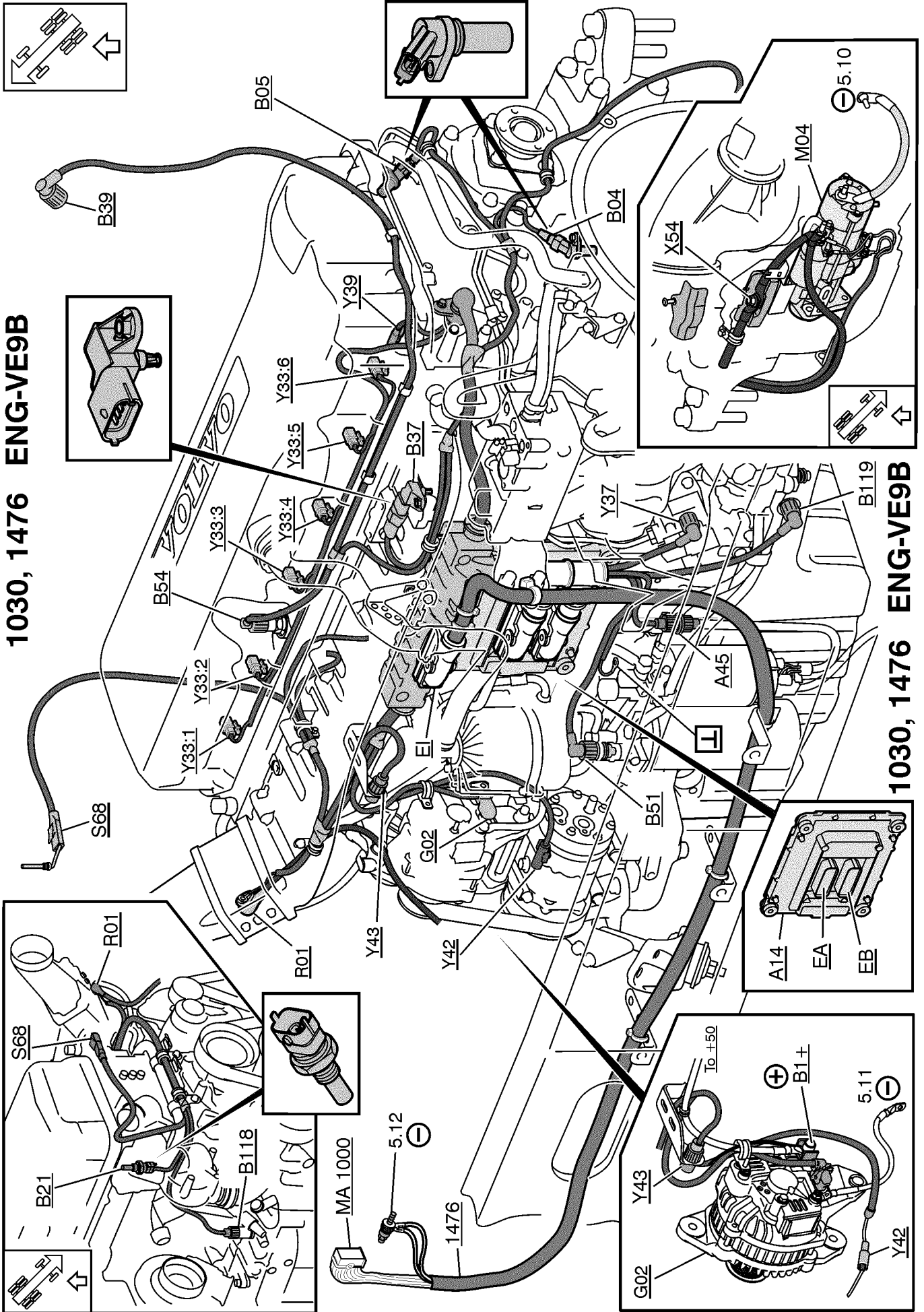
1007 C, VERS-SAM

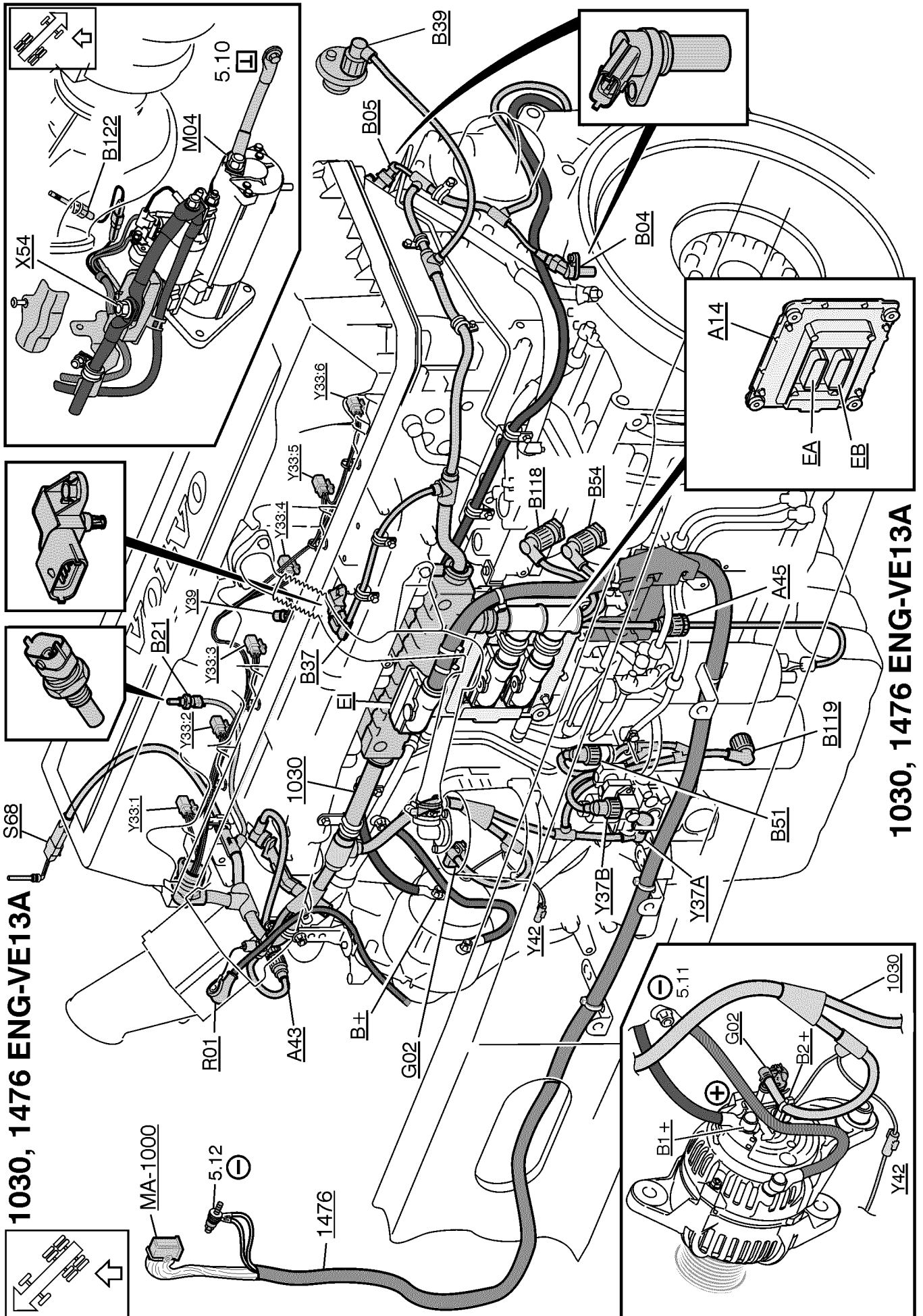




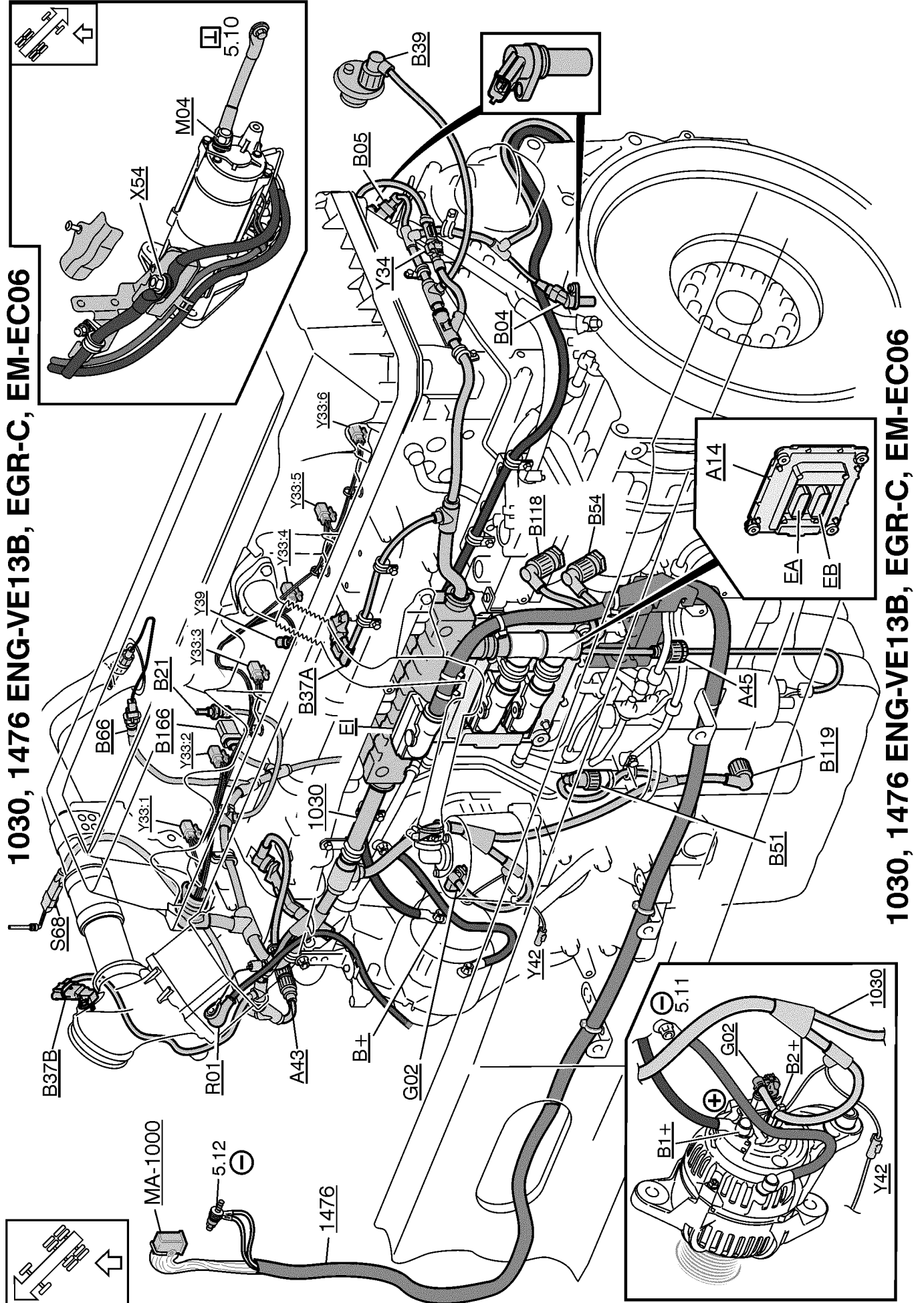
1030, 1476 ENG-VE9B

1030, 1476 ENG-VE9B

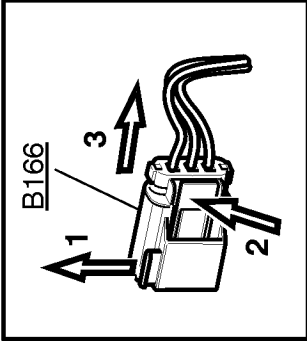
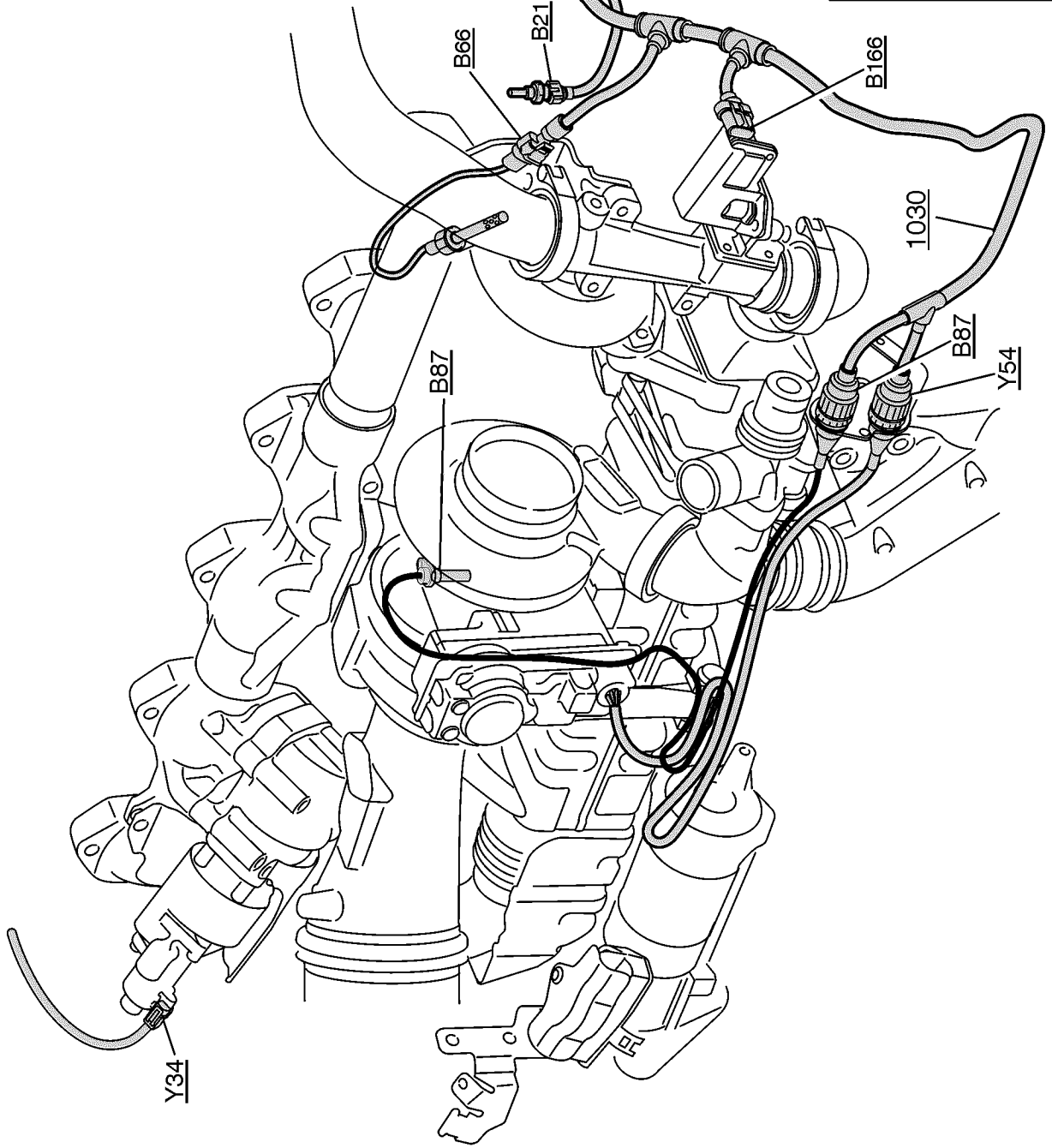




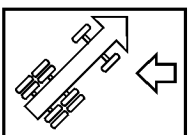
1030, 1476 ENG-VE13A



1030 ENG-VE13B, EGR-C, EM-EC06

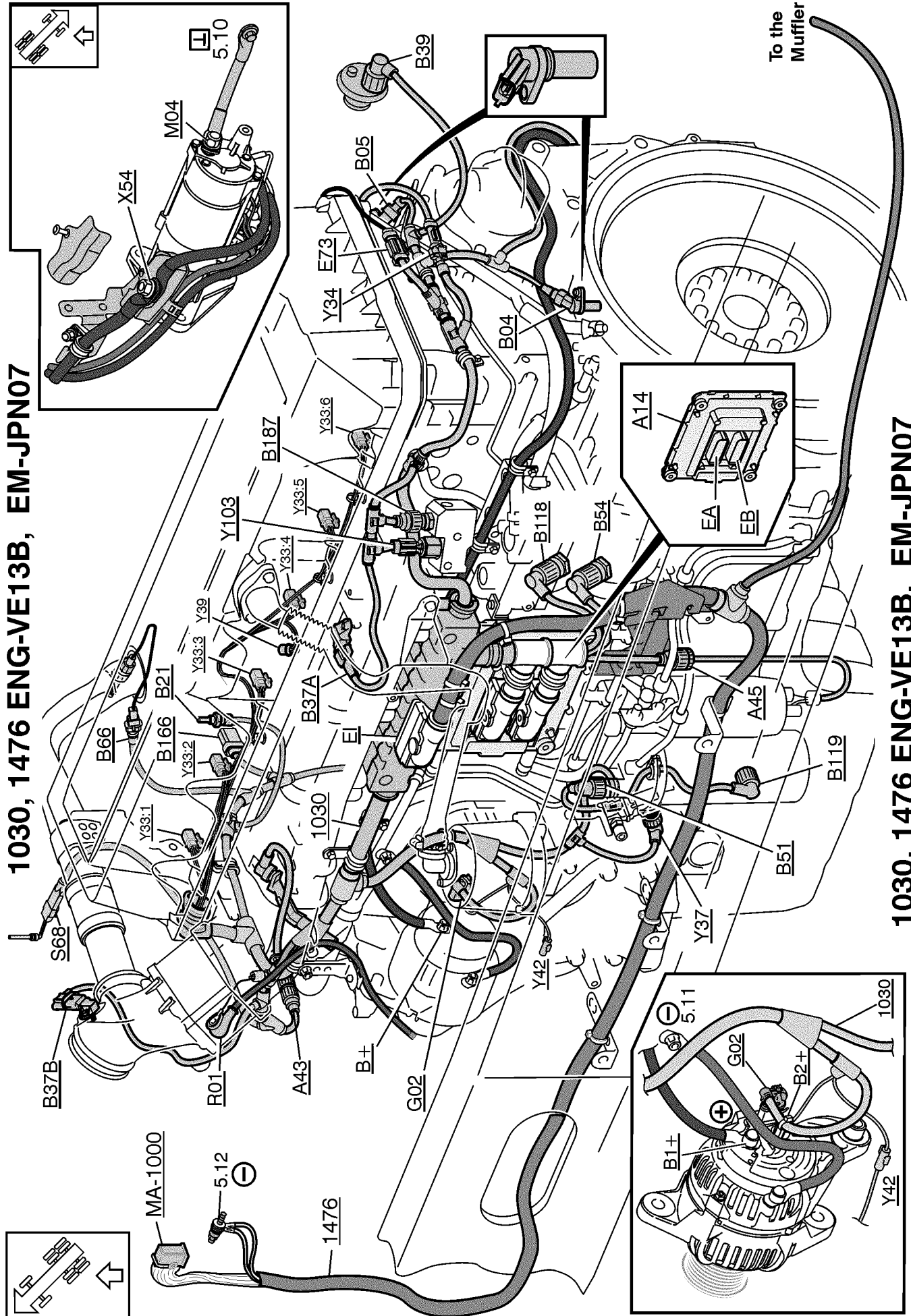


1030 ENG-VE13B, EGR-C, EM-EC06

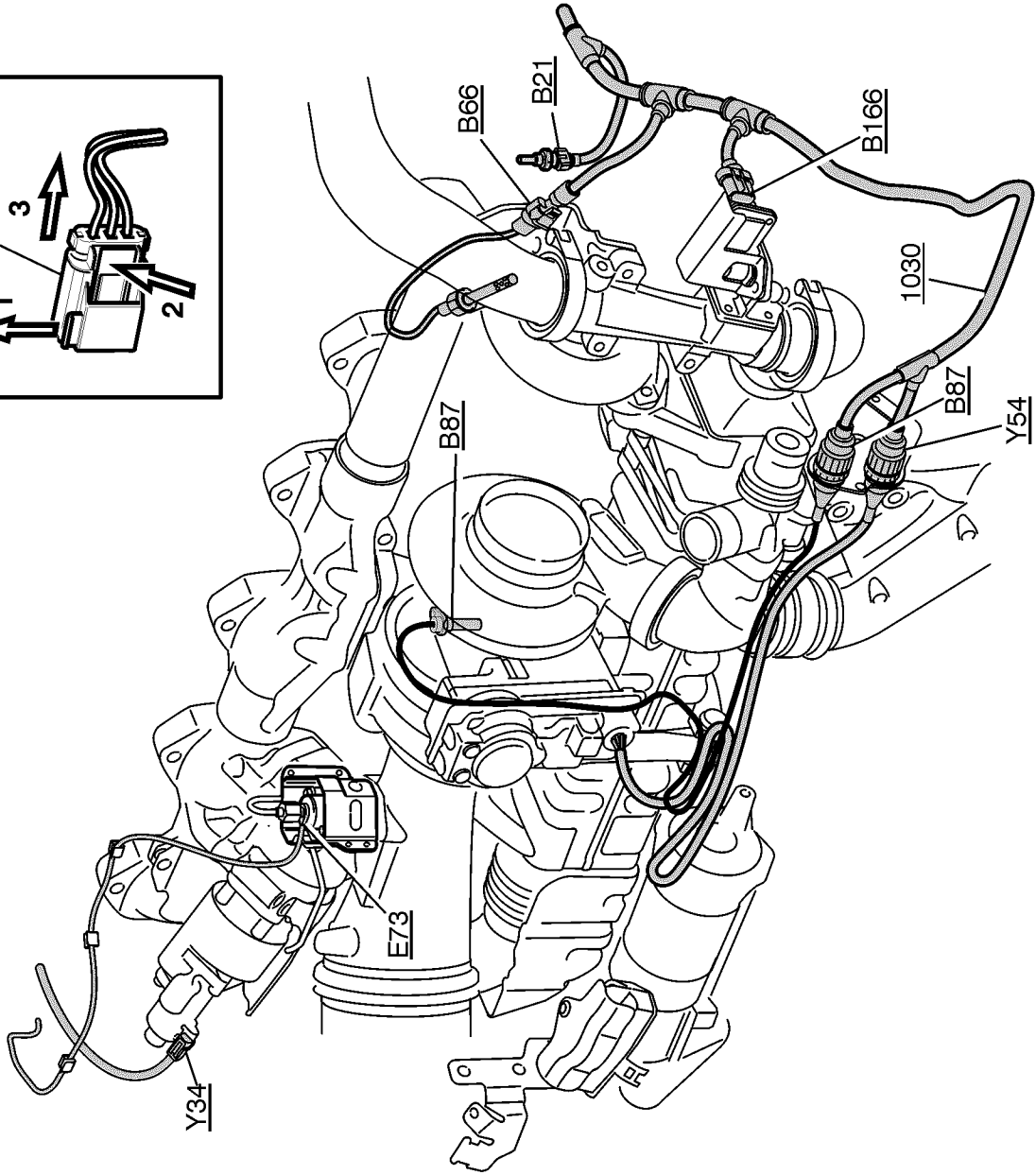
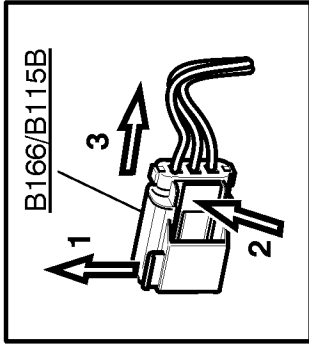


1030, 1476 ENG-VE13B, EM-JPN07

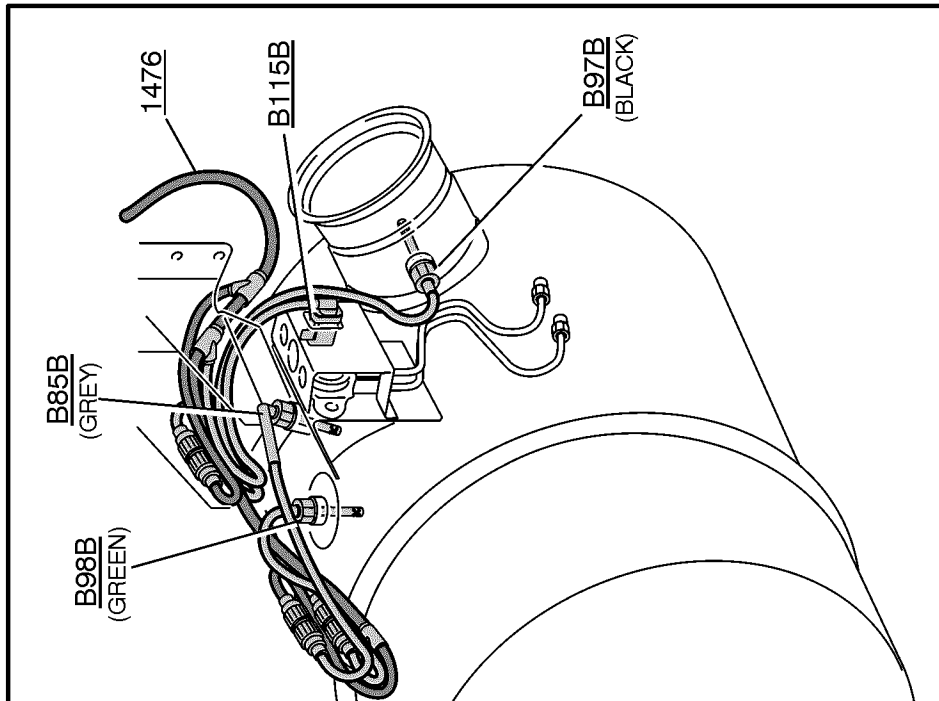
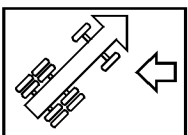
1030, 1476 ENG-VE13B, EM-JPN07



1030, 1476 ENG-VE13B, EM-JPN07

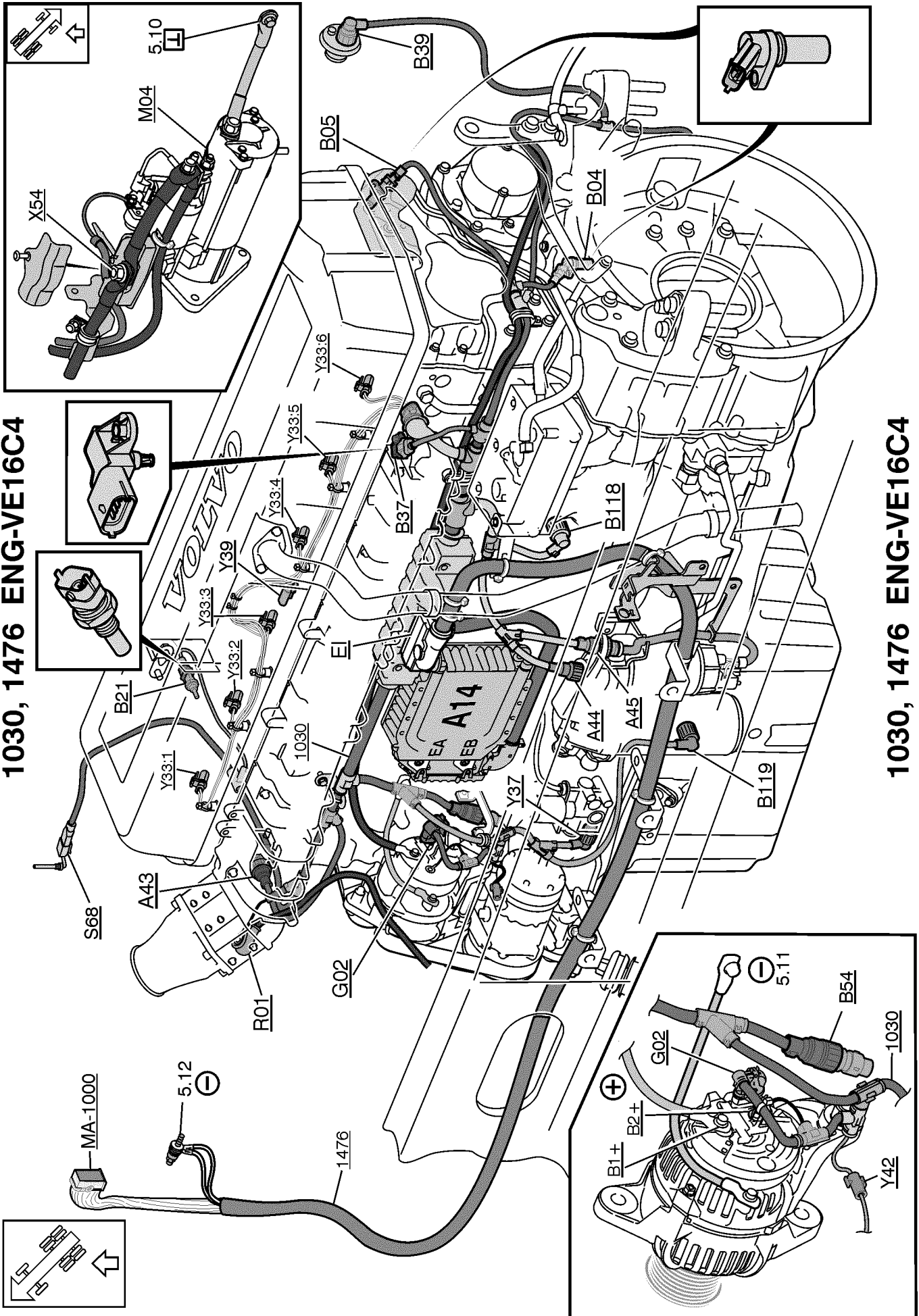


1030, 1476 ENG-VE13B, EM-JPN07



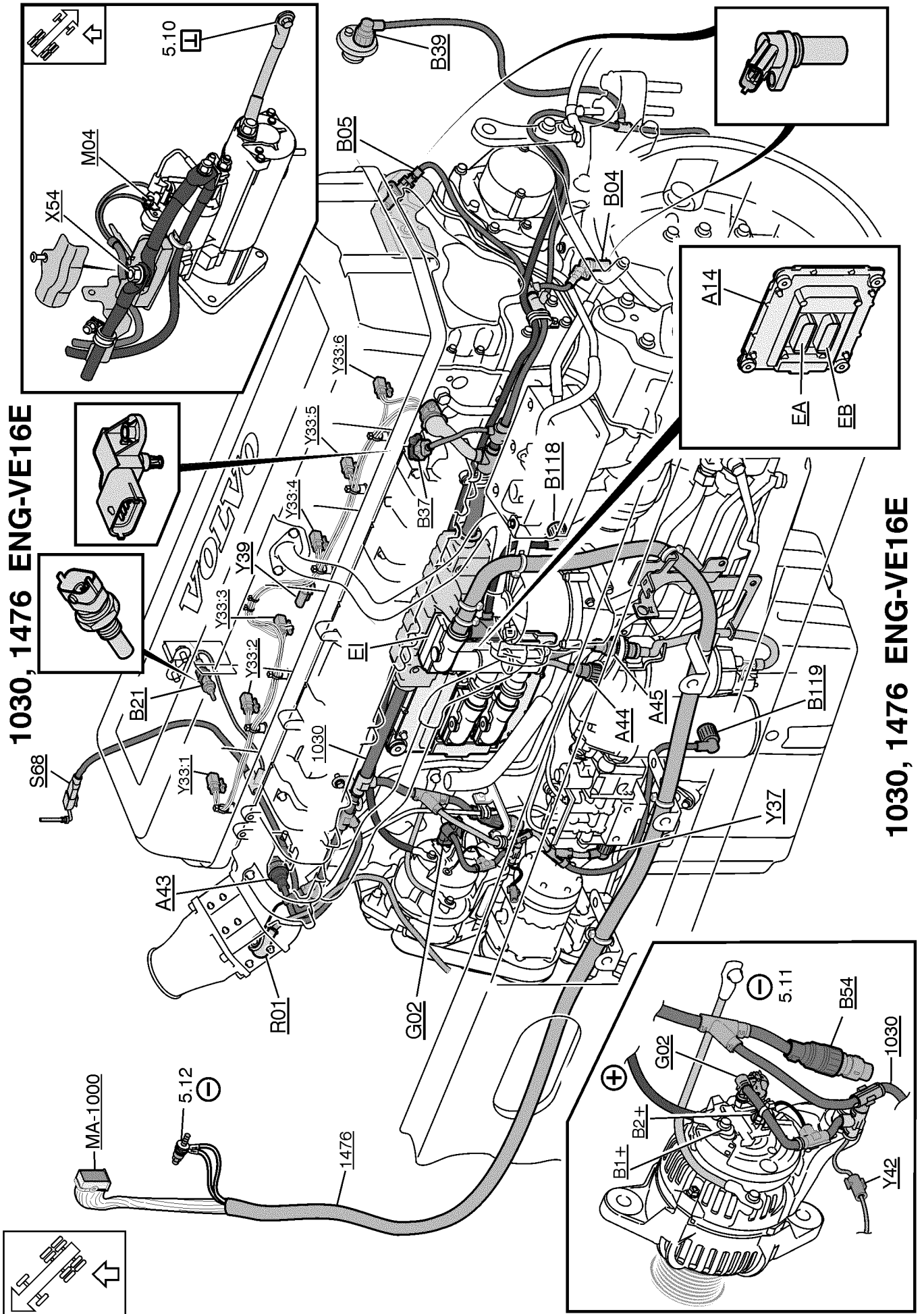
1030, 1476 ENG-VE16C4

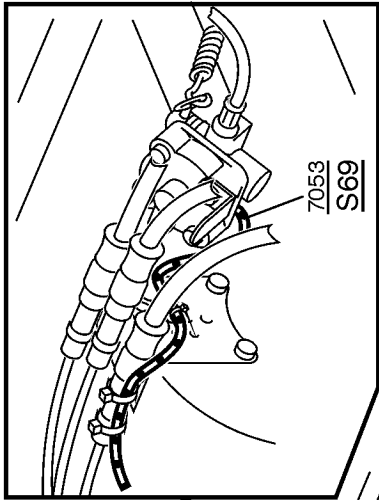
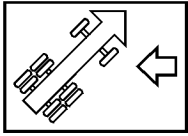
1030, 1476 ENG-VE16C4



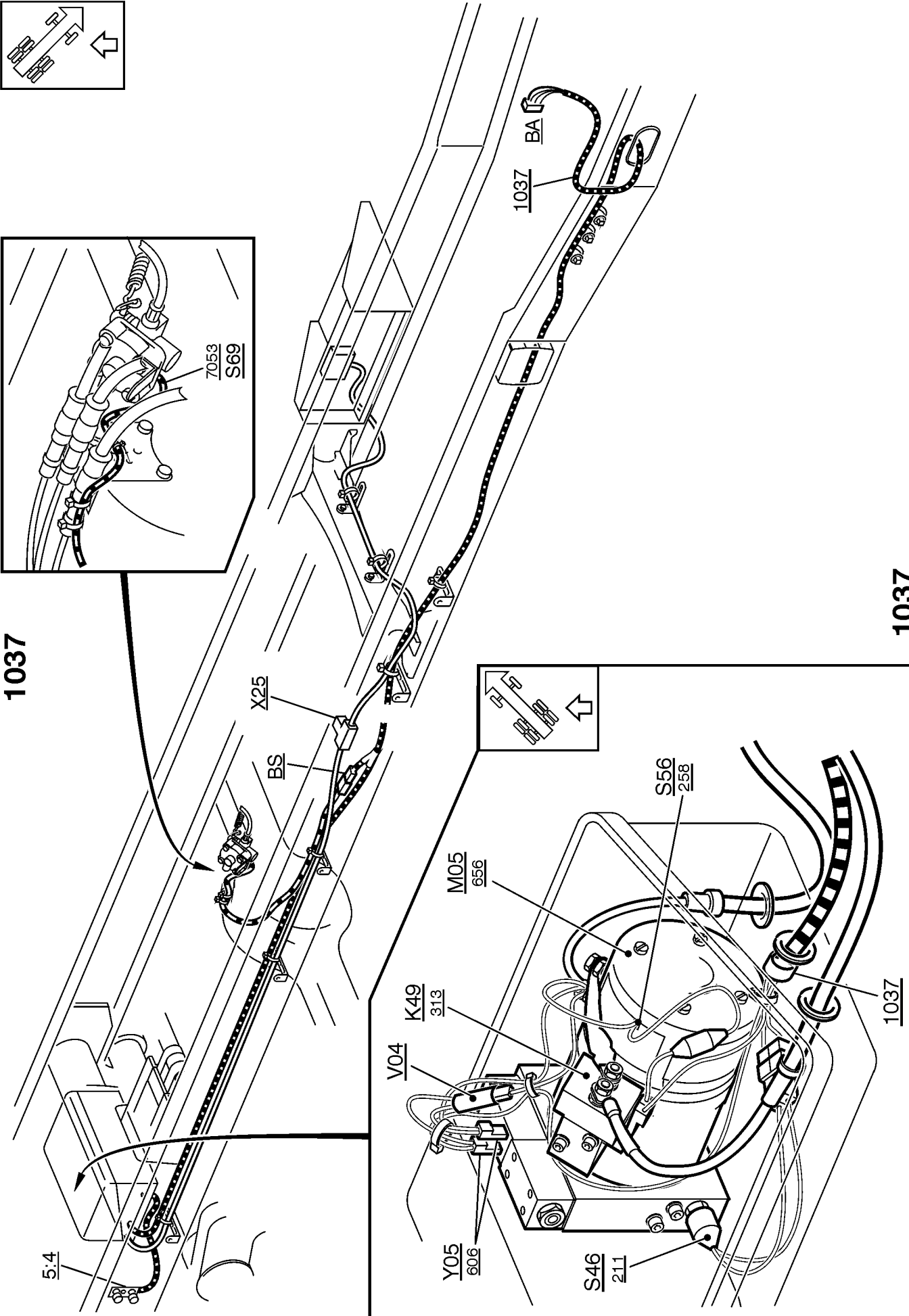
1030, 1476 ENG-VE16E

1030, 1476 ENG-VE16E





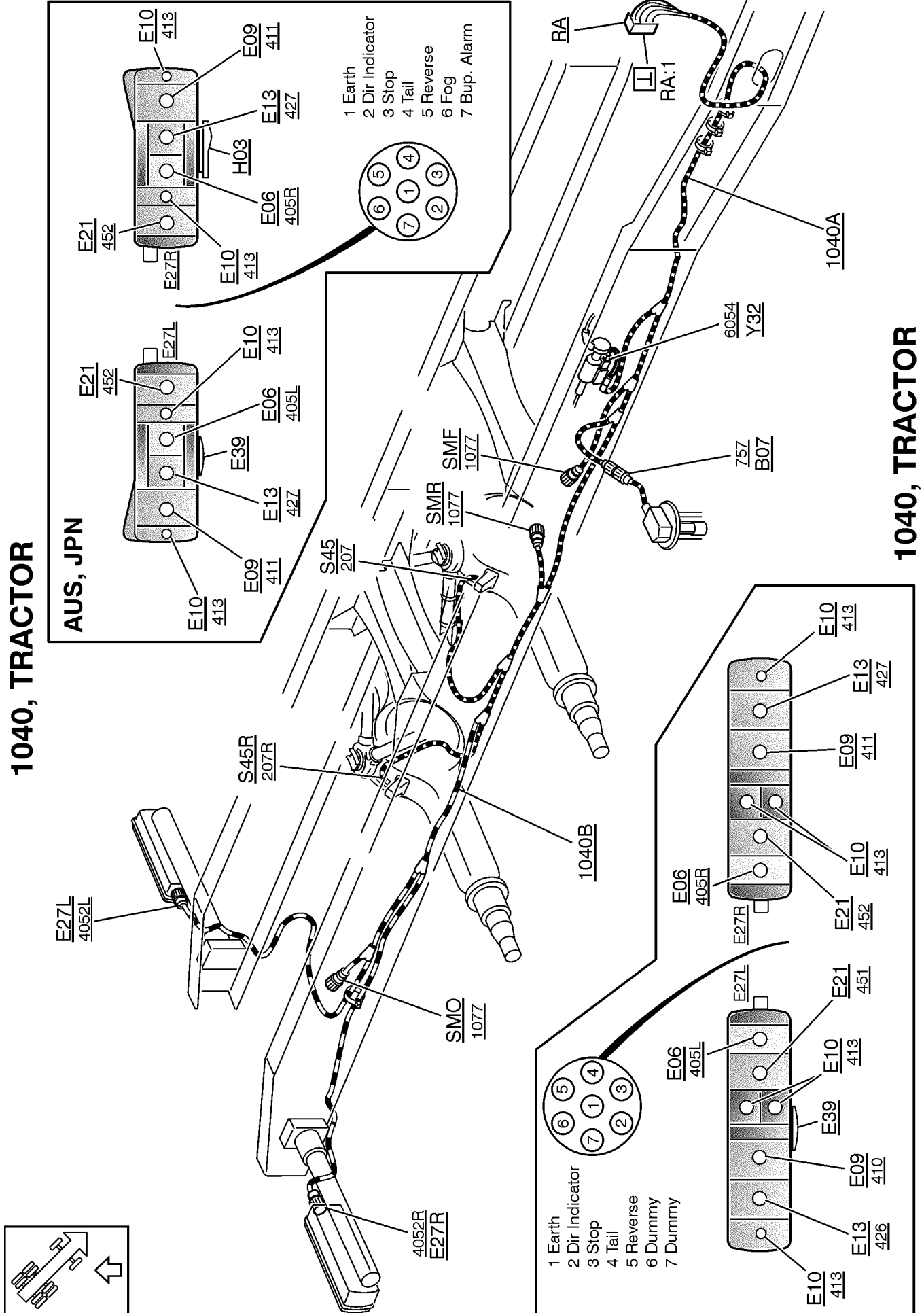
1037



1037

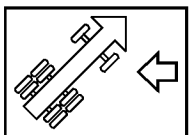
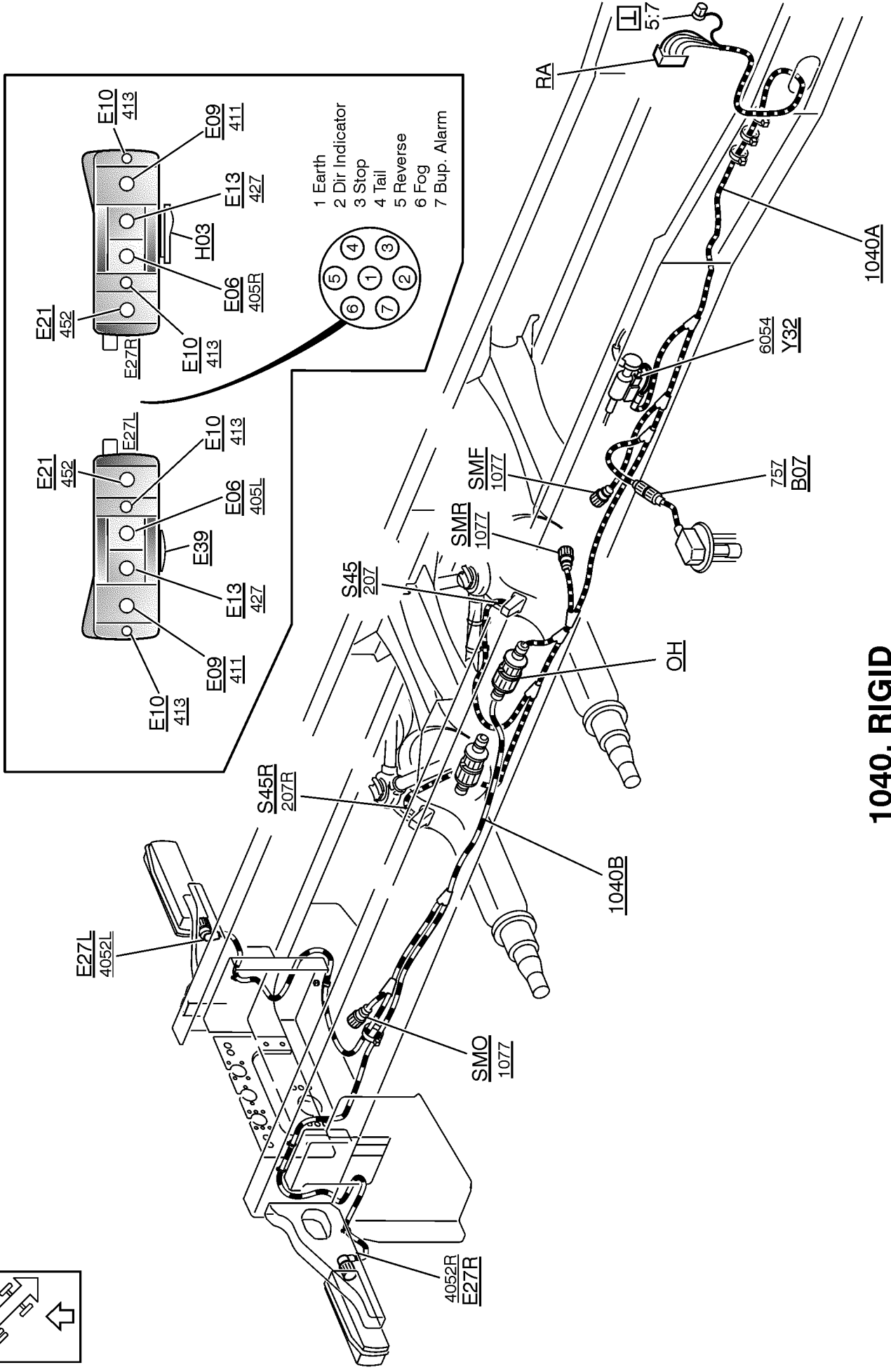
1040, TRACTOR

1040, TRACTOR



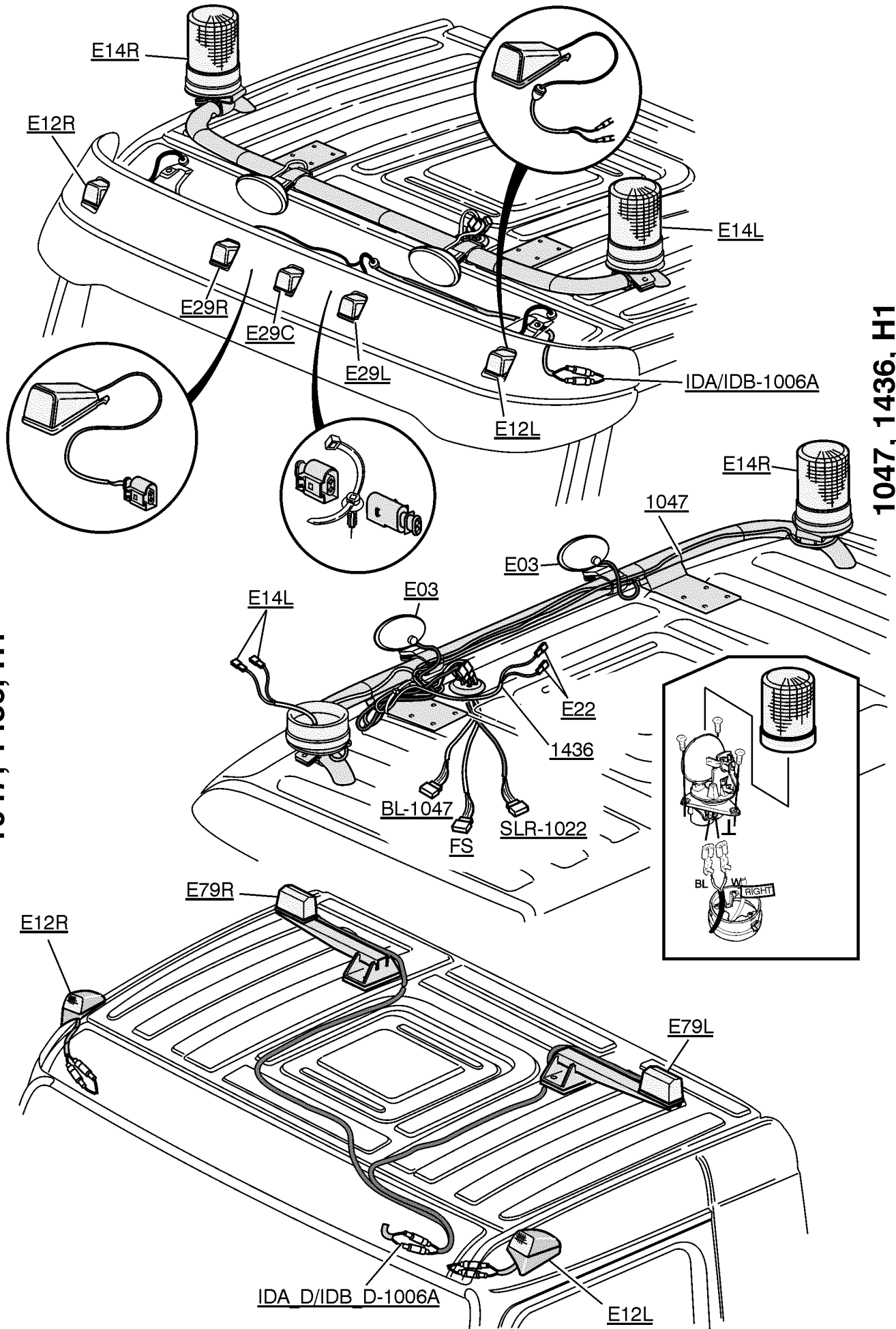
1040, RIGID

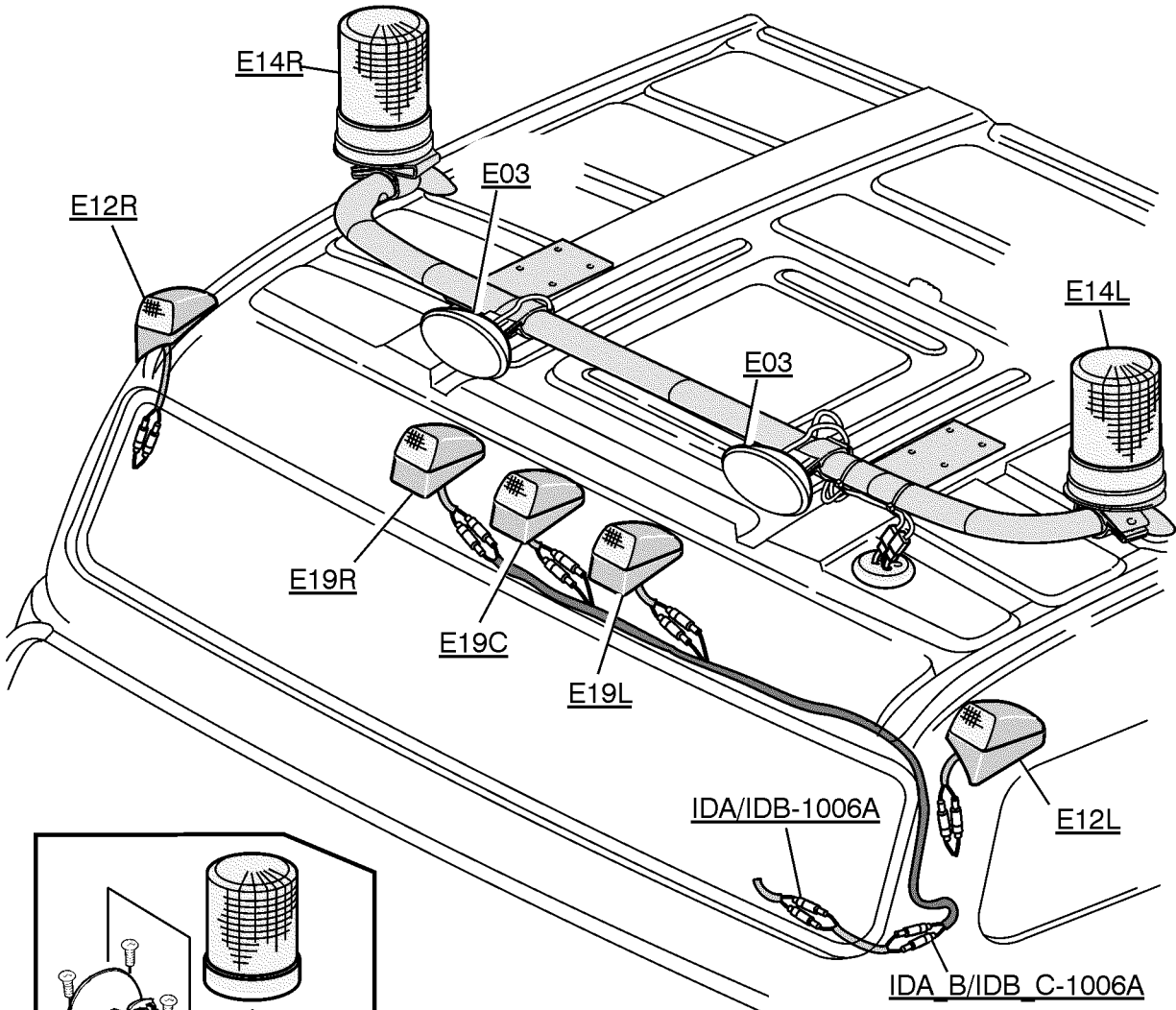
1040, RIGID



1047, 1436, H1

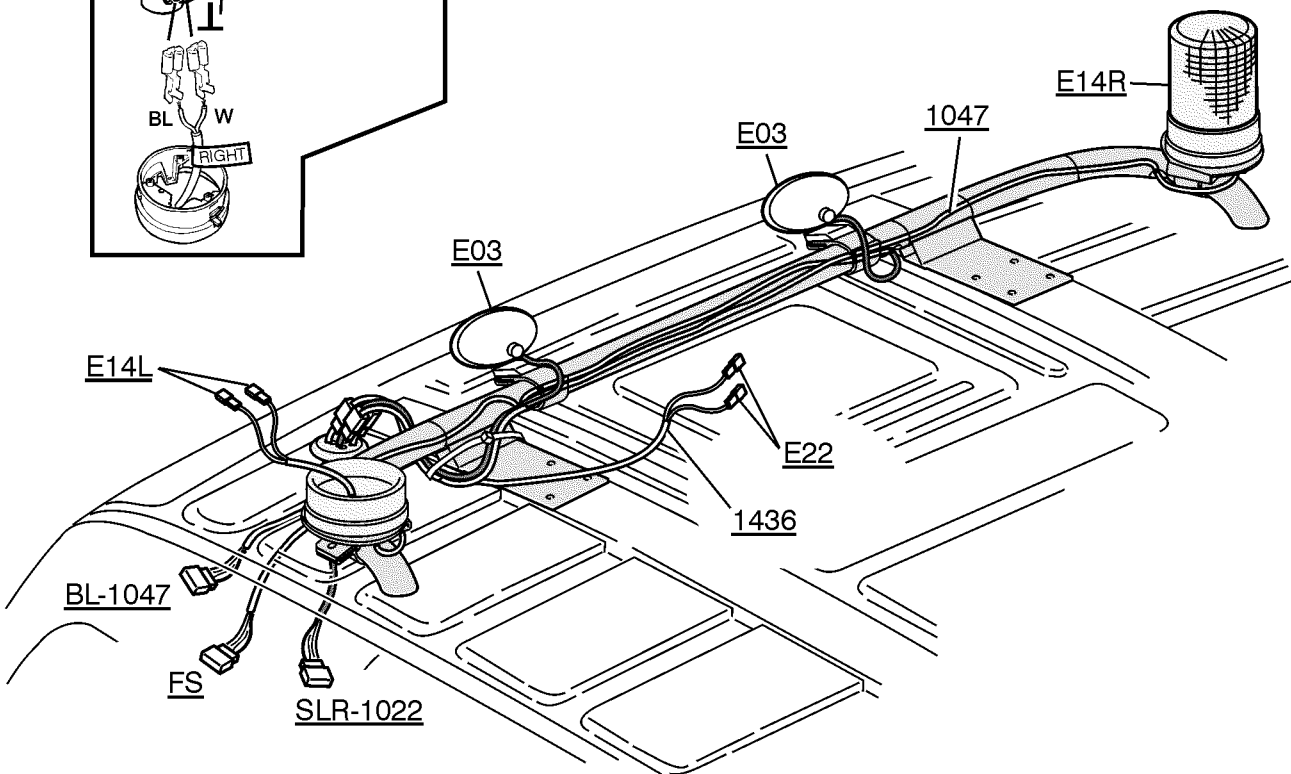
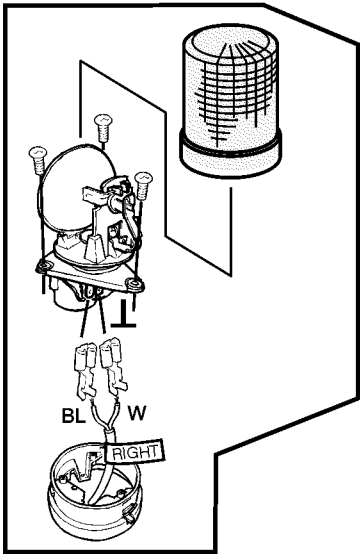
1047, 1436, H1

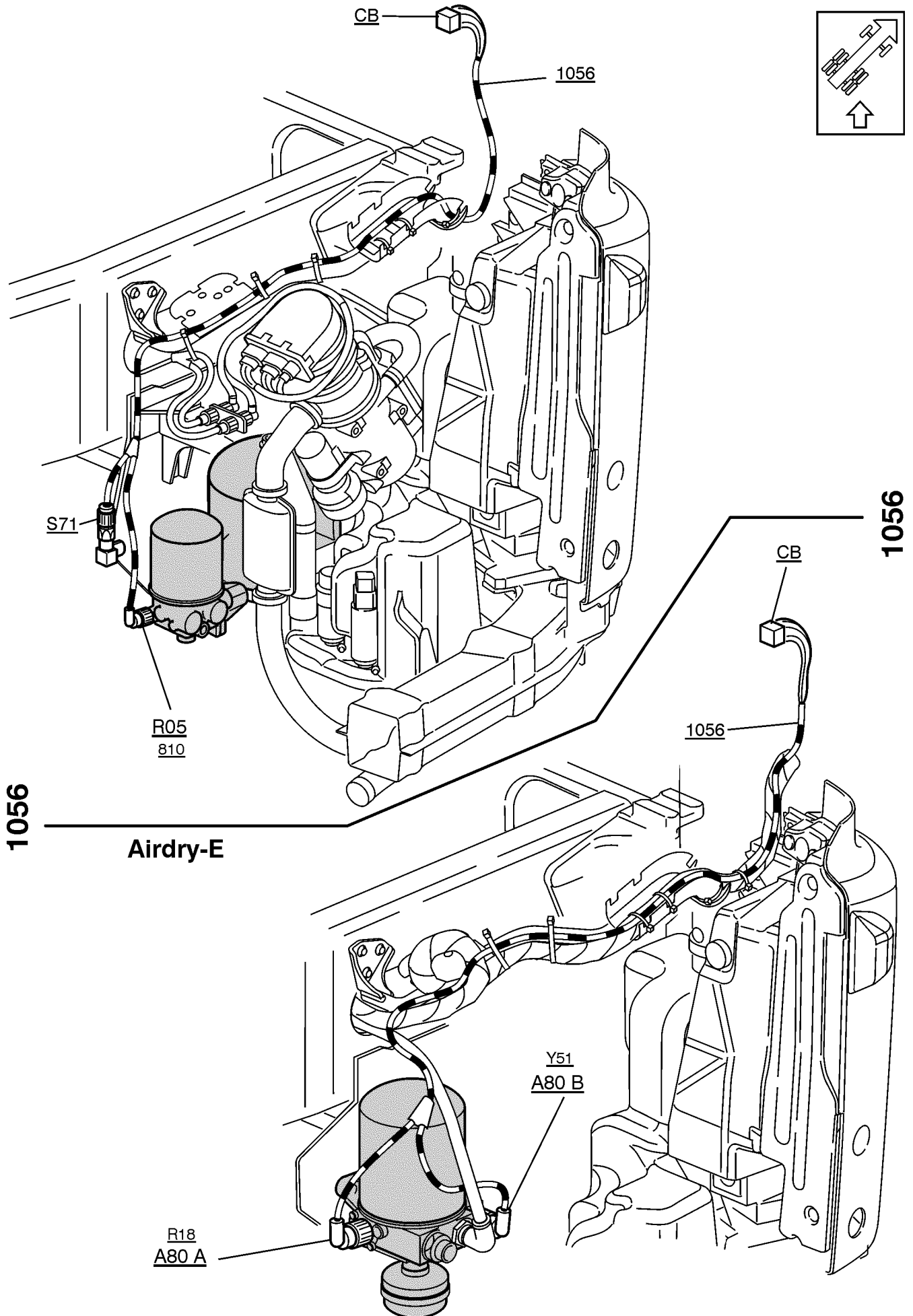




1047, 1436, H2

1047, 1436, H2

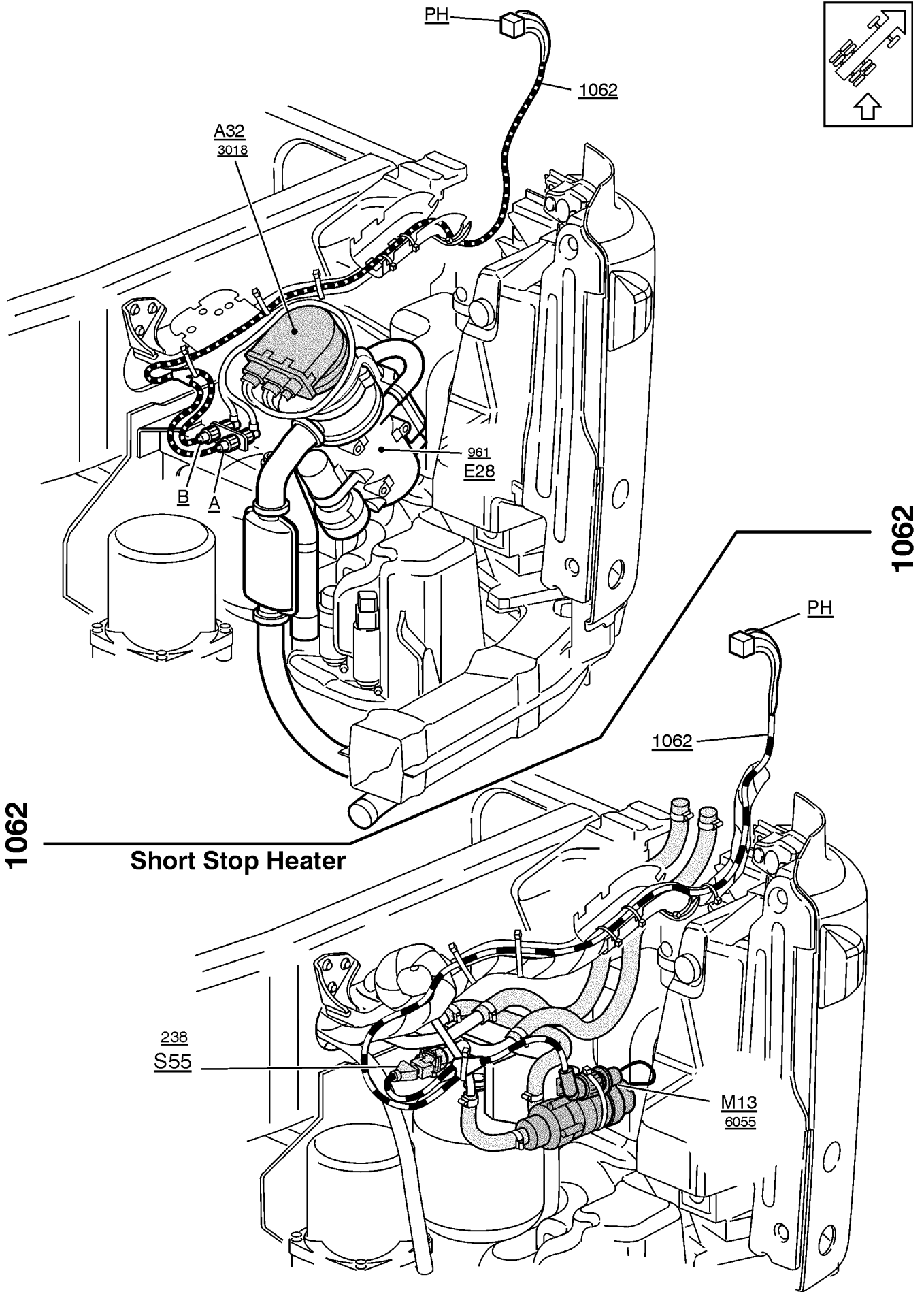




1056

1056

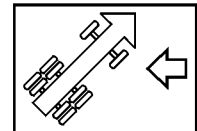
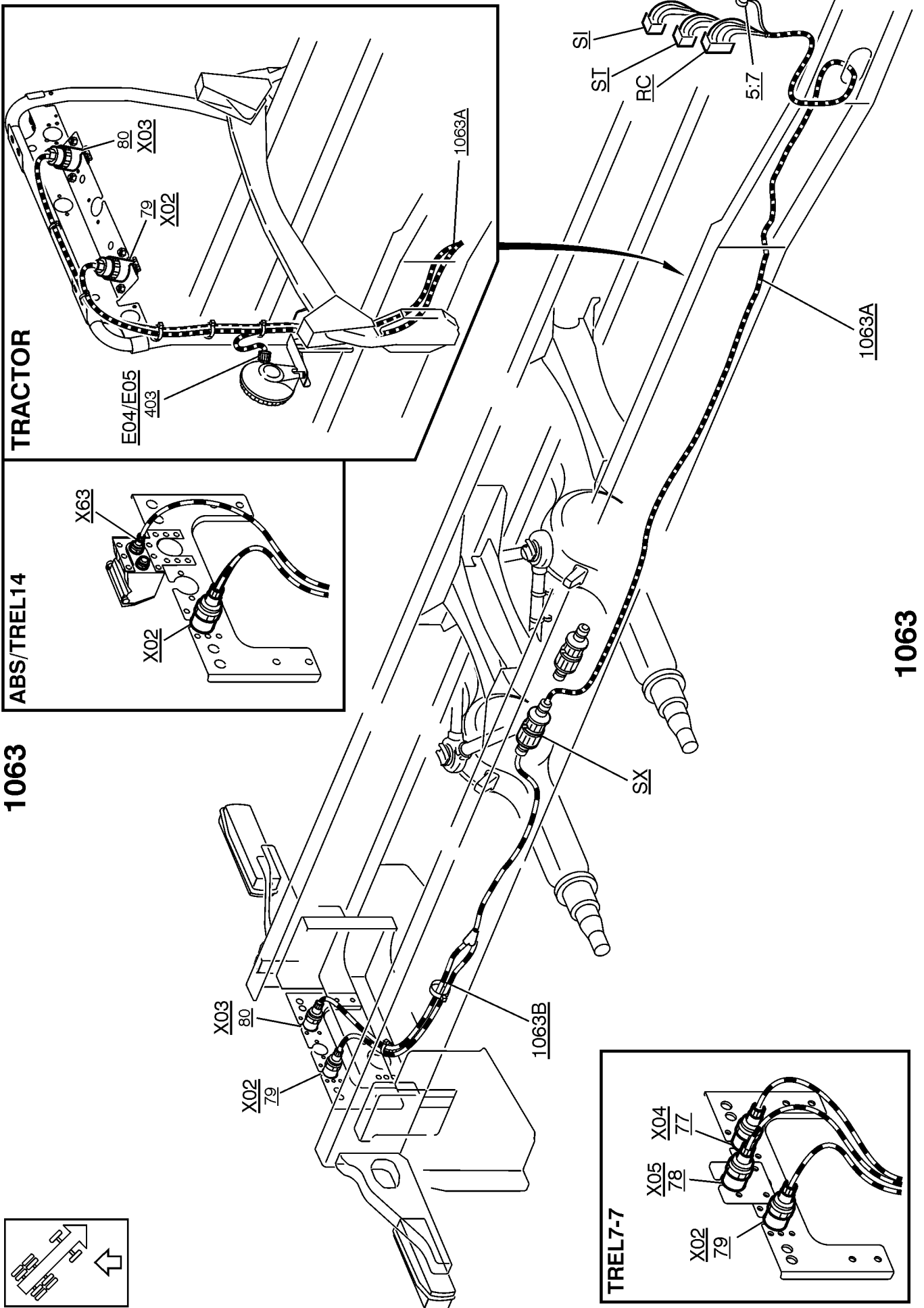
Airdry-E



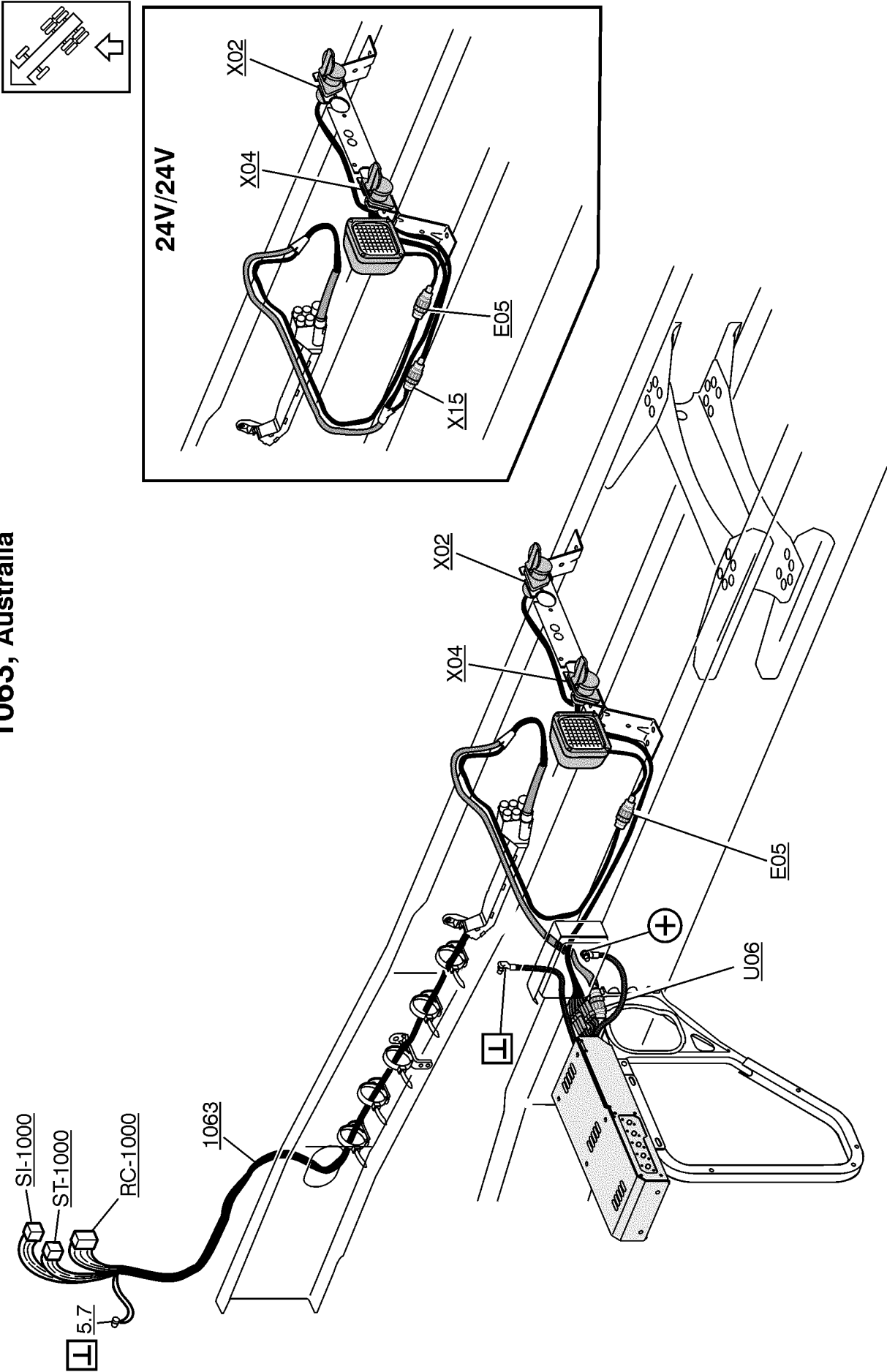
1062

Short Stop Heater

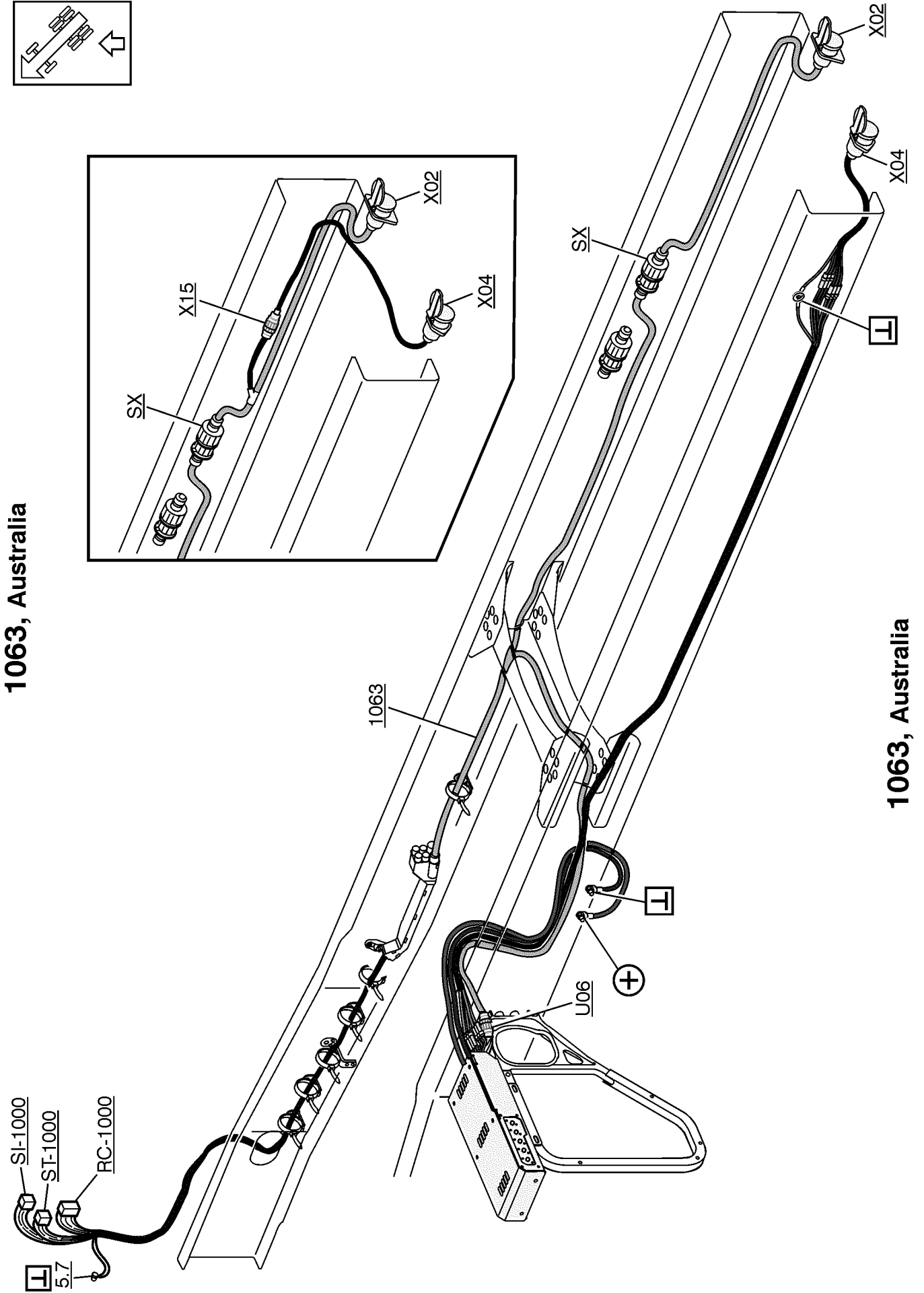
1062



1063, Australia



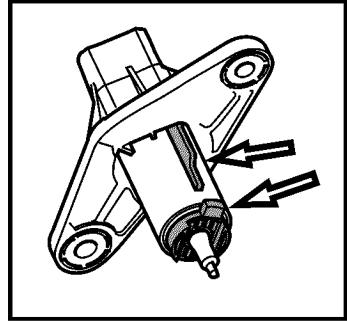
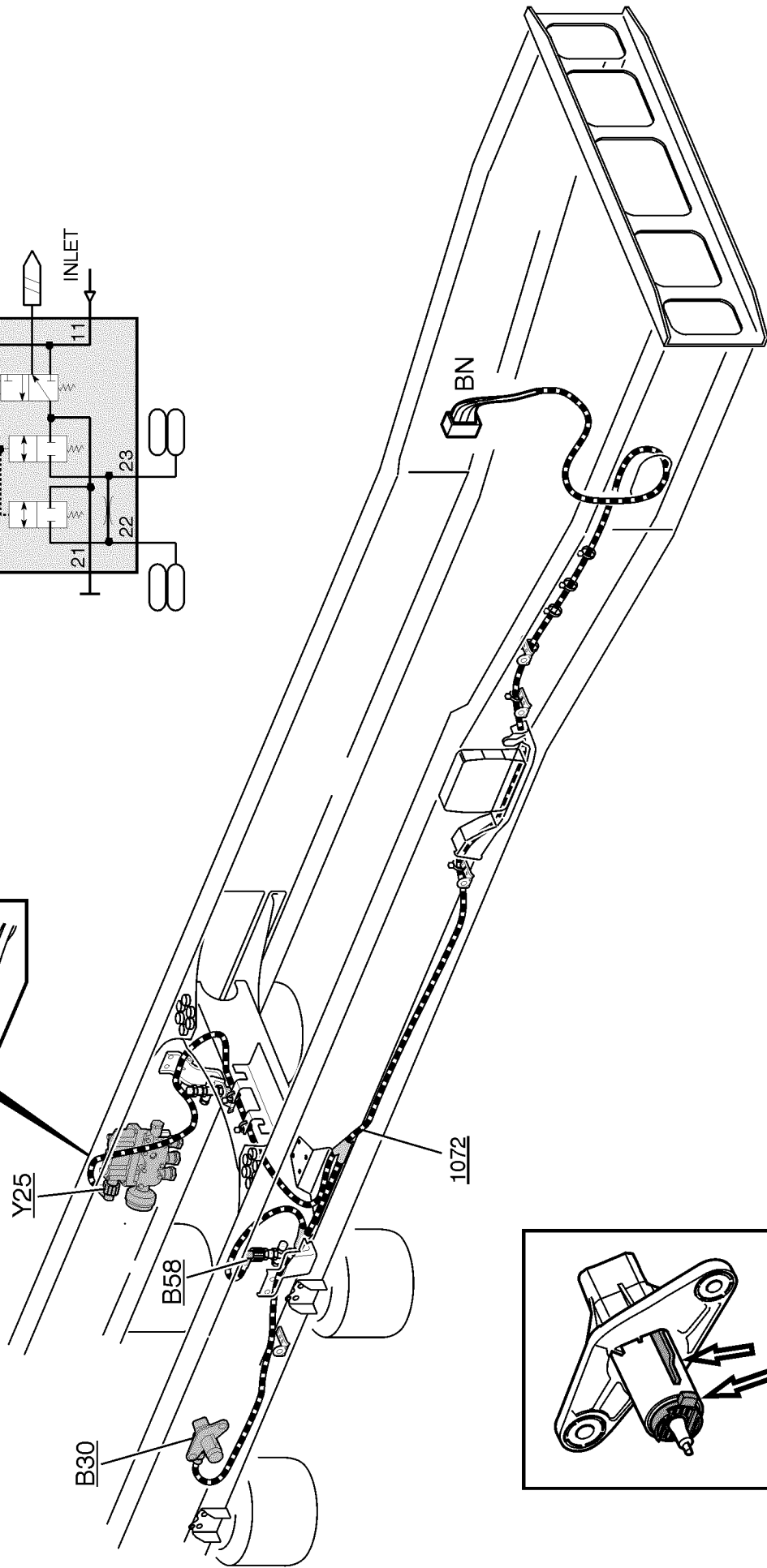
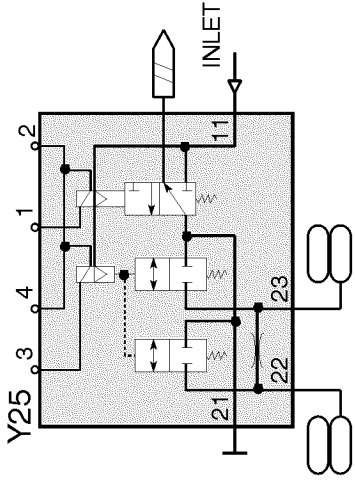
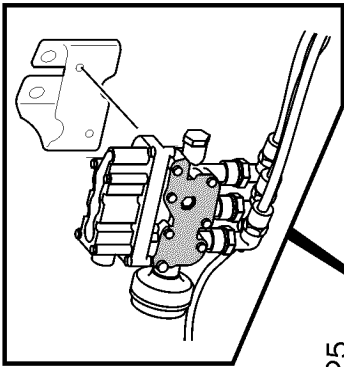
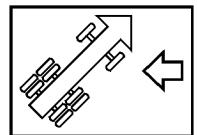
1063, Australia



1063, Australia

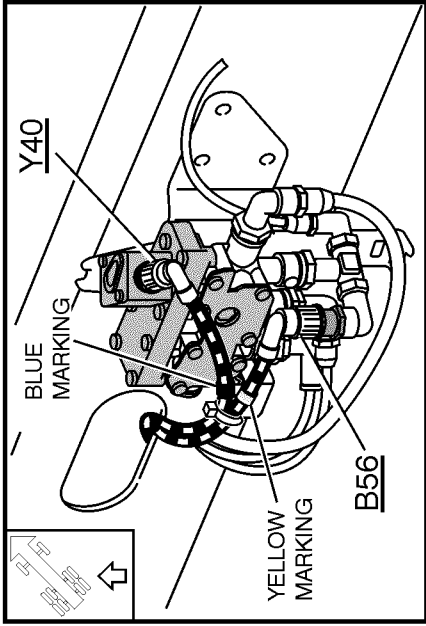
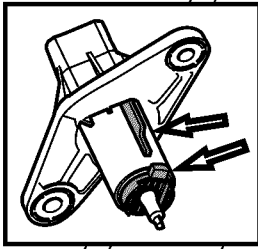
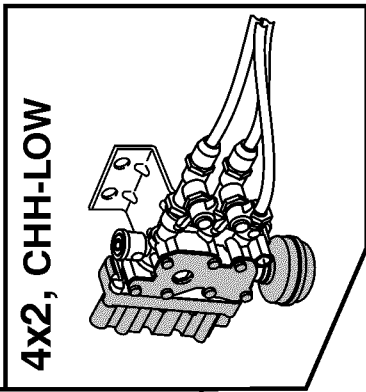
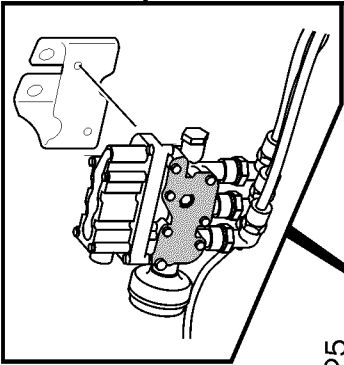
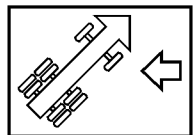
1063, Australia

1072, RAD-A4, 1-Channel



1072, RAD-A4, 1-Channel

1072, RAD-A4, 2-Channel



B29

Y25

B57

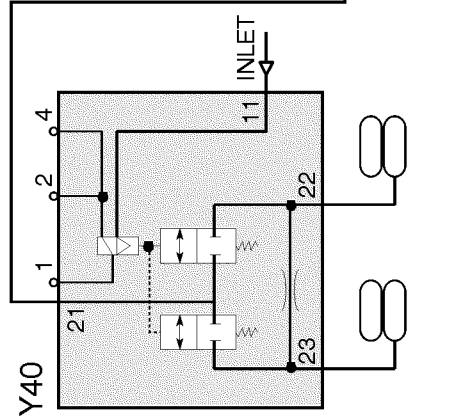
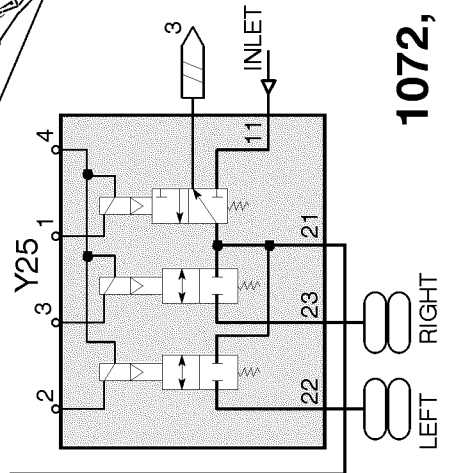
B30

B58

B28

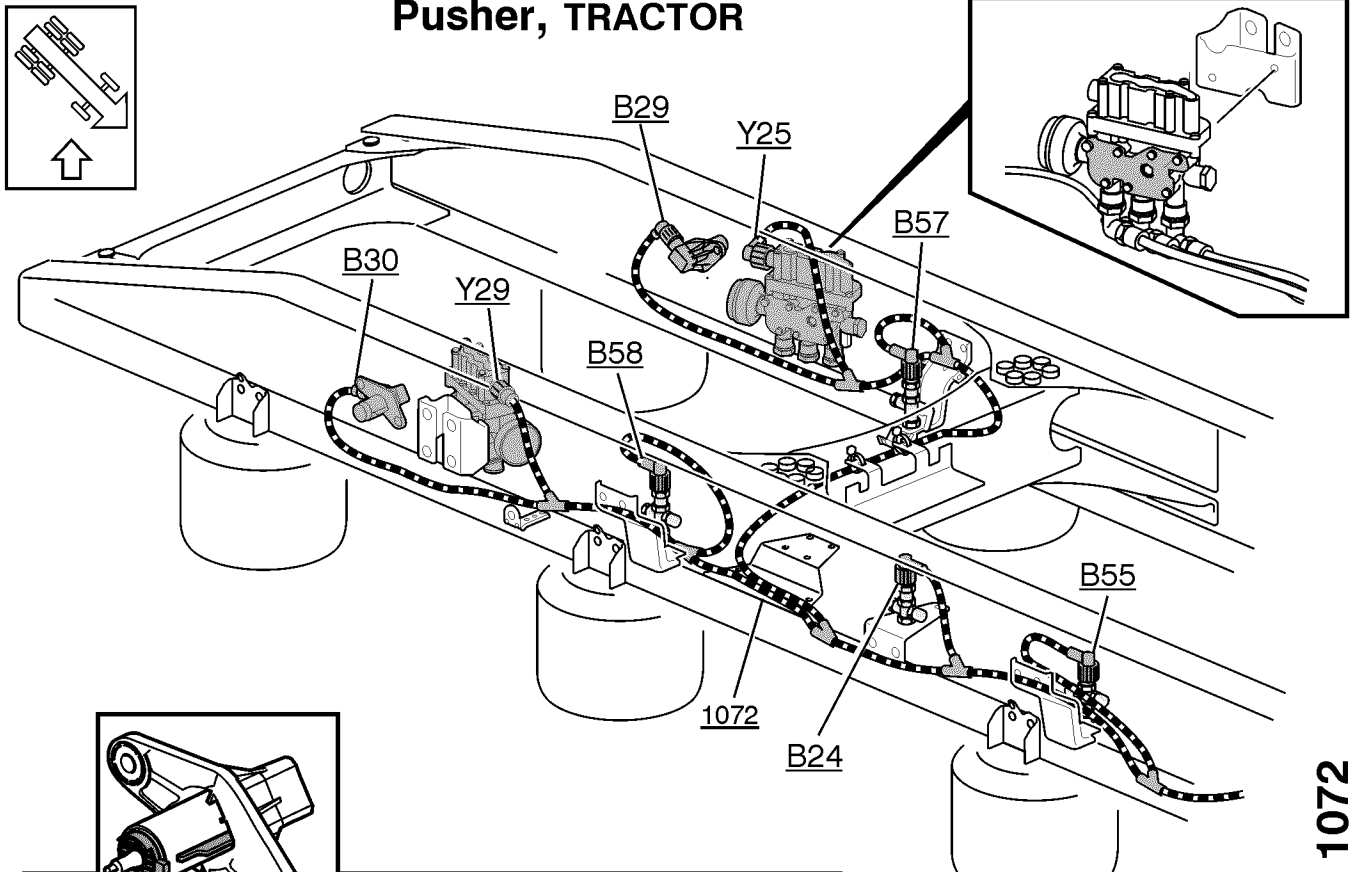
1072

BN

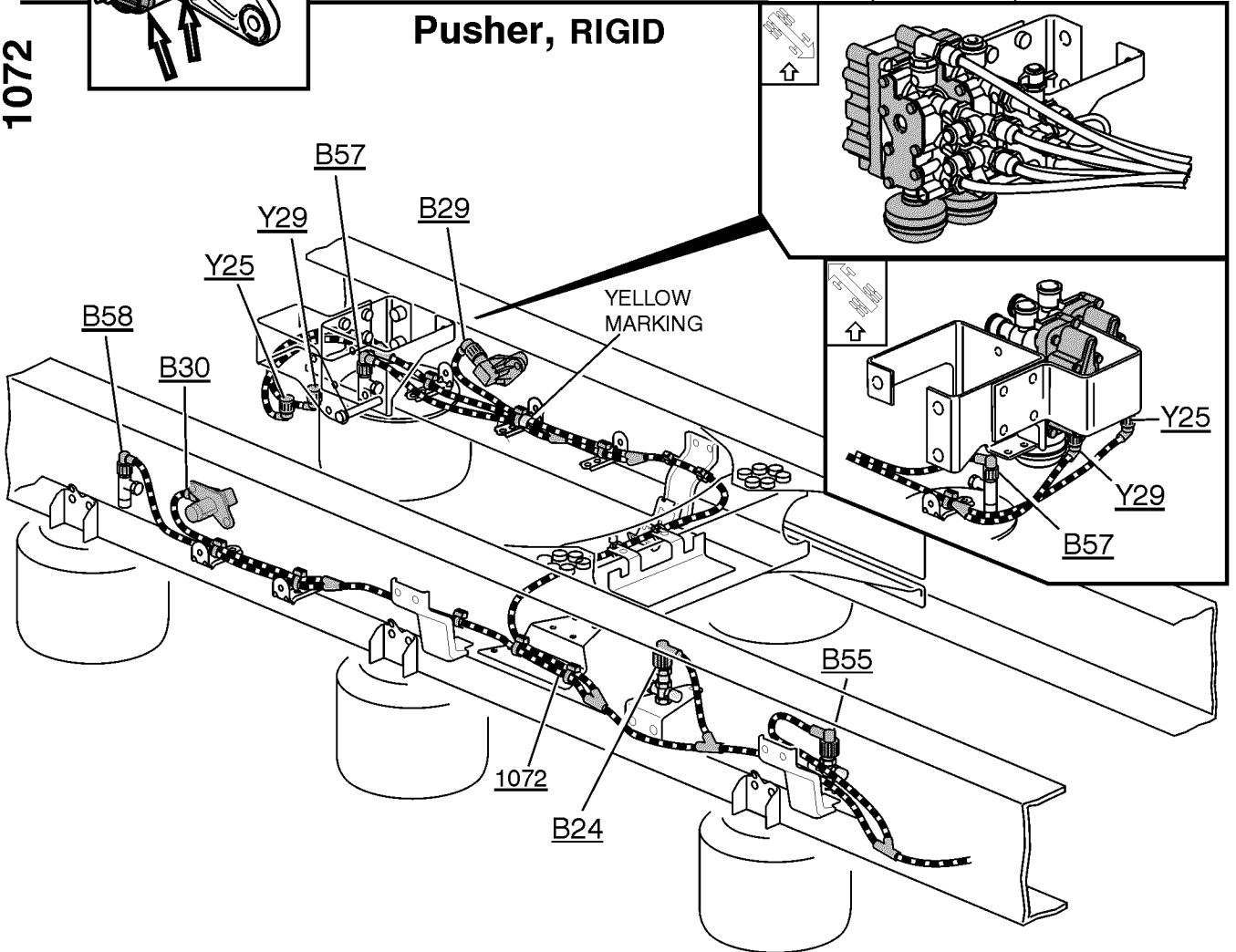


1072, RAD-A4, 2-Channel

Pusher, TRACTOR

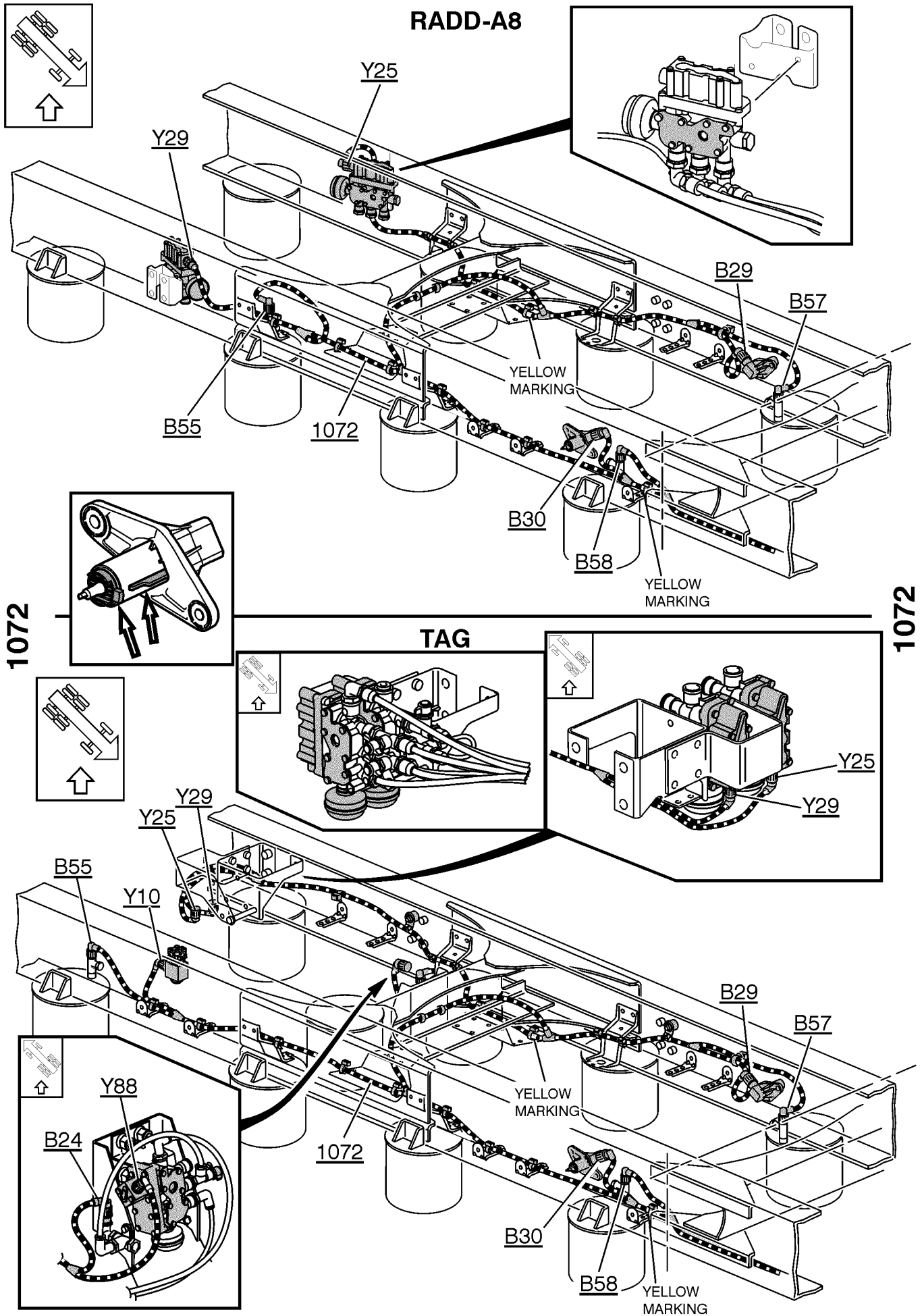


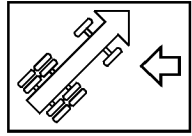
Pusher, RIGID



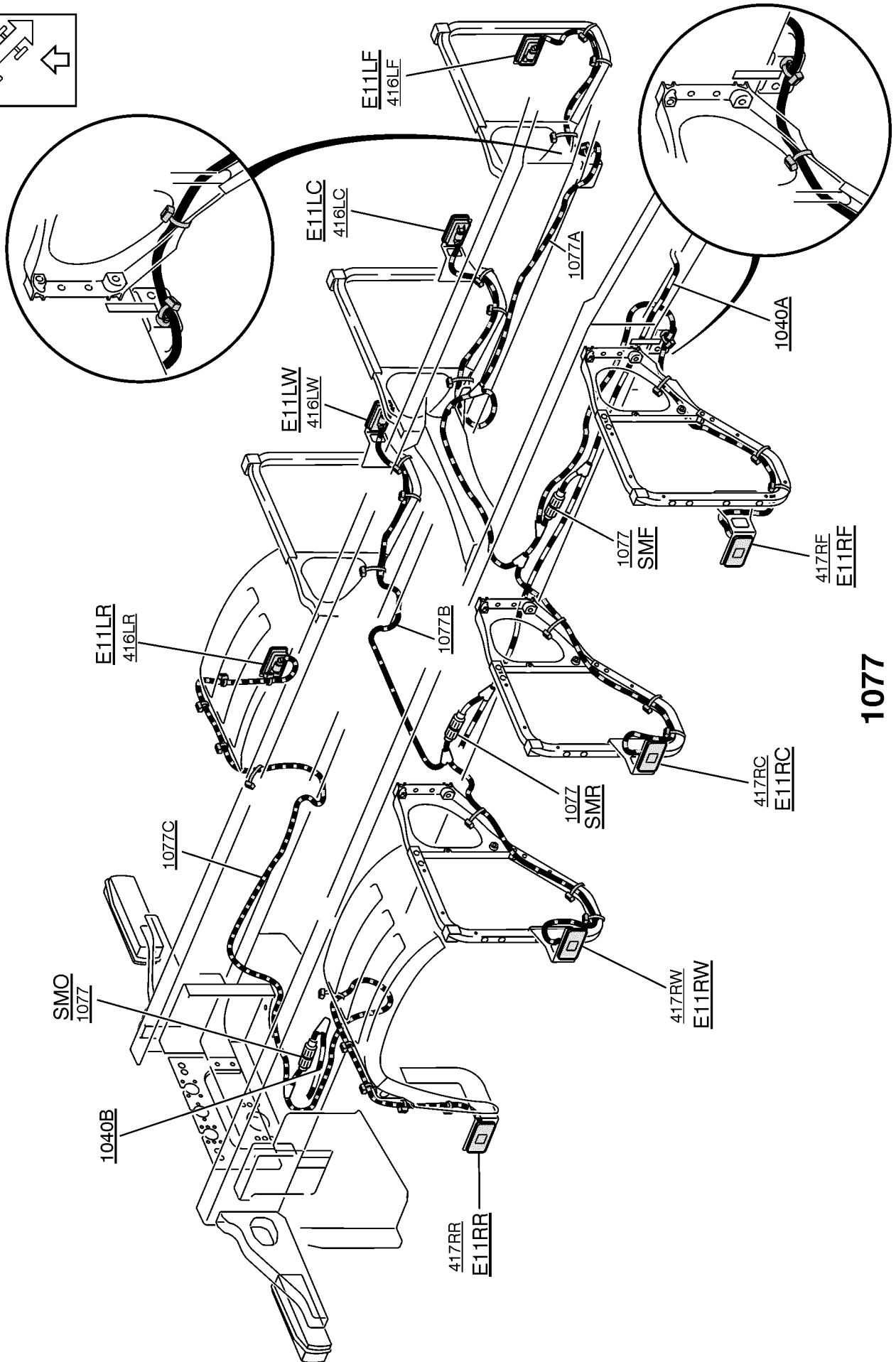
1072

1072



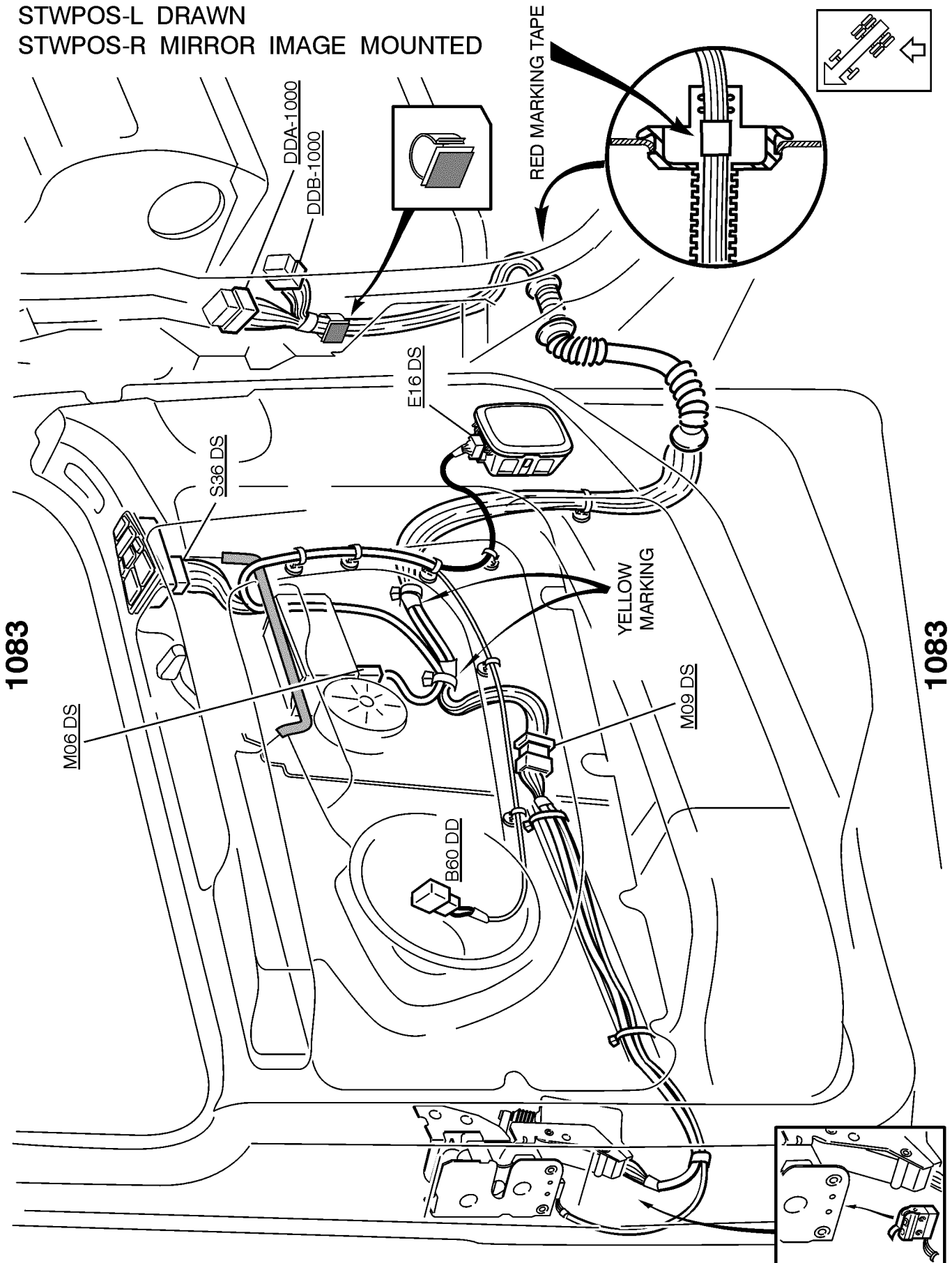


1077

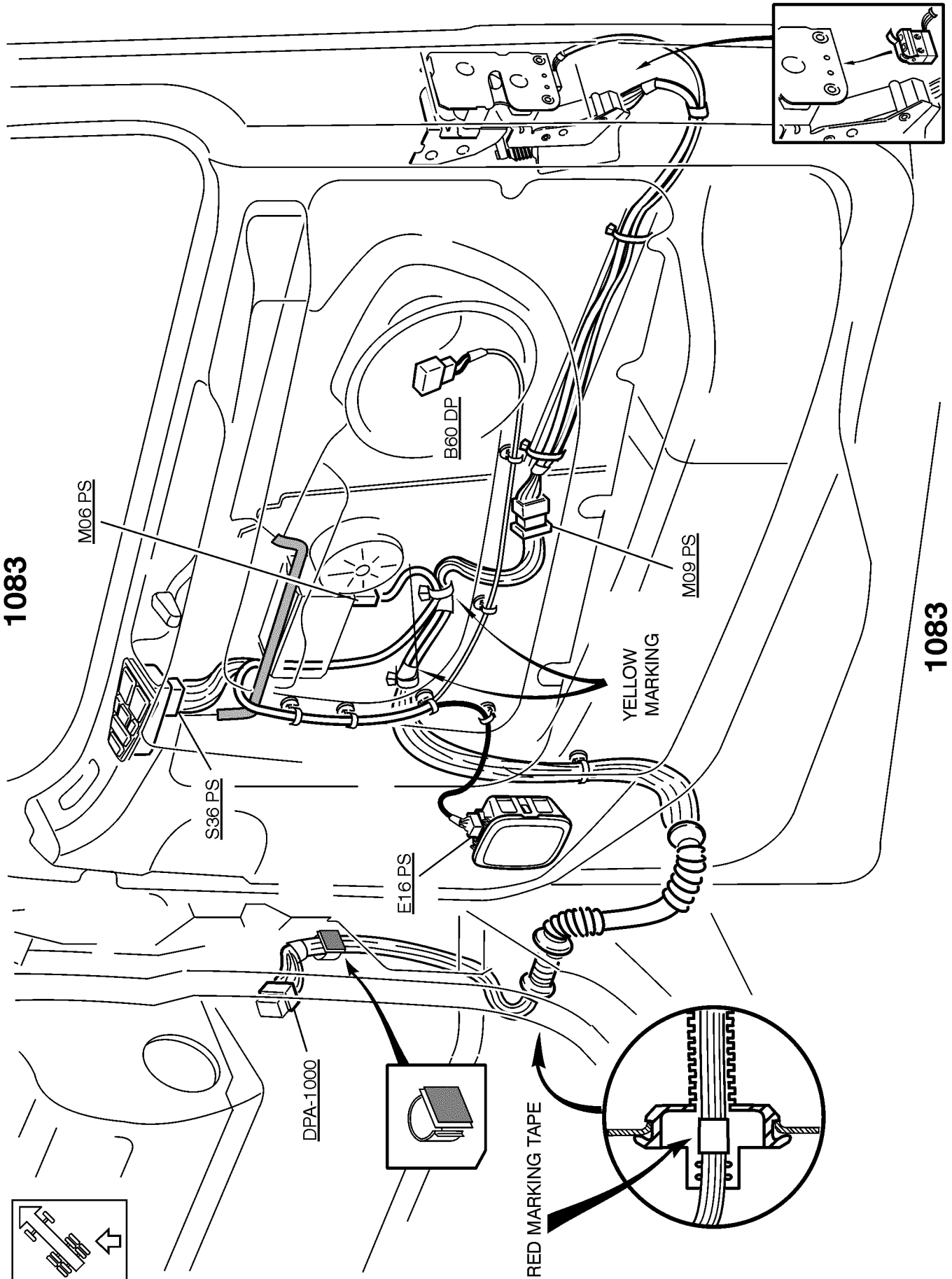


1077

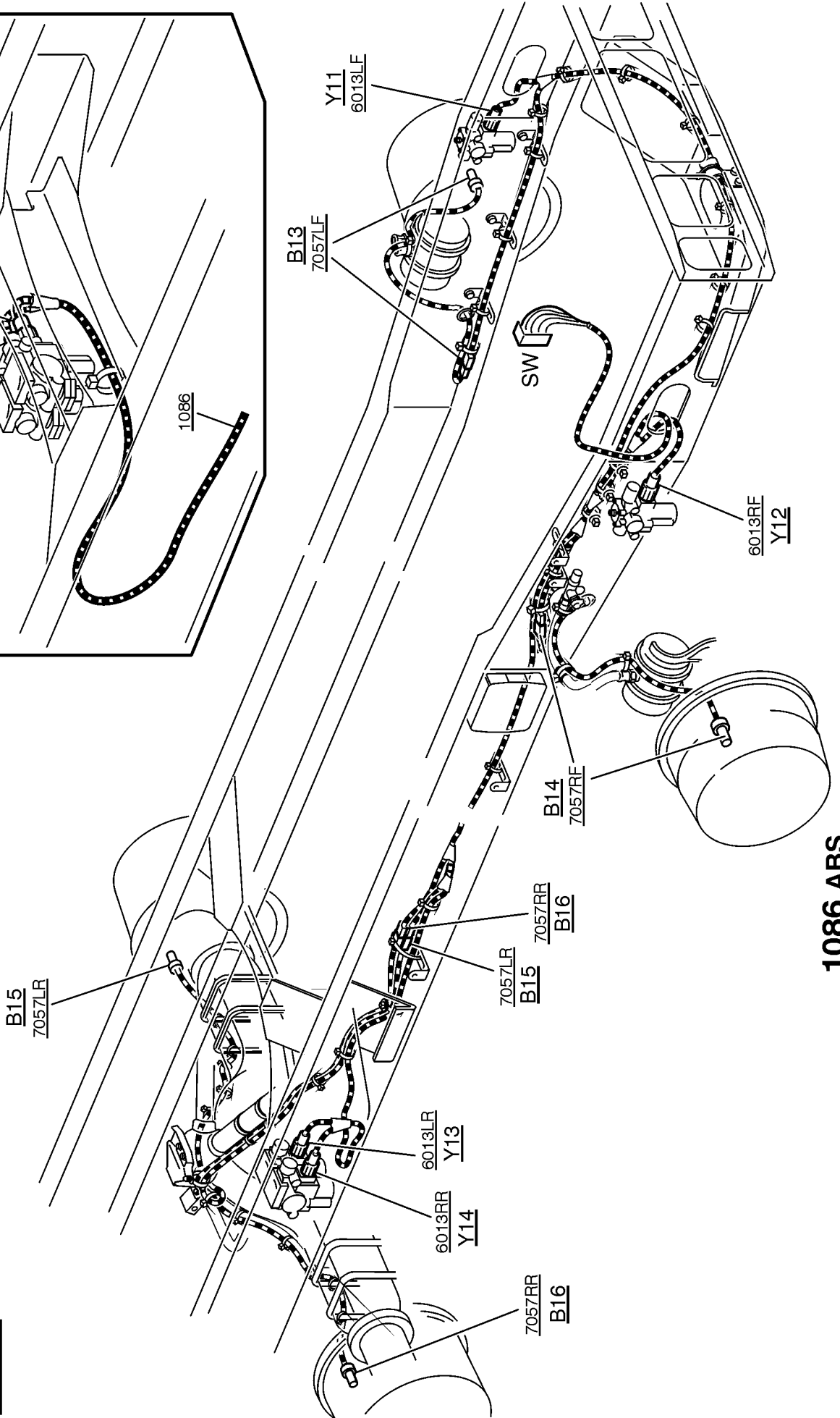
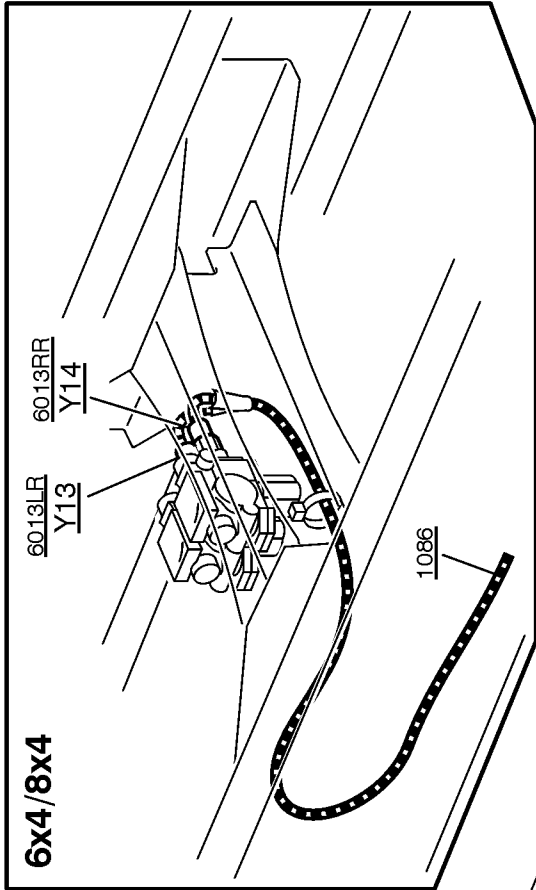
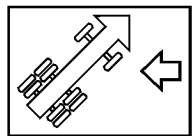
STWPOS-L DRAWN
STWPOS-R MIRROR IMAGE MOUNTED



STWPOS-L DRAWN
STWPOS-R MIRROR IMAGE MOUNTED

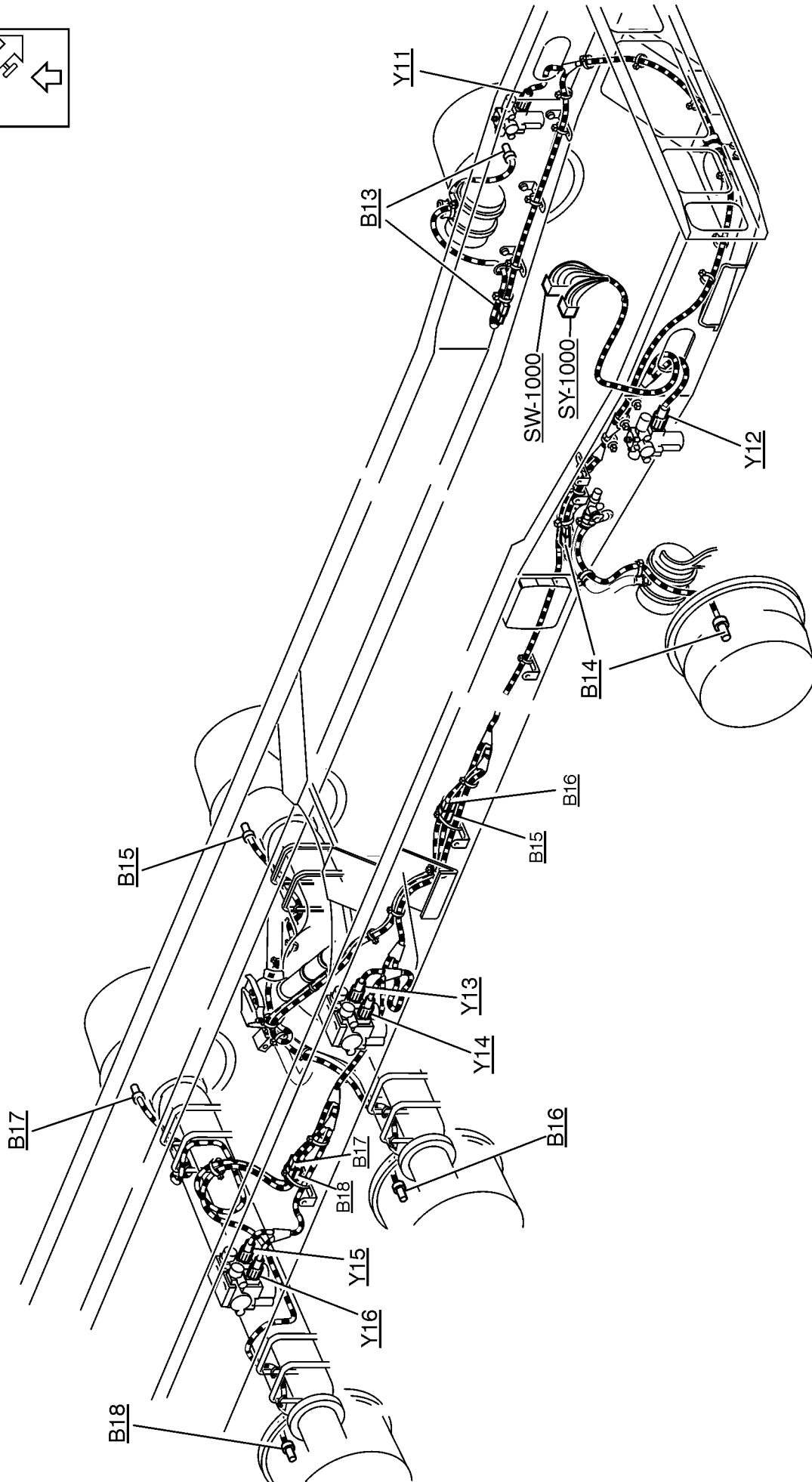
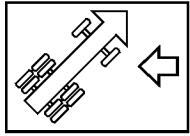


1086 ABS



1086 ABS

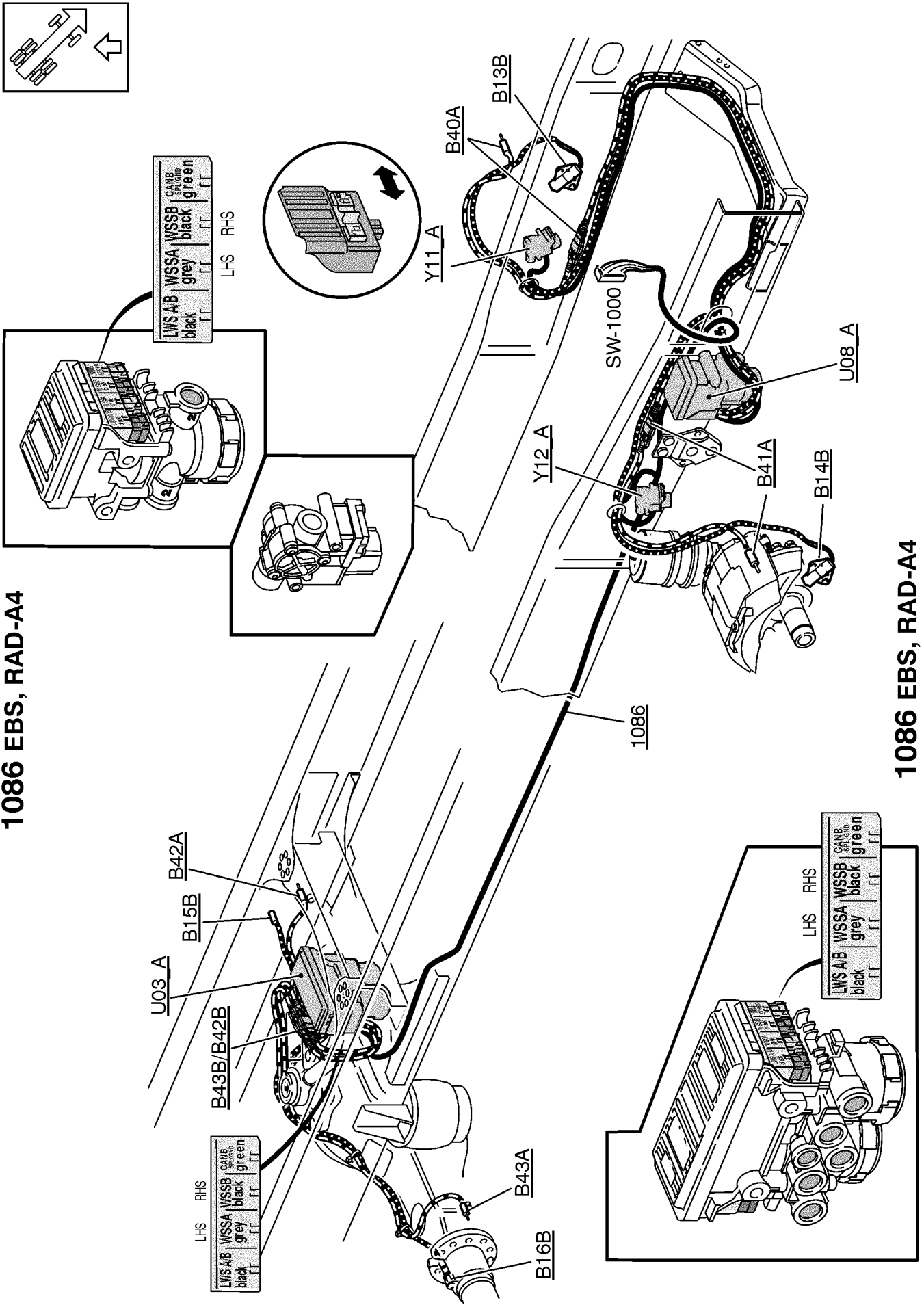
1086 ABS, 6x2, VERS-SAM

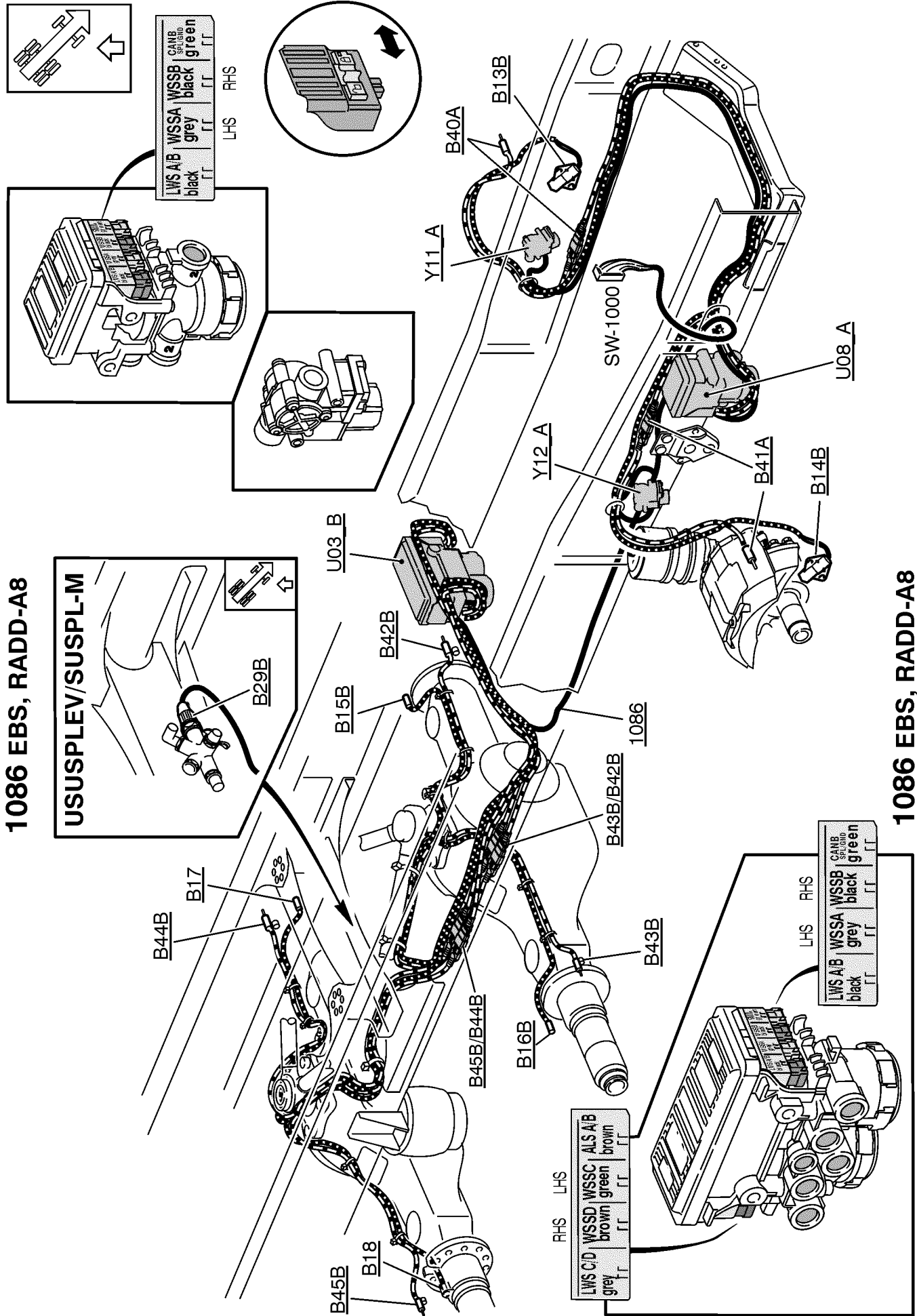


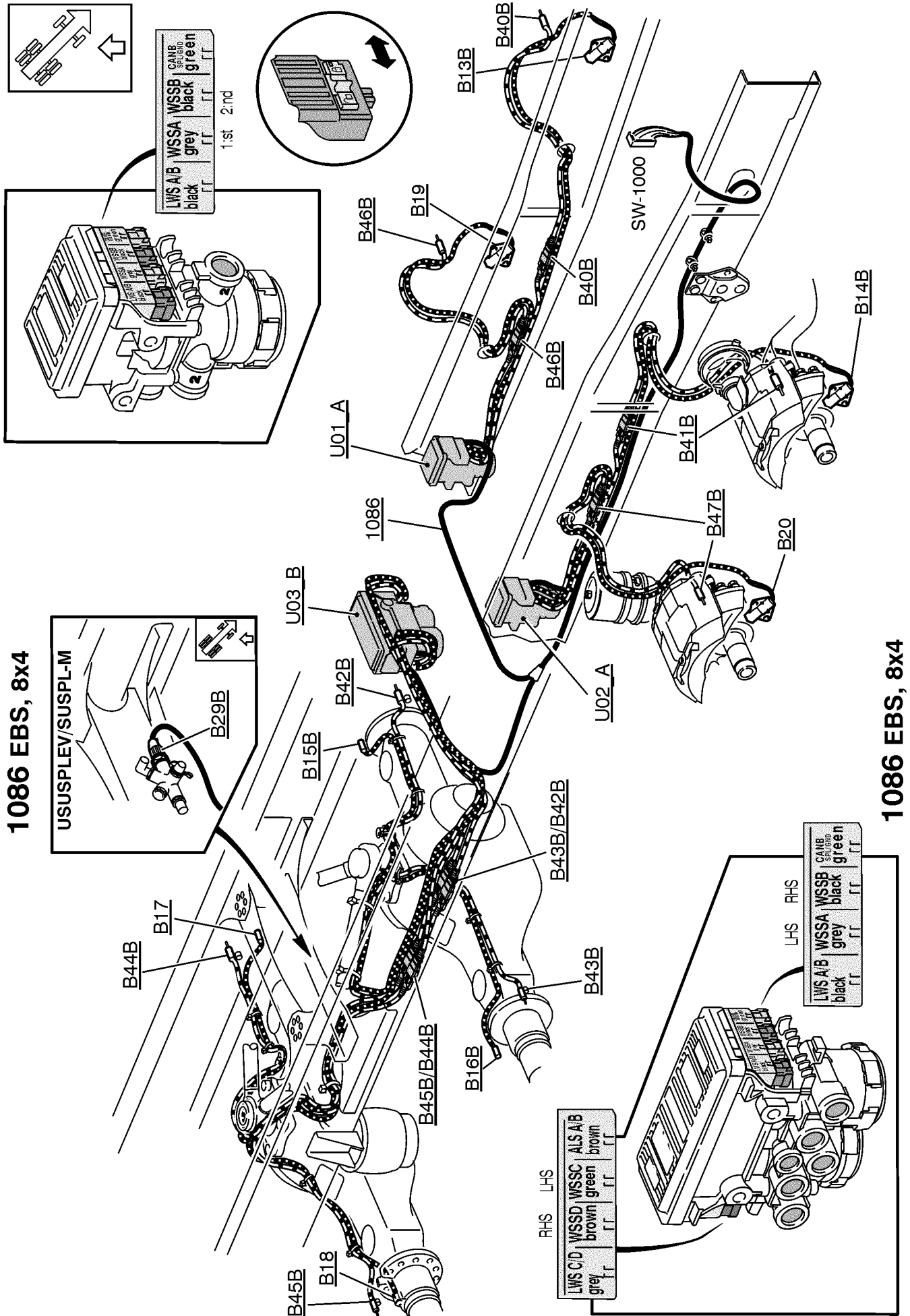
1086 ABS, 6x2, VERS-SAM

1086 EBS, RAD-A4

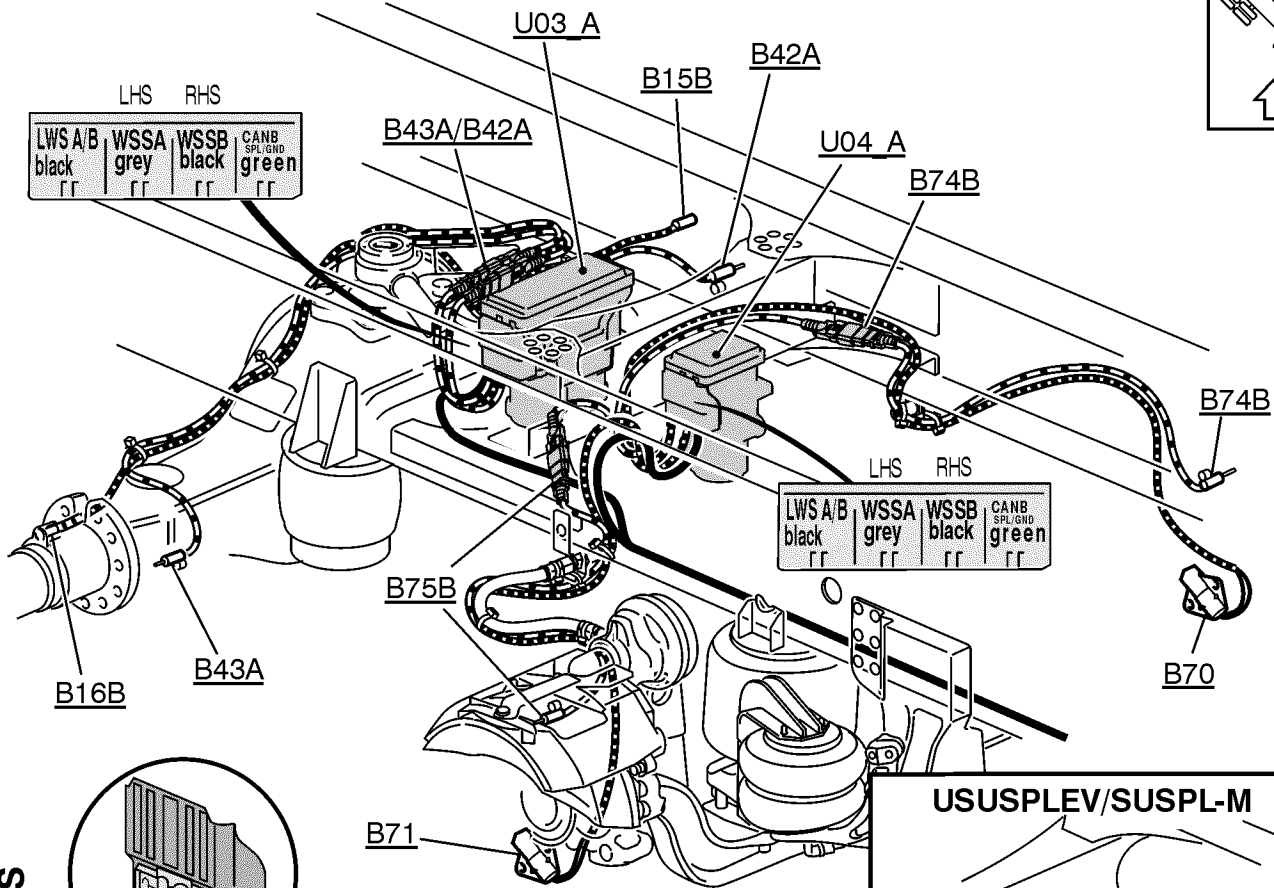
1086 EBS, RAD-A4







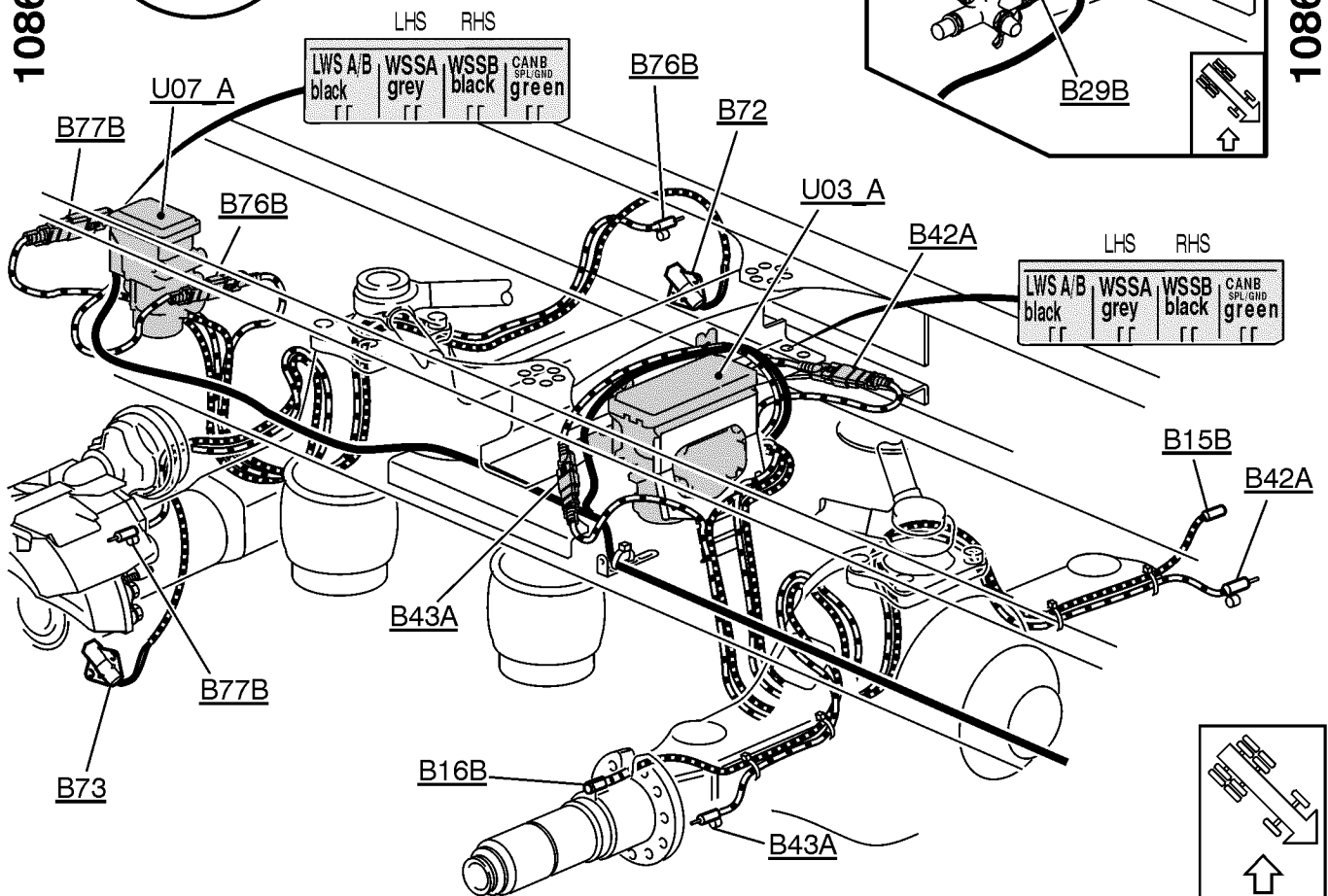
PUSHER

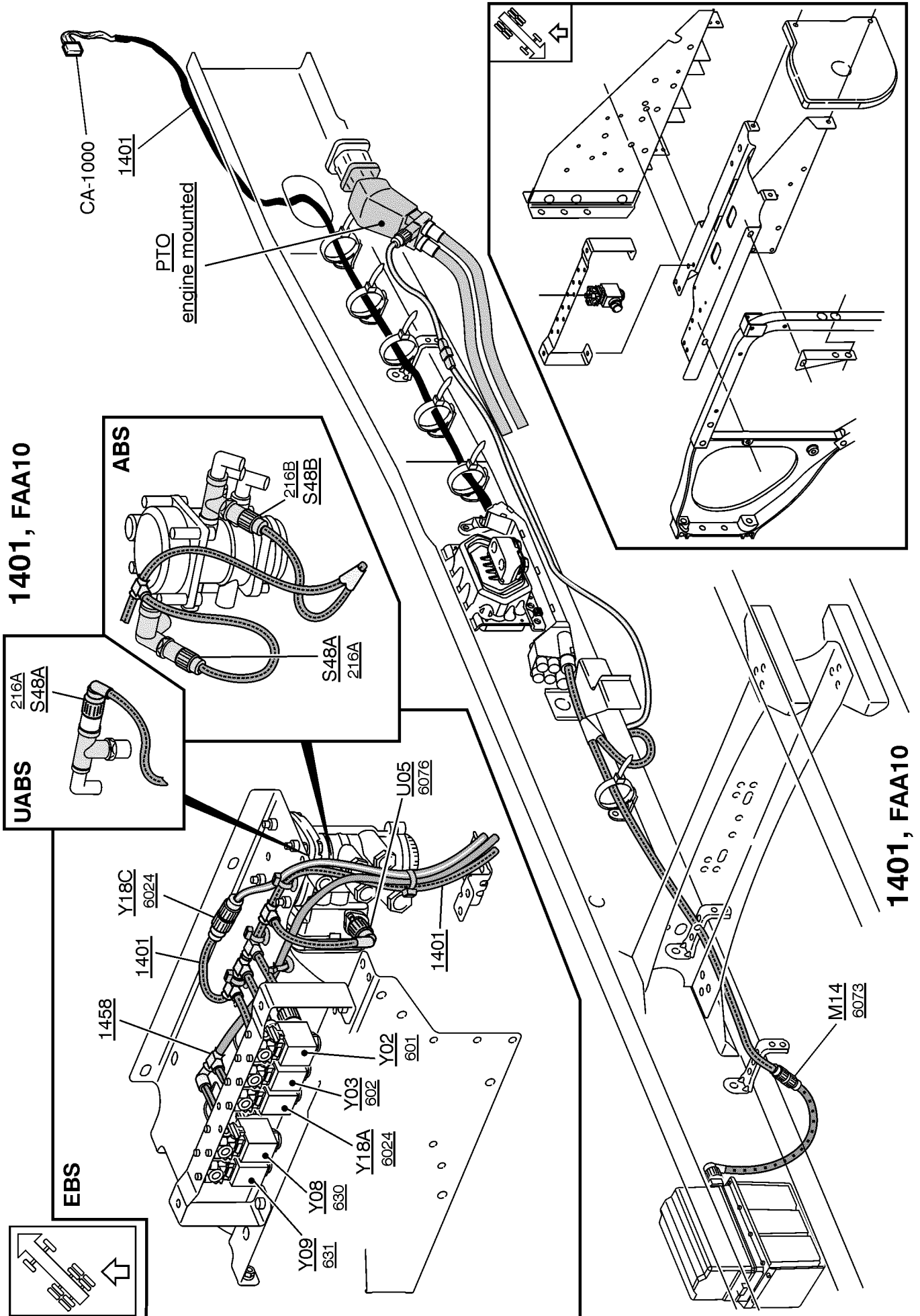


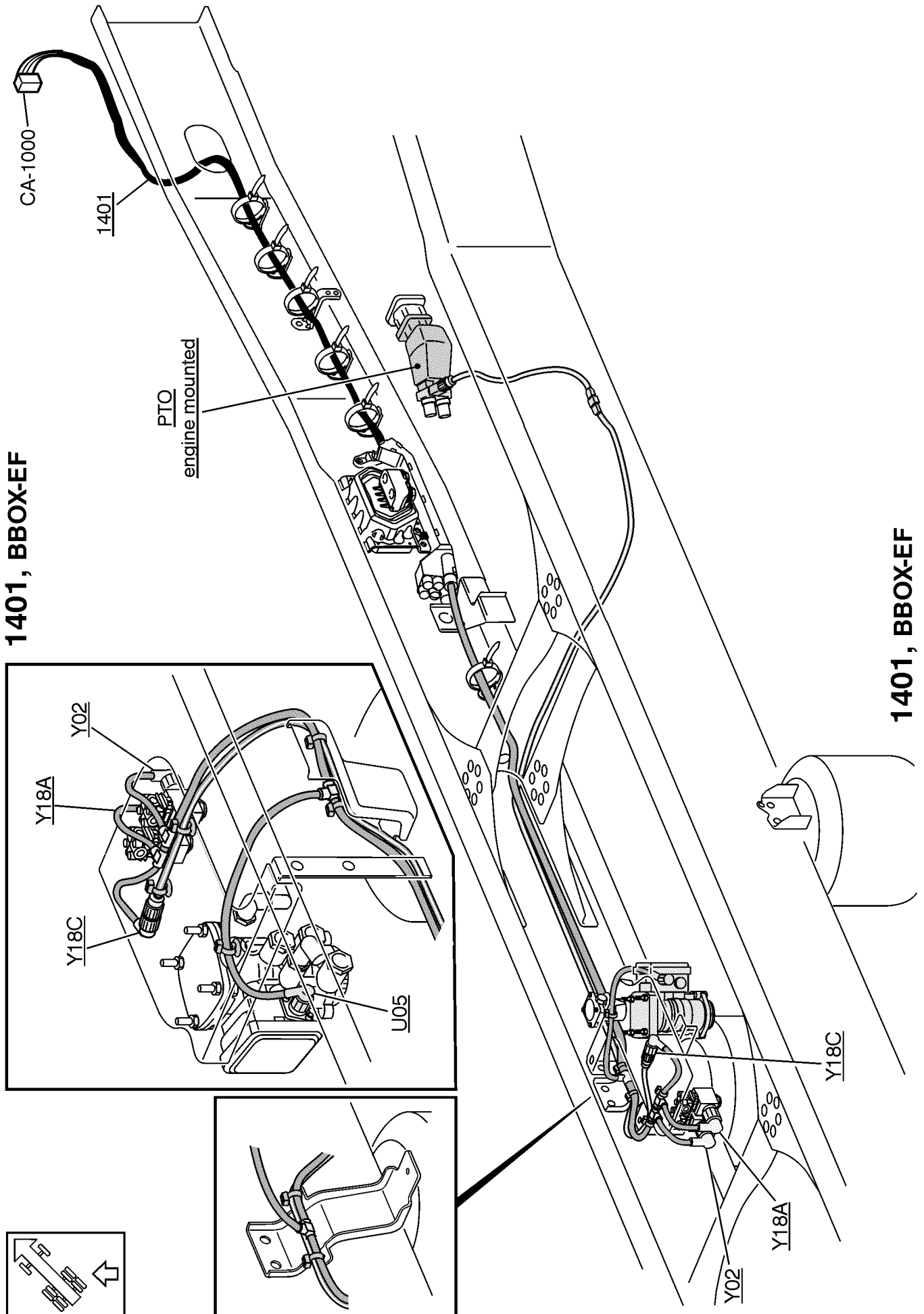
1086 EBS

1086 EBS

TAG

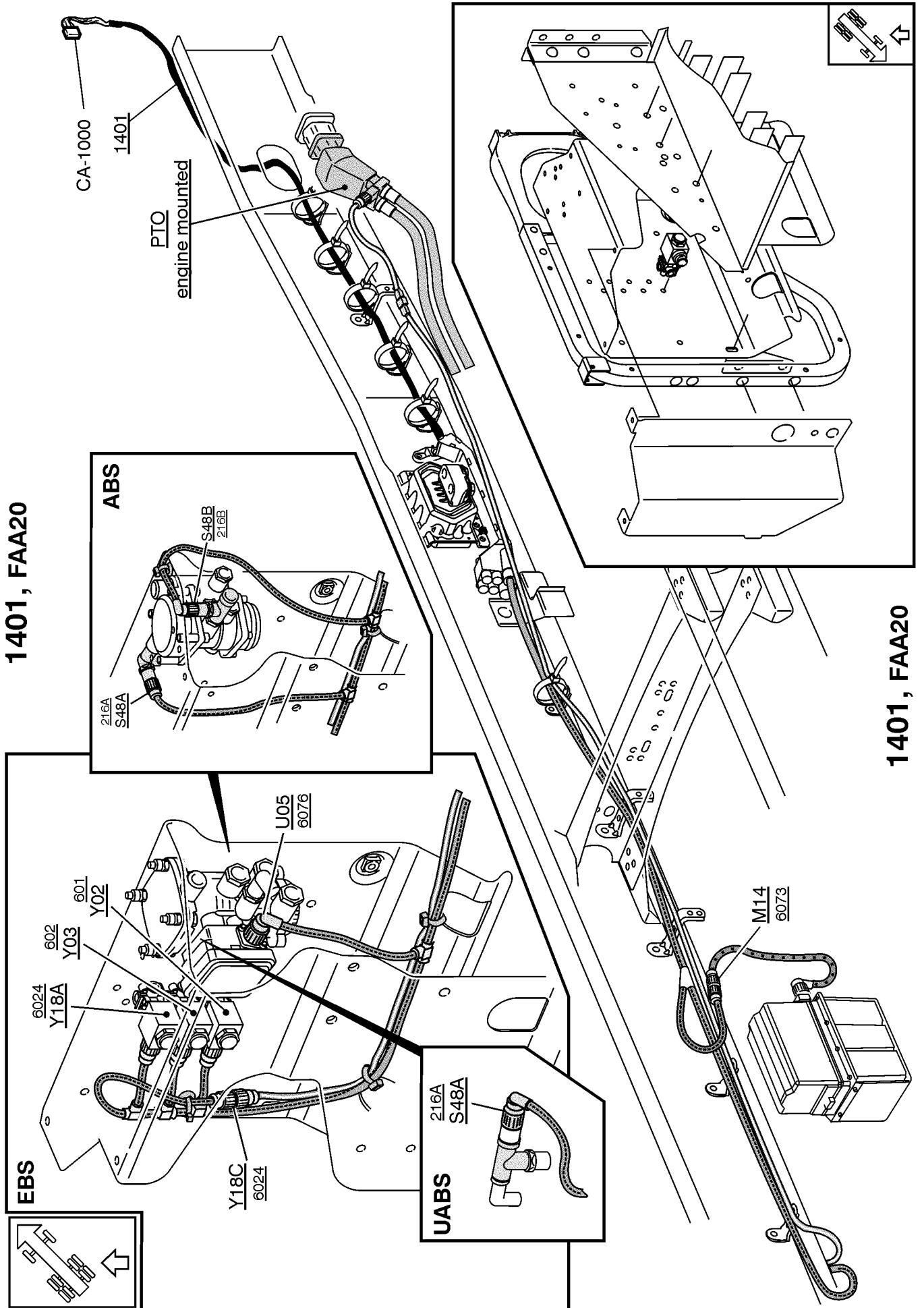






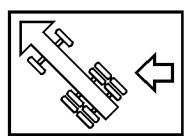
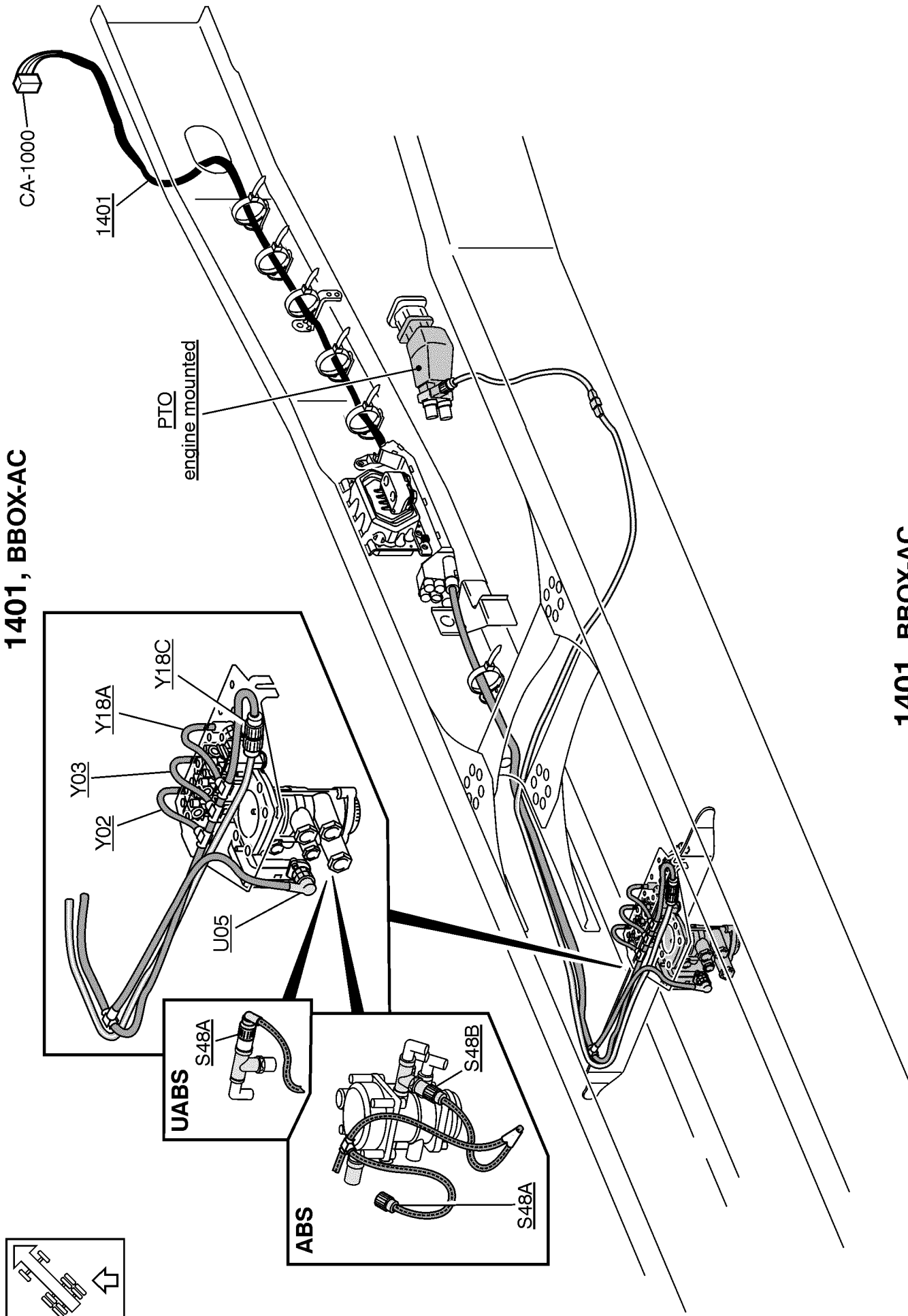
1401, BBOX-EF

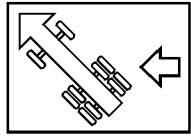
1401, BBOX-EF



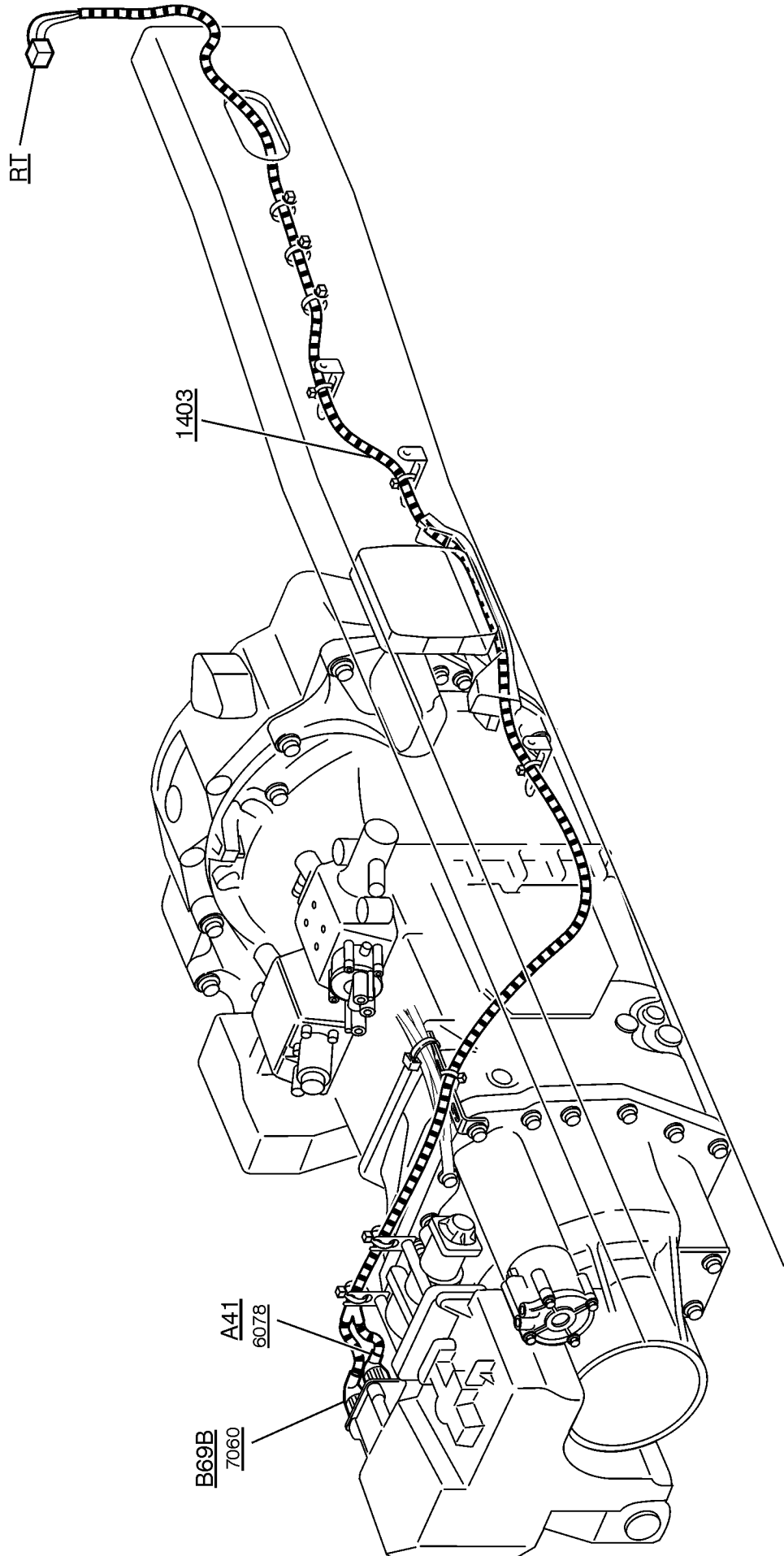
1401, BBOX-AC

1401, BBOX-AC

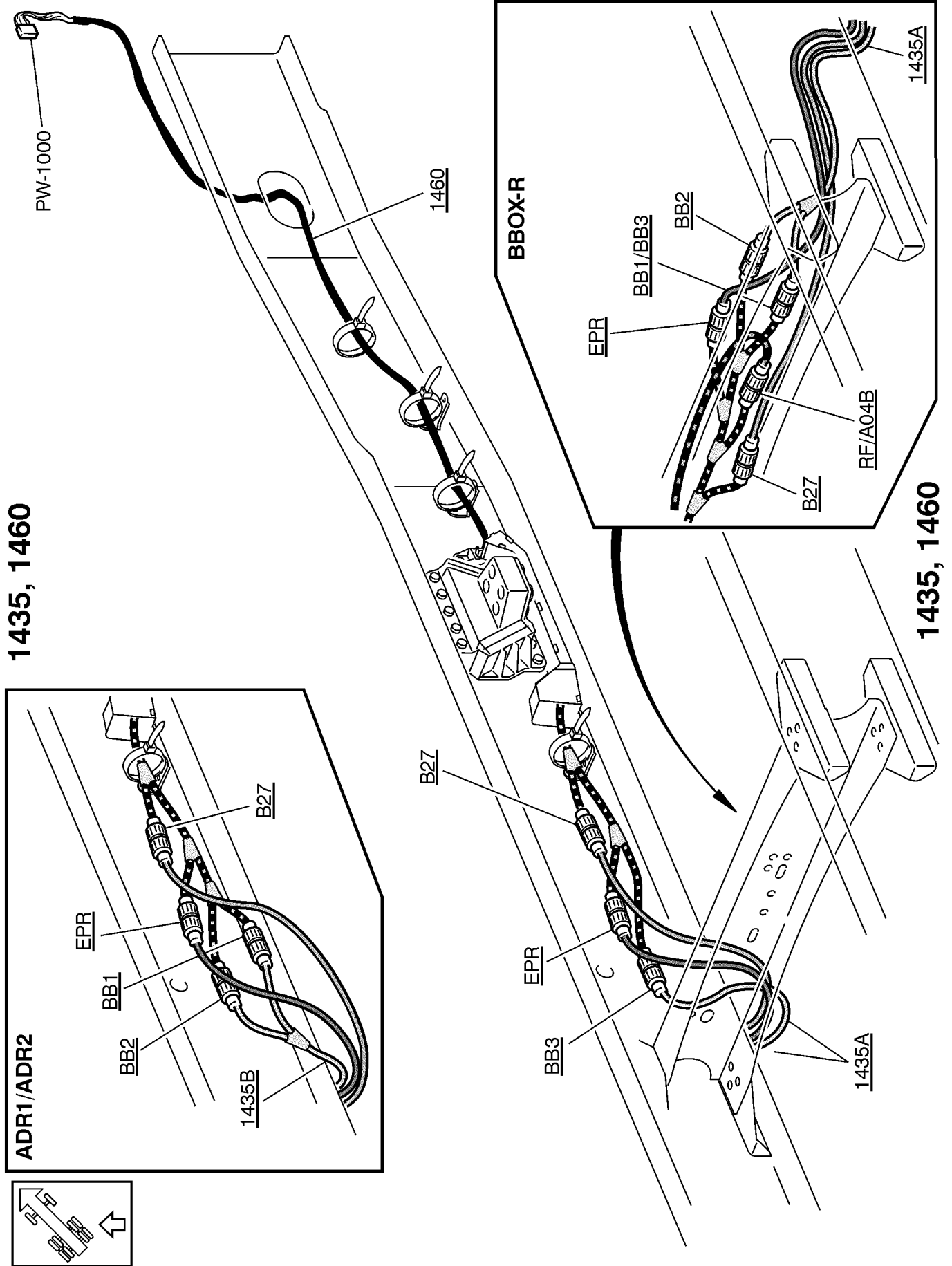




1403



1403



1435, 1460

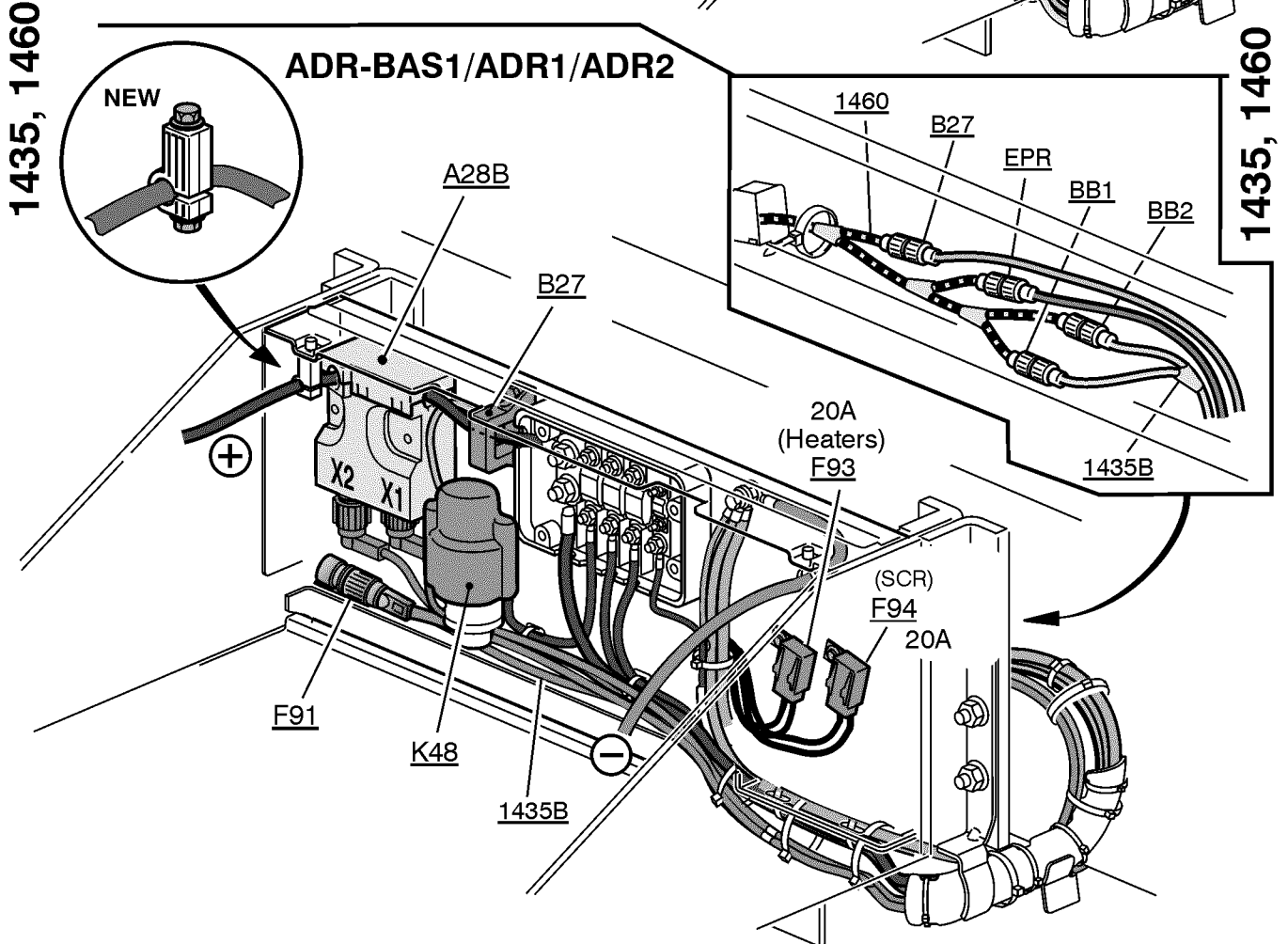
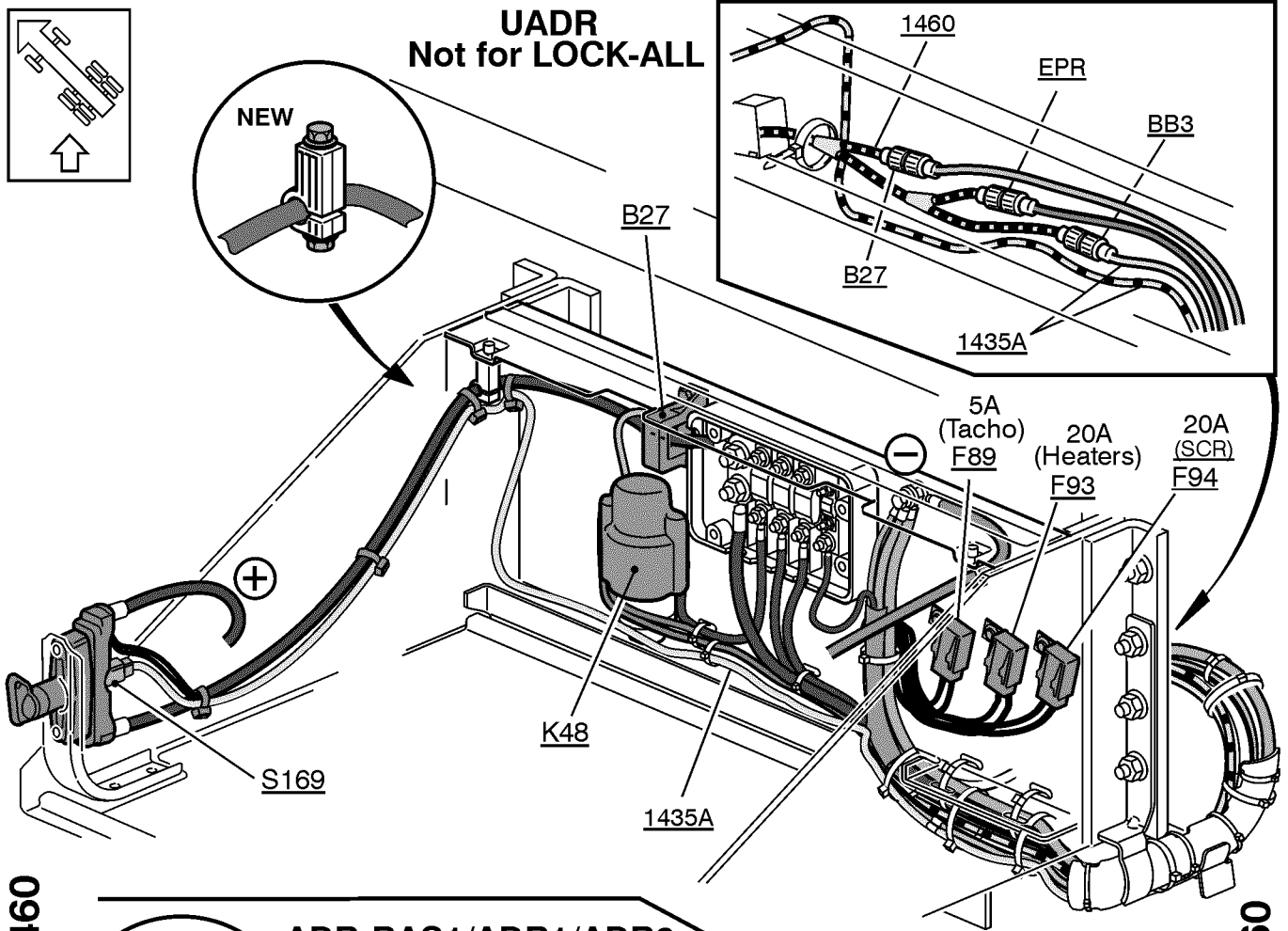
1435, 1460

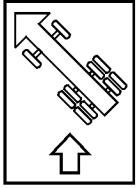
ADR1/ADR2

BBOX-R

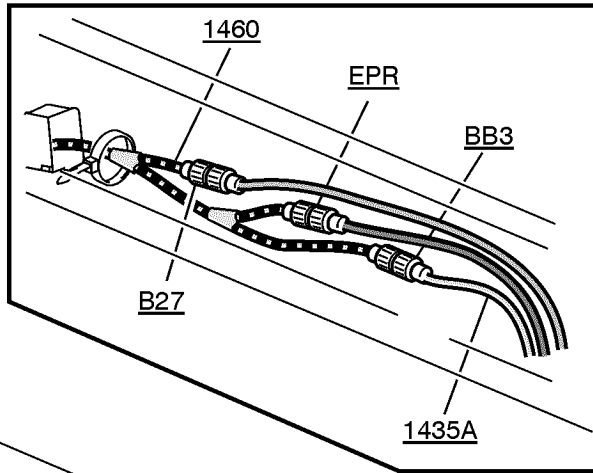
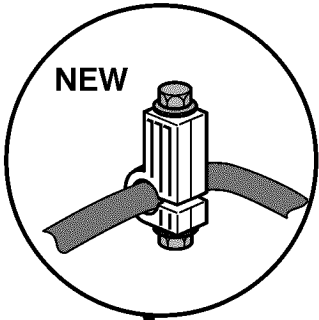
1435A

1435A



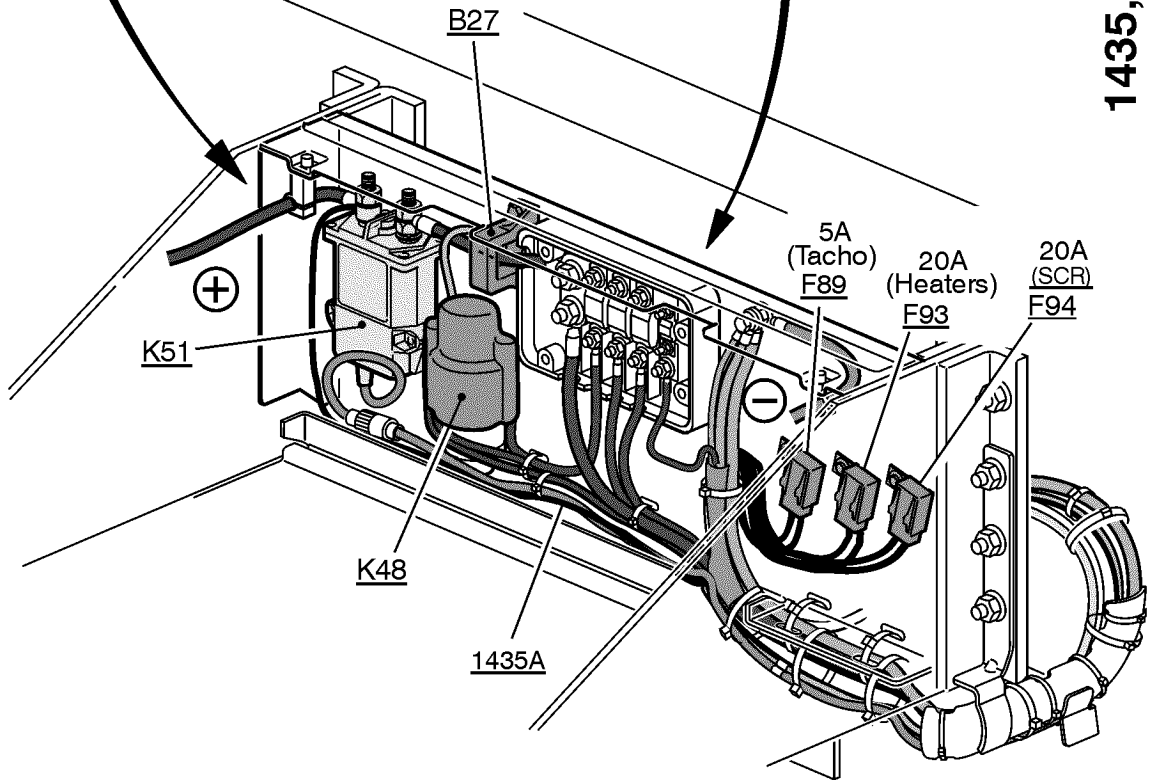


MAINSWI, LOCK-ALL

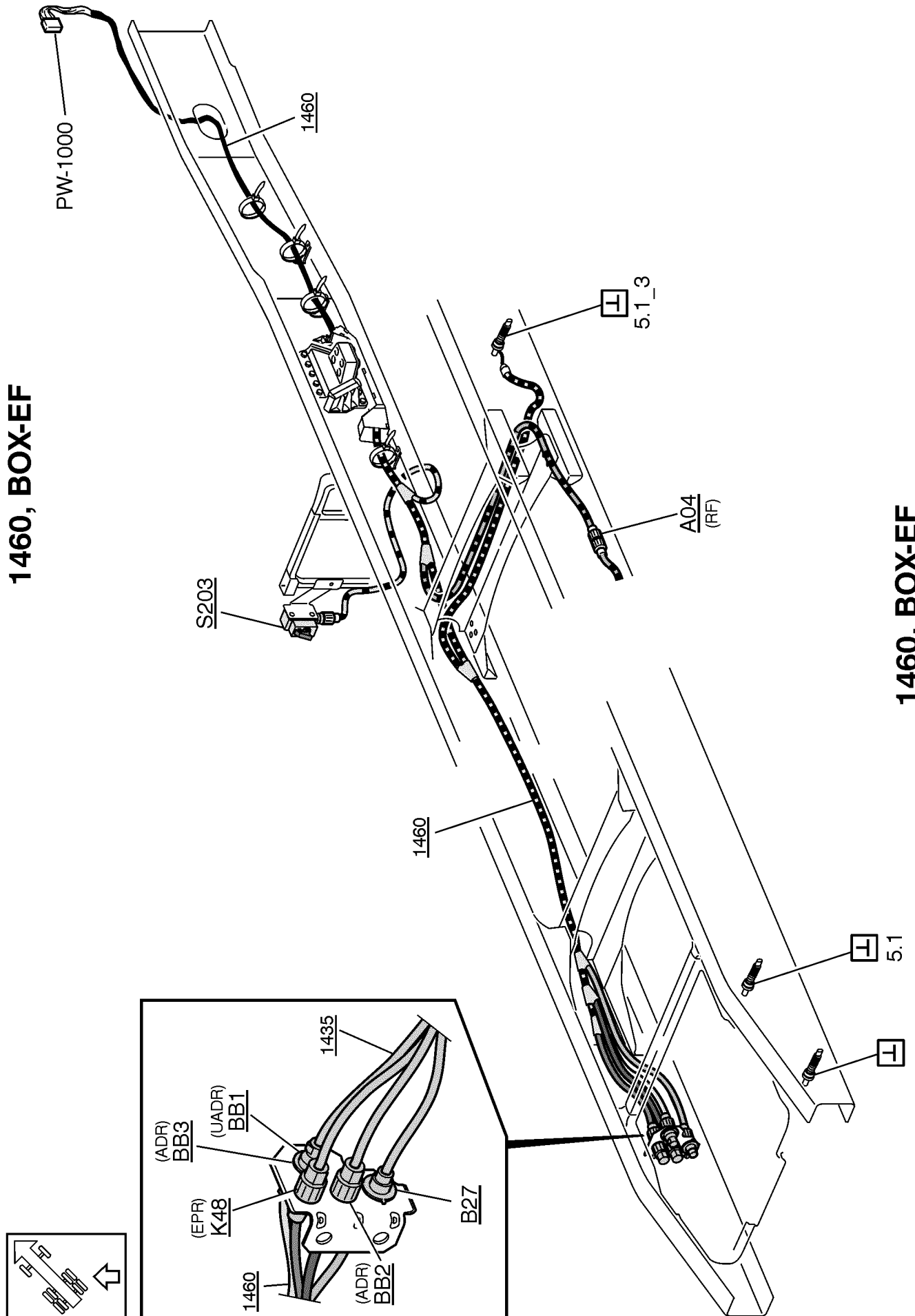


1435, 1460

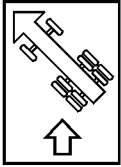
1435, 1460



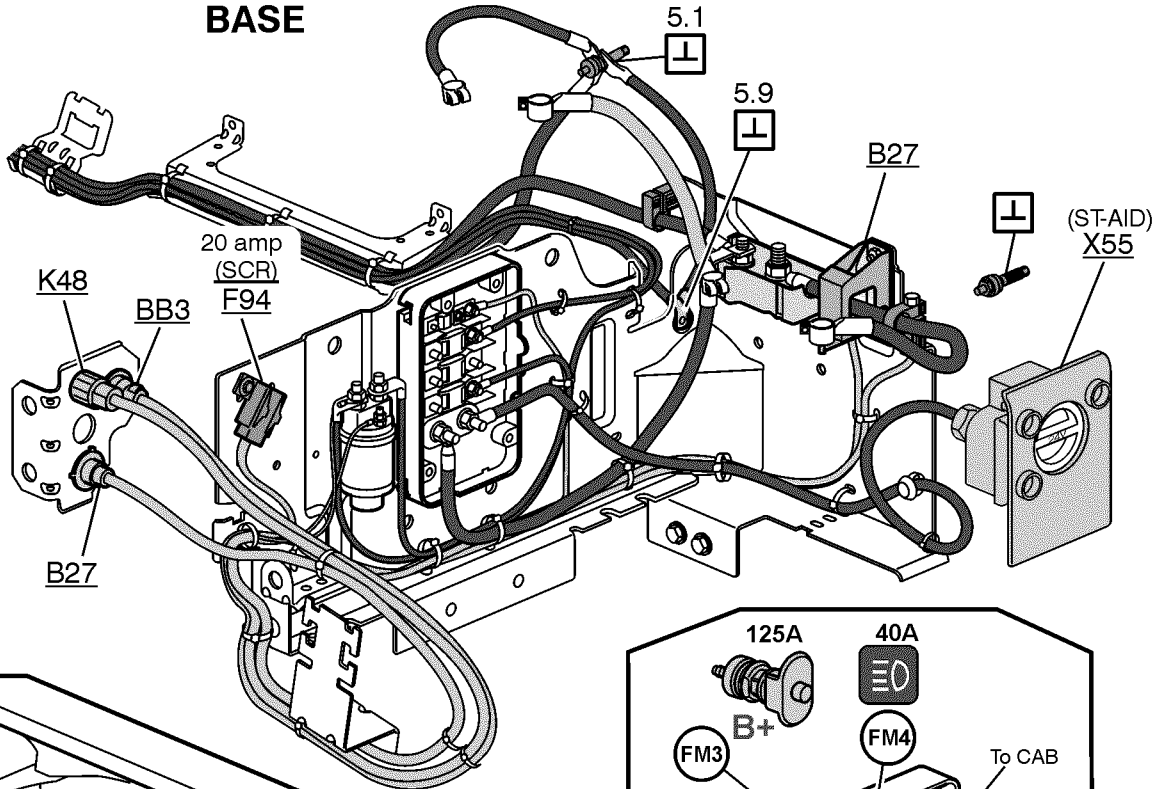
1460, BOX-EF



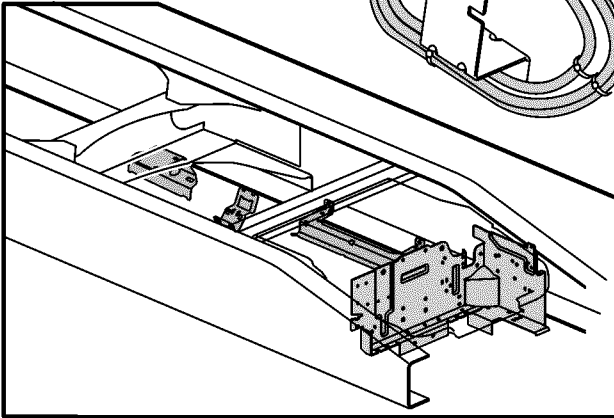
1460, BOX-EF



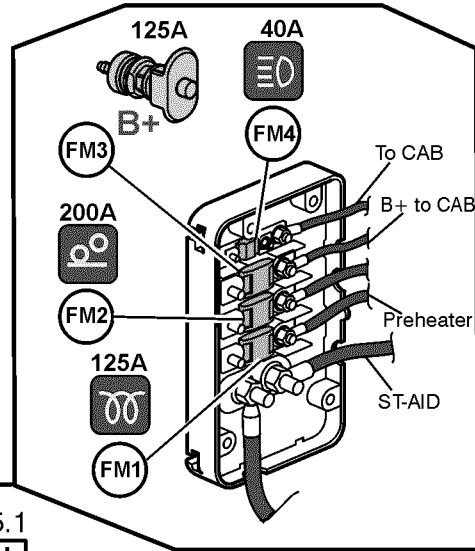
BASE



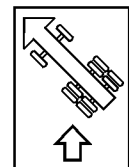
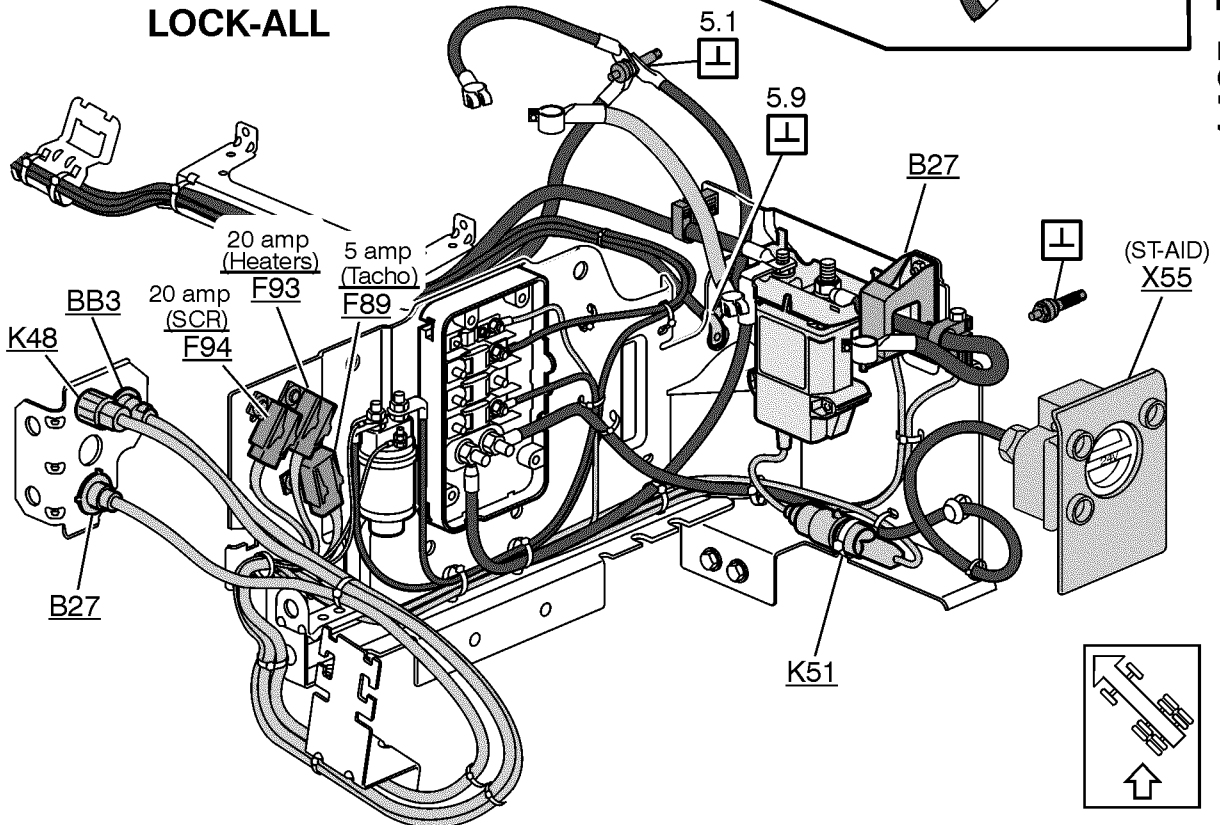
1435, BBOX-EF

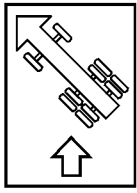


LOCK-ALL



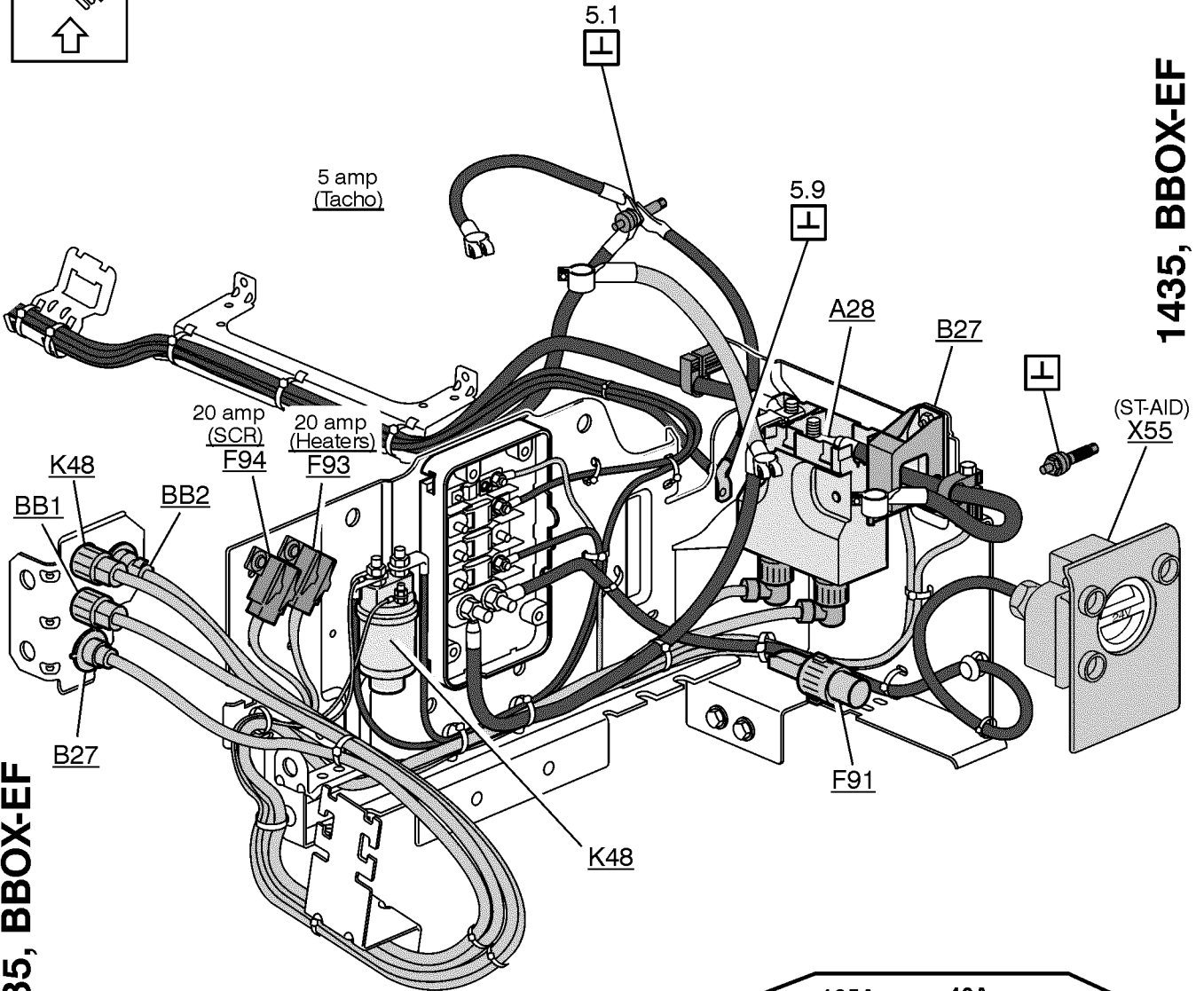
1435, BBOX-EF



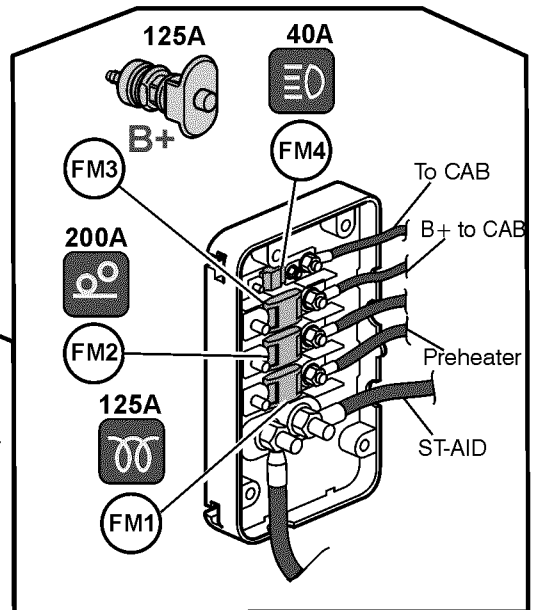
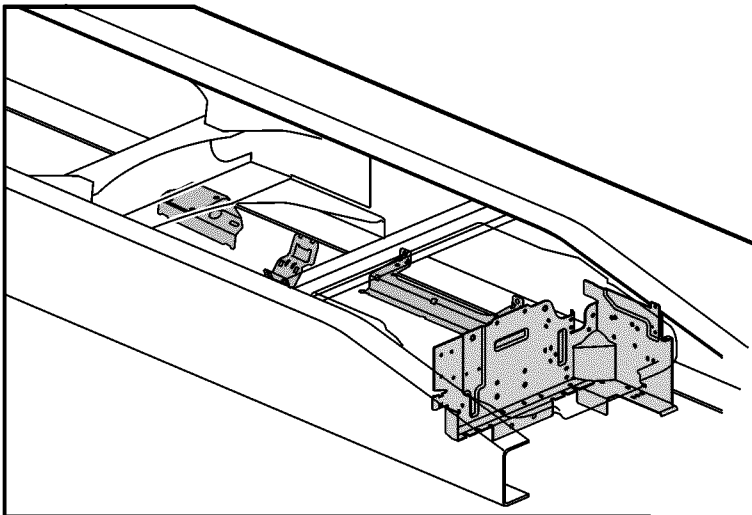


ADR

1435, BBOX-EF

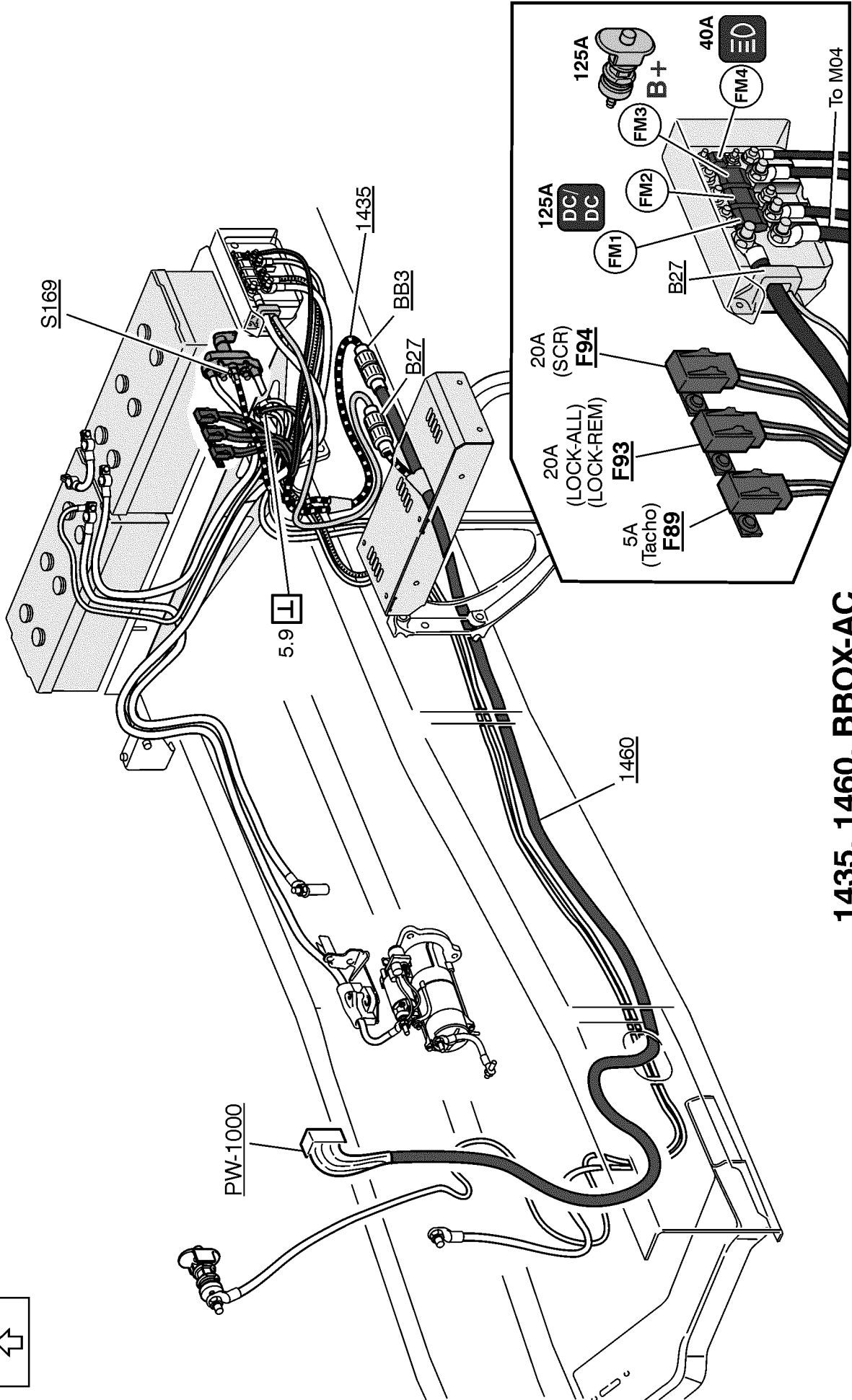


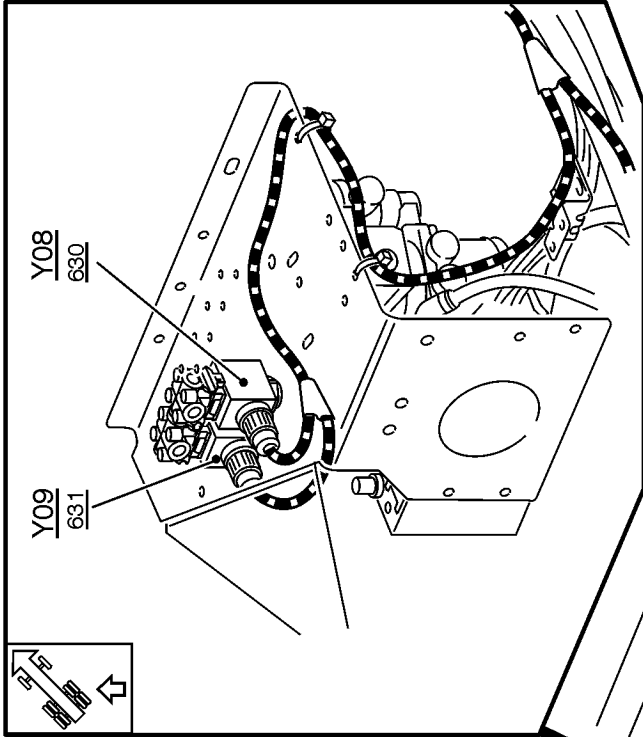
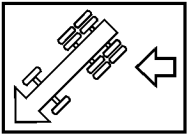
1435, BBOX-EF



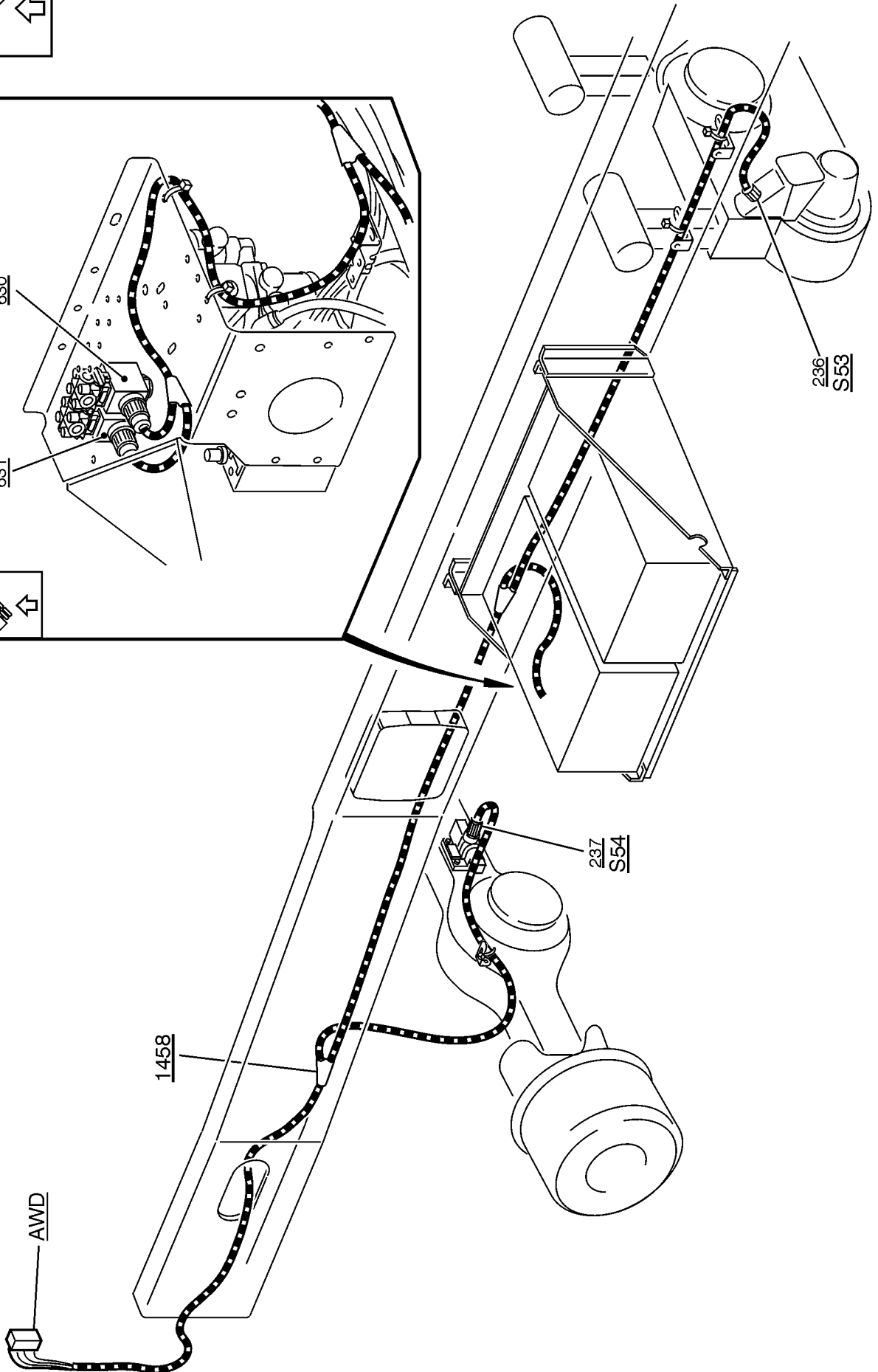
1435, 1460, BBOX-AC

1435, 1460, BBOX-AC

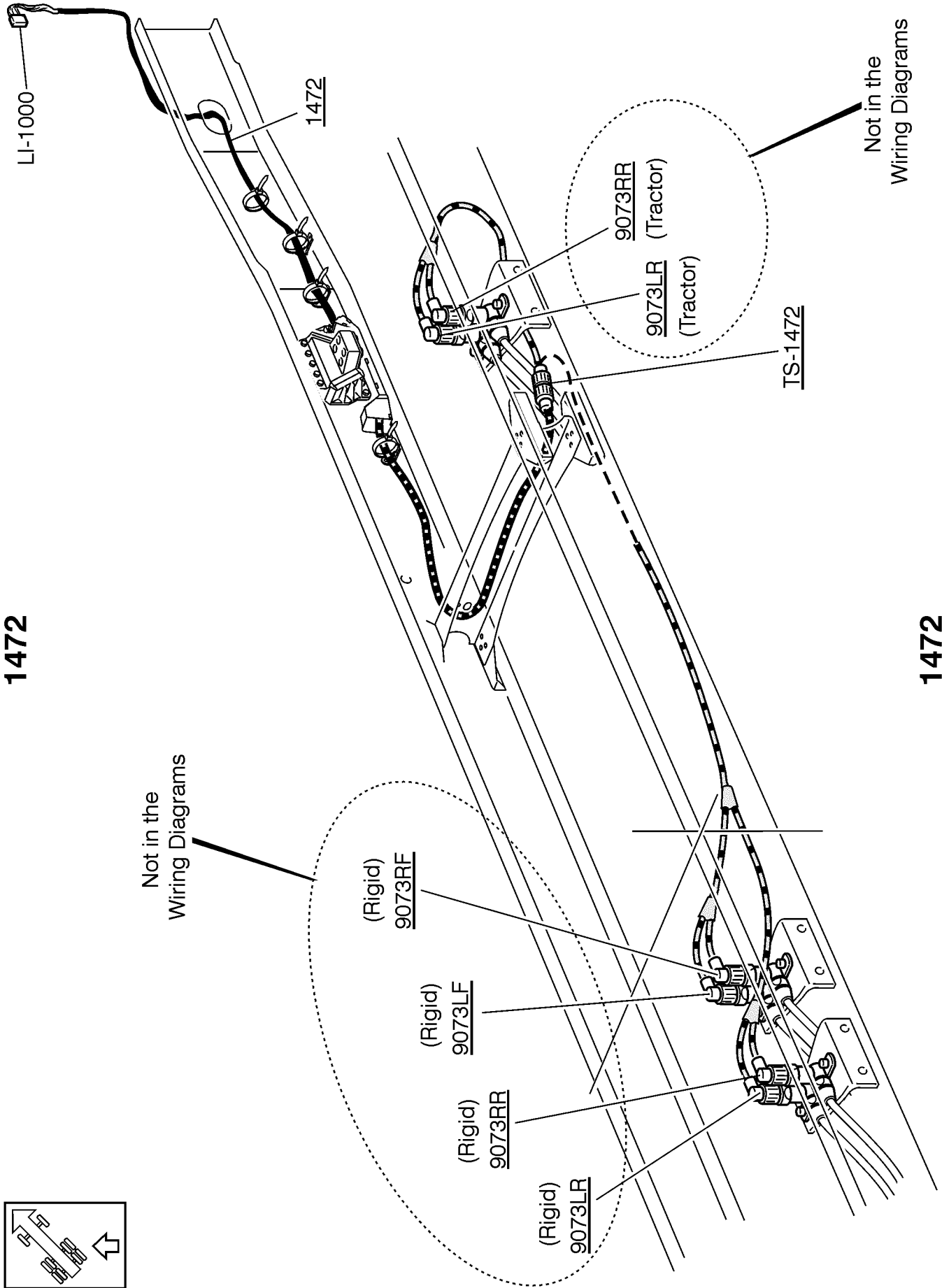




1458

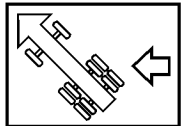


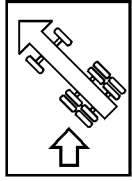
1458



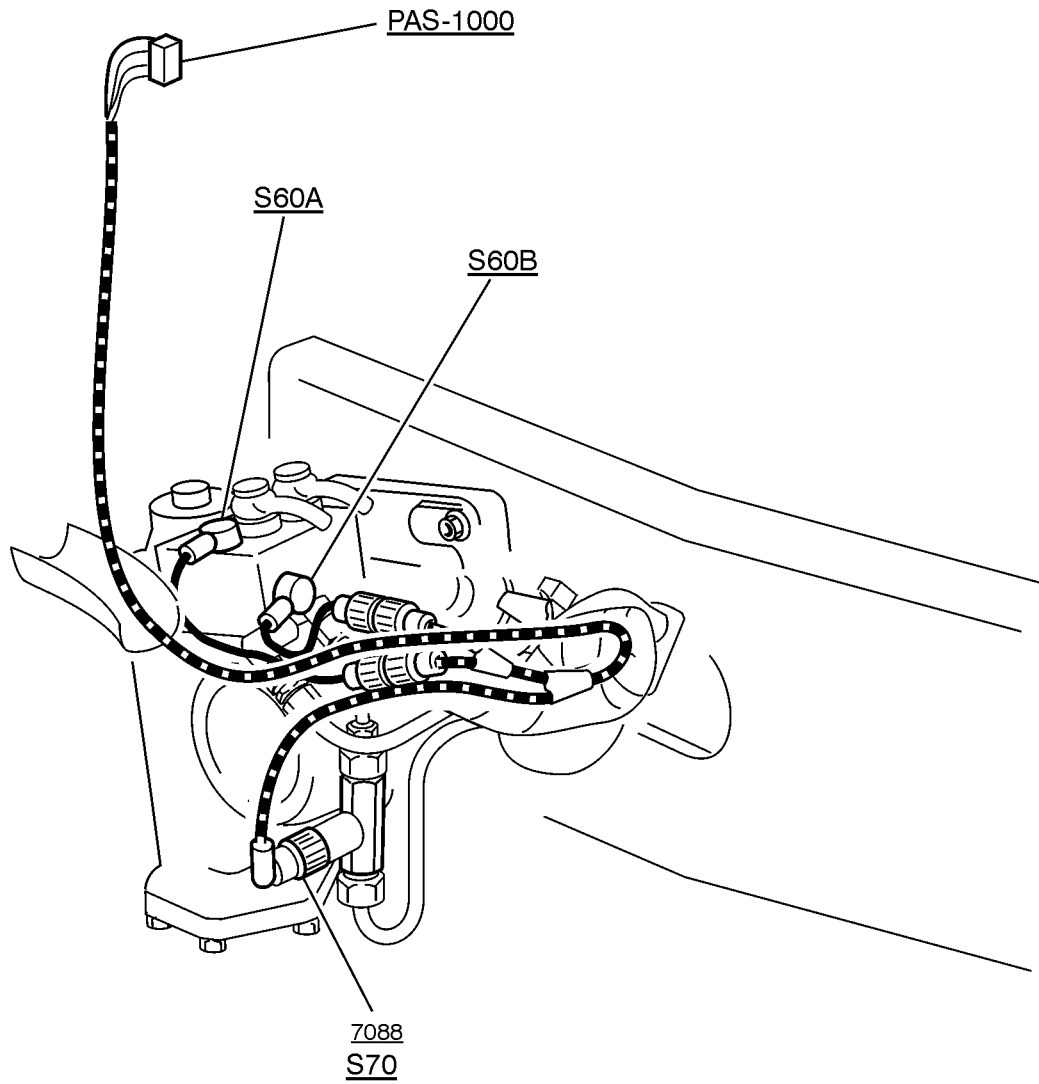
1472

1472

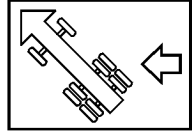




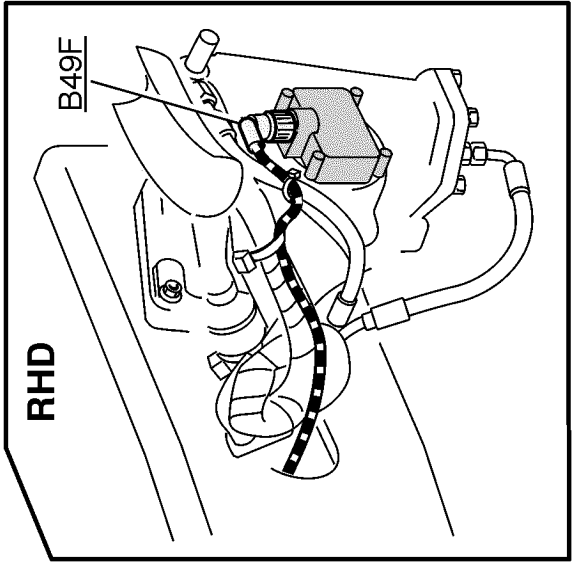
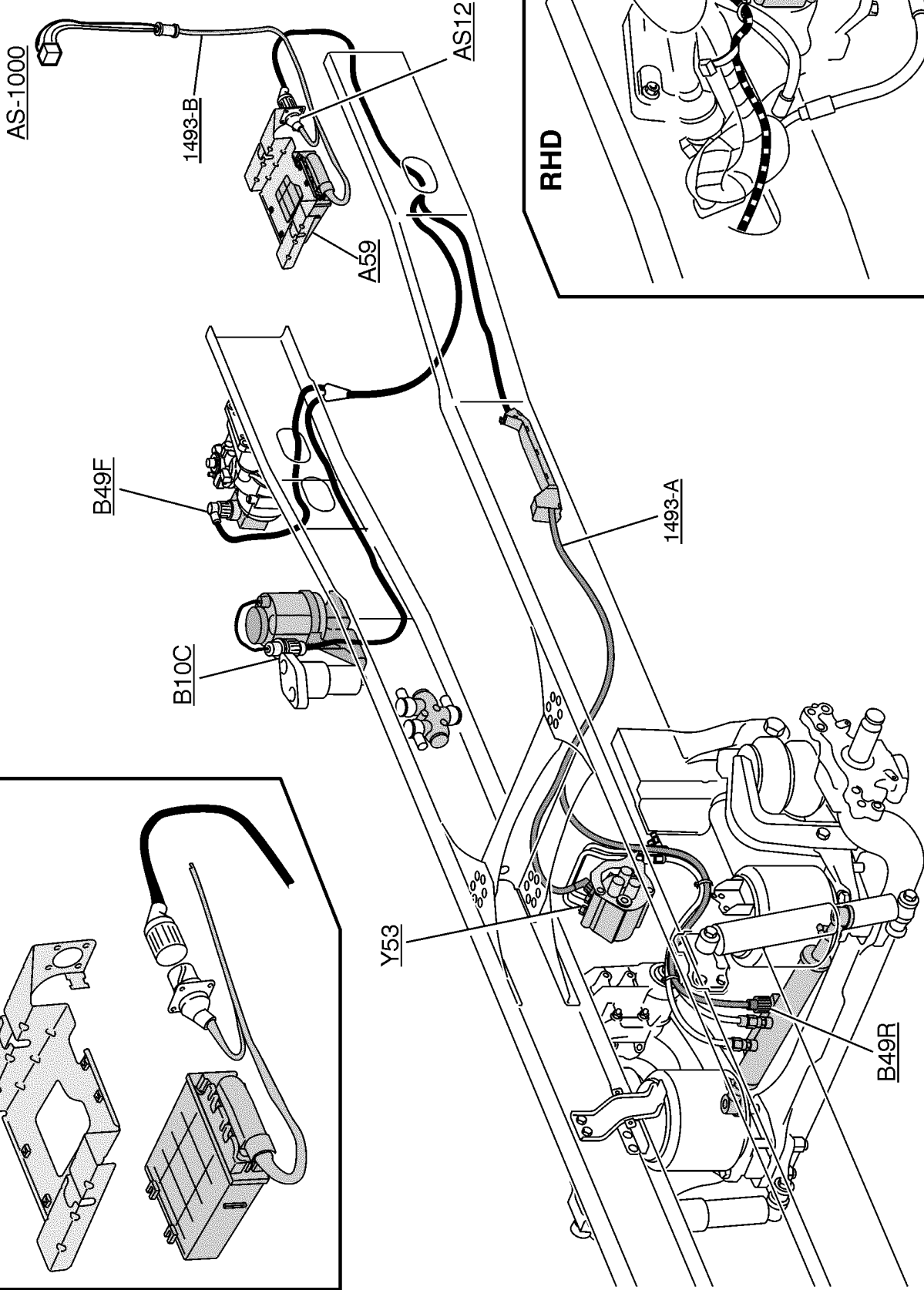
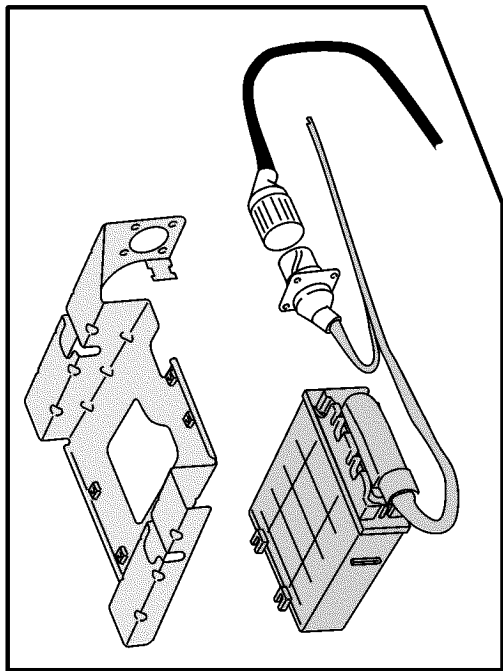
1493 LHD, PSS-DUAL



1493 LHD, PSS-DUAL

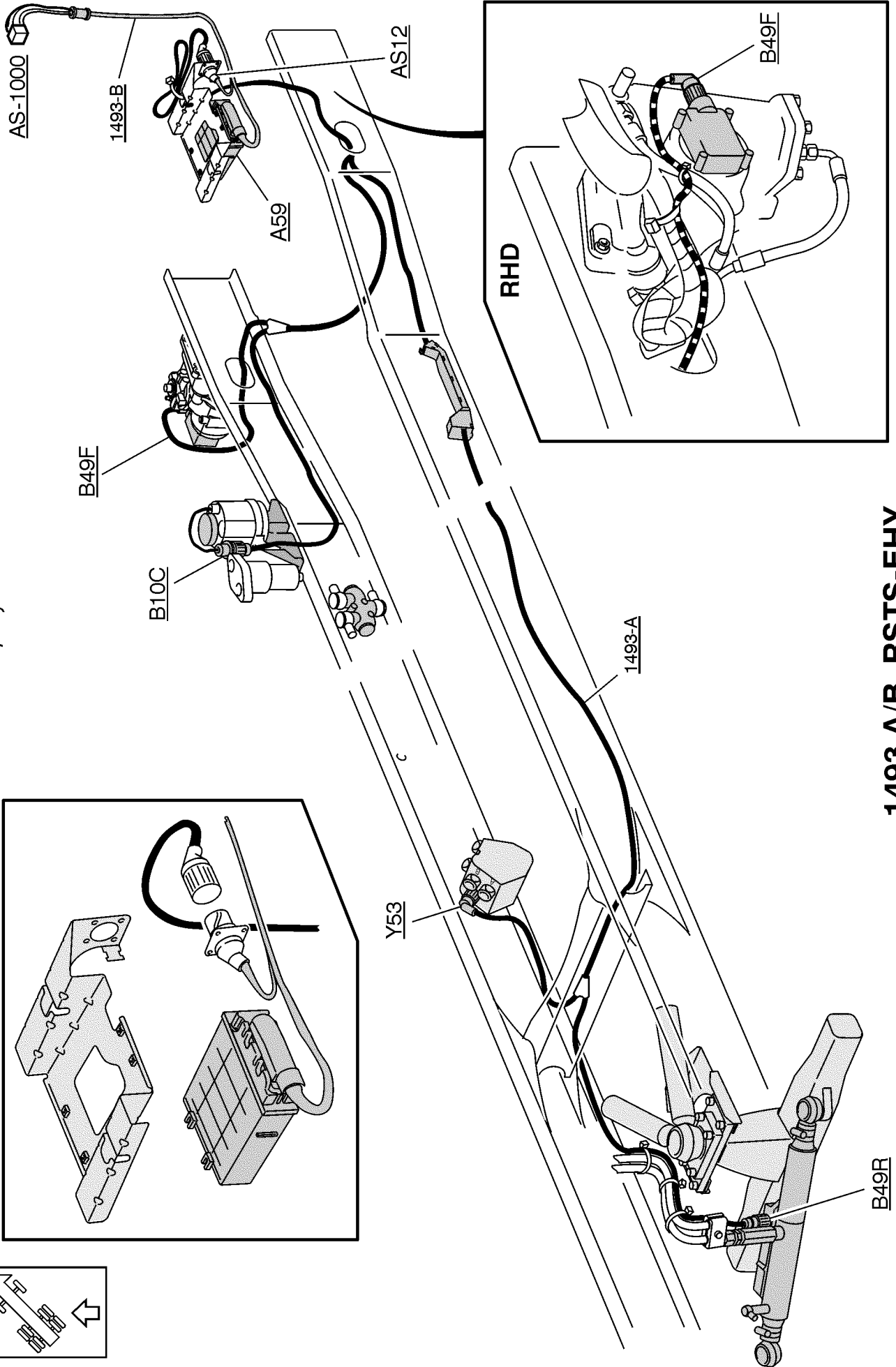
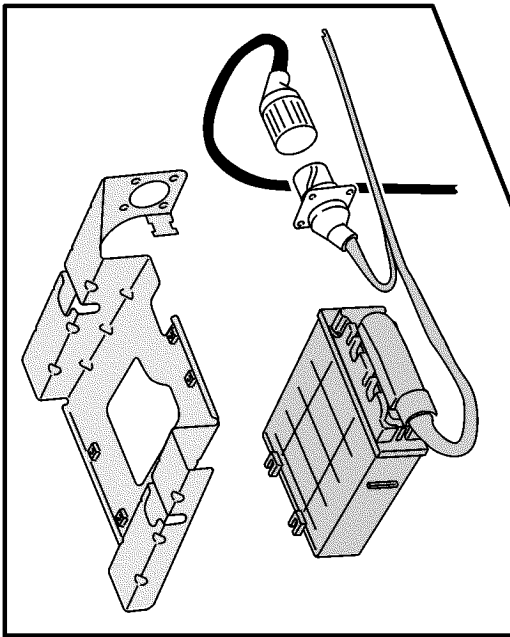
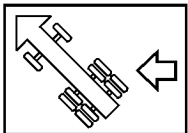


1493 A/B, RSTS-EHY



1493 A/B, RSTS-EHY

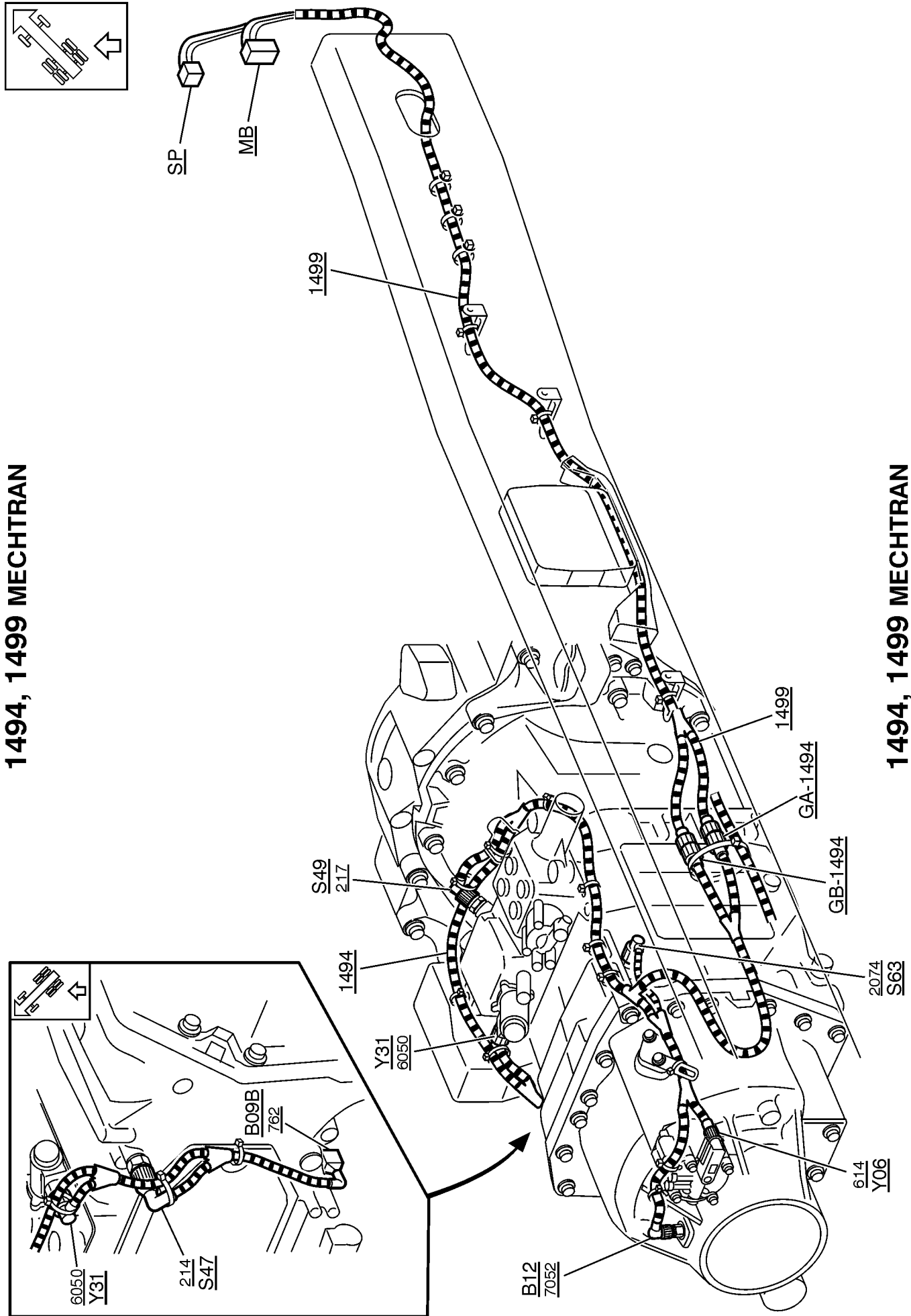
1493 A/B, RSTS-EHY

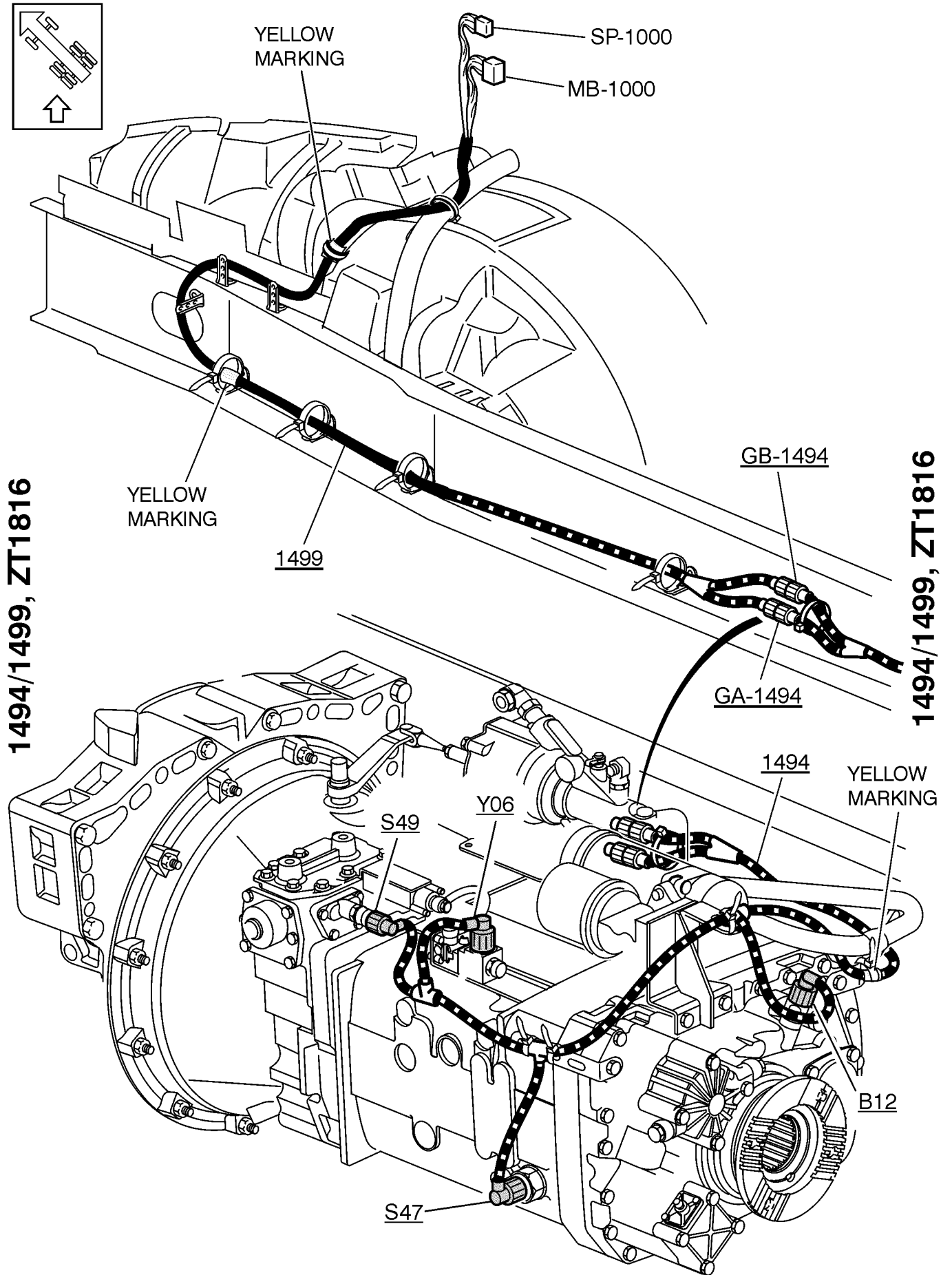


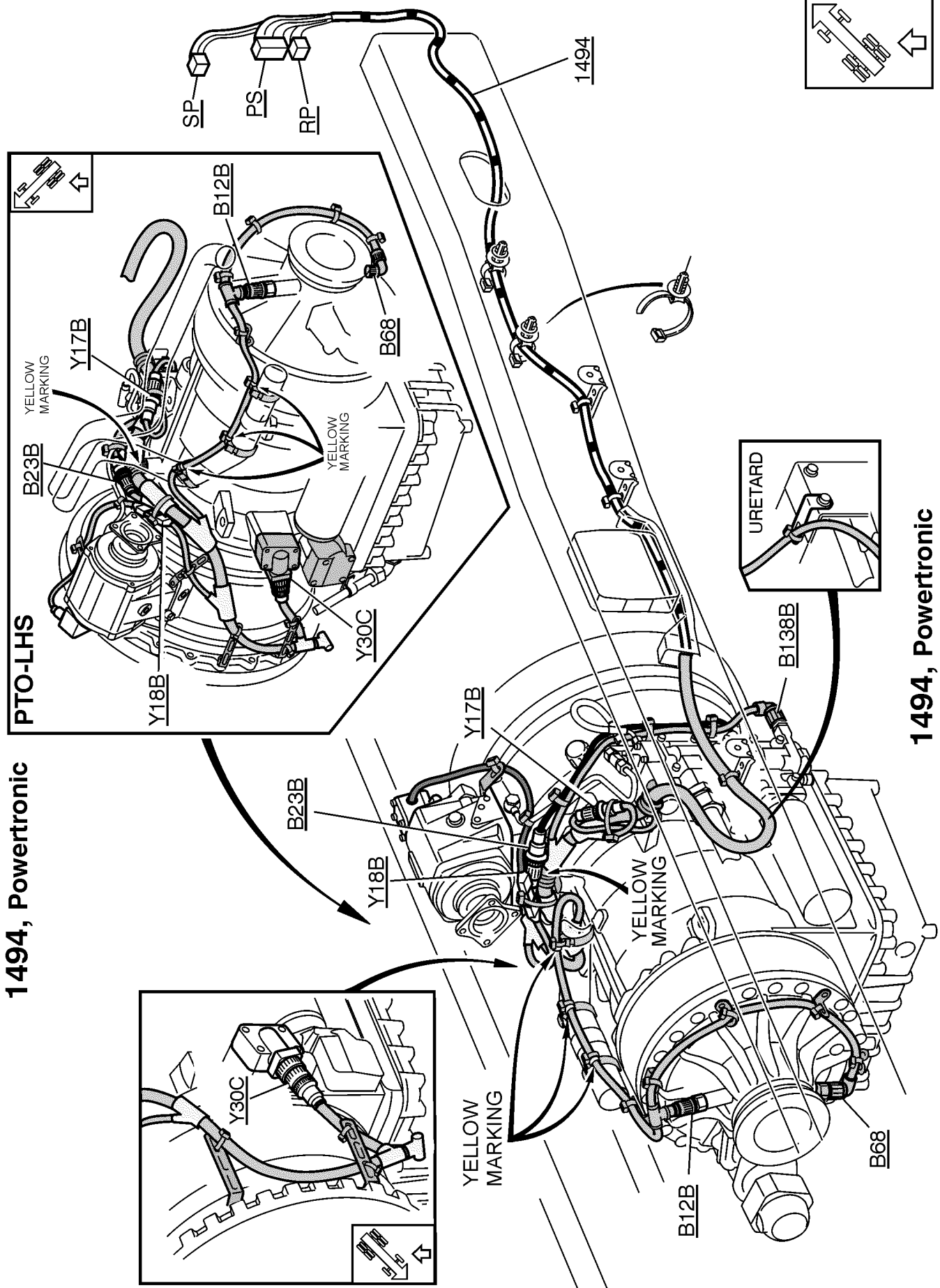
1493 A/B, RSTS-EHY

1494, 1499 MECHTRAN

1494, 1499 MECHTRAN



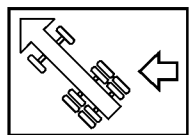
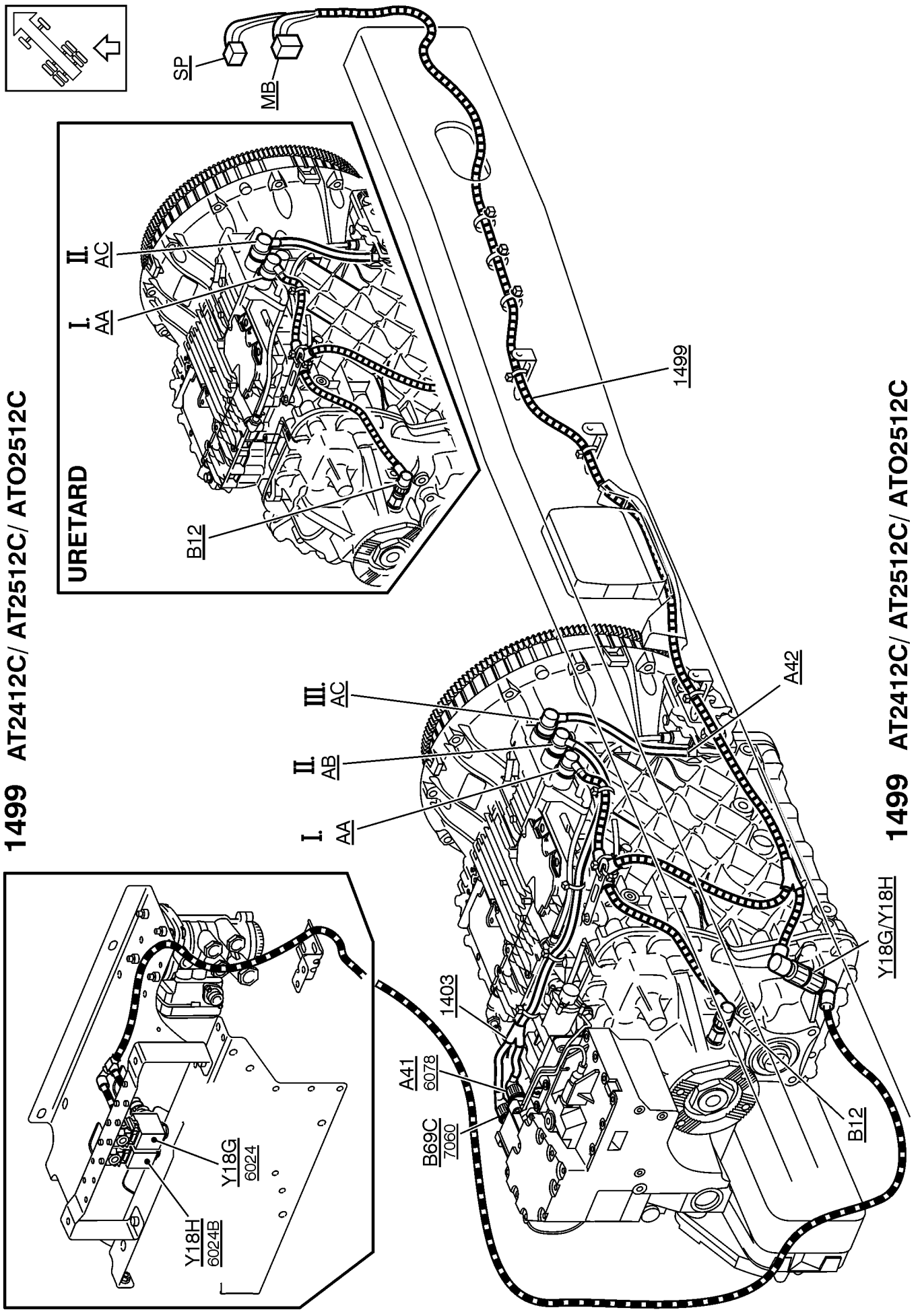
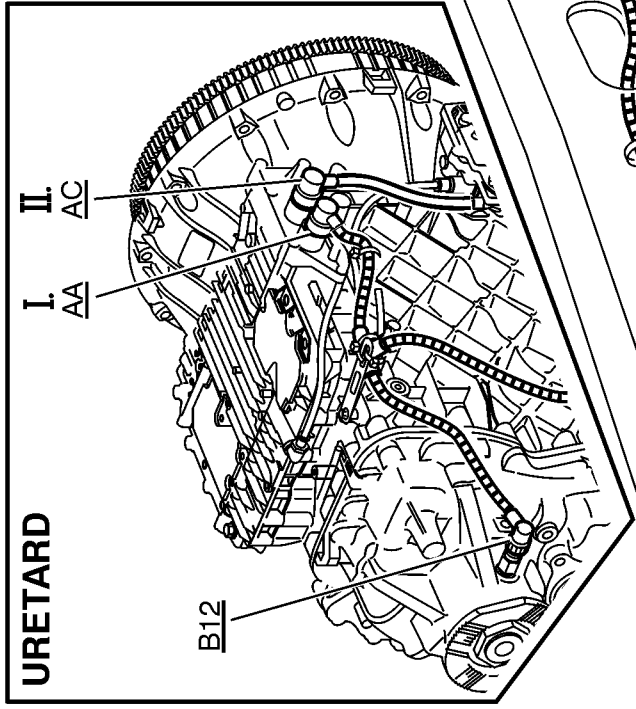
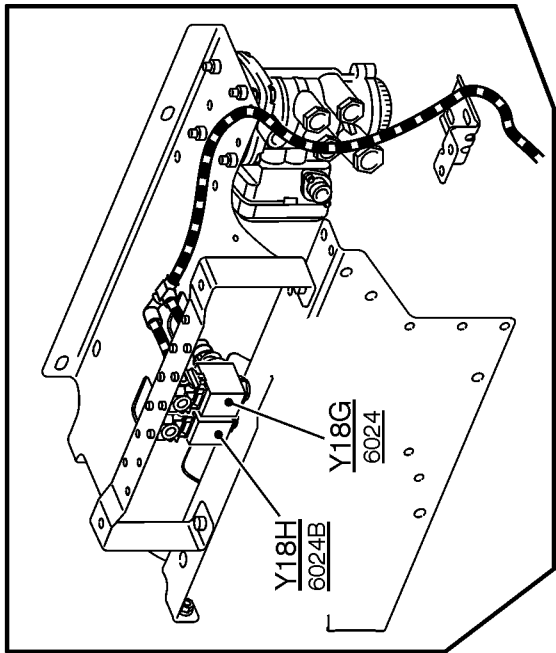




1494, Powertronic

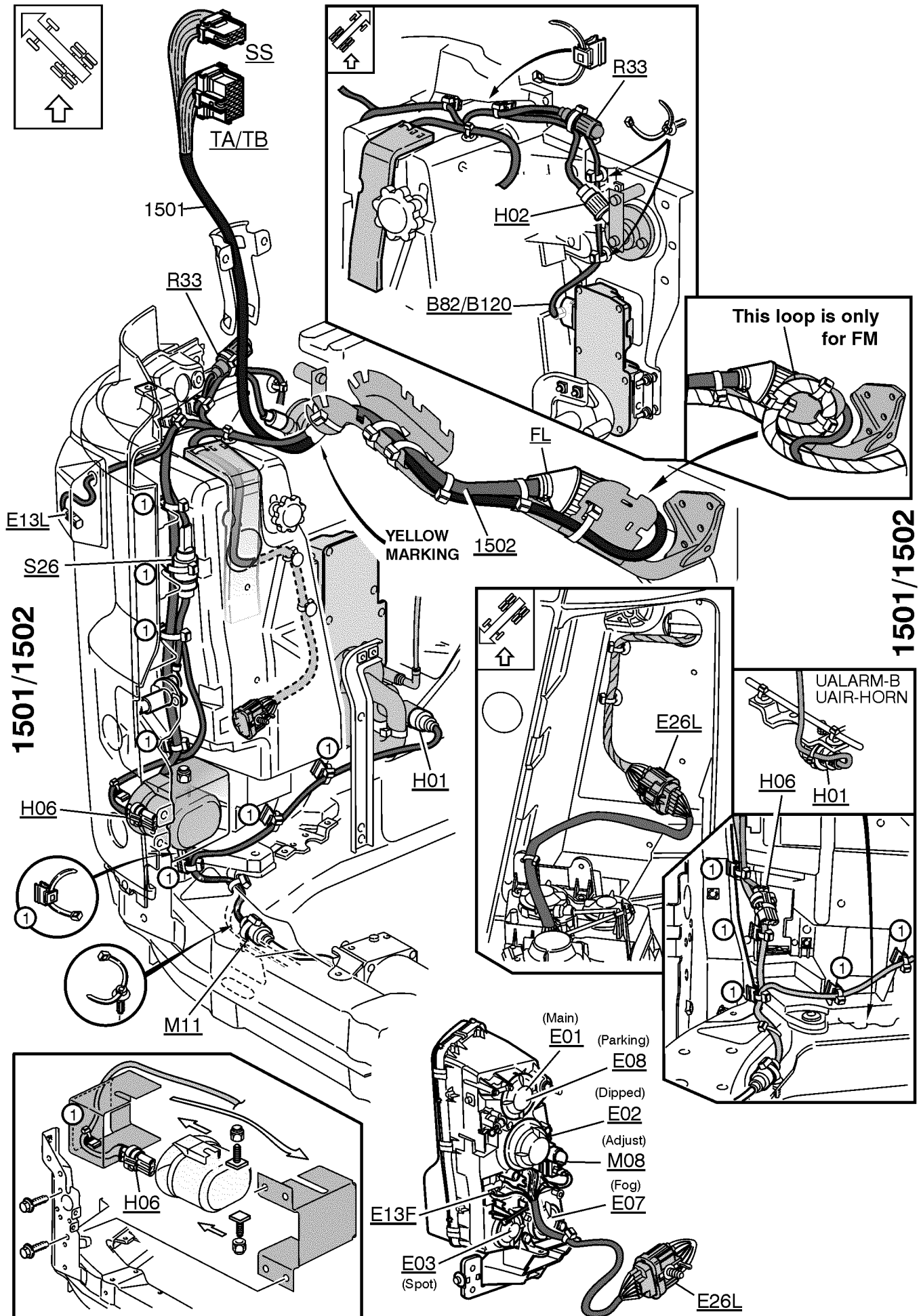
1494, Powertronic

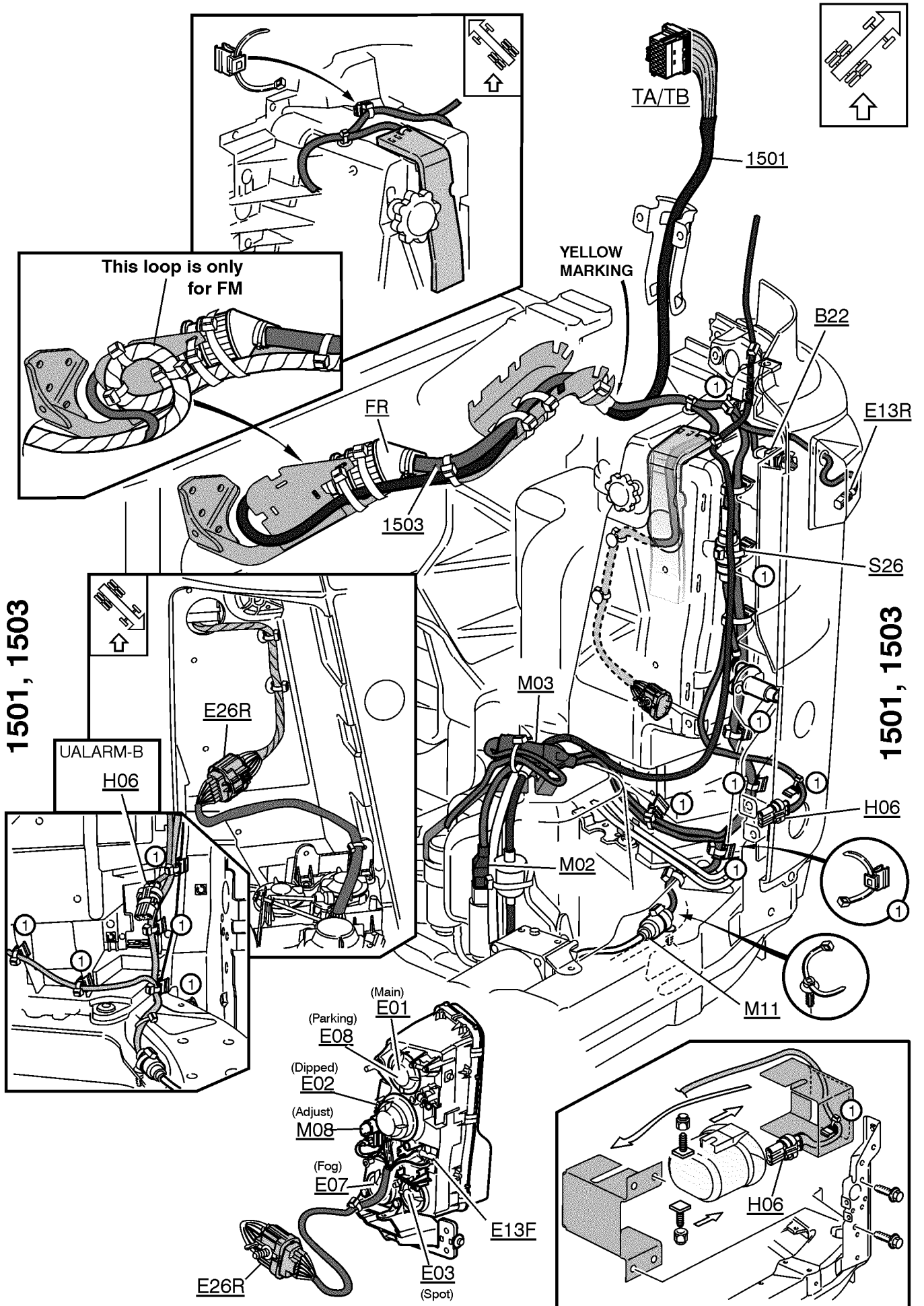
1499 AT2412C/ AT2512C/ ATO2512C

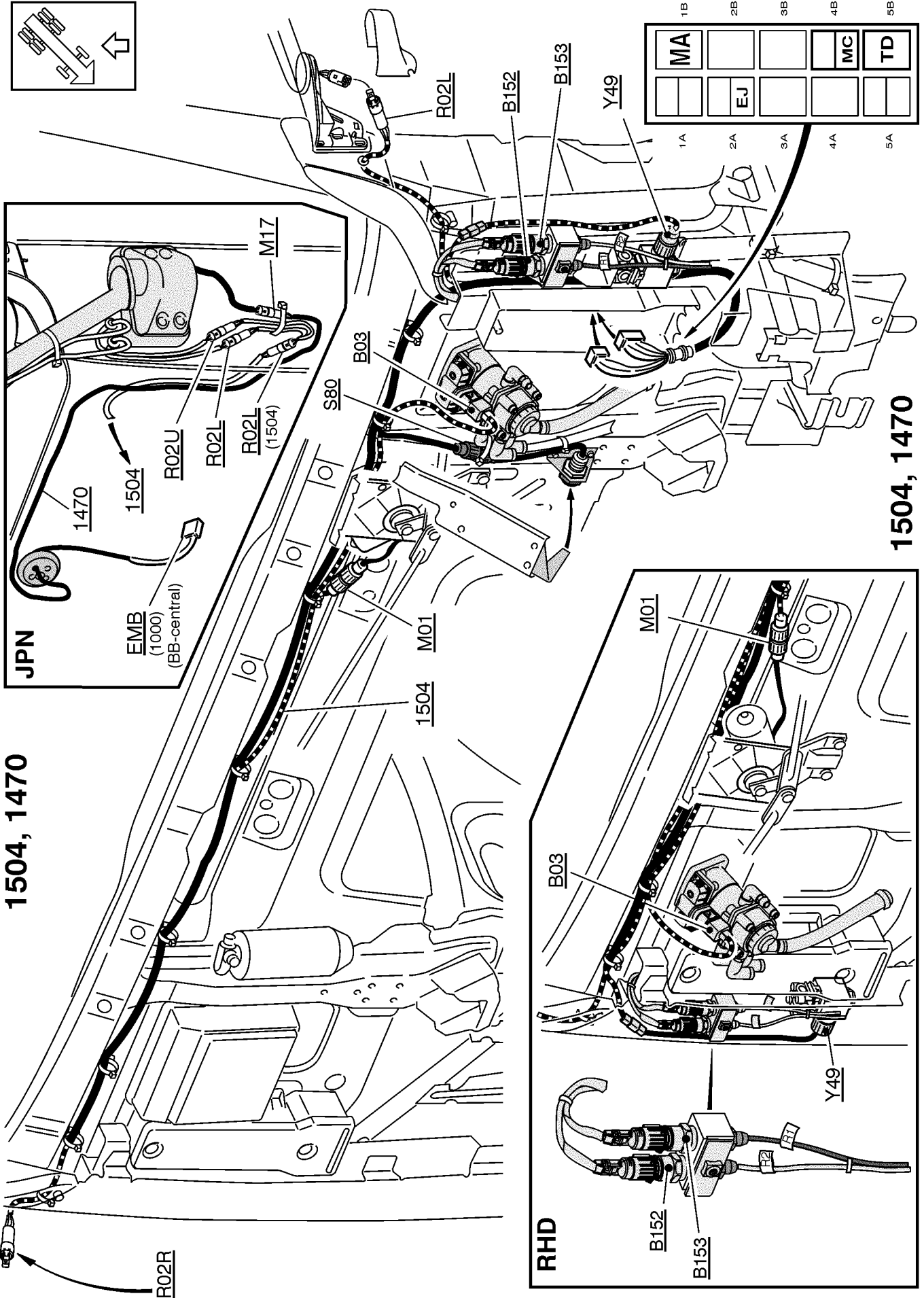


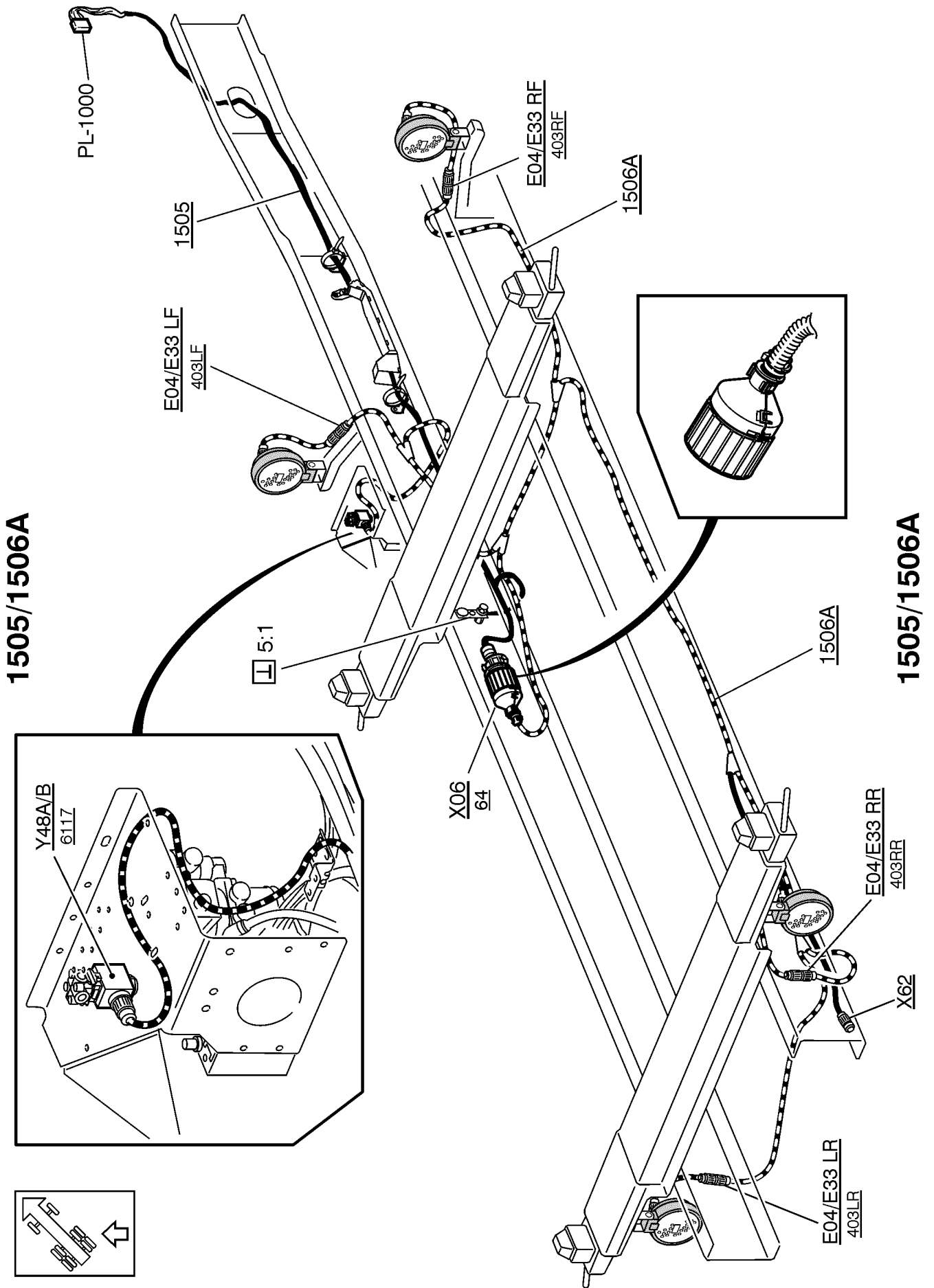
1499 AT2412C/ AT2512C/ ATO2512C

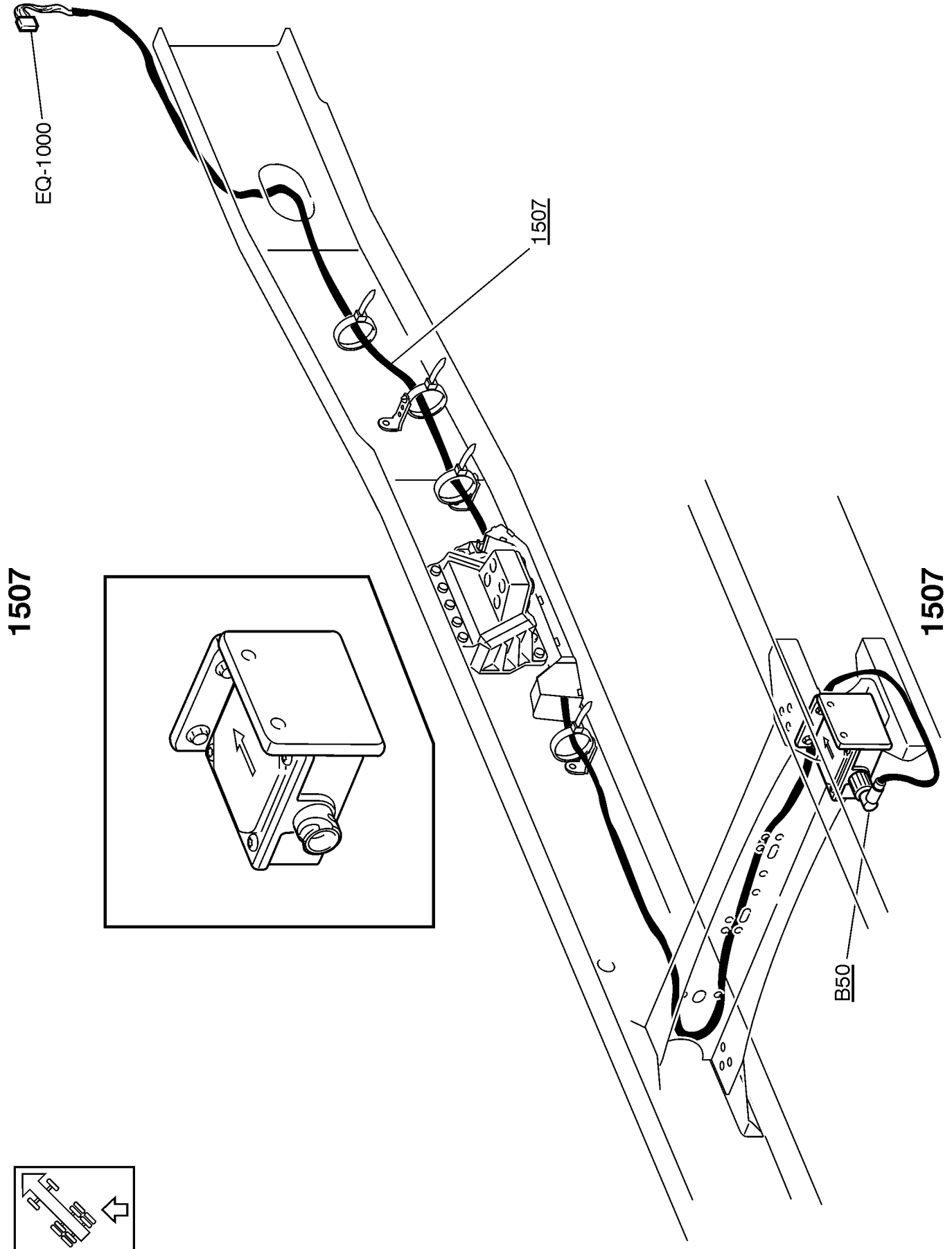
Y18G/Y18H

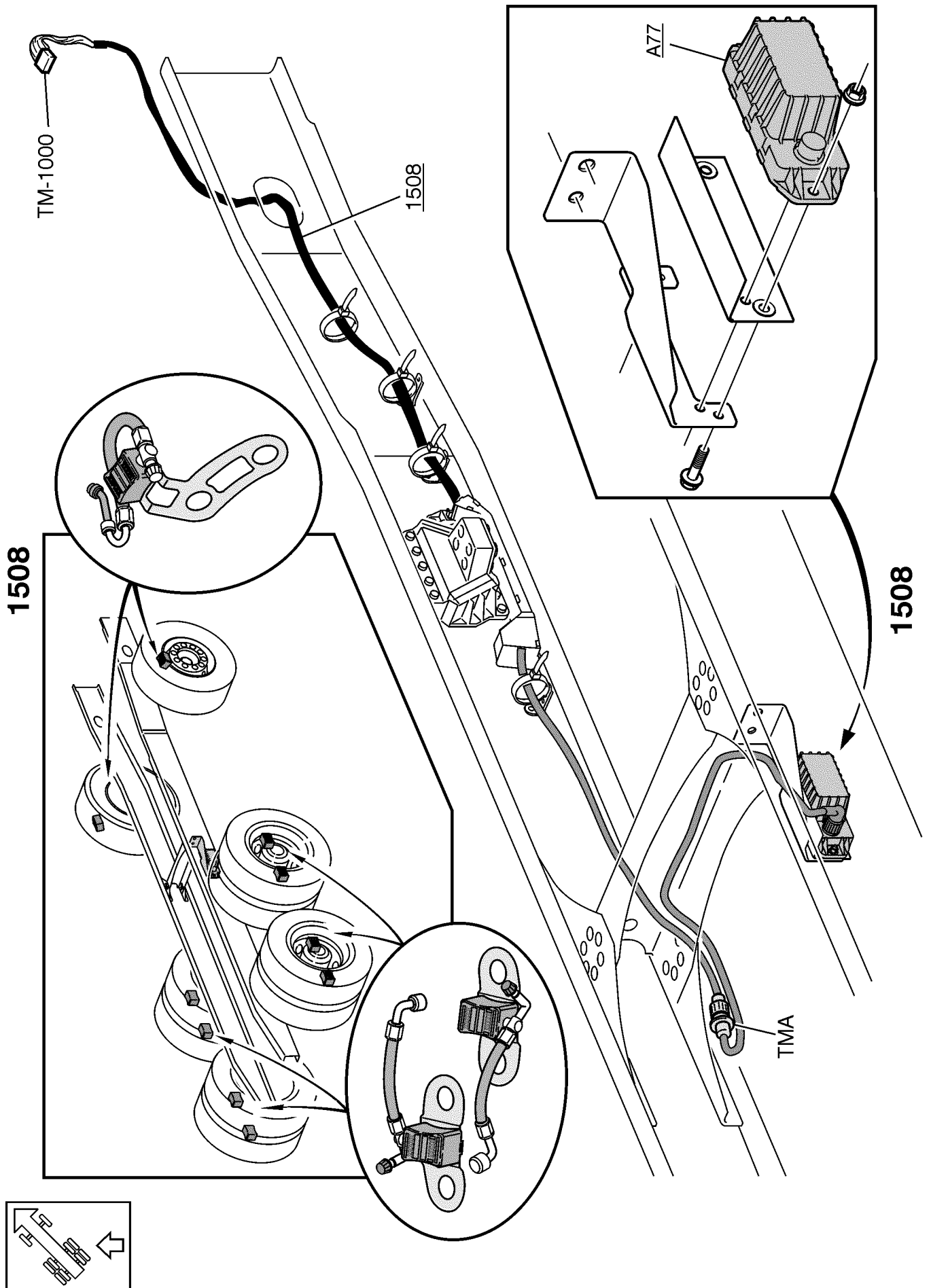


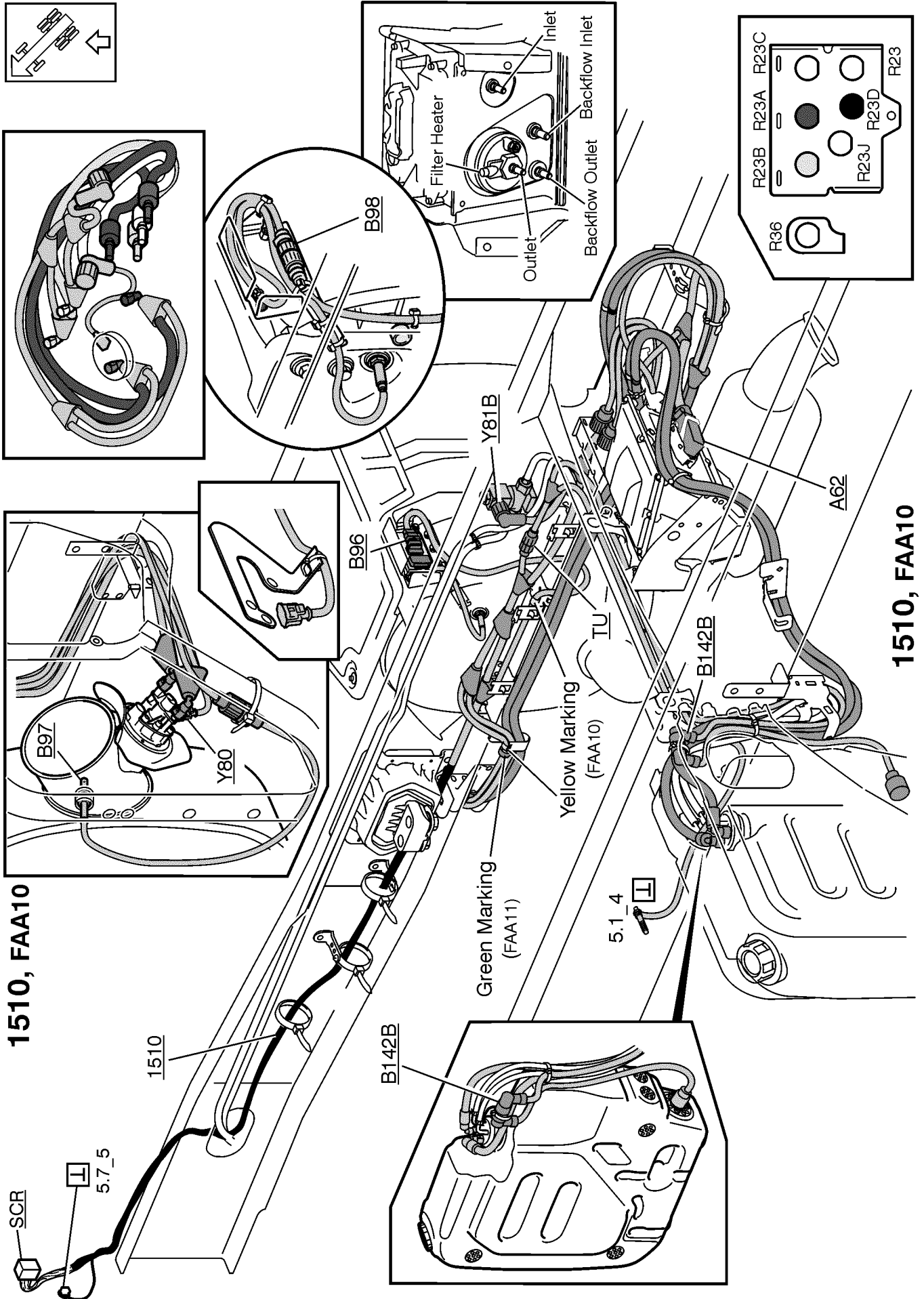


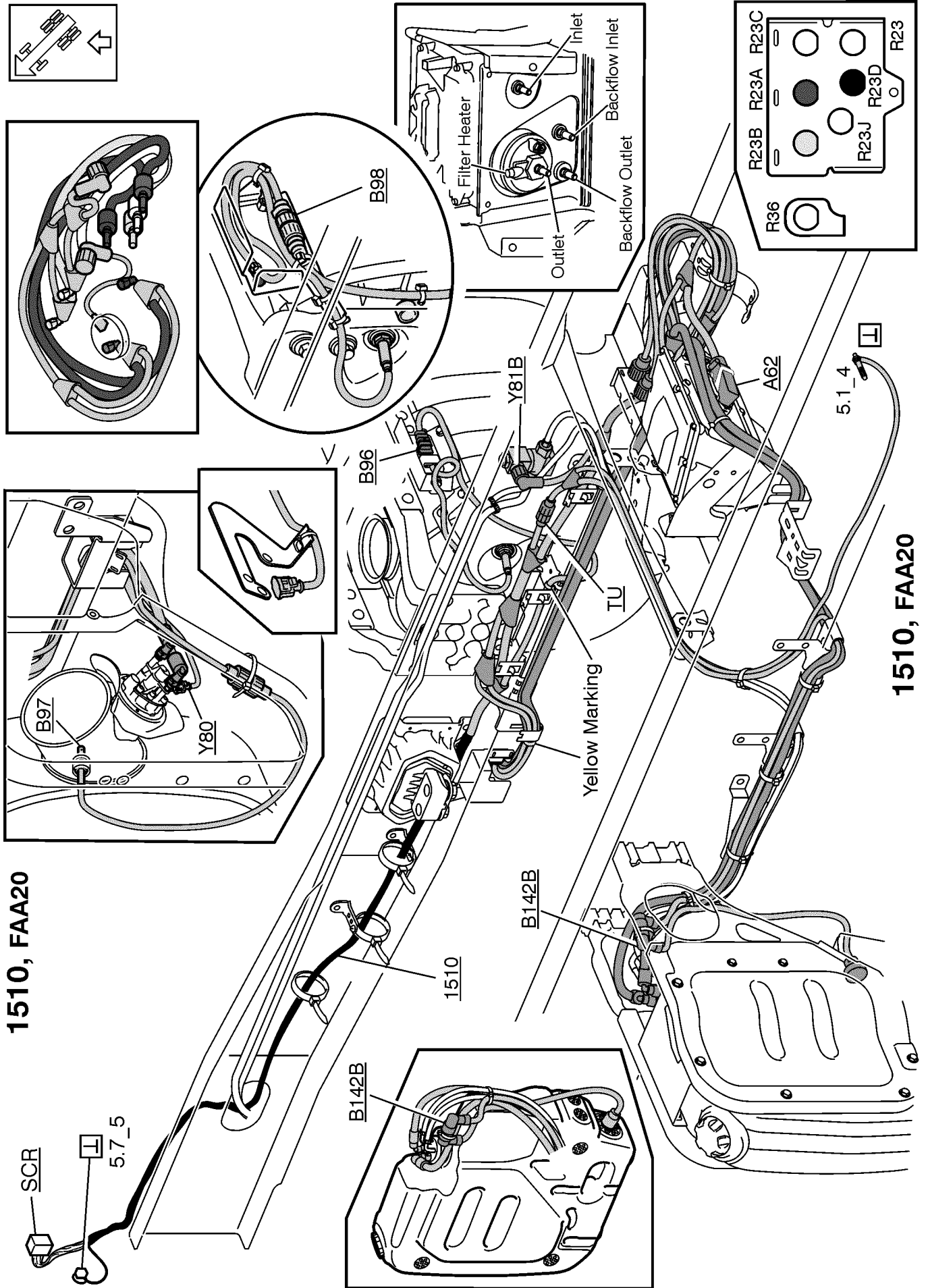




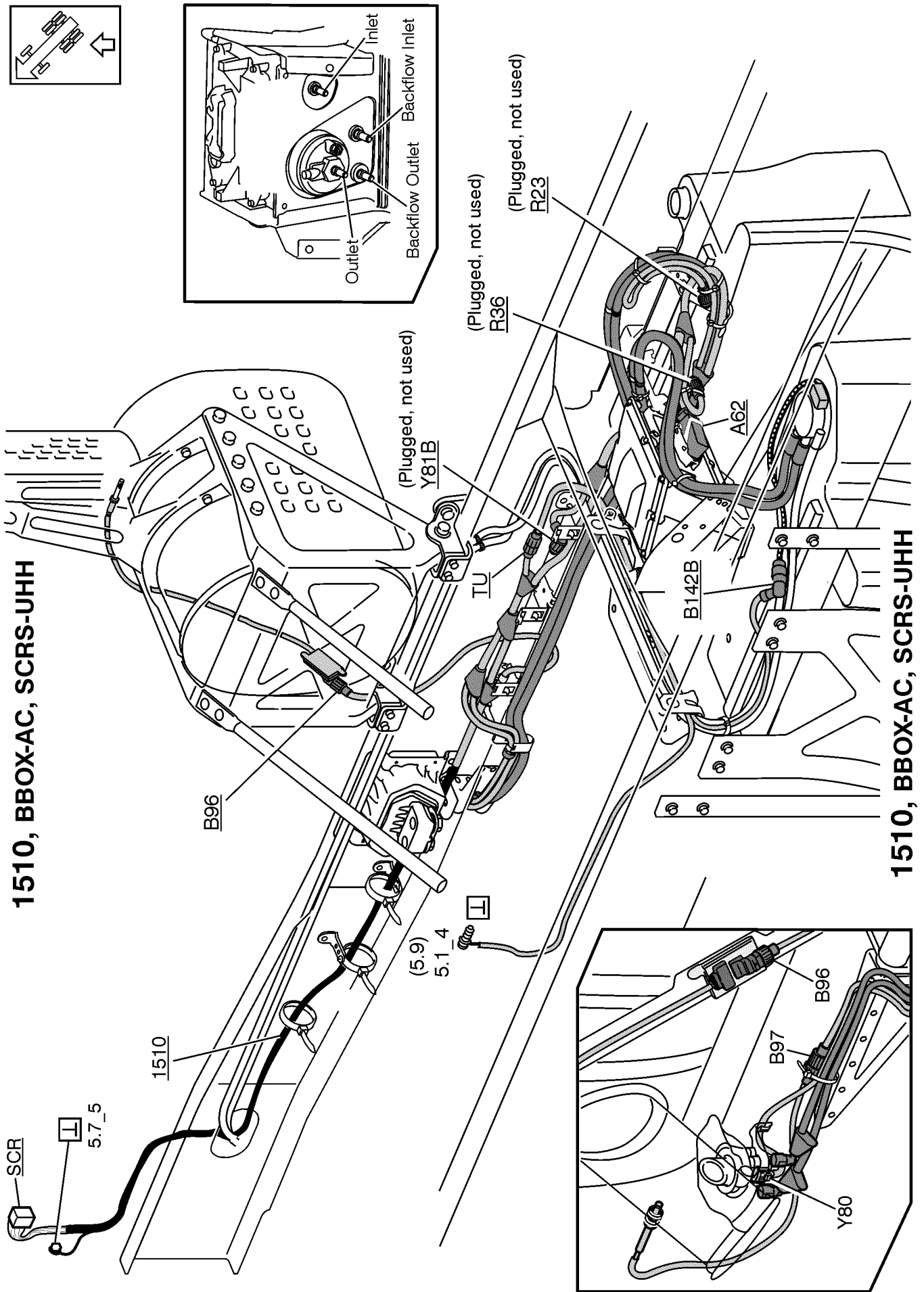








1510, FAA20

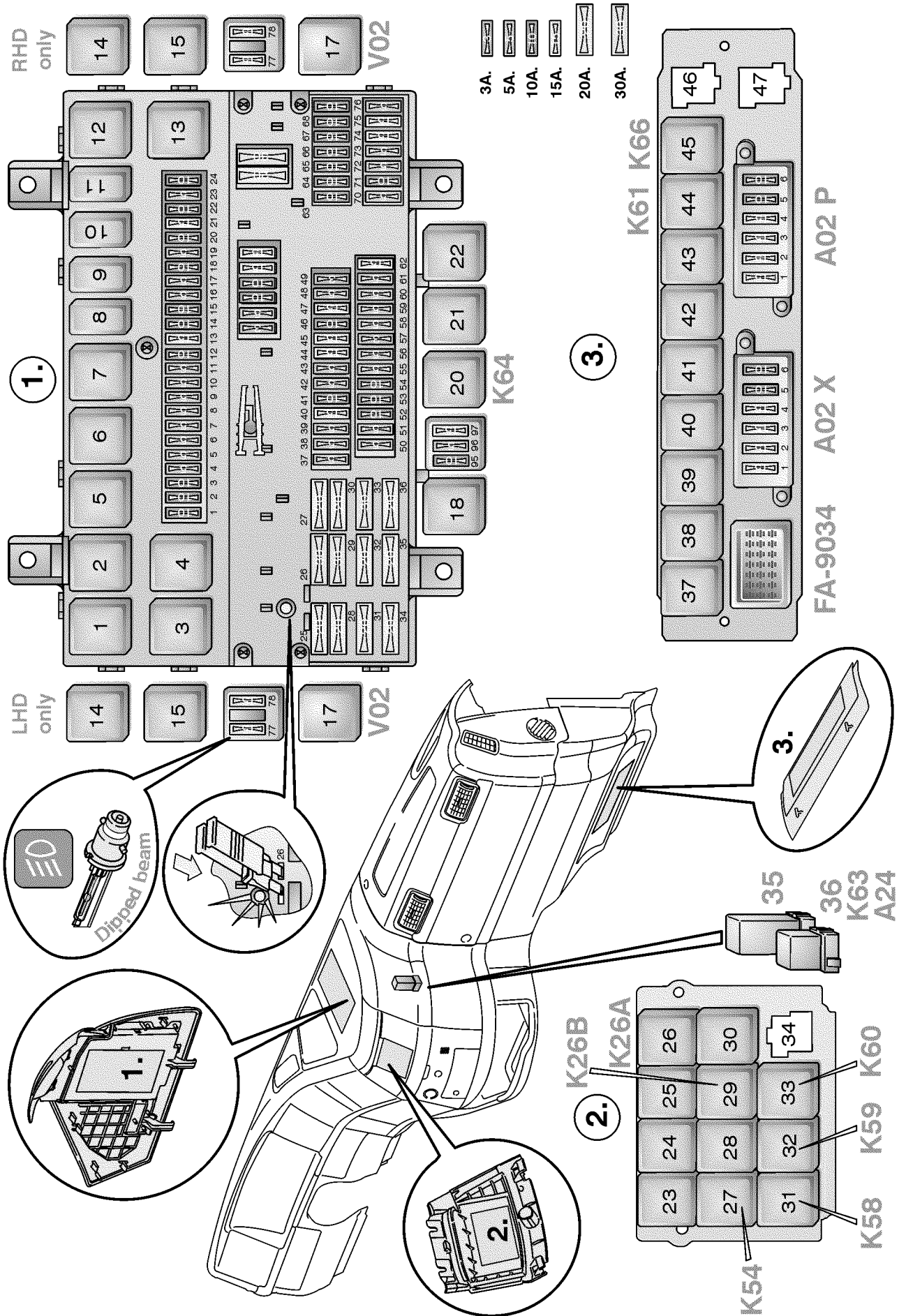


Fuses

F1	TPM (Tyre pressure Monitoring)	(OA:2 A)	F30	El. window winder, rhs	(AC:3 B)
F2	Luggage compartment lamp	(IH:4 A)	F31	Main fuse for fuses 95–97	(AB:3 A)
F3	Loadlight, 5:th wheel lamp	(KE:0 A)	F32	ECC climate unit	(HG:0 A)
F4	Key switch, radiopos.	(AC:3 D)	F33	El. cab tilt	(KA:0 A)
F5	Instrumentation, (kl.30)	(BI:3 A)	F34	High power amplifier	(IV:1 A)
F6	Air dryer	(BA:1 B)	F35	El. adjustable seat	(IA:2 A)
F7	Vehicle ECU, immobiliser	(BA:1 B)	F36	Reverse lamp circuit trailer	(GB:4 D)
F8	Instrumentation, TPM (Tyre Pressure Monitoring), Tachograph	(BI:0 A/ OA:2 A)	F37	Dynafleet	(AC:3 C)
F9	Range-, area-inhibitors	(BA:0 A)	F38	Instep lamps	(AC:3 B)
F10	NOx sensor, Road toll system	(CV:1 A)	F39	El. adjustable rear view mirrors	(AC:3 B)
F11	Gear selector ECU	(DC:1 B/ DM:0 B)	F40	Engine ECU, engine preheating relay	(CJ:1 A)
F12	Transmission ECU/retarder	(DB:0 A/ DM:1 B)	F41	Engine solenoid valves, el. fuel pump	(CJ:3 A)
F13	Windscreen wiper	(GM:3 A)	F42	Cooling fan clutch	(CJ:2 A)
F14	Cigarette lighter, centre section storage lamp	(IQ:2 A)	F43	BBM (body builder module), Man. main switch BBOX-EF	(BA:1 A)
F15	Water separator heater and water in fuel drain	(CJ:0 A)	F44	Voltage converter for radio, 12V outlet	(IR:0 A)
F16	Differential lock, power take off	(DQ:0 A/ DU:1 A)	F45	Voltage divider for 12V. outlet	(IR:1 A)
F17	LCM control	(GA:0 A)	F46	Beacon warning light	(KM:0 A)
F18	Horn, solenoid valve for air horn	(GQ:1 A)	F47	ACC	(BE:2 A)
F19	Climate unit, FMS gateway	(HG:0 A)	F48	ABS/EBS, EBS switches	(EE:0 A/ EF:0 A/ EO:0 A)
F20	Parking heater control	(IM:0 A)	F49	Air suspension/A-ride	(FA:3 A/ FA RHD:3 A/ FK:1 A/ FI:0 A)
F21	Fan, climate unit	(HY:0 A/ HY RHD:0 A)	F50	Telephone	(IX:0 A)
F22	Interior lamps	(IH:1 A)	F51	Hydraulic steered axle	(FO:1 A)
F23	Air suspension	(FA:4 A)	F52	Control circuit engine preheating, radio position relay	(AC:1 A)
F24	Air dryer, parking heater ADR, el. heated mirrors	(FQ:0 A)	F53	Light sign	(KI:1 A)
F25	Supply ABS/EBS trailer	(GG:4 A/ CP:4 A/ ZA RHD:4 A)	F54	Dynafleet, FMS gateway	(BU:0 A/ BU_2:0 A/ BX:0 A/ BY:1 A)
F26	Body builder fuse box	(ME:3 B/ MF:3 B)	F55	SRS airbag, safety belt tensioner	(IS:0 A)
F27	El. window winder lhs, el. heated mirrors	(AC:3 B)	F56	Free	(ME:1 A)
F28	Supply ABS/EBS truck	(EE:0 A/ EF:0 A/ EO:2 A)	F57	Gear selector ECU/retarder	(DC:1 A/ DM:1 B)
F29	Coffee maker	(ME:1 A)	F58	ADR, D+ short circuit relay	(AB:2 A/ AE:4 B)
			F59	Rear view camera	(IZ:0 A)
			F60	Hydraulic steered axle	(FO:1 A)

F61	Foldable rear view mirror arm, Japan, burglar alarm, Volvo link ..	(BY:2 A/ IF:0 A)	F76	ADR, D+ short circuit relay	(AE:4 B)
F62	Free	(ME:0 A)	F89	Tachograph	(AB:4 D) (1435)
F63	Alcolock system	(IK:0 A)	F90	12V converter, ABS trailer/info-module	(CP:3 C)
F64	Road toll system	(BZ:0 A)	F91	Tachograph, ADR	(AE:0 D)
F65	Central lubrication system	(FU:0 A)	F93	Main fuse for fuses 95–97	(AB:3 D/ AE:0 D)
F66	Roof hatch	(IQ:0 A)	F94	AdBlue system	(AB:3 D)
F67	Reading lamps, bedlamps	(IH:0 A)	F95	Central door lock	(AB:3 B)
F68	Refrigerator	(IQ:3 A)	F96	Burglar alarm	(AB:3 B)
F69	12-volt outlet	(IR:1 C)	F97	Parking heater	(AB:3 B)
F70	Supply ABS/EBS trailer, (kl.15) ..	(CP:4 A/ GG:3 A/ ZA RHD:3 A)	FM1	Fuse, main, preheating	(AA:1 B)
F71	Extra equipment	(ME:1 A)	FM2	Fuse, main, bogie lift/extra equipment	(AA:1 B/ AE:1 B)
F72	Headlamp level regulation system	(GU:0 A)	FM3	Fuse, main, cab and chassis	(AA:1 B)
F73	Tail lift indication	(NB:2 A)	FM4	Fuse, main, LCM (Light Control Module) partly	(AA:0 B/ AE:1 B)
F74	Headlamp high-pressure washer	(GM:1 A)			
F75	El. heated seat and el. ventilated seat	(IA:0 A)			

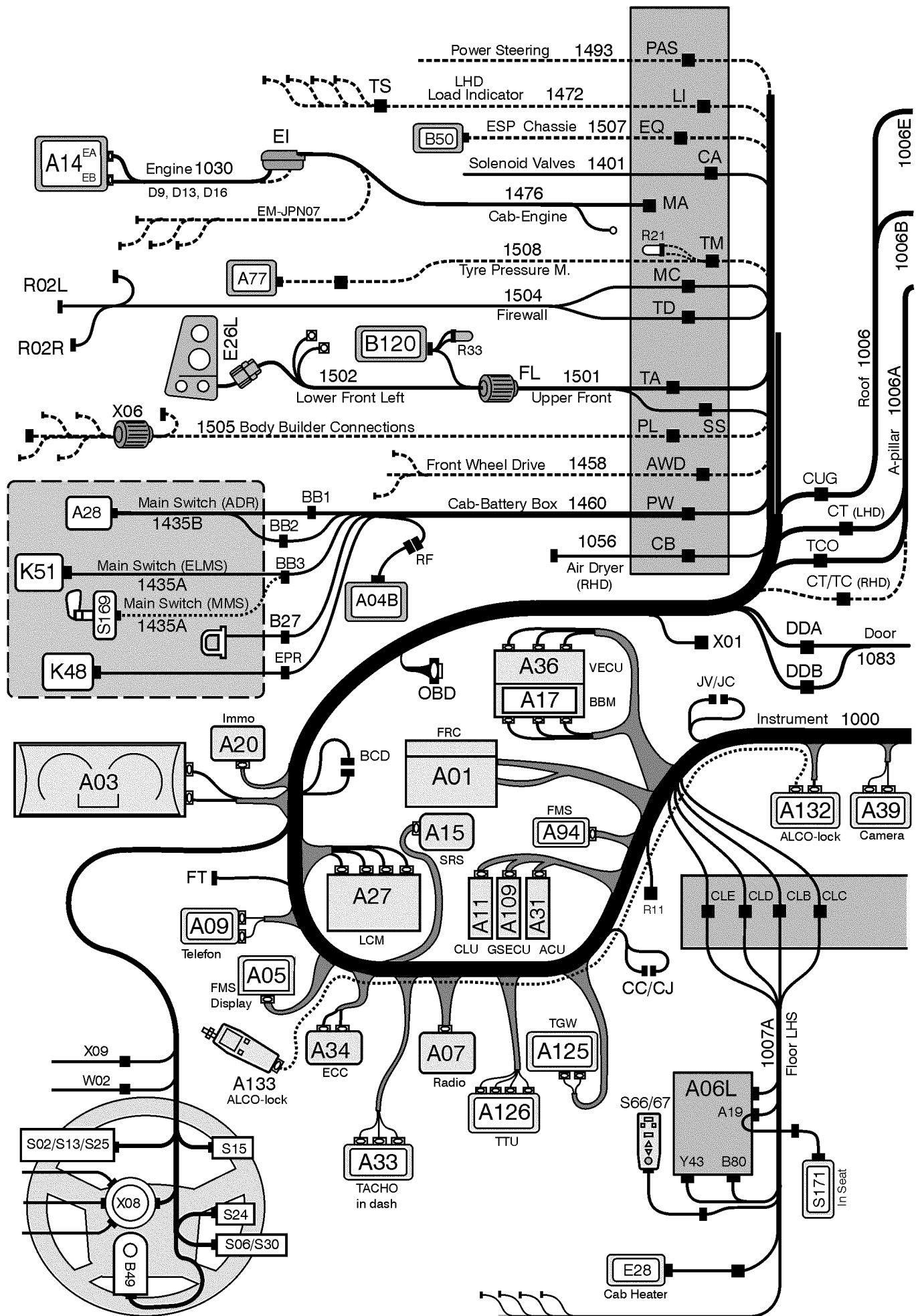
Relays

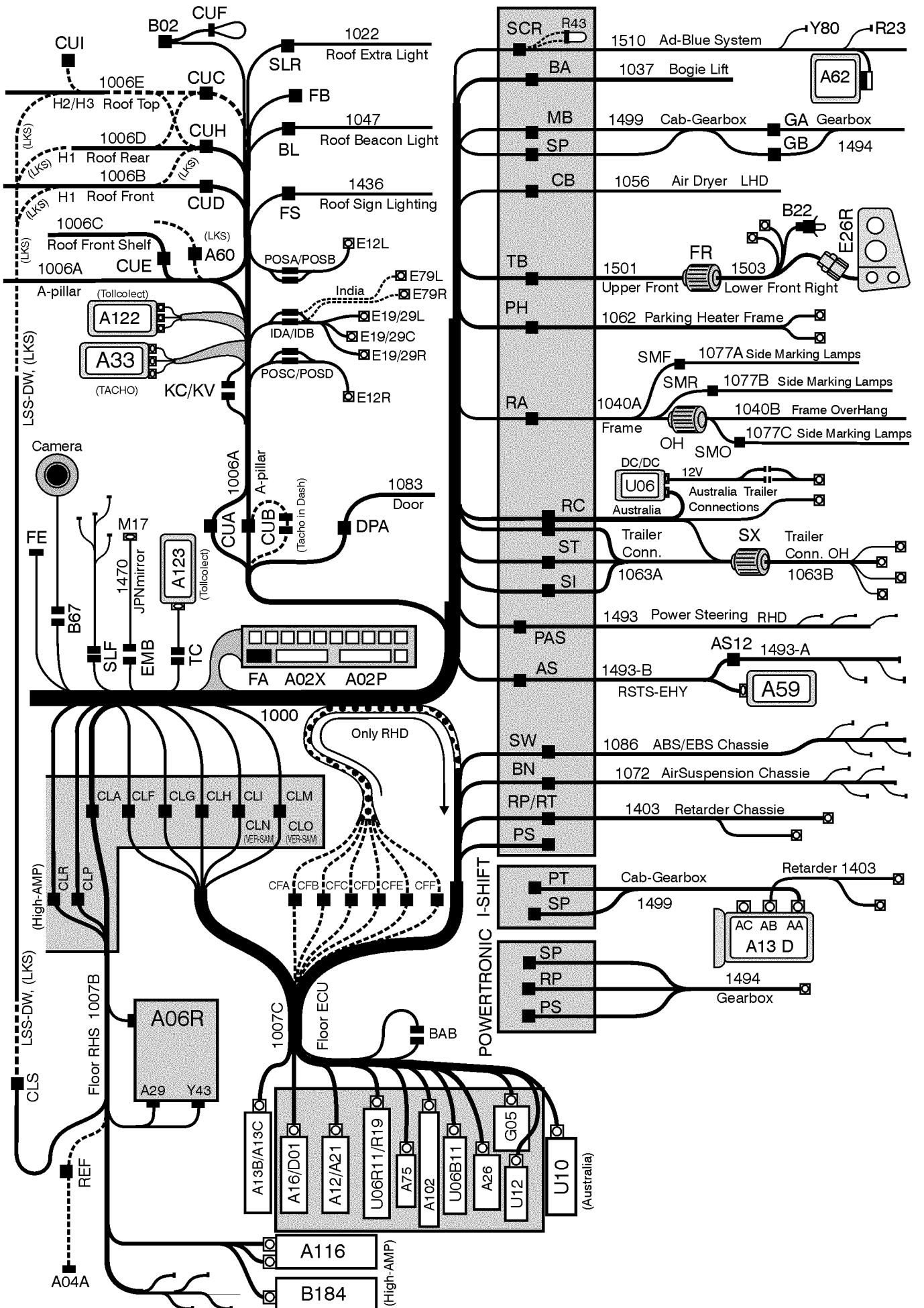


K1	Relay, starting switch, radio position	(AC:3 C)	K26B	Relay, foldable rear view mirror arm, Japan	(IF:1 C)
K2	Relay, EMS (Engine Management System)	(BA:1 A)	K30	Relay, beacon warning light	(KM:0 B)
K3	Relay, starter motor	(AA:2 B/ CJ:4 B)	K35	Relay, headlamp high pressure wash	(GM:0 B)
K4	Relay, body builder fuse box (kl.15)	(ME:2 A/ MF:1 A)	K37	Relay, parking light	(NA:1 C/ NB:0 C)
K5	Relay, I-shift/Powertronic/Retarder	(DC:0 A/ DM:0 A)	K38	Relay, body builder preparation, swapbody lamps	(NA:1 C/ NB:1 C)
K6	Relay, fan climate unit	(HY:0 B/ HY RHD:0 B)	K39	Relay, body builder preparation, plough light, spotlights	(NA:1 C/ NB:1 C)
K7	Relay, intermittent wiper	(GM:1 C)	K40	Relay, body builder preparation ..	(NA:3 C/ NB:3 C)
K8	Relay, gearbox area inhibitor	(BA:1 A)	K41	Relay, body builder preparation, swapbody	(NA:2 C/ NB:2 C)
K9	Relay, interior lamps	(IH:1 A)	K42	Relay, body builder preparation, spotlights	(NI:1 B)
K10	Relay, fifth wheel-, working-light	(KE:0 C)	K43	Relay, body builder preparation, external start	(NC:3 C)
K11	Relay, air suspension	(FA:4 B)	K45	Relay, body builder preparation, dual speed	(NU:2 B)
K12	Relay, reverse light, trailer	(GB:4 D)	K48	Power relay, engine preheating ..	(CJ:3 B)
K13	Relay, alternator controlled	(AA:4 B)	K49	Power relay, bogie lift motor	(FI:3 B/ FK:3 D)
K14	Time delay relay, bogie lift, A-ride	(FI:1 B/ FK:1 C)	K51	Power relay, battery main switch ..	(AB:0 C)
K15	Time delay relay, bogie lift, A-ride, with axle load limiter	(FK:2 C)	K54	Relay, 12V ABS Trailer	(CP:2 D)
K16	Relay, bogie lift, A-ride, with axle load limiter	(FK:1 C)	K58	Relay, speed limiter, Volvo link	(BY:3 B)
K20	Relay, D+ short-circuit, (ADR-trucks only)	(AE:4 D)	K59	Relay, engine shut off, Volvo link ..	(BY:4 B)
K21	Relay, el. adjustable seat	(IA:2 B)	K60	Relay, trailer lock, Volvo link	(BY:3 D)
K22	Relay, climate fan, 1:st speed (by parking heater)	(HY:1 B)	K61	Relay, auxiliary reverse light, truck	(NA:0 C/ NB:0 C)
K22_	Relay, climate fan, 1:st speed (by RHD parking heater)	(HY RHD:0 B)	K63	Relay, ACC Adaptive cruise control	(BE:2 B)
K23	Relay, cab tilt	(KA:0 C)	K64	Relay, man. main switch BBOX-EF	(AB:1 C)
K24	Relay, central lubrication	(FU:0 B)	K65	Power relay, starter motor pre-relay	(CO:2 B)
K25	Relay, light sign	(KI:1 C)	K66	Relay, tail lift indication	(NB:2 C)
K26A	Relay, foldable rear view mirror arm, Japan	(IF:0 C)			

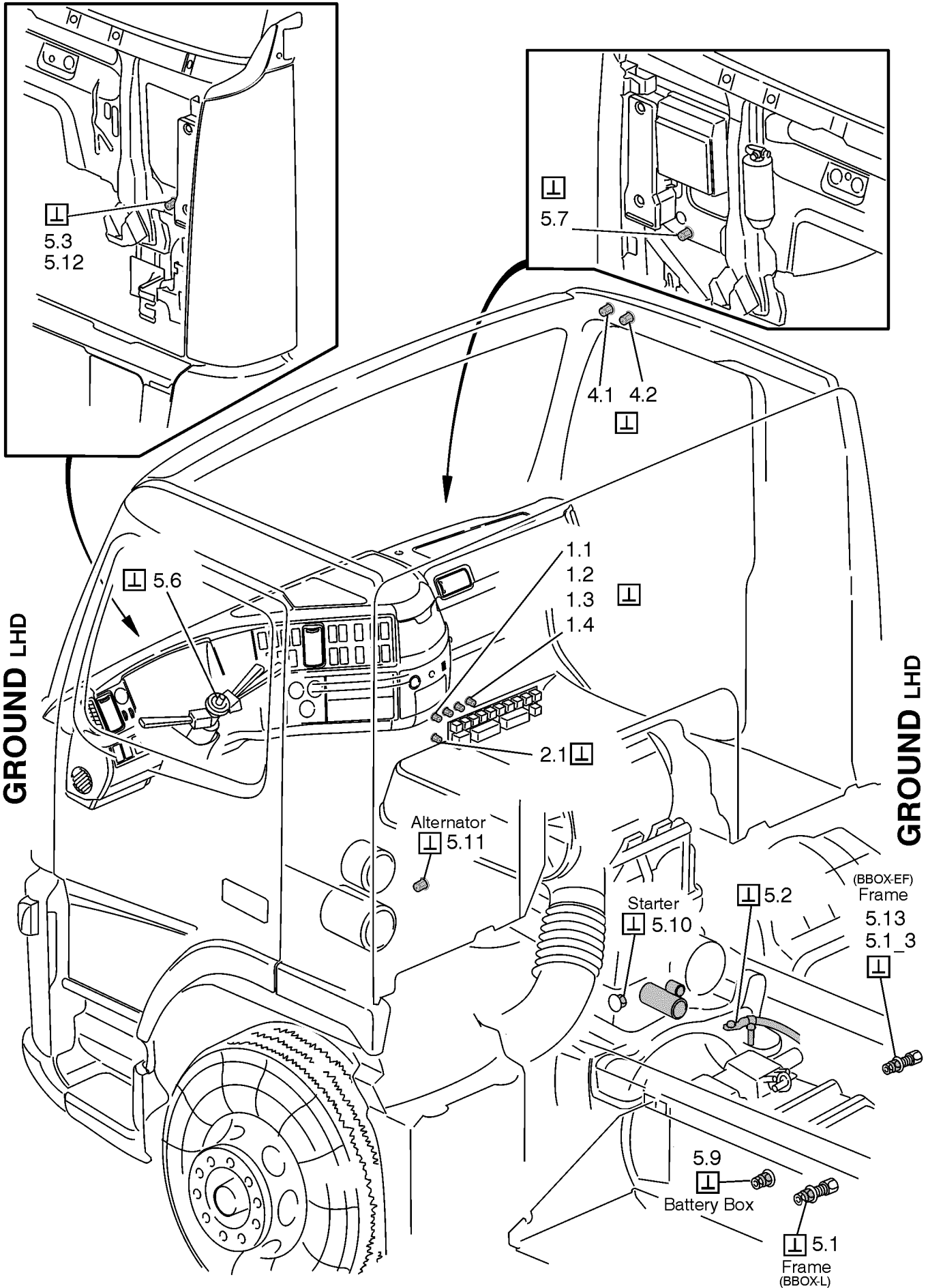
Wiring harness illustration index

1000	Wiring harness, instruments	page 122
1006	Wiring harness, roof	page 132
1007	Wiring harness, floor	page 137
1018	Wiring harness, air conditioning	page 147
1030	Wiring harness, engine	page 148
1037	Wiring harness, bogie lift	page 156
1040	Wiring harness, frame	page 157
1047	Wiring harness, roof beacon light	page 159
1056	Wiring harness, air dryer	page 161
1062	Wiring harness, parking heater, frame	page 162
1063	Wiring harness, trailer connections	page 163
1072	Wiring harness, air suspension chassis	page 166
1077	Wiring harness, side marking lamps	page 170
1083	Wiring harness, door	page 171
1086	Wiring harness, ABS chassis	page 173
1401	Wiring harness, solenoid valves	page 179
1403	Wiring harness, retarder	page 183
1435	Wiring harness, main switch	page 184
1436	Wiring harness, roof sign lighting	page 159
1458	Wiring harness, front wheel drive	page 191
1460	Wiring harness, cab-battery box	page 184
1470	Wiring harness, el.operated mirror arch	page 202
1472	Wiring harness, load indicator	page 192
1476	Wiring harness, cab-engine	page 148
1493	Wiring harness, power steering	page 193
1494	Wiring harness, gearbox	page 196
1499	Wiring harness, cab-gearbox	page 196
1501	Wiring harness, upper front	page 200
1502	Wiring harness, lower front left	page 200
1503	Wiring harness, lower front right	page 201
1504	Wiring harness, firewall	page 202
1505	Wiring harness, body builder connections	page 203
1506	Wiring harness, demountable (swap-body)	page 203
1507	Wiring harness, ESP chassis	page 204
1508	Wiring harness, TPM	page 205
1510	Wiring harness, SCR	page 206

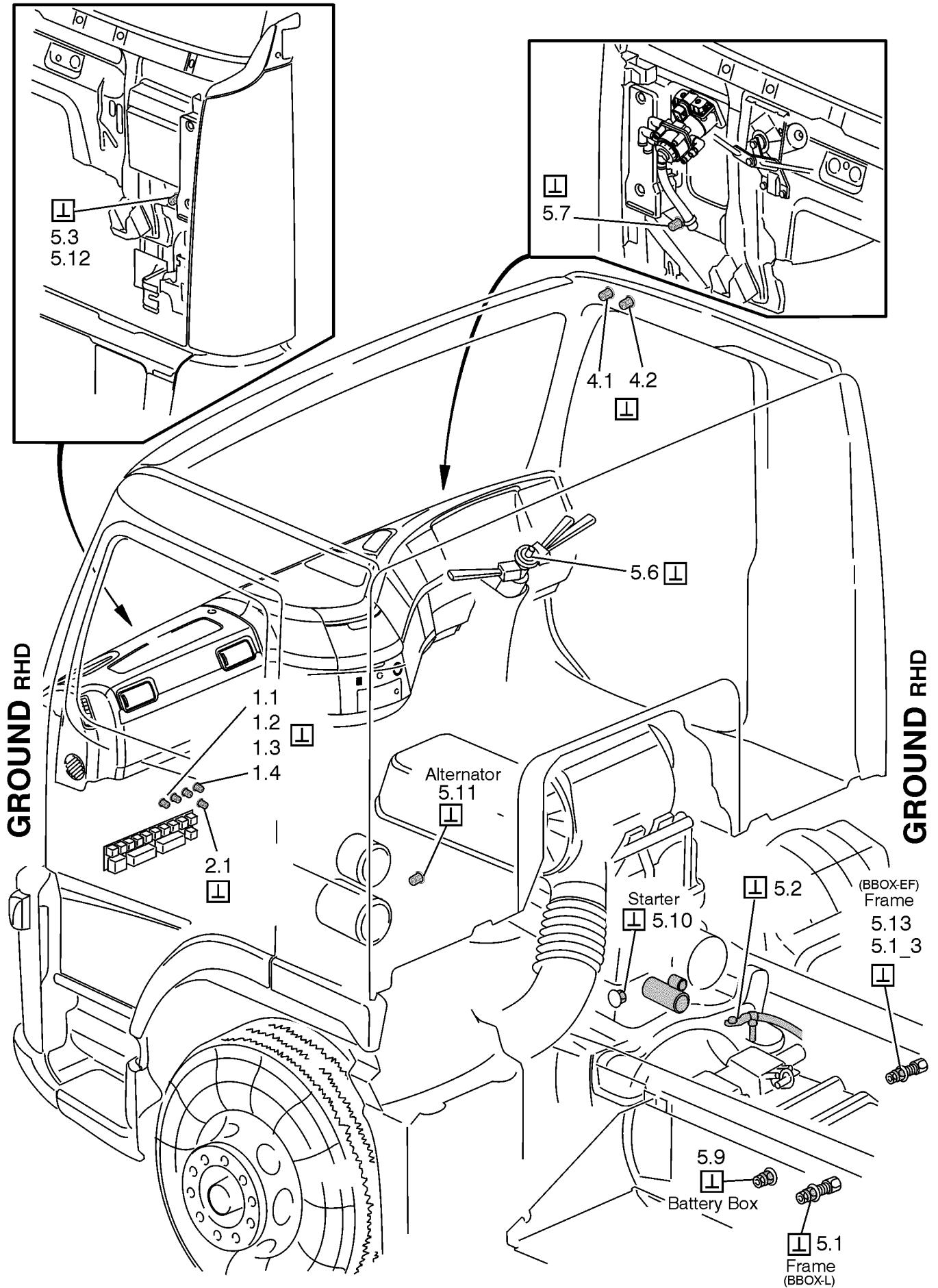




Ground connections



T3020579



T3020580

List of ground connections

1.1	(IR:1 E)	4.1_3	(KI:1 E)	5.12_1	(CJ:0 D)
1.1_A	(IR:1 E)	4.1_4	(GL:1 D)	5.12_2	(CJ:0 D)
1.2_A	(BA:2 E)	4.1_4	(IH:1 E)	5.13	(AA:0 D)
1.2_B	(IS:0 E)	4.1_5	(IH:0 E)	5.2	(AA:0 E)
1.3	(AE:4 E)	4.1_6	(BZ:0 D)	5.3	(AA:0 E)
1.3_A	(BU:0 E)	4.1_7	(BE:0 D)	5.4	(FI:3 D)
1.3_B	(BU:2 E)	4.2_1	(BN:0 D)	5.4	(FK:3 E)
1.4	(AA:3 E)	4.2_1	(BN:1 D)	5.6	(GQ:1 E)
1.4	(AC:2 D)	4.2_2	(HI:0 B)	5.7_1	(GE:1 D)
1.4	(ZA RHD:1 C)	4.2_3	(IQ:1 E)	5.7_2	(GH:2 D)
1.4_B	(AA:4 E)	4.2_4	(BN:1 D)	5.7_3	(GH:2 D)
1.4_C	(HZ:1 D)	4.2_5	(KM:0 D)	5.7_4	(GG:2 C)
2.1_A	(CP:4 C)	4.2_6	(NI:3 E)	5.7_5	(CV:1 C)
2.1_B	(ZA RHD:1 D)	4.2_7	(NI:4 E)	5.9_1	(AA:0 E)
2.1_C	(NI:0 E)	4.2_8	(IJ:3 B)	5.9_1	(AB:0 D)
2.1_D	(ME:0 B)	5.1	(AA:0 E)	5.9_1	(AB:2 D)
2.1_E	(NA:2 D)	5.10	(AA:1 E)	5.9_1	(AE:0 E)
2.1_E	(NB:2 D)	5.11	(AA:2 E)	5.9_3	(AB:2 D)
2.1_F	(BE:4 E)	5.1_1	(NA:4 D)	5.9_4	(AE:0 E)
2.1_G	(BE:0 D)	5.1_1	(NB:4 D)	5.9_8	(AB:0 D)
4.1_1	(GA:1 E)	5.1_2	(NA:4 D)		
4.1_1	(GA:4 E)	5.1_2	(NB:4 D)		
4.1_2	(KI:2 B)	5.1_3	(AB:1 D)		

List of connectors

ADR1:1	(AE:1 C)	BAB:18	(XB:1 D)	BN:16	(FG:1 C)
ADR1:2	(AE:1 C)	BB1:1	(AE:1 A)	BN:17	(FA:1 D)
ADR2:1	(AE:1 C)	BB1:2	(AE:0 D)	BN:18	(FA:1 D)
ADR2:2	(AE:1 C)	BB1:3	(AE:1 E)	BN:18	(FG:0 C)
ADR3:1	(AE:2 C)	BB1:4	(AE:1 A)	BN:19	(FA:0 D)
ADR3:2	(AE:2 C)	BB1:5	(AE:2 D)	BN:20	(FA:0 D)
ADR4:1	(AE:2 C)	BB1:6	(AE:2 D)	BN:21	(FM:0 C)
ADR4:2	(AE:2 C)	BB1:7	(AE:0 D)	BN_2:1	(FA RHD:3 D)
AG:1	(FO:2 D)	BB2:1	(AE:0 C)	BN_2:2	(FA RHD:2 D)
AG:2	(FO:2 D)	BB2:2	(AE:1 C)	BN_2:3	(FA RHD:2 D)
AG:3	(FO:2 D)	BB2:3	(AE:1 D)	BN_2:4	(FA RHD:2 D)
AG:4	(FO:2 D)	BB2:4	(AE:1 D)	BN_2:5	(FA RHD:1 B)
AS:1	(FO:1 C)	BB3:1	(AB:0 B)	BN_2:6	(FA RHD:1 B)
AS:2	(FO:1 C)	BB3:2	(AB:1 C)	BN_2:7	(FA RHD:1 B)
AS:4	(FO:1 B)	BB3:3	(AB:1 D)	BN_2:8	(FA RHD:2 D)
AS:5	(FO:1 B)	BB3:3	(AB:2 C)	BN_2:9	(FA RHD:0 B)
AS:6	(FO:2 B)	BB3:4	(AB:0 B)	BN_2:10	(FA RHD:1 D)
AS:7	(FO:3 B)	BB3:5	(AB:3 C)	BN_2:11	(FA RHD:2 B)
AS:8	(FO:3 B)	BB3:6	(AB:0 B)	BN_2:12	(FA RHD:1 B)
AS:9	(FO:1 E)	BCD:1	(XA:2 B)	BN_2:13	(FA RHD:2 B)
AS12:1	(FO:3 C)	BCD:2	(XA:3 B)	BN_2:14	(FA RHD:0 D)
AS12:2	(FO:3 C)	BCD:3	(NX:2 A)	BN_2:15	(FA RHD:1 D)
AS12:3	(FO:3 C)	BCD:3	(XB:0 B)	BN_2:16	(FA RHD:1 D)
AS12:4	(FO:3 C)	BCD:4	(NX:2 A)	BN_2:17	(FA RHD:1 D)
AS12:5	(FO:2 C)	BCD:4	(XA:2 B)	BN_2:18	(FA RHD:1 D)
AS12:6	(FO:2 C)	BCD:5	(XA:2 B)	BN_2:19	(FA RHD:0 D)
AS12:7	(FO:2 C)	BCD:6	(IX:2 D)	BN_2:20	(FA RHD:0 D)
AS12:8	(FO:2 C)	BCD:7	(XA:3 B)	CA:1	(DQ:0 D)
AS12:9	(FO:1 C)	BCD:8	(XA:3 B)	CA:2	(GB:3 B)
AS12:10	(FO:0 B)	BCD:9	(NX:2 A)	CA:2	(ZA RHD:1 D)
AS12:11	(FO:0 B)	BCD:9	(XB:0 B)	CA:3	(DU:1 C)
AS12:12	(FO:1 D)	BCD:10	(NX:2 A)	CA:4	(DQ:0 C)
AWD:3	(DU:2 C)	BCD:10	(XA:3 B)	CA:5	(GB:3 B)
AWD:4	(DU:2 C)	BCD:11	(XA:4 B)	CA:6	(EO:3 B)
AWD:5	(DU:4 C)	BCD:12	(IX:2 D)	CA:9	(DU:1 C)
AWD:6	(DU:4 C)	BCD:13	(XA:2 B)	CA:10	(EO:3 B)
AWD:8	(DU:2 D)	BCD:14	(XA:4 B)	CA:11	(EO:3 B)
B07_1:1	(BI:2 C)	BCD:15	(XB:0 C)	CA:11	(ZA RHD:1 D)
B07_1:2	(BI:2 D)	BCD:16	(XB:0 C)	CA:12	(EO:3 B)
BA:1	(FI:1 C)	BCE:1	(BM:3 A)	CA:12	(ZA RHD:1 D)
BA:1	(FK:1 D)	BCE:2	(BM:3 A)	CA:13	(EO:3 B)
BA:2	(FI:2 C)	BCE:3	(BM:3 A)	CA:14	(EO:3 B)
BA:2	(FK:3 D)	BCE:4	(BM:4 A)	CA:15	(EO:3 B)
BA:3	(FI:0 C)	BCE:5	(BM:4 A)	CA:16	(DU:1 D)
BA:3	(FK:0 D)	BCE:6	(BM:4 A)	CA:17	(FU:0 C)
BA:5	(FK:1 D)	BL:1	(KM:0 C)	CA:18	(FU:0 D)
BA:7	(FI:3 B)	BL:3	(KM:0 D)	CA:19	(NC:0 C)
BA:7	(FK:3 C)	BL_2:1	(KM:1 D)	CA:19	(NU:0 C)
BA:8	(FK:1 D)	BL_2:2	(KM:1 D)	CA:19	(NX:0 C)
BAB:1	(XA:4 D)	BL:3:1	(KM:0 C)	CA:20	(NC:1 C)
BAB:2	(XA:2 D)	BN:1	(FA:1 A)	CA:20	(NU:1 C)
BAB:3	(XA:3 D)	BN:2	(FA:1 D)	CA:20	(NX:1 C)
BAB:4	(XA:2 D)	BN:3	(FA:1 D)	CB:1	(FQ:0 B)
BAB:5	(XA:3 D)	BN:4	(FA:2 D)	CB:2	(FQ:0 D)
BAB:6	(XA:2 D)	BN:5	(FA:0 B)	CB:2	(ZA RHD:1 B)
BAB:7	(XB:3 D)	BN:6	(FA:1 B)	CB:3	(BA:0 D)
BAB:8	(XA:3 C)	BN:7	(FA:1 B)	CB:3	(FQ:2 B)
BAB:9	(XA:2 C)	BN:8	(FA:2 D)	CB:4	(BA:0 D)
BAB:10	(XB:3 D)	BN:9	(FA:0 B)	CB:5	(FQ:2 D)
BAB:11	(XB:2 D)	BN:10	(FA:1 D)	CB:6	(FQ:2 D)
BAB:12	(XB:2 D)	BN:11	(FA:1 B)	CC/CJ:1	(IZ:2 B)
BAB:13	(XB:3 D)	BN:12	(FA:1 B)	CC/CJ:2	(IZ:2 B)
BAB:14	(XB:1 D)	BN:13	(FA:1 B)	CC/CJ:3	(IZ:1 A)
BAB:15	(XB:1 D)	BN:14	(FA:0 D)	CC/CJ:3	(ZA RHD:1 B)
BAB:16	(XB:3 D)	BN:15	(FA:1 D)	CC/CJ:4	(IZ:1 B)
BAB:17	(XB:4 D)	BN:16	(FA:1 D)	CC/CJ:4	(GC RHD:1 C)

CC/CJ:5	(IX:2 A)	CFC:14	(DI RHD:1 C)	CLB:4	(DC:2 D)
CFA:1	(EE RHD:0 C)	CFC:15	(DI RHD:1 C)	CLB:5	(DC:0 B)
CFA:1	(EO RHD:3 C)	CFC:16	(DI RHD:1 C)	CLB:5	(XB:2 E)
CFA:2	(EE RHD:0 C)	CFC:17	(DI RHD:2 C)	CLB:6	(DC:0 B)
CFA:2	(EO RHD:3 C)	CFC:18	(DI RHD:2 C)	CLB:6	(XB:2 E)
CFA:3	(EE RHD:3 C)	CFC:19	(DI RHD:2 C)	CLB:7	(DC:2 D)
CFA:3	(EO RHD:1 C)	CFC:20	(DI RHD:2 C)	CLB:8	(DC:2 D)
CFA:4	(EE RHD:1 C)	CFC:21	(DI RHD:2 C)	CLB:9	(DC:2 D)
CFA:4	(EO RHD:1 C)	CFD:1	(DI RHD:2 C)	CLB:11	(DC:2 D)
CFA:5	(EE RHD:1 C)	CFD:2	(DI RHD:2 C)	CLB:12	(DC:2 D)
CFA:5	(EO RHD:2 C)	CFD:2	(DM:2 C)	CLB:15	(DC:2 D)
CFA:6	(EE RHD:3 C)	CFD:3	(DI RHD:2 C)	CLB_2:1	(DC:1 D)
CFA:6	(EO RHD:2 C)	CFD:3	(DM:2 C)	CLB_2:2	(DC:2 D)
CFA:7	(EE RHD:2 C)	CFD:4	(DI RHD:2 C)	CLB_2:3	(DC:2 D)
CFA:7	(EO RHD:2 C)	CFD:4	(DM:2 C)	CLB_2:4	(DC:2 D)
CFA:8	(EE RHD:2 C)	CFD:5	(DI RHD:3 C)	CLB_2:7	(DC:2 D)
CFA:8	(EO RHD:2 C)	CFD:5	(DM:2 C)	CLB_2:8	(DC:2 D)
CFA:9	(EE RHD:4 C)	CFD:6	(DI RHD:3 C)	CLB_2:9	(DC:2 D)
CFA:9	(EO RHD:3 C)	CFD:6	(DM:3 C)	CLB_2:11	(DC:2 D)
CFA:10	(EE RHD:3 C)	CFD:7	(DI RHD:3 C)	CLB_2:12	(DC:2 D)
CFA:10	(EO RHD:3 C)	CFD:7	(DM:3 C)	CLB_2:15	(DC:2 D)
CFA:11	(EE RHD:3 C)	CFD:8	(DI RHD:3 B)	CLC:1	(HI:0 C)
CFA:11	(EO RHD:4 C)	CFD:9	(DI RHD:3 B)	CLC:2	(HI:0 C)
CFA:12	(EE RHD:3 C)	CFE:1	(FG:1 C)	CLC:3	(HI:0 C)
CFA:12	(EO RHD:4 C)	CFE:2	(FG:2 C)	CLC:4	(HI:2 C)
CFA:13	(EE RHD:0 C)	CFE:3	(FG:2 C)	CLC:6	(HI:2 C)
CFA:13	(EO RHD:3 C)	CFE:4	(FG:2 C)	CLC:7	(HI:3 C)
CFA:14	(EE RHD:0 C)	CFE:5	(FG:2 C)	CLC:7	(ZA RHD:0 B)
CFA:14	(EOI RHD:3 C)	CFE:6	(FG:2 C)	CLC:8	(HI:1 C)
CFA:15	(EE RHD:1 C)	CFF:1	(CP:4 B)	CLC:9	(HI:1 C)
CFA:15	(EO RHD:4 C)	CFF:2	(CP:3 B)	CLC:10	(HI:4 C)
CFA:16	(EE RHD:1 C)	CFF:3	(CP:3 B)	CLC:11	(HI:3 C)
CFA:17	(EE RHD:2 C)	CFF:4	(CP:4 C)	CLC:12	(HI:2 C)
CFA:18	(EE RHD:2 C)	CFF:5	(CP:3 C)	CLD:1	(IX:0 C)
CFA:19	(EE RHD:3 C)	CFF_2:1	(CP:4 B)	CLD:2	(IX:0 C)
CFA:20	(EE RHD:3 C)	CFF_2:2	(CP:4 B)	CLD:3	(IX:1 C)
CFB:1	(FA RHD:3 C)	CFF_2:3	(CP:3 B)	CLD:4	(IX:1 C)
CFB:2	(FA RHD:2 C)	CFF_2:4	(CP:4 C)	CLE:1	(IA:1 B)
CFB:3	(FA RHD:2 C)	CFF_2:5	(CP:3 C)	CLE:2	(IA:3 B)
CFB:4	(FA RHD:2 C)	CLA:1	(IA:0 B)	CLE:3	(BI:1 C)
CFB:5	(FA RHD:1 B)	CLA:2	(IA:1 B)	CLE:4	(IA:1 E)
CFB:6	(FA RHD:1 B)	CLA:3	(BI:1 C)	CLE:5	(IH:4 D)
CFB:7	(FA RHD:1 B)	CLA:4	(IA:0 D)	CLE:6	(BI:3 C)
CFB:8	(FA RHD:2 C)	CLA:5	(IH:4 D)	CLE:7	(BY:2 D)
CFB:9	(FA RHD:0 B)	CLA:6	(BI:3 D)	CLE:7	(NK:0 D)
CFB:10	(FA RHD:1 C)	CLA:7	(BY:2 D)	CLE:8	(IH:4 C)
CFB:11	(FA RHD:2 B)	CLA:7	(NK:0 D)	CLE:9	(AE:1 C)
CFB:12	(FA RHD:1 B)	CLA:8	(FA RHD:2 D)	CLE:9	(FA:2 D)
CFB:13	(FA RHD:2 B)	CLA:9	(AE:2 C)	CLE:10	(AE:1 C)
CFB:14	(FA RHD:0 C)	CLA:9	(FA RHD:2 D)	CLE:10	(FA:2 D)
CFB:15	(FA RHD:1 C)	CLA:10	(AE:2 C)	CLE:11	(AE:1 C)
CFB:16	(FG:2 C)	CLA:10	(FA RHD:3 D)	CLE:11	(FA:2 D)
CFB:16	(FA RHD:1 C)	CLA:11	(AE:2 C)	CLE:12	(AE:1 C)
CFB:17	(FA RHD:1 C)	CLA:11	(FA RHD:3 D)	CLE:12	(FA:2 D)
CFB:18	(FG:2 C)	CLA:12	(AE:2 C)	CLE:13	(FA:3 D)
CFB:18	(FA RHD:1 C)	CLA:12	(FA RHD:3 D)	CLE:14	(FA:3 D)
CFB:19	(FA RHD:0 C)	CLA:13	(FA RHD:3 D)	CLE:15	(FA:3 D)
CFB:20	(FA RHD:0 C)	CLA:14	(FA RHD:3 D)	CLE:16	(FA:3 D)
CFD:1	(DM:3 C)	CLA:15	(FA RHD:3 D)	CLE:17	(IS:2 C)
CFC:1	(DI RHD:0 C)	CLA:16	(IS:3 C)	CLE:18	(IS:2 C)
CFC:2	(DI RHD:1 C)	CLA:17	(IS:3 C)	CLE:19	(FA:3 D)
CFC:3	(DI RHD:1 C)	CLA:18	(FA RHD:3 D)	CLE:20	(BI:3 C)
CFC:4	(DI RHD:1 C)	CLA:19	(IQ:3 C)	CLF:1	(IR:1 B)
CFC:5	(DI RHD:1 C)	CLA:20	(BI:3 D)	CLF:2	(IR:1 B)
CFC:6	(DI RHD:1 C)	CLA:21	(IQ:3 D)	CLF:3	(IR:1 C)
CFC:7	(DI RHD:2 C)	CLB:1	(DC:1 D)	CLF:4	(IR:1 C)
CFC:8	(DI RHD:1 C)	CLB:2	(DC:2 D)	CLF:5	(IR:0 B)
CFC:9	(DI RHD:1 C)	CLB:3	(DC:2 D)	CLF:6	(IR:0 B)

CLF:7	(IR:0 C)	CLH:18	(FG:1 C)	CLR:14	(IV:1 B)
CLF:8	(IR:0 C)	CLH:19	(FG:1 C)	CLR:15	(IV:1 B)
CLF:9	(IR:0 C)	CLH:20	(FA:3 C)	CLR:16	(IV:1 B)
CLF:10	(DC:1 B)	CLH:21	(FA:3 D)	CLR:17	(IV:2 B)
CLF:10	(DB:2 B)	CLH_R:1	(FA RHD:3 B)	CLR:18	(IV:2 B)
CLF:10	(DM:1 C)	CLH_R:2	(FA RHD:3 B)	CLR:19	(IV:2 B)
CLF:11	(DC:0 D)	CLH_R:3	(FA RHD:3 B)	CLR:20	(IV:2 B)
CLF:11	(DM:0 D)	CLH_R:5	(FA RHD:2 B)	CLR:21	(IV:2 B)
CLF:12	(DM:0 C)	CLH_R:6	(FA RHD:2 C)	CLS:1	(BE:1 C)
CLF:13	(XA:3 D)	CLH_R:7	(FA RHD:2 C)	CLS:2	(BE:1 C)
CLF:14	(XA:2 D)	CLH_R:8	(FA RHD:3 C)	CLS:3	(BE:1 C)
CLF:15	(XB:3 D)	CLH_R:9	(FA RHD:3 C)	CLS:4	(BE:1 C)
CLF:16	(XB:2 D)	CLH_R:10	(FA RHD:3 C)	CLS:5	(BE:1 C)
CLF:17	(FG:1 C)	CLH_R:11	(FA RHD:3 C)	CT:1	(BZ:1 D)
CLF:18	(XA:2 C)	CLH_R:16	(FA RHD:3 B)	CT:2	(BZ:1 D)
CLF:19	(XA:2 C)	CLH_R:17	(FA RHD:3 B)	CT:3	(BZ:1 D)
CLF:20	(XB:1 C)	CLH_R:12	(FA RHD:3 C)	CT:4	(BZ:1 D)
CLF:21	(XB:1 C)	CLH_R:20	(FA RHD:3 B)	CT:5	(BZ:1 C)
CLG:1	(EE:0 B)	CLH_R:21	(FA RHD:3 C)	CT:6	(BZ:1 C)
CLG:1	(EF:0 B)	CLI:1	(EO:0 D)	CT:7	(BZ:1 C)
CLG:1	(EO:0 C)	CLI:2	(EO:1 D)	CT/TC:1	(BZ RHD:2 C)
CLG:2	(EE:0 B)	CLI:3	(EO:1 D)	CT/TC:2	(BZ RHD:2 C)
CLG:2	(EF:0 B)	CLI:4	(EO:1 D)	CT/TC:3	(BZ RHD:1 C)
CLG:2	(EO:2 B)	CLI:5	(EO:3 C)	CT/TC:4	(BZ RHD:1 C)
CLG:3	(EE:3 B)	CLI:6	(EO:3 C)	CT/TC:5	(BZ RHD:1 C)
CLG:4	(EO:2 C)	CLI:7	(EO:3 C)	CT/TC:6	(BZ RHD:1 C)
CLG:5	(EO:2 C)	CLI:8	(EO:3 C)	CT/TC:7	(BZ RHD:1 C)
CLG:6	(EO:1 C)	CLI:9	(EO:3 C)	CUA:1	(GA:1 C)
CLG:7	(EO:1 C)	CLI:10	(EO:3 C)	CUA:2	(GA:4 C)
CLG:8	(EO:1 C)	CLI:11	(EO:4 C)	CUA:3	(IH:1 B)
CLG:9	(EO:0 C)	CLI:12	(EO:4 C)	CUA:4	(IH:0 B)
CLG:10	(EO:0 C)	CLM:1	(BE:1 B)	CUA:5	(IH:3 B)
CLG:11	(EO:1 C)	CLM:2	(BE:1 B)	CUA:6	(IH:3 C)
CLG:12	(EO:1 C)	CLM:3	(BE:2 B)	CUA:7	(IQ:0 B)
CLG:13	(EO:0 D)	CLM:4	(BE:2 D)	CUA:8	(KM:0 C)
CLG:13	(ZA RHD:3 C)	CLM:5	(BE:2 D)	CUA:9	(NI:1 B)
CLG:14	(EO:0 D)	CLM:6	(BE:3 C)	CUA:10	(NI:1 B)
CLG:14	(ZA RHD:3 C)	CLM:7	(BE:3 C)	CUA:11	(KI:1 C)
CLG:15	(EO:1 D)	CLM:8	(BE:3 C)	CUA:12	(IH:3 C)
CLG:16	(EO:3 C)	CLM:9	(FA:3 D)	CUA:13	(IU:2 D)
CLG:17	(EO:3 C)	CLM:9	(FA RHD:1 C)	CUA:13	(IV:2 D)
CLG:18	(EO:3 C)	CLN:1	(BY:1 B)	CUA:14	(IU:2 D)
CLG:20	(EE:4 D)	CLN:2	(BY:1 C)	CUA:14	(IV:2 D)
CLG:20	(EF:4 D)	CLN:3	(BY:2 C)	CUA:15	(IU:2 D)
CLG:20	(EO:0 D)	CLN:4	(BY:2 C)	CUA:15	(IV:1 D)
CLG:21	(EF:4 D)	CLN:5	(BY:2 C)	CUA:16	(IU:2 D)
CLH:1	(FA:3 B)	CLN:6	(BY:3 C)	CUA:16	(IV:1 D)
CLH:1	(FK:2 B)	CLN:7	(BY:3 C)	CUA:17	(HI:1 C)
CLH:2	(FA:4 C)	CLN:8	(BY:4 C)	CUA:18	(HI:1 B)
CLH:3	(FA:2 B)	CLN:9	(BY:1 D)	CUA:19	(HI:1 C)
CLH:3	(FK:2 B)	CLN:10	(BY:1 D)	CUA:20	(HI:1 C)
CLH:4	(FG:0 C)	CLO:1	(BY:2 D)	CUA:21	(GB:0 B)
CLH:4	(FK:2 B)	CLO:2	(BY:3 D)	CUB/TACH:1	(BM:1 A)
CLH:5	(FA:2 B)	CLO:4	(BY:2 D)	CUB/TACH:2	(BM:3 C)
CLH:5	(FK:2 B)	CLO:5	(BY:2 D)	CUB/TACH:3	(BM:1 A)
CLH:6	(FA:2 D)	CLR:1	(IV:1 C)	CUB/TACH:4	(BM:2 A)
CLH:6	(FK:2 B)	CLR:2	(IV:1 C)	CUB/TACH:5	(BM:3 A)
CLH:7	(FA:2 D)	CLR:3	(IV:1 C)	CUB/TACH:6	(BM:3 C)
CLH:8	(FA:2 D)	CLR:4	(IV:1 C)	CUB/TACH:7	(BM:2 C)
CLH:9	(FA:2 D)	CLR:5	(IV:1 C)	CUB/TACH:8	(BM:2 C)
CLH:10	(FA:3 D)	CLR:6	(IV:1 C)	CUB/TACH:9	(BM:2 C)
CLH:11	(FA:3 D)	CLR:7	(IV:1 C)	CUB/TACH:10	(BM:2 C)
CLH:12	(FA:3 D)	CLR:8	(IV:2 C)	CUB/TACH:11	(IU:0 B)
CLH:13	(FM:0 B)	CLR:9	(IV:2 C)	CUB/TACH:12	(KI:1 C)
CLH:14	(FG:0 C)	CLR:10	(IV:2 C)	CUB/TACH:13	(IM:0 B)
CLH:15	(FG:0 C)	CLR:11	(IV:2 C)	CUB/TACH:14	(HI:2 B)
CLH:16	(FA:3 B)	CLR:12	(IV:2 C)	CUB/TACH:15	(HI:2 B)
CLH:17	(FA:3 B)	CLR:13	(IV:1 B)	CUB/TACH:16	(GC:3 B)

CUB/TACH:17	(GC:3 B)	CUH:2	(BE:0 D)	E27:6	(GF:3 C)
CUB/TACH:18	(IH:3 A)	CUH:3	(BE:0 D)	E27:7	(GF:3 C)
CUB:1	(BN:1 B)	CUH:4	(BE:0 D)	E27_1:1	(GF:0 C)
CUB:2	(BN:3 C)	CUH:5	(IH:0 B)	E27_1:2	(GF:0 C)
CUB:3	(BN:1 B)	CUH:6	(IH:0 D)	E27_1:3	(GF:1 C)
CUB:4	(BN:3 B)	CUI:1	(IJ:1 B)	E27_1:4	(GF:1 C)
CUB:5	(BN:3 B)	CUI:3	(IJ:1 D)	E27_1:5	(GF:1 C)
CUB:6	(BN:3 C)	DDA:1	(IM:1 C)	E27_1:7	(GF:0 C)
CUB:7	(BN:2 C)	DDA:2	(IE:0 B)	EI:1	(CJ:2 D)
CUB:8	(BN:2 C)	DDA:3	(IE:1 A)	EI:1	(CO:0 A)
CUB:9	(BN:2 C)	DDA:3	(ZA RHD:1 B)	EI:2	(CJ:1 D)
CUB:10	(BN:2 C)	DDA:4	(IE:2 B)	EI:2	(CO:0 A)
CUB:11	(BN:3 C)	DDA:5	(IH:2 C)	EI:3	(CJ:2 D)
CUB:11	(IU:0 B)	DDA:6	(IE:3 B)	EI:3	(CO:0 A)
CUB:12	(KI:1 B)	DDA:7	(IM:1 C)	EI:4	(CJ:2 D)
CUB:13	(IM:0 B)	DDA:8	(IM:1 C)	EI:4	(CO:0 A)
CUB:14	(HI:2 C)	DDA:9	(IM:1 C)	EI:5	(CJ:1 D)
CUB:15	(HI:1 B)	DDA:10	(IU:1 D)	EI:5	(CO:0 A)
CUB:16	(GC:3 A)	DDA:10	(IU RHD:1 D)	EI:6	(CJ:2 D)
CUB:17	(GC:3 B)	DDA:10	(IV:1 D)	EI:6	(CO:0 A)
CUB:18	(IH:3 B)	DDA:11	(IU:1 D)	EI:7	(CJ:3 D)
CUB2/CUB:11	(IU:0 B)	DDA:11	(IU RHD:1 D)	EI:7	(CO:1 A)
CUB2/CUB:12	(KI:1 B)	DDA:11	(IV:1 D)	EI:8	(CJ:1 D)
CUB2/CUB:13	(IM:0 B)	DDA:12	(IH:2 C)	EI:8	(CO:0 A)
CUB2/CUB:14	(HI:2 C)	DDA:13	(IE:0 C)	EI:9	(AA:3 D)
CUB2/CUB:15	(HI:2 B)	DDA:14	(IE:1 C)	EI:10	(AA:3 D)
CUB2/CUB:18	(IH:3 B)	DDA:15	(IE:1 C)	EI:13	(CJ:1 D)
CUC:1	(IH:3 C)	DDB:1	(IE:1 C)	EI:13	(CO:0 A)
CUC:2	(IH:3 C)	DDB:2	(IE:2 C)	EI:15	(CJ:0 D)
CUC:3	(IH:1 B)	DDB:3	(IE:2 C)	EI:15	(CO:0 A)
CUC:4	(IH:0 B)	DDB:4	(IE:0 C)	EI:21	(CJ:3 D)
CUC:4	(IJ:2 B)	DDB:5	(IE:0 B)	EI:21	(CO:3 A)
CUC:5	(IH:3 B)	DDB:6	(IE:0 B)	EI:22	(CH:1 D)
CUC:6	(IQ:1 C)	DDB:7	(IE:1 B)	EI:22	(CO:3 A)
CUC:7	(IQ:0 C)	DDB:9	(IE:2 B)	EI:23	(HG:0 D)
CUC:8	(IQ:1 C)	DPA:1	(IM:2 C)	EI:24	(CH:1 D)
CUC:9	(IU:2 D)	DPA:3	(IE:3 B)	EI:23	(HY:2 D)
CUC:9	(IV:2 D)	DPA:3	(ZA RHD:0 D)	EI:26	(CH:1 D)
CUC:10	(IU:2 D)	DPA:4	(IE:3 B)	EI:26	(CH:4 A)
CUC:10	(IV:2 D)	DPA:5	(IH:2 C)	EI:27	(CJ:0 D)
CUC:11	(IU:2 D)	DPA:6	(IE:3 B)	EI:29	(CH:2 D)
CUC:11	(IV:1 D)	DPA:7	(IM:2 C)	EI:31	(CJ:0 D)
CUC:12	(IU:2 D)	DPA:8	(IM:2 C)	EI:31	(CO:4 A)
CUC:12	(IV:1 D)	DPA:9	(IM:2 C)	EI:33	(CJ:2 D)
CUC:13	(HI:1 B)	DPA:10	(IU:1 D)	EI:33	(CO:0A D)
CUC:14	(HI:1 B)	DPA:10	(IU RHD:1 D)	EI:34	(CH:2 D)
CUC:15	(HI:1 B)	DPA:10	(IV:1 D)	EI:35	(CJ:3 D)
CUC:16	(HI:1 B)	DPA:11	(IU:2 D)	EI:35	(CO:2 A)
CUC:17	(IH:3 B)	DPA:11	(IU RHD:1 D)	EI:36	(CH:2 D)
CUC:18	(IH:0 D)	DPA:11	(IV:1 D)	EI:37	(CJ:0 D)
CUC:18	(J:2 D)	DPA:12	(IH:2 C)	EI:37	(CO:3 A)
CUC:19	(HI:3 B)	DS_L:1	(NU:2 C)	EI:39	(CJ:0 D)
CUC:20	(HI:3 C)	DS_L:2	(NU:2 D)	EI:39	(CO:4 A)
CUC:21	(HI:2 A)	DS_R:1	(GQ:0 B)	EMB:1	(IF:0 D)
CUD:1	(IH:1 B)	DS_R:1	(NU:2 C)	EMB:2	(IF:1 D)
CUD:2	(IH:1 B)	DS_R:2	(GQ:0 C)	EP:1	(CL:4 D)
CUD:3	(IH:1 D)	DS_R:2	(NU:2 D)	EP:1	(CO:2 A)
CUE:1	(IH:0 B)	E03_L-:1	(NI:2 D)	EP:2	(CL:4 D)
CUE:1	(IJ:0 A)	E03_L+:1	(NI:2 D)	EP:2	(CO:1 A)
CUE:3	(IH:0 D)	E03_R-:1	(NI:2 D)	EP:4	(CL:4 D)
CUE:3	(IJ:0 D)	E03_R+:1	(NI:2 D)	EP:4	(CO:1 A)
CUF:1	(HI:0 B)	E18L_A:1	(IJ:1 C)	EP:7	(CL:3 D)
CUF:2	(HI:0 B)	E18L_B:1	(IJ:1 C)	EP:7	(CO:2 A)
CUG:1	(NK:2 C)	E27:1	(GF:3 C)	EPR:1	(CJ:2 B)
CUG:2	(NK:2 C)	E27:2	(GF:3 C)	EPR:3	(CJ:3 B)
CUG:4	(NK:2 C)	E27:3	(GF:3 C)	EPR:4	(CJ:3 C)
CUG:5	(NK:3 C)	E27:4	(GF:3 C)	EQ_A:1	(EO:4 B)
CUH:1	(IJ:3 B)	E27:5	(GF:3 C)	EQ_A:2	(EO:4 B)

EQ_A:3	(EO:4 B)	FE2:3	(NU:0 B)	IDA_C:1	(GL:2 B)
EQ_A:4	(EO:4 C)	FL:1	(GA:2 D)	IDA_D:1	(GL:3 A)
EXT:1	(HZ:1 B)	FL:2	(GA:2 C)	IDB:1	(GL:1 D)
EXT:2	(HZ:1 B)	FL:3	(GA:2 C)	IDB_2:1	(GL:0 B)
FA:1	(BI:4 B)	FL:4	(NK:3 D)	IDB_B:1	(GL:2 D)
FA:2	(FA:2 B)	FL:5	(NK:3 D)	IDB_C:1	(GL:2 D)
FA:2	(FA RHD:2 B)	FL:6	(GA:2 C)	IDB_D:1	(GL:3 A)
FA:3	(FA:2 B)	FL:7	(GA:2 C)	JV/JC:1	(DC:2 D)
FA:3	(FA RHD:3 B)	FL:8	(GA:1 C)	JV/JC:2	(KA:1 D)
FA:4	(NU:4 B)	FL:9	(GA:3 C)	JV/JC:3	(DQ:1 B)
FA:5	(GA:2 C)	FL:10	(GQ:1 C)	JV/JC:4	(AE:3 B)
FA:5	(NI:1 A)	FL:11	(GQ:1 B)	JV/JC:5	(AE:3 B)
FA:6	(BA:0 C)	FL:12	(GQ:1 B)	JV/JC:6	(AE:3 B)
FA:7	(BI:1 C)	FL:13	(GU:0 D)	JV/JC:7	(AC:1 D)
FA:8	(GA:4 C)	FL:14	(GU:0 D)	JV/JC:7	(AE:4 D)
FA:8	(NA:0 A)	FL:15	(GU:0 D)	JV/JC:8	(CP:1 B)
FA:8	(NB:0 A)	FL:16	(GQ:1 C)	JV/JC:8	(HI:3 D)
FA:9	(GB:3 D)	FL:20	(BE:3 D)	JV/JC:8	(ZA RHD:0 C)
FA:9	(NA:0 A)	FL:21	(BE:2 E)	JV/JC:9	(AA:3 B)
FA:9	(NB:0 A)	FL:22	(BE:2 D)	JV/JC:9	(BA:0 C)
FA:10	(GC:3 B)	FL:23	(BE:3 D)	JV/JC:10	(FU:0 D)
FA:10	(NA:0 A)	FL:25	(GA:2 D)	JV/JC:11	(BA:3 C)
FA:10	(NB:0 A)	FL:29	(KA:0 C)	JV/JC:12	(BA:3 D)
FA:10	(NU:2 B)	FMS:1	(BX:1 D)	JV/JC:13	(IM:2 C)
FA:10	(NU:2 B)	FMS:2	(BX:1 D)	JV/JC:14	(DQ:1 C)
FA:10	(GC RHD:1 B)	FR:1	(GA:3 D)	JV/JC:16	(IM:2 A)
FA:11	(GB:0 A)	FR:2	(GA:3 C)	JV/JC:17	(HP:0 D)
FA:11	(NA:3 A)	FR:3	(GA:3 C)	JV/JC:17	(HY RHD:1 B)
FA:11	(NB:3 A)	FR:4	(NK:3 D)	JV/JC:18	(KM:1 C)
FA:12	(BA:1 D)	FR:5	(NK:4 D)	JV/JC:18	(GC RHD:3 C)
FA:12	(NU:4 B)	FR:6	(GA:2 C)	JV/JC:19	(BI:2 D)
FA:13	(GQ:2 C)	FR:7	(GA:3 C)	JV/JC:20	(AC:3 D)
FA:14	(AA:2 A)	FR:8	(GA:4 C)	JV/JC:21	(IX:2 B)
FA:15	(KM:0 B)	FR:9	(GA:3 C)	KV/KC:1	(GB:0 B)
FA:16	(GG:1 A)	FR:10	(GM:0 C)	KV/KC:2	(GB:0 B)
FA:17	(GG:1 A)	FR:11	(GM:0 C)	KV/KC:3	(GB:0 B)
FA:18	(GG:1 A)	FR:13	(GU:1 D)	LI:1	(FG:0 B)
FA:19	(GG:1 A)	FR:14	(GU:1 D)	LI:2	(FG:0 B)
FA:20	(GG:0 A)	FR:15	(GU:1 D)	LI:3	(FG:0 B)
FA:21	(GG:0 A)	FR:16	(GM:1 C)	LI:4	(FG:1 B)
FB:1	(KI:2 A)	FR:17	(BI:2 C)	LI:5	(FG:1 B)
FB:3	(KI:2 B)	FR:18	(BI:2 D)	LI:6	(FG:1 B)
FE:1	(ME:1 B)	FR:25	(GA:3 D)	MA:1	(HG:0 C)
FE:1	(NC:0 B)	FR:29	(KA:0 C)	MA:1	(HY:2 D)
FE:1	(NU:0 A)	FS:1	(KI:1 C)	MA:3	(CJ:2 C)
FE:2	(ME:1 B)	FS:2	(KI:1 D)	MA:4	(CJ:2 C)
FE:2	(NC:0 B)	FS:3	(KI:1 D)	MA:6	(CJ:1 C)
FE:2	(NU:0 A)	FS_2:1	(KI:0 C)	MA:7	(CJ:2 C)
FE:3	(ME:1 B)	FS_2:2	(KI:0 D)	MA:8	(CJ:2 C)
FE:3	(NC:1 B)	FT:1	(IR:0 D)	MA:9	(AC:4 D)
FE:3	(NU:0 A)	FT:2	(IR:0 D)	MA:10	(XC:0 C)
FE_B:1	(IF:1 A)	FT:3	(IR:1 D)	MA:11	(XC:0 C)
FE_B:2	(IF:1 A)	GA:1	(GB:3 D)	MA:13	(AA:3 D)
FE_B:3	(IF:1 A)	GA:2	(BI:1 D)	MA:15	(CJ:1 C)
FE_BR:1	(IF:2 A)	GA:3	(BI:1 C)	MA:20	(AA:2 C)
FE_BR:2	(IF:2 A)	GA:4	(BA:1 B)	MA:20	(CJ:3 C)
FE_BR:3	(IF:1 A)	GA:5	(BA:0 B)	MA:22	(CJ:3 C)
FE_C:1	(NX:0 B)	GA:6	(BA:0 C)	MA:23	(CJ:0 C)
FE_C:2	(NX:0 B)	GA:7	(BA:0 C)	MA:24	(CJ:0 C)
FE_C:3	(NX:0 B)	GB:1	(BI:2 C)	MA:25	(CJ:1 C)
FE2_C:1	(NX:0 B)	GB:2	(BI:2 D)	MB:1	(BI:2 D)
FE2_C:2	(NX:0 B)	GB:3	(BM:2 D)	MB:2	(BA:0 C)
FE2_C:3	(NX:0 B)	GB:4	(BM:2 D)	MB:4	(BA:1 B)
FE2:1	(NC:1 B)	GB:5	(BM:2 D)	MB:5	(BI:2 C)
FE2:1	(NU:0 B)	GB:6	(BM:2 D)	MB:8	(BI:1 D)
FE2:2	(NC:0 B)	GD:2	(HZ:1 C)	MB:9	(BA:0 B)
FE2:2	(NU:0 B)	IDA:1	(GL:1 B)	MB:14	(BI:1 C)
FE2:3	(NC:1 B)	IDA_2:1	(GL:0 B)	MB:15	(GB:3 D)

MB:16	(BA:0 C)	PH_1:5	(HM:2 B)	PS:18	(DI:1 C)
MC:1	(EO:0 D)	PH_1:6	(HM:2 C)	PS:19	(DI:1 C)
MC:2	(EO:1 D)	PH_1:7	(HM:2 D)	PS:20	(DI:1 C)
MC:3	(EO:1 D)	PH_1:8	(HM:0 D)	PS:21	(DI:1 C)
MC:4	(EO:1 D)	PH_1:9	(HM:0 D)	PS_2:1	(DI RHD:0 D)
MC:5	(EO:1 D)	PH_1:10	(HM:3 D)	PS_2:2	(DI RHD:0 D)
MC:6	(GQ:0 B)	PH_1:11	(HM:1 B)	PS_2:3	(DI RHD:1 D)
MC:6	(NU:2 C)	PH_2:1	(HP:0 B)	PS_2:4	(DI RHD:1 D)
MC:7	(GQ:0 C)	PH_2:2	(HP:0 C)	PS_2:5	(DI RHD:1 D)
MC:7	(NU:2 D)	PH_2:3	(HP:0 D)	PS_2:6	(DI RHD:1 D)
MC:8	(NK:1 C)	PL:1	(NC:3 C)	PS_2:7	(DI RHD:2 D)
MC:9	(NK:1 D)	PL:2	(NA:1 C)	PS_2:8	(DI RHD:1 D)
MOT:1	(HZ:2 C)	PL:2	(NB:1 C)	PS_2:9	(DI RHD:1 D)
MOT:2	(HZ:2 C)	PL:3	(NA:1 C)	PS_2:14	(DI RHD:1 D)
MOT:3	(HZ:1 C)	PL:3	(NB:2 C)	PS_2:15	(DI RHD:1 D)
MOT:4	(HZ:2 C)	PL:4	(NA:1 C)	PS_2:16	(DI RHD:1 D)
MP:1	(CO:3 C)	PL:4	(NB:1 C)	PS_2:17	(DI RHD:2 D)
NS:1	(MF:3 D)	PL:5	(NA:2 C)	PS_2:18	(DI RHD:2 D)
NS:2	(NU:2 C)	PL:5	(NB:2 C)	PS_2:19	(DI RHD:2 D)
NS:3	(NX:2 C)	PL:6	(NA:3 C)	PS_2:20	(DI RHD:2 D)
NS:4	(MF:3 D)	PL:6	(NB:3 C)	PS_2:21	(DI RHD:2 D)
NS:5	(MF:3 D)	PL:7	(NC:1 C)	PT:1	(DP:0 B)
NS:5	(NU:3 B)	PL:7	(NU:1 C)	PT:2	(DP:1 B)
NS:6	(NU:3 B)	PL:8	(NA:4 C)	PT:3	(DP:1 B)
NS:6	(NX:2 A)	PL:8	(NB:4 C)	PT:4	(DP:1 B)
NS:7	(NX:3 C)	PL:9	(NC:1 C)	PT:6	(DP:0 B)
NS:8	(NU:4 B)	PL:9	(NU:1 C)	PT:7	(DP:0 B)
NS:8	(NX:3 C)	PL:10	(NC:2 C)	PT:8	(XC:2 D)
NS:9	(NU:1 B)	PL:10	(NU:2 C)	PT:9	(XC:1 D)
NS:10	(NU:1 B)	PL:11	(NA:0 C)	PT:12	(XC:2 D)
NS:10	(NX:0 D)	PL:11	(NB:0 C)	PT:13	(XC:2 D)
NS:11	(NX:2 C)	PL:12	(NA:1 C)	PW:1	(AB:4 C)
NS:13	(NX:1 C)	PL:12	(NB:0 C)	PW:1	(ZA RHD:3 C)
NS:14	(NX:1 C)	PL:13	(NC:2 C)	PW:2	(AB:3 C)
NS:15	(NU:1 B)	PL:13	(NU:1 C)	PW:3	(AE:0 C)
NS:15	(NX:2 A)	PL:14	(NC:2 C)	PW:4	(AE:1 C)
NS:16	(NX:3 A)	PL:14	(NU:1 C)	PW:5	(AE:1 D)
NS:17	(NU:1 B)	PL:15	(NC:2 C)	PW:6	(AE:1 D)
NS:17	(NX:3 A)	PL:15	(NU:2 C)	PW:7	(AE:2 D)
NS:18	(NU:3 B)	PL:16	(NC:2 C)	PW:8	(AE:2 D)
NS:187	(NX:4 C)	PL:16	(NU:2 C)	PW:9	(BI:2 D)
NS:19	(NU:4 B)	PL:17	(NC:2 C)	PW:10	(BI:2 C)
NS:19	(NU:3 A)	PL:17	(NU:2 C)	PW:11	(BI:2 C)
NS:20	(NU:4 B)	PL:18	(NA:2 C)	PW:12	(GB:0 D)
NS:20	(NX:2 C)	PL:18	(NB:3 C)	PW:13	(AB:2 B)
NS:21	(MF:3 D)	PL:19	(NC:3 C)	PW:14	(AE:2 D)
OBD:4	(XC:0 B)	PL:19	(NU:3 C)	PW:15	(CJ:3 B)
OBD:5	(XC:0 B)	PL:20	(NC:3 C)	PW:16	(CJ:3 B)
OBD:6	(XC:1 B)	PL:20	(NU:2 C)	PW:17	(CJ:2 C)
OBD:14	(XC:1 B)	PL:21	(NC:3 C)	PW:18	(AB:0 B)
OBD:16	(XC:0 B)	PL:21	(NU:3 C)	PW:19	(IQ:3 C)
OH:1	(GE:1 B)	POS_A:1	(GL:3 B)	PW:20	(IQ:3 D)
OH:2	(GE:2 B)	POS_B:1	(GL:3 B)	PW:21	(AB:0 B)
OH:3	(GE:1 B)	POS_C:1	(GL:4 B)	R23:1	(CV:1 D)
OH:4	(GE:2 B)	POS_D:1	(GL:4 B)	R23:2	(CV:2 D)
OH:9	(GE:1 B)	PS:1	(DI:0 C)	R23:3	(CV:1 D)
OH:13	(GE:1 B)	PS:2	(DI:0 C)	R23:4	(CV:2 D)
OH:14	(GE:2 B)	PS:3	(DI:0 C)	R23:5	(CV:1 D)
OH:17	(GE:1 B)	PS:4	(DI:0 C)	R23:6	(CV:3 D)
OH:18	(GE:3 B)	PS:5	(DI:0 C)	RA:1	(GC:2 E)
OH:24	(GE:1 D)	PS:6	(DI:0 C)	RA:2	(GC:1 B)
PAS:1	(FP:0 C)	PS:7	(DI:1 C)	RA:3	(GC:1 B)
PAS:6	(FP:0 D)	PS:8	(DI:1 C)	RA:4	(GC:1 B)
PAS:6	(ZA RHD:1 B)	PS:9	(DI:1 C)	RA:5	(GC:2 B)
PH_1:1	(HM:0 B)	PS:14	(DI:1 C)	RA:6	(GC:2 B)
PH_1:2	(HM:0 B)	PS:15	(DI:1 C)	RA:7	(GC:1 B)
PH_1:3	(HM:2 B)	PS:16	(DI:1 C)	RA:7	(GC RHD:1 C)
PH_1:4	(HM:1 B)	PS:17	(DI:1 C)	RA:8	(GC:1 B)

RA:9	(GC:2 B)	RP:7	(DI:2 C)	SS:4	(BE:2 E)
RA:10	(GC:2 B)	RP:8	(DI:2 B)	ST:1	(GG:4 B)
RA:10	(GC RHD:2 C)	RP:9	(DI:2 B)	ST:1	(GK:3 A)
RA:11	(GC:2 B)	RP_2:1	(DI RHD:2 D)	ST_2:1	(GH:3 B)
RA:12	(BI:2 C)	RP_2:2	(DI RHD:2 D)	ST_3:1	(CP:3 A)
RA:13	(BI:2 D)	RP_2:3	(DI RHD:2 D)	ST_3:1	(ZA RHD:4 C)
RA:14	(DU:3 C)	RP_2:4	(DI RHD:2 D)	SW:1	(EF:0 C)
RA:15	(HI:0 C)	RP_2:5	(DI RHD:3 D)	SW:2	(EF:0 C)
RA:15	(HM:0 D)	RP_2:6	(DI RHD:3 D)	SW:3	(EF:0 C)
RA:16	(HI:0 C)	RP_2:7	(DI RHD:3 D)	SW:4	(EF:1 C)
RA:16	(HM:0 D)	RP_2:8	(DI RHD:3 B)	SW:5	(EF:1 C)
RA:17	(DU:3 C)	RP_2:9	(DI RHD:3 B)	SW:6	(EF:1 C)
RA:19	(BY:2 D)	RT:1	(DM:3 C)	SW:7	(EF:1 C)
RC:1	(BY:3 D)	RT:2	(DM:2 C)	SW:8	(EF:1 C)
RC:2	(GG:0 B)	RT:3	(DM:2 C)	SW:9	(EF:2 C)
RC:2	(GK:0 A)	RT:4	(DM:2 C)	SW:10	(EF:2 C)
RC:3	(GG:0 B)	RT:5	(DM:2 C)	SW:11	(EF:2 C)
RC:3	(GK:1 A)	RT:6	(DM:3 C)	SW:12	(EF:2 C)
RC:4	(GG:0 B)	RT:7	(DM:3 C)	SW:13	(EF:0 C)
RC:4	(GK:1 A)	SCR:1	(CV:2 B)	SW:14	(EF:0 C)
RC:5	(GG:0 B)	SCR:3	(CV:1 B)	SW:15	(EF:1 C)
RC:5	(GK:1 A)	SCR:5	(CV:1 B)	SW:16	(EF:1 C)
RC:6	(GG:0 B)	SCR:6	(CV:2 B)	SW:17	(EF:1 C)
RC:6	(GK:1 A)	SCR:7	(CV:2 B)	SW:18	(EF:1 C)
RC:7	(GG:1 B)	SCR:8	(XC:3 D)	SW:19	(EF:2 C)
RC:8	(BY:3 D)	SCR:9	(XC:3 D)	SW:20	(EF:2 C)
RC:9	(GG:1 B)	SCR_2:8	(XC:4 D)	SW:21	(EF:2 C)
RC:10	(GG:1 B)	SCR_2:9	(XC:4 D)	SW_1:1	(EE:0 C)
RC:10	(GK:1 A)	SI:1	(GG:3 B)	SW_1:2	(EE:0 C)
RC:11	(GG:1 B)	SI:1	(GK:3 A)	SW_1:3	(EE:0 D)
RC:12	(GG:1 B)	SI:2	(GG:3 B)	SW_1:4	(EE:1 C)
RC:14	(GG:1 B)	SI:2	(GK:3 A)	SW_1:5	(EE:1 C)
RC:15	(GC:0 B)	SI:4	(GG:3 B)	SW_1:6	(EE:1 D)
RC:16	(GC:2 B)	SI:4	(GK:4 A)	SW_1:7	(EE:2 C)
RC:17	(GG:0 B)	SI:5	(GG:3 B)	SW_1:8	(EE:2 C)
RC:18	(GG:0 B)	SI:5	(GK:4 A)	SW_1:9	(EE:2 D)
RC:19	(GK:1 A)	SI_2:1	(GH:3 B)	SW_1:10	(EE:3 C)
RC:19	(KE:0 C)	SI_2:2	(GH:3 B)	SW_1:11	(EE:3 C)
RC:20	(GK:1 A)	SI_2:4	(GH:3 B)	SW_1:12	(EE:3 D)
RC:20	(KE:0 D)	SI_2:5	(GH:3 B)	SW_1:13	(EE:0 C)
RC:21	(CP:3 A)	SI_3:1	(CP:3 A)	SW_1:14	(EE:0 C)
RC:21	(GK:1 A)	SI_3:1	(ZA RHD:3 C)	SW_1:15	(EE:1 C)
RC_2:2	(GH:1 B)	SI_3:2	(CP:3 A)	SW_1:16	(EE:1 C)
RC_2:3	(GH:1 B)	SI_3:2	(ZA RHD:3 C)	SW_1:17	(EE:2 C)
RC_2:4	(GH:1 B)	SI_3:4	(ZA RHD:3 C)	SW_1:18	(EE:2 C)
RC_2:5	(GH:1 B)	SI_3:5	(ZA RHD:3 C)	SW_1:19	(EE:3 C)
RC_2:6	(GH:1 B)	SLF:1	(NI:0 D)	SW_1:20	(EE:3 C)
RC_2:7	(GH:1 B)	SLF:2	(NI:0 E)	SW_2:1	(EO:3 D)
RC_2:9	(GH:1 B)	SLR:1	(NI:1 C)	SW_2:10	(EO:3 D)
RC_2:10	(GH:1 B)	SLR:2	(NI:1 C)	SW_2:11	(EO:4 D)
RC_2:11	(GH:1 B)	SLR_2:1	(NI:1 C)	SW_2:12	(EO:4 D)
RC_2:12	(GH:1 B)	SLR_2:2	(NI:1 C)	SW_2:13	(EO:3 D)
RC_2:14	(GH:0 B)	SM_F:1	(GC:3 C)	SW_2:14	(EO:3 D)
RC_2:17	(GH:0 B)	SM_F:2	(GC:0 C)	SW_2:15	(EO:4 D)
RC_2:18	(GH:0 B)	SM_F:4	(GC:3 D)	SW_2:2	(EO:3 D)
RC_2:19	(GH:0 B)	SM_O:1	(GE:2 B)	SW_2:3	(EO:1 D)
RC_2:20	(GH:0 B)	SM_O:2	(GE:1 B)	SW_2:4	(EO:1 D)
REF:1	(IQ:3 C)	SM_O:4	(GE:1 B)	SW_2:5	(EO:2 D)
REF:2	(IQ:3 D)	SM_R:1	(GC:3 C)	SW_2:6	(EO:2 D)
REV:1	(NU:2 C)	SM_R:2	(GC:0 C)	SW_2:7	(EO:2 D)
RF:1	(IQ:3 C)	SM_R:4	(GC:3 D)	SW_2:8	(EO:2 D)
RF:4	(IQ:3 D)	SP:1	(BM:2 C)	SW_2:9	(EO:3 D)
RP:1	(DI:2 C)	SP:2	(BM:2 C)	SW_3:1	(EE RHD:0 D)
RP:2	(DI:2 C)	SP:3	(BM:2 C)	SW_3:2	(EE RHD:0 D)
RP:3	(DI:2 C)	SP:4	(BM:2 C)	SW_3:3	(EE RHD:3 D)
RP:4	(DI:2 C)	SS:1	(BE:3 C)	SW_3:4	(EE RHD:1 D)
RP:5	(DI:2 C)	SS:2	(BE:3 C)	SW_3:5	(EE RHD:1 D)
RP:6	(DI:2 C)	SS:3	(BE:2 E)	SW_3:6	(EE RHD:3 D)

SW_3:7	(EE RHD:2 D)	SX_2:7	(GR:3 B)	TC:6	(BZ:1 B)
SW_3:8	(EE RHD:2 D)	SX_2:8	(GR:3 B)	TC:7	(BZ:1 B)
SW_3:9	(EE RHD:4 D)	SX_2:10	(GR:0 B)	TCO:1	(BZ:0 B)
SW_3:10	(EE RHD:3 D)	SX_2:11	(GR:0 B)	TCO:2	(BZ:0 B)
SW_3:11	(EE RHD:3 D)	SX_2:12	(GR:0 B)	TD:1	(IE:0 C)
SW_3:12	(EE RHD:4 D)	SX_2:15	(GR:2 B)	TD:2	(IE:0 D)
SW_3:13	(EE RHD:0 D)	SX_2:18	(GR:1 B)	TD:3	(IE:0 C)
SW_3:14	(EE RHD:0 D)	SX_2:20	(GR:0 B)	TD:4	(IE:1 C)
SW_3:15	(EE RHD:1 D)	SX_2:21	(GR:0 B)	TD:5	(IE:1 C)
SW_3:16	(EE RHD:1 D)	SX_2:24	(GR:1 B)	TD:6	(BI:3 C)
SW_3:17	(EE RHD:2 D)	SX_2:25	(GR:1 B)	TD:7	(BI:3 C)
SW_3:18	(EE RHD:2 D)	SX_2:29	(GR:1 B)	TD:8	(GM:3 D)
SW_3:19	(EE RHD:3 D)	SX_2:30	(GR:3 B)	TD:9	(GM:3 C)
SW_3:20	(EE RHD:3 D)	SX_2:31	(GR:2 B)	TD:10	(GM:3 C)
SW_4:1	(EO RHD:3 C)	SY:1	(EF:3 C)	TD:11	(GM:2 C)
SW_4:2	(EO RHD:3 C)	SY:2	(EF:3 C)	TD:12	(GM:2 C)
SW_4:3	(EO RHD:1 C)	SY:3	(EF:2 C)	TD:13	(BI:3 D)
SW_4:4	(EO RHD:1 C)	SY:4	(EF:2 C)	TD:15	(IE:1 C)
SW_4:5	(EO RHD:2 C)	SY:5	(EF:3 C)	TD:16	(IE:1 D)
SW_4:6	(EO RHD:2 C)	SY:6	(EF:3 C)	TD:17	(IE:1 C)
SW_4:7	(EO RHD:2 C)	SY:7	(EF:3 C)	TD:18	(IE:2 C)
SW_4:8	(EO RHD:2 C)	SY:8	(EF:3 C)	TD:19	(IE:2 C)
SW_4:9	(EO RHD:3 C)	SY:9	(EF:3 C)	TD:20	(BI:3 C)
SW_4:10	(EO RHD:3 C)	TA:1	(GA:2 D)	TD:21	(BI:3 C)
SW_4:11	(EO RHD:4 C)	TA:2	(GA:2 C)	TDET:1	(GB:1 D)
SW_4:12	(EO RHD:4 C)	TA:3	(GA:2 C)	TDI:1	(GB:1 C)
SW_4:13	(EO RHD:3 C)	TA:4	(KA:0 C)	TM:1	(OA:2 D)
SW_4:14	(EO RHD:3 C)	TA:5	(NK:3 C)	TM:2	(OA:2 D)
SW_4:15	(EO RHD:4 C)	TA:6	(GA:2 C)	TM:3	(OA:2 B)
SX:1	(GG:1 C)	TA:7	(GA:2 C)	TM:4	(OA:2 B)
SX:1	(GK:2 C)	TA:8	(GA:1 C)	TM:5	(OA:1 D)
SX:2	(GG:1 C)	TA:9	(GA:3 C)	TMA:1	(OA:2 C)
SX:3	(GG:3 C)	TA:10	(GQ:1 C)	TMA:3	(OA:1 C)
SX:3	(GK:3 C)	TA:11	(GQ:1 B)	TMA:5	(OA:2 B)
SX:4	(GG:0 C)	TA:12	(GA:2 D)	TMA:6	(OA:2 C)
SX:4	(GK:2 C)	TA:13	(GU:0 C)	TMA:7	(OA:2 B)
SX:5	(GG:1 C)	TA:14	(GU:0 C)	TS:1	(FG:0 A)
SX:6	(GG:0 C)	TA:15	(GU:0 C)	TS:2	(FG:0 A)
SX:6	(GK:2 C)	TA:16	(GQ:1 C)	TS:3	(FG:0 A)
SX:7	(GG:3 C)	TA:17	(NK:3 C)	TS:4	(FG:1 A)
SX:7	(GK:3 C)	TB:1	(GA:3 D)	TS:5	(FG:1 A)
SX:8	(GG:3 C)	TB:2	(GA:3 C)	TS:6	(FG:1 A)
SX:8	(GK:3 C)	TB:3	(GA:3 C)	TU:1	(CV:2 D)
SX:10	(GG:0 C)	TB:4	(KA:0 C)	TU:2	(CV:2 D)
SX:10	(GK:2 C)	TB:5	(NK:3 C)	TU:3	(CV:2 D)
SX:11	(GG:0 C)	TB:6	(GA:2 C)	TU:4	(CV:2 D)
SX:11	(GK:2 C)	TB:7	(GA:3 C)	X02:1	(GG:4 E)
SX:12	(GG:0 C)	TB:8	(GA:4 C)	X02:1	(GK:3 E)
SX:12	(GK:2 C)	TB:9	(GA:3 C)	X02:2	(GG:3 E)
SX:15	(GG:3 C)	TB:10	(GM:0 C)	X02:2	(GK:3 E)
SX:15	(GK:3 C)	TB:11	(GM:0 C)	X02:3	(GG:3 E)
SX:18	(GG:1 C)	TB:12	(GA:3 D)	X02:3	(GK:3 E)
SX:20	(GG:0 C)	TB:13	(GU:1 C)	X02:4	(GG:3 E)
SX:21	(GG:0 C)	TB:14	(GU:1 C)	X02:4	(GK:3 E)
SX:24	(GG:1 C)	TB:15	(GU:1 C)	X02:5	(GG:3 E)
SX:24	(GK:3 C)	TB:16	(GM:1 C)	X02:5	(GK:3 E)
SX:25	(GG:1 C)	TB:17	(NK:4 C)	X02:6	(GG:3 E)
SX:29	(GG:1 C)	TB:18	(BI:2 D)	X02:6	(GK:3 E)
SX:30	(GG:4 C)	TB:19	(GQ:2 B)	X02:7	(GG:3 E)
SX:30	(GK:3 C)	TB:20	(GQ:0 C)	X02:7	(GK:3 E)
SX:31	(GG:2 C)	TB:21	(BI:2 D)	X02_2:1	(GH:3 D)
SX:31	(GK:2 C)	TB_2:18	(BI:0 E)	X02_2:2	(GH:3 D)
SX_2:1	(GR:1 B)	TB_2:21	(BI:0 D)	X02_2:3	(GH:3 D)
SX_2:2	(GR:1 B)	TC:1	(BZ:2 B)	X02_2:4	(GH:3 D)
SX_2:3	(GR:2 B)	TC:2	(BZ:2 B)	X02_2:5	(GH:3 D)
SX_2:4	(GR:0 B)	TC:3	(BZ:2 B)	X02_2:6	(GH:3 D)
SX_2:5	(GR:1 B)	TC:4	(BZ:1 B)	X02_2:7	(GH:3 D)
SX_2:6	(GR:0 B)	TC:5	(BZ:1 B)	X02_3:1	(GR:3 E)

X02_3:2	(GR:2 E)	X04_2:6	(GH:3 D)	X63:4	(GR:0 E)
X02_3:3	(GR:2 E)	X04_2:7	(GH:3 D)	X63:5	(GR:0 E)
X02_3:4	(GR:2 E)	X05:1	(GG:3 E)	X63:6	(GR:0 E)
X02_3:5	(GR:2 E)	X05:2	(GG:2 E)	X63:7A	(GR:0 E)
X02_3:6	(GR:3 E)	X05:3	(GG:2 E)	X63:7B	(GR:1 E)
X02_3:7	(GR:3 E)	X05:4	(GG:2 E)	X63:8A	(GR:0 E)
X03:1	(GG:0 E)	X05:5	(GG:3 E)	X63:8B	(GR:0 E)
X03:2	(GG:0 E)	X05:7	(GG:3 E)	X63:9	(GR:1 E)
X03:3	(GG:1 E)	X06:1	(NC:3 D)	X63:10	(GR:1 E)
X03:4	(GG:1 E)	X06:2	(NA:1 D)	X63:11	(GR:1 E)
X03:5	(GG:0 E)	X06:2	(NB:1 D)	X63:12	(GR:1 E)
X03:6	(GG:0 E)	X06:3	(NA:1 D)	XA:1	(GB:0 B)
X03:7	(GG:0 E)	X06:3	(NB:2 D)	XA:1	(GC RHD:3 B)
X03:8	(GG:1 E)	X06:4	(NA:1 D)	XA:2	(GB:1 B)
X03:9	(GG:1 E)	X06:4	(NB:1 D)	XA:3	(GB:1 B)
X03:10	(GG:1 E)	X06:5	(NA:2 D)	XA:4	(GB:1 B)
X03:11	(GG:1 E)	X06:5	(NB:2 D)	XA:5	(GB:1 B)
X03:12	(GG:1 E)	X06:6	(NA:3 D)	XA:6	(GB:1 B)
X03:13	(GG:1 E)	X06:6	(NB:3 D)	XA:7	(GB:2 B)
X03:14	(GG:0 E)	X06:7	(NC:1 D)	XA:8	(GB:2 B)
X03:15	(GG:0 E)	X06:7	(NU:1 D)	XA:9	(GB:2 B)
X03:2	(GG:0 E)	X06:8	(NB:4 C)	XA:10	(GB:0 B)
X03:3	(GG:1 E)	X06:8	(NC:4 C)	XA:11	(GB:1 B)
X03:4	(GG:1 E)	X06:9	(NC:1 D)	XA:12	(GB:1 B)
X03:5	(GG:0 E)	X06:9	(NU:1 D)	XA:13	(GB:1 B)
X03:6	(GG:0 E)	X06:10	(NC:2 D)	XA:14	(GB:1 B)
X03:7	(GG:0 E)	X06:10	(NU:2 D)	XA:15	(GB:1 B)
X03:8	(GG:1 E)	X06:11	(NA:0 D)	XA:16	(GB:2 B)
X03:9	(GG:1 E)	X06:11	(NB:0 D)	XA:16	(GC RHD:3 B)
X03:10	(GG:1 E)	X06:12	(NA:1 D)	XA:17	(GB:2 B)
X03:11	(GG:1 E)	X06:12	(NB:0 D)	XA:18	(GB:2 B)
X03:12	(GG:1 E)	X06:13	(NC:2 D)	XB:1	(AA:4 D)
X03:13	(GG:1 E)	X06:13	(NU:1 D)	XC:1	(BM:1 C)
X03:15	(GG:0 E)	X06:14	(NC:2 D)	XC:2	(CK:1 B)
X03_2:1	(GH:1 D)	X06:14	(NU:1 D)	XC:2	(CL:1 B)
X03_2:2	(GH:1 D)	X06:15	(NC:2 D)	XC:3	(IH:2 C)
X03_2:3	(GH:0 D)	X06:15	(NU:2 D)	XC:4	(HP:0 E)
X03_2:4	(GH:1 D)	X06:16	(NC:2 D)	XC:5	(HG:0 D)
X03_2:5	(GH:1 D)	X06:16	(NU:2 D)	XC:5	(HY:2 D)
X03_2:6	(GH:1 D)	X06:17	(NC:2 D)	XC:5	(HY RHD:2 D)
X03_2:7	(GH:1 D)	X06:17	(NU:2 D)	XC:6	(IK:0 D)
X03_2:8	(GH:1 D)	X06:18	(NA:2 D)	XC:7	(BM:1 C)
X03_2:9	(GH:1 D)	X06:18	(NB:3 D)	XC:8	(AE:2 C)
X03_2:10	(GH:1 D)	X06:19	(NA:3 D)	XC:8	(NK:1 D)
X03_2:11	(GH:1 D)	X06:19	(NB:3 D)	XC:9	(DM:0 E)
X03_2:12	(GH:1 D)	X06:20	(NC:3 D)	XC:10	(HP:1 E)
X03_2:13	(GH:1 D)	X06:20	(NU:2 D)	XC:12	(KI:1 C)
X03_2:14	(GH:0 D)	X06:21	(NC:3 D)	XD:1	(BU:1 C)
X03_2:15	(GH:0 D)	X06:21	(NU:3 D)	XD:1	(BU_1:2 C)
X04:1	(GG:2 E)	X06:22	(NC:3 D)	XD:1	(BU_2:2 C)
X04:1	(GK:2 E)	X06:22	(NU:3 D)	XD:1	(BX:1 D)
X04:2	(GG:1 E)	X06:24	(NA:3 D)	XD:1	(BY:1 D)
X04:2	(GK:2 E)	X06:24	(NB:3 D)	XD:2	(CU:1 C)
X04:3	(GG:2 E)	X06:30	(NA:3 D)	XD:2	(IJ:3 B)
X04:3	(GK:2 E)	X06:30	(NB:3 D)	XD:3	(AB:1 D)
X04:4	(GG:2 E)	X06:31	(NA:4 D)	XD:3	(CP:2 D)
X04:4	(GK:2 E)	X06:31	(NB:4 D)	XD:4	(EE:4 D)
X04:5	(GG:2 E)	X46:2	(BY:3 E)	XD:4	(EF:4 D)
X04:5	(GK:2 E)	X46:3	(BY:2 E)	XD:4	(EO:0 D)
X04:6	(GG:2 E)	X46:4	(BY:2 E)	XD:5	(DU:2 E)
X04:6	(GK:2 E)	X46:5	(BY:3 E)	XD:5	(EO:0 D)
X04:6	(GG:2 E)	X46:6	(BY:3 E)	XD:6	(FA:3 D)
X04:7	(GK:2 E)	X62:1	(NB:1 D)	XD:6	(FI:0 C)
X04_2:1	(GH:2 D)	X62:5	(NB:2 D)	XD:6	(FK:1 D)
X04_2:2	(GH:2 D)	X62:6	(NB:2 D)	XD:7	(GU:2 D)
X04_2:3	(GH:2 D)	X63:1	(GR:1 E)	XD:8	(IX:2 D)
X04_2:4	(GH:2 D)	X63:2	(GR:0 E)	XD:9	(BI:1 E)
X04_2:5	(GH:2 D)	X63:3	(GR:0 E)	XD:10	(IS:1 D)

XD:10	(OA:1 D)	XJ:15	(BA:0 B)	XL:12	(BA:1 B)
XD:11	(AA:2 C)	XJ:16	(IH:2 B)	XL:13	(DQ:0 B)
XD:12	(NC:0 C)	XJ:17	(IH:1 B)	XL:14	(DU:1 B)
XD:12	(NU:2 D)	XJ:18	(IH:2 B)	XL:15	(BA:1 D)
XD:12	(NX:0 B)	XK:1	(BA:0 B)	XL:16	(BA:1 D)
XE:1	(AA:3 D)	XK:2	(CV:0 A)	XL:17	(BA:1 D)
XE:1	(AC:2 D)	XK:3	(GM:3 B)	XL:18	(BA:1 D)
XF:1	(FA:4 B)	XK:4	(BA:0 B)	XM:1	(AA:2 B)
XF:1	(FA RHD:3 B)	XK:5	(CV:1 A)	XM:1	(CJ:3 B)
XF:2	(FQ:1 B)	XK:6	(GM:1 D)	XM:2	(AA:2 B)
XF:3	(ME:3 B)	XK:7	(BA:0 A)	XM:2	(CJ:3 B)
XF:4	(KE:0 C)	XK:8	(BA:0 B)	XM:3	(AA:2 B)
XF:5	(FQ:0 B)	XK:9	(DM:1 B)	XM:3	(CJ:4 B)
XF:6	(FQ:1 B)	XK:10	(HY:0 B)	XM:4	(AA:2 A)
XF:7	(KE:0 C)	XK:11	(DM:0 B)	XM:5	(AA:3 A)
XF:8	(KE:0 C)	XK:12	(DC:1 B)	XM:5	(CJ:4 B)
XF:9	(AA:3 C)	XK:12	(DM:1 B)	XM:6	(AC:3 D)
XF:10	(FA:4 B)	XK:13	(HY:0 B)	XM:7	(AC:3 D)
XF:12	(KE:0 B)	XK:14	(IQ:1 B)	XM:8	(AC:3 D)
XF:13	(BA:0 B)	XK:15	(IQ:2 B)	XM:9	(AC:3 D)
XF:15	(FA:4 B)	XK:16	(HY:1 B)	XM:10	(AC:3 D)
XF:15	(FA RHD:3 B)	XK:16	(HY RHD:0 B)	XM:11	(AC:2 C)
XF:18	(GB:3 C)	XK:17	(CJ:0 B)	XM:12	(BI:3 B)
XG:1	(AC:0 A)	XK:18	(CJ:0 B)	XM:13	(AC:2 B)
XH:1	(AC:2 A)	XL:1	(BA:1 B)	XM:14	(AC:2 C)
XJ:1	(GM:2 C)	XL:2	(IH:4 B)	XM:15	(BI:3 B)
XJ:2	(GM:1 D)	XL:3	(BA:1 B)	XM:16	(AC:2 B)
XJ:3	(HG:0 B)	XL:4	(OA:2 B)	XM:17	(AC:2 B)
XJ:4	(GQ:1 A)	XL:5	(BA:1 B)	XM:18	(BI:3 B)
XJ:6	(HG:0 B)	XL:6	(BA:1 B)	XO:1	(AC:0 A)
XJ:7	(GQ:2 A)	XL:7	(DM:0 B)	XS:1	(AC:2 A)
XJ:10	(GA:0 B)	XL:8	(BI:0 B)	XT:1	(AC:1 A)
XJ:11	(IM:0 B)	XL:9	(BI:0 B)	Y18GH:1	(DP:2 B)
XJ:12	(BA:1 B)	XL:9	(OA:2 B)	Y18GH:2	(DP:2 B)
XJ:13	(GA:0 B)	XL:10	(DM:0 B)	Y18GH:4	(DP:2 A)
XJ:14	(IH:1 B)	XL:11	(BI:0 B)		

List of components

A01	Fuse and Relay Centre (1000)	A60	Control unit, LDWS (Lane Departure Warning System) (BE:0 E) (1006A)
A02L	Fuse holder, 6–fuses (GB:0 D) (1000)	A62	Control unit, ADS (AdBlue Dosing System) (CV:1 C) (1510)
A02P	Fuse holder, 6–fuses (ME:2 C/MF:1 B) (1000)	A75	Yawrate sensor and power supply unit, ACC (BE:2 C) (1007C)
A02X	Fuse holder, 6–fuses (ME:3 C/MF:3 B) (1000)	A77	Control unit, Tyre pressure monitoring (OA:1 B) (1508)
A03	Instrument cluster (BI:0 B/CP:2 D/ZA RHD:2 B) (1000)	A80	Airdryer, electrical controlled (FQ:1 C) (1056)
A04A	Refrigerator (IQ:3 C) (1007B)	A94	Control unit, FMS Gateway (Fleet Management System) (BX:0 B) (1000)
A04B	Refrigerator (IQ:3 C) (1460)	A96	Control unit, Roof cooler (HZ:1 B) (1018)
A05	Display, FMS (Fleet Management System) (BU:3 D/IZ:0 D) (1000)	A102	Control unit, Volvo Link (VERS-SAM) (BY:1 C) (1000)
A06L	El. adjustable seat (IA:2 B) (1007A)	A106	Fuse holder, 3–fuses, not mainswitch dependent (AB:3 B) (1000)
A06R	El. adjustable seat (IA:0 B) (1007B)	A109	Control unit, GSECU (Gearshift ECU) (DC:1 C) (1000)
A07	Radio (IU:0 B/IU RHD:0 C) (1000)	A116	Control unit, amplifier (IV:1 B) (1007B)
A09	Telephone (IX:0 C) (1000)	A122	Control unit, toll collect OBU (BZ:0 C/BZ RHD:0 C) (1006A)
A10	CD player (IU:3 B)	A123	Control unit toll collect DSRC (BZ:1 B/BZ RHD:1 B) (1000)
A11	Control unit, door lock (IM:1 B) (1000)	A124	Component group engine (K65 power relay, starter motor pre-relay M04 starter motor) (CO:2 A)
A12	Control unit, ABS (Anti-lock Brake System) (EE:0 B/EE RHD:0 B/EF:0 C) (1007C)	A125	Control unit, TGW (Telematics Gateway) (BU:0 C) (1000)
A13B	Control unit, TECU (automatic transmission) (DI:0 B) (DI (1007C)	A126	Control unit, TTU (Telematics Terminal Unit) (BU:2 C) (1000)
A13C	Control unit, TECU (automatic transmission) (DM:0 C) (1007C)	A132	Control unit, alcolock (IK:0 B) (1000)
A13E	Control unit, TECU (automatic transmission) (DP:0 C)	A133	Handset, alcolock (IK:3 C) (1000)
A14	Control unit, EMS (Engine Management System) (CO:2 C) (1030)	B02A	Thermostat, parking heater (HI:1 B) (1006A/1006E)
A15	Control unit, SRS (Supplementary Restrain System) (IS:0 B) (1000)	B02B	Thermostat, parking heater (HI:0 B) (1006A/1006E)
A16	Control unit, ECS (Electronic Controlled air Suspension) (FA:0 C/FA RHD:0 C/FG:0 D/FG:2 D/) (1007C)	B03_A	Sensor, footbrake valve (EO:0 D) (1504)
A17	Control unit, VECU (Vehicle ECU) (BA:0 C) (1000)	B04	Sensor, engine speed, crankshaft (CO:0 D) (1030)
A18	Control unit, roof hatch (IQ:0 C) (1006E)	B05	Sensor, engine speed, camshaft (CO:0 D) (1030)
A20	Control unit, Immobiliser (IM:3 C) (1000)	B06	Sensor, air pressure, air tank (BA:2 D) (1000)
A21	Control unit, EBS (Electronic Brake System) (EO:0 C) (EO RHD:0 B) (1007C)	B07	Sensor, fuel level (BI:2 C) (1040)
A24	Control unit, information module trailer without ABS (CP:3 C)	B09B	Sensor, oil temperature, gearbox (BI:2 C) (1494)
A26	Control unit, DACU (Driver Assistance Control Unit) (BE:1 B) (1007C)	B10	Sensor, oil level (CO:0 B) (1030)
A27	Control unit, LCM (Light Control Module) (GA:0 B/GB:0 C/GC:0 A/GC RHD:0 A) (1000)	B10C	Sensor, oil level (FO:0 C) (1493)
A28B	Control unit, ADR main switch, integrated power relay (AE:0 C) (1435B)	B12	Sensor, tachograph/speedometer (BM:2 D) (1494)
A29	Telephone handset, secrecy receiver (IX:1 B) (1000)	B12B	Sensor, tachograph/speedometer (BM:1 D) (1494)
A31	Control unit, burglar alarm (NK:0 C) (1000)	B13	Sensor, wheel speed, lhs. 1:st front axle (EF:0 D) (1086)
A32	Control unit, parking heater (HM:0 C) (1062)	B13A	Sensor, wheel speed, lhs. 1:st front axle (EE:0 D) (1086)
A33	Tachograph (BM:1 B) (1000)	B13B	Sensor, wheel speed, lhs. 1:st front axle (EP:1 B/EP:3 B) (1086)
A33B	Tachograph (BN:1 B) (1006)	B14	Sensor, wheel speed, rhs. 1:st front axle (EF:0 D) (1086)
A34B	Control unit, climate unit (HG:0 B) (1000)	B14A	Sensor, wheel speed, rhs. 1:st front axle (EE:1 D) (1086)
A36	Control unit, BBM (Body Builder Module) (NC:1 B/NU:1 B/NX:1 B) (1000)	B14B	Sensor, wheel speed, rhs. 1:st front axle (EP:2 B/EP:3 B) (1086)
A39	Control unit, camera (IZ:0 C) (1000)	B15	Sensor, wheel speed, lhs. 1:st driven rear axle (EF:1 D) (1086)
A41	Component group transmission. Contains B23, B138 and Y17 (DM:2 B/DP:0 D) (1403)	B15A	Sensor, wheel speed, lhs. 1:st driven rear axle (EE:2 D) (1086)
A42B	Component group transmission. Contains B26, Y21, Y22, Y23 and Y26 (DP:2 D) (1494/1499)	B15B	Sensor, wheel speed, lhs. 1:st driven rear axle (EP:1 D/EP:2 D) (1086)
A43	Electric fan control (B32 fan speed sensor, Y35 visco clutch) (CO:1 D) (1030)	B16	Sensor, wheel speed, rhs. 1:st driven rear axle (EF:2 D) (1086)
A44	Fuel filter bracket (B51 fuel pressure sensor, M15 priming pump) (CO:2 D) (CO:2 C) (1030)	B16A	Sensor, wheel speed, rhs. 1:st driven rear axle (EE:3 D) (1086)
A45	Fuel pre filter (B52 water level sensor, R10 heater, Y38 water drain solenoid (CO:3 B) (1030)		
A59	Control unit, RAS (Rear Axle Steering) (FO:1 B) (1493)		

B16B	Sensor, wheel speed, rhs. 1:st driven rear axle (EP:1 D/EP:2 D) (1086)	B58	Sensor, air pressure, suspension bellows, rhs. rear (FA:1 D) (1072)
B17	Sensor, wheel speed, lhs. 2:nd driven rear axle (EF:2 D/EP:1 D) (1086)	B59	Sensor, indoor temperature (HG:1 B) (1000)
B18	Sensor, wheel speed, rhs. 2:nd driven rear axle (EF:3 D/EP:1 D) (1086)	B60DD	Loudspeaker (IU RHD:1 D/IV:1 D) (1083)
B19	Sensor, wheel speed, lhs. 2:nd front axle (EP:1 B) (1086)	B60DP	Loudspeaker (IU RHD:1 D/IV:1E) (1083)
B20	Sensor, wheel speed, rhs. 2:nd front axle (EP:2 B) (1086)	B60LF	Loudspeaker (IU RHD:O D) (1000)
B21	Sensor, coolant temperature, engine (CO:1 D) (1030)	B60RF	Loudspeaker (IU RHD:1 D) (1000)
B22	Sensor, outdoor temperature (BI:2 C) (1503)	B60DD	Loudspeaker (IU:1 D) (1083)
B23A	Sensor, oil temperature, retarder (DE:1 D)	B60DP	Loudspeaker (IU:1 D) (1083)
B23B	Sensor, oil temperature, retarder (DI:0 D) (1494)	B60LF	Loudspeaker (IU:0 D/IV:2 E) (1000)
B24	Sensor, air pressure, bogie lift bellow (FA:0 D) (1072)	B60LR	Loudspeaker (IU:2 D/IV:1 D) (1006D/1006E)
B25	Sensor, accelerator pedal (BA:4 D) (1000)	B60RF	Loudspeaker (IU:1 D/IV:2 E) (1000)
B26A	Sensor, clutch position (DE:2 D)	B60RR	Loudspeaker (IU:2 D/IV:2 E) (1006D/1006E)
B27	Sensor, battery charging (BI:2 C) (1435A/1435B)	B61L	Loudspeaker, treble (IU RHD:0 D/IV:2 D) (1000)
B28	Sensor, chassis level, front axle (FA:1 D) (1072)	B61R	Loudspeaker, treble (IU RHD:1 D/IV:3 D) (1000)
B29B	Sensor, chassis level, lhs. rear axle (FA:1 D) (1072)	B61L	Loudspeaker, treble (IU:0 D) (1000)
B30	Sensor, chassis level, rhs. rear axle (FA:2 D) (1072)	B61_R	Loudspeaker, treble (IU:1 D) (1000)
B37	Sensor, boost pressure and boost temperature (CO:0 D) (1030)	B66	Sensor, temperature EGR (CO:0 D) (1030)
B37A	Sensor, boost temperature (CO:2 B) (1030)	B67	Rear view camera (IZ:2 D) (1000)
B37B	Sensor, boost pressure (EGR Mixer position) (CO:1 B) (1030)	B68	Sensor, output shaft speed, gearbox (DI:2 D) (1494)
B38	Sensor, oil pressure and oil temperature (CO:1 D) (1030)	B69B	Sensor, coolant temperature, retarder (DM:3 B) (1403)
B39	Sensor, air filter pressure and air filter temperature (CO:1 B) (1030)	B69C	Sensor, coolant temperature, retarder (DP:0 D) (1403)
B40A	Sensor, brake lining wear indicator, lhs. 1:st front axle (EP:2 B) (1086)	B70	Sensor, wheel speed, lhs., pusher axle (EP:3 D) (1086)
B40B	Sensor, brake lining wear indicator, lhs. 1:st front axle (EP:0 B) (1086)	B71	Sensor, wheel speed, rhs., pusher axle (EP:3 D) (1086)
B41A	Sensor, brake lining wear indicator, rhs. 1:st front axle (EP:3 B) (1086)	B72	Sensor, wheel speed, lhs., tag axle (EP:4 D) (1086)
B41B	Sensor, brake lining wear indicator, rhs. 1:st front axle (EP:1 B) (1086)	B73	Sensor, wheel speed, rhs., tag axle (EP:4 D) (1086)
B42A	Sensor, brake lining wear indicator, lhs. 1:st driven rear axle (EP:1 D) (1086)	B74B	Sensor, brake lining wear indicator, lhs., pusher axle (EP:2 D) (1086)
B42B	Sensor, brake lining wear indicator, lhs. 1:st driven rear axle (EP:0 D) (1086)	B75B	Sensor, brake lining wear indicator, rhs., pusher axle (EP:3 D) (1086)
B43A	Sensor, brake lining wear indicator, rhs. 1:st driven rear axle (EP:2 D) (1086)	B76B	Sensor, brake lining wear indicator, lhs., tag axle (EP:3 D) (1086)
B43B	Sensor, brake lining wear indicator, rhs. 1:st driven rear axle (EP:2 D) (1086)	B77B	Sensor, brake lining wear indicator, rhs., tag axle (EP:3 D) (1086)
B44B	Sensor, brake lining wear indicator, lhs. 2:nd driven rear axle (EP:0 D) (1086)	B80	Handsfree, Loudspeaker, Microphone (IX:0 B) (1007A/1007B)
B45B	Sensor, brake lining wear indicator, rhs. 2:nd driven rear axle (EP:0 D) (1086)	B85B	Sensor, temp, downstream particle filter (CH:2 B) (1476)
B46B	Sensor, brake lining wear indicator, lhs. 2:nd front axle (EP:0 B) (1086)	B87	Sensor, turbo speed (CO:1 D) (1030)
B47B	Sensor, brake lining wear indicator, rhs. 2:nd front axle (EP:2 B) (1086)	B90	Transmitter, movement sensor (NK:2 D) (1006B/1006E)
B49	Sensor, steering angle (EO:3 A) (1000)	B91	Receiver, movement sensor (NK:3 D) (1006B/1006E)
B49F	Sensor, steering angle (FO:1 D) (1493)	B96	Sensor, NOx (CAN based) (CV:1 B) (1510)
B49R	Sensor, steering angle (FO:2 D) (1493)	B97	Sensor, exhaust temp (before catalyst) (CV:3 D) (1510)
B50	Sensor, yaw-rate (EO:4 B) (1507)	B97B	Sensor, exhaust temp (before catalyst) (CH:2 B) (1476)
B51	Sensor, fuel pressure (CO:2 D) (1030)	B98	Sensor, exhaust temp (after catalyst) (CV:3 D) (1510)
B54	Sensor, crank case pressure (CO:0 B) (1030)	B98B	Sensor, exhaust temp (after catalyst) (CH:2 B) (1476)
B55	Sensor, air pressure, suspension bellows, 3:rd axle (FA:0 D) (1072)	B115B	Sensor, DPF pressure (CH:1 B) (1476)
B56	Sensor, air pressure, suspension bellows, front axle (FA:0 D) (1072)	B118	Sensor, oil pressure (CO:1 D) (1030)
B57	Sensor, air pressure, suspension bellows, lhs. rear (FA:0 D) (1072)	B119	Sensor, oil level and oil temp (CO:0 B) (1030)
		B120	Radar ACC, Adaptive Cruise Control (BE:3 D) (1502)
		B122	Sensor, exhaust temp, engine mounted (CO:2 A) (1030)
		B138A	Sensor, Control pressure retarder (DE:0 D) (1494)
		B138B	Sensor, Control pressure retarder (DI:3 B) (1494)
		B142B	Sensor, AdBlue level and temperature (CV:2 D) (1510)
		B151	Sensor, trailer detection (GB:1 C) (1000)

B152	Sensor, brake airpressure, front (BI:3 C) (1504)	E27L_1	Tail lamp module (GC:1 D) (1040)
B153	Sensor, brake airpressure, rear (BI:3 C) (1504)	E27L_2	Tail lamp module (GE:1 C) (1040)
B154	Sensor, water level roof cooler (HZ:2 C) (1018)	E27L_3	Tail lamp module (GF:3 C) (1040)
B166	Sensor, EGR Differential pressure (Venturi) (CO:2 B) (1030)	E27L_4	Tail lamp module (GF:0 C) (1040)
B184	Loudspeaker, subwofer (IV:3 D) (1007B)	E27R_1	Tail lamp module (GC:2 D) (1040)
B187	Sensor, after treatment fuel pressure (CO:3 B) (1030)	E27R_2	Tail lamp module (GE:2 C) (1040)
D01	Time delay relay, bogie lift, axle load limiter (FK:3 B) (1007C)	E28	Parking heater, UADR (HI:0 C/HM:0 D) (1007A/1062)
E01	Lamp, full beams (GA:2 C/GA:3 C) (1502/1503)	E29C	Lamp, external speed indication (GL:0 C) (1436)
E02	Lamp, dipped beams (GA:2 D/GA:3 D) (1502/1503)	E29L	Lamp, external speed indication (GL:0 D) (1436)
E03	Lamp, spot light (GA:1 C/GA:3 C) (1502/1503)	E29R	Lamp, external speed indication (GL:0 C) (1436)
E03A	Lamp, spot light (NI:2 C)	E32ATC	Climate unit (HY:2 C/HY RHD:2 C) (1000)
E03B	Lamp, spot light (NI:2 C)	E32ECC	Climate unit (HG:1 C) (1000)
E03L	Lamp, spot light (NI:2 D)	E33LF	Lamp, additional load lamps (reverse lamps) (NA:0 D/NB:0 D) (1506A)
E03R	Lamp, spot light (NI:2 D)	E33LR	Lamp, additional load lamps (reverse lamps) (NA:1 D/NB:1 D) (1506A)
E05	Lamp, 5:th wheel light (KE:0 D/GH:0 D/GF:1 C) (1063)	E33RF	Lamp, additional load lamps (reverse lamps) (NA:1 D/NB:1 D) (1506A)
E06	Lamp, reversing light (GC:1 D/GC:2 D/GF:1 C) (1040)	E33RR	Lamp, additional load lamps (reverse lamps) (NA:1 D/NB:1 D) (1506A)
E07	Lamp, fog light (GA:1 C/GA:3 C) (1502/1503)	E34	Lamp, body builder centre light (IH:2 D/ZA RHD:0 D) (1000)
E08	Lamp, parking light, front (GA:1 D/GA:3 D) (1502/1503)	E39	Lamp, Licence Plate Illumination (GF:3 B) (1040)
E09	Lamp, brake light (GC:1 D/GC:2 D) (1040)	E39L	Lamp, Licence Plate Illumination (GE:2 C) (1040)
E10	Lamp, tail light (GC:1 D/GC:2 D) (1040)	E39R	Lamp, Licence Plate Illumination (GE:2 C) (1040)
E11L_C	Lamp, side marker light (GC:0 D) (1077)	E73	7th injector (CO:1 D) (1030)
E11L_F	Lamp, side marker light (GC:0 D) (1077)	E79L	Lamp, roof position light, rear, left (GL:3 C) (1436)
E11L_R	Lamp, side marker light (GC:0 D) (1077)	E79R	Lamp, roof position light, rear, right (GL:4 C) (1436)
E11L_W	Lamp, side marker light (GC:0 D) (1077)	E82	Parking heater, ADR (HI:0 C) (1007A)
E11R_C	Lamp, side marker light (GC:3 D) (1077)	G01A	Battery (AA:0 D/AB:1 D/AE:0 C)
E11R_F	Lamp, side marker light (GC:3 D) (1077)	G01B	Battery (AA:0 D/AB:1 D/AE:0 D)
E11R_R	Lamp, side marker light (GC:3 D) (1077)	G02	Alternator (AA:3 D) (1025)
E11R_W	Lamp, side marker light (GC:3 D) (1077)	G05	Battery, backup Volvo Link (VERS-SAM) (BY:0 C) (1000)
E12L	Lamp, roof position light (GA:4 C) (1006A)	H01	Horn, air-operated (GQ:1 B) (1502)
E12R	Lamp, roof position light (GA:1 C) (1006A)	H02	Horn (GQ:1 B) (1502)
E13	Lamp, direction indicator (GC:1 D/GC:2 D) (1040)	H03	Reverse warner, acoustic (GF:0 C) (1040)
E13LF	Lamp, direction indicator (GA:2 C) (1502)	H06	Siren (NK:3 D) (1502/1503)
E13RF	Lamp, direction indicator (GA:3 C) (1503)	K1	Relay, starting switch, radio position (AC:3 C) (1000)
E14_A	Lamp, beacon warning lamp (KM:2 D) (1047)	K2	Relay, EMS (Engine Management System) (BA:1 A) (1000)
E14_AR	Lamp, beacon warning lamp (KM:1 C) (1047)	K3	Relay, starter motor (AA:2 B/C/J:4 B) (1000)
E14_B	Lamp, beacon warning lamp (KM:1 D) (1047)	K4	Relay, body builder fuse box (kl.15) (ME:2 A) (1000)
E14_BR	Lamp, beacon warning lamp (KM:2 C) (1047)	K5	Relay, I-shift/Powertronic/Retarder (DC:0 A/DM:0 A) (1000)
E16_DS	Lamp, instep light (IH:2 C) (1083)	K6	Relay, fan climate unit (HY:0 B/HY RHD:0 B) (1000)
E16_PS	Lamp, instep light (IH:2 C) (1083)	K7	Relay, intermittent wiper (GM:1 C) (1000)
E17L	Lamp, interior light (IH:1 C) (1006B/1006E)	K8	Relay, gearbox area inhibitor (BA:1 A) (1000)
E17R	Lamp, interior light (IH:1 C) (1006B/1006E)	K9	Relay, interior lamps (IH:1 A) (1000)
E18_C	Lamp, reading light (IH:0 C/IJ:1 C) (1006D)	K10	Relay, fifth wheel-, working-light (KE:0 C) (1000)
E18_LB	Lamp, reading light (IH:0 C/IJ:1 C) (1006D/1006E)	K11	Relay, air suspension (FA:4 B) (1000)
E18_RB	Lamp, reading light (IH:1 C/IJ:2 C) (1006D/1006E)	K12	Relay, reverse light, trailer (GB:4 D) (1000)
E18L	Lamp, reading light (IH:0 C/IJ:1 C) (1006D/1006E)	K13	Relay, alternator controlled (AA:4 B) (1000)
E18LC	Lamp, reading light (IH:0 C/IJ:0 B) (1006C/1006E)	K14	Time delay relay, bogie lift, A-ride (FI:1 B/FK:1 C) (1000)
E18R	Lamp, reading light (IH:1 C/IJ:2 C) (1006D/1006E)	K15	Time delay relay, bogie lift, A-ride, with axle load limiter (FK:2 C) (1000)
E18RC	Lamp, reading light (IH:0 C/IJ:0 B) (1006C)	K16	Relay, bogie lift, A-ride, with axle load limiter (FK:1 C) (1000)
E19C	Lamp, identification light, roof (GL:1 C/GL:2 C) (1006A/1436)	K20	Relay, D+ short-circuit, (ADR-trucks only) (AE:4 D) (1000)
E19L	Lamp, identification light, roof (GL:1 C/GL:2 C) (1006A/1436)	K21	Relay, el. adjustable seat (IA:2 B) (1000)
E19R	Lamp, identification light, roof (GL:1 C/GL:2 C) (1006A/1436)	K22	Relay, climate fan, 1:st speed (by parking heater) (HY:1 B) (1000)
E20	Lamp, ashtray illumination (IQ:2 C) (1000)	K22	Relay, climate fan, 1:st speed (by parking heater) (HY RHD:1 B) (1000)
E21	Lamp, rear fog light (GC:1 D/GC:2 D) (1040)		
E22	Lamp, roof sign illumination (KI:0 C) (1436)		
E23	Lamp, luggage compartment illumination (IH:4 C) (1007A)		
E24	Lamp, storage tray illumination (IQ:1 D) (1000)		
E26L	Headlight module (GA:1 C) (1502)		
E26R	Headlight module (GA:3 C) (1503)		

K23	Relay, cab tilt (KA:0 C) (1000)	R01	Heater, engine preheat (CO:0 D) (1030)
K24	Relay, central lubrication (FU:0 B) (1000)	R02L	Heater, rear-view mirror (IE:0 D) (1504)
K25	Relay, light sign (KI:1 C) (1000)	R02R	Heater, rear-view mirror (IE:1 D) (1504)
K26A	Relay, foldable rear view mirror arm, Japan (IF:0 C) (1000)	R04	Cigarette lighter (IQ:2 C) (1000)
K26B	Relay, foldable rear view mirror arm, Japan (IF:1 C) (1000)	R05	Heater, air dryer (FQ:0 C) (1056)
K30	Relay, beacon warning light (KM:0 B) (1000)	R11	Heater, coffee maker (ME:1 B) (1000)
K35	Relay, headlamp high pressure wash (GM:0 B) (1000)	R13	Resistor, LCP headlight adjust (GU:1 B) (1000)
K37	Relay, parking light (NA:1 C/NB:0 C) (1000)	R14	Termination resistor (XB:2 D)
K38	Relay, body builder preparation, pressure sel./switch 2/free (NA:1 C/NB:1 C) (1000)	R17	Resistor (AB:2 B/AE:3 C)
K39	Relay, body builder preparation, plough light, spotlights (NA:1 C/NB:1 C) (1000)	R18	Heater, electronic controlled air dryer (FQ:1 C) (1056)
K40	Relay, body builder preparation (NA:3 C/NB:3 C) (1000)	R21	Termination resistor (OA:3 C) (1000)
K41	Relay, body builder preparation, swapbody (NA:2 C/NB:2 C) (1000)	R23A	Heater, AdBlue hose (CV:1 D) (1510)
K42	Relay, body builder preparation, spotlights/free (NI:1 B) (1000)	R23B	Heater, AdBlue hose (CV:2 D) (1510)
K43	Relay, body builder preparation, external start/free (NC:3 C) (1000)	R23C	Heater, AdBlue hose (CV:2 D) (1510)
K45	Relay, body builder preparation, dual speed (NU:2 B) (1000)	R23D	Heater, AdBlue hose (CV:1 D) (1510)
K48	Power relay, engine preheating (CJ:3 C) (1435A/1435B)	R23J	Heater, AdBlue hose (CV:1 D) (1510)
K49	Power relay, bogie lift motor (FI:3 B/FK:3 D) (1037)	R33	Termination resistor (BE:3 D) (1502)
K51	Power relay, battery main switch (AB:0 C/CS:0 C) (1435A)	R35	Termination resistor (XC:2 C)
K51_A	Power relay, battery main switch (AB:1 C) (1435A)	R36	Heater, AdBlue filter housing (CV:0 E) (1510)
K52	Power relay, ADR battery main switch (AE:0 B) (1435B)	R37	Termination resistor, Can-bus (BE:2 D)
K54	Relay, 12V ABS Trailer (CP:2 D)	R43	Termination resistor (XC:4 D) (1000)
K58	Relay, speed limiter, Volvo link (BY:3 B) (1000)	S01	Switch, main lighting, selector type (GA:0 A/GU:1 B) (1000)
K59	Relay, engine shut off, Volvo link (BY:4 B) (1000)	S02	Stalk switch, full-/dipped beam, direction indicator (GA:2 B) (1000)
K60	Relay, trailer lock, Volvo link (BY:3 D) (1000)	S03	Switch, loading lamps/working lamps (KE:1 B/ZA RHD:2 B) (1000)
K61	Relay, auxiliary revers light, truck (NA:0 C/NB:0 C) (1000)	S04	Switch unit, climate fan (HY:1 B/HY RHD:1 A) (1000)
K63	Relay, ACC Adaptive cruise control (BE:1 B) (1000)	S05A	Switch, interior light, selector type (IH:3 B) (1000)
K64	Relay, man. main switch BBOX-EF (AB:1 C) (1000)	S05B	Switch, interior light, selector type (IH:3 B) (1006D/1006E)
K65	Power relay, starter motor pre-relay (CO:2 B)	S06	Stalk switch, windscreen wiper, selector type (BI:3 B/GM:3 B) (1000)
K66	Relay, tail lift indication (NB:2 C) (1000)	S07	Switch, engine brake, selector type (BA:3 B) (1000)
L01	Reactor, light sign illumination (KI:0 D)	S08	Switch, differential gear lock, rear wheels (DU:1 B) (1000)
L01L	Reactor, light sign illumination (KI:2 C)	S09	Switch, differential gear locks, inter axles and rear wheels, selector type (DU:1 B) (1000)
L01R	Reactor, light sign illumination (KI:2 D)	S10	Switch, sign light, roof (KI:1 B) (1006A)
M01	Motor, windscreen wiper (GM:2 C) (1504)	S11	Switch, bogie lift, selector type (FI:0 B/FK:0 B) (1000)
M02	Motor, windscreen washer pump (GM:0 D) (1503)	S11A	Switch, bogie lift, selector type (FA:3 B/FA RHD:3 A) (1000)
M03	Motor, headlamp high pressure washer pump (GM:1 D) (1503)	S14A	Switch, push button, horn (GQ:1 D)
M04	Motor, starter motor (AA:1 D/CO:2 A) (1025)	S14B	Switch, push button, horn (GQ:1 D)
M05	Motor, hydraulic bogie lift pump unit (FI:3 B/FK:3 C) (1037)	S15	Switch, starting (AC:1 B/AE:0 B) (1000)
M06DS	Motor, window winder (IE:2 C) (1083)	S16	Switch, push button, air horn (GQ:2 D)
M06PS	Motor, window winder (IE:3 C) (1083)	S17	Switch, front wheel drive (DU:2 B) (1000)
M08	Motor, levelling control, headlights (GA:1 C/GA:3 C) (1502/1503)	S18	Switch, differential gear lock, front (DU:2 B) (1000)
M09DS	Motor, door lock (IM:1 D) (1083)	S19	Switch, extra (NA:3 B/NB:3 B) (1000)
M09PS	Motor, door lock (IM:2 D) (1083)	S20	Switch, 3:rd axle lock (FO:2 B) (1000)
M10	Motor, roof hatch (IQ:0 E)	S21A	Switch, parking heater (HI:2 B/ZA RHD:0 B) (1000)
M11	Motor, cab tilt pump (KA:0 D) (1502/1503)	S21B	Switch, parking heater (HI:3 B) (1006D/1006E)
M13	Motor, coolant pump, parking heater (HP:0 C) (1062)	S23	Switch, roof hatch, selector type (IQ:0 B) (1006A)
M14	Motor, central lubrication pump (FU:0 C) (1401)	S24	Stalk switch, retarder, selector type (BA:3 B) (1000)
M17	Motor, foldable rear view mirror arm, Japan (IF:0 D) (1470)	S25	Switch unit, cruise control (BA:2 B) (1000)
M27	Motor, roof cooler fan (HZ:1 C)	S26A	Switch, cab tilt pump (KA:0 B) (1000)
M28	Motor, washer, roof cooler (HZ:2 C) (1018)	S26B	Switch, cab tilt pump (KA:0 D) (1502/1503)
		S27	Switch, storage tray illumination (IQ:1 C) (1000)
		S28A	Switch, power take off (DQ:0 B) (1000)
		S28B	Switch, power take off (NC:0 C/NU:0 B/NX:0 B) (1000)
		S30	Switch unit, multi-function display (BI:3 B) (1000)
		S31	Switch, TCS (Traction Control System) (EO:1 A) (1000)
		S32	Switch, brake hold (EO:1 B) (1000)

S33	Switch, trailer brake (EO:0 B) (1000)	S75	Switch, beacon warning light (KM:0 B) (1000)
S34	Switch unit, steering wheel push buttons (IS:1 D) (1000)	S76	Switch, spotlights (NA:4 B/NB:4 B) (1000)
S36DS	Switch unit, door functions (IE:0 B) (1083)	S76A	Switch, spotlights (NI:4 C) (1006A)
S36PS	Switch unit, door functions (IE:3 B) (1083)	S77	Switch, emergency call (BU:1 B) (1000)
S37	Switch, rear view camera, camera activation (IZ:1 B) (1000)	S78	Switch unit, TIS (Traffic Information System) (BU:3 B) (1000)
S38	Switch, ADR, emergency switch, cab (AE:1 B) (1000)	S79A	Switch, additional work lamps (reverse lamps), manual turn on (NA:1 B/NB:1 B) (1000)
S39	Switch, ADR, emergency switch, exterior (AE:1 C) (1007A)	S79B	Switch, additional work lamps (reverse lamps), manual turn on (NA:2 B) (1000)
S39	Switch, ADR, emergency switch, exterior (AE:2 C) (1007B)	S79D	Switch, additional work lamps (reverse lamps), manual turn on (NA:0 B/NB:0 B) (1000)
S40	Switch, rear view camera, camera selection (IZ:2 B)	S80	Position switch, front hatch (NK:1 D) (1504)
S43	Pressure switch, parking brake indicator, NC. (BA:1 D) (1000)	S83	Switch, container lock (NA:2 B/NB:2 B) (1000)
S45	Position switch, differential gear lock indicator, rear wheels, NC. or NO. (DU:3 C) (1040)	S84	Switch, tachograph mode (BN:0 C) (1006)
S45R	Position switch, differential gear lock indicator, rear wheels, NC. or NO. (DU:3 C) (1040)	S86	Switch, foldable rear view mirror arm, Japan (IF:1 B) (1000)
S46	Pressure switch, bogie lift indicator, NO. (FI:2 D/FK:3 E) (1037)	S88L	Position switch, door, NC (BY:2 D/NK:0 D) (1007A)
S47	Position switch, low split indicator, NO. (BI:1 D) (1494)	S88R	Position switch, door, NC (BY:2 D/NK:0 D) (1007B)
S48A	Pressure switch, brake light, NO. (ABS/UABS) (GB:3 B) (1401)	S95	Switch, Panic alarm (NK:2 A) (1000)
S48B	Pressure switch, brake light, NO. (ABS/UABS trailer control valve) (GB:3 B) (1401)	S96	Switch, Reduced set, Alarm (NK:2 B) (1000)
S48C	Pressure switch, brake light, NO. (ABS/UABS trailer control valve) (GB:3 A) (1000)	S165	Switch, Volvo Action Service, (VERS-SAM) (BY:2 B) (1000)
S49	Position switch, reverse lamps, NO (GB:3 D) (1494)	S166	Switch, panic alarm, Volvo link, (VERS-SAM) (BY:3 B) (1000)
S52_L	Proximity switch, cab lock, NO. (BI:1 C) (1007A)	S169	Switch, battery main switch (AB:2 C) (1435)
S52_R	Proximity switch, cab lock, NO. (BI:1 D) (1007B)	S171	Switch, GLU (Gearlever unit) (DC:1 D) (1007)
S53	Position switch, front-wheel drive indication, NO. (DU:4 C) (1458)	S187	Switch, night driving light roof (IJ:2 B) (1006A)
S54	Position switch, differential gear lock, front-wheels, NO. (DU:4 C) (1458)	S188	Switch, night driving light dash (IJ:2 B) (1000)
S55	Thermal switch (HP:0 C) (1062)	S202	Switch, LDWS (Lane Departure Warning System) (BE:0 B) (1000)
S56	Thermal switch, bogie lift, NC (FI:3 C/FK:3 D) (1037)	S203	Switch, BBOX-EF manual el/mek (AB:1 C) (1460)
S57L	Position switch, luggage compartment lighting, NC. (IH:4 D) (1007A)	S210	Switch, ID-lamps (GL:2 B) (1006A)
S57R	Position switch, luggage compartment lighting, NC. (IH:3 D) (1007B)	S212	Switch, tail lift (NB:1 B) (1000)
S58	Position switch, clutch pedal, NO. (BA:3 D) (1000)	U01_A	Modulator, EBS, left front (EP:0 A) (1086)
S59	Position switch, brake pedal, NO. (BA:3 D) (1000)	U02_A	Modulator, EBS, right front (EP:1 A) (1086)
S60A	Pressure switch, oil, power steering, NC. (FP:0 C) (1493)	U03_A	Modulator, EBS, rear axle (EP:1 C) (1086)
S60B	Pressure switch, oil, power steering, NC. (FP:0 C) (1493)	U03_B	Modulator, EBS, rear axle (EP:0 C) (1086)
S63	Position switch, low range gear (BA:0 B) (1494)	U04_A	Modulator, EBS, pusher axle (EP:2 C) (1086)
S64	Pressure switch, air pressure, parking brake tank, NC. (EO:1 B) (1000)	U05_A	Modulator, EBS, trailer (EO:3 B) (1401)
S66_L	Switch unit, ECS (electronic controlled susp.), full air suspension (FA:2 D) (1007A/1007B)	U06B11	Voltage converter (IR:1 B) (1007C)
S66_R	Switch unit, ECS (electronic controlled susp.), full air suspension (FA RHD:2 E) (1007A/1007B)	U06R11	Voltage converter (IR:1 B) (1007C)
S68	Sensor, coolant level (CO:1 C) (1030)	U06R19	Voltage converter (IR:0 B) (1007C)
S69	Proximity switch, bogie lift position, NO. (FK:1 D) (1037)	U07_A	Modulator, EBS, tag axle (EP:3 C) (1086)
S70	Position switch, flow sensor, power-steering, NC. (FP:0 C) (1493)	U08_A	Modulator, EBS, front (EP:2 A) (1086)
S71	Pressure switch, compressor charging, NO. (BA:0 D) (1056)	U10	Voltage converter, 12V ABS Trailer (CP:4 B)
S73	Switch, acoustic reverse warning (GC:4 A) (1006A)	U12	Voltage converter, Volvo link, (VERS-SAM) (BY:1 B) (1000)
S73_2	Switch, acoustic reverse warning (GC RHD:3 B) (1006A)	V02	Diode module (AE:2 B) (1000)
S74	Switch, short stop cab heater (HP:0 B) (1000)	V03	Diode (GG:3 B)
		V04	Diode (FI:0 D/FK:0 D) (1037)
		V05	Diode (FK:2 D)
		V07	LED, indicator, Alarm (NK:2 C) (1000)
		V08	Diode (NU:2 B) (1000)
		V09	Diode (CP:2 B)
		V10	Diode (CP:2 C)
		V11	Diode (CP:3 C)
		V25	Diode (IH:3 B)
		V27	Diode (DQ:1 C)
		V28	Diode (DQ:1 C)
		W02	Antenna, immobiliser (IM:3 B) (1000)
		X01	Connector, vehicle diagnostics (XA:0 C) (1000)
		X02	Trailer connection, ABS/EBS (1063)
		X03	Trailer connection, 15-pole unit (1063)
		X04	Trailer connection, 7-pole unit, 24 N (1063)
		X05	Trailer connection, 7-pole unit, 24 S (1063)
		X06	Connector, 31-pole, in lhs. frame side, for body builder preparations (1505)

X07B	Socket, 12V (IR:1 D) (1000)	Y21	Solenoid valve, slow clutch disengage (DE:2 D)
X08	Contact reel, air bag (IS:0 C) (1000)	Y22	Solenoid valve, fast clutch disengage (DE:3 D)
X09	Slip contact, horn (GQ:1 C) (1000)	Y23	Solenoid valve, fast clutch engage (DE:3 D)
X10	B+ pass through, cab (AC:0 B) (1000)	Y25	Solenoid valve unit, level control, air suspension (FA:1 B) (1072)
X25	Power connector, bogie lift/extra equipment (AA:1 B) (1037)	Y26	Solenoid valve, slow clutch control (DE:2 D)
X54	Power connector, Engine (B+) (AA:1 D) (1030)	Y29	Solenoid valve unit, trailing axle (FA:1 B) (1072)
X55	Plug, start aid (AA:1 C) (1435)	Y30C	Solenoid valve unit, gearbox (DI:0 D) (1494)
Y02	Solenoid valve, differential lock, rear wheels (DU:1 D) (1401)	Y31	Solenoid valve, area inhibitor (BA:1 B) (1494)
Y03	Solenoid valve, differential lock, inter axles, rear (DU:1 D/ZA RHD:3 B) (1401)	Y32	Fuel dosing pump, parking heater (HI:0 B/HM:0 D) (1040)
Y05	Solenoid valve, bogie lift (FI:0 D/FK:0 D) (1037)	Y33	Solenoid valve, UI (Unit Injectors) (CO:3 D) (1030)
Y06	Solenoid valve, range inhibitor (BA:0 B) (1494)	Y34	Actuator, EGR system (Lisk) (CO:1 D) (1030)
Y08	Solenoid valve, front-wheel drive (DU:2 D) (1458)	Y37	Solenoid valve unit, AVU (CO:2 B) (1030)
Y09	Solenoid valve, differential lock, front axle (DU:2 D) (1458)	Y37A	Solenoid valve unit, AVU (Air Valve Unit) (CO:3 B) (1030)
Y10	Solenoid valve, 3:rd axle lock (FM:0 C) (1072)	Y37B	Solenoid valve unit, AVU (Butterfly) (CO:3 B) (1030)
Y11	Solenoid valve unit, ABS, lhs. front (EE:0 D/EF:0 D) (1086)	Y39	Solenoid valve, VCB (CO:3 D) (1030)
Y11_A	Solenoid valve unit, ABS, lhs. front (EO:3 D) (1086)	Y40	Solenoid valve unit, front axle, air suspension (FA:0 B) (1072)
Y12	Solenoid valve unit, ABS, rhs. front (EE:1 D/EF:1 D) (1086)	Y42	Clutch, magnetic, air conditioning compressor (HG:0 D/HY:2 D) (1025)
Y12_A	Solenoid valve unit, ABS, rhs. front (EO:4 D) (1086)	Y43L	Seat belt tensioner, pyrotechnical (IS:2 D) (1007A)
Y13	Solenoid valve unit, ABS, lhs. rear (EE:2 D/EF:1D) (1086)	Y43R	Seat belt tensioner, pyrotechnical (IS:3 D) (1007B)
Y14	Solenoid valve unit, ABS, rhs. rear (EE:3 D/EF:2 D) (1086)	Y44	Air-bag, pyrotechnical (IS:0 D)
Y15	Solenoid valve unit, ABS, lhs. 3:rd axle (EF:2 D) (1086)	Y48A	Solenoid valve, container lock (NA:3 D/NB:2 D) (1506A)
Y16	Solenoid valve unit, ABS, rhs. 3:rd axle (EF:3 D) (1086)	Y48B	Solenoid valve, fifth wheel lock (NA:4 D/NB:3 D) (1506A)
Y17A	Solenoid valve, retarder (DE:0 D)	Y49	Solenoid valve, parking brake (NU:2 C) (1504)
Y17B	Solenoid valve, retarder (DI:2 D) (1494)	Y51A	Solenoid valve, regeneration (FQ:2 C) (1056)
Y18A	Solenoid valve, PTO (Power Take Off) (DQ:0 D) (1401)	Y51B	Solenoid valve, compressor control (FQ:2 C) (1056)
Y18B	Solenoid valve, PTO (Power Take Off) (DI:0 C) (1494)	Y53	Control valve block , RAS (FO:3 D) (1493)
Y18C	Solenoid valve, PTO (Power Take Off) (NC:0 D/NU:0 C/NX:0 D)	Y54	Control module VGT (Variable Geometry Turbine) (CO:0 B) (1030)
Y18G	Solenoid valve, PTO (Power Take Off) (DP:2 B) (1499)	Y72	Solenoid valve, Airhorn (GQ:0 B) (1504)
Y18H	Solenoid valve, PTO (Power Take Off) (DP:2 B) (1499)	Y80	Solenoid valve, AdBlue dosing unit (CV:3 D) (1510)
		Y81B	Solenoid valve, AdBlue tank heating (CV:0 D) (1510)
		Y88	Solenoid valve, trailing axle, air suspension, bogie lift (FA:2 B) (1072)
		Y103	Safety Valve, fuel system, ATI (CO:0 B) (1030)

Abbreviations

ABS	Antilock brake system	EM-JPN07	Emission control Japan community 2007
ACC	Adaptive cruise control	ENG-VE9	Volvo engine 9 litre
ACU	Alarm control unit	ENG-VE13	Volvo engine 13 litre
ADR-BAS1/ ADR1	ADR adaptation, 1 switch	ENG-VE16	Volvo engine 16 litre
ADR2	ADR adaptation, 2 switches	EPG	Exhaust pressure governor
AIRDRY-E	Electric airdryer	ESP	Electronic stability program
ATB	Axle load limiter	FAA10	1 front axle, non driven
ATC	Automatic temperature control	FAA20	2 front axle, non driven
ATO2512C	Gearbox variant	FMS	Fleet management system
AT2412C	Gearbox variant	FSS-LEAF	Leaf suspension, front
AT2512C	Gearbox variant	GSS-AGS	Automatic gear shifting system (I-shift)
AUS	Australia	GSS-PS	Automatic transmission, automatic gear shifting system (Powertronic)
AUXSW-6	Wiring for six auxiliary switches for body building	GSS-RC	Range gear shifting, cable manoeuvred
AWD	All wheel drive	GSS-SRC	Split and range gear shifting, cable manoeuvred
BBM	Body builder module	JPN	Japan
BBOX-AC	Battery box across framerails	L	Left
BBOX-EF	Battery box end of frame	LCM	Light control module
BBOX-R	Battery box right hand side	L1H1	Short cab
CHH-LOW	Chassis height low	L2H1	Long cab
CLU	Central locking unit	L2H2	Long high cab (Globetrotter)
CU-ACAUT	Air condition, automatic	LF	Left front
CU-ACMAN	Air condition, manual	LHD	Left hand drive
CU-BAS	Basic version with stepper motor without air condition	LHS	Left hand side
CU-ECC	Electronic controlled climate control air condition	LKS	Lane keeping support
CU-HEAT	Heater unit	LOCK-ALL	Central door lock and cut off electricity of truck
CU-MCC	Manual controlled climate control air condition	LR	Left rear
DACU	Driver assistance control unit	LSS-DW	Lane support system departure warning
DS	Driver side	MAINSW-M	Mechanical main switch
EBS	Electronic brake system	MAINSWI	Main switch
ECS	Electronic controlled air suspension	MECHTRAN	Mechanical transmission
EGR-C	Exhaust gas regulation, cooled	MMS	Mechanical main switch
ELCE-CK	Electrical complete kit for body builder	ODB	On Board Diagnostic
ELMS	Electrical main switch	PH-CAB	Cab parking heater
EM-EC01	European community 2001 level EURO3	PH-ENGCA	Engine and cab parking heater
EM-EC06	European community 2006 level EURO4	PS	Passenger side
		PSS-DUAL	Power steering system dual
		PTO	Power take off

R	Right	TECU	Transmission electronic control unit
RAD-A4	4x2, air spring, 4bellows	TIS-BAS	Transport information system, Logger and Positioning
RADD-A8	6x4, air spring, 8 bellows	TIS-HIGH	Transport information system, Logg. Pos. and Adv. message system
RADT-A8	6x2, air spring, 8 bellows, tag axle	TIS-MED	Transport information system, Logg. Pos. and message
RADT-AR	6x2, leaf spring (A-ride)	TMC	Traffic message channel
RF	Right front	TPM	Tyre pressure monitoring
RHD	Right hand drive	TRACTOR	Semi-trailer tractor
RHS	Right hand side	TREL7-7	Trailer connectors 2x7-pole unit
RIGID	Platform or tipper truck	TREL14	Trailer connectors 14-pole unit
RR	Right rear	TURB-HD	Turbo heavy duty design
RSTS-EHY	Rear steering system, electrical controlled, hydraulic	UACC	Without adaptive cruise control
SCR	Selective Catalyst Reduction	UADR	Without ADR adaptation
SCRS-UHH	SCR system equipment, without heated hose	UALARMB	Without alarm
SI-GRAF	Tachograph	UJERICO	Without Jerico horn
SI-GRAFR	Tachograph	ULKS	Without lane keeping support
SI-SPEED	Speedometer	ULSS	Without lane support system
SMCONT	Starter motor control	UMAINSWI	Without main switch
SPDU-S	Dual speed limiter for side mounted	USMCONT	Without starter motor control
SPEED-DU	Dual speed limiter	URETARD	Without retarder
SRS	Supplementary restrain system	USUSPLEV	Without air suspension levelling device
STWPOS-L	Steering wheel position left hand side	UTPM	Without tyre pressure monitoring
STWPOS-R	Steering wheel position right hand side	VECU	Vehicle electronic control unit
SUSPL-EC	Air suspension, electronic control system levelling device	VERS-SAM	South American Version
SUSPL-M	Air suspension, manual regulation levelling device	VT2412B	Gearbox variant
SWAPBODY	Swap body	ZT1816	Gearbox variant (South America only)

Cable colour code

BL	Blue
BN	Brown
GN	Green
GR	Grey
OR	Orange
P	Pink
R	Red

SB	Black
VO	Violet
W	White
Y	Yellow

Note: If a wire have two colours, this is written out like the following example: Y/R = Yellow/Red.

Feedback

One of our objectives is that workshop personnel should have access to correct and appropriate service manuals where it concerns fault tracing, repairs and maintenance. In order to maintain the high standards of our literature, your opinions and experience when using this manual would be greatly appreciated. If you have any comments or suggestions, make a copy of this page, write down your comments and send them to us, either via telefax or mailing directly to the address listed below.

To

Volvo Parts Corporation
Dept. Technical Support Center 31450
SE-405 08 GÖTEBORG

Fax +46 31 661060

From

.....
.....
.....
.....
.....
.....
.....

Comments/proposals

.....
.....
.....
.....
.....
.....
.....
.....
.....
.....
.....
.....
.....
.....
.....
.....
.....
.....
.....
.....
.....
.....
.....

Concerns Service Manual:

VOLVO

Volvo Truck Corporation

Göteborg, Sweden