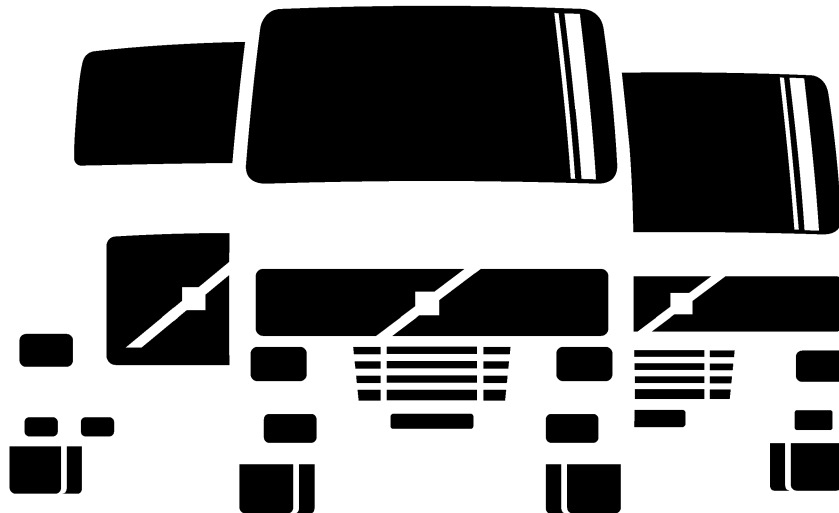


Service Manual Trucks

Group **37**
Release **01**

Wiring diagram
FM, FH, NH12 VERSION2
FM, FH CHID A615020–
FM, FH CHID B421649–



Foreword

The descriptions and service procedures contained in this manual are based on designs and methods studies carried out up to December 05.

The products are under continuous development. Vehicles and components produced after the above date may therefore have different specifications and repair methods. When this is judged to have a significant bearing on this manual, supplementary service bulletins will be issued to cover the changes.

The new edition of this manual will update the changes.

In service procedures where the title incorporates an operation number, this is a reference to V.S.T. (Volvo Standard Times).

Service procedures which do not include an operation number in the title are for general information and no reference is made to V.S.T.

The following levels of observations, cautions and warnings are used in this Service Documentation:

Note: Indicates a procedure, practice, or condition that must be followed in order to have the vehicle or component function in the manner intended.

Caution: Indicates an unsafe practice where damage to the product could occur.

Warning: Indicates an unsafe practice where personal injury or severe damage to the product could occur.

Danger: Indicates an unsafe practice where serious personal injury or death could occur.

Volvo Truck Corporation

Göteborg, Sweden

Order number: 20046394

© 05 Volvo Truck Corporation, Göteborg, Sweden

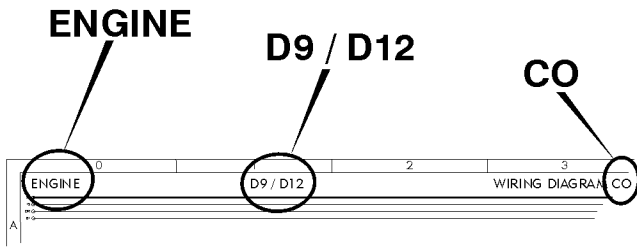
All rights reserved. No part of this publication may be reproduced, stored in retrieval system, or transmitted in any forms by any means, electronic, mechanical, photocopying, recording or otherwise, without the prior written permission of Volvo Truck Corporation.

ENG19476

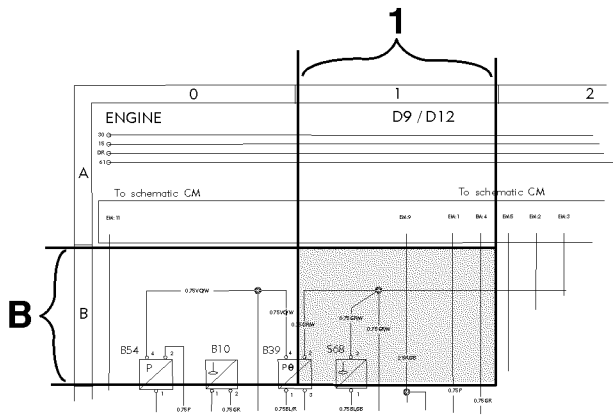
Contents

Example of wiring diagram	2
Component wiring diagram index	5
Component wiring diagrams	8
Illustrations index	98
Illustrations	99
Fuses	185
Relays	187
Wiring harness illustration index	189
Ground connections	192
List of ground connections	194
List of connectors	195
List of components	204
Abbreviations	210
Cable colour code	212
Feedback	

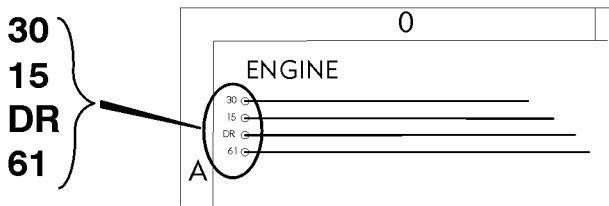
Example of wiring diagram



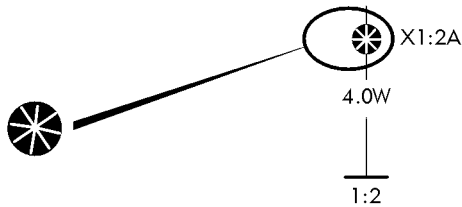
Component wiring diagram title, variant/subtitle and symbol.



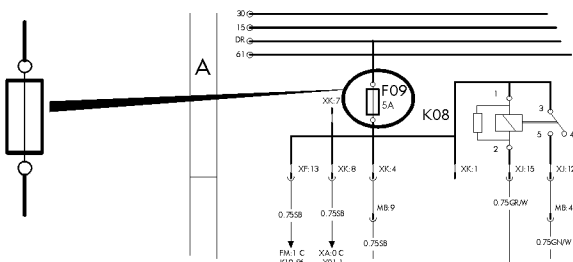
Coordinates (B 1).



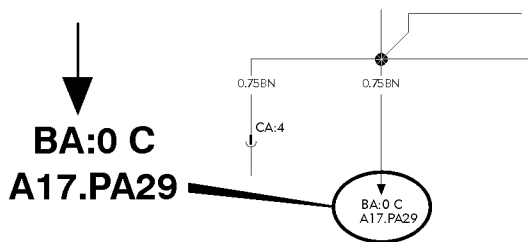
30 Voltage battery, kl.30.
15 Voltage with starter key in drive position, kl.15.
DR Voltage with starter key in drive position, preheat position and start position, kl.DR.
61 Voltage when alternator charges, kl.61.



Splice.

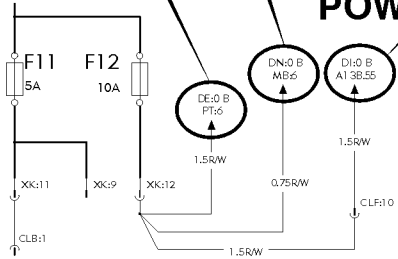


Fuse.

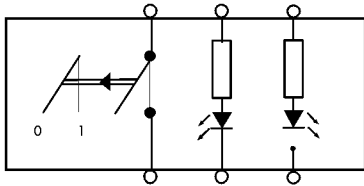


Reference arrow, for diagram BA, coordinates 0 C, component A17, connector PA pin 29.

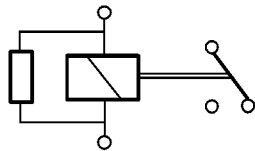
GEARTRONIC
I-SHIFT
POWERTRONIC



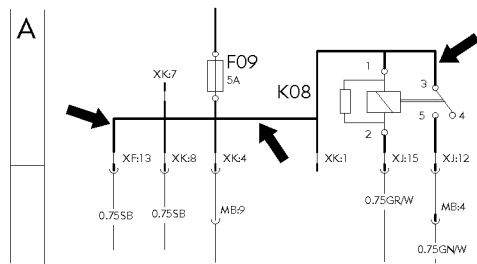
The maximum of variants are drawn, think about that all wires and components are not standard for all markets or vehicle models.



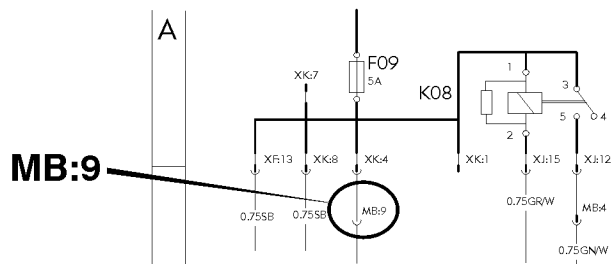
Switch.



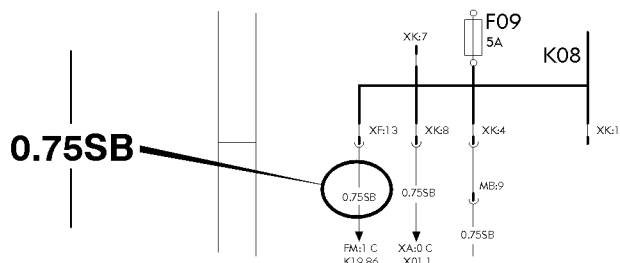
Relay.



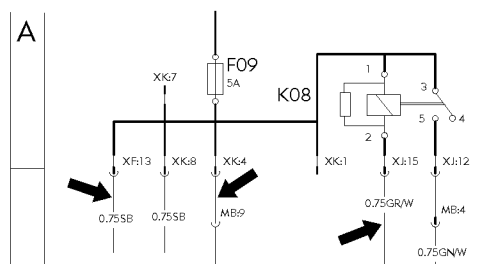
Conductor on circuit card.



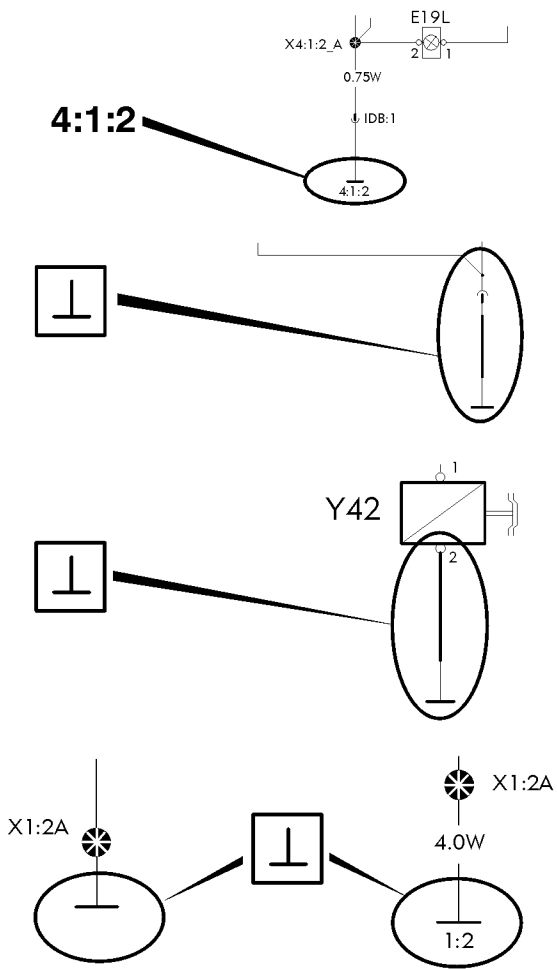
Connector MB terminal 9.



Wire area and colour.



Thin lines, wires.



Earth connection point 4, earth connection 1 and wire 2.

Earth connection to circuit card.

Earth connection without wire.

Same splice can be drawn on several diagrams. The wire from the splice to the earth connection point will only be drawn and coded on one diagram. On the other diagrams will only the earth connection point be written besides the splice.

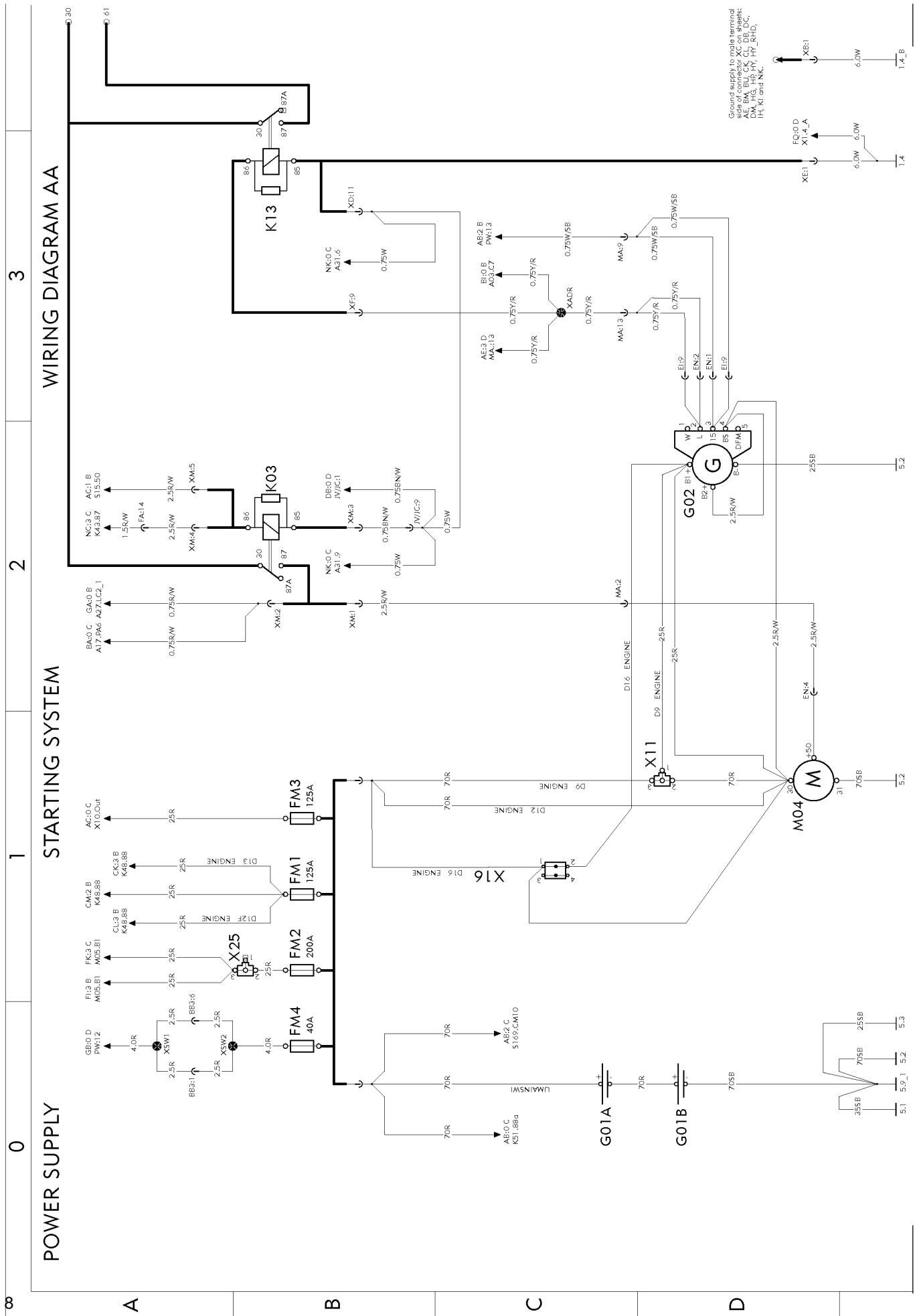
Component wiring diagram index

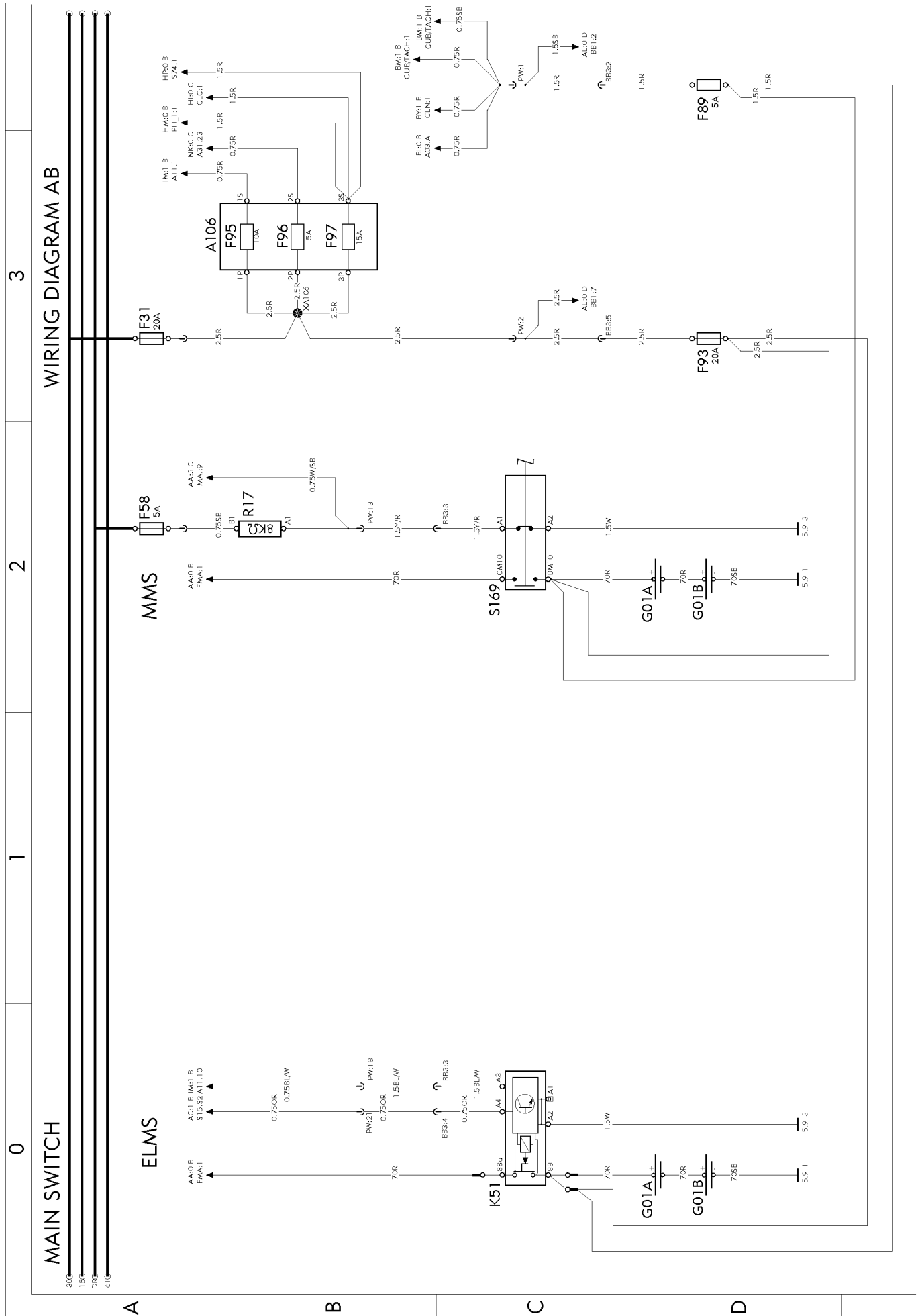
AA	Power supply, starting system	page 8
AB	Main switch	page 9
AC	Power distribution	page 10
AE	ADR, main switch	page 11
BA	Vehicle ECU	page 12
BE	ACC Adaptive cruise control	page 13
BI	Instrument cluster	page 14
BM	Tachograph in dash	page 15
BN	Tachograph in shelf	page 16
BU	Dynafleet	page 17
BX	FMS Gateway	page 18
BY	Volvo link (VERS-SAM)	page 19
CK	Engine interface D13	page 20
CL	Engine interface D12F, EM-JPN04	page 21
CM	Engine interface D12D	page 22
	Engine interface D9A, D16C	page 23
CO	Engine D9A	page 24
	Engine D12D	page 25
	Engine D12F, EM-JPN04	page 26
	Engine D13	page 27
	Engine D16C	page 28
CP	ISX functions, 12V trailer ABS converter (AUS only)	page 29
CS	Engine ISX (AUS only)	page 30
DB	Gear selector ECU (GEARTRONIC)	page 31
DC	Gear selector ECU (I-SHIFT/POWERTRONIC)	page 32
DE	Geartronic automatic gearshift	page 33
DI	Powertronic	page 34
DM	Retarder manual gearshift	page 35
DN	I-shift VT2412B	page 36
DP	I-shift AT2412C/AT2512C/ATO2512C	page 37
DQ	Power take off	page 38
DU	Diff-lock	page 39
EE	ABS basic, D-version	page 40
EI	ABS/ASR D-version	page 41
EO	EBS ECU	page 42
EP	EBS modulators	page 43
FA	Air-suspension	page 44

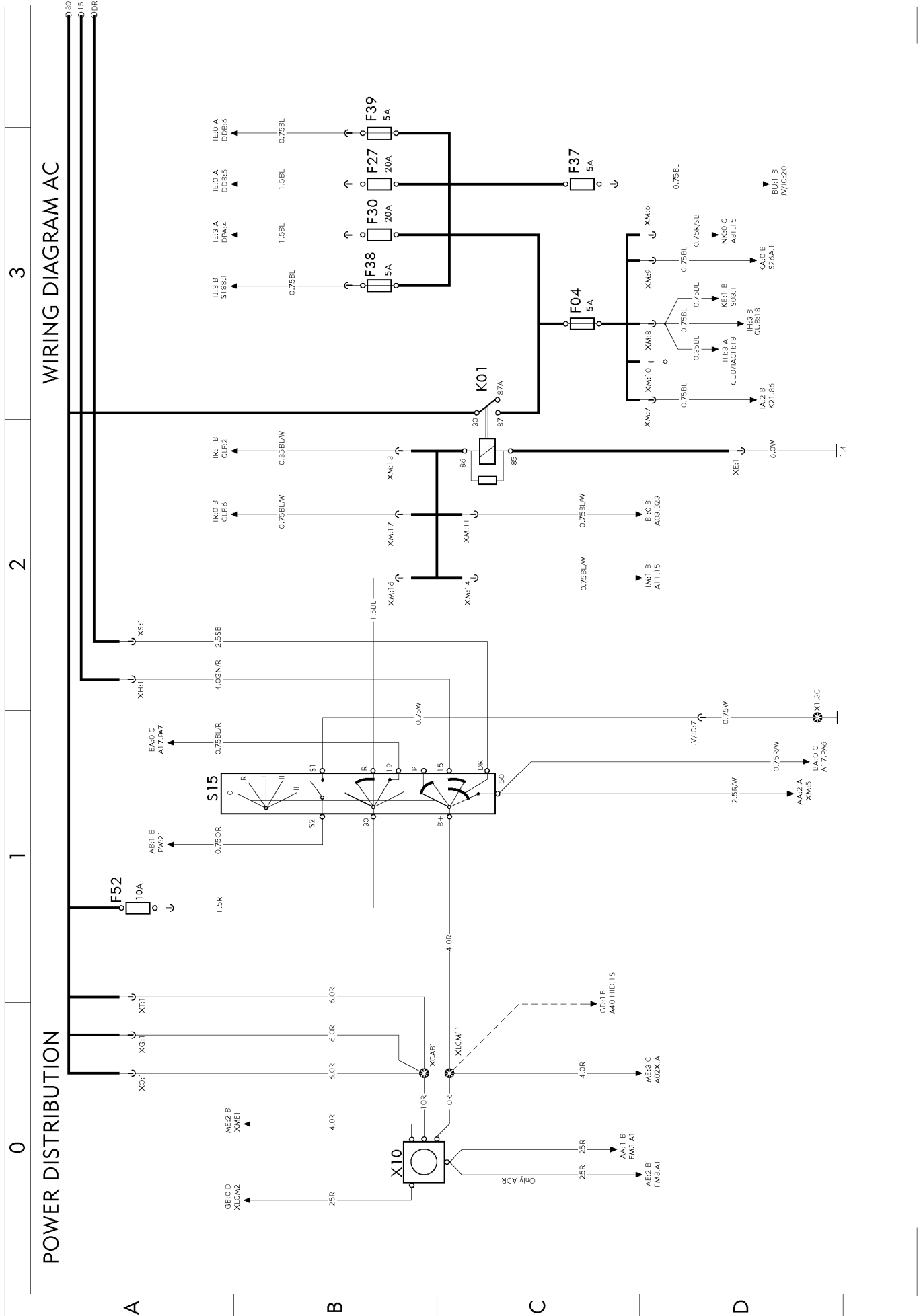
FG	Load indikator	page 45
FI	Bogie lift A-ride	page 46
FK	Bogie lift A-ride with axle load limiter	page 47
FM	Axle lock, self steered axle	page 48
FO	Electronic steered axle	page 49
FP	Dual steered front axle	page 50
FQ	Air dryer	page 51
FU	Central lubrication system	page 52
GA	LCM head lights	page 53
GB	LCM trailer	page 54
GC	LCM rear lights	page 55
GD	HID lamps	page 56
GE	Rear lights overhang	page 57
GF	Rear lights, India/Korea	page 58
GG	Trailer connections, RIGID	page 59
GH	Trailer connections, TRACTOR	page 60
GI	LCM head lights (VERS-SAM TYPE-N)	page 61
GK	Trailer connections (AUS only)	page 62
GM	Wiper, washer	page 63
GQ	Horn	page 64
GR	Trailer connections TREL14	page 65
GU	Headlights adjust	page 66
HG	Climate unit, CU,-BAS,-MCC,-ECC	page 67
HI	Air heater	page 68
HM	Water heater	page 69
HP	Short stop cab heater	page 70
HY	Climat unit, CU,-HEAT,-ACMAN,-ACAUT.	page 71
HZ	Air cooler, Brazil	page 72
IA	El. heated/adj. seat	page 73
IE	El. heat/adj. mirrors, El. window winders	page 74
IF	Foldable mirror bracket	page 75
IH	Interior light	page 76
IJ	Interior light, storage	page 77
IM	Central locking, immobiliser	page 78
IQ	El. sunroof, cig. lighter, refrigerator	page 79
IR	12V power supply	page 80
IS	SRS. Air-bag	page 81
IU	Radio	page 82

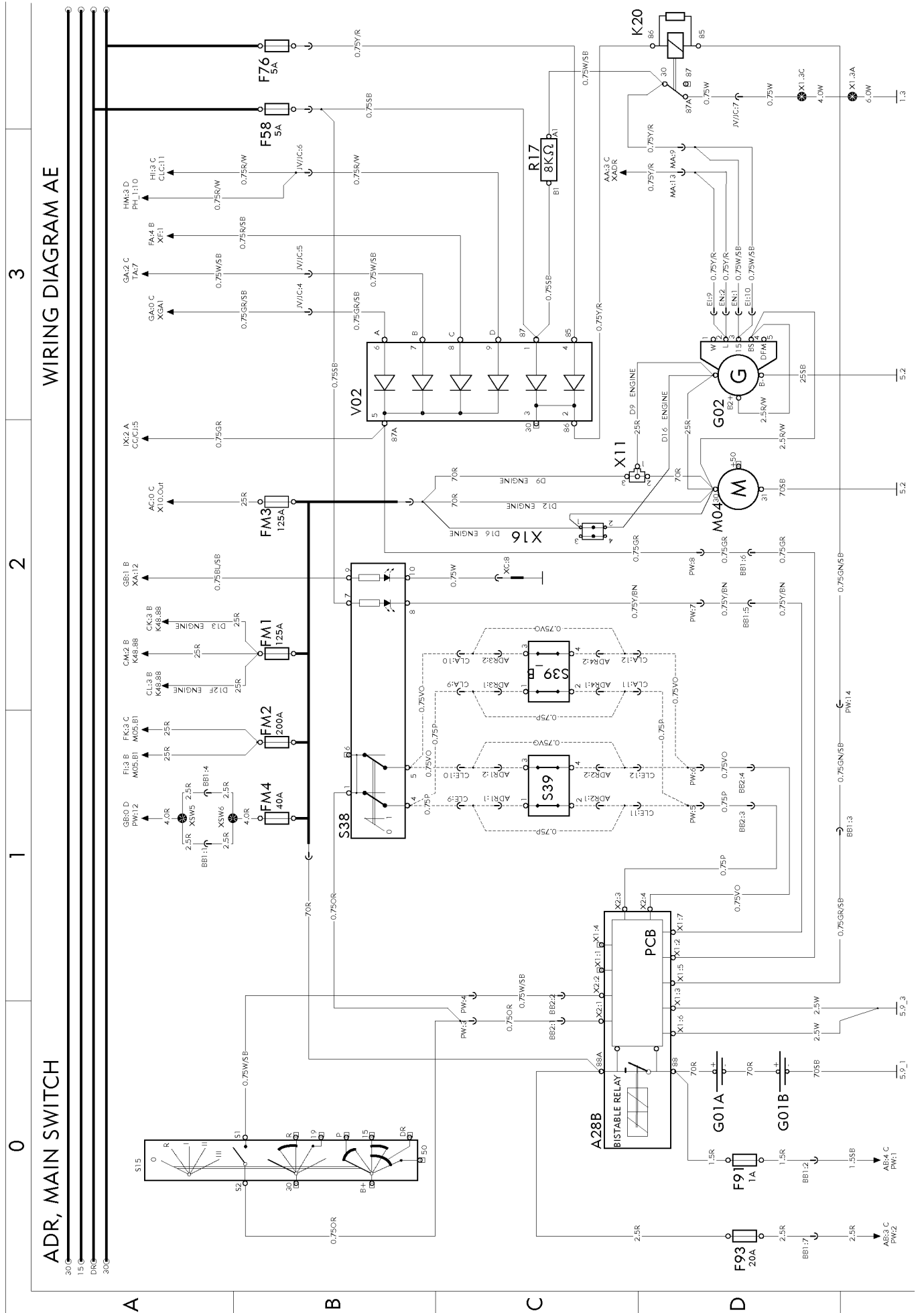
IX	Integrated telephone	page 83
IZ	Backup camera	page 84
KA	Cab tilt	page 85
KE	Load light, 5:th wheel lamp	page 86
KI	Light sign	page 87
KM	Beacon warning light	page 88
ME	Extra fuse block, key switch relay	page 89
NA	Body builder (BB), auxsw-6 and swapbody	page 90
NC	Body builder (BB), ELCE-CK, BBM, PTO2	page 91
NI	Extra spotlamps front/roof, max 4x70W	page 92
NK	Burglar alarm	page 93
NU	Body builder (BB), DUAL-SPEED	page 94
OA	Tyre pressure monitoring (TPM)	page 95
XA	Bus J1708/J1587	page 96
XB	Bus J1939	page 97

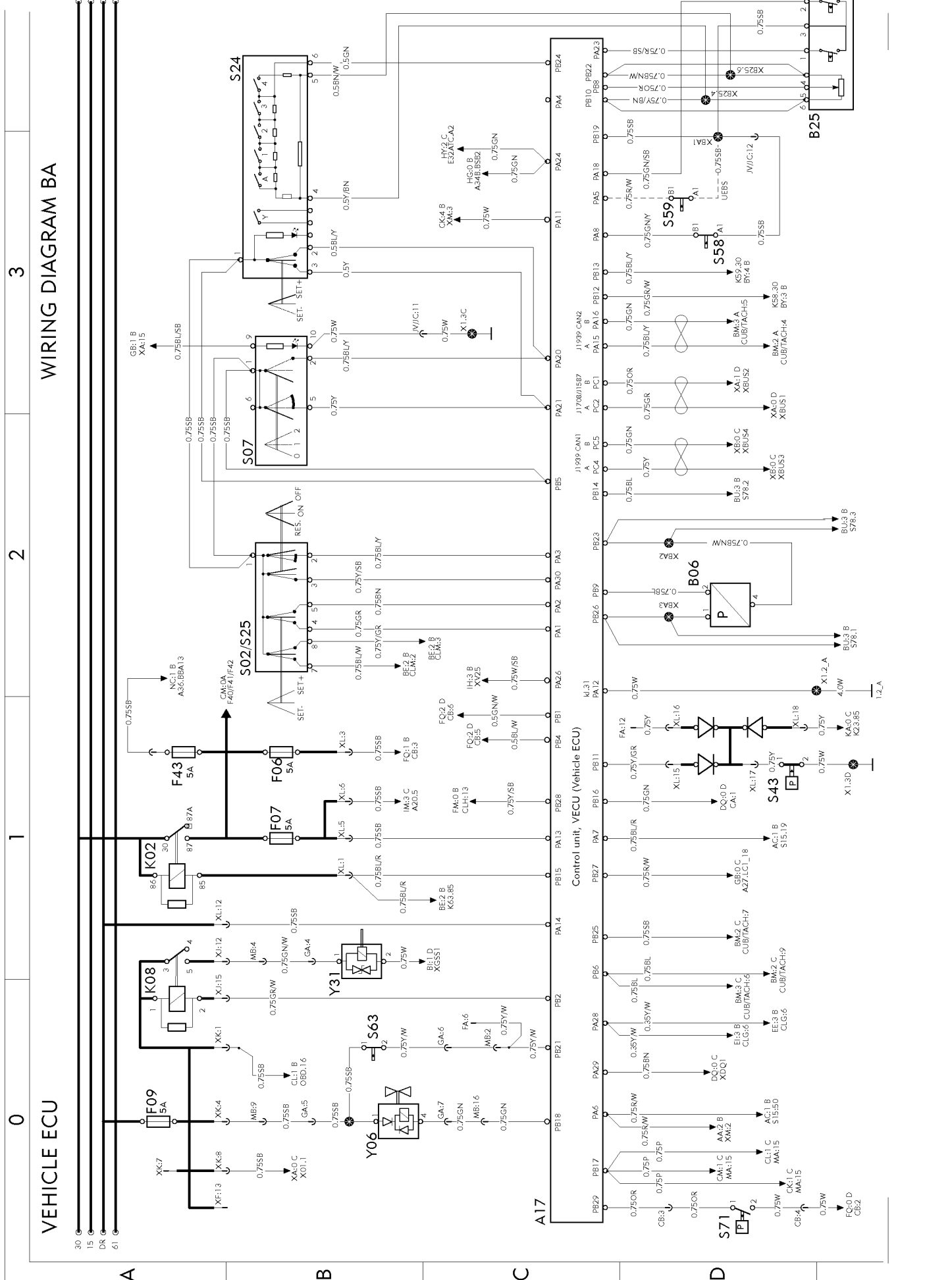
Component wiring diagrams

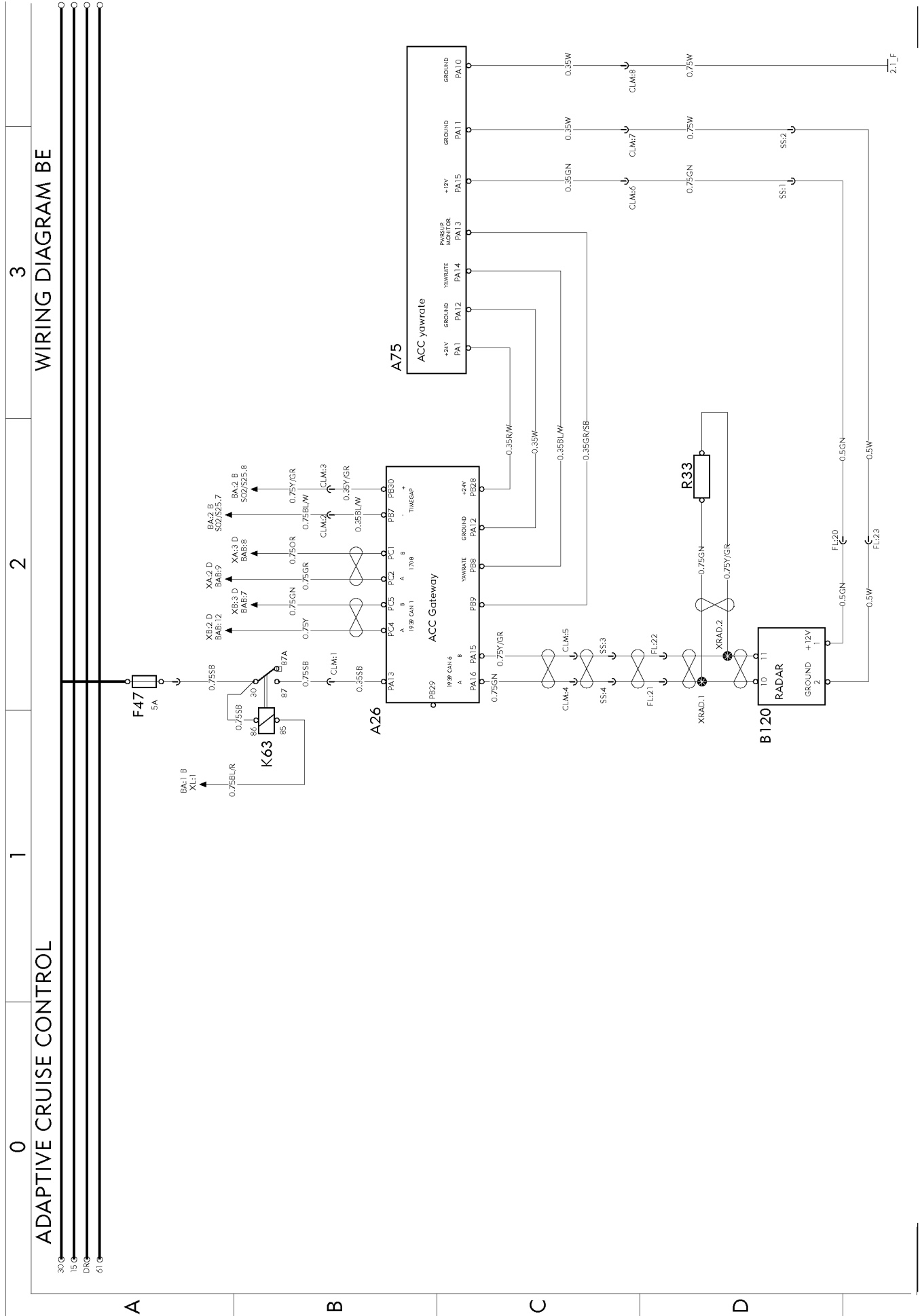


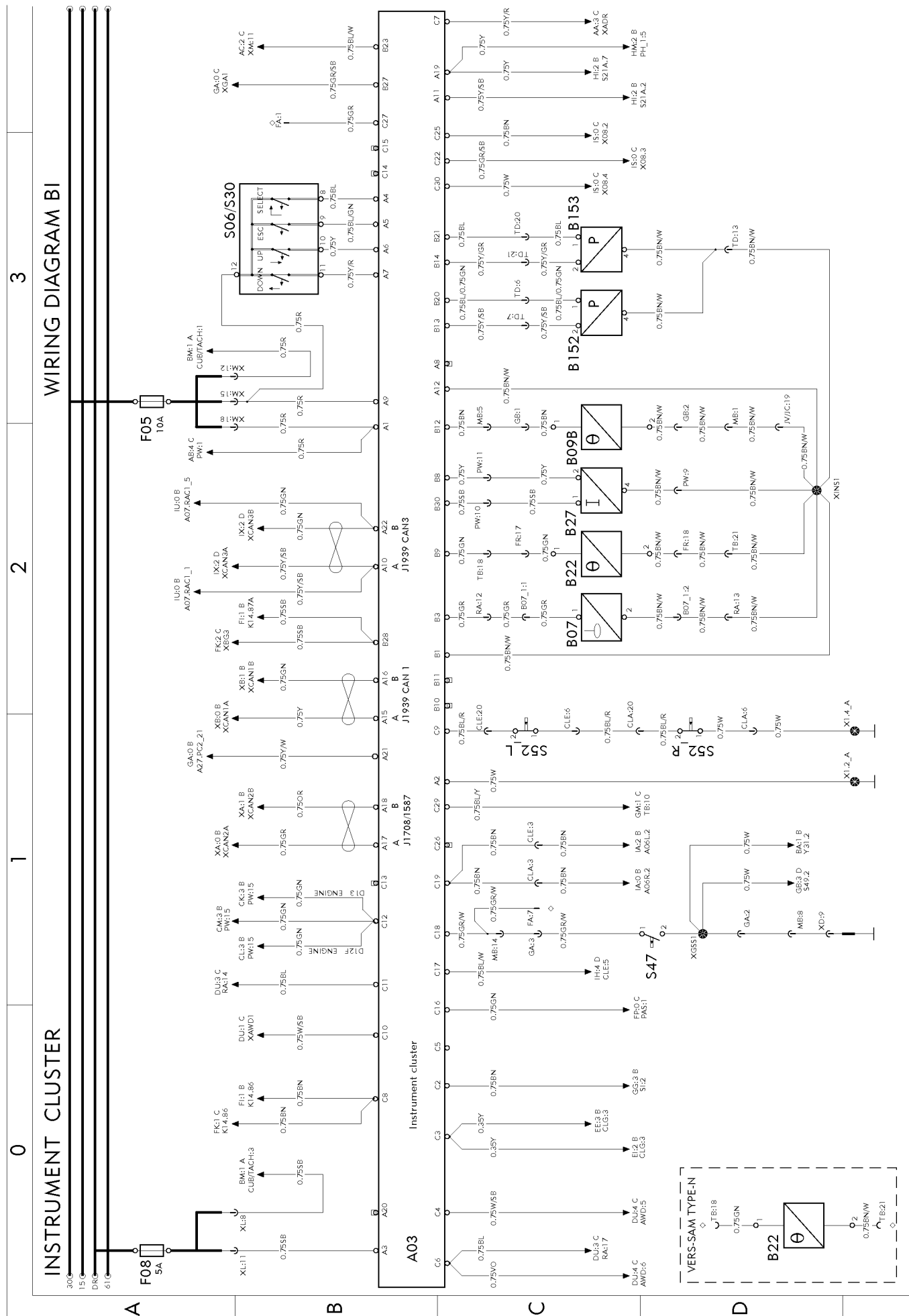


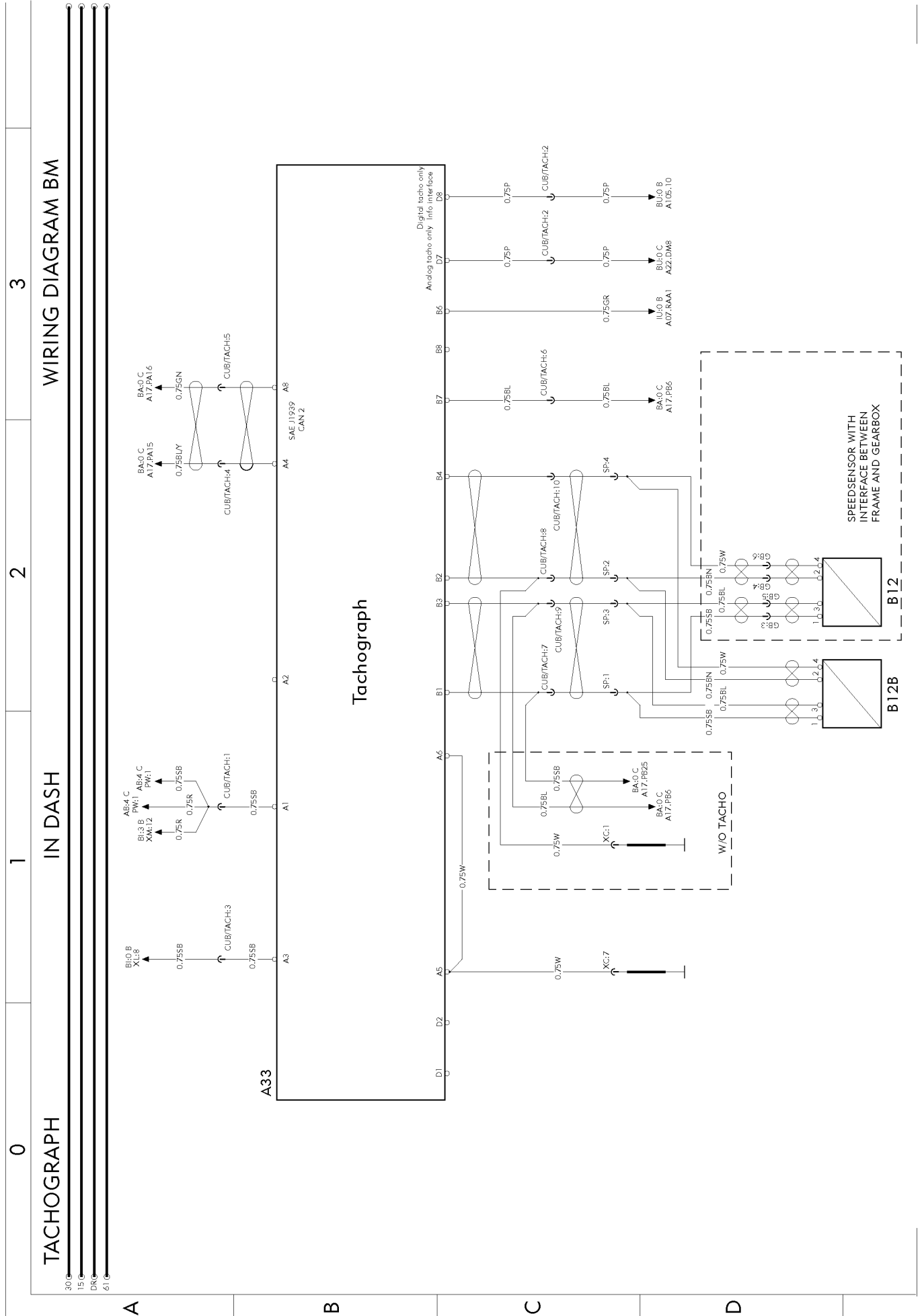


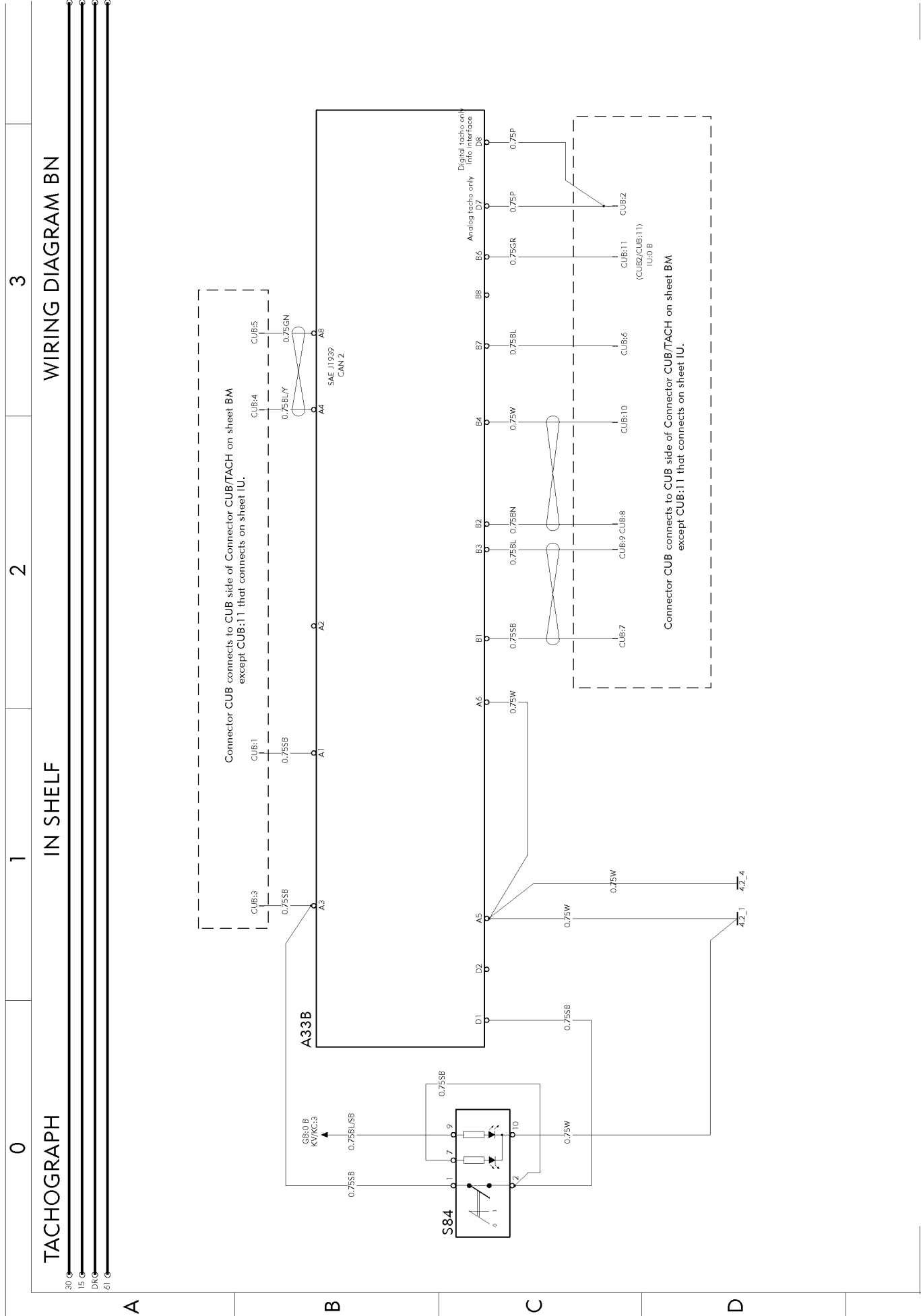


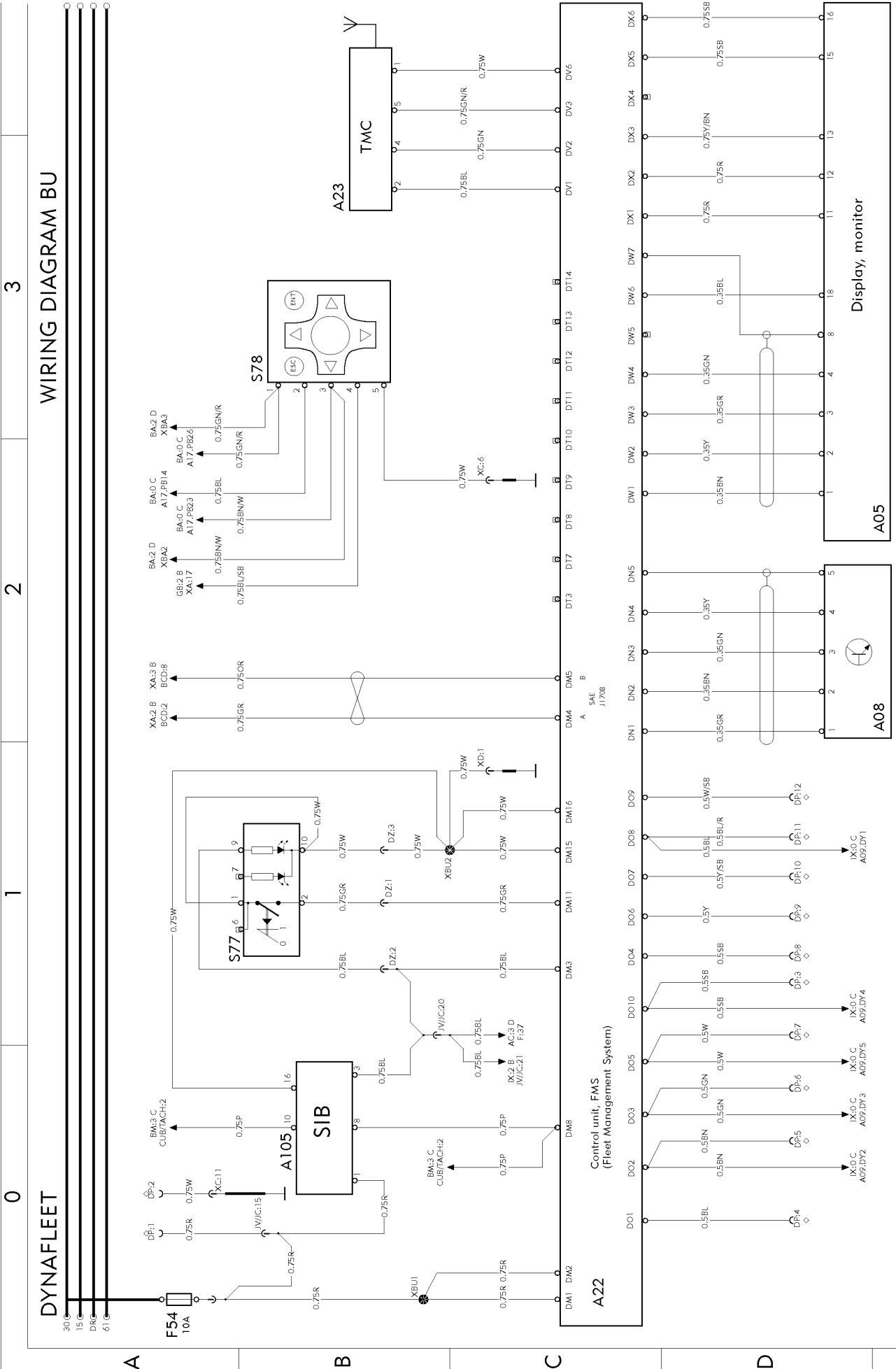


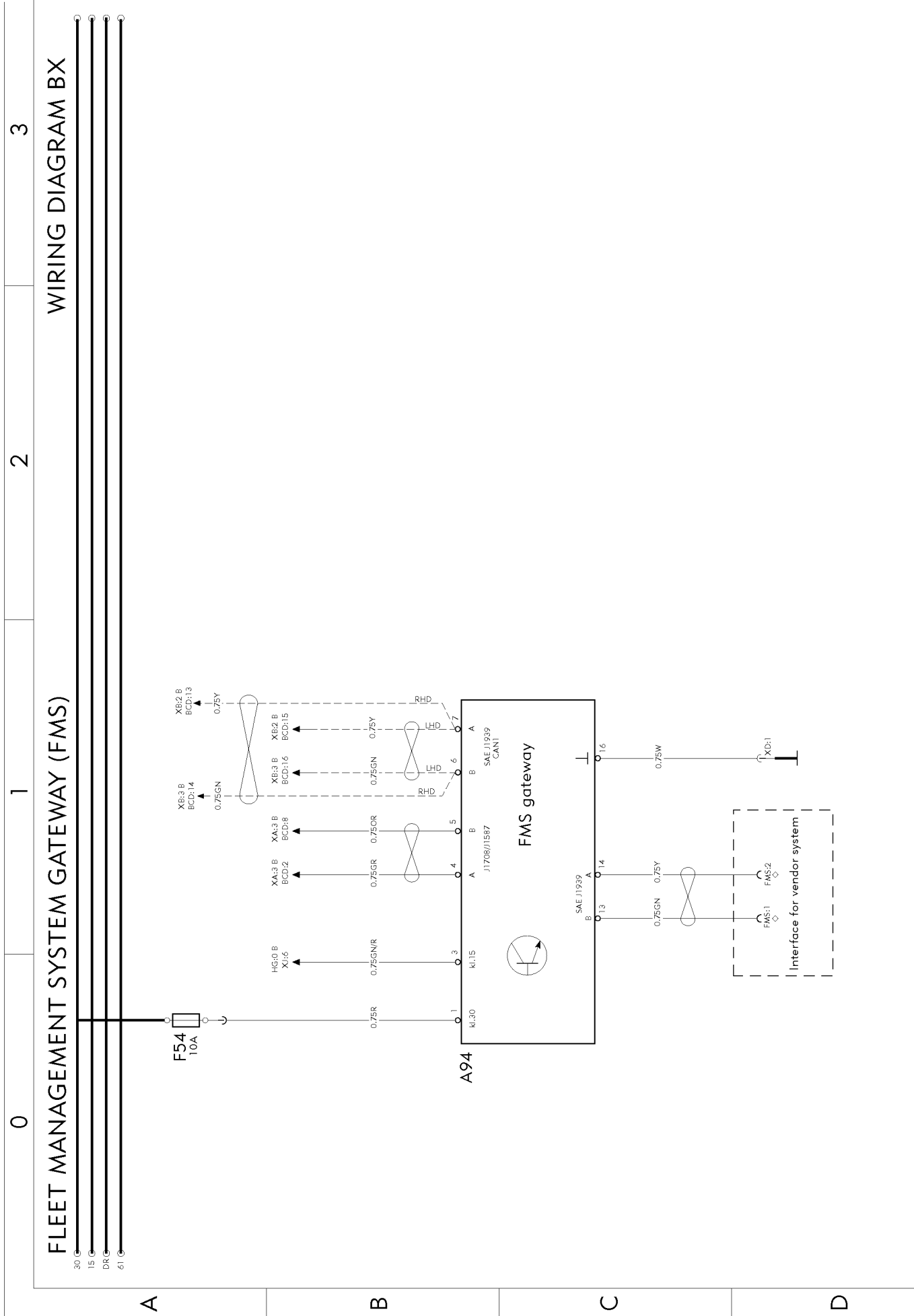


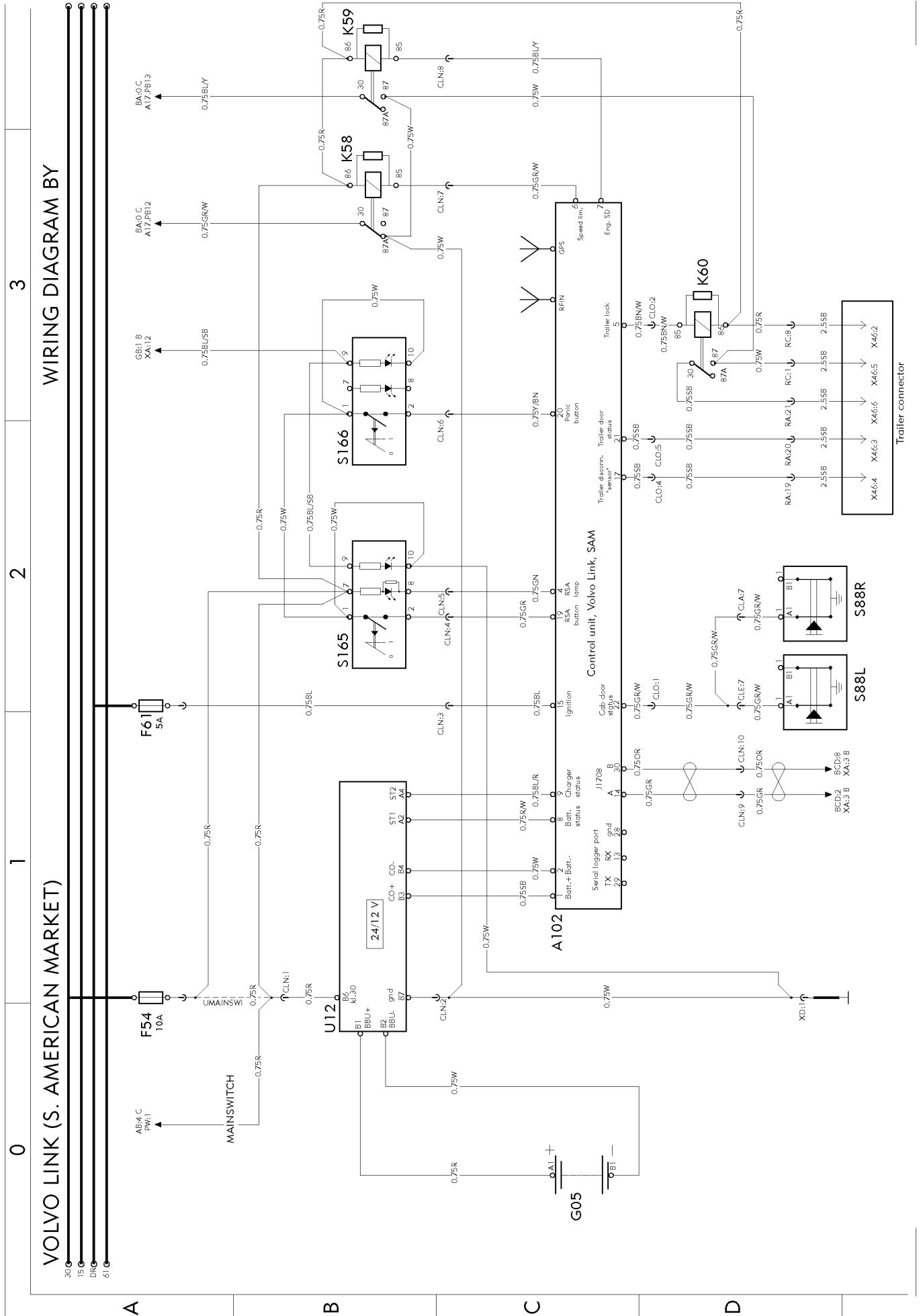


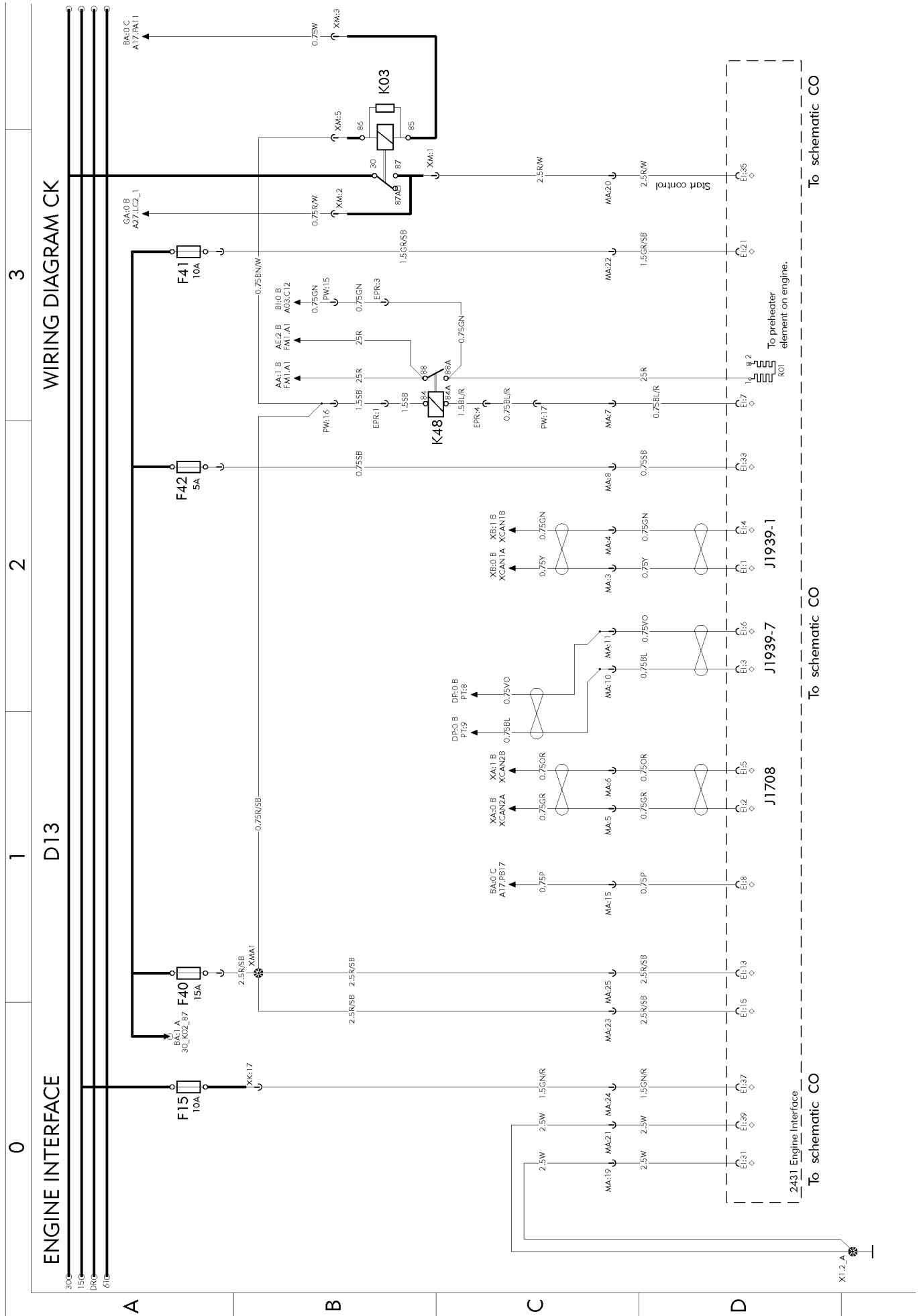


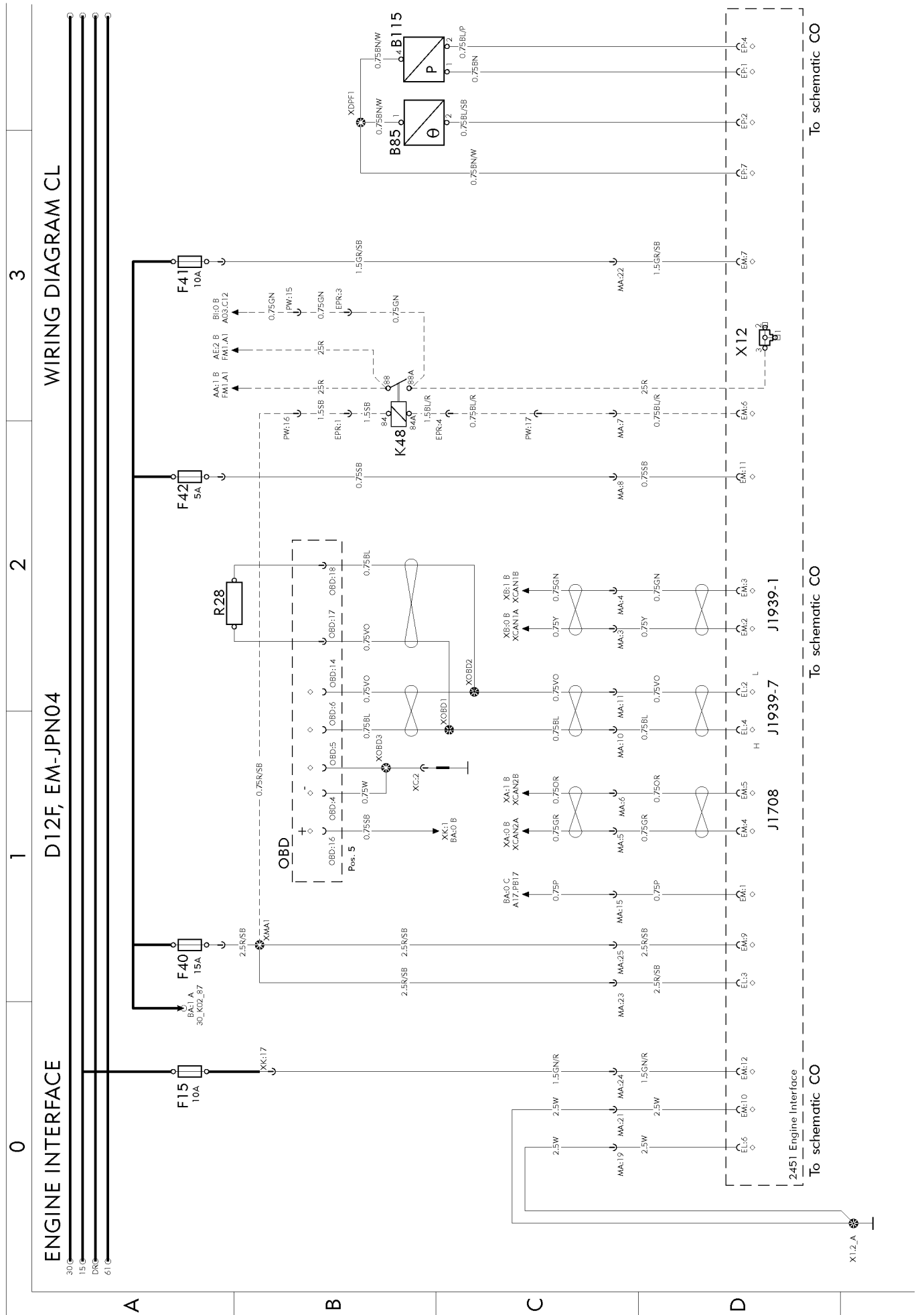


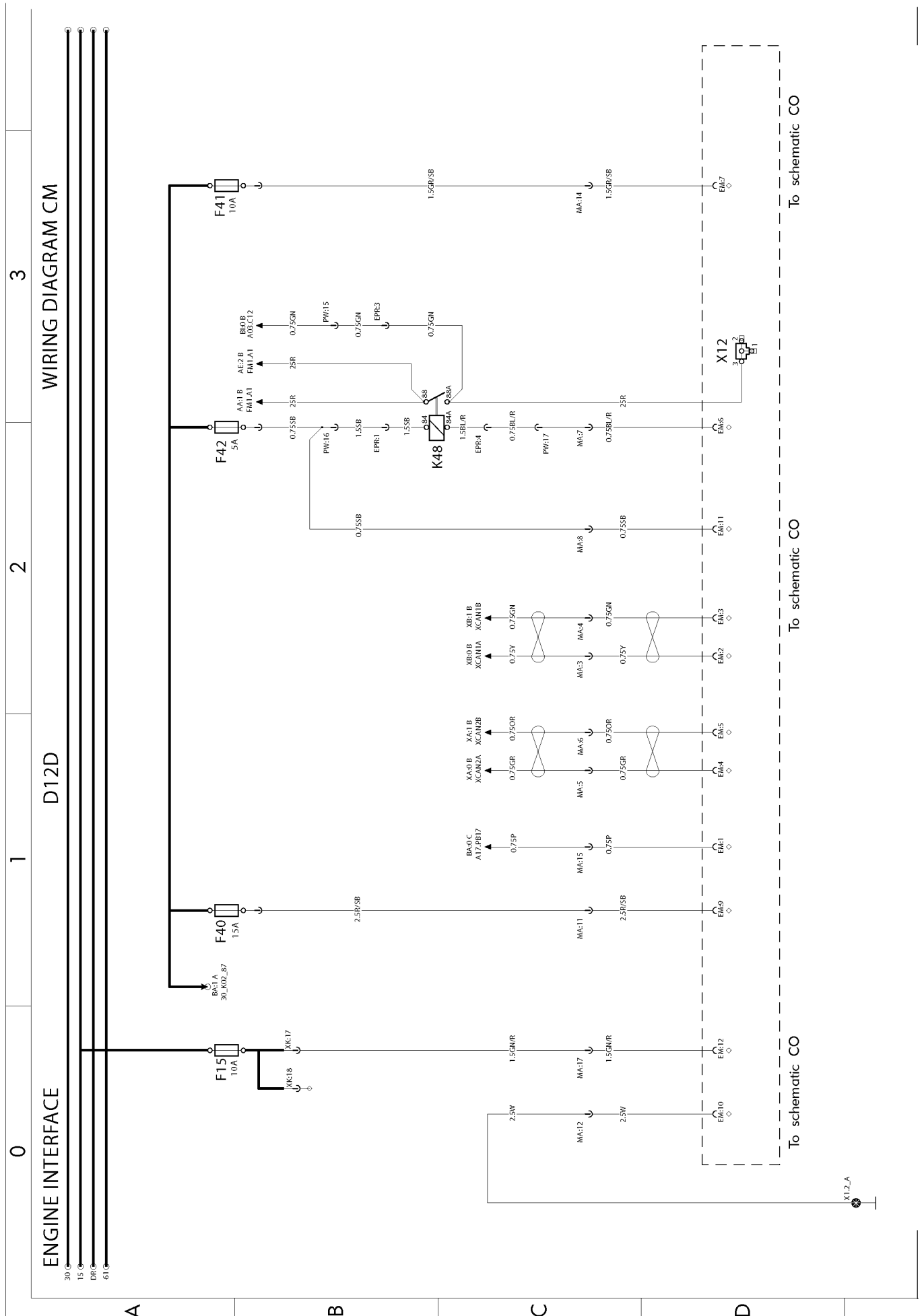


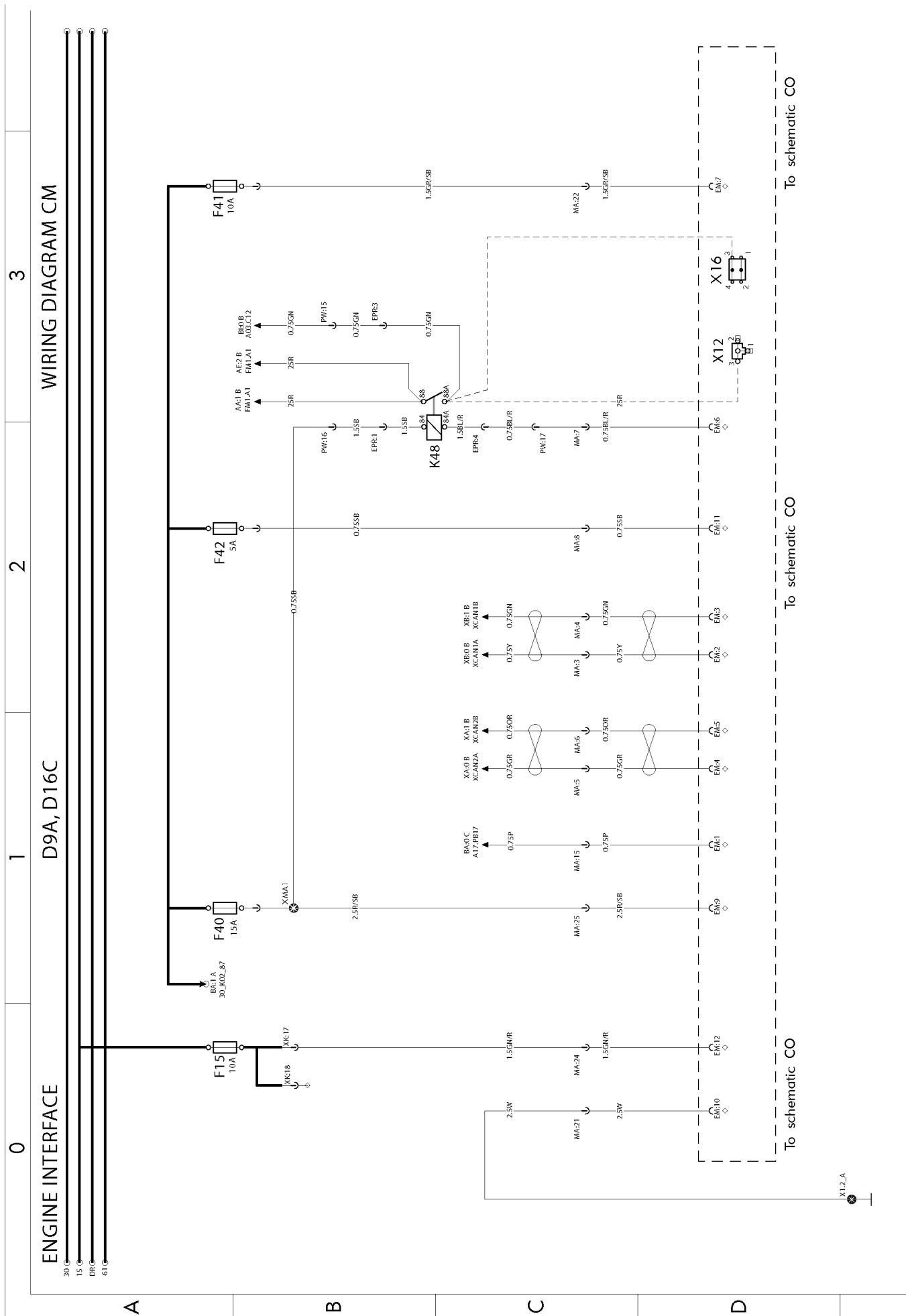










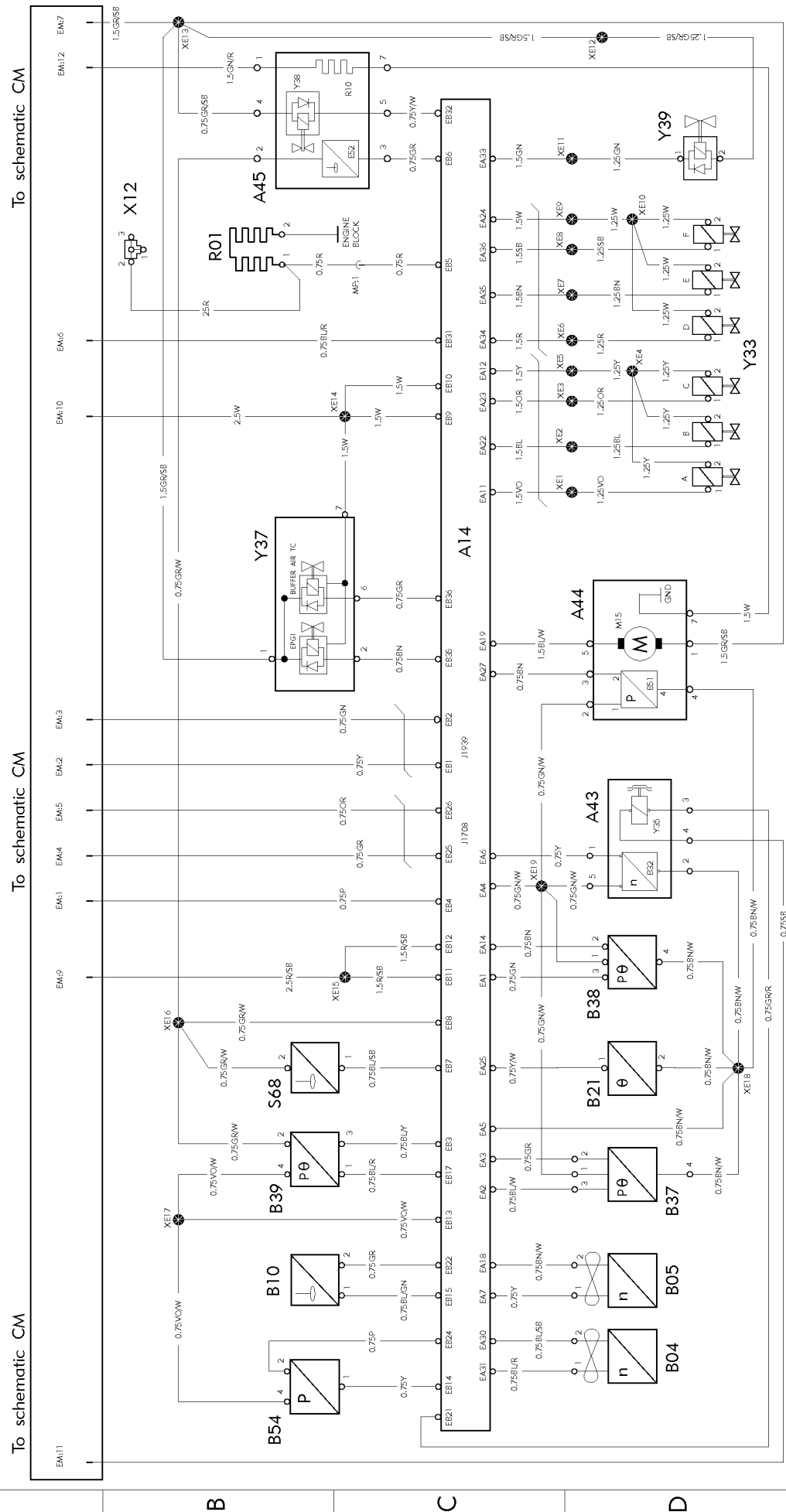


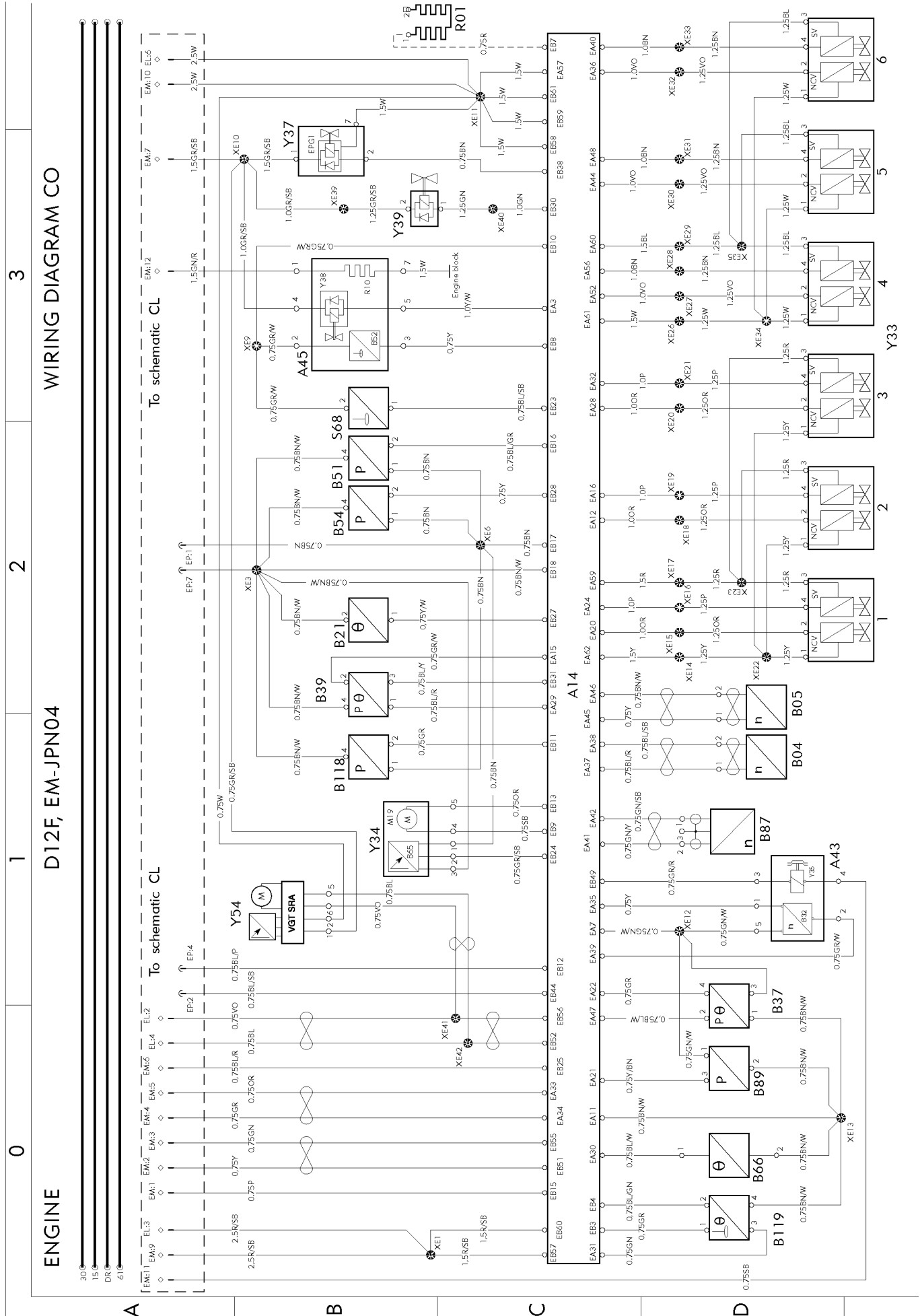
WIRING DIAGRAM CO

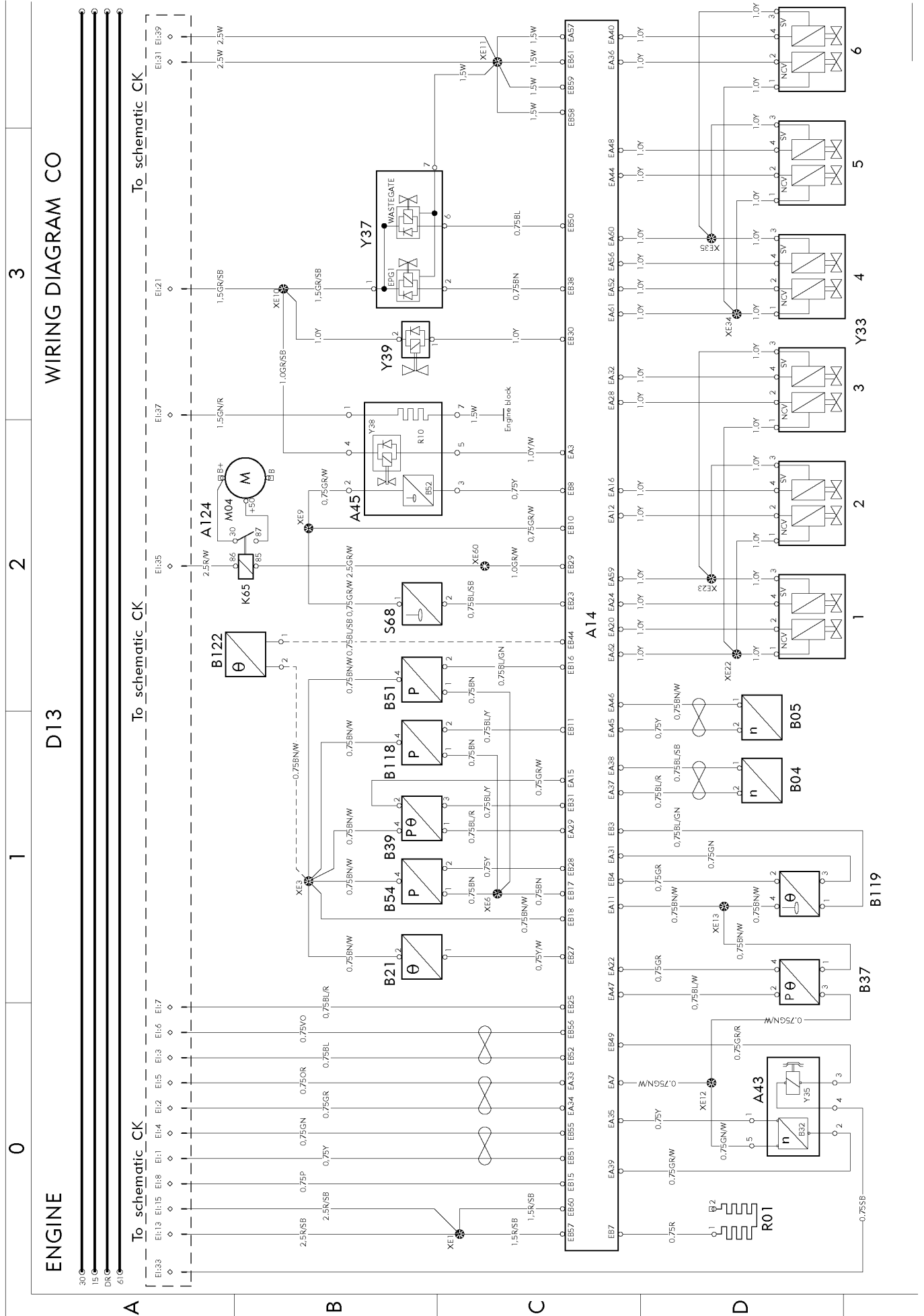
D9A

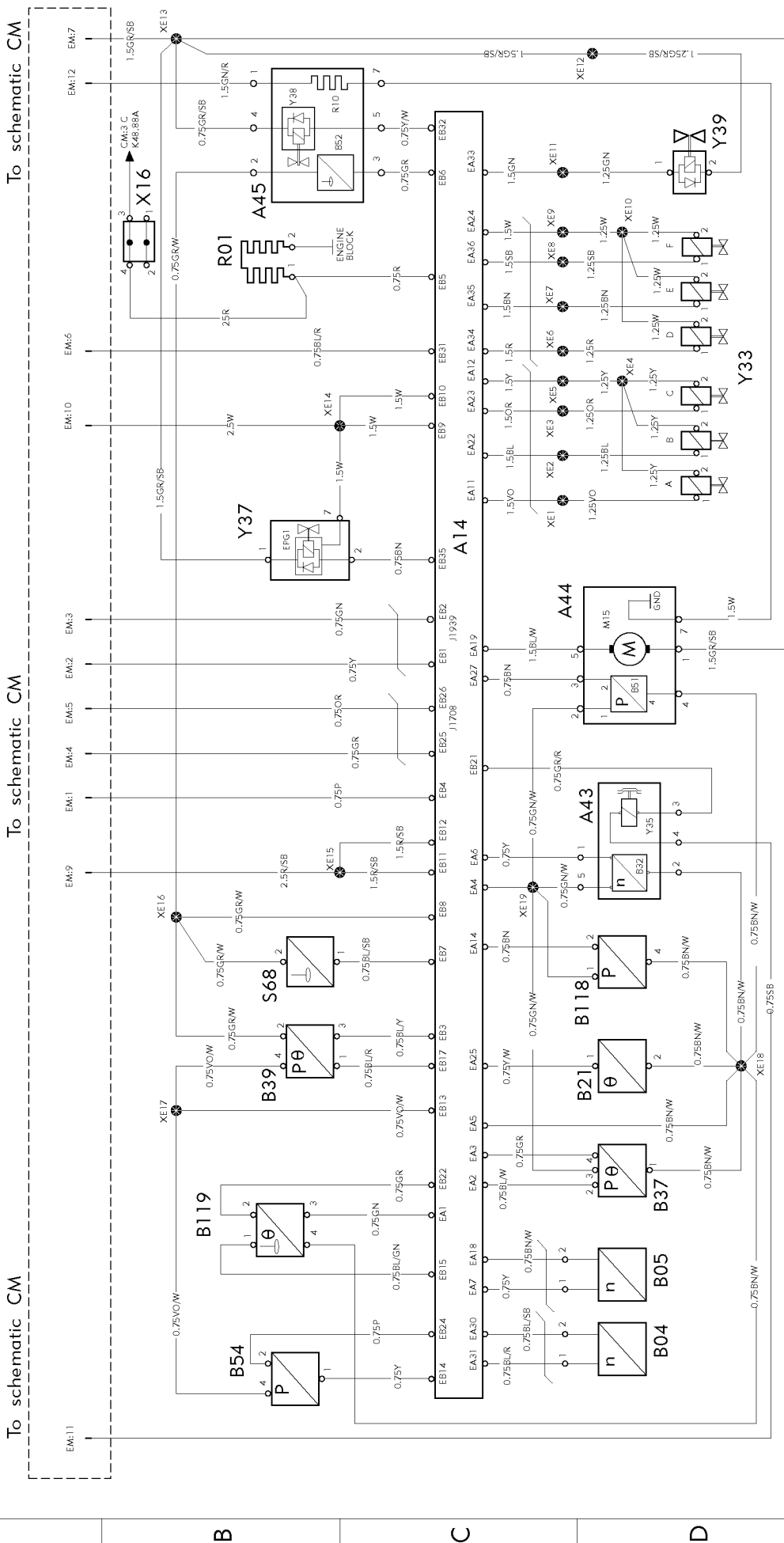
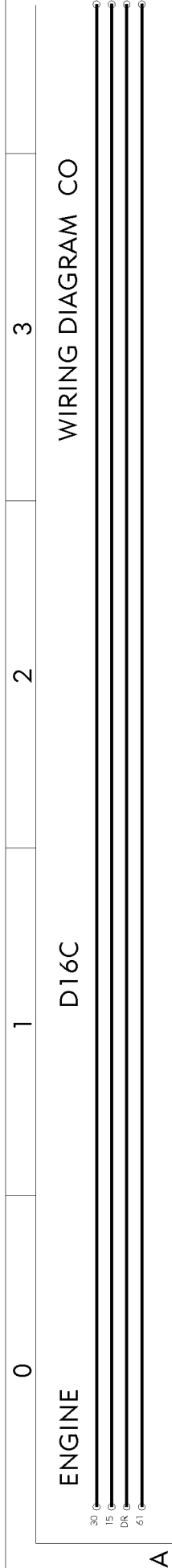
ENGINE

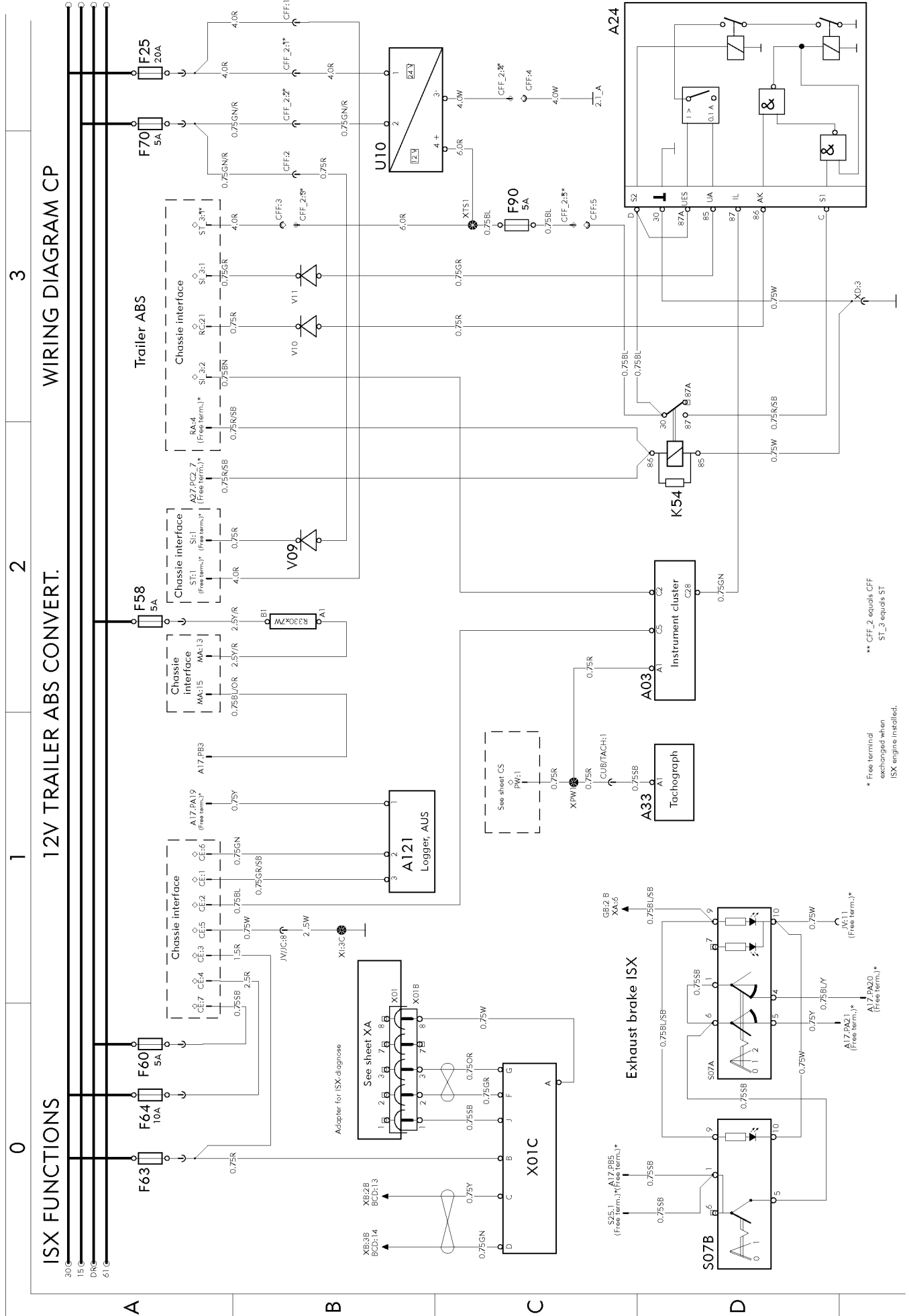
30
15
DK
61

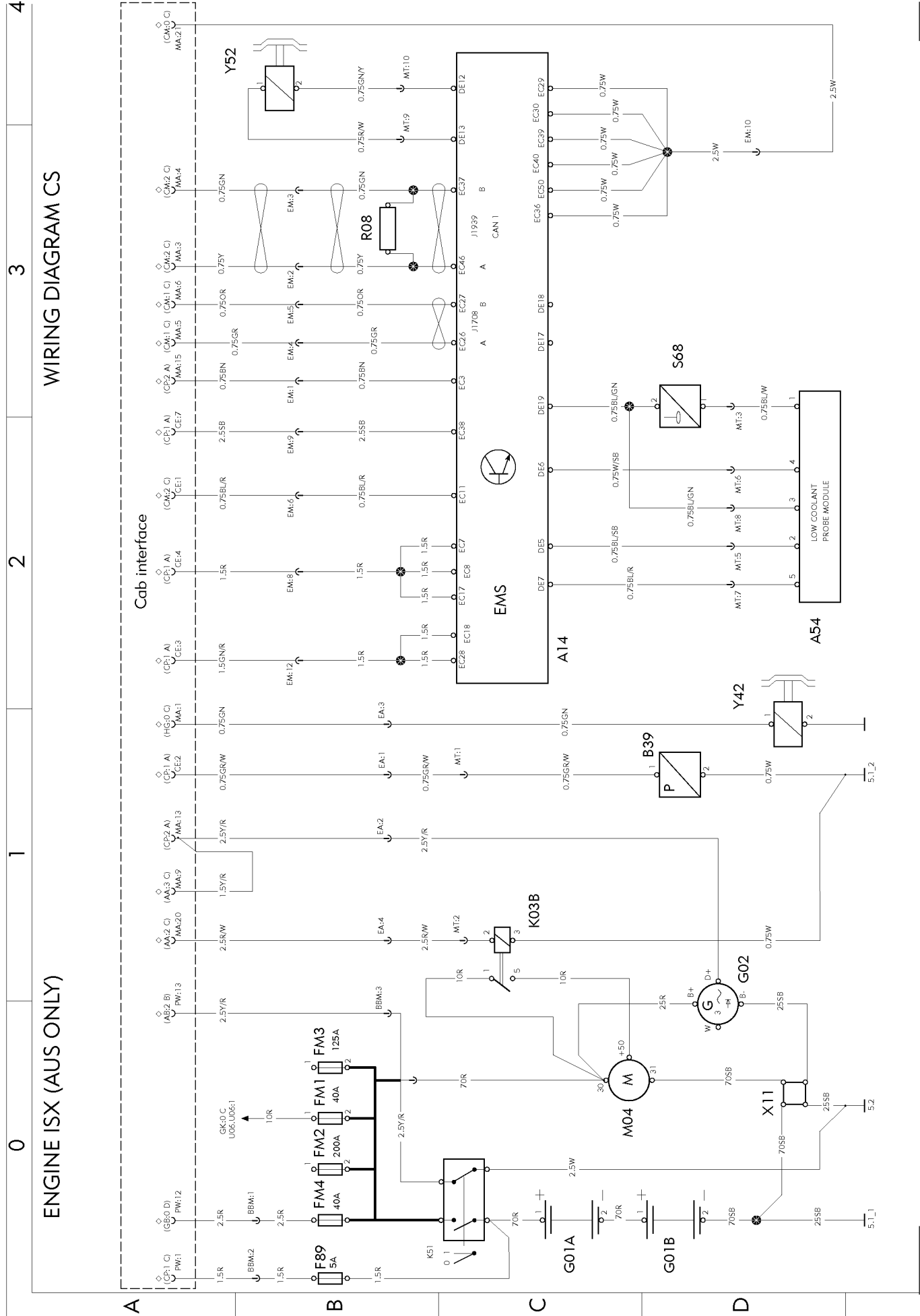


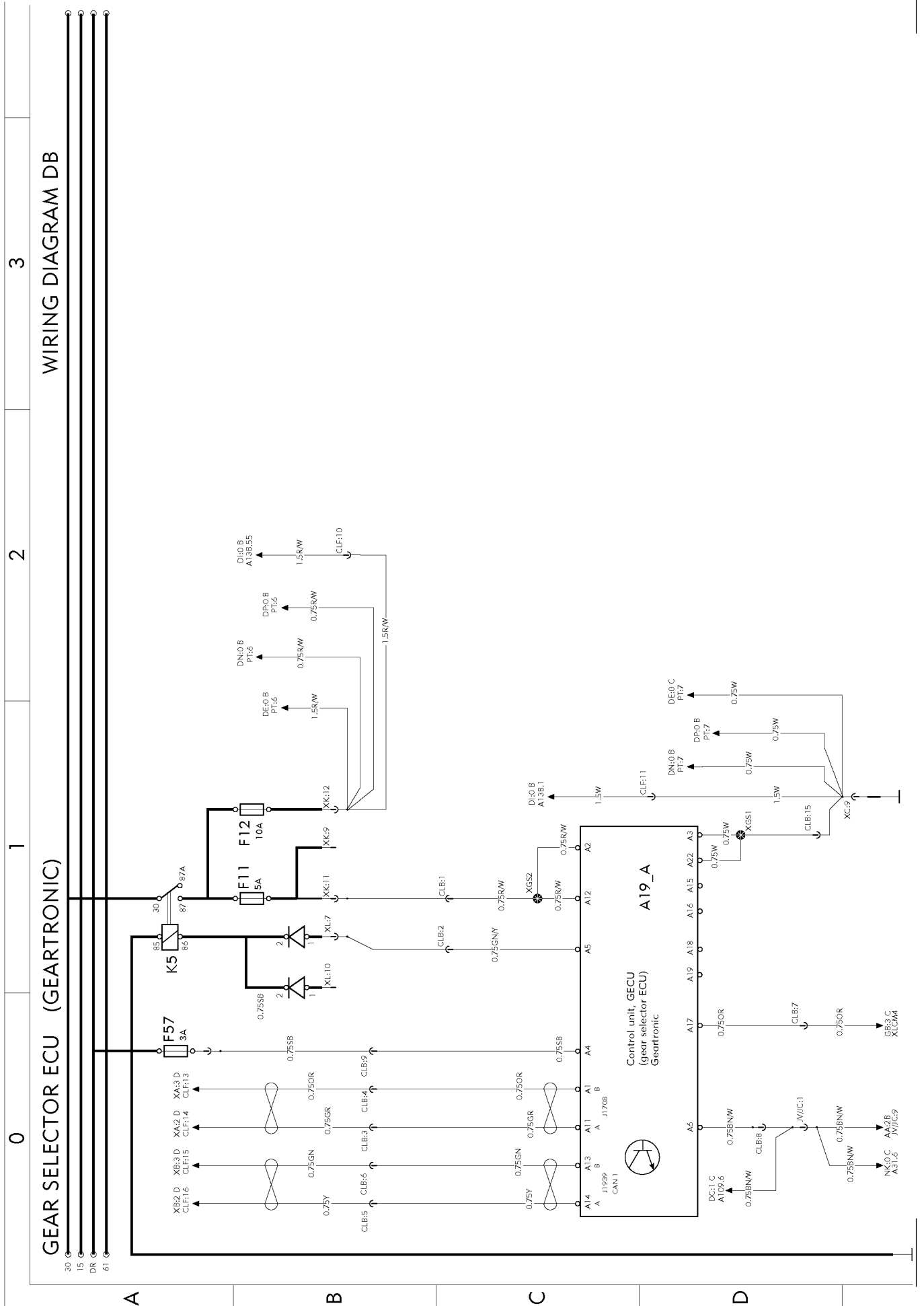


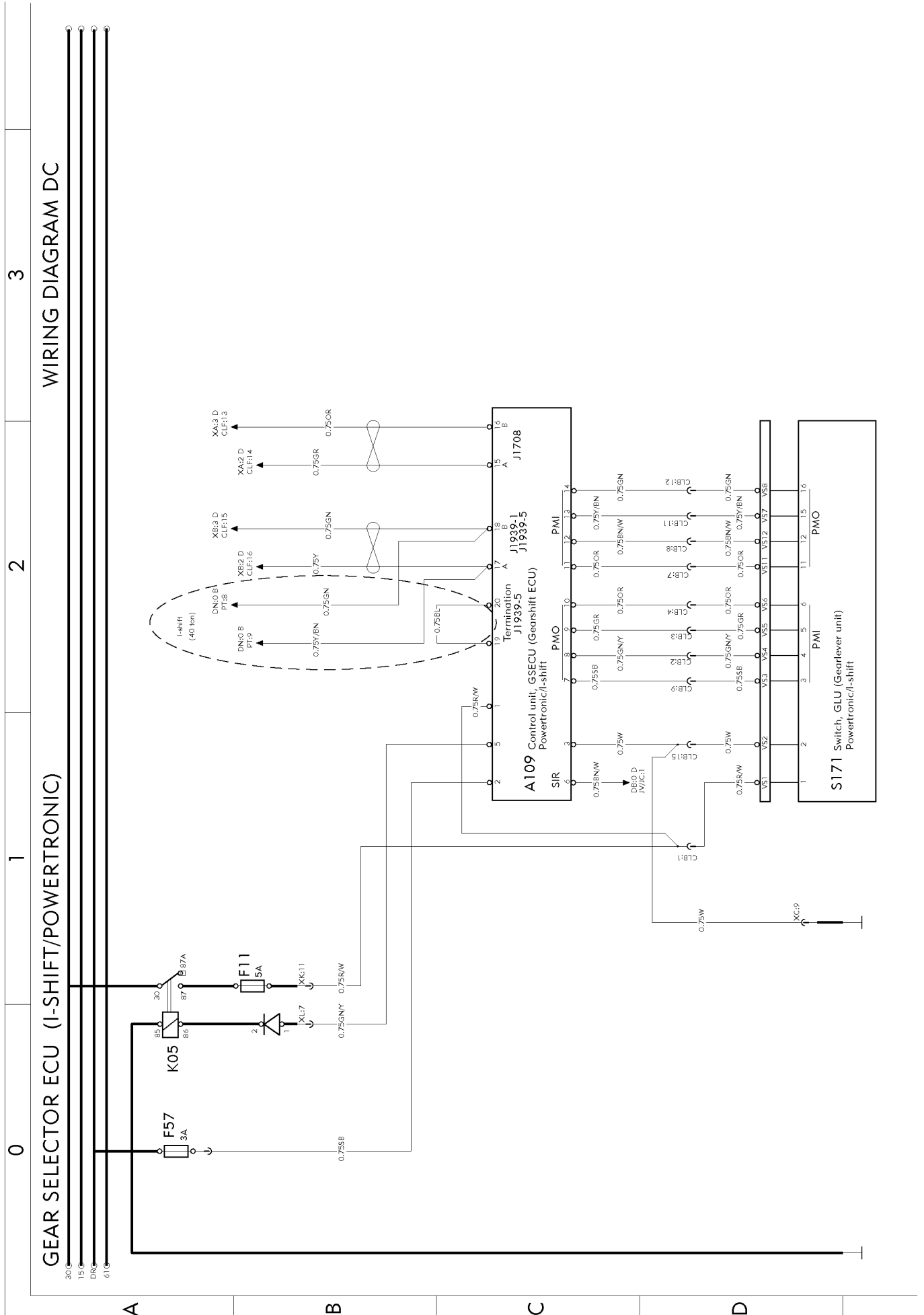


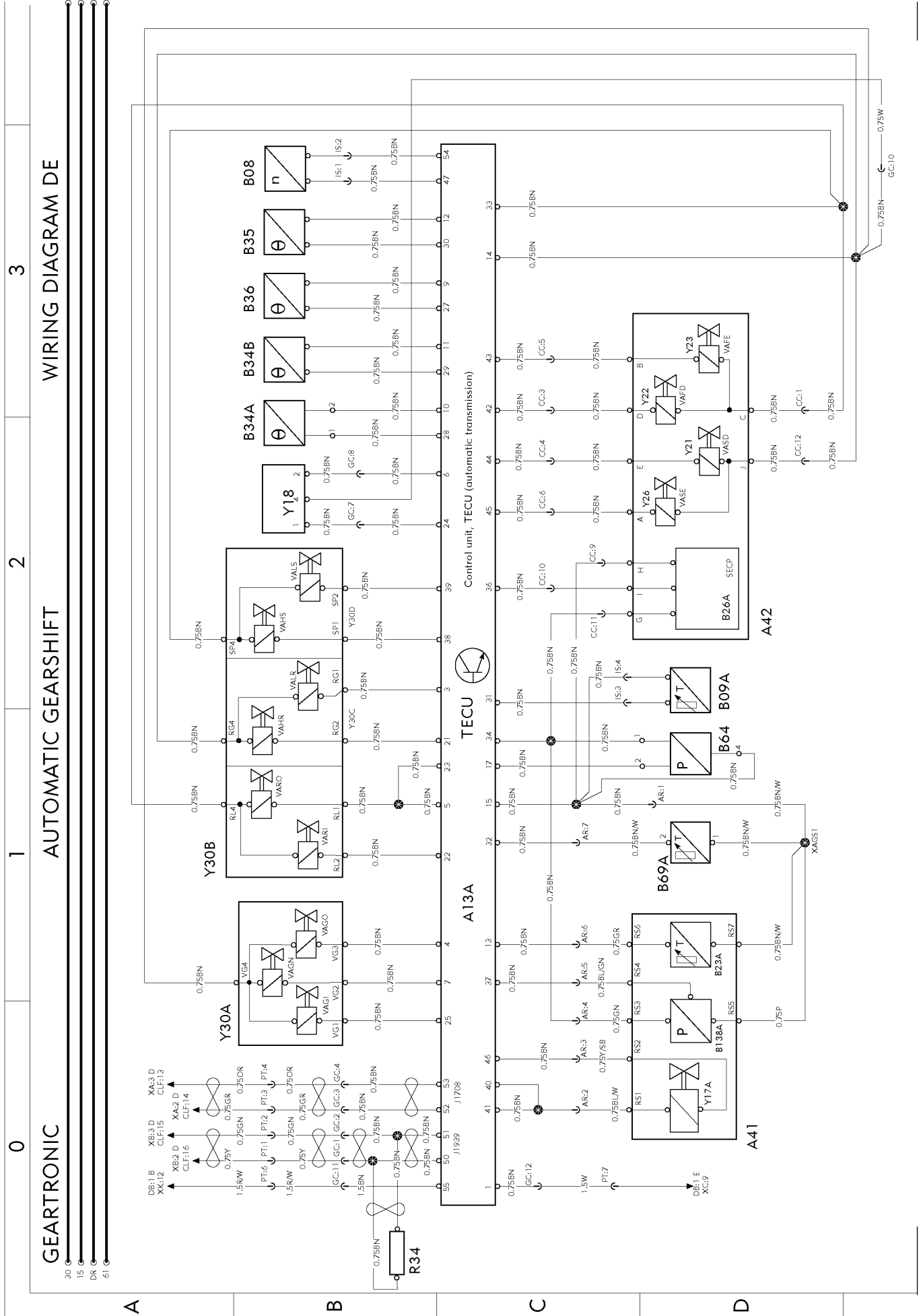


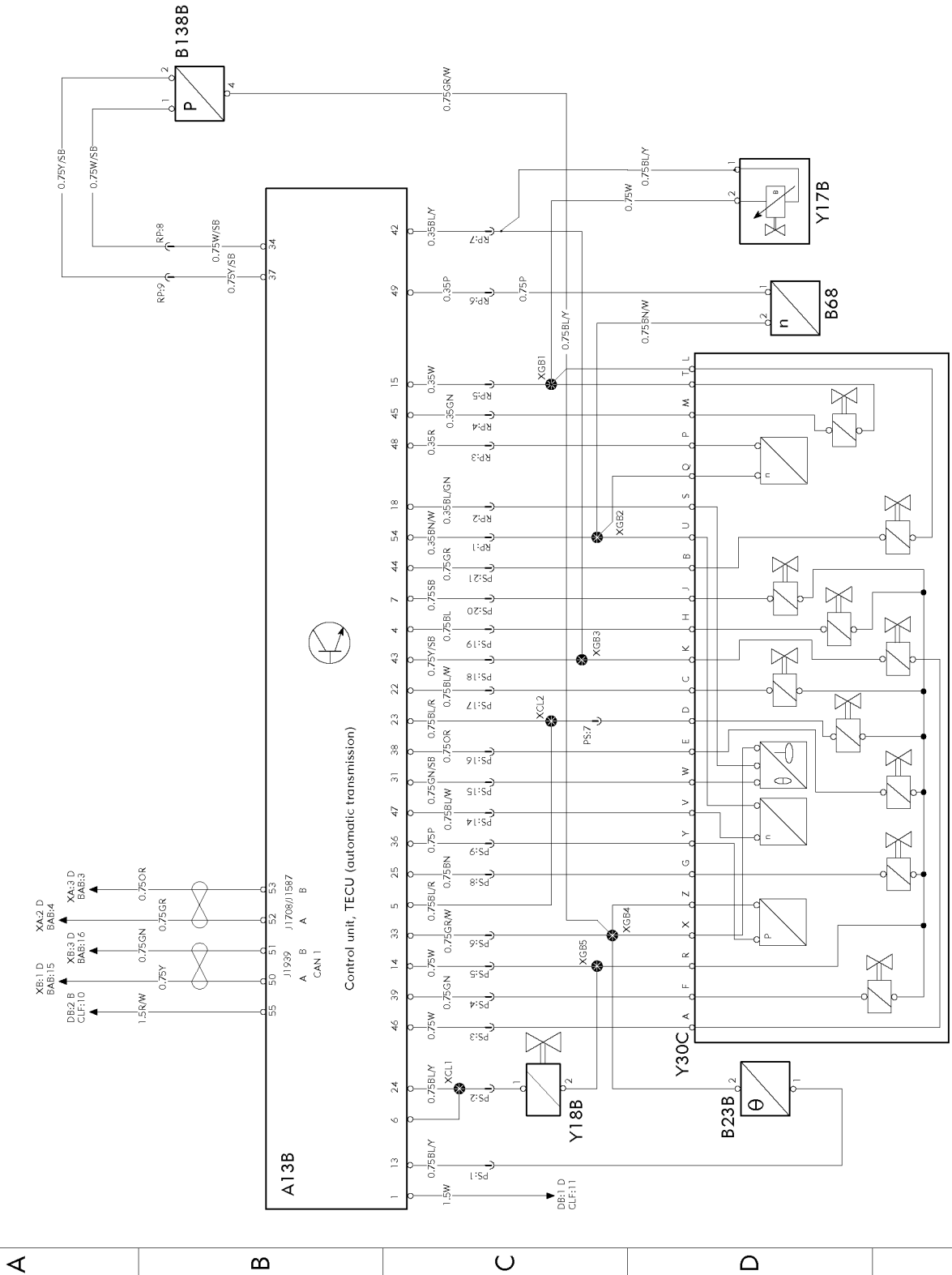
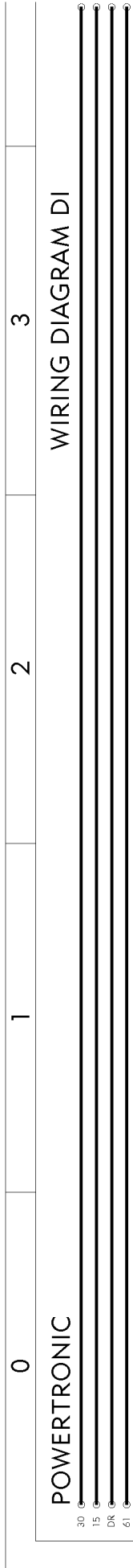


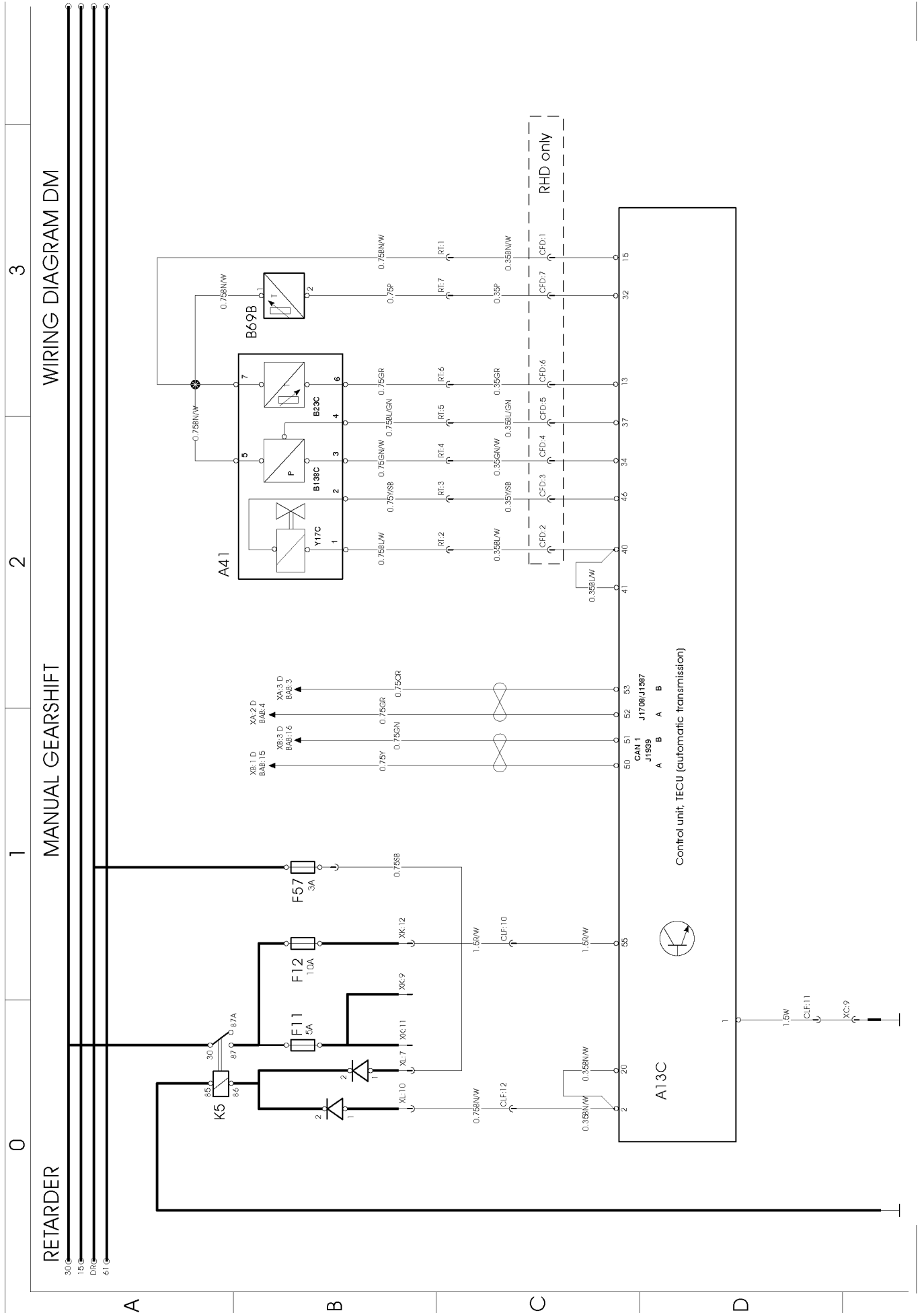


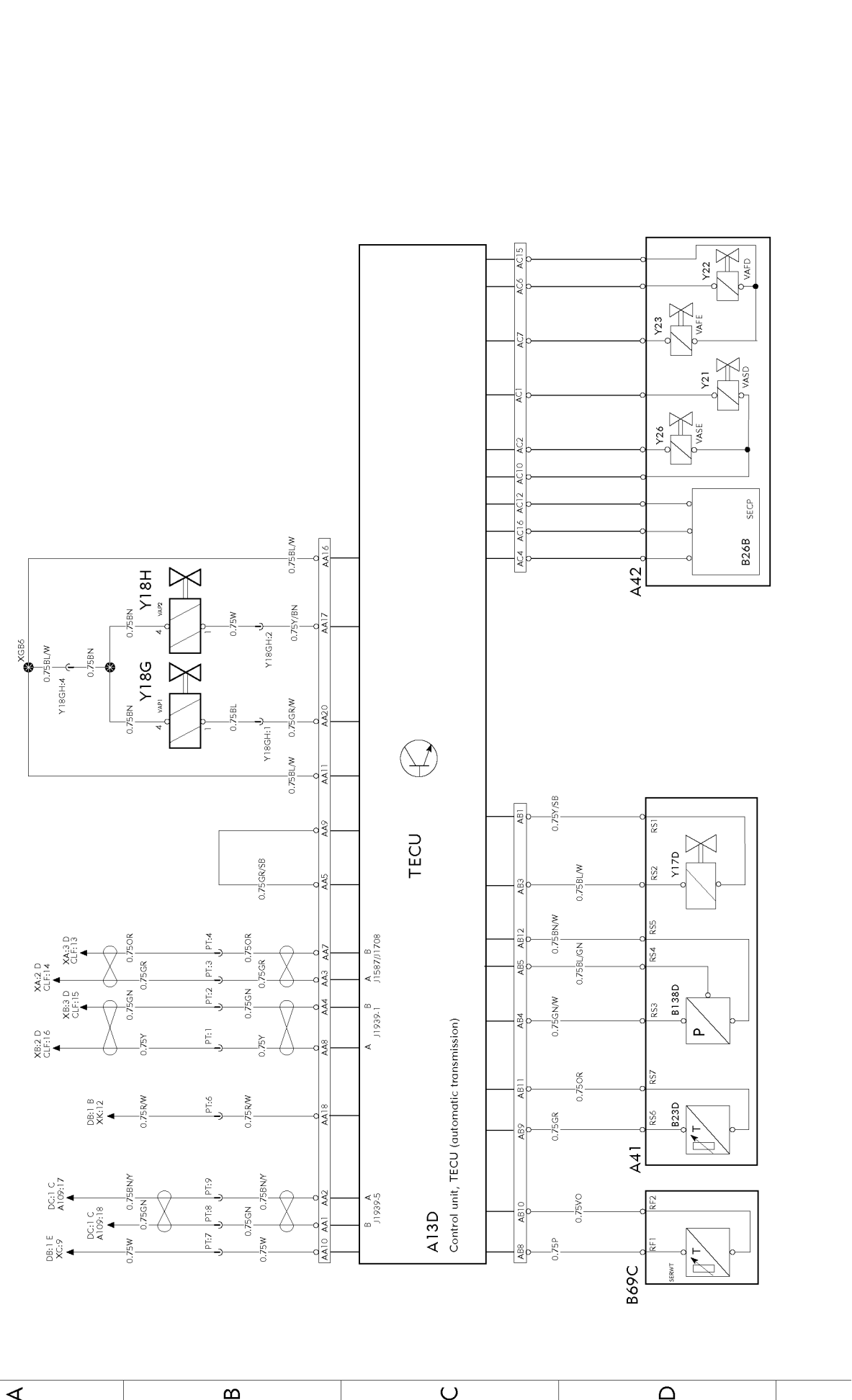
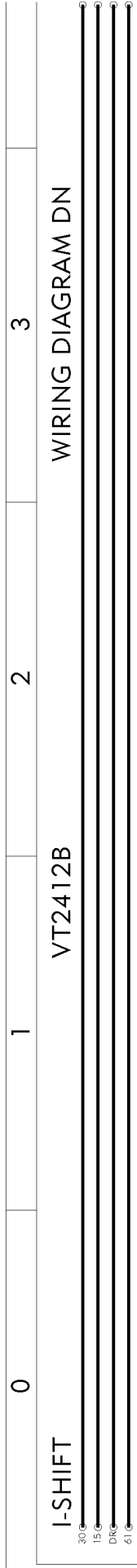


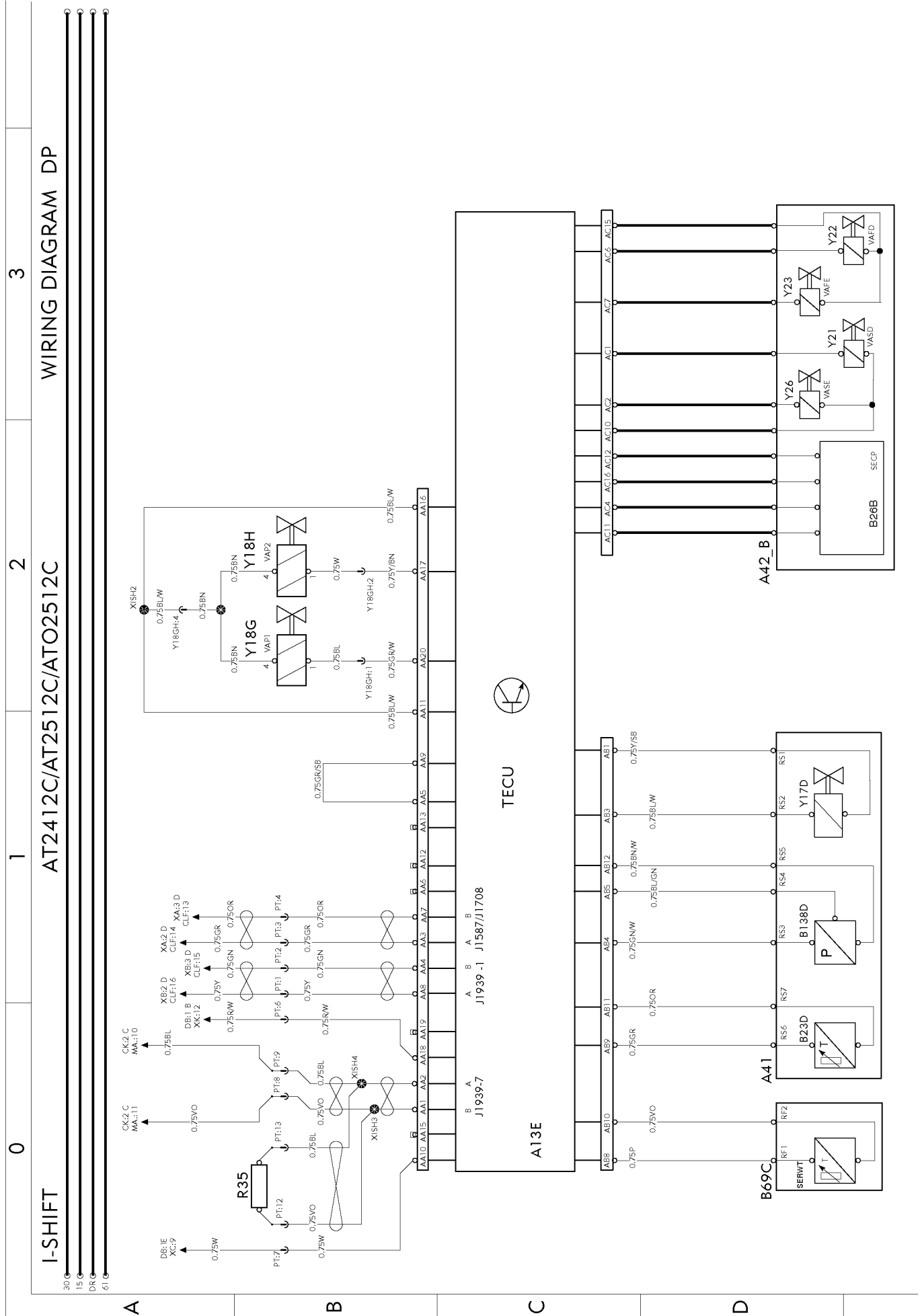


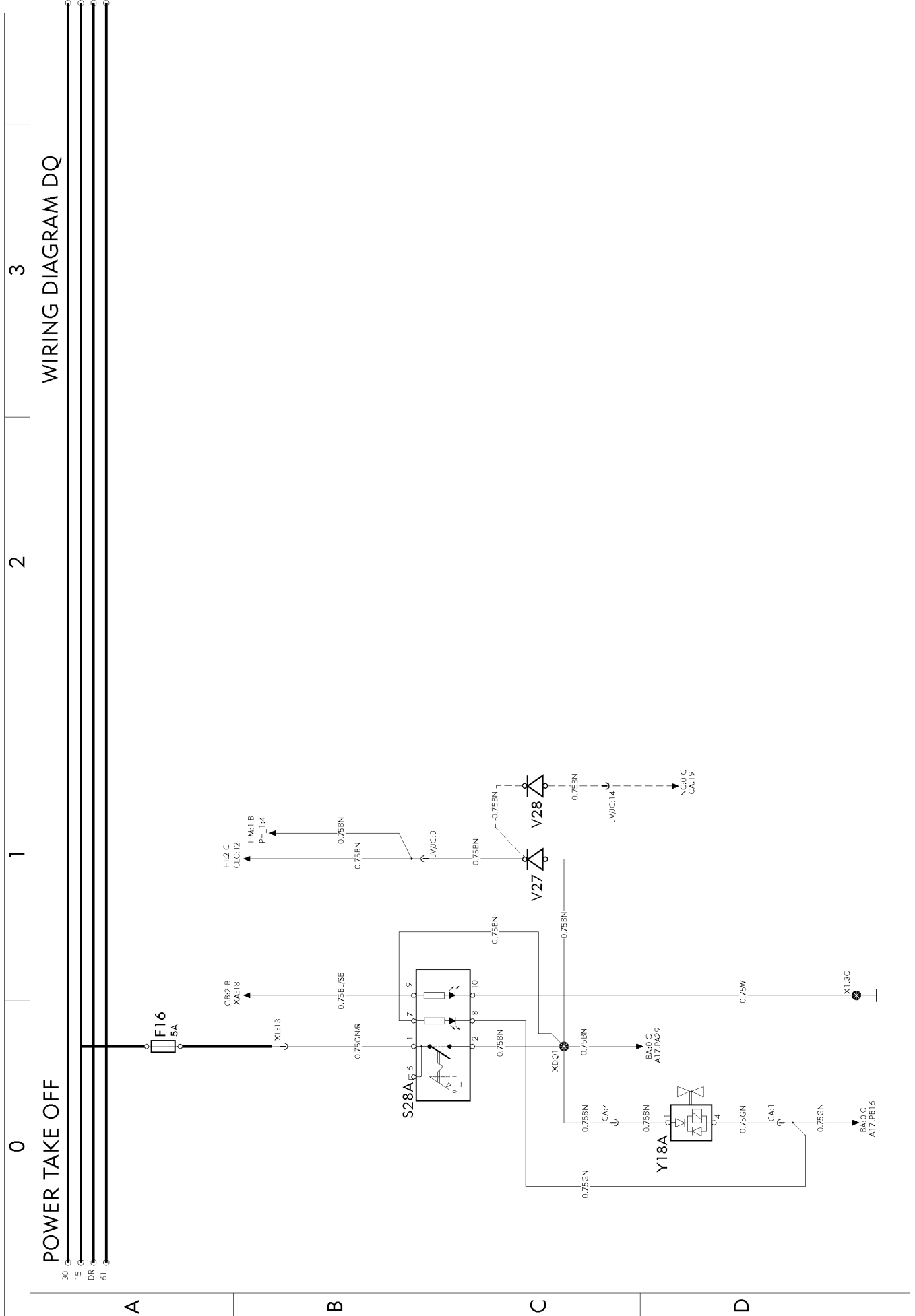


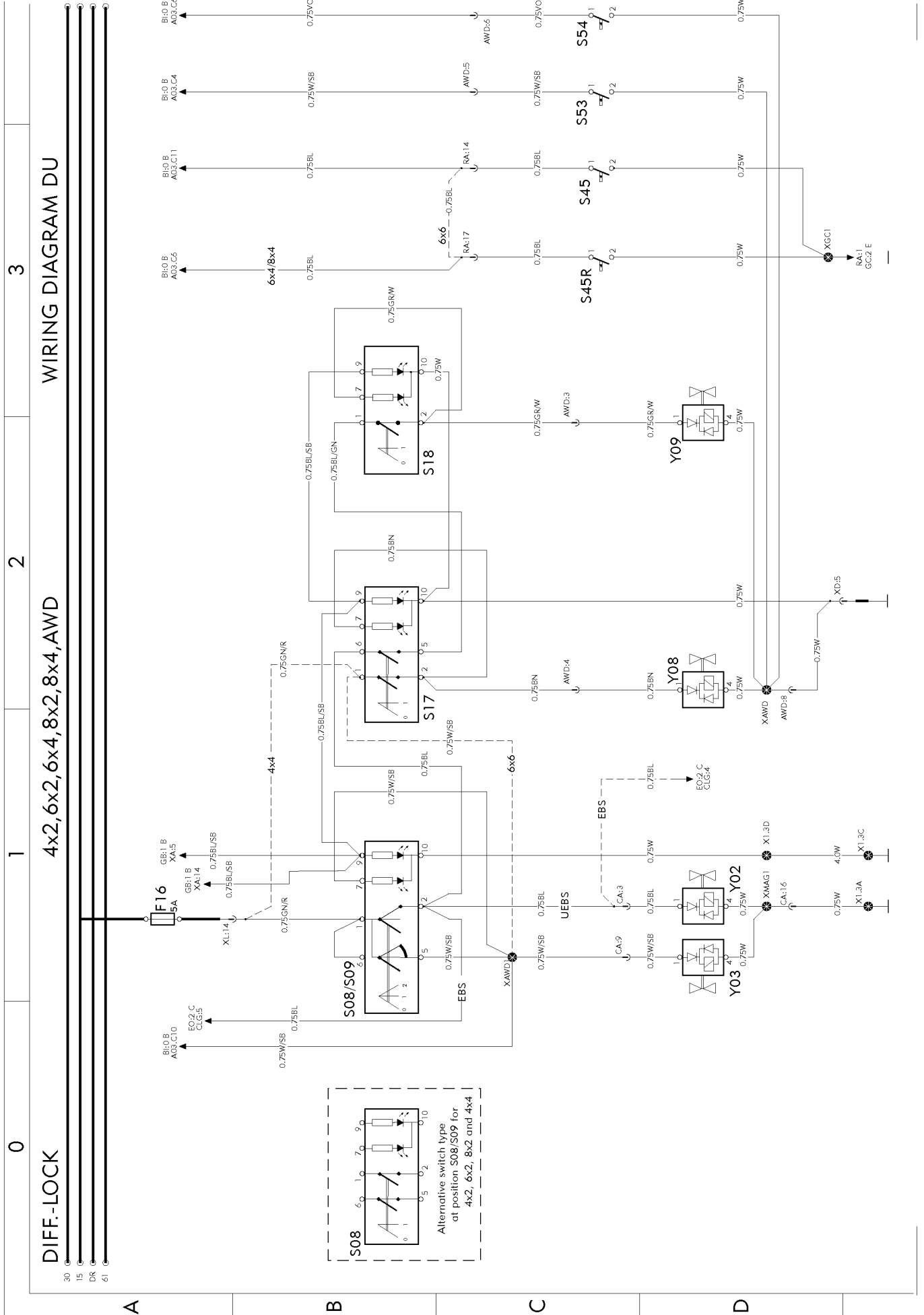


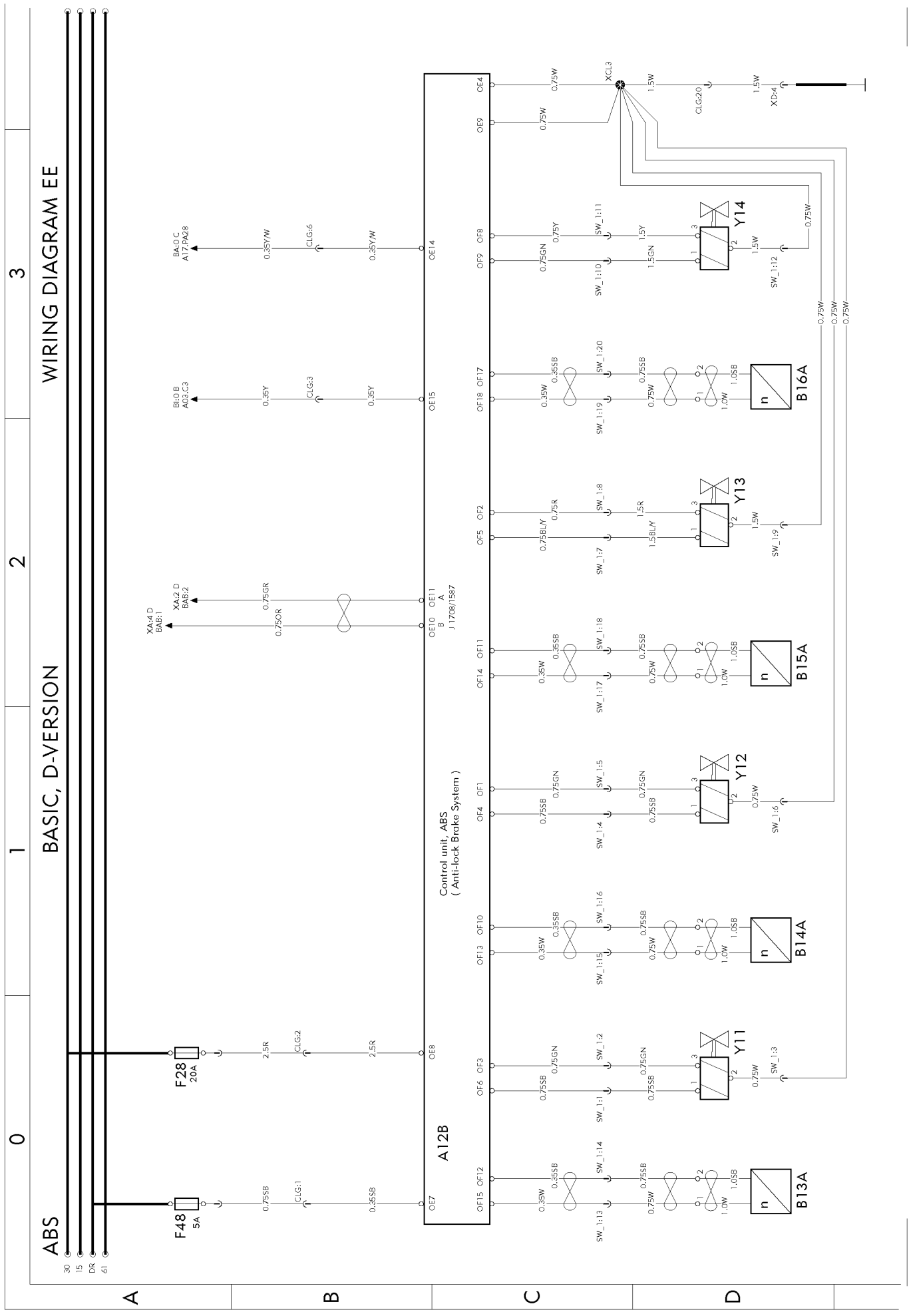


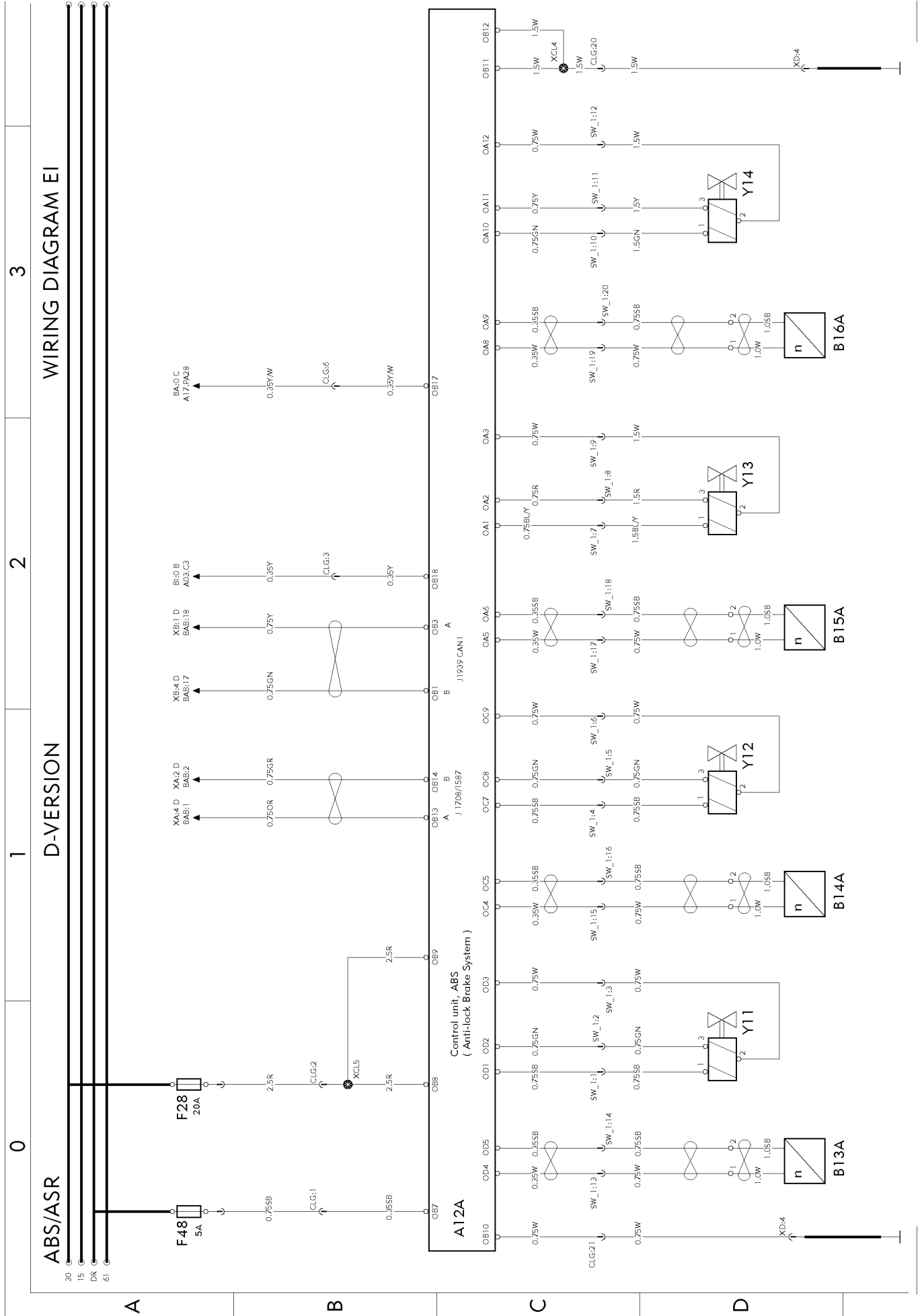


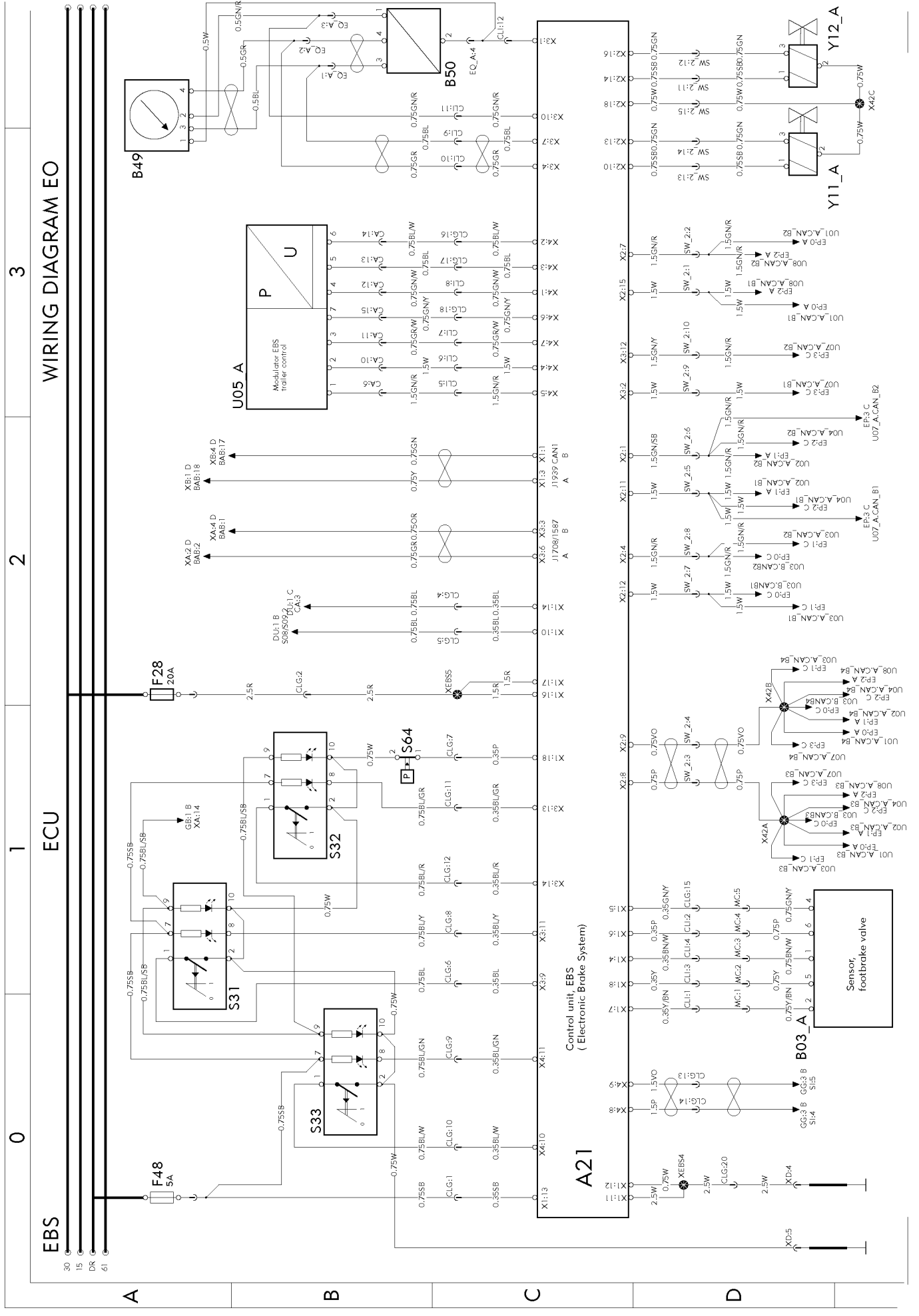


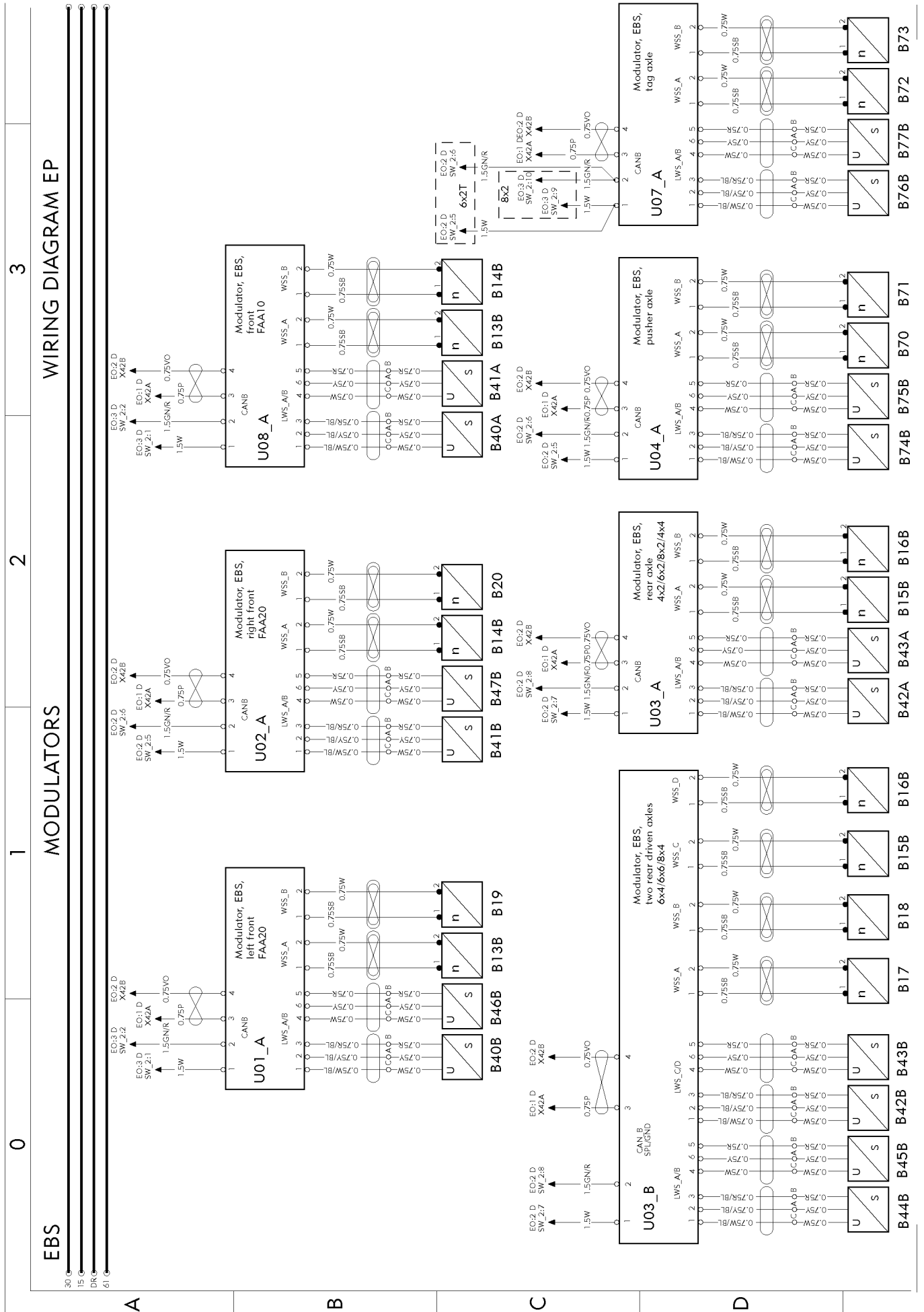


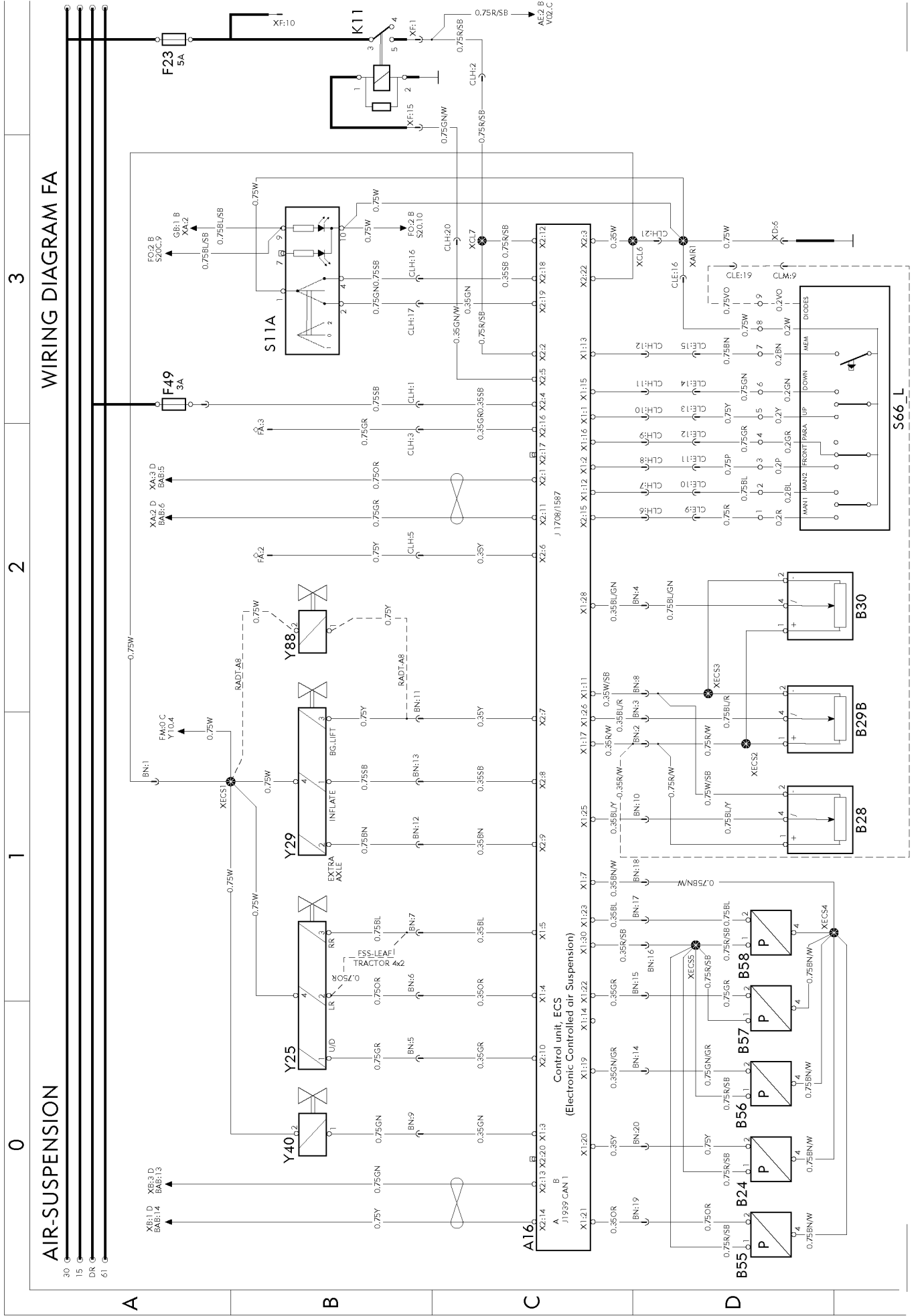


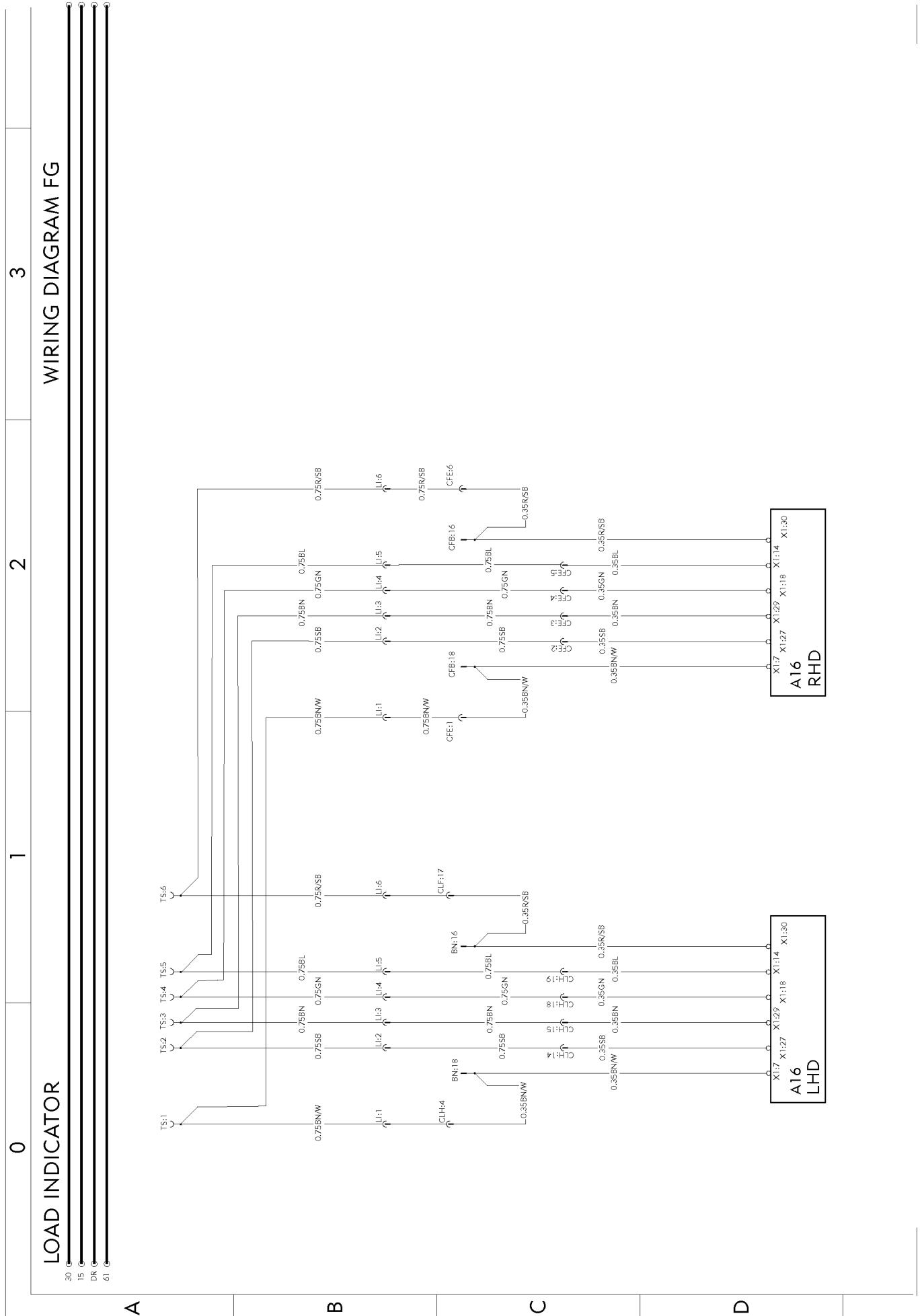


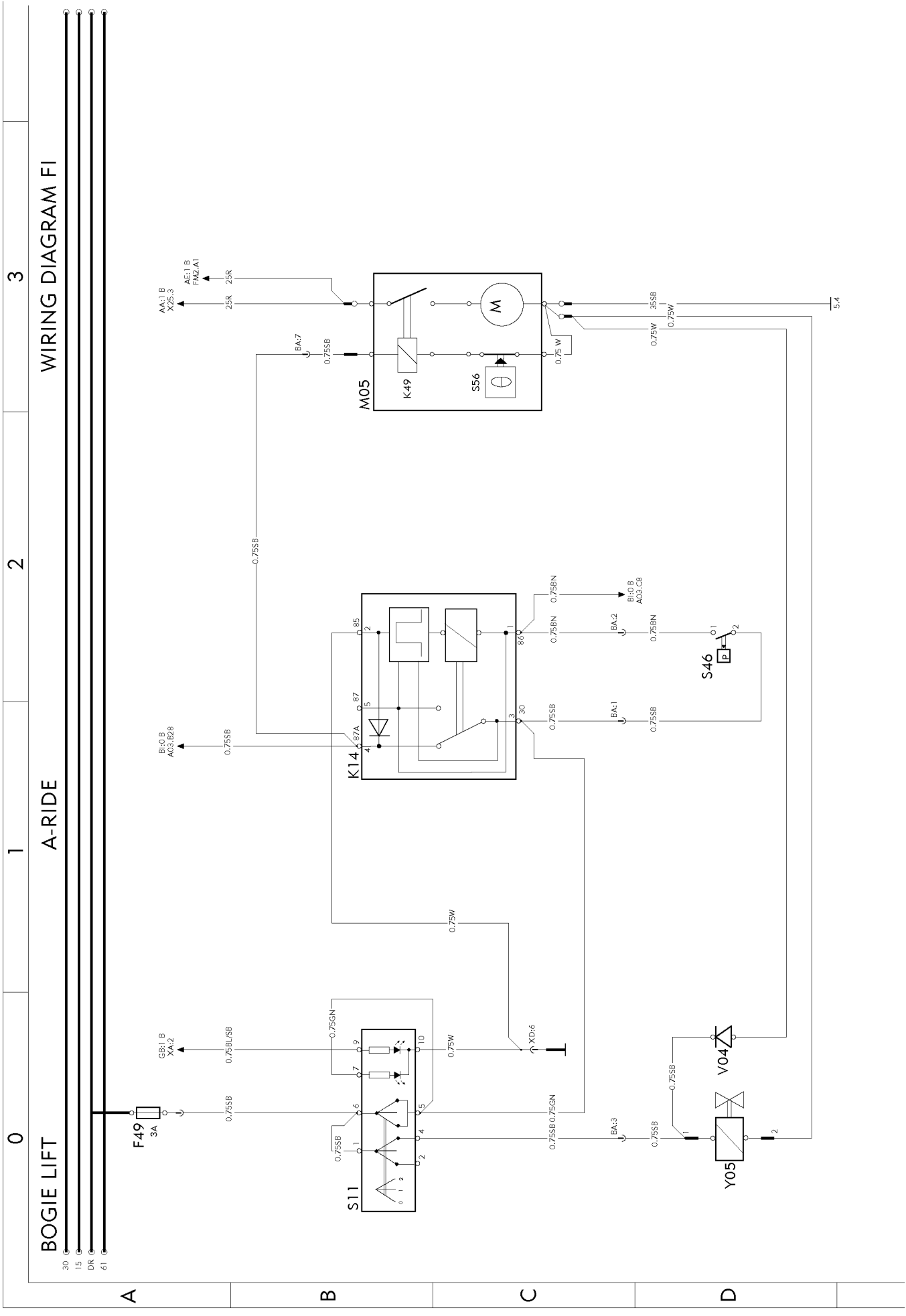


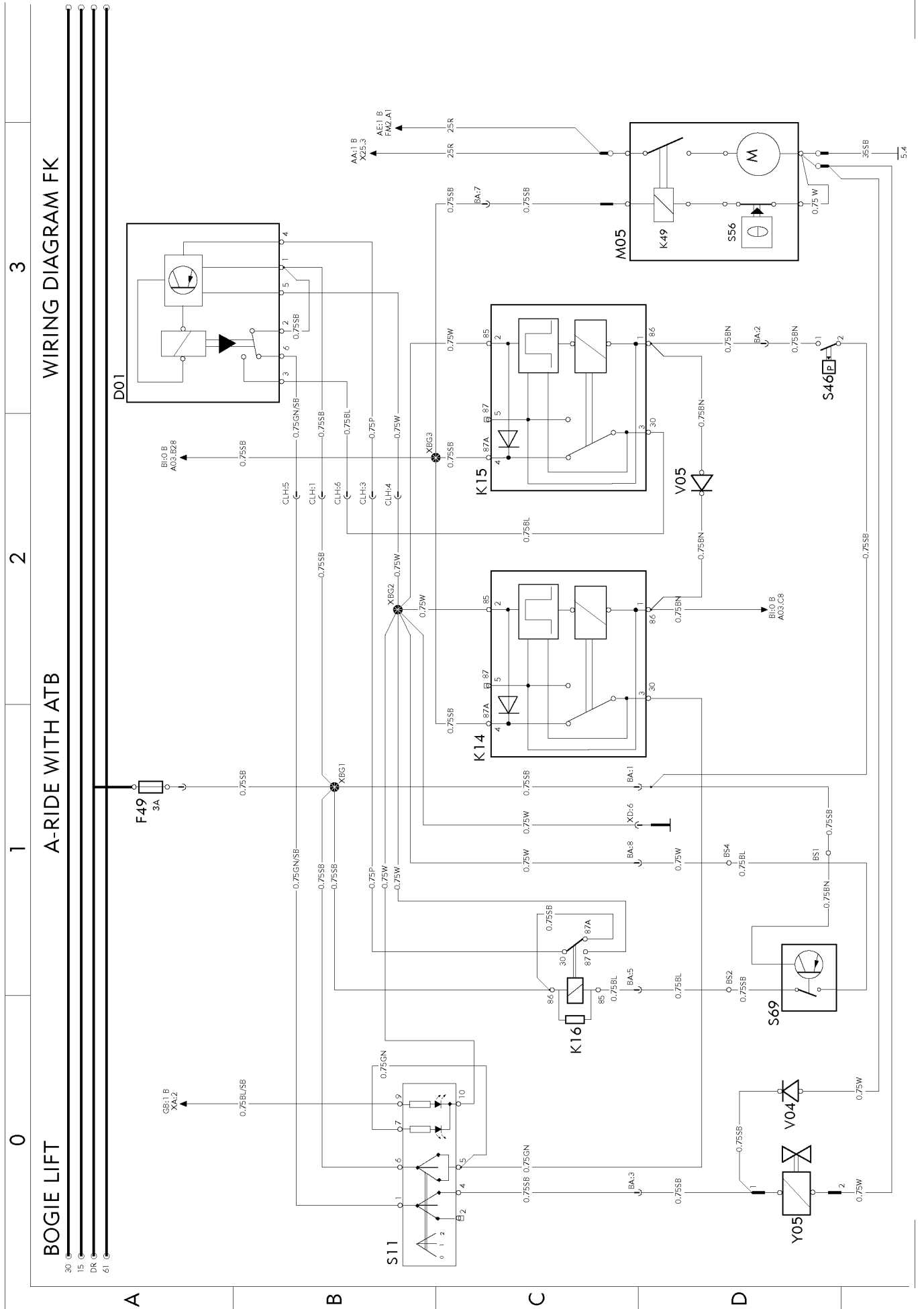


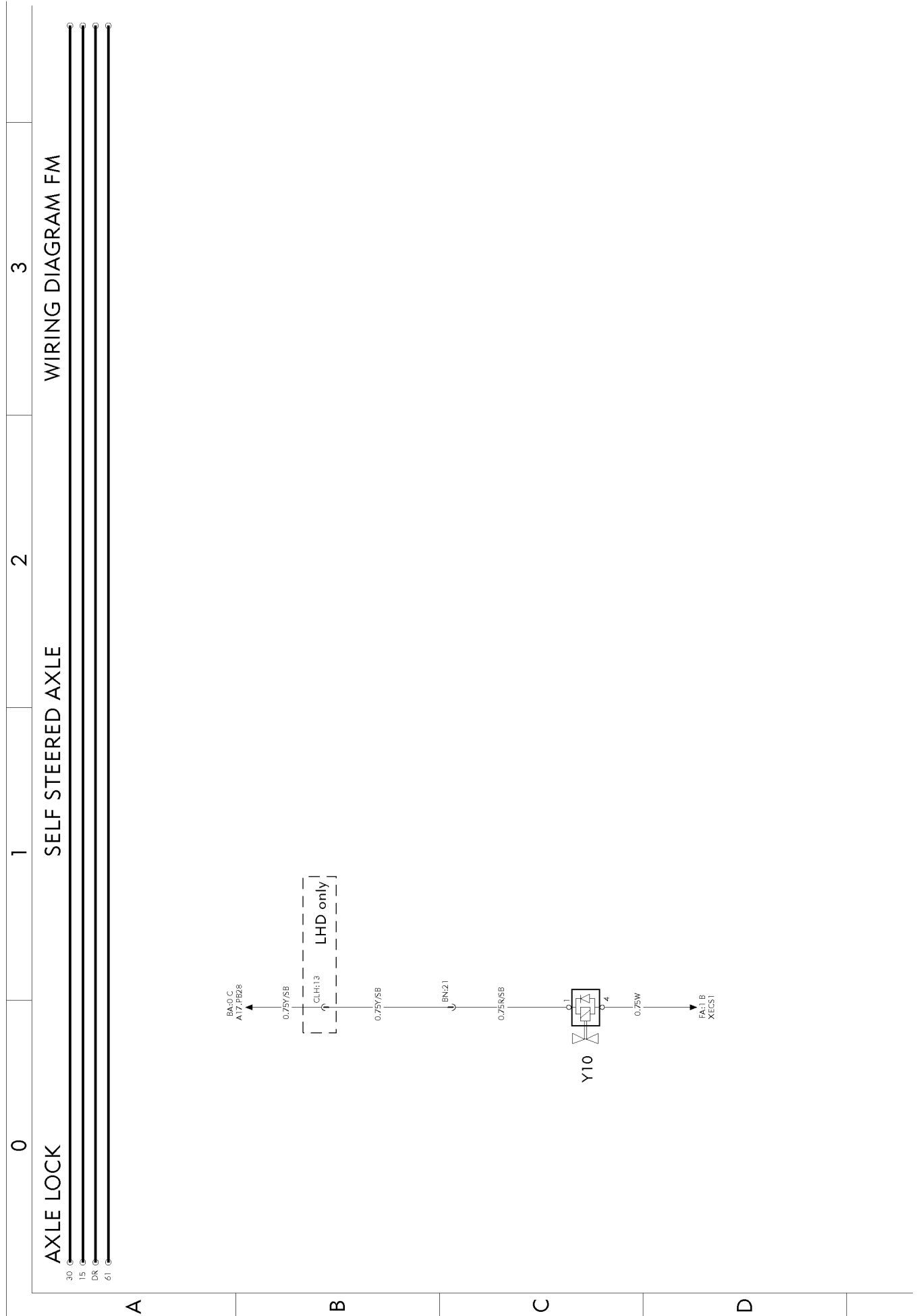


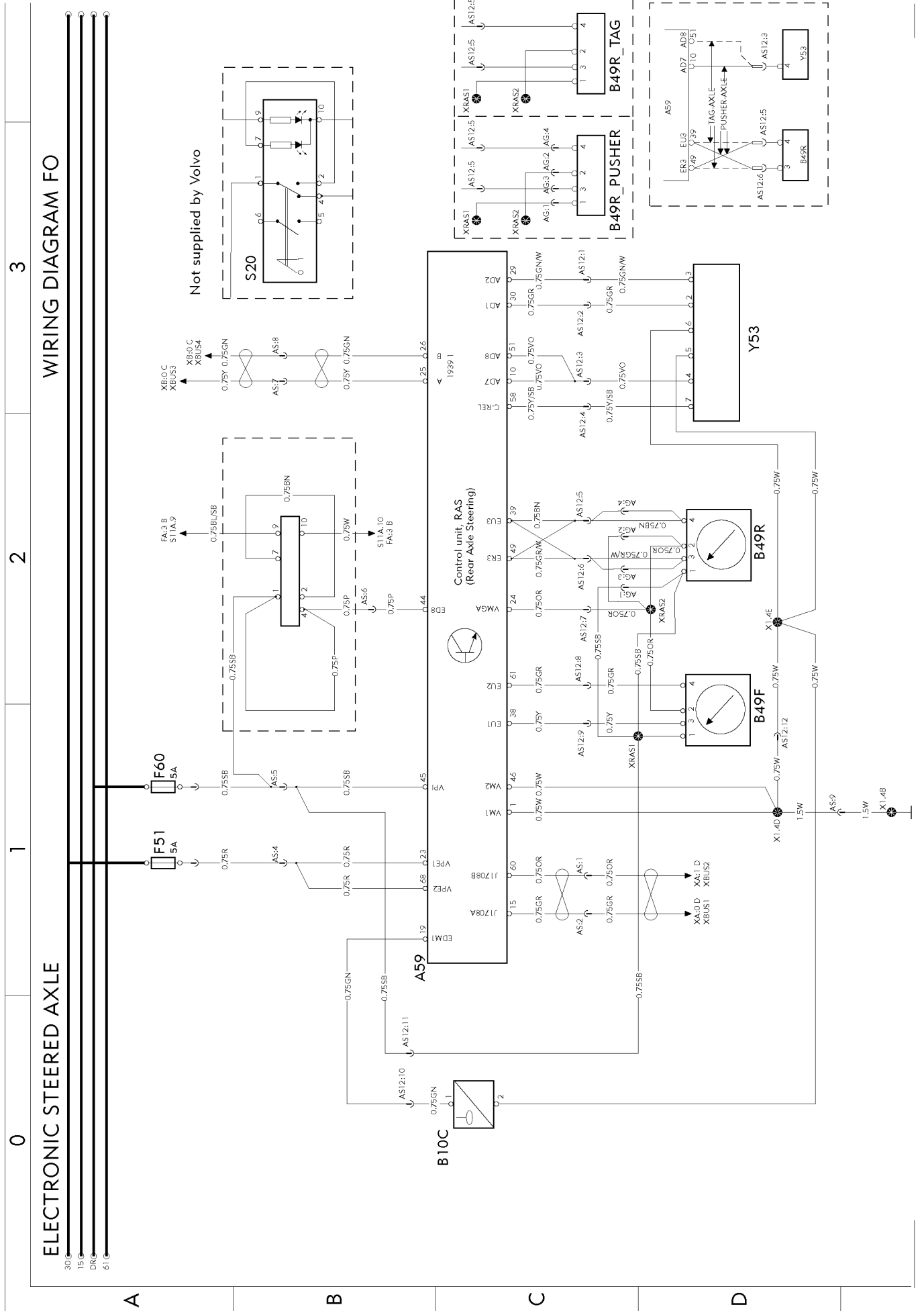


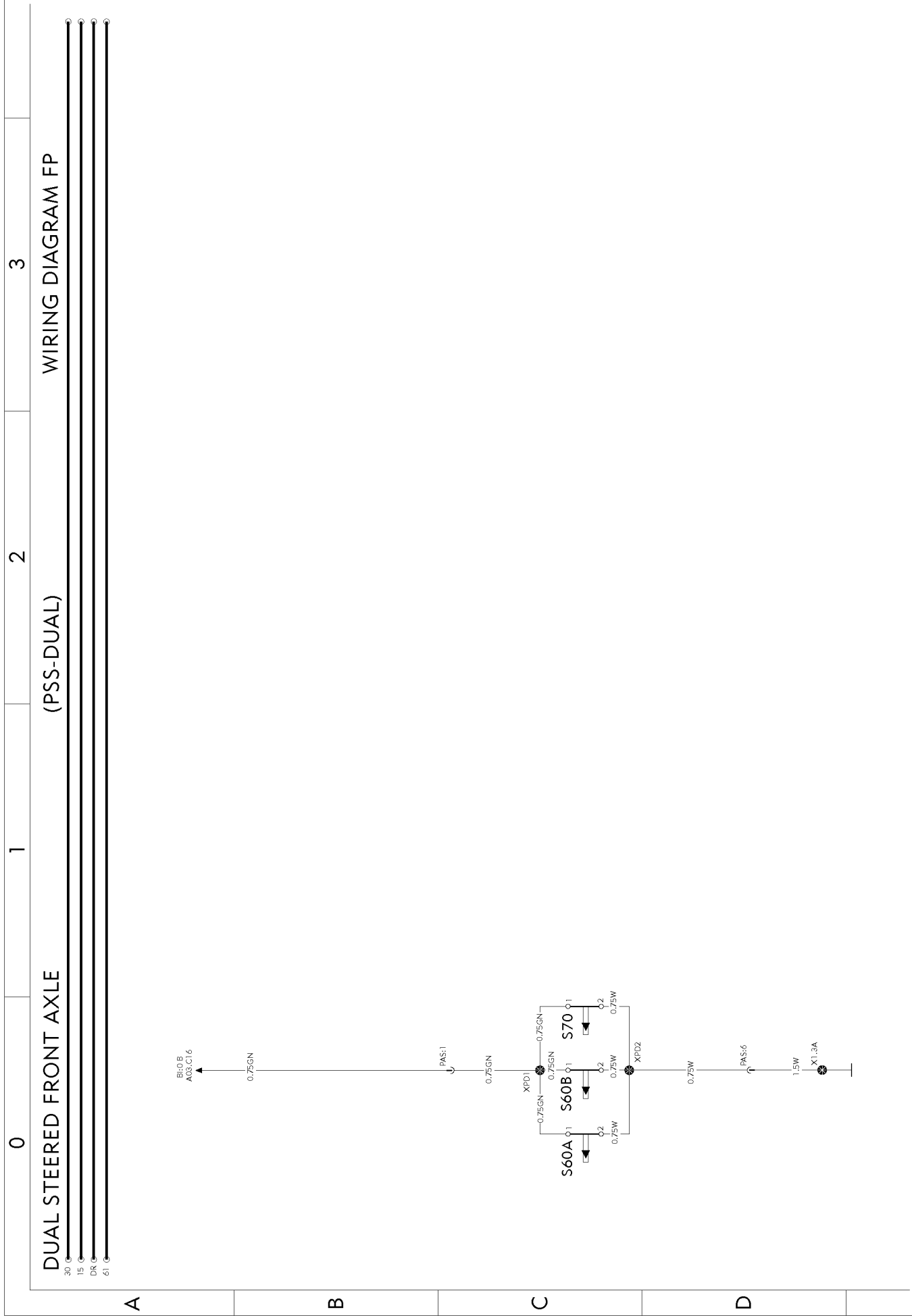


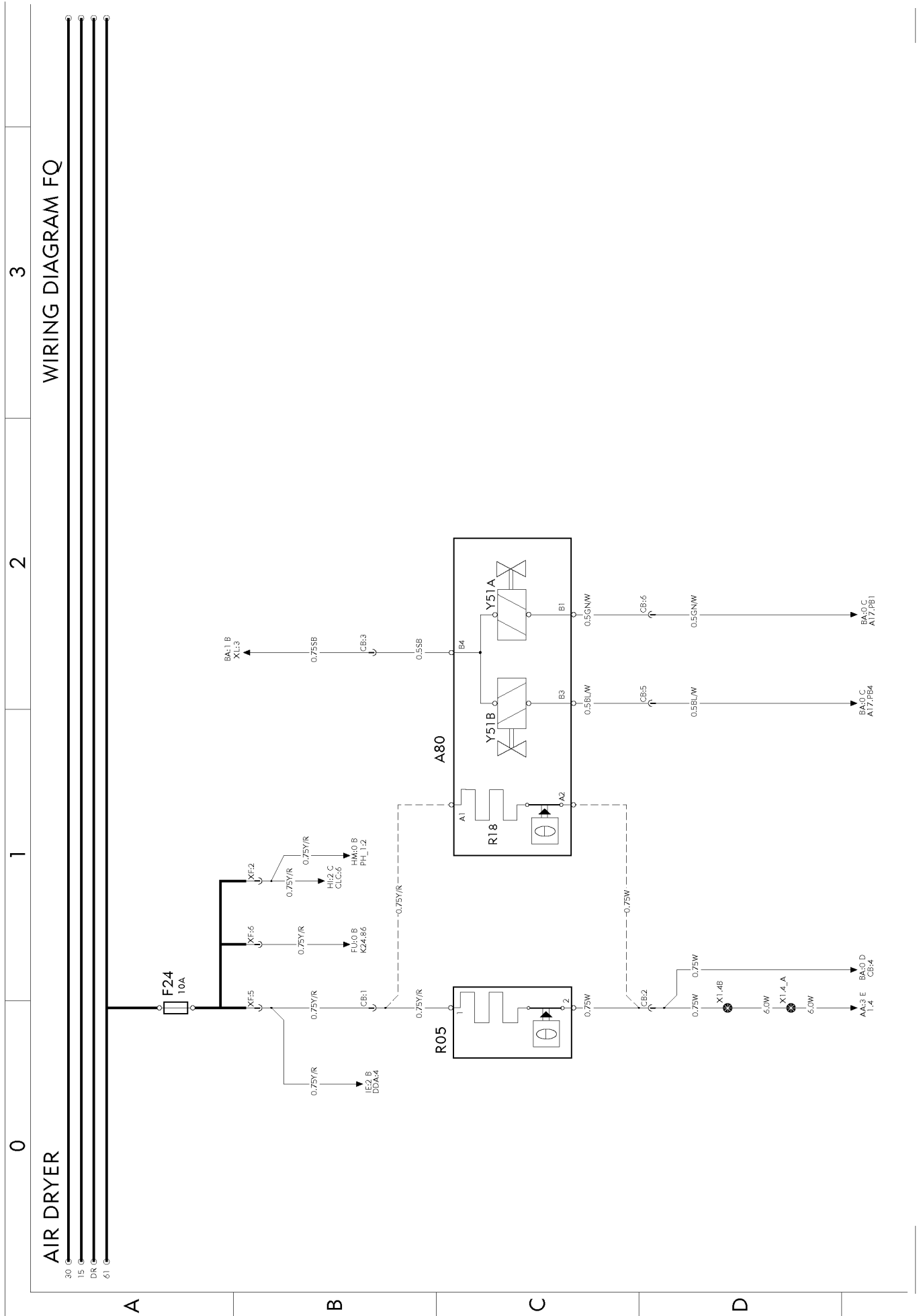


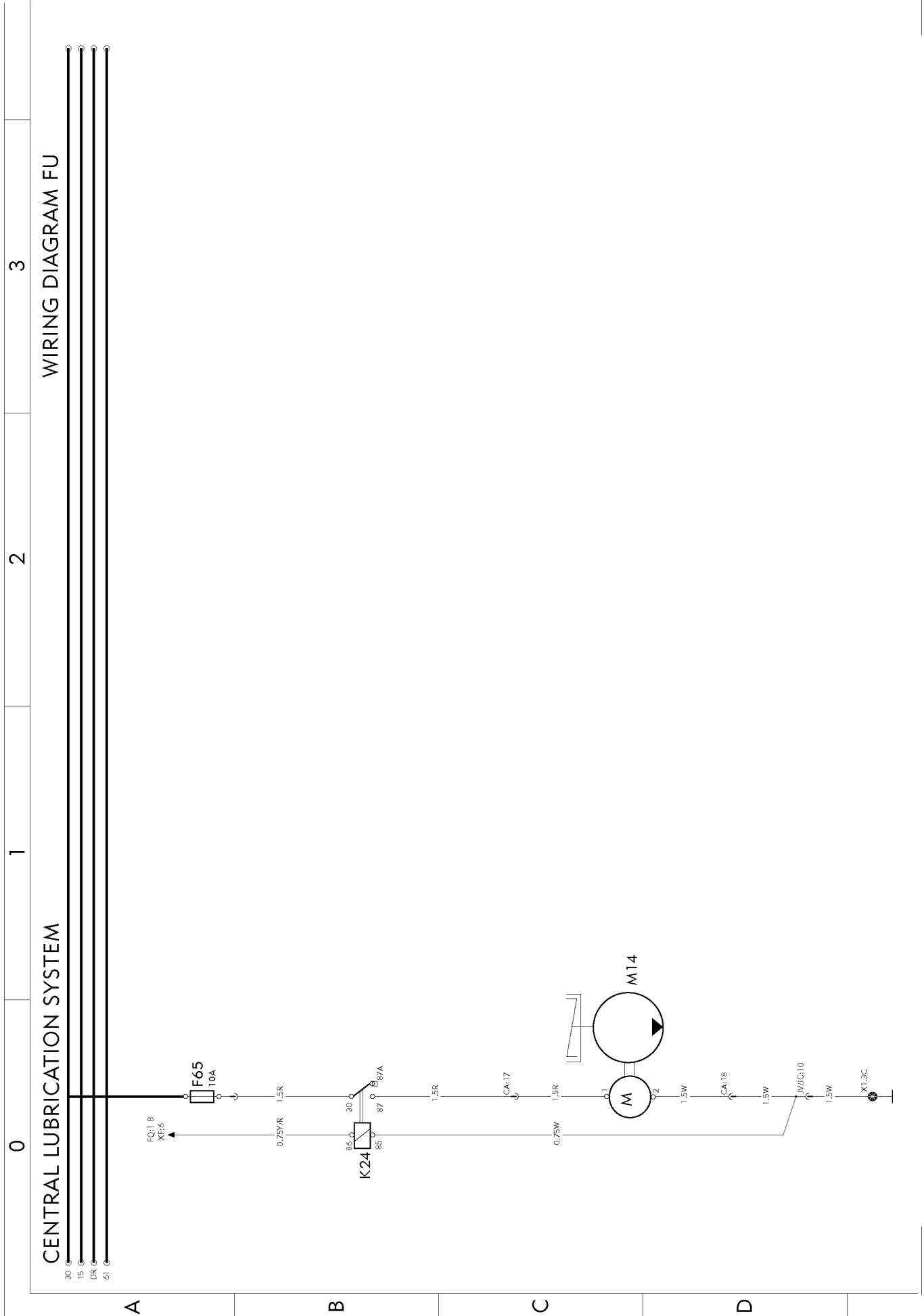


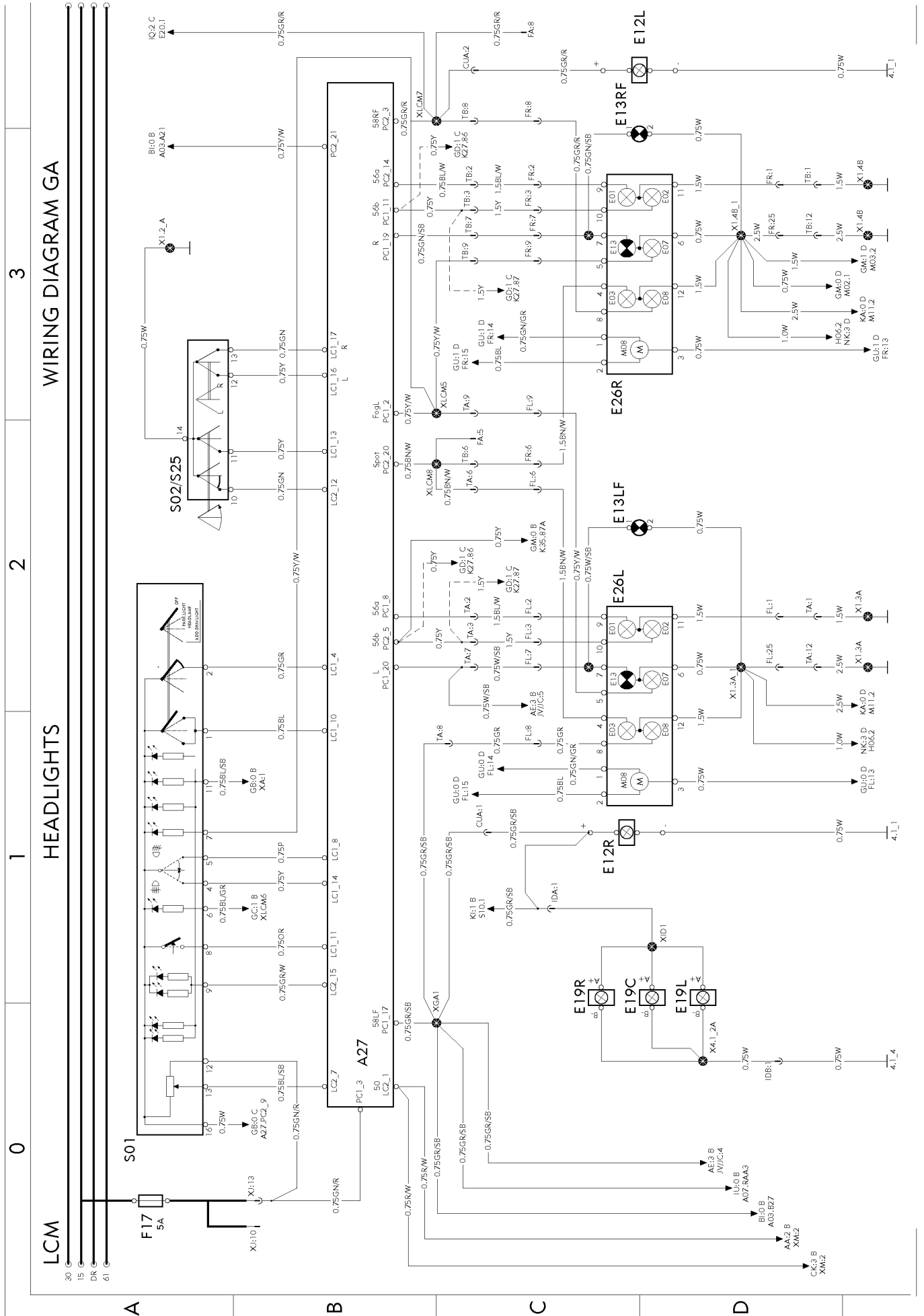


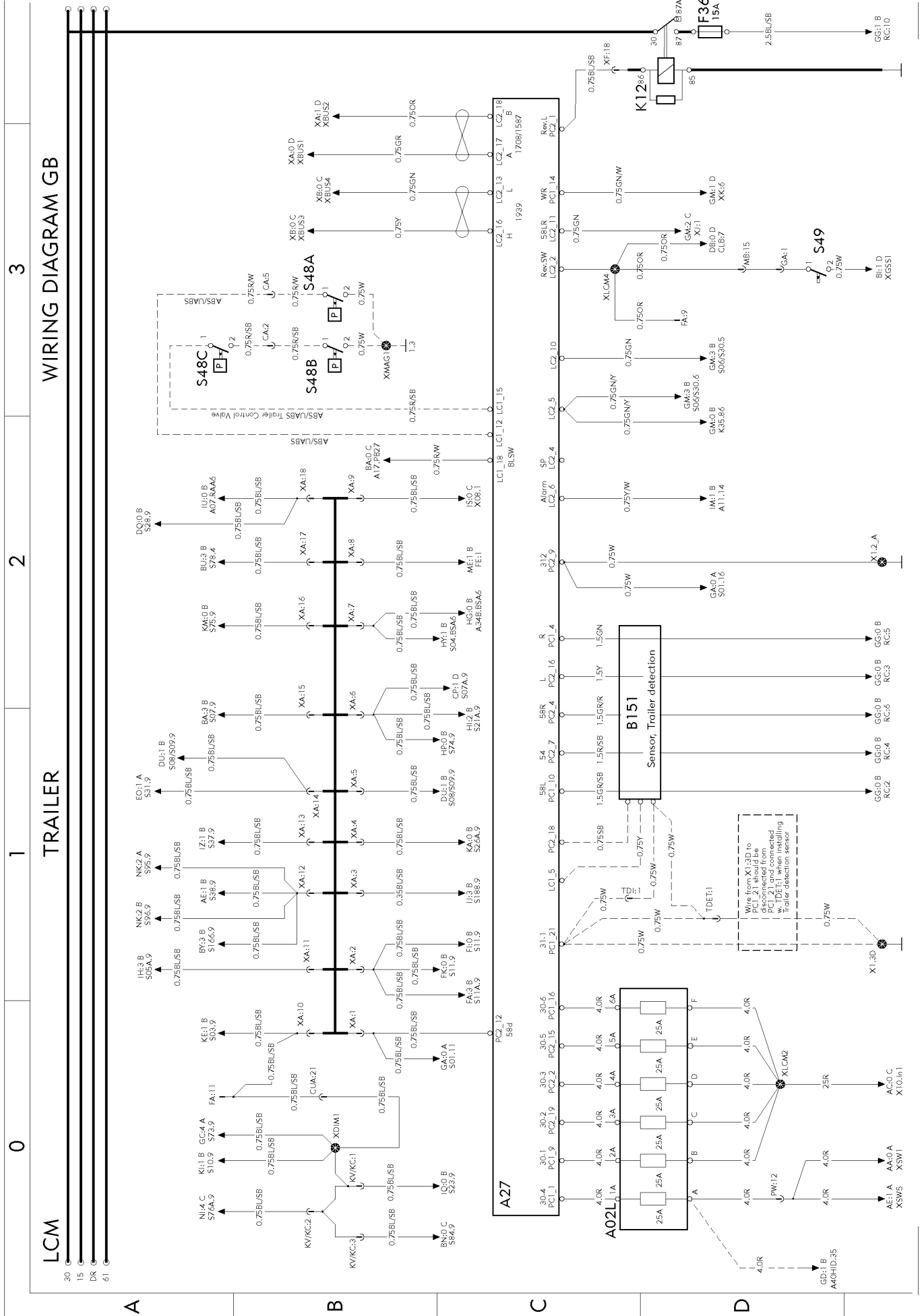








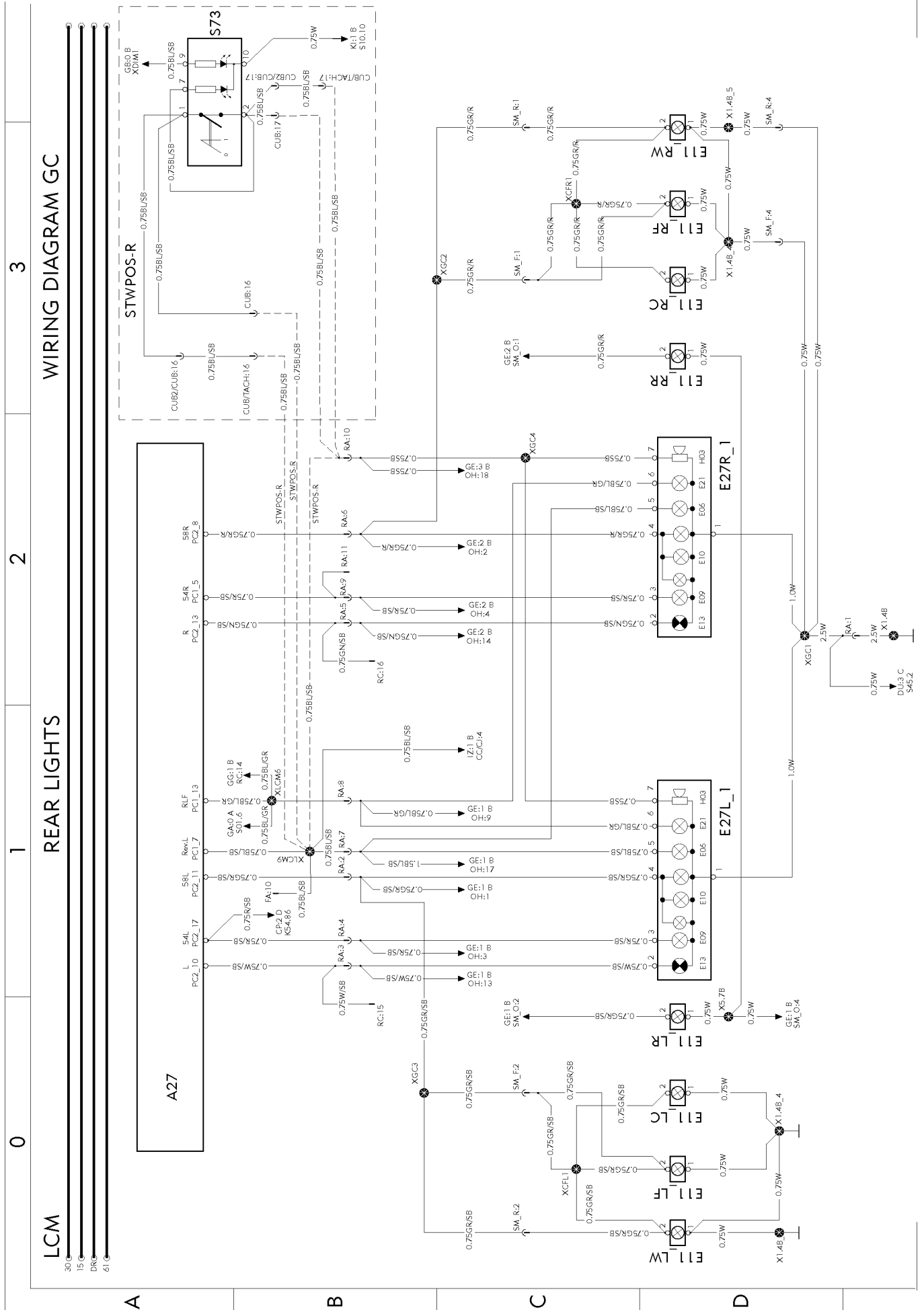


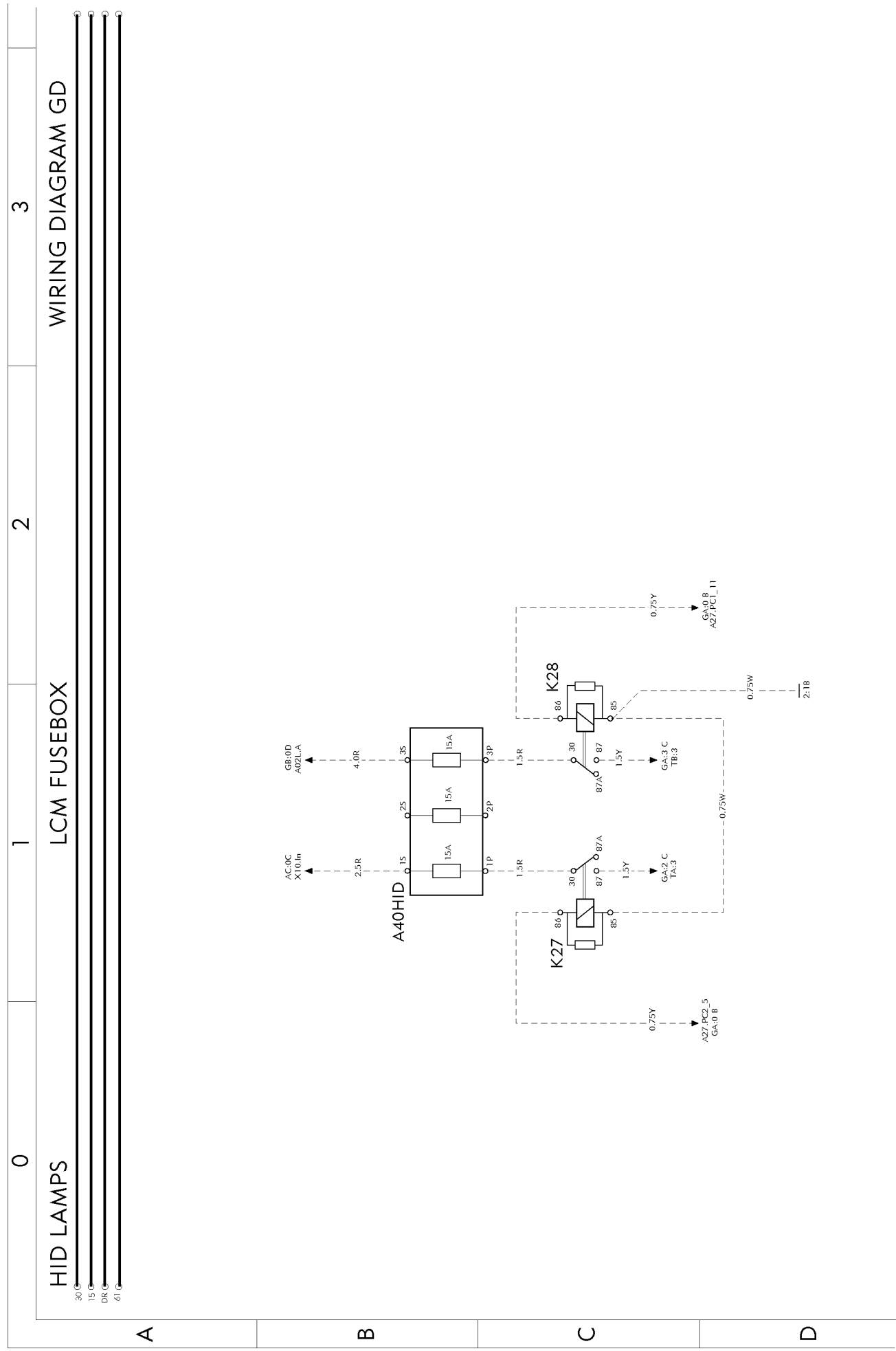


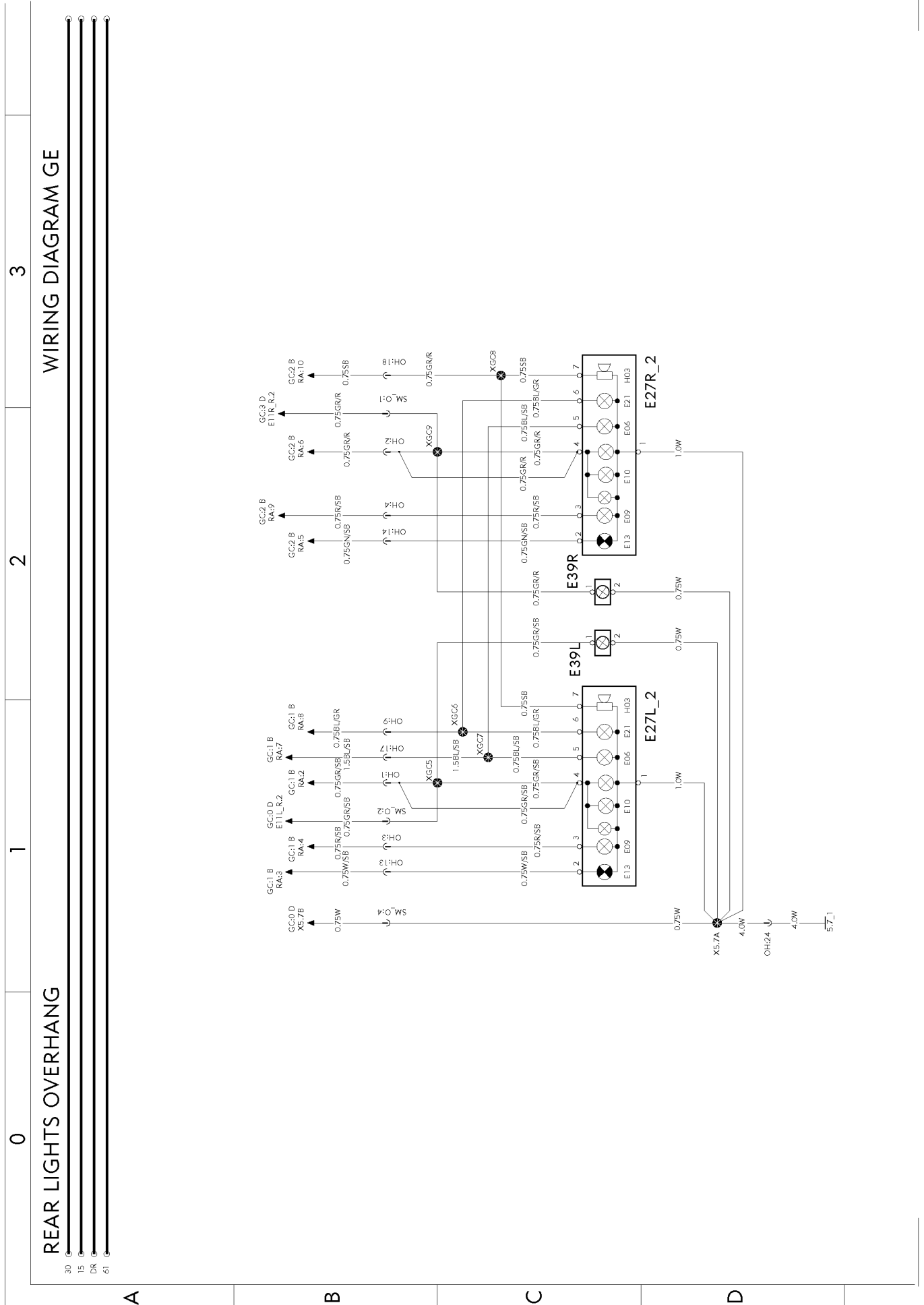
WIRING DIAGRAM GB

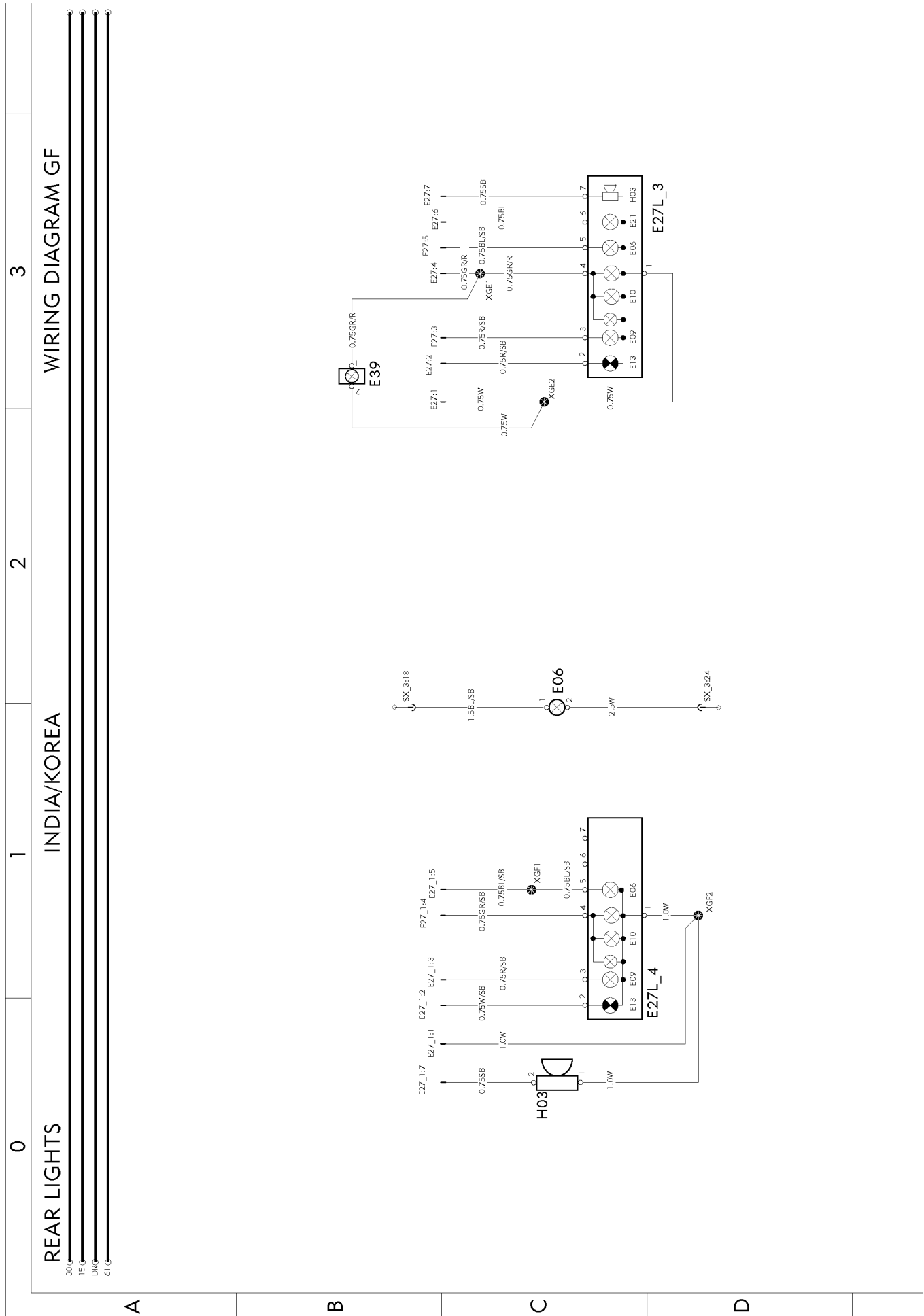
TRAILER

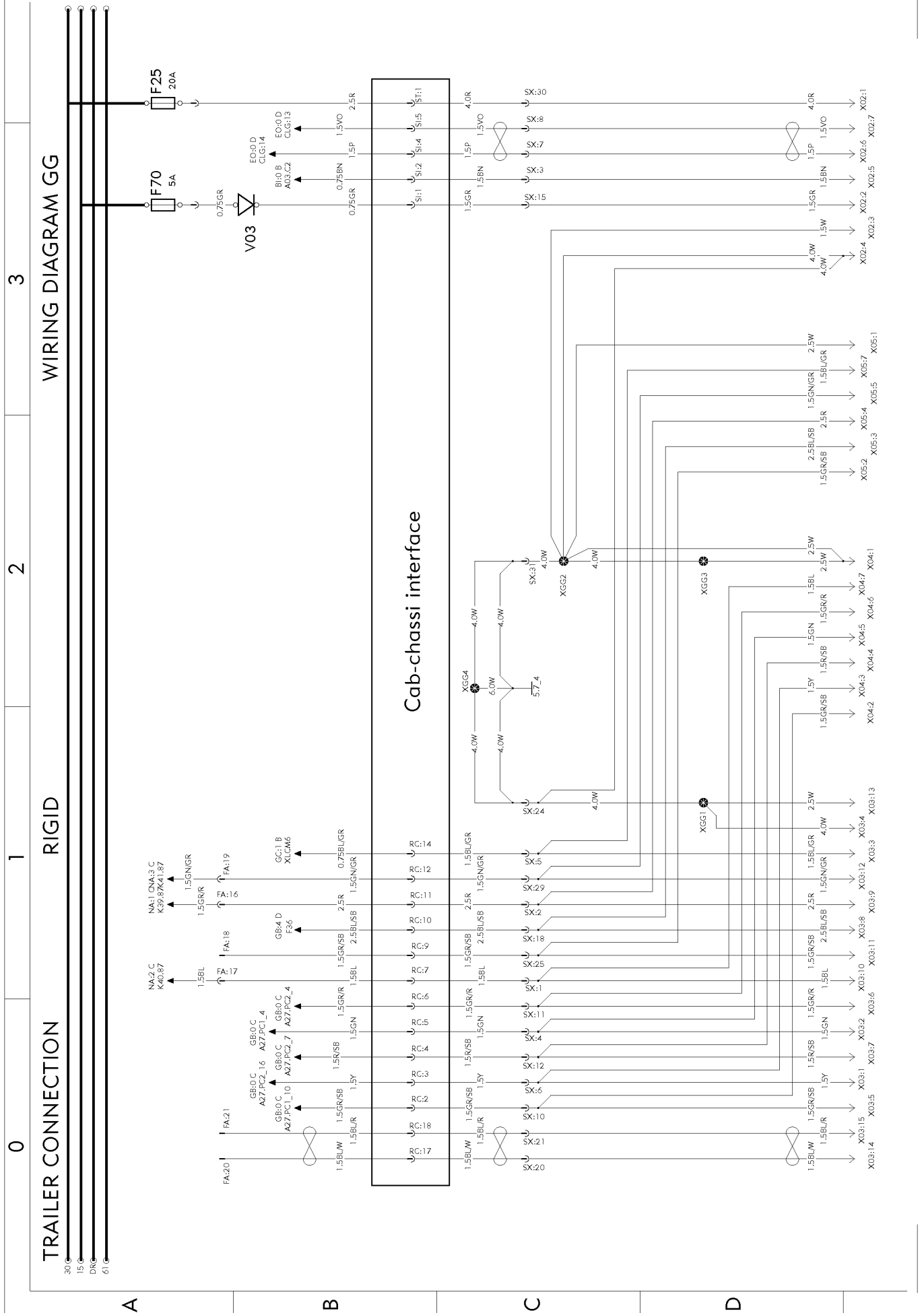
LCM

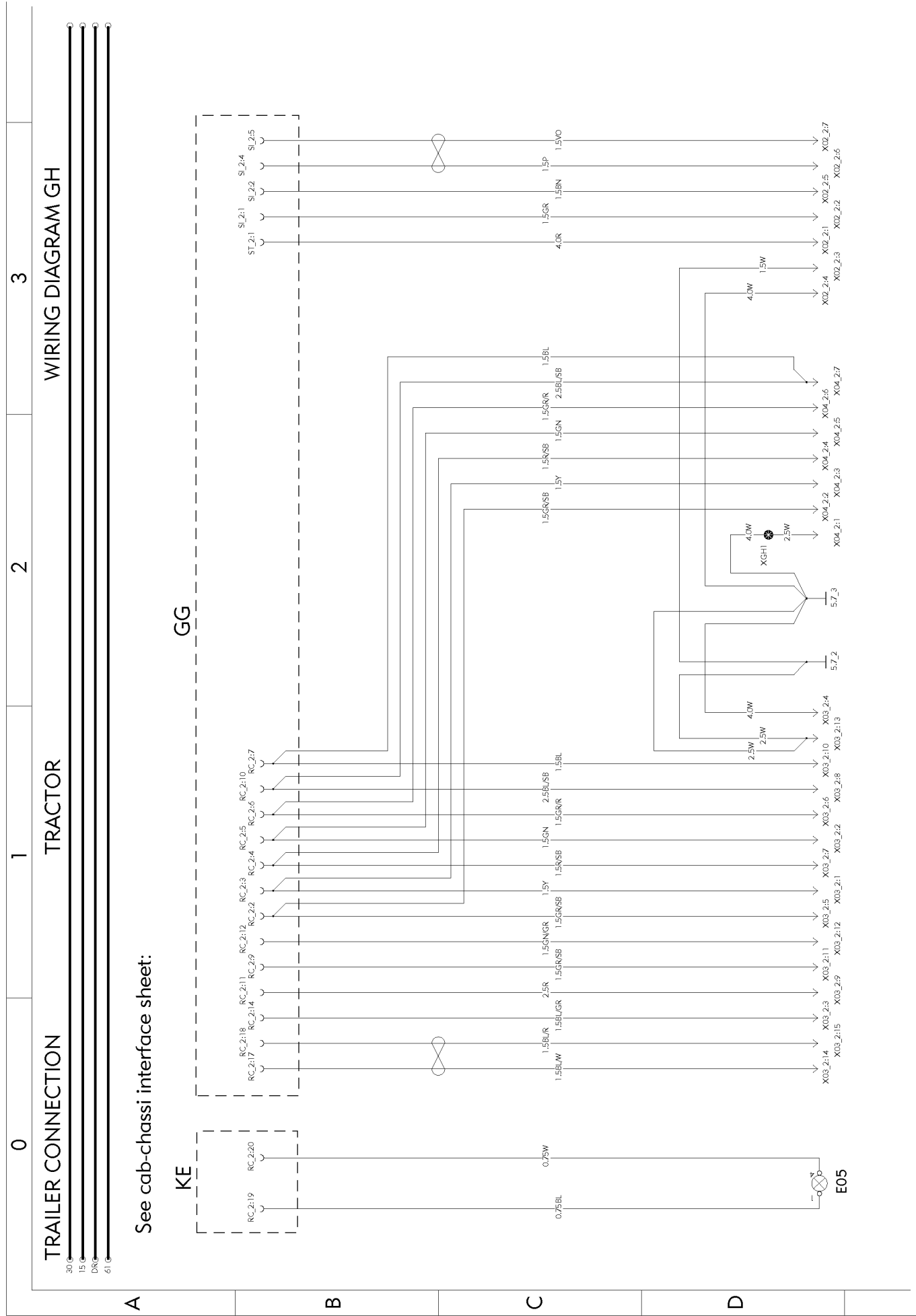


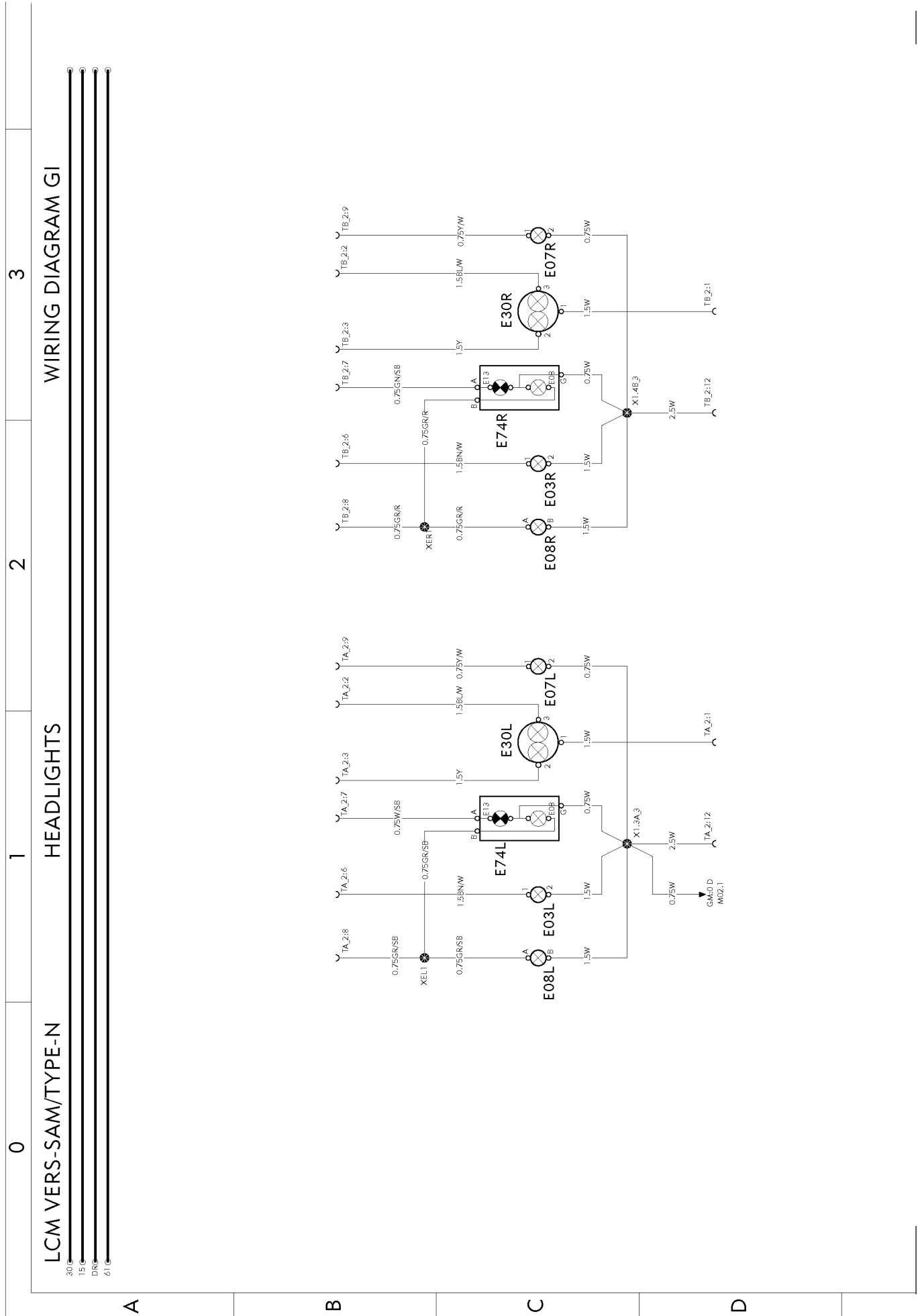


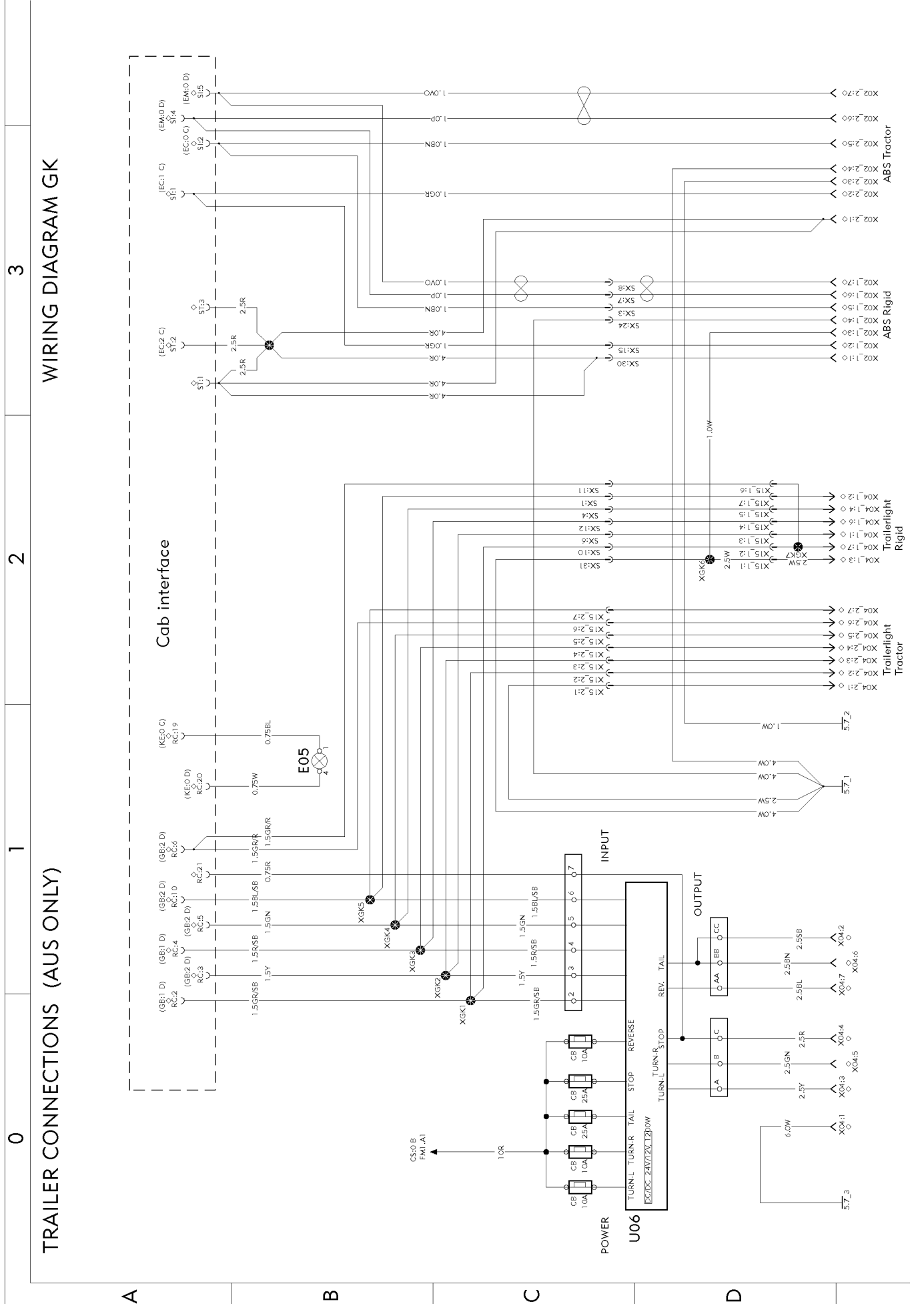


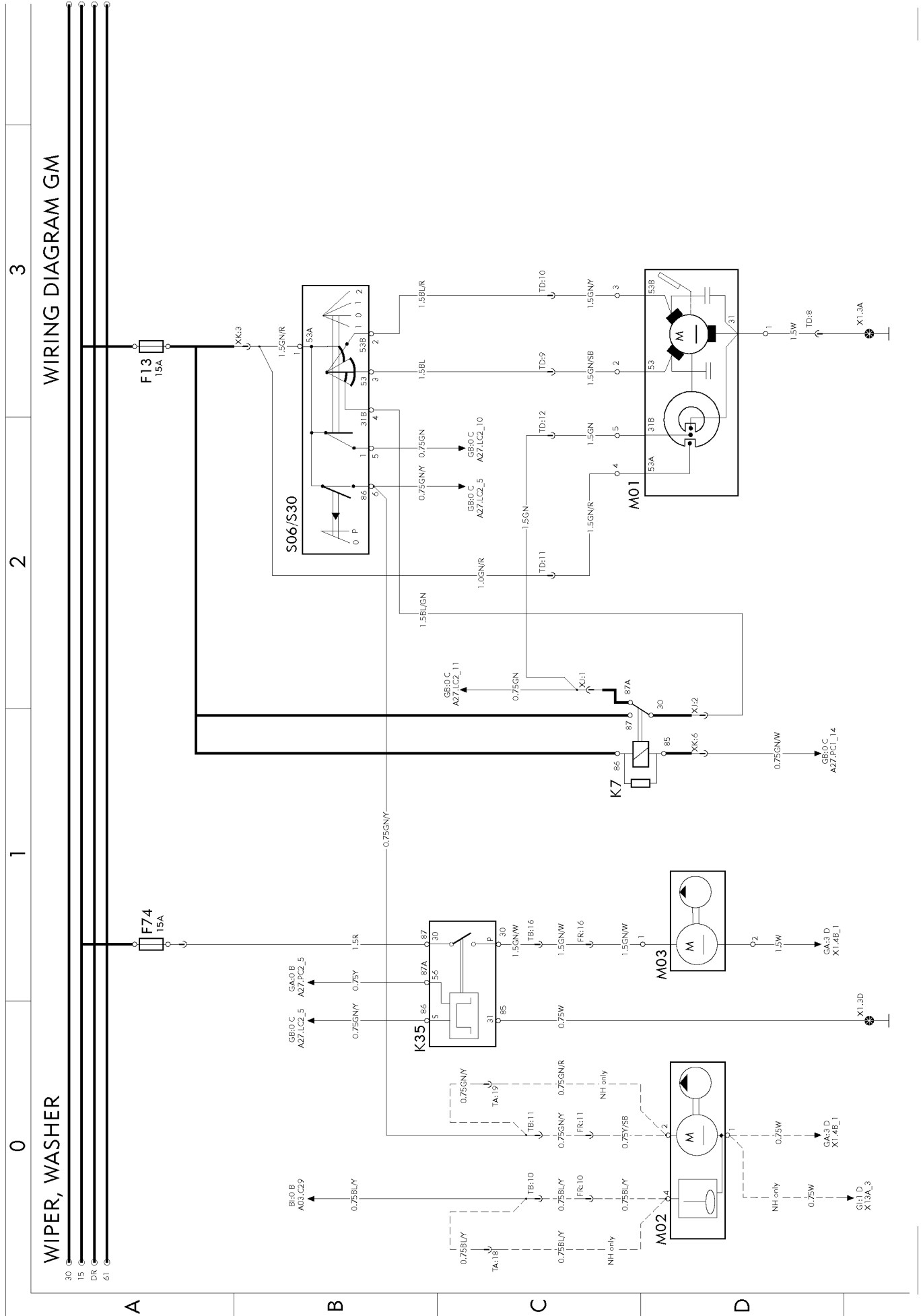


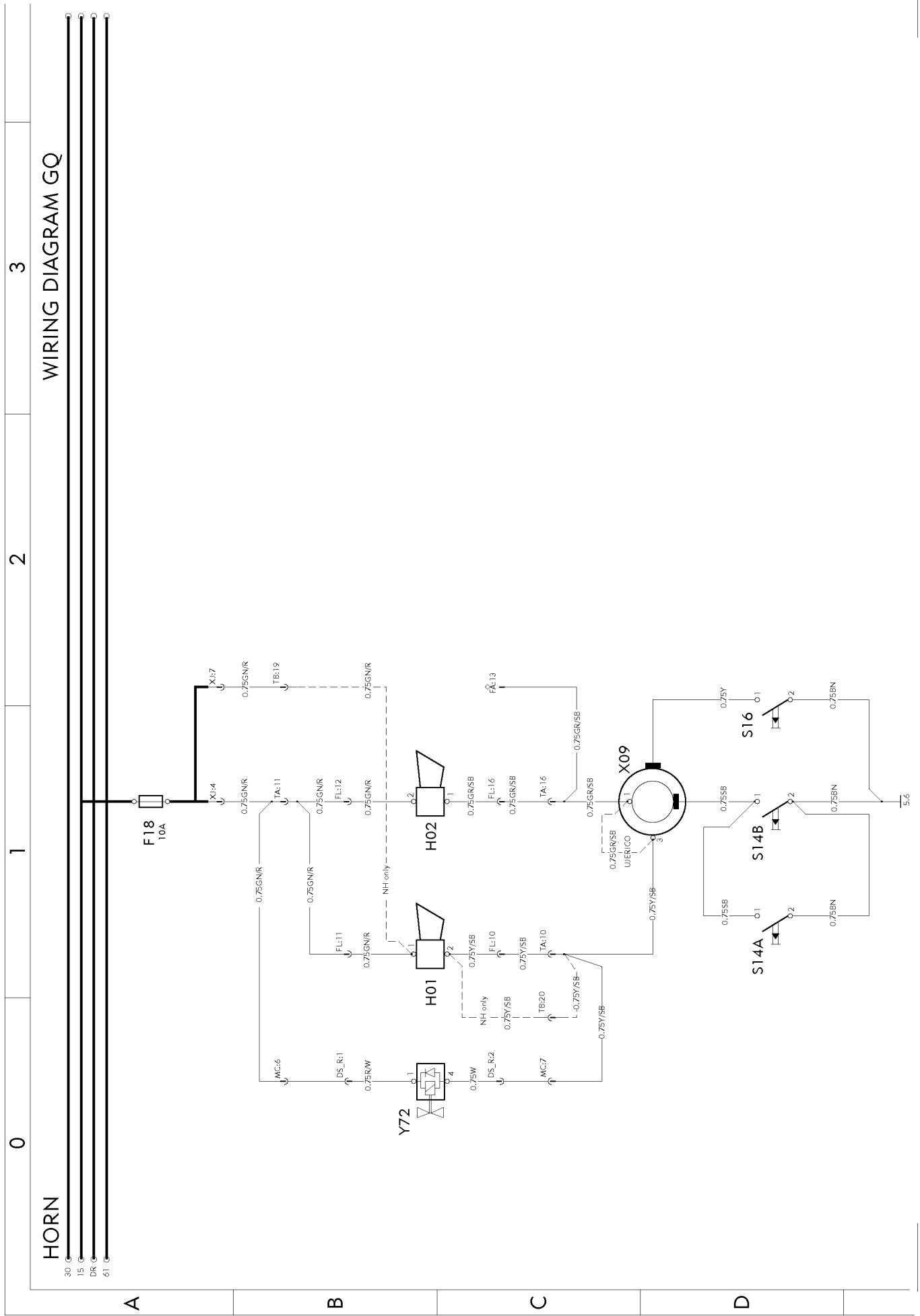


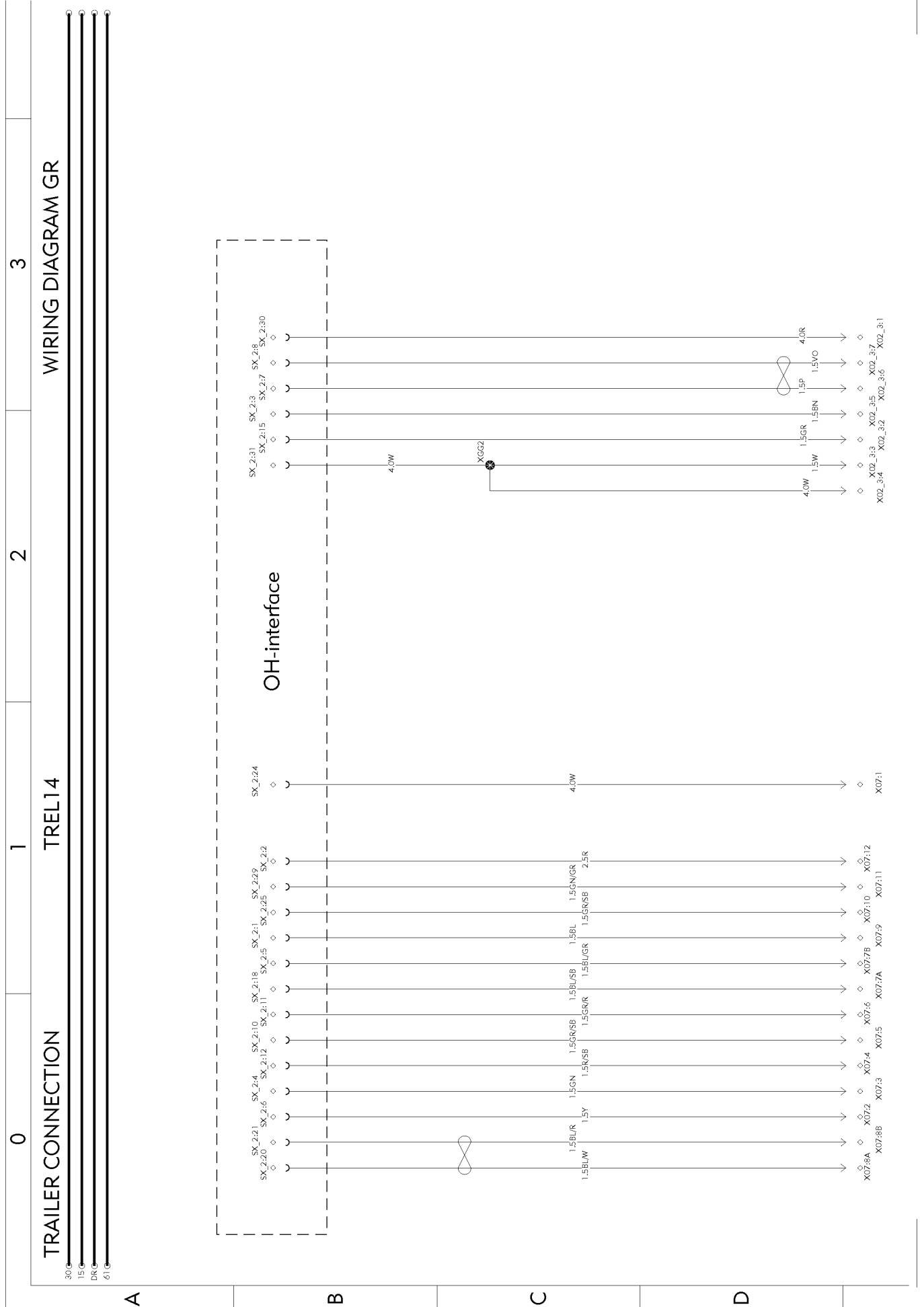


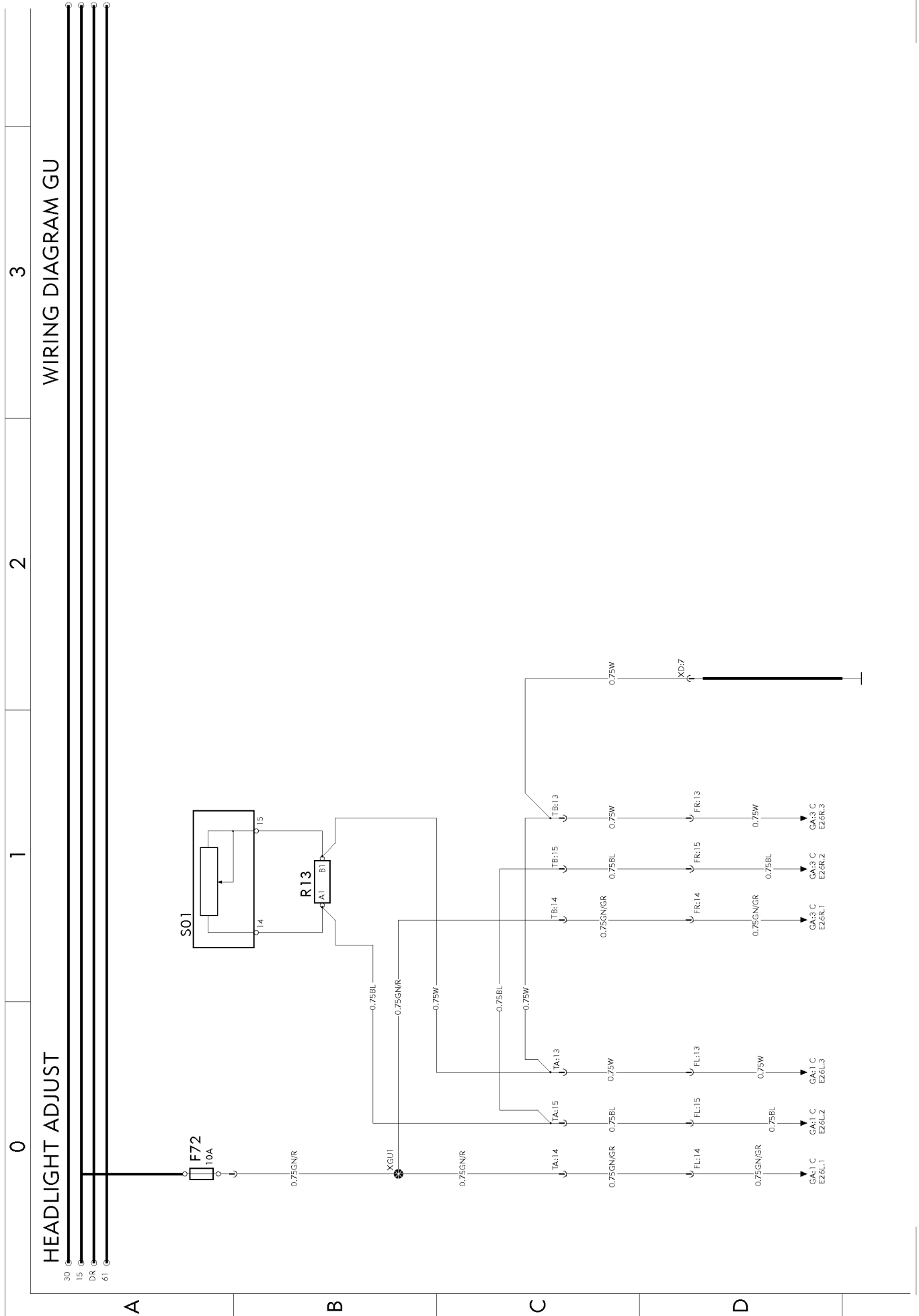


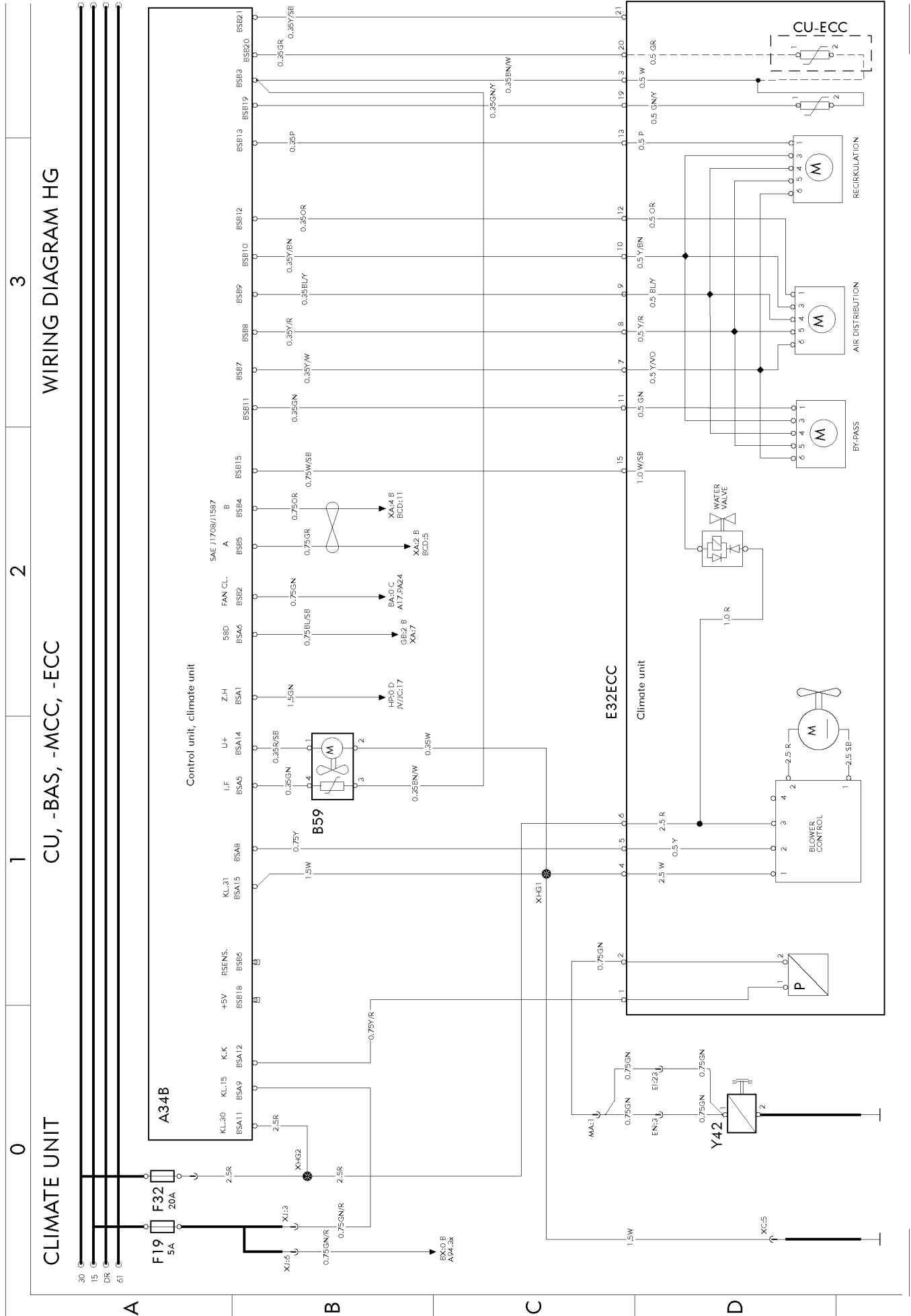






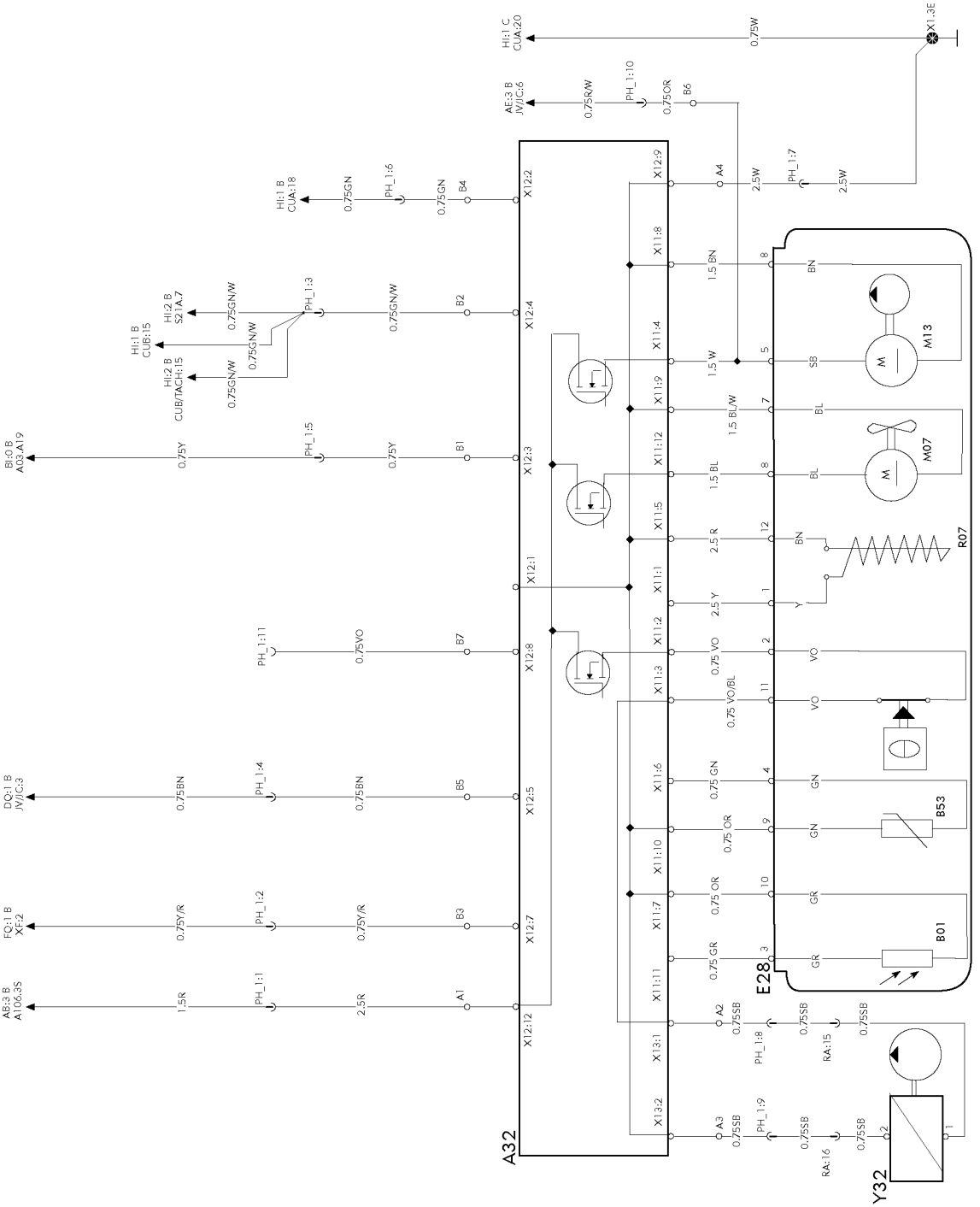
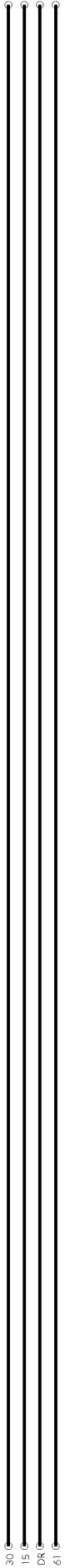


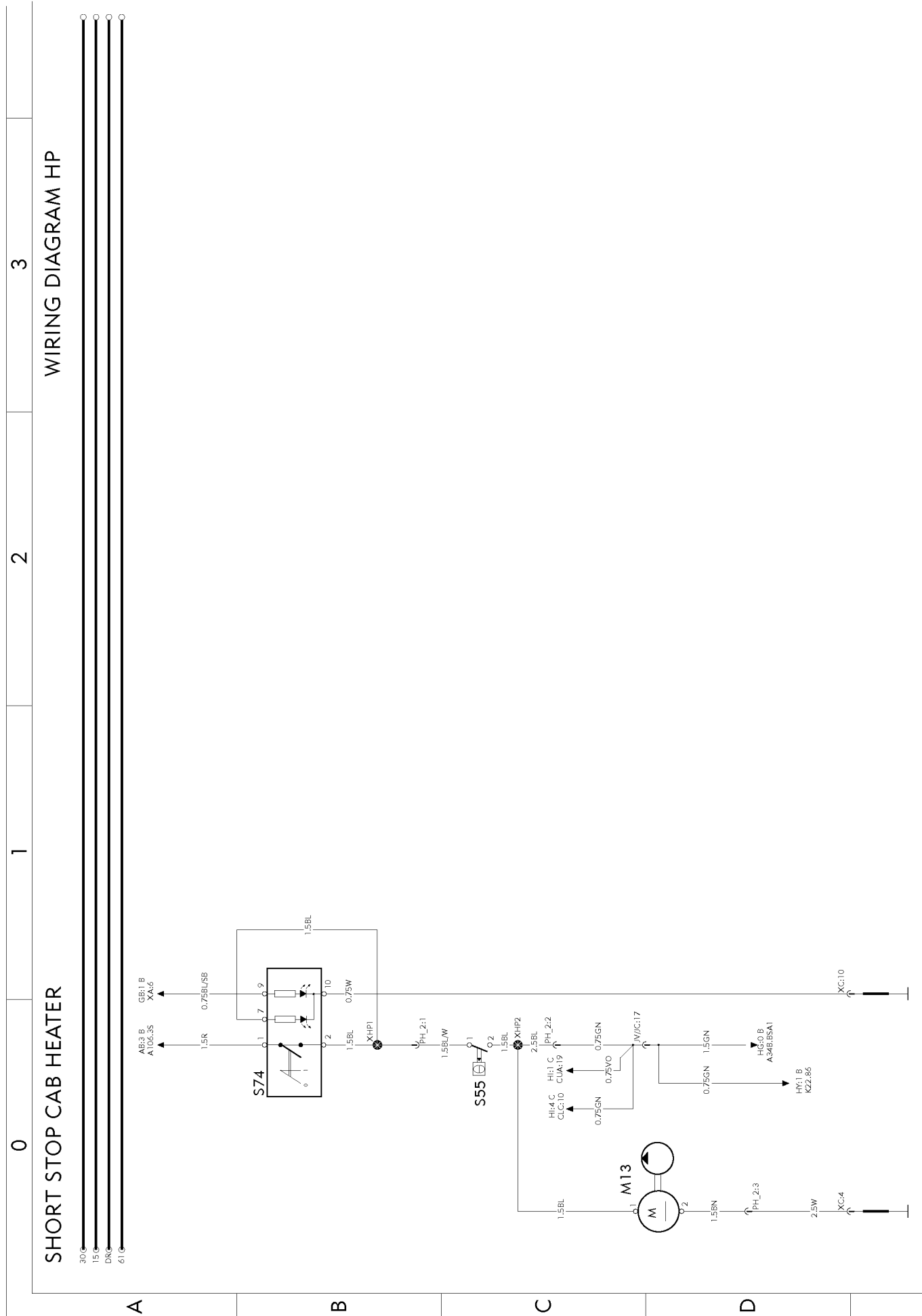


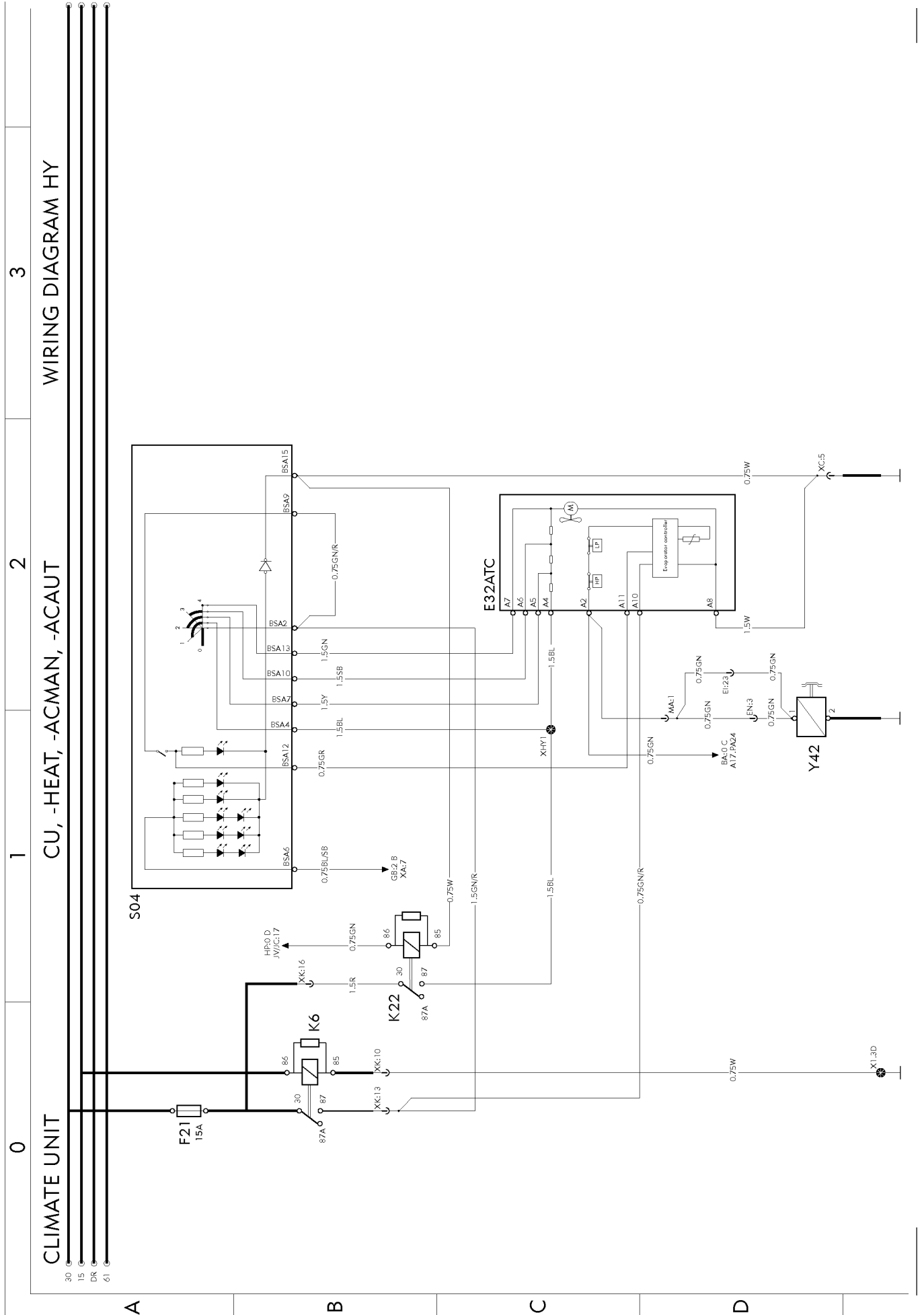


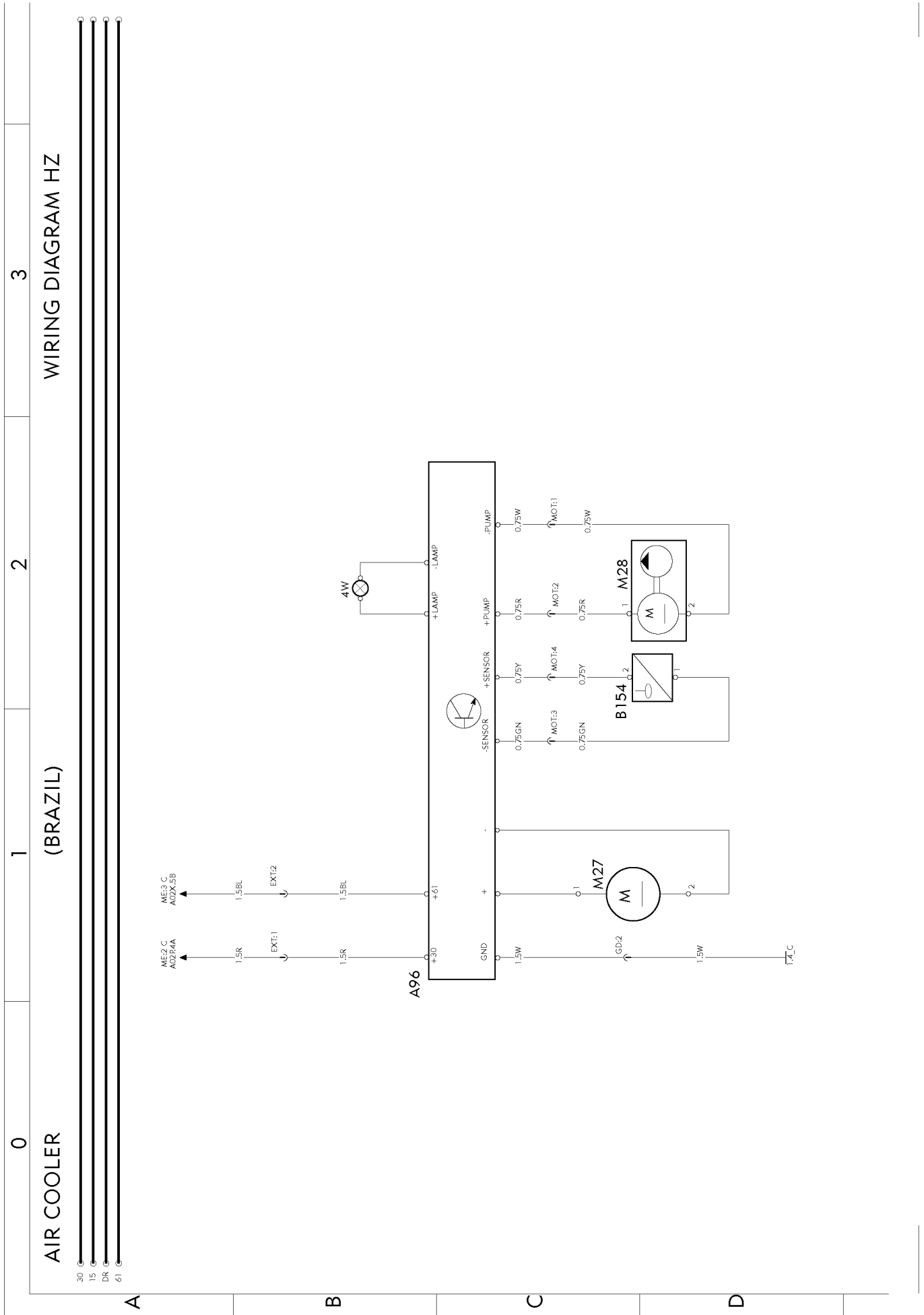
3
2
1
0
WIRING DIAGRAM HM

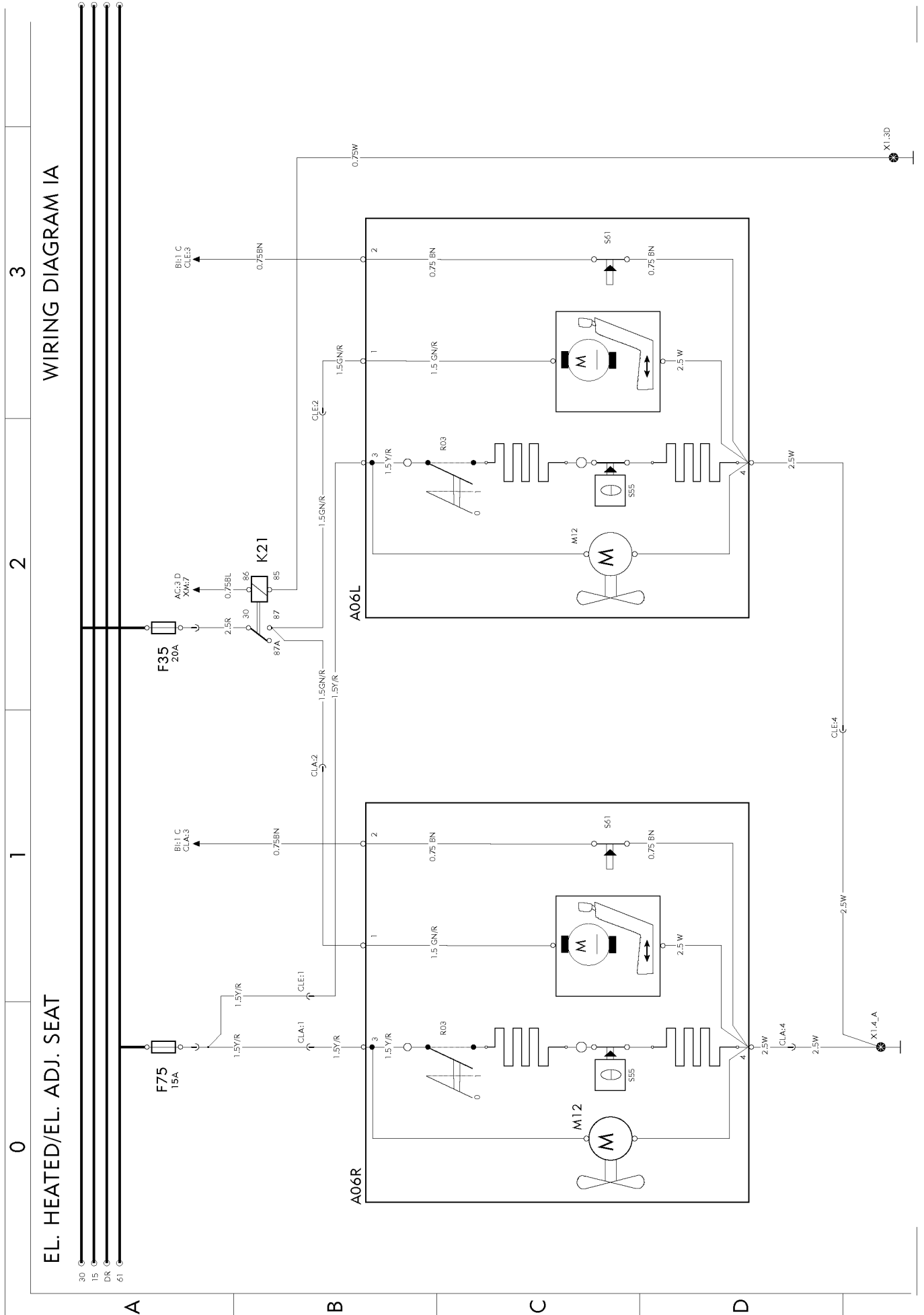
WATER HEATER

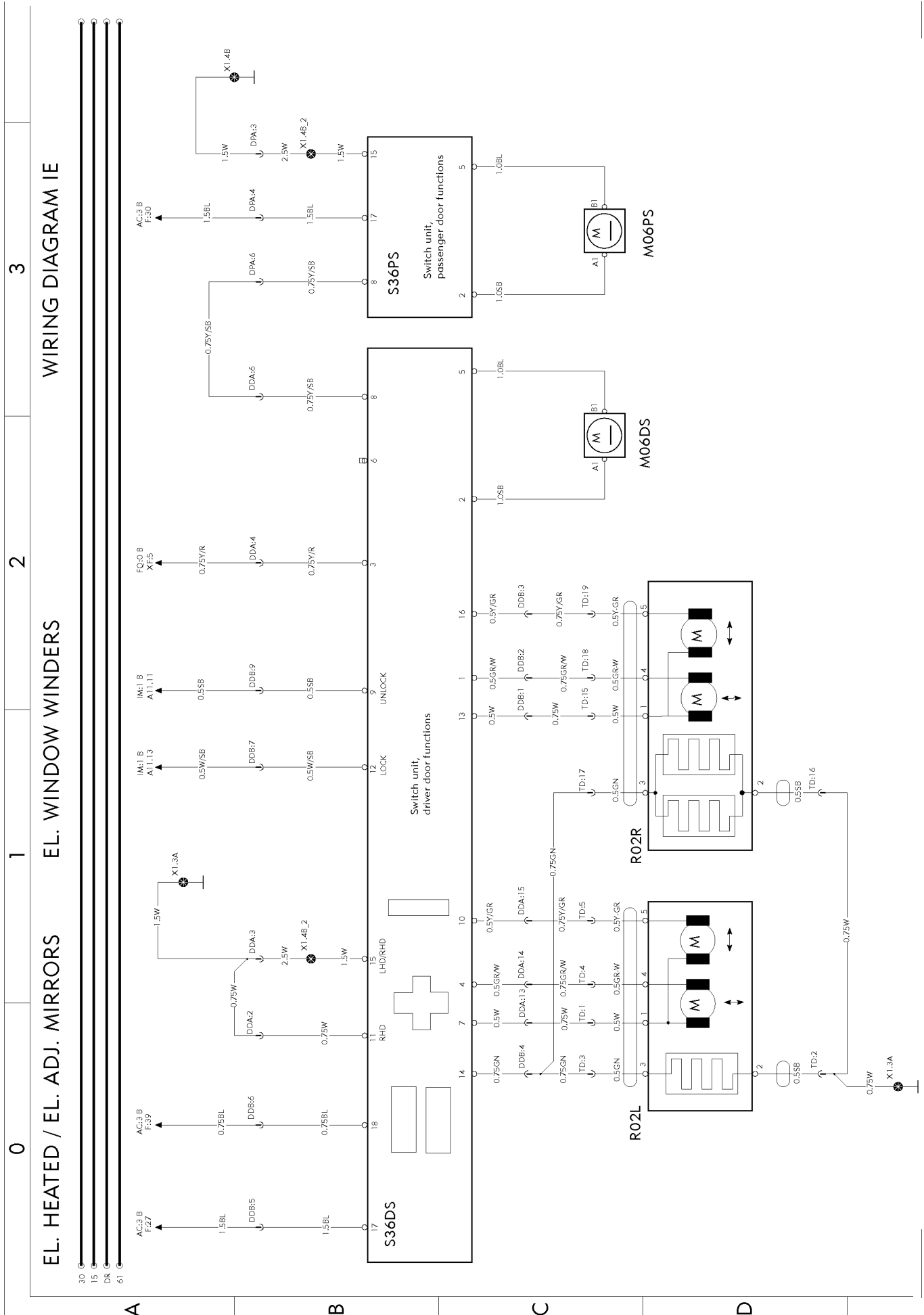


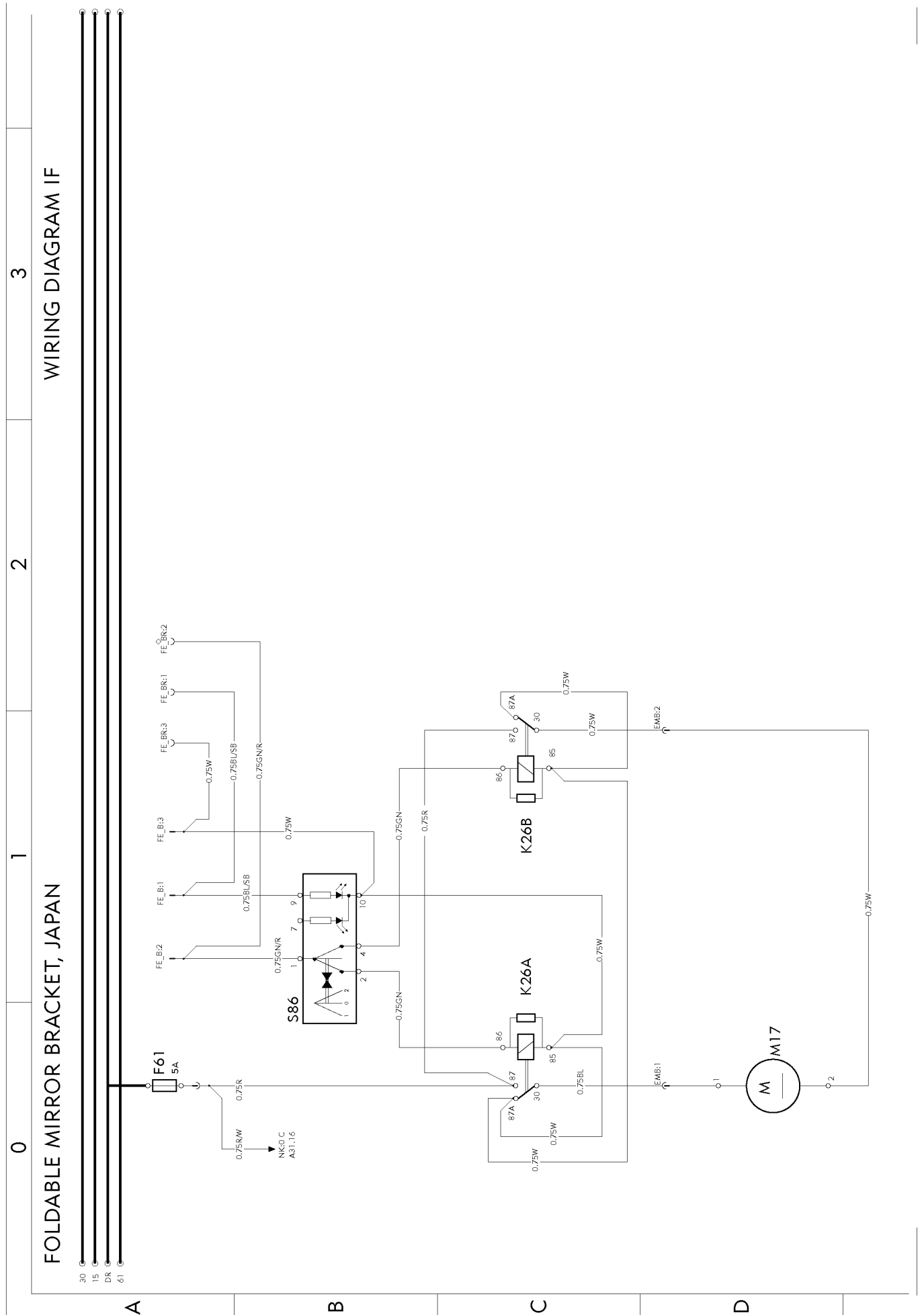


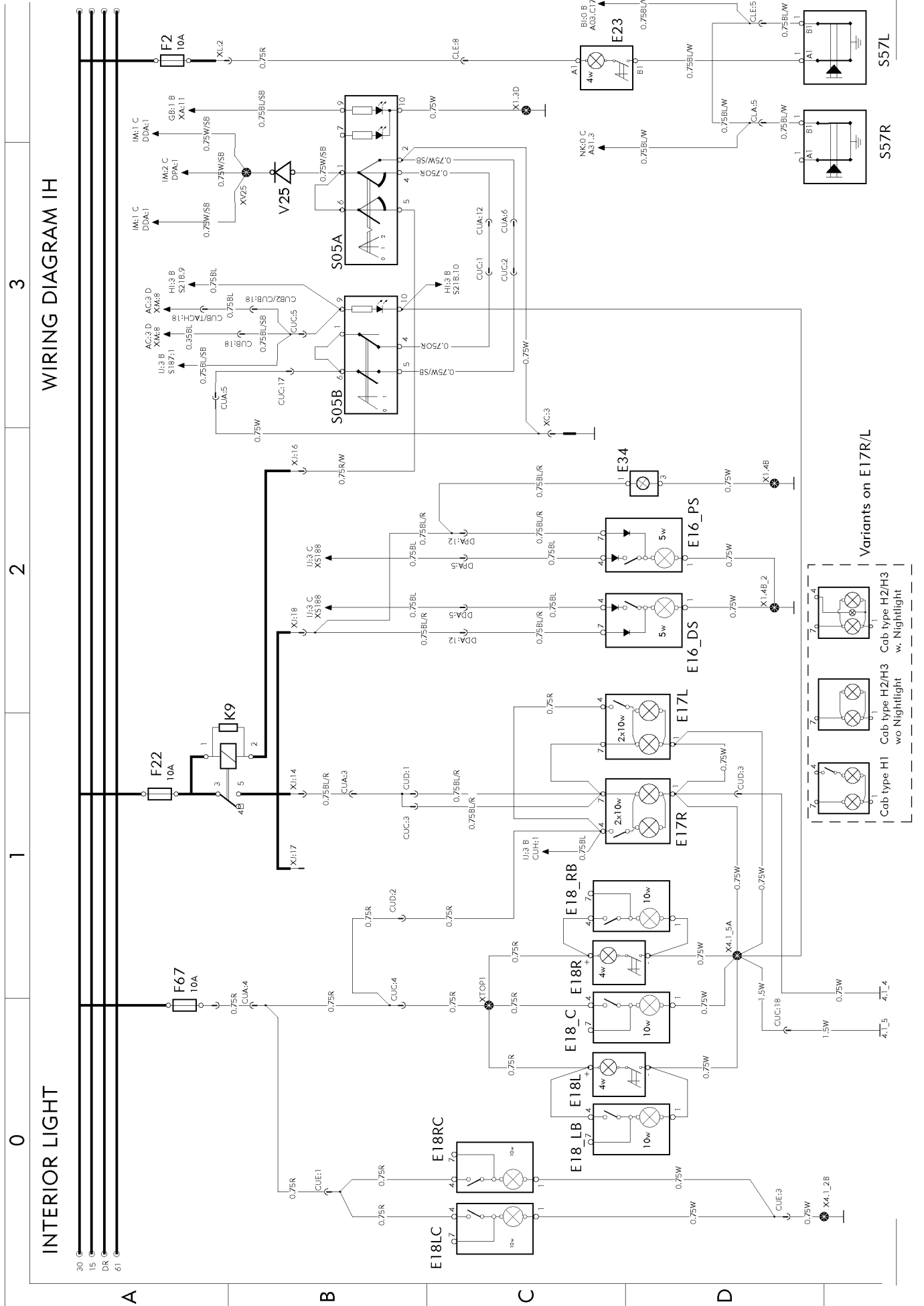


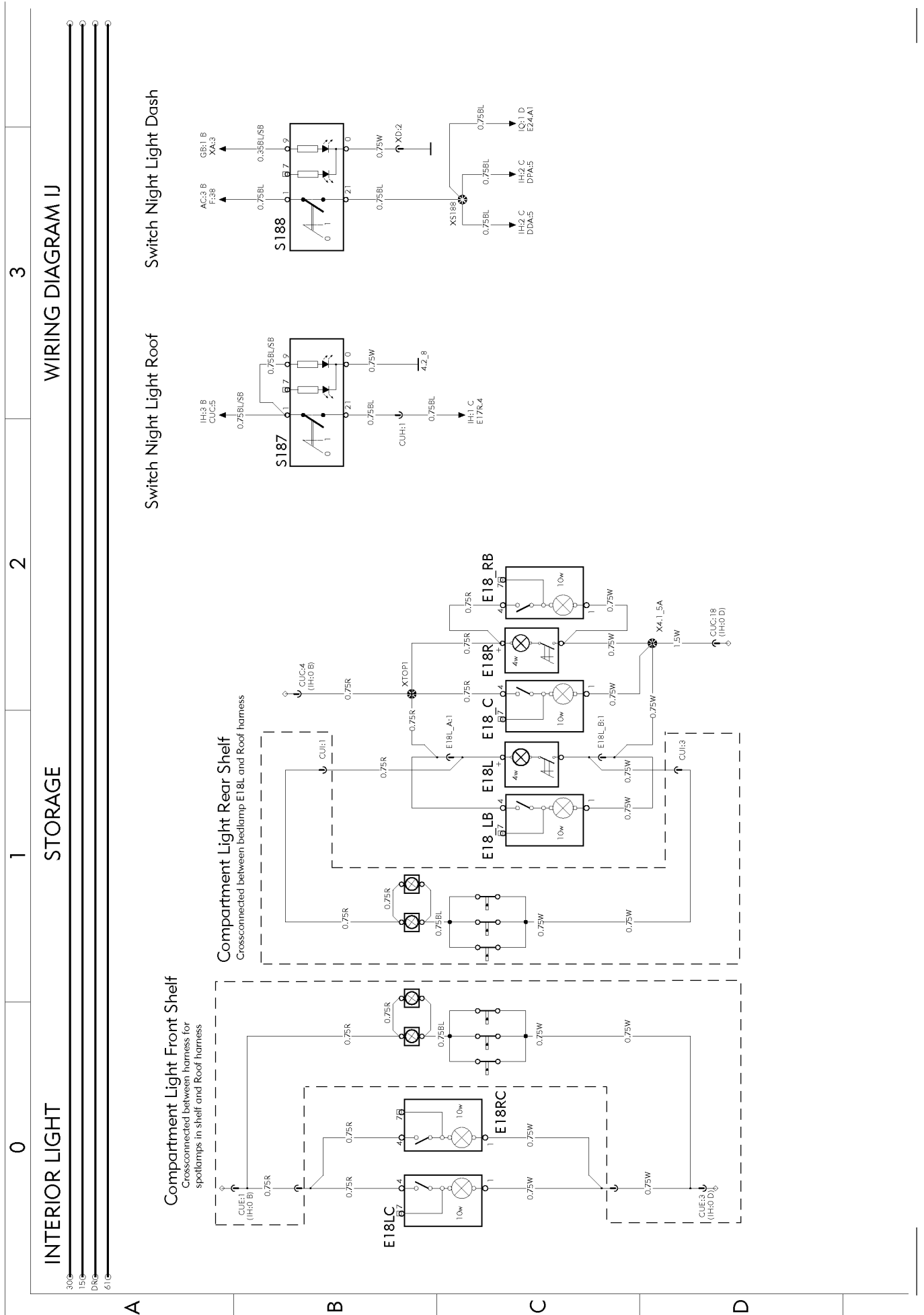


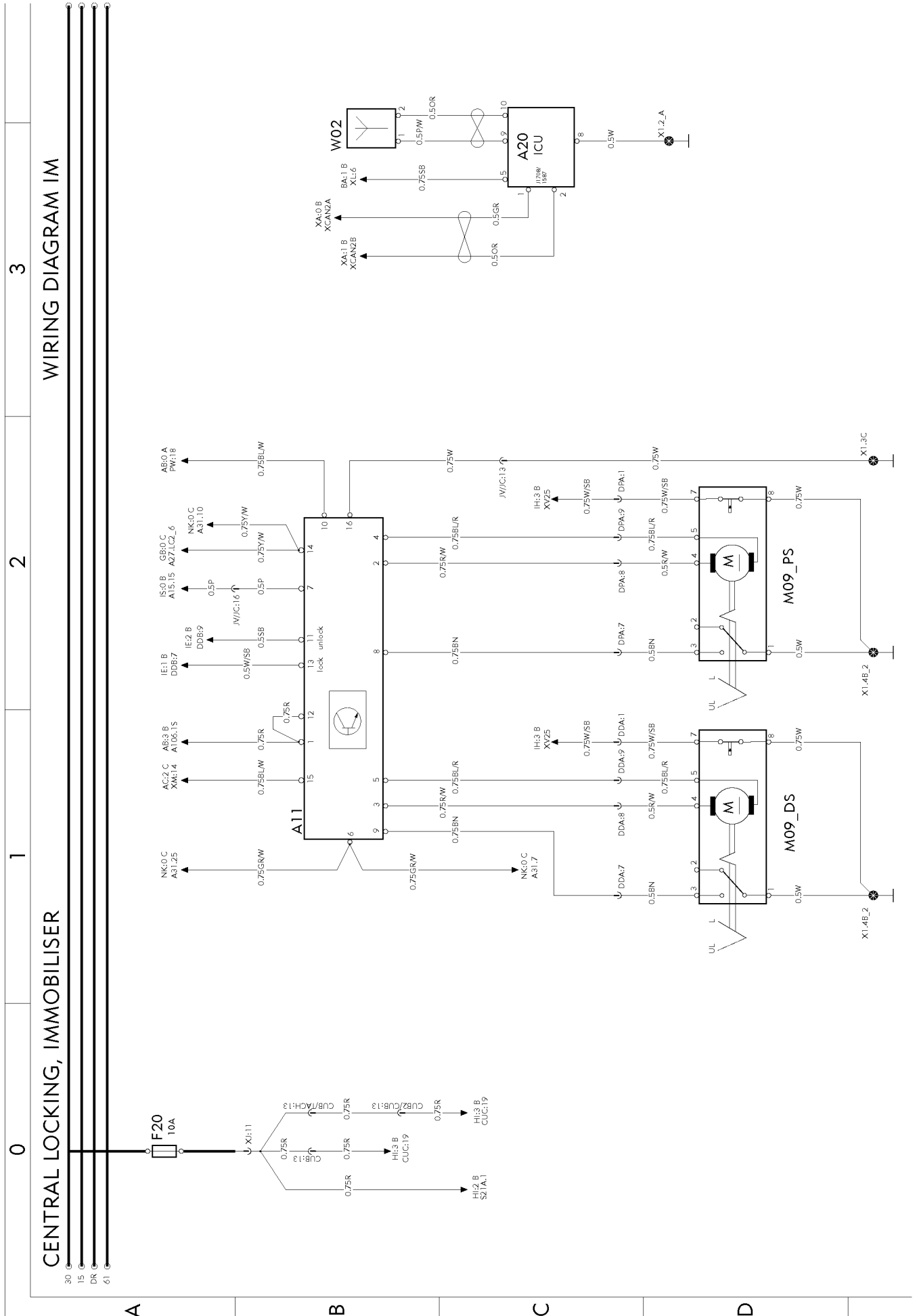


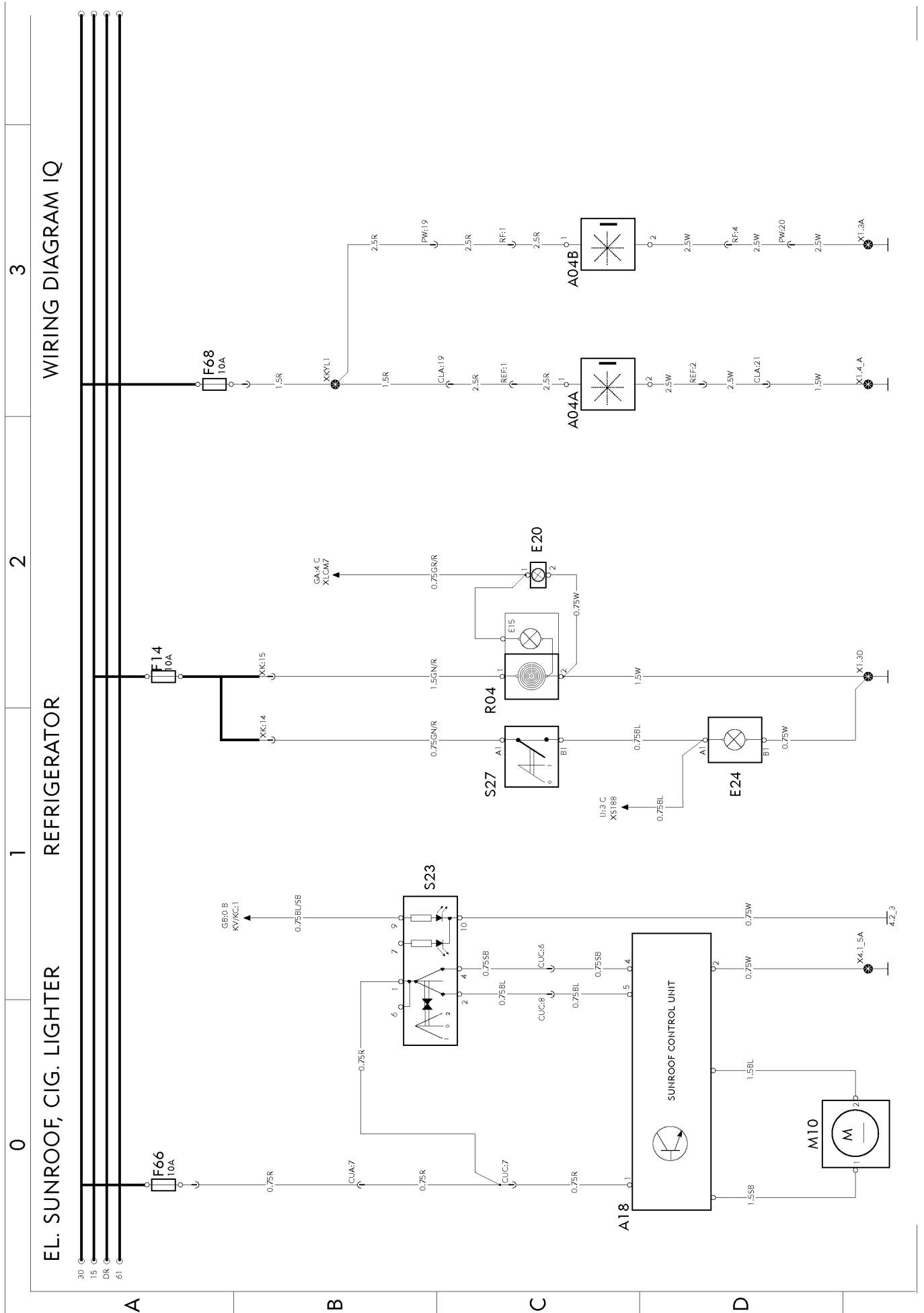


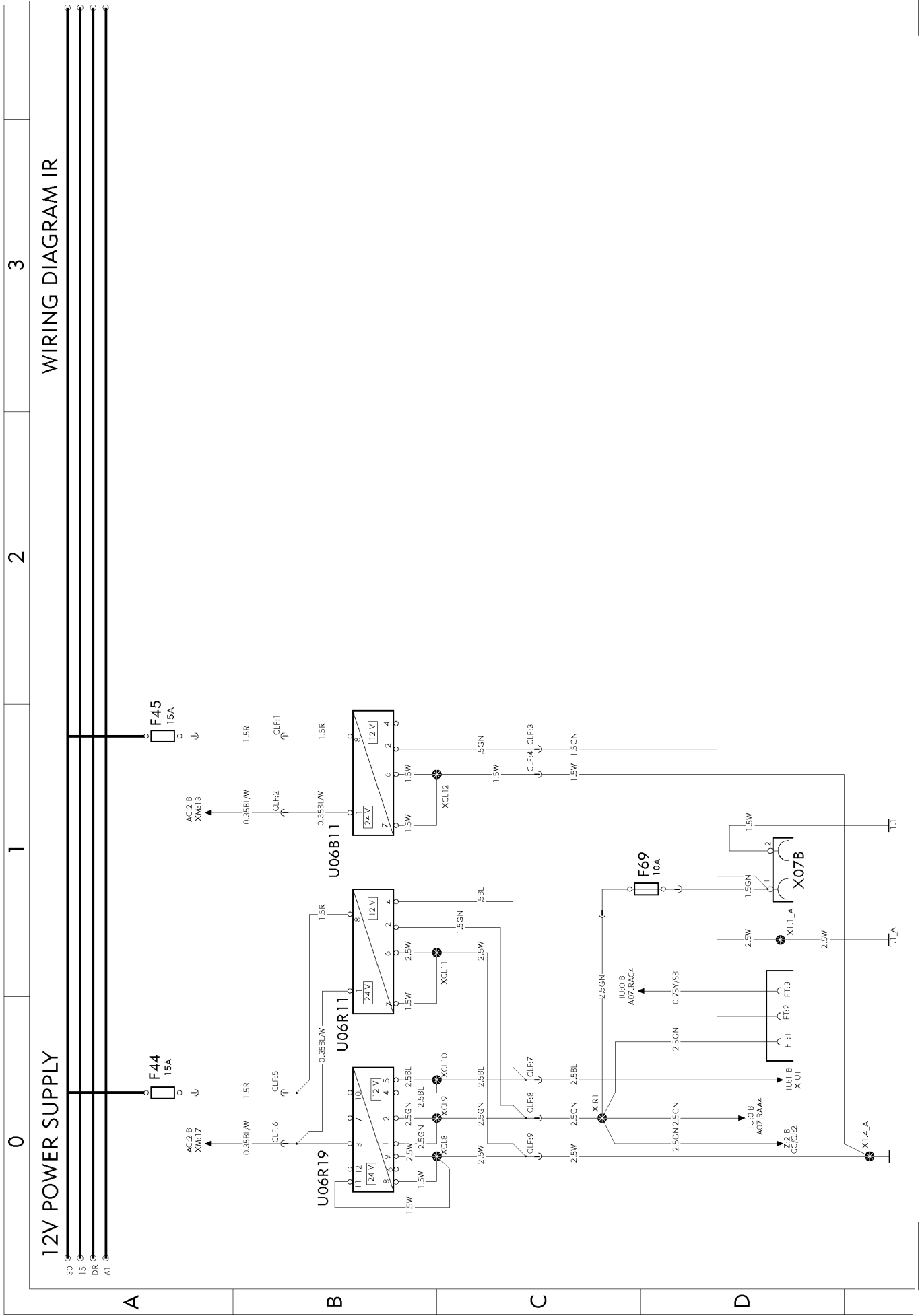


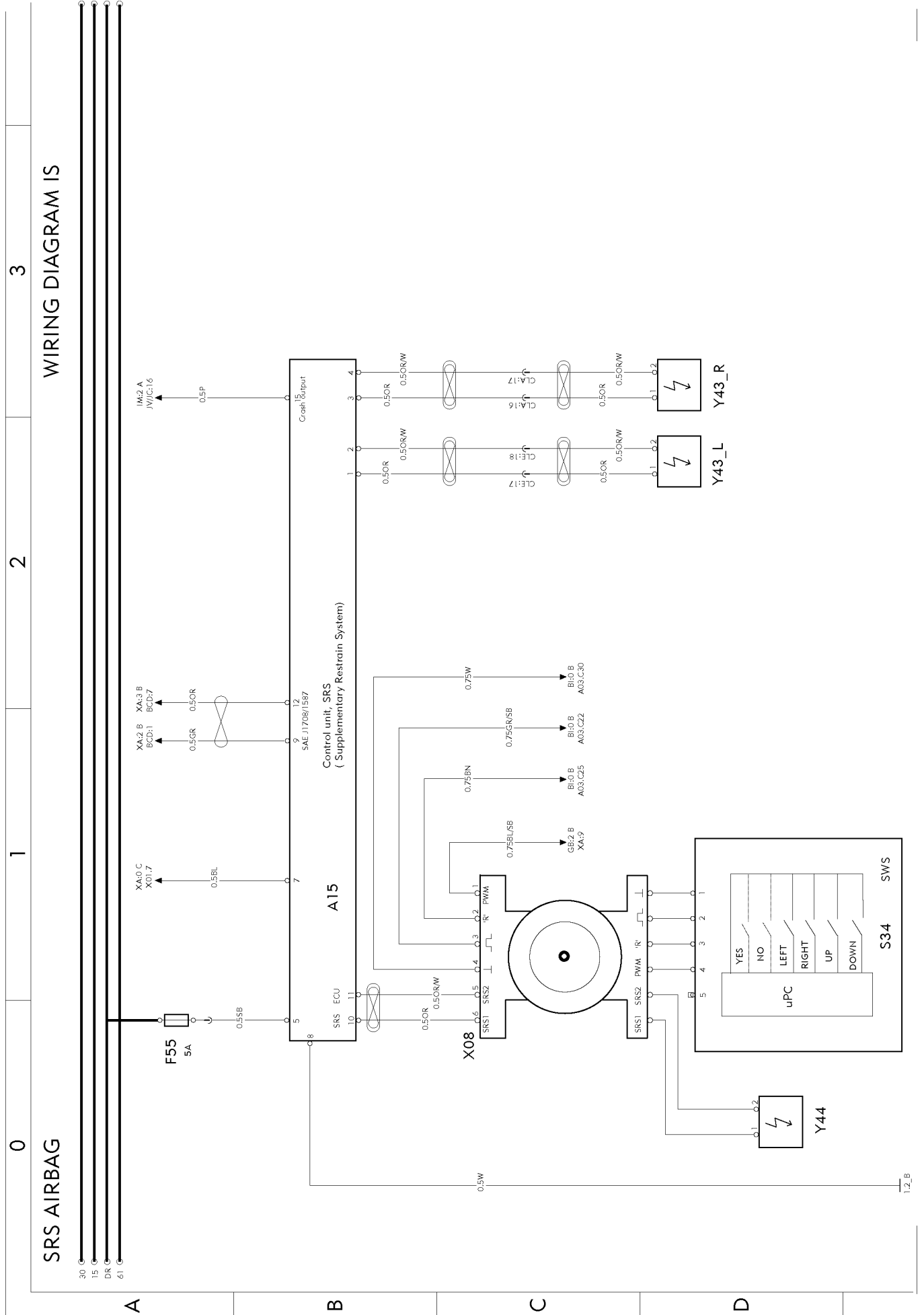


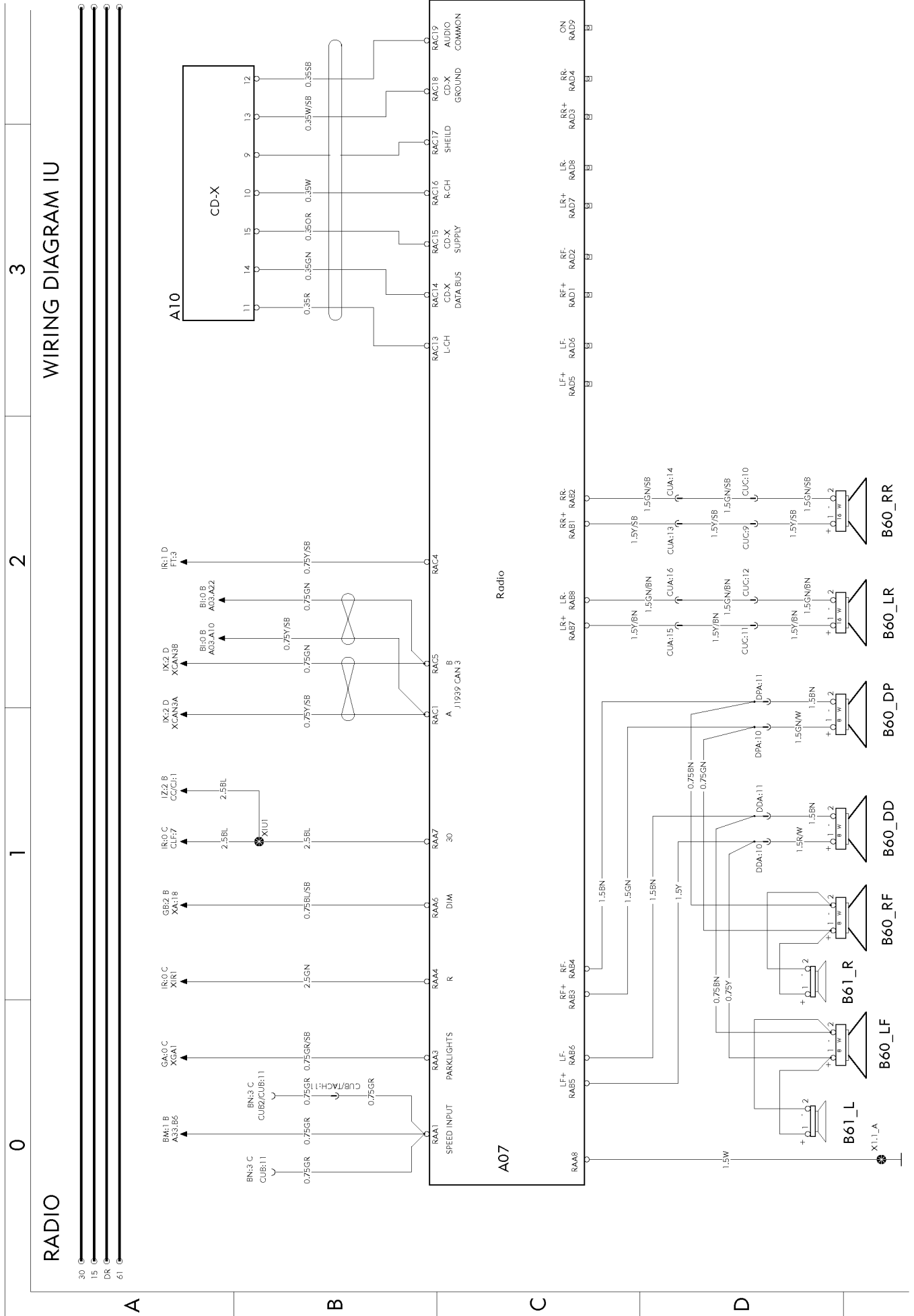


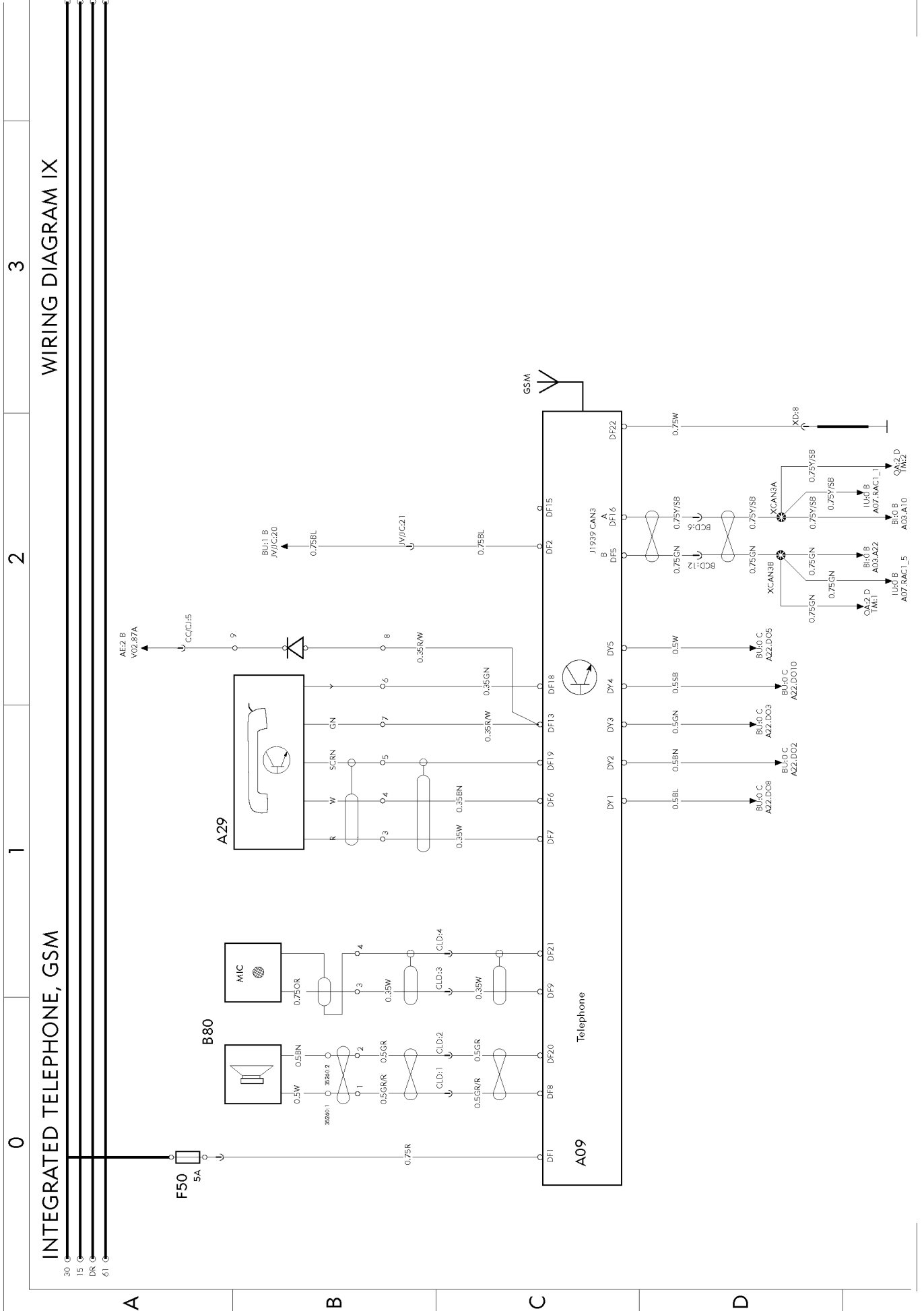


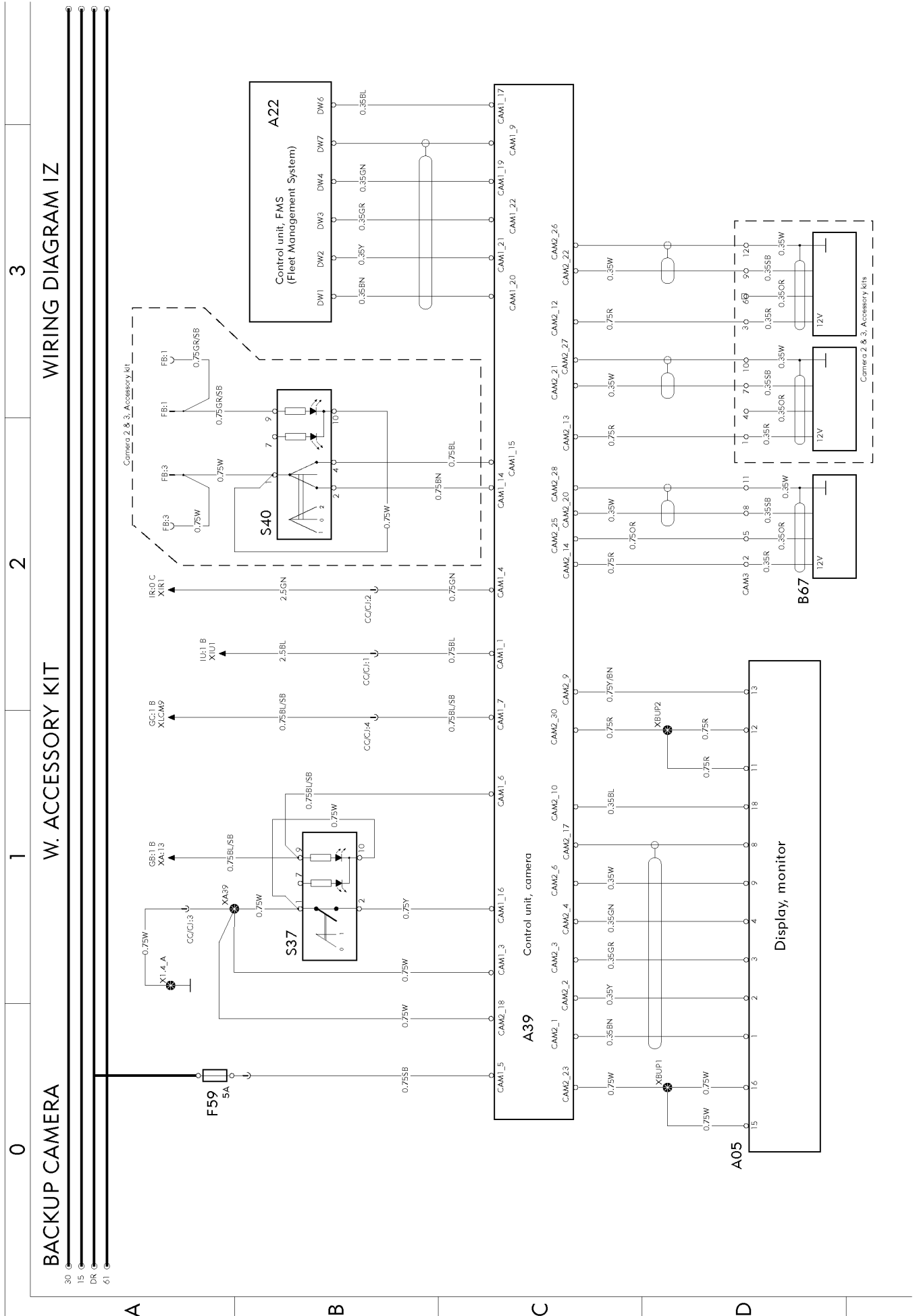


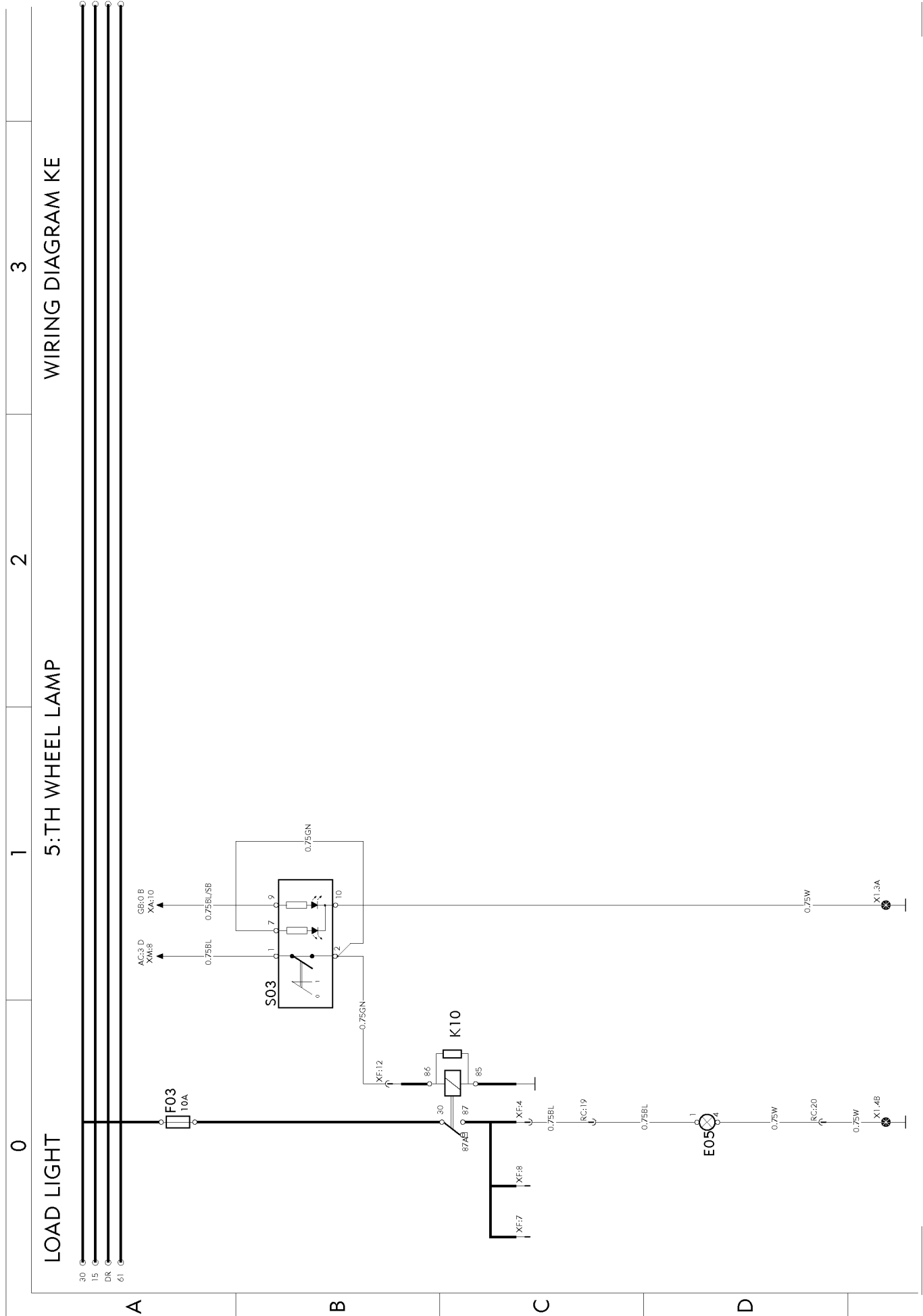


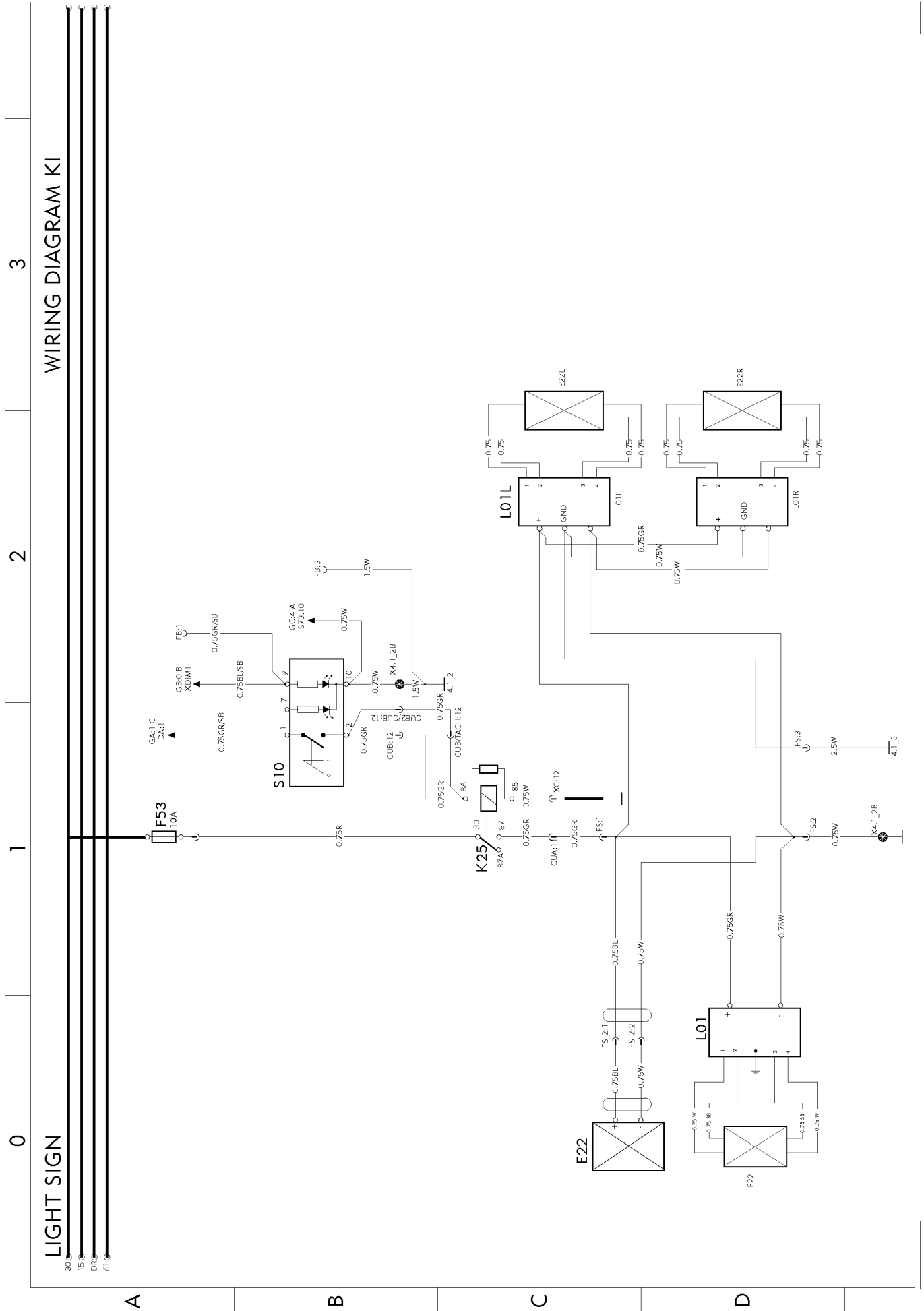


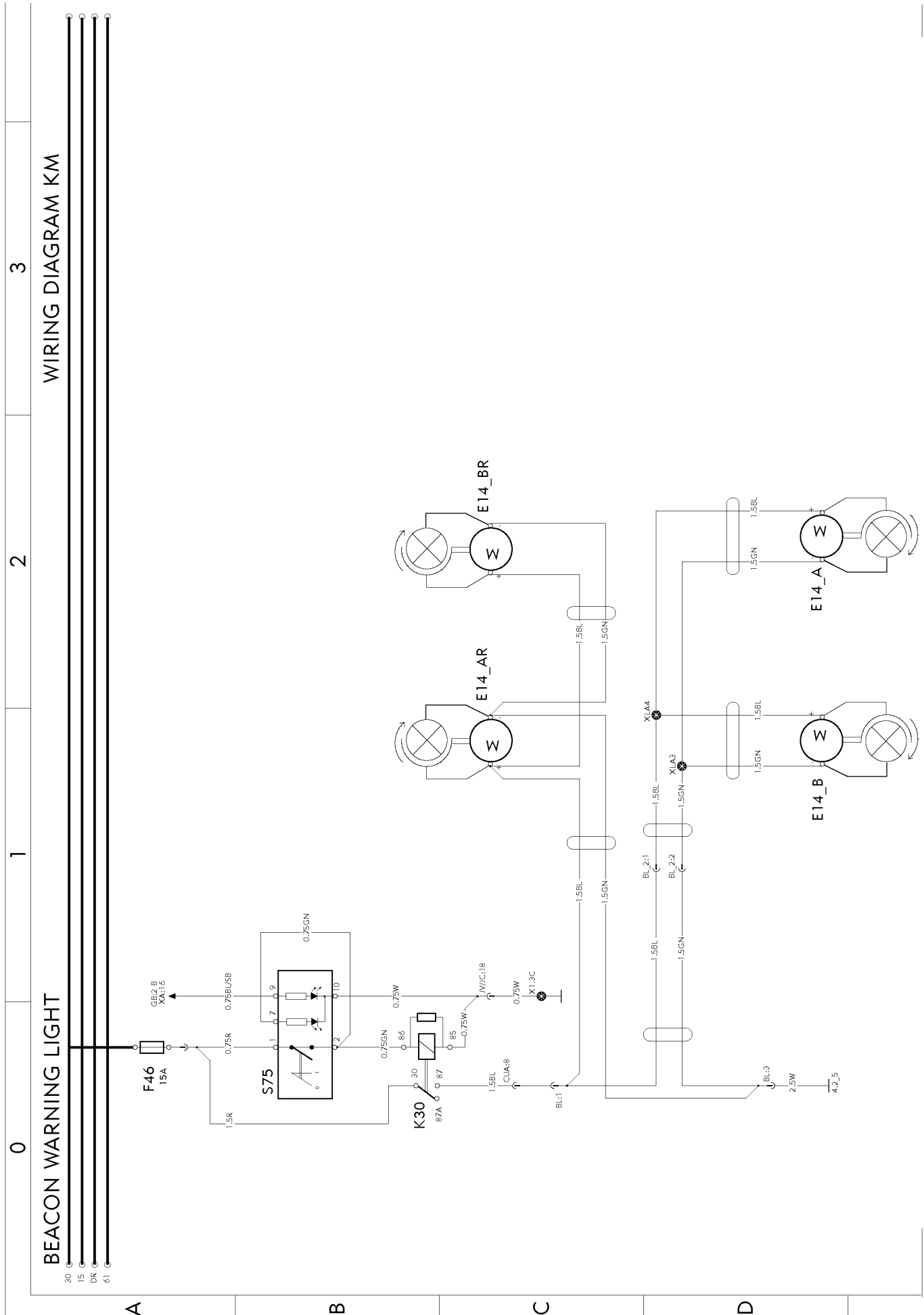


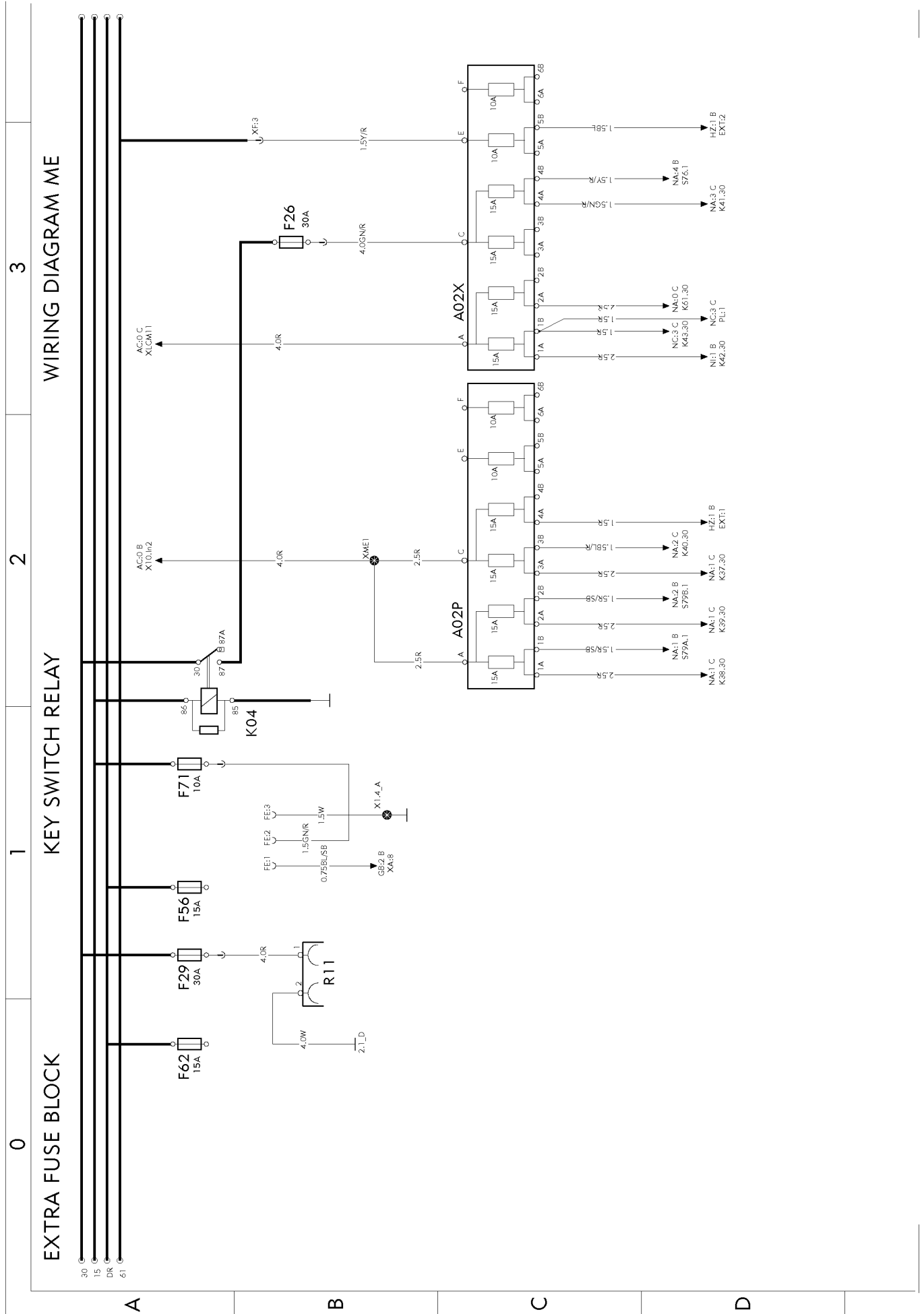


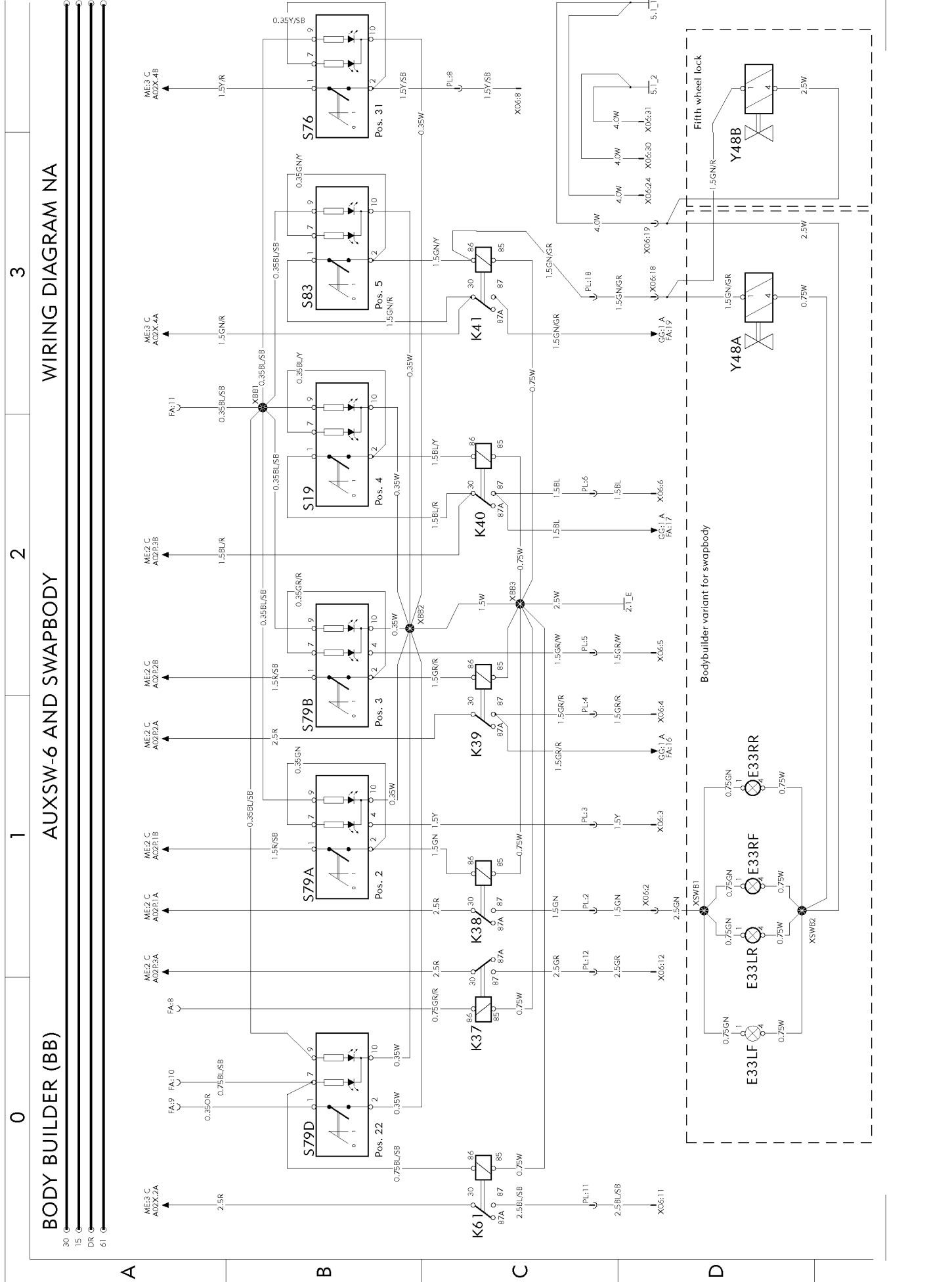


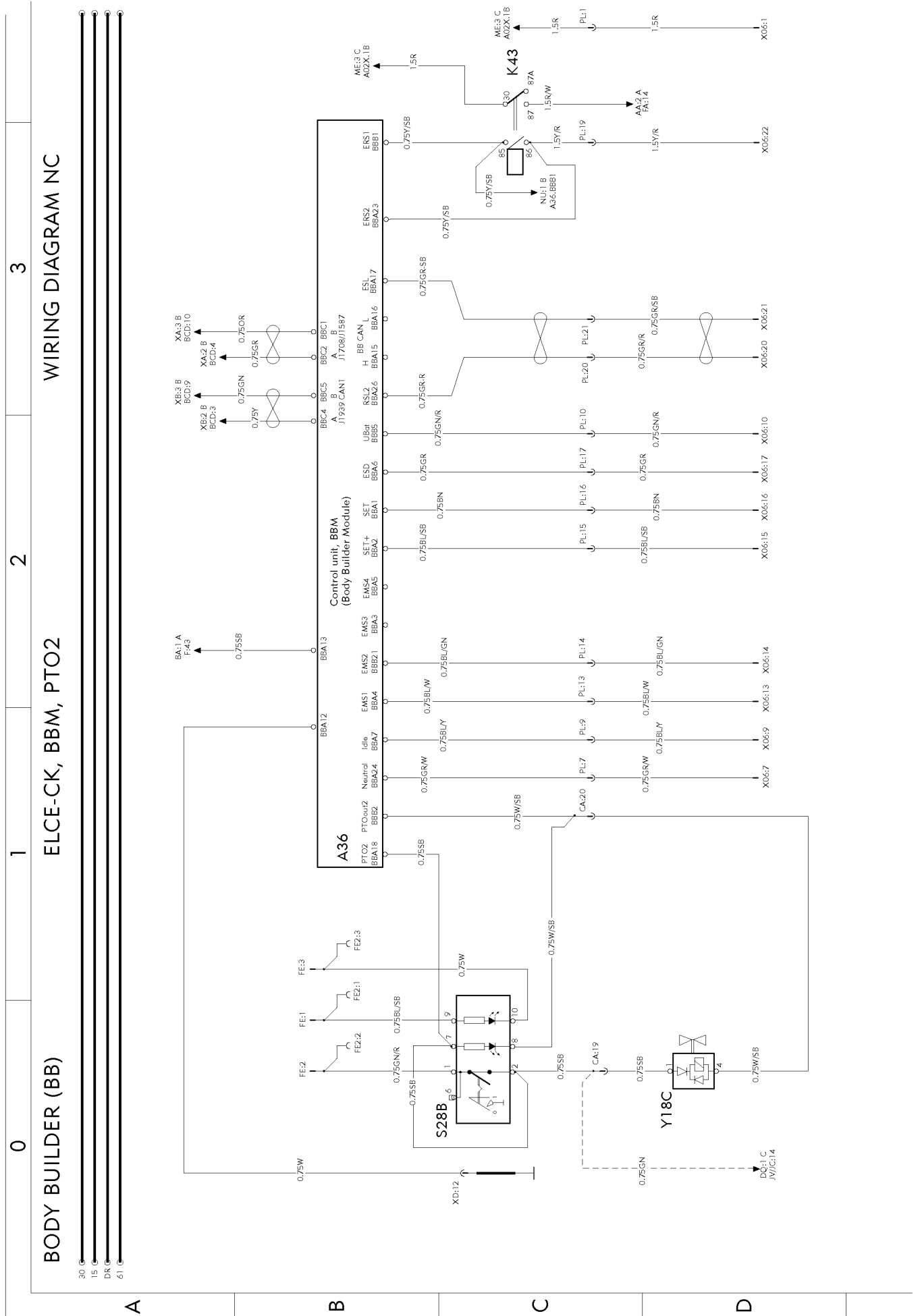


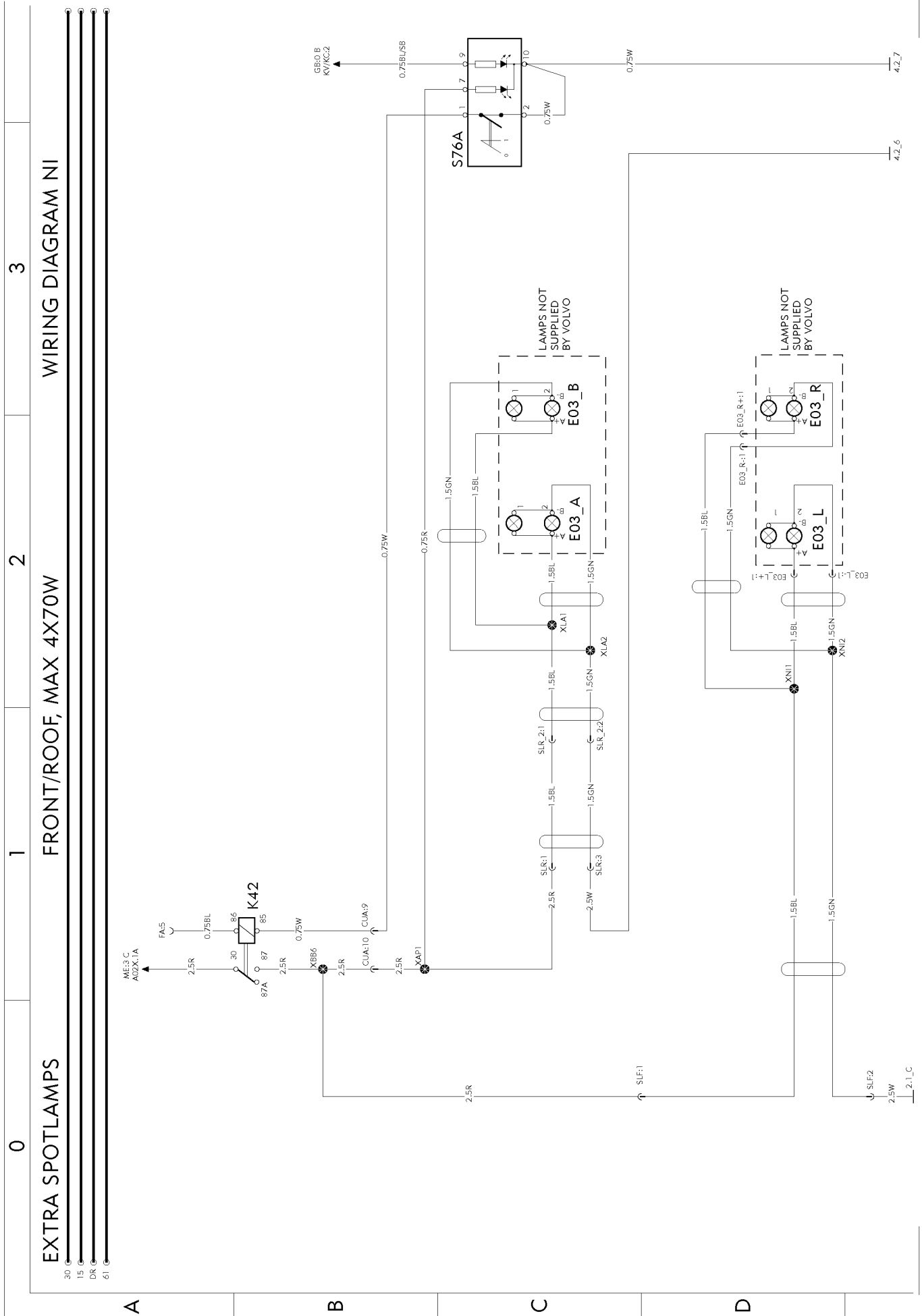


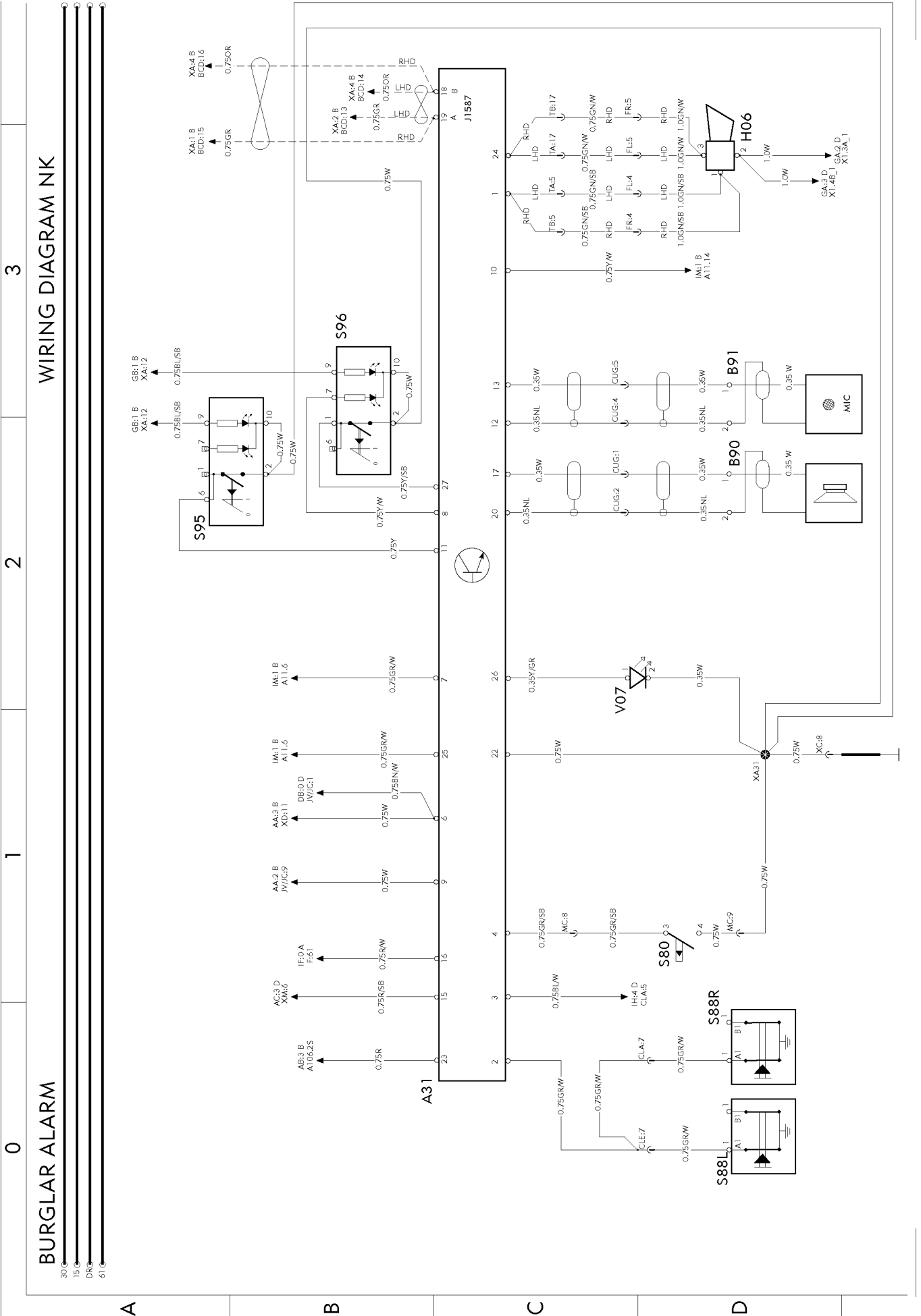












A

B

C

D

0	1	2	3	WIRING DIAGRAM NU	
DUAL SPEED					
BODY BUILDER (BB)					

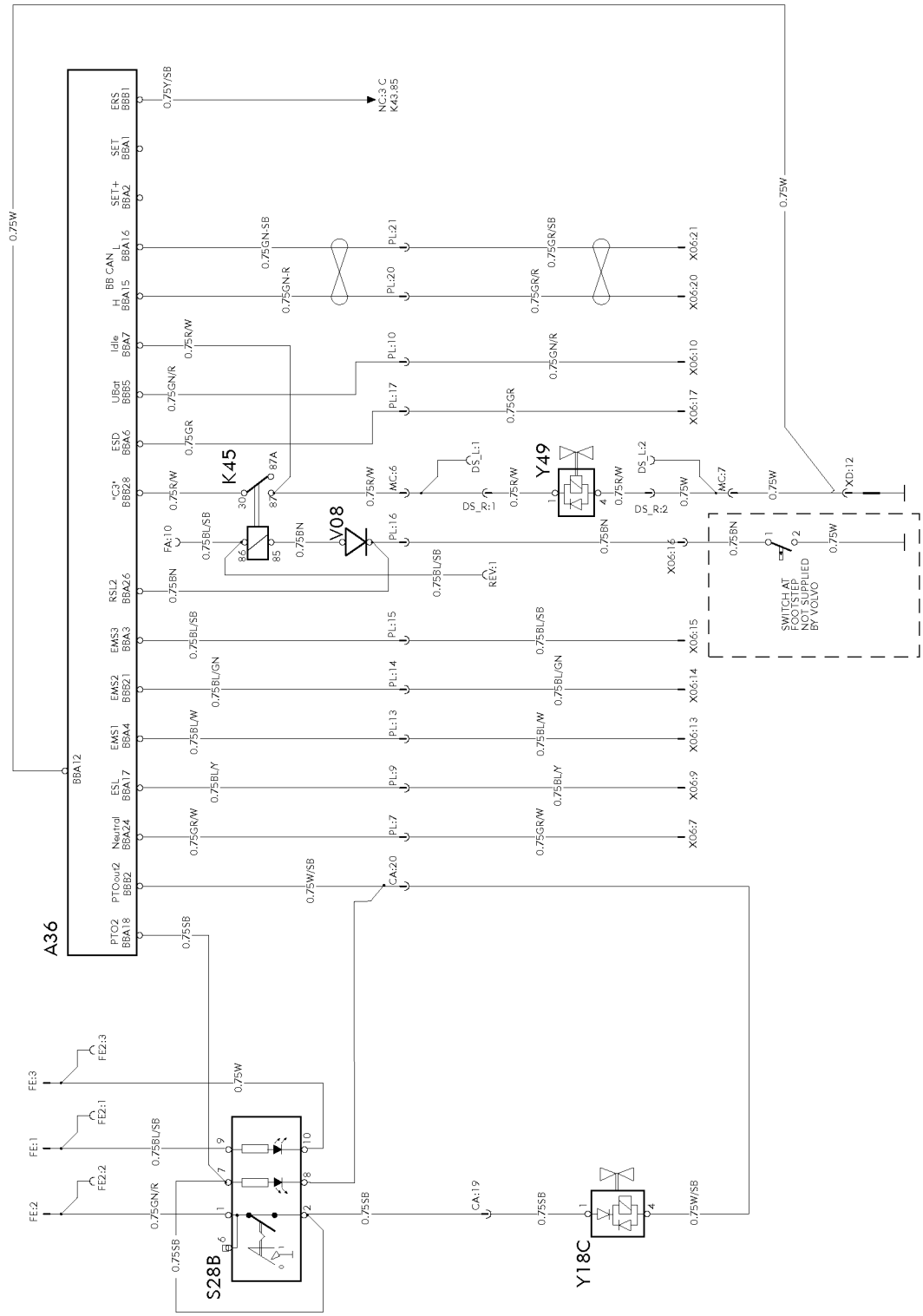
30
15
DK
61

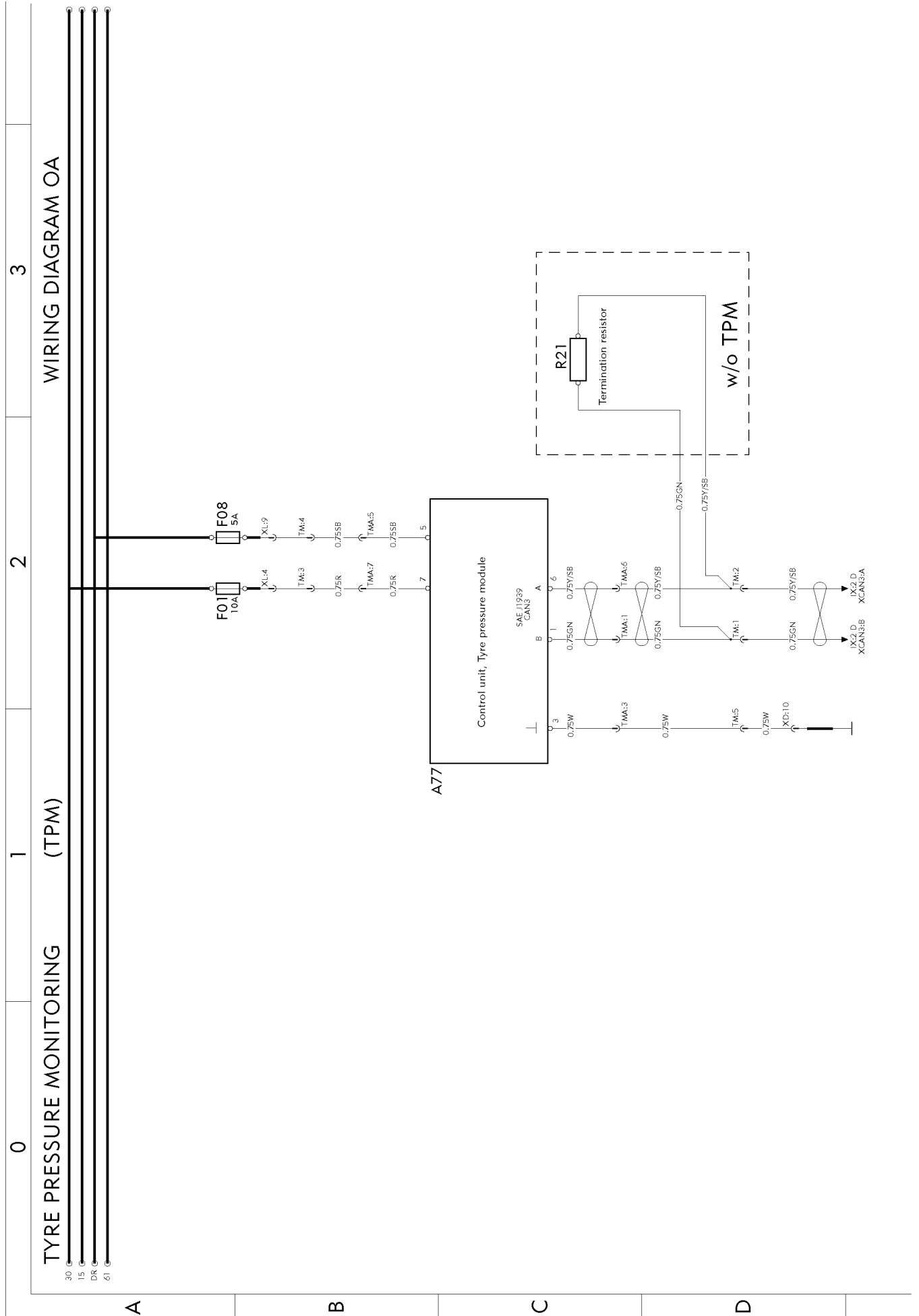
A

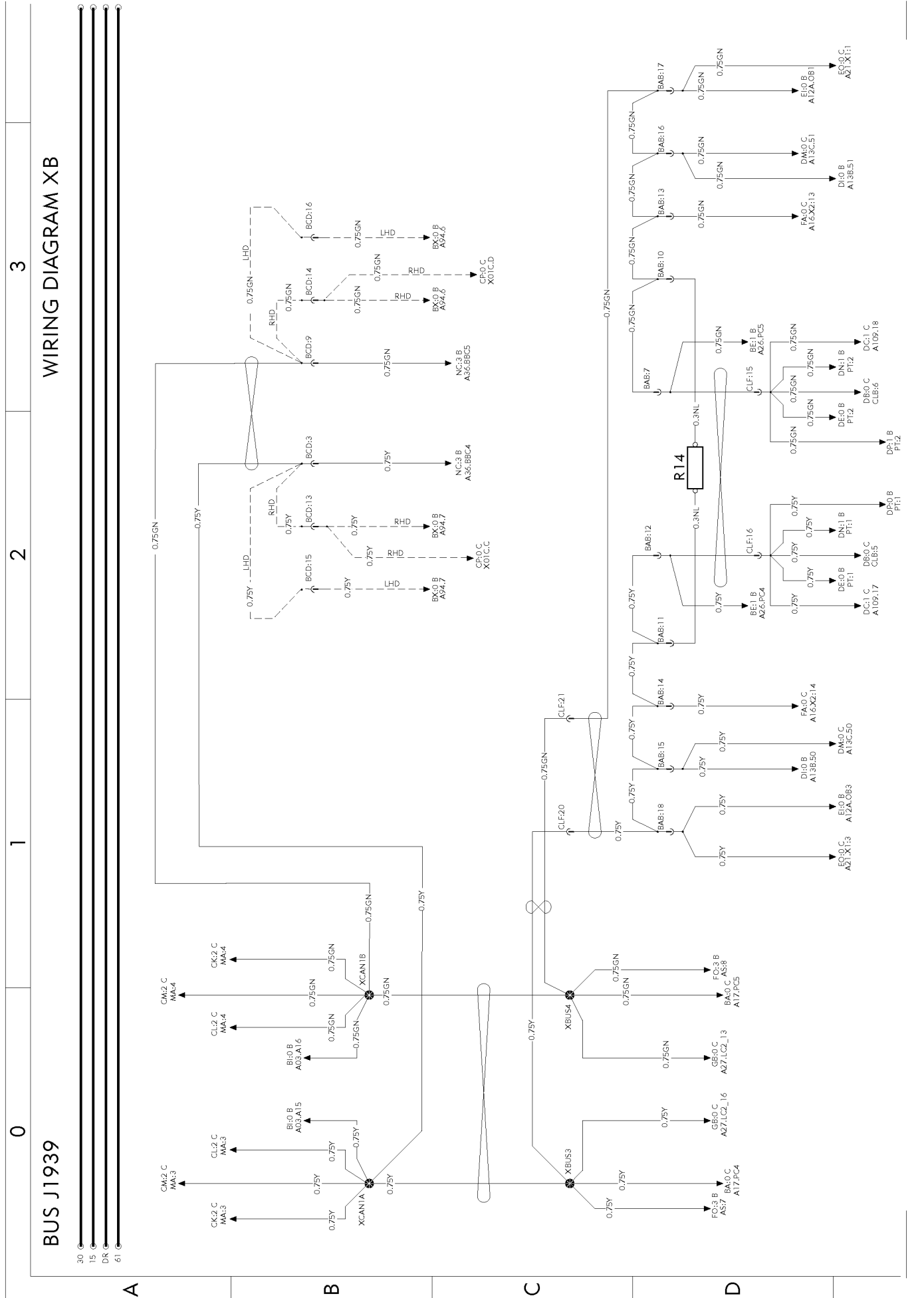
B

C

D



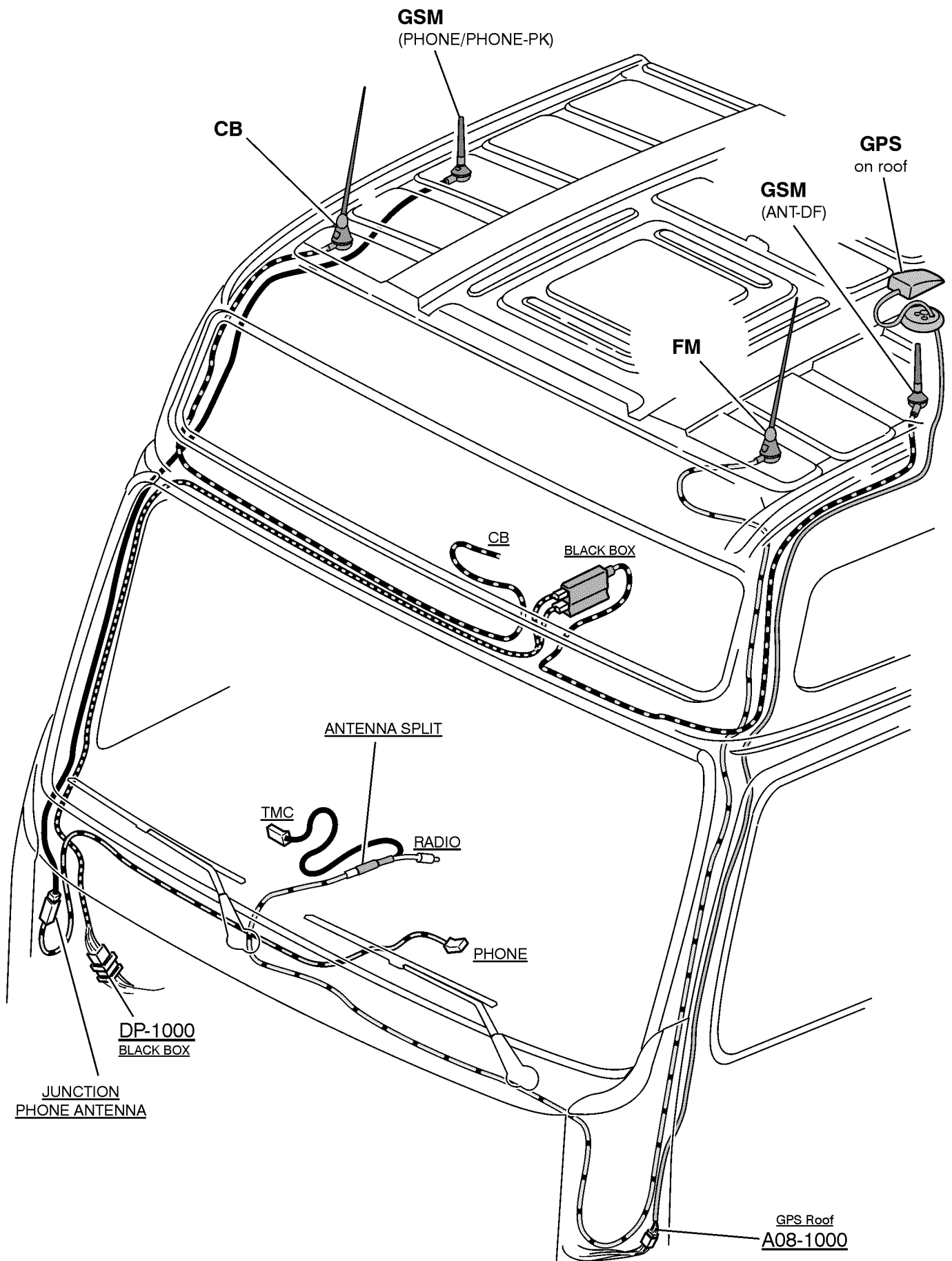


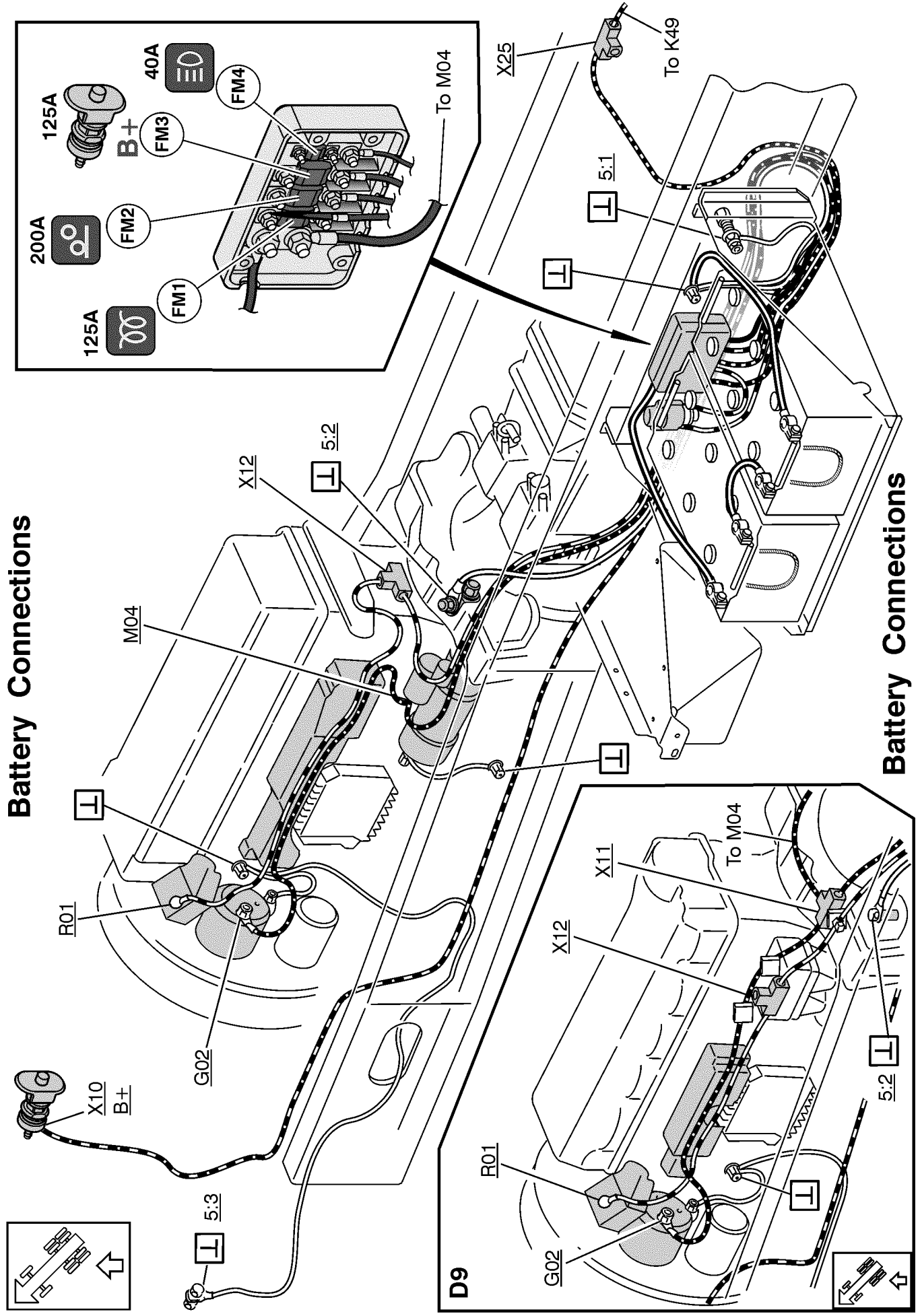


Illustrations index

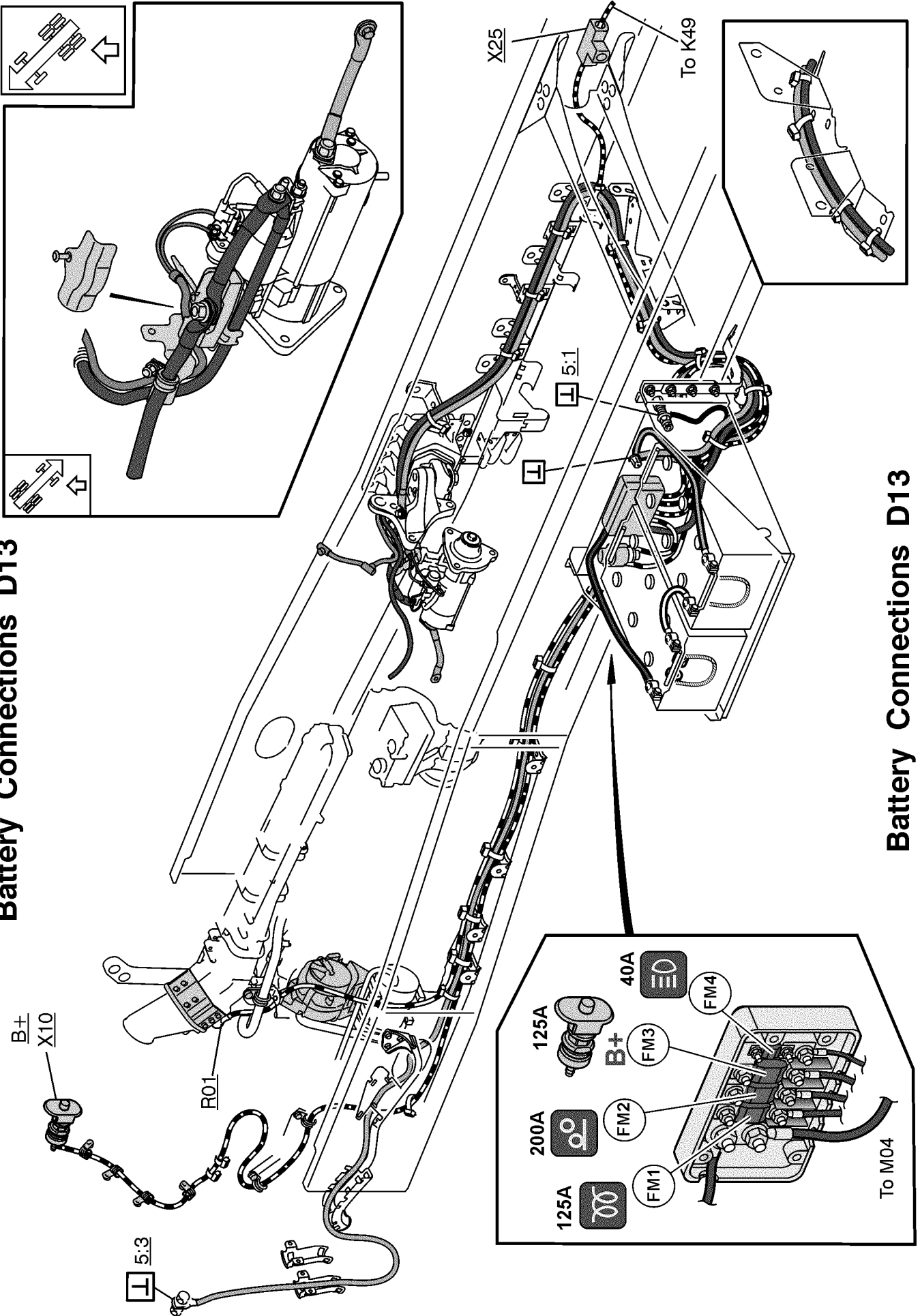
-	Aerial	page 99
-	Battery cables	page 100
-	Switches	page 103
-	Cab/chassis interface	page 105
1000	Wiring harness, instruments	page 107
1006	Wiring harness, roof	page 117
1007	Wiring harness, floor	page 122
1018	Wiring harness, air conditioning	page 130
1020	Wiring harness, cowl	page 131
1025	Wiring harness, engine-chassis	page 133
1030	Wiring harness, engine	page 136
1037	Wiring harness, bogie lift	page 141
1040	Wiring harness, frame	page 142
1047	Wiring harness, roof beacon light	page 144
1056	Wiring harness, air dryer	page 146
1062	Wiring harness, parking heater, frame	page 147
1063	Wiring harness, trailer connections	page 148
1072	Wiring harness, air suspension chassis	page 150
1077	Wiring harness, side marking lamps	page 152
1083	Wiring harness, door	page 153
1086	Wiring harness, ABS chassis	page 155
1401	Wiring harness, solenoid valves	page 159
1403	Wiring harness, retarder	page 162
1435	Wiring harness, main switch	page 163
1436	Wiring harness, roof sign lighting	page 144
1458	Wiring harness, front wheel drive	page 166
1460	Wiring harness, cab-battery box	page 163
1470	Wiring harness, el.operated mirror arch	page 180
1472	Wiring harness, load indicator	page 167
1476	Wiring harness, cab-engine	page 133
1484	Wiring harness, floor gear shift selector	page 168
1493	Wiring harness, power steering	page 170
1494	Wiring harness, gearbox	page 172
1499	Wiring harness, cab-gearbox	page 172
1501	Wiring harness, upper front	page 178
1502	Wiring harness, lower front left	page 178
1503	Wiring harness, lower front right	page 179
1504	Wiring harness, firewall	page 180
1505	Wiring harness, body builder connections	page 182
1506	Wiring harness, demountable (swap-body)	page 182
1507	Wiring harness, ESP chassis	page 183
1508	Wiring harness, TPM	page 184

Illustrations





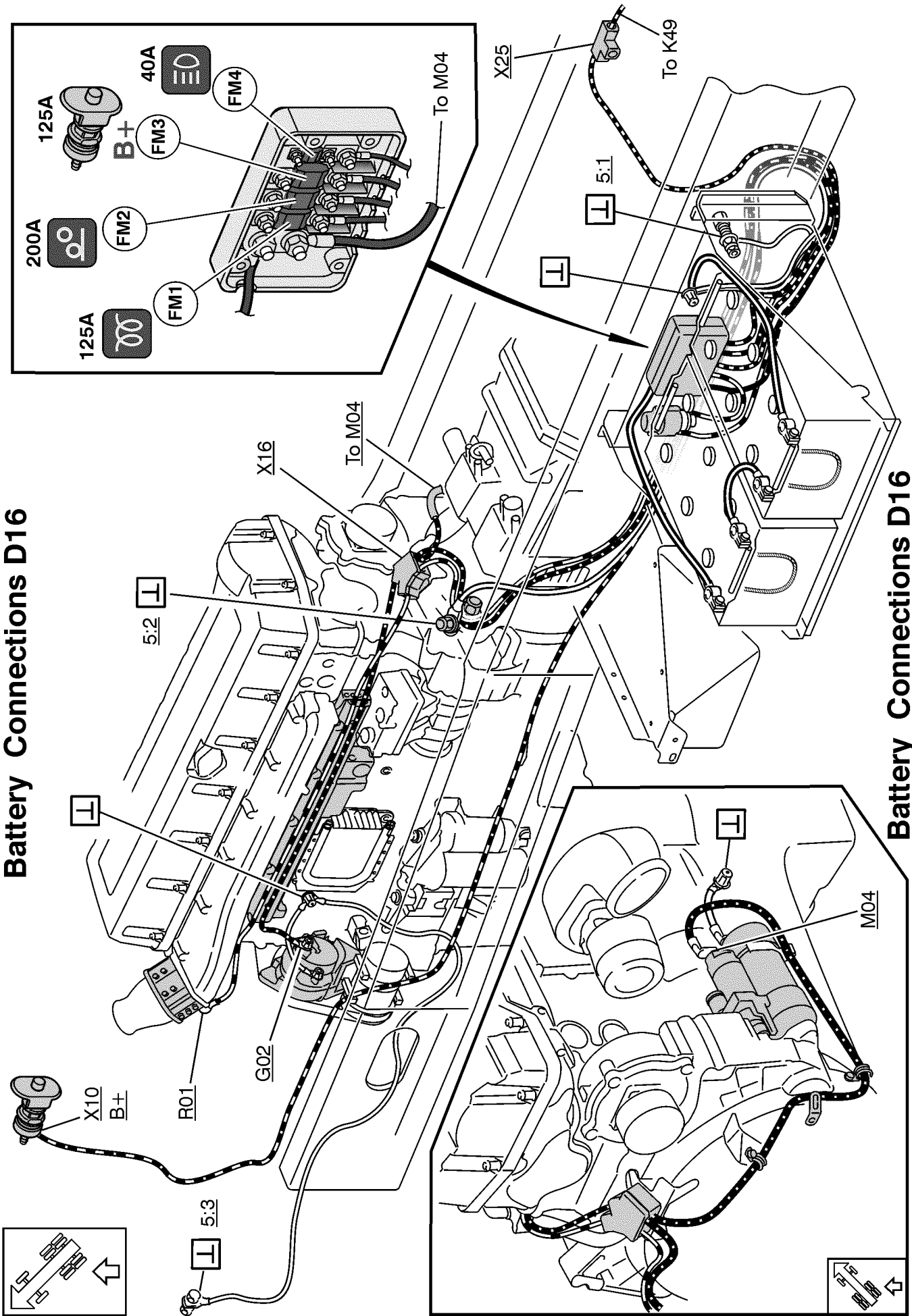
Battery Connections D13

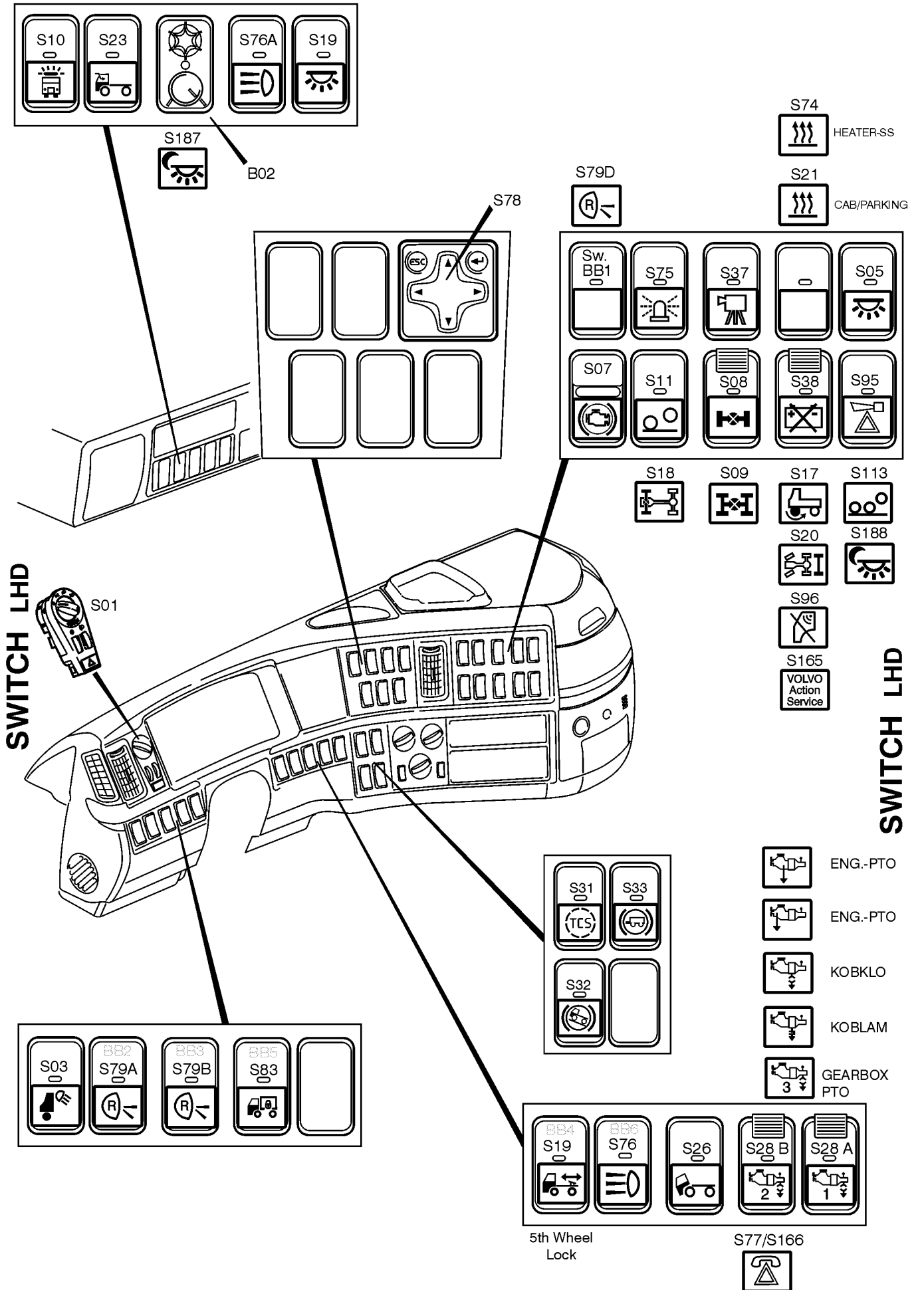


Battery Connections D13

Battery Connections D16

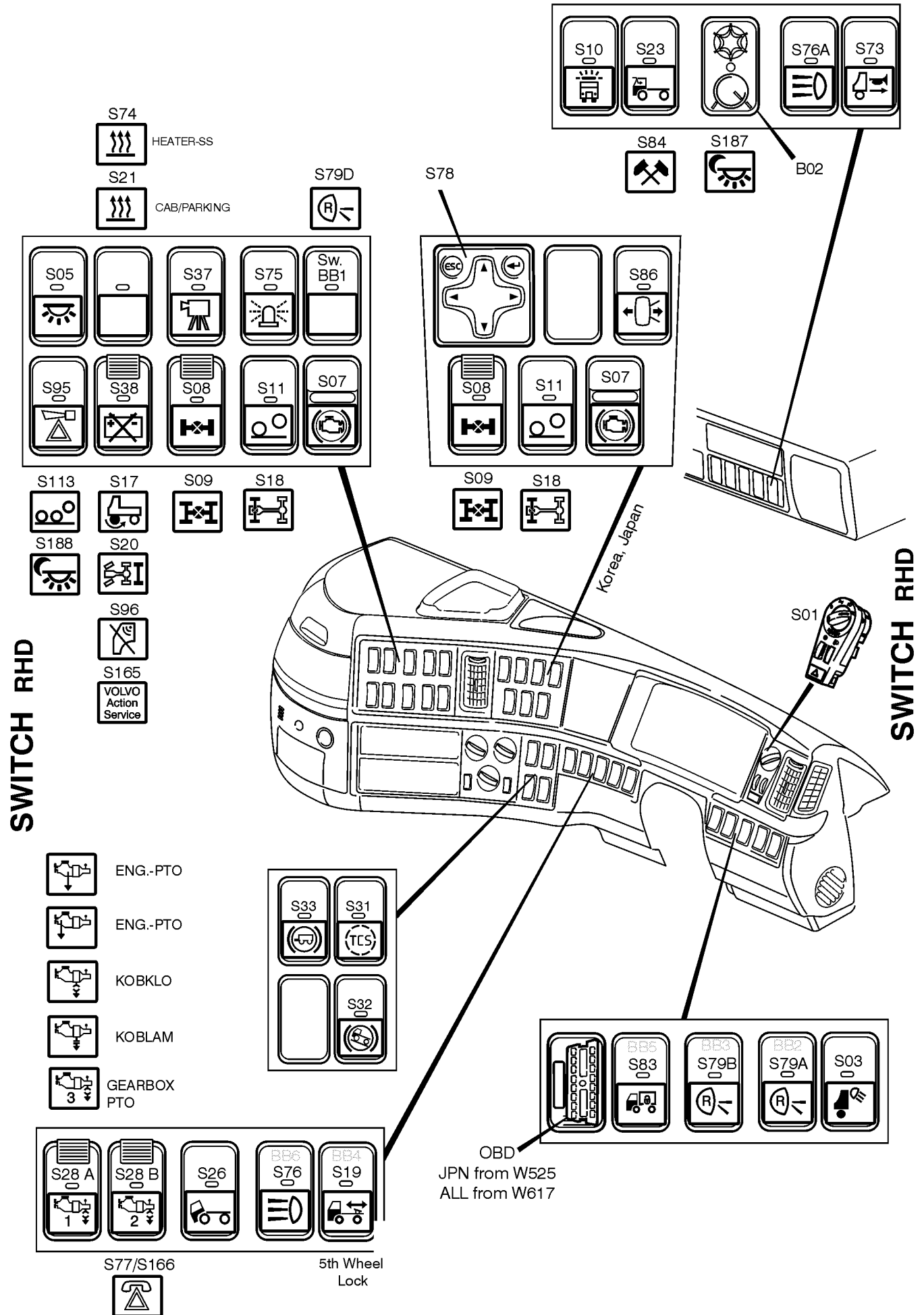
Battery Connections D16

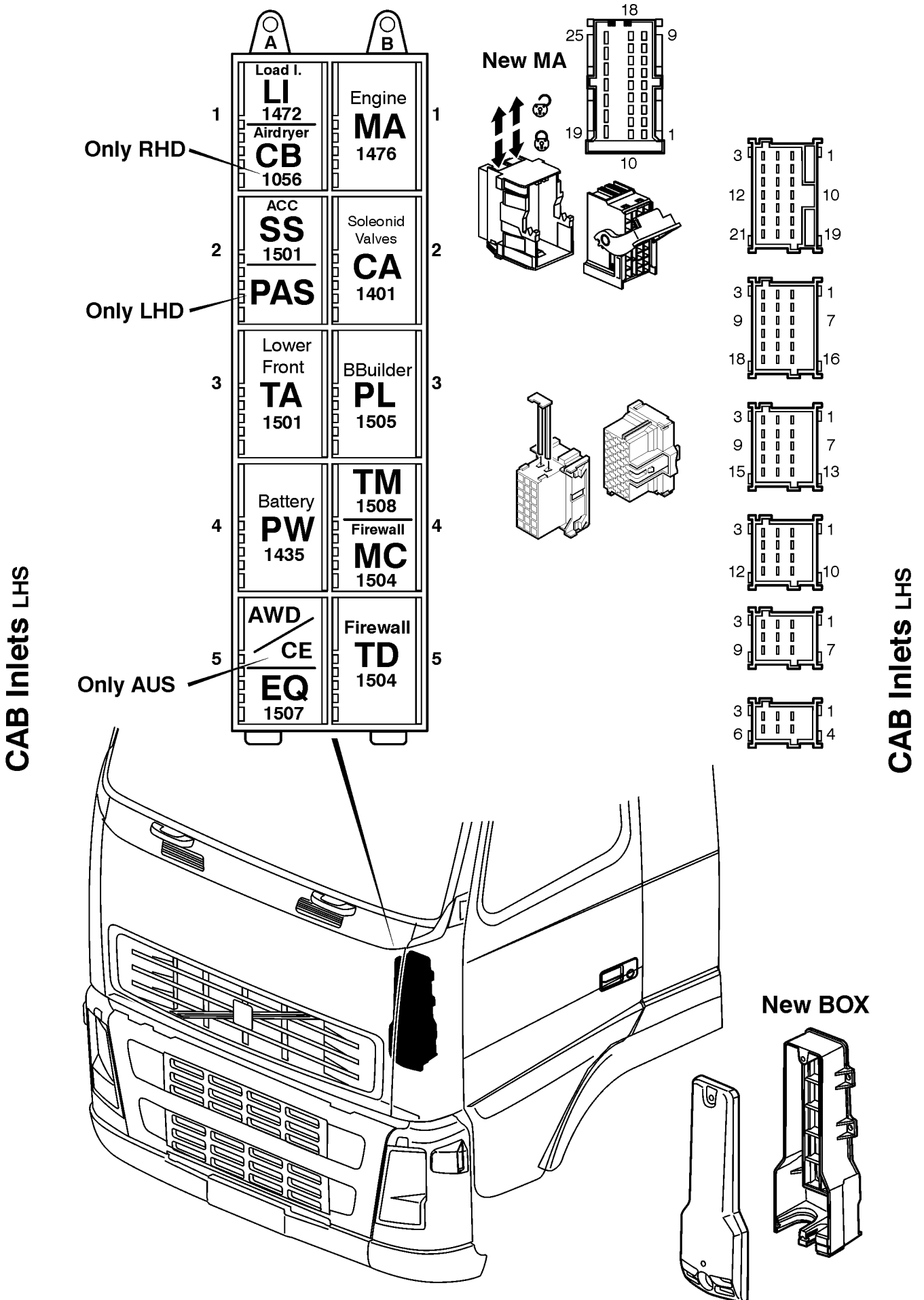


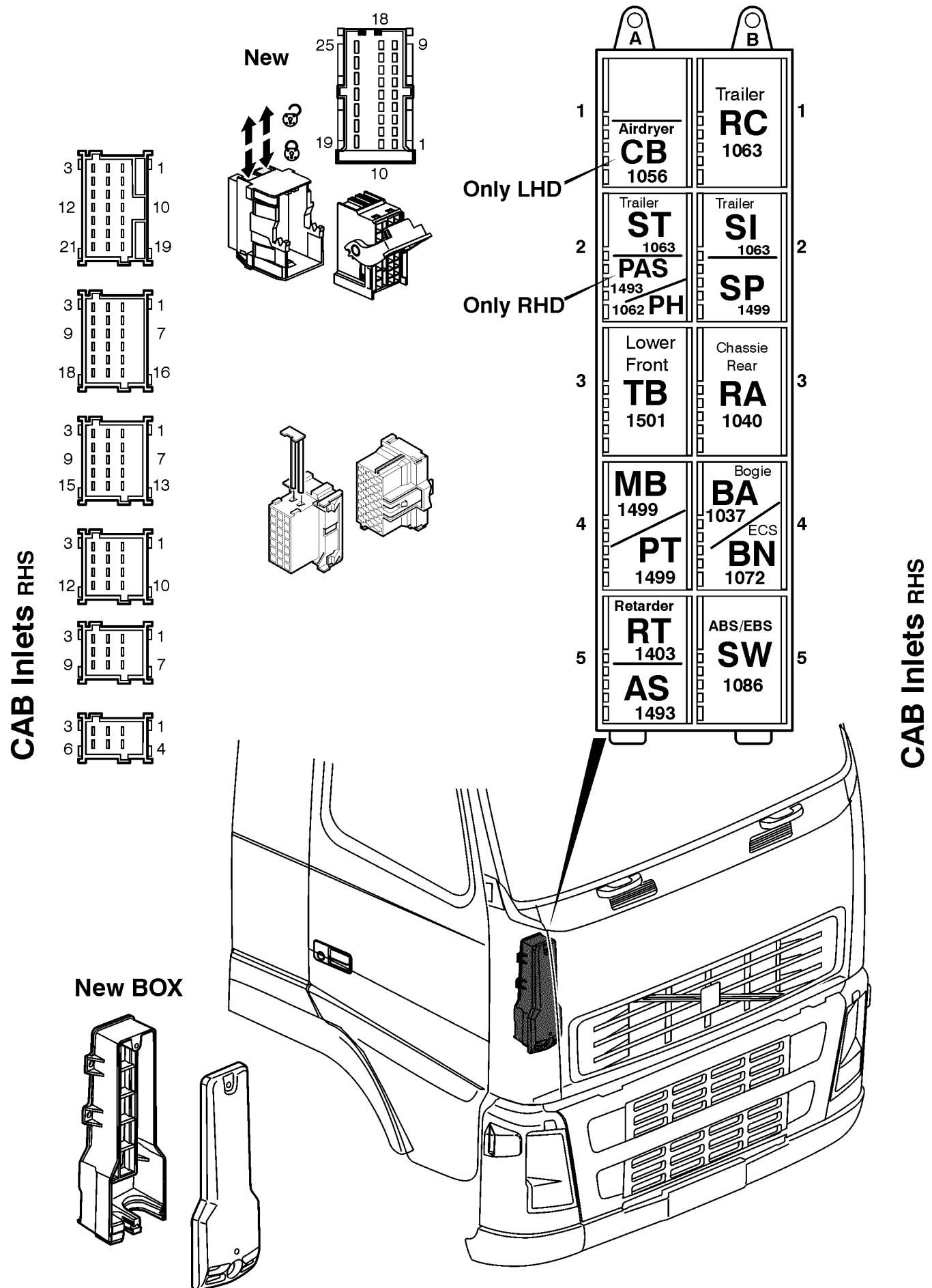


SWITCH LHD

SWITCH LHD

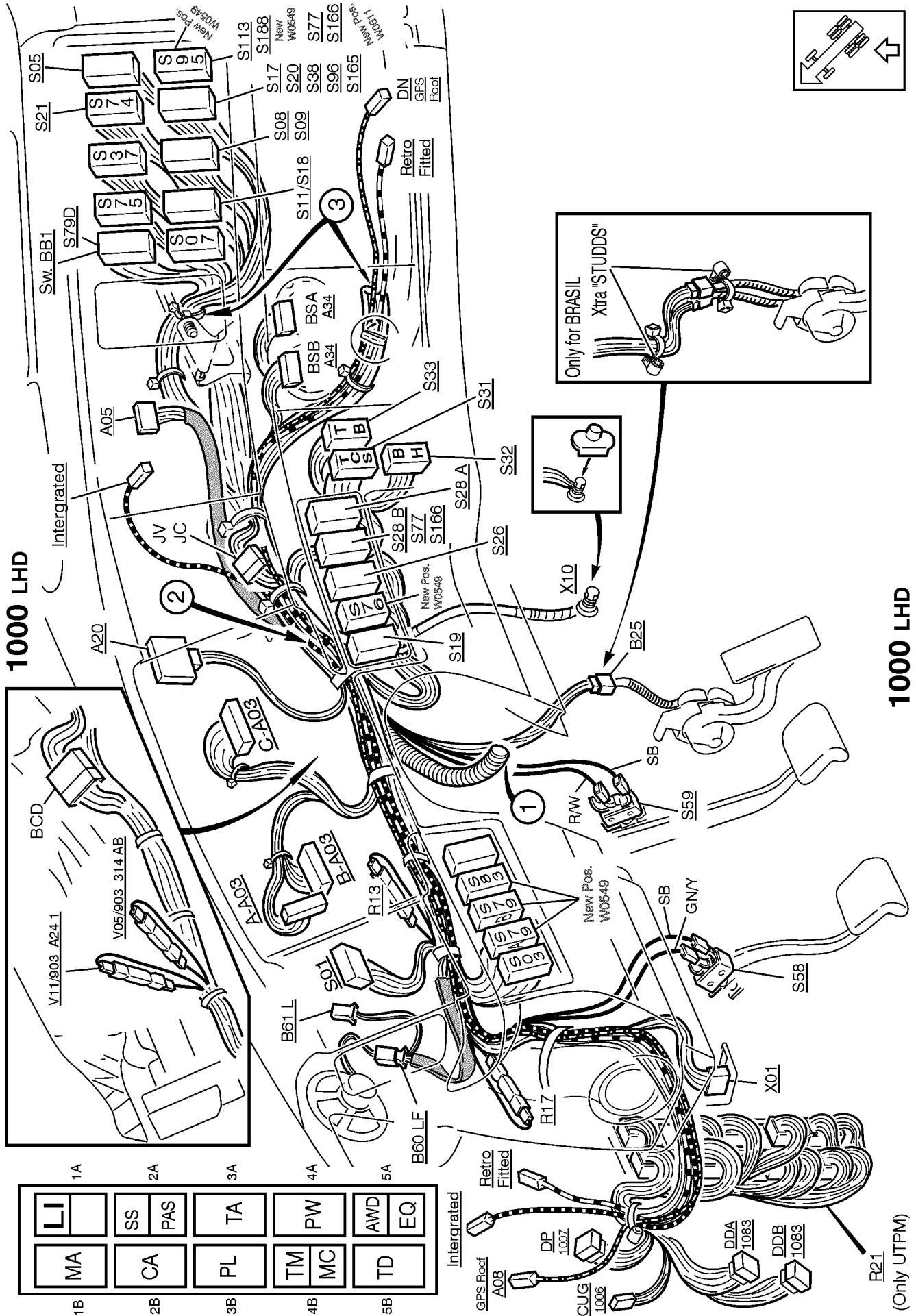






CAB Inlets RHS

CAB Inlets RHS

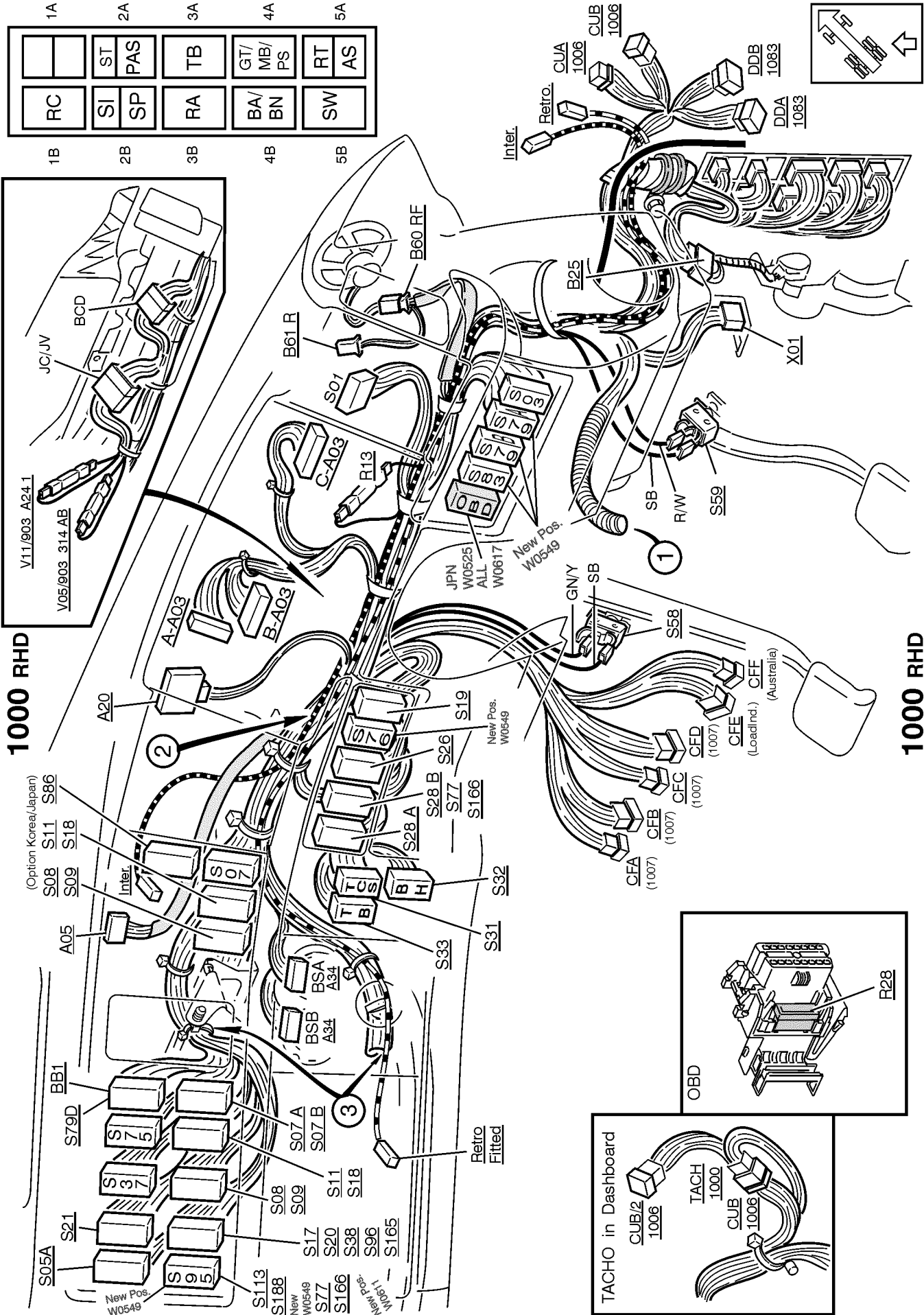


1000 LHD

1000 LHD

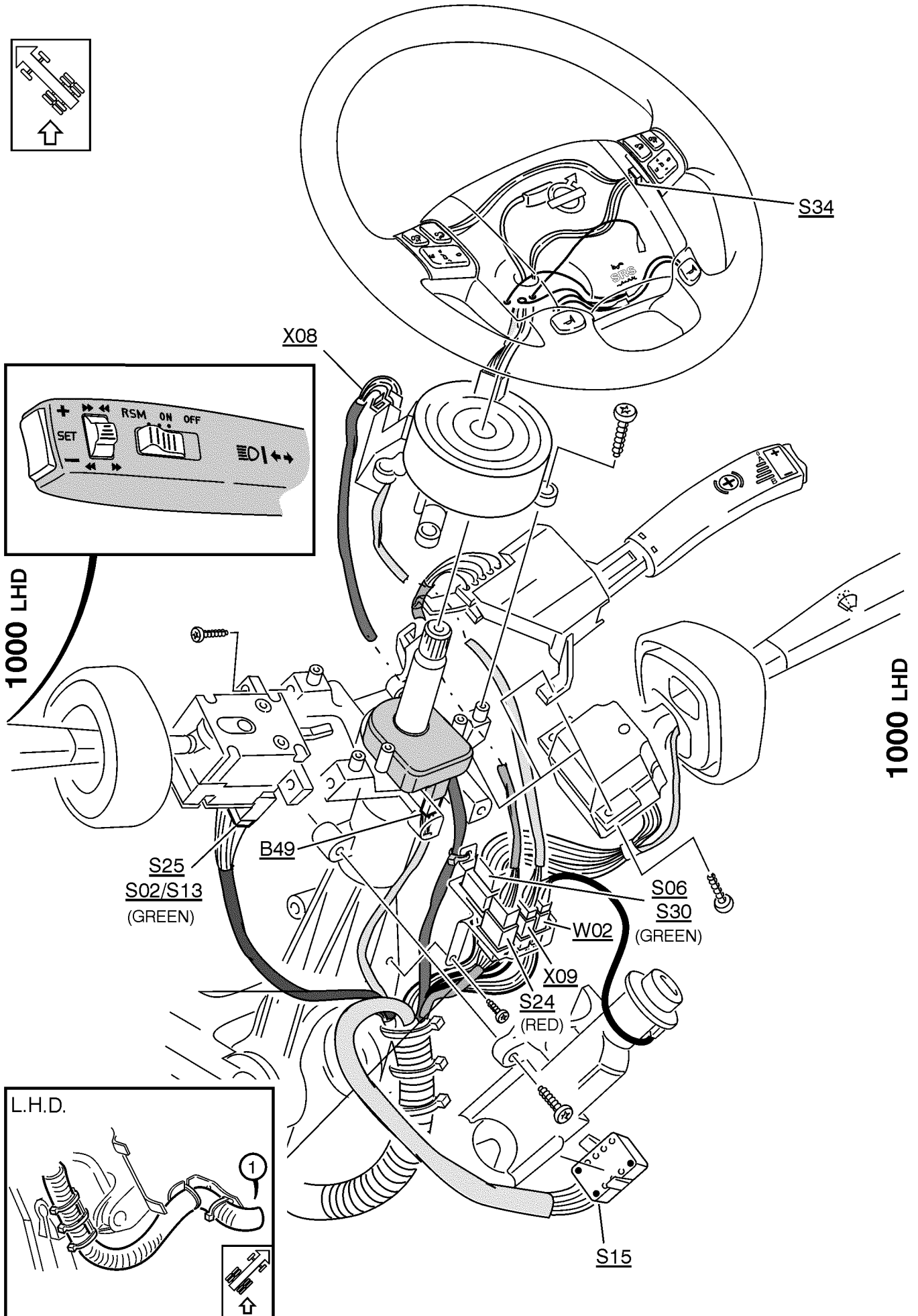
1A	2A	3A	4A	5A
LI	SS	PAS	TA	PW
MA	CA	PL	TM	MC
1B	2B	3B	4B	5B
EQ	AWD	TD	TD	TD

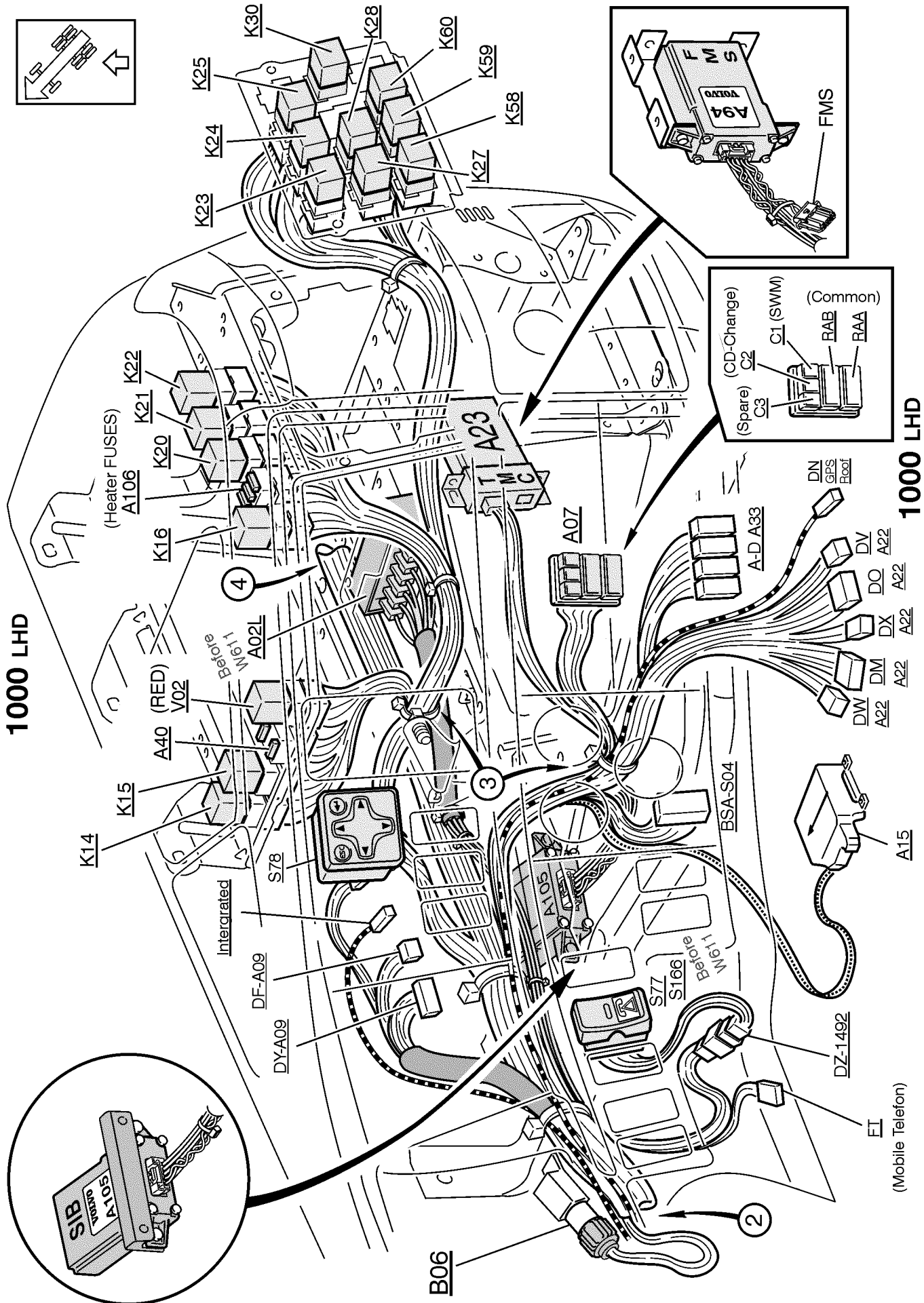
(Only UTPM)



1000 RHD

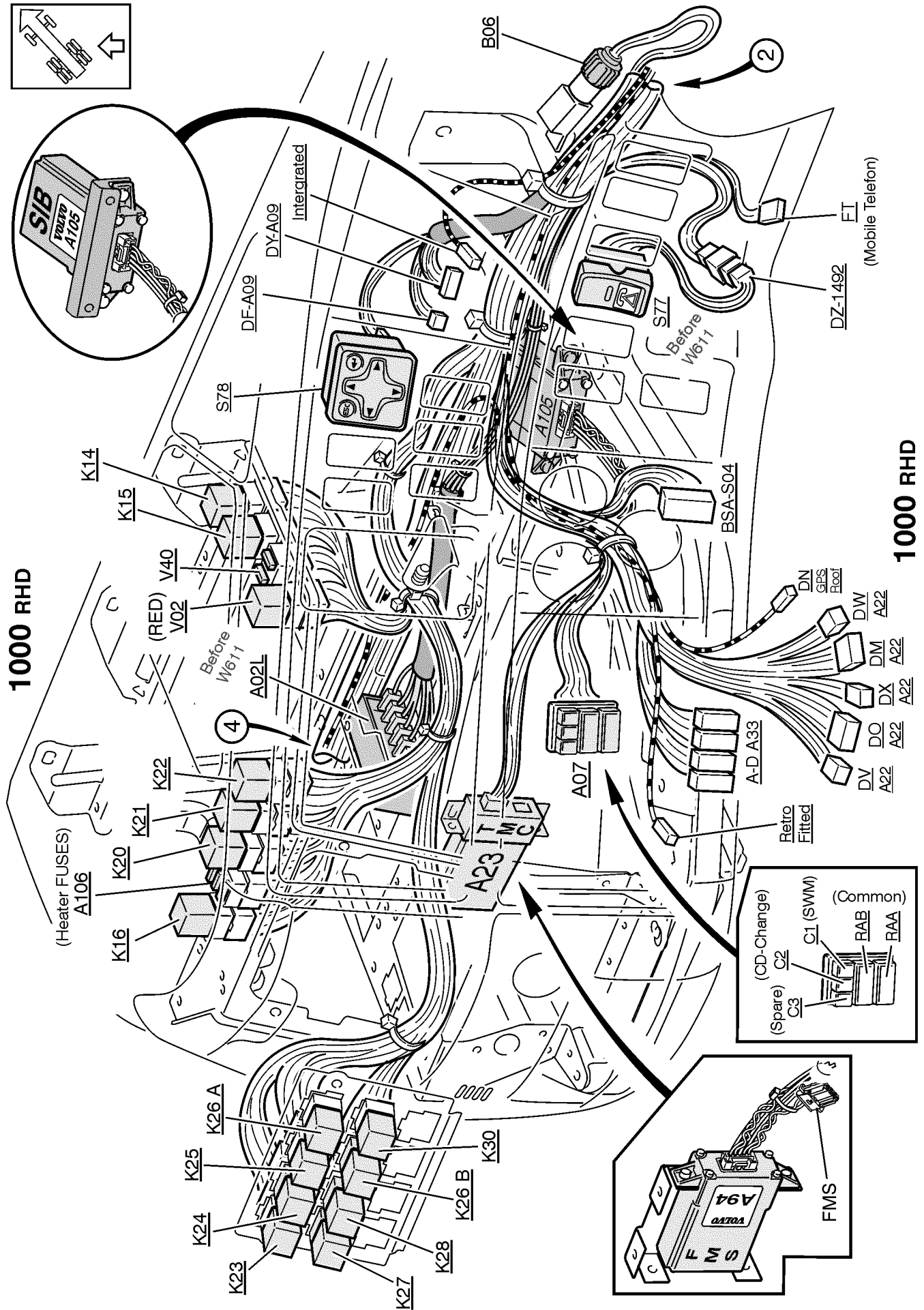
1000 RHD



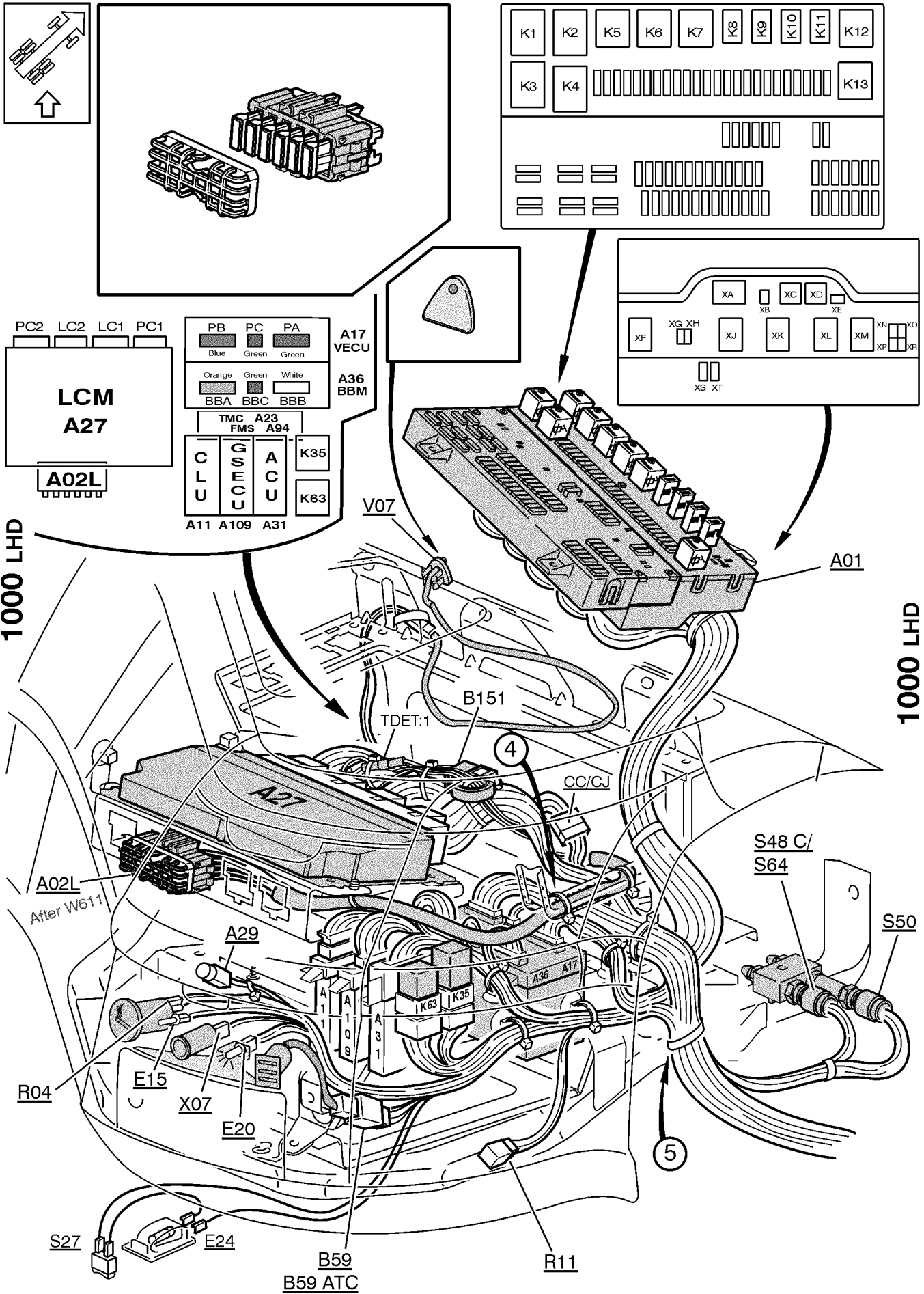


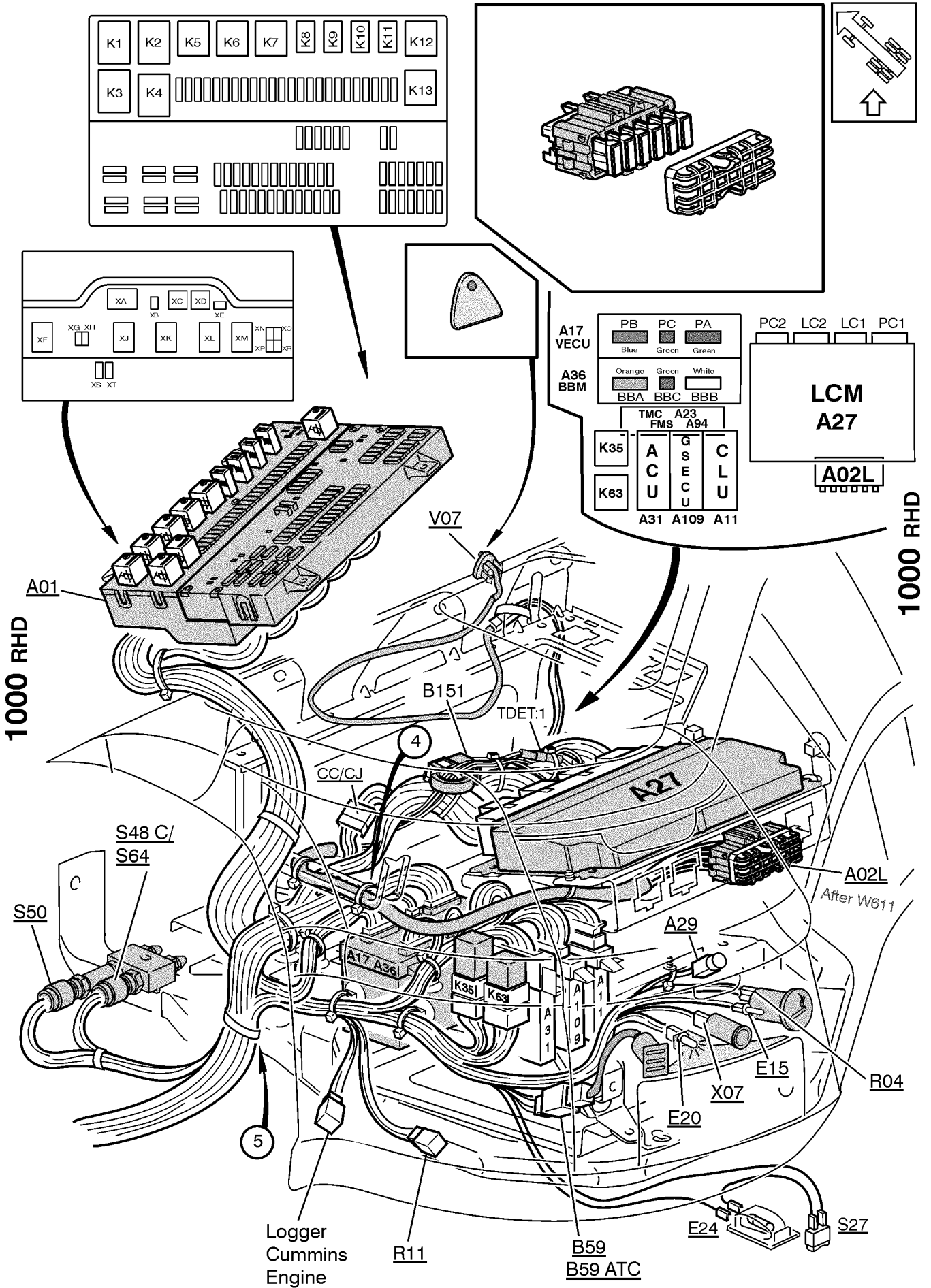
1000 LHD

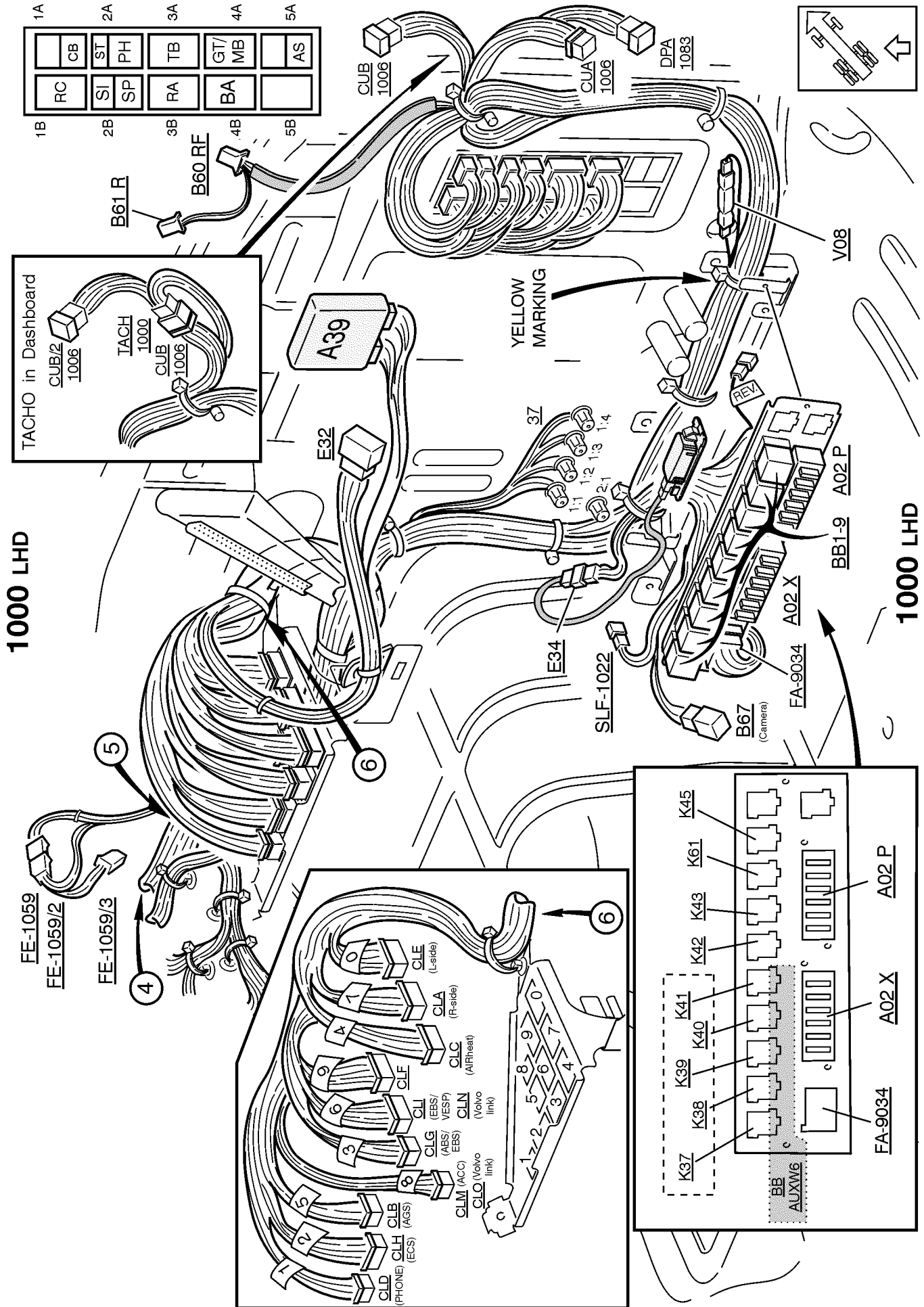
1000 LHD

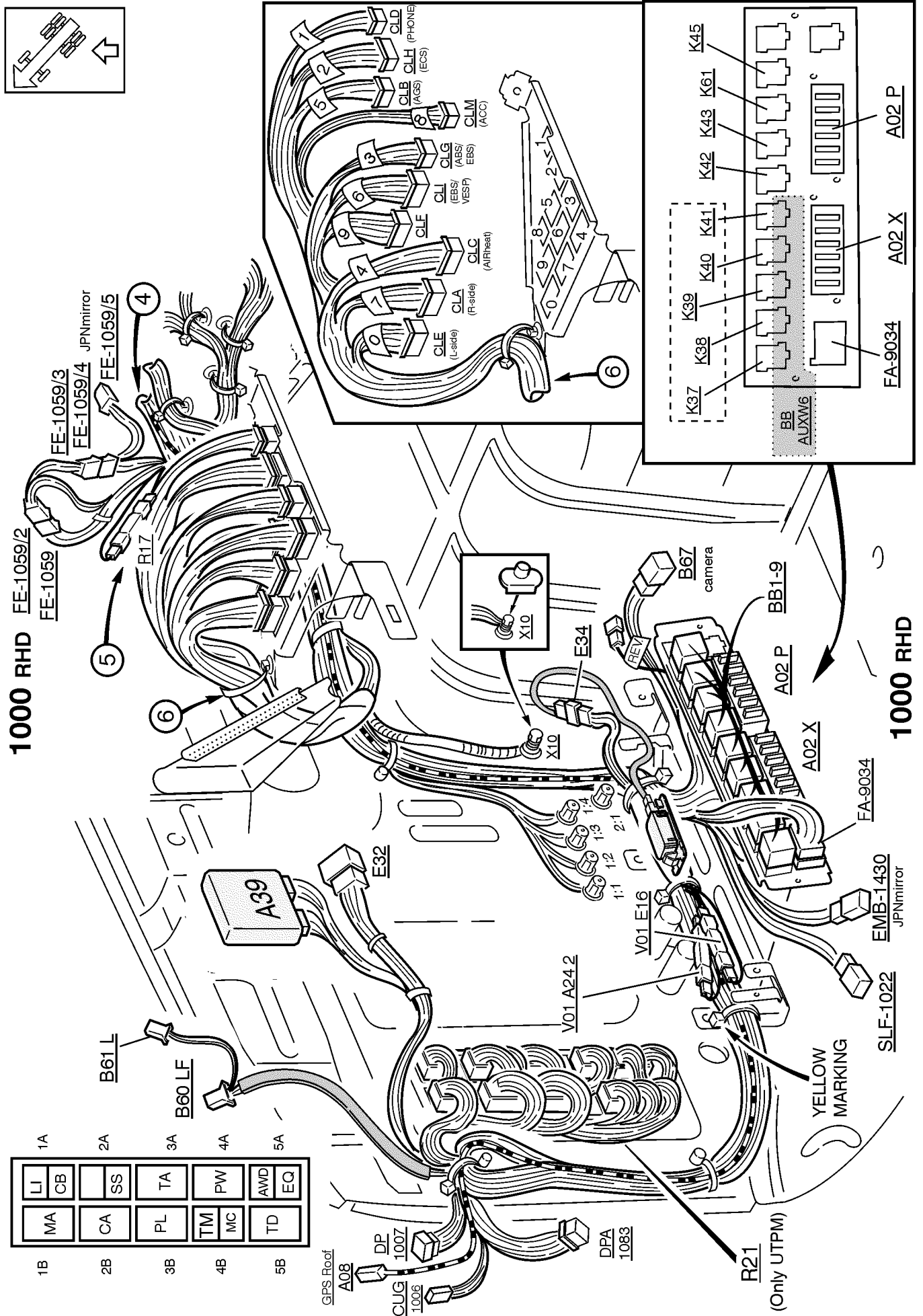


1000 RHD

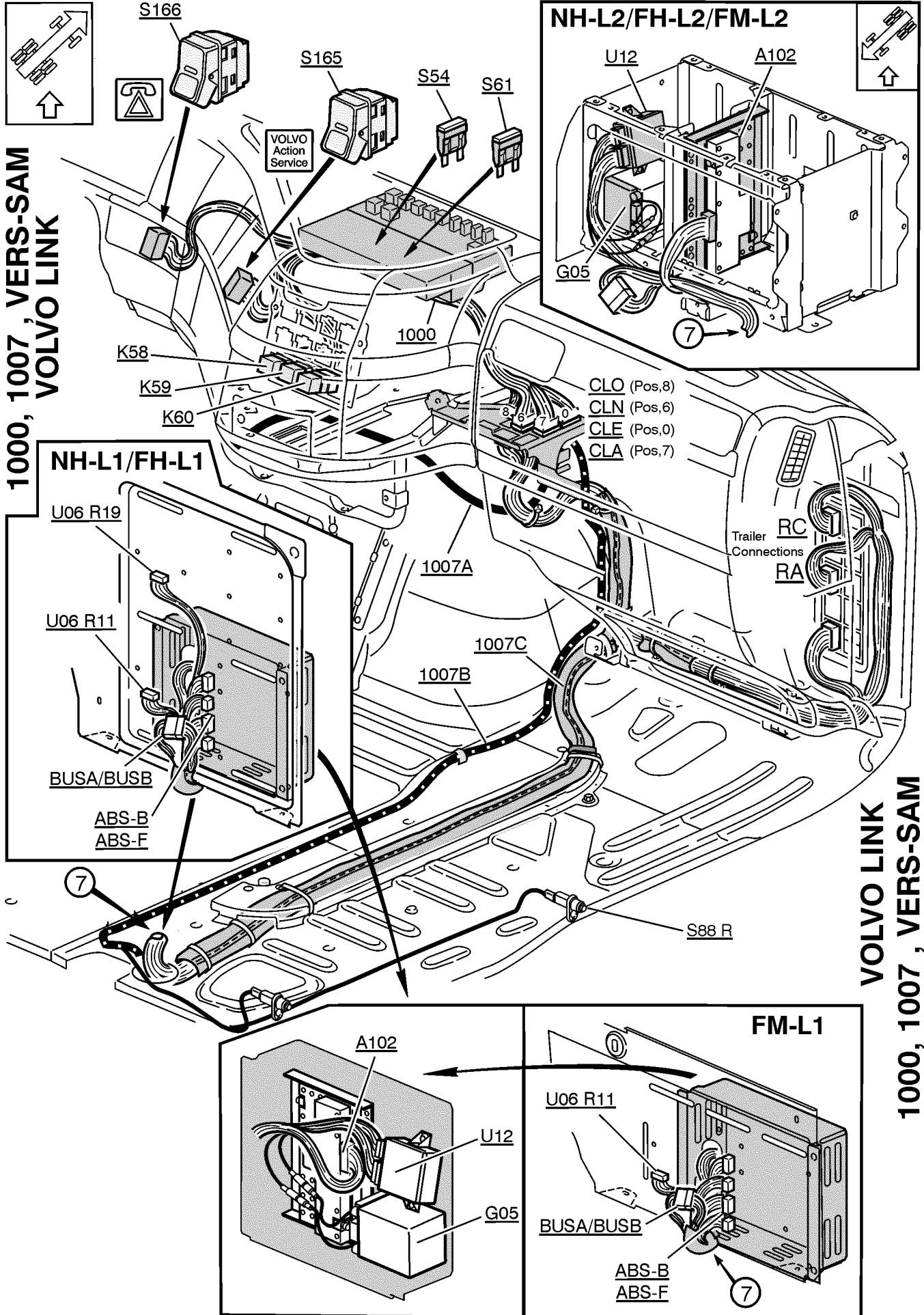


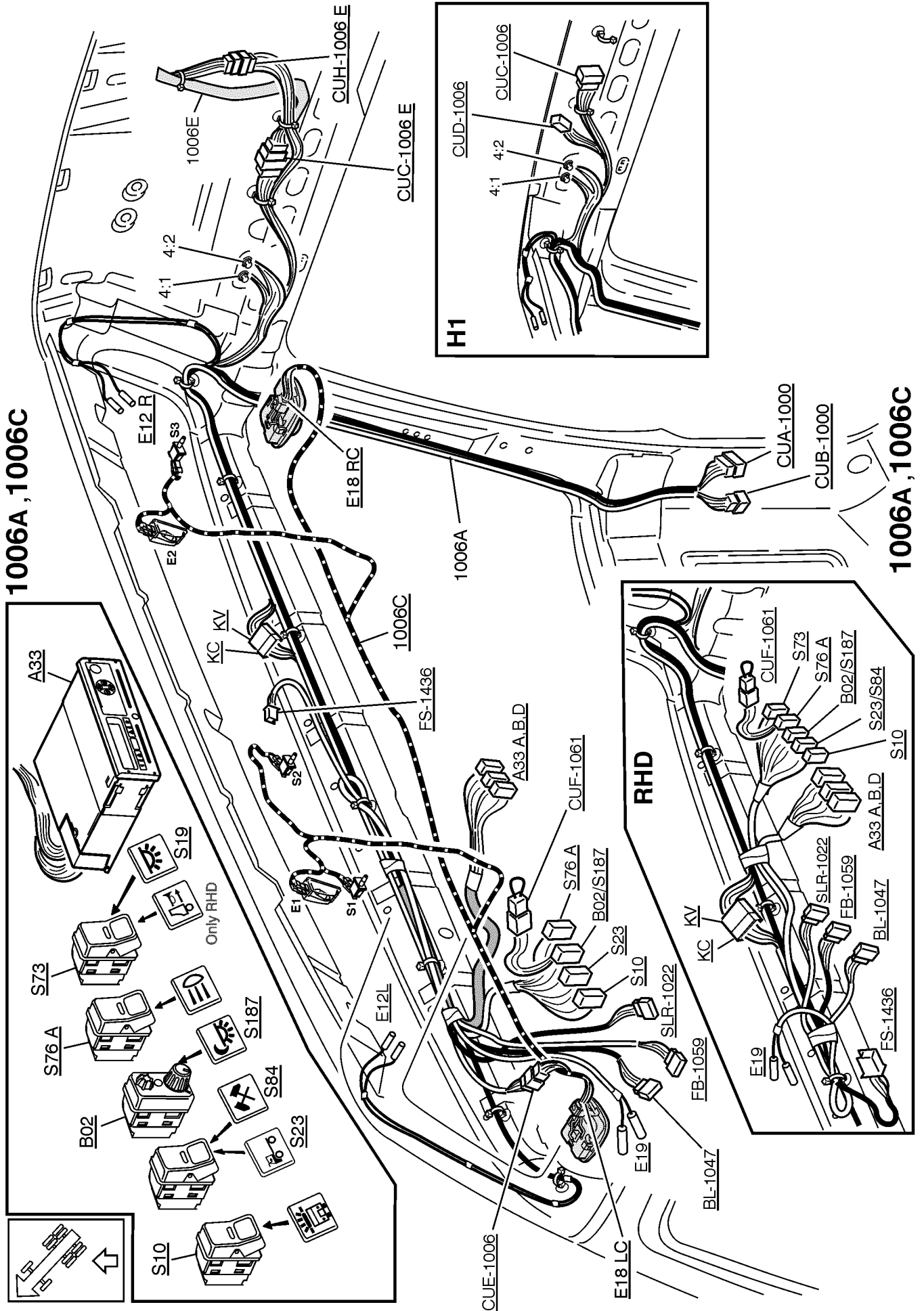


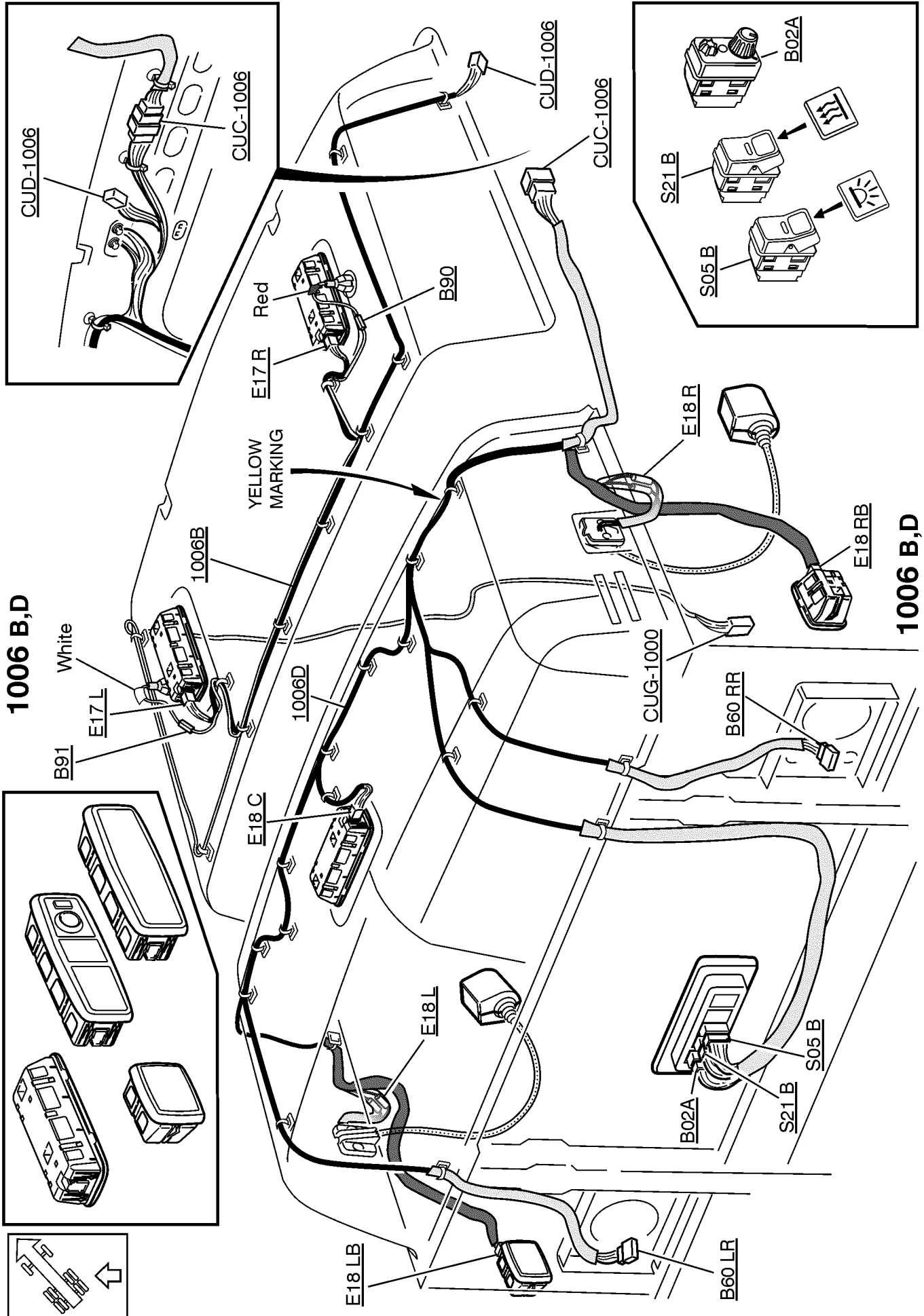


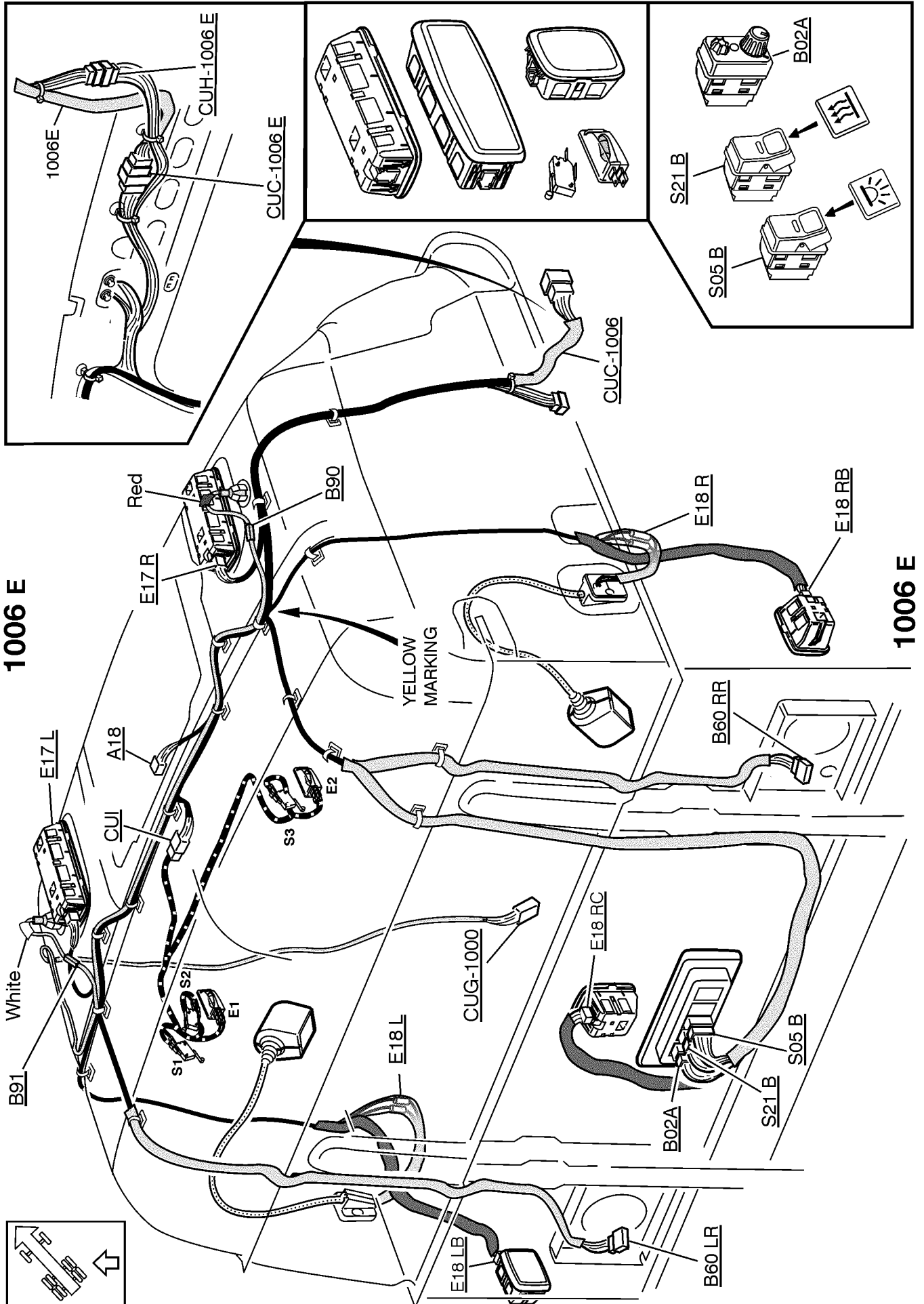


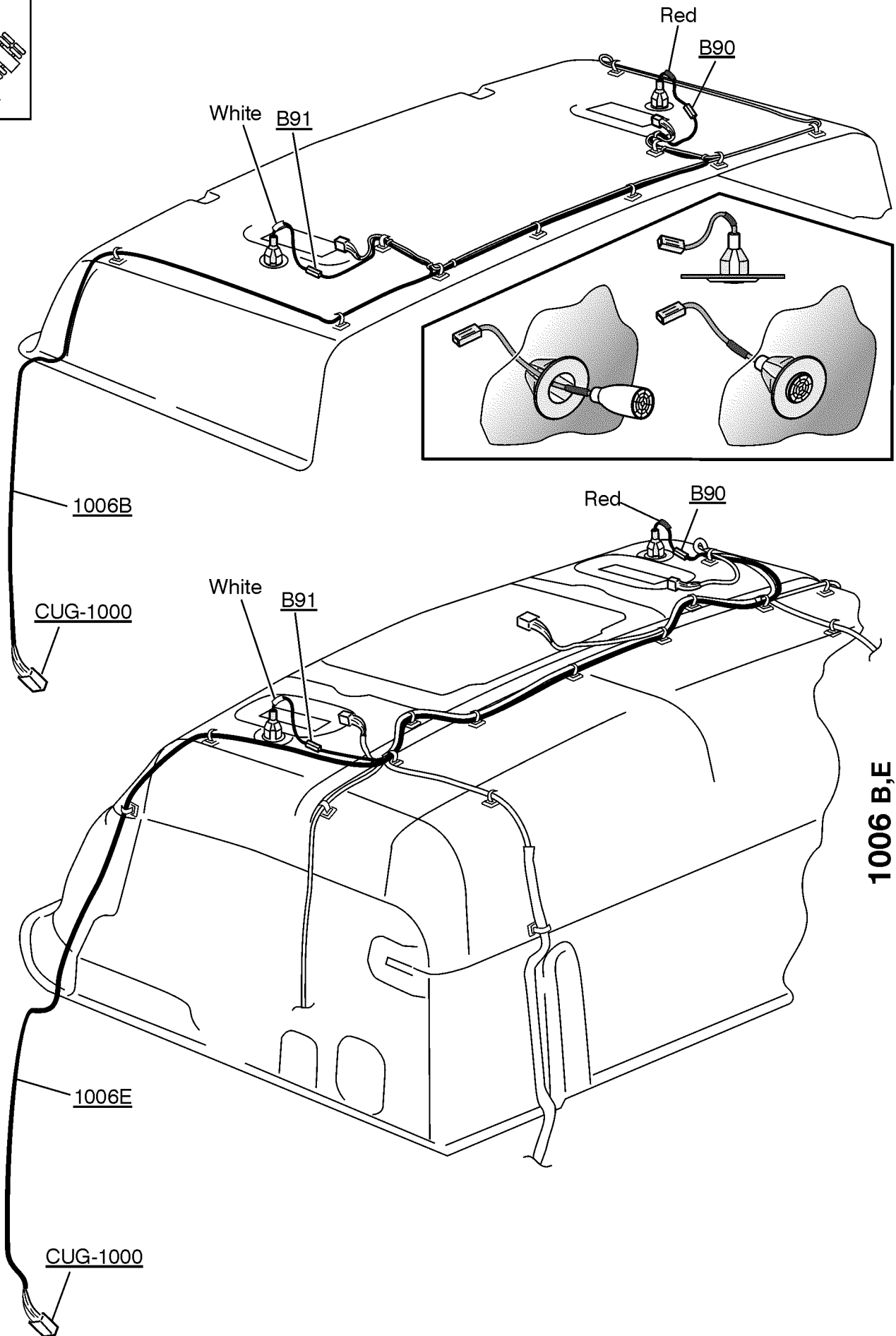
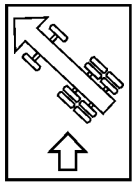
1A	LI	CB	SS	TA	PW	AWD	EQ
2A	MA	CA	PL	TM	MC	TD	
3A							
4A							
5A							
1B							
2B							
3B							
4B							
5B							

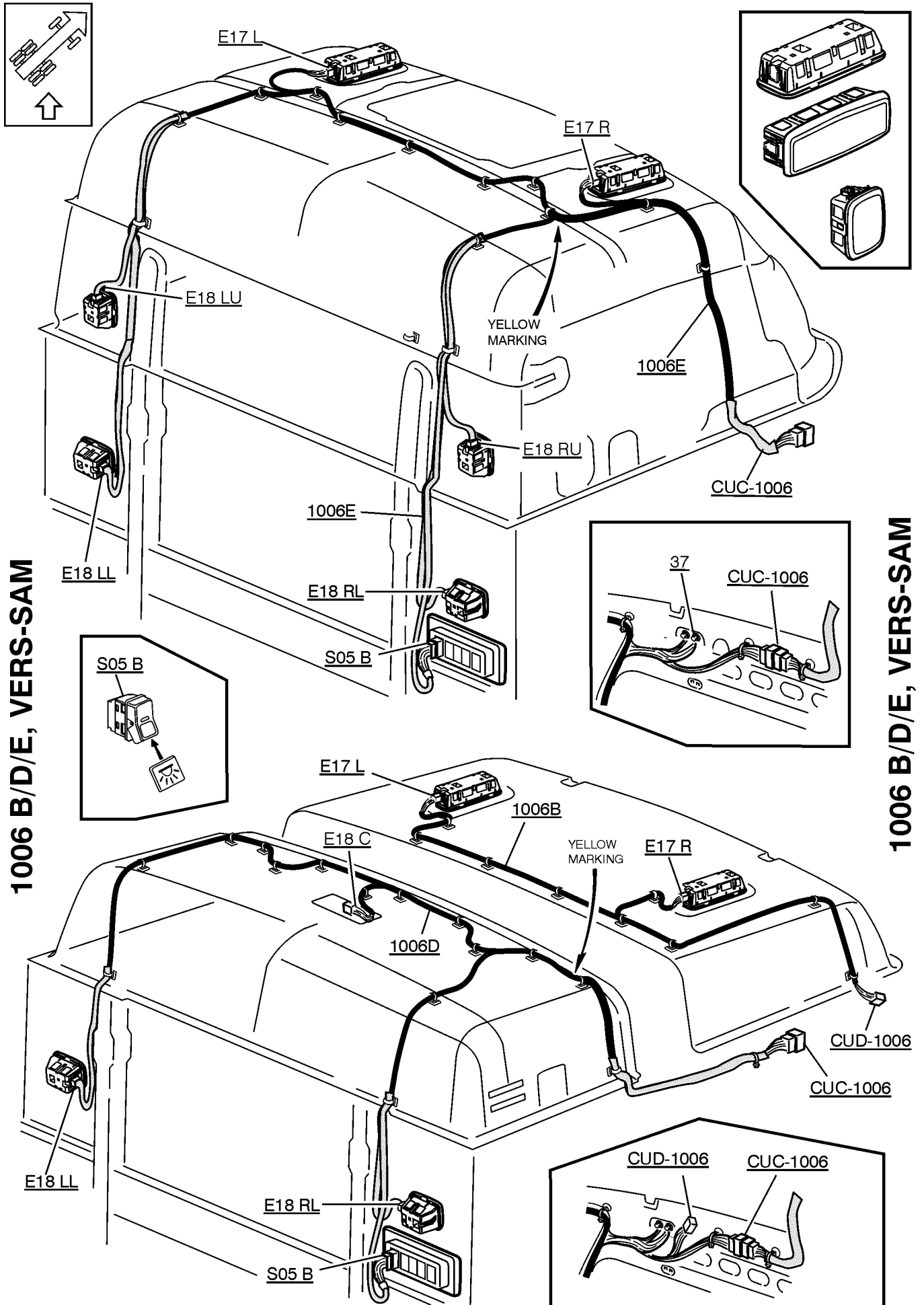






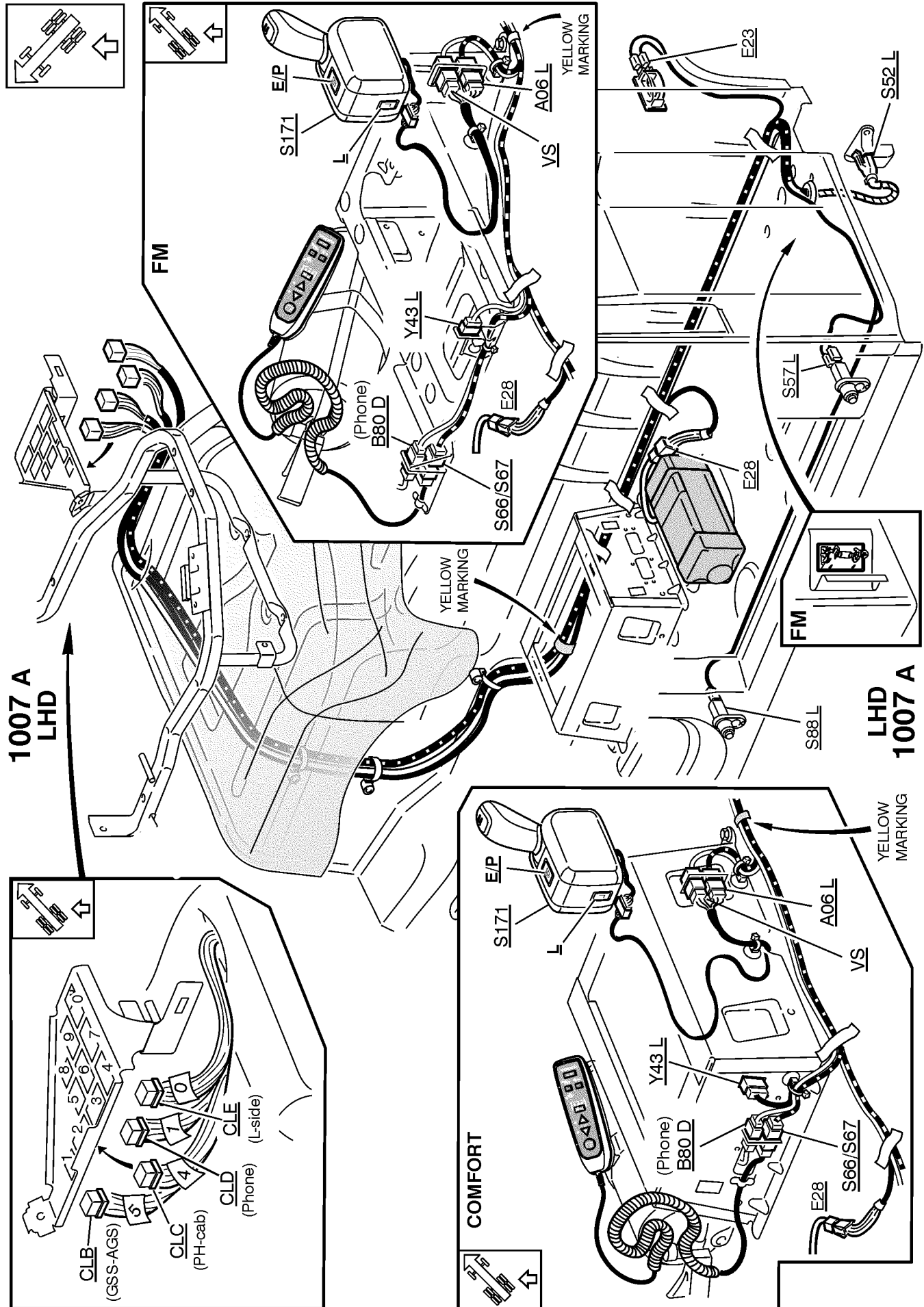


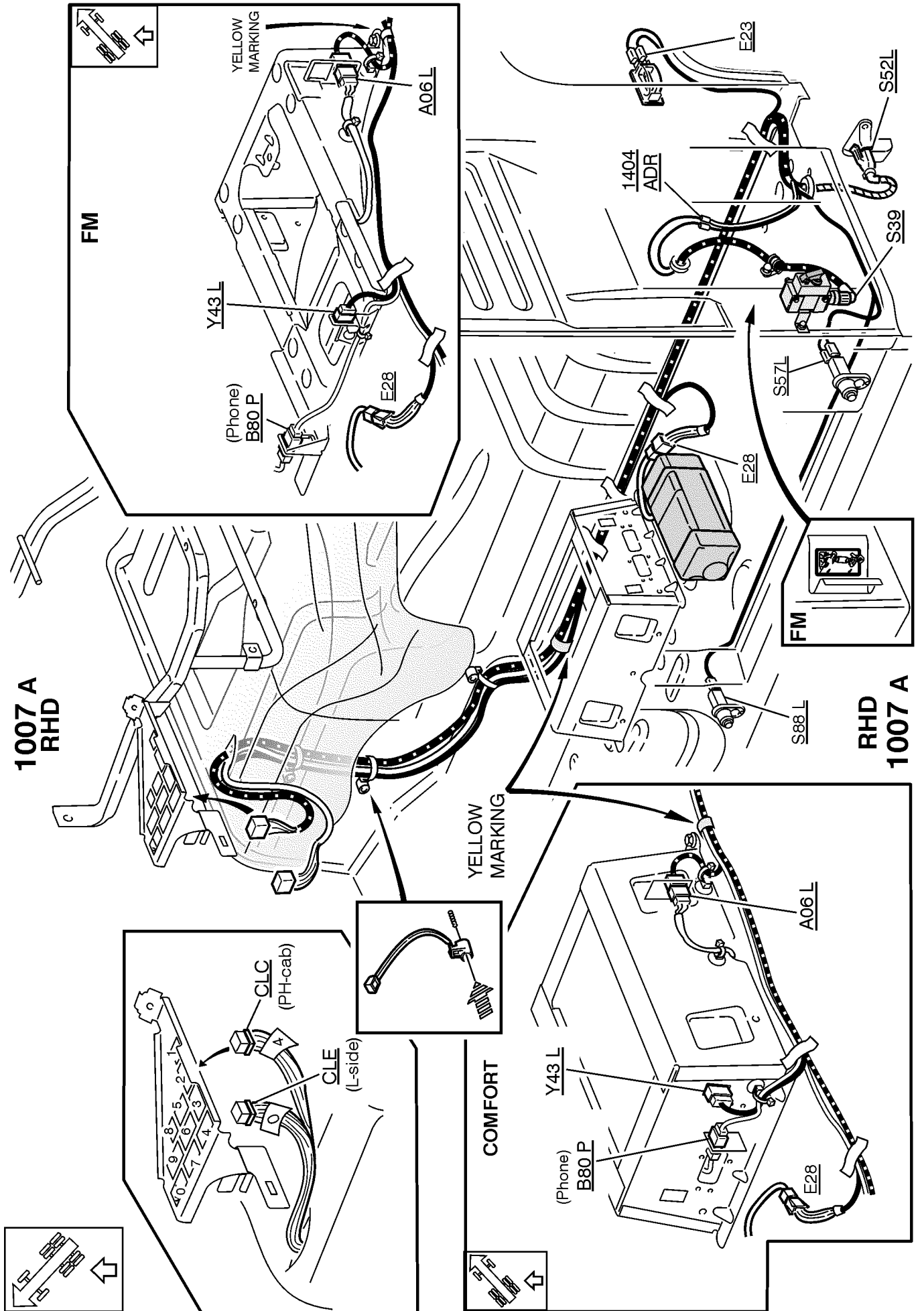


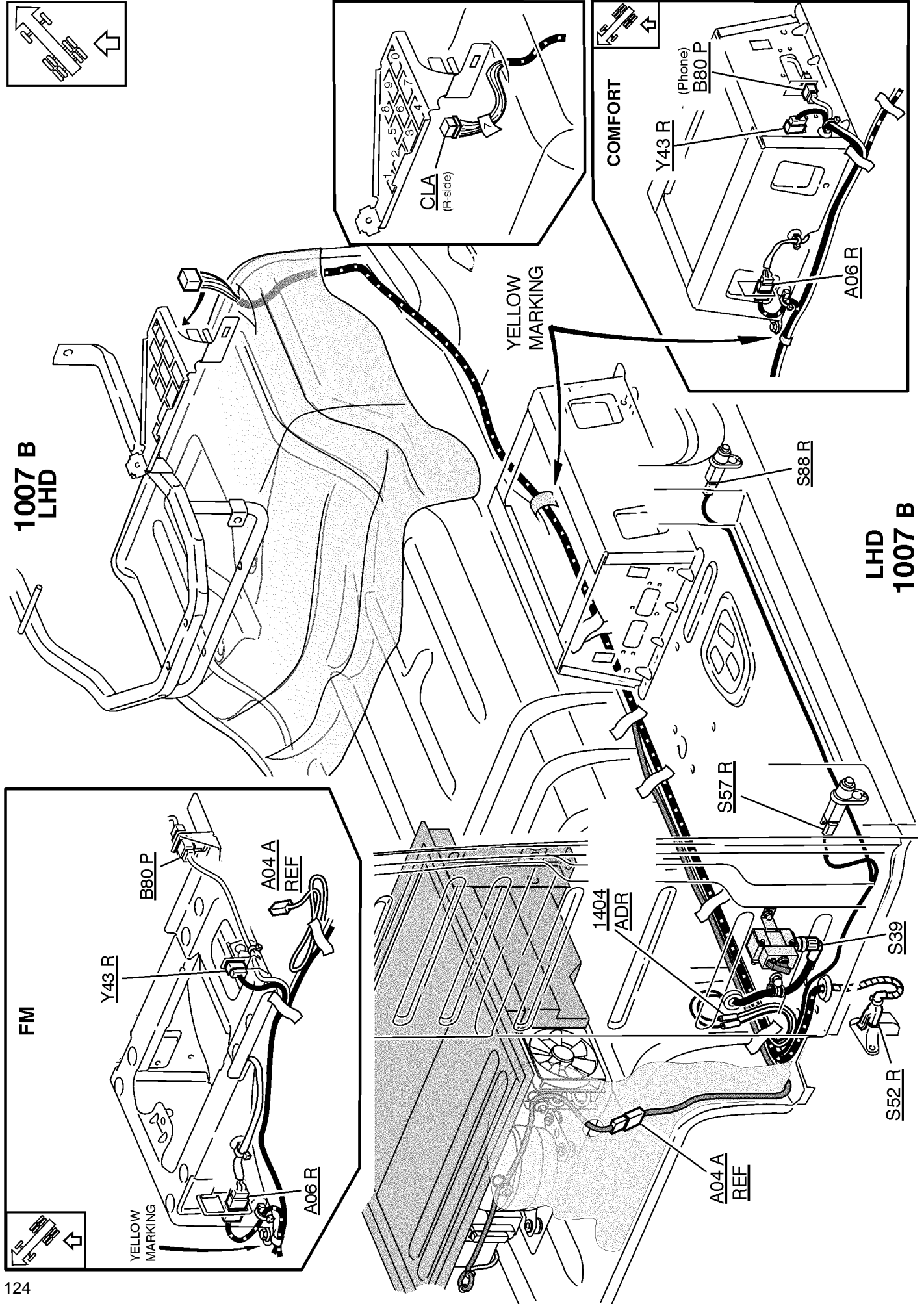


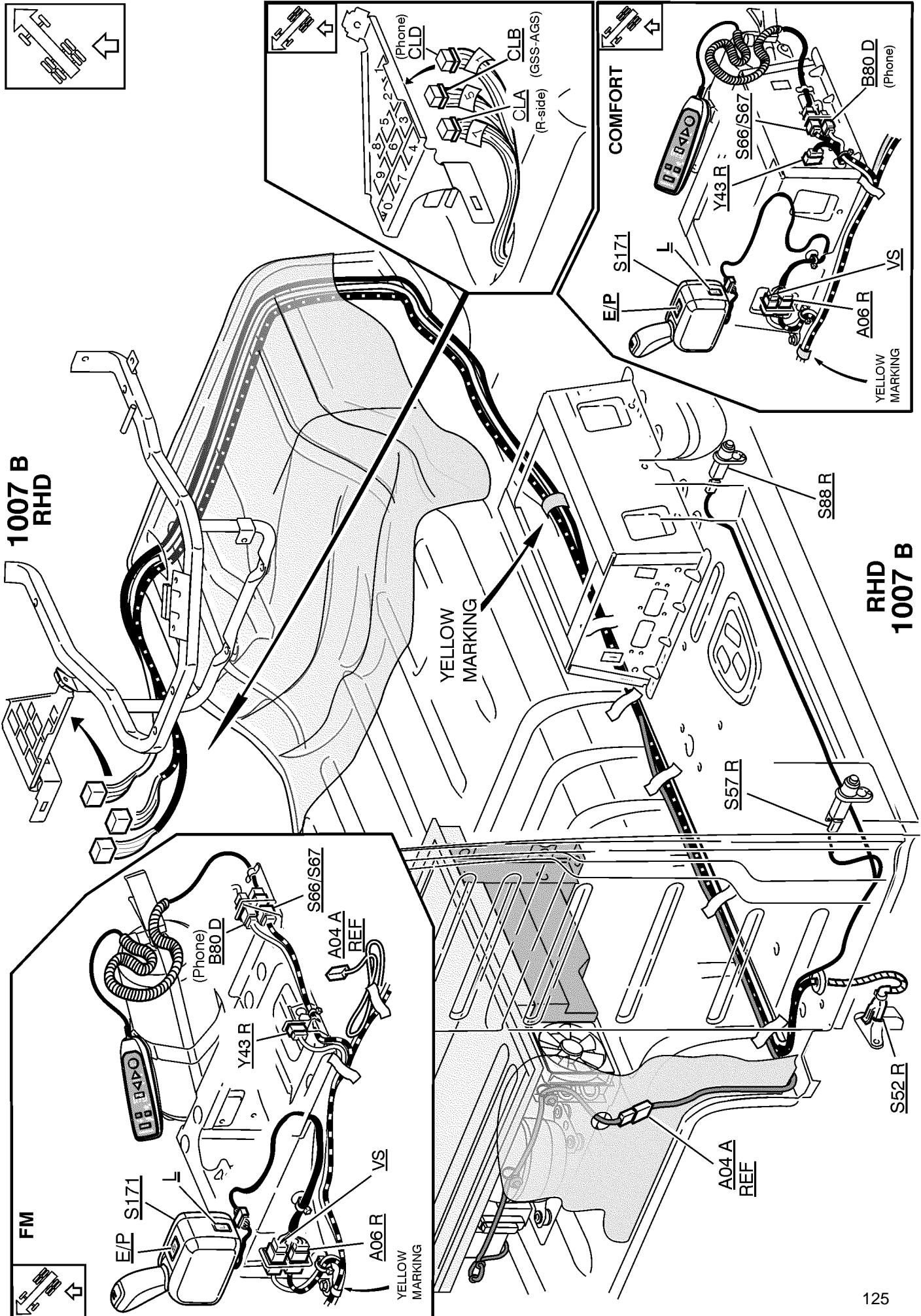
1006 B/D/E, VERS-SAM

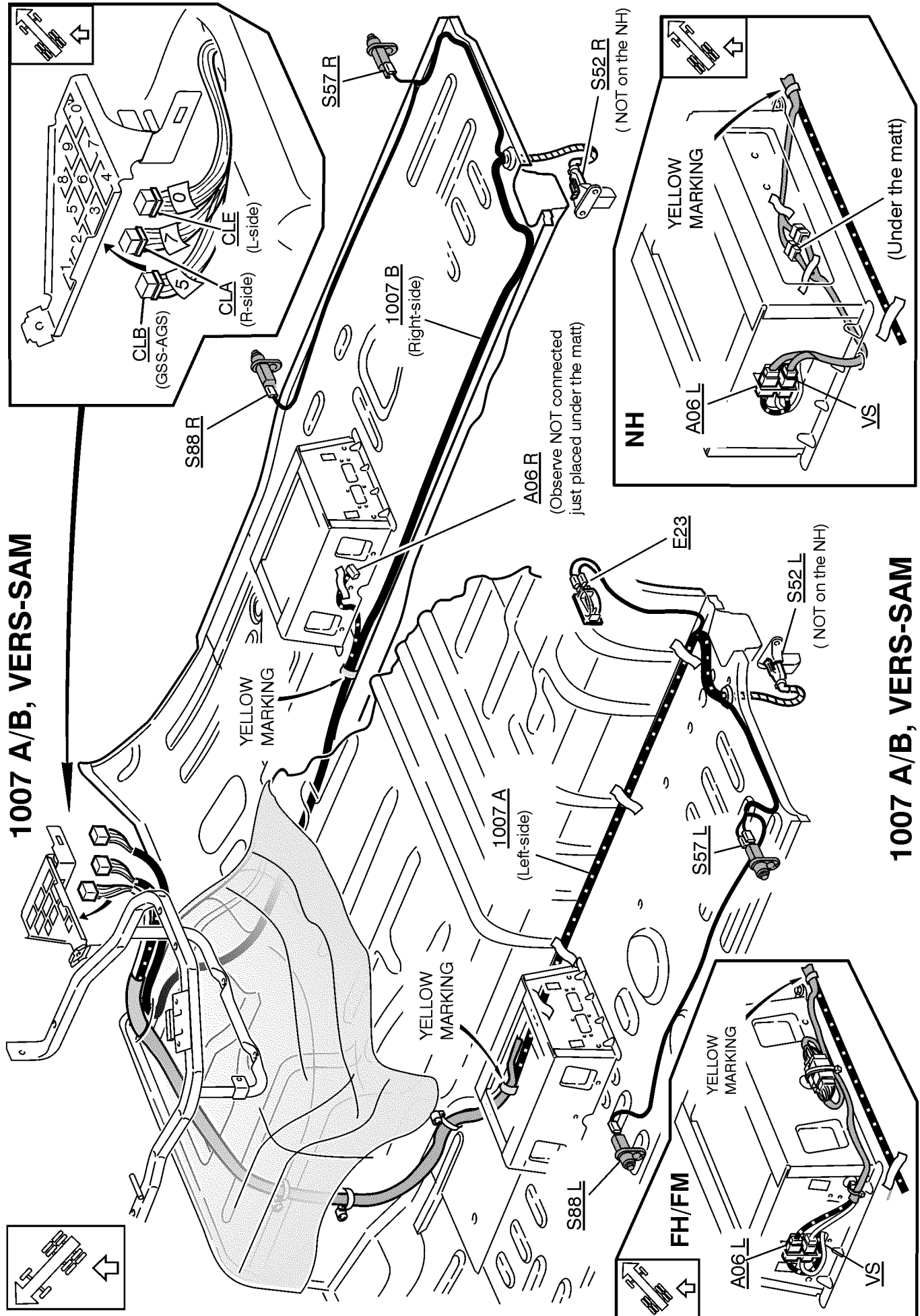
1006 B/D/E, VERS-SAM





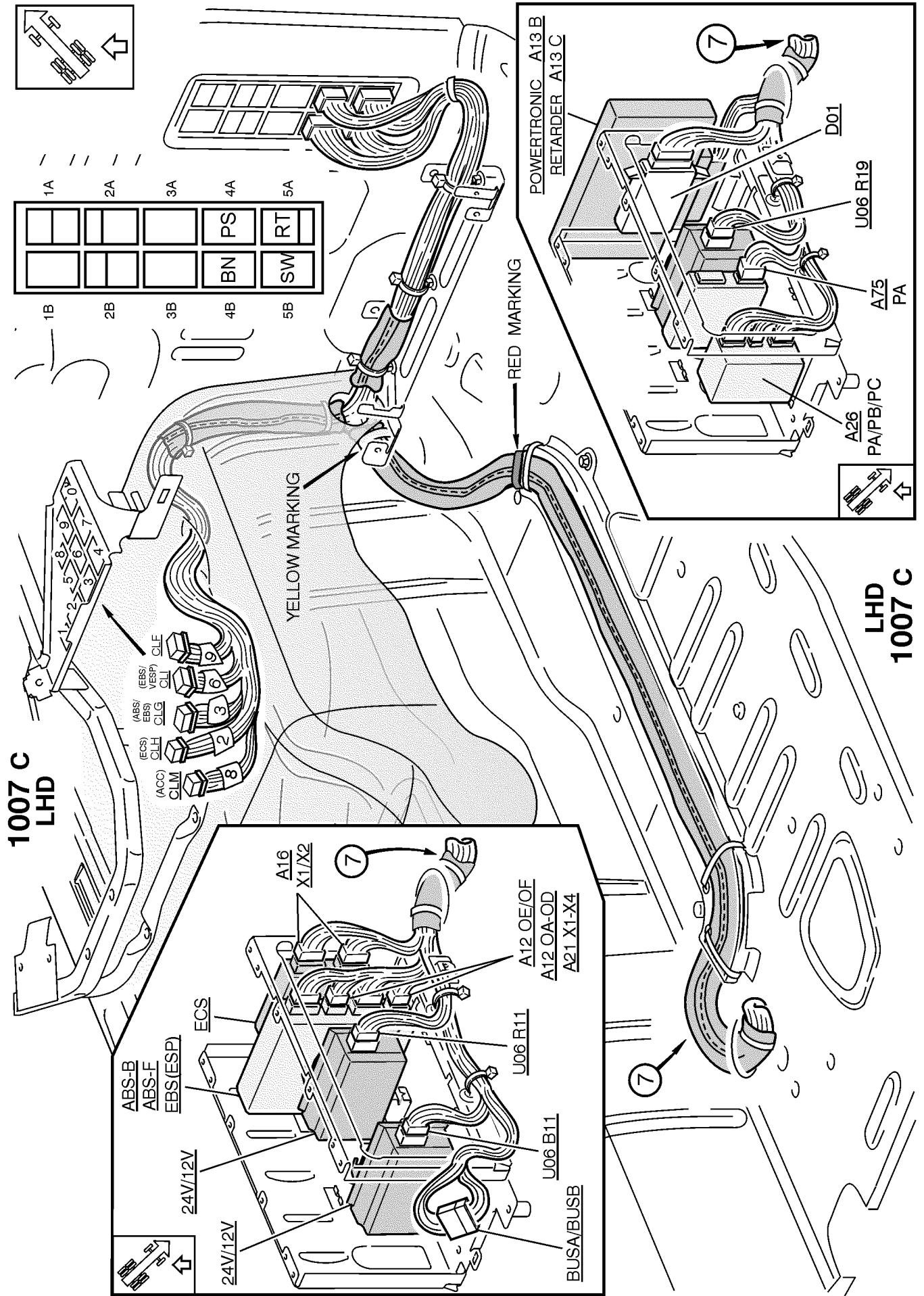


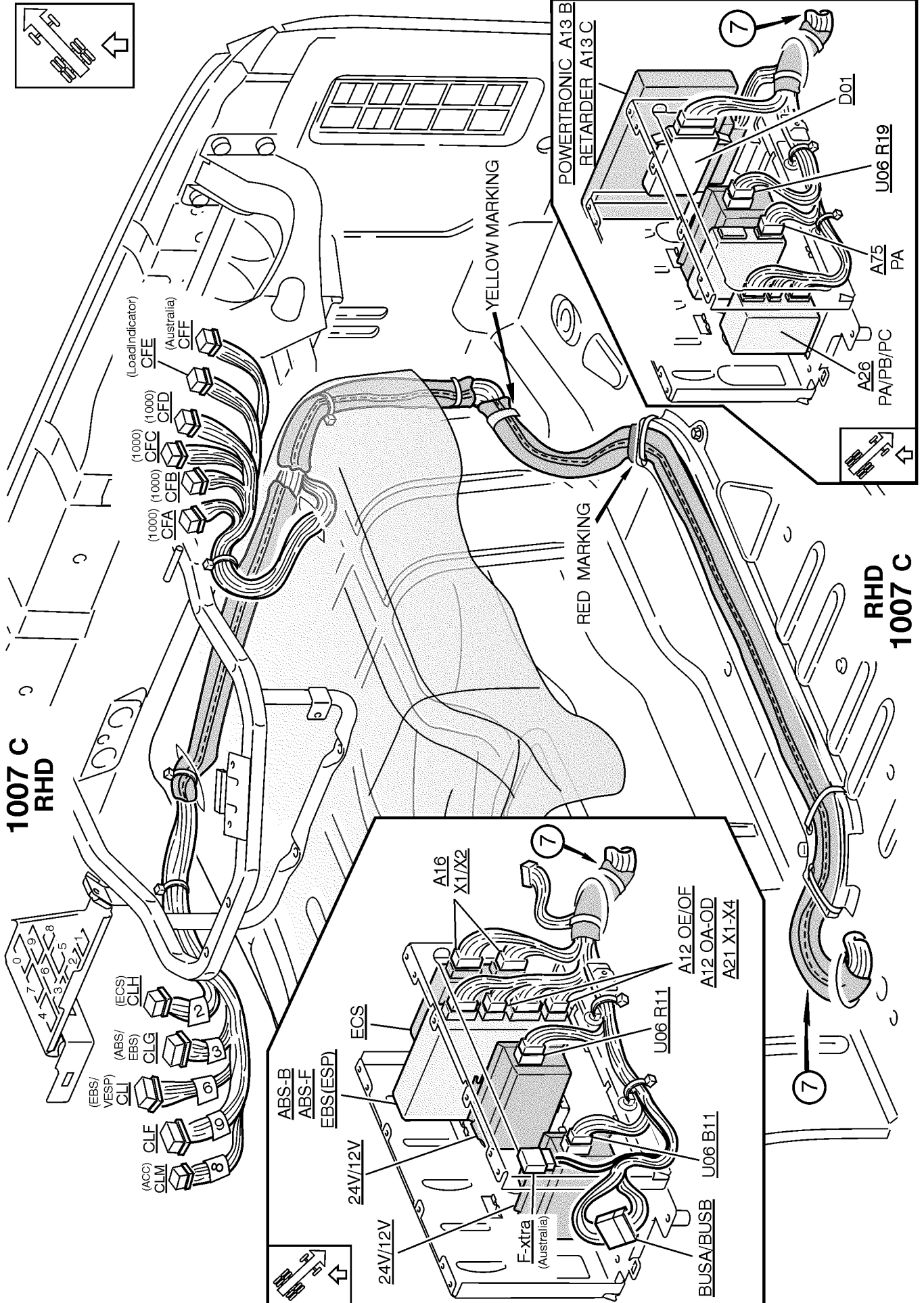




1007 A/B, VERS-SAM

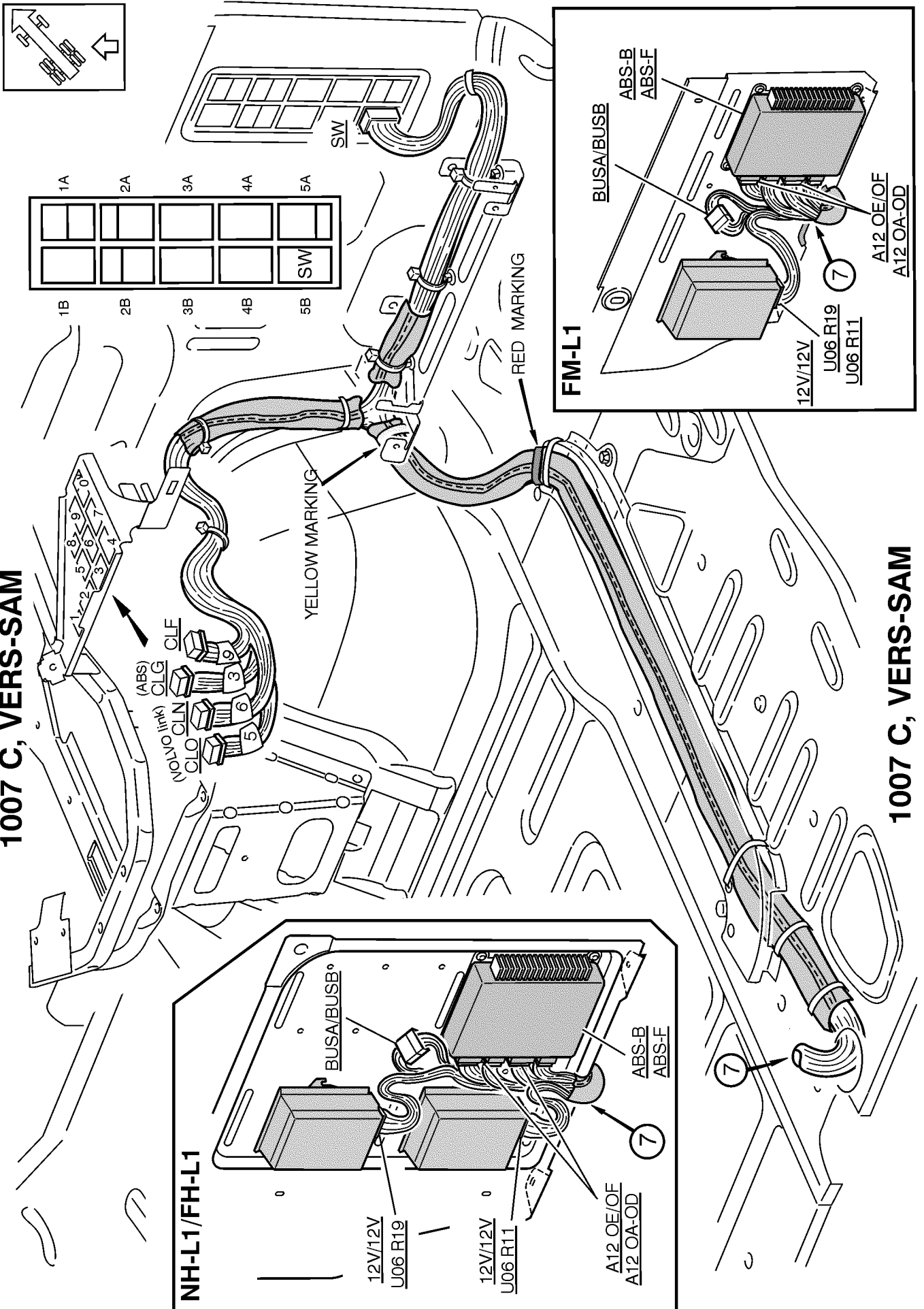
1007 A/B, VERS-SAM

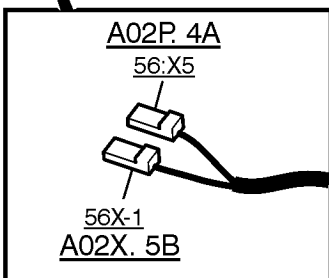
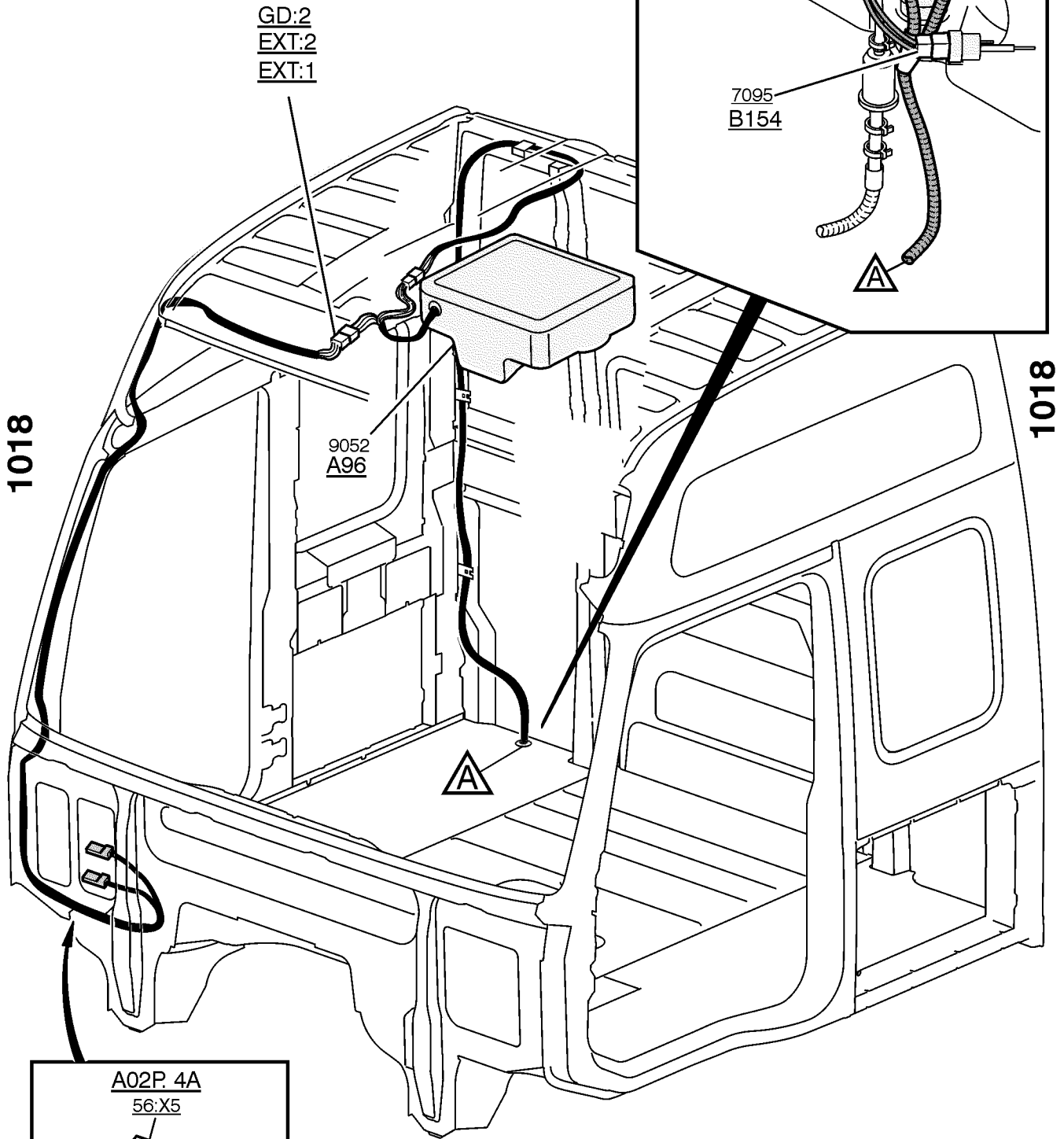
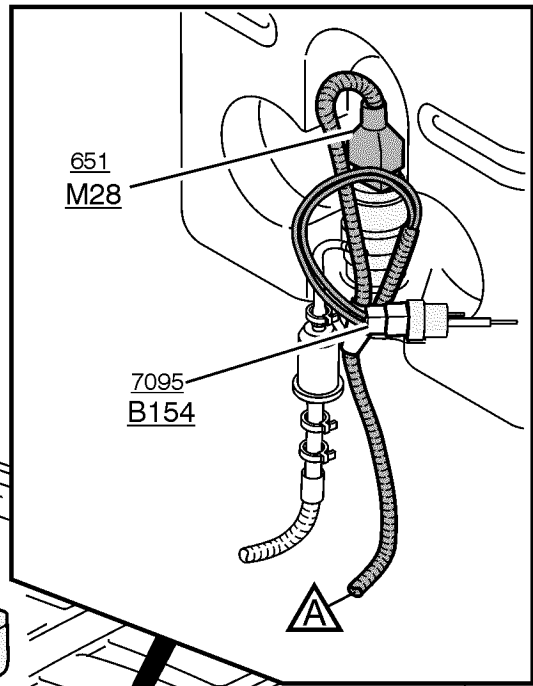
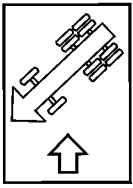


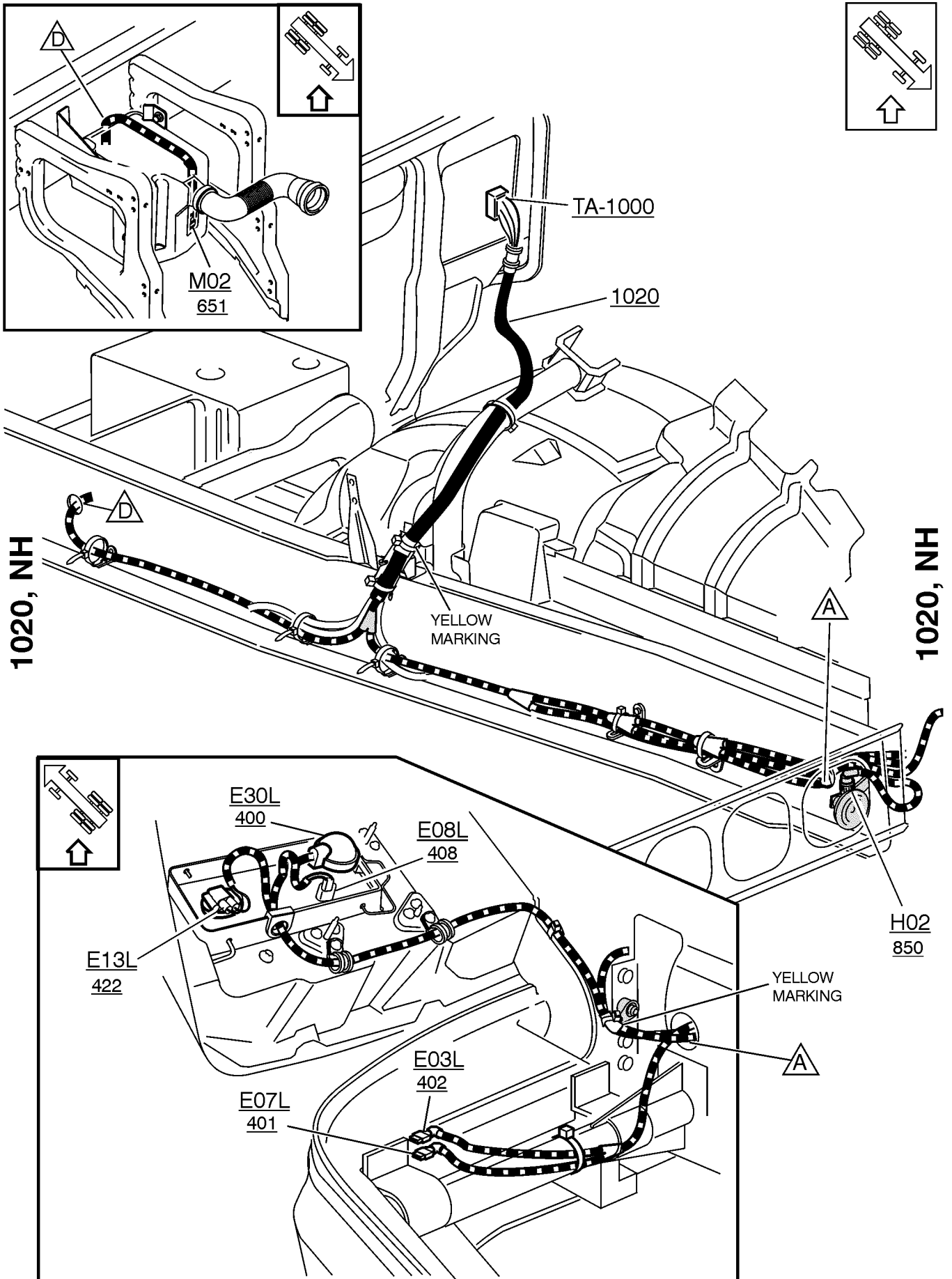


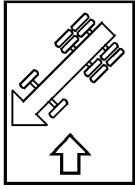
1007 C, VERS-SAM

1007 C, VERS-SAM

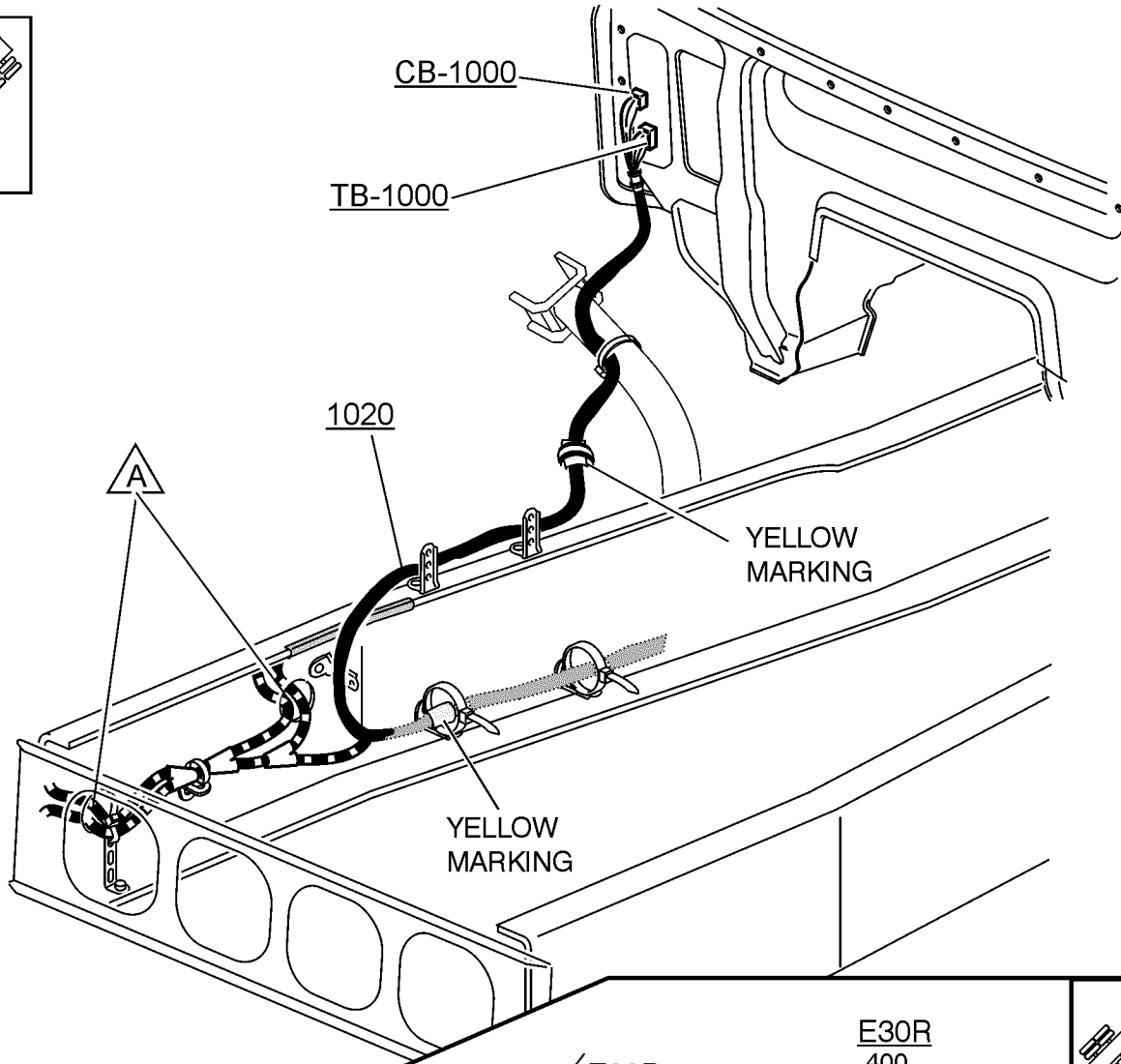




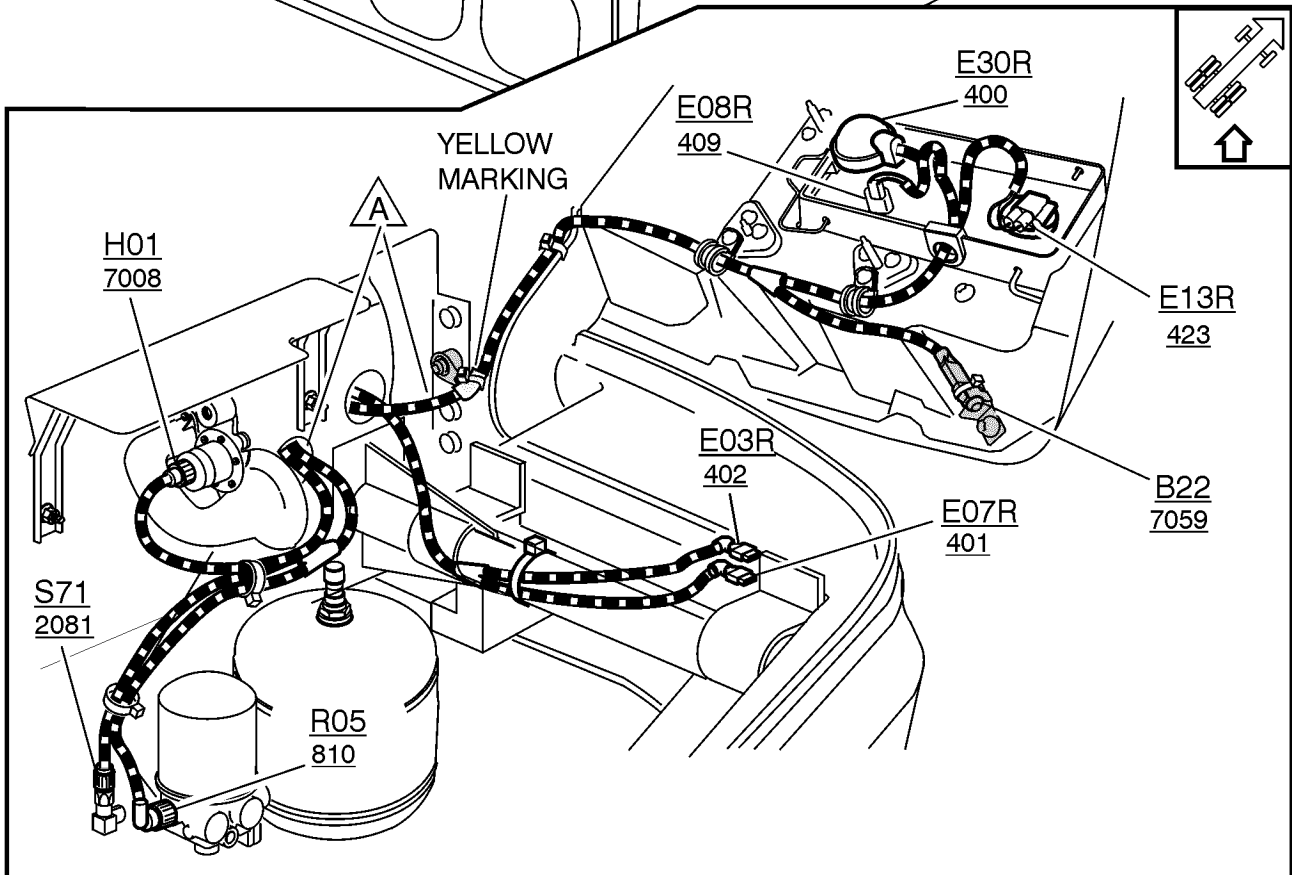


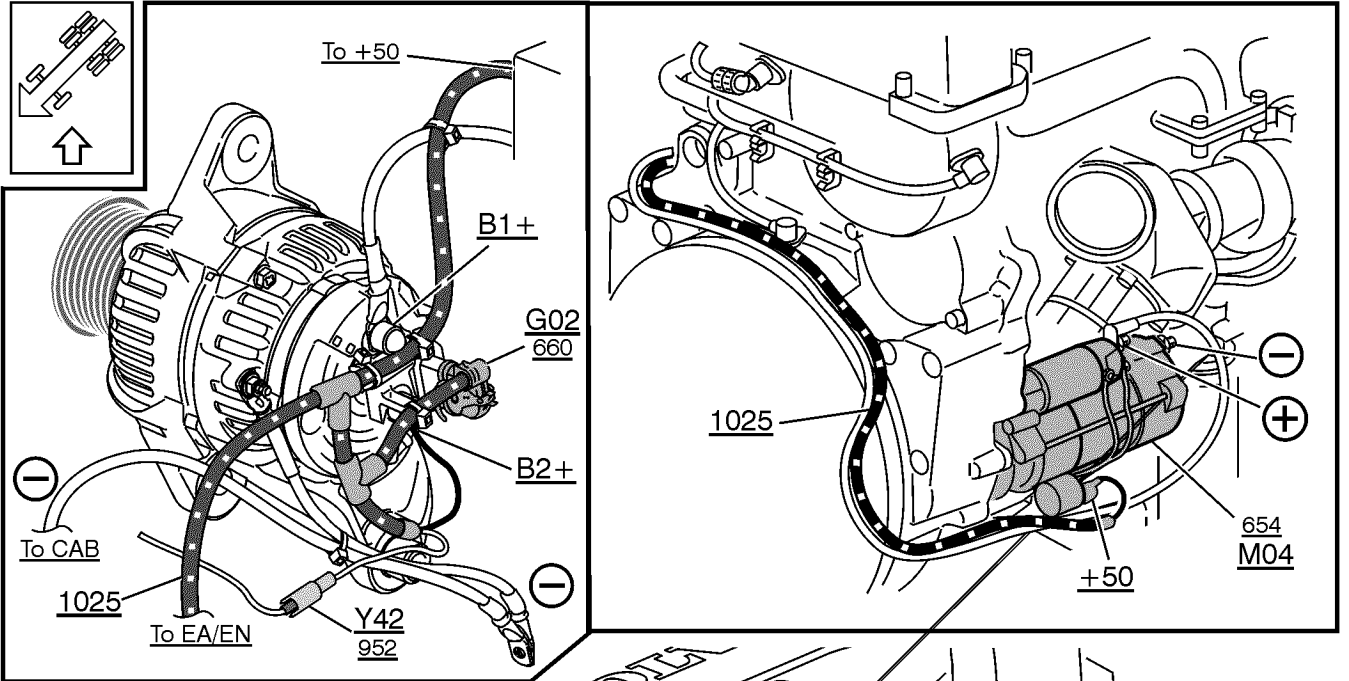


1020, NH

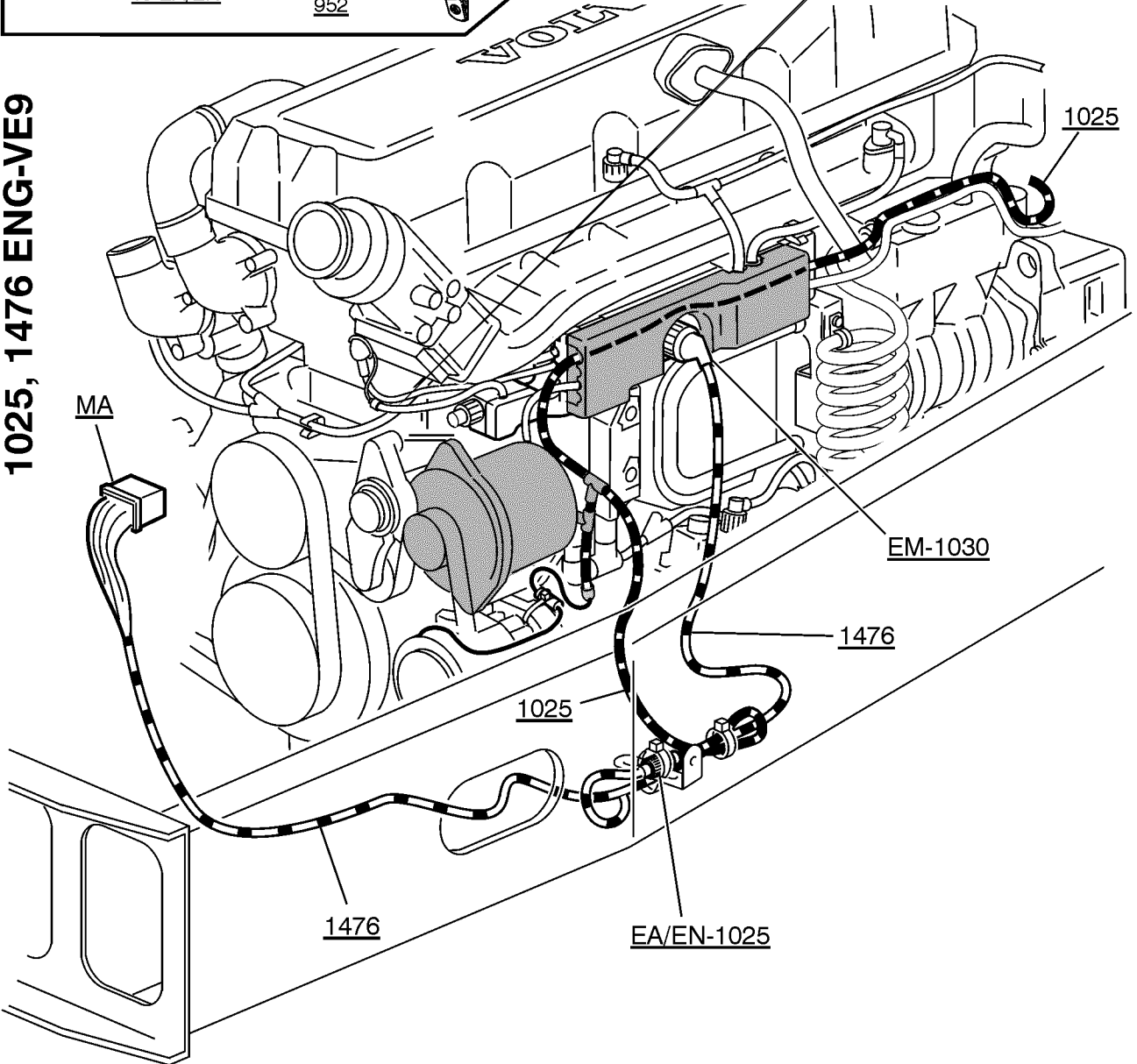


1020, NH

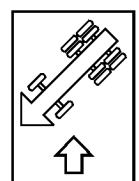
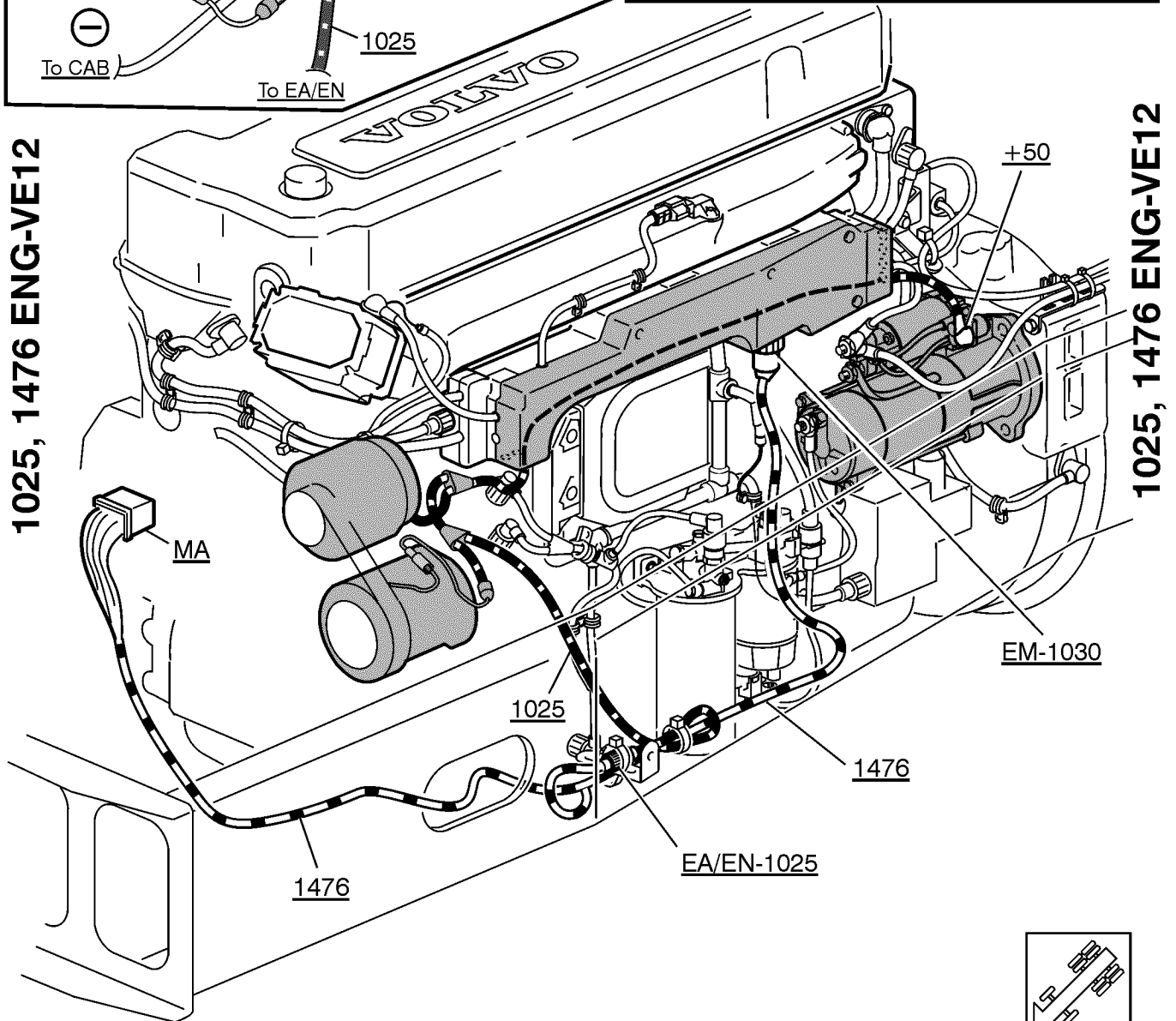
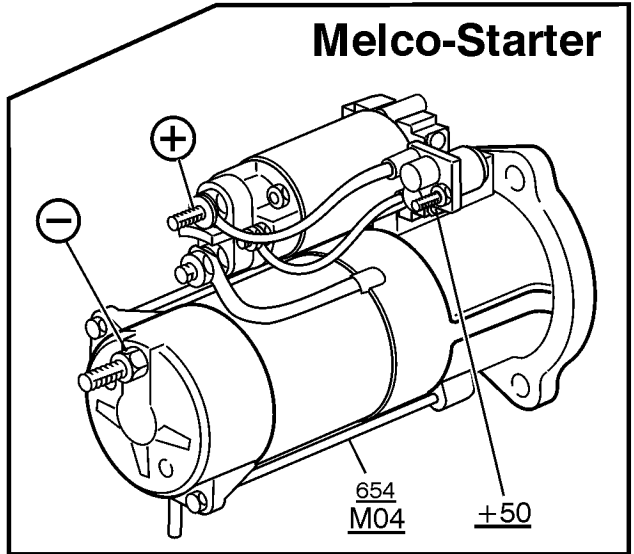
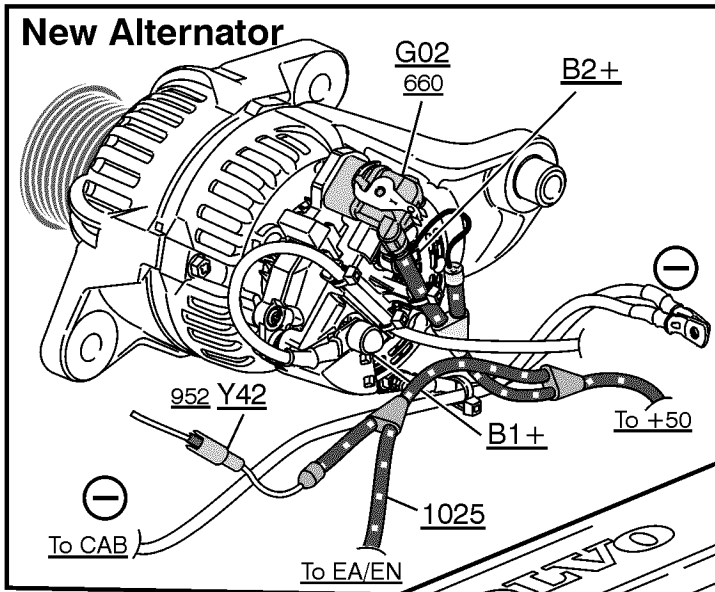


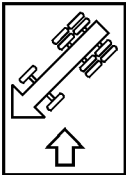
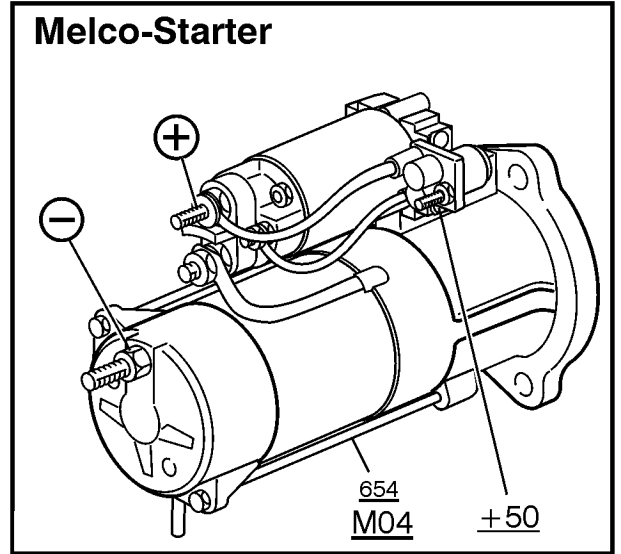
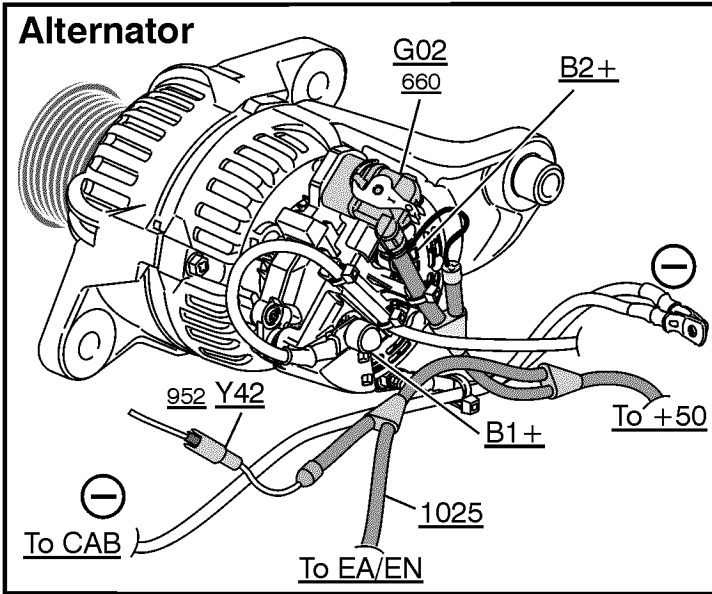


1025, 1476 ENG-VE9

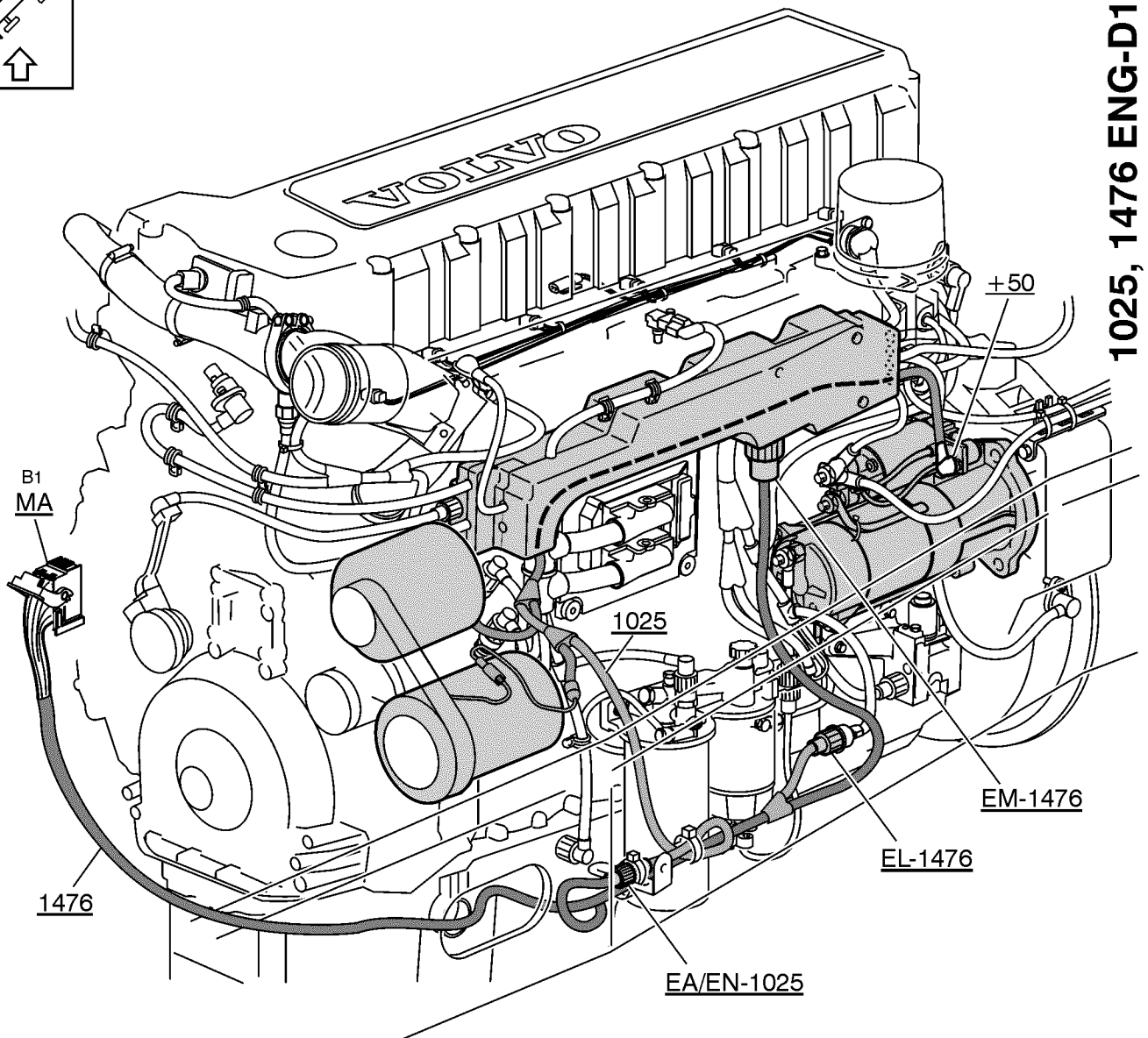


1025, 1476 ENG-VE9

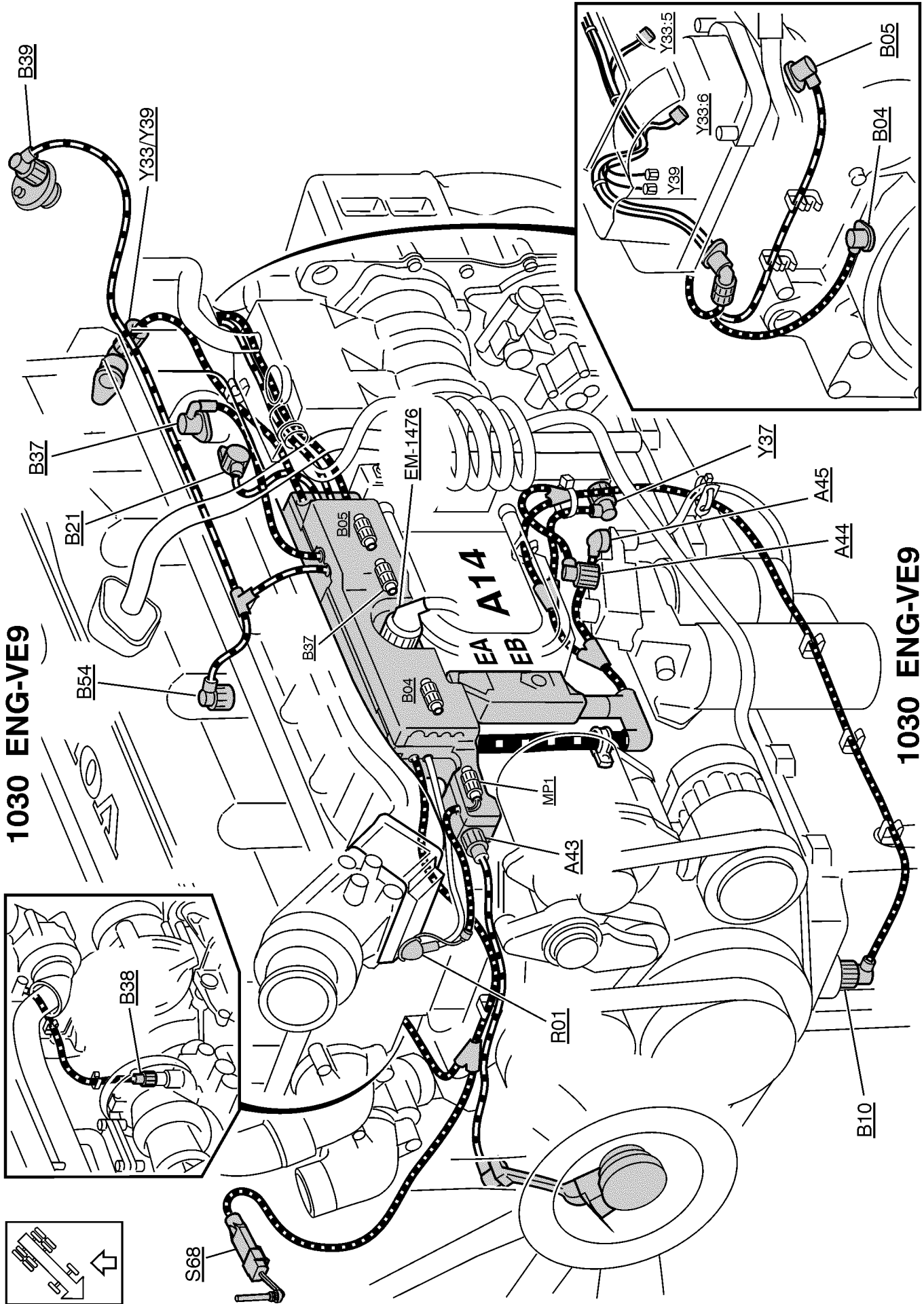




1025, 1476 ENG-D12F

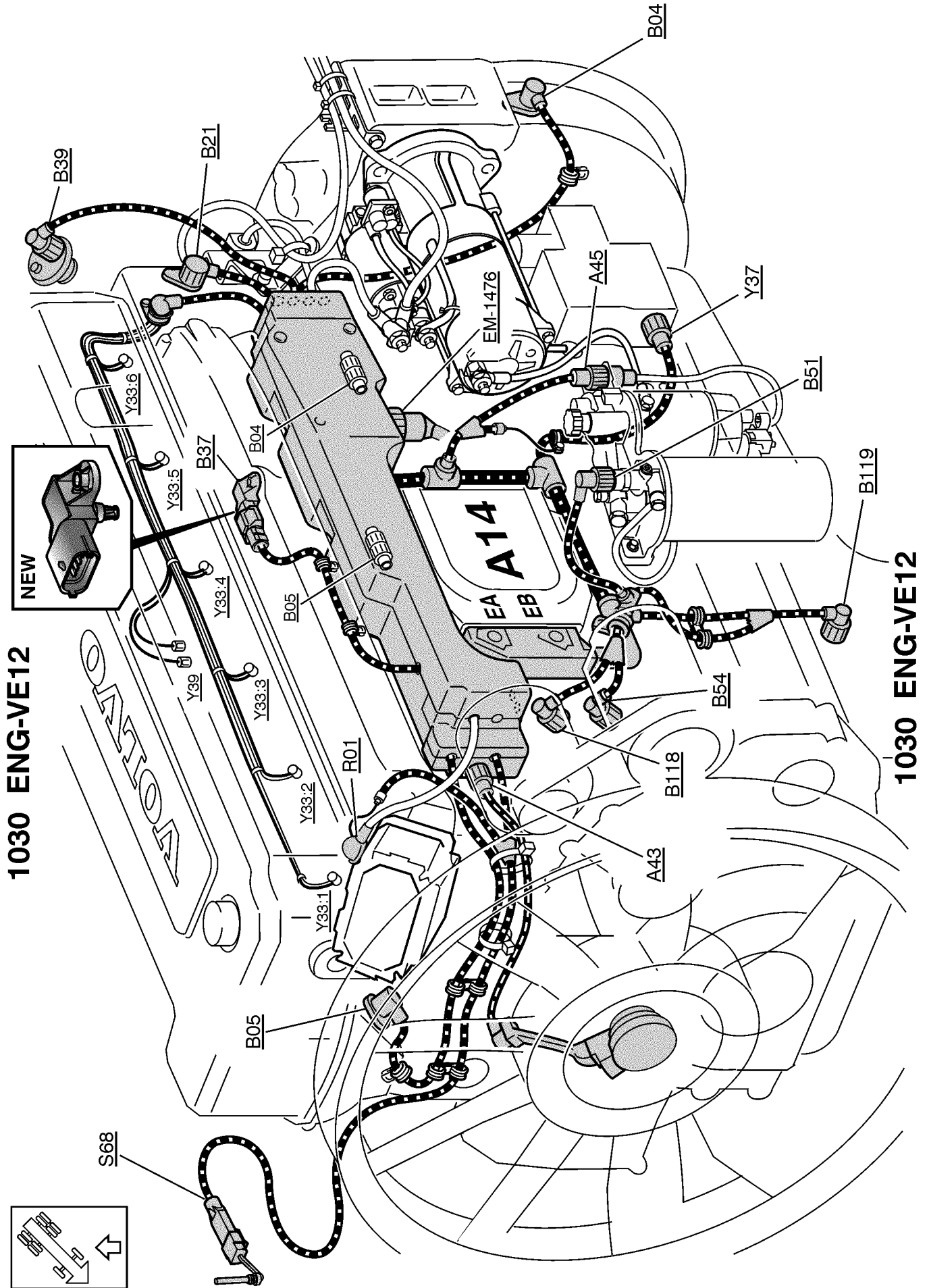


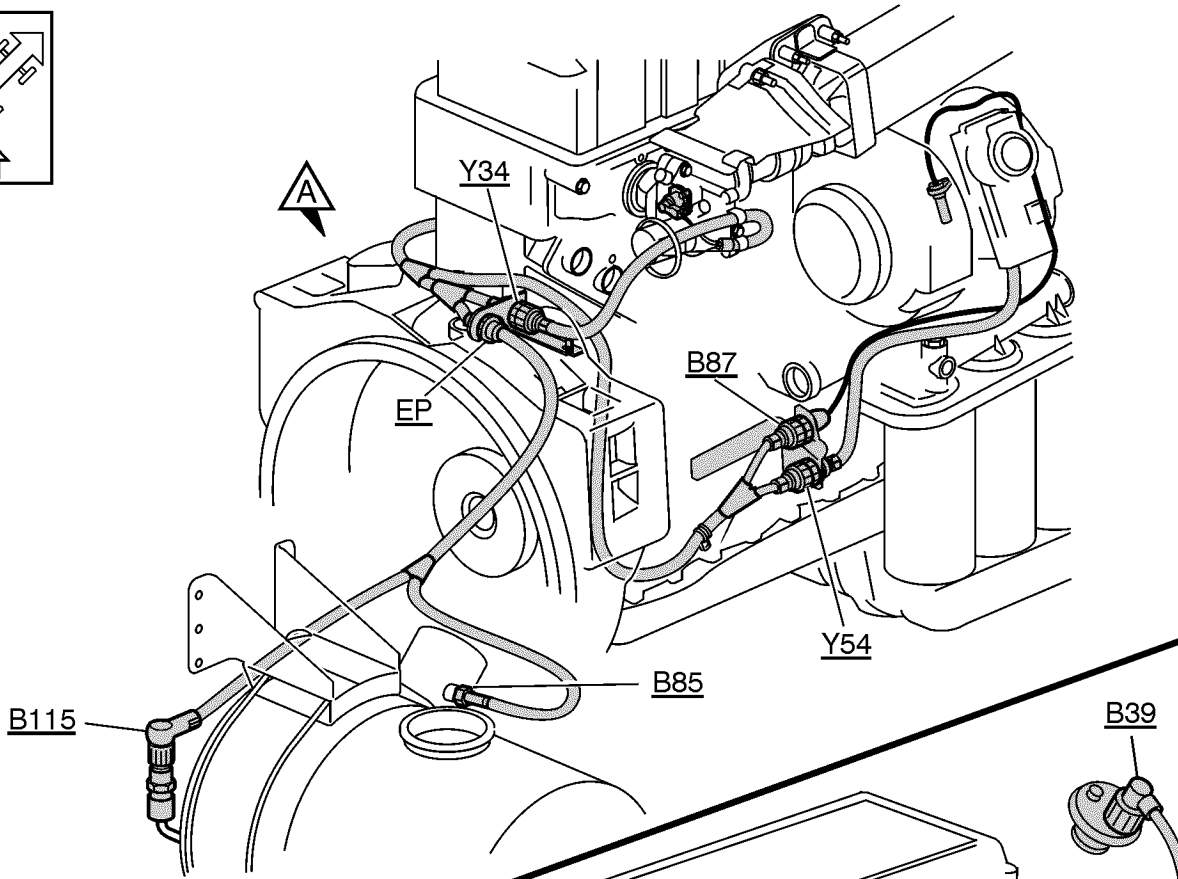
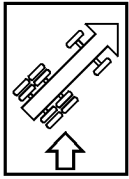
1025, 1476 ENG-D12F



1030 ENG-VE9

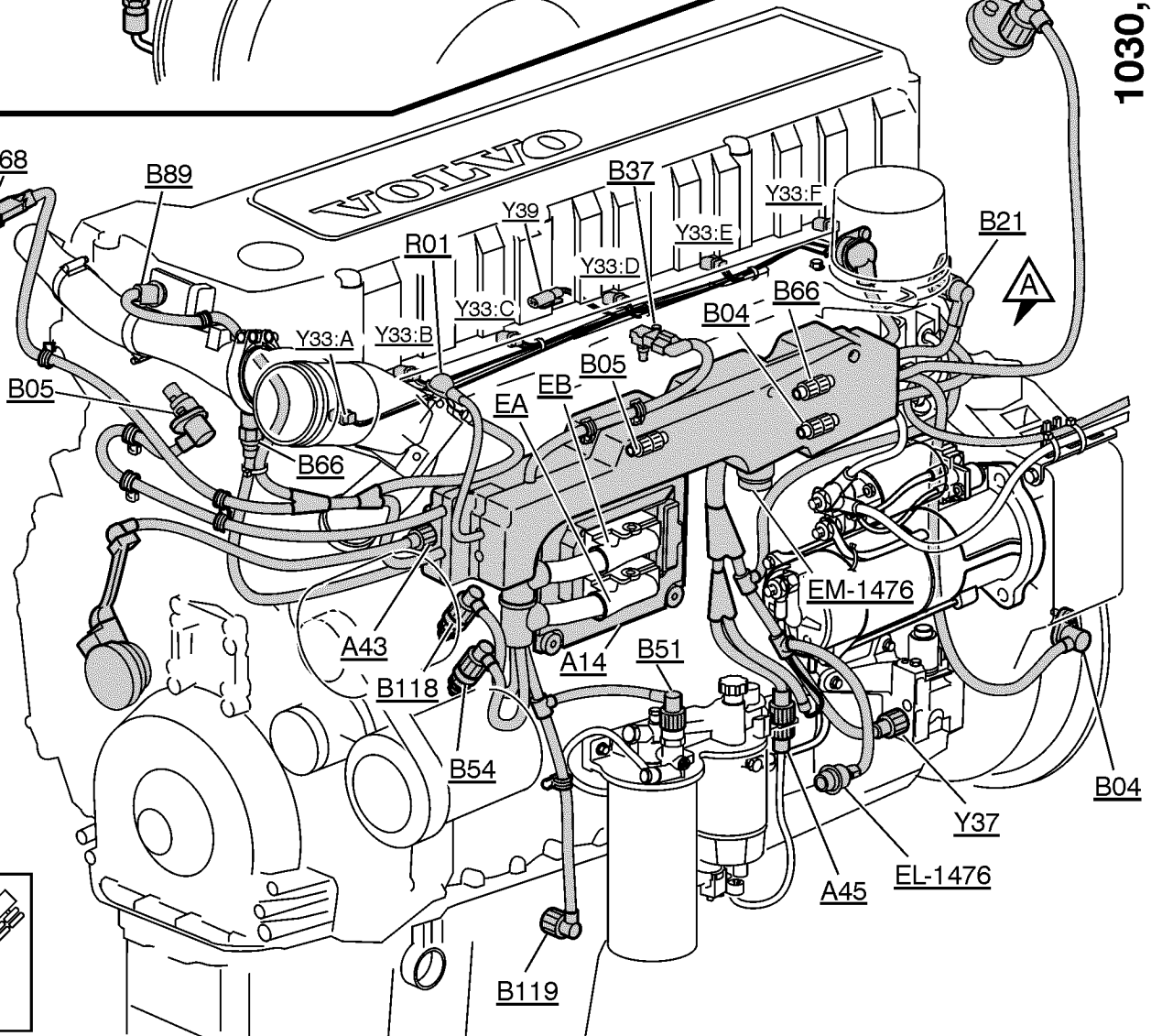
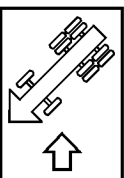
1030 ENG-VE9

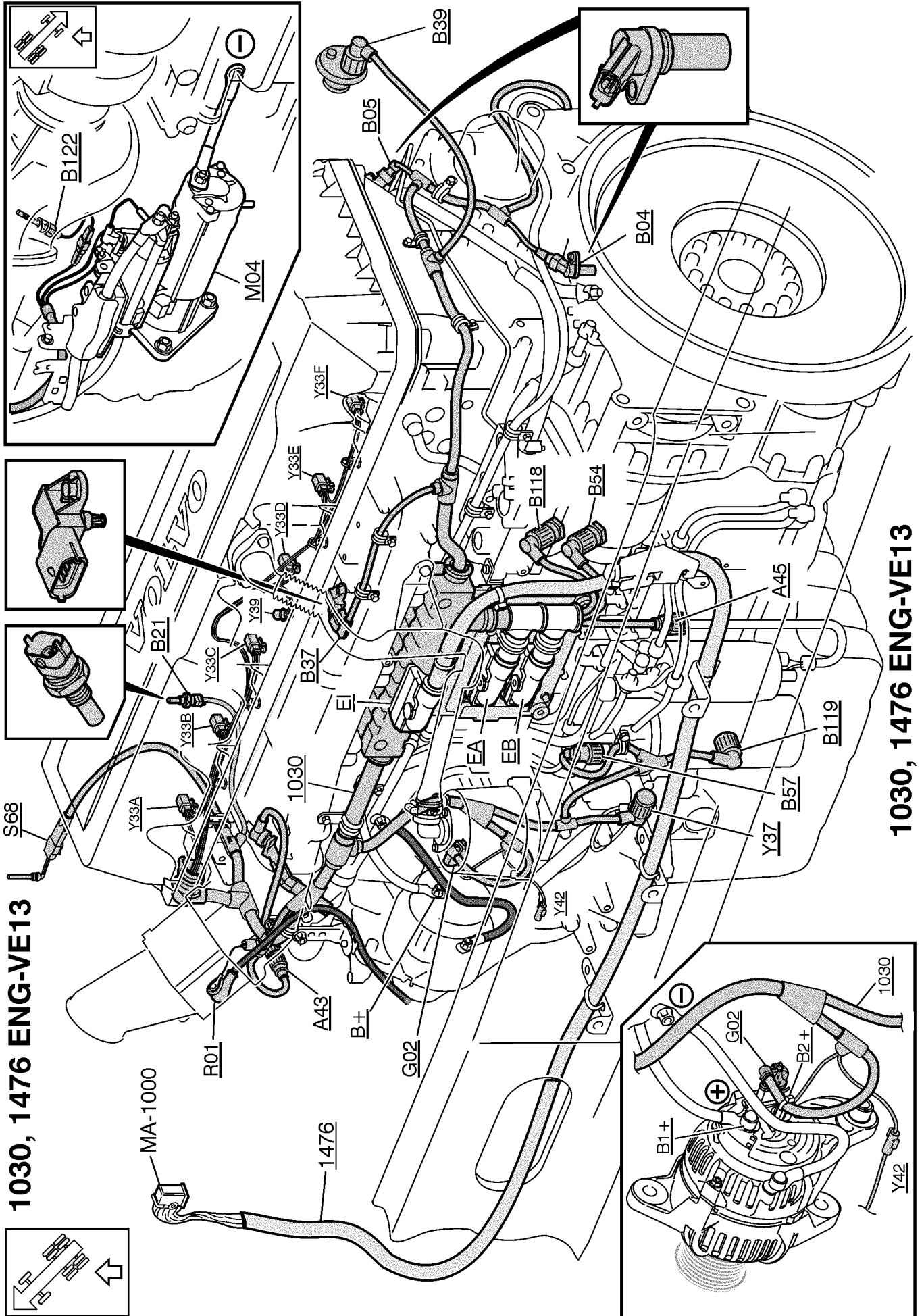




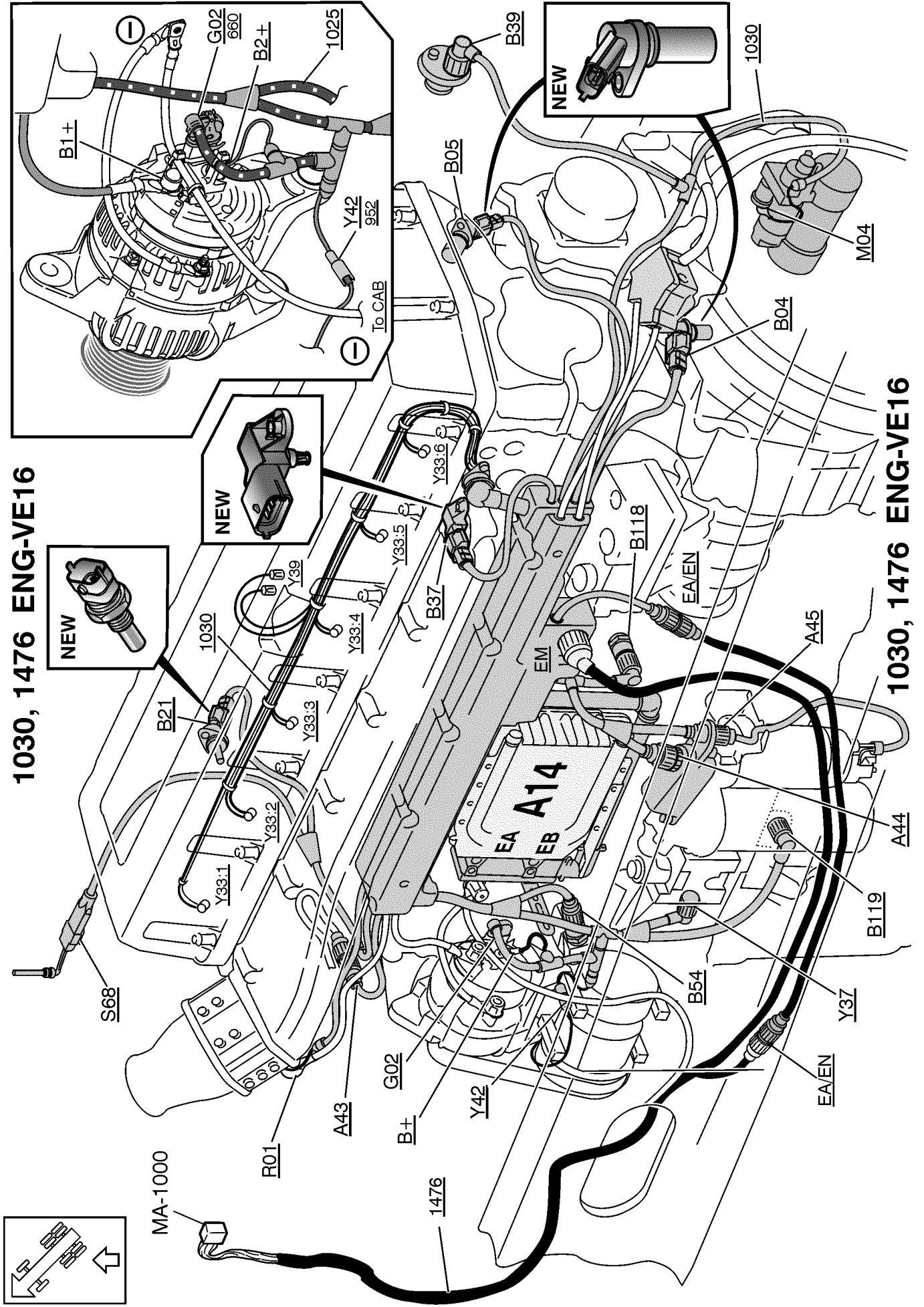
1030, ENG-VE12F

1030, ENG-VE12F



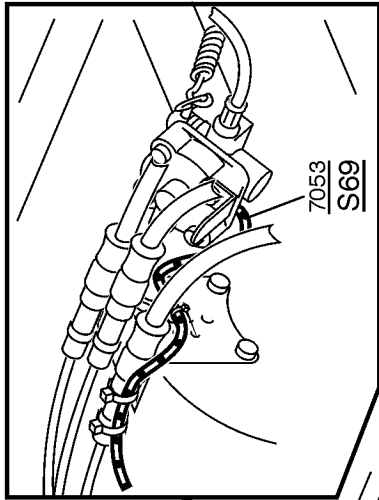
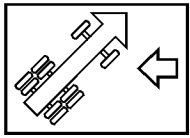


1030, 1476 ENG-VE13

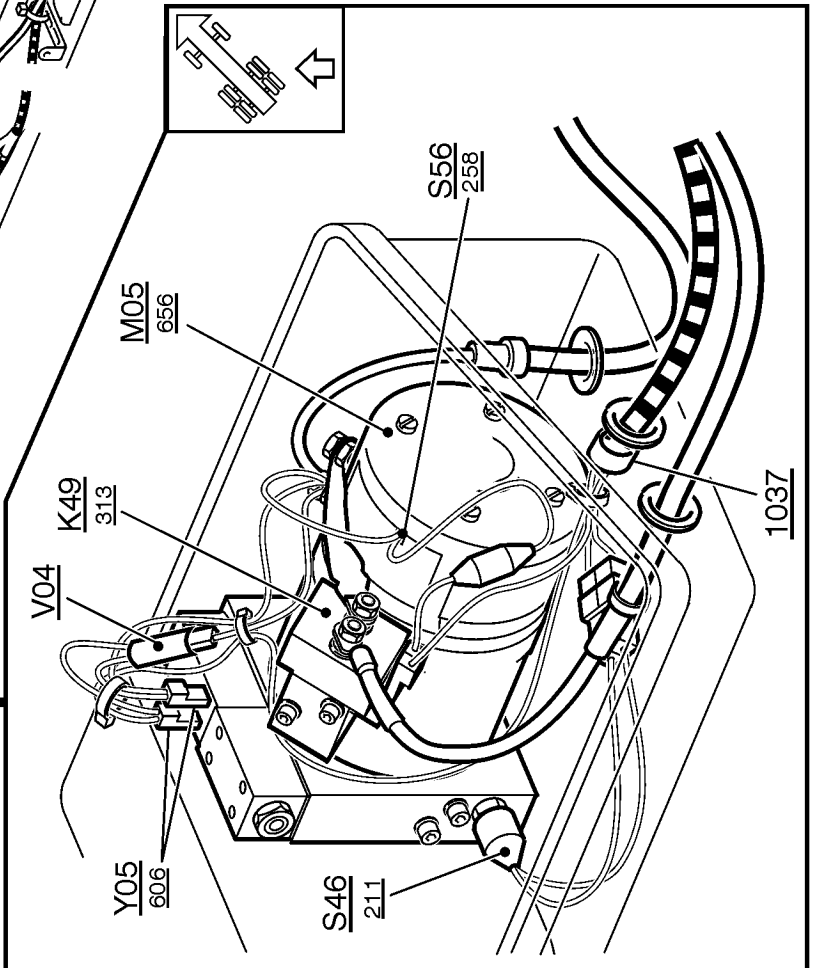
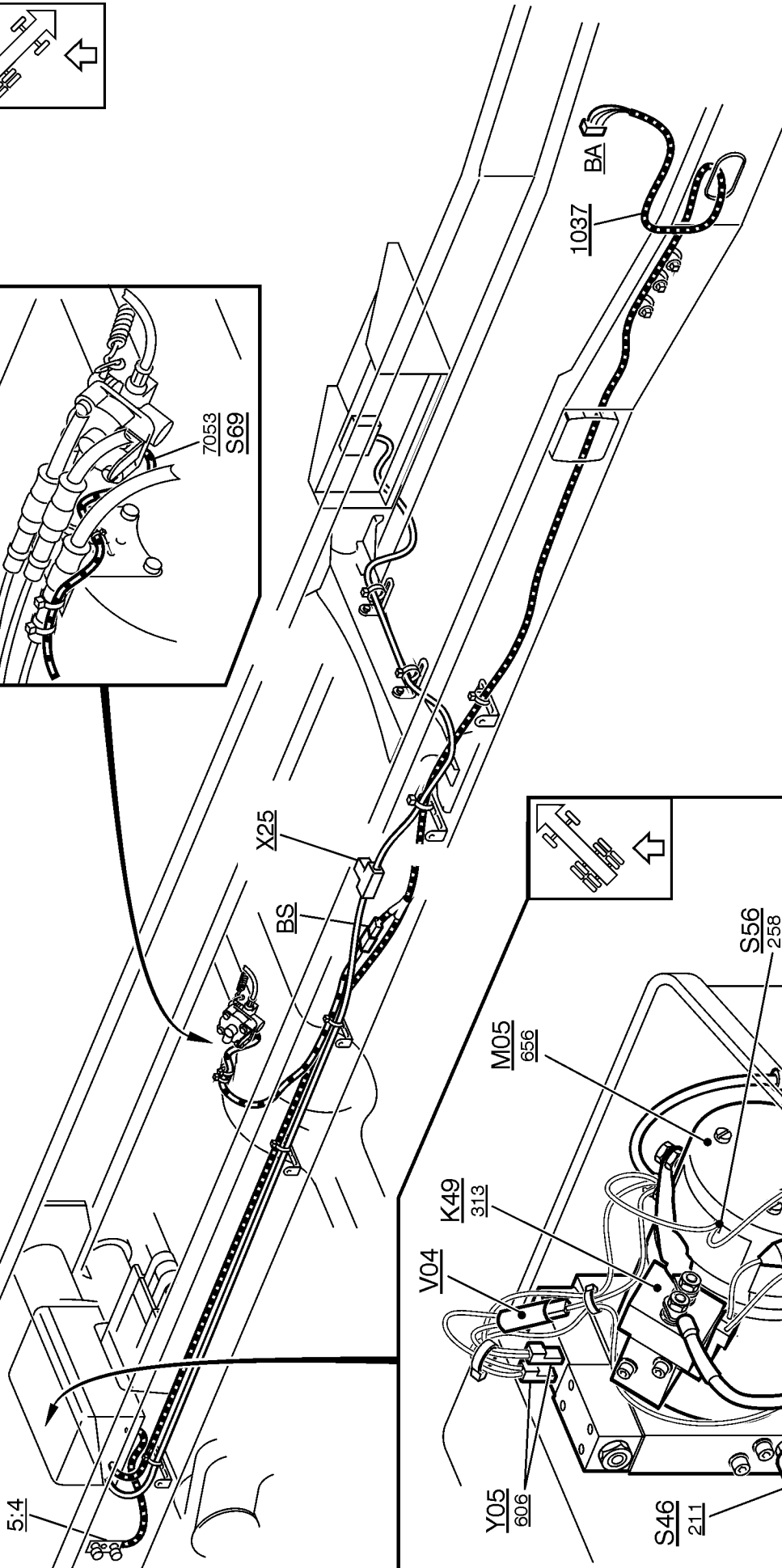


1030, 1476 ENG-VE16

1030, 1476 ENG-VE16



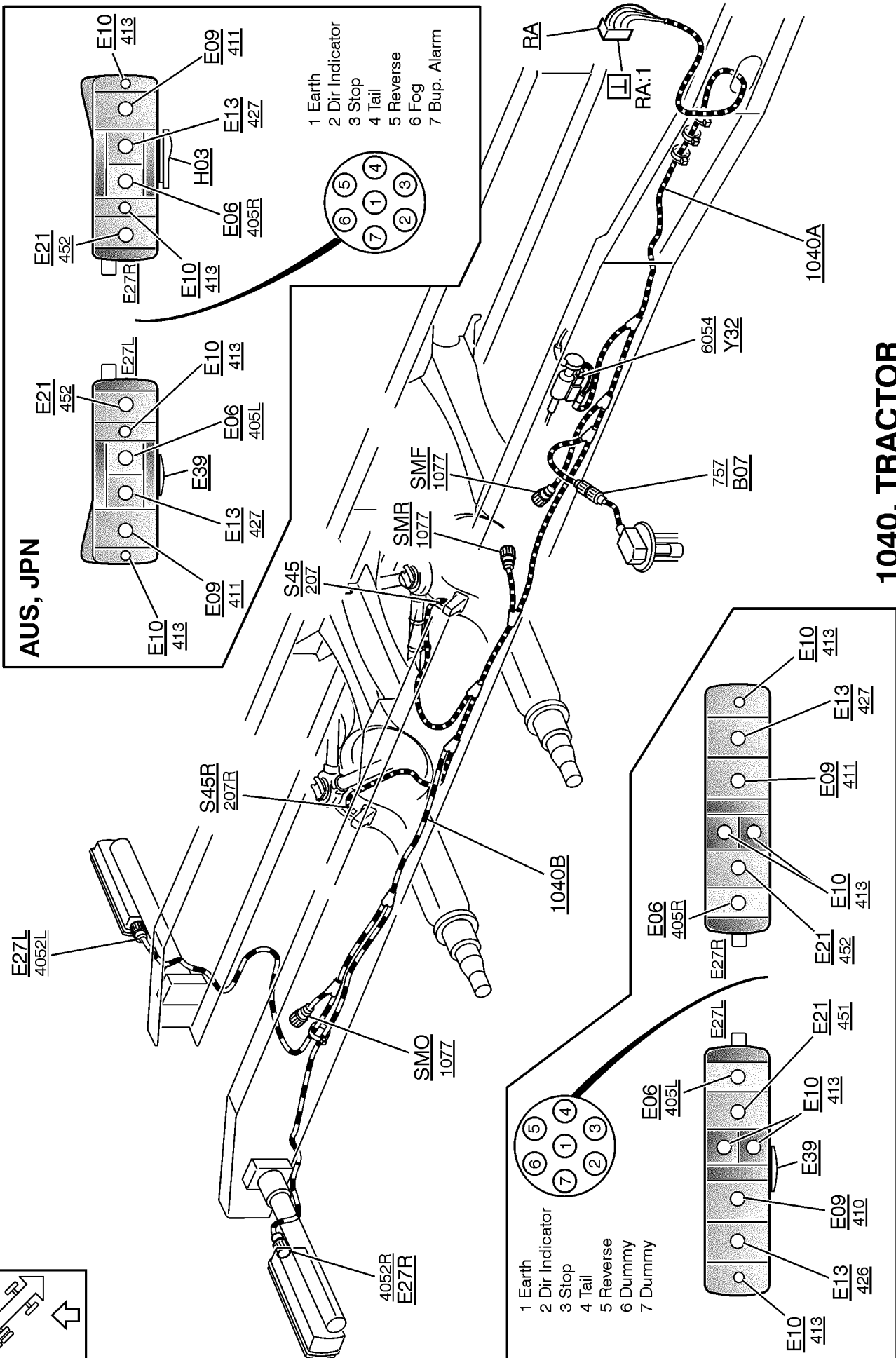
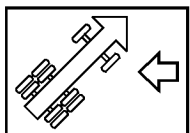
1037

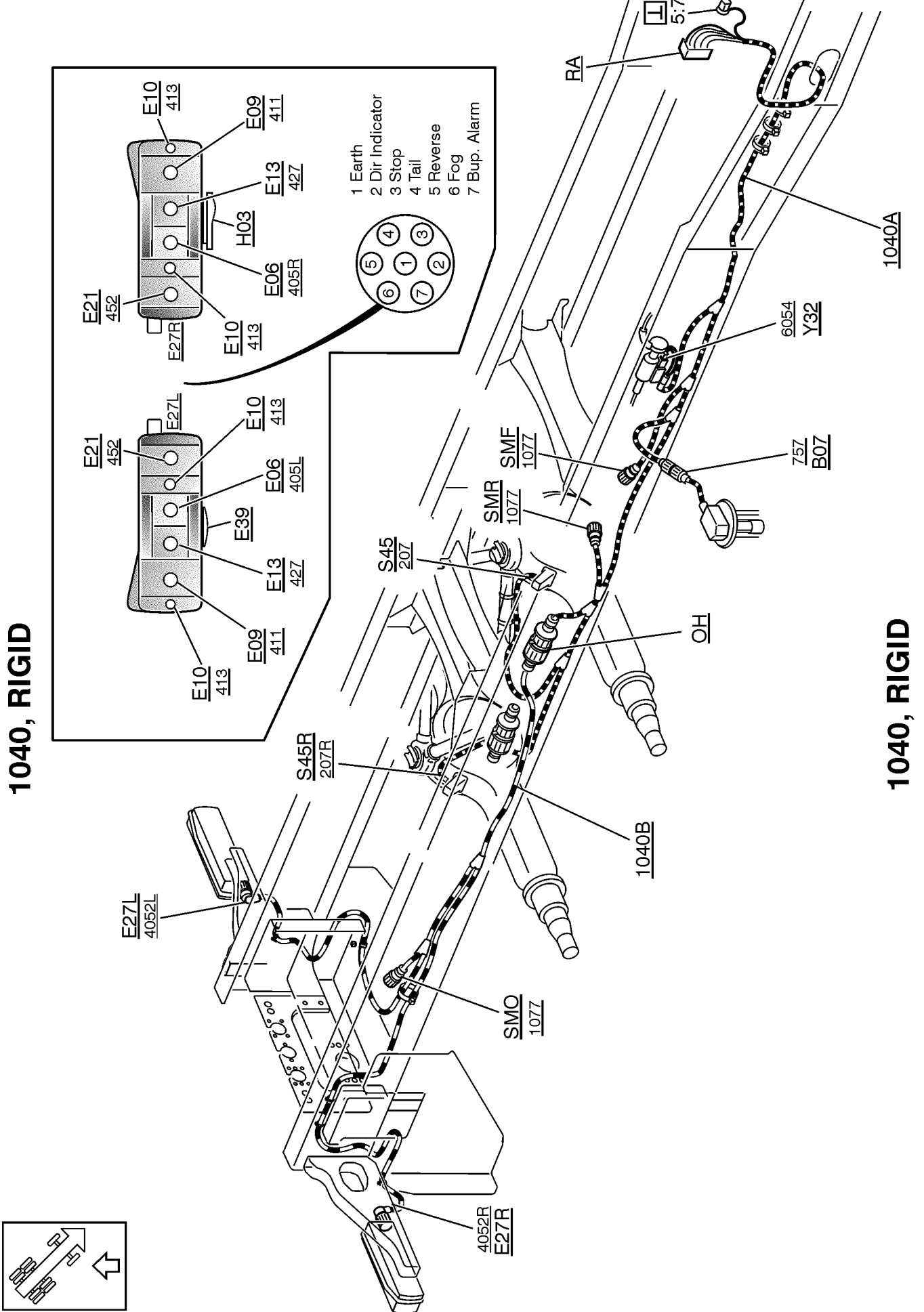


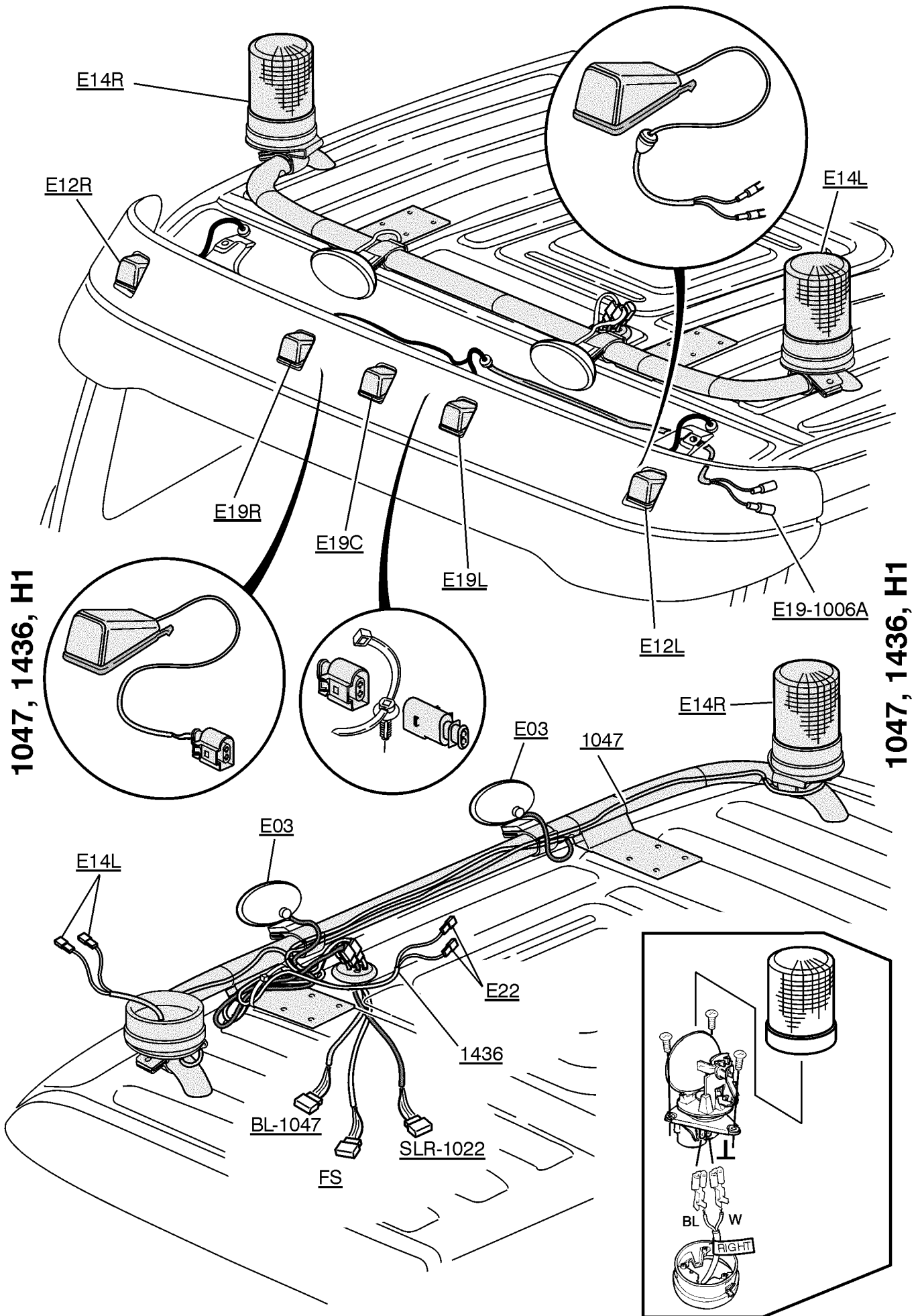
1037

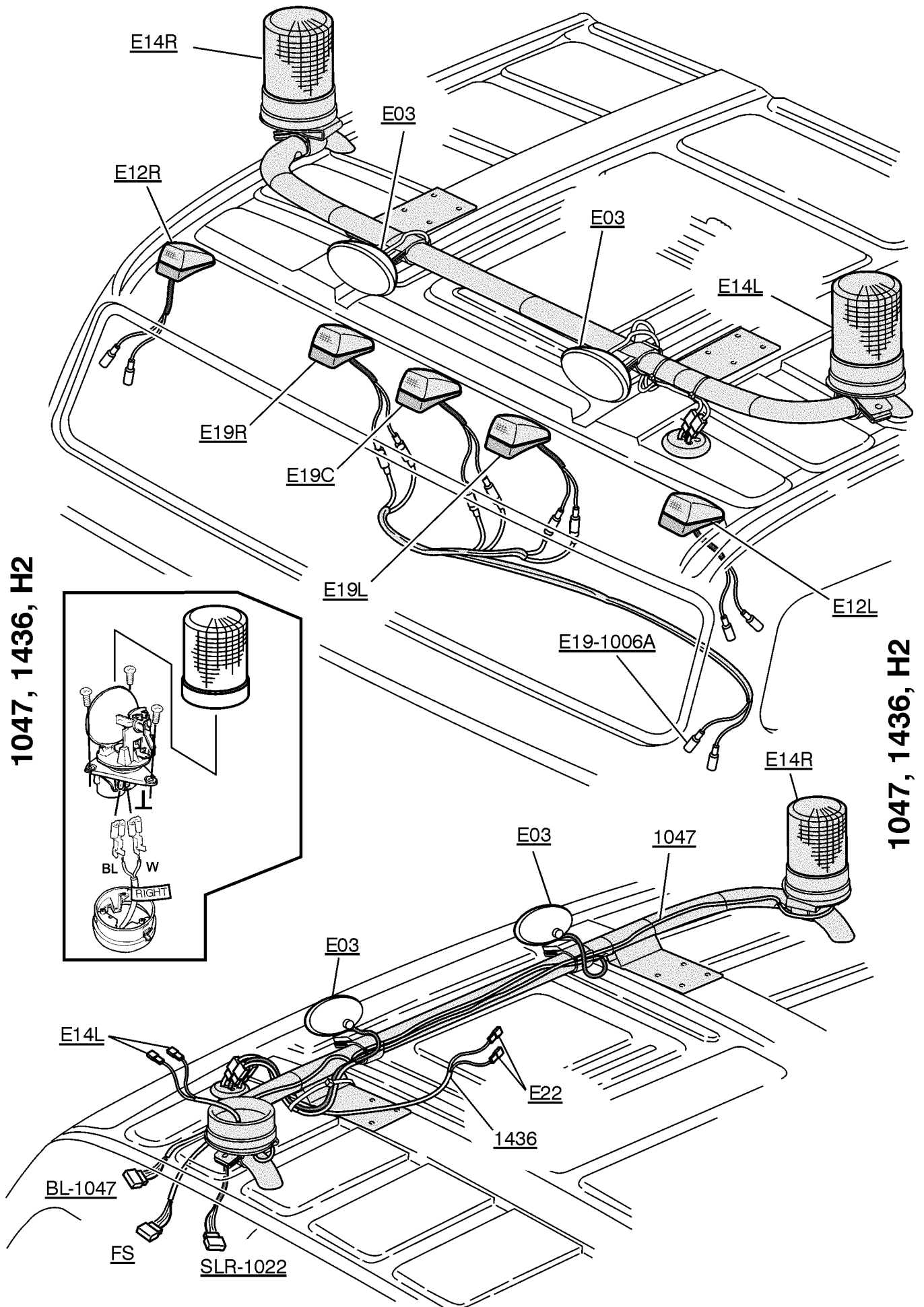
1040, TRACTOR

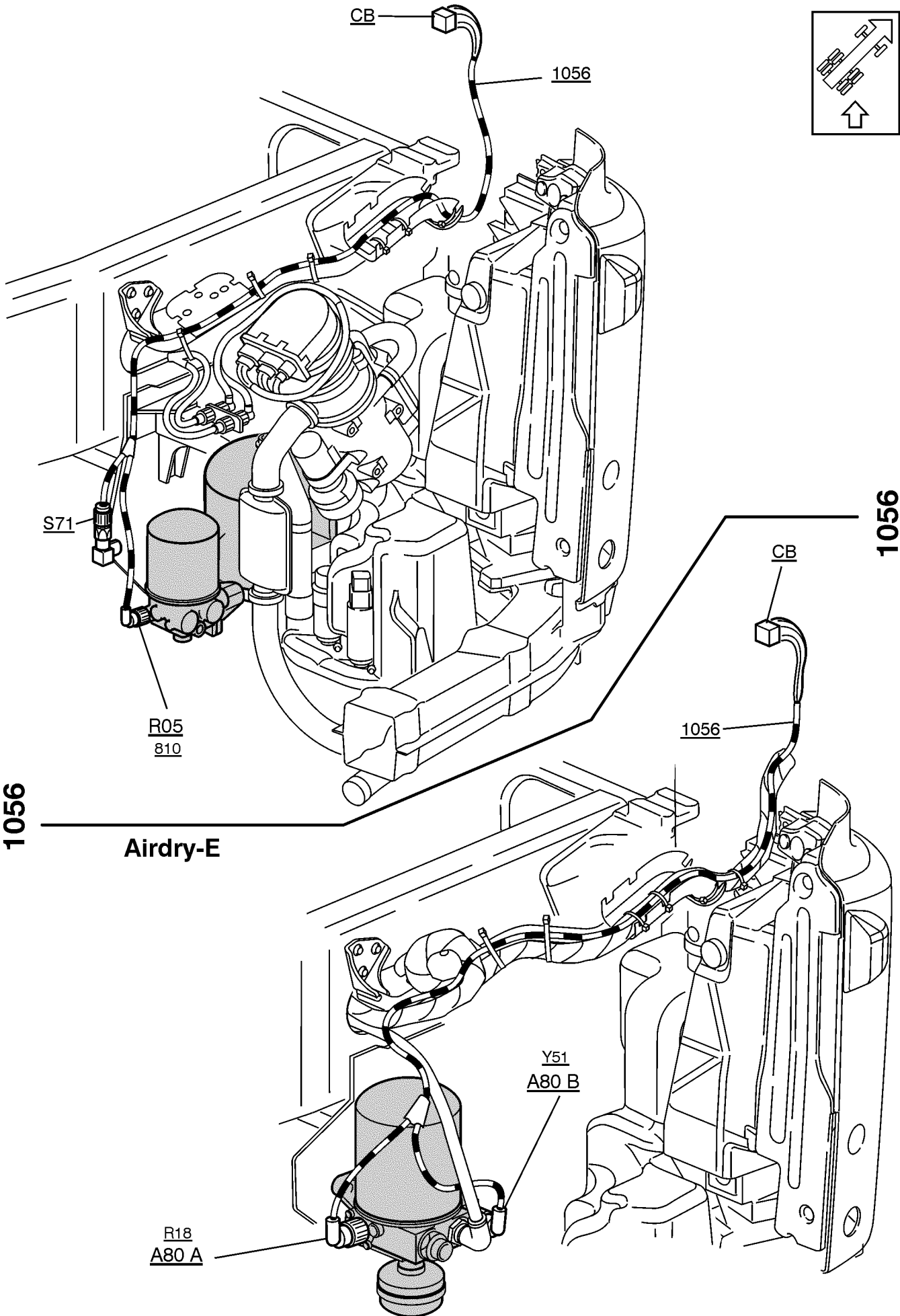
1040, TRACTOR

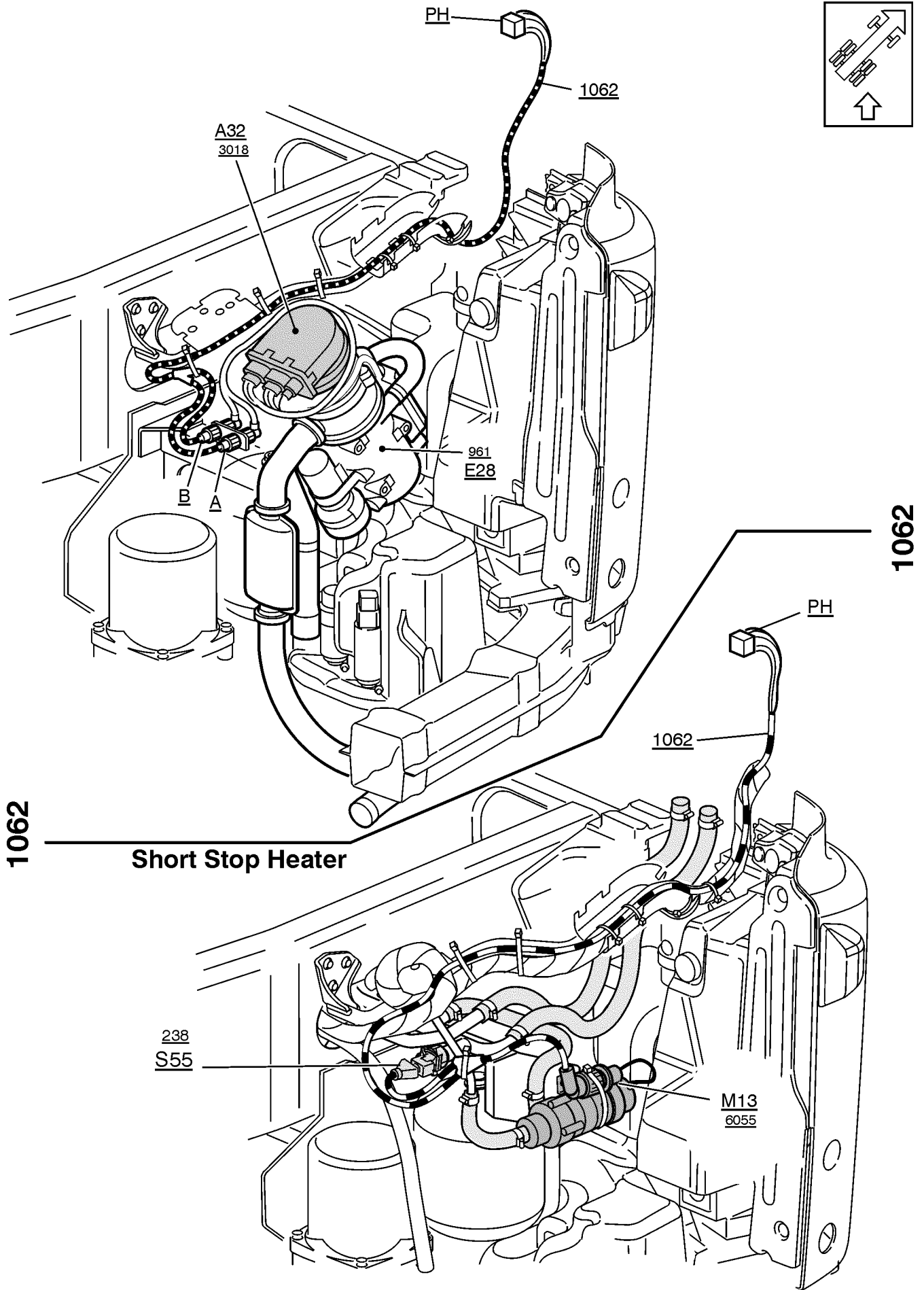












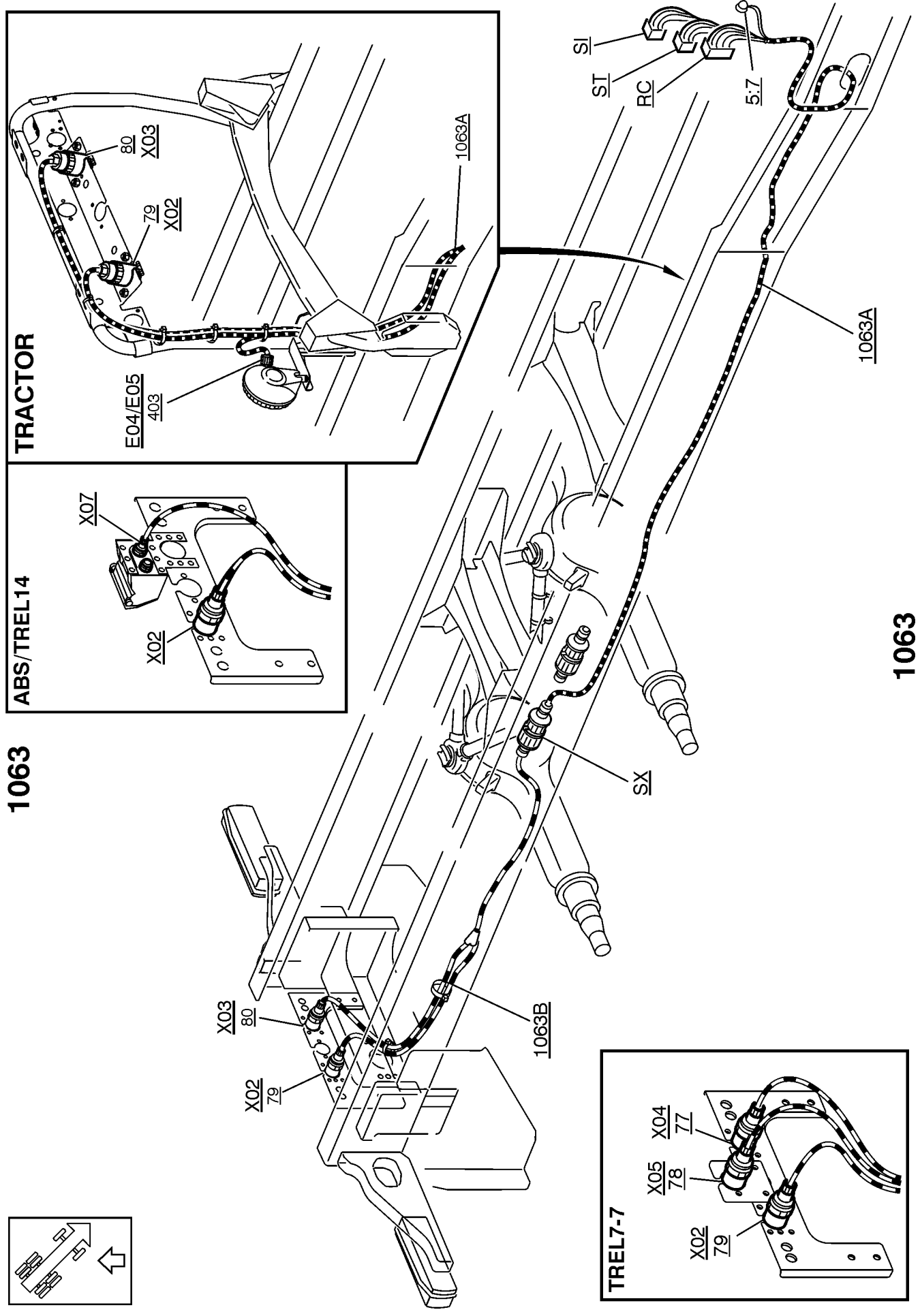
1062

PH

1062

1062

Short Stop Heater

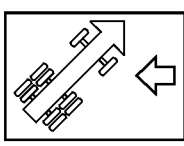


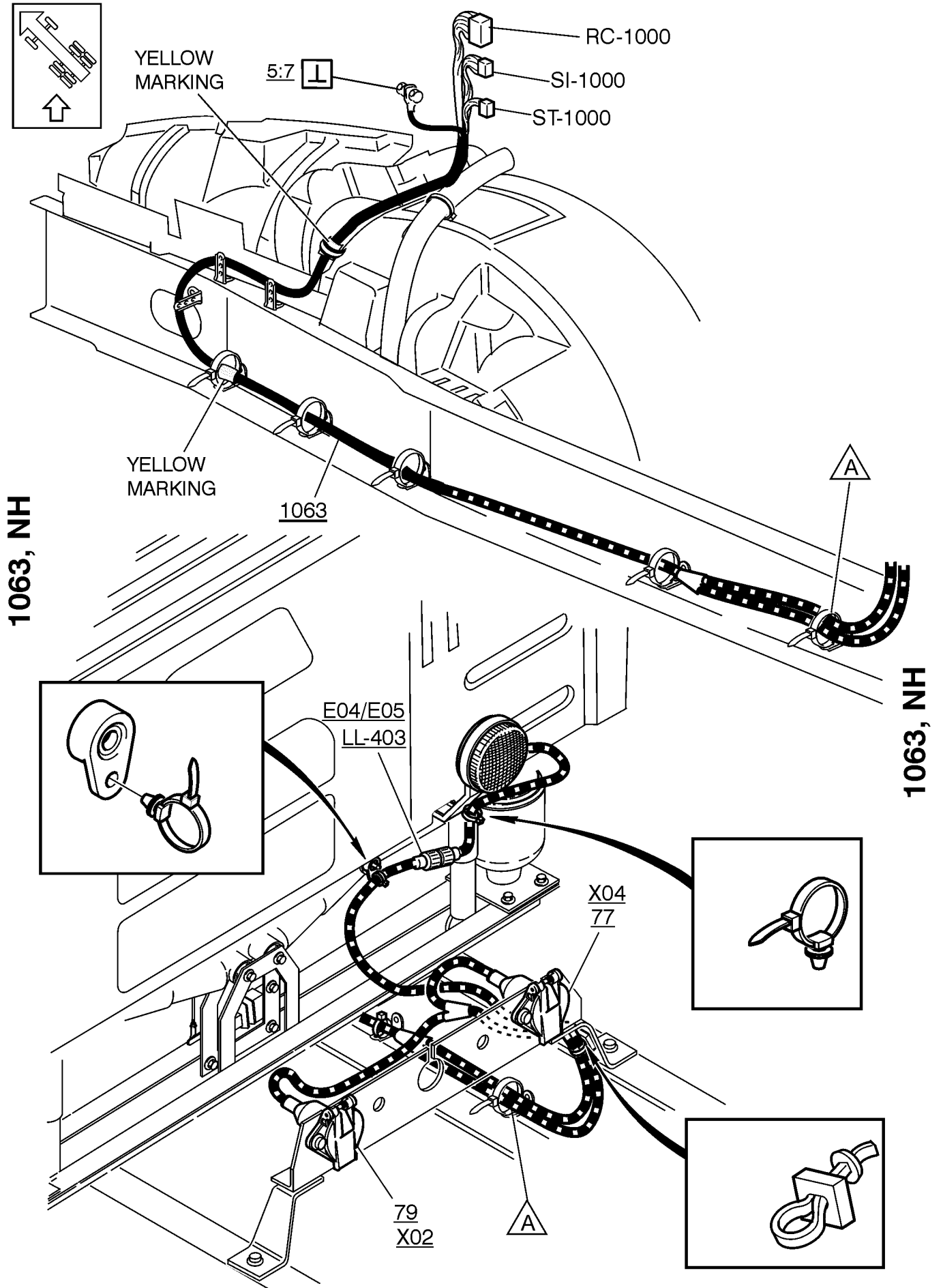
TRACTOR

ABS/TREL14

1063

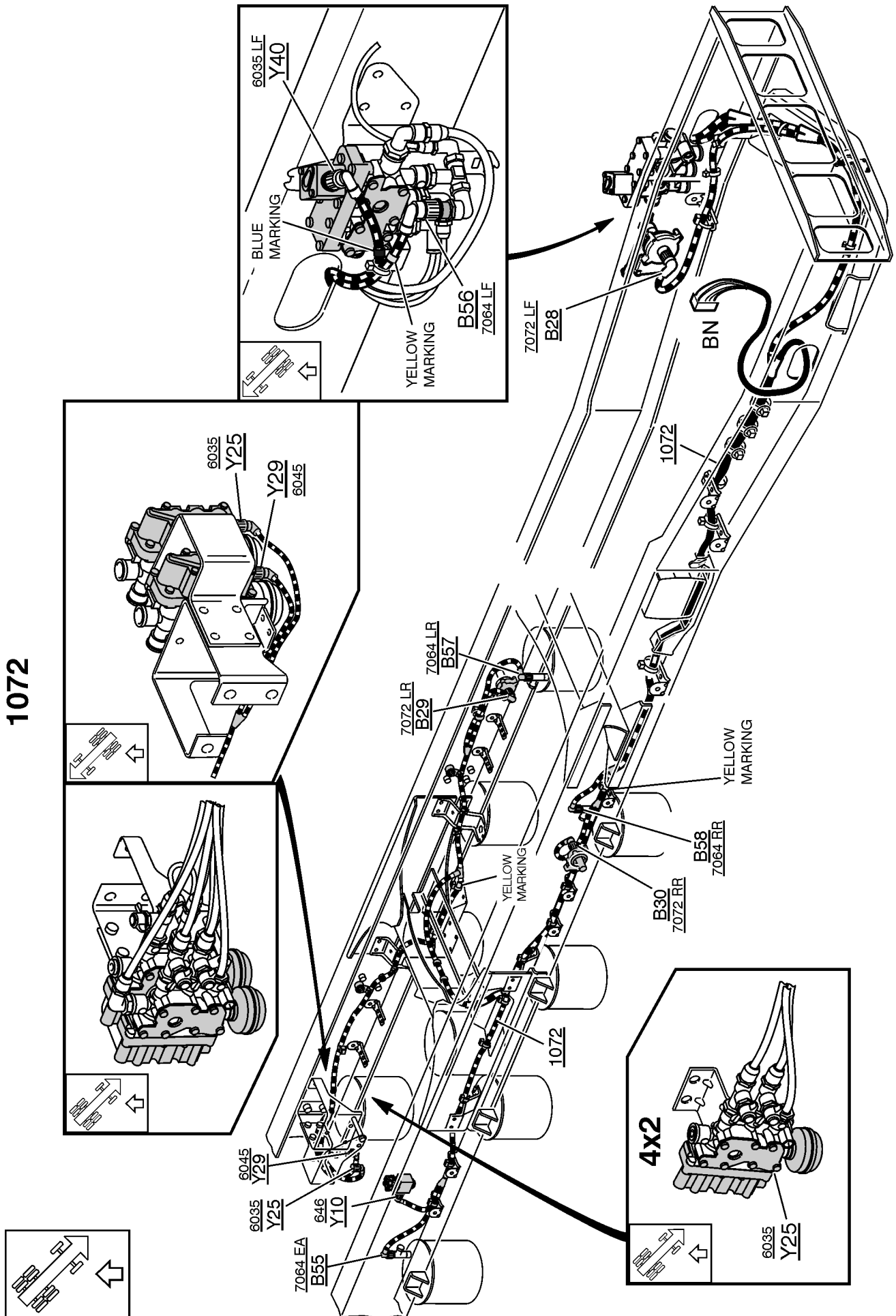
1063

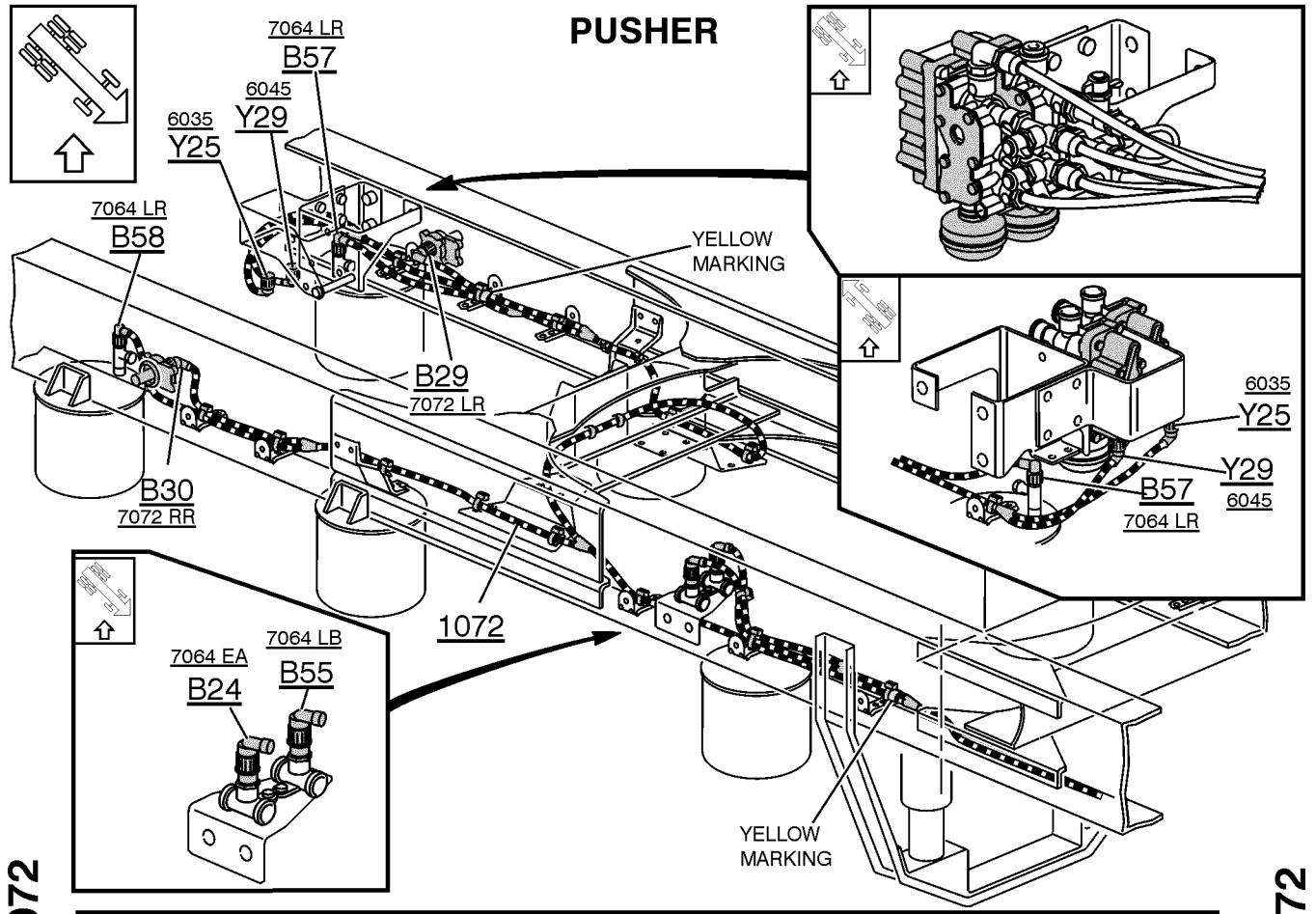




1072

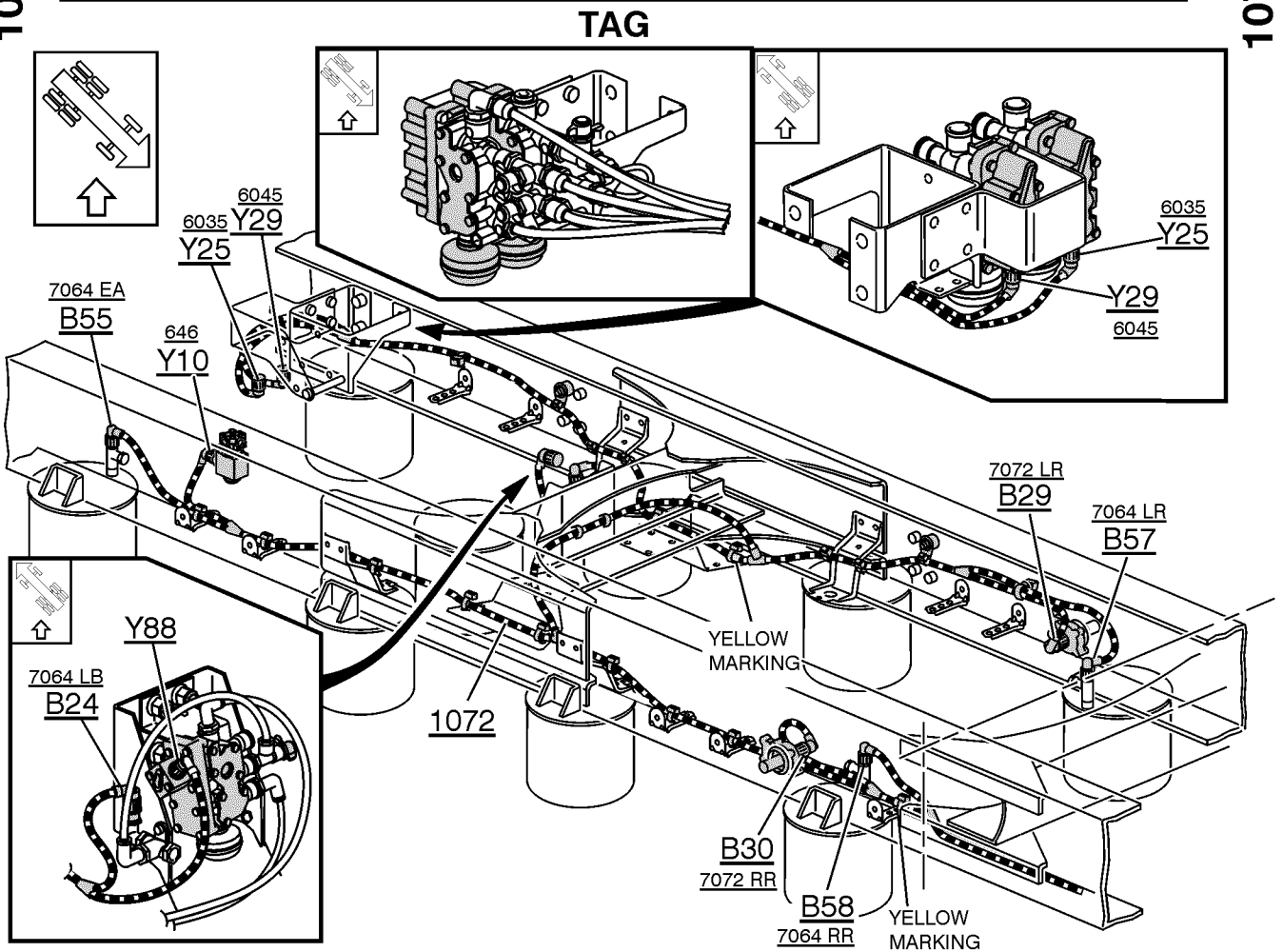
1072

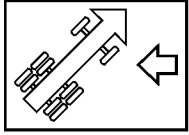




1072

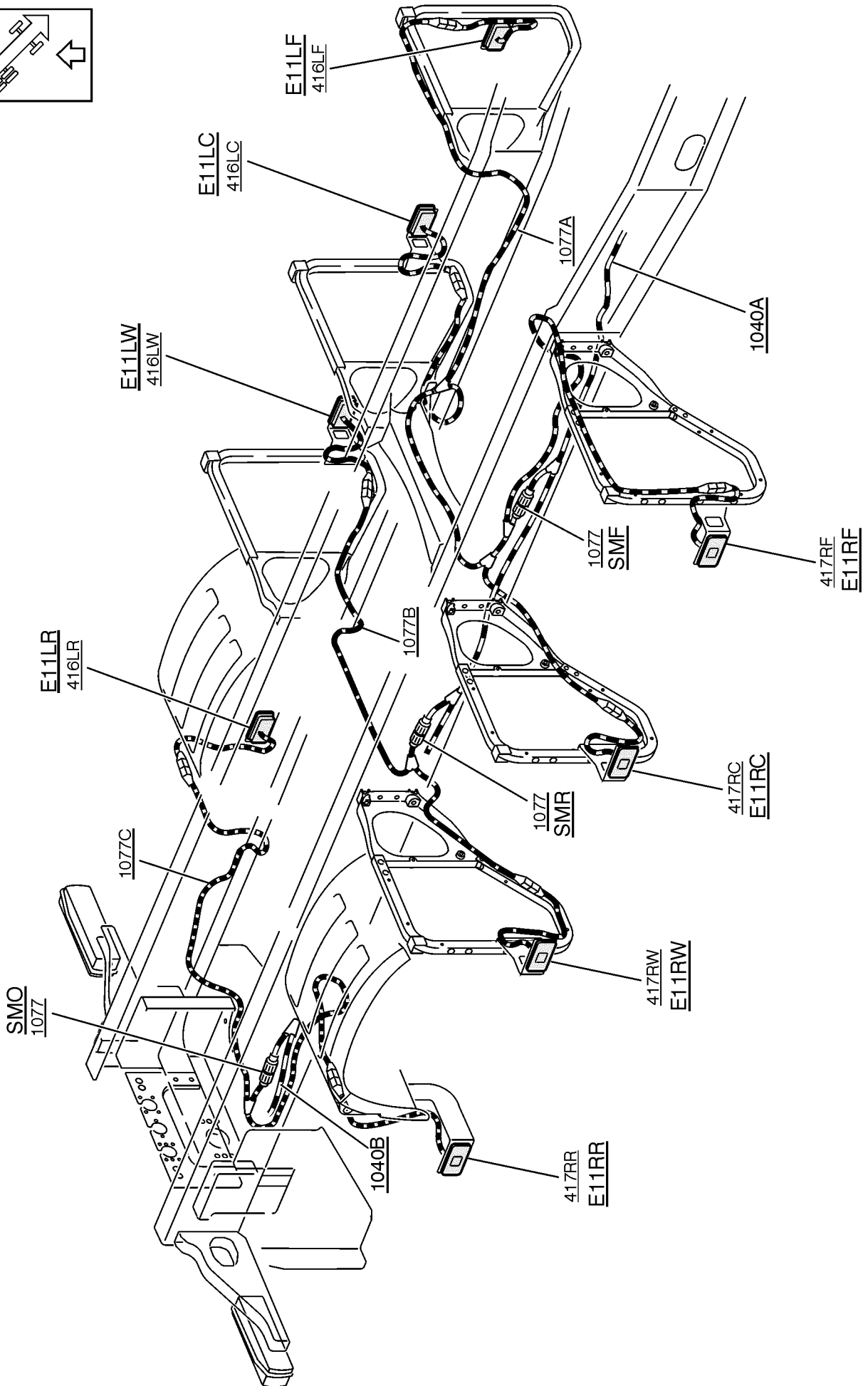
1072



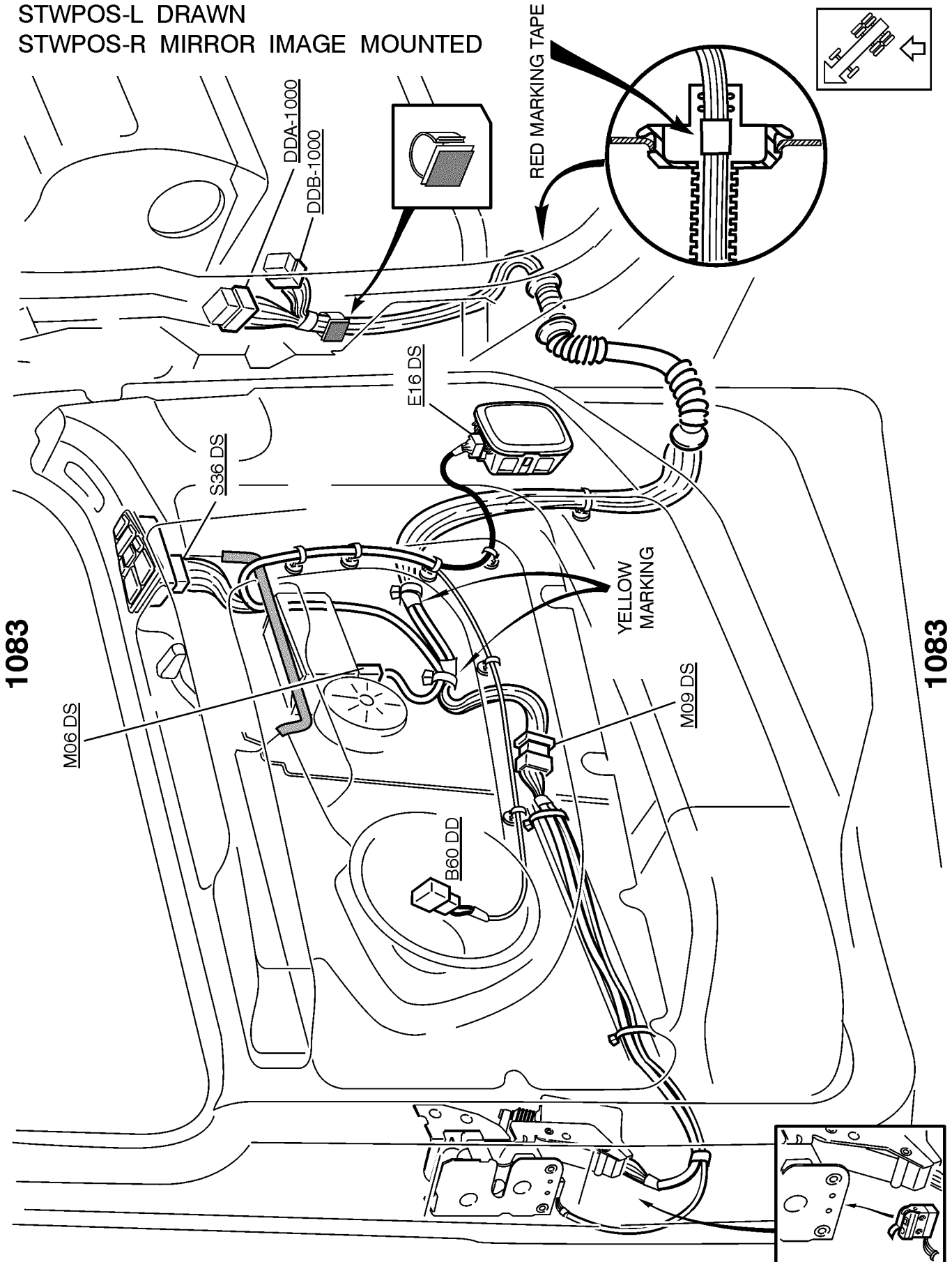


1077

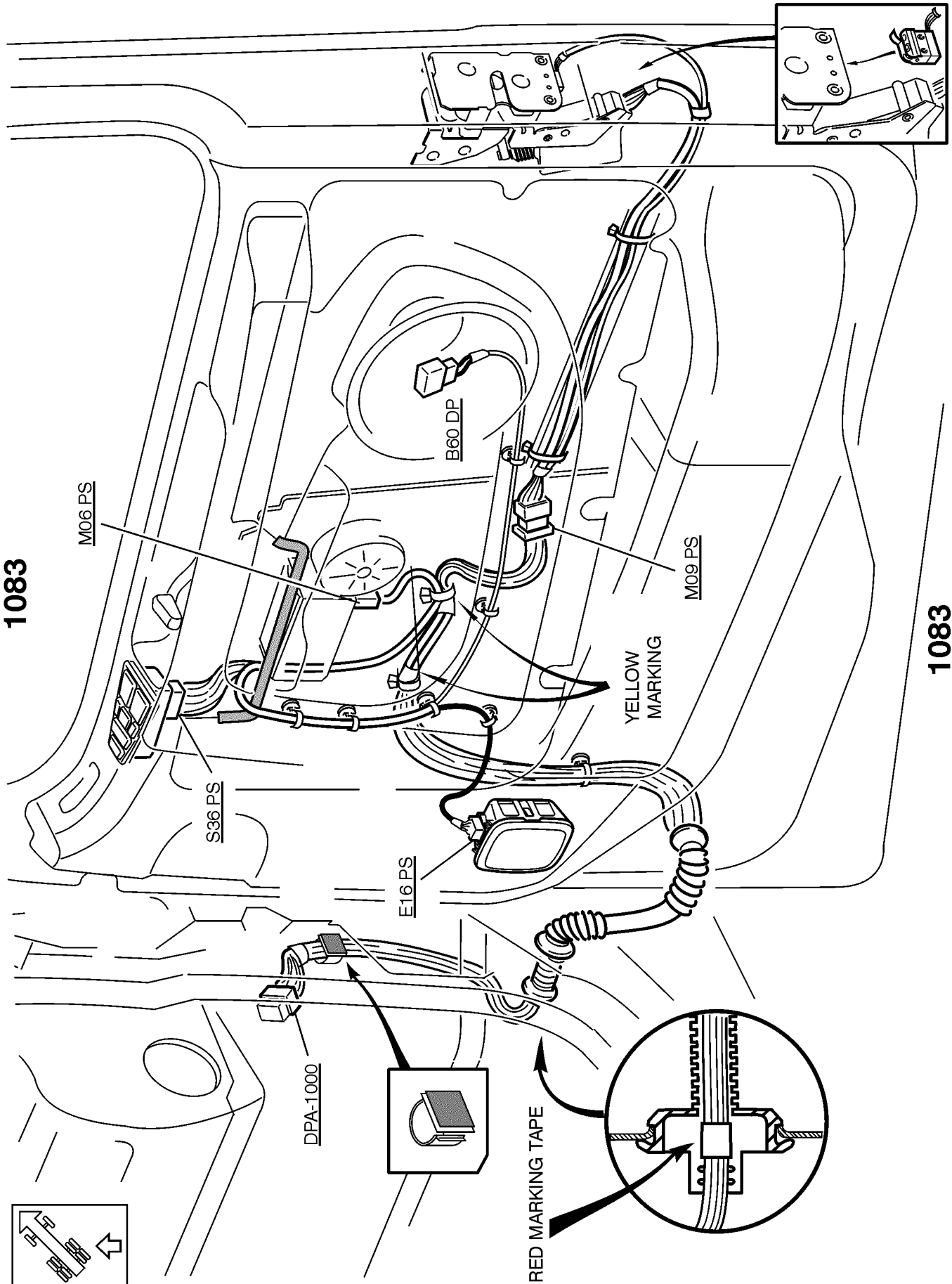
1077



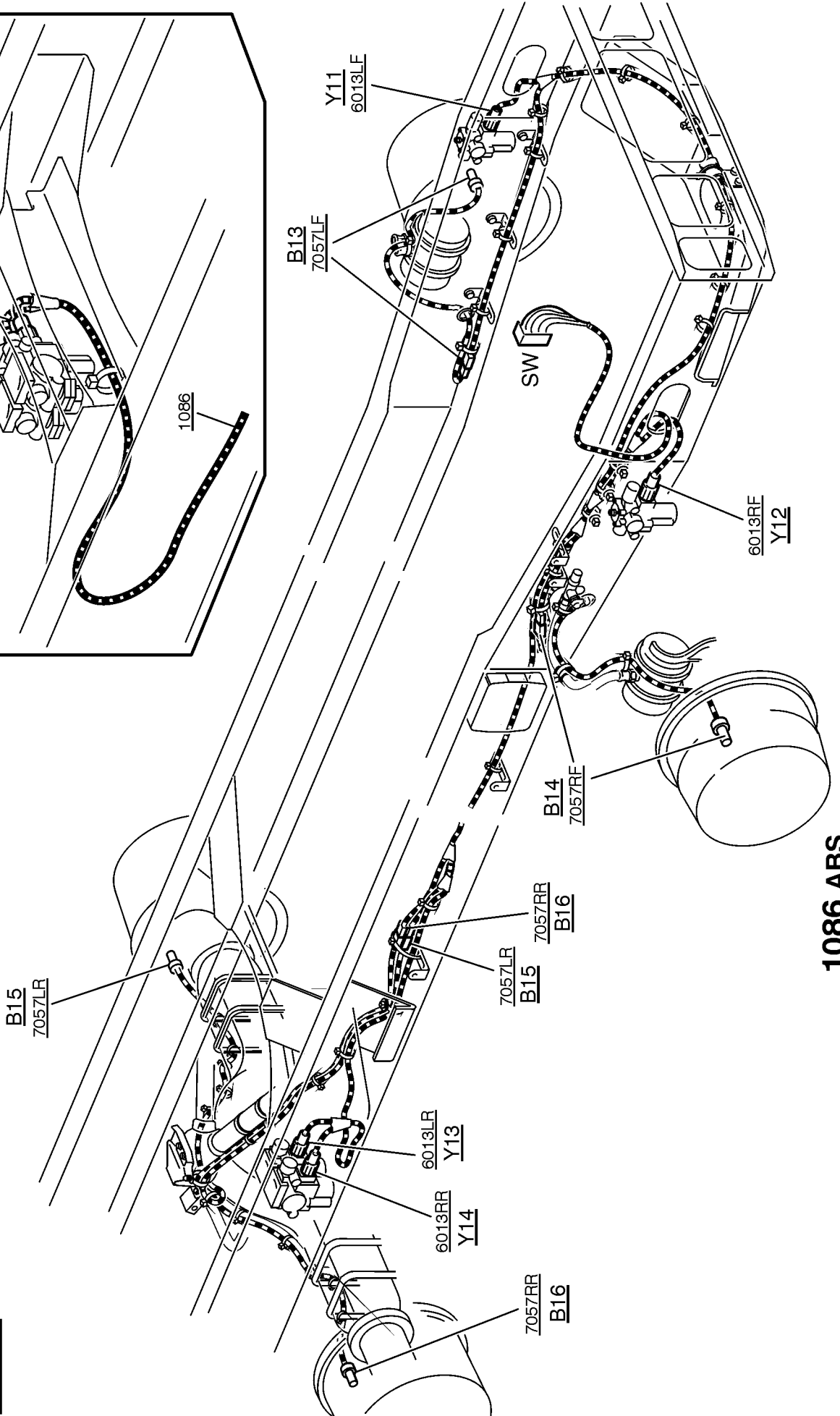
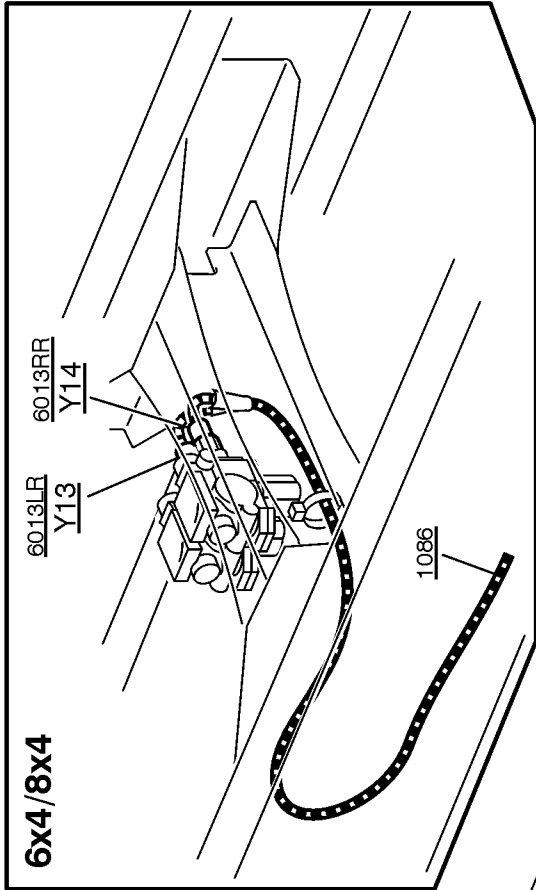
STWPOS-L DRAWN
STWPOS-R MIRROR IMAGE MOUNTED



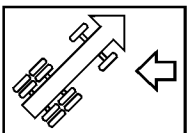
STWPOS-L DRAWN
STWPOS-R MIRROR IMAGE MOUNTED

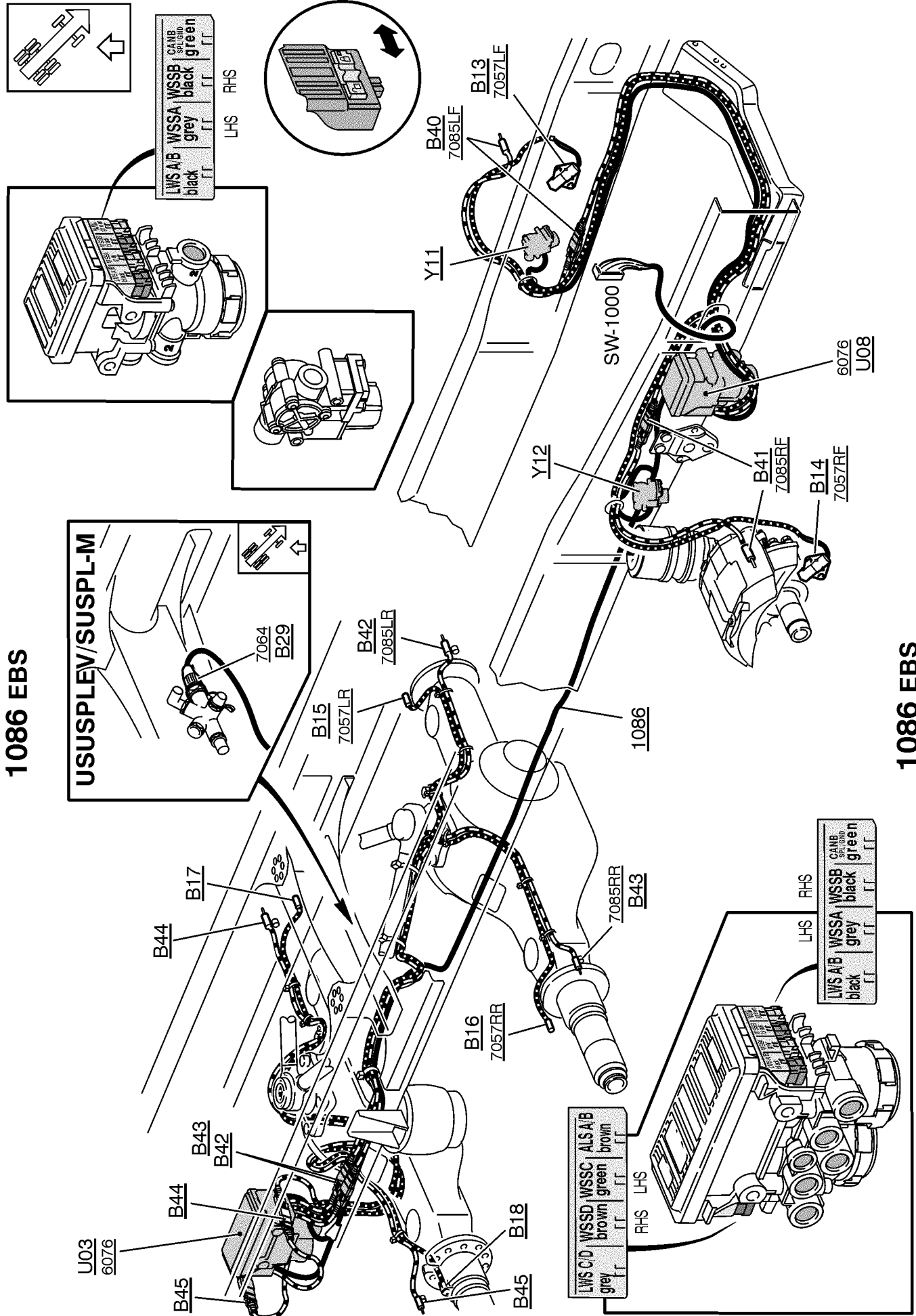


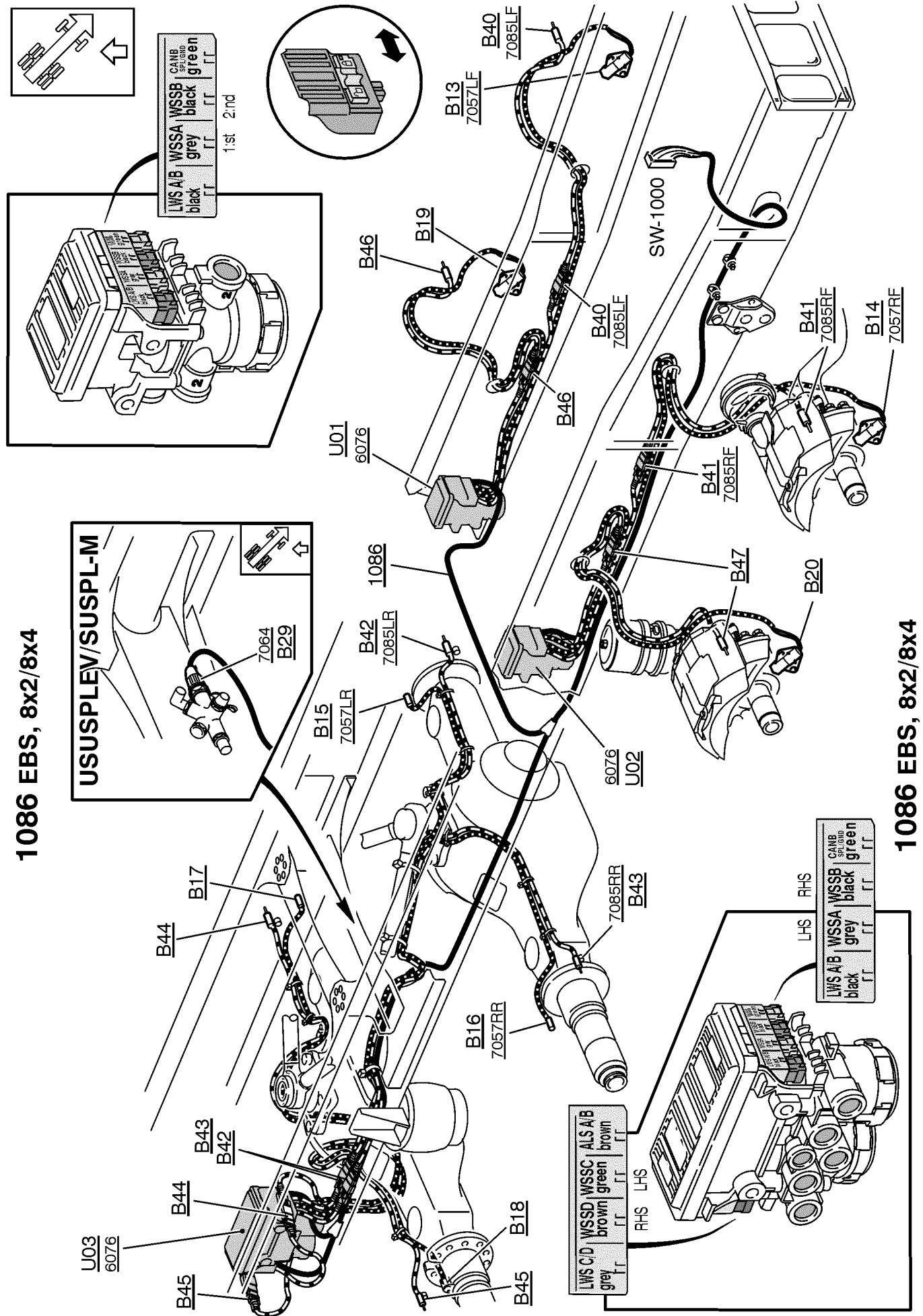
1086 ABS



1086 ABS

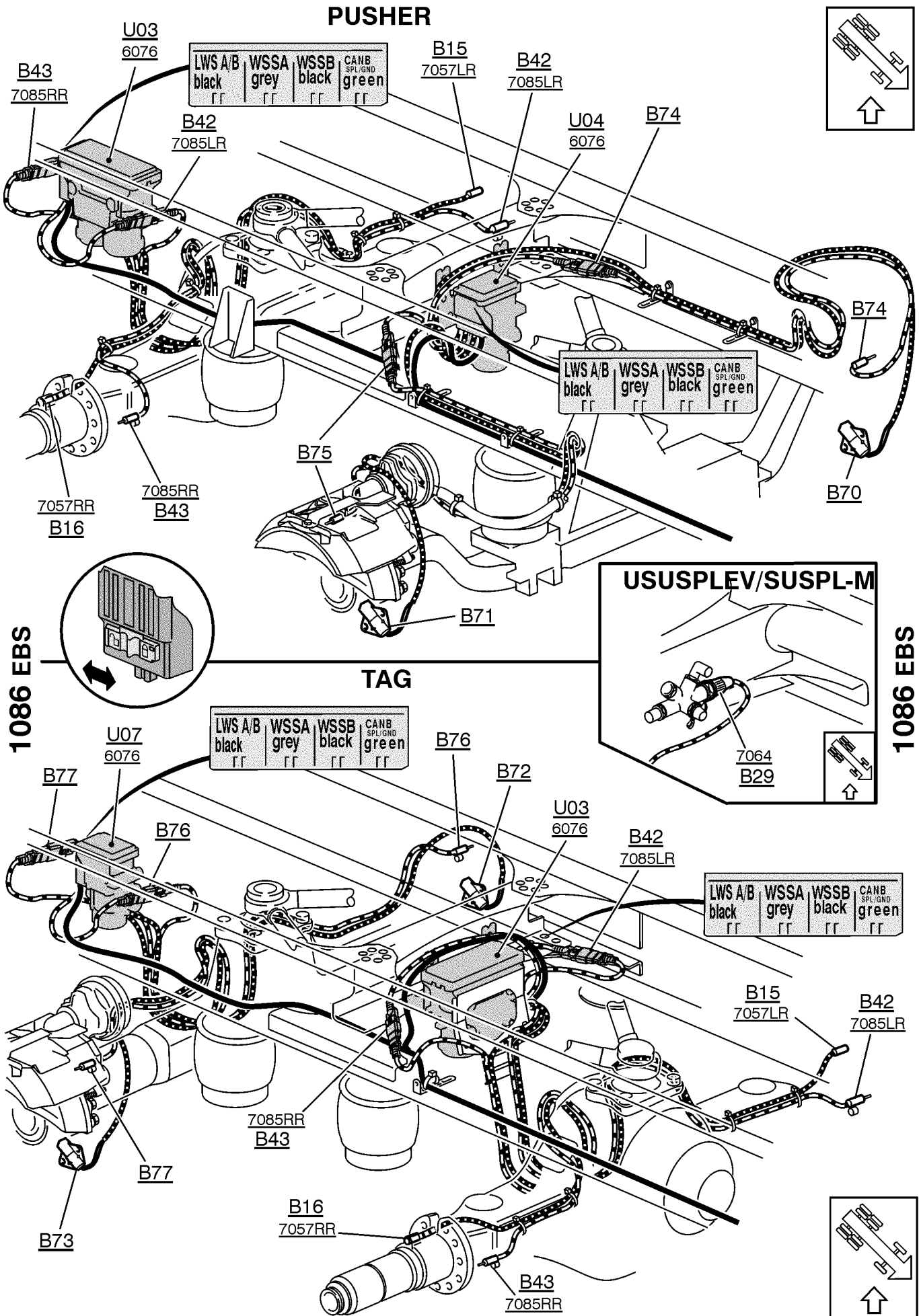


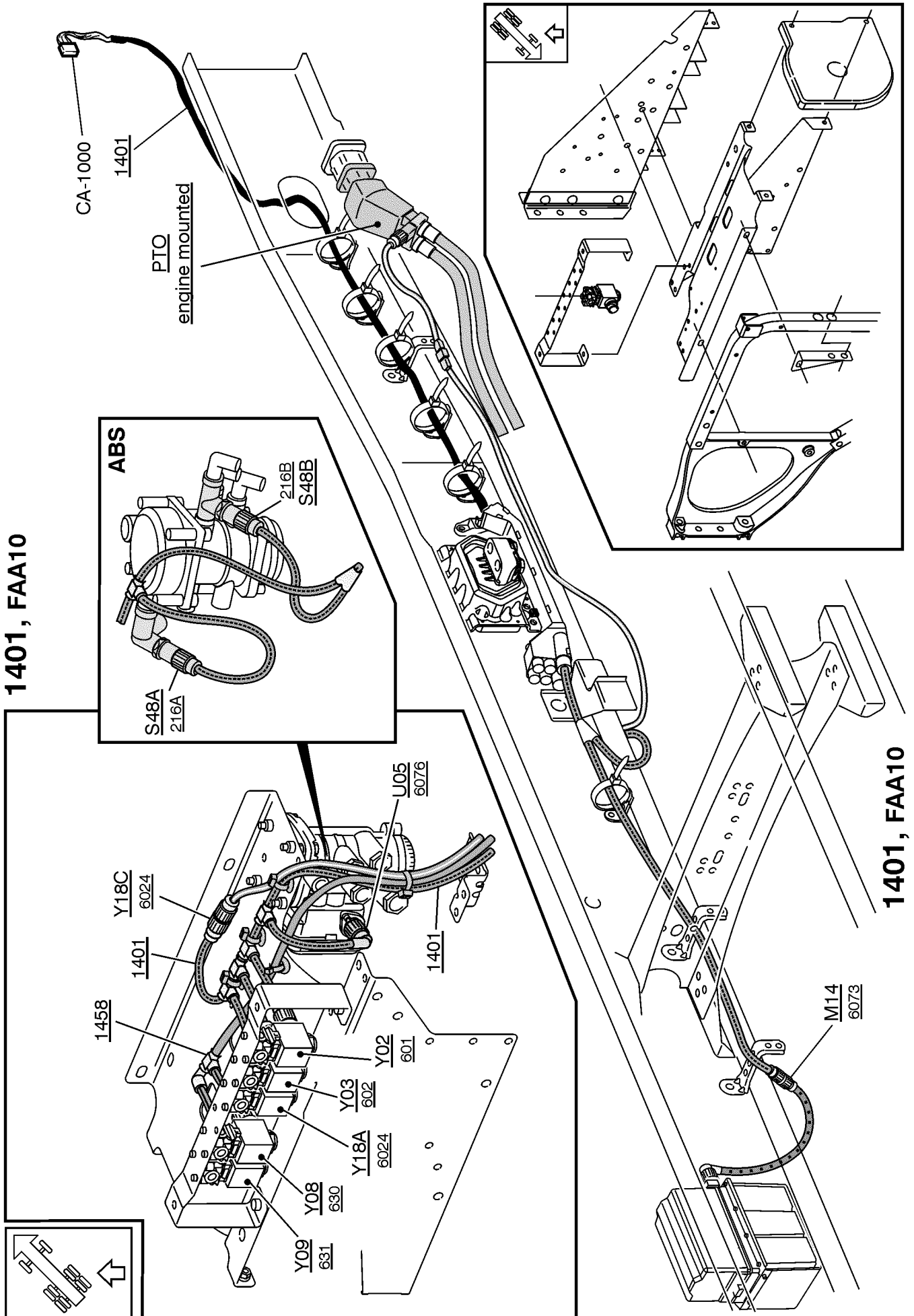




1086 EBS, 8x2/8x4

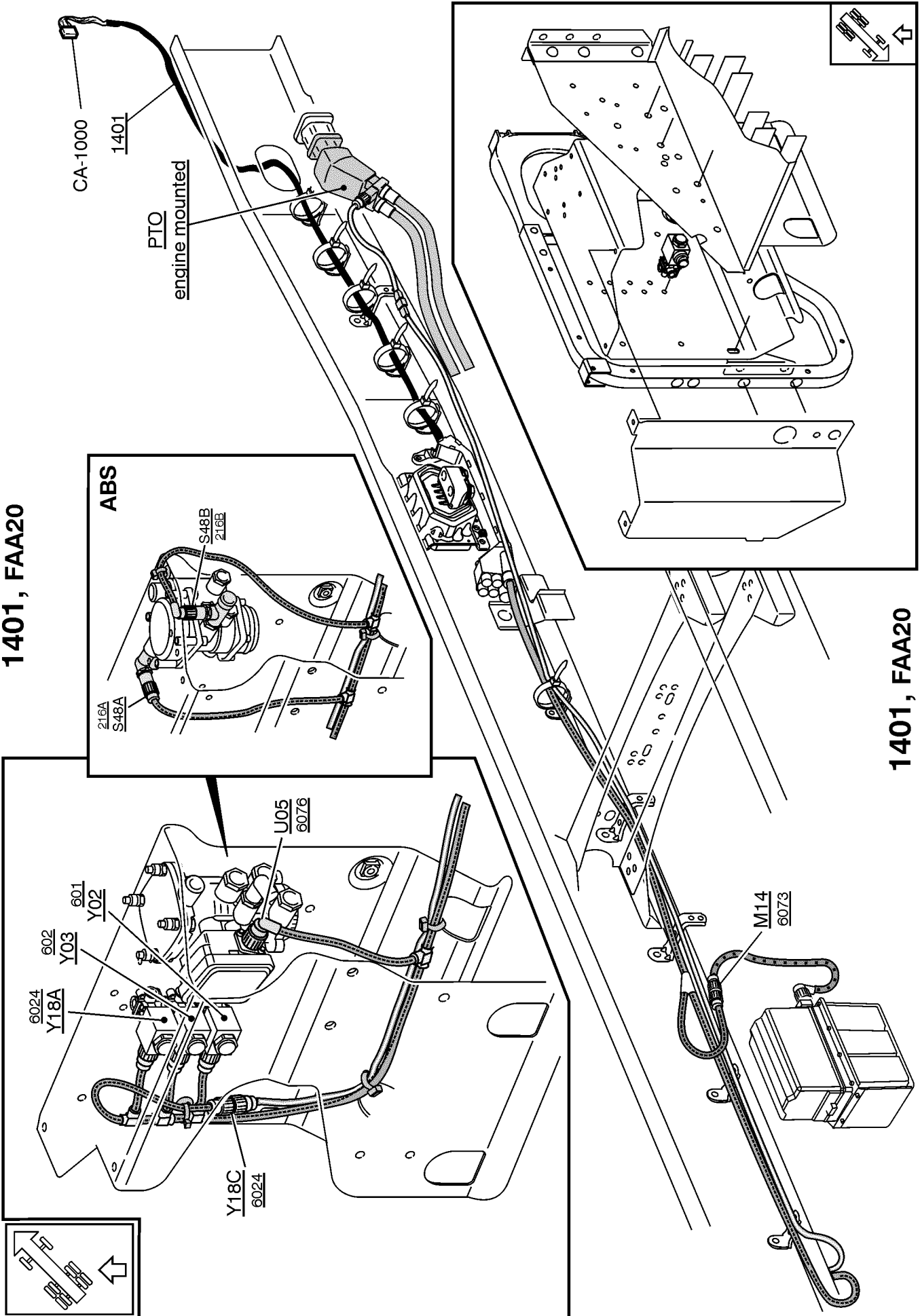
1086 EBS, 8x2/8x4

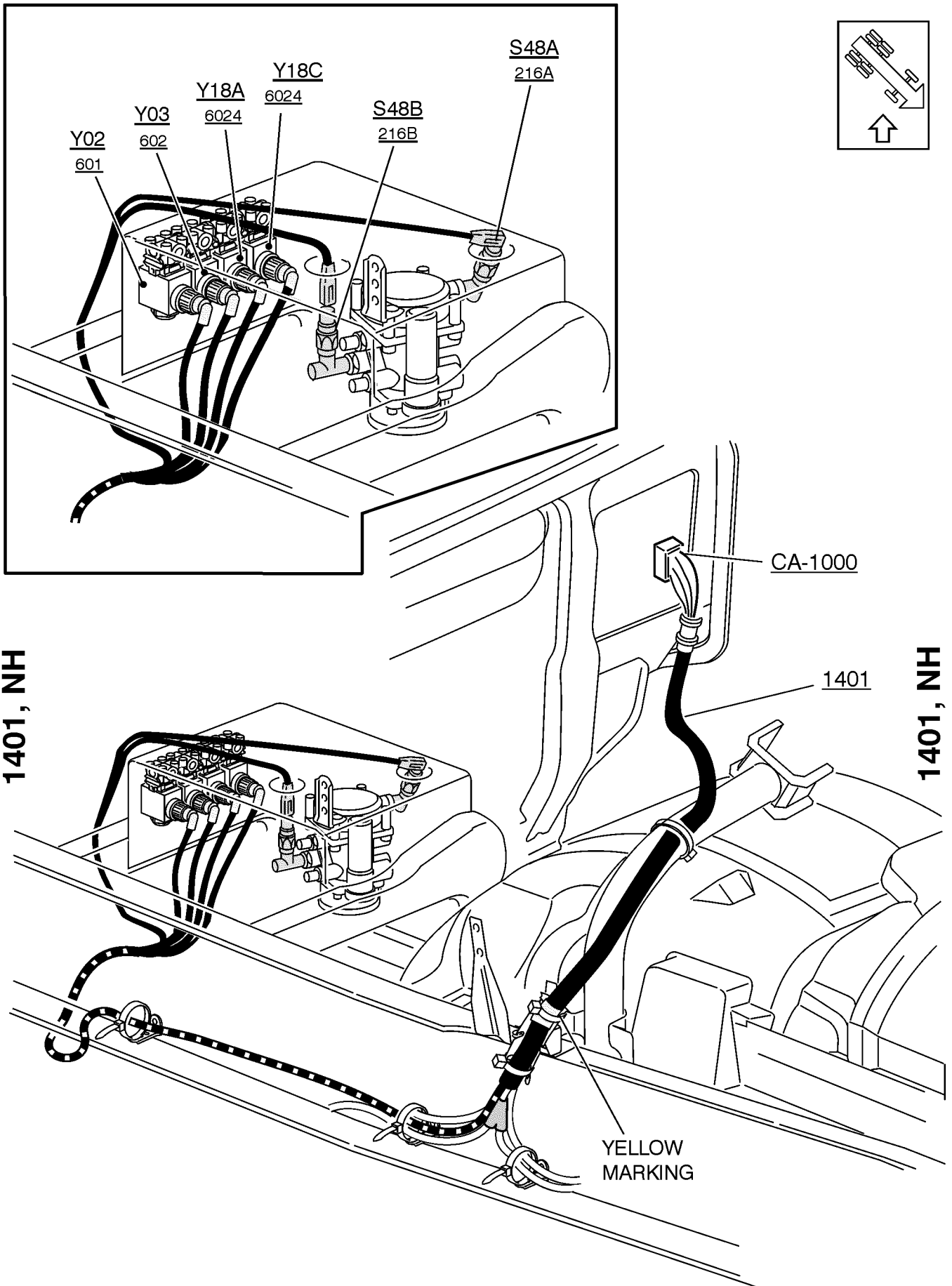


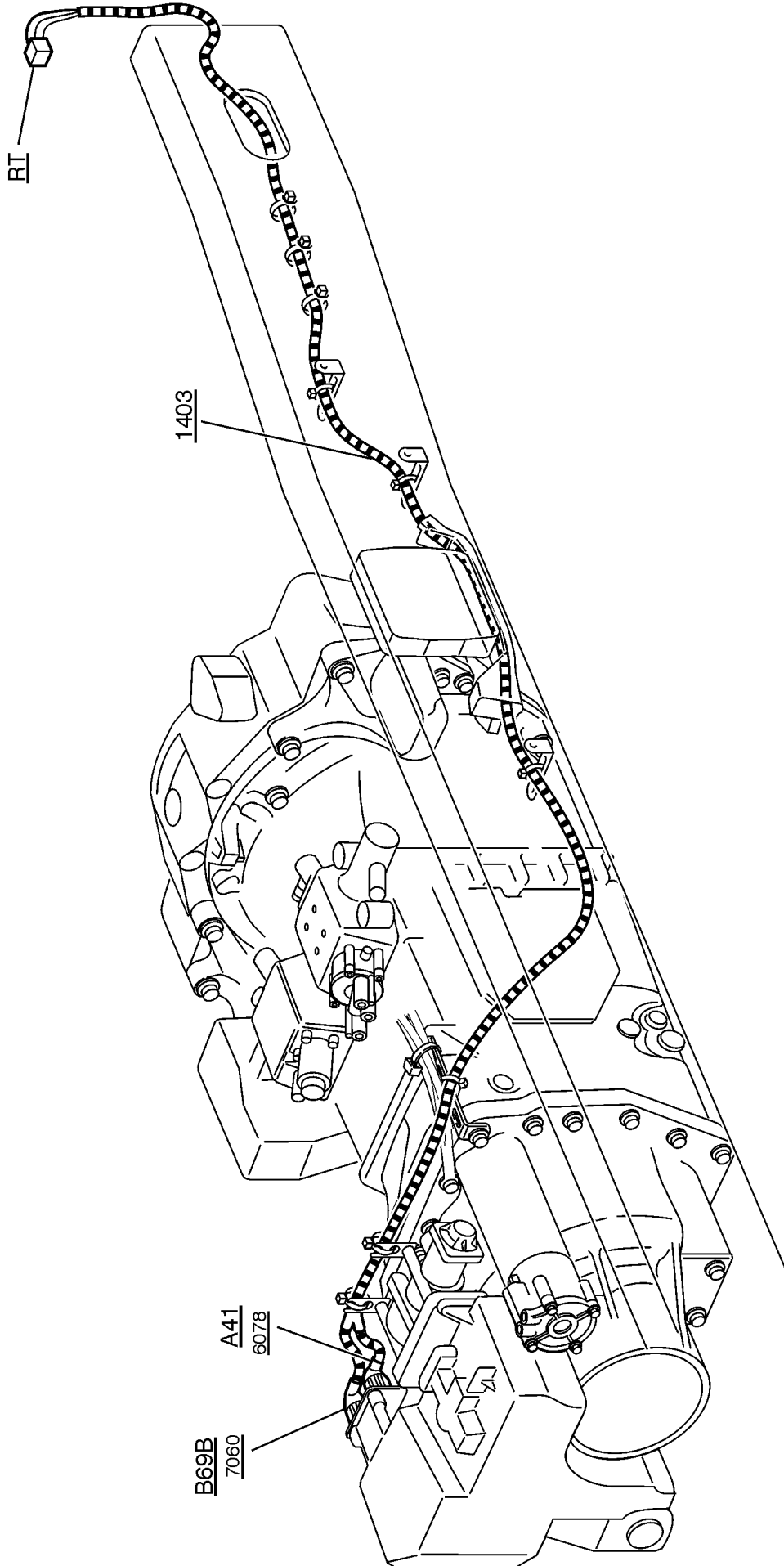
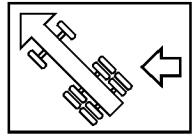


1401, FAA20

1401, FAA20

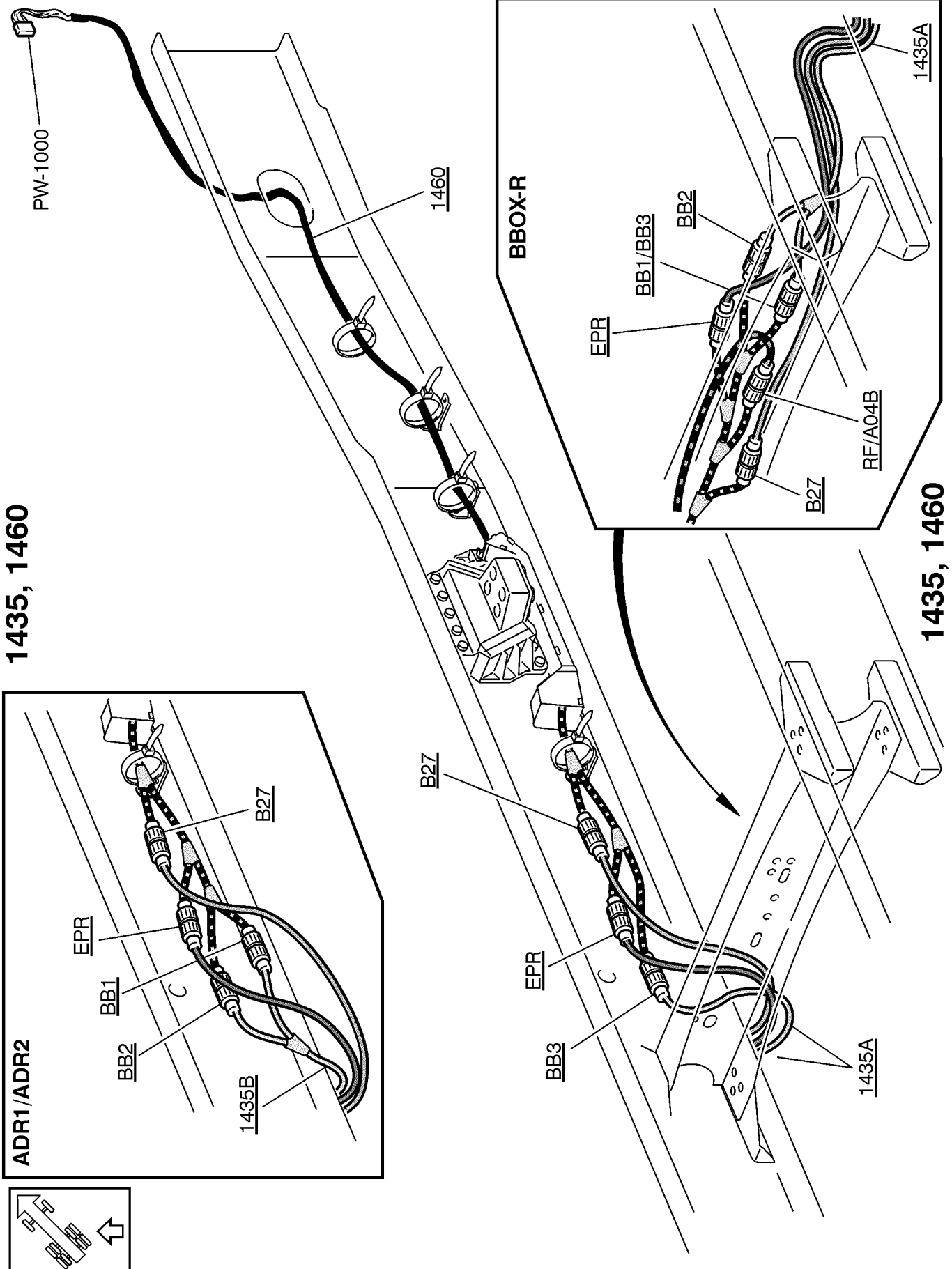






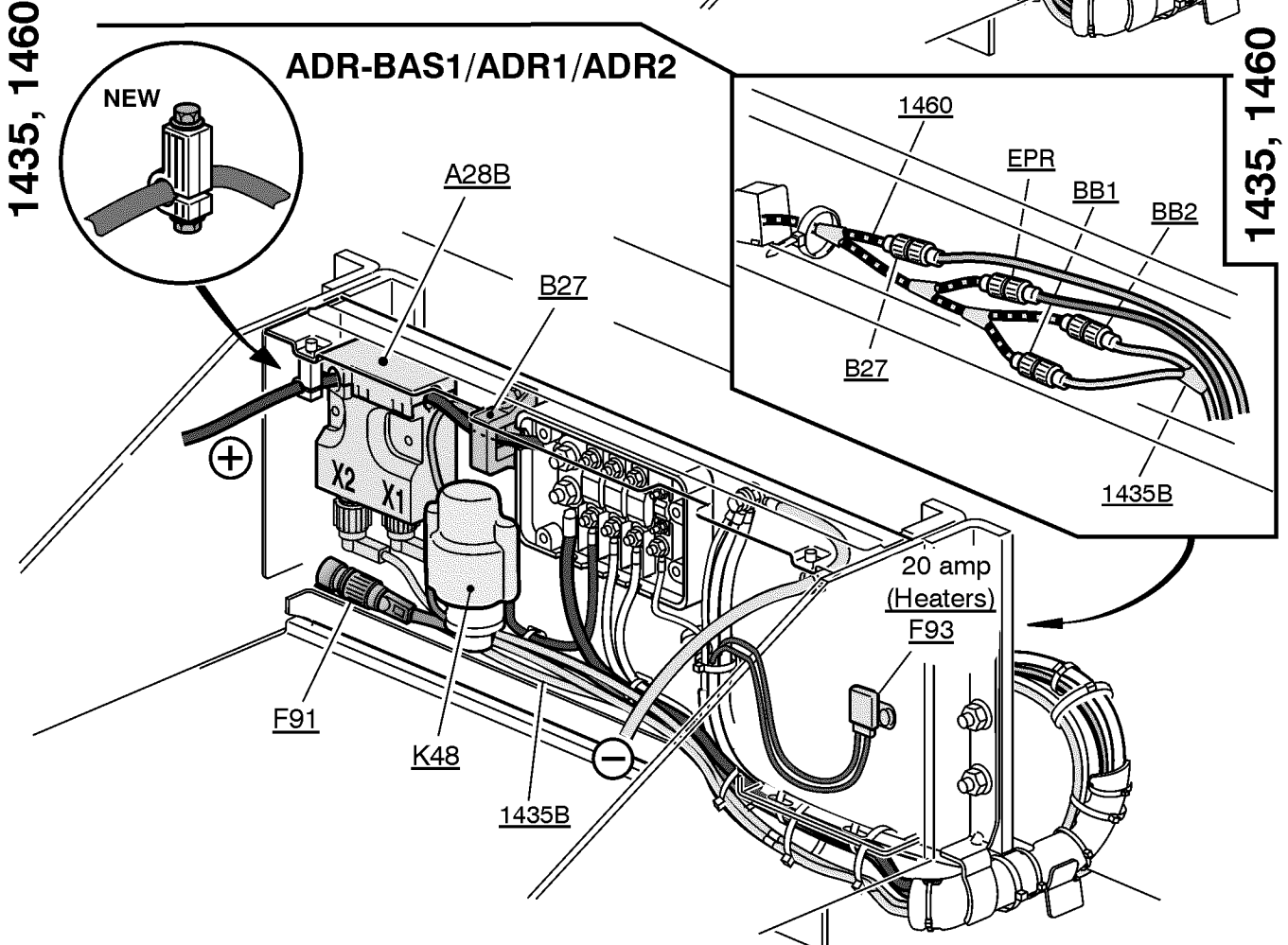
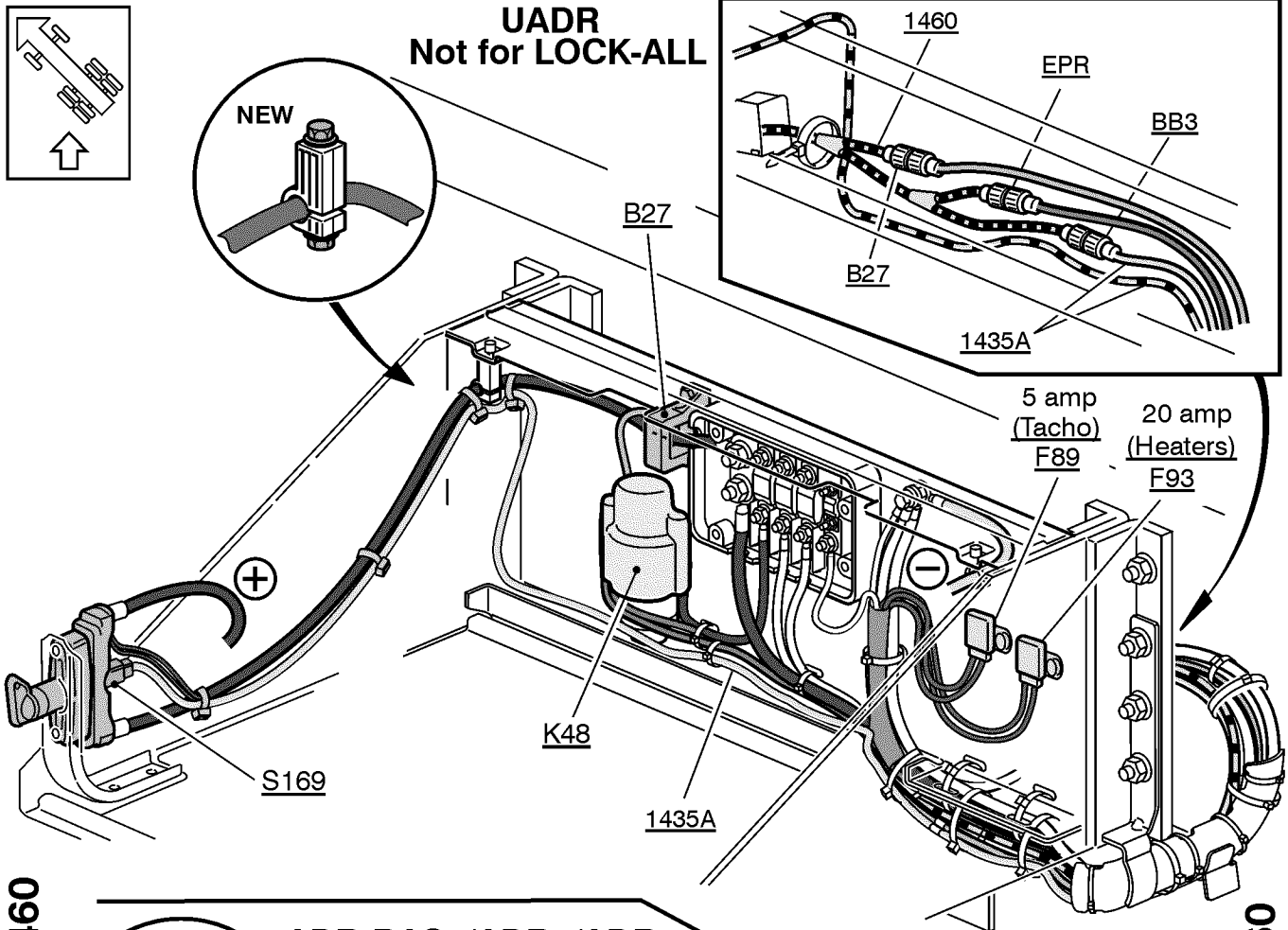
1403

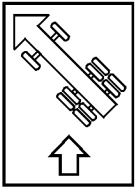
1403



1435, 1460

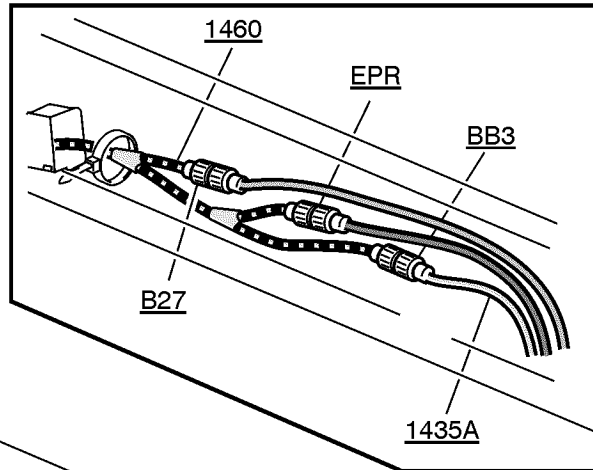
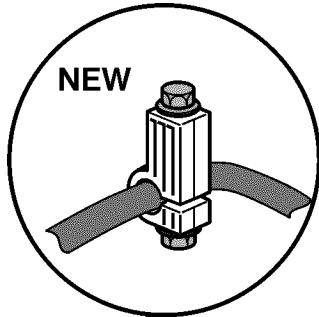
1435, 1460



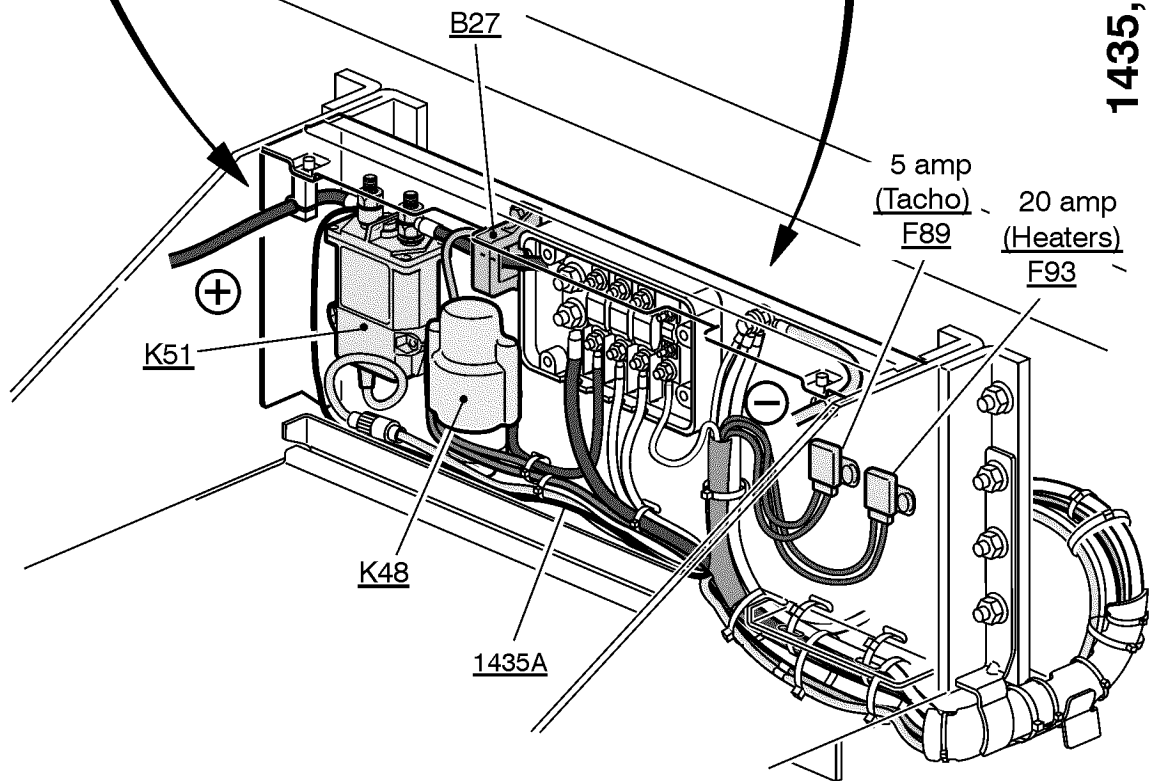


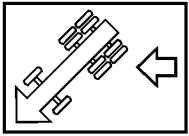
MAINSWI, LOCK-ALL

1435, 1460

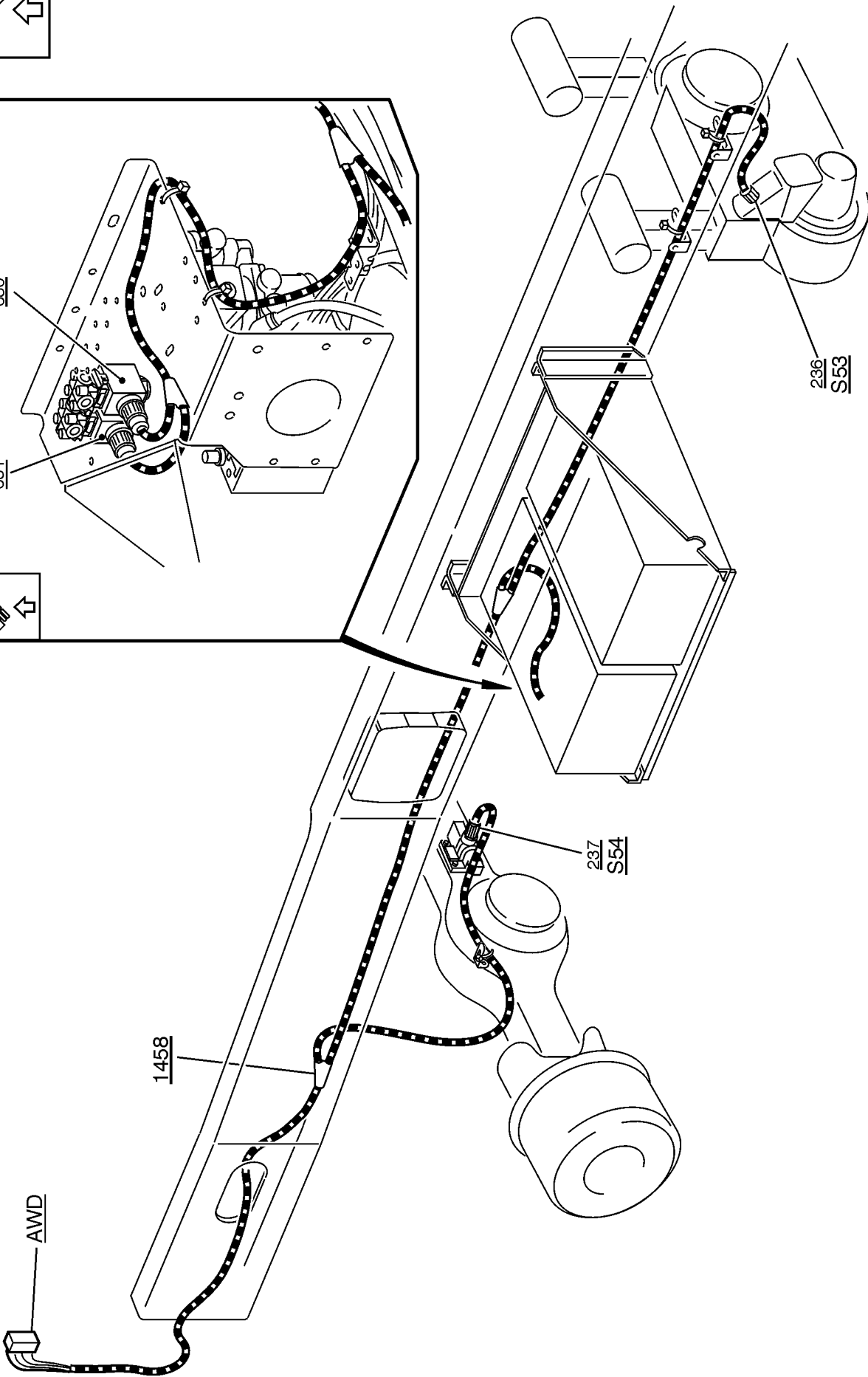
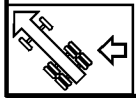
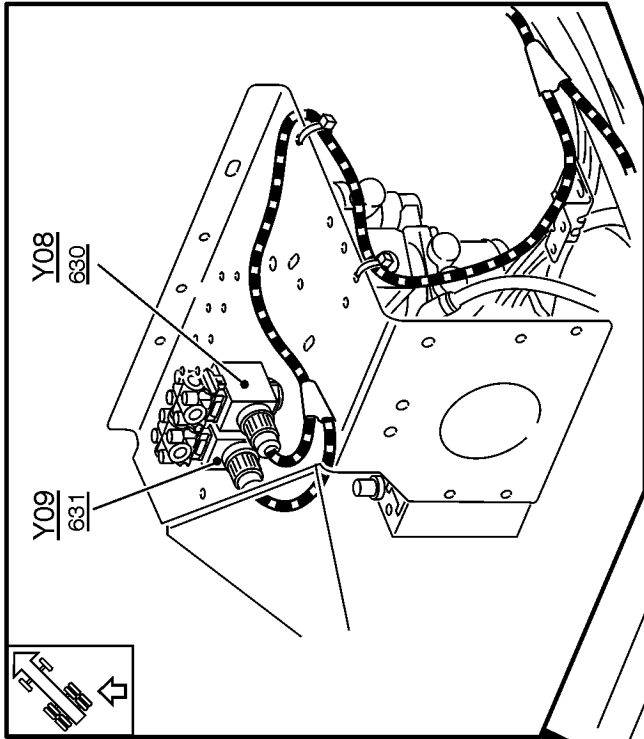


1435, 1460

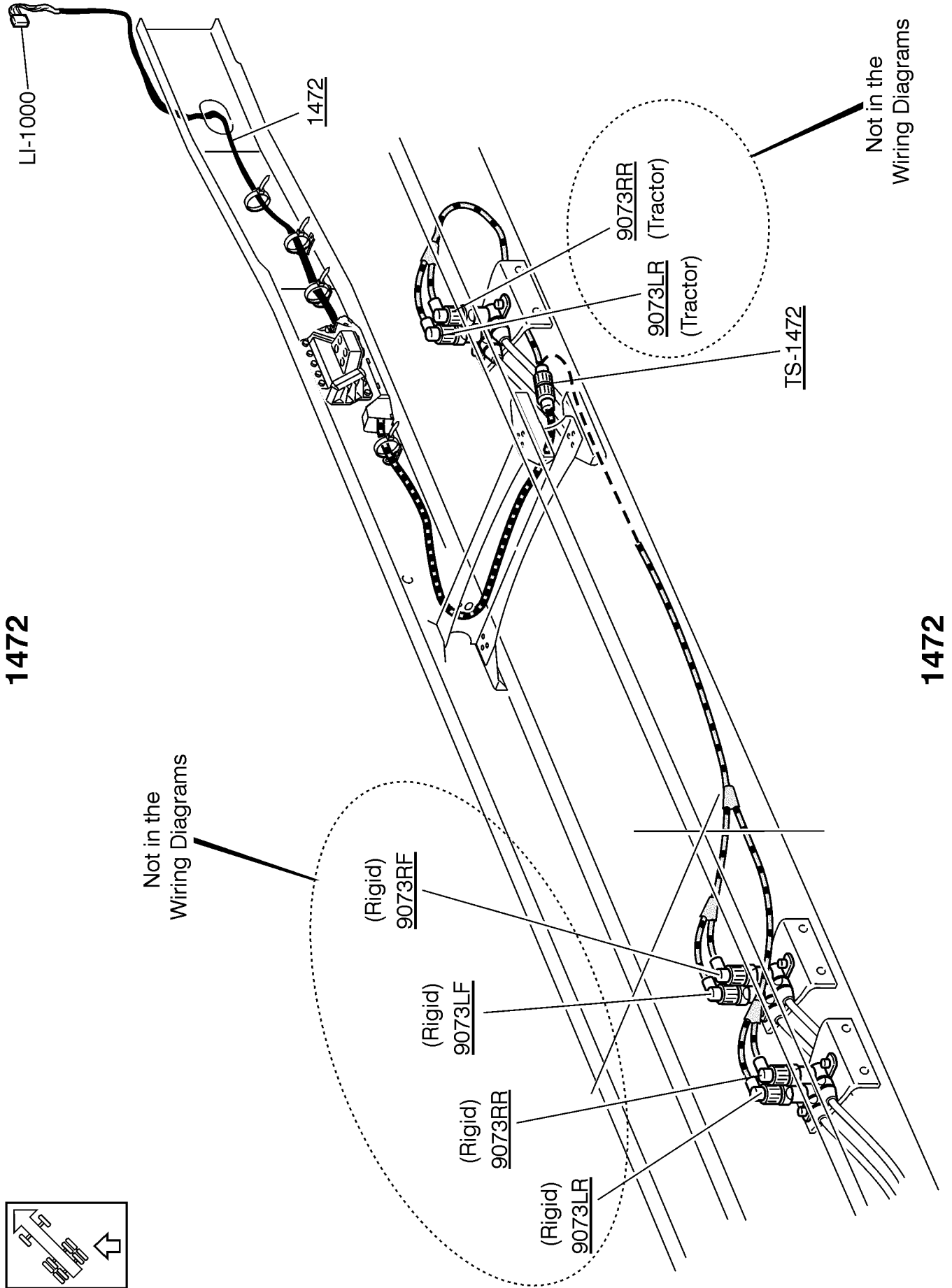




1458



1458

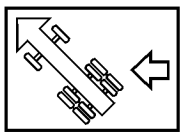


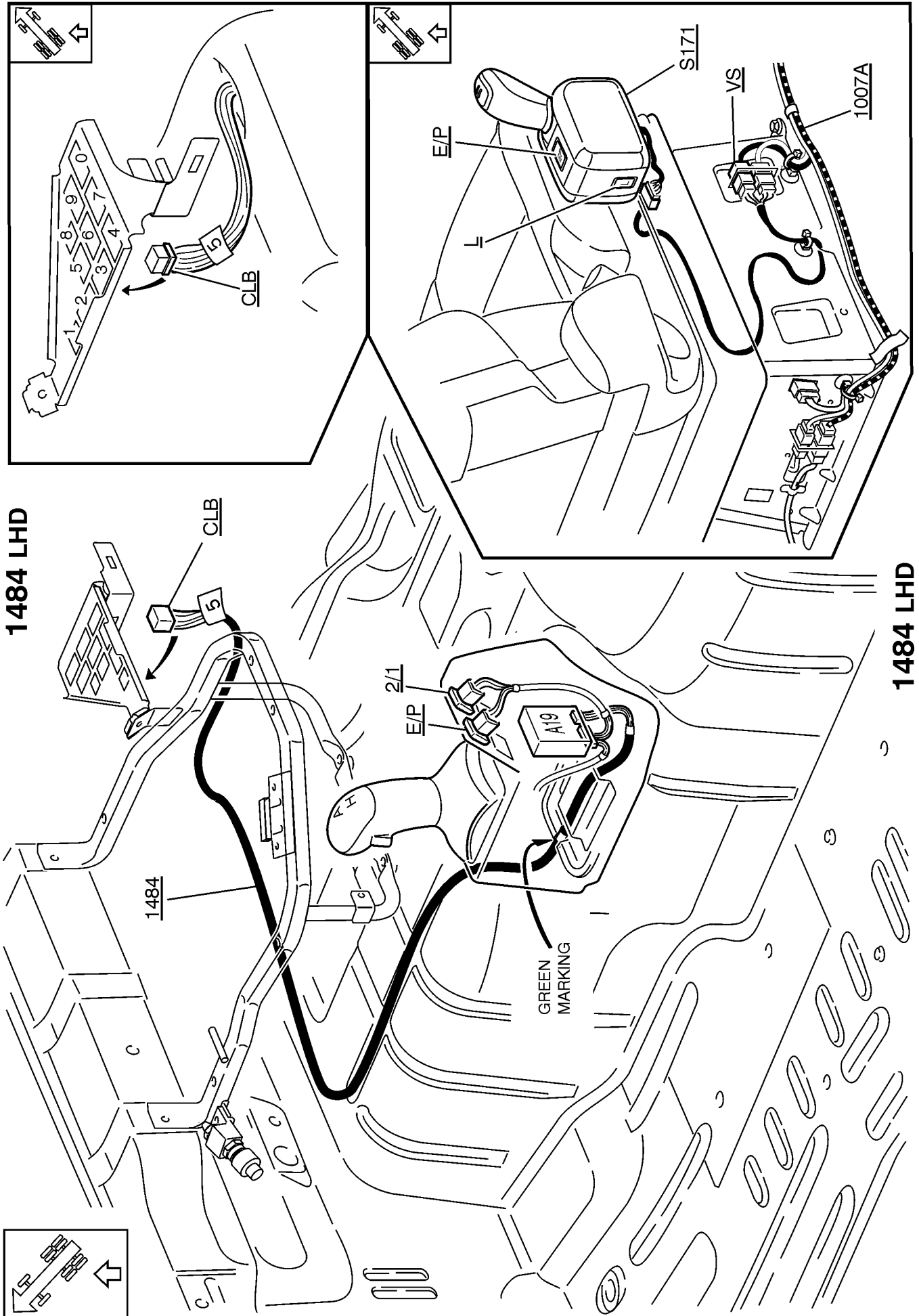
Not in the
Wiring Diagrams

Not in the
Wiring Diagrams

1472

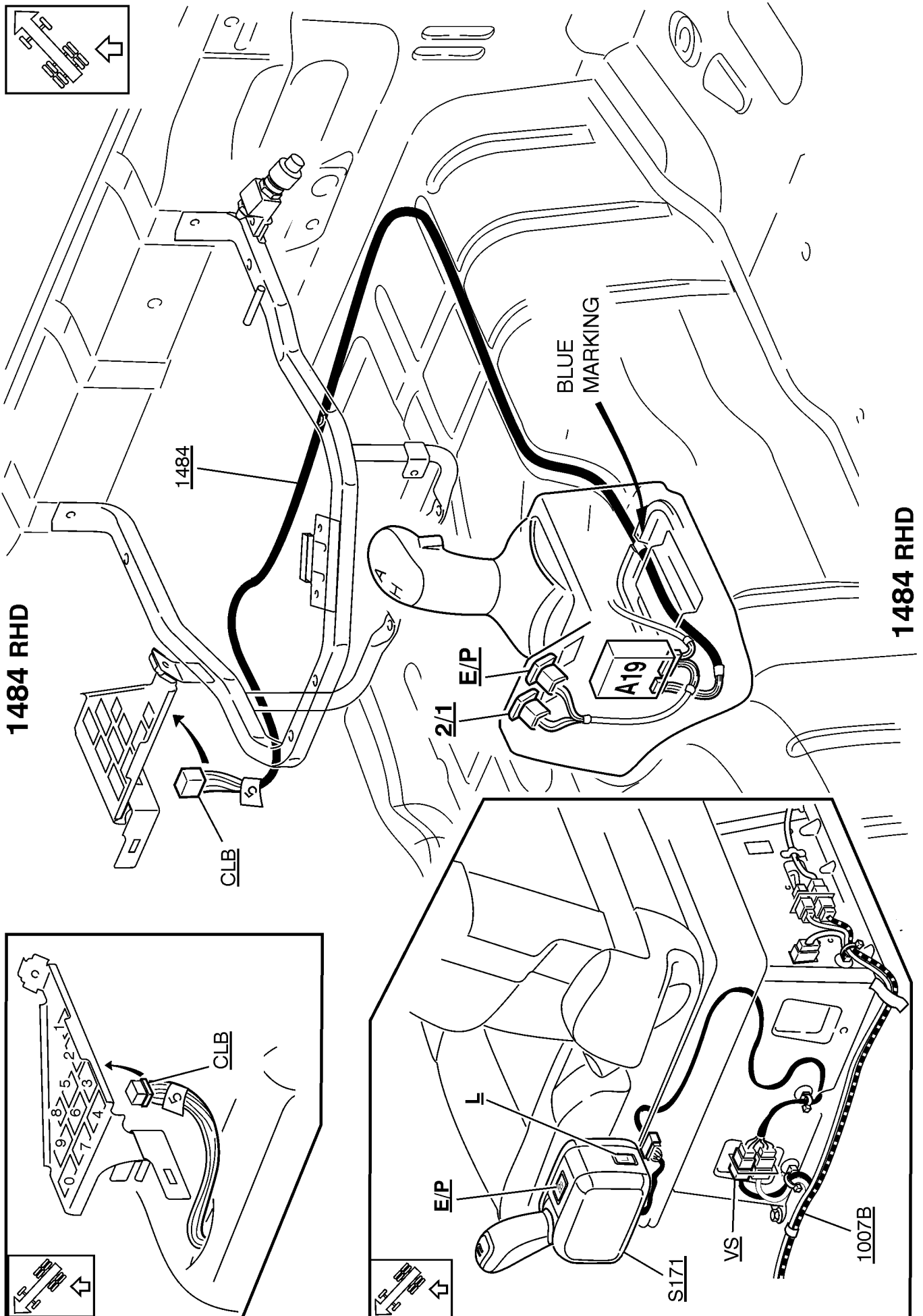
1472

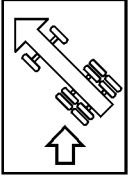




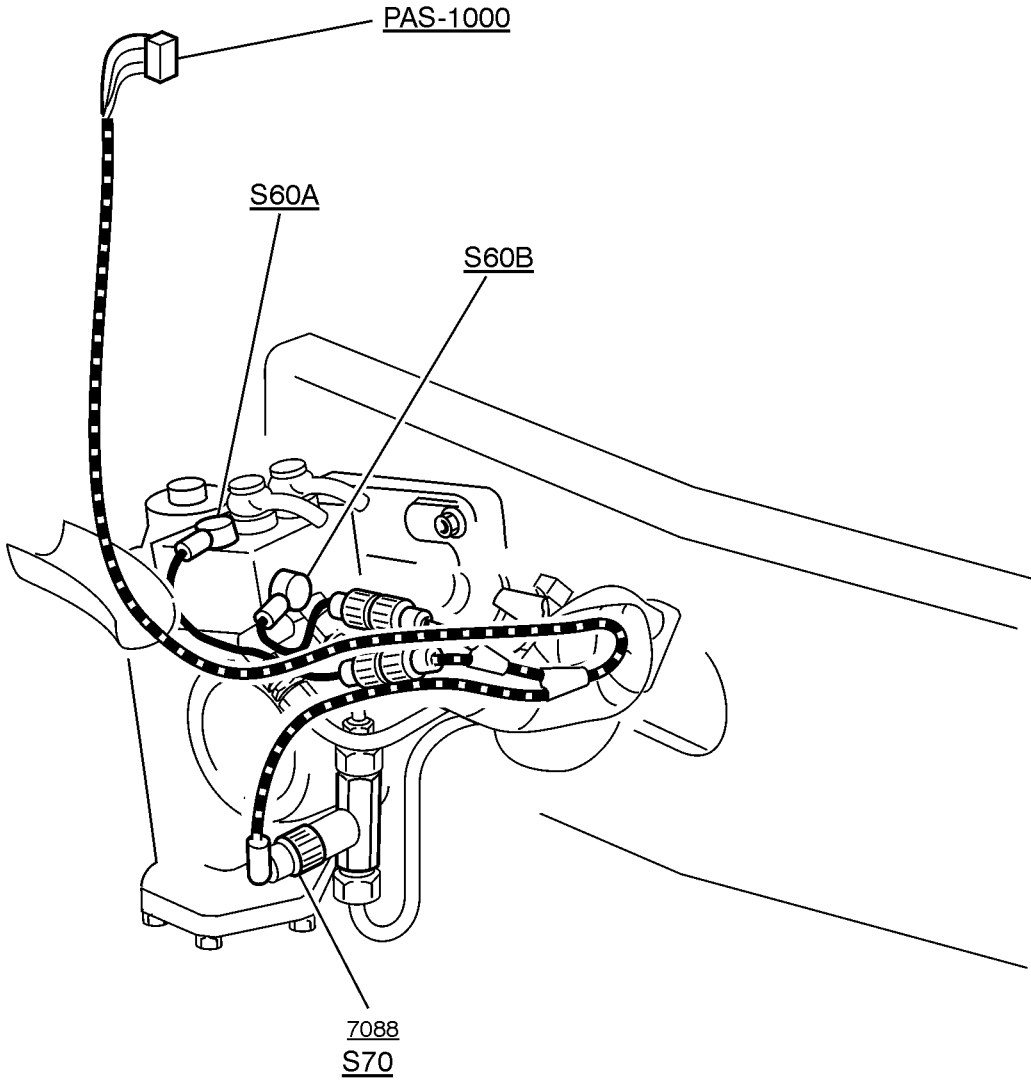
1484 LHD

1484 LHD



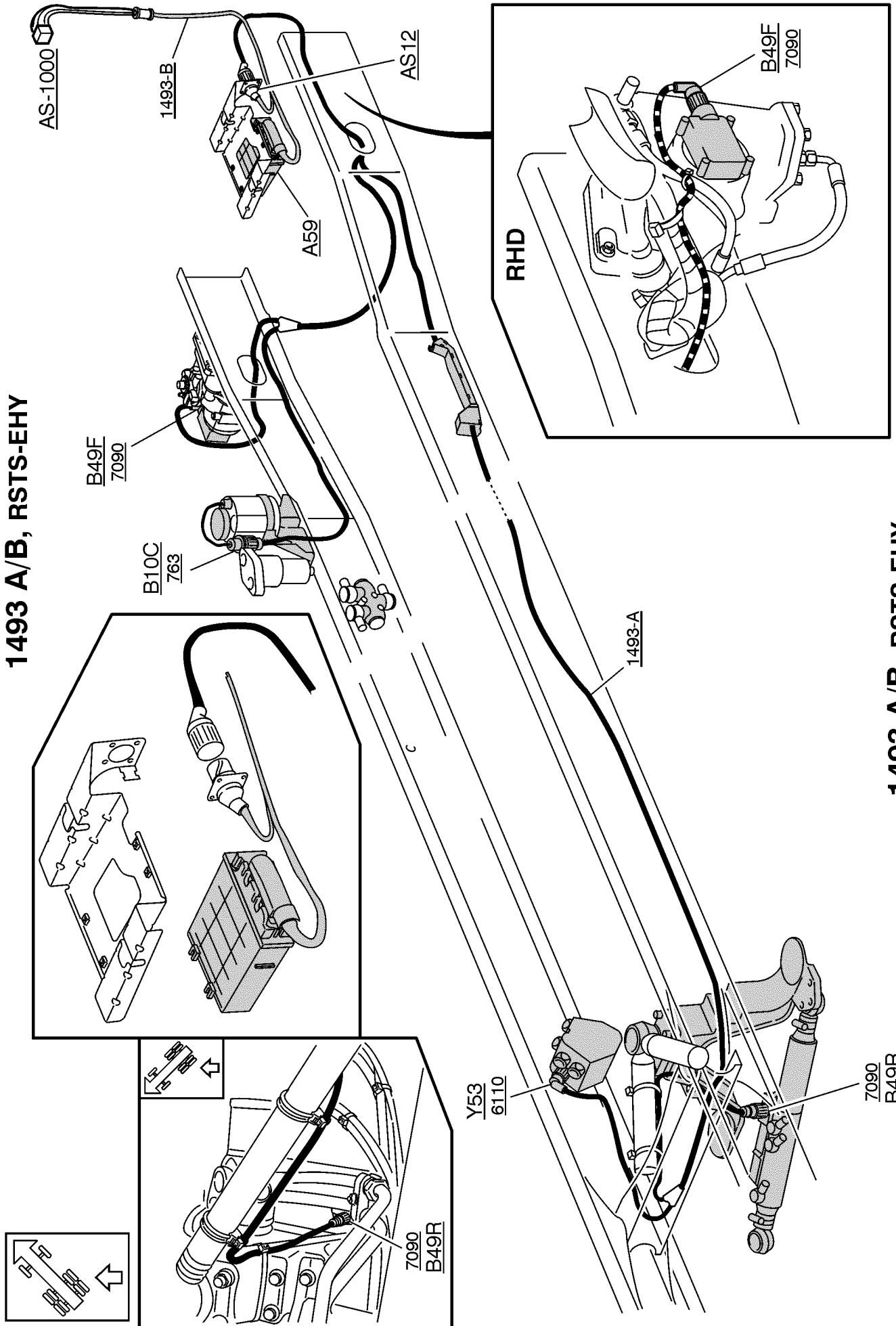


1493 LHD, PSS-DUAL



1493 LHD, PSS-DUAL

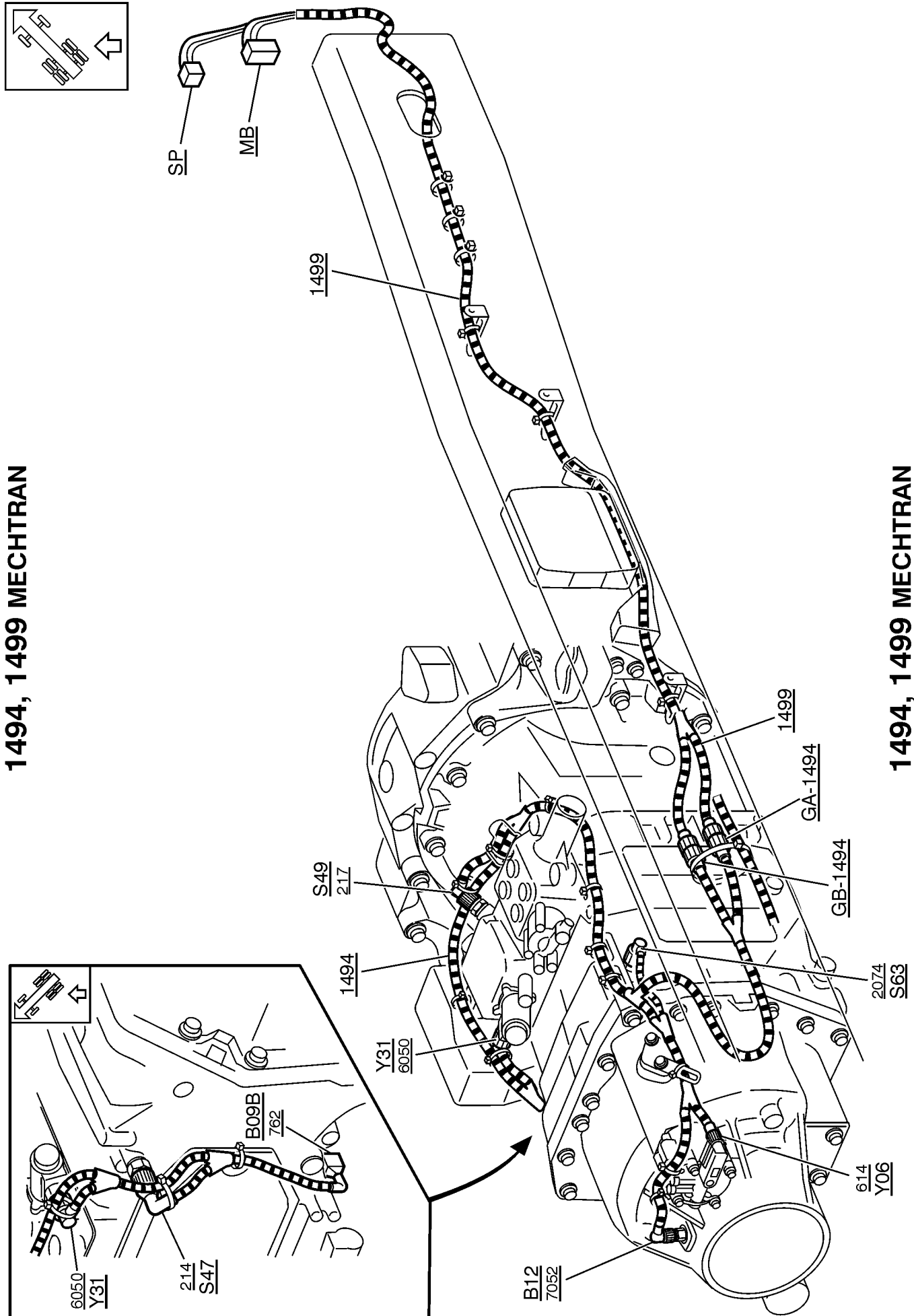
1493 A/B, RSTS-EHY

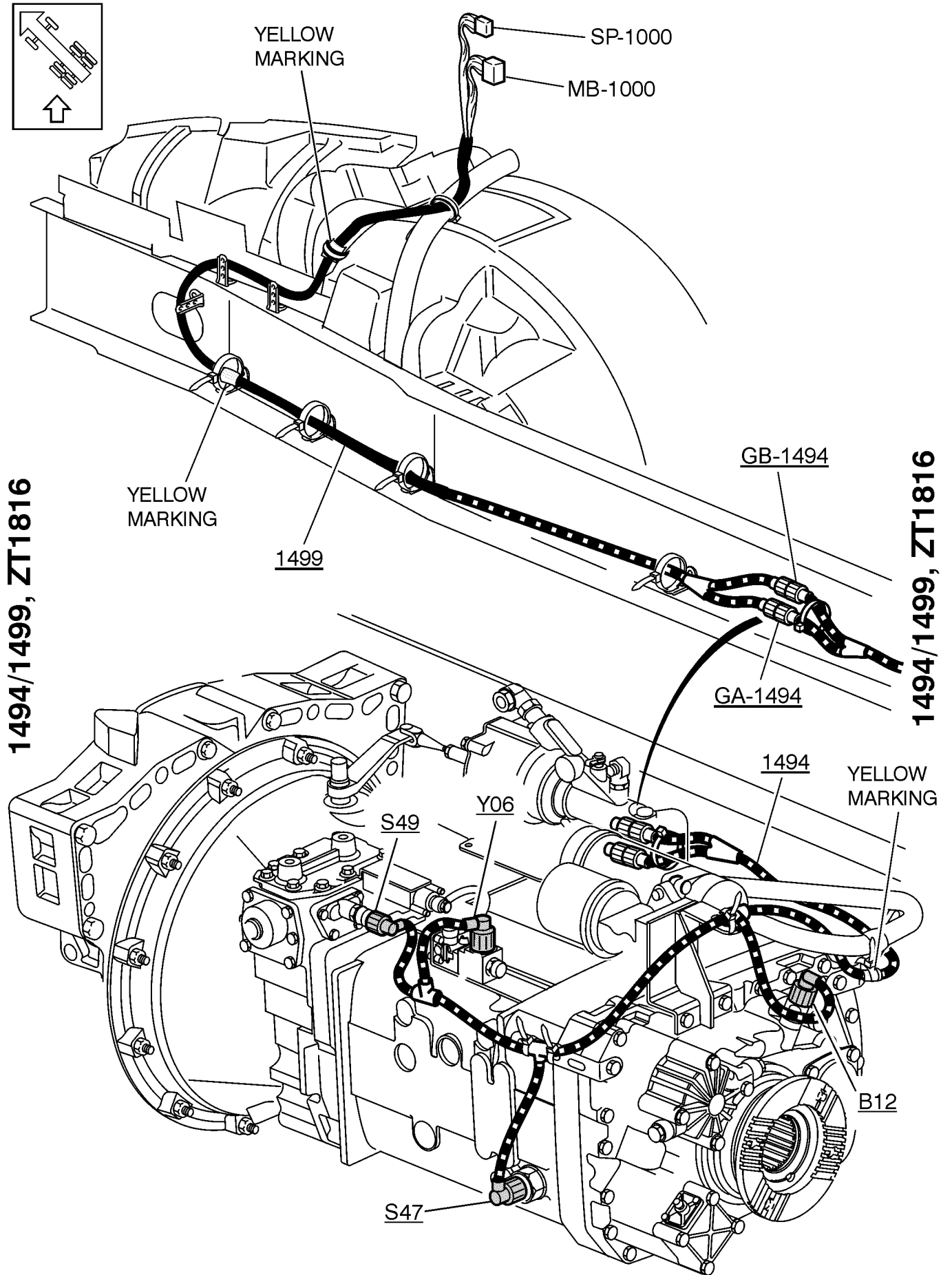


1493 A/B, RSTS-EHY

1494, 1499 MECHTRAN

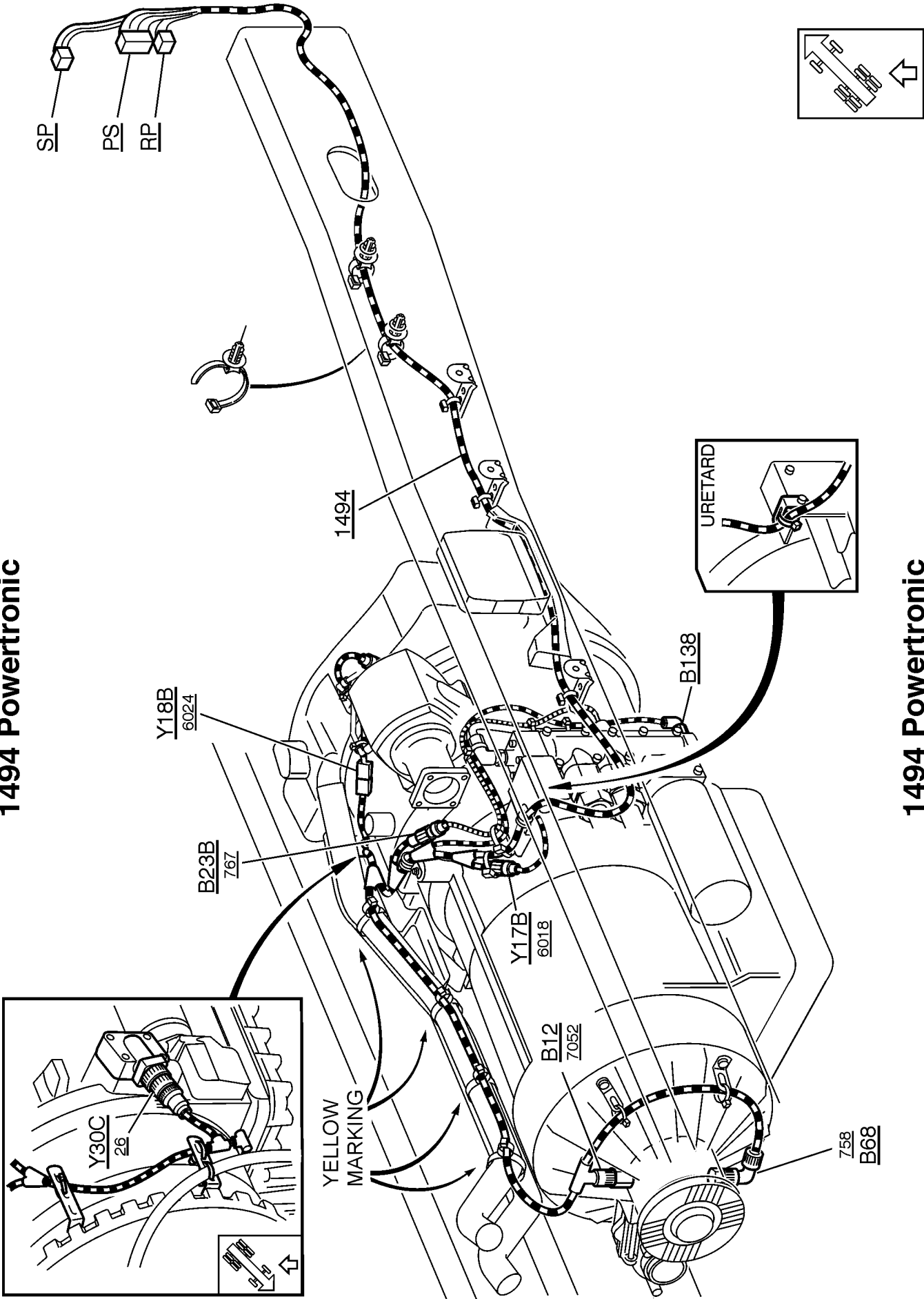
1494, 1499 MECHTRAN

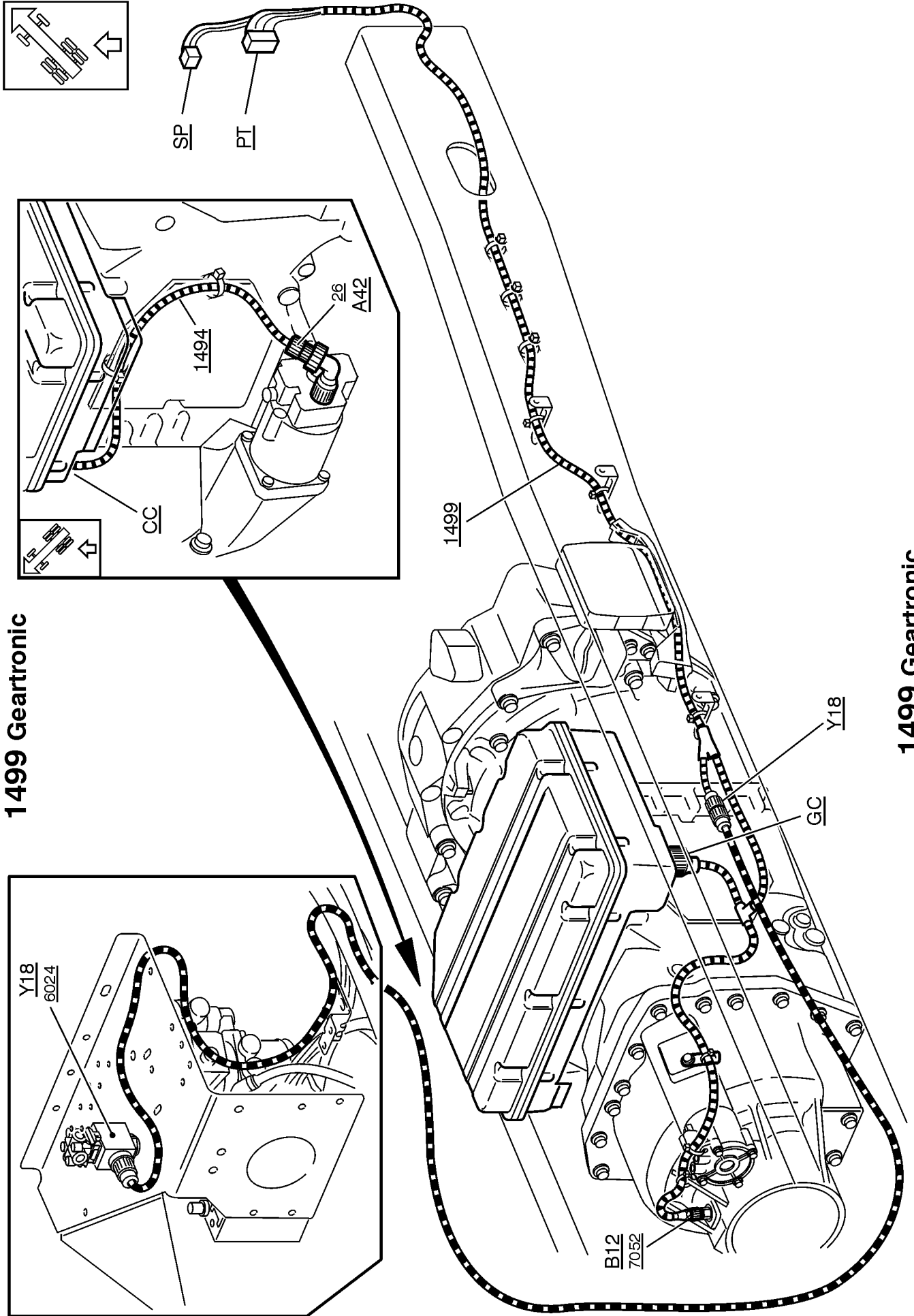




1494 Powertronic

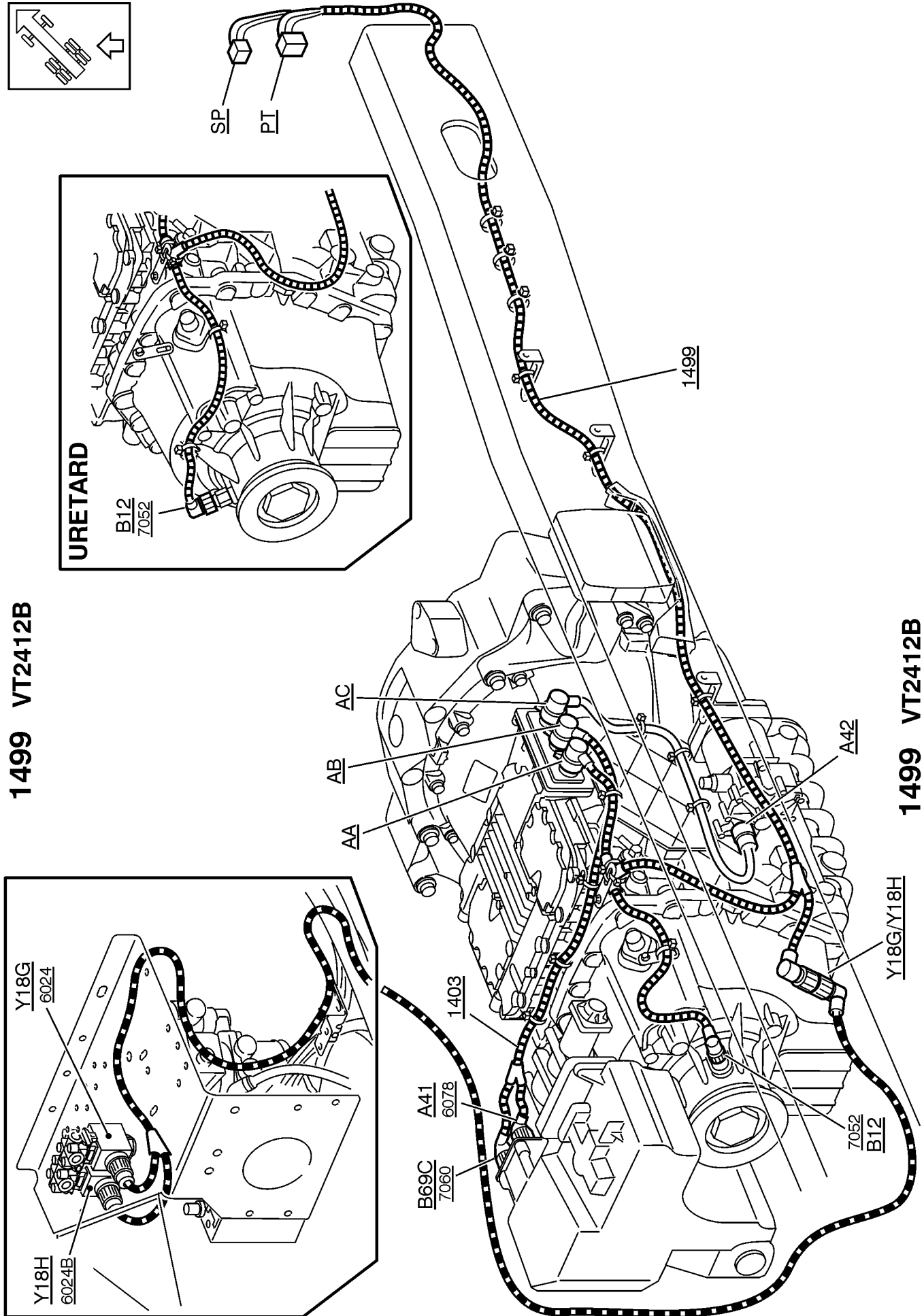
1494 Powertronic





1499 Geartronic

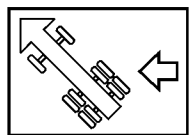
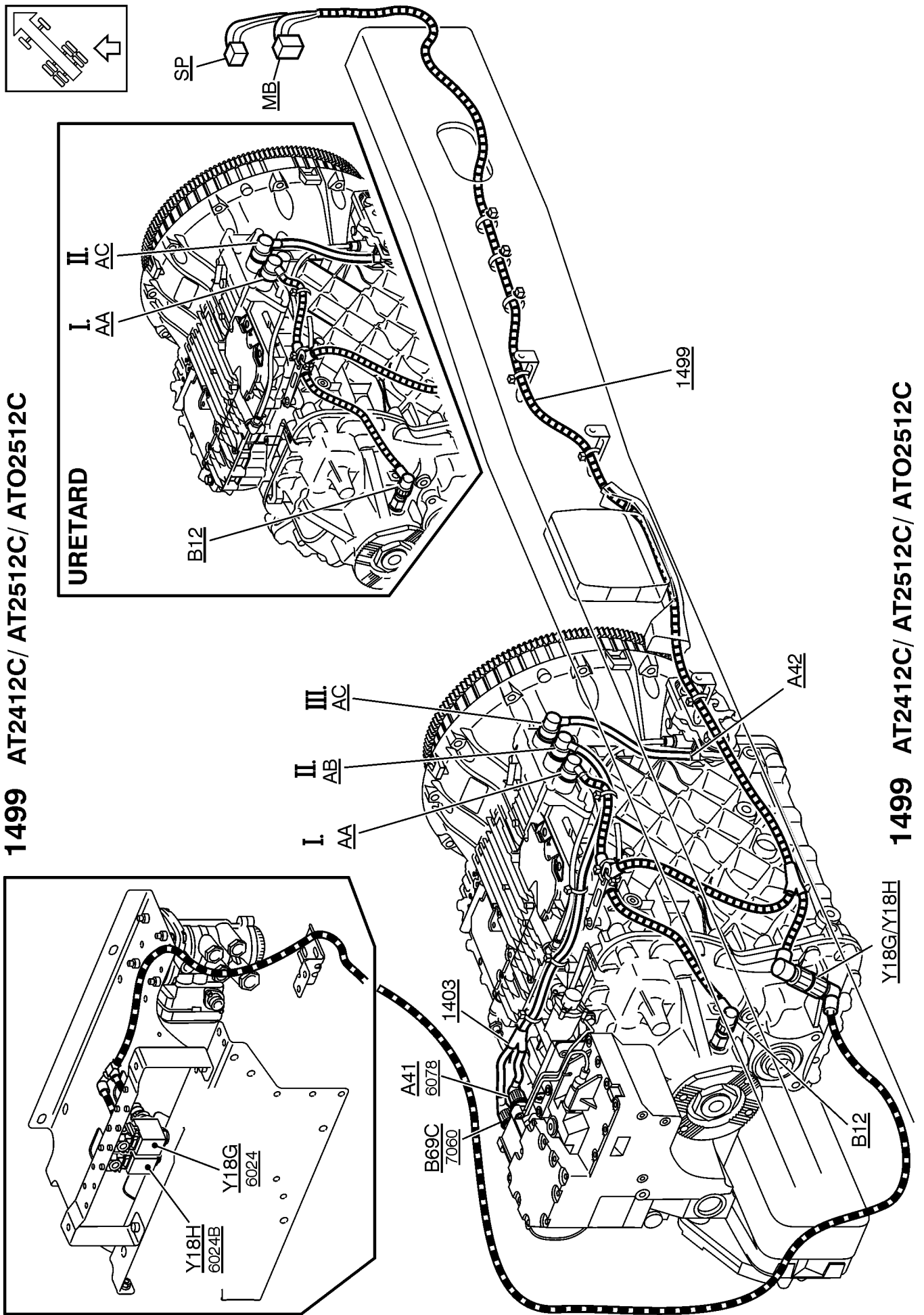
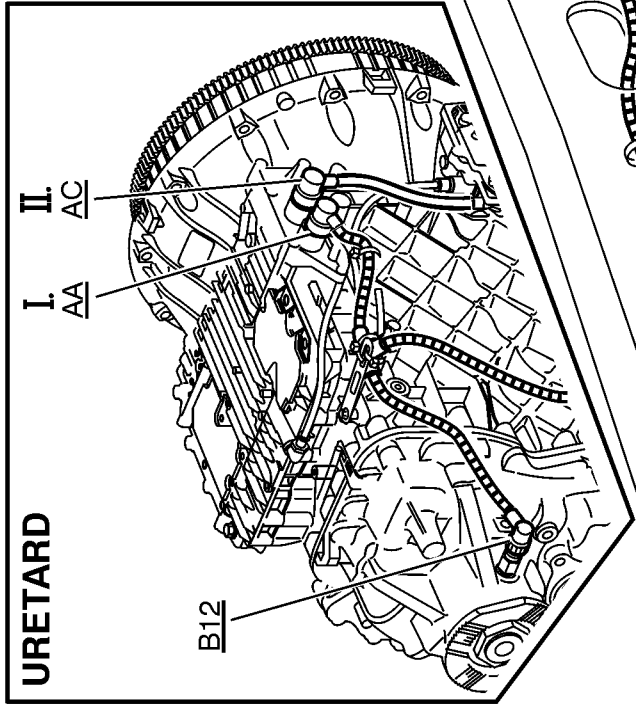
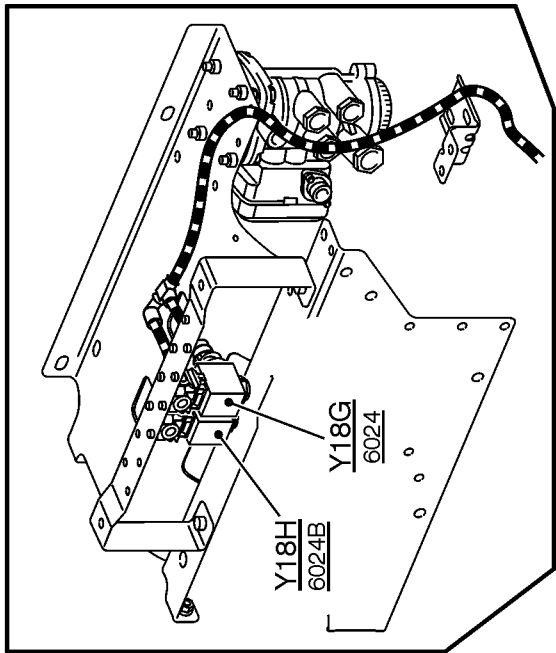
1499 Geartronic



1499 VT2412B

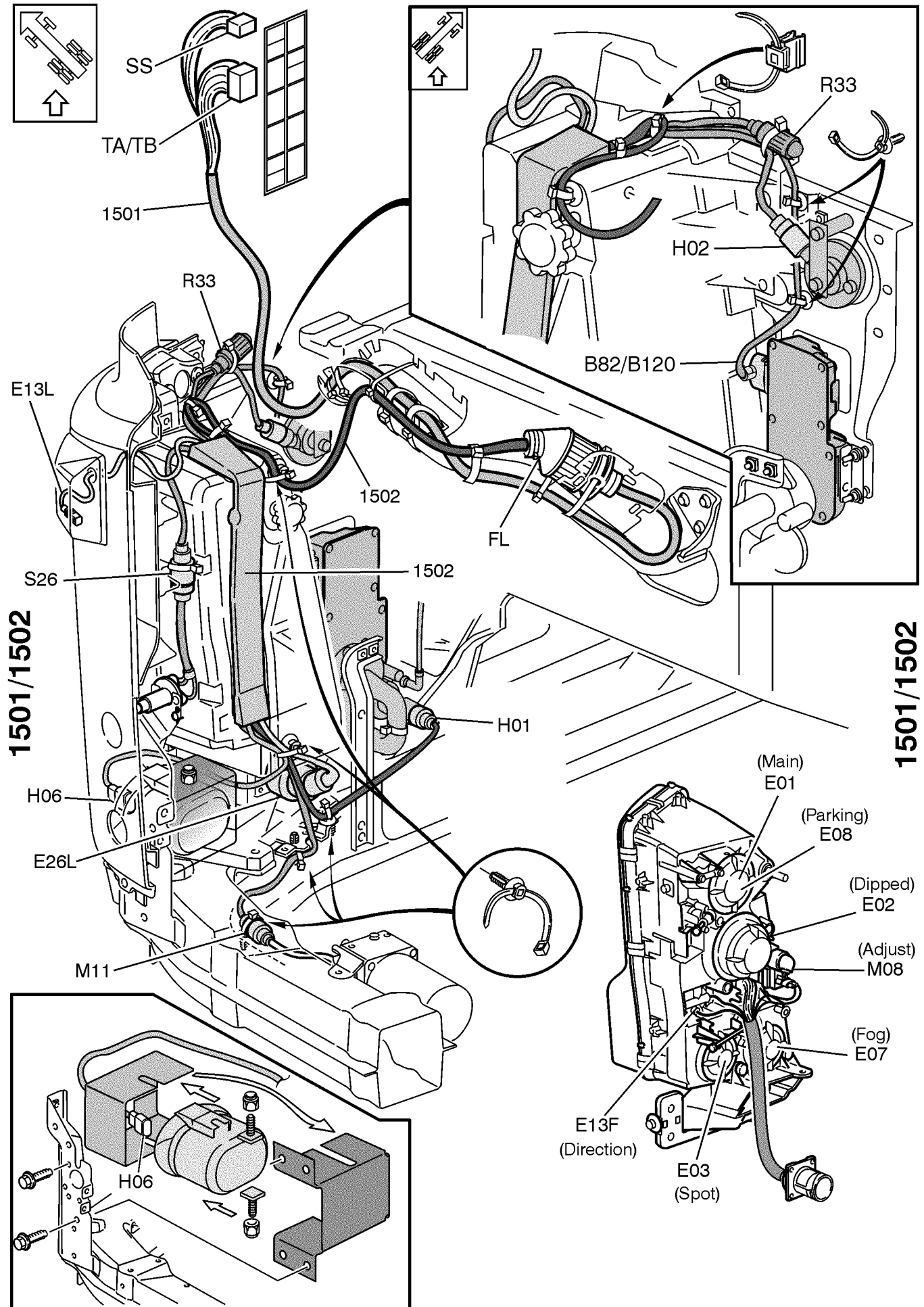
1499 VT2412B

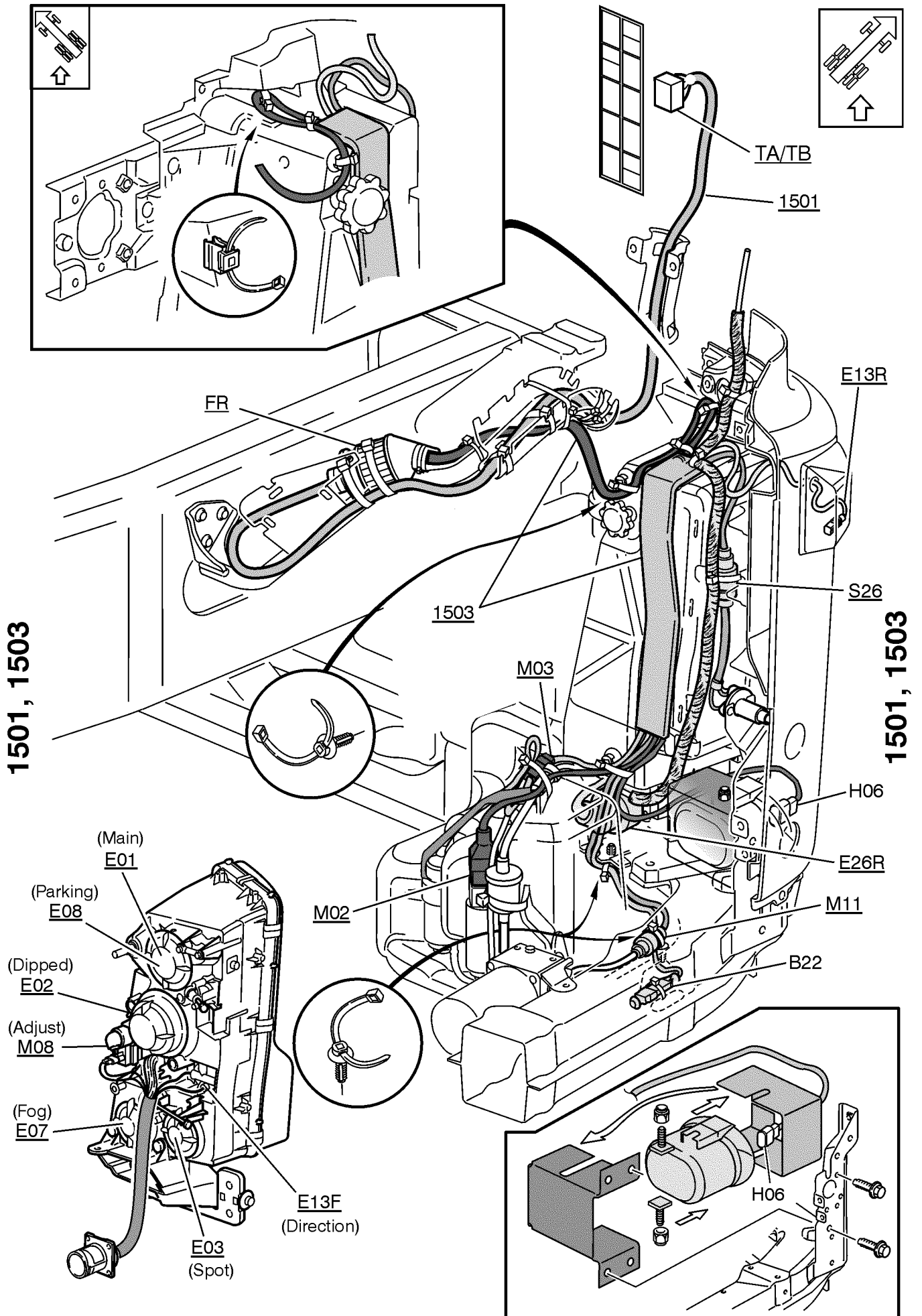
1499 AT2412C/ AT2512C/ ATO2512C

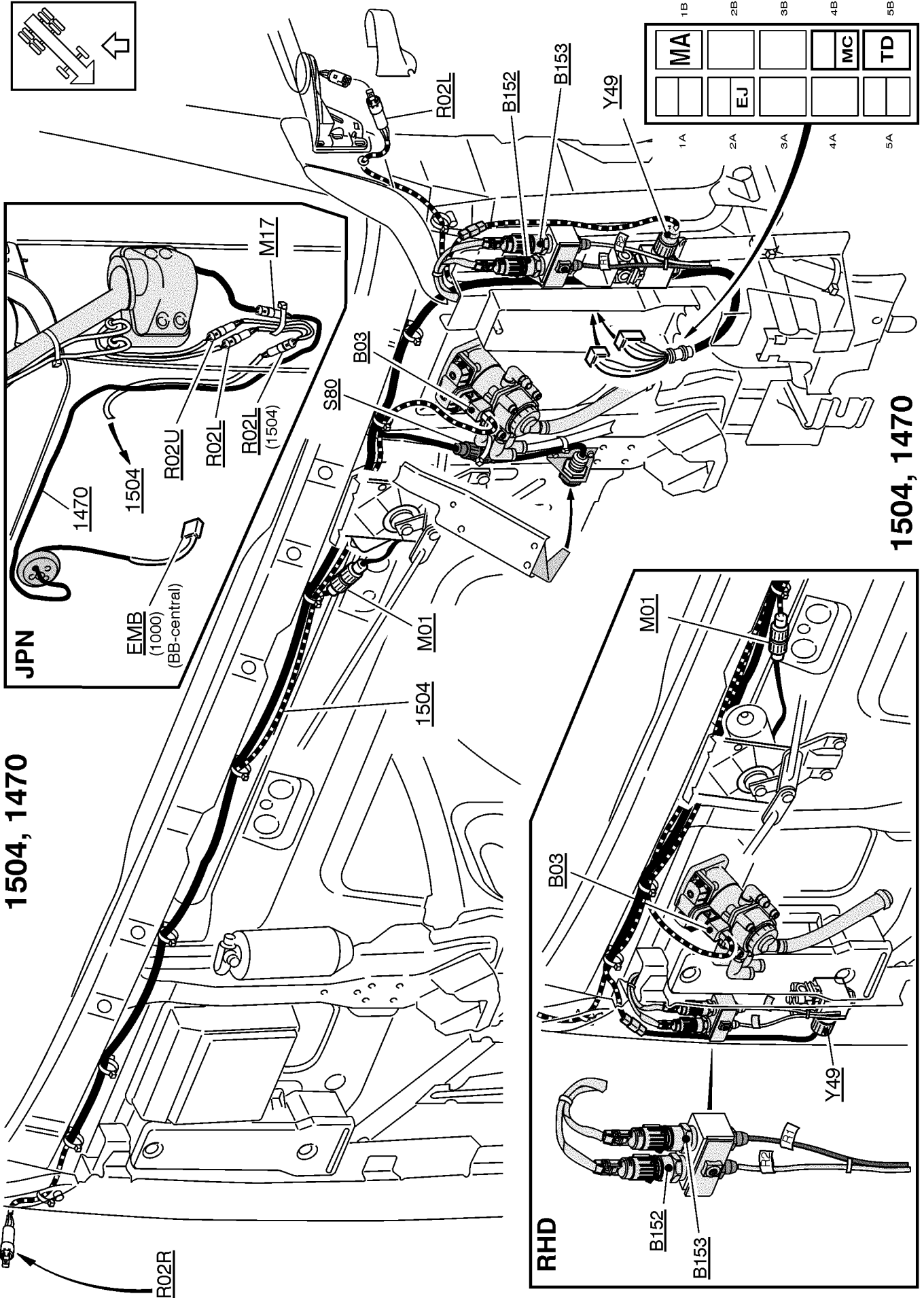


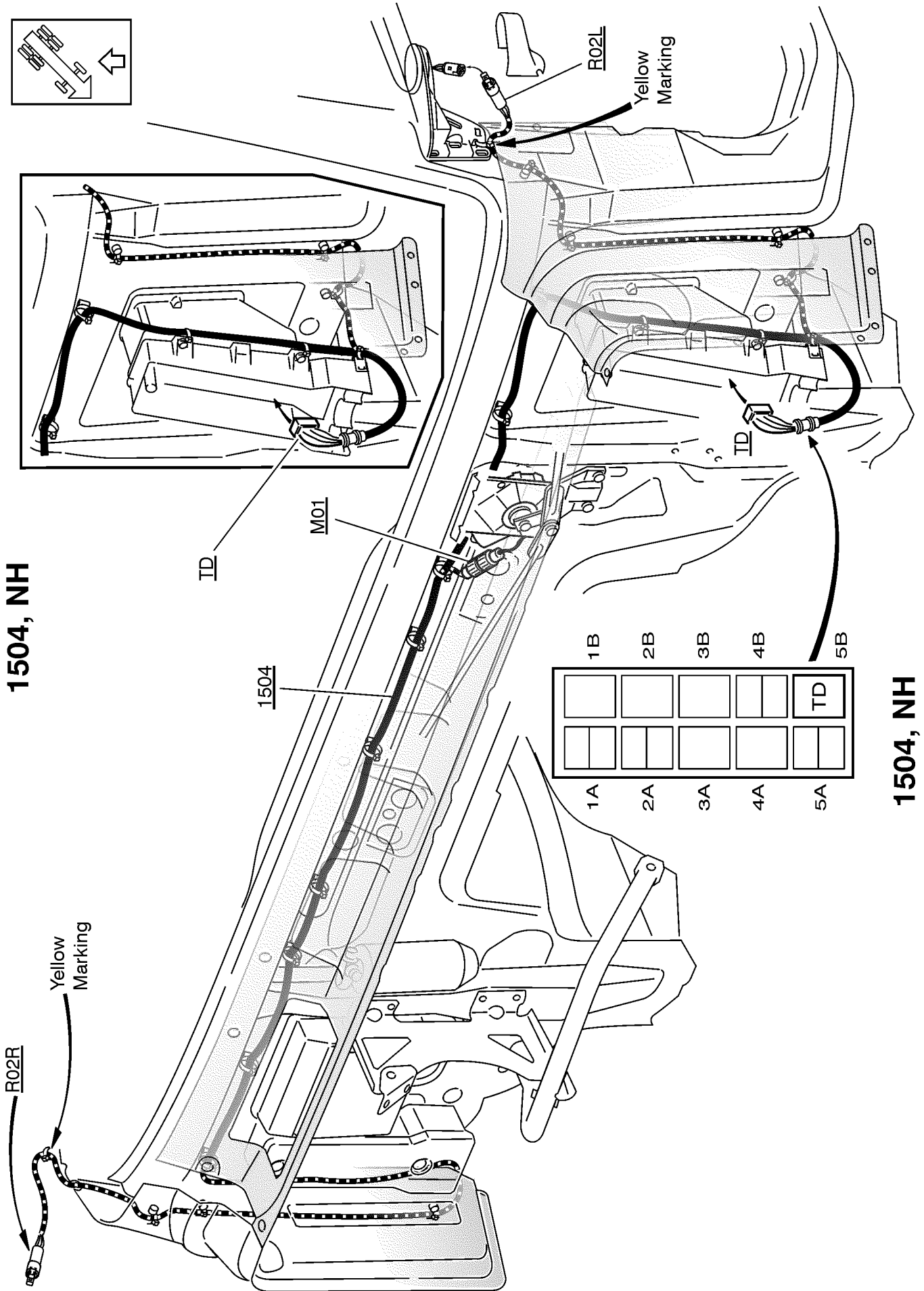
1499 AT2412C/ AT2512C/ ATO2512C

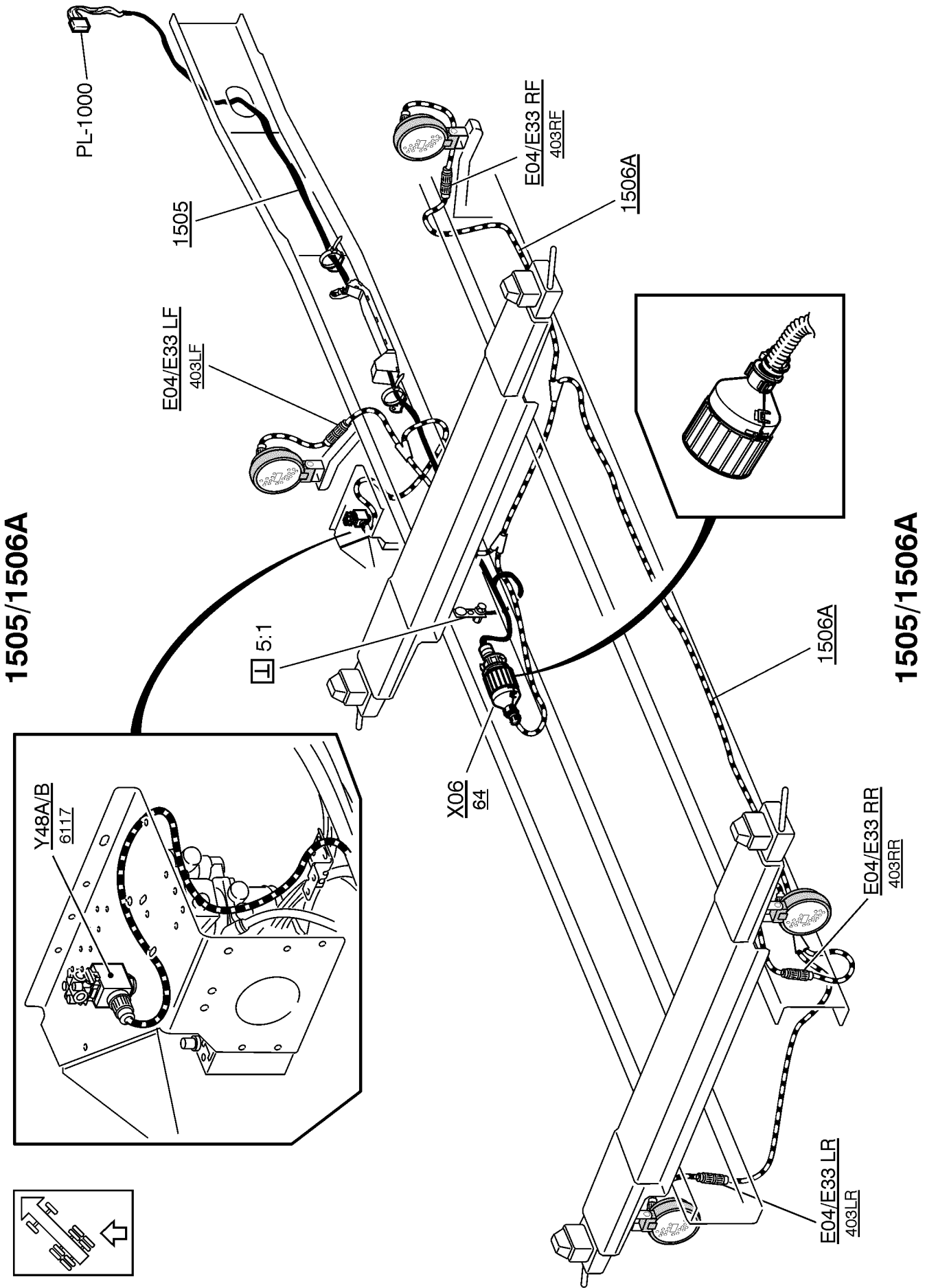
Y18G/Y18H

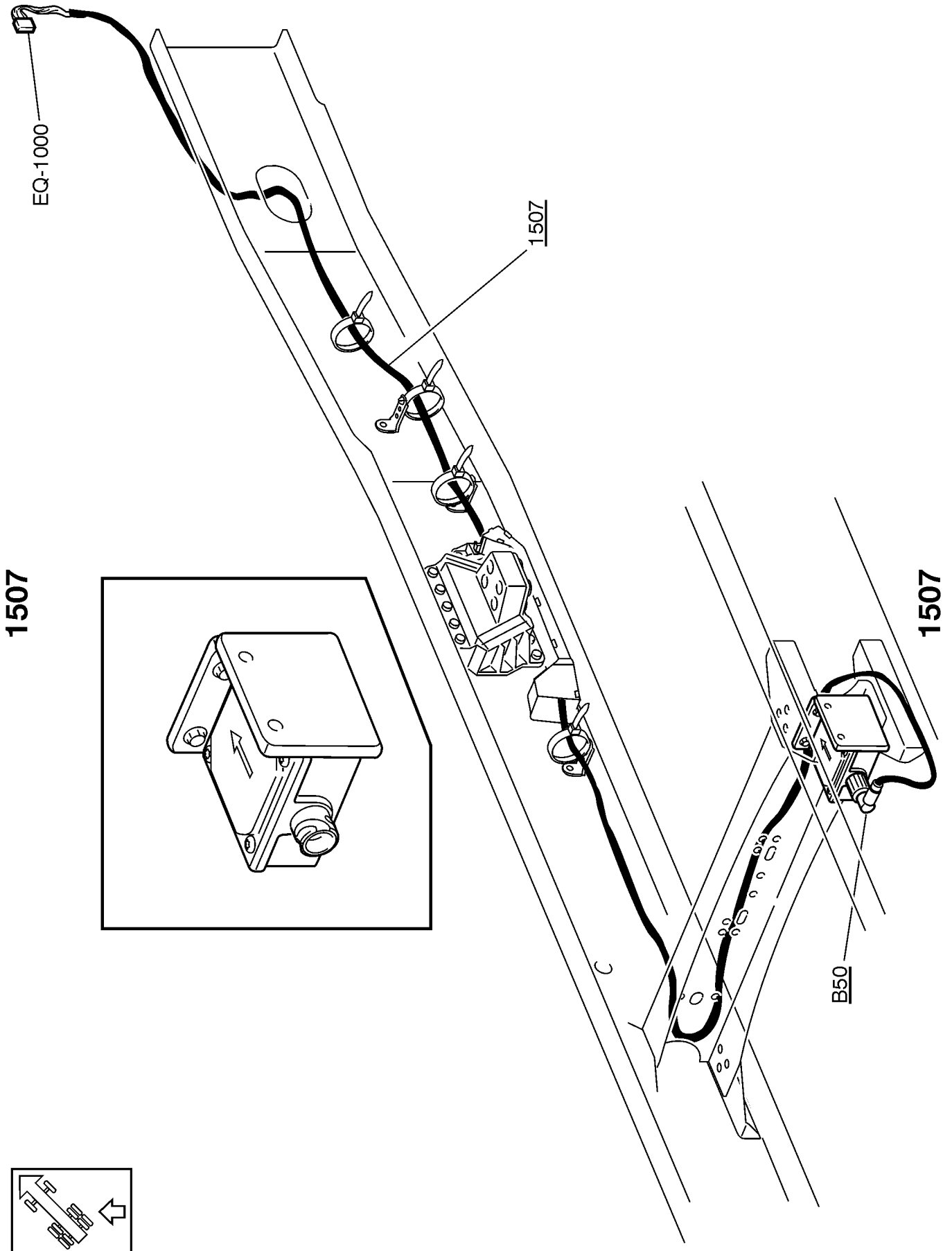


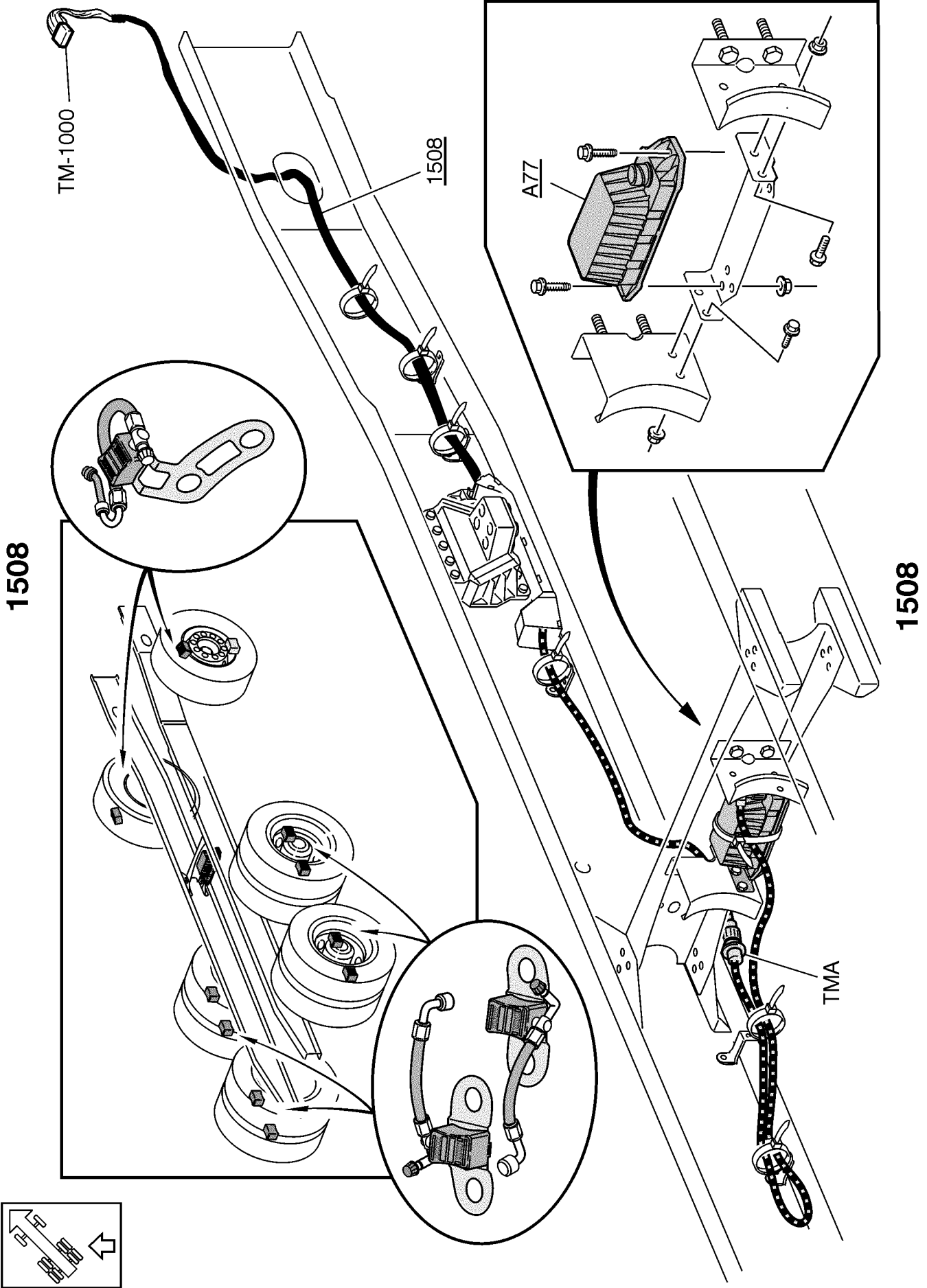










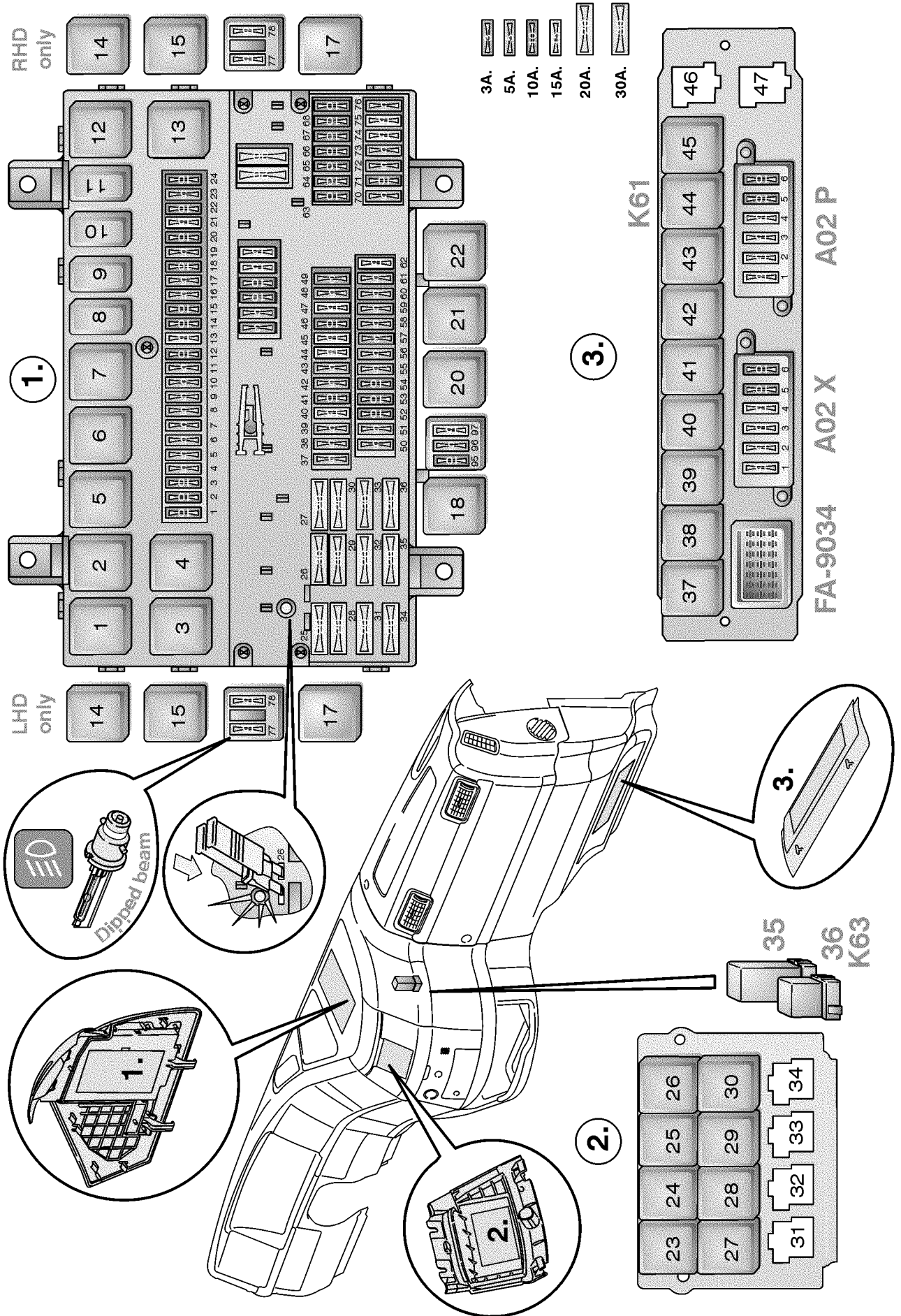


Fuses

F1	TPM (Tyre pressure Monitoring)	(OA:2 A)	F32	ECC climate unit	(HG:0 A)
F2	Luggage compartment illumination	(IH:4 A)	F33	El. cab tilt	(KA:0 A)
F3	Loadlight, 5:th wheel lamp	(KE:0 A)	F35	El. adjustable seat	(IA:2 A)
F4	Key switch, radiopos.	(AC:3 D)	F36	Reverse lamp circuit trailer	(GB:4 D)
F5	Instrumentation, (kl.30)	(BI:3 A)	F37	Dynafleet	(AC:3 C)
F6	Air dryer	(BA:1 B)	F38	Instep lamps	(AC:3 B)
F7	Vehicle ECU, immobiliser	(BA:1 B)	F39	El. adjustable rear view mirrors	(AC:3 B)
F8	Instrumentation, TPM (Tyre Pressure Monitoring)	(BI:0 A/ OA:2 A)	F40	Engine ECU	(CK:1 A/ CL:1 A/ CM:1 A)
F9	Range-, area-inhibitors	(BA:0 A)	F41	Engine solenoid valves, el. fuel pump	(CK:3 A/ CL:3 A/ CM:3 A)
F11	Gear selector ECU	(DB:1 B/ DC:1 B/ DM:0 B)	F42	Engine preheating relay, cooling fan clutch	(CK:2 A/ CL:2 A/ CM:2 A)
F12	Transmission ECU/retarder	(DB:1 B/ DM:1 B)	F43	BBM (body builder module)	(BA:1 A)
F13	Windscreen wiper	(GM:3 A)	F44	Voltage converter for radio, 12V outlet	(IR:0 A)
F14	Cigarette lighter, centre section storage lamp	(IQ:2 A)	F45	Supplementary voltage converter, 12V outlet	(IR:1 A)
F15	Water separator heater and water drain	(CK:0 A/ CL:0 A/ CM:0 A)	F46	Beacon warning light	(KM:0 A)
F16	Differential lock, power take off	(DQ:0 A/ DU:1 A)	F47	ACC	(BE:2 A)
F17	LCM control	(GA:0 A)	F48	ABS/EBS, EBS switches	(EE:0 A/ EI:0 A/ EO:0 A)
F18	Horn, solenoid valve for air horn	(GQ:1 A)	F49	Air suspension/A-ride/tag axle	(FA:3 A/ FK:1 A/ FI:0 A)
F19	Climate unit, FMS gateway	(HG:0 A)	F50	Telephone	(IX:0 A)
F20	Central locking, parking heater control	(IM:0 A)	F51	Hydraulic steered axle	(FO:1 A)
F21	Fan, climate unit	(HY:0 A)	F52	Control circuit engine preheating, radio position relay	(AC:1 A)
F22	Interior lamps	(IH:1 A)	F53	Light sign	(KI:1 A)
F23	Air suspension	(FA:4 A)	F54	Dynafleet, FMS gateway	(BU:0 A/ BX:0 A/ BY:1 A)
F24	El. heated air dryer, parking heater ADR/TRS, el. heated mirrors	(FQ:0 A)	F55	SRS airbag, safety belt tensioner	(IS:0 A)
F25	Supply ABS/EBS trailer	(GG:4 A/ CP:4 A)	F56	Free	(ME:1 A)
F26	Body builder fuse box	(ME:3 B)	F57	Gear selector ECU/retarder	(DB:0 A/ DC:0 A/ DM:1 B)
F27	El. window winder lhs, el. heated mirrors	(AC:3 B)	F58	ADR/TRS, D+ short circuit relay	(AB:2 A/ AE:4 B/ CP:2 A)
F28	Supply ABS/EBS truck	(EE:0 A/ EI:0 A/ EO:2 A)	F59	Rear view camera	(IZ:0 A)
F29	Coffee maker	(ME:1 A)	F60	Hydraulic steered axle, ISX-functions (AUS only)	(CP:1 A/ FO:1 A)
F30	El. window winder, rhs	(AC:3 B)			
F31	Main fuse for fuses 95–97	(AB:3 A)			

F61	Foldable rear view mirror arm, Japan, burglar alarm, Volvo link ..	(BY:2 A/ IF:0 A)	F89	Tachograph	(AB:4 D/ CS:0 B) (1435)
F62	Free	(ME:0 A)	F90	12V converter, ABS trailer/info-module	(CP:3 C)
F63	Free/ISX-functions (AUS only)	(CP:0 A)	F91	Tachograph, ADR	(AE:0 D)
F64	Free/ISX-functions (AUS only)	(CP:0 A)	F93	Main (not main switch dependent)	(AB:3 D/ AE:0 D)
F65	Central lubrication system	(FU:0 A)	F95	Central door lock	(AB:3 B)
F66	Roof hatch	(IQ:0 A)	F96	Burglar alarm	(AB:3 B)
F67	Reading lamps, bedlamps	(IH:0 A)	F97	Parking heater	(AB:3 B)
F68	Refrigerator	(IQ:3 A)	FM1	Fuse, main, preheating	(AA:1 B/ AE:2 B)
F69	12-volt outlet	(IR:1 C)	FM2	Fuse, main, bogie lift/extra equipment	(AA:1 B/ AE:1 B)
F70	Trailer ABS/EBS, (kl.15)	(CP:4 A/ GG:3 A)	FM3	Fuse, main, cab and chassis	(AA:1 B/ AE:2 B)
F71	Extra equipment	(ME:1 A)	FM4	Fuse, main, light, back-up	(AA:0 B/ AE:1 B)
F72	Headlamp level regulation system	(GU:0 A)			
F74	Headlamp high-pressure washer	(GM:1 A)			
F75	El. heated seat	(IA:0 A)			
F76	ADR/TRS, D+ short circuit relay .	(AE:4 B)			

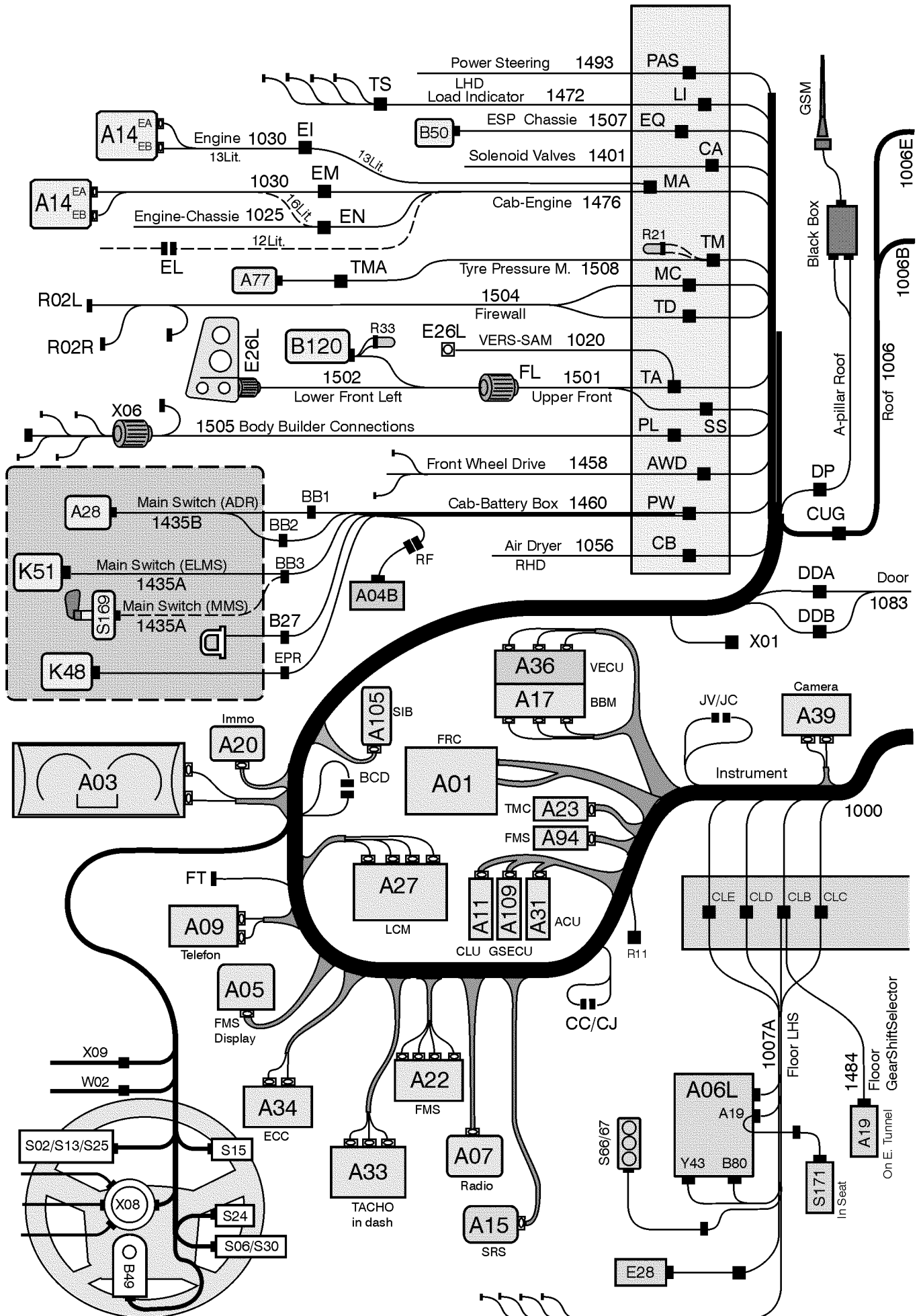
Relays

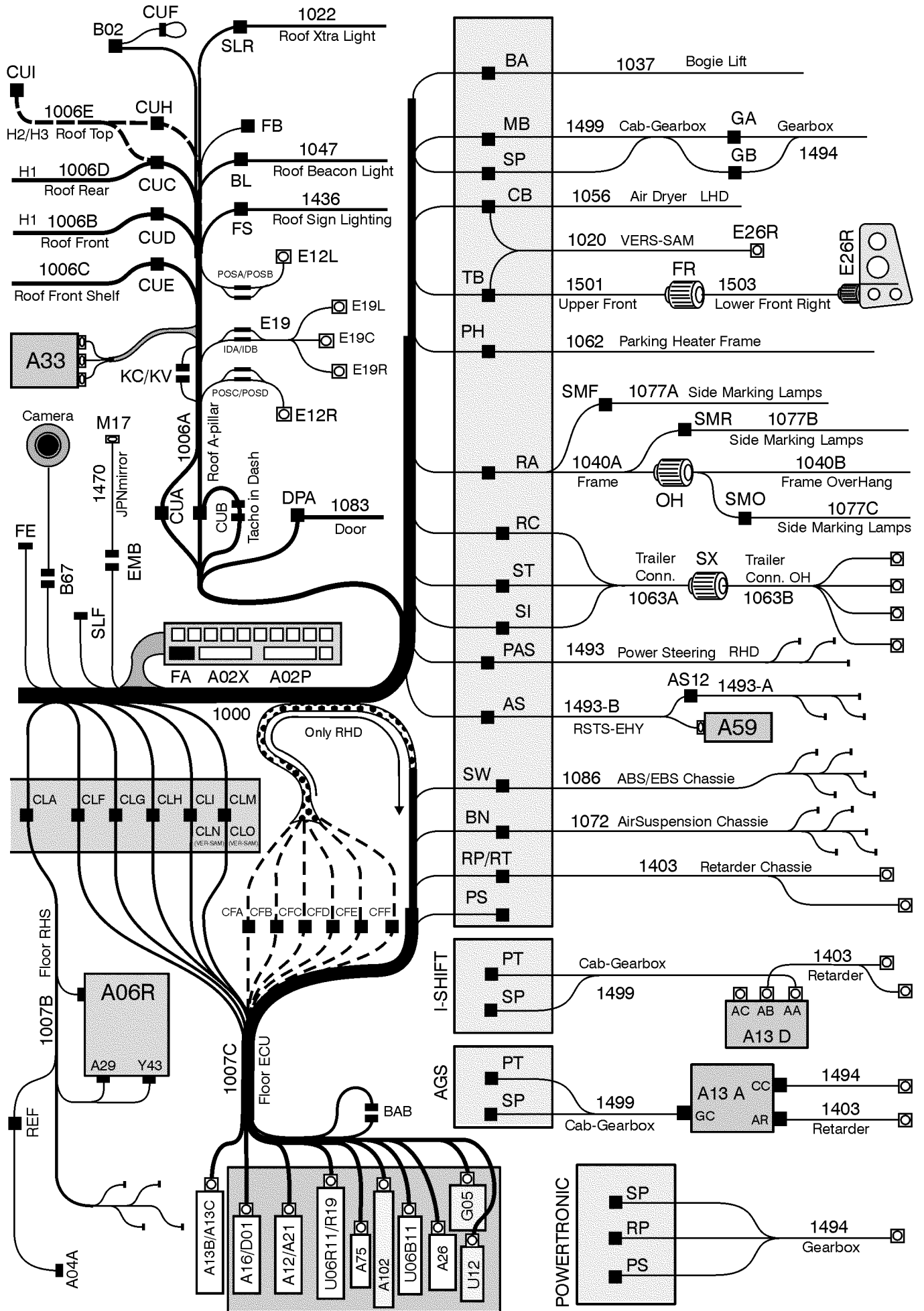


K1	Relay, starting switch, radio position	(AC:3 C)	K26B	Relay, foldable rear view mirror arm, Japan	(IF:1 C)
K2	Relay, EMS (Engine Management System)	(BA:1 A)	K27	Relay, gas discharge lamp, dipped beam, lhs	(GD:1 C)
K3	Relay, starter motor	(AA:2 B/ CK:4 B)	K28	Relay, gas discharge lamp, dipped beam, rhs	(GD:1 C)
K3B	Relay, starter motor, Cummins ...	(CS:1 C)	K30	Relay, beacon warning light	(KM:0 B)
K4	Relay, body builder fuse box (kl.15)	(ME:2 A)	K35	Relay, headlamp high pressure wash	(GM:0 B)
K5	Relay, automatic transmission	(DB:1 A/ DC:0 A/ DM:0 A)	K37	Relay, parking light	(NA:1 C)
K6	Relay, fan climate unit	(HY:0 B)	K38	Relay, body builder preparation, swapbody lamps	(NA:1 C)
K7	Relay, intermittent wiper	(GM:1 C)	K39	Relay, body builder preparation, plough light, spotlights	(NA:1 C)
K8	Relay, gearbox area inhibitor	(BA:1 A)	K40	Relay, body builder preparation ..	(NA:2 C)
K9	Relay, interior lamps	(IH:1 A)	K41	Relay, body builder preparation, swapbody	(NA:3 C)
K10	Relay, fifth wheel-, working-light	(KE:0 C)	K42	Relay, body builder preparation, spotlights	(NI:1 B)
K11	Relay, air suspension	(FA:4 B)	K43	Relay, body builder preparation, external start	(NC:3 C)
K12	Relay, reverse light, trailer	(GB:4 D)	K45	Relay, body builder preparation, dual speed, extra foglight	(NU:2 B)
K13	Relay, alternator controlled	(AA:4 B)	K48	Power relay, engine preheating ...	(CK:3 B/ CL:2 B/ CM:2 B)
K14	Time delay relay, bogie lift, A-ride	(FI:1 B/ FK:1 C)	K49	Power relay, bogie lift motor	(FI:3 B/ FK:3 D)
K15	Time delay relay, bogie lift, A-ride, with axle load limiter	(FK:2 C)	K51	Power relay, battery main switch .	(AB:0 C)
K16	Relay, bogie lift, A-ride, with axle load limiter	(FK:1 C)	K54	Relay, 12V ABS Trailer	(CP:2 D)
K20	Relay, D+ short-circuit, (ADR-trucks only)	(AE:4 D)	K58	Relay, speed limiter, Volvo link	(BY:3 B)
K21	Relay, el. adjustable seat	(IA:2 B)	K59	Relay, engine shut off, Volvo link	(BY:4 B)
K22	Relay, climate fan, 1:st speed (by parking heater)	(HY:1 B)	K60	Relay, trailer lock, Volvo link	(BY:3 D)
K23	Relay, cab tilt	(KA:0 C)	K61	Relay, auxiliary reverse light, truck	(NA:0 C)
K24	Relay, central lubrication	(FU:0 B)	K63	Relay, ACC Adaptive cruise control	(BE:2 B)
K25	Relay, light sign	(KI:1 C)			
K26A	Relay, foldable rear view mirror arm, Japan	(IF:0 C)			

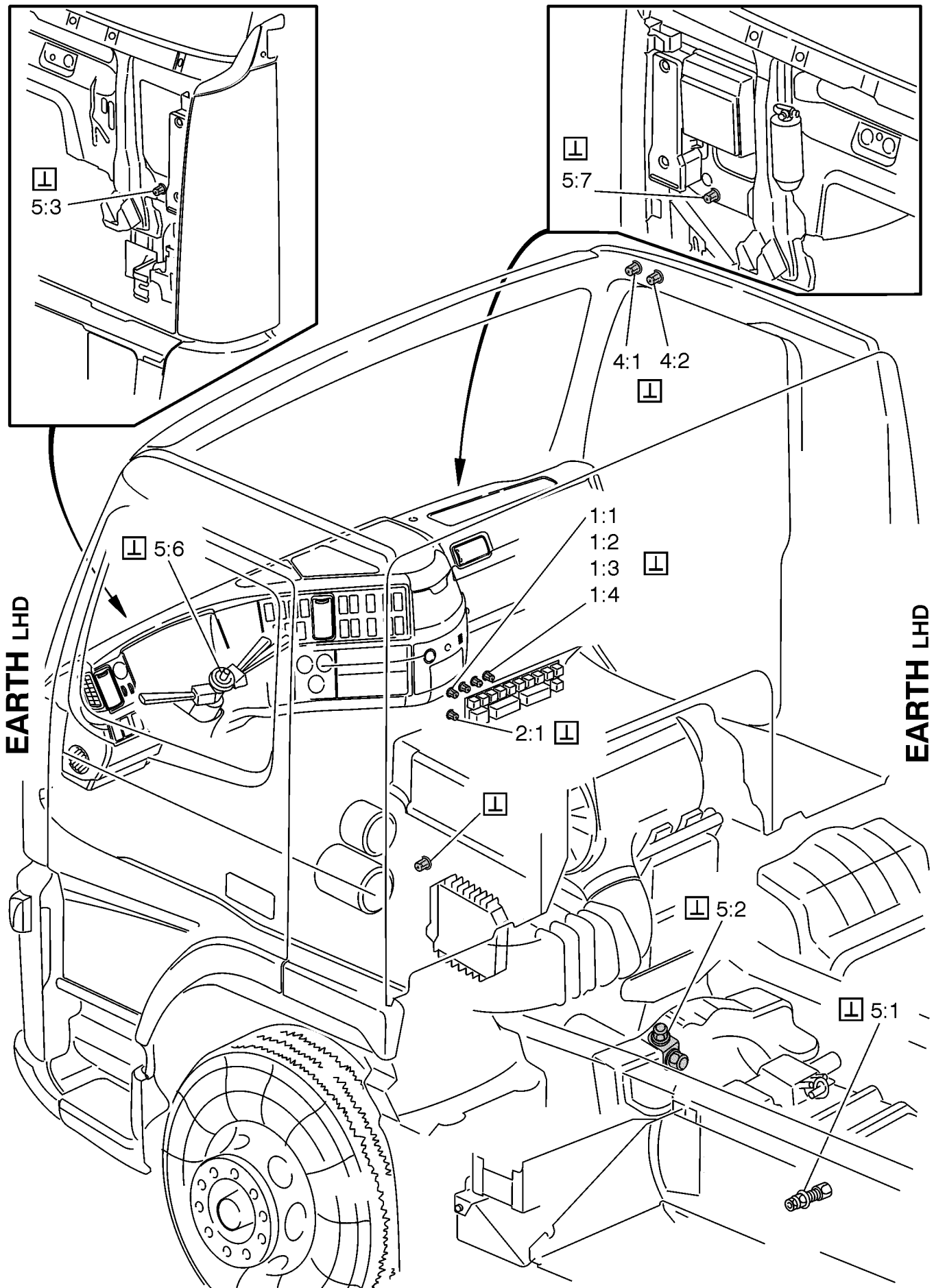
Wiring harness illustration index

1000	Wiring harness, instruments	page 107
1006	Wiring harness, roof	page 117
1007	Wiring harness, floor	page 122
1018	Wiring harness, air conditioning	page 130
1020	Wiring harness, cowl	page 131
1025	Wiring harness, engine-chassi	page 133
1030	Wiring harness, engine	page 136
1037	Wiring harness, bogie lift	page 141
1040	Wiring harness, frame	page 142
1047	Wiring harness, roof beacon light	page 144
1056	Wiring harness, air dryer	page 146
1062	Wiring harness, parking heater, frame	page 147
1063	Wiring harness, trailer connections	page 148
1072	Wiring harness, air suspension chassis	page 150
1077	Wiring harness, side marking lamps	page 152
1083	Wiring harness, door	page 153
1086	Wiring harness, ABS chassis	page 155
1401	Wiring harness, solenoid valves	page 159
1403	Wiring harness, retarder	page 162
1435	Wiring harness, main switch	page 163
1436	Wiring harness, roof sign lighting	page 144
1458	Wiring harness, front wheel drive	page 166
1460	Wiring harness, cab-battery box	page 163
1470	Wiring harness, el.operated mirror arch	page 180
1472	Wiring harness, load indicator	page 167
1476	Wiring harness, cab-engine	page 133
1484	Wiring harness, floor gear shift selector	page 168
1493	Wiring harness, power steering	page 170
1494	Wiring harness, gearbox	page 172
1499	Wiring harness, cab-gearbox	page 172
1501	Wiring harness, upper front	page 178
1502	Wiring harness, lower front left	page 178
1503	Wiring harness, lower front right	page 179
1504	Wiring harness, firewall	page 180
1505	Wiring harness, body builder connections	page 182
1506	Wiring harness, demountable (swap-body)	page 182
1507	Wiring harness, ESP chassis	page 183
1508	Wiring harness, TPM	page 184

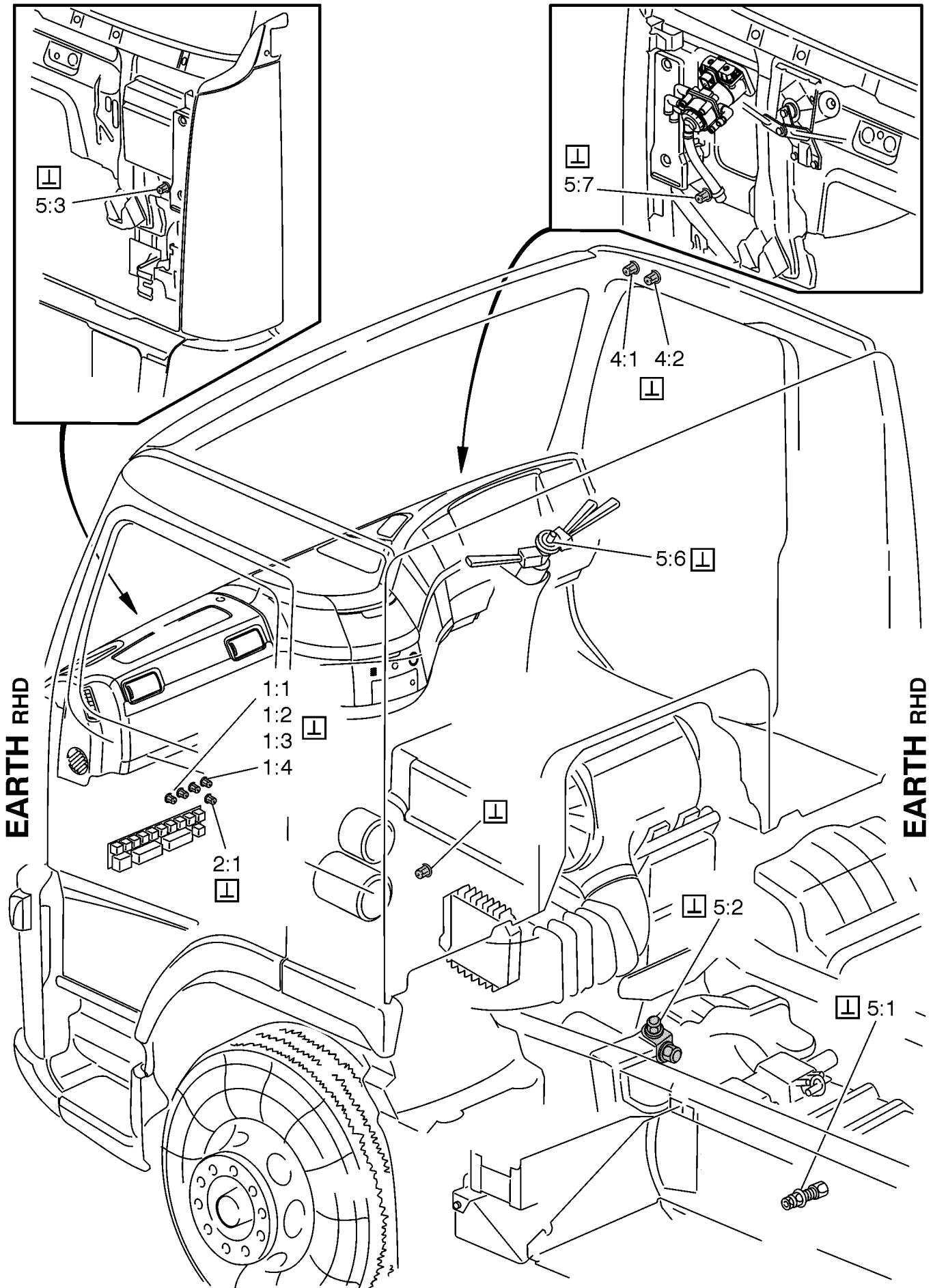




Ground connections



T3017745



T3017746

List of ground connections

1.1	(IR:1 E)	4.1_4	(GA:0 E)	5.2	(AE:2 E)
1.1_A	(IR:1 E)	4.1_4	(IH:1 E)	5.2	(AE:3 E)
1.2_A	(BA:2 E)	4.1_5	(IH:0 E)	5.3	(AA:0 E)
1.2_B	(IS:0 E)	4.2_1	(BN:0 D)	5.4	(FI:3 D)
1.3	(AE:4 E)	4.2_1	(BN:1 D)	5.4	(FK:3 E)
1.4	(AA:3 E)	4.2_2	(HI:0 B)	5.6	(GQ:1 E)
1.4	(AC:2 D)	4.2_3	(IQ:1 E)	5.7_1	(GE:1 D)
1.4_B	(AA:4 E)	4.2_4	(BN:1 D)	5.7_2	(GH:2 D)
1.4_C	(HZ:1 D)	4.2_5	(KM:0 D)	5.7_3	(GH:2 D)
2.1_A	(CP:4 C)	4.2_6	(NI:3 E)	5.7_4	(GG:2 C)
2.1_C	(NI:0 E)	4.2_7	(NI:4 E)	5.9_1	(AA:0 E)
2.1_D	(ME:0 B)	4.2_8	(IJ:3 B)	5.9_1	(AB:0 D)
2.1_E	(NA:2 D)	5.1	(AA:0 E)	5.9_1	(AB:2 D)
2.1_F	(BE:4 E)	5.1_1	(NA:4 D)	5.9_1	(AE:0 E)
4.1_1	(GA:1 E)	5.1_2	(NA:4 D)	5.9_3	(AB:0 D)
4.1_1	(GA:4 E)	5.2	(AA:0 E)	5.9_3	(AB:2 D)
4.1_2	(KI:2 B)	5.2	(AA:1 E)		
4.1_3	(KI:1 E)	5.2	(AA:2 E)		

List of connectors

ADR1:1	(AE:1 C)	BAB:11	(XB:2 D)	BN:18	(FG:0 C)
ADR1:2	(AE:1 C)	BAB:12	(XB:2 D)	BN:19	(FA:0 D)
ADR2:1	(AE:1 C)	BAB:13	(XB:3 D)	BN:20	(FA:0 D)
ADR2:2	(AE:1 C)	BAB:14	(XB:1 D)	BN:21	(FM:0 C)
ADR3:1	(AE:2 C)	BAB:15	(XB:1 D)	CA:1	(DQ:0 D)
ADR3:2	(AE:2 C)	BAB:16	(XB:3 D)	CA:2	(GB:3 B)
ADR4:1	(AE:2 C)	BAB:17	(XB:4 D)	CA:3	(DU:1 C)
ADR4:2	(AE:2 C)	BAB:18	(XB:1 D)	CA:4	(DQ:0 C)
AG:1	(FO:2 D)	BB1:1	(AE:1 A)	CA:5	(GB:3 B)
AG:2	(FO:2 D)	BB1:2	(AE:0 D)	CA:6	(EO:3 B)
AG:3	(FO:2 D)	BB1:3	(AE:1 E)	CA:9	(DU:1 C)
AG:4	(FO:2 D)	BB1:4	(AE:1 A)	CA:10	(EO:3 B)
AR:1	(DE:1 D)	BB1:5	(AE:2 D)	CA:11	(EO:3 B)
AR:2	(DE:0 C)	BB1:6	(AE:2 D)	CA:12	(EO:3 B)
AR:3	(DE:0 C)	BB1:7	(AE:0 D)	CA:13	(EO:3 B)
AR:4	(DE:0 C)	BB2:1	(AE:0 C)	CA:14	(EO:3 B)
AR:5	(DE:1 C)	BB2:2	(AE:1 C)	CA:15	(EO:3 B)
AR:6	(DE:1 C)	BB2:3	(AE:1 D)	CA:16	(DU:1 D)
AR:7	(DE:1 C)	BB2:4	(AE:1 D)	CA:17	(FU:0 C)
AS:1	(FO:1 C)	BB3:1	(AB:0 B)	CA:18	(FU:0 D)
AS:2	(FO:1 C)	BB3:2	(AB:1 C)	CA:19	(NC:0 C)
AS:4	(FO:1 B)	BB3:3	(AB:1 D)	CA:19	(NU:0 C)
AS:5	(FO:1 B)	BB3:3	(AB:2 C)	CA:20	(NC:1 C)
AS:6	(FO:2 B)	BB3:4	(AB:0 B)	CA:20	(NU:1 C)
AS:7	(FO:3 B)	BB3:5	(AB:3 C)	CB:1	(FQ:0 B)
AS:8	(FO:3 B)	BB3:6	(AB:0 B)	CB:2	(FQ:0 D)
AS:9	(FO:1 E)	BCD:1	(XA:2 B)	CB:3	(BA:0 D)
AS12:1	(FO:3 C)	BCD:2	(XA:3 B)	CB:3	(FQ:2 B)
AS12:2	(FO:3 C)	BCD:3	(XB:0 B)	CB:4	(BA:0 D)
AS12:3	(FO:3 C)	BCD:4	(XA:2 B)	CB:5	(FQ:2 D)
AS12:4	(FO:3 C)	BCD:5	(XA:2 B)	CB:6	(FQ:2 D)
AS12:5	(FO:2 C)	BCD:6	(IX:2 D)	CC/CJ:1	(IZ:2 B)
AS12:6	(FO:2 C)	BCD:7	(XA:3 B)	CC/CJ:2	(IZ:2 B)
AS12:7	(FO:2 C)	BCD:8	(XA:3 B)	CC/CJ:3	(IZ:1 A)
AS12:8	(FO:2 C)	BCD:9	(XB:0 B)	CC/CJ:4	(IZ:1 B)
AS12:9	(FO:1 C)	BCD:10	(XA:3 B)	CC/CJ:5	(IX:2 A)
AS12:10	(FO:0 B)	BCD:11	(XA:4 B)	CC:1	(DE:3 D)
AS12:11	(FO:0 B)	BCD:12	(IX:2 D)	CC:3	(DE:3 C)
AS12:12	(FO:1 D)	BCD:13	(XA:2 B)	CC:4	(DE:2 C)
AWD:3	(DU:2 C)	BCD:14	(XA:4 B)	CC:5	(DE:3 C)
AWD:4	(DU:2 C)	BCD:15	(XB:0 C)	CC:6	(DE:2 C)
AWD:5	(DU:4 C)	BCD:16	(XB:0 C)	CC:9	(DE:2 C)
AWD:6	(DU:4 C)	BL:1	(KM:0 C)	CC:10	(DE:2 C)
AWD:8	(DU:2 D)	BL:3	(KM:0 D)	CC:11	(DE:2 C)
B07_1:1	(BI:2 C)	BL_2:1	(KM:1 D)	CC:12	(DE:2 D)
B07_1:2	(BI:2 D)	BL_2:2	(KM:1 D)	CE:1	(CP:2 A)
BA:1	(FI:1 C)	BL:3:1	(KM:0 C)	CE:2	(CP:1 A)
BA:1	(FK:1 D)	BN:1	(FA:1 A)	CE:3	(CP:2 A)
BA:2	(FI:2 C)	BN:2	(FA:1 D)	CE:4	(CP:2 A)
BA:2	(FK:3 D)	BN:3	(FA:1 D)	CE:5	(CP:1 A)
BA:3	(FI:0 C)	BN:4	(FA:2 D)	CE:6	(CP:1 A)
BA:3	(FK:0 D)	BN:5	(FA:0 B)	CE:7	(CP:2 A)
BA:5	(FK:1 D)	BN:6	(FA:1 B)	CFB:16	(FG:2 C)
BA:7	(FI:3 B)	BN:7	(FA:1 B)	CFB:18	(FG:2 C)
BA:7	(FK:3 C)	BN:8	(FA:2 D)	CFD:1	(DM:3 C)
BA:8	(FK:1 D)	BN:9	(FA:0 B)	CFD:2	(DM:2 C)
BAB:1	(XA:4 D)	BN:10	(FA:1 D)	CFD:3	(DM:2 C)
BAB:2	(XA:2 D)	BN:11	(FA:1 B)	CFD:4	(DM:2 C)
BAB:3	(XA:3 D)	BN:12	(FA:1 B)	CFD:5	(DM:2 C)
BAB:4	(XA:2 D)	BN:13	(FA:1 B)	CFD:6	(DM:3 C)
BAB:5	(XA:3 D)	BN:14	(FA:0 D)	CFD:7	(DM:3 C)
BAB:6	(XA:2 D)	BN:15	(FA:1 D)	CFE:1	(FG:1 C)
BAB:7	(XB:3 D)	BN:16	(FA:1 D)	CFE:2	(FG:2 C)
BAB:8	(XA:3 C)	BN:16	(FG:1 C)	CFE:3	(FG:2 C)
BAB:9	(XA:2 C)	BN:17	(FA:1 D)	CFE:4	(FG:2 C)
BAB:10	(XB:3 D)	BN:18	(FA:1 D)	CFE:5	(FG:2 C)

CFE:6	(FG:2 C)	CLC:7	(HI:3 C)	CLG:6	(EE:3 B)
CFF:1	(CP:4 B)	CLC:8	(HI:1 C)	CLG:6	(EI:3 B)
CFF:2	(CP:3 B)	CLC:9	(HI:1 C)	CLG:6	(EO:1 C)
CFF:3	(CP:3 B)	CLC:10	(HI:4 C)	CLG:7	(EO:1 C)
CFF:4	(CP:4 C)	CLC:11	(HI:3 C)	CLG:8	(EO:1 C)
CFF:5	(CP:3 C)	CLC:12	(HI:2 C)	CLG:9	(EO:0 C)
CFF_2:1	(CP:4 B)	CLD:1	(IX:0 C)	CLG:10	(EO:0 C)
CFF_2:2	(CP:4 B)	CLD:2	(IX:0 C)	CLG:11	(EO:1 C)
CFF_2:3	(CP:3 B)	CLD:3	(IX:1 C)	CLG:12	(EO:1 C)
CFF_2:4	(CP:4 C)	CLD:4	(IX:1 C)	CLG:13	(EO:0 D)
CFF_2:5	(CP:3 C)	CLE:1	(IA:1 B)	CLG:14	(EO:0 D)
CLA:1	(IA:0 B)	CLE:2	(IA:3 B)	CLG:15	(EO:1 D)
CLA:2	(IA:1 B)	CLE:3	(BI:1 C)	CLG:16	(EO:3 C)
CLA:3	(BI:1 C)	CLE:4	(IA:1 E)	CLG:17	(EO:3 C)
CLA:4	(IA:0 D)	CLE:5	(IH:4 D)	CLG:18	(EO:3 C)
CLA:5	(IH:4 D)	CLE:6	(BI:3 C)	CLG:20	(EE:4 D)
CLA:6	(BI:3 D)	CLE:7	(BY:2 D)	CLG:20	(EI:4 C)
CLA:7	(BY:2 D)	CLE:7	(NK:0 D)	CLG:20	(EO:0 D)
CLA:7	(NK:0 D)	CLE:8	(IH:4 C)	CLG:21	(EI:0 C)
CLA:9	(AE:2 C)	CLE:9	(AE:1 C)	CLH:1	(FA:3 B)
CLA:10	(AE:2 C)	CLE:9	(FA:2 D)	CLH:1	(FK:2 B)
CLA:11	(AE:2 C)	CLE:10	(AE:1 C)	CLH:2	(FA:4 C)
CLA:12	(AE:2 C)	CLE:10	(FA:2 D)	CLH:3	(FA:2 B)
CLA:16	(IS:3 C)	CLE:11	(AE:1 C)	CLH:3	(FK:2 B)
CLA:17	(IS:3 C)	CLE:11	(FA:2 D)	CLH:4	(FG:0 C)
CLA:19	(IQ:3 C)	CLE:12	(AE:1 C)	CLH:4	(FK:2 B)
CLA:20	(BI:3 D)	CLE:12	(FA:2 D)	CLH:5	(FA:2 B)
CLA:21	(IQ:3 D)	CLE:13	(FA:3 D)	CLH:5	(FK:2 B)
CLB:1	(DB:1 C)	CLE:14	(FA:3 D)	CLH:6	(FA:2 D)
CLB:1	(DC:1 D)	CLE:15	(FA:3 D)	CLH:6	(FK:2 B)
CLB:2	(DB:1 C)	CLE:16	(FA:3 D)	CLH:7	(FA:2 D)
CLB:2	(DC:2 D)	CLE:17	(IS:2 C)	CLH:8	(FA:2 D)
CLB:3	(DB:0 C)	CLE:18	(IS:2 C)	CLH:9	(FA:2 D)
CLB:3	(DC:2 D)	CLE:19	(FA:3 D)	CLH:10	(FA:3 D)
CLB:4	(DB:0 C)	CLE:20	(BI:3 C)	CLH:11	(FA:3 D)
CLB:4	(DC:2 D)	CLF:1	(IR:1 B)	CLH:12	(FA:3 D)
CLB:5	(DB:0 B)	CLF:2	(IR:1 B)	CLH:13	(FM:0 B)
CLB:5	(DC:0 B)	CLF:3	(IR:1 C)	CLH:14	(FG:0 C)
CLB:5	(XB:2 E)	CLF:4	(IR:1 C)	CLH:15	(FG:0 C)
CLB:6	(DB:0 B)	CLF:5	(IR:0 B)	CLH:16	(FA:3 B)
CLB:6	(DC:0 B)	CLF:6	(IR:0 B)	CLH:17	(FA:3 B)
CLB:6	(XB:2 E)	CLF:7	(IR:0 C)	CLH:18	(FG:1 C)
CLB:7	(DB:0 D)	CLF:8	(IR:0 C)	CLH:19	(FG:1 C)
CLB:7	(DC:2 D)	CLF:9	(IR:0 C)	CLH:20	(FA:3 C)
CLB:8	(DB:0 D)	CLF:10	(DB:2 B)	CLH:21	(FA:3 D)
CLB:8	(DC:2 D)	CLF:10	(DM:1 C)	CLI:1	(EO:0 D)
CLB:9	(DB:0 C)	CLF:11	(DB:1 D)	CLI:2	(EO:1 D)
CLB:9	(DC:2 D)	CLF:11	(DM:0 D)	CLI:3	(EO:1 D)
CLB:11	(DB:3 C)	CLF:12	(DM:0 C)	CLI:4	(EO:1 D)
CLB:11	(DC:2 D)	CLF:13	(XA:3 D)	CLI:5	(EO:3 C)
CLB:12	(DC:2 D)	CLF:14	(XA:2 D)	CLI:6	(EO:3 C)
CLB:15	(DB:1 D)	CLF:15	(XB:3 D)	CLI:7	(EO:3 C)
CLB:15	(DC:2 D)	CLF:16	(XB:2 D)	CLI:8	(EO:3 C)
CLB_2:1	(DC:1 D)	CLF:17	(FG:1 C)	CLI:9	(EO:3 C)
CLB_2:2	(DC:2 D)	CLF:18	(XA:2 C)	CLI:10	(EO:3 C)
CLB_2:3	(DC:2 D)	CLF:19	(XA:2 C)	CLI:11	(EO:4 C)
CLB_2:4	(DC:2 D)	CLF:20	(XB:1 C)	CLI:12	(EO:4 C)
CLB_2:7	(DC:2 D)	CLF:21	(XB:1 C)	CLM:1	(BE:1 B)
CLB_2:8	(DC:2 D)	CLG:1	(EE:0 B)	CLM:2	(BE:1 B)
CLB_2:9	(DC:2 D)	CLG:1	(EI:0 B)	CLM:3	(BE:2 B)
CLB_2:11	(DC:2 D)	CLG:1	(EO:0 C)	CLM:4	(BE:1 C)
CLB_2:12	(DC:2 D)	CLG:2	(EE:0 B)	CLM:5	(BE:1 C)
CLB_2:15	(DC:2 D)	CLG:2	(EI:0 B)	CLM:6	(BE:3 C)
CLC:1	(HI:0 C)	CLG:2	(EO:2 B)	CLM:7	(BE:3 C)
CLC:2	(HI:0 C)	CLG:3	(EE:3 B)	CLM:8	(BE:3 C)
CLC:3	(HI:0 C)	CLG:3	(EI:2 B)	CLM:9	(FA:3 D)
CLC:4	(HI:2 C)	CLG:4	(EO:2 C)	CLN:1	(BY:1 B)
CLC:6	(HI:2 C)	CLG:5	(EO:2 C)	CLN:2	(BY:1 C)

CLN:3	(BY:2 C)	CUB:17	(GC:3 B)	DDB:7	(IE:1 B)
CLN:4	(BY:2 C)	CUB:18	(IH:3 B)	DDB:9	(IE:2 B)
CLN:5	(BY:2 C)	CUB2/CUB:11	(IU:0 B)	DP:1	(BU:0 A)
CLN:6	(BY:3 C)	CUB2/CUB:12	(KI:1 B)	DP:2	(BU:0 A)
CLN:7	(BY:3 C)	CUB2/CUB:13	(IM:0 B)	DP:3	(BU:1 D)
CLN:8	(BY:4 C)	CUB2/CUB:14	(HI:2 C)	DP:4	(BU:0 D)
CLN:9	(BY:1 D)	CUB2/CUB:15	(HI:2 B)	DP:5	(BU:0 D)
CLN:10	(BY:1 D)	CUB2/CUB:18	(IH:3 B)	DP:6	(BU:0 D)
CLO:1	(BY:2 D)	CUC:1	(IH:3 C)	DP:7	(BU:1 D)
CLO:2	(BY:3 D)	CUC:2	(IH:3 C)	DP:8	(BU:1 D)
CLO:4	(BY:2 D)	CUC:3	(IH:1 B)	DP:9	(BU:1 D)
CLO:5	(BY:2 D)	CUC:4	(IH:0 B)	DP:10	(BU:1 D)
CUA:1	(GA:1 C)	CUC:4	(IJ:2 B)	DP:11	(BU:1 D)
CUA:2	(GA:4 C)	CUC:5	(IH:3 B)	DP:12	(BU:1 D)
CUA:3	(IH:1 B)	CUC:6	(IQ:1 C)	DPA:1	(IM:2 C)
CUA:4	(IH:0 B)	CUC:7	(IQ:0 C)	DPA:3	(IE:3 B)
CUA:5	(IH:3 B)	CUC:8	(IQ:1 C)	DPA:4	(IE:3 B)
CUA:6	(IH:3 C)	CUC:9	(IU:2 D)	DPA:5	(IH:2 C)
CUA:7	(IQ:0 B)	CUC:10	(IU:2 D)	DPA:6	(IE:3 B)
CUA:8	(KM:0 C)	CUC:11	(IU:2 D)	DPA:7	(IM:2 C)
CUA:9	(NI:1 B)	CUC:12	(IU:2 D)	DPA:8	(IM:2 C)
CUA:10	(NI:1 B)	CUC:13	(HI:1 B)	DPA:9	(IM:2 C)
CUA:11	(KI:1 C)	CUC:14	(HI:1 B)	DPA:10	(IU:1 D)
CUA:12	(IH:3 C)	CUC:15	(HI:1 B)	DPA:11	(IU:2 D)
CUA:13	(IU:2 D)	CUC:16	(HI:1 B)	DPA:12	(IH:2 C)
CUA:14	(IU:2 D)	CUC:17	(IH:3 B)	DS_L:1	(NU:2 C)
CUA:15	(IU:2 D)	CUC:18	(IH:0 D)	DS_L:2	(NU:2 D)
CUA:16	(IU:2 D)	CUC:18	(IJ:2 B)	DS_R:1	(GQ:0 B)
CUA:17	(HI:1 C)	CUC:19	(HI:3 B)	DS_R:1	(NU:2 C)
CUA:18	(HI:1 B)	CUC:20	(HI:3 C)	DS_R:2	(GQ:0 C)
CUA:19	(HI:1 C)	CUC:21	(HI:2 A)	DS_R:2	(NU:2 D)
CUA:20	(HI:1 C)	CUD:1	(IH:1 B)	DZ:1	(BU:0 B)
CUA:21	(GB:0 B)	CUD:2	(IH:1 B)	DZ:2	(BU:1 B)
CUB/TACH:1	(BM:1 A)	CUD:3	(IH:1 D)	DZ:3	(BU:1 B)
CUB/TACH:2	(BM:3 C)	CUE:1	(IH:0 B)	E03_L-:1	(NI:2 D)
CUB/TACH:3	(BM:1 A)	CUE:1	(IJ:0 A)	E03_L+:1	(NI:2 D)
CUB/TACH:4	(BM:2 A)	CUE:3	(IH:0 D)	E03_R-:1	(NI:2 D)
CUB/TACH:5	(BM:3 A)	CUE:3	(IJ:0 D)	E03_R+:1	(NI:2 D)
CUB/TACH:6	(BM:3 C)	CUF:1	(HI:0 B)	E18L_A:1	(IJ:1 C)
CUB/TACH:7	(BM:2 C)	CUF:2	(HI:0 B)	E18L_B:1	(IJ:1 C)
CUB/TACH:8	(BM:2 C)	CUG:1	(NK:2 C)	E27:1	(GF:3 C)
CUB/TACH:9	(BM:2 C)	CUG:2	(NK:2 C)	E27:2	(GF:3 C)
CUB/TACH:10	(BM:2 C)	CUG:4	(NK:2 C)	E27:3	(GF:3 C)
CUB/TACH:11	(IU:0 B)	CUG:5	(NK:3 C)	E27:4	(GF:3 C)
CUB/TACH:12	(KI:1 C)	CUH:1	(IJ:3 B)	E27:5	(GF:3 C)
CUB/TACH:13	(IM:0 B)	CUI:1	(IJ:1 B)	E27:6	(GF:3 C)
CUB/TACH:14	(HI:2 B)	CUI:3	(IJ:1 D)	E27:7	(GF:3 C)
CUB/TACH:15	(HI:2 B)	DDA:1	(IM:1 C)	E27_1:1	(GF:0 C)
CUB/TACH:16	(GC:3 B)	DDA:2	(IE:0 B)	E27_1:2	(GF:0 C)
CUB/TACH:17	(GC:3 B)	DDA:3	(IE:1 A)	E27_1:3	(GF:1 C)
CUB/TACH:18	(IH:3 A)	DDA:4	(IE:2 B)	E27_1:4	(GF:1 C)
CUB:1	(BN:1 B)	DDA:5	(IH:2 C)	E27_1:5	(GF:1 C)
CUB:2	(BN:3 C)	DDA:6	(IE:3 B)	E27_1:7	(GF:0 C)
CUB:3	(BN:1 B)	DDA:7	(IM:1 C)	EA:1	(CS:1 B)
CUB:4	(BN:3 B)	DDA:8	(IM:1 C)	EA:2	(CS:1 B)
CUB:5	(BN:3 B)	DDA:9	(IM:1 C)	EA:3	(CS:2 B)
CUB:6	(BN:3 C)	DDA:10	(IU:1 D)	EA:4	(CS:1 B)
CUB:7	(BN:2 C)	DDA:11	(IU:1 D)	EI:1	(CK:2 D)
CUB:8	(BN:2 C)	DDA:12	(IH:2 C)	EI:1	(CO:0 A)
CUB:9	(BN:2 C)	DDA:13	(IE:0 C)	EI:2	(CK:1 D)
CUB:10	(BN:2 C)	DDA:14	(IE:1 C)	EI:2	(CO:0 A)
CUB:11	(BN:3 C)	DDA:15	(IE:1 C)	EI:3	(CK:2 D)
CUB:11	(IU:0 B)	DDB:1	(IE:1 C)	EI:3	(CO:0 A)
CUB:12	(KI:1 B)	DDB:2	(IE:2 C)	EI:4	(CK:2 D)
CUB:13	(IM:0 B)	DDB:3	(IE:2 C)	EI:4	(CO:0 A)
CUB:14	(HI:2 C)	DDB:4	(IE:0 C)	EI:5	(CK:1 D)
CUB:15	(HI:1 B)	DDB:5	(IE:0 B)	EI:5	(CO:0 A)
CUB:16	(GC:3 A)	DDB:6	(IE:0 B)	EI:6	(CK:2 D)

EI:6	(CO:0 A)	EM:10	(CL:0 D)	FB:1	(KI:2 A)
EI:7	(CK:3 D)	EM:10	(CM:0 D)	FB:3	(KI:2 B)
EI:7	(CO:1 A)	EM:10	(CO:3 B)	FE:1	(ME:1 B)
EI:8	(CK:1 D)	EM:10	(CS:3 D)	FE:1	(NC:0 B)
EI:8	(CO:0 A)	EM:11	(CL:2 D)	FE:1	(NU:0 A)
EI:9	(AA:3 D)	EM:11	(CM:2 D)	FE:2	(ME:1 B)
EI:9	(AE:3 D)	EM:11	(CO:0 B)	FE:2	(NC:0 B)
EI:10	(AA:3 D)	EM:12	(CL:0 D)	FE:2	(NU:0 A)
EI:10	(AE:3 D)	EM:12	(CM:0 D)	FE:3	(ME:1 B)
EI:13	(CK:1 D)	EM:12	(CO:4 B)	FE:3	(NC:1 B)
EI:13	(CO:0 A)	EM:12	(CS:2 B)	FE:3	(NU:0 A)
EI:15	(CK:0 D)	EMB:1	(IF:0 D)	FE_B:1	(IF:1 A)
EI:15	(CO:0 A)	EMB:2	(IF:1 D)	FE_B:2	(IF:1 A)
EI:21	(CK:3 D)	EN:1	(AA:3 D)	FE_B:3	(IF:1 A)
EI:21	(CO:3 A)	EN:1	(AE:3 D)	FE_BR:1	(IF:2 A)
EI:23	(HG:0 D)	EN:2	(AA:3 D)	FE_BR:2	(IF:2 A)
EI:23	(HY:2 D)	EN:2	(AE:3 D)	FE_BR:3	(IF:1 A)
EI:31	(CK:0 D)	EN:3	(HG:0 D)	FE2:1	(NC:1 B)
EI:31	(CO:4 A)	EN:3	(HY:2 D)	FE2:1	(NU:0 B)
EI:33	(CK:2 D)	EN:4	(AA:2 D)	FE2:2	(NC:0 B)
EI:33	(CO:0A D)	EP:1	(CL:4 D)	FE2:2	(NU:0 B)
EI:33	(CK:2 D)	EP:1	(CO:2 A)	FE2:3	(NC:1 B)
EI:35	(CK:3 D)	EP:2	(CL:4 D)	FE2:3	(NU:0 B)
EI:35	(CO:2 A)	EP:2	(CO:1 A)	FL:1	(GA:2 D)
EI:37	(CK:0 D)	EP:4	(CL:4 D)	FL:2	(GA:2 C)
EI:37	(CO:3 A)	EP:4	(CO:1 A)	FL:3	(GA:2 C)
EI:39	(CK:0 D)	EP:7	(CL:3 D)	FL:4	(NK:3 D)
EI:39	(CO:4 A)	EP:7	(CO:2 A)	FL:5	(NK:3 D)
EL:2	(CO:0 A)	EPR:1	(CK:3 B)	FL:6	(GA:2 C)
EL:2	(CL:2 D)	EPR:1	(CL:3 B)	FL:7	(GA:2 C)
EL:3	(CL:1 D)	EPR:1	(CM:2 B)	FL:8	(GA:1 C)
EL:3	(CO:0 A)	EPR:3	(CK:3 B)	FL:9	(GA:3 C)
EL:4	(CL:1 D)	EPR:3	(CL:3 B)	FL:10	(GQ:1 C)
EL:4	(CO:0 A)	EPR:3	(CM:3 B)	FL:11	(GQ:1 B)
EL:6	(CL:0 D)	EPR:4	(CK:3 C)	FL:12	(GQ:1 B)
EL:6	(CO:4 A)	EPR:4	(CL:3 C)	FL:13	(GU:0 D)
EM:1	(CL:1 D)	EPR:4	(CM:2 C)	FL:14	(GU:0 D)
EM:1	(CM:1 D)	EQ_A:1	(EO:4 B)	FL:15	(GU:0 D)
EM:1	(CO:1 B)	EQ_A:2	(EO:4 B)	FL:16	(GQ:1 C)
EM:1	(CS:3 B)	EQ_A:3	(EO:4 B)	FL:20	(BE:1 D)
EM:2	(CL:2 D)	EQ_A:4	(EO:4 C)	FL:21	(BE:1 D)
EM:2	(CM:2 D)	EXT:1	(HZ:1 B)	FL:22	(BE:1 D)
EM:2	(CO:2 B)	EXT:2	(HZ:1 B)	FL:23	(BE:1 E)
EM:2	(CS:3 B)	FA:1	(BI:4 B)	FL:25	(GA:2 D)
EM:3	(CL:2 D)	FA:2	(FA:2 B)	FL:29	(KA:0 C)
EM:3	(CM:2 D)	FA:3	(FA:2 B)	FMS:1	(BX:1 D)
EM:3	(CO:2 B)	FA:5	(GA:2 C)	FMS:2	(BX:1 D)
EM:3	(CS:3 B)	FA:5	(NI:1 A)	FR:1	(GA:3 D)
EM:4	(CL:1 D)	FA:6	(BA:0 C)	FR:2	(GA:3 C)
EM:4	(CM:1 D)	FA:7	(BI:1 C)	FR:3	(GA:3 C)
EM:4	(CO:1 B)	FA:8	(GA:4 C)	FR:4	(NK:3 D)
EM:4	(CS:3 B)	FA:8	(NA:0 A)	FR:5	(NK:4 D)
EM:5	(CL:1 D)	FA:9	(GB:3 D)	FR:6	(GA:2 C)
EM:5	(CM:1 D)	FA:9	(NA:0 A)	FR:7	(GA:3 C)
EM:5	(CO:2 B)	FA:10	(GC:3 B)	FR:8	(GA:4 C)
EM:5	(CS:3 B)	FA:10	(NA:0 A)	FR:9	(GA:3 C)
EM:6	(CL:3 D)	FA:10	(NU:2 B)	FR:10	(GM:0 C)
EM:6	(CM:2 D)	FA:11	(GB:0 A)	FR:11	(GM:0 C)
EM:6	(CO:3 B)	FA:11	(NA:3 A)	FR:13	(GU:1 D)
EM:6	(CS:2 B)	FA:12	(BA:1 D)	FR:14	(GU:1 D)
EM:7	(CL:3 D)	FA:13	(GQ:2 C)	FR:15	(GU:1 D)
EM:7	(CM:3 D)	FA:14	(AA:2 A)	FR:16	(GM:1 C)
EM:7	(CO:4 B)	FA:16	(GG:1 A)	FR:17	(BI:2 C)
EM:8	(CS:2 B)	FA:17	(GG:1 A)	FR:18	(BI:2 D)
EM:9	(CL:1 D)	FA:18	(GG:1 A)	FR:25	(GA:3 D)
EM:9	(CM:1 D)	FA:19	(GG:1 A)	FR:29	(KA:0 C)
EM:9	(CO:1 B)	FA:20	(GG:0 A)	FS:1	(KI:1 C)
EM:9	(CS:3 B)	FA:21	(GG:0 A)	FS:2	(KI:1 D)

FS:3	(KI:1 D)	MA:1	(CS:2 A)	MB:15	(GB:3 D)
FS_2:1	(KI:0 C)	MA:1	(HG:0 C)	MB:16	(BA:0 C)
FS_2:2	(KI:0 D)	MA:1	(HY:2 D)	MC:1	(EO:0 D)
FT:1	(IR:0 D)	MA:2	(AA:2 C)	MC:2	(EO:1 D)
FT:2	(IR:0 D)	MA:3	(CK:2 C)	MC:3	(EO:1 D)
FT:3	(IR:1 D)	MA:3	(CL:2 C)	MC:4	(EO:1 D)
GA:1	(GB:3 D)	MA:3	(CM:2 C)	MC:5	(EO:1 D)
GA:2	(BI:1 D)	MA:3	(CS:3 A)	MC:6	(GQ:0 B)
GA:3	(BI:1 C)	MA:4	(CK:2 C)	MC:6	(NU:2 C)
GA:4	(BA:1 B)	MA:4	(CL:2 C)	MC:7	(GQ:0 C)
GA:5	(BA:0 B)	MA:4	(CM:2 C)	MC:7	(NU:2 D)
GA:6	(BA:0 C)	MA:5	(CM:1 C)	MC:8	(NK:1 C)
GA:7	(BA:0 C)	MA:5	(CL:1 C)	MC:9	(NK:1 D)
GB:1	(BI:2 C)	MA:5	(CS:3 A)	MOT:1	(HZ:2 C)
GB:2	(BI:2 D)	MA:5	(CK:1 C)	MOT:2	(HZ:2 C)
GB:3	(BM:2 D)	MA:5	(CL:1 C)	MOT:3	(HZ:1 C)
GB:4	(BM:2 D)	MA:6	(CM: C)	MOT:4	(HZ:2 C)
GB:5	(BM:2 D)	MA:6	(CS:3 A)	MP:1	(CO:3 C)
GB:6	(BM:2 D)	MA:7	(CK:3 C)	MT:1	(CS:1 C)
GC:1	(DE:0 B)	MA:7	(CL:3 C)	MT:2	(CS:1 C)
GC:2	(DE:0 B)	MA:7	(CM:2 C)	MT:3	(CS:3 D)
GC:3	(DE:0 B)	MA:8	(CK:2 C)	MT:5	(CS:2 D)
GC:4	(DE:0 B)	MA:8	(CL:2 C)	MT:6	(CS:2 D)
GC:7	(DE:2 B)	MA:8	(CM:2 C)	MT:7	(CS:2 D)
GC:8	(DE:2 B)	MA:9	(AC:4 D)	MT:8	(CS:2 D)
GC:10	(DE:3 E)	MA:9	(AE:4 D)	MT:9	(CS:4 B)
GC:11	(DE:0 B)	MA:9	(CS:1 A)	MT:10	(CS:4 B)
GC:12	(DE:0 C)	MA:10	(CK:2 C)	OBD:4	(CL:1 B)
GD:2	(HZ:1 C)	MA:11	(CK:2 C)	OBD:5	(CL:1 B)
IDA:1	(GA:1 C)	MA:11	(CL:1 C)	OBD:6	(CL:1 B)
IDB:1	(GA:0 D)	MA:11	(CM:1 C)	OBD:14	(CL:1 B)
IS:1	(DE:3 B)	MA:12	(CL:0 C)	OBD:16	(CL:1 B)
IS:2	(DE:3 B)	MA:12	(CM:0 C)	OBD:17	(CL:2 B)
IS:3	(DE:2 C)	MA:13	(AA:3 D)	OBD:18	(CL:2 B)
IS:4	(DE:2 C)	MA:13	(AE:3 D)	OH:1	(GE:1 B)
JV/JC:1	(DB:0 D)	MA:13	(CP:2 A)	OH:2	(GE:2 B)
JV/JC:2	(KA:1 D)	MA:13	(CS:1 A)	OH:3	(GE:1 B)
JV/JC:3	(DQ:1 B)	MA:14	(CL:3 C)	OH:4	(GE:2 B)
JV/JC:4	(AE:3 B)	MA:14	(CM:3 C)	OH:9	(GE:1 B)
JV/JC:5	(AE:3 B)	MA:15	(CK:1 C)	OH:13	(GE:1 B)
JV/JC:6	(AE:3 B)	MA:15	(CL:1 C)	OH:14	(GE:2 B)
JV/JC:7	(AC:1 D)	MA:15	(CM:1 C)	OH:17	(GE:1 B)
JV/JC:7	(AE:4 D)	MA:15	(CP:2 A)	OH:18	(GE:3 B)
JV/JC:8	(CP:1 B)	MA:15	(CS:3 A)	OH:24	(GE:1 D)
JV/JC:8	(HI:3 D)	MA:16	(BI:0 D)	PAS:1	(FP:0 C)
JV/JC:9	(AA:3 B)	MA:17	(CL:0 C)	PAS:6	(FP:0 D)
JV/JC:9	(BA:0 C)	MA:17	(CM:0 C)	PH_1:1	(HM:0 B)
JV/JC:10	(FU:0 D)	MA:17	(CU:0 C)	PH_1:2	(HM:0 B)
JV/JC:11	(BA:3 C)	MA:19	(CK:0 C)	PH_1:3	(HM:2 B)
JV/JC:12	(BA:3 D)	MA:20	(CK:3 C)	PH_1:4	(HM:1 B)
JV/JC:13	(IM:2 C)	MA:20	(CS:1 A)	PH_1:5	(HM:2 B)
JV/JC:14	(DQ:1 C)	MA:21	(CK:0 C)	PH_1:6	(HM:2 C)
JV/JC:15	(BU:0 B)	MA:21	(CM:0 C)	PH_1:7	(HM:2 D)
JV/JC:16	(IM:2 A)	MA:21	(CS:0 C)	PH_1:8	(HM:0 D)
JV/JC:17	(HP:0 D)	MA:22	(CK:3 C)	PH_1:9	(HM:0 D)
JV/JC:18	(KM:1 C)	MA:22	(CM:3 C)	PH_1:10	(HM:3 D)
JV/JC:19	(BI:2 D)	MA:23	(CK:0 C)	PH_1:11	(HM:1 B)
JV/JC:20	(BU:1 B)	MA:24	(CK:0 C)	PH_2:1	(HP:0 B)
JV/JC:21	(IX:2 B)	MA:24	(CM:0 C)	PH_2:2	(HP:0 C)
KV/KC:1	(GB:0 B)	MA:25	(CK:1 C)	PH_2:3	(HP:0 D)
KV/KC:2	(GB:0 B)	MA:25	(CM:1 C)	PL:1	(NC:3 C)
KV/KC:3	(GB:0 B)	MB:1	(BI:2 D)	PL:2	(NA:1 C)
LI:1	(FG:0 B)	MB:2	(BA:0 C)	PL:3	(NA:1 C)
LI:2	(FG:0 B)	MB:4	(BA:1 B)	PL:4	(NA:1 C)
LI:3	(FG:0 B)	MB:5	(BI:2 C)	PL:5	(NA:2 C)
LI:4	(FG:1 B)	MB:8	(BI:1 D)	PL:6	(NA:2 C)
LI:5	(FG:1 B)	MB:9	(BA:0 B)	PL:7	(NC:1 C)
LI:6	(FG:1 B)	MB:14	(BI:1 C)	PL:7	(NU:1 C)

PL:8	(NA:4 C)	PW:4	(AE:1 C)	RC:18	(GG:0 B)
PL:9	(NC:1 C)	PW:5	(AE:1 D)	RC:19	(GK:1 A)
PL:9	(NU:1 C)	PW:6	(AE:1 D)	RC:19	(KE:0 C)
PL:10	(NC:2 C)	PW:7	(AE:2 D)	RC:20	(GK:1 A)
PL:10	(NU:2 C)	PW:8	(AE:2 D)	RC:20	(KE:0 D)
PL:11	(NA:0 C)	PW:9	(BI:2 D)	RC:21	(CP:3 A)
PL:12	(NA:1 C)	PW:10	(BI:2 C)	RC:21	(GK:1 A)
PL:13	(NC:2 C)	PW:11	(BI:2 C)	RC_2:2	(GH:1 B)
PL:13	(NU:1 C)	PW:12	(CS:0 A)	RC_2:3	(GH:1 B)
PL:14	(NC:2 C)	PW:12	(GB:0 D)	RC_2:4	(GH:1 B)
PL:14	(NU:1 C)	PW:13	(AB:2 B)	RC_2:5	(GH:1 B)
PL:15	(NC:2 C)	PW:13	(CS:0 A)	RC_2:6	(GH:1 B)
PL:15	(NU:2 C)	PW:14	(AE:2 D)	RC_2:7	(GH:1 B)
PL:16	(NC:2 C)	PW:15	(CK:3 B)	RC_2:9	(GH:1 B)
PL:16	(NU:2 C)	PW:15	(CLK:3 B)	RC_2:10	(GH:1 B)
PL:17	(NC:2 C)	PW:15	(CM:3 B)	RC_2:11	(GH:1 B)
PL:17	(NU:2 C)	PW:16	(CK:3 B)	RC_2:12	(GH:1 B)
PL:18	(NA:3 C)	PW:16	(CL:3 B)	RC_2:14	(GH:0 B)
PL:19	(NC:3 C)	PW:16	(CM:2 B)	RC_2:17	(GH:0 B)
PL:20	(NC:3 C)	PW:17	(CK:3 C)	RC_2:18	(GH:0 B)
PL:20	(NU:2 C)	PW:17	(CLK:3 C)	RC_2:19	(GH:0 B)
PL:21	(NC:3 C)	PW:17	(CM:2 C)	RC_2:20	(GH:0 B)
PL:21	(NU:3 C)	PW:18	(AB:0 B)	REF:1	(IQ:3 C)
PS:1	(DI:0 C)	PW:19	(IQ:3 C)	REF:2	(IQ:3 D)
PS:2	(DI:0 C)	PW:20	(IQ:3 D)	REV:1	(NU:2 C)
PS:3	(DI:0 C)	PW:21	(AB:0 B)	RF:1	(IQ:3 C)
PS:4	(DI:0 C)	RA:1	(GC:2 E)	RF:4	(IQ:3 D)
PS:5	(DI:0 C)	RA:2	(GC:1 B)	RP:1	(DI:2 C)
PS:6	(DI:0 C)	RA:3	(GC:1 B)	RP:2	(DI:2 C)
PS:7	(DI:1 C)	RA:4	(GC:1 B)	RP:3	(DI:2 C)
PS:8	(DI:1 C)	RA:5	(GC:2 B)	RP:4	(DI:2 C)
PS:9	(DI:1 C)	RA:6	(GC:2 B)	RP:5	(DI:2 C)
PS:14	(DI:1 C)	RA:7	(GC:1 B)	RP:6	(DI:2 C)
PS:15	(DI:1 C)	RA:8	(GC:1 B)	RP:7	(DI:2 C)
PS:16	(DI:1 C)	RA:9	(GC:2 B)	RP:8	(DI:2 B)
PS:17	(DI:1 C)	RA:10	(GC:2 B)	RP:9	(DI:2 B)
PS:18	(DI:1 C)	RA:11	(GC:2 B)	RT:1	(DM:3 C)
PS:19	(DI:1 C)	RA:12	(BI:2 C)	RT:2	(DM:2 C)
PS:20	(DI:1 C)	RA:13	(BI:2 D)	RT:3	(DM:2 C)
PS:21	(DI:1 C)	RA:14	(DU:3 C)	RT:4	(DM:2 C)
PT:1	(DE:0 B)	RA:15	(HI:0 C)	RT:5	(DM:2 C)
PT:1	(DN:1 B)	RA:15	(HM:0 D)	RT:6	(DM:3 C)
PT:1	(DP:0 B)	RA:16	(HI:0 C)	RT:7	(DM:3 C)
PT:2	(DE:0 B)	RA:16	(HM:0 D)	SI:1	(GG:3 B)
PT:2	(DN:1 B)	RA:17	(DU:3 C)	SI:1	(GK:3 A)
PT:2	(DP:1 B)	RA:19	(BY:2 D)	SI:2	(GG:3 B)
PT:3	(DE:0 B)	RC:1	(BY:3 D)	SI:2	(GK:3 A)
PT:3	(DN:1 B)	RC:2	(GG:0 B)	SI:4	(GG:3 B)
PT:3	(DP:1 B)	RC:2	(GK:0 A)	SI:4	(GK:4 A)
PT:4	(DE:0 B)	RC:3	(GG:0 B)	SI:5	(GG:3 B)
PT:4	(DN:1 B)	RC:3	(GK:1 A)	SI:5	(GK:4 A)
PT:4	(DP:1 B)	RC:4	(GG:0 B)	SI_2:1	(GH:3 B)
PT:6	(DE:0 B)	RC:4	(GK:1 A)	SI_2:2	(GH:3 B)
PT:6	(DN:0 B)	RC:5	(GG:0 B)	SI_2:4	(GH:3 B)
PT:6	(DP:0 B)	RC:5	(GK:1 A)	SI_2:5	(GH:3 B)
PT:7	(DE:0 D)	RC:6	(GG:0 B)	SI_3:1	(CP:3 A)
PT:7	(DN:0 B)	RC:6	(GK:1 A)	SI_3:2	(CP:3 A)
PT:7	(DP:0 B)	RC:7	(GG:1 B)	SLF:1	(NI:0 D)
PT:8	(DN:0 B)	RC:8	(BY:3 D)	SLF:2	(NI:0 E)
PT:8	(DP:0 B)	RC:9	(GG:1 B)	SLR:1	(NI:1 C)
PT:9	(DN:0 B)	RC:10	(GG:1 B)	SLR:2	(NI:1 C)
PT:9	(DP:0 B)	RC:10	(GK:1 A)	SLR_2:1	(NI:1 C)
PT:12	(DP:0 B)	RC:11	(GG:1 B)	SLR_2:2	(NI:1 C)
PT:13	(DP:0 B)	RC:12	(GG:1 B)	SM_F:1	(GC:3 C)
PW:1	(AB:4 C)	RC:14	(GG:1 B)	SM_F:2	(GC:0 C)
PW:1	(CS:0 A)	RC:15	(GC:0 B)	SM_F:4	(GC:3 D)
PW:2	(AB:3 C)	RC:16	(GC:2 B)	SM_O:1	(GE:2 B)
PW:3	(AE:0 C)	RC:17	(GG:0 B)	SM_O:2	(GE:1 B)

SM_O:4	(GE:1 B)	SW_2:7	(EO:2 D)	TA:13	(GU:0 C)
SM_R:1	(GC:3 C)	SW_2:8	(EO:2 D)	TA:14	(GU:0 C)
SM_R:2	(GC:0 C)	SW_2:9	(EO:3 D)	TA:15	(GU:0 C)
SM_R:4	(GC:3 D)	SX:1	(GG:1 C)	TA:16	(GQ:1 C)
SP:1	(BM:2 C)	SX:1	(GK:2 C)	TA:17	(NK:3 C)
SP:2	(BM:2 C)	SX:2	(GG:1 C)	TA:18	(GM:0 C)
SP:3	(BM:2 C)	SX:3	(GG:3 C)	TA:19	(GM:0 C)
SP:4	(BM:2 C)	SX:3	(GK:3 C)	TA_2:1	(GI:1 D)
SS:1	(BE:3 D)	SX:4	(GG:0 C)	TA_2:2	(GI:2 B)
SS:2	(BE:3 D)	SX:4	(GK:2 C)	TA_2:3	(GI:1 B)
SS:3	(BE:1 C)	SX:5	(GG:1 C)	TA_2:6	(GI:1 B)
SS:4	(BE:1 C)	SX:6	(GG:0 C)	TA_2:7	(GI:1 B)
ST:1	(GG:4 B)	SX:6	(GK:2 C)	TA_2:8	(GI:1 B)
ST:1	(GK:3 A)	SX:7	(GG:3 C)	TA_2:9	(GI:2 B)
ST_2:1	(GH:3 B)	SX:7	(GK:3 C)	TA_2:12	(GI:1 D)
ST_3:1	(CP:3 A)	SX:8	(GG:3 C)	TB:1	(GA:3 D)
SW_1:1	(EE:0 C)	SX:8	(GK:3 C)	TB:2	(GA:3 C)
SW_1:1	(EI:0 C)	SX:10	(GG:0 C)	TB:3	(GA:3 C)
SW_1:2	(EE:0 C)	SX:10	(GK:2 C)	TB:4	(KA:0 C)
SW_1:2	(EI:0 C)	SX:11	(GG:0 C)	TB:5	(NK:3 C)
SW_1:3	(EE:0 D)	SX:11	(GK:2 C)	TB:6	(GA:2 C)
SW_1:3	(EI:1 C)	SX:12	(GG:0 C)	TB:7	(GA:3 C)
SW_1:4	(EE:1 C)	SX:12	(GK:2 C)	TB:8	(GA:4 C)
SW_1:4	(EI:1 C)	SX:15	(GG:3 C)	TB:9	(GA:3 C)
SW_1:5	(EE:1 C)	SX:15	(GK:3 C)	TB:10	(GM:0 C)
SW_1:5	(EI:1 C)	SX:18	(GG:1 C)	TB:11	(GM:0 C)
SW_1:6	(EE:1 D)	SX:20	(GG:0 C)	TB:12	(GA:3 D)
SW_1:6	(EI:1 C)	SX:21	(GG:0 C)	TB:13	(GU:1 C)
SW_1:7	(EE:2 C)	SX:24	(GG:1 C)	TB:14	(GU:1 C)
SW_1:7	(EI:2 C)	SX:24	(GK:3 C)	TB:15	(GU:1 C)
SW_1:8	(EE:2 C)	SX:25	(GG:1 C)	TB:16	(GM:1 C)
SW_1:8	(EI:2 C)	SX:29	(GG:1 C)	TB:17	(NK:4 C)
SW_1:9	(EE:2 D)	SX:30	(GG:4 C)	TB:18	(BI:2 D)
SW_1:9	(EI:2 C)	SX:30	(GK:3 C)	TB:19	(GQ:2 B)
SW_1:10	(EE:3 C)	SX:31	(GG:2 C)	TB:20	(GQ:0 C)
SW_1:10	(EI:3 C)	SX:31	(GK:2 C)	TB:21	(BI:2 D)
SW_1:11	(EE:3 C)	SX_2:1	(GR:1 B)	TB_2:1	(GI:3 D)
SW_1:11	(EI:3 C)	SX_2:2	(GR:1 B)	TB_2:2	(GI:3 B)
SW_1:12	(EE:3 D)	SX_2:3	(GR:2 B)	TB_2:3	(GI:3 B)
SW_1:12	(EI:3 C)	SX_2:4	(GR:0 B)	TB_2:6	(GI:2 B)
SW_1:13	(EE:0 C)	SX_2:5	(GR:1 B)	TB_2:7	(GI:3 B)
SW_1:13	(EI:0 C)	SX_2:6	(GR:0 B)	TB_2:8	(GI:2 B)
SW_1:14	(EE:0 C)	SX_2:7	(GR:3 B)	TB_2:9	(GI:3 B)
SW_1:14	(EI:0 C)	SX_2:8	(GR:3 B)	TB_2:12	(GI:3 D)
SW_1:15	(EE:1 C)	SX_2:10	(GR:0 B)	TB_2:18	(BI:0 E)
SW_1:15	(EI:1 C)	SX_2:11	(GR:0 B)	TB_2:21	(BI:0 D)
SW_1:16	(EE:1 C)	SX_2:12	(GR:0 B)	TD:1	(IE:0 C)
SW_1:16	(EI:1 C)	SX_2:15	(GR:2 B)	TD:2	(IE:0 D)
SW_1:17	(EE:2 C)	SX_2:18	(GR:1 B)	TD:3	(IE:0 C)
SW_1:17	(EI:2 C)	SX_2:20	(GR:0 B)	TD:4	(IE:1 C)
SW_1:18	(EE:2 C)	SX_2:21	(GR:0 B)	TD:5	(IE:1 C)
SW_1:18	(EI:2 C)	SX_2:24	(GR:1 B)	TD:6	(BI:3 C)
SW_1:19	(EE:3 C)	SX_2:25	(GR:1 B)	TD:7	(BI:3 C)
SW_1:19	(EI:3 C)	SX_2:29	(GR:1 B)	TD:8	(GM:3 D)
SW_1:20	(EE:3 C)	SX_2:30	(GR:3 B)	TD:9	(GM:3 C)
SW_1:20	(EI:3 C)	SX_2:31	(GR:2 B)	TD:10	(GM:3 C)
SW_2:1	(EO:3 D)	TA:1	(GA:2 D)	TD:11	(GM:2 C)
SW_2:10	(EO:3 D)	TA:2	(GA:2 C)	TD:12	(GM:2 C)
SW_2:11	(EO:4 D)	TA:3	(GA:2 C)	TD:13	(BI:3 D)
SW_2:12	(EO:4 D)	TA:4	(KA:0 C)	TD:15	(IE:1 C)
SW_2:13	(EO:3 D)	TA:5	(NK:3 C)	TD:16	(IE:1 D)
SW_2:14	(EO:3 D)	TA:6	(GA:2 C)	TD:17	(IE:1 C)
SW_2:15	(EO:4 D)	TA:7	(GA:2 C)	TD:18	(IE:2 C)
SW_2:2	(EO:3 D)	TA:8	(GA:1 C)	TD:19	(IE:2 C)
SW_2:3	(EO:1 D)	TA:9	(GA:3 C)	TD:20	(BI:3 C)
SW_2:4	(EO:1 D)	TA:10	(GQ:1 C)	TD:21	(BI:3 C)
SW_2:5	(EO:2 D)	TA:11	(GQ:1 B)	TDET:1	(GB:1 D)
SW_2:6	(EO:2 D)	TA:12	(GA:2 D)	TDI:1	(GB:1 C)

TM:1	(OA:2 D)	X03:11	(GG:1 E)	X06:16	(NU:2 D)
TM:2	(OA:2 D)	X03:12	(GG:1 E)	X06:17	(NC:2 D)
TM:3	(OA:2 B)	X03:13	(GG:1 E)	X06:17	(NU:2 D)
TM:4	(OA:2 B)	X03:15	(GG:0 E)	X06:18	(NA:3 D)
TM:5	(OA:1 D)	X03_2:1	(GH:1 D)	X06:19	(NA:3 D)
TMA:1	(OA:2 C)	X03_2:2	(GH:1 D)	X06:20	(NC:3 D)
TMA:3	(OA:1 C)	X03_2:3	(GH:0 D)	X06:20	(NU:2 D)
TMA:5	(OA:2 B)	X03_2:4	(GH:1 D)	X06:21	(NC:3 D)
TMA:6	(OA:2 C)	X03_2:5	(GH:1 D)	X06:21	(NU:3 D)
TMA:7	(OA:2 B)	X03_2:6	(GH:1 D)	X06:22	(NC:3 D)
TS:1	(FG:0 A)	X03_2:7	(GH:1 D)	X06:24	(NA:3 D)
TS:2	(FG:0 A)	X03_2:8	(GH:1 D)	X06:30	(NA:3 D)
TS:3	(FG:0 A)	X03_2:9	(GH:1 D)	X06:31	(NA:4 D)
TS:4	(FG:1 A)	X03_2:10	(GH:1 D)	X07:1	(GR:1 E)
TS:5	(FG:1 A)	X03_2:11	(GH:1 D)	X07:2	(GR:0 E)
TS:6	(FG:1 A)	X03_2:12	(GH:1 D)	X07:3	(GR:0 E)
X02:1	(GG:4 E)	X03_2:13	(GH:1 D)	X07:4	(GR:0 E)
X02:1	(GK:3 E)	X03_2:14	(GH:0 D)	X07:5	(GR:0 E)
X02:2	(GG:3 E)	X03_2:15	(GH:0 D)	X07:6	(GR:0 E)
X02:2	(GK:3 E)	X04:1	(GG:2 E)	X07:7A	(GR:0 E)
X02:3	(GG:3 E)	X04:1	(GK:2 E)	X07:7B	(GR:1 E)
X02:3	(GK:3 E)	X04:2	(GG:1 E)	X07:8A	(GR:0 E)
X02:4	(GG:3 E)	X04:2	(GK:2 E)	X07:8B	(GR:0 E)
X02:4	(GK:3 E)	X04:3	(GG:2 E)	X07:9	(GR:1 E)
X02:5	(GG:3 E)	X04:3	(GK:2 E)	X07:10	(GR:1 E)
X02:5	(GK:3 E)	X04:4	(GG:2 E)	X07:11	(GR:1 E)
X02:6	(GG:3 E)	X04:4	(GK:2 E)	X07:12	(GR:1 E)
X02:6	(GK:3 E)	X04:5	(GG:2 E)	X46:2	(BY:3 E)
X02:7	(GG:3 E)	X04:5	(GK:2 E)	X46:3	(BY:2 E)
X02:7	(GK:3 E)	X04:6	(GG:2 E)	X46:4	(BY:2 E)
X02_2:1	(GH:3 D)	X04:6	(GK:2 E)	X46:5	(BY:3 E)
X02_2:2	(GH:3 D)	X04:6	(GG:2 E)	X46:6	(BY:3 E)
X02_2:3	(GH:3 D)	X04:7	(GK:2 E)	XA:1	(GB:0 B)
X02_2:4	(GH:3 D)	X04_2:1	(GH:2 D)	XA:2	(GB:1 B)
X02_2:5	(GH:3 D)	X04_2:2	(GH:2 D)	XA:3	(GB:1 B)
X02_2:6	(GH:3 D)	X04_2:3	(GH:2 D)	XA:4	(GB:1 B)
X02_2:7	(GH:3 D)	X04_2:4	(GH:2 D)	XA:5	(GB:1 B)
X02_3:1	(GR:3 E)	X04_2:5	(GH:2 D)	XA:6	(GB:1 B)
X02_3:2	(GR:2 E)	X04_2:6	(GH:3 D)	XA:7	(GB:2 B)
X02_3:3	(GR:2 E)	X04_2:7	(GH:3 D)	XA:8	(GB:2 B)
X02_3:4	(GR:2 E)	X05:1	(GG:3 E)	XA:9	(GB:2 B)
X02_3:5	(GR:2 E)	X05:2	(GG:2 E)	XA:10	(GB:0 B)
X02_3:6	(GR:3 E)	X05:3	(GG:2 E)	XA:11	(GB:1 B)
X02_3:7	(GR:3 E)	X05:4	(GG:2 E)	XA:12	(GB:1 B)
X03:1	(GG:0 E)	X05:5	(GG:3 E)	XA:13	(GB:1 B)
X03:2	(GG:0 E)	X05:7	(GG:3 E)	XA:14	(GB:1 B)
X03:3	(GG:1 E)	X06:1	(NC:3 D)	XA:15	(GB:1 B)
X03:4	(GG:1 E)	X06:2	(NA:1 D)	XA:16	(GB:2 B)
X03:5	(GG:0 E)	X06:3	(NA:1 D)	XA:17	(GB:2 B)
X03:6	(GG:0 E)	X06:4	(NA:1 D)	XA:18	(GB:2 B)
X03:7	(GG:0 E)	X06:5	(NA:2 D)	XB:1	(AA:4 D)
X03:8	(GG:1 E)	X06:6	(NA:2 D)	XC:1	(BM:1 C)
X03:9	(GG:1 E)	X06:7	(NC:1 D)	XC:2	(CK:1 B)
X03:10	(GG:1 E)	X06:7	(NU:1 D)	XC:2	(CL:1 B)
X03:11	(GG:1 E)	X06:8	(NC:4 C)	XC:3	(IH:2 C)
X03:12	(GG:1 E)	X06:9	(NC:1 D)	XC:4	(HP:0 E)
X03:13	(GG:1 E)	X06:9	(NU:1 D)	XC:5	(HG:0 D)
X03:14	(GG:0 E)	X06:10	(NC:2 D)	XC:5	(HY:2 D)
X03:15	(GG:0 E)	X06:10	(NU:2 D)	XC:6	(BU:2 C)
X03:2	(GG:0 E)	X06:11	(NA:0 D)	XC:7	(BM:1 C)
X03:3	(GG:1 E)	X06:12	(NA:1 D)	XC:8	(AE:2 C)
X03:4	(GG:1 E)	X06:13	(NC:2 D)	XC:8	(NK:1 D)
X03:5	(GG:0 E)	X06:13	(NU:1 D)	XC:9	(DB:1 E)
X03:6	(GG:0 E)	X06:14	(NC:2 D)	XC:9	(DM:0 E)
X03:7	(GG:0 E)	X06:14	(NU:1 D)	XC:10	(HP:1 E)
X03:8	(GG:1 E)	X06:15	(NC:2 D)	XC:11	(BU:0 A)
X03:9	(GG:1 E)	X06:15	(NU:2 D)	XC:12	(KI:1 C)
X03:10	(GG:1 E)	X06:16	(NC:2 D)	XD:1	(BU:1 C)

XD:1	(BX:1 D)	XJ:4	(GQ:1 A)	XL:9	(OA:2 B)
XD:1	(BY:1 D)	XJ:6	(HG:0 B)	XL:10	(DB:1 B)
XD:2	(CU:1 C)	XJ:7	(GQ:2 A)	XL:10	(DM:0 B)
XD:2	(IJ:3 B)	XJ:10	(GA:0 B)	XL:11	(BI:0 B)
XD:3	(CP:2 D)	XJ:11	(IM:0 B)	XL:12	(BA:1 B)
XD:4	(EE:4 D)	XJ:12	(BA:1 B)	XL:13	(DQ:0 B)
XD:4	(EI:0 D)	XJ:13	(GA:0 B)	XL:14	(DU:1 B)
XD:4	(EI:4 D)	XJ:14	(IH:1 B)	XL:15	(BA:1 D)
XD:4	(EO:0 D)	XJ:15	(BA:0 B)	XL:16	(BA:1 D)
XD:5	(DU:2 E)	XJ:16	(IH:2 B)	XL:17	(BA:1 D)
XD:5	(EO:0 D)	XJ:17	(IH:1 B)	XL:18	(BA:1 D)
XD:6	(FA:3 D)	XJ:18	(IH:2 B)	XM:1	(AA:2 B)
XD:6	(FI:0 C)	XK:1	(BA:0 B)	XM:1	(CK:3 B)
XD:6	(FK:1 D)	XK:3	(GM:3 B)	XM:2	(AA:2 B)
XD:7	(GU:2 D)	XK:4	(BA:0 B)	XM:2	(CK:3 B)
XD:8	(IX:2 D)	XK:6	(GM:1 D)	XM:3	(AA:2 B)
XD:9	(BI:1 E)	XK:7	(BA:0 A)	XM:3	(CK:4 B)
XD:10	(IS:1 D)	XK:8	(BA:0 B)	XM:4	(AA:2 A)
XD:10	(OA:1 D)	XK:9	(DB:1 B)	XM:5	(AA:3 A)
XD:11	(AA:2 C)	XK:9	(DM:1 B)	XM:5	(CK:3 B)
XD:12	(NC:0 C)	XK:10	(HY:0 B)	XM:6	(AC:3 D)
XD:12	(NU:2 D)	XK:11	(DB:1 B)	XM:7	(AC:3 D)
XE:1	(AA:3 D)	XK:11	(DM:0 B)	XM:8	(AC:3 D)
XE:1	(AC:2 D)	XK:12	(DB:1 B)	XM:9	(AC:3 D)
XF:1	(FA:4 B)	XK:12	(DM:1 B)	XM:10	(AC:3 D)
XF:2	(FQ:1 B)	XK:13	(HY:0 B)	XM:11	(AC:2 C)
XF:3	(ME:3 B)	XK:14	(IQ:1 B)	XM:12	(BI:3 B)
XF:4	(KE:0 C)	XK:15	(IQ:2 B)	XM:13	(AC:2 B)
XF:5	(FQ:0 B)	XK:16	(HY:1 B)	XM:14	(AC:2 C)
XF:6	(FQ:1 B)	XK:17	(CK:0 B)	XM:15	(BI:3 B)
XF:7	(KE:0 C)	XK:17	(CL:0 B)	XM:16	(AC:2 B)
XF:8	(KE:0 C)	XK:17	(CU:0 B)	XM:17	(AC:2 B)
XF:9	(AA:3 C)	XK:18	(CU:0 B)	XM:18	(BI:3 B)
XF:10	(FA:4 B)	XL:1	(BA:1 B)	XO:1	(AC:0 A)
XF:12	(KE:0 B)	XL:2	(IH:4 B)	XS:1	(AC:2 A)
XF:13	(BA:0 B)	XL:3	(BA:1 B)	XT:1	(AC:1 A)
XF:15	(FA:4 B)	XL:4	(OA:2 B)	Y18GH:1	(DN:2 B)
XF:18	(GB:3 C)	XL:5	(BA:1 B)	Y18GH:1	(DP:2 B)
XG:1	(AC:0 A)	XL:6	(BA:1 B)	Y18GH:2	(DN:2 B)
XH:1	(AC:2 A)	XL:7	(DB:1 B)	Y18GH:2	(DP:2 B)
XJ:1	(GM:2 C)	XL:7	(DM:0 B)	Y18GH:4	(DN:2 A)
XJ:2	(GM:1 D)	XL:8	(BI:0 B)	Y18GH:4	(DP:2 A)
XJ:3	(HG:0 B)	XL:9	(BI:0 B)		

List of components

A01	Fuse and Relay Centre (1000)	A40	HID Fuse holder, 3-fuses (GD:1 C) (1000)
A02L	Fuse holder, 6-fuses (GB:0 D) (1000)	A41	Component group transmission. Contains B23, B138 and Y17 (DN:0 D/DE:0 C/DM:2 B/DP:0 D) (1403/1499)
A02P	Fuse holder, 6-fuses (ME:2 C) (1000)	A42	Component group transmission. Contains B26, Y21, Y22, Y23 and Y26 (DN:2 D/DE:2 C) (1494/1499)
A02X	Fuse holder, 6-fuses (ME:3 C) (1000)	A42_B	Component group transmission. Contains B26, Y21, Y22, Y23 and Y26 (DP:2 D) (1494/1499)
A03	Instrument cluster (BI:0 B) (CP:2 D) (1000)	A43	Electric fan control (B32 fan speed sensor, Y35 visco clutch) (CO:1 D) (1030)
A04A	Refrigerator (IQ:3 C) (1007B)	A44	Fuel filter bracket (B51 fuel pressure sensor, M15 priming pump) (CO:2 D) (1030)
A04B	Refrigerator (IQ:3 C) (1460)	A45	Fuel pre filter (B52 water level sensor, R10 heater, Y38 water drain solenoid (CO:3 B) (1030)
A05	Display, FMS (Fleet Management System) (BU:2 D/IZ:0 D) (1000)	A54	Control unit, Coolant level (CS:2 D)
A06L	El. adjustable seat (IA:2 B) (1007A)	A59	Control unit, RAS (Rear Axle Steering) (FO:1 B) (1493)
A06R	El. adjustable seat (IA:0 B) (1007B)	A75	Yawrate sensor and power supply unit, ACC (BE:2 C) (1007C)
A07	Radio (IU:0 B) (1000)	A77	Control unit, Tyre pressure monitoring (OA:1 B) (1508)
A08	Control unit, GPS receiver (Global Positioning System) (BU:2 D) (1000)	A80	Airdryer, electrical controlled (FQ:1 C) (1056)
A09	Telephone (IX:0 C) (1000)	A94	FMS Gateway, Fleet Management System (BX:0 B) (1000)
A10	CD player (IU:3 B)	A96	Control unit, Roof cooler (HZ:1 B) (1018)
A11	Control unit, door lock (IM:1 B) (1000)	A102	Control unit, Volvo Link (VERS-SAM) (BY:1 C) (1000)
A12A	Control unit, ABS (Anti-lock Brake System) (EI:0 B) (1007C)	A105	Serial Interface Box (BU:0 B) (1000)
A12B	Control unit, ABS (Anti-lock Brake System) (EE:0 B) (1007C)	A106	Fuse holder, 3-fuses, not mainswitch dependent (AB:3 B) (1000)
A13A	Control unit, TECU (automatic transmission) (DE:0 C)	A109	Control unit, GSECU (Gearshift ECU) (DC:1 C) (1000)
A13B	Control unit, TECU (automatic transmission) (DI:0 B) (1007C)	A121	Logger, AUS (CP:1 B)
A13C	Control unit, TECU (automatic transmission) (DM:0 C) (1007C)	A124	Component group engine (K65 power relay, starter motor pre-relay M04 starter motor) (CO:2 A)
A13D	Control unit, TECU (automatic transmission) (DN:0 B)	B02A	Thermostat, parking heater (HI:1 B) (1006A/1006E)
A13E	Control unit, TECU (automatic transmission) (DP:0 C)	B02B	Thermostat, parking heater (HI:0 B) (1006A/1006E)
A14	Control unit, EMS (Engine Management System) (CO:2 C/CS:2 C) (1030)	B03_A	Sensor, footbrake valve (EO:0 D) (1504)
A15	Control unit, SRS (Supplementary Restrain System) (IS:0 B) (1000)	B04	Sensor, engine speed, crankshaft (CO:0 D) (1030)
A16	Control unit, ECS (Electronic Controlled air Suspension) (FA:0 C/FG:0 D/FG:2 D) (1007C)	B05	Sensor, engine speed, camshaft (CO:0 D) (1030)
A17	Control unit, VECU (Vehicle ECU) (BA:0 C) (1000)	B06	Sensor, air pressure, air tank (BA:2 D) (1000)
A18	Control unit, roof hatch (IQ:0 C) (1006E)	B07	Sensor, fuel level (BI:2 C) (1040)
A19A	Control unit, GECU (gear selector ECU) (Geartronic) (DB:1 C) (1007A/1007B/1484)	B08	Sensor, input shaft speed, gearbox (DE:3 B)
A20	Control unit, Immobiliser (IM:3 C) (1000)	B09A	Sensor, oil temperature, gearbox (DE:2 D)
A21	Control unit, EBS (Electronic Brake System) (EO:0 C) (1007C)	B09B	Sensor, oil temperature, gearbox (BI:2 C) (1494)
A22	Control unit, FMS (Fleet Management System) (BU:0 C/IZ:3 B) (1000)	B10	Sensor, oil level (CO:0 B) (1030)
A23	Control unit, FMS, TMC (Traffic Message Channel) (BU:3 B) (1000)	B10C	Sensor, oil level (FO:0 C) (1493)
A24	Control unit, information module trailer without ABS (CP:3 C)	B12	Sensor, tachograph/speedometer (BM:2 D) (1494)
A26	Control unit, ACC (Adaptive Cruise Control) (BE:1 B) (1007C)	B12B	Sensor, tachograph/speedometer (BM:1 D) (1494)
A27	Control unit, LCM (Light Control Module) (GB:0 C/GC:0 A/GA:0 B) (1000)	B13A	Sensor, wheel speed, lhs. 1:st front axle (EI:0 D/EE:0 D) (1086)
A28B	Control unit, ADR main switch, integrated power relay (AE:0 C) (1435B)	B13B	Sensor, wheel speed, lhs. 1:st front axle (EP:1 B/EP:3 B) (1086)
A29	Telephone handset, secrecy receiver (IX:1 B) (1000)	B14A	Sensor, wheel speed, rhs. 1:st front axle (EI:1 D/EE:1 D) (1086)
A31	Control unit, burglar alarm (NK:0 C) (1000)	B14B	Sensor, wheel speed, rhs. 1:st front axle (EP:2 B/EP:3 B) (1086)
A32	Control unit, parking heater (HM:0 C) (1062)	B15A	Sensor, wheel speed, lhs. 1:st driven rear axle (EI:2 D/EE:2 D) (1086)
A33	Tachograph (BM:1 B) (CP:1 D) (1000)	B15B	Sensor, wheel speed, lhs. 1:st driven rear axle (EP:1 D/EP:2 D) (1086)
A33B	Tachograph (/BN:1 B) (1006)	B16A	Sensor, wheel speed, rhs. 1:st driven rear axle (EI:3 D/EE:3 D) (1086)
A34B	Control unit, climate unit (HG:0 B) (1000)	B16B	Sensor, wheel speed, rhs. 1:st driven rear axle (EP:1 D/EP:2 D) (1086)
A36	Control unit, BBM (Body Builder Module) (NC:1 B/NU:1 B) (1000)		
A39	Control unit, camera (IZ:0 C) (1000)		

B17	Sensor, wheel speed, lhs. 2:nd driven rear axle (EP:1 D) (1086)	B56	Sensor, air pressure, suspension bellows, front axle (FA:0 D) (1072)
B18	Sensor, wheel speed, rhs. 2:nd driven rear axle (EP:1 D) (1086)	B57	Sensor, air pressure, suspension bellows, lhs. rear (FA:0 D) (1072)
B19	Sensor, wheel speed, lhs. 2:nd front axle (EP:1 B) (1086)	B58	Sensor, air pressure, suspension bellows, rhs. rear (FA:1 D) (1072)
B20	Sensor, wheel speed, rhs. 2:nd front axle (EP:2 B) (1086)	B59	Sensor, indoor temperature (HG:1 B) (1000)
B21	Sensor, coolant temperature, engine (CO:1 D) (1030)	B60_DD	Loudspeaker (IU:1 D) (1083)
B22	Sensor, outdoor temperature (BI:2 C) (1503)	B60_DP	Loudspeaker (IU:1 D) (1083)
B23A	Sensor, oil temperature, retarder (DE:1 D)	B60_LF	Loudspeaker (IU:0 D) (1000)
B23B	Sensor, oil temperature, retarder (DI:0 D) (1494)	B60_LR	Loudspeaker (IU:2 D) (1006D/1006E)
B24	Sensor, air pressure, bogie lift bellow (FA:0 D) (1072)	B60_RF	Loudspeaker (IU:1 D) (1000)
B25	Sensor, accelerator pedal (BA:4 D) (1000)	B60_RR	Loudspeaker (IU:2 D) (1006D/1006E)
B26A	Sensor, clutch position (DE:2 D)	B61_L	Loudspeaker, treble (IU:0 D) (1000)
B27	Sensor, battery charging (BI:2 C) (1435A/1435B)	B61_R	Loudspeaker, treble (IU:1 D) (1000)
B28	Sensor, chassis level, front axle (FA:1 D) (1072)	B64	Sensor, air pressure, valve unit gearbox (DE:1 D)
B29B	Sensor, chassis level, lhs. rear axle (FA:1 D) (1072)	B66	Sensor, temperature EGR (CO:0 D) (1030)
B30	Sensor, chassis level, rhs. rear axle (FA:2 D) (1072)	B67	Rear view camera (IZ:2 D) (1000)
B34A	Sensor, gear position (DE:2 B)	B68	Sensor, output shaft speed, gearbox (DI:2 D) (1494)
B34B	Sensor, gear position (DE:3 B)	B69A	Sensor, coolant temperature, retarder (DE:1 D)
B35	Sensor, range gear position (DE:3 B)	B69B	Sensor, coolant temperature, retarder (DM:3 B) (1403)
B36	Sensor, split gear position (DE:3 B)	B69C	Sensor, coolant temperature, retarder (DN:0 D/DP:0 D) (1403)
B37	Sensor, boost pressure and boost temperature (CO:0 D) (1030)	B70	Sensor, wheel speed, lhs., pusher axle (EP:3 D) (1086)
B38	Sensor, oil pressure and oil temperature (CO:1 D) (1030)	B71	Sensor, wheel speed, rhs., pusher axle (EP:3 D) (1086)
B39	Sensor, air filter pressure and air filter temperature (CO:1 B/CS:1 D) (1030)	B72	Sensor, wheel speed, lhs., tag axle (EP:4 D) (1086)
B40A	Sensor, brake lining wear indicator, lhs. 1:st front axle (EP:2 B) (1086)	B73	Sensor, wheel speed, rhs., tag axle (EP:4 D) (1086)
B40B	Sensor, brake lining wear indicator, lhs. 1:st front axle (EP:0 B) (1086)	B74B	Sensor, brake lining wear indicator, lhs., pusher axle (EP:2 D) (1086)
B41A	Sensor, brake lining wear indicator, rhs. 1:st front axle (EP:3 B) (1086)	B75B	Sensor, brake lining wear indicator, rhs., pusher axle (EP:3 D) (1086)
B41B	Sensor, brake lining wear indicator, rhs. 1:st front axle (EP:1 B) (1086)	B76B	Sensor, brake lining wear indicator, lhs., tag axle (EP:3 D) (1086)
B42A	Sensor, brake lining wear indicator, lhs. 1:st driven rear axle (EP:1 D) (1086)	B77B	Sensor, brake lining wear indicator, rhs., tag axle (EP:3 D) (1086)
B42B	Sensor, brake lining wear indicator, lhs. 1:st driven rear axle (EP:0 D) (1086)	B80	Handsfree, Loudspeaker, Microphone (IX:0 B) (1007A/1007B)
B42A	Sensor, brake lining wear indicator, lhs. 1:st driven rear axle (EP:1 D) (1086)	B85	Sensor, temp, downstream particle filter (CL:3 B) (1030)
B42B	Sensor, brake lining wear indicator, rhs. 1:st driven rear axle (EP:0 D) (1086)	B87	Sensor, turbo speed (CO:1 D) (1030)
B43A	Sensor, brake lining wear indicator, lhs. 1:st driven rear axle (EP:2 D) (1086)	B89	Sensor, EGR diff. pressure (CO:0 D) (1030)
B43B	Sensor, brake lining wear indicator, lhs. 1:st driven rear axle (EP:2 D) (1086)	B90	Transmitter, movement sensor (NK:2 D) (1006B/1006E)
B44B	Sensor, brake lining wear indicator, lhs. 2:nd driven rear axle (EP:0 D) (1086)	B91	Receiver, movement sensor (NK:3 D) (1006B/1006E)
B45B	Sensor, brake lining wear indicator, rhs. 2:nd driven rear axle (EP:0 D) (1086)	B115	Sensor, DPF pressure (CL:4 B) (1030)
B46B	Sensor, brake lining wear indicator, lhs. 2:nd front axle (EP:0 B) (1086)	B118	Sensor, oil pressure (CO:1 D) (1030)
B47B	Sensor, brake lining wear indicator, rhs. 2:nd front axle (EP:2 B) (1086)	B119	Sensor, oil level and oil temp (CO:0 B) (1030)
B49	Sensor, steering angle (EO:3 A) (1000)	B120	Radar ACC, Adaptive Cruise Control (BE:1 D) (1502)
B49F	Sensor, steering angle (FO:1 D) (1493)	B122	Sensor, exhaust temp, engine mounted (CO:2 A) (1030)
B49R	Sensor, steering angle (FO:2 D) (1493)	B138A	Sensor, Control pressure retarder (DE:0 D) (1494)
B50	Sensor, yaw-rate (EO:4 B) (1507)	B138B	Sensor, Control pressure retarder (DI:3 B) (1494)
B51	Sensor, fuel pressure (CO:2 D) (1030)	B151	Sensor, trailer detection (GB:1 C)
B54	Sensor, crank case pressure (CO:0 B) (1030)	B152	Sensor, brake airpressure, front (BI:3 C) (1504)
B55	Sensor, air pressure, suspension bellows, 3:th axle (FA:0 D) (1072)	B153	Sensor, brake airpressure, rear (BI:3 C) (1504)
		B154	Sensor, water level roof cooler (HZ:2 C) (1018)
		D01	Time delay relay, bogie lift, axle load limiter (FK:3 B) (1007C)
		E01	Lamp, full beams (GA:2 C/GA:3 C) (1502/1503)
		E02	Lamp, dipped beams (GA:2 D/GA:3 D) (1502/1503)
		E03	Lamp, spot light (GA:1 C/GA:3 C) (1502/1503)
		E03A	Lamp, spot light (NI:2 C)
		E03B	Lamp, spot light (NI:2 C)

E03L	Lamp, spot light (GI:1 C) (NI:2 D)	E32ECC	Climate unit (HG:1 C) (1000)
E03R	Lamp, spot light (GI:2 C) (NI:2 D)	E33LF	Lamp, additional load lamps (revers lamps) (NA:0 D) (1506A)
E05	Lamp, 5:th wheel light (KE:0 D/GH:0 D/GF:1 C) (1063)	E33LR	Lamp, additional load lamps (revers lamps) (NA:1 D) (1506A)
E06	Lamp, reversing light (GC:1 D/GC:2 D/GF:1 C) (1040)	E33RF	Lamp, additional load lamps (revers lamps) (NA:1 D) (1506A)
E07	Lamp, fog light (GA:1 C/GA:3 C) (1502/1503)	E33RR	Lamp, additional load lamps (revers lamps) (NA:1 D) (1506A)
E07L	Lamp, fog light (GI:1 C)	E34	Lamp, body builder centre light (IH:2 D) (1000)
E07R	Lamp, fog light (GI:3 C)	E39	Licence Plate Illumination (GF:3 B)
E08	Lamp, parking light, front (GA:1 D/GA:3 D) (1502/1503)	E39L	Licence Plate Illumination (GE:2 C) (1040)
E08L	Lamp, parking light, front (GI:1 C)	E39R	Licence Plate Illumination (GE:2 C) (1040)
E08R	Lamp, parking light, front (GI:1 C)	E74L	Lamp, parking light front direction indicator (GI:1 C)
E09	Lamp, brake light (GC:1 D/GC:2 D) (1040)	E74R	Lamp, parking light front direction indicator (GI:3 C)
E10	Lamp, tail light (GC:1 D/GC:2 D) (1040)	G01A	Battery (AA:0 D/AB:1 D/AE:0 C/CS:0 C)
E11_LC	Lamp, side marker light (GC:0 D) (1077)	G01B	Battery (AA:0 D/AB:1 D/AE:0 D/CS:0 D)
E11_LF	Lamp, side marker light (GC:0 D) (1077)	G02	Alternator (AA:3 D/AE:3 D/CS:1 D) (1025)
E11_LR	Lamp, side marker light (GC:0 D) (1077)	G05	Battery, backup Volvo Link (VERS-SAM) (BY:0 C) (1000)
E11_LW	Lamp, side marker light (GC:0 D) (1077)	H01	Horn, air-operated (GQ:1 B) (1502)
E11_RC	Lamp, side marker light (GC:3 D) (1077)	H02	Horn (GQ:1 B) (1502)
E11_RF	Lamp, side marker light (GC:3 D) (1077)	H03	Reverse warner, acoustic (GF:0 C) (1040)
E11_RR	Lamp, side marker light (GC:3 D) (1077)	H06	Siren (NK:3 D) (1502/1503)
E11_RW	Lamp, side marker light (GC:3 D) (1077)	K1	Relay, starting switch, radio position (AC:3 C) (1000)
E12L	Lamp, roof position light (GA:4 C) (1006A)	K2	Relay, EMS (Engine Management System) (BA:1 A) (1000)
E12R	Lamp, roof position light (GA:1 C) (1006A)	K3	Relay, starter motor (AA:2 B/CK:4 B) (1000)
E13	Lamp, direction indicator (GC:1 D/GC:2 D) (1040)	K3B	Relay, starter motor, Cummins (CS:1 C)
E13LF	Lamp, direction indicator (GA:2 C) (1502)	K4	Relay, body builder fuse box (kl.15) (ME:2 A) (1000)
E13RF	Lamp, direction indicator (GA:3 C) (1503)	K5	Relay, automatic transmission (DB:1 A/DC:0 A/DM:0 A) (1000)
E14_A	Lamp, beacon warning lamp (KM:2 D) (1047)	K6	Relay, fan climate unit (HY:0 B) (1000)
E14_AR	Lamp, beacon warning lamp (KM:1 C) (1047)	K7	Relay, intermittent wiper (GM:1 C) (1000)
E14_B	Lamp, beacon warning lamp (KM:1 D) (1047)	K8	Relay, gearbox area inhibitor (BA:1 A) (1000)
E14_BR	Lamp, beacon warning lamp (KM:2 C) (1047)	K9	Relay, interior lamps (IH:1 A) (1000)
E15	Lamp, cigarette lighter illumination (IQ:2 C) (1000)	K10	Relay, fifth wheel-, working-light (KE:0 C) (1000)
E16_DS	Lamp, instep light (IH:2 C) (1083)	K11	Relay, air suspension (FA:4 B) (1000)
E16_PS	Lamp, instep light (IH:2 C) (1083)	K12	Relay, reverse light, trailer (GB:4 D) (1000)
E17L	Lamp, interior light (IH:1 C) (1006B/1006E)	K13	Relay, alternator controlled (AA:4 B) (1000)
E17R	Lamp, interior light (IH:1 C) (1006B/1006E)	K14	Time delay relay, bogie lift, A-ride (FI:1 B/FK:1 C) (1000)
E18_C	Lamp, reading light (IH:0 C/IJ:1 C) (1006D)	K15	Time delay relay, bogie lift, A-ride, with axle load limiter (FK:2 C) (1000)
E18_LB	Lamp, reading light (IH:0 C/IJ:1 C) (1006D/1006E)	K16	Relay, bogie lift, A-ride, with axle load limiter (FK:1 C) (1000)
E18_RB	Lamp, reading light (IH:1 C/IJ:2 C) (1006D/1006E)	K20	Relay, D+ short-circuit, (ADR-trucks only) (AE:4 D) (1000)
E18L	Lamp, reading light (IH:0 C/IJ:1 C) (1006D/1006E)	K21	Relay, el. adjustable seat (IA:2 B) (1000)
E18LC	Lamp, reading light (IH:0 C/IJ:0 B) (1006C/1006E)	K22	Relay, climate fan, 1:st speed (by parking heater) (HY:1 B) (1000)
E18R	Lamp, reading light (IH:1 C/IJ:2 C) (1006D/1006E)	K23	Relay, cab tilt (KA:0 C) (1000)
E18RC	Lamp, reading light (IH:0 C/IJ:0 B) (1006C)	K24	Relay, central lubrication (FU:0 B) (1000)
E19C	Lamp, identification light, roof (GA:0 C) (1006A/1436)	K25	Relay, light sign (KI:1 C) (1000)
E19L	Lamp, identification light, roof (GA:0 D) (1006A/1436)	K26A	Relay, foldable rear view mirror arm, Japan (IF:0 C) (1000)
E19R	Lamp, identification light, roof (GA:0 C) (1006A/1436)	K26B	Relay, foldable rear view mirror arm, Japan (IF:1 C) (1000)
E20	Lamp, ashtray illumination (IQ:2 C) (1000)	K27	Relay, gas discharge lamp, dipped beam, lhs (GD:1 C) (1000)
E21	Lamp, rear fog light (GC:1 D/GC:2 D) (1040)	K28	Relay, gas discharge lamp, dipped beam, rhs (GD:1 C) (1000)
E22	Lamp, roof sign illumination (KI:0 C) (1436)	K30	Relay, beacon warning light (KM:0 B) (1000)
E23	Lamp, luggage compartment illumination (IH:4 C) (1007A)	K35	Relay, headlamp high pressure wash (GM:0 B) (1000)
E24	Lamp, storage tray illumination (IQ:1 D) (1000)	K37	Relay, parking light (NA:1 C) (1000)
E26L	Headlight module (GA:1 C) (1502)		
E26R	Headlight module (GA:3 C) (1503)		
E27L_1	Tail lamp module (GC:1 D) (1040)		
E27L_2	Tail lamp module (GE:1 C) (1040)		
E27L_3	Tail lamp module (GF:3 C) (1040)		
E27L_4	Tail lamp module (GF:0 C) (1040)		
E27R_1	Tail lamp module (GC:2 D) (1040)		
E27R_2	Tail lamp module (GE:2 C) (1040)		
E28	Parking heater (HI:0 C/HM:0 D) (1007A/1062)		
E30L	Lamp, full- and dipped beams (GI:1 C)		
E30R	Lamp, full- and dipped beams (GI:3 C)		
E32ATC	Climate unit (HY:2 C) (1000)		

K38	Relay, body builder preparation, pressure sel./switch 2/free (NA:1 C) (1000)	R35	Termination resistor (DP:0 B)
K39	Relay, body builder preparation, plough light, spotlights (NA:1 C) (1000)	R39	Termination resistor (CP:2 B)
K40	Relay, body builder preparation (NA:2 C) (1000)	S01	Switch, main lighting, selector type (GA:0 A/GU:1 B) (1000)
K41	Relay, body builder preparation, swapbody (NA:3 C) (1000)	S02	Stalk switch, full-/dipped beam, direction indicator (GA:2 B) (1000)
K42	Relay, body builder preparation, spotlights/free (NI:1 B) (1000)	S03	Switch, loading lamps/working lamps (KE:1 B) (1000)
K43	Relay, body builder preparation, external start/free (NC:3 C) (1000)	S04	Switch unit, climate fan (HY:1 B)
K45	Relay, free reserved for body-builder (NU:2 B) (1000)	S05A	Switch, interior light, selector type (IH:3 B) (1000)
K48	Power relay, engine preheating (CK:3 B/CL:2 B/CM:2 B) (1435A/1435B)	S05B	Switch, interior light, selector type (IH:3 B) (1006D/1006E)
K49	Power relay, bogie lift motor (FI:3 B/FK:3 D) (1037)	S06	Stalk switch, windscreen wiper, selector type (BI:3 B/GM:3 B) (1000)
K51	Power relay, battery main switch (AB:0 C/CS:0 C) (1435A)	S07	Switch, engine brake, selector type (BA:3 B) (1000)
K51_A	Power relay, battery main switch (AB:1 C) (1435A)	S07A	Switch, engine brake, selector type (CP:0 D)
K52	Power relay, ADR battery main switch (AE:0 B) (1435B)	S07B	Switch, engine brake, selector type (CP:0 D)
K54	Relay, 12V ABS Trailer (CP:2 D)	S08	Switch, differential gear lock, rear wheels (DU:1 B) (1000)
K58	Relay, speed limiter, Volvo link (BY:3 B) (1000)	S09	Switch, differential gear locks, inter axles and rear wheels, selector type (DU:1 B) (1000)
K59	Relay, engine shut off, Volvo link (BY:4 B) (1000)	S10	Switch, sign light, roof (KI:1 B) (1006A)
K60	Relay, trailer lock, Volvo link (BY:3 D) (1000)	S11	Switch, bogie lift, selector type (FI:0 B/FK:0 B) (1000)
K61	Relay, auxiliary revers light, truck (NA:0 C) (1000)	S11A	Switch, bogie lift, selector type (FA:3 B) (1000)
K63	Relay, ACC Adaptive cruise control (BE:1 B)	S14A	Switch, push button, horn (GQ:1 D)
L01	Reactor, light sign illumination (KI:0 D)	S14B	Switch, push button, horn (GQ:1 D)
L01L	Reactor, light sign illumination (KI:2 C)	S15	Switch, starting (AC:1 B/AE:0 B) (1000)
L01R	Reactor, light sign illumination (KI:2 D)	S16	Switch, push button, air horn (GQ:2 D)
M01	Motor, windscreen wiper (GM:2 C) (1504)	S17	Switch, front wheel drive (DU:2 B) (1000)
M02	Motor, windscreen washer pump (GM:0 D) (1503)	S18	Switch, differential gear lock, front (DU:2 B) (1000)
M03	Motor, headlamp high pressure washer pump (GM:1 D) (1503)	S19	Switch, extra (NA:2 B)
M04	Motor, starter motor (AA:2 D/AE:2 D/CS:0 C) (1025)	S20	Switch, 3:rd axle lock (FO:2 B) (1000)
M05	Motor, hydraulic bogie lift pump unit (FI:3 B/FK:3 C) (1037)	S21A	Switch, parking heater (HI:2 B) (1000)
M06DS	Motor, window winder (IE:2 C) (1083)	S21B	Switch, parking heater (HI:3 B) (1006D/1006E)
M06PS	Motor, window winder (IE:3 C) (1083)	S23	Switch, roof hatch, selector type (IQ:0 B) (1006A)
M08	Motor, levelling control, headlights (GA:1 C/GA:3 C) (1502/1503)	S24	Stalk switch, retarder, selector type (BA:3 B) (1000)
M09DS	Motor, door lock (IM:1 D) (1083)	S25	Switch unit, cruise control (BA:2 B) (1000)
M09PS	Motor, door lock (IM:2 D) (1083)	S26A	Switch, cab tilt pump (KA:0 B) (1000)
M10	Motor, roof hatch (IQ:0 E)	S26B	Switch, cab tilt pump (KA:0 D) (1502/1503)
M11	Motor, cab tilt pump (KA:0 D) (1502/1503)	S27	Switch, storage tray illumination (IQ:1 C) (1000)
M13	Motor, coolant pump, parking heater (HP:0 C) (1062)	S28A	Switch, power take off (DQ:0 B) (1000)
M14	Motor, central lubrication pump (FU:0 C) (1401)	S28B	Switch, power take off (NC:0 C/NU:0 B) (1000)
M17	Motor, foldable rear view mirror arm, Japan (IF:0 D) (1470)	S30	Switch unit, multi-function display (BI:3 B) (1000)
M27	Motor, roof cooler fan (HZ:1 C)	S31	Switch, TCS (Traction Control System) (EO:1 A) (1000)
M28	Motor, washer, roof cooler (HZ:2 C) (1018)	S32	Switch, brake hold (EO:1 B) (1000)
R01	Heater, engine preheat (CO:3 B) (1030)	S33	Switch, trailer brake (EO:0 B) (1000)
R02L	Heater, rear-view mirror (IE:0 D) (1504)	S34	Switch unit, steering wheel push buttons (IS:1 D) (1000)
R02R	Heater, rear-view mirror (IE:1 D) (1504)	S36DS	Switch unit, door functions (IE:0 B) (1083)
R04	Cigarette lighter (IQ:2 C) (1000)	S36PS	Switch unit, door functions (IE:3 B) (1083)
R05	Heater, air dryer (FQ:0 C) (1056)	S37	Switch, rear view camera, camera activation (IZ:1 B) (1000)
R08	Termination resistor, CAN-bus (CS:3 B)	S38	Switch, ADR, emergency switch, cab (AE:1 B) (1000)
R11	Heater, coffee maker (ME:1 B) (1000)	S39	Switch, ADR, emergency switch, exterior (AE:1 C) (1007A)
R13	Resistor, LCP headlight adjust (GU:1 B) (1000)	S39_B	Switch, ADR, emergency switch, exterior (AE:2 C) (1007B)
R14	Termination resistor (XB:2 D)	S40	Switch, rear view camera, camera selection (IZ:2 B)
R17	Resistor (AB:2 B/AE:3 C)	S43	Pressure switch, parking brake indicator, NC. (BA:1 D) (1000)
R18	Heater, electronic controlled air dryer (FQ:1 C) (1056)	S45	Position switch, differential gear lock indicator, rear wheels, NC. or NO. (DU:3 C) (1040)
R21	Termination resistor (OA:3 C) (1000)	S45R	Position switch, differential gear lock indicator, rear wheels, NC. or NO. (DU:3 C) (1040)
R28	OBD Resistor in harness (CL:2 A) (1000)		
R33	Termination resistor (BE:2 D) (1502)		
R34	Termination resistor (DE:0 B)		

S46	Pressure switch, bogie lift indicator, NO. (FI:2 D/FK:3 E) (1037)	S166	Switch, panic alarm, Volvo link, (VERS-SAM) (BY:3 B) (1000)
S47	Position switch, low split indicator, NO. (BI:1 D) (1494)	S169	Switch, battery main switch (AB:2 C) (1435)
S48A	Pressure switch, brake light, NO. (ABS/UABS) (GB:3 B) (1401)	S171	Switch, GLU (Gearlever unit) (DC:1 D) (1007)
S48B	Pressure switch, brake light, NO. (ABS/UABS trailer control valve) (GB:3 B) (1401)	S187	Switch, night light roof (IJ:2 B)
S48C	Pressure switch, brake light, NO. (ABS/UABS trailer control valve) (GB:3 A) (1000)	S188	Switch, night light dash (IJ:2 B)
S49	Position switch, reverse lamps, NO (GB:3 D) (1494)	U01_A	Modulator, EBS, left front (EP:0 A) (1086)
S52_L	Proximity switch, cab lock, NO. (BI:1 C) (1007A)	U02_A	Modulator, EBS, right front (EP:1 A) (1086)
S52_R	Proximity switch, cab lock, NO. (BI:1 D) (1007B)	U03_A	Modulator, EBS, rear axle (EP:1 C) (1086)
S53	Position switch, front-wheel drive indication, NO. (DU:4 C) (1458)	U03_B	Modulator, EBS, rear axle (EP:0 C) (1086)
S54	Position switch, differential gear lock, front-wheels, NO. (DU:4 C) (1458)	U04_A	Modulator, EBS, pusher axle (EP:2 C) (1086)
S55	Thermal switch (HP:0 C) (1062)	U05_A	Modulator, EBS, trailer (EO:3 B) (1401)
S56	Thermal switch, bogie lift, NC (FI:3 C/FK:3 D) (1037)	U06B11	Voltage converter (IR:1 B) (1007C)
S57L	Position switch, luggage compartment lighting, NC. (IH:4 D) (1007A)	U06R11	Voltage converter (IR:1 B) (1007C)
S57R	Position switch, luggage compartment lighting, NC. (IH:3 D) (1007B)	U06R19	Voltage converter (IR:0 B) (1007C)
S58	Position switch, clutch pedal, NO. (BA:3 D) (1000)	U07_A	Modulator, EBS, tag axle (EP:3 C) (1086)
S59	Position switch, brake pedal, NO. (BA:3 D) (1000)	U08_A	Modulator, EBS, front (EP:2 A) (1086)
S60A	Pressure switch, oil, power steering, NC. (FP:0 C) (1493)	U10	Voltage converter, 12V ABS Trailer (CP:4 B)
S60B	Pressure switch, oil, power steering, NC. (FP:0 C) (1493)	U12	Voltage converter, Volvo link, (VERS-SAM) (BY:1 B) (1000)
S63	Position switch, low range gear (BA:0 B) (1494)	V02	Diode module (AE:2 B) (1000)
S64	Pressure switch, air pressure, parking brake tank, NC. (EO:1 B) (1000)	V03	Diode (GG:3 B)
S66_L	Switch unit, ECS (electronic controlled susp.), full air suspension (FA:2 D) (1007A/1007B)	V04	Diode (FI:0 D/FK:0 D) (1037)
S68	Sensor, coolant level (CO:1 C/CS:3 D) (1030)	V05	Diode (FK:2 D)
S69	Proximity switch, bogie lift position, NO. (FK:1 D) (1037)	V07	LED, indicator, Alarm (NK:2 C) (1000)
S70	Position switch, flow sensor, power-steering, NC. (FP:0 C) (1493)	V08	Diode (NU:2 B) (1000)
S71	Pressure switch, compressor charging, NO. (BA:0 D) (1056)	V09	Diode (CP:2 B)
S73	Switch, acoustic reverse warning (GC:4 A) (1006A)	V10	Diode (CP:2 C)
S74	Switch, short stop cab heater (HP:0 B) (1000)	V11	Diode (CP:3 C)
S75	Switch, beacon warning light (KM:0 B) (1000)	V25	Diode (IH:3 B)
S76	Switch, spotlights (NA:4 B)	V27	Diode (DQ:1 C)
S76A	Switch, spotlights (NI:4 C) (1006A)	V28	Diode (DQ:1 C)
S77	Switch, emergency call (BU:1 B) (1000)	W02	Antenna, immobiliser (IM:3 B) (1000)
S78	Switch unit, TIS (Traffic Information System) (BU:3 B) (1000)	X01	Connector, vehicle diagnostics (XA:0 C) (1000)
S79A	Switch, additional work lamps (revers lamps), manual turn on (NA:1 B)	X01B	Connector, vehicle diagnostics (CP:1 B)
S79B	Switch, additional work lamps (revers lamps), manual turn on (NA:2 B)	X01C	Connector, vehicle diagnostics (CP:0 C)
S79D	Switch, additional work lamps (revers lamps), manual turn on (NA:0 B)	X02	Trailer connection, ABS/EBS (1063)
S80	Position switch, front hatch (NK:1 D) (1504)	X03	Trailer connection, 15-pole unit (1063)
S83	Switch, container lock (NA:3 B)	X04	Trailer connection, 7-pole unit, 24 N (1063)
S84	Switch, tachograph mode (BN:0 C) (1006)	X05	Trailer connection, 7-pole unit, 24 S (1063)
S86	Switch, foldable rear view mirror arm, Japan (IF:1 B) (1000)	X06	Connector, 31-pole, in lhs. frame side, for body builder preparations (1505)
S88L	Position switch, door, NC (BY:2 D/NK:0 D) (1007A)	X07B	Socket, 12V (IR:1 D) (1000)
S88R	Position switch, door, NC (BY:2 D/NK:0 D) (1007B)	X08	Contact reel, air bag (IS:0 C) (1000)
S95	Switch, Panic alarm (NK:2 A) (1000)	X09	Slip contact, horn (GQ:1 C) (1000)
S96	Switch, Reduced set, Alarm (NK:2 B) (1000)	X10	B+ pass through, cab (AC:0 B) (1000)
S165	Switch, Volvo Action Service, (VERS-SAM) (BY:2 B) (1000)	X11	Power connector, engine (AA:2 D/AE:2 C/CS:0 D)
		X12	Power connector (CL:3 D/CM:3 D/CO:3 B)
		X16	Power connector, engine (CO:3 B/CM:3 D)
		X25	Power connector, bogie lift/extra equipment (AA:1 B)
		Y02	Solenoid valve, differential lock, rear wheels (DU:1 D) (1401)
		Y03	Solenoid valve, differential lock, inter axles, rear (DU:1 D) (1401)
		Y05	Solenoid valve, bogie lift (FI:0 D/FK:0 D) (1037)
		Y06	Solenoid valve, range inhibitor (BA:0 B) (1494)
		Y08	Solenoid valve, front-wheel drive (DU:2 D) (1458)
		Y09	Solenoid valve, differential lock, front axle (DU:2 D) (1458)
		Y10	Solenoid valve, 3:rd axle lock (FM:0 C) (1072)
		Y11	Solenoid valve unit, ABS, lhs. front (EE:0 D/EI:0 D) (1086)
		Y11_A	Solenoid valve unit, ABS, lhs. front (EO:3 D) (1086)
		Y12	Solenoid valve unit, ABS, rhs. front (EE:1 D/EI:1 D) (1086)
		Y12_A	Solenoid valve unit, ABS, rhs. front (EO:4 D) (1086)

Y13	Solenoid valve unit, ABS, lhs. rear (EE:2 D/EI:2 D) (1086)	Y32	Fuel dosing pump, parking heater (HI:0 B/HM:0 D) (1040)
Y14	Solenoid valve unit, ABS, rhs. rear (EE:3 D/EI:3 D) (1086)	Y33	Solenoid valve, UI (Unit Injectors) (CO:3 D) (1030)
Y17A	Solenoid valve, retarder (DE:0 D)	Y34	Control valve , EGR (Exhaust Gas Recirculation) (B65 sensor EGR valve position, M19 motor EGR control valve) (CO:1 B) (1030)
Y17B	Solenoid valve, retarder (DI:2 D) (1494)	Y37	Solenoid valve unit, AVU (CO:2 C) (1030)
Y18	Solenoid valve, PTO (Power Take Off) (DE:2 B) (1499)	Y39	Solenoid valve, VCB (CO:3 D) (1030)
Y18A	Solenoid valve, PTO (Power Take Off) (DQ:0 D) (1401)	Y40	Solenoid valve unit, front axle, air suspension (FA:0 B) (1072)
Y18B	Solenoid valve, PTO (Power Take Off) (DI:0 C) (1494)	Y42	Clutch, magnetic, air conditioning compressor (HG:0 D/HY:2 D/CS:2 D) (1025)
Y18C	Solenoid valve, PTO (Power Take Off) (NC:0 D/NU:0 C)	Y43L	Seat belt tensioner, pyrotechnical (IS:2 D) (1007A)
Y18G	Solenoid valve, PTO (Power Take Off) (DN:2 B/DP:2 B) (1499)	Y43R	Seat belt tensioner, pyrotechnical (IS:3 D) (1007B)
Y18H	Solenoid valve, PTO (Power Take Off) (DN:2 B/DP:2 B) (1499)	Y44	Air-bag, pyrotechnical (IS:0 D)
Y21	Solenoid valve, slow clutch disengage (DE:2 D)	Y48A	Solenoid valve, container lock (NA:3 D) (1506A)
Y22	Solenoid valve, fast clutch disengage (DE:3 D)	Y48B	Solenoid valve, fifth wheel lock (NA:4 D) (1506A)
Y23	Solenoid valve, fast clutch engage (DE:3 D)	Y49	Solenoid valve, parking brake (NU:2 C) (1504)
Y25	Solenoid valve unit, level control, air suspension (FA:1 B) (1072)	Y51A	Solenoid valve, regeneration (FQ:2 C) (1056)
Y26	Solenoid valve, slow clutch control (DE:2 D)	Y51B	Solenoid valve, compressor control (FQ:2 C) (1056)
Y29	Solenoid valve unit, trailing axle (FA:1 B) (1072)	Y52	Clutch, magnetic, engine fan (CS:4 B)
Y30A	Solenoid valve unit, gearbox (DE:0 B)	Y53	Control valve block , RAS (FO:3 D) (1493)
Y30B	Solenoid valve unit, gearbox (DE:1 B)	Y54	Control module VGT (Variable Geometry Turbine) (CO:1 B) (1030)
Y30C	Solenoid valve unit, gearbox (DI:0 D) (1494)	Y72	Solenoid valve, Airhorn (GQ:0 B) (1504)
Y31	Solenoid valve, area inhibitor (BA:1 B) (1494)	Y88	Solenoid valve, trailing axle, air suspension, bogie lift (FA:2 B) (1072)

Abbreviations

ABS	Antilock brake system	FMS	Fleet management system
ACC	Adaptive cruise control	FSS-LEAF	Leaf suspension, front
ACU	Alarm control unit	GSS-AGS	Automatic gear shifting system
ADR-BAS1/ ADR1	ADR adaptation, 1 switch	GSS-RC	Range gear shifting, cable manoeuvred
ADR2	ADR adaptation, 2 switches	GSS-SRC	Split and range gear shifting, cable manoeuvred
AIRDRY-E	Electric airdryer	ISX	Engine variant (Australia only)
ATB	Axle load limiter	JPN	Japan
ATC	Automatic temperature control	L	Left
ATO2512C	Gearbox variant	LCM	Light control module
AT2412C	Gearbox variant	L1H1	Short cab
AT2512C	Gearbox variant	L2H1	Long cab
AUS	Australia	L2H2	Long high cab (Globetrotter)
AUXSW-6	Wiring for six auxiliary switches for body building	LF	Left front
AWD	All wheel drive	LHD	Left hand drive
BBM	Body builder module	LHS	Left hand side
BBOX-R	Battery box right hand side	LOCK-ALL	Central door lock and cut off electricity of truck
CLU	Central locking unit	LR	Left rear
CU-ACAUT	Air condition, automatic	MAINSWI	Main switch
CU-ACMAN	Air condition, manual	MECHTRAN	Mechanical transmission
CU-BAS	Basic version with stepper motor without air condition	MMS	Mechanical main switch
CU-ECC	Electronic controlled climate control air condition	PH-CAB	Cab parking heater
CU-HEAT	Heater unit	PH-ENGCA	Engine and cab parking heater
CU-MCC	Manual controlled climate control air condition	PS	Passenger side
DS	Driver side	PSS-DUAL	Power steering system dual
EBS	Electronic brake system	PTO	Power take off
ECS	Electronic controlled air suspension	R	Right
ELCE-CK	Electrical complete kit for body builder	RADT-A8	6x2, air spring, 8 bellows, tag axle
ELMS	Electrical main switch	RADT-AR	6x2, leaf spring (A-ride)
EM-JPN04	Emission control Japan community 2004	RF	Right front
ENG-VE9	Volvo engine 9 litre	RHD	Right hand drive
ENG-VE12	Volvo engine 12 litre	RHS	Right hand side
ENG-VE13	Volvo engine 13 litre	RIGID	Platform or tipper truck
ENG-VE16	Volvo engine 16 litre	RR	Right rear
EPG	Exhaust pressure governor	RSTS-EHY	Rear steering system, electrical controlled, hydraulic
ESP	Electronic stability program	SI-GRAF	Tachograph
FAA10	1 front axle, non driven	SI-GRAFR	Tachograph
FAA20	2 front axle, non driven	SI-SPEED	Speedometer
		SPEED-DU	Dual speed limiter
		SRS	Supplementary restrain system

STWPOS-L	Steering wheel position left hand side	UADR	Without ADR adaptation
STWPOS-R	Steering wheel position right hand side	UALARMB	Without alarm
SUSPL-EC	Air suspension, electronic control system levelling device	UJERICO	Without Jerico horn
SUSPL-M	Air suspension, manual regulation levelling device	UMAINSWI	Without main switch
SWAPBODY	Swap body	URETARD	Without retarder
TECU	Transmission electronic control unit	USUSPLEV	Without air suspension levelling device
TMC	Traffic message channel	UTPM	Without tyre pressure monitoring
TPM	Tyre pressure monitoring	VECU	Vehicle electronic control unit
TRACTOR	Semi-trailer tractor	VERS-SAM	South American Version
TREL7-7	Trailer connectors 2x7-pole unit	VT2412B	Gearbox variant
TREL14	Trailer connectors 14-pole unit	ZT1816	Gearbox variant (South America only)

Cable colour code

BL	Blue
BN	Brown
GN	Green
GR	Grey
OR	Orange
P	Pink
R	Red

SB	Black
VO	Violet
W	White
Y	Yellow

Note: If a wire have two colours, this is written out like the following example: Y/R = Yellow/Red.

Feedback

One of our objectives is that workshop personnel should have access to correct and appropriate service manuals where it concerns fault tracing, repairs and maintenance of Volvo vehicles.

In order to maintain the high standards of our literature, your opinions and experience when using this manual would be greatly appreciated.

If you have any comments or suggestions, make a copy of this page, write down your comments and send them to us, either via telefax or mailing directly to the address listed below.

To

Volvo Parts Corporation
Dept. Technical Support Center 31610
SE-405 08 GÖTEBORG

Fax +46 31 661060

From

.....
.....
.....
.....
.....
.....
.....
.....

Comments/proposals

.....
.....
.....
.....
.....
.....
.....
.....
.....
.....
.....
.....
.....
.....
.....
.....
.....
.....
.....
.....
.....
.....

Concerns Service Manual:

VOLVO

Volvo Truck Corporation

Göteborg, Sweden