

Operation & Maintenance Manual

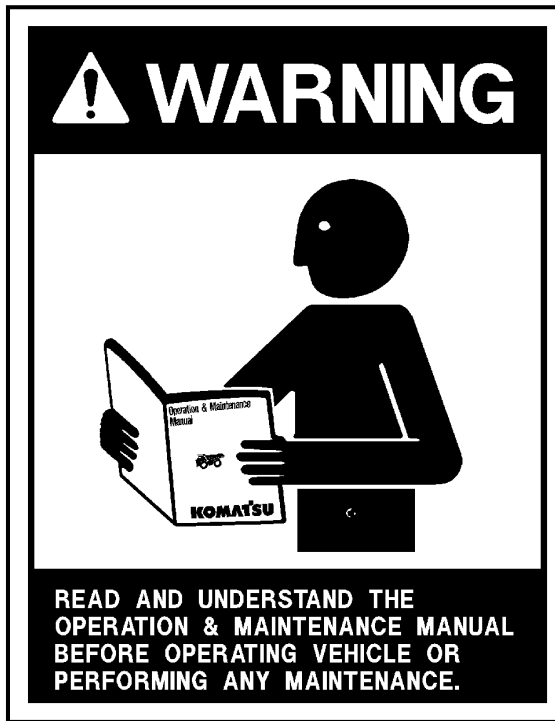
730E

DUMP TRUCK

SERIAL NUMBERS

**A30597 - A30602 &
A30604 - A30609**

KOMATSU®



Unsafe use of this machine may cause serious injury or death. Operators and maintenance personnel must read and understand this manual before operating or maintaining this machine.

This manual should be kept in or near the machine for reference, and periodically reviewed by all personnel who will come into contact with it.

This material is proprietary to Komatsu America Corp (KAC), and is not to be reproduced, used, or disclosed except in accordance with written authorization from KAC.

It is the policy of the Company to improve products whenever it is possible and practical to do so. The Company reserves the right to make changes or add improvements at any time without incurring any obligation to install such changes on products sold previously.

Because of continuous research and development, periodic revisions may be made to this publication. Customers should contact their local Komatsu distributor for information on the latest revision.

CALIFORNIA

Proposition 65 Warning

Diesel engine exhaust, some of its constituents, and certain vehicle components contain or emit chemicals known to the State of California to cause cancer, birth defects or other reproductive harm.

CALIFORNIA

Proposition 65 Warning

Battery posts, terminals and related accessories contain lead and lead compounds, chemicals known to the State of California to cause cancer and birth defects or other reproductive harm. Wash hands after handling.



NON-OEM PARTS IN CRITICAL SYSTEMS

For safety reasons, Komatsu America Corp. strongly recommends against the use of non-OEM replacement parts in critical systems of all Komatsu equipment. Critical systems include but are not limited to steering, braking and operator safety systems.

Replacement parts manufactured and supplied by unauthorized sources may not be designed, manufactured or assembled to Komatsu's design specifications; accordingly, use of such parts may compromise the safe operation of Komatsu products and place the operator and others in danger should the part fail.

Komatsu is also aware of repair companies that will rework or modify an OEM part for reuse in critical systems. Komatsu does not generally authorize such repairs or modifications for the same reasons as noted above.

Use of non-OEM parts places full responsibility for the safe performance of the Komatsu product on the supplier and user. Komatsu will not in any case accept responsibility for the failure or performance of non-OEM parts in its products, including any damages or personal injury resulting from such use.

INTRODUCTION

FOREWORD

This manual is written for use by the operator and/or the service technician. It is designed to help these persons to become fully knowledgeable of the truck and all its systems in order to keep it operating safely and efficiently. All operators and maintenance personnel must read and understand the materials in this manual before operating the truck or performing maintenance and/or operational checks on the truck. All safety notices, warnings, and cautions must be understood and followed when operating or repairing the truck.

A product identification plate is located on the frame in front of the right side front wheel and designates the truck model number, product identification number (vehicle serial number), and maximum GVW (Gross Vehicle Weight) rating.

The Komatsu truck model designation consists of three numbers and one letter (i.e. 930E).

The three numbers represent the basic truck model.

The letter E, when present, designates an electrical wheel motor drive system.

The product identification number (vehicle serial number) contains information which will identify the original manufacturing bill of material for this unit. This complete number will be necessary for proper ordering of many service parts and/or warranty consideration.

The GVW is what determines the load on the drive train, frame, tires, and other components. The vehicle design and application guidelines are sensitive to the total maximum Gross Vehicle Weight (GVW). GVW is total weight: the empty vehicle weight + the fuel and lubricants + the payload.

To determine allowable payload, fill all lubricants and fuel tank to the proper level. Weigh the truck and record this value. Subtract it from the GVW to determine the allowable payload.

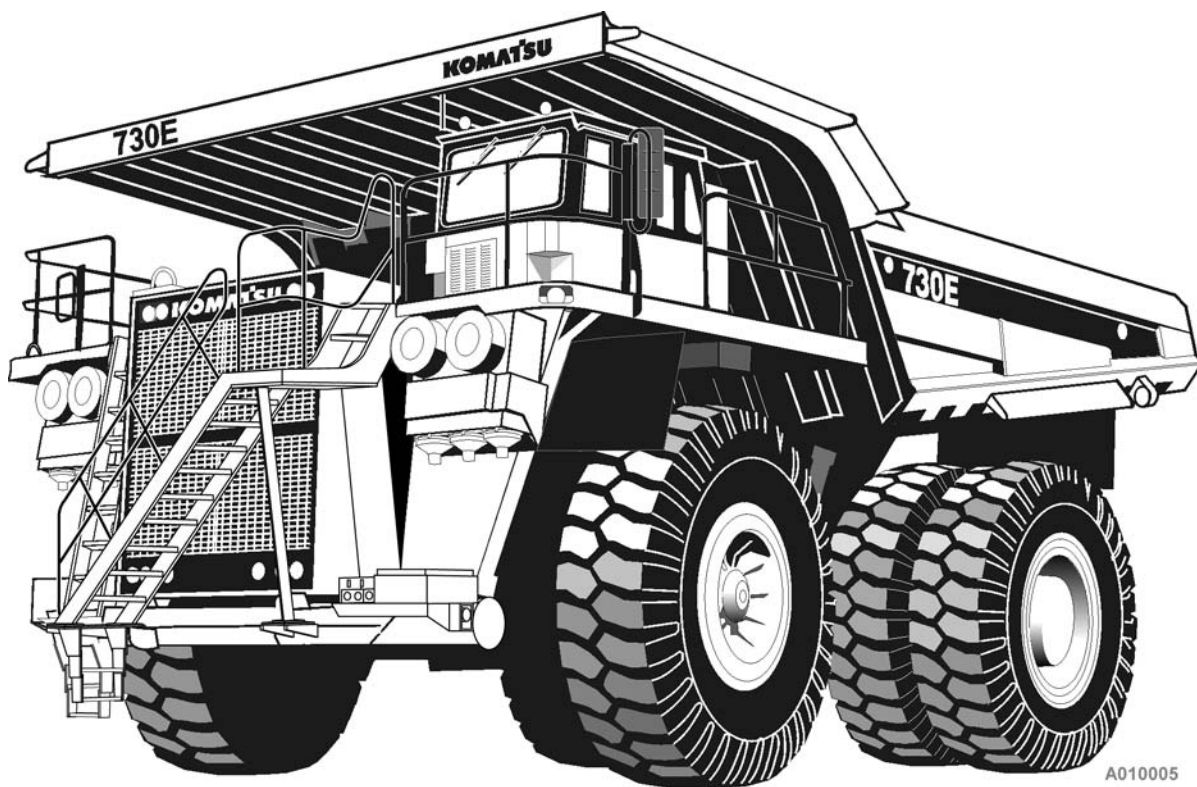
NOTE: Accumulations of mud, frozen material, etc., become part of the GVW and reduces allowable payload. To maximize payload and to keep from exceeding the GVW rating, these accumulations must be removed as often as practical.

Exceeding the allowable payload will reduce the expected life of truck components.

▲WARNING

Unsafe use of this machine may cause serious injury or death. Operators and maintenance personnel must read this manual before operating or maintaining this machine. This manual should be kept in or near the machine for reference and periodically reviewed by all personnel who come in contact with it.

TRUCK MODEL ILLUSTRATION



KOMATSU MODEL 730E DUMP TRUCK

ABOUT THIS MANUAL

The front cover of this manual includes a form number. This form number must be referenced when ordering additional copies of this manual, or for any other correspondence regarding the coverage in this manual.

Direct all inquiries to:

Komatsu America Corp.
Datakom, Peoria Technical Publications
P.O. Box 240
Peoria, IL 61650-0240
United States of America
Fax (309) 672-7072

This first section is an Introduction to the manual. It contains the Table of Contents for locating specific areas of interest. Other sections include:

- Standard Charts and Tables
- Safety
- Warnings and Cautions
- Operating Instructions
- Operator Cab and Controls
- Lubrication and Service
- Automatic Lubrication System
- Major Component Descriptions/Specifications
- Payload Meter III
- Radio, AM/FM, CD Player

When searching for a specific area of interest, go first to the Table of Contents to locate the section in which the subject might generally be included. Then, go to that section of the Table of Contents to find a subject description that most closely describes the specific area of interest to find a page number, and go to that page. Section numbers and page numbers are located at the top, outside corner of the page.

At the top, inside corner of the page is a document (module) number. If there is ever a question regarding the information in a particular section, refer to the document (module) number, the manual form number, and use the address shown above to correspond. If there is a date (month/year) behind the document (module) number, that date indicates the latest revision date of that page.

The illustrations used in this manual are typical of the component shown, and may not be an exact reproduction of what is found on the truck.

This manual shows dimensioning of U.S. standard and metric (SI) units throughout. All references to right, left, front, or rear are made with respect to the operator's normal seated position, unless specifically stated otherwise.

When assembly instructions are provided without references to torque values, standard torque values must be used. Standard torque requirements are shown in the torque charts on the following pages of the next section and in the General Information section of the truck shop manual. Individual torques, when provided in the text, are in bold face type, such as **135 N·m (100 ft lbs)**. All torque specifications have $\pm 10\%$ tolerance, unless otherwise specified.

ALERTS PAGE



This ALERT symbol is used in this manual, along with the signal words CAUTION, DANGER, and WARNING, to alert the reader to hazards arising from improper operating and maintenance practices.



*DANGER identifies a specific potential hazard
WHICH WILL RESULT
in either INJURY OR DEATH
if proper precautions are not taken.*



*WARNING identifies a specific potential hazard
WHICH MAY RESULT
in either INJURY OR DEATH
if proper precautions are not taken.*



*CAUTION is used for general reminders
of proper safety practices
OR
to direct the reader's attention to avoid unsafe
or improper practices which may result
in damage to the equipment.*

TABLE OF CONTENTS

INTRODUCTION	10-1
FOREWORD	10-1
TRUCK MODEL ILLUSTRATION	10-2
ABOUT THIS MANUAL	10-3
ALERTS PAGE	10-4
TABLE OF CONTENTS	10-5
STANDARD CHARTS AND TABLES	12-1
GENERAL SAFETY	20-1
PERSONAL SAFETY	20-1
Safety Rules	20-1
Truck Safety Features	20-1
Clothing And Personal Items	20-1
Unauthorized Modification	20-1
Leaving The Operator's Seat	20-1
Mounting And Dismounting	20-1
Fire Extinguishers And First Aid Kits	20-2
Precautions For High Temperature Fluids	20-2
Asbestos Dust Hazard Prevention	20-2
Fire Prevention For Fuel And Oil	20-2
ROPS Precautions	20-3
Preventing Injury From Work Equipment	20-3
Precautions For Optional Attachments	20-3
Precautions When Starting The Machine	20-3
PRECAUTIONS FOR TRUCK OPERATION	20-4
Safety Is Thinking Ahead	20-4
Safety At The Work Site	20-4
Fire Prevention	20-4
Preparing For Operation	20-4
Ventilation For Enclosed Areas	20-4
Mirrors, Windows, And Lights	20-4
In The Operator's Cab - Before Starting The Engine	20-5
OPERATING THE MACHINE	20-5
Starting The Engine	20-5
Truck Operation - General	20-5
Traveling In The Truck	20-6
Precautions When Traveling In Reverse	20-6
Traveling On Slopes	20-6

TABLE OF CONTENTS (cont.)

Ensuring Good Visibility	20-7
Operating On Snow	20-7
Avoid Damage To The Dump Body	20-7
Driving Near High-Voltage Cables	20-7
When Loading The Truck	20-7
When Dumping	20-7
Working On Loose Ground	20-7
Parking The Machine	20-8
TOWING	20-8
WORKING NEAR BATTERIES	20-8
Battery Hazard Prevention	20-8
Jump-Starting With Booster Cables	20-9
Jump Starting With Receptacles	20-9
PRECAUTIONS FOR MAINTENANCE	20-10
BEFORE PERFORMING MAINTENANCE	20-10
Stopping The Engine Before Service	20-10
Warning Tag	20-10
Proper Tools	20-10
Securing The Dump Body	20-10
DURING MAINTENANCE	20-11
Personnel	20-11
Attachments	20-11
Working Under The Machine	20-11
Keeping The Machine Clean	20-11
Rules To Follow When Adding Fuel Or Oil	20-11
Radiator Coolant Level	20-11
Use Of Lighting	20-11
Precautions With The Battery	20-12
Handling High-Pressure Hoses	20-12
Precautions With High-Pressure Oil	20-12
Maintenance Near High Temperatures And High Pressures	20-12
Rotating Fan And Belts	20-12
Waste Materials	20-12
TIRES	20-13
Handling Tires	20-13
Tire Maintenance	20-14
Storing Tires After Removal	20-14
ADDITIONAL JOB SITE RULES	20-15
WHEN REPAIRS ARE NECESSARY	20-16

TABLE OF CONTENTS (cont.)

WARNINGS AND CAUTIONS	22-1
OPERATING INSTRUCTIONS	30-1
PREPARING FOR OPERATION	30-1
SAFETY IS THINKING AHEAD	30-1
WALK AROUND INSPECTION	30-1
ENGINE START-UP	30-6
AFTER ENGINE HAS STARTED	30-7
EMERGENCY STEERING SYSTEM	30-8
Operation	30-8
Pre-Operation Testing	30-8
Additional Guidelines	30-9
MACHINE OPERATION SAFETY PRECAUTIONS	30-9
LOADING	30-10
HAULING	30-10
PASSING	30-11
DUMPING	30-11
To Raise The Dump Body	30-11
To Lower The Dump Body (When dumping over a berm or into a crusher)	30-12
To Lower The Dump Body (When dumping on flat ground)	30-12
SAFE PARKING PROCEDURES	30-13
ENGINE SHUTDOWN PROCEDURE	30-13
DELAYED ENGINE SHUTDOWN PROCEDURE	30-14
SUDDEN LOSS OF POWER	30-14
DISABLED TRUCK DUMPING PROCEDURE	30-15
Hookup	30-15
Raising the Body	30-15
Lowering the Body	30-15
TOWING	30-16
OPERATOR CAB AND CONTROLS	32-1
STEERING WHEEL AND CONTROLS	32-2
STEERING WHEEL	32-2
HORN BUTTON	32-2
TILT/TELESCOPE LEVER	32-2
MULTI-FUNCTION TURN SIGNAL SWITCH	32-2
Turn Signal Operation	32-2
High Beam Headlight Operation	32-2
Windshield Wiper Operation	32-2

TABLE OF CONTENTS (cont.)

PEDALS	32-3
SERVICE BRAKE PEDAL	32-3
DYNAMIC RETARDER PEDAL	32-3
THROTTLE PEDAL	32-3
OVERHEAD PANEL CONTROLS AND COMPONENTS	32-4
GRADE/SPEED WARNING CHART	32-4
RADIO SPEAKERS	32-4
WARNING ALARM BUZZER	32-4
CAB RADIO	32-4
WARNING LIGHTS DIMMER CONTROL	32-4
WARNING/STATUS INDICATOR LIGHT PANEL	32-4
AIR CLEANER VACUUM GAUGES	32-4
WINDSHIELD WIPERS	32-4
CENTER CONSLOE	32-5
TRUCK CONTROLS	32-5
F-N-R Selector Switch	32-5
Hoist Control Lever	32-5
CONSOLE SWITCHES AND CONTROLS	32-6
Cigarette Lighter	32-6
Left-Hand Window Control Switch	32-6
Right-Hand Window Control Switch	32-6
Engine Shutdown Switch	32-6
Override Switch	32-6
Retard Speed Control (RSC) Switch	32-7
Retard Speed Control (RSC) Dial	32-7
Statex III Download Port	32-8
Engine Diagnostic Port (CENSE)	32-8
Engine Diagnostic Connectors	32-8
Passenger Seat	32-8
PAYLOAD METER	32-8
Payload Meter Download Connector	32-8
CAB CLIMATE CONTROL	32-9
HEATER / AIR CONDITIONER CONTROLS	32-9
Fan Speed Control Knob	32-9
Temperature Control Knob	32-9
Air Flow Directional Knob	32-9
Heater/Air Conditioner Vents	32-9
OPERATOR SEAT	32-10
ADJUSTMENT	32-10
INSTRUMENT PANEL	32-11
GENERAL INFORMATION	32-12

TABLE OF CONTENTS (cont.)

CONTROL SYMBOLS	32-12
Key Switch	32-13
Engine Shutdown Switch With Timer Delay	32-13
Fog Light Switch	32-13
Ladder Light Switch	32-13
Backup Light Switch	32-13
Panel Illumination Lights	32-13
Cab Air Conditioner/Heater Vents	32-14
Engine Cold Weather Starting Aid Switch	32-14
Rotating Beacon Light Switch	32-14
Heated Mirror Switch	32-14
Wheel Brake Lock Switch	32-14
Parking Brake Switch	32-14
Digital Tachometer	32-15
Right Turn Signal Indicator Light	32-15
High Beam Headlight Indicator Light	32-15
Left Turn Signal Indicator Light	32-15
Digital Speedometer/Payload Meter Display	32-15
Voltmeter Gauge	32-15
Engine Oil Pressure Gauge	32-15
Engine Water Temperature Gauge	32-15
Fuel Gauge	32-15
Engine Hourmeter	32-15
Headlight Switch	32-16
Panel Illumination Lights Dimmer Rheostat	32-16
Payload Meter Switch	32-16
OVERHEAD STATUS/WARNING INDICATOR LIGHT PANEL	32-17
DESCRIPTION OF INDICATOR SYMBOLS	32-17
INDICATOR LIGHT FUNCTIONS	32-18
A1. High Hydraulic Oil Temperature	32-18
B1. Low Steering Pressure	32-18
C1. Low Accumulator Precharge Pressure	32-19
D1. Electric System Fault	32-19
E1. Low Brake Pressure	32-19
A2. Low Hydraulic Tank Level	32-19
B2. Automatic Lubrication System Pressure	32-19
C2. Circuit Breaker Tripped	32-19
D2. Hydraulic Oil Filter Monitor	32-20
E2. Low Fuel	32-20
A3. Parking Brake	32-20
B3. Service Brake	32-20
C3. Body Up	32-20

TABLE OF CONTENTS (cont.)

D3. Dynamic Retarding	32-20
E3. Stop Engine	32-20
A4. Not Used	32-21
B4. Manual Backup Lights	32-21
C4. Engine Shutdown Timer	32-21
D4. Retard Speed Control (RSC)	32-21
E4. Check Engine	32-21
A5. Service Engine Indicator (AEM)	32-21
B5. High Wheel Motor Temperature	32-21
C5. Blower Fault	32-21
D5, E5, A6, B6, and C6. Not Used	32-21
D6. Service Engine (CENSE)	32-21
E6. Not Used	32-21
Komatsu Engines w/Centry™ Fuel Control	32-22
Hazard Warning Light Switch	32-22
Lamp Test Switch/Centry™ Diagnostic Test Switch	32-22
VEHICLE HEALTH MONITORING SYSTEM (VHMS)	32-22
BASIC PRECAUTIONS	32-22
OPERATION	32-22
INTERFACE MODULE	32-24
CENTRY™ FUEL SYSTEM DIAGNOSTICS	32-25
GENERAL OPERATION	32-25
DETERMINING FAULT CODES	32-25
EXITING THE DIAGNOSTICS MODE	32-26
LUBRICATION AND SERVICE	40-1
GENERAL INFORMATION	40-1
HYDRAULIC TANK SERVICE	40-1
Adding Oil	40-1
COOLING SYSTEM SERVICE	40-2
Radiator Filling Procedure	40-2
RESERVE ENGINE OIL SYSTEM - (IF EQUIPPED)	40-2
Reserve Oil Tank Filling Procedure (Remote Fill)	40-2
LUBRICATION CHART	40-3
10 HOUR (DAILY) LUBE AND MAINTENANCE CHECKS	40-4
10 HOUR (DAILY) LUBE AND MAINTENANCE CHECKS (Continued)	40-5
50 HOUR LUBRICATION AND MAINTENANCE CHECKS	40-6
100 HOUR LUBRICATION AND MAINTENANCE CHECKS	40-6
250 HOUR LUBRICATION AND MAINTENANCE CHECKS	40-7
250 HOUR LUBRICATION AND MAINTENANCE CHECKS (Continued)	40-8

TABLE OF CONTENTS (cont.)

500 HOUR LUBRICATION AND MAINTENANCE CHECKS	40-9
500 HOUR LUBRICATION AND MAINTENANCE CHECKS (Continued)	40-10
1000 HOUR LUBRICATION AND MAINTENANCE CHECKS	40-11
1500 HOUR LUBRICATION AND MAINTENANCE CHECKS	40-12
2500 HOUR LUBRICATION AND MAINTENANCE CHECKS	40-12
5000 HOUR LUBRICATION AND MAINTENANCE CHECKS	40-13
10,000 HOUR LUBRICATION AND MAINTENANCE CHECKS	40-14
AUTOMATIC LUBRICATION SYSTEM	42-1
GENERAL DESCRIPTION	42-1
SYSTEM COMPONENTS	42-2
Filter Assembly	42-2
Hydraulic Motor and Grease Pump	42-2
Reservoir	42-2
Fixed Pressure Reducing Valve	42-2
Flow Control Valve	42-2
Solenoid Valve	42-4
Vent Valve	42-4
Time Delay Module	42-4
Pump Cutoff Pressure Switch	42-4
Unloader Valve	42-4
Pressure Switch	42-4
Pressure Gauge	42-4
Manual Override Button	42-4
Injectors	42-4
SYSTEM OPERATION	42-6
Normal Operation	42-6
Pressure Failure Detection Circuits	42-7
GENERAL INSTRUCTIONS	42-8
LUBRICANT REQUIRED FOR SYSTEM	42-8
SYSTEM PRIMING	42-8
LUBRICANT PUMP	42-8
Pump Housing Oil Level	42-8
Pump Pressure Control	42-8
FILTER AND RESERVOIR	42-9
Filter Assembly Element	42-9
INJECTORS (SL-1 Series H)	42-10
Injector Specifications	42-10
Injector Adjustment	42-10
INJECTOR OPERATION	42-11

TABLE OF CONTENTS (cont.)

SYSTEM CHECKOUT	42-12
Lubrication Cycle Timer Check	42-12
Lubrication Cycle Timer Adjustment	42-13
PREVENTIVE MAINTENANCE INSPECTION	42-13
10 Hour Lubrication System Inspection	42-13
250 Hour Inspection	42-13
1000 Hour Inspection	42-14
SYSTEM TROUBLESHOOTING CHART	42-15
MAJOR COMPONENT DESCRIPTION	50-1
PAYLOAD METER III™	60-1
AM/FM RADIO / CD PLAYER	70-1
OPERATING INSTRUCTIONS	70-1
GENERAL RADIO RECEIVER FUNCTIONS	70-1
Turning On the Power	70-1
One-Hour Timer	70-1
Display	70-2
Setting a Default Display	70-2
Adjusting the Brightness of the Display	70-2
Auxiliary Mode	70-2
Adjusting the Receiver Settings	70-2
USING THE CLOCK	70-3
Setting the Clock	70-3
USING THE ALARM	70-3
Setting the Alarm	70-3
Turning the Alarm Off	70-3
Activating Snooze	70-3
Setting Alarm Volume	70-3
USING THE RADIO	70-4
Finding a Station	70-4
Setting the Presets	70-5
SATELLITE RADIO SERVICE (Optional)	70-5
Activating Satellite Radio (Optional)	70-5
USING THE WEATHERBAND	70-6
USING THE COMPACT DISC PLAYER	70-6

TABLE OF CONTENTS (cont.)

Playing a Compact Disc	70-6
Button Functions	70-6
PLAYING AN MP3 DISC	70-7
MP3 Format Compatibility	70-7
Root Directory	70-7
Empty Directory or Folder	70-7
No Folder	70-7
File Name Display	70-7
Pre-Programmed Playlists	70-8
Playing MP3 Files	70-8
Button Functions	70-8
TROUBLESHOOTING	70-9

Notes

STANDARD CHARTS AND TABLES

This manual provides dual dimensioning for most specifications. Metric (SI) units are specified first, with U.S. standard units in parentheses.

References throughout the manual to standard torques or other standard values will be to one of the following charts or tables. For values not shown in these charts or tables, standard conversion factors for most commonly used measurements are provided in TABLE XIII, page 12-6.

Standard torque values are not to be used when “turn-of-the-nut” tightening procedures are recommended.

INDEX OF TABLES

TABLE I Standard Torque Chart (SAE) . . 12-1
 TABLE II . Standard Torque, 12-Point, Grade 9 . . 12-2
 TABLE III . . Standard Metric Assembly Torque . . 12-2
 TABLE IV JIC Swivel Nuts Torque Chart . . 12-3
 TABLE V Pipe Thread Torque Chart . . 12-3
 TABLE VI O-Ring Boss Torque Chart . . 12-3
 TABLE VII O-Ring Face Seal Torque Chart . . 12-3
 TABLE VIII . Torque Conversions (ft lbs to N•m) . . 12-4
 TABLE IX . Torque Conversions (ft lbs to kg•m) . . 12-4
 TABLE X . . Pressure Conversions (psi to kPa) . . 12-4
 TABLE XI . Pressure Conversions (psi to MPa) . . 12-5
 TABLE XII Temperature Conversions . . 12-5
 TABLE XIII . . . Common Conversion Multipliers . . 12-6

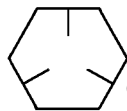
EFFECT OF SPECIAL LUBRICANTS On Fasteners and Standard Torque Values

The Komatsu engineering department does not recommend the use of special friction-reducing lubricants, such as Copper Coat, Never-Seez®, and other similar products, on the threads of standard fasteners where standard torque values are applied. The use of special friction-reducing lubricants will significantly alter the clamping force being applied to fasteners during the tightening process.

If special friction-reducing lubricants are used with the standard torque values listed below in Table I (and in Komatsu shop manuals), excessive stress and possible breakage of the fasteners may result.

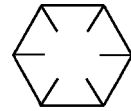
Where the torque tables specify “Lubricated Threads” for the standard torque values listed, these standard torque values are to be used with simple lithium base chassis grease (multi-purpose EP NLGI) or a rust-preventive grease (see list, page 12-2) on the threads and seats unless specified otherwise.

NOTE: Ensure the threads of fasteners and tapped holes are free of burrs and other imperfections before assembling.



Grade 5

**TABLE I. STANDARD TORQUE CHART
SAE HEX HEAD CAP SCREW AND NUT ASSEMBLY
(LUBRICATED THREADS)
TOLERANCES ±10%**



Grade 8

Capscrew Thread Size	TORQUE - GRADE 5			TORQUE - GRADE 8			Capscrew Thread Size	TORQUE - GRADE 5			TORQUE - GRADE 8		
	ft lbs	kg•m	N•m	ft lbs	kg•m	N•m		ft lbs	kg•m	N•m	ft lbs	kg•m	N•m
1/4-20	7	0.97	9.5	10	1.38	13.6	3/4-16	235	32.5	319	335	46.3	454
1/4-28	8	1.11	10.8	11	1.52	14.9	7/8-9	350	48.4	475	500	69.2	678
5/16-18	15	2.07	20.3	21	2.90	28	7/8-14	375	51.9	508	530	73.3	719
5/16-24	16	2.21	22	22	3.04	30	1.0-8	525	72.6	712	750	103.7	1017
3/8-16	25	3.46	34	35	4.84	47	1.0-12	560	77.4	759	790	109.3	1071
3/8-24	30	4.15	41	40	5.5	54	1.0-14	570	78.8	773	800	110.6	1085
7/16-14	40	5.5	54	58	8.0	79	1 1/8-7	650	89.9	881	1050	145	1424
7/16-20	45	6.2	61	62	8.57	84	1 1/8-12	700	96.8	949	1140	158	1546
1/2-13	65	9	88	90	12.4	122	1 1/4-7	910	125.9	1234	1480	205	2007
1/2-20	70	9.7	95	95	13.1	129	1 1/4-12	975	134.8	1322	1580	219	2142
9/16-12	90	12.4	122	125	17.3	169	1 3/8-6	1200	166	1627	1940	268	2630
9/16-18	95	13.1	129	135	18.7	183	1 3/8-12	1310	181	1776	2120	293	2874
5/8-11	125	17.3	169	175	24.2	237	1 1/2-6	1580	219	2142	2560	354	3471
5/8-18	135	18.7	183	190	26.2	258	1 1/2-12	1700	235	2305	2770	383	3756
3/4-10	220	30.4	298	310	42.8	420							

1 ft. lbs. = 0.138 kg•m = 1.356 N•m

STANDARD ASSEMBLY TORQUES For 12-Point, Grade 9 Cap screws (SAE)

The following specifications apply to required assembly torques for all 12-point, grade 9 (170,000 psi minimum tensile) cap screws.

- Cap screw threads and seats shall be lubricated when assembled.

NOTE: Unless the instructions specifically recommend otherwise, these standard torque values are to be used with simple lithium base chassis grease (multi-purpose EP NLGI) or a rust preventive grease (see list, this page) on the threads.

- Torques are calculated to give a clamping force of approximately 75% of proof load.
- The maximum torque tolerance shall be $\pm 10\%$ of the torque value shown.

**TABLE II. STANDARD ASSEMBLY TORQUE
for 12-Point, Grade 9 Cap screws**

CAPSCREW SIZE*	TORQUE ft lbs	TORQUE N•m	TORQUE kg•m
0.250 - 20	12	16	1.7
0.312 - 18	24	33	3.3
0.375 - 16	42	57	5.8
0.438 - 14	70	95	9.7
0.500 - 13	105	142	14.5
0.562 - 12	150	203	20.7
0.625 - 11	205	278	28.3
0.750 - 10	360	488	49.7
0.875 - 9	575	780	79.4
1.000 - 8	860	1166	119
1.000 - 12	915	1240	126
1.125 - 7	1230	1670	170
1.125 - 12	1330	1800	184
1.250 - 7	1715	2325	237
1.250 - 12	1840	2495	254
1.375 - 6	2270	3080	313
1.375 - 12	2475	3355	342
1.500 - 6	2980	4040	411
1.500 - 12	3225	4375	445
* Shank Diameter (in.) - Threads per inch			
This table represents standard values only. Do not use these values to replace torque values which are specified in assembly instructions.			

STANDARD ASSEMBLY TORQUES For Class 10.9 Cap screws & Class 10 Nuts

The following specifications apply to required assembly torques for all metric Class 10.9 finished hexagon head cap screws and Class 10 nuts.

- Cap screw threads and seats shall not be lubricated when assembled. These specifications are based on all cap screws, nuts, and hardened washers being phosphate and oil coated.

NOTE: If zinc-plated hardware is used, each piece must be lubricated with simple lithium base chassis grease (multi-purpose EP NLGI) or a rust preventive grease (see list, this page) to achieve the same clamping forces provided below.

- Torques are calculated to give a clamping force of approximately 75% of proof load.
- The maximum torque tolerance shall be within $\pm 10\%$ of the torque value shown.

**TABLE III. STANDARD ASSEMBLY TORQUE
for Metric Class 10.9 Cap screws & Class 10 Nuts**

CAPSCREW SIZE*	TORQUE N•m	TORQUE ft lbs	TORQUE kg•m
M6 x 1	12	9	1.22
M8 x 1.25	30	22	3.06
M10 x 1.5	55	40	5.61
M12 x 1.75	95	70	9.69
M14 x 2	155	114	15.81
M16 x 2	240	177	24.48
M20 x 2.25	465	343	47.43
M24 x 3	800	590	81.6
M30 x 3.5	1600	1180	163.2
M36 x 4	2750	2028	280.5
* Shank Diameter (mm) - Threads per millimeter			
This table represents standard values only. Do not use these values to replace torque values which are specified in assembly instructions.			

Suggested* Sources for Rust Preventive Grease:

- AMERICAN ANTI-RUST GREASE #3-X from Standard Oil Company (also American Oil Co.)
- GULF NORUST #3 from Gulf Oil Company.
- MOBILARMA 355, Product No. 66705 from Mobil Oil Corporation.
- RUST BAN 326 from Humble Oil Company.
- RUSTOLENE B GREASE from Sinclair Oil Co.
- RUST PREVENTIVE GREASE - CODE 312 from the Southwest Grease and Oil Company.

NOTE: This list represents the current engineering approved sources for use in Komatsu manufacture. It is not exclusive. Other products may meet the same specifications of this list.

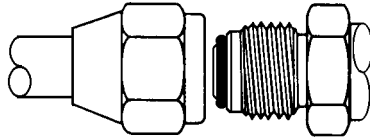


TABLE IV.
TORQUE CHART FOR JIC 37° SWIVEL NUTS
WITH OR WITHOUT O-RING SEALS

SIZE CODE	TUBE SIZE (O.D.)	THREADS UNF-2B	TORQUE FT. LBS.
- 2	0.125	0.312 - 24	4 ±1
- 3	0.188	0.375 - 24	8 ±3
- 4	0.250	0.438 - 20	12 ±3
- 5	0.312	0.500 - 20	15 ±3
- 6	0.375	0.562 - 18	18 ±5
- 8	0.500	0.750 - 16	30 ±5
- 10	0.625	0.875 - 14	40 ±5
- 12	0.750	1.062 - 12	55 ±5
- 14	0.875	1.188 - 12	65 ±5
- 16	1.000	1.312 - 12	80 ±5
- 20	1.250	1.625 - 12	100 ±10
- 24	1.500	1.875 - 12	120 ±10
- 32	2.000	2.500 - 12	230 ±20

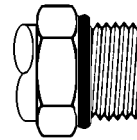


TABLE VI.
TORQUE CHART FOR
O-RING BOSS FITTINGS

SIZE CODE	TUBE SIZE (O.D.)	THREADS UNF-2B	TORQUE FT. LBS.
- 2	0.125	0.312 - 24	4 ±2
- 3	0.188	0.375 - 24	5 ±2
- 4	0.250	0.438 - 20	8 ±3
- 5	0.312	0.500 - 20	10 ±3
- 6	0.375	0.562 - 18	13 ±3
- 8	0.500	0.750 - 16	24 ±5
- 10	0.625	0.875 - 14	32 ±5
- 12	0.750	1.062 - 12	48 ±5
- 14	0.875	1.188 - 12	54 ±5
- 16	1.000	1.312 - 12	72 ±5
- 20	1.250	1.625 - 12	80 ±5
- 24	1.500	1.875 - 12	80 ±5
- 32	2.000	2.500 - 12	96 ±10

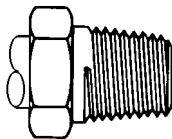


TABLE V.
TORQUE CHART FOR
PIPE THREAD FITTINGS

SIZE CODE	PIPE THREAD SIZE	WITH SEALANT FT. LBS.	WITHOUT SEALANT FT. LBS.
- 2	0.125 - 27	15 ±3	20 ±5
- 4	0.250 - 18	20 ±5	25 ±5
- 6	0.375 - 18	25 ±5	35 ±5
- 8	0.500 - 14	35 ±5	45 ±5
- 12	0.750 - 14	45 ±5	55 ±5
- 16	1.000 - 11.50	55 ±5	65 ±5
- 20	1.250 - 11.50	70 ±5	80 ±5
- 24	1.500 - 11.50	80 ±5	95 ±10
- 32	2.000 - 11.50	95 ±10	120 ±10

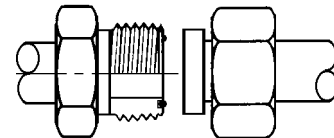


TABLE VII.
TORQUE CHART FOR
O-RING FACE SEAL FITTINGS

SIZE CODE	TUBE SIZE (O.D.)	THREADS UNF-2B	TORQUE FT. LBS.
- 4	0.250	0.438 - 20	11 ±1
- 6	0.375	0.562 - 18	18 ±2
- 8	0.500	0.750 - 16	35 ±4
- 10	0.625	0.875 - 14	51 ±5
- 12	0.750	1.062 - 12	71 ±7
- 16	1.000	1.312 - 12	98 ±6
- 20	1.250	1.625 - 12	132 ±7
- 24	1.500	1.875 - 12	165 ±15

TABLE VIII. TORQUE CONVERSIONS
Foot Pounds (ft. lbs.) to Newton-meters (N•m)

ft lbs	0	1	2	3	4	5	6	7	8	9
0	(N.m)	1.36	2.71	4.07	5.42	6.78	8.14	9.49	10.85	12.20
10	13.56	14.91	16.27	17.63	18.98	20.34	21.69	23.05	24.40	25.76
20	27.12	28.47	29.83	31.18	32.54	33.90	35.25	36.61	37.96	39.32
30	40.67	42.03	43.39	44.74	46.10	47.45	48.81	50.17	51.52	52.87
40	54.23	55.59	56.94	58.30	59.66	60.01	62.37	63.72	65.08	66.44
50	67.79	69.15	70.50	71.86	73.21	74.57	75.93	77.28	78.64	80.00
60	81.35	82.70	84.06	85.42	86.77	88.13	89.48	90.84	92.20	93.55
70	94.91	96.26	97.62	98.97	100.33	101.69	103.04	104.40	105.75	107.11
80	108.47	109.82	111.18	112.53	113.89	115.24	116.60	117.96	119.31	120.67
90	122.03	123.38	124.74	126.09	127.45	128.80	130.16	131.51	132.87	134.23

See NOTE on page 12-5 regarding table usage.

TABLE IX. TORQUE CONVERSIONS
Foot Pounds (ft. lbs.) to kilogram-meters (kg•m)

ft lbs	0	1	2	3	4	5	6	7	8	9
0	(kg.m)	0.138	0.277	0.415	0.553	0.692	0.830	0.968	1.106	1.245
10	1.38	1.52	1.66	1.80	1.94	2.07	2.21	2.35	2.49	2.63
20	2.77	2.90	3.04	3.18	3.32	3.46	3.60	3.73	3.87	4.01
30	4.15	4.29	4.43	4.56	4.70	4.84	4.98	5.12	5.26	5.39
40	5.53	5.67	5.81	5.95	6.09	6.22	6.36	6.50	6.64	6.78
50	6.92	7.05	7.19	7.33	7.47	7.61	7.74	7.88	8.02	8.16
60	8.30	8.44	8.57	8.71	8.85	8.99	9.13	9.27	9.40	9.54
70	9.68	9.82	9.96	10.10	10.23	10.37	10.51	10.65	10.79	10.93
80	11.06	11.20	11.34	11.48	11.62	11.76	11.89	12.03	12.17	12.30
90	12.45	12.59	12.72	12.86	13.00	13.14	13.28	13.42	13.55	13.69

See NOTE on page 12-5 regarding table usage.

TABLE X. PRESSURE CONVERSIONS
Pounds per square inch (psi) to Kilopascals (kPa)
Formula: psi x 6.895 = kPa

psi	0	1	2	3	4	5	6	7	8	9
0	(kPa)	6.895	13.79	20.68	27.58	34.47	41.37	48.26	55.16	62.05
10	68.95	75.84	82.74	89.63	96.53	103.42	110.32	117.21	124.1	131.0
20	137.9	144.8	151.7	158.6	165.5	172.4	179.3	186.2	193.1	200.0
30	206.8	213.7	220.6	227.5	234.4	241.3	248.2	255.1	262.0	268.9
40	275.8	282.7	289.6	296.5	303.4	310.3	317.2	324.1	331.0	337.9
50	344.7	351.6	358.5	365.4	372.3	379.2	386.1	393.0	399.9	406.8
60	413.7	420.6	427.5	434.4	441.3	448.2	455.1	462.0	468.9	475.8
70	482.6	489.5	496.4	503.3	510.2	517.1	524.0	530.9	537.8	544.7
80	551.6	558.5	565.4	572.3	579.2	586.1	593.0	599.9	606.8	613.7
90	620.5	627.4	634.3	641.2	648.1	655.0	661.9	668.8	675.7	682.6

See NOTE on page 12-5 regarding table usage.

TABLE XI. PRESSURE CONVERSIONS
Pounds per square inch (psi) to Megapascals (MPa)
Formula: $\text{psi} \times 0.0069 = \text{MPa}$

psi	0	10	20	30	40	50	60	70	80	90
0	(MPa)	0.069	0.14	0.21	0.28	0.34	0.41	0.48	0.55	0.62
100	0.69	0.76	0.83	0.90	0.97	1.03	1.10	1.17	1.24	1.31
200	1.38	1.45	1.52	1.59	1.65	1.72	1.79	1.86	1.93	2.00
300	2.07	2.14	2.21	2.28	2.34	2.41	2.48	2.55	2.62	2.69
400	2.76	2.83	2.90	2.96	3.03	3.10	3.17	3.24	3.31	3.38
500	3.45	3.52	3.59	3.65	3.72	3.79	3.86	3.93	4.00	4.07
600	4.14	4.21	4.27	4.34	4.41	4.48	4.55	4.62	4.69	4.76
700	4.83	4.90	4.96	5.03	5.10	5.17	5.24	5.31	5.38	5.45
800	5.52	5.58	5.65	5.72	5.79	5.86	5.93	6.00	6.07	6.14
900	6.21	6.27	6.34	6.41	6.48	6.55	6.62	6.69	6.76	6.83

See NOTE below regarding Table usage.

NOTE: Tables such as Table VIII, IX, X, and XI may be used as in the following example:

Example: Convert 975 psi to kilopascals (kPa).

1. Select Table X.
2. Go to psi row 90, column 7; read 668.8
97 psi = 668.8 kPa.
3. Multiply by 10:
970 psi = 6688 kPa.
4. Go to psi row 0, column 5; read 34.475
psi = 34.47 kPa. Add to step 3.
5. $970 + 5 \text{ psi} = 6688 + 34 = 6722 \text{ kPa}$.

TABLE XII. TEMPERATURE CONVERSIONS
Formula: $F^{\circ} - 32 \div 1.8 = C^{\circ}$ or $C^{\circ} \times 1.8 + 32 = F^{\circ}$

CELSIUS C°		FAHRENHEIT F°	CELSIUS C°		FAHRENHEIT F°	CELSIUS C°		FAHRENHEIT F°
121	250	482	63	145	293	4	40	104
118	245	473	60	140	284	2	35	95
116	240	464	57	135	275	-1	30	86
113	235	455	54	130	266	-4	25	77
110	230	446	52	125	257	-7	20	68
107	225	437	49	120	248	-9	15	59
104	220	428	46	115	239	-12	10	50
102	215	419	43	110	230	-15	5	41
99	210	410	41	105	221	-18	0	32
96	205	401	38	100	212	-21	-5	23
93	200	392	35	95	203	-23	-10	14
91	195	383	32	90	194	-26	-15	5
88	190	374	29	85	185	-29	-20	-4
85	185	365	27	80	176	-32	-25	-13
82	180	356	24	75	167	-34	-30	-22
79	175	347	21	70	158	-37	-35	-31
77	170	338	18	65	149	-40	-40	-40
74	165	329	15	60	140	-43	-45	-49
71	160	320	13	55	131	-46	-50	-58
68	155	311	10	50	122	-48	-55	-67
66	150	302	7	45	113	-51	-60	-76

Note: The numbers in the unmarked columns refer to temperature in either degrees Celsius (C°) or Fahrenheit (F°). Select a number in this unmarked column and read to the left to convert to degrees Celsius (C°) or read to the right to convert to degrees Fahrenheit (F°). If starting with a known temperature (either C° or F°), find that temperature in the marked column and read the converted temperature in the center, **unmarked** column.

TABLE XIII. COMMON CONVERSION MULTIPLIERS

COMMON CONVERSION MULTIPLIERS ENGLISH TO METRIC		
To Convert From	TO	Multiply By
inch – in.	millimeter (mm)	25.40
inch – in.	centimeter (cm)	2.54
foot – ft.	meter (m)	0.3048
yard – yd.	meter (m)	0.914
mile – mi.	kilometer (km)	1.61
sq. in. – in. ²	sq. centimeters (cm ²)	6.45
sq. ft. – ft. ²	sq. centimeters (cm ²)	929
cu. in. – in. ³	cu. centimeters (cm ³)	16.39
cu. in. – in. ³	liters (l)	0.016
cu. ft. – ft. ³	cu. meters (m ³)	0.028
cu. ft. – ft. ³	liters (l)	28.3
ounce – oz.	kilogram (kg)	0.028
fluid ounce – fl. oz.	milliliter (ml)	29.573
pound (mass)	kilogram (kg)	0.454
pound (force) – lbs.	Newton (N)	4.448
in. lbs. (force)	Newton-meters (N•m)	0.113
ft. lbs. (force)	Newton-meters (N•m)	1.356
ft. lbs. (force)	kilogram-meters (kg•m)	0.138
psi (pressure)	kilopascals (kPa)	6.895
psi (pressure)	megapascals (MPa)	0.007
psi (pressure)	kilograms/cm ² (kg/cm ²)	0.0704
ton (short)	kilogram (kg)	907.2
ton (short)	metric ton	0.0907
quart – qt.	liters (l)	0.946
gallon – gal.	liters (l)	3.785
HP (horsepower)	Watts	745.7
HP (horsepower)	kilowatts (kw)	0.745

COMMON CONVERSION MULTIPLIERS METRIC TO ENGLISH		
To Convert From	TO	Multiply By
millimeter (mm)	inch – in.	0.0394
centimeter (cm)	inch – in.	0.3937
meter (m)	foot – ft.	3.2808
meter (m)	yard – yd.	1.0936
kilometer (km)	mile – mi.	0.6210
sq. centimeters (cm ²)	sq. in. – in. ²	0.1550
sq. centimeters (cm ²)	sq. ft. – ft. ²	0.001
cu. centimeters (cm ³)	cu in – in. ³	0.061
liters (l)	cu in – in. ³	61.02
cu. meters (m ³)	cu ft – ft. ³	35.314
liters (l)	cu ft – ft. ³	0.0353
grams (g)	ounce – oz.	0.0353
milliliter (ml)	fluid ounce – fl. oz.	0.0338
kilogram (kg)	pound (mass)	2.2046
Newton (N)	pound (force) – lbs.	0.2248
Newton-meters (N•m)	kilogram-meters (kg•m)	0.102
Newton-meters (N.m)	ft lbs	0.7376
kilogram-meters (kg•m)	ft lbs	7.2329
kilogram-meters (kg•m)	Newton-meters (N•m)	9.807
kilopascals (kPa)	psi	0.1450
megapascals (MPa)	psi	145.038
kilograms/cm ² (kg/cm ²)	psi	14.2231
kilograms/cm ² (kg/cm ²)	kilopascals (kPa)	98.068
kilogram (kg)	ton	0.0011
metric ton	ton	1.1023
liters (l)	quart – qt.	1.0567
liters (l)	gallon – gal.	0.2642
Watts	Horsepower HP	0.00134
kilowatts (kw)	Horsepower HP	1.3410

GENERAL SAFETY

Safety records of most organizations will show that the greatest percentage of accidents are caused by unsafe behavior. The remainder are caused by unsafe mechanical or physical conditions. Report all unsafe conditions to the proper authority.

The following safety rules are provided as a guide for the operator. However, local conditions and regulations may add many more to this list.



Read and follow all safety precautions. Failure to do so may result in serious injury or death.

PERSONAL SAFETY

Safety Rules

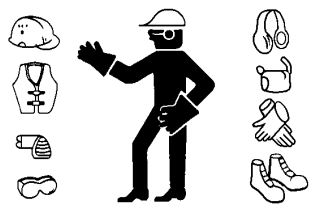
- Only trained and authorized personnel can operate and maintain the machine.
- Follow all safety rules, precautions, and instructions when operating or performing maintenance on the machine.
- When working with another operator, or a person on work site traffic duty, ensure all personnel understand all hand signals that are to be used.

Truck Safety Features

- Ensure all guards and covers are in their proper position. Repair any damaged guards and covers. (See Walk-Around Inspection, later in this section.)
- Learn the proper use of safety features, such as safety locks, safety pins, and seat belts. Use these safety features properly.
- DO NOT remove any safety features. Keep safety features in good operating condition.
- Improper use of safety features may result in serious bodily injury or death.

Clothing And Personal Items

- Avoid wearing loose clothing, jewelry, and loose long hair. They can catch on controls or in moving parts and cause serious injury or death. Additionally, DO NOT wear oily clothes as they are flammable.



A0055010

- Wear a hard hat, safety glasses, safety shoes, mask, and gloves when operating or maintaining a machine. Wear safety goggles, a hard hat, and heavy gloves if your job involves scattering metal chips or very small materials--particularly when driving pins with a hammer, or when cleaning air cleaner elements with compressed air. Also, ensure that the work area is free of other personnel during such tasks.

Unauthorized Modification

- Any modification made to this vehicle, without authorization from Komatsu America Corp., can possibly create hazards.
- Before making any modification, consult your authorized regional Komatsu America Corp. distributor. Komatsu will not be responsible for any injury or damage caused by any unauthorized modification.

Leaving The Operator's Seat

- When leaving the operator's seat, DO NOT touch any controls. To prevent accidents from occurring, perform the following:

Move the selector switch to NEUTRAL, and apply the parking brake.

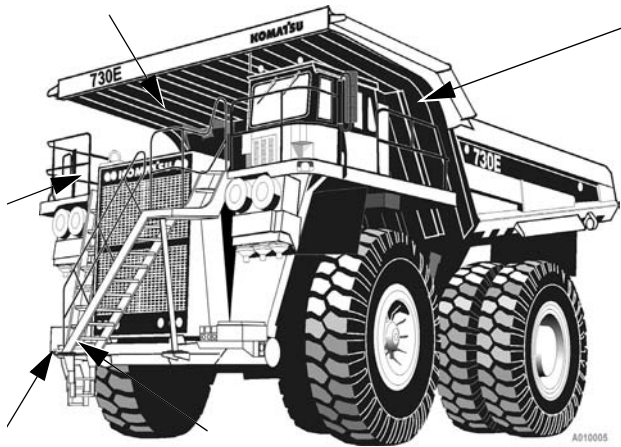
Lower the dump body, and move the hoist control lever to the FLOAT position.

Stop the engine. When exiting the machine, lock compartments, and take the keys with you to prevent entry from unauthorized persons.

Mounting And Dismounting

- DO NOT jump on or off the machine. DO NOT climb on or off a machine while it is moving.
- When climbing on or off a machine, face the machine and use the handhold and steps.
- DO NOT hold any control levers when getting on or off a machine.
- Maintain three-point contact with the handholds and steps to ensure that you support yourself.
- When bringing tools up to the operating deck, pass them by hand or pull them up by rope.
- If there is any oil, grease, or mud on the handholds or steps, wipe them clean immediately. Keep these components clean. Repair any damage, and tighten any loose bolts.

Use the handrails and steps marked by arrows in the diagram below when climbing on or off the machine.



- To prevent hot engine oil spray:
 1. Stop the engine.
 2. Wait for the oil temperature to cool.
 3. Turn the cap slowly to allow pressure to dissipate.

Asbestos Dust Hazard Prevention

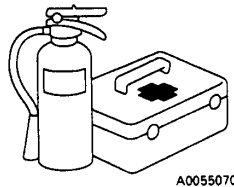
Asbestos dust is hazardous to your health when inhaled. If you handle materials containing asbestos fibers, follow the guidelines below:



- DO NOT use compressed air for cleaning.
- Use water for cleaning and to control dust.
- Operate the machine or perform tasks with the wind to your back, whenever possible.
- Use an approved respirator, when necessary.

Fire Extinguishers And First Aid Kits

- Ensure fire extinguishers are accessible and proper usage techniques are known.
- Provide a first aid kit at the storage point.
- Know what to do in the event of a fire.
- Keep the phone numbers of persons you must contact in case of an emergency.

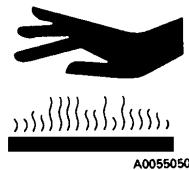


Fire Prevention For Fuel And Oil

- Fuel, oil, and antifreeze can be ignited by a flame. These fluids are extremely flammable and hazardous.
- Keep flames away from flammable fluids.
- Stop the engine while refueling.
- DO NOT smoke while refueling.
- Tighten all fuel and oil tank caps securely.
- Refuel and maintain oil in well-ventilated areas.
- Keep oil and fuel in a designated location. DO NOT allow unauthorized persons to enter.

Precautions For High Temperature Fluids

- Immediately after operating the truck, engine coolant, engine oil, and hydraulic oil are at high temperatures and are pressurized. If the cap is removed, the fluids drained, the filters are replaced, etc., there is danger of serious burns. Allow heat and pressure to dissipate before performing such tasks, and follow proper procedures, as outlined in the service manual.
- To prevent hot coolant from spraying:
 1. Stop the engine, and wait for the coolant temperature to decrease.
 2. Depress the pressure relief button on the radiator cap.
 3. Turn the radiator cap slowly to allow pressure to dissipate.



A030010

ROPS Precautions

- The Rollover Protection Structure (ROPS) must be properly installed before using the truck.
- The ROPS is intended to protect the operator if the machine rolls over. It is designed not only to support the load of the machine, but also to absorb the energy of the impact.
- ROPS structures, installed on equipment manufactured and designed by Komatsu America Corp., fulfill all of the regulations and standards for all countries. If it is modified or repaired without authorization from Komatsu, or is damaged when the machine rolls over, the strength of the structure will be compromised and will not be able to fulfill its intended purpose. Optimum strength of the structure can only be achieved if it is repaired or modified, as specified by Komatsu.
- When modifying or repairing the ROPS, consult your nearest Komatsu distributor.
- Even with the ROPS installed, the operator must use the seat belt when operating the machine.

Preventing Injury From Work Equipment

- DO NOT position any part of your body between movable parts, such as the dump body, chassis, or cylinders. If the work equipment is operated, clearances will change and may cause serious bodily injury or death.

Precautions For Optional Attachments

- When installing and using optional equipment, read the instruction manual for the attachment and the information related to attachments in this manual.
- DO NOT use attachments that are not authorized by Komatsu America Corp., or the authorized regional Komatsu distributor. Use of unauthorized attachments could create a safety problem and adversely affect the proper operation and useful life of the machine.
- Any injuries, accidents, and product failures resulting from the use of unauthorized attachments, will not be the responsibility of Komatsu America Corp., or the authorized regional Komatsu distributor.

Precautions When Starting The Machine

- Start the engine from the operator's seat only.
- DO NOT attempt to start the engine by shorting across the starter terminals. This may cause fire or serious injury or death to anyone in the machine's path.



PRECAUTIONS FOR TRUCK OPERATION

Safety Is Thinking Ahead

Prevention is the best safety program. Prevent a potential accident by knowing the employer's safety requirements and all necessary job site regulations. In addition, know the proper use and care of all the safety equipment on the truck. Only qualified operators or technicians may attempt to operate or maintain a Komatsu truck.

Safe practices start before the operator gets to the equipment!

Safety At The Work Site

- When walking to and from a truck, maintain a safe distance from all machines, even when the operator is visible.
- Before starting the engine, thoroughly check the area for any unusual conditions that could be dangerous.
- Examine the road surface at the job site, and determine the best and safest route.
- Choose an area where the ground is as horizontal and firm as possible before performing the inspection.
- If you need to operate on or near a public road, protect pedestrians and cars by designating a person for work site traffic duty, or by installing fences around the work site.
- The operator must personally check the work position, the roads to be used, and the existence of obstacles before starting the truck.
- Determine the travel roads to be used at the work site. Travel roads must be maintained in order to ensure safe machine travel.
- If travel through wet areas is necessary, check the depth and flow of water before crossing the shallow parts. DO NOT drive through water which exceeds the permissible water depth.

Fire Prevention

- Thoroughly remove wood chips, leaves, paper, and other flammable items accumulated in the engine compartment, as they could cause a fire.



A0055020

- Check fuel, lubrication, and hydraulic systems for leaks. Repair any leaks. Clean any excess oil, fuel, or other flammable fluids, and dispose of properly.
- Ensure a fire extinguisher is present and in proper working condition.
- DO NOT operate the machine near open flames.

Preparing For Operation

- Mount and dismount while facing the truck. DO NOT attempt to mount or dismount the truck while it is in motion. Use handrails and ladders when mounting or dismounting the truck.
- Check the deck areas for debris, loose hardware, and tools. Check for people and objects that remain on or around the truck.
- Become familiar with and use all protective equipment devices on the truck. Ensure that these items (anti-skid material, grab bars, seat belts, etc.) are securely in place.

Ventilation For Enclosed Areas

- If it is necessary to start the engine in an enclosed area, provide adequate ventilation. Exhaust fumes from the engine can kill.



A0055060

Mirrors, Windows, And Lights

- Remove any dirt from the surface of the windshield, cab windows, mirrors, and lights. Good visibility may prevent an accident.
- Adjust the mirrors to a position where the operator can see best from the operator's seat.
- Ensure the headlights, work lights, and taillights are in proper working order. Ensure that the machine is equipped with the proper work lamps needed for the operating conditions.
- Replace any broken mirrors, windows, or lights.

In The Operator's Cab - Before Starting The Engine

- DO NOT leave tools or spare parts lying around or allow trash to accumulate in the cab of the truck. Keep all unauthorized reading material out of the truck cab.
- Keep the cab floor, controls, steps, and handrails free of oil, grease, snow, and excess dirt.
- Read and understand the contents of the Operation and Maintenance manual. Read the safety and operating instructions with special attention. Become thoroughly acquainted with all the gauges, instruments, and controls before operating the truck.
- Read and understand the warning and caution decals in the operator's cab.
- Ensure the steering wheel, horn, controls, and pedals are free of any oil, grease, or mud.
- Check the windshield wiper, the condition of the wiper blades, and the washer fluid reservoir level.
- Be familiar with all steering and brake system controls, warning devices, road speeds, and loading capabilities before operating the truck.

Seat Belts

- On both driver and passenger seats, check the seat belt fabric, buckle, all belt retractors and hardware for damage or wear. Replace any worn or damaged parts immediately.
- Even if there are no signs of damage, replace both driver and passenger seat belts 5 years after seat belt manufacture, or every 3 years after start of use, whichever comes first. The passenger seat belt date of manufacture label is sewn into the seat belt near the buckle. The driver seat belt date of manufacture label is sewn into the back of the seat belt.

OPERATING THE MACHINE

Starting The Engine

- DO NOT attempt to start the machine by shorting across the starter terminals. This may cause a fire, or serious injury or death, to anyone in the machine's path.
- Check for people and objects that remain on or around the truck.
- DO NOT start the engine if a warning tag has been attached to the controls.
- When starting the engine, sound the horn as an alert.
- Start and operate the machine only while seated in the operator's seat.
- DO NOT allow any unauthorized persons in the operator's compartment or any other place on the machine.
- For machines equipped with a back-up alarm, check that the alarm works properly.

Truck Operation - General

- Wear seat belts at all times.
- Only authorized persons are allowed to ride in the truck. Passengers must be in the cab and belted in the passenger seat.
- DO NOT allow anyone to ride on the decks or on the steps of the truck.
- DO NOT allow anyone to get on or off the truck while it is in motion.
- DO NOT move the truck in or out of a building without a signal person present.
- Know and obey hand signal communications between the operator and spotter. When other machines and personnel are present, the operator must move in and out of buildings, loading areas, and through traffic, under the direction of a signal person. Courtesy at all times is a safety precaution!
- Immediately report any adverse conditions on the haul road, pit, or dump area that may cause an operating hazard.

- Check for flat tires periodically during a shift. If the truck has been operating on a flat, DO NOT park indoors until the tire cools. If the tire must be changed, DO NOT stand in front of the rim and locking ring when inflating a tire mounted on the machine. Observers must not be permitted in the area and must be kept away from the side of such tires.

⚠ DANGER

The tire and rim assembly may explode if subjected to excessive heat. Personnel must move to a remote or protected location if there is a fire near the tire and wheel area, or if the smell of burning rubber or excessively hot brakes is evident.

If the truck must be approached, such as to fight a fire, those personnel must do so only while facing the tread area of the tire (front or back), unless protected by the use of large heavy equipment as a shield. Stay at least 15 m (50 ft) from the tread of the tire.

In the event of fire in the tire and wheel area (including brake fires), stay away from the truck for at least eight hours, or until the tire and wheel are cool.

- Keep serviceable, fire fighting equipment nearby. Report used extinguishers for replacement or refilling.
- Apply the parking brake when the truck is parked and unattended. DO NOT leave the truck unattended while the engine is on.
- Park the truck a safe distance away from other vehicles, as determined by the supervisor.
- Stay alert at all times! In the event of an emergency, be prepared to react quickly and avoid accidents. If an emergency arises, know where to get prompt assistance.

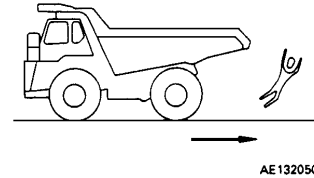
Traveling In The Truck

- When traveling on rough ground, travel at low speeds. When changing direction, avoid turning suddenly.
- Lower the dump body, and set the dump lever to the FLOAT position before traveling.

- If the engine stops while the truck is in motion, the steering and brakes will continue to operate, but only for a fixed amount of oil consumption. Steer immediately to a safe spot, and stop the truck. When the truck is completely stopped, apply the parking brake.

Precautions When Traveling In Reverse

Before operating the machine or work equipment, do as follows:



- Ensure the back-up alarm works properly.
- Sound the horn to warn people in the area.
- Check for personnel near the machine. Do a thorough check behind the machine.
- When necessary, designate a person to watch the area for the truck operator. This is particularly necessary when traveling in reverse.
- When operating in hazardous areas and areas with poor visibility, designate a person to direct work site traffic.
- DO NOT allow anyone to enter the line of travel of the machine. This rule must be strictly obeyed, even with machines equipped with a back-up alarm or rearview mirror.

Traveling On Slopes

- Traveling on slopes could result in the machine tipping over or slipping.
- DO NOT change direction on the slopes. To ensure safety, drive to level ground before turning.
- DO NOT travel up and down on grass, fallen leaves, or wet steel plates. These materials may cause the machine to slip on even the slightest slope. Avoid traveling sideways, and keep travel speed low.
- When traveling downhill, use the retarder to reduce speed. DO NOT turn the steering wheel suddenly. DO NOT use the foot brake, except in an emergency.
- If the engine stops on a slope, apply the service brakes fully and stop the machine. Apply the parking brake after the machine has stopped.

Ensuring Good Visibility

- When working in dark places, install work lamps and headlamps.
- Safely stop the truck if visibility is poor, such as in mist, snow, or rain. Wait for the weather to improve to allow safe travel.

Operating On Snow

- When working on snowy or icy roads, there is danger that the machine may slip on even the slightest slope. Travel slowly and avoid sudden starting, turning, or stopping in these conditions.
- Use caution when clearing snow. The road shoulder and other objects may be buried in the snow and cannot be seen. When traveling on snow-covered roads, install tire chains.

Avoid Damage To The Dump Body

- When working in tunnels, on bridges, under electric cables, or when entering an enclosed area where there are height limits, use extreme caution. The dump body must be completely lowered before driving.



Driving with a raised dump body, or raising the dump body in an enclosed area, may result in serious damage and bodily injury or death. Drive with the dump body resting on the frame.

Driving Near High-Voltage Cables

- Driving near high-voltage cables can cause electric shock. Maintain the safe distances between the machine and the electric cable, as listed below.

Voltage	Minimum Safe Distance	
6.6 kV	3 m	10 ft
33.0 kV	4 m	14 ft
66.0 kV	5 m	17 ft
154.0 kV	8 m	27 ft
275.0 kV	10 m	33 ft

The following actions are effective in preventing accidents while working near high voltages:

- Wear shoes with rubber or leather soles.
- Use a signalman to give warning if the machine approaches an electric cable.
- If the work equipment must touch an electric cable, the operator must remain in the cab.
- When working near high-voltage cables, DO NOT allow anyone to approach the machine.
- Check with the electrical maintenance department about the voltage of the cables before operating the truck.

When Loading The Truck

- Ensure the surrounding area is safe. If so, stop the machine in the correct loading position and evenly load the body.
- DO NOT leave the operator's seat during loading.

When Dumping

- Before starting, check that there is no person or objects behind the machine.
- Stop the machine in the desired location. Check again for persons or objects behind the machine. Give the determined signal, then slowly operate the dump body. If necessary, use blocks for the wheels or position a flagman.
- When dumping on slopes, machine stability is poor and there is danger of tip over. Avoid dumping on slopes whenever possible.
- DO NOT travel with the dump body raised.

Working On Loose Ground

- Avoid operating the machine near cliffs, overhangs, and deep ditches. If these areas collapse, the machine could fall or tip over and result in serious injury or death. Remember that ground surfaces in these areas may be weakened after heavy rain or blasting.
- Freshly laid soil and the soil near ditches is loose. It can collapse under the weight or vibration of the machine. Avoid these areas whenever possible.

Parking The Machine

- Choose a horizontal road surface to park the machine. If the machine has to be parked on a slope, install wheel chocks to prevent the machine from moving.
- When parking on public roads, provide fences and signs, such as flags or lights, on the machine to warn pedestrians and other vehicles. Ensure that the machine, flags, or lights DO NOT obstruct the traffic.
- Before leaving the machine, lower the dump body fully, activate the parking brake, stop the engine, and lock everything. Take the key with you.

TOWING

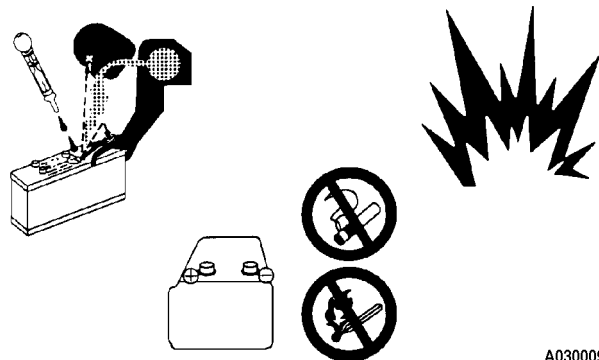
- Improper towing methods may lead to serious personal injury and/or damage.
- Use a towing device with ample strength for the weight of this machine.
- DO NOT tow a machine on a slope.
- When connecting a machine to be towed, DO NOT allow anyone to go between the tow machine and the disabled machine.
- Set the coupling of the machine being towed in a straight line with the towing portion of the tow machine. Secure it in position.
- DO NOT stand next to the towing device while the truck is moving.

For more towing information, refer to Section 30, Operating Instructions - Towing.

WORKING NEAR BATTERIES

Battery Hazard Prevention

- Battery electrolyte contains sulfuric acid and can quickly burn the skin and eat holes in clothing. If the electrolyte comes in contact with the skin, immediately flush the area with water.
- Battery acid can cause blindness if splashed into the eyes. If acid gets into the eyes, flush them immediately with large quantities of water. See a doctor immediately.
- If acid is accidentally ingested, drink a large quantity of water, milk, beaten eggs, or vegetable oil. Call a doctor or poison prevention center immediately.
- Wear safety glasses or goggles when working with batteries.
- Batteries generate hydrogen gas. Hydrogen gas is very explosive and is easily ignited with a small spark or flame.



A030009

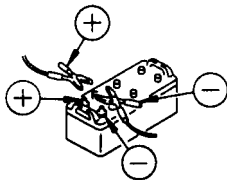
- Before working with the batteries, shut the engine off and turn the key switch to the OFF position.
- Avoid short-circuiting the battery terminals through accidental contact with metallic objects, such as tools, across the terminals.
- When removing or installing a battery, identify the positive (+) terminal and negative (-) terminals. DO NOT short-circuit the terminals by touching positive to negative.
- Tighten the battery caps securely.
- Tighten the battery terminals securely. Loose terminals can generate sparks and lead to an explosion.

Jump-Starting With Booster Cables

- Always wear safety glasses or goggles when starting the machine with booster cables.
- While jump starting with another machine, DO NOT allow the two machines to touch.
- Ensure the parking brake is applied on both machines.
- Ensure the size of the booster cables and clips are suitable for the battery size. Inspect the cables and clips for any damage or corrosion.
- Ensure the key switch and both battery disconnect switches on the disabled machine are in the OFF position.
- Connect the batteries in parallel: positive to positive and negative to negative.
- Connect the positive (24VDC +) cable from the good machine to the (24VDC +) on the disabled machine first.
- Then connect the ground cable on the good machine to the frame of the disabled machine, as far away as possible from the batteries. This will prevent a spark from possibly starting a battery fire.
- Allow time for the batteries to charge.

NOTE: The batteries will charge even with the battery disconnect switches are in the OFF position.

- If starting with a booster cable, perform the operation with two people. One person in the cab of the disabled machine, the other person working with the jumper cables.
- If the batteries are low, DO NOT attempt starting the machine with only one set of jumper cables installed. Install the second set of jumper cables in the same way as already described.
- Turn the battery disconnect switches to the ON position and attempt starting.
- For booster cable removal, disconnect the ground or negative (-) cable first, then the (24VDC +) cable last.



- If any tool touches between the positive (+) terminal and the chassis, it will cause sparks. Always use caution when using tools near the battery.

Jump Starting With Receptacles

- Always wear safety glasses or goggles when starting the machine with booster cables.
- While jump starting with another machine, DO NOT allow the two machines to touch.
- Ensure the parking brake is applied on both machines.
- Inspect the cables and connectors for any damage or corrosion.
- Ensure the key switch and both battery disconnect switches on the disabled machine are in the OFF position.
- Connect the jumper cable to the receptacle on the good machine to the receptacle on the disabled machine.
- Allow time for the batteries to charge.

NOTE: The batteries will charge even with the battery disconnect switches are in the OFF position.

- If starting with a booster cable, perform the operation with two people. One person in the cab of the disabled machine, the other person working with the jumper cables.
- If the batteries are low, DO NOT attempt starting the machine with only one set of jumper cables installed. Install the second set of jumper cables in the same way as already described.
- Turn the battery disconnect switches to the ON position and attempt starting.
- For booster cable removal, disconnect the cables from each machine.

If any tool touches between the positive (+) terminal and the chassis, it will cause sparks. Always use caution when using tools near the battery.

PRECAUTIONS FOR MAINTENANCE

BEFORE PERFORMING MAINTENANCE

Stopping The Engine Before Service

- Before performing inspections or maintenance, stop the machine on firm, flat ground. Lower the dump body, shut the engine off, and apply the parking brake. Install wheel chocks.
- If the engine must be operated during service, move the selector switch to the NEUTRAL position, and apply the parking brake. Perform this work with two people. One person must sit in the operator's seat to stop the engine, if necessary. DO NOT move any controls during these situations unless necessary for service.
- When servicing the machine, DO NOT touch any moving parts. DO NOT wear loose clothing.
- When servicing the truck with the dump body raised, place the dump lever in the HOLD position. Install the body-up retention cable securely.

Warning Tag

- DO NOT start the engine or operate the controls while a person is performing maintenance on the truck. Serious injury or death may result.
-
- Attach a warning tag to the control lever in the operator's cab to alert others that you are working on the machine. Attach additional warning tags around the machine, if necessary.
 - These tags are available from your Komatsu distributor. Part No. 09963-03000.

Proper Tools

- Use only tools suited to the task. Using damaged, low quality, faulty, or makeshift tools can cause personal injury.
-
- A0055120

 - Extra precaution must be used when grinding, welding, and using a sledgehammer.
- #### Securing The Dump Body
- ### **WARNING**
- To avoid serious personal injury or death, the body retention cable must be installed whenever personnel are required to perform maintenance on the truck while the dump body is in the raised position.*
- The Komatsu body-up safety cable can only be used with a Komatsu body. Non-OEM body may not accommodate the Komatsu body-up safety cable. The end user must ensure that a proper cable is used.*
-
- FIGURE 2-1. Body-Up Cable
- | | |
|--------------------------|---------------------|
| 1. Rear Body Ear | 3. Cable |
| 2. Cable Stored Position | 4. Axle Housing Ear |
1. To hold the dump body in the up position, raise the body to its maximum height.
 2. Remove cable (3) from its stored position on the body, and install between rear body ear (1) and axle housing ear (4).
 3. Secure the cable clevis pins with cotter pins.
 4. Return the cable to stored position (2) after maintenance is complete.

DURING MAINTENANCE

Personnel

- Only authorized personnel may service and repair the machine.

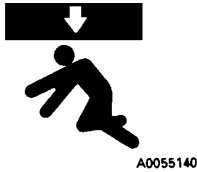
Attachments

- Place attachments that have been removed from the machine in a safe place. Secure the attachments to prevent them from falling.



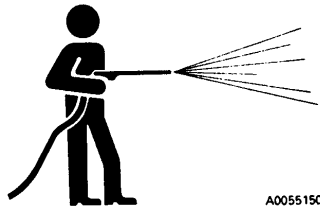
Working Under The Machine

- Lower all movable work equipment to the ground, or to their lowest position, before performing service under the machine.
- Chock the tires of the machine securely.
- DO NOT work under the machine if the machine is poorly supported.



Keeping The Machine Clean

- Spilled oil or grease, scattered tools, etc. can cause you to slip or trip. Keep your machine clean and tidy.
- If water gets into the electrical system, the machine may move unexpectedly and/or damage to components may occur. DO NOT use water or steam to clean any sensors, connectors, or the inside of the operator's compartment.
- Use extreme care when washing the electrical control cabinet. DO NOT allow water to enter the control cabinet around the doors or vents. DO NOT allow any water to enter the cooling air inlet duct above the electrical control cabinet. If water enters the control cabinet through any opening or crevice, major damage to the electrical components may occur.
- DO NOT spray water into the rear wheel electric motor covers. Damage to the wheel motor armatures may occur.
- DO NOT spray water into the retarding grids. Excess water in the retarding grids can cause a ground fault, which will prevent propulsion.



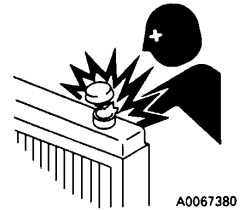
Rules To Follow When Adding Fuel Or Oil

- Spilled fuel and oil may cause slipping. Clean up spills immediately.
- Tighten the fuel cap and the oil cap securely.
- DO NOT use fuel to wash parts.
- Add fuel and oil in a well-ventilated area.



Radiator Coolant Level

- If it is necessary to add coolant to the radiator, shut the engine off, and allow the engine and radiator to cool before adding the coolant.
- Depress the pressure relief button on the radiator cap.
- Slowly loosen the cap to relieve the pressure during removal.



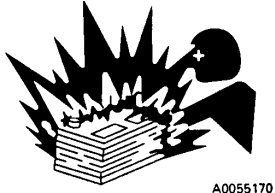
Use Of Lighting

- When checking fuel, oil, coolant, or battery electrolyte, use lighting with anti-explosion specifications. If lighting without this protection is used, there is a danger of explosion.



Precautions With The Battery

- When repairing the electrical system, or when arc welding, remove the negative (-) terminal of the battery to stop the flow of current.



Handling High-Pressure Hoses

- DO NOT bend or hit high-pressure hoses. DO NOT use bent or cracked piping, tubes, or hoses. They may burst during use.
- Repair any loose or broken hoses. Fuel and/or oil leaks may result in a fire.

Precautions With High-Pressure Oil

- Hydraulic circuits may be pressurized. Ensure that all pressure is released before loosening hydraulic fittings or hoses.
- DO NOT service a system before completely releasing the internal pressure.



- Small, high-pressure pinhole leaks are extremely dangerous. The jet of high-pressure oil can pierce the skin and eyes. Wear safety glasses and thick gloves. Use a piece of cardboard or a sheet of wood to check for oil leakage.

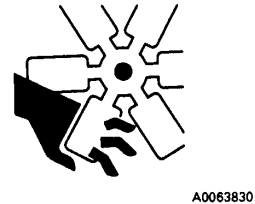
Maintenance Near High Temperatures And High Pressures

- Immediately after stopping, the engine coolant and operating oils are at high temperature and may be pressurized. In these conditions, opening the system or replacing the filters, may result in burns or other injury. Wait for the temperature to cool and the pressure to subside before servicing.



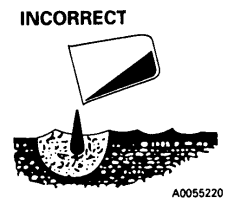
Rotating Fan And Belts

- Keep a safe distance from rotating parts, such as the radiator fan and fan belts.
- Serious bodily injury may result from direct or indirect contact with rotating parts and flying objects.



Waste Materials

- DO NOT dump oil or other harmful fluids into a sewer system, rivers, etc.
- Obey appropriate laws and regulations when disposing of harmful objects, such as oil, fuel, coolant, solvent, filters, batteries, and others.



- Drain fluids from your machine into the appropriate containers. DO NOT drain fluids directly onto the ground.

TIRES

Handling Tires

Rim and tire maintenance can be hazardous unless the correct procedures are followed by trained personnel.

Improperly maintained or inflated tires can overheat and burst due to excessive pressure. Improper inflation can also result in cuts in the tire caused by sharp stones. Both of these conditions can lead to tire damage, serious personal injury, or even death.

To safely maintain a tire, adhere to the following conditions:

- Before a tire is removed from a vehicle for tire repair, the valve core must be partially removed to allow deflation, and then the tire/rim assembly can be removed. During deflation, persons must stand outside of the potential trajectory of the locking ring of a multi-piece wheel rim.
- After the tire/rim assembly is installed on the vehicle, inflate the tires to their specified pressure. Abnormal heat is generated, particularly when the inflation pressure is too low.

NOTE: To prevent injury from the wheel rims during tire inflation, use one of the following:

1. A wheel cage or other restraining device that will constrain all wheel rim components during an explosive separation of a multi-piece wheel rim, or during the sudden release of air.
 2. A stand-off inflation device which permits a person to stand outside of the potential trajectory of the wheel components.
- Use the specified tires.

The tire inflation pressure and permissible speeds, given in this manual, are general values. The actual values may differ, depending on the type of tire and the specific operating conditions. For details, please consult the tire manufacturer.

When the tires become overheated, a flammable gas is produced inside the tire which can ignite. It is particularly dangerous if the tires become overheated while the tires are pressurized. If the gas generated inside the tire ignites, the internal pressure will suddenly rise, and the tire will explode, resulting in danger and/or death to personnel in the area. Explosions differ from punctures or tire bursts because the destructive force of the explosion is extremely large. Therefore, the following operations are strictly prohibited when the tire is pressurized:

- Welding the rim.
- Welding near the wheel or tire.
- Smoking or creating open flames.



A0055110

Tire Maintenance

If the proper procedure for performing maintenance or replacement of the wheel or tire is not used, the wheel or tire may burst, causing damage, serious injury, or even death. When performing such maintenance, consult your authorized regional Komatsu distributor, or the tire manufacturer.

Refer to the Society of Automotive Engineers (SAE), SAE J1337, Off-Road Rim Maintenance Procedures and Service Precautions, Section 4.2 for additional information on demounting the tires and rim assemblies. Also, refer to Section 4.4 of SAE J1337 for assembly and inflation recommendations.

The U.S. Department of Labor Mine Safety and Health Administration (MSHA) addresses tire repairs in its Title 30 Code of Federal Regulations, 30 CFR 57.14104.

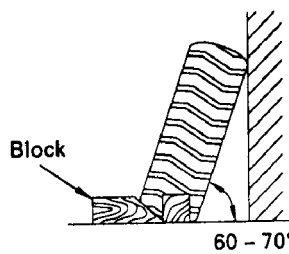


DO NOT stand in front of a rim and locking ring when inflating a tire mounted on the machine. Observers must not be permitted in the area.

DO NOT weld or heat the rim assembly with the tire mounted on the rim. Resulting gases inside the tire may ignite, causing explosion of the tire and rim.

Storing Tires After Removal

- As a basic rule, store the tires in a warehouse in which unauthorized persons cannot enter. If the tires are stored outside, erect a fence around the tires with No Entry and other warning signs.
- Stand the tire on level ground, and block it securely so that it cannot roll or fall over.
- If the tire falls, flee the area as quickly as possible. The tires for mining equipment are extremely heavy. **DO NOT** attempt to hold a tire upright when the tire is falling. The weight of these tires may lead to serious injury or death.



A030008

Mounted tires stored as spares must be inflated to the minimum inflation pressure necessary to keep the tire beads properly seated. Maximum inflation pressure of the stored tire must, in no instance, exceed 15% of the tire's cold inflation pressure.

WHEN REPAIRS ARE NECESSARY

1. Only qualified maintenance personnel, who understand the systems being repaired, must attempt repairs.
2. Many components on the Komatsu truck are large and heavy. Ensure that the lifting equipment - hoists, slings, chains, lifting eyes - are of adequate capacity.
3. DO NOT stand under a suspended load. DO NOT work under the raised body unless the body safety cable is in place to hold the body in the up position.
4. DO NOT service the truck while the engine is on, except when absolutely necessary. Keep a safe distance from moving parts.
5. When servicing the air conditioning system, wear a face shield and cold-resistant gloves for protection against frostbite. Follow all current regulations for handling and recycling refrigerants.
6. Follow the package directions carefully when using cleaning solvents.
7. If an auxiliary battery assist is needed, first use one cable to connect the 24V positive (+) post of the disabled truck batteries to the 24V positive (+) post of the auxiliary assist. Use the second cable to connect the 24V negative (-) post of the auxiliary assist battery to a frame ground (-) on the disabled truck away from the battery.
8. Disconnect the positive and negative battery cables before arc welding on the truck. Failure to do so may seriously damage the battery and the electrical equipment. Disconnect the battery charging alternator lead wire and isolate the electronic control components before making the welding repairs. It is not necessary to disconnect or remove any control circuit cards or any of the Alarm Indicating Device (AID) circuit control cards.

Fasten the welding machine ground (-) lead to the piece being welded; the grounding clamp must be attached as near as possible to the weld area. DO NOT allow welding current to pass through the ball bearings, roller bearings, suspensions, or hydraulic cylinders. Avoid laying the welding cables over or near the vehicle electrical harnesses. The welding voltage could be induced into the electrical harness and cause damage to the components.

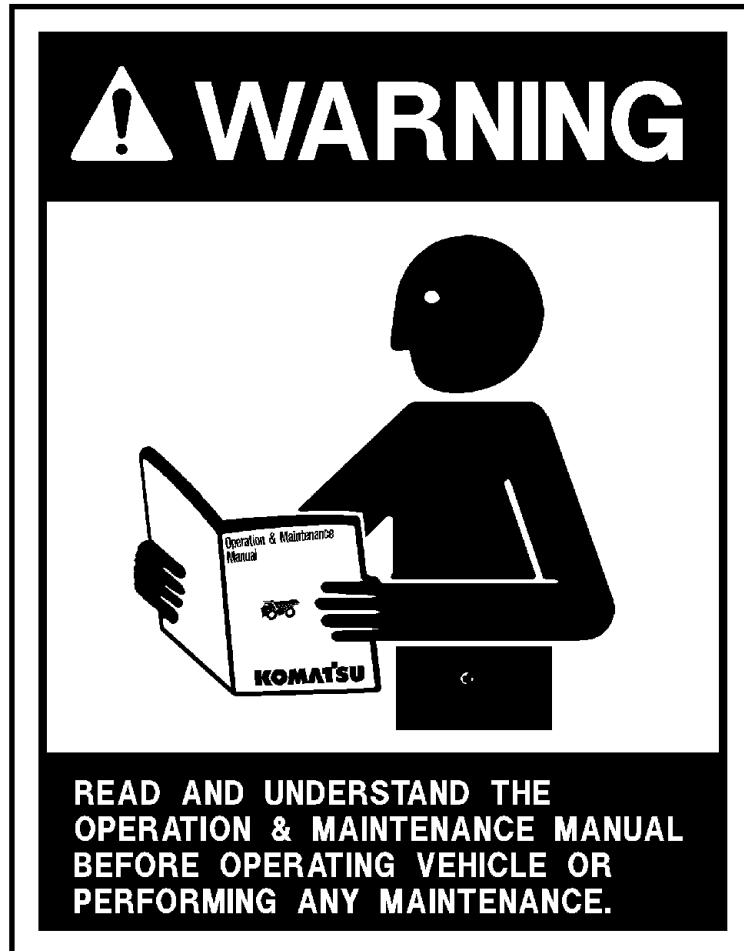
9. If the truck is to be towed for any reason, use a rigid tow bar. Check the truck cab for decals for special towing precautions. Refer to Section 30, Operating Instructions - Towing.
10. Drain, clean, and ventilate the fuel tanks and/or hydraulic tanks before welding.

NOTE: If it is necessary to weld the hydraulic tank or fuel tank, drain, clean, and ventilate the tank(s) before welding.



Pressurized hydraulic fluid may penetrate the skin. Serious injury and possibly death may result if the proper medical treatment by a physician familiar with this injury is not received immediately.

11. Relieve system pressure before disconnecting hoses or components.
12. After adjustments or repairs, replace all shields, screens, and clamps.
13. Working near tires can be dangerous. Use extreme caution when working around tires. Refer to Tires earlier in this chapter.
14. Only a qualified operator may operate the truck in the repair facility or during road testing.

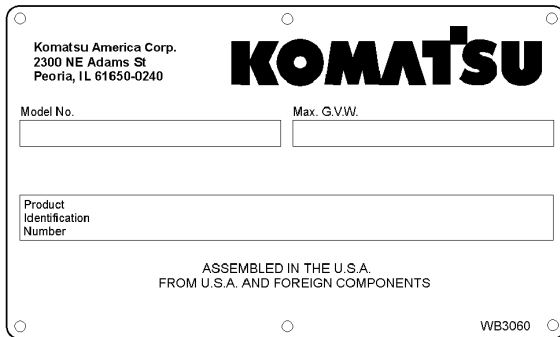


NOTES

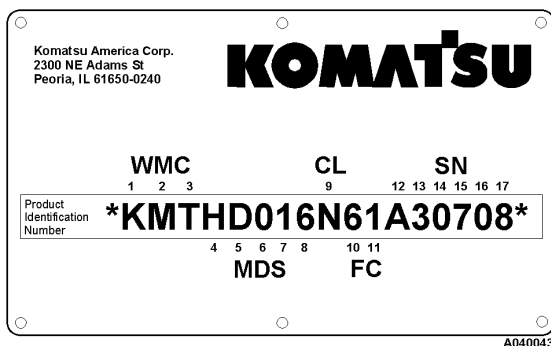
WARNINGS AND CAUTIONS

The following pages provide a brief explanation of the warning, caution, and service instruction plates and decals attached to the truck. The plates and decals listed here are typical of this model. Because of customer options, individual trucks may have plates and decals that are different from those shown here.

The plates and decals must be kept clean and legible. If any decal or plate is illegible or damaged, it must be replaced with a new one.



A product identification plate is located on the frame in front of the right side front wheel. It shows the truck model number, maximum Gross Vehicle Weight (GVW), and Product Identification Number (PIN).



The PIN consists of 19 total characters. The first and last characters are tamper preventative symbols (*). The remaining 17 alpha/numeric characters are used to identify five characteristics of the machine. The five characteristics are detailed below.

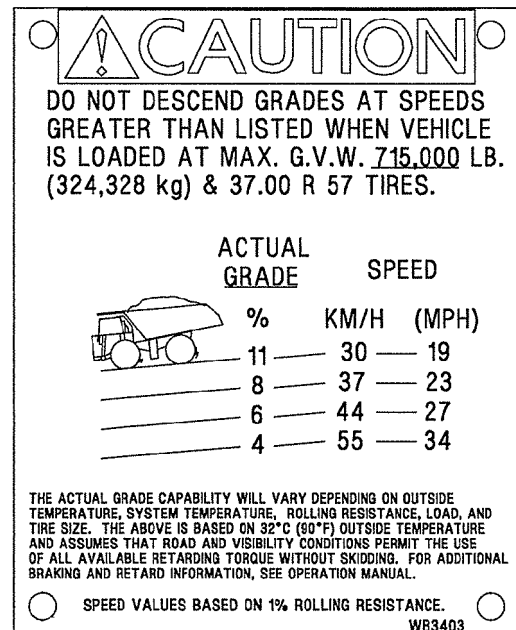
WMC - Character positions 1, 2, and 3 identify the Worldwide Manufacturer Code (WMC). The WMC designates the manufacturer of the product. Komatsu brand products are identified with the letters KMT.

MDS - Character positions 4, 5, 6, 7, and 8 identify the Machine Descriptor Section (MDS). The MDS code identifies general information regarding machine specifications. The MDS is a code for the machine type and model.

CL - Character position 9 identifies the Check Letter (CL). The CL is used to verify the accuracy of the individual PIN.

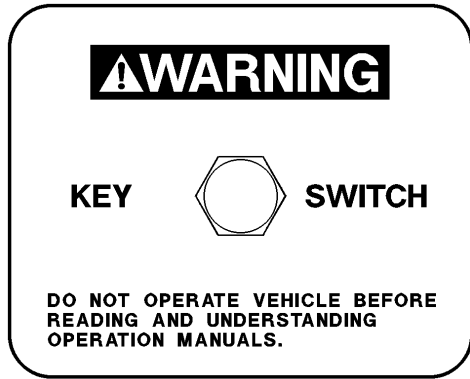
FC - Character positions 10 and 11 identify the Factory Code (FC). The FC identifies the Komatsu factory in charge of claims for the product. The FC for electric drive trucks is 61.

SN - Character positions 12, 13, 14, 15, 16, and 17 identify the Serial Number (SN). The SN is a unique sequential number.



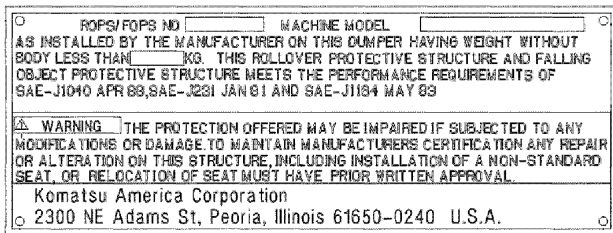
A grade/speed plate is located on the left front post of the operator's cab. The decal provides the recommended maximum speeds to be used when descending various grades with a loaded truck.

Refer to the decal in the operator's cab for the correct guidelines. Grade/speed plates may vary with optional truck equipment.



80476

A warning decal surrounds the key switch. The warning stresses the importance of reading the operator's manual before operation.



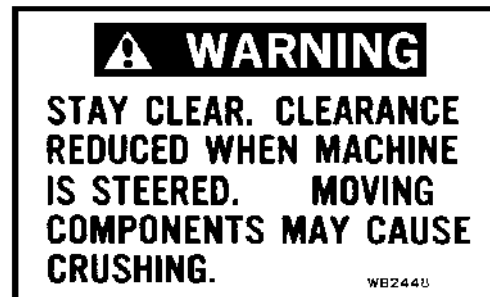
A plate attached to the right rear corner of the cab states the Rollover Protective Structure (ROPS) and Falling Object Protective Structure (FOPS) meet various SAE performance requirements.



DO NOT make modifications to the ROPS components. DO NOT attempt to repair damage without written approval from the manufacturer. Unauthorized repairs will void certification.



Warning plates are attached to the hydraulic tank and the fuel tank. The decals alert technicians not to work on the truck with the body raised unless the body-up retention cable is in position.



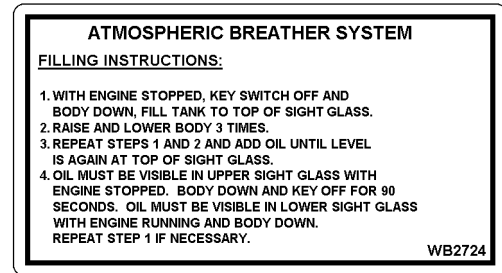
Warning plates are mounted on the truck frame in front of and to the rear of both front tires. The decal alerts all persons to remain at a distance when the truck is being started.



A warning plate is mounted on top of the radiator surge tank cover near the radiator cap. The engine cooling system is pressurized when the engine is on and/or when the system is hot. Turn the engine off and allow the engine to cool before removing the radiator cap. Release the internal pressure by depressing the pressure relief. Unless the pressure is first released, removing the radiator cap will result in the hot coolant being expelled from the radiator. Serious scalding and burning can result.

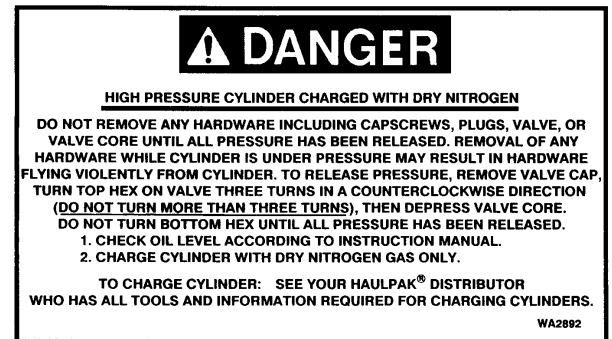


A caution decal is attached below the hydraulic tank oil level sight gauge. Check the oil level with the body down, engine stopped, and the key switch OFF. Refer to the filling instructions outlined in Section 40, Lubrication and Service. Instructions are also outlined on the following decal.



A plate on the side of the hydraulic tank provides instructions for filling the hydraulic tank.

Keep the system open to the atmosphere only as long as necessary to lessen the chances of system contamination. Service the tank with clean type C-4 hydraulic oil. All oil being put into the hydraulic tank must be filtered to three microns.



This danger plate is attached to each suspension and steering accumulator. These plates warn that the suspension and accumulators are charged with high-pressure nitrogen. Read the service manual, and follow the safety procedures when performing service on these components.



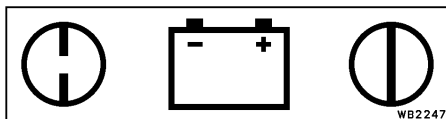
A warning plate is attached to the frame above the hydraulic system Auxiliary Power Unit (APU) quick disconnect fittings. The plate alerts technicians that high-pressure hydraulic oil is present during operation. Use caution when opening the hydraulic system. There is a chance of residual pressure being present. Loosen the fittings slowly to allow pressure to dissipate before removing any connections.



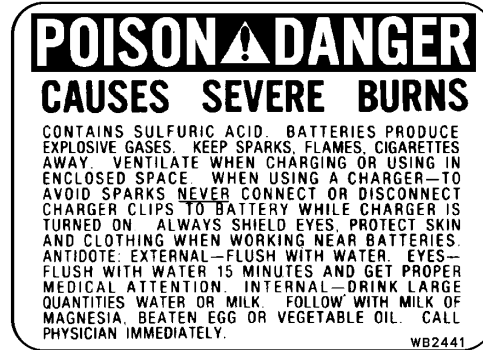
Pressurized hydraulic fluid may penetrate the skin. Serious injury and death may result if proper medical treatment from a physician familiar with this injury is not received immediately.



This plate is located on the battery box near the battery disconnect switches, and indicates that the battery system is a negative ground system.



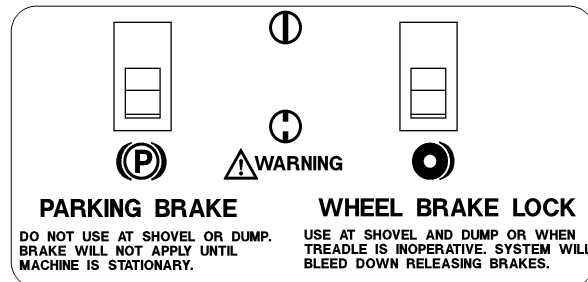
These decals are placed above the battery disconnect switches on the right side of the front bumper to indicate the OFF and ON positions of the switches.



Attached to the exterior of the battery compartment is a danger plate. This plate stresses the prevention of sparks near the battery. When another battery or 24VDC power source is used for auxiliary power, all switches must be OFF prior to connecting. Maintain correct polarity: connect the positive (+) posts together and then connect the negative (-) lead of the auxiliary power cable to a good frame ground. DO NOT connect to the negative posts of the truck batteries. DO NOT connect near the battery box. These precautions minimize the danger of sparks near the batteries.

Sulfuric acid is corrosive, toxic, and explosive. Use safety goggles, rubber gloves, and a rubber apron when working near batteries.

If battery electrolyte is splashed into the eyes or is ingested, get the proper medical attention immediately.

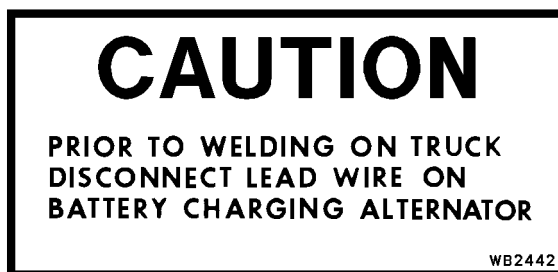


A warning instruction is located below the parking brake and brake lock switches, which are located to the right of the steering column on the instrument panel. Pushing the top of the rocker-style switch turns the function ON; pushing the bottom, turns it OFF.

The parking brake is spring-applied and hydraulically released. It is designed to hold a stationary truck when the engine is off. The truck must be completely stopped before applying the parking brake, or damage may occur to the parking brake. To apply the parking brake, press the rocker switch toward the ON symbol. To release the parking brake, press the rocker switch toward the OFF symbol. When the key switch is ON and the parking brake switch is applied, parking brake indicator light (A3, overhead panel) will be illuminated.

NOTE: DO NOT use the parking brake when loading or dumping. With the key switch ON and the engine on, sudden shock caused by loading or dumping could cause the system's motion sensor to release the parking brake.

The brake lock switch is for holding the truck while parked at the shovel during loading or while dumping. It applies the rear service brakes only. If the brake pedal malfunctions while the truck is in motion, apply the brake lock to stop the truck. DO NOT use this brake as a parking brake when leaving the truck. With the engine off, the hydraulic system will depressurize, releasing the service brakes.



High voltage danger plates and caution plates are attached to the doors of the electrical control cabinet. The high voltage plate is also attached to the blown grid housing, extended range housing, rectifier housing, inlet duct, and rear hatch cover.

Before arc welding on the truck, disconnect the positive and negative battery cables of the vehicle. Failure to do so may seriously damage the battery and electrical equipment. Disconnect the battery charging alternator lead wire and isolate the electronic control components before welding. It is not necessary to disconnect or remove any control circuit cards or any of the Alarm Indicating Device (AID) circuit control cards.

Fasten the welding machine ground (-) lead to the piece being welded. The grounding clamp must be attached as near as possible to the weld area. DO NOT allow welding current to pass through the ball bearings, roller bearings, suspensions, or hydraulic cylinders. DO NOT lay welding cables over or near the vehicle electrical harnesses. The welding voltage could be induced into the electrical harness and possibly cause damage to the components.



This plate is mounted on the top side of the blown grid housings. Stepping or standing here may result in serious personal injury.

DUMP PROCEDURE FOR DISABLED TRUCK

1. HOOK UP QUICK DISCONNECTS: ONE LINE FROM LARGE HOIST CROSS TUBE ON DISABLED TRUCK TO SMALL HOIST CROSS TUBE ON GOOD TRUCK. THEN OTHER LINE FROM SMALL HOIST CROSS TUBE ON DISABLED TRUCK TO LARGE HOIST CROSS TUBE ON GOOD TRUCK.
2. PLACE HOIST VALVE OF DISABLED TRUCK IN "HOLD" POSITION, AND MAINTAIN THIS POSITION THROUGH DUMP CYCLE.
3. DUMP LOAD OF DISABLED TRUCK BY ACTUATING HOIST VALVE OF GOOD TRUCK TO "POWER DOWN" POSITION
4. AFTER LOAD HAS BEEN DUMPED, PLACE HOIST VALVE ON GOOD TRUCK TO "FLOAT" POSITION AND ALLOW TRUCK BODY ON DISABLED TRUCK TO FLOAT DOWN.

WA8890

A decal plate is located on top of the center cross tube. The decal provides the operator or technician with the hook-up procedure for dumping a loaded, disabled truck, by using a functional truck for hydraulic power.

Refer to the service manual for additional instructions for using this procedure.



DANGER

HIGH PRESSURE CYLINDER

READ WARNING LABEL MOUNTED ON SIDE OF ACCUMULATOR HOUSING BEFORE LOOSENING OR DISASSEMBLING ANY PARTS

WB2438

Warning and danger plates are located inside the door of the brake system cabinet behind the cab.

This plate alerts technicians to read the warning labels attached to the accumulators prior to releasing internal nitrogen pressure, or disconnecting any hydraulic lines or hardware.

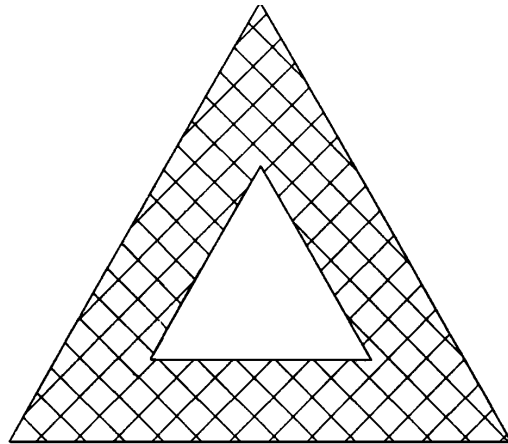


WARNING

**HIGH PRESSURE
DO NOT LOOSEN OR DISCONNECT
ANY HYDRAULIC BRAKE LINE OR
COMPONENT UNTIL ENGINE IS
STOPPED, KEY SWITCH IS OFF AND
DRAIN VALVES ON ACCUMULATORS
ARE OPENED.**

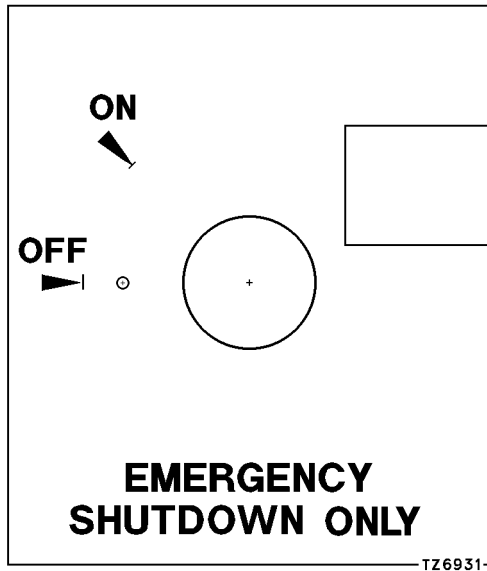
WB2691

This plate warns the technician to stop the engine, before loosening or disconnecting a brake line. Turn the key switch off, and open the drain valves on all three accumulators to bleed the hydraulic pressure.

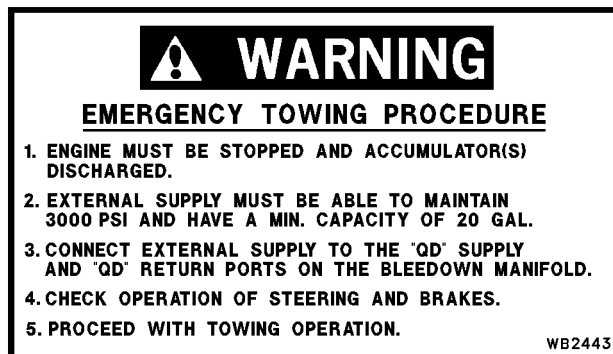


WB2268

This plate is placed near the four jacking points on the truck. Two are placed at the front of the truck next to the right and left frame upright supports. Two are placed at the rear of the truck under the right and left suspension supports.

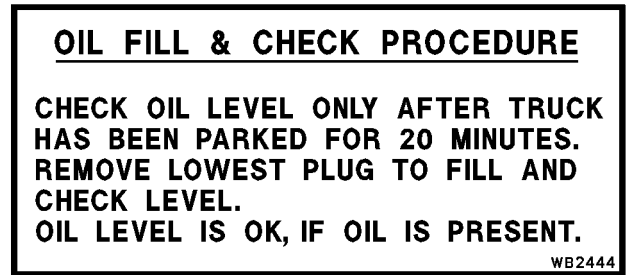


This plate is located below the left-hand battery box. It identifies the emergency engine shutdown switch. This switch is spring-loaded to the OFF position. It must be held in the ON position until the engine stops.

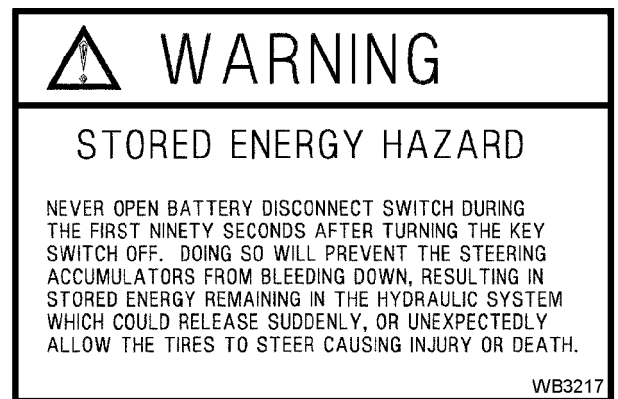


A warning plate is located above the hydraulic system (APU) quick disconnect fittings in front of the hydraulic tank. The plate provides instructions to the operator or technician for towing a disabled truck. This plate specifies the requirements for an auxiliary source of supply for hydraulic oil and the proper hook-up.

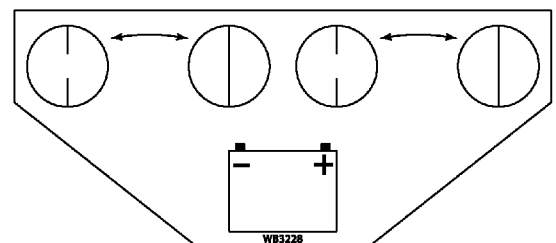
Ensure the steering and brake systems are operating properly before towing the truck.



A wheel motor oil level decal is attached to the gear cover on both the electric wheel motors. This decal stresses that the truck must be on a level surface and parked for 20 minutes prior to checking the oil level. This is necessary in order to get an accurate reading.



This plate is located on the battery equalizer box. After the key switch is turned OFF, allow at least 90 seconds of time to pass before opening (disconnecting) the battery disconnect switch. This time period allows hydraulic pressure to be released from the steering accumulators.



This plate is located on the battery equalizer box. When the battery disconnect lever is in the left-hand position, it disconnects power (opens the circuit) from the batteries to the truck. When the lever is in the right-hand position, it connects (closes the circuit) from the batteries to the truck.

WB3228

LUBRICATION CHART

LUBRICATION SPECIFICATIONS												
LUBE KEY	TYPE LUBRICANT											
A	ENGINE OIL - - - - SEE ENGINE MANUAL											
B	HYDRAULIC OIL - - - - SAE 10W C - 4 - - - - AUXILIARY HEATERS REQUIRED BELOW -10°F(-23°C)											
C	HEAVY-DUTY SYNTHETIC GEAR OIL - - - - SEE DRIVE SYSTEM MANUAL											
D	MULTI - PURPOSE EXTREME PRESSURE GREASE - - - - NLGI NO.2 (5% MIN. MOLY-DISULFIDE)											
E	MULTI - PURPOSE GEAR OIL - - - - SAE 80W - 90											
SYM	DESCRIPTION	PTS	LUBE KEY	10 HR	50 HR	100 HR	250 HR	500 HR	1000 HR	2000 HR	2500 HR	
1	CRANKCASE OIL LEVEL	1	A	CHECK								
2	ENGINE LUBE OIL FILTERS				SEE ENGINE MANUAL							
3	FUEL FILTER											
4	FUEL SEPERATOR (DAVCO)											
5	FUEL TANK	1					DRAIN H ₂ O & SEDIMENT					
6	GE PREFILTER BLOWER	1	D				GREASE					
7	FUEL TANK BREATHER	1							CLEAN			
8	HYDRAULIC OIL LEVEL	1	B	CHECK					*CHANGE			
9	HYDRAULIC STRAINER	2							CLEAN			
10	HYDRAULIC TANK BREATHER	2						CHANGE				
11	HYDRAULIC FILTERS	3			**	**	**	CHANGE				
12	MOTORIZED WHEEL OIL LEVEL	2	C		SEE DRIVE SYSTEM MANUAL							
13	HYD. PUMP DRIVE SHAFT	2	D				GREASE					
14	CHASSIS LUBE LEVEL	1	D				GREASE					
15	SEAT SLIDES & STEER SHAFT	4	D						GREASE			
16	WHEEL MOTOR BLOWER	2	D				GREASE					
17	FRONT WHEEL BEARINGS ***	2	E				CHECK			CHANGE		
18	FRONT TRUNION	1	D						GREASE			
19	MAGNETIC PLUG FRONT WHL COVER ****	2					CHECK					

630E, 730E, 830E, & 930E

* 1000 HR INTERVAL CAN BE EXTENDED TO 2500 HR PROVIDED OIL SAMPLING AND ANALYSIS IS CONDUCTED EVERY 250 HR.

** ONE-TIME CHANGE AT 50, 100 AND 250 HR.

*** NOT APPLICABLE FOR 930E

**** APPLICABLE FOR 930E ONLY

WB2790

The lubrication chart is located on the right-hand side of the radiator grille. The chart specifies some of the critical maintenance items to be checked. Component location and service intervals are specified on the chart. The lube key lists the proper lubricants to be used. Refer to Section 40, Lubrication and Service, for more information on maintenance items.

OPERATING INSTRUCTIONS

PREPARING FOR OPERATION

The safest trucks are those which have been properly prepared for operation. At the beginning of each shift, a careful inspection of the truck must be completed by the operator before starting the engine.

SAFETY IS THINKING AHEAD

Prevention is the best way to avoid an accident. Prevent potential accidents by knowing the employer's safety requirements and all necessary job site regulations. In addition, know the proper use and care of all the safety equipment on the truck. Operators or technicians must be qualified to operate or maintain a Komatsu truck.

Safe practices start before the operator gets to the truck! Refer to Section 20, General Safety, for safety guidelines.

WALK AROUND INSPECTION

At the beginning of each shift, perform a careful walk around inspection of the truck before engine start-up. A walk-around inspection is a ground level check of the truck and its components to ensure the truck is safe to operate.

Start at the left front corner of the truck (see illustration, next page.) Move in a counterclockwise direction, around the truck, and back to the starting point.

Inspection of the truck before every shift can help avoid many potential problems. Downtime and loss of production can be reduced by scheduled maintenance.

Local work practices may prevent an operator from performing all tasks suggested here. To the extent permitted, the operator must follow this or a similar routine.

1. Start at the left front of the truck. During the walk-around inspection, visually inspect all lights and safety equipment for external damage. Ensure all light housing lenses are clean and unbroken.
2. Empty the dust pans on the left side air cleaners. Ensure the battery box covers are in place and securely fastened.

Inspect the battery box cover for damage. Verify it is securely attached.



High voltage may be present on this truck! DO NOT open any electrical cabinet doors on this truck while the engine is running. Never climb on any power cables or use power cables for handholds or footholds unless the engine has been shut down and the system has been verified to be de-energized by a qualified electrician.

3. Move behind the front left tire. Check the hub and brake assemblies for leaks, and any abnormal wear or signs of damage. Check the oil level in the front wheel hub sight gauge. Refill, if necessary.
4. With the engine (5, Figure 30-1) stopped, check the engine oil level. If necessary, use the service light to illuminate the area. Ensure the light is turned off when the inspection of this area is complete.
5. Inspect the fan and air conditioner belts for correct tension and tracking. Also, check for belt wear or damage.

Verify the fan guard bolts are installed and properly tightened.
6. Ensure the anchor end of the steering cylinder pin is properly greased and tightened.
7. Move outboard of the front wheel and inspect the attaching lugs/wedges to ensure they are properly tightened. Replace any parts that are missing.

Inspect the tires for damage. Check for proper inflation.

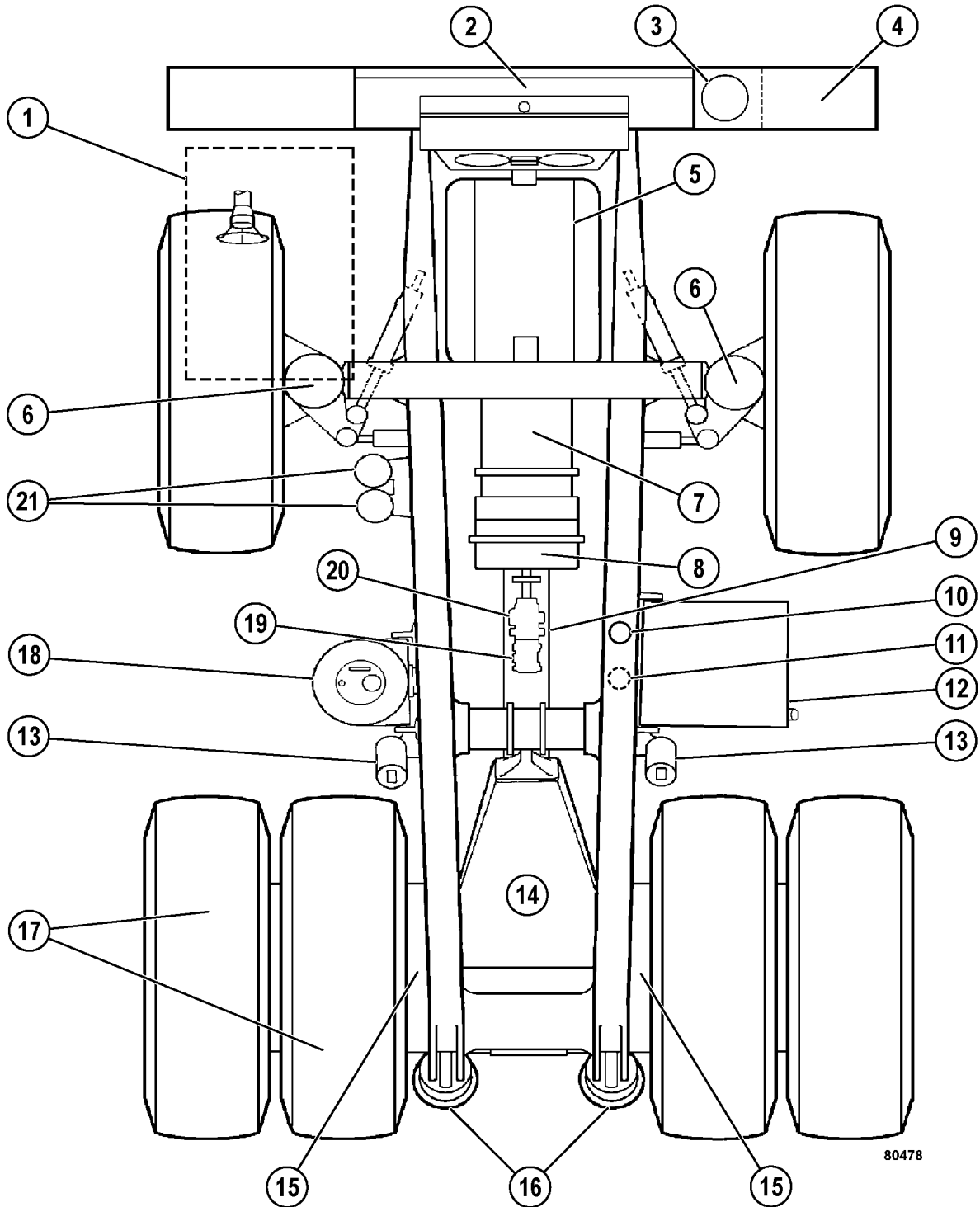


FIGURE 30-1. Component Location

- | | | |
|---------------------------------|-----------------------------|-------------------------------------|
| 1. Cab | 8. Cooling Blower | 15. Drive Motors |
| 2. Radiator | 9. Cooling Duct | 16. Rear Hydrair II® Suspension |
| 3. Reserve Oil | 10. Steering Circuit Filter | 17. Tires |
| 4. Auto Lube | 11. Hoist Circuit Filter | 18. Hydraulic Tank |
| 5. Engine | 12. Fuel Tank | 19. Steering and Brake Circuit Pump |
| 6. Front Hydrair II® Suspension | 13. Hoist Cylinders | 20. Hoist Circuit Pump |
| 7. Traction Alternator | 14. Rear Axle Housing | 21. Accumulators |

8. Move behind the rear of the front wheel. Ensure the suspension protective boot is in good condition. Verify all suspension (6, Figure 30-1) attaching hardware bolts are completely tightened. Inspect the mounting key area for evidence of wear. Verify the suspension extension (exposed piston rod) is correct. Check for leaks.

Check for leaks around the hub and brakes. Also, check for any unusual wear conditions or damage.

Ensure the rod end of the steering cylinder is properly greased. Verify all mounting hardware is properly tightened. Check for any hydraulic leaks.
9. Check the oil level in the hydraulic tank (18). With the engine stopped and the body down, hydraulic fluid must be visible in the upper sight glass.
10. Verify all hydraulic tank shut off valves are locked in the fully open position.
11. Move around the hydraulic tank in front of the rear dual tires.

Inspect the hoist cylinder (13) for any damage or hydraulic oil leaks.

Ensure both the upper and lower hoist cylinder pins are properly tightened and greased.
12. Inspect the lower edge of the chassis.

Ensure the blower hose (9) is in good condition with no holes or breakage.

Check the main hydraulic pumps (19 and 20) for leakage.

Check for other unusual conditions with the pumps or the pump drive shaft.
13. Move around the left side dual tires (17). Inspect the attaching lugs/wedges to ensure they are properly tightened. Replace any parts that are missing.

Inspect the wheel cover for cracks or damage. Verify the latches are properly fastened. Inspect the area for any oil leakage from inside the wheel cover (could indicate brake or wheel motor leakage).

Inspect the dual tires for damage. Verify proper inflation pressure. If the truck has been operating with low tire pressure, the tire must be cooled before parking the truck inside.
14. Move to the rear of the dual tires. Check for and remove any rocks lodged between the dual tires. To prevent tire damage, verify the rock ejector is in good condition and straight.
15. Inspect the left rear suspension (16) for damage. Verify all suspension attaching hardware is completely tightened.

Verify the suspension is properly charged. Ensure there are no leaks. Verify the suspensions are properly greased. Verify the cover over the chromed piston rod is in good condition.
16. Move to the rear center of the truck. Open the rear hatch cover, and turn on the work light, if necessary. Inspect the condition of the hatch cover gasket. Inspect the housing (14) for any foreign objects or misplaced tools.

Check for leaks around the mounting surface of the rear housing wheel motor (15) and any brake hose fittings.

Verify the covers on the wheel motor sump are firmly attached. Turn off the work light, if used, and close and latch the rear hatch cover.
17. While standing in front of the rear hatch, verify the rear lights and back-up horns are working. Inspect the panhard rod for proper lubrication. Also, inspect both body hinge pins for damage and proper lubrication.
18. Inspect the right rear suspension (16) for damage. Verify all suspension attaching hardware is completely tightened.

Verify the suspension is properly charged.

Ensure there are no leaks. Verify the suspensions are properly greased. Verify the cover over the chromed piston rod is in good condition.

19. Move behind the rear right side dual tires. Check for and remove any rocks lodged between the dual tires. To prevent tire damage, verify the rock ejector is in good condition and straight.

20. Move around the right side dual tires. Inspect the attaching lugs/wedges to ensure they are properly tightened. Replace any parts that are missing.

Inspect the wheel cover for cracks or damage. Verify the latches are properly fastened. Inspect the area for any oil leakage from inside the wheel cover (could indicate brake or wheel motor leakage).

Inspect the dual tires for damage. Verify proper inflation pressure. If the truck has been operating with low tire pressure, the tire must be cooled before parking the truck inside.

21. Move in front of the right side dual tires.

Inspect the hoist cylinder (13, Figure 30-1) for any damage or hydraulic oil leaks. Verify the lower guard is in place. Ensure both the upper and lower hoist cylinder pins are properly tightened and greased.

Check the secureness and condition of the body-up limit switch. Remove any mud/dirt accumulation from the switch.

22. Move to the fuel tank (12).

Verify the fuel gauge on the tank agrees with the gauge in the cab.

Inspect the tank mounting connections to the frame. Ensure they are tight and not damaged.

23. Move behind the right side front wheel.

Ensure the suspension protective boot is in good condition. Verify all suspension attaching hardware bolts are completely tightened. Inspect the mounting key area for evidence of wear. Verify the suspension extension (exposed piston rod) is correct. Check for leaks.

Check for leaks around the hub and brakes. Also, check for any unusual wear conditions or damage.

Ensure the rod end of the steering cylinder is properly greased. Verify all mounting hardware is properly tightened. Check for any hydraulic leaks.

24. Move outboard of the front wheel, and inspect the attaching lugs/wedges to ensure they are properly tightened. Replace any parts that are missing.

Inspect the tires for damage. Check for proper inflation.

25. Inspect the engine (5) compartment for any leaks or unusual conditions.

Remove any foreign objects or debris from behind the radiator (2).

Inspect the auto lube system (4). See Lubrication and Maintenance, Section 40, for specific details concerning the auto lube system.

If used, turn the work light off and secure the ladder in a stored position.

26. Move around to the right front of the truck.

Remove the air cleaner pans and remove any dirt buildup. Reinstall and securely attach the pans.

Inspect the battery box cover for damage. Verify it is securely attached.

27. Move to the front of the radiator (2).

Remove any debris or foreign objects.

Check for coolant leaks.

Inspect all headlights and fog lights for damage. Verify all lights are working.

28. Verify the ground level engine shutdown switch and battery disconnect switches are in the ON position.

29. Clean the stairs, ladder, and/or handrails of any foreign material, such as ice, snow, oil, or mud.



Use the handrails when mounting or dismounting the truck. Always face the truck when using the ladders. DO NOT mount or dismount the truck while it is in motion.

30. Check the coolant in the radiator using the coolant level sight gauge, or observe the coolant level through the opening in the end of the hood.

If it is necessary to remove the radiator cap, shut the engine off, allow the engine to cool, and slowly remove the radiator cap. DO NOT remove the radiator cap when the cooling system is pressurized.



If the engine is hot, allow the coolant to cool before removing the fill cap or draining the radiator. Serious burns may result if the coolant is not allowed to cool.

31. Inspect the covers over the braking grids to ensure the latches are securely fastened.

Inspect the main air inlet to ensure it is clear of all foreign objects and debris that would prevent complete air flow into the inlet.

Verify all the cabinet door latches are securely fastened.

32. Move around the cab (1, Figure 30-1) to the back.

Open the doors to the brake cabinet and check for any hydraulic oil leaks

If used, turn the work light off.

Close the door and verify the latches are securely fastened.

33. Clean the cab windows and mirrors.

Remove dirt or debris from the cab floor. Ensure the steering wheel, controls, and pedals are free of any oil, grease, or mud.

34. Store any personal gear in the cab so it does not interfere with the operation of the truck. DO NOT carry tools or supplies in the cab of the truck or on the deck.

35. Adjust the seat and steering wheel so that it is comfortable for use.

36. Read and understand the Operator Controls and Instrument Panel discussion in this section. Be familiar with all the control locations and functions before operating the truck.

ENGINE START-UP

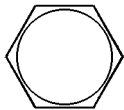
⚠ DANGER

Never attempt to start the engine by shorting across the starter terminals. This may cause fire, or serious injury or death to anyone in the machine's path. Start the engine from the operator's seat only.

If the truck is equipped with an auxiliary cold weather heater system, do not attempt to start the engine while the heaters are in operation. Damage to the coolant heaters will result!

⚠ WARNING

KEY



SWITCH

DO NOT OPERATE VEHICLE BEFORE READING AND UNDERSTANDING OPERATION MANUALS.

1. Ensure all personnel are clear of the truck before starting the engine. Sound the horn as a warning before actuating any operational controls. If the truck is in an enclosure, ensure adequate ventilation before start-up. Exhaust fumes are dangerous!
2. Ensure the parking brake switch is in the ON position. The selector switch must be in NEUTRAL before starting the truck.
3. If the truck is equipped with auxiliary cold weather heaters, DO NOT start the engine while the heaters are on. Damage to the coolant heaters will result.

NOTE: If the truck is equipped with an engine prelube system, a noticeable time delay will occur (while the engine lube oil passages are being filled) before the starter engages. The colder the engine oil temperature, the longer the time delay. In addition, if the truck is equipped with an engine starting aid for cold weather starting, the engine prelube system must be engaged for 5-10 seconds, or until the starter is engaged, before activating the engine starting aid.

⚠ WARNING

Starting fluid is extremely volatile and flammable! Use with extreme care.

If the truck is equipped with the optional engine starting aid and the ambient temperature is below 10°C (50°F), turn the key switch to the START position. While cranking the engine, move the engine starting aid switch to the ON position for three seconds maximum, then release the engine starting aid. If the engine does not start, wait at least fifteen seconds before repeating the procedure.

⚠ CAUTION

DO NOT crank an electric starter for more than thirty seconds. Allow two minutes for starter cooling before attempting to start the engine again. Severe damage to the starter motor can result from overheating.

4. The key switch is a three-position switch (OFF, RUN, START).
 - a. Turn the key switch one position clockwise to the RUN (except START) position. All electrical circuits (except start) are activated.
 - b. With the selector switch in NEUTRAL, turn the key switch fully clockwise to the START position and hold this position until the engine starts. The START position is spring-loaded and will return the switch to the RUN position when the key is released.

AFTER ENGINE HAS STARTED



Do not leave the truck unattended while the engine is running. Move the directional control lever to PARK and turn off the engine before leaving the truck.

Become thoroughly familiar with the steering and emergency controls.

1. After the engine has started and the low pressure and warning systems are normal, test the truck steering in extreme right and left directions. If the steering system is not operating properly, shut the engine off immediately. Determine the steering system problem and repair before resuming operation.
2. Check the brakes before moving the truck. Start the engine and allow the hydraulic system to fully pressurize. Activate the service brake, parking brake, and brake lock at least twice. If a warning alarm is activated when a brake is applied or released, DO NOT operate the truck. If the application and release of any brake appears slow or improper, DO NOT operate the truck. If a brake problem is suspected, shut the engine off and notify maintenance personnel.
3. Check the gauges, warning lights, and instruments before moving the truck to ensure proper system operation and proper instrument functioning. Observe the braking and steering circuit hydraulic warning lights. If the warning lights come on, shut the engine off immediately and determine the cause.
4. Make sure the headlights, work lights, and tail-lights are in proper working order. Check the operation of the windshield wipers. Good visibility may help prevent an accident.
5. When the truck body is in the dump position, DO NOT allow anyone beneath it unless the body-up retaining cable is in place.
6. DO NOT allow unauthorized personnel to ride in the truck. DO NOT allow anyone to ride on the stairs or ladder of the truck.
7. DO NOT leave the truck unattended while the engine is on. Shut the engine off, and apply the parking brake before getting out of the cab.

EMERGENCY STEERING SYSTEM

Operation

This truck is equipped with an emergency steering system. This system is a backup in the event of loss of oil supply to the main steering system. The emergency steering system was designed to meet or exceed SAE J1511 and ISO 5010 standards.

If the low steering system pressure indicator light and alarm are activated, a failure in the hydraulic oil supply to the steering and brake system exists. When the alarm is activated, typically there is enough hydraulic pressure stored in the brake and steering accumulators to allow brief operation of the steering and brake functions. However, this oil supply is limited. Therefore, it is important to stop the truck as quickly and safely as possible after the alarm is first activated.

If the oil supply pressure drops to a predetermined level, the low brake pressure warning light will also illuminate. If the oil pressure continues to decrease, the brake auto-apply feature will activate the service brakes to stop the truck.

Pre-Operation Testing

NOTE: Komatsu recommends that operators perform this test to verify that the steering accumulator precharge pressure is adequate at the beginning of each shift before operating the truck.



Ensure no one is near the front tires during this test. All personnel are warned that the clearances change when the truck is steered and this could cause serious injury.

This test can only be performed with an empty truck.

1. Park the empty truck on flat, level ground. Lower the dump body onto the frame and stop the engine. Ensure the key switch is in the OFF position.

2. Wait at least 90 seconds to verify that all hydraulic pressure has been relieved from the steering accumulators. Turn the steering wheel from stop to stop. If the front wheels do not move, there is no hydraulic pressure.
3. Check the hydraulic tank oil level. The oil level must be visible in the center of the upper sight glass and must not cover the entire upper sight glass. Add oil if necessary. **DO NOT overfill.**
4. Turn the key switch to the ON position, but **DO NOT** start the engine.
 - a. *Steering system pressure:* Verify that the low steering pressure warning light is illuminated. If it is not illuminated, immediately notify maintenance personnel. **DO NOT** operate the truck until the problem is corrected.
 - b. *Steering accumulator precharge:* Verify that the low accumulator precharge warning light is not illuminated and the warning buzzer is not sounding. If the warning light is illuminated and the buzzer is sounding, immediately notify maintenance personnel. **DO NOT** operate the truck until the problem is corrected.
5. Start the engine and allow the steering accumulators to fully charge. Turn the steering wheel so that the front wheels are straight.
6. Check the hydraulic tank oil level while the engine is on.
 - a. If the oil level is visible in center of the lower sight glass and does not cover the entire lower sight glass, the steering accumulators are adequately charged. Proceed to Step 7.
 - b. If the oil level is below the lower sight glass, the steering accumulators are not adequately charged. Stop the engine and turn the key switch to the OFF position. Immediately notify maintenance personnel. **DO NOT** operate the truck until the problem is corrected.

7. Shut the engine off by using the engine stop button located on the center console. Leave the key switch in the ON position. This allows the steering accumulators to retain their hydraulic charge.
 - q If the warning light and buzzer do activate, turn the key switch OFF and notify maintenance personnel. DO NOT operate the truck until the problem is corrected.
 - q If the steering accumulators are adequately charged, the low steering pressure warning light and the low accumulator precharge warning light will not illuminate. Continue to the next step.
8. Turn the steering wheel from stop to stop. The front wheels must turn fully to the left and to the right. Eventually, the low steering pressure warning light will illuminate and the warning buzzer will sound. This is normal.

If the front wheels cannot be turned fully to the left and right, or if the warning light and buzzer do not activate, immediately notify maintenance personnel. DO NOT operate the truck until the problem is corrected.

If the truck passes this test, the emergency steering system is functioning properly.

Additional Guidelines

1. When the truck body is raised, DO NOT allow anyone below it unless the body-up retaining cable is in place.
2. DO NOT use the fire extinguisher for any purpose other than putting out a fire! If an extinguisher is discharged, report the occurrence so the used unit can be refilled or replaced.
3. DO NOT allow unauthorized personnel to ride in the truck. DO NOT allow anyone to ride on the ladder or outside of the truck cab. Passengers must be belted into the passenger seat during travel.

DO NOT leave the truck unattended while the engine is running. Move the directional control lever to PARK, then shut the engine off before getting out of the cab.

MACHINE OPERATION SAFETY PRECAUTIONS

After the truck engine is started and all the systems are functioning properly, the operator must follow all the local safety rules to ensure safe machine operation.



If any of the red warning lights come on, or if any gauge reads in the red area during truck operation, a malfunction is indicated. Stop the truck as soon as safety permits, shut the engine off, and have the problem corrected before resuming truck operation.



Operating the truck with stalled or free spinning wheel motors may cause serious damage to the wheel motors! If the truck does not begin to move within 10 seconds after depressing the throttle pedal (selector switch in a drive position), release the throttle pedal. Allow the wheels to regain traction before accelerating the engine again.

1. Look to the rear before backing the truck. Watch for and obey the ground spotter's hand signals before reversing. Sound the warning horn three times. The spotter must have a clear view of the total area at the rear of the truck.
2. Operate the truck only while properly seated with the seat belt fastened. Keep hands and feet inside the cab compartment while the truck is in operation.
3. Check the gauges and instruments frequently during operation for proper readings.
4. Observe all regulations pertaining to the job site's traffic pattern. Be alert to any unusual traffic pattern. Obey the spotter's signals.
5. Match the truck speed to the haul road conditions. Slow the truck in congested areas. Keep a firm grip on the steering wheel at all times.
6. DO NOT allow the engine to idle for extended periods of time.
7. Check the parking brake periodically during the shift while the truck is stopped. Use the parking brake only for parking. DO NOT use the parking brake for loading/dumping.



DO NOT use the brake lock for parking. With the engine stopped, hydraulic pressure will bleed-down, allowing the brakes to release!

8. Check the brake lock performance periodically for safe loading and dumping.
9. Proceed slowly on rough terrain to avoid deep ruts or large obstacles. Avoid traveling close to the soft edges and the edge of the fill area.
10. Truck operation requires concentrated effort by the driver. Avoid distractions of any kind while operating the truck.
11. Before driving the truck, ensure the tires are properly inflated. If the truck has been driven with an under-inflated tire, do not park the truck inside a building until the tire has cooled to ambient temperature.

LOADING

1. Pull into the loading area with caution. Remain at a safe distance while the truck ahead is being loaded.
2. DO NOT drive over unprotected power cables.
3. When approaching or leaving a loading area, watch for other vehicles and for personnel working in the area.
4. When pulling in under a loader or shovel, follow the spotter or shovel operator signals. The truck operator may speed up loading by observing the location and loading cycle of the truck being loaded ahead. Then follow a similar pattern.
5. When the truck is being loaded, the operator must stay in the truck cab with the engine on. Place the selector switch in NEUTRAL, and apply the brake lock.
6. When loaded, drive away from the shovel quickly, but with extreme caution.

HAULING

1. Stay alert! Drive with extreme caution. Cab doors must remain closed at all times if the truck is in motion or unattended.
2. Obey all road signs. Operate the truck in a controlled manner. Govern the truck speed by the road conditions, weather, and visibility. Report haul road conditions immediately. Muddy or icy roads, pot holes, or other obstructions can present hazards.
3. When backing the truck, give the back-up signal three sounds of the horn. When starting forward, two sounds of the horn. These signals must be given each time the truck is moved forward or backward.
4. Use extreme caution when approaching a haul road intersection. Maintain a safe distance from oncoming vehicles.
5. Maintain a safe distance of 15 m (50 ft) when following another vehicle. When driving downhill, maintain a distance of 30 m (100 ft).
6. DO NOT stop or park on a haul road unless unavoidable. If you must stop, move the truck to a safe place, apply the parking brake, and shut the engine off before leaving the cab. Chock the wheels securely, and notify maintenance personnel for assistance.
7. Before starting up or down a grade, maintain a speed that will ensure safe driving and provide effective retarding. Refer to the grade/speed decal in the operator's cab.
8. When operating the truck in darkness, or when visibility is poor, DO NOT move the truck unless all the headlights, clearance lights, and tail lights are on. DO NOT back the truck if the back-up horn or lights are inoperative. Dim the headlights when meeting oncoming vehicles.
9. If the emergency steering light and/or low brake pressure warning light illuminate during operation, immediately steer the truck to a safe stopping area, away from other traffic.
10. The Statex III w/fuel enhancement system monitors wheel motor, ambient, and static exciter temperatures. If any one of these values is outside the limits established, the Statex III controls will cause the engine to increase to 1,650 rpm. Normal engine rpm for haul road/retarding operation is 1,250 rpm.

11. When the maximum truck speed is reached, haul trucks equipped with Statex III w/fuel enhancement (fuel saver) system will experience a decrease in engine rpm.

NOTE: This is different from trucks equipped with Statex II or Statex III without fuel enhancement, which increase rpm upon reaching the speed limit.

PASSING

1. DO NOT pass another truck on a hill or blind curve!
2. Before passing, ensure the road ahead is clear. If a disabled truck is blocking your lane, slow down and pass with extreme caution.
3. Use only the areas designated for passing.

DUMPING

1. Approach the dump area with extreme caution. Ensure the area is clear of persons and obstructions, including overhead utility lines. Obey signals directed by the spotter, if present.

Avoid unstable areas. Stay a safe distance from the edge of the dump area. Position the truck on a solid, level surface before dumping.



As the body raises, the truck center of gravity will move. The truck must be on a level surface to prevent tipping/rolling!

2. Carefully maneuver the truck into the dump position. When backing the truck into the dump position, use only the brake pedal to stop and hold the truck. DO NOT rely on the wheel brake lock to stop the truck. This control is unmodulated and applies the rear service brakes only.
3. When the truck is stopped and in the dump position, apply the wheel brake lock. Move the selector switch to the NEUTRAL position.

NOTE: As soon as the dump body is raised, reverse travel is restricted. Reverse travel will only continue once the body has been lowered AND the direction control handle is taken out of reverse and put back in.

To Raise The Dump Body:



Dumping certain types of material can result in sudden and violent movement of the truck. This truck movement may cause injury to the operator. It may also cause damage to the hoist cylinders, frame, and/or body hinge pins. Use caution when dumping large rocks (10% of payload, or greater) to prevent the load from shifting too quickly. Sticky material (loads that do not flow freely from the body) may also cause sudden truck movement if the load releases quickly.

4. Move the lever to the HOIST position. Refer to Fig. 30-2. Releasing the lever while in the HOIST position will cause the lever to move to the HOLD position.
5. Raise the engine rpm to accelerate the hoist speed.



If dumping very large rocks or sticky material, as described in the warning, slowly accelerate the engine rpm to raise the body. When the material starts to move, release the hoist lever to the HOLD position. If the material does not continue to exit the body, repeat this procedure as necessary.

Reduce the engine rpm as the last stage of the hoist cylinder begins to extend. Let the engine go to low idle as the last stage reaches half-extension.

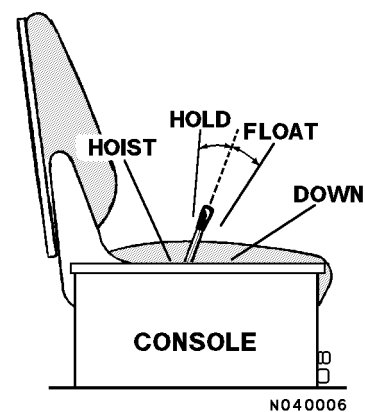


FIGURE 30-2. HOIST LEVER POSITIONS

6. Release the hoist lever as the last stage of the hoist cylinder reaches full extension.

**To Lower The Dump Body:
(When dumping over a berm or into a crusher):**

7. Move the hoist lever forward to the DOWN position and release. Releasing the lever places the hoist control valve in the FLOAT position, allowing the body to return to the frame.



DO NOT drive forward in the fully raised position if the dump body will not clear an obstacle, such as a crusher wall. DO NOT move the truck with a raised dump body raised except in an emergency. Failure to lower the body before moving the truck may cause damage to the hoist cylinders, frame, and/or body hinge pins.

NOTE: If the dumped material builds up at the rear of the truck and the body cannot be lowered, perform the following steps:

- a. Move the hoist lever back to the HOIST position and fully raise the dump body. Continue to hold the hoist lever until the body is completely raised.

NOTE: If the body is not completely raised, it may lower very rapidly when the truck is moved forward and the material is cleared from the rear of the truck.

- b. Once the body is fully raised, release the hoist lever (it will return to the HOLD position).
- c. Shift the selector switch to FORWARD, release the brake lock, and press the override button.
- d. Slowly drive forward to clear the material.
- e. Once the material is cleared, stop the truck, place the selector switch in NEUTRAL, and apply the brake lock.
- f. Completely lower the body.

NOTE: Failure to hoist the body, after making an unsuccessful attempt at lowering the body, may result in the dump body suddenly lowering after the truck has pulled ahead of the material that was previously preventing the body from lowering.

**To Lower The Dump Body
(When dumping on flat ground):**

8. It is very likely when dumping on flat ground that the dumped material will prevent the body from lowering. In this instance, the truck will have to be driven forward a short distance (just enough to clear the material) before the body can be lowered.
 - a. Shift the selector switch to FORWARD, release the brake lock, and depress the override button. Drive forward enough for the body to clear the material. Stop, shift the selector switch to NEUTRAL, and apply the brake lock.
 - b. Move the hoist lever forward to the DOWN position and release. Releasing the lever places the hoist control valve in the FLOAT position, allowing the body to return to the frame.

NOTE: If the dumped material builds up at the rear of the body and the body cannot be lowered, then perform steps c and d below:

- c. Move the hoist lever back to the HOIST position to fully raise the dump body. Then release the hoist lever so it returns to the HOLD position.
- d. Shift the selector switch to forward, release the brake lock, and depress the override button. Drive forward to clear the material. Stop, shift the selector switch to NEUTRAL, and apply the brake lock.
- e. Lower the body again.

NOTE: Failure to hoist the body, after making an unsuccessful attempt at lowering the body, may result in the dump body suddenly lowering after the truck has pulled ahead of the material that was previously preventing the body from lowering.



DO NOT move the truck with a raised dump body raised except in an emergency. Failure to lower the body before moving the truck may cause damage to the hoist cylinders, frame, and/or body hinge pins.

10. With the body returned to the frame, move the selector switch to FORWARD, release the brake lock, and exit the dump area carefully.

SAFE PARKING PROCEDURES

The operator must continue the use of safety precautions when preparing for parking and engine shutdown.

In the event that the equipment is being worked in consecutive shifts, any questionable truck performance the operator may have noticed must be checked by maintenance personnel before the truck is released to another operator.

1. Park the truck on level ground, if possible. If parking on a grade, position the truck perpendicular to the grade.
2. Apply the parking brake and install wheel chocks so that the truck cannot roll. Park each truck a safe distance from one another.
3. Haul roads are not safe parking areas. In an emergency, pick the safest spot most visible to other machines in the area. If the truck becomes disabled, mark the truck with warning flags in daylight, or flares at night.

ENGINE SHUTDOWN PROCEDURE

The following procedure must be followed at each engine shutdown.

1. Stop the truck. Reduce the engine rpm to low idle. Place the selector switch in NEUTRAL and apply the parking brake switch. If the engine shutdown with timer delay is preferred, refer to the Delayed Engine Shutdown procedure.
2. Allow the engine to cool gradually at low idle for three to five minutes.
3. With the truck stopped and the engine cool, turn the key switch counterclockwise to OFF for normal shutdown of the engine. If the engine does not shutdown with the key switch, use the engine shutdown switch on the center console (see Operator Controls section).
4. With the key switch OFF and the engine stopped, wait at least 90 seconds. Ensure the pressure is relieved in the steering circuit by turning the steering wheel back and forth several times. No front wheel movement will occur when hydraulic pressure is relieved.
5. Close and lock all windows, remove the key from the key switch, and lock the cab to prevent possible unauthorized truck operation. Dismount the truck properly.

DELAYED ENGINE SHUTDOWN PROCEDURE

Refer to Section 32, Operator Cab and Controls, for identification of the various switches and indicator lights.

1. Stop the truck. The truck must be away from other traffic, on a level surface, and away from overhead power lines or other obstructions.
2. Reduce the engine speed to low idle.
3. Place the selector switch in NEUTRAL.
4. Apply the parking brake switch. Ensure the parking brake applied indicator light in the overhead display panel is illuminated.
5. Move the top of the engine shutdown switch to the ON (center) position. Then, firmly press the switch to the MOMENTARY (upper) position. Hold this position briefly to activate the idle timer. The switch is spring-loaded and will return to the ON position when released.
6. When the engine shutdown timer has been activated, the timer delay indicator light in the overhead display panel will illuminate to indicate that the shutdown timing sequence has been started. The engine will continue to idle for approximately three minutes to allow the engine to properly cool before turning off.



NOTE: The engine shutdown timer switch does not turn off the 24VDC electric power.

7. Turn the key switch to the OFF position to allow the engine to turn off when the timing sequence is complete. When the engine stops after the idle period, the hydraulic bleed-down timer will be activated and the 24VDC electric circuits will turn off.



The engine will only shut off if the key switch is in the OFF position.

NOTE: To cancel the idle timer sequence, move the timer delay shutdown switch to the OFF (lower) position. If the key switch is in the OFF position, the engine will stop. If the key switch is in the ON position, the engine will continue to run.

8. With the key switch OFF and the engine stopped, wait at least 90 seconds. Relieve the steering circuit pressure by turning the steering wheel back and forth several times. No front wheel movement will occur when hydraulic pressure is relieved.

9. Close and lock all windows, remove the key from the key switch, and lock the cab to prevent possible unauthorized truck operation. Dismount the truck properly.

SUDDEN LOSS OF POWER

If the engine suddenly stops, there is enough hydraulic pressure stored in the brake and steering accumulators to allow the operation of the steering and brake functions. However, this oil supply is limited so it is important to stop the truck as quickly and safely as possible after the loss of engine power.

If the brake supply pressure drops to a pre-determined level, the low brake pressure warning light will illuminate and a buzzer will sound. If the brake pressure continues to decrease, the auto-apply feature will activate and the service brakes will apply automatically to stop the truck.

1. Bring the truck to a safe stop as quickly as possible by using the foot pedal to apply the service brakes. If possible, safely steer the truck to the side of the road while braking.



Dynamic retarding will not be available!
DO NOT use the service brakes for continuous retarding purposes.

2. As soon as the truck has stopped moving, shift to NEUTRAL and apply the parking brake.
3. Slowly release the service brakes to check the capacity of the parking brake. If the parking brake can not hold the truck stationary, apply the service brakes and hold them ON. DO NOT turn the key switch OFF, and DO NOT release the service brakes.
4. Notify maintenance personnel immediately.
5. If the truck is on level ground, or if the parking brake can hold the truck stationary and the truck is in a stable condition, it is then OK to turn the key switch OFF.
6. If safe to do so, have maintenance personnel place wheel chocks or other mechanisms in front or behind the wheels to reduce the risk of the truck rolling.
7. If traffic is heavy near the disabled machine, mark the truck with warning flags during daylight hours or use flares at night. Adhere to local regulations.

DISABLED TRUCK DUMPING PROCEDURE

Sometimes it is necessary to dump a load from the body of a truck when the hoist system is inoperable. The following instructions describe the use of a "good" truck to provide the hydraulic power required to raise the body of the "disabled" truck to dump the load.

In the example below, Figure 30-3 illustrates a typical hookup from the good truck. The disabled truck may be another Model 730E or a different Komatsu model.

Hookup

Ensure there is an adequate, clear area to dump the loaded body. When the good truck is in position, shut the engine off and allow the hydraulic system to bleed down. Ensure pressure has bled off before connecting hoses.

1. With the good truck parked as close as possible to the disabled truck, attach a hose from the power up quick disconnect (1, Figure 30-3) to the power down circuit of the disabled truck. The hose must be rated to withstand 17 237 kPa (2,500 psi) or greater pressure.

NOTE: The power down circuit will use a smaller diameter hose (tube) than the power up circuit.

2. Connect another hose from power down quick disconnect (2) to the power up circuit of the disabled truck.

NOTE: If both trucks are a model 730E, the hoses will be installed at the quick disconnects shown in Figure 30-3 and will be crossed when connected.

Raising the Body

3. On the disabled truck, move the hoist control lever to POWER UP and then release it to place the hoist pilot valve in the HOLD position. Leave in this position during entire procedure.
4. Start the engine on the good truck. Place the hoist control in the POWER DOWN position and increase engine rpm to high idle to dump the disabled truck. If the body of the disabled truck fails to raise, increase the good truck power down relief pressure as follows:
 - a. Shut the engine off and allow the hydraulic system to bleed down.

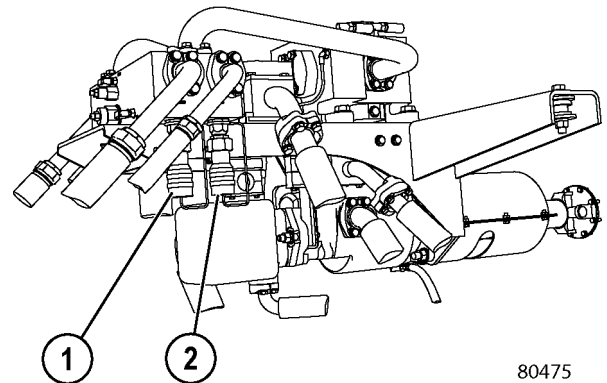
- b. Remove the cap from the hoist pilot valve relief valve located in the hydraulics components cabinet behind the cab. While counting the number of turns, slowly screw relief valve adjustment screw clockwise until it bottoms.

5. Repeat Step 4 to dump the disabled truck.

Lowering the Body

6. Place the hoist lever of the good truck in FLOAT to lower the body. If necessary, momentarily place the hoist control in POWER UP until the body is able to descend in FLOAT. DO NOT accelerate the engine.
7. After the body is lowered, shut the engine off. Bleed the hydraulic system of pressure and disconnect the hoses.
8. Reduce power down relief valve pressure to normal on the good truck by turning the adjustment counterclockwise the same number of turns as required in Step 4 b.
9. Check power down relief pressure per instructions in the shop manual, Section L, Hydraulic Check-Out Procedure.

Check the hydraulic tank oil level.



80475

FIGURE 30-3. PUMP MODULE, HOSE HOOKUP

1. Power Up Quick Disconnect (Connect to power down circuit of disabled truck.)
2. PowerDownQuickDisconnect (Connect to power up circuit of disabled truck.)

TOWING

Prior to towing a truck, many factors must be carefully considered. Serious personal injury and/or significant property damage may result if important safety practices, procedures, and preparation for moving heavy equipment are not observed.

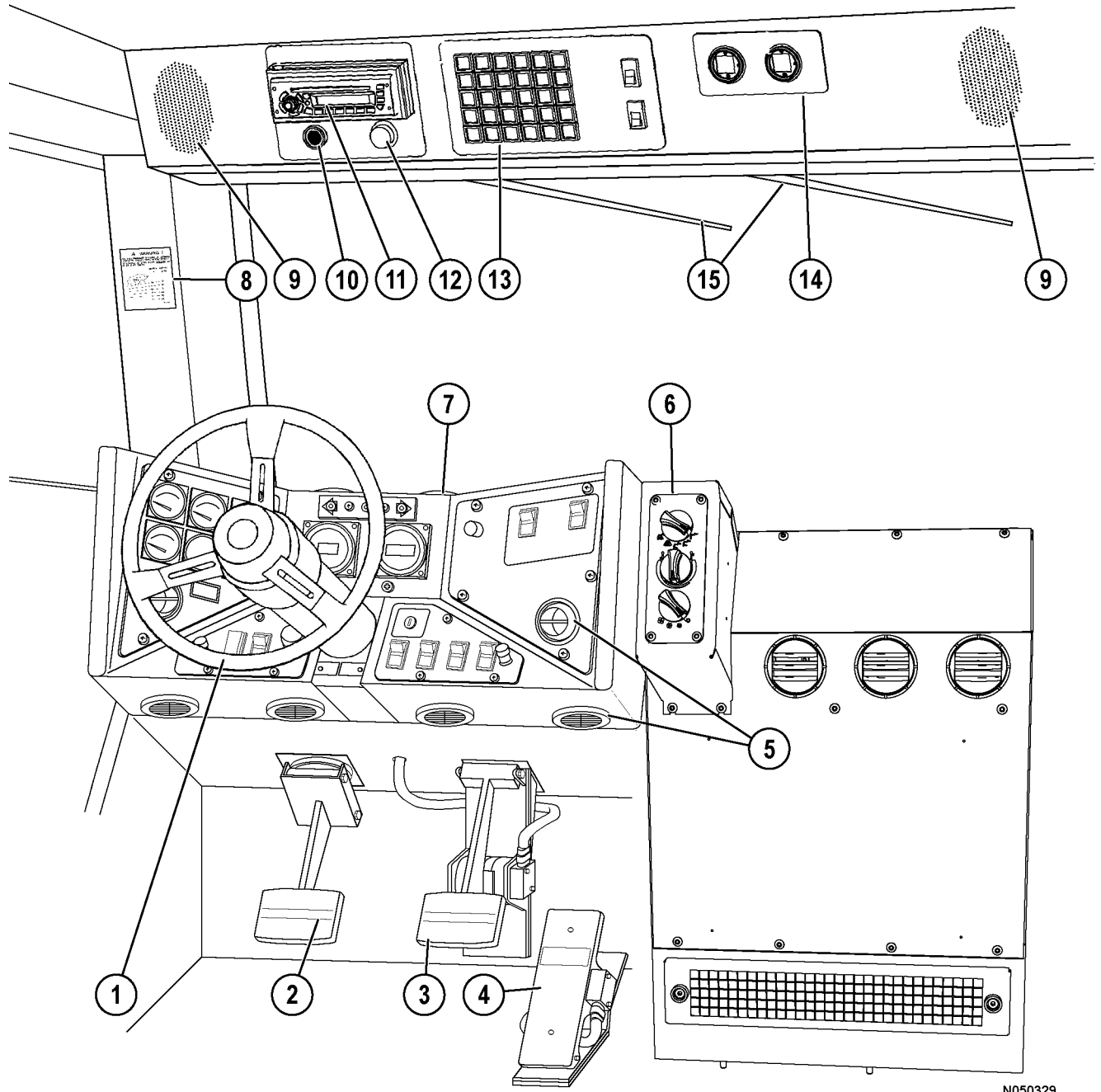
DO NOT tow the truck any faster than 8 kph (5 mph).

A disabled machine may be towed after adhering to the following minimum precautions.

1. Shut the engine off. Chock wheels on disabled truck to prevent movement while attaching tow bar.
2. If the truck is equipped, install the hydraulic connections for steering and dumping between the towing and towed vehicles. Check the towed vehicle braking system.
3. If the disabled truck is loaded, dump the entire load. Never pull or tow a loaded truck.
4. Determine that the towing vehicle has adequate capacity to both move and stop the towed truck in all conditions.
5. Inspect the tow bar. The tow bar capacity must be approximately 1.5 times the gross vehicle weight of the truck being towed.
6. Block the disabled truck to prevent movement while attaching the tow bar.
7. Release the disabled truck brakes and remove the wheel chocks.
8. Sudden movement may cause tow bar failure. Smooth and gradual truck movement is preferred.

Minimize the tow angle at all times. DO NOT exceed 30°. The towed truck must be steered in the direction of the tow bar.

OPERATOR CAB AND CONTROLS



N050329

FIGURE 32-1. CAB INTERIOR - OPERATOR VIEW

- | | | |
|---------------------------------|--|--|
| 1. Steering Wheel and Controls | 6. Heater/Air Conditioner and Controls | 11. Radio, AM/FM, CD Player |
| 2. Service Brake Pedal | 7. Instrument Panel | 12. Warning Lights Dimmer Control |
| 3. Dynamic Retarder Pedal | 8. Grade/Speed Warning Chart | 13. Warning/Status Indicator Light Panel |
| 4. Throttle/Accelerator | 9. Radio Speakers | 14. Air Cleaner Vacuum Gauges |
| 5. Heater/Air Conditioner Vents | 10. Warning Alarm Buzzer | 15. Windshield Wipers |

STEERING WHEEL AND CONTROLS

STEERING WHEEL

Steering wheel (1, Figure 32-2) will telescope in and out and adjust through a tilt angle to provide a comfortable wheel position for most operators.

HORN BUTTON

Horn button (2, Figure 32-2) is actuated by pushing the button in the center of the steering wheel. Operation of the horn must be verified before moving the truck. Observe all local safety rules regarding the use of the horn as a warning signal device before starting the engine and moving the vehicle.

TILT/TELESCOPE LEVER

The steering column can be telescoped or wheel tilted with lever (3, Figure 32-2) in front of the turn signal lever.

Adjust the tilt of the steering wheel by pulling the lever toward the steering wheel and moving the wheel to the desired angle. Releasing the lever will lock the wheel in the desired location.

Adjust the telescope function by pushing the lever forward to unlock. After positioning, release the lever to the lock position.

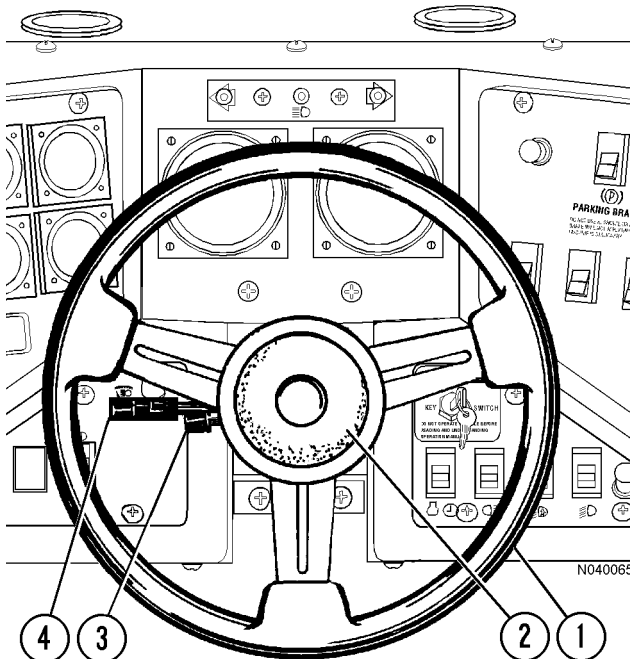


FIGURE 32-2. STEERING WHEEL AND CONTROLS

- 1. Steering Wheel
- 2. Horn
- 3. Tilt/Telescope Lever
- 4. Multi-Function Turn Signal

MULTI-FUNCTION TURN SIGNAL SWITCH



FIGURE 32-3. MULTI-FUNCTION TURN SIGNAL SWITCH

Multi-function turn signal switch (4, Figure 32-2) is used to activate the turn signal lights, the windshield wipers, and to select either high or low beam headlights.

Turn Signal Operation

Move the lever upward to signal a turn to the right.



An indicator in the top, center of the instrument panel will illuminate to indicate the turn direction selected. Refer to Instrument Panel and Indicator Lights in this section.

Move the lever downward to signal a turn to the left.



NOTE: The turn signal will not automatically stop after the turn has been completed.

High Beam Headlight Operation

Moving the lever inward toward the rear of the cab changes the headlights to high beam. When the high beams are selected, the indicator in the top, center of the instrument panel will illuminate. Moving the switch back to the original position will return the headlights to low beam.



Windshield Wiper Operation



Windshield Wipers Off



Intermittent - Long Delay



Intermittent - Medium Delay



Intermittent - Short Delay



Low Speed



High Speed



Depressing the button at the end of the lever will activate the windshield washer fluid and turn on the windshield wipers.

PEDALS

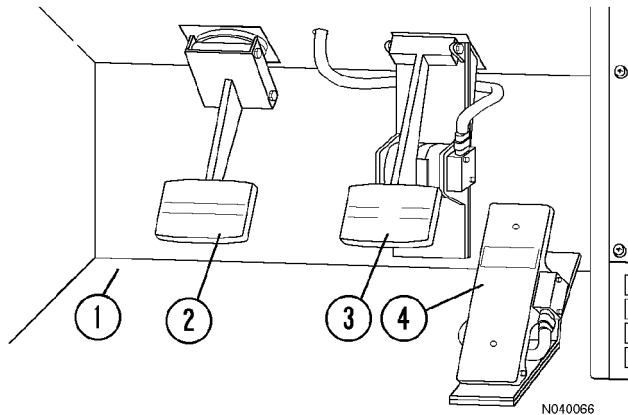


FIGURE 32-4. PEDALS

- | | |
|------------------------|---------------------------|
| 1. Cab Floor | 3. Dynamic Retarder Pedal |
| 2. Service Brake Pedal | 4. Throttle Pedal |

SERVICE BRAKE PEDAL

Service brake pedal (2, Figure 32-4) is a foot-operated pedal which applies the service brakes.

NOTE: In some optional installations, the service brake pedal may not be present, because it is incorporated into a single pedal function with retarder pedal (3).

DYNAMIC RETARDER PEDAL

Dynamic retarder pedal (3, Figure 32-4) is a foot-operated pedal which allows the operator to slow the truck and maintain a safe productive speed without the use of the service brakes. For normal truck operation, only dynamic retarding is used to slow and control the speed of the truck. Refer to Grade/Speed Warning chart (8, Figure 32-1) to determine the maximum safe truck speeds for descending various grades with a loaded truck. Apply the service brakes only when dynamic retarding requires additional braking force to slow the truck speed quickly and to completely stop the truck.

When dynamic retarding is activated, the engine rpm will automatically go to an advance rpm retard speed setting (usually 1250 rpm, see note below.) Dynamic retarding will be applied automatically if the speed of the truck reaches the predetermined overspeed retard setting. Dynamic retarding is available in FORWARD/REVERSE at all truck speeds above 0 kph (mph) but is available in NEUTRAL only when the truck speed is above 5 kph (3 mph).

NOTE: The exact engine speed in retarding may vary (1250 - 1650 rpm) due to the temperature of certain components, This is controlled by the Statex III control system.

THROTTLE PEDAL

Throttle pedal (4, Figure 32-4) is a foot-operated pedal which allows the operator to control the engine rpm, depending on the pedal depression.

OVERHEAD PANEL CONTROLS AND COMPONENTS

GRADE/SPEED WARNING CHART

Grade/Speed Warning chart (Figure 32-5) provides the recommended maximum truck speeds for descending various grades with a loaded truck.

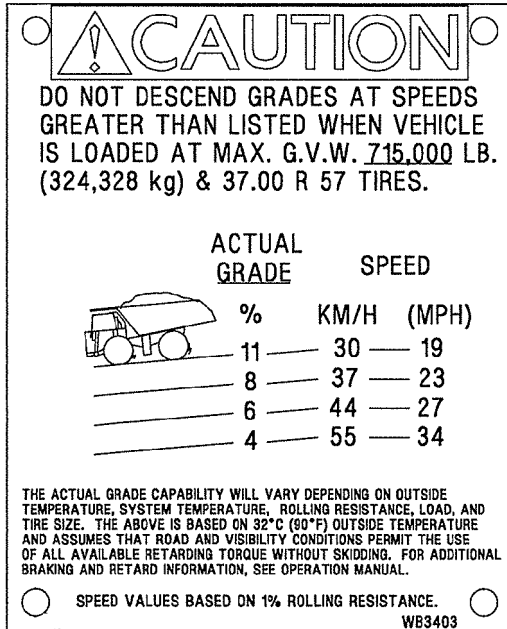


FIGURE 32-5. GRADE/SPEED WARNING CHART

Refer to the grade/speed warning chart before descending any grade with a loaded truck. Proper use of dynamic retarding will maintain a safe speed.

DO NOT exceed the recommended maximum speed when descending a grade with a loaded truck.

The grade speed chart may change with optional truck equipment. Refer to the chart in the operator's cab for the proper speed guidelines.

RADIO SPEAKERS

Radio speakers (9, Figure 32-1) for the AM/FM radio are located at the far left and right of the overhead panel.

WARNING ALARM BUZZER

Warning alarm buzzer (10, Figure 32-1) will sound when activated by any one of several truck functions. Refer to Instrument Panel in this module for a detailed description of the functions and indicators that will activate this alarm.

CAB RADIO

This panel will normally contain AM/FM radio (11, Figure 32-1). Refer to Section 70 for a complete description of the radio and its functions. Individual customers may use this area for other purposes, such as a two-way communications radio.

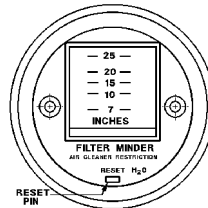
WARNING LIGHTS DIMMER CONTROL

Warning lights dimmer control (12, Figure 32-1) permits the operator to adjust the brightness of the warning indicator lights. This control may not be on all model trucks.

WARNING/STATUS INDICATOR LIGHT PANEL

Warning/status indicator light panel (13, Figure 32-1) contains various indicator lights to provide the operator with important truck status messages concerning selected truck functions. Refer to Overhead Status/Warning Indicator Light Panel in this module for a detailed description of these indicators.

AIR CLEANER VACUUM GAUGES



Air cleaner vacuum gauges (14, Figure 32-1) provide a continuous reading of maximum air cleaner restriction reached during operation. The air cleaner(s) must be serviced when the gauge(s) display 6.2 kPa (25 in.) of H₂O vacuum.

NOTE: After service, push the reset button on the face of the gauge to allow the gauge to return to zero.

WINDSHIELD WIPERS

Windshield wipers (15, Figure 32-1) are powered by an electric motor. Refer to Multi-Function Turn Signal Switch in this module for a location and description of the windshield wiper and washer controls.

CENTER CONSOLE

1. Center Console
2. F-N-R Selector Switch
3. Hoist Control Lever
4. Ashtray
5. Cigarette Lighter
6. LH Window Control Switch
7. RH Window Control Switch
8. Engine Shutdown Switch
9. Override Switch
10. Blank - Not used on this truck
11. RSC ON/OFF Switch
12. Retarder Speed Control (RSC) Dial
13. Statex III Download Port
14. Engine Diagnostic Port (CENSE)
15. Modular Mining Port (Optional)
16. Passenger Seat (mounted on top of the right-hand portion of the console)
17. Engine Diagnostic Connectors (Centry)
18. Not Used
19. Data Store Button

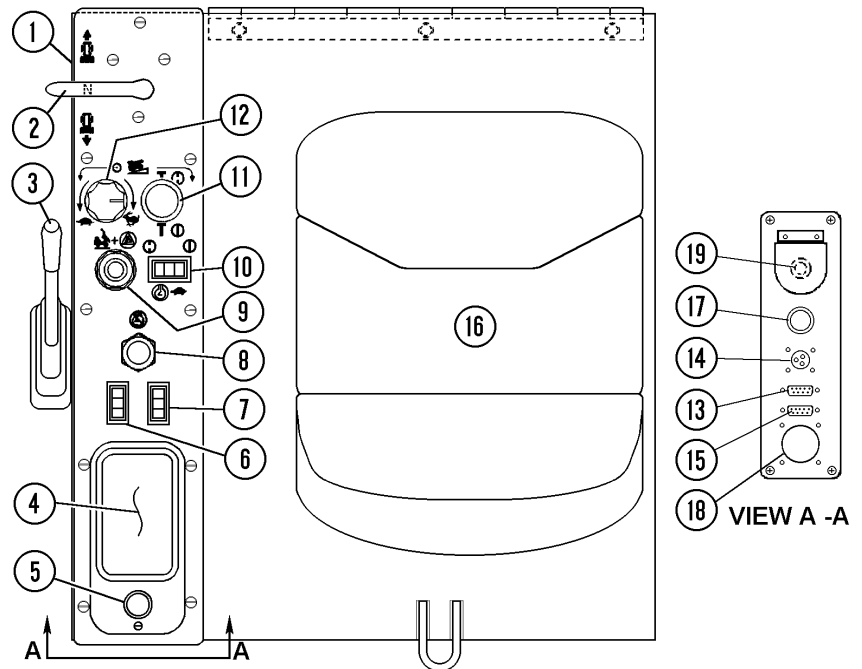
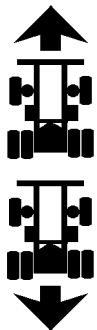


FIGURE 32-6. CENTER CONSOLE

TRUCK CONTROLS

F-N-R Selector Switch

F-N-R selector switch (2, Figure 32-6) is mounted on a console to the right of the operator's seat. It is a three-position switch that controls the forward-neutral-reverse motion of the truck. When the selector switch handle is in the center N position, it is in NEUTRAL. The handle must be in NEUTRAL to start the engine.



The operator can select forward drive by moving the handle forward.

Reverse drive can be selected by moving the handle rearward.

The truck must be stopped before the selector handle is moved to a forward or reverse drive position.

Hoist Control Lever

Hoist control lever (3, Figure 32-6) is a four-position, hand-operated lever located between the operator seat and the center console.

Refer to Safety, Section 20, When Dumping, and Section 30, Dumping, for complete details concerning this control.

CONSOLE SWITCHES AND CONTROLS

Cigarette Lighter

Cigarette lighter (5, Figure 32-6) may be used for lighting cigars/cigarettes.

Use caution with smoking materials!

This socket may also be used for a 12VDC power supply.

Left-Hand Window Control Switch

Left-hand window control switch (6, Figure 32-6) is spring-loaded to the OFF position. Pushing the front of the switch raises the left side cab window. Pushing the rear of the switch lowers the window.

Right-Hand Window Control Switch

Right-hand window control switch (7, Figure 32-6) is spring-loaded to the OFF position. Pushing the front of the switch raises the right side cab window. Pushing the rear of the switch lowers the window.

Engine Shutdown Switch

Engine shutdown switch (8, Figure 32-6) is used to turn the engine off. Pull the switch up to stop the engine. Push the switch down to enable the engine to start.



SWITCH UP
ENGINE OFF



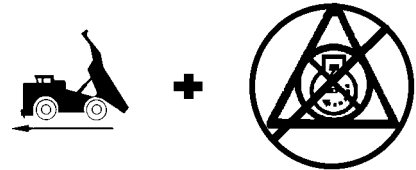
SWITCH DOWN
ENGINE ON

Use this switch to shut the engine off if the key switch fails to operate, or to stop the engine without turning off the 24VDC electrical circuits.

A ground level engine shutdown switch is also located at the right, front corner of the truck.

Override Switch

Override switch (9, Figure 32-6) is spring-loaded to the OFF position. When pushed inward and held, this switch has several uses.



1. The override switch permits the operator to move the truck forward when the selector switch is in FORWARD, the dump body is raised, and the brakes are released.

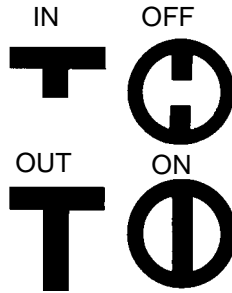


Only use the override switch in emergency situations.

2. If the operator stops the truck on an uphill incline, the override switch can be used to set up the forward propulsion while the brakes are applied. As soon as the forward propulsion is felt, release the brakes. As the truck begins to move forward, release the override switch.
3. The override switch deactivates the retard pedal function when the speed of the truck is below 5 kph (3 mph).
4. The override switch is also used to reset an electric system fault when indicated by the red warning light. Refer to Overhead Warning/Status Indicator Light Panel in this section.

Retard Speed Control (RSC) Switch

Retard speed control switch (11, Figure 32-6) turns the system off or on. Push the knob in to turn the system off, and pull the knob out to turn the system on.



To adjust the RSC control, pull switch (11) to the ON position. Start with dial (12) rotated toward the fastest speed while driving the truck at the desired maximum speed. Relax the throttle pedal to let the truck coast, and turn the RSC dial slowly counterclockwise until dynamic retarding is activated. Dynamic retarding will now be activated automatically anytime the set speed is reached, the RSC switch is ON, and the throttle pedal is released.

With the RSC switch in the ON position and the dial adjusted, the system will function as follows: As the truck speed increases to the set speed and the throttle pedal released, dynamic retarding will apply. As the truck speed tries to increase, the amount of retarding effort will automatically adjust to keep the selected speed. When the truck speed decreases, the retarding effort is reduced to maintain the selected speed. If the truck speed continues to decrease to approximately 5 kph (3 mph) below the set speed, dynamic retarding will turn off automatically. If the truck speed must be reduced further, the operator can turn the dial to a new setting or depress the retard pedal.

If the operator depresses the retard pedal, and the retard effort called for is greater than that from the automatic system, the demand from the pedal will override the RSC.

Retard Speed Control (RSC) Dial

RSC dial (12, Figure 32-6) allows the operator to vary the downhill truck speed that the retard speed control system will maintain when descending a grade.

When the dial is rotated counterclockwise toward the turtle symbol, the truck will descend a grade at lower speeds.



When the dial is rotated clockwise toward the rabbit symbol, the truck speed will increase.



The throttle pedal position will override the RSC setting. If the operator depresses the throttle pedal to increase the truck speed, dynamic retarding will not activate unless the truck overspeed setting is reached, or the retard pedal is used. When the throttle pedal is released, dynamic retarding will activate at the RSC preset speed. The RSC control will maintain the truck speed at the preset limit.

Statex III Download Port

Statex III download port (13, Figure 32-6) is used by qualified personnel to access the STATEX III electric propulsion diagnostic information and data.

Engine Diagnostic Port (CENSE)

Engine diagnostic port (14, Figure 32-6) is used by qualified personnel to access the engine diagnostic information for the CENSE system. Refer to the engine manufacturer's service publications for troubleshooting information.

Engine Diagnostic Connectors

Engine diagnostic connectors (17, Figure 32-6) are used by qualified personnel to access the engine Centry™ fuel control system diagnostic information. The Centry system is optional.

Passenger Seat

Passenger seat (16, Figure 32-6) is mounted on top of the right-hand portion of the center console.

The area beneath the passenger seat provides a cabinet for various 24VDC electrical components. Consult the service manual for service involving any of these components.

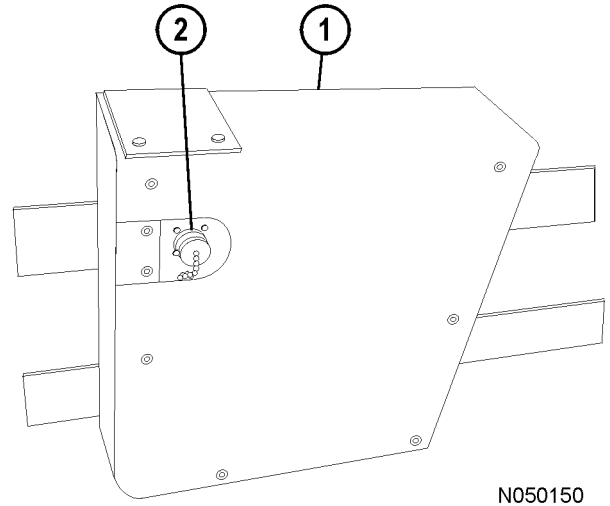


FIGURE 32-7. PAYLOAD METER

- 1. Payload Meter
- 2. Payload Meter Download Connector

PAYLOAD METER

Payload meter (1, Figure 32-7) and payload meter download connector (2) are used to provide management with operational data, such as tonnage hauled and cycle times.

Refer to Section 60, Payload Meter III, for a complete description of the payload meter and its functions.

Payload Meter Download Connector

Payload meter download connector (2, Figure 32-7) is used with a special cable to allow payload meter (1) to communicate with a portable computer.

CAB CLIMATE CONTROL

HEATER / AIR CONDITIONER CONTROLS

The heater/air conditioner compartment contains heater/air conditioner controls and some of the heater/air conditioner components, such as the blower motor assembly and the heater coil. Optimum cab air climate can be selected by using the following controls in various combinations.

Fan Speed Control Knob

Fan speed control knob (1, Figure 32-8) is provided to control the cab air fan motor. The fan motor is a 3-speed motor (low, medium, and high). Speeds are selected by rotating the control knob clockwise to the desired position. OFF is in the full counter-clockwise position. The control knob must be switched ON for the air conditioner to function.

Temperature Control Knob

Temperature control knob (2, Figure 32-8) allows the operator to select a comfortable air temperature.



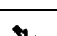
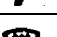

The control knob determines the operation of the air conditioning and heater modes.

Rotating the control knob counter-clockwise into blue zone (3) will cause the A/C compressor to operate and result in cooler air temperatures. Full counter-clockwise position is the coldest air setting.

Rotating the control knob clockwise into red zone (4) will affect coolant flow through the heater core and result in warmer air temperatures. The full clockwise position is the warmest heater setting.

Air Flow Directional Knob

Air flow directional knob (5, Figure 32-8) controls the direction of airflow as follows:

	Provides airflow to floor vents, only.
	Provides airflow to upper vents and floor vents.
	Provides airflow to upper vents, only.
	Defrost - Provides dehumidified air to the windshield.
	Defrost - Provides dehumidified air to the windshield as well as to floor vents.

Heater/Air Conditioner Vents

Heater/air conditioner vents (6, Figure 32-8) may be rotated 360°. There are three vents in the heater/air conditioner compartment, four vents across the top of the instrument panel, and one vent each in the RH and LH instrument panels. There are also an additional four vents under the instrument panel. Air flow through the vents is controlled by manually opening, closing or turning the louvers.

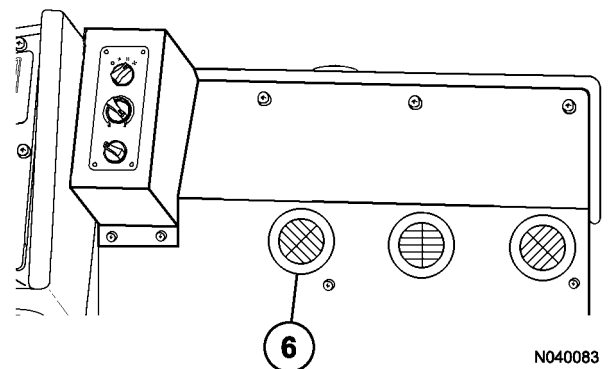
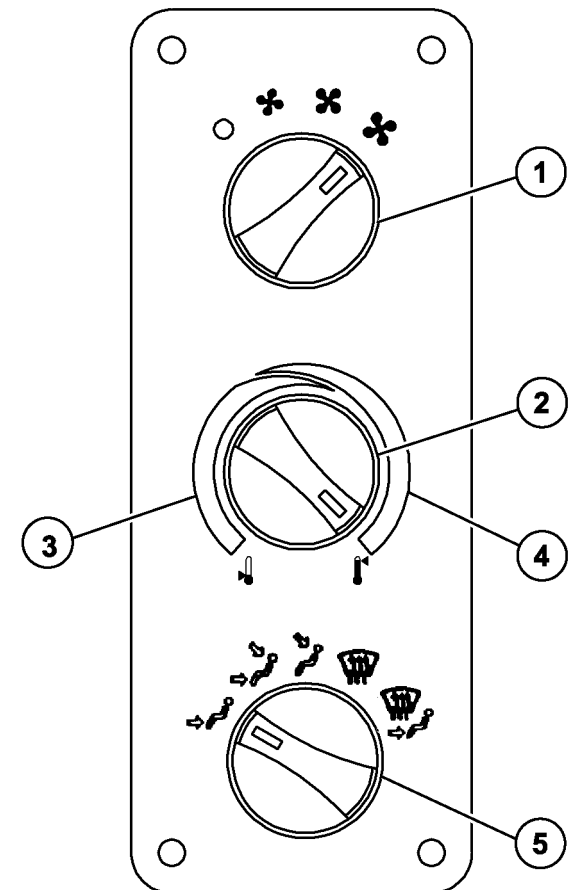


FIGURE 32-8. A/C & HEATER CONTROLS

- | | |
|-----------------------------|------------------------------|
| 1. Fan Speed Control Knob | 4. Red Zone |
| 2. Temperature Control Knob | 5. Air Flow Directional Knob |
| 3. Blue Zone | 6. Vents |

N040083

OPERATOR SEAT

The operator's seat provides a fully adjustable cushioned ride for the driver's comfort.

Seat Belts

- On both driver and passenger seats, check the seat belt fabric, buckle, all belt retractors and hardware for damage or wear. Replace any worn or damaged parts immediately.
- Even if there are no signs of damage, replace both driver and passenger seat belts 5 years after seat belt manufacture, or every 3 years after start of use, whichever comes first. The passenger seat belt date of manufacture label is sewn into the seat belt near the buckle. The driver seat belt date of manufacture label is sewn into the back of the seat belt.

ADJUSTMENT

The following adjustments must be made while sitting in the seat.

1. **Headrest:** (1, Figure 32-9) will move up, down, fore, or aft by moving headrest to desired position.
2. **Armrests:** rotate adjusting knob until armrest is in desired position.
3. **Backrest:** Lift handle (3) to release and select backrest angle: release control handle to set.
4. **Seat Belt:** Operator should always have seat belt (4) buckled in place and properly adjusted whenever vehicle is in motion.
5. **Seat Slope:** Lift lever (5) and hold to adjust the slope of the seat. Release lever to lock adjustment.
6. & 7 **Air Lumbar Support:** Each rocker switch (6 or 7) controls an air pillow. Switch (7) controls the lower air pillow and switch (6) controls the upper air pillow. To inflate, press on top of rocker switch and hold for desired support, then release. To deflate, press on bottom of rocker switch and hold for desired support, then release. Adjust each pillow for desired support.
8. **Seat Suspension:** Press rocker switch (8) on top to increase ride firmness. Press on lower part of rocker switch to decrease ride firmness.
9. **Fore/Aft Location of Seat:** Lift lever (9) and hold. Bend knees to move seat to a comfortable position: release control lever to lock adjustment.

12. **Seat Height:** Lift lever (12) and hold to adjust the height of the seat. Release lever to lock adjustment.

Optimum ride height is obtained when the suspension is at the middle of its stroke. To properly adjust, raise the seat to its highest level. Then, lower the seat approximately 51 mm (2 in.) to the middle of the suspension stroke.

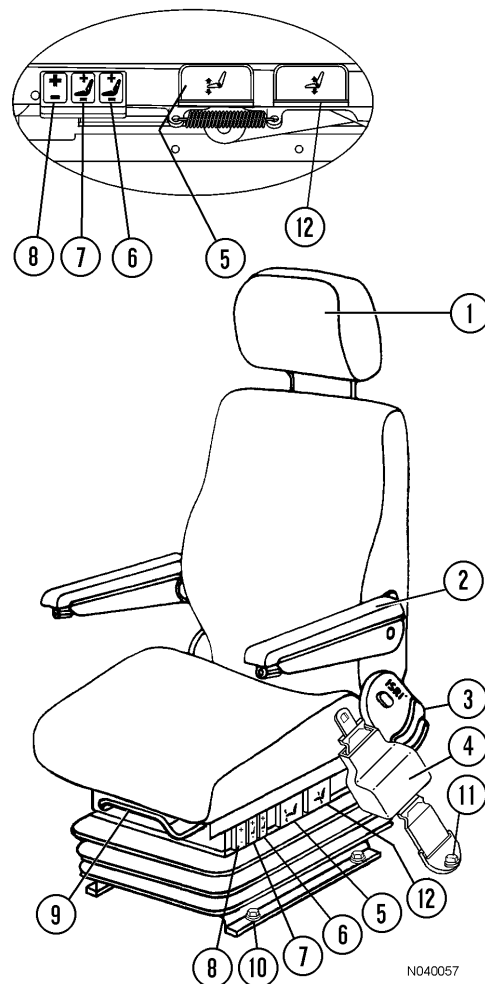
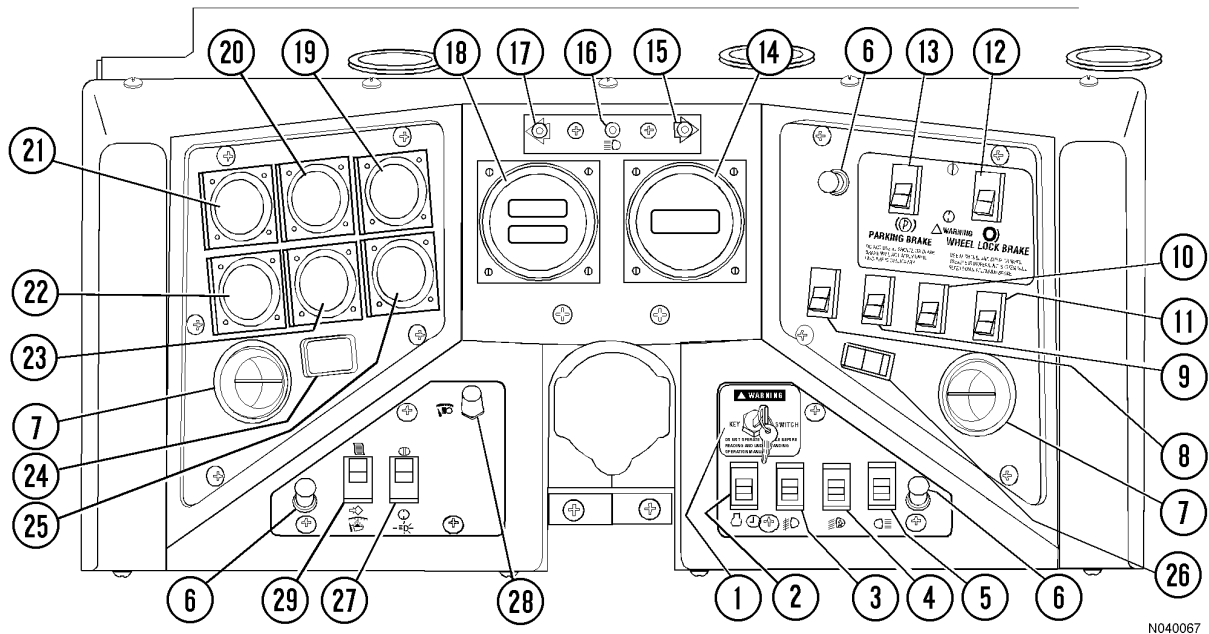


FIGURE 32-9. OPERATOR SEAT
ADJUSTMENT CONTROLS

1. Headrest
2. Armrest Adjustment
3. Backrest Adjustment
4. Seat Belt
5. Seat Slope Adjustment
6. Upper Air Pillow Lumbar Support
7. Lower Air Pillow Lumbar Support
8. Suspension Adjustment
9. Horizontal Adjustment
10. Mounting Cap Screws and Hardware
11. Seat Belt Tether Cap Screw
12. Seat Height Adjustment

INSTRUMENT PANEL



N040067

FIGURE 32-10. PANEL, GAUGES, INDICATORS, AND CONTROLS

- | | |
|---|---|
| 1. Key Switch | 16. High Beam Headlight Indicator Light |
| 2. Timer Delayed Engine Shutdown Switch | 17. Left Turn Signal Indicator Light |
| 3. Fog Light Switch (Optional) | 18. Digital Speedometer/Payload Meter Display |
| 4. Ladder Light Switch | 19. Voltmeter Gauge |
| 5. Backup Light Switch | 20. Engine Oil Pressure Gauge |
| 6. Panel Illumination Lights | 21. Engine Water Temperature Gauge |
| 7. Vent(s) - Cab Air Conditioner/Heater | 22. Fuel Gauge |
| 8. Engine Cold Weather Starting Aid Switch (Optional) | 23. Gauge - Not Used In This Application |
| 9. Rotating Beacon Light Switch (Optional) | 24. Engine Hourmeter |
| 10. Heated Mirror Switch (Optional) | 25. Gauge - Not Used In This Application |
| 11. Not Used | 26. Switch - Not Used In This Application |
| 12. Wheel Brake Lock Switch | 27. Headlight Switch |
| 13. Parking Brake Switch | 28. Panel Illumination Lights Dimmer Rheostat |
| 14. Digital Tachometer | 29. Payload Meter Switch |
| 15. Right Turn Signal Indicator Light | |

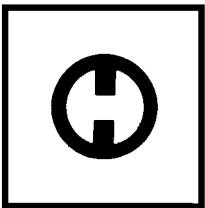
GENERAL INFORMATION

The operator must understand the function and operation of each instrument and control (Figure 32-10). Control functions are identified with international symbols that the operator must learn to recognize immediately. This knowledge is essential for proper and safe operation.

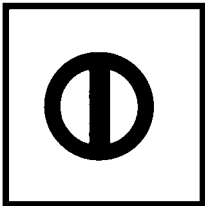
Items that are marked as optional do not apply to every truck.

CONTROL SYMBOLS

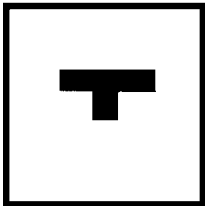
The following symbols are general indicators and may appear in multiple locations and combinations on the instrument panel.



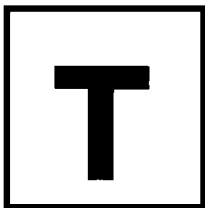
This symbol may be used alone or with another symbol. This symbol identifies the OFF position of a switch or control.



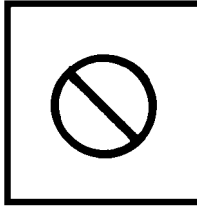
This symbol may be used alone or with another symbol. This symbol identifies the ON position of a switch or control.



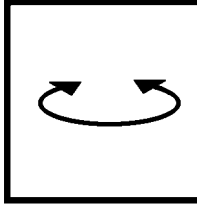
This symbol identifies the pushed in position of a push-pull switch or control.



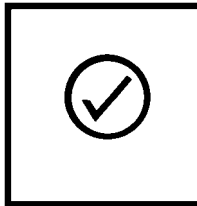
This symbol identifies the pulled out position of a push-pull switch or control.



This symbol, when it appears on an indicator or control, identifies that this indicator or control is not used.



This symbol identifies a rotary control or switch. Rotate the knob clockwise or counterclockwise for functions.



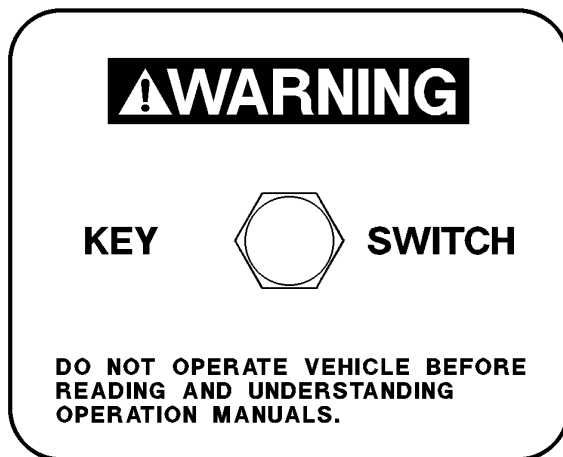
This symbol identifies a switch used to test or check a function. Press the switch on the side near the symbol to perform the test.

Key Switch

Key switch (1, Figure 32-10) is a three-position (OFF, RUN, START) switch. When the switch is rotated one position clockwise, it is in the RUN position and all electrical circuits (except start) are activated.

With the selector switch in neutral, rotate the key switch fully clockwise to the START position, and hold this position until the engine starts. The START position is spring-loaded to return to RUN when the key is released. With the truck stopped, turn the key switch counterclockwise to OFF for normal engine shutdown. Use the engine shutdown switch on the center console if the engine does not shut off with the key switch.

NOTE: A ground level shutdown switch is located on the lower, front left side of the truck.

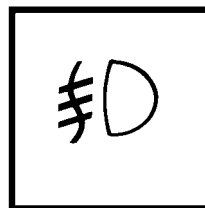


Engine Shutdown Switch With Timer Delay

Engine shutdown switch with timer delay (2, Figure 32-10) is a three-position, rocker-type switch (OFF, ON, MOMENTARY). Refer to Timer Delayed Engine Shutdown Switch procedure, Section 30, for a complete detailed operation of this switch.

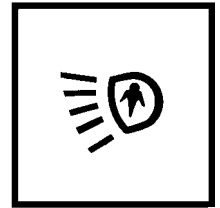
Fog Light Switch

Fog light switch (3, Figure 32-10) is used by pressing the top of the rocker switch to turn the lights on. Pressing the bottom of the switch turns the lights off. The fog lights are optional.



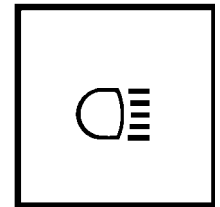
Ladder Light Switch

Ladder light switch (4, Figure 32-10) turns the ladder lights on and off. Pressing the top of the rocker switch turns the lights on. Pressing the bottom of the switch turns the lights off. Another switch is mounted at the front left of the truck near the base of the ladder.



Backup Light Switch

Backup light switch (5, Figure 32-10) allows the backup lights to be turned ON providing added visibility and safety when the selector switch (see operator controls) is not in the REV position. When the switch is pressed toward the ON position, manual backup light indicator (B4, overhead panel) will be illuminated.



Panel Illumination Lights

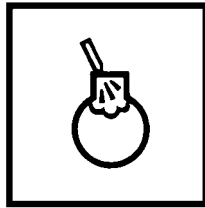
Panel illumination lights (6, Figure 32-10) provide illumination for the instrument panel. Brightness is controlled by panel illumination lights dimmer rheostat (28).

Cab Air Conditioner/Heater Vents

Cab air conditioner/heater vents (7, Figure 32-10) are spherically mounted and may be directed by the operator to provide the most comfortable cabin air flow.

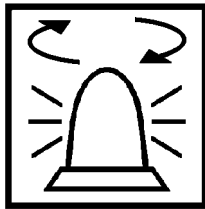
Engine Cold Weather Starting Aid Switch

Optional engine cold weather starting aid switch (8, Figure 32-10) is spring-loaded to the OFF position. Use only when the ambient temperature is below 10°C (50°F). When the switch is held in the ON position, ether is injected into the engine intake manifold to aid the engine starting in cold weather. For additional information, refer to Section 30, Engine Start-Up.



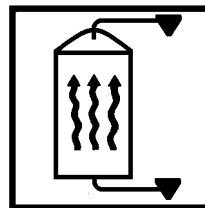
Rotating Beacon Light Switch

Press rotating beacon light switch (9, Figure 32-10) to the ON position to activate the rotating beacon. This is an optional feature.




Heated Mirror Switch

Press heated mirror switch (10, Figure 32-10) to activate the heating element in the mirrors. This is an optional feature.

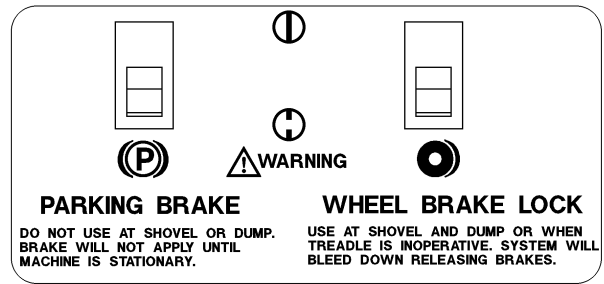


Wheel Brake Lock Switch


 Wheel brake lock switch (12, Figure 32-10) must only be used when the engine is on. Use this function during dumping and loading. The brake lock switch actuates the hydraulic brake system, which locks the rear wheel service brakes only. When approaching the shovel or dump area, stop the truck using the service brake pedal. When the truck is completely stopped and in the loading position, apply the brake lock by pressing the rocker switch toward the ON symbol. To release, press the rocker switch toward the OFF symbol.

WARNING

The wheel brake lock is used at the shovel and the dump only to hold the truck in position. DO NOT use this switch to stop the truck, unless the foot-operated treadle valve does not work. Use of this switch applies the rear service brakes with unmodulated pressure! DO NOT use the brake lock for parking because when the engine is stopped, hydraulic pressure will dissipate, allowing the brakes to release!



Parking Brake Switch

 Parking brake switch (13, Figure 32-10) is spring-applied and hydraulically released. It is designed to hold the truck stationary when the engine is shut off and the key switch is turned OFF. The truck must be completely stopped before applying the parking brake, or damage may occur to the parking brake. To apply the parking brake, press the rocker switch toward the ON symbol. To release the parking brake, press the rocker switch toward the OFF symbol. When the key switch is ON and the parking brake switch is applied, parking brake indicator light (A3, overhead panel) will be illuminated.

NOTE: DO NOT use the parking brake at the shovel or dump. With the key switch ON and the engine on, sudden shock caused by loading or dumping could cause the system's motion sensor to release the park brake.

Digital Tachometer

Digital tachometer (14, Figure 32-10) displays the engine crankshaft speed in revolutions per minute (rpm).

Governed rpm:

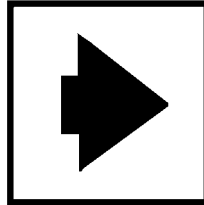
Low Idle - 750 rpm

High Idle, No load - 1,950 rpm maximum

High Idle, Full Load - 1,900 rpm

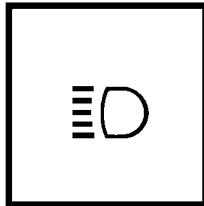
Right Turn Signal Indicator Light

Right turn signal indicator light (15, Figure 32-10) illuminates to indicate the right turn signals are operating.



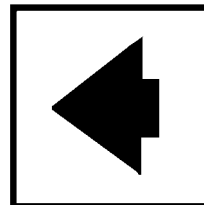
High Beam Headlight Indicator Light

High beam headlight indicator light (16, Figure 32-10), when lit, indicates that the truck headlights are on high beam.



Left Turn Signal Indicator Light

Left turn signal indicator light (17, Figure 32-10) illuminates to indicate the left turn signals are operating.

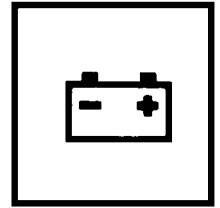


Digital Speedometer/Payload Meter Display

Digital speedometer/payload meter display (18, Figure 32-10) indicates the truck speed in miles per hour (mph). With an optional speedometer, it may indicate the truck speed in kilometers per hour (kph). The display also shows the payload meter information. For more information, see Payload Meter, Section 60.

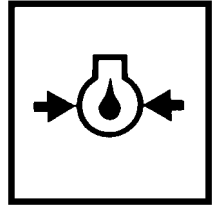
Voltmeter Gauge

Voltmeter gauge (19, Figure 32-10) indicates the voltage of the 24V battery system. Normal indicated voltage at high rpm is 27 to 28 volts with the batteries in the fully charged condition. When key switch (1) is in the RUN position and the engine is stopped, the voltmeter gauge indicates the battery charge condition.



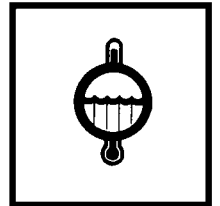
Engine Oil Pressure Gauge

Engine oil pressure gauge (20, Figure 32-10) indicates the pressure in the engine lubrication system in pounds per square inch (psi). Normal operating pressure after engine warm up is 138 - 250 kPa (20 to 35 psi) at idle speed. If oil pressure is below this range, a problem may exist. Shut the engine off and notify maintenance personnel.



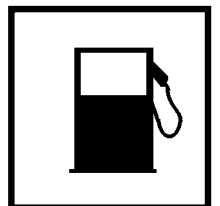
Engine Water Temperature Gauge

Engine water temperature gauge (21, Figure 32-10) indicates the temperature of the coolant in the engine cooling system. The temperature range after engine warm-up in normal conditions is 74° - 91°C (165° - 195°F). Temperatures outside of this range may indicate a problem.



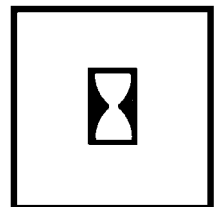
Fuel Gauge

Fuel gauge (22, Figure 32-10) indicates how much diesel fuel is in the fuel tank. Fuel tank capacity is 3 217 liters (850 gallons.)



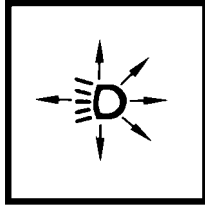
Engine Hourmeter

Engine hourmeter (24, Figure 32-10) displays the total number of hours the engine has been in operation.



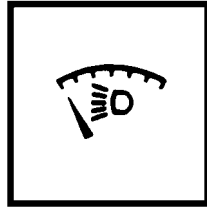
Headlight Switch

Instrument panel lights, clearance lights, and headlights are controlled by headlight switch (27, Figure 32-10). OFF is selected by pressing the bottom of the switch. Press the top of the switch until it reaches the first detent to select the panel, clearance, and tail lights only. Press the top of the switch again until it reaches the second detent to select the headlights, as well as the panel, clearance, and tail lights.



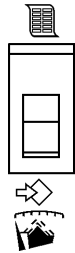
Panel Illumination Lights Dimmer Rheostat

Panel illumination lights dimmer rheostat (28, Figure 32-10) allows the operator to vary the brightness of the instruments and panel lights. Rotating the knob to the full counterclockwise position turns the panel lights on to the brightest condition. Rotating the knob clockwise continually dims the lights until the OFF position is reached at the full clockwise rotation.



Payload Meter Switch

Payload meter switch (29, Figure 32-10) is a two-way, momentary switch. The top position is the select position which is used to step through the different displays. The lower position is the set position which is used to set the operator ID or clear the load and total ton counters. Refer to Payload Meter in this module for a complete description of the payload meter system and its functions.



OVERHEAD STATUS/WARNING INDICATOR LIGHT PANEL

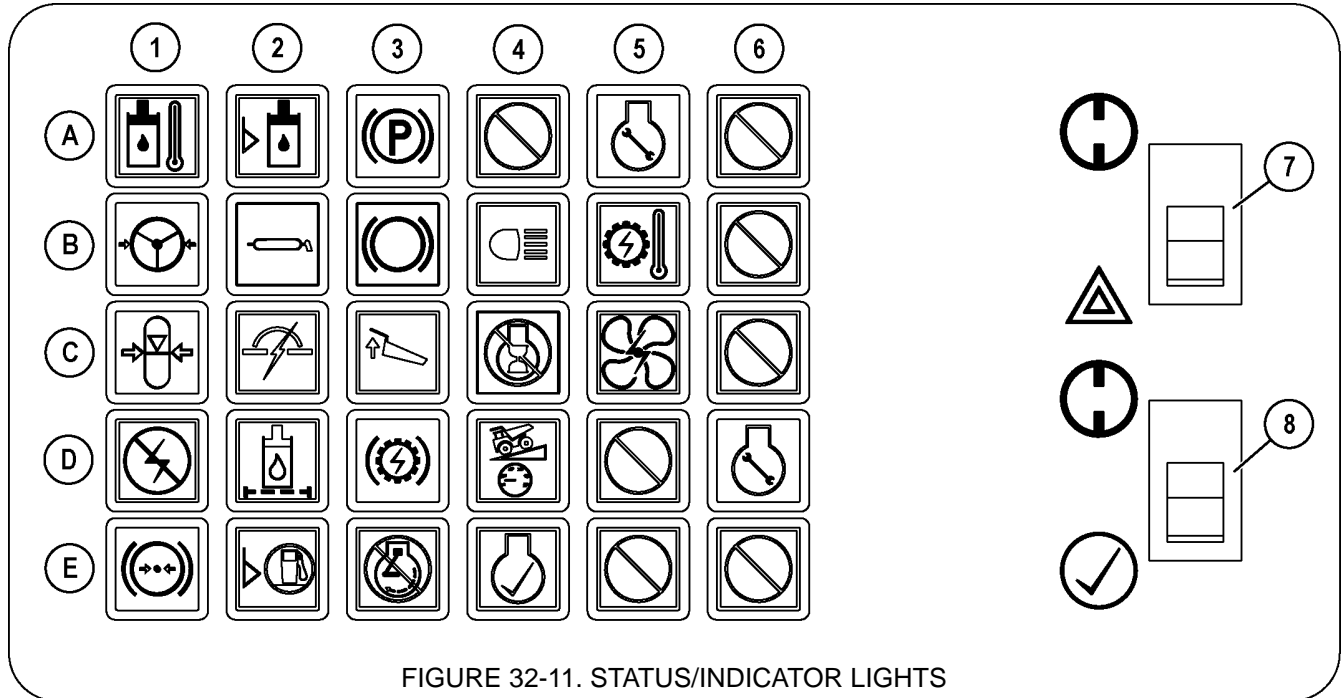


FIGURE 32-11. STATUS/INDICATOR LIGHTS

N050325

DESCRIPTION OF INDICATOR SYMBOLS

Row/ Column	Indicator Description	Indicator Color Wire Index
A1	High Hydraulic Oil Temperature	Red - 12FD3/34TL
B1	Low Steering Pressure	Red - 12FD/33A
C1	Low Accumulator Precharge Pressure	Red - 12F/33K
D1	Electric System Fault Warning	Red - 12F/79V
E1	Low Brake Pressure	Red - 12F/33L
A2	Low Hydraulic Tank Level	Red - 12FD4/34LL
B2	Low Automatic Lubrication System Pressure	Amber - 12FD8/68LLP
C2	Circuit Breaker Tripped	Amber - 12FD/31CB
D2	Hydraulic Oil Filter	Amber - 12FD/39
E2	Low Fuel Indicator	Amber - 12FD5/38
A3	Parking Brake Indicator	Amber - 12MD/52A
B3	Service Brake Indicator	Amber - 12MD/44L
C3	Body Up Indicator	Amber - 12MD6/63L
D3	Dynamic Retarding Indicator	Amber - 12MD/44DL
E3	Stop Engine Warning	Red - 12M/509MA

Row/ Column	Indicator Description	Indicator Color Wire Index
A4	Blank - For Future Use	Amber - 12MD/SP2
B4	Backup Indicator	Amber - 12MD/47L
C4	Engine Shutdown Timer - Three Minute Idle	Amber - 12MD/23L1
D4	Retard Speed Control	Amber - 12MD/31R
E4	Check Engine	Red - 12MD7/419
A5	Service Engine Indicator (AEM)	Blue - 12MD/528A
B5	High Wheel Motor Temperature Indicator	Red - 12FD1/722L
C5	Blower Fault Warning	Red - 12FD2/32B
D5	Blank - For Future Use	Amber - 12F/SP4
E5	Blank - For Future Use	Amber - 12FD/SP5D1
A6	Blank - For Future Use	Amber - 12M/SP6
B6	Blank - For Future Use	Red - 12M/SP7D2
C6	Blank - For Future Use	Amber - 12MD/SP7D1
D6	Service Engine (CENSE)	Amber - 528/12MD
E6	Blank - For Future Use	Red - 12MD/SP5D2

7. HAZARD LIGHT SWITCH - Wires 11L/45L/45R

8. LAMP CHECK SWITCH (Momentary) -
Wire 712/52B/33H/710

INDICATOR LIGHT FUNCTIONS

Amber indicator lights alert the operator the indicated truck function requires some precaution when lighted.

Red indicator lights alert the operator the indicated truck function requires immediate action. Safely stop the truck and shut the engine off.

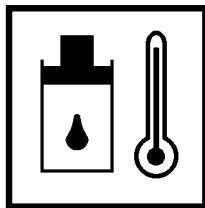
WARNING

To prevent possible death or severe injury, DO NOT operate the truck with a red warning light illuminated.

Refer to Figure 32-11 and the descriptions below for explanations of the symbols. Location of the symbols is described by rows (A-E) and columns (1-6).

A1. High Hydraulic Oil Temperature

This red warning light indicates high oil temperature in the hydraulic tank. Continued operation could damage components in the hydraulic system.

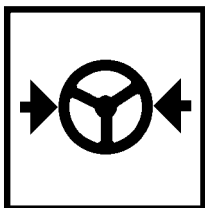


The light illuminates at 107°C (225°F)

If this condition occurs, the operator must safely stop the truck, move selector switch to PARK, and operate engine at 1,200 - 1,500 rpm to reduce system temperature.

B1. Low Steering Pressure

When the key switch is turned ON, low steering pressure warning light will illuminate until the steering system hydraulic pressure reaches 14 479 kPa (2,100 psi). The warning horn will also turn on, and both will remain on until the accumulator has been charged.



During truck operation, the low steering pressure warning light and warning horn will sound if the steering system hydraulic pressure drops below 14 479 kPa (2,100 psi.)

- If the light illuminates momentarily (flickers) while turning the steering wheel at low truck speed and low engine rpm, this may be considered normal, and the truck operation may continue.
- If the indicator light illuminates at higher truck speed and high engine rpm, stop the truck and notify maintenance.

WARNING

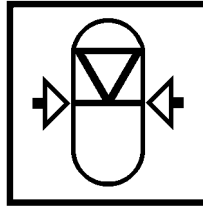
If the low steering warning light continues to illuminate and the alarm continues to sound, low steering pressure is indicated. The remaining pressure in the accumulators allows the operator to control the truck to a stop. If the oil pressure continues to decrease, the brake auto-apply feature will activate and the service brakes will apply automatically to stop the truck. DO NOT attempt further operation until the malfunction is located and corrected.

1. Stop the truck as quickly as possible by using the foot pedal to apply the service brakes. If possible, steer the truck to the side of the road while braking.
2. As soon as the truck has stopped moving, shift the directional control lever to PARK. This will apply the parking brake.
3. Slowly release the service brakes to check the capacity of the parking brake. If the parking brake can not hold the truck stationary, apply the service brakes and hold them ON. DO NOT turn the key switch OFF, and do not release the service brakes.
4. Notify maintenance personnel immediately.
5. If the truck is on level ground, or if the parking brake can hold the truck stationary and the truck is in a stable condition, it is then OK to turn the key switch OFF.
6. If safe to do so, have maintenance personnel place wheel chocks or other mechanisms in front or behind the wheels to reduce the risk of the truck rolling.
7. If traffic is excessive near the disabled machine, mark the truck with warning flags during daylight hours or use flares at night. Adhere to local regulations.

NOTE: If the engine is stopped, and the key switch is OFF and the light is flashing, a malfunction has been detected in the accumulator bleeddown system, indicating there is still hydraulic pressure in the system. The system/component system failure light will also be illuminated, and the warning horn will be on. DO NOT operate the truck, and notify maintenance personnel.

C1. Low Accumulator Precharge Pressure

The low accumulator precharge warning light, if illuminated, indicates low nitrogen precharge for the steering accumulator(s). To check for proper accumulator nitrogen precharge, the engine must be stopped and the hydraulic system completely bled down.



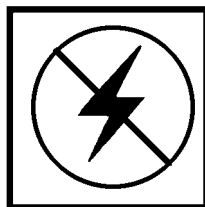
Turn the key switch to the RUN position. The warning light will *not* illuminate if the accumulators are properly charged. The warning light will flash if the nitrogen precharge within the accumulator(s) is below $7\,585 \pm 310$ kPa ($1,100 \pm 45$ psi)



If the low accumulator precharge warning light flashes, notify maintenance personnel immediately. Do not attempt further operation until the accumulators have been recharged with nitrogen. Refer to the shop manual for proper charging instructions. If nitrogen precharge pressure is low, sufficient oil for emergency steering may not be available.

D1. Electric System Fault

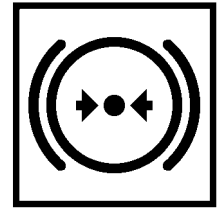
The electric system fault warning light will flash on and off when a malfunction occurs in the electrical system. The warning horn will also sound intermittently. When the light comes ON, the propulsion will be dropped automatically. Reset by pushing the override button. If the fault repeats again, stop the truck and report the problem to maintenance personnel.



NOTE: STATEX III records the number of faults/events. When a predetermined number of faults/events are recorded within a given time frame, the operator will not be able to reset the fault/event by using the override switch. If this occurs, notify maintenance personnel immediately.

E1. Low Brake Pressure

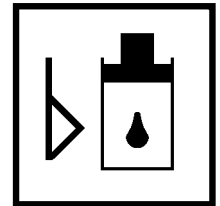
This red indicator light indicates a malfunction within the hydraulic brake circuit. If this light illuminates and the buzzer sounds, **stop the truck, shift to PARK, and turn the engine off.** Notify maintenance personnel.



NOTE: Adequate hydraulic fluid is stored to allow the operator to safely stop the truck.

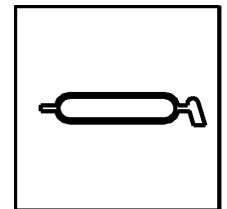
A2. Low Hydraulic Tank Level

This warning light indicates the oil level in the hydraulic tank is below recommended level. Damage to hydraulic pumps may occur if operation continues. Stop the truck and turn the engine off. Notify maintenance personnel immediately.



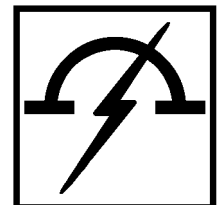
B2. Automatic Lubrication System Pressure

This amber light will illuminate if the automatic lubrication system fails to reach 13 790 kPa (2,000 psi) at the junction block located on the rear axle housing within a specified time after the lube timer initiates a cycle of grease. To turn the light off, turn key switch OFF, then back to ON again. Notify maintenance personnel at earliest opportunity after light comes on.



C2. Circuit Breaker Tripped

This amber light will illuminate if any of the circuit breakers in the relay circuit control boards are tripped. The relay circuit boards are located in the electrical control cabinet.



NOTE: Additional circuit breakers are located in the operator cab behind the center console. However, tripping of these circuit breakers will not activate this light.

D2. Hydraulic Oil Filter Monitor

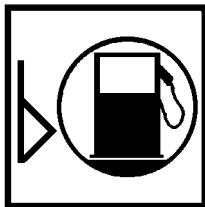
This amber light indicates a restriction in the high pressure filter assembly for either the steering or hoist circuit. This light will illuminate before filters start to bypass. Notify maintenance personnel at earliest opportunity after the light illuminates.



NOTE: The filter monitor warning light may also illuminate after the engine is initially started if the oil is cold. If the light turns off after the oil has warmed, filter maintenance is not required.

E2. Low Fuel

This amber low fuel indicator light will illuminate when the usable fuel remaining in the tank is approximately 95 liters (25 gallons). A warning buzzer will also sound.



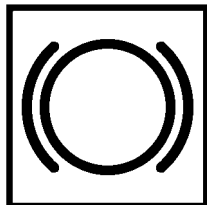
A3. Parking Brake

Amber parking brake indicator light will illuminate when the parking brake is applied. DO NOT attempt to drive the truck with the parking brake applied.



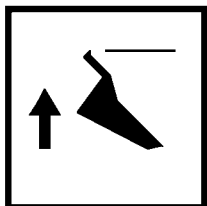
B3. Service Brake

This amber service brake indicator light will illuminate when the service brake pedal is applied or when wheel brake lock is applied. DO NOT attempt to drive the truck from stopped position with the service brakes applied.



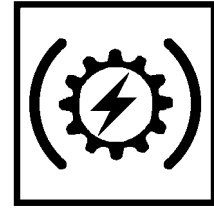
C3. Body Up

This amber body up indicator, when illuminated, indicates that the body is not completely down on the frame. The truck must not be driven until body is down and the light is off.



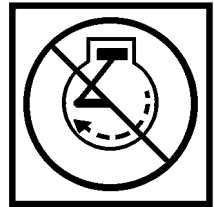
D3. Dynamic Retarding

This amber dynamic retarding indicator light illuminates whenever the retarder pedal is operated, RSC is activated, or the automatic overspeed retarding circuit is energized. It indicates that the dynamic retarding function of the truck is being used.



E3. Stop Engine

Red stop engine warning light will illuminate if a serious engine malfunction is detected in the electronic engine control system. Electric propulsion to the wheel motors will be discontinued, and the maximum engine speed will be reduced to 1,250 rpm. Dynamic retarding will still be available if needed to slow or stop the truck.



- Electric propulsion to the wheelmotors will be discontinued.
- Dynamic retarding will still be available if needed to slow or stop the truck.

CAUTION

1. Stop the truck as quickly as possible in a safe area and shift to PARK.
2. PULL UP ON THE ENGINE STOP SWITCH ON THE CENTER CONSOLE TO STOP THE ENGINE, THEN TURN THE KEY SWITCH OFF. Additional engine damage is likely to occur if operation is continued.

Notify maintenance personnel immediately.

Listed below are a few conditions that could cause the stop engine light to illuminate:

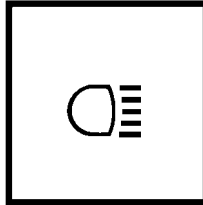
- Low Oil Pressure - red warning light will illuminate, but the engine does not stop.
- Low Coolant Level - red warning light will illuminate, but the engine does not stop.
- Low Coolant Pressure - red warning light will illuminate, but the engine does not stop.
- High Coolant Temperature - red warning light will illuminate, but the engine does not stop.

A4. Not Used

This light is reserved for future use.

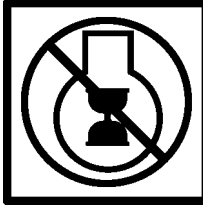
B4. Manual Backup Lights

This amber indicator will illuminate when the manually operated manual backup light switch (5, Figure 32-10) is turned ON.



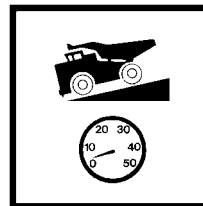
C4. Engine Shutdown Timer

When engine shutdown timer switch (2, Figure 32-10) has been activated, indicator light will illuminate to indicate the shutdown timing sequence has started.



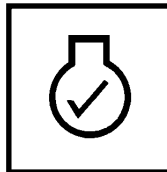
D4. Retard Speed Control (RSC)

This amber light is illuminated when the RSC switch mounted on the console is pulled out to the ON position. The light indicates the retarder is active. It is for feedback only and does not signal a problem.



E4. Check Engine

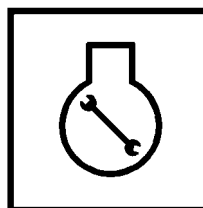
This amber indicator light will illuminate if a malfunction is detected by the engine electronic control system.



If this indicator illuminates, truck operation may continue, but maintenance personnel should be alerted as soon as possible.

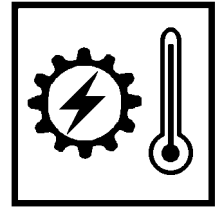
A5. Service Engine Indicator (AEM)

This amber service engine indicator light will illuminate when the Advanced Engine Monitor (AEM) system detects a fault. A warning buzzer will also sound.



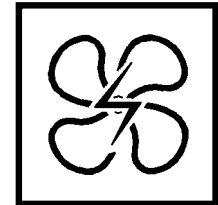
B5. High Wheel Motor Temperature

When high wheel motor temperature indicator light is illuminated and the alarm sounds, high wheel motor temperature is indicated. Stop the truck, place the selector switch in NEUTRAL, and raise the engine rpm to high idle for several minutes to cool the wheel motors. If the indicator does not turn off, notify maintenance personnel.



C5. Blower Fault

This blower fault warning indicator light will flash on and off. An alarm will sound if a malfunction occurs in the cooling air circuit for the alternator and motorized wheels. Stop the truck immediately, and notify maintenance personnel if the warning light is illuminated. Damage to electrical components may result without the proper ventilation of the blower.

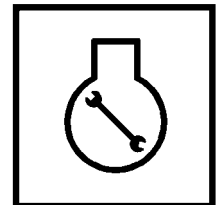


D5, E5, A6, B6, and C6. Not Used

These lights are reserved for future use.

D6. Service Engine (CENSE)

When the key switch is turned to the RUN position before starting the engine, amber service engine indicator light will illuminate for about two seconds. The light will then turn off if no faults are detected in the system. If this indicator remains on, or flashes when equipped with the Centry™ fuel control system, alert maintenance personnel as soon as possible.



E6. Not Used

This light is reserved for future use.

Komatsu Engines w/Centry™ Fuel Control

This indicator monitors the Centry™ fuel system. During engine operation, if a fault is detected in the system, the light will turn on and stay on indicating a warning fault. For more severe faults that can affect engine operation, the light will flash indicating that immediate attention is required.

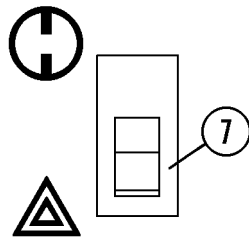
- Warning faults (light on) are ones that require attention in the near future, but in most conditions, will not greatly affect governing performance.
- Severe faults (light flashing) are ones that require immediate attention, because Centry™ governor performance could be significantly affected, resulting in a backup mode of operation.

Active fault conditions must be corrected as soon as possible.

Refer to the lamp test/diagnostic test switch for additional description of this light's function.

Hazard Warning Light Switch

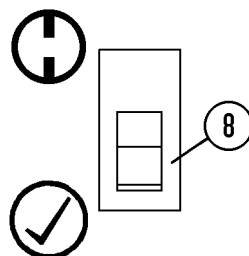
Hazard warning light switch (7) flashes all the turn signal lights. Pressing the bottom side of the rocker switch toward the triangle activates these lights. Pressing the top side of the rocker switch toward the OFF symbol turns these lights off.



Lamp Test Switch/Centry™ Diagnostic Test Switch

This switch may be used for the lamp test, and for Centry™ diagnostic tests (8) on engines equipped with Centry™ fuel control.

The lamp test switch is provided to allow the operator to test the indicator lamps prior to starting the engine. To test the lamps and the warning horn, turn key switch (1, Figure 32-10) to the RUN position, and press the bottom side of the rocker switch for the CHECK position. All lamps will illuminate, except those which are for optional equipment that is not installed. The warning horn will also sound. Any lamps that do not illuminate indicate a problem in that circuit. Notify maintenance before driving the truck. Releasing the spring-loaded switch will allow the switch to return to the OFF position.



For diagnostic tests of a Komatsu engine equipped with the Centry™ fuel control, refer to Centry™ Diagnostics at the end of this section.

NOTE: *DO NOT* perform lamp test while truck is running.

VEHICLE HEALTH MONITORING SYSTEM (VHMS)

BASIC PRECAUTIONS

- DO NOT disassemble, repair, or modify the VHMS system. This may cause failure or fire.
- DO NOT touch any system components when operating the machine.
- DO NOT pull on wiring harnesses, connectors, or sensors. This may cause short circuits or disconnections that lead to failure or fire.
- DO NOT get water, dirt, or oil on the system controllers.
- If there are any problems with the VHMS system, please consult the servicing Komatsu distributor.

OPERATION

The VHMS system automatically monitors the condition of the truck and requires no action from the truck operator and its systems.

This system uses VHMS controller (2, Figure 32-12) to gather data about the operation of the truck from the sensors and other controllers installed on the truck. The data stored in the VHMS controller is collected by personal computer or transmitted directly by communications satellite (utilizing the Orbcomm controller). This data is then compiled by the Komatsu computer server. Based on this information, the servicing Komatsu distributor will suggest improvements or provide information aimed at reducing machine repair costs and downtime.

When data store button (2, Figure 32-13), located on the back of the center console, is pressed, it will store a snapshot of the Statex III drive system. It will also trigger the VHMS system to store a snapshot of the truck operating system. Snapshot light (4, Figure 32-12) is a blue light that illuminates while the VHMS system is recording the snapshot.

The VHMS system is turned on by the truck key switch. Immediately after receiving 24V power from the key switch, the VHMS controller begins the power-up initialization sequence. This sequence takes about three seconds, during which time red LED digits (3) near the top of the controller will display a circular sequence of flashing LED segments.

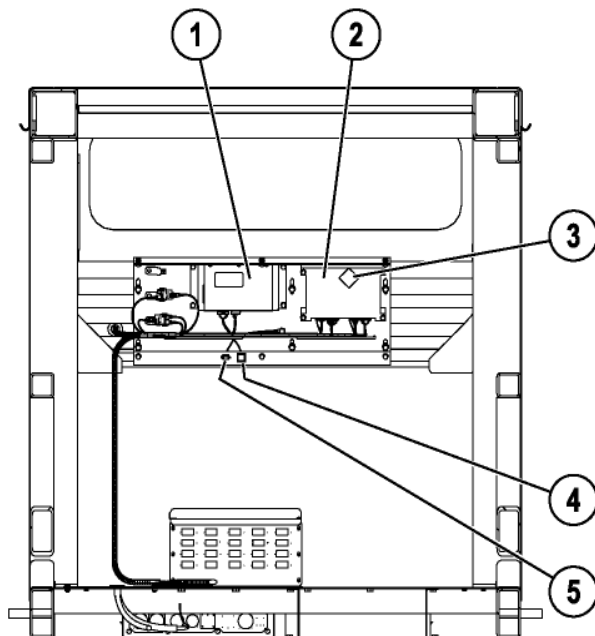
During normal truck operation, the red LED digits on the VHMS controller will count from 1-99 continuously.

When the key switch is turned OFF, the VHMS controller will remain on while it finishes processing internal data and saves the recent data into permanent memory. When the data has been safely stored, the two digit LED display will turn off. This process could take up to three minutes to complete.

WARNING

If the 24V power is disconnected from the VHMS controller before it has completed its shut down procedure, the VHMS controller will lose all data gathered since the key switch was last turned on. DO NOT disconnect battery power until the VHMS controller has completed the shutdown procedure and has turned the LED digits off.

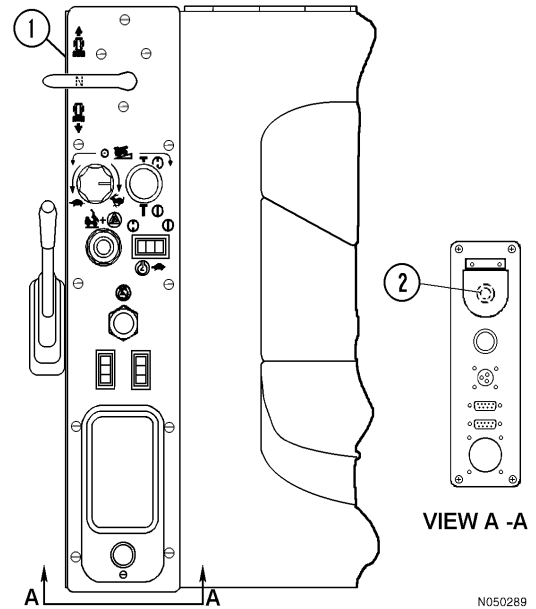
The Orbcomm controller transmits data through antenna (1, Figure 32-14) mounted on top of the cab. The antenna coaxial cable is routed through tube (2) to protect it from damage. If the antenna or coaxial cable is damaged, replace the parts.



N050288

FIGURE 32-12. VHMS COMPONENT LOCATION

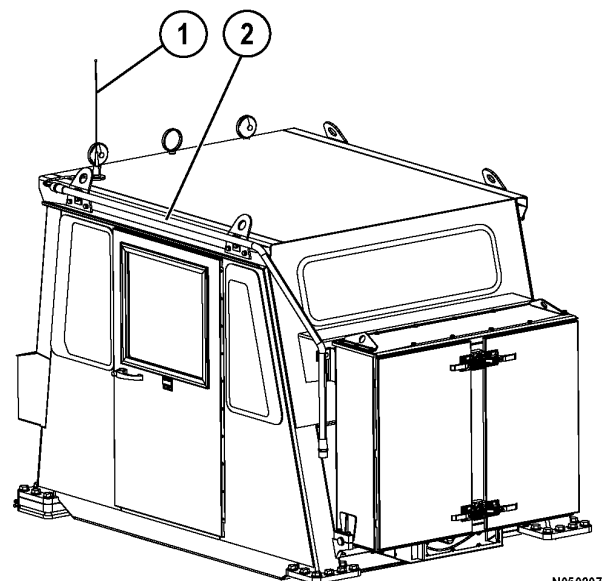
- 1. Orbcomm Controller
- 2. VHMS Controller
- 3. LED Digits
- 4. Snapshot Light
- 5. VHMS Download Port



N050289

FIGURE 32-13. CENTER CONSOLE

- 1. Center Console
- 2. Data Store Button (Statex III and VHMS)



N050207

FIGURE 32-14. ORBCOMM ANTENNA

- 1. Orbcomm Antenna
- 2. Tube

INTERFACE MODULE

Interface module (3, Figure 32-16) is located inside control cabinet (1, Figure 32-15). The interface module is attached inside door (2).

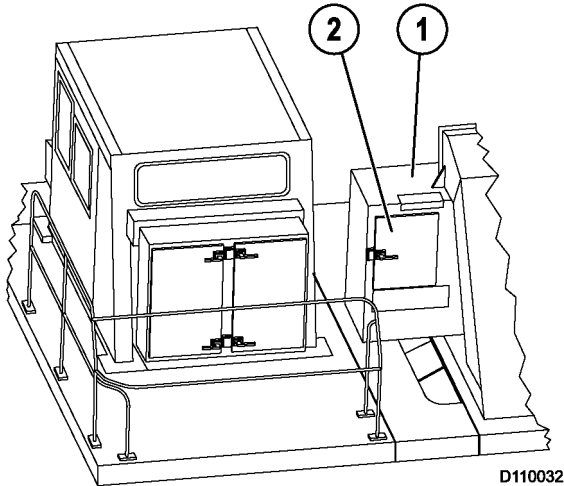


FIGURE 32-15. CONTROL CABINET

- 1. Control Cabinet
- 2. Door

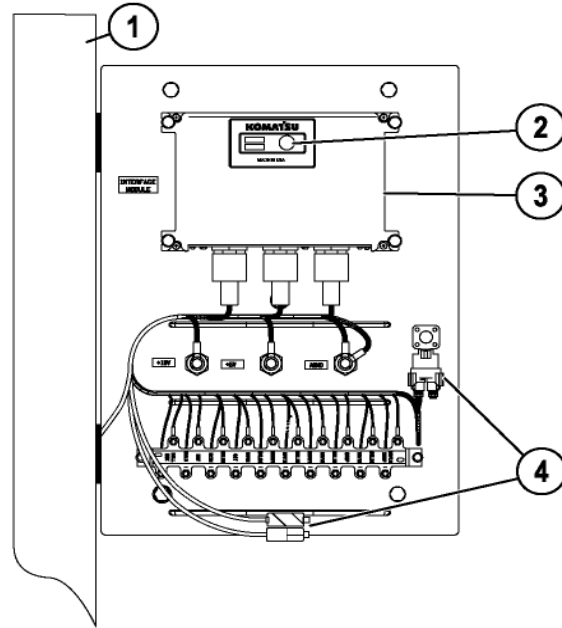


FIGURE 32-16. INTERFACE MODULE LOCATION

- 1. Control Cabinet
- 2. Green LED Light
- 3. Interface Module (IM)
- 4. IM-Diag Connector (9-Pin)

The Interface Module (IM) receives data from the sensors installed on the truck and sends this information to the VHMS controller. There is a small green LED light (2, Figure 32-16) on the face of the controller. With the key switch ON, the light will blink. If the light is continuously illuminated, there is a problem in the controller.

When a new interface module controller is installed on the truck, new software must be installed inside the controller. IM-diag connector (4) is used to connect the interface module to a personal computer for installing software.

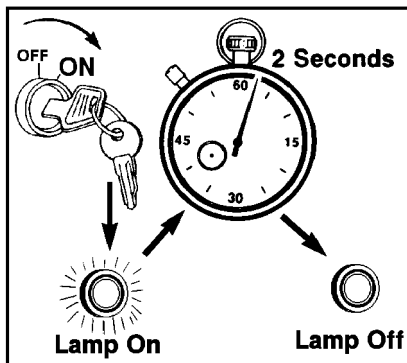
IM-diag connector (4) may also be located at the center, right-hand side of the door.

CENTRY™ FUEL SYSTEM DIAGNOSTICS

GENERAL OPERATION

Service engine indicator light (D6, Figure 32-11) monitors the Centry™ fuel system.

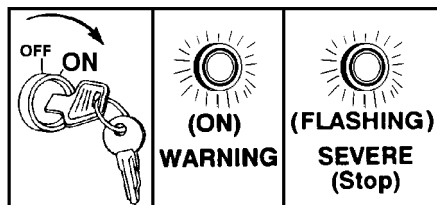
When the key switch is turned on, this light will illuminate for about two seconds and then turn off, if no faults are detected in the system. If the light stays on or flashes, then active faults have been detected by the system. **DO NOT** start the engine if the indicator remains lit.



N040008

DETERMINING FAULT CODES

During engine operation, if a fault is detected in the system, the light will turn on and stay on indicating a warning fault. For more severe faults that can affect engine operation, the light will flash indicating that immediate attention is required..



Warning faults (light on) are ones that require attention in the near future, but in most conditions, will not greatly affect governing performance.

Severe faults (light flashing) are ones that require immediate attention, because Centry™ governor performance could be significantly affected, resulting in a backup mode of operation.

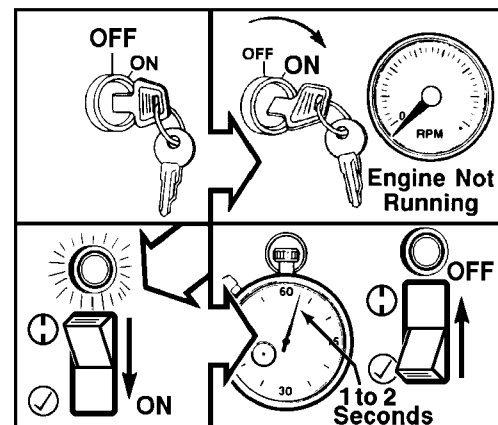
Active fault conditions must be corrected as soon as possible.

Lamp test/diagnostic test switch (8, Figure 32-11) may be used to activate the Centry™ fuel system diagnostic codes. When the Centry™ fuel system detects a fault and service engine indicator light (D6, Figure 32-11) illuminates, this switch will permit identification of the fault(s) detected.

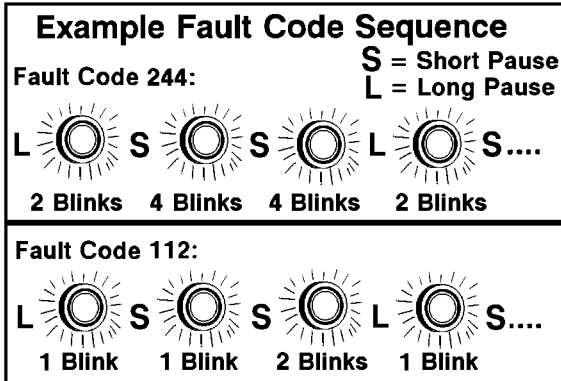
Centry™ fault codes consist of three numerical digits. Each digit is indicated with up to five light flashes (service engine indicator light) per each digit. There is a short pause between each digit of the fault code. Once all three digits are flashed, there is a longer pause, followed by a repeat of the same fault code sequence.

1. To determine an active Centry™ fault, turn the key switch to the OFF position. Ensure the engine completely stops, if it was on.
2. Turn the key switch to the ON position (engine not on), and press the lamp test switch to the bottom (√) position for one to two seconds, then release. The switch is spring-loaded and will return to the OFF position.

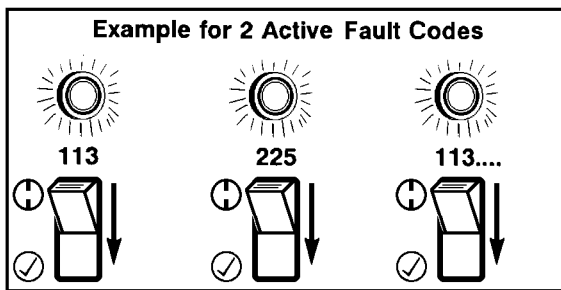
NOTE: Since this is the lamp test switch, all red warning lights and amber indicator lights will light except those that are blank. The warning horn will also sound.



3. If there is an active fault after releasing the switch, there will be a short pause, followed by the first fault code.

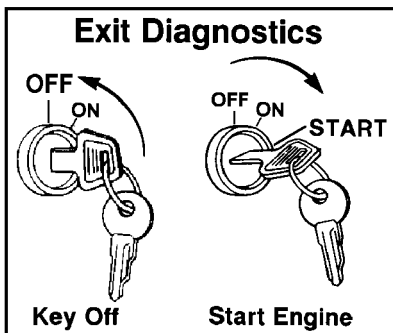


- Pressing the lamp test switch to the bottom (√) again will advance to the next fault code (if more than one code is present). Once all the active fault codes have been displayed, the fault code display sequence will be repeated, starting from the first fault code.



EXITING THE DIAGNOSTICS MODE

Starting the engine or turning the key switch to the OFF position will exit the diagnostics fault flash mode.



If active fault codes have been identified, refer to the Cummins Centry™ System Troubleshooting and Repair Manual, Bulletin No. 3666070, or contact an authorized repair location.

LUBRICATION AND SERVICE

GENERAL INFORMATION

The recommended preventive maintenance will contribute to the long life and dependability of the truck and its components. The use of proper lubricants and the performance of checks and adjustments at recommended intervals is most important.

Lubrication requirements are referenced to the lube key found in the Lubrication chart in this section. For detailed service requirements for specific components, refer to the shop manual.

Refer to the manufacturer's service manual when servicing any components of the General Electric system.

Refer to the engine manufacturer's service manual when servicing the engine or any of its components.

730E SERVICE CAPACITIES		
	Liters	US Gallons
Crankcase (including lube oil filters)	223	59
Cooling System	409	108
Hydraulic System	731	193
Wheel Motor Gear Box (each side)	40	10.5
Fuel Tank (diesel fuel only)	3 217	850

The service intervals presented here are in hours of operation. These intervals are recommended as a substitute for an oil analysis program, which may determine different intervals. However, if the truck is being operated in extreme conditions, some, or all of the intervals, may need to be shortened and the service performed more frequently.

Komatsu trucks are equipped with an automatic lubrication system. The system is designed to automatically deliver the proper amount of lubricant to a specified lubrication point such as a steering cylinder pin or body pivot pin. This system uses lubrication injectors, one for each lubrication point, which can be adjusted to supply the precise amount of lubricant to each specific lubrication point. A timer is also designed into the system to activate the lube pump on a preset interval. This time interval is adjustable, depending on the requirements for lubrication. For additional information on the system, refer to Automatic Lubrication System in this manual.

HYDRAULIC TANK SERVICE

There are two sight gauges on the side of the hydraulic tank. With the engine stopped, key switch off, hydraulic system not pressurized, and body down, the oil must be visible in the top sight gauge. If the hydraulic oil is not visible in the top sight gauge, follow the Adding Oil instructions below.

Adding Oil

Keep the system open to the atmosphere only as long as absolutely necessary to lessen the chances of system contamination.

Service the tank with clean type C-4 hydraulic oil only. All oil being put into the hydraulic tank must be filtered to a cleanliness of 3 microns or less.

1. With the engine stopped, key switch off, hydraulic system not pressurized, and body down, hydraulic oil must be visible in the top sight glass.
2. If the hydraulic oil is not visible in the top sight gauge, remove the tank fill cap and add clean, filtered C-4 hydraulic oil. Fill with oil until it is visible in the top sight glass.
3. Install the fill cap.
4. Start the engine. Raise and lower the dump body three times.
5. Repeat this procedure until the oil is maintained in the top sight glass with the engine stopped, body down, and hydraulic system not pressurized.

COOLING SYSTEM SERVICE

Check the coolant sight gauge. If the coolant cannot be seen in the sight gauge, add coolant to the cooling system before operating the truck. Refer to the following section for the proper filling procedure.

Radiator Filling Procedure



The cooling system is pressurized due to thermal expansion of coolant. Do not remove the radiator cap while the engine and coolant are hot. Severe burns may result.

1. With the engine and coolant at ambient temperature, and remove the radiator cap.

NOTE: If the coolant is added using the Wiggins quick fill system, the radiator cap must be removed prior to adding the coolant.

2. Fill the radiator with the proper coolant mixture, as specified by the engine manufacturer, until the coolant is visible in the sight gauge.
3. Install the radiator cap.
4. Start the engine and allow to idle for five minutes. Check the coolant level at the sight gauge.
5. If the coolant is not visible in the sight gauge, repeat the procedure. Any excess coolant will be discharged through a vent hose after the engine reaches normal operating temperature.

COOLING SYSTEM ANTIFREEZE RECOMMENDATIONS (Ethylene Glycol Permanent Type Antifreeze)		
Percentage of Antifreeze	Protection To	
10	- 5°C	+23°F
20	- 9°C	+16°F
25	- 11°C	+11°F
30	- 16°C	+4°F
35	- 19°C	- 3°F
40	- 24°C	- 12°F
45	- 30°C	- 23°F
50	- 36°C	- 34°F
55	- 44°C	- 48°F
60	- 52°C	- 62°F

Use only antifreeze that is compatible with the engine, as specified by the engine manufacturer.

RESERVE ENGINE OIL SYSTEM - (IF EQUIPPED)

The reserve engine oil system is designed to add more oil capacity to the engine to reduce the frequent servicing of the engine oil. The engine oil level must still be checked every shift by using the dipstick. If the engine oil level is not correct, check for proper operation of the reserve engine oil system. Never add oil to the engine unless it has been drained.

If the engine oil has been drained from the oil pan, new oil must be added to the engine oil pan before starting. Do not use the oil in the reserve tank to fill an empty engine with oil. After an oil change, both the engine and reserve tank must be full of oil before starting the engine.

Reserve Oil Tank Filling Procedure (Remote Fill)

1. Connect the pressure supply hose from the new oil supply to the quick coupler on the truck. Open the valve on the supply hose to apply pressure.
2. On remote control box (1, Figure 40-1), pull out on power switch (2) to turn on the system.
3. Push start switch (3). VALVE OPEN light (5) should illuminate and the filling process will begin.
4. When the tank is full, the VALVE OPEN light will turn off and FULL light (4) will illuminate.
5. Close the oil supply valve in the fill hose.
6. Press start switch (3) for a couple of seconds.
7. Disconnect the new oil supply hose.
8. Push power switch (2) to turn off the system.

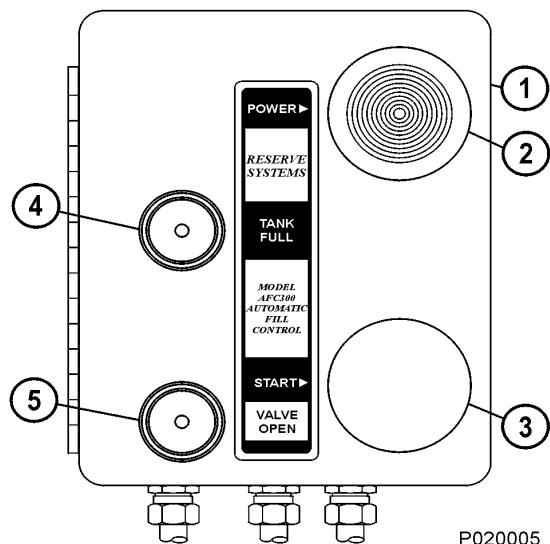


FIGURE 40-1. CONTROL PANEL

- | | |
|-----------------------|---------------------|
| 1. Remote Control Box | 4. FULL Light |
| 2. Power Switch | 5. VALVE OPEN Light |
| 3. Start Switch | |

LEFT-HAND FUEL RECEIVER - OPTIONAL (WIGGINS QUICK FILL)

Left-Hand Quick Fill fuel receiver assembly (3, Figure 4-7) is mounted under the hydraulic tank on the left-hand side of the truck.

Keep the cap (4) on the fuel receiver to prevent dirt-build up in valve area and nozzle grooves.

If fuel spills from the fuel tank (1) breather valve, or if the tank does not completely fill, check the breather-valve to see whether the float balls are in place and the overflow tube is clean. If the breather valve is operating properly, the problem will most likely be in the fuel supply system.

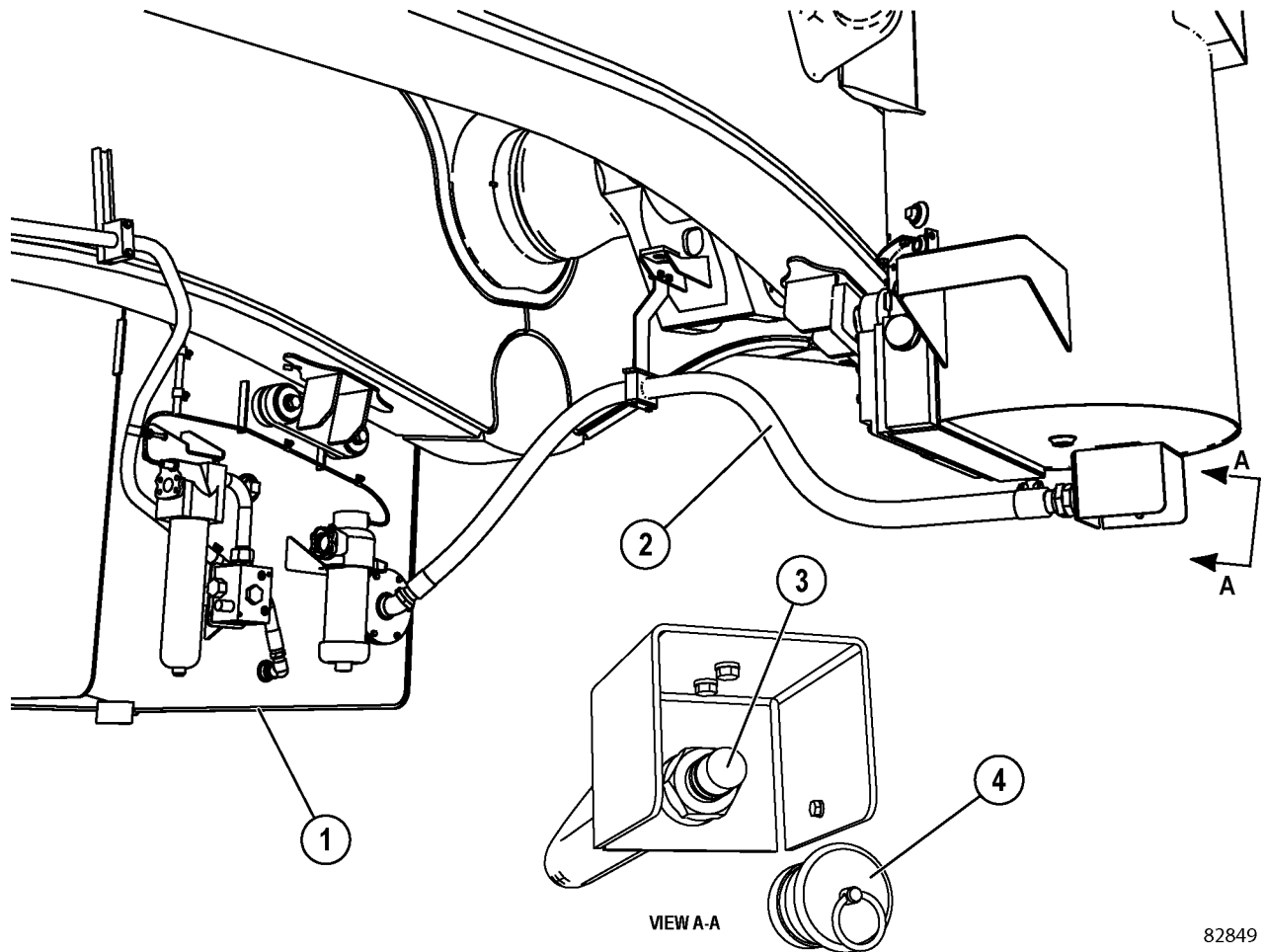


FIGURE 4-2. LEFT-HAND FUEL RECEIVER

- 1. Fuel Tank
- 2. Hose

- 3. Fuel Receiver
- 4. Cap

LUBRICATION CHART

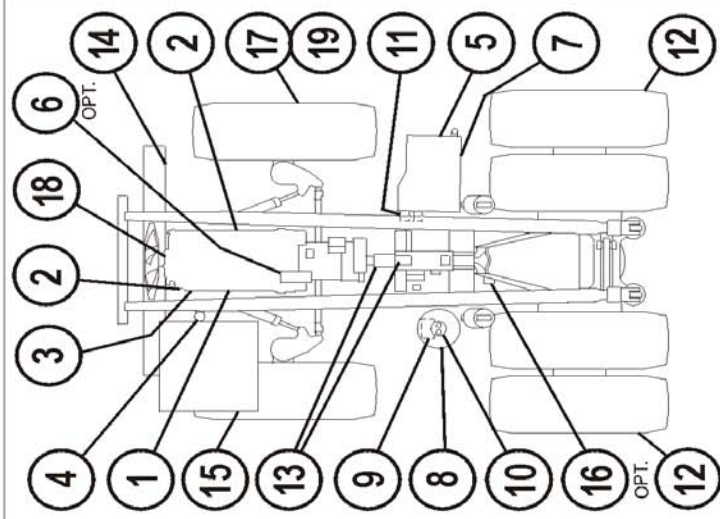
LUBRICATION CHART

LUBRICATION SPECIFICATIONS

LUBE KEY	TYPE LUBRICANT
A	ENGINE OIL SEE ENGINE MANUAL
B	HYDRAULIC OIL SAE 10W C-4
C	HEAVY-DUTY SYNTHETIC GEAR OIL SEE DRIVE SYSTEM MANUAL
D	MULTI-PURPOSE EXTREME PRESSURE GREASE NLGI NO.2 (5% MIN. MOLY-DISULFIDE)
E	MULTI-PURPOSE GEAR OIL SAE 80W-90

SYM	DESCRIPTION	LUBE KEY												
		PTS	10 HR	50 HR	100 HR	250 HR	500 HR	1000 HR	2000 HR	2500 HR				
1	CRANKCASE OIL LEVEL	1	A	CHECK										
2	ENGINE LUBE OIL FILTERS													
3	FUEL FILTER													
4	FUEL SEPARATOR (DAVCO)													
5	FUEL TANK													
6	GE PREFILTER BLOWER	1	D											
7	FUEL TANK BREATHER	1												
8	HYDRAULIC OIL LEVEL	1	B	CHECK										
9	HYDRAULIC STRAINER	2												
10	HYDRAULIC TANK BREATHER	2												
11	HYDRAULIC FILTERS	3		**	**	**	**	**	**	**	**	**	**	**
12	MOTORIZED WHEEL OIL LEVEL	2	C											
13	HYD. PUMP DRIVE SHAFT	2	D											
14	CHASSIS LUBE LEVEL	1	D											
15	SEAT SLIDES & STEER SHAFT	4	D											
16	WHEEL MOTOR BLOWER	2	D											
17	FRONT WHEEL BEARINGS ***	2	E											
18	FRONT TRUNION	1	D											
19	MAGNETIC PLUG FRONT WHL COVER ****	2												

SEE ENGINE MANUAL



630E, 730E, 830E, & 930E

* 1000 HR INTERVAL CAN BE EXTENDED TO 2500 HR PROVIDED OIL SAMPLING AND ANALYSIS IS CONDUCTED EVERY 250 HR.
 ** ONE-TIME CHANGE AT 50, 100 AND 250 HR.
 *** NOT APPLICABLE FOR 930E
 **** APPLICABLE FOR 930E ONLY

WB2790

10 HOUR (DAILY) LUBE AND MAINTENANCE CHECKS

Truck Serial Number _____ Site Unit Number _____ Date _____ Hourmeter _____ Name of Service Technician _____				
	TASK	COMMENTS	CHECKED	INITIALS
1.	MACHINE - Inspect the entire truck for leaks, worn parts, and damage. Repair as necessary.			
2.	FAN DRIVE AND TURBOCHARGERS - Check for leaks, vibration, or unusual noise. Check alternator and fan belt condition and alignment.			
3.	RADIATOR - Check the coolant level and fill with the proper mixture as shown in the Cooling System Recommendation Chart in this chapter. Refer to the engine manual for proper coolant additives.			
4.	ENGINE - a. Check the oil level. To obtain an accurate measurement, remove the dipstick and wipe it off. Then reinsert the dipstick and remove it again to check the oil level. Refer to the engine service manual for oil recommendations. b. Inspect exhaust piping for integrity. c. Check for abnormal noises and fluid leaks.			
5.	HYDRAULIC TANK - Check the oil level in the tank. The oil must be visible in the top sight glass. Add oil, if necessary, but do not overfill. Refer to Hydraulic Tank Service in this section for additional information. Use Lube Key "B".			
6.	WHEELS AND TIRES - FRONT AND REAR a. Verify the tires are properly inflated. b. Inspect the tires for abnormal wear or damage. c. Check for embedded debris in the tires. After each wheel installation, recheck the tightness of the wheel nuts after approximately five hours of operation. Check again at the end of the shift, and then periodically until all the nuts remain at 746 N·m (550 ft lbs) .			
7.	COOLING AIR DUCTWORK - Inspect ductwork from the blower to the rear drive case. Ensure that ductwork is secure, free of damage, and unrestricted.			
8.	AIR INTAKE PIPING - Check all mounting hardware, joints, and connections. Ensure no air leaks exist and all hardware is properly tightened.			

10 HOUR (DAILY) LUBE AND MAINTENANCE CHECKS (Continued)

Truck Serial Number _____ Site Unit Number _____ Date _____ Hourmeter _____ Name of Service Technician _____				
	TASK	COMMENTS	CHECKED	INITIALS
9.	AIR CLEANERS - Check the air cleaner vacuum gauges in the operator cab. The air cleaner(s) must be serviced if the gauge(s) shows the following maximum restriction: Komatsu SSA16V159 Engine: 6.2 kPa (25 in.) of H ₂ O vacuum. Refer to Section C in the shop manual for servicing instructions for the air cleaner elements. Empty the air cleaner dust caps. <i>NOTE: After service, push the reset button on face of gauge to allow the gauge to return to zero</i>			
10.	CAB AIR FILTER - Under normal operating conditions, clean every 250 hours. In extremely dusty conditions, service as frequently as required. Clean the filter element with mild soap and water. Rinse completely clean and air dry with a maximum of 275 kPa (40 psi). Reinstall the filter.			
11.	FUEL FILTERS (Fuel Separators) - Drain water from the bottom drain valve on each fuel separator.			
12.	AUTOMATIC LUBE SYSTEM - <ul style="list-style-type: none"> • Check the grease reservoir; fill as required. Lube Key "D". • When filling the reservoir, check the grease filter indicator. Clean or replace the grease filter if the indicator detects a problem. • Inspect the system and check for proper operation. Ensure the following important areas are receiving adequate amounts of grease. Lube Key "D". Steering Linkage Final Drive Pivot Pin Rear Suspension Pin Joints - Upper & Lower Body Hinge Pins - Both Sides Hoist Cylinders Pins - Upper & Lower Anti-sway Bar - Both Ends			

50 HOUR LUBRICATION AND MAINTENANCE CHECKS

Truck Serial Number _____ Site Unit Number _____ Date _____				
Hourmeter _____ Name of Service Technician _____				
	TASK	COMMENTS	CHECKED	INITIALS
1.	FUEL FILTERS - Change the fuel filters, (fuel separators). Refer to engine manufacturer's maintenance manual for fuel filter replacement instructions.			
2.	HYDRAULIC SYSTEM FILTERS - Replace filter elements only, after the initial 50, 100, and 250 hours of operation; then at each 500 hours of operation thereafter.			
3.	FAN DRIVE ASSEMBLY - After the first 50 hours of operation (new truck or new fan installation), check the tightness of the fan mounting cap screws - 122 N·m (90 ft lbs) .			
4.	MOTORIZED WHEELS - Check oil level. Refer to Motorized Wheel Maintenance Schedule in Section P of the shop manual for the lubrication specifications and service intervals.			

Complete the 10 hour lube and maintenance checks.

100 HOUR LUBRICATION AND MAINTENANCE CHECKS

Truck Serial Number _____ Site Unit Number _____ Date _____				
Hourmeter _____ Name of Service Technician _____				
	TASK	COMMENTS	CHECKED	INITIALS
1.	HYDRAULIC SYSTEM FILTERS - Replace filter elements only, after the initial 100 and 250 hours of operation; then at each 500 hours of operation thereafter.			

Complete the 10 and 50 hour lubrication and maintenance checks.

250 HOUR LUBRICATION AND MAINTENANCE CHECKS

Truck Serial Number _____ Site Unit Number _____ Date _____ Hourmeter _____ Name of Service Technician _____				
	TASK	COMMENTS	CHECKED	INITIALS
1.	<p>ENGINE - Refer to the engine operation and maintenance manual for the complete specifications regarding the engine lube oil specifications.</p> <p><i>NOTE: If the engine is equipped with the Centinel™ oil system, and/or the Eliminator™ filter system, the engine oil and filter change intervals are extended beyond 250 hours. Refer to the engine service manual for specific oil and filter change intervals.</i></p> <ul style="list-style-type: none"> a. Change the engine oil. Refer to the engine service manual for oil specifications. b. Replace the oil filters. <p><i>NOTE: When installing the spin-on filter elements, follow the instructions, as specified by the filter manufacturer. The tightening instructions are normally printed on the outside of the filter. DO NOT use a wrench or strap to tighten the filter elements.</i></p> <ul style="list-style-type: none"> c. If the truck is equipped with a reserve engine oil tank, change the reserve tank oil filter. d. Check the fan belt tension. Refer to the engine service manual for fan belt adjustment instructions. 			
2.	<p>COOLING SYSTEM -</p> <ul style="list-style-type: none"> a. COOLANT MIXTURE - Check for proper coolant mixture. Add coolant as required. b. COOLANT FILTERS - Change coolant filters. c. COOLING SYSTEM HOSES - Check cooling system hoses for damage and signs of deterioration. <p>Refer to the engine maintenance manual for coolant filter replacement instructions and proper coolant mixture instructions.</p>			
3.	<p>FUEL FILTERS - Change the fuel filters (fuel separators). Refer to engine Operation & Maintenance manual for specific filter replacement instructions.</p>			
4.	<p>FUEL TANK (If equipped) - Drain water and sediment from fuel tank.</p>			
5.	<p>STEERING LINKAGE - Ensure the steering pin nuts are tightened to 465 ± 46 N·m (343 ± 34 ft lbs).</p>			

250 HOUR LUBRICATION AND MAINTENANCE CHECKS (Continued)

Truck Serial Number _____ Site Unit Number _____ Date _____				
Hourmeter _____ Name of Service Technician _____				
	TASK	COMMENTS	CHECKED	INITIALS
6.	HYDRAULIC PUMP DRIVESHAFT & U-JOINTS - Add one or two applications of grease to each grease fitting. Non - moly grease only. Check that each bearing of the cross & bearing assembly is receiving grease. Replace bearings if any wear is detected. Use Lube Key "D".			
7.	CAB AIR FILTER - Under normal operating conditions, clean every 250 hours. In extremely dusty conditions, service as frequently as required. Clean the filter element with mild soap and water. Rinse completely clean and air dry with a maximum of 275 kPa (40 psi). Reinstall the filter.			
8.	MOTORIZED WHEEL GEAR CASE - Refer to Motorized Wheel Maintenance Schedule in Section P of the shop manual. Check the oil level. Use Lube Key "C".			
9.	GREASE RESERVOIR - Add grease to the in-frame grease reservoir. When grease is pumped out of the overflow tube, the reservoir is full. Use Lube Key "D".			
10.	HYDRAULIC SYSTEM FILTERS - Replace filter elements only after the initial 250 hours of operation; then at each 500 hours of operation thereafter. Check oil level. Add oil as necessary. Lube Key "B".			
11.	BATTERIES - Check the electrolyte level and add water, if necessary.			
12.	WHEEL MOTORS - Take an oil sample for oil analysis.			
13.	BODY-UP & HOIST LIMIT SWITCHES - Check operation of the switches. Clean the sensing areas of any dirt accumulation and inspect the wiring for any signs of damage.			
14.	GE PREFILTER BLOWER - Add grease to the grease fitting. Use Lube Key "D".			
15.	AC DRIVE BELT - Check the belt for wear or damage. Verify the belt tension is correctly set. Ensure the pulleys are aligned with each other within 3 mm (0.13 in.).			
16.	AUTOMATIC LUBE SYSTEM - Perform 250 hour checks as outlined in Automatic Lubrication System, Section 42, in this manual.			
17.	FRONT WHEELS - Check the oil level. Position the fill plug at the 12 o'clock position. The floating ball in the sight gauge must be at its highest position. Add oil as necessary. Lube key "E".			

Complete the 10, 50, and 100 hour lubrication and maintenance checks.

500 HOUR LUBRICATION AND MAINTENANCE CHECKS

Truck Serial Number _____ Site Unit Number _____ Date _____ Hourmeter _____ Name of Service Technician _____				
	TASK	COMMENTS	CHECKED	INITIALS
1.	FINAL DRIVE CASE BREATHERS - Remove the breather elements from the motorized wheels. Clean or replace the elements.			
2.	HYDRAULIC SYSTEM FILTERS - Replace the tank breathers and high pressure filter elements. Check the oil level. Add oil as necessary. Lube Key "B".			
3.	HYDRAULIC TANK BREATHER - Replace breather.			
4.	HYDRAIR® SUSPENSION - Check for the proper piston extension (front and rear). Refer to Section H4 in the service manual for more information on proper suspension extension and maintenance procedures.			
5.	THROTTLE AND BRAKE PEDAL - Lubricate the treadle roller and hinge pins with lubricating oil. Lift the boot from the mounting plate and apply a few drops of lubricating oil between the mounting plate and plunger. Use Lube Key "B".			
6.	HOIST ACTUATOR LINKAGE - Check operation. Clean, lubricate, and adjust as necessary.			
7.	PARKING BRAKE - Refer to Section J, Parking Brake Maintenance. Perform the recommended inspections.			
8.	ACCUMULATOR PRE-CHARGE - Check all steering and brake system accumulator pre-charge pressures. Refer to shop manual for details.			
9.	RESERVE ENGINE OIL SYSTEM (IF EQUIPPED) <ul style="list-style-type: none"> a. Check electrical system connections for tightness, corrosion and physical damage. Check the battery, oil pressure switch, junction boxes, remote control fill box and the circuit breakers. b. Examine all electrical cables over their entire length for possible damage. c. Examine all hoses, including those on the reserve tank and the ones leading to and from the engine. Check for leaks, cracks or other damage. Check all fittings for tightness, leakage or damage. 			
10.	WHEEL MOTOR OIL SAMPLING - Refer to Section G5, Wheel Motor, for oil sampling information.			

500 HOUR LUBRICATION AND MAINTENANCE CHECKS (Continued)

Truck Serial Number _____ Site Unit Number _____ Date _____ Hourmeter _____ Name of Service Technician _____				
	TASK	COMMENTS	CHECKED	INITIALS
11.	WHEEL MOTOR OIL (<i>Initial 500 hours only</i>) - Change or filter wheel motor gear oil only after initial 500 hours of operation. Wheel motor gear oil must be filtered or changed every 2500 hours of operation thereafter.			
12.	VHMS DATA DOWNLOAD - Using a laptop PC with the <i>VHMS Technical Analysis Tool Box</i> program, perform a data download from the VHMS controller. Send the data to WebCARE using the FTP feature. Refer to Section D in the shop manual for more detailed instructions.			
13.	FRONT BRAKE DISC - Measure the thickness of the disc. If 20 to 25% of the disc wear surface is worn below 28.7 (1.13 in.), the disc must be replaced. Refer to the shop manual, Parking Brake, Section J, for additional information.			
14.	FRONT WHEELS - Take an oil sample of the front wheel bearing oil. Refer to Section G in this shop manual for detailed instructions.			
15.	FRAME AND AXLE BOX INSPECTION - Wash the truck, clean all of the weld joints, and visually inspect the entire frame and axle box for cracking or damage.			

Complete the 10, 50, 100, and 250 hour lubrication and maintenance checks.

1000 HOUR LUBRICATION AND MAINTENANCE CHECKS

Truck Serial Number _____ Site Unit Number _____ Date _____ Hourmeter _____ Name of Service Technician _____				
	TASK	COMMENTS	CHECKED	INITIALS
1.	HYDRAULIC TANK - Drain the hydraulic tank and clean the inlet strainer. Refill the tank with new oil; approximate capacity 901 l (238 gal). Use Lube Key "B". <i>NOTE: Oil change interval can be extended to 2,500 hours if oil is sampled at every 250 hour intervals and no abnormalities are detected.</i>			
2.	RADIATOR - Clean the cooling system with a quality cleaning compound. Flush with water. Refill the system with anti-freeze and water solution. Check the Cooling System Recommendation Chart in this section for the correct mixture. Refer to the engine manufacturer's Operation and Maintenance Manual for the correct additive mixture.			
3.	FUEL TANK - Remove the breather and clean it in solvent. Dry with pressurized air and reinstall.			
4.	ENGINE - Remove, clean, and dry the crankcase breather elements.			
5.	OPERATOR'S SEAT - Apply grease to the slide rails. Use Lube Key "D".			
6.	AUTOMATIC BRAKE APPLICATION - Ensure the brakes are automatically applied when the brake pressure decreases below the specified limit. Refer to the shop manual, Section J, Brake Checkout Procedure.			
7.	FRONT ENGINE MOUNT TRUNION - Add one or two applications of grease at fitting. Lube key "D".			
8.	AUTOMATIC LUBE SYSTEM PUMP - Check the pump housing oil level. Refill to the bottom of the level plug with SAE 10W-30 motor oil.			
9.	AUTOMATIC LUBE SYSTEM - Perform checks as outlined in the Preventative Maintenance procedure of Section 42 in this manual.			

Complete the 10, 50, 100, 250, and 500 hour lubrication and maintenance checks.

1500 HOUR LUBRICATION AND MAINTENANCE CHECKS

Truck Serial Number _____ Site Unit Number _____ Date _____			
Hourmeter _____ Name of Service Technician _____			
TASK	COMMENTS	CHECKED	INITIALS
1. WHEEL MOTORS - Change oil. Clean sump magnetic plugs. Refer to Motorized Wheel Maintenance Schedule in Section P of the shop manual for additional information.			

Complete the 10, 50, 100, 250, and 500 hour lubrication and maintenance checks.

2500 HOUR LUBRICATION AND MAINTENANCE CHECKS

Truck Serial Number _____ Site Unit Number _____ Date _____			
Hourmeter _____ Name of Service Technician _____			
TASK	COMMENTS	CHECKED	INITIALS
1. WHEEL MOTOR GEAR OIL - Wheel motor gear oil must be replaced every 2500 hours of operation. Refer to G.E. Motorized Wheel Service & Maintenance manual.			
2. FRONT WHEELS - Drain and refill with oil. Refer to Section G in this manual for detailed instructions on changing the oil. Lube key "E". d. <i>NOTE: Oil may need to be changed more frequently, depending on mine conditions and the results of the oil sample tests.</i>			

Complete the 10, 50, 100, 250, and 500 hour lubrication and maintenance checks.

5000 HOUR LUBRICATION AND MAINTENANCE CHECKS

Truck Serial Number _____ Site Unit Number _____ Date _____ Hourmeter _____ Name of Service Technician _____				
	TASK	COMMENTS	CHECKED	INITIALS
1.	AIR CLEANERS - Clean the Donaclone tubes in the pre-cleaner section of the air filter. Use low pressure cold water or low pressure air to clean the tubes. Refer to Section C, Air Cleaners. <i>NOTE: Do not use a hot pressure washer or high pressure air to clean the tubes. Hot water/high pressure causes the pre-cleaner tubes to distort.</i>			
2.	FRONT WHEELS - If oil sampling is done every 500 hours - And the contamination trends are not rising, do not replace the wheel bearings. Refer to Section G of the shop manual for more detailed instructions on oil sampling. If oil samples are not taken - Drain oil and completely disassemble the front wheel bearings and check all parts for wear or damage. Refer to Section G of the shop manual for disassembly and assembly procedures. Refill with oil. Check the oil level at the oil level plug on wheel hub. Lube key "E".			
3.	BLEED-DOWN MANIFOLD CHECK VALVE - Verify check valve has not vibrated loose. Tighten check valve to 190 - 203 Nm (140 - 150 ft-lbs)			

Complete the 10, 50, 100, 250, 500, 1000, and 2500 hour lubrication and maintenance checks.

10,000 HOUR LUBRICATION AND MAINTENANCE CHECKS

Truck Serial Number _____ Site Unit Number _____ Date _____ Hourmeter _____ Name of Service Technician _____				
	TASK	COMMENTS	CHECKED	INITIALS
1.	WHEEL MOTORS - Clean the area around the grease ports to prevent dirt or other contaminants from entering. Remove the six grease port plugs on each wheel motor. Grease the inboard and outboard wheel hub bearings with one 414 mL (14 oz) cartridge per each grease port.			
2.	BLEED-DOWN MANIFOLD CHECK VALVE - Replace bleed-down manifold check valve. Refer to Bleed-Down Manifold Valve in Section L of the shop manual for additional information.			

Complete the 10, 50, 100, 250, 500, 1000, 2500, and 5000 hour lubrication and maintenance checks.

NOTES

AUTOMATIC LUBRICATION SYSTEM

GENERAL DESCRIPTION

The automatic lubrication system is a pressurized lubricant delivery system which delivers a controlled amount of lubricant to designated lubrication points. The system is controlled by an electric timer which signals a solenoid valve to operate a hydraulic motor powered grease pump. Hydraulic oil for pump operation is supplied by the truck steering circuit.

Grease output is proportional to the hydraulic motor input flow. A pump control manifold (4, Figure 42-1), mounted on top of hydraulic motor (2), controls input flow and pressure. 24VDC solenoid (5) mounted on the manifold turns the pump on and off.

NOTE: Newer models are equipped with fixed hydraulic motor controls.

The pump is driven by the rotary motion of the hydraulic motor, which is then converted to reciprocating motion through an eccentric crank mechanism. The reciprocating action causes the pump cylinder to move up and down. The pump is a positive displacement, double-acting type as grease output occurs on both the up and the down stroke.

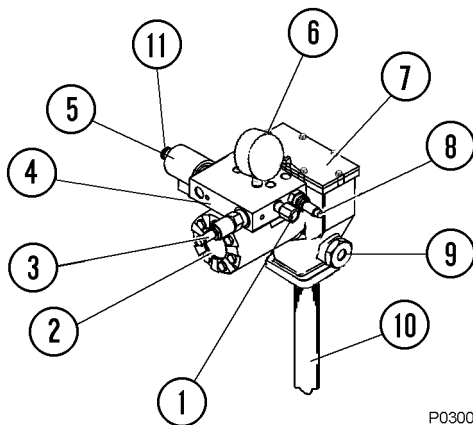


FIGURE 42-1. PUMP COMPONENTS

- | | |
|----------------------------|------------------------------|
| 1. Orifice Fitting | 6. Pressure Gauge (optional) |
| 2. Hydraulic Motor | 7. Pump Assembly |
| 3. Pressure Reducing Valve | 8. Flow Control Valve |
| 4. Pump Control Manifold | 9. Grease Outlet |
| 5. Solenoid Valve | 10. Grease Pickup Tube |
| | 11. Manual Override |

During the down stroke, the pump cylinder is extended into the grease. Through the combination of shovel action and vacuum generated in the pump cylinder, the grease is forced into the pump cylinder. Simultaneously, grease is discharged through outlet (9) of the pump. The volume of grease during intake is twice the amount of grease output during one cycle. During the upstroke, the inlet check valve closes, and one-half of the grease taken in during the previous stroke is transferred through the outlet check and discharged to the outlet port.

WARNING

Over-pressurizing of the system, modifying parts, using incompatible chemicals and fluids, or using worn or damaged parts, may result in equipment damage and/or serious personal injury.

- **DO NOT exceed the stated maximum working pressure of the pump, or of the lowest rated component in the system.**
- **DO NOT alter or modify any part of this system unless approved by factory authorization.**
- **DO NOT attempt to repair or disassemble the equipment while the system is pressurized.**
- **Ensure all fluid connections are securely tightened before using this equipment.**
- **Read and follow the fluid manufacturer's recommendations regarding fluid compatibility, and the use of protective clothing and equipment.**
- **Check all equipment regularly and repair, or replace, worn or damaged parts immediately.**

This equipment generates very high grease pressure. Relieve pressure before disconnecting hydraulic lines.

Pressurized hydraulic fluid can have sufficient force to enter a person's body by penetrating the skin. This can cause serious injury and possibly death. If fluid has penetrated the skin, seek medical treatment by a physician familiar with this injury, immediately.

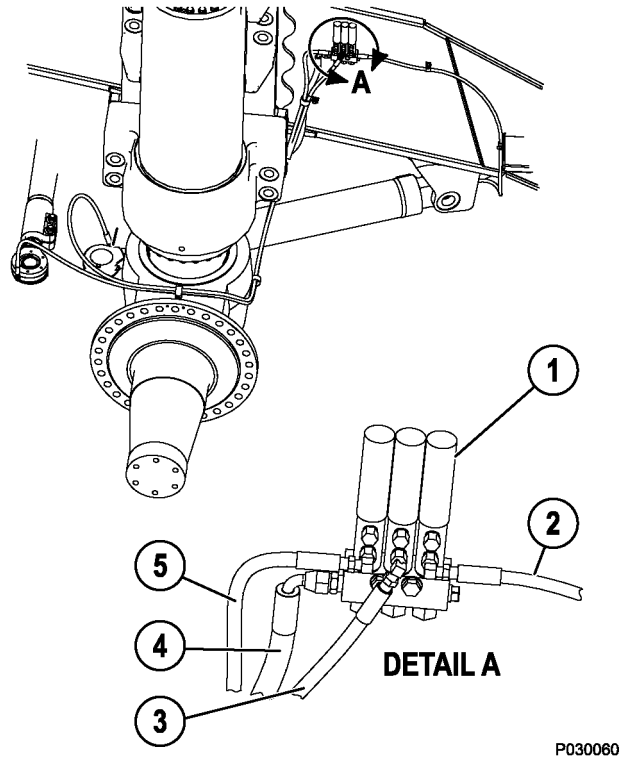


FIGURE 42-2. STEERING CYLINDER AND TIE ROD INJECTORS

- | | |
|--|---------------------------------|
| 1. Steering Cylinder/Tie Rod Injectors | 3. To Steering Cylinder Rod End |
| 2. To Steering Cylinder Cap End | 4. Supply From Pump |
| | 5. To Tie Rod |

SYSTEM COMPONENTS

Filter Assembly

Filter assembly (14, Figure 42-3) filters the grease prior to refilling reservoir (6) from the shop supply. Dirty filter indicator (13) alerts service personnel when the filter requires replacement.

Hydraulic Motor and Grease Pump

Hydraulic motor and grease pump (16 & 4, Figure 42-3) is a hydraulically operated grease pump. Integrated pump control manifold (4, Figure 42-1) is incorporated with the motor to control input flow and pressure.

NOTE: The pump crankcase oil level must be maintained to the level of oil fill plug (22, Figure 42-3). If necessary, refill with 10W-30 motor oil.

⚠ WARNING

Hydraulic inlet pressure must not exceed 20685 kPa (3000 psi). Exceeding the rated pressure may result in damage to system components and possible personal injury.

Specifications are as follows:

Maximum hydraulic oil inlet pressure:

..... 20 685 kPa (3,000 psi)

Hydraulic oil operating pressure:

..... 2 240-2 415 kPa (325-350 psi)

Hydraulic inlet flow:

..... up to 28 L/min. (7 GPM)

Pump ratio:

..... approx. 9:1 @ 2 068 to 2 415 kPa (300 to 350 psi) oil pressure = less than 7 L/min. (2 GPM) flow

Operating temperature:

..... -10 to +65°C (-20 to +150°F)

Reservoir

Reservoir (6) has an approximate capacity of 97 kg (214 lbs) of grease. When the grease supply is replenished by filling the system at the service center, the grease is passed through filter assembly (14) to remove contaminants before it flows into the reservoir.

Fixed Pressure Reducing Valve

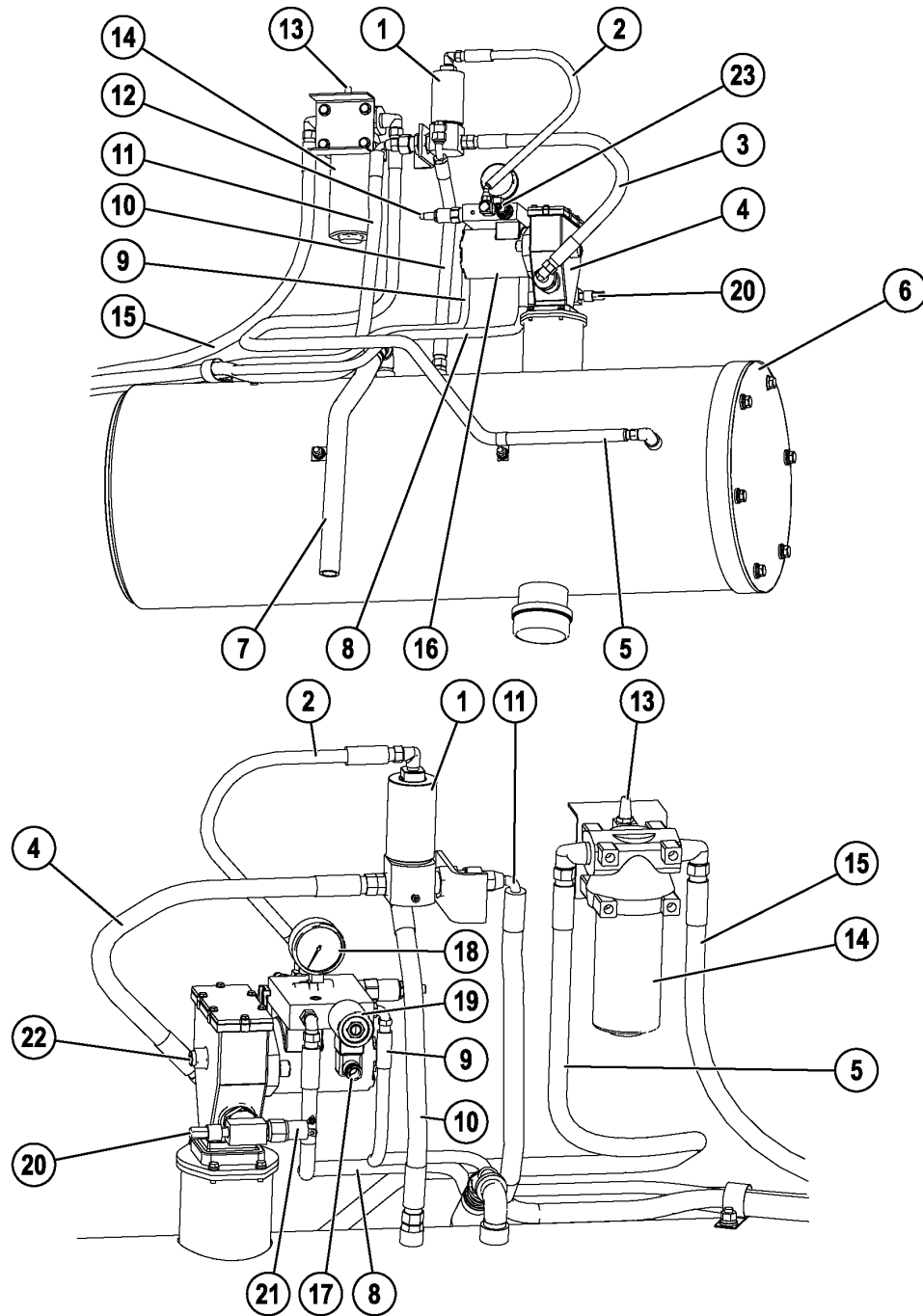
Pressure reducing valve (12, Figure 42-3), located on the manifold, is preset and reduces the hydraulic supply pressure from the truck steering circuit to a suitable operating pressure of 2 241 - 2 413 kPa (325 - 350 psi) for the hydraulic motor used to drive the lubricant pump.

The pressure reducing valve has a fixed pressure setting and must not be changed.

Flow Control Valve

Flow control valve (23, Figure 42-3), mounted on the manifold, is preset and controls the amount of oil flow to the hydraulic motor at 9.5 L/min (2.5 gpm).

The flow control valve has a fixed pressure setting and must not be changed.



P030058

FIGURE 42-3. AUTO LUBRICATION SYSTEM (FRONT AND REAR VIEW)

- | | | | |
|---|-----------------------------------|--|--|
| 1. Vent Valve | 7. Reservoir Vent Tube | 13. Dirty Filter Indicator | 20. Unloader Valve
(Not Adjustable) |
| 2. Vent Valve/Vent Hose | 8. Hydraulic Oil Return | 14. Filter Assembly | 21. Pump Cutoff
Pressure Switch |
| 3. Grease Pump Supply
Hose To Vent Valve | 9. Hydraulic Oil Supply | 15. Reservoir Fill Hose
(To Filter) | 22. Oil Fill Plug |
| 4. Grease Pump | 10. Vent Valve Return Hose | 16. Hydraulic Motor | 23. Flow Control Valve |
| 5. Grease Supply From
Filter | 11. Grease Supply To
Injectors | 17. Manual Override Button | |
| 6. Reservoir | 12. Pressure
Reducing Valve | 18. Pressure Gauge | |
| | | 19. Solenoid Valve | |

Solenoid Valve

Solenoid valve (19), when energized, allows oil to flow to the hydraulic motor.

Vent Valve

With vent valve (1, Figure 42-3) closed, the pump continues to operate until maximum grease pressure is achieved. As this occurs, the vent valve opens and allows the grease pressure to drop to zero, so the injectors can recharge for their next output cycle.

24VDC Lubrication Cycle Timer

Lubrication cycle timer (2, Figure 42-11) provides a 24VDC timed-interval signal to operate solenoid valve (19, Figure 42-3), causing the grease pump motor to operate. This timer is mounted in the cab interface compartment.

Time Delay Module

Time delay module (7, Figure 42-6), located in the electrical interface cabinet, provides a one minute delay in the low pressure warning light circuit to allow a normally operating system to attain full grease system pressure without activating the warning light. If the system fails to reach 13 790 kPa (2,000 psi) within this period of time, the timer will apply 24VDC to several relays, which will illuminate the low pressure warning light in the overhead panel. An external 604K ohm resistor determines the delay period.

Pump Cutoff Pressure Switch

Pump cutoff pressure switch (21, Figure 42-3) is a normally open switch set at 20 685 kPa (3,000 psi). This switch de-energizes the pump solenoid relay when the grease line pressure reaches the switch pressure setting, turning off the motor and pump.

Unloader Valve

Unloader valve (20) is mounted on a tee fitting with pump cutoff pressure switch (21). This valve will relieve grease pressure in the pump if pressure exceeds 27 580 kPa (4,000 psi). This valve has been factory adjusted and is not repairable.

Pressure Switch

Pressure switch (15, Figure 42-4) is a normally open switch set at 13 790 kPa (2,000 psi). This switch monitors grease pressure in the injector bank on the rear axle housing. If the appropriate grease pressure is not achieved during the normal pump cycle, the warning system will be activated, turning on warning light to notify operator a problem exists in the lubrication system.

Pressure Gauge

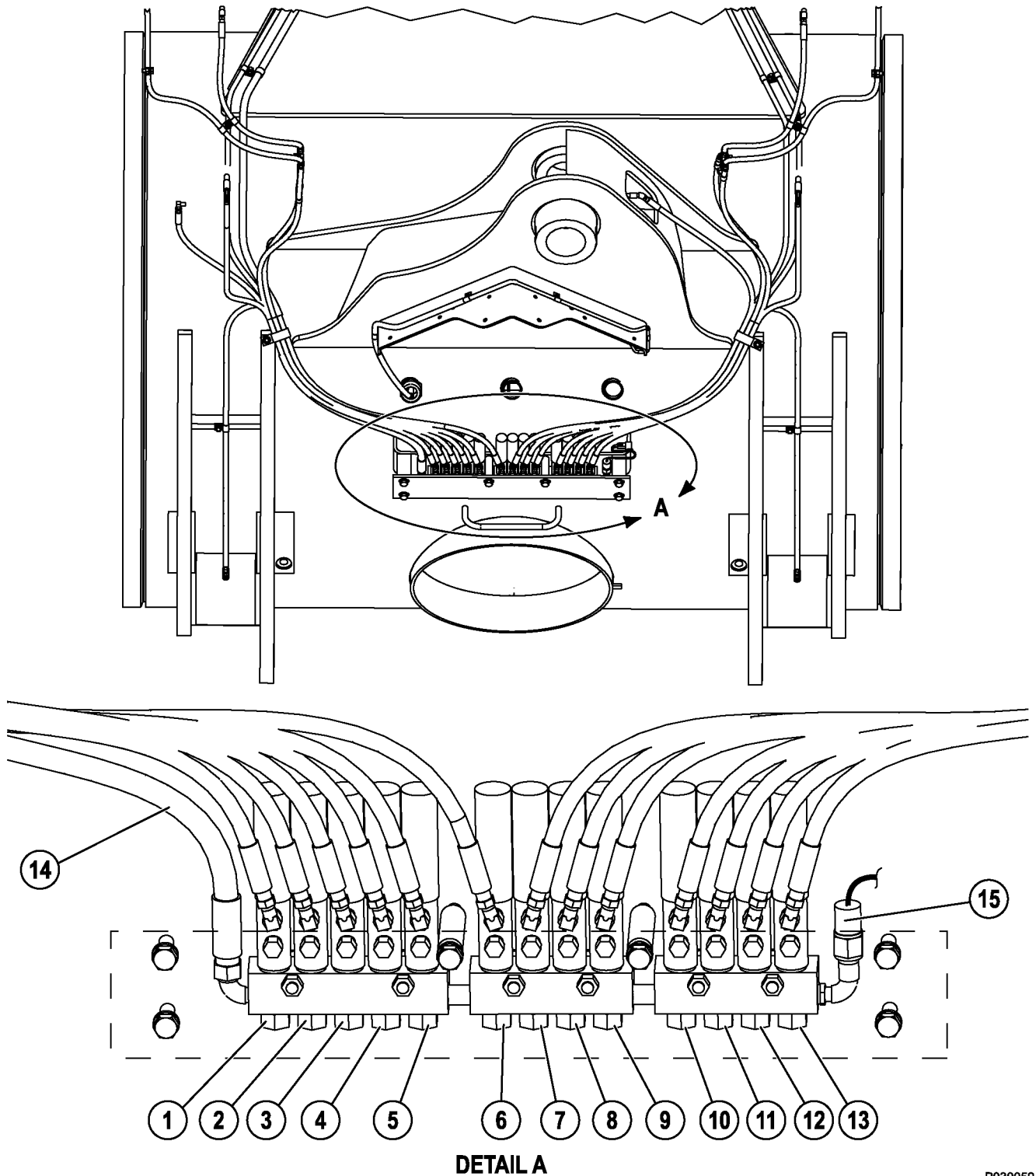
Pressure gauge (18, Figure 42-3) monitors hydraulic oil pressure to the inlet of the hydraulic motor.

Manual Override Button

Manual override button (17, Figure 42-3) is used to actuate the hydraulic motor to manually activate a lubrication cycle.

Injectors

Injectors deliver a controlled amount of pressurized lubricant to a designated lubrication point. Refer to Figure 42-3 and 42-4 for the locations of each lubricated component.



P030059

FIGURE 42-4. REAR LUBRICATION INJECTORS

- | | | |
|-----------------------------|-----------------------------|-------------------------|
| 1. LH Lower Suspension | 7. RH Anti-Sway Bar | 13. RH Lower Suspension |
| 2. LH Top Suspension | 8. Rear Axle Pivot Pin | 14. Grease Supply |
| 3. LH Body Pivot Pin | 9. RH Bottom Hoist Cylinder | 15. Pressure Switch |
| 4. LH Top Hoist Cylinder | 10. RH Top Hoist Cylinder | 13 790 kPa (2,000 psi) |
| 5. LH Anti-Sway Bar | 11. RH Body Pivot Pin | |
| 6. LH Bottom Hoist Cylinder | 12. RH Top Suspension | |

SYSTEM OPERATION

Normal Operation

Refer to Figure 42-5 and 42-6:

1. During truck operation, lubrication cycle timer (1, Figure 42-6) will energize the system at a preset time interval.
2. The lubrication cycle timer provides a 24VDC signal through normally closed relay board (12) used to energize pump solenoid valve (3, Figure 42-5), allowing hydraulic oil provided by the truck steering pump circuit to flow to the pump motor and initiate a pumping cycle.
3. The hydraulic oil pressure from the steering circuit is reduced to 2 240 to 2 413 kPa (325 to 350 psi) by pressure reducing valve (4, Figure 42-5) before entering the motor. In addition, the amount of oil supplied to the pump is limited by flow control valve (6). Pump pressure can be read using pressure gauge (5) mounted on the manifold.
4. With oil flowing into the hydraulic motor, the grease pump will operate, pumping grease from the reservoir to vent valve (11) and then to injectors (13). Pressure switch (9) prevents over pressurization.
5. During this period, the injectors will meter the appropriate amount of grease to each lubrication point.

6. When 20 685 kPa (3,000 psi) grease pressure reaches pressure switch (4, Figure 42-6) setting, the switch contacts will close and energize relay K1 (12), removing power from grease pump solenoid valve (5) and the pump will stop. The relay will remain energized until grease pressure drops and the pressure switch opens again or until the timer turns off.
7. After the pump solenoid valve is de-energized, hydraulic pressure in the manifold drops and vent valve (11, Figure 42-5) will open, releasing grease pressure in the lines to the injector banks. When this occurs, the injectors are then able to recharge for the next lubrication cycle.
8. Unloader valve (10) prevents excessive grease pressure if the pressure switch fails to close and shut off the hydraulic supply to the pump. The unloader will open at approximately 27 580 kPa (4,000 psi).
9. The system will remain at rest until the lubrication cycle timer turns on and initiates a new grease cycle.
10. During the normal lubrication cycle, if grease pressure fails to reach 13 790 kPa (2,000 psi) at the pressure switch located on the rear axle housing, an amber indicator light will illuminate on the overhead panel.

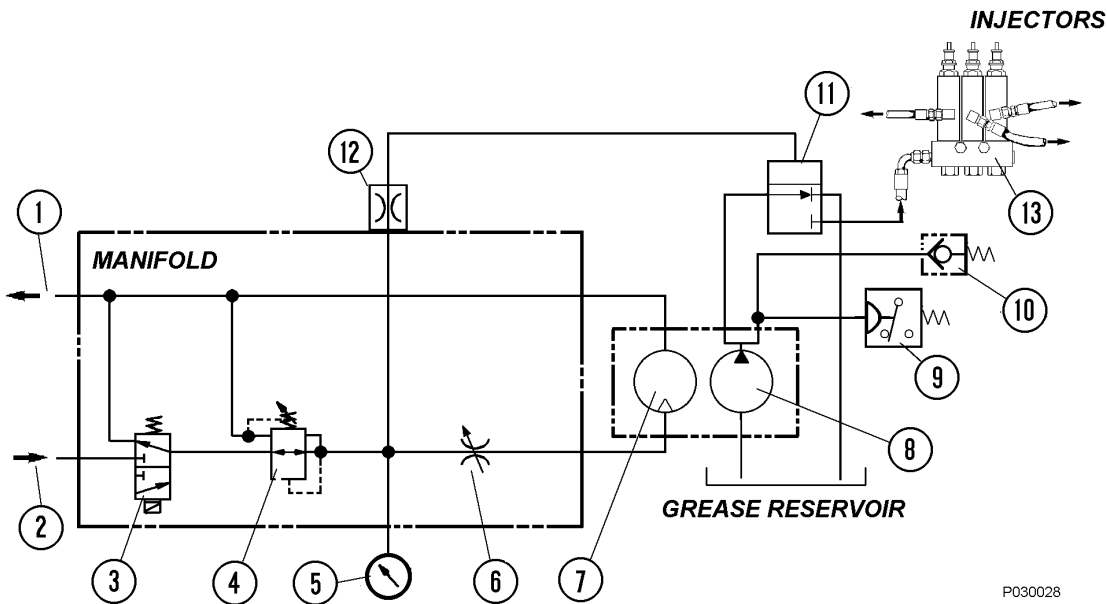


FIGURE 42-5. HYDRAULIC SCHEMATIC

- | | | |
|----------------------------|-------------------------|-------------------|
| 1. Hydraulic Oil Return | 6. Flow Control Valve | 11. Vent Valve |
| 2. Hydraulic Oil Supply | 7. Hydraulic Motor | 12. Orifice |
| 3. Pump Solenoid Valve | 8. Grease Pump | 13. Injector Bank |
| 4. Pressure Reducing Valve | 9. Pressure Switch (NO) | |
| 5. Pressure Gauge | 10. Unloader Valve | |

P030028

Pressure Failure Detection Circuits

1. When the lubrication cycle is initiated, 24VDC flows through relay RB6-K4 (8, Figure 42-6) N.C. contacts to one minute time delay module (7).
2. If the system is operating normally, grease pressure at the rear axle injector bank will rise to pressure switch (9) setting of 13 790 kPa (2,000 psi), closing the switch contacts and energizing relay RB6-K4 (8), removing 24 Volts from the time delay module. The timer is then reset and no current will flow from the timer output terminal.

3. If a problem occurs and the system is not able to attain 13 790 kPa (2,000 psi), then time delay module (7) will energize relay RB6-K2 after 60 seconds, turning on the Low Lubrication System Pressure warning lamp on the overhead display. After RB6-K2 energizes, it will ground the coil of RB6-K6 and allow it to energize.
4. Once RB6-K6 is energized, it will latch and remain latched as long as the key switch is on. Also, RB6-K2 will remain energized and the Low Lubrication Pressure Warning light will remain on to notify the operator a problem exists and the system requires service.
5. The warning circuits are reset when the key switch is turned off.

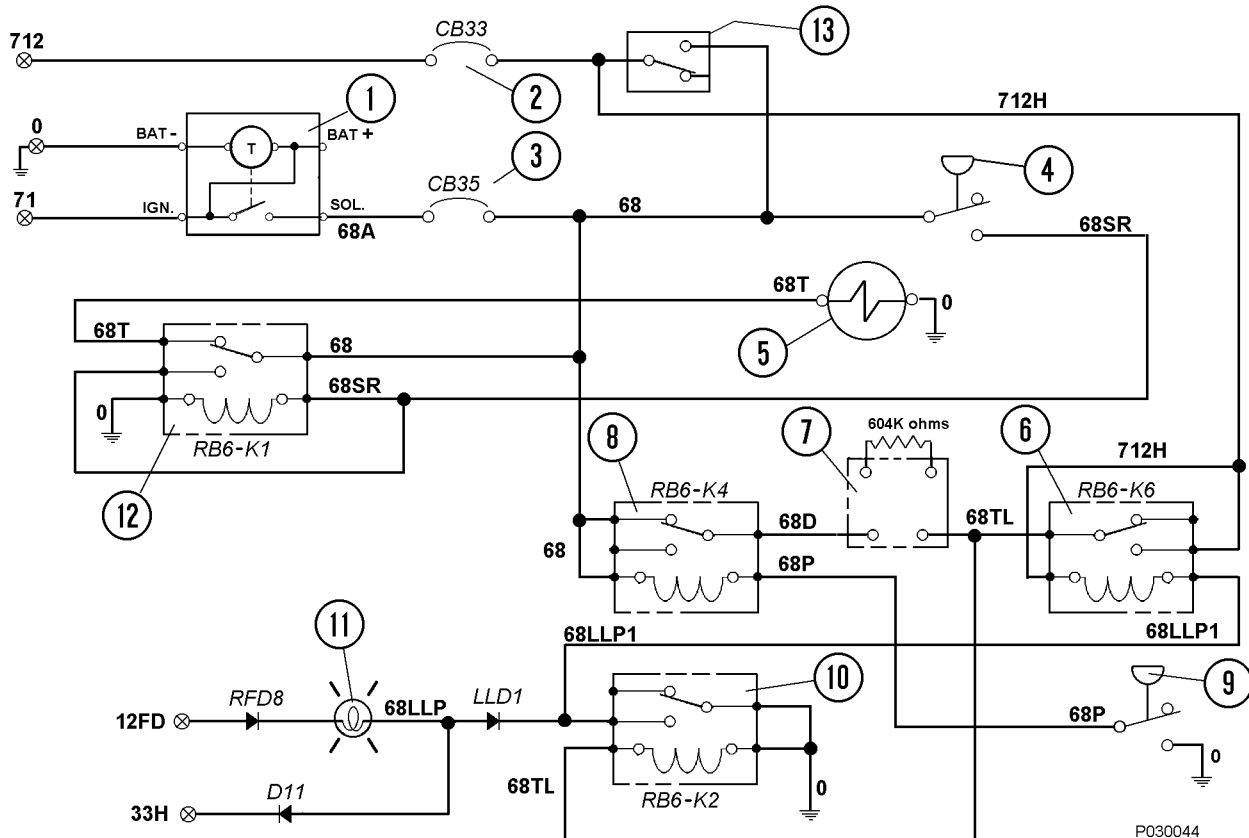


FIGURE 42-6. ELECTRICAL SCHEMATIC

- | | |
|---|---|
| <ol style="list-style-type: none"> 1. Lubrication Cycle Timer 2. Circuit Breaker 33 (Power Distribution Module in Cab) 3. Circuit Breaker 35 (Power Distribution Module in Cab) 4. Pressure Switch (On Grease Pump) 5. Pump Solenoid Valve | <ol style="list-style-type: none"> 6. Relay Board 6, Relay K6 7. Time Delay Module 8. Relay Board 6, Relay K4 9. Pressure Switch (Rear Axle Injector Bank) 10. Relay Board 6, Relay K2 11. Auto Lubrication Low Pressure Warning Lamp 12. Relay Board 6, Relay K1 13. Lube Test Switch (Optional) |
|---|---|

GENERAL INSTRUCTIONS

LUBRICANT REQUIRED FOR SYSTEM

Grease requirements will depend on ambient temperatures encountered during truck operation:

- Above 32°C (90°F) - Use NLGI No.2 multipurpose grease (MPG).
- -32° to 32°C (-25° to 90°F) - Use NLGI No. 1 multipurpose grease (MPG).
- Below -32°C (-25°F) - Refer to local supplier for extreme cold weather lubricant requirements.

SYSTEM PRIMING

The system must be full of grease and free of air pockets to function properly. After maintenance, if the primary or secondary lubrication lines were replaced, it will be necessary to prime the system to eject all entrapped air.

1. Fill lubrication reservoir with lubricant, if necessary.
2. To purge air from the main supply line, remove the main supply line at outlet port (6, Figure 42-7) and connect an external grease supply to the line.
3. Remove plugs from each injector group in sequence (right front, left front, and rear axle).
4. Using an external grease source, pump grease until grease appears at the group of injectors and re-install the pipe plug. Repeat for remaining injector groups.
5. Remove the caps from each injector and connect an external grease supply to the zerk on the injector and pump until grease appears at the far end of the individual grease hose or the joint being greased.

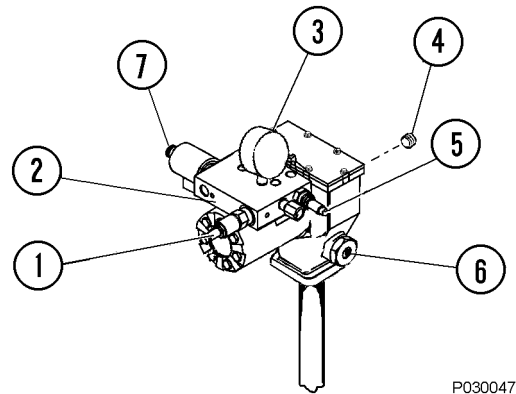
LUBRICANT PUMP

Pump Housing Oil Level

The pump housing must be filled to the proper level with SAE 10W-30 motor oil. Oil level must be checked at 1000 hour intervals. To add oil, remove oil level plug (4, Figure 42-7) and fill housing to bottom of plug hole.

Pump Pressure Control

High pressure hydraulic fluid from the truck steering system is reduced to 2 240 to 2 413 kPa (325 to 350 psi) by the pressure reducing valve located on the manifold on top of the pump motor. This pressure can be read on the gauge installed on the manifold and must be checked occasionally to verify pressure is within the above limits.



P030047

FIGURE 42-7. PUMP CONTROLS

- | | |
|--------------------------|-----------------------|
| 1. Pump Pressure Control | 4. Oil Level Plug |
| 2. Manifold | 5. Flow Control Valve |
| 3. Pressure Gauge | 6. Outlet Port |
| | 7. Manual Override |

FILTER AND RESERVOIR

Filter assembly (2, Figure 42-8) is mounted on right upright (1) and filters the grease when the grease supply is refilled through the quick fill fittings.

Grease is pumped into the filter through filter inlet hose (4) routed from the service center and then flows out the filter through hose (3) to grease reservoir (5). Vent hose (7) purges air from the reservoir as it is being filled and prevents a vacuum as grease is pumped out.

Cap (6) allows the reservoir to be drained, if desired, and a plate secured on the end of the reservoir (frame torque tube) can be removed if the reservoir requires cleaning.

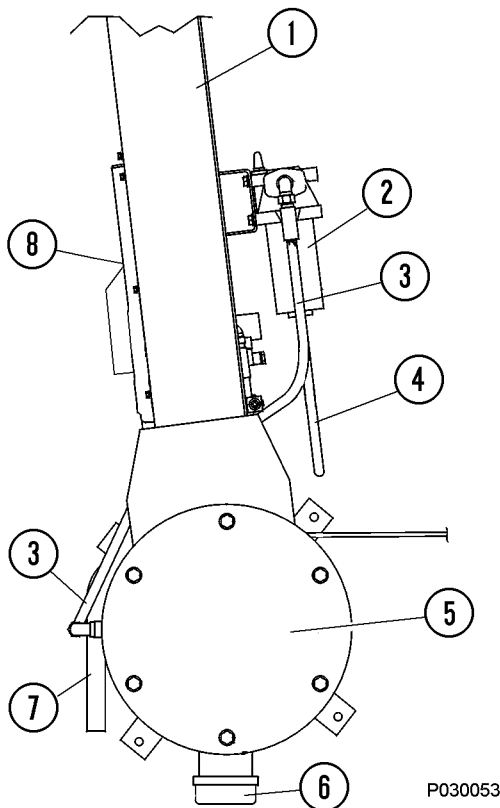
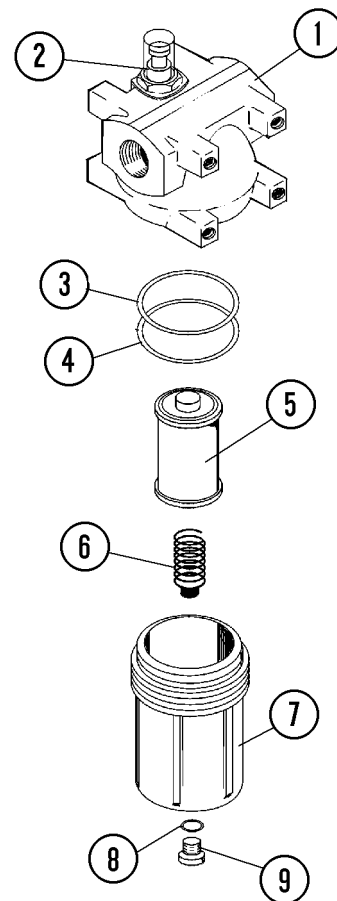


FIGURE 42-8. FILTER AND RESERVOIR

- | | |
|-----------------------|---------------------|
| 1. RH Upright | 5. Grease Reservoir |
| 2. Filter Assembly | 6. Cap |
| 3. Filter Outlet Hose | 7. Vent Hose |
| 4. Filter Inlet hose | 8. Pump Access Door |

Filter Assembly Element

Filter assembly element (5, Figure 42-9) must be replaced if bypass indicator (2) shows excessive element restriction.



P030023

FIGURE 42-9. FILTER ASSEMBLY

- | | |
|----------------------------|-----------|
| 1. Housing | 6. Spring |
| 2. Bypass Indicator | 7. Bowl |
| 3. O-Ring | 8. O-Ring |
| 4. Backup Ring | 9. Plug |
| 5. Filter Assembly Element | |

INJECTORS (SL-1 Series H)

Injector Specifications

- Each lubrication injector services only one grease point. In case of pump malfunction, each injector is equipped with a covered grease fitting to allow the use of external lubricating equipment.
- Injector Output Volume:
Maximum Output = 1.31 cc (0.08 in³)
Minimum Output = 0.13 cc (0.008 in³)
- Operating Pressure:
Minimum - 12 755 kPa (1,850 psi)
Maximum - 24 133 kPa (3,500 psi)
Recommended - 17 238 kPa (2,500 psi)
- Maximum Vent Pressure (Recharge):
4 137 kPa (600 psi)

Injector Adjustment

The injectors may be adjusted to supply from 0.13 - 1.31 cc (0.008 - 0.08 in³) of lubricant per injection cycle. The injector piston travel distance determines the amount of lubricant supplied. This travel is controlled by an adjusting screw in the top of the injector housing.

Turn adjusting screw (1, Figure 42-10) counterclockwise to increase lubricant amount delivered and clockwise to decrease the lubricant amount.

When the injector is not pressurized, maximum injector delivery volume is attained by turning adjusting screw (1) fully counterclockwise until piston assembly (8) touches the adjusting screw. At the maximum delivery point, about 9.7 mm (0.38 in.) adjusting screw threads must be showing. Decrease the delivered lubricant amount by turning the adjusting screw clockwise to limit injector piston travel. If only half the lubricant is needed, turn the adjusting screw to the point where about 4.8 mm (0.19 in.) threads are showing. The injector will be set at the minimum delivery point with about 0.22 mm (0.009 in.) thread showing.

NOTE: The above information concerns adjustment of injector delivery volume. The timer adjustment must also be changed if overall lubricant delivery is too little or too much. Injector output must not be adjusted to less than one-fourth capacity.

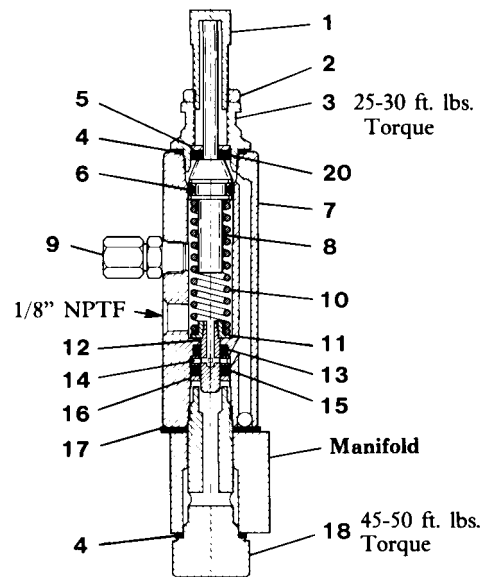


FIGURE 42-10. TYPE SL-1 INJECTOR

- | | |
|---------------------|-------------------|
| 1. Adjusting Screw | 11. Spring Seat |
| 2. Locknut | 12. Plunger |
| 3. Piston Stop Plug | 13. Viton Packing |
| 4. Gasket | 14. Inlet Disc |
| 5. Washer | 15. Viton Packing |
| 6. Viton O-Ring | 16. Washer |
| 7. Injector Body | 17. Gasket |
| 8. Piston Assembly | 18. Adapter Bolt |
| 9. Fitting Assembly | 19. Adapter |
| 10. Plunger Spring | 20. Viton Packing |

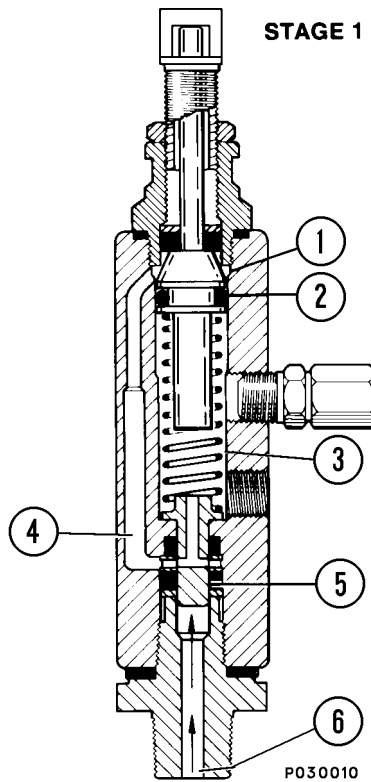
NOTE: Piston assembly (8) has a visible indicator pin at the top of the assembly to verify injector operation.

*NOTE: Piston stop plug (3) must be tightened to **34-41 N·m (25-30 ft lbs)**. Adapter (19) must be tightened to **61-68 N·m (45-50 ft lbs)**.*

INJECTOR OPERATION

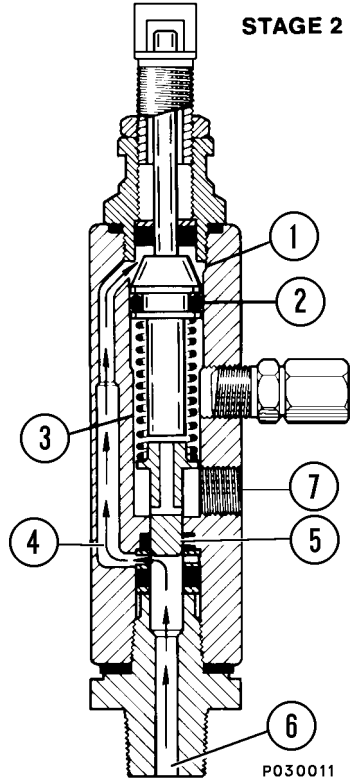
STAGE 1.

Injector piston (2) is in its normal or rest position. Discharge chamber (3) is filled with lubricant from the previous cycle. Under the pressure of incoming lubricant (6), slide valve (5) is about to open passage (4) leading to measuring chamber (1) above injector piston (2).



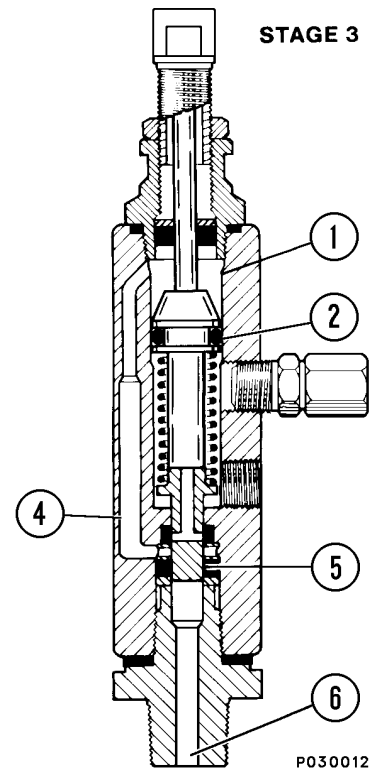
STAGE 2.

When slide valve (5) uncovers passage (4), lubricant (6) is admitted to measuring chamber (1) above injector piston (2), which forces the lubricant from discharge chamber (3) through outlet port (7) to the bearing.



STAGE 3.

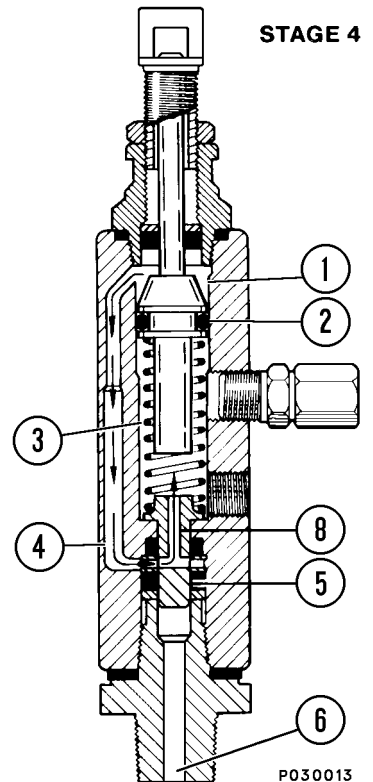
As injector piston (2) completes its stroke, it pushes slide valve (5) past passage (4), cutting off further admission of lubricant (6) to passage (4) and measuring chamber (1). Injector piston (2) and slide valve (5) remain in this position until the lubricant pressure in supply line (6) is vented.



STAGE 4.

After venting, the injector spring expands, causing slide valve (5) to move, so that passage (4) and discharge chamber (3) are connected by valve port (8). Further expansion of the spring causes the piston to move upward, forcing the lubricant in measuring chamber (1) through passage (4) and valve port (8) to refill discharge chamber (3).

The injector is now ready for the next cycle.



SYSTEM CHECKOUT

To check system operation, not including the timer, proceed as follows:

1. Start the engine.
2. Actuate the test switch at the reservoir/pump assembly.
3. The motor and pump will operate until the system attains 20 685 kPa (3,000 psi).
4. Once the required pressure is achieved, the pump motor will turn off and the system will vent.
5. Check for pump, hose, or injector damage or leakage when the system is pressurized.
6. After checking the system, shut the engine off. Observe normal precautions regarding high voltage present in the propulsion system before attempting to repair the lubrication system.

Lubrication Cycle Timer Check

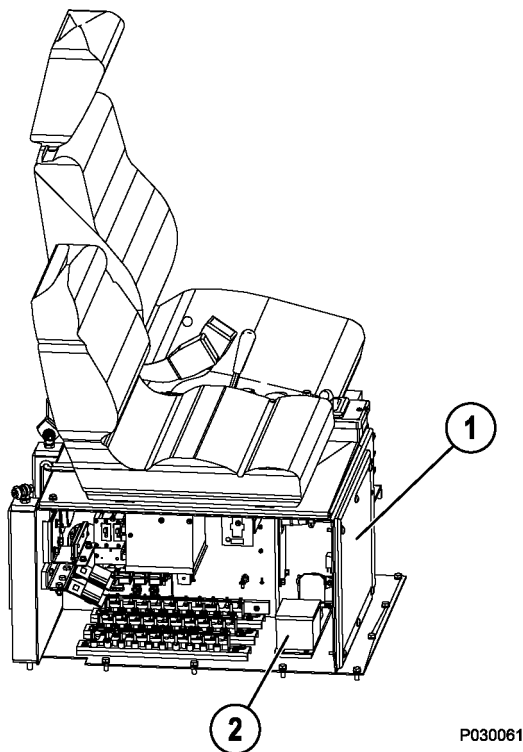


FIGURE 42-11. LOCATION OF LUBRICATION CYCLE TIMER

1. Cab Interface Compartment
2. Lubrication Cycle Timer

To check the solid-state timer operation without waiting for the normal timer setting, proceed as follows:

NOTE: The timer incorporates a liquid and dust-tight cover which must be in place and secured at all times during truck operation.

1. Remove the dust cover.
2. Adjust timer selector (3, Figure 42-12) to the five minute interval setting

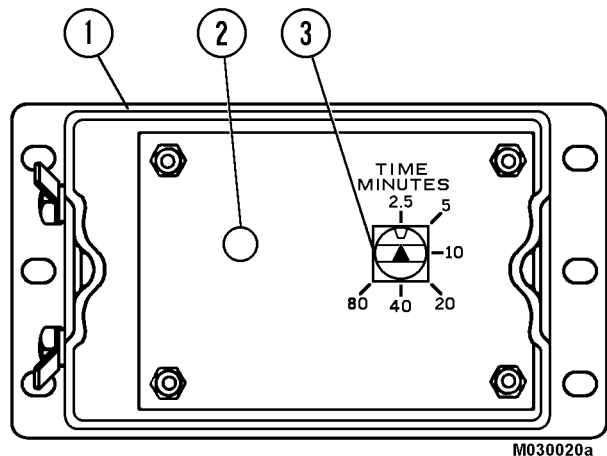


FIGURE 42-12. LUBRICATION CYCLE TIMER (Shown With Cover Removed)

1. Timer Enclosure
2. Red LED
3. Timer Selector

3. The timer must cycle in five minutes if the truck is operating.

NOTE: If the timer check is being made on a cold start, the first cycle will be approximately double the nominal setting. All subsequent cycles must be within the selected time tolerance.

4. Perform voltage checks at the timer if the above checks do not identify the problem.
 - a. Ensure that the timer ground connection is clean and tight.
 - b. With the key switch on, use a voltmeter to read the voltage between the positive and negative posts on the solid-state timer. A normal reading must be 18 to 26VDC, depending upon whether the engine is on or not.

Lubrication Cycle Timer Adjustment

The timer is set at the factory for a nominal 2.5 minute (off time) interval. Dwell time is approximately 75 seconds. A longer interval (off time) is obtained by turning the timer selector to the desired position.

Set the timer by turning the timer selector to the 2.5 minute setting. Then turn the selector clockwise one detent at a time to the desired setting, or until the maximum limit of 80 minutes is reached.

This timer will sense whether minimal pressure was reached by rear axle switch. If minimal pressure is not achieved during pump cycle, warning system will lock on until manually reset.

NOTE: The timer is a sealed unit. DO NOT attempt to disassemble it.

PREVENTIVE MAINTENANCE INSPECTION

Use the following maintenance procedures to ensure proper system operation.

10 Hour Lubrication System Inspection

1. Check the grease reservoir level.
Inspect the grease level height after each shift of operation. The grease usage must be consistent from day-to-day operations.

Lack of lubricant usage would indicate an inoperative system. Excessive usage would indicate a broken supply line.
2. Check the filter bypass indicator when filling the reservoir. Replace the element if bypassing.
3. Check all the grease hoses from the SL-1 injectors to the lubrication points.
 - a. Repair or replace all damaged feed line hoses.
 - b. Ensure all air is purged and all new feed line hoses are filled with grease before sending the truck back into service.
4. Inspect the key lubrication points for a bead of lubricant around the seal. If a lubrication point appears dry, troubleshoot and repair the problem.

250 Hour Inspection

1. Check all grease hoses from the SL-1 injectors to the lubrication points. Refer to Figure 42-2.
 - a. Repair or replace all worn and broken hoses.
 - b. Ensure all the air is purged and all new feed line hoses are filled with grease before sending the truck back into service.
2. Check all grease supply line hoses from the pump to the SL-1 injectors.
 - a. Repair or replace all worn and broken supply lines.
 - b. Ensure all air is purged and all new supply line hoses are filled with grease before sending the truck back into service.
3. Check the grease reservoir level.
 - a. Fill the reservoir if low. Check the filter bypass indicator when filling the reservoir. Replace the element if bypassing.
 - b. Check the reservoir for contaminants. Clean, if required.
 - c. Check that all filler plugs, covers, and breather vents on the reservoir are intact and free of contaminants.
4. Inspect all bearing points for a bead of lubricant around the bearing seal.

It is good practice to manually lubricate each bearing point at the grease fitting provided on each Injector. This will indicate if there are any frozen or plugged bearings, and will help flush the bearings of contaminants.
5. System Checkout.
 - a. Remove all SL-1 injector cover caps to allow visual inspection of the injector cycle indicator pins during system operation.
 - b. Start the truck engine.
 - c. Actuate manual override switch (6, Figure 42-1). The hydraulic motor and grease pump must operate.

- d. With the system pressurized, check each SL-1 injector assembly. The cycle indicator pin will be retracted inside the injector body.
- e. When the system attains 20 685 kPa (3,000 psi), the pump will shut off and the pressure in the system will drop to zero, venting back to the grease reservoir.
- f. With the system vented, check all of the SL-1 injector indicator pins. All of the pins must be visible. Replace or repair the injectors, if defective.
- g. Reinstall all the injector cover caps.
- h. Check the timer operation.

NOTE: With the engine on, the lubrication system will activate within five minutes. System pressure will build to 20 685 kPa (3,000 psi) within 25-40 seconds.

- i. If the system is working properly, the machine is ready for operation.
- j. If the system is malfunctioning, refer to the troubleshooting chart.

1000 Hour Inspection

1. Check the pump housing oil level. Refill to the bottom of the level plug with SAE 10W-30 motor oil, if necessary

SYSTEM TROUBLESHOOTING CHART

NOTE: If the following procedures do not correct the problem, contact a factory authorized service center.

PROBLEM	POSSIBLE CAUSES	SUGGESTED CORRECTIVE ACTION
Pump Does Not Operate.	Lubrication system not grounded.	Correct grounding connections to pump assembly and truck chassis.
	Electrical power loss.	Locate cause of power loss and repair. 24VDC power required. Ensure key switch is on.
Pump Does Not Operate.	Timer malfunction.	Replace timer assembly.
	Solenoid valve malfunctioning.	Replace solenoid valve assembly.
	Relay malfunctioning.	Replace relay.
	Motor or pump malfunction.	Repair or replace motor and/or pump assembly. Refer to the Service manual for rebuild instructions.
	<i>NOTE: On initial startup of the lubrication system, the timing capacitor will not contain a charge. Therefore, the first timing cycle will be about double in length compared to the normal interval. Subsequent timer cycles must be as specified.</i>	
Pump Will Not Prime.	Low lubricant supply.	Dirt in reservoir, pump inlet clogged, filter clogged.
Pump Will Not Build Pressure.	Air trapped in lubricant supply line.	Prime system to remove trapped air.
	Lubricant supply line leaking.	Check lines and connections to repair leakage.
	Vent valve leaking.	Clean or replace vent valve.
Injector Indicator Stem Does Not Operate.	Pump worn or scored.	Repair or replace pump assembly. Refer to the Service manual for rebuild instructions.
	<i>NOTE: During operation, the injector indicator stem will move into the body of the injector when pressure builds properly. When the system vents (pressure release), the indicator stem will again move out into the adjusting yoke.</i>	
Injector Indicator Stem Does Not Operate.	Malfunctioning injector - usually indicated by the pump building pressure and then venting.	Replace individual injector assembly.
	All injectors inoperative - pump build up not sufficient to cycle injectors.	Service and/or replace pump assembly. Refer to the Service manual for rebuild instructions.
Pressure Gauge Does Not Register Pressure.	No system pressure to pump motor.	Check hydraulic hose from steering system.
	No 24VDC signal at pump solenoid.	Determine problem in 24VDC electric system.
	Pressure reducing valve set too low.	Refer to Pressure Control Valve Adjustment.
Pressure Gauge Does Not Register Pressure.	24V Relay (RB7K8 or RB7K5) may be defective.	Replace relay.

PROBLEM	POSSIBLE CAUSES	SUGGESTED CORRECTIVE ACTION
Pump Pressure Builds Very Slowly Or Not At All.	No signal at solenoid.	Check timer.
Controller Does Not Operate.	No electric power to controller.	Turn on electric power to pump. Power LED must light, pump on LED must light when manual lubrication is pressed.
Pump On LED Lights, But Load Connected To Terminals 3 & 4 Will Not Energize.	Printed circuit board failure.	Remove and replace.
Load Connected To Terminals 3 & 4 Energized, But Pump On LED Does Not Light.	Printed circuit board failure or keypad failure.	Remove and replace.
Bearing Points Excessively Lubricated.	Controller memory mode is off.	Switch controller memory mode to on.
	Injector output adjustment setting too high.	Readjust to lower setting.
Bearing Points Are Not Sufficiently Lubricated.	Timer/controller cycle time setting too low.	Set to longer cycle time or re-evaluate lubrication requirements.
	Injector output adjustment setting too low.	Readjust injector output setting.
	Timer/controller cycle time setting does not deliver lubricant often enough.	Set to shorter cycle time or re-evaluate lubrication requirements.
	System too large for pump output.	Calculate system requirements per planning manual.

MAJOR COMPONENT DESCRIPTION

The Komatsu model 730E standard dump truck is an electric drive, off-highway, rear dump truck with a gross vehicle weight of 324 319 kg (715,000 lbs) that is rated for a nominal payload of 185 t (203 tons). Some Trolley versions may have a higher GVW. Refer to the grade/speed chart in the operator's cab for the appropriate GVW.

ENGINE

The Komatsu 730E dump truck is powered by a Komatsu SSA16V159 engine rated at 1 492 kW (2,000 HP).

ALTERNATOR (GE GTA-22)

The diesel engine drives an alternator mounted in-line with the engine. The Alternating Current (AC) output of the alternator is rectified to Direct Current (DC) and sent to the DC drive wheel motors.

WHEEL MOTORS (GE 788)

The output of the alternator supplies electrical energy to the two wheel motors attached to the rear axle housing. The two wheel motors convert electrical energy back to mechanical energy through built-in gear trains within the wheel motor assembly. The direction of the wheel motors is controlled by a forward or reverse hand selector switch located on a console to the right side of the operator.

BLOWER

The blower supplies cooling air for the rectifiers, AC alternator, and to both wheel motors, where it is then exhausted to the atmosphere.

OPERATOR'S CAB

The operator's cab for the Komatsu 730E dump truck has been engineered for operator comfort and to allow for efficient and safe operation of the truck.

The cab provides for wide visibility, with an integral four-post Rollover Protective Structure/Falling Object Protective Structure (ROPS/FOPS), and an advanced analog operator environment. It includes a tinted safety-glass windshield and power-operated side windows, a deluxe interior with a fully adjustable seat with lumbar support, a fully adjustable/tilt steering wheel, controls mounted within easy reach of the operator, and an analog instrument panel which provides the operator with all instruments and gauges, which are necessary to control and/or monitor the truck's operating systems.

POWER STEERING

The Komatsu 730E dump truck is equipped with a full-time power steering system, which provides positive steering control with a minimum of effort by the operator. The system includes nitrogen-charged accumulators which automatically provide emergency power if the steering hydraulic pressure is reduced below an established minimum.

DYNAMIC RETARDING

Dynamic retarding is used to slow the truck during normal operation or control the speed coming down a grade. The dynamic retarding ability of the DC electric system is controlled by the operator through the activation of the retarder pedal in the operator's cab and by setting the RSC (Retarder Speed Control). Dynamic retarding is automatically activated if the truck goes to a preset overspeed setting.

BRAKE SYSTEM

The wheel service brakes are caliper/dry disc brakes applied by an all hydraulic actuation system. Depressing the brake pedal actuates wheel-speed single disc front brakes and armature-speed dual disc rear brakes. The rear brakes can also be activated by operating a switch on the instrument panel.

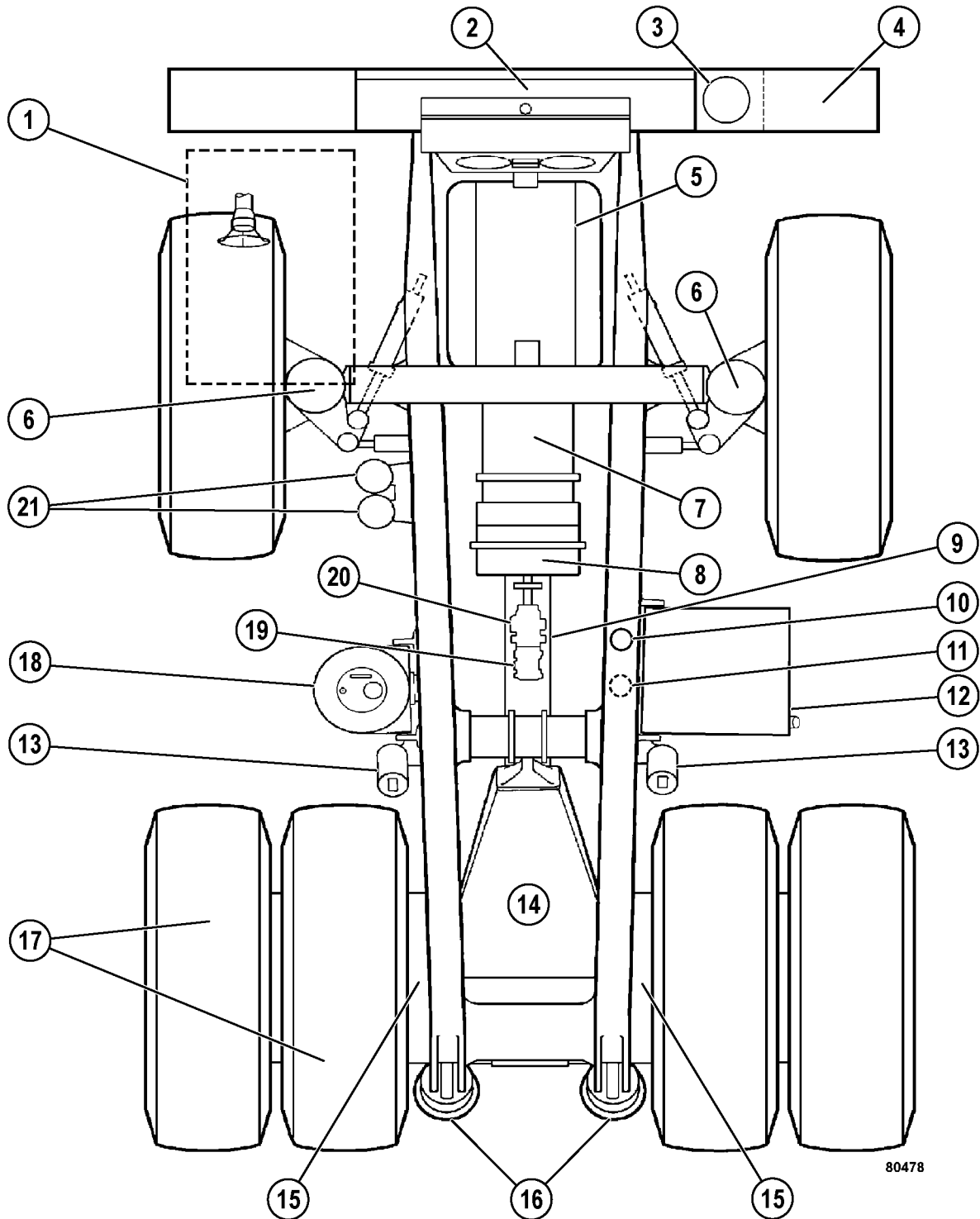
All wheel brakes will be applied automatically if the system pressure decreases below a preset minimum.

The parking brake is a caliper/disc type, mounted on each rear wheel motor, and is spring-applied and hydraulically-released with wheel speed application protection (will not apply with the truck moving.)

SUSPENSION

Hydrair®II suspension cylinders, located at each wheel, provide a smooth and comfortable ride for the operator and dampens shock loads to the chassis during loading and operation.

730E MAJOR COMPONENTS



80478

- | | | |
|---------------------------------|-----------------------------|-------------------------------------|
| 1. Cab | 8. Cooling Blower | 15. Drive Motors |
| 2. Radiator | 9. Cooling Duct | 16. Rear Hydrair II® Suspension |
| 3. Reserve Oil | 10. Steering Circuit Filter | 17. Tires |
| 4. Auto Lube | 11. Hoist Circuit Filter | 18. Hydraulic Tank |
| 5. Engine | 12. Fuel Tank | 19. Steering and Brake Circuit Pump |
| 6. Front Hydrair II® Suspension | 13. Hoist Cylinders | 20. Hoist Circuit Pump |
| 7. Traction Alternator | 14. Rear Axle Housing | 21. Accumulators |

SPECIFICATIONS

These specifications are for the standard 730E dump truck. Customer options may change this listing.

ENGINE

Komatsu SSA16V159	
Number of Cylinders	16
Operating Cycle	4-Stroke
Rated Brake HP 1 491 kW (2,000 HP) @ 1,900 RPM	
Flywheel HP	1 388 kW (1,860 HP) @ 1,900 RPM
Weight (Wet)	5 294 kg (11,670 lbs)

ELECTRIC DRIVE SYSTEM

STATEX III w/Fuelsaver	AC/DC Current
Alternator	General Electric GTA - 22
Motorized Wheels	General Electric 788*
Standard Gear Ratio*	26.825:1
Maximum Speed	34.6 mph (55.7 km/h)

*NOTE: Wheel motor application depends upon GVW, haul road grade, haul road length, rolling resistance, and other parameters. KOMATSU & G.E. must analyze each job condition to assure proper application.

DYNAMIC RETARDING

Electric Dynamic Retarding	Standard
Maximum Retarding	2 759 kW (3,700 HP)
.	With Continuous Rated Blown Grids
Two-Speed Overspeed & Extended Range Retarding	
.	Reverse Retarding

BATTERY ELECTRIC SYSTEM

Batteries	Bumper-Mounted in Polyethylene Boxes
.	Four 12-Volt Batteries in Series/Parallel
.	220 Ampere-Hour Capacity
.	With Disconnect Switch
Alternator	24-Volt, 140 Ampere Output
Lighting	24-Volt
Starters (2)	24-Volt

SERVICE CAPACITIES

	Liters . . .	U.S. Gallons
Crankcase (includes lube oil filters)		
Komatsu	223	59
Cooling System	409	108
Fuel	3 217	850
Hydraulic System	731	193
Wheel Motor Gear Box	40/Wheel	10.5/Wheel

HYDRAULIC SYSTEM

Pumps:

Hoist (gear-type)	513 l/min (135.6 GPM)
.	at 17 240 kPa (2,500 psi) @ 1,900 rpm
Steering/Brake (vane-type)	235 l/min (62 GPM)
.	at 18 960 kPa (2,750 psi) @ 1,900 RPM
Relief Pressure-Hoist	17 240 kPa (2,500 psi)
Relief Pressure-Steering	27 580 kPa (4,000 psi)
Hoist	Two Three-Stage Hydraulic Cylinders
Tank	Vertical - Cylindrical, Non-Pressurized
Service Capacity	731 Liters (193 U.S. Gal)
Filtration	In-line Replaceable Elements
Suction	Single, Full Flow, 100 Mesh
Hoist and Steering High-Pressure Filters	
.	Dual, Full Flow, Seven Micron
.	Beta 12 rating = 200

SERVICE BRAKES

Actuation	All Hydraulic - Caliper/Disc
.	(Front) (Rear)
Type	Single Disc Dual Disc
.	Wheel Speed Armature Speed

STEERING

Turning Circle (SAE)	28.0 m (92 ft)
Twin hydraulic cylinders with accumulator assist to provide constant rate steering.	

Emergency power steering automatically provided by accumulators (meets SAE J1511).

These specifications are for the 730E dump truck without trolley assist. Specifications for trolley trucks will be different.

STANDARD DUMP BODY*

Capacity:

- Struck 77 m³ 101 yds³
- Heaped @ 2:1 (SAE) 111 m³ 145 yds³
- Width (inside) 5.61 m (22 ft 6 in.)
- Depth 2.08 m (6 ft 10 in.)
- Loading Height 5.61 m (18 ft 5 in.)
- Dumping Angle 45°

* Optional capacity dump bodies are available.

TIRES

- Radial Tires (standard) 37.00 R57
- Rock Service, Deep Tread Tubeless
- Rims . (Patented Phase II New Generation™ Rims)
- Tires and Rims Interchangeable

WEIGHT DISTRIBUTION

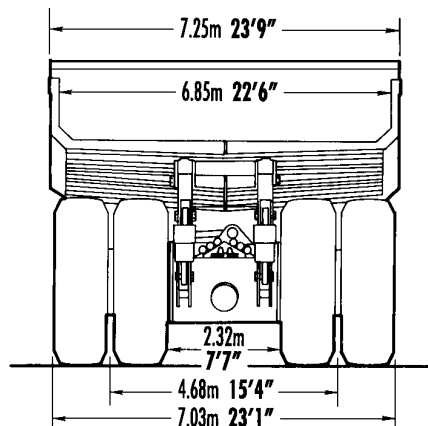
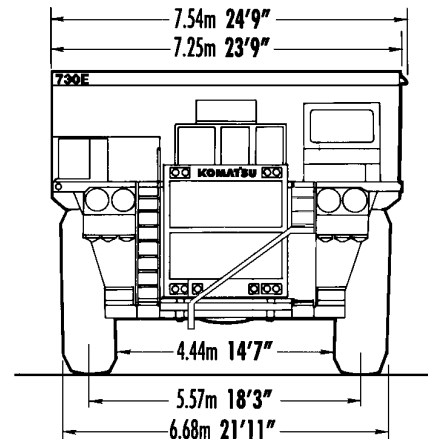
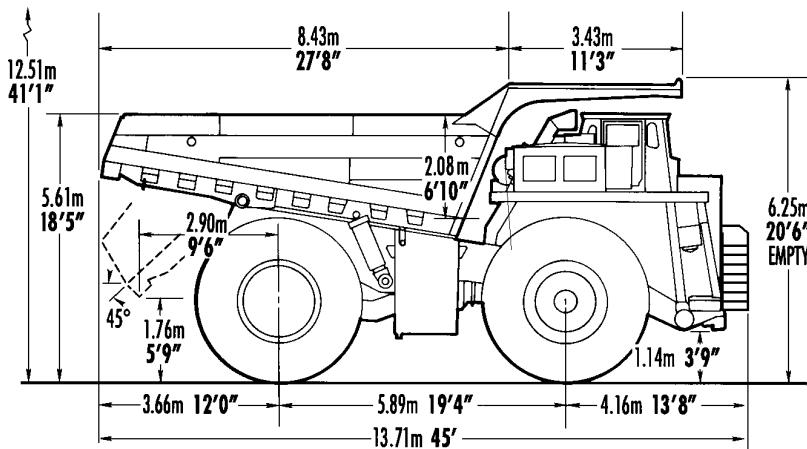
Empty Vehicle	Kilograms	(Pounds)
Front Axle	67 484	(148,776)
Rear Axle	73 108	(161,174)

Total (100% fuel)	140 592	(309,950)
Standard Komatsu Body	25 612	(56,464)
Standard Tire Weight	18 371	(40,500)

Loaded Vehicle	Kilograms . . .	(Pounds)
Front Axle	98 942	218,129
Rear Axle	225 377	496,871

Total *	324 319	(715,000)
Nominal Payload	183 729	(405,050)

*Nominal payload is as defined within Komatsu America Corp. payload policy documentation. Nominal payload must be adjusted should the weight of any customized body or tires fitted vary from that of the standard Komatsu body and tires as shown above. Nominal payload must also be adjusted to take into account the additional weight of any customized/optional extras fitted to the truck which are not stated within the Standard Features list of this specification sheet..



All dimensions are with 77/111m³ 101/145 cu. yd. body.
Vertical dimensions are for standard empty vehicle
– subtract 150mm/5.9” for vehicle loaded to max. GVW.
Minimum ground clearance (at max. GVW) 0.72m 2'4”

BODIES	Struck		2:1 Heap		Loading Height		Additional Weight	
	M ³	Cu. Yds.	M ³	Cu. Yds.	M	Feet	Kg	Lbs.
Standard	77	101	111	145	5.61	18'5"	–	–
Std/Optional	96	125	125	163	6.00	19'8"	+1112	+2452
Hi-density*	48	63	86	113	5.04	16'6"	+2400	+5291
H.D. Optional*	60	78	96	126	5.26	17'3"	+3030	+6680
Coal**	176	230	209	273	7.16	23'6"	+2540	+5600

* Floor – 1” (25mm); Front 0.625” (16mm); Sides 0.50” (12mm)
** Coal = 3:1 heap capacity - tailgate not included.

PAYLOAD METER III™**INDEX**

INTRODUCTION	60-3
Data Summary	60-3
Data Gathering	60-3
COMPONENT DESCRIPTION	60-4
System Diagram	60-4
Suspension Pressure Sensors	60-4
Inclinometer	60-4
Operator Display	60-4
Operator Switch	60-5
Speed Input	60-5
Body-Up Switch	60-5
Brake Lock Switch	60-5
Payload Meter	60-5
Communications Ports	60-5
Key switch Input	60-6
Payload Meter Power	60-6
Load Lights	60-6
Wiring and Termination	60-7
TCI Outputs	60-7
OPERATOR'S DISPLAY AND SWITCH	60-8
Reading the Speedometer	60-8
Reading the Load Display	60-8
Using the Operator ID	60-8
Using the Load and Ton Counter	60-8
Total Ton Counter	60-8
Total Load Counter	60-9
Clearing the Counters	60-9
Viewing Live Sensor Data	60-9
Other Display Messages	60-9
PAYLOAD OPERATION & CALCULATION	60-10
Haul Cycle States	60-10
Haul Cycle Description	60-10
Load Calculation	60-11
Carry Back	60-11
Measurement Accuracy	60-11
SOURCES FOR PAYLOAD ERROR	60-11
Payload Error	60-11
Loading Conditions	60-12
Pressure Sensors	60-12
Swingloads	60-12
Speed and Distance	60-12

HAUL CYCLE DATA	60-12
Haul Cycle Data	60-13
Haul Cycle Warning Flags	60-14
Frame Torque Data	60-15
Sprung Weight Data	60-15
Maximum Speed Data	60-15
Alarm Records	60-15
Fault Code Data	60-16
PC SOFTWARE OVERVIEW	60-17
PC Overview	60-17
System Configuration	60-17
Installing the PLMIII Software	60-17
DOWNLOADING DATA	60-18
PLM III SYSTEM CONFIGURATION	60-19
Starting Communications	60-19
Displayed Payload Units	60-19
Time Units	60-19
Connection Menu	60-19
Connecting to the Payload Meter	60-20
Configure the Payload Meter	60-20
Setting the Date and Time	60-20
Setting the Truck Type	60-21
Setting the Gauge Display Units	60-21
Setting the Frame Serial Number	60-21
Setting the Truck Number	60-21
Setting the Komatsu Distributor	60-21
Setting the Komatsu Customer	60-21
Clean Truck Tare	60-22
Inclinometer Calibration	60-22
DATA ANALYSIS	60-23
Creating a Query	60-23
Sorting on Truck Unit Number	60-23
Sorting on Truck Type	60-23
Sorting on Date Range	60-24
Sorting on Time Range	60-24
Payload Detail Screen	60-25
Creating Reports	60-25
Summary - one page report	60-26
Detailed - multi-page report	60-26
Creating Graphs	60-27
Exporting Data	60-27
CSV Export	60-27
Compressed	60-28
Importing Data	60-29
Deleting Haul Cycle Records	60-29
Viewing Alarms	60-30
Deleting Alarm Records	60-30

INTRODUCTION

Payload Meter III (PLMIII) measures, displays and records the weight of material being carried by an off-highway truck. The system generally consists of a payload meter, a gauge display, deck-mounted lights, and sensors. The primary sensors are four suspension pressures and an inclinometer. Other inputs include a body up signal, brake lock signal, and speed.

Data Summary

5208 haul cycles can be stored in memory. The following information is recorded for each haul cycle:

- Payload
- Operator ID number (0000-9999)
- Distance traveled loaded and empty
- The amount of time spent empty run/stop, loading, loaded run/stop, and dumping
- Maximum speed loaded and empty with time of day
- Average speed loaded and empty
- Empty carry-back load
- Haul-cycle, loading, dumping start time of day.
- Peak positive and peak negative frame torque with time of day
- Peak sprung load with time of day
- Tire ton-mph for each front and average per rear tires

The payload meter stores lifetime data that cannot be erased. This data includes:

- Top 5 maximum payloads and time stamps.
- Top 5 positive and negative frame torque and time stamps
- Top 5 maximum speeds and time stamps

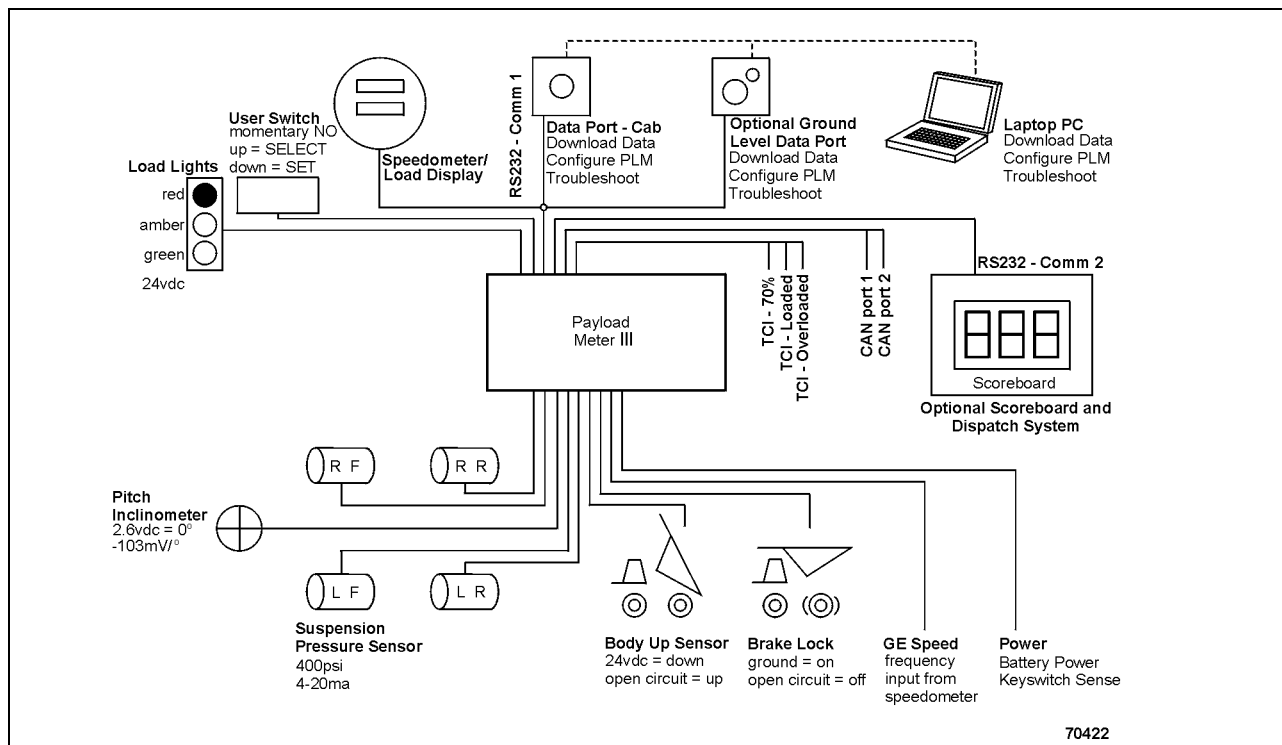
Data Gathering

Windows 95/98/NT software is available to download, store and view payload and fault information. The PC software will download an entire truck fleet into one Paradox database file. Users can query the database by date, time, truck type and truck number to produce reports, graphs and export the data. The software can export the data in '.CSV' format that can be easily imported into most spreadsheet applications. The Windows software is not compatible with the Payload Meter II system.

It is important that each payload meter be configured for each truck using the PC software. The information for frame serial number and truck number is used by the database program to organize the payload data. In addition, the payload meter must be configured to make calculations for the proper truck model. Improper configuration can lead to data loss and inaccurate payload calculations.

COMPONENT DESCRIPTION

System Diagram



Suspension Pressure Sensors

PLMIII uses a two-wire pressure sensor. The range for the pressure sensor is 4000 psi (281 kg/cm²) and the overload limit is 10,000 psi (700 kg/cm²). One wire to the sensor is the supply voltage and the other is the signal. The 0-4000 psi range is converted into an electrical current between 4-20 ma. The supply voltage for the sensor is nominally +18vdc. Each pressure sensor has an 118 in. (3000 mm) length of cable. The cable is specially shielded and reinforced to provide mechanical strength and electronic noise immunity.

Inclinometer

The inclinometer is used to increase the accuracy of load calculations on an incline. The inclinometer uses three wires. For the sensor, red is the +18vdc supply voltage, black is ground and the white is the signal. The incline signal is a voltage between 1 and 4 volts. Zero degrees of incline is represented by 2.6vdc on the signal line. The voltage signal will be decreased by 0.103vdc for every degree of nose up incline.

Operator Display

The speedometer/display gauge is used as a speedometer and payload display. The top display is used for speed and can display metric (km/h) or English (mph) units. Grounding terminal #4 on the back of the speedometer will switch the meter to display metric units. Leaving terminal #4 unconnected will cause the gauge to display English units. The speedometer can be adjusted using a calibration potentiometer in the back just like existing speedometers.

The payload meter uses the lower display for payload information. The normal display mode shows the current payload. The display can be changed to show the load and total tons counter or the Operator ID. Using the operator switch on the dash panel, the current suspension pressures and incline can be displayed. The units for display are set using the PC software. Payloads can be displayed in short tons, long tons or metric tons.

Operator Switch

The payload operator switch is used to set, view and clear the total load counter and total ton counter. It is also used to enter the operator ID number (0-9999). This switch can also be used to view the suspension pressures and inclinometer. The payload meter operator switch is located on the dashboard. It is a two-way momentary switch. The top position is the SELECT position. The SELECT position is used step through the different displays. The lower position is the SET position. The SET position is used to set the operator ID or clear the load and total ton counters. Normally the inputs from the switch to the payload meter are open circuit. The switch momentarily connects the circuit to ground.

Speed Input

PLMIII uses a speed signal to calculate speed, distance, and other performance data. This input is critical to the proper operation of the system. PLMIII receives this signal from the speedometer/operator display on the dashboard. The same signal displayed to the operator is used by the system. Distance calculations are made based on the rolling radius of the tires for a particular truck.

Body-Up Switch

The body-up input signal is received from a magnetic switch located on the inside of the truck frame, forward the pivot pin of the truck body. This is the same switch typically used for input to the drive system. When the body is down, the switch closes and completes the circuit to 71-control power. 24vdc indicates the body is down. Open circuit indicates that the body is up.

Brake Lock Switch

The brake lock is used to lock the rear brakes on the truck. It is necessary for the accurate calculation of swingloads during the loading process. Without the brake lock applied, the payload meter will not calculate swingloads during the loading process. Without the brake lock, the payload meter will assume that the truck was loaded using a continuous loader and flag the haul cycle record. All other functions will be normal regardless of brake lock usage. The brake lock input comes from the switch located on the dash panel. The brake lock switch connects the circuit to ground. Open circuit indicates brake lock off. Ground indicates brake lock on.

Payload Meter

The payload meter is housed in a black aluminum housing. There is a small window on the face of the unit. Status and active alarm codes can be viewed through the window. During normal operation, a two-digit display flashes 0 back and forth. Active fault codes will be displayed for two seconds. These codes are typically viewed using the laptop computer connected to the serial communications port.

There is one 40-pin connector on the payload meter. A jack-screw is used to hold the payload meter and wire harness connector housings together. This screw requires a 4mm or 5/32 hex wrench. The correct tightening torque for this screw is 25 lb-in. Four bolts hold the payload meter housing to its mounting bracket in the cab.

The circuit board inside the payload meter housing is made from multi-layer, dual-sided surface-mount electronics. There are no field serviceable components inside. The electronics are designed to withstand the harsh operating environment of the mining industry. Opening the payload meter housing will result in voiding the warranty.

Communications Ports

The payload meter has two RS232 serial communications ports and two CAN ports. Connections for the two serial ports are available inside the payload meter junction box. The two CAN ports are available for future electronics systems.

Serial port #1 is used to communicate with the dashboard display. It is also used to connect to the laptop computer. The display gauge will remain blank when the PC is using the serial port. This port initially operates with serial settings at 9600,8,N,1. These settings change automatically to increase the communications rate when the PC is using the port. This serial port uses a 3-wire hardware connection.

Serial port #2 is used to communicate to other on-board electronics like Modular Mining's Dispatch® system or the scoreboard from Komatsu. This port uses a 3-wire hardware connection. Connections to this serial port need to be approved by Komatsu. Several protocol options are available and detailed technical information is available depending on licensing.

Key Switch Input

PLMIII monitors the status of the key switch. 24vdc indicates that the key switch is on, open indicates the key switch is off. The payload meter does not receive its electrical power from the key switch circuit. The payload meter will remain on for several seconds after key switch is removed. When the key switch power is removed, payload meter performs a series of internal memory operations before turning itself off. To allow for these operations, the key switch should be turned off for at least 15 seconds before turning the key switch back on. The payload meter will automatically reset itself without error if not enough time is given for these operations. The display may blink briefly.

Payload Meter Power

The payload meter receives its power from the battery circuit on the truck. Removing battery power from the payload meter before removing key switch and waiting 15 seconds may result in lost haul cycle data. The payload meter turns itself off approximately 15 seconds after the key switch power is removed. Some haul cycle data will be lost if battery power is removed before waiting 15 seconds. The payload meter system operates at a nominal voltage of 24vdc at 1 to 2 amps depending on options. The payload meter is designed to turn itself off if the supply voltage rises above 36vdc. The payload meter is also protected by a 5 amp circuit breaker located in the junction box.

Power to the load lights comes from the same battery circuit. The load lights are powered through a relay. The key switch circuit controls the relay. The load lights are also protected by a 15 amp circuit breaker in the junction box.

Load Lights

PLMIII uses load lights to indicate to the shovel operator the approximate weight of the material in the truck. The load lights are illuminated only when the brake lock is applied. The lights are controlled by the payload meter through a series of relays in the junction box. The payload meter controls the relays with 24vdc outputs. A 24vdc signal from the payload meter powers the relay coil and connects battery power to the load light. When the relay is not powered by the payload meter, a pre-warm resistor connects the load light to a reduced voltage. This circuit pre-warms the load light filaments and reduces the inrush current when the light is fully illuminated. This lengthens the operating life of the load lights.

The load lights progressively indicate to the shovel operator the approximate weight of the material in the truck.

A flashing green light indicates the next swingload will make the measured load greater than 50% of rated load. A solid green light indicates that the current load is greater than 50% of rated capacity.

A flashing amber light indicates the next swingload will make the measured load greater than 90% of rated load. A solid amber light indicates that the current load is greater than 90% of rated capacity.

A flashing red light indicates the next swingload will make the measured load greater than 105% of rated load. A solid red light indicates that the current load is greater than 105% of rated capacity.

The optimal loading target is a solid green and amber lights with a flashing red light. This indicates that the load is between 90% and 105% of rated load for the truck and the next swingload will load the truck over 105%.

Wiring and Termination

Most of the PLMIII truck connections use a heavy-duty cable. This yellow multi-conductor cable uses a 16awg, finely stranded wire designed for continuous motion operations. The conductors are protected by a foil and braided shield for electronic noise immunity and physical strength. This wire is typically terminated with a #10 ring terminal. Most connections for the PLMIII system are made in the payload meter junction box.

TCI Outputs

The GE drive system on the 930E/960E requires information from the payload meter regarding the loaded condition of the truck. There are three outputs from the payload meter to GE to indicate the relative load in the truck. 24 vdc on the 73MSL circuit indicates that the load is 70% of rated load. 24 vdc on the 73FSL circuit indicates the truck is 100% loaded. The 73OSL circuit is not currently used.

OPERATOR'S DISPLAY AND SWITCH

Reading the Speedometer

The top window of the speedometer/display gauge is the speedometer section. The display shows the speed indicated by the frequency being received by the gauge. This can be adjusted using the potentiometer on the back of the gauge. In addition, the units for the display can be changed. Terminal #4 controls the displayed units. If #4 is grounded, the display will be metric. If terminal #4 is left open, the display will be in English units.

Reading the Load Display

The lower display on the speedometer/display gauge is used for payload information. The SELECT position on the operator switch allows the user to scroll through a number of useful displays. The order for the displays is as follows:

- PL= Payload
- Id= Operator ID
- tL= Total Shift Tons
- LC= Shift Load Counter
- LF= Left Front Suspension Pressure
- rF= Right Front Suspension Pressure
- Lr= Left Rear Suspension Pressure
- rr= Right Rear Suspension Pressure
- In= Inclinator

The display holds the displayed information until the SELECT switch is pressed again. The suspension pressures, inclinometer, and payload displays are based on current sensor inputs.

Communications to the display use the same serial link as the download connection. Whenever another computer is connected to serial port #1 to download or configure the system, the lower display will blank. This is not the same connection used by mine dispatch systems.

Using the Operator ID

The current operator ID number is recorded with each haul cycle. The number can be between 0 and 9999.

To set the Operator ID:

1. Press the "SELECT" switch until Id= is displayed.
2. Hold the "SET" button until 0000 is displayed. The first digit should be flashing.
3. Press the "SET" button again to change the digit.
4. Press the "SELECT" button once to adjust the second digit.
5. Use the "SET" button again to change the digit.
6. Press the "SELECT" button once to adjust the third digit.
7. Use the "SET" button again to change the digit.
8. Press the "SELECT" button once to adjust the fourth digit.
9. Use the "SET" button again to change the digit.
10. Press the "SELECT" button one more time to enter the ID.

If no buttons are pressed for 30 seconds, the display will return to normal operation. The number being entered will be lost and the ID number returns to the previous ID number.

Using the Load and Ton Counter

PLMIII allows the truck operator to monitor and track the total tons hauled and the number of haul cycles during the shift. This display can be cleared at the beginning of each shift to allow the operator to record how many loads and tons have been hauled during the shift.

Total Ton Counter

The total ton counter records the number of tons hauled since the last time it was cleared. This display is in 100's of tons. For example, if the display shows 432 the total tons is 43,200. This display can be cleared at the beginning of each shift to allow the operator to record how many tons have been hauled during the shift. The units are selected using the PC software.

- To view the total ton counter press and release the "SELECT" switch until tL= is displayed on the gauge.

Total Load Counter

The total load counter records the number of loads hauled since the last time it was cleared. This display can be cleared at the beginning of each shift to allow the operator to record how many loads have been hauled during the shift.

- To view the total load counter press and release the "SELECT" switch until LC= is displayed on the gauge.

Clearing the Counters

Clearing the total ton counter or total load counter clears both records.

To clear the total ton and total load counter:

1. Press the "SELECT" switch until tL= or LC= is displayed.
2. Hold the "SET" button until the display clears.

Viewing Live Sensor Data

The display can also be used to quickly show the current readings from the four suspension pressure sensors and the inclinometer. This can be used during regularly scheduled service periods to check the state of the suspensions. These displays are live and will update as the values change.

The live displays cannot be cleared and the SET button will have no effect.

The units for the display are controlled by the configuration of the payload meter. If the payload meter is set to display metric units, the pressures will be displayed in tenths of kg/cm². For example, if the display shows 202 the actual value is 20.2 kg/cm². If the payload meter is set to display short tons, the pressures will be displayed in psi (lbs/in²). Multiply by 14.2 to convert kg/cm² to psi. (example -- 1kg/cm² x 14.2 = 14.2 psi). There is no way to detect the units setting for the gauge without the PC software.

The inclinometer displays whole degrees of incline. Positive incline is truck nose up. The gauge will quickly display the type of information shown every 10 seconds. For example, if the left-front pressure is being displayed, Lf= will flash on the display every minute. Only the payload display, PL= does not display this information.

- Left Front Pressure - To display the pressure in the left-front suspension, press and release the "SELECT" switch until Lf= is displayed.
- Right Front Pressure - To display the pressure in the right-front suspension, press and release the "SELECT" switch until rf= is displayed.
- Left Rear Pressure - To display the pressure in the left-rear suspension, press and release the "SELECT" switch until Lr= is displayed.
- Right Rear Pressure - To display the pressure in the right-rear suspension, press and release the "SELECT" switch until rr= is displayed.
- Inclinometer - To display the truck incline, press and release the "SELECT" switch until In= is displayed.

Other Display Messages

On startup of the payload meter system, the gauge display will scroll the truck type that the PLMIII is configured for. For example, on a 930E, the gauge will scroll, ---930E---.

If the PLMIII encounters memory problems, it will display ER88, where 88 is the specific memory error. In this very rare circumstance, the system should be turned off for 30 seconds and restarted.

PAYLOAD OPERATION & CALCULATION

Haul Cycle States

The typical haul cycle can be broken down into eight distinct stages or states. Each state requires the payload meter to make different calculations and store different data.

1. Tare Zone
2. Empty
3. Loading
4. Maneuvering
5. Final Zone
6. Hauling
7. Dumping
8. After Dump

Haul Cycle Description

A new haul cycle is started after the load has been dumped from the previous cycle. The payload meter will stay in the after_dump state for 10 seconds to confirm that the load has actually been dumped. If the current payload is less than 20% of rated load, the payload meter will switch to the tare_zone and begin calculating a new empty tare. If, after dumping, the payload has not dropped below 20% of rated load the meter will return to the maneuvering or hauling states. In this case, the false_body_up flag will be recorded in the haul cycle record.

While in the tare_zone state, and moving faster than 5 km/h (3 mph), the payload meter calculates the empty sprung weight of the truck. This tare value will be subtracted from the loaded sprung weight to calculate the final payload. The payload meter will switch from the tare_zone or empty to the loading state if swingloads are detected. By raising the dump body while in the empty state the payload meter can be manually switched back to the tare_zone to calculate a new tare.

From the empty state, the payload meter will switch to the loading state through one of two means. If the brake lock is applied, the payload meter will be analyzing the suspension pressures to detect a swingload. If a swingload is detected, the meter will switch to the loading state. The minimum size for swingload detection is 10% of rated load. Swingload detection usually takes 4-6 seconds. The second method to switch from empty to loading is through continuous loading. This can happen if the brake lock is not used during loading. If the load increases above 50% of rated load for 10 seconds without the brake lock applied, the meter will switch to loading

and record the continuous_loading flag in the haul cycle.

The payload meter switches from loading to maneuvering as soon as the truck begins moving. The maneuvering zone is 160m and is designed to allow the operator to reposition the truck under the shovel. More payload can be added anytime within the maneuvering zone. Once the truck travels 160m (0.1 miles) the payload meter switches to the final_zone and begins calculating payload. If the body is raised while the payload meter is in the maneuvering state, the no_final_load flag will be recorded in the haul cycle record, no payload will be calculated, and the meter will switch to the dumping state.

While in the final_zone moving faster than 5 km/h (3 mph), the payload meter calculates the loaded sprung weight of the truck. The same advanced algorithm is used to calculate the empty and loaded sprung weights. The payload meter will switch from the final_zone to the dumping state if the Body-Up signal is received. If the truck has moved for less than 1 minute in the final_zone, the payload meter will calculate the final payload using an averaging technique which may be less accurate. If this happens, the average_load flag will be recorded in the haul cycle.

The payload meter switches to the dumping state when the dump body rises. The payload meter will switch from dumping to after_dump when the dump body comes back down.

From the after_dump, the payload meter will switch to one of three states:

1. If the average payload is greater than 20% of rated load and no final payload has been calculated, the payload meter will return to the maneuvering state. After the truck travels 160m (0.1 mile) the meter will switch to the final_zone and attempt to calculate the payload again. The false_body_up flag will be recorded in the haul cycle record.
2. If the average payload is greater than 20% of rated load and the final payload has been calculated, the payload meter will switch back to the hauling state. The false_body_up flag will be recorded in the haul cycle record.
3. If the average payload is less than 20% of rated load, the payload meter will switch to the tare_zone and begin to calculate a new empty tare.

Load Calculation

The final load calculation is different from the last swingload calculation. The accuracy of the swing load calculation depends on loading conditions and the position of the truck during loading. The last swingload calculation is not the value recorded in memory as the final load. The final load is determined by a series of calculations made while the truck is traveling to the dump site.

Carry Back

Carry back is calculated as the difference between the current truck tare and the clean truck tare. The clean truck tare is calculated using the PC software. When the suspensions are serviced or changes are made that may affect the sprung weight of the truck, a new clean truck tare should be calculated.

Measurement Accuracy

Payload measurements are typically repeatable within 1%. Accuracy for a particular scale test depends on specific combinations of pressure sensors and payload meters as well as the specifics of each scale test. Comparisons from different scale tests are often made without considering the differences introduced by the specific installation and operation of the scales for each test. In addition, each pressure sensor and payload meter introduces its own non-linearity. Each truck becomes an individual combination of sensors and payload meter. Errors from these sources can introduce up to a $\pm 7\%$ bias in the payload meter calculations for a specific scale test, for an individual truck.

Because the PLMIII calculates a new empty tare for each payload, a detailed scale test must weigh the trucks empty and loaded for each haul cycle. Using a simple average of 2 or 3 empty truck weights as an empty tare for the entire scale test will introduce significant error when comparing scale weights to PLMIII weights.

SOURCES FOR PAYLOAD ERROR

Payload Error

The number one source of error in payload calculation is improperly serviced suspensions. The payload meter calculates payload by measuring differences in the sprung weight of the truck when it is empty and when it is loaded. The sprung weight is the weight of the truck supported by the suspensions. The only method for determining sprung weight is by measuring the pressure of the nitrogen gas in the suspensions. If the suspensions are not properly maintained, the payload meter cannot determine an accurate value for payload. The two critical factors are proper oil height and proper nitrogen charge.

If the suspensions are overcharged, the payload meter will not be able to determine the empty sprung weight of the truck. The suspension cylinder must be able to travel up and down as the truck drives empty. The pressure in an overcharged suspension can push the suspension rod to full extension. In this case, the pressure inside the cylinder does not accurately represent the force necessary to support that portion of the truck.

If the suspensions are undercharged, the payload meter will not be able to determine the loaded sprung weight of the truck. The suspension cylinder must be able to travel up and down as the truck drives loaded. If the pressure in an undercharged suspension cannot support the load, the suspension will collapse and make metal-to-metal contact. In this case, the pressure inside the cylinder does not accurately represent the force necessary to support that portion of the truck.

Low oil height can also introduce errors by not correctly supporting a loaded truck. This is why the correct oil height and nitrogen charge are the most critical factors in the measurement of payload. If the suspensions are not properly maintained, accurate payload measurement is not possible. In addition, suspension maintenance is very important to the life of the truck.

Loading Conditions

The final load calculation of the PLMIII system is not sensitive to loading conditions. The final load is calculated as the truck travels away from the shovel. Variations in road conditions and slope are compensated for in the complex calculations performed by the payload meter.

Pressure Sensors

Small variations in sensors can also contribute to payload calculation error. Every pressure sensor is slightly different. The accuracy differences of individual sensors along the range from 0 to 4000 psi can add or subtract from payload measurements. This is also true of the sensor input circuitry within individual payload meters. These differences can stack up 7% in extreme cases. These errors will be consistent and repeatable for specific combinations of payload meters and sensors on a particular truck.

Swingloads

Swingload calculations can be affected by conditions at the loading site. Parking the truck against the berm or large debris can cause the payload meter to inaccurately calculate individual swingloads. While the PLMIII system uses an advanced calculation algorithms to determine swingloads, loading site conditions can affect the accuracy.

Speed and Distance

The payload meter receives the same speed signal as the speedometer. This signal is a frequency that represents the speed of the truck. The payload meter uses this frequency to calculate speeds and distances. The meter assumes a single value for the rolling radius of the tire. The rolling radius may change at difference speeds by growing larger at higher speeds. The actual rolling radius of the tire will also change between a loaded and empty truck. The payload meter does not compensate for these changes.

NOTE: Earlier 730E and 830E models are subject to incorrect speed data due to electrical interference. The incorrect speeds are generated while the truck is stopped. An attenuator was added to newer production models to prevent this error from occurring. A kit was released to update older PLMIII systems with the attenuator. Consult your area service representative for details.

HAUL CYCLE DATA

PLMIII records and stores data in its on-board flash memory. This memory does not require a separate battery. The data is available through the download software.

PLMIII can store 5208 payload records. When the memory is full, the payload meter will erase the oldest 745 payload records and continue recording.

PLMIII can store 512 alarm records in memory. When the memory is full, the payload meter will erase the oldest 312 alarm records and continue recording.

All data is calculated and stored in metric units within the payload meter. The data is downloaded and stored in metric units within the Paradox database on the PC. The analysis program converts units for displays, graphs and reports.

The units noted in the Table 1 are the actual units stored in the data file. The value for the haul cycle start time is the number of seconds since January 1, 1970 to the start of the haul cycle. All other event times are referenced in seconds since the haul cycle start time. The PC download and analysis program converts these numbers into dates and times for graphs and reports.

Haul Cycle Data

The following information is recorded for each haul cycle:

Table 1: HAUL CYCLE DATA		
Data	Unit	Remark
Truck #	alpha-numeric	Up to 22 characters can be stored in this field to identify the truck. Typically this field will be just the truck number.
Haul Cycle Start Date/Time	seconds	Number of seconds from 1/1/70 to the start of the haul cycle, haul cycle starts when the meter transitions from dumping to empty state after the previous haul cycle, download program converts seconds into date and time for display
Payload	tons	Stored as metric, download program allows for conversion to short or long tons.
Number of Swingloads	number	The number of swingloads detected by the payload meter
Operator ID	number	This is a 4 digit number that can be entered by the operator at the start of the shift.
Warning Flags	alpha	Each letter represents a particular warning message about the haul cycle, details are located on page 19.
Carry-back load	tons	The difference between the latest empty tare and the clean truck tare
Empty haul time	seconds	Number of seconds in the tare_zone and empty states with the truck moving
Empty stop time	seconds	Number of seconds in the tare_zone and empty states with the truck stopped
Loading time	seconds	Number of seconds in the loading state
Loaded haul time	seconds	Number of seconds in the maneuvering, final_zone and loaded states with the truck moving
Loaded stop time	seconds	Number of seconds in the maneuvering, final_zone and loaded states with the truck stopped
Dumping time	seconds	Number of seconds in the dumping state
Loading start time	seconds	Number of seconds from the start of the haul cycle to when the meter transitions from empty to loading state
Dump start time	seconds	Number of seconds from the start of the haul cycle to the time when the meter switches from loaded to dumping state
Loaded haul distance	m	Distance traveled while loaded
Empty haul distance	m	Distance traveled while empty
Loaded max speed	km/h	Maximum speed recorded while the truck is loaded
Loaded max speed time	seconds	Number of seconds from the start of the haul cycle to the time when the max speed occurred
Empty max speed	km/h	Maximum speed recorded while the truck is empty
Empty max speed time	seconds	Number of seconds from the start of the haul cycle to the time when the max speed occurred
Peak positive frame torque	ton-meter	Positive frame torque is measured as the frame twists in the clockwise direction as viewed from the operator's seat.
Peak frame torque time	seconds	Number of seconds from the start of the haul cycle to the peak torque, download program converts to time for display
Peak negative frame torque	ton-meter	Negative frame torque is measured as the frame twists in the counter-clockwise direction as viewed from the operator's seat.
Peak frame torque time	seconds	Number of seconds from the start of the haul cycle to the peak torque, download program converts to time for display
Peak sprung load	tons	Peak dynamic load calculation
Peak sprung load time	seconds	Number of seconds from the start of the haul cycle to the peak instantaneous load calculation
Front-left tire-ton-km/h	t-km/h	Tire ton-km/h for haul cycle
Front-right tire-ton-km/h	t-km/h	Tire ton-km/h for haul cycle
Average rear tire-ton-km/h	t-km/h	Tire ton-km/h for haul cycle
Truck Frame Serial Number	alpha	The truck serial number from the nameplate on the truck frame
Reserved 1-10	number	These values are internal calculations used in the continued development of the PLMIII system and should be ignored

Haul Cycle Warning Flags

The payload meter expects haul cycles to progress in a particular way. When something unexpected takes place, the system records a warning flag. Several events within the haul cycle can cause a warning flag to be generated. Each one indicates an unusual occurrence during the haul cycle. They do not necessarily indicate a problem with the payload meter or payload calculation.

A: Continuous Loading

This message is generated when the truck is loaded over 50% full without the payload meter sensing swingloads. This indicates that a continuous loading operation was used to load the truck. It may also indicate that the payload meter did not receive the brake lock input while the truck was being loaded. There may be a problem with the wiring or the brake lock was not used. The payload meter will not measure swingloads unless the brake lock is used during the loading process.

B: Loading to Dumping Transition

This message is generated when the payload meter senses a body up input during the loading process. This message is usually accompanied by a `no_final_load` flag.

C: No Final Load

This message is generated when the payload meter is unable to determine the final payload in the truck. Typically, this means that the payload meter switched from a loaded state to the dumping state before the load could be accurately measured.

D: Maneuvering to Dumping Transition

This message is generated when the payload meter senses a body-up input during the maneuvering or repositioning process indicating that the operator has dumped the load. It may also be generated if the body-up signal is not properly reaching the payload meter and the weight in the truck falls dramatically while the truck is maneuvering or repositioning.

E: Average Load or Tare Used

This message indicates that the recorded payload may not be as accurate as a typical final load calculation. Typically, this is recorded when loading begins before an accurate tare is calculated or the load is dumped before the load can be accurately measured.

F: Final Zone to Dumping Transition

This message is generated when the payload meter senses a body-up while it is calculating the final payload indicating that the operator has dumped the load. It may also be generated if the body-up signal is not properly reaching the payload meter and the weight in the truck falls dramatically while the truck is calculating the final payload.

H: False Body Up

This message indicates that the body was raised during the haul cycle without the load being dumped. The body-up signal indicated that the truck was dumping, but the weight of the truck did not fall below 20% of the rated load.

I: Body Up Signal Failed

This message indicates that the load was dumped without a body-up signal being received by the payload meter. The weight of the truck fell below 20%, but the payload meter did not receive a body-up signal from the sensor.

J: Speed Sensor Failed

This message indicates that the payload meter sensed the truck loading and dumping without receiving a speed signal.

K: New Tare Not Calculated

The payload meter was not able to accurately calculate a new empty sprung weight for the truck to use as the tare value for the haul cycle. The tare value from the last haul cycle was used to calculate payload.

L: Incomplete Haul Cycle

The payload meter did not have proper data to start the haul cycle with after powering up. When the PLMIII powers off, it records the data from the haul cycle in progress into memory. This flag indicates that this data was not recorded the last time the payload meter was shut down. This can happen when the main battery disconnect is used to shut the truck down instead of the key switch. A haul cycle with this warning flag should not be considered accurate. Haul cycles with this warning are displayed in red on the Payload Summary window and are not included in the summary statistics for reports or display.

M: Haul Cycle Too Long

The haul_cycle_too_long flag indicates that the haul cycle took longer than 18.2 hours to complete. The times stored for particular events may not be accurate. This does not affect the payload calculation.

N: Sensor Input Error

An alarm was set for one of the 5 critical sensor inputs during the haul cycle. The five critical sensors are the four pressure sensors and the inclinometer. Without these inputs, the payload meter cannot calculate payload. A haul cycle with this warning flag should not be considered accurate. Haul cycles with this warning are displayed in red on the Payload Summary window and are not included in the summary statistics for reports or display.

Frame Torque Data

Payload meter records the top 5 peak positive and negative frame torque values and the time they occurred. The frame torque is a measure of the twisting action along the centerline of the truck. Positive frame torque is measured when the suspension forces on the front of the truck act to twist the frame in the clockwise direction as viewed from the operator's seat. Negative frame torque is measured when the forces from the suspensions act in the opposite direction.

For example, if the left front and right rear pressure rises as the right front and left rear pressure drops, the truck frame experiences a twisting motion along the longitudinal centerline. In this case, the payload meter will record a positive frame torque.

The 5 highest values in the positive and negative direction are stored in permanent memory within the payload meter.

Sprung Weight Data

The payload meter is constantly monitoring the live payload calculation. This value naturally rises and falls for a loaded truck depending on road and driving conditions. The payload meter records the top 5 highest payload calculations and the time they occurred. This information is stored in permanent memory inside the meter.

Maximum Speed Data

The payload meter records the top 5 highest speeds and the time they occurred. This information is stored in permanent memory inside the meter.

Alarm Records

The payload meter stores alarm records to give service personnel a working history of the system. All codes are viewed using the PC connected to the payload meter. Active codes are also displayed on the two-digit display on the meter itself. Each code has a specific cause and should lead to an investigation for correction. Some failures can be overcome by the payload meter. Haul cycle data will indicate if an alarm condition was present during the cycle. Failures with the suspension or inclinometer sensors cannot be overcome.

Fault Code Data

Table 2:		
Fault Code	Name	Description
1	Left front pressure high	Input current > 22 ma
2	Left front pressure low	Input current < 2 ma
3	Right front pressure high	Input current > 22 ma
4	Right front pressure low	Input current < 2 ma
5	Left rear pressure high	Input current > 22 ma
6	Left rear pressure low	Input current < 2 ma
7	Right rear pressure high	Input current > 22 ma
8	Right rear pressure low	Input current < 2 ma
9	Inclinometer high	Input voltage < 0.565 vdc
10	Inclinometer low	Input voltage > 5.08 vdc
11	Speed input failure	Not Used
12	Brake lock input failure	Not Used
13	Body-up input failure	Payload meter detected dumping activity without receiving a body up signal
16	Memory write failure	Indicates possible memory problem at power start up. Cycle power and recheck.
17	Memory read failure	Indicates possible memory problem at power start up. Cycle power and recheck.
18	Rear right suspension flat	Payload meter detected an undercharged suspension condition on the rear right suspension.
19	Rear left suspension flat	Payload meter detected an undercharged suspension condition on the rear left suspension.
20	Time change	Payload meter time was changed by more than 10 minutes. The Alarm Set time indicates original time. The Alarm Clear time indicates the new time.
21	Tare value reset	The user manually forced the payload meter to reset the haul cycle empty (tare) sprung weight. This forced the meter into the tare_zone state and lost all data for the previous haul cycle.
22	Excessive carryback	The payload meter detected an empty carryback load in excess of the user-defined carryback threshold on two consecutive haul cycles.
26	User switch fault - SELECT	Select switch on for more than 2 minutes, may indicate short to ground
27	User switch fault - SET	Set switch on for more than 2 minutes, may indicate short to ground

PC SOFTWARE OVERVIEW

PC Overview

The PC software has several basic functions:

- Configure the PLMIII system on the truck.
- Troubleshoot and check the PLMIII system.
- Download data from the PLMIII system.
- Analyze data from the payload systems.

Configuration, troubleshooting and downloading require a serial connection to the payload meter on the truck. Analysis can be done at any time without a connection to the payload meter.

Payload data is downloaded from several trucks into one database on the PC. The database can be queried to look at the entire fleet, one truck or truck model. The data can be graphed, reported, imported or exported. The export feature can take payload data and save it in a format that spreadsheet programs like Excel or word processing programs can easily import.

System Configuration

PLMIII needs to be configured for operation when it is first installed on the truck. This process requires several steps and uses the laptop computer to make the necessary settings. The setup procedure can be broken down into several steps:

- Connecting the laptop to the PLMIII system.
- Starting communications
- Setting the time & date
- Setting the truck type
- Setting the truck ID
- Setting the speedometer/display gauge units

Installing the PLMIII Software

The CD-ROM containing the Payload Data Management (PDM) software will automatically begin installation when it is inserted into the drive on the PC. If this does not happen, the software can be installed by running the Setup.exe program on the CD-ROM.

The minimum PC requirements for running the software is a Pentium 133Mhz with 64 MB of ram and at least 300 MB of free hard drive space available. For improved performance, the recommended PC would have a Celeron, AMD K6-2 or better processor with 128 MB of ram running at 400 Mhz. The PDM software uses a powerful database to manipulate the large amounts of data gathered from the PLMIII system. Using a more powerful computer and added memory to run the software can result in a significant improvement in performance. The software is written to use a minimum 800x600 screen resolution.

DOWNLOADING DATA

PLMIII records many types of data. The PLMIII PC software is designed to download the data from a whole truck fleet. Instead of creating one data file for each truck, the PC software combines all the data from many trucks into one database on the hard drive of the computer. The software then allows users to query the database to create custom reports and graphs. Data for individual trucks or groups of trucks can be easily analyzed. This same data can be exported for use in other software applications like word processors and spreadsheet applications.

As the database grows, performance of the PC software for analysis will slow down. It may be helpful to periodically export data. For example, query the database to show the oldest quarter, month, or half year and print out a summary report. Then export the data to a compressed format and save the file in a secure location. Once the data is exported, delete the entire query results from the database. If necessary, the data can easily be imported back into the main database for analysis at a future date. Removing this older data will improve performance.



To download the payload meter:

1. Connect to the payload meter and start the PC software.
2. From the main menu, select "Connect to Payload Meter". The PC will request the latest status information from the payload meter. The number of haul cycles and alarms will be displayed.
3. Select the "Begin Download" button. The PC will request the payload and alarm data from the payload meter and save it into the database. This may take several minutes. A progress bar at the bottom will show the approximate time left.

The PC software downloads the data from the payload meter into a single Paradox database. The data from all the trucks is added to the same database. Downloading the payload meter can take several minutes. The data is added to the database on the laptop used to download.

To move the data to another computer, a query must be run to isolate the particular data for export. Do not press the operator switch on the dashboard while downloading

PLM III SYSTEM CONFIGURATION

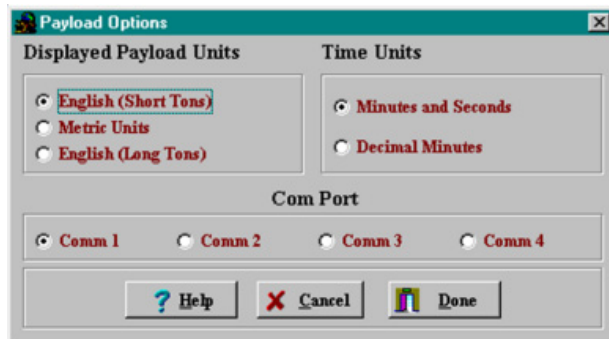
Starting Communications

The PDM software allows users to download and configure the system.



82941

Before connecting to the payload meter, select "Change Program Options" and confirm that the program has selected the correct laptop serial port. Most laptops use Comm 1 for serial communications. The units displayed for reports and graphs by the PC software can be set on this form. Click "Done" to return to the main menu.



82940

From the main menu, click the "Connect to Payload Meter" button. The PC will try to connect to the payload meter and request basic information from the system. In the event of communications trouble, the PC will try 3 times to connect before "timing-out". This may take several seconds.

Displayed Payload Units

Three options are available for the display of units in the PC software, reports, and graphs:



82949

Short Tons: Payload is displayed in short tons, distances and speeds will be displayed in Miles

Metric Tons: Payload is displayed in metric tons, distances and speeds are displayed in Kilometers

Long Tons: Payload is displayed in long tons, distances and speeds are displayed in Miles

Time Units

Minutes and Seconds Example:

Five minutes and thirty-two seconds = 5:32

Decimal Minutes Example:

Five minutes and thirty-two seconds = 5.53

Connection Menu



82939

The connection screen displays basic system information to the user.

- Frame S/N should agree with the truck serial number from the serial plate located on the truck frame.
- Truck Number is an ID number assigned to the truck by the mine.
- The Payload Meter Date / Time values come from the payload meter at the moment of connection.
- Number of Haul Cycle Records is the number of haul cycles records stored in memory and available for download.
- Number of Active Alarms shows how many alarms are currently active in the system at the time of connection. If there are active alarms, the "Display Active Alarms" button is available.
- Number of Inactive Alarms shows how many alarms have been recorded in memory and are available for download.
- PLM Software Version displays the current version of software in the payload meter.

The information on the connection menu comes from the configuration of the payload system on the truck.

There are also many configuration and download options available from this screen. The Connection Menu is updated only when the connection is first made. It does not update automatically. To view changes made while connected, the user must close the window and reconnect to the payload meter.

The connection menu is displayed after a serial connection has been established and the PC software has connected to the payload meter.

Connecting to the Payload Meter

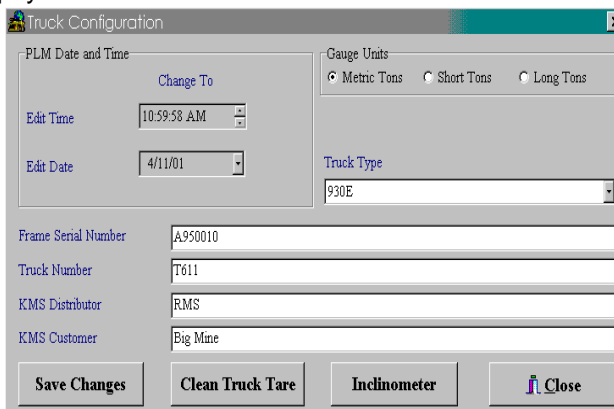
Communications to the PLMIII requires a laptop computer running the PDM software. The software connects to the payload meter through the meter's serial port #1. This is the same port used by the speedometer/display gauge. When the laptop is using the serial port, the lower display on the operator gauge on the dashboard will be blank. This does not affect the operation of the speedometer.

- Connect the laptop to the system using the EF9160 or PC2525 communications harness. The download connector is typically located on the housing mounted in the cab to the back wall. The PLMIII system uses the same connection as the Payload Meter II system.

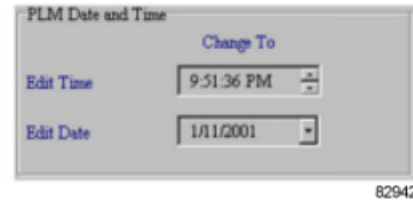
Configure the Payload Meter

Configuration of the payload meter requires a serial connection to the PLMIII system. Clicking the "Configure Payload Meter" button will bring up the Truck Configuration screen and menu. This screen displays the latest configuration information stored on the payload meter.

When changes are made to the configuration, the "Save Changes" button must be pressed to save the changes into the payload meter. To confirm the changes, exit to the main menu and re-connect to the payload meter.



Setting the Date and Time



The time shown on the form is the time transmitted from the payload when the connection was first established.



The date and time are maintained by a special chip on the PLMIII circuit board. The memory for this chip is maintained by a very large capacitor when the power is removed from the payload meter. This will maintain the date and time settings for approximately 30 days. After this time, it is possible for the payload meter to lose the date and time setting. It is recommended that the system be powered every 20 days to maintain the date and time. If the date and time is lost, simply reset the information using this procedure. It takes approximately 90 minutes to recharge the capacitor.

Changing the date and time will affect the haul cycle in progress and may produce unexpected results in the statistical information for that one haul cycle.

NOTE: If the truck is equipped with VHMS, do not set the time or date in the PLM III controller. The PLM III clock is synchronized by the VHMS clock.

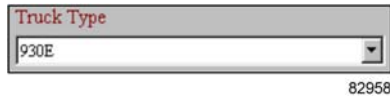
To change the time:

1. Click on the digit that needs to be changed.
2. Use the up/down arrows to change or type in the correct value.
3. Press the "Save Changes" button to save the new time in the payload meter.

To change the date:

1. Click on the digit that needs to be changed.
2. Type in the correct value or use the pull-down calendar to select a date.
3. Press the "Save Changes" button to save the new time in the payload meter.

Setting the Truck Type



1. From the Truck Configuration screen, use the pull-down menu to select the truck type that the payload meter is installed on.
2. Press the "Save Changes" button to program the change into the meter.

Setting the Gauge Display Units

The payload meter speedometer / display gauge displays the speed on the upper display. The units for the speed display are selected using a jumper on the rear of the case.

The payload units on the lower display can be changed from metric to short tons or long tons using the Truck Configuration screen. This selection also switches between metric (kg/cm²) and psi (lbs/in²) for the live display of pressure on the gauge.

1. From the Truck Configuration screen, select the payload units to be used on the lower display of the speedometer/display gauge.
2. Press the "Save Changes" button to program the change into the payload meter.

Setting the Frame Serial Number

Frame Serial Number	A950010
Truck Number	T3444
KMS Distributor	RMS
KMS Customer	Pit Mine

The frame serial number is located on the plate mounted to the truck frame. The plate is outboard on the lower right rail facing the right front tire. It is very important to enter the correct frame serial number. This number is one of the key fields used within the haul cycle database. The field will hold 20 alpha-numeric characters.

1. On the Truck Configuration screen, enter the truck frame serial number in the appropriate field.
2. Press the "Save Changes" button to program the change into the payload meter.

Setting the Truck Number

Most mining operations assign a number to each piece of equipment for quick identification. This number or name can be entered in the Truck Number field. It is very important to enter a unique truck number for each truck using the PLMIII system. This number is one of the key fields used within the haul cycle database. The field will hold 20 alpha-numeric characters.

1. On the Truck Configuration screen, enter the truck number in the appropriate field.
2. Press the "Save Changes" button to program the change into the payload meter.

Setting the Komatsu Distributor

This field in the haul cycle record can hold the name of the Komatsu distributor that helped install the system. Komatsu also assigns a distributor number to each distributor. This number is used on all warranty claims. This Komatsu distributor number can also be put into this field. The field will hold 20 alpha-numeric characters.

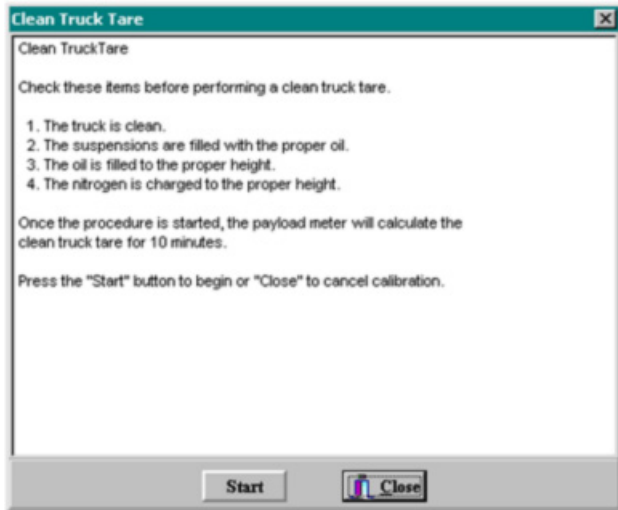
1. On the Truck Configuration screen, enter the distributor name or number in the appropriate field.
2. Press the "Save Changes" button to program the change into the payload meter.

Setting the Komatsu Customer

This field in the haul cycle record can hold the name of the mine or operation where the truck is in service. Komatsu also assigns a customer number to each customer. This number is used on all warranty claims. This Komatsu customer number can also be put into this field. The field will hold 20 alpha-numeric characters.

1. On the Truck Configuration screen, enter the customer name or number in the appropriate field.
2. Press the "Save Changes" button to program the change into the payload meter.

Clean Truck Tare



82944

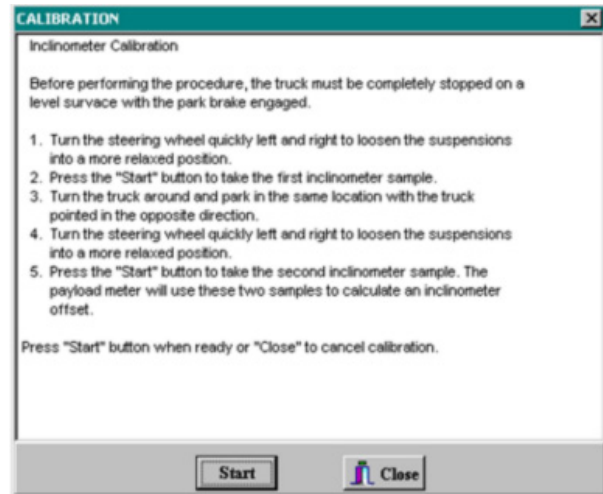
The payload meter uses the clean truck tare value to calculate carry-back load for each haul cycle. The carry-back stored in the haul cycle record is the new empty tare minus the clean truck tare.

This procedure should be performed after service to the suspensions or when significant changes are made to the sprung weight of the truck. Before performing this procedure, be sure the suspensions are properly filled with oil and charged. It is critical to payload measurement that the proper oil height and gas pressure be used.

Once the clean tare process is started, the payload meter will begin to calculate the clean empty sprung weight of the truck. This calculation continues while the truck drives to the next loading site. Once the procedure is started, there is no reason to continue to monitor the process with the PC. The truck does not need to be moving to start this procedure.

1. After cleaning debris from the truck and checking to see that the suspensions are properly serviced, use the PLMIII software to connect to the payload meter.
2. From the "Truck Configuration" screen, select "Clean Truck Tare".
3. Be sure to follow the screen instructions.

Inclinometer Calibration



82945

The inclinometer calibration procedure is designed to compensate for variations in the mounting attitude of the inclinometer. The inclinometer input is critical to the payload calculation.

This procedure should be performed on relatively flat ground. Often the maintenance area is an ideal location for this procedure.

1. After cleaning debris from the truck and checking to see that the suspensions are properly serviced, use the PLMIII software to connect to the payload meter.
2. From the "Truck Configuration" screen, select "Inclinometer".
3. With the truck stopped and the brake lock on, press the "Start" button. This instructs the payload meter to sample the inclinometer once.
4. Turn the truck around. Drive the truck around and park in the exact same spot as before, facing the other direction.
5. With the truck stopped and the brake lock on, press the "Start" button. This instructs the payload meter to sample the inclinometer again. The payload meter will average the two samples to determine the average offset.
6. Be sure to follow the screen instructions.

DATA ANALYSIS

PAYLOAD SUMMARY FORM

Date: Sorts the data within a date range. eg. "Dec 1, 2000 through Dec 31, 2000"

Truck Number: Sorts the data by the truck unit number, eg. "374"

Time: Sorts the data within a time for each day within the data range. "8:00 AM to 5:00PM"

Truck Type: Sorts the data by the truck type, eg. "930E" or "830E"

Query Database & Display: Sorts the data by the selected query options (unit, type, date, time) and displays the results.

Output Options: Use to create reports, graphs and expert data from the selected query.

Cycle Summary: Cycle time summary from the selected query.

Payload Data Summary: Summary statistical analysis of the payloads from the selected query.

Units - (Metric Tons)	Final Payload	Payload Est. @ Shovel	Loads Excluded	# Loads
Total Tons	28,360,482	17,011,874	121	112367
Max. Payload	360	348		
Min. Payload	252	258		
Avg. Payload	318	315		
Std. Deviation	25	25		

Units - (min:ss)	Avg. Load Time	Avg. Haul Time	Avg. Haul Stop Time	Avg. Return Time	Avg. Return Stop Time	Avg. Operating Time	Avg. Dump Time
0:32	0:32	0:40	0:23	1:01	0:59	4:08	0:22

Truck Number	Date	Time	Payload	# Swings	Total Time
351	07/10/2000	8:22:40 AM	323.8	5	7:09
351	07/10/2000	8:36:12 AM	323.8	5	5:23
351	07/10/2000	8:41:35 AM	323.8	5	5:24
351	07/10/2000	8:46:58 AM	321.5	1	30:11
351	07/10/2000	9:17:06 AM	321.9	0	0:32
351	07/10/2000	9:17:37 AM	318.0	0	0:32

Haul Cycle Records: Summary view of the haul cycle records from the selected query. Double Click to view the details for individual haul cycle records. Haul cycles in red area are not included in the summary statistics..

The data analysis tools allow the user to monitor the performance of the payload systems across the fleet. Analysis begins when the "View Payload Data" button is pressed. This starts an "all trucks, all dates, all times" query of the database and displays the results in the Payload Summary Form.

The user can change the query by changing the dates, times, or trucks to include in the query for display.

Haul cycles in the data grid box at the bottom can be double-clicked to display the detailed results of that haul.

Creating a Query

The program defaults to show all trucks, all types, all dates and all times for the initial query. The display can be narrowed by selecting which trucks or types to view and for what dates and times.

The query items are added in the "AND" condition. If the user selects a truck # and date range, the query will sort the data for that truck number AND the date range.

Sorting on Truck Unit Number

The truck unit number is the truck unit number entered into the payload meter when it was configured at installation. The query can be set to look for all trucks or one particular truck number. When the program begins, it searches through the database for all the unique truck numbers and creates a list to select from.

Choosing one particular truck number will limit the data in the displays, summaries and reports to the one selected truck. To create reports for truck number 374, select 374 from the pull-down menu and hit the "Query Database and Display" button.

Sorting on Truck Type

The truck type is the size of the truck from the family of Komatsu trucks. This allows the user to quickly view results from different types of trucks on the property. For example, a separate report can be generated for 830E and 930E trucks.

Sorting on Date Range

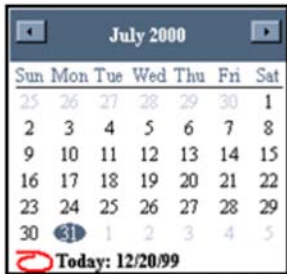
The default query starts in 1995 and runs through the current date on the PC. To narrow the range to a specific date, change the "From" and "To" dates. For example, to view the haul cycle reports from truck 374 for the month of July, 2000:

1. Select truck 374 from the Truck Unit pull-down menu.



82946

2. Change the "From" date to July 1, 2000.



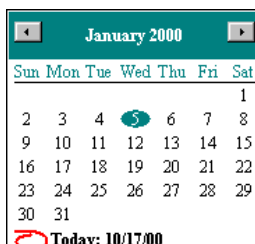
82947

3. Change the "To" date to July 31, 2000.
4. Press the "Query Database and Display" to view the results.

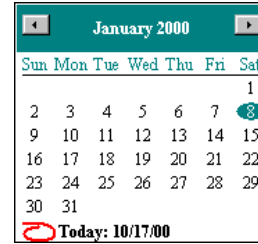
Sorting on Time Range

The time range sorts the times of the day for valid dates. Changing the time range to 6:00AM to 6:00PM will limit the payloads displayed to the loads that occurred between those times for each day of the date range. Times are entered in 24:00 format. To view the haul cycle reports from the first shift for truck 374 from January 5, 2000 to January 8, 2000:

1. Select truck 374 from the Truck Unit pull-down menu.



2. Change the "From" date to January 5, 2000.

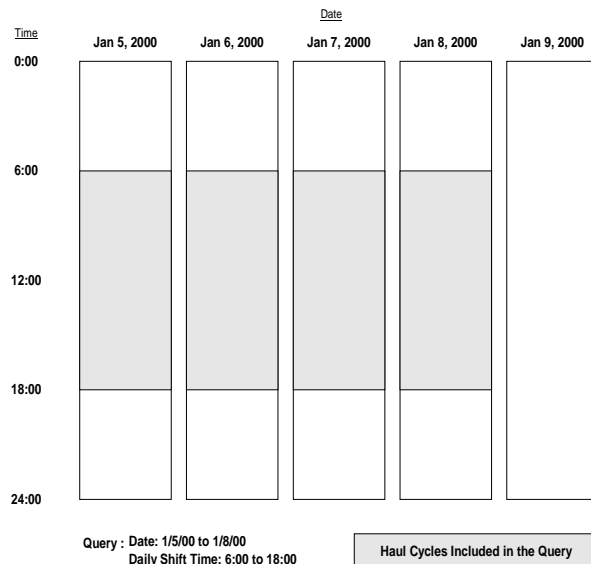


3. Change the "To" date to January 8, 2000.
4. Change the "From" time to 06:00.
5. Change the "To" time to 18:00.

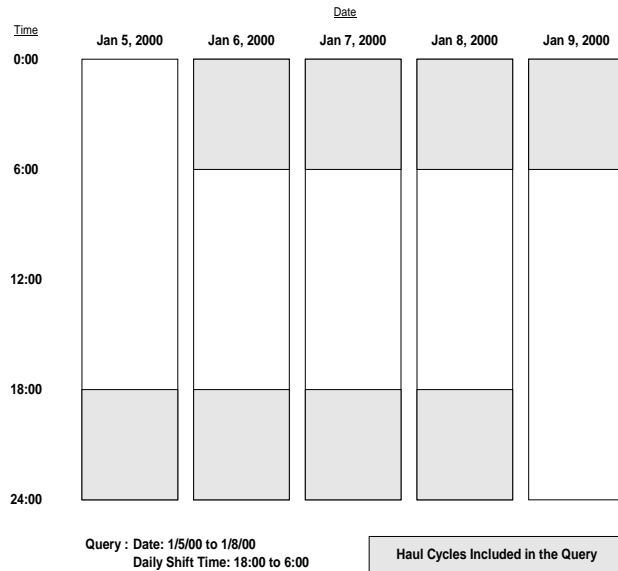


6. Press the "Query Database and Display" to view the results.

This query will display haul cycles from January 5 to January 8, from 6:00 AM to 6:00 PM.



The shift times selected can extend the query past the original date. If the dates set for the query are January 5 to January 8 and the times were changed to query the 6:00 PM (18:00) to 6:00 AM (06:00) shift, the results would extend into the morning of the 9th. This can be seen in the following example:



Payload Detail Screen

The Payload Detail screen gives the details for any individual haul cycle. From the "Payload Summary" screen, double-click on any haul cycle to display the detail.



Creating Reports

Reports can be generated and viewed on the screen or printed. These reports are generated from the query displayed on the Payload Summary Screen. From the example in "Sorting on Time Range", the report printed would only contain data from truck 374 during the month of July 2000, from 8:00 AM to 5:00 PM.

It is important to carefully select the query data and press the "Query Database & Display" button before printing a report.

NOTE: Some haul cycles may contain the Sensor Input warning flag. This indicates that one of the four pressure sensors or inclinometer was not functioning properly during the haul cycle. Haul cycles with this warning are displayed in red on the Payload Summary window and are not included in the summary statistics for reports or display.

Summary - one page report

A summary of the queried data can be printed onto 1 page. The cycle data is summarized onto one sheet. Displayed is the speeds, cycle times, load statistics, frame and tire data.

Detailed - multi-page report

The detail report starts with the summary report and follows with pages of data for each haul cycle. The detailed report prints date, time, payload, cycle times, and cycle distances, speeds and the number of swing loads.

Payload Summary Report			
Report Date: October 17, 2000			
Query used for summary:			
Truck Number: ALL			
Truck Type: ALL			
Dates: 8/28/00 to 10/3/00			
Daily Shift Time: 00:00 to 24:00			
			Cycle Distance Averages (miles)
Time Period	Date	Time	Loaded 2.2
First Load	08/28/2000	03:54:13 PM	Empty 2.4
Last Load	10/03/2000	12:08:36 PM	Avg Total Distance 4.6
Payload Data		Short Tons	Date
Average		326	
Standard Deviation		27.1	
Maximum		417	09/08/2000 01:27:37 PM
Minimum		10	09/15/2000 09:13:53 AM
Total Tons		373,959	
Number of Payloads		1,148	
Avg Carry Back		2.3	
Frame Data		Torque	Date
Max Peak Pos		12,958	09/15/2000 10:12:12 PM
Max Peak Neg		13,352	08/31/2000 3:37:26 PM
Avg Peak Pos		5,767	
Avg Peak Neg		6,588	
Cycle Time Averages (Min:Sec)		Avg Tire (Ton-MPH)	
Load		Left Front 528	
Haul Run		Right Front 527	
Haul Stop		Rear 377	
Empty Run			
Empty Stop			
Dump			
Avg Total Cycle Time		SPEED DATA (mph)	
		Loaded Max 47.24	
		Loaded Avg 9.30	
		Empty Max 47.24	
		Empty Avg 12.52	

82949

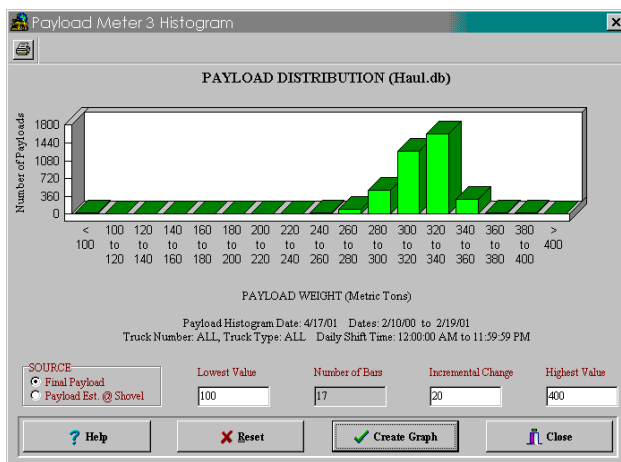
Payload Detail Report														Page 1				
Report Date: October 17, 2000																		
Query used for summary:																		
Truck Number: ALL																		
Truck Type: ALL																		
Dates: 8/28/00 to 10/3/00																		
Daily Shift Time: 00:00 to 24:00																		
		CYCLE Times(min:sec)						CYCLE DISTANCE(mi.)						SPEEDS(mph)				
No.	Date	Time	Payload S.Tons	#Swings	Load	Haul	Haul Stop	Dump	Return	Return Stop	Total	Haul	Return	Total	Max	Haul Avg	Max	Return Avg
1	8/28/00	3:54P	347	7	4.40	11:11	0:06	0:52	7:54	14:28	39:11	1.9	2.0	4.0	21.99	10.14	31.03	5.48
2	8/28/00	5:18P	301	6	3.39	11:10	0:25	0:43	8:12	3:43	27:52	1.9	1.9	3.8	23.02	9.91	26.05	9.42
3	8/28/00	5:46P	300	6	3.32	11:32	2:32	0:56	7:07	0:09	25:48	1.9	1.9	3.8	23.02	8.30	25.02	15.49
4	8/28/00	6:11P	330	4	1.58	17:51	2:49	1:58	11:34	1:41	37:51	3.9	2.6	6.5	36.21	11.37	24.07	11.73
5	8/28/00	6:49P	344	4	1.54	18:26	13:04	1:50	11:20	0:24	46:58	4.0	3.9	7.9	34.97	7.56	37.06	20.15
6	8/28/00	7:36P	380	5	2.12	19:52	1:07	1:39	11:32	0:48	37:10	4.0	4.0	8.0	30.00	11.28	34.03	19.59
7	8/28/00	8:13P	352	4	2.26	18:17	0:23	1:54	11:54	1:56	36:50	3.9	4.0	8.0	31.97	12.62	34.07	17.49
8	8/28/00	8:50P	356	4	1.56	18:52	0:21	1:55	11:59	0:38	35:41	4.0	4.0	8.0	36.17	12.34	36.21	19.09
9	8/28/00	9:25P	370	5	2.18	16:17	2:18	0:53	12:25	0:25	34:36	2.7	4.1	6.7	34.97	8.55	36.17	19.14
10	8/28/00	10:00P	363	5	3.07	16:56	5:48	0:52	9:02	0:33	36:18	2.7	2.7	5.3	32.97	6.99	32.97	16.61
11	8/28/00	10:36P	341	7	3.58	12:23	0:23	0:53	7:26	0:57	26:00	2.0	2.0	3.9	21.03	9.20	32.00	14.10
12	8/28/00	11:02P	321	4	2.24	16:19	5:06	0:50	10:17	1:05	36:01	2.7	2.6	5.3	34.03	7.49	31.97	13.71
13	8/28/00	11:38P	316	5	2.49	15:21	7:06	0:58	13:01	13:11	52:26	3.9	4.0	7.9	40.12	10.30	40.12	9.16
14	8/29/00	12:56A	320	5	2.23	15:18	0:07	0:55	13:16	11:43	43:42	3.9	3.8	7.7	36.21	14.99	41.10	9.18
15	8/29/00	1:40A	302	4	1.55	14:12	0:08	0:54	10:34	0:11	27:54	3.9	3.9	7.7	40.12	16.15	41.10	21.64
16	8/29/00	2:08A	310	5	2.21	15:14	4:55	1:01	9:46	4:59	38:16	3.9	3.9	7.7	40.12	11.51	41.16	15.67
17	8/29/00	2:46A	318	5	2.25	14:44	0:15	0:54	10:36	0:19	29:13	3.9	3.9	7.7	41.10	15.50	41.10	21.28
18	8/29/00	3:15A	278	4	2.01	15:53	1:12	0:46	10:38	2:08	32:38	4.3	3.8	8.1	38.13	15.06	41.10	18.05
19	8/29/00	3:48A	328	5	2.25	17:38	3:08	0:57	10:07	0:20	34:35	4.3	3.9	8.2	34.03	12.41	41.10	22.19
20	8/29/00	4:22A	287	4	2.49	17:00	15:44	1:02	11:59	4:49	53:23	4.3	4.0	8.2	40.12	7.87	41.10	14.09
21	8/29/00	1:41P	285	4	2.15	16:08	6:14	5:21	9:02	14:43	53:43	4.0	3.0	6.9	34.97	10.58	34.03	7.55
22	8/29/00	2:50P	340	7	3.38	10:14	0:06	0:54	8:41	7:10	30:43	1.8	3.3	5.2	27.07	10.54	39.07	12.65
23	8/29/00	3:20P	326	5	3.32	9:47	0:08	1:09	5:21	0:16	20:13	1.8	1.8	3.6	27.05	10.98	30.02	18.98
24	8/29/00	3:41P	342	6	3.59	11:24	0:08	0:47	19:49	15:18	51:25	1.9	6.2	8.1	23.02	10.02	32.00	10.56
25	8/29/00	4:43P	349	7	4.46	11:12	0:18	0:57	7:52	3:12	27:57	1.8	1.9	3.8	23.02	9.50	27.07	10.87
26	8/29/00	5:11P	322	4	2.11	5:29	19:58	1:29	15:38	59:19	104:04	1.1	5.1	6.1	42.20	2.52	42.20	4.05
27	8/30/00	4:27A	330	7	4.27	10:33	0:09	1:02	21:08	159:27	196:46	1.7	4.3	6.0	23.02	9.69	28.01	1.42
28	8/30/00	4:55P	320	6	3.52	10:42	0:14	1:00	5:43	1:42	23:13	1.7	1.7	3.4	24.07	9.55	29.06	13.47
29	8/30/00	5:18P	338	6	3.16	10:45	0:51	0:58	6:00	2:34	24:24	1.7	1.6	3.3	23.02	8.71	29.04	11.36
30	8/30/00	5:42P	343	6	3.52	10:28	0:08	1:01	6:06	0:25	22:00	1.7	1.6	3.3	24.08	9.57	28.03	14.70

Creating Graphs

The PLMIII software can generate graphs that quickly summarize payload data. These graphs can be customized for printing. Just like the reports, the graphs are generated from the query displayed on the "Payload Summary" screen. From the "Sorting on Time Range" example, the graph that is printed would only contain data from truck 374 during the month of July 2000, from 8:00 AM to 5:00 PM.

It is important to carefully select the query data and press the "Query Database & Display" button before creating a graph.

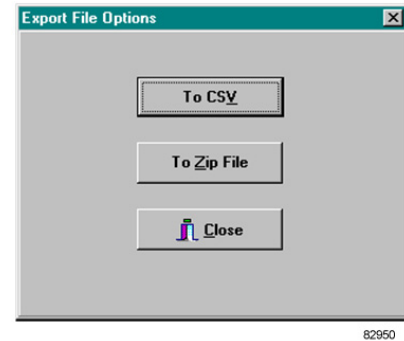
1. From the Payload Summary Screen select the "Graph" button at the bottom. The Histogram Setup screen will display



2. Enter the "Lowest Value". This will be the lowest payload on the graph. Any payloads less than this value will be summed in the first bar.
3. Enter the "Highest Value". This will be the highest value on the graph. Payloads over this value will be summed in the last bar.
4. Enter the "Incremental Change". This will determine the number of bars and the distance between them. The program limits the number of bars to 20. This allows graphs to fit on the screen and print onto 1 page.
5. Press the "Create Graph" button.

The graph will be displayed based on the query settings from the Payload Summary screen. The graph can be customized and printed.

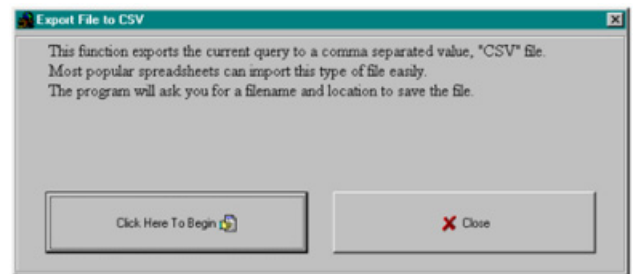
Exporting Data



The data from the database can be exported for use with other software applications. The data is selected from the currently displayed query. The exported data can be put into a ".CSV" file or a compressed ".zip" file.

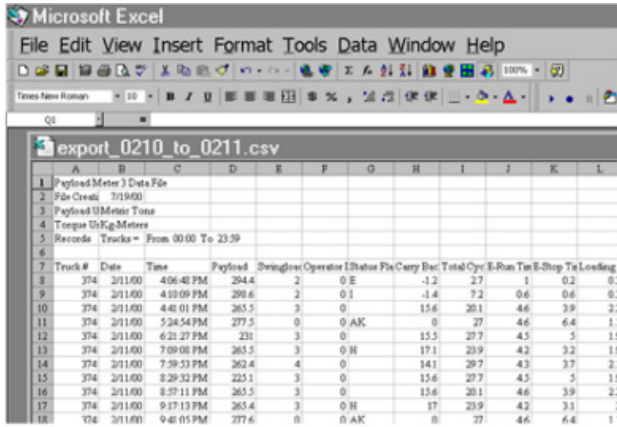
- The ".CSV" format allows data to be easily imported into spreadsheet applications and word processing applications.
- The ".Zip" format allows data to be transferred from one computer to the PDM Software database on another computer. This offers a compact way to transfer data from one computer to another.

CSV Export



82951

CSV stands for Comma Separated Value. This is an ASCII text file format that allows spreadsheet applications like Excel and Lotus 123 to import data easily. To export the data into a ".csv" file, press the "Export" button at the bottom of the payload summary screen and select "To CSV". The program will request a filename and location for the file.



82952

Two sets of data are exported. At the top of the file will be the haul cycle data. The columns, left to right are:

- Truck number
- Haul cycle start date
- Haul cycle start time
- Payload
- Swingloads
- Operator ID
- Warning Flags
- Carry Back
- Total Haul Cycle time
- Empty Running Time
- Empty stop time
- Loading time
- Loaded running time
- Loaded stopped time
- Dumping time
- Loading start time
- Dumping start time
- Loaded haul distance
- Empty haul distance
- Loaded maximum speed
- Time when loaded maximum speed occurred
- Empty maximum speed
- Time when loaded maximum speed occurred
- Maximum + frame torque
- Time when the maximum + frame torque occurred
- Maximum - frame torque
- Time when the maximum - frame torque occurred
- Maximum sprung weight calculation
- Time when the maximum sprung weight calculation occurred
- Left Front Tire-kilometer-hour
- Right Front Tire-kilometer-hour
- Average Rear Tire-kilometer-hour
- Frame serial number

- Reserved 1-5, 7-10: These values are internal calculations used in the continued development of PLMIII and should be ignored.
- Reserved 6: This value is the payload estimate at the shovel just before the truck begins to move.

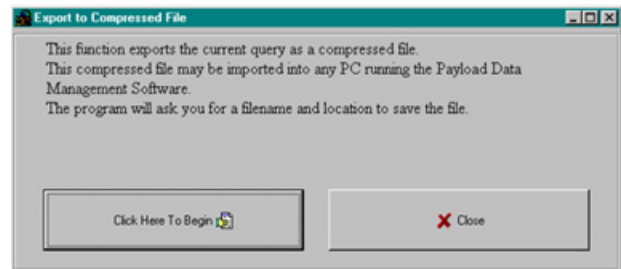
Alarm Records					
Alarm Type	Date Set	Time Set	Description	Date Cleared	Time Cleared
	10	12/5/99	8:51:25 AM	INCL SENSOR LO	12/5/99 8:51:29 AM
	10	12/5/99	8:56:07 AM	INCL SENSOR LO	12/5/99 8:56:12 AM
	10	12/5/99	9:00:49 AM	INCL SENSOR LO	12/5/99 9:00:54 AM
	10	12/5/99	9:05:31 AM	INCL SENSOR LO	12/5/99 9:05:36 AM
	10	12/5/99	9:10:13 AM	INCL SENSOR LO	12/5/99 9:10:17 AM
	10	12/5/99	9:14:54 AM	INCL SENSOR LO	12/5/99 9:14:59 AM
	10	12/5/99	9:19:37 AM	INCL SENSOR LO	12/5/99 9:19:41 AM
	10	12/5/99	9:24:19 AM	INCL SENSOR LO	12/5/99 9:24:24 AM
	10	12/5/99	9:29:01 AM	INCL SENSOR LO	12/5/99 9:29:06 AM
	10	12/5/99	9:33:44 AM	INCL SENSOR LO	12/5/99 9:33:48 AM
	10	12/5/99	9:38:26 AM	INCL SENSOR LO	12/5/99 9:38:30 AM
	10	12/5/99	9:43:08 AM	INCL SENSOR LO	12/5/99 9:43:13 AM
	10	12/5/99	9:47:50 AM	INCL SENSOR LO	12/5/99 9:47:55 AM
	10	12/5/99	9:52:32 AM	INCL SENSOR LO	12/5/99 9:52:37 AM
	10	12/5/99	9:57:13 AM	INCL SENSOR LO	12/5/99 9:57:17 AM
	10	12/5/99	10:01:55 AM	INCL SENSOR LO	12/5/99 10:01:59 AM

82953

The second series of data below the haul cycle data is the alarms. The alarm columns, left to right are:

- The alarm type
- The date the alarm was set
- The time the alarm was set
- Alarm description
- The date the alarm was cleared
- The time the alarm was cleared

Compressed



82954

This export function allows the data from one laptop to be transferred to another computer. This can be useful when a service laptop is used to download multiple machines and transfer the data to a central computer for analysis. This can also be used to copy haul data from a particular truck onto a diskette for analysis.

The file format is a compressed binary form of the displayed query. The file can only be imported by another computer running the PDM software.

To export data in ZIP format:

1. Confirm that the data displayed is the query data that needs to be exported.
2. From the payload summary screen, press the "EXPORT" button and select "To ZIP".
3. The program will ask for a filename and location.

Importing Data

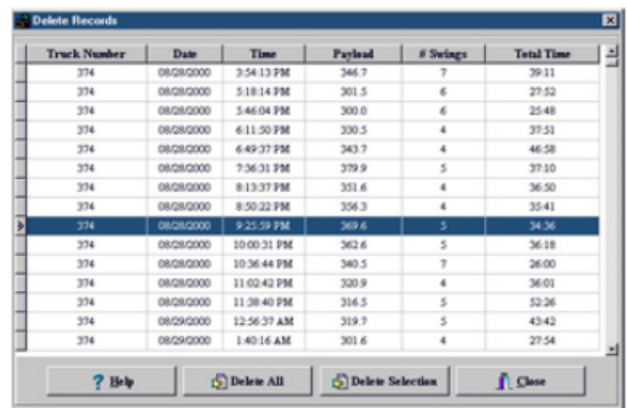
This import function allows the data from one laptop to be transferred to another computer. This can be useful when a service laptop is used to download multiple machines and transfer the data to a central computer for analysis. This can also be used to copy haul data from a particular truck from a diskette into a database for analysis.

To import data, press the "IMPORT" button at the bottom of the "Payload Summary" screen. The program will ask for a ".zip" file to import, locate the file and press "Open". The program will only import ".zip" files created by another computer running the PDM Software.

Deleting Haul Cycle Records

To delete haul cycle records from the main database, press the "Delete" button at the bottom of the "Payload Summary" screen. The program will display a summary of the records from the displayed query. To delete a record, select one at a time and press the "Delete" button. It is recommended that records be exported to a zip file for archival purposes before deletion. Multiple records may be selected by holding down the Shift key. Pressing the "Delete All" button will select all the records from the current query and delete them.

NOTE: There is no recovery for records that have been deleted from the main database. It is highly recommended that all records be exported and archived in a compressed file format for future reference before being deleted.



Truck Number	Date	Time	Payload	# Swings	Total Time
374	08/08/2000	3:54:13 PM	346.7	7	39:11
374	08/08/2000	5:18:14 PM	301.5	6	27:52
374	08/08/2000	5:46:04 PM	300.0	6	25:48
374	08/08/2000	6:11:50 PM	300.5	4	37:51
374	08/08/2000	6:49:37 PM	343.7	4	46:58
374	08/08/2000	7:36:31 PM	379.9	5	37:10
374	08/08/2000	8:13:37 PM	351.6	4	36:50
374	08/08/2000	8:50:22 PM	356.3	4	35:41
374	08/08/2000	9:25:59 PM	369.6	5	34:36
374	08/08/2000	10:00:31 PM	362.6	5	36:18
374	08/08/2000	10:36:44 PM	340.5	7	26:00
374	08/08/2000	11:02:42 PM	320.9	4	36:01
374	08/08/2000	11:38:40 PM	316.5	5	52:26
374	08/09/2000	12:56:37 AM	319.7	5	43:42
374	08/09/2000	1:40:16 AM	301.6	4	27:54

Viewing Alarms

From the Payload Summary screen, click the "Alarms" button to display the alarm screen. The alarms are sorted by the query settings from the Payload Summary screen. Alarms can be displayed as Active or Inactive.

Truck Number	Type	Set Date	Set Time	Description	Cleared Date	Cleared Time
374	13	8/31/00	2:34:48 AM	ALARM BODY UP SWITCH	8/31/00	2:34:52 AM
374	13	9/1/00	2:36:57 PM	ALARM BODY UP SWITCH	9/1/00	2:37:01 PM
374	13	9/1/00	2:45:22 PM	ALARM BODY UP SWITCH	9/1/00	2:45:26 PM
374	13	9/13/00	9:19:43 PM	ALARM BODY UP SWITCH	9/13/00	9:19:48 PM
374	13	9/30/00	2:42:05 AM	ALARM BODY UP SWITCH	9/30/00	2:42:10 AM

82946

Deleting Alarm Records

To delete alarm records from the main database, press the "Delete" button at the bottom of the "Alarm Display" screen. The program will display a summary of the alarms from the query. To delete an alarm, select one at a time and press the "Delete" button. It is recommended that the query data be exported to a ".zip" file for archival purposes before deletion. Multiple records may be selected by holding down the Shift key. Pressing the "Delete All" button will select all the alarms from the current query and delete them.

NOTE: There is no recovery for alarms that have been deleted from the main database. It is highly recommended that all records be exported and archived in a compressed file format for future reference before being deleted.

Truck Number	Alarm Type	Set Date	Set Time	Description	Cleared Date	Cleared Time
374	13	8/31/00	2:34:48 AM	ALARM BODY UP SWITCH	8/31/00	2:34:52 AM
374	13	9/1/00	2:36:57 PM	ALARM BODY UP SWITCH	9/1/00	2:37:01 PM
374	13	9/1/00	2:45:22 PM	ALARM BODY UP SWITCH	9/1/00	2:45:26 PM
374	13	9/13/00	9:19:43 PM	ALARM BODY UP SWITCH	9/13/00	9:19:48 PM
374	13	9/30/00	2:42:05 AM	ALARM BODY UP SWITCH	9/30/00	2:42:10 AM

82957

NOTES

NOTES

PORTIONS OF THIS PRODUCT RELATING TO PAYLOAD MEASURING
SYSTEMS ARE MANUFACTURED UNDER LICENSE FROM
L.G. HAGENBUCH, holder of U.S. Patent Numbers
5,416,706; 5,528,499; 5,631,832; 5,631,835; 5,644,489; 5,650,928; 5,650,930; 5,742,914

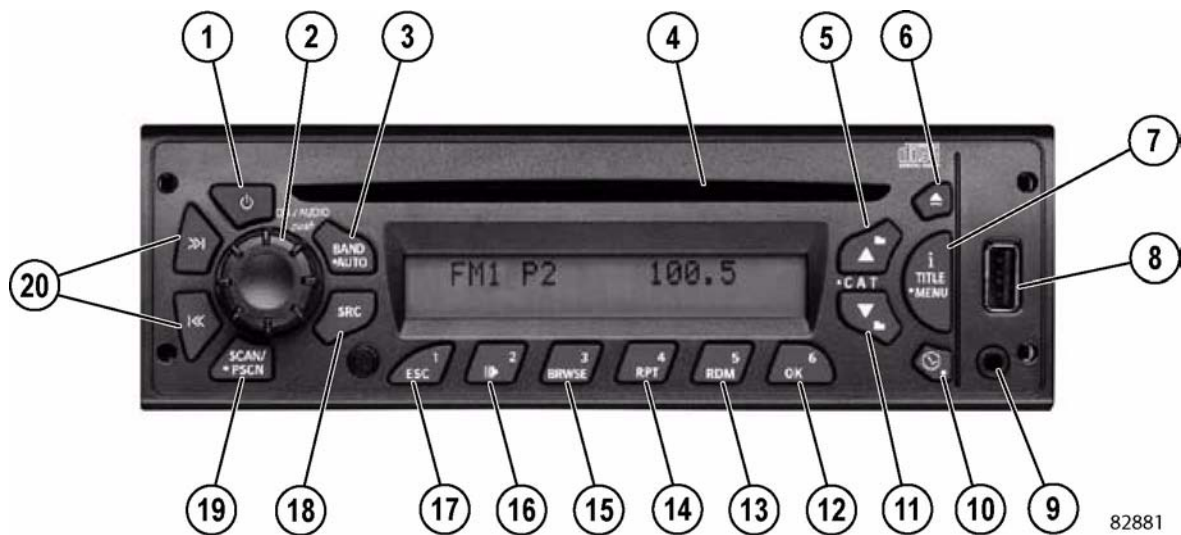
AM/FM RADIO / CD / MP3 / USB / IPOD™ / AUX PLAYER

FIGURE 70-1. AM/FM RADIO / CD PLAYER

- | | |
|--|---|
| <ol style="list-style-type: none"> 1. - Turns the radio on or off 2. ON/AUDIO - Power/volume/receiver settings 3. BAND/AUTO - Switches bands, stores stations to presets. 4. CD Slot - Place CDs into radio 5. + SCROLL - Switches to next available radio station or changes folder on CD/MP3 or USB 6. - Ejects CD from radio 7. iTITLE/MENU - Displays information/title of current song 8. USB - Input port for memory devices 9. AUX. - Input port for external audio devices 10. CLOCK/ALARM - Displays alarm set time 11. - SCROLL - Switches to previous radio station, or changes folder on CD/MP3/USB | <ol style="list-style-type: none"> 12. OK - Enables selection on a menu 13. RDM - Plays CD tracks and MP3/WMA files and folders randomly 14. RPT - Repeats the same CD track or WMA file/folder until cancelled 15. BRWSE - Allows access into iPod menu 16. PAUSE/PLAY - Pauses CDs, MP3 files and iPod 17. ESC - Exits when in a menu or backs one submenu 18. SRC - Switches to CD/MP3/USB/iPod/Aux mode 19. SCAN/PSCAN - Scans all stations and presets in current band CD/MP3/WMA/ files and folders 20. SEEK - Switches to next or previous available radio station/CD track/MP3/WMA file <p>Push Buttons 12-17 - Pre-set stations/controls CD/MP3/WMA/USB/iPOD functions</p> |
|--|---|

OPERATING INSTRUCTIONS**GENERAL RADIO RECEIVER FUNCTIONS**

The receiver is equipped with:

- An AM band with 6 AM presets
- Two FM bands for a total 12 FM presets
- One Weatherband with 6 WX presets
- USB port to access additional music files
- Auxiliary port to access additional music files

Turning On the Power

With the key switch ON, the receiver can be turned on and off by pressing button (1, Figure 70-1). Pressing ON/AUDIO (2) knob also activates the radio.

One-Hour Timer

With the key switch OFF, pressing the button or the ON/AUDIO (2) knob will turn on the receiver and activate the receiver's one-hour timer. The receiver will turn off after one hour. Pressing the button or ON/AUDIO (2) knob again reactivates the one-hour timer.

Adjusting the Volume

To increase volume, rotate the ON/AUDIO knob clockwise. To decrease volume, rotate the knob counterclockwise.

Display

The receiver will display the time of day when it is off. Momentarily pressing "i Title/Menu" (7) button when the receiver is on allows the user to toggle between displays (such as the information on the current song playing) depending on the mode the radio is in.

Radio Mode Displays

When using the radio, pressing the "i Title/Menu" button will have no effect.

CD Mode Displays

When using the CD player, press the "i Title/Menu" button to toggle between different display views:

- Artist Name
- Song Name
- Album Name

CD information, including disc and track title, is shown when a track starts to play. If there is more information than can appear on the display at one time, the display will advance every 2 seconds until all of the information has appeared.

NOTE: When an audio CD is inserted into the CD player, the receiver will display CD READING until the first track is played. Then the track number, time elapsed and CD will appear.

If the RPT button is pressed, the radio will display the RPT icon. If it is pressed again, the display will delete the RPT icon.

If the RDM button is pressed, the radio will display the RDM icon. If it is pressed again, the display will delete the RDM icon.

If the PAUSE/PLAY button is pressed, the radio will display PAUSE. If pressed again, it will go back to the previous display and continue playing the CD.

MP3/USB/iPod Mode Displays

When playing MP3 or WMA files, press the "i Title/Menu" button to toggle between different display views:

- Track Number
- Artist Name
- Song Name
- Album Name
- Folder/PLST Name

Information, including track title and artist name, is shown when a track starts to play. If no information is available then the radio will show blank fields. If there is more information than can appear on the display at one time, the display will advance every 2 seconds until all of the information has been displayed.

NOTE: When an MP3 or WMA disc is inserted into the CD player, it will display CD READING until the first track is played. When a USB stick or an iPod is connected into the USB connector, it will display USB READING or iPod READING until the first track is played. The file type and elapsed time will appear next. Then the track/file number, artist, song, album & folder/playlist name will appear on the second row display.

If folder ▲ or ▼ folder are pressed, the radio will display the folder and track number, then it will begin showing the track/file number, artist, song, album & folder/playlist name on the second row display before returning to the default display.

If RPT is pressed once, REPEAT TRACK will appear and the RPT icon will turn on. Then the display returns to its default, current track playing. In iPod mode, the display will read REPEAT ONE TRACK.

If RPT is pressed a second time, REPEAT FOLDER/PLST will appear and the RPT icon will remain turned on. Then the display returns to its default. In iPod mode, the display will read REPEAT ALL TRACKS.

If RPT is pressed a third time, REPEAT OFF will appear and the RPT icon will turn off. Then the display returns to its default.

If RDM is pressed once, RANDOM FOLDER/PLST will appear and the RDM icon will turn on. Then the display returns to its default. In iPod mode, the display will read SHUFFLE TRACKS.

If RDM is pressed a second time, RANDOM USB will appear and the RDM icon will remain turned on. Then the display returns to its default. In iPod mode, the display will read SHUFFLE ALBUMS.

If RDM is pressed a third time, RANDOM OFF will appear and the RDM icon will turn off. Then the display returns to its default. In iPod mode, the display will read SHUFFLE OFF.

If the PAUSE/PLAY button is pressed, the radio will display PAUSE (if RPT or RDM are currently selected the icon will remain on). If pressed again, it will go back to the previous display and continue playing the CD/USB/iPod.

When a USB stick is connected and DEVICE NOT SUPPORTED appears on the display, the USB stick is not supported by the receiver and a different USB stick will have to be used.

AUX Input Displays

When using an external device connected through the auxiliary inputs, pressing the "i Title/Menu" button will have no effect.

When a device is connected via the aux input, the radio will display FRONT AUX as long as it is kept in this mode. If AUX is selected by pressing the SRC button and no device is connected, the radio will select the rear auxiliary input, and display REAR AUX as long as it is kept in this mode.

CLOCK/ALARM Button

In any mode, pressing the CLOCK/ALARM button, the display will show the time for 3 seconds. If you press and hold the CLOCK/ALARM button, the display will show the alarm set time for 3 seconds and a beep will be heard.

Front Auxiliary Mode

In front auxiliary mode, an external device such as an iPod or MP3 player can be used via the auxiliary input jack on the front of the receiver. To use an external device, connect the device via the auxiliary input jack.

Front auxiliary mode will not be available if no device is connected to the auxiliary input jack on the front of the receiver.

Rear Auxiliary Mode

In rear auxiliary mode, the radio can play an external device that is connected via the auxiliary input radio lines. To enable rear auxiliary mode, press the SRC button until the display shows REAR AUX.

Adjusting the Receiver Audio Settings

To adjust the bass, middle, treble, fade, balance and auto EQ, press and release the ON/AUDIO knob. Each time the knob is pressed, the radio will advance to the next setting and BASS, MIDDLE, TREBLE, FADE, BALANCE or AUTO EQ will appear on the display.

BASS: Rotate the ON/AUDIO knob clockwise to increase the bass and counterclockwise to decrease it. The display will show BASS and its level from -6 to +6.

MIDDLE: Rotate the ON/AUDIO knob clockwise to increase the middle sound and counterclockwise to decrease it. The display will show MIDDLE and its level from -6 to +6.

TREBLE: Rotate the ON/AUDIO knob clockwise to increase the treble sound and counterclockwise to decrease it. The display will show TREBLE and its level from -6 to +6.

FADE: Rotate the ON/AUDIO knob clockwise to move the sound to the front speakers and counterclockwise to move the sound to the rear speakers. The display will show FADE and the fade level from R15 to F15. Fade is not available in 2-speaker mode.

BALANCE: Rotate the ON/AUDIO knob clockwise to move the sound to the right speakers and counterclockwise to move it to the left speakers. The display will show BALANCE and the balance level from L15 to R15.

AUTO EQ: Rotate the ON/AUDIO knob clockwise and counterclockwise to cycle through auto EQ options from 1 to 7.

Options are:

1. Pop
2. Rock
3. Country
4. News
5. Jazz
6. Classical
7. Manual

To select the desired option, press the ON/AUDIO knob again.

NOTE: Three audio configurations can be set (AUX and the rest of the sources).

Adjusting the Receiver Menu Settings

To adjust the settings for the Clock, Alarm, Advanced (Speakers, Seek Sensitivity & Dimming), Hands Free, RDS (Europe only), and USB, press and hold "i Title/Menu" button until a beep is heard. Rotate the ON/AUDIO knob clockwise and counterclockwise to cycle through options available, or use the up and down buttons until the desired feature appears on the display. After reaching the desired feature, press the OK button to select. The ESC button will return back to previous options or exit menu options.

ADVANCED: Rotate the ON/AUDIO knob or press up/down button to select one of the following options:

- Speakers
- Seek Sensitivity (available only in Tuner mode)
- Dimming

SPEAKERS: Rotate the ON/AUDIO knob in either direction to toggle from 2- speaker to 4-speaker functionality. When 2-speaker functionality is chosen, only front speakers are used.

SEEK SENSITIVITY: Rotate the ON/AUDIO knob clockwise to increase the seek sensitivity and counterclockwise to decrease it. The display will show SEEK SENSITIV and the seek level from -2 to +2.

DIMMING: Rotate the ON/AUDIO knob clockwise to increase the brightness of the display and counterclockwise to decrease the brightness. The display will show DIMMING and the dim level from 0 to 30.

RDS: Press the OK button to select, and the radio will let you choose between AF and TRAFFIC. Press the OK button to turn each selection ON and OFF. (This option is available in Europe only).

USB: Press the OK button to select, and the radio will display PLAYLIST MODE. Rotate the ON/AUDIO knob in either direction to toggle from ON to OFF.

USING THE RADIO

Finding a Station

BAND/AUTO: Press this button to switch between FM1, FM2, AM and WX.

TUNE: To tune the radio manually, press the up/down button once to tune to the next higher or lower station, one frequency at a time.

SEEK: Press the **»** or **«** button once to tune to the next available station. The SEEK mode ends once it reaches a tunable station.

If either the **»** or **«** button is pushed while the radio is finding a station, the tuner will stop at the frequency tuned at the time the button was pressed.

If SEEK does not find a tunable station, it displays NO STATION FOUND. The radio remembers the station that was tuned when SEEK was initiated and goes back to that frequency if SEEK is cancelled. The audio mutes during the SEEK UP/DOWN process.

To cancel SEEK:

- Switch modes including: power off, ignition off, switch to CD, Radio, MP3, WMA, USB, AUX or iPod
- Change bands
- Press SCAN/PSCAN button
- Press any preset button
- Disconnect battery
- Press and hold SCAN/PSCAN button
- Press and hold BAND/AUTO button

AUTO STORE: AUTO STORE temporarily stores the 6 strongest stations onto pushbuttons 1-6. Press and hold the BAND/AUTO button for more than 2 seconds. A beep will sound and AUTO STORE will appear on the display until all of the presets have been saved in the band. AS will be displayed while AUTO STORE is active. Pressing BAND/AUTO will not affect the other bands. For example: if BAND/AUTO is pressed while listening to FM1, the presets on AM, FM2, and WX will not change. Pressing and holding BAND/AUTO again will cancel AUTO STORE, and the original presets will be restored.

SCAN: Press SCAN/PSCAN and release to scan all stations on the band that are being used. When a strong enough frequency is found, the radio will play for 8 seconds before continuing to scan. To end the scan, press SCAN/PSCAN again. The radio will beep and display SCAN plus the frequency.

PSCAN: Press and hold SCAN/PSCAN for more than 2 seconds to scan the presets on the band being used. When a strong enough frequency is found, the radio will play that station for 8 seconds and then continue scanning. The display will show PSCN, the frequency, preset number and the current band. Preset scan will continue until the SCAN/PSCAN button is pressed again.

Setting the Presets

The six numbered buttons allows six favorite presets to be stored per band and easily return to them with the touch of a button. To set the presets:

1. Turn the receiver on.
2. Select the band.
3. Tune to the desired station.
4. Press and hold one of the 6 numbered buttons for more than 2 seconds to store the selected station. During the 2-second set time, the radio will be muted and the preset number will be displayed. When the preset station has been set, a beep will sound, then the audio and selected preset number will return.
5. Repeat steps 1-4 for each button.

Pressing a preset button in the future will tune the radio to the station previously set on the band currently in use.

USING THE CLOCK

The clock can function in a 12-hour or 24-hour mode. The 12-hour mode distinguishes between AM and PM. The 24-hour mode operates as military time.

Setting the Clock


1. Turn the key switch on.
2. Press and hold the "i Title/Menu" button for more than 2 seconds until the menu appears. This indicates the radio is in the menu mode.
3. Press OK button to enter to the clock submenu.
4. Turn the ON/AUDIO knob or press the up/down buttons to change to SET TIME. Press the OK button to enter set mode.
5. Turn the ON/AUDIO knob or press the up/down buttons to change between 12-hour or 24-hour format. Press the OK button to select one.
6. The display changes to clock configuration, causing the hour digits to flash. Rotate the ON/AUDIO knob or press the up/down buttons to change the hour. Rotating the knob clockwise or pressing the up button will increase the hour. Rotating counterclockwise or pressing the down button will decrease the hour.
7. Press the OK button causing the minute digits to flash. Rotate the ON/AUDIO knob or press the up/down buttons to change the minutes. Rotating the knob clockwise or pressing the up button will increase the minutes; rotating counterclockwise or pressing the down button will decrease the minutes.

At any point in the time set process, not pressing a button or rotating the knob within 8 seconds will cancel time set mode, return the radio to normal operation and keep the setting changes have been made. Pressing the power or band buttons sets the clock at the time you have selected. The clock is displayed when the key switch is ON and the radio is off. With radio and key switch OFF, the display is blank.

USING THE ALARM

The alarm activates the radio at a set time. Pressing the CLOCK/ALARM button for more than 2 seconds will display the alarm set time for 3 seconds.

Setting the Alarm


1. With the radio on, press and hold the "i Title/Menu" button for more than 2 seconds until the menu appears. This indicates the radio is in the menu mode.
2. Rotate the ON/AUDIO knob or press the up/down buttons to change to SET ALARM. Press the OK button to enter the alarm submenu.
3. Press the OK button to turn the alarm on or off. The alarm icon  will turn on when enabling the alarm. Rotate the ON/AUDIO knob or press up/down buttons to change to SET TIME and press the OK button. The hour digits for the alarm time will begin to flash. The format will be the same as set for the clock (12- or 24-hour mode).
4. Rotate the ON/AUDIO knob or press the up/down buttons to change the hour. Rotating the knob clockwise or pressing up button will increase the hour, rotating counterclockwise or pressing the down button will decrease the hour.
5. Press the OK button, which causes the minute digits to flash. Rotate the ON/AUDIO knob or press the up/down buttons to change the minutes. Rotating the knob clockwise or pressing up button will increase the minutes. Rotating counterclockwise or pressing the down button will decrease the minutes.
6. Press the OK button to set the alarm time. Then select between SET MUS (Music) or SET TONE. Press the OK button to select.

NOTE: If SET TONE is selected, the alarm will sound a medium priority tone for 2 minutes before changing to a constant high priority tone.

If SET MUS is selected, the alarm sound will be whatever was playing when the radio was turned OFF. For example, if the radio was set to FM, the alarm sound will be the FM station that was last tuned to. If that station is no longer available, the alarm will sound a medium priority tone for 2 minutes before changing to a high priority tone. If the AUX input, a CD or other media was playing and there is no longer an AUX input or CD available, the alarm will turn the radio on instead.


7. Press the OK button again to set the volume of the alarm tone or music.

When the OK button is pressed, VOLUME will appear and the radio will play the actual volume of the tone or music, whichever one was selected. To increase the volume, rotate the ON/AUDIO knob clockwise. To decrease the volume, rotate the ON/AUDIO knob counter-clockwise.

8. Press the OK button again to finish and return the display to normal operation. The ALARM icon  will appear on the display to indicate that the alarm is active.

NOTE: If no buttons were pressed (or any button or knob rotated for 8 seconds during the alarm set process), the alarm clock setup will be cancelled and the radio will return to normal operation, keeping whatever setting changes have been made.

Turning the Alarm Off

When the alarm is triggered, press and hold the CLOCK/ALARM button until the ALARM icon  on the display disappears.

If the alarm is not turned off, it will automatically shut off after 63 minutes. The radio will return to the mode (on or off) it was in before the alarm went off.

Activating Snooze

To use SNOOZE, press any button for less than 2 seconds when the alarm sounds. SNOOZE will appear for 3 seconds and the alarm will be postponed for 9 minutes. If any buttons are pressed during these 3 seconds, the radio will return to the mode it was in before the alarm sounded.

USING THE WEATHERBAND (USA Only)

NOAA Weather Radio is a service of the U.S. National Weather Service. It provides continuous broadcasts of the latest weather information directly from the National Weather Service. Taped weather messages are repeated every four to six minutes and are revised every one to three hours or more frequently if needed. Most stations operate 24 hours a day.

The local weather can be found on one of 7 stations. When in Weatherband mode, the display will show WX and the channel number. The channel can be changed using the SEEK / buttons; the up/down buttons can also be preset to the pushbuttons.

The frequencies associated with each channel are as follows:

1. 162.400 Mhz
2. 162.425 Mhz
3. 162.450 Mhz
4. 162.475 Mhz
5. 162.500 Mhz
6. 162.525 Mhz
7. 162.550 Mhz

The National Weather Service operates approximately 372 stations. Nearly 90 percent of the nation's population is within listening range of an NOAA Weather Radio broadcast.

USING THE COMPACT DISC PLAYER/USB



The integrated CD player plays full size CDs, MP3 and WMA discs.



Playing A Compact Disc

1. Turn the key switch and radio on.
2. Insert a disc partway into the slot, label-side up. The player will automatically pull the disc in once it has been partially inserted. CD READING and the CD icon will appear on the display followed by the track number and elapsed time. Then, the disc will begin to play.
3. If currently listening to FM/AM/WX radio, press the SRC button to play a CD that has been loaded into the player. If no CD has been loaded, the option will not be available and the radio will access the next available source. If no sources are available, the radio will remain on REAR AUX. If a CD has been loaded, the CD icon remains on until the CD has been ejected. CD READING will appear followed by the track number and the elapsed time.

If a CD is ejected and not removed within 15 seconds, the CD will reload but will not start playing until the SRC button is pressed.

Button Functions

SEEK : Press  for less than 2 seconds to forward to the next track. Press and hold the button to fast forward. When the button is released, the track will continue to play.

SEEK : Press  for less than 2 seconds to go to the beginning of the current track. If pressed within the first 10 seconds of the track, the radio goes to the previous track. Press the button again within the first second to go to the beginning of the previous track. Press and hold the button to fast reverse. When the button is released, the disc will begin to play.

2/PAUSE/PLAY: Press the PAUSE/PLAY button to pause a CD. PAUSE will be displayed and the audio will be muted. Press PAUSE/PLAY again to resume playing.

4/RPT: Press the RPT button to repeat the track being played. When "Track Repeat" is on, the RPT icon will be on, and the track that is playing will be repeated until the RPT button is pressed again.

5/RDM: Press the RDM button to activate random track selection. RDM icon on the display indicates that tracks on the loaded disc will be played randomly until the RDM button is pushed again.

TRACK SCAN: Press SCAN/PSCAN for less than 2 seconds to scan the tracks on a disc. After playing 8 seconds of the current track, the radio will go to the next track. When all tracks on the disc have been scanned, the SCAN ends and playback begins with the first track in the SCAN. Press SCAN again to deactivate.

EJECT: Press the  button to eject a CD.

PLAYING AN MP3 DISC/USB

The MP3 player will play files recorded on a CD-R up to 700 MB or on a USB stick of up to 1 GB. Files can be recorded at a variable bit rate or the following fixed-bit rates: 32 kpbs, 40 kpbs, 64 kpbs, 80 kpbs, 96 kpbs, 112 kpbs, 128 kpbs, 160 kpbs, 192 kpbs, 224 kpbs, 256 kpbs, and 320 kpbs. Both single and multi-session discs will play. Song title, artist name and album are available when discs are recorded using ID3 tags, versions 1 and 2.

Files supported on USB sticks: MP1, MP2, MP3 (VBR), WMA (ver 9 and VBR) and ACC (MPEG4 and M4A).

The MP3 player is able to read and play a maximum of 50 folders and playlists. Long files, folders or a combination can reduce the number of files and folders that can be played. If a large number of files or folders are to be played, minimize the length of the files and folders. The MP3/WMA recorded files without file folders can also be played. The system can support up to 11 levels of folder nesting. If a disc contains more than 50 folders or 11 folder levels, the player will only allow access and navigate the maximum number and will ignore additional items.

Root Directory

The root directory is treated as a folder. If the root directory has compressed audio files, the directory is displayed as ROOT. All files contained directly under the root directory are accessed prior to any root directory folders.

Empty Directory or Folder

If there is a root directory or folder in the file structure that contains empty folders/subfolders, play advances to the next folder in the file structure that contains compressed audio files. The empty folder will not be displayed or numbered.

No Folder

When a disc contains only compressed files, the files are located under the root folder. The next and previous folder functions have no function on a CD recorded without folders. When displaying the name of the folder, the radio displays ROOT.

File Name Display

A song title is displayed when contained in the ID3 tag. Titles longer than 8 characters scroll at a rate of 8 characters every 2 seconds until the entire name is shown.

PLAYING MP3 FILES

DISC: Insert a disc partway into the slot, label-side up. The player will pull it in, CD READING and the CD icon will appear on the display and the CD will begin playing.

USB: Insert a USB stick fully into the slot. USB READING will appear on the display, and the USB will begin playing.

The type of file, elapsed time and the track number will be displayed. Play begins from the first track and continues sequentially through all tracks. After playing the last track of the last folder, play continues at the first track of the first folder or root directory.

Button Functions

SEEK »: Press » for less than 2 seconds to forward to the next track. Press and hold the button to fast forward. When the button is released, the track will continue to play.

SEEK «: Press « for less than 2 seconds to go to the beginning of the current track. If pressed within the first 10 seconds of the track, the radio goes to the previous track. Press the button again within the first second to go to the beginning of previous track. Press and hold the button to fast reverse. When the button is released, the track will continue to play.

2/PAUSE/PLAY: Press the PAUSE/PLAY button to pause a track. PAUSE will be displayed and the audio will be muted. Press PAUSE/PLAY again to resume playing the track.

4/RPT: Press the RPT button once to repeat the current file. The RPT icon and REPEAT TRACK will appear on the display. The same file will continue to play until the RPT button is pressed again. If RPT is pressed a second time REPEAT FOLDER/PLST will appear on the display and the RPT icon will remain turned on. The same folder/playlist will continue to play until the RPT button is pressed again. If RPT is pressed a third time, REPEAT OFF will appear on the display. The function will be off and the RPT icon will turn off. Then the display returns to its default.

5/RDM: Pressing the RDM button activates random folder/playlist. The RDM icon on the display indicates that this feature is on. To cancel RANDOM FOLDER/

PLAYLIST or RANDOM ALL, press the RDM button again to reach RANDOM OFF.

RANDOM FOLDER/PLAYLIST: Press the RDM button once to play MP3 files within a folder/playlist randomly.

RANDOM ALL: Press the RDM button a second time to play MP3 files on a media device randomly.

FOLDER SCAN: Press the SCAN/PSCAN button for less than 2 seconds to scan files within a folder. After playing 5 seconds of the first MP3 file in the current folder, the radio will go to the next file. When all of the files within the folder have been scanned, normal play resumes with the first file scanned.

SCAN FOLDERS: Press the SCAN/PSCAN button for more than 2 seconds to scan all the folders on a device. When all folders have been scanned, normal play resumes with the MP3 file that was scanned first.

▼ : Press the ▼ button for less than 2 seconds while playing an MP3 file to find the previous folder on the disc.

Home Jump: Press the ▼ button for more than 2 seconds while playing an MP3 file to start playback at the first file in the first folder.

▲ : Press the ▲ button for less than 2 seconds while playing an MP3 file to find the next folder on the disc.

End Jump: Press the ▲ button for more than 2 seconds while playing an MP3 file to start playback at the first file in the last folder.

EJECT: Press the ▲ button to eject a disc.

To remove a USB device simply pull the device out of the USB port. The radio will return to its previous mode/source.

USING AN IPOD®

The radio is capable of controlling and playing music from some models of iPods. It is recommend not connecting the 3G iPhone or iPod Touch to the radio.

Playing an iPod

Insert the iPod USB cable connector to the radio USB connector (the other end connected to your iPod). iPod READING will appear on the display. Insert the 3.5mm audio cable connector to the radio aux input jack connector (the other end connected to your iPod 3.5mm audio jack connector). If the audio cable is not connected the radio will display FRONT AUX JACK UNPLUGGED. After all the connections have been made and the radio has finished reading the iPod, the iPod will begin playing. The elapsed time and the track number will be displayed. Play begins from current track played on iPod and continues sequentially through all tracks from the iPod's last selected mode. After playing the last track of the iPod's last selected mode, play stops and the radio will display the iPod Menu.

Button Functions

SEEK ⏭ : Press ⏭ for less than 2 seconds to forward to the next track. Press and hold the same button to fast forward. When the button is released, the track will continue to play.

SEEK ⏮ : Press ⏮ for less than 2 seconds to go to the beginning of the current track. If pressed within the first 10 seconds of the track, the radio goes to the previous track. Press the button again within the first second to go to the beginning of previous track. Press and hold the same button to fast reverse. When the button is released, the track will continue to play.

1/ESC: Press the ESC button to exit or go back to previous menu when in a menu.

2/PAUSE/PLAY: Press the PAUSE/PLAY button to pause a track. PAUSE will be displayed and the audio will be muted. Press PAUSE/PLAY again to resume playing the track.

3/BRWSE: Press the BRWSE button to enter to the iPod menu. In the iPod menu you will be able to scroll and select with the ON/AUDIO knob. Turn to the right to increase, left to decrease and press knob to confirm selection (only on iPod menu).

4/RPT: Press the RPT button once to repeat the current track. RPT icon & REPEAT ONE TRACK will appear on the display. The same file will continue to play until the RPT button is pressed again. If RPT is pressed a second time REPEAT ALL TRACKS will appear on the display and the RPT icon will remain turned on. The same folder/playlist (iPod last selected mode) will continue to play until the RPT button is pressed again. If RPT is pressed a third time, REPEAT OFF will appear on the display. The function will be off and the RPT icon will turn off. Then the display returns to its default.

5/RDM: Pressing the RDM button activates the shuffle feature. RDM icon on the display indicates that this feature is on. To cancel SHUFFLE TRACKS or SHUFFLE ALBUMS, press the RDM button again to reach SHUFFLE OFF.

6/OK: Press the OK button when on a menu to confirm the selection.

To remove the iPod USB cable connector, simply pull the device out of the USB port. The radio will return to the previous mode/source.

OPERATING TIPS

Tips About The Audio System

Hearing damage from loud noise is almost undetectable until it is too late. Your hearing can adapt to high volumes of sound. Sound that seems normal can be loud and harmful to your hearing. Take precautions by adjusting your receiver's volume to a safe sound level before your hearing adapts to it.

To help avoid hearing loss:

- Adjust the volume control to the lowest setting.
- Increase the volume slowly until you hear comfortably and clearly.

Understanding Radio Reception

FM STEREO: FM stereo will give better sound than AM, but FM signals will only reach between 10 and 40 miles (16-65 km). Tall buildings or hills can interfere with FM signals, causing the sound to come and go.

AM: The range for most AM stations is greater than FM, especially at night.

The longer range, however, can cause stations to interfere with each other. AM can pick up noise from things like storms and power lines. Try reducing the treble to reduce this noise if you experience it.

Care of The Compact Discs

Handle discs carefully. Store them in their original or other protective cases and away from direct sunlight and dust. If the surface of a disc is soiled, dampen a clean, soft cloth in a mild, neutral detergent solution. Clean the disc, wiping from the center to the edge.

Never touch the signal surface when handling discs. Pick up discs by grasping the outer edges or the edge of the hole and the outer edge.

Do not attach a label or tape or write on the surface of a disc.

TROUBLESHOOTING

The following error messages may appear while playing a CD, MP3 disc/USB, iPod:

NO CD: No CD has been loaded in the player

NO PLAYABLE DISC:
No playable files on media – Change media

NO MUSIC FILES:
No playable files on media – Load music files to media

FRONT AUX UNPLUGGED:
No front aux connected while iPod connected – Connect front aux cable

IPOD NOT SUPPORTED:
Connected iPod not supported by receiver – Disconnect iPod

DEVICE NOT SUPPORTED:
Connected device not supported by receiver – Disconnect device

NOTE: Sound quality, skipping, difficulty in finding tracks, and/or difficulty in loading or ejecting a CD-R may be affected by a CD-R's quality, the method of recording, the quality of the music that has been recorded or the way the CD-R has been handled. If these problems occur, try playing a CD that is good to see if the error corrects itself. If an error occurs repeatedly or if an error cannot be corrected, contact an authorized Delphi dealer. If the radio displays an error message, write it down and provide it to the Delphi dealer when reporting the problem.

KOMATSU®

www.komatsuamerica.com

Copyright 2010 Komatsu
Printed in Canada
Komatsu America Corp.