
SECTION 00 – GENERAL INFORMATION

CONTENTS

| Section | Description | Page |
|---------|--|-------|
| | Introduction | 00-2 |
| | About Improvements | 00-2 |
| | Company Policy | 00-3 |
| | Parts and Accessories | 00-3 |
| | Model Codes | 00-3 |
| | Precautionary Statements | 00-4 |
| | Safety Precaution Information | 00-5 |
| | General Safety Information | 00-7 |
| | Machine Model and Serial Number Location | 00-9 |
| | Engine Model and Serial Number Location | 00-9 |
| | Hardware Torque Specifications | 00-10 |
| | Installation of Adjustable Fittings in Straight Thread O Ring Bosses | 00-12 |
| | Standard Torque Data for Hydraulic Tubes and Fittings | 00-12 |
| | Pipe Thread Fitting Torque | 00-13 |
| | Lubricants and Coolants | 00-13 |
| | Sealants | 00-13 |
| | Properly Support a Raised Machine | 00-14 |
| | Properly Support Boom on Boom Lock Pins | 00-14 |
| | Raising Boom Without Hydraulic Oil Flow | 00-14 |
| | Raising Boom Without Battery Voltage (12V) | 00-16 |
| | Reattaching Cylinders After Repair with Boom Resting on Boom Lock Pins | 00-17 |
| | Major Unit Overhaul | 00-18 |
| | Cab and Boom Tilt Procedure | 00-19 |
| | Craning the Skid Steer | 00-25 |
| | Special Tools | 00-28 |
| | Specifications | 00-29 |
| | Dimensions | 00-35 |

INTRODUCTION

This service manual provides the technical information needed to properly service and maintain the Models LS160 and LS170 skid steers. Use it in conjunction with the operator's manual which is supplied with the skid steer. Keep both manuals available for ready reference.

The L160 and L170 have many similarities with the major differences being engine horsepower and lifting capacity.

Whenever working on New Holland equipment, left and right sides of the machine are determined by standing behind the unit, looking in the direction of travel.

The easiest and least time-consuming removal, disassembly, and reassembly procedures are detailed in the manual. Modifying these procedures is not recommended.

New Holland skid steers are designed with emphasis on safety for operator protection. However, careless and negligent operation can still result in serious injury to persons or damage to property. Be sure to read and follow all safety instructions in this manual.

Your New Holland dealer is interested in your obtaining the most from your investment and will be glad to answer any questions you may have about your skid steer. When major service is required, your dealer's staff of trained service technicians is ready to serve you.

When in need of parts, always order genuine New Holland service parts from your New Holland dealer. Be prepared to give your dealer the model and serial number of the engine and skid steer (the location of these numbers is described later in this section). Record the serial numbers here.

Skid Steer Model _____

Skid Steer Serial Number _____

Engine Model _____

Engine Serial Number _____

_____  **CAUTION**  _____

This symbol is used throughout this book whenever your own personal safety is involved. Take time to be careful!

ABOUT IMPROVEMENTS

New Holland is continually striving to improve its products. We must, therefore, reserve the right to make improvements or changes when it becomes practical and possible to do so, without incurring any obligation to make changes or additions to the equipment sold previously.

ALL SPECIFICATIONS ARE SUBJECT TO CHANGE WITHOUT NOTICE.

COMPANY POLICY

Company policy, which is one of continuous improvement, reserves the right to make changes in design and specifications at any time without notice and without obligation to modify units previously built.

All data given in this book is subject to production variations. Dimensions and weights are approximate only and the illustrations do not necessarily show skid steers in standard condition.

PARTS AND ACCESSORIES

Genuine NEW HOLLAND parts and accessories have been specifically designed for HEW HOLLAND MACHINES.

We would like to point out that "NON-GENUINE" parts and accessories have not been examined and released by NEW HOLLAND. The installation and or use of such products could have negative effects upon the design characteristics of your machine and thereby affect its safety. NEW HOLLAND is not liable for any damage caused by the use of "NON-GENUINE" NEW HOLLAND parts and accessories.

MODEL CODES

The range of Skid Steers described in this manual is identified in the text by the engine horsepower Pferdestärke. (PS). The skid steers listed below may not be available in all countries or markets.

| ENGINE | PS | MODEL |
|--------|----|-------|
| N844 | 40 | LS160 |
| N844T | 50 | LS170 |

PRECAUTIONARY STATEMENTS

PERSONAL SAFETY

Throughout this manual and on machine decals, you will find precautionary statements (“**CAUTION**”, “**WARNING**”, and “**DANGER**”) followed by specific instructions. These precautions are intended for the personal safety of you and those working with you. Please take the time to read them.

CAUTION

The word “**CAUTION**” is used where a safe behavioral practice according to operating and maintenance instructions and common safety practices will protect the operator and others from accident involvement.

WARNING

The word “**WARNING**” denotes a potential or hidden hazard which has a potential for serious injury. It is used to warn operators and others to exercise every appropriate means to avoid a surprise involvement with machinery.

DANGER

The word “**DANGER**” denotes a forbidden practice in connection with a serious hazard.

Failure to follow the “**CAUTION**”, “**WARNING**”, and “**DANGER**” instructions may result in serious bodily injury or death.

MACHINE SAFETY

Additional precautionary statement (“**IMPORTANT**”) is followed by specific instructions. This statement is intended for machine safety.

***IMPORTANT:** The word “IMPORTANT” is used to inform the reader of something he needs to know to prevent minor machine damage if a certain procedure is not followed.*

SAFETY PRECAUTIONS**CAUTION**

Unsafe operating practices and improper use of the skid steer and its attachments on the part of the operator can result in injuries. Observe the following safety precautions at all times:

1. For servicing, the skid steer should be on level terrain, engine stopped with the wheels blocked or the entire skid steer solidly supported with the wheels off the ground before servicing any component of the drivetrain.
2. For servicing under the operator's seat, raise the seat and pan assembly up to the raised latched position and securely latch.
3. Do not operate the skid steer unless the seat is latched in the operate position.
4. Do not service the skid steer with a raised boom unless the boom is resting on the boom lock pins.
5. Do not service the skid steer with the engine running unless the skid steer is properly and securely supported with all four wheels off the ground.
6. Use caution when servicing the unit around moving parts.
7. Do not tilt the boom and cab without proper instruction.
8. Do not tilt the boom and cab without using the proper cab tilting tool.
9. Reinstall all shields removed for service.
10. Never loosen any hydraulic connections before relieving the pressure in the hydraulic system.
11. Wear eye protection such as goggles, etc.
12. Wear ear protection such as ear plugs, etc. When you feel the noise level is uncomfortable.
13. If any servicing or adjustments require the battery to be disconnected, disconnect the (-) negative ground cable.
14. When servicing electrical components, disconnect the (-) negative ground cable.
15. If the electronic instrument cluster (eic) requires removal from the dash area or the skid steer, disconnect the (-) negative ground battery cable. This will shut off power to the eic and prevent damage to the eic board or blowing the 5-amp fuses if the board is accidentally grounded.
16. If welding is required on the skid steer, disconnect the (-) negative ground cable. failure to disconnect the battery may result in damage to the EIC (Electronic Instrument Cluster) monitoring system and other electrical components.
17. If welding is required on an attachment, remove the attachment from the skid steer.
18. Give complete and undivided attention to the job at hand so that complete control of the skid steer is maintained at all times.
19. Drive slowly over rough ground and on slopes; keep alert for holes, ditches and other irregularities that may cause the skid steer to overturn.
20. Avoid steep hillside operation which could cause the skid steer to overturn.
21. Never transport a loaded bucket at full height. Operate the skid steer with the load as low as possible until it becomes necessary to raise the boom to discharge the load into a truck, container, etc.
22. Reduce speed when turning so there is no danger of the skid steer overturning.
23. Never drive up or back up a hill or incline with a raised boom or the skid steer could overturn.
24. Always look behind you before backing the skid steer.
25. Maintain proper transmission oil level to prevent loss of hydrostatic braking.
26. Do not allow passengers to ride on the skid steer at any time.
27. Do not allow children to operate the skid steer or ride on the skid steer at any time.
28. Do not allow anyone to operate the skid steer without proper instruction. OSHA requires that all operators be instructed on the proper operation of the machine before they operate the unit.
29. Do not operate the skid steer in any position other than while in the operator's seat with the seat belt securely fastened.

30. Before starting the engine, be sure that all operating controls are in neutral and the parking brake is engaged.
31. Never operate the skid steer engine in a closed building without adequate ventilation.
32. Refuel the skid steer outdoors with the engine shut off. Replace the fuel cap securely. Use an approved fuel container. Do not smoke when handling fuel. Avoid spilling fuel.
33. After operating the engine, never touch the muffler, exhaust pipe, engine or radiator until they have had time to cool.
34. Dress appropriately - wear relatively tight-fitting clothing when operating the skid steer. Loose or torn clothing can catch in moving parts or controls.
35. Before servicing the skid steer or any of its attached equipment, be sure that the attachments are lowered to the ground or that the boom arms are supported by the boom lock pins.
36. Do not work under overhangs, electric wires, or where there is danger of a slide.
37. Wear an approved safety hat when operating the machine and while in any work area.
38. When driving the skid steer on a road or highway, use warning lights or warning devices as may be required by local or state government regulations. Headlights, warning lights and smv signs are available through your new holland dealer.
39. Keep the skid steer clean. Do not allow trash, debris or other articles to accumulate in the cab, floor or foot control pedal area that may hinder safe machine operation.
40. Never operate the skid steer with any of the shielding removed.
41. Never operate the skid steer without windows and/or screens in place.
42. Never extend any part of the body outside of the operator's area.

43. Always properly tie down the skid steer to a truck or trailer before transport.
44. Make sure all bystanders are at a safe distance away from the skid steer before starting the engine.
45. Do not allow anyone near the skid steer while the engine is running and the skid steer is operational.
46. When using the skid steer to crane objects, do not allow any person to ride on objects being craned.
47. Do not use the skid steer as a work platform for supporting materials.
48. Do not lift personnel or allow personnel to work while standing in the bucket or on other attachments. This is not a man-lift.

OSHA requirements now make it the employer's responsibility to fully instruct each operator in the proper and safe operation of all operative equipment. Both employer and employee should thoroughly familiarize themselves with the following sections.

————  **CAUTION**  ————

Some pictures in this manual show safety shields removed or open to show parts being serviced or for clarity. All shields should be closed or replaced prior to operating the machine.

————  **DANGER**  ————

Fasten seat belt before starting engine!

This skid steer is a very stable unit but it can be upset if stopped suddenly when the bucket is raised and loaded.

Therefore, do not start the engine before securely fastening the seat belt, and carry the load low.

GENERAL SAFETY INFORMATION

HANDLE FLUIDS SAFELY

When you work around fuel or other flammable material, do not smoke, work near heaters or other fire hazards.

Do not store flammable material in open containers.

Store flammable fluids away from fire hazards.

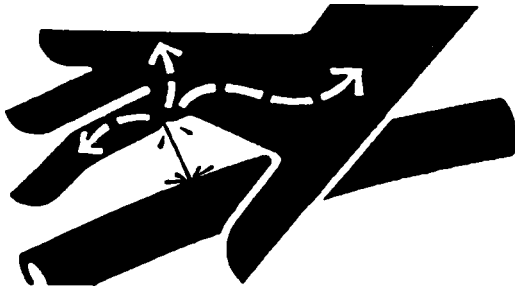
Do not incinerate or puncture pressurized containers.

Make sure machine is clean of trash, grease, oil, and debris.

Do not store oily rags; they can ignite and burn spontaneously.

Keep a first aid kit and fire extinguisher handy.

Keep emergency numbers for doctors, ambulance service, hospital, and fire department near your telephone.



USE CARE AROUND HIGH-PRESSURE FLUID LINES

Escaping fluid under pressure can penetrate the skin causing serious injury.

Avoid the hazard by relieving pressure before disconnecting hydraulic or other lines.

Tighten all line connections before applying pressure.

Check for leaks with a piece of cardboard.

Protect hands and body from high-pressure fluids.

If an accident occurs, see a doctor immediately. Any fluid injected into the skin must be surgically removed within a few hours or gangrene may result. Doctors unfamiliar with this type of injury should reference a knowledgeable medical source.

AVOID HEATING NEAR PRESSURIZED FLUID LINES

Flammable spray can be generated by heating near pressurized fluid lines, resulting in severe burns to yourself and bystanders.

Do not heat by welding, soldering, or using a torch near pressurized fluid lines.

Pressurized lines can be accidentally cut or damaged when heat goes beyond the immediate flame area.

USE CARE IN HANDLING AND SERVICING BATTERIES

Prevent Battery Explosions

Keep sparks, lighted matches, and open flame away from the top of the battery. Battery gas can explode.

Never check battery charge by placing a metal object across the posts. Use a voltmeter or hydrometer.

Do not charge a frozen battery; it may explode. Warm the battery to 60° F (16° C).



WARNING

If any servicing or adjustments require the battery to be disconnected, or welding is required on the skid steer, disconnect the (-) negative ground cable. Failure to disconnect the battery may result in damage to the eic (electronic instrument cluster) monitoring system and other electrical components.



WARNING

If welding on an attachment is required, first remove the attachment from the skid steer boom attaching plate.



Engine starting with a booster battery requires extreme care as batteries produce explosive gases. The slightest spark can cause an explosion.

Follow these safety tips:

- 1. Always shield your eyes when charging or working near a battery. Always provide good ventilation.**
 - 2. Cover the battery with a piece of carpet or other heavy material. Do not remove the battery vent caps.**
 - 3. Connect one cable to the (+) positive terminal of the weak battery. Connect the other end of the cable to the (+) positive terminal of the stronger battery.**
 - 4. Connect the second cable to the (-) negative terminal of the stronger battery.**
 - 5. Connect the remaining (-) negative cable end to the engine block or starter ground terminal.**
 - 6. Reverse this procedure when disconnecting the booster.**
-

USE SAFE SERVICE PROCEDURES

Wear Protective Clothing

Do not wear loose clothing.

Wear close-fitting clothing.

Wear safety glasses or face shield as required.

Wear other safety equipment appropriate to the job.

Wear earplugs or earmuffs as required.

SERVICE MACHINES SAFELY

Use caution when working around moving parts.

If servicing requires the boom to be in the raised position, support the boom on the boom locks and remove any attachment from the boom mounting

plate. If servicing requires the complete skid steer to be in the supported position, support all four wheels off the ground using adequate jack stands or blocks.

If servicing requires the engine to be operated, raise the machine and properly support the unit with adequate jack stands or blocking with all four wheels off the ground.



Before servicing the skid steer or any of its attached equipment, be sure that the attachments are lowered to the ground or the boom arms are supported by the boom lock pins.

USE PROPER TOOLS

Use tools appropriate for the job.

If tilting of the cab is required, use the proper tools and follow the procedure for tilting the cab in Section 1 of this manual.

REVIEW SAFETY EQUIPMENT, SIGNS AND SHIELDS

Replace missing or damaged safety decals.

Reinstall all shielding removed for servicing.

Replace any damaged or missing shielding.

CONTROLS

Operate unit and check machine functions for proper operation.

Check seat belt for proper operation, wear, and damage - Replace as needed.

Check operator restraint system - EIC for proper operation.

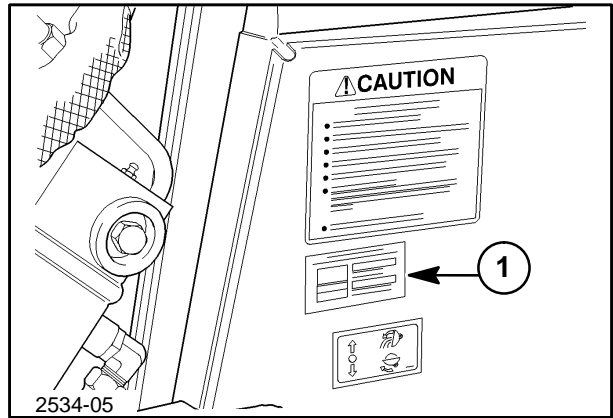
Check boom and bucket spool locks for proper operation.

Check mechanical boom locks for proper operation.

Check parking brake for proper operation and adjustment.

MACHINE MODEL AND SERIAL NUMBER LOCATION

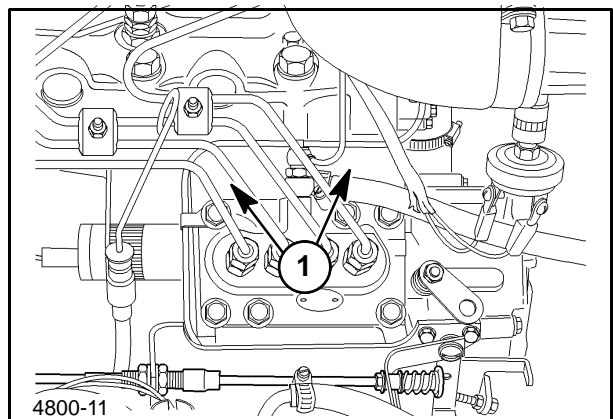
The skid steer model and serial number tag is located on the right front interior of the operator's cab at 1.



1

ENGINE MODEL AND SERIAL NUMBER LOCATION

The engine model and serial number is located on the left side of the block at 1.



2

For the tightening torques for reassembly, use the following hardware torque chart unless the torque is specified in the instructions.

MINIMUM HARDWARE TIGHTENING TORQUES

IN FOOT POUNDS (NEWTON-METERS) FOR NORMAL ASSEMBLY APPLICATIONS

INCH HARDWARE AND LOCKNUTS

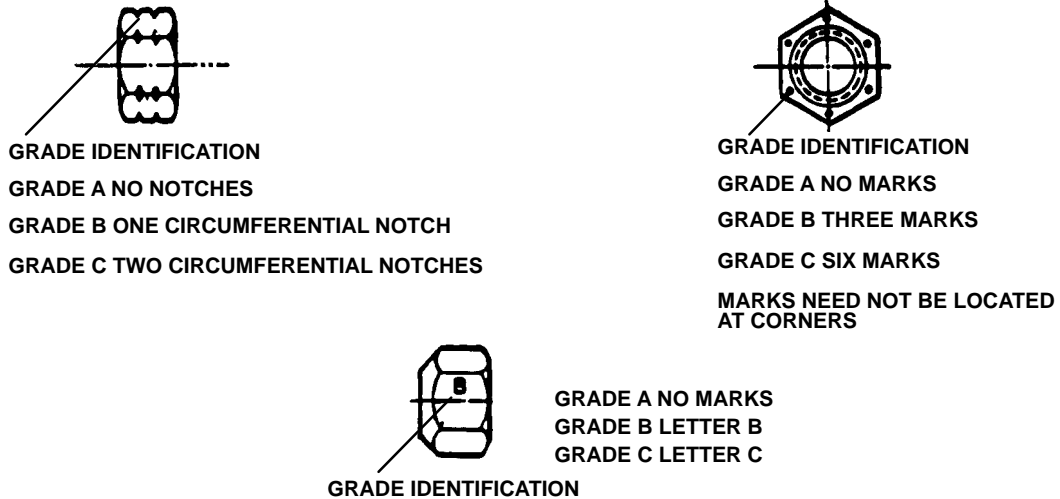
| NOMINAL SIZE | SAE GRADE 2 | | SAE GRADE 5 | | SAE GRADE 8 | | LOCKNUTS | | NOMINAL SIZE |
|--------------|---------------------------|--------------------|---------------------------|--------------------|---------------------------|--------------------|-----------------|-----------------|--------------|
| | UNPLATED or PLATED SILVER | PLATED W/ZnCr GOLD | UNPLATED or PLATED SILVER | PLATED W/ZnCr GOLD | UNPLATED or PLATED SILVER | PLATED W/ZnCr GOLD | GR.B w/GR5 BOLT | GR.C w/GR8 BOLT | |
| 1/4 | 55* (6.2) | 72* (8.1) | 86* (9.7) | 112* (13) | 121* (14) | 157* (18) | 61* (6.9) | 86* (9.8) | 1/4 |
| 5/16 | 115* (13) | 149* (17) | 178* (20) | 229* (26) | 250* (28) | 324* (37) | 125* (14) | 176* (20) | 5/16 |
| 3/8 | 17 (23) | 22 (30) | 26 (35) | 34 (46) | 37 (50) | 48 (65) | 19 (26) | 26 (35) | 3/8 |
| 7/16 | 27 (37) | 35 (47) | 42 (57) | 54 (73) | 59 (80) | 77 (104) | 30 (41) | 42 (57) | 7/16 |
| 1/2 | 42 (57) | 54 (73) | 64 (87) | 83 (113) | 91 (123) | 117 (159) | 45 (61) | 64 (88) | 1/2 |
| 9/16 | 60 (81) | 77 (104) | 92 (125) | 120 (163) | 130 (176) | 169 (229) | 65 (88) | 92 (125) | 9/16 |
| 5/8 | 83 (112) | 107 (145) | 128 (174) | 165 (224) | 180 (244) | 233 (316) | 90 (122) | 127 (172) | 5/8 |
| 3/4 | 146 (198) | 189 (256) | 226 (306) | 293 (397) | 319 (432) | 413 (560) | 160 (217) | 226 (306) | 3/4 |
| 7/8 | 142 (193) | 183 (248) | 365 (495) | 473 (641) | 515 (698) | 667 (904) | 258 (350) | 364 (494) | 7/8 |
| 1 | 213 (289) | 275 (373) | 547 (742) | 708 (960) | 773 (1048) | 1000 (1356) | 386 (523) | 545 (739) | 1 |

NOTE: Torque values shown with * are inch pounds.

IDENTIFICATION CAP SCREWS AND CARRIAGE BOLTS



LOCKNUTS



MINIMUM HARDWARE TIGHTENING TORQUES

IN FOOT POUNDS (NEWTON-METERS) FOR NORMAL ASSEMBLY APPLICATIONS

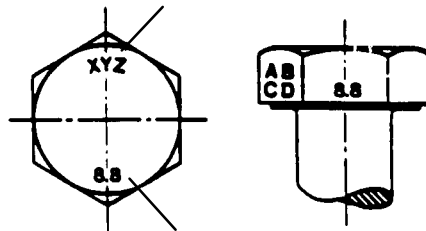
METRIC HARDWARE AND LOCKNUTS

| NOMINAL SIZE | CLASS 5.8 | | CLASS 8.8 | | CLASS 10.9 | | LOCKNUT CL.8 W/CL8.8 BOLT |
|--------------|-----------|---------------|-----------|---------------|------------|---------------|---------------------------|
| | UNPLATED | PLATED W/ZnCr | UNPLATED | PLATED W/ZnCr | UNPLATED | PLATED W/ZnCr | |
| M4 | 15* (1.7) | 19* (2.2) | 23* (2.6) | 30* (3.4) | 33* (3.7) | 42* (4.8) | 16* (1.8) |
| M6 | 51* (5.8) | 67* (7.6) | 79* (8.9) | 102* (12) | 115* (13) | 150* (17) | 56* (6.3) |
| M8 | 124* (14) | 159* (18) | 195* (22) | 248* (28) | 274* (31) | 354* (40) | 133* (15) |
| M10 | 21 (28) | 27 (36) | 32 (43) | 41 (56) | 45 (61) | 58 (79) | 22 (30) |
| M12 | 36 (49) | 46 (63) | 55 (75) | 72 (97) | 79 (107) | 102 (138) | 39 (53) |
| M16 | 89 (121) | 117 (158) | 137 (186) | 177 (240) | 196 (266) | 254 (344) | 97 (131) |
| M20 | 175 (237) | 226 (307) | 277 (375) | 358 (485) | 383 (519) | 495 (671) | 195 (265) |
| M24 | 303 (411) | 392 (531) | 478 (648) | 619 (839) | 662 (897) | 855 (1160) | 338 (458) |

NOTE: Torque values shown with * are inch pounds.

IDENTIFICATION HEX CAP SCREW AND CARRIAGE BOLTS CLASSES 5.6 AND UP

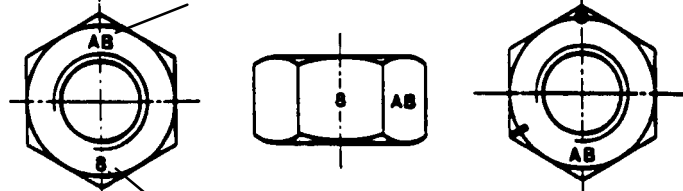
MANUFACTURER'S IDENTIFICATION



PROPERTY CLASS

HEX NUTS AND LOCKNUTS CLASSES 05 AND UP

MANUFACTURER'S IDENTIFICATION



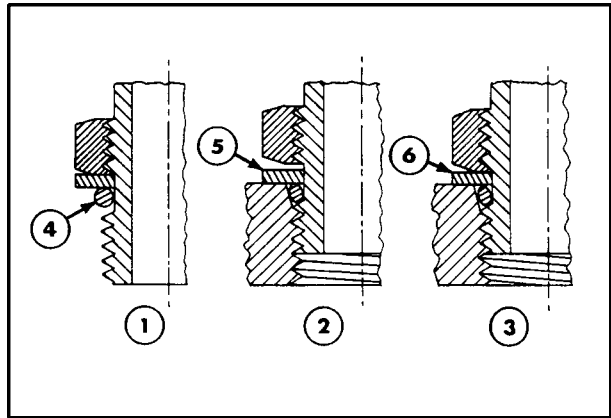
PROPERTY CLASS

CLOCK MARKING

INSTALLATION OF ADJUSTABLE FITTINGS IN STRAIGHT THREAD O RING BOSSES

1. Lubricate the O ring by coating it with a light oil or petroleum. Install the O ring in the groove adjacent to the metal backup washer which is assembled at the extreme end of the groove, 4.
2. Install the fitting into the SAE straight thread boss until the metal backup washer contacts the face of the boss, 5.

NOTE: Do not over tighten and distort the metal backup washer.



3. Position the fitting by turning out (counterclockwise) up to a maximum of one turn. Holding the pad of the fitting with a wrench, tighten the locknut and washer against the face of the boss, 6.

3

STANDARD TORQUE DATA FOR HYDRAULIC TUBES AND FITTINGS

| SIZE | TUBING OD | | THREAD SIZE | TUBE NUTS FOR 37° FLARED FITTINGS | | | | O RING BOSS PLUGS ADJUSTABLE FITTING LOCKNUTS, SWIVEL JIC - 37° SEATS | | | |
|------|-----------|-------|-------------|-----------------------------------|-------------|---------------|-------------|---|-------------|---------------|-------------|
| | mm | In. | | TORQUE | | TORQUE | | TORQUE | | TORQUE | |
| | | | | NEWTON METERS | FOOT POUNDS | NEWTON METERS | FOOT POUNDS | NEWTON METERS | FOOT POUNDS | NEWTON METERS | FOOT POUNDS |
| 4 | 6.4 | 1/4 | 7/16-20 | Min. 12 | Max. 16 | Min. 9 | Max. 12 | Min. 8 | Max. 14 | Min. 6 | Max. 10 |
| 5 | 7.9 | 5/16 | 1/2-20 | Min. 16 | Max. 20 | Min. 12 | Max. 15 | Min. 14 | Max. 20 | Min. 10 | Max. 15 |
| 6 | 9.5 | 3/8 | 9/16-18 | Min. 29 | Max. 33 | Min. 21 | Max. 24 | Min. 20 | Max. 27 | Min. 15 | Max. 20 |
| 8 | 12.7 | 1/2 | 3/4-18 | Min. 47 | Max. 54 | Min. 35 | Max. 40 | Min. 34 | Max. 41 | Min. 25 | Max. 30 |
| 10 | 15.9 | 5/8 | 7/8-14 | Min. 72 | Max. 79 | Min. 53 | Max. 53 | Min. 47 | Max. 54 | Min. 35 | Max. 40 |
| 12 | 19.1 | 3/4 | 1-1/16-12 | Min. 104 | Max. 111 | Min. 77 | Max. 82 | Min. 81 | Max. 95 | Min. 60 | Max. 70 |
| 14 | 22.2 | 7/8 | 1-3/16-12 | Min. 122 | Max. 136 | Min. 90 | Max. 100 | Min. 95 | Max. 109 | Min. 70 | Max. 80 |
| 16 | 25.4 | 1 | 1-5/16-12 | Min. 149 | Max. 163 | Min. 110 | Max. 120 | Min. 108 | Max. 122 | Min. 80 | Max. 90 |
| 20 | 31.8 | 1-1/4 | 1-5/8-12 | Min. 190 | Max. 204 | Min. 140 | Max. 150 | Min. 129 | Max. 158 | Min. 95 | Max. 115 |
| 24 | 38.1 | 1-1/2 | 1-7/8-12 | Min. 217 | Max. 237 | Min. 160 | Max. 175 | Min. 163 | Max. 190 | Min. 120 | Max. 140 |
| 32 | 50.8 | 2 | 2-1/2-12 | Min. 305 | Max. 325 | Min. 225 | Max. 240 | Min. 339 | Max. 407 | Min. 250 | Max. 300 |

These torques are not recommended for tubes of 12.7 mm (1/2") OD and larger with wall thickness of 0.889 mm (0.035") or less. The torque is specified for 0.889 mm (0.035") wall tubes on each application individually.

solvent or Loctite cleaner and apply hydraulic sealant Loctite no. 569 to the 37° flare and the threads.

Install fitting and torque to specified torque, loosen fitting and retorque to specifications.

Before installing and torquing 37° flared fittings, clean the face of the flare and threads with a clean

SECTION 00 - GENERAL INFORMATION

PIPE THREAD FITTING TORQUE

| Thread Size | Torque (Maximum) |
|-------------|----------------------|
| 1/8" – 27 | 13 N·m (10 ft. lbs.) |
| 1/4" – 18 | 16 N·m (12 ft. lbs.) |
| 3/8" – 14 | 22 N·m (16 ft. lbs.) |
| 1/2" – 14 | 41 N·m (30 ft. lbs.) |
| 3/4" – 14 | 54 N·m (40 ft. lbs.) |

Before installing and tightening pipe fittings, clean the threads with a clean solvent or Loctite cleaner and apply sealant Loctite no. 567 for all fittings including stainless steel or no. 565 for most metal fittings. For high filtration/zero contamination systems use no. 545.

LUBRICANTS AND COOLANTS

| Application | New Holland Part Number | Specification |
|--------------------------|--|---|
| Gearboxes | 1 qt – #9613295 2.5 gal – #9613294 4 L – #9613375 | SAE 80W-90 |
| Final Drive chain case | 1 qt – #9613313 2.5 gal – #9613314 1 L – #9613358 20 L – #9613360 | API Service SH–CG4 10W-30 |
| Hydraulic/Transmission | 1 qt – #9613313 2.5 gal – #9613314 1 L – #9613358 20 L – #9613360 | API Service SH–CG4 10W-30 |
| All lubrication fittings | Tube – #9613310 | High viscosity lithium base grease |
| Engine | 1 qt – #9613313 2.5 gal – #9613314 1 L – #9613358 20 L – #9613360 | API Service SH–CG4 10W-30 Refer to Operator's Manual for Temperature/Oil Usage Chart |
| Cooling System | 1 gal – #FGCC2701DS | Antifreeze/Water 50/50 Mixture (Ethylene Glycol) |

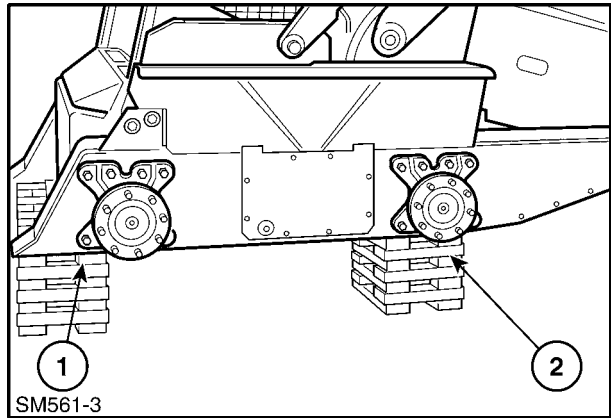
SEALANTS

| Description | New Holland Part Number | Typical Applications | Strength | Color |
|-----------------|---|--|--|--------------------------------|
| Thread Lock | L22200 (222) L24231 (242) L29000 (290) L26231 (262) | Small Screws/Hardware Nuts and Bolts Wicking Type Nuts and Bolts | Low Medium Medium High | Purple Blue Green Red |
| Thread Sealants | L54531 (545) L56531 (565) L56747 (567) | Hydraulic/Pneumatic Pipe Sealant Pipe Sealant | Non-Fouling Controlled Strength High Temperature | |
| Silicones | L81724 (3.5 oz. tube) L58775 (10.2 oz. cartridge) L82180 (3.35 oz. tube) L59875 (10.2 oz. cartridge) | Ultra Blue RTV Gasket Ultra Blue RTV Gasket Ultra Blue RTV Gasket Ultra Blue RTV Gasket | Non-corrosive Non-corrosive Non-corrosive Non-corrosive | Blue Blue Black Black |

PROPERLY SUPPORT A RAISED MACHINE

If servicing neutral adjustment, final drive adjustment or repairs requiring the machine to be raised, securely support the machine with adequate jack stands or blocks as shown.

Support the machine at 1 to the front of the final drive cases and to the rear at 2, making sure the supports are on the flat area of the final drive cases.

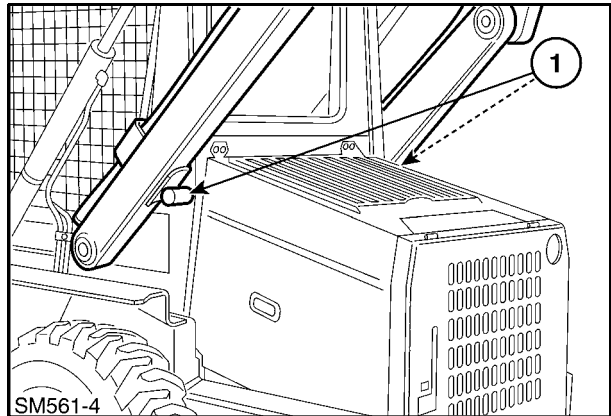


4

PROPERLY SUPPORT BOOM ON BOOM LOCK PINS

Before servicing the machine or any of its attached equipment, be sure that the attachments are lowered to the ground or the boom arms are supported by the boom lock pins, 1.

If the boom is to be raised on the boom lock pins, remove any attachment. Opening a hydraulic line could cause a mounted attachment to dump over unexpectedly.

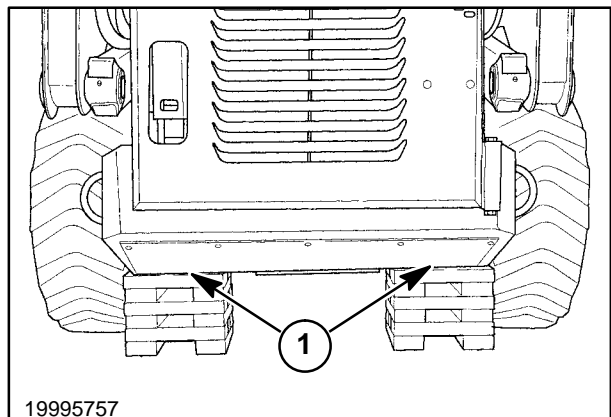


5

RAISING BOOM WITHOUT HYDRAULIC OIL FLOW

(Engine or Hydraulic System not functioning)

1. Remove any attachment from the boom mounting plate.
2. Block the rear of the skid steer under the rear of the final drive cases, 1, as shown. This will prevent the front wheels from raising during boom lifting.



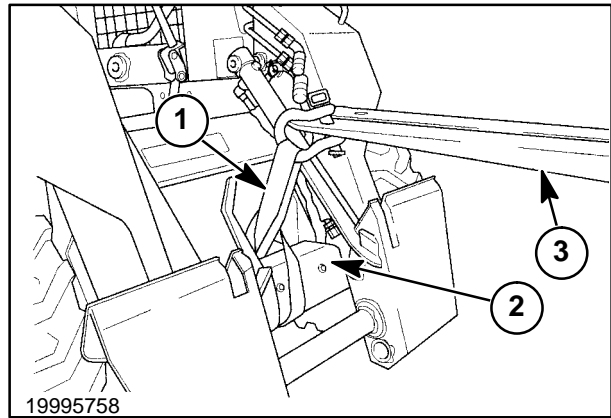
6

SECTION 00 - GENERAL INFORMATION

3. Attach a chain or strap, 1, to the main boom, 2, and lifting device, 3. Attach chain or strap securely to prevent unhooking during boom lifting.

⚠ CAUTION ⚠

Attach suitable chains or straps capable of handling the weight of the boom, 454 kg (1000 lbs). Attach chains securely to prevent them from coming loose during lifting of the boom.

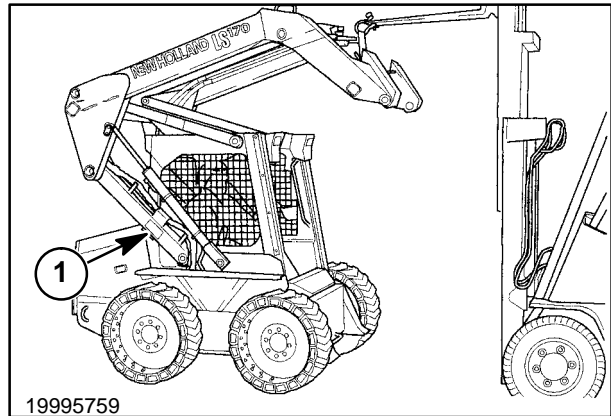


7

4. With an Operator sitting in the Operator's seat with the seat belt buckled.
5. Turn the ignition key to the "ON" position. Foot controls, press the toe of the left foot pedal, boom control, or hand controls, pivot the left hand control lever down, into the boom float position.
6. Slowly raise the boom above the boom lock pins, 1.
7. Operator sitting in seat, engage the boom lock pins, 1.
8. Lower the boom and rest on the boom lock pins, 1.
9. Return the boom control to the "NEUTRAL" position.
10. Turn the ignition key to the "OFF" position.

⚠ CAUTION ⚠

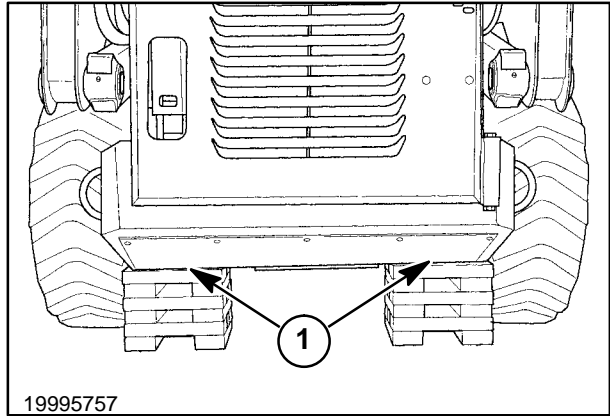
The operator must not leave the operator's seat until the boom is resting solidly on the boom lock pins. The boom could drop suddenly if lifting devices should fail.



8

RAISING BOOM WITHOUT BATTERY VOLTAGE (12 VOLTS)

1. Remove any attachment from the boom mounting plate.
2. Block the rear of the skid steer under the rear of the final drive cases, 1, as shown. This will prevent the front wheels from raising during boom lifting.

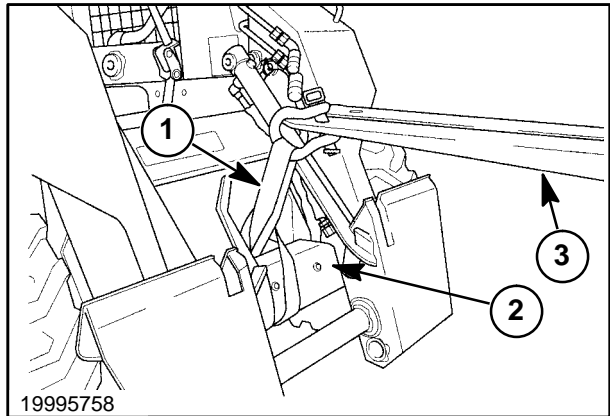


9

3. Attach a chain or strap, 1, to the main boom, 2, and lifting device, 3. Attach chain or strap securely to prevent unhooking during boom lifting.

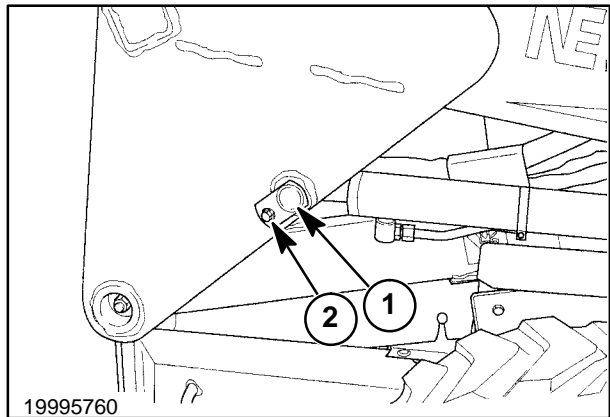


Attach suitable chains or straps capable of handling the weight of the boom, 454 kg (1000 lbs). Attach chains securely to prevent them from coming loose during lifting of the boom.



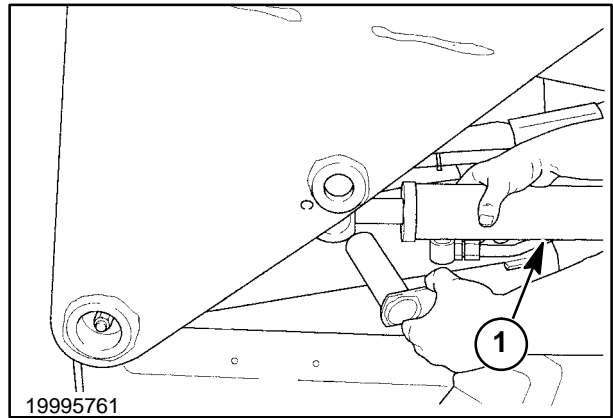
10

4. Remove the rod end (top) pivot pins, 1, from both cylinders by removing the retaining hardware, 2, from pivot pin and boom.



11

- Support the cylinders on the fenders, 1, as shown.

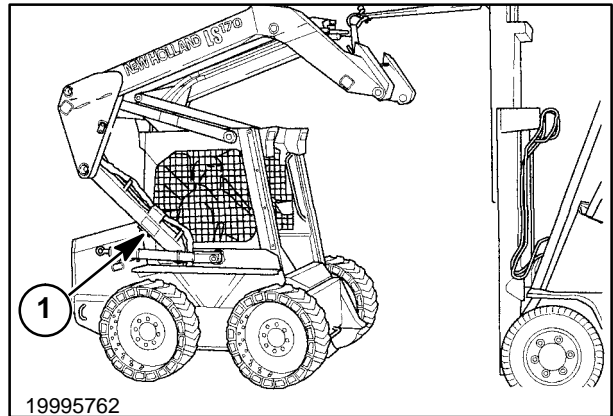


12

- With an Operator sitting in the Operator's seat with the seat belt buckled, slowly raise the boom above the boom lock pins, 1.
- Operator (sitting in the seat) engages the boom lock pins, 1.
- Lower the boom and rest on the boom lock pins, 1.



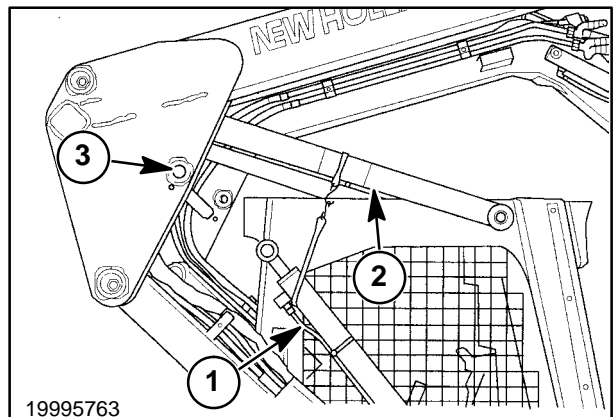
The operator must not leave the operator's seat until the boom is resting solidly on the boom lock pins. The boom could drop suddenly if lifting devices should fail.



13

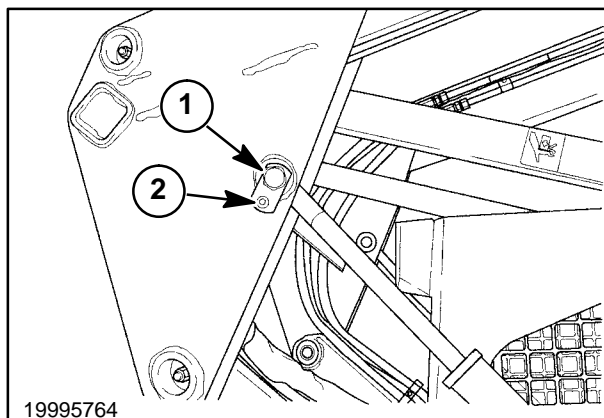
REATTACHING CYLINDERS AFTER REPAIR WITH BOOM RESTING ON BOOM LOCK PINS

- Support the rod end of cylinders, 1, off the boom upper links, 2, to align with main boom cylinder pivot pin holes, 3.



14

2. With operator sitting in the Operator's seat with seat belt buckled, start the engine and hydraulically extend cylinder rods to align cylinder with pivot pin, 1. Stop engine.
3. Turn the ignition key to the "ON" position. Move the boom control into "DETENT" (float) position with the left foot pedal (press toe down) or left hand control (push control lever down). Turn the ignition key to the "OFF" position.
4. If cylinder and boom are not properly aligned, use a pry bar to align cylinder and boom.
5. Install pivot pin, 1, and secure with retaining hardware, 2. Torque bolts to 38 N·m (28 ft. lbs.).
6. Start the engine and hydraulically extend the second cylinder rod to align cylinder with pivot pin. Stop engine.
7. If cylinder and boom are not properly aligned, sit in the operator's seat with seat buckled, turn the ignition key to the "ON" position. Move the boom control to the "DETENT (float) position and turn the ignition key to the "OFF" position.
8. Use a pry bar and align cylinder with boom and install pivot pin, 1, and retaining hardware, 2, and torque to 38 N·m (28 ft. lbs.).



19995764

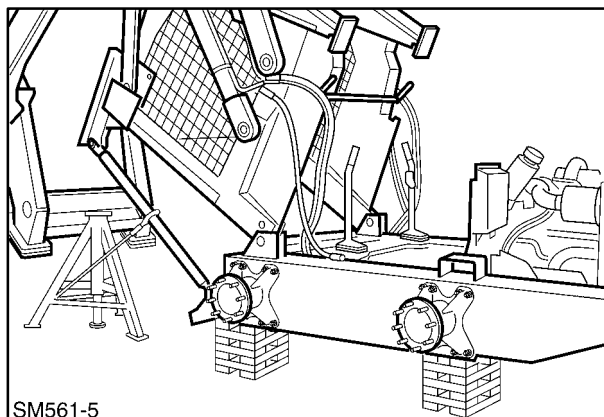
15

MAJOR UNIT OVERHAUL

For a major hydrostatic component or engine repair, the skid steer cab and boom assembly can be tilted forward for easier access to the components area. The figure shows the skid steer properly supported and the cab tilted forward.



Never attempt to tilt the skid steer cab without using the proper tool and instructions. See more detail later in this section of the manual and/or contact your new holland dealer.



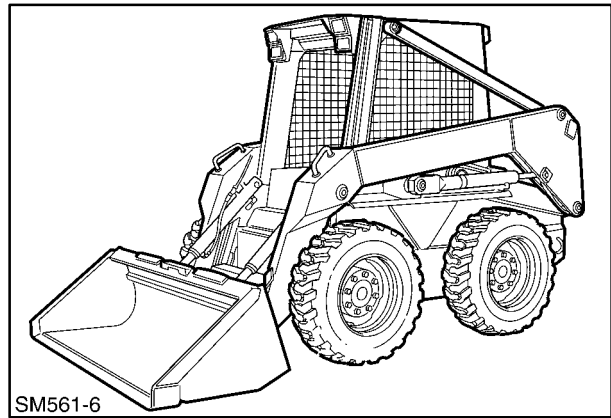
SM561-5

16

CAB AND BOOM TILT PROCEDURE

The cab and boom assembly can be tilted forward for easier access to the major skid steer hydrostatic transmission or engine components. To tilt the cab, the proper cab tilting tool must be used to ensure safety and to prevent damage to the skid steer frame, cab, and boom structure. Contact your New Holland dealer for major service or repairs of the skid steer. Using the proper cab tilting tool and following these steps, the cab and boom can be tilted forward.

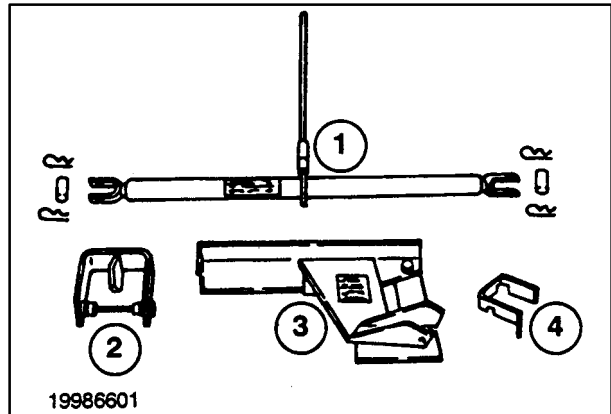
1. Remove any attachment, bucket, etc. from the boom quick-attach plate.



17

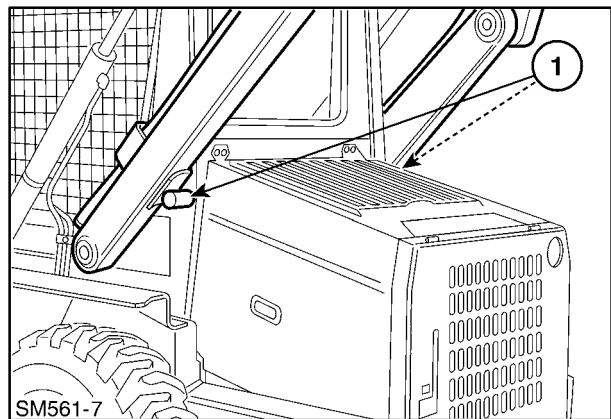
Cab tilting jack and support brackets:

- 1 Jack and screw assembly
- 2 Lower support
- 3 Upper support
- 4 Spacer top link



18

2. Raise the boom and lower onto boom lock pins, 1.
 - Raise boom above boom lock pins.
 - Engage boom lock pins.
 - Stop engine, ignition key off position.
 - Turn ignition key to the on position.
 - Lower boom onto boom lock pins.
 - Turn the ignition key to the "OFF" position.



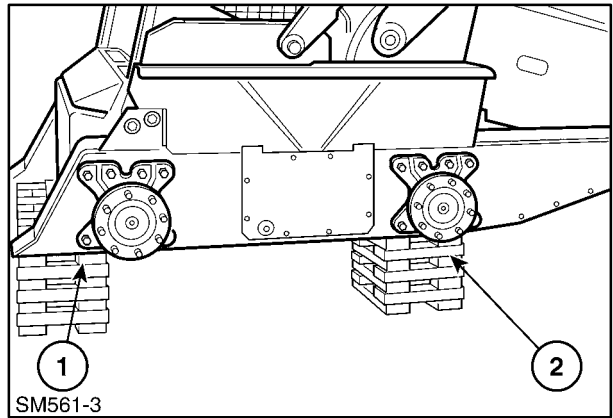
19

SECTION 00 - GENERAL INFORMATION

3. Jack up the skid steer and block it securely with all four wheels off the ground, as shown. Position the front blocks, 1, to the front of the final drive housings and the rear blocks, 2, to the rear of the flat area of the final drive housings.

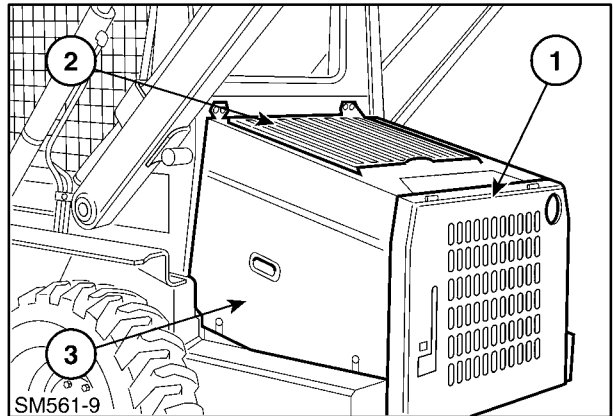
⚠ WARNING ⚠

Never attempt to tilt the skid steer cab over unless the skid steer is securely supported.



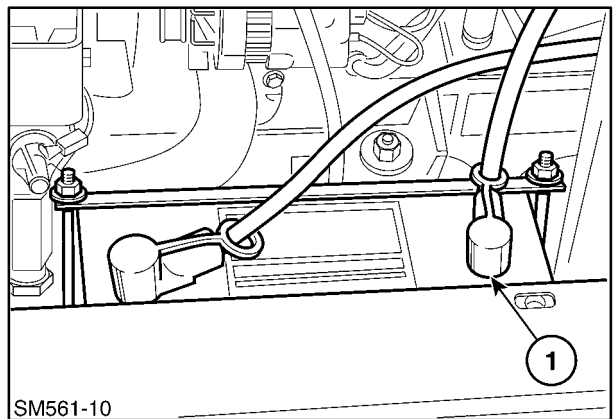
20

4. Open the rear door, 1. Raise the top engine shield, 2, and latch in the raised position.
5. Remove engine side covers, 3.



21

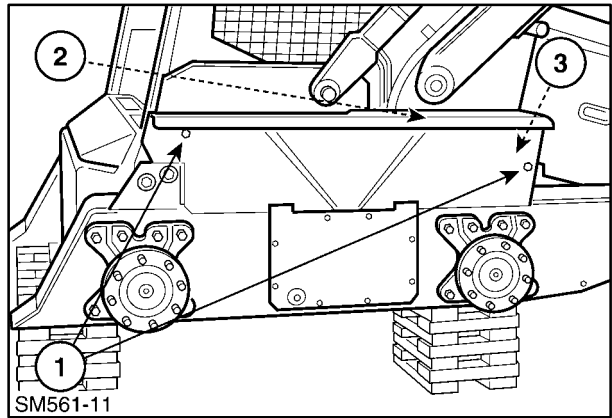
6. Disconnect the battery negative (-) cable, 1.



22

SECTION 00 - GENERAL INFORMATION

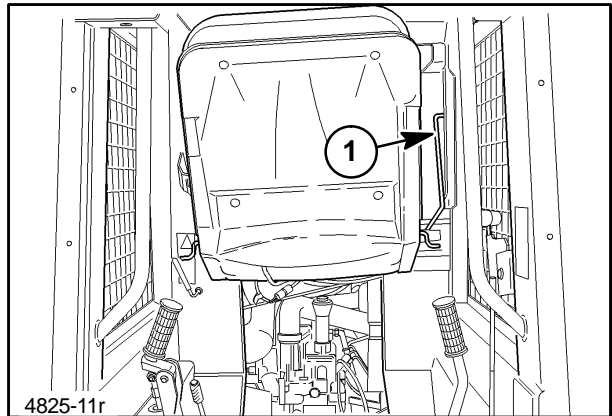
7. Remove fenders, 1, right and left sides.
8. Remove foam material, 2, from both sides.
9. Remove the rear fender supports, 3, right and left sides.



23

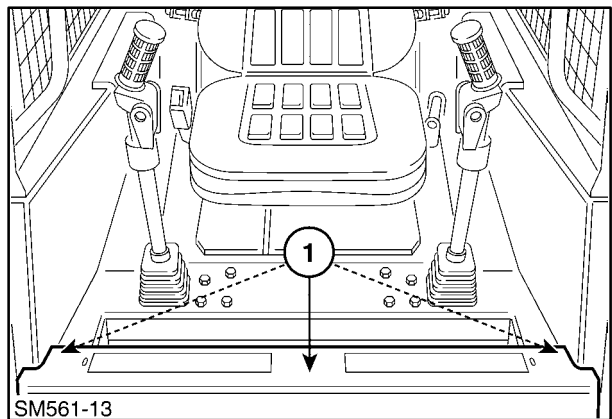
10. Raise the seat and lock in the up position, 1. Make sure the seat pan assembly is latched securely.

CAUTION
Do not work under the seat and pan unless it is properly latched in the raised position.



24

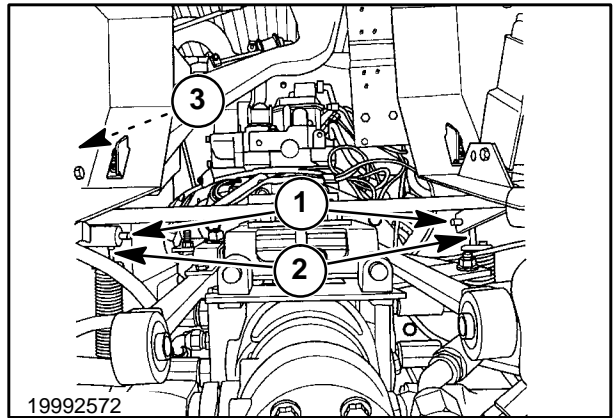
11. Remove the front step shield, 1.



25

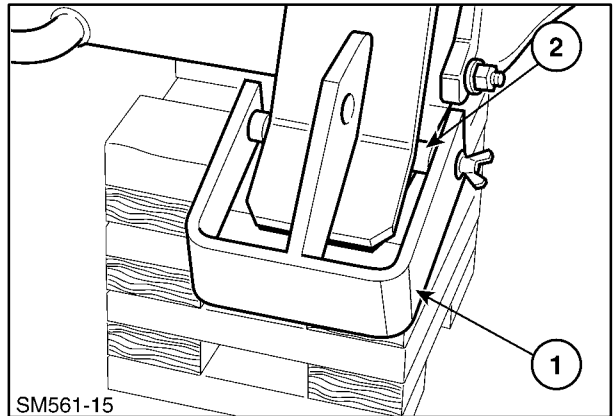
SECTION 00 - GENERAL INFORMATION

12. Remove the cotter pins from the parking brake linkage at 1, unhook link rod, 2, and raise the parking brake lever, 3, to the engaged position.



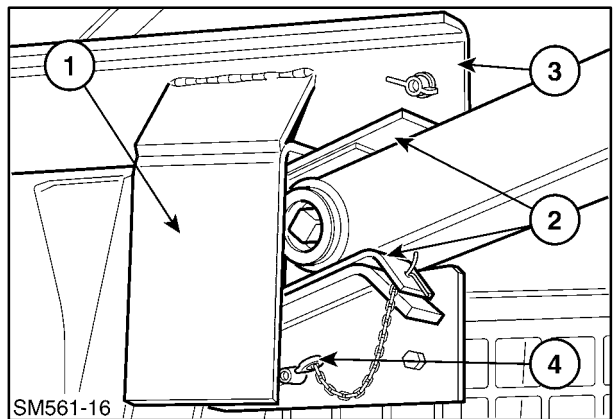
26

13. Install the lower cab jack support, 1. Hook the support over the end of the front left final drive housing and attach with a 1/2" x 8" cap screw, two spacers, one each side of housing at 2, and 1/2" nut.



27

14. Install the upper cab jack support, 1. The spacer channel, 2, is used for the LS160 and LS170 models. Pivot the retaining plate, 3, up behind the boom top link and secure with 1/2" x 1-1/4" carriage bolt and 1/2" wing nut. Install retaining bolt, 4, 1/2" x 2-1/2" cap screw through side of cab with a large 1/2" flat washer, 1/2" wing nut to the inside of cab and tighten.



28



15. Install the jack assembly, 1, between the upper and lower supports using two pins and retaining clips.
16. Loosen the front cab mounting bolts, 2, only enough to allow the bolt to rotate in post. Remove the rear front cab bolts, 3.

⚠ CAUTION ⚠

Never remove the front cab bolts, 2, as these are the pivot bolts during the cab tilting procedure. Removal of these bolts could cause the cab to fall and may cause injury and machine damage.

17. Remove the four rear cab post bolts, 4. Note the number and position of washers for reassembly.

⚠ CAUTION ⚠

Never loosen or remove any cab retaining hardware before the jack assembly is installed.

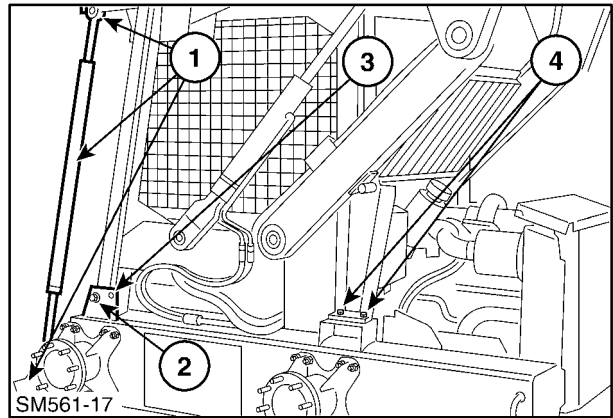
18. Jack cab and boom assembly over with the skid steer properly supported off the ground. Support the boom at 1 to prevent tipping of the skid steer when heavy components, engine, hydrostatic pumps, etc. are removed from the lower frame. Jack travel or length of hydraulic hoses will limit the travel of the cab assembly when tilting. Be sure all wire harnesses, hydraulic hoses, and throttle cable clear any obstructions during cab tilting.

⚠ WARNING ⚠

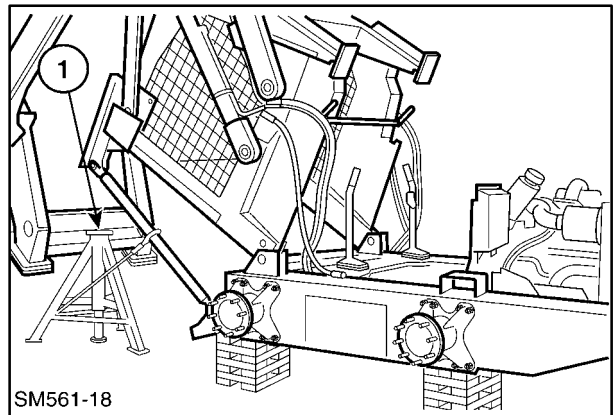
Never attempt to tilt the skid steer cab without proper instructions and without using the proper tool.

⚠ CAUTION ⚠

Never attempt to operate or move the skid steer without first installing and properly tightening all cab retaining hardware.



29



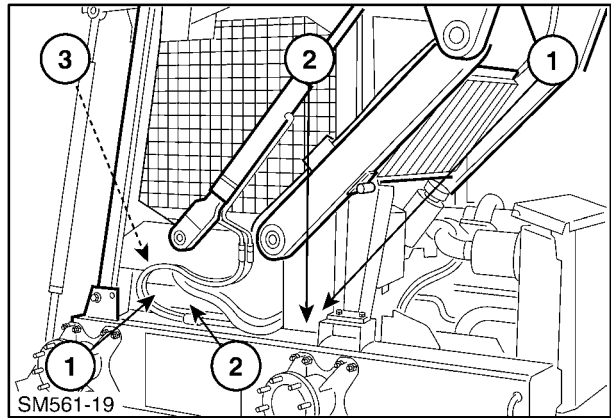
30

To jack the cab and boom assembly back into position:

1. Pull the hydrostat control handles forward and hold in this position with rubber tie straps from the handle to the front cab post.
2. Jack the cab and boom back into position.
3. Keep the wire harness, 1, and throttle cable, 2, in position to prevent damage from setting the cab on them.
4. Pull the wire harness through the loop, 3.



Keep the wire harness from being damaged. A damaged wire harness could result in damage to the skid steer electrical components.

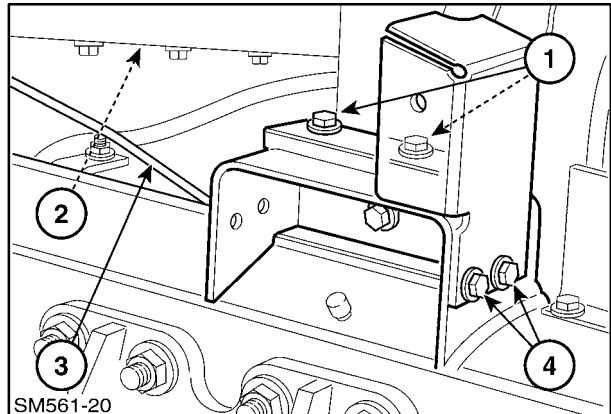


31

5. Remove rubber tie straps from the hydrostatic control handles.
6. Reinstall all cab support bolts front and rear.
Torque the rear bolts, 1, to 108 N·m (80 ft. lbs.).
Make sure the spacers are reinstalled.

NOTE: If spacers were installed under the rear cab support bolts, 1, the spacers must be reinstalled for proper bolt torquing.

7. Reinstall the parking brake linkage, 2.
8. Position the throttle cable, 3, inside frame.
9. Reinstall the rear fender supports, 4. Do not tighten hardware at this time.

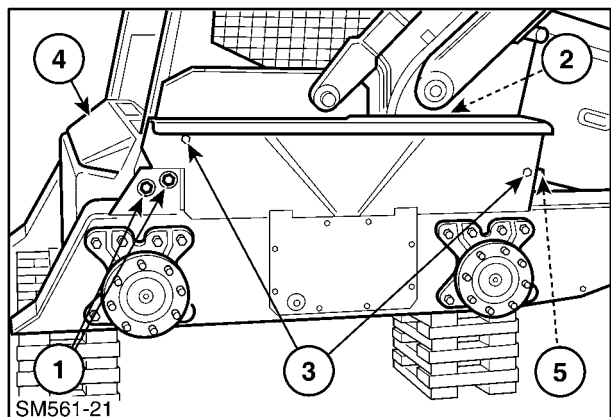


32

10. Torque the front bolts, 1, to 217 N·m (160 ft. lbs.).
11. Reinstall the foam, 2; fenders, 3; and front step shield, 4.
12. Tighten the rear fender supports, 5, at this time.
13. Remove jack and supports.
14. Reconnect the battery cable.



Never attempt to operate or move the skid steer without first installing and properly tightening all cab retaining hardware.

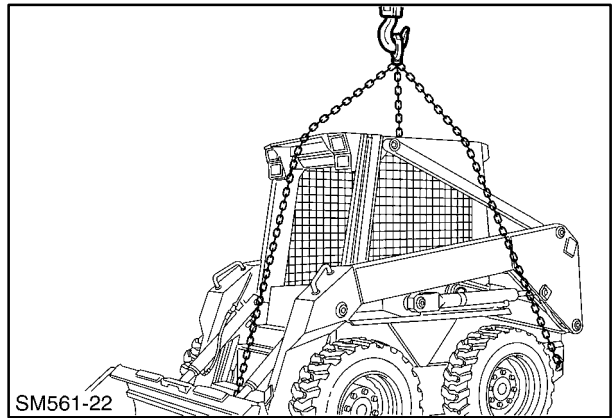


33

CRANING THE SKID STEER

If the skid steer is inoperative and located in an area where it cannot be loaded onto a truck or trailer, the unit may be craned to load the unit.

To crane the skid steer, only use chain or cable with a rated capacity to handle the weight of the model skid steer being craned. Refer to "Specifications" in this manual for the operating weight of the model skid steer being craned. Use three chains minimum of 3.66 m (12') long to prevent sharp angles and damage to the skid steer cab, boom, and lifting chains.

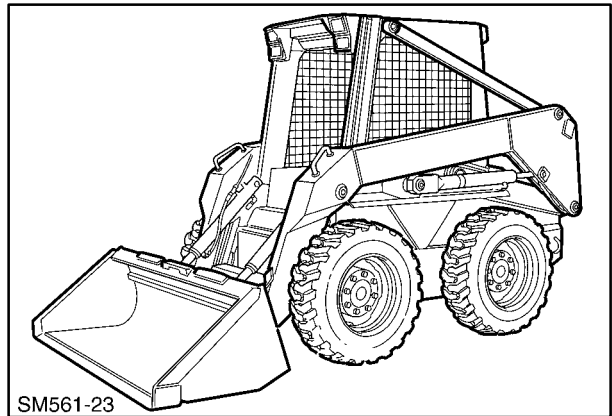


34

Remove any attachment except a standard bucket from the skid steer boom attaching plate.

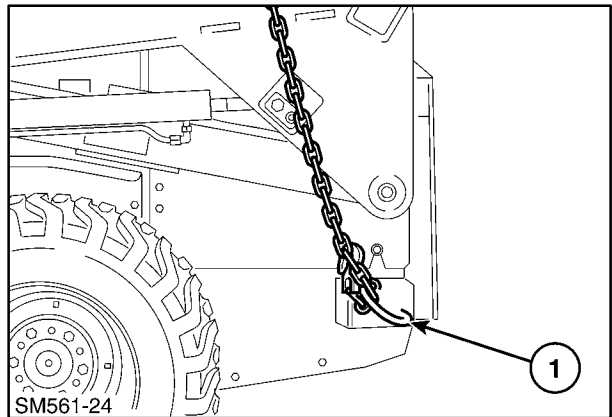
⚠ **CAUTION** ⚠

Do not lift any attachments on the skid steer mounting plate that weigh 272 kg (600 lbs.) or more. Lift such attachments separately.



35

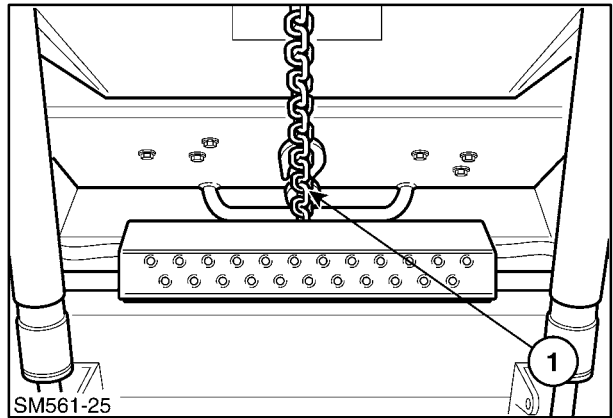
The lifting points at the rear of the skid steer, 1.



36

SECTION 00 - GENERAL INFORMATION

The front lifting point is in the center of the main frame, 1.

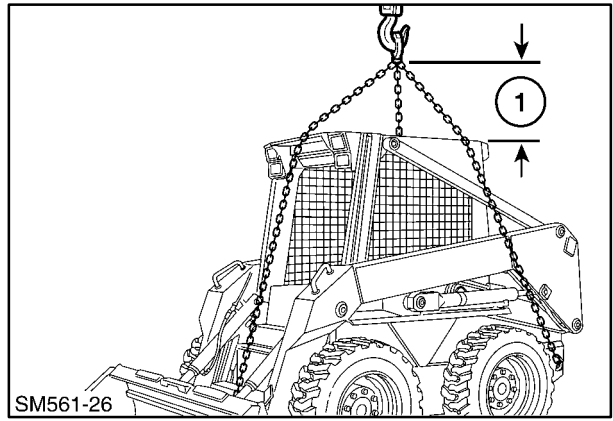


37

The lifting chains or cables must be minimum of 3.66 m (12'). The lifting hook point must be minimum of 1.9 m (75") above the cab, 1, to prevent the chains or cables from damaging the skid steer frame or cab.



Always use properly rated lifting devices to prevent personal injury or damage to the skid steer.



38

When craning (lifting or lowering) a skid steer, observe these "CAUTIONS."

—————  **CAUTION**  —————

1. **No riders (including the operator) in or on the machine while lifting or lowering.**
 2. **Do not lift any attachments on the skid steer mounting plate that weigh 272 kg (600 lbs.) or more. Lift such attachments separately.**
 3. **Always use a chain or cable capable of safely hoisting the weight of the skid steer.**
 4. **Before hoisting the skid steer, always inspect the lifting chain or cable and the lifting points on the skid steer main frame to insure they are in good condition. If worn or damaged, do not use.**
 5. **Do not lift the skid steer with any frame-mounted attachments such as a backhoe or rear stabilizers.**
 6. **Do not attach lifting devices to the skid steer boom or attachments on the skid steer.**
 7. **Make sure the skid steer boom is in the completely lowered position.**
 8. **Make sure that any attachment to be lifted on the skid steer is securely fastened to the skid steer mounting plate with the over-center handles and pins fully engaged. Pivot the attachment fully back.**
 9. **Make sure that the engine is off and the parking brake is engaged before lifting.**
 10. **Keep bystanders away from the machine a safe distance while lifting.**
-

SECTION 00 - GENERAL INFORMATION

SPECIAL TOOLS

| Tilting Cab | | | | |
|--------------------|-------------------|--------------------|--------------|--------------|
| Tool Number | Order From | Description | LS160 | LS170 |
| 86590084 | New Holland | Cab Tilting Tool | *** | *** |

| Engine | | | | |
|--------------------|-------------------|-------------------------------|--------------|--------------|
| Tool Number | Order From | Description | LS160 | LS170 |
| NH00011 | OTC | Oil pressure adapter | *** | *** |
| NH00120 | OTC | Compression test adapter | *** | *** |
| NH00117 | OTC | Oil pump port block installer | *** | *** |
| NH11097 | OTC | Oil pump port block remover | *** | *** |

| Hydraulic System | | | | |
|-------------------------------|-------------------|--|--------------|--------------|
| Tool Number | Order From | Description | LS160 | LS170 |
| 238 Bar (3500 PSI) Test Gauge | OTC | Main system pressure | *** | *** |
| Flow meter | OTC | Main system/Hydrostatic pumps | *** | *** |
| 3/4"—16 UNF O ring fitting | Local | Main system at Boom cylinder | *** | *** |
| 1/2" Quick coupler | New Holland | Main system at Auxiliary boom couplers | * | * |
| FNH22ESS95 | OTC | Hydraulic tank pressuring tool | * | * |

*Recommend Tool

***Essential Tool

SPECIFICATIONS

| | |
|---|-------------------------------|
| MODEL | LS160 |
| ENGINE MANUFACTURER | NEW HOLLAND |
| MODEL | N844 Diesel |
| CYLINDERS | 4 |
| ASPIRATION | NATURAL |
| CYCLE | 4 STROKE |
| BORE AND STROKE | 84 × 90 mm (3.31" × 3.54") |
| DISPLACEMENT | 1995 cu. cm (121.7 cu. in.) |
| COMPRESSION RATIO | 22 to 1 |
| SPEEDS | |
| -FAST (no load) | 3130 to 3180 RPM |
| -IDLE (no load) | 900 to 1000 RPM |
| HORSEPOWER | |
| (SAE GROSS) | 42.5 @2900 RPM |
| (SAE NET) | 40.0 @2900 RPM |
| TORQUE - (mfg. rating) Gross | 126 N·m (93 ft. lbs.) |
| VALVE CLEARANCE | |
| -Intake (cold) | 0.2 mm (0.008 in.) |
| -Exhaust (cold) | 0.2 mm (0.008 in.) |
| FIRING ORDER | 1-3-4-2 |
| FUEL CONSUMPTION | |
| (approximate at continuous full load) | 9.5 LPH (2.5 GPH) |
| IGNITION TYPE | Compression |
| GRADEABILITY (Intermittent duty) | |
| 30 Degrees All Directions | |
| AIR CLEANER - Dry type dual element | |
| Primary element | NH #86504145 |
| Safety element | NH #86504143 |
| FUEL SYSTEM | |
| Type of fuel | Diesel |
| Injection type | Indirect |
| Cleaning system | Inline filter replaceable |
| | NH#9611973 |
| | Inline water trap NH#86504140 |
| CAPACITIES | |
| Cooling system | 10.3 L (10.8 qt.) |
| Cooling system pressure | Radiator cap 48.3 kPa (7 psi) |
| Fuel tank | 52.9 L (14 gal.) |
| Hydraulic reservoir | 14.8 L (3.9 gal.) |
| Chain case (final drive - per side) | 6.8 L (1.8 gal.) |
| Gearbox (per box) | 0.95 L (1 qt.) |

MODEL

LS160

TIRE SIZES AND INFLATION

| Tire | Tire Pressure |
|--|----------------------|
| 7.00 × 15 - CHEVRON TREAD | 414 kPa (60 PSI) |
| 7.50 × 15 - HST-HOLLOW SEGMENTED TIRES | N/A |
| 10.00 × 16.5 - R4 CLEAT TREAD | 345 kPa (50 PSI) |
| 10.00 × 16.5 HD 2000 | 345 kPa (50 PSI) |
| 10.00 × 16.5 - HST-HOLLOW SEGMENTED | N/A |
| 31 × 15.5 × 15 - G1 Flotation | 276 kPa (40 PSI) |

BASIC WEIGHT - With 157 cm (66") Dirt & Foundry bucket, 79 kg (175-lb.) operator, full fuel tank, battery, and 10.00 × 16.5 tires 2210 kg (5534 lbs)

OPERATING CAPACITY

SAE Operating load capacity per SAE J732, J818, J742 Standard. 680 kg (1500 lbs.) (mfg. rating)
 770.4 kg (1750 lbs.) (SAE rating)*

*SAE operating load rating per J818 specifications.

SPECIFICATIONS

| | |
|---|-------------------------------|
| MODEL | LS170 |
| ENGINE MANUFACTURER | NEW HOLLAND |
| MODEL | N844T Diesel |
| CYLINDERS | 4 |
| ASPIRATION | NATURAL |
| CYCLE | 4 STROKE |
| BORE AND STROKE | 84 × 90 mm (3.31" × 3.54") |
| DISPLACEMENT | |
| 1995 cu. cm (121.7 cu. in.) | 1995 cu. cm (121.7 cu. in.) |
| COMPRESSION RATIO | 22 to 1 |
| SPEEDS | |
| -FAST (no load) | 3130 to 3180 RPM |
| -IDLE (no load) | 900 to 1000 RPM |
| HORSEPOWER | |
| (SAE GROSS) | 52.0 @2900 RPM |
| (SAE NET) | 50.0 @2900 RPM |
| TORQUE - (mfg. rating) Gross | 153 N-m (113 ft. lbs.) |
| VALVE CLEARANCE | |
| -Intake (cold) | 0.2 mm (0.008 in.) |
| -Exhaust (cold) | 0.2 mm (0.008 in.) |
| FIRING ORDER | 1-3-4-2 |
| FUEL CONSUMPTION | |
| (approximate at continuous full load) | 12.1 LPH (3.2 GPH) |
| IGNITION TYPE | Compression |
| GRADEABILITY (Intermittent duty) | 30 Degrees All Directions |
| AIR CLEANER - Dry type dual element | |
| Primary element | NH #86504145 |
| Safety element | NH #86504143 |
| FUEL SYSTEM | |
| Type of fuel | Diesel |
| Injection type | Indirect |
| Cleaning system | Inline filter replaceable |
| | NH#9611973 |
| | Inline water trap NH#86504140 |
| CAPACITIES | |
| Cooling system | 10.3 L (10.8 qt.) |
| Cooling system pressure | Radiator cap 48.3 kPa (7 psi) |
| Fuel tank | 52.9 L (14 gal.) |
| Hydraulic reservoir | 14.8 L (3.9 gal.) |
| Chain case (final drive - per side) | 6.8 L (1.8 gal.) |
| Gearbox (per box) | 0.95 L (1 qt.) |

SECTION 00 - GENERAL INFORMATION

MODEL

LS170

ENGINE OIL

| | |
|------------------------------------|-----------------------|
| Oil type | API SH/CG4 SAE 10W-30 |
| Filter part # | NH #86546618 |
| Engine crankcase capacity w/filter | 8.3 L (8.8 qt.) |
| Dipstick length | 367 mm (14.4") |

ELECTRICAL SYSTEM

| | |
|----------------------------|---------------------------------------|
| Battery | BCI PC31 - 12V 650 amps @ 0°F (-18°C) |
| Alternator capacity | 40 amps |
| Starter switch | Key start and relay |
| Ignition system protection | Fuse 15 amps |
| Headlights (work) | NH #86533429 |
| Taillights (work) | NH #86533429 |
| Taillights (road) | 86505510 |
| Amber flasher | NH #529068 |

HYDRAULIC SYSTEM

| | |
|---------------------------|---|
| Pump - Type | Gear pump |
| Output | |
| Standard Flow | 17.7 GPM (67 LPM) @3155 RPM-@1000 PSI |
| Optional High Flow | 26.2 GPM (99.2 LPM) @3155 RPM-@2300 PSI |
| Hydraulic system Capacity | 32.6 L (8.6 gal.) |
| Hydraulic Fluid | SAE 10W-30 - API SH/CG4 |
| Control Valve | 3 Spool Open Center |
| Main system relief | 170 - 177 bar (2500 - 2600 PSI) |
| Circuit relief - boom | 238 bar (3500 PSI) |
| Filter Spin-on canister | NH #9842392 |

BOOM CYLINDERS

| | |
|---------------|---|
| Double-acting | 35.1 mm (2.5") dia. bore 470.0 mm (18.5") stroke |
| Cycle time | |
| Raise | 2.7 seconds |
| Lower | 2.3 seconds |

BUCKET CYLINDERS

| | |
|---------------|---|
| Double-acting | 31.8 mm (2.25") dia. bore 450.8 mm (17.88") stroke |
| Cycle time | |
| Dump | 1.7 seconds |
| Curl | 1.5 seconds |

HYDROSTATIC TRANSMISSIONS

| | |
|--------------------------------|-----------------------------------|
| Pump | Variable displacement piston type |
| Motor | Fixed displacement piston type |
| Charge Pressure | 11.0 bar (160 PSI) |
| Relief Pressure (Transmission) | 238 bar (3500 PSI) |
| Oil Type | SAE 10W-30 API SH/CG4 |

TRAVEL SPEEDS - 10.00 × 16.5 Tires

| | |
|---------|---------------------|
| Forward | 11.75 KPH (7.3 MPH) |
| Reverse | 11.75 PPH (7.3 MPH) |

MODEL

LS170

TIRE SIZES AND INFLATION

| Tire | Tire Pressure |
|--|----------------------|
| 7.00 × 15 - CHEVRON TREAD | 414 kPa (60 PSI) |
| 7.50 × 15 - HST-HOLLOW SEGMENTED TIRES | N/A |
| 10.00 × 16.5 - R4 CLEAT TREAD | 345 kPa (50 PSI) |
| 10.00 × 16.5 HD 2000 | 345 kPa (50 PSI) |
| 10.00 × 16.5 - HST-HOLLOW SEGMENTED | N/A |
| 31 × 15.5 × 15 - G1 Flotation | 276 kPa (40 PSI) |

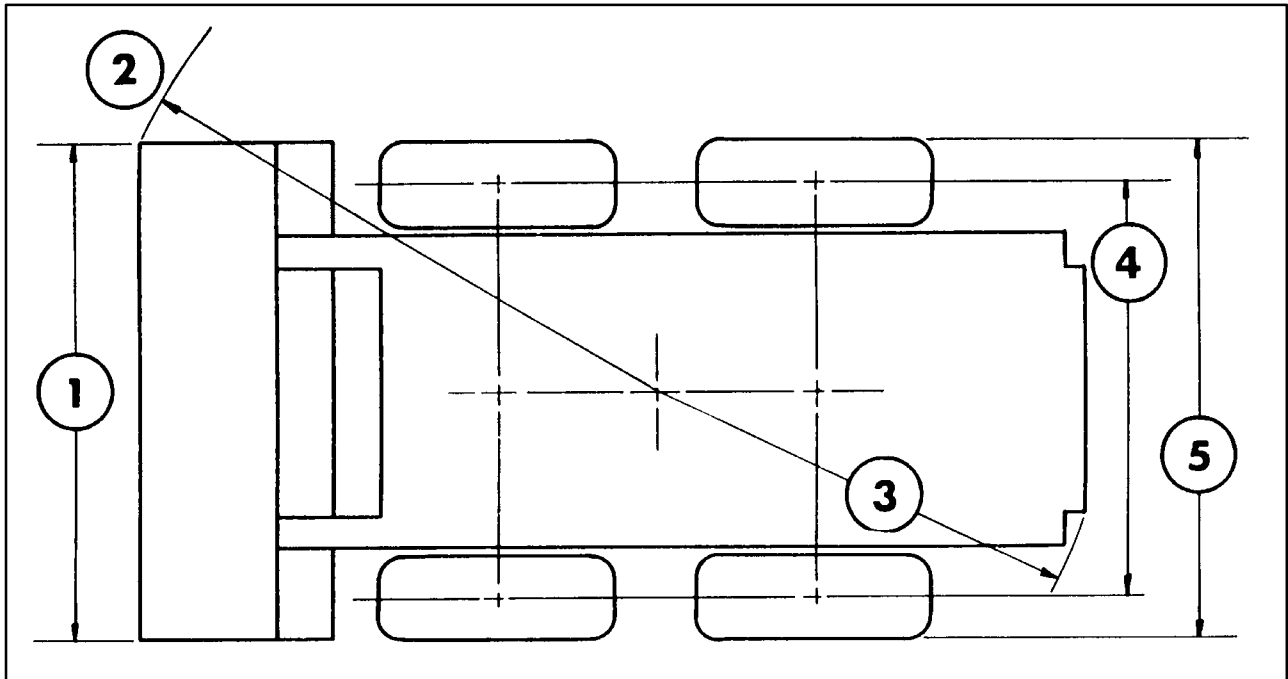
BASIC WEIGHT - With 157 cm (66") Dirt & Foundry bucket, 79 kg (175-lb.) operator, full fuel tank, battery, and 10.00 × 16.5 tires 2513 kg (5540 lbs)

OPERATING CAPACITY

SAE Operating load capacity per SAE J732, J818, J742 Standard. 771 kg (1700 lbs.) (mfg. rating)
 800.6 kg (1765 lbs.) (SAE rating)*

*SAE operating load rating per J818 specifications.

SECTION 00 - GENERAL INFORMATION

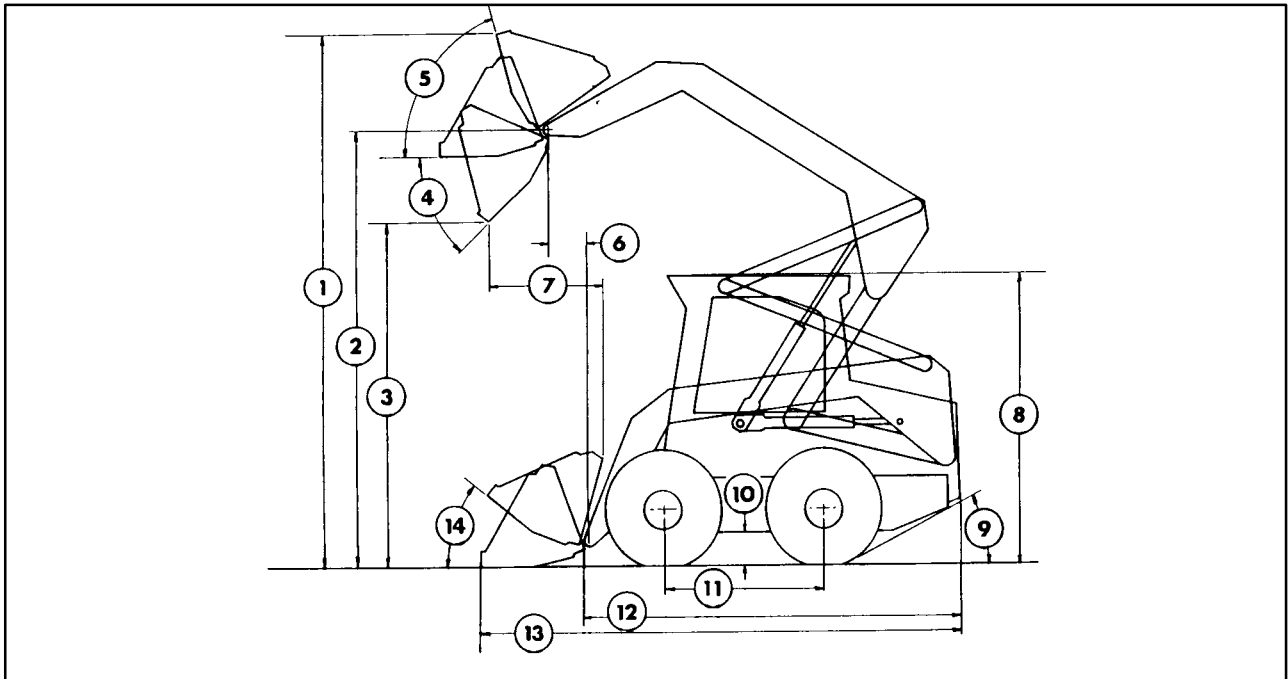


39

DIMENSIONS - LS160 AND LS170 WITH 66" DIRT AND FOUNDRY BUCKET AND 10 X 16.5 TIRES - CM (IN.)

| | |
|---|------------------|
| 1 - OVERALL WIDTH w/BUCKET | 166.6 cm (65.6") |
| 2 - TURNING RADIUS - FRONT | 189.2 cm (74") |
| 3 - TURNING RADIUS - REAR | 152.4 cm (60") |
| 4 - WHEEL TREAD w/10 X 16.5 TIRES | 138.5 cm (56") |
| 5 - OVERALL WIDTH w/10 X 16.5 TIRES | 166.7 cm (65.6") |

SECTION 00 - GENERAL INFORMATION



40

DIMENSIONS - LS160 AND LS170 WITH 66" DIRT AND FOUNDRY BUCKET AND 10 X 16.5 TIRES - CM (IN.)

| | |
|---|--------------------|
| 1 - MAXIMUM OPERATING HEIGHT | 355.7 cm (140.0") |
| 2 - HEIGHT TO HINGE PIN | 293.4 cm (115.5") |
| 3 - DUMP HEIGHT | 229.6 cm (90.4") |
| 4 - DUMP ANGLE (MAX.) | 46° |
| 5 - ROLLBACK FULLY RAISED | 83° |
| 6 - BOOM REACH TO PIVOT PIN (At max. reach) | 37.0 cm (14.56") |
| 7 - DUMP REACH @ MAXIMUM HEIGHT | 70.5 cm (27.75") |
| 8 - OVERALL HEIGHT | 189.9 cm (74.75") |
| 9 - ANGLE OF DEPARTURE | 23° |
| 10- GROUND CLEARANCE | |
| (CHAIN CASE) | 19.6 cm (7.7") |
| (BELLY PAN) | 22.9 cm (9") |
| 11- WHEELBASE | 108 cm (42.5") |
| 12- OVERALL LENGTH LESS BUCKET | 257.8 cm (101.5") |
| 13- OVERALL LENGTH w/BUCKET | 322.0 cm (126.75") |
| 14- ROLL BACK ANGLE (BOOM DOWN) | 36° |

SECTION 10 – ENGINE

Chapter 1 – LS160 - N844, LS170 - N844T

CONTENTS

| Section | Description | Page |
|-----------|--|-------|
| 10 000 | General Engine Information | 10-3 |
| | General Description | 10-3 |
| | Engine Component Descriptions | 10-3 |
| | Engine Model and Serial Number Location | 10-5 |
| | Turbocharger Lubrication | 10-5 |
| | Safety Precautions | 10-6 |
| | General Engine Specifications | 10-7 |
| | Troubleshooting | 10-11 |
| | LS170 - Excessive Oil Consumption | 10-15 |
| | Specifications - Service Standards | 10-17 |
| | Torque Specifications | 10-21 |
| | Engine Components Electrical Diagram | 10-22 |
| 10 001 10 | Engine Removal | 10-23 |
| 10 001 53 | Engine Disassembly Sequence | 10-28 |
| | Engine Component Maintenance | 10-36 |
| 10 101 55 | Valve Seat | 10-39 |
| 10 101 56 | Cylinder Block | 10-41 |
| 10 105 22 | Piston and Piston Rings | 10-42 |
| | Connecting Rod | 10-45 |
| 10 103 10 | Bearing Holder | 10-47 |
| | Front Crankshaft Bearing (Bushing) | 10-48 |
| 10 103 30 | Crankshaft | 10-50 |
| 10 103 76 | Flywheel and Ring Gear | 10-52 |
| 10 106 40 | Camshaft Assembly | 10-52 |
| 10 106 66 | Camshaft Gear and Bearing Assembly | 10-53 |
| | Timing Gear | 10-54 |
| 10 304 41 | Oil Pump | 10-54 |
| 10 304 10 | Oil Filter | 10-55 |
| 10 402 28 | Water Pump Assembly and Thermostat Housing | 10-55 |
| 10 402 30 | Thermostat | 10-55 |
| 10 230 24 | Governor | 10-57 |
| | Governor Operation | 10-59 |

SECTION 10 - ENGINE

| | | |
|-----------|--|--------|
| 10 304 38 | Engine Reassembly Sequence | 10-61 |
| | Crankshaft and Bearing Holder Assembly | 10-62 |
| | Rear Oil Seal | 10-63 |
| | Backplate/Flywheel Housing | 10-63 |
| | Flywheel | 10-63 |
| | Piston and Connecting Rod | 10-64 |
| | Oil Intake and Oil Strainer | 10-64 |
| | Oil Sump | 10-64 |
| | Dipstick and Tube | 10-64 |
| | Front Plate | 10-64 |
| | Idler Gear and Oil Pump Assembly | 10-66 |
| | Timing Gear Case Installation | 10-66 |
| | Crankshaft Pulley | 10-66 |
| | Injection Pump Installation | 10-66 |
| | Adjusting the Fuel Injection Timing | 10-67 |
| | Spill Timing Procedure | 10-68 |
| 29 100 50 | Reinstallation of Engine into Skid Steer Frame | 10-75 |
| | How to Operate the Engine After Overhaul | 10-77 |
| | Cooling System | 10-78 |
| | Cooling System Operation | 10-78 |
| | Water Pump Assembly and Thermostat Housing | 10-79 |
| | Radiator | 10-80 |
| | Fuel System | 10-82 |
| | Fuel Specifications | 10-82 |
| | Diesel Fuel | 10-82 |
| | Diesel Fuel Storage | 10-82 |
| | Fuel System Components | 10-83 |
| | Fuel Guage | 10-84 |
| | Cold Start Aid | 10-85 |
| | Fuel Filter System | 10-85 |
| | Priming the Fuel System | 10-86 |
| | Fuel System Testing | 10-87 |
| | Fuel System Components | 10-90 |
| 10 236 08 | Fuel Injection Timing | 10-96 |
| | Turbocharger - LS170 N844T Engine | 10-101 |
| 10 250 30 | Turbocharger Removal | 10-103 |
| | Miscellaneous Engine Electrical | 10-116 |
| 10 223 10 | Shut-off Solenoid | 10-117 |
| | Special Tools | 10-119 |
| | Labor Guide | 10-120 |

Op. 10 000**GENERAL ENGINE INFORMATION**

New Holland engines, N844 used in the model LS160 skid steer and N844T turbocharger engine used in the model LS170 skid steer.

GENERAL DESCRIPTION

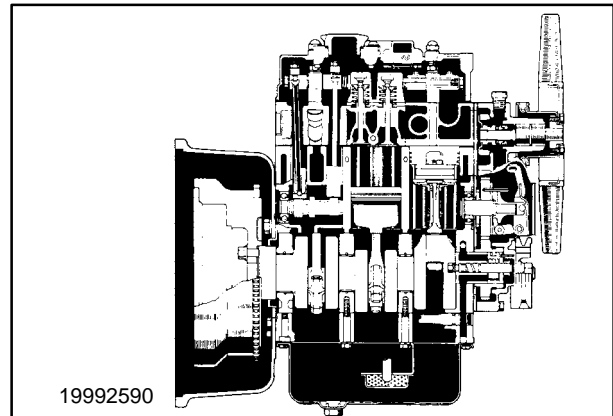
The N844, N844T Series are four-cylinder stroke, liquid-cooled, compression ignition engines, designed for durability, low weight and compactness. The engines are IDI (In Direct Injection). The linerless cylinder block, three-piece helical gear train, and flange-mounted fuel injection pump on the engine cam, reduce frictional power loss and engine weight. The special direct-injection or swirl chamber, along with the small bore multi-cylinder design, offers good fuel consumption, low noise, and excellent start-ability.

ENGINE COMPONENT DESCRIPTIONS**CYLINDER BLOCK**

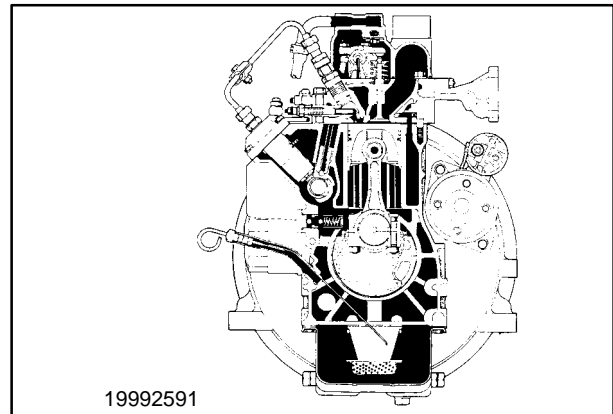
The cylinder block is made from high-grade cast iron with copper and chrome additives and is integral with the crankcase. The crankcase features five main bearings of the tunnel block design, with crankcase walls extending well below the crankshaft centerline for strength and rigidity. The cylinder's bores are plateau honed for oil retention and extended ring life. The non-machined surfaces are sealed to ensure cleanliness.

CRANKSHAFT

The crankshaft is a chrome-molybdenum steel forging, fully machined, static, and dynamically balanced with integral counterweights. All bearing surfaces are induction hardened. The axial location is by thrust washers at the number five main bearing. The five main journals run in replaceable steel-backed cast copper/lead alloy bearings. The front of the crankshaft is keyed.



1



2

PISTONS AND CONNECTING RODS

Pistons are cast from high silicon aluminum alloy and are heat-treated for low weight with high strength and good thermal conductivity. The piston is fitted with three rings; two cast iron, chrome-faced compression rings and one steel, chrome-faced controlled oil ring. The fully floating gudgeon pin (wrist pin) is made of chrome molybdenum steel alloy hardened by carburizing and retained by the conventional retaining ring method. The connecting rods are machined from high-strength forged steel. The big end bearings are renewable steel-backed, copper/lead alloy overlay with tin plating. The small end bearings are a press fit plain bushing of tin-backed lead/bronze.

CAMSHAFT

The camshaft is made of forged steel and is induction hardened. Three or four additional lobes at the front operate the fuel injection pump. At the rear, a fuel lift pump eccentric is machined. The camshaft is supported by roller and needle bearings and lubricated by splash feed. The nose of the camshaft supports the cam gear, governor weight cage, and governor slider assembly.

CYLINDER HEAD

The cylinder head is made of high grade copper chrome cast iron, and incorporates replaceable heat-resistant alloy steel valve seats. Inlet and exhaust valves are made of high grade heat-resistant alloy steel with tufrided stems and induction hardened heads. Each stem is fitted with a chrome molybdenum steel cap for long life.

The valves are operated by cold drawn seamless tube push rods with hardened steel ball and forged cup ends. Flat-based tappets are made from case carburized chrome molybdenum steel operating in

machined bores in the cylinder block. The rocker shaft is an induction hardened hollow steel tube. Valve clearances are adjusted by hardened ball-ended screws and locknuts.

ROCKER COVER AND INLET MANIFOLD

The cover is made of cast aluminum with an air intake, oil filler, and crankcase breather. It is located in position by rocker pillar studs and secured by cap nuts.

GEAR TRAIN

The gear train consists of three helical gears – the crankshaft gear located by a woodruff key, the idler gear houses the lube oil pump, and the cam gear incorporates the governor weight cage.

FUEL SYSTEM

A flange-mounted, Bosch-type fuel injection pump is mounted in the cylinder block and operated by lobes machined on the engine cam.

LUBRICATING SYSTEM

A trochoid lobe oil pump located in the center of the idler gear sends lubricating oil to the main oil galley via a relief valve through a spin-on bypass oil filter to the main oil gallery. The rockers are pressure fed via an externally mounted oil pipe from the main oil gallery to the cylinder head.

COOLING SYSTEM

A belt-driven centrifugal water pump circulates coolant via the internal water passages. The coolant is radiator cooled and temperature controlled by a conventional thermostat.

ENGINE MODEL AND SERIAL NUMBER LOCATION

The engine model number is located on the right side of the engine block at 1. The engine serial number is located at 2.

Throughout this manual, whenever the left- or right-hand side of the engine is referred to, it is that side of the engine when viewed from the flywheel end.

This publication is produced by New Holland North America, Inc. Every endeavor is made to ensure the information contained in this manual is correct at the date of publication, but due to continuous development, New Holland reserves the right to alter specifications without notice.

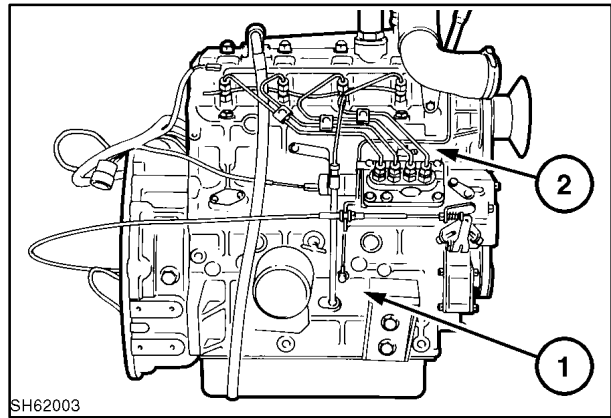
TURBOCHARGER LUBRICATION

The turbocharger used on the LS170 diesel engine may not receive adequate lubrication on cool/cold weather (below 5°C, 40°F) start-up, leading to turbocharger bearing failure.

The following procedure must be used to ensure adequate lubrication oil is supplied to the turbocharger bearings before high-speed engine operation:

1. Set the engine throttle at 1/3 speed.
2. Turn the ignition switch and allow the automatic glow plug timer to preheat the engine until the EIC "beep" is heard.
3. Start the engine, but **DO NOT OPERATE ABOVE 1,500 RPM** for three minutes to allow for adequate oil flow at the turbocharger.

After full load operation, allow the engine to run at low idle for one minute before engine shutdown.



3

SAFETY PRECAUTIONS

These safety precautions are most important:



Do not change the specification of the engine.

Do not smoke when you put fuel in the tank.

Clean away any fuel which has spilled and move material which has fuel contamination to a safe place.

Do not put fuel in the tank during engine operation.

Never clean, lubricate or adjust the engine during operation unless otherwise specified in this manual. Use extreme caution when working around moving parts to prevent injury.

Do not make any adjustments you do not understand.

Ensure the engine is not in a position to cause a concentration of toxic emissions.

Persons in the area must be kept clear during engine and equipment or vehicle operation.

Do not permit loose clothing or long hair near parts which move.

Keep away from parts which turn during operation. Note that fans cannot be seen clearly while the engine is running.

Do not run the engine with any safety guards removed.

Do not remove the radiator cap while the engine is hot and the coolant is under pressure, as dangerous hot coolant can be discharged.

Do not use salt water in the fresh water cooling system or any other coolant which can cause corrosion.

Keep sparks or fire away from batteries (especially while charging) or combustion can occur. The battery fluid can burn and is also dangerous to the skin and especially the eyes.

Disconnect the battery terminals before you make a repair to the electrical system.

Only one person must be in control of the engine.

Ensure the engine is only operated from the control panel or operator's position.

If your skin comes into contact with high-pressure fuel, get medical assistance immediately.

Diesel fuel and used engine oils can cause skin damage to some persons. Use protection on the hands (gloves or special skin protection solutions).

Do not move equipment unless the brakes are in good condition.

Be sure that the transmission drive control is in "Neutral" position before the engine is started.

Do not use ether to start these engines.

GENERAL ENGINE SPECIFICATIONS
LOADER MODEL
LS160

| | |
|---|---|
| Engine Model | N844 |
| Type | Vertical in-line 4-stroke naturally aspirated |
| Basic Thread and Size | |
| Bore | 84 mm (3.31") |
| Stroke | 90 mm (3.54") |
| Combustion System | IDI (Indirect Injection/Special Swirl) |
| Compression Ratio | 22:1 |
| Swept Volume Liter (inch ³) | 1,995 (121.7) |
| Firing Order | 1-3-4-2 |
| Rotation | Counterclockwise viewed from flywheel |
| Low Idle | 900 - 1000 RPM |
| High Idle (Full Throttle) | 3130 - 3180 RPM |
| Injection Pump | Flange-mounted, Bosch-type plunger and barrel |
| Injectors | Bosch-type throttle |
| Injector Setting | |
| Kilograms/sq. cm (kgf/cm ²) | 147 - 157 |
| Pounds per sq. inch (PSI) | 2132 - 2277 |
| Turbo | NO |
| Governor | Mechanical all speed |
| Cooling System | Liquid with water pump and radiator |
| Industrial Cooling System Capacity | |
| (less radiator) Liters | 3.3 |
| Thermostat Operating | |
| Temperature degrees | 180°/203° F (82°/95° C) |
| Oil Pressure Relief | 35 - 50 PSI (2.5 - 3.5 kgf/cm ²) |
| Oil Pressure Switch | 4.3 PSI |
| Electrical System | |
| Starter | 12V |
| Alternator | 12V |
| Battery (625 CCA) | 12V |
| Weight, Bare Engine (Industrial) | |
| Height | 191 kg (421 lbs.) |
| Length | 767 mm (30.2") |
| Width | 686 mm (27.0") |
| | 428 mm (16.8") |

LOADER MODEL

LS160

Recommended Engine Fluids

Coolant Clean soft water. Maximum antifreeze concentration 50% (ethanediol base-ethylene glycol with corrosion inhibitor to BS 6850:1985 or ASTM D3306-74 or AS 2108-1977)

Fuel Cetane number-45 minimum, Viscosity -2.5/4.5 centistokes at 104° F (40° C). Density-0.835/0.855 kg/liter, Sulfur-0.5% of mass maximum. Distillation 85% at 662° F (350° C). (Aviation fuel JP4 is not recommended; however, JP5 and JET-A are acceptable, providing 5% spindle oil is added).

Lubricating System

System Pressure feed with Trochoid pump

Oil Type API SH/CG4 SAE 10W-30 (SAE 5W30 for extended cold weather operation)

Filter Part # NH #86546618

Engine Crankcase Capacity w/Filter 7.6 L (8 qt.)

Dipstick Length 367 mm (14.4")

GENERAL ENGINE SPECIFICATIONS**LOADER MODEL****LS170**

| | |
|---|---|
| Engine Model | N844T |
| Type | Vertical in-line 4-stroke naturally aspirated |
| Basic Thread and Size | |
| Bore | 84 mm (3.31") |
| Stroke | 90 mm (3.54") |
| Combustion System | IDI (Indirect Injection/Special Swirl) |
| Compression Ratio | 22:1 |
| Swept Volume Liter (inch ³) | 1,995 (121.7) |
| Firing Order | 1-3-4-2 |
| Rotation | Counterclockwise viewed from flywheel |
| Low Idle | 900 - 1000 RPM |
| High Idle (Full Throttle) | 3130 - 3180 RPM |
| Injection Pump | Flange-mounted, Bosch-type plunger and barrel |
| Injectors | Bosch-type throttle |
| Injector Setting | |
| Kilograms/sq. cm (kgf/cm ²) | 147 - 157 |
| Pounds per sq. inch (PSI) | 2132 - 2277 |
| Turbo | YES |
| Governor | Mechanical all speed |
| Cooling System | Liquid with water pump and radiator |
| Industrial Cooling System Capacity | |
| (less radiator) Liters | 3.6 |
| Thermostat Operating | |
| Temperature degrees | 160°/180° F (71°/82° C) |
| Oil Pressure Relief | 50 - 64 PSI (3.5 - 4.5 kgf/cm ²) |
| Oil Pressure Switch | 4.3 PSI |
| Electrical System | |
| Starter | 12V |
| Alternator | 12V |
| Battery (625 CCA) | 12V |
| Weight, Bare Engine (Industrial) | 206 kg (454 lbs.) |
| Height | 789 mm (31.1") |
| Length | 666 mm (26.2") |
| Width | 482 mm (19.0") |

LOADER MODEL

LS170

Recommended Engine Fluids

Coolant Clean soft water. Maximum antifreeze concentration 50% (ethanediol base-ethylene glycol with corrosion inhibitor to BS 6850:1985 or ASTM D3306-74 or AS 2108-1977)

Fuel Cetane number-45 minimum, Viscosity -2.5/4.5 centistokes at 104° F (40° C). Density-0.835/0.855 kg/liter, Sulfur-0.5% of mass maximum. Distillation 85% at 662° F (350° C). (Aviation fuel JP4 is not recommended; however, JP5 and JET-A are acceptable, providing 5% spindle oil is added).

Lubricating System

System Pressure feed with Trochoid pump

Oil Type API SH/CG4 SAE 10W-30 (SAE 5W30 for extended cold weather operation)

Filter Part # NH #86546618

Engine Crankcase Capacity w/Filter 7.6 L (8 qt.)

Dipstick Length 367 mm (14.4")

TROUBLESHOOTING**ENGINE WILL CRANK BUT DOES NOT START**

| CAUSE | CORRECTION |
|--|--|
| Faulty key switch | Correct the connection and/or replace switch |
| Blown 5-amp electronic ignition fuse (cab fuse panel) | Replace fuse |
| Fuel solenoid not operating | Check solenoid for battery voltage and correct |
| Insufficient charging or complete discharging of the battery | Charge or replace battery |
| Lack of fuel | Fill fuel tank |
| Air mixed in the fuel system | Bleed the air |
| Clogged fuel filter | Replace |
| Irregular and faulty fuel supply (electric fuel pump) | Check power supply; check fuse in fuse panel; check for corroded internal components (replace pump and in-line filter if corroded) |
| Irregular and faulty fuel supply (injection pump trouble) | Repair in an authorized service shop |
| Glow plug not heating | Failure of the glow plug; replace |
| Improper viscosity of the lubricating oil | Inspect and replace |
| Clogged air cleaner | Clean or replace |
| No compression | Repair in a service shop |

ENGINE WILL NOT CRANK OR START

| CAUSE | CORRECTION |
|--|--|
| Seat belt not fastened | Buckle seat belt |
| Faulty key switch | Correct the connection and/or replace switch |
| Insufficient charging or complete discharging of the battery | Charge or replace battery |
| Blown 5-amp electronic battery fuse (engine fuse panel) | Replace fuse |
| Blown 15-amp key main fuse (engine fuse panel) | Replace fuse |
| Open in W/O (white-orange) wire between the seat/seat belt connector and start interlock relay | Check and repair as required |
| Faulty start interlock relay | Check and repair as required |

IRREGULAR RUNNING OF THE ENGINE

| CAUSE | CORRECTION |
|--|-------------------------------|
| Air mixed in the fuel system | Bleed the air from the system |
| Uneven fuel injection (faulty fuel injection pump) | Repair at authorized shop |
| Clogged fuel filter | Replace |
| Defective governor | Check and correct |
| Engine itself defective | Repair in a service shop |

SECTION 10 - ENGINE

ENGINE STOPS DURING OPERATION

| CAUSE | CORRECTION |
|--|---|
| EIC (Electronic Instrument Cluster) shows fault with hydrostatic charge pressure | Check and repair hydrostatic charge pressure |
| EIC (Electronic Instrument Cluster) shows fault with engine crankcase oil pressure | Check oil level and/or repair engine crankcase oil pressure |
| Lack of fuel in the tank | Fill fuel tank and bleed air |
| Clogged fuel filter | Replace |
| Air mixed in the fuel system | Bleed the air |
| Faulty function of the engine | Repair in a service shop |

OVERHEAT OF THE ENGINE

| CAUSE | CORRECTION |
|--|---|
| Lack of cooling water | Supply water, inspect for leakage and correct |
| Loose or slipping fan belt | Remove oil, dust, etc. and tighten |
| Damaged fan belt | Replace |
| Clogged radiator | Flush the radiator |
| Clogged radiator fin | Clean |
| Dust or scale clogged in the cooling water passage | Flush the system |
| Faulty function of the thermostat | Inspect or replace thermostat |
| Lack of lubricating oil | Add oil |
| Overloading | Decrease the load |

FAULTY CHARGING

| CAUSE | CORRECTION |
|---------------------------|----------------------|
| Loose fan belt | Correct belt tension |
| Faulty wiring | Inspect and correct |
| Faulty battery | Repair |
| Worn out alternator brush | Replace |

STARTER MOTOR DOES NOT RUN

| CAUSE | CORRECTION |
|---|--------------------------|
| Loose or disconnected wiring | Inspect and tighten |
| Blown 5-amp electronic battery fuse (engine fuse panel) | Replace fuse |
| Blown 15-amp key main fuse (engine fuse panel) | Replace fuse |
| Low voltage of the battery | Charge the battery |
| Damaged starter motor | Repair in a service shop |

**OIL PRESSURE LAMP NOT TURNED ON
(KEY SWITCH "ON" WITH ENGINE NOT STARTED)**

| CAUSE | CORRECTION |
|---|--------------|
| Broken lamp bulb | Replace bulb |
| Broken wire between battery to the lamp | Correct it |

OIL PRESSURE LAMP NOT TURNED OFF

| CAUSE | CORRECTION |
|---|---------------------------------|
| Lack of engine oil | Fill oil to the specified level |
| Fault in the pressure switch | Replace the switch |
| Oil leakage from the lubricating system | Inspect and retighten |
| Clogged oil filter | Replace with new one |
| Short-circuit between EIC panel and oil pressure switch | Repair |

EXCESSIVE SMOKE/ENGINE MISS

| CONDITION | CAUSE | CORRECTION |
|---|---|---|
| Good power, but misses or smokes at top engine speed | Top engine speed too high | Adjust top engine speed to factory limit |
| | Timing off | Check and adjust engine timing (refer to Tech Com Video #9701) |
| White or blue exhaust smoke during all operating conditions | Excess engine oil | Check and correct the level |
| | Engine oil viscosity too low | Check and replace oil |
| | Faulty/late injection timing | Correct timing |
| Blue smoke on cold engine startup | Low combustion temperature | Check fuel injection timing, adjust inlet and exhaust valves, and test the cylinder compression |
| | Normal warm-up | May be difficult to stop blue smoke on startup completely |
| Dark exhaust smoke | Fuel cetane rating not optimal | Use only fuel with a cetane rating of 50 or higher |
| | Excess injection | Inspect and adjust (in service shop) |
| | Faulty function of the engine | Repair in service |
| | Overloading | Reduce the load |
| | Clogged air cleaner | Clean |
| | Leaks | Seal off all leaks |
| | Valve cover vent hose kinked or clogged | Shorten hose to 460 mm (18.1") |

ENGINE RUNS - NO POWER TO TRANSMISSION

| CAUSE | CORRECTION |
|--|--|
| Flex plate failure due to rivets shearing | Replace with new design flex plate part #86521866 |
| Flex plate failure due to inadequate lubrication | Replace flex plate (part #86521866) and input shaft, applying Never-Seize on splines |

LS170 TURBOCHARGER BEARING FAILURES

| CAUSE | CORRECTION |
|---|--|
| Lack of lubrication during cold weather startup | Warm up below 1500 RPM for three minutes on start-up and allow to run at low idle for one minute before shutdown |

LS170 ENGINE NOISE/WHISTLING

| CAUSE | CORRECTION |
|------------------------------|---------------------------------|
| Internal muffler restriction | Replace muffler |
| Turbocharger worn | Inspect turbocharger components |

EXCESSIVE OIL CONSUMPTION (OR OIL SMOKE FROM EXHAUST)

| CAUSE | CORRECTION |
|---|--------------------------------|
| Leaks | Seal all leak sources |
| Valve cover vent hose kinked or clogged | Shorten hose to 460 mm (18.1") |

NOTE: See *LS170 Oil Consumption* below for more extensive troubleshooting procedures.

LS170 - EXCESSIVE OIL CONSUMPTION

The maximum allowable oil consumption for the turbocharged diesel engine is 0.8%, as measured using a log of fuel consumption to oil consumption.

If a customer complains about excessive engine oil consumption on the Model LS160 or LS170 skid steer, the following steps must be taken. If a cause is found, stop and correct the problem. If a cause is not found, continue to the next step.

1. Examine engine for signs of external oil leaks.
 - Check gaskets: oil pan, timing gear case, head, head cover, injection pump, oil gallery, and dipstick.
 - Oil seals: crankshaft, front and rear.
 - Steel tubing and fittings that supply oil to the turbocharger and upper engine.
 - Tubing, hose, and fittings for turbocharger oil drain to block.
 - Damage to oil pan and drain plug.
 - Crankcase breather hose (open and not kinked) preventing proper crankcase breathing.

2. Examine turbocharger area.

- Remove the hose between the turbocharger inlet and the air cleaner. Examine for signs of dirt in the hose and inlet to the turbocharger blower.

If carbon, oil, and dust are found, check:

- Air cleaner assembly for tightness of filter elements.
- Hose between air cleaner and turbocharger for damage or looseness of clamps.

If oil residue is evident on the clean air turbine, it might not be due to failed turbocharger bearings.

NOTE: *A film of oil on the clean air side of the turbocharger to the intake manifold is normal for skid steer operation.*

Check the air filter and air intake hose for signs of oil residue.

Check the exhaust area for leaks:

- Exhaust manifold gasket and hardware.
- Turbocharger gasket and hardware, if equipped.
- Muffler gasket and hardware.
- Muffler failure (cracks, misalignment).

Remove the hose between the turbocharger outlet and the intake manifold. Check for dirt in the hose, turbocharger outlet, and the air intake manifold.

If there is no dirt at the turbocharger inlet but there is a deposit at the turbocharger blower outlet (which is not due to signs of dirt in the hose and inlet to the turbocharger blower), it may be leakage from the turbocharger seals.

Check turbocharger shaft specifications:

Axial movement: maximum 0.09 mm (0.0035")
Radial movement: maximum 0.17 mm (0.0067")

3. Check the blowby hose (valve cover vent hose) for signs of blockage. If the hose is kinked or the end is blocked by debris, correct by cutting off the end of the hose so it is just below the bottom of the engine oil filter.
4. If there is no problem found in the 1, 2, and 3 checking points, then go to the next step to log oil consumption.
5. The customer must log oil consumption using the following procedure:
 - Change the engine oil and filter. Use the oil specified in the loader operator's manual.
 - Run the engine for two minutes.
 - Check the dipstick and add oil, if required, so the level is at the full mark.
 - Fill the fuel tank with fuel.
 - Record fuel consumption (in gallons), oil added (in quarts), and hour reading. Record fuel and oil use for 100 hours of operation, which is the recommended oil change interval. Check the dipstick before running the engine each day.

SECTION 10 - ENGINE

The maximum allowable oil consumption is 0.8%. The following table give examples.

| Fuel Consumption, Gallons | Oil Consumption, Quarts |
|---------------------------|-------------------------|
| 50 | 1.6 |
| 100 | 3.2 |
| 200 | 6.4 |

A log example is shown in the following table. The hour level is the EIC (Electronic Instrumentation Cluster) reading when fuel is added. Dealer must file oil consumption log with customer file.

| Fuel | Oil | Hour Level |
|------------|---------|------------|
| Full | Full | 100 |
| XX Gallons | X Quart | 150 |
| XX Gallons | X Quart | 200 |

6. If the oil consumption is greater than 0.8% of the fuel consumption, oil usage is excessive. A sample calculation for oil consumption follows:

$$\% \text{ Consumption} = \frac{(\text{quarts oil}/4) \times 100}{\text{gallons fuel}}$$

Assume one quart oil is added for 50 gallons fuel.

$$\% \text{ Consumption} = \frac{(1/4) \times 100}{50} = 0.5\%$$

7. The New Holland dealer must check compression on all four cylinders and record.

The compression specifications are as follows:

| Standard Value | To Be Repaired |
|---|------------------------------|
| More than 429 PSI (29.5 bar) at 200 - 250 engine cranking RPM | Less than 356 PSI (24.5 bar) |

Compression testing can be performed using a special adaptor (see "Special Tools" in the Additional Information Section) through the glow plug ports. Remove all glow plugs and test each cylinder.

This should be a "dry" compression check (do not put any oil in the cylinder).

If compression is low, recheck the air intake system for signs of dirt ingestion.

SECTION 10 - ENGINE

SPECIFICATIONS

SERVICE STANDARDS

| Inspection Item | Standard Dimension | Standard Value | To Be Repaired | Allowable Limit | Remarks |
|--|----------------------|--|--|-------------------|----------------------------------|
| CYLINDER HEAD | | | | | |
| Compression pressure of cylinder | | More than 426,6 PSI (30 kg/cm ²) | Less than 355.5 PSI (25 kg/cm ²) | | |
| Tightening torque of cylinder head | | 72.3 - 75.9 ft. lbs. (98 - 103 N·m) | | | |
| Distortion of face of cylinder head | | 0.002" max. (0.05 mm) | 0.0047" (0.12 mm) | | |
| Valve seat depth (Both intake and exhaust) | | | | | Valve seat angle 45° |
| Width | | 0.026" - 0.037" (0.65 - 0.95 mm) | 0.063" (1.6 mm) | | |
| Recess Valve Seat | | | | | |
| Valve seat width (intake) | | 0.06"-0.08" (1.5 - 2.0 mm) | 0.1" (2.5 mm) | | |
| Valve seat width (exhaust) | | 0.076"-0.085" (1.94 - 2.16 mm) | 0.1" (2.5 mm) | | |
| CYLINDER BLOCK | | | | | |
| Type | Dry type (Unit type) | | | | |
| Bore | 3.307" (84 mm) | 3.307" - 3.308" (84 - 84.019 mm) | 3.315" (84.2 mm) | 3.354" (85.2 mm) | Oversize 0.02/.04" (0.5, 1.0 mm) |
| Cylinder block type surface warpage | | 0.002" max. (0.05 mm) | 0.0047" (0.12 mm) | | |
| PISTON | | | | | |
| Skirt long-diameter size | 3.307" (84 mm) | 3.3050" - 3.3056" (83.948 - 83.963) | | 3.295" (83.7 mm) | Oversize 0.02/.04" (0.5, 1.0 mm) |
| Clearance with cylinder | | 0.0015" - 0.0028" (0.038 - 0.072 mm) | | 0.01" (0.25 mm) | 68° F (20° C) |
| Piston pin hole inside diameter | 1.1024" (28 mm) | 1.1023" - 1.1025" (27.999 - 28.003) | | | |
| Piston pin hole to pin clearance | | -0.00004" ± .00028" (0.001 ± 0.007 mm) | | 0.0008" (0.02 mm) | |

SECTION 10 - ENGINE

| Inspection Item | Standard Dimension | Standard Value | To Be Repaired | Allowable Limit | Remarks |
|--|--------------------|--------------------------------------|-------------------------------------|----------------------------|---------------|
| PISTON PIN | | | | | |
| Pin outside diameter | 1.1024" (28 mm) | 1.1022" - 1.1024" (27.996 - 28.0) | | 1.1016" (27.98 mm) | |
| Rod small end bushing to pin clearance | | 0.0004"-0.00098" (0.010-0.025 mm) | | 0.004" (0.1 mm) | Oil clearance |
| PISTON RING | | | | | |
| Piston ring groove to ring clearance | | | | | |
| | 1st ring | 0.0028"-0.0043" (0.07 -0.11 mm) | | 0.0098" max. (0.25 mm) | |
| | 2nd ring | 0.0016"-0.0031" (0.04-0.08 mm) | | | |
| | Oil ring | 0.0008"-0.0024" (0.02-0.06 mm) | | 0.006"max (0.15 mm) | |
| Ring width | | | | | |
| | 1st ring | 0.1378" (3.5 mm) | 0.1339"-0.1417" (3.4-3.6 mm) | | |
| | 2nd ring | 0.1417" (3.6 mm) | 0.1378"-0.1457" (3.5-3.7 mm) | | |
| | Oil ring | 0.0984" (2.5 mm) | 0.0906"-0.1063" (2.3-2.7 mm) | | |
| Piston ring end gap | | | | | |
| | 1st ring | | 0.0079"-0.0138" (0.2-0.35 mm) | 0.0394" (1.0 mm) | |
| | 2nd ring | | 0.0079"-0.0157" (0.2-0.4 mm) | | |
| | Oil ring | | 0.0079" - 0.0157" (0.2 - 0.4 mm) | | |

| Inspection Item | Standard Dimension | Standard Value | To Be Repaired | Allowable Limit | Remarks |
|--|------------------------------------|------------------------------------|----------------|----------------------|---------------|
| CONNECTING ROD | | | | | |
| Twist between small and large end holes (per 100 mm) | | 0.0031" max. (0.08 mm) | | 0.0079" (0.2 mm) | |
| Straightness at 100mm between small and large end hole | | 0.0020"max. (0.05 mm) | | 0.0059" (0.15 mm) | |
| Front-to-rear clearance between connecting rod and crank pin | | 0.004"-0.012" (0.1-0.3 mm) | | 0.0276" (0.7 mm) | |
| Connecting rod bearing-to-crank pin clearance | | 0.0014"-0.0033" (0.035-0.085) | | 0.0079" (0.2 mm) | Oil clearance |
| Crush height of large end bearing | | 1.0833"-1.0849" (27.517-27.557) | | | |
| Connecting rod bearing (inner diameter x width) | 2.1654" x 0.779" (55 x 19.8 mm) | 2.1654" x 0.779" (55 x 19.8 mm) | | | |
| Connecting rod bolt torque | | 36.2-39.8 ft. lbs. (49-54 N·m) | | | |
| Weight difference with piston assembly | | less than 0.022 lbs. (10 g) | | | |

SECTION 10 - ENGINE

| Inspection Item | | Standard Dimension | Standard Value | To Be Repaired | Allowable Limit | Remarks |
|--|-----------------------------------|-----------------------------------|------------------------------------|-------------------|----------------------|--|
| CRANKSHAFT | | | | | | |
| Diameter of journal | | 2.677" (68 mm) | 2.6755"-2.6760" (67.957-67.970) | | 2.654" (67.4 mm) | Undersize 0.01", 0.02" (0.25, 0.5) |
| Diameter of pin | | 2.047" (52 mm) | 2.0458"-2.0463" (51.964-51.975) | | 2.024" (51.4 mm) | Undersize 0.01", 0.02" (0.25, 0.5) |
| Roughness, main journal & crank pin | | 1.6Z | | | | |
| Crankshaft deflection | | | 0.0012" max. (0.03 mm) | | 0.0024" (0.06 mm) | |
| Axial play of crankshaft | | | 0.004"-0.016" (0.1-0.4 mm) | | | |
| Thickness of thrust washer | | | 0.116"-0.118" (2.95-3.0 mm) | | 0.110" (2.8 mm) | |
| O.D. x I.D. of bushing (journal bearing) | | 2.8346" x 2.6772" (72 x 68 mm) | 2.8346" x 2.6772" (72 x 68 mm) | | | |
| Clearance between crankshaft journal bushing | | | 0.0017"-0.0046" (0.044-0.116) | | 0.008" (0.2 mm) | Oil clearance |
| O.D. x I.D. of center bearing | | 2.8346" x 2.6772" (72 x 68 mm) | 2.8346" x 2.6772" (72 x 68 mm) | | | |
| Clearance between crankshaft journal and center bearing | | | 0.0017"-0.0040" (0.044-0.102) | | 0.008" (0.2 mm) | Oil clearance |
| CAMSHAFT | | | | | | |
| Height | For intake/exhaust | | 1.3411"-1.3433" (34.065-34.12) | | 1.3268" (33.7 mm) | |
| | For injection pump | | 1.6512"-1.6559" (41.94-42.06) | | 1.6457" (41.8 mm) | |
| | For feed pump | | 1.2559"-1.2598" (31.9-32.0 mm) | | 1.1811" (30.0 mm) | |
| Camshaft deflection | | | 0.0012" max. (0.03 mm) | | 0.004" (0.1 mm) | |
| Cam gear backlash | | | 0.00315" (0.08 mm) | | 0.01" (0.25 mm) | |
| VALVE | | | | | | |
| Diameter of intake valve stem | | 0.2744" (6.97 mm) | 0.2738"-0.2744" (6.955-6.97 mm) | | 0.2713" (6.89 mm) | |
| Diameter of exhaust valve stem | | 0.2736" (6.95 mm) | 0.2732"-0.2736" (6.94-6.95 mm) | | 0.2693" (6.84 mm) | |
| Clearance between valve stem and valve guide | Inlet | | 0.0012"-0.0024" (0.03-0.06 mm) | | 0.008" (0.2 mm) | |
| | Exhaust | | 0.002"-0.003" (0.05-0.075 mm) | | 0.01" (0.25 mm) | |
| Valve thickness | | | 0.0364"-0.0423" (0.925-1.075) | | 0.02" (0.5 mm) | |
| Thickness | | | | | | |
| Valve clearance (intake & exhaust) | | | 0.008" (0.2 mm) | 0.02" (0.5 mm) | | Cold |
| Valve spring | Spring force at 1.2" (30.4 mm) | | 17.86 lbs. (8.2 kg) | | 15.43 lbs. (7 kg) | |
| | Free height | | 1.378" (35 mm) | | 1.319" (33.5 mm) | |
| | Squareness | | 0.047" max. (1.2 mm) | | 0.079" (2.0 mm) | |
| Intake valve | Opening angle BTDC | 13° | | | | |
| | Closing angle ABDC | 43° | | | | |
| Exhaust valve | Opening angle BBDC | 43° | | | | |
| | Closing angle ABDC | 13° | | | | |

SECTION 10 - ENGINE

| Inspection Item | Standard Dimension | Standard Value | To Be Repaired | Allowable Limit | Remarks |
|--|--|--|-------------------------------------|-----------------------|---------------|
| PUSHROD | | | | | |
| Overall length | | 8.075"-8.106" (205.1-205.9) | | | |
| Outside diameter | | 0.244"-0.252" (6.2-6.4 mm) | | | |
| ROCKER ARM | | | | | |
| Rocker arm shaft OD | | 0.5886"-0.5894" (14.95-14.97) | | 0.5854" (14.87 mm) | |
| Rocker arm to shaft clearance | | 0.0012"-0.0037" (0.030-0.093) | | 0.008" (0.2 mm) | Oil Clearance |
| OIL PUMP | | | | | |
| Oil pressure switch actuating pressure | 4.266 PSI (0.3 kg/cm ²) | 2.844-5.688 PSI (0.2-0.4 kg/cm ²) | | | |
| Relief valve opening pressure | 45.5 PSI (3.2 kg/cm ²) | | | | |
| Tip clearance (rotor to vane gap) | | 0.0004"-0.006" (0.01-0.15 mm) | | 0.0098" (0.25 mm) | |
| Axial clearance (rotor to cover) | | 0.004"-0.006" (0.1-0.15 mm) | | 0.008" (0.2 mm) | |
| INJECTION PUMP | | | | | |
| Pump plunger diameter | 0.217" (5.5 mm) | | | | |
| Pump plunger stroke | 0.276" (7.0 mm) | | | | |
| Injection timing | Before top dead center | N844 22° N844T 21° | N844 21°-23° N844 T 20°-22° | | |
| | Piston displacement (BTDC) - N844 | 0.1743" (4.426 mm) | 0.1533"-0.1837" (3.895-4.655 mm) | | |
| | Piston displacement (BTDC) - N844T | 0.1533" (3.895 mm) | 0.1393"-0.1734" (3.539-4.426 mm) | | |
| INJECTION NOZZLE | | | | | |
| Injection pressure | 2205 PSI (152 kg/cm ²) | 2132-2277 PSI (147-157 kg/cm ²) | 1849 PSI (130) | | |
| COOLING | | | | | |
| Cooling system | Water cooled forced circulation | | | | |
| Cooling water quantity (1) (Without radiator) | 3.3 | | | | |
| Thermostat opening temperature | 180° F (82° C) | | | | |
| Thermostat full open temperature | 203° F (95° C) | | | | |
| V-belt (fan) slack - 0.2" (5 kg) at center | 0.2" (5 kg) | | | | |
| STARTER MOTOR | | | | | |
| Type | NIPPON DENSO (12V-2kw Reduction) | | | | |
| Pinion gear # teeth | 11 | | | | |
| Pinion gear shift system | Magnetic shift | | | | |
| Commutator diameter wear | 1.38" (35 mm) | | | 1.34" (34 mm) | |
| Commutator diameter eccentric wear | | 0.0008" (0.02 mm) | | 0.002" (0.05 mm) | |
| Armature shaft bending | | | 0.002" (0.05 mm) | | |
| Brush length | 0.59" (15 mm) | | | 0.35" (9 mm) | |
| Brush spring pressure | 5.9-7.8 lbs. (2.7-3.6 kg) | | | 4.7 lbs. (2.2 kg) | |

SECTION 10 - ENGINE

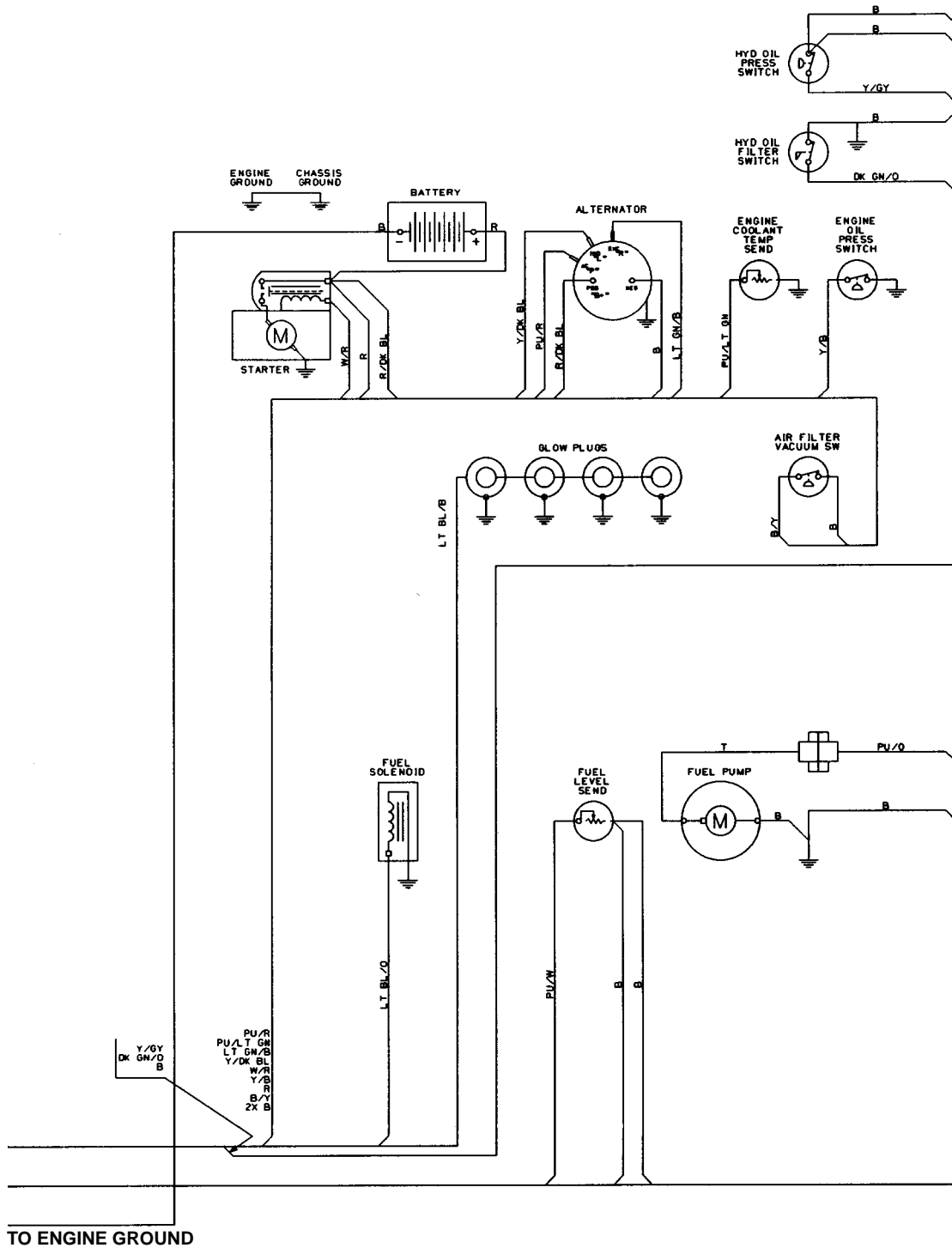
| Inspection Item | Standard Dimension | Standard Value | To Be Repaired | Allowable Limit | Remarks |
|-------------------------|-----------------------|----------------------------|---|----------------------|---------|
| ALTERNATOR | | | | | |
| Type | MITSUBISHI (12V-40A) | | | | |
| Rotor shaft bending | | | 0.0028" (0.07 mm) | | |
| Slip rings | | | | | |
| Diameter | 0.894" (22.7 mm) | | 0.871" (22.1 mm) | | |
| Diameter eccentric wear | | | 0.002" (0.05 mm) | 0.08" (0.02 mm) | |
| Surface condition | | | If dirty or damaged correct with emery cloth. | | |
| Brush length | 0.728" (18.5 mm) | | | 2.0" (5.0 mm) | |
| Brush spring pressure | 1.169 lbs. (530 g) | 1.036-1.300 (470-590 g) | | 0.60 lbs. (270 g) | |

TORQUE SPECIFICATIONS

| COMPONENT | Setting/Remarks |
|---|---|
| Bearing holder bolts- hex hole type | 18-22 ft. lbs. (24-30 N·m) |
| - hex bolt type | 36-40 ft. lbs. (49-54 N·m) |
| Rear plate bolts | 10-13 ft. lbs. (14-18 N·m) |
| Flywheel housing bolts | 18-21 ft. lbs. (24-28 N·m) |
| Flywheel bolts | 43-51 ft. lbs. (58-69 N·m) |
| Connecting rod nuts | 36-40 ft. lbs. (49-54 N·m) |
| Suction filter bolt | 7-9 ft. lbs. (9-12 N·m) |
| Sump bolts | 7-9 ft. lbs. (9-12 N·m) |
| Crankshaft pulley nut | 203-246 ft. lbs. (275-333 N·m) |
| Cylinder head bolts | 72-76 ft. lbs. (98-103 N·m)/oiled |
| Injection pump bolts | 7-9 ft. lbs. (9-12 N·m) |
| Injection pump nuts | 7-9 ft. lbs. (9-12 N·m) |
| Rocker arm nuts | 20-29 ft. lbs. (27-39 N·m)/4-cylinder engines |
| Head cover nuts | 9-12 ft. lbs. (12-16 N·m)/4-cylinder engines |
| Cooling fan bolts | 7-9 ft. lbs. (9-12 N·m) |
| Oil pipe banjo bolts | 7-9 ft. lbs. (9-12 N·m) |
| Oil sump drain bolt | 22-29 ft. lbs. (30-39 N·m) |
| Injection nozzle | 43-51 ft. lbs. (58-69 N·m) IDI engines |
| Injection pipe | 11-18 ft. lbs. (15-24 N·m) |
| Thermo switch | 18-22 ft. lbs. (24-30 N·m) |
| Oil pressure switch | 11-15 ft. lbs. (15-20 N·m) |
| Glow plug | 11-15 ft. lbs. (15-20 N·m) |
| Stop solenoid | 11-15 ft. lbs. (15-20 N·m) |
| Oil relief valve | 44-51 ft. lbs. (60-69 N·m) |
| Smokeset nut (max fuel) | 15-19 ft. lbs. (20-26 N·m) |
| Adjusting screw nuts | 9-12 ft. lbs. (12-16 N·m) |

SECTION 10 - ENGINE

ENGINE COMPONENTS ELECTRICAL DIAGRAM



19992596

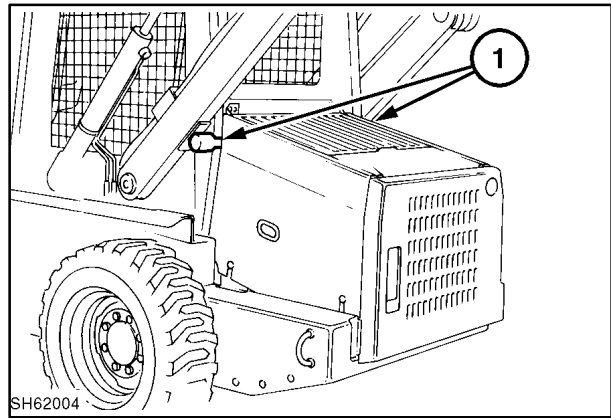
Op. 10 001 10**ENGINE REMOVAL**

The engine can be removed from the loader by two methods:

Method 1: Removing the rear door, radiator, oil cooler, and support as an assembly.

Method 2: Tilting the cab and boom forward to gain access.

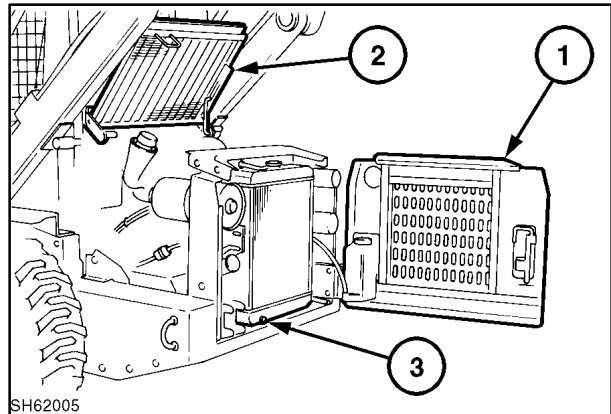
For either method, raise and support the boom on the boom lock pins, 1, to access the engine area.



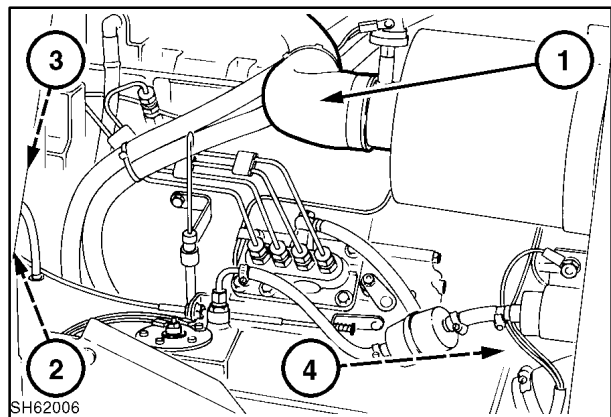
5

METHOD 1**(Without Tilting Cab)**

1. Open rear door, 1. Remove the top engine hood, 2, and both the right and left engine side covers.
2. Remove the battery.
3. Drain the cooling system, radiator, and engine block, 3.
4. Remove the upper and lower radiator hoses from the engine block and plug the hoses with plastic plugs.
5. Remove the air cleaner hose, 1, from the intake manifold and cap.
6. Unplug the engine wire harness from the main harness, 2, and ground wires from the engine bellhousing, 3.
7. Unhook the control valve hydraulic oil return line at the oil cooler and cap, 4.



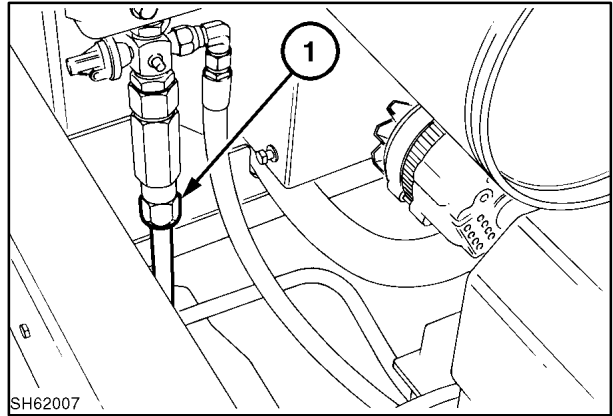
6



7

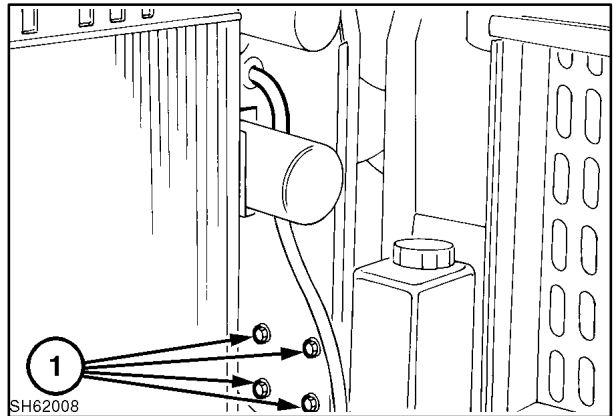
SECTION 10 - ENGINE

8. Unhook the hydraulic oil return line, 1, from the charge check valve and cap.



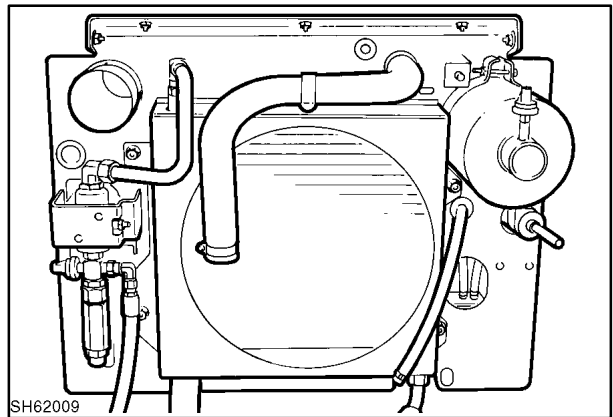
8

9. Remove the eight 1/2" cap screws from the support at 1, both sides, and remove the radiator and oil cooler assembly.



9

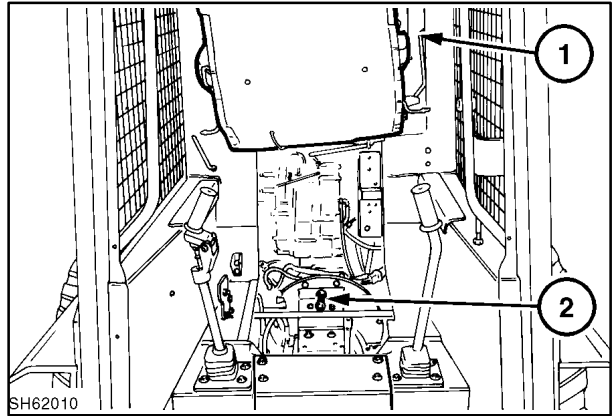
The support is shown removed with the air cleaner, radiator, oil cooler, oil filter, and fuel pump attached.



10

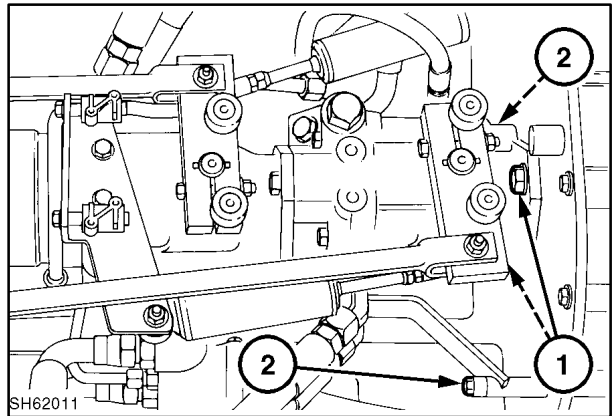
SECTION 10 - ENGINE

10. Raise the seat to the raised latched position, 1, to access the hydrostatic pumps and engine bellhousing. Remove the neutralizer plate return spring and hardware, 2, from the bellhousing and remove plate.



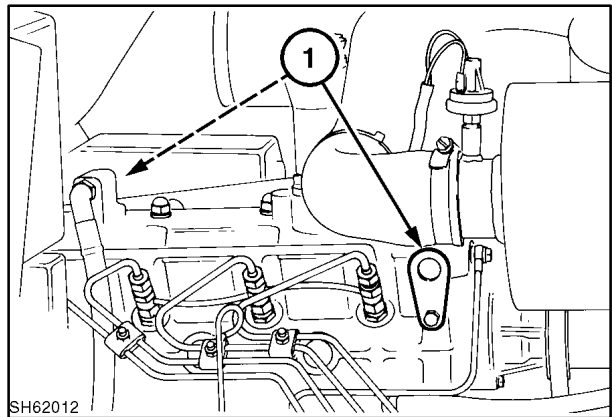
11

Remove the hydrostatic pump to bellhousing and pump support retaining hardware at 1 and 2.



12

11. Attach lifting chains to the engine lift eyes at 1, and hook to the lifting device to support the engine.
12. Remove the engine motor mount hardware and slide the engine to the rear to uncouple the hydrostatic pump assembly from the engine bellhousing. Lift the engine assembly from the skid steer frame.

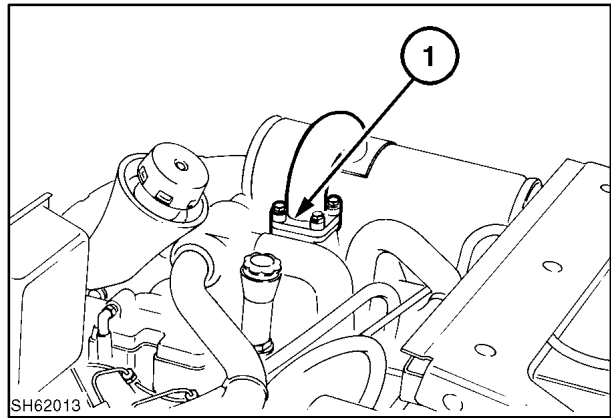


13

METHOD 2**(Tilting Cab and Boom Forward)**

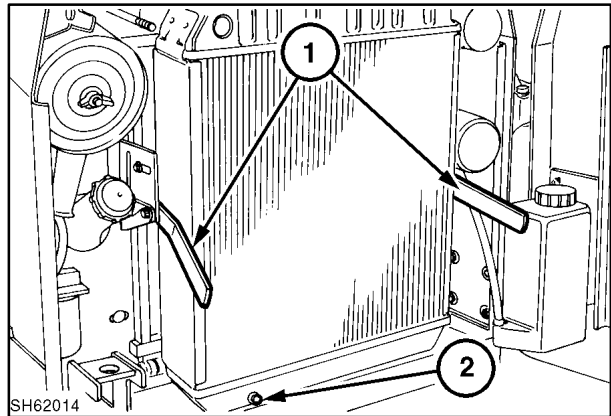
Follow the cab tilting procedure in Section 00 of this manual for proper instructions.

1. Remove the muffler from the exhaust manifold, 1.
2. Remove the battery.



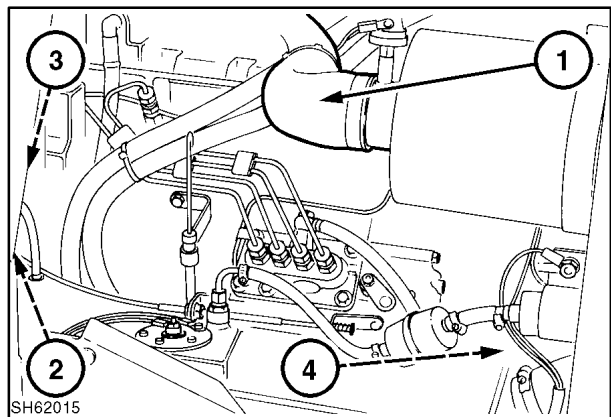
14

3. Drain the cooling system, radiator and engine block, raise handles, 1, moving the radiator to the rear and drain the cooling system from drain plug, 2.
4. Remove the upper and lower radiator hoses from the engine block and plug the hoses with plastic plugs.



15

5. Remove the air cleaner hose, 1, from the intake manifold and cap.
6. Unplug the engine wire harness, 2, from the main harness and ground wires, 3, from the engine bellhousing.
7. Unhook the control valve hydraulic oil return line at the oil cooler and cap at 4.



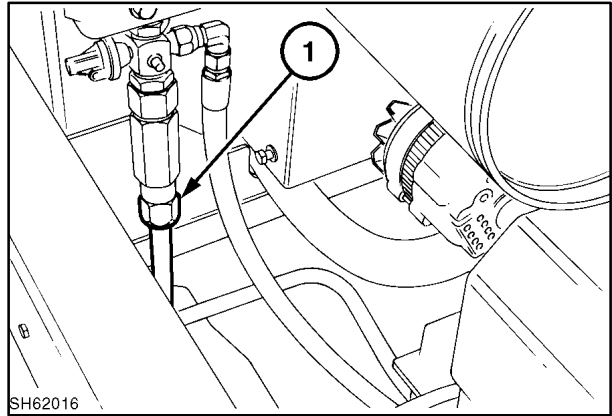
16

SECTION 10 - ENGINE

8. Unhook the hydraulic oil return line, 1, from the charge check valve and cap.

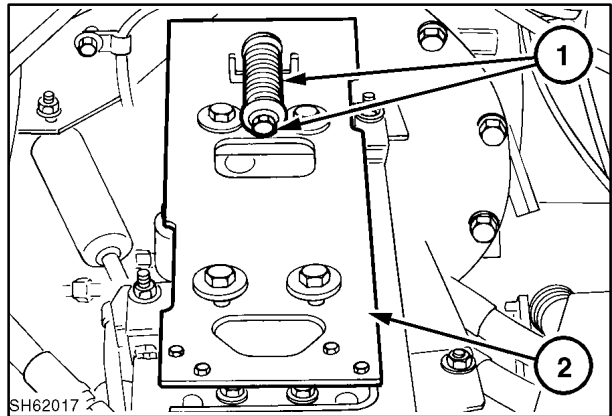
9. Remove the fan from the water pump shaft.

NOTE: The LS160 N844 engine fan is equipped with a cover over the center of the fan.



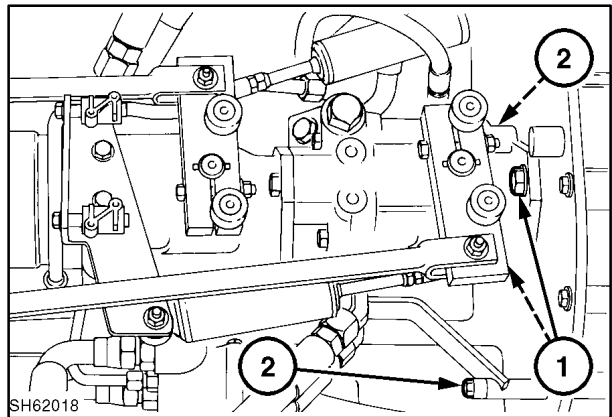
17

10. Remove the neutralizer plate return spring and hardware, 1, from the bellhousing and remove plate, 2.



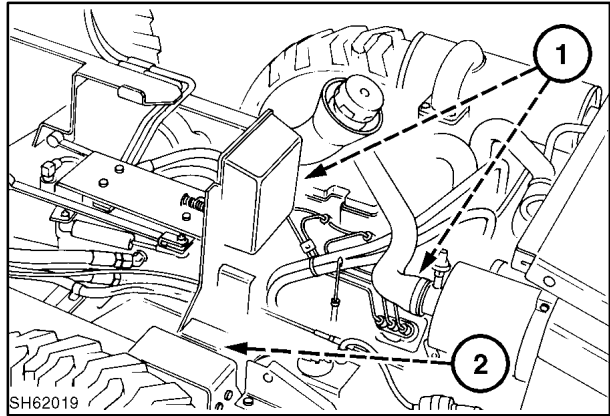
18

11. Remove the hydrostatic pump to bellhousing and pump support retaining hardware at 1 and 2.



19

12. Attach lifting chains to the engine lift eyes at 1, and hook to the lifting device to support the engine.
13. Remove the fuse panel support hardware and move the panel for clearance.
14. Remove the engine motor mount hardware and slide the engine to the rear to uncouple the hydrostatic pump assembly from the engine bellhousing. Lift the engine assembly from the skid steer frame.



20

Op. 10 001 53

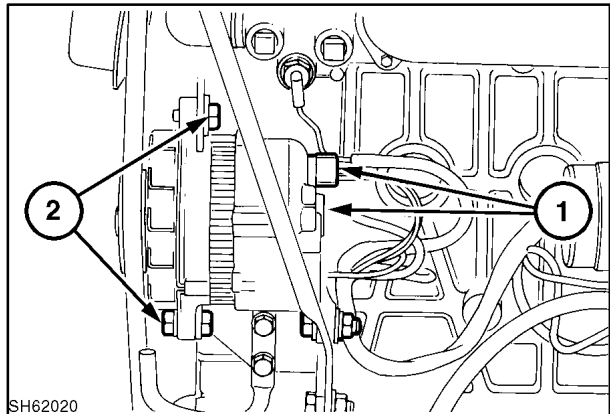
ENGINE DISASSEMBLY SEQUENCE

Op. 55 301 10

ALTERNATOR

Disconnect the alternator wire harness and wires, 1.

Remove the alternator pivot and adjusting bracket, hardware, 2.

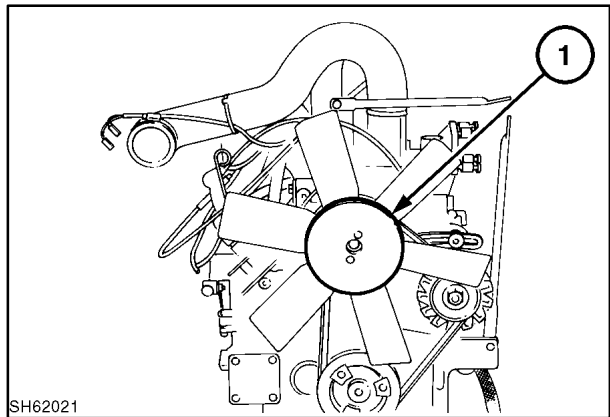


21

Op. 10 104 14

REMOVE COOLING FAN AND PULLEY

Remove the fan retaining hardware and spacers. The LS160 N844 engine fan is equipped with a cover, 1, over the center of the fan.



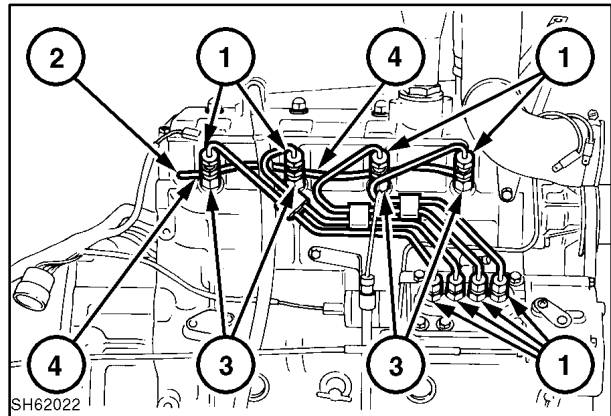
22

Op. 10 218 18**FUEL INJECTION PIPE**

1. Loosen the fuel pipe nuts from the fuel injection pump and injectors, 1. Remove the pipes as an assembly.
2. Remove the spring clamp and fuel return hose, 2.

Op. 10 218 30**INJECTOR ASSEMBLY**

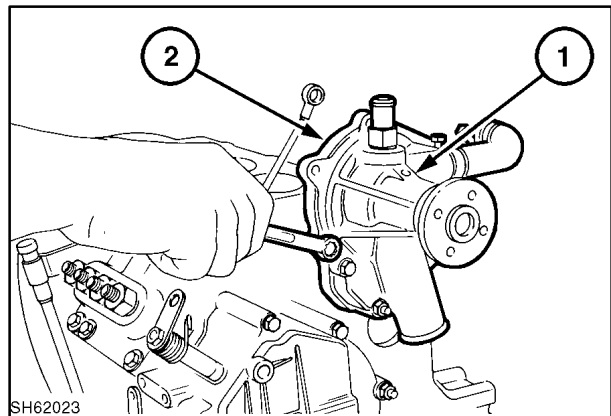
Loosen and remove the securing nuts, 3. Remove the leak-off rail, 4. Remove the aluminum washers and discard. Remove the injectors tagging or marking with the cylinder they were removed from.



23

Op. 10 402 10**WATER PUMP ASSEMBLY**

Loosen the securing bolts and remove the water pump assembly, 1, and set plate, 2.

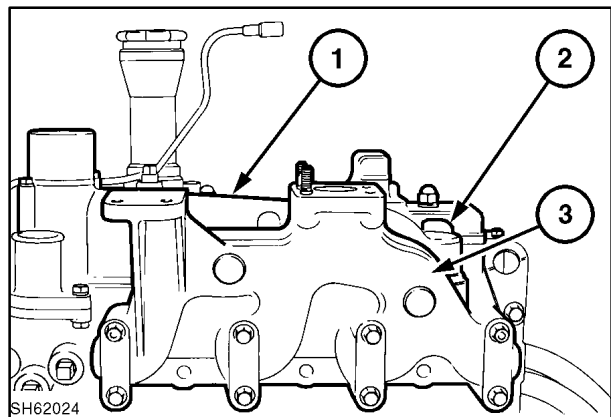


24

Op. 10 101 10**ROCKER COVER****Op. 10 254 12****INLET MANIFOLD****Op. 10 254 14****EXHAUST MANIFOLD**

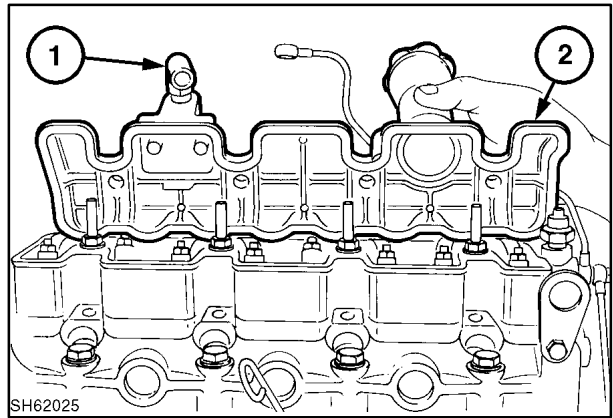
Remove the inlet manifold, 1, spacer, 2, and exhaust manifold, 3.

For the N844T turbocharged engine, refer to the turbocharger section of the manual for removal and replacement.



25

Remove the breather hose, 1. Loosen and remove four cap nuts with washers. Remove the rocker cover assembly, 2.

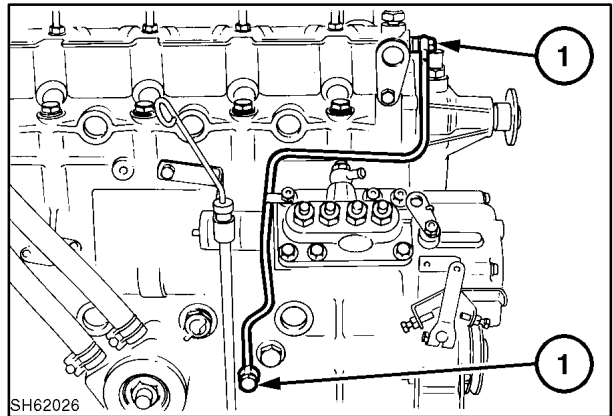


26

Op. 10 250 16

EXTERNAL OIL PIPE (LS160)

1. Loosen and remove the two banjo bolts at the cylinder block main oil gallery and cylinder head assembly.
2. Remove the clamp from the fuel injection pump.

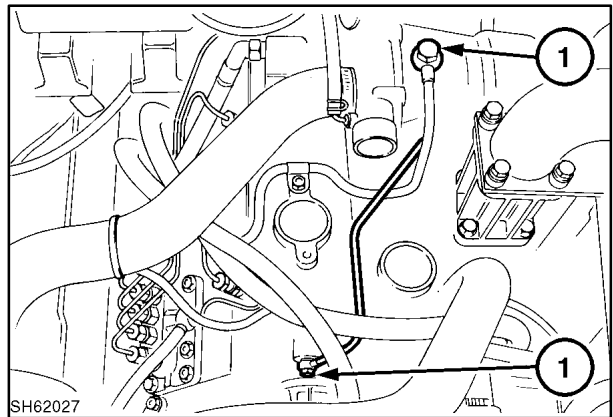


27

Op. 10 250 16/ Op. 10 250 18

EXTERNAL OIL PIPE (LS170)

Loosen and remove the banjo bolts at the turbocharger and the cylinder head assembly.

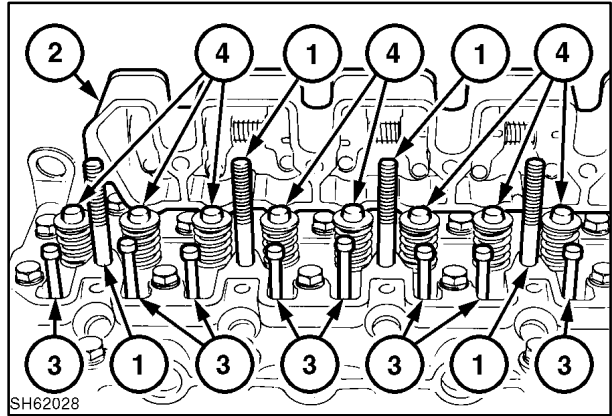


28

Op. 10 106 20

ROCKER ASSEMBLY

1. Loosen and remove nuts, lock washers, and flat washers from the rocker pillar stud, 1. Lift the rocker assembly, 2.
2. Remove the push rods, 3, and valve stem caps, 4.

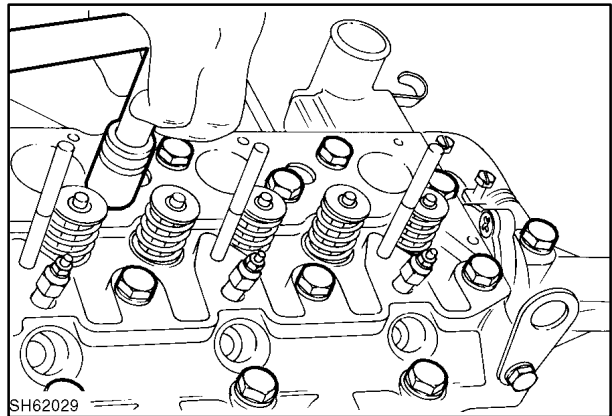


29

Op. 10 101 20

CYLINDER HEAD ASSEMBLY

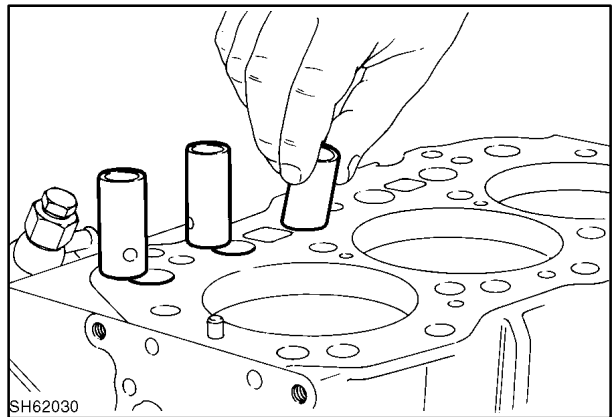
Loosen the cylinder head bolts, starting from the center, in a circular pattern, using several steps of equal torque. Remove the head.



30

TAPPETS

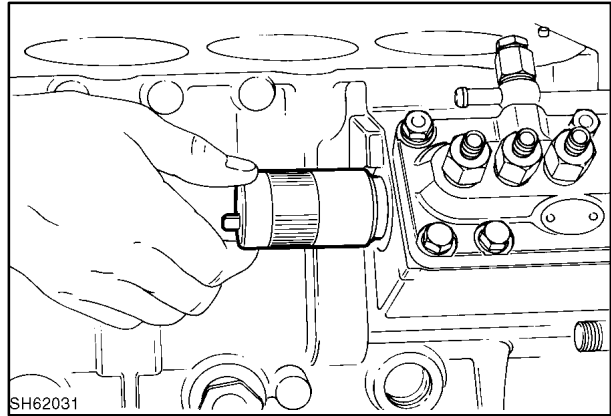
Pull the tappets from the machined bore in the cylinder block.



31

Op. 10 223 10**STOP SOLENOID**

Unscrew the stop solenoid, if fitted.

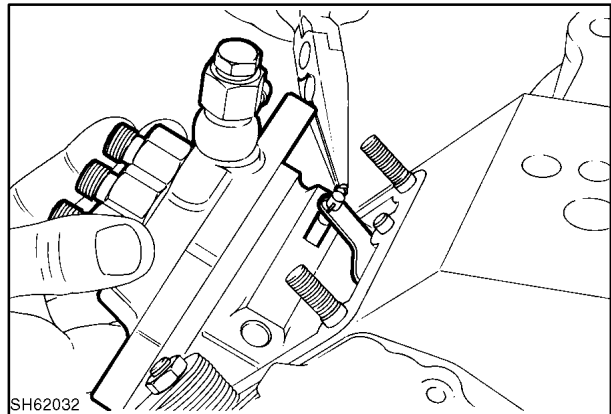


32

Op. 10 236 10**FUEL INJECTION PUMP**

1. Remove the bolts and nuts securing the fuel injection pump to the cylinder block. Slowly lift and position the fuel injection pump until access to the link snap pin is gained.
2. Remove the snap pin and remove the link from the control rack. Remove the fuel injection pump and shim pack.

NOTE: Injection timing is determined by the shim pack between the fuel injection pump flange and cylinder block mounting face. The thickness and number of shims should be checked and recorded to aid reassembly.



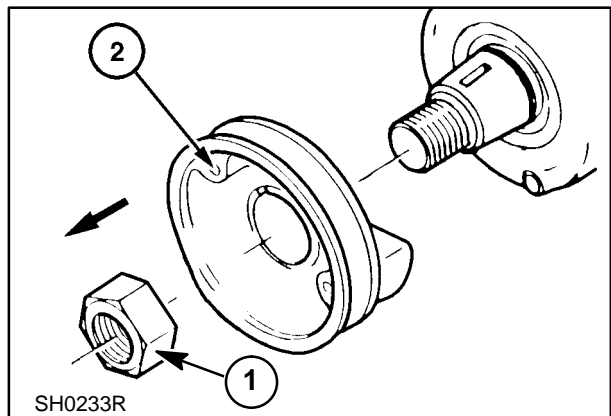
33

Op. 10 414 30**CRANK PULLEY**

Loosen the pulley nut, 1, and remove the pulley, 2.

Op. 10 304 10**OIL FILTER**

Remove the spin-on type oil filter and discard.



34

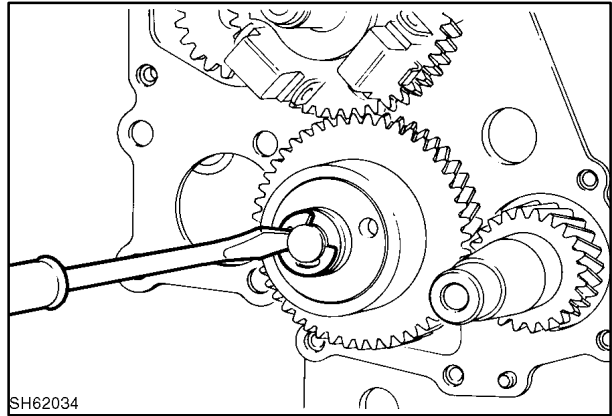
Op. 10 230 24**GEAR COVER AND GOVERNOR ASSEMBLY**

Remove the securing bolts and lift the cover assembly off the locating dowels.

NOTE: Remove the fuel injection pump first.

IDLER GEAR AND OIL PUMP ASSEMBLY

Remove the retaining ring. Remove the entire assembly.

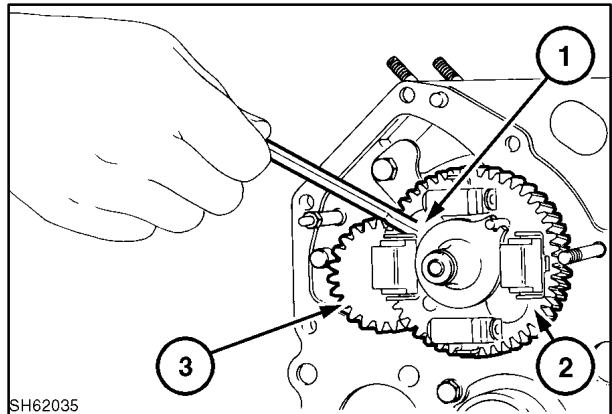


35

Op. 10 230 20**CAMSHAFT ASSEMBLY, TACHOMETER DRIVE**

1. Using the access hole in the cam gear, remove the keeper plate, 1.
2. Slide the cam shaft, 2, with the flyweight retainer out of the camshaft bore.
3. Pull the tachometer drive shaft, 3, from its bore.

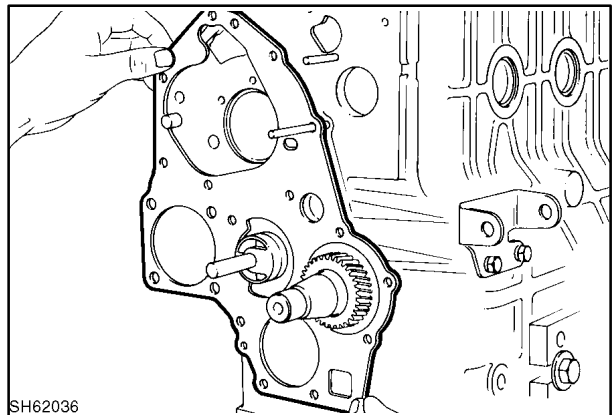
NOTE: The tachometer drive is not used for the EIC Board Tach.



36

Op. 10 102 46**FRONT END PLATE ASSEMBLY**

Remove the retaining bolts and lift the front plate off its locating dowels. Remove the gasket and discard.



37

Op. 10 304 06

DIPSTICK ASSEMBLY

Loosen the retaining bolts and remove the assembly.

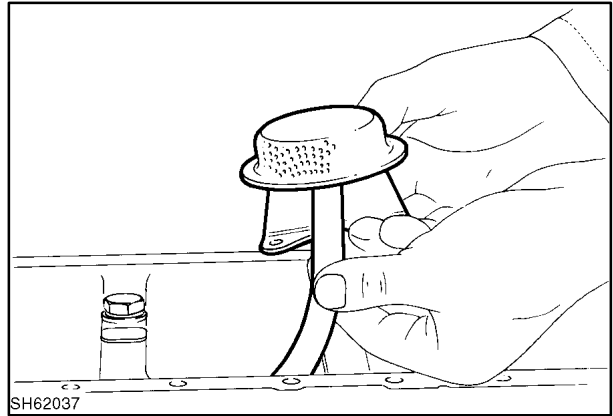
Op. 10 304 44

OIL SUMP

Remove all bolts, lower sump, and discard the gasket.

SUCTION PIPE AND STRAINER

Remove two securing bolts. Rotate the suction pipe out of its bore.

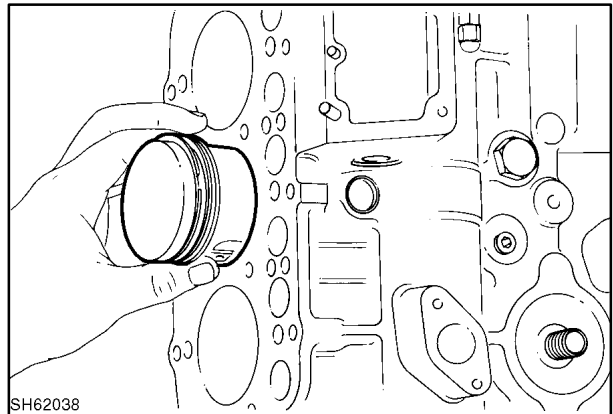


38

Op. 10 105 10

CONNECTING ROD AND PISTON

1. Loosen the connecting rod nuts and remove the rod cap.
2. Remove carbon from the cylinder bore. Push the piston and connecting rod through the cylinder block. Replace the rod cap to the piston assembly. Keep together in cylinder sequence.

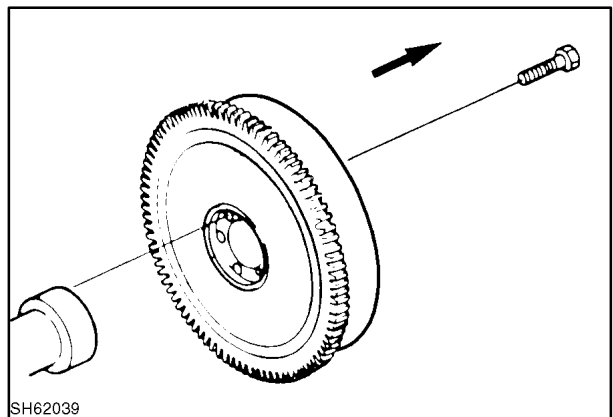


39

Op. 10 103 70

FLYWHEEL

Loosen the bolts and remove the flywheel.

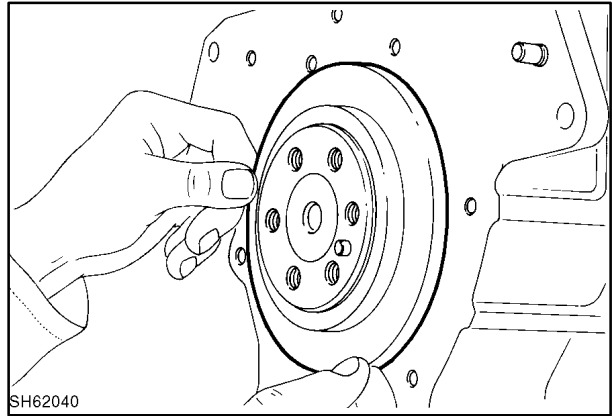


40

Op. 10 103

BACKPLATE AND REAR OIL SEAL

1. Loosen the two starter retaining nuts and remove the starter.
2. Loosen the backplate retaining bolts and remove the backplate.
3. Remove the oil seal.

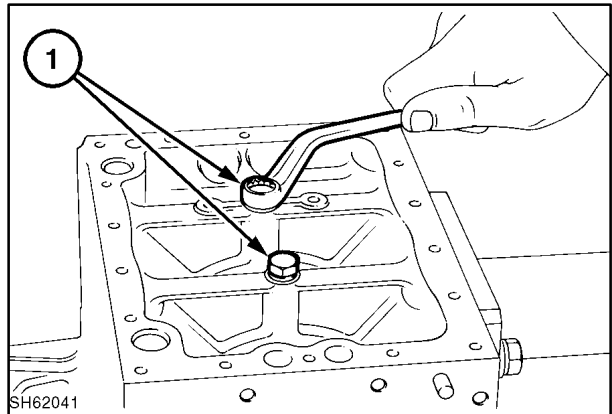


41

Op. 10 103 10

CRANKSHAFT AND MAIN BEARING

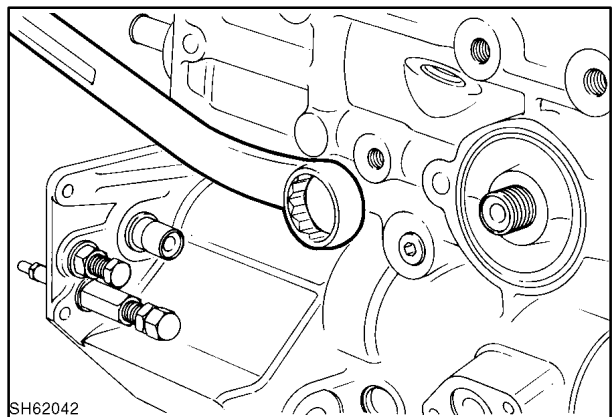
1. Remove the retaining bolts, 1, through the crankcase cross members.
2. Slide out the crankshaft and main bearing assembly.



42

Op. 10 304 38

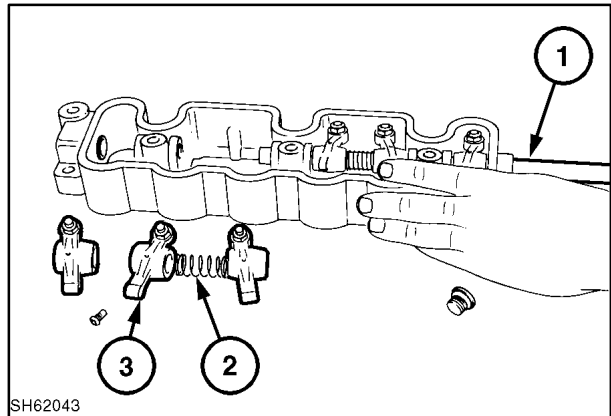
3. Remove the relief valve assembly.



43

ENGINE COMPONENT MAINTENANCE**Op. 10 106 20****ROCKER ASSEMBLY****Disassembly**

1. Loosen the M8 bolt at the rocker arm shaft end, if fitted.
2. Remove the screw located in the No. 1 cylinder rocker arm bracket, if fitted.
3. Pull out the rocker arm shaft, 1, springs, 2, and rocker arms, 3.



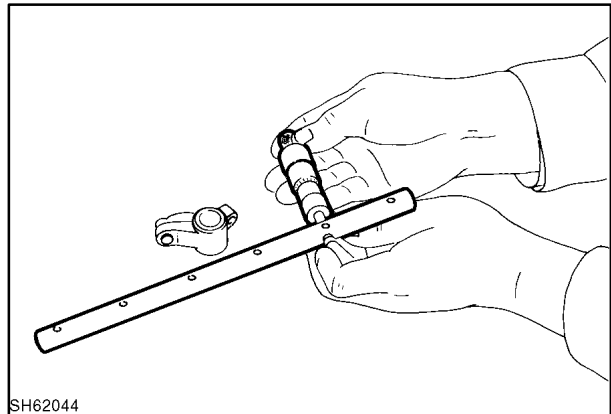
44

Inspection and Correction**1. Wear of Rocker Arm Shaft**

Using a micrometer, check the outside diameter of the rocker arm shaft. If the rocker arm shaft is worn beyond the allowable limit, replace.

Standard dimension: 0.588" - 0.589" (14.95 mm - 14.97 mm)

Allowable Limit: 0.585" max. (14.87 mm)



45

2. Rocker Arm-to-Shaft Clearance

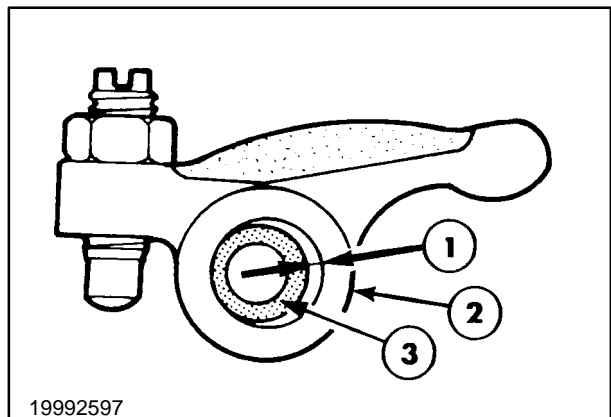
Measure the inside diameter of the rocker arm. Calculate the clearance at, 1, between the rocker arm, 2, and the rocker arm shaft, 3. If the clearance is excessive, replace.

Standard Clearance: 0.0012" - .0037" (0.030 mm - 0.093 mm)

Allowable Limit: 0.008" (0.2 mm)

3. Wear on valve stem contacts face of the rocker arm.

Check the face for step wear or score. Slight wear may be corrected using an oil stone.

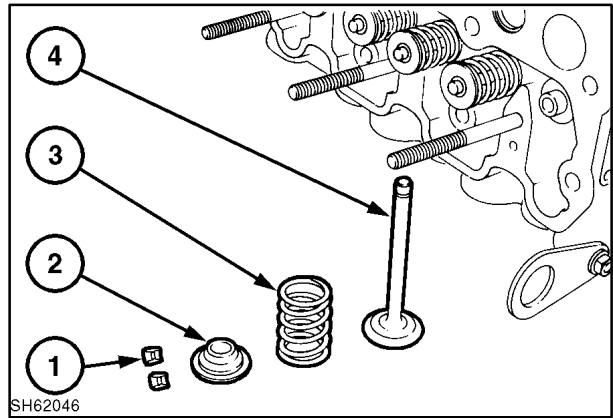


46

Op. 10 101 21

CYLINDER HEAD ASSEMBLY

1. Using a valve spring replacer, compress the valve spring to remove the valve keepers, 1; retainer, 2; spring, 3; and valve, 4.
2. Remove the valve guide seals and glow plugs.



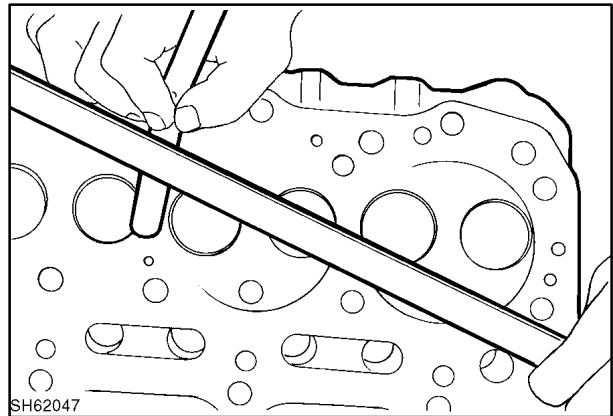
47

Inspection and Correction

Op. 10 101 21

Cylinder Head

With a straightedge and a thickness gauge, check for warping of the cylinder head lower face.

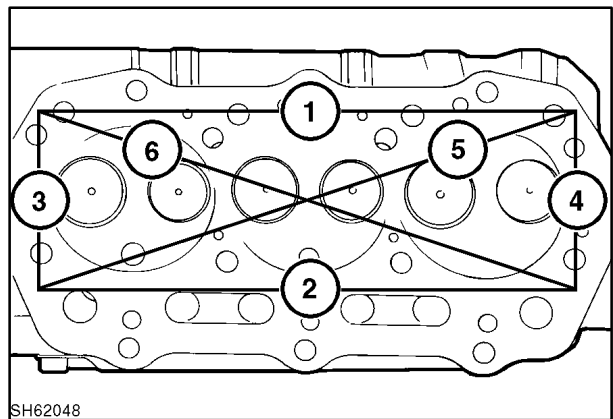


48

Check six positions (1 to 6 lines, as shown) for warping. If found to be warped excessively, correct with a surface grinder.

Standard Value: 0.002" (0.05 mm or less)

Allowable Limit: 0.005" (0.12 mm)



49

Op. 10 101 32**Valve Guide and Valve Stem**

1. Check the valve stem for excessive wear or damage. If found to be excessively damaged, replace.
2. Check the valve stem diameters at positions 1, 2, and 3 with a micrometer. If the diameter is less than the allowable limit, replace.

Intake Valve

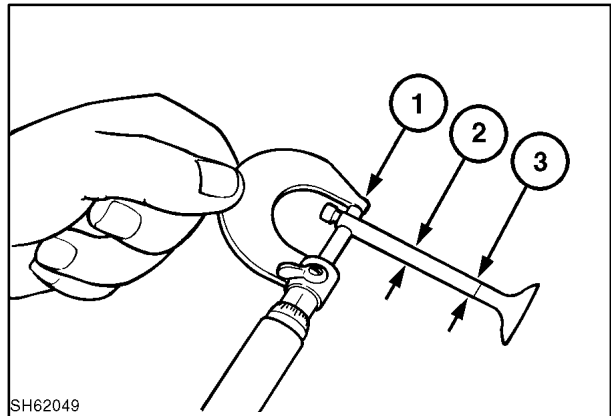
Standard Diameter: 0.2738" - 0.2744" (6.955 mm - 6.97 mm)

Allowable Limit: 0.271" (6.89 mm)

Exhaust Valve

Standard Diameter: 0.2732" - 0.2736" (6.94 mm - 6.95 mm)

Allowable Limit: 0.269" (6.84 mm)



SH62049

50

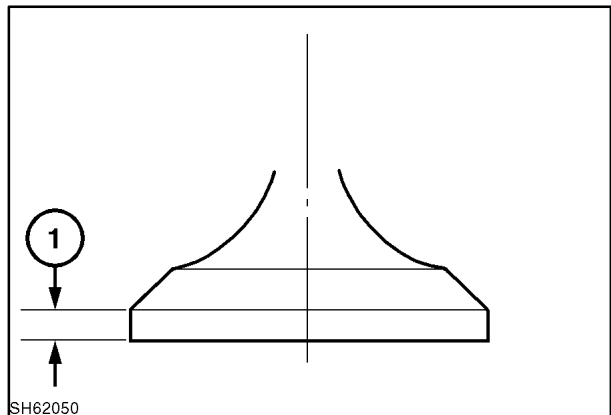
Thickness of Valve Head

If valve head thickness at 1 is less than the allowable limit, replace the valve.

All Engines

Standard Thickness: 0.036" - 0.042" (0.925 mm - 1.075 mm)

Allowable Limit: 0.020" (0.5 mm)



SH62050

51

Valve to Valve Guide Clearance

Check the clearance at 1 between the valve and valve guide. If the clearance exceeds the allowable limit, replace.

Intake Valve - All Engines

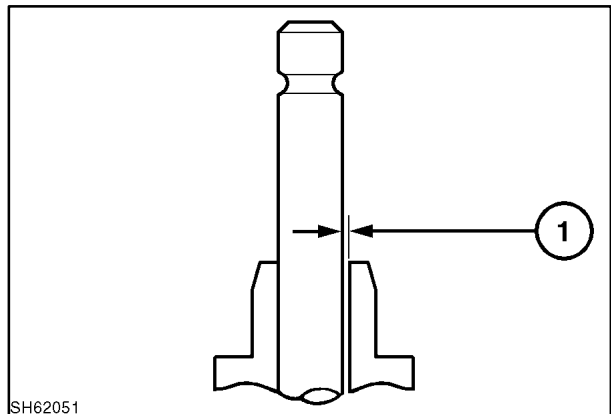
Standard Clearance: 0.0012" - 0.0024" (0.03 mm - 0.06 mm)

Allowable Limit: Max. 0.008" (0.2 mm)

Exhaust Valve - All Engines

Standard Clearance: 0.002" - 0.003" (0.05 mm - 0.075 mm)

Allowable Limit: Max. 0.010" (0.25 mm)



SH62051

52

Op. 10 101 55
VALVE SEAT

Valve Seat Contact Width

If the contact width at 1 of the valve seat is more than the allowable width, check the wear condition of the valve guide first.

Using the seat cutters of 15°, 45°, and 75°, correct the seat.

Intake

Standard Width: 0.06" - 0.08" (1.5 mm - 2.0 mm)

Allowable Limit: 0.098" max. (2.5 mm)

Exhaust

Standard Width: 0.076" - 0.085" (1.94 mm - 2.16 mm)

Allowable Limit: 0.098" max. (2.5 mm)

Valve Seat Recess

If the recess depth, 1, is more than the allowable limit, replace the valve seat (if fitted).

Standard Recess: 0.026" - 0.037" (0.65 mm - 0.95 mm)

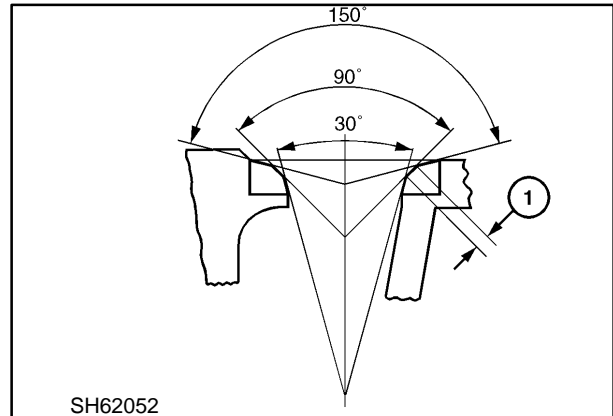
Allowable Limit: 0.063" max. (1.6 mm)

Replacement of valve seat insert (where fitted):

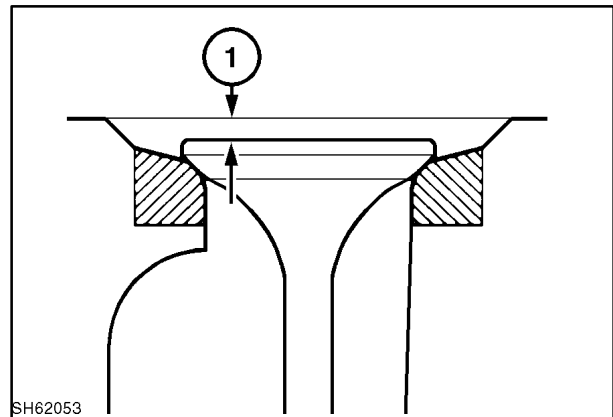
Method 1: Using a gas burner, 1300° F to 1475° F (700° C to 800° C), heat diagonally across the valve seat insert. Leave in air for three to five minutes and remove the valve seat insert by light tapping (ensuring the head is not damaged).

Method 2: Machine the insert out, taking care not to damage the head.

Clean up the insert bore and fit a new insert, using a press 7,200 lbs. - 10,850 lbs. (1,000 kgf - 1,500 kgf) and a suitable smooth surface tool. To assist the process, chill the valve seat insert with liquid nitrogen, etc., or heat the head to between 140° F to 212° F (60° C and 100° C).



53

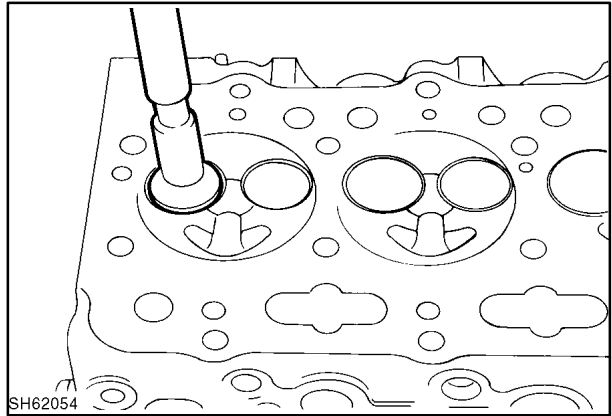


54

Lapping of Contact Face of the Valve Seat

Correct valve seat contact using a valve lapper and lapping compound.

When using a new cylinder head, obtain correct seat contact width and seat recess using the seat cutter, and then carry out lapping.



55

Valve Spring

Visually inspect the valve spring for damage.

Position the valve spring on a flat surface and check the squareness of it by using a square at 1, as shown. If it exceeds the allowable limit, replace the spring.

Using a spring tester, check spring force and free length.

Replace, if found to be beyond the allowable limit.

Standard Value

Squareness : 0.047" (1.2 mm)

Free length: 1.378" (35 mm)

Spring force when compressed to 1.197" (30.4 mm): 17.9 ft. lbs. (8.1 kg)

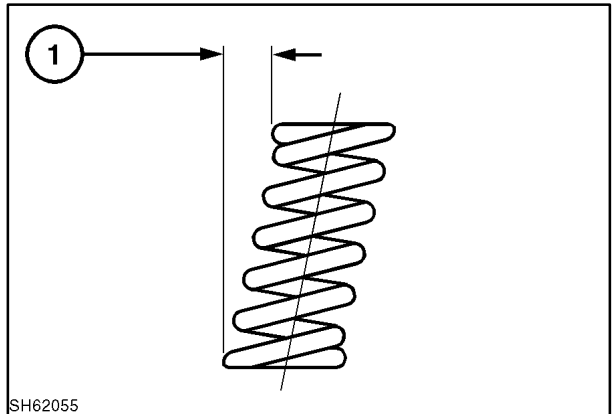
Allowable Limit

Squareness: 0.079" (2.0 mm)

Free length: 1.319" (33.5 mm)

Spring force when compressed to 1.197" (30.4 mm): 15.4 ft. lbs (7 kg)

Inner face of combustion chamber. Check and clean the combustion chamber.



56

Reassembly

Reassemble the parts in the reverse order of disassembly.

NOTE: When assembling the valve spring, retainer, and keepers, take care not to damage the valve guide seal.

Tighten glow plugs to 11 ft. lbs. - 15 ft. lbs. (15 N·m - 20 N·m).

Op. 10 101 56**CYLINDER BLOCK****Inspection and Correction****Cylinder Block Top Face**

Inspect the cylinder block top face for cracks, damage, and warping in the same way as for the cylinder head.

If outside the limit, replace the cylinder block.

Standard Value: Less than 0.002" (0.05 mm)

Allowable Limit: 0.005" (0.12 mm)

Cylinder Bore

1. Visually inspect the cylinder bore. There should be no scoring, rust, or corrosion.
2. Measure the cylinder bore at the upper, middle, and lower areas (piston ring contact area) in the direction of the crankshaft (1 direction) and at right angle to the crankshaft (2 direction).

The upper area described above corresponds to the top ring when the piston is at the T.D.C. (about 0.40" [10 mm] below the cylinder block top surface). The lower area corresponds to the piston oil ring when the piston is at the B.D.C. (about 3.94" [100 mm] from top face).

Check the bore using a cylinder gauge.

3. If the bore is found to be outside the allowable limit, re-bore to the oversize dimension as shown.

Grinding stone size: 100 L x 4 W

Speed: 162 RPM

Feed (shaft direction): 13 m/min.

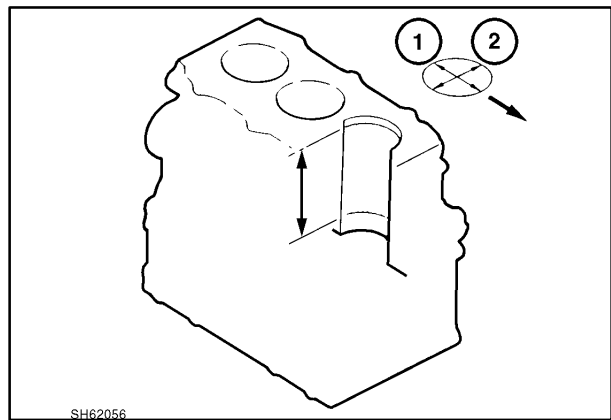
Gauge pressure: 15 kg/cm² (5 kg/cm² - finish)
213 PSI [71 PSI - finish]

Finish stroke: 9

Honing depth: 0.0016" (0.04 mm) (diameter)

Cross hatch angle: 40°

Surface roughness: 2-4 micron



57

Bore Specifications

Standard Bore: 3.307" - 3.308" (84 mm - 84.019 mm)

Allowable Limit: 3.315" (84.2 mm)

First Re-bore: 0.02" (0.5 mm)

New Standard Bore: 3.327" - 3.328" (84.5 mm - 84.519 mm)

Allowable Limit: 3.335" (84.7 mm)

Second Re-bore: 0.02" (0.5 mm)

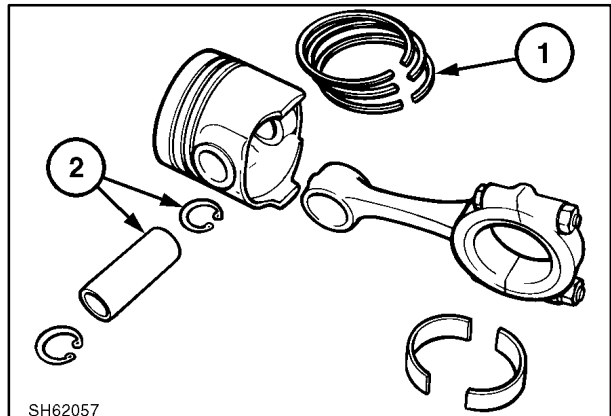
New Standard Bore: 3.346" - 3.347" (85 mm - 85.019 mm)

Allowable Limit: 3.354" (85.2 mm)

Replace the Block

Op. 10 105 22**PISTON AND PISTON RINGS****Disassembly**

1. Remove piston rings, 1, using a piston ring tool.
2. Remove the retaining ring and remove the piston pin, 2.



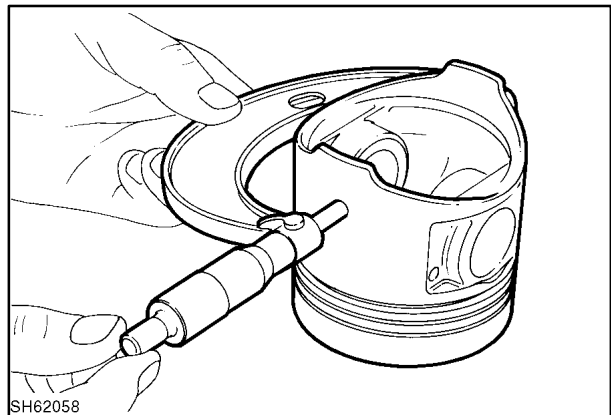
58

Inspection**Piston**

If the outer surface of the piston is excessively damaged (cracked, scored, burning, etc.), replace.

Piston Skirt

Check the larger diameter of the piston skirt 0.40" (10 mm from bottom), and check diameter (thrust direction) of the cylinder. Calculate the clearance between the cylinder and piston. If this clearance is more than allowable, or piston diameter is less than the allowable limit, replace the piston.



59

Oversized Piston

When the cylinder is oversized, be sure that an oversized piston is used.

Standard Clearance: 0.0015" - 0.0028" (0.038 mm - 0.072 mm)

Allowable Limit: 0.010" max. (0.25 mm)

Standard Diameter (Piston): 3.3050" - 3.3056" (83.948 mm - 83.963 mm)

Allowable Limit: 3.2953" min. (83.7 mm)

Large Diameter of Piston Skirt:

Standard: 3.3050" - 3.3056" (83.948 - 83.963 mm)

0.0197" (0.5 mm) Oversize: 3.3247" - 3.3253" (84.448 - 84.463 mm)

0.039" (1.0 mm) Oversize: 3.3444" - 3.3450" (84.948 - 84.963 mm)

Clearance between wrist pin hole and wrist pin.

Check the inside diameter of the wrist pin hole and the outside diameter of the wrist pin, and calculate the clearance between them.

If the clearance is more than the allowable limit, replace.

Standard Clearance: -0.000039" to + 0.00028" (-0.001 mm to + 0.007 mm)

Allowable Limit: 0.0008" (0.02 mm)

Piston Ring

If the piston ring is worn or damaged, replace it.

Piston Ring Gap

Insert the rings into the cylinder at a right angle to the cylinder bore and measure the gaps with a thickness gauge. If the gap is more than the allowable limit, replace.

#1 Ring

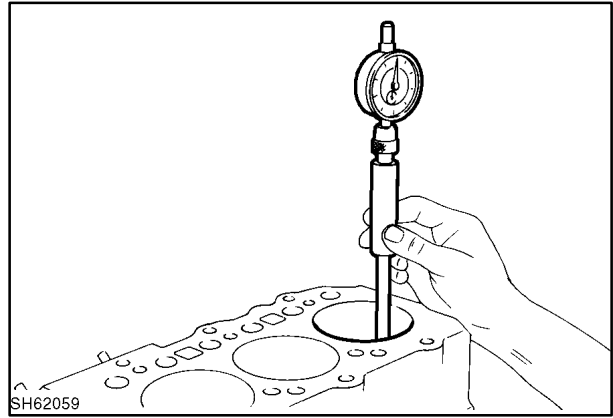
Standard Gap: 0.008" - 0.014" (0.20 mm - 0.35 mm)

Allowable Limit: 0.039" (1.0 mm)

#2 Ring

Standard Gap: 0.008" - 0.016" (0.20 mm - 0.40 mm)

Allowable Limit: 0.039" (1.0 mm)



60

Oil Ring

Standard Clearance: 0.008" - 0.016" (0.20 mm - 0.40 mm)

Allowable Limit: 0.039" (1.0 mm)

Measure the clearance between the piston ring groove and ring. If the clearance exceeds the allowable limit, replace the ring.

#1 Ring

Standard Clearance: 0.0028" - 0.0043" (0.07 mm - 0.11 mm)

Allowable Limit: 0.0098" (0.25 mm)

#2 Ring

Standard Clearance: 0.0016" - 0.0032" (0.04 mm - 0.08 mm)

Allowable Limit: 0.0098" (0.25 mm)

Oil Ring

Standard Clearance: 0.0007" - 0.002" (0.02 mm - 0.06 mm)

Allowable Limit: 0.0059" (0.15 mm)

Oversize Piston Ring

If the cylinder is oversized, an oversized piston ring set should be installed.

Mounting Position of the Piston Ring

Confirm the third piston ring is set, as shown here.

IMPORTANT: Fit the third ring as follows:

Put the expander, 1, into position in its groove. Ensure the ends of the expander do not overlap.

Fit the upper side rail, 2, on top of the expander. Insert the end of the side rail into the groove and hold it in position with the thumb. Slide the rail into position with the other thumb.

Fit the lower side rail, 3, in a similar manner.

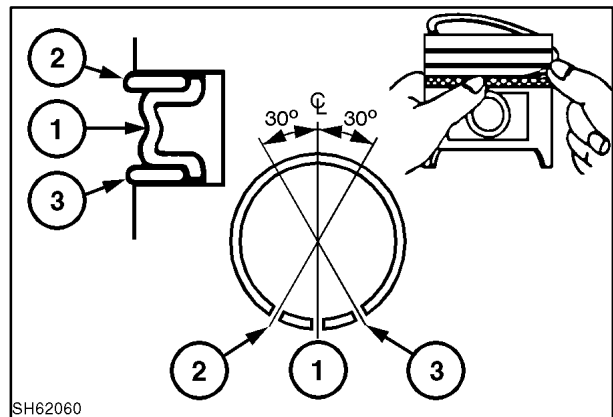
Ensure the side rails are free to move in both directions and the gaps of the expander and the side rails are in the correct positions.

Standard OD: 1.1022" - 1.1024" (27.996 mm - 28.0 mm)

Allowable Limit: 1.1016" min. (27.98 mm)

Piston Pin

Check the outside diameter of the piston pin. If it is less than the allowable limit, replace.



CONNECTING ROD

Inspection

Distortion or damage

Check the connecting rod for distortion between the large and small ends of the connecting rod with a connecting rod aligner. If the result exceeds the allowable limit, replace.

Distortion –3.937" (100 mm)

Standard Value: Less than 0.003" (0.08 mm)

Allowable Limit: 0.0078" (0.2 mm)

Parallel –3.937" (100 mm)

Standard Value: Less than 0.0019" (0.05 mm)

Allowable Limit: 0.0059" (0.15 mm)

1. Gauge
2. Piston pin
3. Distortion
4. Flat surface of the aligner
5. Pin

Clearance between the small end bushing and the piston pin

Measure the inside diameter of the connecting rod small end bushing.

If the clearance exceeds the allowable limit, replace.

Standard Clearance: 0.0004" - 0.001" (0.010 mm - 0.025 mm)

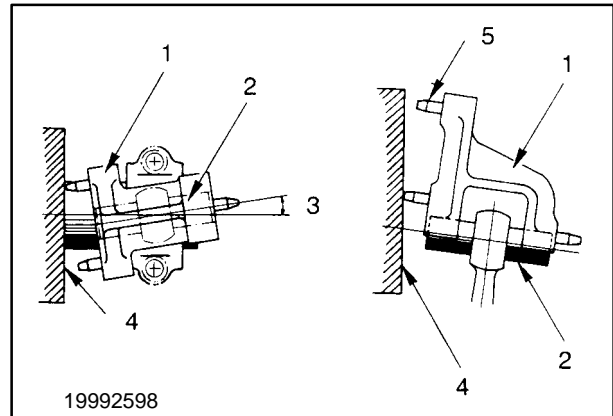
Allowable Limit: 0.003" (0.08 mm)

Play between the connecting rod and the crankshaft

Assemble the connecting rod to the crankshaft and measure the play in shaft direction. If the play is more than the allowable limit, replace the connecting rod.

Standard Play: 0.0039" - 0.0118" (0.1 mm - 0.3 mm)

Allowable Limit: 0.0275" (0.7 mm)



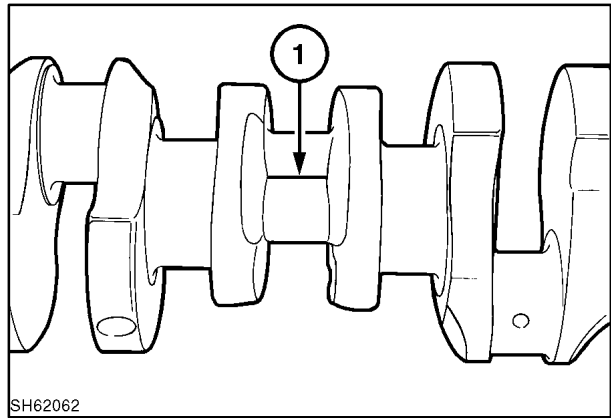
62

Oil Clearance

Using the plasti-gauge, check the oil clearance as follows:

Remove oil or foreign matter from the bearing and crankshaft.

Cut the plasti-gauge to the same width as the bearing. Place it on the crankshaft at 1. Avoid the oil hole.



SH62062

63

Assemble the connecting rod and connecting rod cap and tighten to the specified torque. All engines 36 ft. lbs. - 40 ft. lbs. (49 N·m - 54 N·m).

NOTE: Never rotate the connecting rod.

Remove the connecting rod cap. Measure the oil clearance (plasti-gauge) with the scale printed on the gauge bag.

NOTE: Measure the widest area.

Standard Play: 0.001" - 0.003" (0.035 mm - 0.085 mm)

Allowable Limit: 0.0078" (0.2 mm)

If the oil clearance exceeds the allowable limit, replace the bearing or grind the crankshaft and use an oversize bearing.

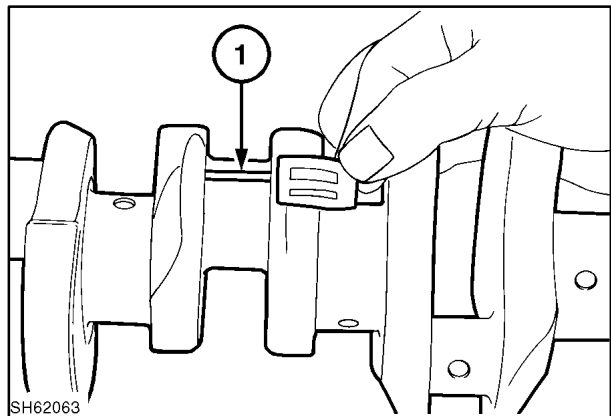
NOTE: When grinding the outside diameter of the crankshaft, be sure that the oil clearance is correct before reassembly.

Crankshaft Pin O.D. Dimension (mm)

S.T.D.: 2.0458" - 2.0463" (51.964 mm - 51.975 mm)

0.010" (0.25 mm): 2.0360" - 2.0364" (51.714 mm - 51.725 mm)

0.020" (0.50 mm): 2.0261" - 2.0266" (51.464 mm - 51.475 mm)

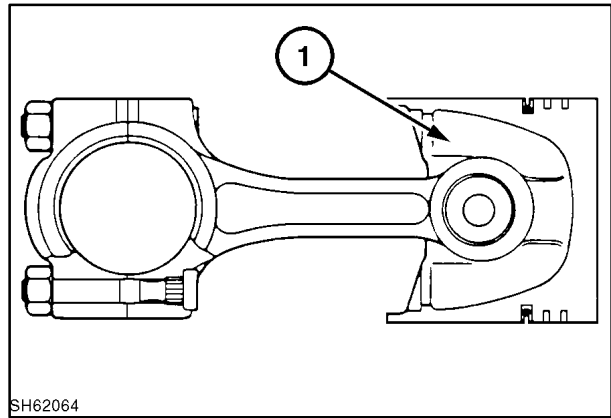


SH62063

64

Reassembly

1. Reassemble the piston on the connecting rod as follows.
2. With a piston heater or the like, heat the piston to approximately 212° F (100° C). Assemble the piston to the connecting rod by aligning the set marks.
3. Set the "SHIBAURA" marks, or other mark, 1, as shown. Align the set marks on the connecting rod.
4. Replace the piston ring on the piston. Position the scribe mark uppermost.
5. When the connecting rod or piston/piston pin has been replaced, the difference in the weight of the assembly (connecting rod plus piston rings) should not exceed 10 grams between cylinders.



SH62064

65

Op. 10 103 10**BEARING HOLDER****Disassembly and Inspection****Center Bearing**

1. Remove the bearing holder and check it for peeling, melting, stepped wear, and other damage. If it is excessively damaged, replace.
2. Using the plasti-gauge, measure the oil clearance between the crankshaft center journal and the bearing.

If the oil clearance is more than the allowable limit, replace the bearing or grind the crankshaft center journal and use an undersized bearing (refer to "Crankshaft").

Standard Oil Clearance: 0.0017" - 0.0040"
(0.044 mm - 0.102 mm)

Allowable Limit: 0.0078" (0.2 mm)

Crankshaft Center Journal Diameter (mm)

S.T.D.: 2.6755" - 2.6760" (67.957 mm - 67.970 mm)

0.010" (0.25 mm): 2.6656" - 2.6661" (67.707 mm - 67.720 mm)

0.020" (0.50 mm): 2.6558" - 2.6563" (67.457 mm - 67.470 mm)

Thrust Clearance

Check the thrust washer for wear, poor contact, burning, or other defects. Defective washers must be replaced.

Standard Thickness: 0.116" - 0.118" (2.95 mm - 3.0 mm)

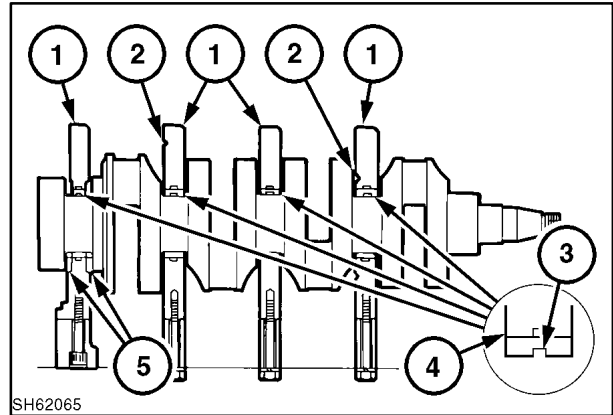
Allowable Limit: 0.11" (2.8 mm)

Reassembly

Reassemble the bearing holder, center bearing, and thrust washer as follows:

1. Face the chamfered part, 1, of the bearing holder toward the front. Install the bearing holder which has a notch, 2. Install the bearing holder on which the thrust washer is to be mounted at the flywheel side.
2. Install the thrust washer, 5. Face its oil groove toward the thrust face of the crankshaft.
Tightening torque of the bearing holder: 36 - 40 ft. lbs. (49 - 54 N·m).

3. Set the bearing with the oil groove, 3, to the upper part, 4, while setting the bearing without the groove to the lower part.



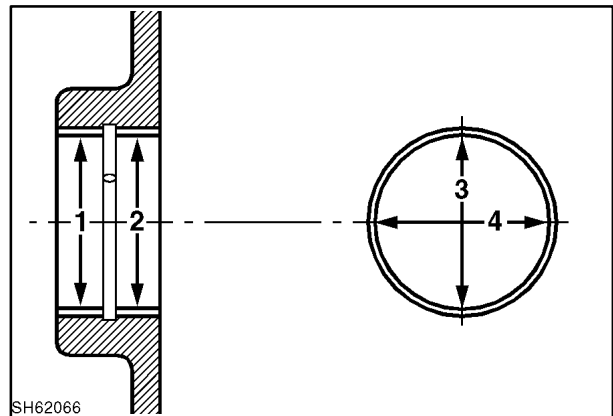
66

CRANKSHAFT BEARING (BUSHING)**Inspection**

Check the bearing (bushing) for peeling, melting, seizure, or poor contact. If found to be defective, replace.

Using a cylinder gauge and micrometer, measure the oil clearance between the bearing (bushing) and the crankshaft journal.

Measure the inside diameters at positions 1 and 2. At each position, measure in both directions 3 and 4. The oil clearance can be obtained by subtracting this value from the maximum crankshaft journal diameter.



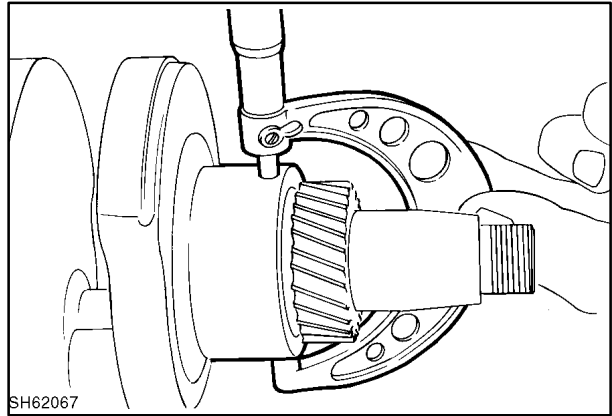
67

Standard Oil Clearance: 0.0017" - 0.0046"
(0.044 mm - 0.116 mm)

Allowable Limit: 0.0078" (0.2 mm)

If the oil clearance exceeds the allowable limit, replace the bearing (bushing) or grind the crankshaft journal. In this case, use an undersized bearing (bushing).

When replacing the crankshaft journal (bushing), use a press to install.



68

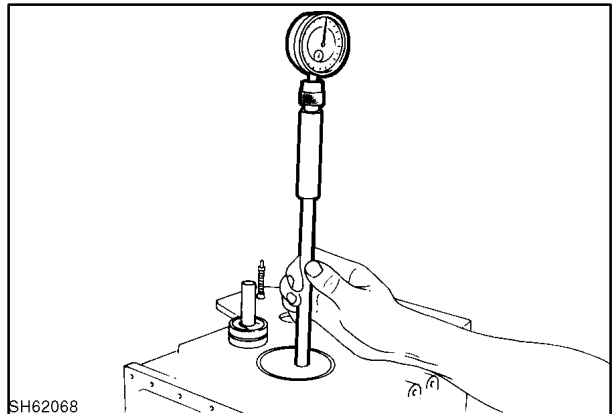
Crankshaft Journal (bushing)

Outside Diameter

Standard: 2.6755" - 2.6760" (67.957 mm - 67.970 mm)

0.0098" (0.25 mm): 2.6656" - 2.6661" (67.707 mm - 67.720 mm)

0.0196" (0.50 mm): 2.6558" - 2.6563" (67.457 mm - 67.470 mm)



69

Crankshaft Bushing Replacement

Bushing Removal

Remove the bushing from the housing (cylinder block) using a bushing driving tool to prevent damage.

Press-fitting the bushing

1. Prior to installing the bushing, inspect the bushing housing for marks, scratches, etc.
2. The bushing should be smoothly pressed in to the correct depth by using a bushing driving tool, adjusting the oil hole and direction of bushing.
 - Press in the bushing to the cylinder block from the engine front side.

NOTE: Do not press in the bushing to the cylinder block from the opposite side.

The correct pressing side is chamfered, etc., to allow smooth operation.

- Align the oil hole, 1, of the housing and bushing.
 - Install the bushing, confirming the mark and oil groove (hole).
 - Lubricate at the outer surface of the bushing.
 - Press in the bushing to the housing until correct depth, by using a bushing driving tool.
3. Confirm after installation.
Confirm the alignment of the oil hole of the housing and the bushing. Also make sure the inner diameter is within tolerance.

After grinding the crankshaft journal, check the oil clearance.

Op. 10 103 30 CRANKSHAFT

Inspection

Crankshaft Deflection

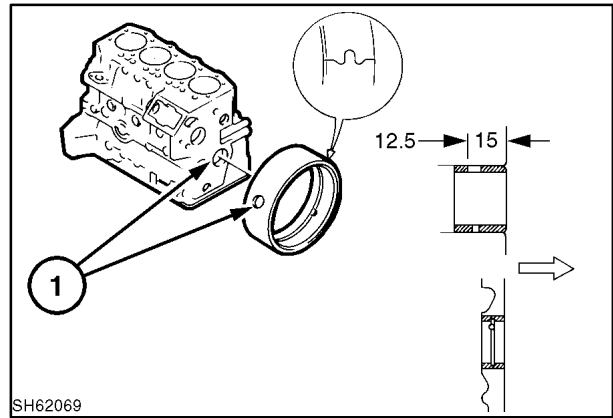
Support the crankshaft with V-block. Position a dial gauge on the crankshaft center journal and turn the crankshaft gradually by one full turn. If the gauge reading is more than the allowable limit, correction or replacement of the crankshaft is needed.

Standard Deflection: 0.0011" (0.03 mm or less)

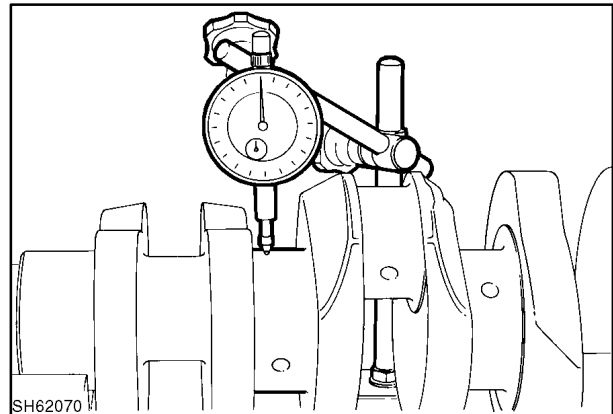
Allowable Limit: 0.0023" (0.06 mm)

Oil Seal Contact Face and Oil Holes

Check the oil seal contact face for damage or wear.
Check oil holes for clogging.



70

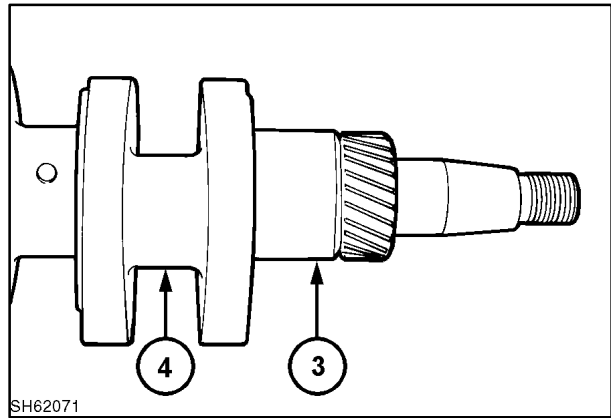


71

Check Crankshaft Journal, 3, and Pin, 4, for stepped wear

Take four measurements (AA and BB diameters at positions 1 and 2, Figure 73). If the maximum difference between the measurements is more than the allowable limit, correction is required.

Allowable Difference (stepped wear): 0.0019"
(0.05 mm)



72

Crankshaft Pin Diameter**Standard Diameter**

Standard: 2.0458" - 2.0463" (51.964 mm - 51.975 mm)

0.01" (0.25 mm): 2.0360" - 2.0364" (51.714 mm - 51.725 mm)

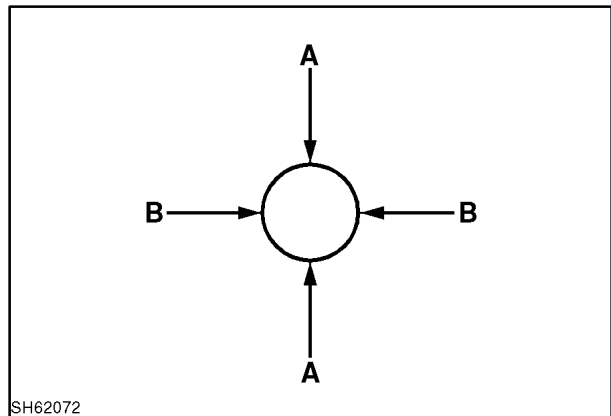
0.02" (0.50 mm): 2.0261" - 2.0266" (51.464 mm - 51.475 mm)

Allowable Limit

Standard: 2.0433" (51.90 mm)

0.01" (0.25 mm): 2.0335" (51.65 mm)

0.02" (0.50 mm): 2.0236" (51.4 mm)



73

Crankshaft Journal Shaft Diameter**Standard Diameter**

Standard: 2.6755" - 2.6760" (67.957 mm - 67.970 mm)

0.01" (0.25 mm): 2.6656" - 2.6661" (67.707 mm - 67.720 mm)

0.02" (0.50 mm): 2.6558 - 2.6563" (67.457 mm - 67.470 mm)

Allowable Limit

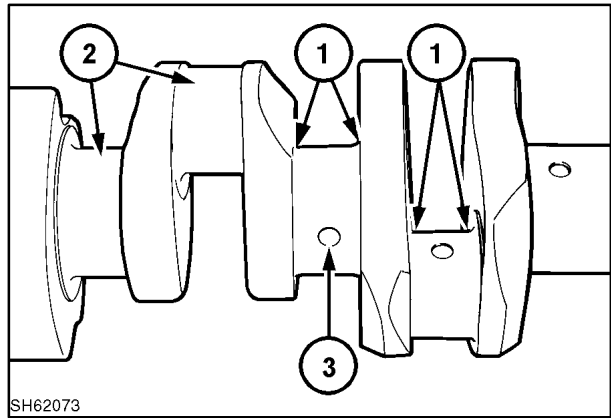
Standard: 2.6732" (67.90 mm)

0.01" (0.25 mm): 2.6634" (67.65 mm)

0.02" (0.50 mm): 2.6535" (67.40 mm)

NOTE: When grinding the crankshaft, work with the following specifications:

1. Radius at pin/journal: $0.118'' \pm 0.0078''$ (3 mm \pm 0.2 mm)
 2. Finish precision: 1.6Z
 3. Radius around oil hole: 0.0787'' (2 mm) maximum 0.196'' (5 mm) minimum
- Use No. 400 emery cloth for final polishing.



SH62073

74

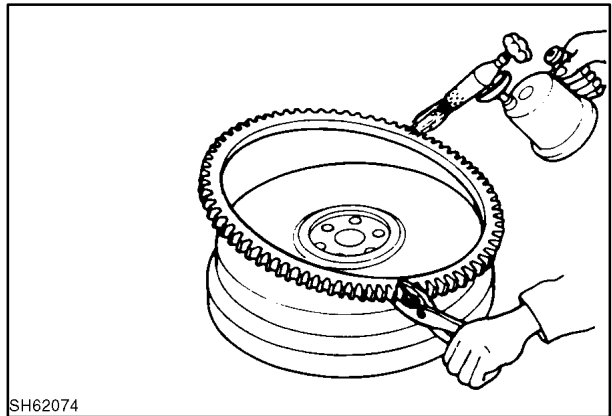
Op. 10 103 76

FLYWHEEL AND RING GEAR

Inspection

Check the ring gear. If it is excessively damaged or worn, replace it.

When wear is not excessive, remove the ring gear and reinstall 90° from original position. To install, preheat the ring gear up to 248° F - 300° F (120° C - 150° C).



SH62074

75

Op. 10 106 40

CAMSHAFT ASSEMBLY

Inspection

Check the journals and cams for wear and damage. Replace if the allowable limit is exceeded.

Correct uneven wear or small scratches on the cam surface with oil stone.

Cam Height (intake and exhaust cams)

Standard Value: 1.3411'' - 1.3433'' (34.065 mm - 34.12 mm)

Allowable Limit: 1.3268'' (33.7 mm)

Height of Cam for Injection Pump

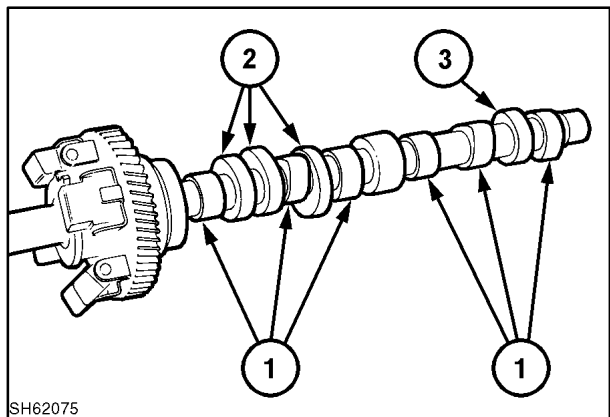
Standard Value: 1.6512'' - 1.6559'' (41.94 mm - 42.06 mm)

Allowable Limit: 1.6457'' (41.8 mm)

Height of Cam for Fuel Feed Pump

Standard Height: 1.2559'' - 1.2598'' (31.9 mm - 32.0 mm)

Allowable Limit: 1.1811'' (30.0 mm)

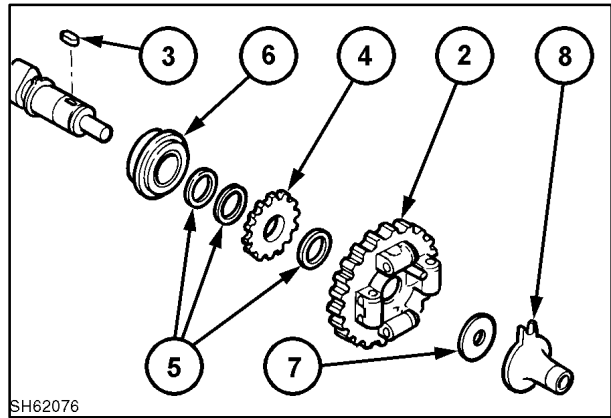


SH62075

76

Op. 10 106 66**CAMSHAFT GEAR AND BEARING ASSEMBLY**

- 2 Camshaft gear
- 3 Camshaft
- 4 Tachometer gear
- 5 Spacer
- 6 Roller bearing
- 8 Slider



77

If these items have been replaced, it is essential that the spacers, shims, etc. are assembled in the order illustrated here.

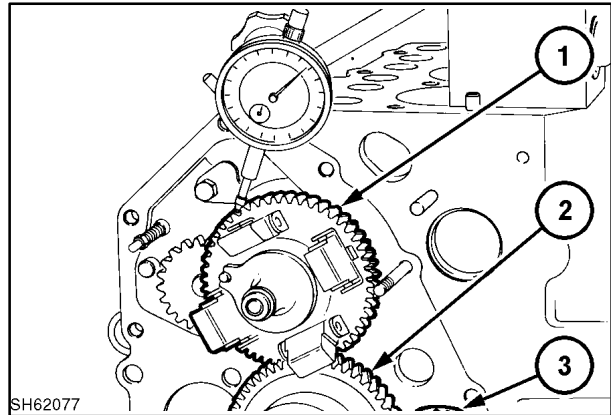
To replace the camshaft gear assembly, the assembly will require pressing off and on.

TIMING GEAR**Inspection**

Check the timing gears for wear and damage on the contact area. Replace if any defect is found.

Measure the backlash of gears with a thickness gauge or dial gauge. If the allowable limit is exceeded, replace all timing gears.

- 1 Camshaft gear
- 2 Idler gear
- 3 Crankshaft gear



78

Standard Backlash: 0.003" (0.08 mm)

Allowable Limit: 0.010" (0.25 mm)

Op. 10 304 41**OIL PUMP****Disassembly**

Remove the snap ring.

Take out the collar spring and shim.

Remove the idler gear vane and oil pump cover together.

Pull out the rotor and thrust washer.

Pull out the oil pump cover from the idler gear.

Remove the spring from the idler gear.

1 Snap ring

2 Collar

3 Spring

4 Shim

5 Oil pump cover

6 Rotor

7 Spring

8 Idler gear

9 Thrust washer

Inspection

Check the oil pump cover, rotor, and vane for wear. If excessively worn or damaged, replace.

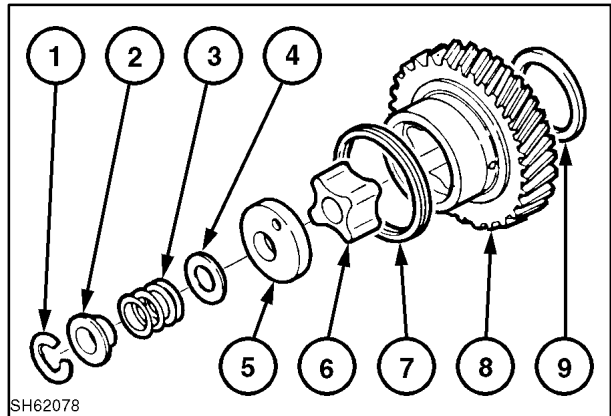
Check the clearance at 1 between the rotor and the vane.

Reassembly (see Idler Gear)

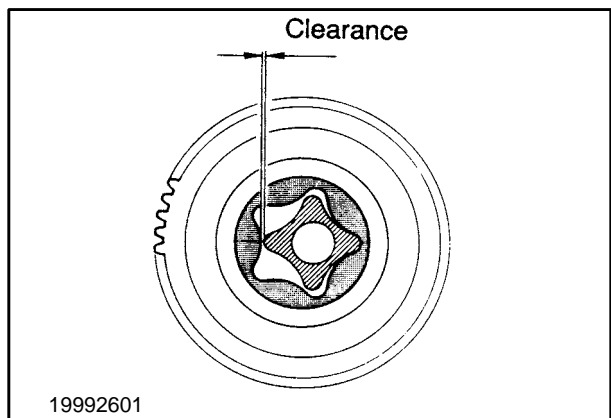
Reassemble the oil pump in the reverse order of disassembly.

Align the set marks on the crankshaft gear and idler gear to reassemble.

Make sure the tip clearance at 1, between the rotor and the vane is 0.0004" to 0.006" (0.01 mm to 0.15 mm) . Allowable limit is 0.009" (0.25 mm) .



79



80

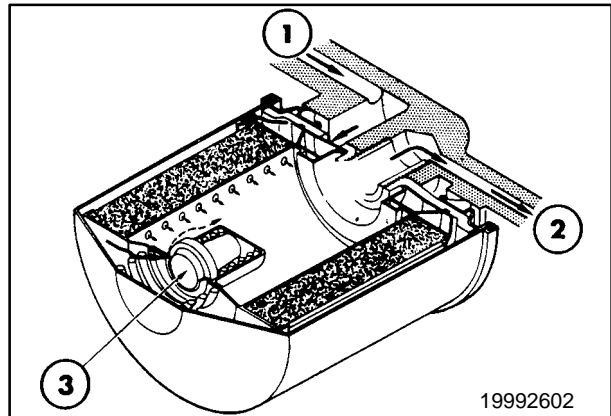
Op. 10 304 10
OIL FILTER

Construction and Function

This engine employs a cartridge-type filter.

Pressurized oil from the pump enters from 1 and is filtered by a full flow filter before discharge through 2.

When the full flow filter is clogged, the safety valve, 3, opens to bypass the oil.



81

Maintenance

The oil filter must be replaced every 100 hours of operation.

When installing a new filter, coat its mounting face with clean oil. Hand-tighten only.

Op. 10 402 28
WATER PUMP ASSEMBLY AND THERMOSTAT HOUSING

Disassembly

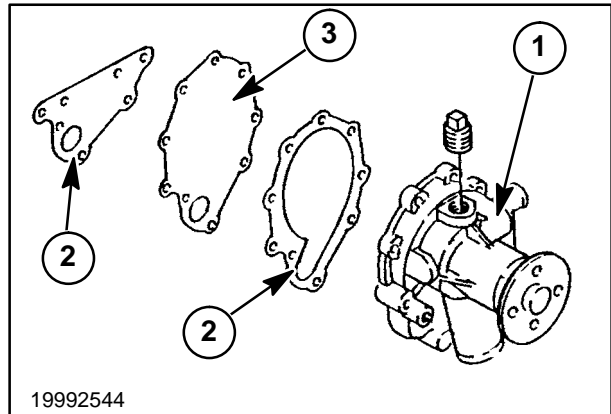
Remove the backplate and gaskets.

Remove the thermostat and spring from the thermostat housing.

1 Water pump

2 Gaskets

3 Set plate



82

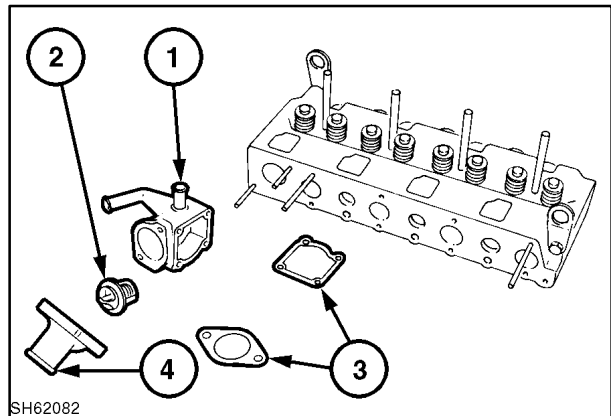
Inspection

Op. 10 402 30
THERMOSTAT REMOVAL

Replace the thermostat if the valve opens at ambient temperature.

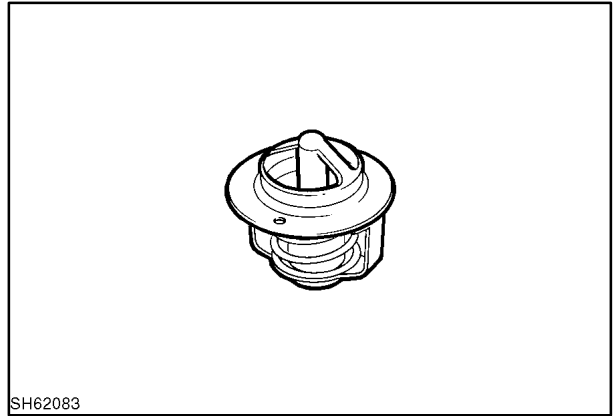
Place the thermostat into water. Raise the water temperature gradually and inspect the valve opening temperature and valve lift. (Standard values are as described in the "Specifications" section.)

NOTE: Three to five minutes will be required before the valve starts operating.



83

| | N844 | N844T |
|-----------------------------------|--------------------------------|--------------------------------|
| Type | Wax Pellet Type | Wax Pellet Type |
| Temperature when starting to open | 176° - 183° F (80° - 84° C) | 156° - 163° F (69° - 73° C) |
| Temperature when fully open | 203° F (95° C) | 180° F (82° C) |
| Valve lift fully open | 0.315" (8.0 mm) | 0.315" (8.0 mm) |



84

Water Pump

Check for cracks, wear, leaks, bearing roughness, or damage. If defective, replace assembly.

Reassembly

Assemble the thermostat and spring in the housing. Install the gasket and backplate on the water pump.

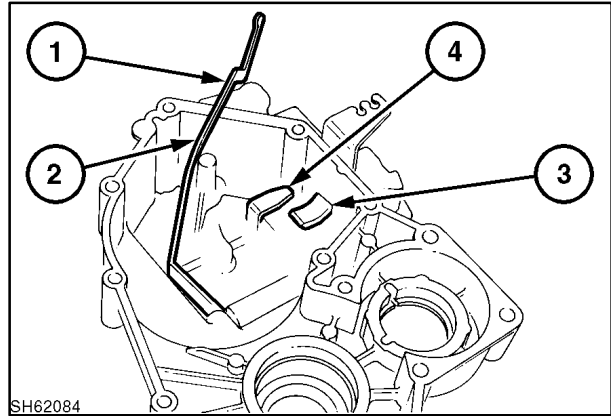
Rotate the fan holder to confirm there is no obstruction or interference.

Op. 10 230 24
GOVERNOR

Construction/Function

A mechanical all-speed governor is used. It is housed in the gear case.

A flyweight assembly is mounted on the camshaft. The movement of the flyweight is transmitted to the injection pump control rack by way of the slider, control lever, and link, 1. A spring which is hooked to the arm, 3, and tension lever, 4, regulates the movement of the flyweight.



85

By changing the set angle of the governor lever, tension on this spring is changed. Thus, the engine speed can be regulated by the governor lever.

Maximum Speed Set Bolt

The set bolt is mounted on the cylinder block. This bolt limits the movement of the arm and has been adjusted and sealed at the factory.

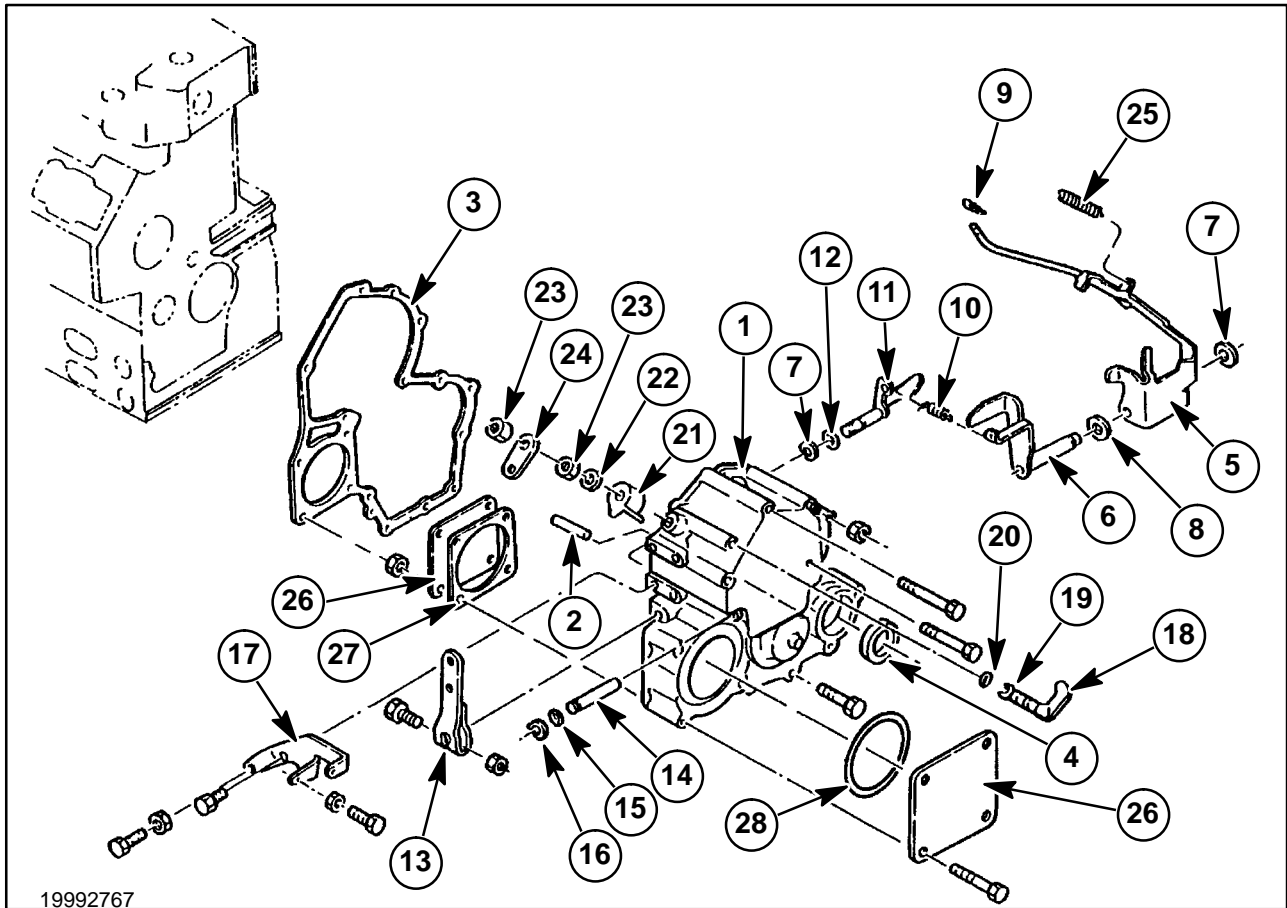
Maximum Fuel and Start Spring

These are built into the cylinder block to regulate fuel injection at high speed. Regulation of fuel injection in the middle speed range is by torque spring to realize higher torque.

A start spring, 2, is placed between the gear case and link. This spring automatically functions to increase fuel during the start mode.

An idling spring at the gear case stabilizes engine idling speed.

The maximum fuel has been adjusted at the factory and sealed.



19992767

86

- | | | | |
|----------------------|---------------------|-------------------|---------------------|
| 1. Timing Gear Cover | 8. Washer | 15. O Ring | 22. Washer |
| 2. Pin | 9. Snap Pin | 16. Snap Ring | 23. Nut |
| 3. Gasket | 10. Governor Spring | 17. Throttle Stay | 24. Stop Lever |
| 4. Oil Seal | 11. Throttle Arm | 18. Shutoff Arm | 25. Dampener Spring |
| 5. Arm Assembly | 12. O Ring | 19. Snap Ring | 26. Cover |
| 6. Spring Holder Arm | 13. Throttle Lever | 20. O Ring | 27. Gasket |
| 7. Snap Ring | 14. Pivot Shaft | 21. Return Spring | 28. O Ring |

Reassembly

Replace gasket, packing, etc. Use liquid gasket to prevent oil leakage where necessary.

Precautions Before Assembling

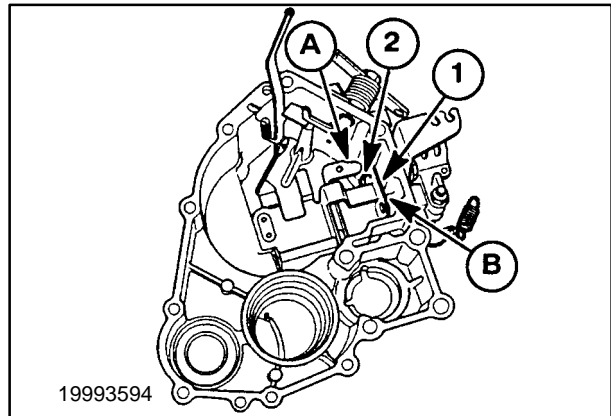
Wash parts before assembling (especially oil gallery, bearings, pistons, and cylinder bores should be washed thoroughly).

Never over-tighten bolts and nuts used on aluminum alloy. Tighten to specified tightening torques.

Apply new oil to sliding and rotating surfaces of cylinder bores, pistons, and bearings, etc.

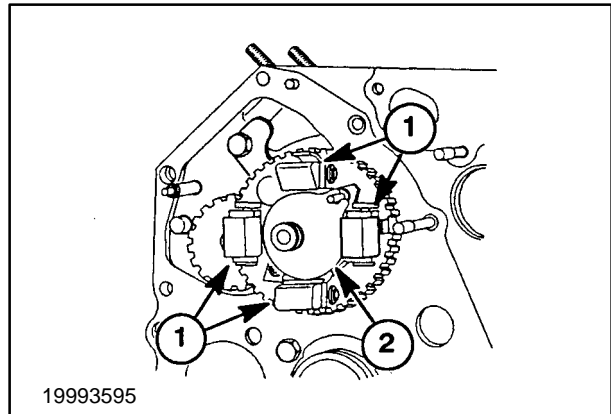
GOVERNOR OPERATION

As the engine speed increases, the throttle arm, 1, contacts the fuel screw adjuster at contact point A, and the high-speed idle stop screw at B. During the engine speed increase, tension is placed on the governor spring, 2.



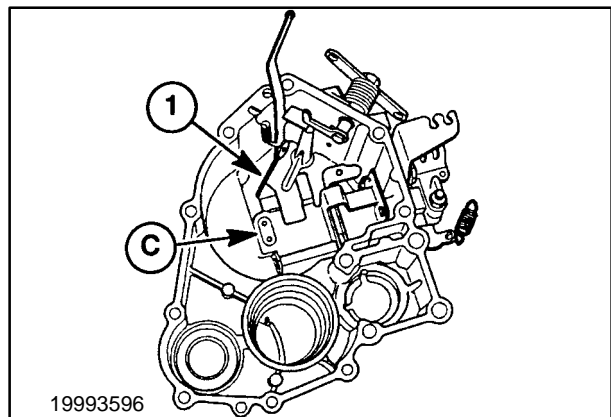
87

As the engine speed increases, the four governor weights, 1, pivot outward and push on the slider cone, 2. The weights and slider cone are located on the end of the camshaft.



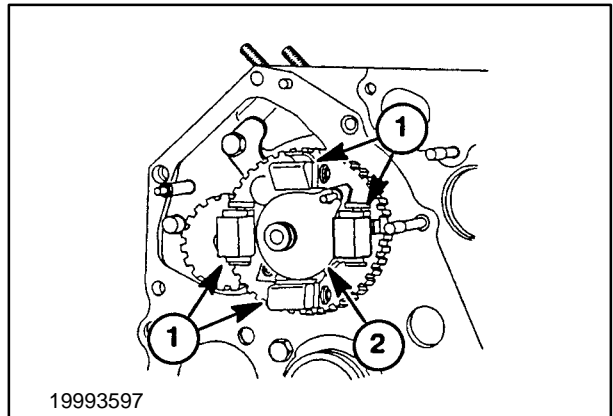
88

The slider cone, 2, Figure 88, contacts the governor linkage arm, 1, at contact pad, C. As the cone moves forward, it pushes the linkage arm, 1, forward, which is connected to the injection pump rack assembly. When the injection pump rack moves forward, the fuel delivery is decreased and the engine speed decreases.



89

As the engine speed decreases, the governor weights, 1, pivot inward allowing the slider cone, 2, to move rearward.

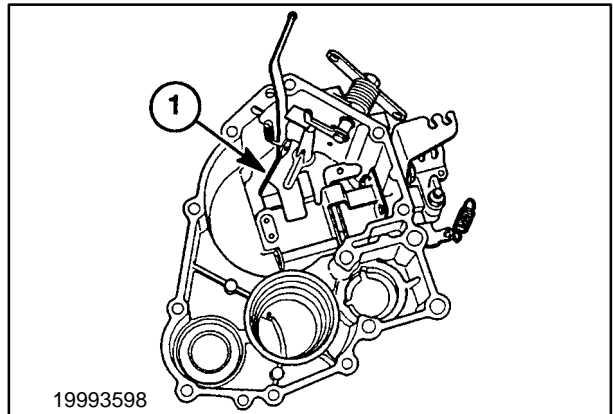


90

As the slider cone, 2, Figure 90, moves rearward, the governor linkage arm, 1, allows the fuel injection pump rack to move rearward to the full fuel position and the engine speed increases.

Engine speed depends upon several factors: the throttle setting determined by governor spring tension; the pressure exerted by the slider cone on the governor linkage; and, positioning of the injection pump rack.

All the governor linkage parts are located inside the engine timing gear cover. To inspect or replace any of the governor linkage parts, the timing gear case and injection pump must be removed from the engine.



91

ENGINE REASSEMBLY SEQUENCE

PRECAUTIONS

Thoroughly wash parts before reassembly. Ensure oil galleys are clean and unobstructed.

Lubricate all rotating and sliding components before assembly.

Clean all gasket surfaces, using care not to scratch mating surfaces. Use special care on aluminum parts. Discard and replace all removed gaskets. Use liquid gasket where necessary.

Never over-tighten threaded fasteners used on aluminum parts. Tighten only to specified torque values.

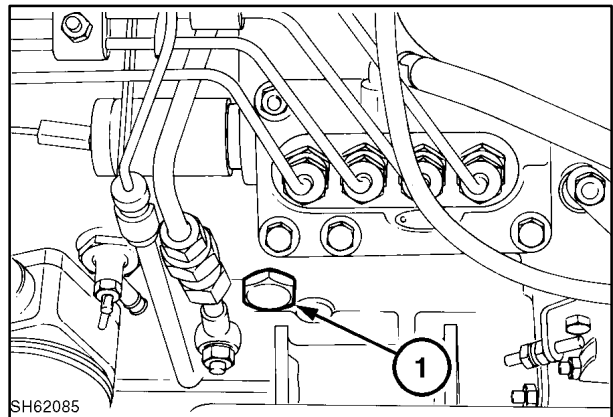
ENGINE REASSEMBLY SEQUENCE

Op. 10 304 38

OIL PRESSURE RELIEF VALVE ASSEMBLY

Install an O ring on the relief valve assembly.

Relief valve tightening torque: 43 ft. lbs. to 50 ft. lbs.
(58 N·m - 68 N·m)



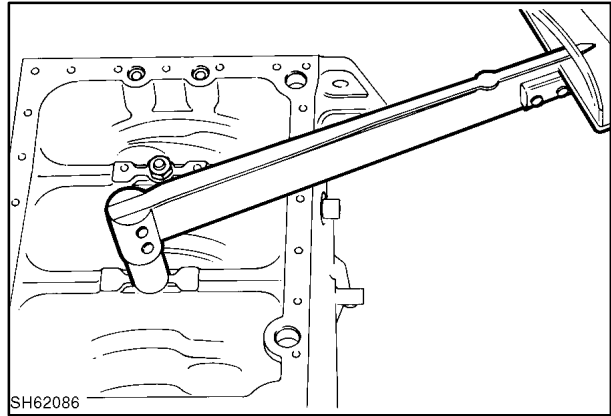
CRANKSHAFT AND BEARING HOLDER ASSEMBLY

1. Install the bearing holders on the crankshaft. Insert this in the bushing at the front end of the cylinder block.
2. Align the bolt hole at the lower part of the cylinder block with thread hole on the bearing holder and tighten with bolts. For flywheel end, use two special bolts, hex recess in its head.

Bearing holder tightening torque:

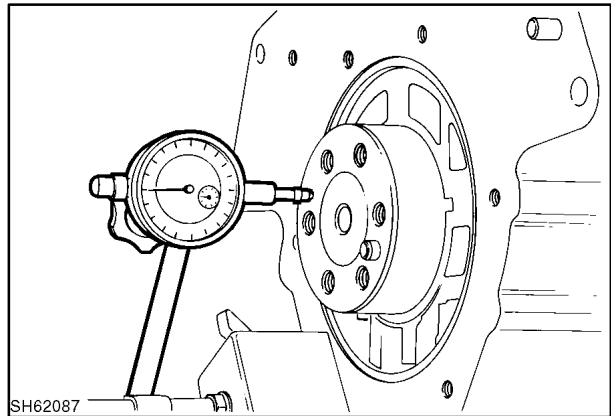
Hex hole bolts - 18 - 22 ft. lbs. (24 - 30 N·m)

Hex bolts - 36 - 40 ft. lbs. (49 - 54 N·m)



93

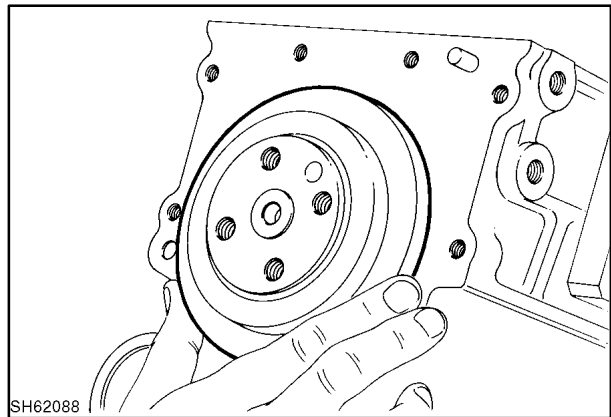
3. Measure crankshaft end float.
Standard Play: 0.004" - 0.016" (0.1 mm - 0.4 mm)
Allowable Limit: 0.020" (0.5 mm)



94

REAR OIL SEAL

This is a press-fit, retained by the backplate.



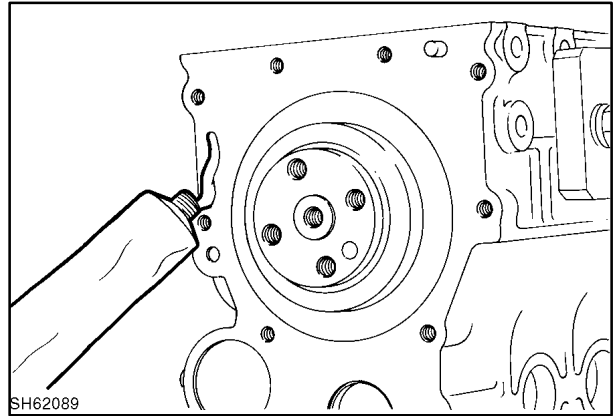
95

BACK PLATE/FLYWHEEL HOUSING

Coat the area around the M8 threaded holes with liquid packing solvent-based sealant and fix the backplate with bolts.

Backplate tightening torque: 10 - 13 ft. lbs. (14 - 18 N·m)

Housing tightening torque: 18 - 21 ft. lbs. (24 - 28 N·m)



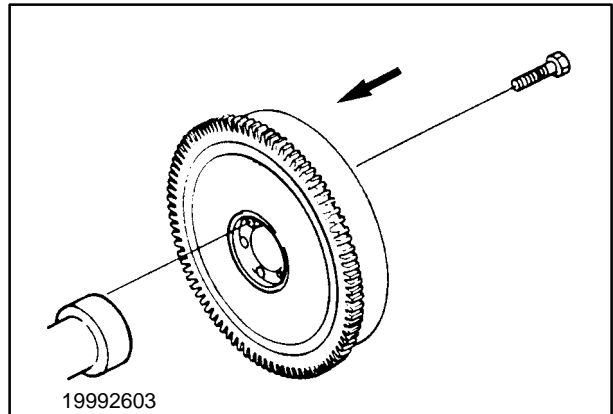
SH62089

96

FLYWHEEL

Fit the flywheel. Note the location of the spring pin.

Flywheel tightening torque: 43 - 50 ft. lbs. (58 - 68 N·m)



19992603

97

PISTON AND CONNECTING ROD

Coat the bearing face, piston, and piston ring with clean engine oil.

Slide the piston ring to permit a sufficient amount of oil to be applied in the groove. Set the piston ring gaps 90° apart from each other. However, do not position these gaps toward the piston pin or the right angle of the pin.

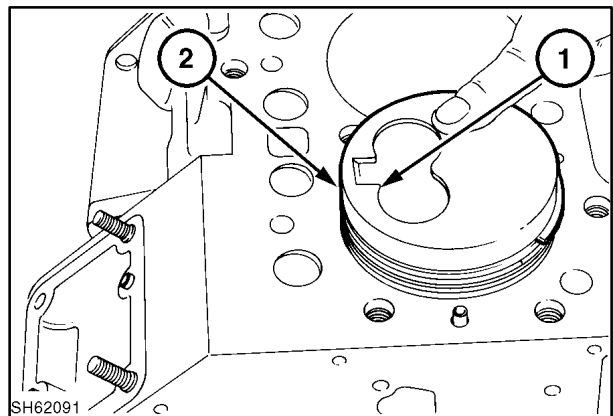
Insert the piston using a ring compressor. Face the reference mark, 1, on the piston toward the injection pump side, 2, as indicated. Also face the connecting rod mark towards the fuel pump side.

NOTE: Install pistons from the front in ascending order.

Tighten the connecting rod cap to the specified torque.

Connecting rod tightening torque: 36 - 40 ft. lbs. (49 - 54 N·m)

NOTE: After installation, ensure the crankshaft moves freely. Ensure the axial play of 0.004" to 0.012" (0.1 mm to 0.3 mm) is provided.



SH62091

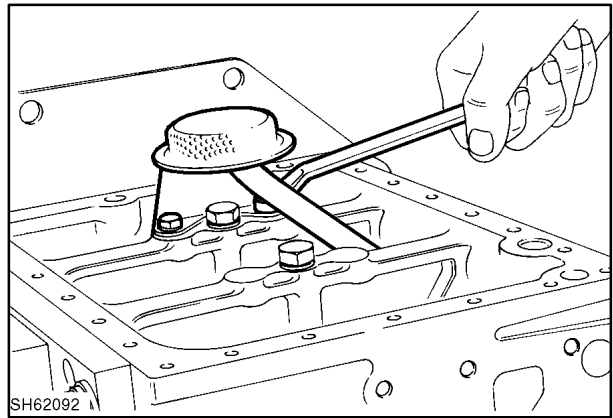
98

OIL INTAKE AND OIL STRAINER

Fix an O ring on the suction pipe and insert the pipe into the cylinder block.

Fit the end of the suction pipe to the oil strainer and fix the oil strainer.

Suction filter tightening torque: 6.5 - 9.5 ft. lbs. (8.8 - 12.9 N·m)



99

OIL SUMP

Tighten the bolts diagonally and evenly.

DIPSTICK AND TUBE

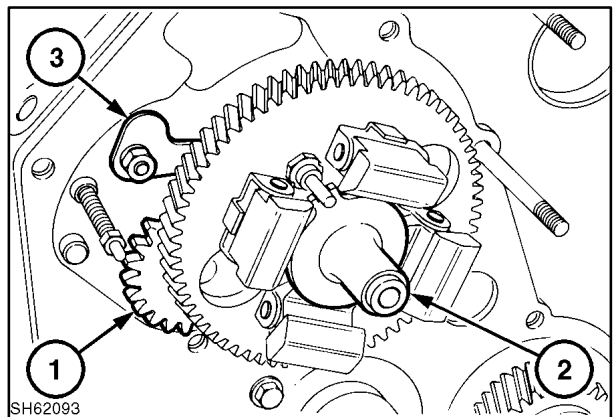
Install the dipstick and tube using two O rings.

FRONT PLATE

Camshaft Assembly, Tachometer, and Plate

1. Install the tachometer shaft.
2. Install the camshaft assembly. Avoid damaging bearings.
3. Fix the tachometer shaft and camshaft with the retaining plate.

Plate tightening torque: 6.5 - 9.5 ft. lbs. (8.8 - 12.9 N·m)



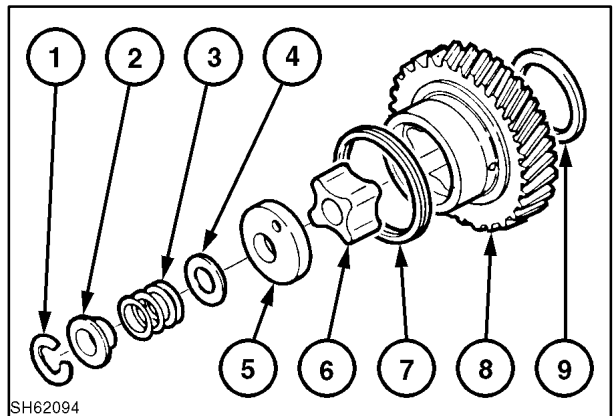
100

IDLER GEAR AND OIL PUMP ASSEMBLY (SEE SECTION IV OIL PUMP)

Install the thrust washer on the idler gear shaft.

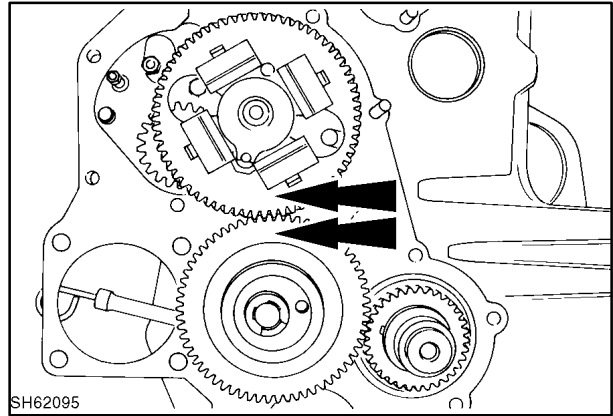
Assemble the vane, knock pin, and spring on the idler gear.

- 1 Snap ring
- 2 Collar
- 3 Spring
- 4 Shim
- 5 Oil pump cover
- 6 Rotor
- 7 Spring
- 8 Idler gear
- 9 Thrust washer



101

Align set marks on the idler gear, crankshaft gear, and camshaft gear, and assemble on the idler gear shaft.



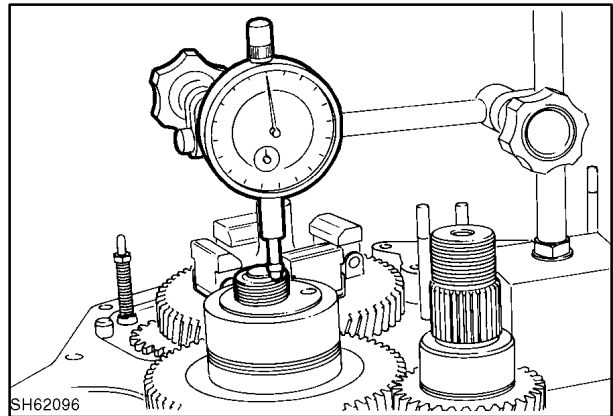
102

Install the rotor.

Install the oil pump cover, shim, spring, and collar. Fix them with the retaining ring.

Adjust with shim 0.1, 0.15, 0.2, 0.5 mm so the axial clearance of the oil pump, rotor, and vane is in the range of 0.004" - 0.006" (0.1 mm to 0.15 mm). The allowable limit is 0.008" (0.2 mm) .

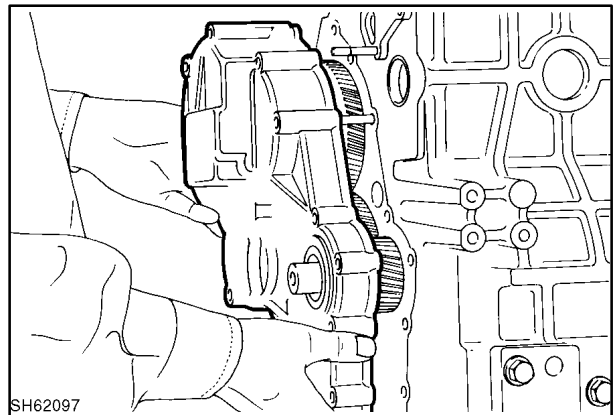
NOTE: Coat both faces of the rotor and vane with grease for assembly.



103

NOTE: NEVER TURN the crankshaft until the timing gear case is fitted.

By turning the oil pump cover to either direction, set the spring pin insert hole to the middle position and fit the gear case.



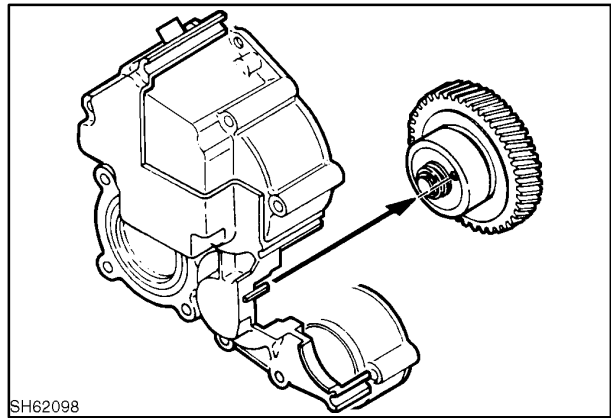
104

TIMING GEAR CASE

Install the start spring.

Insert the link through the hole in the cylinder block. Rotate the oil pump cover to the position spring pin hole to the center position. Install the cover locating pin in the oil pump cover plate (PB094).

NOTE: Do not damage the oil seal when fitting. Turn the mechanical stop lever clockwise to assist assembly.



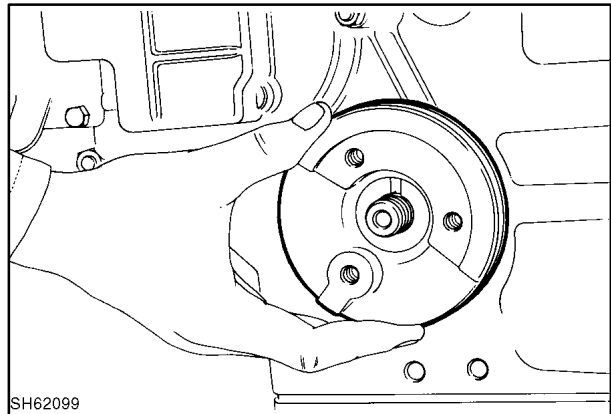
SH62098

105

CRANKSHAFT PULLEY

Align the keyway and key on the crankshaft pulley and crankshaft and assemble them.

Crankshaft pulley tightening torque: 203 - 246 ft. lbs. (275 - 333 N·m)



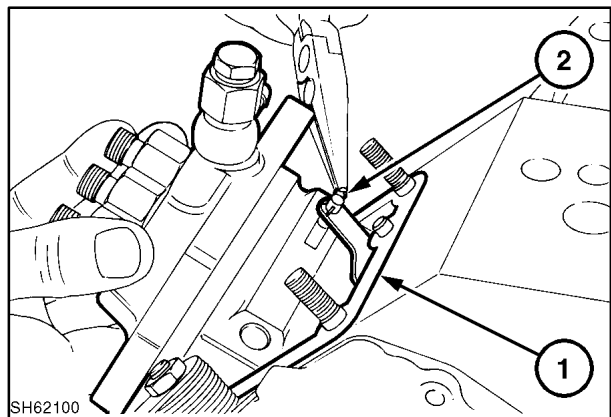
SH62099

106

INJECTION PUMP INSTALLATION

Reinstall the shim, 1. Connect the control rack of the injection pump with the link, 2, and fix with the snap pin.

Tighten the injection pump bolts and nuts.



SH62100

107

ADJUSTING THE FUEL INJECTION TIMING

Normally, this procedure provides correct injection timing. However, when the new injection pump, camshaft assembly, or cylinder block is used, fuel injection timing should be adjusted as explained below.

Reassemble the injection pump according to the procedures above. Use the shim of 0.5 mm thickness.

Remove the delivery valve holder at the front side (radiator side) of the injection pump.

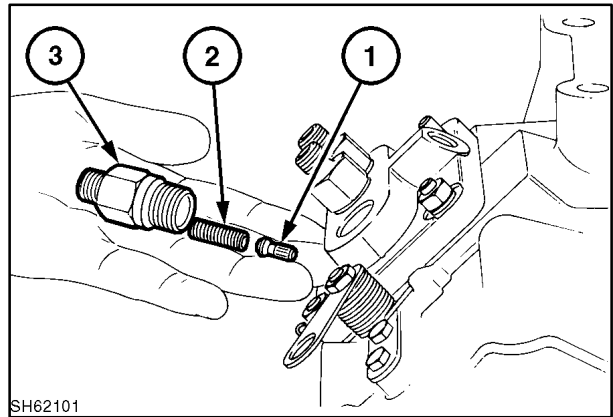
INJECTION TIMING AND CRANKSHAFT POSITIONS

| Engine Model | Degrees Crank BTDC | | | |
|--------------|--------------------|----|----|------------------|
| | X | Y | Z | Injection Timing |
| N844T | 21 | 20 | 22 | 20 - 22 |
| N844 | 22 | 21 | 23 | 21 - 23 |

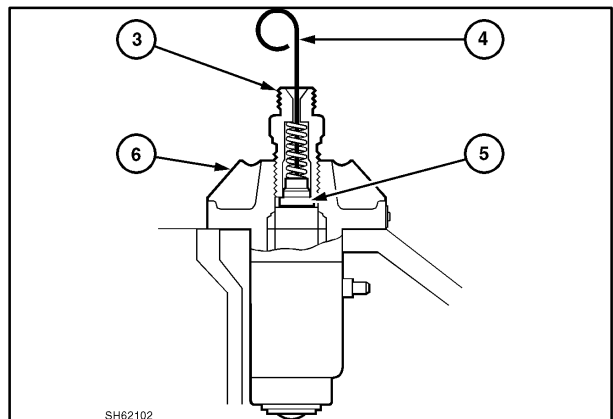
Pull out the delivery valve, 1, (IN), and reinstall the spring, 2, and delivery valve holder, 3.

NOTE: When reassembling the delivery holder, adjust the location of the delivery valve (OUT) to correct position using a wire, 4.

Move the governor control lever to "Maximum Fuel" position and send fuel with the No. 1 piston at around "X" degrees BTDC in its compression stroke. At this time, fuel flows from the delivery holder.



SH62101



SH62102

Piston Position in Relation to the Crankshaft Angle (BTDC)

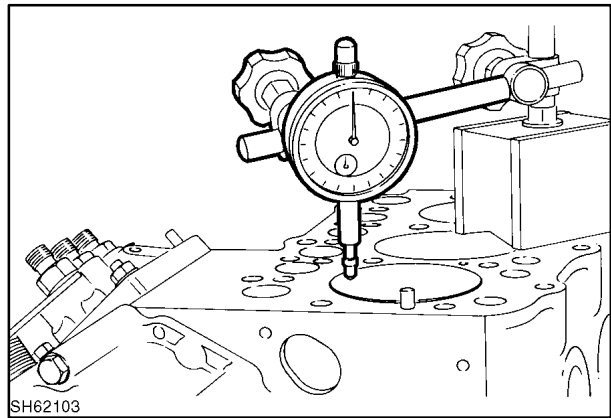
N844, N844T

| Crankshaft Angle (BTDC) | Position |
|-------------------------|--------------------|
| 13 | 0.0594" (1.510 mm) |
| 14 | 0.0689" (1.749 mm) |
| 15 | 0.0789" (2.005 mm) |
| 16 | 0.0897" (2.278 mm) |
| 17 | 0.1011" (2.569 mm) |
| 18 | 0.1132" (2.875 mm) |
| 19 | 0.1259" (3.199 mm) |
| 20 | 0.1393" (3.539 mm) |
| 21 | 0.1533" (3.895 mm) |
| 22 | 0.1680" (4.267 mm) |
| 23 | 0.1833" (4.655 mm) |
| 24 | 0.1991" (5.058 mm) |
| 25 | 0.2156" (5.477 mm) |
| 26 | 0.2328" (5.912 mm) |

Slowly turn the crankshaft clockwise until flowing fuel from the delivery holder is stopped. Check the piston position at this point. If the position is later than "Y" BTDC, use a thinner shim. If the position exceeds "Z" BTDC, use a thicker shim.

Changing the shim thickness by 0.004" (0.1 mm) will change the timing approximately one degree. Adding shims decreases the angle, while subtracting shims increases the angle.

NOTE: When the shim is not needed, assemble by coating, using liquid sealant.



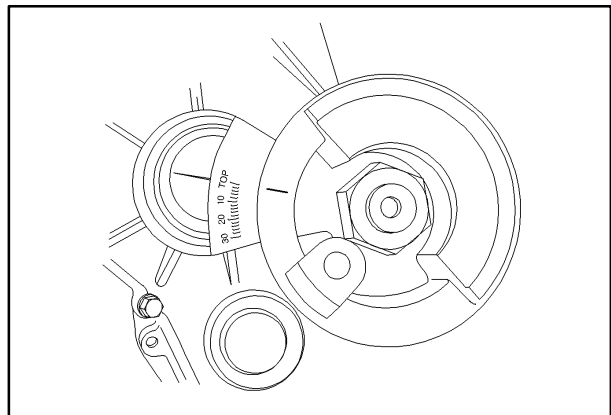
110

SPILL-TIMING PROCEDURE

1. Verify that the timing mark on the crankshaft pulley is in line with the "TOP" mark on the timing scale. If the mark on the crankshaft pulley is not in line with the "TOP" mark, verify piston top-dead center with a dial indicator. If the pulley mark is slightly off, re-mark the pulley and proceed.

NOTE: Color the timing mark on the crankshaft pulley and appropriate marks on the timing scale to increase visibility.

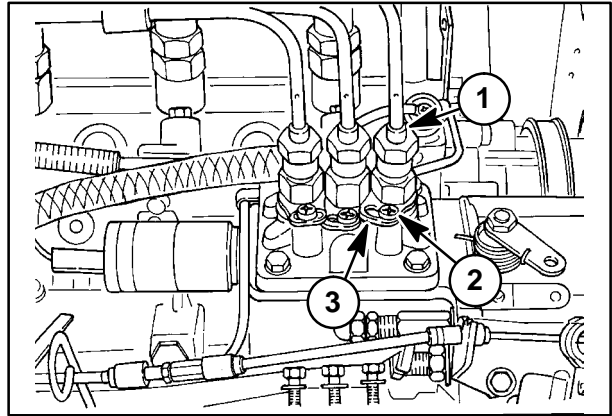
2. Reinstall the valve spring, keepers, rocker arm assembly, and valve cover.
3. Shut off the fuel supply to the injection pump at the fuel filter.



111

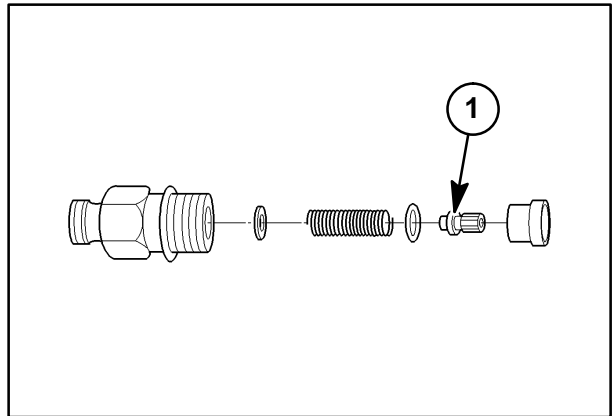
SECTION 10 - ENGINE

4. Remove the No. 1 injection line from the No. 1 injector, 1.
5. Remove the lock screw, 2, and remove the injector locking plate, 3.



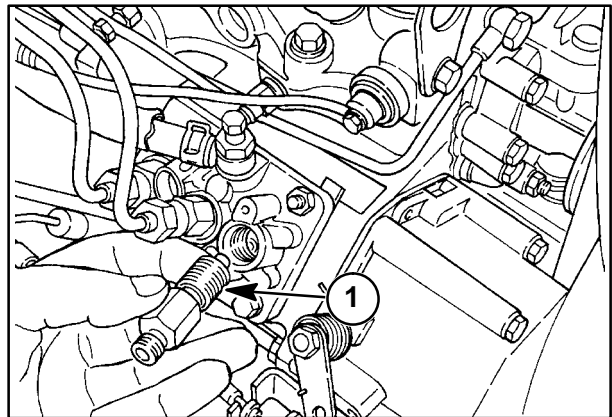
112

6. Remove the delivery valve piston, 1, from the No. 1 delivery valve.



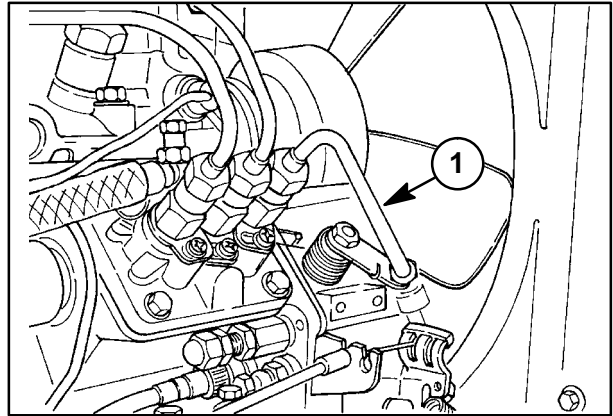
113

7. Reinstall the spring and holder, 1, into the injection pump and tighten securely.



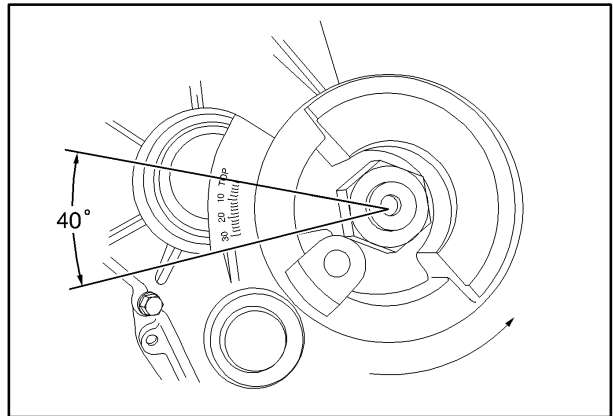
114

8. Fabricate a spill tube, 1, from a discarded injection line and install the tube on the No. 1 port on the injection pump.
9. Remove the fuel shut-off solenoid from the injection pump.



115

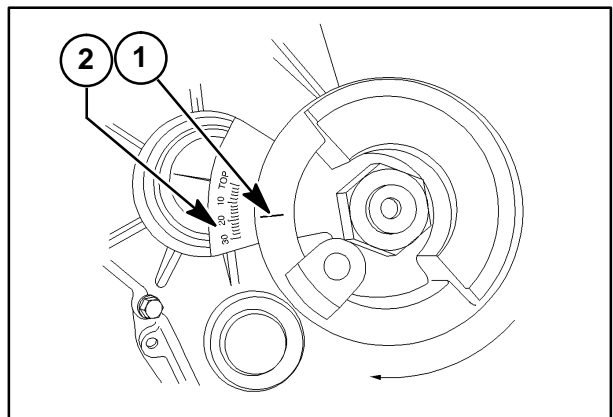
10. Rotate the crankshaft counterclockwise (viewed from the front of the engine) approximately 40°.
11. Turn on the fuel supply to the injection pump. Fuel should flow out of the spill tube on the No. 1 cylinder port.



116

12. Rotate the crankshaft clockwise. When the timing mark on the crankshaft pulley, 1, is in line with the 21° (N844T) or 22° (N844) mark on the scale, 2, fuel should stop flowing from the spill tube.
13. If fuel does not stop flowing at the appropriate timing mark, the injection pump timing must be adjusted by adding or removing shims located between the injection pump and the engine block.
14. Adding shims will retard the pump timing and removing shims will advance the pump timing.

NOTE: A shim thickness of 0.1 mm (0.004 in.) will change the pump timing by approximately 1°.



117

15. Assemble the components that were removed from the engine and fuel system.

Assemble the delivery valve (IN).

NOTE: Delivery holder tightening torques: 29 - 33 ft. lbs. (39 - 45 N·m).

Oil Filter

Coat the mounting face with a thin film of oil, and then hand-tighten.

Feed Pump

Insert using securing bolts.

Tappet

Coat the tappet with oil, and then assemble.

Cylinder Head

Set the piston to the top, dead center, and measure the amount of protrusion above the cylinder block with a depth gauge or a dial gauge.

NOTE: Take measurement by pressing the piston lightly.

Measure the protrusions for 4 cylinders. Use the highest reading as a reference.

Ensure the cylinder head gasket meets the tolerance levels.

N844, N844T

| Measurement | Gasket No. | Tightened Thickness |
|----------------------------------|------------|------------------------|
| 0.019 - 0.023" (0.5 - 0.6 mm) | 111147510 | t=0.047" (t=1.2 mm) |
| 0.023 - 0.031" (0.6 - 0.8 mm) | 111147520 | t=0.051" (t=1.3 mm) |

NOTE: The last four digits of code numbers are stamped on the head gasket. Install the head gasket with code numbers at the top.

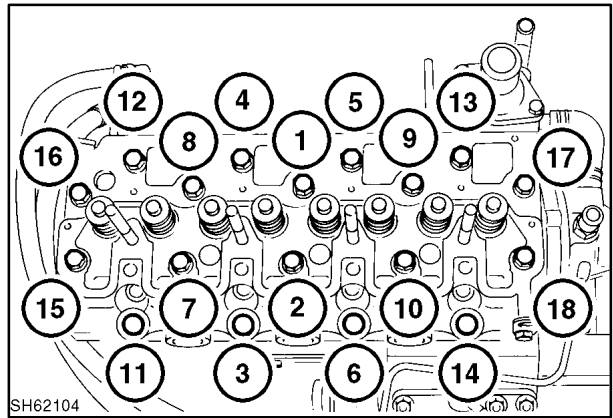
SECTION 10 - ENGINE

Tighten the cylinder head in 3-step procedures, in the order shown in the illustration. Finally, tighten with specified torque.

Specified torque: 72 - 76 ft. lbs. (98 - 103 N·m)

NOTE: Spring pin is used for positioning.

Coat threads of bolts with grease based with molybdenum disulfide.

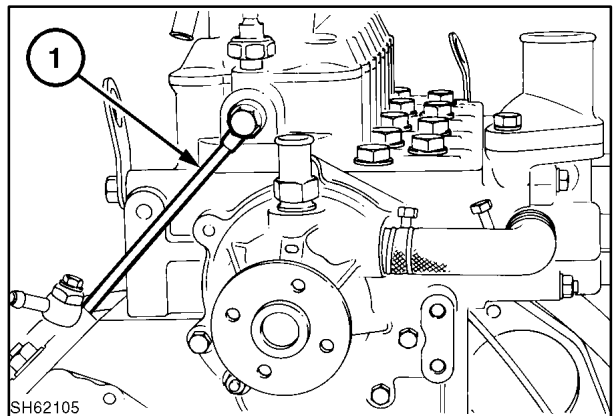


118

Oil Pipe

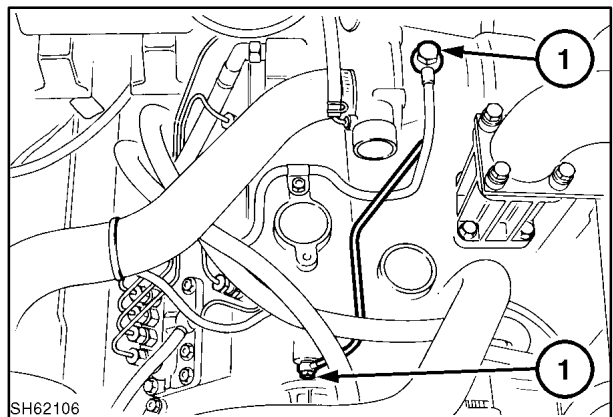
Eyebolt tightening torque: 7 - 9 ft. lbs. (9 - 12 N·m)

LS160 N844 engine - the oil pipe, 1, will be connected to the block.



119

LS170 N844T engine - the oil pipe will be connected to the turbocharger.



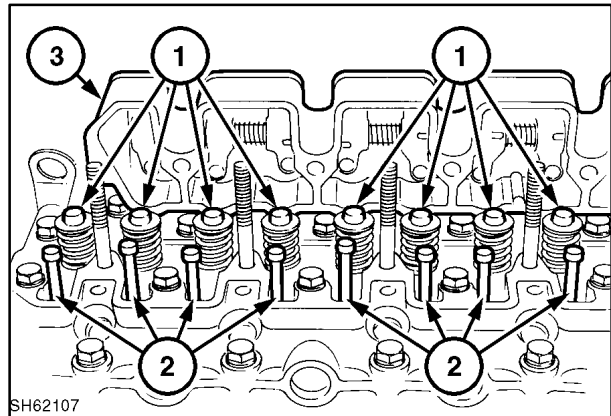
120

Cap, Push Rod, and Rocker Arm Assembly

Install the caps, 1, on the end of the valve stem.

Install the push rods, 2, and rocker arm assembly, 3.

Rocker arm assembly tightening torque: 20 - 29 ft. lbs. (27 - 39 N-m) 4-cylinder engines.

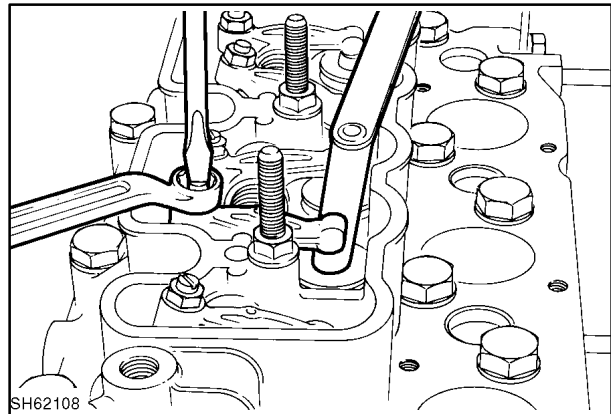


121

Valve Clearance Adjustment

Loosen the nut and adjust the clearance of both the intake and exhaust valves to 0.2 mm (0.0078") with the adjust screw.

NOTE: Adjust when the engine is cold. Set the No. 1 piston to TDC of compression stroke and adjust the No. 1 cylinder intake, exhaust valves, No. 2 cylinder intake valve, and No. 3 cylinder exhaust valve. Turn the crankshaft 360° in a clockwise direction, viewed from the front, and adjust the remaining valves.



122

Cylinder Head Cover

Evenly tighten the cylinder head cover. Ensure the oil ring gasket remains in location.

Cylinder head cover tightening torque: 9 - 12 ft. lbs. (12 - 16 N-m)

Water Pump Assembly and Thermostat Housing

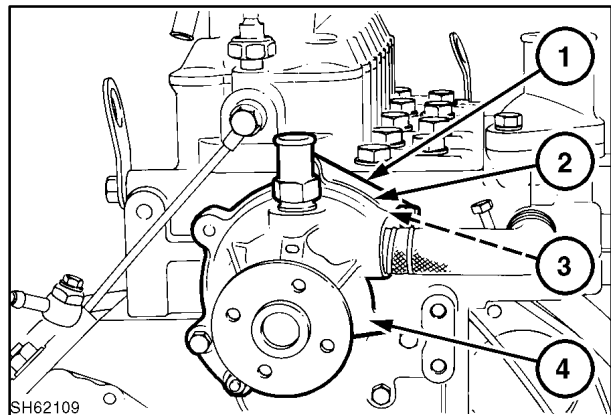
Install in the sequence of the gasket, plate, gasket and water pump assembly.

1 Gasket

2 Plate

3 Gasket

4 Water pump



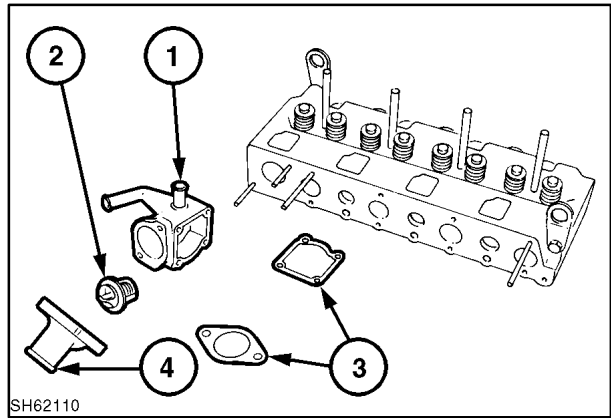
123

Connect the thermostat housing and hoses.

- 1 Thermostat housing
- 2 Thermostat
- 3 Gasket
- 4 Adapter

Glow Plug and Connector

Glow plug tightening torque: 11 - 14.5 ft. lbs. (15 - 20 N·m)



124

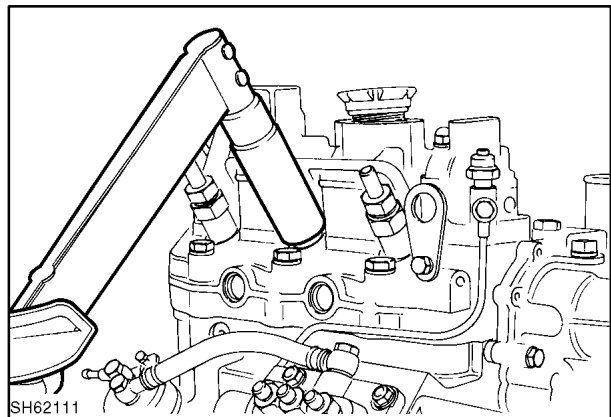
Oil Pressure Switch

Oil pressure switch tightening torque: 11 - 14.5 ft. lbs. (15 - 20 N·m)

Nozzle/Holder Assembly

Install the nozzle and holder assembly with a socket for the nozzle holder. Install the return pipe.

Nozzle/holder tightening torque: 44 - 51 ft. lbs. (60 - 69 N·m)

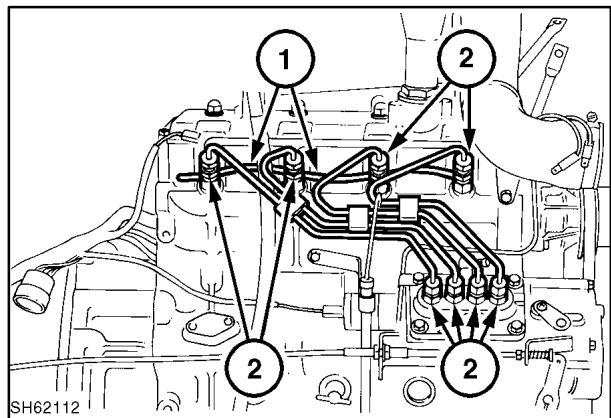


125

Return Pipe and Injection Pipe

After installing the return pipe, 1, install injection pipes, 2.

Injection pipe tightening torque: 11 - 18 ft. lbs. (15 - 24 N·m)



126

Alternator Assembly

Install the assembly, and check the belt groove alignment.

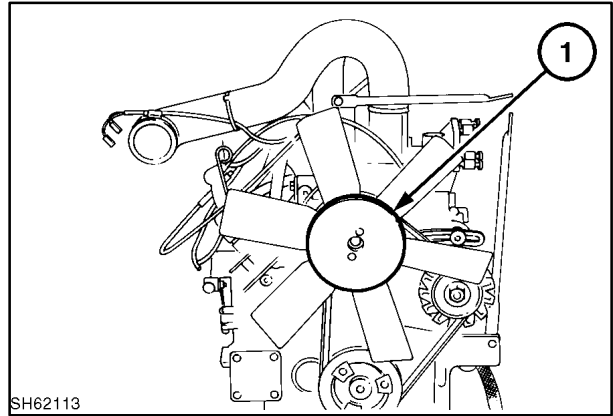
V-Belt, Fan Pulley and Cooling Fan

After mounting the fan pulley, cooling fan, spacers, and cover plate on the N844 LS160 engines, install the V belt.

Depress the belt at the center between the crankshaft pulley and the alternator pulley, with a force of approximately 5 kg (2.27 ft. lbs.). The fan belt tension should be adjusted so the deflection becomes 0.2" (5 mm) upon the above check.

Cooling fan tightening torque: 6.5 - 9.5 ft. lbs. (8.8 - 13 N·m)

The Model LS160 N844 engine fans are equipped with a cover plate, 1, over the center of the fan assembly.

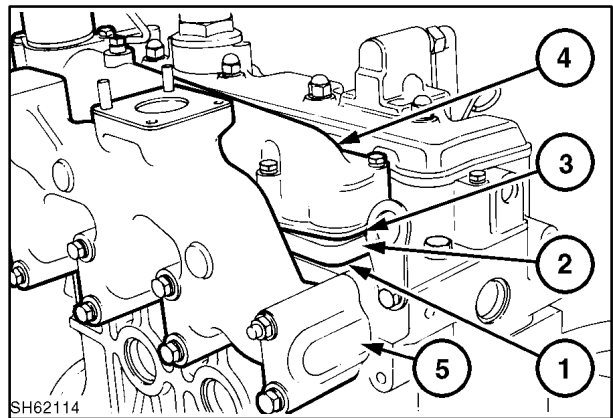


127

Intake/Exhaust Manifolds

Install in sequence of gasket, 1; spacer, 2; gasket, 3; and intake manifold, 4.

Install exhaust manifold, 5.

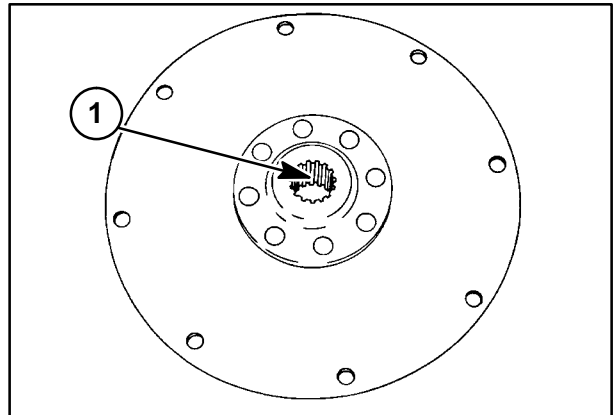


128

Op. 29 100 50

REINSTALLATION OF ENGINE INTO SKID STEER FRAME

NOTE: Inspect the splines, 1, on the hydrostatic pump flex plate and the splines on the input shaft. If flex plate is damaged, replace.



129

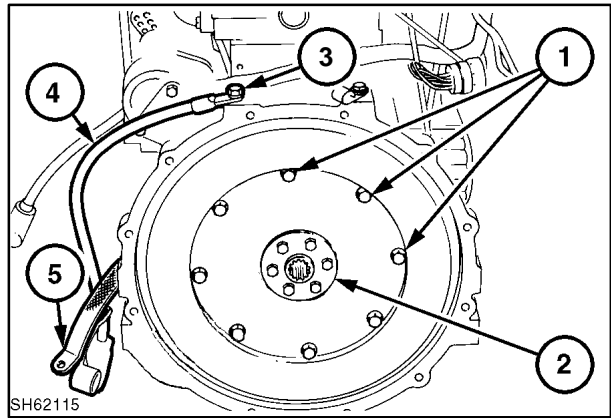
SECTION 10 - ENGINE

1. Reinstall the hydrostatic pump flex plate to the engine flywheel, 1, using eight 5/16" x 3/4" G5 cap screws and eight M8 lock washers. Torque to 20 ft. lbs. (26 N·m).

Reinstall the flex plate with the center hub of the plate away from the flywheel, 2.

2. When reconnecting the ground wires at 3, place the largest wire (battery ground cable, 4) next to the ground surface. Then stack the remaining ground wires according to size (smallest to largest wires) and secure.
3. When the engine is reinstalled, make sure the ground strap, 5, between the engine block and loader main frame is reinstalled to prevent engine bearing damage.

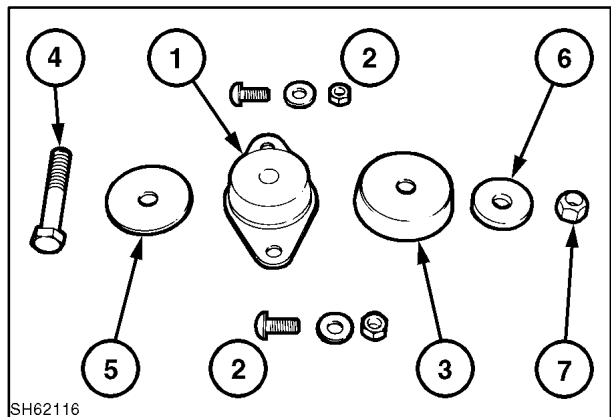
NOTE: Lubricate the splines of the drive plate and hydrostatic pump shaft with never seize or moly coat lubricant.



130

4. Check the condition and reinstall or replace the engine isolator mounts. Examine the condition of the rubber mount, 1, and replace the mount if it shows signs of deterioration.
5. Proper assembly of the engine isolator mount.

- 1 Isolator mount
- 2 Mount retaining hardware
- 3 Mount cover
- 4 Retaining bolt
- 5 Large flat washer (lower)
- 6 Small flat washer (upper)
- 7 Nut

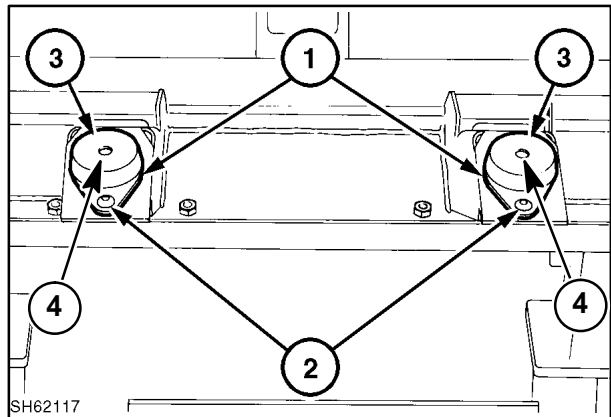


131

Torque the mount retaining hardware, 2, to 26 ft. lbs. (35 N·m).

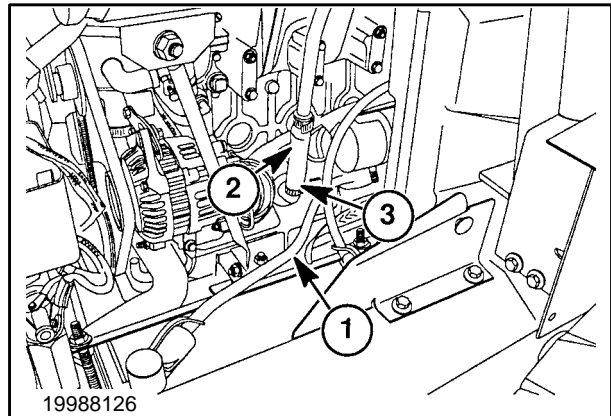
Torque the engine block retaining bolt, 4, to 83 ft. lbs. (112 N·m).

6. Attach the hydrostatic pump and support to the engine bellhousing as previously removed.



132

7. Reconnect the battery making sure the positive (+) battery cable, 1, on LS170 models routes away from the turbocharger hose, 2, and the hose clamp, 3.
8. Reverse the clamp, 3, to avoid unnecessary wear on cables and hoses.



133

HOW TO OPERATE THE ENGINE AFTER OVERHAUL

1. Check the quantity of the coolant, engine oil, and fuel.
2. Disconnect the wiring harness connector at the engine stop solenoid.
3. Move the hand throttle lever to the low, 1/3-throttle position.
4. Turn the key switch to the start position (rotate the starting motor) until the oil pressure lamp goes off (about 20 - 30 seconds).
5. Connect the wiring harness connector at the engine stop solenoid.
6. Move the hand throttle lever to the 1/3 - to 1/2-throttle position, start the engine, and operate at no more than 1500 RPM.
7. Adjust the low speed 1500 RPM with the engine running and warm up for 30 minutes. At the same time:
 - Check for abnormal sound
 - Check for temperature coolant
 - Check temperature of engine oil
 - Check leak of engine oil, coolant, and fuel
 - Check color of exhaust gas

A gradual running-in of the overhauled engine is necessary for delivery of the lubricating oil to the bearings, etc.
8. Refer to the turbocharger section of this manual for information on operating a turbocharged engine after overhaul.

COOLING SYSTEM**SPECIFICATIONS**

Capacity - 10.8 qts. (10.3 L)

Mixture - 50/50 antifreeze/water

Radiator cap - 7 PSI (48.3 kPa)

THERMOSTAT**Opening**

180° F (82° C)

Fully Open

203° F (95° C)

EIC starts reading degrees at 113° F (45° C) or 32° F (0° C)

EIC signals an overheat condition at 216° F (102° C)

OPERATION

The EIC (Electronic Instrument Cluster) monitors the engine coolant temperature during operation and will signal the operator should an overheat condition occur.

The EIC will read **COLD** at start-up and will start reading in degrees at 113° F (45° C) or 32° F (0° C). The EIC will default from any other monitored function to the coolant function when a overheat condition occurs at 216° F (102° C).

The cooling system has a recovery tank, 1, for coolant expansion.

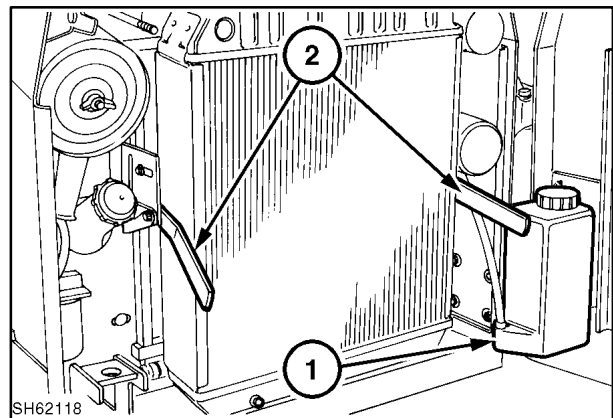
The radiator can easily be cleaned by raising up the two handles, 2, to slide the radiator to the rear and separate it from the oil cooler for cleaning.

IMPORTANT: Always reposition the radiator before closing the rear door; damage to the radiator or expansion tank may occur.

The cooling system must be filled with a 50/50 mixture of antifreeze and water for winter and summer protection.

IMPORTANT: Always top off the cooling system with a 50/50 antifreeze/water mixture. Always refill a drained cooling system with a 50/50 antifreeze/water mixture.

Add coolant to the recovery tank, not the radiator.



134

**DANGER**

Allow the engine and cooling system to cool off before adding coolant to the cooling system.

Always allow the engine and cooling system to cool off before draining the cooling system.

Op. 10 402 28

WATER PUMP ASSEMBLY AND THERMOSTAT HOUSING

Disassembly

Remove the backplate and gaskets.

Take out the thermostat and spring from the thermostat housing.

- 1 Water pump
- 2 Gaskets
- 3 Set plate

Op. 104 02 30

THERMOSTAT

Inspection

Replace the thermostat if the valve opens at ambient temperature.

Place the thermostat into water. Raise the water temperature gradually and inspect the valve opening temperature and valve lift. (Standard values are as described in the "Specifications" section.)

NOTE: Three to five minutes will be required before the valve starts operating.

| | N844 | N844T |
|-----------------------------------|--------------------------------|--------------------------------|
| Type | Wax Pellet Type | Wax Pellet Type |
| Temperature when starting to open | 176° - 183° F (80° - 84° C) | 156° - 163° F (69° - 73° C) |
| Temperature when fully open | 203° F (95° C) | 180° F (82° C) |
| Valve lift fully open | 0.315" (8.0 mm) | 0.315" (8.0 mm) |

Op. 104 02 28

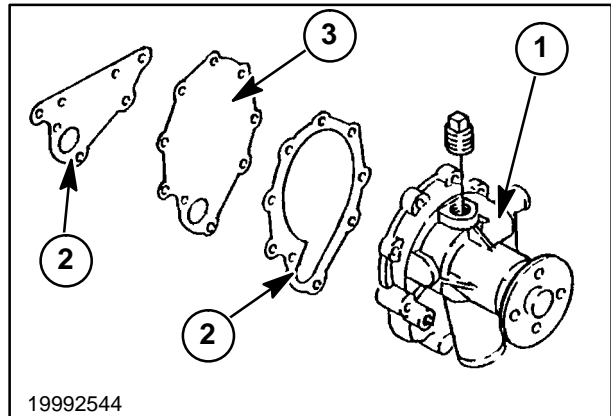
Water Pump

Check for cracks, wear, leaks, bearing roughness, or damage. If defective, replace assembly.

Reassembly

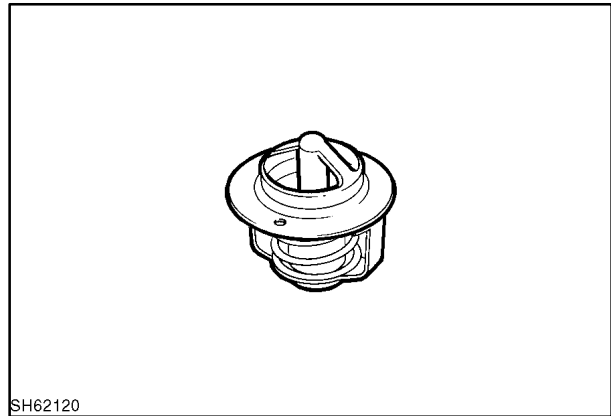
Assemble the thermostat and spring in the housing. Install the gasket and set plate on the water pump.

Rotate the fan holder to confirm there is no obstruction or interference.



19992544

135



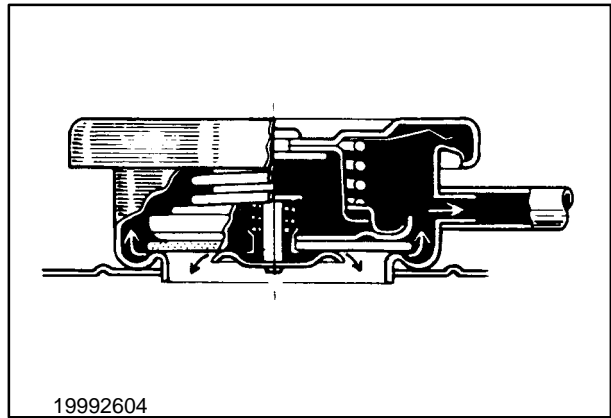
SH62120

136

RADIATOR**Op. 10 406 02****Radiator Cap**

A pressure-type radiator cap 7 PSI (48.3 kPa) is employed to obtain higher cooling efficiency. When the coolant pressure builds up to the range of 0.8 ± 0.15 kg/cm² (6.5 ft. lbs. to 10.8 ft. lbs.), excessive pressure is relieved from the overflow pipe (shown by white arrow).

When coolant temperature falls, coolant pressure may become less than atmospheric pressure. As this may fracture the radiator, the vacuum relief valve opens at 0.04 to 0.05 kg/cm² (2.9 ft. lbs. to 3.6 ft. lbs.) to protect the radiator (black arrow).



137

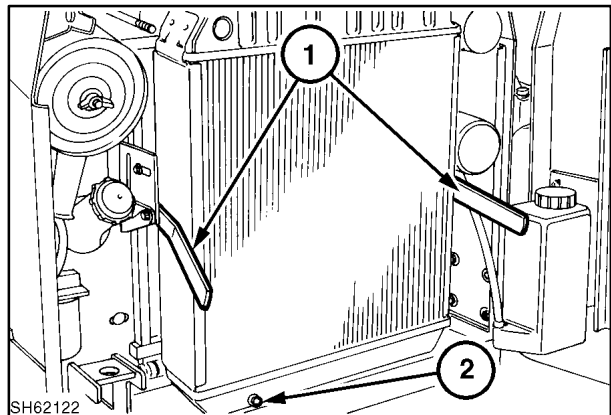
Inspection

1. Check the radiator for water leaks. If there are water leaks, repair or replace the radiator.
2. Check radiator fins for clogging by mud and/or other foreign matter. If clogged, clean the fins.
3. Check the pressure cap and vacuum pressure relief cap for operating pressure or contacting condition. Replace if defective.
4. Check the radiator hoses; replace if damaged.

Op. 10 406 10**Radiator Removal**

Drain the radiator and cooling system by raising up on handles, 1, moving the radiator to the rear. Remove the drain plug, 2, and drain the coolant into a clean container.

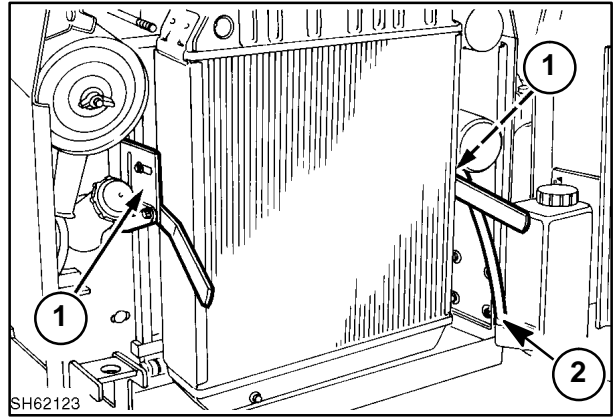
Remove the upper and lower radiator hoses.



138

SECTION 10 - ENGINE

Remove the radiator support hardware and handles, 1, from both sides of the radiator. Remove the overflow hose, 2, from the radiator at the cap.



FUEL SYSTEM

FUEL SPECIFICATIONS

Fuel tank capacity is 14.3 U.S. gal. (54 L).

DIESEL FUEL

Use clean, quality No.1-D or No. 2-D fuel (ASTM D975).

Use No. 1-D if the ambient temperature is expected to be less than 40° F (4° C) or if the loader is to be used at an altitude exceeding 5000 ft. (1524 m).

The sulfur content of the fuel should be no more than 0.5%.

The sediment and water content should not exceed 0.05%.

To prevent fuel flow problems in cold weather, use No. 1-2 diesel fuel with a pour point of at least 10° F below the expected ambient temperature.

Minimum cetane number is 40. Low temperature or high altitude operation may require the use of fuel with a higher cetane number.

In most areas, diesel fuel is properly blended for summer and winter grades as ambient temperatures change. In winter, use winter grade diesel fuel only. Otherwise, the fuel may cloud and block the fuel system. When temperatures are extremely cold, use properly mixed winter fuel.

Use New Holland diesel fuel conditioner part #251202 to mix with the diesel fuel. Follow the directions for use as indicated on the container.

DIESEL FUEL STORAGE

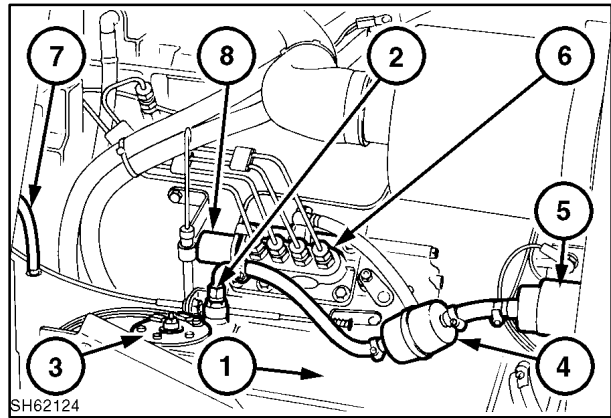
NOTE: Diesel fuels stored for a long time may form gum and plug filters.

Keep fuel in a clean container in a protected area. Water and sediment must be removed before fuel gets to the engine. Do not use deicers to remove water from fuel. Do not depend on fuel filters to remove water. If possible, remove water and sediment at the storage tank outlet.

IMPORTANT: Do not store diesel fuel in galvanized containers. Diesel fuel stored in galvanized containers reacts with the zinc coating of the container to form zinc flakes. If fuel contains any water, a zinc gel may also form. The gel and flakes will quickly plug fuel filters and may damage the injector pump and injectors.

FUEL SYSTEM COMPONENTS

The fuel system contains a fuel tank located in the left side of the engine compartment at 1. Fuel tank pickup tube, 2; fuel tank sending unit, 3; in-line fuel filter, 4; electric fuel pump, 5; injection pump, 6; and return fuel line, 7, from the injector bleed off to the tank. The fuel flow is controlled by an electronic fuel solenoid, 8, which is controlled by the EIC (Electronic Instrument Cluster).



140

Located between the electric fuel pump and the injector pump is an additional fuel filter (water trap), 1. The fuel tank cap, 2, is a vented style.



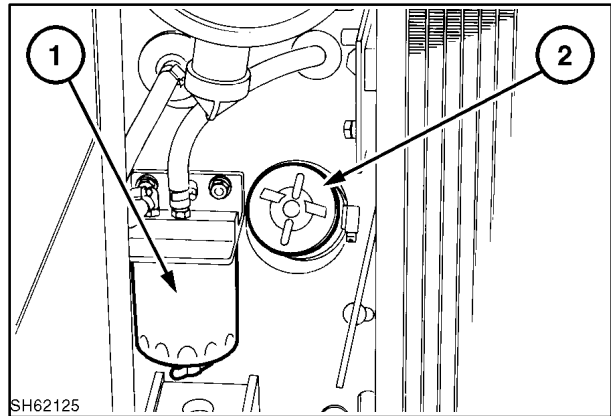
WARNING

Refuel the loader outdoors with the engine shut off. Replace the fuel cap securely. Use an approved fuel container. Do not smoke when handling fuel. Avoid spilling fuel.

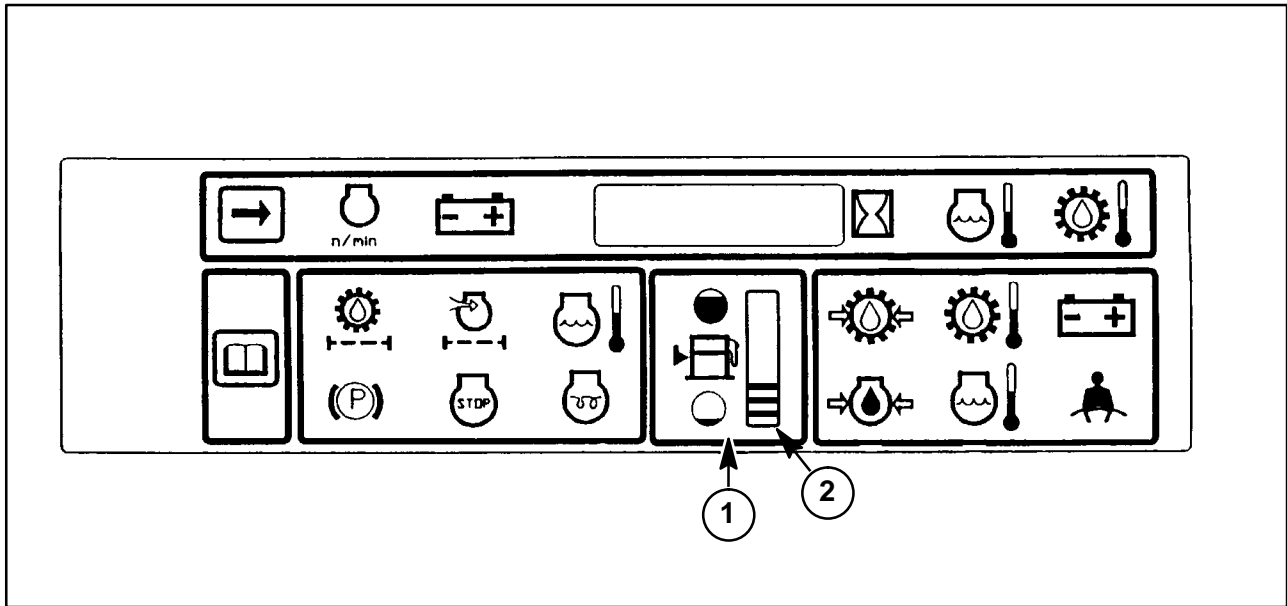
Filling the Tank

The fuel tank filler cap, 2, is located at the rear of the skid steer behind the rear door. Wipe the dust and dirt from around the cap before removing the cap to prevent trash from falling into the tank while filling it. Use an approved fuel container and keep it clean. **The fuel tank capacity is 14.3 U.S. gal. (54 L).**

NOTE: The fuel cap is the vented type. Use only a vented cap to prevent fuel system related problems.



141



142

FUEL GAUGE

In the center of the EIC panel is the fuel gauge, 1, implemented as a vertical 10-segment green LED bar graph. The lowest segments will flash when the fuel level is low. An audible alarm will accompany the

flashing light for about 5 seconds. When the fuel level reaches three bars, 2, the segments will flash.

When the fuel level reaches two bars, the EIC will signal the operator again, with the segments flashing and another five-second audible alarm.

COLD START AID

The EIC controls a timed preheat cold start to assist in cold weather starting. The timed period will vary from 0 to 15 seconds depending on model engine and engine temperature.

STARTING A COLD ENGINE

Move the engine speed control ahead to 1/3 position, maximum 1500 RPM.

Turn the ignition key, 1, to the "RUN" position. The EIC will automatically activate the engine preheat system and the preheat light, 2, will be on, also at this time the character display, 3, will read the seconds remaining to heat. When the light goes off and the display is 0, turn the ignition key to the "START" position. After the engine starts, allow the key to return to the "RUN" position.

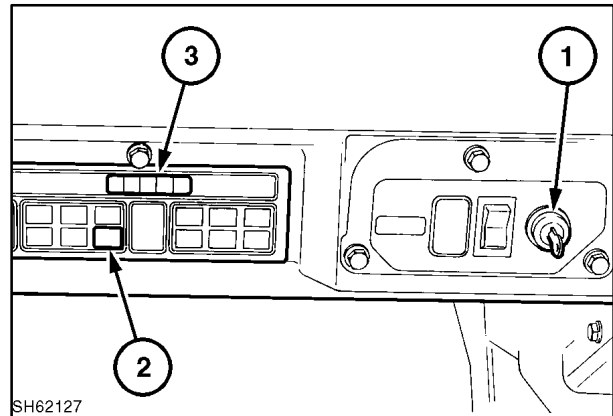
The engine must start within 30 seconds; if the engine does not start preheat again. Allow the starter to cool for one minute before engaging the starter motor. To start the preheat sequence again, turn the ignition key off and then on again.

Always allow the engine to operate at a maximum of 1500 RPM to warm up before applying a load.

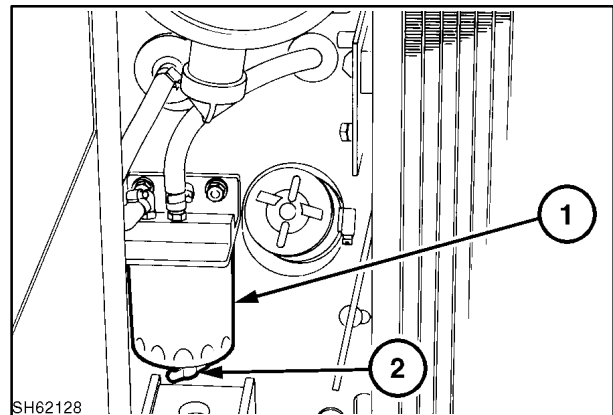
NOTE: Following the above starting procedures is very important for any engine but especially a turbocharged engine to insure the turbocharger is lubricated properly.

FUEL FILTER SYSTEM

The unit is equipped with a fuel filter water trap, 1. Drain the water trap filter every 100 hours of operation, or sooner if water is found in the fuel supply. To drain the water trap, turn the drain cock, 2, on the bottom of the cartridge and allow the water to drain. Replace the filter every 500 hours.



143

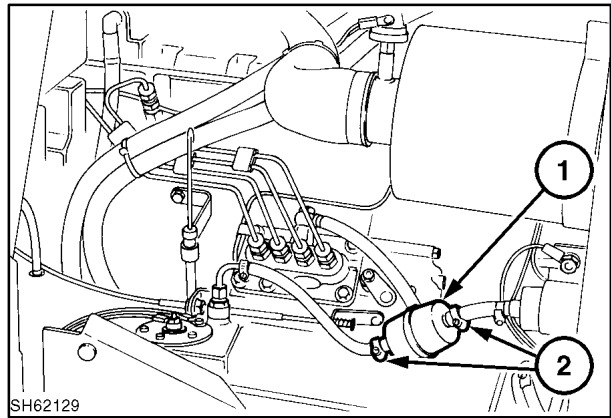


144

Replace the in-line filter, 1, every 250 hours of operation. To remove the filter, remove the two hose clamps, 2, and remove the hoses from the filter. Install a new filter, hoses, clamps and tighten.

⚠ WARNING ⚠

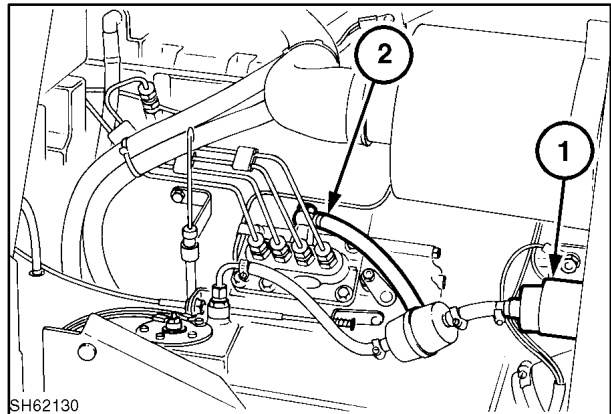
All service should be performed with the engine shut down. If servicing the loader with the boom in the raised position, be sure the boom arms are supported by the boom lock pins.



145

PRIMING THE FUEL SYSTEM

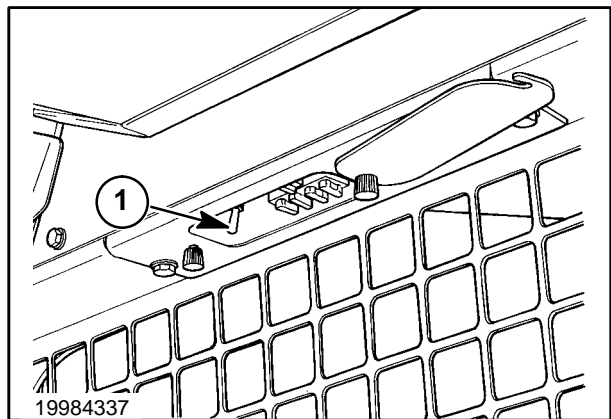
The skid steer loader is equipped with an electric fuel pump, 1. If the engine has been run out of fuel, add a minimum of 5 gallons (18.9 L) fuel to the tank.



146

Put the Service/Run switch, 1, in the SERVICE position. Remove the fuel line, 2, Figure 148, at the injector pump.

Turn the ignition switch to the RUN position and allow the electric fuel pump to pump fuel until a full stream of fuel (no air) flows at 2, Figure 148. Reinstall the fuel line. Now start the engine and allow the engine to run until the injection pump self bleeds the air from the pump.



147

FUEL SYSTEM TESTING**ELECTRIC FUEL PUMP**

| STEP | PRETEST INSTRUCTIONS | TEST | RESULT | PROBABLE CAUSE AND CORRECTION |
|------|--|--|-----------|--|
| 1 | Loader on level with parking brake engaged, key "OFF" position | Fuel level in tank | NO YES | Add fuel and bleed system Go to next step |
| 2 | Key "ON" position | Fuel pump operating | NO YES | Check power supply (5-amp fuse in cab panel) If OK, replace pump Go to next step |
| 3 | Key "ON" position | Fuel pump operating but not pumping fuel | NO YES | Check line to tank, air leak, fuel level, tank pickup tube. If OK, replace pump Go to next step |
| 4 | Key "ON" position | Fuel pump operating and pumping fuel | NO YES | Replace pump Remove fuel line at injector pump and bleed system, if OK go to next step |
| 5 | Key "ON" position | Fuel pump operating and pumping fuel | YES | Check fuel shutoff solenoid for operation |

NOTE: Always check fuel level in tank. Always check fuel filters.

FUEL SHUTOFF SOLENOID

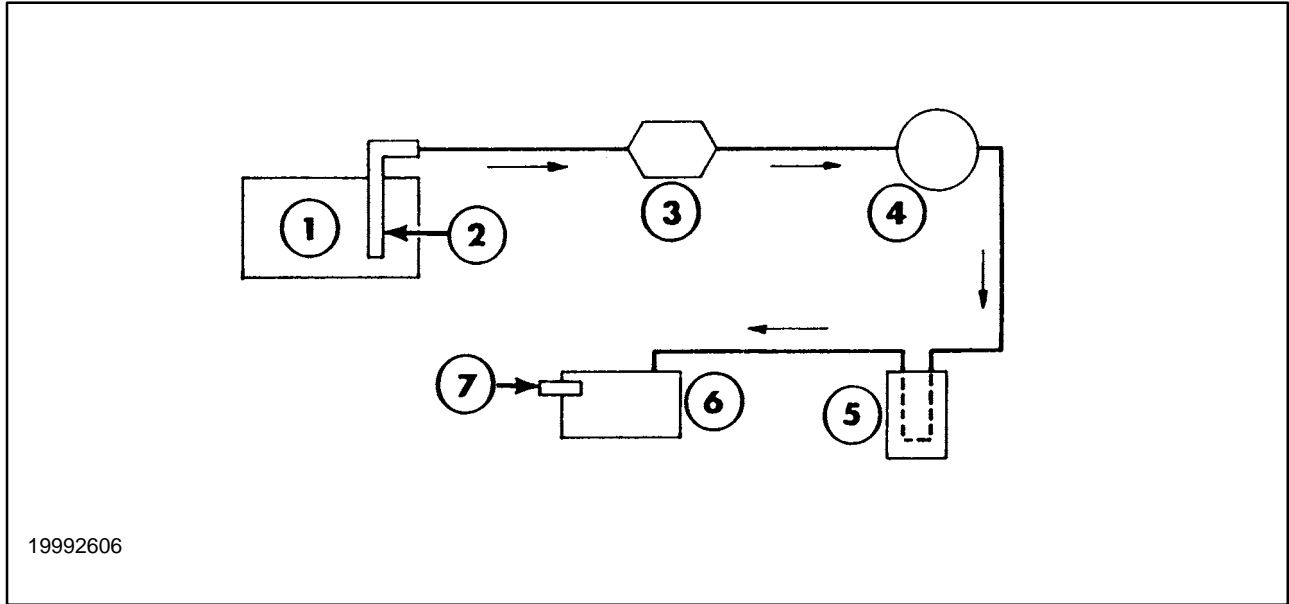
| STEP | PRETEST INSTRUCTIONS | TEST | RESULT | PROBABLE CAUSE AND CORRECTION |
|------|---|-----------------------------|-----------|--|
| 1 | Loader on level with parking brake engaged, key "ON" position, service "RUN" switch in "RUN" position | Battery voltage to solenoid | NO YES | Check power wire from EIC to solenoid for open, if OK go to next step Replace solenoid |
| 2 | Key "ON" position, service "RUN" switch in "SERVICE" position | Battery voltage to solenoid | NO YES | Check power wire from service run switch to fuel solenoid, if OK go to next step Replace solenoid |
| 3 | Key "ON" position, service "RUN" switch in "RUN" position | Check EIC board operation | NO YES | Check power to EIC board Replace EIC board |

SECTION 10 - ENGINE

FUEL TANK SENDING UNIT(Fuel level)

| STEP | PRETEST INSTRUCTIONS | TEST | RESULT | PROBABLE CAUSE AND CORRECTION |
|------|---|--|---|--|
| 1 | Loader on level with parking brake engaged, key "ON" position | EIC gauge and sender operation jumper wire from one terminal to other at sender | NO (bars light up) YES (bars light up) | Check wires from sender to EIC board, if OK, replace EIC board Replace sender |

FUEL FLOW

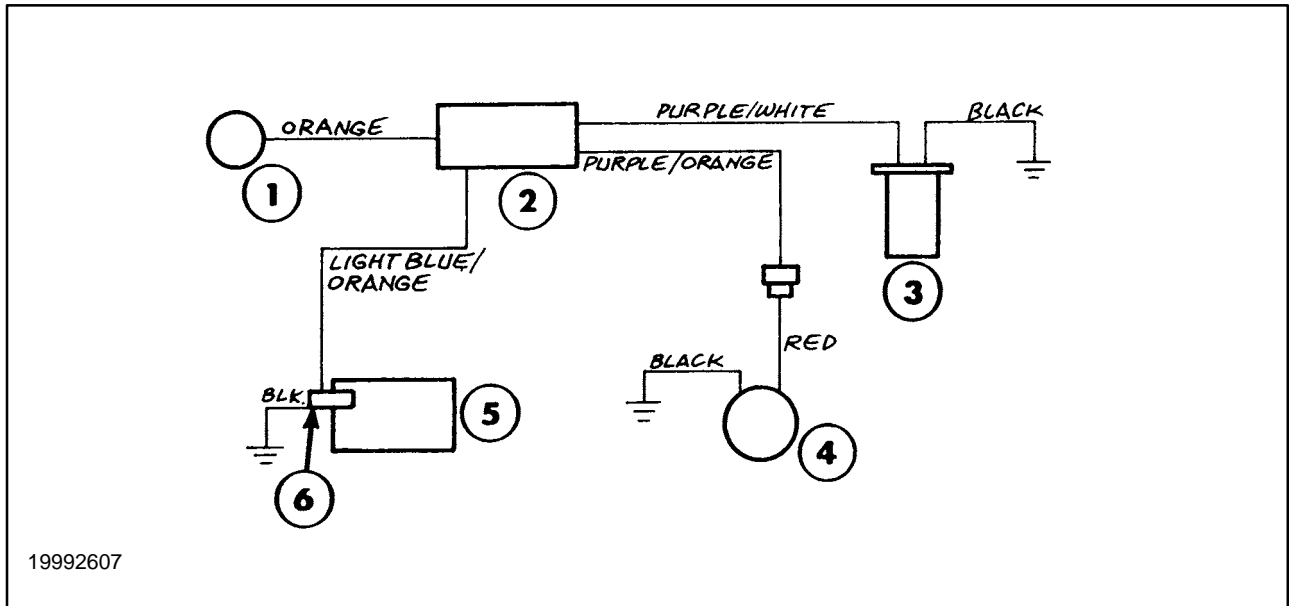


19992606

148

- | | |
|-----------------------|--------------------------|
| 1 Fuel tank | 5 Filter (water trap) |
| 2 Tank pick-up | 6 Injection pump |
| 3 In-line fuel filter | 7 Fuel shut-off solenoid |
| 4 Electric fuel pump | |

FUEL SYSTEM ELECTRICAL DIAGRAM



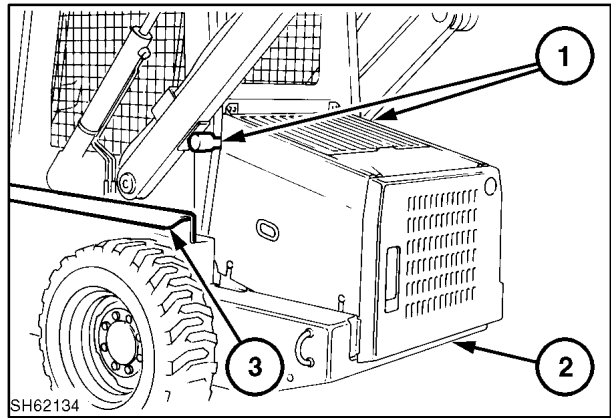
19992607

149

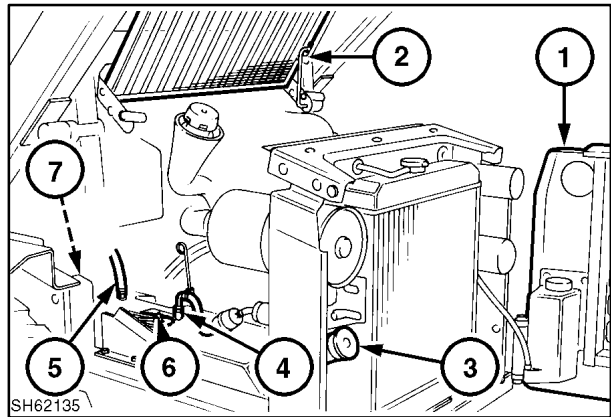
- | | |
|---------------------|--------------------------|
| 1 Key switch | 4 Electric fuel pump |
| 2 EIC board | 5 Injector pump |
| 3 Fuel level sender | 6 Fuel shut-off solenoid |

FUEL SYSTEM COMPONENTS**Op. 10 216 10****FUEL TANK****Remove and Replace**

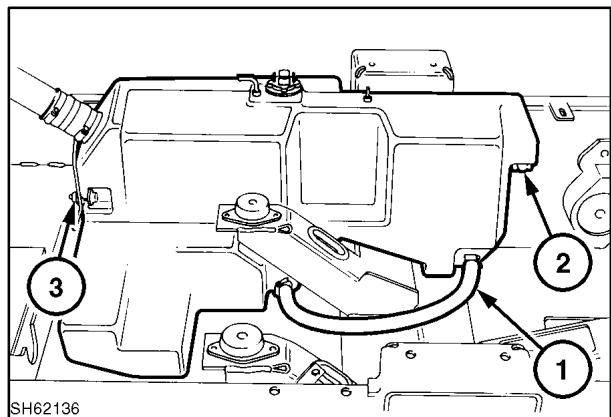
1. Raise the boom, extend the boom lock pins, 1, and lower the boom down on the lock pins.
2. Stop the engine, turn the ignition key to the "ON" position and operate the boom and bucket control pedals to relieve pressure in the cylinders, turn the key "OFF."
3. Jack and securely support the loader up off the ground approximately 20" (508 mm).
4. Remove the engine area belly pan, 2.
5. Remove the left fender, 3.
6. Open rear door, 1, raise the top shield, 2, and remove the left side shield.
7. Remove the fill neck retaining hose clamp or screw at the tank and remove fill neck, 3.
8. Unhook the suction fuel line, 4, and return fuel line, 5.
9. Remove the wires from the fuel level sender, 6.
10. Remove the lower engine fuse panel support hardware, 7, and move the panel up.
11. Remove the connecting hose, 1, and drain the fuel tank into a clean container.
12. Remove the front, 2, and rear, 3, tank support hardware.
13. Remove the fuel tank from the bottom of the engine compartment.



150



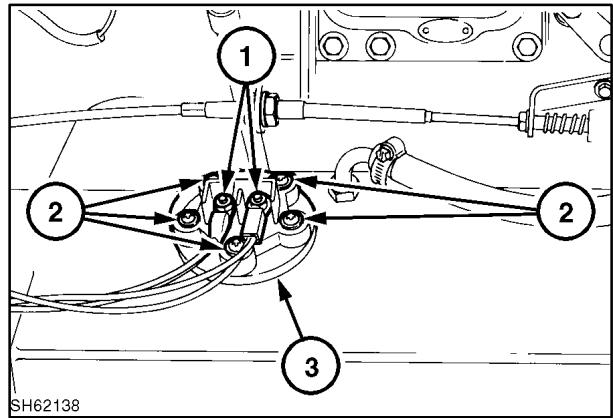
151



152

Op. 55 410 80**FUEL LEVEL SENDER**

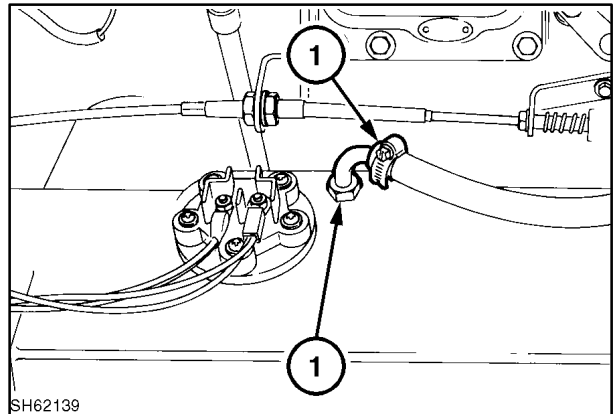
1. Support the boom on the boom lock pins.
2. Open the rear door and remove the left engine side shield.
3. Unhook the wires from the sender, 1.
4. Remove the sender retaining screws, 2, and remove the sender, 3, assembly from the tank.



153

Op. 10 214 12**FUEL TANK PICKUP TUBE**

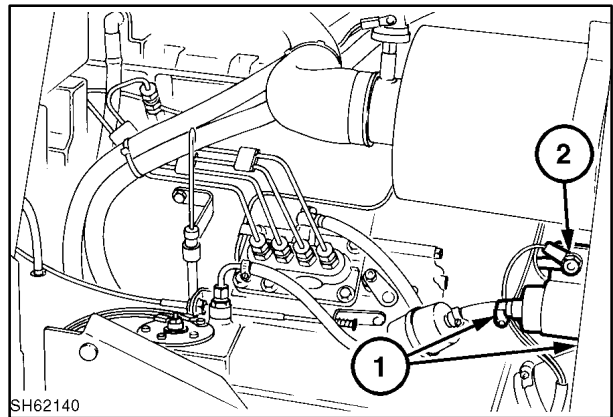
1. Support the boom on the boom lock pins.
2. Open the rear door and remove the left engine side shield.
3. Remove the suction line from the pickup tube, 1.
4. Unthread the tube, 2, from the tank.
Upon reinstallation of the tube, seal the threads with thread sealer.



154

Op. 10 210 21**ELECTRIC FUEL PUMP**

1. Support the boom on the boom lock pins.
2. Open the rear door and remove the left engine side shield.
3. Remove the hose clamps, 1, from the pump and hoses.
4. Remove the pump support hardware, 2, ground wire, and unplug the power wire.
5. Upon reinstallation of the pump, make sure the pump wires are placed to prevent damage. Make sure the ground wire is making good contact.



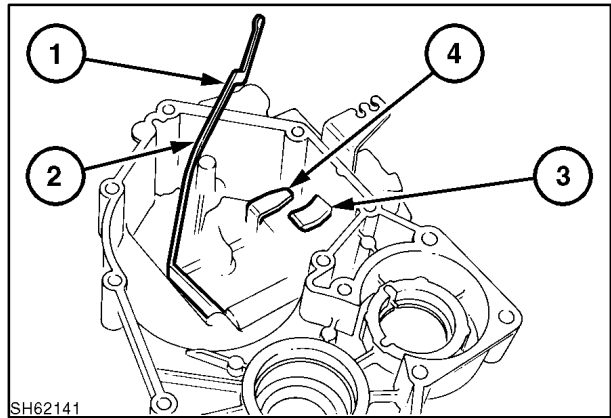
155

Op. 10 230 24**GOVERNOR****Construction/Function**

A mechanical all-speed governor is used. It is housed in the gear case.

A flyweight assembly is mounted on the camshaft. The movement of the flyweight is transmitted to the injection pump control rack by way of the slider, control lever, and link, 1. A spring which is hooked to the arm, 3, and tension lever, 4, regulates the movement of the flyweight.

By changing the set angle of the governor lever, tension on this spring is changed. Thus, the engine speed can be regulated by the governor lever.



156

Maximum Speed Set Bolt

The set bolt is mounted on the cylinder block. This bolt limits the movement of the arm and has been adjusted and sealed at the factory.

Maximum Fuel and Start Spring

These are built into the cylinder block to regulate fuel injection at high speed. Regulation of fuel injection in the middle speed range is by torque spring to realize higher torque.

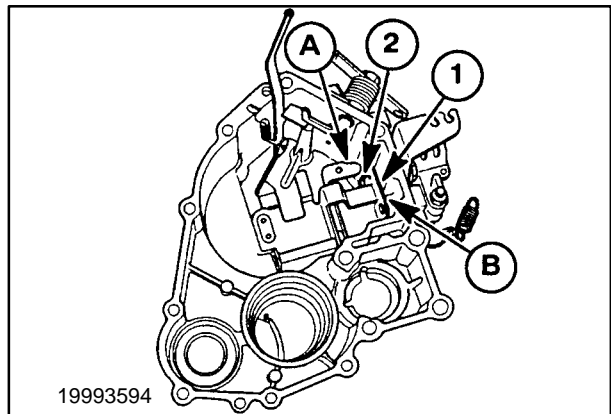
A start spring, 2, is placed between the gear case and link. This spring automatically functions to increase fuel during the start mode.

An idling spring at the gear case stabilizes engine idling speed.

The maximum fuel has been adjusted at the factory and sealed.

GOVERNOR OPERATION

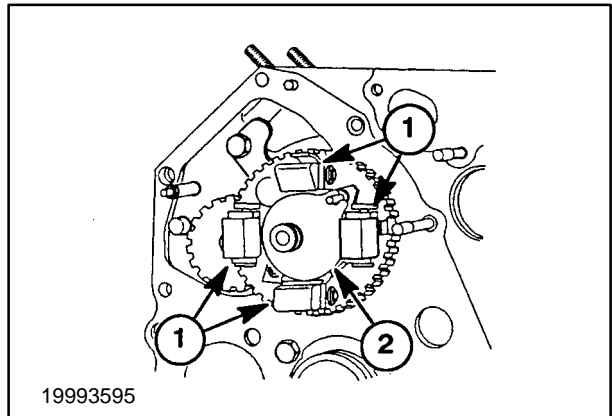
As the engine speed increases, the throttle arm, 1, contacts the fuel screw adjuster at contact point A, and the high-speed idle stop screw at B. During the engine speed increase, tension is placed on the governor spring, 2.



157

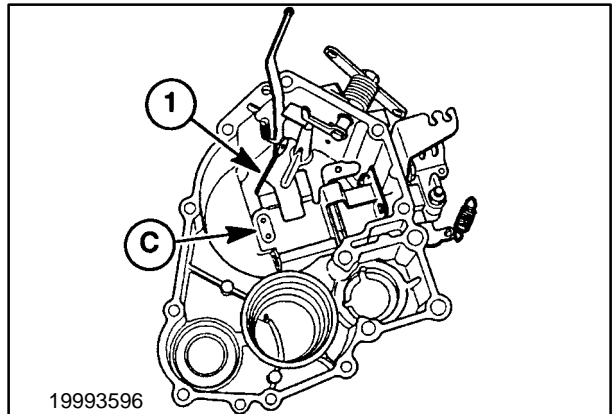
SECTION 10 - ENGINE

As the engine speed increases, the four governor weights, 1, pivot outward and push on the slider cone, 2. The weights and slider cone are located on the end of the camshaft.



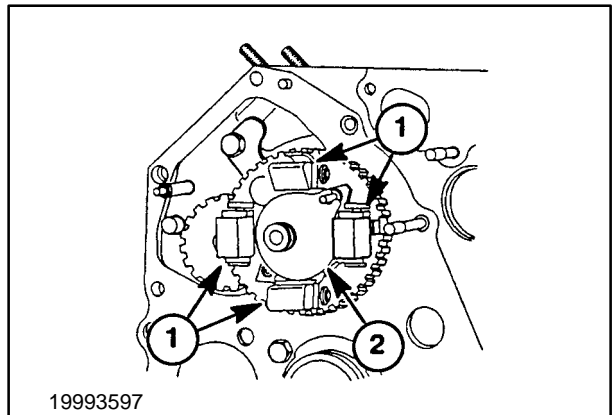
158

The slider cone, 2, Figure 160, contacts the governor linkage arm, 1, at contact pad, C. As the cone moves forward, it pushes the linkage arm, 1, forward, which is connected to the injection pump rack assembly. When the injection pump rack moves forward, the fuel delivery is decreased and the engine speed decreases.



159

As the engine speed decreases, the governor weights, 1, pivot inward allowing the slider cone, 2, to move rearward.

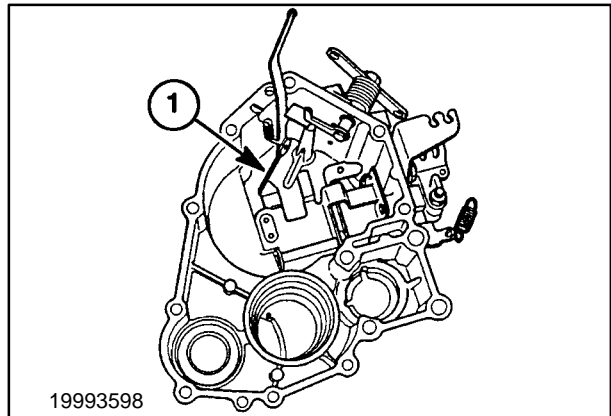


160

As the slider cone, 2, Figure 162, moves rearward, the governor linkage arm, 1, allows the fuel injection pump rack to move rearward to the full fuel position and the engine speed increases.

Engine speed depends upon several factors: the throttle setting determined by governor spring tension; the pressure exerted by the slider cone on the governor linkage; and, positioning of the injection pump rack.

All the governor linkage parts are located inside the engine timing gear cover. To inspect or replace any of the governor linkage parts, the timing gear case and injection pump must be removed from the engine.



161

Op. 10 218 34

NOZZLE AND HOLDER

Specification

Nozzle type: Throttle type

Needle valve diameter: 0.16" (4 mm)

Pintle diameter: 0.04" (1 mm)

Valve setting pressure: 155 - 165 kg/cm² (153 - 163 atm)

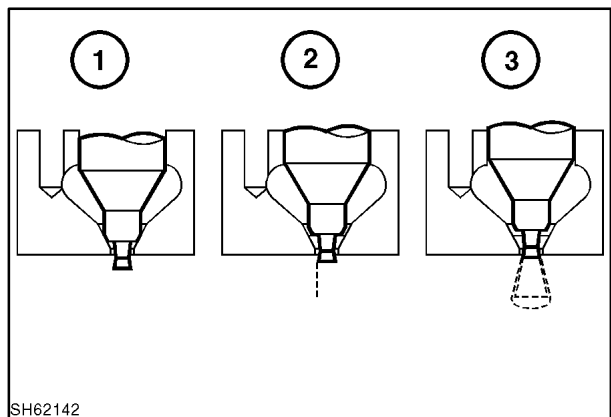
Spraying angle: 4°

Construction/Function

The nozzle has been machined to inject fuel which is pressure-fed from the injection pump to the combustion chamber. Fuel is pressure-fed from the oil hole of the nozzle holder to the nozzle body and sprayed from the nozzle compressing the spring when the pressure exceeds the specified value. Some fuel lubricates and cools the nozzle and nozzle body and returns via the return pipe.

Throttle-Type Nozzle

- 1 Valve closed
- 2 Valve open
- 3 Full opening (main jet)



162

Disassembly/Inspection

1. Place the nozzle holder (body) in a vise and turn the nozzle nut to disassemble.

NOTE: Care should be taken so the needle valves do not fall when the nozzle is removed.

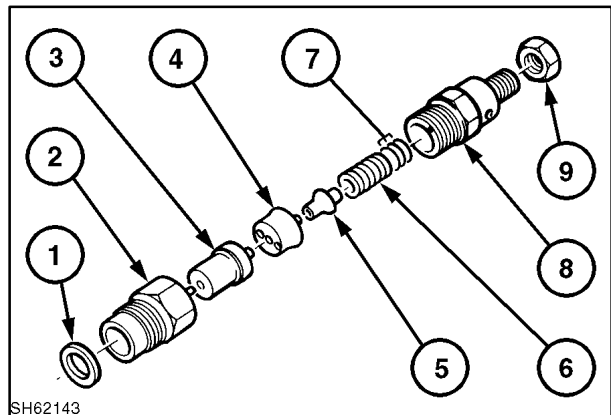
2. Wash the nozzle body and needle valve and inspect the nozzle for seizure, sticking, and fuel leakage on the seat surface. If fuel leakage is detected, replace the nozzle.
3. Inspect the upper and lower contact surfaces of the distance piece and correct so that positive contact can be obtained.
4. Check the nozzle needle valve-contact surface on the push rod for wear and spring seat for cracks.

Reassembly/Adjustment

1. Before fitting a new nozzle assembly, soak it in heated light oil 120° F - 140° F (50° C - 60° C) to remove the anticorrosive agent from the nozzle. Slide the body on the needle valve so they slide smoothly.
2. Turn the nozzle body upside down, fit the shim, spring, rod, spacer and nozzle in this order, and tighten with a nozzle nut.

Throttle-Type Nozzle

- 1 Gasket
- 2 Nozzle nut
- 3 Nozzle
- 4 Spacer
- 5 Rod
- 6 Spring
- 7 Shims
- 8 Body tighten torque 22 ft. lbs. - 36 ft. lbs. (30 N·m - 49 N·m)
- 9 Nut tighten torque 18 ft. lbs. - 22 ft. lbs. (24 N·m - 30 N·m).



SH62143

163

3. After reassembly, inspect the injection pressure of the nozzle.

Adjust the pressure with adjusting shims, using a nozzle tester so the injection starts at 150 kg/cm² (throttle type) and 210 kg/cm² (hole type). (The pressure increases or decreases about 10 kg/cm², 142 PSI, 9.7 atm with a shim of 0.1 mm thick).

4. Spray Condition
 - Fuel drops should not be mixed in the spray pattern.
 - Fuel should be sprayed in conical shape with respect to the nozzle axis.
 - Be sure the fuel is sprayed in a circular shape when tested.
 - Hold the pressure at 130 kg/cm², lower by 20 kg/cm², 20 atm than specified (150 kg/cm²) and check that no test oil drops from the nozzle tip.

FUEL INJECTION PUMP

If trouble has been traced to this pump, disassembly, inspection, assembly, and testing/setting must only be carried out by fuel equipment specialists.

AIR CLEANER

Construction/Function

The cyclonic air cleaner houses a paper element which removes dirt or dust from air drawn in.

Inspection/Replacement

1. When the EIC signals to service the air cleaner, take out the outer element and clean it by blowing compressed air (pressure lower than 100 PSI). Do not remove the inner safety element.
2. When operating the machine in a dusty environment, increase service frequency.
3. After cleaning the element, put a light inside the element and check it for cracks, holes, or wear. If damage is found or the gasket is broken, replace the element.
4. When the inner safety element is dirty, do not clean. Replace the element.

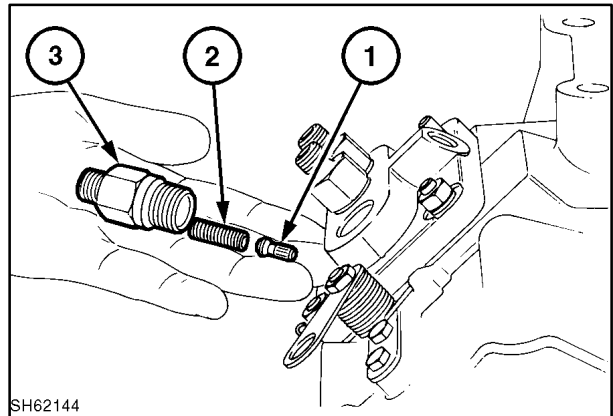
Op. 10 236 08

FUEL INJECTION TIMING

| Engine Model | Degrees Crank BTDC | | | |
|--------------|--------------------|----|----|------------------|
| | X | Y | Z | Injection Timing |
| N844T | 21 | 20 | 22 | 20 - 22 |
| N844 | 22 | 21 | 23 | 21 - 23 |

1. Pull out the delivery valve, 1, (IN), and reinstall the spring, 2, and delivery valve holder, 3.

NOTE: When reassembling the delivery holder, adjust the location of the delivery valve (OUT) to the correct position using a wire, 4.



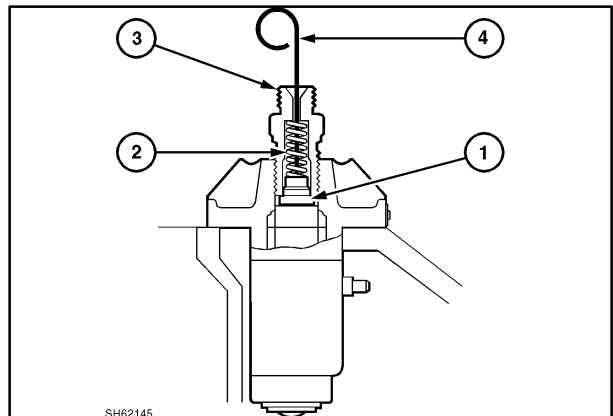
SH62144

164

2. Move the governor control lever to "Maximum Fuel" position and send fuel with the No. 1 piston at around "X" degrees BTDC in its compression stroke. At this time, fuel flows from the delivery holder.

N844, N844T

| Crankshaft Angle (BTDC) | Position |
|-------------------------|--------------------|
| 13 | 0.0594" (1.510 mm) |
| 14 | 0.0689" (1.749 mm) |
| 15 | 0.0789" (2.005 mm) |
| 16 | 0.0897" (2.278 mm) |
| 17 | 0.1011" (2.569 mm) |
| 18 | 0.1132" (2.875 mm) |
| 19 | 0.1259" (3.199 mm) |
| 20 | 0.1393" (3.539 mm) |
| 21 | 0.1533" (3.895 mm) |
| 22 | 0.1680" (4.267 mm) |
| 23 | 0.1833" (4.655 mm) |
| 24 | 0.1991" (5.058 mm) |
| 25 | 0.2156" (5.477 mm) |
| 26 | 0.2328" (5.912 mm) |

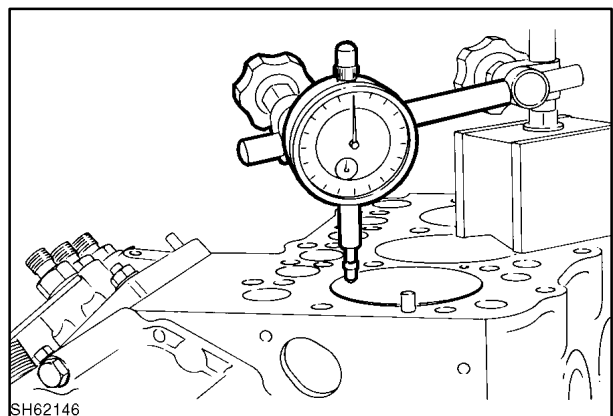


SH62145

165

3. Slowly turn the crankshaft clockwise until flowing fuel from the delivery holder is stopped. Check the piston position at this point. If the position is later than "Y" BTDC, use a thinner shim. If the position exceeds "Z" BTDC, use a thicker shim. Changing the shim thickness by 0.004" (0.1 mm) will change the timing approximately one degree. Adding shims decreases the angle, while subtracting shims increases the angle.

NOTE: When the shim is not needed, assemble by coating, using liquid sealant.

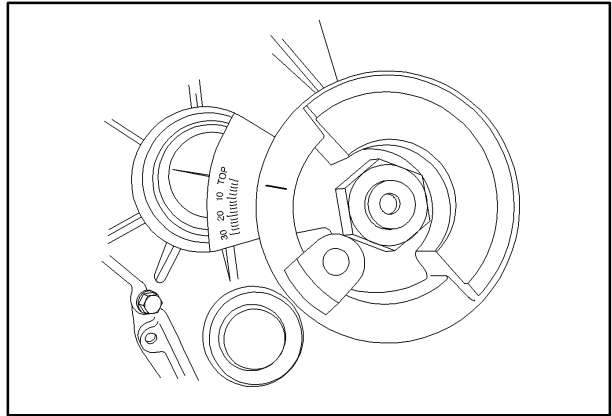


SH62146

166

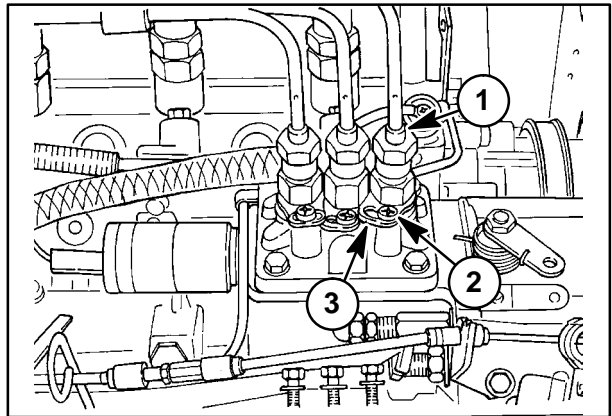
4. Verify that the timing mark on the crankshaft pulley is in line with the "TOP" mark on the timing scale. If the mark on the crankshaft pulley is not in line with the "TOP" mark, verify piston top-dead center with a dial indicator. If the pulley mark is slightly off, re-mark the pulley and proceed.

NOTE: Color the timing mark on the crankshaft pulley and appropriate marks on the timing scale to increase visibility.



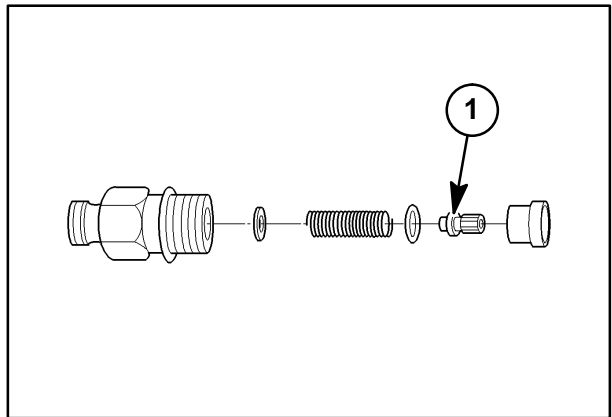
167

5. Reinstall the valve spring, keepers, rocker arm assembly, and valve cover.
6. Shut off the fuel supply to the injection pump at the fuel filter.
7. Remove the No. 1 injection line from the No. 1 injector, 1.
8. Remove the lock screw, 2, and remove the injector locking plate, 3.



168

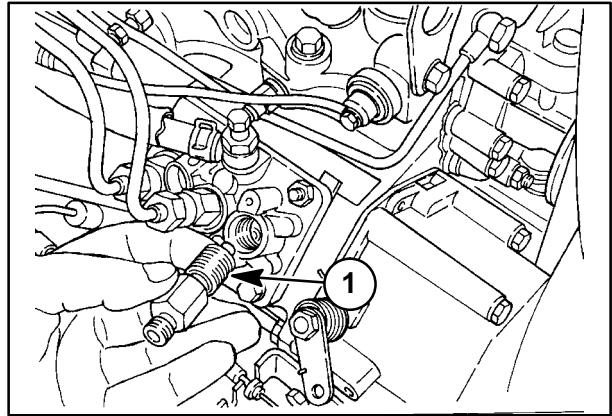
9. Remove the delivery valve piston, 1, from the No. 1 delivery valve.



169

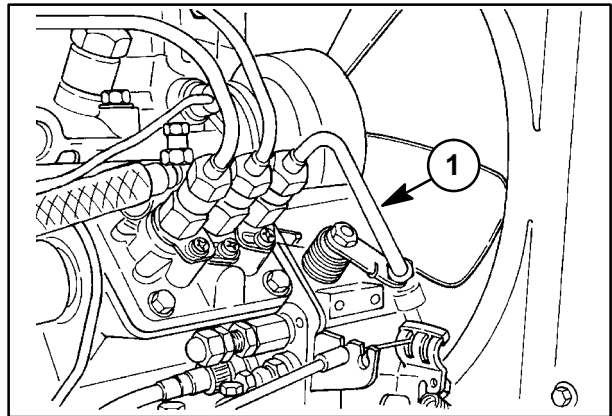
SECTION 10 - ENGINE

10. Reinstall the spring and holder, 1, into the injection pump and tighten securely.



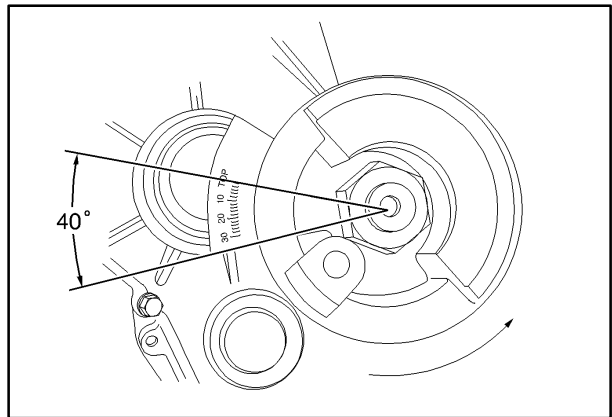
170

11. Fabricate a spill tube, 1, from a discarded injection line and install the tube on the No. 1 port on the injection pump.
12. Remove the fuel shut-off solenoid from the injection pump.



171

13. Rotate the crankshaft counterclockwise (viewed from the front of the engine) approximately 40°.
14. Turn on the fuel supply to the injection pump. Fuel should flow out of the spill tube on the No. 1 cylinder port.



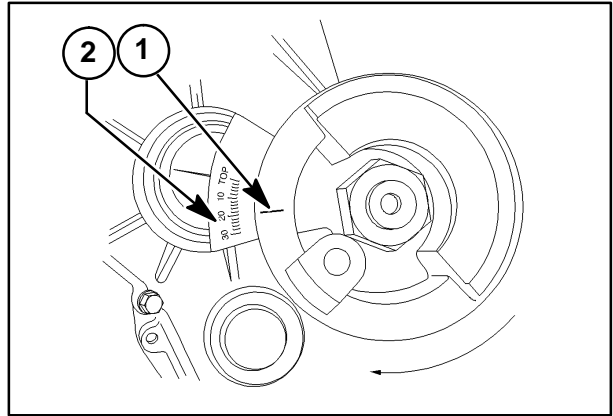
172

15. Rotate the crankshaft clockwise. When the timing mark on the crankshaft pulley, 1, is in line with the 21° (N844T) or 22° (N844) mark on the scale, 2, fuel should stop flowing from the spill tube.
16. If fuel does not stop flowing at the appropriate timing mark, the injection pump timing must be adjusted by adding or removing shims located between the injection pump and the engine block.
17. Adding shims will retard the pump timing and removing shims will advance the pump timing.

NOTE: A shim thickness of 0.1 mm (0.004 in.) will change the pump timing by approximately 1°.

18. Assemble the components that were removed from the engine and fuel system.

NOTE: Delivery holder tightening torques: 29 - 33 ft. lbs. (39 - 45 N·m)



TURBOCHARGER - LS170 N844T ENGINE

The LS170 skid steer is equipped with the N844T turbocharged engine.

Specifications

| ITEM | DESCRIPTION | SPECIFICATIONS |
|--------------|--|-----------------------------------|
| Turbocharger | Lubrication | Pressure-fed from external source |
| Turbine | Axial-flow turbine max. continuous permissible speed (RPM) | 180000 |
| Blower | Centrifugal blower dry weight lbs. (kg) | 7.0 lbs. (3.2 kg) |

TROUBLESHOOTING**TURBOCHARGER IS SLUGGISH IN PICKING UP SPEED**

| POSSIBLE CAUSE | CORRECTION |
|--|---|
| The sealed part of turbine wheel is heavily carboned, causing the rotor to offer much resistance to turning. | Change oil (engine oil) Disassemble and clean |
| Incomplete fuel combustion in the engine, due to a faulty condition in the fuel injection system. | Disassemble and clean Check the injection system for cause, and repair |
| Lack of lubrication during cold weather startup | Warm up below 1500 RPM for three minutes on startup and allow to run at low idle for one minute before shutdown |

EXCESSIVE OR ABNORMAL VIBRATION

| POSSIBLE CAUSE | CORRECTION |
|--|--------------------------------------|
| A loose pipe connection at the turbine or blower side or at the bearing | Tighten and repair |
| Bearing failure causing the rotor to run rough | Disassemble and repair |
| Turbine wheel or blower wheel has broken vanes caused by entry of metal or solid objects | Disassemble and repair damaged parts |
| Loss of dynamic balance in the rotor | Disassemble and repair damaged parts |

SECTION 10 - ENGINE

DIRTY EXHAUST SMOKE

| POSSIBLE CAUSE | CORRECTION |
|---------------------------------|---|
| Not enough intake air | A clogged element in the air cleaner, clean or replace element |
| | Closed air intake inlet, open inlet |
| | Air leakage from a connection, check and repair |
| The turbocharger is not running | Gum or sludge formation in the turbine-side seal, causing the turbine to resist turning, Check the oil quality and change |
| | Disassemble and clean |
| | Seized bearings, disassemble and clean |
| | Disassemble and repair |
| | Oil temperature too high, change engine oil |
| | Dynamic imbalance in the rotor, clean and/or replace rotor parts |
| | Turbine wheel or blower wheel rubbing or broken, disassemble and repair(remove foreign matter, if any, and check air cleaner and engine to locate the cause). |
| Not enough gas pressure | Gas leakage through a connection on upstream side of turbine, check and repair |
| | A large constriction in the exhaust line, due to distorted gas passages, check and repair |

WHITE EXHAUST SMOKE

| POSSIBLE CAUSE | CORRECTION |
|---|----------------------------|
| Oil return pipe is clogged or distorted, causing the lube oil to leak into turbine and blower | Repair or replace the pipe |
| Seal rings are abnormally worn or broken due to worn-down bearings | Disassemble and repair |

ABNORMALLY HIGH OIL CONSUMPTION

| POSSIBLE CAUSE | CORRECTION |
|--|------------------------|
| Seal rings are abnormally worn or broken due to worn-down bearings | Disassemble and repair |

ENGINE LACKS OUTPUT POWER

| POSSIBLE CAUSE | CORRECTION |
|--|---|
| Gas leakage in the exhaust line | Check and repair |
| Air leakage in the blower outlet side, resulting in reduced boost pressure | Check and repair |
| A clogged element in the air cleaner | Clean or replace |
| The turbocharger is internally fouled with foreign matter or its running parts are damaged | Disassemble and repair or replace damaged parts |

ABNORMAL RUNNING NOISE

| POSSIBLE CAUSE | CORRECTION |
|---|---|
| Restrictions in exhaust gas passage, particularly due to the nozzle ring approaching a clogged condition | Disassemble and clean |
| Restrictions in the air outlet side of the blower, causing the air to surge at the blower wheel when the engine accelerates | Disassemble and clean |
| The casing is being rubbed by turbine wheel or blower wheel | Disassemble and repair or replace damaged parts |

Turbocharger Lubrication

The turbocharger used on the Lx665 diesel engine may not receive adequate lubrication on cool/cold weather (below 5°C, 40°F) start-up, leading to turbocharger bearing failure.

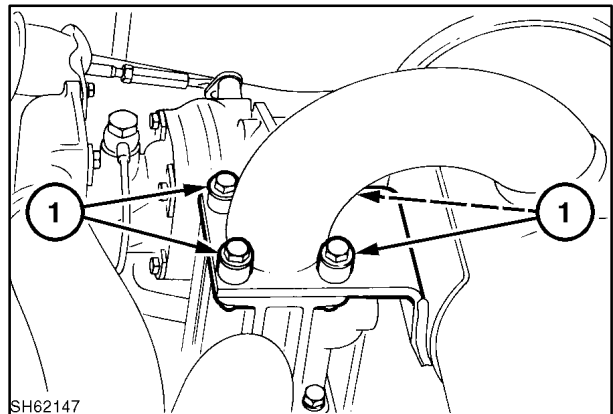
The following procedure must be used to ensure adequate lubrication oil is supplied to the turbocharger bearings before high-speed engine operation:

1. Set the engine throttle at 1/3 speed.
2. Turn the ignition switch and allow the automatic glow plug timer to preheat the engine until the EIC "beep" is heard.
3. Start the engine, but **DO NOT OPERATE ABOVE 1,500 RPM** for three minutes to allow for adequate oil flow at the turbocharger.

After full load operation, allow the engine to run at low idle for one minute before engine shutdown.

Op. 10 250 30**TURBOCHARGER REMOVAL**

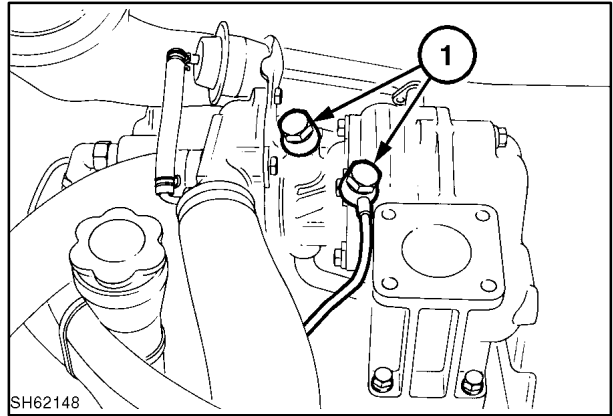
1. To remove the turbocharger, first remove the muffler from the turbo adapter assembly at 1.



SH62147

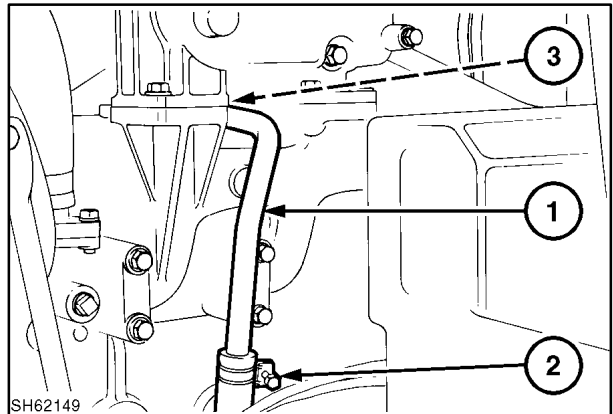
SECTION 10 - ENGINE

2. Remove the turbocharger oil pressure line, 1, at the block and at the turbo housing.



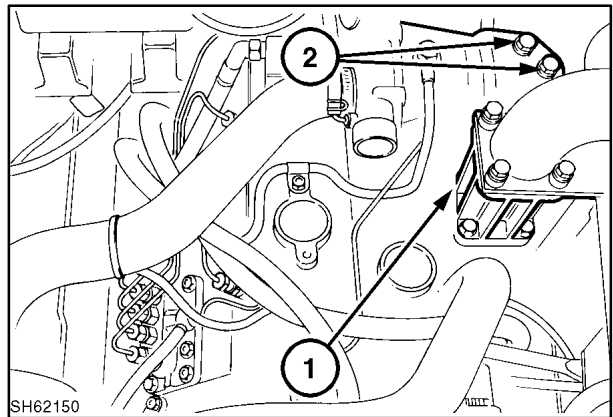
175

3. Remove the turbocharger oil return line, 1, at the top hose clamp, 2, and from the turbo assembly at 3.



176

4. Remove the turbocharger assembly and adapter from the exhaust manifold, 1, and support, 2.



177

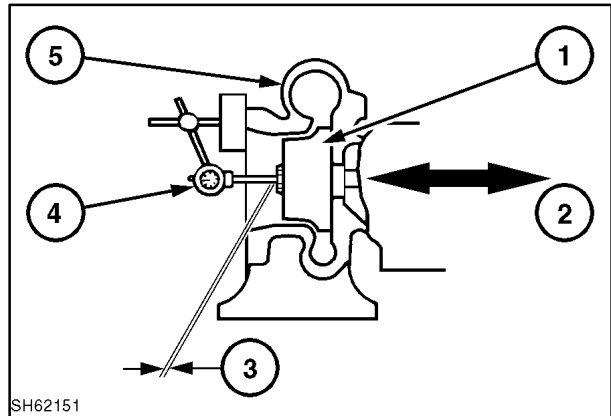
Inspection Before Disassembly

Visually check the running clearances of the turbine and blower wheels for evidence of contact between the vanes and casing. Spin the rotor by hand to see if it rotates smoothly.

Check for turbine fin and housing clearance, intake and exhaust.

Check to ensure the rotor and shaft turns smoothly with no bearing roughness or binding.

Using a dial indicator, measure the end play movement of the turbine and shaft, 1, by placing a dial indicator on the end of the shaft at 2.



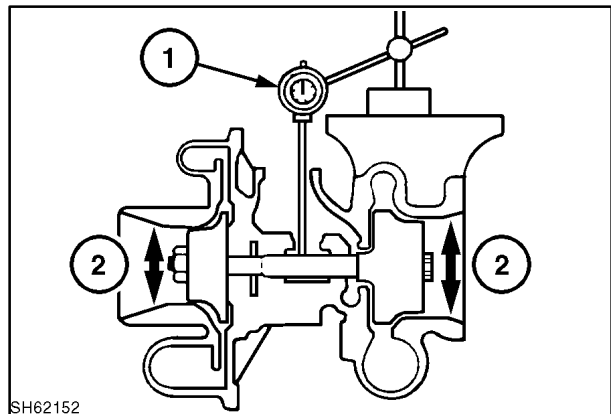
178

End Play Movement

Standard: 0.001" - 0.002" (0.03 mm - 0.06 mm)

Allowable Limit: 0.0035" (0.09 mm)

Check the radial movement in the turbine shaft by placing a dial indicator through the oil outlet in the turbo housing at, 1. Move the right and left side of the turbine shaft toward the radial, 2, simultaneously and take a reading.



179

Radial Movement

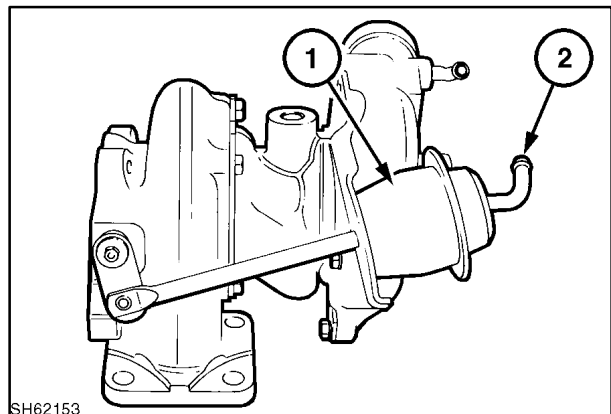
Standard: 0.003" - 0.005" (0.08 mm - 0.13 mm)

Allowable Limit: 0.0067" (0.17 mm)

Disassembly

NOTE: Before separating the casings (turbine, bearing and blower), be sure to mark across each component and seam so they will be joined together in proper sequence.

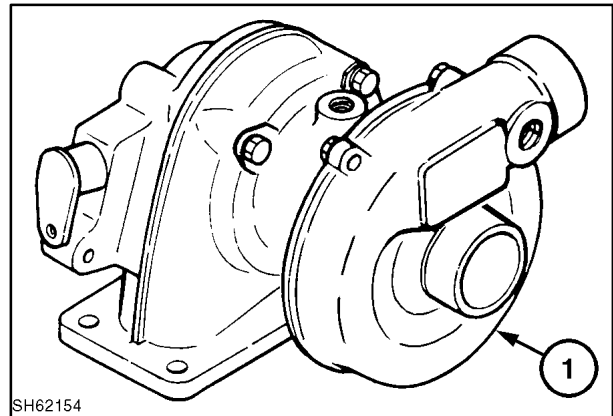
1. Remove the waste gate controller assembly, 1. This can be accomplished with compressed air of about 14 PSI (1 kgf/cm) applied to the control air inlet at 2.



180

2. Separate the blower housing, 1.

NOTE: Remove the housing carefully and be sure not to damage the blower vanes.

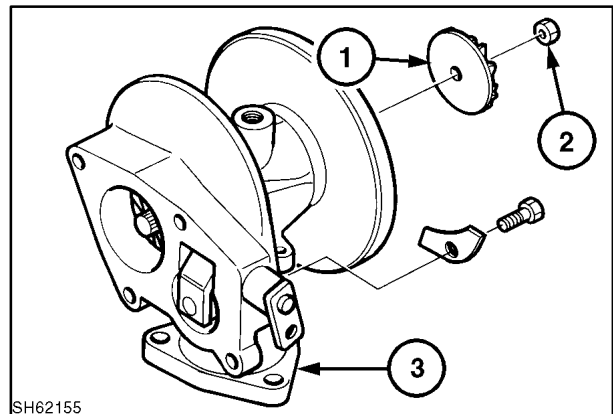


181

3. Remove the blower wheel, 1, by removing the shaft end nut, 2.

NOTE: The shaft end nut has left-hand screw threads; loosen it by turning clockwise.

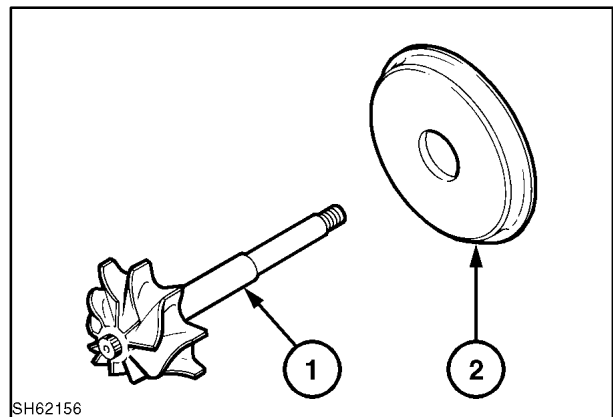
4. Separate the turbine housing, 3.



182

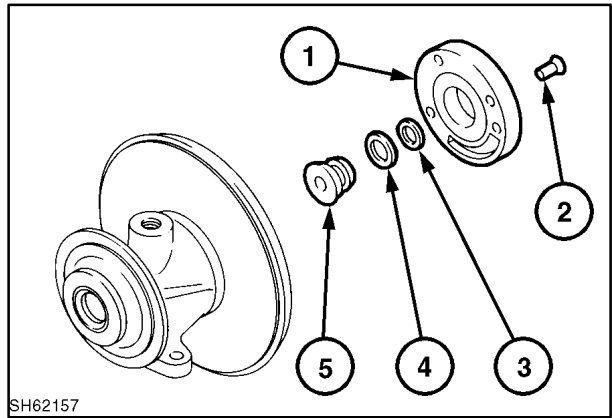
5. Pull out the turbine shaft, 1.

NOTE: If the shaft will not come off easily, you may drive on the shaft end with a wooden mallet; be sure to lightly tap on the end of the shaft.



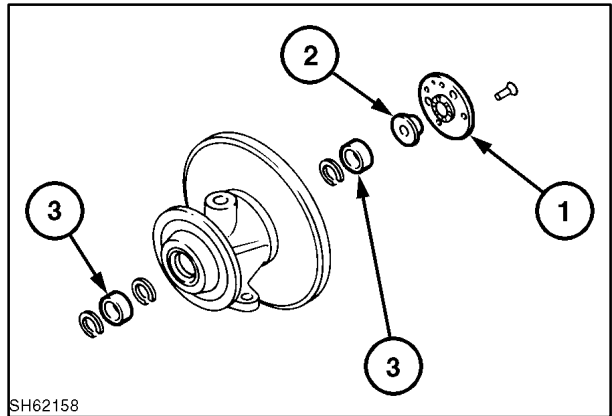
183

6. Remove the seal plate, 1.



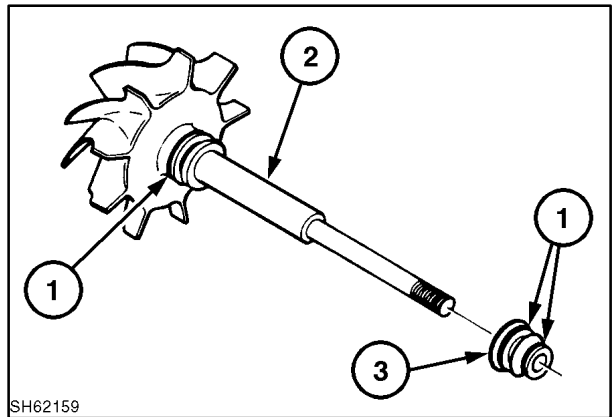
184

7. Remove the thrust bearing, 1, and bushing, 2.
8. Remove the floating bearings, 3.



185

9. Remove the seal rings, 1, from the turbine shaft, 2, and oil slinger, 3.

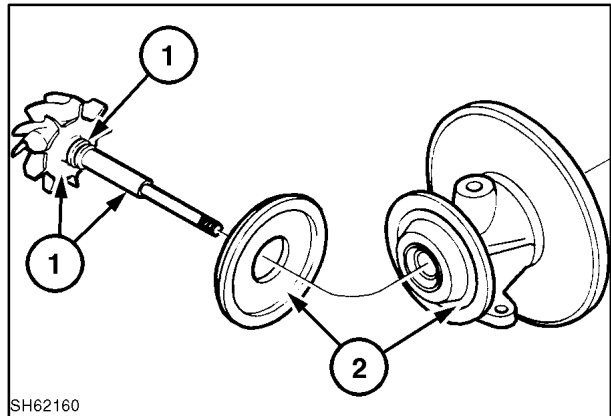


186

Inspection

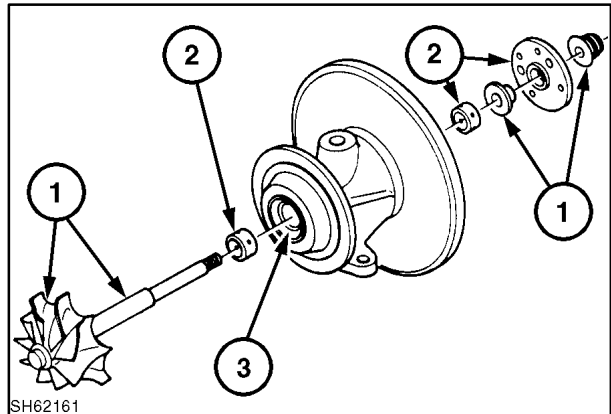
Before washing the disassembled parts clean, visually inspect each part thoroughly:

1. For carbon deposit.
 - Turbine shaft, turbine-side seal ring, and back of turbine wheel, 1.
 - Bearing casing, mating face of shield plate, and bearing casing bore, 2.



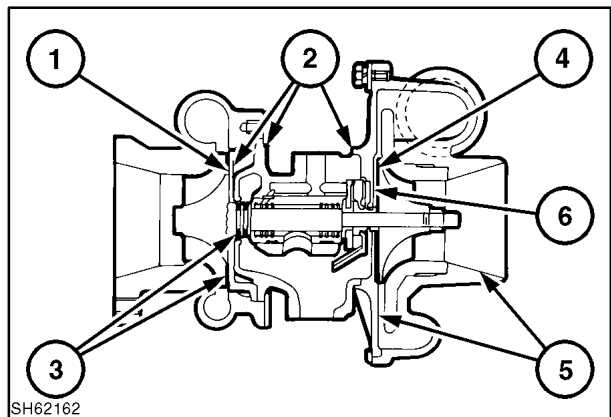
187

2. For effects of lubrication (wear, burning, sign of seizure).
 - Shaft journal, thrust bushing, and oil slinger, 1.
 - Floating bearings and thrust bearing, 2.
 - Those portions of bearing casing bore holding the floating bearings, 3.



188

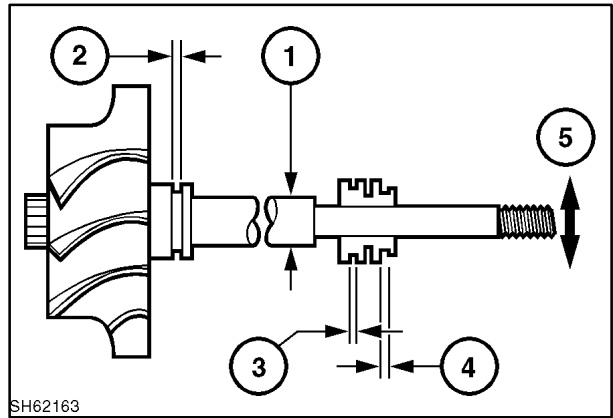
3. For oil leakage.
 - Inner walls of turbine casing.
 - Outer surface of bearing casing and mating face of shield plate.
 - Seal-ring part of rotor shaft at turbine side, and back of turbine wheel.
 - Back of blower wheel.
 - Inner walls of blower casing.
 - Seal plate surface and hole (for admitting seal rings).



189

Turbine Shaft

| Item | Standard Value | Service Limit |
|---|-----------------------------------|------------------------|
| 1. Journal OD | 0.3146"-0.3149" (7.99-8.00 mm) | 0.3142" (7.98 mm) |
| 2. Groove width in turbine-side seal ring | 0.0492"-0.0504" (1.25-1.28 mm) | 0.0508" (1.29 mm) |
| 3. Sealing groove width, blower side | 0.0480"-0.0484" (1.22-1.23 mm) | 0.0516" (1.31 mm) |
| 4. Groove width in blower-side seal ring | 0.0402"-0.0405" (1.02-1.03 mm) | 0.0437" (1.11 mm) |
| 5. Shaft deflection | 0.0"-0.0004" (0.0-0.01 mm) | 0.00043" (0.011 mm) |

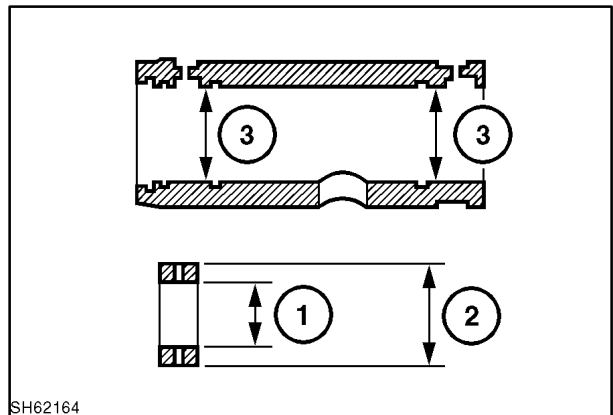


SH62163

190

Bearings and Associated Parts

| Item | Standard Value | Service Limit |
|---------------------------------|------------------------------------|------------------------|
| 1. Floating bearing ID | 0.315"-0.316" (8.01-8.03 mm) | 0.3165" (8.04 mm) |
| 2. Floating bearing OD | 0.485"-0.4854" (12.32-12.33 mm) | 0.4846" (12.31 mm) |
| 3. Bearing casing bore diameter | 0.488"-0.4886" (12.40-12.41 mm) | 0.48898" (12.42 mm) |

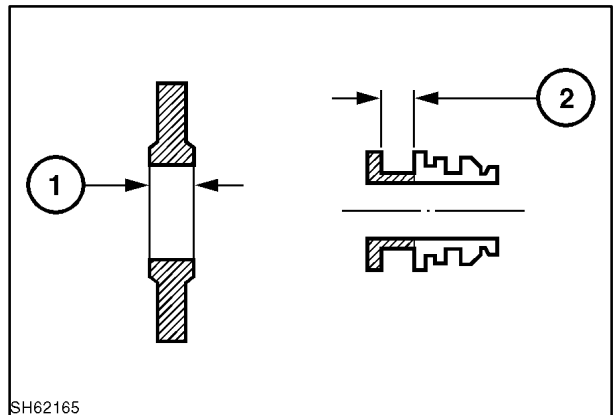


SH62164

191

Thrust Bearing

| Item | Standard Value | Service Limit |
|-----------------------------------|----------------------------------|----------------------|
| 1. Thrust bearing width | 0.157"-0.1578" (3.99-4.01 mm) | 0.1567" (3.98 mm) |
| 2. Groove width in thrust bushing | 0.159"-0.1594" (4.04-4.05 mm) | 0.160" (4.07 mm) |

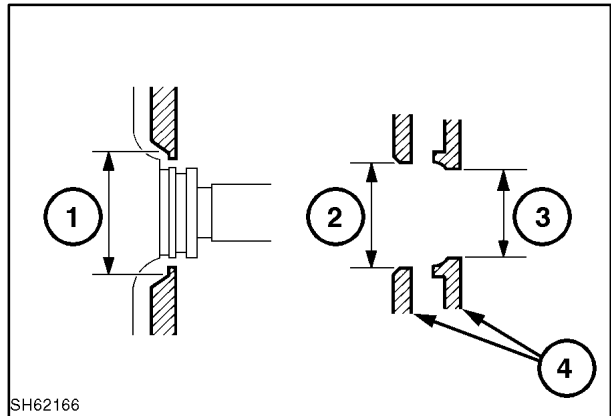


SH62165

192

Holes for Admitting Seal Ring

| Item | Standard Value | Service Limit |
|--|-------------------------------------|-----------------------|
| 1. Turbine-side hole diameter (bearing casing) | 0.590"-0.591" (15.00-15.02 mm) | 0.5925" (15.05 mm) |
| 2. Blower-side hole diameter (in seal plate) | 0.488"-0.4889" (12.40-12.42 mm) | 0.4901" (12.45 mm) |
| 3. Blower-side hole diameter (in seal plate) | 0.3937"-0.3945" (10.00-10.02 mm) | 0.3957" (10.05 mm) |



SH62166

193

Turbocharger Reassembly**Installing the Floating Bearings**

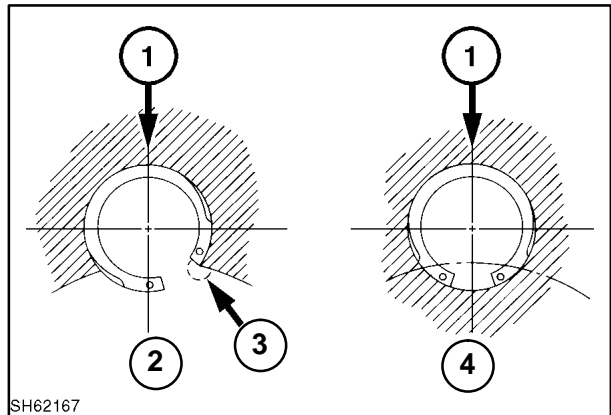
Fit the R-shaped round snap ring to the bore in bearing casing, and then the floating bearing.

NOTE: When fitting the R-shaped snap ring, be sure to locate its ring gap in the manner shown.

Bring the rounded-edge side of the snap ring to the bearing side.

Oil the bearing just before fitting it, use engine oil.

Align the snap rings in relation to the lube oil inlet, 1. For the ring closest to the turbine, 2, match the ring end as shown, 3. For the other snap rings, align as shown, 4.



SH62167

194

Inserting the Shaft Into Bearing Casing

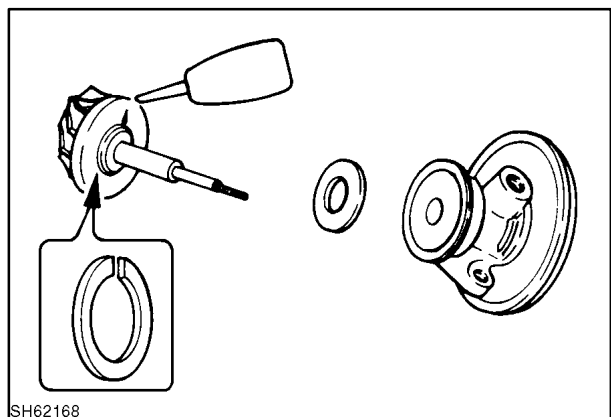
Insert the seal ring into the turbine shaft.

Attach the shield plate to the bearing casing.

Oil the shaft journal, and insert the shaft into the bearing casing.

NOTE: Insert the shaft slowly, taking care not to damage the floating bearings in the bore.

When installing the seal ring, align it to the shaft and insert it with its gap meeting the lube oil inlet.



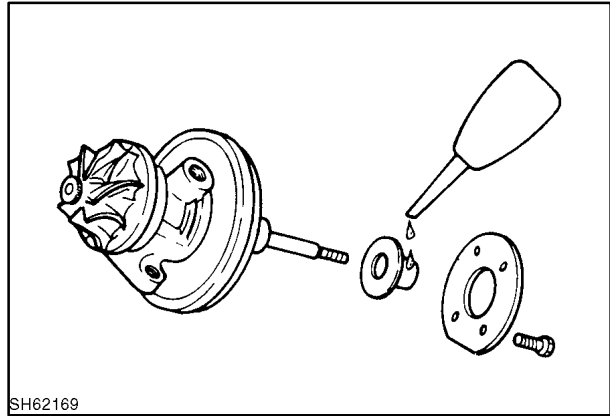
SH62168

195

Installing the Thrust Bearing

Run the thrust bushing onto the turbine shaft.

Oil the thrust bearing, and fit it to the bearing casing, securing it by tightening its retaining bolts to 87 - 94 ft. lbs. (118 - 127 N·m) torque.



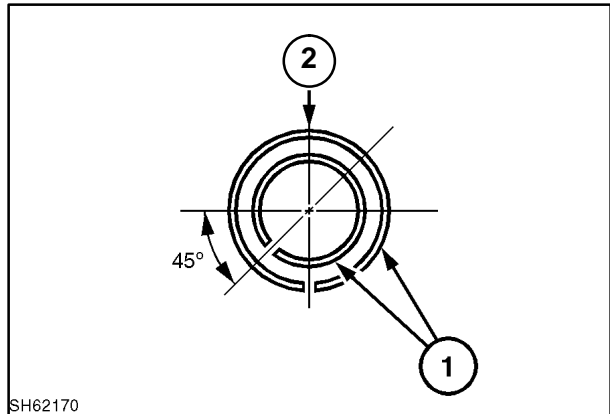
SH62169

196

Installing the Seal Plate

Insert seal rings, 1, into the oil slinger. The figure shows the seal rings as seen from the front end.

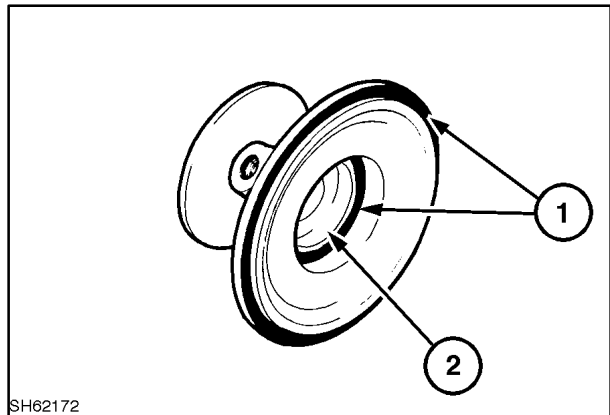
NOTE: Be sure to stagger the gaps of the seal rings relative to the position of the lube oil inlet, 2.



SH62170

197

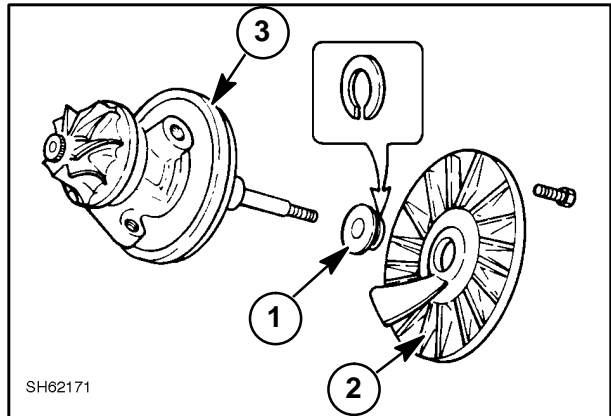
Apply the liquid gasket (THREE BOND) to the blower side face of the bearing casing on which the seal plate is to seat. Apply liquid gasket, 1, in a thickness of 0.2 mm (0.01"). Keep the inner bore, 2, free of liquid gasket.



SH62172

198

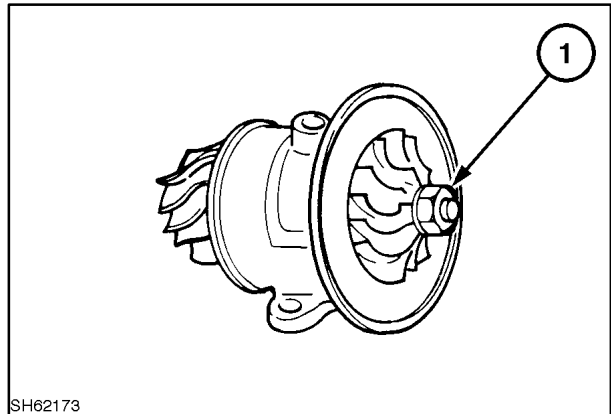
Insert the oil slinger, 1, into the seal plate, 2. Fit the bearing case, 3, to the seal plate and secure with the retaining hardware. Tighten to 87 - 94 ft. lbs. (118 - 127 N·m).



199

Installing the Blower Wheel

Slide the wheel onto the turbine shaft, and retain it by running the shaft-end nut down the shaft end. Torque nut, 1, to 130 - 159 ft. lbs. (176 - 216 N·m).

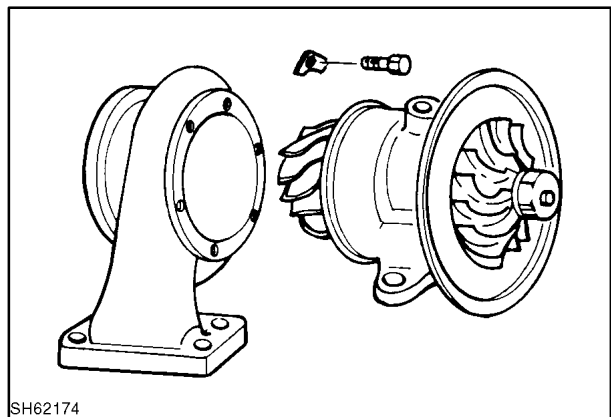


200

Securing the Turbine Casing

Fit the turbine casing, 1, to the support, 2, bringing the previous aligning marks into alignment, and tighten the securing bolts to 91 - 99.8 in. lbs. (10.3 - 11.3 N·m) torque.

NOTE: Apply the antiseize compound to the thread of each hex-head bolt before installing into the casing.

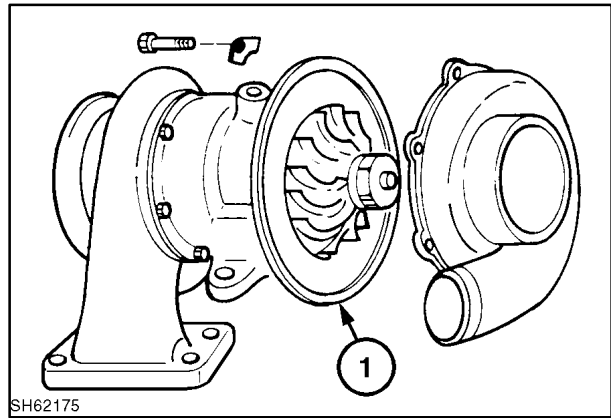


201

Securing the Blower Casing to the Bearing Casing

Fit the blower casing in the original angular position by aligning the marks, and secure it in place by tightening the bolts to 34.7 - 43.4 in. lbs. (3.9 - 4.9 N·m) torque.

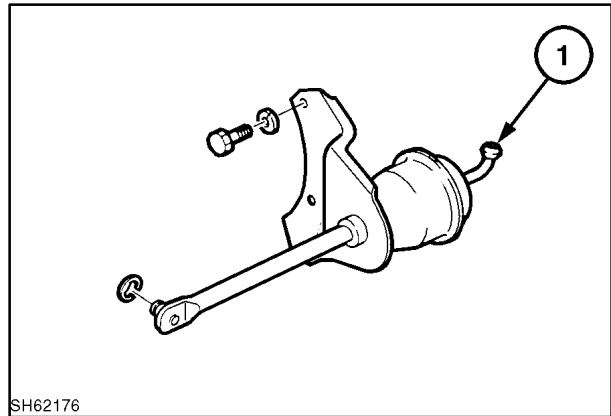
NOTE: Apply the liquid gasket (*THREE BOND*) to the mating face, 1, of the bearing casing just before fitting the blower casing to it. The coat thickness of liquid gasket should be 0.004" - 0.008" (0.1 mm - 0.2 mm).



202

Installing the Waste Gate Controller Assembly

Install the assembly while applying compressed air of about 14 PSI (1kgf/cm) to the controller air inlet, 1.



203

Checking the Rotor for Movement

Measure the axial (end movement) and radial (up and down movement) of the rotor in the reassembled turbocharger, as described earlier in "Inspection Before Disassembly."

Make sure the movement readings are within the following specifications:

Axial movement of rotor - 0.001" - 0.0023" (0.03 mm - 0.06 mm).

Radial movement of rotor - 0.003" - 0.005" (0.08 mm - 0.13 mm).

NOTE: A movement reading not coming into the above specification means the turbocharger has been reassembled improperly and must be broken apart and rebuilt again.

Preliminary steps for installing the turbocharger on the engine:

Attach the turbocharger and adapter assembly to the exhaust manifold and support with the hardware previously removed.

Turbocharger Lubrication System

Oil the lubricated parts by pouring clean engine oil into the oil inlet and by rotating the turbine shaft by hand. This will wet the journal, floating bearings, thrust bearing, and other surfaces.

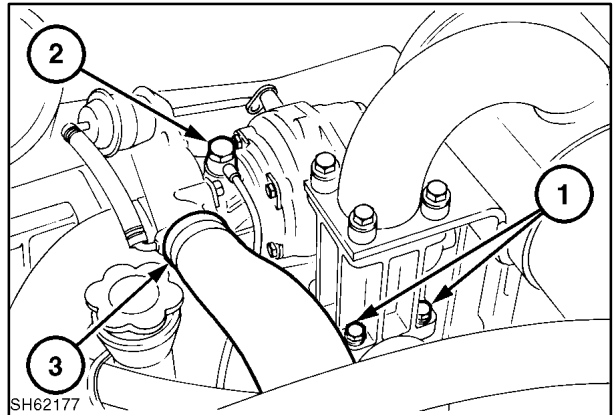
Thoroughly clean the oil inlet pipe and outlet pipe by flushing, making sure the pipes are absolutely free of foreign particles. Be sure the pipes have no restrictions due to denting or bending.

When installing the pipes between the turbocharger and engine, be sure to make each connection leak free.

Intake air system

Clean the parts conveying the intake air, making sure each part is absolutely free of foreign particles.

When connecting the turbocharger to the air cleaner and air duct tube, be sure that each joint is leak free.



After Turbocharger Service, Check the Exhaust System

1. Make sure the exhaust gas passages are perfectly clean and free of foreign particles.
2. The bolts and nuts used on the joints of the exhaust line are of heat-resistant material; never use ordinary bolts and nuts instead of the heat-resistant hardware. Apply the antiseize compound to the threads of bolts and nuts just before installing them.

Secure each connection good and tight, making it perfectly leak free.

Starting the turbocharger for the first time after reinstallation on the engine

1. Disconnect the wire to the fuel stop solenoid to insure that the engine will not start. Prime the lubrication circuit of the turbocharger by cranking the engine with the starting motor for ten seconds at a time. After the first ten seconds of cranking, pause for thirty seconds and then crank the engine again. Repeat the process until the oil warning lamp goes out.

NOTE: *Cranking the engine longer than ten seconds at a time is very hard on the battery and may cause damage to the starter motor. Limit each cranking to ten seconds, and pause at least thirty seconds after each cranking to allow the starter motor to cool down.*

2. Reconnect wire to the fuel stop solenoid. Move the hand throttle lever to the low, 1/3- throttle position.
3. Operate the engine at no more than 1500 RPM for two to three minutes to insure lubrication oil is getting to the turbo.

NOTE: *Listen to the turbocharger to be sure that it is running smoothly without making any abnormal noise.*

4. Inspect the oil pipes and connections for any sign of oil leakage.
5. Operate the engine normally.
6. Stopping the engine, move the engine speed control lever to the low idle position. After full load operation, idle the engine for one minute to allow components to cool.



Never stop the engine when it is running at high speed. Doing so may cause serious engine damage.

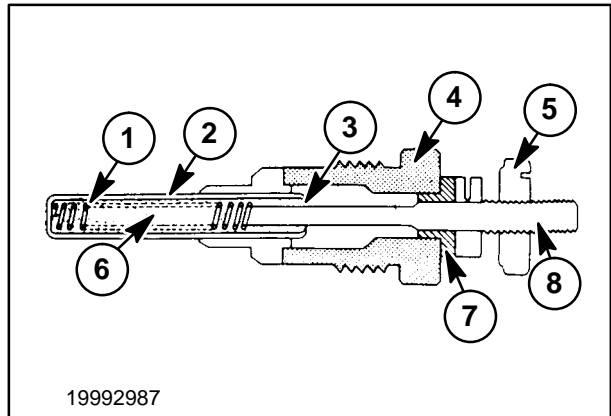
The high operating speed of the turbocharger makes it essential that adequate lubrication is ensured when the engine is started.

MISCELLANEOUS ENGINE ELECTRICAL**Op. 55 201 76****GLOW PLUG**

A sheathed-type glow plus is employed and provides excellent starting.

Specifications: 11 V; 9.0 A

| | |
|-------------|--------------------------|
| 1 Heat wire | 5 Nut |
| 2 Sheath | 6 Magnesium oxide powder |
| 3 Asbestos | 7 Insulation bushing |
| 4 Body | 8 Core |



205

Structure

Coiled thin heat wire is placed in the sintered magnesium oxide powder enclosed by stainless sheath. One end of the heat wire is welded to the sheath end and the other end to the central electrode. By setting the key switch to the run position, the glow plug preheats the air in the combustion chamber.

Disconnection of the Glow Plug

The glow plug operates even when any one of the plugs is disconnected because it is connected in parallel. However, when disconnected, preheating time of the glow signal is extremely extended.

Testing a Glow Plug

Check/remove the connector and check the continuity between each plug terminal and body ground. If continuity is not observed, it shows disconnection and the glow plug should be replaced.

The glow plug is of a simple structure and a short circuit is rarely caused. However, if the central electrode, body, sheath, etc. come in contact, wiring of the preheating circuit is burnt during start-up.

Correction: Remove the connector and measure the resistance of each plug terminal and ground with a tester. The tester reading should be 1.0 ± 0.1 .

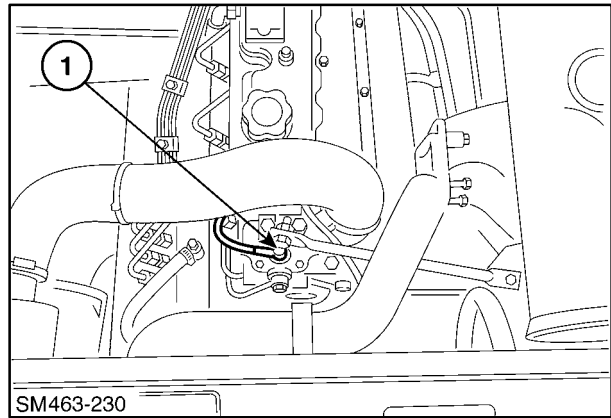
Resistance of 0 indicates a short circuit.

Op. 55 414 12**OIL PRESSURE SWITCH**

Oil Pressure Switch Operating Range:
2.8 PSI - 5.7 PSI (0.2 to 0.4 kg/cm²)

The oil pressure switch, 1, is a warning device to inform of low engine lubricating oil pressure. When oil pressure becomes less than specified, the warning light is activated.

This pressure switch houses a diaphragm and contact points (max. current draw is 0.42 amps).

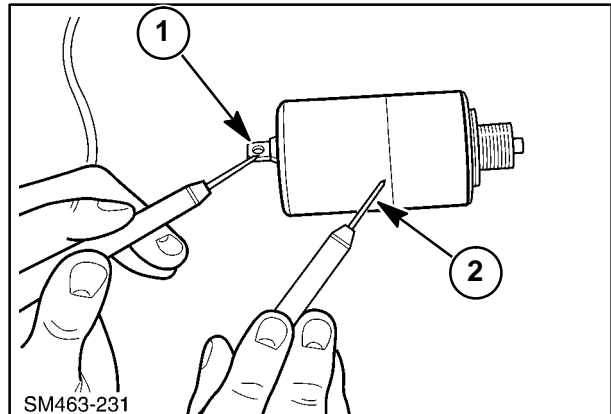


SM463-230

206

Op. 10 223 10**FUEL SHUT-OFF SLOENOID**

Engine stop solenoid is in the normal state if the plunger is drawn into the main body when one terminal is connected to battery +, 1, and the other terminal to the main body, 2.



SM463-231

207

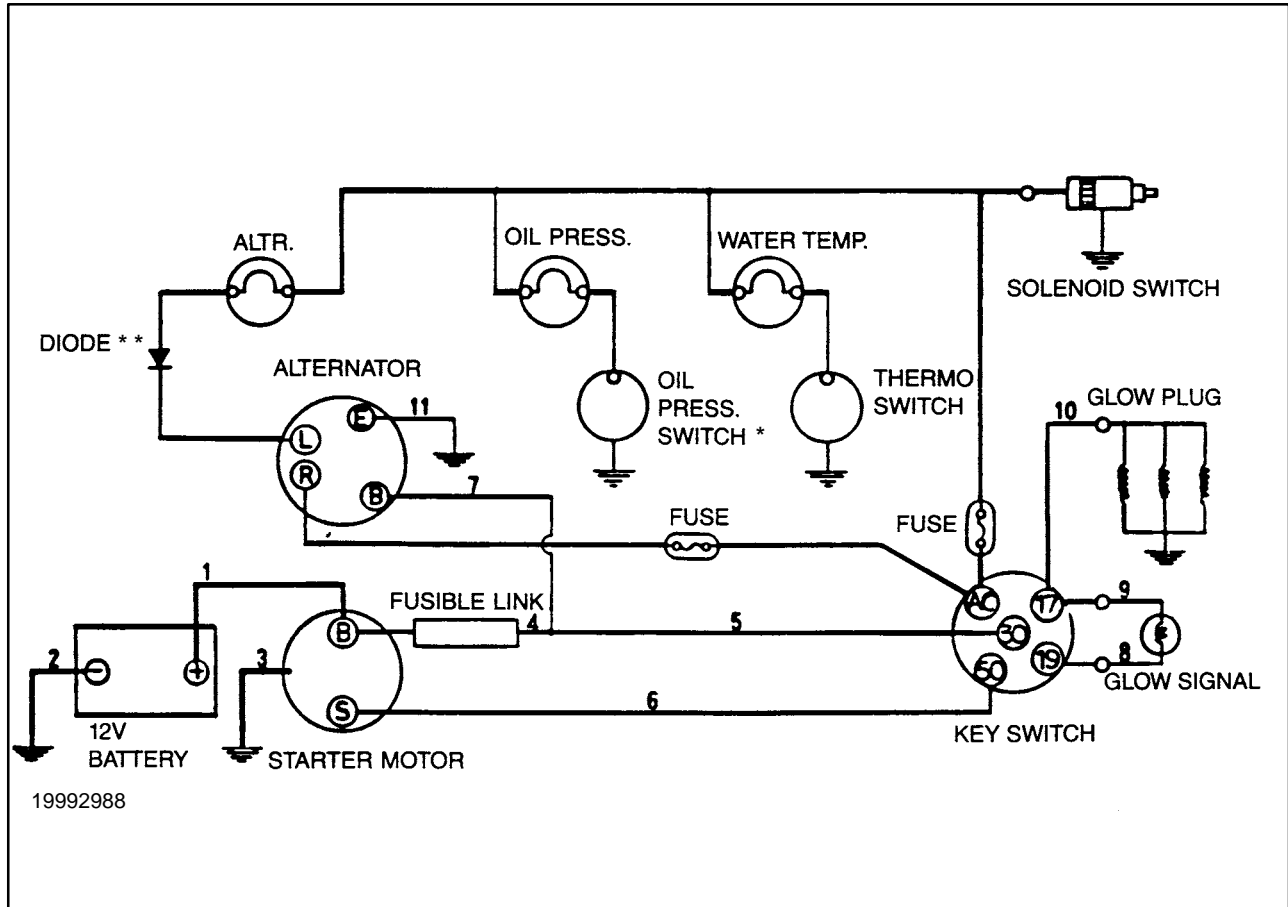
MAXIMUM CIRCUIT RESISTANCE

RESISTANCE OF BATTERY CABLES 1, 2, & 3 NOT TO EXCEED 0.0018 OHM

| Circuit | Cable No. | Circuit Current | Maximum Circuit Resistance | Maximum Circuit Volt Drop | Rewards |
|------------------------------|----------------|------------------|----------------------------|---------------------------|--|
| Alternator Charging | 4, 7, 11 | 35 Amp | 0.0143 OHM | 0.5 Volt | See Glow Plugs Circuit |
| Starting Motor Solenoid | 4, 5, 6 | 15.75 Amp | 0.04 OHM | 0.63 Volt | See Glow Plugs Circuit See Glow Plugs Circuit |
| Glow Plugs (Via Glow Signal) | 4, 5, 8, 9, 10 | 27 Amp 36 Amp | 0.0185 OHM 0.0139 OHM | 0.5 Volt 0.5 Volt | 3 cyl Engines 4 cyl Engines |

19992989

208



19992988

209

*Maximum current draw for oil pressure switch is 0.42 amps (5-watt max. bulb).

**Diode capacity: Current 3 amp. Reverse voltage 600 volt.

SPECIAL TOOLS

ENGINE

- FNH 00011 - Fitting - 1/8 BSPT x 7/16-20 UNF

Used to test engine oil pressure. Screws in in place of the engine oil pressure sender. Fits normal pressure test line connection.

- FNH 00120 - Compression Test Adapter

Used to test engine compression. Screws into the glow plug hole, allows compression testing without removing injectors. Use with FNH 02020 Diesel Compression test kit or equivalent.

- FNH 00122 - Compression Test Adapter

Right angle quick disconnect coupling. Use with FNH 00120 and FNH 02020.

- FNH 00117 - Oil Pump Port Block Installer

Installs engine oil pump port block. Ensures part is installed straight, to the proper depth, with correct oil passage orientation and without damage.

- FNH 11097 - Oil Pump Port Block Remover

Removes engine oil pump port block without removing oil pan.

All of these tools are currently used on various Compact Tractors and may already be in dealerships.

LABOR GUIDE

The following labor amounts are listed as a guide only. Working conditions and experience will vary the amount of time it actually takes to complete a job.

Op. 10 001 10

ENGINE REMOVAL FROM SKID STEER

Without tilting cab and boom forward. (3.0)

Includes removal of the oil cooler, radiator, oil filter, and air filter as an assembly.

Tilting cab and boom forward. (3.5)

Includes fan removal and loosening of the engine fuse and relay panel.

Remove and replace. (0.5)

Includes draining cooling system, removal of hydrostatic pump attaching hardware. Unplugging electrical wire harness.

ENGINE OVERHAUL

MAJOR OVERHAUL (20.30)

Steam clean and completely dismantle, clean all parts, flush all oil and water passages and replace plugs, check crankshaft for size and wear and inspect all parts.

Hone or replace liners or re-bore as required.

Replace or repair pistons with new rings.

Replace or repair where necessary camshaft and auxiliary drive bushings, main and big end bearings and thrust washers.

Inspect and replace timing gears as necessary. Inspect and repair as required water pump, oil pump, turbocharger, and any cylinder head components.

Reassemble engine completely using new gaskets and seals and tighten to specifications. Set valve clearances. Run engine and check for leaks. Retighten head and reset valve clearances.

MINOR OVERHAUL (14.30)

Steam clean engine, dismantle, clean and inspect parts.

Replace or repair pistons and check height. Hone liners, fit new main and big end bearings and thrust washers.

Check and rework/repair valves as necessary.

Completely reassemble and tighten to specification using new gaskets and seals.

Run engine and check for leaks.

Retighten head and reset valve clearances.

TOP OVERHAUL (CYLINDER HEAD OR GASKET)

Remove cylinder head and gasket.

Remove all traces of jointing compound and old gasket.

Check cylinder head and reseal valves.

Fit new gasket and replace head. (Do not use gasket cement with dry-type gasket).

Check injectors and service as necessary.

Tighten head and set valve clearances.

Run engine, check for leaks.

Retighten head and reset valve clearances.

Additional time - turbocharged engine.

OIL CONSUMPTION RECTIFICATION (7.30)

Remove cylinder head, lub. oil sump and oil pump.

Remove all pistons and connecting rods.

Deglaze all cylinder bores using "Flexihone" or similar tool (C.I. liners and bores only).

Clean and check pistons for wear, repairing as necessary and replace all piston rings.

Strip and clean cylinder head.

Reseat valves and service injectors.

Check condition of oil pump and repair if necessary.

Reassemble all parts using new gaskets and seals. Set valve clearances and tighten head to specification.

Run engine and check for leaks.

Retighten head and reset valve clearances.

Additional time - turbocharged engine.

CYLINDER BLOCK

REPLACE BARE BLOCK (7.00)

Steam clean complete engine, dismantle, clean and inspect all parts.

Reassemble engine complete into new bare blocks with same or new pistons, using new rings, main and big-end bearings and thrust washers, gaskets and seals, and tighten to correct specifications.

Run engine and check for leaks.

Retighten head and reset valve clearances.

Additional time - turbocharged engine.

Replace rear main lip-seals. (0.25)

(Additional operations may be added when justified).

CYLINDER HEAD

CYLINDER HEAD/COVER/CAMSHAFT COVER

Remove and replace. (0.10)

Additional time - turbocharged engine.

ROCKER SHAFT ASSEMBLY

Remove and replace. (1.10)
Includes remove and replace cylinder head cover/camshaft cover.

Dismantle and clean, fitting new levers where necessary. (2.10)
Includes remove and replace rockershaft assembly.

Check/adjust valve clearances. (0.40)
Includes remove and replace cylinder head cover/camshaft cover.

CYLINDER HEAD

Remove and replace, fitting new gasket(s). (2.30)
Includes remove and replace rocker shaft assembly and check/adjust valve clearances.

Additional time - turbocharged engine.

Remove, and either reseal and replace, or repair all valves. (3.30)
Includes remove and replace cylinder head, fitting new gaskets

Additional time - cut one valve seat. (0.10)

Additional time - turbocharged engine.

Additional time - replace each valve seat insert as necessary. (0.10)

VALVE SPRING

Change one-head not removed except for "B" engines, includes C6. (0.30)
Includes remove and replace cylinder head cover/camshaft cover.

Change complete set of valve springs-head not removed except for "B" engines, includes C6. (1.20)
Includes remove and replace cylinder head cover/camshaft cover.

PISTON ASSEMBLY

CONNECTING ROD

Replace one. (3.30)
Includes remove and replace cylinder head, fitting new gaskets, and sump and strainer, remove, clean and reassemble with new gaskets and replace.

Additional time - turbocharged engine.

SMALL END BUSHING

Remove, replace and ream one. (3.40)
Includes remove and replace connecting rod.

Additional time - turbocharged engine.

PISTON

Replace one, checking piston height. (3.30)
Includes remove and replace cylinder head, fitting new gaskets, and sump and strainer, remove, clean and reassemble with new gaskets and replace.

Additional time - turbocharged engine.

Replace all pistons, checking heights. (3.40)
Includes remove and replace cylinder head, fitting new gaskets, and sump and strainer, remove, clean and reassemble with new gaskets and replace.

Additional time - turbocharged engine.

Re-ring all pistons. (5.00)
Includes replace all pistons, checking heights, remove and replace cylinder head, fitting new gaskets, and sump and strainer, remove, clean and reassemble with new gaskets and replace.

Additional time - turbocharged engine.

CRANKSHAFT ASSEMBLY

REPLACE CRANKSHAFT (4.30)

Includes replace rear main lip seal, replace damper and pulley, replace thrust washers, sump and strainer, remove, clean and reassemble with new gaskets and replace, and remove and replace flywheel and flywheel housing.

Replace damper and pulley, as a separate operation from crankshaft replacement. (0.10)

THRUST WASHERS (3.50)

Replace.

Includes remove sump and strainer, remove, clean and reassemble with new gaskets and replace.

CAMSHAFT, TIMING CASE AND GEAR ASSEMBLY

CAMSHAFT

Remove and replace. (1.10)

Includes remove and replace rocker shaft assembly, check/adjust valve clearances, remove sump and strainer, remove, clean and reassemble with new gaskets and replace.

Includes C24 and C5/1 on "B" engines.

TAPPETS

Remove and replace all. (2.40)

(includes G1, F5 on engine types E, G, H, L, T and Z).

(includes C6 on engine types C and J).

(includes F5 on "B" engines).

TIMING GEAR COVER

Remove and replace. (0.30)

Includes remove and replace damper and pulley.

TIMING CASE FRONT SEAL

Remove and replace. (0.15)

Additional to remove and replace timing gear cover.

VALVE TIMING CHECK (1.15)

Remove cylinder head cover. Set No. 1 inlet valve to specified clearance).

Turn engine to "nip" push rod. Reset valve clearance.

Refit top cover.

Run engine and test.

"Pin check" only on "B" engines.

SUMP ASSEMBLY

SUMP AND STRAINER (0.30)

Remove, clean and reassemble with new gaskets and corks and replace.

SUCTION PIPE (0.20)

Remove and replace (oil pump on bench).

OIL PUMP (1.10)

Remove and replace

Includes remove, clean and reassemble with new gaskets and corks and replace (includes H3, F13 and F18 on "B" engines).

RELIEF VALVE (0.10)

Strip, check, clean and reassemble. (oil pump on bench).

FUEL SYSTEM

INJECTION PUMP (0.40)

Remove and replace.

Includes check and adjust fuel pump timing, and remove and replace high-pressure pipes.

INJECTION PUMP TIMING (1.10)

Check and adjust.

GOVERNOR (0.40)

Adjust on running engine.

LEFT PUMP (ELECTRIC PUMP) (0.15)

Remove and replace.

HIGH-PRESSURE PIPES

Remove and replace one. (0.05)

Remove and replace set. (0.20)

Bleed fuel system. (0.15)

INJECTOR

Remove and replace one. (0.10)
Includes remove and replace one high-pressure pipe.

Remove, test and replace all. (0.40)
Includes remove and replace set of high- pressure pipes.

Dismantle and clean one injector. (0.20)
Includes remove and replace one injector.

Dismantle and clean all injectors. (1.20)
Includes remove, test and replace all injectors.

FUEL FILTER ELEMENT (0.10)

Change.
Includes bleed the fuel system.

IN-LINE FUEL FILTER

Remove and replace. (0.10)

FUEL PUMP STOP SOLENOID (0.10)

Remove and replace.

FUEL TANK (1.0)

Remove and replace.

FUEL LEVEL SENDER (TANK) (0.5)

Remove and replace.

FUEL PICKUP TUBE (0.5)

Remove and replace.

FUEL LINES COMPLETE (0.5)

Remove and replace.

AUXILIARY EQUIPMENT

OIL FILTER (0.10)

Remove and replace.

FLYWHEEL AND FLYWHEEL HOUSING (0.35)

Remove, replace and align.
Includes removal of engine from loader or hydrostatic pump removal.

THERMOSTAT UNIT (0.20)

Remove, check and replace.

TURBOCHARGER (0.25)

Remove and replace.

STARTER RING (0.15)

Remove and replace.
Includes remove and replace flywheel and flywheel housing.

GLOW PLUGS (0.40)

Remove and replace set.

STARTER SOLENOID (0.15)

Remove and replace.

FAN (0.10)

Remove and replace.

FAN BELT (0.10)

Remove and replace.

WATER PUMP (FRESH) (0.30)

Remove and replace.

WATER PUMP (1.00)

Dismantle, clean, recondition and reassemble.
Includes water pump removal and replacement.

RADIATOR (0.45)

Remove and replace.

SECTION 27 – REAR DRIVE AXLE (GEARBOXES)

Chapter 1 – Gearboxes

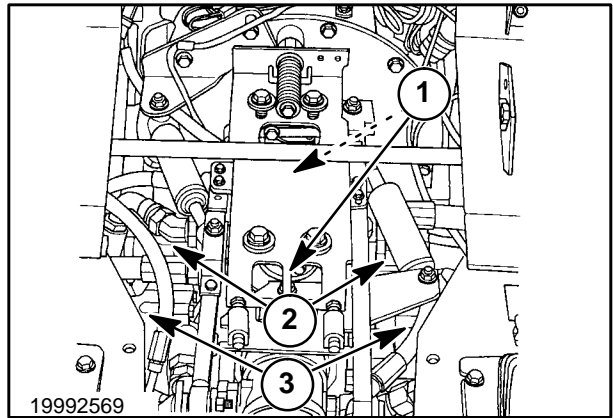
CONTENTS

| Section | Description | Page |
|----------------|--------------------------------------|-------------|
| 27 000 | General Information | 27-2 |
| | Specifications | 27-4 |
| | Troubleshooting | 27-5 |
| | Testing | 27-7 |
| 27 126 | Gearboxes | 27-8 |
| 27 126 40 | Gearbox Removal and Inspection | 27-8 |
| 27 126 48 | Gearbox Disassembly | 27-12 |
| | Gearbox Parts Inspection | 27-13 |
| | Gearbox Resassembly | 27-14 |
| 27 126 40 | Gearbox Resinstallation | 27-16 |
| | Labor Guide | 27-19 |

Op. 27 000

GENERAL INFORMATION

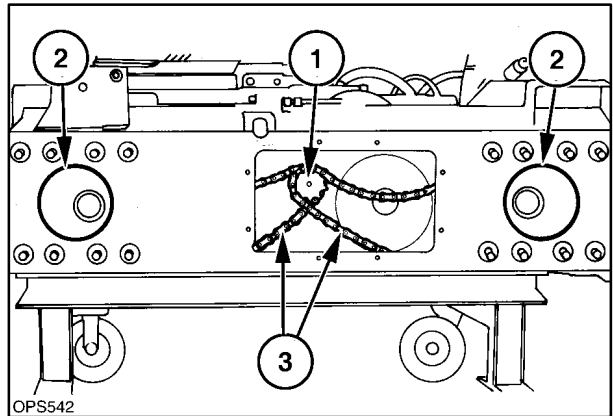
The power is transmitted to the final drive from the engine which is connected to the hydrostatic pumps, 1, with a flex plate drive coupler. The hydrostatic pumps then transmit hydraulic power to the hydrostatic motors, 2, which are connected to gearboxes, 3, located on the inside of the final drive cases. The left and right drives are separate from each other and are operated independently.



19992569

1

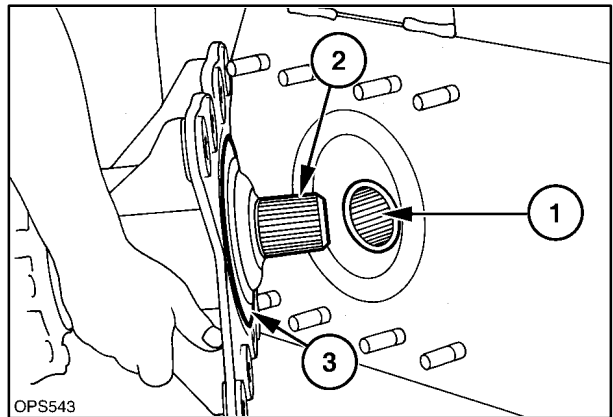
The power is then transmitted through gears to a double drive sprocket, 1, in the final drive case. The drive sprocket is connected to the axle sprockets, 2, with chains, 3, one endless chain to the front axle and one endless chain to the rear axle.



OPS542

2

The axle sprocket, 1, is splined to the axle shaft and hub assembly, 2. A large O ring, 3, seals the assembly to the frame.



OPS543

3

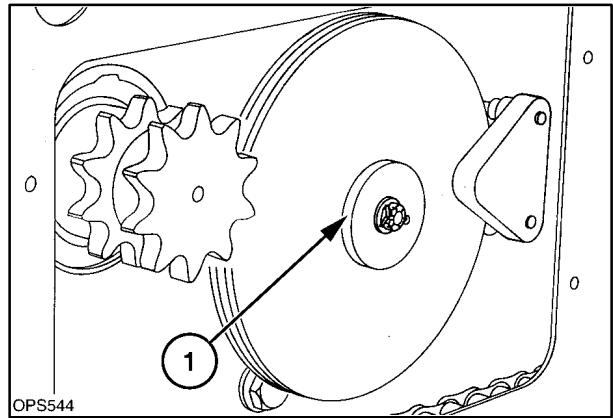
SECTION 27 - REAR DRIVE AXLE (GEARBOXES)

The parking brake discs are connected to the hydrostatic motor coupler shafts at 1. The parking brake is made up of two discs, actuator shaft, pads, and control linkage. The hydrostatic system is the primary braking system, and the parking brake is used when the unit is stopped.



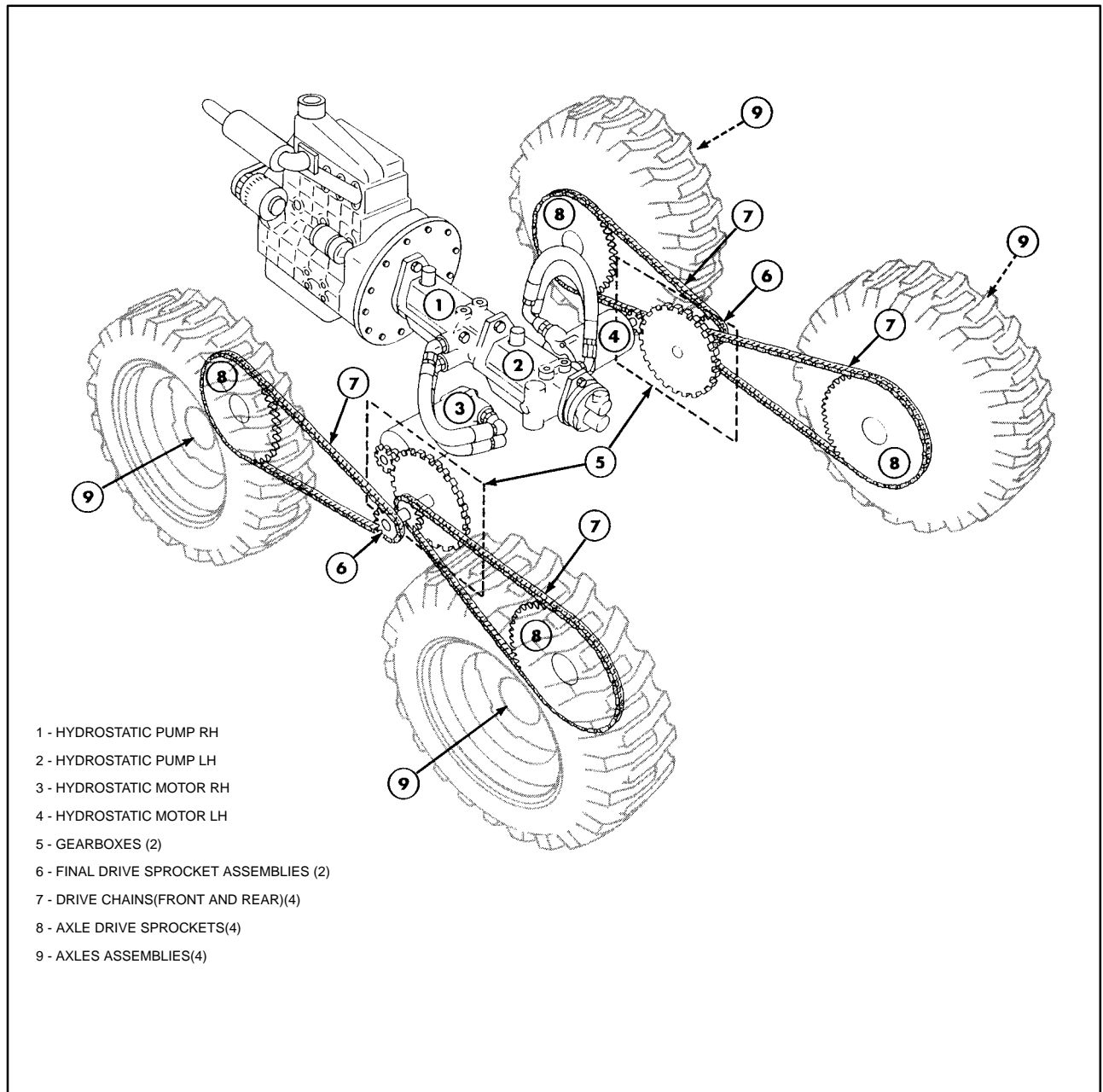
CAUTION

Always engage the parking brake before exiting the loader.



OPSS544

4



5

SPECIFICATIONS

Chain Case

| | |
|---|---|
| Side Cover Bolt Torque | 15 N·m (11 ft. lbs.) |
| Brake Caliper Mounting Bolt (center) Torque | 20 N·m (15 ft. lbs.) |
| Brake Caliper Mounting Bolts (outer) Torque | 70 N·m (52 ft. lbs.) |
| Drive Chain | #80 |
| Front Chain Length (68 pitches) | 1727.2 mm (68") |
| Rear Chain Length (66 pitches) | 1676.4 mm (66") |
| Chain Tension | 0 – 6 mm (0 - 1/4") movement at tire tread |
| Lubrication | 7.6 liters (2 gal.) each side - 10W-30API service SG-CE Oil |

Gearbox

| | |
|---|--|
| Mounting Bolt Torque | 170 N·m (125 ft. lbs.) |
| Drive Motor Mounting Bolt Torque | 85 N·m (63 ft. lbs.) |
| Brake Disc to Gearbox Shaft Bolt Torque | 35 N·m (26 ft. lbs.) |
| Front Cover Plate Bolt Torque | 20 N·m (15 ft. lbs.) |
| Lubrication | 1.9 liters (2 qts.) each side - 80W-90 API Service GL-5 Gear Oil |

Other Materials

| <u>Description</u> | <u>Use</u> |
|----------------------------------|---|
| Ultra/Blue Silicone sealer | Gearbox mounting bolts Axle housing bolts Chain case cover and bolts Gearbox to chain case Brake caliper bolts Gearbox cover and bolts |
| Sealing Material | NH Ultra Blue silicone sealer NH #L81724 - 3.35-oz. tube (cord) NH #L82519DS - 8-oz. tube NH #L58775 - 10.2-oz. cartridge |
| Hydraulic Oil | SAE10W-30 motor oil-API Service SG-CE NH #9613313 - 1 qt. NH #9613314 - 2 1/2 gal. NH #9613358 - 1 L NH #9613360 - 20 L |
| Gear Oil | 80W-90 API Service GL-5 Gear Oil NH #9613295 - 1 qt. NH #9613294 - 5 gal. NH #9613375 - 4 L |
| Grease | High viscosity lithium base NH #9613310 tube |

NOTE: Always use a noncorrosive silicone sealer to seal where required to prevent corrosion during the silicone curing process.

TROUBLESHOOTING**FINAL DRIVE SYSTEM**

Before servicing or adjusting on the final drive system, the skid-steer loader should be jacked up with the wheels off the ground.

Remove any attachment from the skid-steer loader boom, bucket, etc. Lower the boom to the lowered position or, if servicing requires the boom to be in the raise position, support the boom on the boom locks.

Raise the boom and lower onto boom lock pins, 1.

1. Raise boom above boom lock pins.
2. Engage boom lock pins.
3. Stop engine, ignition key "OFF" position.
4. Turn ignition key to the "ON" position.
5. Lower boom onto boom lock pins.
6. Turn the ignition key to the "OFF" position.



Never exit the loader with the boom in the raised position unless the boom is supported on the boom lock pins.

Never work under a raised boom unless it is properly supported by the boom lock pins.

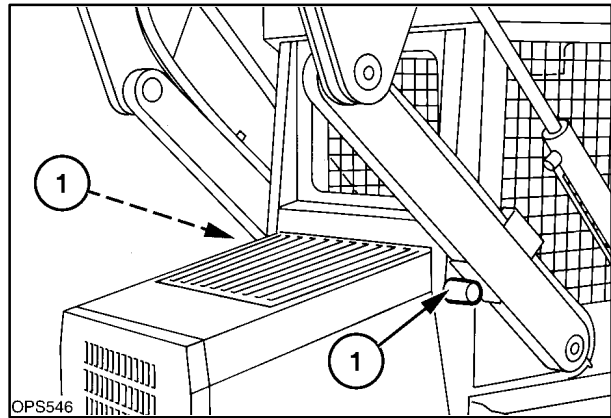
Never work under a raised boom with an attachment mounted. always remove the attachment from the loader.

Jack up the loader and support the loader with the wheels off the ground using adequate jack stands or blocks to securely support the loader.

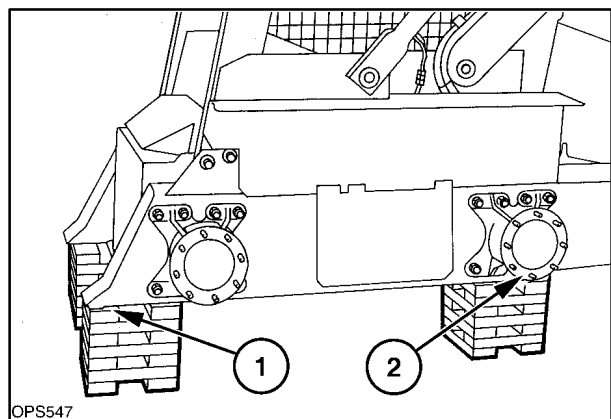
Support the loader at the front of the final drive cases at 1, and at the rear at 2.



Never service a raised loader unless it is securely supported with adequate jack stands or blocks.



6



7

SECTION 27 - REAR DRIVE AXLE (GEARBOXES)

FINAL DRIVE SYSTEM

| PROBLEM | POSSIBLE CAUSES | CORRECTION |
|---|---|--|
| Both drive wheels on one side not powered | No hydrostatic motor shaft rotation No gearbox output drive Broken drive chains | Check for pump to motor oil flow and repair Check gearbox shaft rotation and repair Check chains and repair |
| One drive wheel not powered | Broken drive chain Axle or drive sprocket splines worn | Check chain and repair Check axle and sprocket, replace |
| Chain case noise | Loose drive chains No oil in final drive Worn drive sprockets Bearing failure | Check and adjust chains Check oil level Check sprockets and repair Check axle and gearbox bearings and repair |
| Excessive axle play | Bearing failure on axle shaft Snap ring failure on axle shaft | Check bearings and repair Check axle bearing pre-load, repair |
| Noise in gearbox | No or low oil in gearbox Bearing failure Bearing or shaft failure in drive motor Gears in gearbox worn | Check oil level Check shafts and bearings, repair Check drive motor and repair Check and replace |
| Axle outer bearing failure | Prolonged operation in liquid or semi-liquid material | Decrease lubrication interval to every 500 hours |

SECTION 27 - REAR DRIVE AXLE (GEARBOXES)

TESTING

Pre-test instructions:

- * Operator in seat with seat belt buckled.
- * Engine running at high idle (full throttle).
- * Park brake disengaged position.

| STEP | TEST | RESULT | PROBABLE CAUSE AND CORRECTION |
|------|--|--------|--|
| 1 | Push both drive controls forward equally and loader should move in a straight line. | YES | Drive system OK. |
| | | NO | Engine stalls, wheels appear locked, check parking brake for engaged. If OK go to step 2. Slow or no power, Refer to hydrostatic drive section. |
| 2 | | | Check final drive chain, broken repair. |
| 3 | Pull both drive controls rearward equally and loader should move in a straight line. | YES | Drive system OK. |
| | | NO | Engine stalls, wheels appear locked, go to step 1. Wheels rotate slow or no power, go to step 1. |
| | | | One side of loader drags, go to step 2. |

Pre-test instructions:

- * Lower boom and attachment to the ground.
- * Stop engine.
- * Jack loader with wheels off the ground.
- * Release parking brake.

| STEP | TEST | RESULT | PROBABLE CAUSE AND CORRECTION |
|------|---|--------|---|
| 1 | Rotate each tire by hand, tires move less than 1/4" at tread. | YES | Drive system OK. |
| | | NO | Tires move more than 1/4" at tread, check chain tension. |
| 2 | | | One tire rotates freely, broken chain, or axle spline worn. |
| 3 | | | Both tires on one side rotate freely together, inspect drive gearboxes. If OK, check drive motor. |
| 4 | Tires rotate but are noisy. | YES | Check drive chains, axle bearings. |
| | | NO | Drive system OK. |

Op. 27 126

GEARBOXES

Op. 27 126 40

REMOVAL AND INSPECTION

The hydrostatic motor is connected to the gearbox and the gears in the gearbox transmit power to the final drive chains.

The boom and cab may be tilted forward for gearbox access. Refer to Section 00 of this manual for the "Tilting the Cab and Boom Procedure."

Gearbox Removal Without Tilting the Cab

The seat will need to be raised, step shield and hydrostatic control lever assemblies removed. The axle housing assemblies will require loosening and the final drive case cover will need to be removed to access the gearboxes.

1. Lower the boom and attachment to the ground.
2. If the work is going to be done with the boom in the raised position, remove the attachment and raise the boom and rest on the boom lock pins, 1.



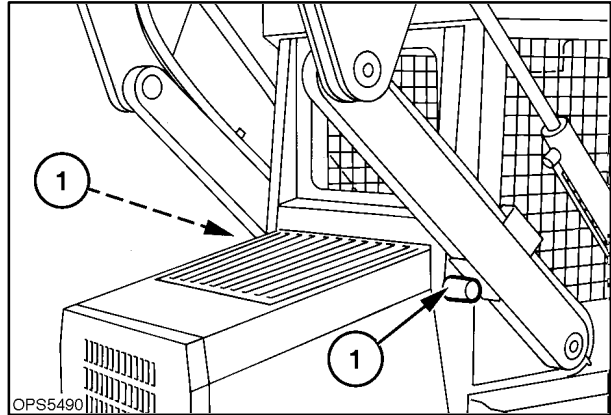
Never work under a raised boom unless it is properly supported by the boom lock pins.

Never work under a raised boom with an attachment. Always remove the attachment from the loader.

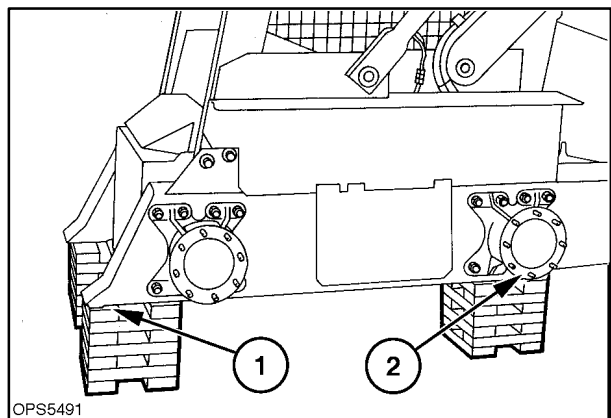
3. Securely block the skid-steer loader with all four wheels off the ground. Refer to Section 1 for more detailed information on properly supporting the skid-steer loader. Support the loader at the front of the final drive cases at 1, and at the rear at 2.



Failure to securely support the skid steer could result in movement of the loader causing serious injury or damage to the equipment.



8



9

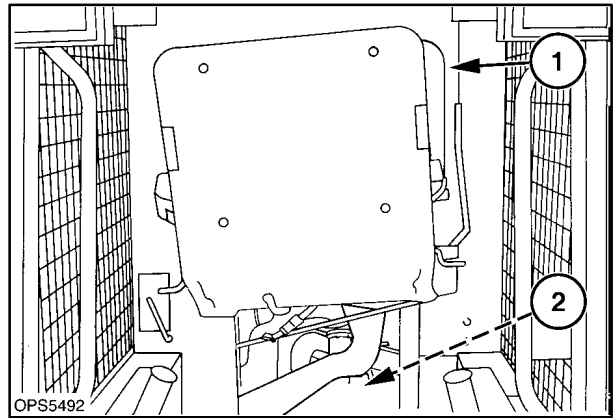
SECTION 27 - REAR DRIVE AXLE (GEARBOXES)

- Slide the seat to the rearmost position, unlatch the seat pan, and raise the seat and pan assembly to the raised latched position, 1.



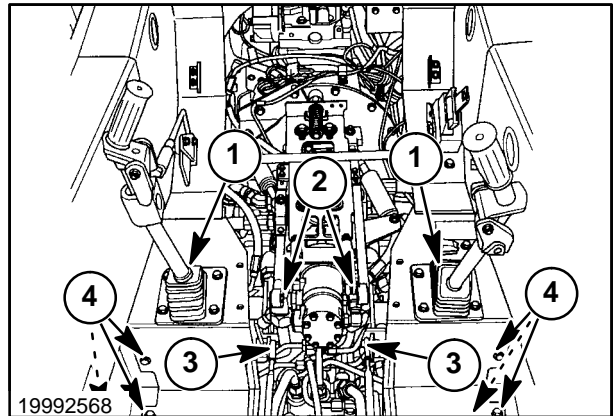
Before working under a raised seat make sure it is securely latched in the raised position.

- Remove the step shield, 2.



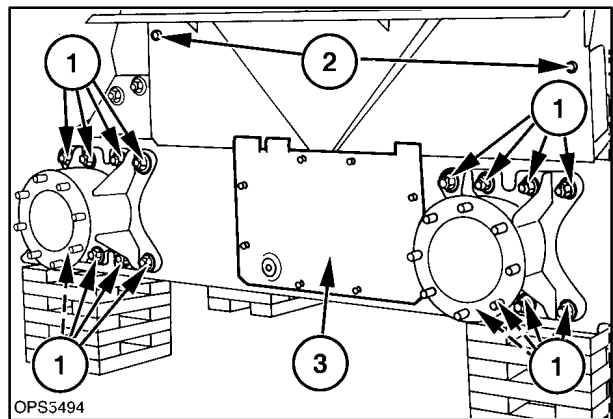
10

- Remove the hydrostatic control lever assemblies, 1, to access the gearboxes.
 - Remove the linkage at 2.
 - Unhook electrical wires, horn, high flow switch, etc.
 - Unhook control linkage to the auxiliary or boom and bucket control at 3.
 - Remove the support retaining hardware, 4, and lift the control lever assemblies from the loader.



11

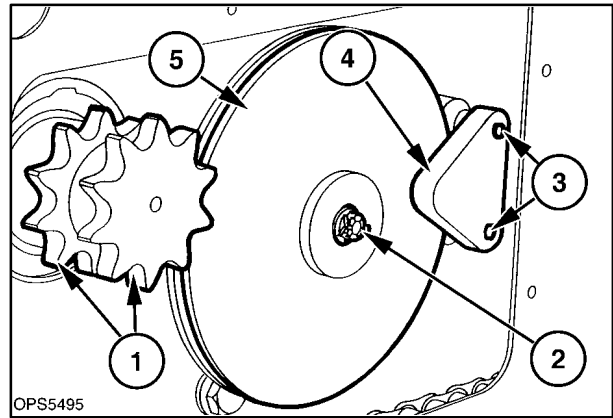
- Remove the tires and wheels from the final drive being serviced.
- Clean the axle and final drive area to prevent debris from entering the final drive case.
- Loosen the axle retaining hardware, 1, and remove the axles.
- Remove the fender and retaining bolts, 2.
- Remove final drive inspection cover, 3.



12

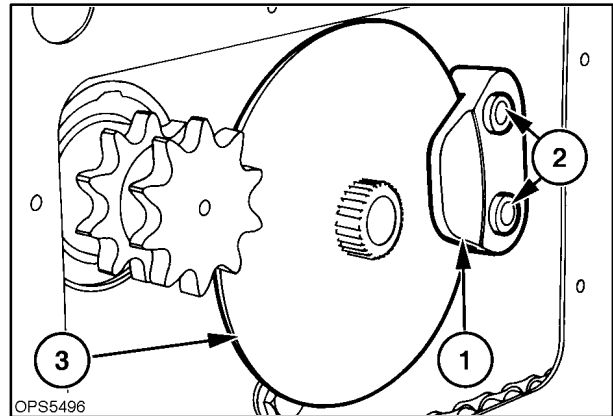
SECTION 27 - REAR DRIVE AXLE (GEARBOXES)

12. Remove the drive chains from the double drive sprocket, 1.
13. Parking brake engaged, remove the brake disc retaining bolt and washer, 2.
14. Release the parking brake.
15. Loosen the caliper retaining hardware, 3, from the inside of the cab. Thread the two bolts from the outside caliper assembly, 4. DO NOT remove bolts from caliper support at this time.
16. Remove the outside disc, 5.



13

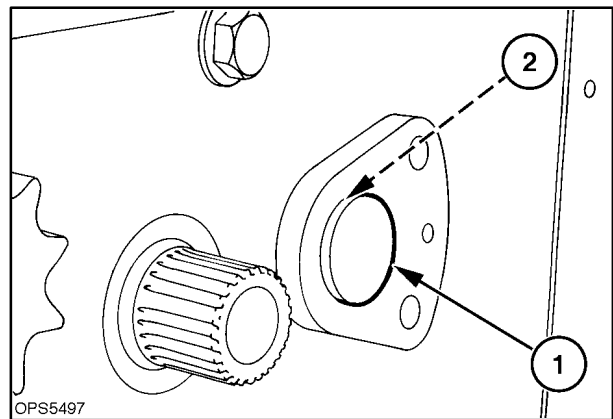
17. Remove center section of caliper, 1, spacers, 2, and now remove the retaining bolts.
18. Remove inside disc, 3.



14

19. Remove brake friction puck, 1, and spacer plate, 2.

NOTE: The spacer plate is thinner than the friction puck and must be inserted into brake caliper first upon reassembly.

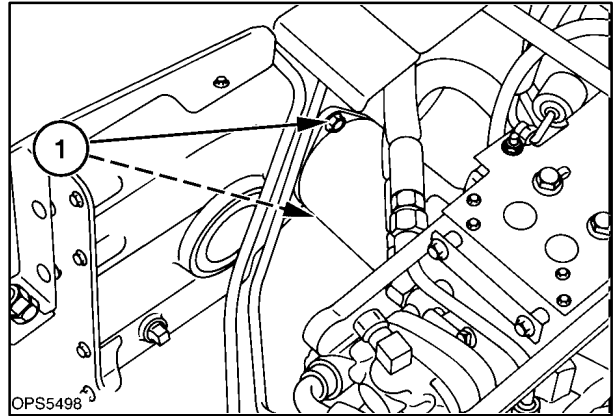


15

SECTION 27 - REAR DRIVE AXLE (GEARBOXES)

20. Remove the hydrostatic motor retaining hardware, 1.

NOTE: For clearance, the high pressure lines may require removal. If lines are removed, cap lines and fittings to prevent loss of oil and contamination of the hydrostatic system.

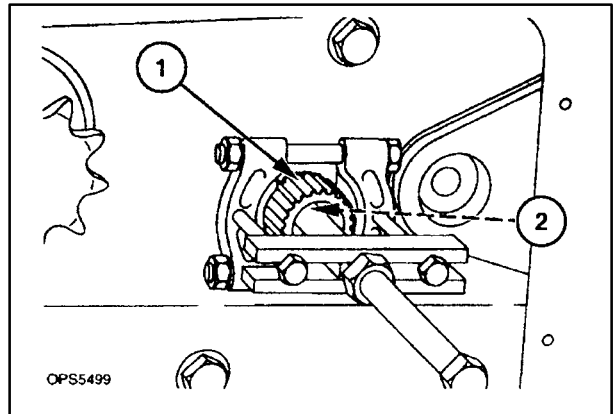


16

21. Install a flat bearing puller in the groove in the motor coupler at 1. Install a bolt in the end of the motor shaft at 2. Attach another puller to the flat puller and push the hydrostatic motor loose from the coupler. Remove the motor from the gearbox.

NOTE: The motor shaft and the coupler have tapered splines.

IMPORTANT: DO NOT drive on the motor shaft with a hammer to remove the motor from the coupler or internal damage to the motor may occur.



17

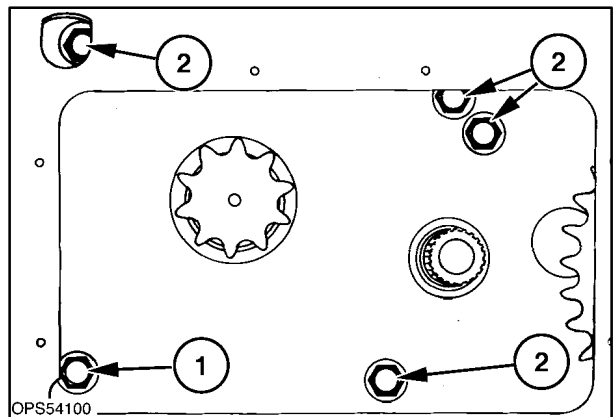
22. Remove the gearbox mounting hardware, 1; this will allow the gearbox oil to drain into the final drive case. Remove the remaining bolts, 2, from the final drive case and gearbox.

23. With a suitable hoist, lift the gearbox from the loader.

CAUTION

The gearbox is heavy and a suitable hoist/lift should be used.

The gearbox is heavy and a suitable hoist/lift should be used.

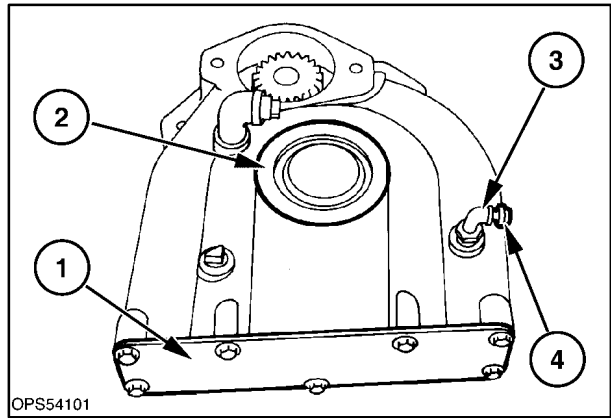


18

Op. 27 126 48

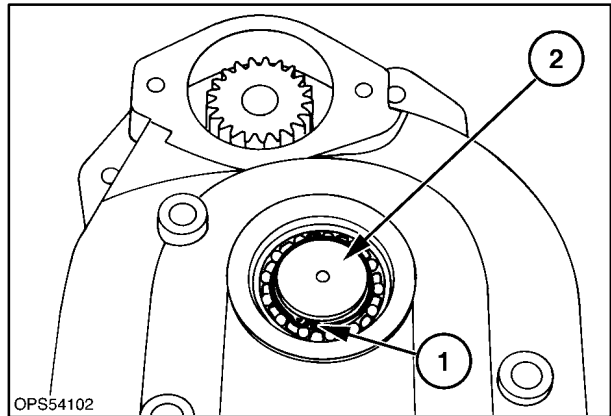
DISASSEMBLY

1. Thoroughly clean the gearbox.
2. Remove the cover, 1.
3. Remove the shaft cover, 2, by prying it from the gearbox housing.
4. Remove the gearbox breather, 3.



19

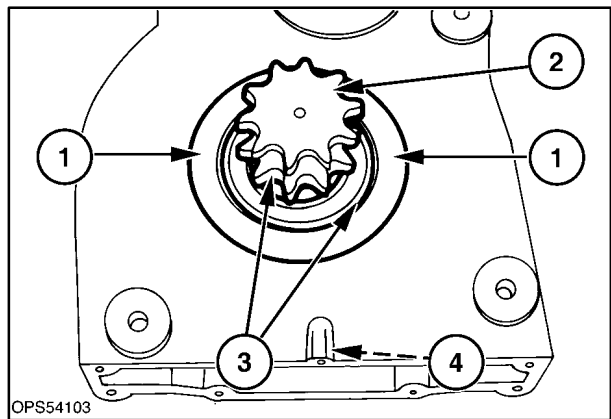
5. Remove the external snap ring, 1.



20

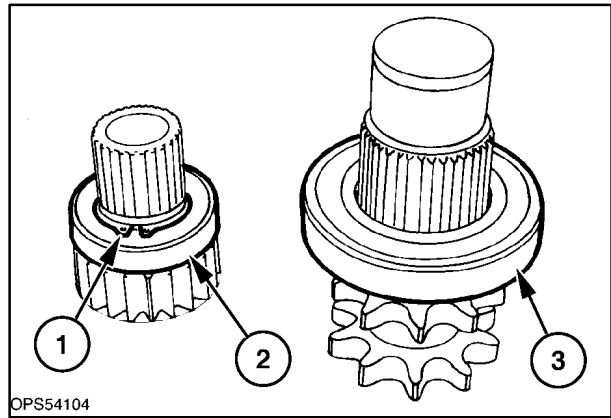
6. Place the gearbox in a press, support the gearbox housing next to the sprocket and shaft assembly at 1 as close as possible and press the shaft assembly, 2, from the snap ring side of gearbox and shaft.
The shaft sprocket and sealed bearing, 3, will come from the gearbox as an assembly.

7. Remove the two bearings from the housing.
8. Remove the spacer.
9. Remove the large gear, 4, from the housing.
10. Remove the small gear and shaft assembly from the gearbox.



21

11. Remove the external snap ring, 1, from the shaft.
With a bearing separator puller, remove the small sealed bearing, 2, from the shaft.
12. With a bearing separator puller, remove the large sealed bearing, 3, from the shaft and sprocket assembly.

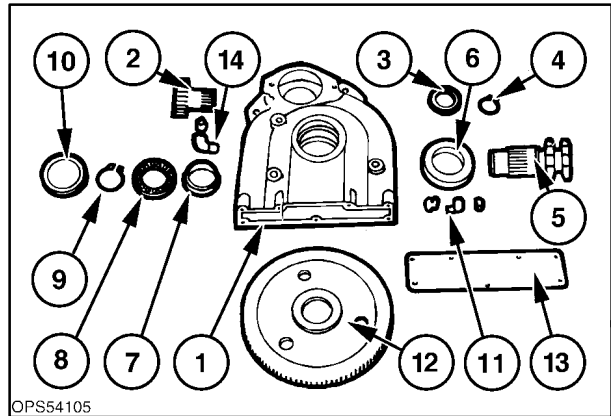


22

Gearbox and Related Parts

Ref. Description

- | | |
|----|-----------------------------------|
| 1 | Gearbox housing |
| 2 | Small gear and shaft |
| 3 | Small sealed bearing |
| 4 | Retaining ring |
| 5 | Drive sprocket and shaft assembly |
| 6 | Large sealed bearing |
| 7 | Spacer |
| 8 | Bearing (no seals) |
| 9 | Retaining ring |
| 10 | Cover |
| 11 | Breather |
| 12 | Gear |
| 13 | Cover |
| 14 | Fill and check plug |



23

PARTS INSPECTION

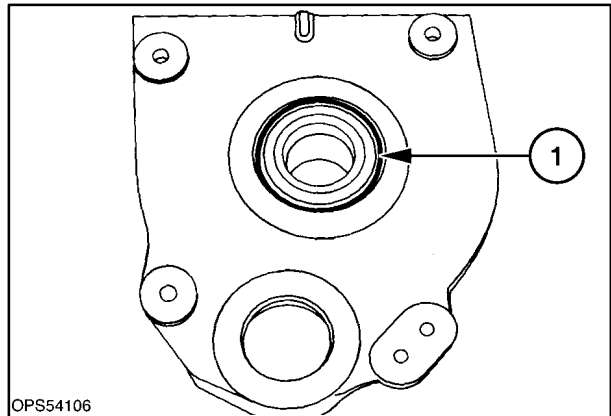
1. Thoroughly clean all parts of old sealant, oil, etc., before inspection.
2. Examine the shaft bearing surfaces for wear.
3. Check the shaft splines for wear.
4. Check the operation of the gearbox breather.
5. Check the gearbox housing for any cracks, etc., as a result of pressing shaft out.

SECTION 27 - REAR DRIVE AXLE (GEARBOXES)

6. Inspect the gearbox housing bearing areas for severe wear.

NOTE: The bearings, 1, are a hand press fit into the housing, not an interference fit.

7. Examine the mounting bolt threads for damage to prevent secure gearbox retention.



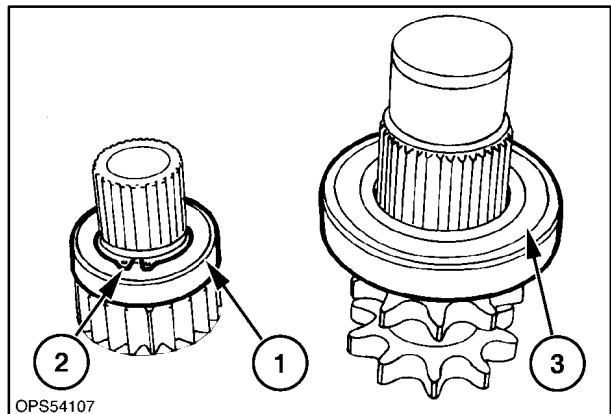
OPS54106

24

REASSEMBLY

1. Press the small sealed bearing, 1, onto shaft and gear assembly.
2. Install external snap ring, 2, making sure it is seated properly in groove.
3. Press the large sealed bearing, 3, onto sprocket and shaft assembly.

NOTE: The bearings are sealed on both sides, so bearings can be installed with either side up.

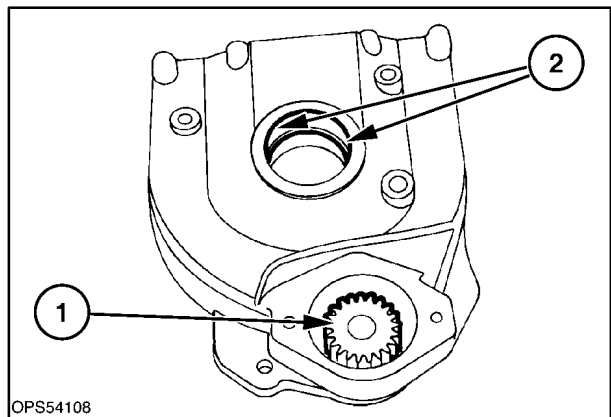


OPS54107

25

4. Place the motor coupler shaft and gear assembly, 1, into housing.

Thoroughly clean the bearing surface, 2, and outer surface of the large sealed bearing with Loctite cleaner.

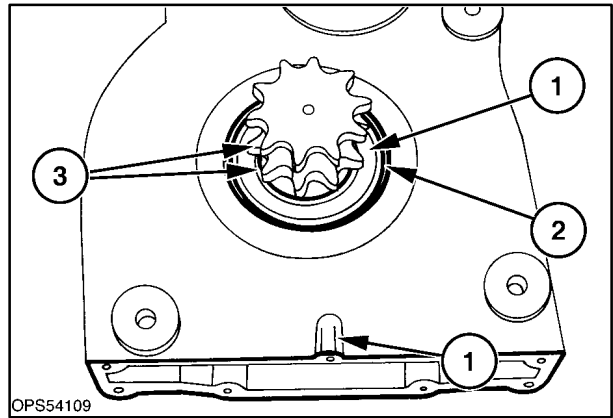


OPS54108

26

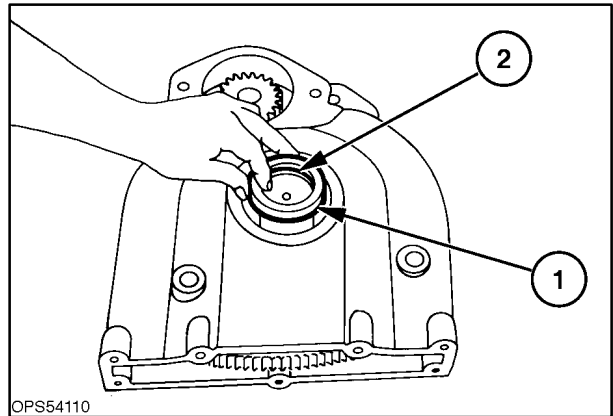
SECTION 27 - REAR DRIVE AXLE (GEARBOXES)

5. Insert the large gear, 1, into the gearbox; note the gear will fit only one way.
6. Put a bead of medium-strength Loctite around the outer surface of the bearing at 1, between the bearing race and gearbox surface.
7. Slide the sprocket, shaft and bearing assembly, 3, into the gearbox, aligning shaft splines with gear splines.



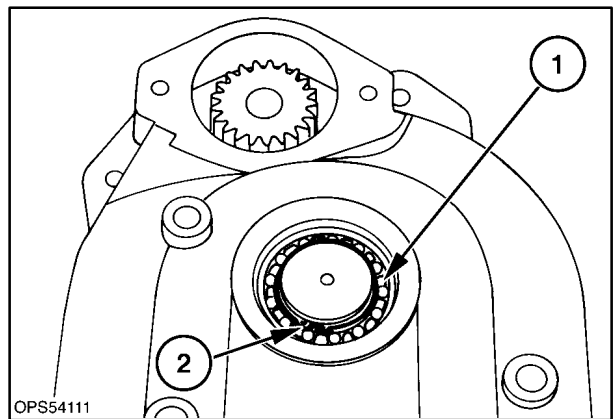
27

8. Place the shaft spacer, 1, recess side towards the gear. Place the spacer over the end of the splines on the shaft. The tapered side of the spacer, 2, should be to the outside of the gearbox housing.



28

9. Place the unsealed bearing, 1, over the end of the shaft.
10. Install the large external snap ring, 2, in groove on shaft, making sure it is properly seated into the groove.

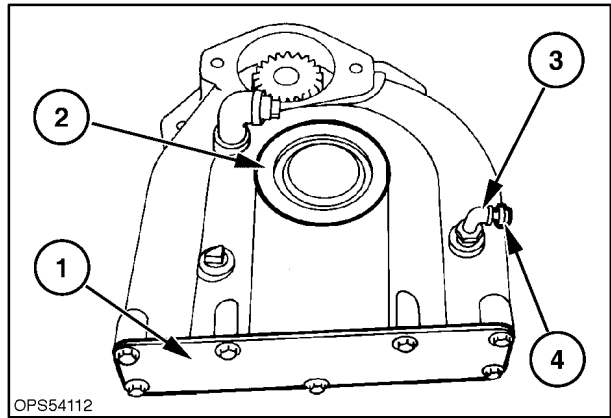


29

SECTION 27 - REAR DRIVE AXLE (GEARBOXES)

11. Put a bead of noncorrosive silicone sealer around the outer lip of the shaft cover, 2, and place the cover in the gearbox on the unsealed bearing side of the gearbox. Tap the cover with a hammer to seat in the gearbox.
12. Put a bead of noncorrosive silicone sealer around the end of the gearbox and install the cover, 1. Tighten hardware to 20 N-m (15 ft. lbs.).
13. Reinstall the gearbox breather, 3, if removed.

NOTE: The breather, 4, must be a breather with a spring-loaded center pin, part #572820.

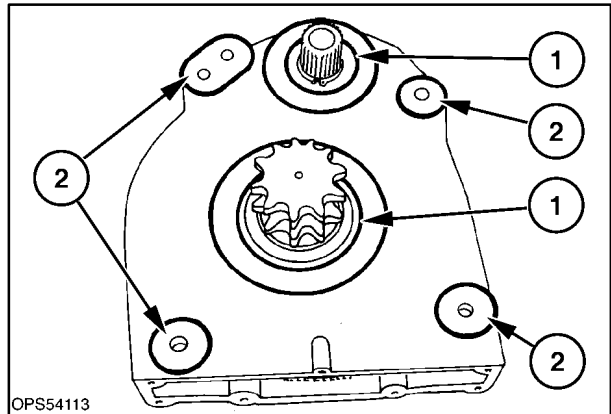


30

Op. 27 126 40

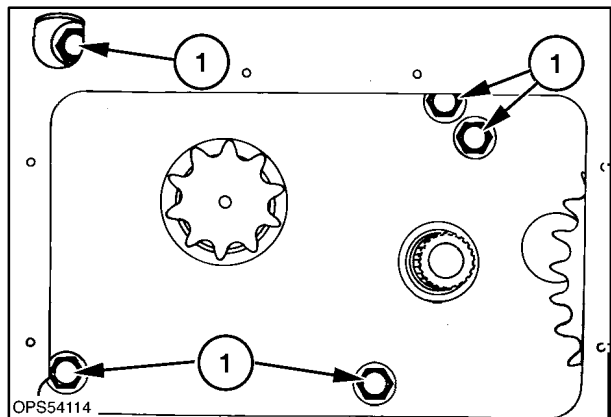
REINSTALLATION

1. Clean the mating surfaces of the final drive case and hydrostatic motor. Clean the oil, etc., from the final drive case.
2. Put a bead of noncorrosive silicone sealer around the bearings at 1 and the mounting holes, 2.
3. Using a hoist, place the gearbox assembly back into the loader.



31

4. Position the gearbox against the final drive case, put a bead of noncorrosive silicone sealer around the heads and the threads of the retaining bolts, 1. Install the retaining bolts and torque to 170 N-m (125 ft. lbs.).



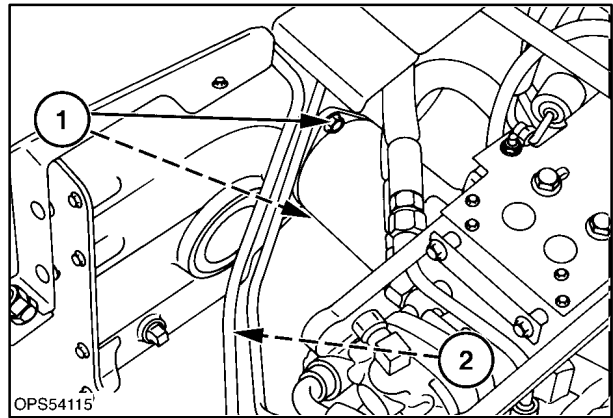
32

SECTION 27 - REAR DRIVE AXLE (GEARBOXES)

- Put a bead of noncorrosive silicone sealer around the flange of the hydrostatic motor. Align the motor splines with coupler splines and place motor shaft into coupler. Install the motor retaining bolts, 1, and torque to 85 N·m (63 ft. lbs.).

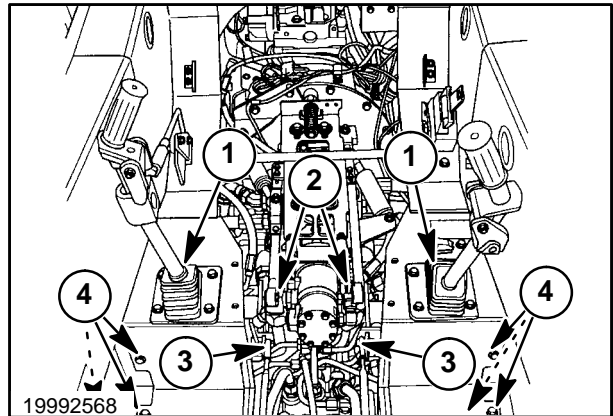
IMPORTANT: DO NOT force the hydrostatic motor shaft into the coupler. If the splines are not aligned, damage to the motor housing may occur.

- Reconnect the high pressure lines, if removed.
- Fill the gearboxes with 80/90 gear oil to the proper level at check plug, 2.



33

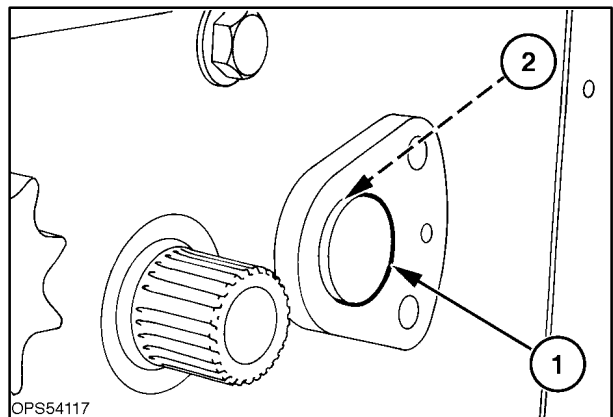
- Reinstall the hydrostatic control assemblies, 1, and connect all linkages, 2 and 3, and electrical connections removed. Tighten the support retaining hardware, 4, securely.



34

Reassemble the Parking Brake

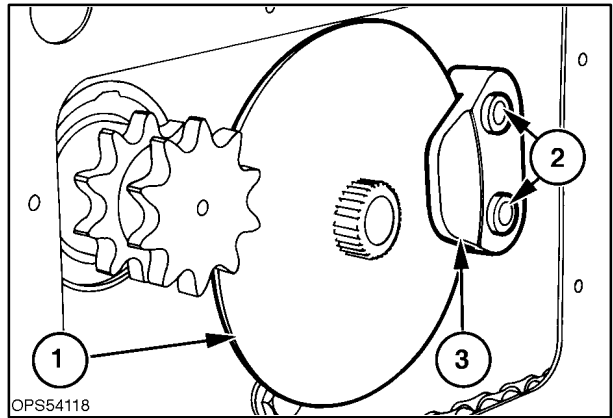
- Install the spacer plate, 2, next to the end of shaft, then the brake friction puck, 1.



35

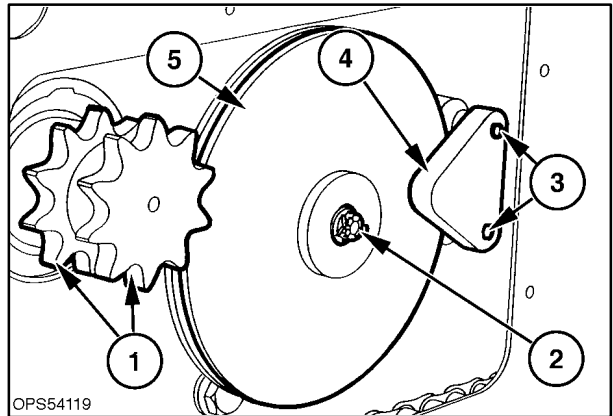
SECTION 27 - REAR DRIVE AXLE (GEARBOXES)

10. Install the inside brake disc, 1, onto splined motor coupler shaft.
11. Put a bead of silicone sealer around the caliper retaining bolts and insert in support.
12. Slide the spacers, 2, and center of caliper, 3, over bolts.



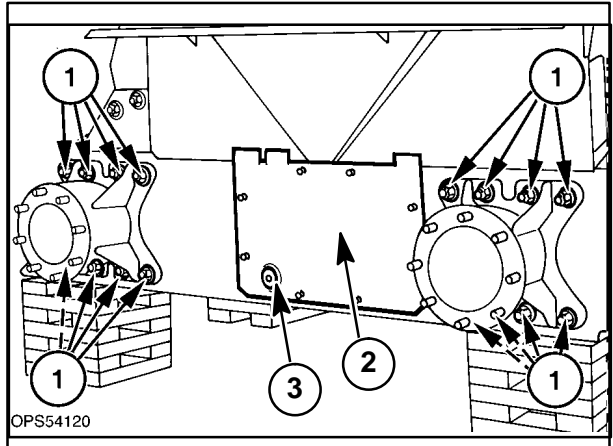
36

13. Install outer brake disc, 5, on motor shaft.
14. Thread caliper retaining bolts, 3, into outer section, 4, of caliper and tighten to 70 N·m (52 ft. lbs.). Check the center section of the caliper to insure it is free to move.
15. Put a bead of sealer on end of motor coupler. Install the brake disc retaining bolt and large flat washer at 2. Tighten to 35 N·m (26 ft. lbs.).
16. Reinstall the drive chains over the drive sprocket, 1.



37

17. Install the final drive axles. Slide each axle assembly to tighten the drive chain to obtain a movement of 0 - 6 mm (0 - 1/4") movement at the outer tire tread.
Tighten the retaining bolts, 1, to 190 N·m (140 ft. lbs.).
18. Reseal and install the final drive cover, 2.
19. Check the final drive case oil level at 3, and add as required.
20. Reinstall all shields (step, fenders, tires, etc.) removed for the repair.
21. Remove the loader from the blocking.



38

SECTION 27 - REAR DRIVE AXLE (GEARBOXES)

LABOR GUIDE

The following labor amounts are listed as a guide only. Working conditions and experience will vary the time the job actually takes to complete each job.

| Job Description | Hours |
|------------------------|--------------|
| Gearbox | |
| Remove and replace | 2.0 hrs. |
| Rebuild | 1.5 hrs. |

SECTION 29 - HYDROSTATIC TRANSMISSION

Chapter 1 - Neutralizer, Pumps, Motors

CONTENTS

| Section | Description | Page |
|-----------|--|-------|
| 29 100 | General Information | 29-3 |
| | Operation | 29-3 |
| | Specifications | 29-5 |
| 29 100 01 | Troubleshooting | 29-6 |
| | Hydrostatic Drive System Testing | 29-8 |
| | Hydrostatic System Oil Flow | 29-11 |
| | Hydrostatic Charge System Pressure Test | 29-14 |
| | Hydrostatic Pump Case Drain Test | 29-15 |
| | Hydrostatic Pump High Pressure Test | 29-18 |
| | Hydrostatic Pump Efficiency Test | 29-20 |
| | Hydrostatic Motor Case Drain Test | 29-22 |
| | Hydrostatic Motor Efficiency Test | 29-23 |
| | Hydraulic, Hydrostatic System Air Ingress Test | 29-25 |
| | Hydrostatic Pumps | 29-27 |
| 29 100 40 | Hydrostatic Pump Removal | 29-27 |
| 29 100 46 | Hydrostatic Pump Disassembly | 29-31 |
| | Hydrostatic Pump Parts Inspection | 29-36 |
| | Hydrostatic Pump Reassembly | 29-41 |
| | Hydraulic System Pump Installation (Without High Flow) | 29-47 |
| | Hydraulic System Pump/High Flow Pump Installation | 29-49 |
| | Hydrostatic Pump Reinstallation | 29-54 |
| | Hydrostatic Motor | 29-58 |
| 29 100 60 | Hydrostatic Motor Removal | 29-58 |
| 29 100 66 | Hydrostatic Motor Disassembly | 29-62 |
| | Hydrostatic Motor Parts Inspection | 29-67 |
| | Hydrostatic Motor Reassembly | 29-70 |
| | Hydrostatic Motor Reinstallation | 29-79 |
| | Hydraulic System Cleaning Procedure | 29-85 |
| | Start-up Procedure After Rebuild (After Pump or Motor Replacement) | 29-88 |
| | Charge Check Valve | 29-90 |
| 29 100 36 | Charge Check Valve Removal and Replacement | 29-90 |

SECTION 29 - HYDROSTATIC TRANSMISSION

| | | |
|-----------|--|--------|
| 29 100 | Steering System | 29-91 |
| | Hydrostatic System Controls | 29-91 |
| 29 130 30 | Neutralizer Assembly | 29-93 |
| | Left Control Handle With No Boom Hand Control | 29-97 |
| 29 100 10 | Left Control Handle With No Boom Hand Control Removal | 29-97 |
| 29 100 10 | Left Control Handle With No Boom Hand Control Disassembly | 29-97 |
| | Left Control Handle With No Boom Hand Control Inspection | 29-98 |
| | Left Control Handle With No Boom Hand Control Reassembly | 29-98 |
| | Left Control Handle With No Boom Hand Control Reinstallation | 29-98 |
| 29 100 11 | Left Control Handle With Boom Hand Control | 29-100 |
| | Left Control Handle With Boom Hand Control Removal | 29-100 |
| 29 100 10 | Left Control Handle With Boom Hand Control Disassembly | 29-101 |
| | Left Control Handle With Boom Hand Control Inspection | 29-102 |
| | Left Control Handle With Boom Hand Control Reassembly | 29-103 |
| | Left Control Handle With Boom Hand Control Reinstallation | 29-104 |
| | Right Control Handle With Auxiliary or Bucket Control | 29-106 |
| 29 100 15 | Right Control Handle With Auxiliary or Bucket Control Removal | 29-106 |
| 29 100 15 | Right Control Handle With Auxiliary or Bucket Control Disassembly | 29-107 |
| | Right Control Handle With Auxiliary or Bucket Control Inspection | 29-109 |
| | Right Control Handle With Auxiliary or Bucket Control Reassembly | 29-110 |
| | Right Control Handle With Auxiliary or Bucket Control Reinstallation | 29-113 |
| 29 130 06 | Drive Control Adjustment Procedure | 29-115 |
| 29 130 06 | Neutral Adjustment | 29-116 |
| | Labor Guide | 29-118 |

Op. 29 100**GENERAL INFORMATION**

The hydrostatic system provides a means to transfer power from the engine to the final drive for the wheels. It provides infinitely variable speed forward and reverse and steering of the skid steer.

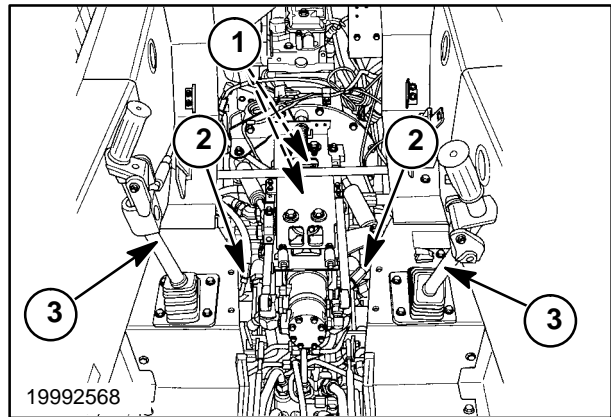
The hydrostatic pumps receive power from the engine through a flex plate drive. The pumps transfer hydraulic power to the motors and then through gearboxes to the final drives, axles, and wheels.

The hydrostatic pumps are controlled separately from each other and power each side independently.

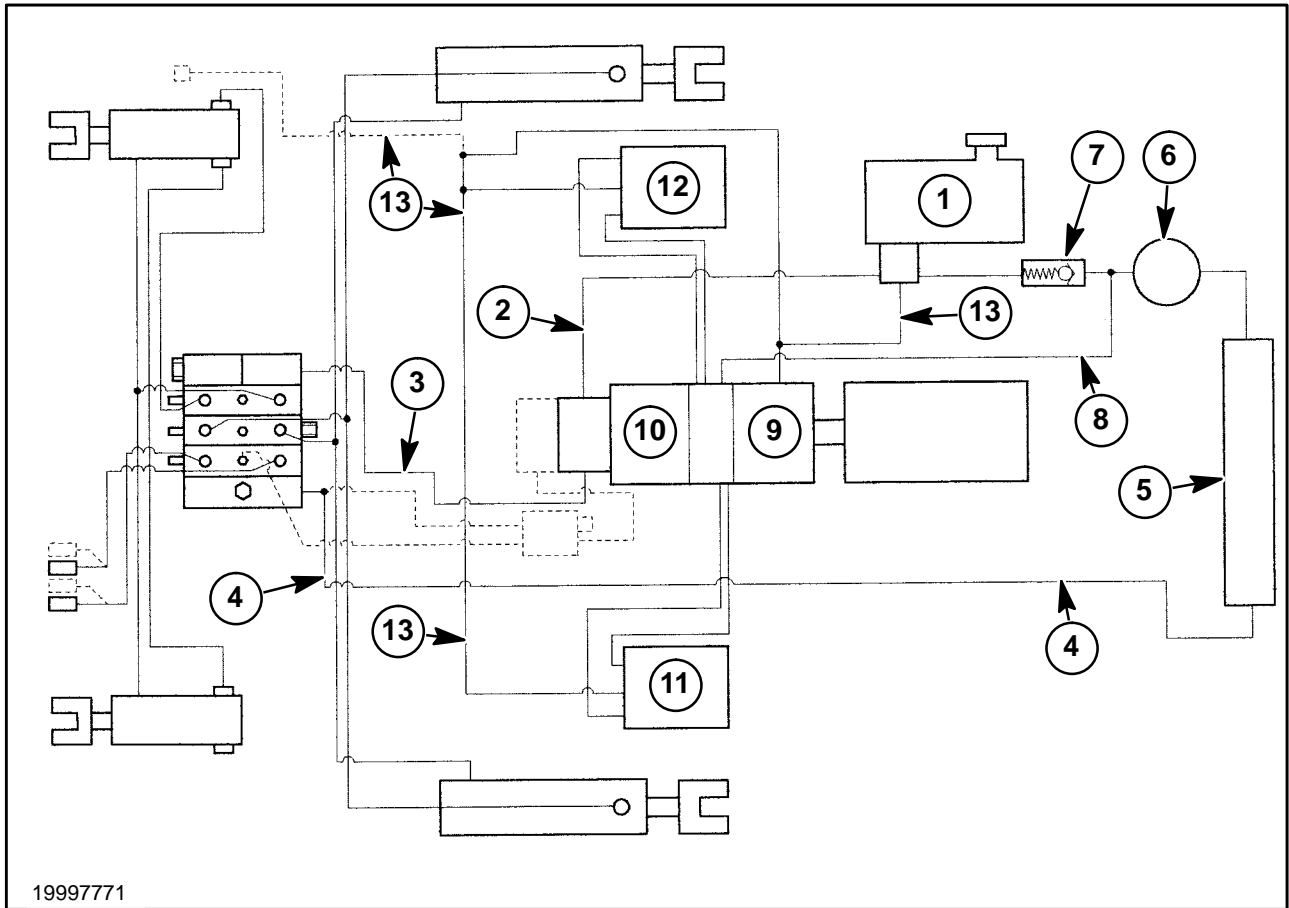
OPERATION

The hydrostatic system is a closed loop fluid power system that provides smooth transition of power from the engine to the wheels. The hydrostatic system is made up of two piston pumps, 1, and two piston motors, 2. The hydrostatic charge system is a back pressure valve in the hydraulic system return line located in the engine compartment. This provides replenishing oil for the oil that is lost due to leakage for lubrication and cooling purposes.

Steering is controlled by two hand levers, 3, located in the operators cab. These hand levers control direction forward and reverse and amount of oil flow for speed of the skid steer by rotation of the pump cam plates in the individual pumps. The further the control levers are pushed from neutral the greater the cam plate angle. More oil is pumped to the motors increasing the wheel speed. The greatest wheel torque is when the control levers are closer to neutral. When operating the skid steer, more power (torque) is available by destoking the control levers, thus increasing the loader efficiency.



SECTION 29 - HYDROSTATIC TRANSMISSION



The hydrostatic system consists of the following components:

1. Hydraulic reservoir - Right front of engine compartment
2. Suction line - From reservoir to the gear pump under the operator's seat.
3. Pressure line - From the gear pump to the control valve under the operator's seat.
4. Return line - From control valve to oil cooler.
5. Oil cooler - Engine side of radiator in engine compartment.
6. Oil filter - After the oil cooler engine compartment rear door.
7. Charge check valve - In return line between oil filter and reservoir.

8. Hydrostatic transmission charge line - From the charge check valve to the hydrostatic pumps under the operator's seat.
9. Hydrostatic pump for left drive - Under operator's seat.
10. Hydrostatic pump for right drive - Under operator's seat.
11. Hydrostatic motor for left drive - Under operator's seat.
12. Hydrostatic motor for right drive - Under operator's seat.
13. Hydrostatic system case drain line - From pumps and motors to the hydraulic reservoir.

SPECIFICATIONS

HYDROSTATIC PUMPS

| | |
|----------------------------------|-----------------------------------|
| Type | Variable Displacement Piston Pump |
| Displacement | 82.3 L/min (21.47 GPM) @ 2000 RPM |
| Pressure Relief Setting | 238 bar (3500 PSI) |
| Minimum Pump Efficiency | 80% |
| Maximum Pump Case Drain | 5.7 L/min (1.5 GPM) per pump |
| Maximum Pump Case Pressure | 1.7 bar (25 PSI) |

HYDROSTATIC MOTORS

| | |
|-----------------------------------|---------------------------------|
| Type | High Torque Axial Piston Motors |
| Minimum Motor Efficiency | 80% |
| Maximum Motor Case Drain | 5.7 L/min (1.5 GPM) per motor |
| Maximum Motor Case Pressure | 1.7 bar (25 PSI) |

CHARGE PRESSURE SYSTEM

| | |
|-----------------------------------|---------------------------------|
| Back Pressure Valve Setting | 11.0 - 11.7 bar (160 - 170 PSI) |
|-----------------------------------|---------------------------------|

OIL REQUIREMENTS

| | |
|------------------------------|-------------------|
| Type and Specification | SAE SH/CG4 10W-30 |
|------------------------------|-------------------|

TORQUE SPECIFICATIONS

| | |
|------------------------------------|------------------------|
| Pump Seal Cover Screws | 5 N·m (48 in. lbs.) |
| Pump Relief Valve Caps | 135 N·m (100 ft. lbs.) |
| Pump Valve Plate Cap Screws | 39 N·m (29 ft. lbs.) |
| Pump to Pump Cap Screws | 77 N·m (57 ft. lbs.) |
| Motor Mounting Cap Screws | 101 N·m (75 ft. lbs.) |
| Motor Valve Plate Cap Screws | 23 N·m (17 ft. lbs.) |
| Flywheel Cover Plate | 61 N·m (45 ft. lbs.) |

OTHER MATERIALS

| | |
|------------------------|--|
| Sealing Material | NH Ultra Blue silicone sealer NH #L81724 - 3.35 oz. tube (cord) NH #L82519DS - 8 oz. tube NH #L58775 - 10.2 oz. cartridge |
| Hydraulic Oil | SAE10W-30 motor oil-API Service SH/CG4 NH #9613313 - 1 qt. NH #9613314 - 2 1/2 gal. NH #9613358 - 1 L NH #9613360 - 20 L |

NOTE: Always use a noncorrosive silicone sealer to prevent damage to the components being sealed during the silicone curing process.

Op. 29 100 01

TROUBLESHOOTING

When performing tests on the hydrostatic system, use the proper test procedures and test equipment.

Before testing, lower the attachment to the ground or remove attachment from the loader.

If testing is to be performed with a raised boom, make sure the boom is raised above and resting on the boom lock pins, attachment removed.

Before opening the hydraulic system, clean the area thoroughly to prevent contaminating the system.

Before opening the hydraulic system, relieve all pressure from the system.

Before testing the hydrostatic system, check the hydraulic oil level.

Before testing the hydrostatic system, the oil must be at normal operating temperature.

If testing requires the skid steer to be raised, use adequate blocking and/or jack stands to securely support the loader.

CAUTION

When connecting test equipment into the hydrostatic system, relieve the pressure in the system. Stop the engine, with seat belt fastened turn the ignition switch to the “on” position and operate all hydraulic control valve circuits to relieve pressure. Turn the ignition switch to the “off” position.

WARNING

Gauges, gauge fittings, and hoses must have operating pressure ratings of at least 25% higher than the highest pressures of the system.

Never adjust or replace the relief valves to get higher pressures than those specified by the equipment manufacturer.

Fluid under pressure can have sufficient force to penetrate the skin, causing serious personal injury. Always protect the skin and eyes from escaping fluid under pressure.

Before disconnecting lines or fittings, be sure to turn off the skid loader engine and relieve all pressure. Before applying pressure to the system, be sure all connections are tight and that lines, pipes, and hoses are not damaged.

If injured by escaping fluid, obtain medical assistance at once. Serious infection or reaction can develop if medical treatment is not administered immediately.

Remove any attachment from the mounting plate before loosening or disconnecting any hydraulic lines.

CAUTION

Use adequate blocking and/or jack stands to insure that the loader is safely supported with all four wheels off the ground.

SECTION 29 - HYDROSTATIC TRANSMISSION

| PROBLEM | POSSIBLE CAUSE | CORRECTION |
|--|--|---|
| Machine will not move either direction | Parking brake engaged Engine to hydrostatic drive coupler Low hydraulic oil Low charge pressure Incorrect oil Air in system Water in system Output pressure too low Internal pump or motor damaged Linkages loose or broken | Release parking brake Check and repair or replace Check oil level Check charge pressure/repair Drain and replenish with proper oil Purge air and repair system Drain, clean, and replace oil Check pressure/replace relief valve Check pump/motor case drain flow Check and repair |
| One side moves, other side does not | Relief valve stuck open Internal pump or motor damaged Brake engaged on one side Linkage loose or broken Broken drive chain Gearbox damaged | Check and repair Check pump/motor case drain flow Check parking brake system and repair Check and repair Check and repair Check and repair |
| Noisy pump or motor | Air in system Wrong kind of oil Water in system Internal pump or motor damaged Linkage loose or broken Parking brake engaged | Purge air and repair system Drain, clean system and replace oil Drain, clean, and replace oil Check pump/motor case drain flow Check and repair Release parking brake |
| Low power | Low hydraulic oil Low charge pressure Relief valve stuck open Air in system Output pressure too low Internal pump or motor damaged | Check oil level Check charge pressure/repair Check and repair Purge air and repair system Check pressure replace relief valve Check pump/motor case drain flow |
| Sluggish response to changes in speed | Relief valve stuck open Air in system Output pressure too low Linkage loose or broken Oil too heavy, cold weather Wrong kind of oil | Check and repair Purge air and repair system Check pressure/replace relief valve Check and repair Allow unit to warm up before operating Drain, clean system and replace oil |

HYDROSTATIC DRIVE SYSTEM TESTING**Hand controls - forward and reverse**

Pretest instructions:

- *Operator in seat
- *Seat belt buckled
- *Service/Run switch in "RUN" position
- *Key switch in the "OFF" position

| STEP | TEST | RESULT | PROBABLE CAUSE AND CORRECTION |
|------|---|--------|---|
| 1 | Levers should move freely | NO | Check control linkage from levers to the pumps. |
| | | YES | System OK |
| 2 | Stroke both levers forward or reverse, the levers should return to neutral position | YES | System OK |
| | | NO | Check neutralizer system for binding or adjustment. |
| 3 | Stroke both levers forward or reverse and release one lever, both levers should stay in direction stroked | YES | System OK |
| | | NO | Check neutralizer system for binding or adjustment |

Hand controls - forward and reverse

Pretest instructions:

- *Operator in seat
- *Seat belt buckled
- *Service/Run switch in "RUN" position
- *Parking brake disengaged
- *Key switch in the "RUN" position
- *Engine operating at low idle speed

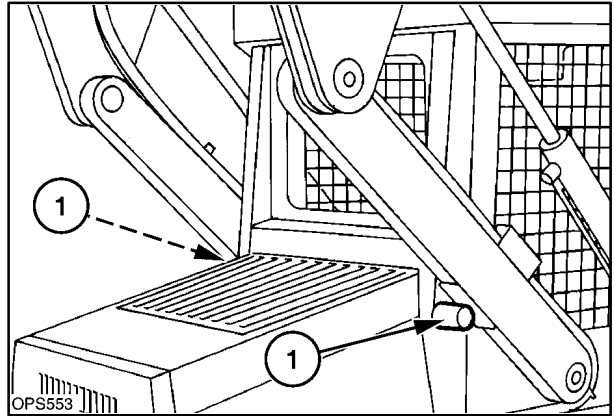
| STEP | TEST | RESULT | PROBABLE CAUSE AND CORRECTION |
|------|--|--------|--|
| 1 | Control levers in neutral, unit should not move | YES | System OK |
| | | NO | Check and adjust for neutral |
| 2 | Stroke both levers forward or reverse, unit should accelerate smoothly | YES | System OK |
| | | NO | Check for loose or damaged control linkage, if OK go to next step. |
| 3 | | | Check hydraulic oil level and add as required, if OK go to next step. |
| 4 | | | Check hydrostatic hoses, tubing, and connections for leaks, if OK go to next step. |
| 5 | | | Check parking brake for being engaged or adjustment, if OK go to next step. |
| 6 | | | Check hydrostatic charge pressure, if OK go to next step. |
| 7 | | | Check forward or reverse relief valve operation and pressure settings. |
| 8 | Control levers in neutral park brake engaged, pumps should be quiet | YES | Control System OK |
| | | NO | Check and adjust for neutral, if OK go to next step. |
| 9 | | | Check for loose or damaged control linkage, if OK go to next step. |
| 10 | Control levers in full forward, machine should go in straight line | YES | Control System OK |
| | | NO | Reset control lever stops |

SECTION 29 - HYDROSTATIC TRANSMISSION

Before performing any hydraulic test, operate the skid steer to get the hydraulic oil to operating temperature (about 38°C or 100° F above ambient temperature).

For access to hydrostatic testing, remove any attachment from the loader attaching face plate and support the boom on the lockpins.

1. Raise the boom, extend the boom lockpins, 1, and lower the boom down on the lockpins.

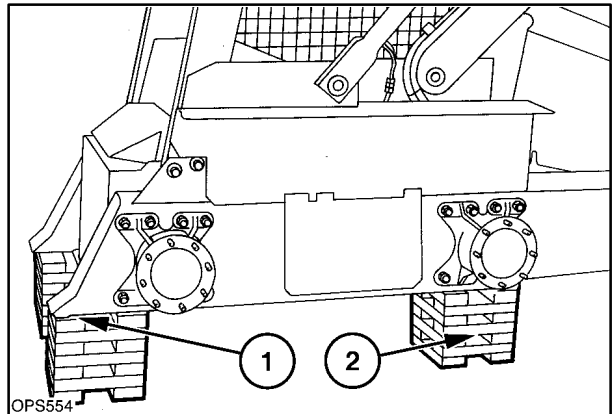


3

2. Stop the engine, turn the ignition key to the run position, and operate the boom and bucket control pedals to relieve pressure in the cylinders. Turn off the key.
3. Raise and support the skid steer with all four wheels off the ground. Support the front of the loader at 1 to the front of the final drive case and at 2 to the rear of the case.

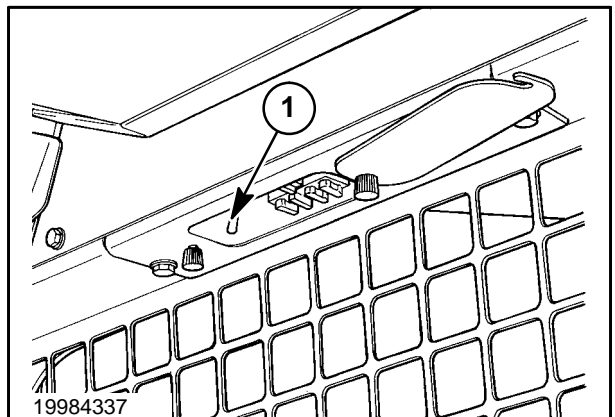
— **⚠ CAUTION ⚠** —

Failure to securely support the skid steer could result in movement of the loader during testing causing serious injury or damage to the equipment.



4

4. Put the "SERVICE/RUN" switch, 1, in the "SERVICE" position.



5

5. Raise the operator's seat and latch in the raised position, 1.

CAUTION

Never work under a raised seat unless it is securely latched in the raised position.

6. Check the hydraulic oil level and add, if required, to proper level.

WARNING

Gauges, gauge fittings, and hoses must have operating pressure ratings of at least 25% higher than the highest pressures of the system.

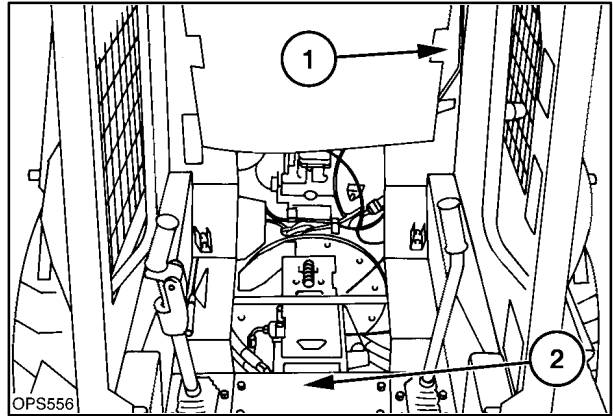
Never adjust or replace the relief valves to get higher pressures than those specified by the equipment manufacturer.

Fluid under pressure can have sufficient force to penetrate the skin, causing serious personal injury. Always protect the skin and eyes from escaping fluid under pressure.

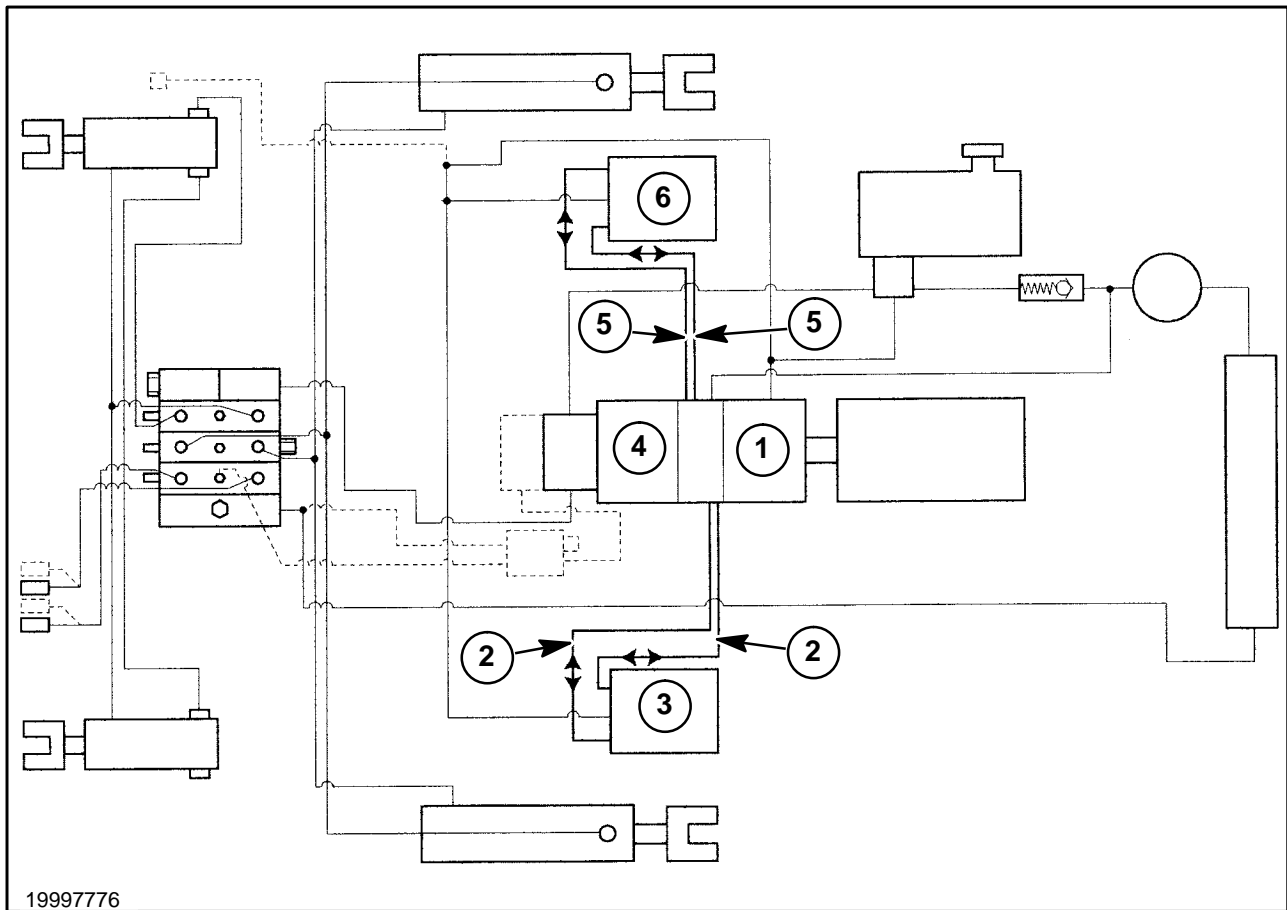
Before disconnecting lines or fittings, be sure to turn off the skid loader engine and relieve all pressure. Before applying pressure to the system, be sure all connections are tight and that lines, pipes, and hoses are not damaged.

If injured by escaping fluid, obtain medical assistance at once. Serious infection or reaction can develop if medical treatment is not administered immediately.

Remove any attachment from the mounting plate before loosening or disconnecting any hydraulic lines.



6



HYDROSTATIC SYSTEM OIL FLOW

Hydrostatic Pumps and Motors High- Pressure Flow

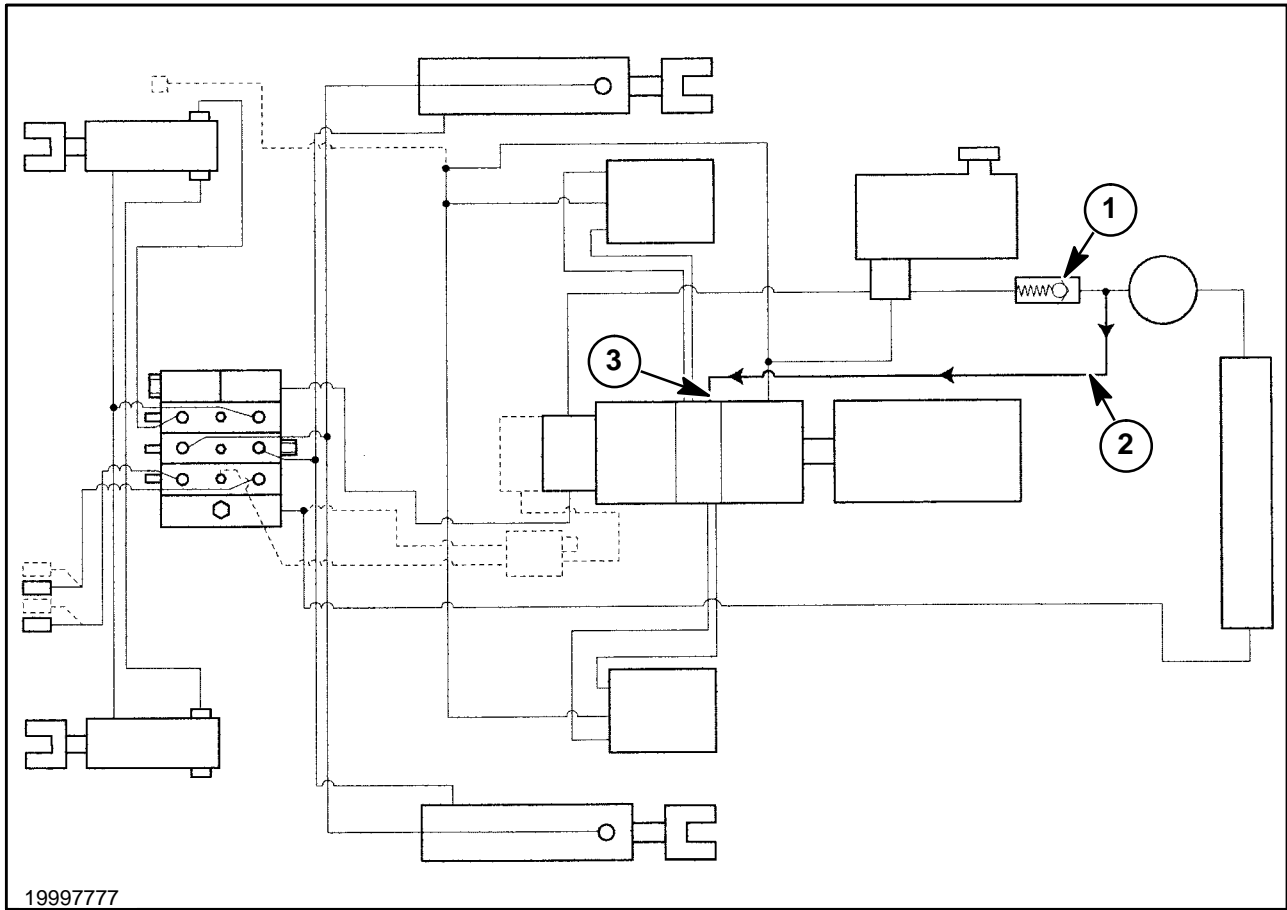
The hydrostatic pumps are driven by the engine through a flex plate drive coupler.

The rear hydrostatic pump, 1, supplies high-pressure oil through high-pressure lines, 2, to the left hydrostatic motor, 3, when the left forward/reverse control lever is stroked in either direction.

The front hydrostatic pump, 4, supplies high-pressure oil through high-pressure lines, 5, to the

right hydrostatic motor, 6, when the right forward/reverse control lever is stroked in either direction.

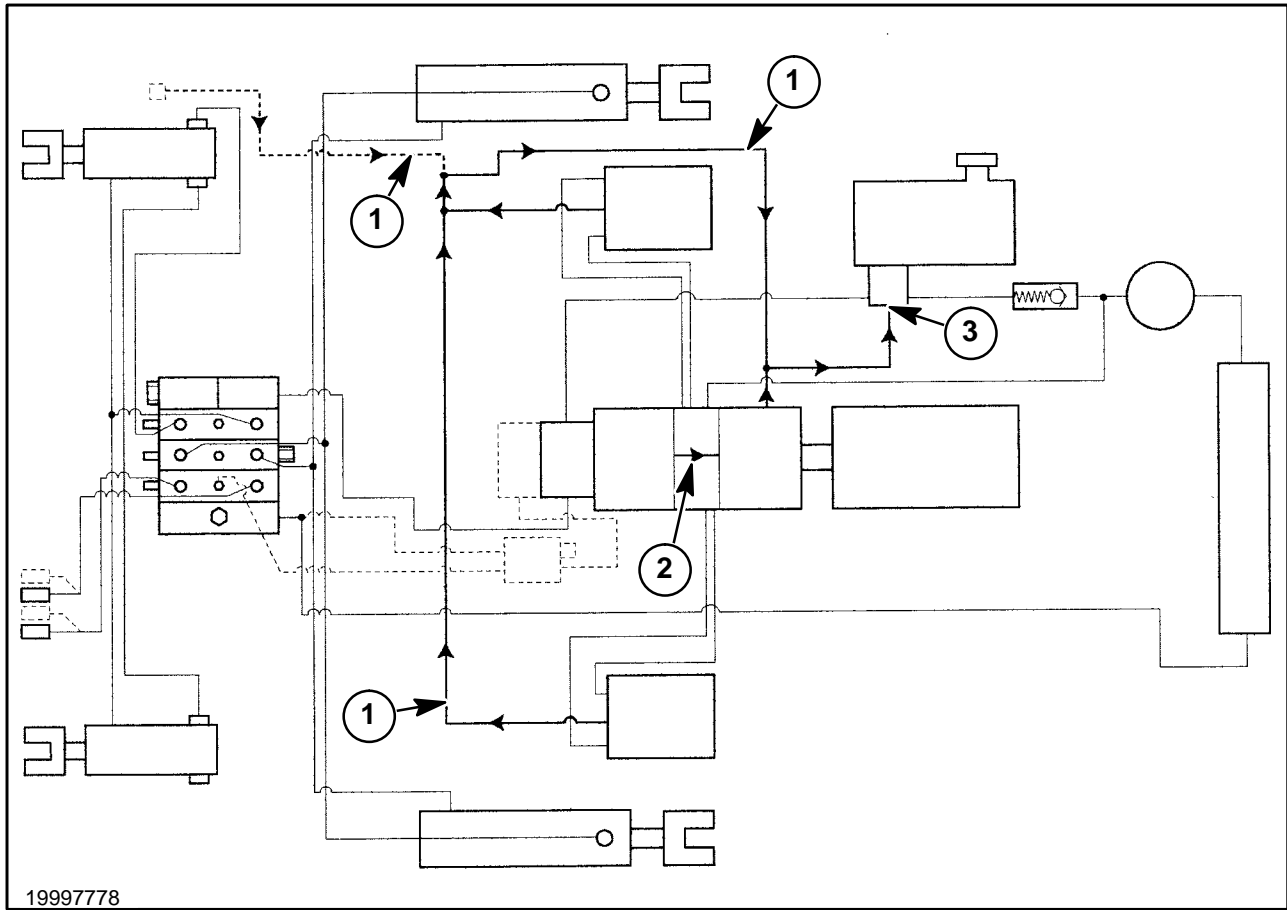
The hydrostatic system is protected by four high-pressure relief valves, two each pump, one for forward and one for reverse. All four high-pressure relief valves are the same and factory set at 238 bar (3500 PSI). Do not try changing the pressure setting of these relief valves. If during testing the relief valves are found to be incorrectly set, replace the complete valve cartridge.



Hydrostatic Pump and Motor Charge Pressure Oil Flow

During the operation of the hydrostatic pumps and motors, oil from the high-pressure system is used for lubrication of the internal rotating parts of the pumps and motors. The lubrication oil drains into the pump and motor housings.

A charge check valve in the return line after the filter at 1, builds backpressure in the return circuit and forces oil through the charge line, 2, into the hydrostatic pump back plate at 3. This charge oil provides replacement oil in the high-pressure circuits that was used for lubrication purposes.



Hydrostatic Pump and Motor Case Drain Flow

During operation of the hydrostatic pumps and motors, oil from the high-pressure circuit used for lubrication oil drains into the pump and motor housings.

The lubrication oil will fill the housings approximately half full. This oil then becomes cooling oil and will

drain from the pumps and motor housings (cases) through drain lines, 1.

The front hydrostatic pump drains internally to the rear pump at 2. The oil will drain from the rear pump and tees into the drain line from the motors. The case drain oil returns to the hydraulic reservoir, 3.

HYDROSTATIC CHARGE SYSTEM PRESSURE TEST

Hydrostatic charge pressure oil is the return oil from the boom, bucket, and auxiliary hydraulic circuits from the return side of the control valve. This oil is required for replenishing oil to the hydrostatic system for lubrication and cooling of the hydrostatic pumps and motors.

IMPORTANT: Do not change the route of the return oil from the main control valve or the hydrostatic system may be damaged.

The charge pressure can be checked at the test port, 1, near the charge check valve, 2.

The charge system pressure is factory set. Changes to the settings should not be necessary. The charge check relief valve is located at 2. If there is some reason to suspect incorrect pressure, check the pressure as follows:

Checking Charge System Pressure

Fittings and gauge required:

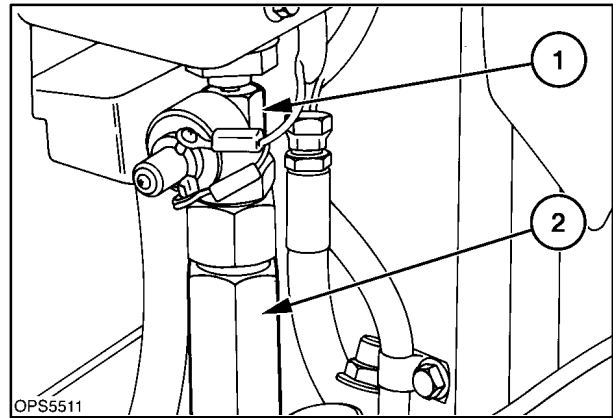
1. 22 bar (300 PSI) gauge (minimum)
2. 1/8" pipe to gauge

Test Procedure

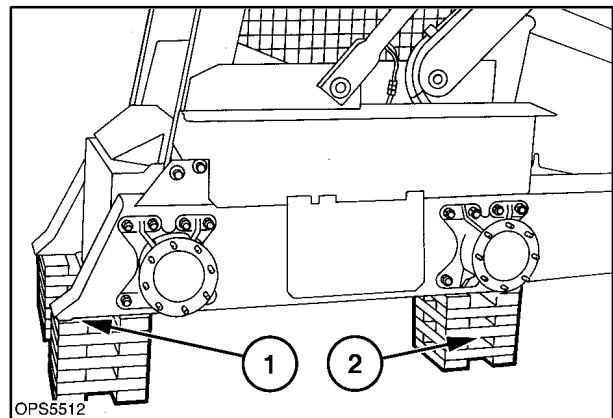
1. Raise the boom and rest on the boom locks.
2. Put the "SERVICE/RUN" switch in the "SERVICE" position.
3. Disengage the parking brake.
4. Securely block the skid steer with all four wheels off the ground. Support the front of the loader at 1, to the front of the final drive case and at 2, to the rear of the case.



Failure to securely support the skid steer could result in movement of the loader during testing causing serious injury or damage to the equipment.



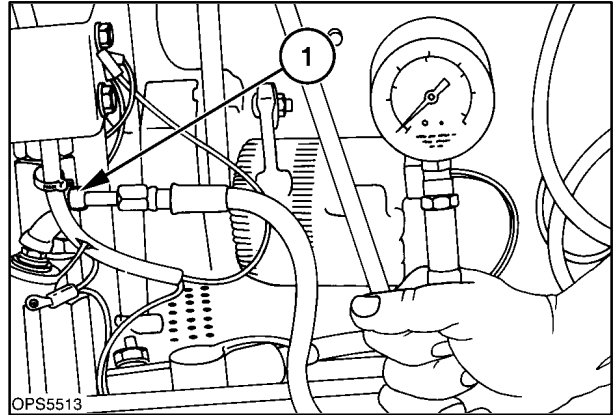
10



11

5. Remove the right engine side shield to access the charge check valve and test port.
6. Install the pressure test gauge in the test port at 1.

IMPORTANT: Check the hydraulic oil level and add if required to insure sufficient oil for the test.

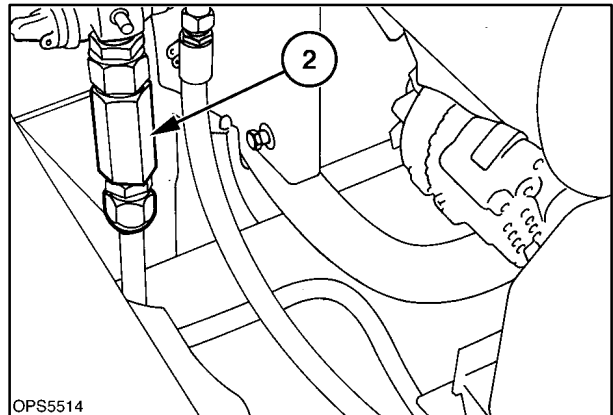


12

7. Start the engine and run it at full throttle (3070 - 3150 RPM) and take a pressure reading, 11.0 - 11.7 bar (160 - 170 PSI).
8. Operate the hydrostatic control levers in forward and reverse until the system bypasses and take a pressure reading. Return the controls to neutral. The pressure should be 10.3 - 11.7 bar (150 - 170 PSI).



Always stay clear of moving parts during testing or serious injury could occur.



13

9. The check valve is not adjustable. Replace the check valve, 2, if the pressure is not within specifications in step 7. If the pressure is not correct in step 8, further testing is required, refer to pump case drain testing.

HYDROSTATIC PUMP CASE DRAIN TEST

The hydrostatic pump drain oil can be checked by a pressure test and/or oil flow drain test.

Pump Case Pressure Test Procedure

1. Raise the boom and rest on the boom locks.
2. Put the Service/Run switch in the "SERVICE" position.
3. Engage the parking brake.
4. Securely block the skid steer with all four wheels off the ground.



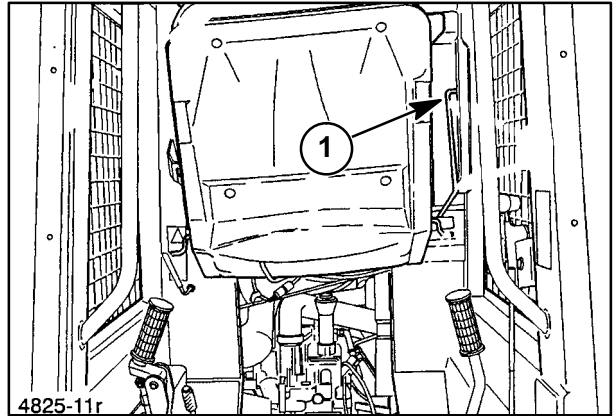
Failure to securely support the skid steer could result in movement of the loader during testing causing serious injury or damage to the equipment.

5. Raise the operator's seat and latch in the raised position, 1.



Never work under a raised seat unless it is securely latched in the raised position.

6. Remove the step shield to access the hydrostatic pumps and motors.



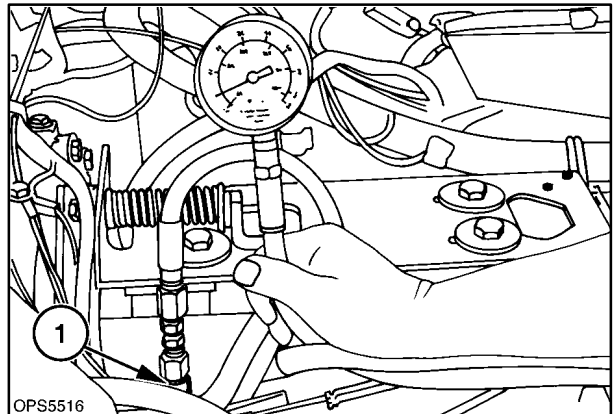
14

7. To check the pump case pressure, tee in a 7 bar (100 PSI) gauge at the pump drain line, 1. The tee must be at the drain port of the pump housing not in the combined line from the motors.

NOTE: The front pump drains internally to the rear pump so the oil from this pump drain line will be oil from both pumps.

IMPORTANT: Check the hydraulic oil level and add if required to insure sufficient oil for the test.

8. Start the engine and run it at full throttle (3070 - 3150 RPM) and take a reading, 0 - 41.2 kPa (0 - 6 PSI) allowable range.
9. Stroke the hydrostatic control levers forward and reverse and take a pressure reading in both directions; the pressure should not exceed 172 kPa (25 PSI). If the pressure exceeds 172 kPa (25 PSI) there is excessive leakage from the forward and/or reverse high pressure loops. If the pressure is within specifications, the problem may be in the motors.



15



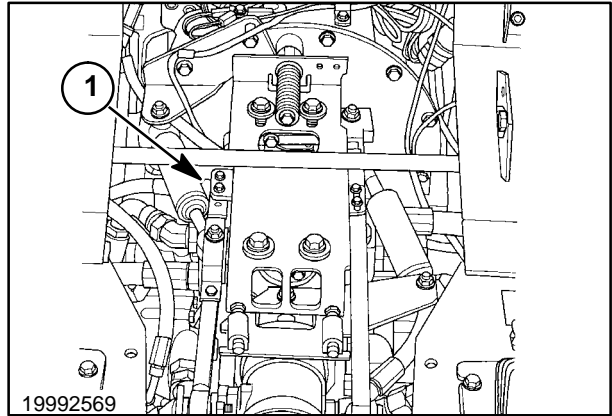
Always stay clear of moving parts during testing or serious injury could occur.

Pump Case Drain (Oil Flow) Test Procedure

1. Raise the boom and rest on the boom locks.
2. Put the Service/Run switch in the "SERVICE" position.
3. Engage the parking brake.
4. Securely block the skid steer with all four wheels off the ground.



Failure to securely support the skid steer could result in movement of the loader during testing causing serious injury or damage to the equipment.



16

5. Raise the operator's seat and latch in the raised position.
6. Remove the step shield.
7. Remove the pump case drain line at 1, from the pump housing and cap. Connect a hose into the pump housing and run into a container.

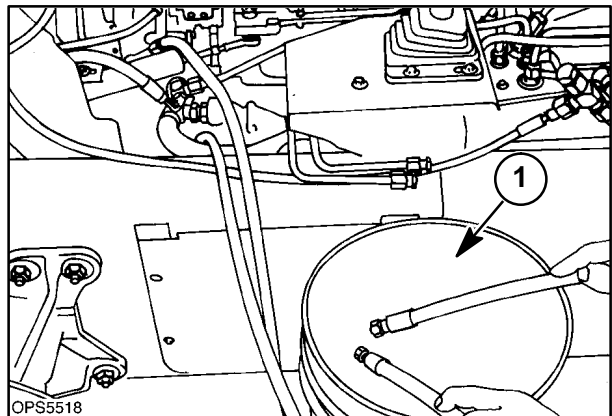
IMPORTANT: Check the hydraulic oil level and add if required to insure sufficient oil for the test.

NOTE: The front pump drains internally to the rear pump so the oil from this pump drain line will be oil from both pumps.

8. Hold the hose, or hoses, over a container, 1, and start the engine and run it at full throttle (3070 - 3150 RPM). Take a flow reading, maximum 1.5 GPM each pump, 3 GPM total from both pumps.
9. Stroke the hydrostatic control levers forward and reverse and take a flow reading in both directions. If the flow exceeds the maximum 1.5 GPM per pump, there is excessive leakage from the forward and/or reverse high pressure loops. If the pressure is within specifications, the problem may be in the motors.



Always stay clear of moving parts during testing or serious injury could occur.

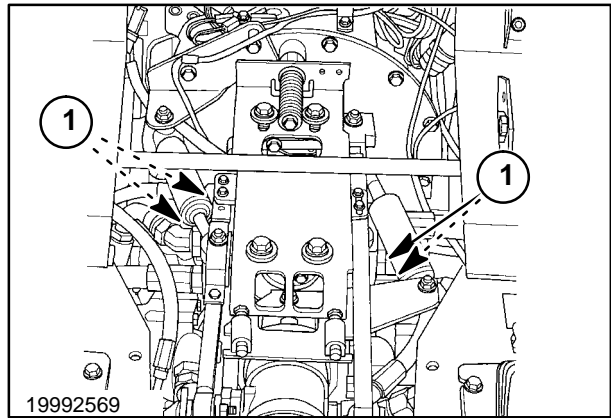


17

HYDROSTATIC PUMP HIGH-PRESSURE TEST

The hydrostatic drive system has a high-pressure relief valve for forward and reverse, two relief valves per pump or side. The relief valves, 1, for both pumps and for forward and reverse are the same and the same setting, 238 bar (3500 PSI).

If one relief valve is in question, the valve can be switched with a known good valve; if the problem follows the switched valve, replace the suspect valve. Switching forward and reverse relief valves on the same pump should reverse the problem if a relief valve is the problem. If the problem remains, the problem is most likely internally in the pump or motor. Refer to the pump case drain test for further testing to locate the problem.



18

Relief Valve Test Procedure

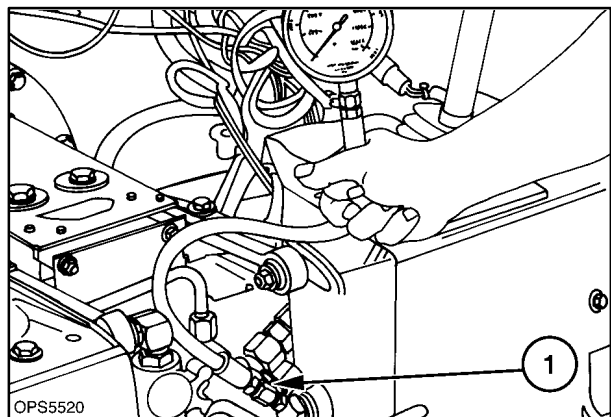
1. Raise the boom and rest on the boom locks.
2. Put the Service/Run switch in the "SERVICE" position.
3. Engage the parking brake.
4. Securely block the skid steer with all four wheels off the ground.

—  **CAUTION**  —

Failure to securely support the skid steer could result in movement of the loader during testing causing serious injury or damage to the equipment.

5. Raise the operator's seat and latch in the raised position.
6. Remove the step shield.
7. Install a tee fitting in the high-pressure loop being tested as shown at 1, motor fitting and install a 340 bar (5000 PSI) pressure gauge.

IMPORTANT: Check the hydraulic oil level and add if required to insure sufficient oil for the test.



19

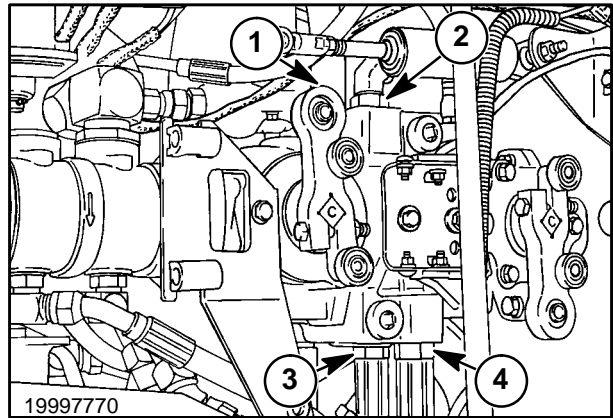
The following pump relief valves protect the direction of motor (tire) rotation forward or reverse.

Front pump controls right motor:

- 1 - Forward (bottom)
- 2 - Reverse (top)

Rear pump controls left motor:

- 3 - Forward (bottom)
- 4 - Reverse (top)



20

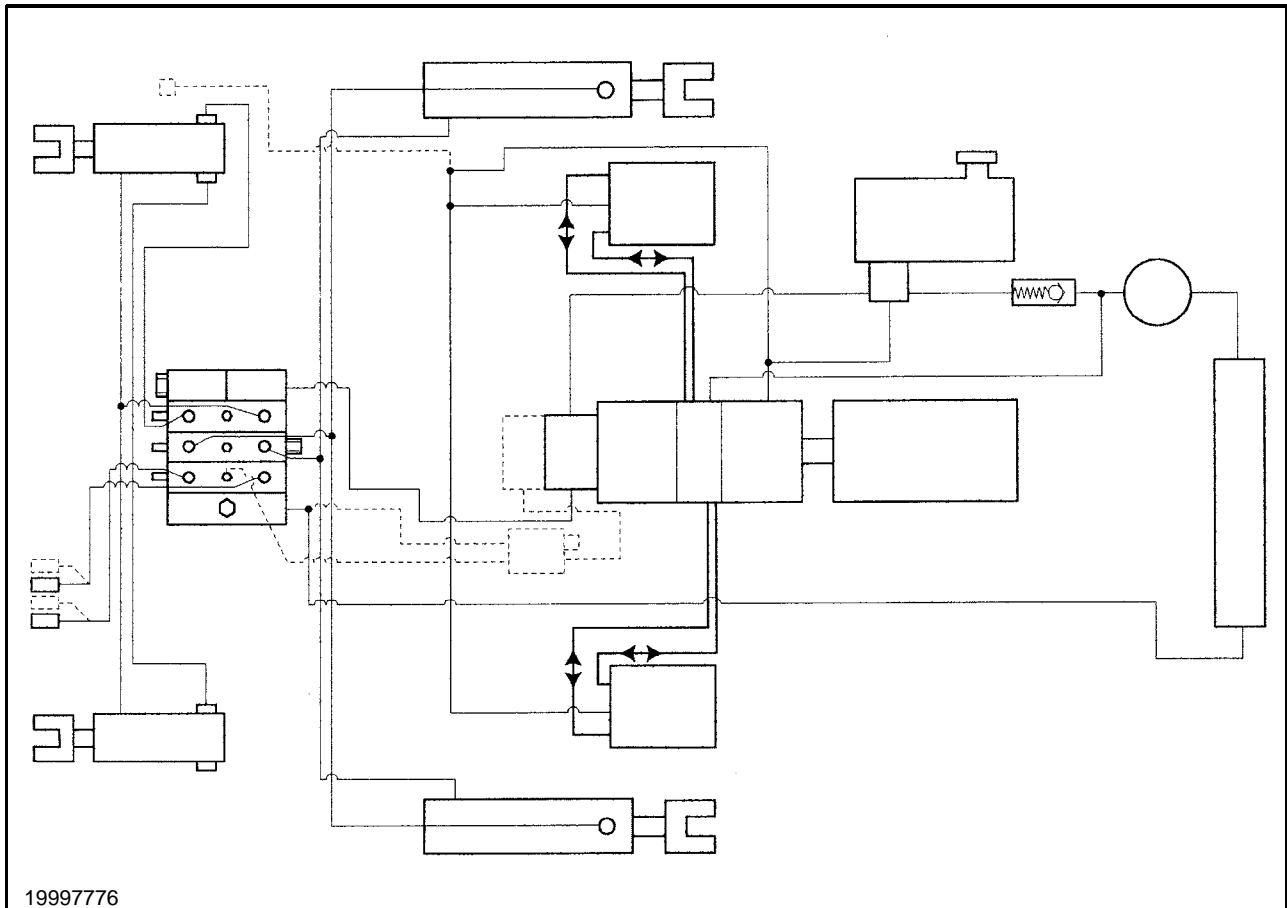
- 8. Start the engine and run it at full throttle (3070 - 3150 RPM).
- 9. Stroke the hydrostatic control lever on the side being tested and in the direction being tested and take a pressure reading, the pressure should be 238 bar (3500 PSI). If the pressure is not at specification, 238 bar (3500 PSI), replace the suspect relief valve.

NOTE: All four directional relief valves can be tested in this manner.

If the pressure is within specification, refer to the pump/motor case drain test for further testing to locate the problem.

CAUTION

Always stay clear of moving parts during testing or serious injury could occur.



HYDROSTATIC PUMP EFFICIENCY TEST

This test can be used to check the operating efficiency of the pump.

IMPORTANT: When connecting a flowmeter into the pump circuit, make sure the meter is connected properly and the control lever is stroked in the direction being tested. If not, the hydrostatic system and/or flowmeter may be damaged.

Efficiency Test Procedure

1. Raise the boom and rest on the boom locks.
2. Put the Service/Run switch in the "SERVICE" position.
3. Disengage the parking brake.
4. Securely block the skid steer with all four wheels off the ground.

! **CAUTION** !

Failure to securely support the skid steer could result in movement of the loader during testing causing serious injury or damage to the equipment.

5. Raise the operator's seat and latch in the raised position.
6. Remove the step shield.
7. Remove the high-pressure line from the pump, for the direction to be tested.
8. Connect the test hose from the fitting on the pump to the inlet side of the flowmeter and the line from the motor to the outlet side of the flowmeter. Turn the pressure regulator valve out on the flowmeter to zero pressure.

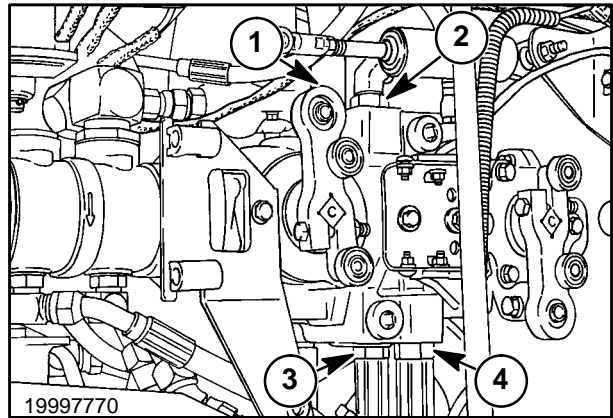
The following pump ports control direction of motor (tire) rotation forward or reverse.

Front pump controls right motor:

- 1 - Forward (bottom)
- 2 - Reverse (top)

Rear pump controls left motor:

- 3 - Forward (bottom)
- 4 - Reverse (top)



22

IMPORTANT: Check and make sure the flowmeter is connected properly, so when the pump is stroked the flow from the pump goes to the inlet side of the flowmeter.

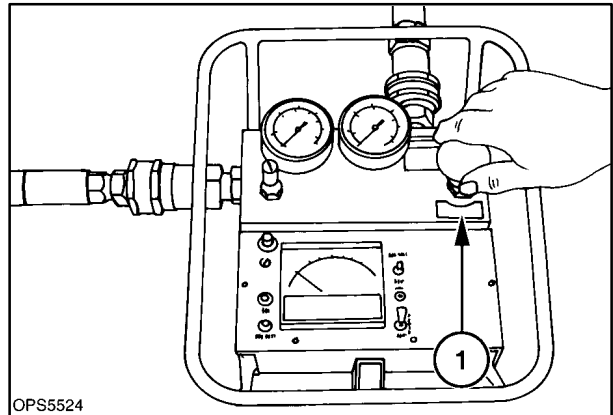
IMPORTANT: Check the hydraulic oil level and add if required to insure sufficient oil for the test.

9. Using the EIC or a photo tach, set the engine speed to 2900 RPM.
10. With the flowmeter regulator valve completely opened, 1, stroke the control lever for the direction to be tested and take a free flow reading and record. The pump free flow is at "0" pressure.



CAUTION

Always stay clear of moving parts during testing or serious injury could occur.



23

11. Turn the pressure regulator valve, 1, in the flowmeter until a pressure reading of 136 bar (2000 PSI) is obtained and record.

12. Pump efficiency specifications:

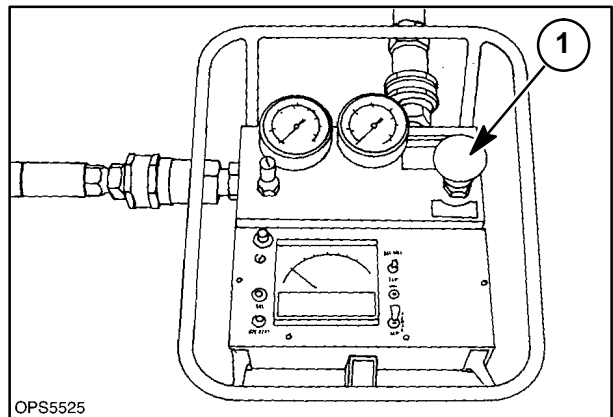
When figuring the pump efficiency it should not be less than 80%. The pump free flow should not be less than 81 LPM (21.2 GPM).

a. Pump flow recorded at 136 bar (2000 PSI) divided by the free flow reading at zero pressure will determine the pump efficiency.

EXAMPLE:

Pump free flow - 23.5
 Pump flow at 2000 PSI - 22.4

$$\text{Pump efficiency: } \frac{22.4}{23.5} = 0.95 \text{ or } 95\%$$



24

HYDROSTATIC MOTOR CASE DRAIN TEST

The motors can be checked for excessive internal leakage which will cause a unit to be weak in the ground drive. The excessive leakage is caused by damage to the motor rotating group or camp plate to allow high-pressure oil to leak into the case.

Motor Case Drain Test Procedure

1. Raise the boom and rest it on the boom locks.
2. Put the Service/Run switch in the "SERVICE" position.
3. Engage the parking brake.
4. Securely block the skid steer with all four wheels off the ground.
5. Raise the seat to the raised latched position.
6. Remove the step shield to access the hydrostatic motor.
7. Unhook the case drain line from the motor being tested at 1 and cap the line.
8. Connect another line in the port of the motor and allow the hose to drain into a suitable container.

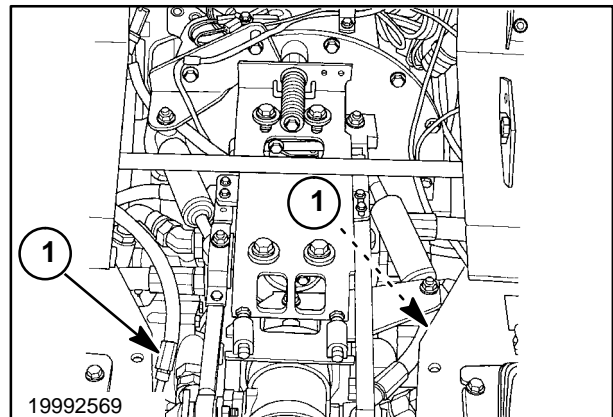
IMPORTANT: Check the hydraulic oil level and add if required to ensure sufficient oil for the test.

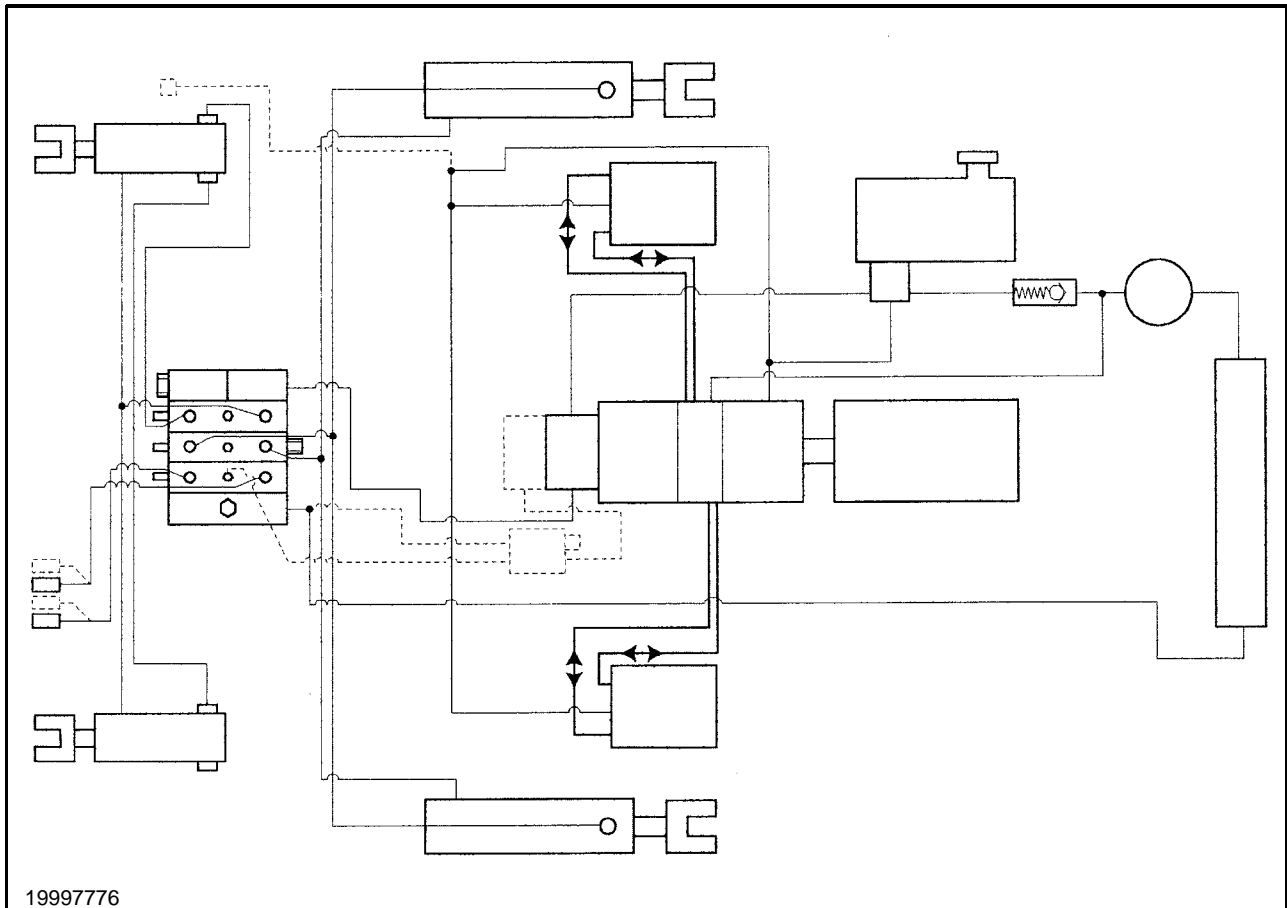
9. Start the engine and set engine speed at 2900 RPM using the EIC or a photo tach.
10. Stroke the control lever for the side being tested, forward and reverse and take a flow reading, MAXIMUM 1.5 GPM.



Always stay clear of moving parts during testing or serious injury could occur.

11. Return control lever to neutral and stop the engine.
12. If the test results are within specification, the problem may be in the pump. If the results are over the specification, remove and repair or replace the motor.





HYDROSTATIC MOTOR EFFICIENCY TEST

This test can be used to check the operating efficiency of the motor.

IMPORTANT: When connecting a flowmeter into the pump/motor circuit, make sure the meter is connected properly and the control lever is stroked in the direction being tested. If not, the hydrostatic system and/or flowmeter may be damaged.

Efficiency Test Procedure

1. Raise the boom and rest on the boom locks.
2. Put the Service/Run switch in the "SERVICE" position.
3. Disengage the parking brake.
4. Securely block the skid steer with all four wheels off the ground.

—————  **CAUTION**  —————

Failure to securely support the skid steer could result in movement of the loader during testing causing serious injury or damage to the equipment.

5. Raise the operator's seat and latch in the raised position.
6. Remove the step shield to access the hydrostatic motors.
7. Remove the high-pressure line from the pump for the direction to be tested.
8. Connect the test hose from the fitting on the pump to the outlet side of the flowmeter and the line from the motor to the inlet side of the flowmeter. Turn the pressure regulator valve on the flowmeter to zero pressure.

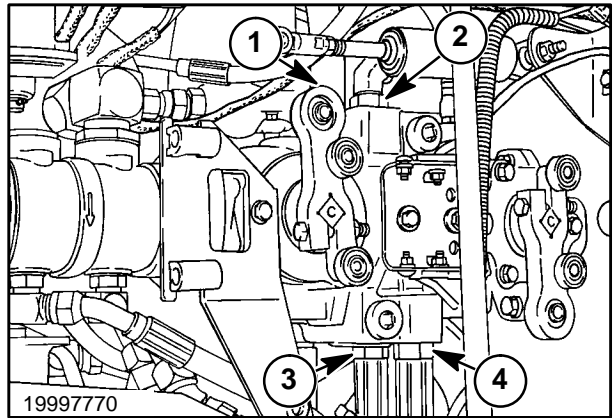
The following pump ports control direction of motor (tire) rotation forward or reverse.

Front pump controls right motor:

- 1 - Forward (bottom)
- 2 - Reverse (top)

Rear pump controls left motor:

- 3 - Forward (bottom)
- 4 - Reverse (top)



27

IMPORTANT: Check and make sure the flowmeter is connected properly, so when the pump is stroked the flow from the pump goes to the motor and to the inlet side of the flowmeter.

IMPORTANT: Check the hydraulic oil level and add if required to insure sufficient oil for the test.

9. Using the EIC or a photo tach, set the engine speed to 2900 RPM.
10. Stroke the control lever for the direction to be tested and take a free flow pressure reading and record.



CAUTION

Always stay clear of moving parts during testing or serious injury could occur.

11. Turn the pressure regulator valve, 1, in on the flowmeter until a pressure reading of 136 bar (2000 PSI) is obtained and record.
12. Motor efficiency specifications:
When figuring the motor efficiency, it should not be less than 80%. The motor free flow should not be less than 81 LPM (21.2 GPM).

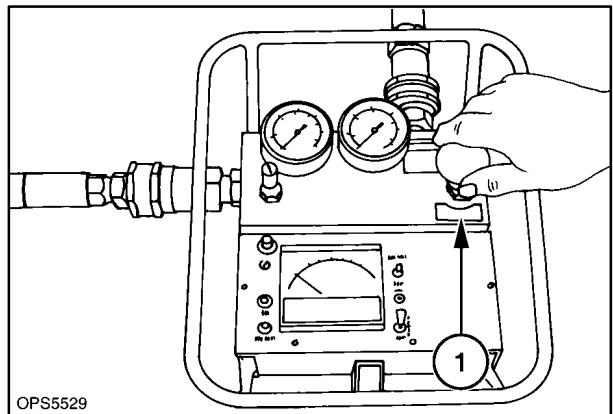
a. Motor flow recorded at 136 bar (2000 PSI) divided by the free flow reading at zero pressure will determine the motor efficiency.

EXAMPLE:

Motor free flow - 25.5

Motor flow at 2000 PSI - 22.6

$$\text{Pump efficiency: } \frac{22.6}{25.5} = 0.886 \text{ or } 89\%$$



28

HYDRAULIC, HYDROSTATIC SYSTEM AIR INGRESS TEST

Hydraulic system air ingress, causing oil aeration, can affect performance of the hydraulic oil. This may be evident on a machine by jerky or uneven movement of the loader boom or bucket.

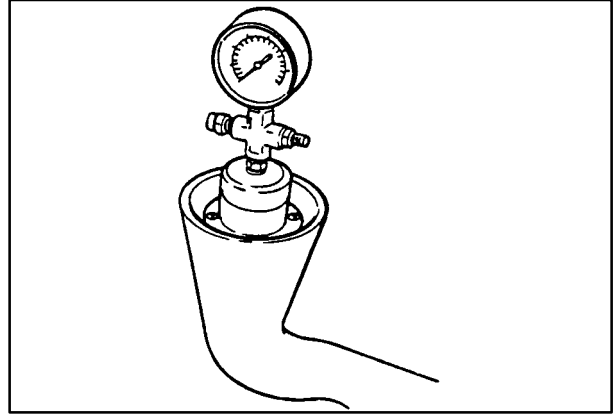
To assist in testing and finding leaks, a tool has been developed (part #FNH22ESS95). This tool comprises a cap which replaces the reservoir filler breather for testing purposes, a pressure gauge and a relief valve. The cap has fittings for air pressure to be applied to the hydraulic reservoir.



Do not start the engine with the test tool installed, as the hydraulic system must be able to breathe.

Test Procedure:

1. Remove the filler/breather cap.
2. Remove the self-tapping screws around the cap base and screen assembly.
3. Remove the base, screen and gasket assembly, clean all sealing surfaces.
4. Re-install new gaskets and base, taking care not to overtighten the screws.
5. Make sure the tank has 10W-30 oil visible.
6. Pressurize the tank using an air pressure line. The tool is equipped with a 3 PSI relief valve and a pressure gauge. The reservoir should not be pressurized beyond 4 PSI.



29

The following checks should then be performed to trace the source of the air ingress.

- Examine the suction tubes and fittings to the hydraulic gear pump and the return tubes from the filter to the reservoir.
- Examine the transmission case drain tubes/hoses and fittings from the hydraulic motors and pumps to the suction side of the hydraulic pump. Also check the cam plate shaft seals and the pump and motor casing gaskets.
- Potential leakage areas could also be input shaft seals in the engine bell housing, gearbox or output shaft seals in motors and gearboxes and the chain case.
- It may be necessary in some instances (where leakage is occurring on shaft seals into gearboxes or bell housing), to pressurize the reservoir for 2 - 4 hours and monitor the oil level in the gearboxes.
- If the prior checks do not locate the source of the leak, it may be necessary to pressurize each hydrostatic component individually.

To do this it will be necessary to disconnect each case drain line in turn and pressurize using an air line to a maximum pressure of 10 PSI.

NOTE: *A check valve can be installed in the case drain tube which maintains a 5 PSI pressure in the pump and motor cases. This helps prevent air ingress into the system.*

HYDROSTATIC PUMPS**Op. 29 100 40****REMOVAL**

The hydrostatic pump assembly can be removed from the top and front of the cab and boom can be tilted forward for more access, refer to Section 00 for the cab tilting procedure.

To remove the hydrostatic pump assembly without tilting the cab forward:

1. Lower the boom and bucket to the lowered position, resting on the ground or remove any attachment and raise the boom and rest on the boom lock pins, 1.



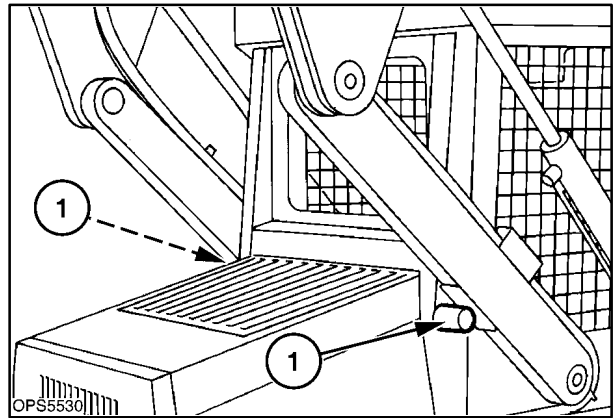
Never work under a raised boom unless it is properly supported by the boom lock pins.

Never work under a raised boom with an attachment. Always remove the attachment from the loader.

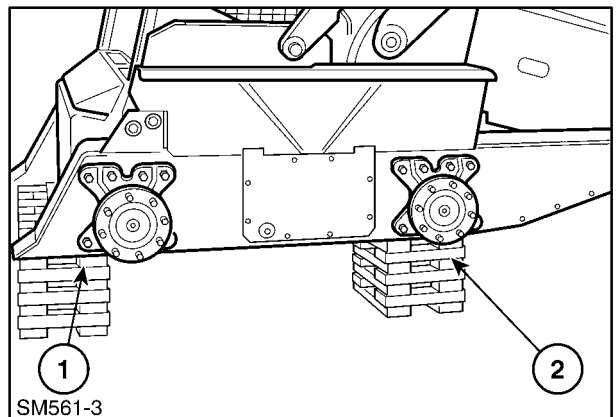
2. Stop the engine, turn the ignition key to the run position and operate the boom and bucket control pedals to relieve pressure in the boom and bucket circuits. Turn off the key.
3. Put the Service/Run switch in the "SERVICE" position.
4. Engage the parking brake.
5. Securely block the skid steer at 1 and 2, with all four wheels off the ground. Refer to Section 00 for more detailed information on properly supporting a skid steer.



Failure to securely support the skid steer could result in movement of the loader causing serious injury or damage to the equipment.



30



31

6. Raise the operator's seat and latch in the raised position, 1.

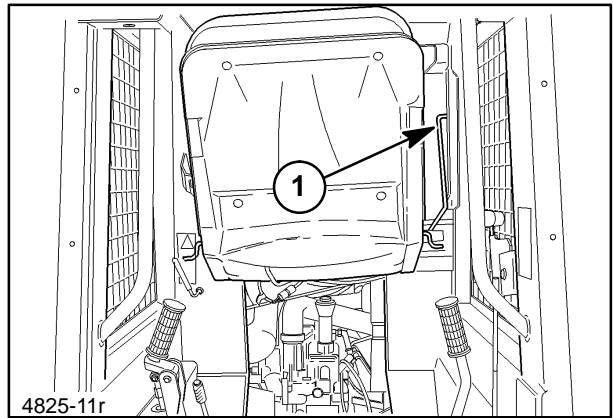


Never work under a raised seat unless it is securely latched in the raised position.

7. Remove the step shield to access the hydrostatic pump area. For more access, remove the right and left hydrostatic control handle assembly.
8. Relieve all pressure in the hydraulic and hydrostatic systems.



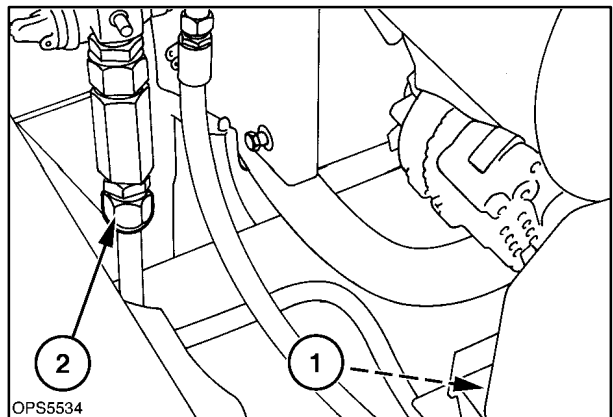
Never loosen any hydraulic lines without first relieving all pressure in the systems to avoid serious injury.



32

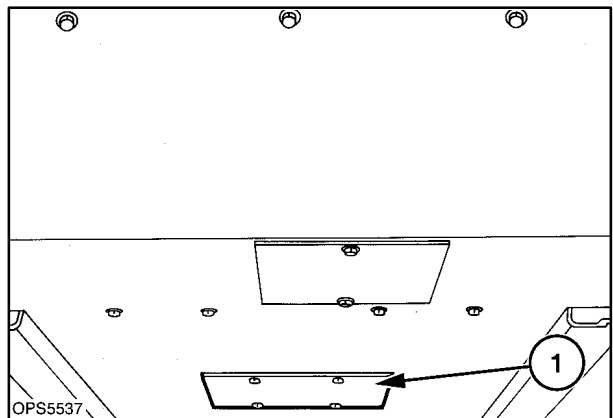
Draining the hydraulic oil reservoir is not required if the suction and return lines are capped to prevent loss of oil unless the hydraulic system requires cleaning.

9. Drain the hydraulic reservoir.
 - Loosen the return line clamp, 1.
 - Remove the return line at 2, and rotate the line into a suitable drain pan.



33

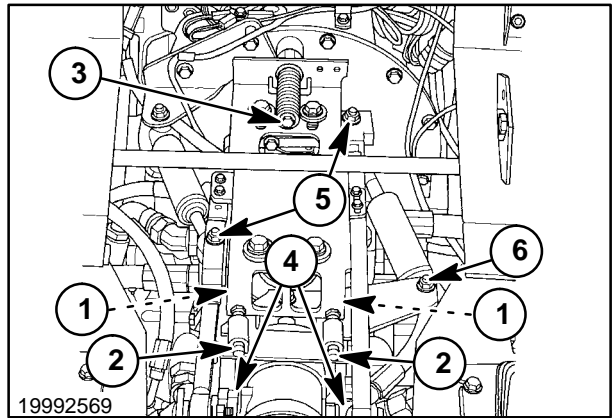
10. Remove the inspection plate, 1, from under the center of the loader frame to access the front hydrostatic pump support.
11. Remove the two hydrostatic pump support bolts from the main frame and the pump support plate.



34

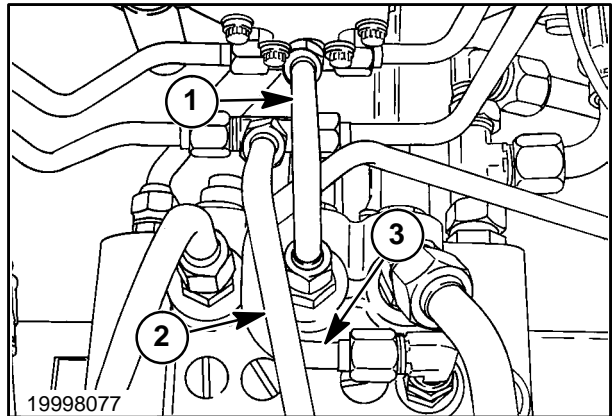
SECTION 29 - HYDROSTATIC TRANSMISSION

12. Remove the two pin retaining nuts, 1, securing the pins, 2, to the front of the neutralizer plate.
13. Remove the centering spring retaining bolt, 3, and spring from the engine bellhousing. When removing the retaining bolt the spring will be under slight pressure. Lift the plate from the unit.
14. Remove the control link hardware, 4, at the control handles.
15. Remove the link and dampener hardware, 5, at the pintle arms.
16. Remove the left dampener hardware, 6, at the support bracket.



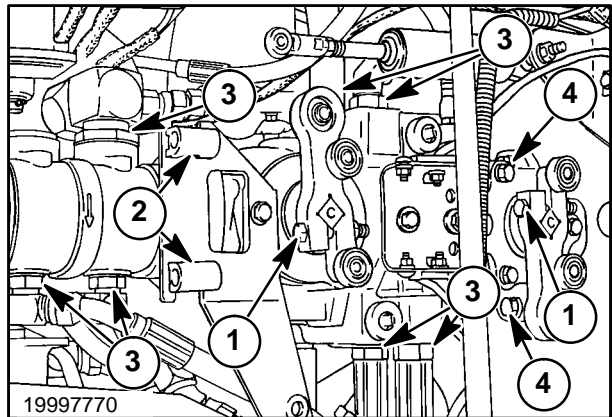
35

17. On units equipped with high flow, loosen and remove the boom circuit hydraulic lines, 1 and 2, and the high flow supply line, 3.



36

18. Remove the cam arm securing hardware, 1, and remove the arms from the trunnion shafts.
19. Remove the plastic guides, 2, from the support bracket.
20. Mark all hydraulic hoses and lines, 3, to identify them for proper installation. Remove the hoses from the gear pumps and hydrostatic pumps.
21. Remove the pump mounting bolts, 4, and remove the pump assembly from the unit.

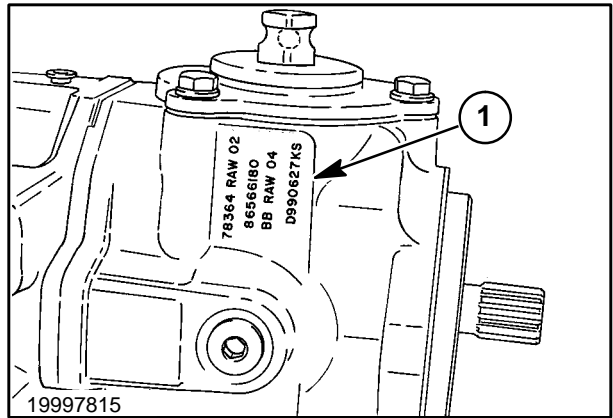


37

SECTION 29 - HYDROSTATIC TRANSMISSION

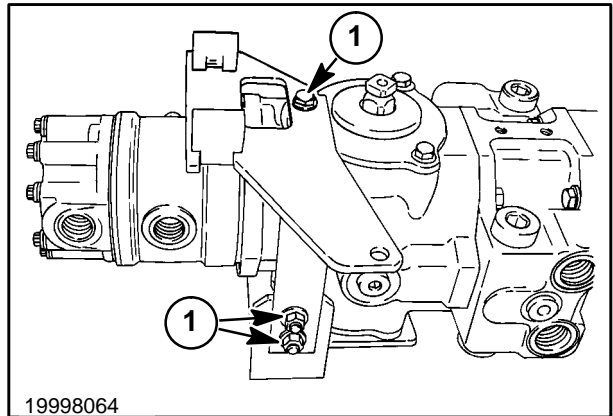
22. Note the model and serial number markings, 1, on the rear pump housing. The model number for pump assemblies without high flow is 78364-RAV; with high flow it is 78364-RAW.

NOTE: Dealer warranty requests for any hydrostatic component repair must include the machine model, serial numbers, transmission model number, and date codes. These codes are stamped into the flange of the pump housing, 1.



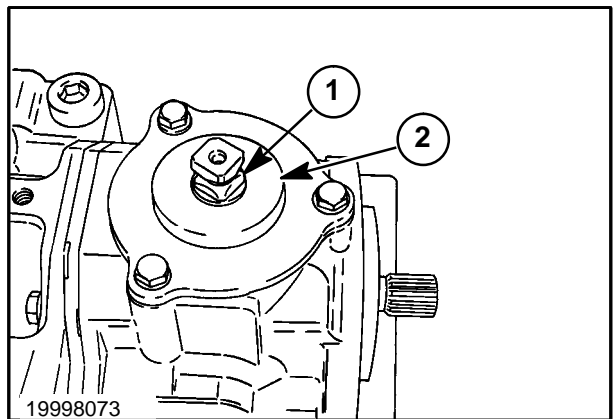
38

23. Remove the side/top support bracket hardware, 1, and remove the bracket.



39

24. Remove the O ring, 1, and dust shield, 2, from each hydrostatic pump control arm.



40

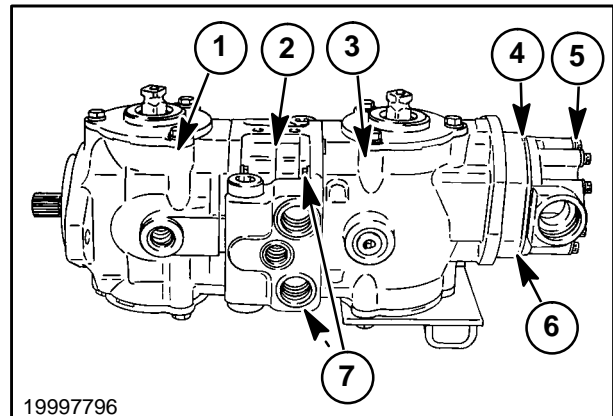
Op. 29 100 46**DISASSEMBLY**

1. Remove the port fittings and plug all the ports to prevent dirt or solvent from entering the pump body. Thoroughly clean the complete pump assembly before disassembly.
2. To ensure proper reassembly, use a marker to mark lines across the pump housing and backplates. Also mark the location of the control shafts for proper assembly.

Without High Flow - The hydrostatic pump assembly consists of:

- 1 Left side pump (rear)
- 2 Dual back plate
- 3 Right side pump (front)
- 4 Hydraulic gear pump

The back plate carries high pressure oil from the pumps to the motors through the high pressure hoses. The low pressure return oil from the motors flows back to the pump through the back plates to complete the closed loop circuit.

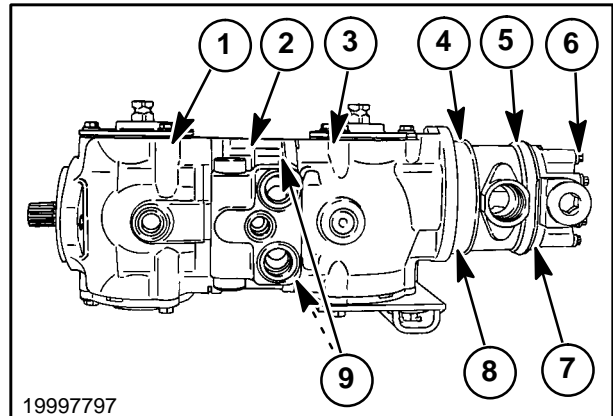


3. Remove the gear pump mounting bolts, 5, and tap the pump body with a plastic or rubber mallet to separate the pump from the hydrostatic pump. Try not to disturb the internal gear pump seal at 6.
4. Remove the front pump mounting bolts, 7, and tap the housings with a plastic or rubber mallet to separate the pump from the dual backplate.

High Flow - The complete high flow pump assembly consists of:

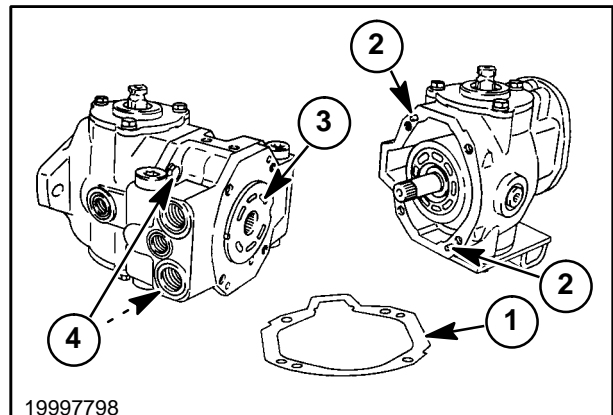
- 1 Left side pump (rear)
- 2 Dual back plate
- 3 Right side pump (front)
- 4 Hydraulic gear pump
- 5 High flow pump

The back plate carries high pressure oil from the pumps to the motors through the high pressure hoses. The low pressure return oil from the motors flows back to the pump through the back plates to complete the closed loop circuit.



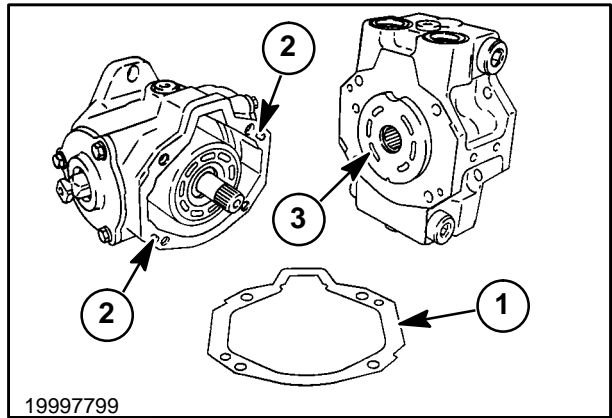
42

5. Remove the gear pump mounting bolts, 6, and tap the high flow pump body with a plastic or rubber mallet to separate the pump from the hydraulic system pump. Try not to disturb the internal gear pump seal at 7. Tap the hydraulic system pump body with a plastic or rubber mallet to separate the pump from the hydrostatic pump. Try not to disturb the internal gear pump seal at 8.
6. Remove the front pump mounting bolts, 9, and tap the housings with a plastic or rubber mallet to separate the pump from the dual backplate.
7. Discard the gasket, 1, and note the two alignment dowel pins, 2, on each side of the backplate.
8. Remove the replaceable bearing plate, 3, from the backplate. The two bearing plates in this assembly are not identical; the metering slots point in opposite directions. The slots toward the front pump point clockwise.
9. Remove the rear pump mounting bolts, 4, and tap the housings with a plastic or rubber mallet to separate the pump from the dual backplate.



43

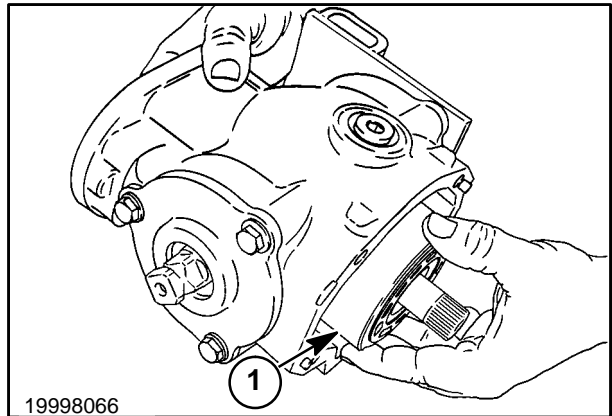
10. Discard the gasket, 1, and note the two alignment dowel pins, 2, on each side of the backplate.
11. Remove the replaceable bearing plate, 3, from the backplate. The two bearing plates in this assembly are not identical; the metering slots point in opposite directions. The slots toward the rear pump point counterclockwise.



44

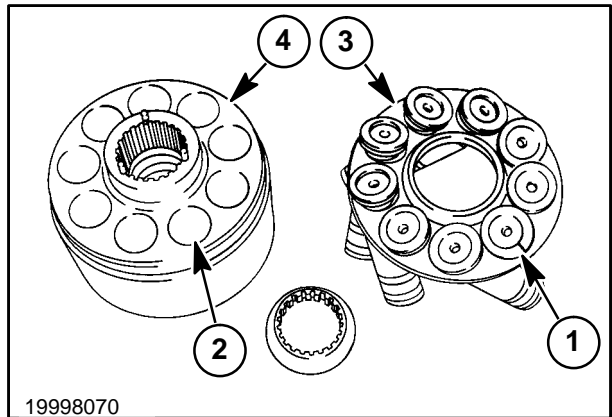
12. Hold the rotating piston block, 1, in one hand and tilt the open end of the housing down. Turn the rotating piston block and pull it out as a complete unit without scratching or burring the parts.

NOTE: Keep the rotating group as an assembly until the piston positions are properly marked.



45

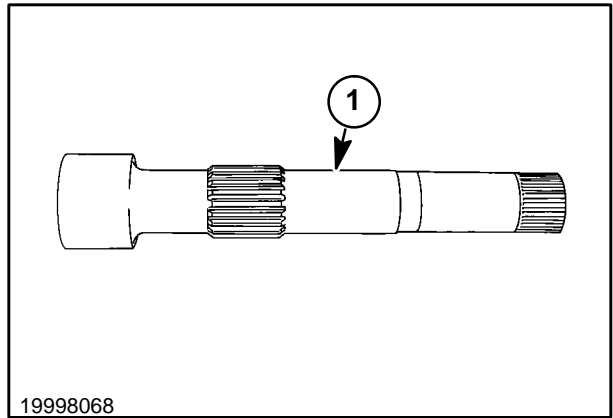
13. Mark the piston, 1, and hole, 2, positions with a soft marker (do not scratch any surface) so the pistons and holes can be inspected and reassembled in the same configuration.
14. Lift the rotating group, 3, out of the pump piston block, 4, and carefully set the pistons on cardboard to avoid scratches.



46

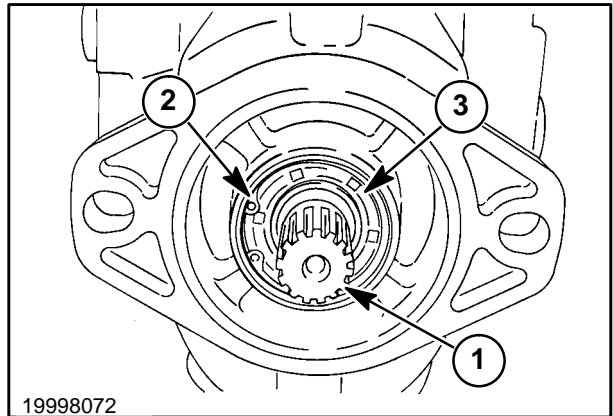
SECTION 29 - HYDROSTATIC TRANSMISSION

15. Remove the front pump drive shaft, 1, by pulling it out of the pump housing bearings.



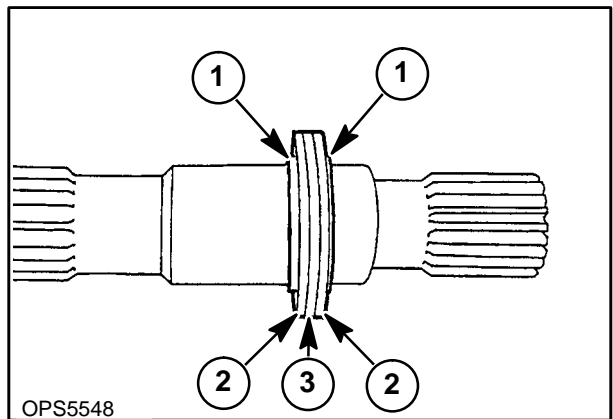
47

16. Remove the rear pump drive shaft, 1, by removing the large snap ring, 2. The pump shaft seal, 3, should be replaced any time the shaft is removed. Tap the other end of the shaft to remove the shaft, seal, and seal thrust washer from the housing.



48

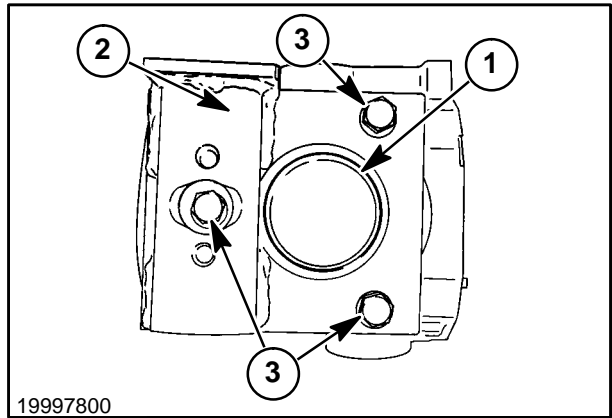
17. Remove the retaining rings, 1, to remove the thrust washers, 2, and needle thrust bearing, 3.



49

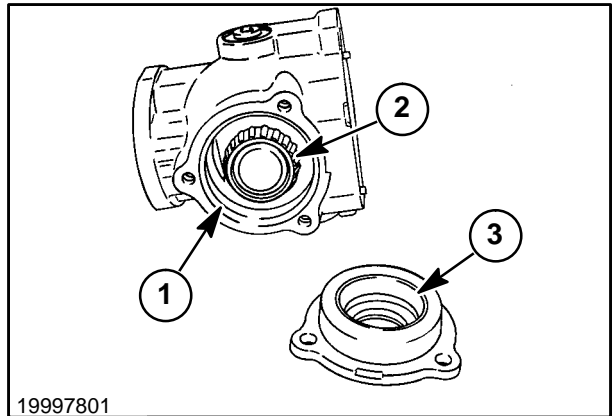
SECTION 29 - HYDROSTATIC TRANSMISSION

18. Remove the trunnion bearing cover, 1, and support bracket, 2, by removing the three capscrews, 3. Pry the cover off by inserting screwdrivers in the notches on the side of the cover.



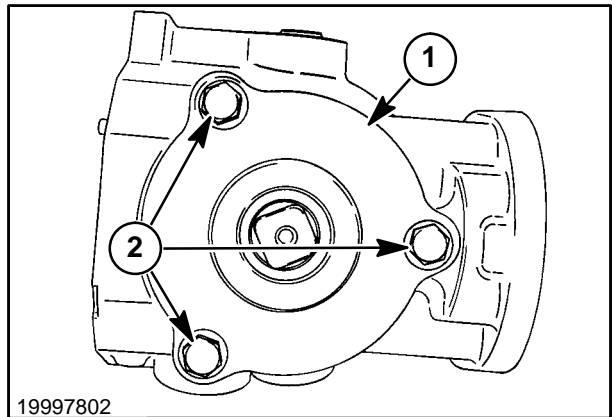
50

19. Remove the O ring, 1, and discard. The tapered bearing, 2, and the bearing race, 3, on this side are press fit and are not removed unless damaged.



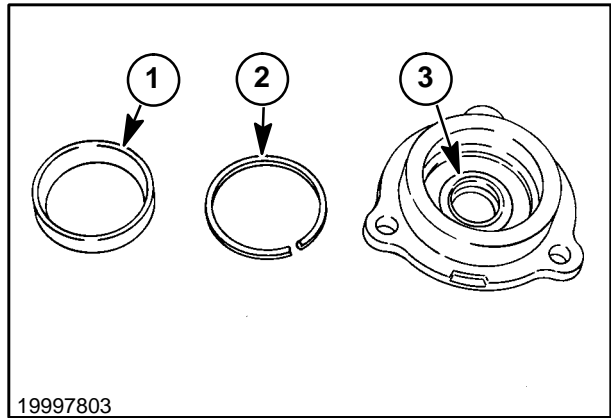
51

20. Remove the control arm side bearing cover, 1, by removing the three capscrews, 2. Pry the cover off by inserting screwdrivers in the notches on the side of the cover.



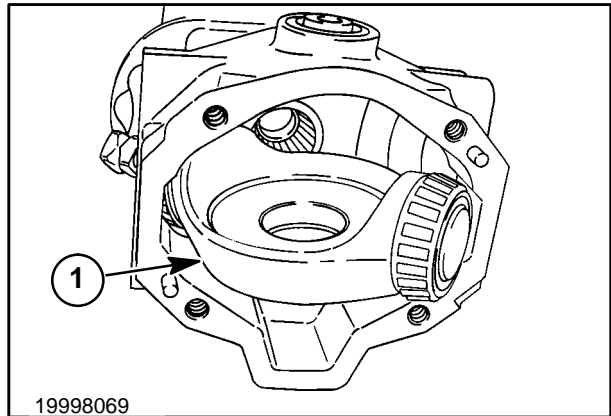
52

21. Remove the bearing race, 1, and crush ring, 2, from the bearing cover. Discard the crush ring. Remove and discard the control arm seal, 3.



53

22. Remove the camplate, 1, from the housing by sliding the short end out first.

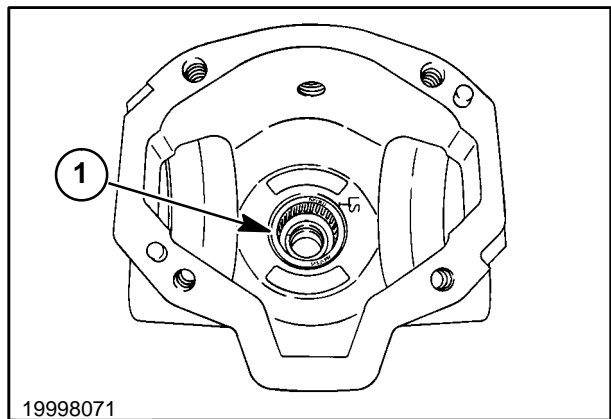


54

PARTS INSPECTION

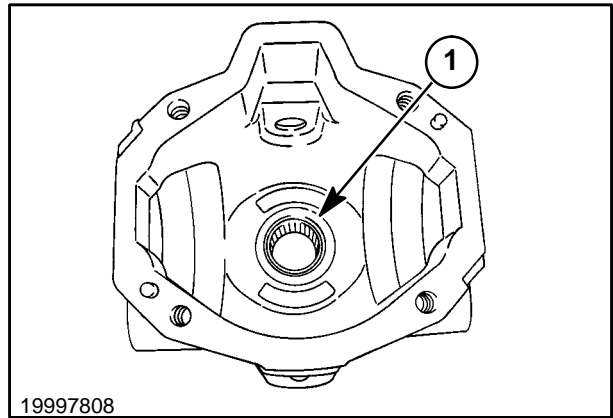
Pump Housings

1. Inspect the front pump housing for any obvious damage. Inspect the shaft needle bearing, 1, for a loose fit, and for missing or loose needles.
2. The shaft needle bearing is a tight fit in the housing. If the pump shaft needle bearing needs to be replaced, use a puller to pull the bearing toward the inside of the pump body.
3. Make sure the needle bearing is installed with the numbered end to the inside of the pump body.
4. All oil seals and O rings should be replaced during reassembly.



55

5. Inspect the rear pump housing for any obvious damage. Inspect the shaft needle bearing, 1, for a loose fit, and for missing or loose needles.
6. The shaft needle bearing is a tight fit in the housing. If the pump shaft needle bearing needs to be replaced, press the bearing from the inside after the camplate is removed.
7. Make sure the needle bearing is installed with the numbered end to the outside seal of the pump shaft.

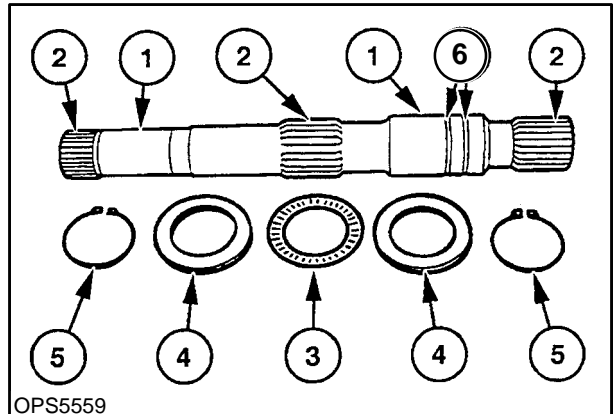


19997808

56

Pump Shafts

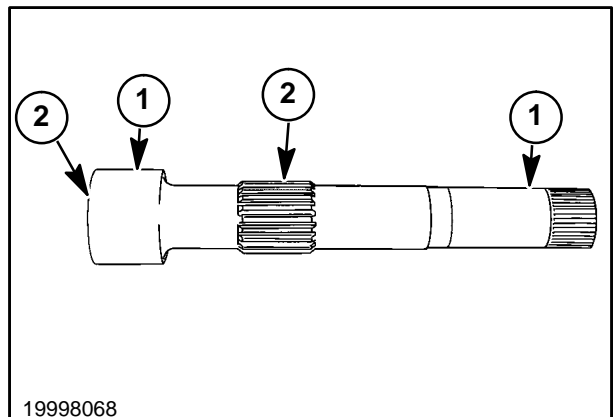
1. Check the rear pump shaft areas contacting the needle roller bearings, 1, for wear and a rough bearing.
2. Check for a bent or worn shaft.
3. Check the spline areas, 2, for wear or twist.
4. Check the thrust bearing, 3, races, 4, and retaining rings, 5, and grooves, 6. If bearing or races show wear or roughness, they must be replaced.



OPS5559

57

5. Check the front pump shaft areas contacting the needle roller bearings, 1, for wear and a rough bearing.
6. Check for a bent or worn shaft.
7. Check the spline areas, 2, for wear or twist.

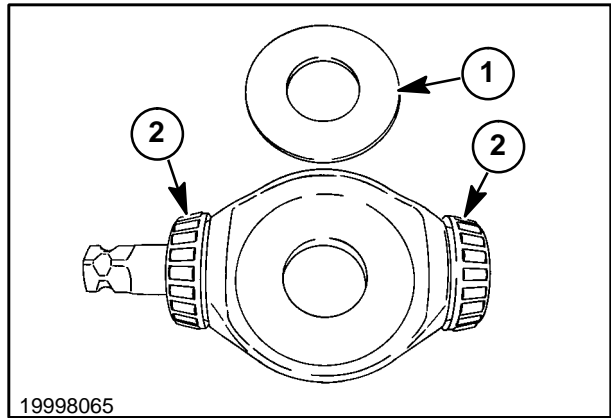


19998068

58

Cam Plates

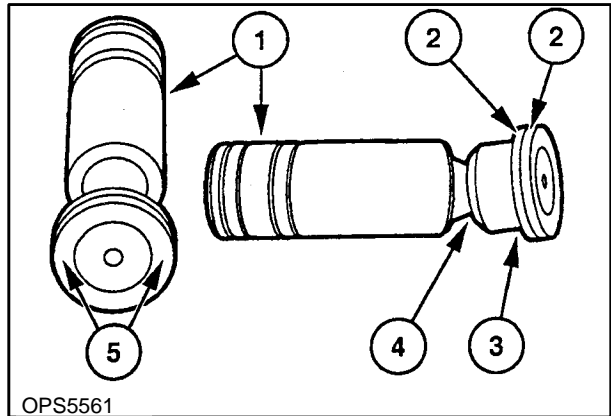
1. Shoes of the pump pistons rotate at high speeds against the camplate wear plate surface, 1. The surface must be smooth with no metal flaked away and no scoring. Circular scratches centered on this machined surface are due to contamination. If scratches can be felt with a fingernail, replace the camplate wear plate.
2. Check the camplate wear plate surface for smearing. This surface must be smooth, bright, and even with no discoloration or brass smearing.
3. Inspect the bearings, 2, for wear, looseness or roughness; replace if damaged.



59

Piston and Shoe Assemblies - replace the rotating group if:

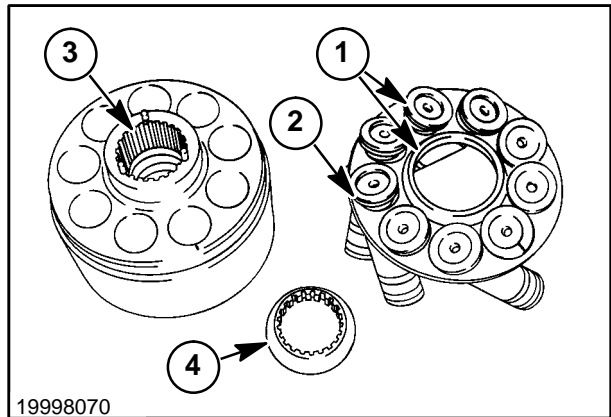
1. The piston skirt area, 1, shows signs of scratches or wear.
2. The edges of the shoes, 2, are worn (shoe roll) from contact with the camplate.
3. There is wear on the underside of the slipper between the slipper and shoe plate, 3.
4. The shoes are a loose, sloppy fit on the ball end of the piston at 4.
5. The flat surfaces of the shoes, 5, show metal flaking or are deeply scratched. Light or shallow scratches in the shoes will not cause excessive wear. Do not lap the shoes.



60

Rotating Group

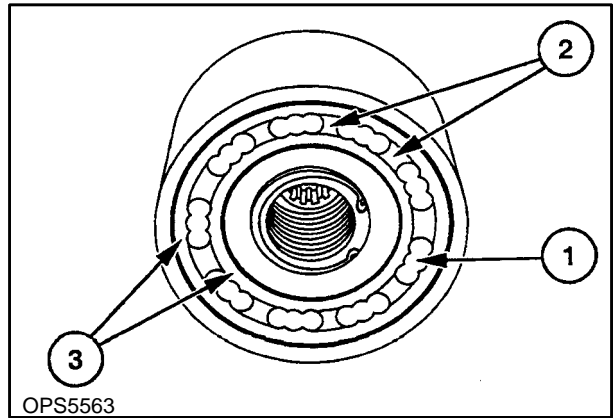
1. Check for cracks at the holes, 1, for the spherical washer and shoes. The shoe plate is only available as part of the rotating group.
2. Check for wear in the area of the slippers, 2. This area should be flat, smooth, and have no grooves.
3. Check the internal splines of the piston block, 3, for wear.
4. Check for wear on the top surface of the spherical washer, 4, where the shoe plate fits. The spherical washer is only available as part of the rotating group. Check the side curved area for cracks.



61

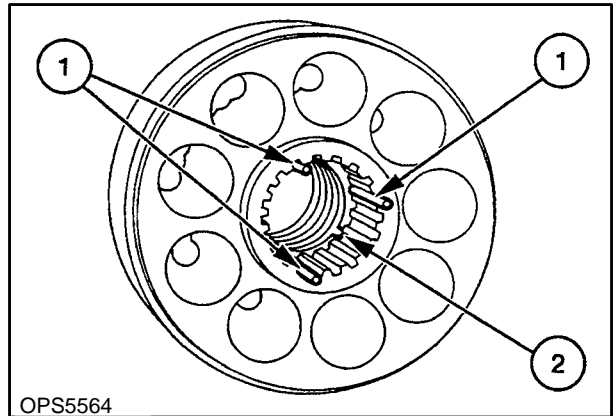
Piston Block - replace the rotating group if:

1. The cylinders, 1, are worn or scored so the pistons do not move freely. The pistons do have side play in the piston block.
2. The surface, 2, is worn or grooved or shows metal buildup. Nicks must not extend from the cylinders to the edge of the raised area, 3.



62

3. The loading pins, 1, are spring loaded, held in place by the pin keeper (split bushing), 2.
4. Make sure that the pins are the same height, the pins are seated in their special grooves, and the head of the pins are seated between the washer and block.

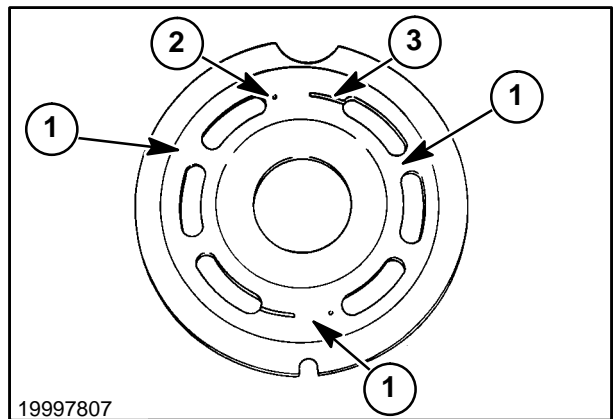


63

Replaceable Bearing Plate

1. Check the plate for overall flatness.
2. Check for scratches on the brass side of the plate, extending across the area where the piston block contacts the plate at 1.
3. Check for scratches between lubrication holes, 2, and metering slots, 3.

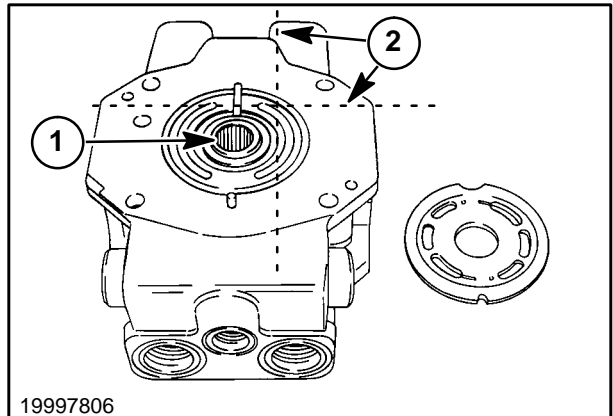
NOTE: The two bearing plates in this assembly are not identical; the metering slots point in opposite directions. The slots on the front pump plate point clockwise and the slots on the rear pump plate point counterclockwise.



64

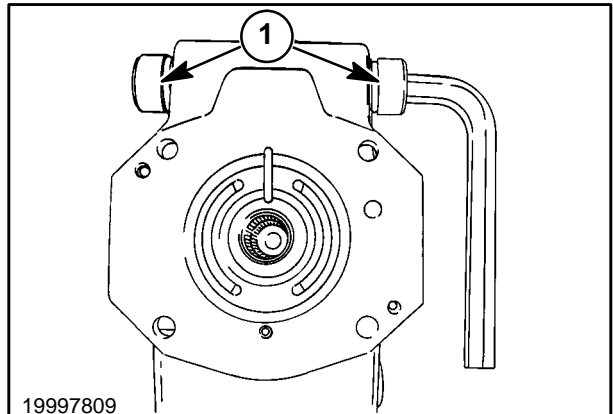
Back Plate

1. Check the needle bearings for wear, 1. These bearings are pressed into the back plate with the bearing numbers facing out.
2. Check the backplate for flatness along perpendicular lines, 2.



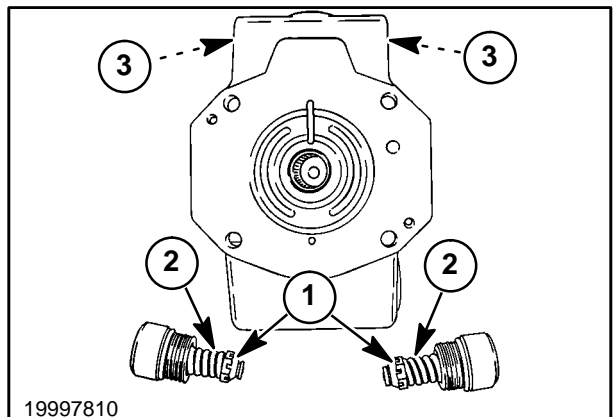
65

3. Two directional relief valves, 1, in each pump limit the maximum system pressure to 238 bar (3500 PSI). Relief valve pressure is factory set and should never be readjusted. The factory set relief pressures are marked on the side of the cartridge.



66

4. Check the relief valves for scratches in the seat areas, 1. Check for broken springs, 2. The springs should all be the same length.
5. Check the seat area, 3, in the backplate for scratches that will prevent the relief valves from sealing properly.



67

REASSEMBLY

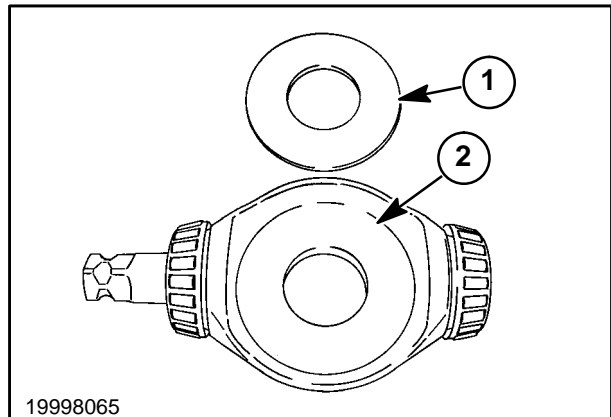
1. Use a suitable solvent to thoroughly clean all parts. Lay the parts on clean cardboard and air dry.

IMPORTANT: Due to tight tolerances and the finish of the pump internal surfaces, it is very important to maintain absolute cleanliness during reassembly.

2. Use clean SAE 10W-30 SH/CG4 oil to lubricate all moving parts as they are reassembled. Fill the transmission cases with oil through the case drain hole after completing assembly of the component.

IMPORTANT: Lubrication of the pump components during assembly is required to ensure lubrication oil for start-up.

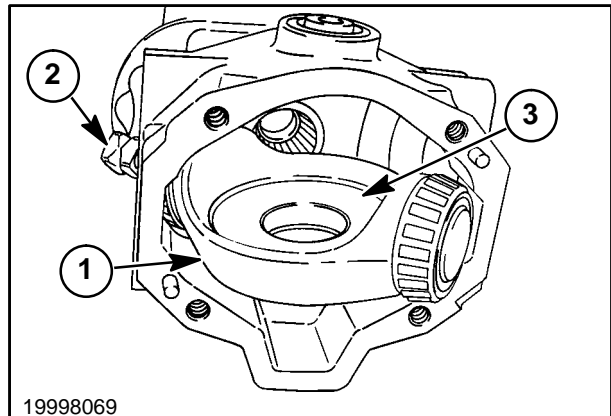
3. Use the new gaskets, O rings, seals, and snap rings included in the repair kit.
4. Place the camplate wear plate, 1, over the machined camplate surface.



68

5. Place the camplate, 1, into the housing with the control arm, 2, toward the boss as marked at the beginning of disassembly.

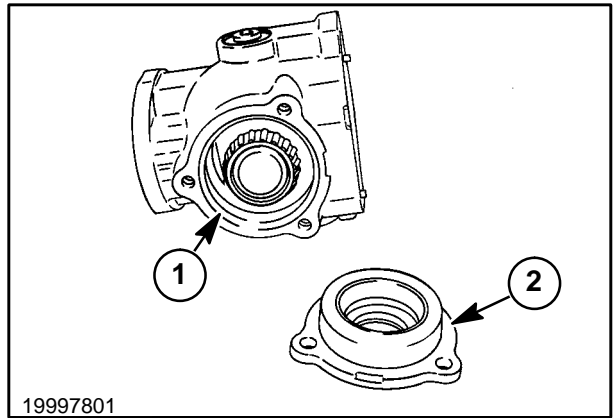
NOTE: The machined surface of the camplate and wear plate, 3, face the open end of the housing.



69

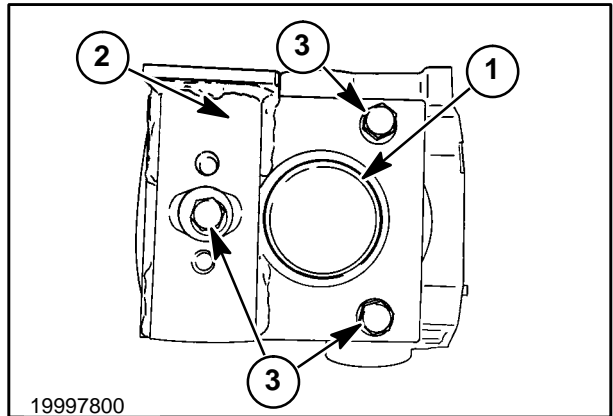
SECTION 29 - HYDROSTATIC TRANSMISSION

6. Install a new O ring, 1, and place the trunnion bearing cover, 2, on the pump housing.



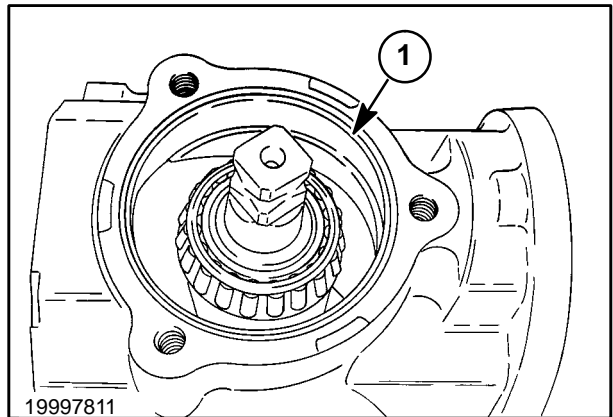
70

7. Attach the trunnion bearing cover, 1, and support bracket, 2, with the three capscrews, 3, and washers removed during disassembly. Tighten the capscrews to 40 N·m (30 ft. lbs.).



71

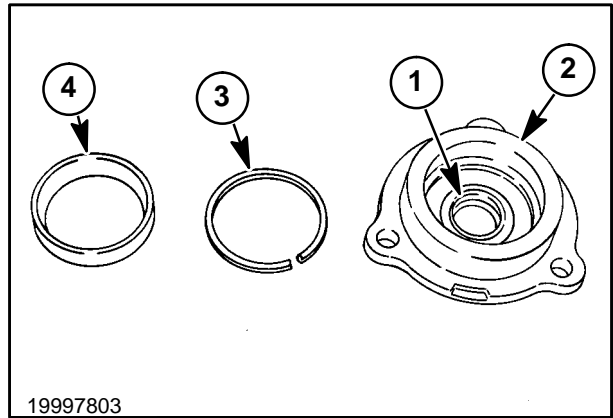
8. Install a new O ring, 1, on the control shaft side of the housing.



72

9. Install a new camplate arm seal, 1, in the bearing cover, 2. Install a new crush ring, 3, into the bearing cover, 2. Place the bearing race, 4, over the crush ring in the bearing cover.

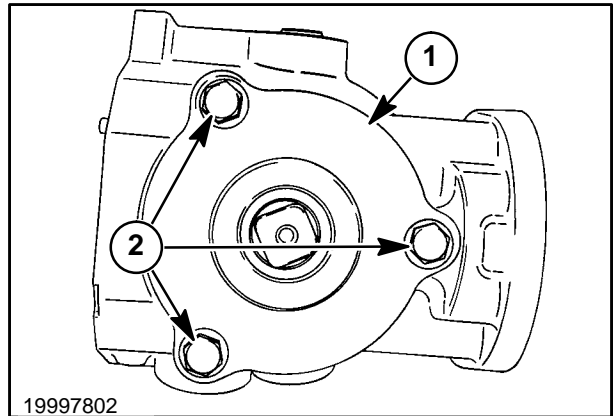
NOTE: A new crush ring, 3, must be used for proper camplate bearing pre-load.



73

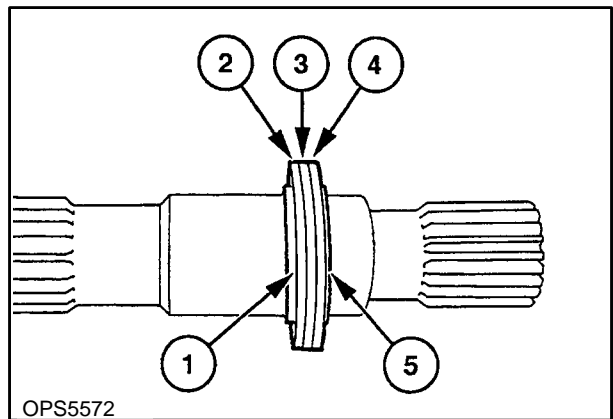
10. Attach the control arm bearing cover, 1, with the three capscrews, 2, and washers removed during disassembly. Tighten the capscrews to 40 N·m (30 ft. lbs.).

NOTE: Tightening the cover capscrews to the specified torque will crush ring, 3, Figure 73, and set the proper camplate bearing pre-load.



74

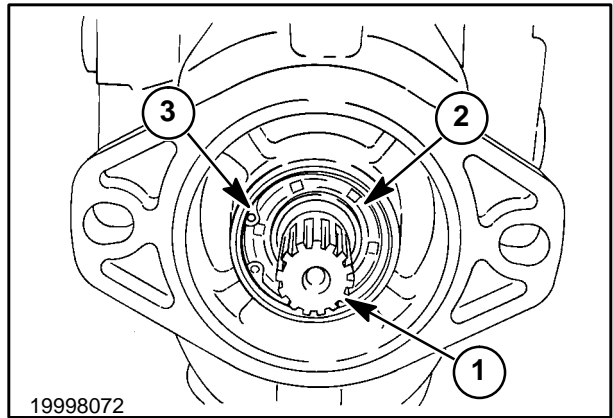
11. Install a retaining ring, 1, on the pump drive shaft. Install one thrust washer, 2, the thrust bearing, 3, and the second thrust washer, 4. Secure the washers and bearing with the second retaining ring, 5.



75

SECTION 29 - HYDROSTATIC TRANSMISSION

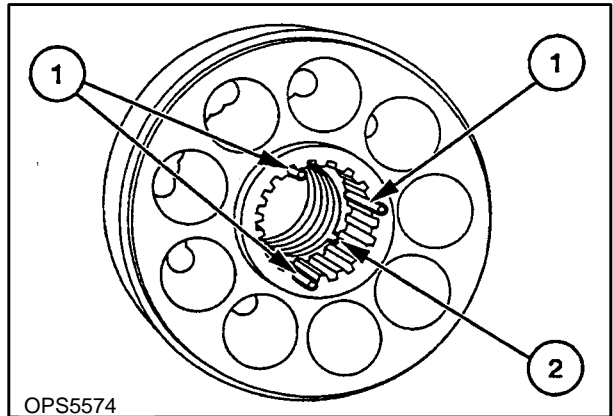
12. Install the shaft and bearing assembly, 1, into the housing. Install the seal thrust washer and new shaft seal, 2. Tap the seal to seat the washer and seal in the pump housing. Secure the seal with the retaining ring, 3.



19998072

76

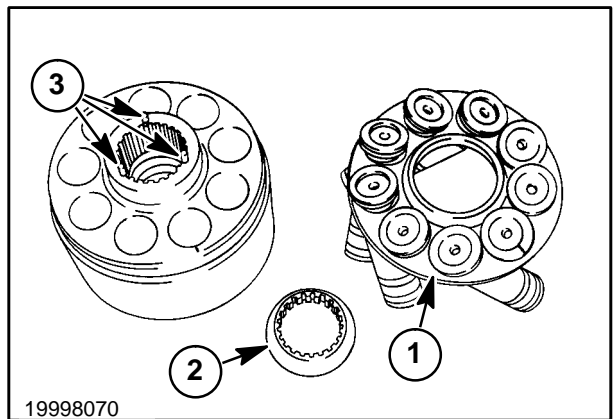
13. Check the three piston block loading pins, 1. Make sure the pins are seated properly in the oversize grooves in the splines and held in place with the retaining ring, 2.



OPS5574

77

14. Install the pistons with plate, 1, and pivot, 2, into the piston block. Make sure the pivot rests on the loading pins, 3. Use the reference marks made during disassembly to place the pistons in their previous spots.



19998070

78

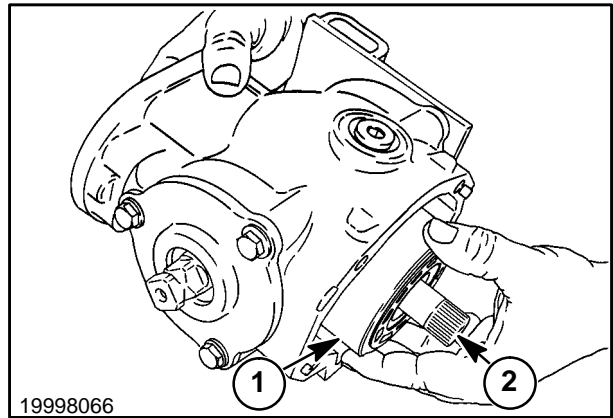
15. Invert the housing and insert the rotating group assembly, 1, into the housing. In the front pump, it may be easier to install the drive shaft, 2, and rotating group together.

NOTE: Piston shoes must contact the camplate. Make sure all parts are in their proper position before proceeding.

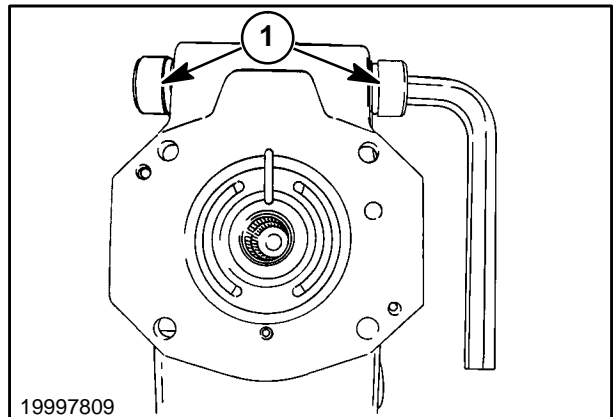
NOTE: If the rotating group does not slide over the splined shaft easily, DO NOT FORCE. One or more of the three loading pins may be out of their groove or pin head is not seated properly between the washer and block. Forcing the rotating group may cause pin failure and early transmission failure.

IMPORTANT: Make sure all mating surfaces are well lubricated with SAE SH/CG4 10W-30 motor oil to ensure proper lubrication for start-up.

16. Install new O rings on the relief valve caps, 1, and install the valves into the valve plate with springs and caps. Tighten to 135 N·m (100 ft. lbs.).



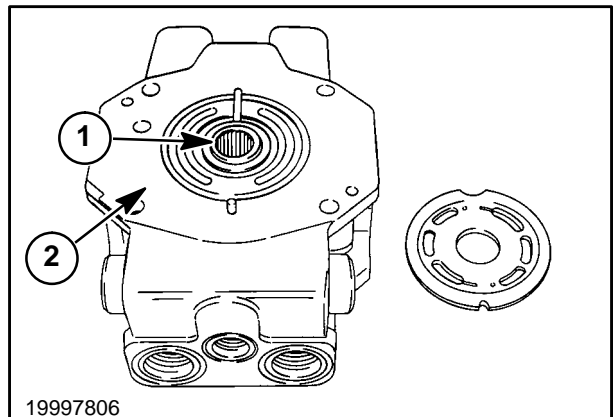
79



80

17. Install a new bearing, 1, in the backplate if the bearing is damaged or loose. Install the bearing with the numbers facing out, pressing the bearing down to 2.38 mm (3/32") above the plate, 2. The bearing is a pilot for the bearing plate during assembly.

NOTE: When installing bearings in the plate or housing, be careful not to damage the outer bearing race. If the outer race is damaged, early bearing and shaft failure could result.

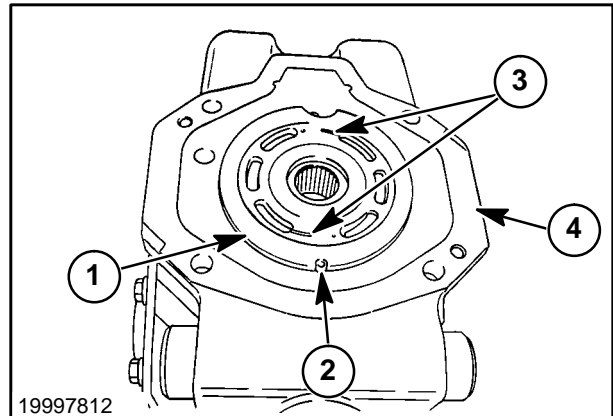


81

18. Lubricate the replaceable valve plate, 1, and place the steel side to the back plate, aligning the small groove with pin, 2. The metering slots, 3, must face out.

NOTE: The two bearing plates in this assembly are not identical; the metering slots point in opposite directions. The slots on the front pump plate point clockwise and the slots on the rear pump plate (shown here) point counterclockwise.

19. Install a new gasket, 4, between the plate and housing.

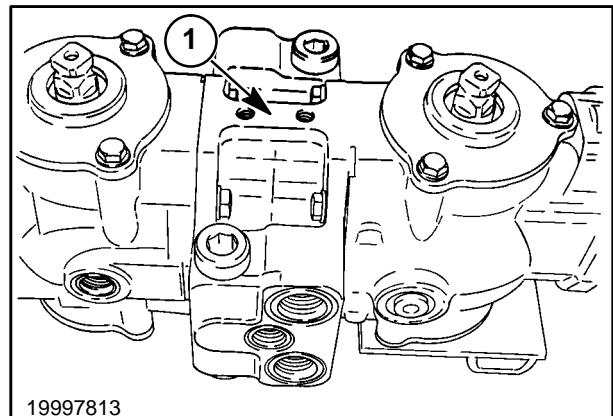


82

20. Attach the pump housings to the back plate, 1, making sure the replaceable plates stay in position; a small amount of Vaseline between the plate and backplate will hold it in place.

21. Install the four capscrews for each pump and tighten to 37 - 42 N·m (27 - 31 ft. lbs.).

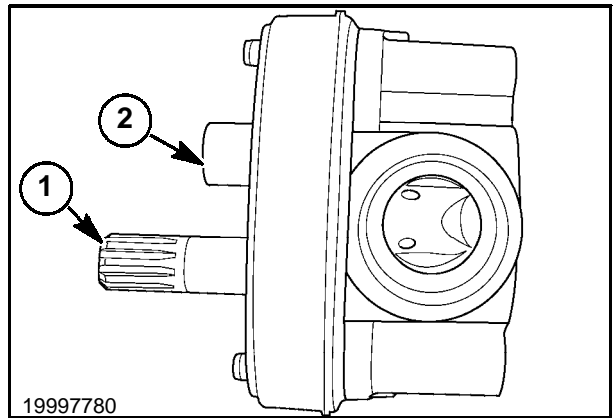
NOTE: When the backplate assembly is in place before tightening the capscrews, a small gap (about 1/8") between the housing gasket and valve plate is normal. Tightening the bolts brings the housing against the rotating group spring, resulting in the internal spring load to the valve plate and the piston slippers. After tightening the housing bolts, the shaft should turn easily using 8" pliers. The shaft should have some rolling resistance but should not be tight, locked down, or rotate freely. If one of these conditions occurs, the pump is assembled incorrectly and must be reassembled.



83

**HYDRAULIC SYSTEM PUMP
INSTALLATION (WITHOUT HIGH FLOW)**

1. Remove the through bolts and separate the gear assemblies and wear plate from the pump body by removing the drive gear, 1, and idler gear, 2. Do not disturb the seal between the pump body and the backplate.

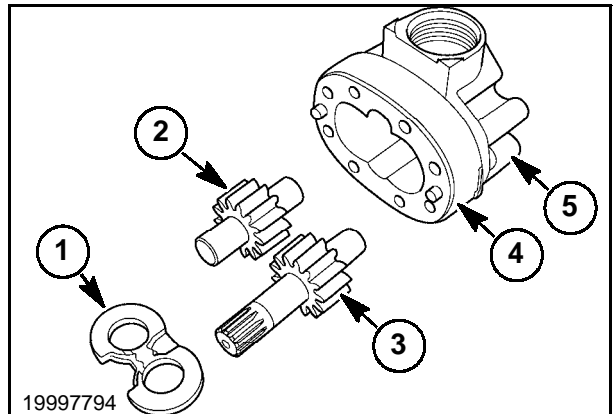


84

The hydraulic system gear pump consists of:

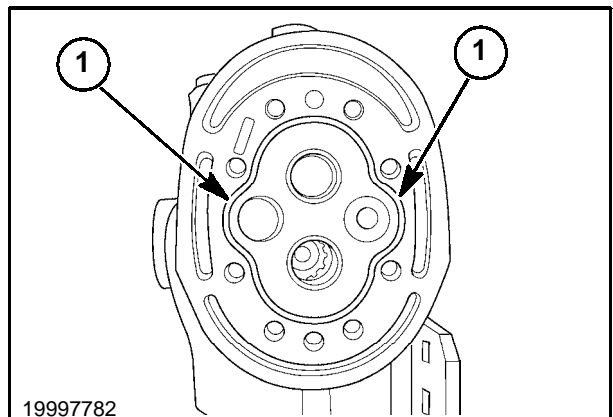
- 1 Wear plate assembly
- 2 Idler gear assembly
- 3 Drive gear assembly
- 4 Pump body
- 5 Pump back plate

Coat all parts with a thin coat of petroleum jelly or oil to aid in reassembly.



85

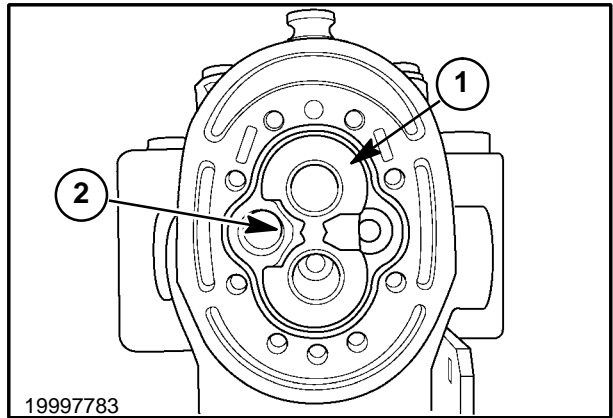
2. Clean the mounting plate surface and hydrostatic pump housing thoroughly and install a new O ring, 1.



86

SECTION 29 - HYDROSTATIC TRANSMISSION

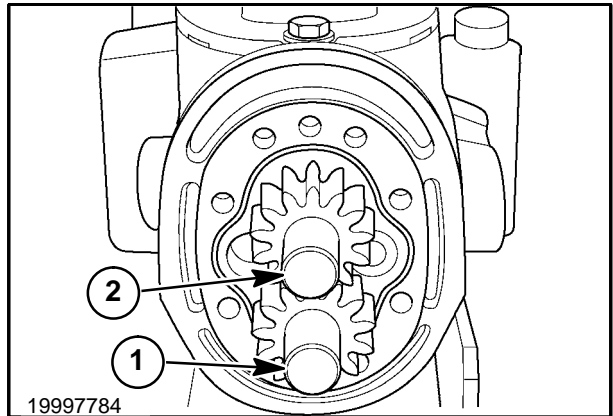
3. Install the wear plate assembly, 1, with the gasket/seal side towards the pump mounting plate with the mid section cut away on the suction side, 2, of the pump.



87

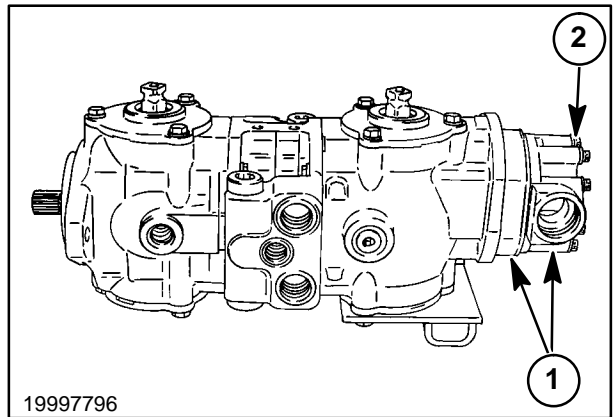
4. Install the drive shaft, 1, making sure to engage the splines inside the hydrostatic pump. Install the idler gear assembly, 2, into the bushing. Rotate the gears to help slide the idler gear into place.

NOTE: The drive shaft and gear, 1, must be properly seated into the hydrostatic pump drive shaft splines with the end of the gear teeth against the wear plate.



88

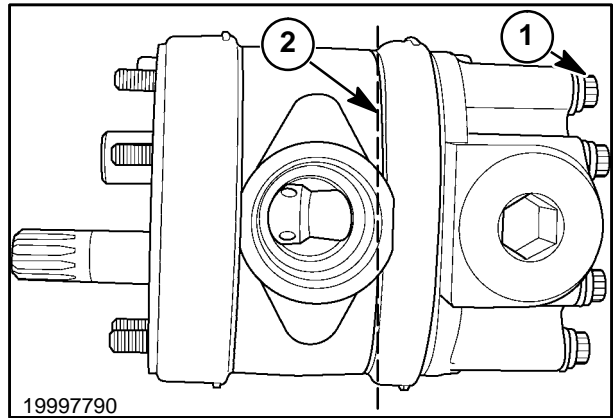
5. Install the pump backplate, 1, and center section together over the gear shafts.
6. Install the housing hardware with the eight bolts, 2, and sealing washers. Tighten the bolts evenly in a criss-cross pattern to 34 - 38 N·m (25 - 28 ft. lbs.).



89

HYDRAULIC SYSTEM PUMP / HIGH FLOW PUMP INSTALLATION

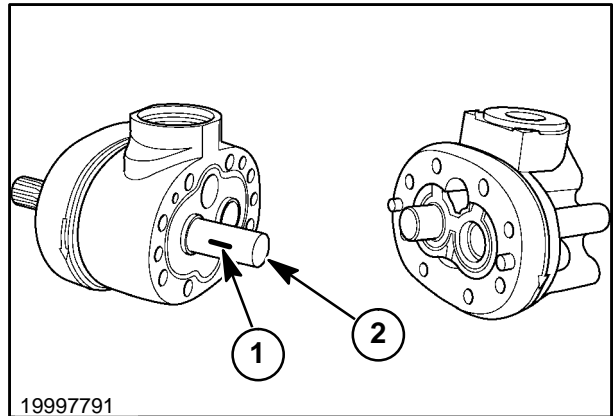
1. Remove the through bolts, 1, and washers.
2. Separate the pumps at 2, taking care not to disturb the seals between the pump bodies and backplates.



90

3. Remove the small round drive key, 1, from the pump drive shaft, 2, and remove the drive gears, idler gears, and wear plates from the pumps, taking care not to disturb the seals between the pump body and backplate.

IMPORTANT: The small round key must be removed to remove drive shaft from pump center sections. Do not lose drive key.



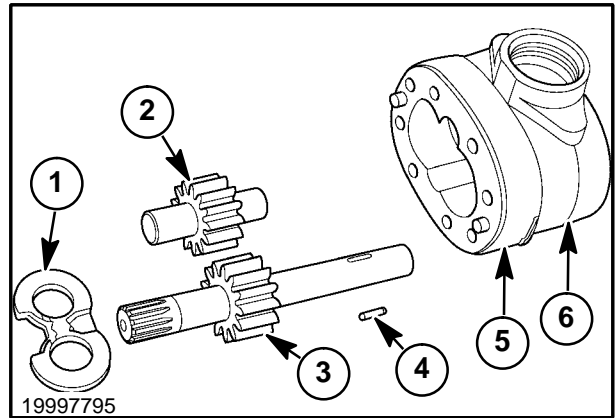
91

SECTION 29 - HYDROSTATIC TRANSMISSION

The hydraulic system pump consists of:

- 1 Wear plate assembly
- 2 Idler gear assembly
- 3 Drive gear assembly
- 4 Key
- 5 Pump body
- 6 Pump back plate

Coat all parts with a thin coat of petroleum jelly or oil to aid in reassembly.

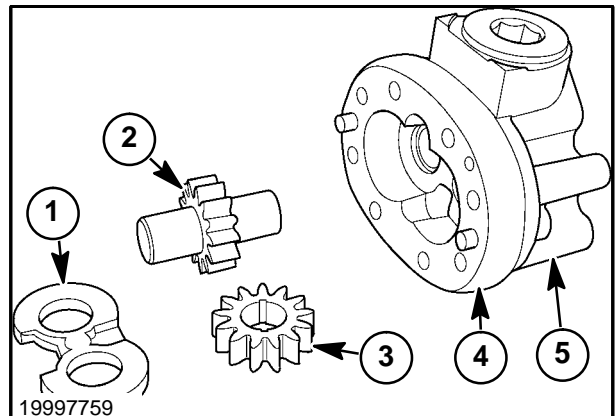


92

The high flow pump consists of:

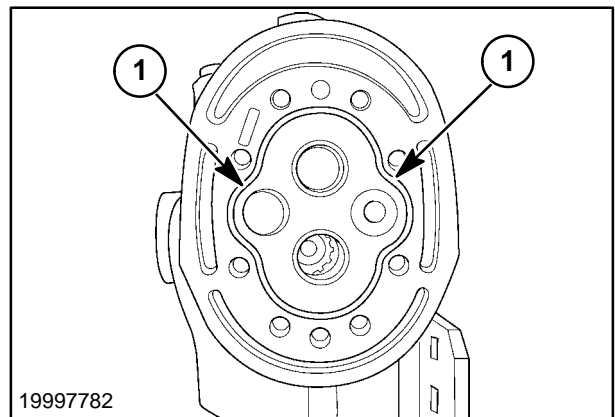
- 1 Wear plate assembly
- 2 Idler gear assembly
- 3 Drive gear
- 4 Key (Figure 92)
- 5 Pump body
- 6 Pump back plate

Coat all parts with a thin coat of petroleum jelly or oil to aid in reassembly.



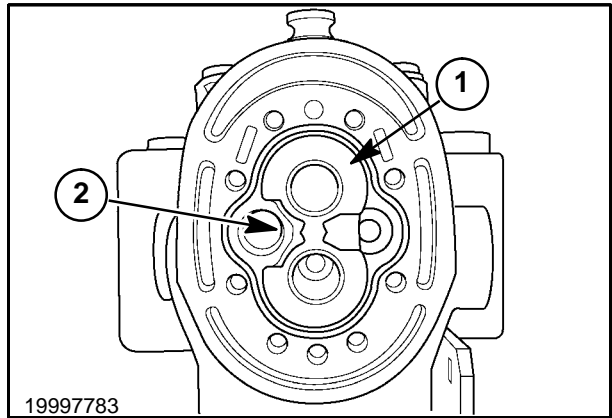
93

- 4. Clean the mounting plate surface and hydrostatic pump housing thoroughly and install a new O ring, 1.



94

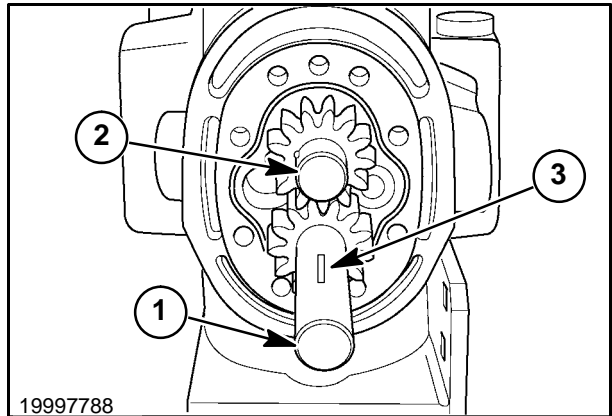
Install the wear plate assembly, 1, with the gasket/seal side towards the pump mounting plate with the mid section cut away on the suction side, 2, of the pump.



95

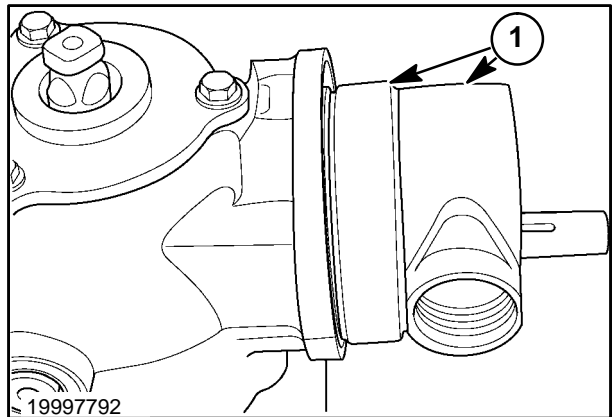
5. Install the drive shaft, 1, making sure to engage the splines inside the hydrostatic pump. Install the idler gear assembly, 2, into the bushing. Rotate the gears to help slide the idler gear into place.

NOTE: The drive shaft and gear, 1, must be properly seated into the hydrostatic pump drive shaft splines with the end of gear teeth against the wear plate. Position the key slot, 3, up.



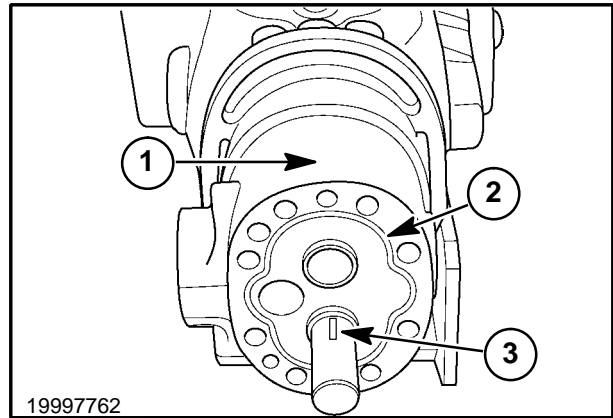
96

6. Install the pump body and back plate together, 1, over the gear shafts, taking care not to disturb the seals between the pump body and backplate.



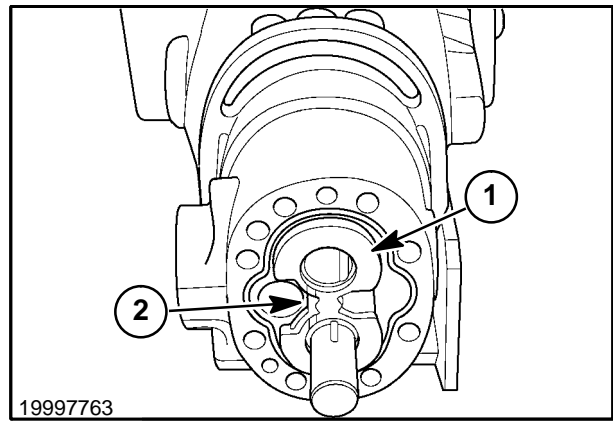
97

7. Clean the mounting plate surface thoroughly and install a new O ring, 2. Install the shaft key, 3, in the drive shaft.



98

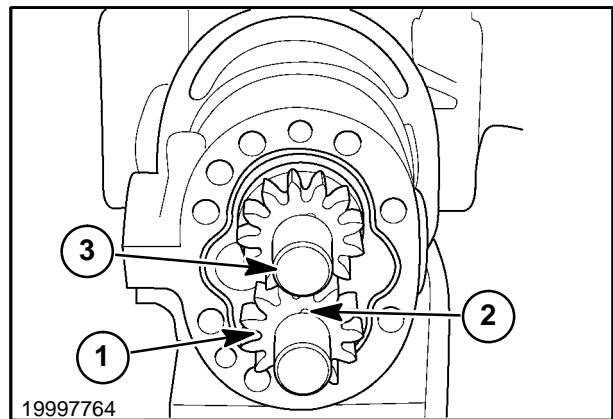
8. Install the wear plate assembly, 1, with the gasket/seal side towards the pump mounting plate with the mid section cut away on the suction side, 2, of the pump.



99

9. Install the drive gear, 1, on the drive shaft, slipping the groove over the shaft key, 2. Install the idler gear assembly, 3, into the bushing. Rotate the gears to help slide the idler gear into place.

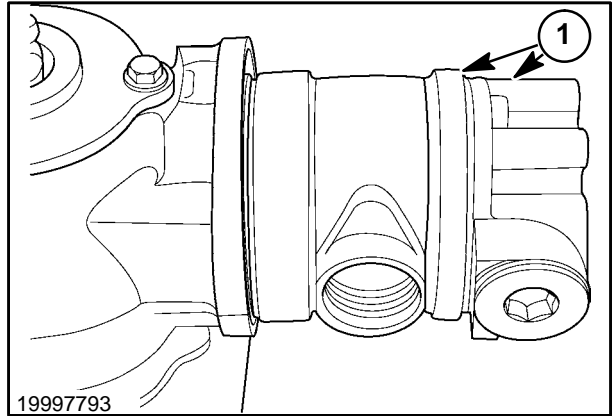
NOTE: When installing drive gear, 1, on to the shaft, be careful not to knock the round drive key, 2, from the shaft.



100

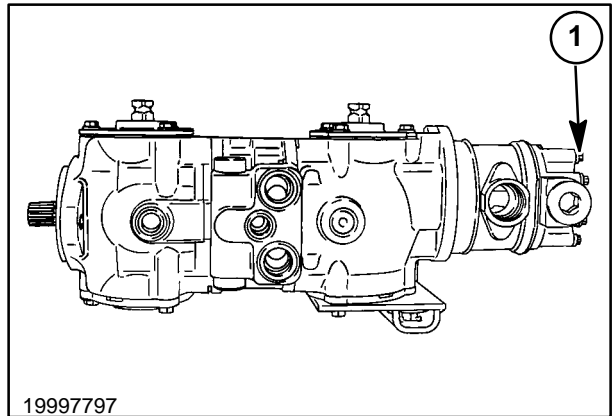
SECTION 29 - HYDROSTATIC TRANSMISSION

10. Install the high flow pump body and end plate together, 1, taking care not to disturb the seals between the pump body and backplate. Make sure there are no gaps between the pump bodies and plates.



101

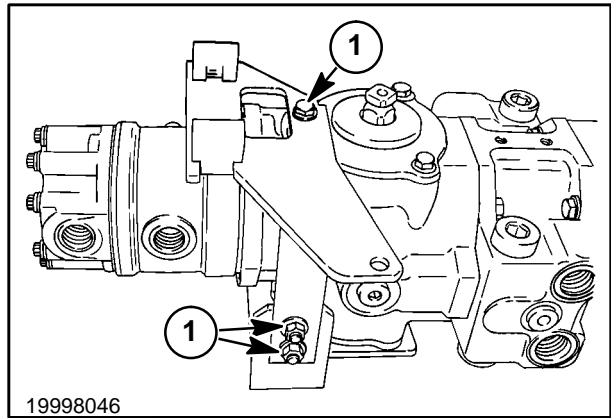
11. Install the housing hardware with the eight bolts, 1, and sealing washers. Tighten the bolts evenly in a criss-cross pattern to 34 - 38 N·m (25 - 28 ft. lbs.).



102

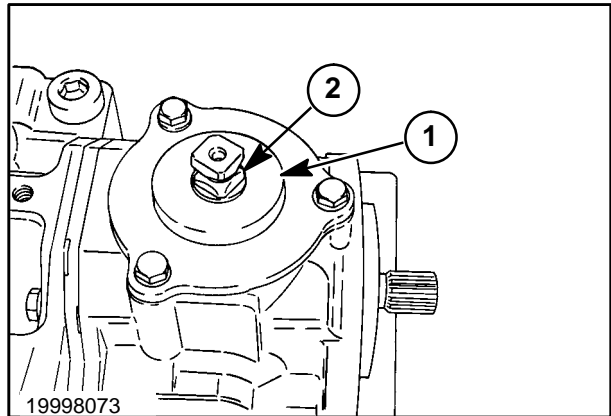
REINSTALLATION

1. Install the side/top support bracket, 1, with the capscrews, 2, and washers removed during disassembly.



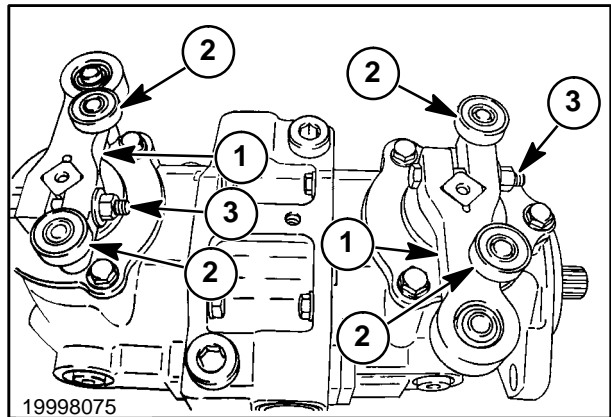
103

2. Install the dust shields, 1, and new O rings, 2, around each hydrostatic pump control arm.



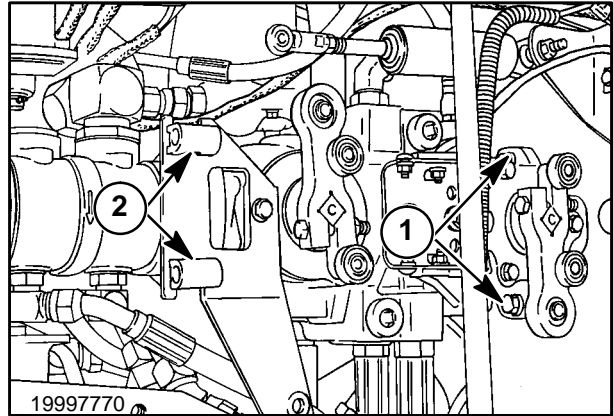
104

3. Install the neutralizer cam arms, 1, over the trunnion shafts, with the bearings facing the rear of the unit. Secure the arms with the 3/8" Grade 8 bolts, 3, lockwashers and nuts removed during disassembly. Tighten to 65 N·m (48 ft. lbs.).
4. Fill the pump assembly with oil through the case drain port. Install all the port fittings, but do not tighten the fitting nuts at this time as aligning hoses and fittings will be required. Refer to the "Hydraulic System Cleaning After a Rebuild" section of this manual before installing the pump assembly in the loader.



105

5. Lubricate the engine flex plate splines and pump shaft splines with MOLY COATE GN PASTE or NEVER SEIZE. Lower the pump assembly into the unit and align the pump shaft with the drive coupler. Do not force the shaft into the drive coupler. Secure the assembly with two 1/2" x 1-1/4" capscrews, 1. Tighten to 61 N·m (45 ft. lbs.).
6. Install the four pump mounting bolts under the pump, securing the pump support bracket to the frame. Tighten the bolts to 40 N·m (30 ft. lbs.).
7. Install the plastic guides, 2, on the support bracket.

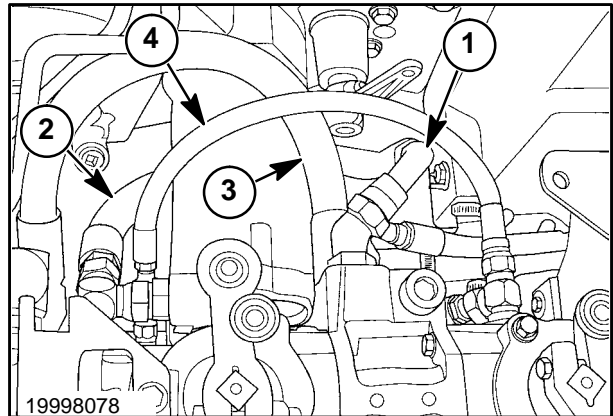


106

8. Right Motor - Reattach all the hydraulic hoses to the pumps. The pump to motor connections are top-to-top and bottom-to-bottom. The top hose, 1, from the motor routes under the motor to the top port of the motor, 2. The bottom hose from the motor, 3, routes over the motor. The case drain line, 4, also routes over the motor.

When tightening fittings, first align hoses and tubes for clearance, then tighten to seat the fittings. After seated, loosen and retighten.

NOTE: Make sure that the hoses are connected to the correct ports. If the hoses are reversed at the pump or motor, the wheels will turn opposite the control handle direction.

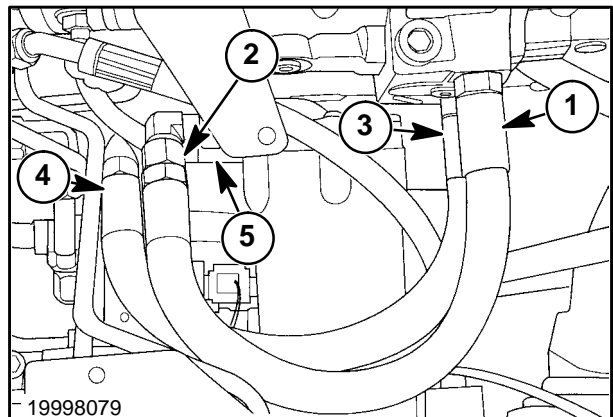


107

9. Left Motor - Reattach all the hydraulic hoses to the pumps. The pump to motor connections are top-to-top and bottom-to-bottom, and both hoses route over the motor. The hose from the top pump port, 1, goes to the top motor port, 2. The hose from the bottom motor port, 3, goes to the bottom motor port, 4. The case drain line, 5, routes under the hydraulic pumps.

When tightening fittings, first align hoses and tubes for clearance, then tighten to seat the fittings. After seated, loosen and retighten.

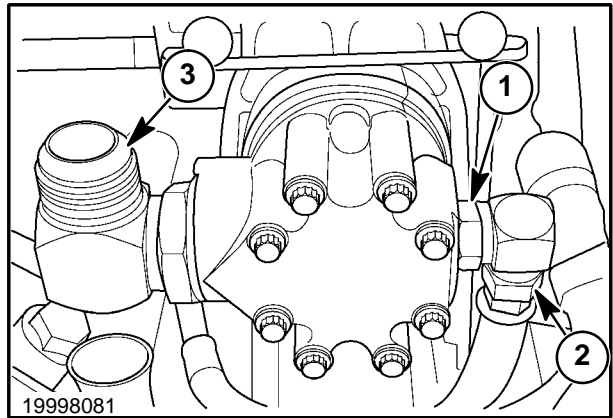
NOTE: Make sure that the hoses are connected to the correct ports. If the hoses are reversed at the pump or motor, the wheels will turn opposite the control handle direction.



108

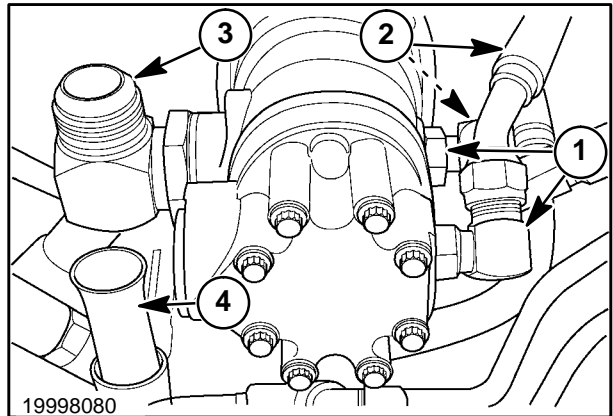
SECTION 29 - HYDROSTATIC TRANSMISSION

10. Install the high pressure port fitting, 1, and the high pressure line, 2. Tighten the high pressure line connections securely.
11. Install the suction tube port fitting, 3, and turn the fitting up. Add SH/CG4 10W-30 oil to fill the bottom of the hydraulic pump.



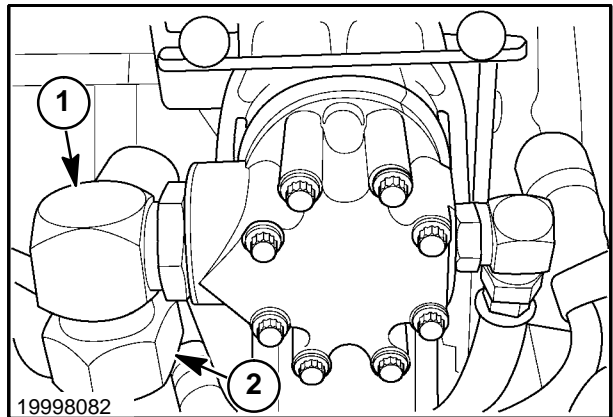
109

12. Install the high pressure port fittings, 1, and the high pressure lines, 2. Tighten the high pressure line connections securely.
13. Install the suction tube port fitting, 3, and turn the fitting up. Add SH/CG4 10W-30 oil to fill the bottom of the hydraulic pump.
14. Turn the suction tube fitting down and install the suction tube, 4. Tighten all hydraulic connections securely.



110

15. Turn the suction tube fitting, 1, down and install the suction tube, 2. Tighten all hydraulic connections securely.



111

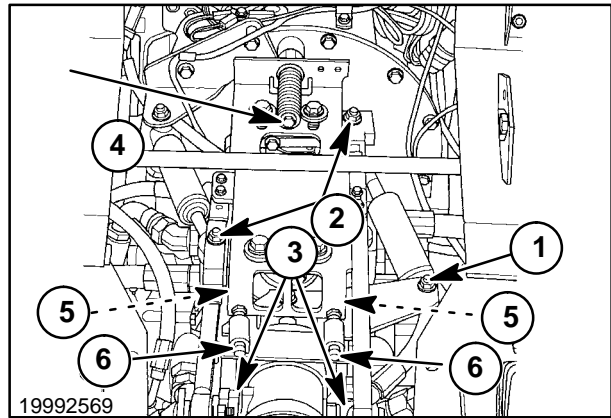
SECTION 29 - HYDROSTATIC TRANSMISSION

16. Install the left dampener hardware, 1, at the support bracket.
17. Install the link and dampener hardware, 2, at the pintle arms.
18. Install the control link hardware, 3, at the control handles.
19. Install the centering spring retaining bolt, 4, and spring into the engine bellhousing. When removing the retaining bolt the spring will be under slight pressure.
20. Install the two pin retaining nuts, 5, and lockwashers securing the pins, 6, to the front of the neutralizer plate.
21. Refer to the Operator's Manual for neutral adjustment procedures.
22. On units equipped with high flow, reinstall the boom circuit hydraulic lines, 1 and 2, and the high flow supply line, 3.
23. Refer to "Start-Up Procedure After a Rebuild" section of this manual for the start-up procedure.
24. Switch the Service/Run switch to the SERVICE position.
25. Operate the unit and check for oil leaks and repair as necessary.

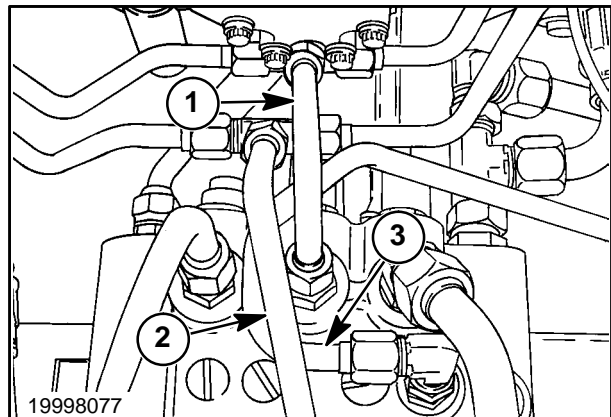


Securely support the skid-steer loader with all four wheels off the ground, or movement of the loader may cause serious injury or damage to the equipment.

26. Reinstall the step shield, fenders, etc. removed for the repair.
27. Fill the hydraulic reservoir with SAE SH/CG4 10W-30 oil.



112



113

HYDROSTATIC MOTOR**Op. 29 100 60****REMOVAL**

The hydrostatic motor assembly can be removed from the top and front of the cab and boom can be tilted forward for more access, refer to Section 1 for the cab tilting procedure.

To remove the hydrostatic motor assembly without tilting the cab forward:

1. Lower the boom and bucket to the lowered position, resting on the ground or remove any attachment and raise the boom and rest on the boom lock pins, 1.



Never work under a raised boom unless it is properly supported by the boom lock pins.

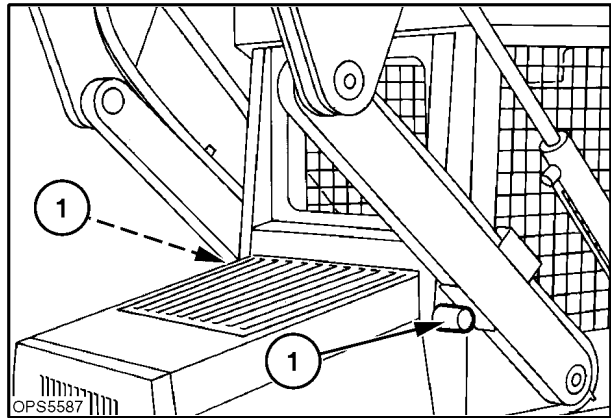
Never work under a raised boom with an attachment. Always remove the attachment from the loader.

2. Stop the engine, turn the ignition key to the run position and operate the boom and bucket control pedals to relieve pressure in the boom and bucket circuits. Turn off the key.
3. Put the Service/Run switch, 1, in the "SERVICE" position.
4. Engage the parking brake.

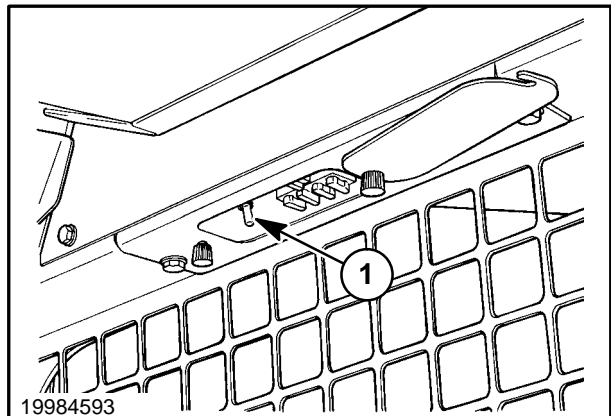
5. Securely block the skid steer with all four wheels off the ground. Refer to Section 00 for more information on properly supporting a skid steer.



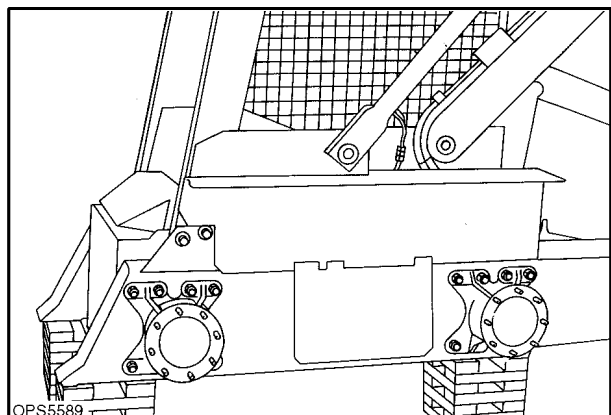
Failure to securely support the skid steer could result in movement of the loader causing serious injury or damage to the equipment.



114



115

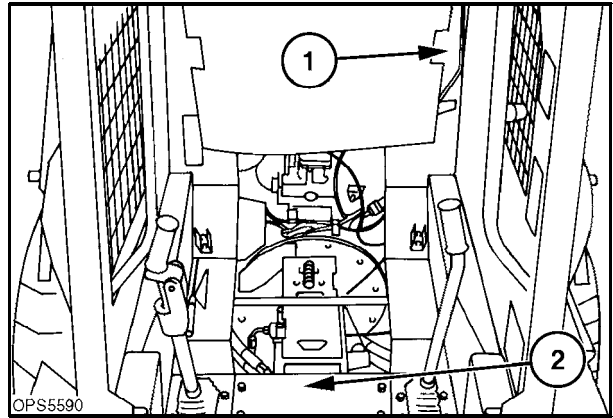


116

6. Raise the operator's seat and latch in the raised position, 1.

⚠ CAUTION ⚠

Never work under a raised seat unless it is securely latched in the raised position.

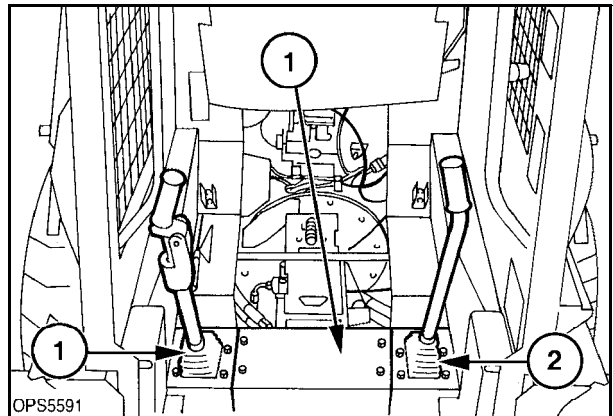


117

7. Remove the step shield, 1, to access the hydrostatic pump and motor area. For more access, remove the right or left hydrostatic control handle assembly, 1 or 2.
8. Relieve all pressure in the hydraulic and hydrostatic systems.

⚠ CAUTION ⚠

Never loosen any hydraulic lines without first relieving all pressure in the systems to avoid serious injury.



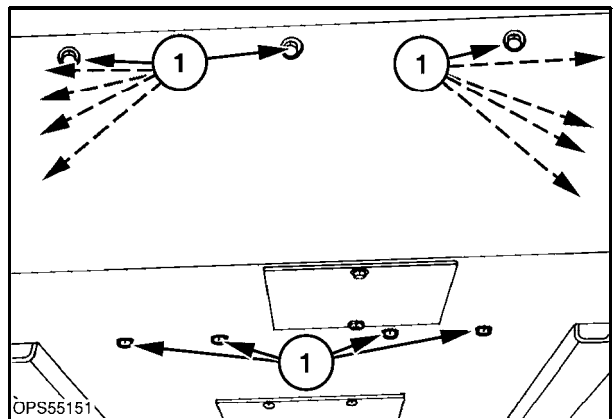
118

Draining the hydraulic oil reservoir is not required if the suction and return lines are capped to prevent loss of oil. Drain the hydraulic oil if the hydraulic system requires cleaning.

9. Remove the rear engine belly pan hardware, 1, and remove the belly pan.

⚠ CAUTION ⚠

Use a floor jack to support the belly pan to prevent serious injury.

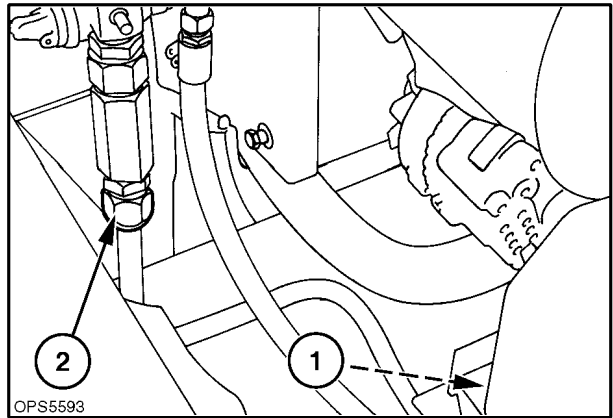


119

SECTION 29 - HYDROSTATIC TRANSMISSION

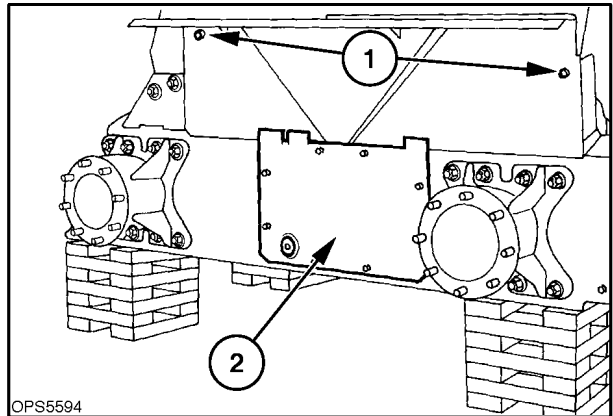
10. Drain the hydraulic reservoir.

- Loosen the return line clamp, 1.
- Remove the return line at 2, and rotate the line into a suitable drain pan.



120

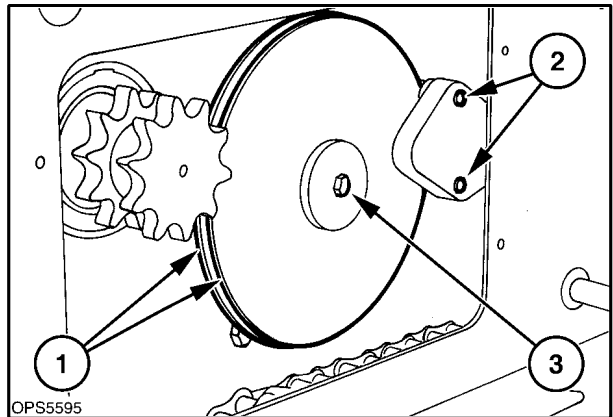
11. Remove the fender, 1, on the side the motor is being removed from. Remove the final drive cover, 2, to access the parking brake. Engage the parking brake.



121

12. For more access to the final drive, remove the tires and loosen the rear axle retaining hardware. Slide the axle to the center to loosen the drive chain. Loosen the brake disk retaining bolt, 3. Disengage the parking brake at this time.

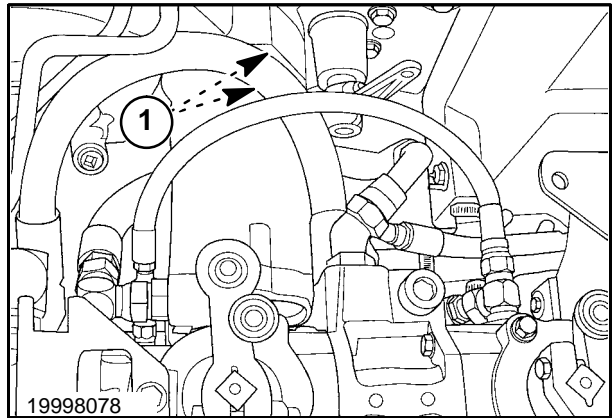
13. Remove the brake caliper bolts, 2, from inside the unit and remove the disk from the splined coupler.



122

14. Right Motor – Remove the high-pressure and case drain lines from the motor and cap to prevent loss of oil. Remove the two motor retaining bolts, 1.

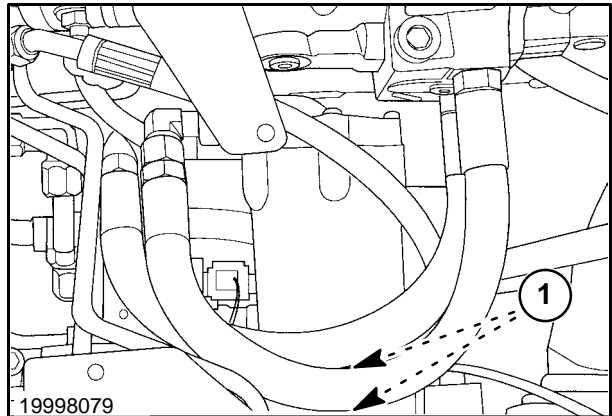
NOTE: The large fittings may need to be removed for clearance.



123

15. Left Motor – Remove the high-pressure and case drain lines from the motor and cap to prevent loss of oil. Remove the two motor retaining bolts, 1.

NOTE: The large fittings may need to be removed for clearance.

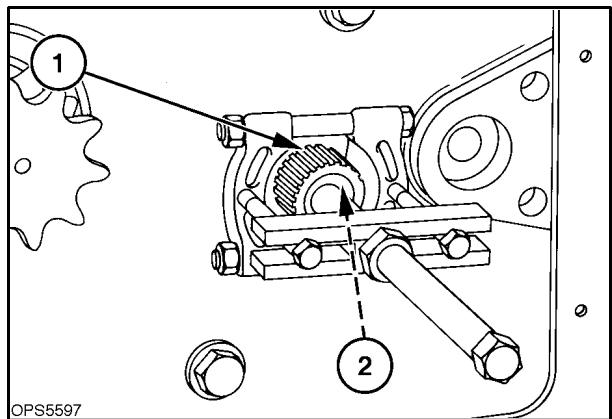


124

16. With the brake disc removed from the coupler, locate a groove, 1, in the coupler and place a flat bearing puller in the groove. Place a nut or heavy flat washer inside the coupler next to the end of the motor shaft at 2. Insert a second puller into the coupler and hook over the flat puller. Now tighten the puller and push the motor shaft free of the coupler.

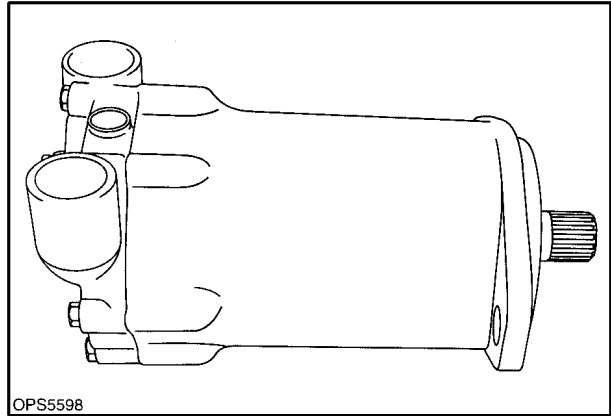
CAUTION

Do not use a hammer and drive on the motor shaft to remove from the coupler. Severe damage to the motor may occur.



125

- Remove the motor from the loader. Thoroughly clean the motor before disassembly.



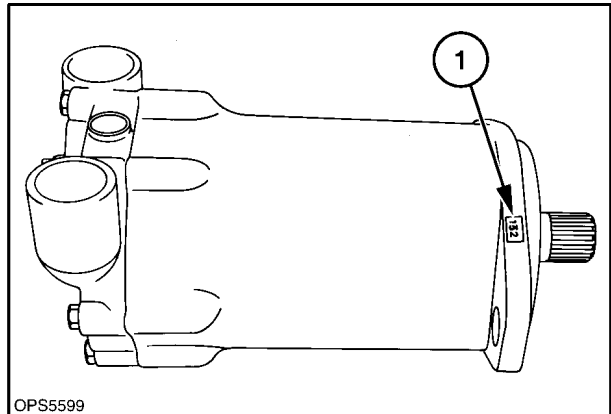
126

Op. 29 100 66

DISASSEMBLY

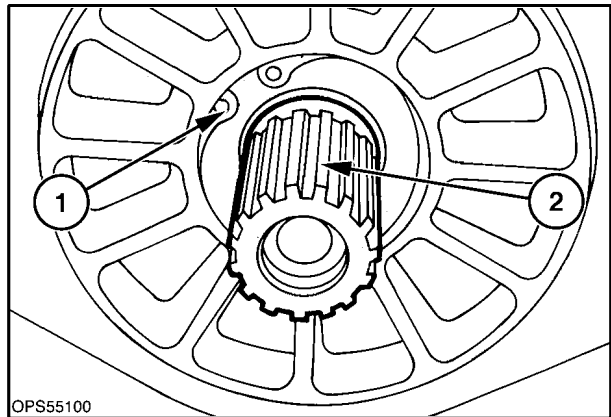
This section describes the basic overhaul information for the high torque motor. This motor consists of one rotating block with pistons on either end that travel on replaceable cam plates. This motor must be shimmed on rebuilding to insure proper hydrostatic braking of the loader.

NOTE: Dealer adjustment requests for oil leak repairs, other repairs, or overhaul of the transmission motor must include the model number of the transmission motor and the date code. These are stamped in the flange of the motor housing, 1.



127

- Thoroughly clean the outside of the motor housing before disassembly. Plug the ports to prevent dirt and solvent from entering the motor housing.
- Remove the snap ring, 1, from the housing, and remove the seal, 2; the seal will be damaged upon removal.



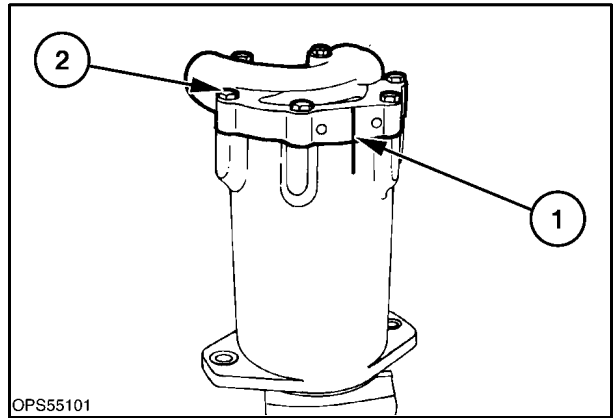
128

SECTION 29 - HYDROSTATIC TRANSMISSION

3. Mark the motor housing, as indicated at 1, for proper reassembly of the motor. Clamp the motor in a vise, as shown, on the housing flange.
4. Remove the cap screws, 2, from the back plate assembly, and lift the plate straight from the housing to prevent damage to the shaft and bearings.

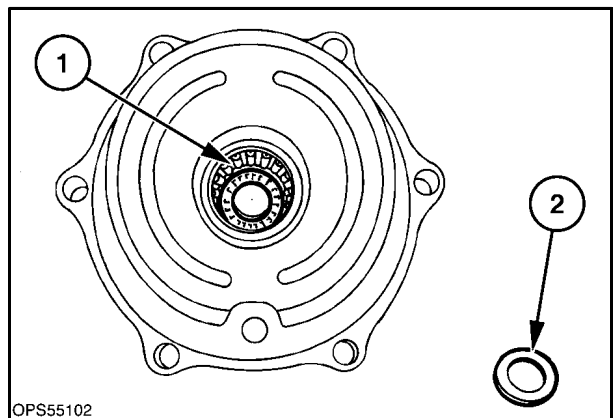
NOTE: The back plate assembly should pop up with the removal of the six cap screws. If the plate does not pop up, use a plastic mallet and tap on the ports to remove the back plate assembly.

IMPORTANT: The motor housing is aluminum and can be easily damaged. Do not use sharp objects to pry the back plate from the housing or damage to the machined surfaces may occur.



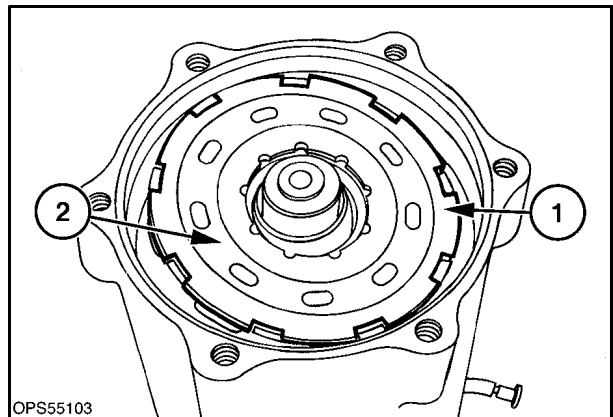
129

5. After the back plate is removed, there is a shim washer, thrust bearing, 1, and two races, 2, on the end of the shaft. The shim washer, bearing, and one race may remain in the back plate as shown at 1.



130

6. Remove connector plate, 1, after noting how it is installed in the spider assembly, raised area, 2, towards the back plate and flat side towards the pistons.



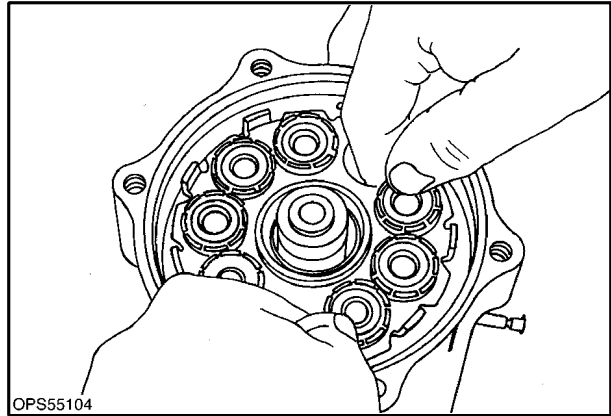
131

SECTION 29 - HYDROSTATIC TRANSMISSION

7. Remove two pistons noting the holes they are from, then remove the spider and remaining piston assembly. Be sure to lay all parts being removed from the motor on clean cardboard to prevent contamination. Do not drop any parts on removal or reassembly, as the parts may be damaged.

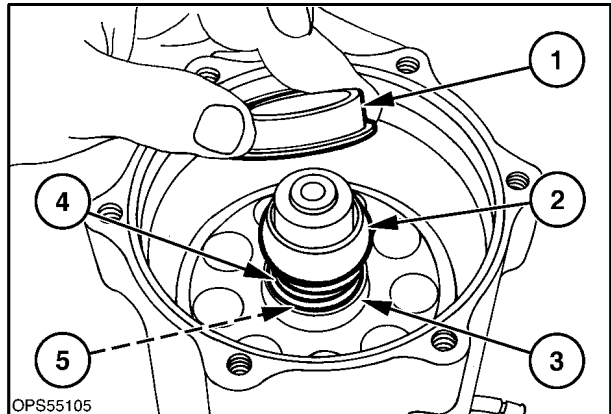
NOTE: When reassembling, the piston must be reinstalled in the same holes due to fit and wear.

IMPORTANT: Do not drop any parts from the motor or damage may occur.



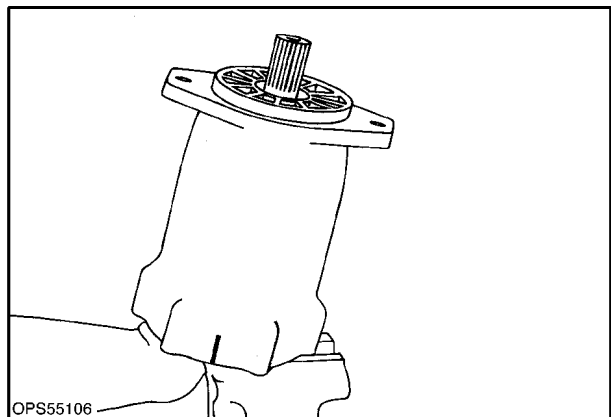
132

8. Remove the pilot assembly, 1.
9. Remove the pivot assembly, 2.
10. Remove any shim washers, 3, and spring, 4.
11. Remove snap ring collar, 5.



133

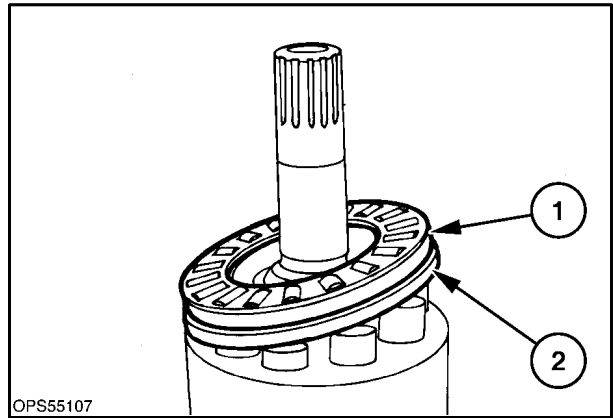
12. Remove the motor assembly from the vise and position a hand around the shaft, as shown. This will prevent the solid pistons remaining in the rotating block from sliding out when the block is turned.



134

SECTION 29 - HYDROSTATIC TRANSMISSION

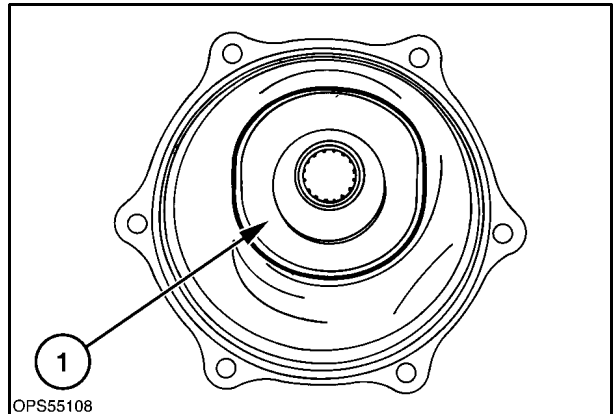
13. Pull the case straight up and remove it from the shaft. The heavy thrust bearing, 1, and piston race, 2, can now be removed.



OPSS55107

135

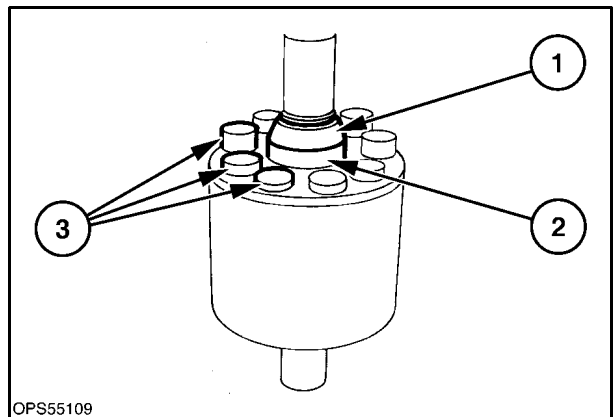
14. A replaceable bearing race, 1, is installed in the housing assembly and will normally remain in the housing when other parts are removed. This race should be checked for any signs of scoring or turning in the housing. Replace the race as necessary. Be sure to clean the case thoroughly for reassembly.



OPSS55108

136

15. Remove pivot, 1, and spacer, 2.
16. The nine solid pistons, 3, can now be removed. Remove the pistons from the snap ring end of the piston block. Note that the tapered end of the piston faces the bearing race previously removed.

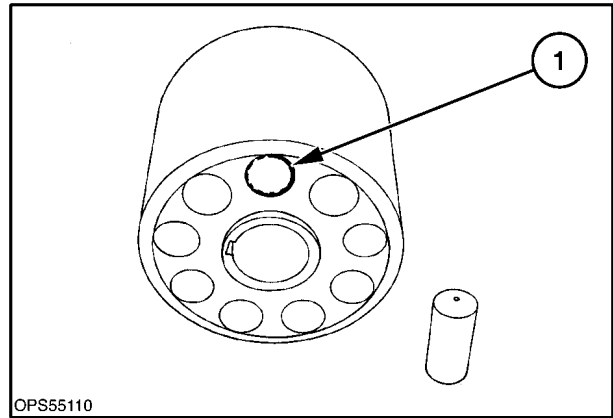


OPSS55109

137

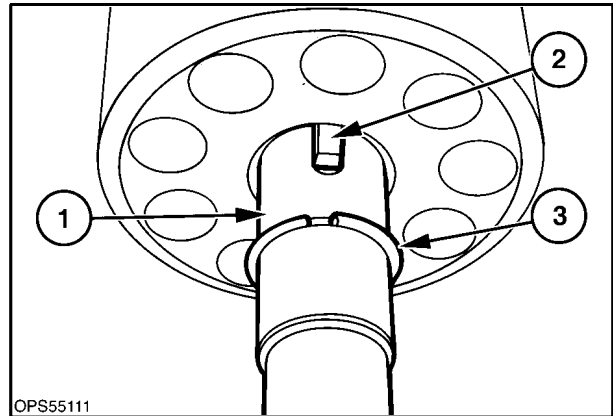
SECTION 29 - HYDROSTATIC TRANSMISSION

IMPORTANT: There is a burr around the holes in the piston block at 1; this is normal, do not remove. DO NOT place the piston block on the ends or the burr around the holes may be damaged, causing a piston to stick during operation.



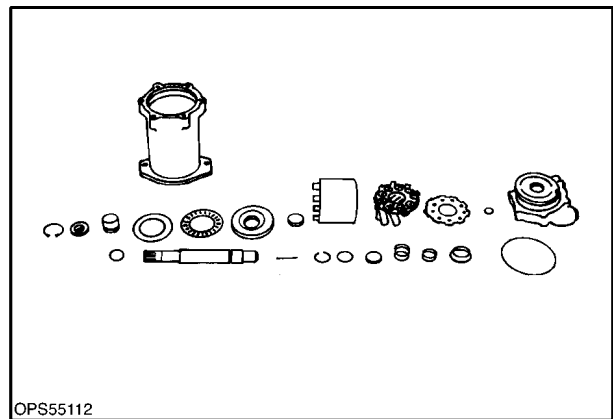
138

17. The piston block can be removed from shaft, 1. The block is keyed onto the shaft with a long, square key, 2. Remove the snap ring, 3, from the shaft if it requires replacement.



139

18. A complete layout of the parts used in the hydrostatic motor is shown.



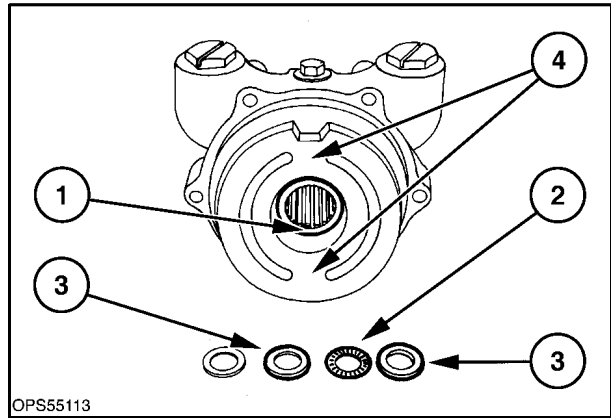
140

PARTS INSPECTION

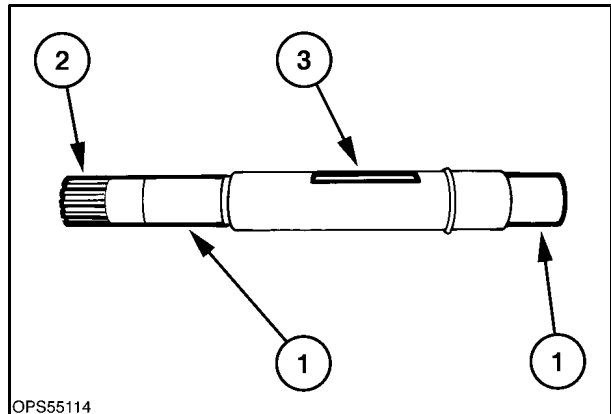
Clean all parts in a suitable solvent and air dry prior to inspection.

IMPORTANT: Due to close tolerances and finish of motor internal surfaces, it is important to maintain absolute cleanliness during inspection and reassembly or damage to the components may occur.

1. Examine the needle bearing in the housing assembly and the back plate assembly, 1, for excessive play in the needles. If the needles are free from excessive play and remain in the bearing case, there is no need to replace the bearing. Inspect the thrust bearing, 2, and races, 3, for scratches and wear.
2. Inspect the flat surface of the back plate around the kidney ports for scratches. Inspect the area between the kidney ports, 4; there should be no scratches that you can catch a fingernail in. Wear in this area will cause loss of hydraulic power to the wheels.
When a back plate assembly must be replaced, the connector plate should also be replaced.
3. Inspect the shaft for any wear in the bearing or seal areas, 1. If wear is noted, the shaft should be replaced. Also check the shaft splines, 2, and key, 3, areas for wear.



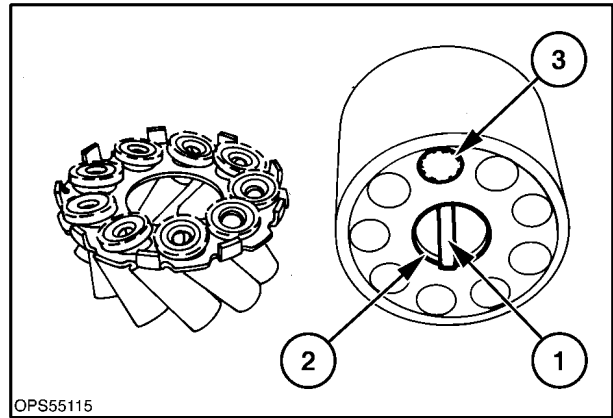
141



142

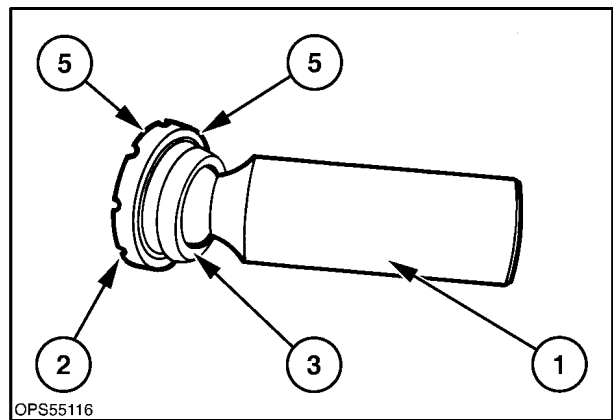
4. Inspect the piston block for any wear in the key or shaft area, 1.
5. The hollow pistons with slippers must be installed into the piston block holes on the side of the block with the tapered shaft opening, 2. Examine the holes in the block for scoring and wear. If the pistons' skirts show scoring, the corresponding holes in the block will be worn.
6. The pistons should be free to move in the block bore. Check each individual piston in a block hole to be sure it moves freely when well lubricated. If it does not move freely, check the piston for scoring or block bore for wear or contamination.

NOTE: There is a burr around each hole at 3; be careful not to damage the burr.



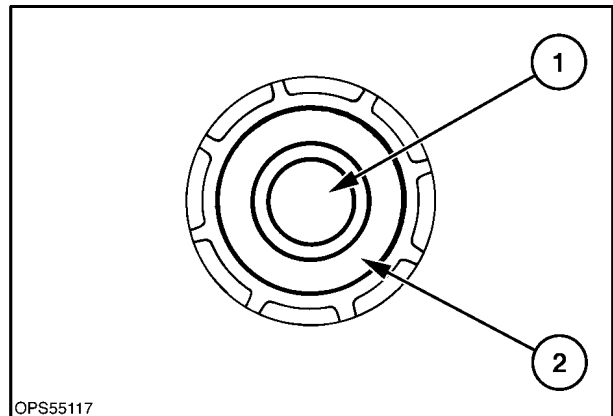
143

7. The outside of the pistons, 1, should not show any deep scratches or wear. It is normal to see minor scratches, such as brush marks, that cannot be felt with a fingernail. The piston shoes, 2, should fit snugly on the ball end, 3, of the piston. There should not be any wear to the outside edge of the shoe at 5, which can be noted by a rolled edge. If necessary, replace the piston assemblies.



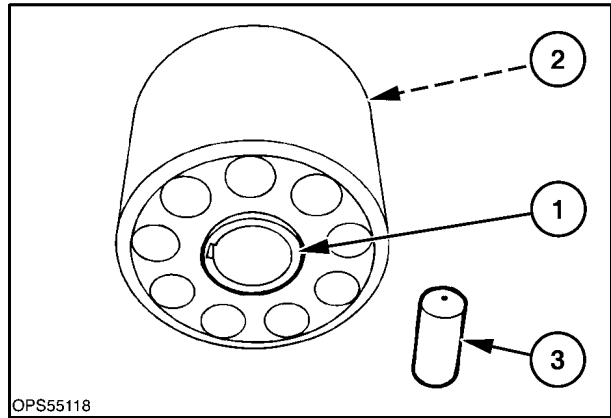
144

8. Check the internal opening in each piston to be sure it is open for oil flow, 1. The flat surface of the piston shoe should be smooth and not show any scratches, 2.



145

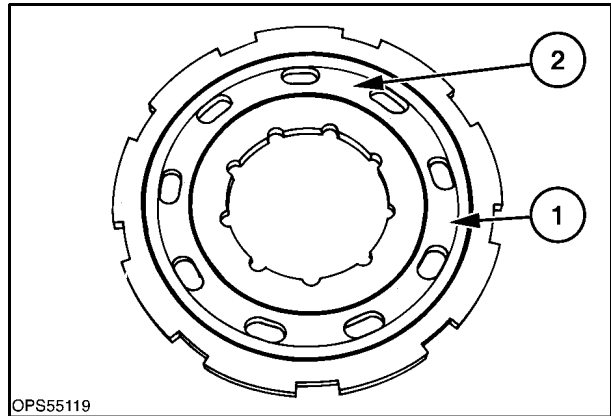
9. The solid piston assemblies should be individually checked in the block bores to be sure they move freely when lubricated. The solid pistons go in the end of the block with the shoulder, 1. Install the solid pistons from the tapered end of the block, 2, with the tapered end of the piston, 3, towards the shoulder end of block, 1. Check the tapered end of the piston and the piston race for wear. If the pistons do not move freely in the bores, replace the pistons or block as needed.



OPS55118

146

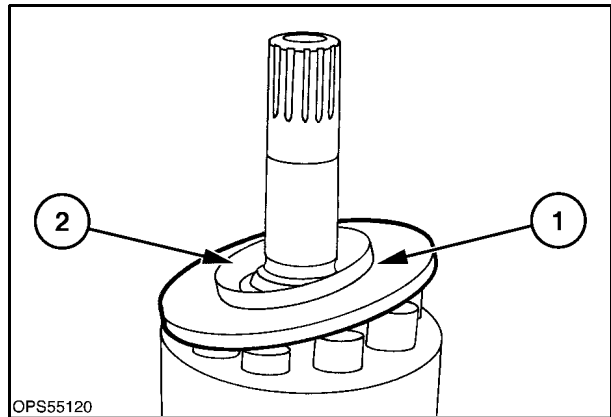
10. Check the connector plate for wear in the band area, 1, or any connecting scratches between the kidney ports, 2.



OPS55119

147

11. Check the bearing races and bearing for scratches or damage to the bearings or the flat surfaces. A race failure due to a sticking solid piston will result in a broken race. Check the solid piston for interference with the piston block. This type failure is normally caused by contamination in the hydrostatic system.
If the bearing race, 1, is removed and is in two or three pieces, it will require replacement.



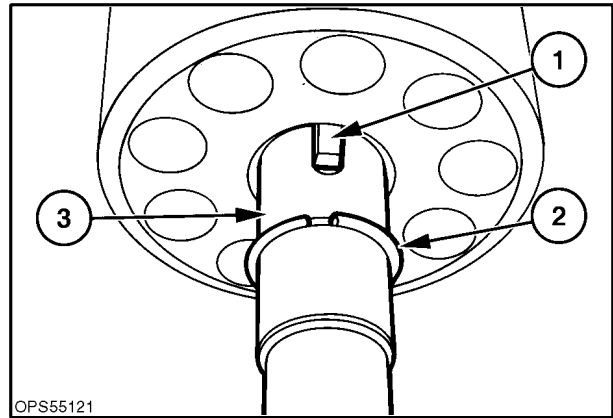
OPS55120

148

REASSEMBLY

IMPORTANT: Due to close tolerances and finish of motor internal surfaces, it is important to maintain absolute cleanliness during inspection and reassembly or damage to the components may occur.

Be sure all parts are clean and air-dried before reassembly. Prior to assembling the motor, dip all parts in the oil, SH/CG4 10W-30, that will be used in the hydraulic reservoir. This motor must be shimmed during reassembly. The shim kit gauge block used to determine the shim pack is included in the seal kit for the motor assembly.



149

1. Install the key, 1, in the shaft and the round retaining ring, 2, in the groove.

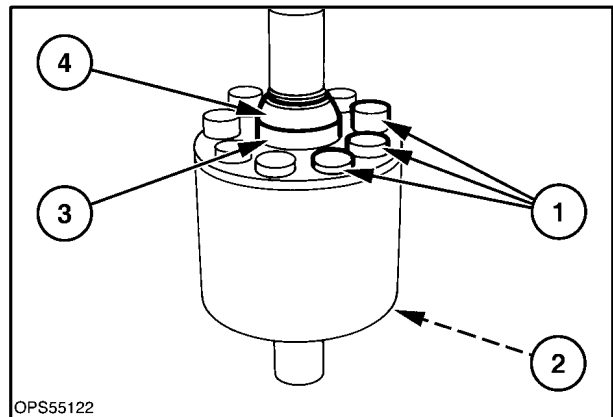
Slide the piston block on the shaft with the 45° chamfer, 3, in the inside diameter of the piston block toward the round retaining ring, 2, on the shaft.

2. Lubricate the solid pistons, 1, with system oil and install them in the piston block bores from the tapered end of the block, 2, with the tapered ends facing outward. Be sure each piston moves freely in its bore. It is suggested that the assembly be held with one hand, as shown, so the pistons do not fall completely through the block.

IMPORTANT: Do not damage the burr around the piston holes in the block.

3. Slide spacer, 3, and pivot, 4, over the shoulder on the shaft. Be sure the block assembly is resting on the snap ring on the opposite end of the shaft.

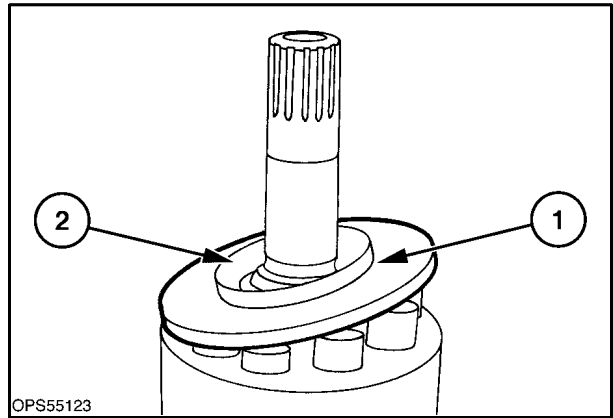
NOTE: If the spacer and pivot assembly are not completely down over the shoulder on the shaft as a result of the block being off the snap ring, the shimming procedure and motor operation will be incorrect.



150

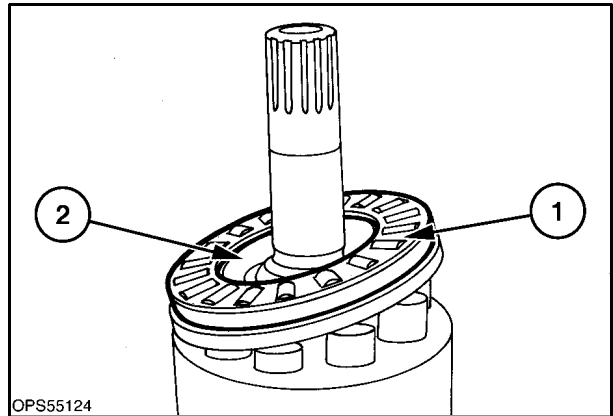
SECTION 29 - HYDROSTATIC TRANSMISSION

4. Lubricate the piston race assembly, 1, and place it on the pivot, as shown, with the bearing locating ring, 2, up.



151

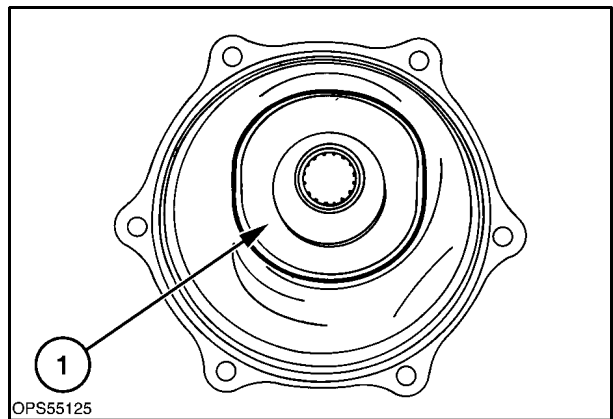
5. Lubricate the thrust bearing, 1, and install it over the bearing race at 2.



152

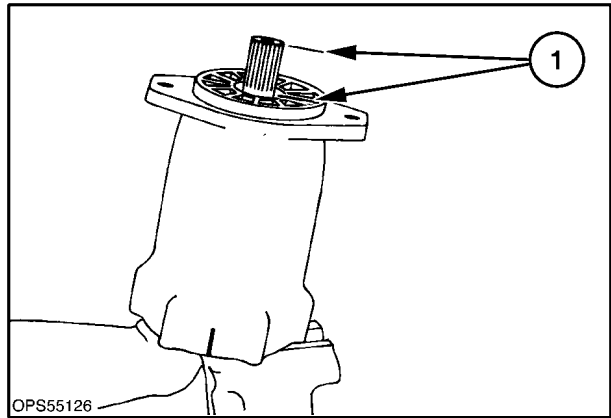
6. Insert the outer bearing race into the housing, 1. The bearing race must be inserted squarely into the recess in the housing.

NOTE: The dull or unfinished side of the bearing race MUST be inserted into the housing first.



153

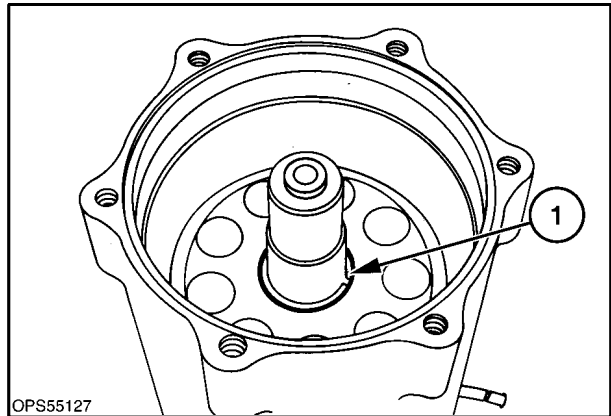
Slide the housing down over the complete shaft assembly. Be sure the shaft extends through the housing approximately 38 mm (1-1/2"). If the shaft does not protrude through the housing the distance shown, the spacer and/or pivot is installed incorrectly.



154

- Turn over the housing and clamp it in a vise on the flanged end of the housing.

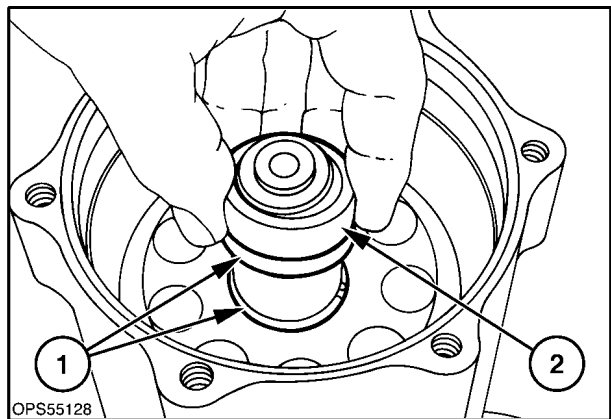
Inspect the piston block and the retaining ring to be sure they are seated properly in the taper of the block at 1.



155

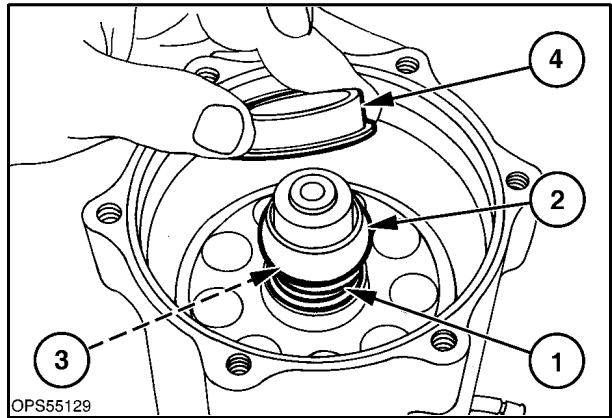
Motor Shimming Procedure

- Place a spring collar over the shaft and snap ring at 1. Place the gauge block, 2, marked XDB-1756 or 74600-624 over the shaft and next to the collar previously installed.



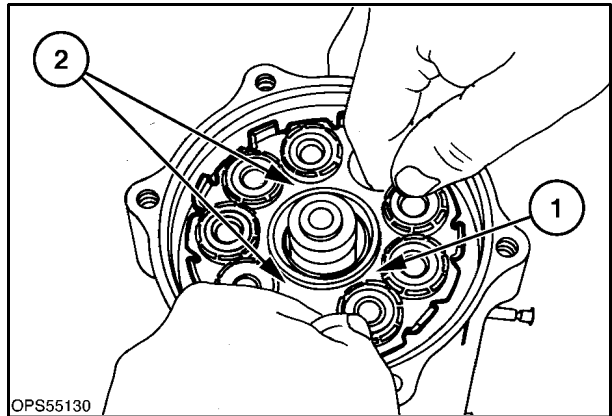
156

Install spring, 1, over the shaft. Lubricate pivot, 2, with STP, and make sure it slides easily over the shoulder on the shaft, 3. Install pilot, 4, over the pivot assembly.



157

- Lubricate the pistons with SAE SH/CG4 10W-30 oil and install the pistons and spider assembly, 1, making sure the spider plate is properly positioned over the pivot support, 2.

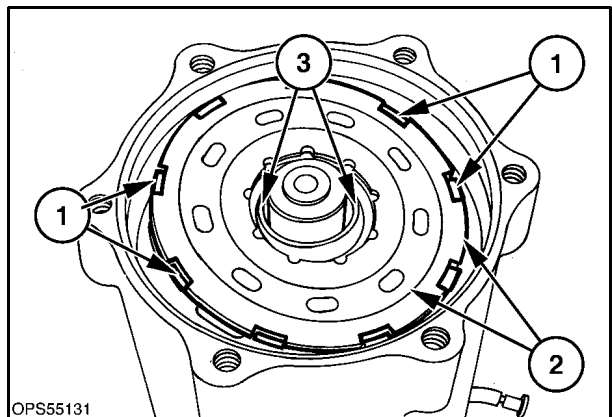


158

- Lubricate both sides of the connector plate and install it as shown with the flat side next to the pistons and the raised side up.

NOTE: Be sure the connector plate sits inside the locators on the spider at 1.

- Set the connector plate and spider, 2, at the angle to match the fixed angle of the back plate. Center the connector plate, spider, and pivot around the shaft at 3.

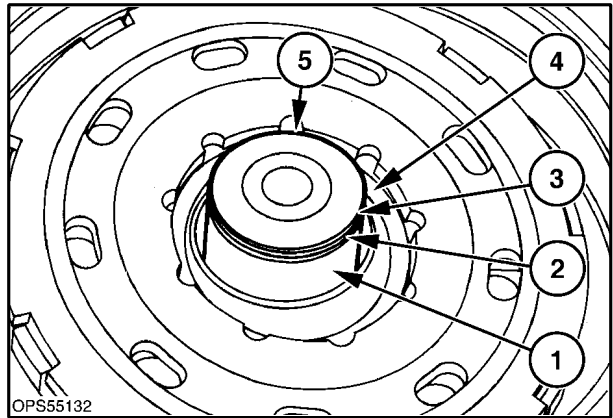


159

SECTION 29 - HYDROSTATIC TRANSMISSION

5. Lubricate the small thrust bearing and races with a thin coating of STP and stack race, 2; bearing, 3; race, 4; and thin shim washer, 5, on the end of the shaft at 1.

NOTE: Reinstall the thin shim washer at 5, if one was previously removed.

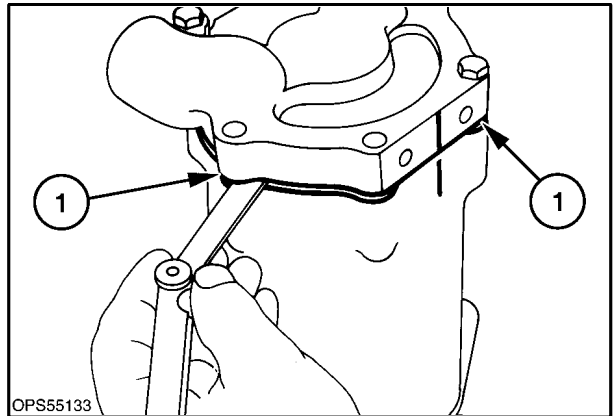


OPSS55132

160

6. Install the back plate assembly and pull down evenly with two hands until the pivot is felt to move over the shoulder of the shaft. This will enable the back plate to move within approximately 3 mm (1/8") of the housing assembly at 1. If there is more than 3 mm (1/8") clearance, remove the back plate and check the assembly.

IMPORTANT: DO NOT force; damage to the pivot, pilot, or spider plate may occur.

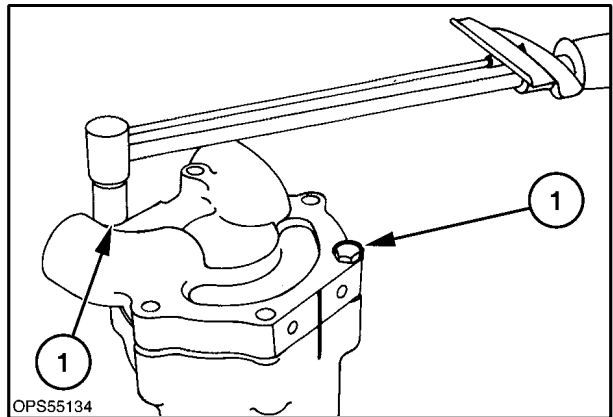


OPSS55133

161

7. While holding the back plate assembly against the spring load, install two bolts opposite each other as shown at 1. Torque these two cap screws evenly to 3.5 N·m (20 in. lbs.).

NOTE: The 3.5 N·m (20 in. lb.) torque must be accurately gauged for the correct shim pack to be installed.



OPSS55134

162

SECTION 29 - HYDROSTATIC TRANSMISSION

- | | | |
|---|---------------|----------------|
| 8. With a feeler gauge, measure the gap between the two opposite pads, 1. If either gap is over 5 mm (0.200"), the motor has been incorrectly assembled and must be disassembled before further shimming. | 0.015" | 0.38 mm |
| | 0.015" | 0.38 mm |
| | <u>0.015"</u> | <u>0.38 mm</u> |
| | 0.135" | 3.43 mm |

9. Shim pack calculation:
Add the two feeler gauge figures obtained in step 8.

| | | |
|----------|-----------------|------------------|
| Example: | 0.155" | 3.94 mm |
| | + <u>0.145"</u> | + <u>3.68 mm</u> |
| | 0.300" | 7.62 mm |

Divide the total by 2.

| | | |
|----------|----------------|----------|
| Example: | <u>0.300"</u> | = 0.150" |
| | 2 | |
| | <u>7.62 mm</u> | = 3.8 mm |
| | 2 | |

A constant of 7.14 mm (0.281") is used to complete the calculation. Subtract the total from 7.14 mm (0.281") to determine the correct shim pack.

| | | |
|----------|-----------------|------------------|
| Example: | 0.281" | 7.14 mm |
| | - <u>0.150"</u> | - <u>3.81 mm</u> |
| | 0.131" | 3.33 mm |

The shim kit includes two 1.91 mm (0.075") shims and four 0.38 mm (0.015") shims. Use a combination of these shims to obtain the shim pack calculated.

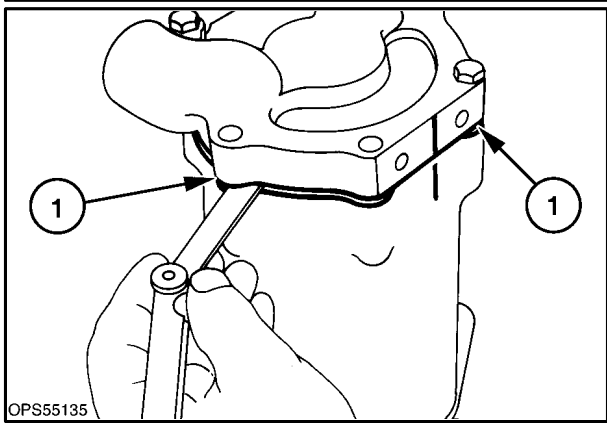
NOTE: Shim pack specifications are \square 0.25 mm

(\square 0.010"). When possible, shim to the +0.25 mm

(+0.010") side of the shim pack calculated.

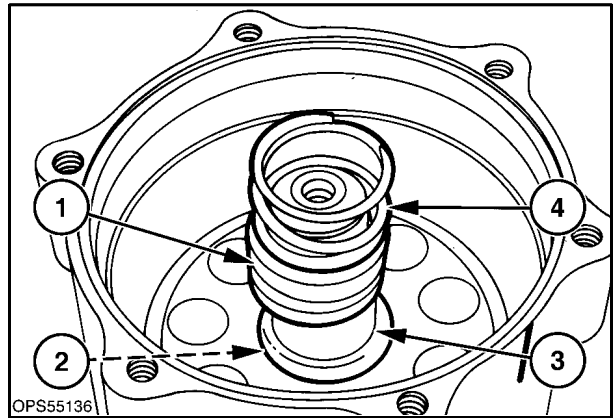
Example: To obtain the 3.3 mm (0.131") dimension calculated in the example, use one 1.91 mm (0.075") shim and four 0.38 mm (0.015") shims.

| | |
|--------|---------|
| 0.075" | 1.91 mm |
| 0.015" | 0.38 mm |



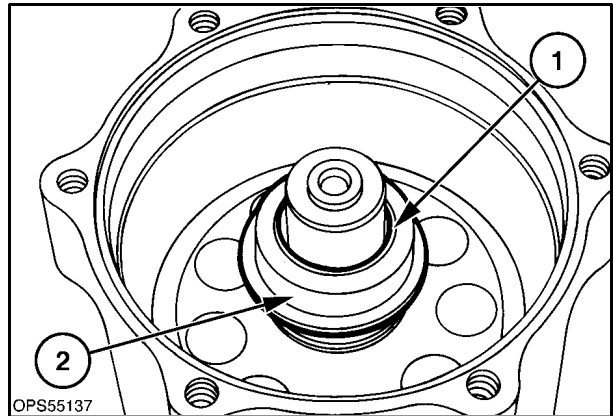
163

10. Disassemble and replace the shim gauge block, 1, with the required number of shims from the seal kit. When two 1.91 mm (0.075") shims are used, the 0.38 mm (0.015") shims must be placed between them. When only one 1.91 mm (0.075") shim is used, place the 1.91 mm (0.075") shim against the spring, as shown.
11. Complete reassembly of the motor by checking the snap ring and piston block are properly seated at 2. Install the collar, 3, over the snap ring. Install shims at 1, spring, 4.



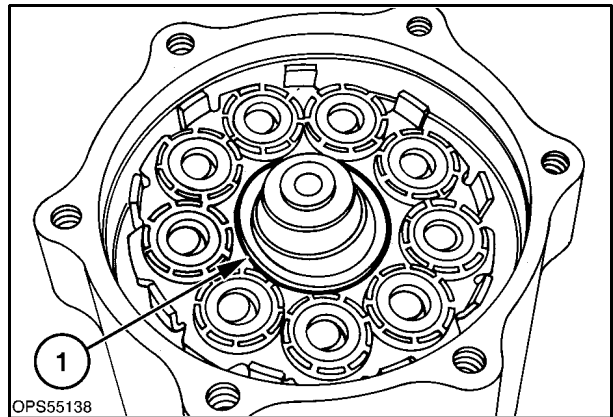
164

12. Install the pivot, 1, and the pilot, 2.
- IMPORTANT:** Lubrication of the motor components during assembly is required to insure lubrication oil for start-up.



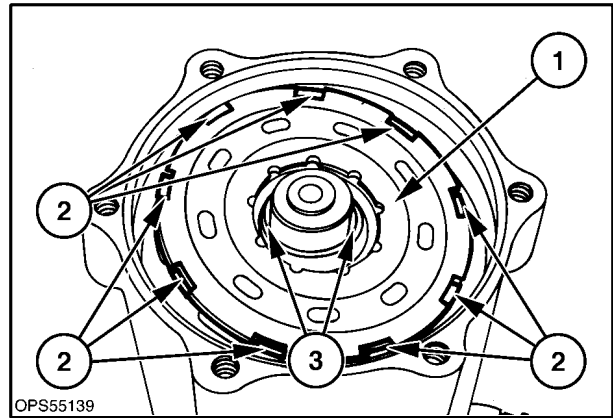
165

13. Install the spider and piston assembly as shown, making sure the spider is seated over the pivot as shown at 1. Lubricate the piston slippers with a thin coating of STP for a good sliding surface.



166

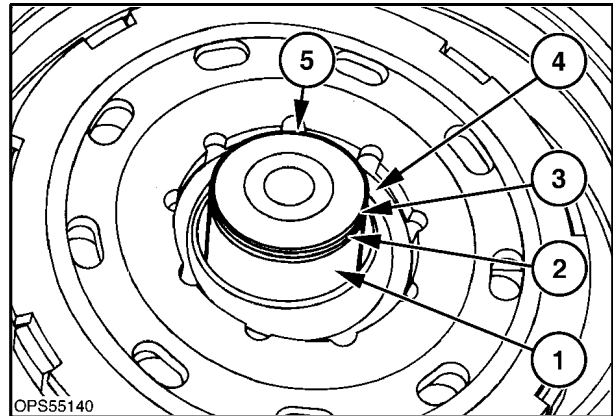
14. Install the connector plate, 1, and lubricate both sides with a thin coating of STP. Install it as shown with the flat side next to the pistons and the raised side up. Check the connector plate and make sure it is seated over the locating tabs, 2, on the spider plate.
15. Set the connector plate and spider, 1, at the angle to match the fixed angle of the back plate. Center the connector plate, spider, and pivot around the shaft at 3.



167

16. Lubricate the small thrust bearings and races with a thin coating of STP and stack race, 2; bearing, 3; race, 4; and thin shim washer, 5, on the end of the shaft, 1.

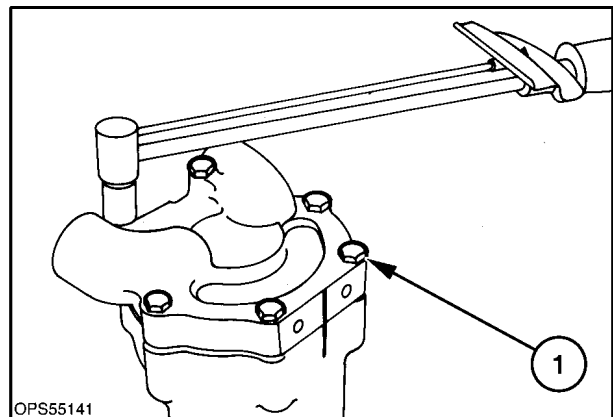
NOTE: Reinstall the thin shim washer at 5 if one was previously removed.



168

17. Install the back plate assembly with a new O ring. Tighten the six bolts, 1, down evenly using opposite bolts and torque to 23 N·m (17 ft. lbs.). Use caution not to disturb the thrust bearing. Align the marks on the back plate and housing to ensure correct assembly.

NOTE: Push the back plate by hand to make sure the pivot seats over the shoulder on the shaft properly; DO NOT force.

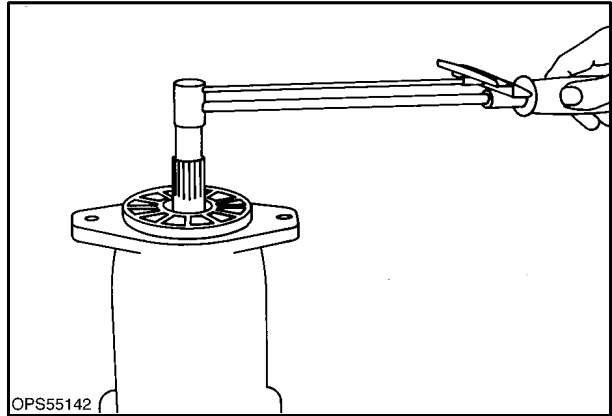


169

SECTION 29 - HYDROSTATIC TRANSMISSION

18. Install a bolt in the drive end of the motor shaft and use an inch pound torque wrench to check the rolling torque of the motor shaft. If the rolling torque exceeds 6.8 N·m (5 ft. lbs.) or 10.5 N·m (60 in. lbs.), the motor is too tight; the assembly and shimming procedure must be rechecked and recalculated.

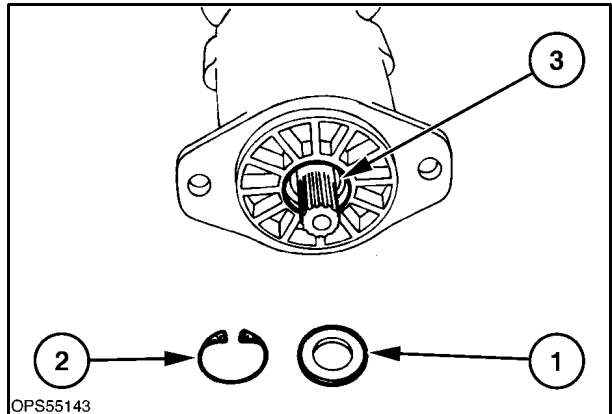
NOTE: Check the spider, connector plate, and pivot for proper assembly if the motor is too tight.



OPS55142

170

19. Install a new seal, 1, and snap ring, 2, in the housing at 3. Fill the motor housing with SH/CG410W-30 oil to the case drain level to ensure lubrication oil on start-up.



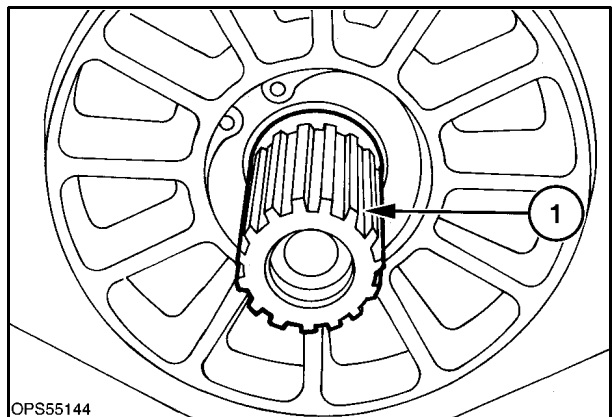
OPS55143

171

20. Using a dial indicator, check the end movement of the motor shaft, 1. If the end movement is over 1.02 mm (0.040"), add a shim washer on the end of the shaft at 5, Figure 168, between the back plate and thrust bearing race.

The motor assembly is now ready for installation in the loader.

Refer to the "Hydraulic System Cleaning Procedure After Transmission Overhaul" section of this manual before installing the motor assembly in the loader.



OPS55144

172

REINSTALLATION

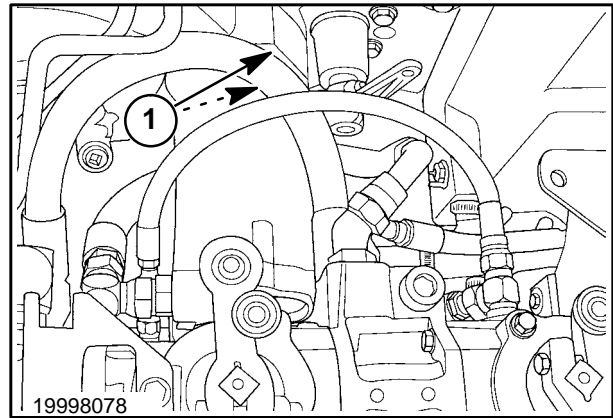
1. Clean all previously sealed surfaces, motor to gearbox, final drive cover, brake disk retaining bolt and washer.

When resealing, use a noncorrosive silicone sealer to prevent rust and corrosion of parts after assembled.

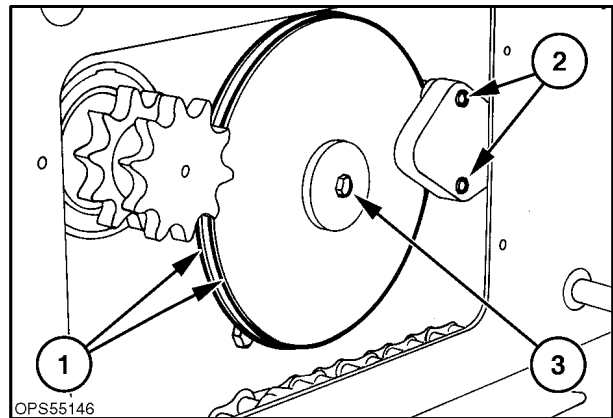
2. Place a bead of New Holland Ultra-Blue silicone sealer around the face of the motor housing.
3. Align the motor assembly tapered splines with the coupler splines in the gearbox and slide the motor shaft into the coupler. Install two 1/2" x 1-1/2" cap screws and washers, torque to 101 N·m (75 ft. lbs.).

IMPORTANT: The motor shaft and coupler splines are tapered. Use caution to insure that the splines mate properly during assembly. DO NOT FORCE or damage could occur to the motor housing.

4. Reinstall the motor fittings if removed.
5. Reinstall the brake disc, 1, and caliper, 2.
6. Put a bead of silicone sealer around the end of the coupler and install the retaining bolt and washer, 3. Engage the parking brake and check the retaining bolt, torque to 44 N·m (33 ft. lbs.).
7. Reinstall the drive chain on the drive sprocket if removed.

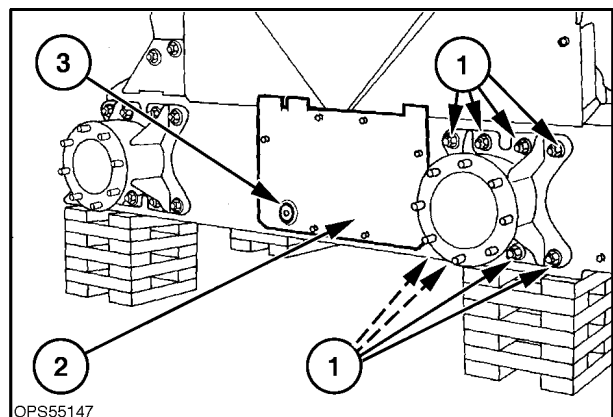


173



174

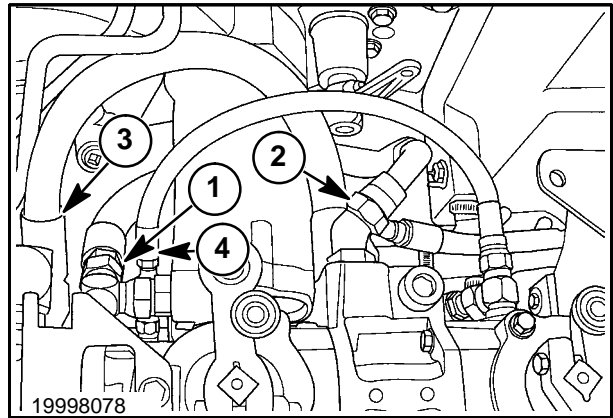
8. Slide the axle assembly to the rear and tighten the drive chain, and torque the axle retaining hardware, 1, to 190 N·m (140 ft. lbs.).
9. Reseal the final drive cover plate, 2, and install.
10. Check the final drive oil level with check plugs, 3, and add SAE 10W-30 oil as required.



175

11. Right Motor – Reinstall the motor high-pressure hoses and case drain line. The hoses connect the pump and motor parts top-to-top and bottom-to-bottom. The top motor hose, 1, from the top pump port, 2, routes under the motor. The bottom motor hose, 3, routes over the motor. The case drain line, 4, routes over the motor. Tighten the connections to seat the fittings, then loosen and retorque.

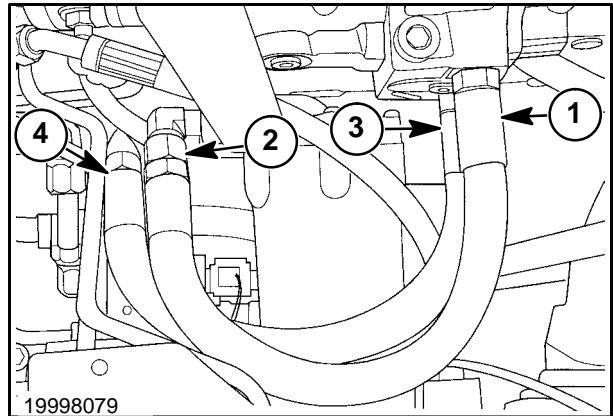
NOTE: Make sure that the hoses are connected to the correct ports. If the hoses are reversed at the pump or motor, the wheels will turn opposite the control handle direction.



176

12. Left Motor – Reinstall the motor high-pressure hoses and case drain line. Both hoses are completely on top of the motor. The hose from the top pump port, 1, goes to the top motor port, 2. The hose from the bottom pump port, 3, goes to the bottom motor port, 4. Tighten the connections to seat the fittings, then loosen and retorque.

NOTE: Make sure that the hoses are connected to the correct ports. If the hoses are reversed at the pump or motor, the wheels will turn opposite the control handle direction.

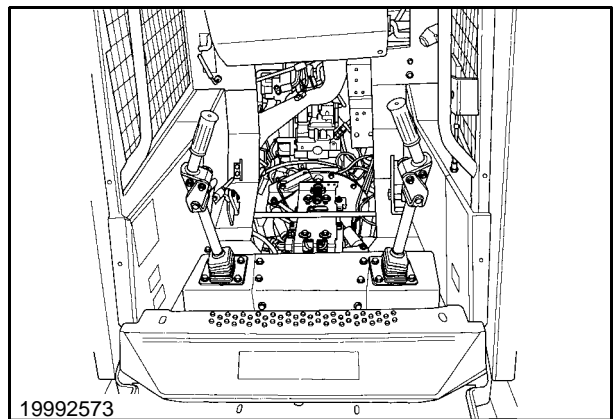


177

13. Reinstall the hydrostatic control lever that was removed. Reconnect all control linkage. Refer to the operator's manual for neutral adjustment procedures.
14. Refer to the "Start-Up Procedure After Rebuild" section of this manual for the start-up procedure.
15. Put the Service/Run switch in the "SERVICE" position.
16. Operate the unit and check for oil leaks and repair.

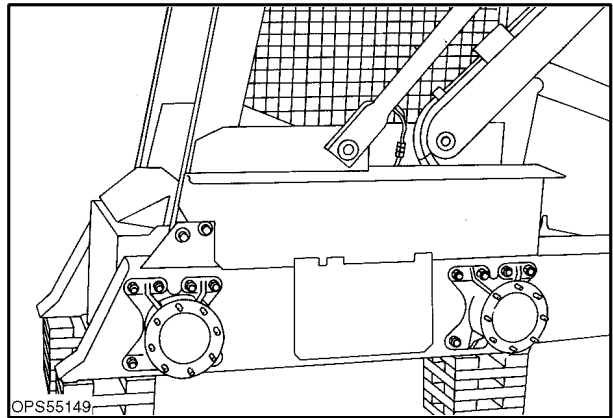


Securely support the skid steer with all four wheels off the ground, or movement of the loader may cause serious injury or damage to the equipment.



178

17. Return the cab and boom to the operating position if the cab was tilted.
18. Install the step shield and fender.
19. Check and refill the hydraulic system to the proper oil level.



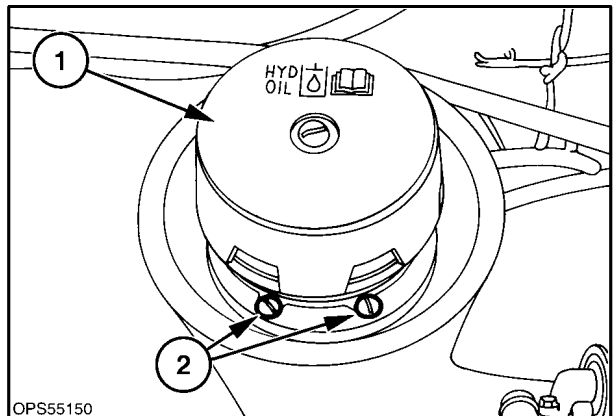
179

Hydraulic System Cleaning Procedure After a Hydraulic System or Transmission Overhaul

The hydraulic/hydrostatic system must be cleaned if during repair the cause was from contamination and the transmissions show wear on the pistons and shoes, rotating piston blocks, valve plate or cam plate.

IMPORTANT: Do not use the gear pump and charge pump to flush the system with solvent. The solvent will not provide enough lubrication to protect moving parts inside the transmissions or gear pump.

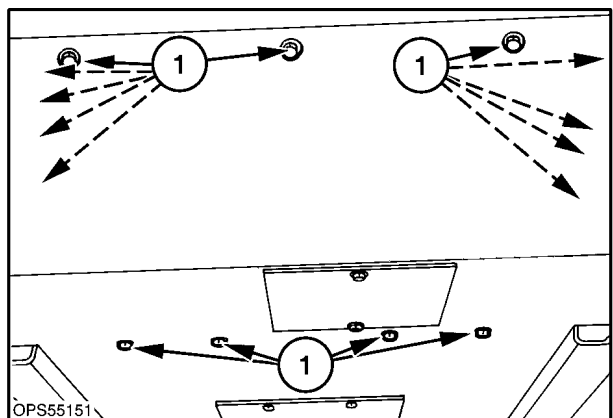
1. Drain all remaining oil from the hydraulic system.
2. Remove fill cap, 1, and screen by removing the six retaining screws, 2, from the reservoir fill. Thoroughly clean the screen and fill breather cap in solvent.
3. Drain and flush the hydraulic oil reservoir. Remove the rear engine belly pan, hardware, 1, and belly pan.



180

⚠ CAUTION ⚠

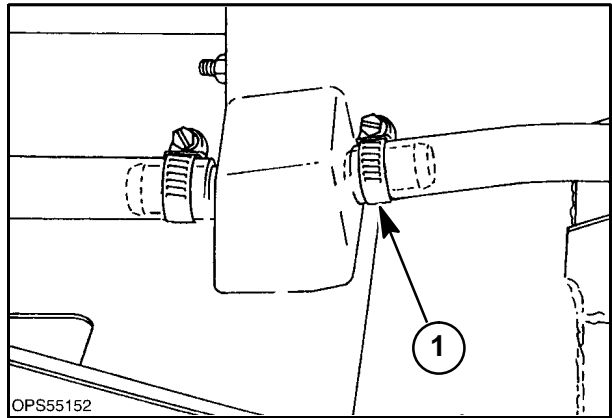
Use a floor jack to support the belly pan to prevent serious injury.



181

SECTION 29 - HYDROSTATIC TRANSMISSION

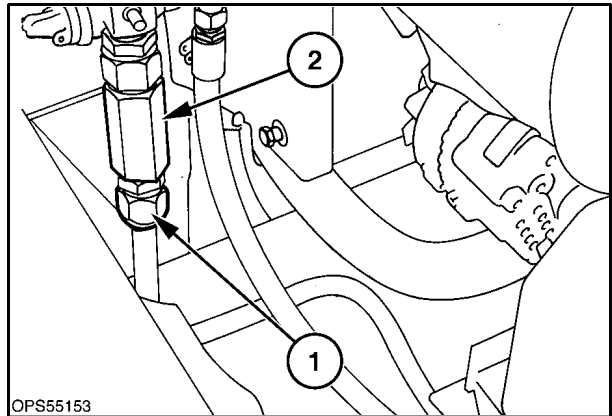
Loosen the return line clamp, 1.



182

Remove the return line at 1, and rotate the line into a suitable drain pan. Thoroughly flush the reservoir with a suitable clean solvent or clean 10W-30 oil.

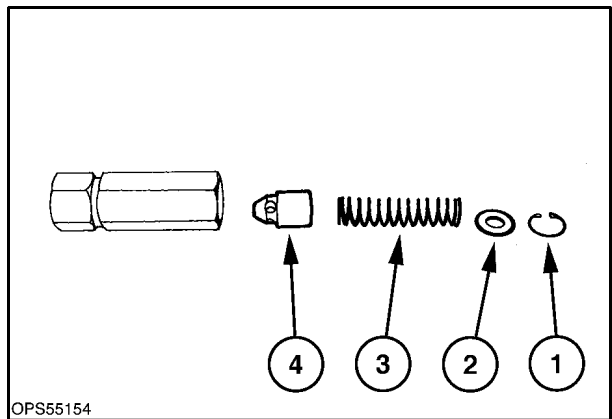
4. Remove the charge check valve, 2, and thoroughly flush the oil cooler with solvent by forcing the solvent through the cooler.



183

5. Disassemble the check valve by removing the snap ring, 1; washer, 2; spring, 3; and plunger, 4. Clean the check valve parts thoroughly.

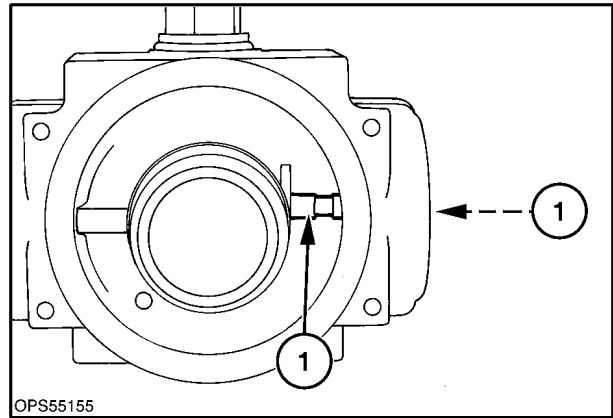
NOTE: The spring in the check valve will be slightly compressed, use caution when removing the snap ring.



184

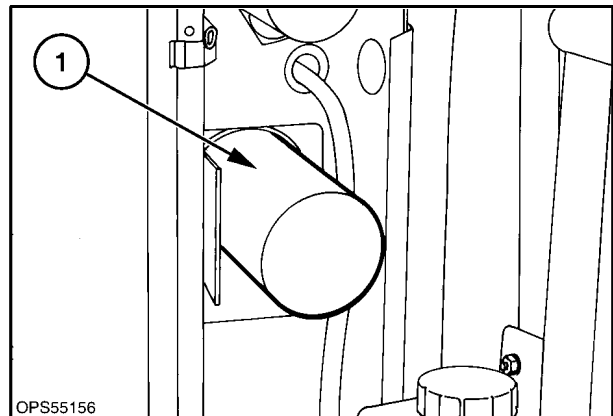
SECTION 29 - HYDROSTATIC TRANSMISSION

6. Remove the filter and base, clean the base, and check the bypass valve, 1, for operation.
7. Clean and flush all hydraulic lines. If the failure was hydrostatic, be sure to flush and clean the high-pressure hoses from the pumps to the motors.



185

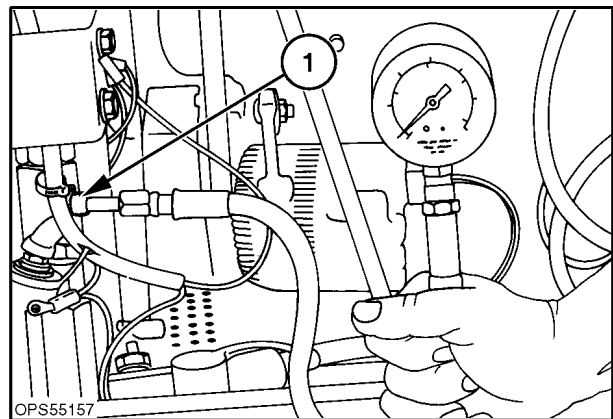
8. After the system is cleaned, thoroughly flush the solvent used to clean the system with fresh clean SAE SH/CG4 10W-30 oil.
9. Reconnect all lines removed for cleaning.
10. Install a new oil filter, 1.
11. Before start-up, fill the hydraulic system, pumps, motors, etc., as full as the case drain lines permit with system oil, SAE SH/CG4 10W-30 oil.
12. Fill the hydraulic reservoir with SAE 10W-30 oil.



186

Start-up Procedure After Rebuild (Pump or Motor Replacement)

1. Fill the reservoir with SAE SH/CG4 10W-30 oil to the proper level.
2. Install a 21 bar (300 PSI) gauge in charge pressure test port, 1.

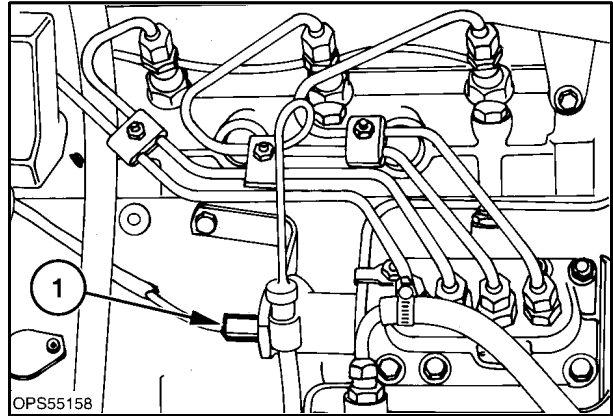


187

3. Remove the fuel solenoid power wire, 1, to prevent the engine from starting.

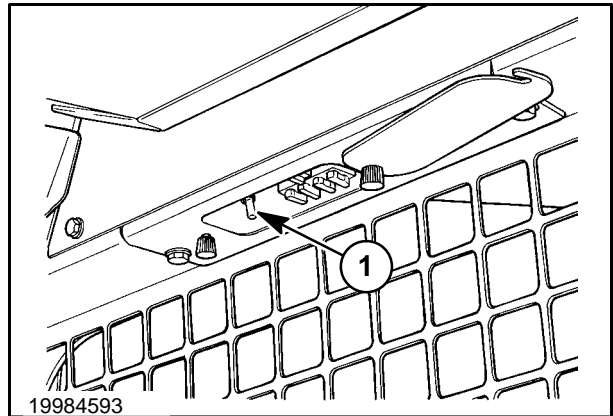


Never crank the starter for more than 30 seconds or damage to the starter may occur. Crank the starter for 30 seconds and cool 1 minute.



188

4. Put the Service/Run switch, 1, in the "SERVICE" position.
5. Put the steering levers in the neutral position.
6. Turn the ignition key to the start position and allow the engine to crank for 30 seconds at a time until the pressure gauge starts to move. If after trying three times and the gauge does not move, loosen the gear pump pressure line at the control valve to bleed the air from the hydraulic system. Re-crank the engine until the gauge moves. After the gauge moves, stop cranking and reconnect the fuel solenoid.



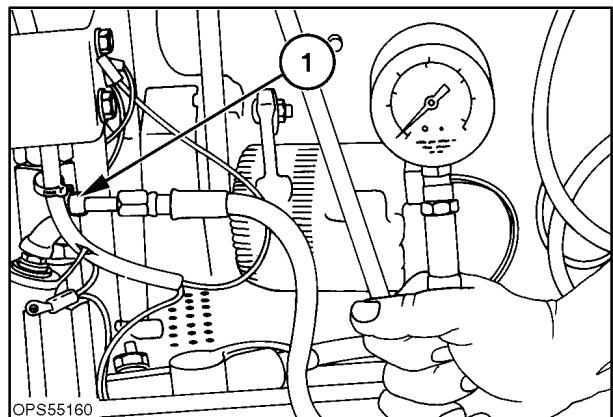
189

7. Start the engine and monitor the charge pressure gauge to ensure charge oil for the hydrostatic system; the pressure reading should be 6.8 - 8.2 bar (100 - 120 PSI).

IMPORTANT: *If charge pressure remains below 3.4 bar (50 PSI) for more than 10 seconds, stop the engine and locate the cause. If the unit is operated with low or no charge pressure, severe damage will occur to the hydrostatic system.*

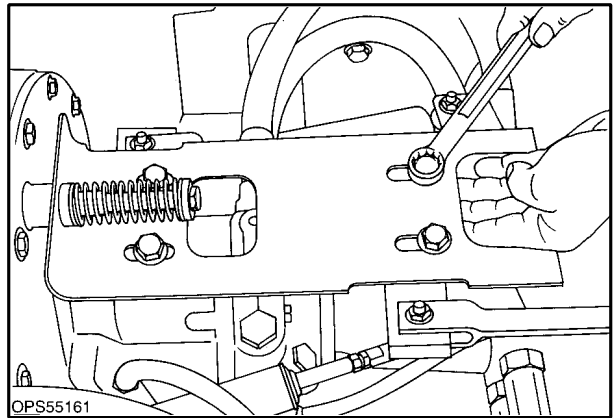
Do not stroke the hydrostatic controls or operate the boom and bucket control at this time.

8. Allow the engine to operate at 1500 RPM for about 30 minutes. Stop the engine; check the oil level and fill as required.
9. Start the engine and operate at 1500 RPM and slowly operate the hydrostatic system to remove air, monitor the charge pressure. Operate the boom and bucket for a few cycles to remove the air from the hydraulic system.
10. Stop the engine; recheck the hydraulic system oil level and add as required.
11. Remove the charge pressure test gauge.



190

12. Adjust the neutral system if required; refer to the operator's manual for procedures.
13. Run the engine at 1500 RPM for an additional 30 minutes to filter the oil. Stop the engine and change the oil filter.
14. Check for oil leaks and repair as required.
15. Reinstall all shields removed for repair.
16. Lower the skid steer to the ground and operate.



191

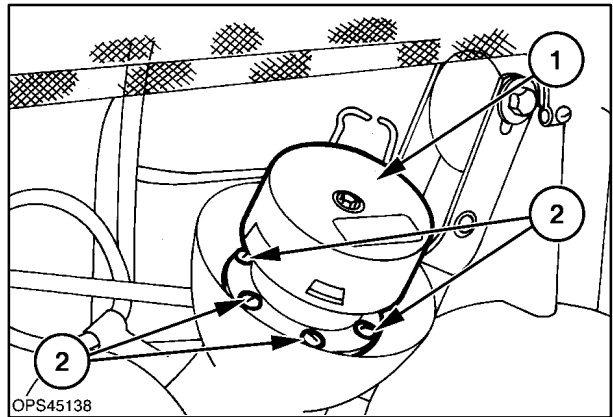
HYDRAULIC SYSTEM CLEANING PROCEDURE

After A Hydraulic System Or Transmission Overhaul

The hydraulic/hydrostatic system must be cleaned if during repair the cause was from contamination and the transmissions show wear on the pistons and shoes, rotating piston blocks, valve plate or cam plate.

IMPORTANT: Do not use the gear pump and charge pump to flush the system with solvent. The solvent will not provide enough lubrication to protect moving parts inside the transmissions or gear pump.

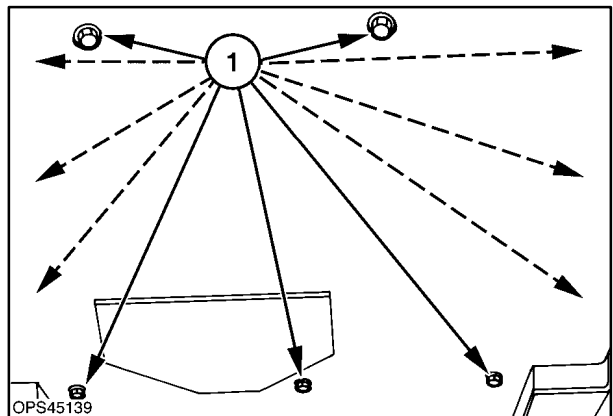
1. Drain all remaining oil from the hydraulic system.
2. Remove fill cap, 1, and screen by removing the six retaining screws, 2, from the reservoir fill. Thoroughly clean the screen and fill breather cap in solvent.
3. Drain and flush the hydraulic oil reservoir.
 - a. Remove the rear engine belly pan hardware, 1, and remove the belly pan.



192


CAUTION

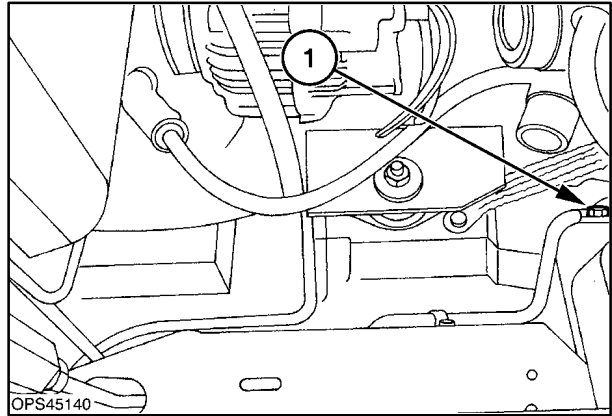

Use a floor jack to support the belly pan to prevent serious injury.



193

SECTION 29 - HYDROSTATIC TRANSMISSION

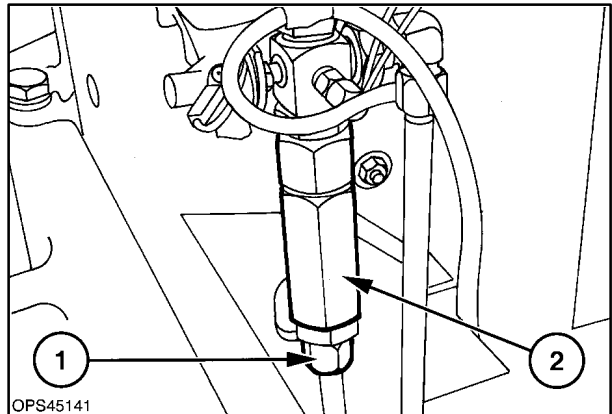
- b. Loosen the return line clamp, 1.



194

- c. Remove the return line at 1, and rotate the line into a suitable drain pan. Thoroughly flush the reservoir with a suitable clean solvent or clean 10W-30 oil.

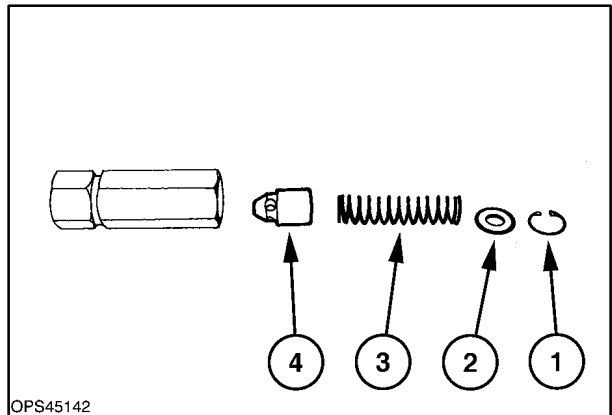
4. Remove the charge check valve, 2.



195

5. Disassemble the check valve by removing the snap ring, 1; washer, 2; spring, 3; and plunger, 4. Clean the check valve parts thoroughly.

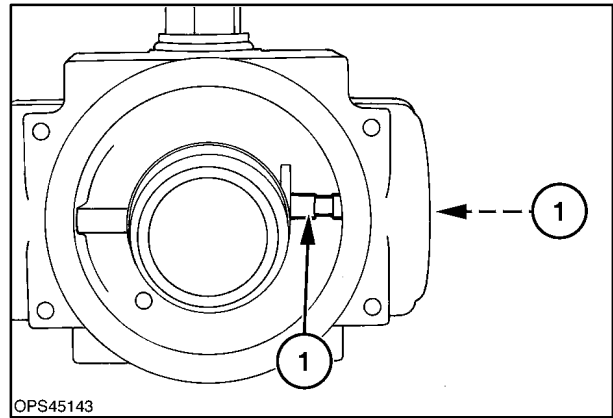
NOTE: NOTE: The spring in the check valve will be slightly compressed, use caution when removing the snap ring.



196

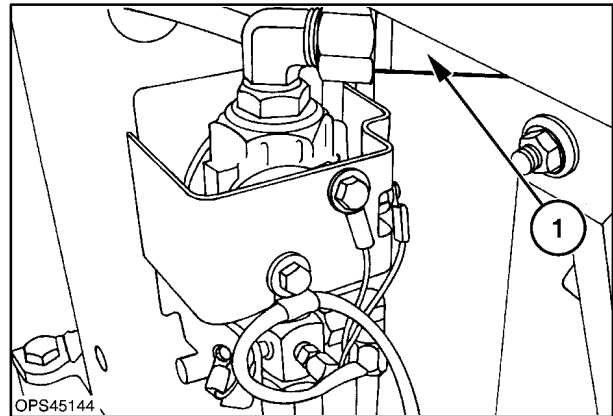
SECTION 29 - HYDROSTATIC TRANSMISSION

6. Remove the filter and base, clean the base, and check the bypass valve, 1, for operation.



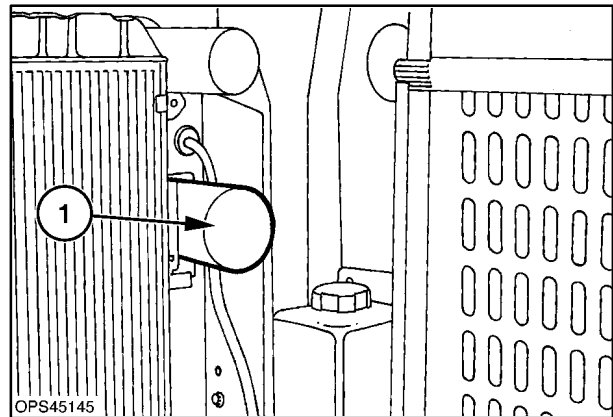
197

7. Remove tube, 1, between the top of the oil cooler and the inlet to the hydraulic filter base. Also disconnect the tube at the inlet to the oil cooler. Thoroughly flush the oil cooler with solvent by forcing the solvent through the cooler.
8. Clean and flush all hydraulic lines. If the failure was hydrostatic, be sure to flush and clean the high pressure hoses from the pumps to the motors.



198

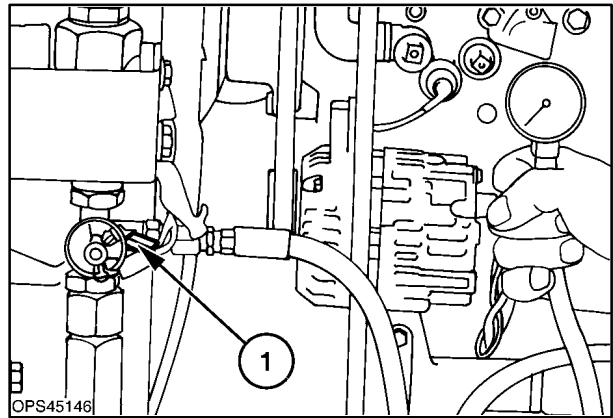
9. After the system is cleaned, thoroughly flush the solvent used to clean the system with fresh clean SAE 10W-30 oil.
10. Reconnect all lines removed for cleaning.
11. Install a new oil filter, 1.
12. Before start-up, fill the hydraulic system, pumps, motors, etc., as full as the case drain lines permit with system oil, SAE 10W-30 oil.
13. Fill the hydraulic reservoir with SAE 10W-30 oil.



199

START-UP PROCEDURE AFTER REBUILD (AFTER PUMP OR MOTOR REPLACEMENT)

1. Fill the reservoir with SAE 10W-30 oil to the proper level.
2. Install a 21 bar (300 PSI) gauge in charge pressure test port, 1.

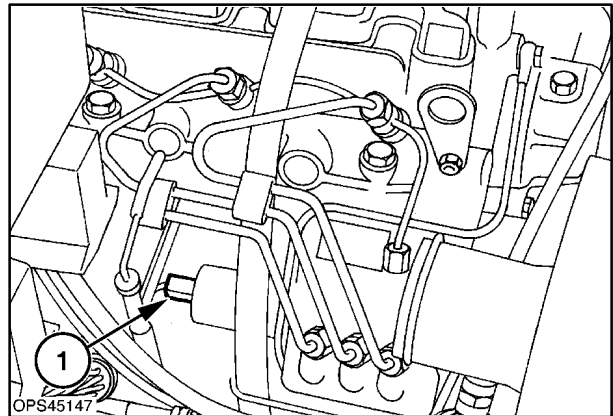


200

3. Remove the fuel solenoid power wire, 1, to prevent the engine from starting.



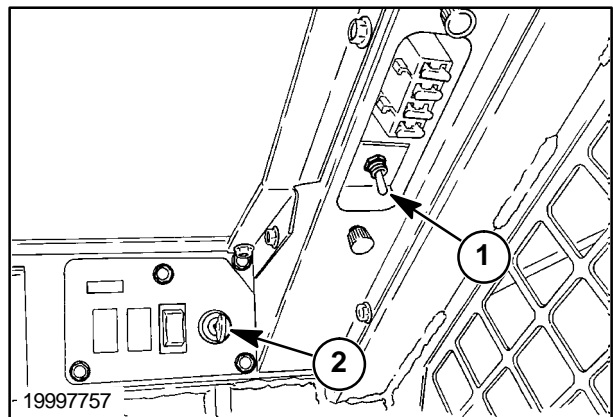
Do not crank the starter for more than 30 seconds or damage to the starter may occur. Crank the starter for 30 seconds and cool 1 minute.



201

4. Put the Service/Run switch, 1, in the "SERVICE" position.
5. Put the steering levers in the neutral position.
6. Turn the ignition key, 2, to the start position and allow the engine to crank for 30 seconds at a time until the pressure gauge starts to move. If after trying three times and the gauge does not move, loosen the gear pump pressure line at the control valve to bleed the air from the hydraulic system.

Re-crank the engine until the gauge moves. After the gauge moves, stop cranking and reconnect the fuel solenoid.



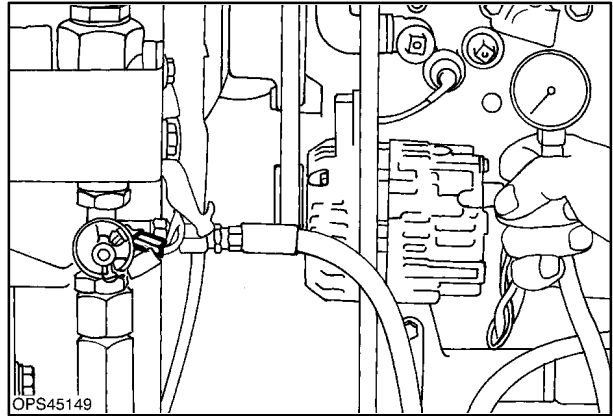
202

7. Start the engine and monitor the charge pressure gauge to ensure charge oil for the hydrostatic system; the pressure reading should be 6.8 - 8.2 bar (100 - 120 PSI).

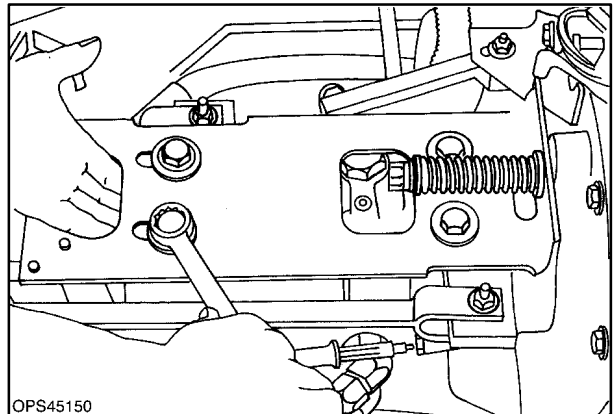
IMPORTANT: If charge pressure remains below 3.4 bar (50 PSI) for more than 10 seconds, stop the engine and locate the cause. If the unit is operated with low or no charge pressure, severe damage will occur to the hydrostatic system.

Do not stroke the hydrostatic controls or operate the boom and bucket control at this time.

8. Allow the engine to operate at 1500 RPM for about 30 minutes. Stop the engine; check the oil level and fill as required.
9. Start the engine and operate at 1500 RPM and slowly operate the hydrostatic system to remove air, monitor the charge pressure. Operate the boom and bucket for a few cycles to remove the air from the hydraulic system.
10. Stop the engine; recheck the hydraulic system oil level and add as required.
11. Remove the charge pressure test gauge.
12. Adjust the neutral system if required; refer to the operator's manual for procedures.
13. Run the engine at 1500 RPM for an additional 30 minutes to filter the oil. Stop the engine and change the oil filter.
14. Check for oil leaks and repair as required.
15. Reinstall all shields removed for repair.
16. Lower the skid-steer loader to the ground and operate.



203



204

CHARGE CHECK VALVE

Op. 29 100 36

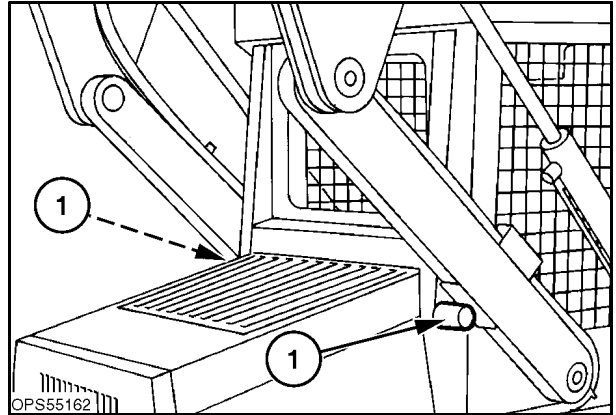
REMOVAL AND REPLACEMENT

1. Lower the boom and bucket to the lowered position, resting on the ground, or remove any attachment and raise the boom and rest on the boom lock pins, 1.



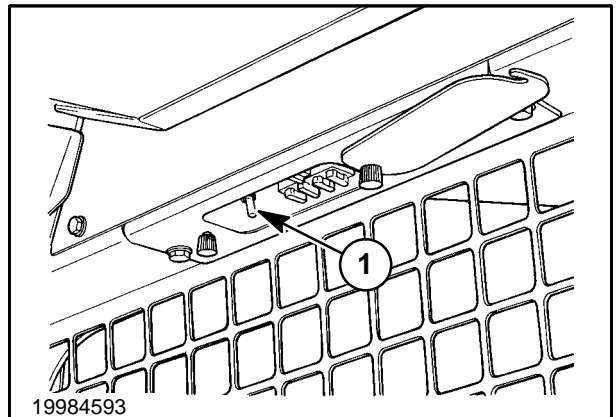
Never work under a raised boom unless it is properly supported by the boom lock pins.

Never work under a raised boom with an attachment. Always remove the attachment from the loader.



205

2. Stop the engine, turn the ignition key to the run position and operate the boom and bucket control pedals to relieve pressure in the boom and bucket circuits. Turn off the key.
3. Put the Service/Run switch, 1, in the "SERVICE" position.
4. Engage the parking brake.

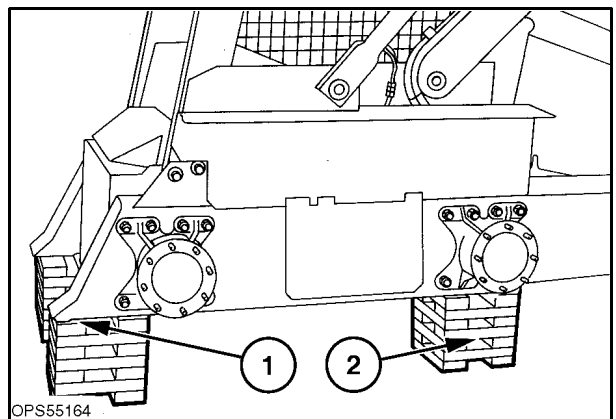


206

5. Securely block the skid steer at 1 and 2 with all four wheels off the ground. Refer to Section 1 for more information on properly supporting a skid steer.



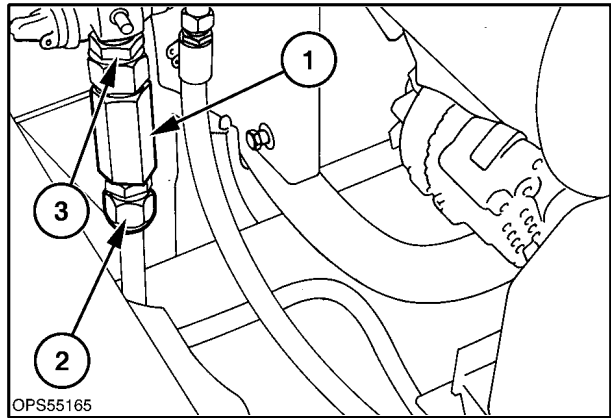
Failure to securely support the skid steer could result in movement of the loader causing serious injury or damage to the equipment.



207

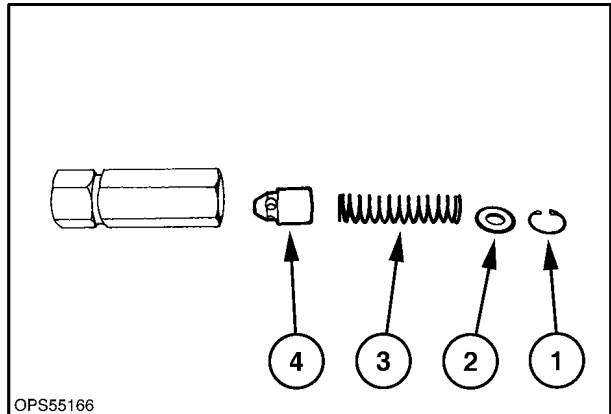
6. Remove the right engine side shield to access the check valve, 1.
7. Remove the return line at 2, and cap to prevent the loss of oil.
8. Remove the check valve from the oil filter base at 3.

The charge check valve is nonadjustable and not serviceable. If the valve does not operate, it will need to be replaced. The only procedure you can perform on the valve is to clean the valve assembly.



208

9. Remove the snap ring, 1. Disassemble and clean the check valve.
10. The check valve is marked for oil flow for installation.



209

Op. 29 100
STEERING SYSTEM

HYDROSTATIC SYSTEM CONTROLS

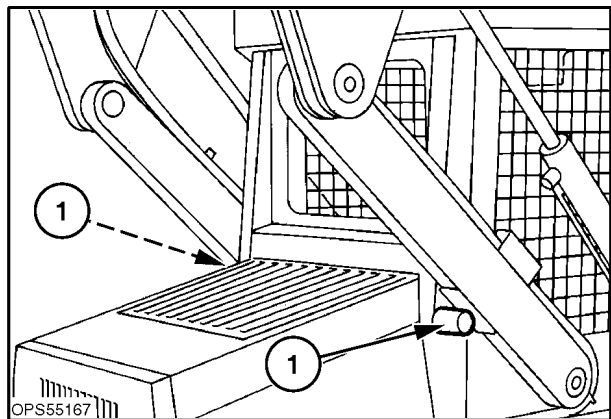
Before any control linkage adjustments or repairs are made to the skid steer, do the following:

1. Lower the boom and bucket to the lowered position, resting on the ground, or remove any attachment and raise the boom and rest on the boom lock pins, 1.

⚠ **CAUTION** ⚠

Never work under a raised boom unless it is properly supported by the boom lock pins.

Never work under a raised boom with an attachment. Always remove the attachment from the loader.

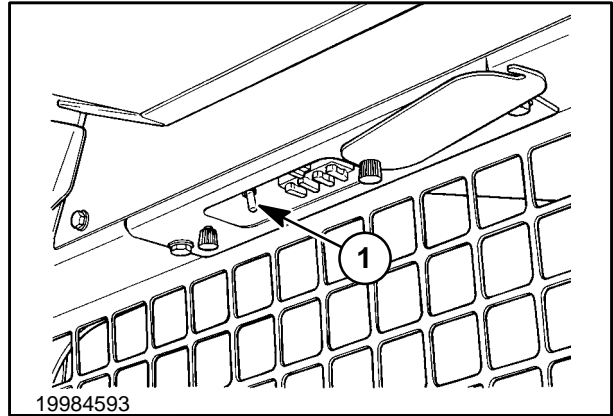


210

2. Stop the engine, turn the ignition key to the run position and operate the boom and bucket control pedals to relieve pressure in the boom and bucket circuits. Turn off the key.

SECTION 29 - HYDROSTATIC TRANSMISSION

3. Put the Service/Run switch, 1, in the "SERVICE" position.
4. Engage the parking brake.

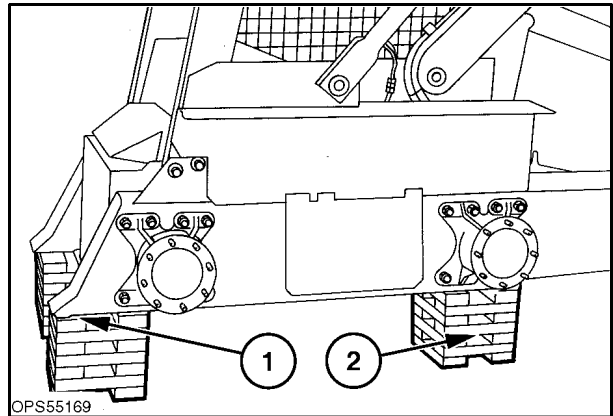


211

5. Securely block the skid steer at 1 and 2 with all four wheels off the ground. Refer to Section 1 for more information on properly supporting a skid steer.

CAUTION

Failure to securely support the skid steer could result in movement of the loader causing serious injury or damage to the equipment.



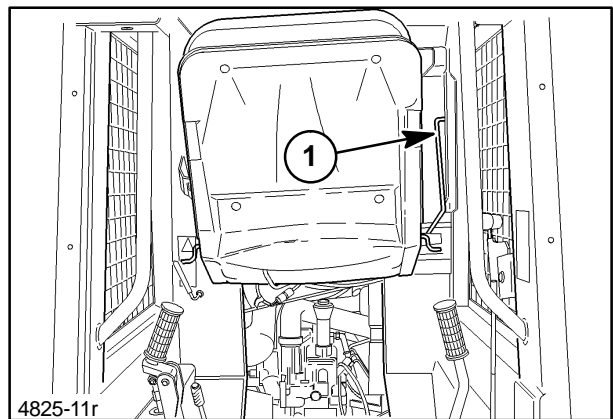
212

6. Raise the operator's seat and latch in the raised position, 1.

CAUTION

Never work under a raised seat unless it is securely latched in the raised position.

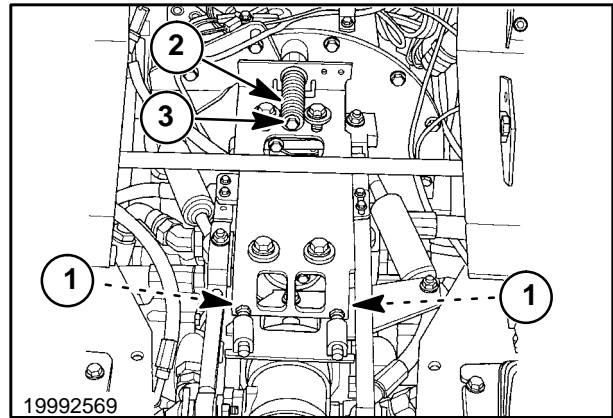
7. Remove the step shield to access the control linkages.



213

NEUTRALIZER ASSEMBLY**Op. 29 130 10****Neutralizer Removal**

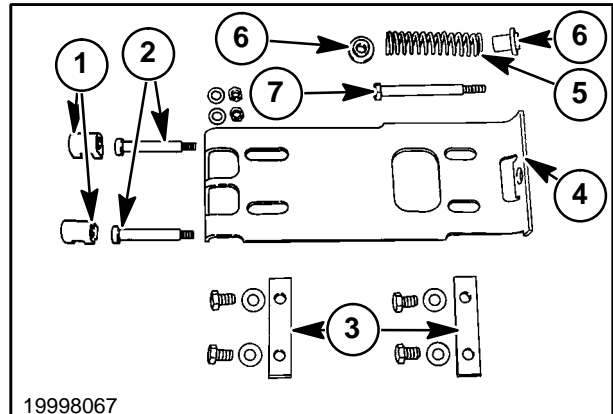
1. Remove the two retaining nuts, 1, securing the pins to the front of the neutralizer plate.
2. Remove the centering spring, 2, from the engine bellhousing. When removing the retaining bolt, 3, the spring will be under slight pressure. Lift the plate from the unit.



214

Neutralizer Parts Inspection

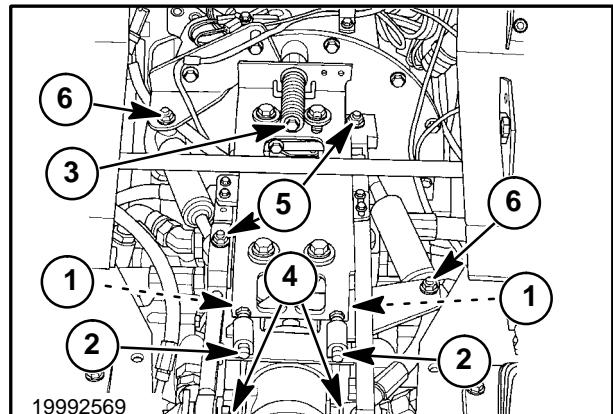
1. Inspect the plastic guides, 1, for breaks or wear. If worn or damaged, replace.
2. Inspect the guide pins, 2, for excessive wear. If worn, replace.
3. Inspect the cam blocks, 3, for wear in the area the cam arm bearings contact. If worn, rotate the blocks to the unused side.
4. Inspect the neutralizer plate for wear in the centering bolt area, 4. If worn, replace the plate.
5. Inspect the spring, 5, for proper free length: 114.3 ± 2.4 mm ($4.5'' \pm 3/32''$). If not within specification, replace the spring.
6. Inspect the spring guides, 6, and the bolt, 7, in the guide area; if worn, replace.



215

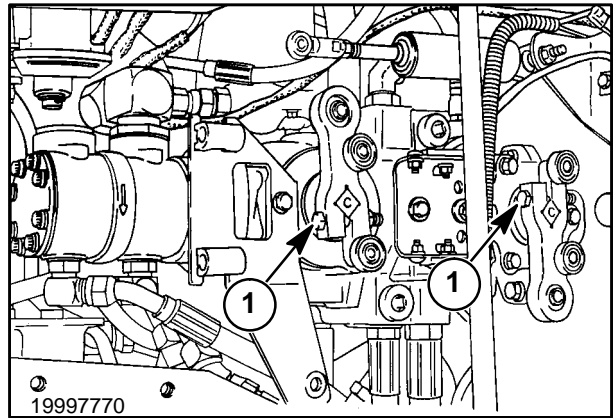
Op. 29 130 30**Control Linkage Removal**

1. Remove the two pin retaining nuts, 1, securing the pins, 2, to the front of the neutralizer plate.
2. Remove the centering spring retaining bolt, 3, and spring from the engine bellhousing. When removing the retaining bolt the spring will be under slight pressure. Lift the plate from the unit.
3. Remove the control link hardware, 4, at the control handles.
4. Note the number and position of the spacers and washers for the dampener mounting hardware at 5 and 6. Remove the link and dampener hardware, 5, at the pintle arms. Remove the dampener hardware, 6, at the support brackets.



216

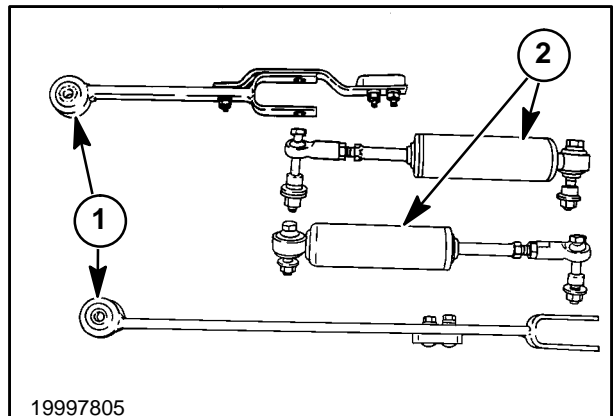
- Remove the cam arm securing hardware, 1, and remove the arms.



217

Control Linkage Parts Inspection

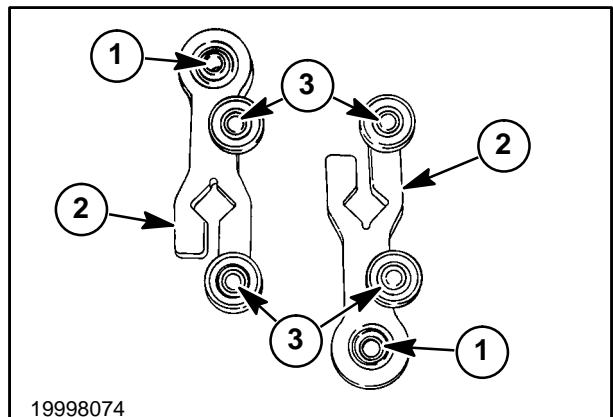
- Inspect the bushings, 1, in the control links; replace if worn, loose, or damaged.
- Inspect the dampeners, 2, for unequal pressures, leaks, or binding shafts. If damaged, replace.



218

- Inspect the rubber bushings, 1, in the cam arms; if loose or worn, replace. Inspect the arms in the clamping area, 2, for damage. Check that the bearings, 3, are not damaged and can move freely.

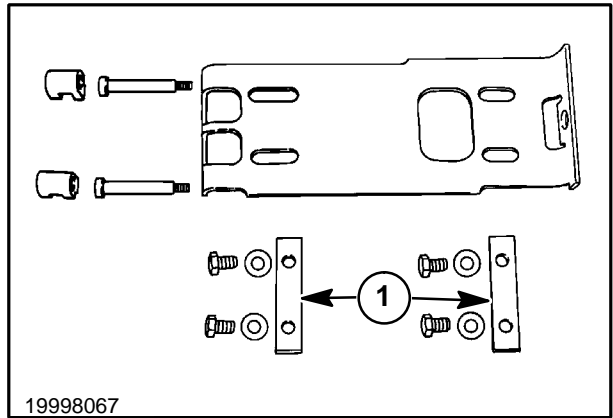
NOTE: Bearings are a press fit and replaceable separately; however, cam arms come from parts with bearings already installed. To replace bearings, use a puller to remove the old bearing.



219

SECTION 29 - HYDROSTATIC TRANSMISSION

4. Inspect the blocks, 1, that the bearings ride on. If worn, turn the blocks around for a new surface.

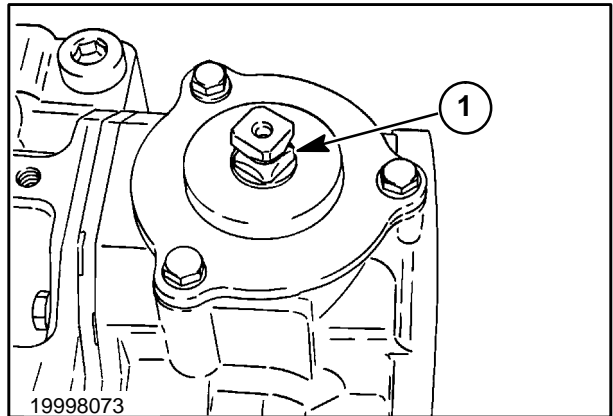


220

Op. 29 130 06

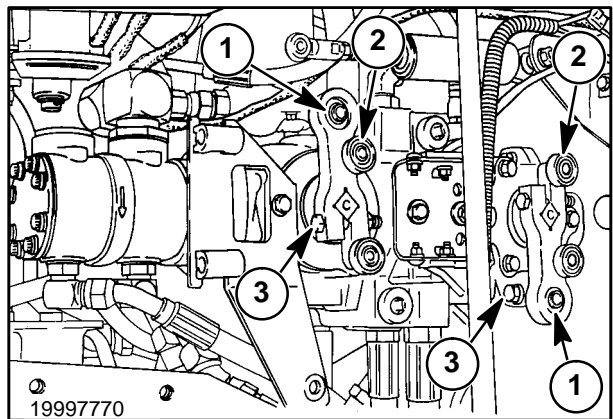
Control Linkage and Neutralizer Reassembly and Adjustment

1. Install a new O ring, 1, around each cam plate shaft.



221

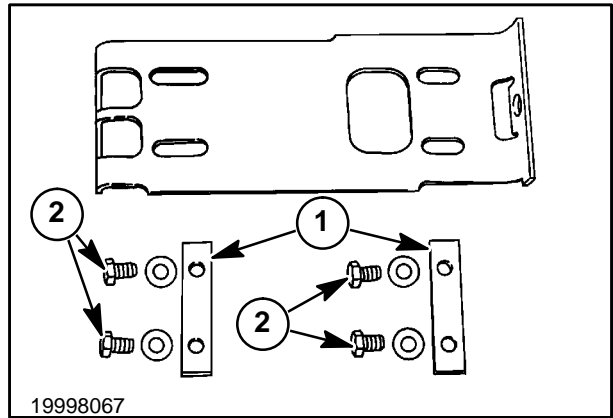
2. Slide the cam arms, 1, onto the cam plate shafts. The bearings, 2, should be toward the engine side of the cam arms. Install 3/8" x 2-1/2" Grade 8 bolts, 3, and locknuts. Tighten to 65 N·m (48 ft. lbs.).



222

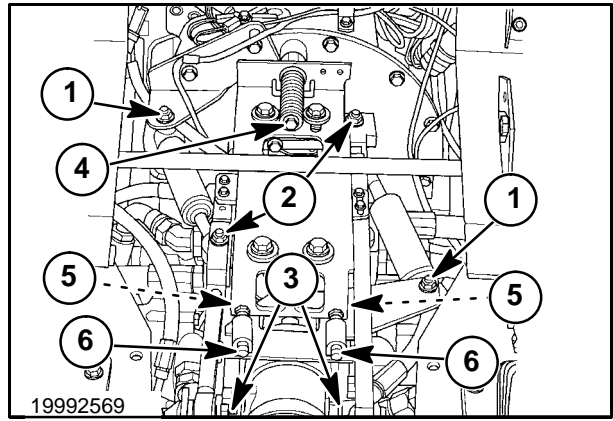
SECTION 29 - HYDROSTATIC TRANSMISSION

- Loosely install the blocks, 1, to the neutralizer plate with 1/2" x 3/4" capscrews, 2, and large 1/12" flat washers.



223

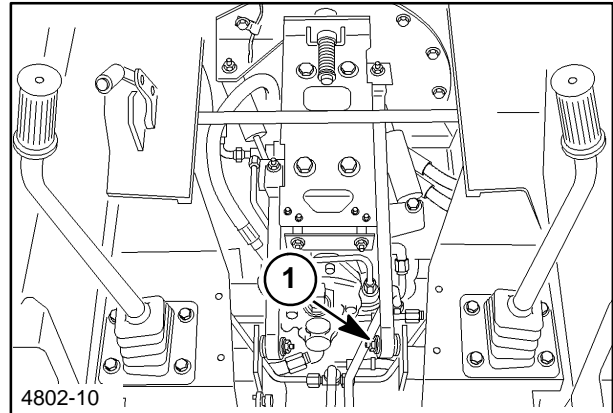
- Install the dampener hardware, 1, at the support brackets with the bolts, washers and spacers removed during disassembly. Install the link and dampener hardware, 2, at the pintle arms. Tighten the hardware securely.
- Install the control link hardware, 3, at the control handles.
- Install the neutral return spring assembly with the long bolt, 4. Slide the short spring retainer over the shoulder bolt first. Slide the spring on the bolt, and then slide the longer retainer on the bolt. Install the bolt into the bellhousing cover, compressing the spring by hand. Screw the bolt into the housing until it bottoms, and then tighten to 55 N·m (40 ft. lbs.).
- Install the two pin retaining nuts, 5, securing the pins, 6, to the front of the neutralizer plate.



224

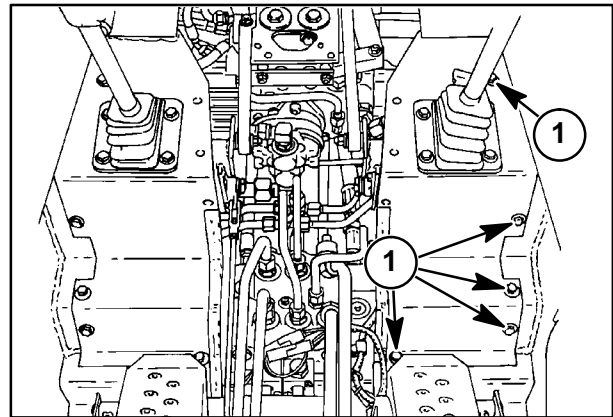
**LEFT CONTROL HANDLE WITH NO BOOM
HAND CONTROL****Op. 29 100 10****REMOVAL**

1. Securely latch the seat in the raised and latched position. Remove the step shield and front step cover to access the control handle, linkage and valve area.
2. Disconnect the hydrostatic pump control link, 1.



225

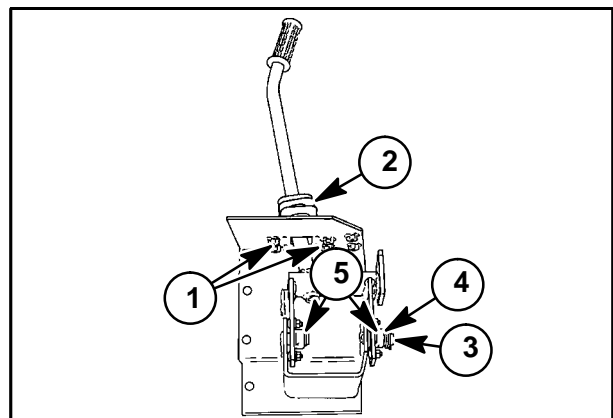
3. Remove the handle mounting bolts, 1, and remove the handle assembly from the unit.



226

DISASSEMBLY

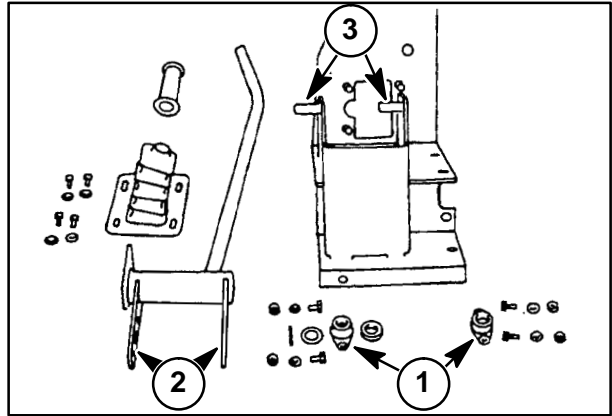
1. Loosen the boot securing bolts, 1, and slide the boot, 2, off the handle.
2. Remove the roll pin, 3, and shim washers, 4. Take note of the number and position of all shim washers for reassembly.
3. Remove the bearings, 5, from the handle, retaining any shim washers at 6.
4. Slide the handle sideways and remove from the stub shafts.



227

INSPECTION

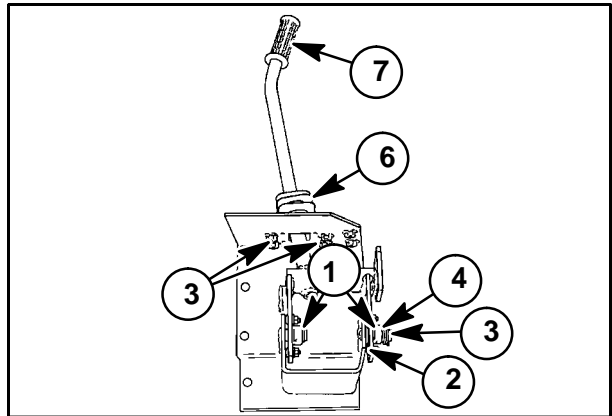
1. Inspect the handle pivot bearings, 1; replace if worn or damaged.
2. Inspect the control handle for excessive wear or bends in the bearing mounting plates, 2, and pivot stub shafts, 3.



228

REASSEMBLY

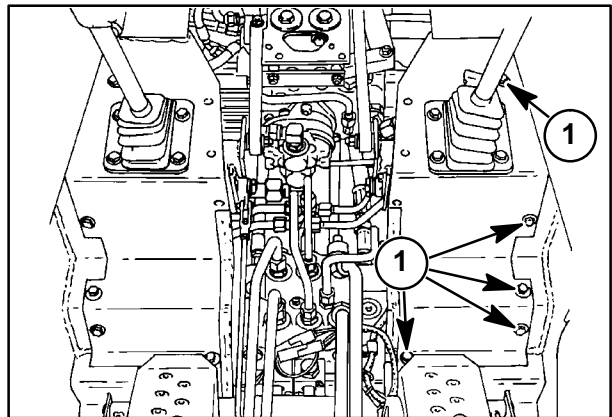
1. Slide the handle sideways over the stub shafts.
2. Install the bearings, 1, on the handle. Install shim washers, 2, to center the handle in the slot, 3.
3. Install shim washers, 4, to reduce side play on the stub shafts. Retain the shims on the stub shaft with a roll pin, 5.
4. Slide the boot, 6, over the handle and tighten the boot securing bolts.
5. Install a new hand grip, 7, if grip is worn.



229

REINSTALLATION

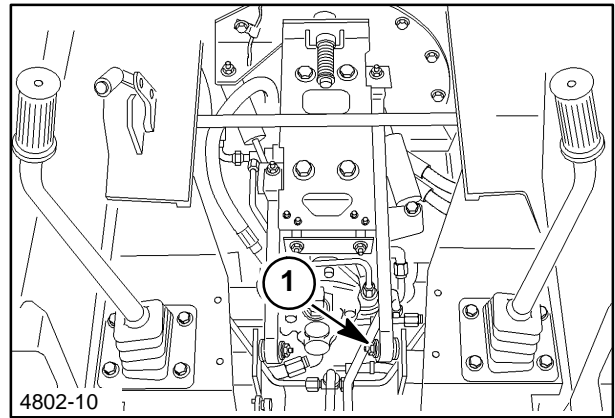
1. Place the handle assembly in the unit and install the five handle mounting bolts, 1, and tighten securely.



230

SECTION 29 - HYDROSTATIC TRANSMISSION

2. Connect the hydrostatic pump control link, 1.
3. Reinstall all shields removed for the repair.



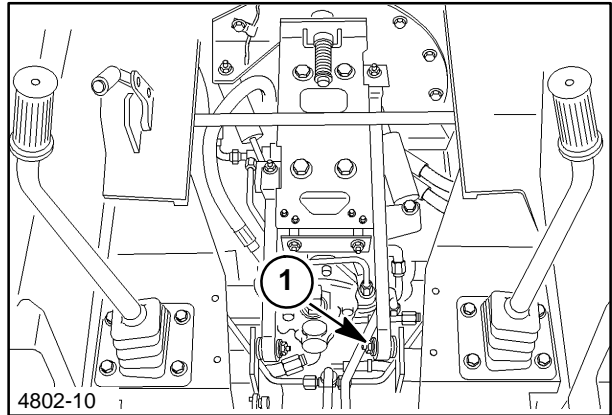
231

**LEFT CONTROL HANDLE WITH BOOM
HAND CONTROL**

Op. 29 100 11

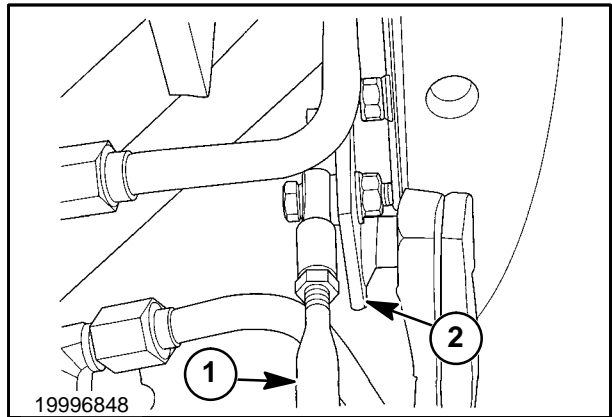
REMOVAL

1. Securely latch the seat in the raised and latched position. Remove the step shield and front step cover to access the control handle, linkage and valve area.
2. Disconnect the hydrostatic pump control link, 1.



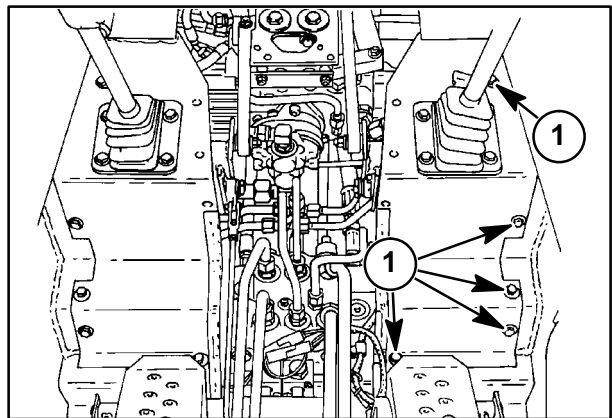
232

3. Remove the boom control rod, 1, from the left control handle arm, 2.



233

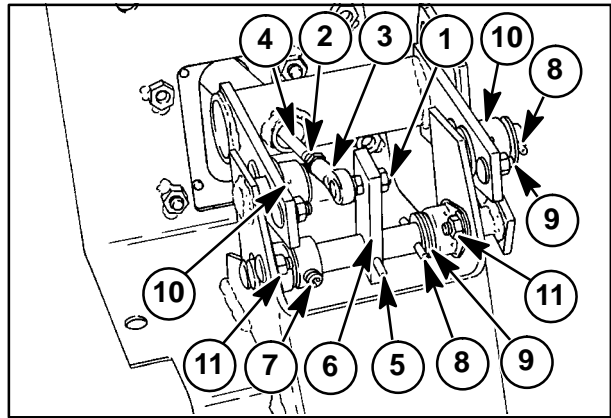
4. Remove the four handle mounting bolts, 1, and remove the handle assembly from the unit.



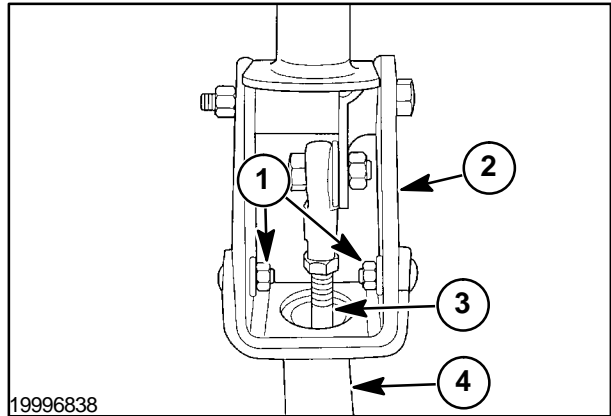
234

DISASSEMBLY

1. Take note of the number and position of all shim washers for reassembly.
2. Remove the bolt, 1, securing the ball end to the control arm.
3. Remove the jam nut, 2, and ball end, 3, from the rod, 4.
4. Remove the groove pin, 5, from the arm, 6.
5. Loosen the set screw, 7, on the set collar. Remove the cotter pins, 8, and shim washers, 9, taking note of the number of shim washers for reassembly.
6. Remove the bearings, 10, from the control handle and the bearings, 11, from the handle mounting plates. Slide the handle sideways and remove from the stub shafts.
7. Remove the nuts, 1, lock washers, and carriage bolts securing the handle support to the handle tube. Remove the handle support, 2, and control rod, 3, from the handle tube, 4.



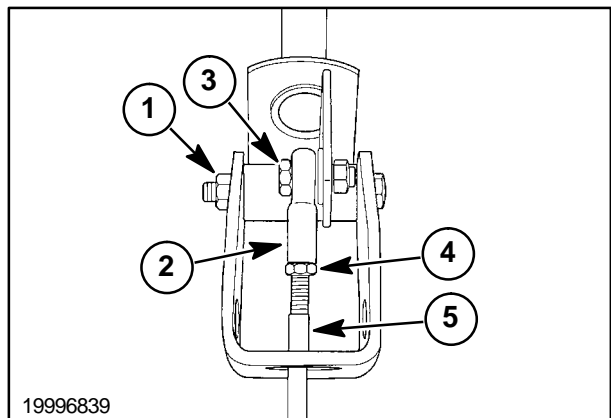
235



19996838

236

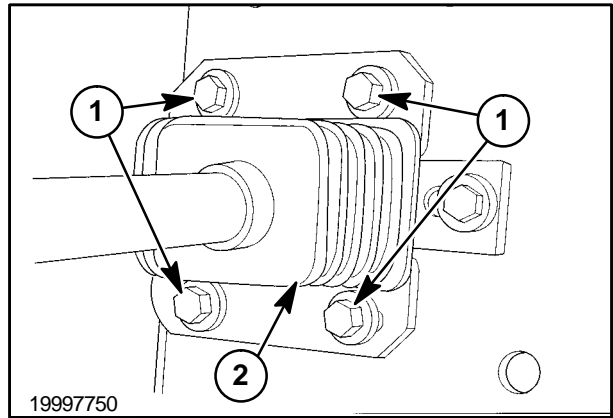
8. Remove the locknut, 1, and bolt to separate the handle from the handle support.
9. Remove the ball end, 2, from the handle by removing the capscrew, 3, flat washer and locknut. Remove the ball end, 2, and jam nut, 4, from the rod, 5.



19996839

237

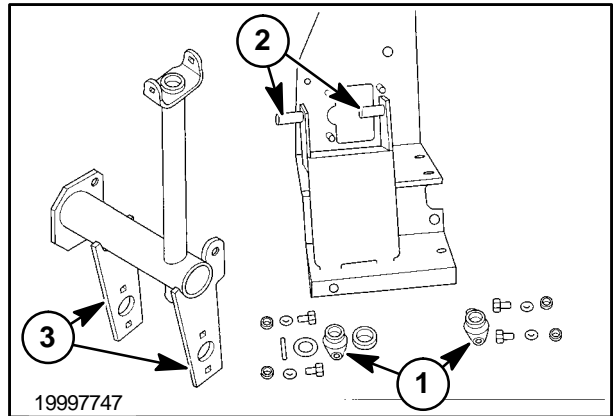
- Loosen the boot securing bolts, 1, and slide the boot, 2, off the handle.



238

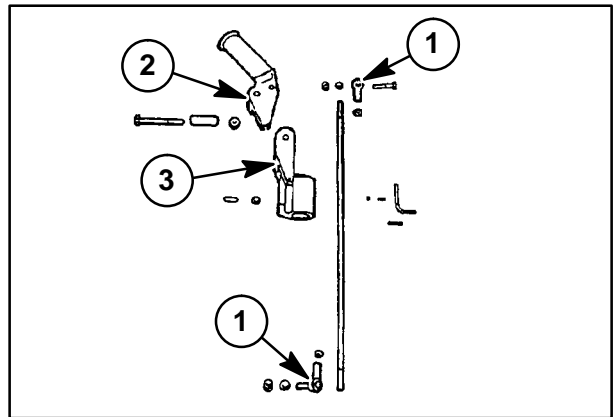
INSPECTION

- Inspect the handle pivot bearings, 1; replace if worn or damaged.
- Inspect the pivot stub shafts, 2, for any obvious bends or deformation.
- Inspect the control handle for excessive wear or bends in the bearing mounting plates, 3.



239

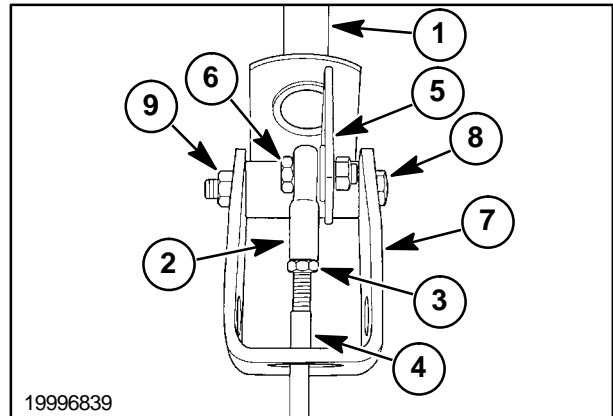
- Inspect the pivot handle linkage for looseness in the ball joints, 1; replace if worn.
- Inspect the pivot handle, 2, and handle support, 3, for damage or deformation. Replace as necessary.



240

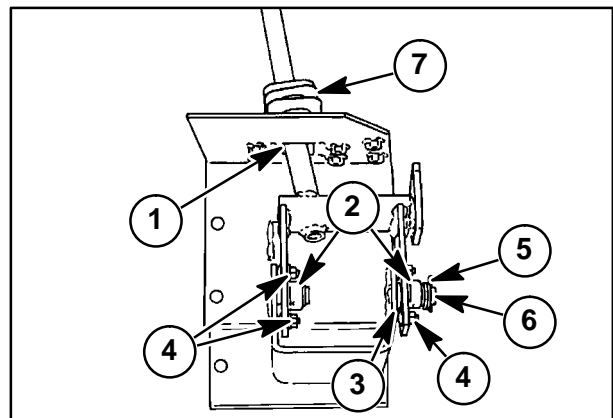
REASSEMBLY

1. Install a new hand grip on the top of the handle, 1, if grip is worn.
2. Attach the ball end, 2, and jam nut, 3, to the rod, 4. Fasten the ball end to the handle, 5, with the capscrew, 6, flat washer and locknut. Position the flat washer between the ball end and handle. Do not tighten the jam nut at this time.
3. Attach the handle assembly to the handle support, 7, with the long bolt, 8, and locknut, 9.
4. Tighten the locknut to remove any movement between the handle assembly and support, but do not overtighten. The support should be loose enough to allow the handle to pivot without binding.



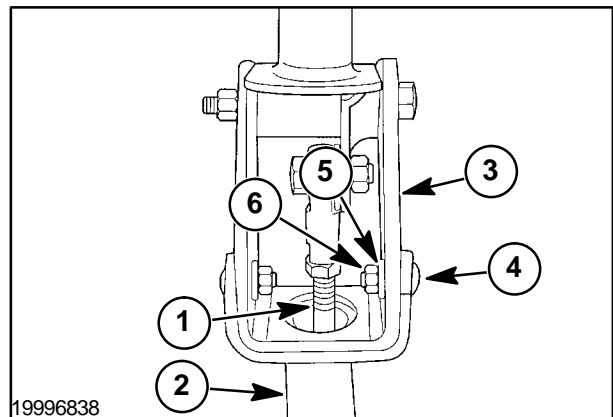
241

5. Slide the handle tube up through the slot, 1, in the handle support base.
6. Slide the handle sideways over the stub shafts.
7. Install the bearings, 2, on the handle, install shim washers, 3, to center the handle in the slot, 1. Fasten each bearing with two 5/16" x 3/4" carriage bolts, lock washers, and nuts at 4.
8. Install shim washers, 5, to reduce side play on the stub shafts. Retain the shims on the stub shaft with a roll pin, 6.
9. Slide the rubber boot, 7, down over the end of the control handle, one side at a time, and secure with the hardware removed during disassembly.



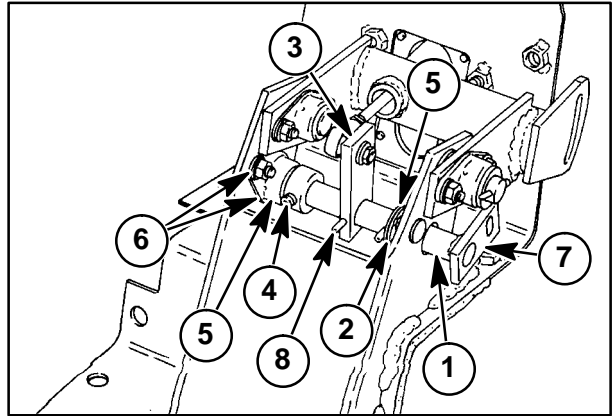
242

10. Attach the handle and rod assembly, 1, to the control handle by first sliding the rod down through the control handle tube, 2.
11. Attach the handle assembly to the handle tube arms, 3, with the short carriage bolts, 4, lock washers, 5, and nuts, 6. Tighten securely.



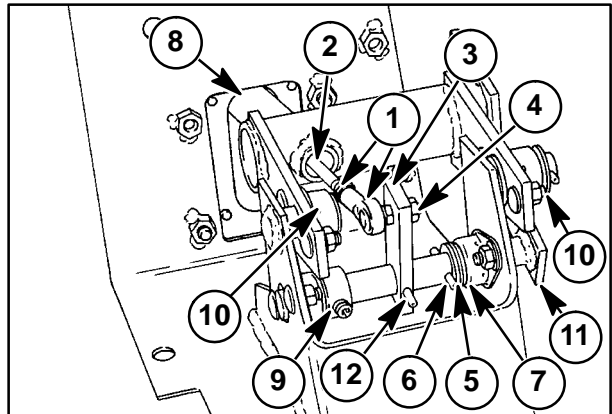
243

12. Assemble the pivot shaft, 1, shim washers, 2, arm, 3, set collar, 4, and bearings, 5, into the control arm housing. Fasten each bearing with two 5/16" x 3/4" carriage bolts, lock washers, and nuts at 6.
13. Rotate the pivot shaft, 1, to position the arm upward as shown at 7.
14. Note the position of the arm, 3, on the shaft in relation to the arm at 7. Insert groove pin, 8, through arm, 3, and into shaft just far enough to position the arm. Do not hammer into place at this time.



244

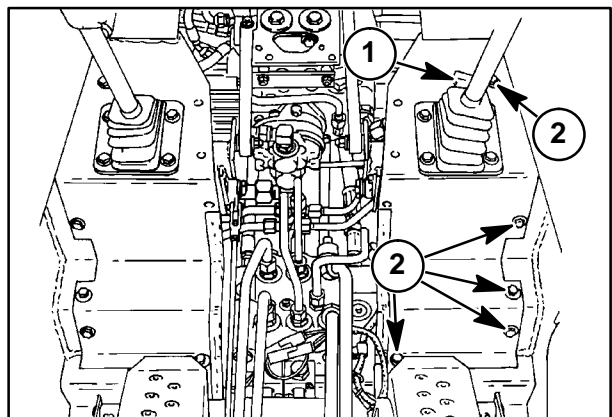
15. Attach the ball end and jam nut, 1, onto rod, 2. Install spacer, 12, (OD - 7/16"; length - 15/32") between the ball end and arm, 3. Secure with a 5/16" x 1-3/4" bolt, lock washer, and nut at 4.
16. Install shim washers at 5, between the cotter pin, 6, and bearing, 7, to center rod, 2, in the control handle tube at 8. Secure the cotter pin and slide the set collar, 9, against the opposite bearing to remove any side movement of the shaft and tighten the setscrew.
17. Drive the groove pin, 12, in the arm completely into place.
18. With the handle in the neutral position angle, adjust the length of the rod, 2, so the ball stud at the arm, 3, aligns with the pivot bearings at 10. This will also set the pivot arm, 11, in a vertical position.
19. Rotate the handle to make sure the rod, 2, does not interfere at the top or bottom of the control handle tube. Move the control handle back and forth (forward and reverse) and make sure the control arm, 3, does not move. When there is no movement, tighten the jam nuts at both ends of the rod.



245

REINSTALLATION

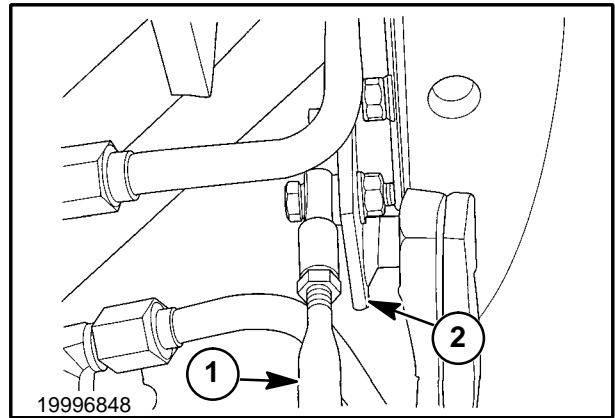
1. Place the handle assembly, 1, in the unit and install the handle mounting bolts, 2.



246

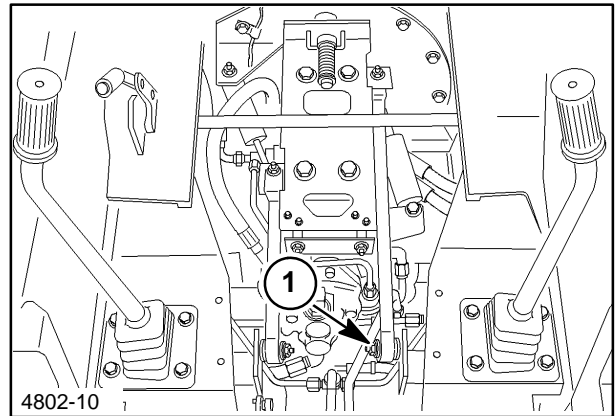
SECTION 29 - HYDROSTATIC TRANSMISSION

2. Install the boom control rod, 1, on the left control handle arm, 2.



247

3. Connect the hydrostatic pump control link, 1.
4. Reinstall all shields removed for the repair.



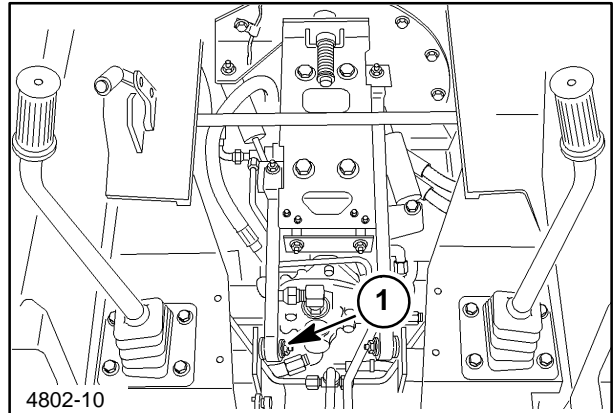
248

**RIGHT CONTROL HANDLE WITH
AUXILIARY OR BUCKET CONTROL**

Op. 29 100 15

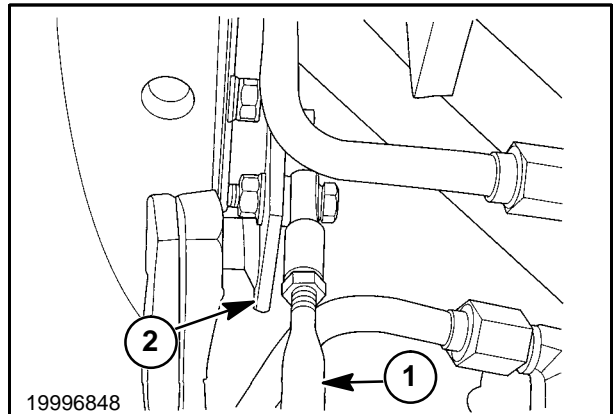
REMOVAL

1. Securely latch the seat in the raised and latched position. Remove the step shield and front step cover to access the control handle, linkage and valve area.
2. Disconnect the hydrostatic pump control link, 1.



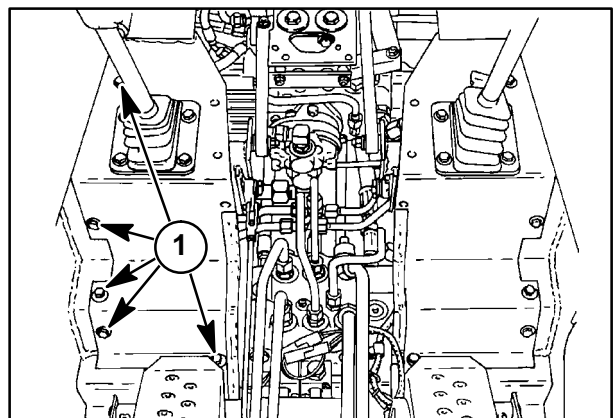
249

3. Remove the auxiliary hydraulic control or bucket control rod, 1, from the right control handle arm, 2.



250

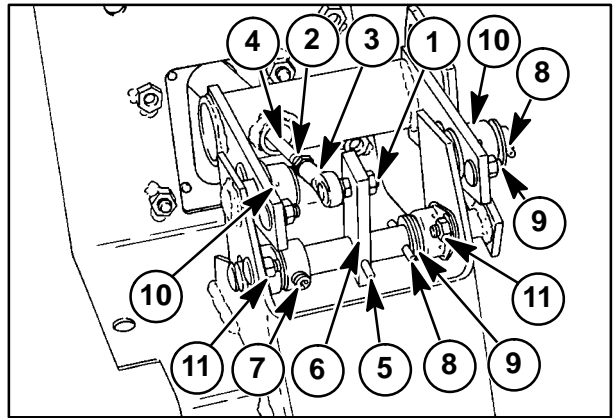
4. Remove the five handle mounting bolts, 1, and remove the handle assembly from the unit.



251

DISASSEMBLY

1. Take note of the number and position of all shim washers for reassembly.
2. Remove the bolt, 1, securing the ball end to the control arm.
3. Remove the jam nut, 2, and ball end, 3, from the rod, 4.
4. Remove the groove pin, 5, from the arm, 6.
5. Loosen the set screw, 7, on the set collar.
6. Remove the cotter pins, 8, and shim washers, 9, taking note of the number of shim washers for reassembly.
7. Remove the bearings, 10, from the control handle and the bearings, 11, from the handle mounting plates. Slide the handle sideways and remove from the stub shafts.

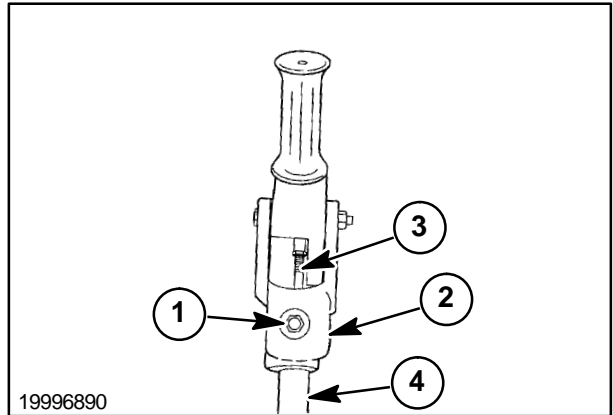


252

Op 29 100 15

Auxiliary Boom Control Handle (Only)

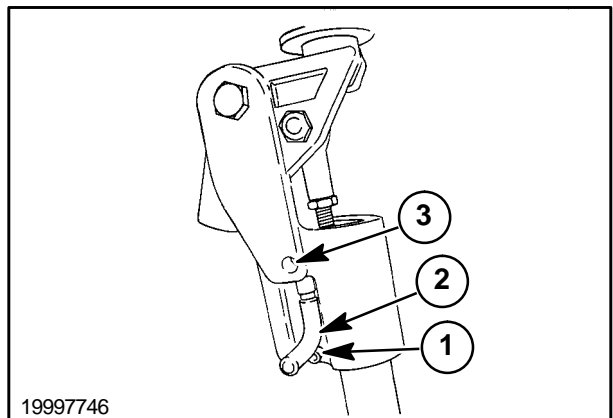
8. Boom hydraulics control - Remove the setscrew, 1, and remove the handle support, 2, and control rod, 3, from the handle tube, 4.



19996890

253

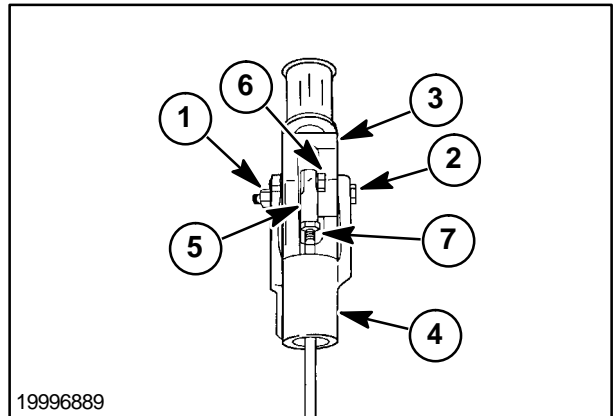
9. Boom hydraulics control - Remove the roll pin, 1, the L-pin, 2, and the spring and ball at 3.



19997746

254

10. Boom hydraulics control - Remove the locknut, 1, and bolt, 2, to separate the handle, 3, from the handle support, 4. Retain the bushing and capscrew. Remove the ball end, 5, from the handle by removing the capscrew, 6, flat washer and locknut. Remove the ball end, 5, and jam nut, 7, from the rod.

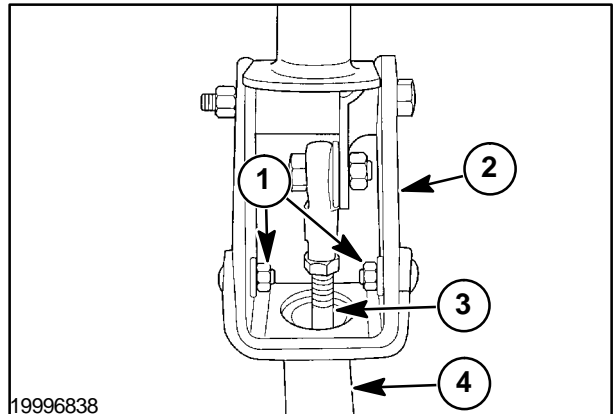


19996889

255

Bucket Control Handle

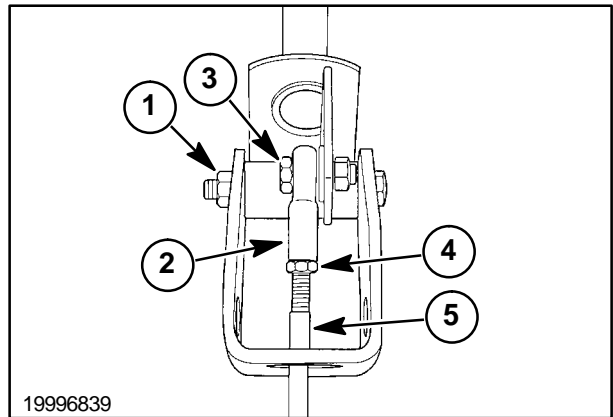
11. Bucket control - Remove the nuts, 1, lock washers, and carriage bolts securing the handle support to the handle tube. Remove the handle support, 2, and control rod, 3, from the handle tube, 4.



19996838

256

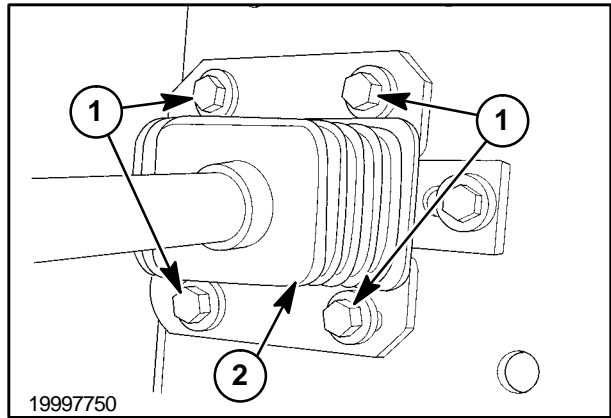
12. Bucket control - Remove the locknut, 1, and bolt to separate the handle from the handle support. Remove the ball end, 2, from the handle by removing the capscrew, 3, flat washer and locknut. Remove the ball end, 2, and jam nut, 4, from the rod, 5.



19996839

257

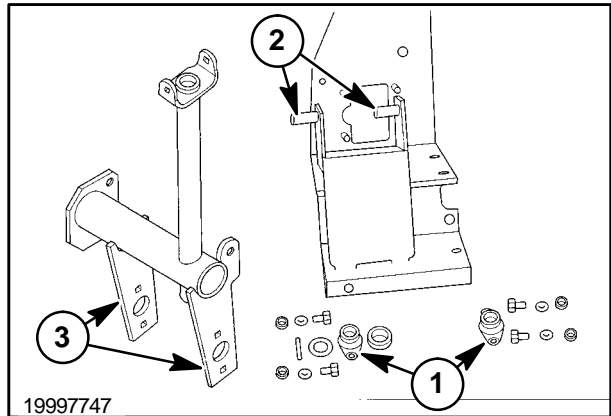
- Loosen the boot securing bolts, 1, and slide the boot, 2, off the handle.



258

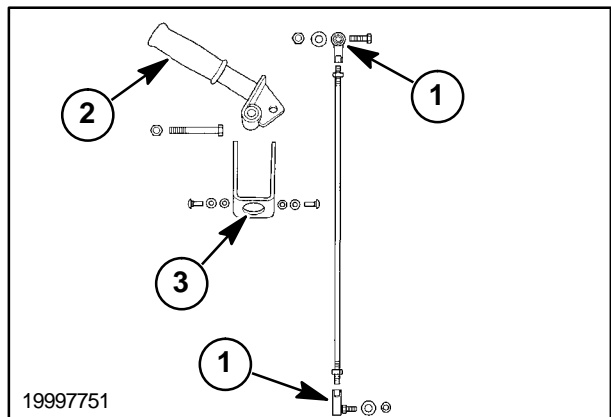
INSPECTION

- Inspect the handle pivot bearings, 1; replace if worn or damaged.
- Inspect the pivot stub shafts, 2, for any obvious bends or deformation.
- Inspect the control handle for excessive wear or bends in the bearing mounting plates, 3.



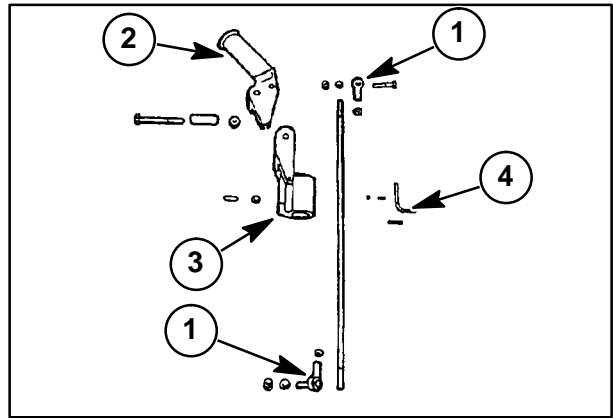
259

- Bucket control - Inspect the pivot handle linkage for looseness in the ball joints, 1; replace if worn.
- Bucket control - Inspect the pivot handle, 2, and handle support, 3, for damage or deformation. Replace as necessary.



260

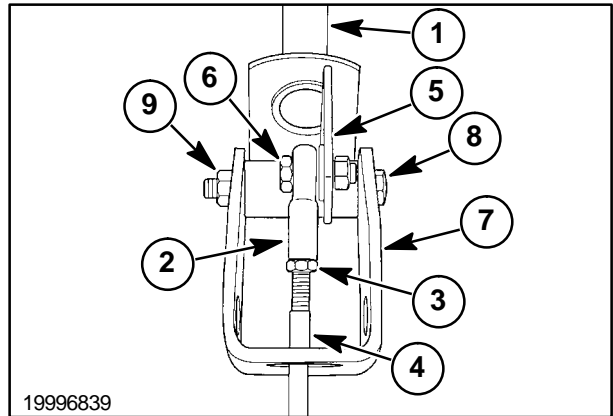
6. Boom Hydraulics Control - Inspect the pivot handle linkage for looseness in the ball joints, 1; replace if worn.
7. Boom Hydraulics Control - Inspect the pivot handle, 2, and handle support, 3, for damage or deformation. Replace as necessary.
8. Boom Hydraulics Control - Inspect the handle lock components, 4. Replace the spring if bent or broken.



261

REASSEMBLY

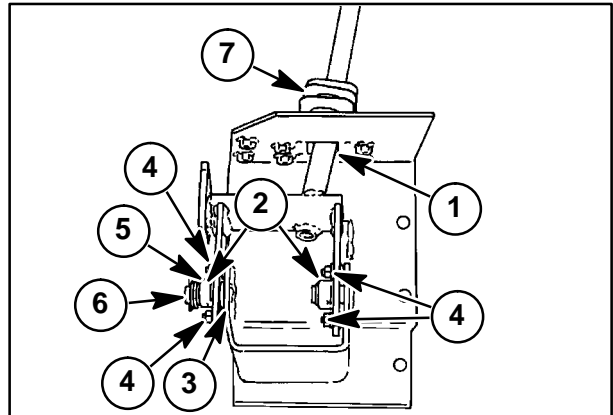
1. Bucket control - Install a new hand grip on the top of the handle, 1, if grip is worn.
2. Bucket control - Attach the ball end, 2, and jam nut, 3, to the rod, 4, and fasten to the handle, 5, with the capscrew, 6, flat washer and locknut. Position the flat washer between the ball end and handle. Do not tighten the jam nut at this time.
3. Bucket control - Attach the handle assembly to the handle support, 7, with the long bolt, 8, and locknut, 9.
4. Bucket control - Tighten the locknut to remove any movement between the handle assembly and support, but should be loose enough to all the handle to pivot without binding.



19996839

262

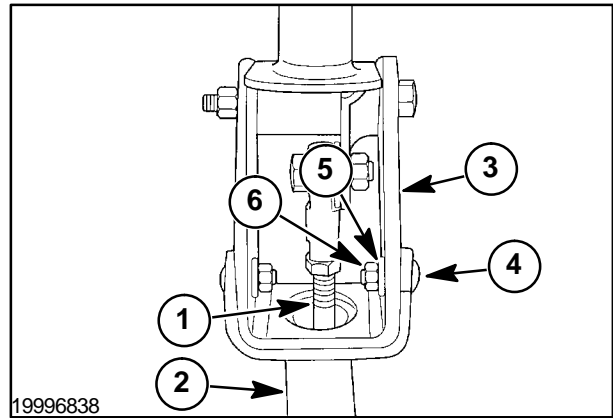
5. Bucket control - Slide the handle tube up through the slot, 1, in the handle support base.
6. Bucket control - Slide the handle sideways over the stub shafts.
7. Bucket control - Install the bearings, 2, on the handle, install shim washers, 3, to center the handle in the slot, 1. Fasten each bearing with two 5/16" x 3/4" carriage bolts, lock washers, and nuts at 4.
8. Bucket control - Install shim washers, 5, to reduce side play on the stub shafts. Retain the shims on the stubs shaft with a roll pin, 6.
9. Bucket control - Slide the rubber boot, 1, down over the end of the control handle, one side at a time, and secure with the the hardware, 2, removed during disassembly.



263

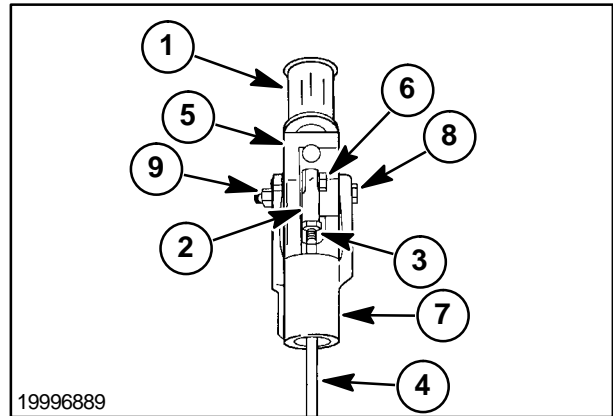
SECTION 29 - HYDROSTATIC TRANSMISSION

10. Bucket control - Attach the handle and rod assembly, 1, to the control handle tube, 2, by first sliding the rod down through the control handle tube, 2.
11. Bucket control - Attach the handle assembly to the handle tube arms, 3, with the short carriage bolts, 4, lock washers, 5, and nuts, 6. Tighten securely.



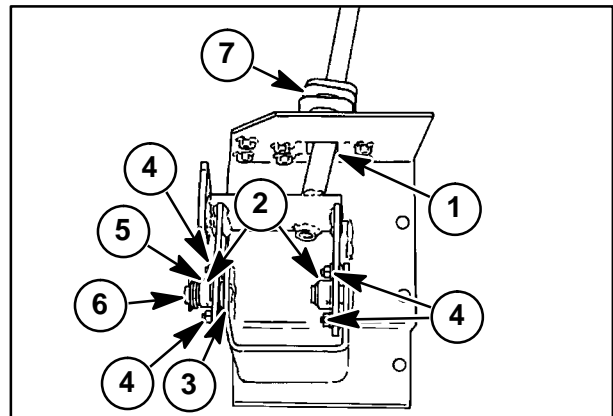
264

12. Boom hydraulics control - Install a new hand grip on the top of the handle, 1, if grip is worn.
13. Boom hydraulics control - Attach the ball end, 2, and jam nut, 3, to the rod, 4, and fasten to the handle, 5, with a 5/16" x 1-1/4" capscrew, 6, flat washer and locknut. Position the flat washer between the ball end and handle. Do not tighten the jam nut at this time.
14. Boom hydraulics control - Attach the handle assembly to the handle support, 8, with the long bushing, 3/8" x 3-1/4" capscrew and locknut at 9.
15. Boom hydraulics control - Tighten the locknut to remove any movement between the handle assembly and support, but should be loose enough to allow the handle to pivot without binding.



265

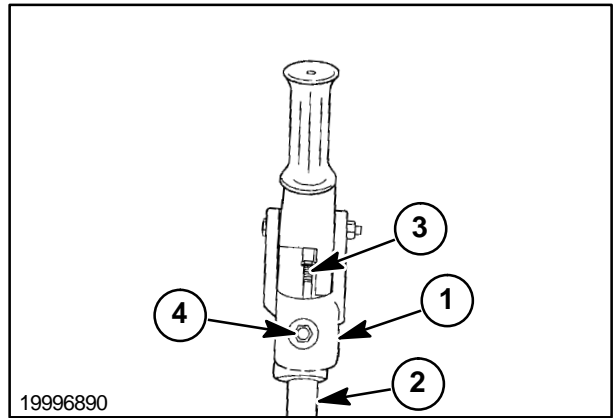
16. Boom hydraulics control - Slide the handle tube up through the slot, 1, in the handle support base.
17. Boom hydraulics control - Slide the handle sideways over the stub shafts.
18. Boom hydraulics control - Install the bearings, 2, on the handle, install shim washers, 3, to center the handle in the slot, 1. Fasten each bearing with two 5/16" x 3/4" carriage bolts, lock washers, and nuts, 4.
19. Boom hydraulics control - Install shim washers, 5, to reduce side play on the stub shafts. Retain the shims on the stubs shaft with a roll pin, 6.
20. Boom hydraulics control - Slide the rubber boot, 7, down over the end of the control handle and secure with the hardware removed during disassembly.



266

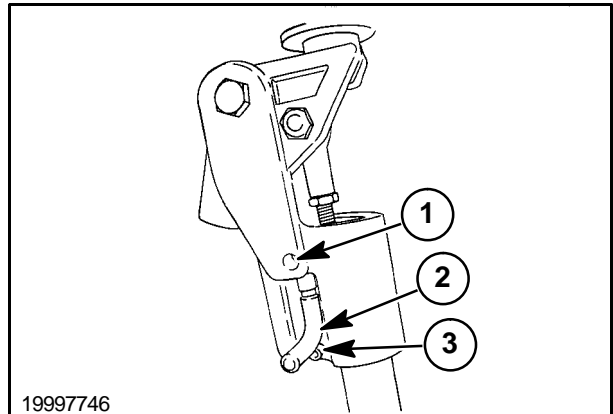
SECTION 29 - HYDROSTATIC TRANSMISSION

21. Boom hydraulics control - Attach the handle and rod assembly, 1, to the control handle, 2, by first sliding the rod, 3, down through the control handle tube.
22. Boom hydraulics control - Position the handle support on the tube by aligning the setscrew, 4, with the drilled hole in the tube. Tighten the setscrew and locknut.



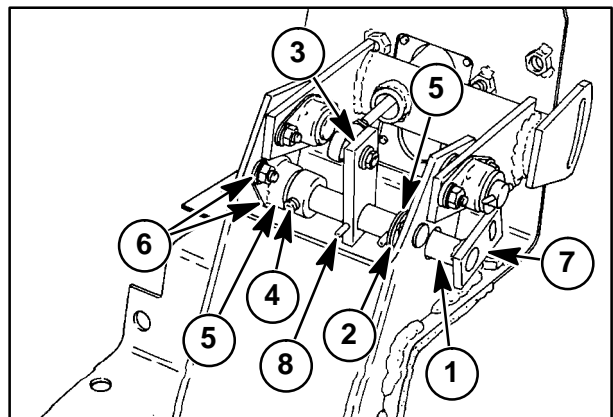
267

23. Boom hydraulics control - Insert the spring and ball at 1. Insert the L-pin, 2, and drive the roll pin, 3, in flush to retain the L-pin.



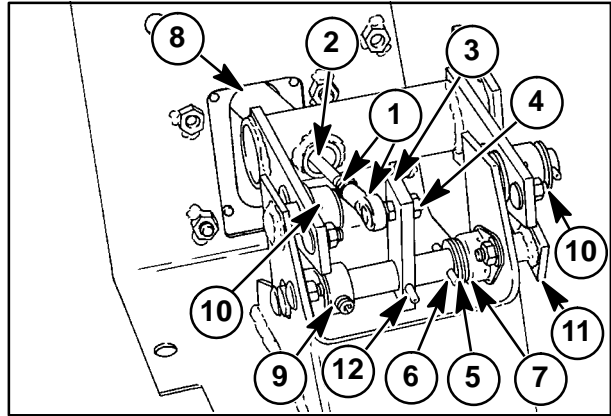
268

24. Assemble the pivot shaft, 1, shim washers, 2, arm, 3, set collar, 4, and bearings, 5, into the control arm housing. Fasten each bearing with two 5/16" x 3/4" carriage bolts, lock washers, and nuts at 6.
25. Rotate the pivot shaft, 1, to position the arm upward as shown at 7.
26. Note the position of the arm, 3, on the shaft, 1, in relation to the arm at 7. Insert groove pin, 8, through arm, 3, and into shaft, 1, just far enough to position the arm. Do not hammer into place at this time.



269

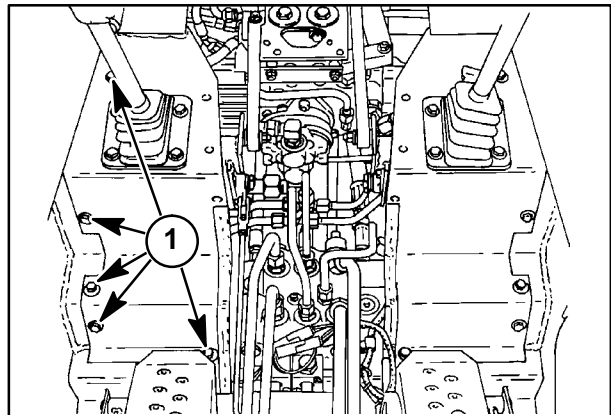
27. Attach the ball end and jam nut, 1, onto rod, 2. Install spacer, 12, (OD - 7/16"; length - 15/32") between the ball end and arm, 3. Secure with a 5/16" x 1-3/4" bolt, lock washer, and nut at 4.
28. Install shim washers at 5, between the cotter pin, 6, and bearing, 7, to center rod, 2, in the control handle tube at 8. Secure the cotter pin and slide the set collar, 9, against the opposite bearing to remove any side movement of the shaft and tighten the setscrew.
29. Drive the groove pin, 12, in the arm completely into place.
30. With the handle in the neutral position angle, adjust the length of the rod, 2, so the ball stud at the arm, 3, aligns with the pivot bearings at 10. This will also set the pivot arm, 11, in a vertical position.
31. Rotate the handle to make sure the rod, 2, does not interfere at the top or bottom of the control handle tube. Move the control handle back and forth (forward and reverse) and make sure the control arm, 3, does not move. When there is no movement, tighten the jam nuts at both ends of the rod.



270

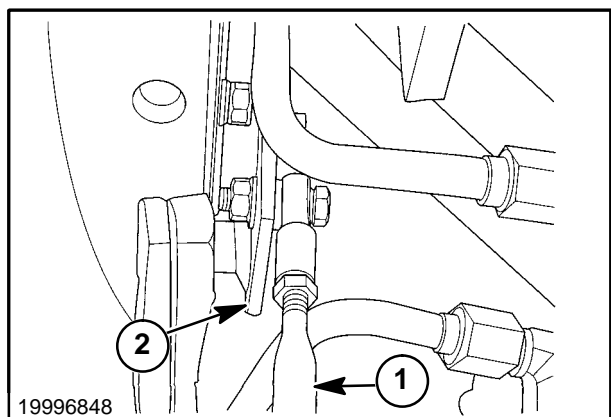
REINSTALLATION

1. Place the handle assembly in the unit, install the handle mounting bolts, 1, and tighten securely.



271

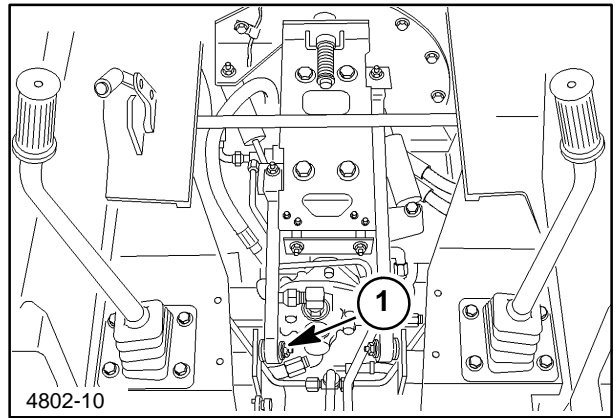
2. Install the auxiliary hydraulic control or bucket control rod, 1, on the right control handle arm, 2.



272

SECTION 29 - HYDROSTATIC TRANSMISSION

3. Connect the hydrostatic pump control link, 1.
4. Reinstall all shields removed for the repair.



273

Op. 29 130 06

**DRIVE CONTROL ADJUSTMENT
PROCEDURE**

If the machine creeps (tires rotate slowly with steering control in neutral) and the transmissions make a noise indicating they are being slightly stroked, a neutralizing adjustment is required.



To make a neutralizer adjustment, block the machine off the ground so that the wheels turn freely. Raise the boom and place it on the boom lockpins. When the engine is running, stay clear of the rotating wheels.

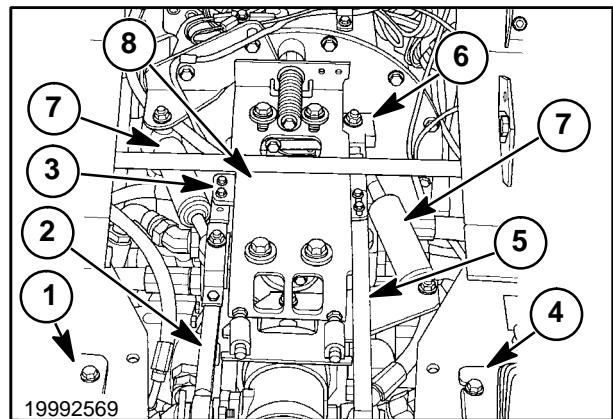
To make any transmission control linkage adjustments, first block the loader off the ground with the boom in the raised position resting on the boom lockpins. Unlatch the seat and raise it to the up locked position to access the transmission area.



Never work under a raised seat unless it is securely latched in the raised position.

Control lever, 1; link, 2; and arm, 3, control the right side. Control lever, 4; link, 5; and arm, 6 control the left side. There are shock absorbers, 7, connected to the steering linkage to dampen the hydraulic vibration from the control levers and the operator's hands. The neutralizer plate, 8, is spring loaded to return the arms, 3 and 6, to their neutral position.

When the operator strokes both control levers in the same direction, the operator can release one lever and the unit will still run straight until the levers are stroked differently to change direction or both levers are released and then the unit will neutralize.

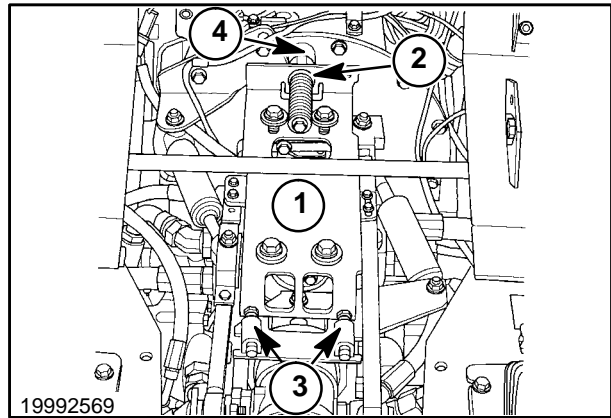


274

Op. 29 130 06**NEUTRAL ADJUSTMENT**

Before making any adjustments, make sure there is no binding in the control linkage, shock absorbers or neutralizer plate. The neutralizer plate, 1, should be free to move on the spring retaining bolt at the engine bell housing, 2, and on the front slides, 3. The neutralizer plate should be against the stop on the engine bell housing at 4.

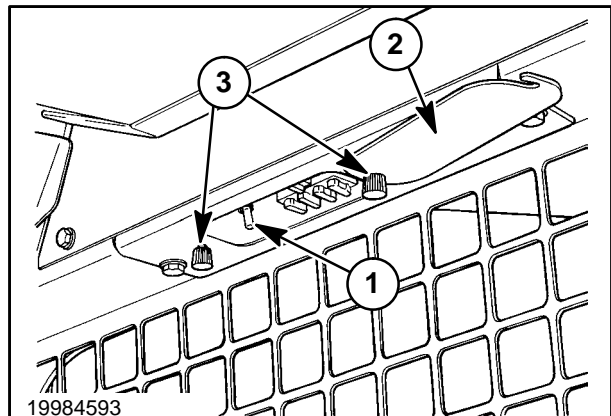
The skid steer must be raised and supported with the tires off the ground. Use adequate blocking or jack stands to securely support the skid steer.



275

The engine must be started and running to make neutral adjustments. Place the "Service/Run" Switch, 1, in the "SERVICE" position to allow the engine to be started and to prevent movement of the boom and bucket.

To access the "Service/Run" switch located under the fuse panel cover, 2, loosen the two thumbscrews, 3, and rotate the cover to the side.

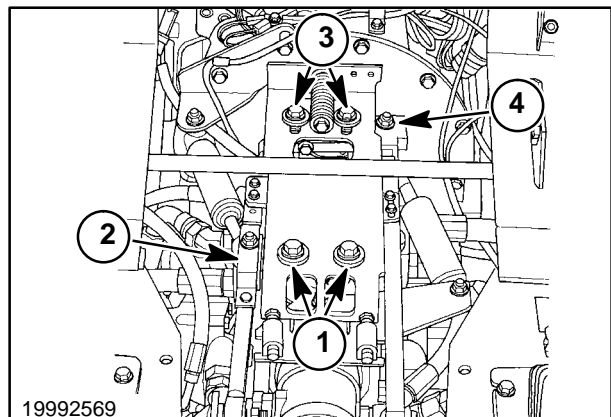


276

To adjust the right side, loosen the block retaining bolts, 1, slightly and move the control arm, 2, to stop wheel rotation. Now move the block so it contacts both cams on arm, 2, and tighten the retaining bolts, 1.

To adjust the left side, loosen the block retaining bolts, 3, slightly and move the control arm, 4, to stop wheel rotation. Now move the block so it contacts the cams on arm, 4, and tighten the retaining bolts, 3.

Stop the engine after adjustments are made and recheck hardware torque.

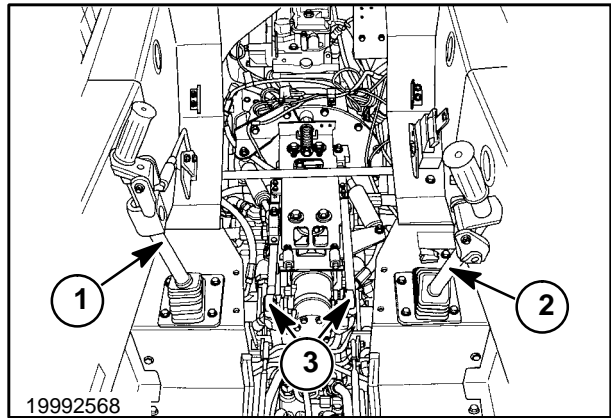


277

NOTE: The blocks must be set square and firmly contact both cams on the arms. If the block is not square against both cams on the arms, the unit may creep after neutral adjustments are made.

Control Lever Parallel Adjustment

The control levers, 1 and 2, are set at the factory at 9 degrees to the front. The levers can be adjusted so the two levers are parallel. To adjust the levers, loosen bolts, 3, and move the levers to the desired position and retighten the hardware. Moving the control levers too far one direction will change maximum speeds.



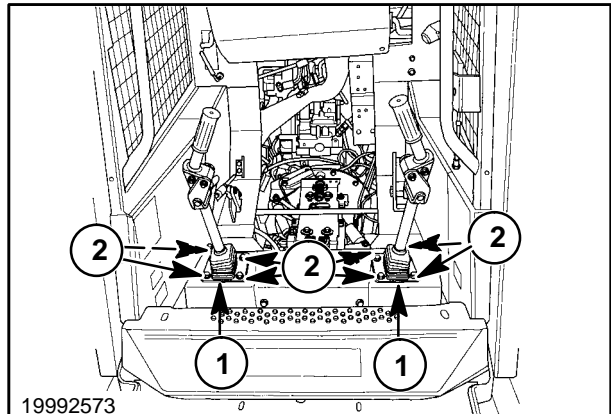
278

Control Lever Stop Adjustment

If the control lever location has been changed for any reason, the control lever stops will require adjustment. The control lever stops must be adjusted properly to prevent damage to the linkage and internal transmission components. The lever stops are the lower control lever boot assembly, 1.

To adjust the stops, follow these steps:

1. Loosen the four cap screws, 2, each lever stop.
2. Pull the control lever forward until the internal transmission stop is felt and hold the linkage against the internal stop.
3. Slide the boot stop assembly to the rear to contact the control lever and then push the stop and lever another 1 mm (1/32"). This will ensure that when the control levers are fully stroked, the lever will contact the external stop and not the internal transmission stop.
4. Check wheel speed using a hand tach from side to side and slow down the faster side by moving the boot stop and lever to the rear on the fast side.



279

**CAUTION**

The skid steer must be raised and supported with the tires off the ground. Use adequate blocking or jack stands to securely support the skid steer.

5. Check and tighten all control lever linkage hardware.

IMPORTANT: *If the external control lever stops are not adjusted properly, the control linkage and transmission may be damaged.*

6. Return the "Service/Run" switch to the "RUN" position.

LABOR GUIDE

HYDROSTATIC SYSTEM AND STEERING SYSTEM

The following labor amounts are listed as a guide only. Working conditions and experience will vary the time it actually takes to complete each job.

| Job | Hours |
|---|--------------|
| Hydrostatic pump - RH & LH assembly - remove/replace | 4 hrs. |
| Hydrostatic pump - repair | 1 hr. |
| Hydrostatic motor RH - remove/replace | 3 hrs. |
| Hydrostatic motor LH - remove/replace | 3 hrs. |
| Hydrostatic motor - repair | 1 hr. |
| Charge check valve - remove/replace | 0.5 hr. |
| Neutralizer plate assembly - remove/replace | 0.5 hr. |
| Hydrostatic control handle assembly - remove/replace one assembly | 0.25 hr. |
| Hydrostatic control handle assembly - repair | 0.5 hr. |
| Neutral adjustment | 0.5 hr. |
| Time required to tilt cab and boom | 1 hr. |

SECTION 33 – BRAKES AND CONTROLS

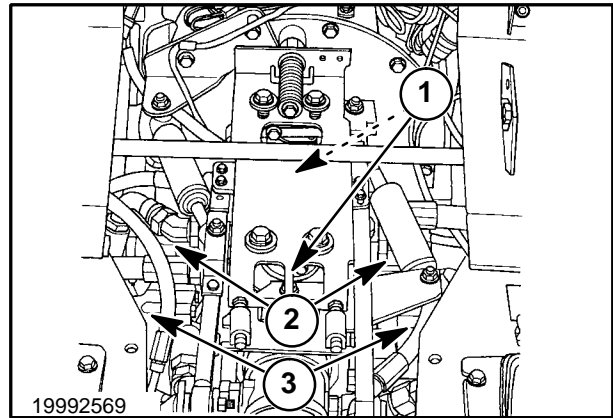
Chapter 1 – Parking Brake

CONTENTS

| Section | Description | Page |
|----------------|--|-------------|
| 33 000 | General Information | 33-2 |
| | Specifications | 33-4 |
| | Troubleshooting | 33-5 |
| | Testing | 33-7 |
| 33 110 | Parking Brake | 33-8 |
| | Parking Brake Removal and Inspection | 33-9 |
| | Labor Guide | 33-22 |

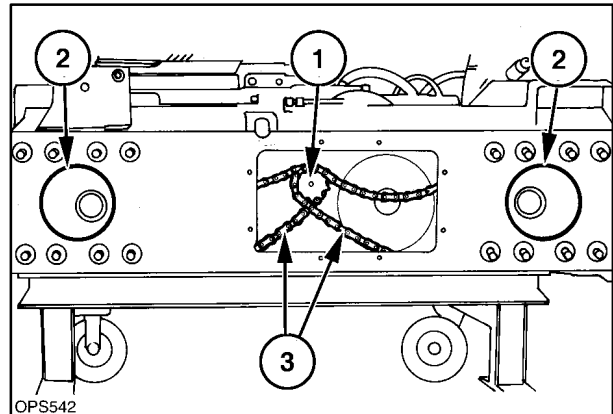
Op. 33 000**GENERAL INFORMATION**

The power is transmitted to the final drive from the engine which is connected to the hydrostatic pumps, 1, with a flex plate drive coupler. The hydrostatic pumps then transmit hydraulic power to the hydrostatic motors, 2, which are connected to gearboxes, 3, located on the inside of the final drive cases. The left and right drives are separate from each other and are operated independently.



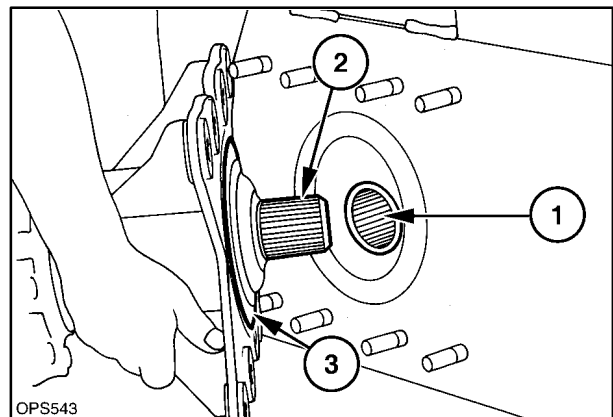
1

The power is then transmitted through gears to a double drive sprocket, 1, in the final drive case. The drive sprocket is connected to the axle sprockets, 2, with chains, 3, one endless chain to the front axle and one endless chain to the rear axle.



2

The axle sprocket, 1, is splined to the axle shaft and hub assembly, 2. A large O ring, 3, seals the assembly to the frame.



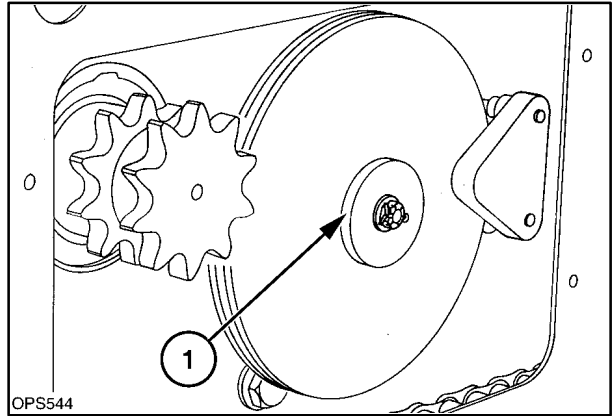
3

SECTION 33 - BRAKES AND CONTROLS

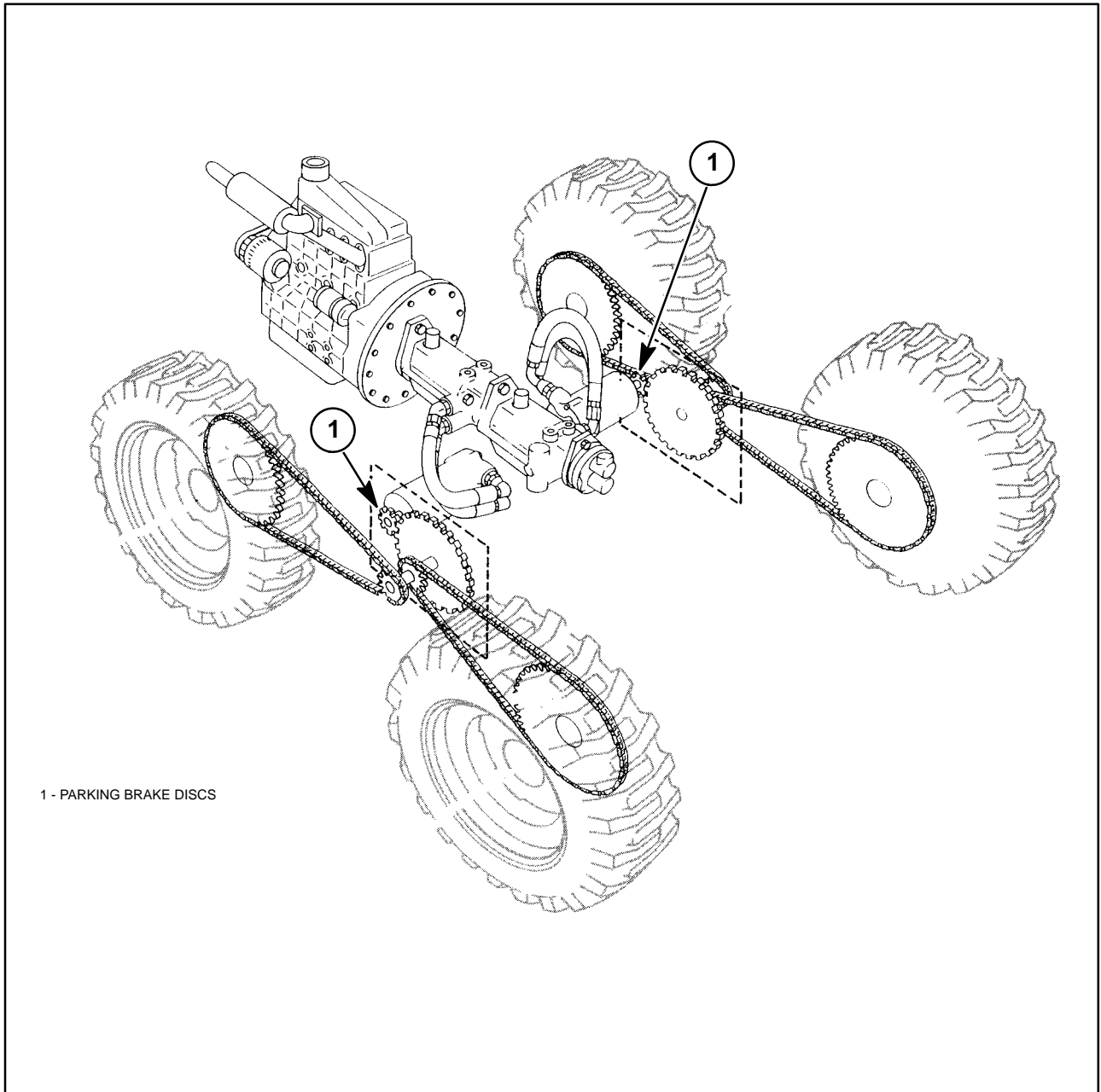
The parking brake discs are connected to the hydrostatic motor coupler shafts at 1. The parking brake is made up of two discs, actuator shaft, pads, and control linkage. The hydrostatic system is the primary braking system, and the parking brake is used when the unit is stopped.



Always engage the parking brake before exiting the loader.



4



1 - PARKING BRAKE DISCS

5

SPECIFICATIONS

Chain Case

| | |
|---|---|
| Side Cover Bolt Torque | 15 N·m (11 ft. lbs.) |
| Brake Caliper Mounting Bolt (center) Torque | 20 N·m (15 ft. lbs.) |
| Brake Caliper Mounting Bolts (outer) Torque | 70 N·m (52 ft. lbs.) |
| Drive Chain | #80 |
| Front Chain Length (68 pitches) | 1727.2 mm (68") |
| Rear Chain Length (66 pitches) | 1676.4 mm (66") |
| Chain Tension | 0 – 6 mm (0 - 1/4") movement at tire tread |
| Lubrication | 7.6 liters (2 gal.) each side - 10W-30API service SG-CE Oil |

Other Materials

| <u>Description</u> | <u>Use</u> |
|----------------------------------|---|
| Ultra/Blue Silicone sealer | Gearbox mounting bolts Axle housing bolts Chain case cover and bolts Gearbox to chain case Brake caliper bolts Gearbox cover and bolts |
| Sealing Material | NH Ultra Blue silicone sealer NH #L81724 - 3.35-oz. tube (cord) NH #L82519DS - 8-oz. tube NH #L58775 - 10.2-oz. cartridge |
| Hydraulic Oil | SAE10W-30 motor oil-API Service SG-CE NH #9613313 - 1 qt. NH #9613314 - 2 1/2 gal. NH #9613358 - 1 L NH #9613360 - 20 L |
| Gear Oil | 80W-90 API Service GL-5 Gear Oil NH #9613295 - 1 qt. NH #9613294 - 5 gal. NH #9613375 - 4 L |
| Grease | High viscosity lithium base NH #9613310 tube |

NOTE: Always use a noncorrosive silicone sealer to seal where required to prevent corrosion during the silicone curing process.

TROUBLESHOOTING

FINAL DRIVE/PARKING BRAKE SYSTEM

Before servicing or adjusting on the final drive/parking brake system, the skid-steer loader should be jacked up with the wheels off the ground.

Remove any attachment from the skid-steer loader boom, bucket, etc. Lower the boom to the lowered position or, if servicing requires the boom to be in the raise position, support the boom on the boom locks.

Raise the boom and lower onto boom lock pins, 1.

1. Raise boom above boom lock pins.
2. Engage boom lock pins.
3. Stop engine, ignition key "OFF" position.
4. Turn ignition key to the "ON" position.
5. Lower boom onto boom lock pins.
6. Turn the ignition key to the "OFF" position.



Never exit the loader with the boom in the raised position unless the boom is supported on the boom lock pins.

Never work under a raised boom unless it is properly supported by the boom lock pins.

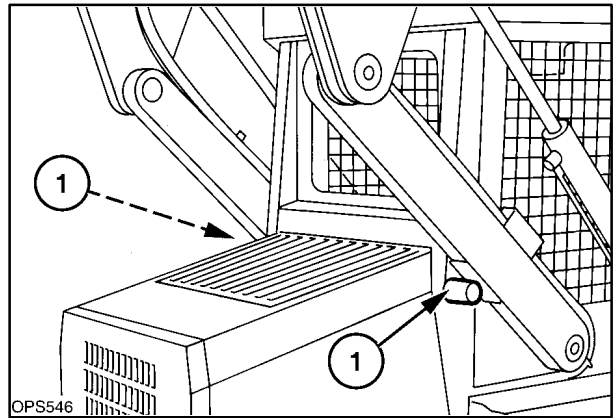
Never work under a raised boom with an attachment mounted. Always remove the attachment from the loader.

Jack up the loader and support the loader with the wheels off the ground using adequate jack stands or blocks to securely support the loader.

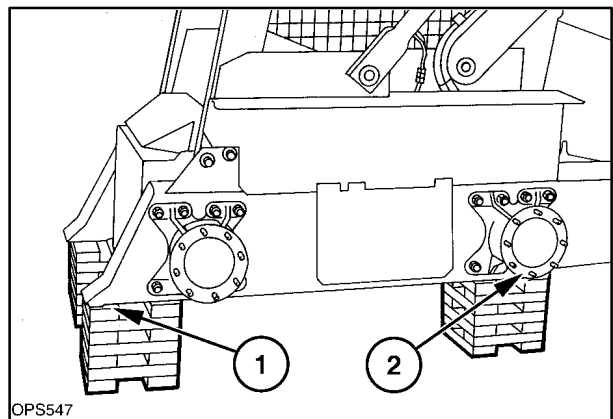
Support the loader at the front of the final drive cases at 1, and at the rear at 2.



Never service a raised loader unless it is securely supported with adequate jack stands or blocks.



6



7

TROUBLESHOOTING**PARKING BRAKE SYSTEM**

| PROBLEM | POSSIBLE CAUSES | CORRECTION |
|---|--|---|
| Parking brake will not hold loader | Park brake not engaged Brake not adjusted properly Handle not operating or latching Loose brake linkage Worn brake pad | Engage parking brake Adjust parking brake Check handle components repair or replace Inspect and repair linkage Inspect and repair brake pad |
| Parking brake will not release | Brake not adjusted properly Handle not operating properly Brake caliper not releasing | Adjust parking brake Check handle components repair or replace Check brake caliper and repair |
| Parking brake handle will not move or release | Handle not operating properly Control linkage not moving Brake caliper not releasing | Check handle components repair or replace Check and repair linkage Check brake caliper and repair |
| Grinding noise when operating | Handle not releasing properly Brake not adjusted properly Brake caliper not releasing | Check handle components repair or replace Adjust parking brake Check brake caliper and repair |

TESTING**PARKING BRAKE**

Pre-test instructions:

- * Operator in seat with seat belt buckled.
- * Engine running at 1500 RPM.
- * Park brake disengaged position.

| STEP | TEST | RESULT | PROBABLE CAUSE AND CORRECTION |
|------|--|-----------|---|
| 1 | Push both drive controls forward equally and loader should move without restriction. | YES NO | Brake system OK. Parking brake not releasing, check control handle. If OK go to next step. |
| 2 | | | Parking brake linkage not free, check for loosen or binding linkage. If OK go to next step. |
| 3 | | | Parking brake not releasing check caliper and brake pad and repair. |

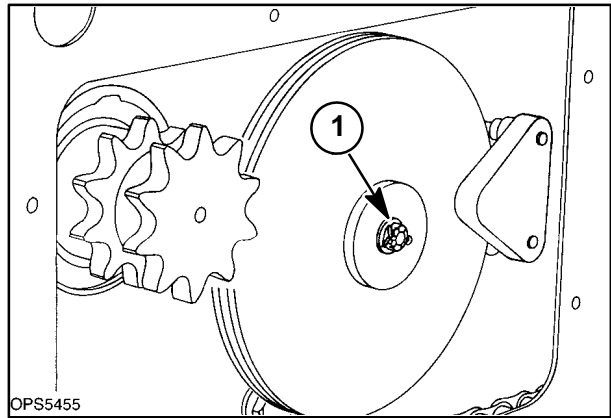
Pre-test instructions:

- * Operator in seat with seat belt buckled.
- * Engine running at 1500 RPM.
- * Park brake engaged position.

| STEP | TEST | RESULT | PROBABLE CAUSE AND CORRECTION |
|------|--|-----------|--|
| 1 | Push both drive controls forward equally and loader should not move. | NO YES | Parking brake OK. Parking brake not adjusted properly. If OK go to next step. |
| 2 | | | Parking brake linkage loose or broken. If OK go to next step. |
| 3 | | | Parking brake caliper not operating properly. Check and repair. |

Op. 33 110**PARKING BRAKE****OPERATION**

The parking brake system is a mechanically activated double disc brake system. The brake discs are attached to the hydrostatic motor shafts, 1, with a separate system located in each final drive case. Both brake systems are activated by a single control lever.

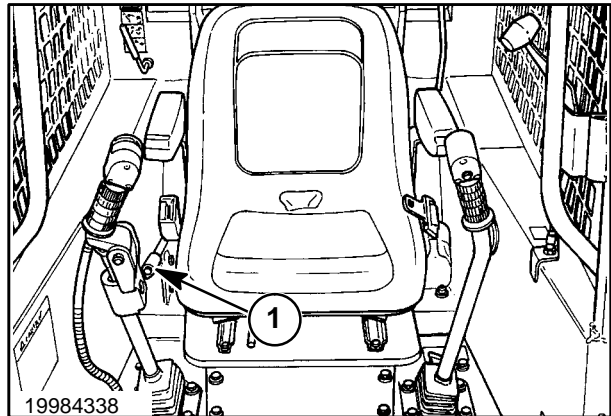


8

The parking brake control lever, 1, is located to the right of the operator's seat. When the lever is in the lower unlatched position, the brake is disengaged. When the lever is in the raised latched position, the brake is engaged.

When the parking brake is engaged and the hydrostatic control levers are stroked, the skid-steer loader should not move if the brake is adjusted properly.

The hydrostatic system is the primary brake for the skid-steer loader when the unit is in operation. The parking brake system is only for a stopped machine, to hold the unit in place and prevent rolling or creeping when parked.



9

The parking brake should always be engaged before exiting the skid-steer loader.



Always activate the parking brake before leaving the operator station. Never operate the skid-steer loader unless the brake is released.

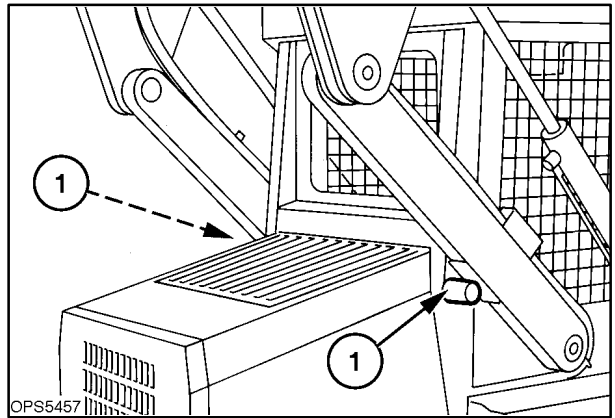
REMOVAL AND INSPECTION

To access and remove the parking brake control linkage, the seat can be raised and latched in the raised position. To access the brake disc and caliper assembly, the final drive inspection cover will need to be removed.

Op. 33 110 48

Removal

1. Lower the boom and attachment to the ground.
2. If the work is going to be done with the boom in the raised position, remove the attachment and raise the boom and rest on the boom lock pins, 1.



10

————— **⚠ CAUTION ⚠** —————

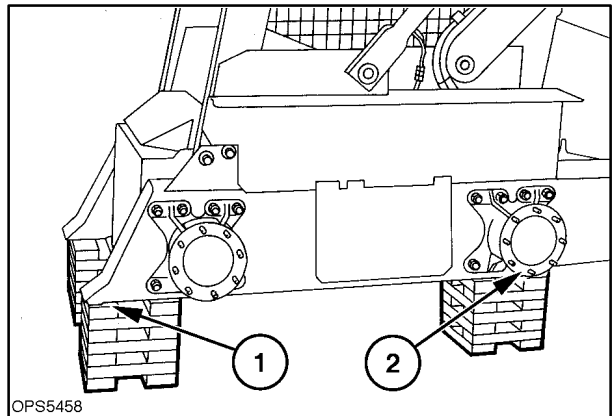
Never work under a raised boom unless it is properly supported by the boom lock pins.

Never work under a raised boom with an attachment. Always remove the attachment from the loader.

3. Securely block the skid-steer loader with all four wheels off the ground. Refer to Section 1 for more detailed information on properly supporting the skid-steer loader.
Support the loader at the front of the drive cases at 1, and at the rear at 2.

————— **⚠ CAUTION ⚠** —————

Failure to securely support the skid-steer loader could result in movement of the loader causing serious injury or damage to the equipment.

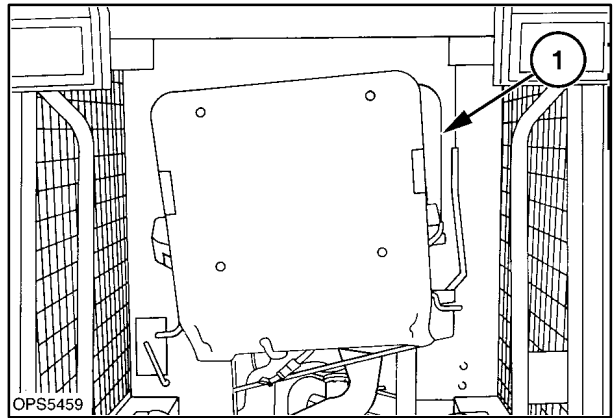


11

- Slide the seat to the most rear position and unlatch the seat pan and raise the seat and pan assembly to the raised latched position.

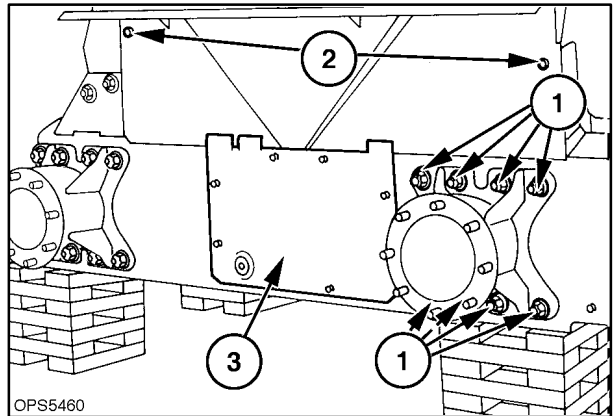


Before working under a raised seat make sure it is securely latched at 1, in the raised position.



12

- Remove the rear tire and wheel from the final drive and brake being serviced.
- Clean the rear axle and final drive area to prevent debris from entering the final drive case.
- Loosen the eight axle housing retaining nuts and washers, 1, on the rear axle and slide the axle forward to loosen the drive chain.
- Remove the fender retaining hardware at 2, and remove the fender to access the spring and linkage.
- Remove the final drive case center cover, 3.

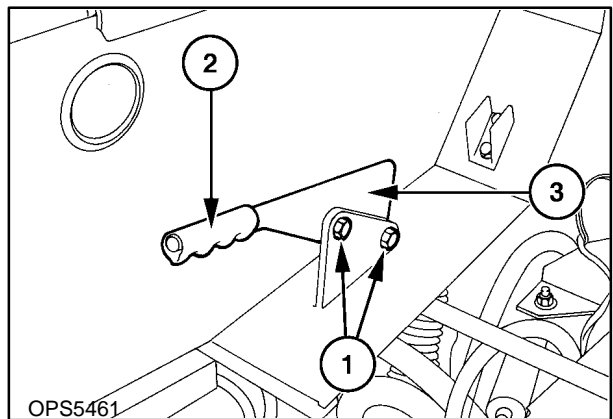


13

Op. 33 110 14

Brake Control Linkage Removal

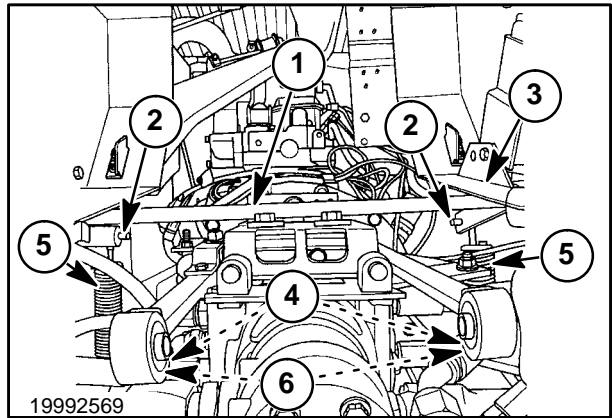
- Remove the handle retaining bolts, 1, slide the handle, button and spring, and latch plate assembly, 2, from the link, 3.
Note the positioning of the internal latch plate for reassembly.



14

Op. 33 110 30

2. To remove the control rod assembly, 1, remove the cotter pins from the spring links, 2.
3. Remove the left support bracket and hardware, 3, then pivot the rod assembly down and slide the control rod from the right support bracket.
Remove the pivot bushings from supports and friction pad from rod.
4. Remove the lower cotter pin, 4, and remove the spring assemblies, 5, from the brake caliper actuator arm, 6.

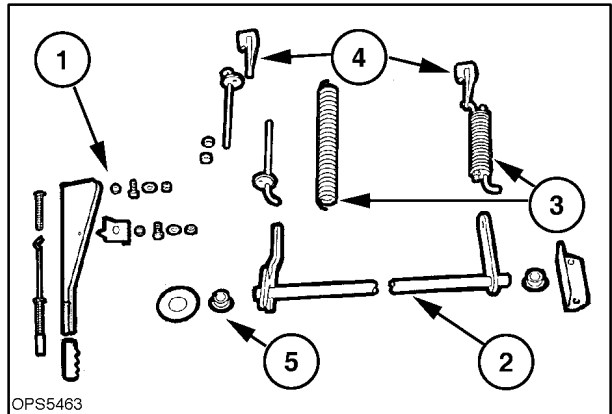


15

Parking Brake Control Linkage and Related Parts

Ref. Description

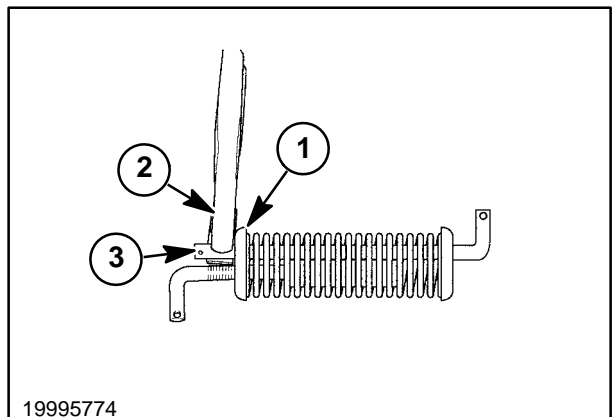
- | | |
|---|----------------------------------|
| 1 | Control handle and related parts |
| 2 | Control shaft, bearings, support |
| 3 | Spring assembly |
| | a. Spring |
| | b. Spring links (2) |
| 4 | Arm |
| 5 | Friction pad |



16

Spring Disassembly

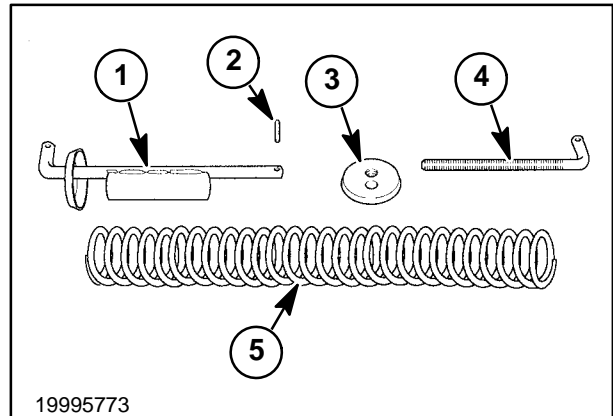
1. Compress spring plate and spring, 1, to expose enough shaft to clamp vise grips, 2.
2. Remove roll pin, 3.



17

Spring Brake Assembly Parts

1. Shaft Weld Assembly
2. Roll Pin
3. Spring Plate
4. Threaded Rod
5. Spring

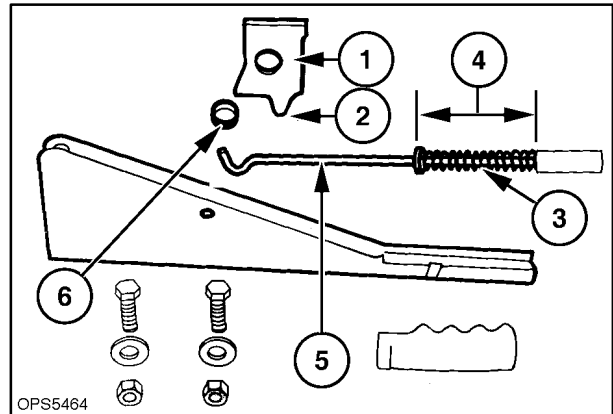


19995773

18

Inspection of Control Linkage Parts

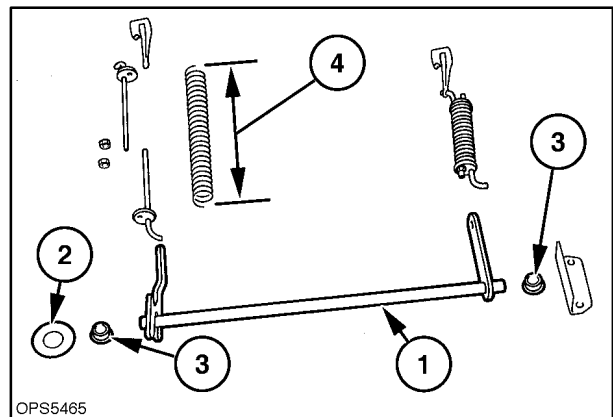
1. Examine the latch plate, 1, and tab, 2, for bends or damage. If the latch plate looks like 1, replace with a new latch plate, 2, part #9844477.
2. Inspect the spring, 3, for correct free spring length, 66.7 ± 3.2 mm ($2\text{-}5/8 \pm 1/8$ "), 4. Replace if not within specification.
3. Inspect the button and rod assembly, 5. If worn in the hook area of the rod, replace.
4. Inspect the latch plate pivot bushing, 6. Replace if worn.



OPS5464

19

5. Inspect the control rod assembly, 1, friction pad, 2, and pivot bushings, 3, for wear. If worn, replace.
6. Inspect the spring assembly and check the spring free length, 1, 335.0 ± 12.7 mm ($13\text{-}3/16 \pm 1/2$ "). Replace if not within specification.

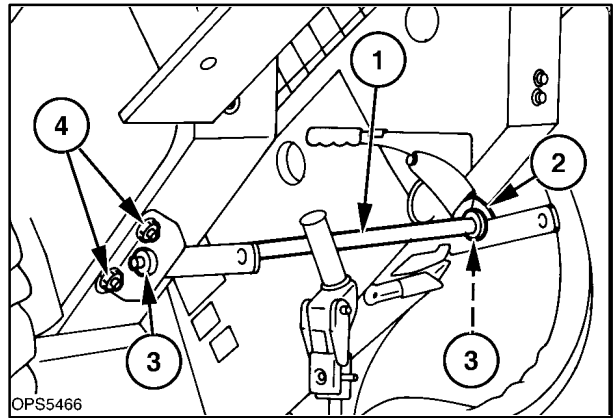


OPS5465

20

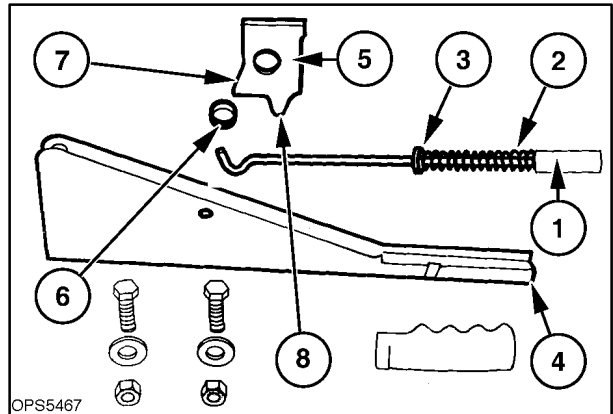
Installation of Brake Control Linkage

1. Install the control rod assembly, 1, friction pad, 2, on right end of rod. Insert pivot bushing, 3, into supports, and slide the right end into support and pivot link, 3, up and install the left support, 4.



21

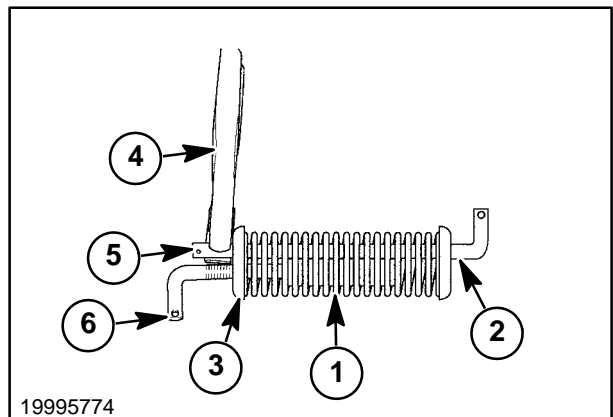
2. Insert the button rod, 1; spring, 2; and flat washer, 3, into lever at 4.
3. Insert the latch plate, 5, and bushing, 6, with the extended area, 7, as shown to the rear (engine side) of lever and position the button rod so the hook is back of the latch plate at 8. Reinstall the two retaining bolts, nuts and washers, through the lever assembly and the control rod.



22

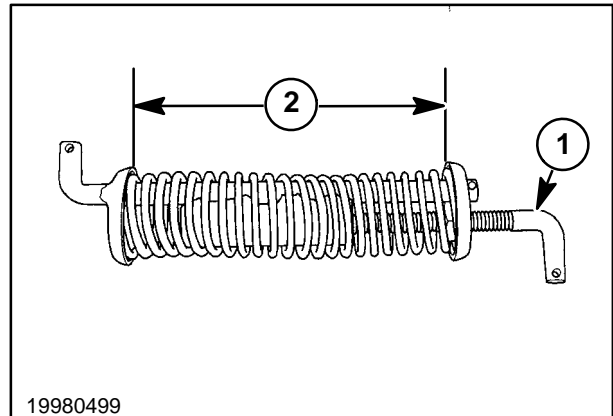
Spring Reassembly

1. Reassemble the spring, 1, rod weld assembly, 2, and spring plate, 3.
2. Compress spring, 1, and plate, 3, enough to clamp vise grips onto end of rod weld assembly at 4, to install roll pin, 5.
3. Install roll pin, 5.
4. Thread rod assembly, 6, into rod weld assembly.



23

- Adjust the spring assembly length by threading rod, 1, in or out to obtain an overall length of 8-5/8" at 2.



19980499

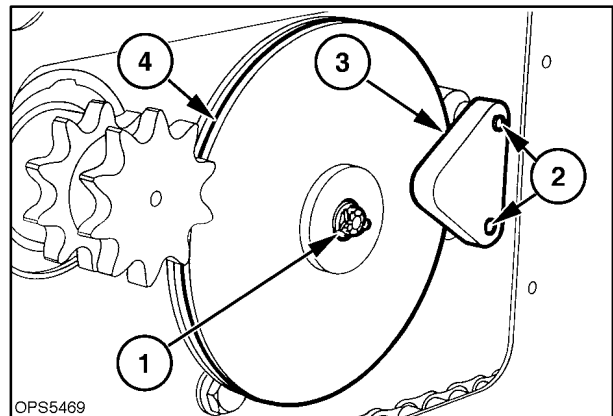
24

Op. 33 110 48

Brake Caliper and Disc Removal

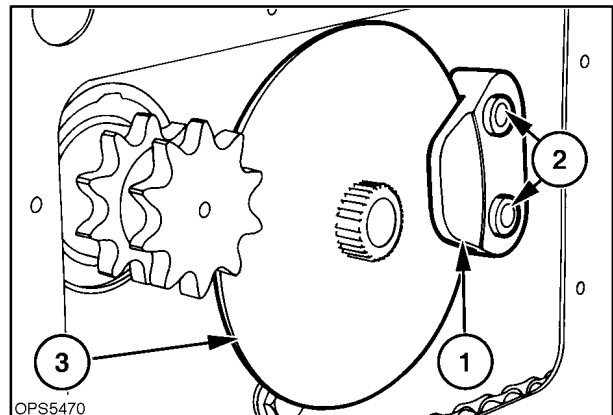
The loader must be properly supported with all four wheels off the ground.

- Remove the rear axle assembly.
- Remove the rear drive chain from the drive sprocket and push chain to the rear.
- Engage the parking brake.
- Remove the center brake disc retaining bolt and washer, 1.
- Disengage the parking brake.
- Loosen the caliper retaining hardware, 2, from the inside of cab. Thread the two bolts from the outside caliper assembly, 3. DO NOT remove bolts from caliper support at this time.
- Remove the outside disc, 4.
- Remove center section of caliper, 1, spacers, 2, and now remove the retaining bolts.
- Remove inside disc, 3.



OPS5469

25

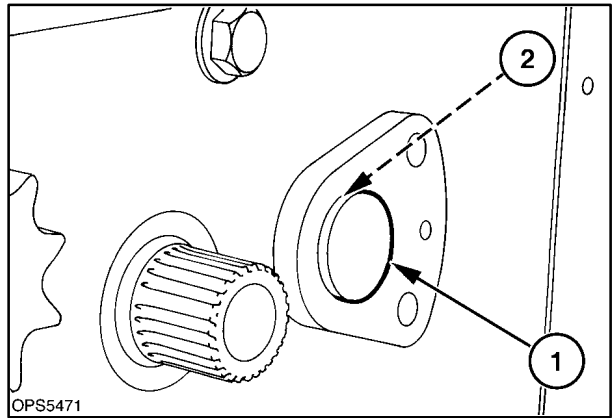


OPS5470

26

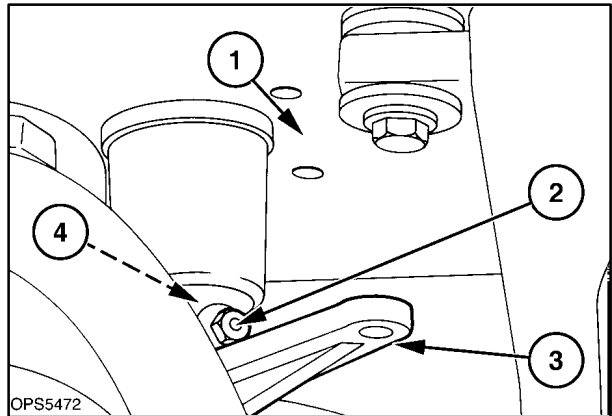
10. Remove brake friction puck, 1, and spacer plate, 2.

NOTE: The spacer plate is thinner than the friction puck and must be inserted into brake caliper first upon reassembly.



27

11. Remove the caliper support retaining bolt, 1, and remove the support from the loader.
12. Remove the setscrew, 2, from the arm, 3, and slide the arm from the shaft, 4.
13. Rotate the caliper shaft, 4, from the support.



28

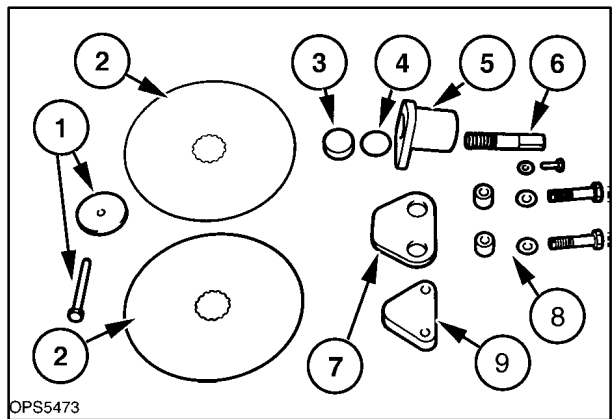
Brake Caliper and Disc Parts Inspection

Thoroughly clean all parts of sealing material etc. before inspection.

Brake caliper and related parts

Ref. Description

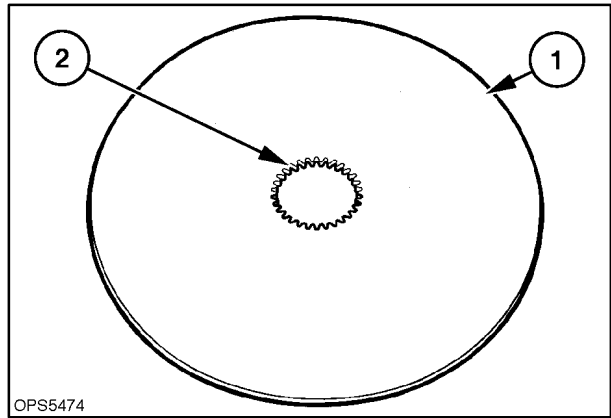
- | | |
|---|-------------------------------|
| 1 | Brake disc retaining hardware |
| 2 | Brake disc (2) |
| 3 | Brake puck (1) |
| 4 | Spacer plate (1) |
| 5 | Caliper support and hardware |
| 6 | Shaft |
| 7 | Center caliper plate |
| 8 | Bushings and hardware |
| 9 | Outer caliper section |



29

SECTION 33 - BRAKES AND CONTROLS

1. Inspect the brake disc for wear in the clamp area, 1, and splines, 2. The disc should also be flat. If worn severely or bent, replace.

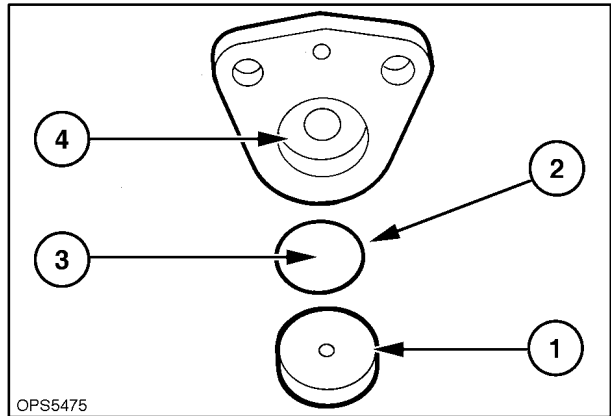


OPS5474

30

2. Inspect the brake friction puck, 1. If worn severely, replace.
3. The spacer plate, 2, will show a small amount of wear in the center next to the shaft at 3. This is normal.

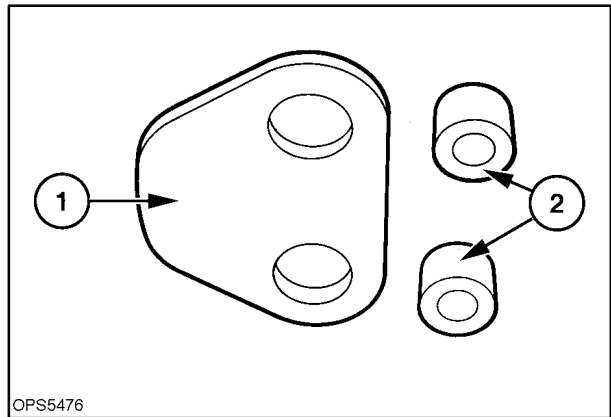
NOTE: The spacer plate, 2, must be installed into the caliper support, 4, first during reassembly.



OPS5475

31

4. Inspect the caliper center plate, 1, and bushings, 2, for wear. Replace if worn.

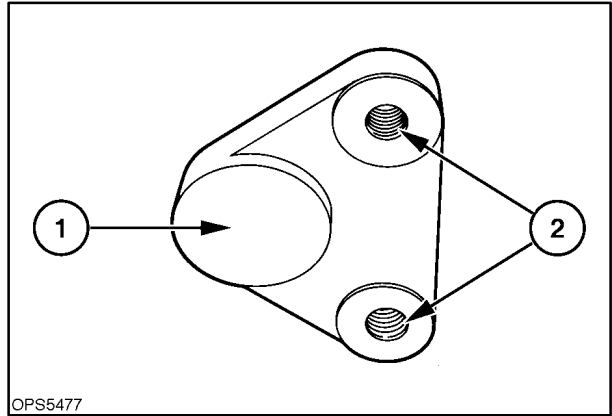


OPS5476

32

Inspect the caliper outer plate for wear. Replace if worn.

Inspect the thread area, 2, and if damaged, replace outer plate.

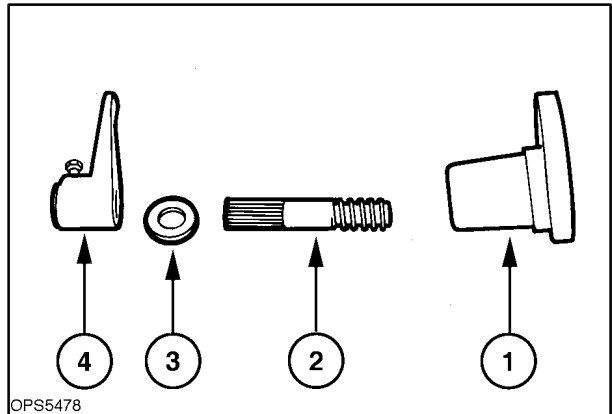


OPSS477

33

5. Inspect the caliper support, 1, and shaft thread area, 2. If damaged and shaft rotates hard in support, replace the damaged part. Inspect the shaft seal, 3; replace if damaged. Inspect the control arm, 4, for damaged splines; replace as required.

NOTE: The brake caliper support and shaft will be right or left thread depending which side of machine it is from. The right threaded assembly is for the right side of unit; the left threaded assembly is for the left.



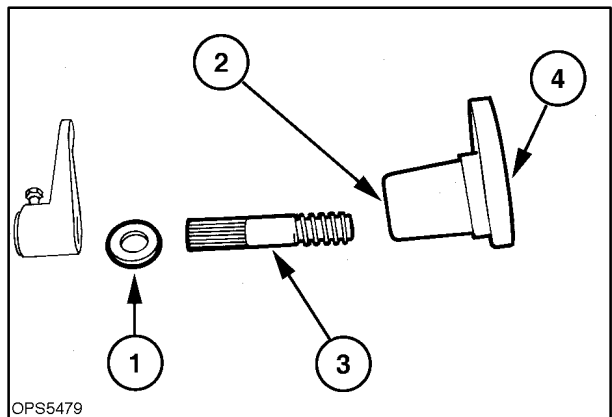
OPSS478

34

Brake Caliper and Disc Reassembly

1. Install a new seal, 1, in support at 2, if required. Apply a coating of never-seize lubricant on the threads of the shaft, 3, and in the support and thread the shaft into the support at 2. Put a bead of noncorrosive silicone sealer around the end of support at 4.

NOTE: The brake caliper support and shaft will be right or left thread depending which side of machine it is from. The right threaded assembly is for the right side of unit; the left threaded assembly is for the left.

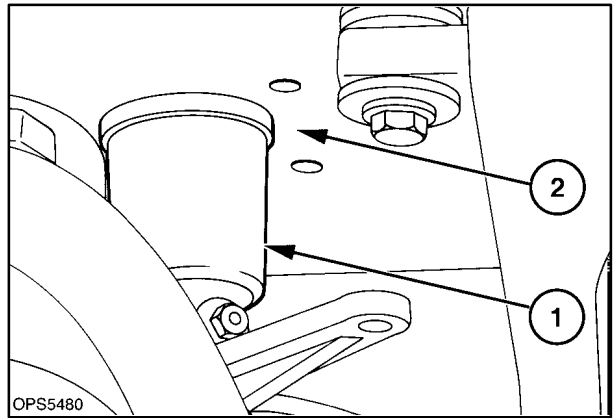


OPSS479

35

SECTION 33 - BRAKES AND CONTROLS

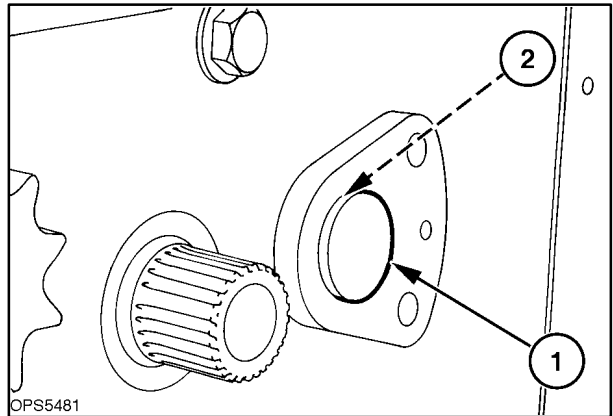
2. Install the correct, right or left, caliper support, 1, in the final drive case. Position and install retaining bolt, 2, and tighten to 12 N·m (9 ft. lbs.).



36

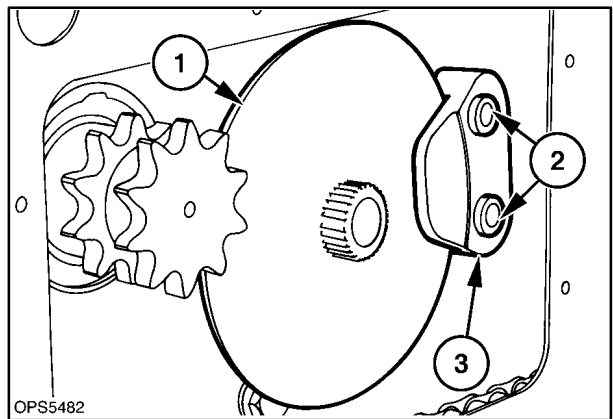
3. Install the spacer plate, 2, next to the end of shaft, then the brake friction puck, 1.

NOTE: The thin spacer plate must be inserted into the caliper support first, then the friction puck, to insure proper brake operation.



37

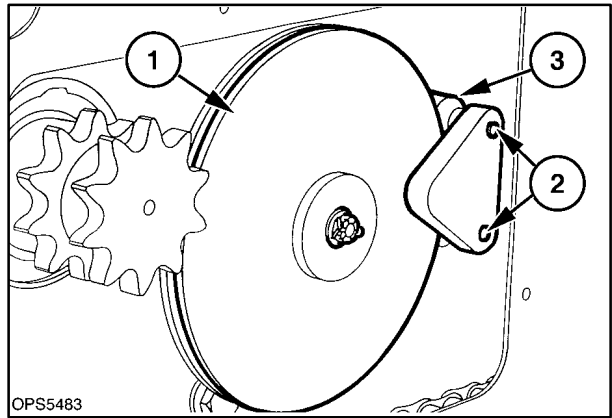
4. Install the inside brake disc, 1, onto splined motor coupler shaft.
5. Put a bead of silicone sealer around the caliper retaining bolts and insert in support.
6. Slide the spacers, 2, and center of caliper, 3, over bolts.



38

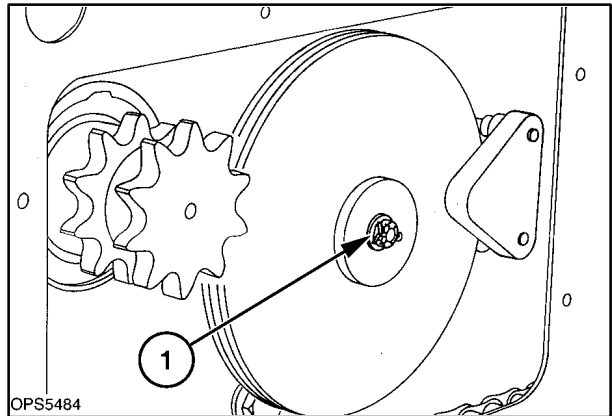
SECTION 33 - BRAKES AND CONTROLS

7. Install outer brake disc, 1, on motor shaft.
8. Thread caliper retaining bolts into outer section of caliper, 2, and tighten to 70 N·m (52 ft. lbs.). Check the center section of the caliper, 3, to make sure it is free to move.



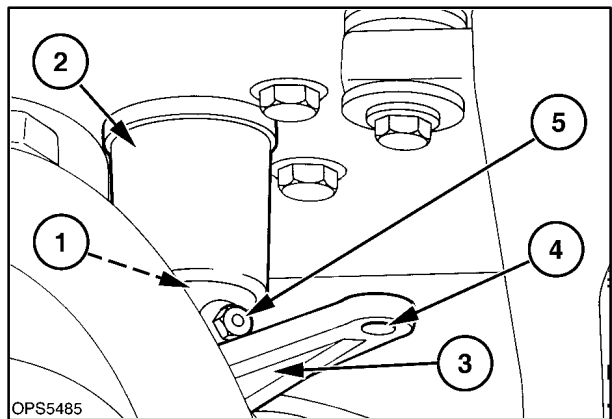
39

9. Put a bead of sealer on end of motor coupler and install the brake disc retaining bolt and large flat washer, 1. Tighten to 35 N·m (26 ft. lbs.).



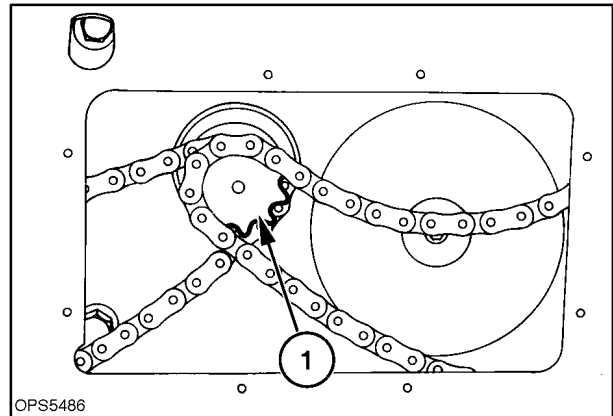
40

10. Thread the shaft, 1, into the support, 2, to remove all play in brake caliper and disc.
11. Rotate and position the control arm, 3, so the spring link can be reconnected at 4.
 - Then slide the control arm onto the shaft.
 - Position the control arm on the shaft for clearance between arm and other components when the brake is engaged and disengaged.
 - Tighten the retaining screw, 5, in the control arm.
 - Install cotter pin in spring link at 4.



41

12. Reinstall the drive chain over the drive sprocket at 1.

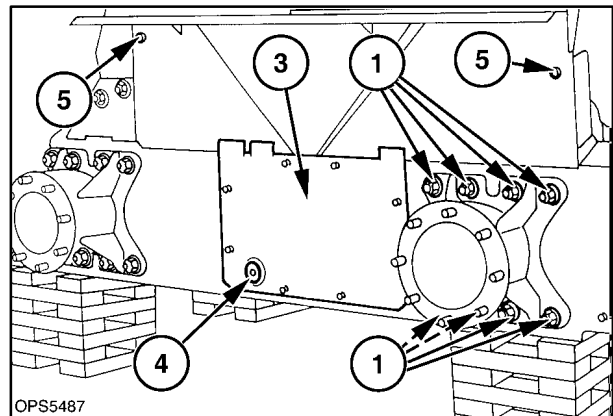


42

13. Install the rear axle assembly. Slide the axle assembly to the rear and tighten the drive chain to obtain a movement of 0 - 6 mm (0 - 1/4") movement at the outer tire tread.

Tighten the retaining bolts, 1, to 190 N-m (140 ft. lbs.).

14. Reseal and install the final drive cover, 3.
15. Check the final drive case oil level and add as required, 4.
16. Reinstall fender, 5, and all other shields removed for the repair.



43

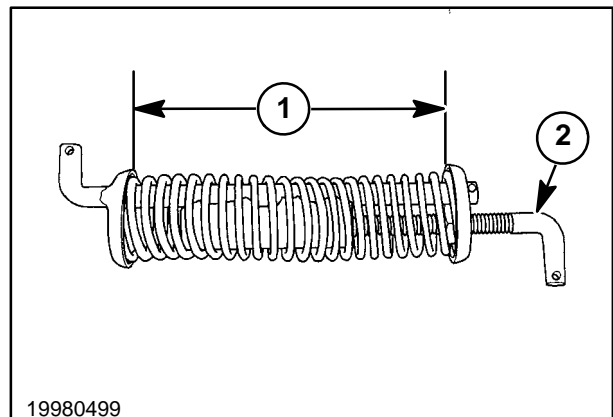
Parking Brake and Linkage Adjustment

When the parking brake is properly adjusted and engaged it will hold a powered loader.

Spring Adjustment

Parking brake in the disengaged position.

1. Measure the spring length from the top to the bottom of the spring retainer at 1.
2. Adjust the spring assembly by threading rod, 2, in or out to obtain an overall length of 8-5/8" at 1.



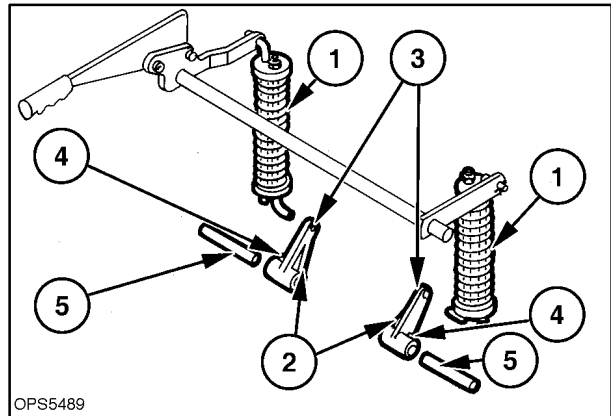
44

Caliper Adjustment

Parking brake in the disengaged position.

1. Unhook the lower pin of the spring assembly, 1, from the control arm at 3.
2. Push the arm, 2, down to turn the shaft into the caliper support to remove any play in caliper and disc.
3. Loosen the setscrew in arm at 4, and slide arm off the shaft.
4. Rotate the arm up so the spring can be rehooked and slide the arm on the corresponding shaft splines.
5. Position the control arm on the shaft for clearance between arm and other components when the brake is engaged and disengaged.
6. Tighten the retaining screw in the control arm.
7. Connect the spring to the arm and install cotter pin in spring link at 3.

NOTE: The parking brake control lever must be in the lower (disengaged position) for parking brake adjustment.



SECTION 33 - BRAKES AND CONTROLS

LABOR GUIDE

The following labor amounts are listed as a guide only. Working conditions and experience will vary the time the job actually takes to complete each job.

| Job Description | Hours |
|---|--------------|
| Brake | |
| Handle - remove, rebuild, replace | 1.0 hr. |
| Spring - remove, rebuild, replace | 0.5 hr. |
| Disc - remove and replace | 1.0 hr. |
| Caliper - remove and replace | 1.5 hr. |
| Friction Disc (puck) - remove and replace | 1.0 hr. |
| Adjust parking brake | 0.5 hr. |

SECTION 35 - HYDRAULIC SYSTEM

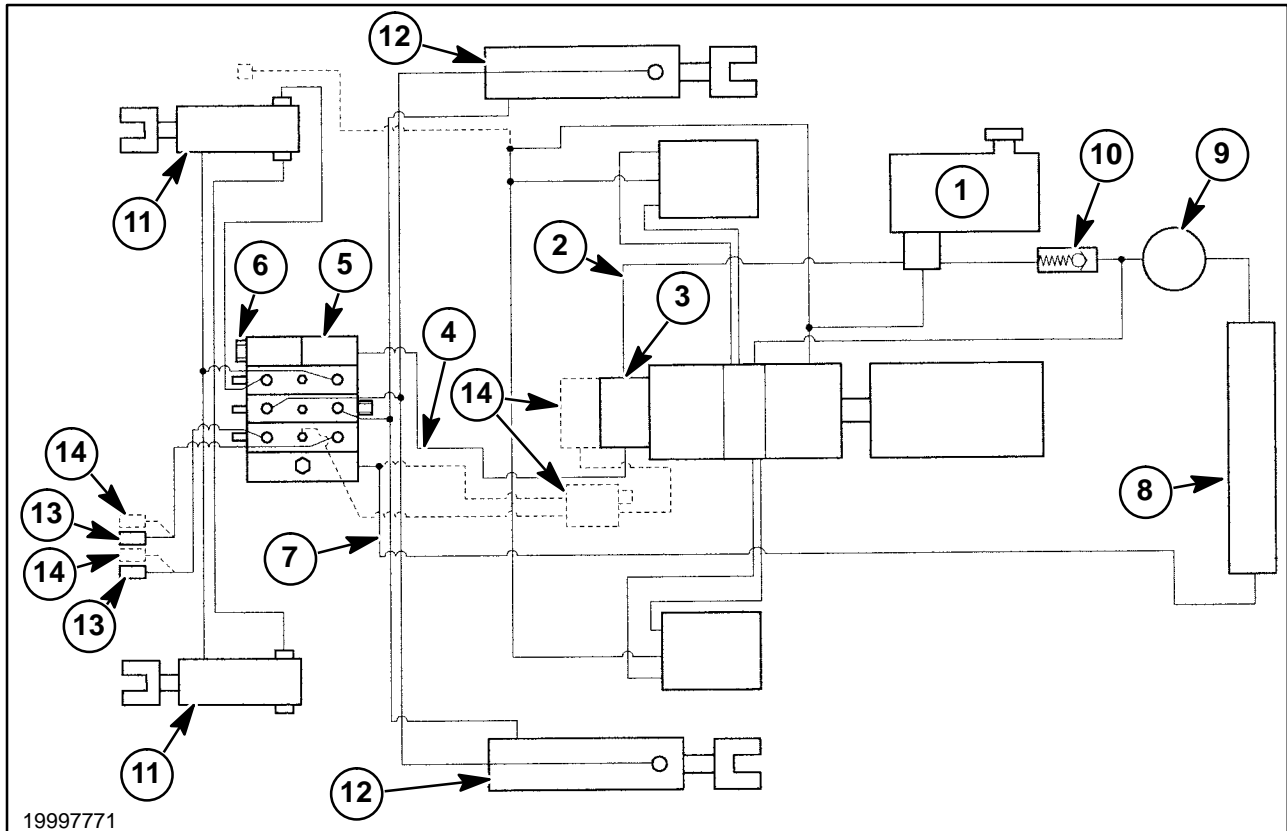
Chapter 1 - Valves, Gear Pump, Cylinders, and Pedal Controls

CONTENTS

| Section | Description | Page |
|-----------|--|-------|
| 35 000 | General Information | 35-3 |
| | Hydraulic System Compatibility | 35-4 |
| | Boom Cylinder Pivot Pins | 35-6 |
| | Boom Cylinder Pivot Pin Location and Machine Usage | 35-6 |
| | Control Valve Power Beyond | 35-7 |
| | Specifications | 35-8 |
| | Troubleshooting | 35-12 |
| | Auxiliary Boom Hydraulics Troubleshooting | 35-16 |
| | Hydraulic System Testing | 35-18 |
| | Hydraulic System Oil Flow | 35-24 |
| | Control Valve - Bucket Spool Shifted | 35-25 |
| | Control Valve - Boom Spool Shifted | 35-26 |
| | Control Valve - Auxiliary Spool Shifted | 35-27 |
| 35 710 02 | Main System Pressure Tests | 35-28 |
| | Checking Main System Pressure at Boom Cylinders | 35-30 |
| | Checking Main System Pressure at Bucket Cylinders | 35-31 |
| | Checking Main System Pressure at Auxiliary Boom Hydraulic Quick Couplers | 35-32 |
| | Boom Circuit Relief Valve Test | 35-33 |
| | Gear Pump Flow Efficiency Test | 35-35 |
| | Boom and Bucket Spool Lock Solenoid Test | 35-39 |
| | Hydraulic, Hydrostatic System Air Ingress Test | 35-41 |
| | Control Valve Specifications | 35-43 |
| 35 724 50 | Control Valve Removal | 35-44 |
| 35 724 54 | Control Valve Disassembly and Inspection | 35-45 |
| | Control Valve Parts Inspection | 35-49 |
| | Control Valve Reassembly | 35-50 |
| | Control Valve Reinstallation | 35-53 |
| | Hydraulic Pump Specifications | 35-54 |
| 35 710 10 | Hydraulic Pump Removal | 35-55 |
| 35 710 20 | Hydraulic System Pump Removal/Disassembly (Without High Flow) | 35-56 |
| 35 710 20 | Hydraulic System Pump and High Flow Removal/Disassembly | 35-56 |
| | High Flow Pump Parts Inspection | 35-58 |

SECTION 35 - HYDRAULIC SYSTEM

| | | |
|-----------|---|--------|
| | Hydraulic System Pump Parts Inspection | 35-59 |
| | Hydraulic System Pump Reassembly/Installation (Without High Flow) | 35-61 |
| | Hydraulic System Pump and High Flow Pump Reassembly/Installation | 35-64 |
| | New Hydraulic System Pump Installation (Without High Flow) | 35-70 |
| | New Hydraulic System Pump/High Flow Pump Installation | 35-72 |
| | Gear Pump Start-Up Procedure | 35-78 |
| | Cylinders, Boom and Bucket | 35-79 |
| 35 710 10 | Boom Cylinder Removal | 35-81 |
| 35 730 18 | Boom Cylinder Disassembly | 35-83 |
| | Boom Cylinder Parts Inspection | 35-84 |
| | Boom Cylinder Reassembly | 35-85 |
| | Boom Cylinder Reinstallation | 35-87 |
| 35 730 10 | Bucket Cylinder Removal | 35-87 |
| 35 730 13 | Bucket Cylinder Disassembly | 35-88 |
| | Bucket Cylinder Parts Inspection | 35-89 |
| | Bucket Cylinder Reassembly | 35-90 |
| | Bucket Cylinder Reinstallation | 35-92 |
| | Pedal Controls | 35-93 |
| 35 724 16 | Pedal Removal (With Boom and Bucket Pedal Controls) | 35-93 |
| | Pedal Inspection (With Boom and Bucket Pedal Controls) | 35-93 |
| | Pedal Reinstallation (With Boom and Bucket Pedal Controls) | 35-95 |
| 35 724 16 | Pedal Removal (With Boom and Bucket Hand Controls) | 35-98 |
| | Pedal Inspection (With Boom and Bucket Hand Controls) | 35-99 |
| | Pedal Reinstallation (With Boom and Bucket Hand Controls) | 35-100 |
| 35 300 | Hydraulic Cooling, Filter, Reservoir System | 35-103 |
| 35 705 | Filter System | 35-104 |
| 35 705 04 | Filter Removal | 35-104 |
| 35 705 05 | Base Removal | 35-104 |
| | Reassembly | 35-105 |
| | Oil Cooler | 35-105 |
| 35 300 10 | Oil Cooler Removal | 35-105 |
| | Oil Cooler Reassembly | 35-106 |
| 35 300 | Oil Reservoir | 35-106 |
| 35 300 10 | Oil Reservoir Removal | 35-107 |
| | Oil Reservoir Reinstallation | 35-108 |
| | Adapting Attachments | 35-109 |
| | Labor Guide | 35-110 |

**Op. 35 000****GENERAL INFORMATION**

The hydraulic system provides hydraulic oil to the boom and bucket, and the return oil provides charge oil for the hydrostatic drive system. On skid steers equipped with the auxiliary boom hydraulic kit, system oil will be provided to quick couplers at the front of the boom to operate hydraulic attachments. The hydraulic system is an open center type system. The gear pump provides continuous oil flow through the system to the boom, bucket circuits, auxiliary boom circuit, if equipped, and the hydrostatic drive charge circuit.

A open center system means the first control valve function has priority over the next function in line.

NOTE: The return oil must follow the normal return path from the control valve to the oil cooler/filter and back to the hydrostatic charge pressure inlet on the transmissions or severe damage to the hydrostatic system may occur.

Figure 1 shows the hydraulic circuit and components for the LS160 and LS170 skid steers.

The hydraulic system is built with the following components and their location.

1. Hydraulic reservoir - Right front of engine compartment
2. Suction line - From reservoir to the gear pump under operator's seat
3. Gear pump - Under the operator's seat
4. Pressure line - From gear pump to control valve
5. Control valve (three spool) - Under operator's step shield
6. Main system relief valve - In control valve
7. Return line - From control valve to oil cooler
8. Oil cooler - Engine side of radiator in engine compartment
9. Filter - Right rear of engine compartment through rear door
10. Charge check valve - After filter and before the reservoir
11. Bucket cylinders
12. Boom cylinders
13. Auxiliary boom hydraulics
14. Optional high flow kit - Dealer installed kit - Refer to Section 88 - "Accessories" for more information.

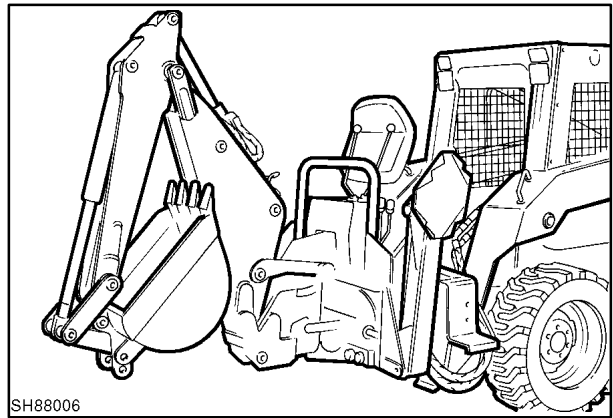
HYDRAULIC SYSTEM COMPATIBILITY

There are six questions that must be answered before adapting attachments that require hydraulic oil power.

1. What is the hydraulic pressure requirement, minimum and maximum? Are they higher than the maximum pressure of the model?

| Model | Maximum Pressure |
|-----------------|----------------------------------|
| LS160 and LS170 | 170-176 bar (2500 - 2600 PSI) |

2. What is the hydraulic oil flow requirement? Is it more than the highest total flow rate of the skid-steer loader model?



2

| Model | Standard Hydraulics | High Flow Hydraulics |
|-------|--|--|
| LS160 | 15.5 GPM (58.7 l/min.) @2900 RPM @1000 PSI (68 bar) | 24.0 GPM (90.8 l/min.) @2900 RPM @1000 PSI (68 bar) |
| LS170 | 17.7 GPM (67.0 l/min.) @2900 RPM @1000 PSI (68 bar) | 26.2 GPM (99.2 l/min.) @2900 RPM @1000 PSI (68 bar) |

NOTE: When using the High-Flow system, 3/4" quick couplers must be used or high system backpressure may result.

3. Will the attachment accept oil flow in both directions?

If "YES", nothing is required.

If "NO", install a check valve or cross into the attachment return line to prevent reverse oil flow to the attachment.

Examples: Backhoes and trees spades with a separate control valve do not accept oil flow in both directions.

4. Must the attachment "Free Wheel" to a STOP?

If "YES", a crossover relief connection must be installed on the attachment side to allow the attachment to free wheel to a stop after the skid-steer loader hydraulics is turned off.

If "NO", nothing is required.

Example: Snow blowers must free wheel to a stop.

5. Will the attachment accept hydraulic system backpressure?

If "YES", nothing is required.

If "NO", the attachment will not function properly on a New Holland skid-steer loader. Normal backpressure for New Holland skid-steer skid steers is between 200 - 250 PSI.

Examples: Post drivers, some breakers, and some hand held hydraulic tools do not accept system backpressure.

If all the skid-steer loader oil flow is not required to operate an attachment (e.g., shaver post driver), a flow divider can be installed into the hydraulic oil circuit on the attachment. The flow divider sends the required oil flow to the attachment and the remainder back to the normal skid-steer loader hydraulic circuits.

Model LS160 and LS170 skid steers must have a minimum of 22.7 l/min. (6 GPM) returning through the main hydraulic system at all times, required to charge the hydrostatic system.

SECTION 35 - HYDRAULIC SYSTEM

6. Does the attachment have a separate case drain oil line?

If "NO", nothing is required.

If "YES", install a separate case drain line to return the attachment case drain oil directly to the hydraulic oil reservoir.

Example: Cold planners have a separate case drain oil line.

NOTE: *Most attachment case drains will not accept backpressure and must drain directly into the reservoir.*

NOTE: *Skid steers equipped with High Flow Hydraulics have a separate case drain coupler and return line attached to the right boom arm.*

7. Does the attachment require circuit relief in the bucket circuit?

If "NO", nothing is required.

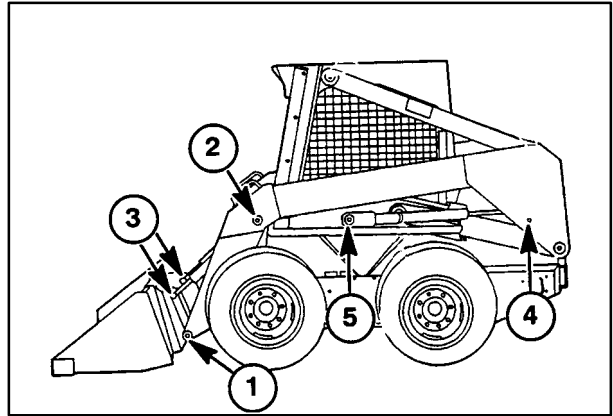
If "YES", install a bucket circuit relief valve on front of the control valve.

Example: Some mini-backhoes attach like a bucket, and require a bucket circuit relief.

BOOM CYLINDER PIVOT PINS

When the main boom, upper and lower boom links and cylinders are removed, the figure and chart here may be used for proper pin placement.

The figure and chart show the boom and cylinder tapered and straight pivot pins, location/description, quantity used, and part number.



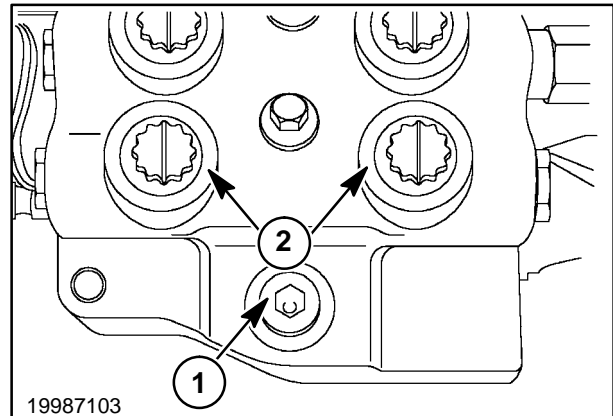
3

BOOM AND CYLINDER PIVOT PIN LOCATION AND MACHINE USAGE

| Ref.# | Description | Qty. | Part Number |
|-------|-----------------------------|------|-------------|
| 1 | Mounting Plate Pivot | 2 | 86501434 |
| 2 | Upper Bucket Cylinder Pivot | 2 | 86501430 |
| 3 | Lower Bucket Cylinder Pivot | 2 | 9614349 |
| 4 | Upper Boom Cylinder Pivot | 2 | 86521982 |
| 5 | Lower Boom Cylinder Pivot | 2 | 86504316 |

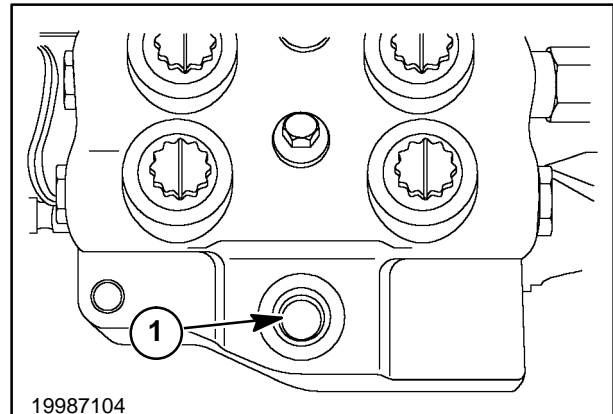
CONTROL VALVE POWER BEYOND

Control valve, used on all skid-steer skid steers, has a plugged power-beyond port, 1. This port is not normally used with New Holland-supplied attachments, as these can be operated through the auxiliary boom hydraulics (the third control valve spool), 2.



4

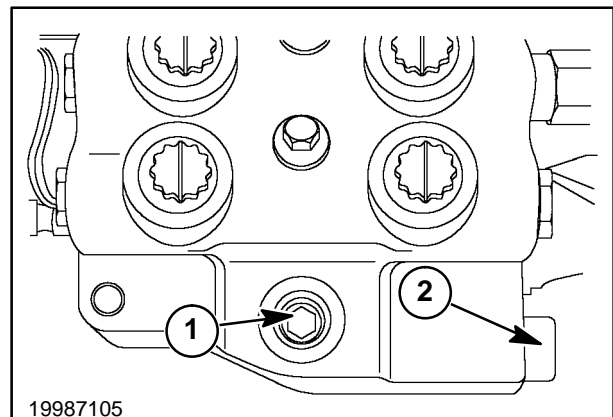
To use the power-beyond port for a second oil supply to additional attachments, remove the factory power-beyond plug to access inner hole, 1. This hole must be plugged to divert oil to the power beyond instead of normal oil flow to the out port.



5

Install part #236622 allen head type pipe plug in the inner port, 1. Tighten the plug securely. A regular O ring type fitting can now be inserted in the power-beyond port.

IMPORTANT: Once the power-beyond fitting and plug is installed, oil must be constantly returned from the attachment valve into the return line, 2. If oil is blocked at the power-beyond port, hydraulic system overheating and component damage could occur. Also, engine horsepower requirements will increase. A tee fitting can be inserted in the return line at 2, for attachment oil return.



6

**SPECIFICATIONS
SKID STEER MODEL**

LS160

MAIN CONTROL VALVE

Type 3-spool open center
 Relief Valve 170 - 177 bar (2500 - 2600 PSI) Nonadjustable
 Circuit Relief (boom) 238 bar (3500 PSI) Nonadjustable

Electrical solenoid boom and bucket spool locks (controlled by the EIC) will lock the control valve spools when the operator is out of the seat or the ignition key is in the "OFF" position with the spools in the neutral position.

HYDRAULIC PUMP

Type Gear pump
 Output @ 2900 RPM - @ 1000 PSI 15.5 GPM (58.7 LPM)

BOOM CYLINDERS

Type Double Acting
 Bore Diameter 63.5 mm (2.5")
 Stroke 470.15 mm (18.51")
 Cycle Times (Seconds)
 Raise 3.5
 Lower 3.5

BUCKET CYLINDERS

Type Double Acting
 Bore Diameter 57.15 mm (2.25")
 Stroke 454.15 mm (17.88")
 Cycle Times (Seconds)
 Curl back 2.2
 Curl down (dump) 2.8

RESERVOIR

Capacity 6 gal. (22.7 L)
 Fluid Type SAE 10W-30 API Service SH/CG4 motor oil
 Filter Spin-on Canister 10 micron

**TORQUE SPECIFICATIONS
SKID STEER MODEL****LS160****Control Valve**

| | |
|--|----------------------|
| Control Valve Retaining Hardware | 24 N·m (18 ft. lbs.) |
| Control Valve Plugs (large) | 38 N·m (28 ft. lbs.) |
| Control Valve Plugs (small) | 31 N·m (23 ft. lbs.) |
| Circuit Relief Valve (boom) | 38 N·m (28 ft. lbs.) |
| Spool Lock Solenoids | 15 N·m (11 ft. lbs.) |
| Solenoid Mounting Block Hardware | 16 N·m (12 ft. lbs.) |
| Main System Relief Valve | 51 N·m (38 ft. lbs.) |
| Spool Cap Assembly Hardware | 16 N·m (12 ft. lbs.) |
| Plug, BYD Port | 38 N·m (28 ft. lbs.) |

Boom Cylinders

| | |
|--------------------------------|------------------------|
| Piston Locknut Torque | 230 N·m (170 ft. lbs.) |
| Cylinder Gland Torque | 306 N·m (225 ft. lbs.) |
| Lower Pivot Pin Hardware | 338 N·m (250 ft. lbs.) |
| Upper Pivot Pin Hardware | 38 N·m (28 ft. lbs.) |

Bucket Cylinders

| | |
|--------------------------------|------------------------|
| Piston Cap Screw Torque | 386 N·m (285 ft. lbs.) |
| Cylinder Head Torque | 285 N·m (210 ft. lbs.) |
| Lower Pivot Pin Hardware | 38 N·m (28 ft. lbs.) |
| Upper Pivot Pin Hardware | 108 N·m (80 ft. lbs.) |

Gear Pump

| | |
|------------------------------|----------------------|
| Pump Mounting Hardware | 39 N·m (29 ft. lbs.) |
| Pump Body Hardware | 35 N·m (26 ft. lbs.) |

OTHER MATERIALS

| | |
|------------------------|--|
| Sealing Material | NH Ultra Blue silicone sealer NH #L81724 - 3.35 oz. tube (cord) NH #L82519DS - 8 oz. tube NH #L58775 - 10.2 oz. cartridge |
| Hydraulic Oil | SAE10W-30 motor oil-API Service SH/CG4 NH #9613313 - 1 qt. NH #9613314 - 2 1/2 gal. NH #9613358 - 1 L NH #9613360 - 20 L |

NOTE: Always use a noncorrosive silicone sealer to prevent damage to the components being sealed during the silicone curing process.

**SPECIFICATIONS
SKID STEER MODEL**

LS170

MAIN CONTROL VALVE

Type 3-spool open center
 Relief Valve 170 - 177 bar (2500 - 2600 PSI) Nonadjustable
 Circuit Relief (boom) 238 bar (3500 PSI) Nonadjustable

Electrical solenoid boom and bucket spool locks (controlled by the EIC) will lock the control valve spools when the operator is out of the seat or the ignition key is in the "OFF" position with the spools in the neutral position.

HYDRAULIC PUMP

Type Gear pump
 Output @ 2900 RPM - @ 1000 PSI 17.7 GPM (67.0 LPM)

BOOM CYLINDERS

Type Double Acting
 Bore Diameter 63.5 mm (2.5")
 Stroke 470.15 mm (18.51")
 Cycle Times (Seconds)
 Raise 2.7
 Lower 2.3

BUCKET CYLINDERS

Type Double Acting
 Bore Diameter 57.15 mm (2.25")
 Stroke 454.15 mm (17.88")
 Cycle Times (Seconds)
 Curl back 1.54
 Curl down (dump) 1.75

RESERVOIR

Capacity 6 gal. (22.7 L)
 Fluid Type SAE 10W-30 API Service SH/CG4 motor oil
 Filter Spin-on Canister 10 micron

**TORQUE SPECIFICATIONS
SKID STEER MODEL**

LS170

Control Valve

| | |
|--|----------------------|
| Control Valve Retaining Hardware | 24 N·m (18 ft. lbs.) |
| Control Valve Plugs (large) | 38 N·m (28 ft. lbs.) |
| Control Valve Plugs (small) | 31 N·m (23 ft. lbs.) |
| Circuit Relief Valve (boom) | 38 N·m (28 ft. lbs.) |
| Spool Lock Solenoids | 15 N·m (11 ft. lbs.) |
| Solenoid Mounting Block Hardware | 16 N·m (12 ft. lbs.) |
| Main System Relief Valve | 51 N·m (38 ft. lbs.) |
| Spool Cap Assembly Hardware | 16 N·m (12 ft. lbs.) |
| Plug, BYD Port | 38 N·m (28 ft. lbs.) |

Boom Cylinders

| | |
|--------------------------------|------------------------|
| Piston Locknut Torque | 230 N·m (170 ft. lbs.) |
| Cylinder Gland Torque | 306 N·m (225 ft. lbs.) |
| Lower Pivot Pin Hardware | 338 N·m (250 ft. lbs.) |
| Upper Pivot Pin Hardware | 38 N·m (28 ft. lbs.) |

Bucket Cylinders

| | |
|--------------------------------|------------------------|
| Piston Cap Screw Torque | 386 N·m (285 ft. lbs.) |
| Cylinder Head Torque | 285 N·m (210 ft. lbs.) |
| Lower Pivot Pin Hardware | 38 N·m (28 ft. lbs.) |
| Upper Pivot Pin Hardware | 108 N·m (80 ft. lbs.) |

Gear Pump

| | |
|------------------------------|----------------------|
| Pump Mounting Hardware | 39 N·m (29 ft. lbs.) |
| Pump Body Hardware | 35 N·m (26 ft. lbs.) |

OTHER MATERIALS

| | |
|------------------------|--|
| Sealing Material | NH Ultra Blue silicone sealer NH #L81724 - 3.35 oz. tube (cord) NH #L82519DS - 8 oz. tube NH #L58775 - 10.2 oz. cartridge |
| Hydraulic Oil | SAE10W-30 motor oil-API Service SH/CG4 NH #9613313 - 1 qt. NH #9613314 - 2 1/2 gal. NH #9613358 - 1 L NH #9613360 - 20 L |

NOTE: Always use a noncorrosive silicone sealer to prevent damage to the components being sealed during the silicone curing process.

TROUBLESHOOTING

When performing a test on the hydraulic system, use the proper test procedures and test equipment.

Before testing, lower the attachment to the ground or remove the attachment from the loader.

If testing is to be performed with a raised boom, make sure the boom is raised above and resting on the boom lock pins.

Before opening the hydraulic system, clean the area thoroughly to prevent contaminating the system.

Before opening the hydraulic system, relieve all pressure from the system.

Before testing the hydraulic system, check the hydraulic oil level.

Before testing the hydraulic system, the oil must be at normal operating temperature.

If testing requires the skid-steer loader to be raised, use adequate blocking and/or jack stands to securely support the loader.

 **CAUTION** 

When connecting test equipment into the hydraulic system, relieve the pressure in the system. stop the engine, turn the ignition switch to the "ON" Position and operate all hydraulic control valve circuits to relieve pressure. Turn the ignition switch to the "OFF" Position.

 **WARNING** 

Gauges, gauge fittings, and hoses must have operating pressure ratings of at least 25% higher than the highest pressures of the system.

Never adjust or replace the relief valves to get higher pressures than those specified by the equipment manufacturer.

Fluid under pressure can have sufficient force to penetrate the skin, causing serious personal injury. Always protect the skin and eyes from escaping fluid under pressure.

Before disconnecting lines or fittings, be sure to turn off the skid steer engine and relieve all pressure. Before applying pressure to the system, be sure all connections are tight and that lines, pipes, and hoses are not damaged.

If injured by escaping fluid, obtain medical assistance at once. Serious infection or reaction can develop if medical treatment is not administered immediately.

Remove any attachment from the mounting plate before loosening or disconnecting any hydraulic lines.

 **CAUTION** 

Use adequate blocking and/or jack stands to insure that the loader is safely supported with all four wheels off the ground.

SECTION 35 - HYDRAULIC SYSTEM

| PROBLEM | POSSIBLE CAUSE | CORRECTION |
|--|--|--|
| Noisy system pump | Oil level too low Oil of incorrect viscosity Suction line plugged Reservoir air vent plugged Air leaks at pump inlet line fittings | Add proper oil and amount Replace oil and filter Clean or replace line Clean reservoir cap Tighten or replace line and fittings Check for air leak in hydrostatic pump case drain line from hydrostatic pumps to section side of gear pump |
| Hydraulic reservoir oil foaming/milky | Air or water in system | Check for air leak on suction side of pump and check reservoir fill neck for leak to allow water to enter system Check for air leak in hydrostatic pump case drain line from hydrostatic pumps to section side of gear pump |
| Low system pump oil flow, under pressure | Plugged inlet line Low oil level in reservoir Air leaks at pump inlet line and fittings Worn pump body | Clean or replace line Add proper oil and amount Tighten or replace line and fittings Check for air leak in hydrostatic pump case drain line from hydrostatic pumps to section side of gear pump Replace body if ID of body exceeds acceptable limits. Refer to service manual. |
| No system pressure | Inoperative relief valve Plugged inlet line Worn hydraulic pump Pump shaft broken Internal leakage in control valve or cylinders | Replace valve Clean or replace inlet line Rebuild or replace pump Replace relief valve and replace or repair pump Rebuild components |
| Boom and bucket will not function | Service/Run switch in the service position Boom and bucket solenoids malfunctioning Pump shaft broken | Put Service/Run switch in the run position Check solenoid operation Replace relief valve and replace or repair pump |

SECTION 35 - HYDRAULIC SYSTEM

| PROBLEM | POSSIBLE CAUSE | CORRECTION |
|--|---|--|
| Boom arms will not raise or raise slowly | Low oil flow from pump Low relief valve pressure Control linkage binding Boom solenoid malfunctioning Boom and bucket overloaded Cylinder shafts are bent Boom arms are binding at pivots Boom circuit relief valve malfunctioning Bucket tilt valve spool is not returning to center position, binding Auxiliary hydraulic handle locked in detent position | Plugged inlet line or worn pump Check pressure, replace valve if pressure is not correct Free linkage Check solenoid operation Reduce load Rebuild or replace cylinders Remove binding and lubricate linkage Check circuit relief valve pressure setting Correct binding, spool centering spring damaged. Return handle to neutral position |
| Boom or bucket leaks down or low pressure | Control valve O rings leaking on plugs or circuit relief valve | Repair control valve with seal kit and replace O rings and back-up rings |
| Boom and/or bucket will not move smoothly, jerky. | Air leaks at pump line and fittings | Tighten or replace line and fittings |
| Bucket will not tilt back, tilts back slowly or tilts forward slowly | Low oil flow from pump Worn or damaged pump Valve spool is not in correct position, spool binding Bucket solenoid malfunctioning Cylinder shafts are bent Cylinder seals are leaking Bucket is overloaded Auxiliary hydraulic handle locked in detent position | Plugged inlet line, clean or replace line Check pump flow, rebuild or replace pump as necessary Free control linkage, centering spring damaged Check solenoid operation Rebuild or replace cylinders Rebuild cylinders Reduce load Return handle neutral |
| Bucket cylinder pin will not take grease | Pin drilled incorrectly | Replace with new pin |

SECTION 35 - HYDRAULIC SYSTEM

| PROBLEM | POSSIBLE CAUSE | CORRECTION |
|-------------------------------------|--|--|
| Hydraulic system hot | Low oil flow pump Main control valve linkage or spool binding or damaged Auxiliary boom hydraulic control not in neutral Hydraulic oil cooler restricted Leaking cylinder packing Main system relief valve low pressure Hydraulic attachment being over used | Plugged inlet line, clean or replace line Check and correct linkage Lock handle in neutral when not in use Clean oil cooler Repair cylinders Check main system pressure Back off and let system cool down, DO NOT operate at or close to relief pressure |
| Oil filter indicator light stays on | Oil filter clogged Incomplete circuit Undersize tubes, hoses, or fittings Filter base | Change filter Check the DkGn/O wire and connections Replace any undersize tubes, hoses, or fittings Replace if pressure differential across filter is over 40 PSI |

AUXILIARY BOOM HYDRAULICS TROUBLESHOOTING

| PROBLEM | POSSIBLE CAUSES | CORRECTION |
|--|--|--|
| No oil flow to quick couplers | Broken control linkage Inoperative quick coupler Plugged supply line Control valve plugs leaking oil to return Inoperative gear pump | Check and repair linkage Repair or replace Clean or replace Check O ring and back-up washer on plugs Check and repair |
| Control will not hold in detent position | Loose linkage Misadjusted linkage Inoperative control valve spool (binding) Inoperative control valve detent cap | Repair Repair Check and repair Check and repair |
| Hydraulic system overheats when auxiliary hydraulics is in use | Restriction in return line Inoperative quick coupler Restriction in attachment Operating at, or close to, relief pressure Relief pressure too low Plugged oil cooler not allowing cooling air to pass through | Check and repair Repair or replace Check and repair Operate at lesser loads Check operating pressure Clean oil cooler |
| Hydraulic system overheats when auxiliary hydraulics is not in use | Control handle shifted slightly Control linkage not adjusted properly Control valve spool binding | Return control to neutral and lock Adjust linkage Check and repair |

Adjustments Control Handle Locked, 1, In Neutral

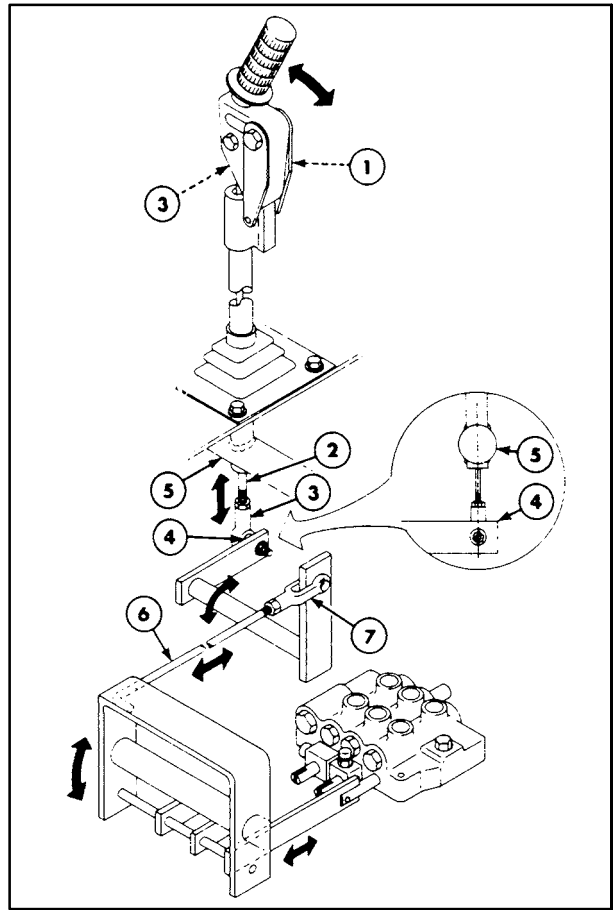
Adjust the length of rod, 2, by threading the ball joints, 3, on or off, at both ends of the rod to set the link, 4, vertical. Check adjustment by shifting the hydrostatic control lever forward and reverse. If the rod length is set correctly, there should be no movement in the link, 4, as the rod, 5, moves.

With the control handle locked in neutral and the control valve spool centered in the neutral position, adjust the length of rod, 6, with yoke, 7, to allow the installation of the yoke pin.

When the loader is operated, there should be no noise in the hydraulic system when in neutral.

NOTE: When using a hydraulic attachment, all oil must be returned through the standard return system to provide charge oil to the hydrostatic system.

IMPORTANT: If sufficient oil is not provided for the hydrostatic system, severe damage to the hydrostatic system will occur.



HYDRAULIC SYSTEM TESTING**Foot or hand controls and control valve spool locks:**

Pretest instructions:

- * Hydraulic oil reservoir oil at proper oil level
- * Operator in seat
- * Service/Run switch in "RUN" position
- * Seat belt fastened
- * Ignition switch in the "OFF" position

| STEP | TEST | RESULT | PROBABLE CAUSE AND CORRECTION |
|------|--|--------|---|
| 1 | Foot and/or hand controls, (boom and bucket) Controls should not move | NO | System OK |
| | | YES | Check linkage to control valve spools, if OK go to next step. |
| 2 | | | Check control valve spools for centering, if OK go to next step. |
| 3 | | | Check for bent control valve spools, if OK go to next step. |
| 4 | | | Check spool lockout solenoid operation, if not OK refer to solenoid testing |

Foot or hand controls and control valve spool locks:

Pretest instructions:

- * Hydraulic oil reservoir oil at proper oil level
- * Operator in seat
- * Service/Run switch in "RUN" position
- * Seat belt fastened
- * Ignition switch in the "ON" position

| STEP | TEST | RESULT | PROBABLE CAUSE AND CORRECTION |
|------|--|--------|---|
| 1 | Foot and/or hand controls, (boom and bucket) Controls should move | YES | System OK |
| | | NO | Check linkage to control valve spools, if OK go to next step. |
| 2 | | | Check control valve spools for centering, if OK go to next step. |
| 3 | | | Check for bent control valve spools, if OK go to next step. |
| 4 | | | Check spool lockout solenoid operation, if not OK refer to solenoid testing |

Foot or hand control and control valve spool lock solenoids:

Pretest instructions:

- * Hydraulic oil reservoir oil at proper oil level
- * Operator in seat
- * Service/Run switch in "RUN" position
- * Seat belt fastened
- * Ignition switch in the "ON" position

| STEP | TEST | RESULT | PROBABLE CAUSE AND CORRECTION |
|------|--|--------|---|
| 1 | Solenoid | YES | System OK |
| | Solenoid plunger should move from valve spool. | NO | Check for battery voltage at solenoid wire connection, if OK replace solenoid. If not OK go to next step. |
| | | | Set in seat and buckle seat belt in sequence, if not OK check operation of seat belt buckle. If OK go to next step. |
| | | | Check wires from solenoid to EIC board, if OK go to next step. |
| | | | Check EIC board operation |

Electronic instrument cluster (EIC) hydraulic oil temperature light:

Pretest instructions:

- * Hydraulic oil reservoir oil at proper oil level
- * Operator in seat
- * Service/Run switch in "RUN" position
- * Seat belt fastened
- * Ignition switch in the "ON" position
- * Engine running half throttle, 1500 RPM

| STEP | TEST | RESULT | PROBABLE CAUSE AND CORRECTION |
|------|---|--------|---|
| 1 | Electronic instrument cluster (EIC) | YES | System OK |
| | Hydraulic oil temperature light should be off | NO | Check hydraulic oil temperature, if OK go to step 3. If not OK go to next step. |
| 2 | | | Check oil cooler and radiator for restricted air flow. |
| 3 | | | Check oil temperature sender for proper operation. |

Electronic instrument cluster (EIC) hydraulic oil filter light:

Pretest instructions:

- * Hydraulic oil reservoir oil at proper oil level
- * Operator in seat
- * Service/Run switch in "RUN" position
- * Seat belt fastened
- * Ignition switch in the "ON" position
- * Engine running half throttle, 1500 RPM

| STEP | TEST | RESULT | PROBABLE CAUSE AND CORRECTION |
|------|---|--------|--|
| 1 | Electronic instrument cluster (EIC) | YES | System OK |
| | Hydraulic oil filter light should be off. | NO | Replace oil filter, if problem still exists go to next step. |
| 2 | | | Check filter sender and wires. |

Boom operation:

Pretest instructions:

- * Operator in seat
- * Service/Run switch in "RUN" position
- * Seat belt fastened
- * Ignition switch in the "ON" position
- * Engine running half throttle, 1500 RPM

| STEP | TEST | RESULT | PROBABLE CAUSE AND CORRECTION |
|------|--|--------|---|
| 1 | Boom movement | YES | System OK |
| | Boom should move freely through full range when the foot or hand controls are moved. | NO | Check for binding in boom linkage, if OK go to next step. |
| 2 | | | Check for bent cylinders, if OK go to next step. |
| 3 | | | Check hydraulic system oil flow and pressure, if OK go to next step. |
| 4 | | | Check cylinders for internal damage. |
| 5 | Boom movement | YES | System OK |
| | Boom should raise smoothly with no jerking | NO | Check for air in the hydraulic system. Check, tighten, or replace suction line and fittings. Check for air leak in hydrostatic pump case drain line from the hydrostatic pumps to the suction side of gear pump. |

SECTION 35 - HYDRAULIC SYSTEM

Boom lift check test:

Pretest instructions:

- * Operator in seat
- * Service/Run switch in "RUN" position
- * Seat belt fastened
- * Ignition switch in the "ON" position
- * Engine running half throttle, 1500 RPM

| STEP | TEST | RESULT | PROBABLE CAUSE AND CORRECTION |
|------|---|--------|--|
| 1 | Boom stopped midrange and restarted, the boom should start raising without dropping first | YES | System OK |
| | | NO | Check for a leaking lift check valve, broken spring, or scored plunger and/or seat. If OK go to next step. |
| 2 | | | Check cylinders for leaking packing. |
| 3 | | | Check O ring and backup washer on circuit relief valve and O ring on front plug in control valve. |

Boom drift down test:

Pretest instructions:

- * Operator in seat
- * Service/Run switch in "RUN" position
- * Seat belt fastened
- * Ignition switch in the "ON" position
- * Engine running half throttle, 1500 RPM

| STEP | TEST | RESULT | PROBABLE CAUSE AND CORRECTION |
|------|---|--------|---|
| 1 | Boom stopped midrange should hold in position with no visual movement | YES | System OK |
| | | NO | Check control valve spool for centering, if OK go to next step. |
| 2 | | | Check for leaking packing on cylinders, if OK go to next step. |
| 3 | | | Check boom circuit relief valve, if OK go to next step. |
| 4 | | | Check control valve for leakage. |
| 5 | | | Check O ring and backup washer on circuit relief valve and O ring on front plug in control valve. |

SECTION 35 - HYDRAULIC SYSTEM

Bucket operation:

Pretest instructions:

- * Operator in seat
- * Service/Run switch in "RUN" position
- * Seat belt fastened
- * Ignition switch in the "ON" position
- * Engine running half throttle, 1500 RPM

| STEP | TEST | RESULT | PROBABLE CAUSE AND CORRECTION |
|------|--|--------|---|
| 1 | Bucket movement | YES | System OK |
| | Bucket should move freely through full range when the foot or hand controls are moved. | NO | Check for binding in the bucket pivots, if OK go to next step. |
| 2 | | | Check for bent cylinders, if OK go to next step. |
| 3 | | | Check hydraulic system oil flow and pressure, if OK go to next step. |
| 4 | | | Check cylinders for internal damage. |
| 5 | Boom movement | YES | System OK |
| | Boom should raise smoothly with no jerking | NO | Check for air in the hydraulic system. Check, tighten, or replace suction line and fittings. Check for air leak in hydrostatic pump case drain line from the hydrostatic pumps to the suction side of gear pump. |

Bucket lift check test:

Pretest instructions:

- * Operator in seat
- * Service/Run switch in "RUN" position
- * Seat belt fastened
- * Ignition switch in the "ON" position
- * Engine running half throttle, 1500 RPM

| STEP | TEST | RESULT | PROBABLE CAUSE AND CORRECTION |
|------|---|--------|--|
| 1 | Bucket stopped midrange and restarted, the bucket should not drop first | YES | System OK |
| | | NO | Check for a leaking lift check valve, broken spring, or scored plunger and/or seat. If OK go to next step. |
| 2 | | | Check cylinders for leaking packing. |
| 3 | | | Check O ring and backup washer on front and rear plug in control valve. |

Bucket drift down test:

Pretest instructions:

- * Operator in seat
- * Service/Run switch in "RUN" position
- * Seat belt fastened
- * Ignition switch in the "ON" position
- * Engine running half throttle, 1500 RPM

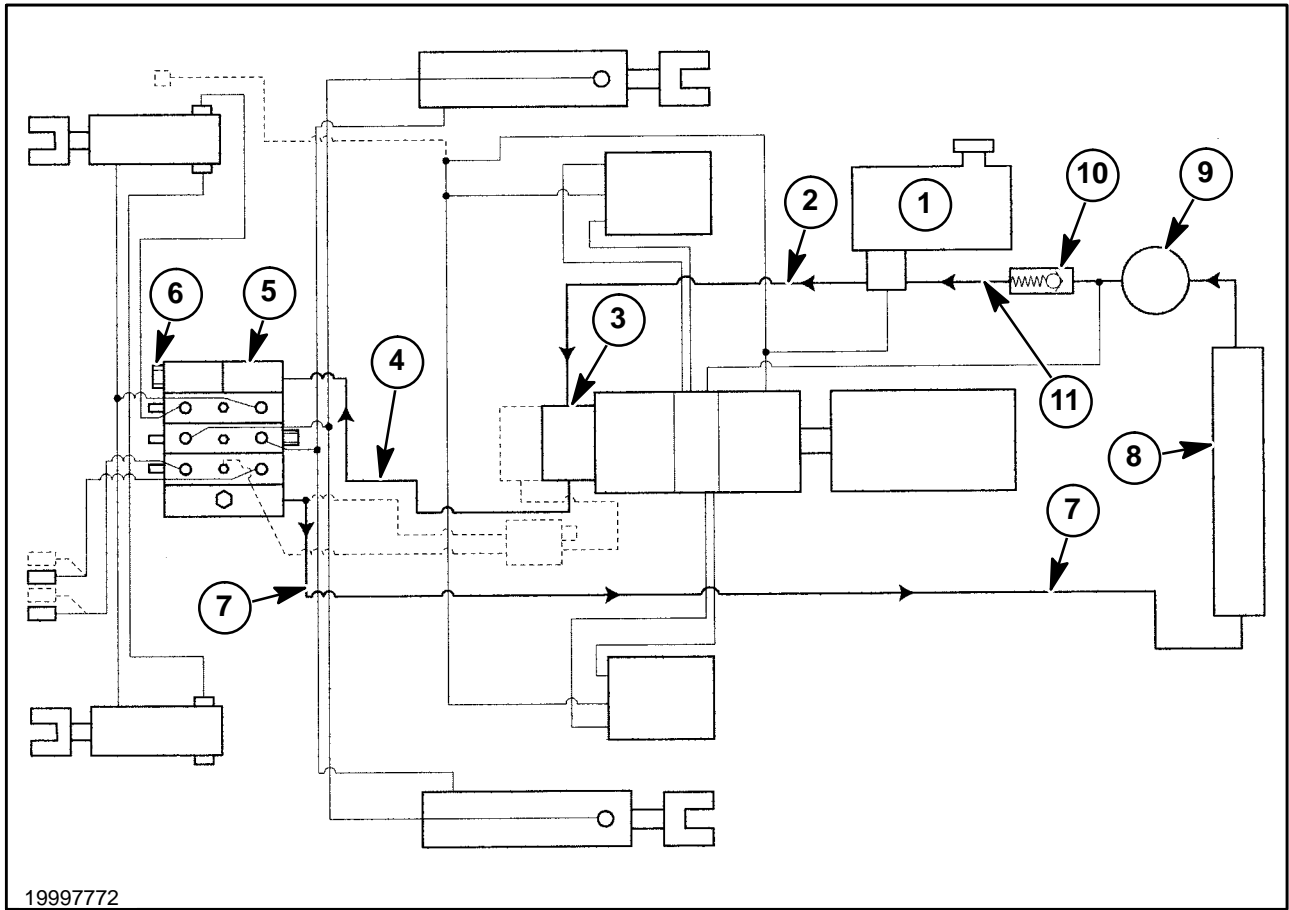
| STEP | TEST | RESULT | PROBABLE CAUSE AND CORRECTION |
|------|---|--------|---|
| 1 | Bucket stopped midrange should hold in position with no visual movement | YES | System OK |
| | | NO | Check control valve spool for centering, if OK go to next step. |
| 2 | | | Check for leaking packing on cylinders, if OK go to next step. |
| 3 | | | Check boom circuit relief valve, if OK go to next step. |
| 4 | | | Check control valve for leakage. |
| 5 | | | Check O ring and backup washer on front and rear plug in control valve. |

Spool lock solenoid test:

Pretest instructions:

- * Operator in seat
- * Service/Run switch in "RUN" position
- * Seat belt fastened
- * Ignition switch in the "ON" position

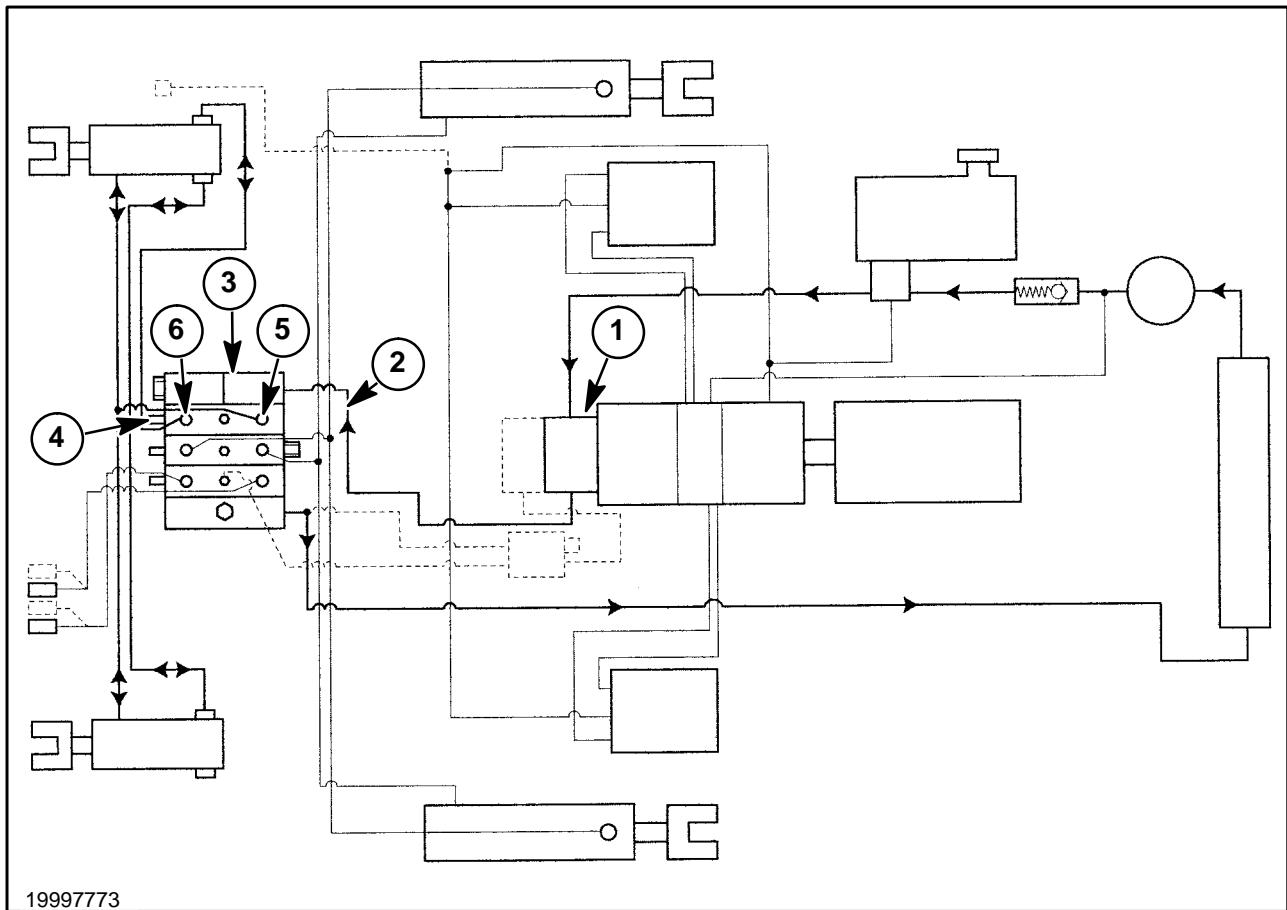
| STEP | TEST | RESULT | PROBABLE CAUSE AND CORRECTION |
|------|-----------------------------|--------|--|
| 1 | Battery voltage at solenoid | YES | System OK, go to step 5. |
| | | NO | Check seat belt operation, if OK go to next step. |
| 2 | | | Check wires to the solenoid valves for open circuit, if OK go to next step. |
| 3 | | | Check EIC board operation, if OK go to next step. |
| 4 | | | Check EIC board operation, if not OK refer to ELECTRICAL SECTION of the SERVICE MANUAL. |
| 5 | | | Remove solenoid coil and check operation, if OK go to next step. |
| 6 | | | Check control valve spools for centering, binding, and binding between solenoid and block, if OK replace solenoid valve. |



HYDRAULIC SYSTEM OIL FLOW

Control Valve - Spools in Neutral Position

1. Hydraulic oil reservoir, 1, storage for system oil.
2. Oil flows through suction line, 2, from reservoir, 1, to gear pump, 3.
3. Oil flows from gear pump, 3, through pressure line, 4, to control valve, 5.
4. Control valve, 5, is equipped with a system relief valve, 6.
5. With the control valve spools in neutral position, the oil flows through center of control valve, 5, to return line, 7.
6. The oil flows through return line, 7, to oil cooler, 8.
7. Oil passes through the oil cooler, 8, being cooled with the air blast from engine fan through the cooler.
8. Oil flows from the oil cooler, 8, through filter, 9, and check valve, 10, to return line, 11, and reservoir, 1.



19997773

9

CONTROL VALVE - BUCKET SPOOL SHIFTED

Bucket Control Operation

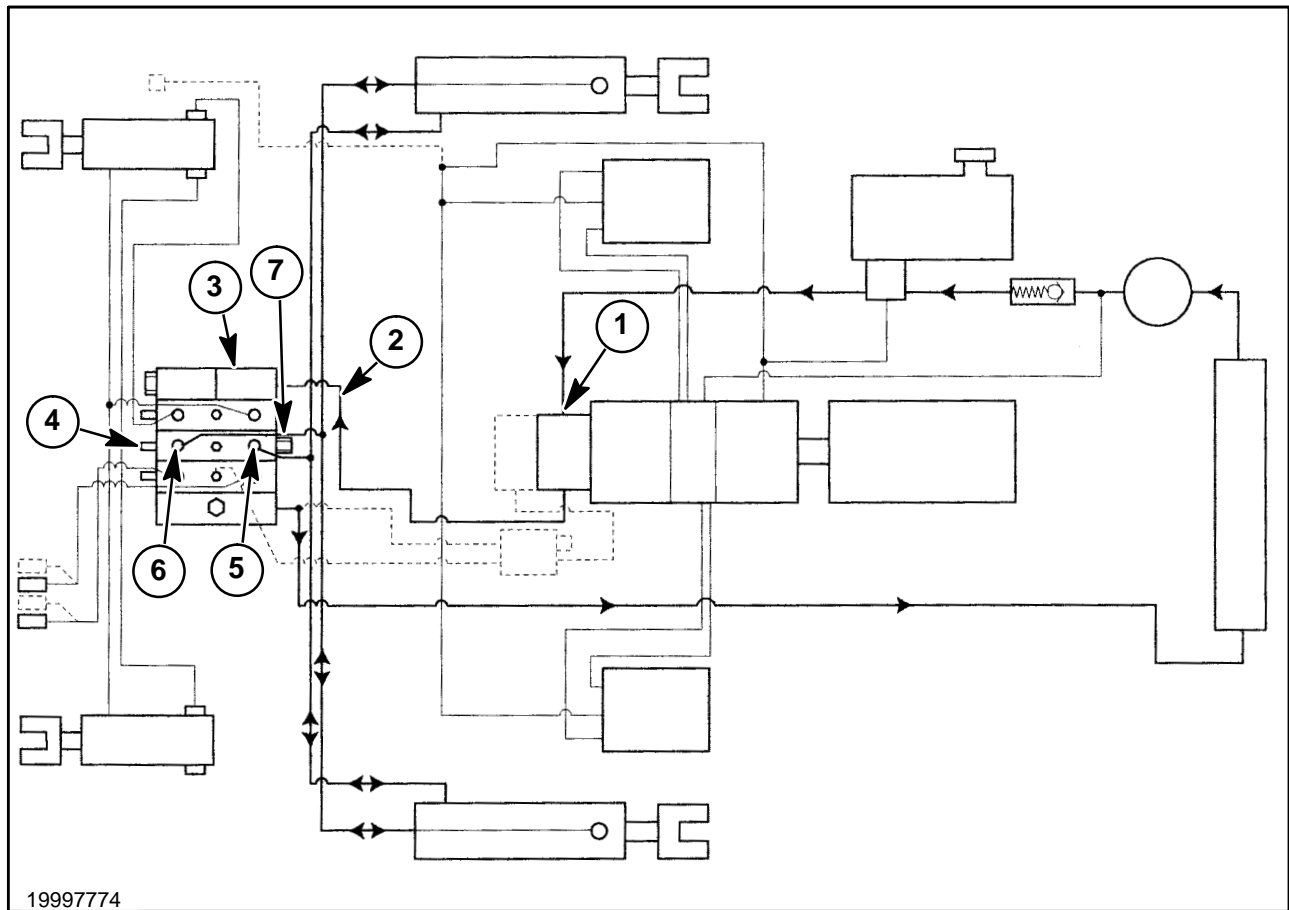
Foot Controls

When the toe of the control pedal is pushed down, it will shift the control valve spool in, dumping the bucket. When the heel of the control pedal is pushed down, it will shift the control valve spool out curling the bucket back.

Hand Controls

When the right control handle is pivoted up it will shift the control valve spool in, dumping the bucket. When the right control handle is pivoted down it will shift the control valve spool out, curling the bucket back.

1. Oil flows from the gear pump, 1, through pressure line, 2, to control valve, 3.
2. When the bucket valve spool, 4, is pulled out, the oil flows from the rear work port, 5, to the shaft side of the bucket cylinder to curl the bucket back.
3. When the bucket valve spool, 4, is pushed in, the oil flows from the front work port, 6, to the base (piston) end of bucket cylinder to dump the bucket.
4. When the bucket circuit is operated to maximum pressure or cylinders are bottomed, the main system relief valve will relieve the high pressure oil into the return oil galley in the control valve, returning the oil to the reservoir.
5. The return oil from the opposite side of the cylinder being pressured will return through the control valve to the reservoir.



19997774

10

CONTROL VALVE - BOOM SPOOL SHIFTED

Boom Control Operation

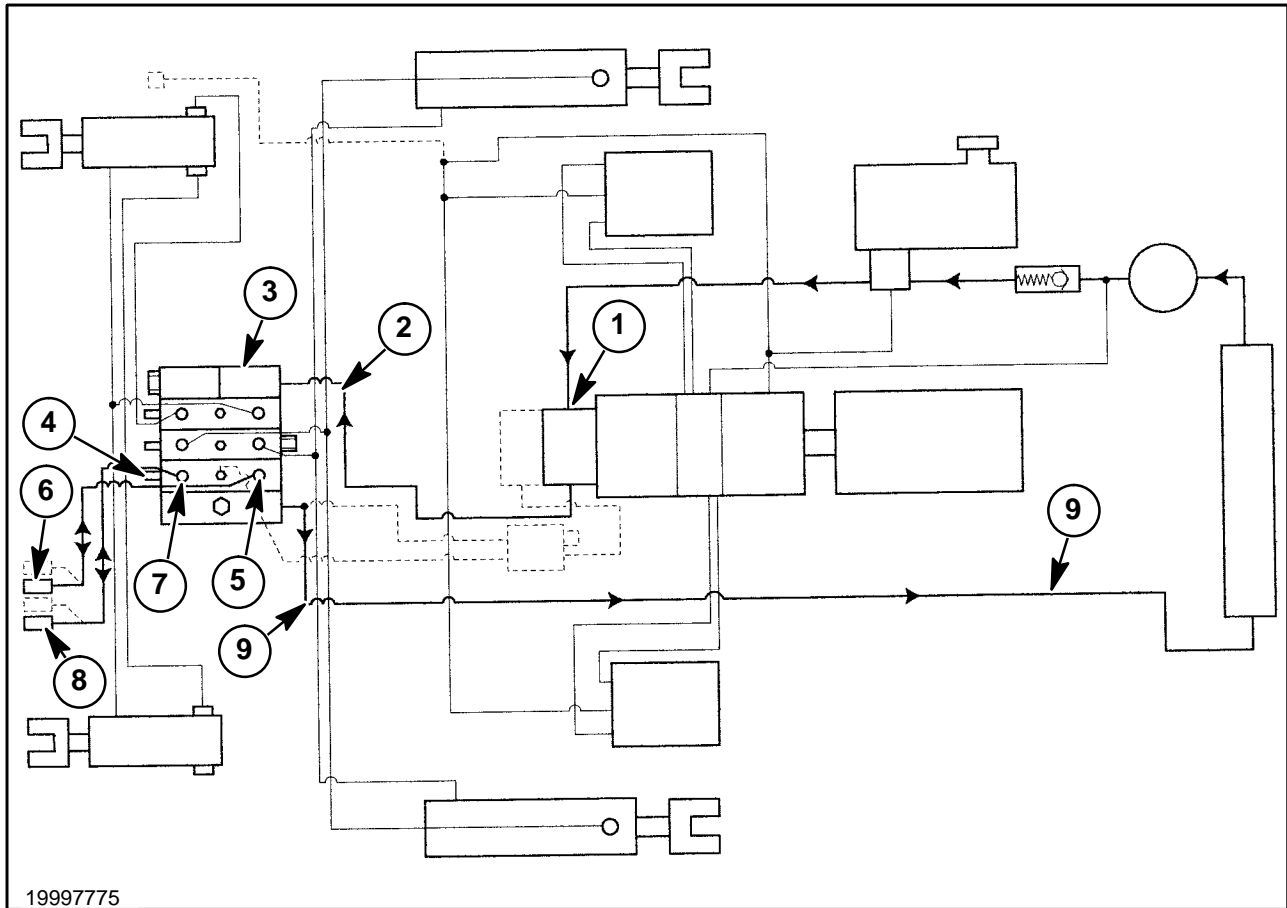
Foot Controls

When the toe of the control pedal is pushed down, it will shift the control valve spool in, lowering the boom. When the heel of the control pedal is pushed down it will shift the control valve spool out, raising the boom.

Hand Controls

When the left control handle is pivoted down, it will shift the control valve spool in, lowering the boom. When the left control handle is pivoted up, it will shift the control valve spool out, raising the boom.

1. Oil flows from the gear pump, 1, through pressure line, 2, to control valve, 3.
2. When the boom valve spool, 4, is pulled out, the oil flows from the rear work port, 5, to the base (piston) end of the boom cylinder raising the boom.
3. When the boom valve spool, 4, is pushed in, the oil flows from the front port, 6, to the shaft end of boom cylinders, to lower the boom.
4. When the boom circuit is operated to maximum pressure or cylinders are bottomed, the main system relief valve will relieve the high pressure oil into the return oil valley in the control valve, returning the oil to the reservoir.
5. The return oil from the opposite side of cylinders being pressured will return through the control valve to the reservoir.
6. When the boom cylinders are extended, the boom control valve spool is in neutral, and a load is put on the boom cylinders causing them to retract the circuit. Relief valve, 7, will relieve the pressure in the base (piston) side of cylinders protecting the cylinder and lines. The oil relieved from the circuit relief valve enters the return oil galley in the control valve and returns to the reservoir.
7. When the boom valve spool, 4, is pushed in all the way, it will put the spool into detent position, holding the spool, opening both work ports 5 and 6 to the return allowing the boom to float.



19997775

CONTROL VALVE - AUXILIARY SPOOL SHIFTED

Auxiliary Control Operation

Hand Controls

When the right control handle is pivoted down, it will shift the control valve spool in, supplying oil to the male quick coupler. When the right control handle is pivoted up, it will shift the control valve spool out, supplying oil to the female quick coupler.

Foot Control

When the toe of the control pedal is pushed down, it will shift the control valve spool in, supplying oil to the male quick coupler. When the heel of the control pedal is pushed down, it will shift the control valve spool out, supplying oil to the female quick coupler.

1. Oil flows from the gear pump, 1, through pressure line, 2, to control valve, 3.
2. When the auxiliary valve spool, 4, is pulled out, the oil flows from the rear work port, 5, and supplies oil to the female quick coupler, 6, at the front of the boom.

3. When the auxiliary valve spool, 4, is pushed in, the oil flows from the front work port, 7, and supplies oil to the male quick coupler, 8, at the front of the boom.
4. When the auxiliary circuit is operated to maximum pressure, the main system relief valve will relieve the high pressure oil into the return oil gallery in the control valve, returning the oil to the reservoir.
5. The return oil from the opposite quick coupler being pressured will return through the control valve to the reservoir.

NOTE: The return oil from the quick couplers must be returned through the normal return line, 9, to replenish the hydrostatic system; hydrostatic charge oil is required for lubrication of the hydrostatic pumps and motors.

6. When the auxiliary valve spool, 4, is pushed in all the way, it will put the spool into detent position, holding the spool for continuous oil flow to the male quick coupler.

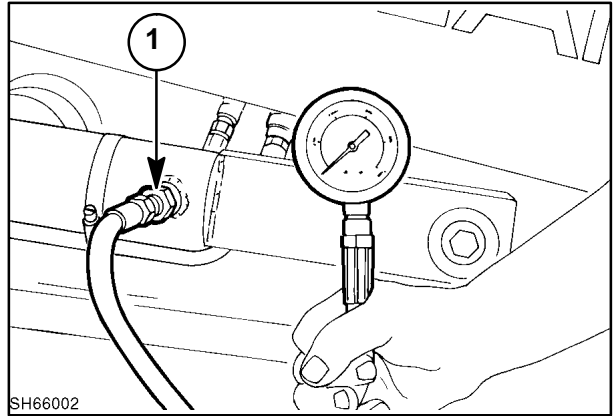
11

Op. 35 710 02

MAIN SYSTEM PRESSURE TESTS

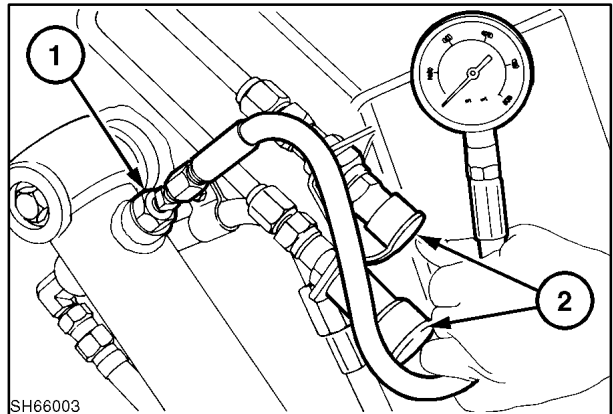
Check the main system pressure to insure the main relief valve is within specifications to provide adequate working pressure to the hydraulic system.

The main system pressure can be checked at the base end of the boom cylinders at 1.



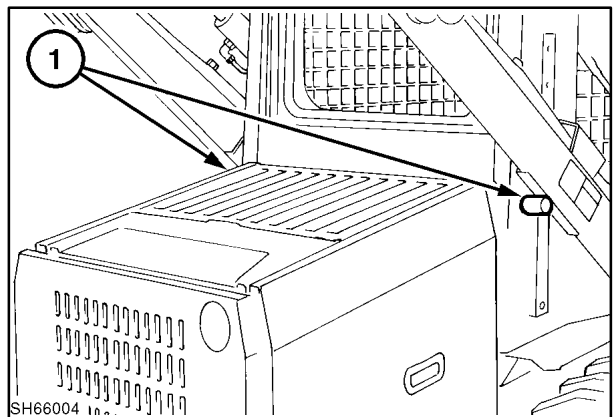
12

The main system pressure can also be checked at the base end of the left bucket cylinder at 1 or at the auxiliary boom hydraulic quick couplers, 2, if equipped.



13

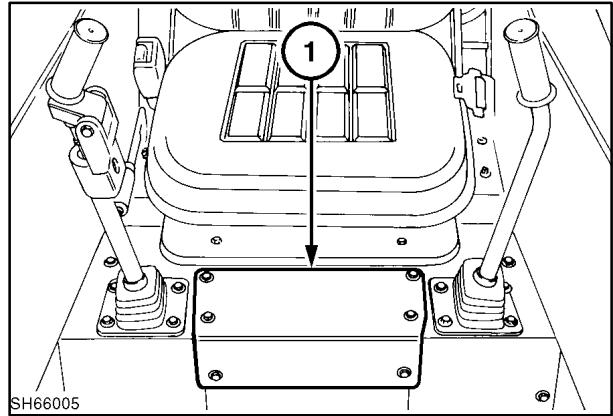
To check main system pressure at the boom cylinders, the boom must be up and resting on the boom lockpins, 1.



14

SECTION 35 - HYDRAULIC SYSTEM

The hydraulic system pressures are factory set. Changes to the settings should not be necessary. To access the control and relief valve area, remove the step shield, 1.

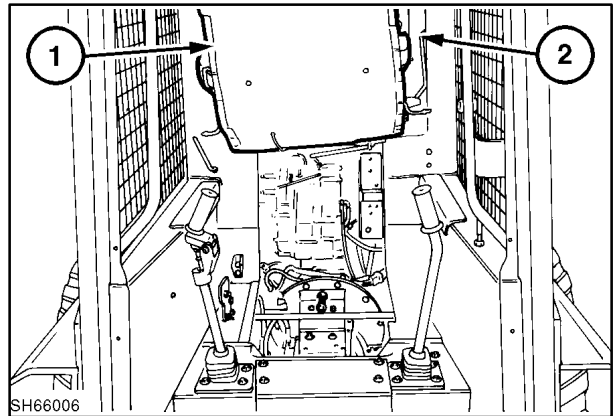


15

Raise the seat and seat pan to the raised latched position, 1. Be sure the seat support rod is latched securely at 2, before working under a raised seat.

CAUTION

Do not work under raised seat unless securely latched in the raised position.



16

The main system relief valve, 1, is located in the control valve. If there is some reason to suspect incorrect pressure, check the pressures as follows:

⚠ WARNING ⚠

Gauges, gauge fittings, and hoses must have operating pressure ratings of at least 25% higher than the highest pressures of the system.

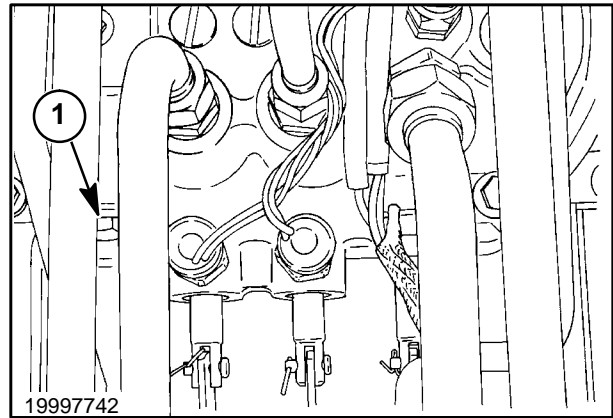
Never adjust or replace the relief valves to get higher pressures than those specified by the equipment manufacturer.

Fluid under pressure can have sufficient force to penetrate the skin, causing serious personal injury. Always protect the skin and eyes from escaping fluid under pressure.

Before disconnecting lines or fittings, be sure to turn off the skid steer engine and relieve all pressure. Before applying pressure to the system, be sure all connections are tight and that lines, pipes, and hoses are not damaged.

If injured by escaping fluid, obtain medical assistance at once. Serious infection or reaction can develop if medical treatment is not administered immediately.

Remove any attachment from the mounting plate before loosening or disconnecting any hydraulic lines.



17

CHECKING MAIN SYSTEM PRESSURE AT BOOM CYLINDERS

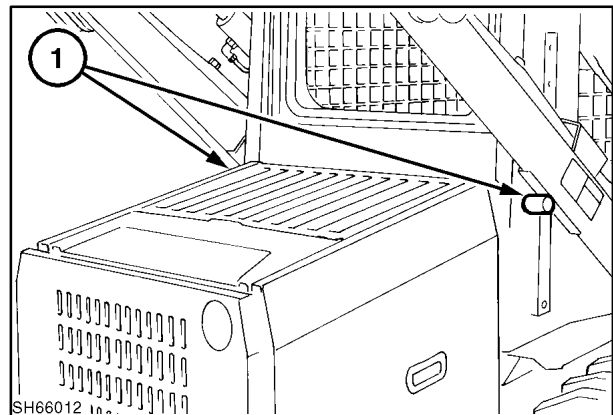
NOTE: Before performing any hydraulic test, operate the skid-steer loader to get the hydraulic oil to operating temperature (about 55° C [100° F] above ambient temperature).

Fittings and gauge required:

1. 238 bar (3500 PSI) gauge (minimum)
2. 3/4" - 16 UNF O ring fitting

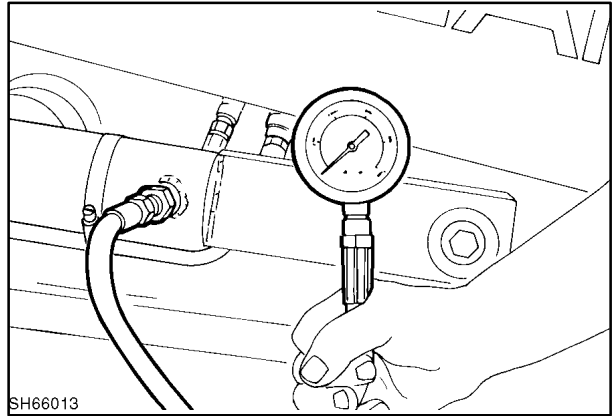
Test Procedure

1. Raise the boom, extend the boom lockpins, 1, and lower the boom down on the lockpins.
2. Stop the engine, turn the ignition key to the run position, and operate the boom and bucket control pedals to relieve pressure in the cylinders. Turn off the key.



18

3. Install the pressure test gauge in the boom cylinder at 1.
4. Start the engine and run it at full throttle (3070 - 3150 RPM) to bring the hydraulic oil to operating temperature.
5. Operate the boom control to raise the boom to the fully raised position until the system bypasses and take a pressure reading. Lower the boom down to the boom lockpins and relieve pressure in the system.
6. The pressure should be from 177 - 190 bar (2600 - 2800 PSI) when the hydraulic oil is at operating temperature.

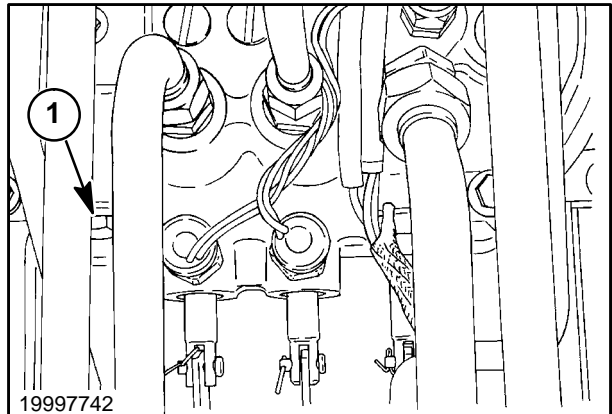


19

7. The relief valve is a cartridge type and is not adjustable. Replace the relief valve cartridge, 1, if the pressure is not within specifications.



Do not attempt to change the pressure setting or alter the pressure to a higher setting as the hydraulic components, hoses, tubes, and cylinders may be damaged and could cause injury.



20

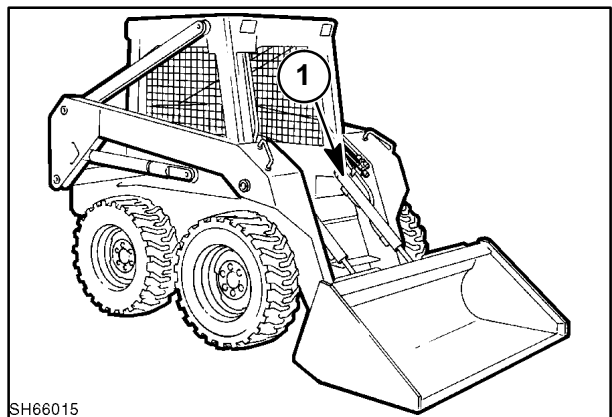
CHECKING MAIN SYSTEM PRESSURE AT BUCKET CYLINDERS, 1

Fittings and gauge required:

1. 238 bar (3500 PSI) gauge (minimum)
2. 3/4" - 16 UNF O ring fitting

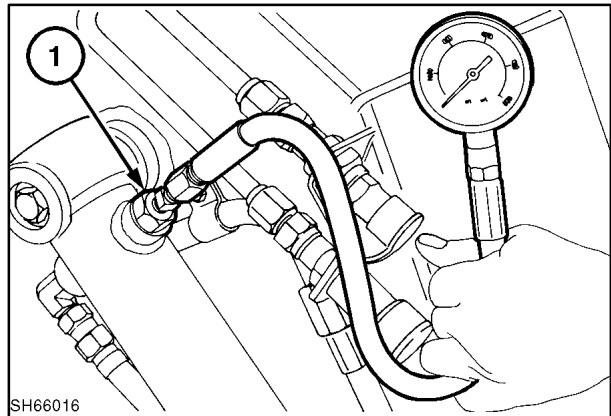
Test Procedure

1. Lower the boom and attachment to the ground.
2. Stop the engine, turn the ignition key to the run position and operate the boom and bucket control pedals to relieve pressure in the cylinders. Turn off the key.



21

3. Install the pressure test gauge in the left bucket cylinder at 1.
4. Start the engine and run it at full throttle (3070 - 3150 RPM).
5. Operate the bucket control to dump the bucket to the fully dumped position until the system bypasses and take a pressure reading. Curl the bucket back to relieve pressure in the system.
6. The pressure should be from 177 - 190 bar (2600 - 2800 PSI) when the hydraulic oil is at operating temperature.

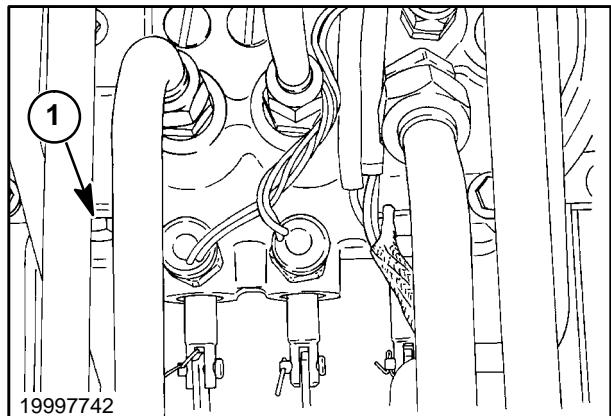


22

7. The relief valve is a cartridge type and is not adjustable. Replace the relief valve cartridge, 1, if the pressure is not within specifications.

⚠ CAUTION ⚠

Do not attempt to change the pressure setting or alter the pressure to a higher setting as the hydraulic components, hoses, tubes, and cylinders may be damaged and could cause injury.



23

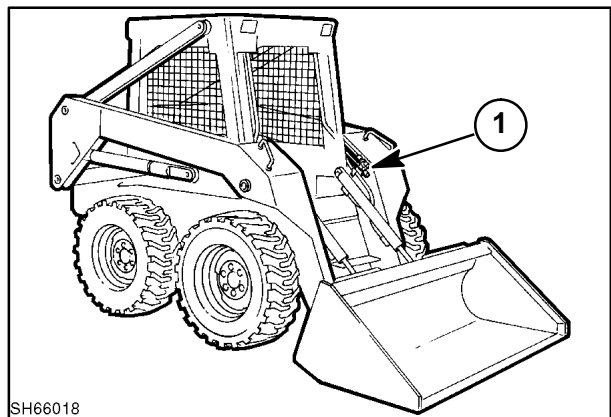
CHECKING MAIN SYSTEM PRESSURE AT AUXILIARY BOOM HYDRAULIC QUICK COUPLERS, 1

Fittings and gauge required:

1. 238 bar (3500 PSI) gauge (minimum)
2. 1/2" quick coupler fitting

Test Procedure

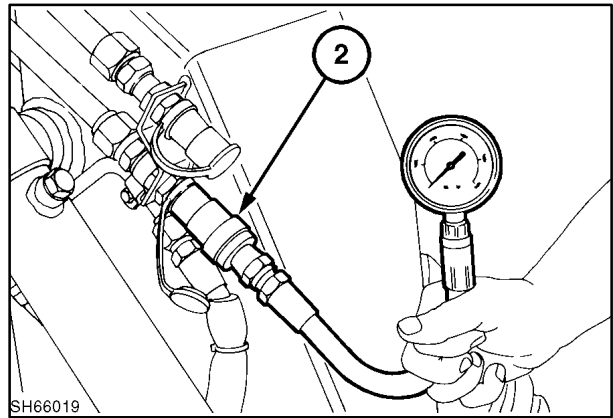
1. Lower the boom and attachment to the ground.
2. Stop the engine, turn the ignition key to the run position and operate the boom, bucket, and auxiliary controls to relieve pressure in the systems. Turn off the key.



24

3. Install the pressure test gauge in one of the quick couplers at 2.
4. Start the engine and run it at full throttle (3070 - 3150 RPM).
5. Operate the auxiliary control to pressurize the auxiliary circuit until the system bypasses and take a pressure reading. Move the control handle in the opposite direction to relieve pressure in the system.

NOTE: Pivoting the control handle down supplies oil to the male quick coupler.

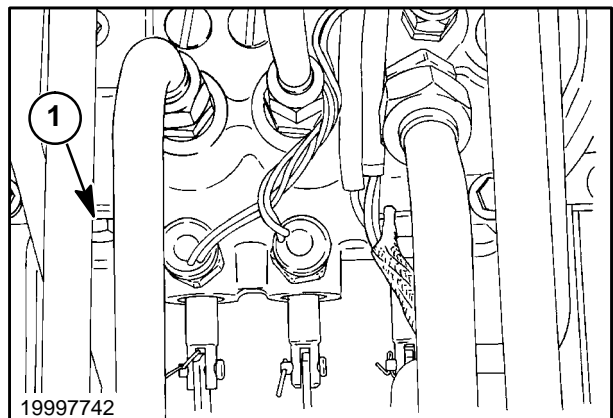


25

6. The pressure should be from 177 - 190 bar (260 - 2800 PSI) when the hydraulic oil is at operating temperature.
7. The relief valve is a cartridge type and is not adjustable. Replace the relief valve cartridge, 1, if the pressure is not within specifications.

⚠ CAUTION ⚠

Do not attempt to change the pressure setting or alter the pressure to a higher setting as the hydraulic components, hoses, tubes, and cylinders may be damaged and could cause injury.



26

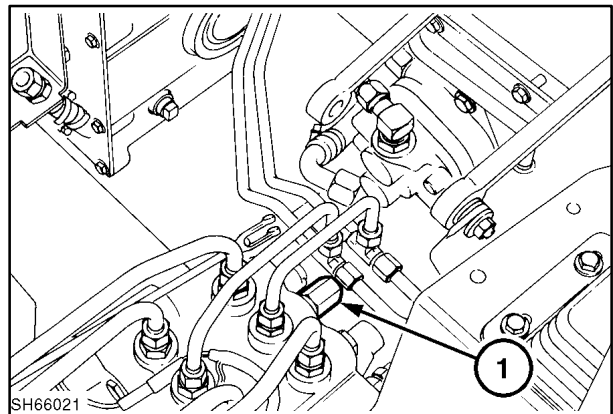
BOOM CIRCUIT RELIEF VALVE TEST

The boom circuit is equipped with a circuit relief valve, 1, located in the boom control valve. This valve will protect the cylinders and lines when the control valve spool is in the neutral (centered) position.

Fittings and gauge required:

1. 238 bar (3500 PSI) gauge (minimum)
2. 3/4" - 16 UNF O ring fitting
3. Hydraulic hand pump

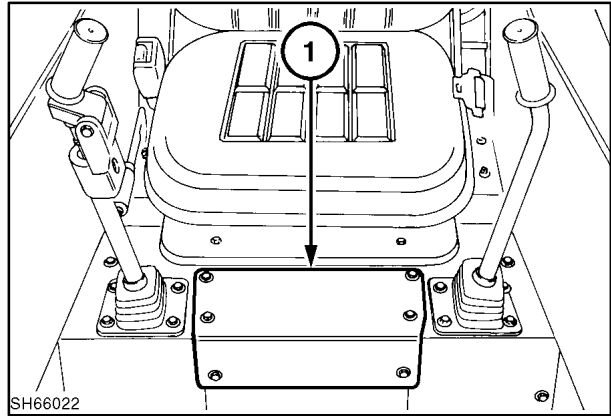
NOTE: The relief valve is factory set at 241 ± 3 bar (3500 ± 50 PSI). The boom circuit relief valve is not adjustable. All replacement valves are set at 3500 PSI.



27

Test Procedure

1. Lower the boom and attachment to the ground.
2. Stop engine, turn ignition key to the run position and operate the boom and bucket control pedals to relieve pressure in the cylinders. Turn off the key.
3. Remove the step shield, 1, to access the control valve and circuit relief valve area.

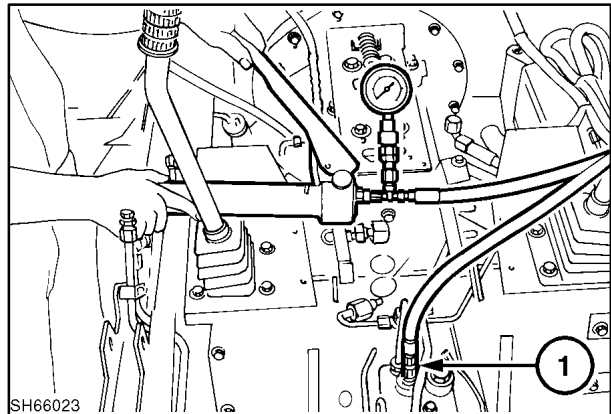


28

4. Boom control valve spool in the neutral (centered) position.
5. Remove the rear boom hydraulic line, 1, and cap the line. Install the hydraulic hand pump and pressure gauge to the rear port in the control valve.
6. Using the hand pump, build pressure against the circuit relief valve and monitor the pressure gauge to read the pressure at the point the relief valve starts to open.

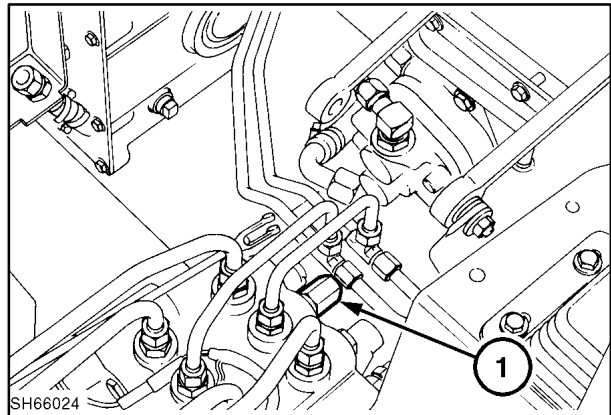
**CAUTION**

Do not increase pressure over 3800 psi. If the relief valve does not open when pressure reaches 3600 psi, discontinue the test and replace the valve.



29

7. If there is an operational complaint and the boom circuit relief valve releases pressure under 235 bar (3400 PSI), replace the valve, 1. If the valve does not release pressure by 248 bar (3600 PSI), also replace the valve. All replacement boom circuit relief valves are set at 241 bar (3500 PSI) and are not adjustable.



30

GEAR PUMP FLOW EFFICIENCY TEST**Fittings and gauges required:**

1. Hydraulic flow tester (30 GPM capacity).
2. Male and female 1/2" quick couplers for units equipped with auxiliary boom hydraulics.
3. Two male 3/4" UNF 37 flare-to-tester fittings for units without auxiliary boom hydraulics.

Test Procedure

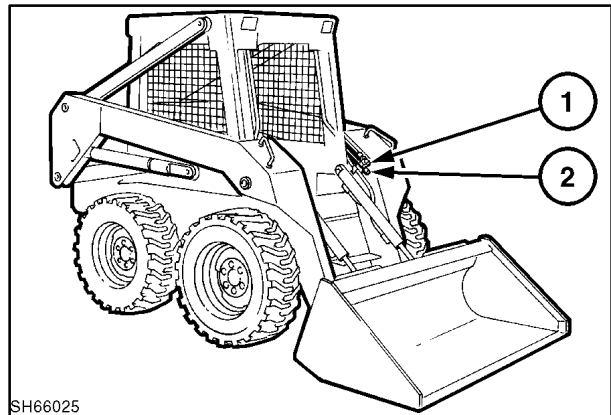
Gear pump flow test with units equipped with auxiliary boom hydraulics.

1. Lower the boom and bucket to the lowered position, resting on the ground.
2. Stop engine, turn ignition key to the run position and operate the boom and bucket control pedals to relieve pressure in the cylinders. Turn off the key.
3. Attach the pressure (inlet) hose from the flow tester with the female quick coupler to the male half on the loader at 1.
4. Attach the return (outlet) hose from the flow tester with the male coupler to the female half on the loader at 2.

IMPORTANT: Make sure the flow tester is connected into the hydraulic system properly for proper oil flow through the tester to prevent damage to the hydraulic test equipment or hydraulic system.



Never position tester between the gear pump and control valve as the system relief valve will be out of the test circuit, and pump over pressure may cause a pump failure by splitting the center section or twisting off the input shaft.



SH66025

5. Turn the resistance valve on tester to "O" setting.
6. Start the engine and run it at full throttle (2900 RPM).
7. Operate the auxiliary control handle by pivoting down to pressurize the male quick coupler and inlet hose to tester.
8. Take a free flow and pressure reading and record it. The flow at this time is oil flow through the hydraulic system and the pressure reading at this point is force required to pump the oil through the system. The pressure is called back pressure.
9. Turn the resistance valve, 1, on the tester to apply resistance in the hydraulic system to obtain the following specifications:

LS160 - 2900 RPM (engine) 68 bar (1000 PSI) - 15.5 GPM (58.7 LPM) Maximum without high flow

L170 - 2900 RPM (engine) 68 bar (1000 PSI) - 17.7 GPM (67.0 LPM) Maximum without high flow

If the gear pump flow in step 9 is not at least 80% of the pump flow in step 8, remove and repair or replace the pump.

EXAMPLE:

16 GPM free flow Step 8.

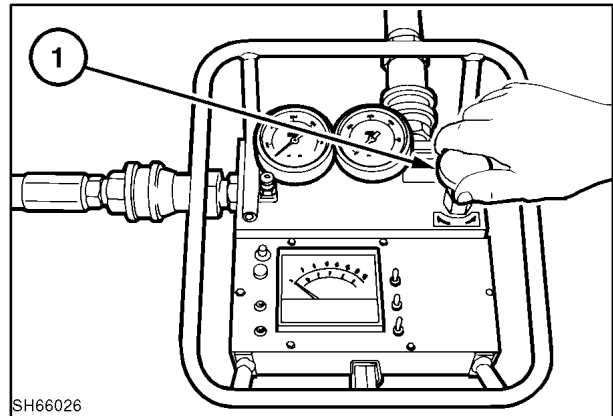
12.5 GPM flow Step 9.

80% of 16 GPM = 12.8 GPM

The pump is not at least 80% of free flow. Repair or replace pump.

NOTE: *The oil must be at operating temperature before any hydraulic testing.*

If the pressure cannot be obtained, replace the main system relief valve.



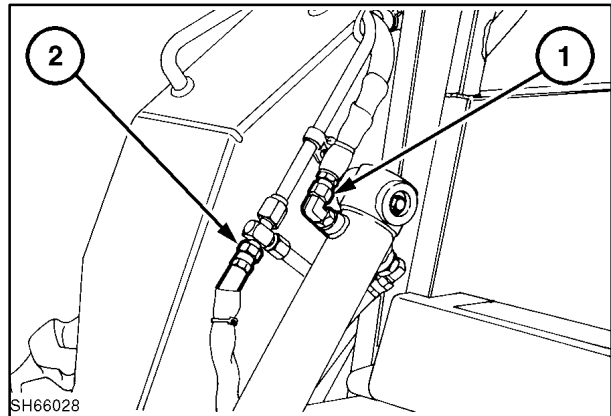
Test Procedure

Gear pump flow test with units NOT equipped with auxiliary boom hydraulics.

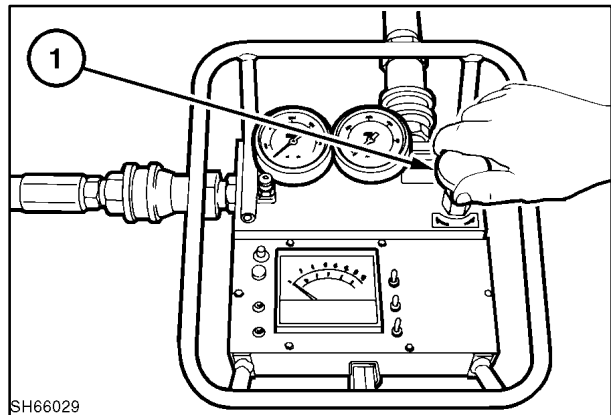
1. Lower the boom and bucket to the lowered position, resting on the ground.
2. Stop the engine, turn the ignition key to the run position and operate the boom and bucket control pedals to relieve pressure in the cylinders. Turn off the key.
3. Unhook line, 1, from the base end of the bucket cylinder, cap cylinder port.
4. Attach the pressure (inlet) hose from the flow tester to line, 1, with 3/4" UNF 37 flare fitting to tester.
5. Unhook line, 2, and cap the hose fitting.
6. Attach the return (outlet) hose from the flow to line, 2, with 3/4" UNF 37 flare fitting to tester.

IMPORTANT: Make sure the flow tester is connected into the hydraulic system properly for proper oil flow through the tester to prevent damage to the hydraulic test equipment or hydraulic system. Refer to the test equipment manufacturer's Operator's Manual.

7. Turn the resistance valve, 1, on the tester to "O" setting.
8. Start the engine and run it at full throttle (2900 RPM).
9. Operate the bucket control to dump the bucket for proper oil flow to the inlet hose and tester.
10. Take a free flow and pressure reading and record it. The flow at this time is oil flow through the hydraulic system and the pressure reading at this point is force required to pump the oil through the system. The pressure is called back pressure.



33



34

11. Turn the resistance valve on the tester to apply resistance in the hydraulic system to obtain the following specifications:

LS160 - 2900 RPM (engine) 68 bar (1000 PSI) - 15.5 GPM (58.7 LPM) Maximum without high flow

LS170 - 2900 RPM (engine) 68 bar (1000 PSI) - 17.7 GPM (67.0 LPM) Maximum without high flow

If the gear pump flow in step 11 is not at least 80% of the pump flow in step 10, remove and repair or replace the pump.

EXAMPLE:

16 GPM free flow Step 10.

12.5 GPM flow Step 11.

80% of 16 GPM = 12.5 GPM

The pump is not at least 80% of free flow. Repair or replace pump.

NOTE: *The oil must be at operating temperature before any hydraulic testing.*

If the pressure cannot be obtained, replace the main system relief valve.

BOOM AND BUCKET SPOOL LOCK SOLENOID TEST

The boom and bucket control valve solenoid spool locks are controlled by the EIC (Electronic Instrument Cluster). The operator must be in the operator's seat with the seat belt buckled for the EIC to unlock the control valve spool lock solenoids.

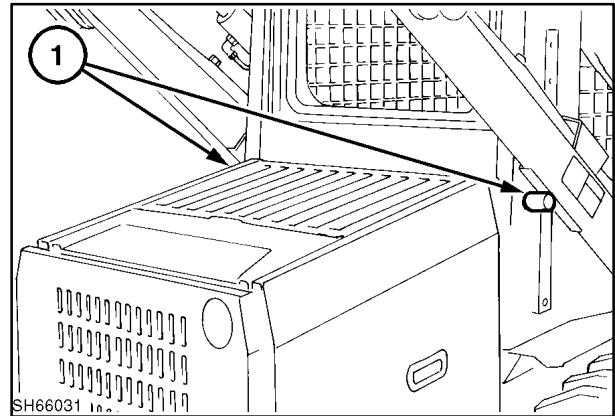
Operational check procedure:

1. Service/Run switch, 1, in "RUN" position.
2. Sit in seat.
3. Turn ignition key switch, 2, to the "ON" position.
4. Attempt to move boom and bucket foot or hand controls. The controls should not move the control valve spools from the neutral position.
5. Fasten the seat belt.
6. Attempt to move boom and bucket foot or hand controls. The controls should move the control valve spools from the neutral position.

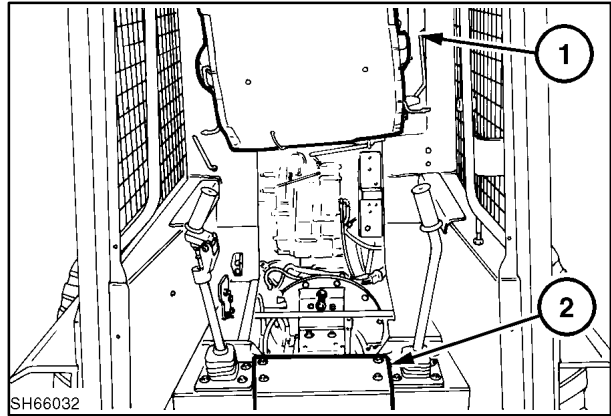
NOTE: If the EIC shows an FOA fault in the readout display, this is an indication of a shorted/open circuit to the solenoid locks.

Electrical test procedure:

1. Lower the boom and attachment to the ground or rest the boom on the boom lock pins, 1; remove attachment if on boom locks.



2. Raise the seat and latch securely in the raised latch position, 1. Remove the step shield, 2, from over the control valve to access the solenoid locks.

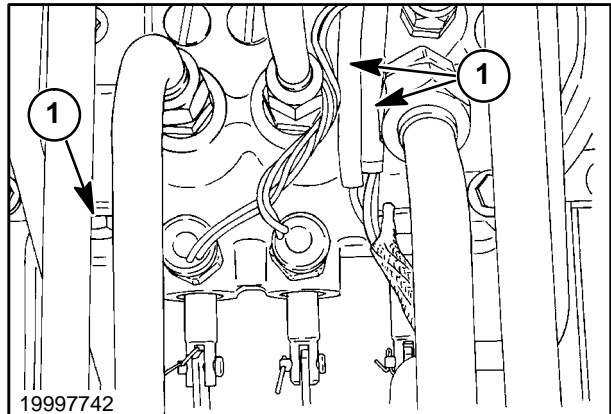


36

3. Unplug one solenoid, 1, at a time and check for battery voltage at the main wire harness plugs, pink/light-blue and black wires. The operator must be in the seat with the seat belt buckled and the ignition key in the "ON" position.

NOTE: If both solenoids are unplugged, the EIC will show an FOA fault and there will be no voltage from the EIC to the solenoids.

4. If there is battery voltage at the solenoids, remove the coils and check their operation. If the plunger moves in when power is applied, check for binding when the coil is threaded into the body. Check for spool centering to allow the coil plunger to seat into the groove in the spool.



37

⚠ DANGER ⚠

If the lockout solenoids are loosened or removed from the control valve body, the pedal(s) are no longer locked. Pedal or hand control movement will result in spool movement and boom/bucket movement.

HYDRAULIC, HYDROSTATIC SYSTEM AIR INGRESS TEST

Hydraulic system air ingress, causing oil aeration, can affect performance of the hydraulic oil. This may be evident on a machine by jerky or uneven movement of the loader boom or bucket.

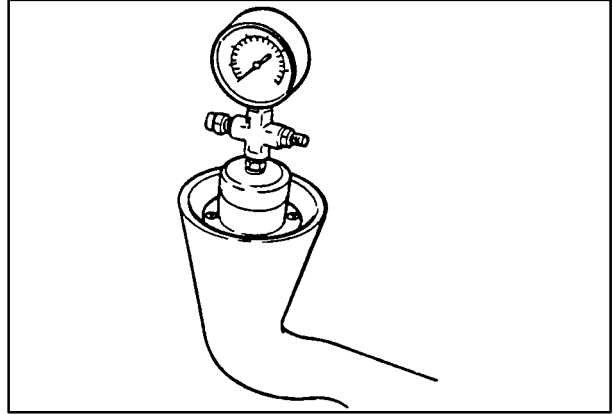
To assist in testing and finding leaks, a tool has been developed (part #FNH22ESS95). This tool comprises of a cap which replaces the reservoir filler breather for testing purposes, a pressure gauge and a relief valve. The cap has fittings for air pressure to be applied to the hydraulic reservoir.

**CAUTION**

Do not start the engine with the test tool installed, as the hydraulic system must be able to breathe.

Test Procedure:

1. Remove the filler/breather cap.
2. Remove the self-tapping screws around the cap base and screen assembly.
3. Remove the base, screen and gasket assembly. Clean all sealing surfaces.
4. Re-install new gaskets and base, taking care not to overtighten the screws.
5. Make sure the tank has 10W-30 oil visible.
6. Pressurize the tank using an air pressure line. The tool is equipped with a 3 PSI relief valve and a pressure gauge. The reservoir should not be pressurized beyond 4 PSI.



38

SECTION 35 - HYDRAULIC SYSTEM

The following checks should then be performed to trace the source of the air ingress.

- Examine the suction tubes and fittings to the hydraulic gear pump and the return tubes from the filter to the reservoir.
 - Examine the transmission case drain tubes/hoses and fittings from the hydraulic motors and pumps to the suction side of the hydraulic pump. Also check the cam plate shaft seals and the pump and motor casing gaskets.
 - Potential leakage areas could also be input shaft seals in the engine bell housing, gearbox or output shaft seals in motors and gearboxes and the chain case.
- It may be necessary in some instances (where leakage is occurring on shaft seals into gearboxes or bell housing) to pressurize the reservoir for 2 - 4 hours and monitor the oil level in the gearboxes.
 - If the prior checks do not locate the source of the leak, it may be necessary to pressurize each hydrostatic component individually. To do this it will be necessary to disconnect each case drain line in turn and pressurize using an air line to a maximum pressure of 10 PSI.

NOTE: *A check valve can be installed in the case drain tube which maintains a 5 PSI pressure in the pump and motor cases. This helps prevent air ingress into the system.*

CONTROL VALVE

SPECIFICATIONS

| | |
|---------------------------------------|---|
| Type | 3-spool open center |
| Relief Valve | 170-177 bar (2500-2600 PSI) Nonadjustable |
| Circuit Relief (boom) | 241 bar (3500 PSI) |
| Electrical Solenoid Spool Locks | Bucket and Boom |

Torque Specifications

| | |
|--|----------------------|
| Control Valve Retaining Hardware | 24 N·m (18 ft. lbs.) |
| Control Valve Plugs (large) | 38 N·m (28 ft. lbs.) |
| Control Valve Plugs (small) | 31 N·m (23 ft. lbs.) |
| Circuit Relief Valve (boom) | 38 N·m (28 ft. lbs.) |
| Spool Lock Solenoids | 15 N·m (11 ft. lbs.) |
| Main System Relief Valve | 51 N·m (38 ft. lbs.) |
| Spool Cap Assembly Hardware | 16 N·m (12 ft. lbs.) |
| Plugs, BYD Port | 38 N·m (28 ft. lbs.) |

Labor Required

| | |
|--------------------------|-----------|
| Remove and Replace | 1.5 hours |
| Repair | 1.0 hour |

CONTROL VALVE

Op. 35 724 50

REMOVAL

1. Lower the boom and bucket to the lowered position (resting on the ground), or remove any attachment and raise the boom and rest on the boom lock pins, 1. Roll the attachment plate to the fully "DUMPED" position.
2. Stop the engine, turn the ignition key to the run position and operate the boom and bucket control pedals to relieve pressure in the boom and bucket circuits. Turn off the key.
3. Raise the seat and seat pan to the raised latched position, 1.
4. Remove the step shield, 2, to access the gear pump area. For more access, remove the right or left hydrostatic control handle assembly, 3 or 4.



Do not work under a raised seat unless it is securely latched in the raised latched position.

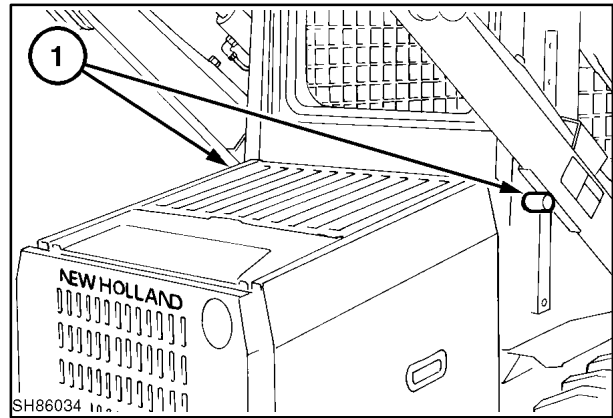
Never work under a raised boom unless it is properly supported by the boom lock pins.

Never work under a raised boom with an attachment. Always remove the attachment from the loader.

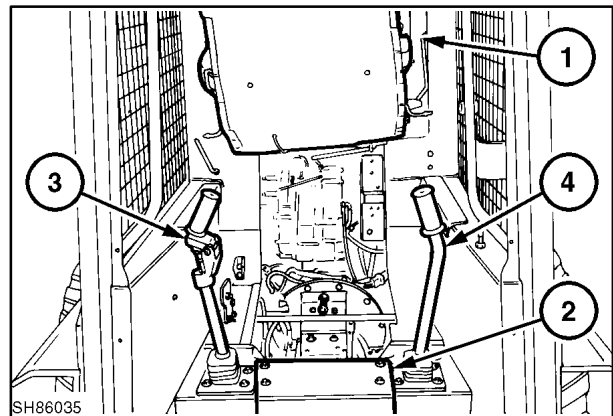
Never loosen any hydraulic lines without first relieving all pressure in the system.

Draining the hydraulic oil reservoir is not required if the suction and return lines are capped to prevent loss of oil. Drain the reservoir when the hydraulic system requires cleaning.

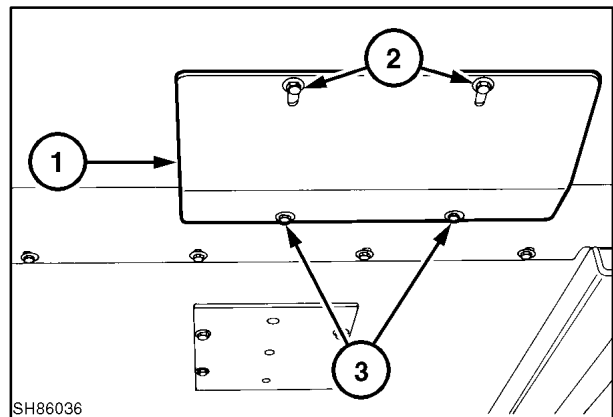
5. To drain the system, remove the small access door, 1, at the front right corner of the engine belly pan by removing the two rear bolts, 2, loosening the front two bolts, 3, and sliding the door rearward.



39

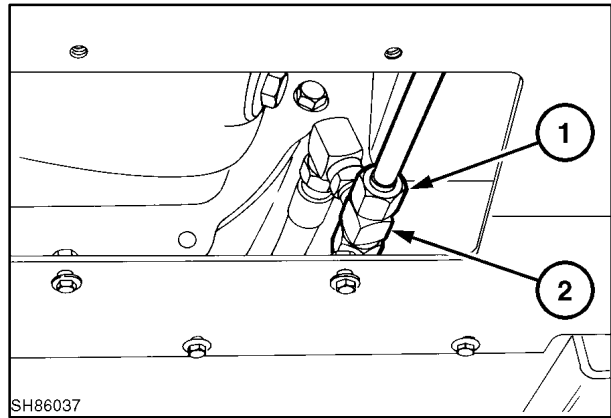


40



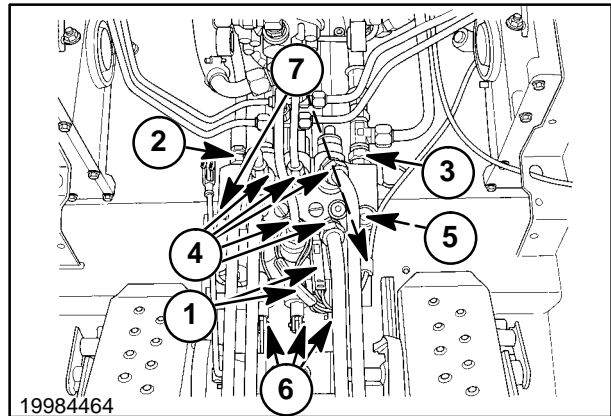
41

6. Drain the hydraulic reservoir by disconnecting the return line, 1, at tee, 2, and drain the oil into a suitable container.



42

7. Unplug the spool lock solenoids, 1.
8. Remove the pressure line, 2, and return line, 3; cap both lines to prevent loss of oil and contamination from entering the hydraulic system.
9. Remove the hydraulic lines connected to the work ports of the control valve, 4, four or six lines, if unit is equipped with auxiliary boom hydraulics and cap.
10. Remove the line from the power beyond port, 5, if equipped with auxiliary hydraulics and cap.
11. Unhook the control linkage from the control valve spools at 6.
12. Remove the control valve retaining hardware, 7. Lift the control valve assembly from the loader.



43

Op. 35 724 54

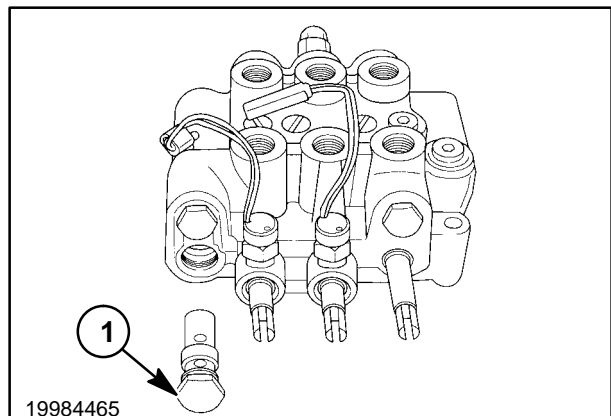
DISASSEMBLY AND INSPECTION

Main System Relief Valve

The non-serviceable, non-adjustable, cartridge-type main system relief valve, 1, is set at 170 - 177 bar (2500 - 2600 PSI). The relief valve should not be replaced with a valve of a higher pressure setting, as structural damage to the boom and/or main frame or internal damage to hydraulic system may occur.

⚠ **CAUTION** ⚠

Component failure from high hydraulic pressure could result in injury.



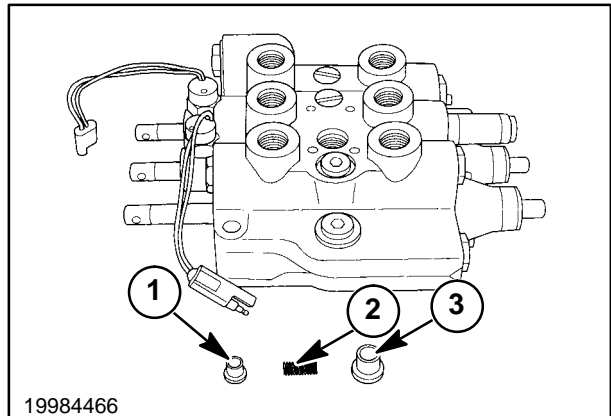
44

Lift Check Valves

There is a check valve in each circuit - bucket, boom, and auxiliary.

The only time the check valves serve a function is after the control spools have been shifted. If the valves are operating properly, they prevent any movement of either the boom or bucket until pressure opens the lift checks.

Inspect the lift check components for damage to the seat, 1, spring, 2, or cap, 3.

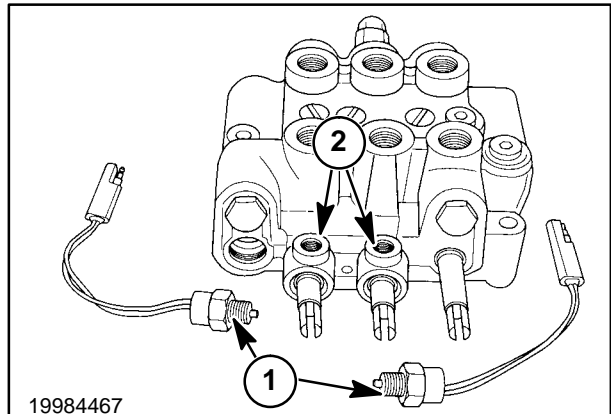


45

Op. 35 724 90

Spool Locks (Boom and Bucket)

Remove the solenoid plunger assemblies, 1, from the ports, 2, over the control spool ends.

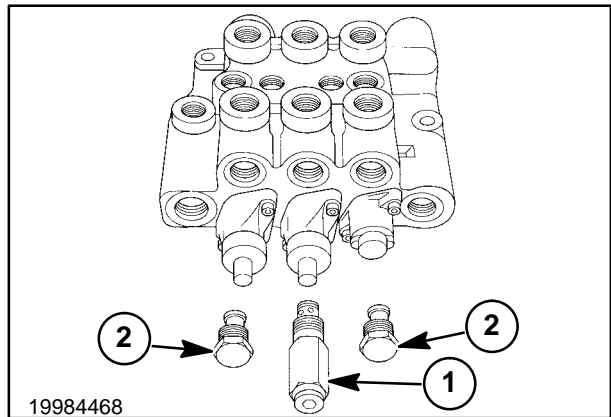


46

Remove the boom circuit relief valve, 1, from the valve body.

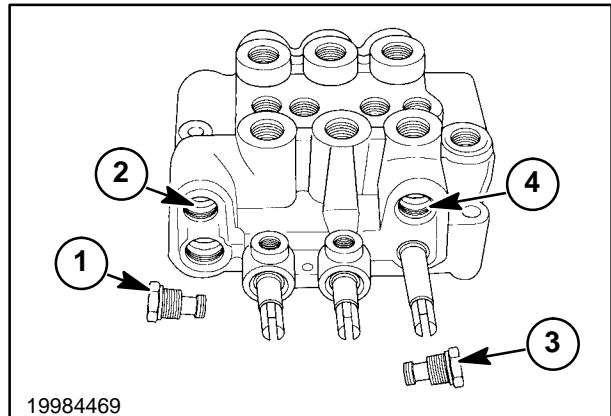
NOTE: The boom circuit relief valve protects the lift circuit against high pressure related damage caused by external forces acting against the boom. The valve is factory set at 241 bar (3500 PSI), is nonadjustable, and must be replaced if malfunctioning.

Remove the plugs, 2, over the bucket and auxiliary spool caps.



47

Remove the plug, 1, from the port, 2, over the main relief valve port. Remove the plug, 3, from the port, 4, over the auxiliary control spool.



48

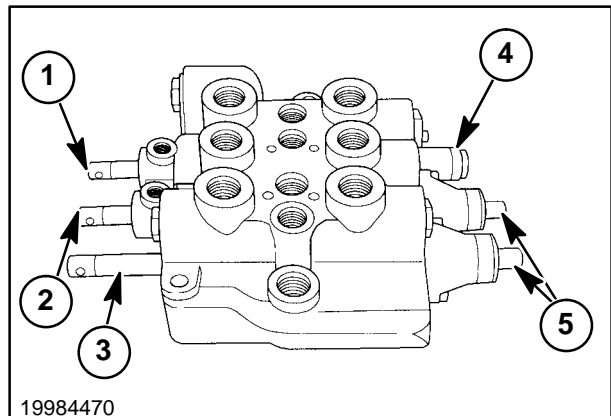
Spools, Caps, and O Rings

Oil is directed through the housing to the different ports by way of the spools: the bucket spool, 1, the boom spool, 2, and the auxiliary spool, 3.

Some oil circulates around the spools for lubrication and smooth operation. If an oil leak appears on the outside of the valve and all lines connected to the ports are tight, check the O rings on each end of the spools. The spools can be pulled from the control valve housing while the valve is still in the loader by disconnecting the control linkage and removing the spool caps.

CAUTION

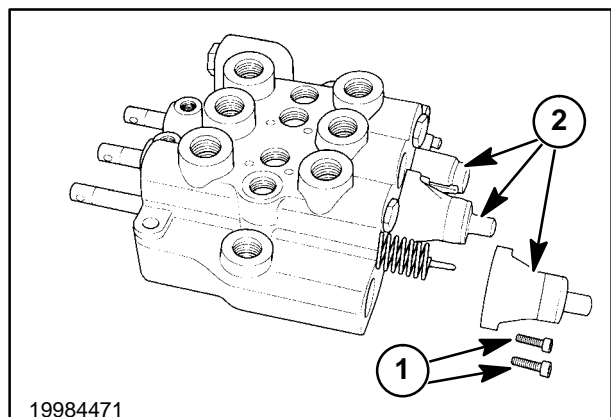
If removing spool caps on the tractor, make sure all system pressure has been relieved first.



49

Notice that the bucket spool has a plain cap, 4. The boom spool and auxiliary spools have detent caps, 5, to hold the spools in position for float position boom circuit or continuous flow auxiliary circuit operation.

1. Thoroughly clean the control valve and unscrew the allen head capscrews, 1, on the caps.
2. Remove the caps, 2, from the rear of the valve body.



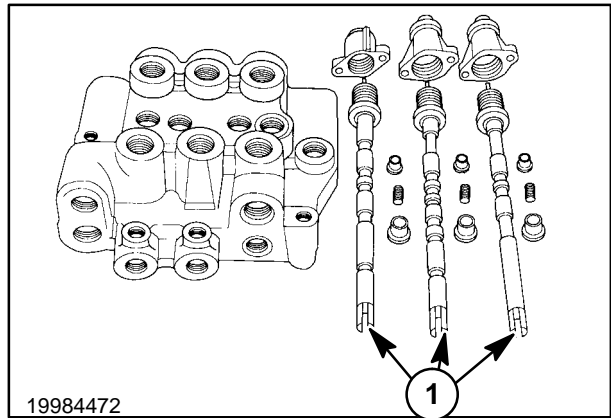
50

SECTION 35 - HYDRAULIC SYSTEM

NOTE: Before removing the spools, make sure the exposed portion of the spool is free from any paint or corrosion which could damage the internal porting of the valve.

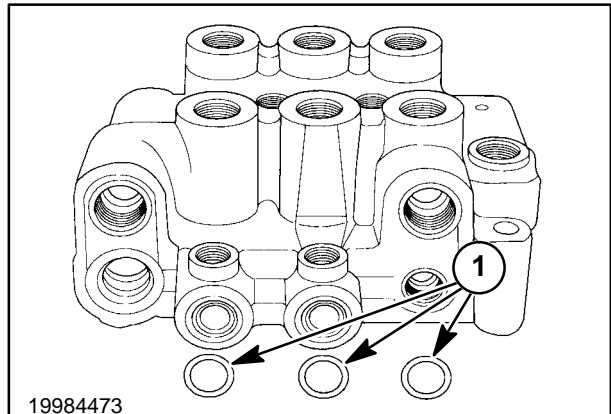
3. Remove the spools, 1, from the valve body.

NOTE: Each spool is different. Make sure to replace the correct spool in the correct part of the valve body.



51

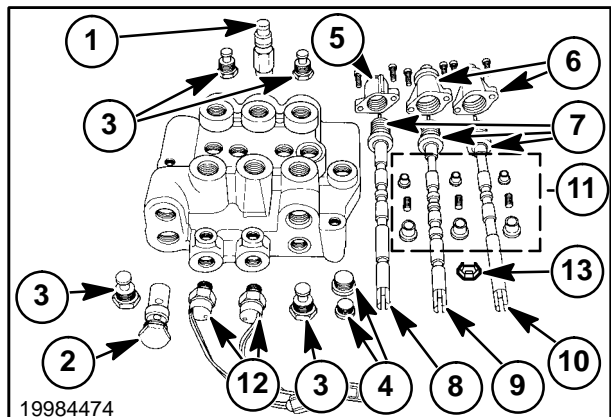
4. Remove the O rings from the spool ports. Inspect the O ring seating area for burrs, and remove them before installing new O rings.



52

5. The complete control valve components include:

1. Main system relief valve
2. Boom circuit relief valve
3. Plugs
4. Caps
5. Plain control spool cap
6. Detent control spool caps
7. Centering springs and hardware
8. Bucket control spool
9. Boom control spool
10. Auxiliary control spool
11. Lift check, springs, and caps
12. Bucket and boom solenoids
13. Boom lower circuit orifice plate



53

PARTS INSPECTION

Inspect the control valve components thoroughly for scratches or nicks, weak centering springs, weak lift check springs, and scored lift checks or valve seats.

Valve Body, 1

- Check for cracks in casting that allow an oil leak.
- Check the lift check seats, 2.
- Check O ring seating surfaces.
- Damaged fitting thread areas.

Control Spools, 3

- Check the spool lands for scratches.
- Check spool straightness.

IMPORTANT: The spools are matched to the control valve body. If excessively worn or damaged, replace the control valve assembly.

NOTE: The three spools are different. Do not mix spools and return spring assemblies during reassembly.

Detent Caps, 3

- Check the detent pins and springs for proper operation. All pins should move freely and return to position with spring pressure.
- Clean the caps thoroughly and lubricate the pins with a light grease.

Lift Checks, 4

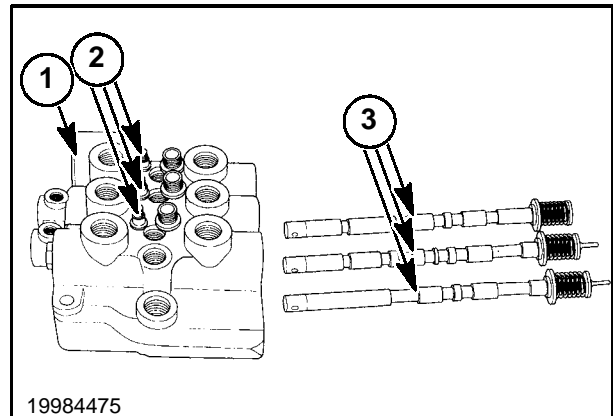
- Check the lift check seat surface for wear or scratches.
- Check the lift check springs.
- Check the caps to ensure free movement of lift checks into the caps.

Orifice Plate, 5 (Boom Lower Circuit)

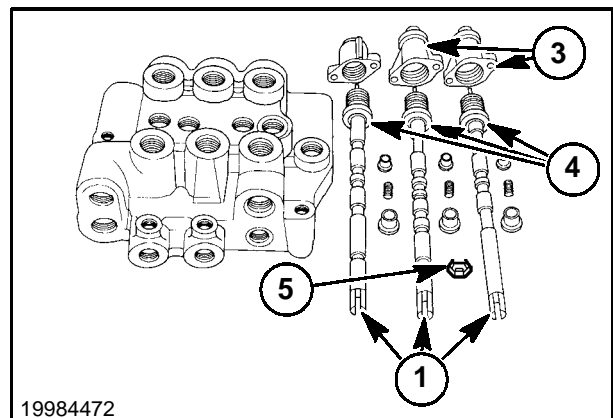
- Check the flat surface for scratches.
- Check the hole in the plate for dirt and clean.

Solenoid Spool Locks

- Check solenoid operation



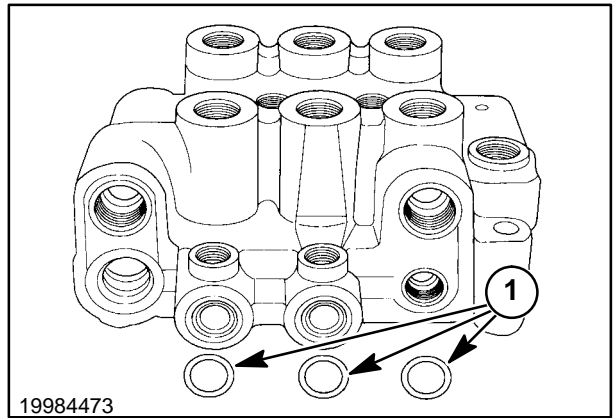
54



55

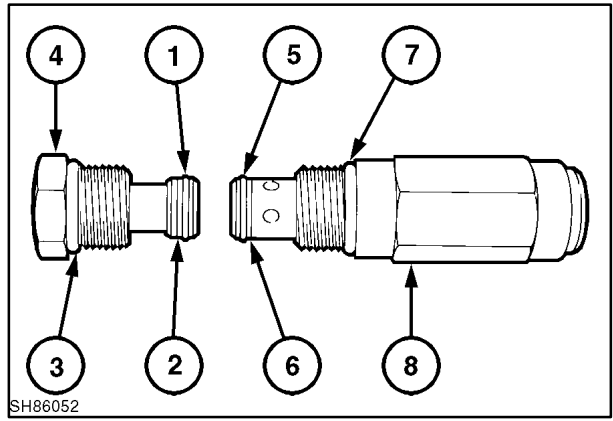
REASSEMBLY

1. Install O rings, 1, in the boom control spool ports, the bucket control spool ports, and auxiliary control spool ports.



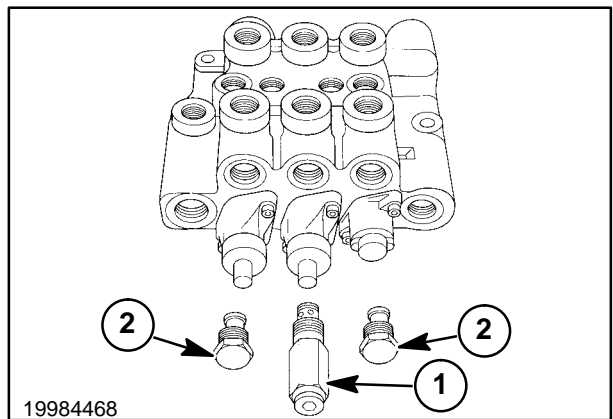
56

2. Install the O ring seals, 1, on the boom circuit relief valve, 2, and all the plugs, 3.
3. Install small O rings, 4, and backup rings, 5, on the relief valve and plugs.



57

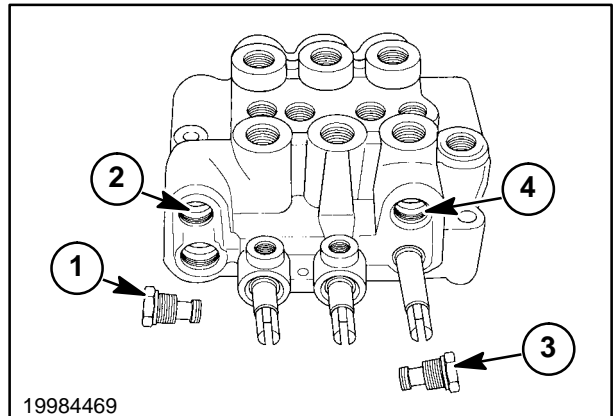
4. Install the boom circuit relief valve, 1, into the valve body.
5. Install the plugs, 2, over the bucket and auxiliary spool caps.



58

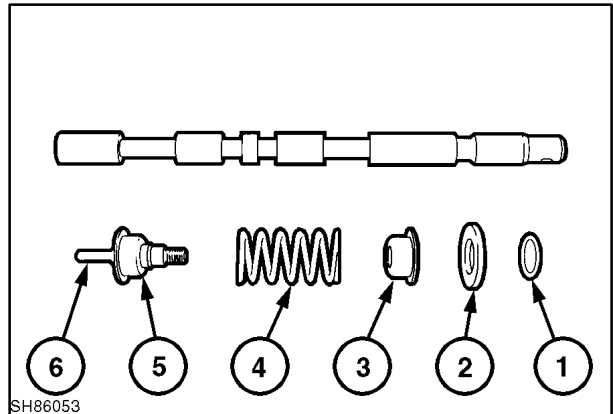
SECTION 35 - HYDRAULIC SYSTEM

6. Install the plug, 1, into the port, 2, over the main relief valve port. Install the plug, 3, into the port, 4, over the auxiliary control spool.



59

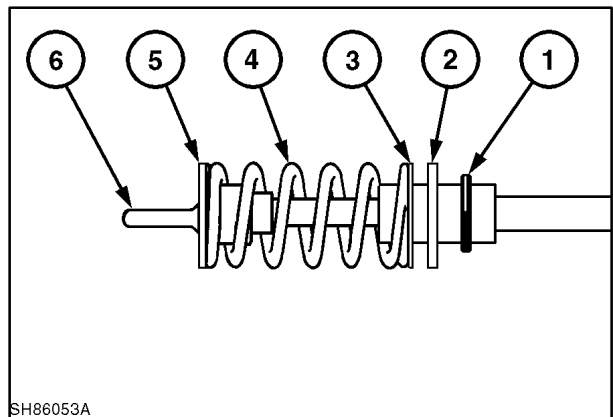
7. Install new O rings, 1, on the spools.
8. Install the washers, 2, spring retaining plate with small hole, 3, centering spring, 4, spring plate with large hole, 5, and end screw, 6, on each spool.



60

NOTE: The spring retaining plate with the small hole must go next to the valve. The plate with the large hole, 5, must be over the end pin, 6, for proper spool.

9. Tighten the end screw, 6, securely.

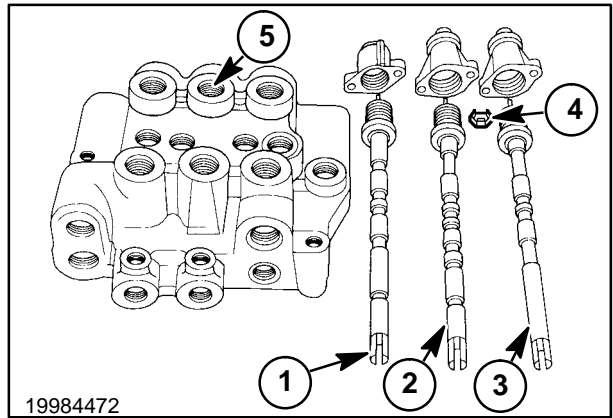


61

SECTION 35 - HYDRAULIC SYSTEM

10. Install the control spools into the valve body - bucket, 1, boom, 2, auxiliary, 3.
11. Reinstall the boom lower orifice plate, 4, with the slot towards the fitting in port, 5.

NOTE: The three spools are different. Do not mix spools and return spring assemblies during reassembly.

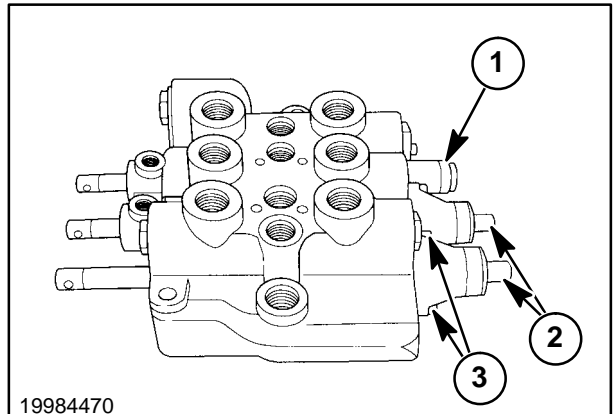


62

12. Install the plain cap, 1, over the bucket control spool and the detent caps, 2, over the boom and auxiliary control spools. Tighten the allen head screws, 3, securely.

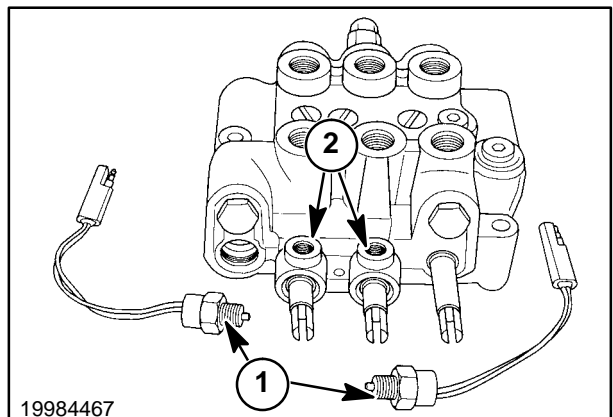
NOTE: If any spool binds in the housing, rotate the spool 180° and check it. If the spool still binds, check the end caps for proper alignment. If a spool still binds, the complete control valve must be replaced.

NOTE: On the tractor, binding can be caused by mounting hardware that is too tight (valve to main frame).



63

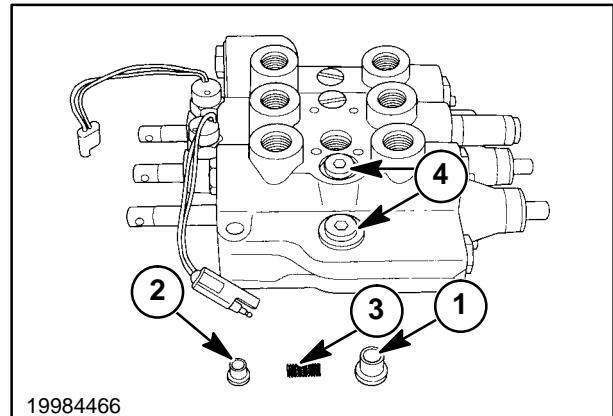
13. Install the solenoid plunger assemblies, 1, into the ports, 2, over the control spool ends.



64

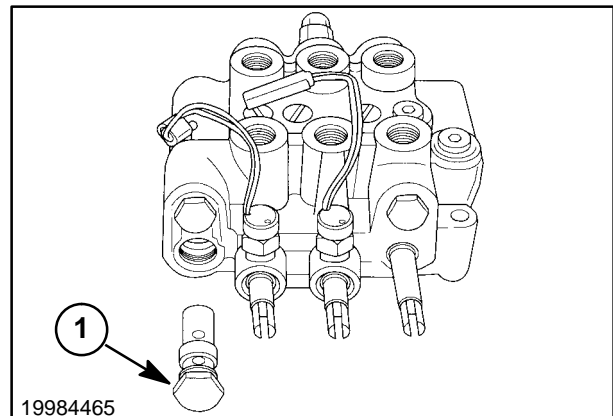
SECTION 35 - HYDRAULIC SYSTEM

14. Add O rings to the lift check valve caps, 1. Install the lift checks, 2, springs, 3, and caps.
15. Install the two caps, 4, with O rings into the valve body.



65

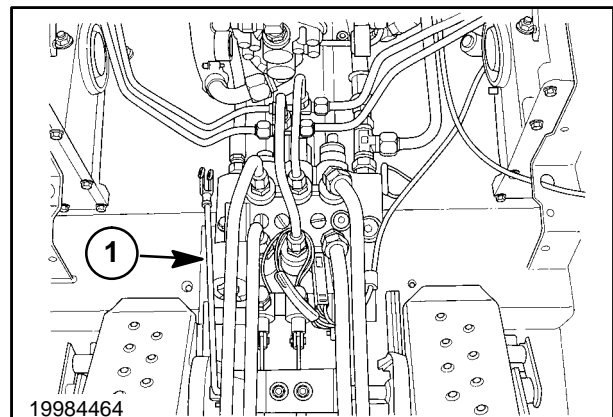
16. Install an O ring on the main system relief valve, 1, and install into the valve body.



66

REINSTALLATION

1. Place the rubber isolation mount, 1, in place under the control valve space.
2. Reinstall the control valve into the loader with the retaining hardware previously removed. Align the valve with the control linkage and torque the valve retaining hardware to 24 N·m (18 ft. lbs.).
3. Reconnect the control linkage and wiring harness to the lockout solenoids.
4. Reinstall the hydraulic lines and tighten to seat the fittings, then loosen the lines and retorque.
5. Refill the hydraulic reservoir with 10W-30 oil.
6. With the unit supported off the ground, start the unit and check for any oil leaks and repair.
7. Reinstall the step shield and belly pan.
8. Recheck the hydraulic oil level and add as required.



67

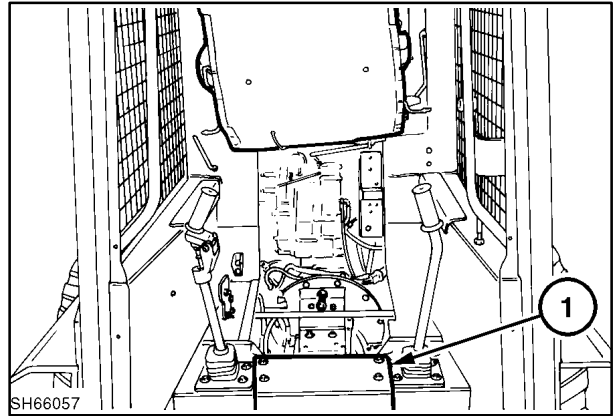
HYDRAULIC PUMP

| Specifications | 26000 Series |
|---|---|
| Type | Gear Pump |
| LS160 Output @2900 RPM - 69 bar (1000 PSI) | 58.7 L/min (15.5 GPM) |
| LS170 Output @2900 RPM - 69 bar (1000 PSI) | 67.0 L/min (17.7 GPM) |
| Rotation (Viewed from shaft end) | Clockwise |
| Gear teeth | 13 per gear |
| Wear plate | Black, powdered metal with Teflon coating |
| Bushings | Teflon coated |
| Internal lubrication system | Inlet (suction) side |
| Labor Required | |
| R&R Pump | 1.5 hrs. |
| Disassembly, Inspection and Reassembly | 0.5 hrs. |

Op. 35 710 10

PUMP REMOVAL

1. Lower the boom and bucket to the lowered position (resting on the ground), or remove any attachment and raise the boom and rest on the boom lock pins.
2. Stop the engine, turn the ignition key to the run position and operate the boom and bucket control pedals to relieve pressure in the boom and bucket circuits. Turn off the key.
3. Raise the seat and seat pan to the raised latched position.
4. Remove the step shield, 1, to access the gear pump area. For more access remove the right or left hydrostatic control handle assembly.



68

CAUTION

Do not work under a raised seat unless it is securely latched in the raised latched position.

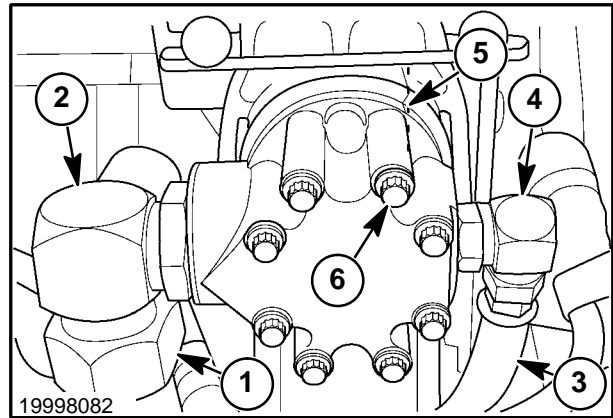
Never work under a raised boom unless it is properly supported by the boom lock pins.

Never work under a raised boom with an attachment. Always remove the attachment from the loader.

Never loosen any hydraulic lines without first relieving all pressure in the system.

Op. 35 710 20**HYDRAULIC SYSTEM PUMP REMOVAL/
DISASSEMBLY (WITHOUT HIGH FLOW)**

1. Remove the suction tube, 1, from the gear pump port fitting, 2, and cap the tube to prevent oil loss. Remove the fitting from the housing.
2. Remove the high pressure hose, 3, from the pump fitting, 4, and cap the tube. Remove the fitting from the housing.
3. Clean the pump thoroughly and mark the pump assembly, 5, to ensure proper reassembly.
4. Remove the pump housing hardware, 6, and separate the end plate and body sections.



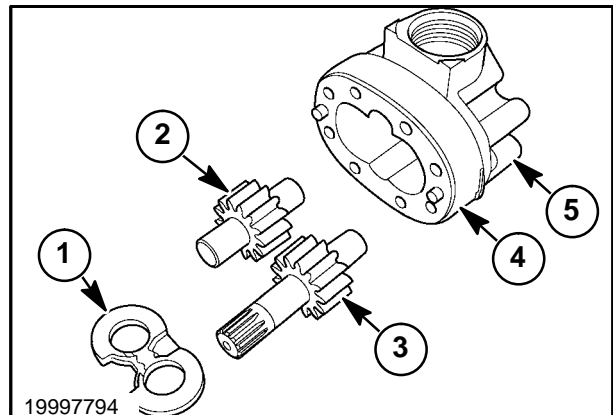
69

IMPORTANT: The pump body is aluminum and can be easily damaged. BE CAREFUL not to damage machined surfaces. DO NOT use a screwdriver or other hard, sharp objects to pry the pump from the plate.

The hydraulic system gear pump consists of:

1. Wear plate assembly
2. Idler gear assembly
3. Drive gear assembly
4. Pump body
5. Pump back plate

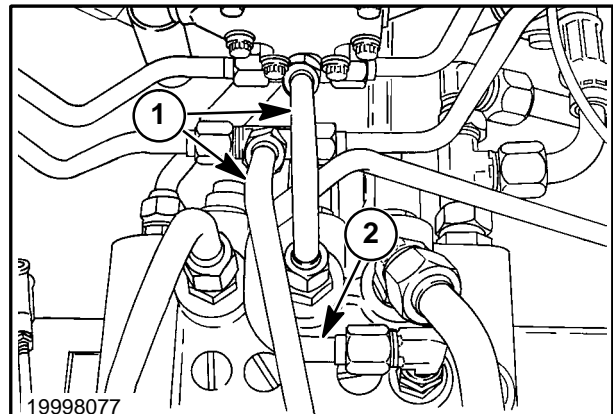
Separate the hydraulic system pump end plate and body sections.



70

Op. 35 710 20**HYDRAULIC SYSTEM PUMP AND HIGH
FLOW PUMP REMOVAL/DISASSEMBLY**

1. On units equipped with high flow, loosen and remove the boom circuit hydraulic lines, 1 and 2, and the high flow supply line, 3.

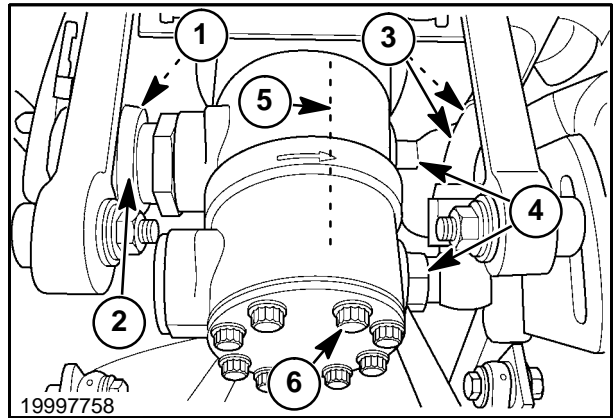


71

SECTION 35 - HYDRAULIC SYSTEM

2. Remove the suction tube, 1, from the gear pump port fitting, 2, and cap the tube to prevent oil loss. Remove the fitting from the housing.
3. Remove the high pressure hoses, 3, from the pump fittings, 4, and cap the tubes. Remove the fittings from the housing.
4. Clean the pump thoroughly and mark the pump assembly, 5, to ensure proper reassembly.
5. Remove the pump housing hardware, 6, and separate the end plate and body sections.

IMPORTANT: The pump body is aluminum and can be easily damaged. BE CAREFUL not to damage machined surfaces. DO NOT use a screwdriver or other hard, sharp objects to pry the pump from the plate.

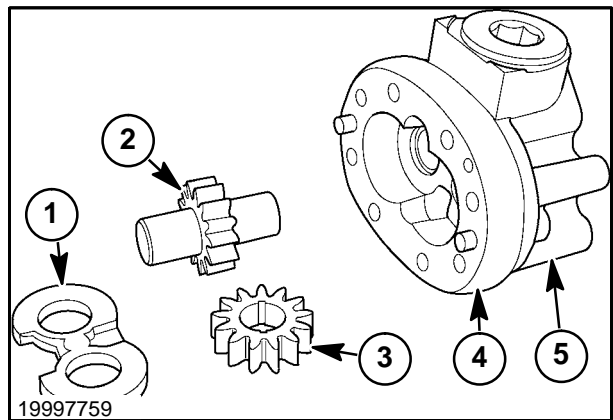


72

The high flow gear pump consists of:

1. Wear plate assembly
2. Idler gear assembly
3. Drive gear
4. Pump body
5. Pump back plate

Separate the high flow pump body, 4, and back plate, 5, sections.

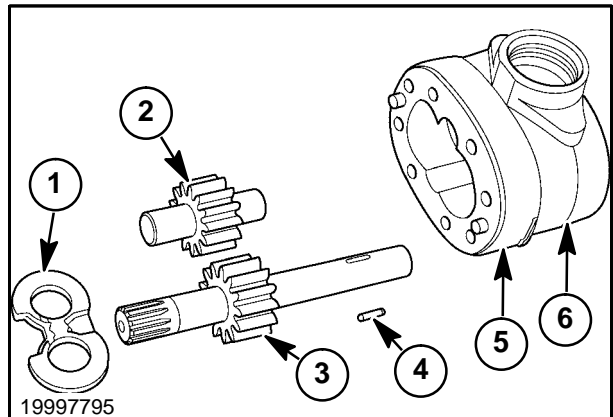


73

The hydraulic system pump consists of:

1. Wear plate assembly
2. Idler gear assembly
3. Drive gear assembly
4. Key
5. Pump body
6. Pump back plate

Separate the hydraulic system pump backplate and body sections.



74

HIGH FLOW PUMP PARTS INSPECTION

1. Inspect the pump back plate for excessive wear. The oil grooves in the back plate bushings, 1, should be at approximately 37° to the pressure side. If the bushing oil grooves are not positioned as noted, the bushings have turned in the plate. The plate should be replaced under this condition.

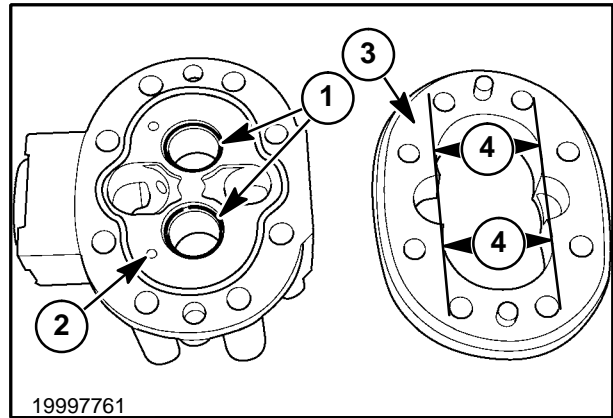
The bushings in the plate should be 3.20 mm (0.126") below the surface of the plate. Replace the back plate if the I.D. of a bushing exceeds 19.2 mm (0.755").

Check for scoring on the face of the back plate, 2. Replace the back plate if wear exceeds 0.038 mm (0.0015").

2. Inspect the pump body, 3, for excessive wear. Check the pump body inside the gear pockets for excessive scoring or wear.

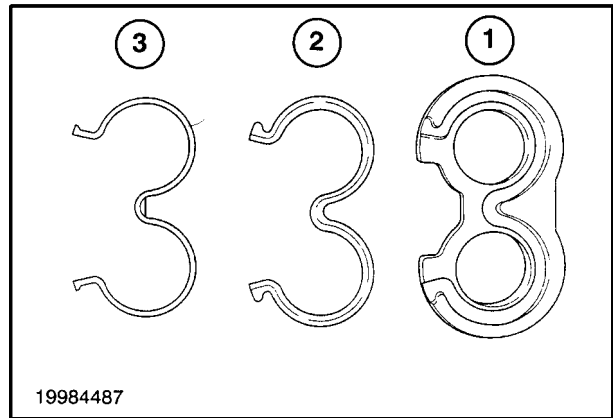
Replace the pump body if the I.D. of gear pockets, 4, exceed 43.7 mm (1.719").

3. The wear plate, 1, seal, 2, and backup gasket, 3, should be replaced when the pump is rebuilt. Inspect for damage, such as nicks and tears, to determine if any problem existed. The flat Teflon-coated surface towards the gears and should not show any scratches or grooves that can be caught with a fingernail.



19997761

75



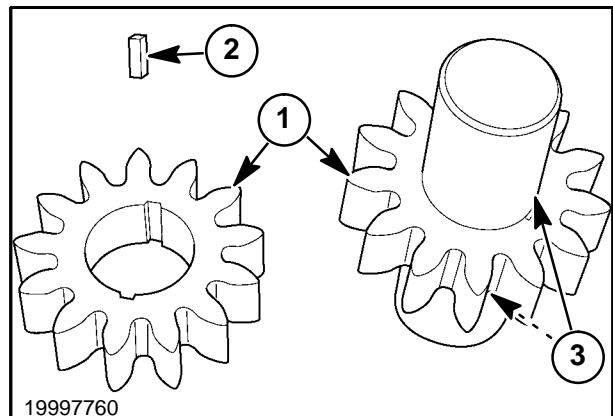
19984487

76

4. Inspect the pump gear teeth, 1, for excessive wear. Inspect the drive gear key, 2, to ensure it is not sheared.

The idler gear shaft should measure greater than or equal to 0.748" (19.0 mm) in the bushing area, 3. Both gears should be at least 12.95 mm (0.51") wide. If the assemblies measure less than specified, replace both gears.

NOTE: If replacement of the gear assemblies is necessary, the gear assemblies should be replaced in pairs.



19997760

77

HYDRAULIC SYSTEM PUMP PARTS INSPECTION

1. Inspect the pump mounting plate for excessive wear. The oil grooves in the bushings, 1, should be line up with the dowel pin holes and be approximately 180° apart. If the bushing oil grooves are not positioned as noted, the bushings have turned in the plate - the plate should be replaced.

The bushings in the plate should be 3.20 mm (0.126") above the surface of the plate. Replace the plate if the I.D. of the idler gear bushing exceeds 19.2 mm (0.755").

2. Check the seal areas, 2, for scratches or damage that could prevent a good seal.

3. With High Flow - Inspect the pump back plate for excessive wear. The oil grooves in the back plate bushings, 1, should be at approximately 37° to the pressure side. If the bushing oil grooves are not positioned as noted, the bushings have turned in the plate. The plate should be replaced under this condition.

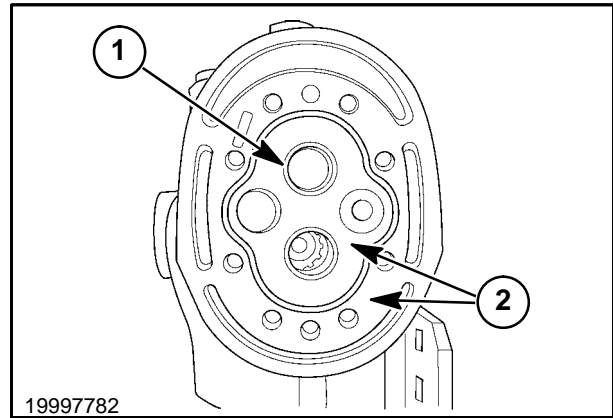
The bushings in the plate should be 3.20 mm (0.126") below the surface of the plate. Replace the back plate if the I.D. of a bushing exceeds 19.2 mm (0.755").

Check for scoring on the face of the back plate, 2. Replace the back plate if wear exceeds 0.038 mm (0.0015").

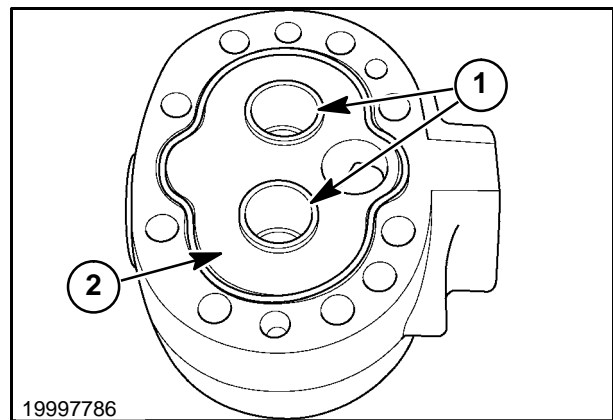
4. Without High Flow - Inspect the pump back plate for excessive wear. The oil grooves in the back plate bushings, 1, should be at approximately 37° to the pressure side. If the bushing oil grooves are not positioned as noted, the bushings have turned in the plate. The plate should be replaced under this condition.

The bushings in the plate should be 3.20 mm (0.126") below the surface of the plate. Replace the back plate if the I.D. of a bushing exceeds 19.2 mm (0.755").

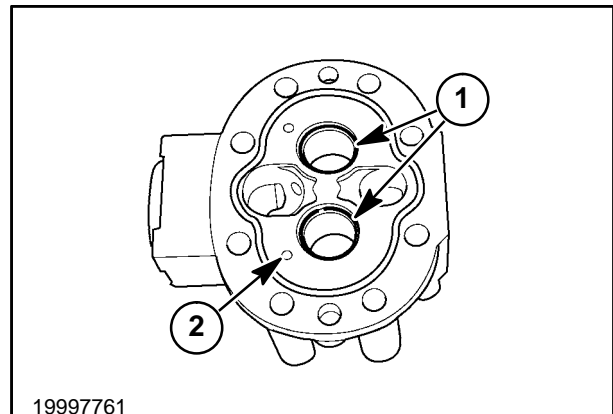
Check for scoring on the face of the back plate, 2. Replace the back plate if wear exceeds 0.038 mm (0.0015").



78



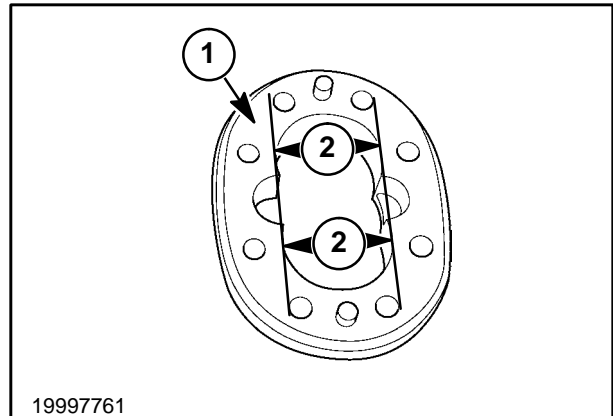
79



80

SECTION 35 - HYDRAULIC SYSTEM

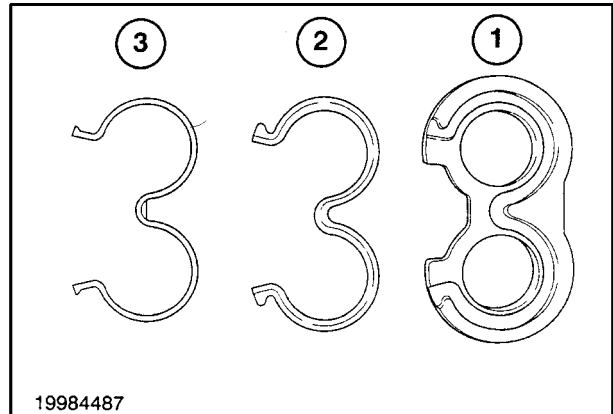
5. Inspect the pump body, 1, for excessive wear. Check the pump body inside the gear pockets for excessive scoring or wear. Replace the pump body if the I.D. of gear pockets, 2, exceed 43.7 mm (1.7195").



19997761

81

6. The wear plate, 1, seal, 2, and backup gasket, 3, should be replaced when the pump is rebuilt. Inspect for damage, such as nicks and tears, to determine if any problem existed. The flat Teflon-coated surface towards the gears and should not show any scratches or grooves that can be caught with a fingernail.

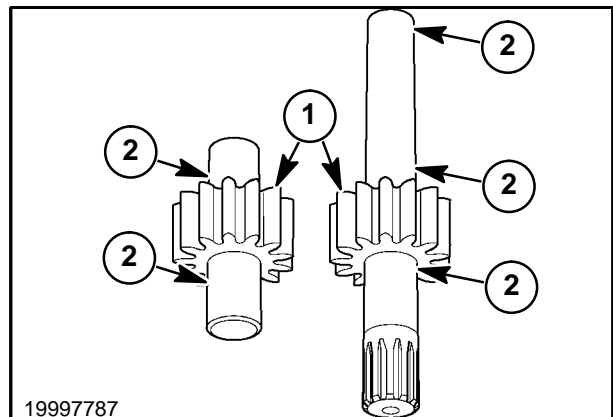


19984487

82

7. With High Flow - Inspect the pump gear teeth, 1, for excessive wear. The gear shaft assemblies should measure greater than or equal to 0.7485" (19.0 mm) in the bushing area, 2. LS160 gears should be at least 22.56 mm (0.888") wide. LS170 gears should be at least 22.76 mm (1.014") wide. Replace the gears if they do not meet specifications.

NOTE: If replacement of the gear assemblies is necessary, the gear assemblies should be replaced in pairs.



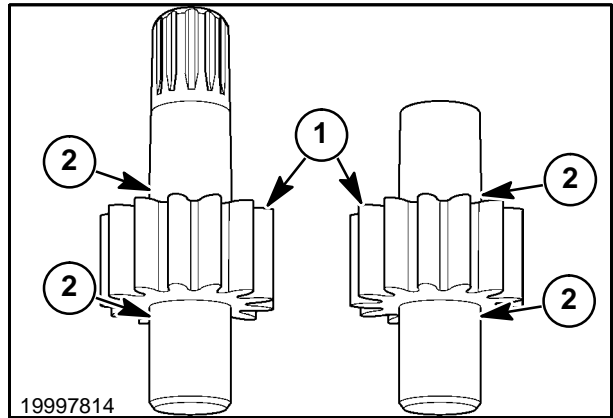
19997787

83

- Without High Flow - Inspect the pump gear teeth, 1, for excessive wear.

The gear shaft assemblies should measure greater than or equal to 0.748" (19.0 mm) in the bushing area, 2. LS160 gear should be at least 22.56 mm (0.888") wide. LS170 gears should be at least 22.76 mm (1.014") wide. Replace the gears if they do not meet specifications.

NOTE: If replacement of the gear assemblies is necessary, the gear assemblies should be replaced in pairs.

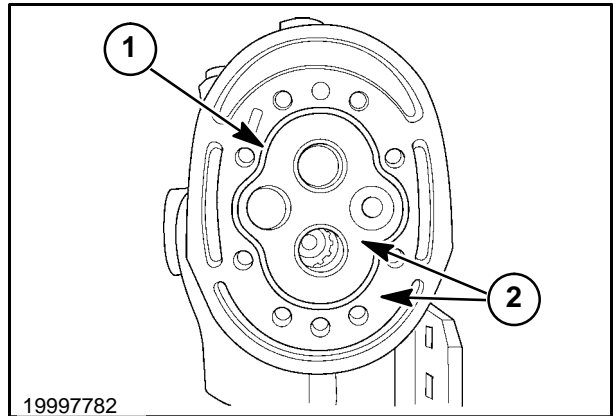


84

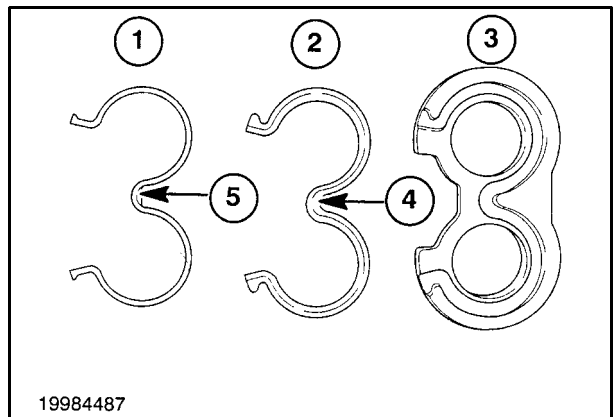
HYDRAULIC SYSTEM PUMP REASSEMBLY/ INSTALLATION (WITHOUT HIGH FLOW)

NOTE: If installing a new pump, refer to "New Hydraulic System Pump Installation (Without High Flow)" below.

- Coat all parts with a thin coat of petroleum jelly or oil to aid in reassembly.
- Clean the mounting plate surface and hydrostatic pump housing thoroughly and install a new O ring, 1.
- Install the seal, 1, and backup gasket 2, on the wear plate, 3. BE SURE that the flat area, 4, on the gasket AND seal, 5, are properly aligned and lay flat when installed in the wear plate.

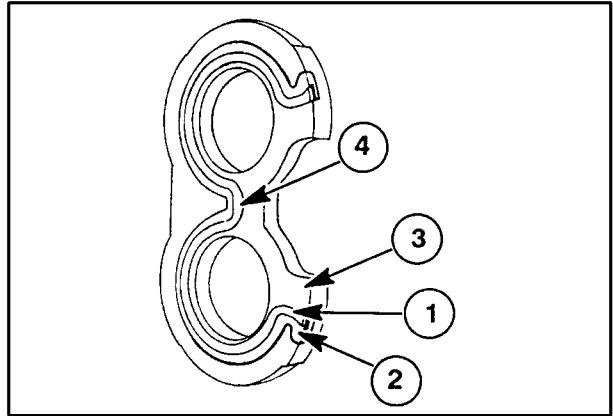


85



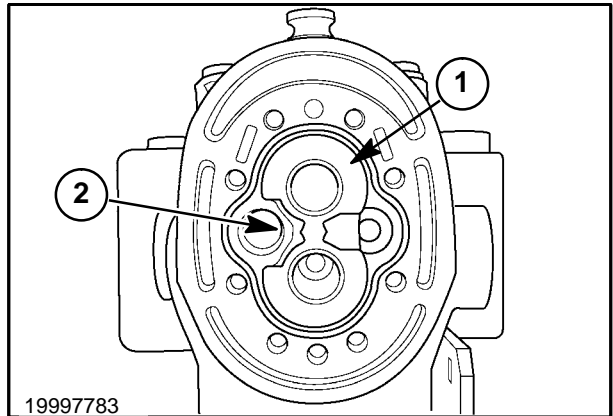
86

NOTE: The gasket AND seal must align and lay flat when installed in the wear plate.



87

4. Install the wear plate assembly, 1, with the gasket/seal side towards the pump mounting plate with the mid section cut away on the suction side, 2, of the pump.

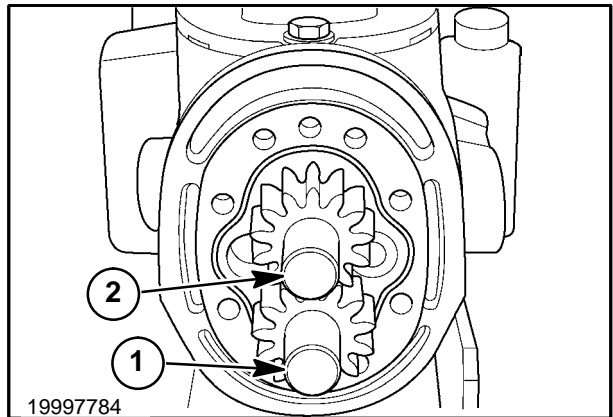


19997783

88

5. Install the drive shaft, 1, making sure to engage the splines inside the hydrostatic pump. Install the idler gear assembly, 2, into the bushing. Rotate the gears to help slide the idler gear into place.

NOTE: The drive shaft and gear, 1, must be properly seated into the hydrostatic pump drive shaft splines with the end of gear teeth against the wear plate.



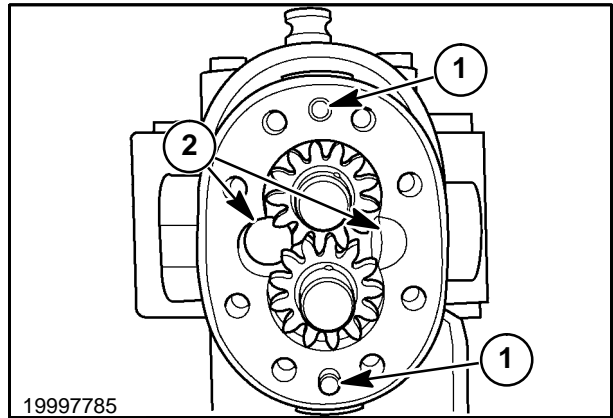
19997784

89

SECTION 35 - HYDRAULIC SYSTEM

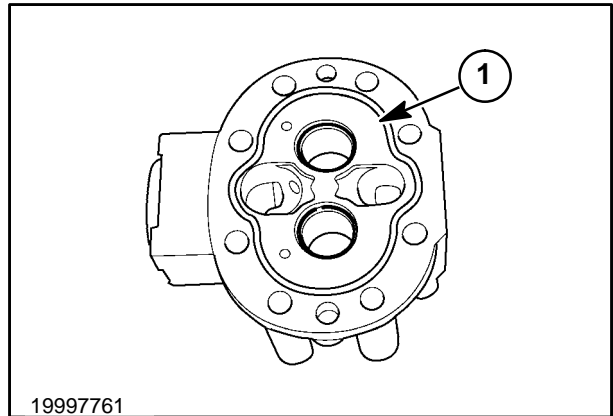
6. Make sure the dowel pins, 1, are in place and install the body on the plate with the half-moon cavities, 2, in the body facing out away from the plate. Check that the reference marks made during disassembly align correctly.

NOTE: The small half-moon cavity, 2, must be on the pressure side of the pump.



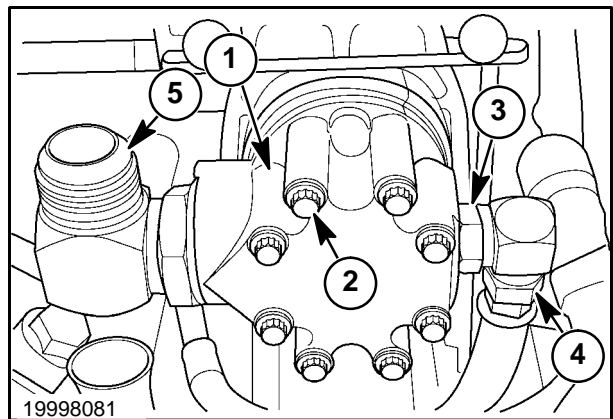
90

7. Install a new O ring, 1, in the back plate.



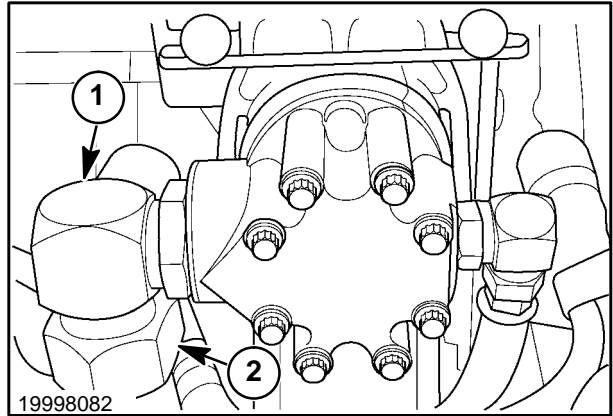
91

8. Install the pump back plate, 1, over the gear shafts. Check that the reference marks made during disassembly align correctly.
9. Install the housing hardware with the eight bolts, 2, and sealing washers. Tighten the bolts evenly in a criss-cross pattern to 34 - 38 N·m (25 - 28 ft. lbs.).
10. Install the high pressure port fitting, 3, and the high pressure line, 4. Tighten the high pressure line connections securely.
11. Install the suction tube port fitting, 5, and turn the fitting up. Add SH/CG4 10W-30 oil to fill the bottom of the hydraulic pump.



92

- Turn the suction tube fitting, 1, down and install the suction tube, 2. Tighten all hydraulic connections securely.

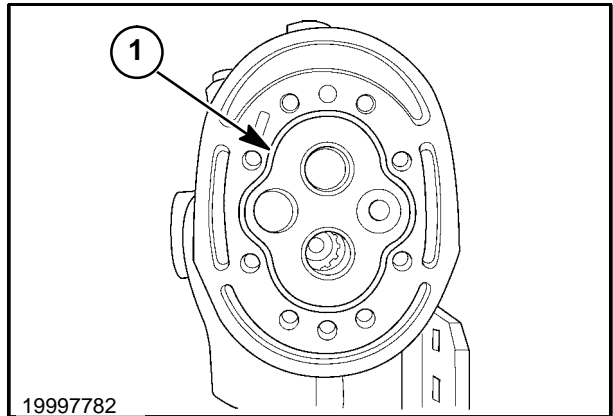


93

HYDRAULIC SYSTEM PUMP AND HIGH FLOW PUMP REASSEMBLY/ INSTALLATION

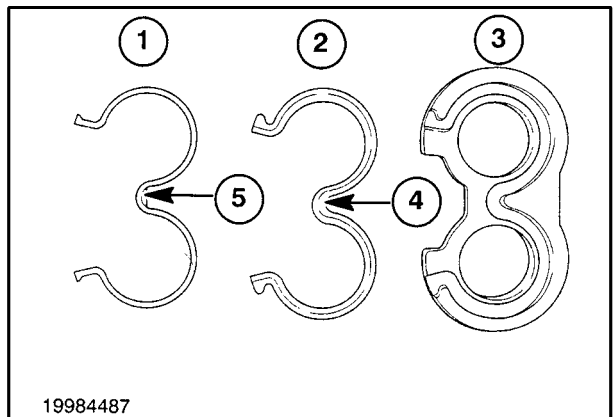
NOTE: If installing a new pump assembly, refer to "New Hydraulic System Pump / High Flow Pump Installation" below.

- Coat all parts with a thin coat of petroleum jelly or oil to aid in reassembly.
- Clean the mounting plate surface and hydrostatic pump housing thoroughly and install a new O ring, 1.



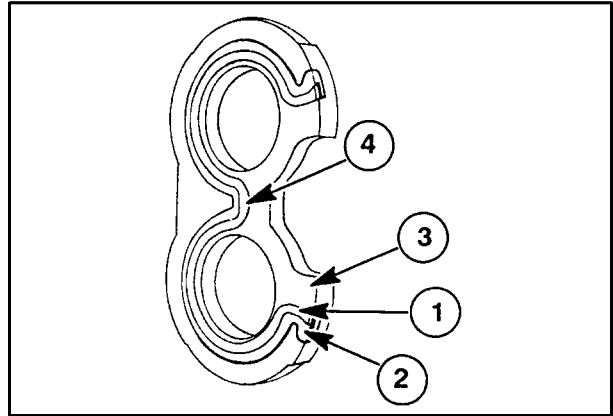
94

- Install the seal, 1, and backup gasket 2, on the wear plate, 3. BE SURE that the flat area, 4, on the gasket AND seal, 5, are properly aligned and lay flat when installed in the wear plate.



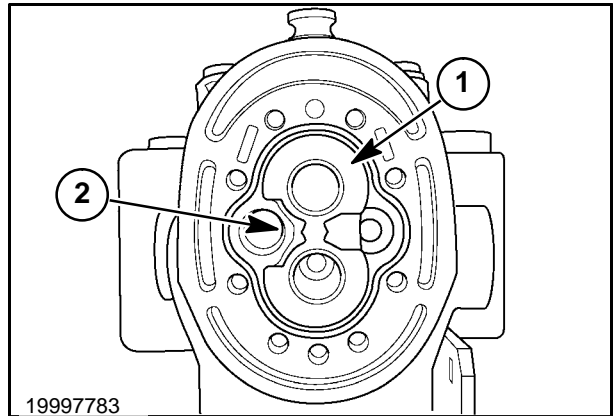
95

NOTE: The gasket AND seal must align and lay flat when installed in the wear plate.



96

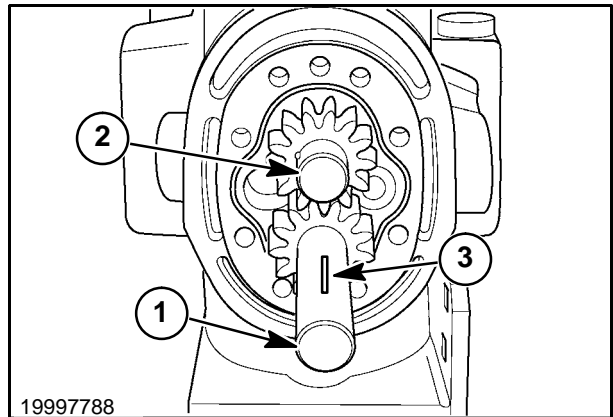
4. Install the wear plate assembly, 1, with the gasket/seal side towards the pump mounting plate with the mid section cut away on the suction side, 2, of the pump.



97

5. Install the drive shaft, 1, making sure to engage the splines inside the hydrostatic pump. Install the idler gear assembly, 2, into the bushing. Rotate the gears to help slide the idler gear into place.

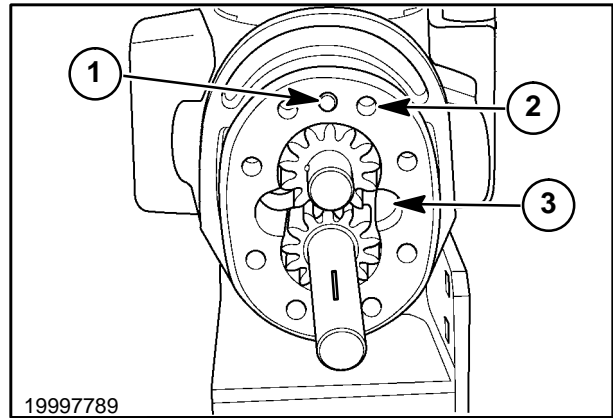
NOTE: The drive shaft and gear, 1, must be properly seated into the hydrostatic pump drive shaft splines with the end of gear teeth against the wear plate. Position the keyway, 3, up.



98

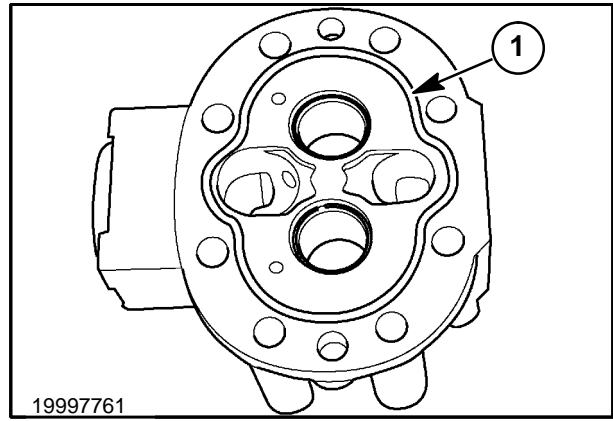
6. Make sure the dowel pins, 1, are in place and install the body, 2, on the plate with the half-moon cavities, 3, in the body facing out away from the plate. Check that the reference marks made during disassembly align correctly.

NOTE: The small half-moon cavity, 3, must be on the pressure side of the pump.



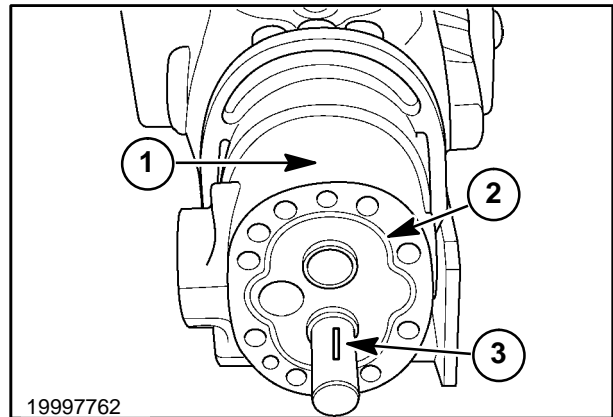
99

7. Install a new O ring, 1, in the back plate.



100

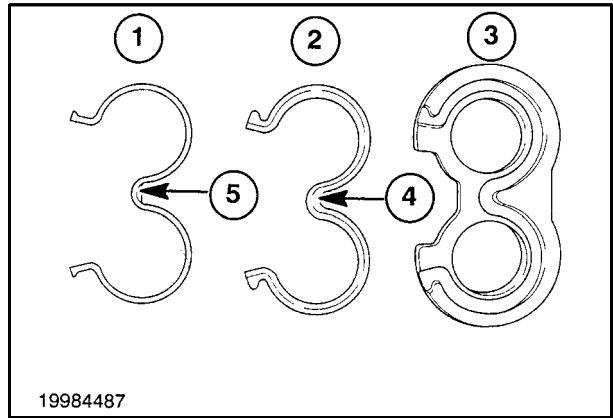
8. Install the pump back plate, 1, over the gear shafts. Check that the reference marks made during disassembly align correctly.
9. Clean the mounting plate surface thoroughly and install a new O ring, 2. Install the shaft key, 3, in the drive shaft.



101

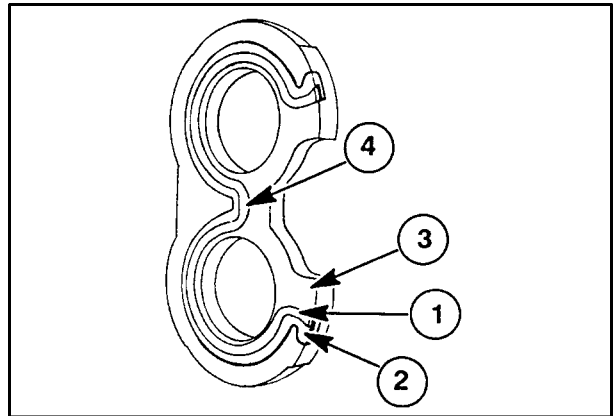
SECTION 35 - HYDRAULIC SYSTEM

10. Install the seal, 1, and backup gasket 2, on the wear plate, 3. BE SURE that the flat area, 4, on the gasket AND seal, 5, are properly aligned and lay flat when installed in the wear plate.



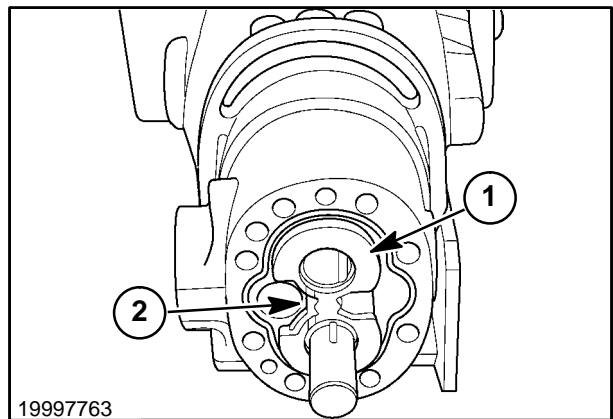
102

NOTE: The gasket AND seal must align and lay flat when installed in the wear plate.



103

11. Install the wear plate assembly, 1, with the gasket/seal side towards the pump mounting plate with the mid section cut away on the suction side, 2, of the pump.

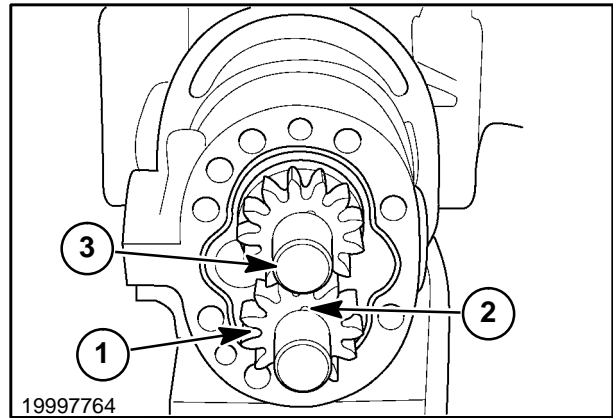


104

SECTION 35 - HYDRAULIC SYSTEM

12. Install the drive gear, 1, on the drive shaft, slipping the groove over the shaft key, 2. Install the idler gear assembly, 3, into the bushing. Rotate the gears to help slide the idler gear into place.

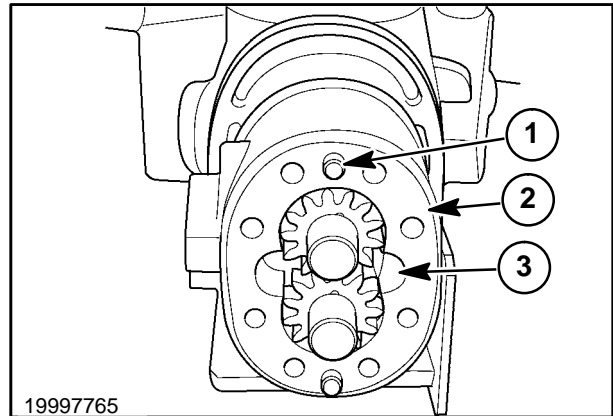
NOTE: When installing drive gear, 1, onto the shaft, be careful not to knock the round key, 2, from the shaft.



105

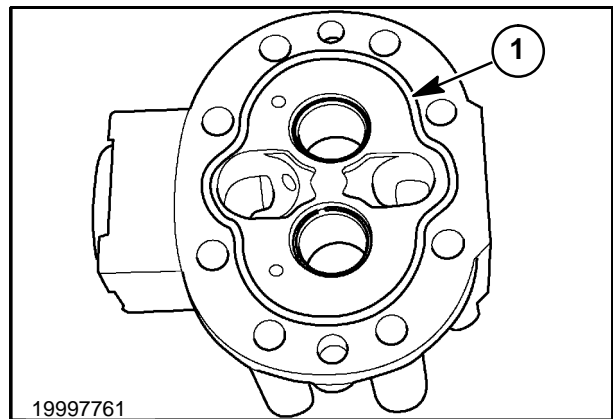
13. Make sure the dowel pins, 1, are in place and install the body, 2, on the plate with the half-moon cavities, 3, in the body facing out away from the plate. Check that the reference marks made during disassembly align correctly.

NOTE: The small half-moon cavity, 3, must be on the pressure side of the pump.



106

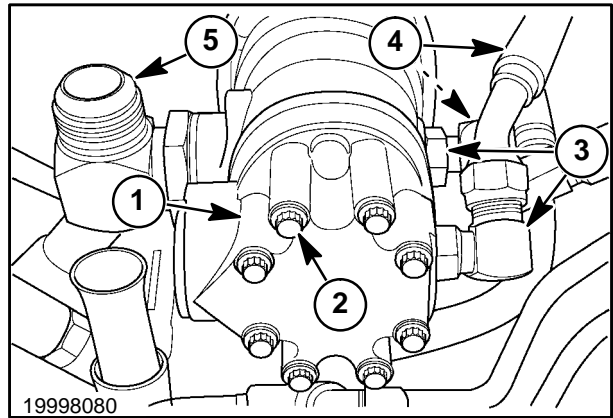
14. Install a new O ring, 1, in the back plate.



107

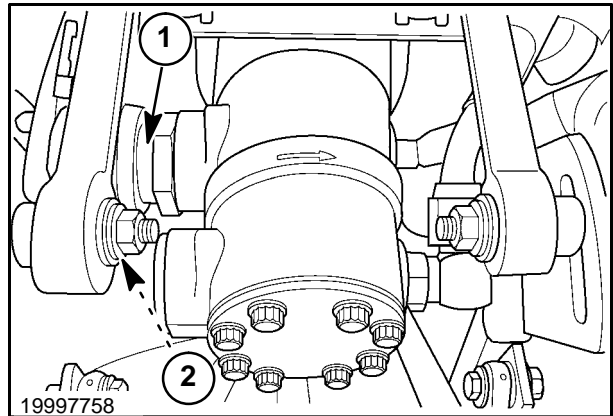
SECTION 35 - HYDRAULIC SYSTEM

15. Install the pump backplate, 1, over the gear shafts. Check that the reference marks made during disassembly align correctly.
16. Install the housing hardware with the eight bolts, 2, and sealing washers. Tighten the bolts evenly in a criss-cross pattern to 34 - 38 N·m (25 - 28 ft. lbs.).
17. Install the high pressure port fittings, 3, and the high pressure lines, 4. Tighten the high pressure line connections securely.
18. Install the suction tube port fitting, 5, and turn the fitting up. Add SH/CG4 10W-30 oil to fill the bottom of the hydraulic pump.



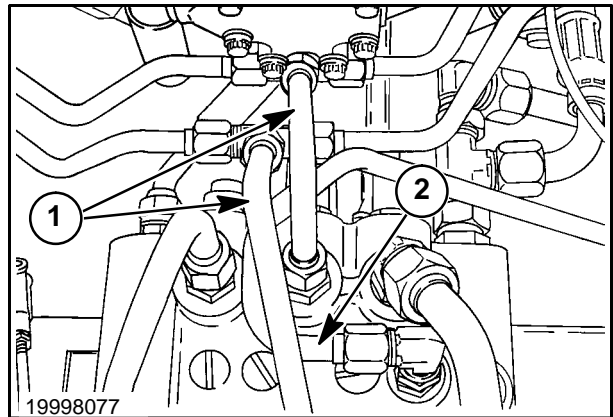
108

19. Turn the suction tube fitting, 1, down and install the suction tube, 2. Tighten all hydraulic connections securely.



109

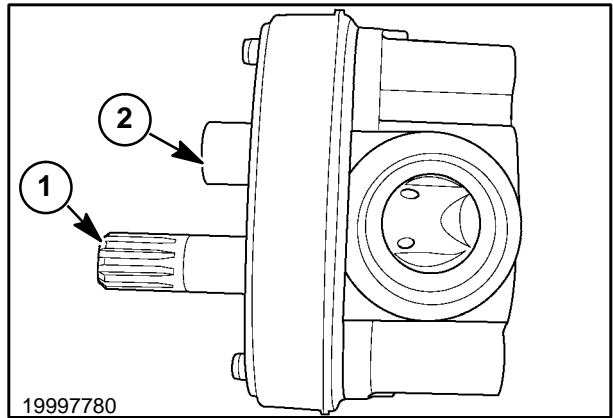
20. Reinstall the boom circuit hydraulic lines, 1, and high flow line, 2, and tighten securely.



110

**NEW HYDRAULIC SYSTEM PUMP
INSTALLATION (WITHOUT HIGH FLOW)**

1. Remove the through bolts and separate the gear assemblies and wear plate from the pump body by removing the drive gear, 1, and idler gear, 2. Do not disturb the seal between the pump body and the backplate.

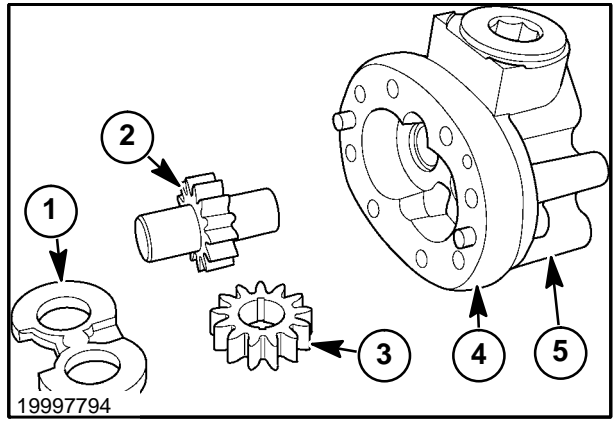


111

The hydraulic system gear pump consists of:

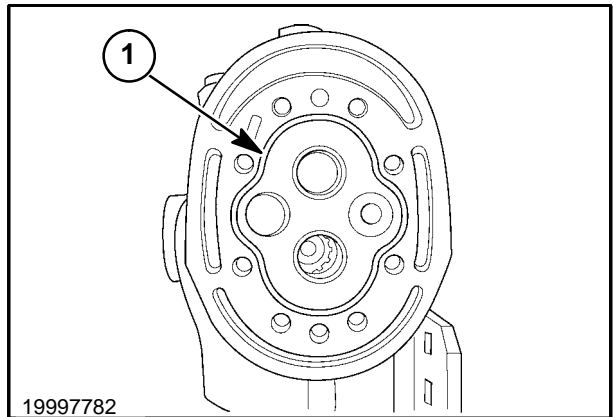
- 1 Wear plate assembly
- 2 Idler gear assembly
- 3 Drive gear assembly
- 4 Pump body
- 5 Pump back plate

Coat all parts with a thin coat of petroleum jelly or oil to aid in reassembly.



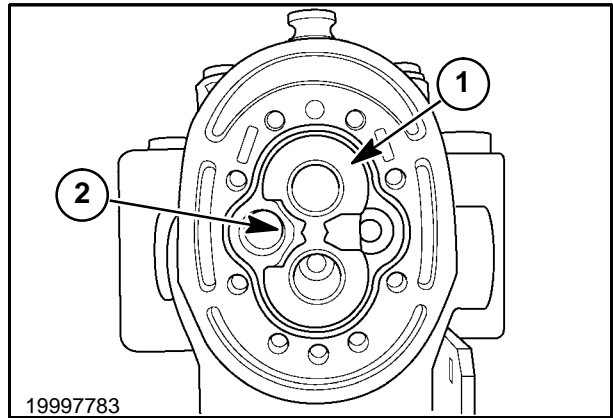
112

2. Clean the mounting plate surface thoroughly and install a new O ring, 1.



113

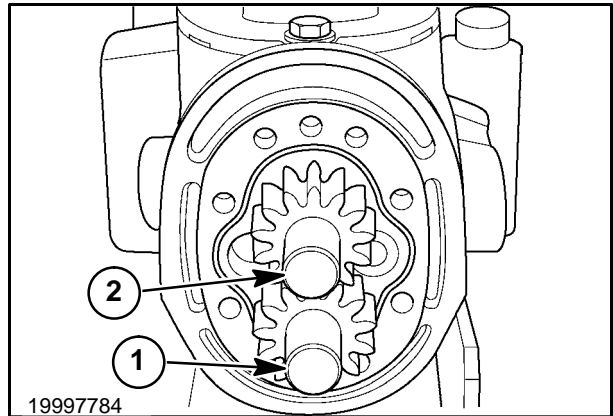
3. Install the wear plate assembly, 1, with the gasket/seal side towards the pump mounting plate with the mid section cut away on the suction side, 2, of the pump.



114

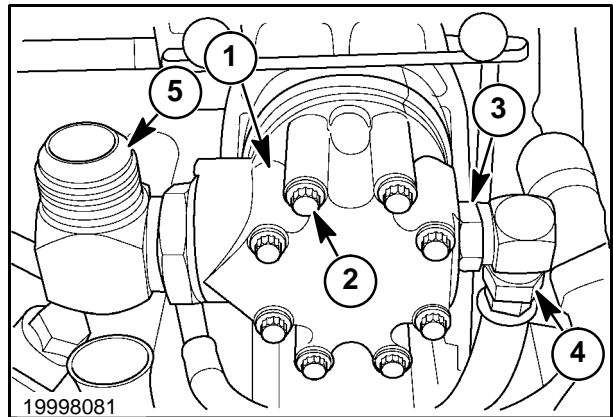
4. Install the drive shaft, 1, making sure to engage the splines inside the hydrostatic pump. Install the idler gear assembly, 2, into the bushing. Rotate the gears to help slide the idler gear into place.

NOTE: The drive shaft and gear, 1, must be properly seated into the hydrostatic pump drive shaft splines with the end of gear teeth against the bearing plate.



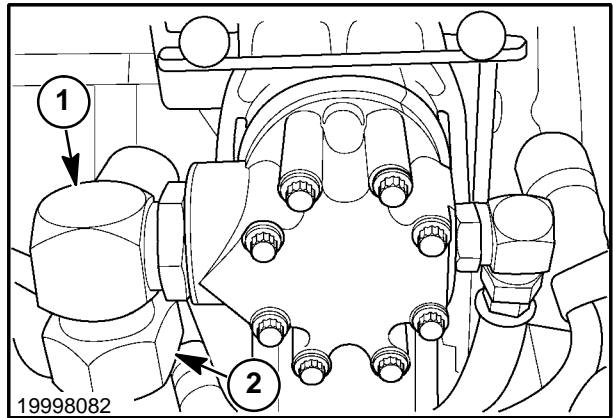
115

5. Install the pump backplate, 1, and body together over the gear shafts.
6. Install the housing hardware with the eight bolts, 2, and sealing washers. Tighten the bolts evenly in a criss-cross pattern to 34 - 38 N·m (25 - 28 ft. lbs.).
7. Install the high pressure port fitting, 3, and the high pressure line, 4. Tighten the high pressure line connections securely.
8. Install the suction tube port fitting, 5, and turn the fitting up. Add SH/CG4 10W-30 oil to fill the bottom of the hydraulic pump.



116

- Turn the suction tube fitting, 1, down and install the suction tube, 2. Tighten all hydraulic connections securely.

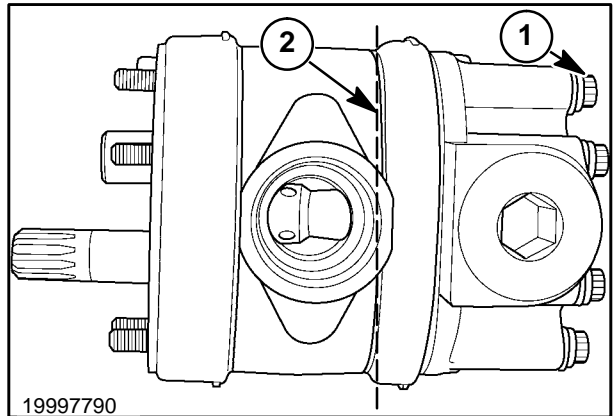


19998082

117

NEW HYDRAULIC SYSTEM PUMP / HIGH FLOW PUMP INSTALLATION

- Remove the through bolts, 1, and washers.
- Separate the pumps at 2, taking care not to disturb the seals between the pump bodies and backplates.

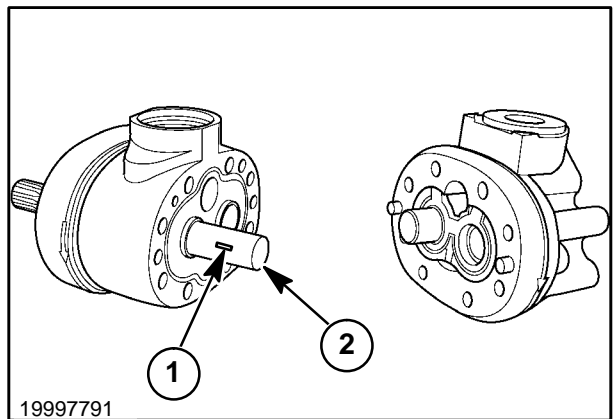


19997790

118

- Remove the small round drive key, 1, from the pump shaft, 2, and remove the drive gears, idler gears, and wear plates from the pumps, taking care not to disturb the seals between the pump body and backplate.

IMPORTANT: The small round key must be removed to remove drive shaft from center section. Do not lose key.



19997791

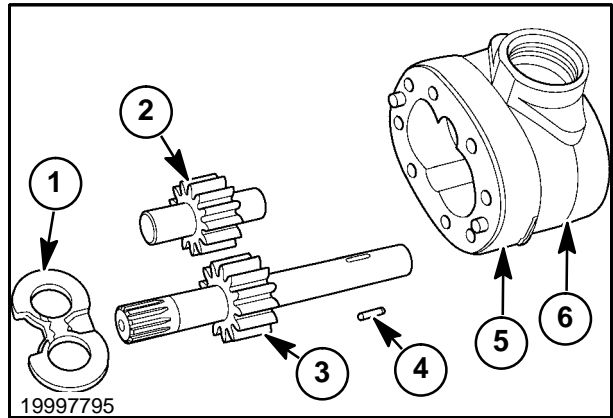
119

SECTION 35 - HYDRAULIC SYSTEM

The hydraulic system pump consists of:

- 1 Wear plate assembly
- 2 Idler gear assembly
- 3 Drive gear assembly
- 4 Key
- 5 Pump body
- 6 Pump back plate

Coat all parts with a thin coat of petroleum jelly or oil to aid in reassembly.

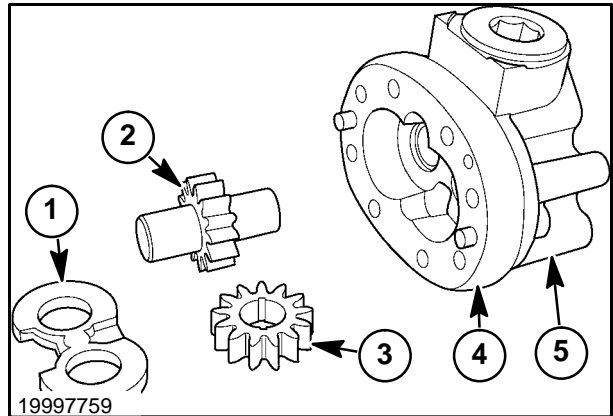


120

The high flow pump consists of:

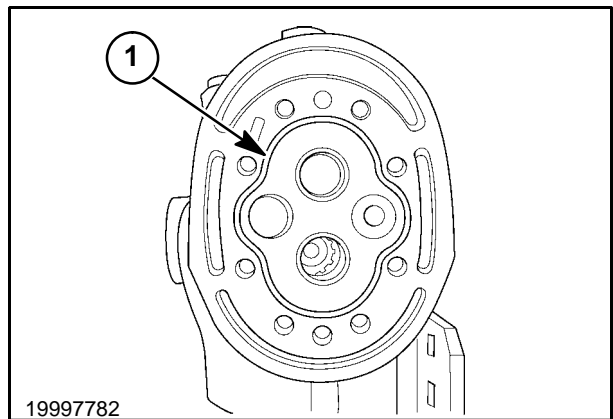
- 1 Wear plate assembly
- 2 Idler gear assembly
- 3 Drive gear assembly
- 4 Key (Figure 120)
- 5 Pump body
- 6 Pump back plate

Coat all parts with a thin coat of petroleum jelly or oil to aid in reassembly.



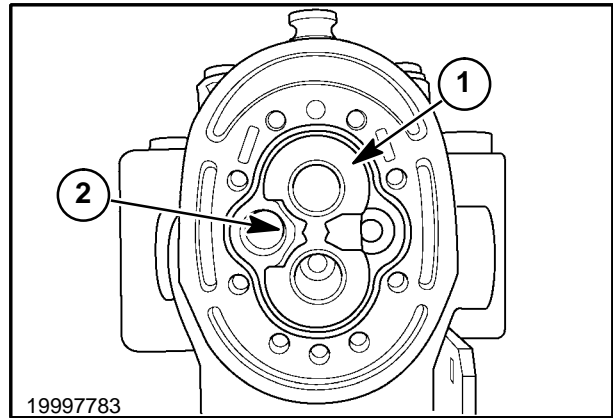
121

- 4. Clean the mounting plate surface thoroughly and install a new O ring, 1.



122

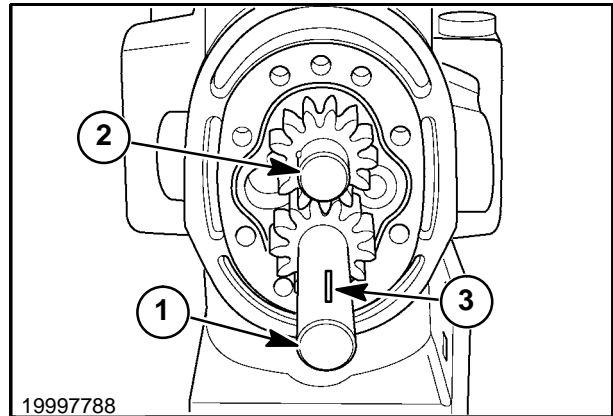
Install the wear plate assembly, 1, with the gasket/seal side towards the pump mounting plate with the mid section cut away on the suction side, 2, of the pump.



123

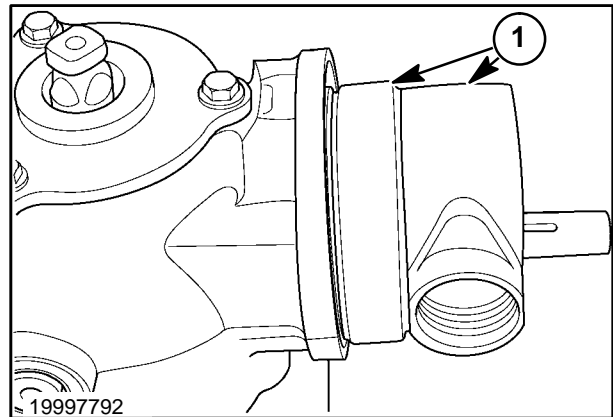
5. Install the drive shaft, 1, making sure to engage the splines inside the hydrostatic pump. Install the idler gear assembly, 2, into the bushing. Rotate the gears to help slide the idler gear into place.

NOTE: The drive shaft and gear, 1, must be properly seated on the hydrostatic pump drive shaft splines with the end of gear teeth against the wear plate. Position the keyway, 3, up.



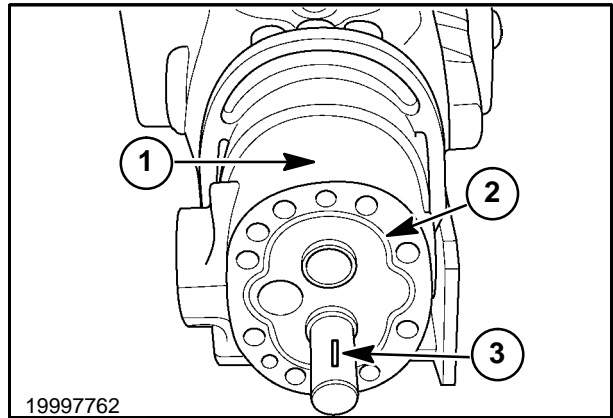
124

6. Install the pump body and back plate together, 1, over the gear shafts, taking care not to disturb the seals between the pump body and backplate.



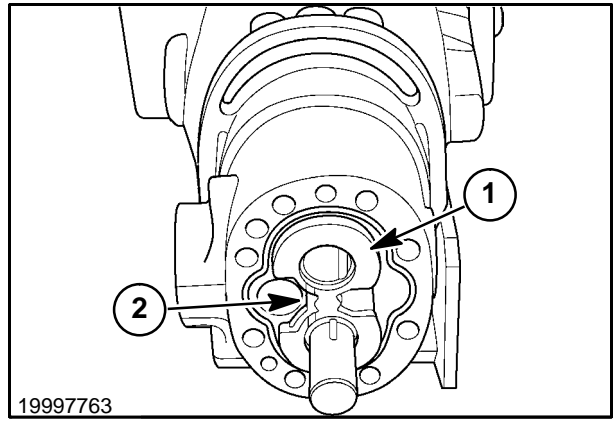
125

7. Clean the mounting plate surface thoroughly and install a new O ring, 2. Install the shaft key, 3, in the drive shaft.



126

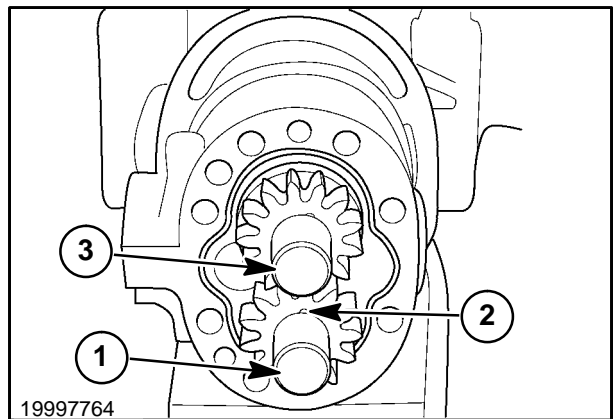
8. Install the wear plate assembly, 1, with the gasket/seal side towards the pump mounting plate with the mid section cut away on the suction side, 2, of the pump.



127

9. Install the drive gear, 1, on the drive shaft, slipping the groove over the shaft key, 2. Install the idler gear assembly, 3, into the bushing. Rotate the gears to help slide the idler gear into place.

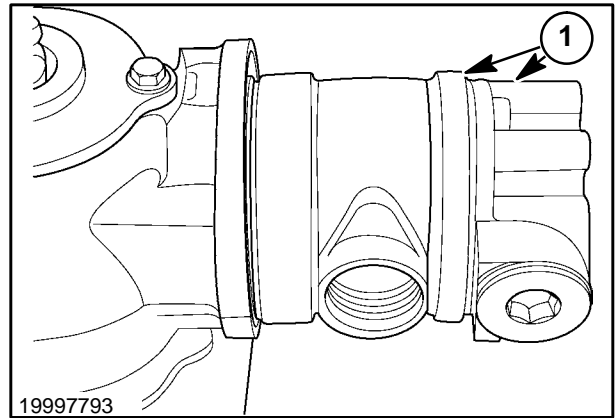
NOTE: When installing drive gear, 1, onto shaft, be careful not to knock the round drive key, 2, from the shaft.



128

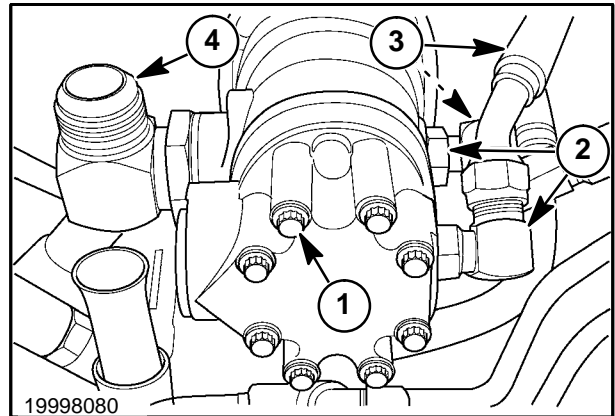
SECTION 35 - HYDRAULIC SYSTEM

10. Install the high flow pump body and end plate together, 1, taking care not to disturb the seals between the pump body and backplate. Make sure there are no gaps between the pump bodies and plates.



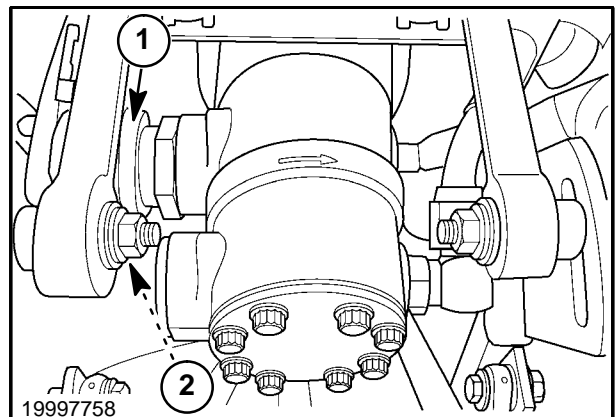
129

11. Install the housing hardware with the eight bolts, 1, and sealing washers. Tighten the bolts evenly in a criss-cross pattern to 34 - 38 N·m (25 - 28 ft. lbs.).
12. Install the high pressure port fittings, 2, and the high pressure lines, 3. Tighten the high pressure line connections securely.
13. Install the suction tube port fitting, 4, and turn the fitting up. Add SH/CG4 10W-30 oil to fill the bottom of the hydraulic pump.



130

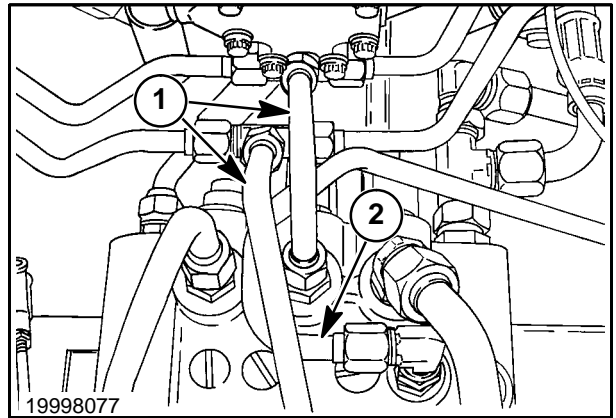
14. Turn the suction tube fitting, 1, down and install the suction tube, 2. Tighten all hydraulic connections securely.



131

SECTION 35 - HYDRAULIC SYSTEM

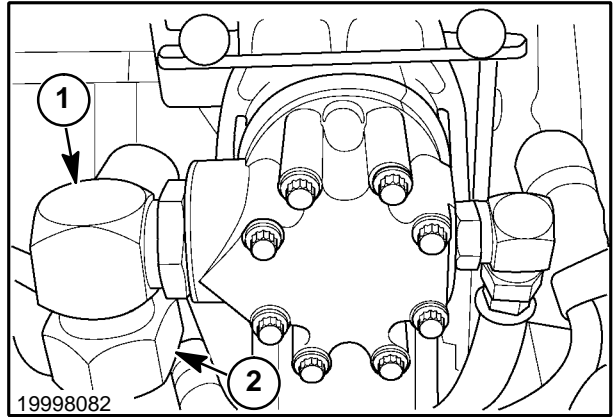
15. Reinstall the boom circuit hydraulic lines, 1, and high flow line, 2, and tighten securely.



GEAR PUMP START-UP PROCEDURE

This procedure must be performed if the gear pump has been removed for repair purposes or any gear pump hydraulic lines have been removed.

1. Fill the reservoir with SAE SH/CG4 10W-30 oil to the proper level.
2. Loosen suction line, 1, at the gear pump. When oil flows from the connection, tighten the connection.
3. Start the engine and run it at 1500 RPM. Operate all hydraulic controls to remove remaining air from the system.
4. Check reservoir level and add oil as necessary.



CYLINDERS, BOOM AND BUCKET

BOOM CYLINDERS - LS160

Specifications

| | |
|-----------------------|--------------------|
| Bore Diameter | 63.5 mm (2.5") |
| Stroke | 470.15 mm (18.51") |
| Rod Diameter | 38.1 mm (1.5") |
| Cycle Times (seconds) | |
| Raise | 3.5 |
| Lower | 3.5 |

Torque

| | |
|--------------------------------|------------------------|
| Piston Locknut Torque | 230 N·m (170 ft. lbs.) |
| Cylinder Head (gland) | 306 N·m (225 ft. lbs.) |
| Lower Pivot Pin Hardware | 338 N·m (250 ft. lbs.) |
| Upper Pivot Pin Hardware | 38 N·m (28 ft. lbs.) |

Labor Required

| | |
|------------------------------|----------|
| Remove and Replace (1) | 0.5 hour |
| Repair (1) | 0.5 hour |

BUCKET CYLINDERS - LS160

Specifications

| | |
|------------------------|--------------------|
| Bore Diameter | 57.15 mm (2.25") |
| Stroke | 454.15 mm (17.88") |
| Rod Diameter | 31.8 mm (1.25") |
| Cycle Times (seconds) | |
| Curl Back | 2.2 |
| Curl Down (dump) | 2.8 |

Torque

| | |
|--------------------------------|------------------------|
| Piston Cap Screw | 386 N·m (285 ft. lbs.) |
| Cylinder Head (gland) | 285 N·m (210 ft. lbs.) |
| Lower Pivot Pin Hardware | 38 N·m (28 ft. lbs.) |
| Upper Pivot Pin Hardware | 108 N·m (80 ft. lbs.) |

Labor Required

| | |
|------------------------------|----------|
| Remove and Replace (1) | 0.5 hour |
| Repair (1) | 0.5 hour |

BOOM CYLINDERS - LS170

Specifications

| | |
|-----------------------|--------------------|
| Bore Diameter | 63.5 mm (2.5") |
| Stroke | 470.15 mm (18.51") |
| Rod Diameter | 38.1 mm (1.5") |
| Cycle Times (seconds) | |
| Raise | 2.7 |
| Lower | 2.3 |

Torque

| | |
|--------------------------------|------------------------|
| Piston Locknut Torque | 230 N·m (170 ft. lbs.) |
| Cylinder Head (gland) | 306 N·m (225 ft. lbs.) |
| Lower Pivot Pin Hardware | 338 N·m (250 ft. lbs.) |
| Upper Pivot Pin Hardware | 38 N·m (28 ft. lbs.) |

Labor Required

| | |
|------------------------------|----------|
| Remove and Replace (1) | 0.5 hour |
| Repair (1) | 0.5 hour |

BUCKET CYLINDERS - LS170

Specifications

| | |
|------------------------|--------------------|
| Bore Diameter | 57.15 mm (2.25") |
| Stroke | 454.15 mm (17.88") |
| Rod Diameter | 31.8 mm (1.25") |
| Cycle Times (seconds) | |
| Curl Back | 1.54 |
| Curl Down (dump) | 1.75 |

Torque

| | |
|--------------------------------|------------------------|
| Piston Cap Screw | 386 N·m (285 ft. lbs.) |
| Cylinder Head (gland) | 285 N·m (210 ft. lbs.) |
| Lower Pivot Pin Hardware | 38 N·m (28 ft. lbs.) |
| Upper Pivot Pin Hardware | 108 N·m (80 ft. lbs.) |

Labor Required

| | |
|------------------------------|----------|
| Remove and Replace (1) | 0.5 hour |
| Repair (1) | 0.5 hour |

BOOM CYLINDER

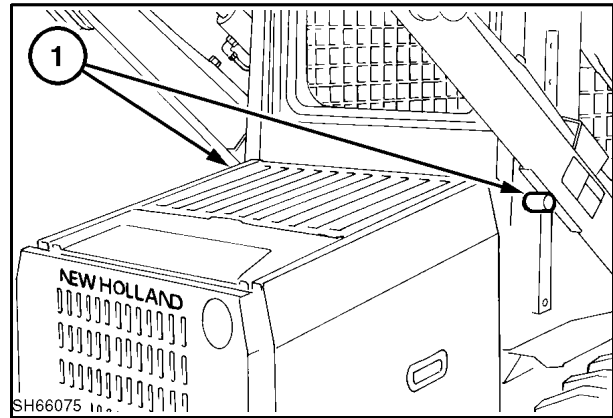
Op. 35 710 10

REMOVAL**CAUTION**

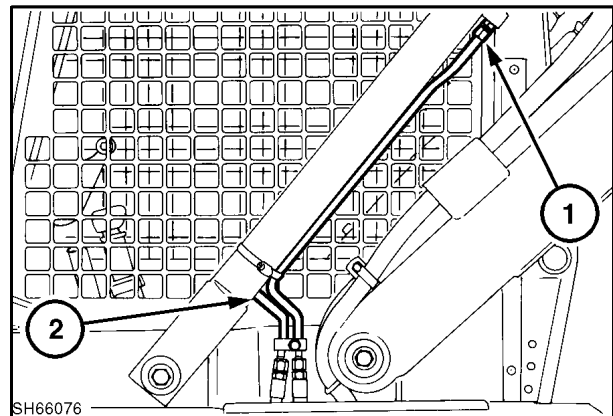
Before removing the boom cylinders, the boom must be in the up, locked position supported by the boom lock pins.

Never loosen any hydraulic lines without first relieving all pressure in the system.

1. Remove any attachment from the loader boom attaching plate, bucket, etc.
2. Raise the boom above the boom lock pins, extend the boom lock pins, and lower the boom on the boom lock pins, 1.
3. After stopping the engine and before removing the seat belt and dismounting from the loader, turn the ignition switch to the "RUN" position.
4. Push both the boom and bucket pedals to relieve all residual hydraulic pressure in both hydraulic circuits.
5. Turn off the ignition switch.
6. Disconnect both the upper, 1, and lower, 2, boom hydraulic hoses from the cylinder.



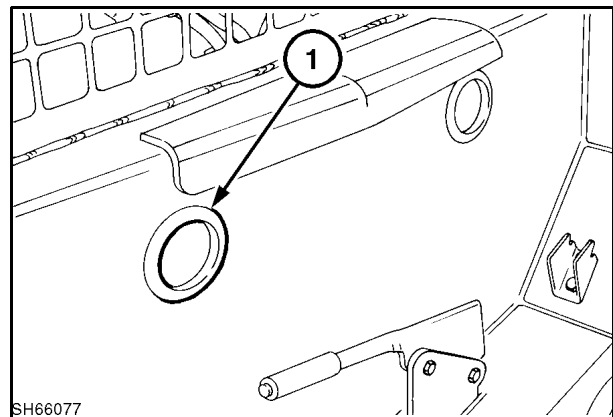
134



135

7. Using a screwdriver, remove the plastic plug, 1, from inside the cab to access the lower cylinder pivot retaining hardware.
8. Loosen the LOWER boom pin retaining hardware.

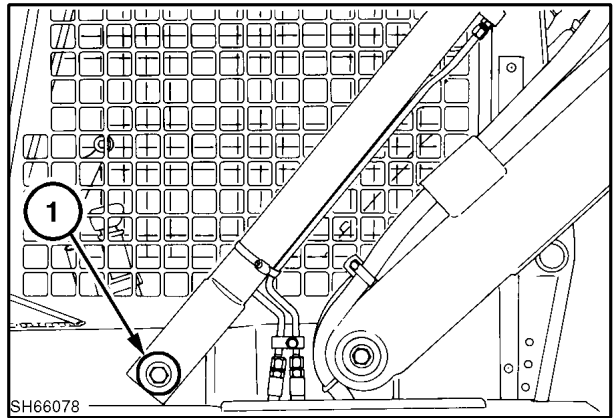
NOTE: DO NOT remove the retaining hardware at this time.



136

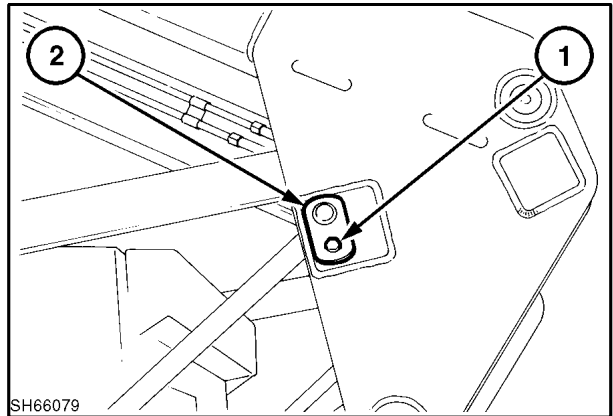
SECTION 35 - HYDRAULIC SYSTEM

9. Support the cylinder and with a hammer strike the cylinder at the base area, 1, to loosen the tapered pivot pin from the loader main frame.



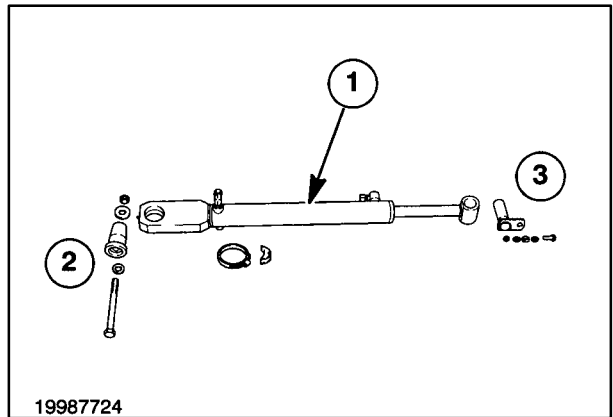
137

10. Remove the UPPER boom pin retaining bolt, 1, and boom pin, 2.
11. Remove the cylinder.



138

12. Shown here is the boom cylinder, 1, lower tapered pivot pin and hardware, 2, and the upper pivot pin and retaining hardware, 3.



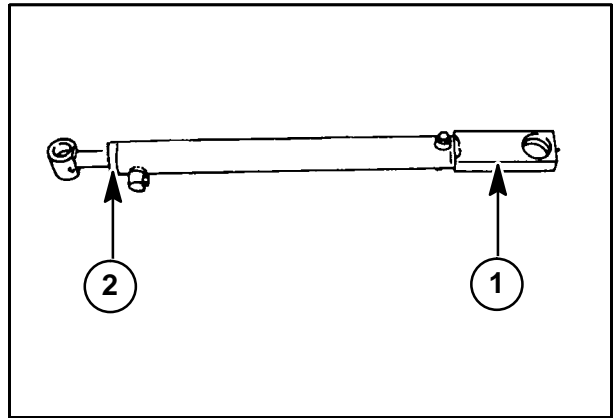
139

Op. 35 730 18

DISASSEMBLY

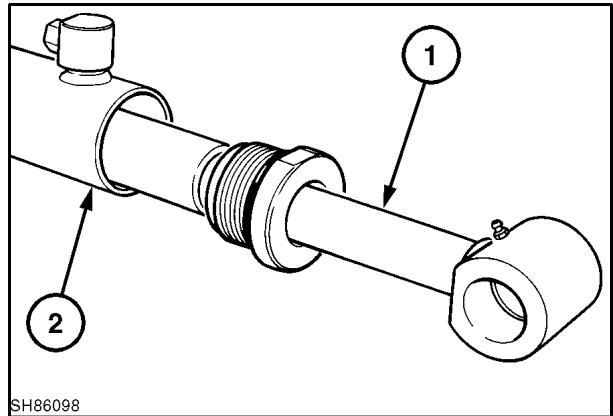
1. Thoroughly clean the outside of the cylinder.
2. Pull the piston rod out slowly, and drain the oil from the barrel into a suitable container.
3. Clamp the base of the cylinder in a vise at 1, and unscrew the cylinder head (gland), 2.

NOTE: Do not clamp the cylinder barrel in the vise to unscrew the cylinder head. Flattening of the barrel will cause damage to the piston and piston seals.



140

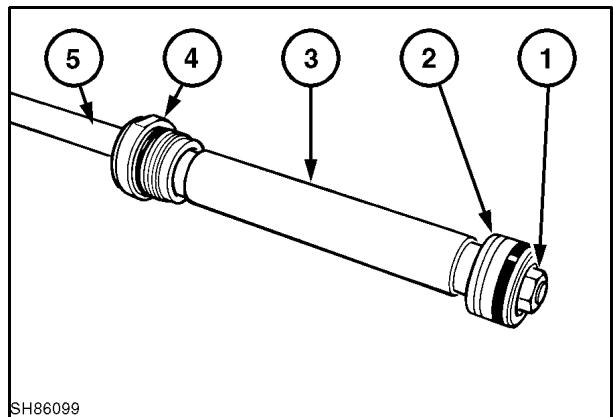
4. Remove the piston rod assembly, 1, from the barrel, 2.



SH86098

141

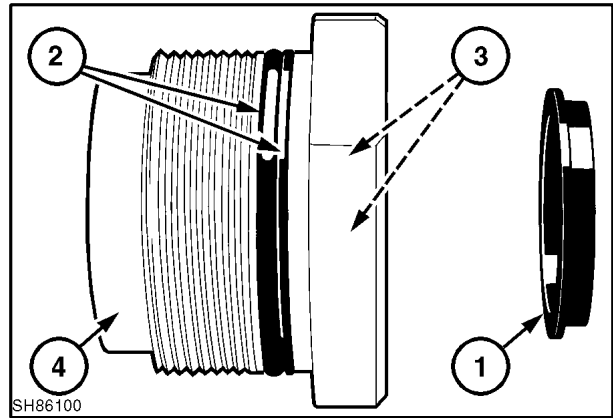
5. Remove the piston retaining nut, 1; the piston, 2; spacer, 3; and cylinder head (gland), 4, from the piston rod, 5.



SH86099

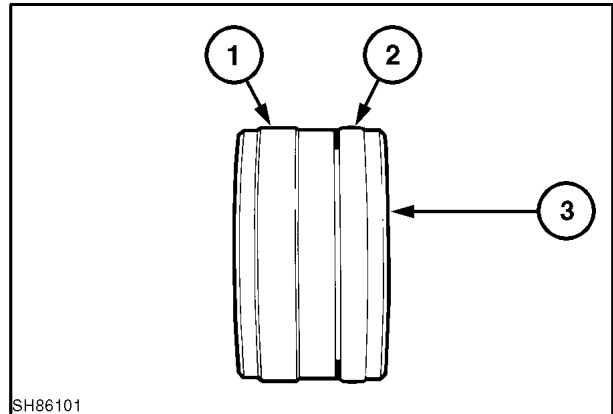
142

- Remove the wiper seal, 1; O ring and backup washer, 2; and inner seal and wear ring, 3, from the cylinder head (gland), 4.



143

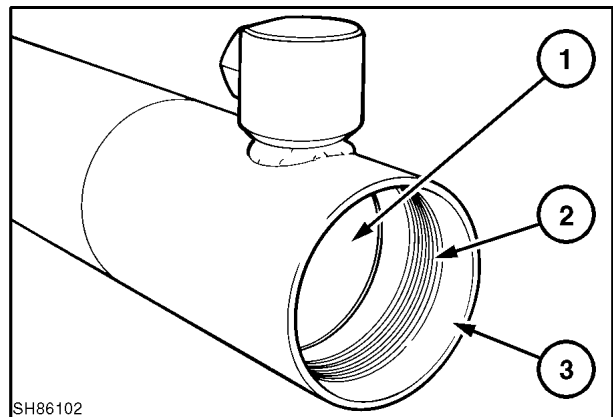
- Remove the wear ring, 1, and seal, 2, from the piston, 3.



144

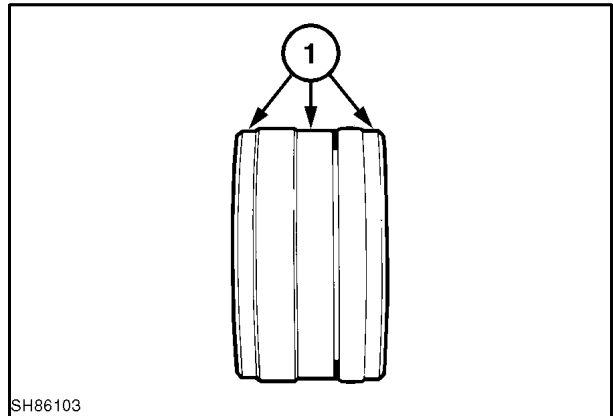
PARTS INSPECTION

- Thoroughly clean all parts and remove any nicks or burrs with a fine emery cloth.
- Inspect the inner diameter of the barrel, 1, for excessive wear or scoring.
- Inspect the threaded area of the barrel, 2, for damaged threads that would prevent proper tightening of the cylinder head.
- Inspect the O ring seal area, 3, and remove any burrs or nicks that could damage or prevent the O ring from sealing properly.



145

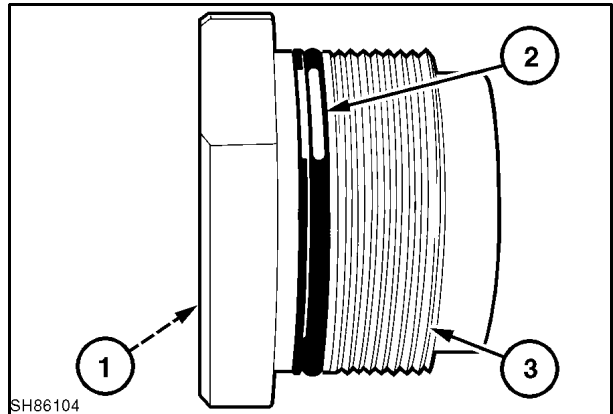
5. Inspect the outer diameter of the piston, 1, for excessive wear or scoring. If the piston is damaged, the inner surface of the barrel will also most likely be damaged. Inspect the barrel thoroughly. If the piston is not damaged, do not replace.



SH86103

146

6. Inspect the cylinder head (gland) inner and outer seal areas, 1 and 2, for sharp edges and scoring. Inspect the threaded area of the gland, 3, for damaged threads that would prevent proper tightening of the retaining nut. Replace the gland if necessary. All seals should be replaced during reassembly.



SH86104

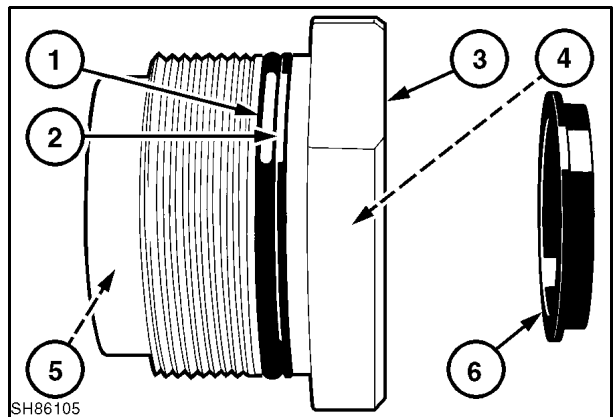
147

REASSEMBLY

1. Clean and dry all parts. The metal parts should be lightly oiled prior to assembly.
2. Install a new O ring, 1, and backup washer, 2, in the outer groove of the cylinder head, 3. Install a new shaft seal, 4, and wear ring, 5, in the inner grooves.

NOTE: Install the shaft oil seal, 4, with the lip of the seal facing the piston.

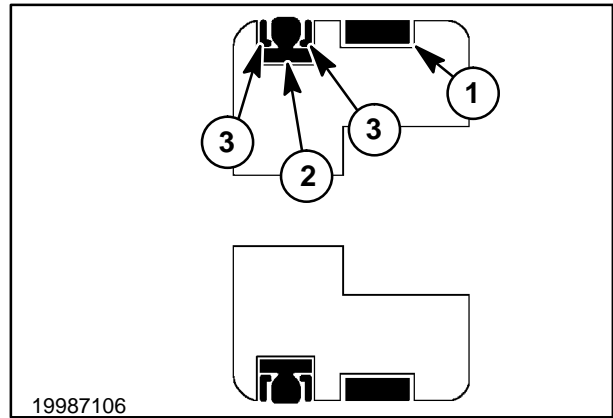
3. Install a new shaft wiper seal, 6, into the cylinder head. The seal lip should face outward.



SH86105

148

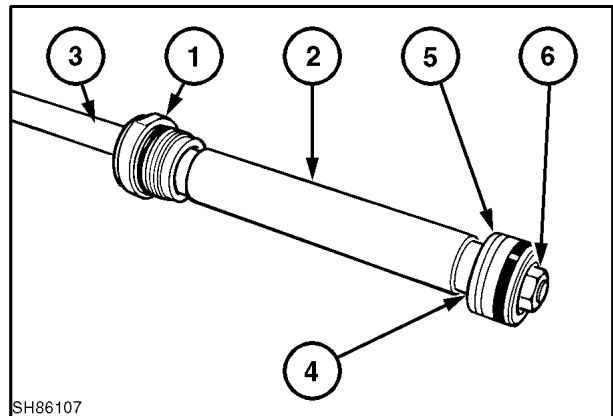
4. Examine the piston assembly prior to installation. Replace the wear ring, 1, and T-seal, 2, making sure they are firmly in their groove and snug against the piston. Insert the L shaped back-up rings, 3, on both sides of the T-seal with the short leg of the L shaped back-up rings towards the T-seal as shown.



149

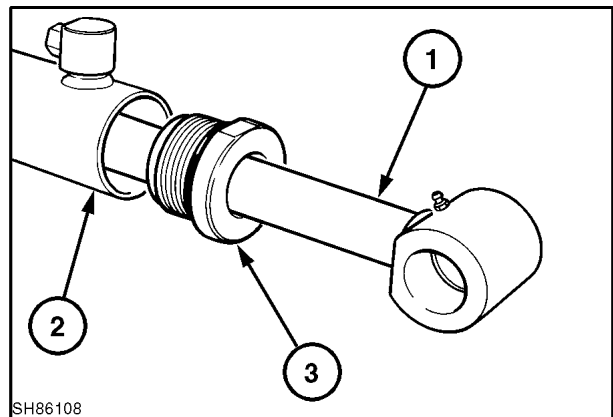
5. Install the cylinder head assembly, 1, and spacer, 2, onto the piston rod, 3.
6. Prior to installing the piston, clean and apply a bead of hydraulic sealant between the piston and piston rod at 4. Install the piston assembly, 5, and new locknut, 6. The wear ring on the piston should be toward the threaded end of the rod.

NOTE: The flat side of the piston must face the spacer, and the recessed side must face toward the end of the rod. The effective length of the piston rod must be maintained, with the locknut fitting into the recessed area of the piston.



150

7. Torque the locknut to 230 N·m (170 ft. lbs.).
8. Lubricate the piston and cylinder head assemblies with 10W-30 oil and install the piston rod assembly, 1, into the barrel, 2.
9. Prior to threading the cylinder head into the barrel, apply a coat of grease around the cylinder head, in the area between the backup washer and the cylinder head flange at 3.
10. Torque the cylinder head assembly to 338 N·m (250 ft. lbs.).



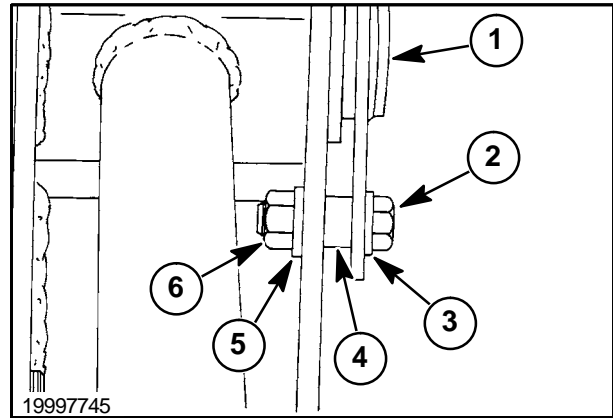
151

REINSTALLATION

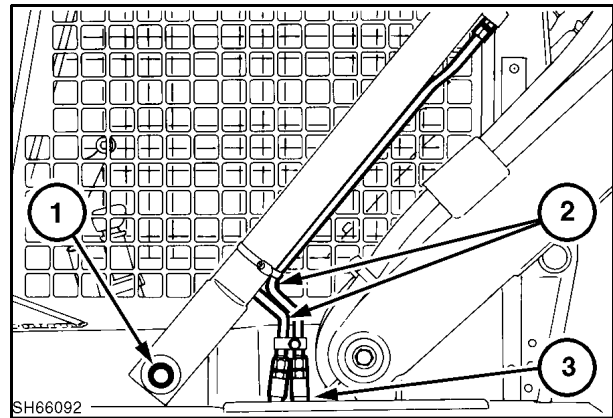
1. Lubricate the boom pivot pins, 1, with an anti-seize-type lubricant.
2. Install the cylinder onto the loader.

NOTE: Refer to Service Bulletins 5/96 - 16 and 7/96 - 16 for updated pivot pin support information and proper pin, spacer, and bolt part numbers.

3. Install a 3/8" bolt, 2; flat washer, 3; and spacer, 4, through the pivot pin retaining strap and boom side plate. Secure with flat washer, 5, and lock-nut, 6.
4. Torque the upper pivot pin hardware to 38 N·m (28 ft. lbs.).
5. Torque the lower pivot pin hardware, 1, to 338 N·m (250 ft. lbs.).
6. With a six-pound hammer and using a piece of 2 x 4 hardwood to protect the pin, hit the pivot pin and retaining hardware to properly seat the tapered pin and retorque to 338 N·m (250 ft. lbs.).
7. Reinstall lines, 2, and position to prevent contact with other components, fenders, etc. at 3.
8. Reinstall the plastic plug into the cap inner shell.
9. Cycle the boom several times to remove the air from the system and check the cylinder for leaks.



152



153

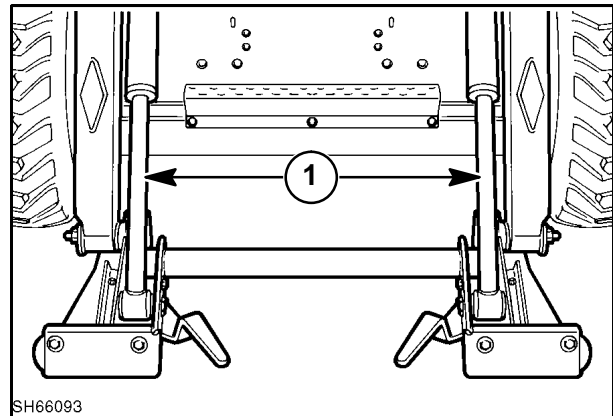
BUCKET CYLINDER

Op. 35 710 10

REMOVAL

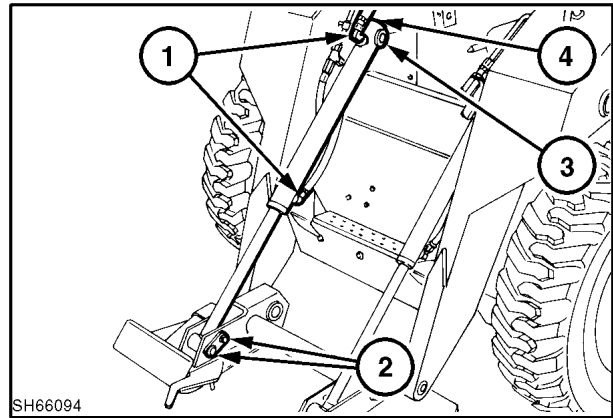
Never loosen any hydraulic lines without first relieving all pressure in the system.

1. Remove any attachment, bucket, etc. from the boom attaching plate and lower the boom to the lowered position.
2. Extend the cylinders, 1, to the fully extended position.
3. After stopping the engine and before removing the seat belt and dismounting from the loader, turn the ignition switch to the "RUN" position.
4. Push both the boom and bucket pedals to relieve all residual hydraulic pressure in both circuits.
5. Turn off the ignition switch.



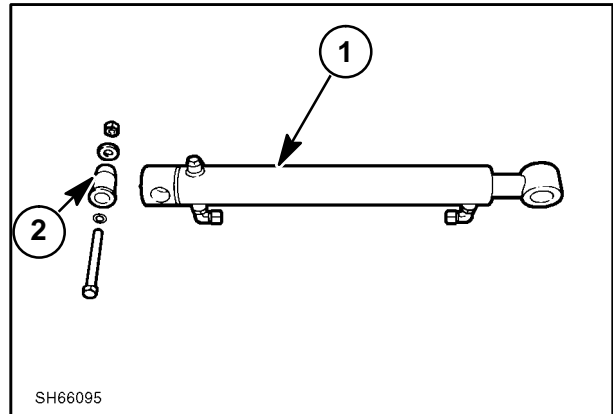
154

6. Remove the hydraulic hoses from both ends of the cylinder, 1, and cap the lines to prevent loss of oil.
7. Remove the retaining bolt and pin, 2, from the lower end of the cylinder.
8. Loosen the upper tapered pivot pin retaining hardware, 3.
9. Support the cylinder and, with a hammer, strike the cylinder at the base area, 4, to loosen the tapered pivot pin.
10. Remove the cylinder.



155

11. Shown here is the bucket cylinder, 1, with the upper tapered pivot pin, 2, and hardware.



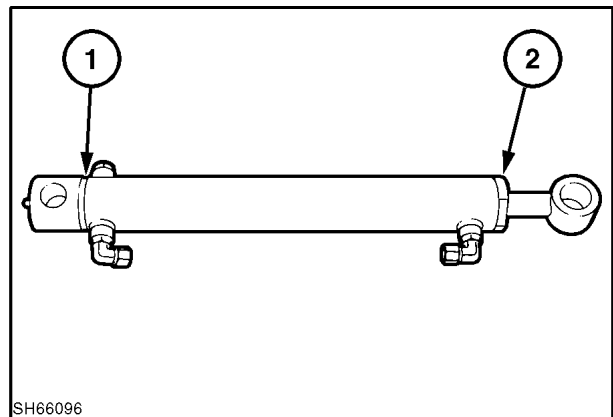
156

Op. 35 730 13

DISASSEMBLY

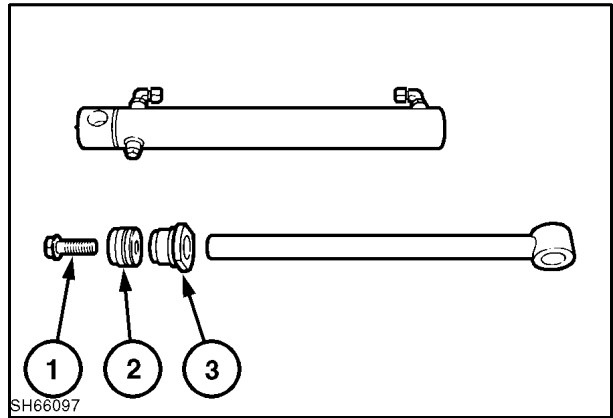
There are two designs of bucket cylinders, and the parts are not interchangeable between designs. The piston rods are a different length, and a different seal repair kit is required.

1. Clean the outside of the cylinder and clamp the cylinder base, 1, in a vise.
2. Use a spanner wrench to remove the cylinder gland, 2. The gland is threaded into the cylinder.
3. Pull the cylinder rod assembly from the barrel.



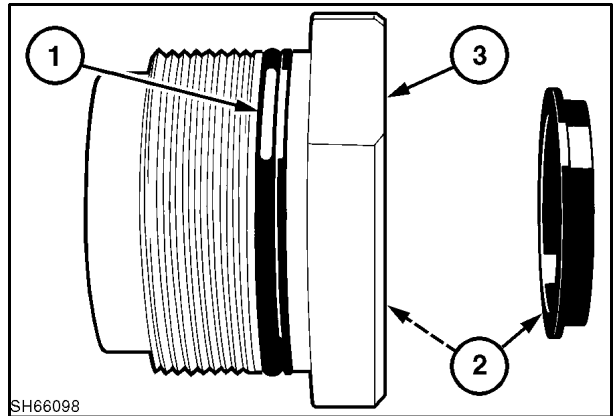
157

- Remove piston retaining stud, 1, from the cylinder rod, piston, 2, and gland, 3, from the piston rod.



158

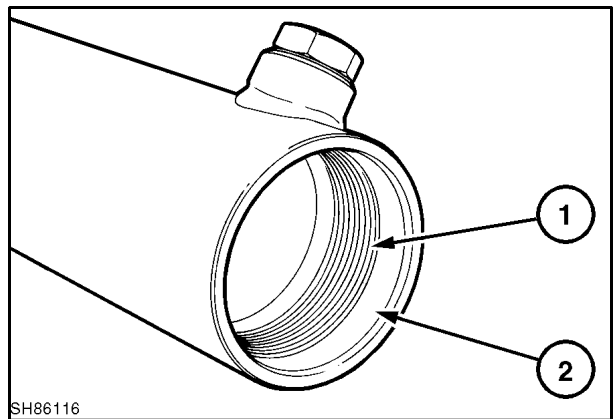
- Remove seals from the gland, the outer O ring seal and backup ring, 1, the inner shaft seal, 2, and the wiper seal, 3.



159

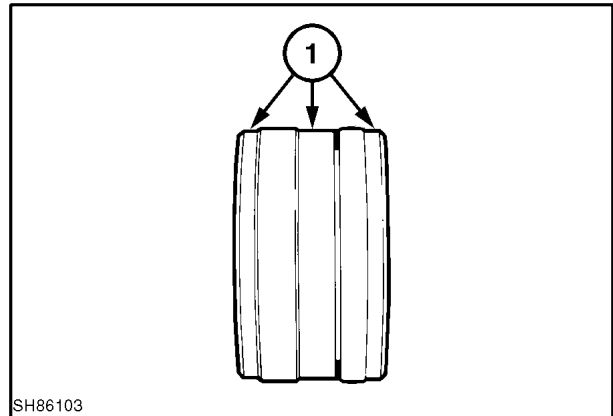
PARTS INSPECTION

- Thoroughly clean all parts and remove all nicks and burrs with a fine emery cloth.
- Inspect the inner diameter of the barrel for excessive wear or scoring.
- Inspect the gland thread area, 1, for damaged threads that would prevent proper tightening of the gland.
- Inspect the O ring seal area, 2, and remove burrs or nicks that would prevent the O ring from sealing properly.



160

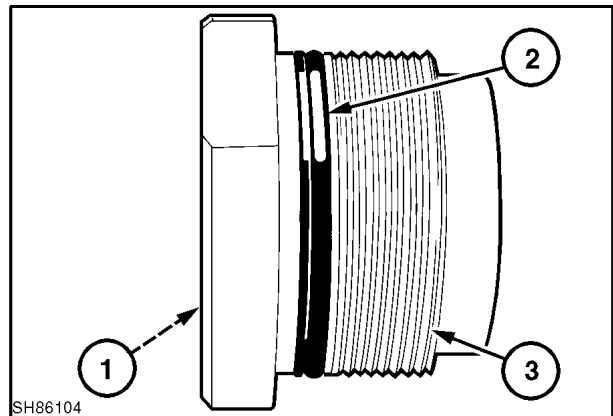
5. Inspect the outer diameter of the piston, 1, for excessive wear or scoring. If the piston is damaged, the inner surface of the barrel will also most likely be damaged. Inspect the barrel thoroughly. If the piston is not damaged, do not replace.



SH86103

161

6. Inspect the cylinder head (gland) inner and outer seal areas, 1 and 2, for sharp edges and scoring. Inspect the threaded area of the gland, 3, for damaged threads that would prevent proper tightening of the retaining nut. Replace the gland if necessary. All seals should be replaced during reassembly.

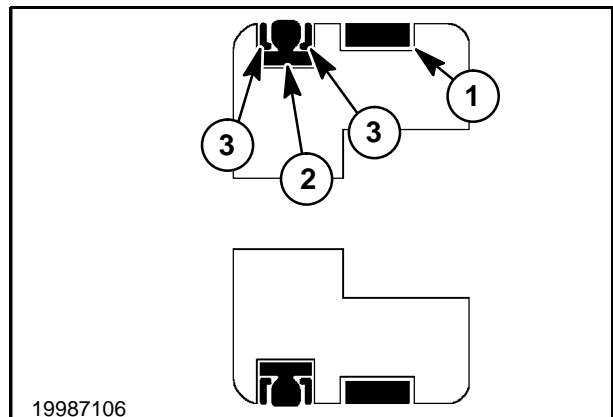


SH86104

162

REASSEMBLY

1. Clean and dry all parts. The metal parts should be lightly oiled prior to assembly.
2. Examine the piston assembly prior to installation. Replace the wear ring, 1, and T-seal, 2, making sure they are firmly in their groove and snug against the piston. Insert the L shaped back-up rings, 3, on both sides of the T-seal with the short leg of the L shaped back-up rings towards the T-seal as shown.



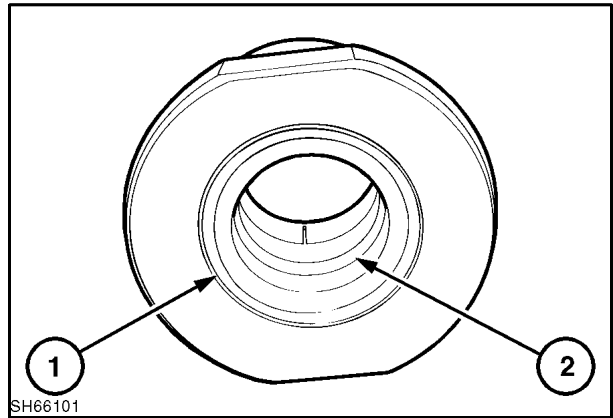
19987106

163

SECTION 35 - HYDRAULIC SYSTEM

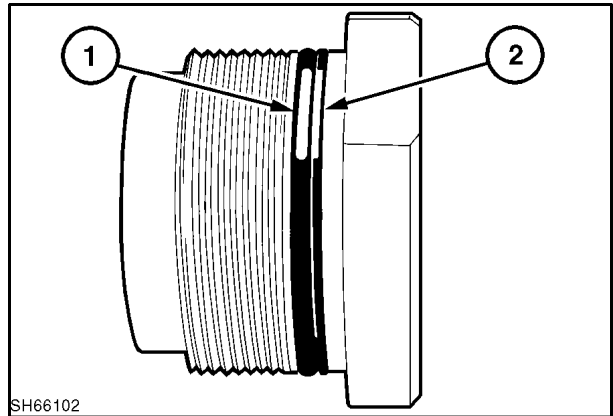
3. Install a new shaft seal, 1.
4. Install a wiper seal, 2.

NOTE: Install shaft wiper seal, 1, with the lip of the seal facing the piston.



164

5. Install O ring, 1, and backup washer, 2, on the cylinder gland.



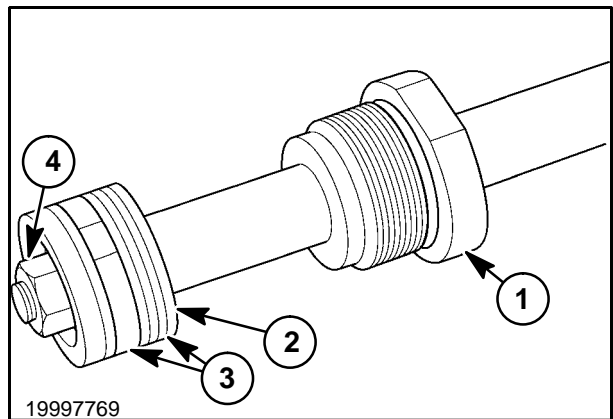
165

6. Slide cylinder gland, 1, and new piston with seals installed, 2, onto the piston rod.

NOTE: The piston recess must be positioned over the end of the rod, with the locknut inside the recess.

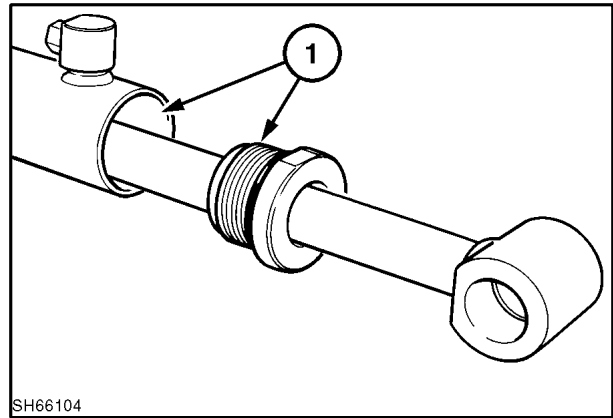
NOTE: Seals, 3, should be clamped with a ring compressor and chilled before being installed in the barrel.

7. Use a hydraulic sealant to seal the piston and rod. Install piston retaining locknut, 4, with medium-strength 242 Loctite® and torque to 386 N·m (285 ft. lbs.).



166

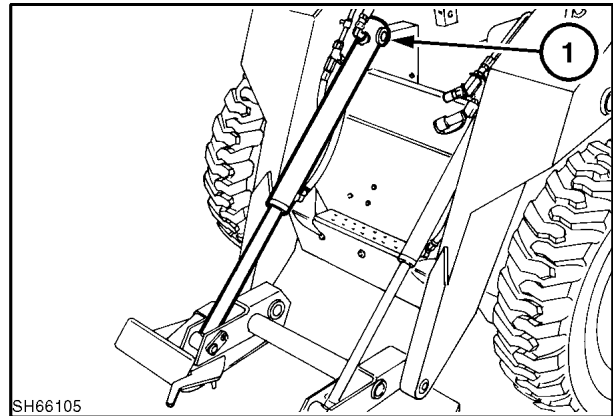
8. Liberally oil the piston and place it inside the barrel, being careful not to damage the seals.
9. Thread the cylinder gland into the barrel, 1, and torque to 285 N-m (210 ft. lbs.).



167

REINSTALLATION

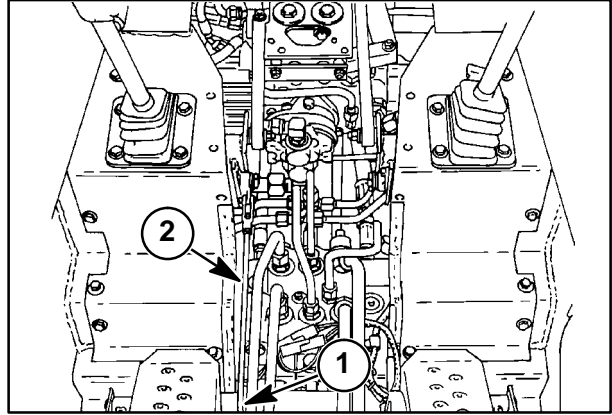
1. Lubricate the pivot pins with a never seize type lubricant.
2. Install the cylinder on the loader.
3. Torque the upper pivot pin hardware to 108 N-m (80 ft. lbs.).
4. With a hammer and using a piece of 2 x 4 hardwood to protect the pin, hit the pivot pin and retaining hardware at 1, to properly seat the tapered pin and retorque to 108 N-m (80 ft. lbs.).
5. Torque the lower pivot pin hardware to 38 N-m (28 ft. lbs.).
6. Cycle the boom several times to remove the air from the system and check the cylinder for leaks.
7. Check the hydraulic oil level and add 10W-30 oil as required.



168

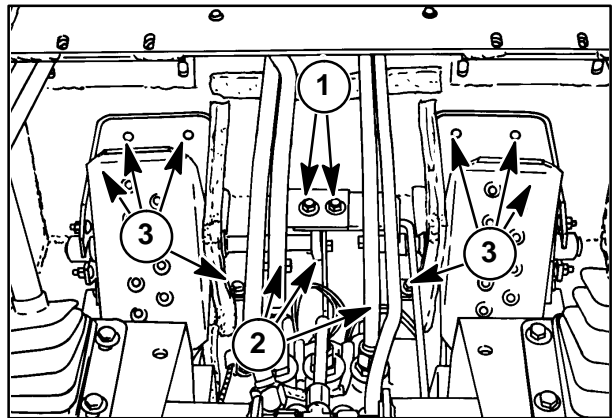
PEDAL CONTROLS**Op. 35 724 16****REMOVAL****With Boom and Bucket Pedal Controls**

1. Remove the step shield hardware and step shield.
2. Remove the bolt, 1, washer, lock washer, and nut, that connects the control rod, 2, to the pedal hub arm.



169

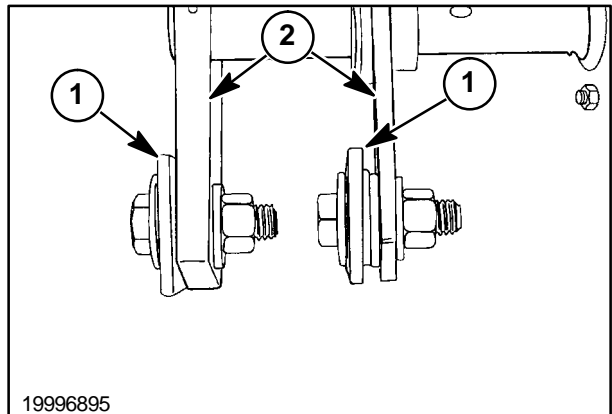
3. Remove the bolts, 1, connecting the two bracket halves.
4. Disconnect the control valve links, 2, at the control valve.
5. Remove the pedal mounting bolts, 3, and remove both pedals from the loader.



170

PEDAL INSPECTION**With Boom and Bucket Pedal Controls**

1. Remove the control valve links, 1, from the hub control arms, 2.

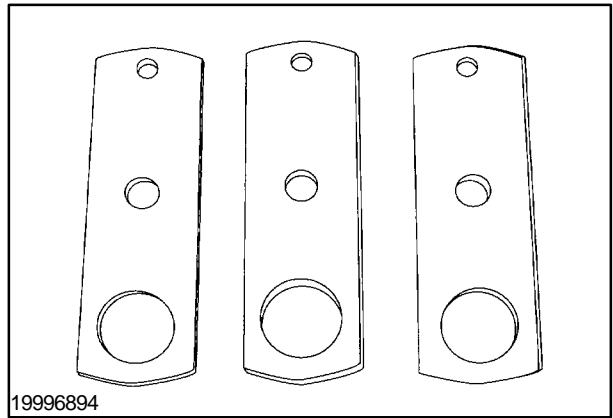


19996895

171

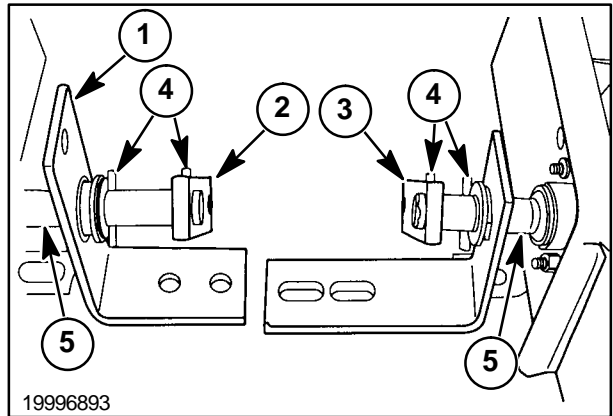
SECTION 35 - HYDRAULIC SYSTEM

2. Inspect the control valve links for any obvious damage, bends or twisting.



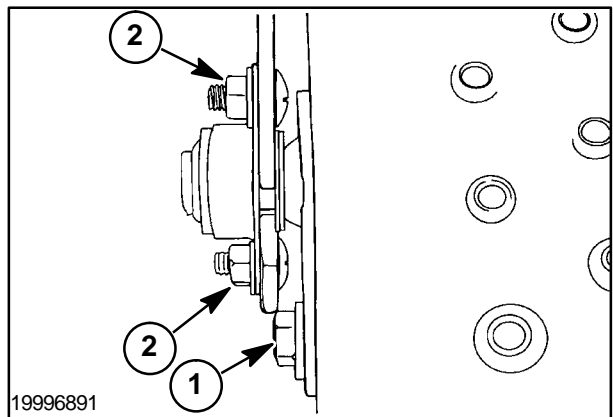
172

3. Inspect the auxiliary hydraulic hub arm, 1, the boom hub arm, 2, and the bucket hub arm, 3, for any deformation or cracks.
4. To disassemble hub arms, remove the roll pins, 4, from the hub arms and control shaft.
5. Inspect the control shafts, 5, for any obvious damage or bends.



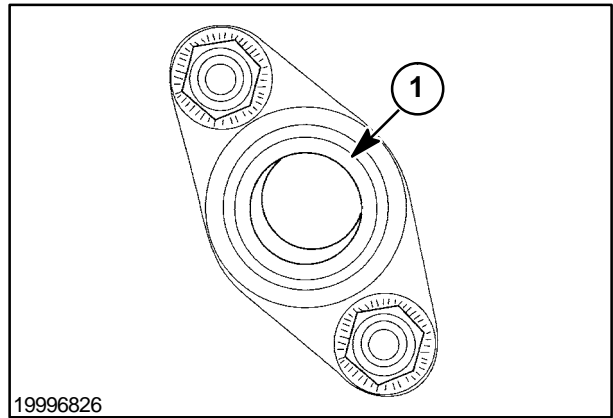
173

6. To remove control shafts, remove bolt, 1, securing shaft arm to pedal. Take note of the position and number of any spacer washers or shims. Remove the nuts, 2, holding the bearings on the pedal support. Separate the shaft from the pedal and bearing.



174

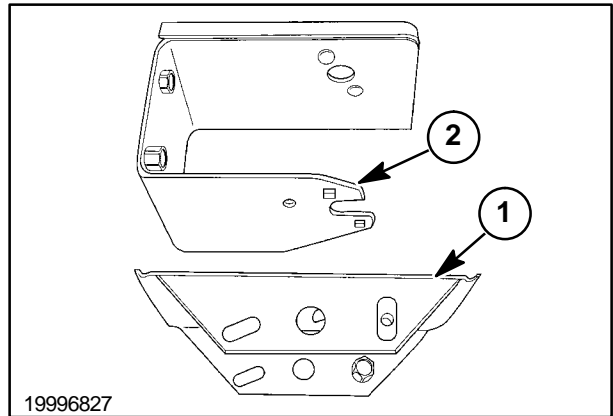
7. Inspect the shaft bearings, 1, for excessive wear. If bearings do not move easily, replace.



19996826

175

8. Inspect the pedals, 1, and pedal supports, 2, for any excessive wear or deformation.



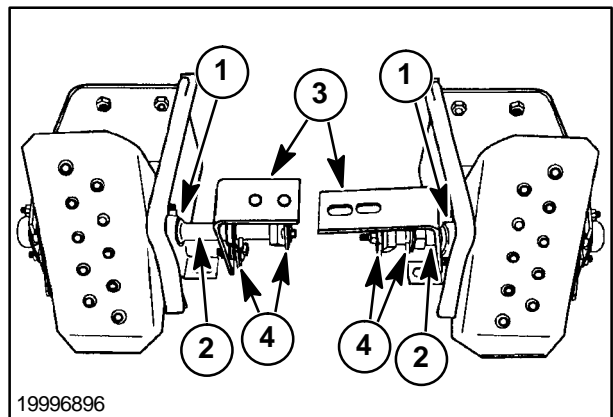
19996827

176

PEDAL REINSTALLATION

With Boom and Bucket Pedal Controls

1. Reinstall the bearings, 1, shafts, 2, brackets, 3, and control arms, 4, using the same number and position of washers or shims.

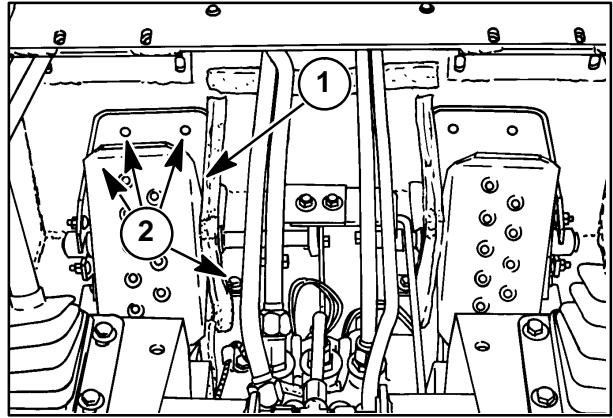


19996896

177

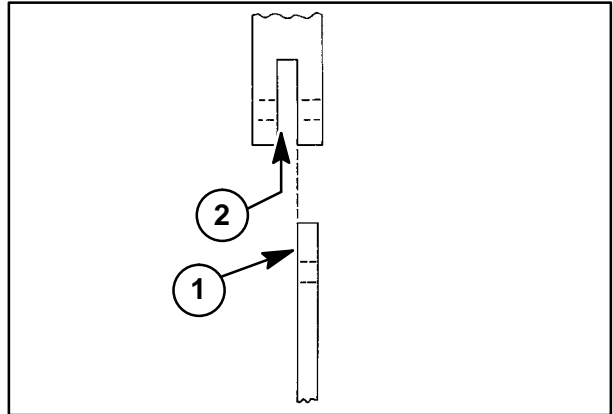
SECTION 35 - HYDRAULIC SYSTEM

2. Install the left pedal assembly, 1, and attach the front plate with hardware, 2, previously removed. Do not tighten the hardware at this time.



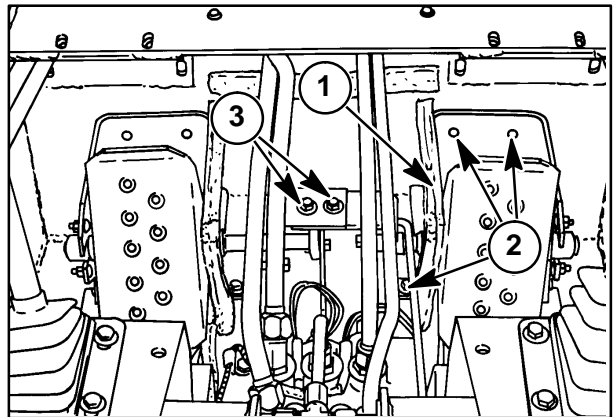
178

3. Slide the pedal assembly to align the auxiliary boom hydraulic hub arm and boom hub arm as shown. Align the inside edge of each hub arm, 1, with the slot in the control valve spool, 2. Tighten the pedal mounting hardware.
4. Recheck the alignment of the hub arm and spool.



179

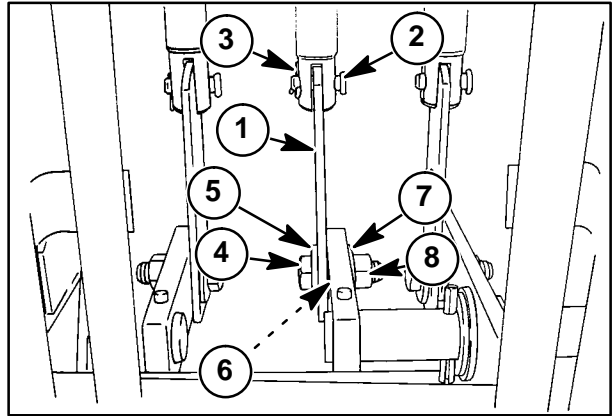
5. Install the right pedal, 1, adding shim washers as necessary so pedal mounting holes line up correctly. Check that the inside edge of the bucket hub arm aligns with the slot in the control valve spool as described above. Install the pedal with hardware, 2, previously removed, and tighten securely. Connect the two-piece bracket with the two bolts, 3, washers and nuts.
6. Check for free operation of the foot pedals and hub control arm assemblies. If any components are binding, adjust or reshim the pedal assemblies.



180

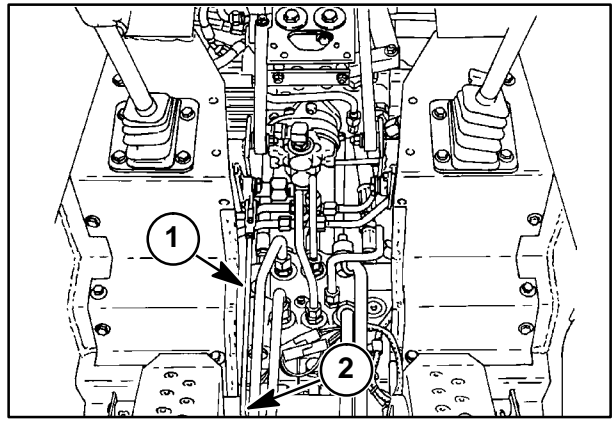
SECTION 35 - HYDRAULIC SYSTEM

7. Install the control spool links, 1, with clevis pins, 2, and cotter pins, 3.
8. Attach each link to each hub arm with 3/8" hex head bolts, 4, flat washer, 5, two link washers, 6, lock washer, 7, and nut, 8.



181

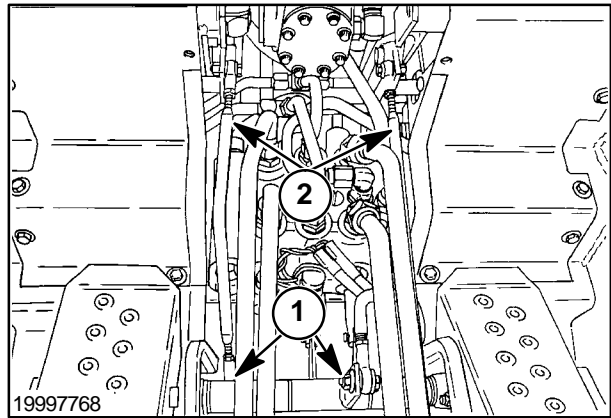
9. Connect the auxiliary hydraulic control rod, 1, to the pedal hub arm, 2, with the bolt, washer, lock washer, and nut.
10. Install the step shield and hardware.



182

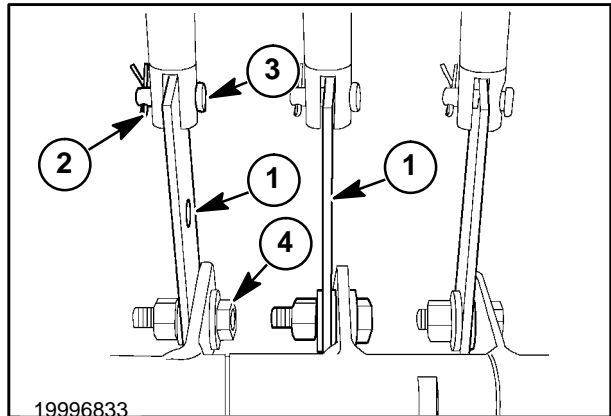
Op. 35 724 16**PEDAL REMOVAL****With Boom and Bucket Hand Controls**

1. Remove the step shield hardware and step shield.
2. Remove the bolts, 1, washers, lock washers, and nuts, that connect the control rods, 2, to the pedal hub arms.



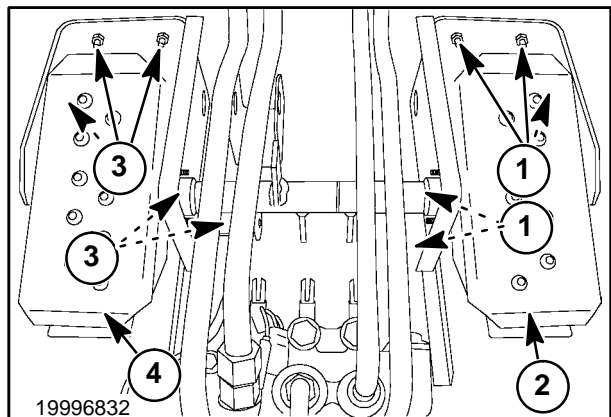
183

3. Disconnect the control valve links, 1, from the control valve spools by removing the cotter pins, 2, and clevis pins, 3.
4. Disconnect the control valve links, 1, from the control hub arms by removing the bolts, 4, washers, lockwashers, and nuts.



184

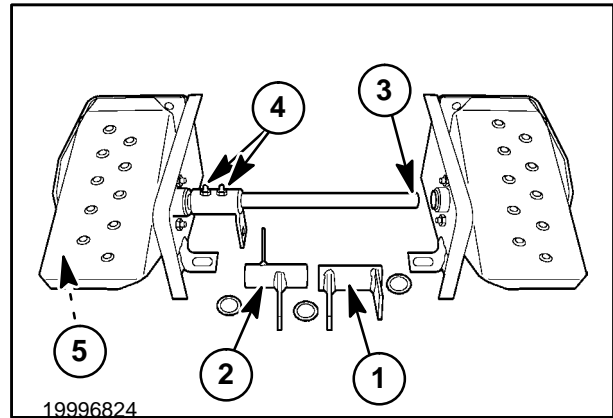
5. Remove the right pedal mounting bolts, 1, and remove the right pedal, 2.
6. Remove the left pedal mounting bolts, 3, and remove the left pedal, 4.



185

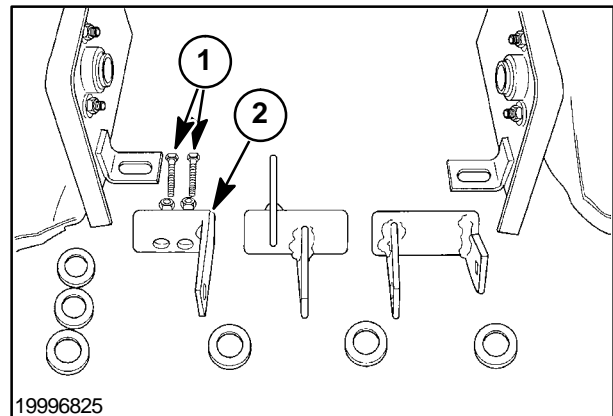
PEDAL INSPECTION**With Boom and Bucket Hand Controls**

1. Remove the bucket hub arm assembly, 1, and the boom hub arm assembly, 2. Inspect the hub arm assemblies for any deformation or cracks.
2. Inspect the control shaft, 3, for any obvious damage or bends. To remove control shafts, remove the two allen screws, 4, securing the auxiliary hydraulic hub, 2, to the control shaft. Then remove the bolt, 5, securing shaft arm to pedal. Take note of the position and number of any spacer washers or shims.



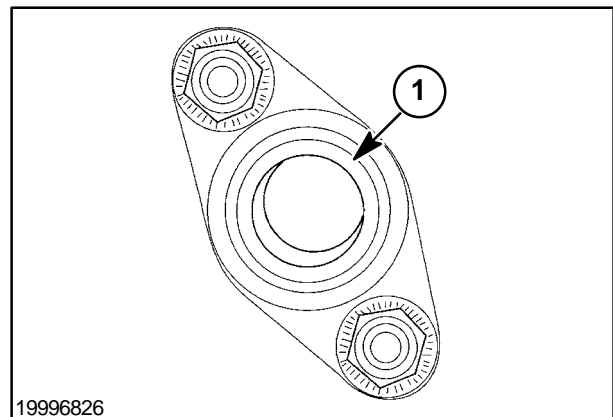
186

3. Remove the two allen screws, 1, securing the boom hydraulics hub, 2, to the control shaft. Inspect the boom hydraulics hub for any deformation or cracks.



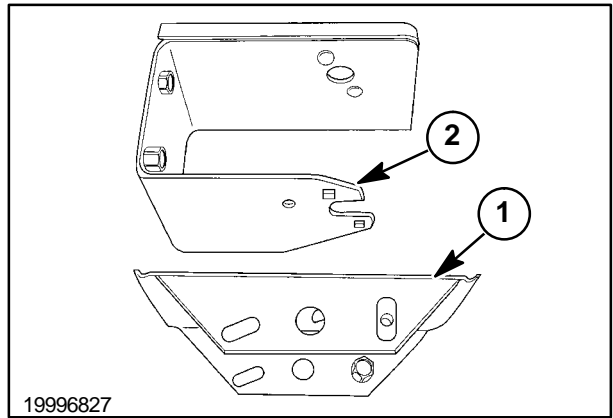
187

4. Inspect the shaft bearings, 1, for excessive wear. If bearings do not move freely, replace.



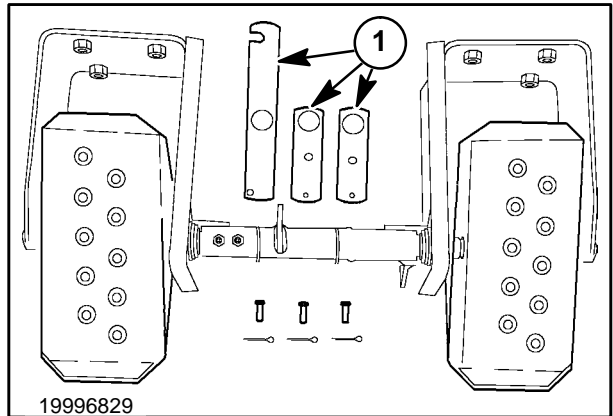
188

5. Inspect the pedals, 1, and pedal supports, 2, for any excessive wear or deformation.



189

6. Inspect the control valve spool links, 1, for bends or excessive wear.

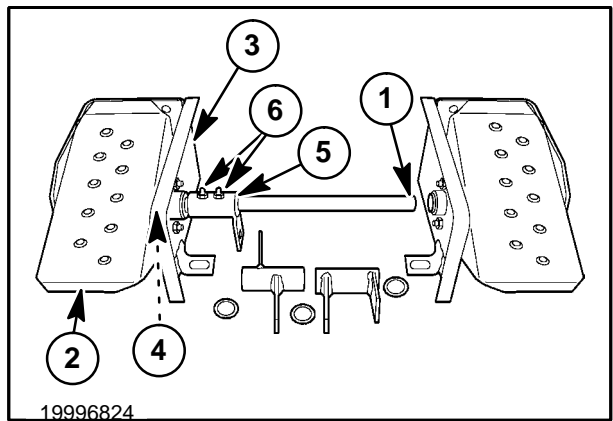


190

PEDAL REINSTALLATION

With Boom and Bucket Hand Controls

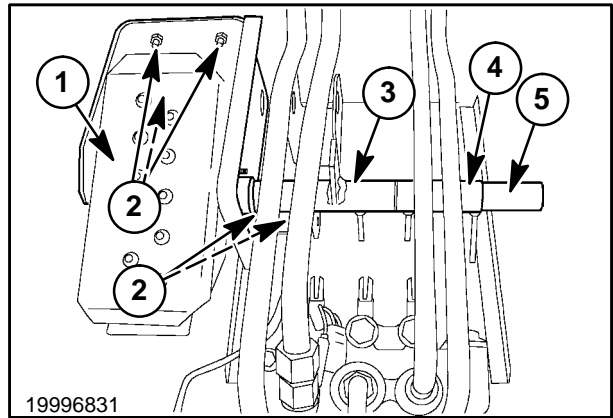
1. Insert the control shaft, 1, through the left pedal, 2, and left pedal support, 3, fitting three washers, 4, between the pedal and support.
2. Slide the auxiliary boom hydraulic hub assembly, 5, onto the control shaft and secure with allen screws, 6.



191

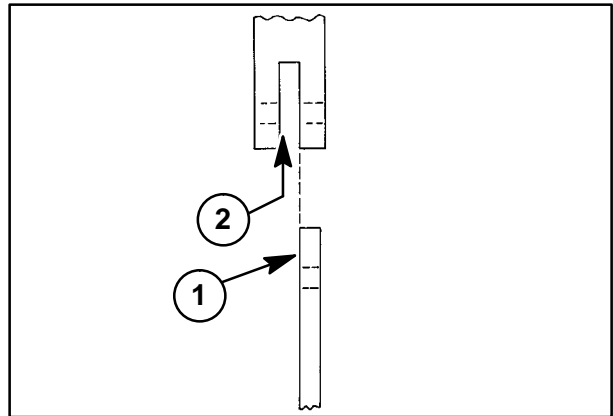
SECTION 35 - HYDRAULIC SYSTEM

3. Install the left pedal assembly, 1, and attach the front plate with hardware, 2, previously removed. Do not tighten the hardware at this time.
4. Install the boom hub assembly, 3, and bucket hub assembly, 4, onto the pivot shaft, 5.



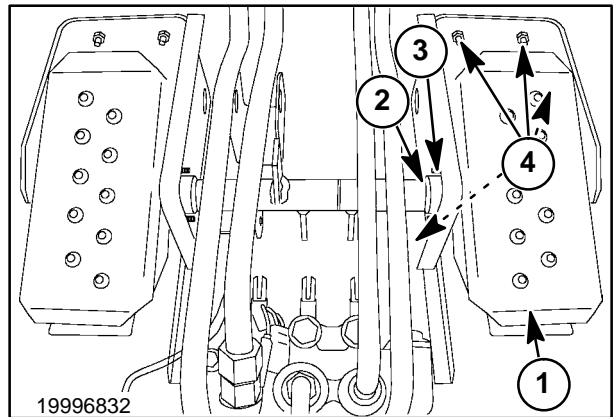
192

5. Slide the pedal assembly to align the auxiliary hydraulic hub arm as shown. Align the inside edge of the hydraulic hub arm, 1, with the slot in the control valve spool, 2. Tighten the pedal mounting hardware.
6. Recheck the alignment of the hub arm and spool.
7. Check the alignment between the hub arms and control valve spools. Add shim washers if necessary to correct alignment.



193

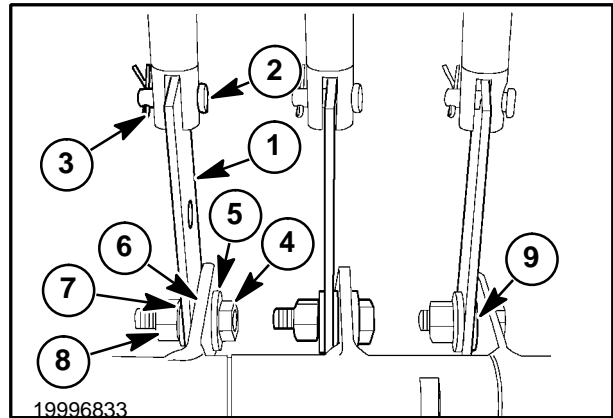
8. Install the right pedal, 1, adding shim washers as necessary at 2, fitting inside the bearing, 3, so pedal mounting holes line up correctly. Install the pedal with hardware, 4, previously removed, and tighten securely.
9. Check for free operation of the foot pedals and hub assemblies. If any components are binding, adjust or reshim the right pedal assembly.



194

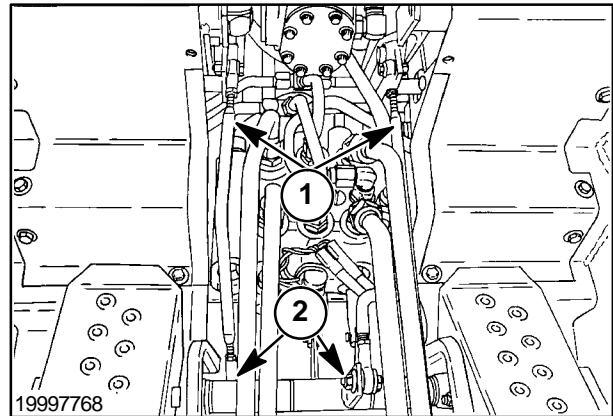
SECTION 35 - HYDRAULIC SYSTEM

10. Install the control spool links, 1, with clevis pins, 2, and cotter pins, 3.
11. Link the boom valve link and the bucket valve link to the hub arms with 3/8" hex head bolts, 4, flat washer, 5, thick link washer, 6, lock washer, 7, and nut, 8.
12. Install the auxiliary hydraulic link with 3/8" hex head bolts, flat washer, two flat washers, 9, lock washer, and nut.



195

13. Install control rods, 1, to the pedal hub arms, 2, with the bolts, washers, lock washers and nuts removed during pedal removal.
14. Install the step shield and step shield hardware.



196

**HYDRAULIC COOLING, FILTER,
RESERVOIR SYSTEM**

Specifications

| | |
|--|-----------------|
| Filter (spin-on canister) | 10 micron |
| Reservoir (filter screen at fill cap) capacity | 22.7 L (6 gal.) |

Labor Required

| | |
|--|-----------|
| Remove and replace oil filter | 0.5 hour |
| Remove and replace filter and base | 1.0 hour |
| Remove and replace oil cooler | 2.0 hours |
| Remove and replace reservoir | 2.5 hours |

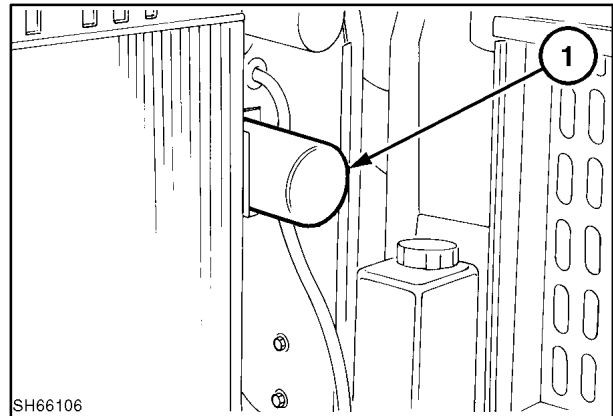
Op. 35 705**FILTER SYSTEM**

The skid-steer loader is equipped with a single spin-on filter canister type located at 1, to the right of the engine radiator. The filter is a 10-micron element.

NOTE: Allow the hydraulic oil to cool before changing the filter.



The hydraulic oil filter will be under pressure when the oil is at operating temperature.

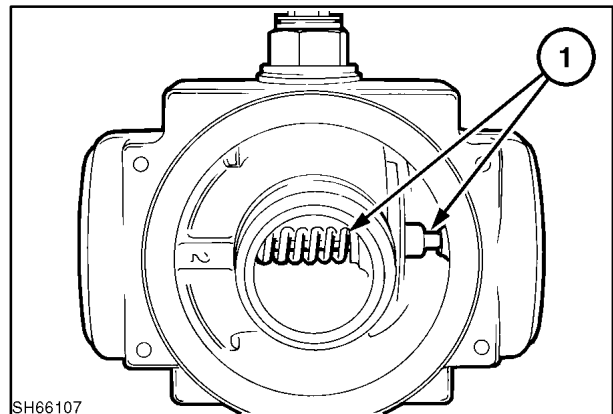


197

The filter base is equipped with a bypass valve, 1, to allow cold oil to bypass the filter without damaging the filter or starving the hydrostatic system of lubrication oil during cold weather start-ups.

In cold weather start-ups, allow the hydraulic oil to warm up before operating the boom, bucket, or the hydrostatic ground drive system, to prevent possible damage to the systems.

The filter base is also equipped with a pressure sensor that is monitored by the EIC (Electronic Instrument Cluster) to signal the operator of a plugged oil filter.

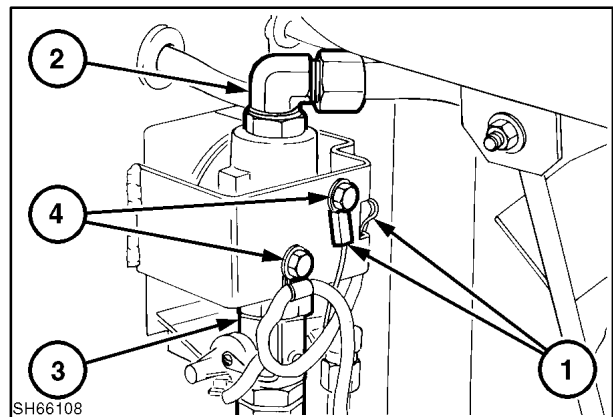


198

Op. 35 705 04**FILTER REMOVAL****Op. 35 705 05****BASE REMOVAL**

The filter base can be removed by opening the rear door and removing the right engine side panel.

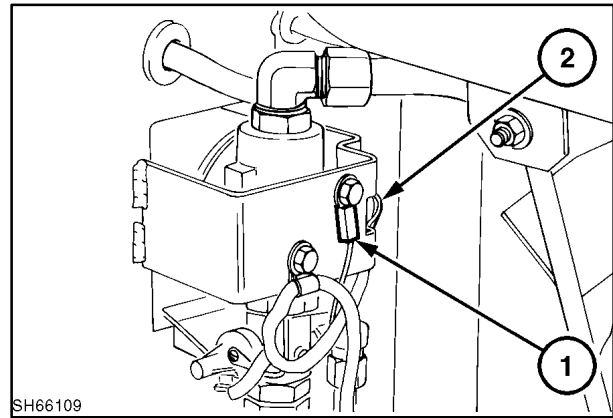
1. Remove the sensor wires, 1.
2. Remove the inlet, 2, and outlet, 3, oil lines and cap to prevent loss of oil.
3. Remove the filter base mounting hardware, 4.
4. Remove the filter assembly from the unit.



199

REASSEMBLY

1. Reinstall the filter base with the hardware previously removed and reconnect the ground wire, 1. Torque the mounting hardware to 20 N·m (15 ft. lbs.).
2. Reinstall the hydraulic lines, tighten the lines to seat line on fittings and loosen and retorque.
3. Reinstall the filter sensor and connect the sensor wires, 2.
4. Reinstall a new filter, coat the filter seal ring with 10W-30 oil, and tighten the filter unit until it contacts the base, and then tighten another half to three-quarter turn.

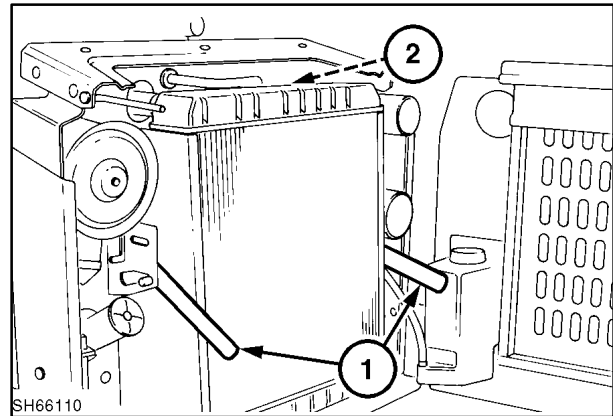


200

OIL COOLER

The hydraulic oil cooler is located to the inside of the radiator next to the engine cooling fan.

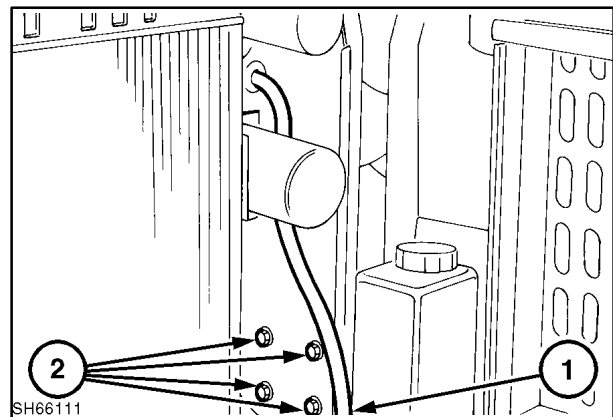
To access the cooler for cleaning, move the radiator to the rear by lifting up on the two handles, 1, to gain clearance between the radiator and cooler at 2.



201

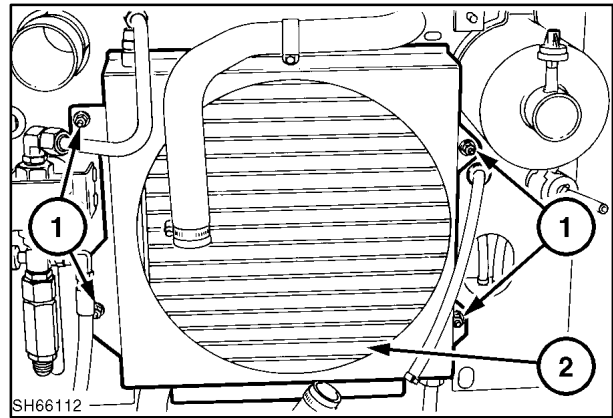
Op. 35 300 10**OIL COOLER REMOVAL**

1. Drain the engine cooling system.
2. Unhook the inlet line to the reservoir and cap to prevent loss of oil.
3. Unhook the return (outlet) line and cap to prevent loss of oil.
4. Remove the radiator to engine hoses.
5. Remove the filter sender wires.
6. Remove the radiator overflow hose, 1, to the overflow tank.
7. Remove the eight bolts from the support at 2, four bolts each side, and lift the radiator and cooler assembly from the loader frame.



202

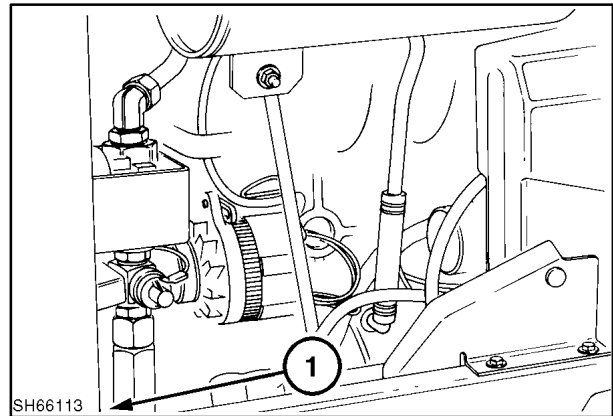
8. Remove the fan shroud retaining hardware, 1, to access the oil cooler.
9. Remove the oil cooler, 2, retaining hardware to separate the cooler from the radiator.



203

REASSEMBLY

1. Reattach the oil cooler to the support with the previously removed hardware.
2. Reinstall the support with the oil cooler and radiator attached into the frame.
3. Position the support square with the loader frame at 1, and install retaining hardware and tighten securely.
4. Reconnect the hydraulic lines to the cooler. Tighten the lines to seat to fittings, then loosen lines and retorque.
5. Reconnect the radiator lines and refill cooling system with 50/50 water-antifreeze mixture.
6. Reconnect the filter hydraulic lines. Tighten the lines to seat to fittings, then loosen lines and retorque.
7. Reconnect the filter sensor wires.
8. Check hydraulic oil level and add 10W-30 oil if required.
9. Start the unit, operate the hydraulic system, check for oil leaks and coolant leaks, and repair as required.
10. Check the oil level and engine coolant level and add as required.



204

Op. 35 300

OIL RESERVOIR

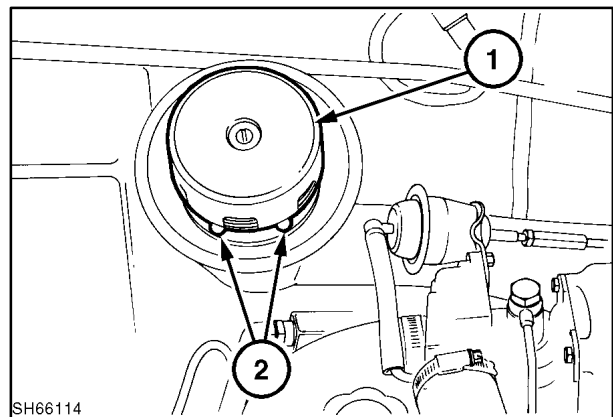
The hydraulic oil reservoir fill is accessed through the top engine shield. The fill cap assembly is the hydraulic system breather and is equipped with a screen to help prevent contamination into the system.

Op. 35 300 28

Filter/Breather Cap Cleaning

To clean the breather cap, 1, remove the cap from the reservoir and back flush the cap assembly with a clean solvent. Blow dry with low-pressure air.

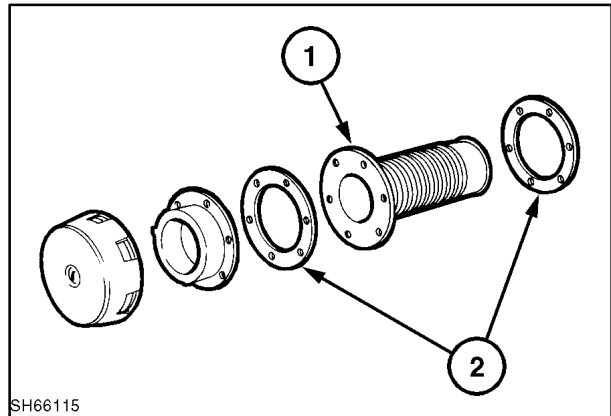
To clean the fill screen, remove the six screws and washers, 2, and lift the screen assembly from the reservoir neck.



205

Back flush the screen, 1, with a clean solvent and blow dry with low-pressure air.

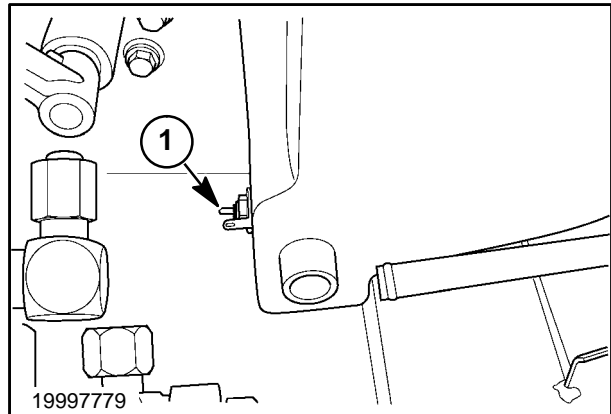
Reinstall the screen assembly making sure the screen is sealed between the screen and reservoir neck with gaskets, 2. Use a silicone sealer with gaskets to seal between the screen and reservoir is recommended.



206

The hydraulic reservoir is equipped with a temperature sender, 1, which allows the EIC (Electronic Instrument Cluster) to monitor the hydraulic oil temperature and signal the operator of an oil overheat condition.

IMPORTANT: Do not over tighten the sender or damage to the reservoir may occur.



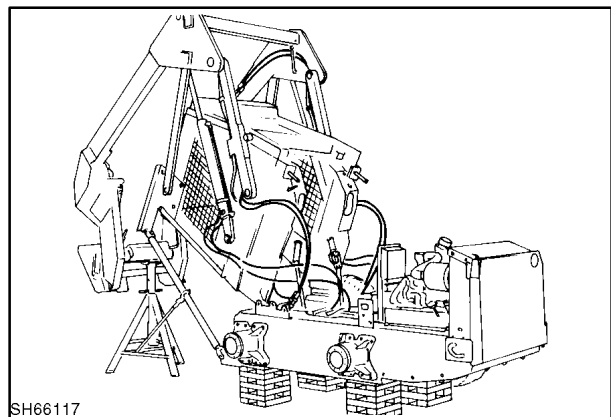
207

Op. 35 300 10

OIL RESERVOIR REMOVAL

To access the reservoir, open the rear door and remove the right engine side shield.

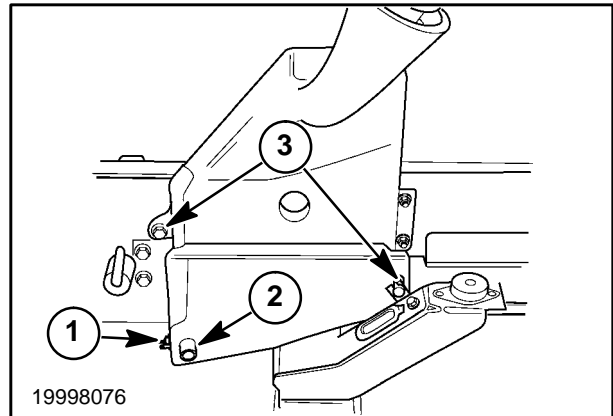
To remove the reservoir from the loader, the cab and boom must be tilted forward. Refer to "Section 00" For the cab tilting procedure.



208

With the cab tilted forward:

1. Drain the reservoir by lowering the engine belly pan, removing the return line from the charge check valve and rotating the line into a container. Allow the oil to drain.
2. Remove the hydraulic oil temperature sender wires, 1.
3. Remove the suction and return lines from the reservoir at 2.
4. Remove the front and rear mounting hardware, 3.
5. Lift the reservoir from the loader.

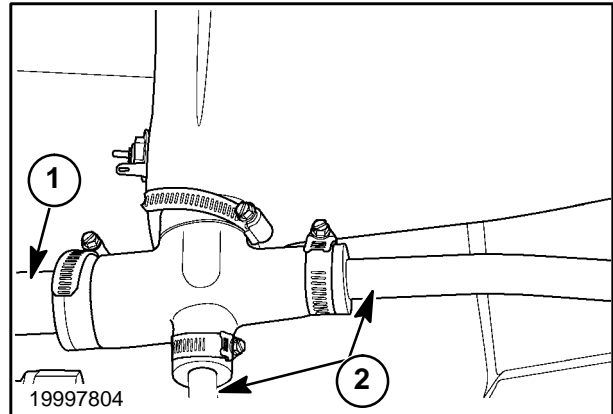


209

NOTE: If the reservoir tank should leak due to a hole or crack, DO NOT repair. Replace the tank, as the type of material used in the molded tank is not reliably fixed.

REINSTALLATION

1. Reinstall the reservoir into the loader frame, position and reinstall the tank retaining hardware.
2. Reattach the suction, 1, and return, 2, lines and tighten the hose clamps securely.
3. Refill the reservoir with 10W-30 oil and operate the hydraulic system to remove all air from the system. Check for oil leaks, repair as required.
4. Check the oil level, fill as required.
5. Reinstall the engine belly pan.
6. Tilt the cab and boom back into operating position.
7. Reinstall all shields previously removed.

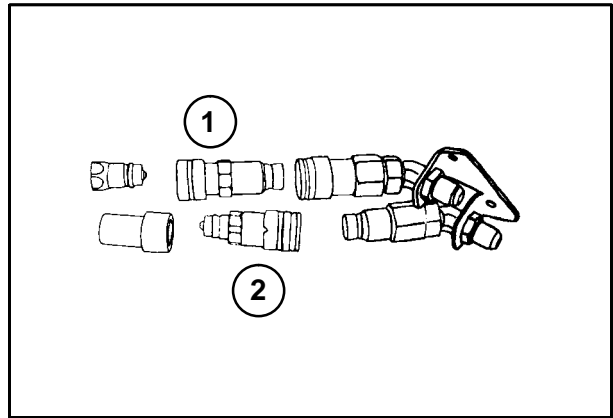


210

ADAPTING ATTACHMENTS WITH PREVIOUS-STYLE NH-SUPPLIED BALL/PIN COUPLERS TO FLAT-FACED COUPLERS

If the attachment to be used has the 1/2" ball/pin-type couplers, adaptors, 1 and 2, can be used to attach to the loader flat-faced couplers.

| Part Number | Description | Item# |
|-------------|--|-------|
| 86539404 | 1/2" male flat-faced/ 1/2" female ball/pin-type | 1 |
| 86539403 | 1/2" female flat-faced/ 1/2" male ball/pin-type | 2 |



211

NOTE: These adaptors are useful for occasionally adapting attachments; however, they significantly lengthen the coupler assembly and make assembly more likely to be damaged in usage. It is preferred for heavy attachment usage to convert the attachment quick couplers or loader quick couplers to the flat-faced style.

LABOR GUIDE**HYDRAULIC SYSTEM**

The following labor amounts are listed as a guide only. Working conditions and experience will vary the time it actually takes to complete each job.

| Hours | Job |
|--|------------|
| Remove and replace control valve | 1.5 hr. |
| Repair control valve | 1.0 hr. |
| Remove and replace gear pump | 1.0 hr. |
| Repair gear pump | 0.5 hr. |
| Remove and replace one boom cylinder | 0.5 hr. |
| Repair one boom cylinder | 1.0 hr. |
| Remove and replace one bucket cylinder | 0.5 hr. |
| Repair one bucket cylinder | 0.5 hr. |
| Remove and replace pedal controls | 1.0 hr. |
| Repair one pedal | 0.5 hr. |
| Remove and replace oil filter | 0.5 hr. |
| Remove and replace filter and base | 1.0 hr. |
| Remove and replace oil cooler | 3.0 hrs. |
| Remove and replace hydraulic reservoir | 2.5 hrs. |

SECTION 37 – TOWING HOOKS AND BALLASTING

Chapter 1 – Rear Counterweights

CONTENTS

| Section | Description | Page |
|-----------|--|------|
| 37 140 10 | Rear Counterweights | 37-2 |
| 37 140 12 | Rear Counterweight Support Removal | 37-2 |

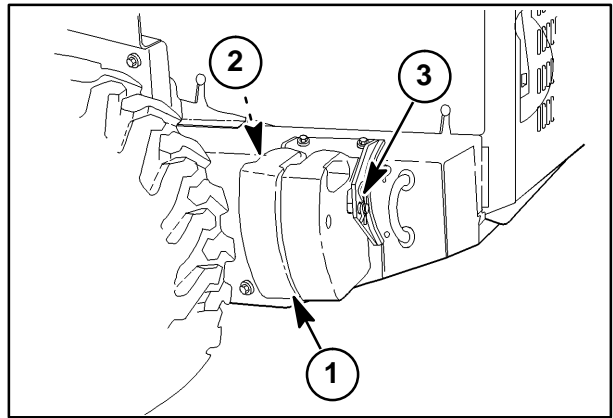
Op. 37 140 10

REAR COUNTERWEIGHTS

Counterweights can be installed to improve the stability of the loader when handling heavy loads or when operating the skid-steer loader with a heavy front-mounted attachment.

Four 27.2 kg (60.0 lbs.) weights, 1, (two per side) may be added to the rear of the loader as shown.

The rear counterweights should be removed when not required. Operating the skid-steer loader with rear counterweights installed and with light front loads, may cause uneven tire wear.



1

Weight Removal

1. To remove weights, remove cotter pin at 2, and remove pin, 3, from the weights and support bracket.
2. Lift the weights from support by pivoting the bottom of weights out at bottom and then lift straight up.

Op. 37 140 12

REAR COUNTERWEIGHT SUPPORT REMOVAL

SECTION 39 – FRAMES

Chapter 1 – Lower Main, ROPS

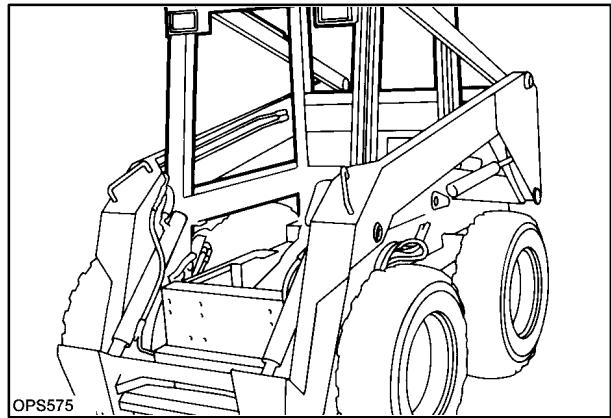
CONTENTS

| Section | Description | Page |
|----------------|---------------------------|-------------|
| | General Information | 39-2 |
| | ROPS | 39-2 |
| | ROPS Frame | 39-2 |
| 90 152 46 | ROPS Removal | 39-2 |
| | ROPS Reinstallation | 39-8 |
| | Labor Guide | 39-11 |

GENERAL INFORMATION**ROPS**

The ROPS is a welded frame structure to provide rollover protection for the operator and pivot point locations for the boom assembly.

Shown here is the loader and ROPS with the inner shell removed.



1

ROPS FRAME

Op. 90 152 46

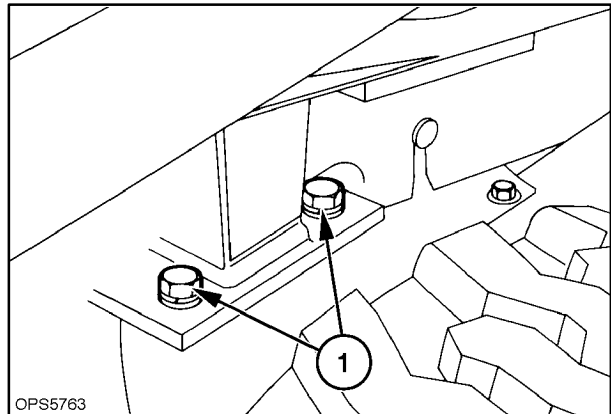
REMOVAL

The ROPS can be removed from the lower frame with the cab inner shell and boom attached in place or removed.

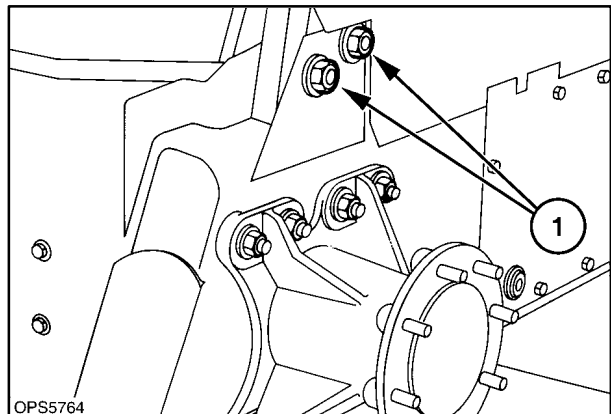
To remove the ROPS with the inner shell and boom removed:

Follow the instructions for "Cab Inner Shell Removal" (refer to Section 90 of this manual) and "Boom, Upper and Lower Link Removal" (refer to Section 82 of this manual).

1. Remove the rear attaching bolts, 1, left and right sides. If there are washer spacers under the bolt heads, make sure to replace them on installation for proper torquing.
2. Support the ROPS with a suitable lifting device and remove the front attaching bolts, 1, two each side.
3. Lift the ROPS frame from the lower main frame and move to a level area. Lower the ROPS to the floor.



2



3

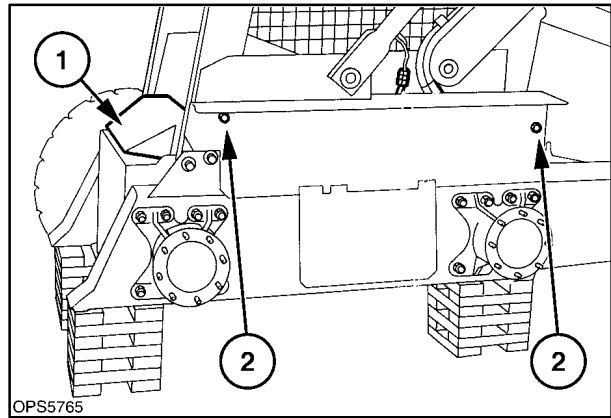
To remove the ROPS with the cab inner shell and boom attached:

1. Remove any attachment from the loader mounting plate, raise the boom and rest on the boom lock pins.

CAUTION

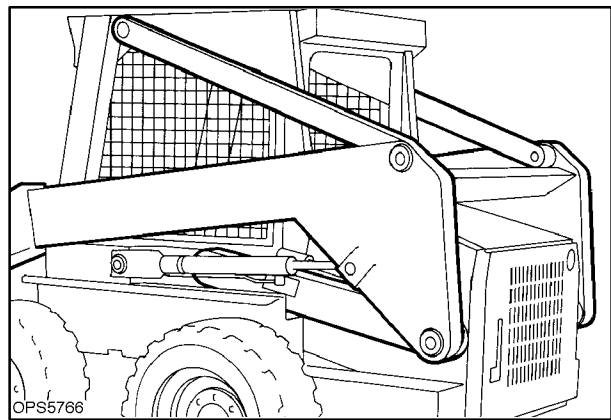
Never work under a raised boom unless it is properly supported by the boom lock pins.

Never work under a raised boom with an attachment. Always remove the attachment from the loader.



4

2. Remove the front step shield, 1.
3. Remove the right and left fenders, 2.
4. Lower the boom to the lowered position and turn the ignition (key) switch to the "OFF" position. Do not unbuckle the seat belt and exit the loader.
5. Relieve the hydraulic pressure from the boom and bucket circuits.
 - Turn the ignition (key) switch to the "ON" position.
 - Operate the boom and bucket controls relieving all pressure in the system.
 - Turn the ignition switch "OFF" and exit the loader.

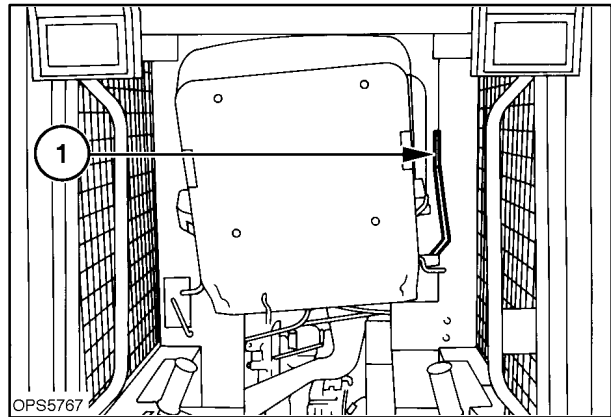


5

6. Raise the operator's seat/seat pan support to the raised latched position.

CAUTION

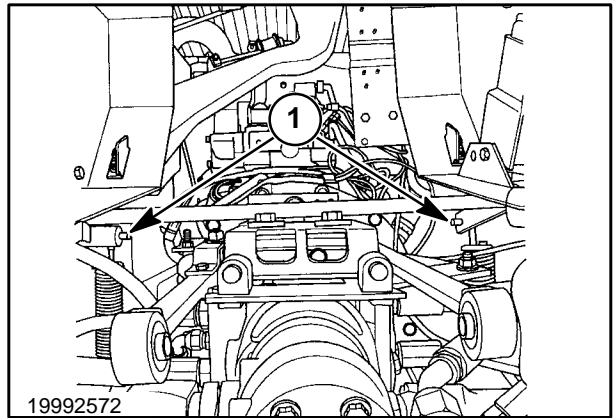
Do not work under a raised seat unless it is securely latched in the raised position.



6

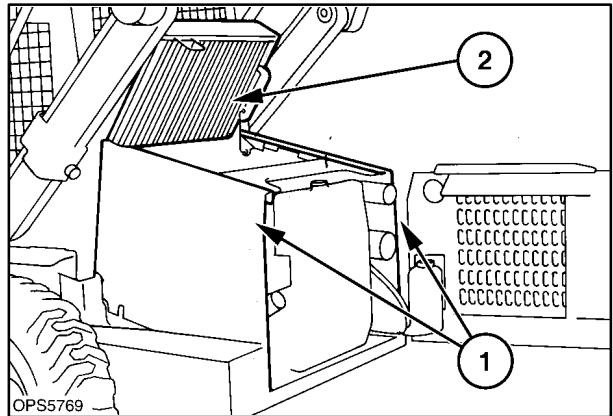
SECTION 39 - FRAMES

7. Disconnect the parking brake linkage at 1.
8. Raise the parking brake control lever to the raised engaged position.



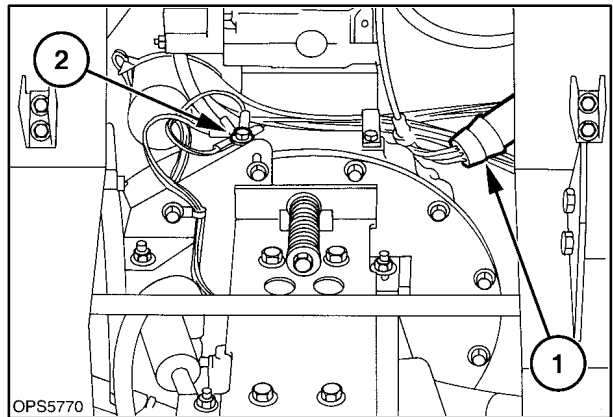
7

9. Remove the engine side panels, 1, and top engine screen, 2.
10. Disconnect the (-) negative ground battery cable.



8

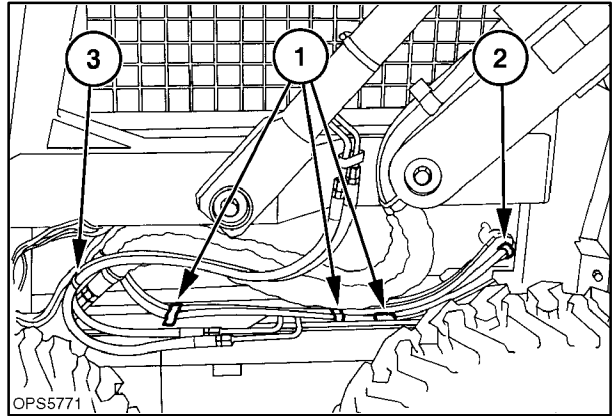
11. Unplug the engine wire harness from the main harness, 1.
12. Remove the ground wires from the engine bell housing, 2.
13. Remove the wires from the electric fuel pump and wire harness from along the fuel tank on the left side of the engine.
14. Remove the wires from the hydrostatic charge pressure sender, oil filter sensor, and remove the wire harness from the right side of the engine.



9

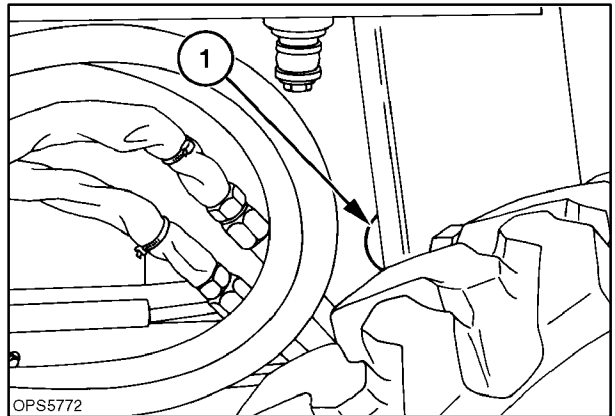
SECTION 39 - FRAMES

15. Remove the wire harness clamps and plastic ties along the left side of the lower frame at 1, 2, and 3.



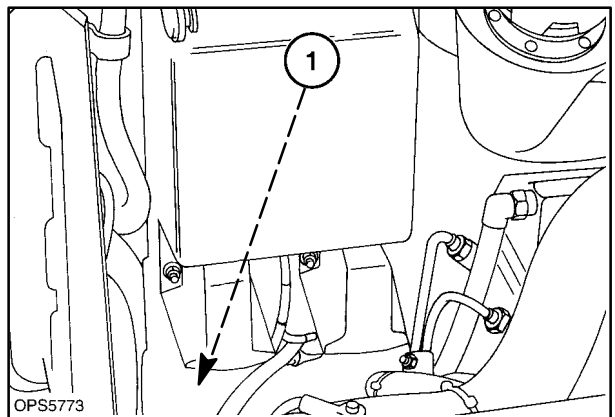
10

16. Remove the ground strap, 1, from the cab inner shell and lower main frame.



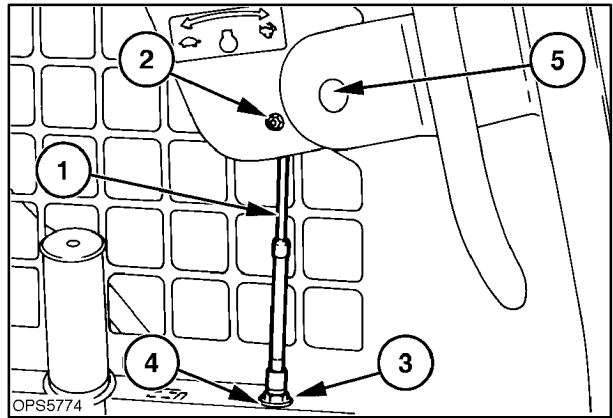
11

17. Remove the engine fuse/relay panel support hardware, 1, and raise and tie the panel assembly to the back of the cab assembly.



12

18. Remove the throttle control cable, 1, from the control lever at 2. Remove the cable retaining nut, 3, and slide the cable down through the right side shield at 4.

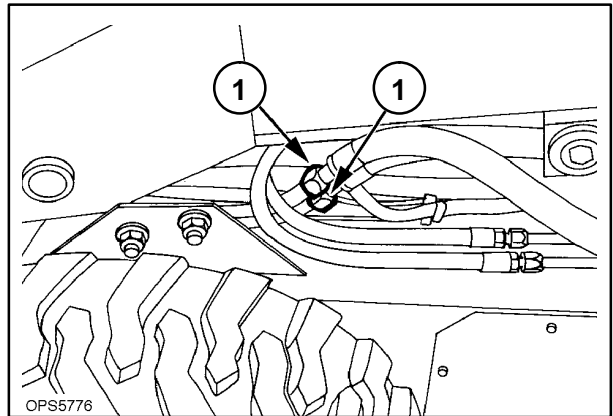


13

19. With the boom in the lowered position and the hydraulic pressure relieved in the boom and bucket circuits, disconnect the boom, bucket, and auxiliary boom hydraulics hose connections, 1, and cap all connections.

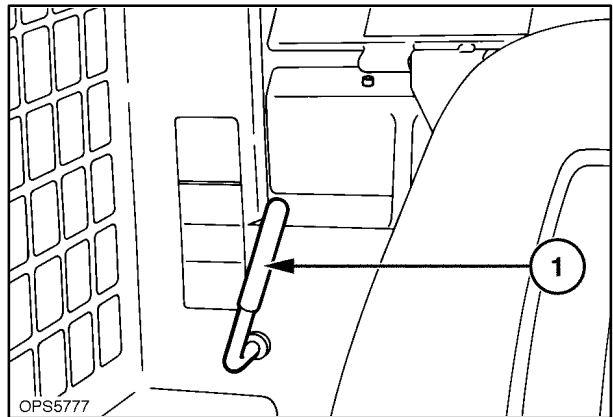


Never loosen any hydraulic lines without first relieving all pressure in the system.



14

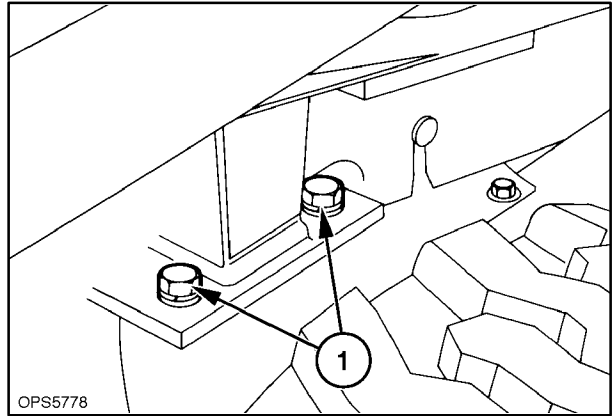
20. Rotate the boom lock pin control lever, 1, to extend (engage) the boom lock pins.



15

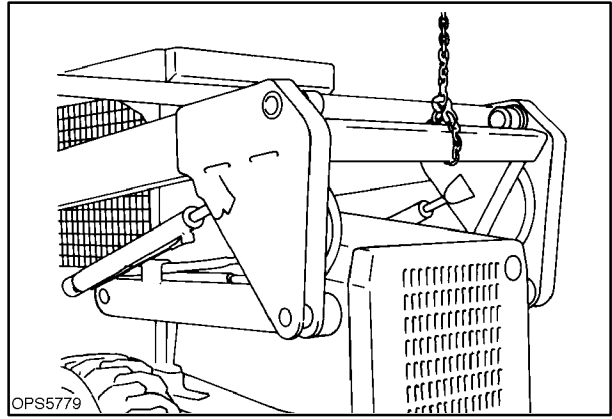
SECTION 39 - FRAMES

21. Remove the left and right rear attaching hardware, 1. If there are washer spacers under the bolt heads, make sure to replace them on installation for proper torquing.



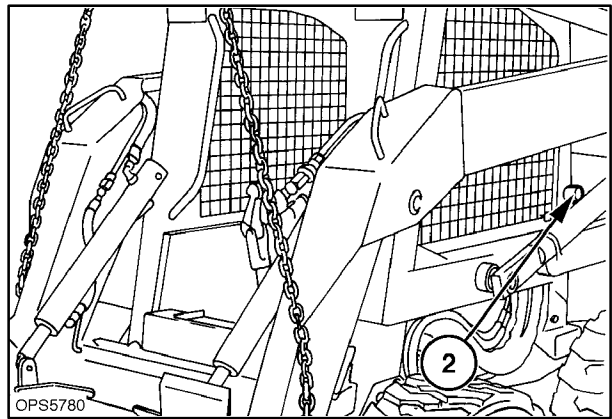
16

22. With a suitable lifting device support the boom at the rear.



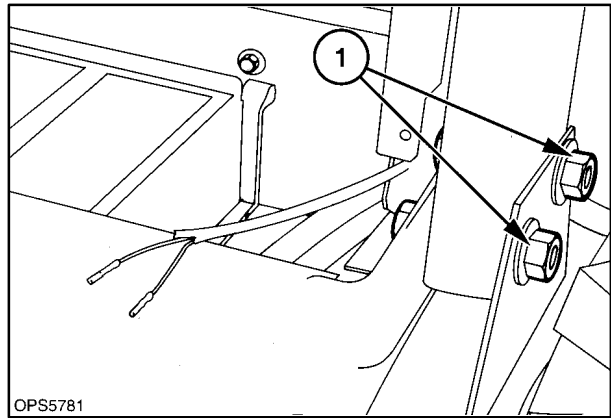
17

23. With a suitable lifting device support the boom at the front as shown, and raise the boom assembly up, from both front and rear, until it contacts the boom lock pins at 2.



18

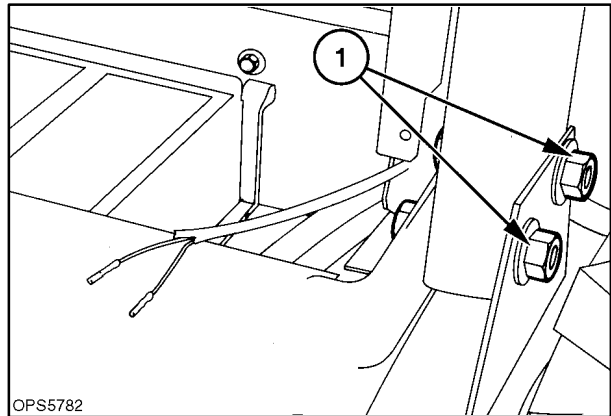
24. Remove the right and left front retaining bolts, 1.
25. Lift the ROPS and boom assembly from the lower main frame and move to a level area. Rest the assembly on the floor, lowering the boom to the floor.



19

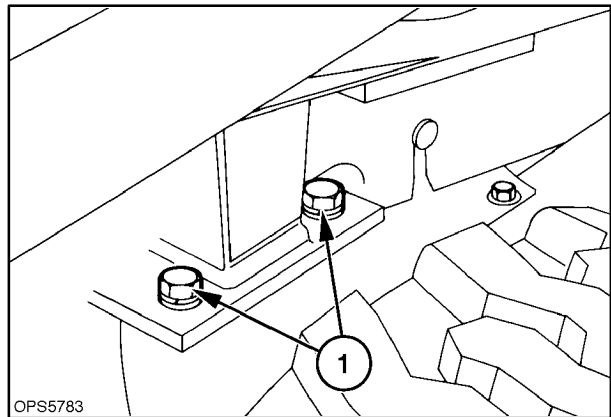
REINSTALLATION

1. Lift the ROPS and boom assembly onto the lower frame, resting the rear ROPS post on the lower frame pads. Supporting the front of the ROPS install the front retaining hardware. With the front hardware installed, align the rear ROPS posts and install the rear hardware.
2. Torque the front hardware, 1, to 217 N·m (160 ft. lbs.).



20

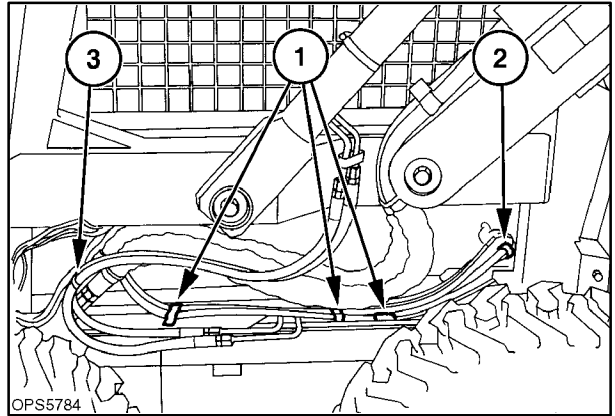
3. Torque the rear hardware, 1, to 108 N·m (80 ft. lbs.). Replace any washers used for proper spacing.
4. With the ROPS and boom securely attached to the lower frame and the boom in the lowered position, remove the lifting device from the ROPS.



21

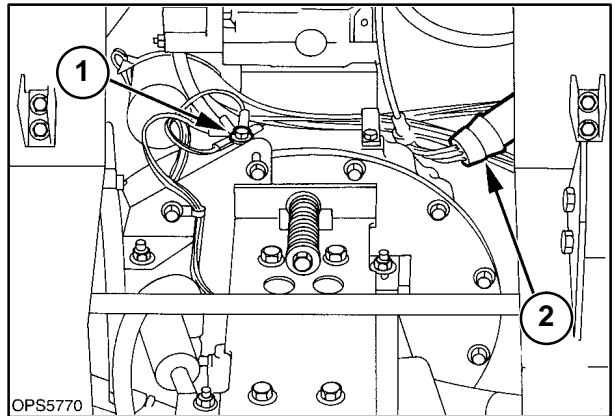
SECTION 39 - FRAMES

5. Reinstall the wire harness along the main frame and attach the engine fuse/relay panel.
6. Reconnect the main harness to the engine harness, re-route the wire harness along the fuel tank and the right side of the engine installing all clamps and ties previously removed at 1, 2, and 3.



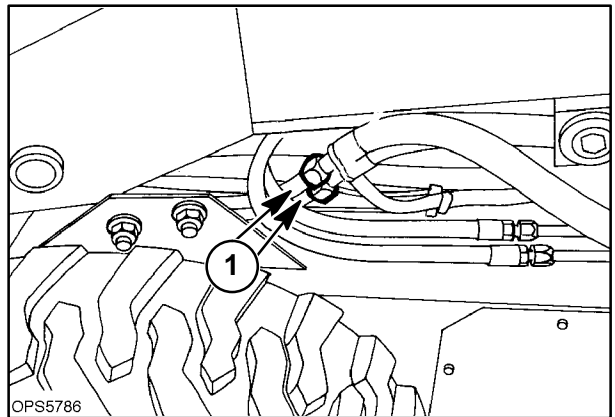
22

7. Reconnect the ground wires to the bell housing at 1. Place the largest wire next to the ground surface, stacking the remaining wire by size, largest to smallest, to ensure proper grounding. Reconnect the main wiring harness connector, 2.



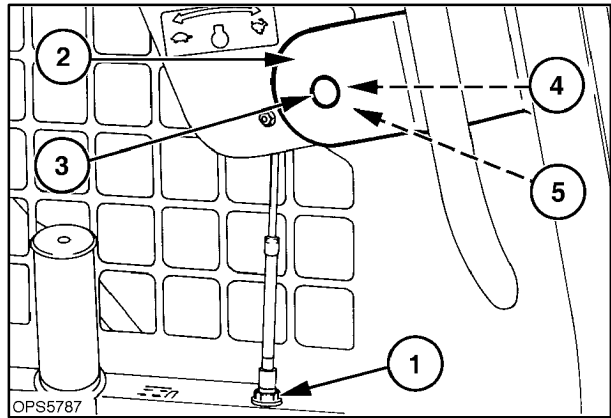
23

8. Reconnect all hydraulic lines, 1, and position for clearances between other components. Install any hose clamps removed.



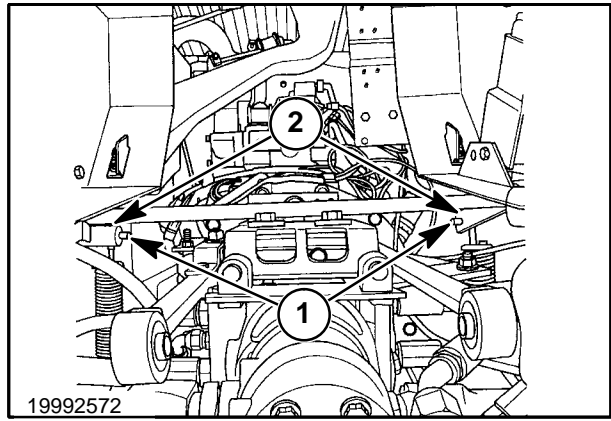
24

9. Slide the throttle cable up through the hole in the left cab panel and secure with retaining nut at 1. Attach the control lever, 2, to the cab panel at 3, with $3/8'' \times 1-1/2''$ cap screw; friction disc, 4; spring, 5; $3/8''$ flat washer; and locknut. Tighten the pivot hardware to hold the control lever in set position. Over tightening will require more effort to set the throttle.



25

10. Reconnect the parking brake spring links, 1, to the control rod at 2, and install the cotter pins.
11. Reconnect the (-) negative ground battery cable.

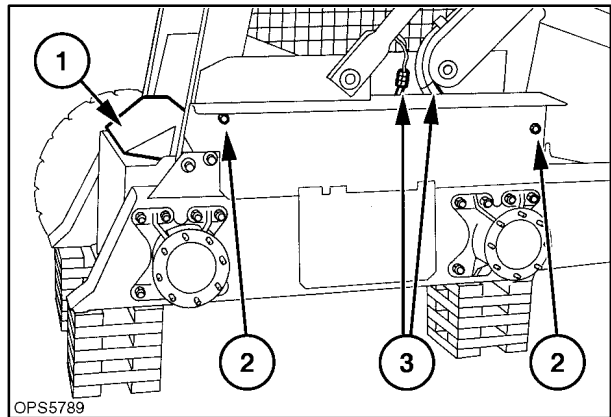


26

12. After all wires and hydraulic hoses are connected, start the unit, raising the boom checking for oil leaks.

NOTE: The boom and bucket hydraulic circuits may require cycling several times to purge the air from the hydraulic system.

13. Reinstall all fenders, shields, etc., removed; including the front step shield, 1. Tighten the fender hardware, 2, securely.
14. After the fenders are reinstalled, raise and lower the boom and recheck the hoses and tubes for clearance at 3. Readjust the hoses and tubes if they contact the fenders.



27

SECTION 39 - FRAMES

LABOR GUIDE

The following labor amounts are listed as a guide only. Working conditions and experience will vary the time it actually takes to complete each job.

| Job Description | Hours |
|---|--------------|
| Remove and replace ROPS frame (Includes seat, boom lock linkage, boom removal, inner shell) | 18.5 hrs. |

SECTION 44 – AXLES AND WHEELS

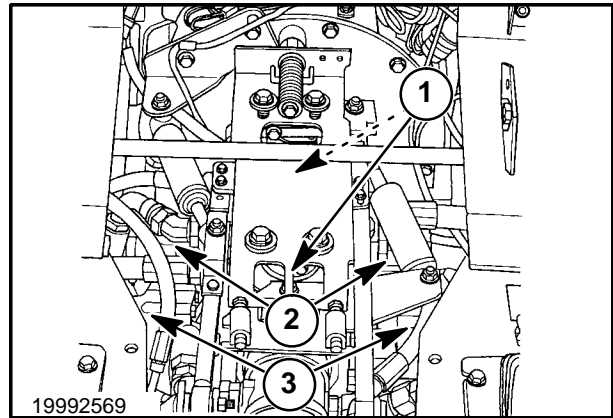
Chapter 1 – Axles

CONTENTS

| Section | Description | Page |
|----------------|--|-------------|
| 44 100 | General Information | 44-2 |
| | Specifications | 44-4 |
| | Troubleshooting | 44-5 |
| | Testing | 44-7 |
| 44 106 | Axles | 44-8 |
| 44 106 10 | Axle Housing Assembly Removal | 44-8 |
| 44 106 16 | Axle Disassembly | 44-9 |
| | Axle Parts Inspection | 44-11 |
| | Axle Reassembly | 44-12 |
| | Axle Housing Reinstallation | 44-14 |
| | Final Drive | 44-15 |
| 44 106 48 | Drive Chain and Sprocket Removal | 44-15 |
| | Final Drive Parts Inspection | 44-19 |
| | Final Drive Reassembly | 44-20 |
| 44 511 | Tires/Wheels | 44-22 |
| | Tire and Track Installation | 44-23 |
| | Labor Guide | 44-24 |

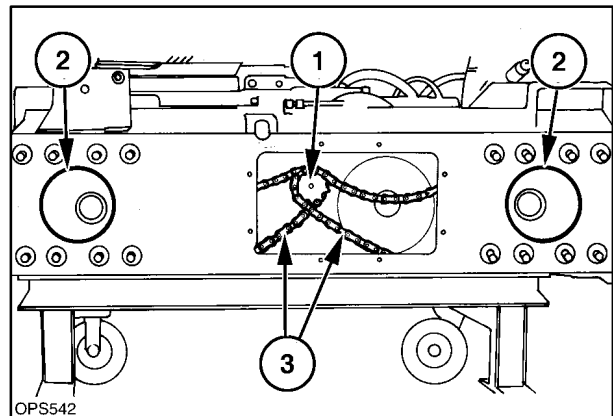
Op. 44 100**GENERAL INFORMATION**

The power is transmitted to the final drive from the engine which is connected to the hydrostatic pumps, 1, with a flex plate drive coupler. The hydrostatic pumps then transmit hydraulic power to the hydrostatic motors, 2, which are connected to gearboxes, 3, located on the inside of the final drive cases. The left and right drives are separate from each other and are operated independently.



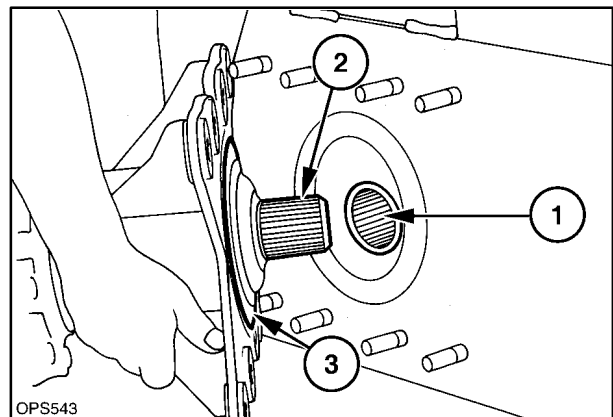
1

The power is then transmitted through gears to a double drive sprocket, 1, in the final drive case. The drive sprocket is connected to the axle sprockets, 2, with chains, 3, one endless chain to the front axle and one endless chain to the rear axle.



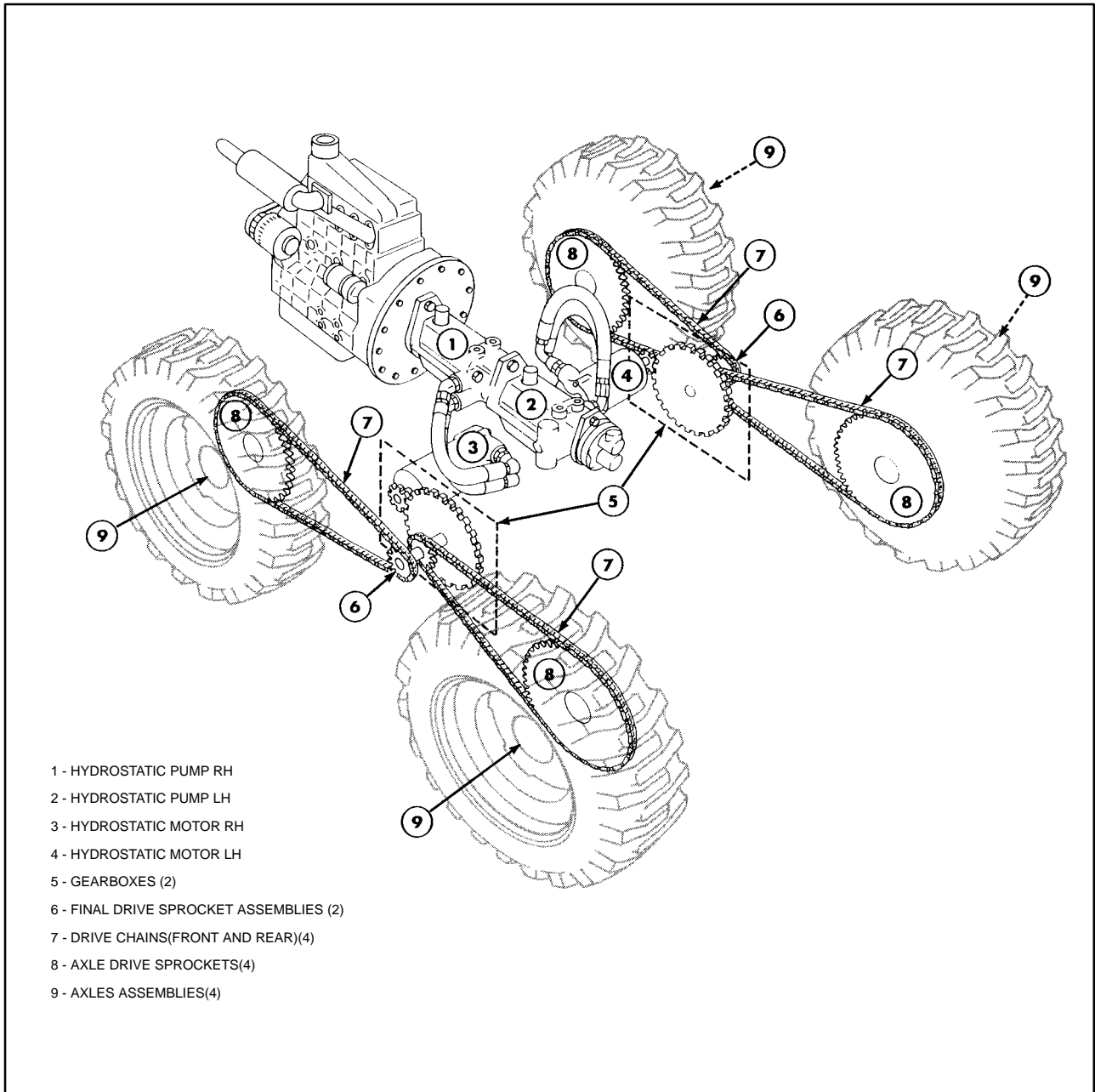
2

The axle sprocket, 1, is splined to the axle shaft and hub assembly, 2. A large O ring, 3, seals the assembly to the frame.



3

SECTION 44 - AXLES AND WHEELS



SPECIFICATIONS

Drive Axles

Wheel Nut Torque 170 N·m (125 ft. lbs.)
 Mounting Bolt Torque (Axle housing to case) 190 N·m (140 ft. lbs.)
 Lubrication High temperature lithium grease

Chain Case

Side Cover Bolt Torque 15 N·m (11 ft. lbs.)
 Brake Caliper Mounting Bolt (center) Torque 20 N·m (15 ft. lbs.)
 Brake Caliper Mounting Bolts (outer) Torque 70 N·m (52 ft. lbs.)
 Drive Chain #80
 Front Chain Length (68 pitches) 1727.2 mm (68")
 Rear Chain Length (66 pitches) 1676.4 mm (66")
 Chain Tension 0 – 6 mm (0 - 1/4") movement at tire tread
 Lubrication 7.6 liters (2 gal.) each side - 10W-30API service SH/CG4 Oil

Other Materials

Description

Use

| | |
|---|--|
| Ultra/Blue Silicone sealer Sealing Material Hydraulic Oil Gear Oil Grease | Gearbox mounting bolts Axle housing bolts Chain case cover and bolts Gearbox to chain case Brake caliper bolts Gearbox cover and bolts NH Ultra Blue silicone sealer NH #L81724 - 3.35-oz. tube (cord) NH #L82519DS - 8-oz. tube NH #L58775 - 10.2-oz. cartridge SAE10W-30 motor oil-API Service SH/CG4 NH #9613313 - 1 qt. NH #9613314 - 2 1/2 gal. NH #9613358 - 1 L NH #9613360 - 20 L 80W-90 API Service GL-5 Gear Oil NH #9613295 - 1 qt. NH #9613294 - 5 gal. NH #9613375 - 4 L High viscosity lithium base NH #9613310 tube |
|---|--|

NOTE: Always use a noncorrosive silicone sealer to seal where required to prevent corrosion during the silicone curing process.

TROUBLESHOOTING**FINAL DRIVE SYSTEM**

Before servicing or adjusting on the final drive system, the skid-steer loader should be jacked up with the wheels off the ground.

Remove any attachment from the skid-steer loader boom, bucket, etc. Lower the boom to the lowered position or, if servicing requires the boom to be in the raise position, support the boom on the boom locks.

Raise the boom and lower onto boom lock pins, 1.

1. Raise boom above boom lock pins.
2. Engage boom lock pins.
3. Stop engine, ignition key "OFF" position.
4. Turn ignition key to the "ON" position.
5. Lower boom onto boom lock pins.
6. Turn the ignition key to the "OFF" position.



Never exit the loader with the boom in the raised position unless the boom is supported on the boom lock pins.

Never work under a raised boom unless it is properly supported by the boom lock pins.

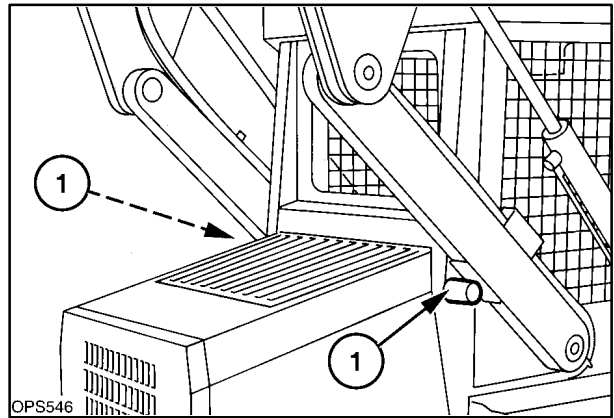
Never work under a raised boom with an attachment mounted. Always remove the attachment from the loader.

Jack up the loader and support the loader with the wheels off the ground using adequate jack stands or blocks to securely support the loader.

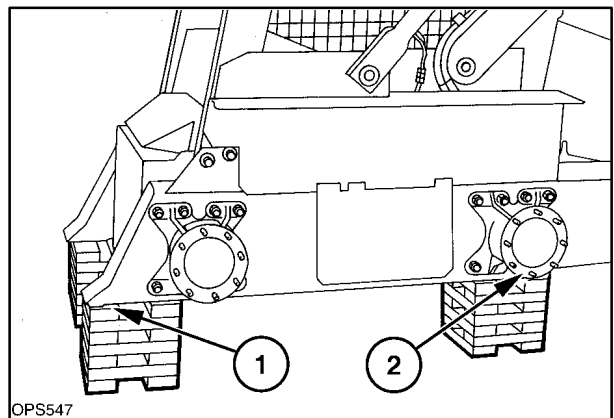
Support the loader at the front of the final drive cases at 1, and at the rear at 2.



Never service a raised loader unless it is securely supported with adequate jack stands or blocks.



5



6

SECTION 44 - AXLES AND WHEELS

| PROBLEM | POSSIBLE CAUSES | CORRECTION |
|---|---|--|
| Both drive wheels on one side not powered | No hydrostatic motor shaft rotation | Check for pump to motor oil flow and repair |
| | No gearbox output drive | Check gearbox shaft rotation and repair |
| | Broken drive chains | Check chains and repair |
| One drive wheel not powered | Broken drive chain | Check chain and repair |
| | Axle or drive sprocket splines worn | Check axle and sprocket, replace |
| Chain case noise | Loose drive chains | Check and adjust chains |
| | No oil in final drive | Check oil level |
| | Worn drive sprockets | Check sprockets and repair |
| | Bearing failure | Check axle and gearbox bearings and repair |
| Excessive axle play | Bearing failure on axle shaft | Check bearings and repair |
| | Snap ring failure on axle shaft | Check axle bearing pre-load, repair |
| Noise in gearbox | No or low oil in gearbox | Check oil level |
| | Bearing failure | Check shafts and bearings, repair |
| | Bearing or shaft failure in drive motor | Check drive motor and repair |
| | Gears in gearbox worn | Check and replace |
| Axle outer bearing failure | Prolonged operation in liquid or semi-liquid material | Decrease lubrication interval to every 500 hours |

TESTING**FINAL DRIVE**

Pre-test instructions:

- * Operator in seat with seat belt buckled.
- * Engine running at high idle (full throttle).
- * Park brake disengaged position.

| STEP | TEST | RESULT | PROBABLE CAUSE AND CORRECTION |
|------|--|-----------|--|
| 1 | Push both drive controls forward equally and loader should move in a straight line. | YES NO | Drive system OK. Engine stalls, wheels appear locked, check parking brake for engaged. If OK go to step 2. Slow or no power, Refer to hydrostatic drive section. |
| 2 | | | Check final drive chain, broken repair. |
| 3 | Pull both drive controls rearward equally and loader should move in a straight line. | YES NO | Drive system OK. Engine stalls, wheels appear locked, go to step 1. Wheels rotate slow or no power, go to step 1. One side of loader drags, go to step 2. |

Pre-test instructions:

- * Lower boom and attachment to the ground.
- * Stop engine.
- * Jack loader with wheels off the ground.
- * Release parking brake.

| STEP | TEST | RESULT | PROBABLE CAUSE AND CORRECTION |
|------|---|-----------|---|
| 1 | Rotate each tire by hand, tires move less than 1/4" at tread. | YES NO | Drive system OK. Tires move more than 1/4" at tread, check chain tension. |
| 2 | | | One tire rotates freely, broken chain, or axle spline worn. |
| 3 | | | Both tires on one side rotate freely together, inspect drive gearboxes. If OK, check drive motor. |
| 4 | Tires rotate but are noisy. | YES NO | Check drive chains, axle bearings. Drive system OK. |

Op. 44 106**AXLES****Op. 44 106 10****AXLE HOUSING ASSEMBLY REMOVAL**

The axle housings must be removed to service axle seals, axle bearings, drive chains, drive sprockets, and axle housing mounting bolts.

NOTE: The axle housings may be removed without removing the final drive side cover or draining the case oil.

1. Lower the boom and attachment to the ground.
2. If the work is going to be done with the boom in the raised position, remove the attachment, raise the boom, and rest on the boom lock pins, 1.



Never work under a raised boom unless it is properly supported by the boom lock pins.

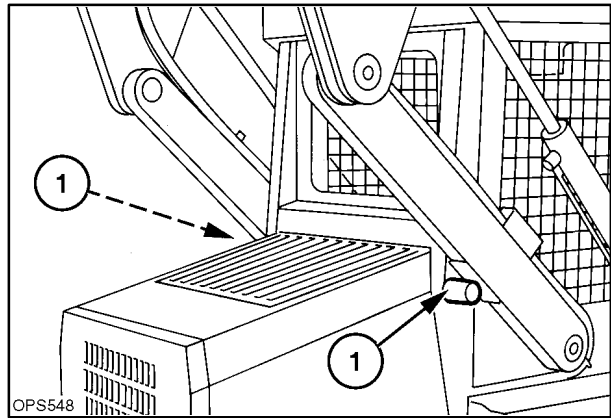
Never work under a raised boom with an attachment. Always remove the attachment from the loader.

3. Securely block the skid-steer loader with all four wheels off the ground, refer to Section 1 for more information on properly supporting a skid-steer loader.

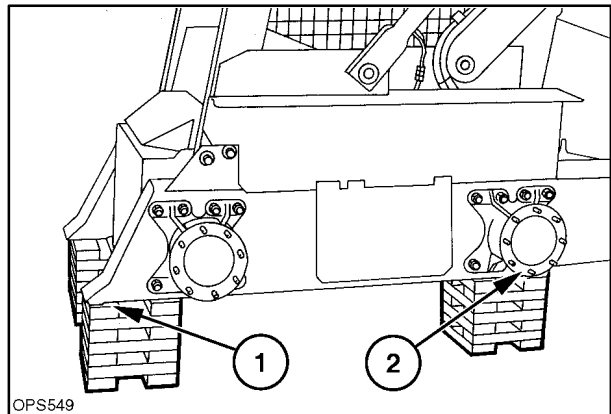


Failure to securely support the skid-steer loader could result in movement of the loader causing serious injury or damage to the equipment.

NOTE: When repairing a rear axle, the front of the unit should be supported slightly higher than the rear for easier rear axle assembly reinstallation.



7



8

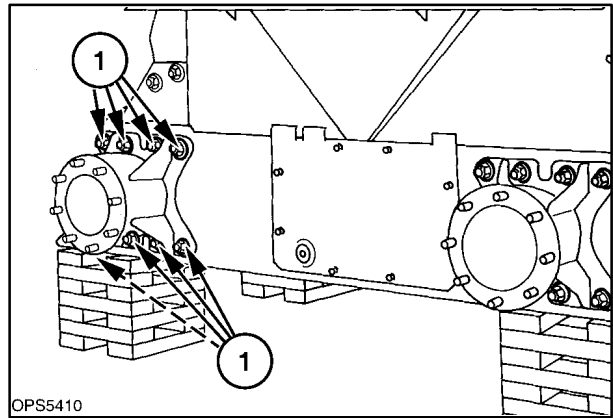
4. Remove the tire and wheel from the axle being serviced.
5. Clean the axle and final drive area to prevent debris from entering the final drive case.
6. Remove the eight axle housing retaining nuts and washers, 1.
7. Slide the axle housing from the retaining studs and lift the assembly from the final drive case.

⚠ CAUTION ⚠

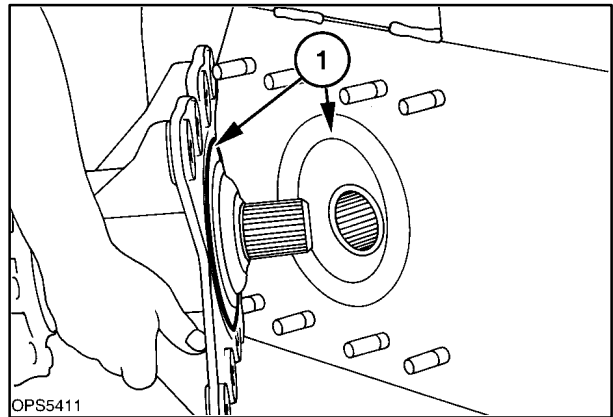
Axle assembly is heavy and may require two persons to adequately support if handling manually.

NOTE: When the axle assembly is removed, the drive sprocket and chain will drop slightly to the bottom of the case.

8. There is a large O ring at 1 that seals the axle housing to the side of the final drive case. Remove the O ring from the case or the axle housing.



9



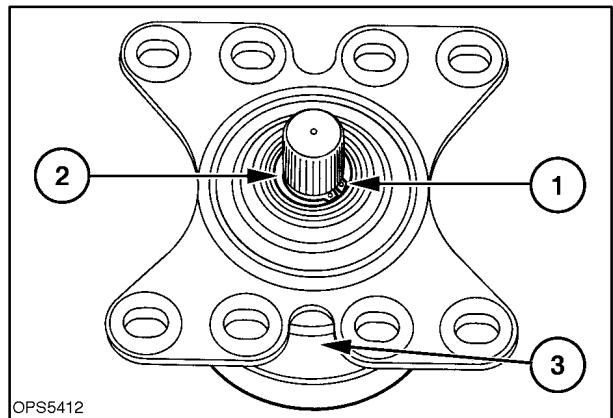
10

Op. 44 106 16

DISASSEMBLY

NOTE: A press is required to remove the axle shaft and hub assembly from the housing.

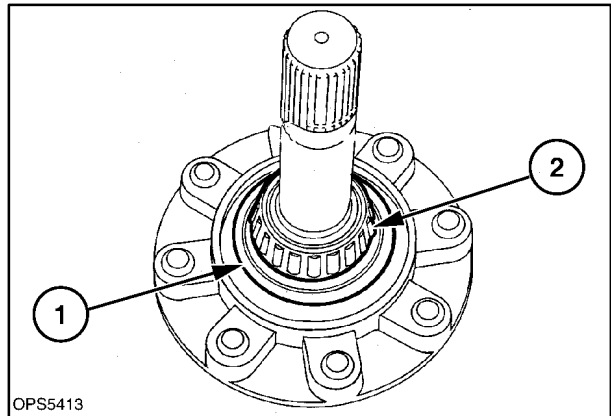
1. Remove the retaining ring, 1, from the axle shaft.
2. Remove the shims, 2. Note the thickness and number of shims.
3. Place the housing assembly in a press, support the housing as close to the center housing as possible to prevent damage to the housing.
4. Press the axle and hub assembly, 3, from the housing.



11

SECTION 44 - AXLES AND WHEELS

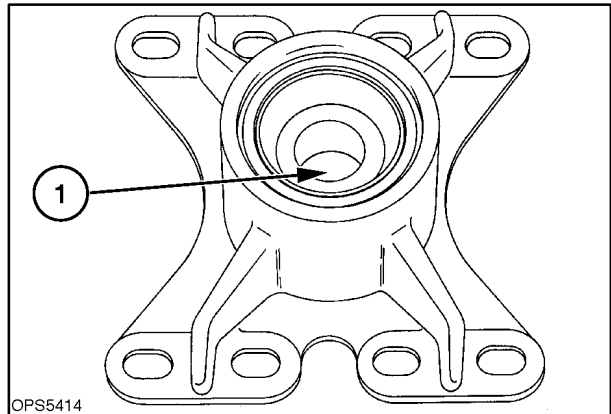
5. The outer axle seal, 1, may be replaced at this time without further disassembly. The seal can be replaced without removing the bearing, 2.
6. Install a bearing separator/puller and remove the outer axle bearing, 2.



OPS5413

12

7. Remove the inner bearing race, 1, by driving it from the housing with a suitable hammer and driver.

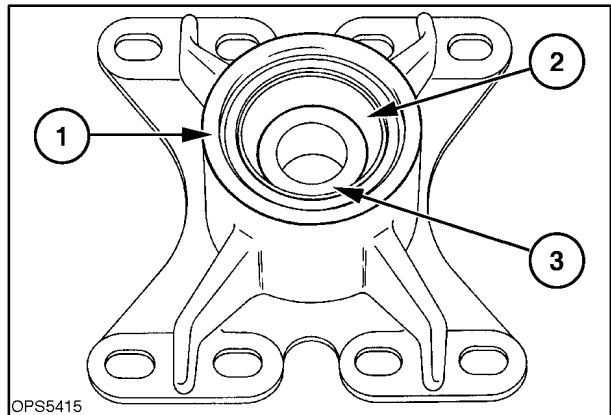


OPS5414

13

8. Remove the outer replaceable seal sleeve, 1, by prying it from the axle housing.
9. Remove the outer bearing race, 2, and seal, 3, by driving them from the housing with a suitable hammer and driver.

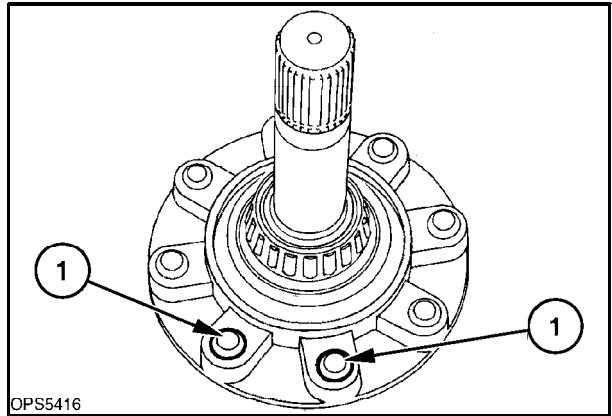
Note the positioning of the oil seal before removal, as the replacement seal should be located in the same position.



OPS5415

14

10. The axle hub wheel studs, 1, can be removed from the hub, by pressing them from the hub.



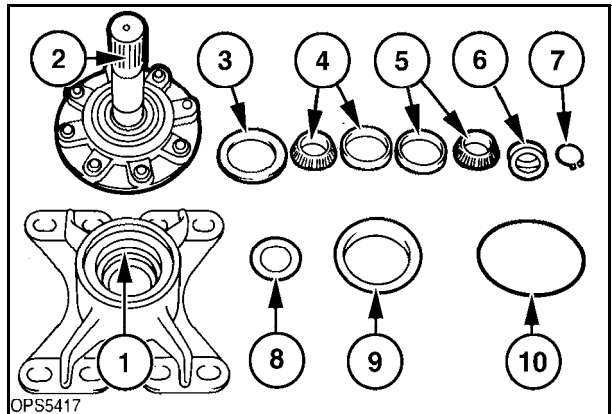
OP55416

15

11. Shown here are the related parts used in the axle assembly.

Ref. Description

- 1 Housing
- 2 Axle and hub assembly
- 3 Outer seal
- 4 Outer bearing assembly
- 5 Inner bearing assembly
- 6 Shims
- 7 Retaining ring
- 8 Inner seal
- 9 Outer seal sleeve
- 10 O ring



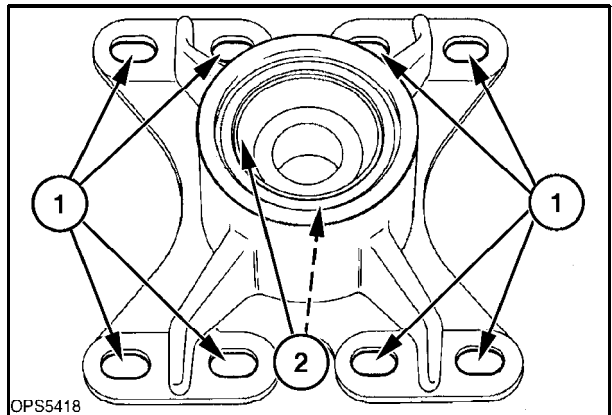
OP55417

16

PARTS INSPECTION

Thoroughly clean all parts before inspection.

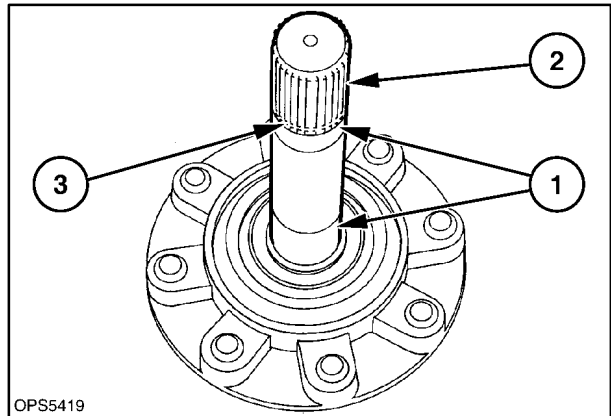
1. Inspect the housing flange, 1, and bearing race areas, 2. Replace the seals and replaceable seal sleeve if worn or damaged.



OP55418

17

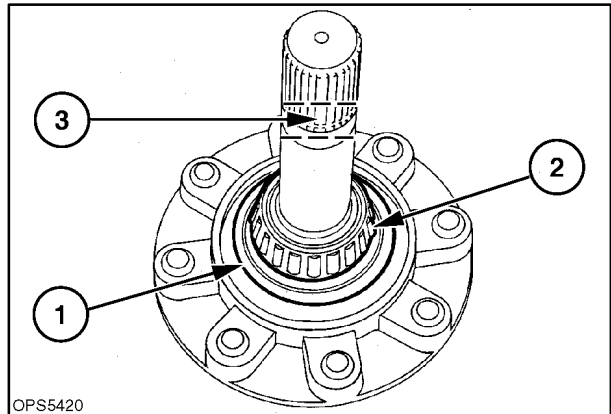
2. Inspect the axle shaft and hub assembly.
 - Inspect the bearing areas, 1, for wear.
 - Inspect the splines, 2, and retaining groove, 3, for wear.
 - Inspect the seal area.
 - Inspect the wheel lug studs for damaged threads or looseness in the hub, replace studs if required.



18

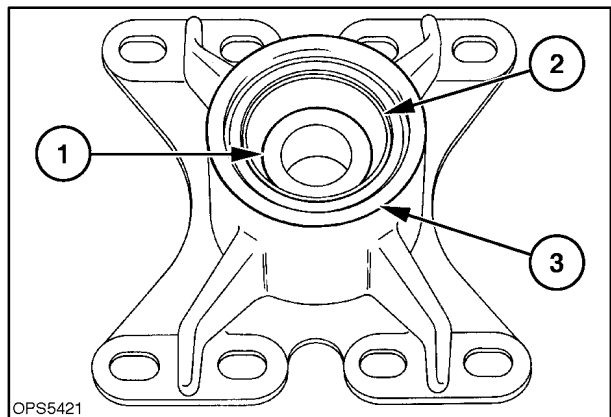
REASSEMBLY

1. Install the outer seal, 1, as shown, on the axle-hub assembly. Fill the grooves in the seal with grease.
2. Pack the bearing with grease and install the outer bearing, 2, with a suitable bearing driver.
3. Wrap the axle in the retaining ring groove area, 3, with a single layer of plastic tape to prevent damage to the seal during assembly.



19

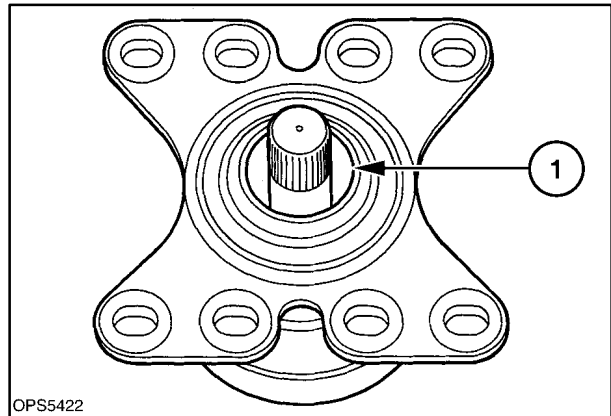
4. Install inner seal, 1, in housing as shown with the flat side of seal to the center of housing and retainer and lip of seal to the outside.
5. Install bearing race, 2.
6. Install replaceable seal sleeve, 3, in housing.



20

SECTION 44 - AXLES AND WHEELS

7. Place the housing over the axle and hub assembly making sure the outer bearing is seated in race properly.
8. Remove tape from axle shaft.
9. Install the inner bearing race, 1, into housing.

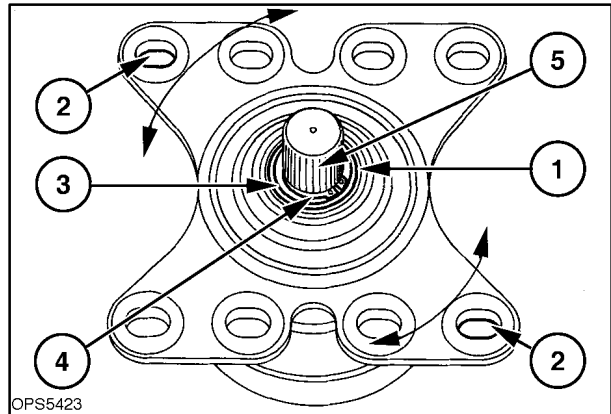


21

10. Pack the bearing with grease and install the inner bearing, 1.
Press the inner bearing on axle shaft and into the housing to obtain housing rolling torque of 4 - 7 kg (9 - 15 lbs.).

NOTE: To check housing rolling torque, hook a spring scale in one of the housing flange slots, 2, and pull on the scale to rotate the housing.

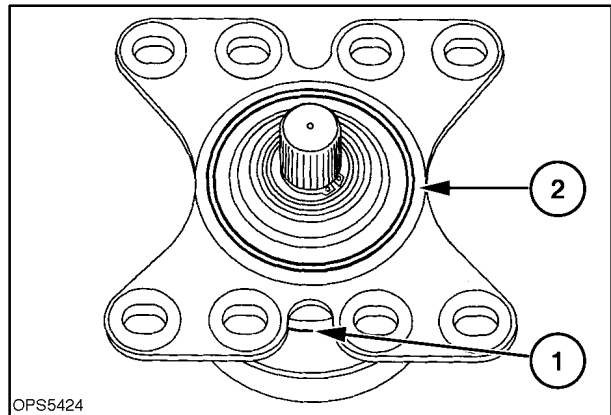
11. Add shims to fill the space between the bearing race, 3, and retaining ring, 4.
12. Install the retaining ring in groove, 5.



22

13. Fill the outer seal area with grease until the grease appears around the hub at 1; spin the axle housing while adding grease.

NOTE: If bearing failed because of contamination, use green Loctite 609 on the seal housing to axle shoulder press-fit joint. If the axle shoulder is worn from previous seal rotation, use a new axle, seal, and loctite in place. When reinstalling the axle into the axle housing, be sure both bearings are packed with grease. The cavity in between the triple lip seal and axle seal, where the outer bearing is positioned, must be full of grease. If any old/hardened grease is in a housing that will be reused, be sure to clean the housing and fill it with new grease.

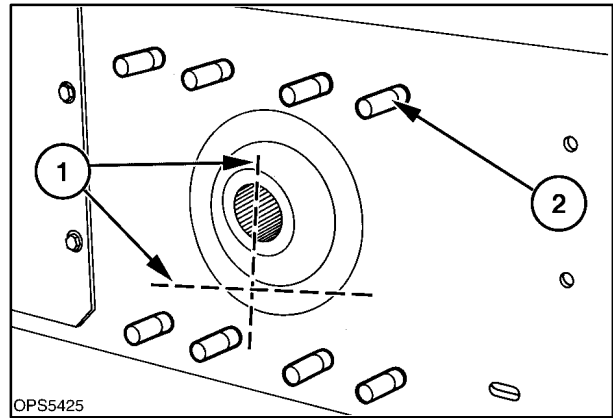


23

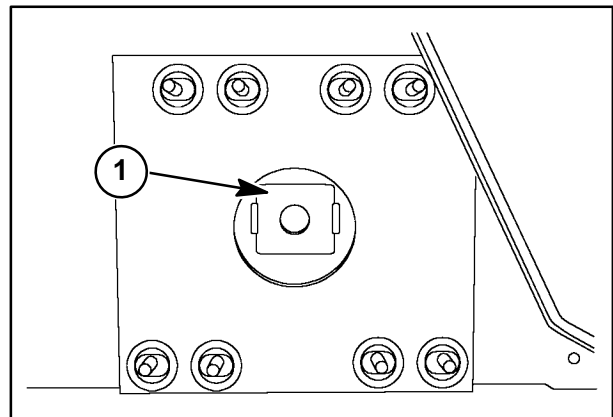
14. Install the O ring in the groove in the axle housing flange at 2, wipe a layer of grease over the O ring to help hold the O ring in place during assembly.

REINSTALLATION

1. Clean the final drive case.
2. Inspect the axle opening in the case to insure it is flat for a good seal between the case and axle housing. To check surface flatness, lay a straight-edge across the axle opening in the horizontal and vertical planes, 1. Straighten if required.
3. Inspect the axle assembly retaining bolts, 2, and replace if damaged.
 - To replace a stud, the old stud can be driven out with a hammer and suitable driver.
 - Thoroughly clean the inside and outside of case in stud area.
 - Wipe the new stud with a wicking-type sealant. The new stud can be installed into case, using 3/4" thick spacer over the stud and then use the nut and a flat washer to pull the stud in place.
 - Wipe around the stud with a wicking-type sealant to insure an oiltight seal.
4. The axle shaft pivots inside a pilot plate, 1. Inspect for damage.



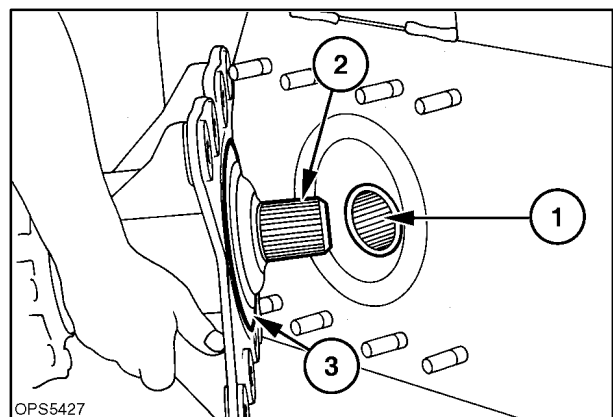
24



25

5. Position the drive sprocket, 1, in the axle opening. Make sure the drive sprocket is placed in the drive chain properly.
6. Lift the axle housing assembly and mate the splines on the axle shaft, 2, and the drive sprocket and slide together. Lifting the axle housing assembly over the retaining studs pilot the center of the housing, 3, into the hole in the case and slide housing tight against the case.

NOTE: When installing the final drive axle, the axle housing must lay flat against the frame and the pilot must rest on the edge of the frame opening.



26

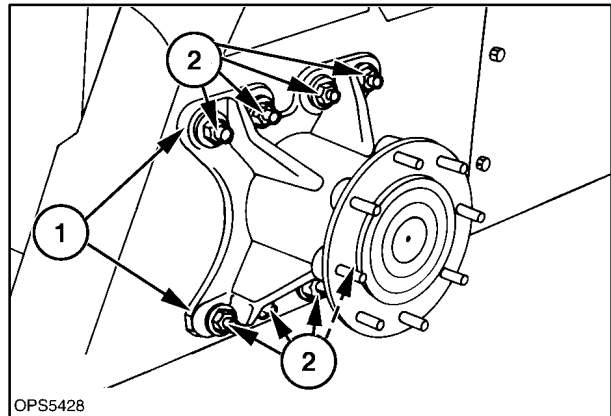
7. With the axle housing, 1, tight against the case, install the retaining nuts and flat washers, 2, to hold the housing against the case.
8. Slide the axle housing assembly to tighten the drive chains.

NOTE: The chains are properly tensioned when there is 0 - 6 mm (0 - 1/4") movement at the outer edge of tire tread.

9. Torque the axle retaining hardware to 190 N·m (140 ft. lbs.).



When tightening the axle retaining hardware, the axle housing must be tight against the case at 1, or damage to the case may occur.

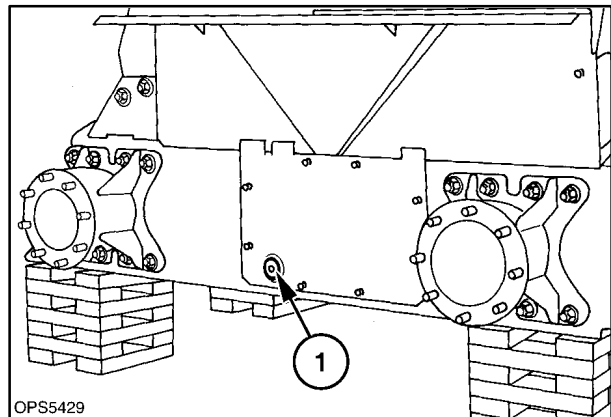


27

10. Check the final drive case oil level at check plug, 1; add SAE 10W-30 oil as required.

Replace any shields that were removed for the repair.

The skid-steer loader can now be lower to the ground.



28

FINAL DRIVE

Op. 44 106 48

DRIVE CHAIN AND SPROCKET REMOVAL

The axle housing assemblies and final drive case cover will need to be removed to access the drive chains and drive sprockets.

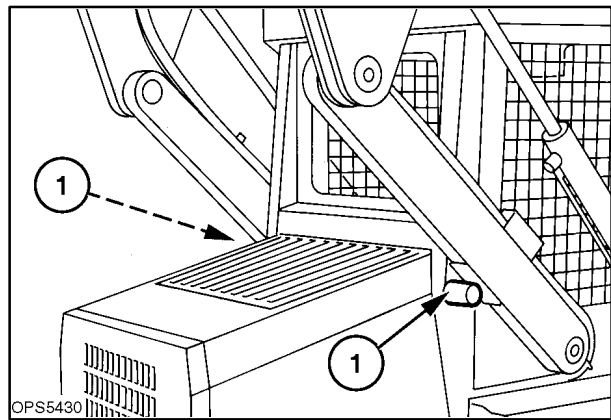
The four final drive chains are an endless design, with no connector link.

1. Lower the boom and attachment to the ground.
2. If the work is going to be done with the boom in the raised position, remove the attachment and raise the boom and rest on the boom lock pins, 1.



Never work under a raised boom unless it is properly supported by the boom lock pins.

Never work under a raised boom with an attachment. Always remove the attachment from the loader.



29

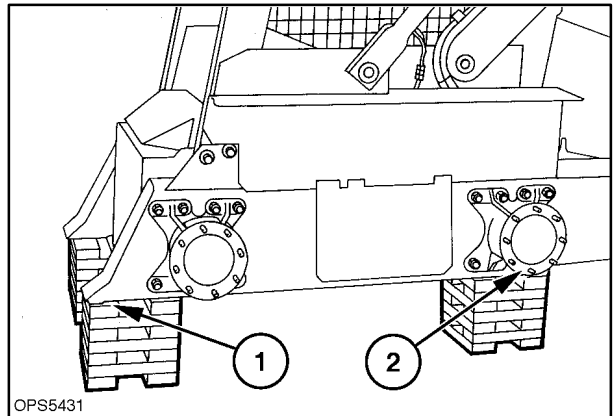
SECTION 44 - AXLES AND WHEELS

- Securely block the skid-steer loader with all four wheels off the ground. Refer to Section 00 for more detail information on properly supporting a skid-steer loader.

Support the loader at the front of the final drive cases at 1, and at the rear at 2.



Failure to securely support the skid-steer loader could result in movement of the loader causing serious injury or damage to the equipment.

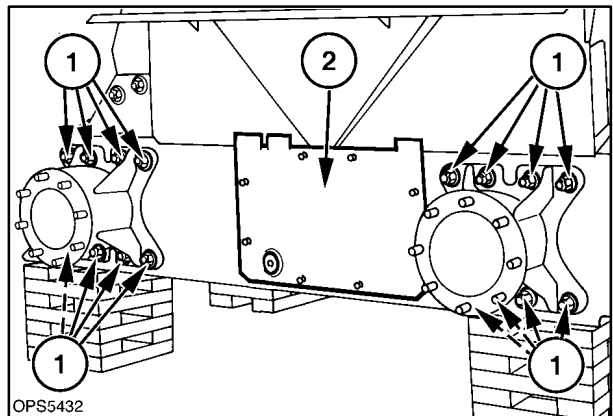


30

- Remove the tires and wheels from the final drive being serviced.
- Clean the axle and final drive area to prevent debris from entering the final drive case.
- Remove the eight axle housing retaining nuts and washers, 1, from each axle.
- Slide the axle housing from the retaining studs and lift the assembly from the final drive case.

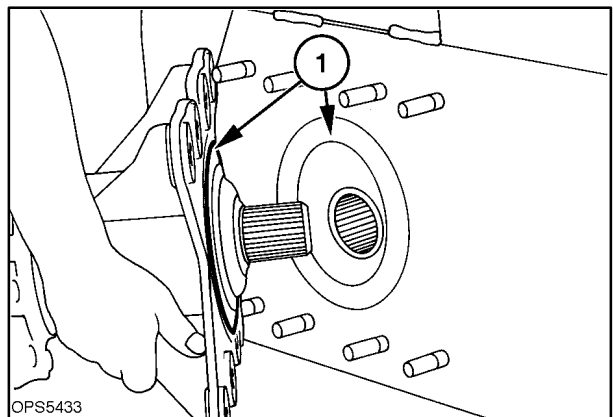
NOTE: When the axle assembly is removed, the drive sprocket and chain will drop slightly to the bottom of the case.

- Remove the final drive cover, 2.



31

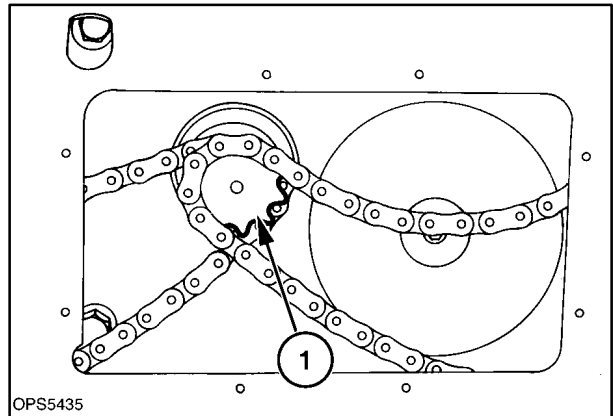
- There is a large O ring that seals the axle housing to the side of the final drive case, 1. Remove the O ring from the case or the axle housing.



32

Drive Chain And Sprocket Removal

10. Remove the drive chains from the drive sprocket, 1.



OPSS435

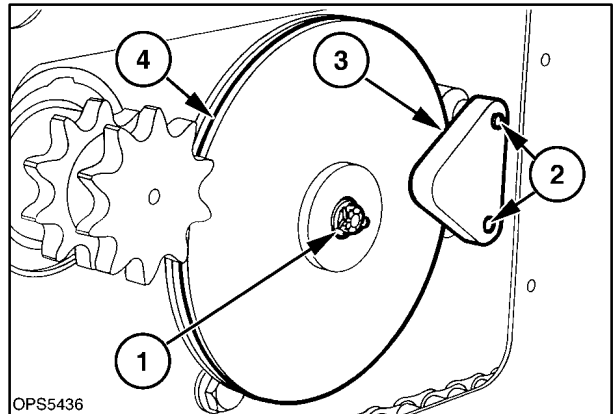
33

Rear Drive Sprocket and Chain

11. To remove the rear chain and sprocket, the parking brake disc and caliper will need to be removed first.

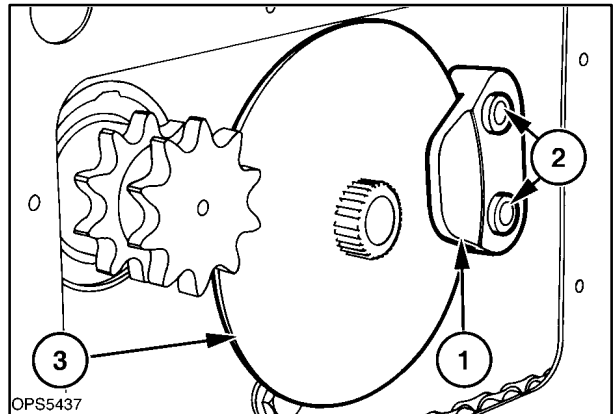
Brake Disc Removal

- Engage the parking brake.
- Remove the center brake disc retaining bolt and washer, 1.
- Disengage the parking brake.
- Remove the caliper retaining hardware, 2, from the inside of cab. Thread the two bolts from the outside caliper, 3.
- Remove the outside disc, 4.
- Remove center section of caliper, 1, spacers, 2, and retaining bolts.
- Remove inside disc, 3.



OPSS436

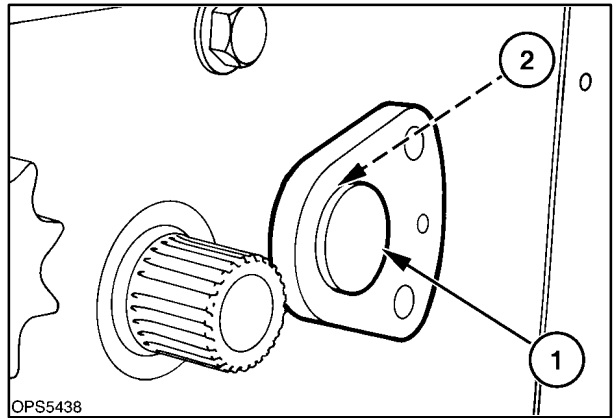
34



OPSS437

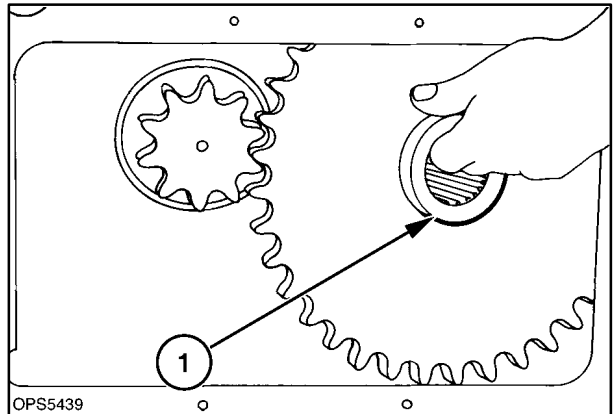
35

- Remove brake friction puck, 1, and spacer plate, 2.



36

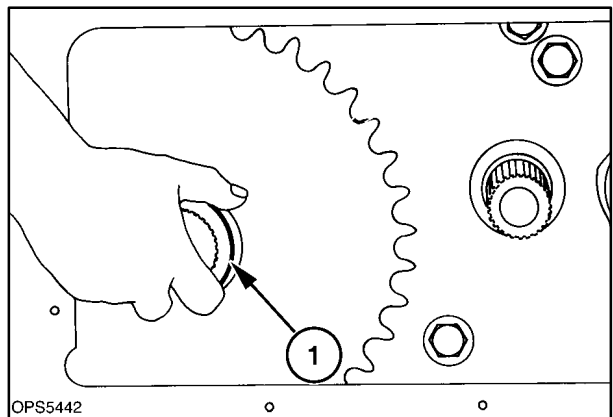
- Slide the rear chain and sprocket to the case opening and remove the chain from the sprocket and the case.
- Remove the drive sprocket and note the position of the center hub, 1 (long or short shoulder in or out).



37

Front Drive Sprocket and Chain

- Remove the front chain from the drive sprocket.
- Slide the chain and sprocket to the center case opening. Remove the chain from the sprocket and remove the chain from the case.
- Remove the sprocket from the case and note the position of the center hub, 1 (long - short shoulder in or out).



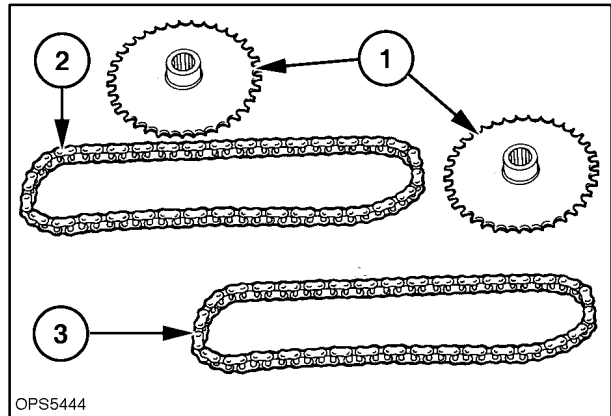
38

17. Shown here are the final drive components.

Ref. Description

- 1 Drive sprockets (2 each side)
- 2 Front drive chain
- 3 Rear drive chain

NOTE: The front drive chain is 68 links and the rear chain is 66 links.



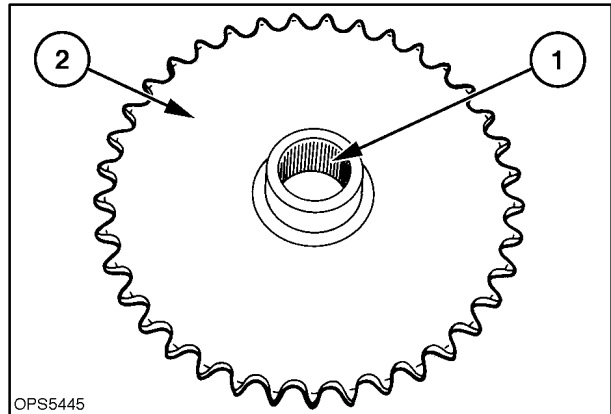
OPS5444

39

PARTS INSPECTION

Thoroughly clean all parts before inspection.

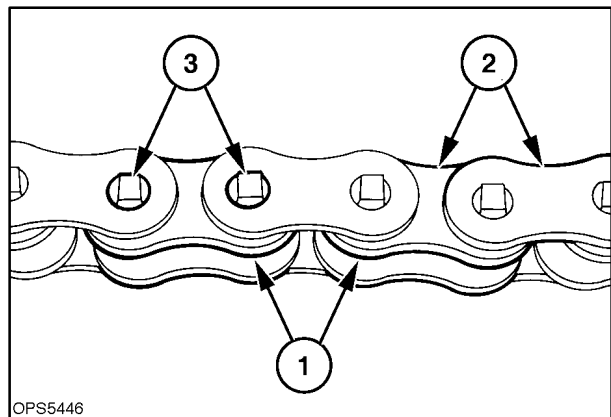
1. Inspect the drive sprockets in the center spline area, 1, for excessive wear and the tooth area, 2, for wear.



OPS5445

40

2. Inspect the drive chains for broken or cracked rollers, 1.
3. Inspect the drive chains for cracked or broken side bars, 2.
4. Inspect the side bar to pin wear or looseness at 3.
5. Inspect the drive chains for excessive stretch (bushing wear).



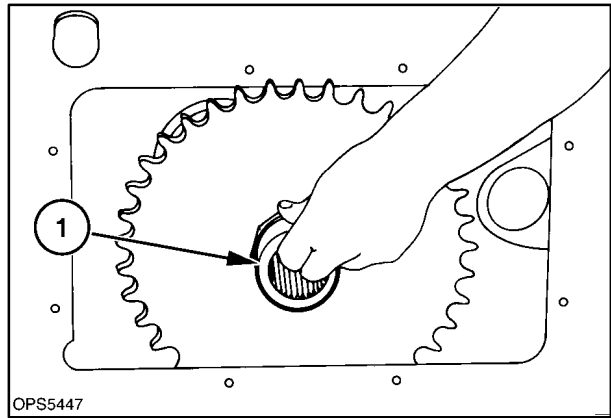
OPS5446

41

REASSEMBLY

1. Clean all surfaces of old silicone sealer, dirt, etc. that will require resealing.
2. If the oil requires replacement, the oil will have to be syphoned from the case. Thoroughly clean the inside of the case to remove all debris.
3. Install the front drive sprocket with the longer center hub, 1, to the outside of the case.

NOTE: The drive sprockets are not centered on the splined hub. The front sprocket is installed with the longer center hub, 1, to the outside and rear is installed with the longer center hub to the inside of case.

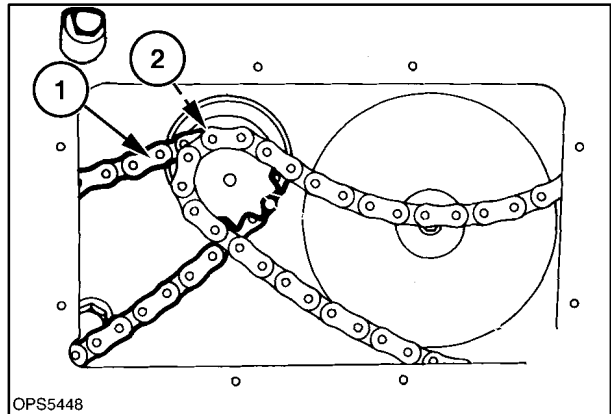


42

4. Install the front drive chain, 1.

NOTE: The front drive chain is longer than the rear drive chain.

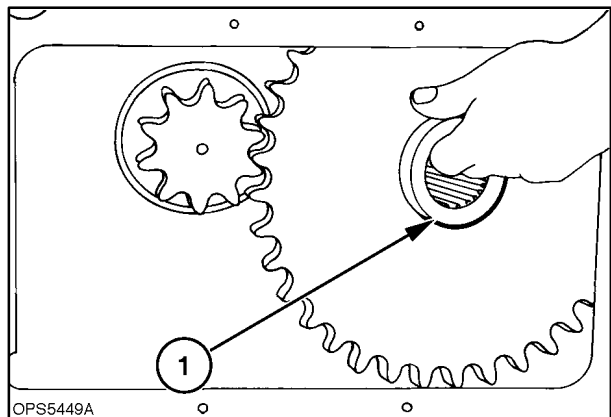
5. Place the chain over the inside drive sprocket, 2.



43

6. Install the rear drive sprocket, with the long center hub to the inside of the case, and the short hub to the outside as shown at 1.
7. Install the rear drive chain, the shorter chain, over the sprocket and slide the chain and sprocket to the rear.
8. Place the drive chain over the outside drive sprocket.

NOTE: If the hydrostatic motor and coupler was moved to gain clearance, the motor will require re-positioning.



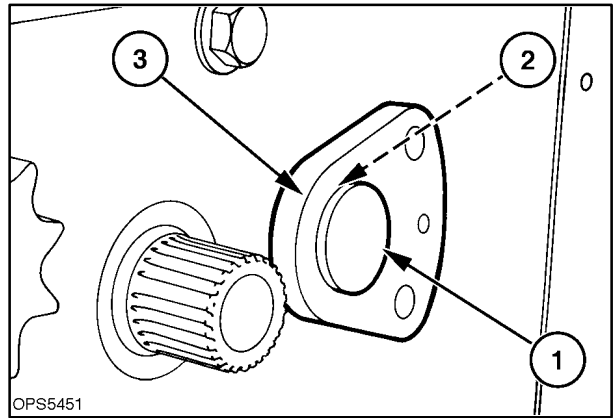
44

SECTION 44 - AXLES AND WHEELS

9. Reassemble the parking brake:

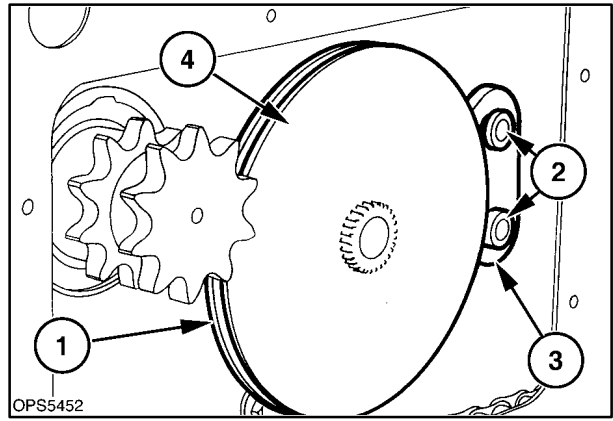
- Clean the old sealant from the brake hardware.
- Install the spacer plate, 2, and brake friction puck, 1, into caliper at 3.

NOTE: The spacer plate is thinner than the brake friction puck and must be inserted into the caliper first.



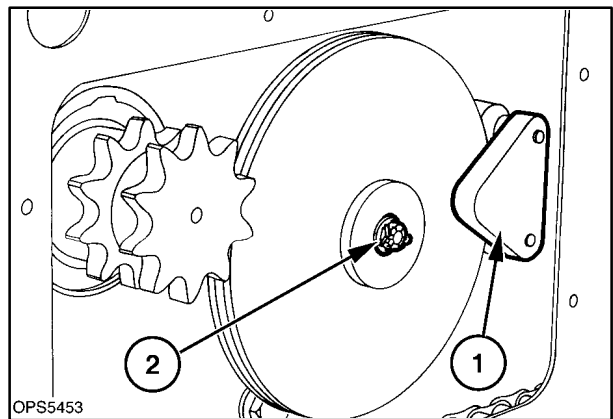
45

- Install the inside brake disc, 1.
- Put a bead of noncorrosive sealant around the head of the caliper bolts and install from the inside of loader.
- Install spacers, 2, on bolts and center section of caliper, 3.
- Install outer brake disc, 4.



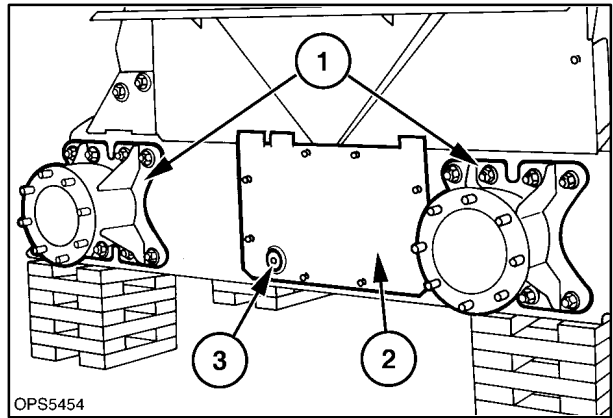
46

- Install outer section of caliper, 1, and attach with hardware previously installed and tighten to 70 N·m (52 ft. lbs.).
- Put a bead of sealer around the end of the motor coupler and install the brake disc retaining bolt and flat washer, 2, and tighten.
- Engage the parking brake and torque the retaining bolt to 35 N·m (26 ft. lbs.).



47

10. Install the axle housings, 1, and tighten the drive chains. Refer to the "Axle Housing" section of this manual for details.
11. Put a bead of sealer around the cover hole in final drive case and install the cover, 2.
12. Check the final drive oil level at the check plug, 3, and add SAE 10W-30 oil as required.
13. Reinstall all shields removed for the repair.
14. Lower the loader to the ground.



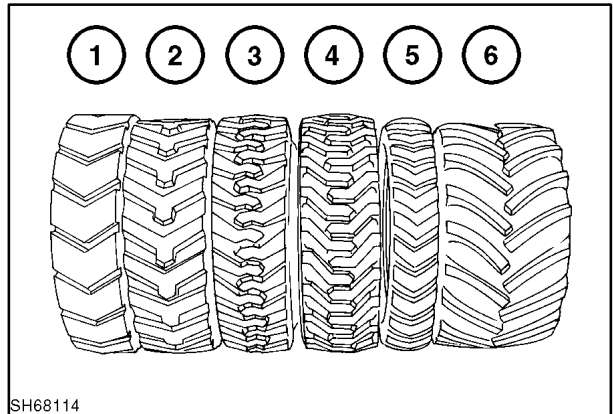
48

Op. 44 511

TIRES/WHEELS

TIRE OPTIONS

1. 7.50 x 15 HST-Hollow segmented
2. 10.00 x 16.5 HST-Hollow segmented
3. 10.00 x 16.5 PHD- Premium heavy-duty
4. 10.00 x 16.5 R4-Cleat tread
5. 7.00 x 15 Chevron tread
6. 31.0 x 15.5-15 G1 Cleat tread



49

Tire Pressures

| Tire | Pressure |
|--------------------------------------|------------------|
| 7.00 x 15 Chevron tread | 60 PSI (414 kPa) |
| 7.50 x 15 HST-Hollow segmented | N/A |
| 10.00 x 16.5 R4-Cleat tread | 50 PSI (345 kPa) |
| 10.00 x 16.5 PHD- Premium heavy-duty | 50 PSI (345 kPa) |
| 10.00 x 16.5 HST-Hollow segmented | N/A |
| 31.0 x 15.5-15 G1 Flotation | 40 PSI (276 kPa) |

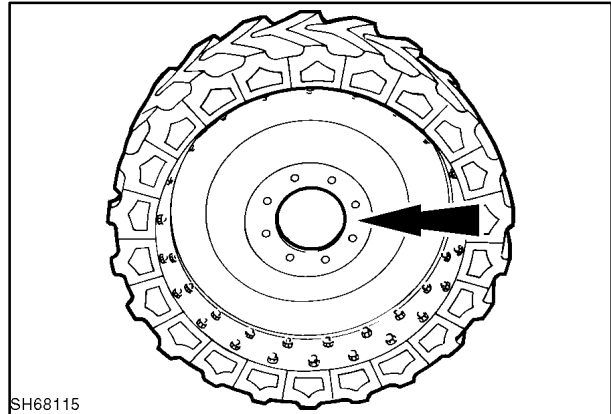
MAINTAIN PROPER TIRE INFLATION!

NOTE: *latco "Air Boss" segmented tires are approved for all new generation New Holland loader models. These tires must be mounted with the wheel dish "in" to the frame (narrowest wheel tread position). Reversing the wheels with the dish "out" is not recommended, as increased axle and frame loading occurs, which may lead to eventual axle bearing and/or main frame failure.*

TIRE AND TRACK INSTALLATION

Tire Installation on Loader

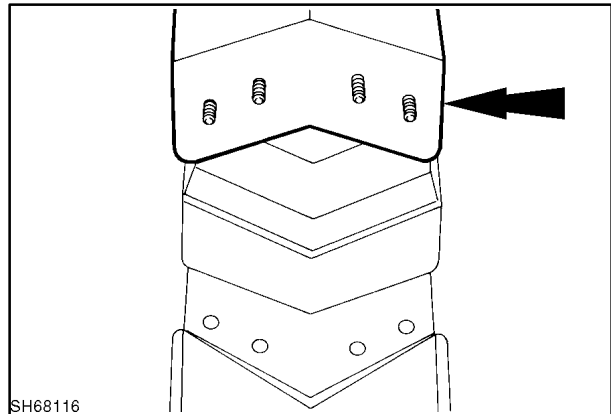
The 7.50 x 15 HST-Hollow segmented and the 10.00 x 16.5 HST-Hollow segmented tires must be mounted with the wheel dish "IN" to the frame (narrowest wheel tread position). Reversing the wheels with the dish "OUT" is not recommended, as increased axle and frame loading occurs. This may lead to eventual axle bearing and/or main frame failures.



50

Op. 44 511 28

When replacing the sections of the hollow segmented tires, torque the section hardware to 13.6 N·m (10 ft. lbs.).



51

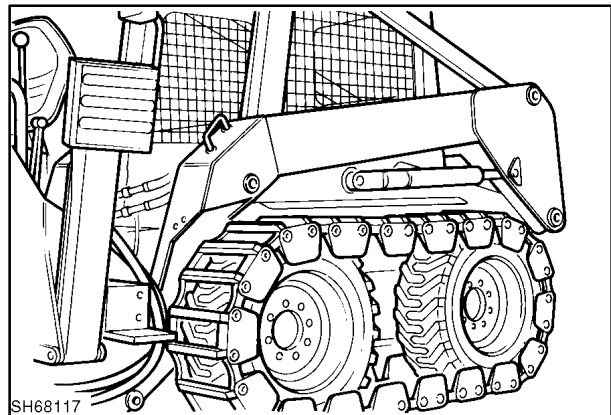
Track Installation on Loader

Correct tire/track combinations are important to prevent damage to the tracks, tires/wheels, and loader main frame.

Installing tracks on skid-steer loaders equipped with segmented tires, solid tires, foam-filled tires, or any hard-type non-pneumatic tires is not recommended. If these tire combinations are used with steel tracks, track or loader main frame damage may occur.

These tires **do not** provide a cushion when debris comes between the track and tire. A pneumatic tire will absorb this type of stress and, in severe cases, may deflate before damage to the loader or track occurs.

New Holland only recommends pneumatic tires be installed with tracks.



52

SECTION 44 - AXLES AND WHEELS

LABOR GUIDE

The following labor amounts are listed as a guide only. Working conditions and experience will vary the time the job actually takes to complete each job.

| Job Description | Hours |
|---|--------------|
| Axle | |
| Remove and replace | 0.5 hr. |
| Rebuild | 1.0 hr. |
| Final Drive | |
| Drive chain, sprocket (front) - replace | 1.5 hrs. |
| Drive chain, sprocket (rear) - replace | 3.0 hrs. |

SECTION 50 – CAB CLIMATE CONTROL

Chapter 1 – Heater/Defroster

CONTENTS

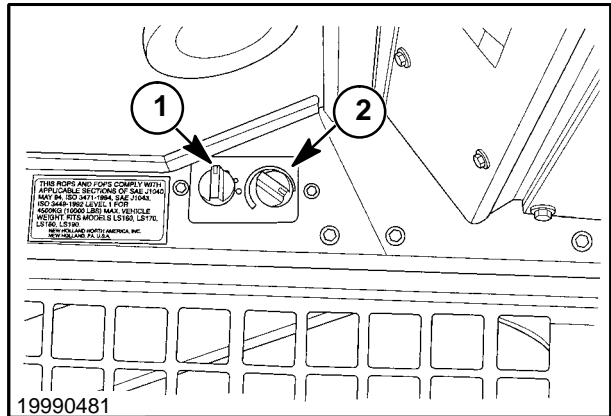
| Section | Description | Page |
|----------------|------------------------------|-------------|
| 50 100 | Heater/Defroster (Cab) | 50-2 |
| | Labor Guide | 50-8 |

Op. 50 100

HEATER/DEFROSTER (CAB)

Switch and Control Panel

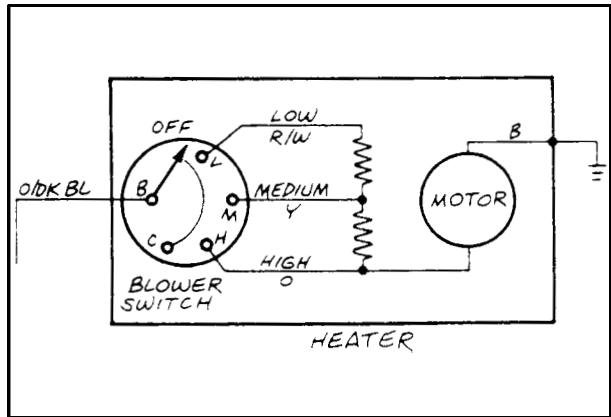
1. Disconnect the negative (-) battery cable to prevent possible shorting of the electrical system.
2. Remove the retaining hardware, 1, and pull the panel from the rear support, 2.
3. Disconnect the switch wires and control cable.



1

Switch Wiring

The heater switch, 1, has four terminals marked, L, M, H, and B, that the wire harness must be connected to.

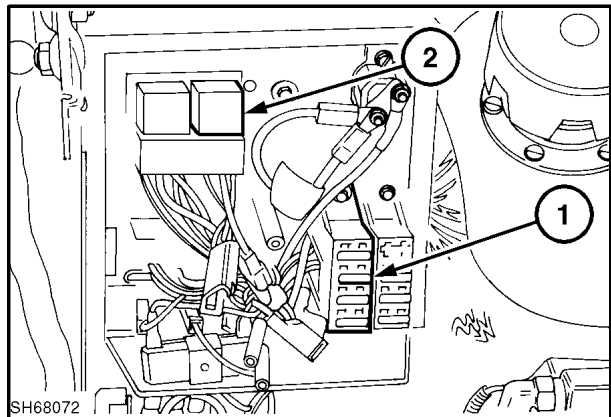


2

Relay and Fuse Block

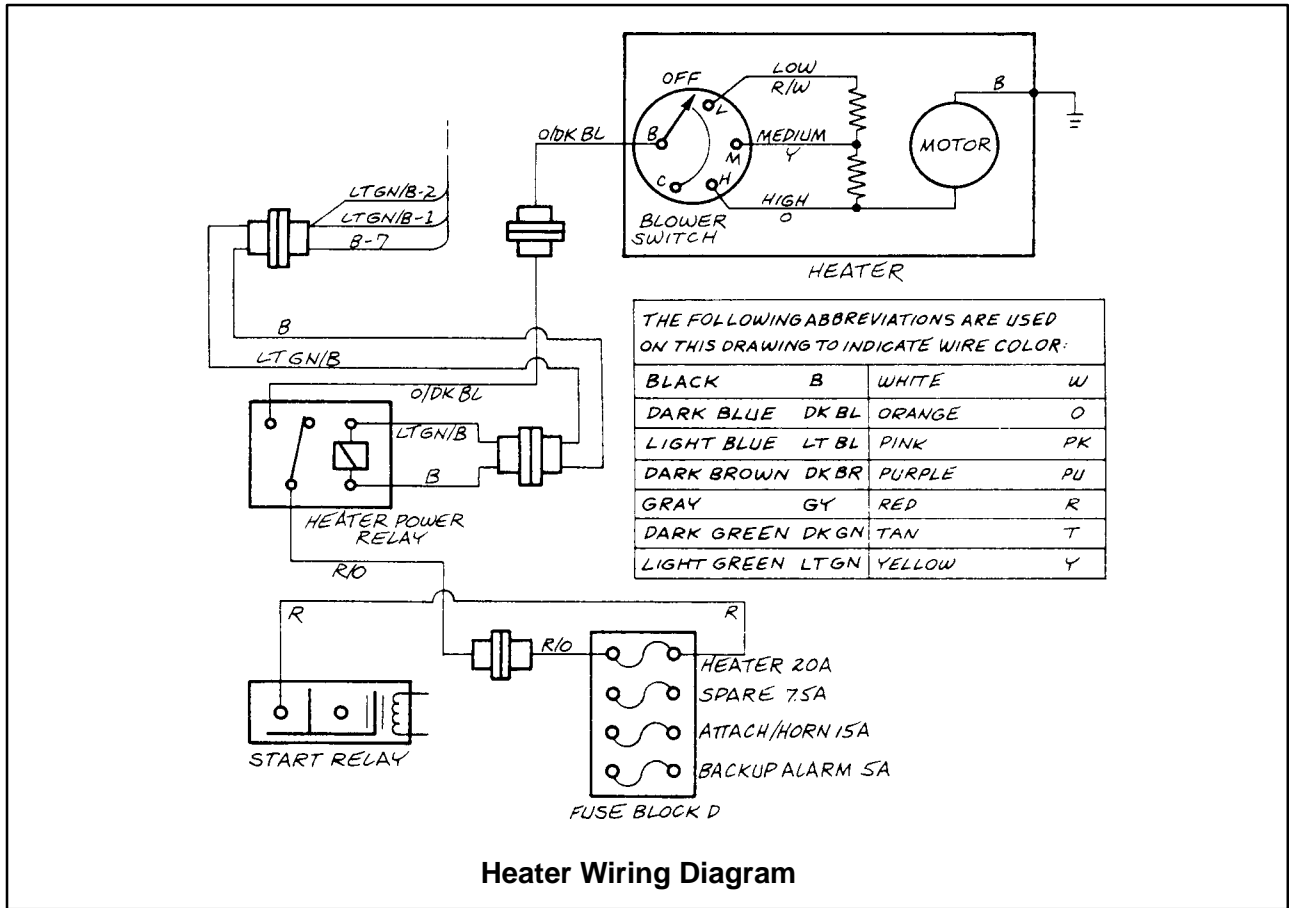
1 - Fuse block - 20 amp

2 - Relay



3

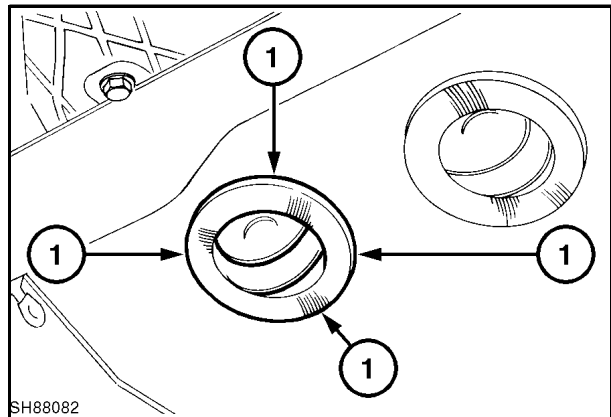
SECTION 50 - CAB CLIMATE CONTROL



4

Louver Replacement

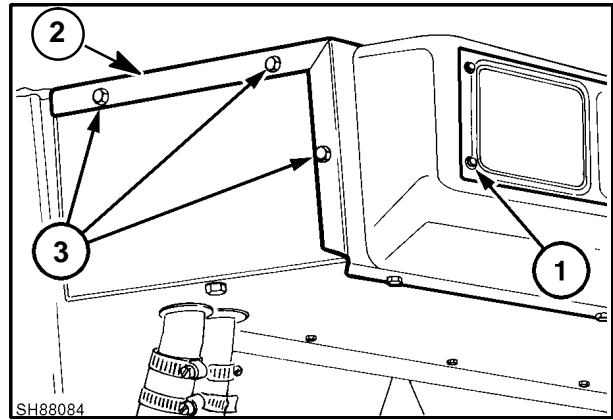
1. To remove the louver, use a small flat screwdriver and pry the louver from the support base at 1.
2. Remove the two #6 self-tapping screws from the base and remove the base from the headliner.



5

Heater Core, Shutoff Valve and Fan Assembly Access

To access the heater core and/or fan assembly, the rear light bar, 1, (if equipped with lights) and top heater cover, 2, must be removed. Remove the heater cover mounting screws, 3, to remove the cover and light bar together.

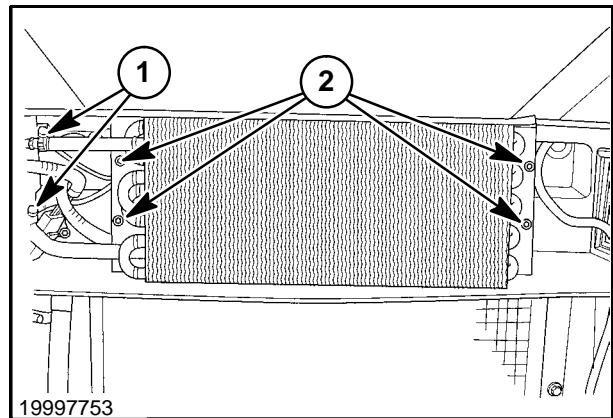


6

Op. 50 104 24

Heater Core Replacement

1. Drain the cooling system enough to drain the coolant from the core, about 2 liters (2 quarts).
2. Remove the heater hose clamps, 1, from the heater core, remove the hoses from the core and cap hoses.
3. Remove the heater core retaining hardware, 2, and remove the core from the heater support.

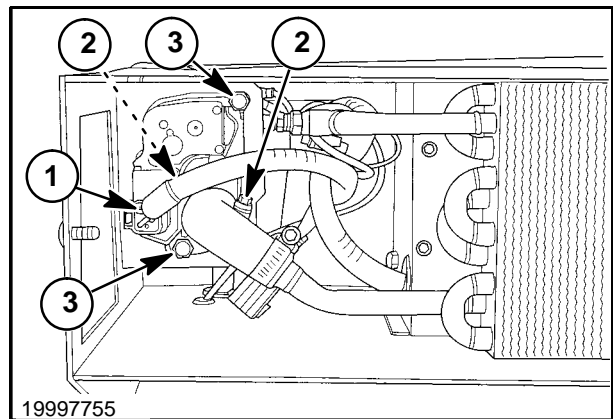


7

Op. 50 104 23

Heater Shutoff Valve Replacement

1. Drain the cooling system enough to drain the coolant from the core, about 2 liters (2 quarts).
2. Remove the electrical connector, 1.
3. Remove the heater hose clamps, 2, from the heater shutoff valve and remove the hoses from the valve and cap hoses.
4. Remove the heater shutoff valve securing hardware, 3, and remove the valve.

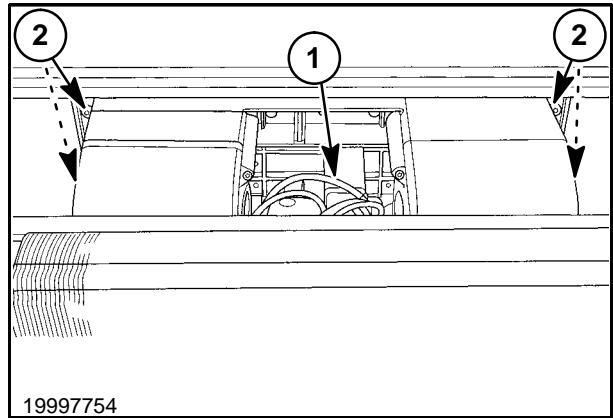


8

Op. 50 104 20

Heater Fan Assembly Replacement

1. Remove the heater core retaining hardware and pivot the core away from the fan support.
2. Disconnect the fan power wire, 1.
3. Remove the retaining hardware for the fan and motor assembly, 2.

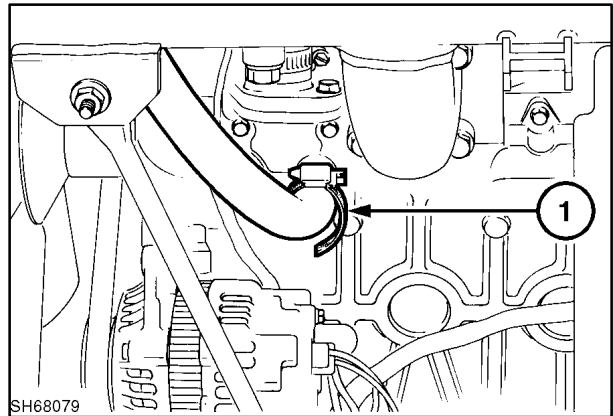


9

Op. 50 100 10

Heater Hose to Engine Connections

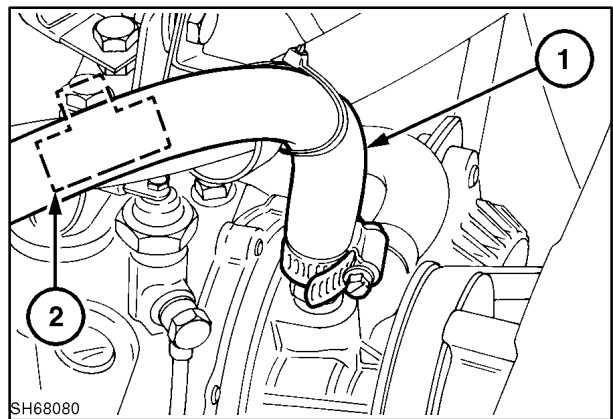
1. Heater hose from the heater core to the front plug, 1.



10

2. Heater hose from the heater shutoff valve to the plug in the top of the water pump at 1.

NOTE: If the heater is installed on an LS170 turbo-charged loader, this hose will be at the tee at 2.

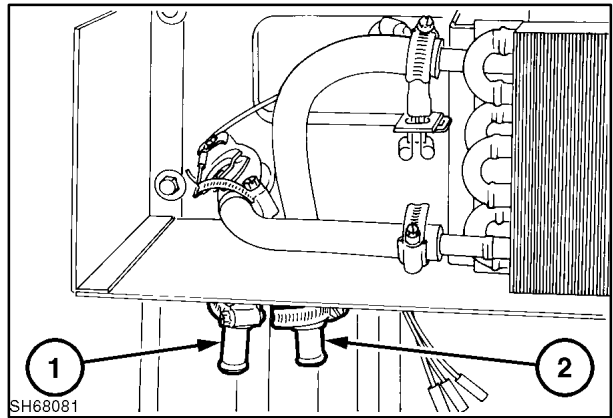


11

Op. 50 100 10

Heater Core Connections

Connect the pressure hose to the left side hose, 1, and the return hose, 2, to the right side. Secure with hose clamps. The hoses from the engine will have to be cut to length for proper fit.



12

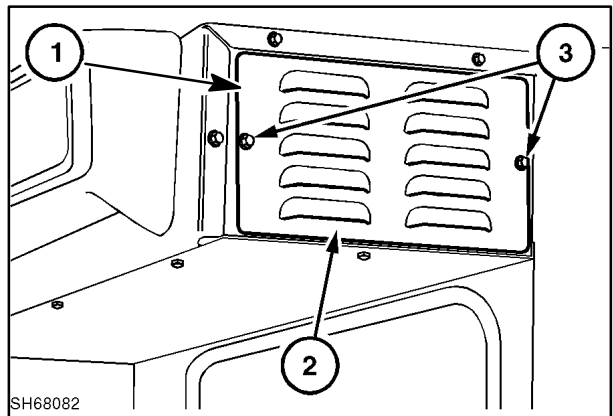
Op. 50 104 10

Filter

Replacement filter #86504784

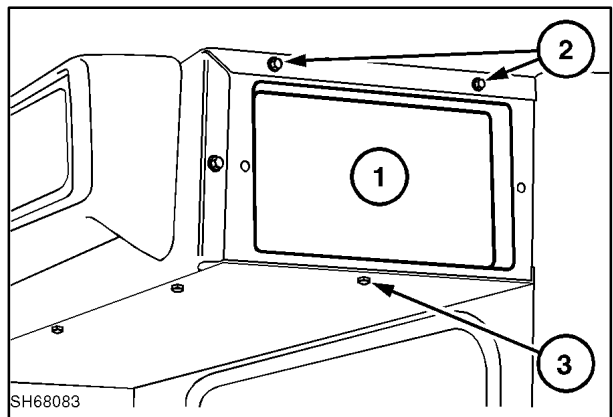
The heater contains an air filter element in the rear right side at 1.

Remove cover plate, 2, by removing two self-tapping screws, 3.



13

Check the filter element, 1, periodically, especially if running in dirty applications and using the fresh air ventilation. The element can be blown off with a **low-pressure** air gun and reused or replaced. The element must be placed with the rubber seal toward the heater core. Be sure the seal is behind the top clamp, 2, and lower screw, 3.



14

Bleeding Air from Heater (LS170)

The LS170 utilizes an engine crankcase oil cooler which is teed into the water pump supply side of the cab heater.

To completely bleed air from the heater lines and heater core:

1. After component installation is completed, refill the coolant system, per the installation instructions.
2. Leave the radiator cap off and run the loader engine, circulating coolant. Stop the engine and refill the radiator.
3. Temporarily "pinch off" the oil cooler supply hose at the new tee to force coolant through the heater hoses and heater core.



CAUTION



Stop the engine while working around these hoses.

4. Start and run the engine. When the system is completely bled, remove the "pinch off" device.
5. Finish system filling, per the installation instructions.

NOTE: Do not install a shut-off valve or orifice in the oil cooler supply hose. Restricting coolant flow to the engine oil cooler may result in overheating and engine failure. Should this type of overheating cause a failure, it is NOT covered by warranty.

LABOR GUIDE

The following labor amounts are listed as a guide only. Working conditions and experience will vary the time it actually takes to complete each job.

| Job Description | Hours |
|---|--------------|
| Heater/Defroster | |
| Remove and replace electrical switch | 0.25 hrs. |
| Remove and replace water shutoff switch | 1.5 hrs. |
| Remove and replace heater core | 1.5 hrs. |
| Remove and replace heater fan assembly | 1.5 hrs. |
| Remove and replace heater hoses (1) | 0.5 hrs. |

SECTION 55 – ELECTRICAL SYSTEM

Chapter 1 – Advanced Warning System, Circuits, Alternator, and Starter

CONTENTS

| Section | Description | Page |
|---|--|-------|
| 55 000 | General Electrical Information | 55-6 |
| | Definition of Terms | 55-7 |
| | Adapting Attachments Requiring 12V Electrical Power | 55-9 |
| | Specifications | 55-12 |
| | Electrical Diagram | 55-15 |
| 55 418 | Advanced Warning System | 55-19 |
| | Electronic Instrument Cluster (EIC) | 55-19 |
| | (EIC) Electronic Instrument Cluster Front Panel | 55-20 |
| | EIC Functional Groups | 55-21 |
| | Engine Preheat | 55-26 |
| | Automatic Shutdown | 55-26 |
| | Operating Mode | 55-27 |
| | Broken Alternator/Water Pump Belt Warning | 55-29 |
| | Fuel Level | 55-30 |
| | EIC Interlocks | 55-30 |
| | EIC Lock Mode | 55-31 |
| | EIC Engine Preheat | 55-32 |
| | Troubleshooting | 55-33 |
| | Advanced Warning System (AWS) | 55-36 |
| | EIC Board Self Test | 55-37 |
| | Diagnostic and Setup Modes | 55-38 |
| | Arrow, Open Book, and Audible Alarm Test | 55-40 |
| | Diagnostic Mode EIC Circuit Tests | 55-40 |
| | EIC Setup Mode | 55-44 |
| | Electronic Instrument Cluster (EIC) and Starter Circuits | 55-52 |
| | Blown Fuse Symptom and Testing | 55-52 |
| | Testing Other EIC Functions | 55-54 |
| | EIC Board Reading Accuracy | 55-57 |
| EIC Board Claims Warranty | 55-59 | |
| Electrical Circuits | 55-60 | |
| Seat Switch Circuit to EIC Board | 55-61 | |
| Seat Belt Switch Circuit to EIC Board | 55-62 | |

SECTION 55 - ELECTRICAL SYSTEM

| | | |
|-----------|---|-------|
| | Ignition Switch Circuit to EIC Board | 55-63 |
| | Cranking Circuit (Starter Motor) | 55-64 |
| | “Service/Run” Switch in the “Run” Position | 55-65 |
| | Cranking Circuit Ground | 55-66 |
| | Operating Conditions “Service/Run” Switch in the “Service” position | 55-66 |
| | Service/Run” Switch in the “Service” position | 55-67 |
| | Cranking Circuit Ground | 55-68 |
| | Start Relay Operation | 55-68 |
| | Start Relay Circuit | 55-69 |
| | Start Relay Ground Circuit | 55-70 |
| | Start Interlock Relay Operation | 55-70 |
| | Start Interlock Circuit | 55-71 |
| | Start Interlock Ground Circuit | 55-72 |
| | Start Circuit | 55-72 |
| 55 100 | Removal, Installation and Wiring of Electrical Components | 55-73 |
| | Battery | 55-74 |
| 55 301 40 | Battery Removal | 55-74 |
| | Battery Installation | 55-74 |
| 55 418 10 | EIC (Electronic Instrument Cluster) Board Removal | 55-75 |
| | EIC (Electronic Instrument Cluster) Wiring | 55-76 |
| | EIC (Electronic Instrument Cluster) Board Installation | 55-77 |
| | Ignition (Key) Switch Wiring | 55-78 |
| 55 201 10 | Ignition (Key) Switch Removal | 55-78 |
| | Ignition (Key) Switch Installation | 55-78 |
| | Cab Fuse Panel Wiring | 55-79 |
| | Cab Fuse Block and Panel Removal | 55-80 |
| | Cab Fuse Block and Panel Installation | 55-80 |
| | Service/Run Switch Wiring | 55-81 |
| | Service/Run Switch - Service Position | 55-81 |
| | Service/Run Switch - Run Position | 55-81 |
| 55 418 30 | Service/Run Switch Removal | 55-82 |
| | Service/Run Switch Installation | 55-82 |
| | Seat and Seat Belt Switch Wiring | 55-83 |
| 55 201 15 | Seat Switch Removal | 55-83 |
| | Seat Switch Installation | 55-84 |
| | Seat Belt Buckle and Switch Assembly Removal | 55-84 |
| | Seat Belt Buckle Installation | 55-84 |
| | Road Light and Work Light Switch Wiring | 55-85 |
| 55 404 20 | Road Light and Work Light Switch Removal | 55-86 |

SECTION 55 - ELECTRICAL SYSTEM

| | | |
|-----------|--|--------|
| | Road Light and Work Light Switch Installation | 55-86 |
| | Engine Fuse and Relay Panel | 55-87 |
| | Accessory Relay Wiring | 55-88 |
| | Accessory Relay Removal | 55-88 |
| | Accessory Relay Installation | 55-88 |
| | Preheat Circuit Breaker Wiring | 55-89 |
| 55 100 24 | Preheat Circuit Breaker Removal | 55-89 |
| | Preheat Circuit Breaker Installation | 55-89 |
| | Start Interlock Relay Wiring | 55-90 |
| 55 100 34 | Start Interlock Relay Removal | 55-91 |
| | Start Interlock Relay Installation | 55-91 |
| | Engine Fuse Panel Wiring | 55-92 |
| | Engine Fuse Block Removal | 55-93 |
| | Engine Fuse Block Installation | 55-93 |
| | Alternator Excite Resistor Wiring | 55-94 |
| 55 301 16 | Alternator Excite Resistor Removal | 55-94 |
| | Alternator Excite Resistor Installation | 55-94 |
| | Start Relay Wiring | 55-95 |
| 55 100 34 | Start Relay Removal | 55-95 |
| | Start Relay Installation | 55-95 |
| | Preheat Relay Wiring | 55-96 |
| 55 100 34 | Preheat Relay Removal | 55-97 |
| | Preheat Relay Installation | 55-97 |
| | Preheat Glow Plug Removal | 55-98 |
| | Preheat Glow Plug Installation | 55-98 |
| | Fuel System Components | 55-99 |
| | Electric Fuel Pump | 55-101 |
| 10 210 21 | Electric Fuel Pump Removal | 55-102 |
| 10 223 | Fuel Shutoff Solenoid | 55-102 |
| | Fuel Shutoff Solenoid Testing | 55-102 |
| 10 223 10 | Replacement of Fuel Shutoff Solenoid | 55-103 |
| 55 414 14 | Air Filter Restriction Indicator Switch Removal | 55-104 |
| | Air Filter Restriction Indicator Switch Installation | 55-104 |
| 55 414 10 | Engine Coolant Temperature Sender Removal | 55-104 |
| | Engine Coolant Temperature Sender Installation | 55-104 |
| 55 414 12 | Engine Oil Pressure Switch Removal | 55-105 |
| | Engine Oil Pressure Switch Installation | 55-105 |
| 55 414 28 | Hydrostatic Charge Pressure Switch Removal | 55-105 |
| | Hydrostatic Charge Pressure Switch Installation | 55-105 |

SECTION 55 - ELECTRICAL SYSTEM

| | | |
|-----------|---|--------|
| 55 414 24 | Hydraulic Oil Filter Restriction Switch Removal | 55-106 |
| | Hydraulic Oil Filter Restriction Switch Installation | 55-106 |
| 55 414 20 | Hydraulic Oil Temperature Sender Removal | 55-106 |
| | Hydraulic Oil Temperature Sender Installation | 55-107 |
| | Boom/Bucket Control Valve Spool Lock Solenoids | 55-108 |
| 35 724 90 | Boom/Bucket Control Valve Spool Lock Solenoids Removal | 55-108 |
| | Boom/Bucket Control Valve Spool Lock Solenoids Installation | 55-109 |
| | Wire Harness | 55-110 |
| 55 100 74 | Main Wire Harness Removal | 55-110 |
| | Main Wire Harness Installation | 55-115 |
| 55 404 | Road/Work Lights | 55-119 |
| 55 301 | Alternator (40 Amp Version) | 55-123 |
| | Charging Circuit | 55-123 |
| | Alternator Service Specifications | 55-125 |
| | Alternator System Testing and Troubleshooting | 55-126 |
| 55 301 10 | Alternator Removal | 55-130 |
| 55 301 12 | Alternator Disassembly | 55-131 |
| | Alternator Reinstallation | 55-138 |
| 55 201 | Starter | 55-139 |
| | Starter Motor Troubleshooting | 55-139 |
| 55 201 50 | Starter Motor Removal | 55-141 |
| | Starter Motor Disassembly | 55-146 |
| | Starter Inspection and Repair | 55-150 |
| | Starter Reassembly | 55-155 |
| | Starter Reinstallation | 55-159 |
| | Labor Guide | 55-160 |

Op. 55 000**GENERAL ELECTRICAL INFORMATION**

The electrical system is a 12-volt negative (–) ground system that provides battery voltage to the Electronic Instrument Cluster (EIC), starting circuit, and other electrical components.

The electrical system is made up of the following components:

1. Battery - Power supply and storage.
2. Alternator/Regulator - Power supply and source to maintain fully charged system.
3. Starter motor - To crank engine for starting.
4. Ignition switch - Used to control electrical circuits and direction of battery voltage.
5. Electronic Instrument Cluster (EIC)
 - * Monitors engine and operator functions and signals operator of disruptions or faults in the circuits.
 - * Displays monitored functions.
 - * Controls engine fuel system (fuel shut off).
 - * Provides engine shutdown if fault occurs in engine oil pressure or hydrostatic charge pressure circuits.
 - * Provides safety interlock for the boom and bucket control valve spools.
 - * Provides a diagnostic mode for checking EIC board circuits.
 - * Provides an anti-theft mode to electrically lock the loader boom and bucket; the engine will start with the Service/Run switch in the "SERVICE" position.
6. Fuse blocks/ fuses/ circuit breakers, cab and engine - Used to protect the electrical circuits and glow plug circuit.
7. Fuel pump - Supplies fuel from the tank to the injection pump.
8. Glow plugs - Used to provide aid in cold engine starting.
9. Fuel solenoid - Controls fuel flow and is controlled by the EIC.
10. Switches - Used to control other electrical circuits, lights, etc.

IMPORTANT: Do not connect any electrical circuits at the ignition key switch or cab fuse block(s) unless there are written instructions telling you to do so or damage to the EIC board may occur.

IMPORTANT: If any servicing or adjustments require the battery to be disconnected, or welding is required on the skid-steer loader, disconnect the negative (–) ground cable. Failure to disconnect the battery may result in damage to the EIC (electronic instrument cluster) monitoring system and other electrical components.

IMPORTANT: If the EIC requires removal from the dash area or the skid-steer loader, disconnect the negative (–) ground battery cable. This will shut off power to the EIC and prevent damage to the EIC board, or prevent blowing the 5-amp fuses, if the board is accidentally grounded.

DEFINITION OF TERMS

ALTERNATING CURRENT (A.C.) - A flow of electrons which reverses its direction of flow at regular intervals in a conductor.

AMMETER - Measures the flow of electrical current in amperes. Ammeters are connected in series with the circuit to be tested.

AMPERE - A unit of measure for the flow of current in a circuit. The ampere is used to measure electricity such as "gallons per minute" is used to measure liquid flow.

CIRCUIT - A continuous, unbroken path along a conductor through which electrical current can flow from a source, through various components, and back to the source.

CIRCUIT BREAKER - A device to protect an electrical circuit from overloads and can be reset, or will automatically reset.

COLD CRANK RATING (CCA) - The cranking load capacity of a battery at low temperatures (cold cranking amperes at 0 F).

CONTINUITY - Unbroken path along a conductor through which electrical current can flow.

CURRENT - Movement of electricity along a conductor. Current is measured in amperes.

DIODE - An electrical device that will allow current to pass through itself in one direction only.

DIODE (RESISTOR TYPE) - An electrical device that will allow current to pass through itself in one direction only and will cause resistance as the electricity passes through. The electricity coming from this type diode will be less than what is going in.

DIRECT CURRENT (D.C.) - A flow of electrons moving in the same direction along a conductor from a point of high potential to one of lower potential.

FUSE - A device to protect an electrical circuit from overloads that needs to be replaced when blown.

OHM - The standard unit for measuring resistance to flow of an electrical current.

OHMMETER - An instrument for measuring the resistance in ohms of an electrical circuit.

OPEN CIRCUIT - An open circuit occurs when a circuit is broken which interrupts the flow of current through the circuit.

RELAY - An electrical switch which opens and closes a circuit automatically when activated.

RESISTANCE - The opposing force offered by a circuit. Resistance is measured in ohms.

SHORT CIRCUIT - A part of a circuit that comes in contact with part of the same circuit or unintentionally touches a metallic object.

SOLENOID - A circular coil used for producing a magnetic field.

SWITCHES - A device used to control and direct current to circuits and will remain in this position until changed.

SWITCHES (MOMENTARY) - Momentary switches are used to direct current to circuits and these switches will return to the neutral position when released.

VOLT - A unit of electrical pressure which caused current to flow in a circuit.

VOLTAGE - The force which is generated to cause current to flow in an electrical circuit. Voltage is measured in volts.

VOLTMETER - An instrument for measuring the force in volts of electrical current. Voltmeters are connected in parallel to the points where voltage is to be measured.

The following are common terms used in electrical diagnostics and how they may affect the circuit and electrical components.

The term "OPEN CIRCUIT" means there is no voltage getting from the control point to the operating point. This means the wire carrying the voltage is open/broken and voltage cannot continue to flow. The effect is the operating component will not function.

The term "SHORT CIRCUIT" means there is voltage being lost to another component wire or to ground. This could result in the wrong component being operated or the blowing of the circuit protection device (fuse or breaker).

The term "GROUNDED CIRCUIT" means the voltage is going directly to ground and usually results in no component operation and/or blown fuse-breaker.

To test for an "OPEN CIRCUIT," use a volt/ohm meter and check from one end of the wire to the other. If voltage is not present, trace the circuit from control point to operating point until the open is found.

To test for a "SHORT CIRCUIT," use a volt/ohm meter and check for very low resistance in different parts of the circuit or continuity between the circuit wire and ground.

To test for a "GROUNDED CIRCUIT," use a volt/ohm meter and check for continuity between the circuit wire and ground.

The following chart shows the abbreviations for the various wire colors used to identify the electrical circuits.

WIRE ABBREVIATIONS TO INDICATE WIRE COLOR

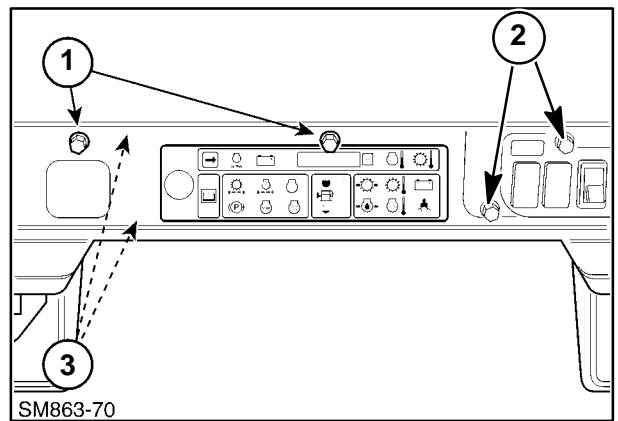
| WIRE COLOR | DESIGNATION | WIRE COLOR | DESIGNATION |
|-------------|-------------|------------|-------------|
| Black | B | White | W |
| Dark Blue | DKBL | Orange | O |
| Light Blue | LTBL | Pink | PK |
| Dark Brown | DKBR | Purple | PU |
| Gray | GY | Red | R |
| Dark Green | DKGN | Tan | T |
| Light Green | LTGN | Yellow | Y |

Drilling Holes In Overhead Dash, Electronic Instrument Cluster (EIC) Board, and Ignition Switch Area

Always install the rearview mirrors as shown in the mirror instruction sheet. Otherwise, you must unhook the negative battery cable and remove the EIC board panel, 1, and ignition switch panel, 2, from the overhead dash. If holes and attaching screws are installed into the dash area, 3, make sure the screws will not contact the EIC board, the ignition switch, or wiring, as electrical system damage will occur.

IMPORTANT: Failure to unhook the negative battery cable before removal of the EIC board or switch may result in an accidental grounding, causing component damage.

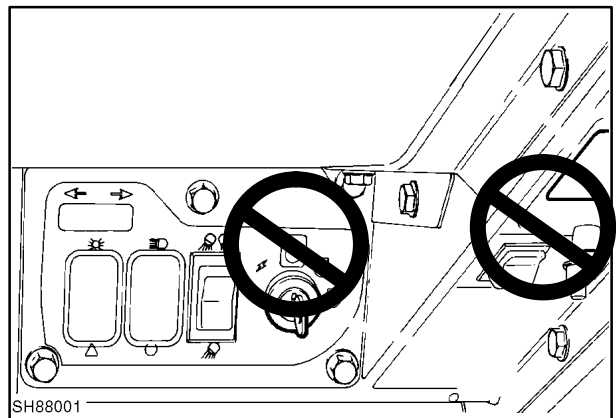
IMPORTANT: Retaining hardware contacting the EIC board or switch may cause an electrical short, damaging the loader electrical system.



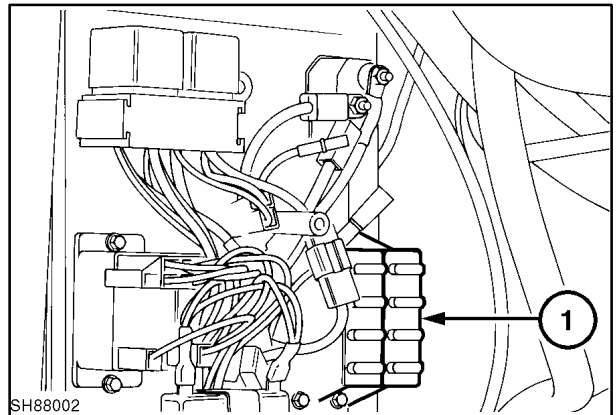
ADAPTING ATTACHMENTS REQUIRING 12V ELECTRICAL POWER

There are important rules that must be followed when adapting attachments that require 12 volt electrical power. Proper wiring of electrical devices and power and ground connections is very important to prevent other electrical component damage. Attaching electrical connections to locations other than recommended may allow electric current to feed back through the EIC board, creating false EIC board readings and warnings, or causing EIC board damage or failure.

1. ALWAYS FOLLOW the instructions for New Holland kit installation to ensure proper function and operation.
2. NEVER CONNECT an electrical device to any wires, fuses, switches or grounds inside the cab area. This includes any terminals of the ignition switch, fuse panel, or ground terminal.
3. NEVER INSTALL an electrical device, music radio, two-way radio, or unapproved New Holland attachment into the cab area.
4. ONLY USE the 12-volt accessory power outlet for attachments requiring less than 10 amps. The accessory outlet is connected to the engine fuse/relay panel and protected with a 15 amp fuse.
5. ALWAYS CONNECT new electrical attachments to the engine fuse/relay panel, 1, and connect the grounds to the engine bell housing. USE ONLY vacant connections and fuses not in use for specified attachments.



2



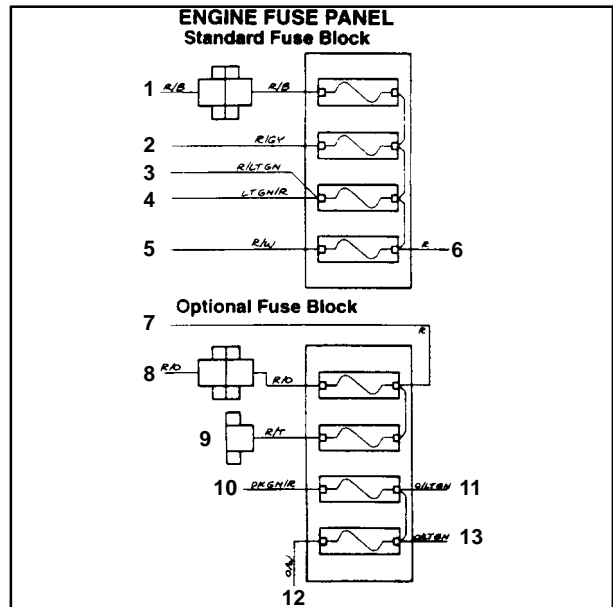
3

SECTION 55 - ELECTRICAL SYSTEM

Engine Fuse Panel

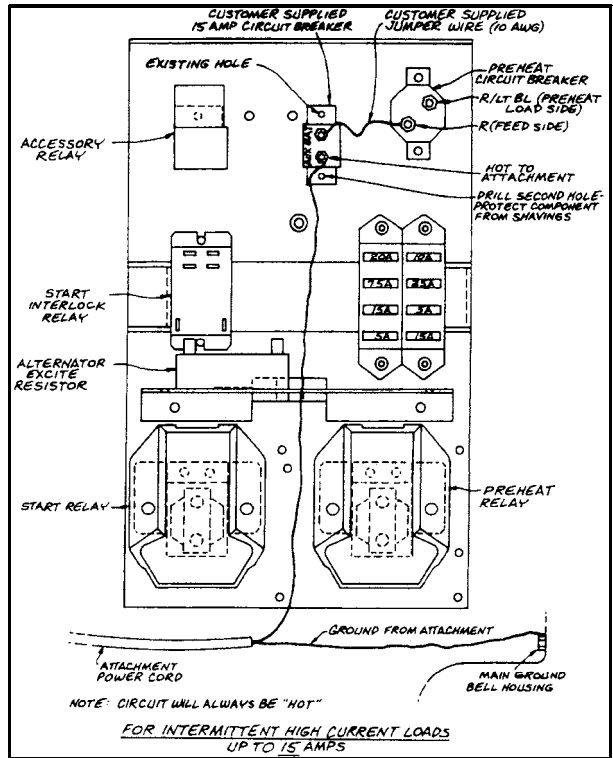
Wires and connections are available providing electrical attachments were not previously installed.

| Ref. | Color | Destination | Fuse | Battery Voltage | Status |
|------|--------|---------------------------------------|-----------|-------------------|-----------|
| 1 | R/B | To turn signal relay | 10-amp | All times | Available |
| 2 | R/GY | To accessory relay | 25-amp | All times | Available |
| 3 | R/LTGN | To EIC board pin #14 P2 connector | 5-amp | All times | Occupied |
| 4 | LTGN/R | To seat switch(es) | 5-amp | All times | Occupied |
| 5 | R/W | To key switch (battery terminal) | 15-amp | All times | Occupied |
| 6 | R | From preheat circuit breaker | 50/40-amp | All times | Occupied |
| 7 | R | From start relay | | All times | Occupied |
| 8 | R/O | To heater power relay | 20-amp | All times | Available |
| 9 | R/T | Spare | 7.5-amp | All times | Available |
| 10 | DKGN/R | To high flow, horn, power outlet | 15-amp | Key "ON" position | Available |
| 11 | O/LTGN | From accessory relay | | Key "ON" position | Occupied |
| 12 | O/W | To Back-up alarm switch | 5-amp | Key "ON" position | Available |
| 13 | O/LTGN | From road/work light fuse (cab panel) | | Key "ON" position | Occupied |



SECTION 55 - ELECTRICAL SYSTEM

A completely new auxiliary wiring circuit can be installed as shown in Figures 5 and 6, depending on electrical requirements. Mounting holes for the added circuit breakers must be drilled in the panel. Disconnect the battery before drilling and installing new wiring. Protect the panel's electrical components from drilling shavings that could cause electrical shorting of components. Figure 4 shows circuits for intermittent high current loads up to 15 amps.



5

The Figure 6 shows the circuit for intermittent high current loads up to 30 amps.

New Holland sealed circuit breakers that can be purchased from parts.

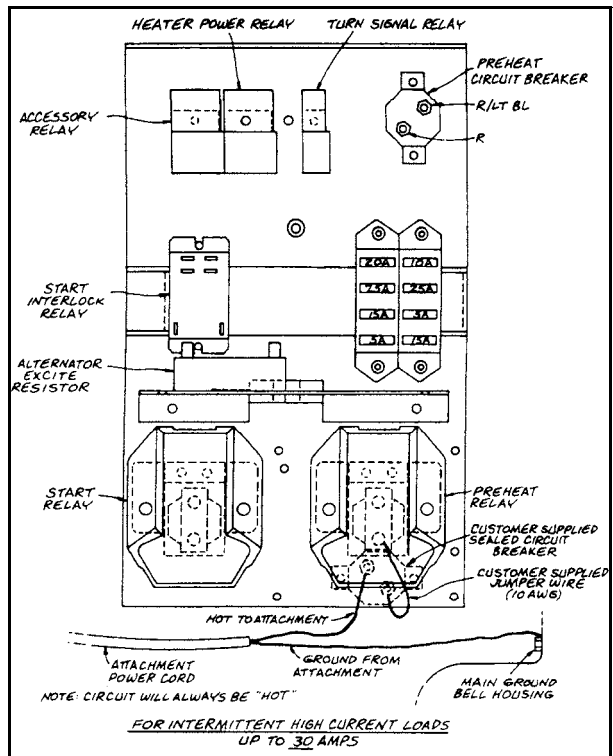
| Part Number | Capacity |
|-------------|----------|
| 9827329 | 15 amp |
| 9828493 | 20 amp |
| 9840279 | 25 amp |
| 9840280 | 30 amp |

When attaching ground wires, always place the heaviest ground wire next to the ground surface and then stack the remaining ground wires according to size on top of the heaviest wire.

IMPORTANT: Additional electrical attachments must have circuits properly connected to prevent damage to the Advanced Warning System (EIC board) and other electrical components.

CAUTION

Always disconnect the battery before installing any electrical attachment to prevent accidental shorting of system.



6

SPECIFICATIONS

| | |
|---|---|
| Alternator | 40 amp |
| Tachometer output ("P" terminal) | 5 to 6.5 AC Volts |
| Battery | SAE PC31 - 12 volt - 625 amps @ -18° C (0° F) Top stud |
| System Ground | Negative (-) |
| Protection | Fuse blocks in cab and engine areas |
| Cab panel (standard) | |
| Fuel pump | 7.5A |
| Electronics ignition | 5A |
| Wiper | 7.5A |
| Lights (road/work) | 15A |
| Engine panel (standard) | |
| Turn signals | 10A |
| Accessory | 25A |
| Electronic (EIC) | 5A |
| Key main | 15A |
| Cab panel (optional equipment) | |
| Beacon light | 7.5A |
| Engine panel (optional equipment) | |
| Heater | 20A |
| Spare | 7.5A |
| Attach/Horn | 15A |
| Backup alarm | 5A |
| Electronic Instrument Cluster (EIC) | |
| Low Voltage | EIC will fault at 11.9 volts (low) |
| High Voltage | EIC will fault at 16.5 volts (high) |
| Fuel gauge sensor resistance | |
| Full tank | 35 ohms |
| Empty tank | 240 ohms |
| Fuel shutoff solenoid | |
| Pull-in amperage | 1.5 to 1.8 amps |
| Hold-in amperage | 1.3 to 1.7 amps |
| Engine air filter sensor | Switch is normally closed EIC will fault at 1.6" Mercury or 22" Water |
| Engine coolant temperature sensor - (Silver color borders) | EIC will read "COLD" until 45° C (113° F) EIC will fault at 102° C (216° F) |
| Engine coolant temperature sensor - (Gold color borders) | EIC will read "COLD" until 0° C (32° F) EIC will fault at 102° C (216° F) |
| Engine coolant temperature sensor resistance | At 20° C (68° F) 2.21 - 2.69 K ohms At 0° - 30° C (32° - 86° F) 1.65 - 5.88 K ohms |
| Engine crankcase oil pressure | EIC will fault at 0.3 BAR (4.3 PSI) |

NOTE: The EIC will not alarm unless coolant temperature is above 64° F or two minutes have passed since starting.

SECTION 55 - ELECTRICAL SYSTEM

| | | |
|---|-------|--|
| Hydraulic oil temperature sensor | | EIC will read "COLD" until 45° C (113° F) EIC will fault at 99° C (210° F) |
| Hydraulic oil temperature sensor resistance | | At 20° C (68° F) 2.21-2.69 K ohms At 0° -30° C (32° -86° F) 1.65-5.88 K ohms |
| Hydraulic oil filter sensor (differential between in/out) | | Switch normally closed EIC will fault at 2.7 ± 0.3 bar (40 PSI ± 4 PSI) EIC will reset at 2.0 bar (30 PSI) |

NOTE: This alarm is locked out until the oil temperature is at 110° F. The switch must be open for over 5 seconds to alarm.

| | | |
|--|-------|------------------------------------|
| Hydrostatic charge pressure | | EIC will fault at 3.4 bar (50 PSI) |
| Glow plug resistance | | 55 ohms |
| Solenoid (boom and bucket spool lock) resistance | | 15 to 18 ohms |
| Starter Switch | | Key start and relay |
| Headlights and rear work lights | | 37.5 watt halogen NH#86533429 |
| Taillights (road) | | 37.5 watt halogen NH#86505510 |
| Amber Flasher lights | | Sealed NH#529068 |
| Electronic Instrument panel indicator lamp | | 0.080 amp C-2F |

SECTION 55 - ELECTRICAL SYSTEM

ALTERNATOR SERVICE SPECIFICATIONS (40 amp)

| Item | How Rated | Standard Or Service Limit |
|---|-----------------------|------------------------------|
| Normal Output | (V - A) | 12 V - 40 A |
| Polarity | | Negative ground |
| Weight | (kg, lbs) | 3.7 kg (8.2 lbs) |
| Rotational direction (viewed from the pulley) | | Clockwise |
| Load characteristics (cold) | Terminal voltage (V) | 13.5 V |
| | Current (A) | Min. 30 A |
| | Revolution (RPM) | 2500 RPM |
| Brush length | Original (mm-in) | 18.5 mm (0.728") |
| | Limit (mm-in) | 5.0 mm (0.20") |
| Brush spring tension | Original (g-lbs) | 470 - 590 g (1.36 -1.30 lbs) |
| | Limit (g-lbs) | 270 g (0.60 lbs) |
| Slip ring diameter | Original (mm-in) | 22.7 mm (0.894") |
| | Limit (mm-in) | 22.1 mm (0.871") |
| Field coil resistance | ohms at 20° C (68° F) | 2.8 ohms |
| Adjusting voltage | (V) at 5000 RPM | 14.4 - 15.0 V |

STARTER MOTOR SPECIFICATIONS (12 volt)

| | |
|-----------------|-------------------------------------|
| Rated voltage | 12 volts |
| Output | 2 kw |
| Motor type | Four-pole series wound motor |
| Engaging system | Magnetic shift |
| Rotation | Clockwise (viewed from pinion side) |
| Weight | Approximate 5 kg (11 lbs) |

ALTERNATOR SERVICE SPECIFICATIONS (40 amp)

| Item | How Rated | Standard Or Service Limit |
|--------------|------------------------|------------------------------|
| No Load Test | Volts (V) | 11.5 V |
| | Current (A) | 130 A Max. |
| | Rotating Speed (RPM) | 4000 RPM Max. |
| Commutator | Outer dia. (mm-in.) | 35 mm (1.38") |
| | Service limit (mm-in.) | 34 mm (1.34") |
| Brush | Length (mm-in.) | 15 mm (0.59") |
| | Service limit (mm-in.) | 9 mm (0.35") |
| Brush spring | Tension (kg-lbs) | 2.7 - 3.6 kg (5.9 - 7.8 lbs) |
| | Service limit (kg-lbs) | 2.2 kg (4.7 lbs) |

ELECTRICAL DIAGRAM

Op. 55 418

ADVANCED WARNING SYSTEM

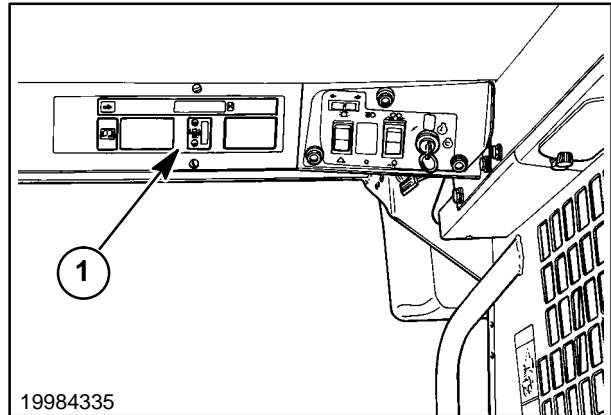
ELECTRONIC INSTRUMENT CLUSTER (EIC)

The Skid-Steer Loader advanced warning system, 1, monitors engine functions and operator controls and reports conditions to the operator and provides safety interlocks to the hydraulic control valve spools to the boom and bucket.

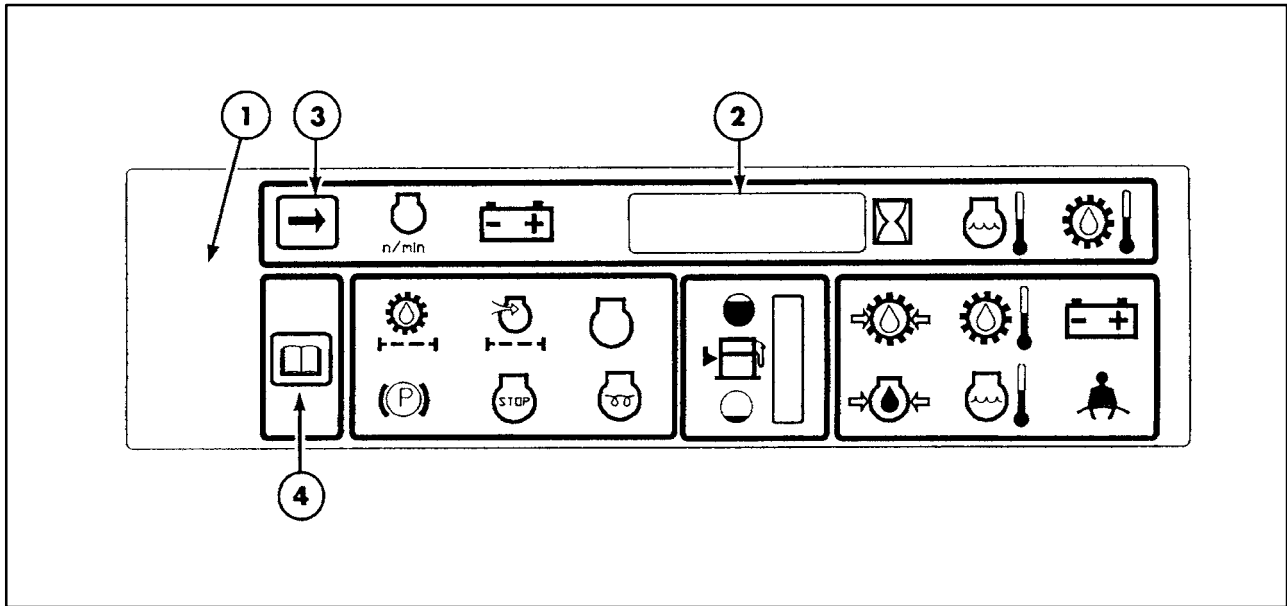
The instrument cluster has three kinds of visual displays: backlighted symbols, an LED character display, and a segmented bar graph.

The EIC (Electronic Instrument Cluster) board employs incandescent lamps to backlight symbols representing monitored functions. Active sensor symbols are backlit with either yellow (WARNING) or red (FAULT). Inactive sensor symbols are visible as a dim gray outline when the backlighting is not active. An audible alarm accompanies most visual alarm lights.

The front panel of the instrument cluster has several components and display areas. Read the following paragraphs to understand each item and area.



9



10

(EIC) ELECTRONIC INSTRUMENT CLUSTER FRONT PANEL

1. AUDIBLE ALARM

The audible alarm will sound if there is an unusual condition in any of the monitored areas. The audible alarm is located behind the front panel at 1.

2. CHARACTER DISPLAY

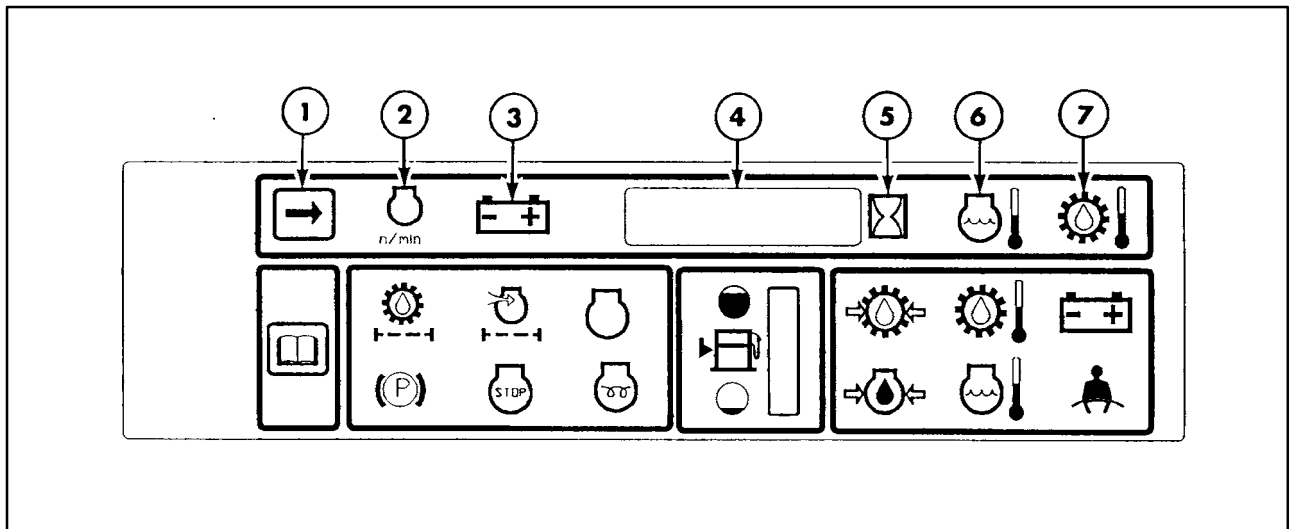
The character display will display the item that the operator has chosen to monitor. The display shows one function at a time. After the engine is started, the display defaults to the last function viewed at power off. Any of the other functions may be selected by the operator during operation by briefly pressing the "ARROW" selector switch, 3. When the EIC is turned off and then powered up, the display default will be the newly selected function.

3. RIGHT ARROW DISPLAY SELECTOR SWITCH

The display selector switch, covered with an "ARROW" symbol, will cause an audible "chirp" when pressed if the ignition key is in the "RUN" position. Pressing the "ARROW" symbol during operation will select the function that the operator chooses to monitor and will be displayed in the character display, 2. If a sensor causes a warning or fault, the appropriate lamp will flash, accompanied by an audible alarm. Pressing this switch also cancels any audible alarm that is sounding.

4. OPEN BOOK SELECTOR SWITCH

This selector switch covered with the symbol of an "OPEN BOOK" (instruction manual) is used to select other functional modes of the EIC panel. The "OPEN BOOK" switch has no function during normal operation.



EIC FUNCTIONAL GROUPS

The EIC display panel is divided into four functional groups, 1 through 4.

FUNCTIONAL GROUP 1

Those symbols in display group 1, backlighted white are:



- 1. Right arrow display selector switch. (no light)

This switch is used to change the displayed function.



n/min

- 2. Loader engine RPM, displayed in increments of 10 RPM.



- 3. Battery voltage, displayed to the nearest 0.1 volt.

NOTE: The EIC monitors battery voltage only, not alternator output.



- 4. Character display.

The character display will display the chosen function or the function with the fault within this functional group.



- 5. Engine hours, displayed to 0.1 hours (no light).



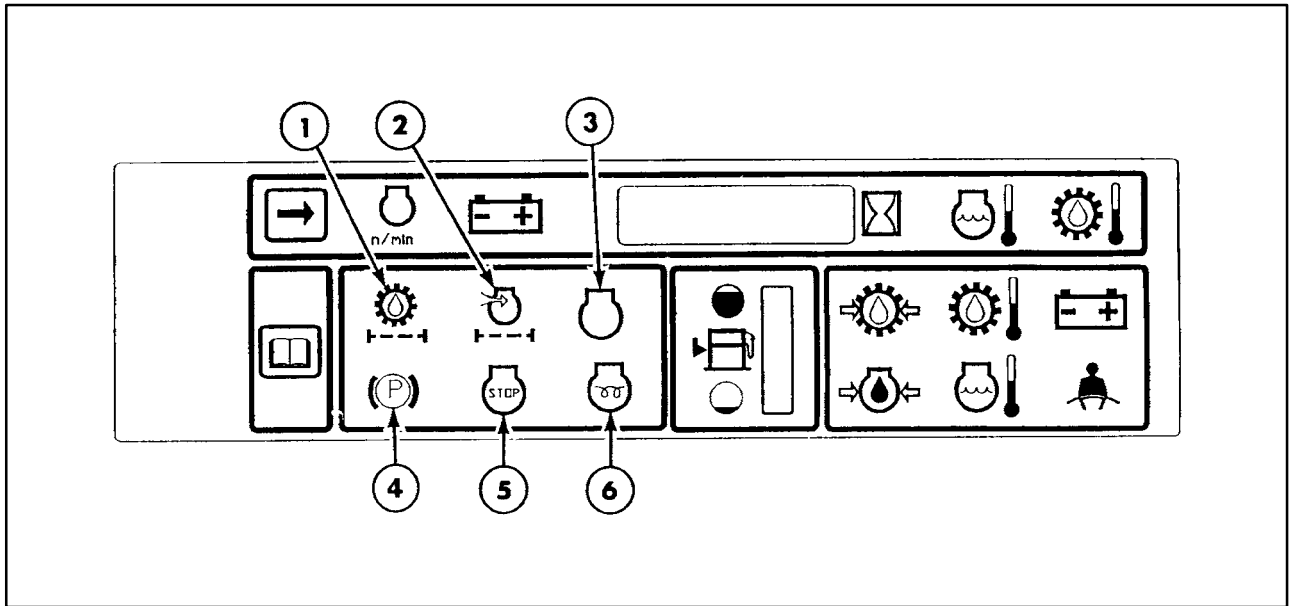
- 6. Engine coolant temperature displayed to the nearest degree, expressed as degrees Fahrenheit or degrees Celsius, depending on setting (C or F).



- 7. Transmission/hydraulic oil temperature to nearest degree, Celsius or Fahrenheit, depending on setting (C or F).

NOTE: The monitored functions and symbols in group 1 are backlighted in white except the Engine Hours. When this function is monitored the symbol is not lit.

NOTE: The Engine Coolant and hydraulic oil temperatures will show "COLD" until the systems reach 0° Celsius or 32° Fahrenheit operating temperature. At that time the Character display will start reading the temperature in Celsius or Fahrenheit degrees.



FUNCTIONAL GROUP 2

Those symbols in display group 2, backlighted yellow are:



1. Hydraulic oil filter condition.

The EIC continuously monitors the condition of the oil filter. A yellow warning lamp will signal a warning when the filter becomes dirty. The lamp will flash continuously, accompanied by a 5-second audible alarm, when the filter requires replacement.



2. Air filter condition.

When the air filter requires replacement, the lamp will flash indicating a dirty element.

3. Blank (not used).



4. Parking brake.

Used to remind operator to engage the parking brake when exiting the loader. An audible alarm will sound when the operator begins to exit the machine with the engine running.



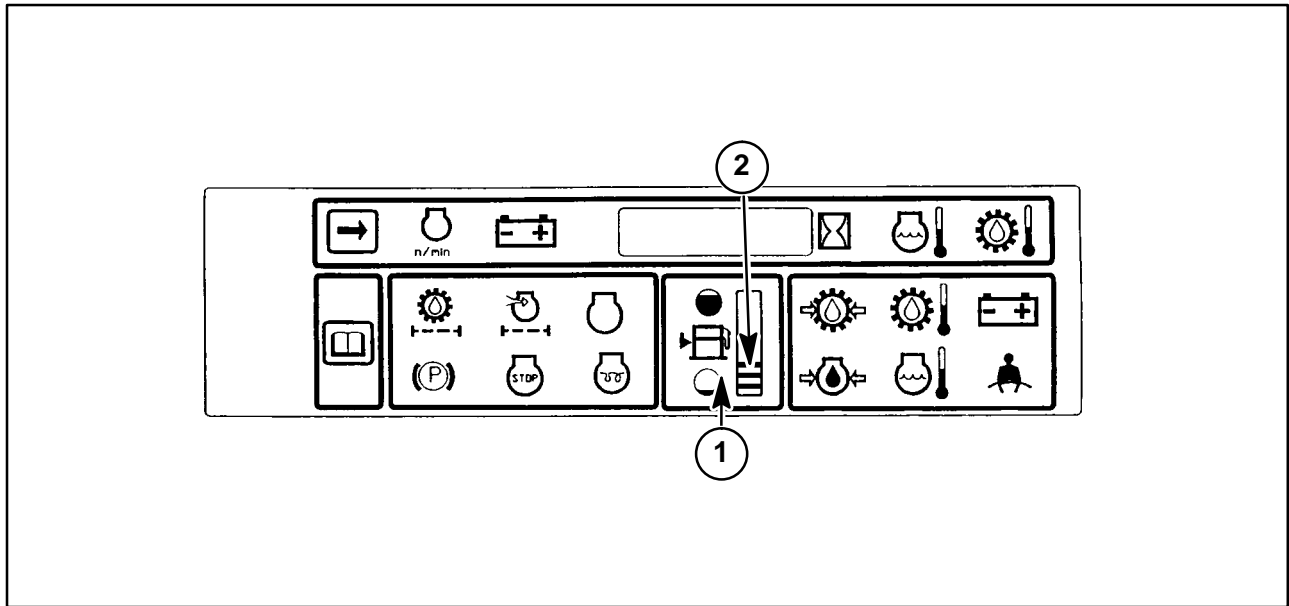
5. Stop engine warning.

When this warning lamp flashes, stop the engine and determine the cause to prevent damage to the engine.



6. Engine preheat symbol (lights when engine is preheating).

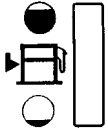
The EIC controls a timed preheat system for starting aid.



13

FUNCTIONAL GROUP 3

The symbol in display group 3 is:

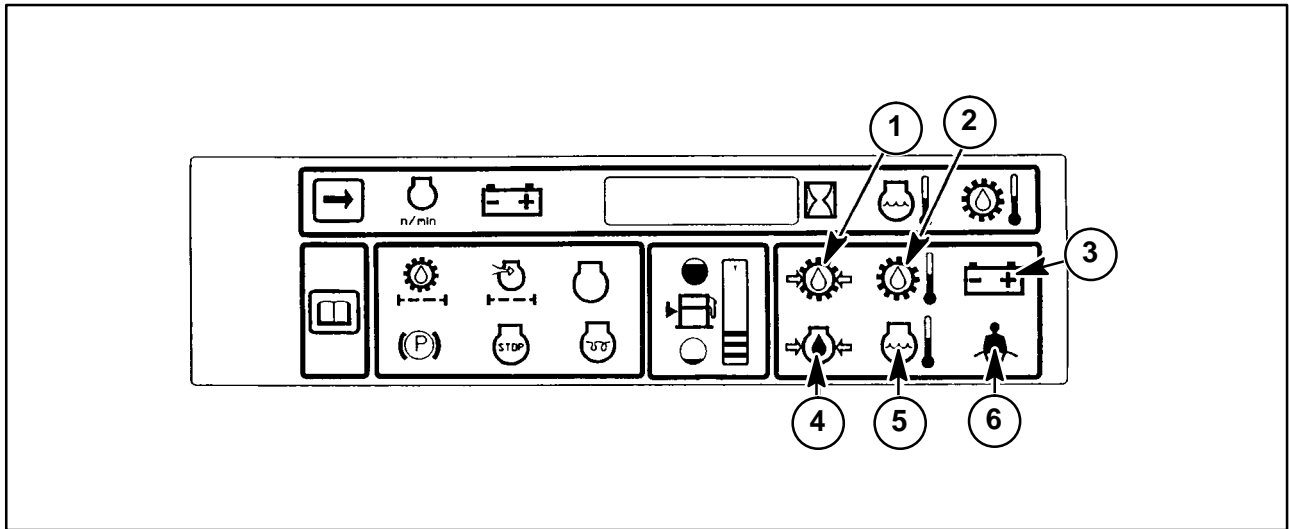


1. Fuel gauge.

The fuel gauge, 1, is a vertical 10-segment green LED bar graph. When the fuel level reaches three bars, 2, the segments will flash accompanied by an audible alarm for about 5 seconds.

When the fuel level reaches two bars, the EIC will signal the operator again with the segments flashing and another 5-second audible alarm.

NOTE: The lower fuel gauge segments accurately read the lower fuel levels so an operator is less likely to run out of fuel. However, if a machine is operated on a hillside, the fuel gauge should be monitored closely to avoid running out of fuel, as the fuel can still move freely from one end of the tank to the other.



FUNCTIONAL GROUP 4

Symbols in display group 4 are backlighted red.

When a fault occurs, the flashing lamp is accompanied by the audible alarm.



1. Transmission charge pressure.

When the pressure drops below normal operating pressure, the lamp will flash with a continuous alarm.



2. Transmission/Hydraulic oil temperature.

When the oil temperature is above operating temperature of 99°C (210° F), the lamp will flash with a 5-second alarm.



3. Battery voltage.

When battery voltage drops below normal voltage, the lamp will flash with a 5-second alarm.



4. Engine oil pressure.

When the engine oil pressure drops below normal pressure, the lamp will flash with a continuous alarm.



5. Coolant temperature.

When the engine coolant temperature is above operating temperature of 102°C (216°F) the lamp will flash with a 5-second alarm.



6. Operator "FASTEN SEAT BELT" symbol.

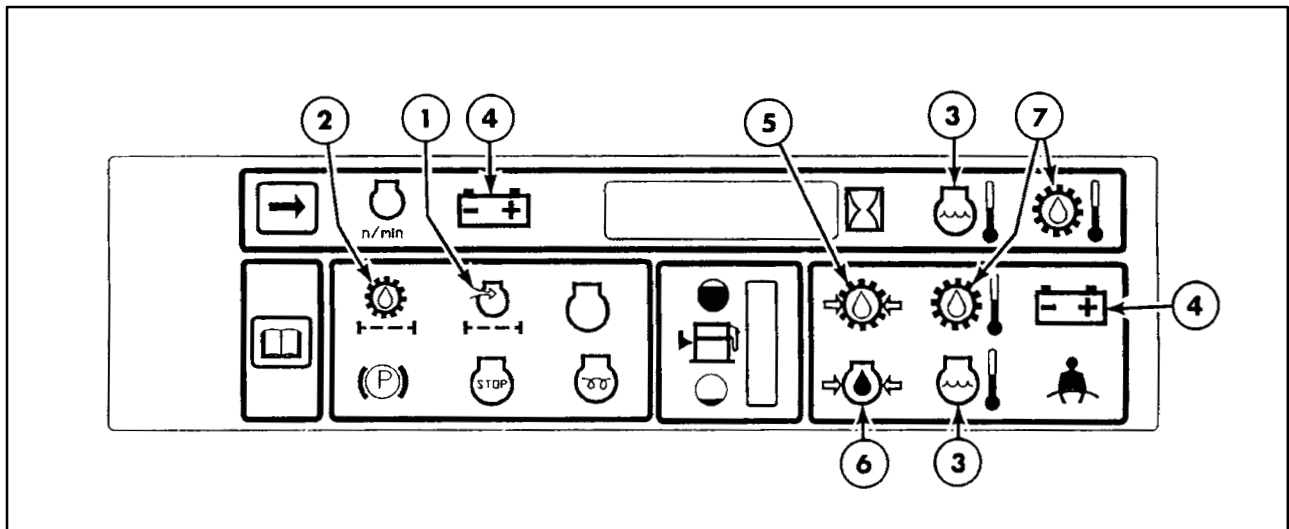
When the operator is in the seat, the lamp will flash until the seat belt is fastened.

These symbols are backlighted RED and are intended to complement the audible alarm should a fault occur.

7. Alternator/water pump drive belt warning.

If the drive belt breaks, the EIC will signal the operator with the battery symbol light, 3, flashing continuously and a 5 second audible alarm.

NOTE: If during Skid-Steer Loader operation the Engine Coolant or Hydraulic Oil Temperatures show an overheat condition, the EIC will default to that function and read the temperature. When this happens, back off on loader operation and allow the systems to cool down to within normal operating temperature ranges. If the temperatures don't cool down, stop operating the unit, find the cause and correct.



15

CONTINUOUSLY MONITORED ELEMENTS

The following machine elements are continuously monitored by the EIC:



1. Engine air filter.

Monitors the condition of the air cleaner element and will signal when the element is dirty and requires replacement.



2. Hydraulic oil filter.

Monitors the condition of the filter and will signal when the filter is dirty and requires replacement.



3. Engine coolant temperature.

When the engine coolant temperature is above operating temperature of 102°C (216°F), the lamp will flash with a 5-second alarm.



4. Battery Voltage.

When battery voltage drops below normal voltage the lamp will flash with a 5-second alarm.



5. Hydrostatic charge pressure.

When the pressure drops below normal operating pressure the lamp will flash with a continuous alarm.



6. Engine oil pressure.

When the engine oil pressure drops below normal pressure the lamp will flash with a continuous alarm.



7. Transmission/Hydraulic oil temperature.

When the oil temperature is above operating temperature of 99°C (210°F), the lamp will flash with a 5-second alarm.

Whenever the EIC senses any unusual condition in a monitored function, the associated lamp will flash. The audible alarm will "beep" continuously for 5 seconds.

ENGINE PREHEAT

The EIC controls a timed pre-heat cold start aid to assist in cold weather starting. The timed pre-heat cycle will vary from 0 to 40 seconds automatically based on engine coolant temperature. For additional pre-heat if the loader does not start, turn the ignition key to the "OFF" position. Then turn the ignition key back to the "RUN" position again. This will restart the preheat timed cycle.

AUTOMATIC SHUTDOWN

If either the engine oil pressure, or hydrostatic charge pressure fall below certain limits, the EIC will remove power from the fuel solenoid after 30 seconds, stopping the engine.

If this condition occurs, turn off the ignition key. Before unbuckling the seat belt, turn the ignition key to the "ON" position and lower the boom and attachment to the ground or rest the boom on the boom lockpins. Turn the ignition key to the "OFF" position.

The operator may immediately restart the engine again. Should the function remain faulted, power will

again be removed from the fuel solenoid in another 30 seconds and the engine will again stop. During the 30-second alarm period, the "ENGINE STOP" symbol will flash. If this condition continues, locate the fault and repair.

IMPORTANT: Use caution when restarting the loader because of the possibility of NO LUBRICATING OILS for the engine and/or the hydrostatic transmission. DO NOT restart the loader more than once or operate the engine at high speeds. Damage to the engine and/or transmissions may occur. Contact your New Holland dealer for assistance.

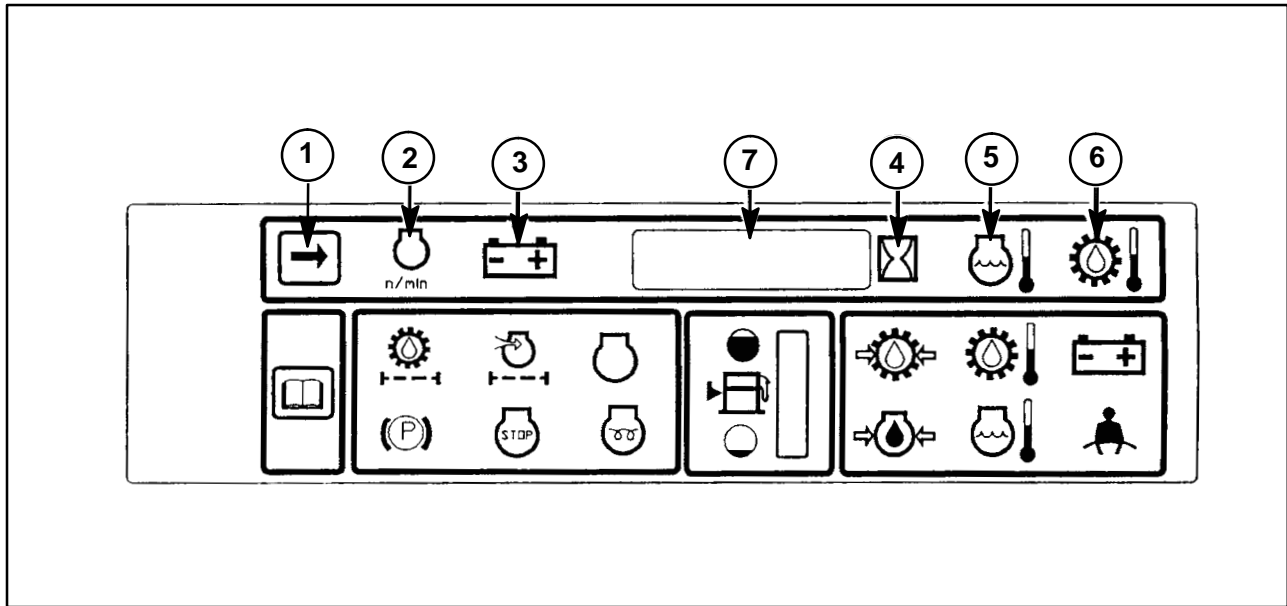


WARNING



When the engine stop symbol flashes for the 30-second period, immediately lower the boom and move the loader to a non-traffic area for problem evaluation.

If an alarm is caused by 3, 4, or 7, the CHARACTER DISPLAY will change to show the numeric value of the function that caused the alarm.



16

OPERATING MODE

By pressing and releasing the “ARROW” switch, 1, during normal skid-steer loader operation, the operator can select a function to be monitored. Only one function can be monitored and displayed at a time in the display, 7. By pressing and releasing the “ARROW” switch once, the EIC will select the next monitored function. Functional symbols are located across the top of the EIC display and will light up when selected. Note that the engine hour symbol, 4, is not illuminated.

Monitored functions are:

2. ENGINE RPM
3. BATTERY VOLTAGE
4. ENGINE HOURS (No Light)
5. ENGINE COOLANT TEMPERATURE -
Reads COLD until 0°C (32°F)
6. TRANSMISSION/HYDRAULIC OIL
TEMPERATURE - Reads COLD until 0°C
(32°F)

If a fault occurs in the following monitored functions, the EIC will automatically show that function's reading in the character display, accompanied by a flashing light and a five second audible alarm.

FAULT

Battery Voltage
(Low & High)

Engine Coolant (High)

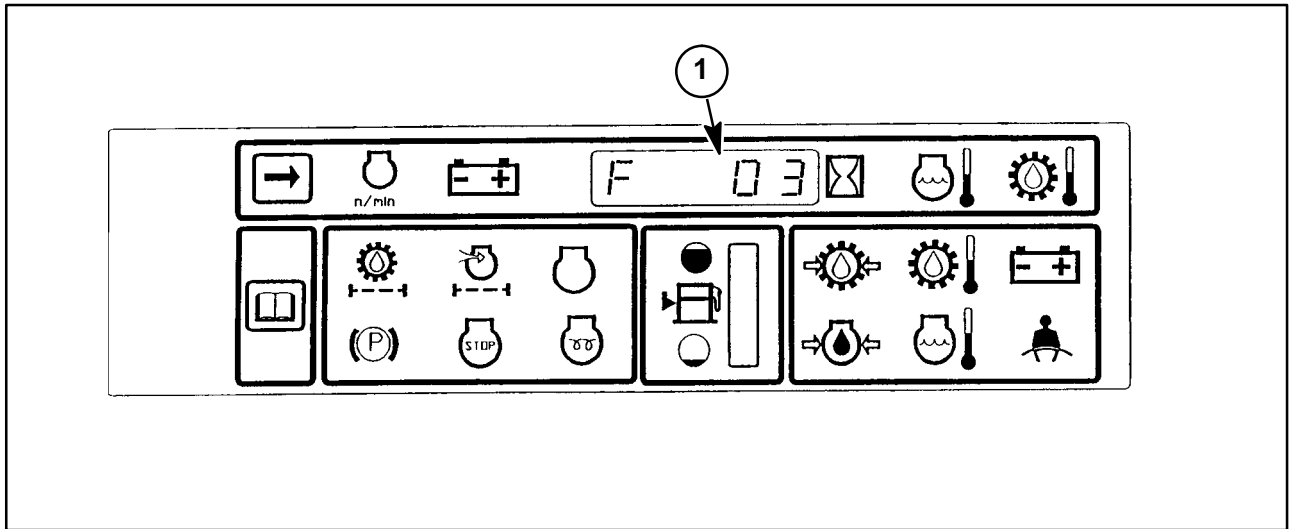
Transmission/
Hydraulic Oil (High)

READING

Battery Voltage

Temperature in
Degrees

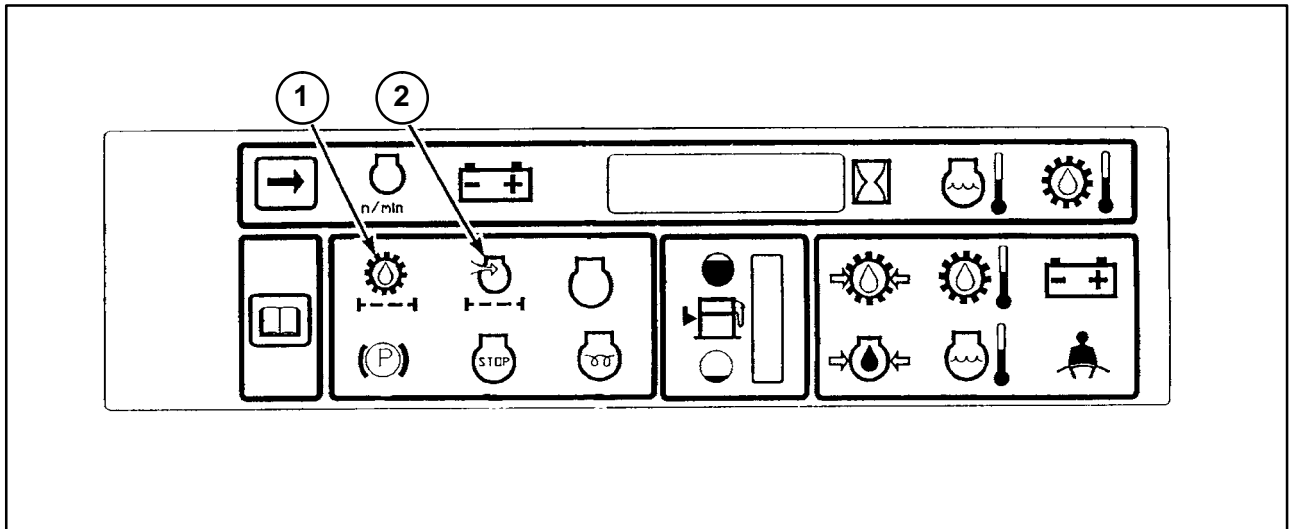
Temperature in
Degrees



17

If a fault occurs in the following monitored functions a fault code will appear in the EIC character display, 1, accompanied by a five second audible alarm. By turning the ignition key switch to the "OFF" position the EIC will return to the normal operating mode. If when the loader is restarted and the fault still exists, the code will reappear with an alarm indicating there is an open or short in that circuit. Contact your New Holland dealer for assistance.

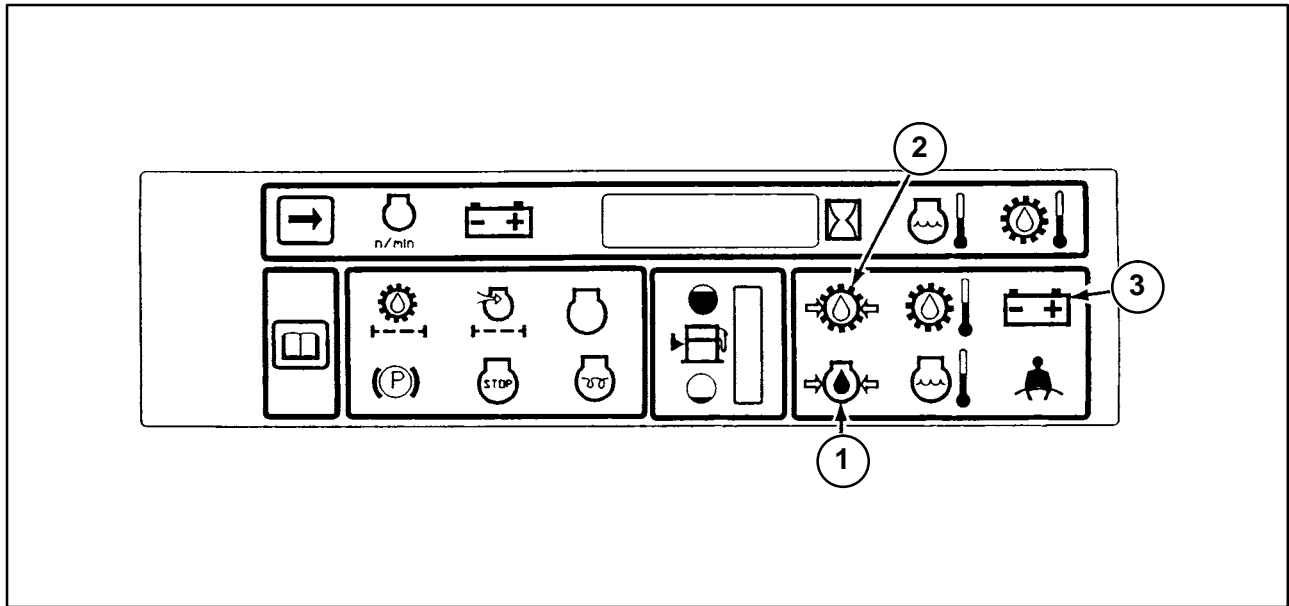
| FAULT | CODE |
|--------------------------------|-------|
| Hydraulic Boom/Bucket Solenoid | (F0A) |
| Engine Preheat Relay Coil | (F03) |
| Fuel Solenoid | (F04) |



18

If a fault occurs in the following monitored functions the EIC will signal the operator with a flashing light accompanied by a five second audible alarm indicating the filter(s) require service.

| FAULT |
|-------------------------|
| 1. Hydraulic Oil Filter |
| 2. Engine Air Cleaner |



19

If a fault occurs for more than 30 seconds in the following monitored functions the EIC will signal the operator with a flashing light, a continuous audible alarm and will stop the engine after 30 seconds of operation.

FAULT

1. Engine Oil Pressure
2. Hydrostatic Transmission Charge Pressure

If a fault occurs in one of these functions, the engine can be restarted and the skid-steer loader moved to a safe inspection area with the boom resting on the boom lock pins or on the ground. If the fault still exists, the EIC will stop the engine after another 30 seconds.

IMPORTANT: Use caution when restarting the loader because of the possibility of NO LUBRICATING OILS for the engine and/or the hydrostatic transmissions. DO NOT restart the loader more than once or operate the engine at high engine speeds. Damage to the engine and/or transmission may occur. Contact your New Holland dealer for assistance.

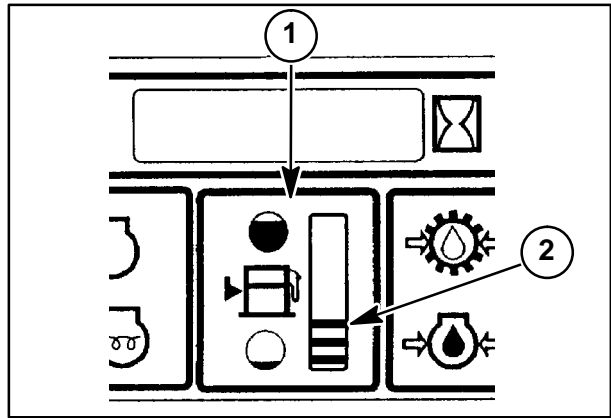
BROKEN ALTERNATOR/WATER PUMP BELT WARNING, 3

If the drive belt breaks the EIC will signal the operator with the battery symbol light, 3, flashing, accompanied by an audible alarm.

NOTE: The engine will shut down automatically. Then immediately turn the ignition key to "OFF" position to prevent engine overheating or damage.

FUEL LEVEL

Fuel level is shown to the operator by the fuel gauge bar lights located in the center of the EIC display at 1. The operator will be signaled when the level is at three bars and again at two bars. The bar lights, 2, will flash continuously accompanied by an audible alarm for about five seconds at each signal level.



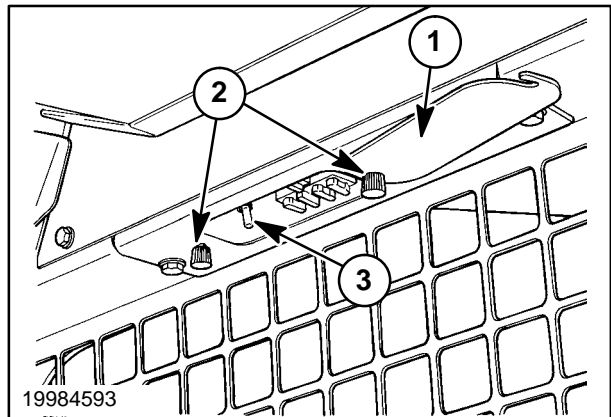
20

EIC INTERLOCKS

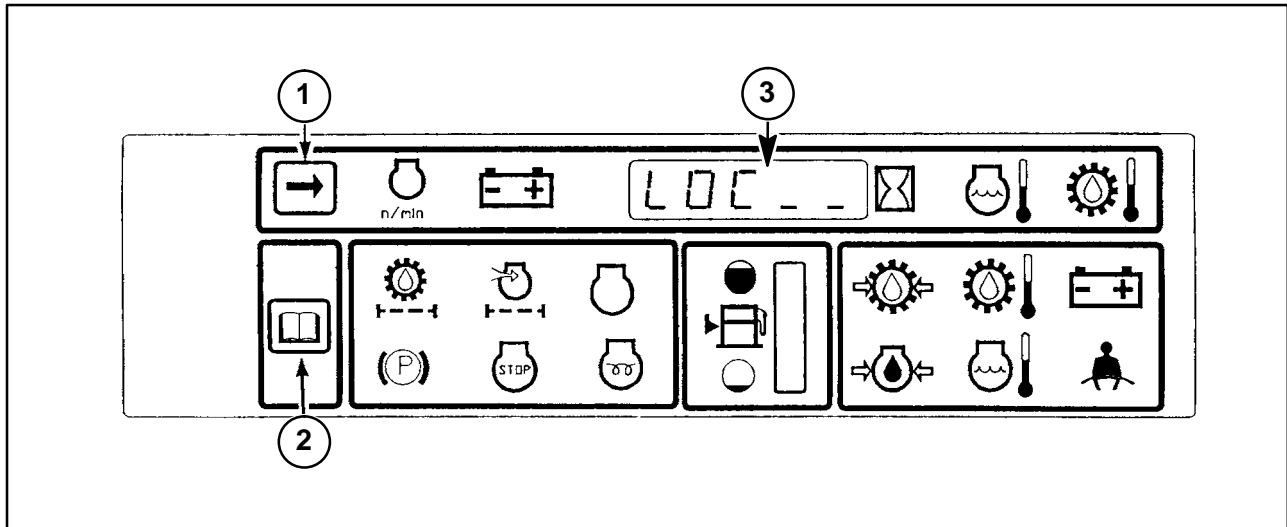
EIC controls the fuel solenoid circuit. The operator must be in the seat, with the seat belt fastened before the engine will start and continue to run.

The EIC will lock the boom and bucket control valve spools in neutral if the operator unfastens the seat belt, leaves the seat, or turns the ignition key off. If the operator is out of the seat for more than two seconds, the seat belt must be unfastened and refastened to enable the boom and bucket hydraulic systems to function.

The unit is equipped with a "SERVICE/RUN" switch for use during servicing and troubleshooting of the skid-steer loader. To access the Service/Run switch located under the cab fuse panel cover, 1, loosen the two thumbscrews, 2, and rotate cover, 1, to the side. When the "SERVICE/RUN" switch, 3, is in the "SERVICE" position, the engine will start but the boom and bucket hydraulic system will be inoperative.



21



22

EIC LOCK MODE

A two digit code can be entered into the EIC which will lock the boom and bucket spool lock solenoids when the spools are in the neutral position. This will prevent movement of the boom and bucket.

The same two digit code must be reentered to unlock the solenoids and return the loader to normal operation.

To enter a security code:

1. Lower the boom and bucket to the ground and position the bucket to prevent movement of the loader.
2. Turn "OFF" the ignition key.
3. Unbuckle the seat belt, raise your weight off the seat, and wait until all EIC lights are off.
4. While out of the seat, press and hold the "OPEN BOOK" switch, 2, then sit in the seat and turn the ignition key to the "ON" position; Do Not engage the starter.
5. Display, 3, will show the program level of the EIC board (example r0100). At this time release the "OPEN BOOK" switch.
6. Display, 3, will show "LOC_ _" for lock.
7. Press and hold the "OPEN BOOK" switch until two (2) zeros appear "LOC 0 0" with the left zero flashing, then release the "OPEN BOOK" switch.
8. Press and release the "OPEN BOOK" switch and enter any number from "0" to "9" for the left digit.
9. Press and release the "ARROW" switch, 1, the right zero will start to flash.
10. Press and release the "OPEN BOOK" switch and enter any number from "1" to "9" for the right digit.

11. With the two (2) digit code entered, "01 to 99", turn the ignition key to the "OFF" position and exit the loader, allowing all the EIC board lights to go "OFF", locking the EIC.

When the EIC board lights go off, the lock code will enter the EIC memory, locking the EIC until the same two digit code is reentered.

To reenter the same two (2) digit code to return the loader to normal operation:

1. Sit in the operator's seat.
2. The EIC will display "LOC 0 0" with the left digit flashing.
3. Turn the ignition key switch to the "ON" position; Do Not engage the starter.
4. Press and release the "OPEN BOOK" switch and enter the left number of the code previously used to lock the loader.
5. Press and release the "ARROW" switch, the right zero will flash.
6. Press and release the "OPEN BOOK" switch to enter the right number of the code previously used to lock the loader.
7. Turn the ignition key to the "OFF" position and allow the EIC to return to the operating mode.
8. Buckle the seat belt and proceed with normal skid-steer loader operation.

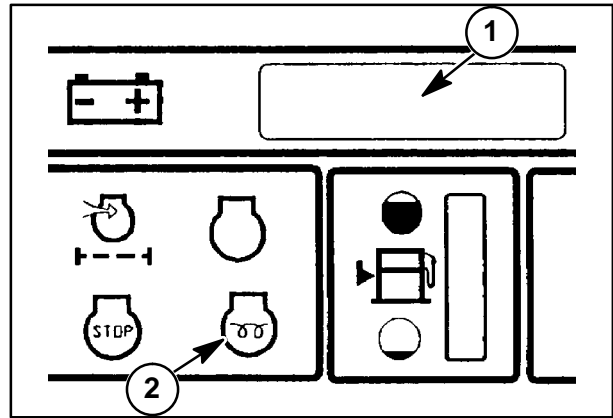
If the two digit code is forgotten, the EIC can be unlocked by using a **(MASTER CODE)**. Contact your NEW HOLLAND dealer for assistance.

The dealer will require your name, address and the skid-steer loader model and serial numbers.

EIC ENGINE PREHEAT

The engine preheat is governed automatically by the EIC based on coolant temperature and engine code. Preheat is initiated when the ignition key is turned to the "RUN" position and the cycle time will vary from 0 to 20 seconds.

Turn the ignition key to the "RUN" position, and the EIC character display, 1, will show seconds remaining for engine preheat time. The preheat indicator light, 2, will be lit during the preheat cycle. The operator should wait until the display zeros "0", the indicator light goes "off", and the audible alarm sounds to start the engine. If the loader does not start, re-cycle the engine preheat timer by turning the ignition key "OFF" then "ON". This will restart the timed preheat cycle.



TROUBLESHOOTING**ELECTRONIC INSTRUMENT CLUSTER (EIC)**

| PROBLEM | POSSIBLE CAUSE | CORRECTION | |
|--|---|---|--|
| EIC board will not light up when operator sits in seat | Service/run switch in service position | Push switch to run position | |
| | Faulty seat switch | Replace switch | |
| | No battery voltage to seat switch | Blown 5-amp fuse electronic battery in engine panel, replace fuse | |
| | | Open in power wire from 5-amp fuse to seat switch, repair open in wire | |
| | Blown 5-amp fuse (electronic battery) in engine panel | No battery voltage to 5-amp fuse from supply, check and/or replace battery | |
| | | Replace fuse | |
| No battery voltage from seat switch to EIC board | Open in power wire from seat switch to EIC board, repair open in wire | | |
| | Poor or no connection at EIC board, repair connection | | |
| Battery voltage from seat switch to EIC board | If battery voltage from seat to board is OK, replace EIC board | | |
| | | | |
| EIC board backlighting is dim | Brightness variations due to production differences between models and/or EIC board changes | None -- overlay decal material variations cause differences in brightness | |
| | Backlights dim when the loader worklights are activated | None -- EIC board circuitry automatically dims the backlighting when the work lights are on, to reduce board glare at night | |
| EIC board seat belt light will not go off with seat belt buckled | Seat belt not buckled | Buckle seat belt | |
| | Faulty seat belt buckle switch | Replace seat belt assembly | |
| | No battery voltage from seat switch to seat belt switch | Open in wire from seat switch to seat belt switch, repair open | |
| | No battery voltage from seat belt switch to EIC board | Open in wire from seat belt switch to EIC board, repair open | |
| | | Poor or no connection at EIC board, repair connection | |
| Battery voltage from seat belt switch to EIC board | If voltage OK, replace EIC board | | |

SECTION 55 - ELECTRICAL SYSTEM

| PROBLEM | POSSIBLE CAUSE | CORRECTION |
|---|---|---|
| <p>EIC will not read correct engine RPMs, varies more than ± 50 RPMs</p> | <p>Incorrect engine configuration</p> <p>No AC voltage at tachometer terminal at alternator</p> <p>Loose or corroded connection at tachometer terminal at alternator</p> <p>No AC voltage at EIC board from alternator</p> <p>AC voltage from alternator to EIC board</p> <p>Wire connection from alternator to EIC board</p> | <p>Correct configuration</p> <p>Repair alternator</p> <p>Repair connection</p> <p>Open in wire from alternator to EIC board, repair open</p> <p>Repair loose or corroded connection at EIC board</p> <p>If OK, replace EIC board</p> |
| <p>EIC will not unlock boom and bucket spool locks</p> | <p>Service/Run switch in "SERVICE" position</p> <p>Seat belt unbuckled</p> <p>Faulty seat belt buckle</p> <p>No battery voltage from seat belt switch to EIC</p> <p>No battery voltage from EIC to spool lock solenoids</p> <p>Battery voltage to lock solenoids</p> | <p>Push switch to "RUN" position</p> <p>Buckle seat belt</p> <p>Replace seat belt assembly</p> <p>Open in power wire from seat belt switch, repair open</p> <p>Open in power wire from EIC to solenoids, repair open</p> <p>If OK, check inoperative solenoids, check solenoid coils, repair or replace</p> |

SECTION 55 - ELECTRICAL SYSTEM

| PROBLEM | POSSIBLE CAUSE | CORRECTION |
|--------------------------------------|--|---|
| Engine will not start and/or run | Seat belt unbuckled Incorrect engine configuration (EIC) No battery voltage to start relay No battery voltage from EIC to fuel solenoid Open in the W/O wire from the seat/seat belt plug to the start interlock relay Inoperative start interlock relay Fuel solenoid inoperative Inoperative manifold heater system No power to manifold heater Inoperative manifold heater No fuel to manifold heater | Buckle seat belt Correct configuration Open in power wire from key switch "start" to relay, or through seat/seat belt circuits to relay, repair open Open in power wire from EIC to fuel solenoid, repair open Repair open in W/O wire Repair or replace Repair or replace fuel solenoid Incorrect engine configuration, correct configuration Manifold heater preheat relay or LTBL/B wire open, repair or replace Circuit breaker open, replace Replace manifold heater Check fuel feed tube and fuel supply from injection pump |
| EIC will not read monitored circuits | Incorrect engine configuration Open or short in wire from sensor to EIC Faulty sender or sensor | Correct engine configuration Repair open/short Repair/replace sender or sensor |

ADVANCED WARNING SYSTEM (AWS)

This skid-steer loader is equipped with an Advanced Warning System (AWS) that provides information to the operator about the operation of the skid-steer loader.

The AWS provides an interlock system with the seat and seat belt to prevent movement of the boom and bucket if the operator is out of the seat or the seat belt is unbuckled and the controls are in neutral.

The AWS provides an automatic engine preheat system to aid in cold weather starting.

The AWS provides information to the operator about the following monitored functions:

- Hydraulic Oil Filter
- Engine Air Filter
- Engine Preheat Relay Coil
- Fuel Level
- Fuel Solenoid
- Engine Coolant Temperature
- Hydrostatic Transmission Charge Pressure
- Transmission/Hydraulic Oil Temperature
- Battery Voltage
- Engine Oil Pressure
- Alternator/Water Pump Belt Breakage Warning
- Operator Seat and Seat Belt
- Hydraulic Boom/Bucket Solenoid
- Engine RPM
- Engine Hours

The AWS provides an engine shut down feature if the engine oil pressure or the hydrostatic transmission charge pressure are low.

The AWS will signal the operator if the alternator/water pump drive belt fails.

The AWS provides a security feature allowing the operator to enter a two digit security code, preventing starting of the engine and movement of the boom and bucket.

The AWS provides the following features for dealer technician use in diagnostics and troubleshooting of the monitored function circuits:

Diagnostics

- Test individual monitored circuits.

Fault/Warning History

- Fault occurrence with hour level of last occurrence.

Clear Faults

- Clear Faults to zero.

Engine Code

- Set EIC to loader engine model.

Select Displayed Temperature Units, Fahrenheit or Celsius

- Temperature displayed in Metric (Celsius) or English (Fahrenheit).

Adjust Engine RPM

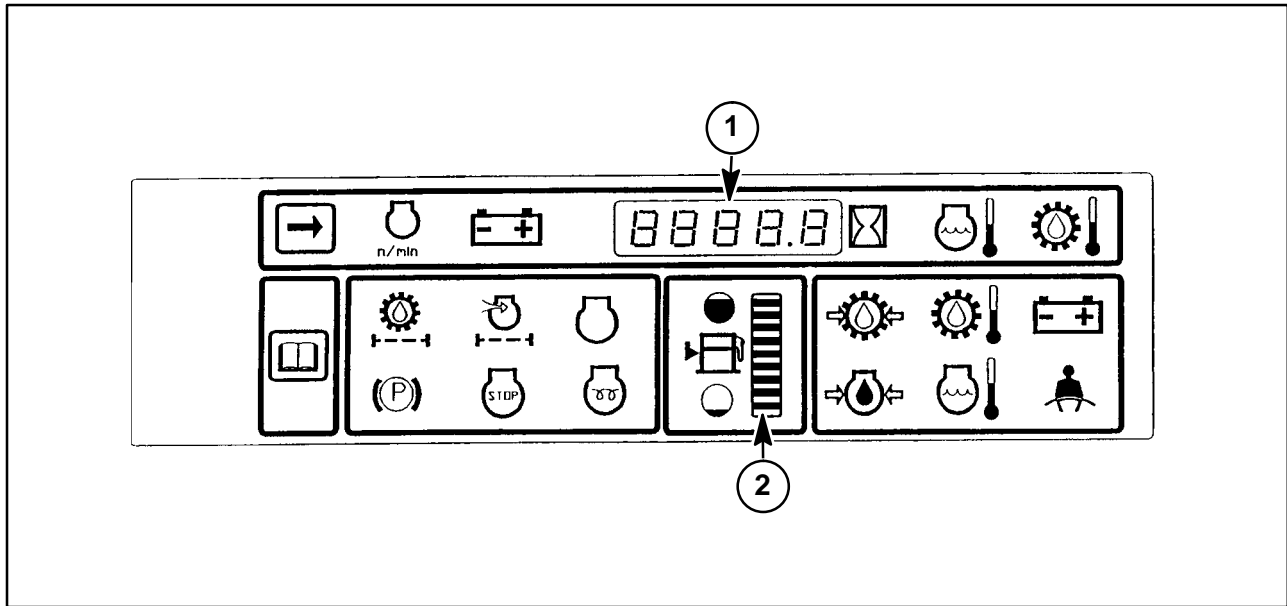
- Calibrate EIC display to external RPM tach reading.

Clear Memory

- Return EIC to original factory settings.
- Engine code reset to (01).
- Hours reset to (0000.0) zero.
- Temperature displayed (Fahrenheit).
- Engine RPM calibration cleared.

Adjust skid-steer loader hours

- Change unit hours when installing a new EIC board in a loader.



24

EIC BOARD SELF TEST

When first sitting in the operator's seat and/or before entering Diagnostics, allow the EIC board to self test. (Service/Run switch in the "RUN" position)

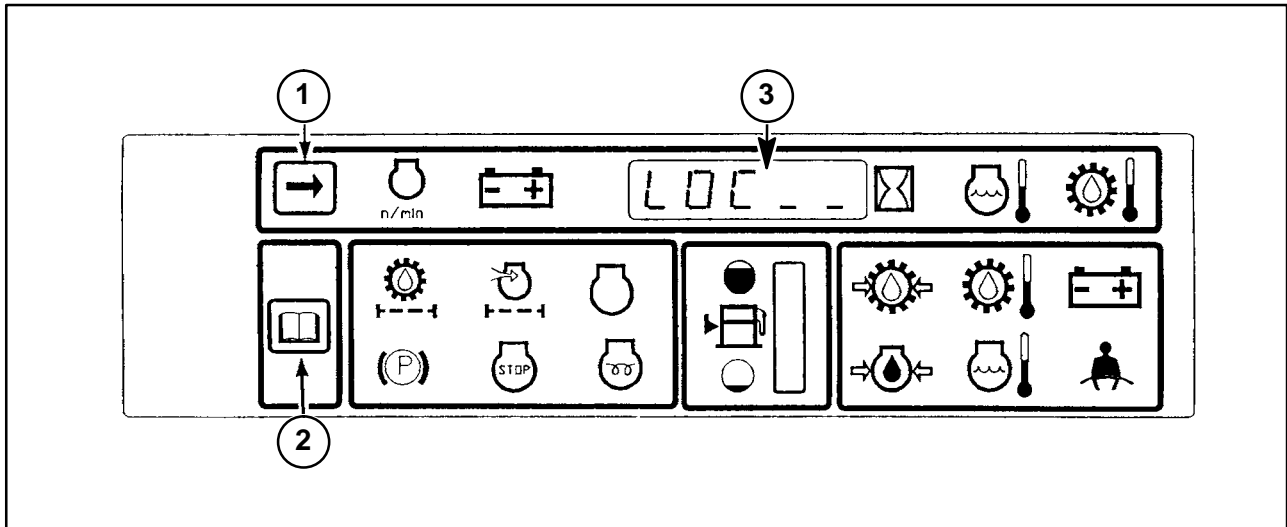
Sit in operator's seat.

1. The EIC board should light all symbol lights.
2. The character display should read "8888.8", 1, and the fuel gauge (light bar), 2, should light showing 9 bars.

3. The EIC will enter the normal start up mode.
4. Turning the ignition key to the "ON" position will start the automatic engine preheat system (if required).

NOTE: The preheat times will vary from 0 to 20 seconds, depending on engine temperature.

If the EIC does not function as described, check the seat and seat belt switches for proper operation and EIC board power and ground circuits.



25

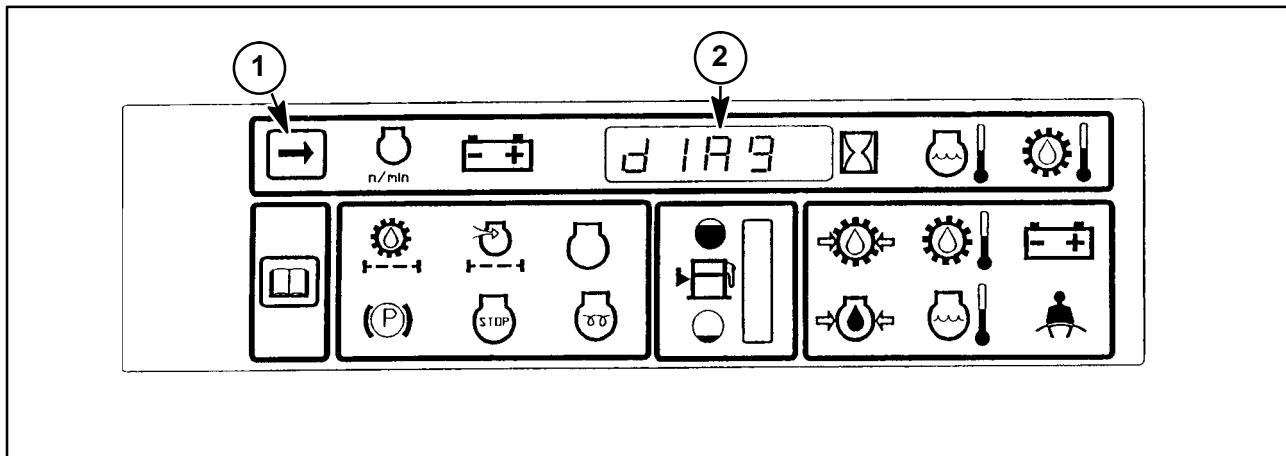
DIAGNOSTIC AND SETUP MODES

When in the Diagnostic Mode, the technician can test the individual monitored circuit wiring. When in the Setup Mode, the technician can make changes to the EIC and perform additional troubleshooting.

To Enter Diagnostic Or Setup Mode:

1. Lower the boom and bucket to the ground or remove any attachment and rest the boom on the boom lock pins.
2. Turn "OFF" the ignition key.
3. Unbuckle the seat belt, raise your weight off the seat, and wait until all EIC lights are off.
4. While out of the seat, press and hold the "OPEN BOOK" switch, 2, sit in the seat and turn the ignition key to the "ON" position; Do Not engage the starter.
5. Display, 3, will show the program level of the EIC board (example - r0100); at this time, release the "OPEN BOOK" switch.
6. Display will show "LOC_ _" for lock.
7. Press and release the "ARROW" switch, 1; "dIAG" (for Diagnostic) will appear in the character display.
8. Press and release the "ARROW" switch again will move to the "SEtUP" mode in the display.

Pressing and holding the "OPEN BOOK" switch when in either mode will enter the selected mode for tests or changes to the EIC.



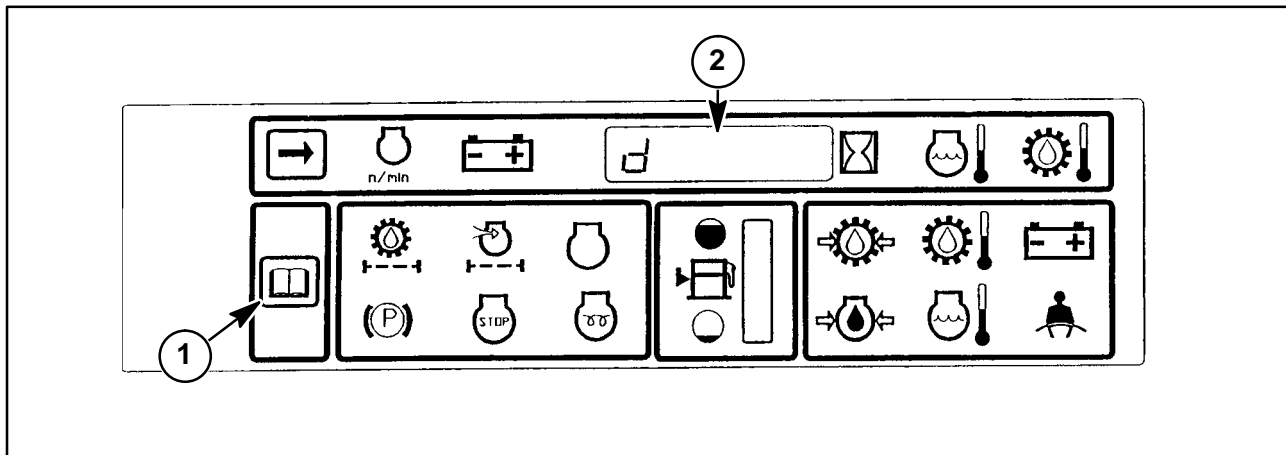
26

EIC Diagnostics and Setup Items

1. Press and release the "ARROW" switch, 1; "dIAG" will appear in the character display, 2.

Diagnostics Mode

With display showing "LOC_ _" for lock.



27

2. Press and hold the "OPEN BOOK" switch, 1, until a low case "d" appears in the character display, 2, release the "OPEN BOOK" switch. The EIC is now in Diagnostics.

Each individual monitored circuit can now be tested for proper operation.

When in Diagnostics and any circuit is activated the EIC board will light all lights and an audible alarm will sound.

The Diagnostic test will not verify the performance of a sensor or sender. Only the EIC board and wires to the sender or sensor are tested.

The following circuits can be tested:

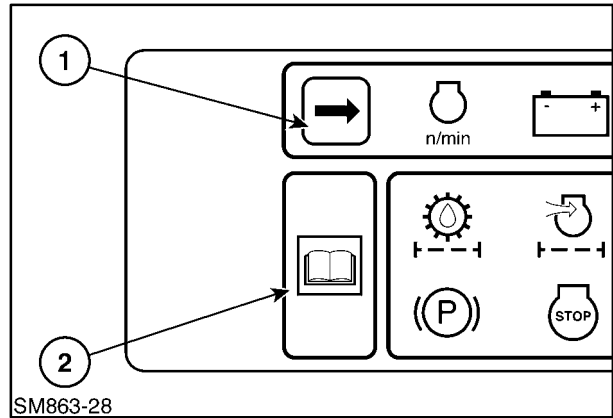
1. EIC board bulbs
2. EIC board circuits
3. EIC board arrow and open book switches
4. Audible beeper
5. Engine air filter circuit
6. Hydraulic oil filter circuit
7. Hydrostatic transmission charge pressure circuit
8. Engine oil pressure circuit
9. Engine Coolant temperature circuit
10. Transmission/hydraulic oil temperature circuit
11. Fuel level circuit
12. Seat switch(es) and circuit
13. Seat belt switch and circuit
14. Service/Run switch

ARROW, OPEN BOOK, AND AUDIBLE ALARM TEST

In this mode, by pressing the "ARROW," 1, or "OPEN BOOK," 2, switches, all of the display segments are turned on for verification and at the same time with an audible beep. If all segments do not light the circuit bulb or wires to the switches, sensors or senders may be defective.

To check the individual EIC board circuits and circuits to the switches, sensors, and senders, perform the following "EIC CIRCUIT TESTS".

Whenever any of the sensors or switches are toggled on or off, the EIC board will light and the audible alarm will briefly beep. This indicates that the wire to the sensor or switch is intact, but does not yield any information about the condition of the sensor.



SM863-28

28

DIAGNOSTIC MODE EIC CIRCUIT TESTS

To simulate a fault condition while in the diagnostic mode do the following:

NOTE: When in the diagnostic mode and a circuit is triggered, all the board lights will light up accompanied by an audible beep.

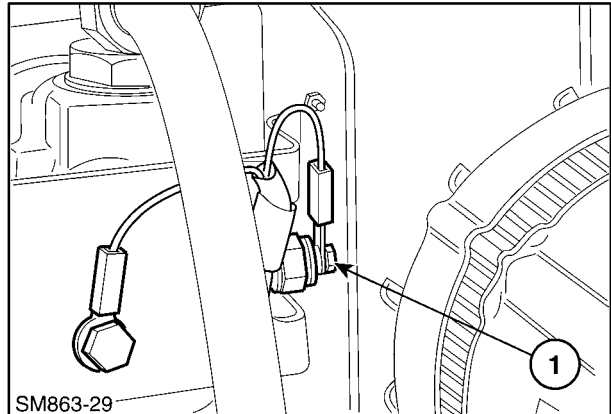
1. Hydraulic Oil Filter Restriction Switch



Remove the DKGN/O filter sensor wire, 1, from the sender.

The EIC board lights will all light up and the board will beep when this test is performed.

If the EIC board lights and beeps, the EIC and circuit wire to the sensor is OK. The problem is in the sensor; replace the sensor. If the EIC board fails to light and beep, check the wire from the sensor to the EIC board.



SM863-29

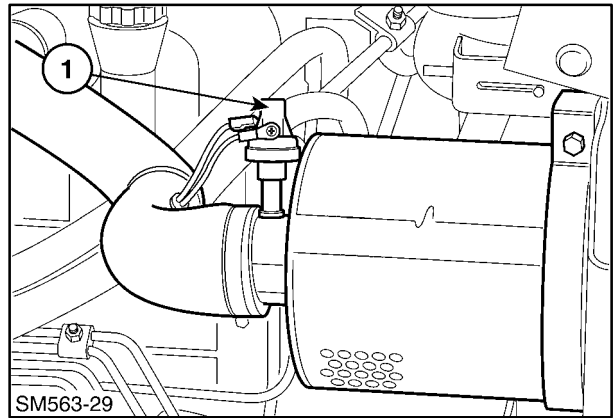
29

2. Air Cleaner Switch



Remove one wire at a time from the sensor switch, 1, on the air cleaner canister. Remove the B wire, and the EIC board will light and beep when the wire is removed from the switch. Remove the B/Y wire, and the EIC board will light and beep.

If the EIC board lights and beeps, the EIC and circuit wire to the sensor is OK. The problem is in the sensor; replace the sensor. If the EIC board fails to light and beep, check the wires from the sensors to the EIC board.



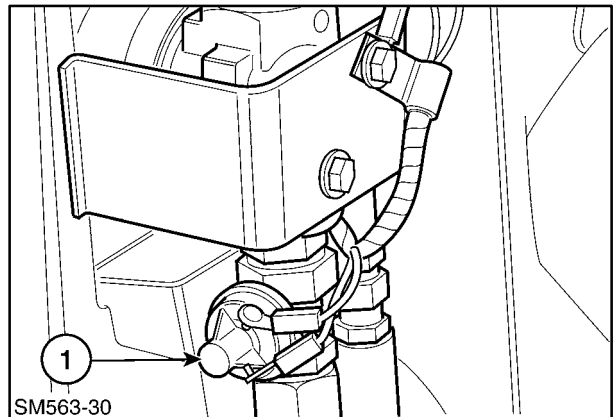
30

3. Hydrostatic Charge Pressure Switch, 1



Remove one wire at a time from the sensor switch at the charge check valve. Remove the Y/GY wire and the EIC board will light and beep. Remove the B wire and the EIC board will light and beep.

If the EIC board lights and beeps, the EIC and circuit wire to the sensor is OK. The problem is in the sensor; replace the sensor. If the EIC board fails to light and beep, check the wires from the sensor to the EIC board.



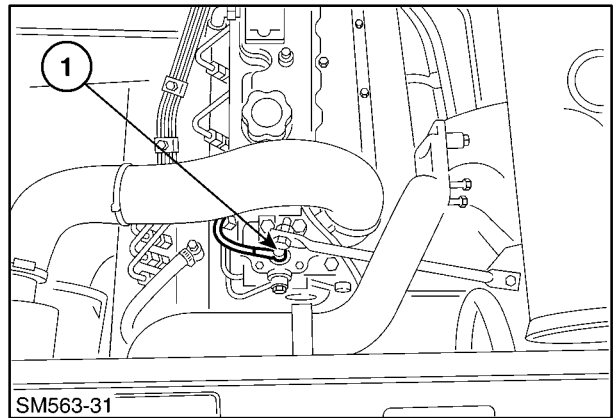
31

4. Engine Oil Pressure Sensor



Remove the Y/B wire, 1, from the sensor and the EIC board will light and beep.

If the EIC board lights and beeps, the EIC and circuit wire to the sensor is OK. The problem is in the sensor; replace the sensor. If the EIC board fails to light and beep, check the wires from the sensor to the EIC board.



32

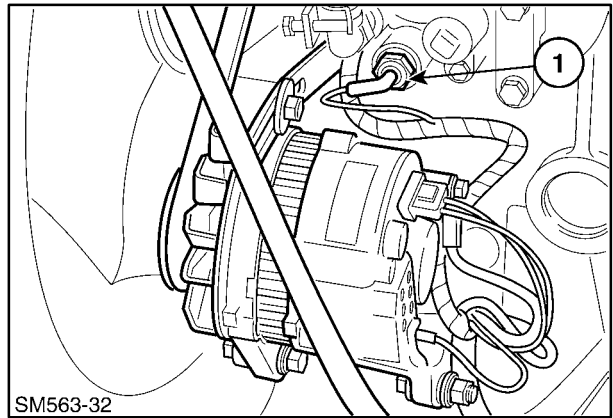
5. Coolant Temperature Sensor



Remove the PU/LTGN wire, 1, from the sensor and short the wire to ground.

The EIC board will light and beep when the wire is removed from the sender and grounded.

If the EIC board lights and beeps, the EIC and circuit wire to the sensor is OK. The problem is in the sensor; replace the sensor. If the EIC board fails to light and beep, check the wires from the sensor to the EIC board.



SM563-32

33

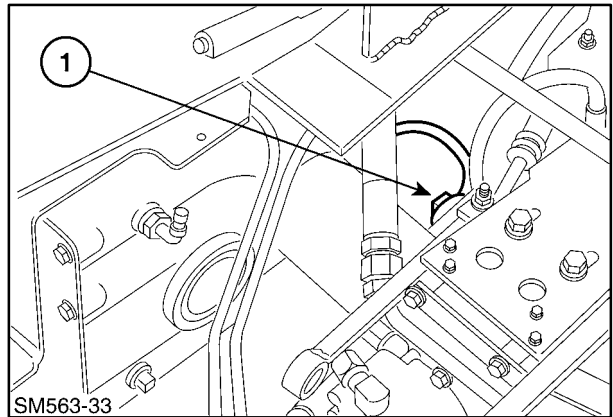
6. Transmission/Hydraulic Oil Temperature Sensor



Remove the PU/LTBL wire from the sensor, 1, and short the wire to ground.

The EIC board will light and beep when the wire is removed from the sender and grounded.

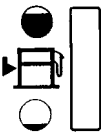
If the EIC board lights and beeps, the EIC and circuit wire to the sensor is OK. The problem is in the sensor; replace the sensor. If the EIC board fails to light and beep, check the wires from the sensor to the EIC board.



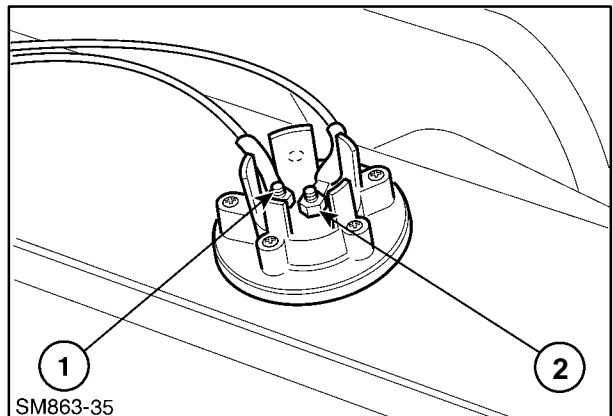
SM563-33

34

7. Fuel Gauge



Disconnect one wire, 1, and use a jumper wire and connect sender terminal to other terminal, 2, and the EIC board will light and beep. If the EIC board lights and beeps, the EIC and circuit wires to the sender are OK. If the EIC board fails to light, check the wires to the EIC board.

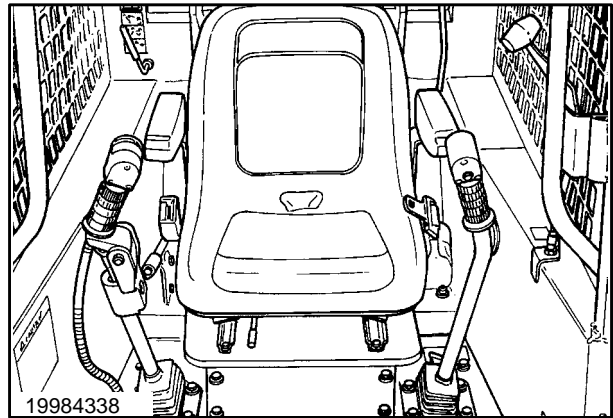


SM863-35

35

8. Seat Switch and Circuit

Raise your weight off the center of the seat and then sit back on the seat. The EIC board will light and beep. If the board lights and beeps, the switch and circuit are OK. If the board fails to light and beep, check the seat switch and circuit to the seat switch for battery voltage. If there is battery voltage to the switch, check the switch for operation and the circuit from the switch to the EIC board. If there is no battery voltage to the switch, check the circuit to the switch.

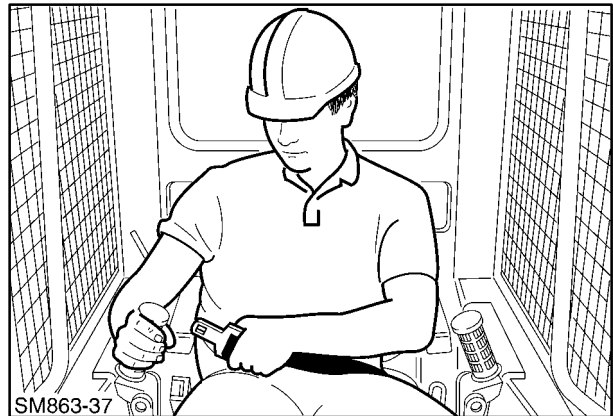


36

9. Seat Belt Switch and Circuit

The operator must be sitting in the seat.

Unbuckle and rebuckle the seat belt. The EIC board will light and beep. If the board lights and beeps, the switch and circuit are OK. If the board fails to light and beep, check the seat belt switch and circuit from the seat switch for battery voltage. If there is battery voltage to the switch, check the switch for operation and the circuit from the seat belt switch to the EIC board. If there is no battery voltage from the seat switch, check the seat switch for operation and the wire to the seat belt switch.



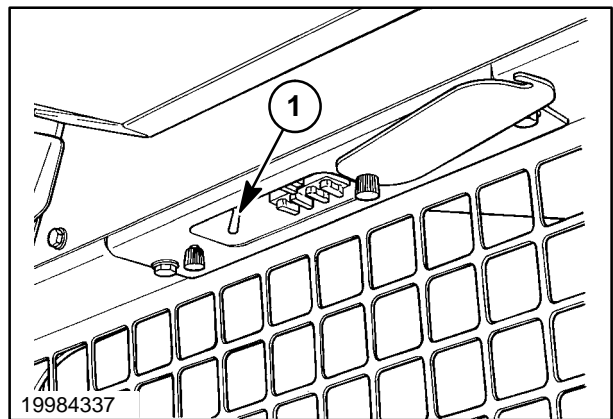
37

10. Service/Run Switch, 1

The operator must be sitting in the seat.

Switch between "SERVICE" and "RUN". The EIC board will light and beep. If the board fails to light and beep, check the switch and circuit for battery voltage.

To exit Diagnostics and move to the next item, press and hold the "ARROW" switch until "dIAG" is displayed in the character display, then release the switch. Pressing the "ARROW" switch again will move the EIC to the SETUP Mode. To exit and return to the Normal Operating Mode turn the ignition key switch to the "OFF" position.



38

EIC SETUP MODE

The EIC Setup Mode is made up of several items:

FAULt - Fault/Warning history

- Fault occurrence with hour level of last occurrence.

Eng 0 0 - Engine Code

- Set EIC to loader engine model.

Unit F or Unit C - Select Displayed Temperature Units, Fahrenheit or Celsius

- Temperature displayed in Metric (Celsius) or English (Fahrenheit).

r-CAL - Adjust Engine RPM

- Calibrate EIC display to external RPM tach reading.

CLr F - Clear Faults

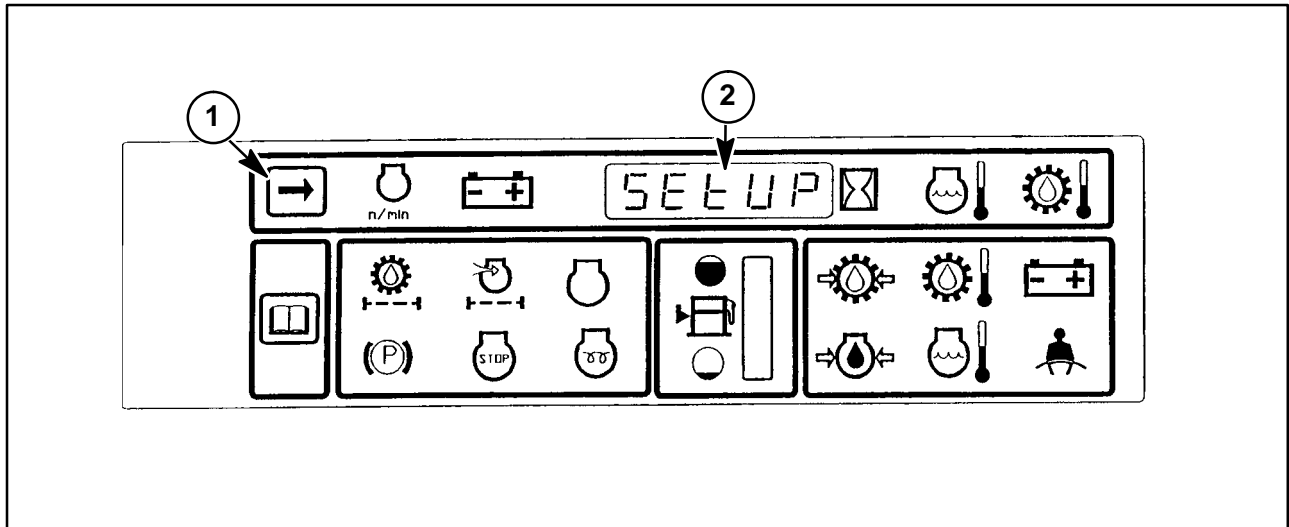
- Clear Faults to zero.

HourS - Adjust skid-steer loader hours

- Change unit hours when installing a new EIC board in a loader.

CLr E - Clear Memory

- Return EIC to original factory settings.
- Engine code reset to (01).
- Hours reset to (0000.0) zero.
- Temperature displayed (Fahrenheit).
- Engine RPM calibration cleared.

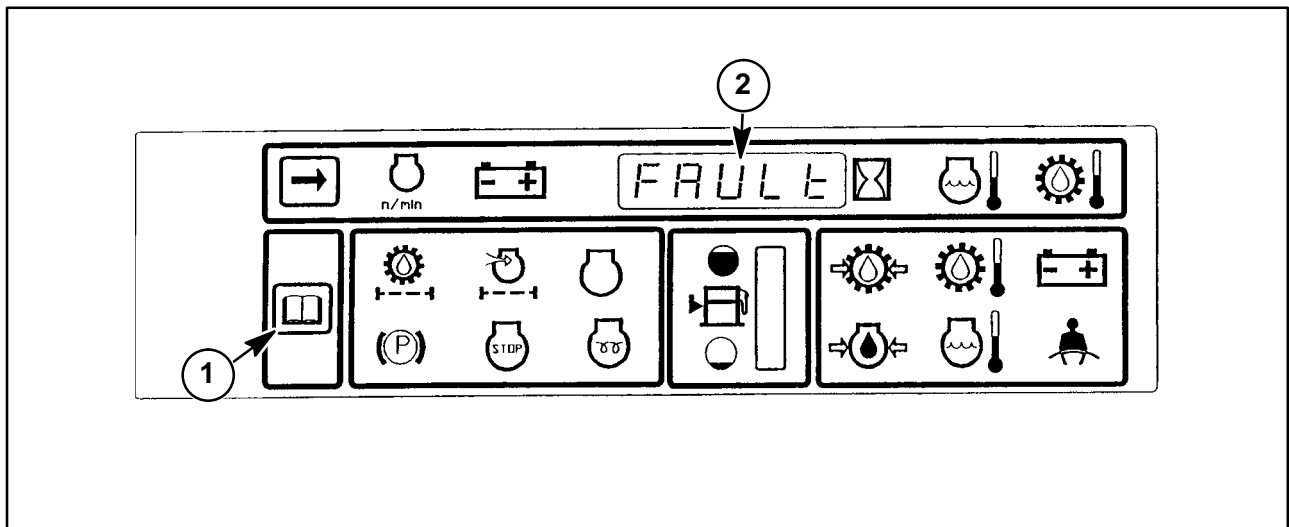


39

FAULT - Fault/Warning history

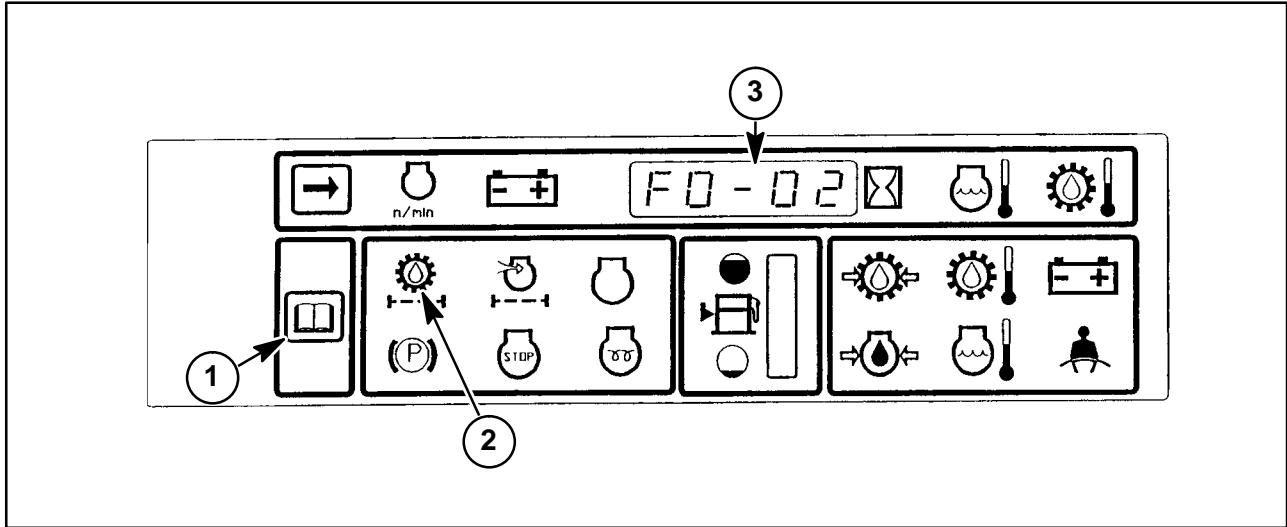
With display showing "LOC_ _" for lock.

1. Press and release the "ARROW" switch, 1; "dIAG" will appear in the character display. Then press and release the "ARROW" switch again; "SEtUP" will appear in the display, 2.



40

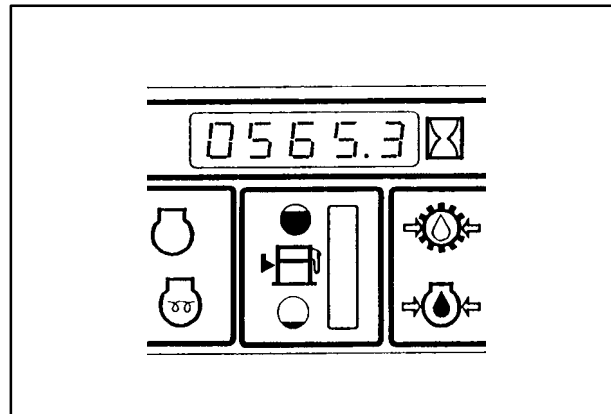
2. Press and hold the "OPEN BOOK" switch, 1, until "FAULT" appears in the character display, 2.



41

Press and hold the "OPEN BOOK" switch, 1, until "F0-XX" appears in the display. The "F0" is the fault and the "XX" is the number of occurrences of that fault since the fault memory was last cleared. The fault code display will be accompanied by an illuminated front panel symbol identifying the fault. Thus, "F0" is identified via the illuminated oil filter symbol, 2, example "F0-02" is showing in display, 3, F0 code with 02 occurrences.

Press and release the "OPEN BOOK" switch will display the hour of the last occurrence, for this code, example "0565.3" hours. Pressing and releasing the "OPEN BOOK" switch will return the EIC to the fault code.

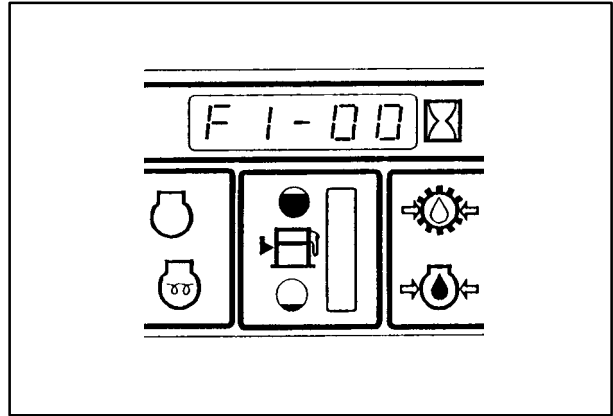


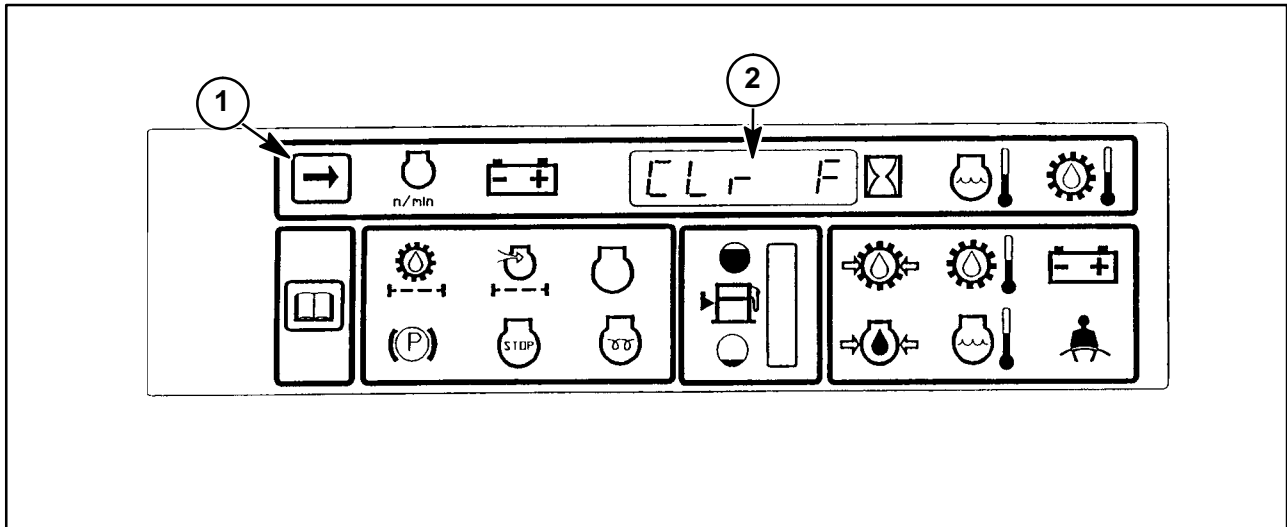
42

SECTION 55 - ELECTRICAL SYSTEM

Pressing and releasing the "ARROW" switch again will forward to the next fault "F1-00" and pressing and releasing the "OPEN BOOK" switch again will display the hour of the last occurrence if any fault occurrences were shown. Use this procedure to go through all the fault codes:

| FAULT CODES | FAULT | SYMBOL LIGHT |
|-------------|--|-----------------------|
| F0-00 | Hydraulic oil filter | Oil filter |
| F1-00 | Engine air cleaner | Air cleaner |
| F2-00 | Not used | Blank |
| F3-00 | Engine preheat | Preheat |
| F4-00 | Fuel solenoid | Fuel level bar lights |
| F5-00 | Engine coolant temperature | Engine coolant |
| F6-00 | Hydrostatic transmission charge pressure | Charge pressure |
| F7-00 | Transmission/Hydraulic oil temperature | Oil temperature |
| F8-00 | Battery voltage | Battery |
| F9-00 | Engine oil pressure | Oil pressure |
| FA-00 | Hydraulic boom/bucket solenoid | Seat belt |



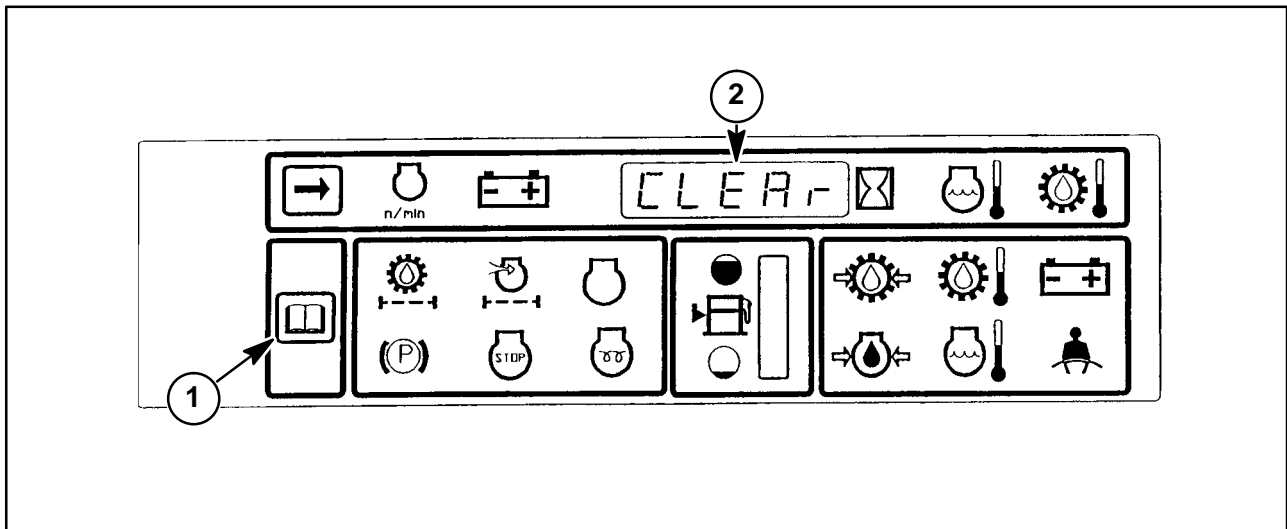


44

Once all faults have been identified, the fault history can be cleared to zero.

To return to "FAULT" and clear the faults, press and hold the "ARROW" switch, 1, until the original "FAULT" item is displayed in the character display.

Press and release the "ARROW" switch, 1, until "CLR F" appears in the character display, 2.



45

Press and hold the "OPEN BOOK" switch, 1, until "CLEAR" appears in the display, 2. Then release the switch to clear all fault occurrences from the fault history memory.

To exit this item, press and hold the "ARROW" switch to return to the "SEtUP" mode, or turn the ignition key switch to the "OFF" position to return the EIC to the Normal Operating Mode.

Eng 00 - Engine Code

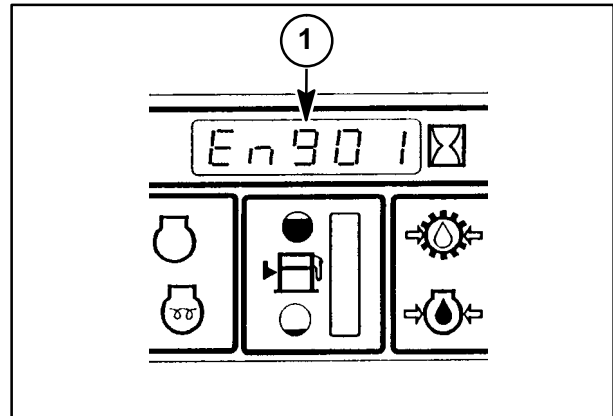
With display showing "LOC_ _" for lock:

1. Press and release the "ARROW" switch; "dIAG" will appear in the character display. Then press and release the "ARROW" switch again; "SEtUP" will appear in the display.
2. Press and hold the "OPEN BOOK" switch until "FAULT" appears in the character display; release switch.
3. Press and release the "ARROW" switch until "EngXX" (XX=current engine code) appears in the display, 1.
4. Press and hold the "OPEN BOOK" switch until the left digit starts to flash; release switch.
5. Press and release the "OPEN BOOK" to enter a zero (0) into the left digit of the engine code.
6. Press and release the "ARROW" switch; the right digit will flash.
7. Press and release the "OPEN BOOK" switch to enter the right number of the engine code (Example "Eng 01" for the LS160 and LS170 skid steers is shown in display 1).

The engine code is as follows:

01 - LS160, LS170

To exit this item, press and hold the "ARROW" switch two times to return to the "SEtUP" mode item list, or turn the ignition key switch to the "OFF" position to return the EIC to the normal operating mode.

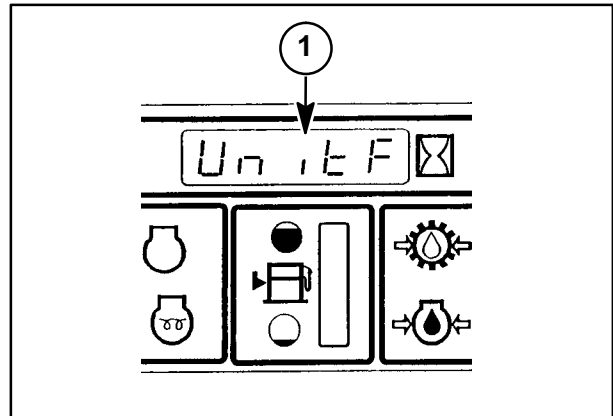


Unit F or Unit C (EIC Reading Fahrenheit or Celsius)

With display showing "LOC_ _" for lock.

1. Press and release the "ARROW" switch; "dIAG" will appear in the character display. Then press and release the "ARROW" switch again; "SEtUP" will appear in the display.
2. Press and hold the "OPEN BOOK" switch until "FAULT" appears in the character display; release switch.
3. Press and release the "ARROW" switch until "Unit F" or "Unit C" appears in the character display, 1.
4. Press and hold the "OPEN BOOK" switch until the rightmost letter flashes, then release the switch.
5. Press and release the "OPEN BOOK" to change from C to F or F to C.
 - Unit F will read temperature degrees in Fahrenheit
 - Unit C will read temperature degrees in Celsius

To exit this item press and hold the "ARROW" switch two times to return to the "SEtUP" mode item list or turn the ignition key switch to the "OFF" position to return the EIC to the Normal Operating Mode.

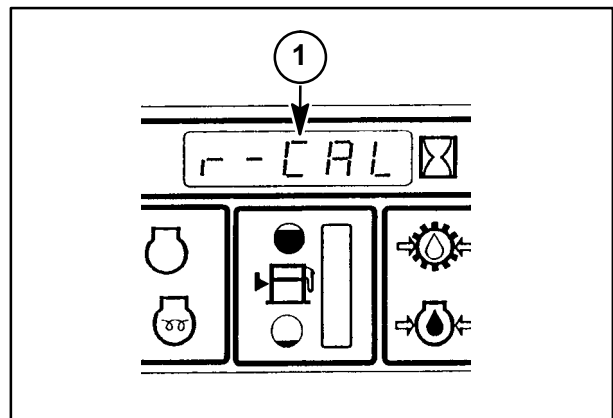


47

r-CAL - Adjust Engine RPMS

With display showing "LOC_ _" for lock.

1. Press and release the "ARROW" switch; "dIAG" will appear in the character display. Then press and release the "ARROW" switch again; "SEtUP" will appear in the display.
2. Press and hold the "OPEN BOOK" switch until "FAULT" appears in the character display, release switch.
3. Press and release the "ARROW" switch until "r-CAL" appears in the character display, 1.



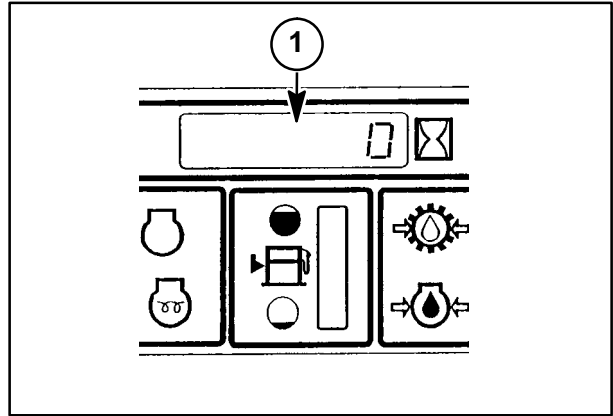
48

4. Press and hold the "OPEN BOOK" switch until all zeros are displayed in the character display. Upon releasing of the switch only the right zero will be showing in display, 1.
5. Buckle the seat belt and start the engine. Using a hand held photo-tach or other accurate measuring device, check the engine RPM at high idle (full throttle). Compare the hand held tach reading to the EIC RPM reading.
6. Press and release the "OPEN BOOK" or "ARROW" switches to change the EIC reading to match the tach at high idle. Pressing the "OPEN BOOK" switch will decrease the reading and pressing the "ARROW" switch will increase the reading.

For best results, RPM should be calibrated at full throttle only.

NOTE: The "OPEN BOOK" or "ARROW" switches may have to be pressed multiple times to change the reading, this is normal. When changing the high idle reading, the low idle reading will have a slight change.

To exit this item, turn the ignition key switch to the "OFF" position to return the EIC to the Normal Operating Mode.

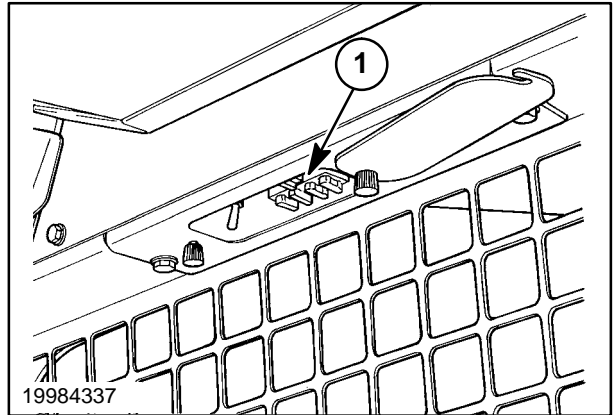


ELECTRONIC INSTRUMENT CLUSTER (EIC) AND STARTER CIRCUITS:

BLOWN FUSE SYMPTOMS AND TESTING

**Electronic Ignition Fuse, 1
(Cab Fuse Panel - 5A)
Service/Run Switch "Run" Position**

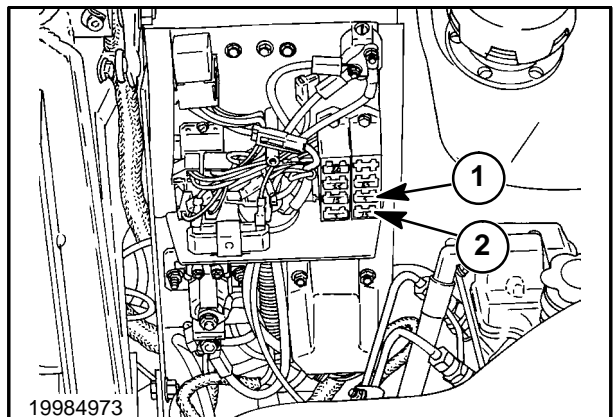
1. Board shows self test (with operator in seat).
2. Board shows 5.2 volts.
3. Board seat belt and park brake lights will flash.
4. Board seat belt light will go off when seat belt is buckled. Park brake light will still flash.
5. Key "ON" position - board will show 5.2 volts and no preheat cycle.
6. Engine will crank but will not start.
7. Toggle Service/Run switch to "SERVICE" position - unit will start.



50

**Electronic Battery Fuse, 1
(Engine Fuse Panel - 5A)
Service/Run Switch "Run" Position**

1. When operator sits in seat, the board will not power up - no readings.
2. Unit will not crank.
3. Toggle Service/Run Switch to - "SERVICE" position - unit will crank and may start if engine is warm, NO preheat is available.



51

**Key Main Fuse, 2
(Engine Fuse Panel - 15A)
Service/Run Switch "Run" Position**

1. Board will power up and self test.
2. Board seat belt and park brake lights will flash.
3. Board seat belt light will go off when seat belt is buckled; the park brake light will still flash.
4. Key on - system dead.
5. Toggle Service/Run Switch to "SERVICE" position - system dead.

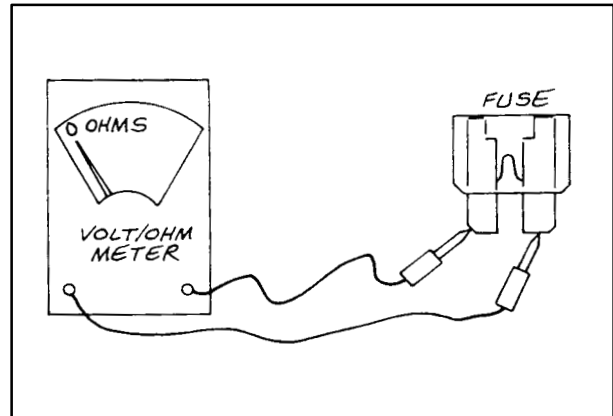
IMPORTANT: If any servicing or adjustments require the battery to be disconnected, or welding is required on the skid-steer loader, disconnect the negative (-) ground cable. Failure to disconnect the battery may result in damage to the EIC (Electronic Instrument Cluster) monitoring system and other electrical components.

IMPORTANT: If the EIC requires removal from the dash area or the skid-steer loader, disconnect the negative (-) ground battery cable. This will shut off power to the EIC and prevent damage to the EIC board, or prevent blowing the 5-amp fuses, if the board is accidentally grounded.

IMPORTANT: Do not use magnetized tools while working around the EIC board or damage to the EIC may occur.

To test for a blown fuse, remove the fuse from the fuse block and visually examine the fuse link. If the fuse link is blown, replace the fuse.

If the fuse link appears OK, check the fuse with an ohmmeter and check for continuity across the fuse legs; if there is continuity, the fuse is OK.



TESTING OTHER EIC FUNCTIONS

NOTE: These tests are performed with the EIC in the normal operating mode and the "SERVICE/RUN" switch in the "RUN" position.

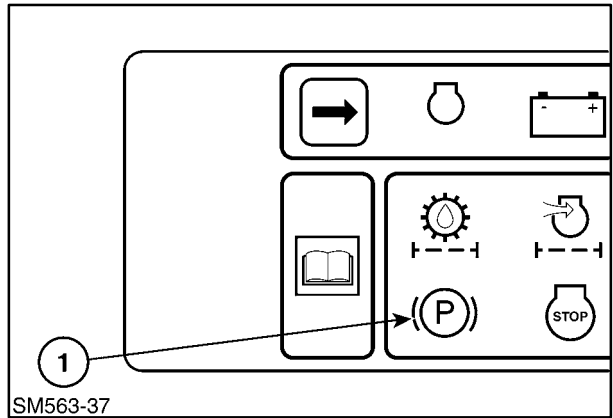
1. Parking Brake Light



Sit in the seat with the seat belt buckled. After the EIC board self test, the parking brake light, 1, should flash. Turn the ignition key to the "ON" position and the light should go off. If the light fails to go off, check the 5-amp fuse in the cab fuse panel.

When exiting the loader, the light should flash for about 2 seconds after the seat belt is unbuckled and the operator is out of the seat.

If the light does not flash when the seat belt is unbuckled, check operation of the seat belt switch and the seat switch.



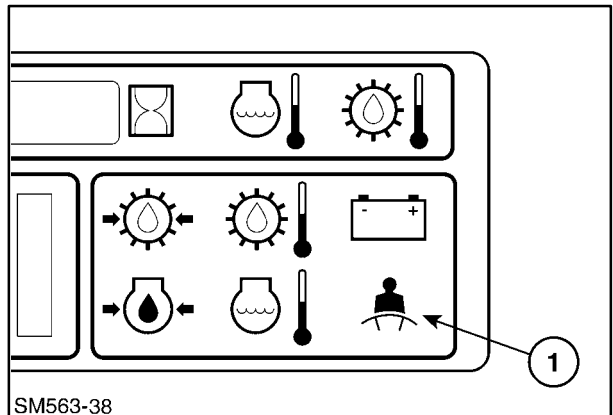
53

2. Seat Belt Light



Sit in the seat. After the EIC board self tests, the seat belt light, 1, will flash until the seat belt is buckled.

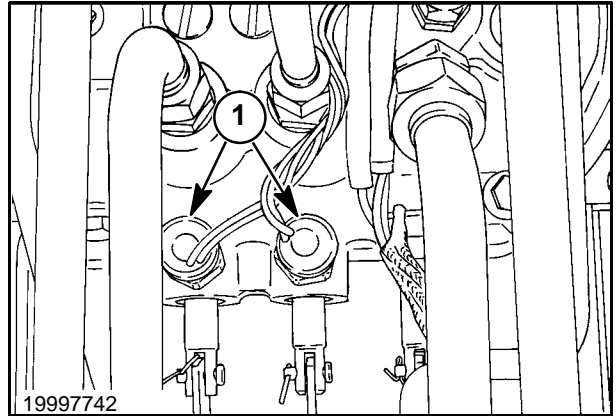
If the light continues to flash after the seat belt is buckled, check operation of the seat belt switch.



54

3. Boom and Bucket Spool Locks, 1
(Control valve spools in neutral and boom and bucket resting on the ground)

- a. Sit in the seat. After the EIC board self tests, turn the ignition switch to the "ON" position. The boom and bucket controls should not move. If OK, go to the next step. If the controls can be moved, check the solenoids for operation and check the control linkage and valve spool centering for binding causing the spools not to center to the neutral position.
- b. Sit in the seat, buckle the seat belt and try moving the boom and bucket controls. The controls should not move. If OK, go to the next step. If the controls can be moved, check the solenoids for operation and check the control linkage and valve spool centering for binding causing the spools not to center to the neutral position.
- c. Sit in the seat, buckle the seat belt, and turn the ignition switch to the "ON" position. If the controls move allowing boom and bucket operation, go to the next step. If the controls do not move, check the solenoids for operation and for battery voltage at the solenoids.
- d. Sit in the seat, buckle the seat belt, and turn the ignition switch to the "ON" position. Move the controls and return the controls to the centered (neutral) position. Unbuckle the seat belt. Try moving the controls; they should be locked. Rebuckle the seat belt; the controls should move allowing boom and bucket movement.

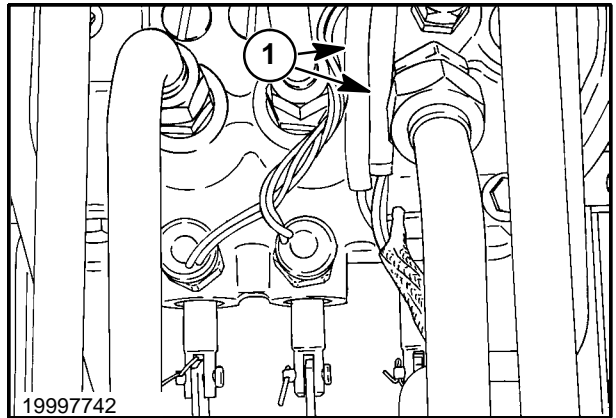


4. Boom and Bucket Spool Lock Solenoid Test

(Voltage Test)

To perform the following test, the operator must be sitting in the seat, seat belt buckled, and the ignition "key" switch in the "RUN" position.

- a. Unplug one solenoid at a time and check for battery voltage at the main wire harness connector, 1, between the PK/LTBL wire side of the connector and the B wire side of the connector. If there is battery voltage, proceed to checking solenoid resistance.
- b. If there is no battery voltage between the PK/LTBL wire and the B wire, check for battery voltage between the PK/LTBL wire and frame ground. If there is battery voltage, check the "B" ground wire of the solenoid circuit for open circuit. If there is no battery voltage, check the PK/LTBL power wire for an open circuit.



56

(Ohms Test)

With the ignition "key" switch in the "OFF" position:

- a. Unplug one solenoid at a time, 1, and check ohms resistance of the solenoid coils, 15 to 18 ohm range.
- b. If solenoid coils are not within the ohms resistance range, 15 to 18 ohms, replace the solenoid coil.

EIC BOARD READING ACCURACY

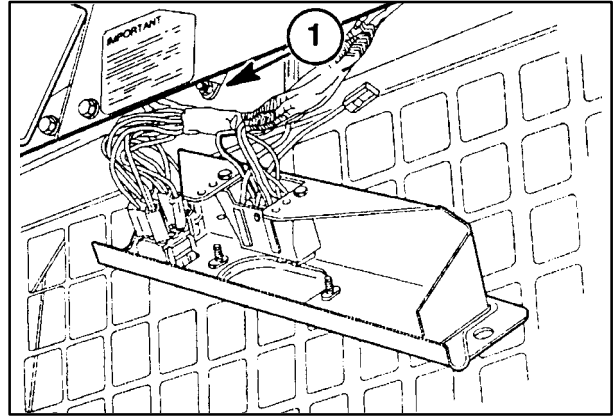
EIC board readings for the digital display, including RPM, Battery Voltage, Hourmeter, Engine Coolant Temperature, or Hydraulic Oil Temperature may not be accurate or may have no reading when selected.

Complaints usually follow installation of an optional kit or customer-installed option, or complaints can arise after a machine repair such as engine overhaul or cab tilting. However, occasionally a concern on a standard machine with no modifications is reported.

If the EIC board was operating correctly before any repair or kit installation occurred, the possible cause may be improper electrical system grounding. If working on a new machine, grounding points should be checked before any replacement of components is considered.

THE ONLY ACCEPTABLE GROUND POINTS IN THE CAB AREA ARE TO THE GROUND STUD ON THE ROPS RIGHT SIDE NEAR ELECTRICAL PANEL, 1, OR TO THE AUXILIARY POWER KIT SOCKET WHICH IS WIRED TO THE BELL HOUSING GROUND. NO ACCESSORIES MAY BE GROUNDED TO THE CAB INTERLINER ON THESE skid steers BECAUSE SOME OR ALL OF THE CURRENT COULD PASS THROUGH THE EIC.

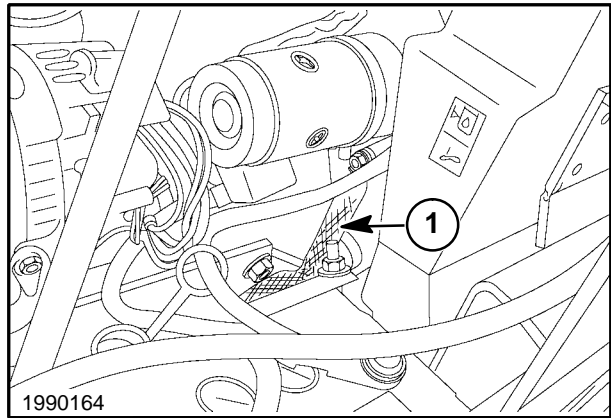
NOTE: When attaching ground wires to the cab ground stud, always place the heaviest ground wire next to the ground surface and then stack the remaining ground wires according to wire size, largest on the bottom and smallest last.



SECTION 55 - ELECTRICAL SYSTEM

All grounding locations should be checked for tight hardware and absence of paint between parts for good connecting, as follows:

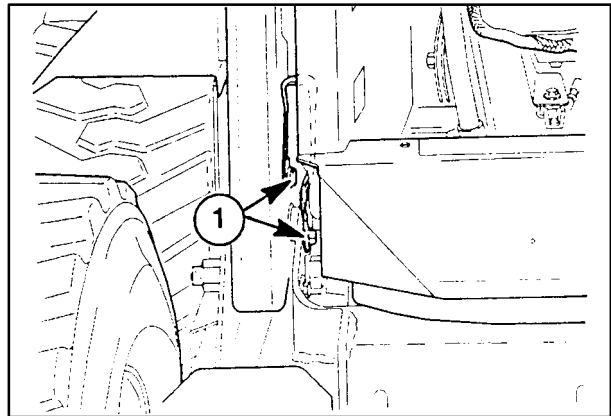
1. Check the grounding strap from the engine to main frame, 1.
2. Check the wiring harness from the EIC to the bell housing.



58

3. Check the grounding strap from the cab ROPS structure to main frame, 1.

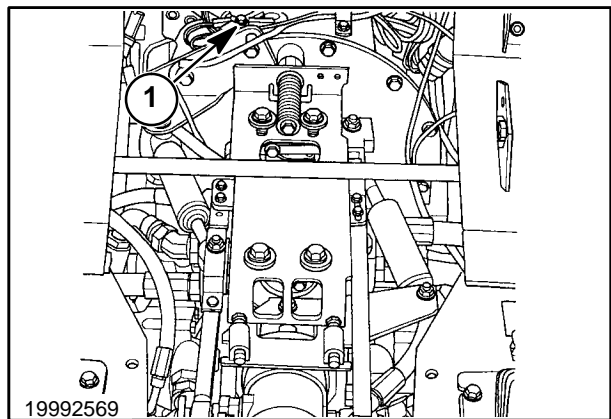
On the grounding strap from the ROPS to the main frame, be sure the strap is attached between the ROPS and the main frame (yellow lower frame). DO NOT attach the strap between the cab interliner (cab side screen sections) and the main frame, as the cab interliner on these skid steers is rubber-mounted to the ROPS and, therefore, insulated from the ROPS. However, a second strap may be added between the cab interliner and the main frame and should cause no ill effect.



59

4. Check the wiring harness grounds to the bell housing, 1.

NOTE: When attaching multiple ground wires, always place the heaviest ground wire (battery ground cable) next to the ground surface (bell housing). Stack the remaining ground wires according to wire size, largest on the bottom and smallest last. Two wires in a terminal are considered to be larger than a single wire of the same size.



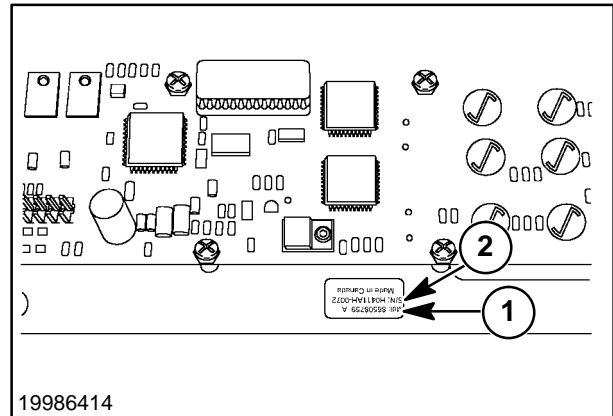
60

EIC BOARD CLAIMS WARRANTY

When filing a warranty claim for a defective EIC (Electronic Instrument Cluster) board, include the part number and serial number on the white tag of the defective board.

The EIC board part number, 1, and this number must be used as the causal part number.

Also include the EIC board serial number located at 2, in the description of failure section of the warranty claim, along with a description of the type of EIC board failure.



61

Handling the EIC Board

The EIC board is shipped in an anti-static bag and box. The board must be kept in this bag and box, until required for a repair, to prevent damage to the EIC board.

When returning the EIC board for warranty or repair, it must be returned in the anti-static bag and box to prevent damage.

When installing a new EIC board, always disconnect the negative battery cable to prevent damage to the board from accidental grounding.

The board versions listed below are the EIC boards used on skid steers.

DO NOT replace a prior version board unless it is defective.

Troubleshoot any problems and only replace the board if it is determined to be the problem.

Boards returned as warranty and determined not to be defective will be debited back. All EIC boards claimed as warranty must be returned for review.

ELECTRICAL CIRCUITS**EIC (ELECTRONIC INSTRUMENT CLUSTER)**

The EIC board receives power from five different points.

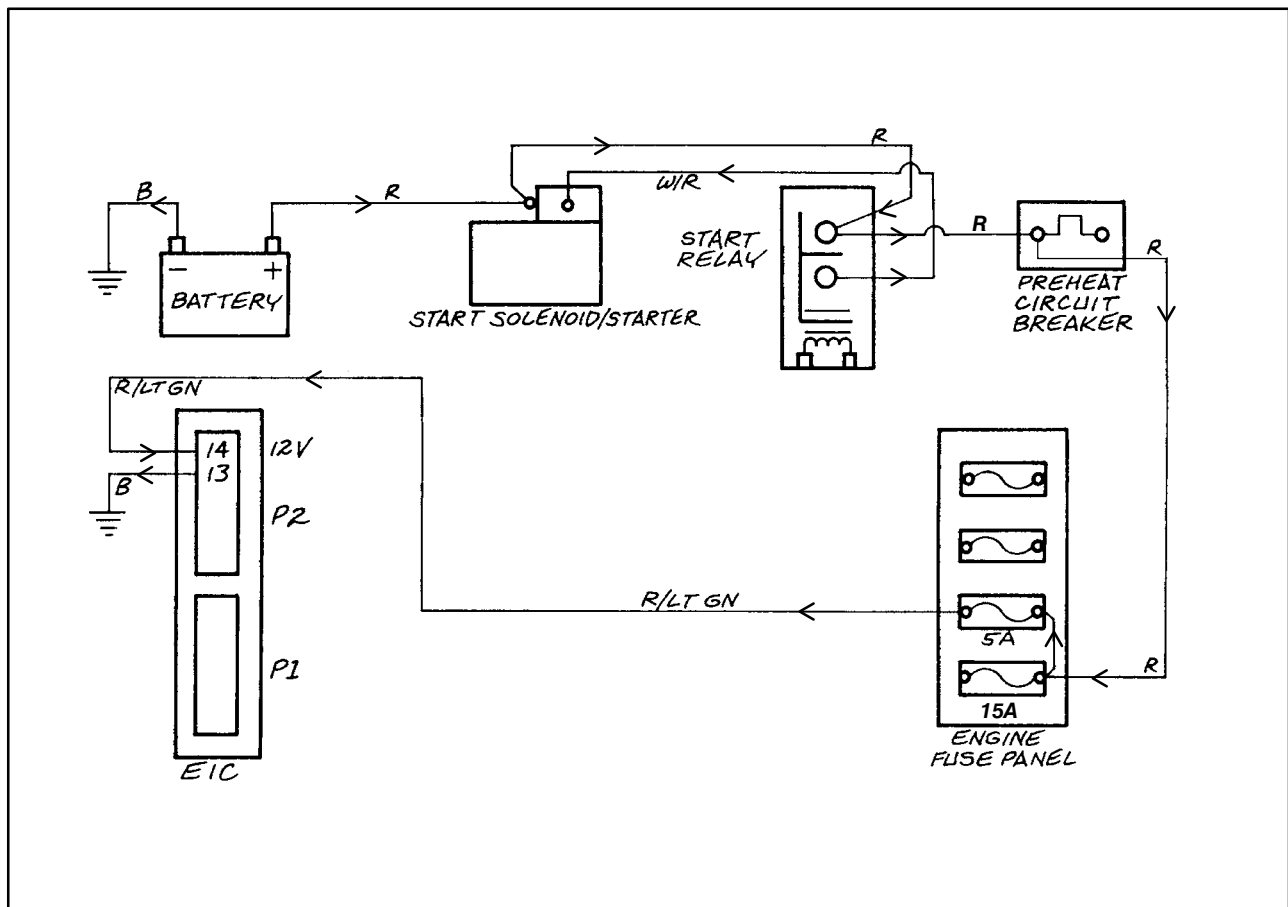
1. Main power circuit, 12-volt battery, from the 5-amp fuse in the engine fuse panel.
2. The ignition switch, 12-volt ignition circuit.
3. Seat switch circuit.
4. The seat belt switch circuit.
5. The ignition switch, 12-volt accessory circuit.

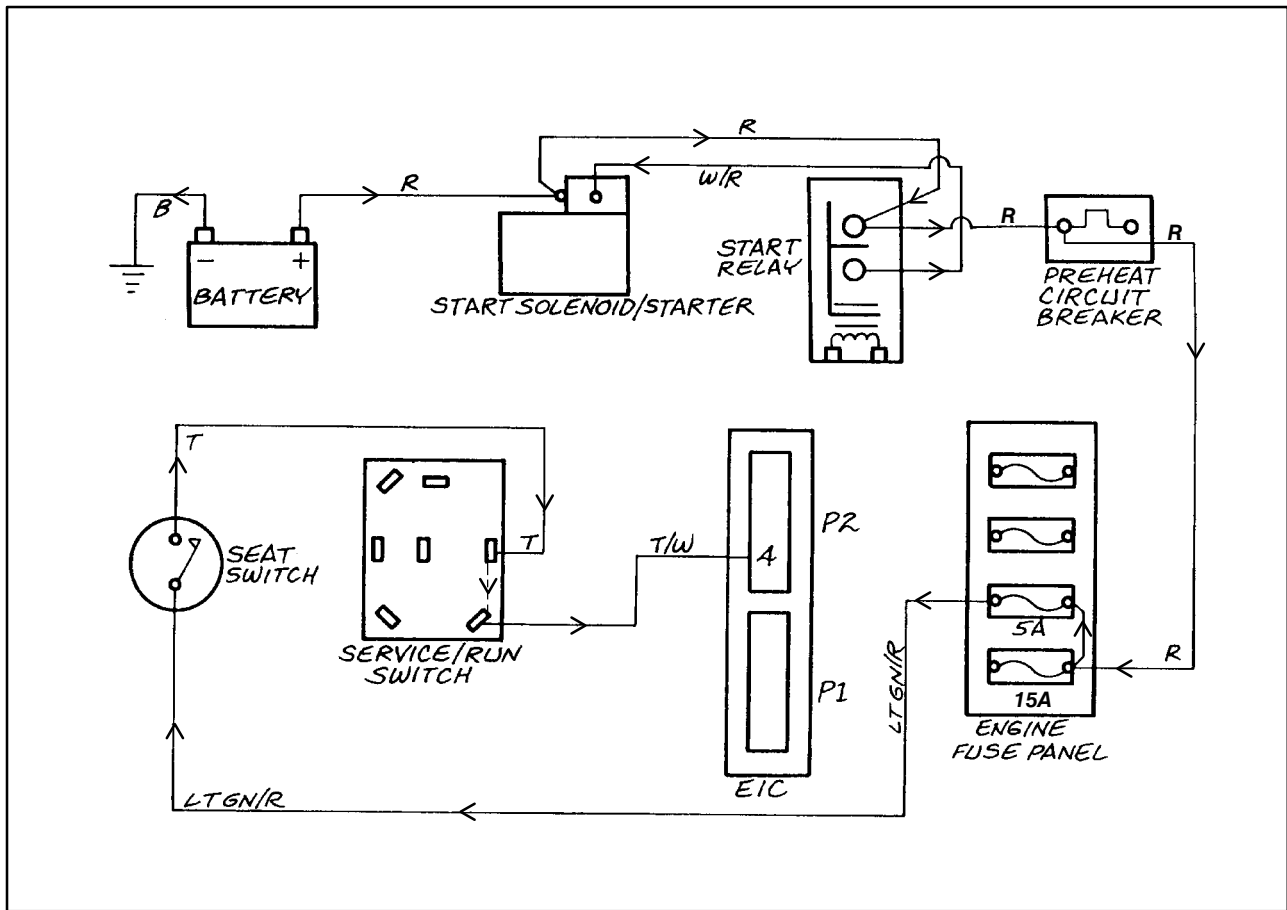
MAIN POWER CIRCUIT TO EIC BOARD**Battery voltage**

The power originates at the battery and proceeds through the (R) battery cable to the starter solenoid. From there power continues through the (R) wire to the battery side of the start relay. The power continues through the (R) wire to the preheat circuit breaker, then through the (R) wire to the engine fuse panel (standard fuse block), battery side of the key main 15-amp fuse with a terminal bus to the battery side of the electronics 5A fuse. The power continues through the (R/LTGN) wire to pin number 14 of connector P2 (12-volt battery terminal) at the EIC board.

EIC BOARD GROUND CIRCUIT

The EIC board is grounded from connector P2 terminal 13 through the (B) wire to the engine ground at the bell housing.





63

SEAT SWITCH CIRCUIT TO EIC BOARD

Battery voltage

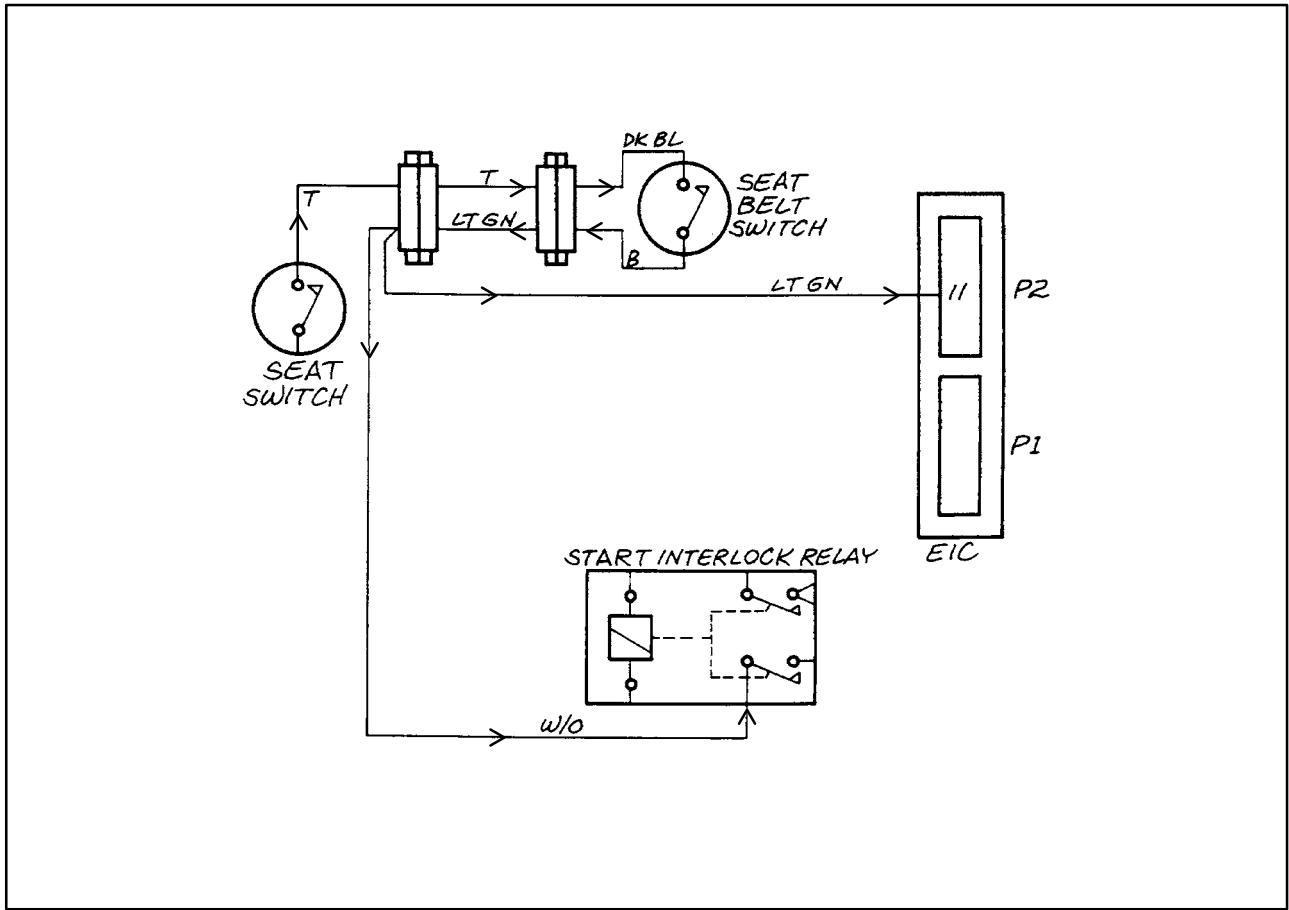
The power originates at the battery and proceeds through the (R) battery cable to the starter solenoid.

From there power continues through the (R) wire to the battery side of the start relay.

The power continues through the (R) wire to the preheat circuit breaker, then through the (R) wire to the engine fuse panel (standard fuse block) battery side of the key main 15-amp fuse with a terminal bus to the battery side of the electronics 5A fuse.

The power continues through the (LTGN/R) wire to the seat switch. When one seat switch (only 1 switch needs to be closed as switches are in parallel wiring) is pressed closed, the power then continues through the (T) wire to the Service/Run switch. When the service/run switch is in the "SERVICE" position, the power stops.

With the Service/Run switch in the "RUN" position, the power continues through the (T/W) wire to the EIC board terminal 4 of connector P2.



64

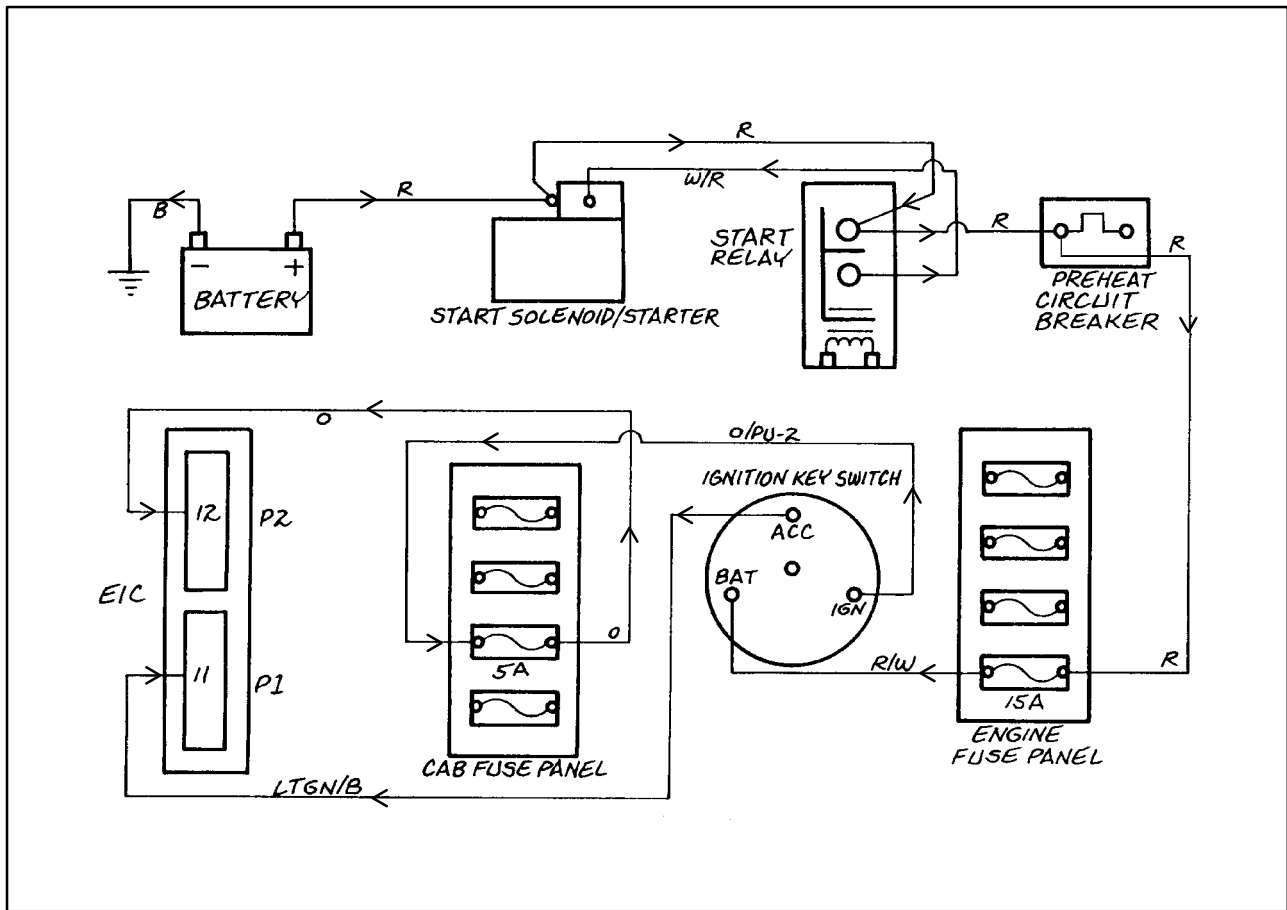
SEAT BELT SWITCH CIRCUIT TO EIC BOARD

When the seat belt is buckled, the power proceeds through the (LTGN) wire to the EIC board terminal 11 of connector P2.

Battery voltage

The power originates from the seat switch(es) through the (T) wire to the seat belt switch.

When the seat belt is buckled, power is sent through the (W/O) wire to the start interlock relay. This allows the unit to start when the seat belt is buckled.



65

IGNITION SWITCH CIRCUIT TO EIC BOARD

Battery voltage

The power originates at the battery and proceeds through the (R) battery cable to the starter solenoid.

From there power continues through the (R) wire to the battery side of the start relay.

The power continues through the (R) wire to the preheat circuit breaker, then through the (R) wire to the engine fuse panel (standard fuse block) battery side of the key main 15-amp fuse.

The power continues through the (R/W) wire to the battery terminal of the ignition switch.

When the ignition key switch is turned to the "ON" position, power continues through the (O/PU-2) wire to the Electronics 5-amp fuse in the cab fuse panel.

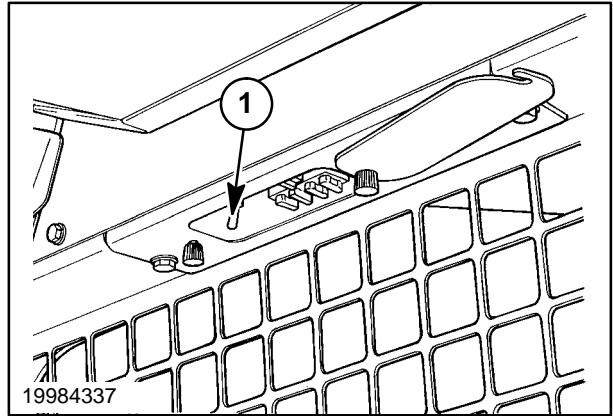
The power continues through the (O) wire to terminal 12 of connector P2 at the EIC board.

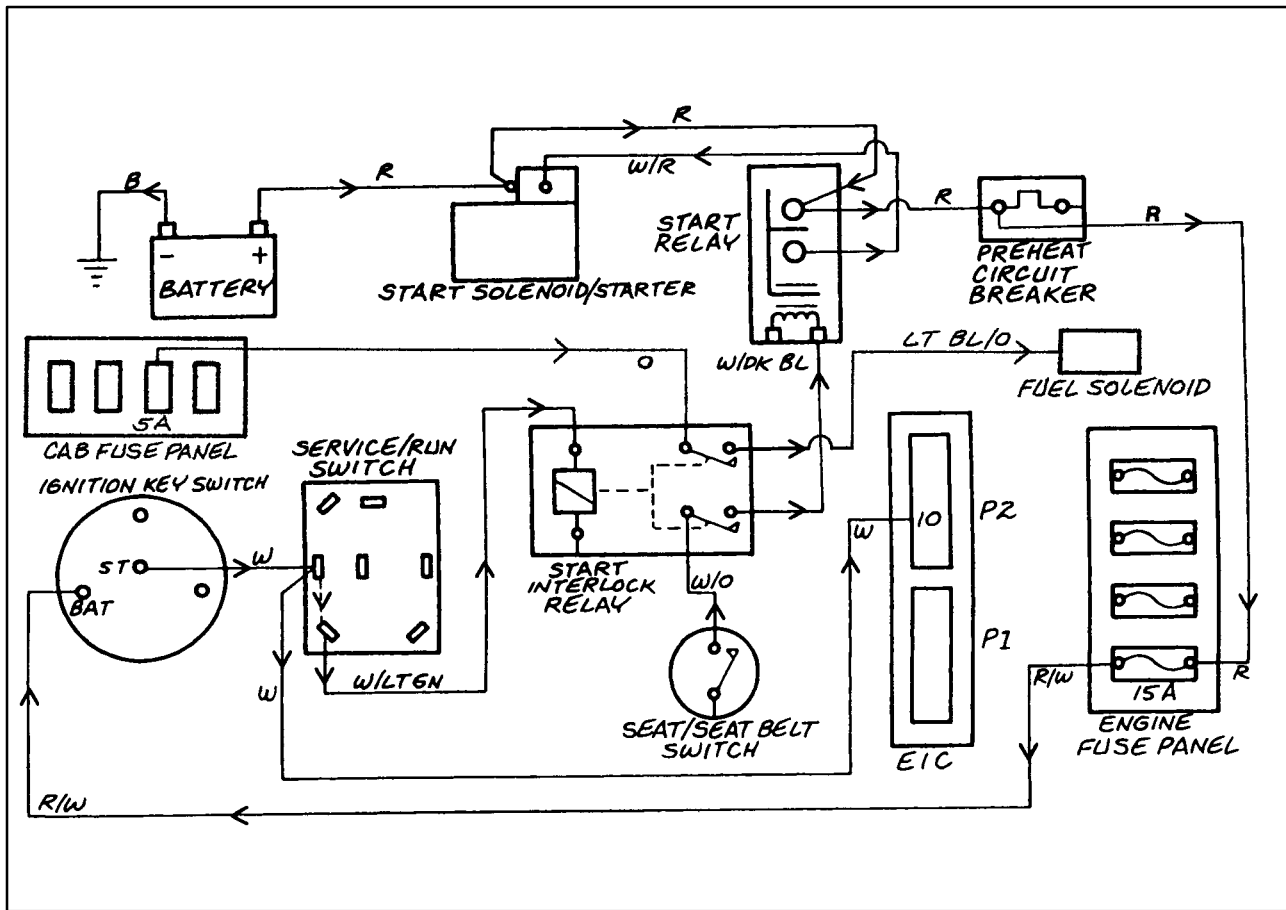
NOTE: Also, with Key Switch "ON" Engine "OFF," voltage travels from the switch "ACC" terminal via the LTGN/B wire to terminal 11 of connector P1 to provide a warning of Key "ON" should the operator exit the loader.

CRANKING CIRCUIT (STARTER MOTOR)

Operating conditions with "SERVICE/RUN" switch in the "RUN" position:

To start the engine with the "SERVICE/RUN" switch in the "RUN" position, 1, the operator must be in the seat with the seat belt buckled. Then turn the key switch to the "START" position to activate the starter.





67

“SERVICE/RUN” SWITCH IN THE “RUN” POSITION

The power originates at the battery and flows through the (R) positive battery cable to the starter solenoid. From here the power flows through the (R) wire to the battery side of the start relay.

The power then flows through the (R) wire to the preheat circuit breaker and to the engine fuse panel to the 15A key main fuse.

The power then flows through the (R/W) wire to the battery terminal on the ignition key switch.

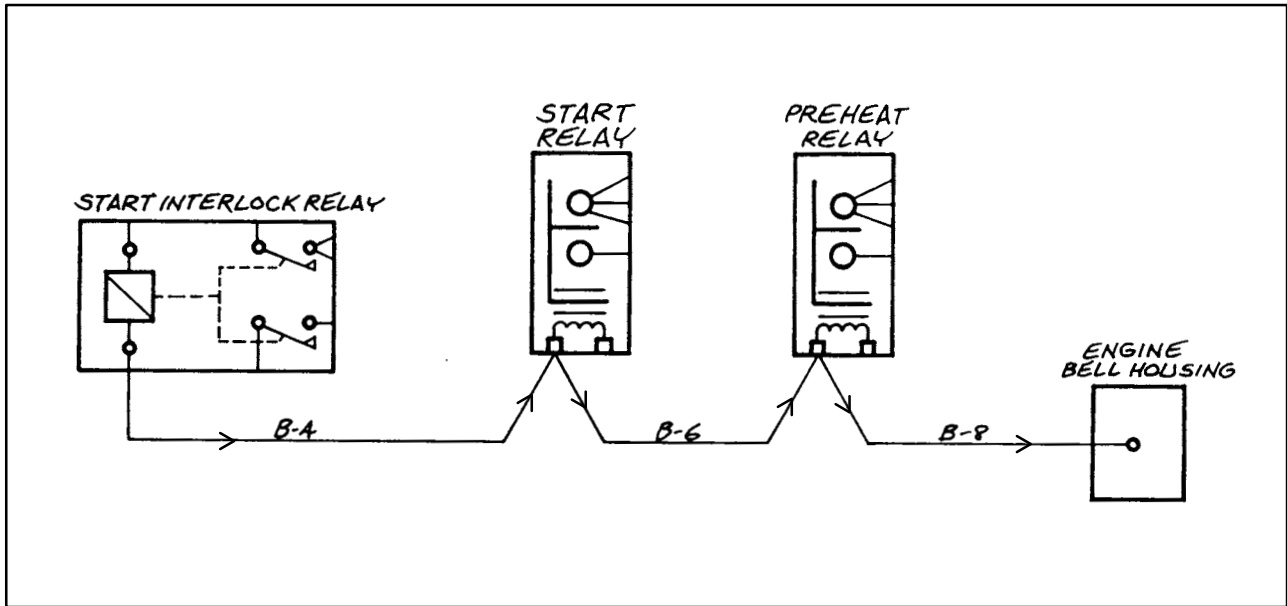
With the key switch in the “START” position, current flows through the (W) wire to the service/run switch. Power also flows through the (W) wire to connector P2 terminal 10-key start at the EIC board.

Power then flows from the service/run switch through the (W/LTGN) wire to the start interlock relay coil terminal.

With the interlock energized, the power from the seat/seat belt circuit (W/O) wire flows through the (W/DKBL) wire to the start relay to activate the relay.

Power also flows from the start interlock relay through the LTBL/O wire to the fuel solenoid to open the solenoid, allowing fuel flow to the injection pump.

When the start relay is activated, power goes through the (W/R) wire to the starter solenoid, which connects battery power to the starter motor.



68

CRANKING CIRCUIT GROUND

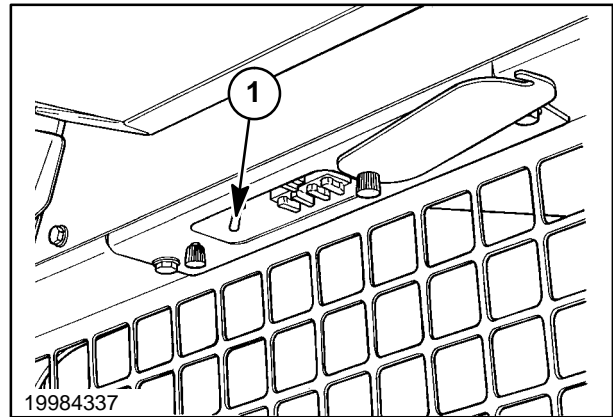
The start interlock relay is grounded through the (B-4) wire to the ground terminal on the start relay. The system ground (B-6) wire then goes to the ground terminal of the preheat relay. The system ground (B-8) wire then goes to the engine ground at the bell housing.

OPERATING CONDITIONS "SERVICE/RUN" SWITCH IN THE "SERVICE" POSITION

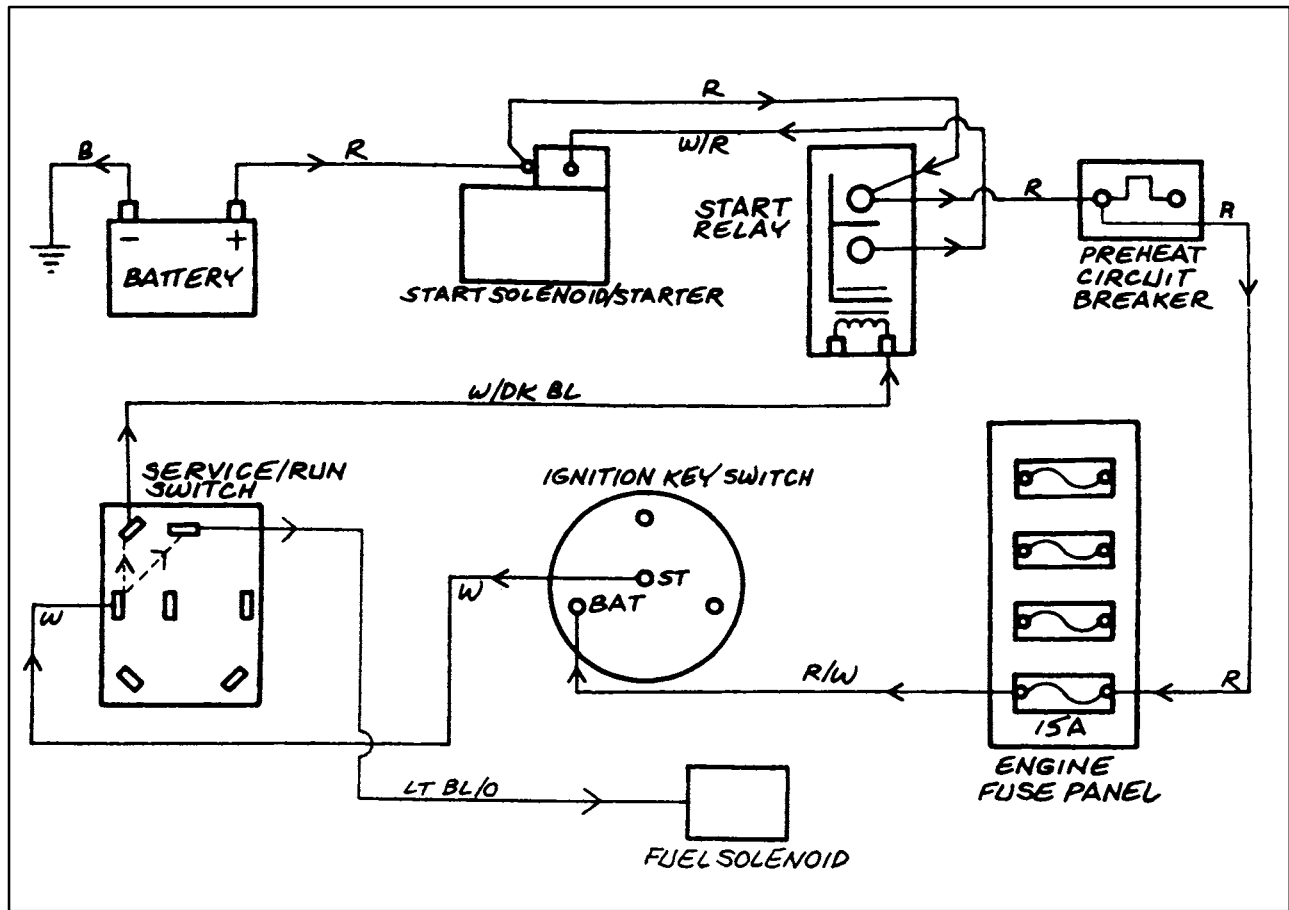
To start the engine with the "SERVICE/RUN" switch, 1, in the "SERVICE" position, the starter will be activated any time the key switch is turned to the "START" position.

NOTE: If manual preheat is required, the operator must be in the seat.

NOTE: The boom and bucket control valve spool locks will remain inoperative with the "SERVICE/RUN" switch in the "SERVICE" position.



69



70

SERVICE/RUN SWITCH IN THE "SERVICE" POSITION

The power originates at the battery and flows through the (R) positive battery cable to the starter solenoid. From here the power flows through the (R) wire to the battery side of the start relay.

The power then flows through the (R) wire to the preheat circuit breaker and to the engine fuse panel to the 15A key main fuse.

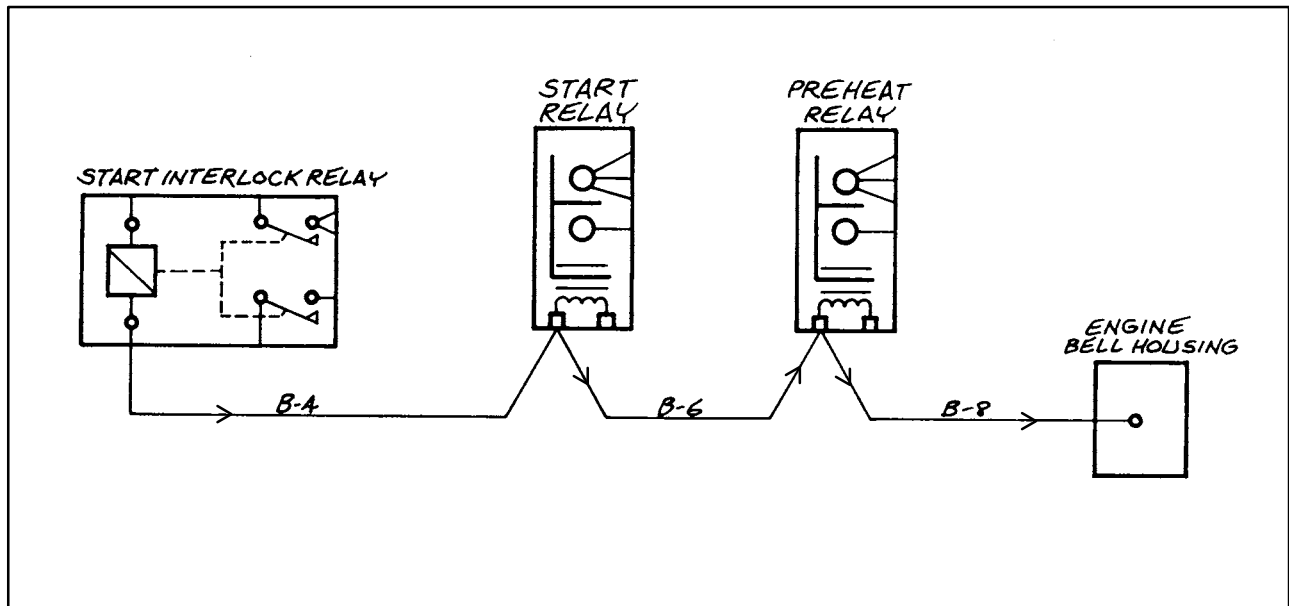
The power then flows through the (R/W) wire to the battery terminal on the ignition key switch.

With the key switch in the "START" position, current flows through the (W) wire to the service/run switch.

With the service/run switch in the "SERVICE" position, power goes through the (W/DKBL) wire from the service/run switch to the start relay to activate the relay.

When the start relay is activated, power goes through the (W/R) wire to the starter solenoid, which connects battery power to the starter motor.

With the service/run switch in the "SERVICE" position, power goes through the LTBL/O wire from the service/run switch to the fuel solenoid, opening the solenoid to allow the engine to start.



71

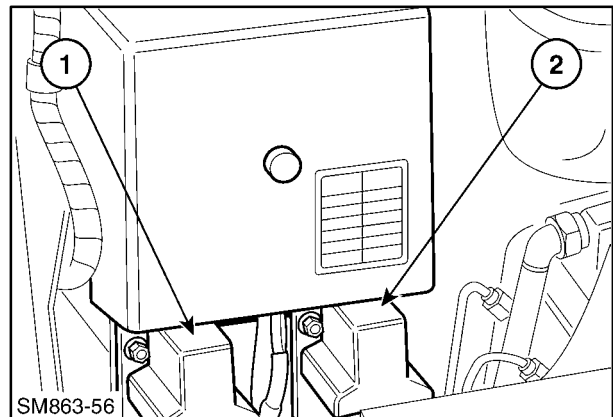
CRANKING CIRCUIT GROUND

The start interlock relay is grounded through the (B-4) wire to the ground terminal on the start relay. The system ground (B-6) wire then goes to the ground terminal of the preheat relay. The system ground (B-8) wire then goes to the engine ground at the bell housing.

START RELAY OPERATION

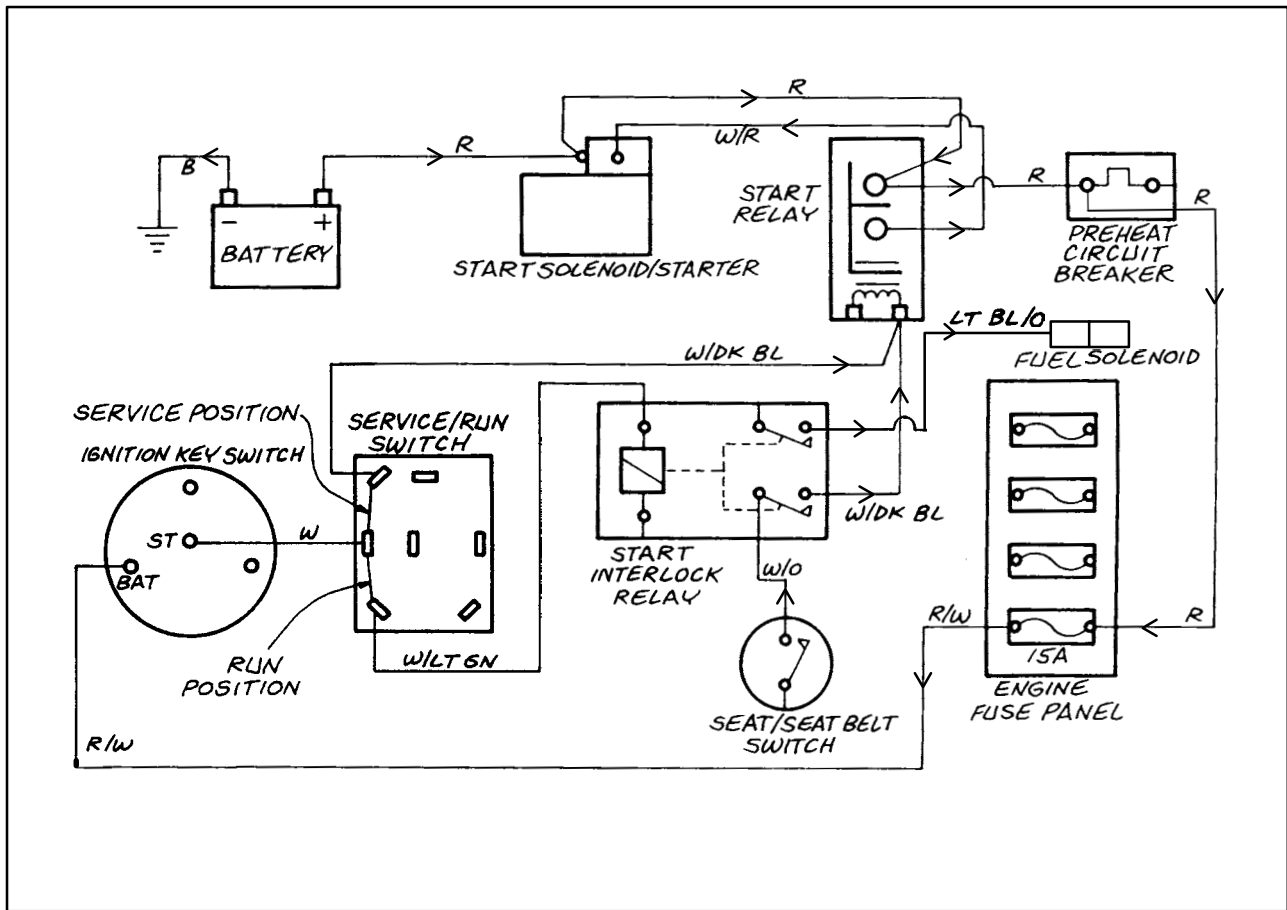
The start relay allows for smaller wires to be used in the switch circuits. The larger wires are then only used between the power supply, start relay, and starter motor. The start relay provides a short path for the high current required to pull in the starter solenoid with minimal voltage drop.

The start relay, 1, and the preheat relay, 2, may be wired in either position. Check wire colors for proper relay location.



SM863-56

72



73

START RELAY CIRCUIT

The power originates at the battery and flows through the (R) positive battery cable to the starter solenoid. From here the power flows through the (R) wire to the battery side of the start relay.

The power then flows through the (R) wire to the preheat circuit breaker and to the engine fuse panel to the 15A key main fuse.

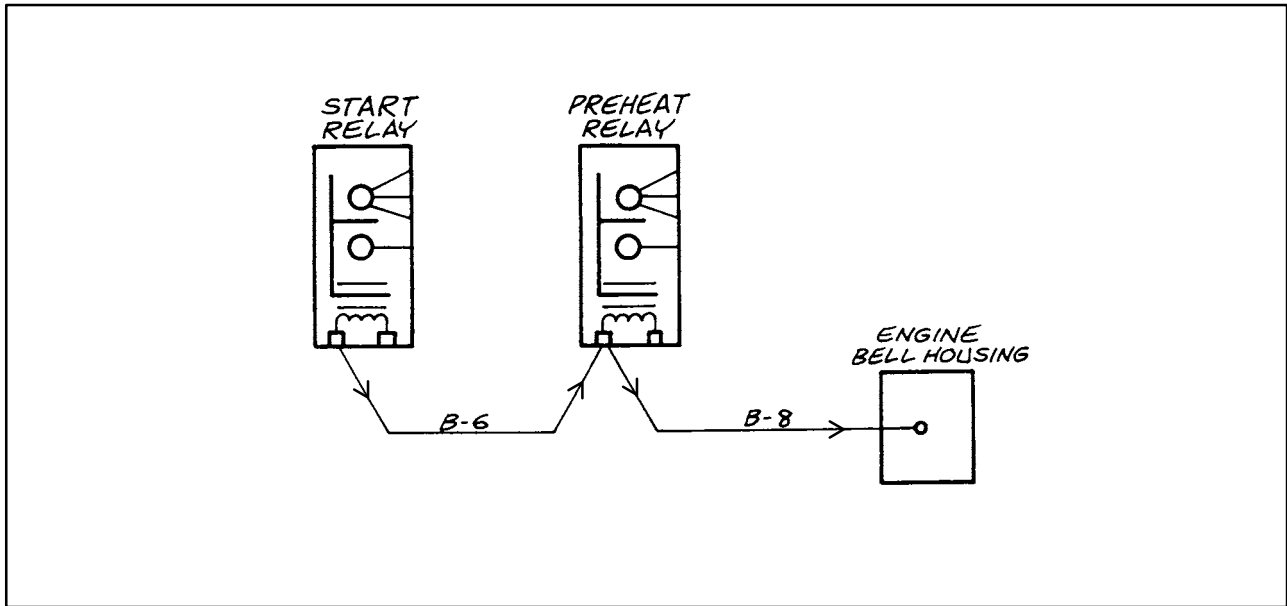
The power then flows through the (R/W) wire to the battery terminal on the ignition key switch.

When the service/run switch is in the "RUN" position, the operator is in the seat with the seat belt buckled,

and the start interlock relay is energized by the W/LTGN wire from the service/run switch, the start relay receives energizing power from the seat/seat belt circuit via the W/O wire, then the (W/DKBL) wire from the start interlock relay.

When the service/run switch is in the "SERVICE" position, the start relay receives energizing power through the (W/DKBL) wire from the service/run switch.

When the start relay is activated, it connects the battery side of the relay to the start side and sends power to the starter solenoid through the (W/R) wire, activating the starter motor.



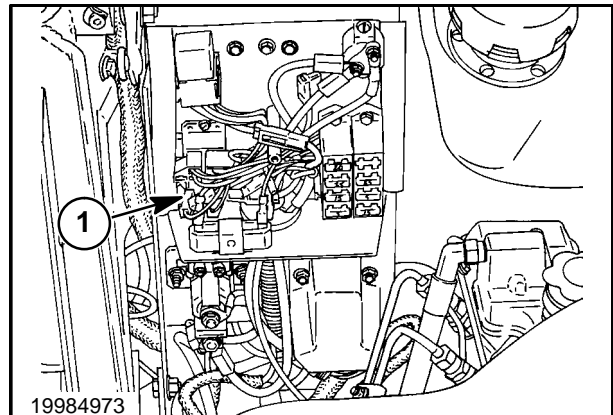
74

START RELAY GROUND CIRCUIT

The start relay is grounded through the (B-6) wire to the ground terminal on the preheat relay and then through the (B-8) wire to the engine bell housing.

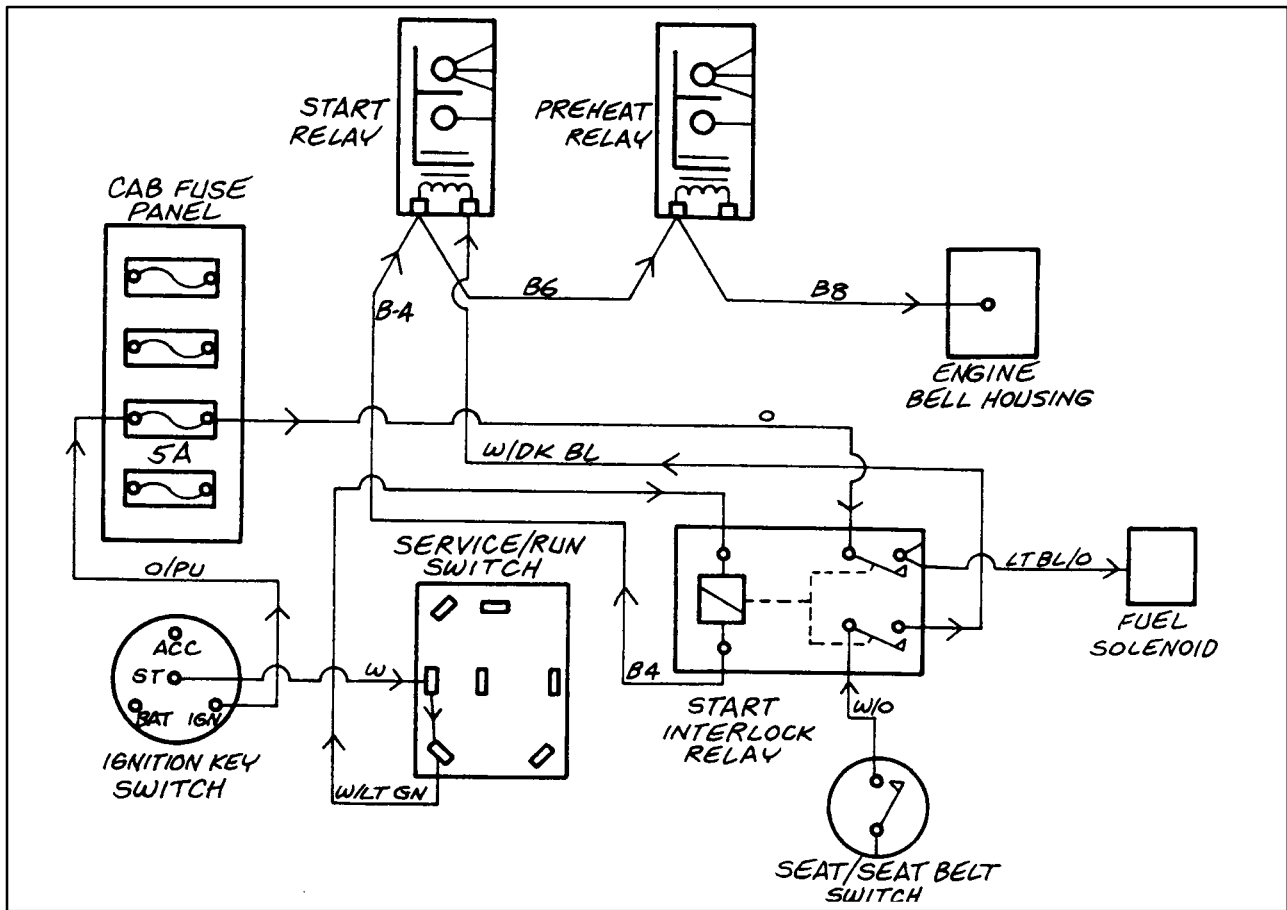
START INTERLOCK RELAY OPERATION

The start interlock relay, 1, controls the starting circuit when the "SERVICE/RUN" switch is in the "RUN" position, allowing the engine to start.



19984973

75



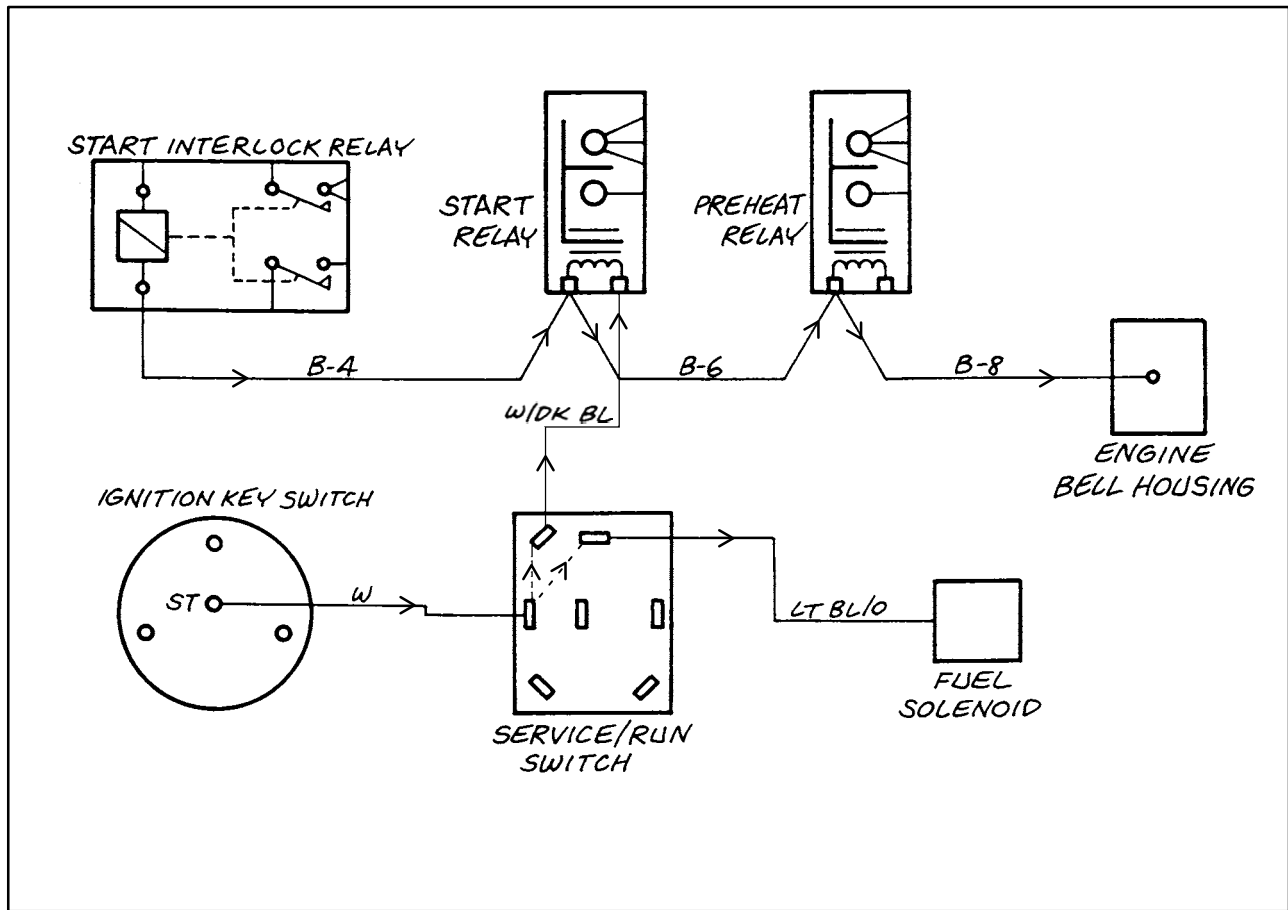
76

START INTERLOCK CIRCUIT

"SERVICE/RUN" switch in the "RUN" position.

The start interlock relay coil receives power from the service/run switch, with the switch in the "RUN" position, through the W/LTGN wire. The interlock receives power from the seat/seat belt plug when the operator is sitting in the seat with the seat belt buckled through the W/O wire.

When the interlock is "satisfied" that the service/run switch is in the "RUN" position and the operator is sitting in the seat with the seat belt buckled, power will travel through the W/DKBL wire to the start relay and through the LTBL/O wire to the fuel solenoid, allowing the engine to start. The source for the fuel solenoid power is from key switch "Ign," then through the O/PU wire to the cab 5-amp fuse, then via the O wire to the relay.



77

START INTERLOCK GROUND CIRCUIT

The interlock is grounded through the B-4 wire to the start relay, through B-6 wire to the preheat relay, through B-8 wire to the engine bell housing ground.

START CIRCUIT

“SERVICE/RUN” switch in the “SERVICE” position.

The interlock relay is not functional with the service/run switch in the “SERVICE” position. With

the switch in the “SERVICE” position, power flows from the key switch “START” terminal via the W wire to the service/run switch, then through the LTBL/O wires to the fuel solenoid, allowing the engine to start and continue to run. The start relay receives power from the service/run switch via the W/DKBL wire to activate the start relay. The EIC plays no supporting role in this mode.

Op. 55 100

**REMOVAL, INSTALLATION AND WIRING
OF ELECTRICAL COMPONENTS**

This section will show and explain the correct wiring of switches and relays, and when and where battery voltage should be with the key switch (ignition) "ON" or "OFF" for the electrical components.

This section will also explain the removal and installation of the switches, relays, EIC board, and main wire harness.

Before servicing, changing or adding any electrical components, read the following precautionary statements.

IMPORTANT: Do not connect any electrical circuits at the ignition key switch, the cab electrical fuse panel, or the cab ground terminal in the fuse panel area unless there are written instructions telling you to do so or damage to the EIC board may occur.

IMPORTANT: If any servicing or adjustments require the battery to be disconnected, or welding is required

on the skid-steer loader, disconnect the negative (-) ground cable. Failure to disconnect the battery may result in damage to the EIC (Electronic Instrument Cluster) monitoring system and other electrical components.

IMPORTANT: If the EIC requires removal from the dash area of the skid-steer loader, disconnect the negative (-) ground battery cable. This will shut off power to the EIC and prevent damage to the EIC board or blowing the 5-amp fuses if the board is accidentally grounded.

IMPORTANT: Do not service the EIC board with magnetized tools (wrenches, screwdriver, etc.) or magnets. Severe damage to the EIC board may occur.

BATTERY

Op. 55 301 40

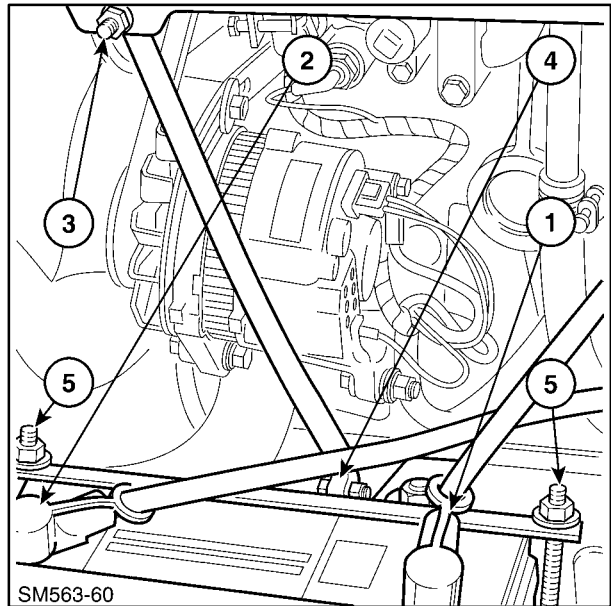
REMOVAL

1. Raise the boom and rest on the boom lock pins.



Never work under a raised boom unless it is properly supported by the boom lock pins.

2. Open the rear door and remove the right engine side shield to access the battery.
3. Disconnect the negative (-) battery cable, 1.
4. Disconnect the positive (+) battery cable, 2.
5. Loosen the top muffler support hardware at 3, and remove the lower support hardware, 4, and pivot the support in towards the engine.
6. Remove the battery hold-down hardware, 5, and remove the battery from the loader.



78

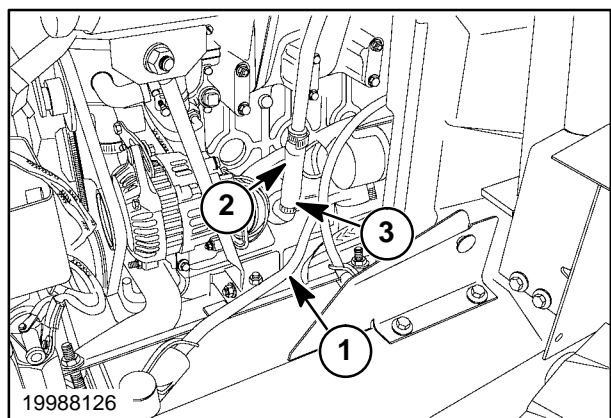
INSTALLATION

1. Orient the battery with the positive post toward the rear of the loader. Install the battery and the hold-down strap and hardware. Position the hold-down strap to clear other components.
2. Connect the positive (+) RED cable to positive (+) terminals and negative (-) BLACK cable to negative (-) terminals. Do not over tighten. Observe the tightening specifications on the battery label.

IMPORTANT: Crossing of terminals may cause damage to the electrical system, alternator and Advanced Warning System (EIC).

NOTE: Make sure the positive (+) battery cable, 1, on LS170 models routes outside the hose, 2, and away from the turbocharger hose clamp, 3. Reverse the clamp to avoid unnecessary wear on cables and hoses.

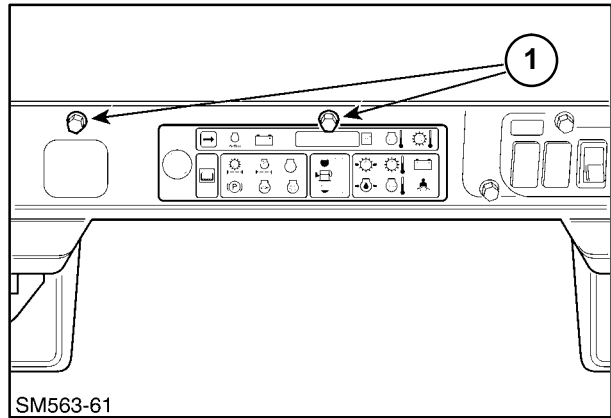
3. Install protective caps over the battery terminals and cable connections.



79

Op. 55 418 10**EIC (ELECTRONIC INSTRUMENT CLUSTER) BOARD REMOVAL**

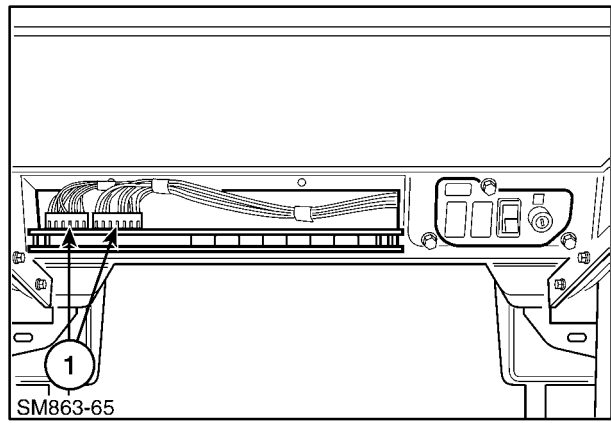
1. Disconnect the negative (-) battery cable.
2. Remove the retaining hardware, 1, and remove the EIC board from the overhead dash area.



80

3. Unplug the two wire harness connectors, 1, from the EIC, taking care to not stress or bend the plastic locking ramps on the connectors.

NOTE: Note the positioning of the connectors to the EIC board and reconnect to the new board in the correct position. If the connector is not connected properly, damage to the EIC may occur.



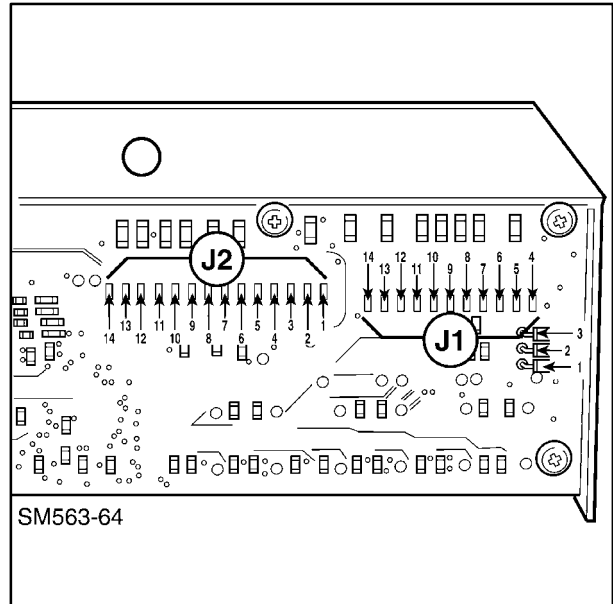
81

EIC (Electronic Instrument Cluster) WIRING

NOTE: There are two different style EIC board connectors as shown here.

| Board Connector #1 (J1) Pin Number | Wire Color | Harness Connector #1 (P1) Pin Number |
|---------------------------------------|------------|---|
| 1 | NOT USED | - |
| 2 | NOT USED | - |
| 3 | NOT USED | - |
| 4 | PU/W | 1 |
| 5 | PU/LTGN | 2 |
| 6 | PU/LTBL | 3 |
| 7 | PU/R | 4 |
| 8 | NOT USED | 5 |
| 9 | Y/LTGN | 6 |
| 10 | Y/B | 7 |
| 11 | Y/GY | 8 |
| 12 | DKGR/O | 9 |
| 13 | B/Y | 10 |
| 14 | LTGN/B | 11 |

| Board Connector #2 (J2) Pin Number | Wire Color | Harness Connector #2 (P2) Pin Number |
|---------------------------------------|------------|---|
| 1 | NOT USED | 1 |
| 2 | LTBL/Y | 2 |
| 3 | PK/LTBL | 3 |
| 4 | T/W | 4 |
| 5 | LTBL/O | 5 |
| 6 | NOT USED | 6 |
| 7 | NOT USED | 7 |
| 8 | NOT USED | 8 |
| 9 | PK | 9 |
| 10 | W | 10 |
| 11 | LTGN | 11 |
| 12 | O | 12 |
| 13 | B | 13 |
| 14 | R/LTGN | 14 |

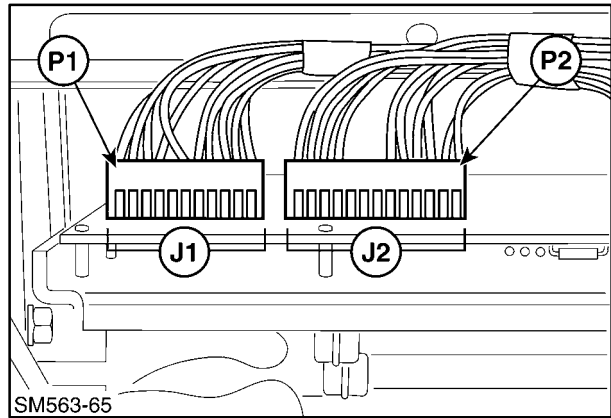


**EIC (Electronic Instrument Cluster) BOARD
INSTALLATION**

1. Connect the wire harness connectors P1 to J1 and P2 to J2 on the EIC board, making sure the connectors are properly aligned and fully seated.

IMPORTANT: If the connector is not connected correctly, damage to the EIC may occur:

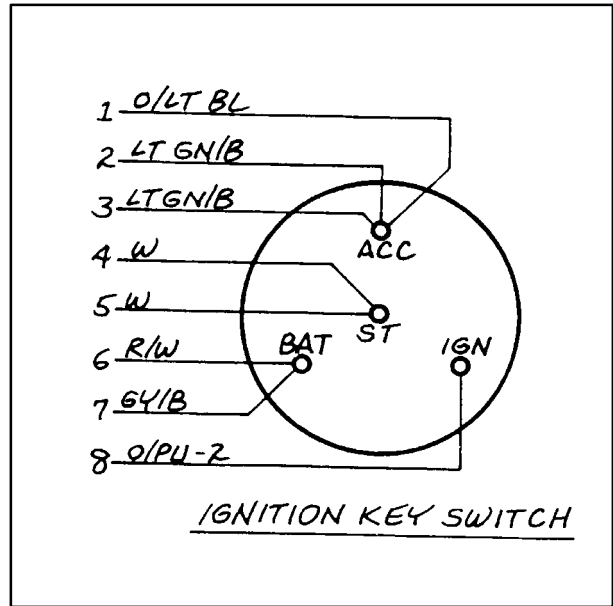
- Board circuits may burn out.
- Display may not light up.
- Board memory may be lost.



2. Position the EIC board into the overhead dash flat against the support and secure with the hardware previously removed. Make sure that wires are not pinched between the EIC board and dash frame.
3. Reinstall the negative (-) battery cable.

IGNITION (KEY) SWITCH WIRING

| Ref | Color | Destination | Battery Voltage |
|-----|--------|---|----------------------|
| 1 | O/LTBL | To Four-Way Flashing lights 10A Fuse (cab panel) To Beacon Light 7.5A Fuse (cab panel) | Key "ON" position |
| 2 | LTGN/B | To EIC Board Pin #11 (small connector) | Key "ON" position |
| 3 | LTGN/B | To Accessory Relay (engine panel) | Key "ON" position |
| 4 | W | To Service/Run Switch | Key "START" position |
| 5 | W | To EIC Board Pin #10 (large connector) | Key "START" position |
| 6 | R/W | From 15A Fuse (engine panel) | All times |
| 7 | GY/B | Power to dome light (not available) | All times |
| 8 | O/PU-2 | To Electronics 5A Fuse (cab panel) | Key "ON" position |

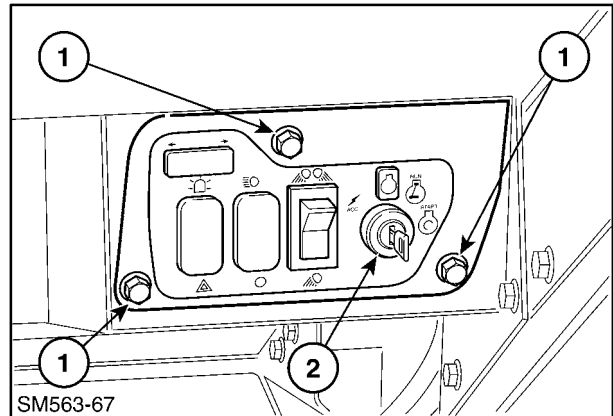


84

Op. 55 201 10

REMOVAL

1. Disconnect the negative (-) battery cable.
2. Remove the retaining hardware, 1, and remove the switch panel, 2, from the overhead dash area.
3. Remove the wires from the switch terminals.

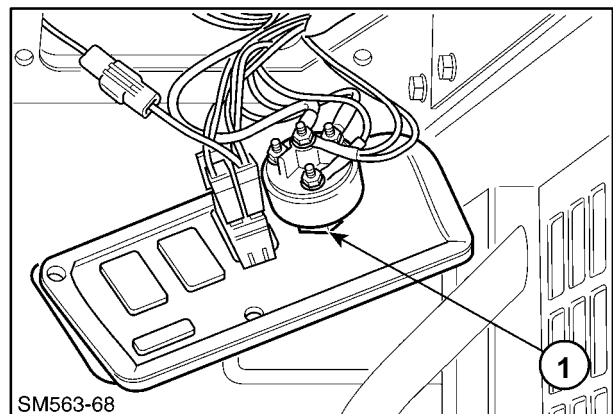


85

4. Remove the switch retaining nut, 1, from the switch and remove the switch from the panel.

INSTALLATION

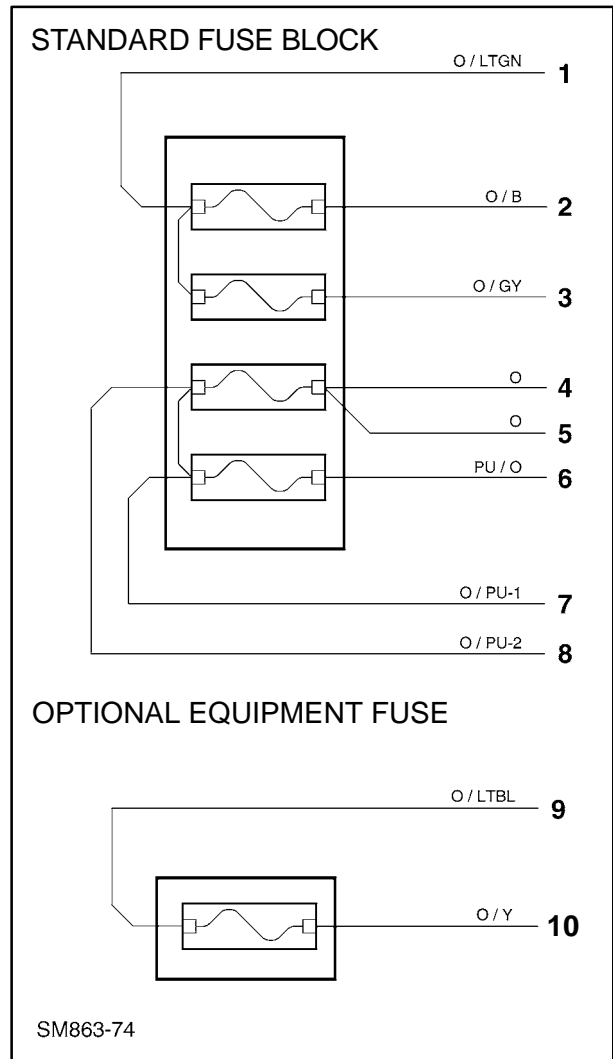
1. Attach the switch to the panel and secure with nut, 1, previously removed.
2. Reconnect the wires to the terminals as shown above.
3. Reinstall the switch panel to the overhead dash.
4. Reinstall the negative (-) battery cable.



86

CAB FUSE PANEL WIRING

| Ref | Color | Destination | Battery Voltage |
|-----|--------|---|---|
| 1 | O/LTGN | (15A Fuse) From Accessory Relay (engine panel) | Key "ON" position (If equipped with lights or other accessories). |
| 2 | O/B | (15A Fuse) To Road/Work Light Switch | Key "ON" position |
| 3 | O/GY | (7.5A Fuse) To Wiper Motor Switch | Key "ON" position |
| 4 | O | (5A Fuse) To EIC Board Pin #12 (P2 connector) | Key "ON" position |
| 5 | O | (5A Fuse) To Start Interlock Relay (engine panel) | Key "ON" position |
| 6 | PU/O | (5A Fuse) To Fuel Pump | Key "ON" position |
| 7 | O/PU-1 | To Service/Run Switch | Key "ON" position |
| 8 | O/PU-2 | From Key Switch (Ign. terminal) | Key "ON" position |
| 9 | O/LTBL | From Key Switch (Acc. terminal) | Key "ON" position |
| 10 | O/Y | (7.5A Fuse) To Beacon, Four-Way Warning Lights Switch | Key "ON" position |



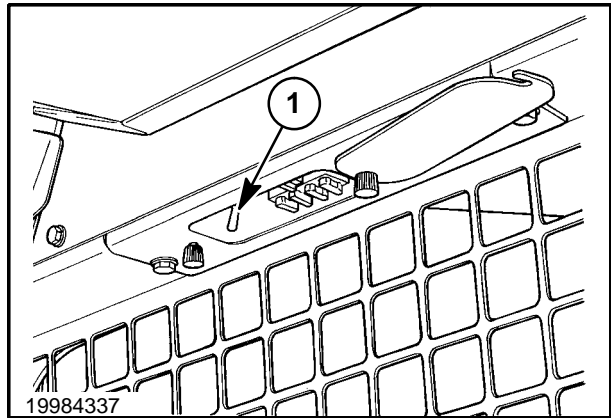
CAB FUSE BLOCK AND PANEL**REMOVAL**

1. Disconnect the negative (-) battery cable.
2. Remove panel, 1; retaining hardware, 2; and lower panel from the support. Removal of panel, 3, may be required for easier access.
3. Unplug the wires from the fuse block.
4. Remove the fuse block retaining hardware.

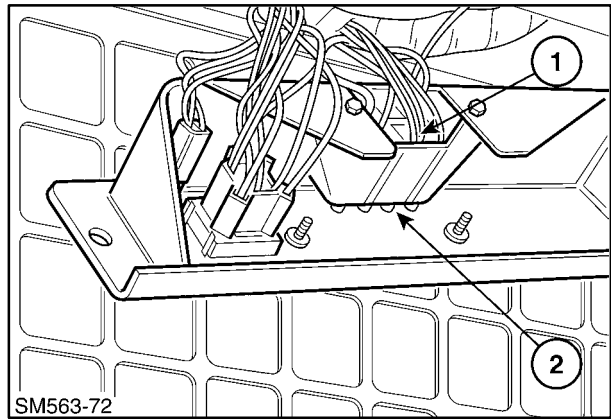
NOTE: The standard fuse block is part of the main harness and cannot be completely removed.

INSTALLATION

1. Attach the wires to the proper side of the fuses as shown at 1, and as shown in the "CAB FUSE PANEL WIRING" figure, Figure 92. Check that the fuses, 2, are in their proper slots.
2. Reinstall the block retaining hardware.
3. Reinstall the panel to the support.
4. Reconnect the negative (-) battery cable.

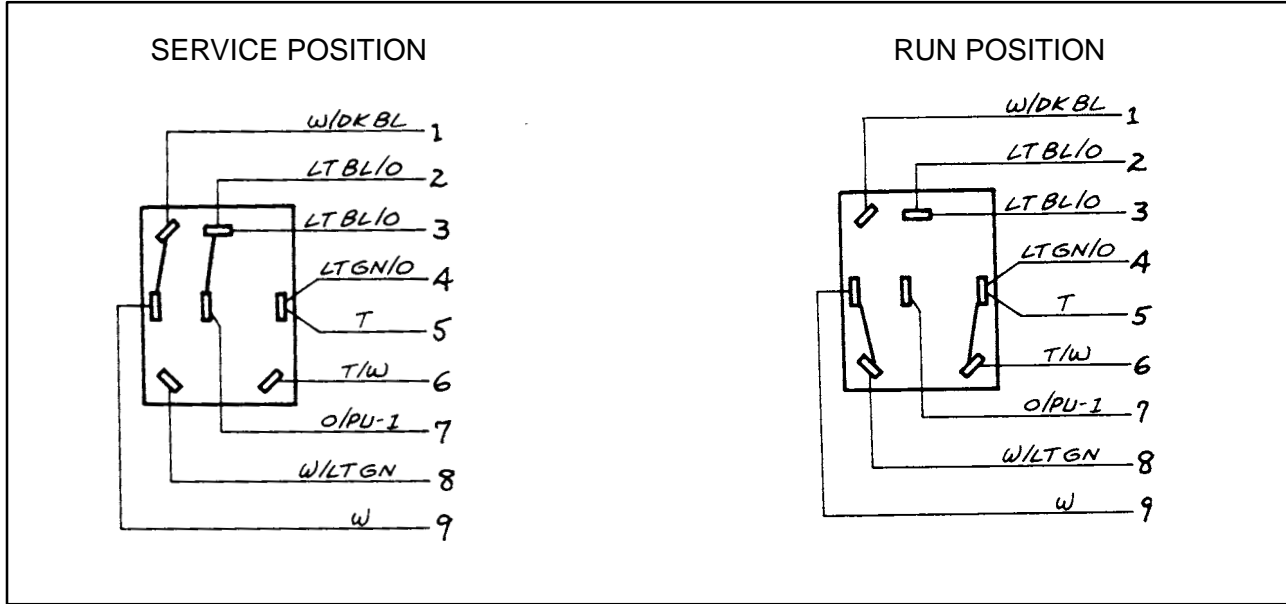


88



89

SERVICE/RUN SWITCH WIRING



90

SERVICE/RUN SWITCH - SERVICE POSITION

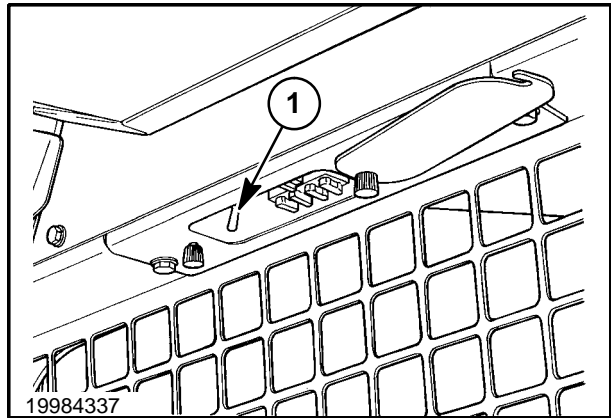
| Ref | Color | Destination | Battery Voltage |
|-----|--------|---|----------------------|
| 1 | W/DKBL | To Start Relay (engine panel) | Key "START" position |
| 2 | LTBL/O | From EIC Board Pin #5 (large connector) | Key "ON" position |
| 3 | LTBL/O | To Start Interlock Relay (engine panel) | Key "ON" position |
| 4 | LTGN/O | To Manual Preheat Switch | Sitting in Seat |
| 5 | T | From Seat Switch(es) | Sitting in Seat |
| 6 | T/W | To EIC Board Pin #4 (large connector) | No Voltage Anytime |
| 7 | O/PU 1 | From 5A Fuse (cab panel) | Key "ON" position |
| 8 | W/LTGN | To Start Interlock Relay (engine panel) | No Voltage Anytime |
| 9 | W | From Key Switch (ignition) | Key "START" position |

SERVICE/RUN SWITCH - RUN POSITION

| Ref | Color | Destination | Battery Voltage |
|-----|--------|---|--|
| 1 | W/DKBL | To Start Relay (engine panel) | Key "START" position (backfed from start interlock relay) |
| 2 | LTBL/O | From EIC Board Pin #5 (large connector) | Key "ON" position (will read 0.5 - 1.0 volt below battery voltage) |
| 3 | LTBL/O | To Start Interlock Relay (engine panel) | Key "ON" position (will read 0.5 - 1.0 volt below battery voltage) |
| 4 | LTGN/O | To Manual Preheat Switch | Sitting in Seat |
| 5 | T | From Seat Switch(es) | Sitting in Seat |
| 6 | T/W | To EIC Board Pin #4 (large connector) | Sitting in Seat |
| 7 | O/PU 1 | From 5A Fuse (spare) (cab panel) | Key "ON" position |
| 8 | W/LTGN | To Start Interlock Relay (engine panel) | Key "START" position |
| 9 | W | From Key Switch (ignition) | Key "START" position |

SERVICE/RUN SWITCH**Op. 55 418 30****REMOVAL**

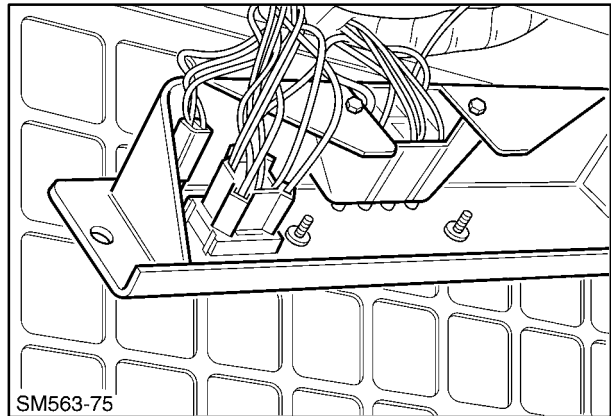
1. Disconnect the negative (-) battery cable.
2. Remove panel, 1; retaining hardware, 2; and lower panel from the support. Removal of panel, 3, may be required for easier access.
3. Remove the wires from the switch terminals.
4. Push the switch retaining tabs in and remove the switch from the panel.



91

INSTALLATION

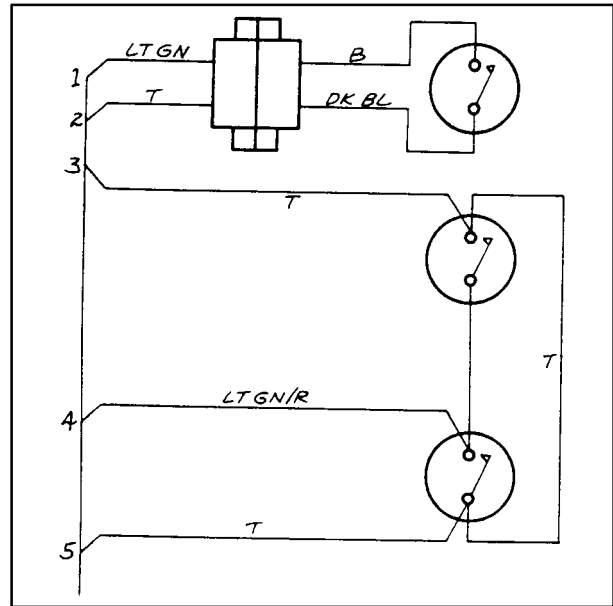
1. Insert the switch into the panel and make sure the locking tabs secure the switch.
2. Reconnect the wires to the proper terminals as shown in the "SERVICE/RUN SWITCH WIRING" figure, Figure 95.
3. Reinstall the panel to the support.
4. Reconnect the negative (-) battery cable.



92

SEAT AND SEAT BELT SWITCH WIRING

| Ref | Color | Destination | Battery Voltage |
|-----|--------|---|-------------------|
| 1 | LTGN | To EIC Board Pin #11 (large connector) | Seat Belt Buckled |
| 2 | T | From Seat Switch(es) | Sit in Seat |
| 3 | T | To Seat Belt switch | Sit in Seat |
| 4 | LTGN/R | From Electronics 5A Fuse (engine panel) | All Times |
| 5 | T | To Service/Run Switch | Sit in Seat |



93

Op. 55 201 15

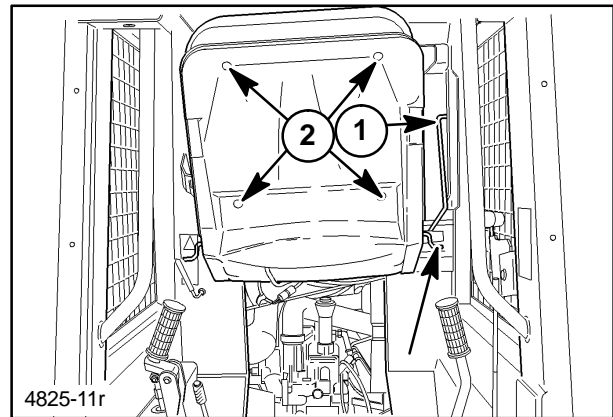
SEAT SWITCH REMOVAL

1. Disconnect the negative (-) battery cable.
2. Raise the seat and securely latch in the raised latched position, 1.

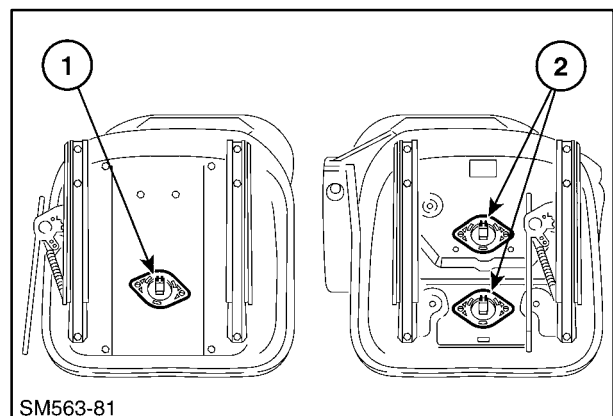


Never work under a raised seat unless it is securely latched in the raised position.

3. Remove the seat retaining hardware, 2.
4. Holding the seat in place, lower the seat pan and seat and unplug the seat switch(es).
5. Remove the seat from the loader.
6. Disconnect the wire harness from the switch(es) by releasing the latch away from the switch.
7. Remove the switch(es) from the seat pan. The standard seat uses one switch, 1, and the deluxe seat uses two switches, 2.



94



95

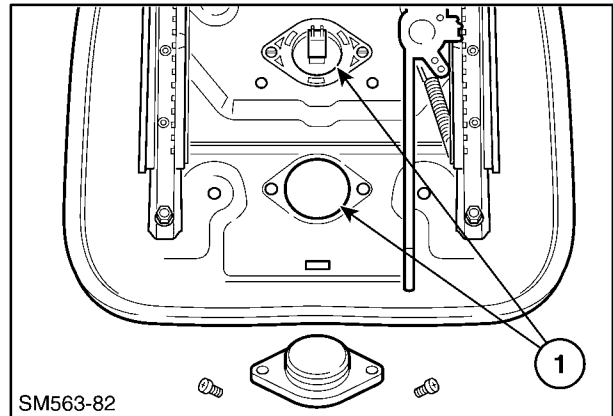
SEAT SWITCH INSTALLATION

1. Install the switch(es) into the seat pan, making sure the switch is seated into the hole in the seat pan, 1.

IMPORTANT: If the switch is not seated properly when the retaining hardware is tightened, the switch flange will be broken.

2. Reconnect the wire harness to the switch(es) and reinstall the seat retaining hardware. Make sure the harness connector latches are engaged.

3. Reconnect the negative (-) battery cable.



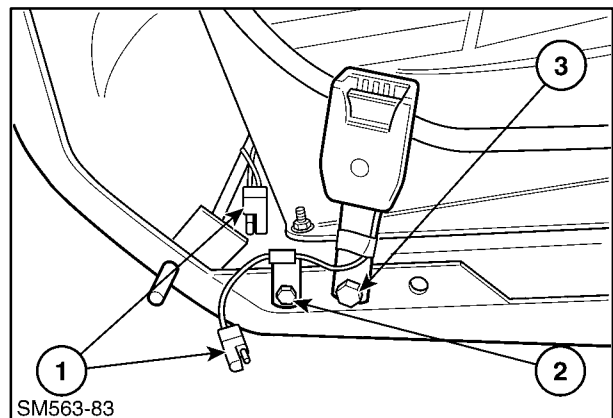
96

Op. 55 201 14**SEAT BELT BUCKLE AND SWITCH ASSEMBLY REMOVAL**

1. Disconnect the negative (-) battery cable.
2. Unplug the seat belt wire harness, 1.
3. Remove the clamp hardware and clamp, 2, and save for reuse.
4. Remove the seat belt retaining hardware, 3.

SEAT BELT BUCKLE INSTALLATION

1. Reinstall the seat belt buckle retaining hardware. Tighten the locknut to hold the belt in position that will allow the belt assembly to move front or rearward.
2. Reconnect the wire harness.
3. Reinstall clamp holding harness above seat track.
4. Reconnect the negative (-) battery cable.

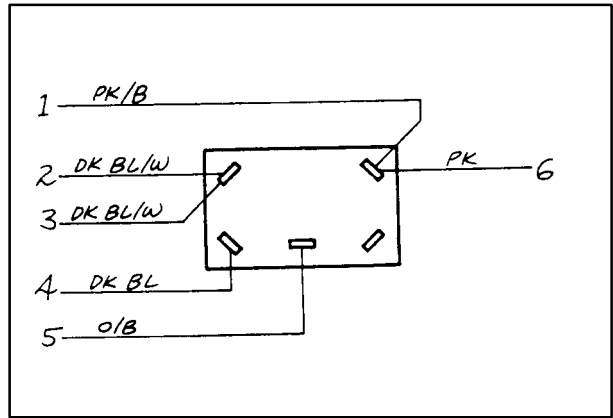


97

ROAD LIGHT AND WORK LIGHT SWITCH WIRING

Switch Pushed in at Top

| Ref | Color | Destination | Battery Voltage |
|-----|--------|--|-------------------|
| 1 | PK/B | To Taillights | Yes |
| 2 | DKBL/W | To Front Road/Work Light | Yes |
| 3 | DKBL/W | To Front Road/Work Light | Yes |
| 4 | DKBL | To Rear Work Light | Yes |
| 5 | O/B | From 15A Fuse (cab panel) | Key "ON" position |
| 6 | PK | To EIC Board Pin #9 P2 connector (to dim EIC board lights) | Yes |



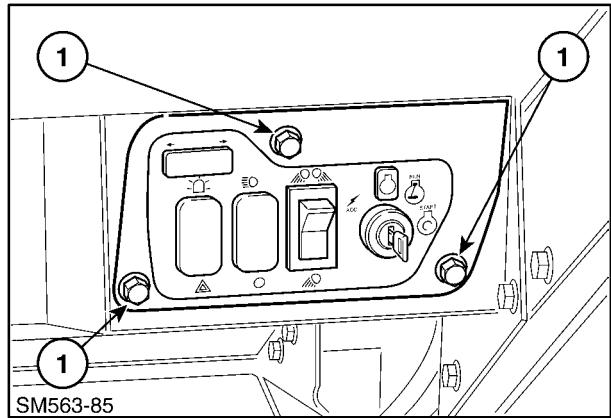
98

Switch Pushed in at Bottom

| Ref | Color | Destination | Battery Voltage |
|-----|--------|--|-------------------|
| 1 | PK/B | To Taillights | Yes |
| 2 | DKBL/W | To Front Road/Work Light | Yes |
| 3 | DKBL/W | To Front Road/Work Light | Yes |
| 4 | DKBL | To Rear Work Light | NO |
| 5 | O/B | From 15A Fuse (cab panel) | Key "ON" position |
| 6 | PK | To EIC Board Pin #9 P2 connector (to dim EIC board lights) | Yes |

ROAD LIGHT AND WORK LIGHT SWITCH**Op. 55 404 20****REMOVAL**

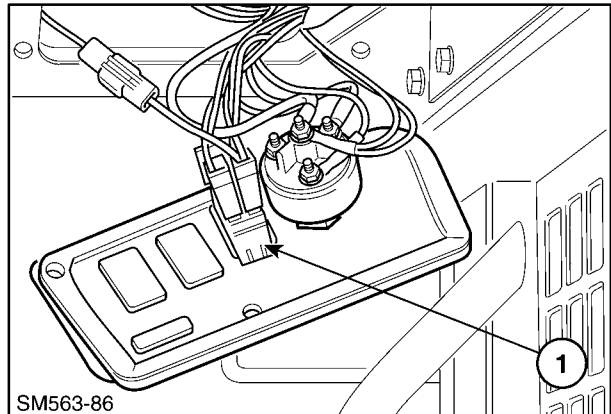
1. Disconnect the negative (-) battery cable.
2. Remove the switch panel retaining hardware, 1, and lower the panel.
3. Remove the wires and connector from the switch terminals.
4. Press in the switch retaining tabs and remove the switch from the panel.



99

INSTALLATION

1. Insert the switch into the panel and insure the locking tabs secure the switch, 1.
2. Reconnect the wires and connector to the proper terminals with the PK/B and PK wires toward the top of the panel.
3. Reattach the switch panel to the overhead dash.
4. Reconnect the negative (-) battery cable.



100

ENGINE FUSE AND RELAY PANEL

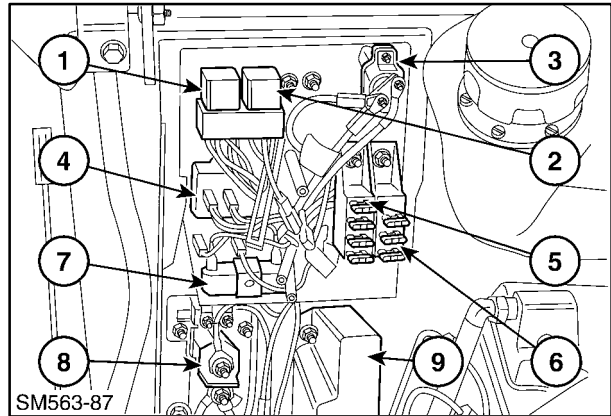
The engine panel electrical components are shown here:

1. Accessory relay
2. Heater power relay (if equipped)
3. Preheat circuit breaker
4. Start interlock relay
5. Optional equipment fuse block
6. Standard fuse block
7. Alternator excite resistor
8. Start relay
9. Preheat relay

To access the electrical components in the engine compartment, raise the boom and rest it on the boom lock pins.

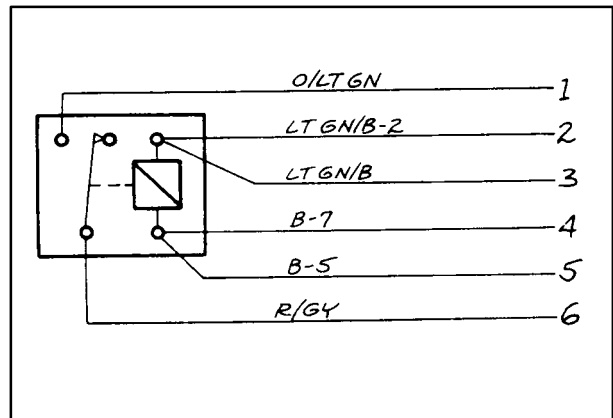


Never work under a raised boom unless it is properly supported by the boom lock pins.



ACCESSORY RELAY WIRING

| Ref | Color | Destination | Battery Voltage |
|-----|----------|--|-------------------|
| 1 | O/LTGN | To Attachment/Horn 15A Fuse | Key "ON" position |
| 2 | LTGN/B-2 | To Turn Signal Relay or Heater Power Relay | Key "ON" position |
| 3 | LTGN/B | From Key Switch (accessory terminal) | Key "ON" position |
| 4 | B-7 | To Turn Signal Relay or Heater Power Relay | Ground Circuit |
| 5 | B-5 | To Start Relay | Ground Circuit |
| 6 | R/GY | From Accessory 25A Fuse | All Times |



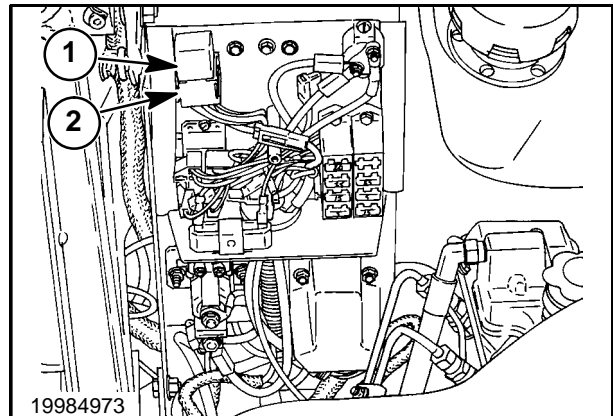
102

ACCESSORY RELAY**Op. 55 100 34****REMOVAL**

1. Disconnect the negative (-) battery cable.
2. Unplug the relay, 1, from the socket, 2. The corners provide an area to insert screwdriver and twist to assist removal.

INSTALLATION

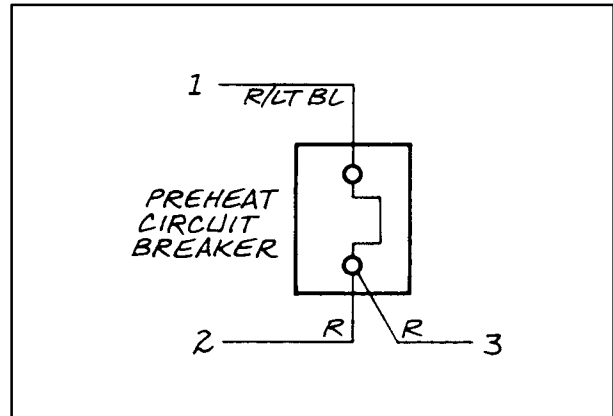
1. Insert new relay fully into socket.
2. Reconnect the negative (-) battery cable.



103

PREHEAT CIRCUIT BREAKER WIRING

| Ref | Color | Destination | Battery Voltage |
|-----|--------|--|-----------------|
| 1 | R/LTBL | To Preheat Relay | All Times |
| 2 | R | To Start Relay | All Times |
| 3 | R | From 15A Key Main Fuse Engine Fuse Block | All Times |



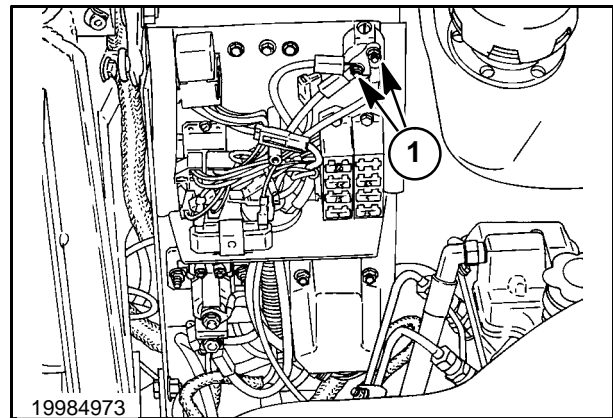
104

PREHEAT CIRCUIT BREAKER**Op. 55 100 24****REMOVAL**

1. Disconnect the negative (-) battery cable.
2. Disconnect wires from the terminals, 1.
3. Remove the circuit breaker retaining hardware.

INSTALLATION

1. Reinstall the retaining hardware.
2. Reconnect the wires to the proper terminals.
3. Reconnect the negative (-) battery cable.



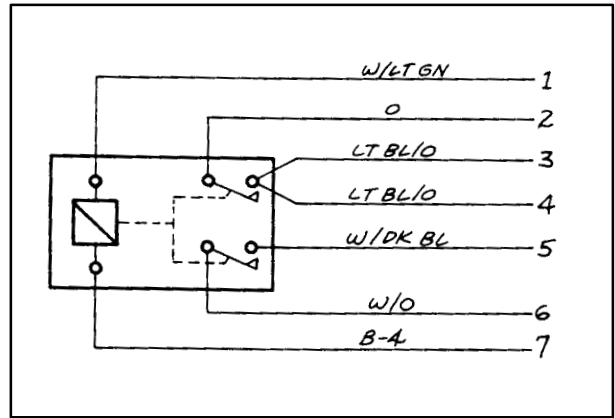
105

START INTERLOCK RELAY WIRING

Service/Run Switch - Run Position

| Ref | Color | Destination | Battery Voltage |
|-----|--------|---|--|
| 1 | W/LTGN | From Service/Run Switch | Key "START" position |
| 2 | O | From Cab Fuse Panel 5A Electronic Ignition Fuse | Key "ON" position |
| 3 | LTBL/O | To Fuel Solenoid | Key "ON" position * |
| 4 | LTBL/O | From EIC Board Pin #5, P2 connector | Key "ON" position * |
| 5 | W/DKBL | To Start Relay | Key "START" position Sitting in Seat with Seat Belt Buckled |
| 6 | W/O | From Connector at Boom/Bucket Control Valve | Key "START" position Sitting in Seat with Seat Belt Buckled |
| 7 | B-4 | To Start Relay | Ground Circuit |

* Voltage will be 0.5 - 1.0 volt below battery voltage.



106

Service/Run Switch - Service Position

| Ref | Color | Destination | Battery Voltage |
|-----|--------|--|--|
| 1 | W/LTGN | From Service/Run Switch | No Voltage Anytime |
| 2 | O | From Cab Fuse Panel 5A Electronic Ignition Fuse | Key "ON" position |
| 3 | LTBL/O | To Fuel Solenoid | Key "ON" position |
| 4 | LTBL/O | From EIC Board Pin #5 | Key "ON" position |
| 5 | W/DKBL | To Start Relay | Key "START" position |
| 6 | W/O | From the Seat/Seat Belt Connector and Connector at Boom/Bucket Control Valve | Sitting in Seat with Seat Belt Buckled |
| 7 | B-4 | To Start Relay | Ground Circuit |

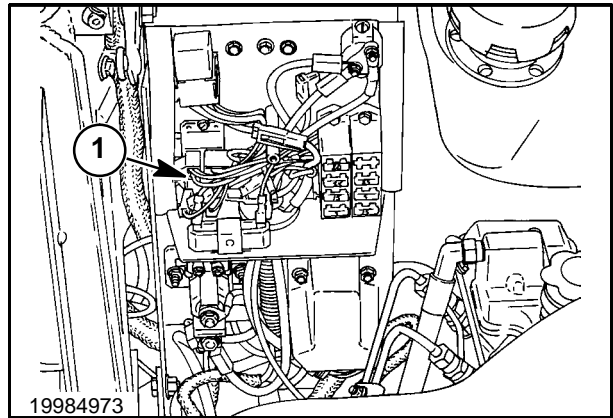
Op. 55 100 34

START INTERLOCK RELAY REMOVAL

1. Disconnect the negative (-) battery cable.
2. Disconnect the wires from the terminals, 1.
3. Remove the interlock relay retaining hardware.

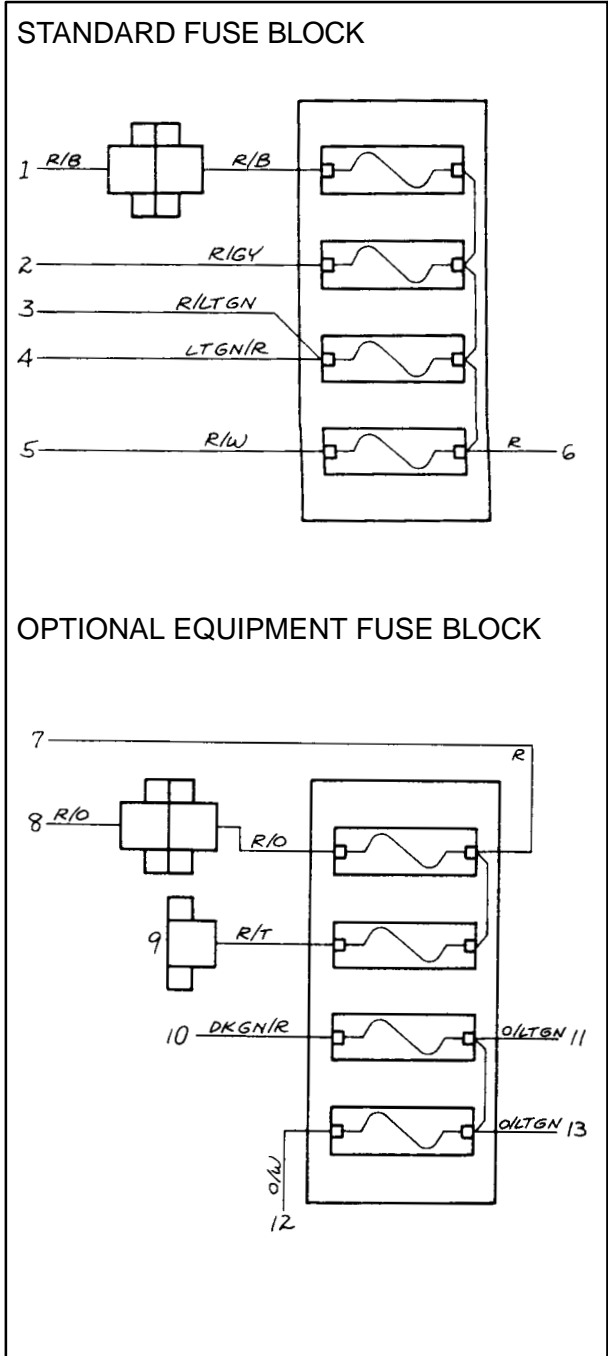
START INTERLOCK RELAY INSTALLATION

1. Reinstall the retaining hardware.
2. Reconnect the wires to the proper terminals as shown in the "START INTERLOCK RELAY WIRING" figure, Figure 111.
3. Reconnect the negative (-) battery cable.



ENGINE FUSE PANEL WIRING

| Ref | Color | Destination | Battery Voltage |
|-----|--------|--|-------------------|
| 1 | R/B | (10A Fuse) To Turn Signal Relay | All Times |
| 2 | R/GY | (25A Fuse) To Accessory Relay | All Times |
| 3 | R/LTGN | (5A Fuse) To EIC board Pin #14 P2 connector. | All Times |
| 4 | LTGN/R | (5A Fuse) To Seat Switch(es) | All Times |
| 5 | R/W | (15A Fuse) To Key Switch (Battery Terminal) | All Times |
| 6 | R | From Preheat Circuit Breaker | All Times |
| 7 | R | From Start Relay | All Times |
| 8 | R/O | (20A Fuse) To Heater Power Relay | All Times |
| 9 | R/T | (7.5A Fuse) Spare | All Times |
| 10 | DKGN/R | (15A Fuse) To High Flow, Horn, Power Outlet | Key "ON" position |
| 11 | O/LTGN | From Accessory Relay | Key "ON" position |
| 12 | O/W | (5A Fuse) To Back Up Alarm Switch | Key "ON" position |
| 13 | O/LTGN | From Road/Work light fuse (cab panel) | Key "ON" position |

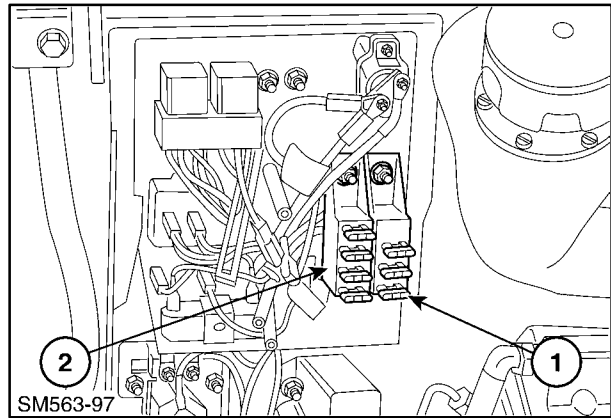


ENGINE FUSE BLOCK REMOVAL

1. Disconnect the negative (-) battery cable.
2. Remove the fuse block retaining hardware.

NOTE: The standard fuse block, 1, is part of the main harness and cannot be completely removed.

3. The optional equipment fuse block, 2, locks into the standard fuse block. Insert a 1/4" blade screwdriver at the center of the fuse block bases and twist to release the lock. Slide the optional block up past the fuses on the standard block to separate.
4. Unplug the wires from the fuse block assembly.

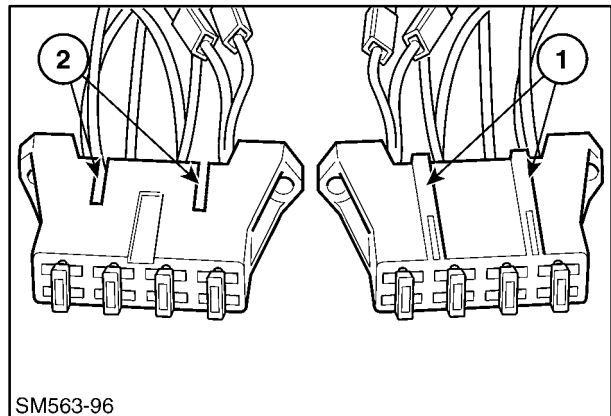


109

ENGINE FUSE BLOCK INSTALLATION

1. Insert the lock tabs, 1, into slots, 2, and slide the two blocks together to lock securely as shown.

NOTE: The optional equipment fuse block slides down over the standard block guides and is positioned toward the center of the panel.

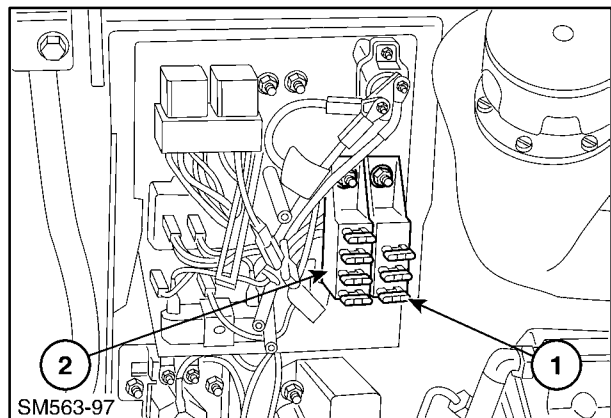


110

2. Attach the wires to the proper side of the fuses as shown in the "ENGINE FUSE PANEL WIRING" figure, Figure 113.

- 1 Standard fuse block
- 2 Optional equipment fuse block

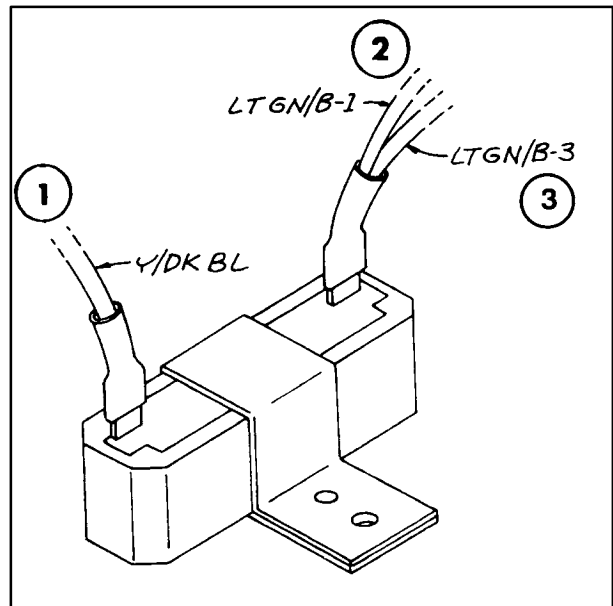
3. Reinstall the block retaining hardware.
4. Reconnect the negative (-) battery cable.



111

ALTERNATOR EXCITE RESISTOR WIRING

| Ref | Color | Destination |
|-----|----------|----------------------|
| 1 | Y/DKBL | To Alternator |
| 2 | LTGN/B-1 | From Accessory Relay |
| 3 | LTGN/B-3 | To Alternator |



112

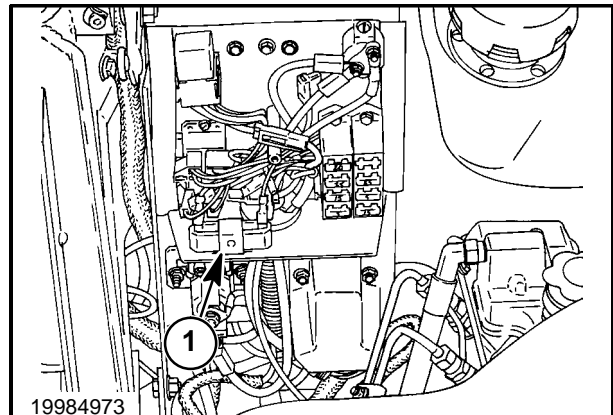
Op. 55 301 16**ALTERNATOR EXCITE RESISTOR REMOVAL**

1. Disconnect the negative (-) battery cable.
2. Unplug the wires from the resistor terminals.
3. Remove the resistor, 1, retaining hardware.

Testing the resistor using an ohmmeter, the resistance should read approximately 50 ohms \pm 5 ohms.

ALTERNATOR EXCITE RESISTOR INSTALLATION

1. Reinstall the resistor retaining hardware.
2. Reconnect the wires to the proper terminals.

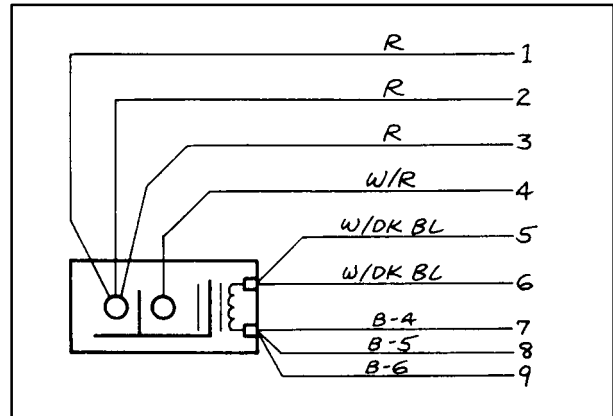


19984973

113

START RELAY WIRING

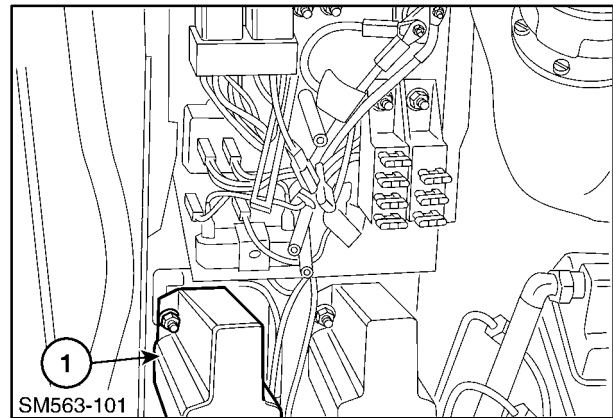
| Ref | Color | Destination | Battery Voltage |
|-----|--------|--|----------------------|
| 1 | R | To 20A Heater Fuse (optional fuse block) | All Times |
| 2 | R | To Preheat Circuit Breaker | All Times |
| 3 | R | From Starter Solenoid | All Times |
| 4 | W/R | To Starter Solenoid | Key "START" position |
| 5 | W/DKBL | From Start Interlock Relay | Key "START" position |
| 6 | W/DKBL | From Service/Run Switch | Key "START" position |
| 7 | B-4 | To Start Interlock Relay | Ground Circuit |
| 8 | B-5 | To Accessory Relay | Ground Circuit |
| 9 | B-6 | To Preheat Relay | Ground Circuit |



114

Op. 55 100 34**START RELAY REMOVAL**

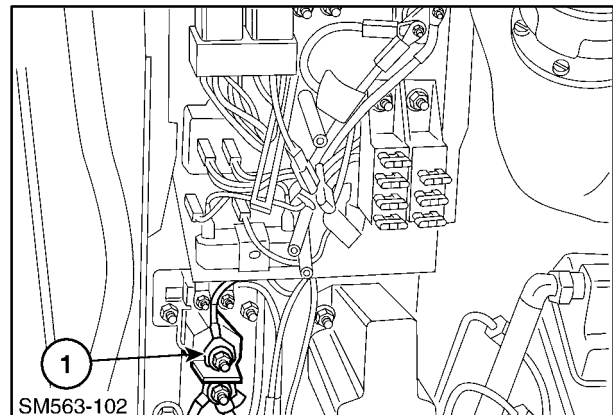
1. Disconnect the negative (-) battery cable.
2. Remove the relay cover, 1, attaching hardware and cover.
3. Remove the wires from the relay terminals.
4. Remove the relay retaining hardware.
5. Remove the barrier from between the large terminals and install on new relay.



115

START RELAY INSTALLATION

1. Reattach the relay, 1, to the support.
2. Reconnect the wires to the proper relay terminals.
3. Reinstall the relay cover.
4. Reconnect the negative (-) battery cable.

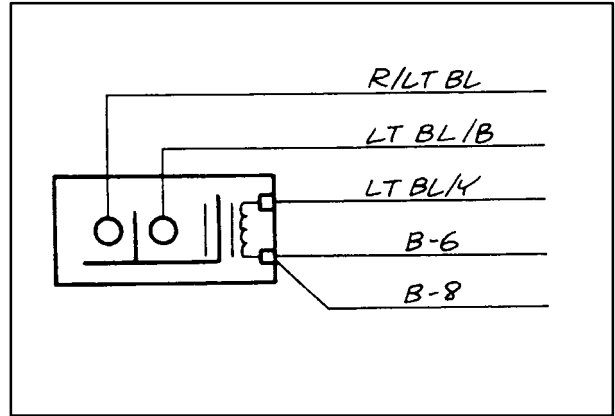


116

PREHEAT RELAY WIRING

Service/Run Switch - Service Position

| Ref | Color | Destination | Battery Voltage |
|-----|--------|------------------------------|-----------------|
| 1 | R/LTBL | From Preheat Circuit Breaker | All Times |
| 2 | LTBL/B | To Glow Plugs | Push Button |
| 3 | LTBL/Y | From Manual Preheat Button | Push Button |
| 4 | B-6 | To Start Relay | Ground Circuit |
| 5 | B-8 | To Engine Bellhousing Ground | Ground Circuit |



117

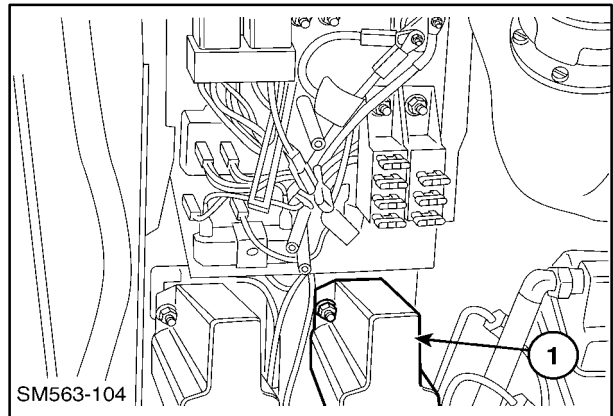
Service/Run Switch - Run Position

| Ref | Color | Destination | Battery Voltage |
|-----|--------|------------------------------|---|
| 1 | R/LTBL | From Preheat Circuit Breaker | All Times |
| 2 | LTBL/B | To Glow Plugs | EIC Preheat Cycle |
| 3 | LTBL/Y | From Manual Preheat Button | EIC Preheat Cycle (Voltage will be 0.5 to 1.0 volt less than battery voltage). |
| 4 | B-6 | To Start Relay | Ground Circuit |
| 5 | B-8 | To Engine Bellhousing Ground | Ground Circuit |

Op. 55 100 34

PREHEAT RELAY REMOVAL

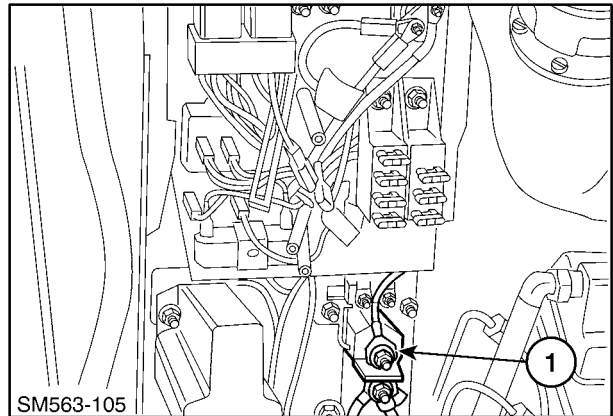
1. Disconnect the negative (-) battery cable.
2. Remove the relay cover, 1, attaching hardware and cover.
3. Remove the wires from the relay terminals.
4. Remove the relay retaining hardware.
5. Remove the barrier from between the large terminals and install on new relay.



118

PREHEAT RELAY INSTALLATION

1. Reattach the relay, 1, to the support.
2. Reconnect the wires to the proper relay terminals.
3. Reinstall the relay cover.
4. Reconnect the negative (-) battery cable.



119

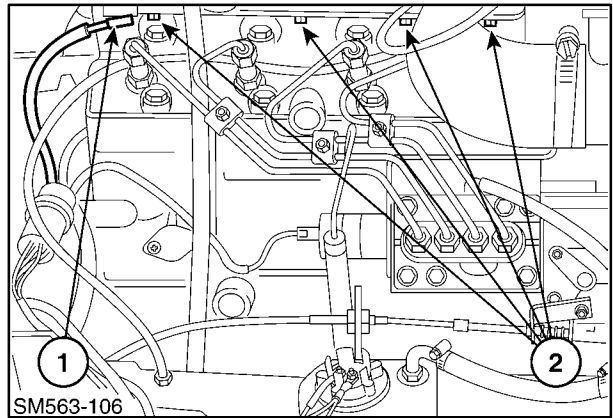
Op. 55 201 76

PREHEAT GLOW PLUG REMOVAL

1. Disconnect the negative (-) battery cable.
2. Disconnect the LTBL/B wire, 1, from the glow plug bus bar.
3. Remove the bus bar retaining nuts, 2, and remove the bus bar from the glow plugs.
4. Remove glow plugs from the head.

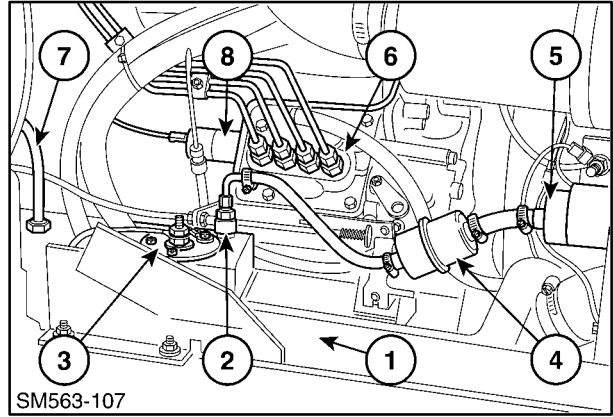
PREHEAT GLOW PLUG INSTALLATION

1. Install glow plugs into the head and, using new sealing washers, tighten to 15 - 19 N·m (11 - 14 ft. lbs.).
2. Reinstall the bus bar onto the glow plugs.
3. Reconnect the LTBL/B wire to glow plug bus bar.
4. Reconnect the negative (-) battery cable.



FUEL SYSTEM COMPONENTS

The fuel system consists of a fuel tank located in the left side of the engine compartment at 1; fuel tank pickup tube, 2; fuel tank sending unit, 3; in-line fuel filter, 4; electric fuel pump, 5; injection pump, 6; and return fuel line, 7, from the injector bleed off to the tank. The fuel flow is controlled by an electric fuel solenoid, 8, which is controlled by the EIC (Electronic Instrument Cluster).



121

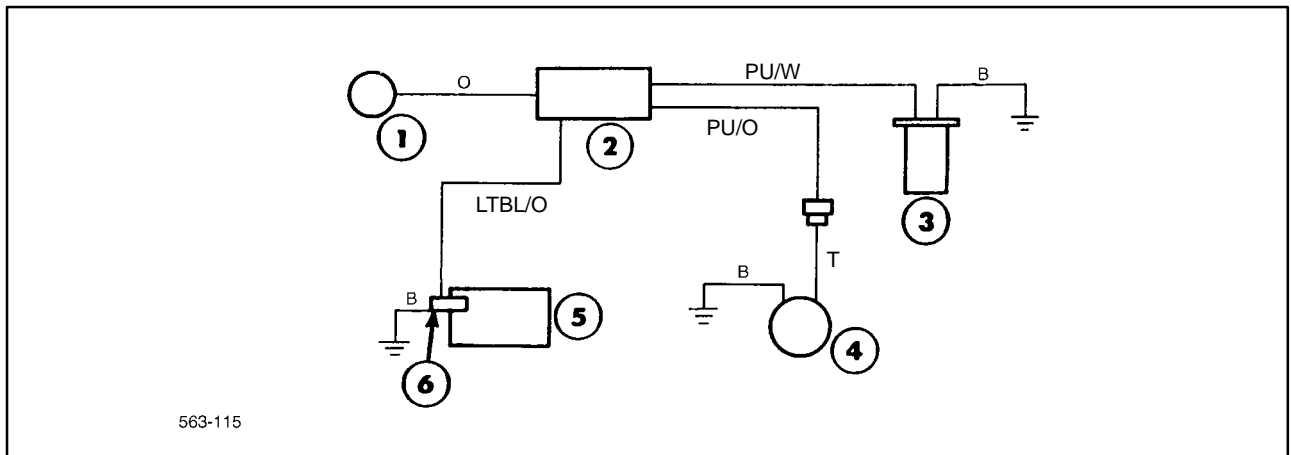
FUEL GAUGE

In the center of the EIC panel is the fuel gauge, implemented as a vertical 10-segment green LED bar graph. The lowest segments will flash when the fuel level is low. An audible alarm will accompany the flashing light for about 5 seconds.

FUEL TANK SENDING UNIT (Fuel level)

| STEP | PRETEST INSTRUCTIONS | TEST | RESULT | PROBABLE CAUSE AND CORRECTION |
|------|---|--|---------------------|--|
| 1 | Loader on level with parking brake engaged, key "ON" position Symptom: No bars lit | EIC gauge and sender operation | NO bars light up | Check wires from sender to EIC board, if OK, replace EIC board |
| | | Jumper wire from one terminal to other at sender | YES (bars light up) | Replace sender |
| 2 | Symptom: Fuel level does not read lower on gauge (too many bars lit) | Disconnect PU/W wire | Bars stay lit | Check for PU/W wire shorted to ground. If OK, replace EIC board. |
| | | | Bars go out | Replace sender |

FUEL SYSTEM ELECTRICAL DIAGRAM



563-115

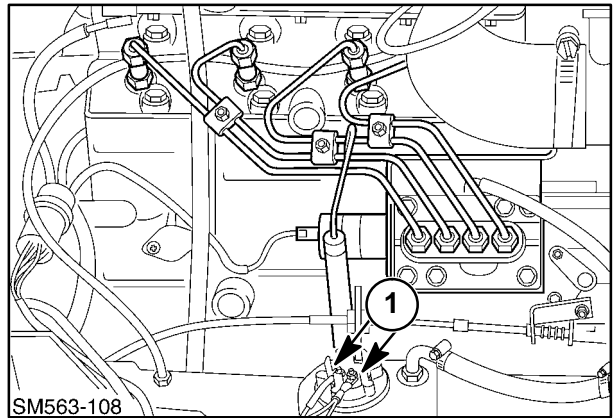
122

- 1. Key switch
- 2. EIC board
- 3. Fuel level sender
- 4. Electric fuel pump
- 5. Injector pump
- 6. Fuel shutoff solenoid

TESTING FUEL GAUGE IN DIAGNOSTIC MODE

Use a jumper wire and connect sender terminals, 1, and the EIC board will light and beep. If the EIC board lights and beeps, the EIC and circuit wires to the sender are OK. If the EIC board fails to light, check the wires to the EIC board.

If the fuel gauge is not working and the wiring and the fuel sender are found to be good, the complete EIC board will require replacement.

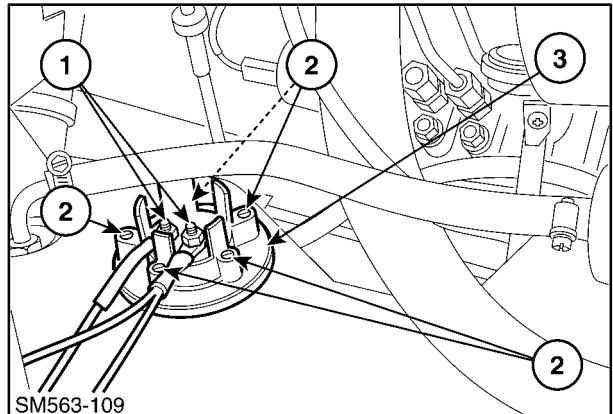


SM563-108

123

Op. 55 410 80**REMOVAL OF FUEL LEVEL SENDER**

1. Support the boom on the boom lock pins.
2. Open the rear door and remove the left engine side shield.
3. Disconnect the wires from the sender, 1.
4. Remove the sender retaining screws, 2, and remove the sender, 3, assembly from the tank.



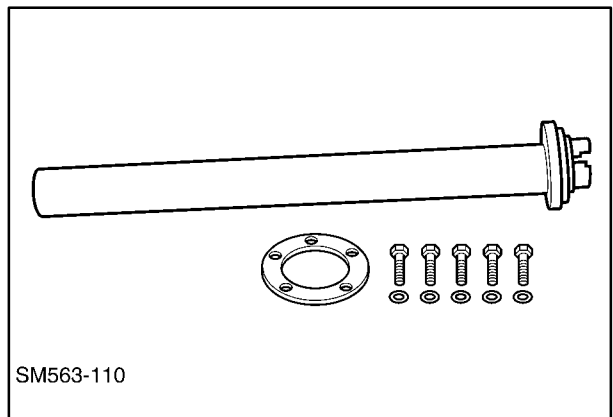
SM563-109

124

TESTING OF THE FUEL LEVEL SENDER

Using a volt/ohmmeter, put one lead on one terminal and the second lead on the other terminal. Rotate the sender from full tank to empty tank, and the ohms reading should be between 35 ohms full and 240 ohms empty.

If the fuel gauge is not working and the wiring and the fuel sender are found to be good, the complete EIC board will require replacement.

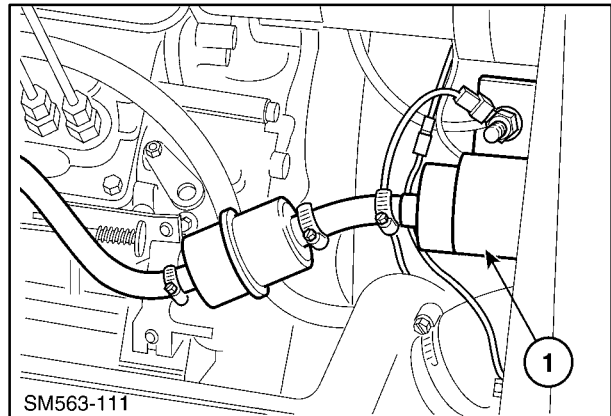


SM563-110

125

ELECTRIC FUEL PUMP

The electric fuel pump, 1, is located in the left side of the engine compartment.



126

ELECTRIC FUEL PUMP TESTING

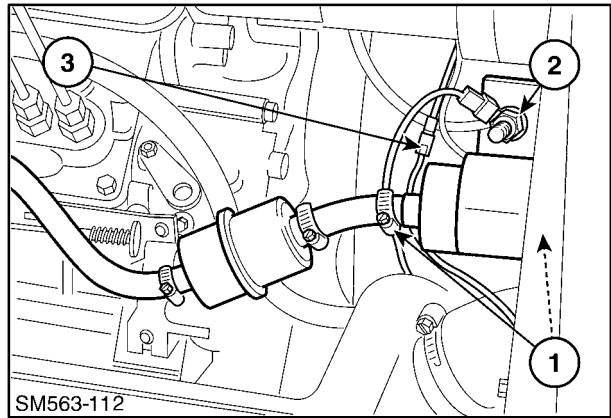
| STEP | PRETEST INSTRUCTIONS | TEST | RESULT | PROBABLE CAUSE AND CORRECTION |
|------|--|--|--------|--|
| 1 | Loader on level with parking brake engaged, key "OFF" position | Fuel level in tank | NO | Add fuel and bleed system |
| | | | YES | Go to next step |
| 2 | Key "ON" position | Fuel pump operating | NO | Check power supply (5-amp fuse in cab panel). If OK, check ground; if OK, replace pump |
| | | | YES | Go to next step |
| 3 | Key "ON" position | Fuel pump operating but not pumping fuel | NO | Check line to tank, air leak, fuel level, tank pickup tube; if OK, replace pump |
| | | | YES | Go to next step |
| 4 | Key "ON" position | Fuel pump operating and pumping fuel | NO | Replace pump |
| | | | YES | Replace fuel line at injector pump and bleed system; if OK, go to next step |
| 5 | Key "ON" position | Fuel pump operating and pumping fuel | YES | Check fuel shutoff solenoid for operation |

NOTE: Always check fuel level in tank. Always check fuel filters.

Op. 10 210 21

ELECTRIC FUEL PUMP REMOVAL

1. Support the boom on the boom lock pins.
2. Open the rear door and remove the left engine side shield.
3. Remove the hose clamps, 1, from the pump and hoses.
4. Remove the pump support hardware, 2, ground wire, and unplug the power wire, 3.
5. Upon reinstallation of the pump, make sure the pump wires are placed to prevent getting damaged. Make sure the ground wire is making good contact.



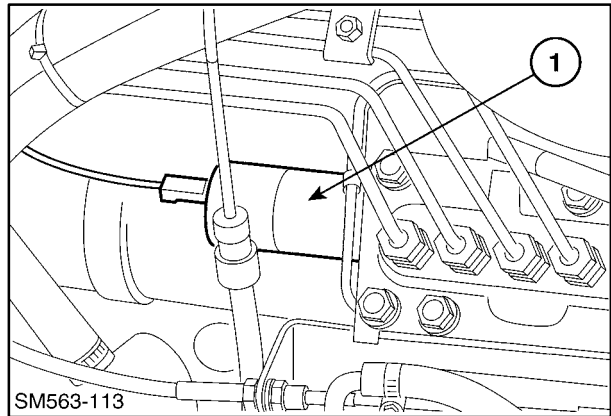
127

Op. 10 223

FUEL SHUTOFF SOLENOID

The fuel shutoff solenoid is located at the injection pump at 1. The solenoid is controlled through the starting circuit during cranking. After the engine is started, the EIC takes control of the solenoid for normal operation.

If a fault occurs in either the engine oil pressure or the hydrostatic charge pressure circuits, the EIC will remove power from the solenoid, stopping the engine within 30 seconds.



128

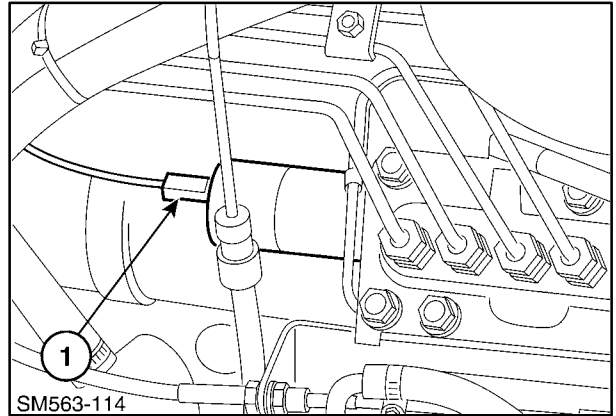
FUEL SHUTOFF SOLENOID TESTING

| STEP | PRETEST INSTRUCTIONS | TEST | RESULT | PROBABLE CAUSE AND CORRECTION |
|------|---|-----------------------------|--------|---|
| 1 | Loader on level with parking brake engaged, key "ON" position, service "RUN" switch in "RUN" position | Battery voltage to solenoid | NO | Check power wire from EIC to solenoid for open; if OK, go to next step |
| | | | YES | Replace solenoid |
| 2 | Key "ON" position, service "RUN" switch in "SERVICE" position | Battery voltage to solenoid | NO | Check power wire from service/run switch to fuel solenoid; if OK, go to next step |
| | | | YES | Replace solenoid |
| 3 | Key "ON" position, "SERVICE/RUN" switch in "RUN" position | Check EIC board operation | NO | Check power to EIC board. Check 5-amp electronics Ign. fuse in cab fuse panel. |
| | | | YES | Replace EIC board |

Op. 10 223 10

REPLACEMENT OF FUEL SHUTOFF SOLENOID

1. Support the boom on the boom lock pins.
2. Open the rear door and remove the left engine side shield.
3. Remove the power wire from the solenoid, 1.
4. Remove the solenoid from the injection pump.
5. Solenoid pull-in amperage 1.5 to 1.8 amps.
Solenoid hold-in amperage 1.3 to 1.7 amps.
6. Reinstall the solenoid and tighten securely.
Reinstall the power wire.

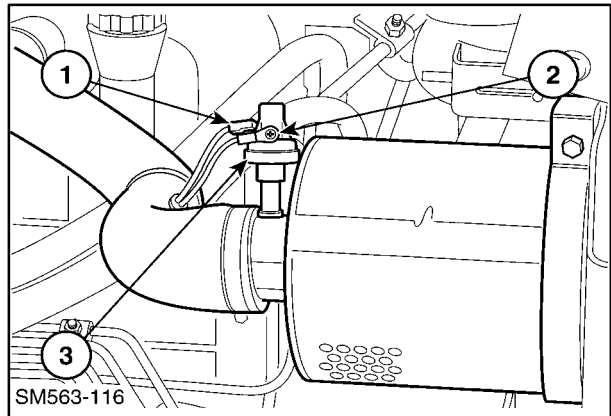


AIR FILTER RESTRICTION INDICATOR SWITCH

Op. 55 414 14

REMOVAL

1. Support the boom on the boom lock pins.
2. Open the rear door and remove the left engine side shield to access the sender.
3. Remove the B/Y, 1, and B, 2, wires from the sender.
4. Remove the sender, 3, from the air cleaner tube.



130

INSTALLATION

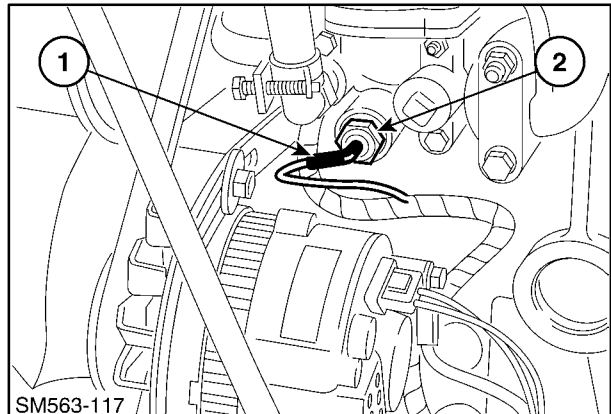
Install the sender and reinstall the B/Y and B wires to the sender terminals.

ENGINE COOLANT TEMPERATURE SENDER

Op. 55 414 10

REMOVAL

1. Support the boom on the boom lock pins.
2. Open the rear door and remove the right engine side shield to access the sender.
3. Remove the PU/LTGN wire, 1, from the sender terminal.
4. Drain the cooling system down below the sender level to prevent loss of coolant.
5. Remove the sender, 2, from the engine block.



131

INSTALLATION

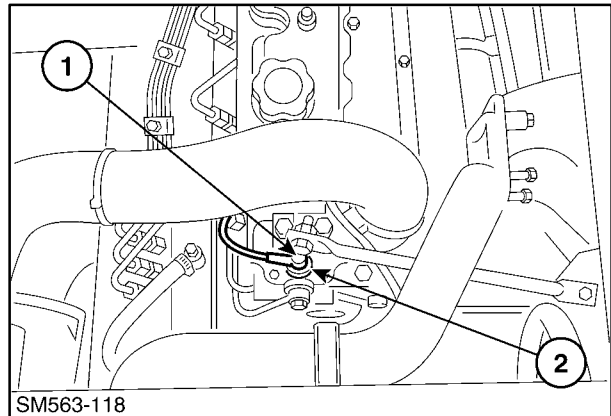
1. Remove and clean the engine block thread area.
2. Apply pipe sealant to the threads of the sender.
3. Install the sender into the engine block.
4. Reinstall the PU/LTGN wire to the sender terminal.
5. Refill the cooling system with coolant previously removed or a 50/50 mixture of a permanent-type antifreeze.
6. Operate the unit to remove air from the cooling system and recheck the coolant level.

ENGINE OIL PRESSURE SWITCH

Op. 55 414 12

REMOVAL

1. Support the boom on the boom lock pins.
2. Open the rear door and raise the top engine shield to access the switch.
3. Remove the Y/B wire, 1, from the switch terminal.
4. Remove the switch, 2, from the engine head.



132

INSTALLATION

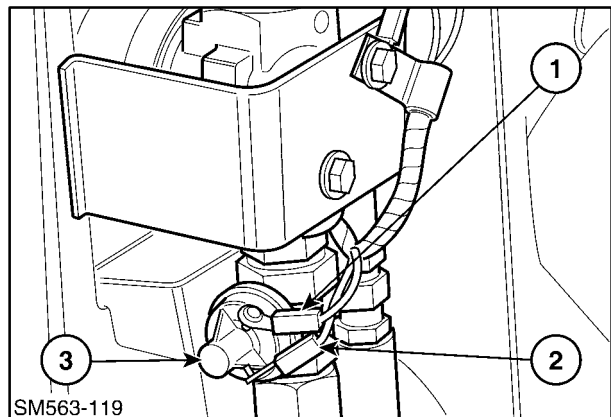
1. Install the switch.
2. Attach the Y/B wire to the switch terminal.

HYDROSTATIC CHARGE PRESSURE SWITCH

Op. 55 414 28

REMOVAL

1. Support the boom on the boom lock pins.
2. Open the rear door, raise the top engine shield and remove the right engine side shield to access the switch.
3. Remove the Y/GY wire, 1, and B wire, 2.
4. Remove the charge pressure switch, 3, from the return line tee.



133

INSTALLATION

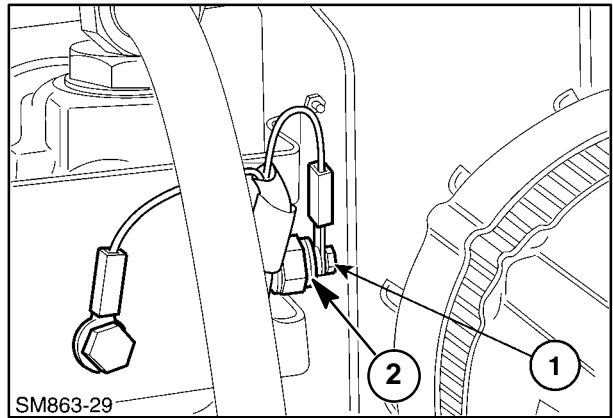
1. Install the charge pressure switch into the tee.
2. Reinstall the Y/GY and B wires to the switch.

HYDRAULIC OIL FILTER RESTRICTION SWITCH

Op. 55 414 24

REMOVAL

1. Support the boom on the boom lock pins.
2. Open the rear door, raise the top engine shield and remove the right engine side shield to access the switch.
3. Remove the DKGN/O wire, 1.
4. Remove the restriction switch, 2, from the filter base.



134

INSTALLATION

1. Install the switch into the filter base.
2. Attach the DKGN/O wire to the switch terminal.

HYDRAULIC OIL TEMPERATURE SENDER

Op. 55 414 20

REMOVAL

1. Remove any attachment from the boom face plate and support the boom on the boom lock pins.

————— **⚠ CAUTION ⚠** —————

Never work under a raised boom unless it is properly supported by the boom lock pins.

2. Raise the operator's seat and latch in the raised latched position.

————— **⚠ CAUTION ⚠** —————

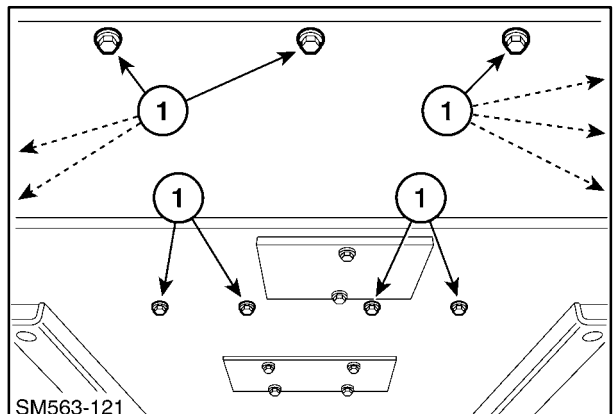
Never work under a raised seat unless it is securely latched in the raised position.

3. Drain the hydraulic reservoir.

Remove the rear engine belly pan hardware, 1, and lower the pan from the loader.

————— **⚠ CAUTION ⚠** —————

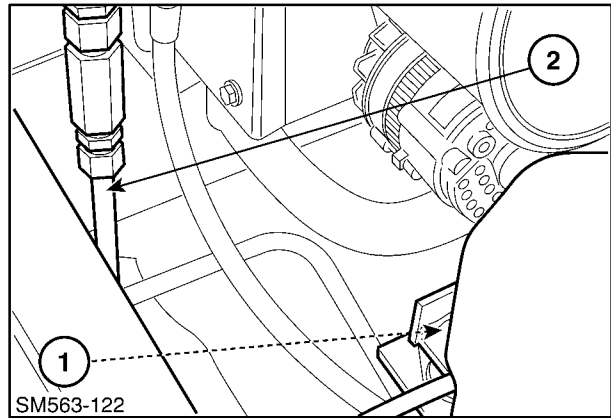
Use a floor jack to support the belly pan and prevent serious injury.



135

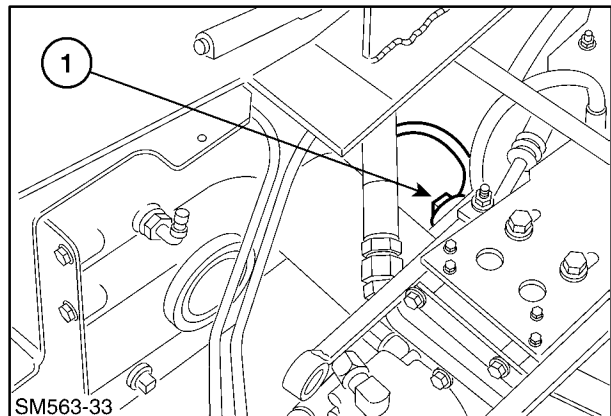
SECTION 55 - ELECTRICAL SYSTEM

4. Loosen the return line clamp at 1.
5. Remove the return line at 2, and rotate the line so the oil drains into a clean suitable pan for reuse.
6. After the reservoir is drained, reconnect the return lines and tighten all fittings and connections.



136

7. Remove the PU/LTBL wire and B wire from the sender, 1.
8. Remove the sender from the reservoir by rotating the sender counterclockwise.
9. Remove the grounding ring and washer from the old sender.



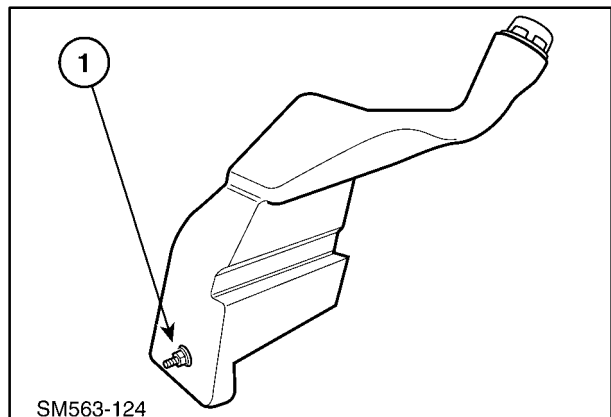
137

INSTALLATION

1. Install grounding ring and washer over threads of sender.
2. Use hydraulic thread sealant on the sender threads and install the sender, 1, into the reservoir.

IMPORTANT: Do not over tighten the sender or damage to the reservoir threads may occur resulting in oil leakage.

3. Reconnect the sender wires, B wire on the ground blade, and the PU/LTBL wire to the center sender terminal.
4. Refill the hydraulic reservoir with the oil previously removed or new SAE 10W/30 API Service SG-CE motor oil.
5. Reinstall the engine belly pan, and tighten the retaining hardware.
6. Operate the unit and check for leaks. Repair if required.



138

BOOM/BUCKET CONTROL VALVE SPOOL LOCK SOLENOIDS

Op. 35 724 90

REMOVAL

1. Remove any attachment from the loader attaching plate.
2. Raise the boom and support on the boom lock pins.
3. Stop the engine, turn the ignition key to the "RUN" position and operate the boom and bucket controls to relieve pressure in the boom and bucket circuits. Turn "OFF" the key.

————— **⚠ CAUTION ⚠** —————

Never work under a raised boom unless it is properly supported by the boom lock pins.

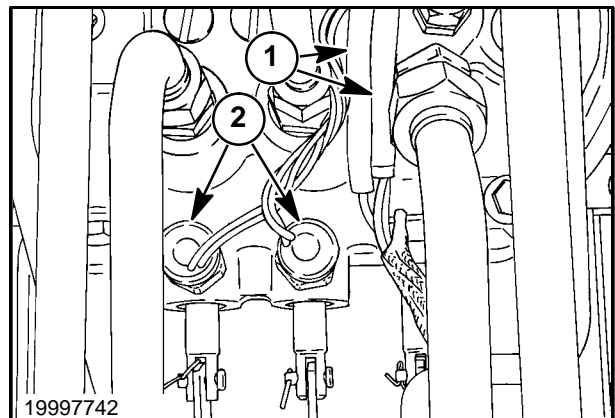
Never work under a raised boom with an attachment. Always remove the attachment from the loader.

4. Raise the operator's seat and latch in the raised latched position.

————— **⚠ CAUTION ⚠** —————

Never work under a raised seat unless it is securely latched in the raised position.

5. Remove the step shield to access the control valve area.
6. Unplug the solenoid coil wires, 1, and remove the coils, 2, from the control valve spool by turning the coils counterclockwise.



INSTALLATION

1. Thoroughly clean the control valve block.
2. Install the solenoid coil into block and tighten the coils to 15 N·m (11 ft. lbs.).
3. Reconnect the coil wires to the main wire harness.
4. Reinstall the step shield.
5. Lower the seat to the operate position and securely latch.

—————  **CAUTION**  —————

Do not operate the loader unless the seat/seat support is properly latched in the latched position.

WIRE HARNESS**Op. 55 100 74****MAIN WIRE HARNESS REMOVAL**

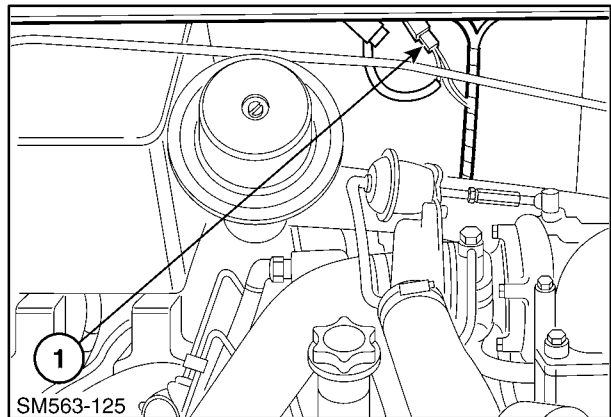
1. Remove any attachment from the loader attaching plate.
2. Raise the boom and support on the boom lock pins.
3. Stop the engine, turn the ignition key to the "RUN" position and operate the boom and bucket controls to relieve pressure in the boom and bucket circuits. Turn "OFF" the key.



Never work under a raised boom unless it is properly supported by the boom lock pins.

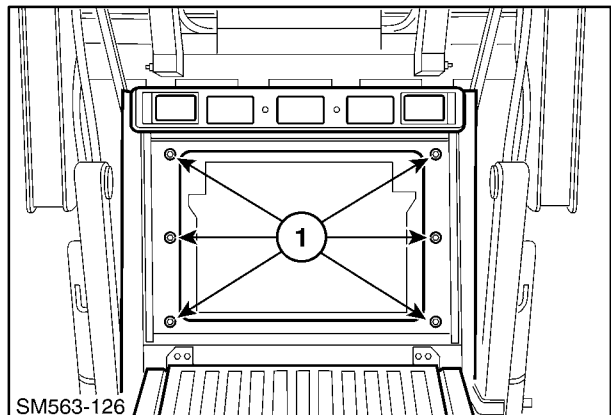
Never work under a raised boom with an attachment. Always remove the attachment from the loader.

4. Disconnect the negative (-) battery cable.
5. Unplug the seat and seat belt wire harness at connector, 1, behind the seat assembly.



140

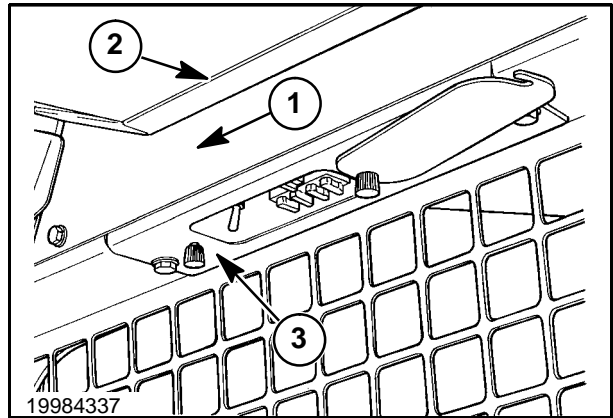
6. Remove the rear window and frame assembly retaining hardware, 1.



141

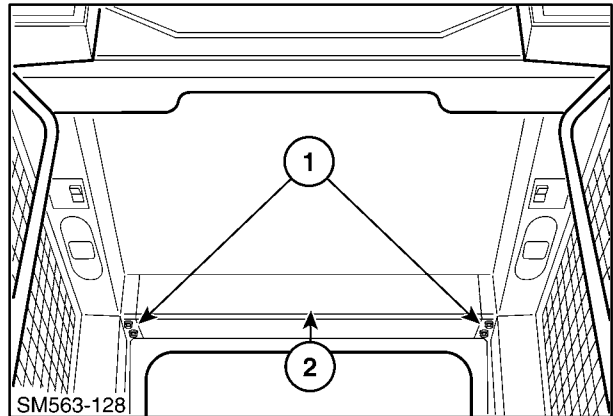
SECTION 55 - ELECTRICAL SYSTEM

7. Remove the right side plate, 1, and headliner, 2, if equipped. Unhook all wire connections at the service/run switch, preheat button, and fuse block(s) at this time. Removal of fuse block/switch panel, 3, may be required for easier switch access.



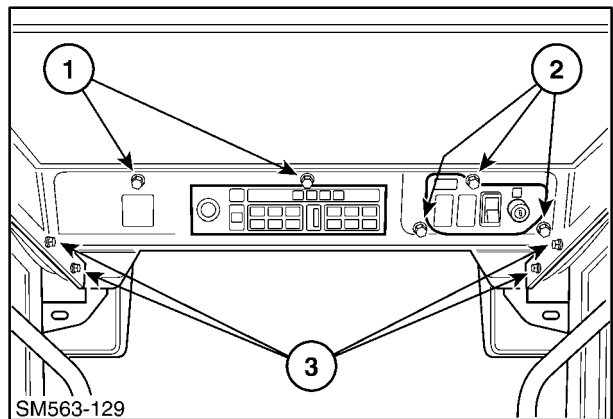
142

8. Remove the upper rear support retaining hardware, 1, right and left side and remove support, 2.



143

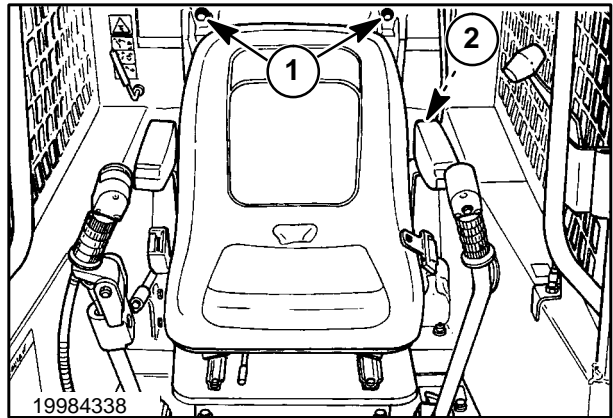
9. Remove the EIC board retaining hardware, 1, unplug the EIC board and remove from the dash. Remove the ignition key switch panel, 2, and remove wires from the switches. Remove the panel. Loosen the front support (dash) retaining hardware, 3, and remove the hardware from the right side.



144

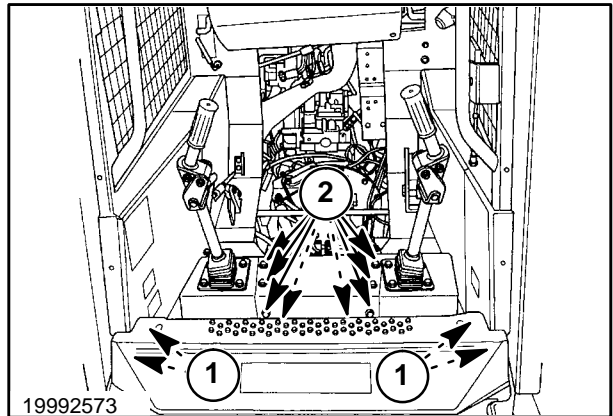
SECTION 55 - ELECTRICAL SYSTEM

10. Unplug the seat wire harness from the main harness.
11. Remove the seat and seat pan assembly retaining hardware, 1, unlatch the seat assembly at 2, and remove the assembly from the loader.



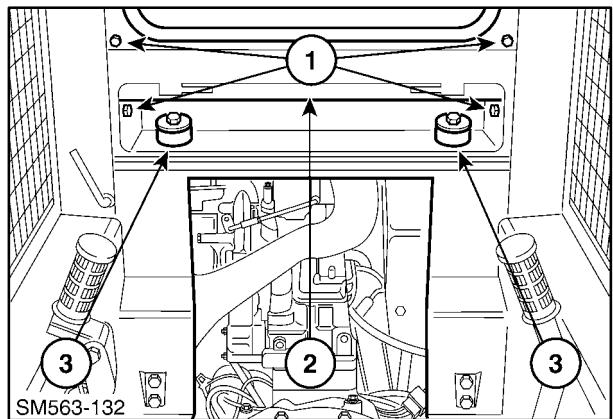
145

12. Remove the four retaining screws from the front shield, 1, and the eight retaining bolts from the step shield, 2. Remove both shields from the loader.



146

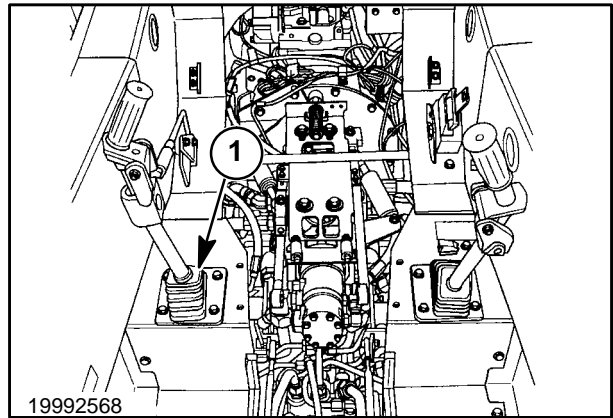
13. Remove the rear seat support, 1, hardware at 2, and the isolator mount hardware, 3.



147

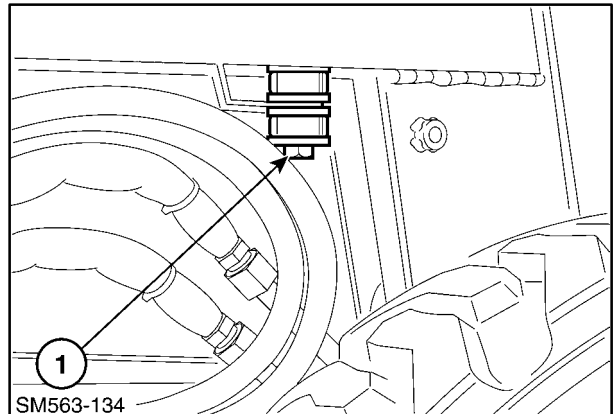
SECTION 55 - ELECTRICAL SYSTEM

14. Remove the right hydrostatic control handle assembly, 1, retaining hardware. Unhook the hydrostatic control linkage and auxiliary boom hydraulic linkage (if equipped). Lift the control assembly from the loader.



148

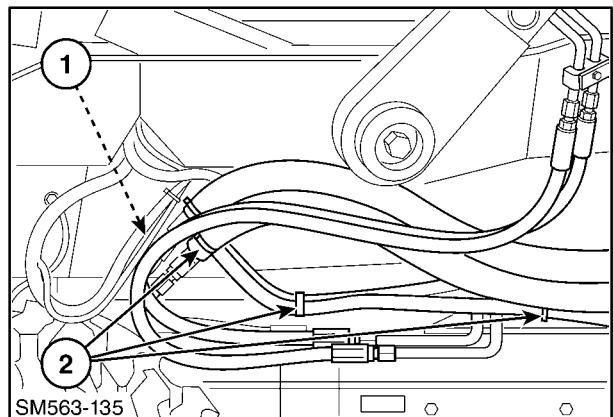
15. Remove the right fender to access and loosen the right front isolator mount bolt, 1.



149

16. Remove the left fender.
17. Remove all wire harness retaining clamps from the main wire harness at the rear and left side of the loader frame, 1 and 2.

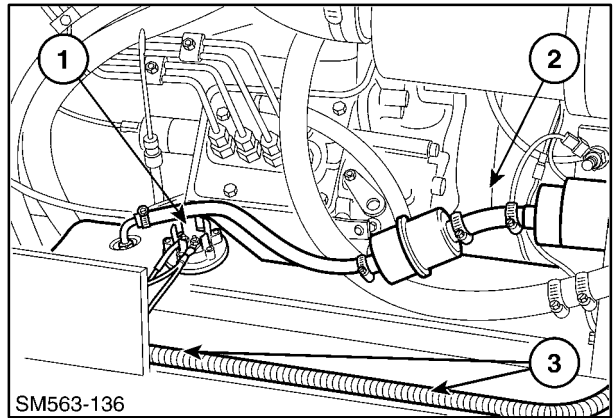
(Cut wire ties along the right side of the rear window if so equipped and any ties retaining the optional harness to the main harness. Cut the wire tie at the keeper bar at the left front to rear of cab pivot).



150

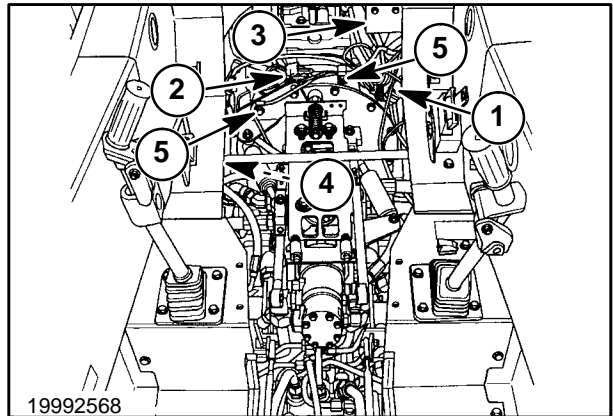
SECTION 55 - ELECTRICAL SYSTEM

18. Remove harness from left rear of engine area after disconnecting wires from fuel sender, 1, and fuel pump, 2. Remove tubing from the harness that is located in fuel tank groove, 3.



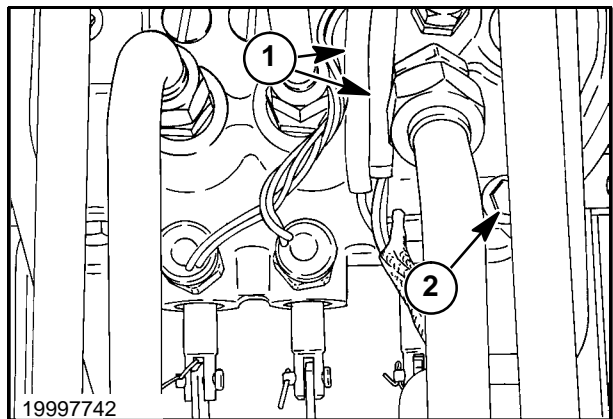
151

19. Thoroughly clean the connector between the main and engine harness. Make sure the connector is dry.
20. Unplug the main wire harness from the engine wire harness, 1, and remove the ground wires from the engine bellhousing ground stud, 2. Remove wires from the engine fuse and relay panel, 3.
21. Remove the hydraulic oil temperature sender wires, 4, and remove the harness from the clamps on the face of bellhousing, 5. Remove the remaining bellhousing clamps.



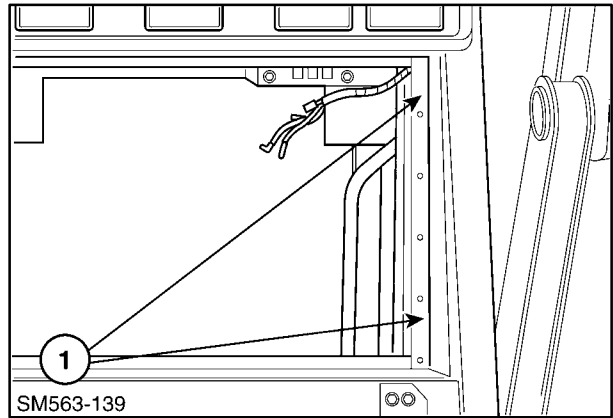
152

22. Disconnect the control valve connectors, 1, remove the harness from the J clamp, 2, on the valve and pull the harness out through the left fender area.



153

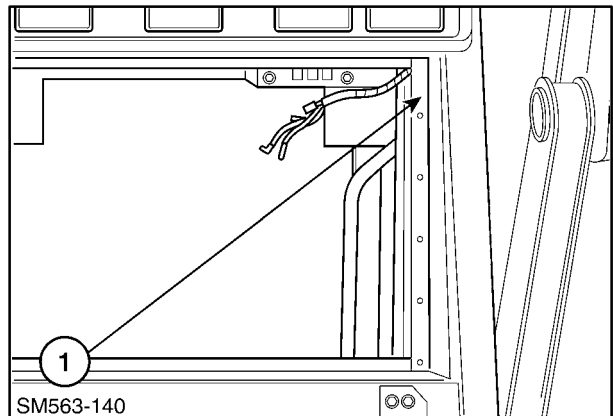
23. Now the right side panel, 1, can be pivoted into the center of the cab area at the rear and the wire harness can be removed from the corner of the side panel.



154

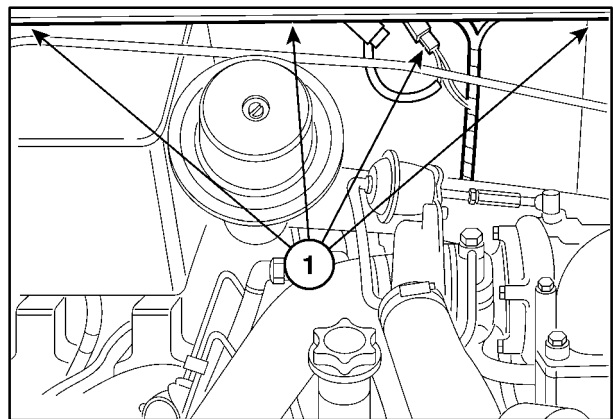
MAIN WIRE HARNESS INSTALLATION

1. Install the wire harness up the right rear corner of the side panel with the EIC board connector toward the front of the loader cab. Position the service/run and fuse block connectors at their location. Place the wire in the upper rear corner of the cab side panel at 1, to prevent the wire harness from contacting the cab panel retaining hardware. Install two wire ties or clamp at the upper right side of the rear window and one tie at the bottom to hold the harness up and maintain clearance from the cab panel hardware and headliner support.



155

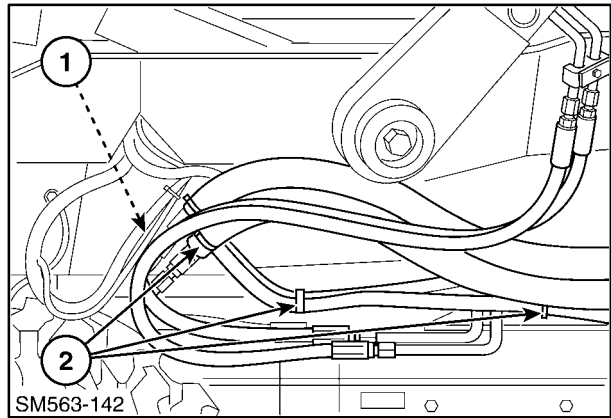
2. Place the main wire harness to the front side of the boom lock linkage at 1, and reinstall the wire clamps. Route the harness across the loader to the left side of the loader.



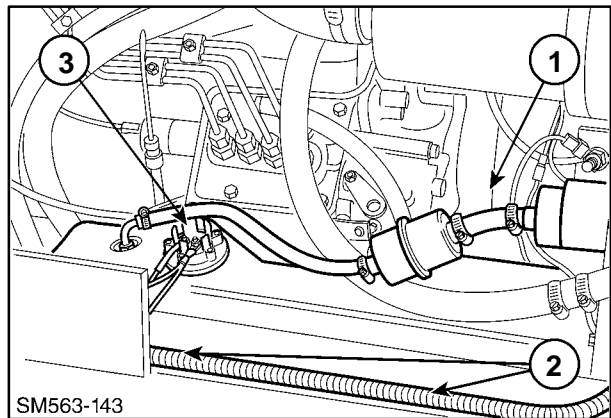
156

SECTION 55 - ELECTRICAL SYSTEM

- Route the wire harness to the front of the loader on the left side, 1 and 2, and install wire clamps where previously installed. Place the harness into the loop (keeper) and secure with a wire tie at 1, and then along the top of the lower frame to the rear of the loader to the engine fuse/relay panel area.
- Route the harness branch to the inside of the frame with the hydraulic lines and down to the floor and front of the control valve. Refasten in the J clamp and route the connectors between valve bosses and plug in solenoids. Tuck the connectors between valve bosses to protect the harness.
- Connect the main wire harness connector to the engine wire harness, 1. Reconnect the wires to the proper components in the panel.
- Route the harness branch along the fuel tank groove, 2, install tubing over the harness and connect to the fuel sender, 3, and fuel pump.



157

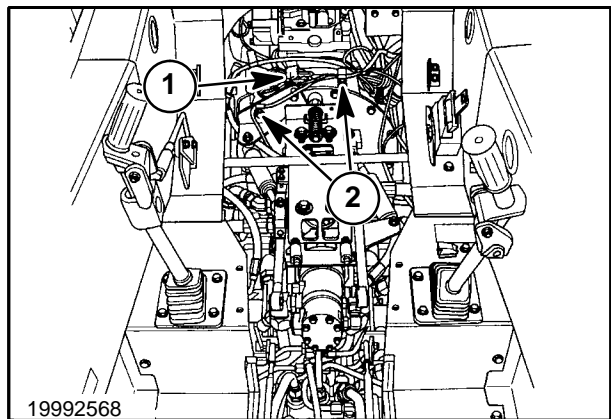


158

- Attach the ground wires at the engine bellhousing ground stud, 1.

NOTE: When attaching ground wires, always place the heaviest ground wire (battery ground cable) next to the ground surface (bellhousing). Then stack the remaining ground wires according to wire size; largest on bottom, smallest on top of the heaviest wire.

- Continue harness routing to the hydraulic temperature switch and secure in the bell housing clamps, 2. Clamp harnesses to the bellhousing.

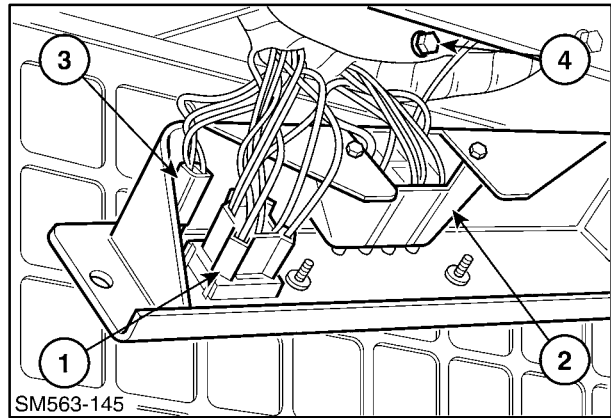


159

SECTION 55 - ELECTRICAL SYSTEM

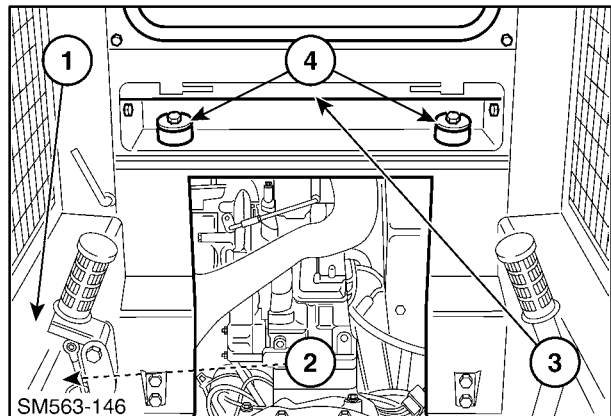
9. Reattach the wires to the service/run switch, 1; fuse block(s), 2; preheat switch, 3; and any ground wires if removed at 4.

NOTE: When attaching ground wires, always place the heaviest ground wire next to the ground surface and then stack the remaining ground wires according to wire size on top of the heaviest wire.



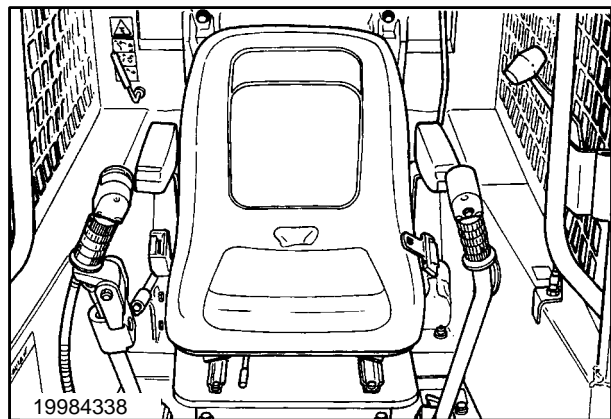
160

10. Reposition the right side panel, 1, and reinstall the front dash support hardware.
11. Reinstall the right front isolator, 2, if removed.
12. Reinstall the upper rear support.
13. Reinstall the lower rear support, 3, and the isolators, 4. Tighten all cab support and side shield hardware at this time.



161

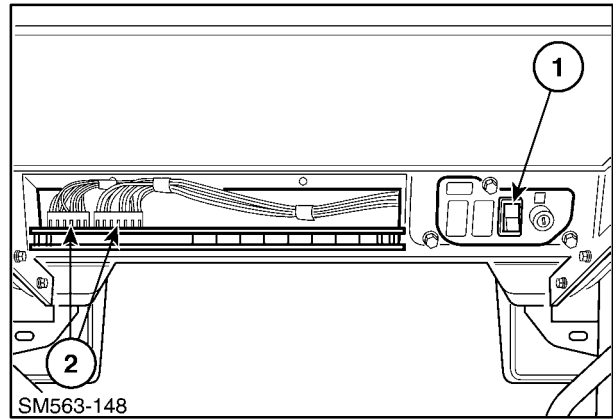
14. Reinstall all wire harness clamps previously removed, position the wire harness to prevent damage, and tighten the clamp hardware at this time.
15. Reinstall the seat and seat pan assembly and tighten the hardware. Reconnect the seat harness to the main harness. Check the loop for clearance when the seat is raised and lowered.



162

SECTION 55 - ELECTRICAL SYSTEM

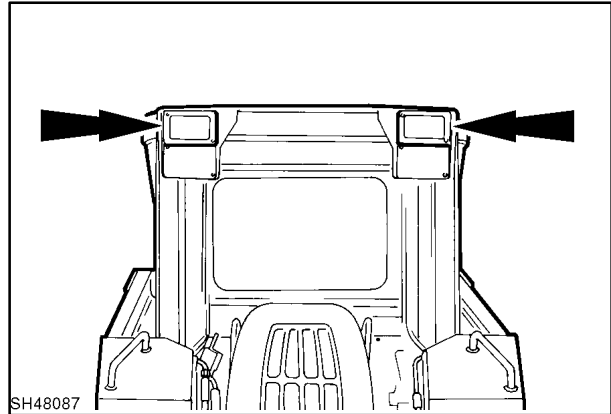
16. Route the wire harness to the front of the cab to the ignition switch and EIC board area. Attach the wires to the ignition switch and position the wire harness to prevent damage. Reinstall the switch panel, 1.
17. Attach the wire harness connectors, 2, to the proper EIC board connector and position the wire harness across the front of the dash area to prevent damage. Reinstall the EIC board.
18. Reconnect the negative (-) battery cable.
19. Check the electrical system for proper operation.



163

Op. 55 404**ROAD/WORK LIGHTS**

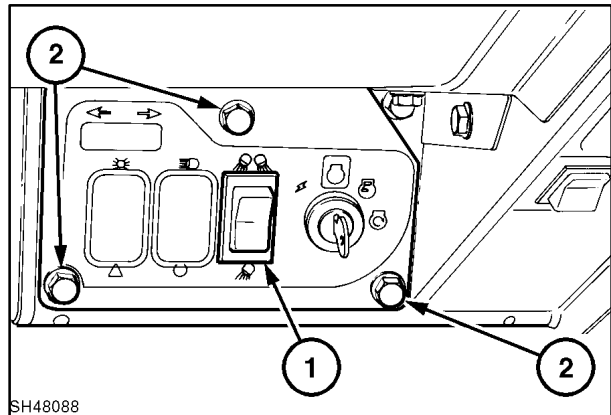
The road and work lights provide illumination for road travel and work operations. The rear work lights are not recommended for road travel.



SH48087

164

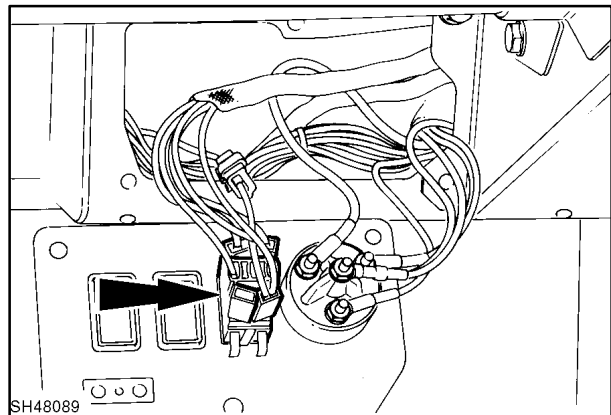
Road/work light switch, 1, is located in the ignition key switch panel in the upper right corner of the overhead dash. To remove the switch, disconnect the negative (-) ground battery cable. Remove the key switch panel hardware, 2, and tilt the panel down.



SH48088

165

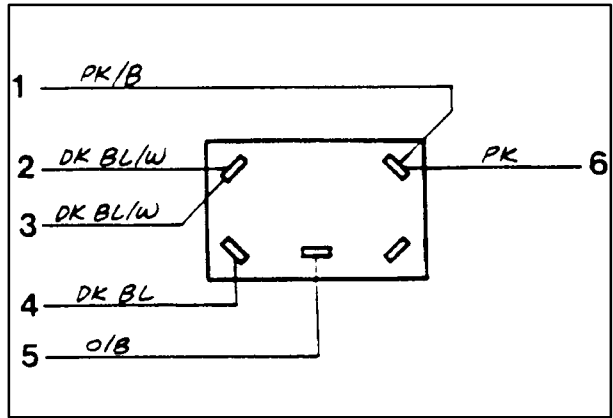
Disconnect wires from the switch, squeeze the switch retaining tabs in, and remove the switch from the panel.



SH48089

166

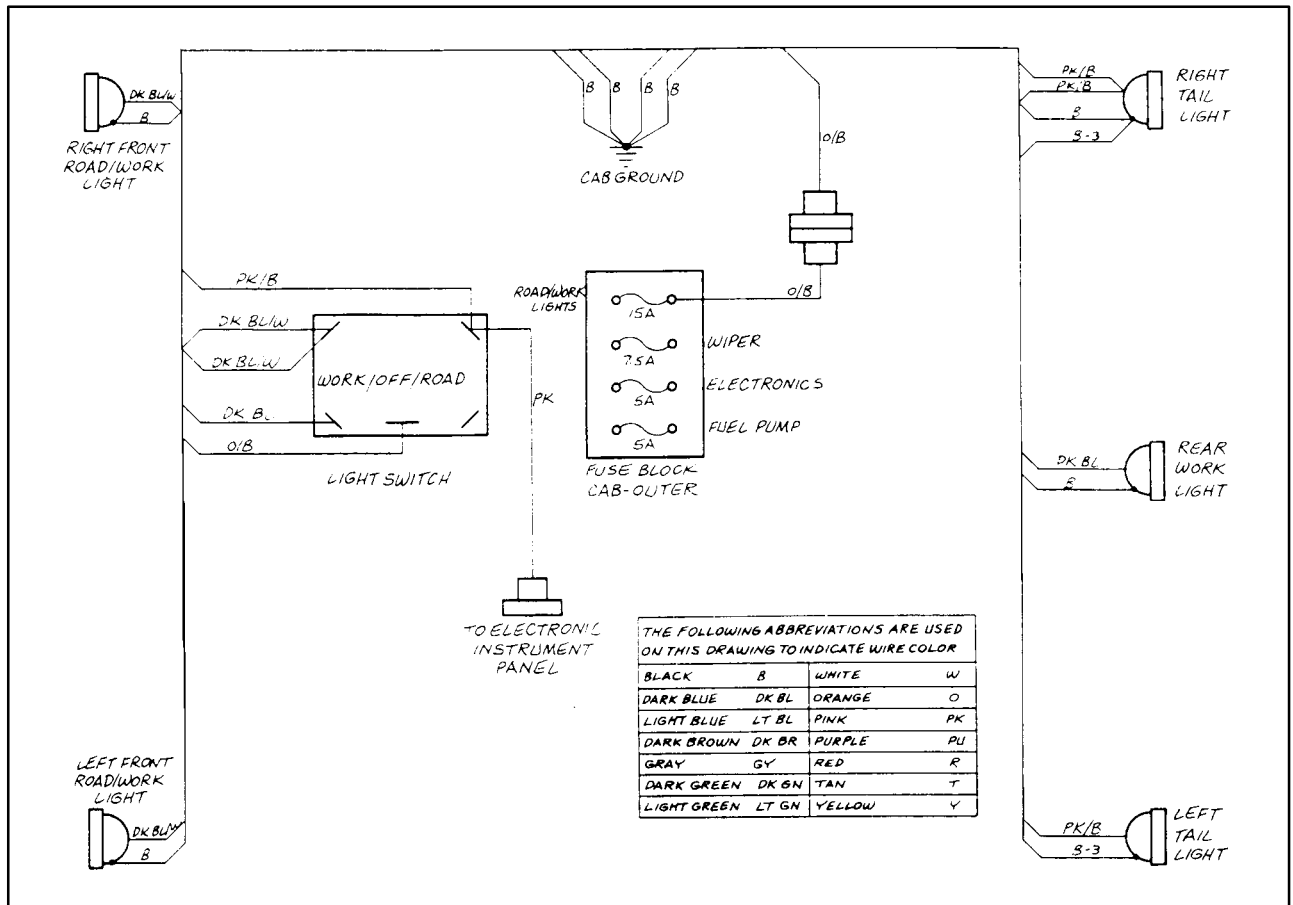
Road/Work Light Switch Wiring



167

Road/Work Light Wiring Diagram

NOTE: When attaching ground wires, always place the heaviest ground wire next to the ground surface and then stack the remaining ground wires according to size on top of the heaviest wire.



168

Bulb Replacement

Clear lens with bulb #86533429

Bulb only (clear) #86533428

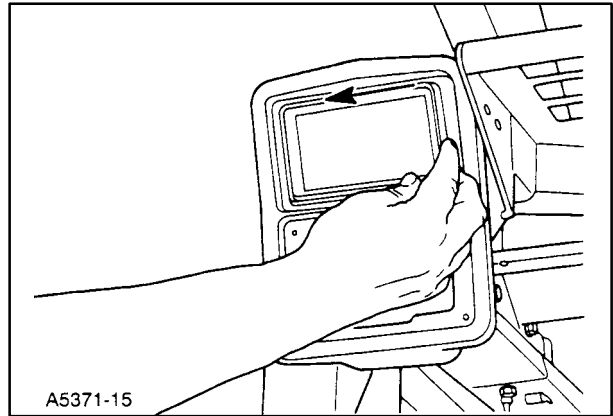
Red lens with bulb #9829515

Bulb only (red) #C6AB13465A

Op. 55 404 10

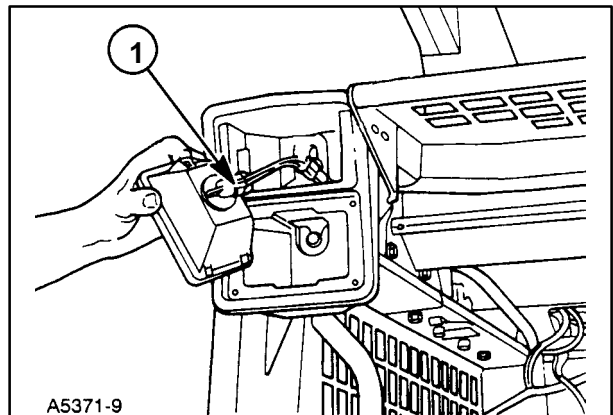
Front Road/Work Light

1. Facing the lens of the light assembly, push the lens assembly to the left and lift the right side of the assembly from the support.



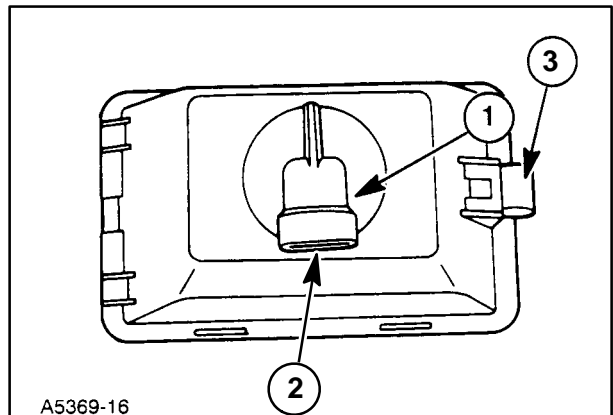
169

2. Unplug the wire harness from the bulb, unlatching the connector at 1, and sliding the harness from the bulb.



170

3. Facing the back of the assembly, rotate the bulb holder, 1, counterclockwise and remove the bulb from the support.
4. Position the bulb so when it is locked in position the connector, 2, is pointed down with the clip, 3, to the right.



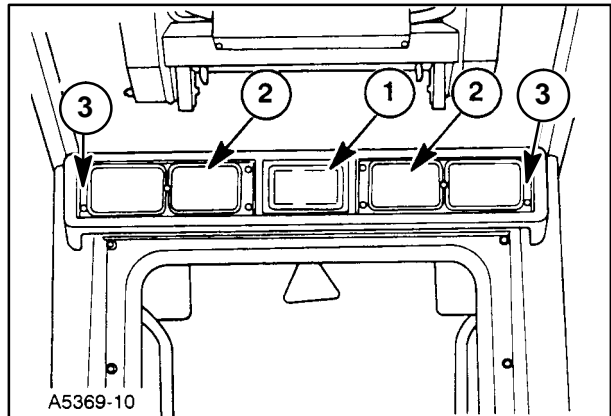
171

IMPORTANT: DO NOT touch the bulb during removal and installation. The bulb may become damaged or a premature failure may occur.

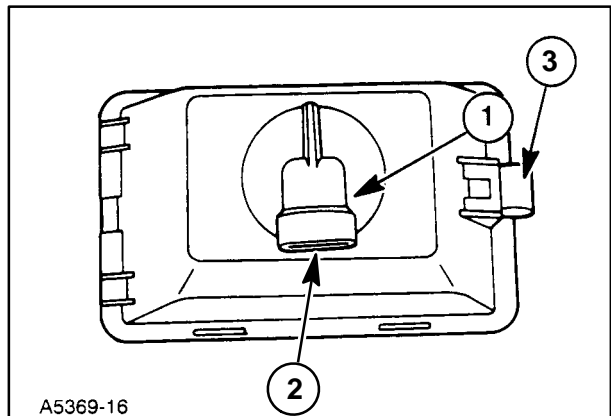
Op. 55 404 10**Rear Work and Taillight**

1. Remove the center work light, 1, by pushing the lens assembly to the left and lift the right side of the assembly from the support.
 2. Remove the red taillight lamps, 2, by unscrewing the bezel self-tapping screws, and removing the bezels, 3.
 3. Unplug the wire harness from the bulb, unlatching the connector, and sliding the harness from the bulb.
4. Facing the back of the assembly, rotate the bulb holder, 1, counterclockwise and remove the bulb from the support. Replace the bulb.
 5. For the clear rear work lamp, position the bulb so when it is locked in position the connector, 2, is pointed down with the clip, 3, to the right.

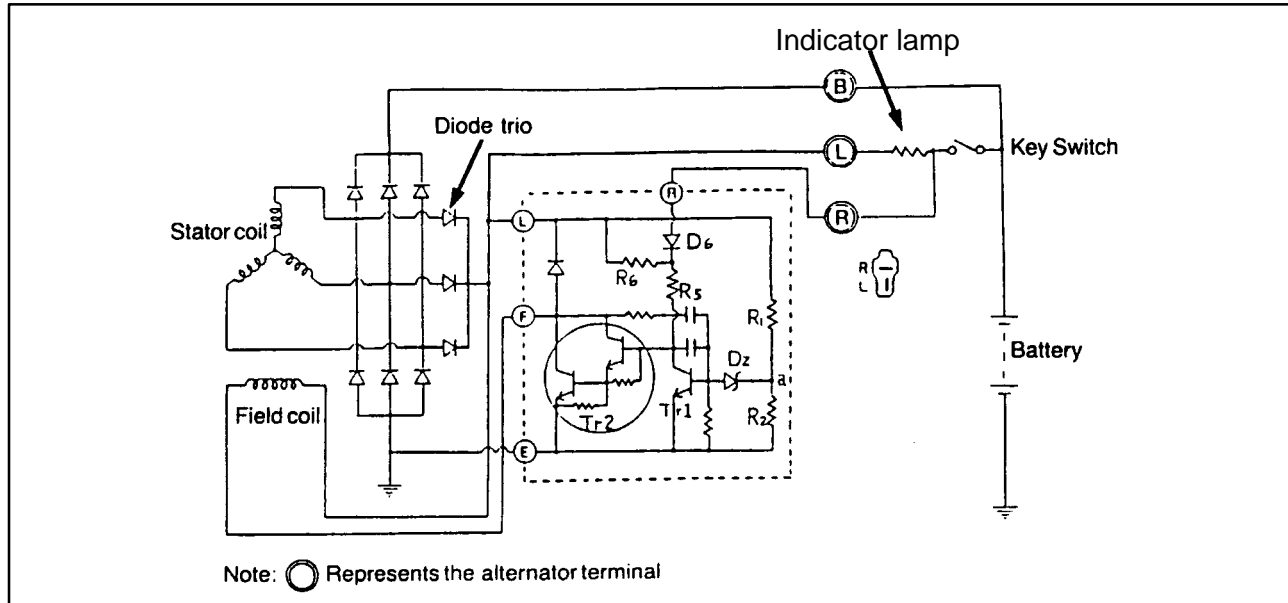
IMPORTANT: DO NOT touch the bulb during removal and installation. The bulb may become damaged or a premature failure may occur.



172



173



174

Op. 55 301
ALTERNATOR (40-AMP VERSION)
CHARGING CIRCUIT

Description

1. The charging circuit and internal connection are shown here. The charging system consists of an IC regulator built-in alternator, a battery, and connecting wires. Because of the use of IC, the voltage regulator is very compact and is built into the alternator.
2. The field current flows directly from the diode trio to the field coil without passing through the external circuit. Consequently, there are no voltage drops caused by the key switch or the wiring, as with the conventional vibrating-contact regulators mounted separately from the alternator. To help the initial voltage buildup when the engine is started, the field current is supplied through the indicator lamp from the battery.
3. Since the frequency pulse output of 1/10 the alternator speed develops at "P" terminal, this terminal is used for speed detection by the EIC board for engine RPM readings.

Principle of Integrated Circuit Regulator

The basic circuit of the IC regulator is shown here.

The part enclosed by a dotted line represents the IC regulator.

The basic function of the IC regulator to make terminal voltage constant by detecting generated voltage and increasing/decreasing field current is not different from that of the vibration- contact regulator.

As indicated, the regulator consists of two basic sections: a voltage control device and an output device to handle the field current. The voltage control device includes a voltage divider network (R1, R2), a Zener diode (DZ) for voltage reference, and a signal amplifying transistor (Tr1). The output device is a Darlington-type amplifier which is called power transistor (Tr2). The transistor Tr2 is placed in series with the alternator field coil and ground.

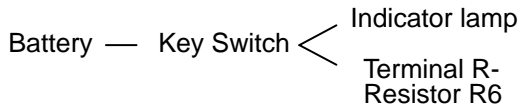
The transistor Tr1 senses the generated voltage and turns the transistor Tr2 on and off many times per second most of the time the engine is in operation.

SECTION 55 - ELECTRICAL SYSTEM

The basic operating principles are explained as follows:

1. When the key switch is closed, current from the battery flows through the indicator lamp and resistor R6, which are in parallel, to the field coil.

From here it continues to flow on through the field coil to ground, completing the circuit back to the battery.



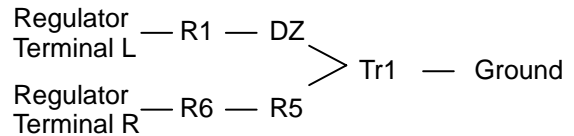
2. When the alternator begins to rotate, A.C. voltages are generated in the stator coil. The diodes in the rectifier assembly change the stator A.C. voltages to a D.C. voltage which appears between the ground and terminal, B.

The stator also supplies D.C. field current through the diode trio, the field coil, Tr2, and then through the diodes in the rectifier assembly, back to the stator.



3. When the generated voltage is low, no current flows in the Zener diode (DZ) since the voltage at point A is lower than the Zener voltage.

4. As the speed and voltage increases, the voltage at point A also increases until it reaches the limiting value set by the factory. As the Zener diode (DZ) breaks down, current flows through R1, DZ, and the base-emitter circuit of Tr1 to ground. This renders Tr1 conductive, so that much of the current flows through the collector-emitter circuit of Tr1. This reduces the base current of Tr2 thereby reducing the field current. This means that Tr1 turns on and Tr2 turns off.



5. When the generated voltage decreases, the Zener diode (DZ) again turns off and Tr1 also turns off.

This cycle then repeats many times per second and the alternator output voltage is, therefore, regulated within a narrow limit.

In other words, the action is similar to the conventional vibrating-contact regulator, in that current to the field coil is varied to limit the output voltage, but in place of the voltage coil and spring system, there is a potential divider (R1 and R2) and a Zener diode.

ALTERNATOR SERVICE SPECIFICATIONS

| Item | How Rated | Standard Or Service Limit |
|---|-----------------------|----------------------------------|
| Normal Output | (V - A) | 12 V - 40 A |
| Polarity | | Negative ground |
| Weight | (kg, lbs) | 3.7 kg (8.2 lbs) |
| Rotational direction (viewed from the pulley) | | Clockwise |
| Load characteristics (cold) | Terminal voltage (V) | 13.5 V |
| | Current (A) | Min. 30 A |
| | Revolution (RPM) | 2500 RPM |
| Brush length | Original (mm-in) | 18.5 mm (0.728") |
| | Limit (mm-in) | 5.0 mm (0.20") |
| Brush spring tension | Original (g-lbs) | 470 - 590 g (1.036 - 1.300 lbs) |
| | Limit (g-lbs) | 270 g (0.60 lbs) |
| Slip ring diameter | Original (mm-in) | 22.7 mm (0.894") |
| | Limit (mm-in) | 22.1 mm (0.871") |
| Field coil resistance | ohms at 20° C (68° F) | 2.8Ω |
| Adjusting voltage | (V) at 5000 RPM | 14.4 - 15.0 V |

ALTERNATOR - SYSTEM TESTING AND TROUBLESHOOTING**NO CHARGING**

| FAULT LOCATION | POSSIBLE CAUSE | CORRECTION |
|-----------------------|---|-------------------|
| Wiring | Loose connection, short circuit | Repair |
| Alternator | Loose connection, no ground, short circuit | Repair or replace |
| | Defective rectifier | Replace |
| | Loose connection of RF resistor | Replace |
| Regulator | Defective regulator | Replace |
| | Loose connection of alternator or regulator | Repair or replace |

INSUFFICIENT CHARGING

| FAULT LOCATION | POSSIBLE CAUSE | CORRECTION |
|-----------------------|--|-------------------|
| Wiring | Loose connection or short circuit | Repair |
| Alternator | Loose drive belt | Repair |
| | Short in rotor coil | Replace |
| | Short in stator coil | Replace |
| | Defective rectifier | Replace |
| | Insufficient brush contact | Repair or replace |
| Regulator | Defective regulator | Replace |
| | Loose connection of alternator and regulator | Repair |
| Battery | Defective battery | Replace |

OVERCHARGE

| FAULT LOCATION | POSSIBLE CAUSE | CORRECTION |
|-----------------------|-----------------------|-------------------|
| Battery | Internal short | Replace |
| Regulator | Defective regulator | Replace |

SECTION 55 - ELECTRICAL SYSTEM

UNSTABLE CHARGING CIRCUIT

| FAULT LOCATION | POSSIBLE CAUSE | CORRECTION |
|-----------------------|--|-------------------|
| Wiring | Loose connection or open wire | Repair or replace |
| Alternator | Loose drive belt | Repair |
| | Short in rotor coil | Replace |
| | Short in stator coil | Replace |
| | Insufficient brush contact | Repair or replace |
| | Broken brush or spring | Replace |
| | Loose connections | Repair |
| Regulator | Defective regulator | Replace |
| | Loose connection at alternator and regulator | Repair or replace |

ABNORMAL NOISE OF ALTERNATOR

| FAULT LOCATION | POSSIBLE CAUSE | CORRECTION |
|-----------------------|----------------------------------|-------------------|
| Alternator | Loose mounting hardware | Repair |
| | Defective bearings | Repair or replace |
| | Rotor core and stator in contact | Replace |
| | Defective diode | Replace |
| | Short in stator coil | Replace |

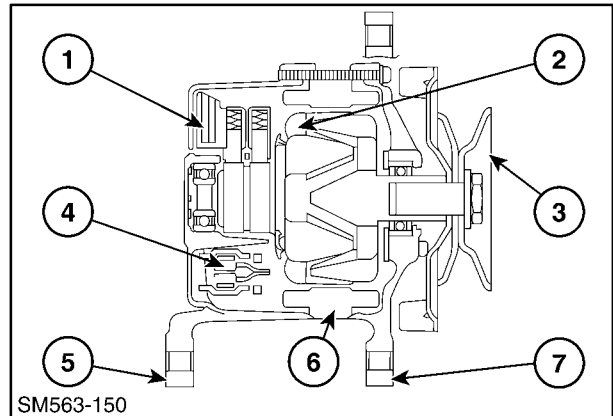
Alternator Construction

Sectional view of the IC alternator

The principal components of the IC alternator are the stator, the rotor, the rectifier assembly, the IC voltage regulator, the front bracket, the rear bracket, and the pulley.

The rectifier assembly consists of two heat sinks, one positive and one negative, and diode trio. The diode trio is used as a field supply diode and is connected to the field coil and terminal L on the alternator.

The built-in IC regulator is a solid-state unit so that it can only be serviced as an assembly.



175

1. IC voltage regulator
2. Rotor
3. Pulley
4. Rectifier
5. Rear support bracket
6. Stator
7. Front support bracket

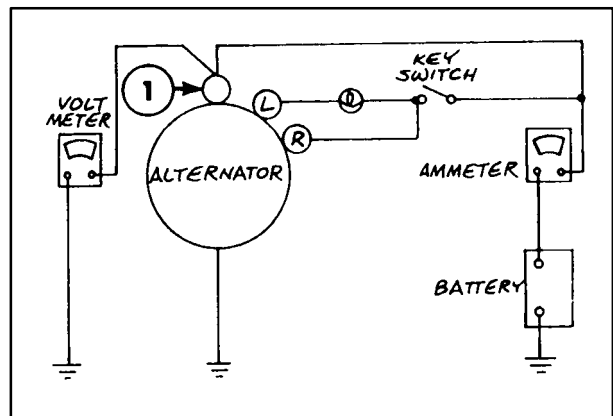
Check on the Equipment

Checking the regulator adjusting voltage.

- A. In the case of equipment without an ammeter, connect a test ammeter (50A capacity) at the position shown.

In the case of equipment with an ammeter, make use of the ammeter on the equipment.

- B. Connect a voltmeter between terminal 1 of the alternator and the ground.



176

1. In this state, confirm the reading on the voltmeter indicates the battery voltage.
2. If the voltmeter reading is zero, the wiring between terminal 1 and the battery is faulty.

- With the test ammeter terminals short-circuited, start the engine.



In the case of where the test ammeter is connected at the position shown in Figure 181, make sure no starting current is applied to the ammeter when the engine is started.

- Remove the short circuit across the test ammeter terminals and increase the engine speed immediately to approximately 2000 RPM. Take the ammeter reading.
- If the ammeter reading is 5A or less, take the voltmeter reading without changing the engine speed (approximately 2000 RPM). The reading is the adjusting voltage.
- If the ammeter reading is more than 5A, continue to charge the battery until the reading falls to less than 5A or replace the battery with a fully charged one.

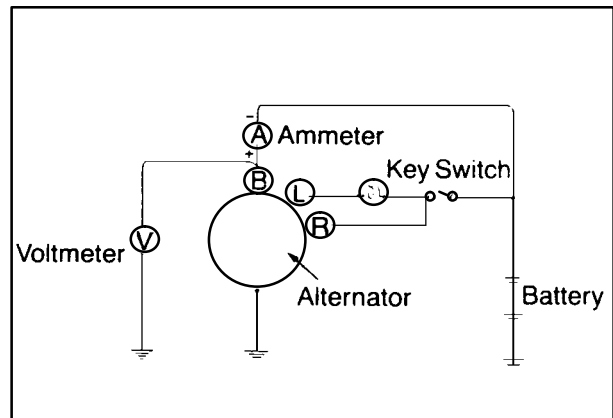
An alternative method is to limit the charging current by connecting a 1/4 (25W) resistor in series with the battery.

Checking Output

If the previous section "A" check is satisfactory, check the output as follows:

- After opening the battery switch, disconnect terminal B of the alternator and connect an ammeter (50-amp capacity) at the position shown.
- Connect the voltmeter between terminal B of the alternator and the ground. Confirm the voltmeter indicates the battery voltage.
- Close the key switch.
- Start the engine and turn on all the lamps. Immediately accelerate the engine to 2000 RPM or more and measure the maximum value indicated on the ammeter.
- If this value is more than 70% of the nominal output (refer to the section on "Service Specifications"), the alternator can be considered as working almost satisfactorily.

NOTE: To make the above judgement more accurate, remove the alternator from the engine and check it on a test bench.



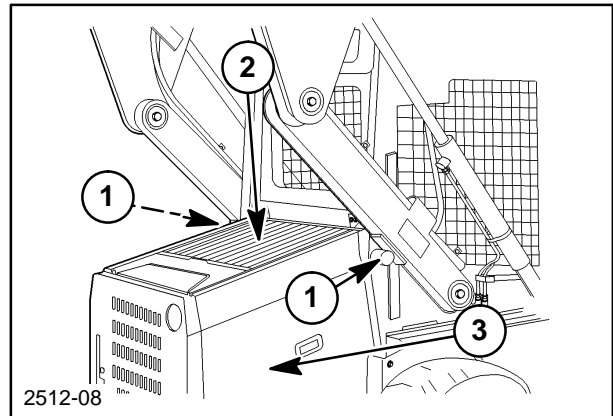
ALTERNATOR**Op. 55 301 10****ALTERNATOR REMOVAL**

1. Open the rear door, 1, raise the top engine shield, 2, and remove the right engine side shield, 3, to access the alternator.
2. For easier access, remove any attachment from the loader boom face plate and raise the boom and rest it on the boom lock pins.



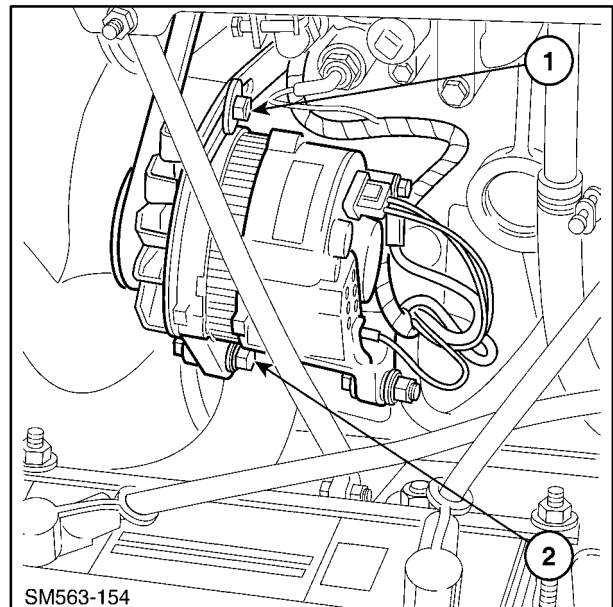
Never work under a raised boom unless it is properly supported by the boom lock pins.

Never work under a raised boom with an attachment. Always remove the attachment from the loader.



178

3. Disconnect the negative (-) battery cable to prevent possible damage to the alternator and electrical system.
4. Disconnect the wire connections from the alternator noting their location.
5. Remove the top strap retaining hardware, 1, and lower pivot, 2.

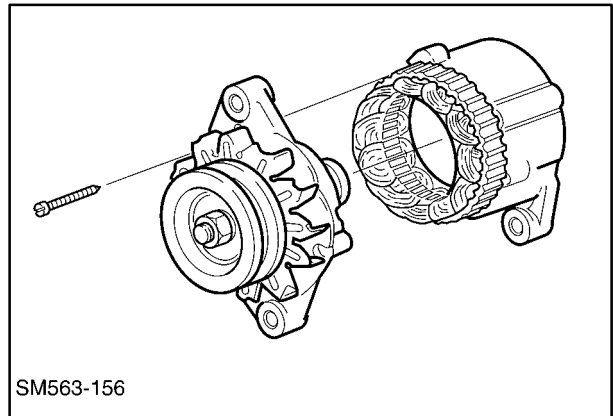


179

Op. 55 301 12

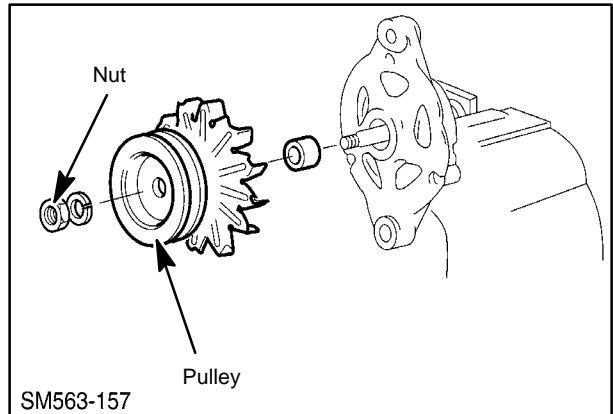
DISASSEMBLY

1. Mark both brackets and the stator with a scribe mark for assembly.
2. Remove the four through bolts. Pry between the stator and front bracket with the blade of a screwdriver. Carefully separate the front bracket, pulley, and rotor assembly away from the stator and rear bracket assembly.



180

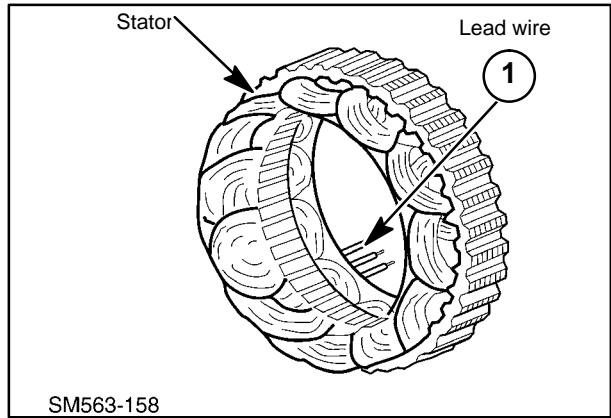
3. Place the rotor in a vise with soft jaws and remove the pulley nut, washer, pulley, spacer, and rear bracket from the rotor.



181

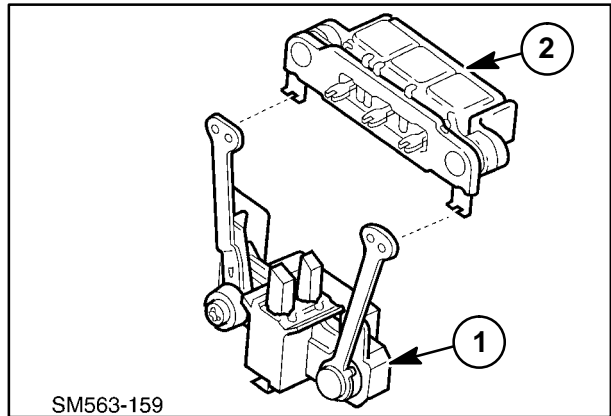
SECTION 55 - ELECTRICAL SYSTEM

Unsolder three stator leads, 1, and remove the stator.



182

4. Remove the voltage regulator assembly, 1, and rectifier assembly, 2.



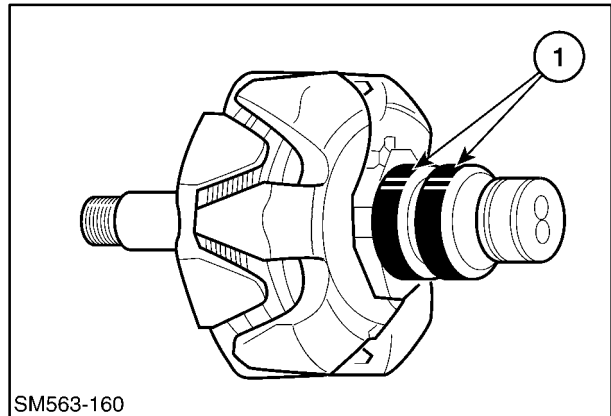
183

Op. 55 301 14**ALTERNATOR COMPONENT TEST****Rotor**

1. Inspection of slip ring surface, 1.

Correct stain or scratches on the slip ring surface with a sandpaper of about 400# - 600#.

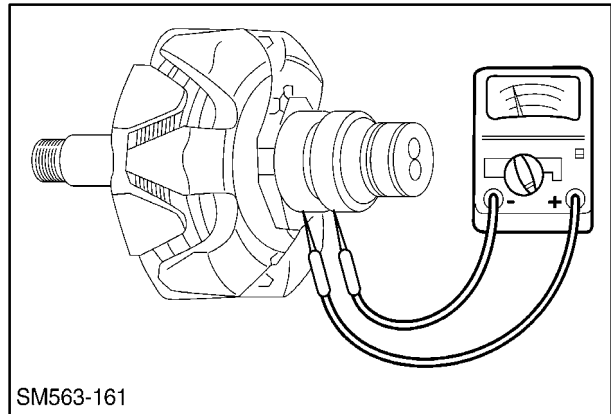
A badly roughened slip ring or slip ring worn down beyond the service limit should be replaced.



SM563-160

184

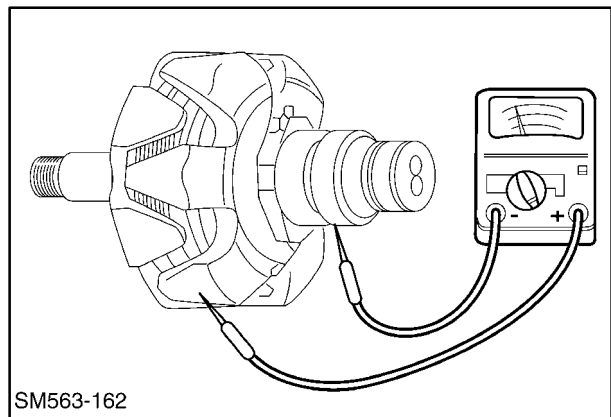
2. Check for continuity between both the slip rings. If there is no continuity, the field coil is defective. Replace the rotor assembly.



SM563-161

185

3. Check for continuity between the slip ring and shaft (or core). If there is continuity, it means the coil or slip ring is grounded. Replace the rotor assembly.

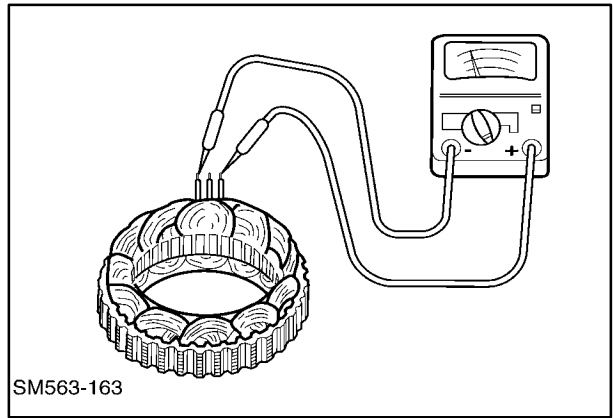


SM563-162

186

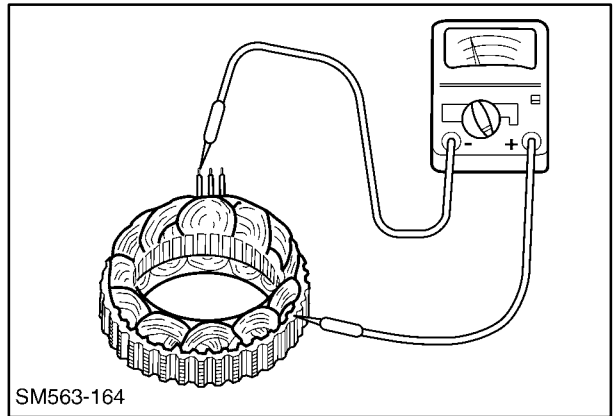
Stator

1. Check for continuity between the leads of the stator coil. If there is no continuity, the stator coil is defective. Replace the stator assembly.



187

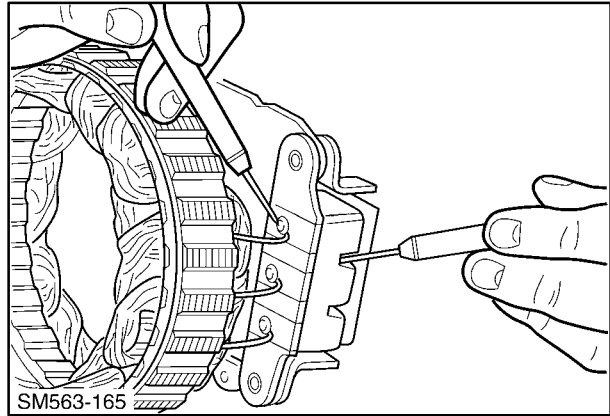
2. Check for continuity between any stator lead and stator core. If there is continuity, it means the coil is grounded. Replace the stator assembly.



188

Rectifier Assembly**Positive Heat Sink**

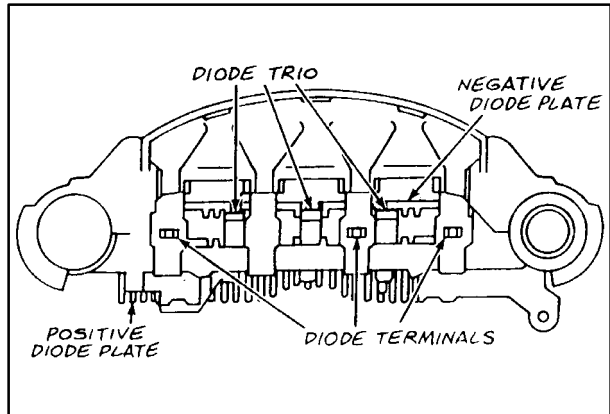
Check for continuity between the positive (+) heat sink and stator coil lead connection terminal with a circuit tester. If there is continuity in both directions, the diode is short-circuited. Replace the rectifier assembly.



189

Negative Heat Sink

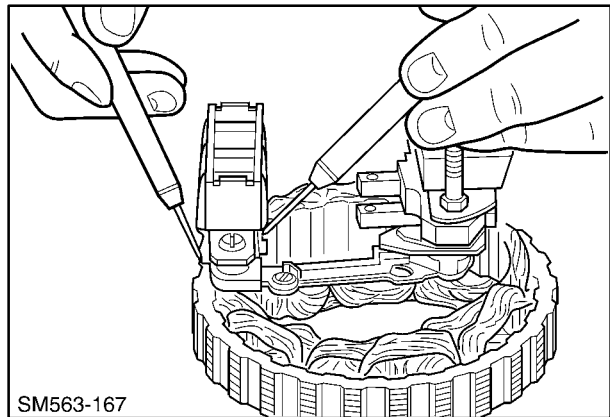
Check for continuity between the negative (-) heat sink and stator coil lead connection terminal. If there is continuity in both directions, the diode is short-circuited. Replace the rectifier assembly.



190

Diode Trio

Using a circuit tester, check the three small diodes for continuity in both directions. If there is either continuity or an open circuit in both directions, the diode is defective. Replace the rectifier assembly.

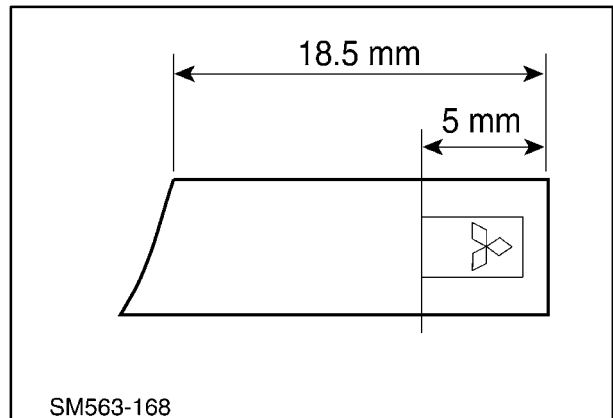


191

Brush and Brush Spring

Check the length of the brush. A brush worn down to the wear limit line should be replaced.

Check the brush spring pressure and make sure the brush moves smoothly in the brush holder.



192

Reassembly

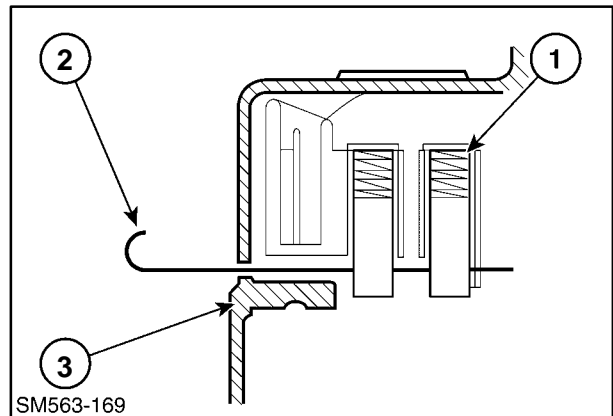
Reverse the disassembly, except for the following:

Installing Rotor

1. Push brushes, 1, into the brush holder and insert a wire, 2, to hold them in the raised position. Install the rotor and remove the wire.

NOTE: The rear bearing and rear bracket, 3, fit is tight; heat the bearing box in the rear bracket to 50° - 60° C (122° - 140° F) before installing the rotor.

2. Lubrication to the bearing box. Do not apply grease to a bearing with a resin band. Remove grease and oil from the bearing box in the rear bracket.

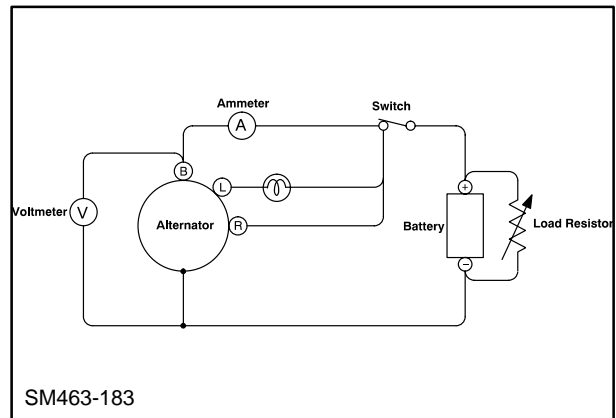


193

Bench Check

To check the alternator on a test bench, proceed as follows:

1. Make the connection as shown, except leave the load resistor disconnected.
2. Slowly increase the alternator speed and observe the voltage.
3. If the voltage is uncontrolled with speed, and increases above 15.5 V, check the alternator.
4. If voltage is below 15.5 V, connect the load resistor as shown.
5. Operate the alternator at 2500 RPM and adjust the load resistor as required to obtain maximum output.
6. Measure the output current. The output must be within the limits shown in the section on "Service Specifications." If the output is less than the specified value, disassemble and check the alternator.



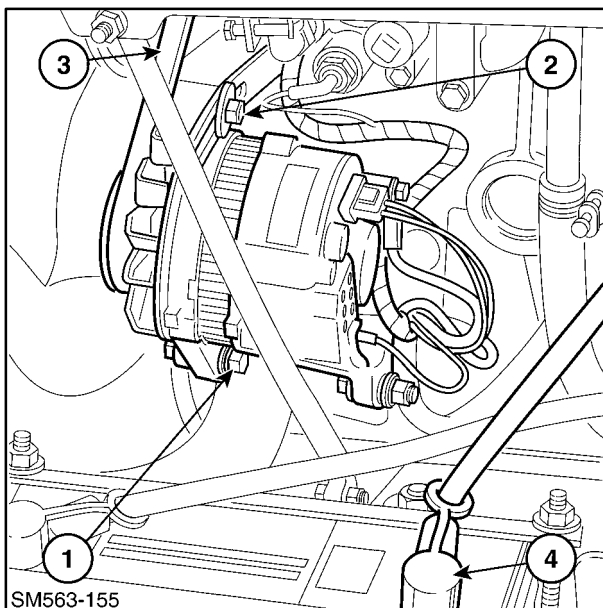
194

IMPORTANT:

1. *Reversed battery connections will damage the alternator and/or wiring.*
2. *When connecting a booster battery, make certain to connect the negative battery terminals together and the positive battery terminals together.*
3. *When a fast charger is used to charge the battery, disconnect the equipment battery cables.*
4. *Grounding of the alternator output terminal will damage the alternator and/or circuit.*
5. *Do not connect a load of over 1A to the terminal L.*
6. *If the alternator is operated with terminal L and B short-circuited, it may damage the diode trio.*

ALTERNATOR REINSTALLATION

1. Attach the alternator to the lower pivot, 1, and the upper support strap, 2.
2. Reattach the wires to the alternator terminals.
3. Pivot the alternator to tighten the belt to obtain proper belt tension. The belt is tightened properly when a force of 1 kg (2 lbs.) is applied perpendicular to the belt at the center of the span, 3, with a 3 mm (1/8") deflection.
4. Reconnect the negative (-) battery cable, 4.
5. Reinstall the engine side shield, close the top engine cover and rear door.



Op. 55 201

STARTER**STARTER MOTOR TROUBLESHOOTING****Starter Motor Specifications**

| | |
|-----------------|-------------------------------------|
| Rated voltage | 12 volts |
| Output | 2 kw |
| Motor type | Four-pole series wound motor |
| Engaging system | Magnetic shift |
| Rotation | Clockwise (viewed from pinion side) |
| Weight | Approximate 5 kg (11 lbs) |

Starter Motor Service Specifications

| ITEM | HOW RATED | STANDARD OR SERVICE LIMIT |
|--------------|------------------------|------------------------------|
| No load test | Volts (V) | 11.5 V |
| | Current (A) | 130 A Max. |
| | Rotating speed (RPM) | 4000 RPM Min. |
| Commutator | Outer dia. (mm-in) | 35 mm (1.38") |
| | Service limit (mm-in) | 34 mm (1.34") |
| Brush | Length (mm-in) | 15 mm (0.59") |
| | Service limit (mm-in) | 9 mm (0.35") |
| Brush spring | Tension (kg-lbs) | 2.7 - 3.6 kg (5.9 - 7.8 lbs) |
| | Service limit (kg-lbs) | 2.2 kg (4.7 lbs) |

STARTER MOTOR TROUBLESHOOTING

Use the diagnostic charts as a guide when repairing the starting system. Before diagnosis, be certain the battery is fully charged and inspect the starter and battery cables for clean and tight connections.

IMPORTANT: Do not operate the starter longer than 30 seconds at a time.

Do not disconnect or short any lead wire while the starter is operating.

With key switch in “start” position:

Starter does not crank engine, solenoid switch clicks.

1. Disconnect the three cables from the solenoid.
2. Using an ohmmeter, touch one probe to the solenoid spade terminal and the other to the starter case. There should be continuity.

If none, the hold-in winding is open-circuited. Replace the solenoid.

If continuity, the fault is in the starter motor. Refer to repair procedures.

Starter does not crank engine, solenoid does not click.

1. Disconnect battery cable from starter.
2. Connect a jumper wire to the battery positive post. Ensure the negative cable is attached to battery and starter ground.

3. Briefly touch the jumper wire to the spade terminal on the solenoid.

If the solenoid clicks, the probable cause is in the key switch, relay or wiring.

If the solenoid does not click, replace it.

Starter cranks engine very slowly.

1. Check battery condition, should be a minimum of 12.5 volts.
2. Check starting system circuit.

Voltage drop between battery positive post and starter terminal should not exceed 0.2 volts.

Voltage drop between battery negative post and starter ground should not exceed 0.2 volts.

If voltage drop exceeds 0.2 volts, clean connections or replace the cable.

3. If battery is charged and voltage is within specification, repair or replace starter.

Engine starts but pinion does not disengage.

1. Check voltage at spade terminal of solenoid. If 12 volts with key switch “off”, fault is in the key switch or start circuit.
2. If 0 volts with key switch “off” but starter turns, fault is in the solenoid or overrunning clutch assembly.

STARTER MOTOR**Op. 55 201 50****REMOVAL**

1. The starter can be accessed through the right engine side shield with the boom up or down or from the operator's area with the seat raised.
2. To access the starter, 1, through the right engine side shield, open the rear door, raise the top engine side shield and remove the right engine side shield.

If the boom is in the raised position, make sure the boom is resting on the boom lock pins.



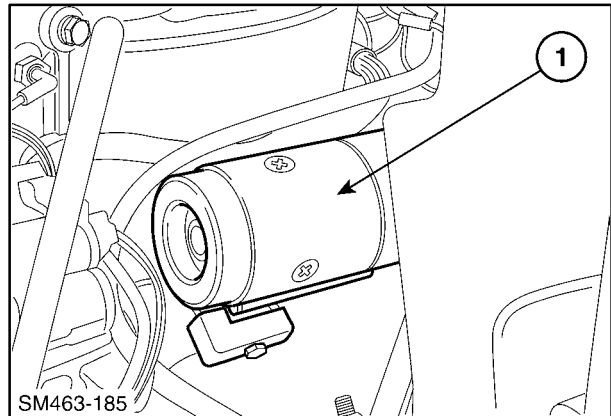
Never work under a raised boom unless it is properly supported by the boom lock pins.

3. To access the starter, 1, from the front, raise the seat and seat pan and securely latch in the raised position.



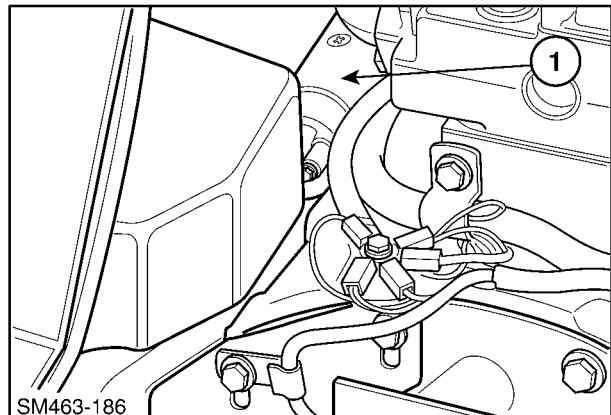
Never work under a raised seat unless it is properly latched in the raised position.

4. Disconnect the negative (–) battery cable.
5. Remove the wires from the starter solenoid and starter, noting their location.
6. Remove the starter retaining hardware and remove the starter from the engine bellhousing.



SM463-185

196

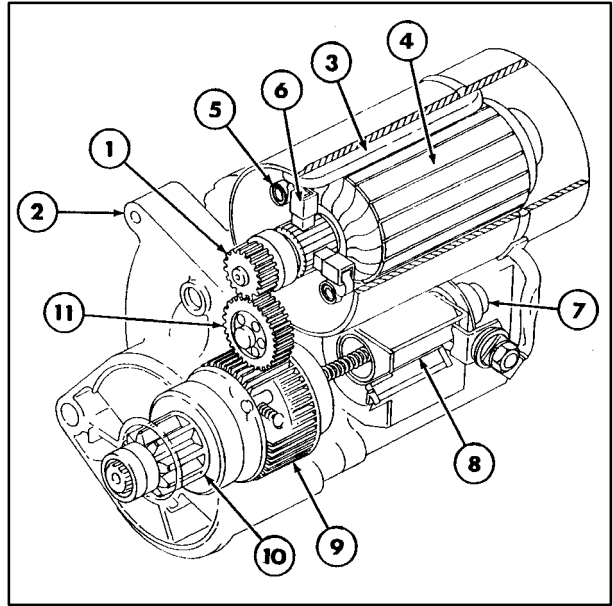


SM463-186

197

Starter Motor Description

1. Drive Gear
2. Housing
3. Field Coil
4. Armature
5. Brush Spring
6. Brush
7. Plunger
8. Electric Solenoid
9. Overrunning Clutch
10. Pinion
11. Idler Gear



198

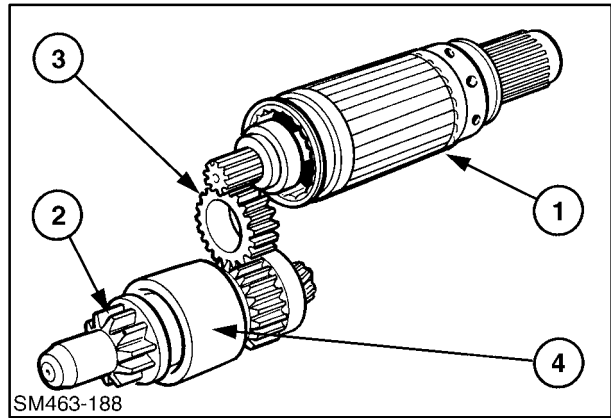
The starter assembly is a positive pinion shift, reduction type starter consisting of the motor, reduction gearset, overrunning clutch and electric solenoid.

The reduction type design allows use of a small, high speed, compact motor.

The sliding pinion and the electric solenoid are arranged on the same axis. The sliding pinion mechanism is totally enclosed, preventing dirt and water entry resulting in a more durable mechanism.

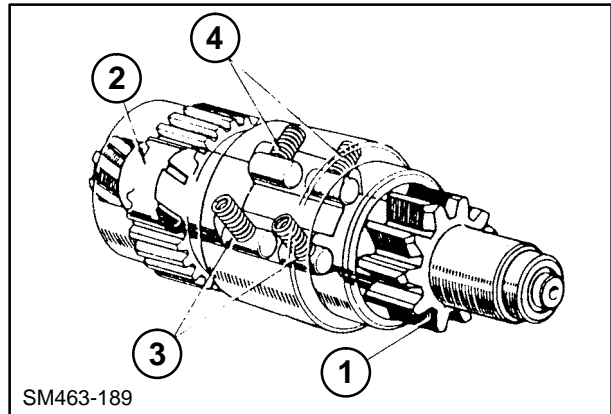
Starter Construction

The reduction type starter consists of the armature, housing, electric solenoid, drive pinion assembly and reduction gears. In a conventional type starter the armature and pinion rotate at the same speed on a common shaft. In a reduction type starter the pinion speed is reduced to about one-fourth armature speed by the reduction gear. Armature, 1, rotation is transmitted to the pinion, 2, via an idler gear, 3, and the overrunning clutch, 4.



199

The overrunning clutch assembly consists of the pinion, 1, pinion shaft, 2, ball bearings and overrunning clutch which is a conventional design with clutch rollers, 3, and roller springs, 4. Due to the screw splines cut on the pinion shaft, the pinion gear advances while rotating to mesh with the flywheel ring gear.

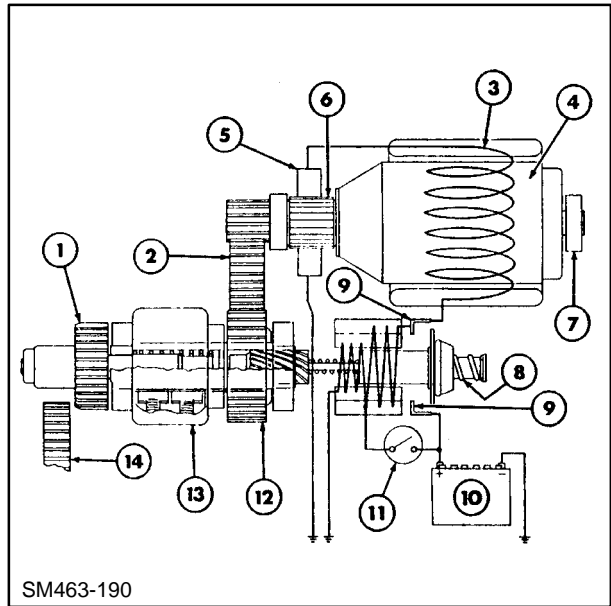


200

Starter Operation

Circuit diagram of reduction type starter.

1. Drive Pinion
2. Idler Gear
3. Field Coil
4. Armature
5. Brush
6. Commutator
7. Ball Bearing
8. Plunger
9. Main Contacts
10. Battery
11. Starter Switch
12. Clutch Gear
13. Overrunning Clutch
14. Flywheel Ring Gear



201

The field windings are connected in series with the armature windings, through the brushes and commutator segments.

Electric Solenoid Operation

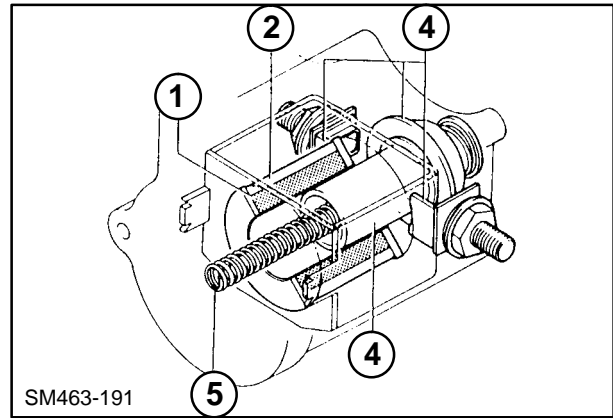
The electric solenoid consists of the pull-in coil, 1, hold-in coil, 2, main contacts, 3, plunger, 4 and return spring, 5. The mechanism is sealed against entry of dirt and moisture.

When the starting switch is closed, battery current flows through both the pull-in coil and the hold-in coil. This moves the plunger to the engaged position. When the plunger closes the main contacts in the engaged position, the pull-in coil circuit is opened, leaving the hold-in coil to retain the plunger in the engaged position. At the same time, current flows through the main contacts to the motor.

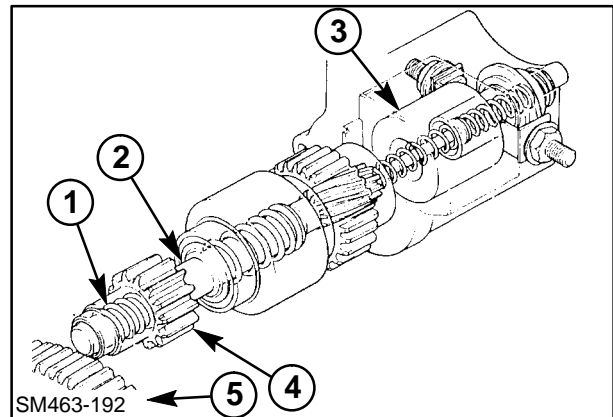
When the starting switch is released, the magnetic field in the hold-in circuit is reduced allowing the plunger spring to move the plunger out, opening the main contacts.

Drive Spring Operation

The drive spring, 1, is fitted on the pinion shaft, 2, in order to provide a smooth and positive pinion gear engagement. When the starting switch is closed, the plunger, 3, is pulled in moving the pinion, 4, toward the ring gear, 5. If the gear teeth do not mesh, the spring will be compressed, pressing on the pinion gear. With the first rotation of the pinion, the teeth will line up and the gears will mesh.



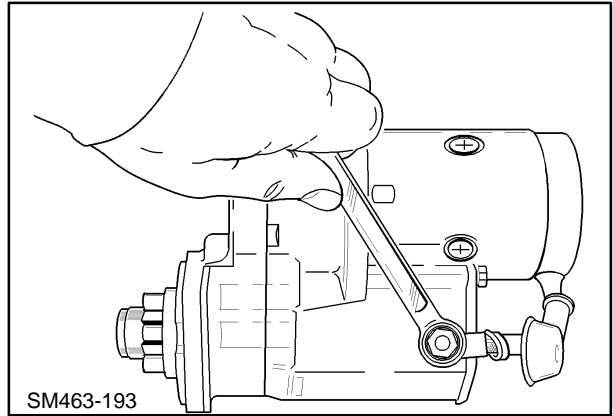
202



203

STARTER DISASSEMBLY

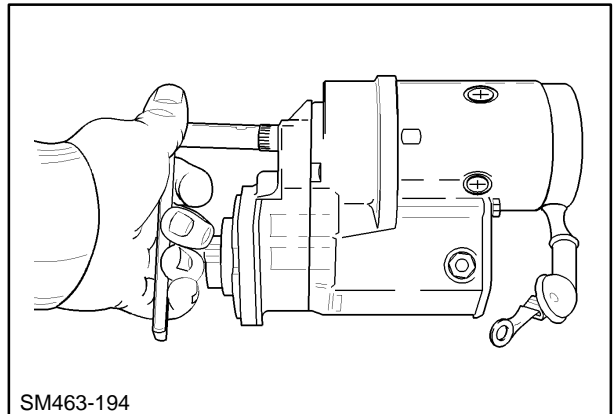
1. Disconnect the lead wire from the electric solenoid.



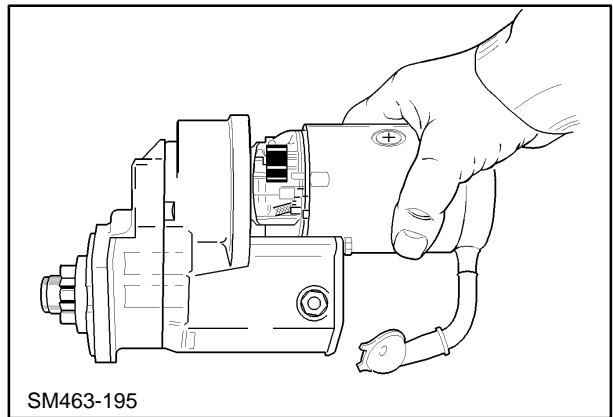
204

2. Scribe a line between the drive housing and motor to aid in proper reassembly. Remove the bolts securing the motor to the drive housing. The motor is now free to be separated from the drive housing.

NOTE: New starter assembly #SBA185086530 has a different housing with two drawbolts. The testing and overhaul procedures are identical to the prior model (#SBA185086520).



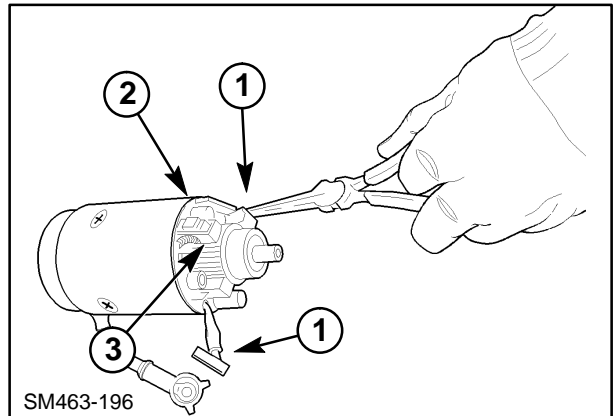
205



206

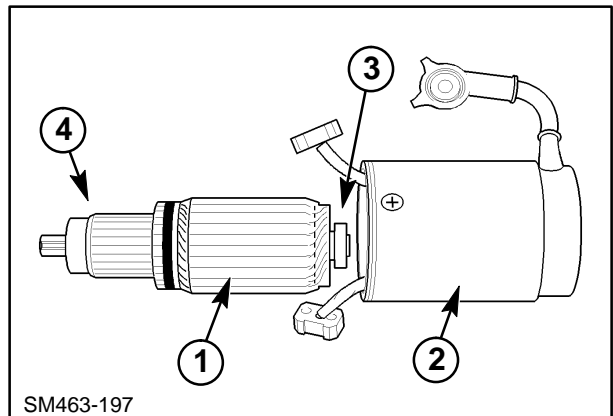
SECTION 55 - ELECTRICAL SYSTEM

3. Extract the insulated brushes, 1, from the brush holders. Hold the springs away and remove the brushes. Slide the brush plate, 2, from the commutator, 3.



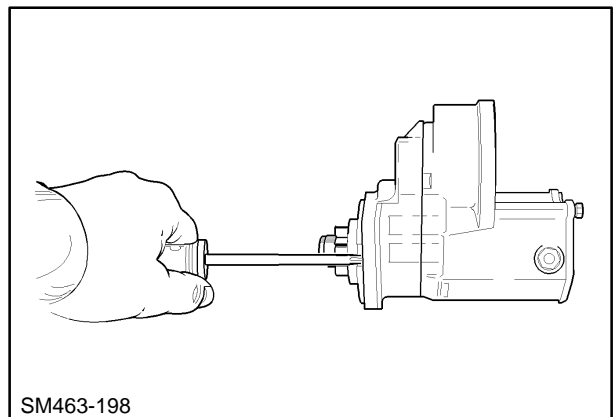
207

4. Remove the armature, 1, from the motor housing, 2. The rear bearing, 3, is a light press fit in the rear housing. It may be necessary to pull the armature from the housing, gripping behind the front bearing, 4.



208

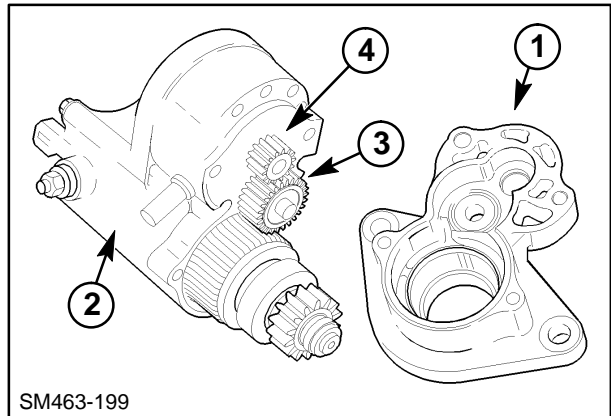
5. Remove the screws securing the drive end frame to the solenoid.



209

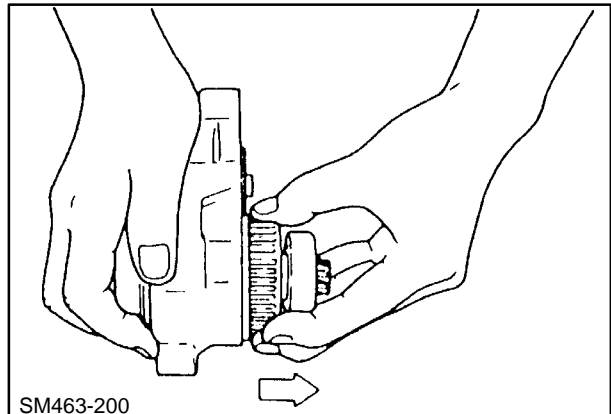
SECTION 55 - ELECTRICAL SYSTEM

6. Remove the drive end frame, 1, from the solenoid, 2. The idler gear with bearings, 3, and the pinion gear, 4, will be free to fall out. Work over a clean bench, using care to avoid losing these pieces.



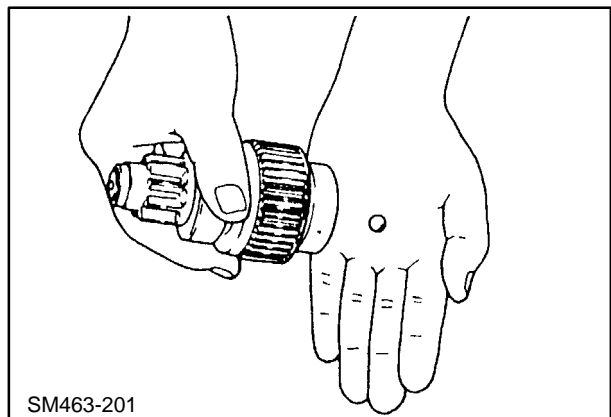
210

7. Remove the overrunning clutch from the drive end frame.



211

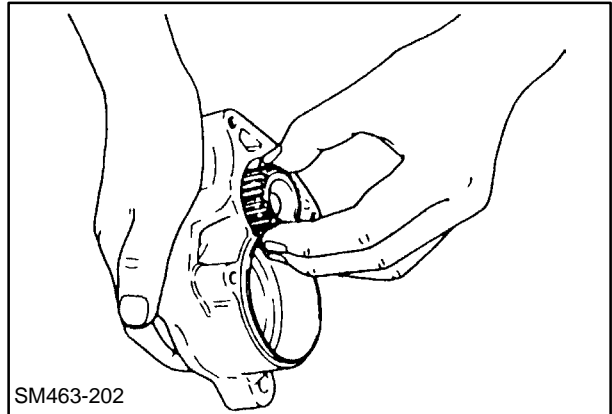
8. Remove the steel ball from the center of the overrunning clutch.



212

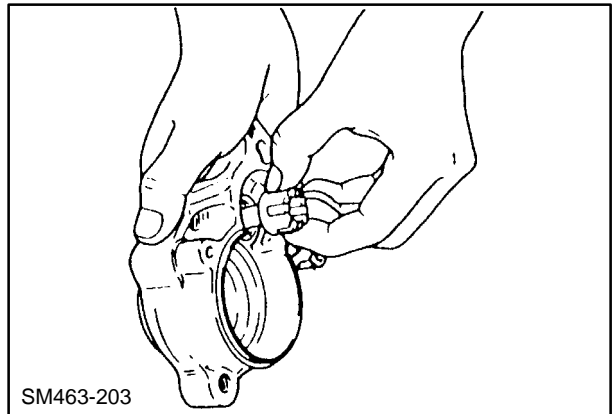
SECTION 55 - ELECTRICAL SYSTEM

9. Remove the idler gear and small pinion from the drive end frame if they were not dislodged when the housing was separated.



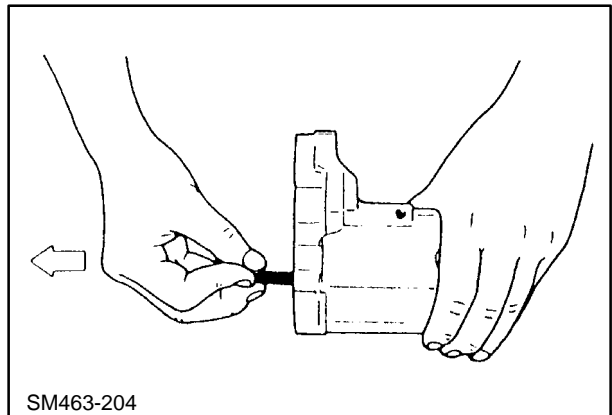
213

10. Remove the idler gear bearing rollers and retainer.



214

11. Remove the return spring from the electric solenoid.



215

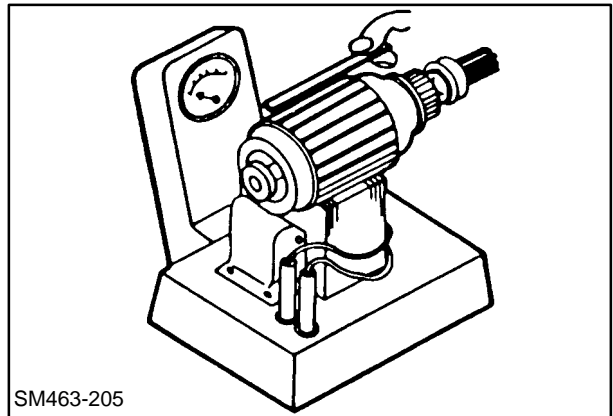
INSPECTION AND REPAIR

Inspect the following components, using conventional test methods, and repair or replace as necessary.

Armature

Inspect the armature for internal short circuits with a growler.

Replace the armature if a short circuit is indicated.

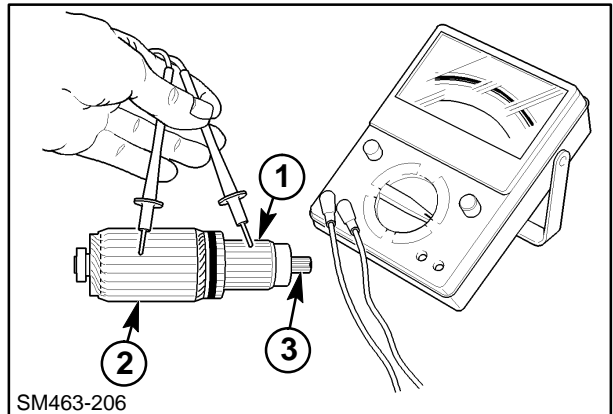


SM463-205

216

Inspect the armature for a short to ground using a continuity tester.

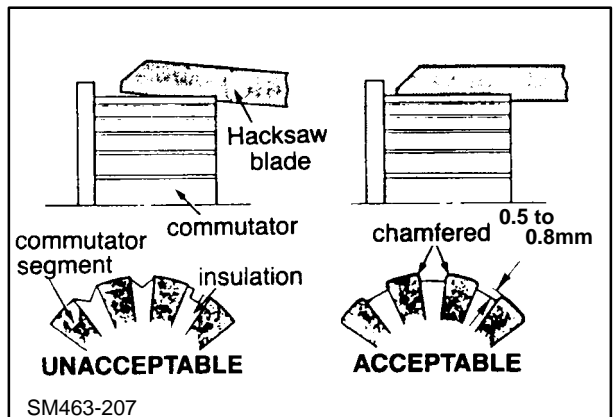
Replace the armature if there is any continuity between the commutator, 1, and armature shaft, 2, or core, 3.



SM463-206

217

Check the armature for runout with a dial indicator and V-blocks. If the commutator is rough, or more than 0.05 mm (0.002") out of round, turn it down or replace it. Undercut the separators between the segments if the depth is less than 0.2 mm (0.01"). The distance, 1, from the commutator segment and insulation should be between 0.5 mm and 0.8 mm (0.02" and 0.03").



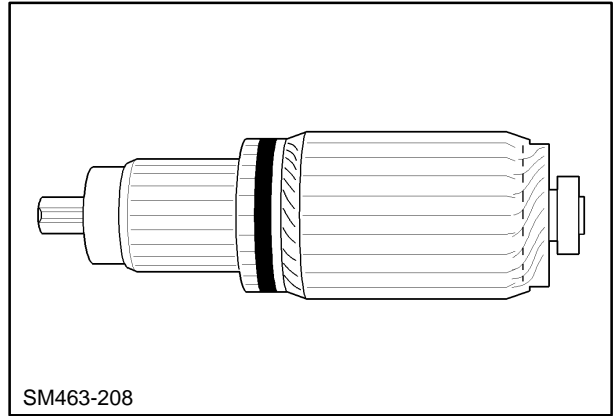
SM463-207

218

SECTION 55 - ELECTRICAL SYSTEM

Check the spline teeth for wear or damage, and replace the armature as necessary.

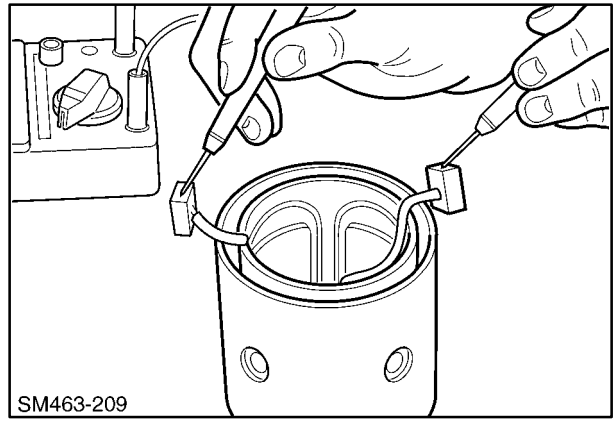
Check the bearings for signs of roughness or dryness. Lubricate or replace as necessary.



219

Field Coil

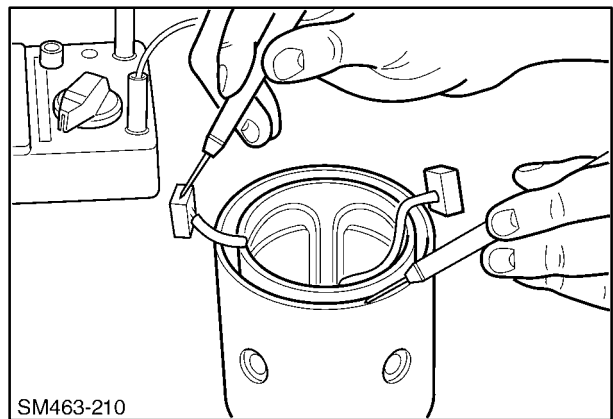
Inspect the field coil for an open circuit with a continuity tester. Replace the motor housing if there is no continuity between the two brushes.



220

Inspect the field coils for short to ground with a continuity tester. If any continuity is noted between the brush and motor housing, locate the fault in the insulation, and repair or replace the motor housing as appropriate.

Check field poles and coils for tightness. Replace the motor housing if loose or improperly seated coils are detected.



221

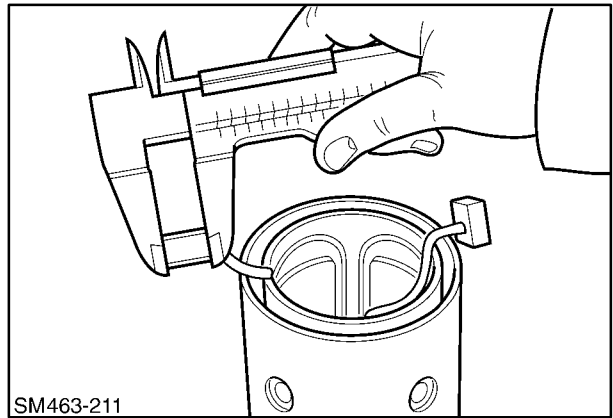
Brushes

Clean brushes and adjacent parts, removing carbon particles by wiping with a clean cloth.

Check each brush for wear. Replace brushes if they are worn to the service limit.

The positive brushes are welded to the field windings. If the positive brushes must be replaced, it will be necessary to replace the motor housing.

The negative brushes are welded to the brush plate. If the negative brushes must be replaced, it will be necessary to replace the brush holder assembly.

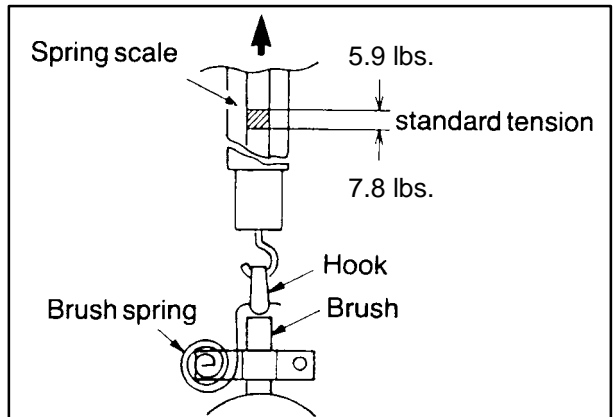


222

| Standard Length | Service Limit |
|------------------|-----------------|
| 15 mm (0.59") | 9 mm (0.35") |

Move each brush in the holder to be sure that it is capable of sliding smoothly.

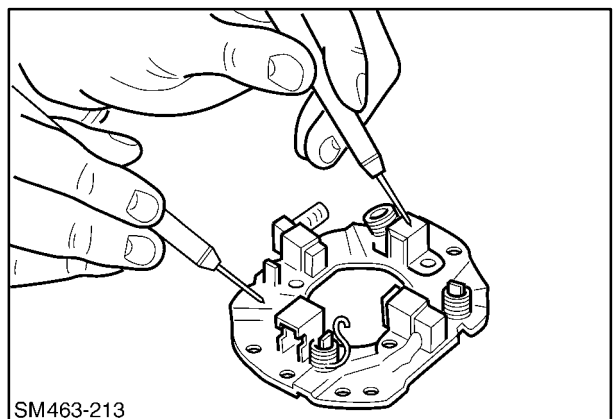
Check brush spring tension. Replace the brush holder assembly if the tension is not within specified limits.



223

| Standard Tension | Service Limit |
|---------------------------------|---------------------|
| 2.7 - 3.6 kg (5.9 - 7.8 lbs) | 2.2 kg (4.7 lbs) |

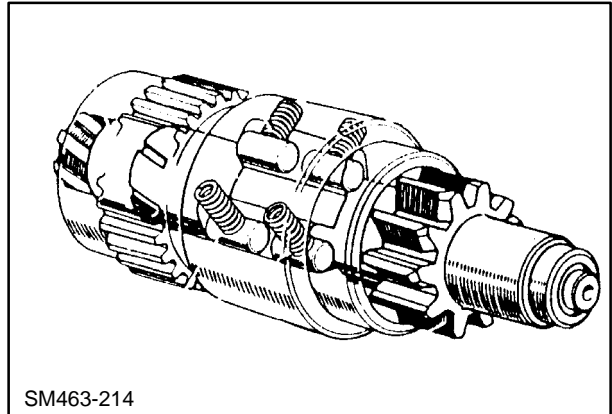
Check the brush holder assembly for short to ground. Touch one probe of a continuity tester to the plate and the other to each of the insulated holders. Replace the brush holder assembly if any continuity is noted.



224

Overrunning Clutch

While holding the clutch housing, rotate the pinion. The pinion should rotate smoothly in one direction (not necessarily easily), but should not rotate in the opposite direction. If the clutch does not function properly, replace it.



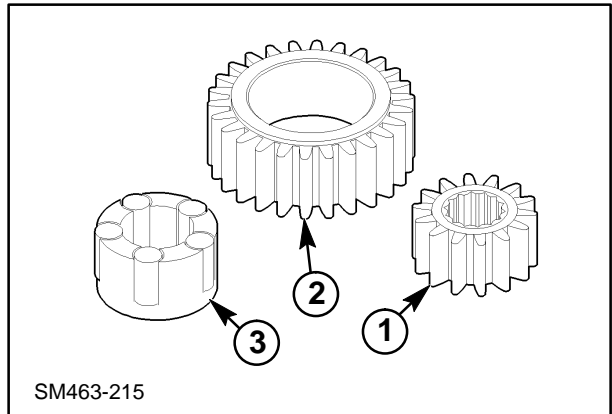
225

Reduction Gears

Inspect the pinion gear, 1, the idler gear, 2, and the overrunning clutch gear for wear or damage.

Inspect the idler gear bearing rollers and retainer, 3.

Replace any parts found worn or damaged.



226

Electric Solenoid

The following tests should be performed with the motor removed from the starter assembly.

Each test should not last more than 3 - 5 seconds to avoid overheating the solenoid.

Tests should be performed with a fully charged 12 volt battery.

Pull-in Test

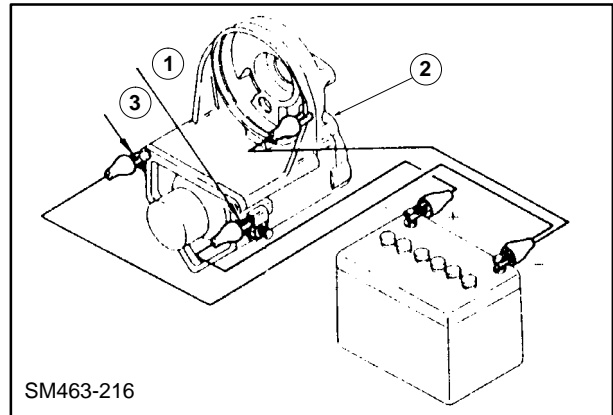
Connect a lead from the positive battery post to the spade terminal, 1, (starter switch wire) on the solenoid. Connect a lead from the battery negative post to the solenoid housing, 2.

Touch a second negative lead to the heavy solenoid terminal leading to the field coil, 3. This completes the circuit through both the pull-in and hold-in coil windings. The pinion should jump forward.

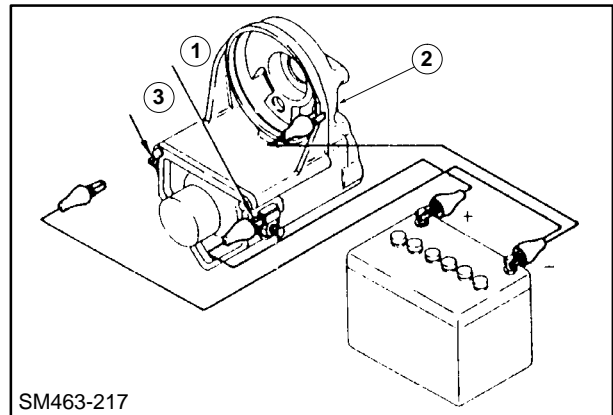
Remove the negative lead from the field coil terminal, 3. The pinion should stay extended, held by the hold-in coil.

Remove the positive lead from the spade terminal. The pinion should retract immediately.

If the solenoid fails to perform as described, replace it.



227



228

REASSEMBLY

Reassemble the starter in the reverse order of disassembly. Observe the following cautions and procedures.

1. Lubricate the following components with a light coating of White Lithium Grease (Part Number RL 666).

Idler gear retainer and rollers.

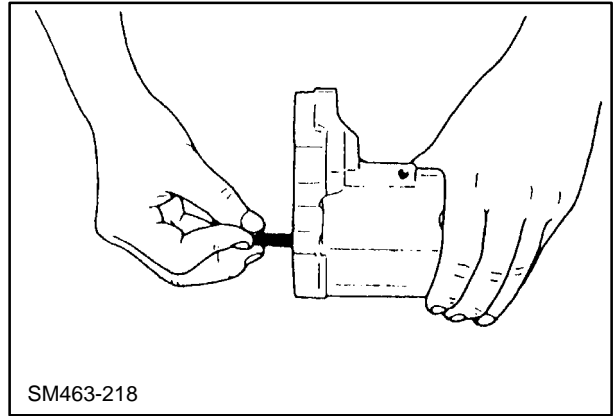
Overrunning clutch.

Steel ball and return spring.

Armature bearings.

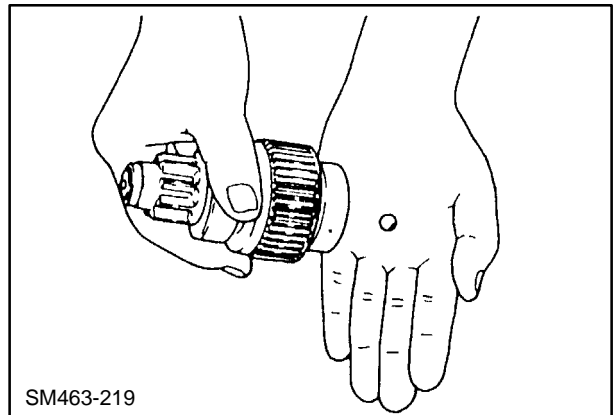
Reduction gears.

2. Install the return spring into the electric solenoid and the steel ball into the center of the overrunning clutch. The ball should be held in place by the coating of grease.



SM463-218

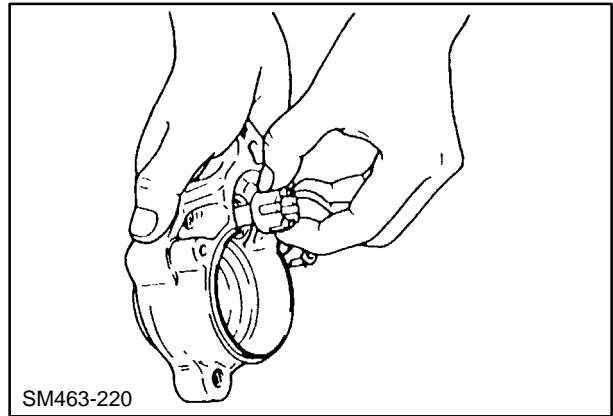
229



SM463-219

230

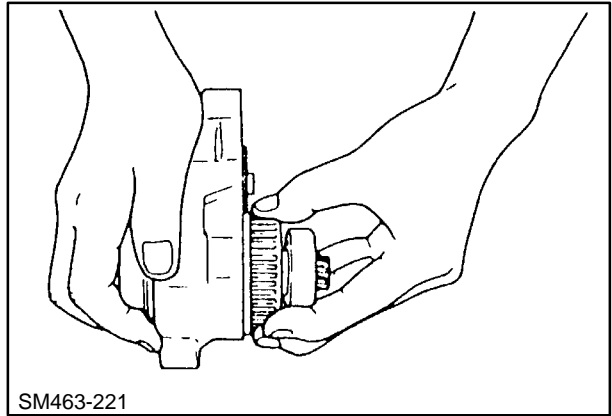
3. Install the idler gear bearing rollers and retainer.



SM463-220

231

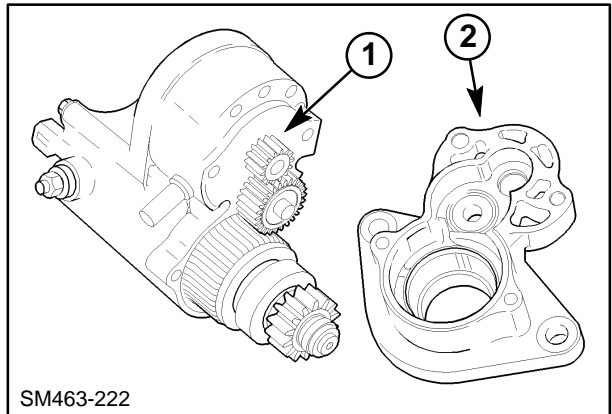
4. Install the overrunning clutch assembly part way into the housing. Mesh the idler gear with the driven gear, then fully install both pieces together.



SM463-221

232

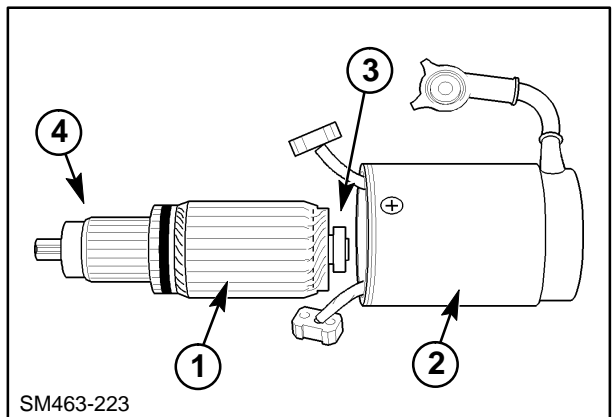
5. Position the pinion gear, 1, over the armature hole shaft then install the drive end frame, 2. Install the retaining screws and torque to 7 - 12 N·m (5 - 9 ft. lbs.).



SM463-222

233

6. Install the armature into the motor housing. Gently tap the armature into place with a soft hammer to seat the rear bearing.

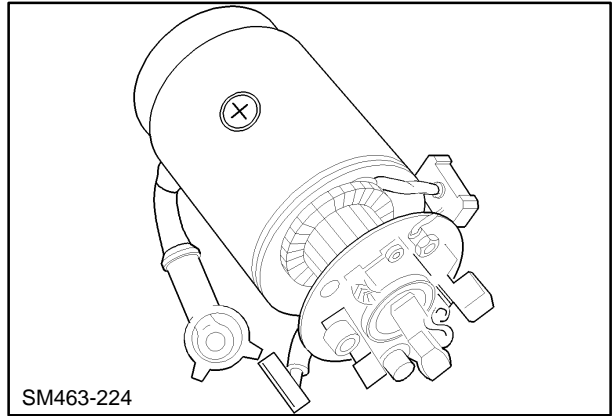


SM463-223

234

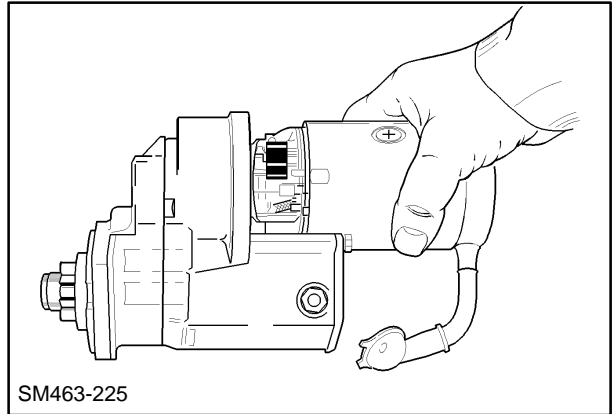
SECTION 55 - ELECTRICAL SYSTEM

7. Install the brush plate onto the motor housing. Install the insulated brushes into the holder. Ensure the insulated brush leads are not grounded. Avoid getting oil or grease on the brushes or commutator.



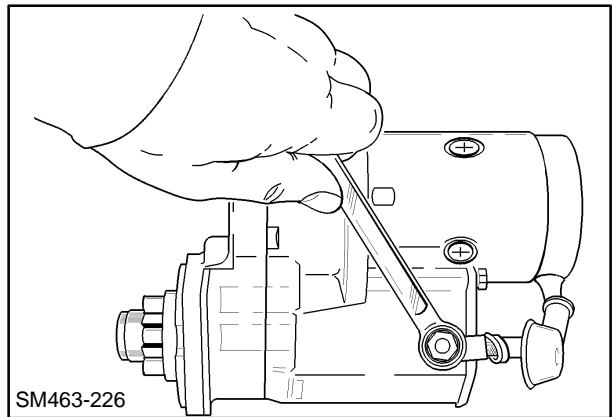
235

8. Install the motor into the drive housing observing the scribe marks. Install the retaining bolts and torque to 7 - 12 N·m (5 - 9 ft. lbs.).



236

9. Reconnect the lead wire from the electric solenoid.



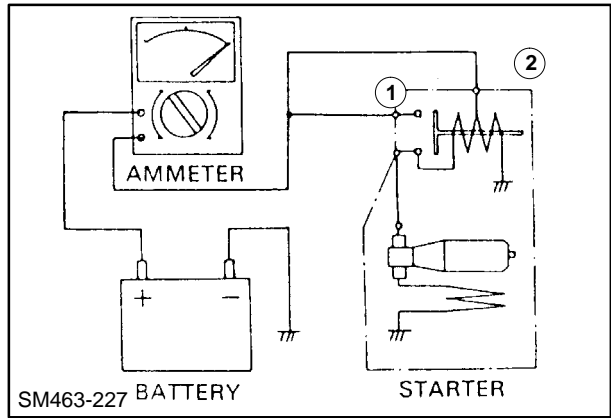
237

Performance Test

After reassembly, a no-load test should be conducted.

Clamp the starter securely in a vise. Connect a heavy wire (jumper cable) from a 12 volt battery positive terminal, through a suitable ammeter, to the battery cable post of the starter, 1. Connect a second cable from the battery negative post to the starter case or vise. Connect a jumper wire from the positive cable to the spade terminal on the solenoid, 2.

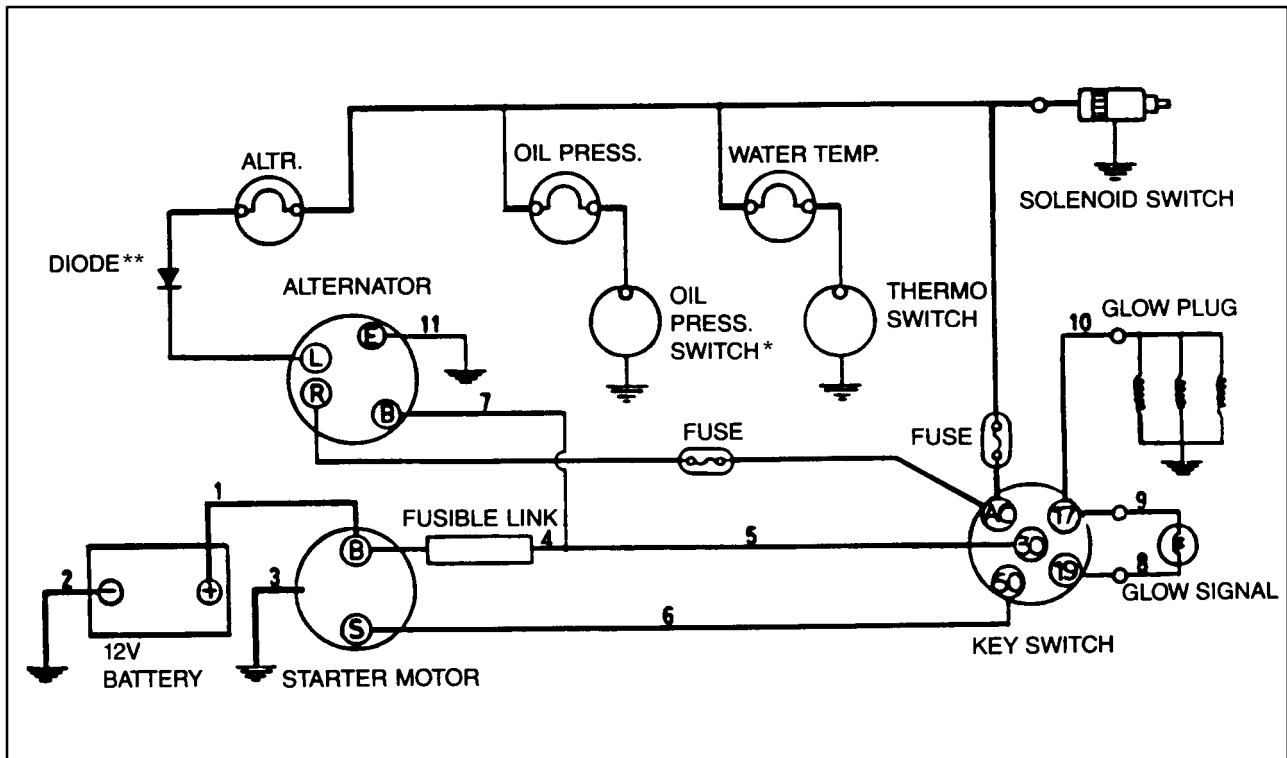
The pinion gear should jump forward and the starter turn smoothly. Current draw should not exceed 130 amps.



Maximum Circuit Resistance

Resistance Of Battery Cables 1, 2, & 3 Not To Exceed 0.0018 Ohm

| Circuit | Cable No | Circuit Current | Resistance | Maximum Circuit Volt Drop | Rewards |
|------------------------------|----------------|-----------------|------------|---------------------------|------------------------|
| Alternator Charging | 4 | | | 0.5 Volt | See Glow Plugs Circuit |
| | 7, 11 | 35 Amp | 0.0143 OHM | | |
| Starting Motor Solenoid | 4 | | | | See Glow Plugs Circuit |
| | 5 | | | 0.63 Volt | See Glow Plugs Circuit |
| | 6 | 15.75 Amp | 0.04 OHM | | |
| Glow Plugs (Via Glow Signal) | 4, 5, 8, 9, 10 | 27 Amp | 0.0185 OHM | 0.5 Volt | 3 cyl Engines |
| | | 36 Amp | 0.0139 OHM | 0.5 Volt | 4 cyl Engines |



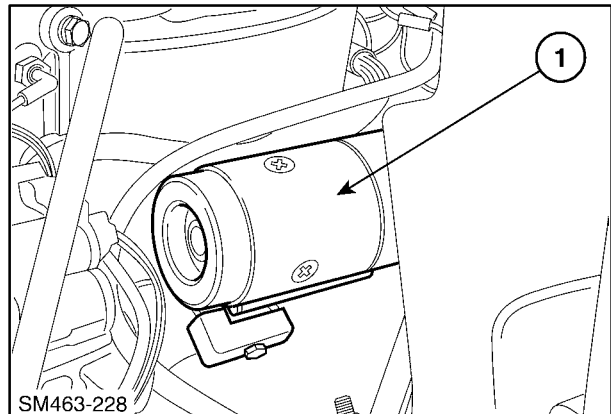
239

* Maximum current draw for oil pressure switch is 0.42 amps (5-watt max. bulb).

** Diode capacity: Current 3 amp. Reverse voltage 600 volt.

STARTER REINSTALLATION

1. Attach the starter to the bellhousing and tighten the hardware, 1. When installing the starter into the bellhousing, make sure it is properly seated before installing and tightening the hardware.
2. Reconnect the wires to the proper terminals, 2, on the starter solenoid and starter.
3. Reconnect the negative (-) battery cable.
4. Reinstall and close any shields removed.



240

LABOR GUIDE

The following labor amounts are listed as a guide only. Working conditions and experience will vary the time it actually takes to complete each job.

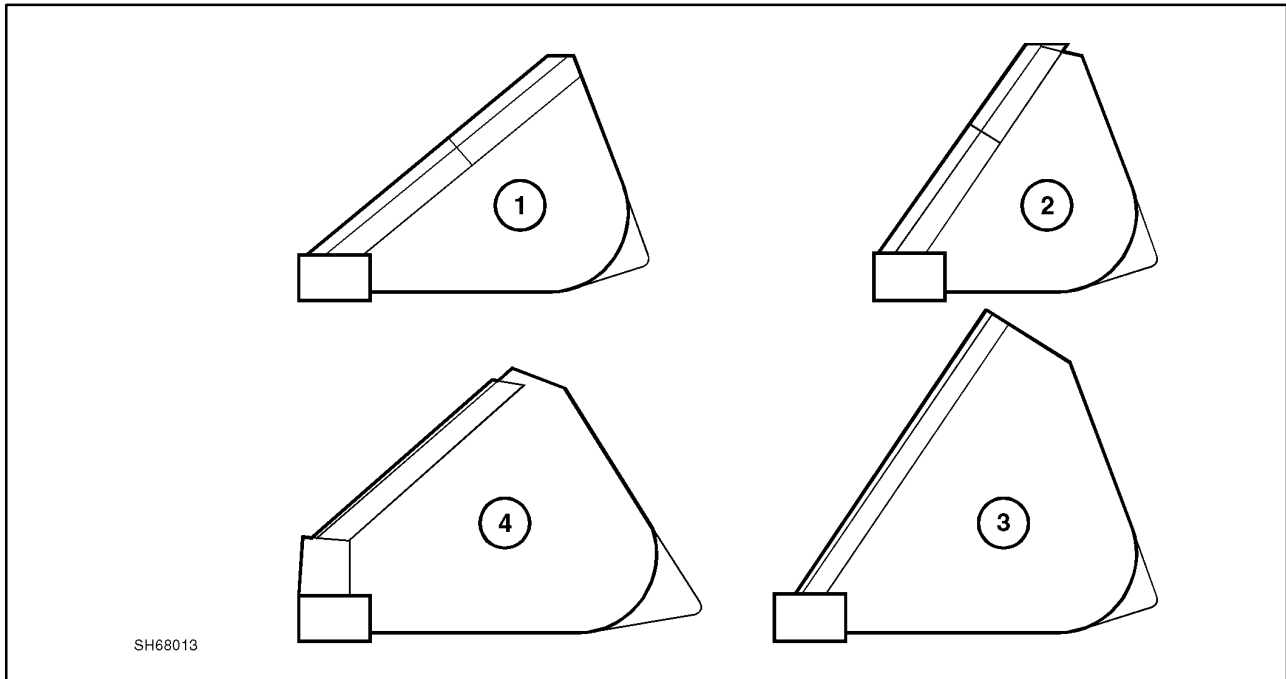
| Job Description | Hours |
|---|--------------|
| Air filter sensor, remove and replace | 0.5 hr. |
| Alternator, remove and replace | 0.5 hr. |
| Battery, remove and replace | 0.25 hr. |
| Electronic instrument cluster | 0.25 hr. |
| Engine coolant sensor, remove and replace | 0.25 hr. |
| Engine oil pressure sender, remove and replace | 0.25 hr. |
| Fuel level sender, remove and replace | 0.5 hr. |
| Fuel pump, remove and replace | 0.5 hr. |
| Fuel shutoff solenoid, remove and replace | 0.25 hr. |
| Hydraulic oil temperature sensor, remove and replace | 2.0 hrs. |
| Hydraulic oil filter sensor, remove and replace | 0.5 hr. |
| Hydrostatic charge pressure sensor, remove and replace | 0.5 hr. |
| Ignition (key) switch, remove and replace | 0.25 hr. |
| Light (road/work) switch, remove and replace | 0.25 hr. |
| Preheat manual switch, remove and replace | 0.5 hr. |
| Preheat circuit breaker, remove and replace | 0.5 hr. |
| Preheat relay, remove and replace | 0.5 hr. |
| Resistor, alternator charge circuit, remove and replace | 0.5 hr. |
| Road/work/taillight bulb, remove and replace | 0.25 hr. |
| Seat belt (buckle) switch, remove and replace | 0.25 hr. |
| Seat switch(es), remove and replace | 0.5 hr. |
| Service/run switch, remove and replace | 0.5 hr. |
| Solenoid, control valve spool locks, remove and replace | 0.5 hr. |
| Start interlock relay, remove and replace | 0.5 hr. |
| Starter, remove and replace | 0.75 hr. |
| Starter relay, remove and replace | 0.5 hr. |
| Wire harness (main), remove and replace | 6.0 hrs. |
| Wire harness (engine), remove and replace | 1.5 hrs. |
| Wire harness (seat/seat belt), remove and replace | 1.0 hr. |

SECTION 82 – FRONT LOADER (BOOM AND MOUNTING PLATE)

Chapter 1 – Buckets

CONTENTS

| Section | Description | Page |
|-----------|--|-------|
| 82 100 | General Information | 82-2 |
| | Buckets | 82-2 |
| 82 100 77 | Boom Lock Pins and Linkage | 82-3 |
| | Boom | 82-3 |
| 82 100 70 | Attachment Mounting Plate | 82-4 |
| | Boom and Cylinder Pivot Pins | 82-4 |
| | Boom and Cylinder Pivot Pin Location and Machine Usage | 82-4 |
| | Boom and Cylinder Pivot Pins Size | 82-5 |
| 82 100 30 | Pallet Fork | 82-6 |
| 82 100 20 | Utility Fork | 82-7 |
| 82 100 12 | Bucket Cutting Edge (Replacement) | 82-8 |
| 82 100 | Bucket Latch Plate Installation Procedure | 82-9 |
| 82 100 | Dirt Tooth Kit Installation | 82-11 |
| | Bucket Tooth Spacing | 82-13 |
| | Boom Lock Pin/Linkage | 82-15 |
| 82 100 77 | Boom Lock Pin/Linkage Removal | 82-15 |
| | Boom Lock Pin/Linkage Reinstallation | 82-16 |
| | Boom, Upper and Lower Link | 82-18 |
| | Boom, Upper and Lower Link Removal | 82-18 |
| 82 100 70 | Front Boom Mounting Plate Pivot Hub Replacement | 82-24 |
| | Boom, Upper and Lower Link Reinstallation | 82-25 |
| | Attachment Mounting Plate | 82-29 |
| 82 100 70 | Attachment Mounting Plate Removal | 82-29 |
| | Repair/Rebuild Mounting Plate | 82-30 |
| 82 100 74 | Latch Lever and Pin Removal/Repair | 82-30 |
| | Attachment Mounting Plate Parts Inspection | 82-32 |
| | Checking Procedure for Buckets and Attachments | 82-36 |
| | Checking Procedure | 82-38 |
| | Checking the Loader Faceplate | 82-39 |
| | Labor Guide | 82-41 |



Op. 82 100

GENERAL INFORMATION

BUCKETS

Bucket Types

1. LP - Low profile
The low-profile bucket has a shorter back and is longer from bucket heel to cutting edge for optimum cutting edge visibility. This is important for finish grading and accurate cut and fill jobs.
2. D & F - Dirt and foundry
The dirt and foundry bucket is shorter from bucket heel to cutting edge to provide maximum breakout force for tough digging conditions.
3. M & F - Manure and fertilizer (slurry)
The manure and slurry bucket is for handling loose or fluid materials with more rollback to minimize spillage.
4. LM - Light material
The light-material bucket is for light, high- volume materials for more productivity handling light material.

Select bucket styles and sizes to provide both adequate breakout force and reasonable carrying ca-

1
capacity. Handle dense materials with a relatively small bucket. Handle lighter materials with higher capacity buckets. Refer to the following bucket capacity chart and the material weight chart in the operator's manual when choosing the bucket for a job.

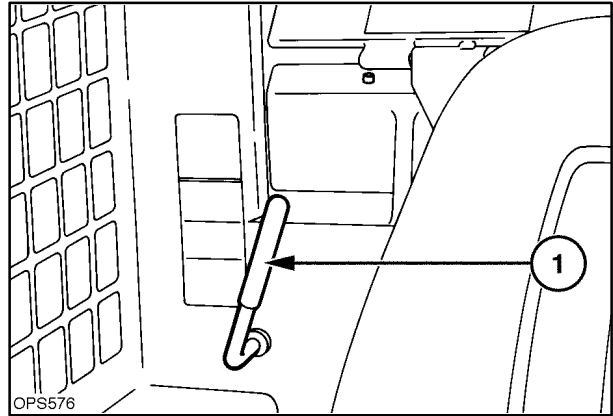
Bucket Capacity Cubic Feet

| Width | | Bucket Capacity Heaped (cu ft) | Bucket Capacity Struck (cu ft) |
|-------|-----------------------|--------------------------------|--------------------------------|
| 66" | Utility fork | N/A | N/A |
| 60" | Low profile | 11.5 | 8.9 |
| 60" | Dirt and foundry | 11.5 | 8.7 |
| 66" | Low profile | 13.2 | 9.7 |
| 66" | Dirt and foundry | 15.2 | 11.6 |
| 72" | Low profile | 14.5 | 10.6 |
| 72" | Dirt and foundry | 16.7 | 12.7 |
| 72" | Manure and fertilizer | 15.5 | 15.5 |
| 72" | Light material | 23.7 | 19.0 |
| 84" | Light material | 27.9 | 22.3 |

Op. 82 100 77

BOOM LOCK PINS AND LINKAGE

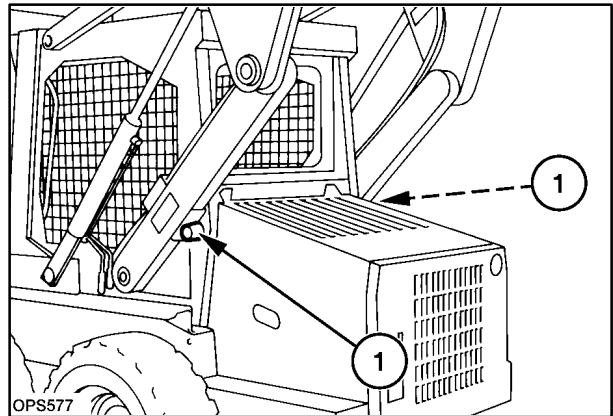
The operator can engage the boom lock pins from the operator's seat. The control is located to the right rear of the operator's seat at 1. Pivoting the handle towards the outside of the cab extends and engages the lock pins. Pivoting the handle in will retract the lock pins.



2

To engage the boom lock pins:

1. Raise the boom above the boom lock pins and engage the pins.
2. Turn the ignition key to the "OFF" position to stop the engine.
3. Turn the ignition key to the "ON" position and operate the boom and bucket hydraulic controls to lower the boom until it rests on the lock pins, 1, and relieves pressure in the boom and bucket hydraulic circuits.
4. Turn the ignition key to the "OFF" position.



3

CAUTION

Never work under a raised boom unless the boom is resting on the boom lock pins, 1.

Never work under a raised boom with an attachment, always remove any attachment from the loader boom mounting plate.

BOOM

The boom assembly consists of:

Op. 82 100 50

1 Main boom frame

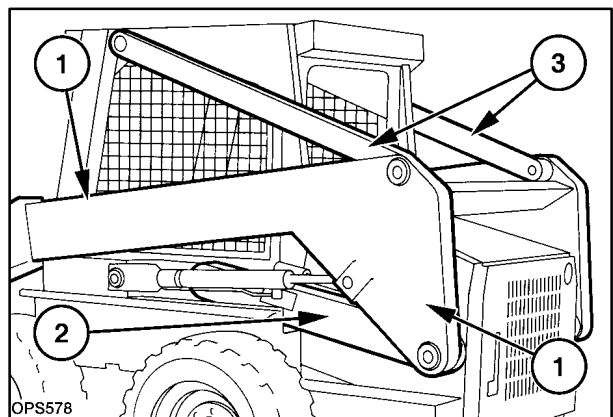
Op. 82 100 52

2 Lower link, right and left

Op. 82 100 53

3 Upper link, right and left

The boom and links are supported on the ROPS main frame with tapered pivot pins at all pivot locations.

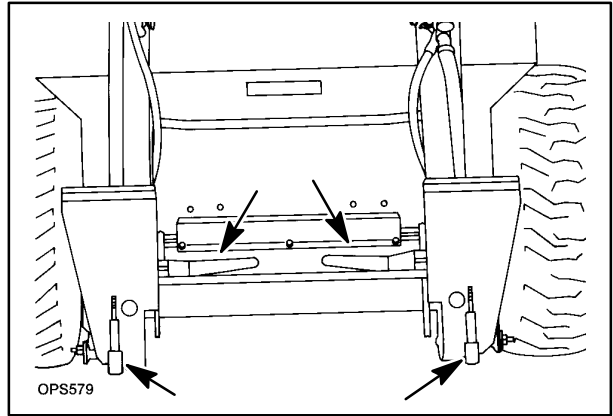


4

Op. 82 100 70

ATTACHMENT MOUNTING PLATE

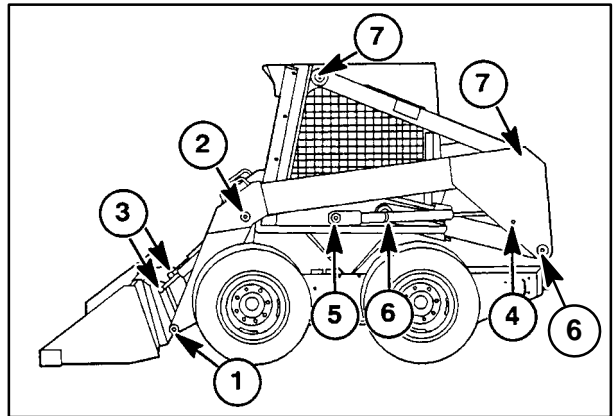
The attaching plate is attached to the main boom frame with two tapered pivot pins. The attachments used on the skid steer can be easily attached or removed from the loader with the over center levers and pins. The control levers and pins are spring loaded to hold the levers over center when unlatched to assist in changing attachments. When the control levers are in the latched position the spring-loaded pins are forced into the latch points on the attachment. The control levers and pins are shown in the latched position.



5

BOOM AND CYLINDER PIVOT PINS

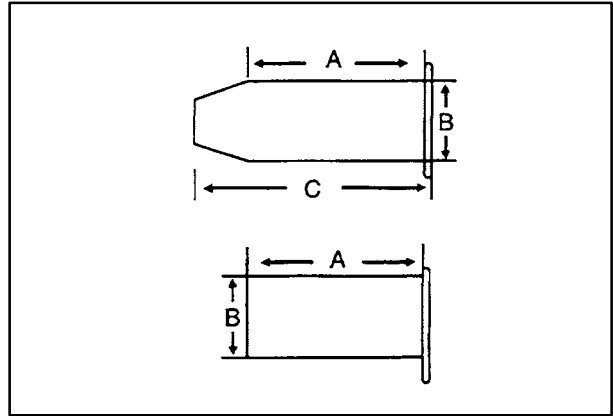
When the boom, upper and lower boom links and cylinders are removed, the following figures and charts may be use for proper pin placement. The following charts and figures list the pivot pin, part number, location, and size for identification and locations.



6

BOOM AND CYLINDER PIVOT PIN LOCATION AND MACHINE USAGE

| Ref.# | Description | Qty. | Part Number | Torque |
|-------|-----------------------------|------|-------------|------------------------|
| 1 | Mounting Plate Pivot | 2 | 86501434 | 108 N-m (80 ft. lbs.) |
| 2 | Upper Bucket Cylinder Pivot | 2 | 86501430 | 108 N-m (80 ft. lbs.) |
| 3 | Lower Bucket Cylinder Pivot | 2 | 9614349 | 38 N-m (28 ft. lbs.) |
| 4 | Upper boom Cylinder Pivot | 2 | 86521982 | 38 N-m (28 ft. lbs.) |
| 5 | Lower boom Cylinder Pivot | 2 | 86504316 | 338 N-m (250 ft. lbs.) |
| 6 | Boom Lower Link Pivot | 4 | 86501422 | 338 N-m (250 ft. lbs.) |
| 7 | Boom Upper Link Pivot | 4 | 86501420 | 338 N-m (250 ft. lbs.) |

BOOM/CYLINDER PIVOT PINS SIZE

7

| PART NUMBER | A | B | C |
|-------------|-------------------|-------------------|--------------------|
| 9614349 | 95 mm (3-3/4") | 38 mm (1-1/2") | |
| 86501420 | 49 mm (1-15/64") | 60.3 mm (2-3/8") | 113 mm (4-29/64") |
| 86501422 | 77 mm (3-1/32") | 60.3 mm (2-3/8") | 141 mm (5-9/16") |
| 86501430 | 72.3 mm (2-7/8") | 38.10 mm (1-1/2") | 112.5 mm (4-7/16") |
| 86501434 | 57.8 mm (2-9/32") | 38.1 mm (1-1/2") | 92 mm (3-5/8") |
| 86504316 | 40.0 mm (1-5/32") | 60.3 mm (2-3/8") | 113 mm (4-7/16") |
| 86521982 | 117 mm (4-39/64") | 38.1 mm (1-1/2") | |

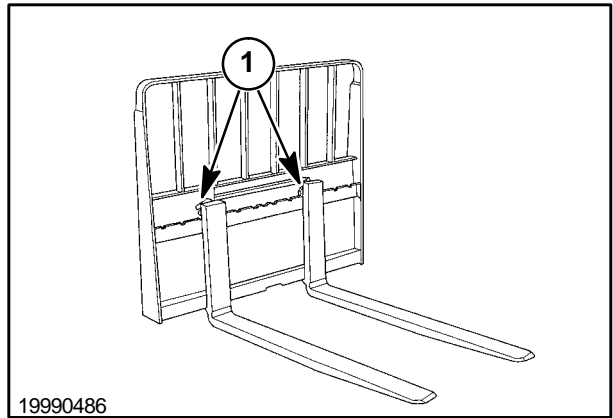
NOTE: After the tapered pivot pin retaining hardware is torqued, the pins must be properly seated. Using a hammer, strike the head of the bolt and pin several times to seat the tapered pin in the taper of the boom and/or ROPS. Retorque the hardware to the specified torque. Repeat this process until the torque is maintained

Op. 82 100 30

PALLET FORK

The pallet fork (shown) has a frame and guard assembly, with different length forks available. The fork pairs can be 36", 42", or 48" long. Also available is a multi-fork block fork set for lifting cinder blocks.

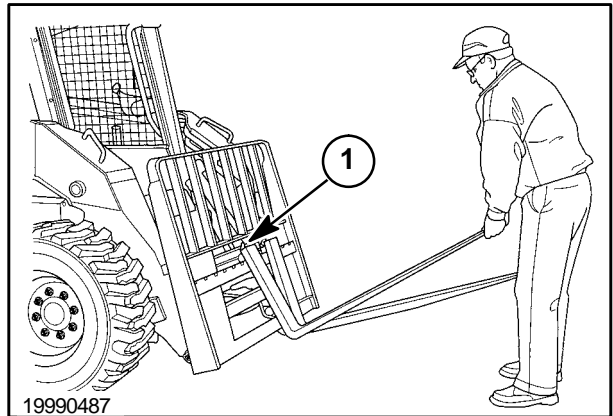
To adjust fork spacing, raise the lock pins, 1, slide the forks to the required spacing, and relatch lock pins into notches.



19990486

8

To install or remove the forks from the frame, slide the forks to the center of the frame at 1, and pick the end of the fork up to remove fork from frame.



19990487

9

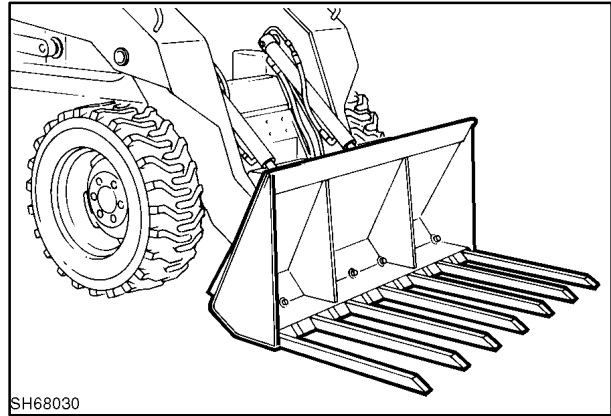
Pallet Fork Capacity

| WITH WEIGHT KIT | | | |
|--------------------|---------------------|--------------------|--------------------|
| Max. Reach Height | Tip Load | 50% | SAE Rating |
| 2489 mm (98") | 1290 kg (2840 lbs.) | 645 kg (1420 lbs.) | 645 kg (1420 lbs.) |
| WITHOUT WEIGHT KIT | | | |
| Max. Reach Height | Tip Load | 50% | SAE Rating |
| 2489 mm (98") | 1140 kg (2510 lbs.) | 570 kg (1255 lbs.) | 570 kg (1255 lbs.) |

Capacities listed are LS160/LS170 with 10 x 16.5 tires at 3.5 bar (50 PSI), full fluids, 79 kg (175 lb.) operator, 48" pallet forks w/back guard, weight kit two 27 kg (60 lbs.) per side, per SAE rating specification J1197.

Op. 82 100 20**UTILITY FORK**

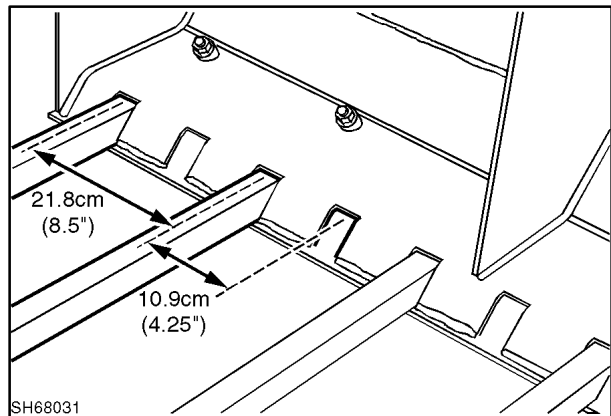
The utility fork is for handling matted, stringy material which is difficult to load into a standard bucket.



SH68030

10

The standard tine spacing, center to center, is 21.8 cm (8-1/2"). The fork frame is equipped with additional holes for additional tines, reducing the tine spacing to 10.9 cm (4-1/4").

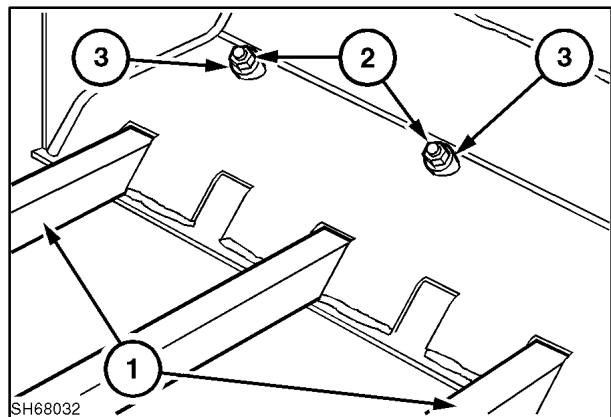


SH68031

11

Op. 82 100 11**Tine Installation**

1. Slide each tine, 1, into the fork backplate for the desired tine spacing, until the 1/2" x 2-3/4" bolt, 2, can be inserted through the fork backplate and tine with the nut to the inside of the fork backplate.
2. Position the spacer, 3, as shown with the angle end of the spacer next to the floor of the backplate. Secure the assembly with 1/2" lock washer and nut. Tighten securely.



SH68032

12

BUCKETS**Op. 82 100 12****CUTTING EDGE (REPLACEMENT)**

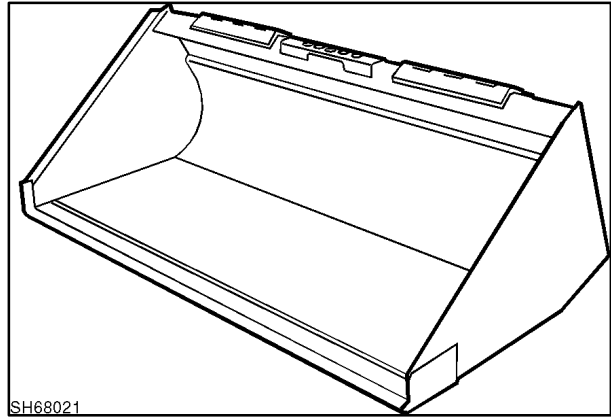
Cut or grind the old cutting edge from the bucket floor and sides. Remove all old weld and foreign material from the welding area.

1. Straighten the bucket floor and sides if required.
2. Thoroughly clean the area where the new cutting edge will be welded.
3. Use dry AWS-E7018 low hydrogen electrodes or either of the following equivalent low hydrogen wire feed electrodes: Gas metal arc welding (CO₂ or argon CO₂) AWS-E70S6 or flux cored arc welding AWS-E70T1.
4. Preheat the parts to be welded (both tack and final welds) to a minimum of 204°C (400°F). **The preheat temperature must be throughout the entire thickness of the parts joined, and at least 51 mm (2") back from the joint.** Maintain preheat throughout the entire welding operation.

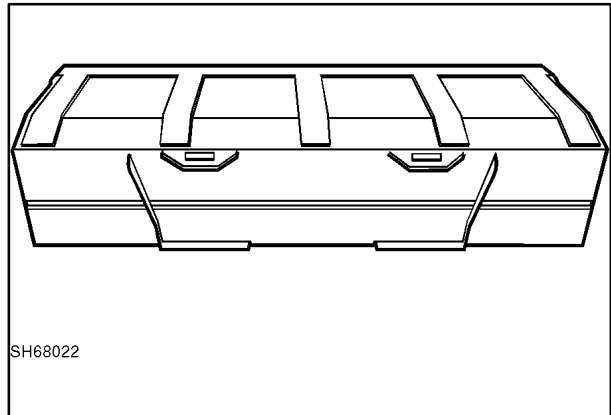
NOTE: This is a hardened steel edge. If not preheated, the cutting edge may later crack during use.

5. Tack weld the preheated parts starting at the center of the bucket and working toward the outside ends.
6. Finish welding the preheated parts starting at the center of the front edge of the bucket floor and working toward the outside ends. Repeat this operation at the back side of the cutting edge to bucket floor.
7. Do not remove the bucket from the welding environment until the weld and metal temperature drops to the ambient temperature. **Do not force the cooling rate of the welds and material.**

Follow the same welding procedure for welding the side cutting edges and bottom wear plates to the bucket.



13



14

Op. 82 100**BUCKET LATCH PLATE INSTALLATION
PROCEDURE**

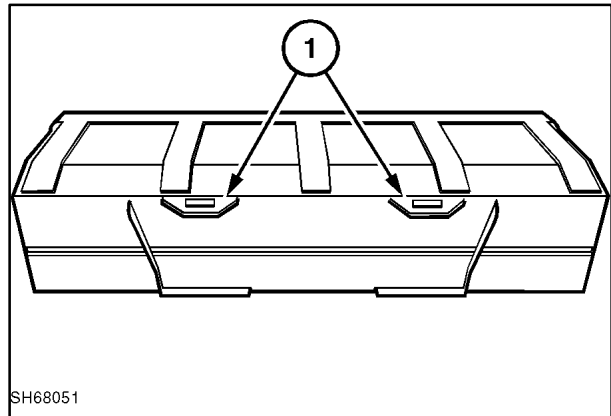
1. Remove the bucket from the loader before welding to prevent damage to the loader electrical system.

Material to be welded is low carbon, grade 50 steel; use welding rods marked 6011 or comparable.



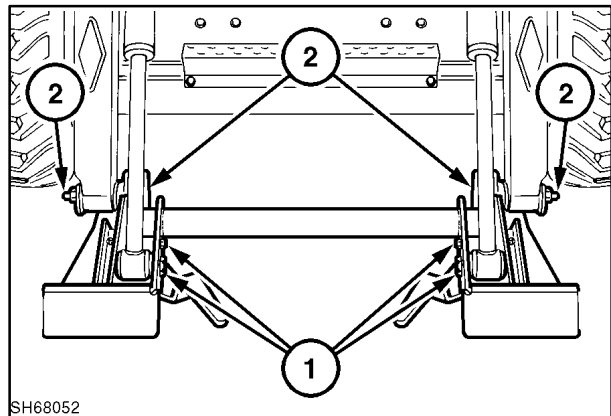
Good quality welds are necessary for new plates to be properly retained. Use a professional welder if required.

2. Turn the bucket over and support it about 305 mm (12") off the floor.
3. Cut the old lower retaining plates, 1, off the bucket and grind the area flat.
4. For locating the new lower attaching plates, remove the quick-attach plate from the loader boom. To remove the plate from the boom, remove the cylinder pins, 1, and the pivot pins, 2.

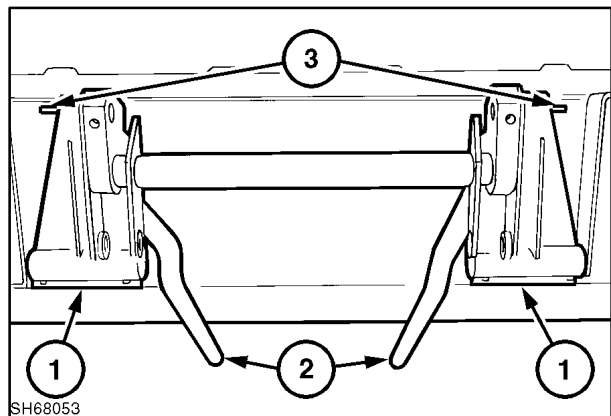


15

5. Rest the attaching plate in the saddle area, 1, of the bucket with the latch handles in the unlatched position as shown at 2. Put two 152 mm (6") long pieces of 4.8 mm (3/16") square key stock at 3, to position the attaching plate properly against the back of the bucket.



16

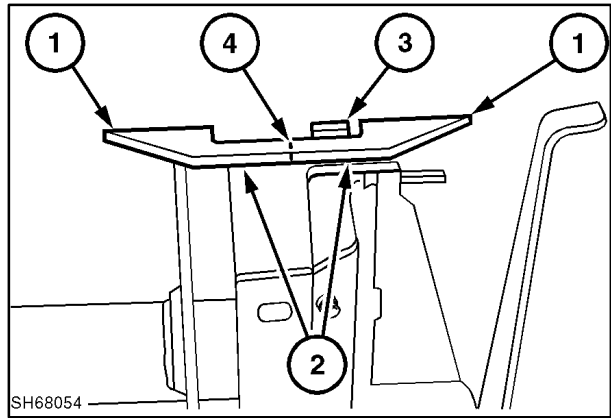


17

SECTION 82 - FRONT LOADER (BOOM AND MOUNTING PLATE)

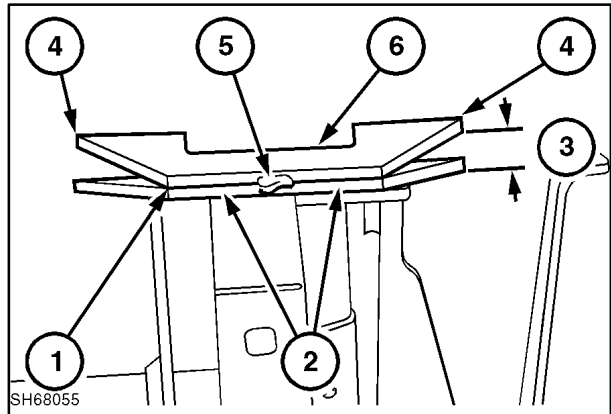
6. Position the first plates against the back of the bucket at 1, and rest on the quick-attach plate, 2. Locate the center of the latch plate notches, 4, and center the outer half of the notch over the latch pin, 3. Spot weld the plate to the bucket at 1 to hold the plate in position.

NOTE: The material to be welded is low carbon, grade 50 steel; use welding rods marked 6011 or comparable.



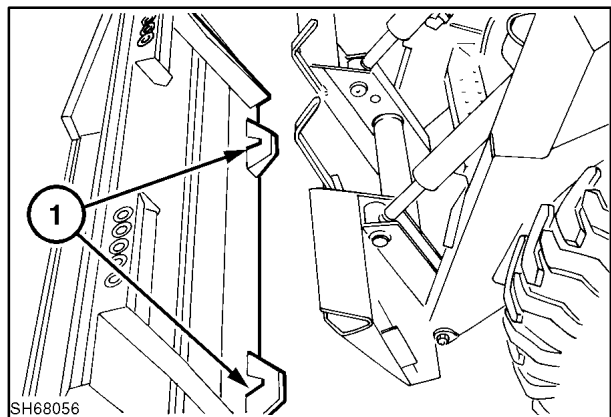
18

7. Position the second plates as shown at 1, with the plates contacting each other at 2, and about 28.6 mm (1-1/8") spacing at 3. On low-profile buckets, the second plate will be at the rear corner of the bucket at 4. Spot weld the second plate to the bucket at 4 and the two plates together at 5.
8. Remove the 4.8 mm (3/16") square key stock and push the latch handles to the latched position making sure the latch pins engage the bucket latch plates. The latch handles must fully latch. The latch pin will only contact the top latch plate, 6.



19

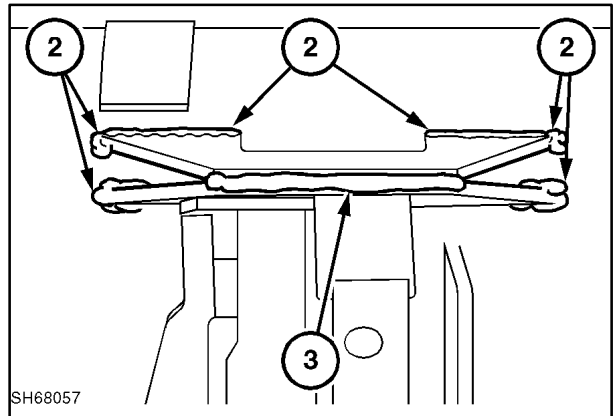
9. If the latch handles will not fully latch, the top plate may require some grinding in the pin area at 1, or the plates are not located properly.



20

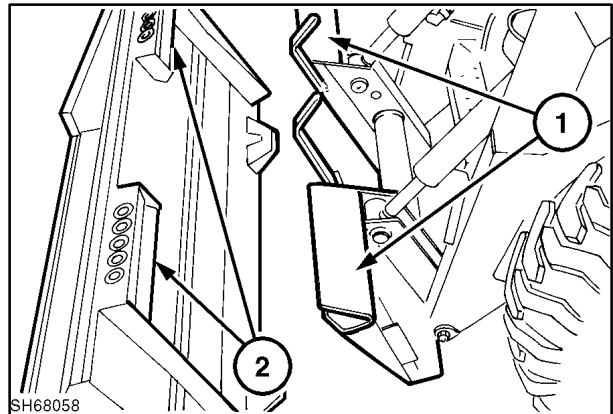
SECTION 82 - FRONT LOADER (BOOM AND MOUNTING PLATE)

10. Weld the plates to the bucket at 2; also weld the two plates at 3.
11. Reinstall the bucket quick-attach plate to the loader boom with the pins previously removed.



21

12. Attach the bucket to the loader by engaging the top of the plate, 1, under the lip of the bucket at 2. Curl the bucket back to allow the bucket to contact the loader quick-attach plate and engage the latch handles and pins, making sure the latch pins engage the bucket plates properly.

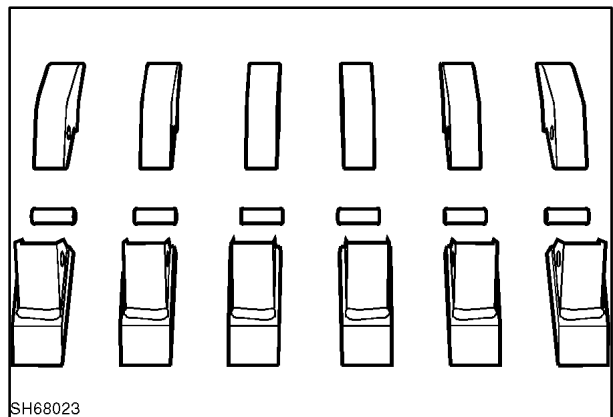


22

Op. 82 100
DIRT TOOTH KIT INSTALLATION

Bucket Dirt Tooth Kit

The dirt tooth kit consists of six teeth that are welded to the bucket cutting edge as indicated below. The teeth are used when rough digging conditions are anticipated to break up the material for easier bucket filling. The teeth are intended to be used only on dirt and foundry or low-profile buckets.



23

Op. 82 100 10**Tooth Point Replacement**

The points of the teeth are a replaceable "pin-on" design and can be obtained from Parts.

To replace the "pin-on" points, use a punch that just fits into the pin hole, 1, and drive the old retaining pin from the shank.

Place the new point over the shank and insert the retaining pin into pin hole, 1. With a punch that contacts both sides of the metal part of the retaining pin, drive the pin until it is centered in the shank.

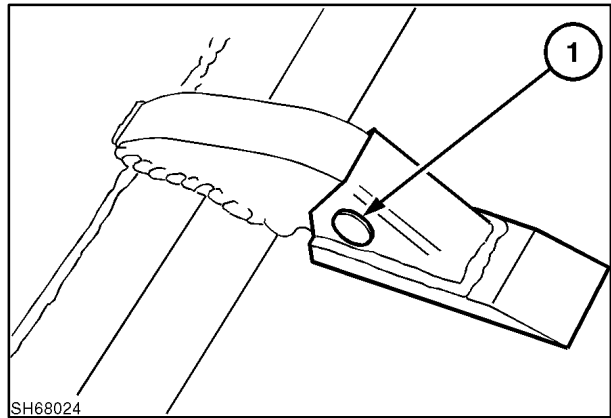
NOTE: *If the punch or driver is too small and just contacts the rubber center of the retaining pin, the pin will be damaged and will not retain the point.*

Tooth Location and Installation

1. The bucket should be flat on the floor when placing and welding the teeth.

IMPORTANT: *Remove the bucket from the loader while welding teeth to prevent damage to the loader electrical system.*

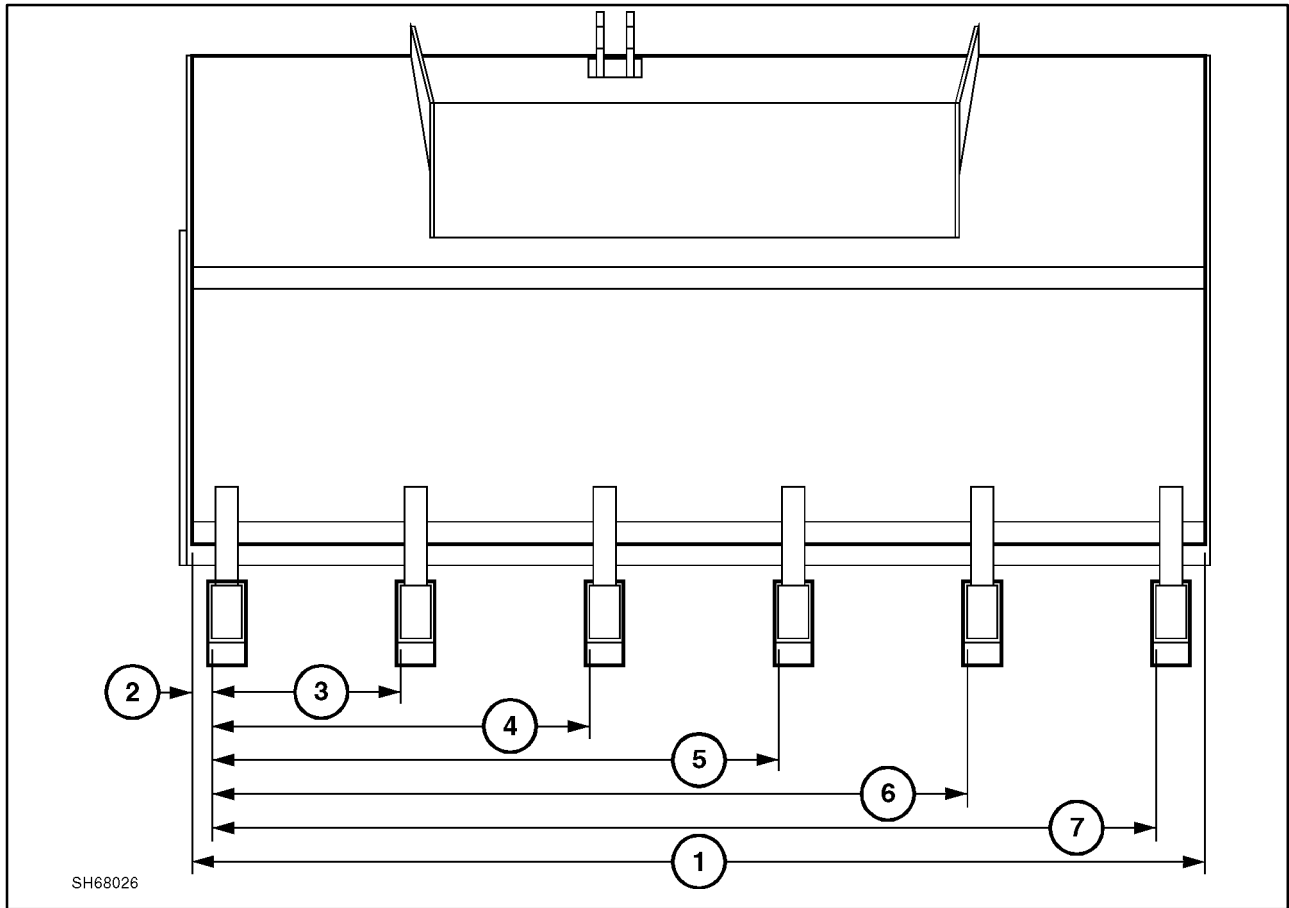
Slide the replaceable points in place but do not attach with the steel/rubber pins as the rubber may be damaged during the welding process.



SH68024

24

SECTION 82 - FRONT LOADER (BOOM AND MOUNTING PLATE)



25

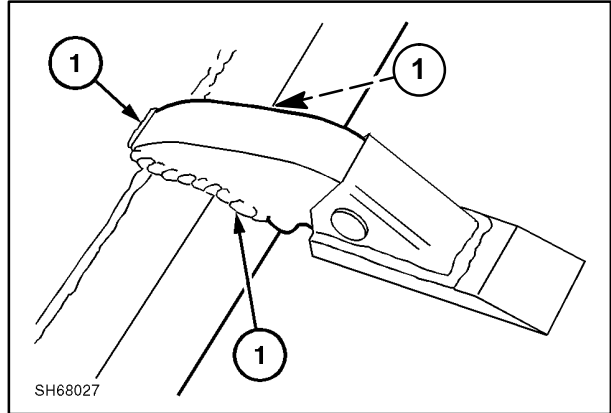
2. Locate the teeth on the bucket edge as indicated.

BUCKET TOOTH SPACING

| Bucket Width | From End | 2nd Tooth | 3rd Tooth | 4th Tooth | 5th Tooth | 6th Tooth |
|--------------|----------|-----------|-----------|-----------|-----------|-----------|
| 1 | 2 | 3 | 4 | 5 | 6 | 7 |
| 52" | 1-13/16" | 9-1/2" | 18-15/16" | 28-3/8" | 37-13/16" | 47-5/16" |
| 54" | 1-13/16" | 9-3/4" | 19-1/2" | 29-3/16" | 38-15/16" | 48-5/8" |
| 58" | 1-13/16" | 10-11/16" | 21-5/16" | 32" | 42-5/8" | 53-5/16" |
| 60" | 1-13/16" | 10-15/16" | 21-7/8" | 32-3/4" | 43-3/4" | 54-5/8" |
| 62" | 1-13/16" | 11-3/8" | 22-3/4" | 34-1/8" | 45-1/2" | 56-7/8" |
| 66" | 1-13/16" | 12-3/16" | 24-5/16" | 36-1/2" | 48-11/16" | 60-7/8" |
| 70" | 1-13/16" | 13" | 26" | 38-15/16" | 51-7/8" | 64-7/8" |
| 76" | 1-13/16" | 14-3/16" | 28-5/16" | 42-1/2" | 56-11/16" | 70-7/8" |
| 82" | 1-13/16" | 15-3/8" | 30-3/4" | 46-1/8" | 61-1/2" | 76-13/16" |

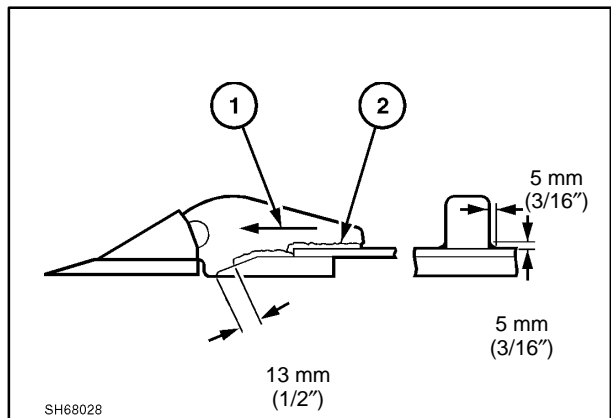
NOTE: Position the teeth at these spacings, then re-center if necessary for equal spacing.

3. Weld, 1, is high carbon steel (tooth) to high carbon steel (bucket). Use welding rods marked 7018 or comparable rods. Weld on both sides of the tooth from the back of the tooth towards the replaceable point.



26

4. Stop welding 13 mm (1/2") from the cutting edge as noted. A minimum 5 mm (3/16") fillet weld is required for this application.
5. Weld in the direction shown at 1.
6. Weld a 5 mm (3/16") bevel groove weld on both sides of the tooth, 2, high carbon steel to high carbon steel.



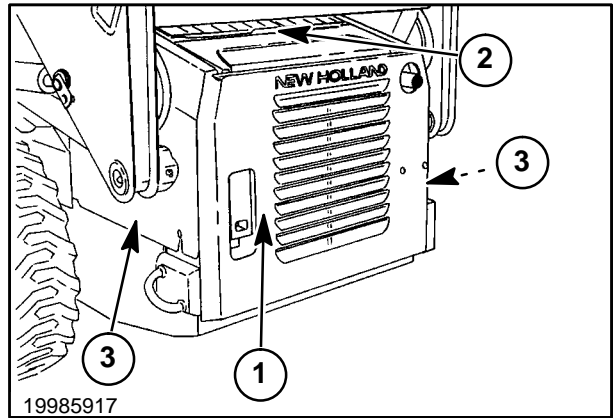
27

BOOM LOCK PIN LINKAGE

Op. 82 100 77

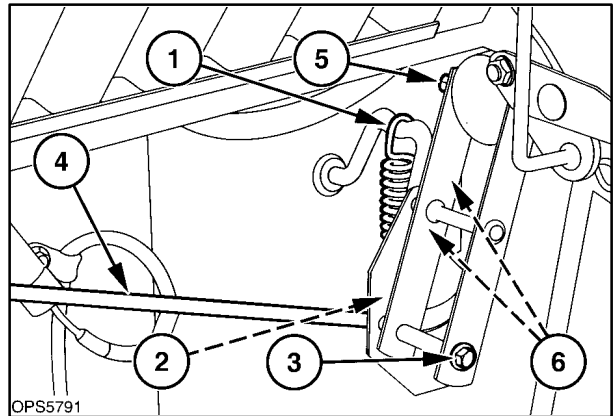
REMOVAL

1. Lower the boom to the lowered position.
2. Open the rear door, 1, and the top engine, 2, access cover.
3. Remove the right and left engine side covers, 3.



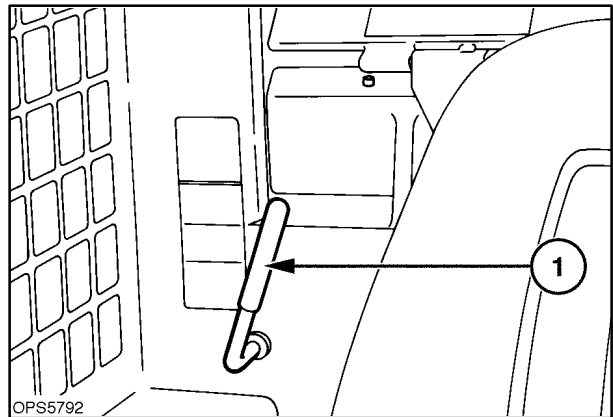
28

4. Unhook the spring, 1, from control rod by sliding spring to the side and removing spring at bottom hook, 2.
5. Remove the push nuts, 3, from the control rod, 4.
6. Remove the linkage to pin through bolt, 5.
7. Remove the linkage support retaining hardware, 6.



29

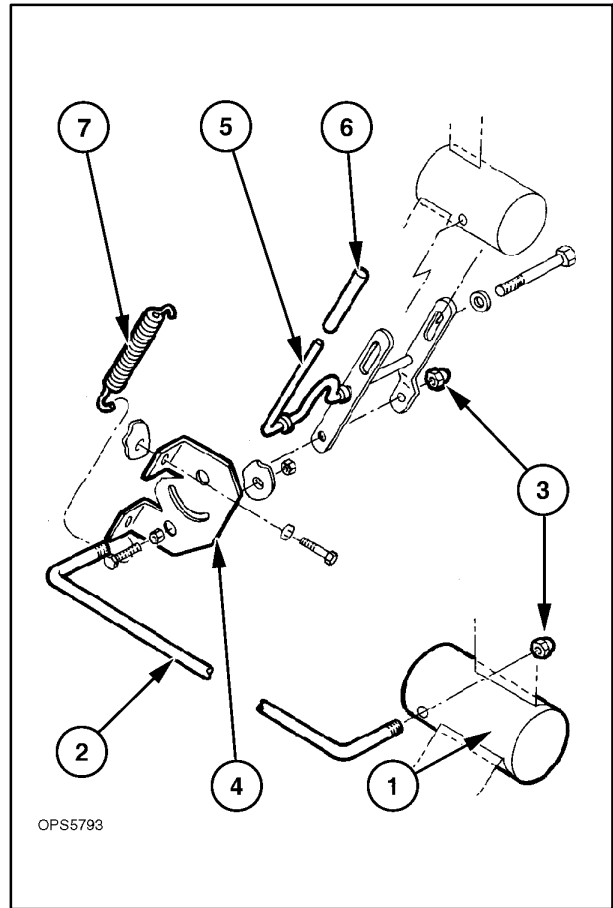
8. Remove the plastic handle grip, 1, from the control lever.



30

SECTION 82 - FRONT LOADER (BOOM AND MOUNTING PLATE)

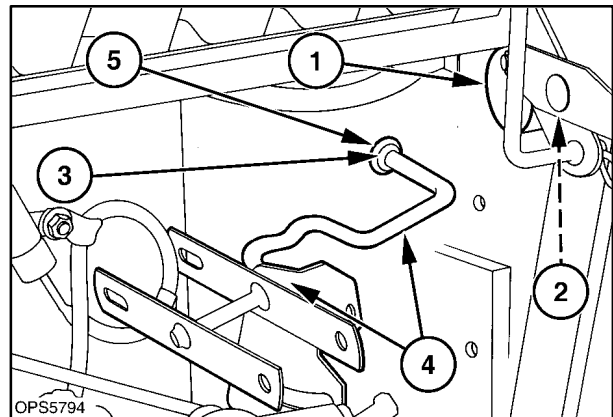
9. Remove the control rod, 2, from the lever at 5, and slide the handle from the rear of the cab.
10. Slide the boom pins, 1, right and left, from the loader ROPS post.
11. The boom lock pins and linkage include:
 1. Boom Lock Pins (2)
 2. Control Rod (1)
 3. Push Nuts (2)
 4. Support Angle (1)
 5. Control Lever Assembly (1)
 6. Plastic Handle Grip (1)
 7. Spring



31

REINSTALLATION

1. Install the boom lock pins, 1, right and left, into the ROPS posts at 2.
2. Install a rubber grommet at 3. Insert the control handle assembly, 4, through the right cab side shield at 5.



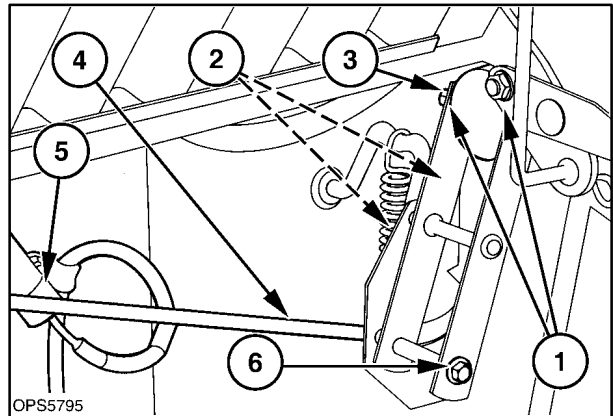
32

SECTION 82 - FRONT LOADER (BOOM AND MOUNTING PLATE)

3. Position the control handle over the lock pin, 1, and install the support hardware at 2.
4. Install the handle and lock pin through bolt at 3.
5. With the handle properly positioned tighten the support hardware at 2, and the through bolt lock nut, 3.

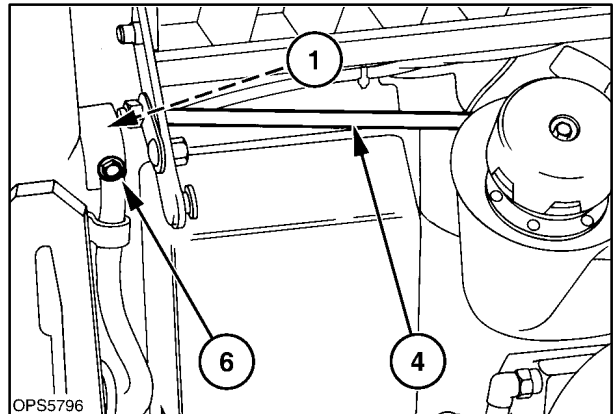
NOTE: Do not over-tighten the through bolt because the handle must pivot at the lock pin.

6. Install the control rod, 4, in the handle assembly, positioning the wire harness, 5, to the seat side of the control rod as shown.



33

7. Install the control rod, 4, in the handle assembly and the left boom lock pin, 1. Slide new push retaining nuts onto rod at 6, Figures 33 and 34.

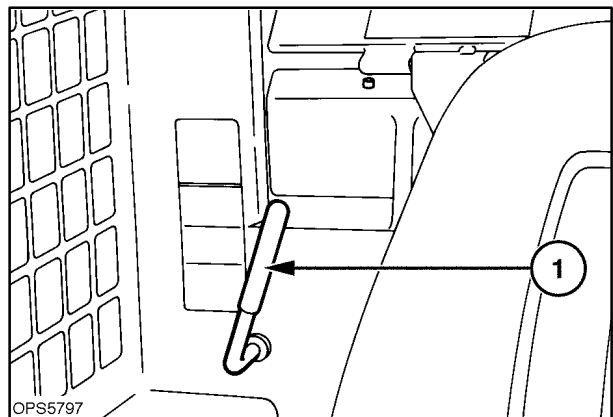


34

8. Slide the plastic handle grip, 1, onto the handle.
9. Operate the control handle to insure proper operation.
 - a. Pivot the handle towards the outside of the operator's cab. The lock pins should extend from the cab post.

- b. Pivot the handle towards the inside of the operator's cab. The lock pins should retract into the cab post far enough to allow boom movement without contacting the lock pins.

10. Reinstall the engine side shields. Close the top engine cover and rear door.

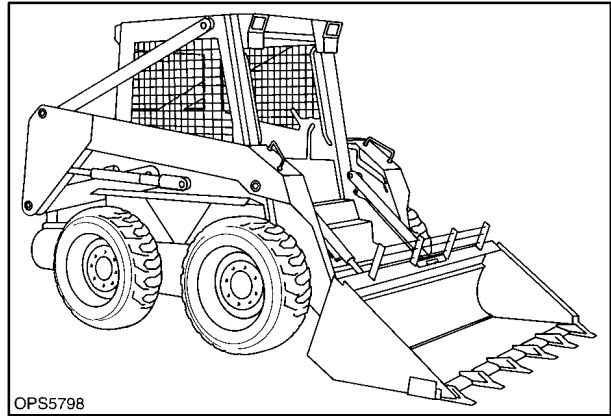


35

BOOM, UPPER AND LOWER LINK

REMOVAL

1. Remove any attachment (bucket, fork, etc.) from the boom mounting plate and lower the boom to the lowered position.

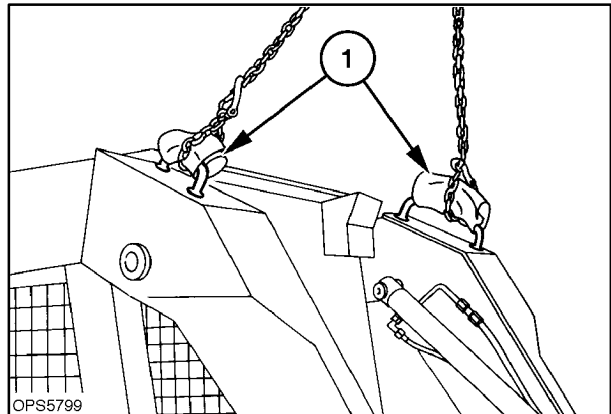


36

2. Attach a chain or strap suitable for handling the weight of the boom (approximately 800 lbs.) to the boom grab handles as shown at 1. Support the boom about level with the top of the loader ROPS.



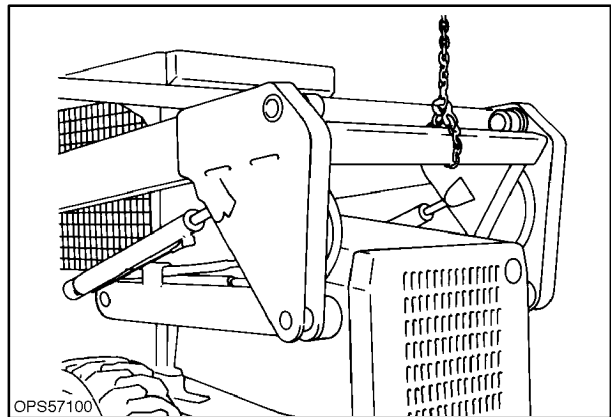
Always use a suitable lifting device and chains or straps to support and remove the boom.



37

3. Support the rear of the boom with the rear lower link pivot above the top of the engine shielding as shown.

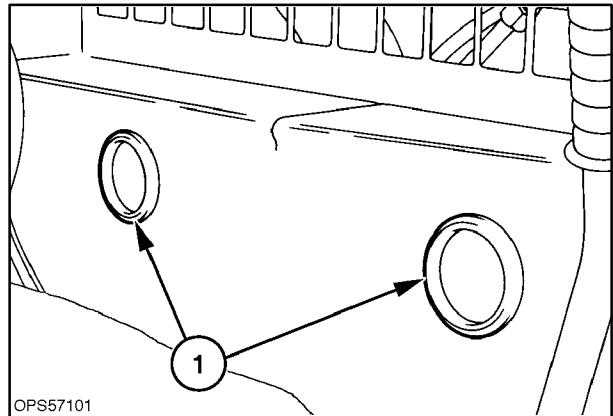
NOTE: This will enable the removal of the link pivot hardware.



38

Op. 82 100 52**Lower Link Removal**

1. Remove the plastic plugs, 1, from the cab inner shell to access the boom lower link and cylinder pivot hardware.
2. Remove the fenders to gain access to the boom and bucket hydraulic tube and hose connections.



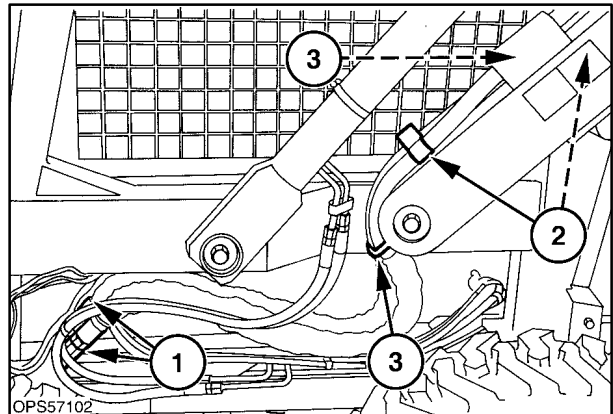
39

3. With the boom properly supported and all hydraulic oil pressure removed from the boom and bucket circuits, disconnect the hydraulic lines at 1. Cap open ends of lines and hoses. Remove the boom hose clamps, 2, retaining the hoses to the lower boom links. Remove the hoses from the lower hose retainer, 3.



Always use a suitable lifting device and chains or straps to support and remove the boom.

Do not disconnect any hydraulic lines until all hydraulic pressure is removed from the boom and bucket hydraulic circuits.



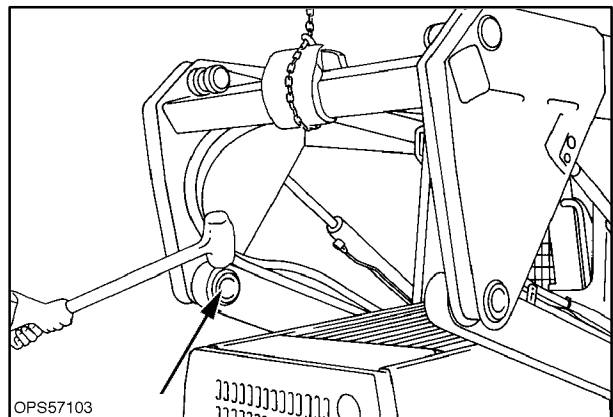
40

4. Loosen the lower link rear pivot pin retaining hardware.



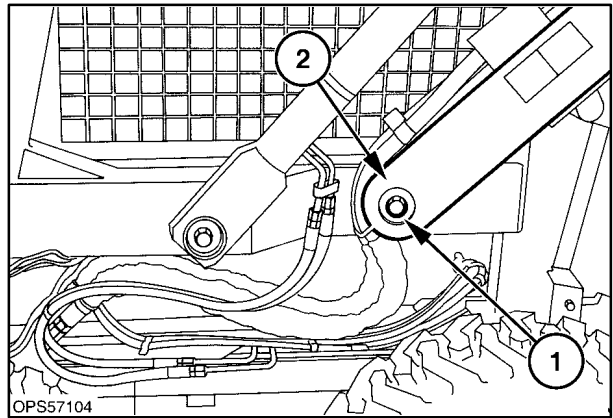
Do not remove the pin retaining hardware until the tapered pivot pin is broken loose at the tapered end of pin or the link and pin may fall.

5. With a soft-faced sledge hammer, strike the lower link as shown to break the tapered pivot pin loose in the main boom link.



41

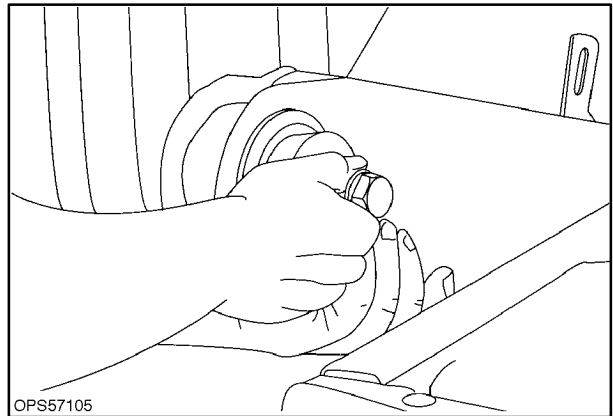
- Loosen the front lower link pivot pin retaining hardware, 1, and strike the link at 2, to break the tapered pivot pin loose in the ROPS frame.



42

- Remove the retaining pin hardware from the front and rear pins. Lift the lower link and pins from the loader.

NOTE: Both the right and left lower links can be removed as described.



43

Op. 82 100 53

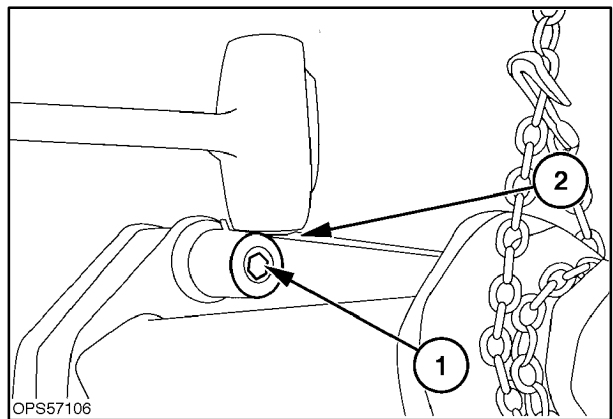
Upper Link Removal

- The boom must be properly supported at the front and rear of the boom with the boom in the lowered position or the front of the boom above the front upper link pivot. Remove all hydraulic oil pressure from the boom and bucket hydraulic circuits.

NOTE: Supporting of the boom will keep the boom in position during removal of the upper links.

CAUTION

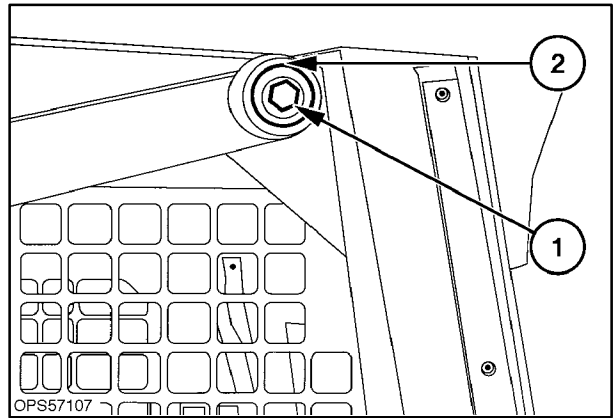
Do not remove the pin retaining hardware until the tapered pivot pin is broken loose at the tapered end of pin or the link and pin may fall.



44

- Loosen the rear link retaining bolt, 1; do not remove. With a soft-faced sledge hammer, strike the link at 2, to break the tapered pivot pin loose in the main boom.

3. Loosen the front link pivot hardware, 1, and with a soft-faced sledge hammer, strike the link at 1, to loosen the tapered pin in the ROPS post.
4. Remove the front and rear pivot pin retaining bolts and tapered pins and lift the link from the loader.

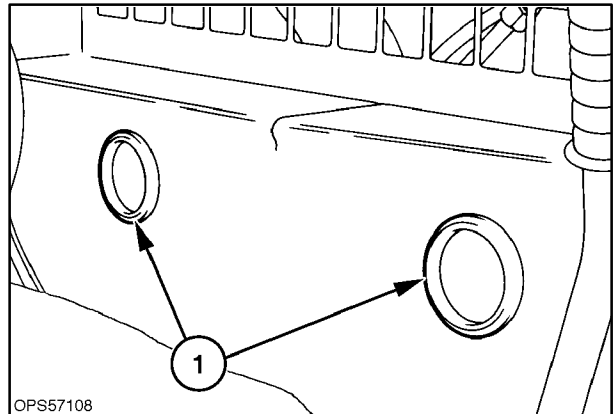


45

Op. 82 100 50

Main Boom Removal

1. Remove the plastic plugs, 1, from the cab inner shell to access the boom lower link and cylinder pivot hardware.
2. Remove the fenders to gain access to the boom and bucket hydraulic tube and hose connections.



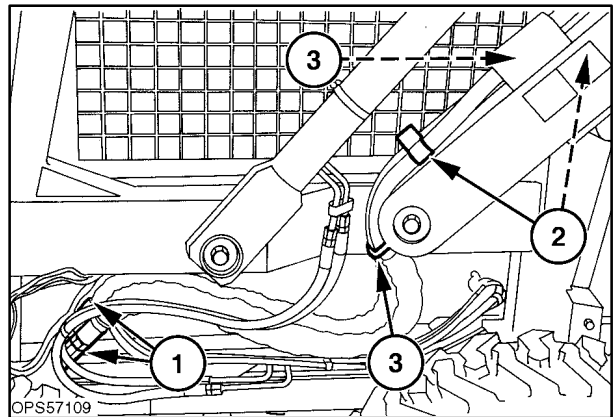
46

3. With the boom properly supported and all hydraulic oil pressure removed from the boom and bucket circuits, disconnect the hydraulic lines at 1. Cap open ends of lines and hoses. Remove the boom hose clamps, 2, retaining the hoses to the lower boom links. Remove the hoses from the lower hose retainer, 3.



Always use a suitable lifting device and chains or straps to support and remove the boom.

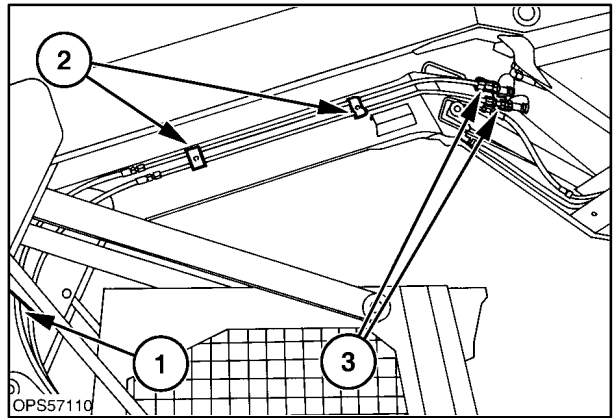
Do not disconnect any hydraulic lines until all hydraulic pressure is removed from the boom and bucket hydraulic circuits.



47

SECTION 82 - FRONT LOADER (BOOM AND MOUNTING PLATE)

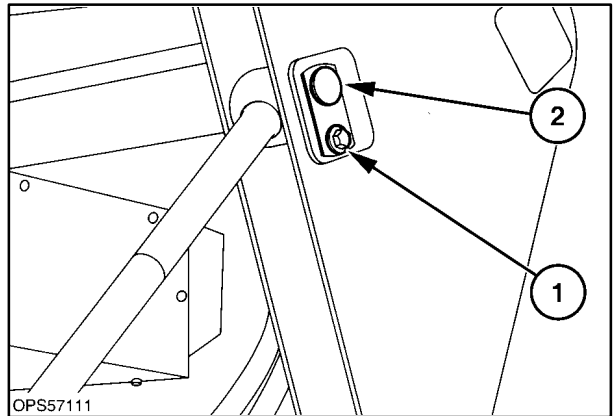
4. Remove the hoses from the rear hose support, 1, remove the tube clamps, 2, and disconnect the tubes at the Z-bracket and quick couplers, 3.



48

5. Remove the right and left upper boom cylinder pivot pin retaining hardware, 1, and pin, 2, from cylinders and boom.

NOTE: If only the main boom is being removed, the cylinders can remain attached at the bottom pivot.



49

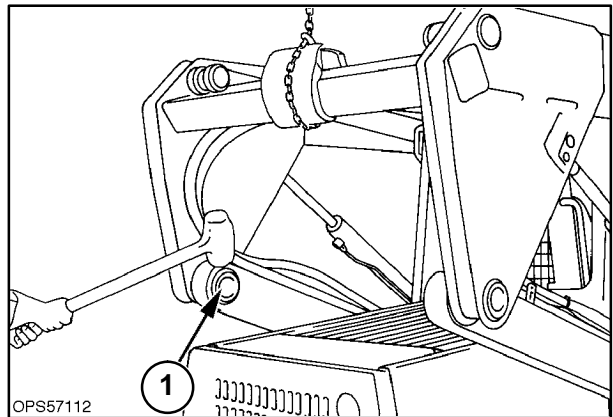
6. Loosen the right and left lower link rear pivot pin retaining hardware, 1.



CAUTION

Do not remove the pin retaining hardware until the tapered pivot pin is broken loose at the tapered end of pin or the link and pin may fall.

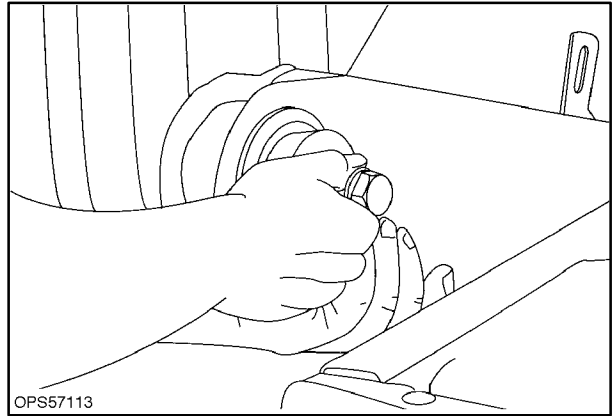
7. With a soft-faced sledge hammer, strike the lower link as shown to brake the tapered pivot pin loose in the main boom link.



50

SECTION 82 - FRONT LOADER (BOOM AND MOUNTING PLATE)

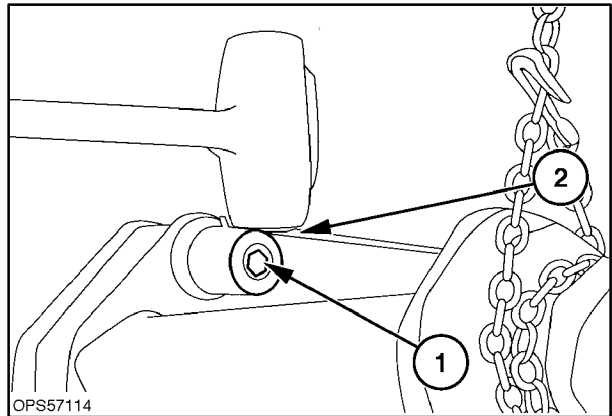
8. Remove the pin retaining hardware and pin from the link and main boom. Lower the link and rest it on the loader frame.



OPS57113

51

9. Loosen the right and left upper link rear retaining bolts, 1; do not remove. With a soft-faced sledge hammer, strike the link at 2, to break the tapered pivot pin loose in the main boom.
10. Remove the hardware and pins from the ROPS and link, resting the link on the lower link.
11. Lift the boom assembly from the loader.

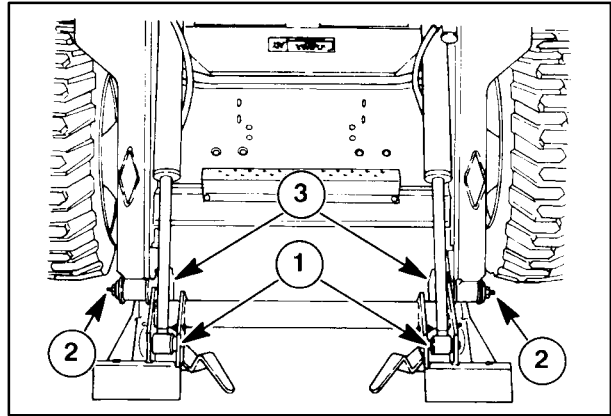


OPS57114

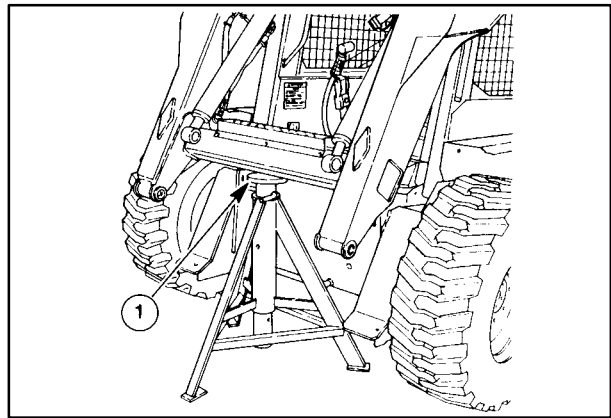
52

Op. 82 100 70**FRONT BOOM MOUNTING PLATE PIVOT HUB REPLACEMENT**

1. Remove any attachment, bucket, etc., from the boom mounting plate.
2. Pivot the mounting plate out flat and remove all hydraulic pressure from the bucket circuit.
3. Remove the cylinder rod pivot pin retaining hardware and pin from the mounting plate and cylinder.
4. Remove the mounting plate from the main boom.
 - a. Loosen the mounting plate pivot hardware. **DO NOT** remove the hardware.
 - b. With a sledge hammer (8 lbs.) or larger, strike the mounting plate at 1, to loosen the tapered pivot pin.
 - c. Remove the retaining hardware, pins, and mounting plate from the boom.
5. Raise the boom and support the boom 609.6 mm (24") off the ground on jack stands or suitable blocking at 1.
6. Remove the negative (-) battery cable.

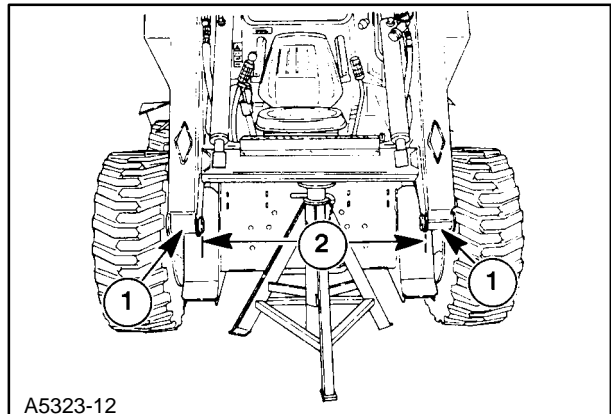


53



54

7. Using a cutting torch, cut the weld around the hub to separate the hub from the main boom. **DO NOT** cut any material from the main boom. Grind to remove any remaining weld and hub from the boom.
8. Position the hubs on the boom straight, from side to side, with center spacing, 2, as follows, and tack weld the hubs to the boom.
Hub Center Spacing - 822 mm (32.36")
9. Reinstall the mounting plate and tapered pivot pins and hardware. Pivot the mounting plate up and down to ensure there is no binding between the mounting plate and pivot pins. Weld the hubs to the boom.
10. Install the hub reinforcement gussets described earlier in these instructions.
11. Lubricate the pivots and torque and hammer seat the tapered pins and hardware. Refer to "MOUNTING PLATE REPAIR," in this section.

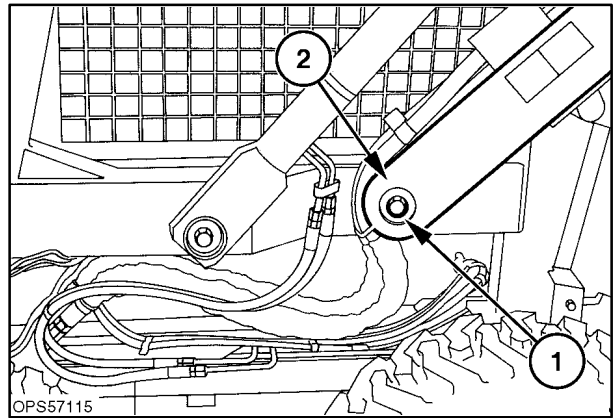


A5323-12

55

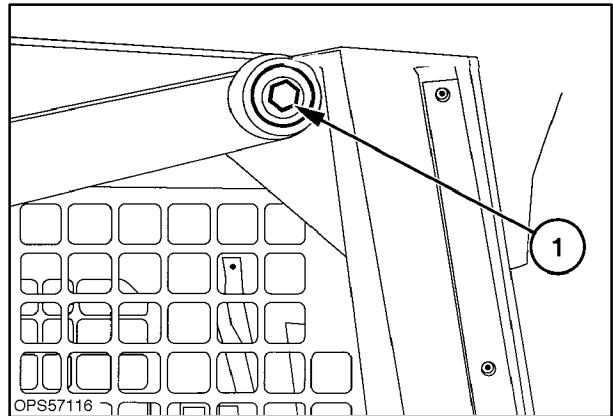
BOOM, UPPER AND LOWER LINK REINSTALLATION

1. If the upper and lower boom links and boom cylinders were removed, attach the upper and lower links to the ROPS before installing the main boom assembly.
2. Install the lower link pivot pins, 1, through the links, 2, and insert the tapered end of the pin into the ROPS frame. Install the pin retaining hardware and tighten, making sure the tapered pin is inserted into the ROPS straight.



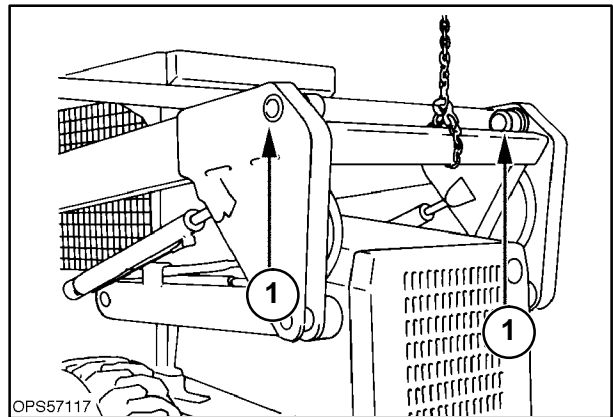
56

3. Install the upper link pivot pins through the links and insert the tapered end of the pin into the ROPS post. Install the pin retaining hardware and tighten, making sure the tapered pin is inserted into the ROPS post straight.
4. Position the main boom assembly over the loader positioning the boom against the boom stops (front of the final drive case).



57

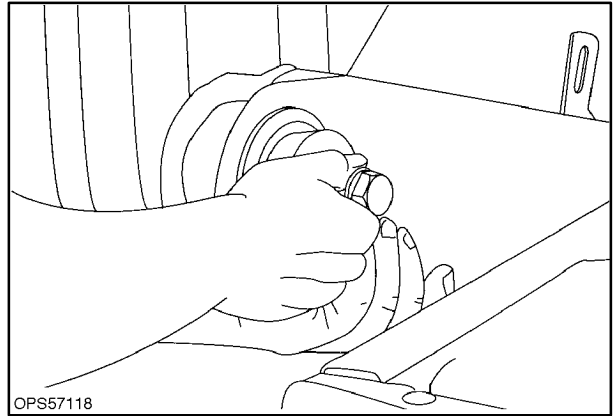
5. Attach the upper link rear with tapered pivot pins, 1, and retaining hardware. Tighten the hardware, making sure the pin is straight in the main boom.



58

SECTION 82 - FRONT LOADER (BOOM AND MOUNTING PLATE)

6. Attach the lower link rear with tapered pivot pins and retaining hardware. Tighten the hardware, making sure the pin is straight in the main boom.

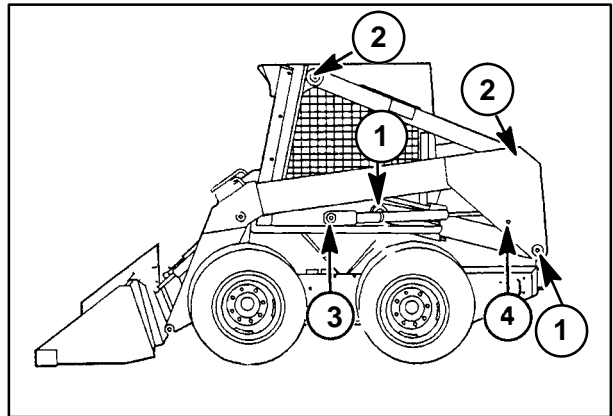


59

7. With the main boom, upper and lower links attached, the pivot pins and hardware must be properly seated.

Torque the pin retaining hardware to the following torques:

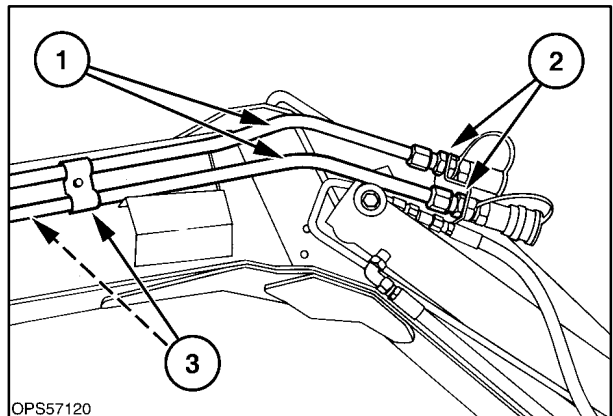
- 1 - Lower link - 338 N·m (250 ft. lbs.)
- 2 - Upper link - 338 N·m (250 ft. lbs.)
- 3 - Cylinder pivot (lower) - 338 N·m (250 ft. lbs.)
- 4 - Cylinder pivot (upper) - 38 N·m (28 ft. lbs.)



60

8. After the pivot pin retaining hardware is torqued the pins must be properly seated. Using a hammer, strike the head of the bolt and pin several times to seat the tapered pin in the taper in the ROPS. Retorque the hardware to specified torque. Repeat this process until the torque is maintained.

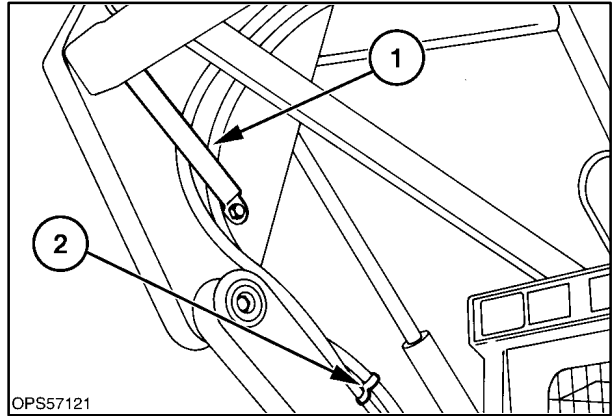
9. Reinstall the cylinders to the boom upper pivot.
10. Reinstall the boom hydraulic tubes and hoses if removed. Position the tube at 1, the front of the boom to maintain clearance between boom and tubes. The tubes must be properly positioned or the tubes will contact the corner of the ROPS (cab) when the boom is raised and lowered.
11. Reattach the tubes to the Z-bracket, 2, and install the quick couplers. Install the tube clamps, 3, front shown.



61

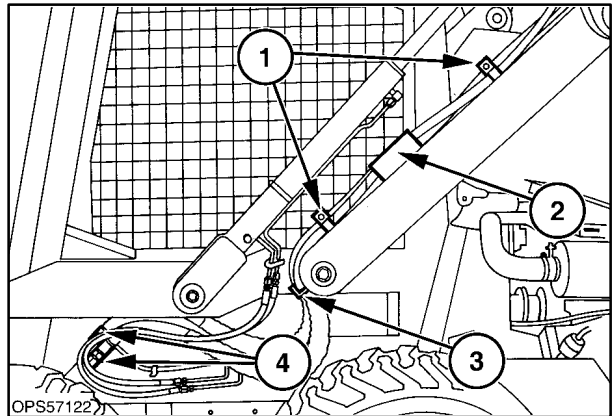
SECTION 82 - FRONT LOADER (BOOM AND MOUNTING PLATE)

12. Route the tubes and hoses to the rear of the boom through the rear hose supports, 1, and on the top side of the lower link at 2.



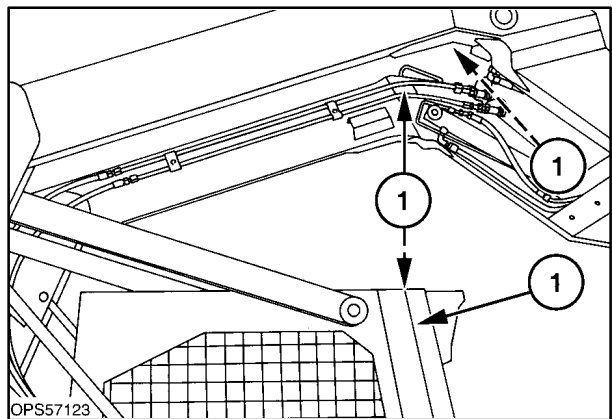
62

13. Position the hoses with one on each side of the lower link retaining clips, 1, and through the hose retainer at 2. Do not tighten clamps at this time; further adjustment will be required later.
14. Insert the hoses through the hose support on the end of link at 3.
15. Reconnect the hoses to the tubes at 4, positioning the hoses and tubes for clearance at the fender when the boom is raised and lowered.



63

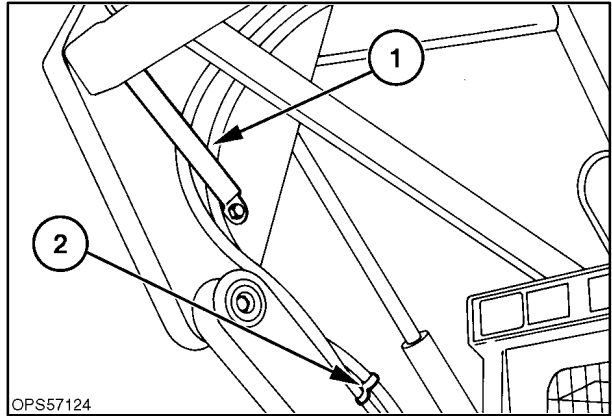
16. When all boom links and pivot pins are properly seated and torqued and all hydraulic connections are tightened, operate the boom up and down. Check the clearance between the tube and ROPS (cab) at 1.



64

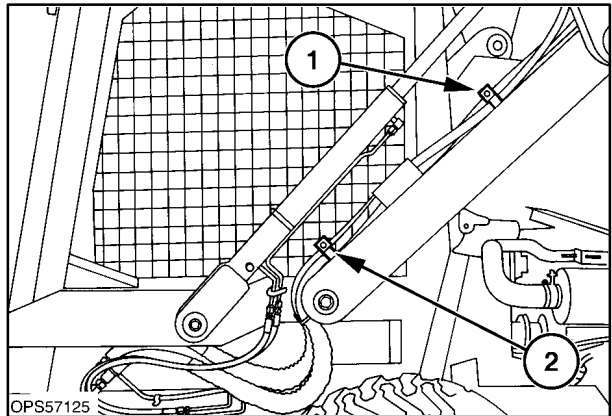
SECTION 82 - FRONT LOADER (BOOM AND MOUNTING PLATE)

17. Check the hoses, 1, around the rear supports with the boom in the fully raised position. The hoses should be routed as shown. Remove any slack from the hoses to the boom tubes and tighten the hose clamp, 2.



65

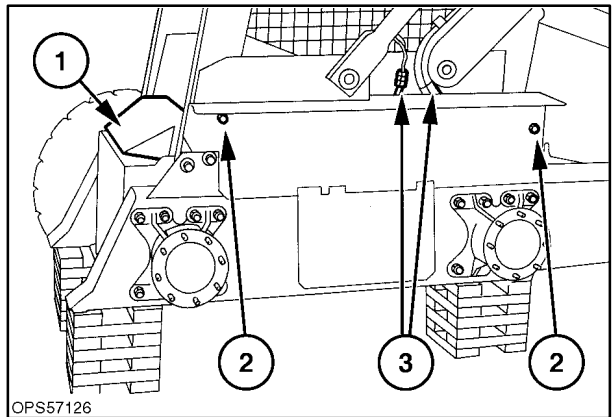
18. Remove any slack between the top clamp, 1, and second clamp, 2, and then tighten the second clamp.



66

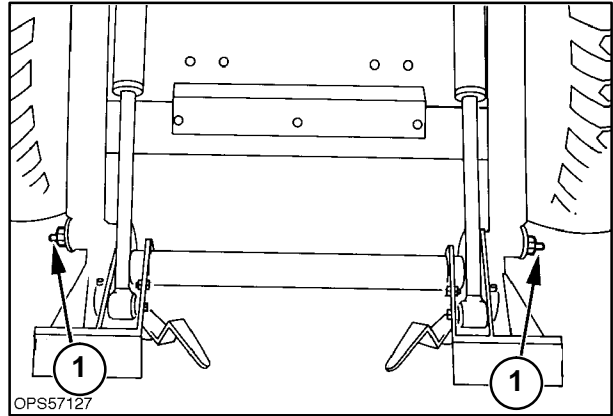
19. Install the front step shield, 1, the fenders, and fender hardware, 2. Raise and lower the boom checking the hose/tube clearance to fenders at 3, and readjust if required. Check for any oil leaks and repair if required.

NOTE: The boom may require several cycles up and down to remove the air from the boom hydraulic circuit.



67

20. Reinstall the boom mounting plate if removed. Torque the pivot bolts, 1, to 108 N-m (80 ft. lbs.). The tapered pivot pins and retaining hardware must be hammer seated by striking the head of the bolt and pin and retorquing the bolt. This step must be repeated until the torque is maintained.
21. Reinstall any shields removed for the repair.



68

ATTACHMENT MOUNTING PLATE

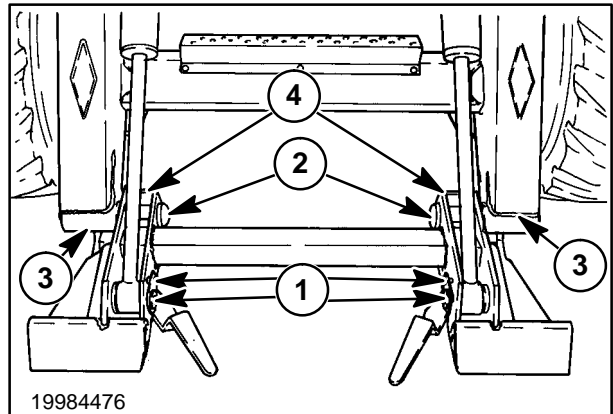
Op. 82 100 70

REMOVAL

1. Remove any attachment from the loader attachment mounting plate.
2. Lower the boom to the fully lowered position.
3. Tilt the attachment mounting plate forward until the face is level with the ground.
4. Remove the cylinder attachment mounting plate pivot pins by removing the pin retaining bolts, 1, and sliding the pins from the mounting plate and cylinders.



Support the mounting plate during removal to prevent dropping the plate when pins are removed.



69

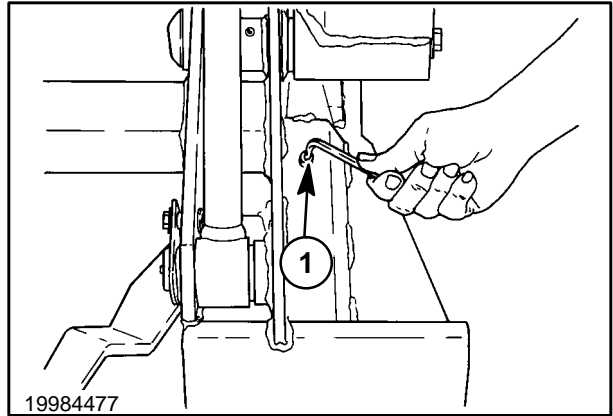
5. Remove hub caps, 2, from the pivots.
6. Loosen the attachment mounting plate to boom pivot pin hardware, 3. DO NOT remove the bolts at this time.
7. With a soft-faced sledgehammer, strike the mounting plate pivot area, 4. This will free the tapered pivot pin in the boom link.
8. Remove the pivot pin retaining hardware and remove the tapered pins.

REPAIR/REBUILD MOUNTING PLATE

Op. 82 100 74

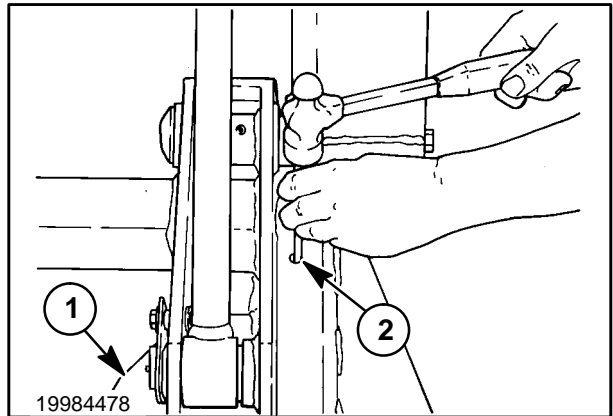
LATCH LEVER AND PIN REMOVAL/REPAIR

1. Remove any attachment from the loader attachment mounting plate.
2. Lower the boom to the lowered position.
3. Tilt the attachment mounting plate forward until the face is level with the ground.
4. With an allen wrench, remove the setscrew, 1, from the backside of the mounting plate for both the left and right sides.



70

5. Move the latch handle, 1, to align the groove pin in the setscrew hole, 2. Drive out the groove pin with a hammer and punch. Repeat this procedure on other side.
6. Remove the latch pin from each side from the bottom of the mounting plate.



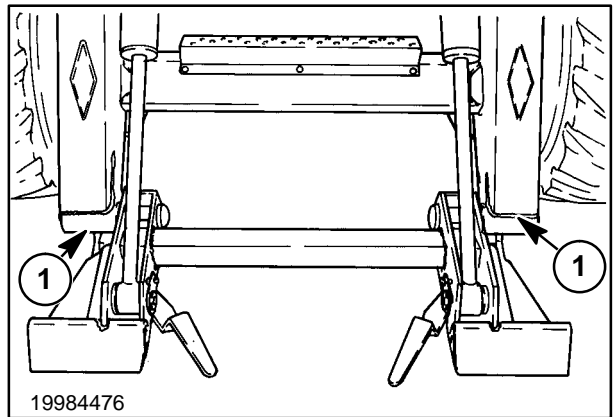
71

7. Remove the cylinder attachment mounting plate pivot pins to allow access to the latch handle pivot pin snap ring clips.

⚠ CAUTION ⚠

Support the mounting plate during removal of the mounting plate pivot pins to prevent dropping the plate down when pins are removed.

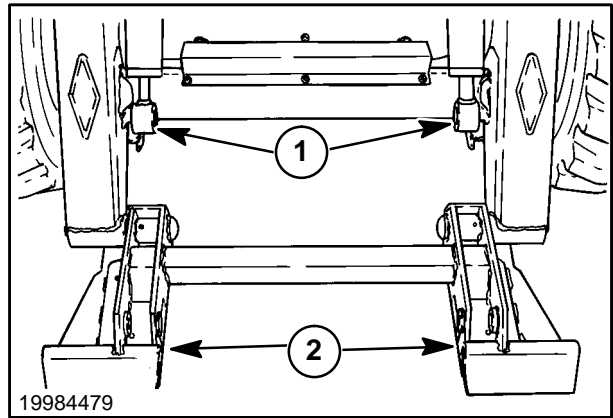
8. Remove the pin retaining bolts, 1, and slide the pins from the mounting plate and cylinders.



72

SECTION 82 - FRONT LOADER (BOOM AND MOUNTING PLATE)

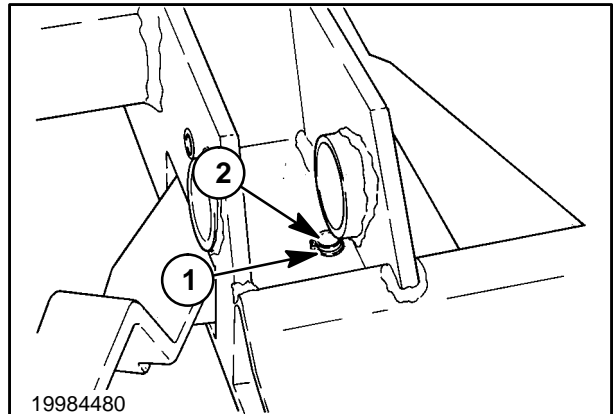
9. Enter the skid-steer loader. Sitting in the operator's seat with the seat belt buckled, start the loader and retract the attachment mounting plate actuating cylinders, 1, fully to clear the attachment mounting plate, 2.



19984479

73

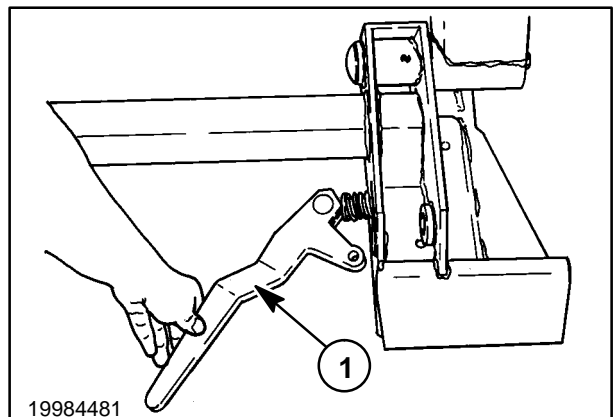
10. Remove the retaining ring, 1, from the latch handle pivot pin, 2, from the rear of the mounting plate on the LEFT and RIGHT sides.
11. Using a punch and hammer drive the latch handle retaining pin, 2, downward and out through the front of the attachment mounting plate on both sides. If there is insufficient ground clearance to fully remove the latch handle pivot pins, lift the attachment mounting plate up as necessary to clear the pins.



19984480

74

12. Remove the handle/spring assembly, 1, from the attachment mounting plate on the LEFT and RIGHT sides of the attachment mounting plate.

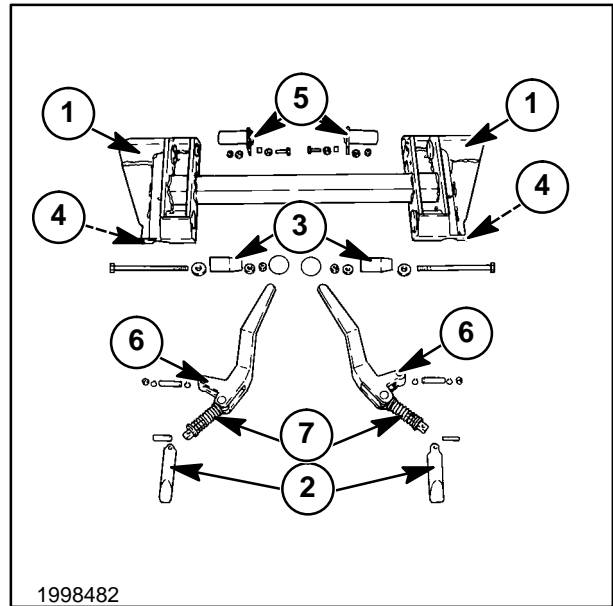


19984481

75

PARTS INSPECTION**Mounting Plate Assembly**

1. Inspect the plate, 1, for straightness. If the mounting plate pods are not straight with each other it may be difficult to hook up to attachments. Refer to the "Checking Procedure for Buckets and Attachments" in Section 8 - Optional Equipment for further details. If the mounting plate is not within specifications, replace the assembly.
2. Inspect the latch pin area for excessive wear, which can result in loose attachments. If the pins, 2, do not slide freely, remove the pins, clean and lubricate.
3. Inspect the mounting plate pivot pins, 3, and bushings, 4, for wear, which can result in loose attachment to the mounting plate boom cylinders.
4. Inspect the cylinder pivot pins, 5, for wear. Inspect the pivot pin holes for wear that could cause a sloppy fit. Replace the bushings in the mounting plate or pivot pins, if necessary.



76

Latch Handle/Spring Assemblies

1. Inspect the latch handle pivot holes, 6, for excessive wear and binding in the mounting plate.
2. Check that the spring, 7, is not bent, damaged, or has broken coils. Replace if necessary.

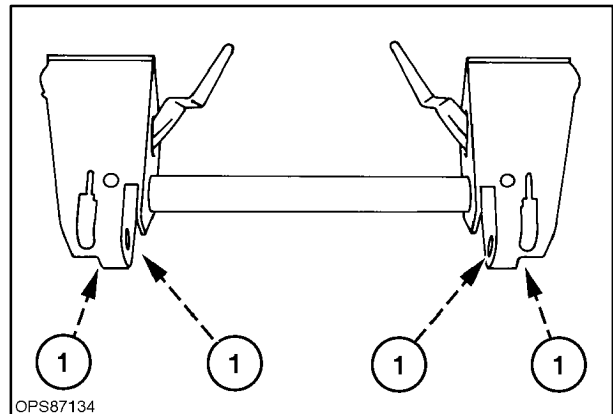
Latch Pins

1. Examine the latch pins, 2, for excessive wear and binding in the mounting plate.
2. Check the tapered area of the pins for wear or chips. Replace if necessary.

Op. 82 100 57**Pivot Bushings Replacement**

1. Use a suitable bushing driver and remove the old bushings.
2. Clean the bushing area to remove any dirt, debris and burrs.
3. Using a bushing driver, install the new pivot bushings from each end of hole, 1. Drive bushings flush with the outer edge of the hub.

NOTE: There will be a space in the center between the two bushings.



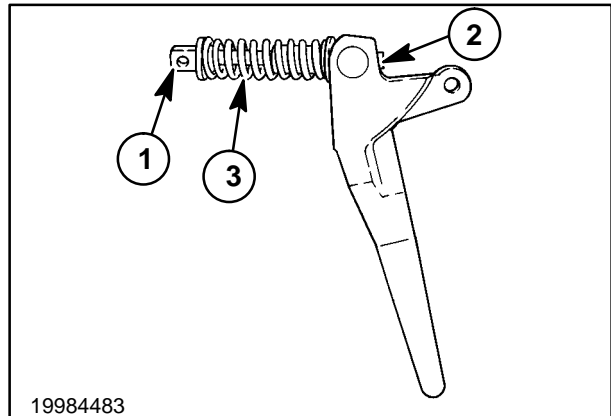
77

Op. 82 100 74**Latch Lever and Spring Repair/Rebuild**

1. Clamp the lower spring guide, 1, in a vise. Turn the step bolt, 2, to remove the lower spring guide from the step bolt and remove spring, 3.

⚠ **CAUTION** ⚠

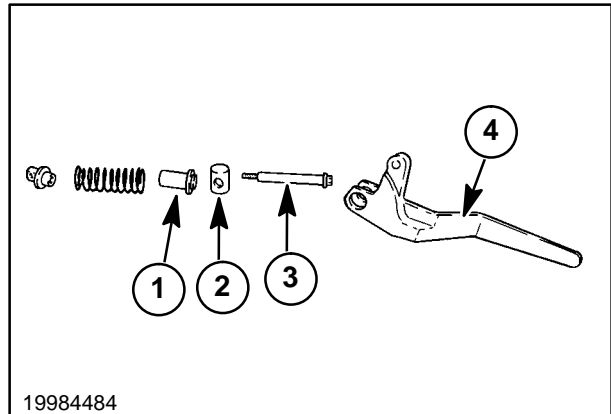
When removing the step bolt, the spring will have some compression pressure. Remove the bolt while applying downward pressure on the bolt.



19984483

78

2. Remove the upper spring guide, 1, pivot block, 2, and step bolt, 3, from handle, 4.



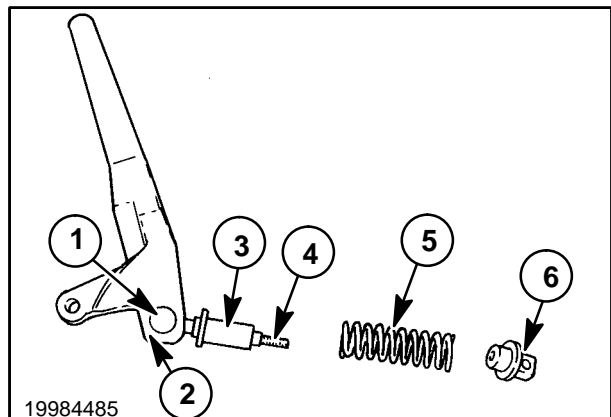
19984484

79

Reassembly

1. Insert the pivot block, 1, and step bolt, 4, into the handle, 2. Install the upper spring guide, 3, onto step bolt, 4.
2. Install spring, 5, over the upper spring guide, 3. Install the lower spring guide, 6, onto step bolt, 4, and tighten.

NOTE: Apply slight pressure to the lower spring guide to compress the spring slightly and start threading the lower guide onto the step bolt.

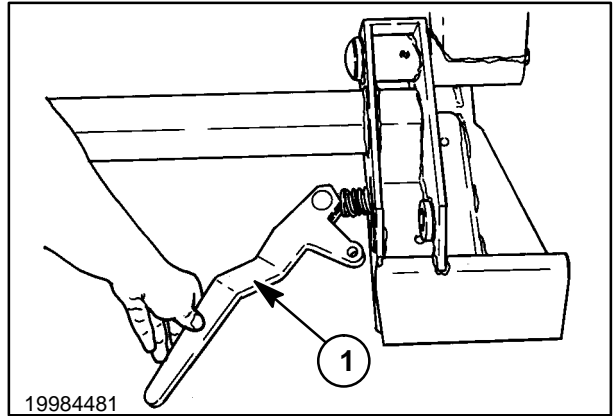


19984485

80

SECTION 82 - FRONT LOADER (BOOM AND MOUNTING PLATE)

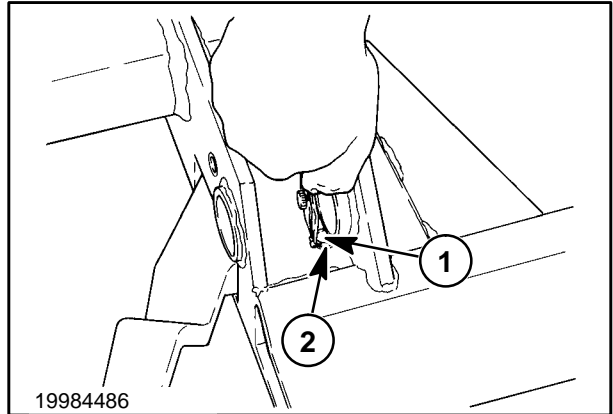
3. Slide the latch handle/spring assembly, 1, into the mounting plate, pointing the spring down.



81

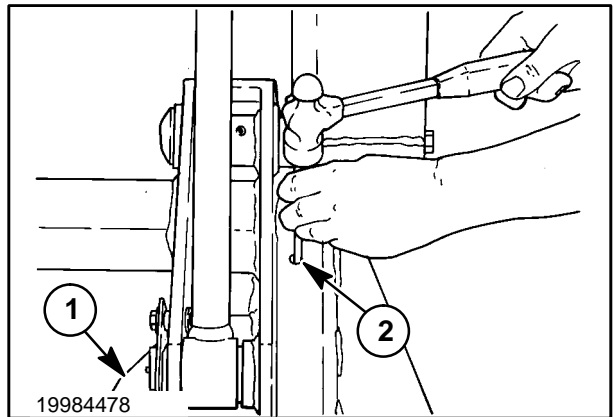
4. Install the handle pivot pin, 1, from the front of the plate and install the snap ring retaining clip, 2. The pivot pins will have a snap ring on both ends of the pins.

NOTE: The handle pivot pin should have one snap ring retaining clip already installed prior to reinstallation in the attachment plate. If the snap ring retaining clip is not present, install the clip prior to pin installation.



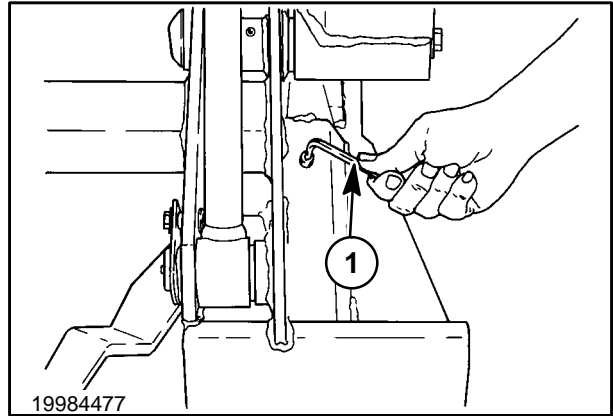
82

5. Move the latch handle, 1, to align hole with the groove and insert the latch pin with the tapered side towards the loader boom, away from the attachment.
6. With a hammer and punch, drive the grooved pin, 2, through the lower spring guide and latch pin.



83

7. Reinstall the setscrew, 1.

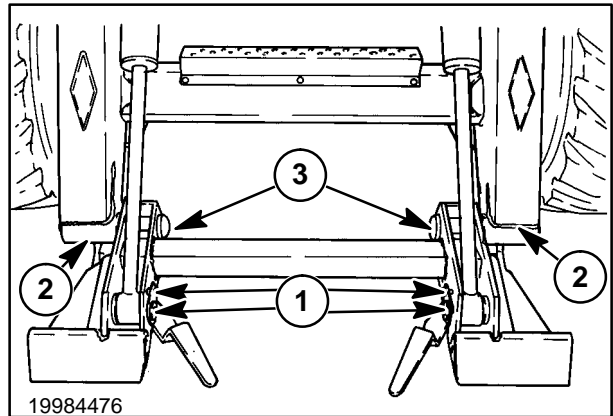


84

8. Reinstall the boom mounting plate, if removed, by installing the pivot taper pins and retaining hardware, 2.
9. Torque the pivot bolts, 2, to 108 N-m (80 ft. lbs.).

NOTE: The tapered pivot pins and retaining hardware must be hammer seated by striking the head of the bolt and pin, and then re-tightening. This step must be repeated until the torque remains constant.

10. Reinstall hub caps, 3, into the plate pivots.
11. Extend the attachment mounting plate cylinders until they align with their mounting holes on the attachment mounting plate.
12. Install the cylinder attachment mounting plate pins through the mounting plate and into the cylinder rod ends. Install the pin retaining hardware, 1, and tighten.
13. Grease the two boom mounting plate pivot pins and the two cylinder mounting plate pivot pins prior to moving the attachment mounting plate to prevent any damage to the pivot points.



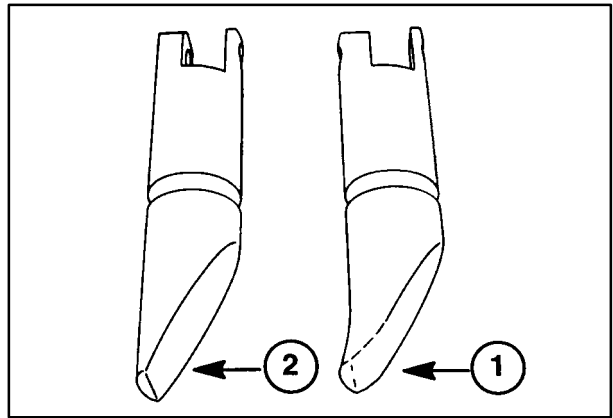
85

Attachment Plate Over-Center Latch Pins Wear/Bend

The loader attachment may become loose at the mounting plate. Inspection of the over-center latch pins part #9822358, shows the pin ends worn and bent, 1.

The over-center pins are NOT heat-treated. Thus, if an attachment does not fit correctly and hammers against the pins, the pins will wear and bend. New pins and ones used with properly fitted attachments should be straight, as shown at 2.

If worn pins are encountered, the pins must be replaced. Additionally, an inspection of all the customer's attachments must be made to determine the improperly fitted attachment which is causing the pin problem. Usually, an old attachment used on a previous loader can be worn and can be the problem.



86

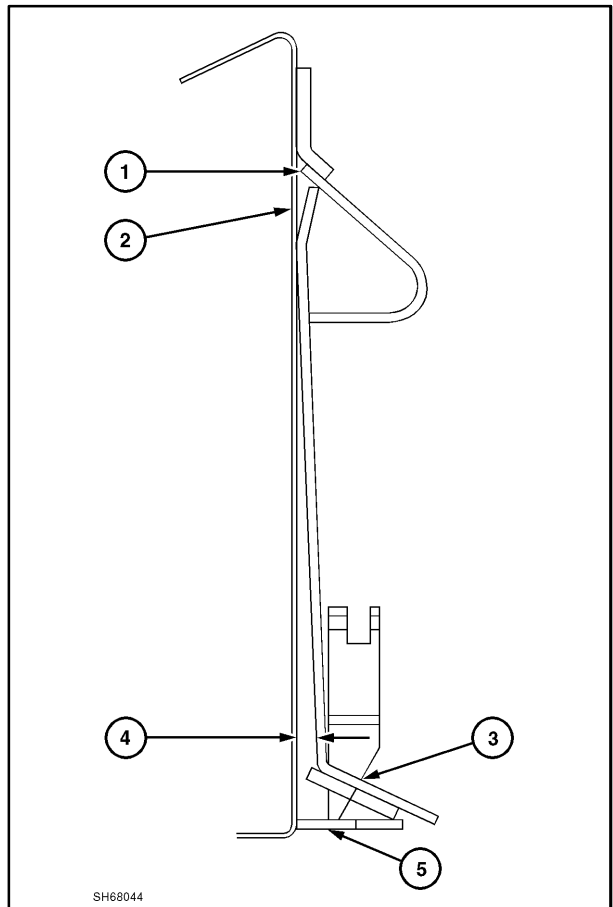
CHECKING PROCEDURE FOR BUCKETS AND ATTACHMENTS

The bucket/attachment does not fit or appears to come loose on the boom faceplate.

The loader boom faceplate is worn or out of height dimensions and/or the bucket latch points are worn or out of dimensions.

Inspection

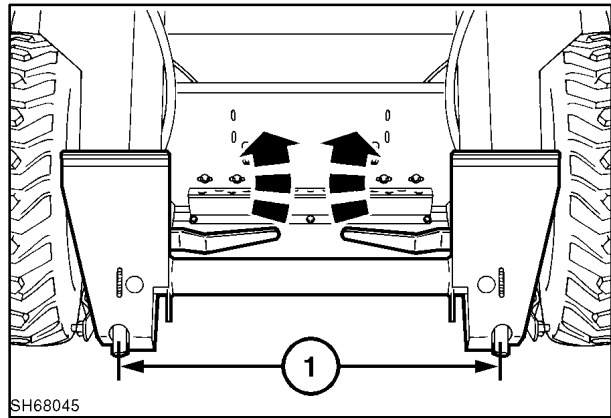
The LS160 and LS170 loader latching system requires that the faceplate wedge into the attachment. The faceplate must contact the attachment at 1, 2, and 3, and must have clearance between the attachment and faceplate at 4, when the attachment is latched properly.



87

The following are some quick visual checks of the loader faceplate and attachment.

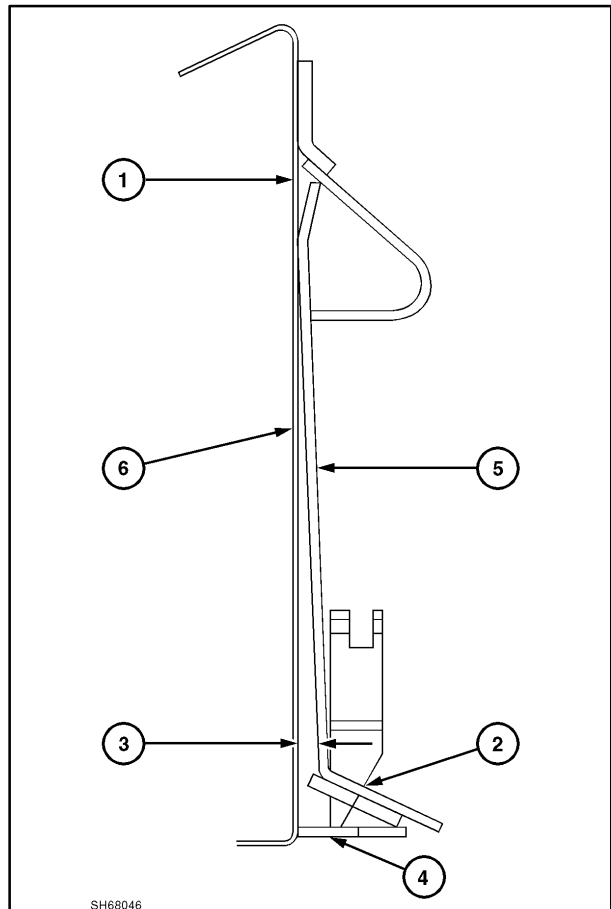
1. The attachment must have a $850.1 \text{ mm} \pm 0.8 \text{ mm}$ ($33\text{-}15/32'' \pm 1/32''$) center to center latch point, 1, to be compatible with the latch system.
2. Check the latch pins and levers for proper operation and lubrication. If the latch pins do not move freely, the system will not function properly.
 - a. Control levers pivot over center into the lowered latched position.
 - b. Latch pins fully extend from the faceplate.
 - c. Control levers pivot over center into the raised unlatched position and hold in this position.



88

Loader faceplate, 5, and attachment, 6, engagement.

3. Check the saddle area of the attachment at 1, for interference, weld, debris, etc. to prevent the attaching plate and attachment from seating properly.
4. The loader latch pin should engage the lower latch plates as shown at 2.
5. Check for clearance between the faceplate and attachment at 3, minimum 0.8 mm ($1/32''$) and maximum 9.5 mm ($3/8''$), with the latch pins fully engaged.
 - a. If there is no clearance at 3, the loader faceplate is too short or the distance between the top saddle area and lower latch plates is too great, 2, Figure 91.
 - b. If the clearance is too great or the latch pins will not engage into the latch plates on the attachment, the loader faceplate is too long or the distance between the top saddle area and lower latch plates is too short, 2, Figure 91, or the latch plates are located incorrectly, 1, Figure 91.
6. When the latch pins are fully engaged, New Holland buckets only, the end of the pin should not extend beyond the lower plate at 4.
 - a. If the latch handles do not fully engage, the dimension from the back of the attachment to the rear of the slot in the latch plates is too short at 1, Figure 91.
 - b. If the latch pins extend below the lower plate at 4, the dimension from the back of the attachment to the rear of the slot in the latch plate is too long at 1, Figure 91.



89

CHECKING PROCEDURE

The following are the procedures used to measure the skid-steer loader faceplate and how to measure the attachment.

Checking the Attachment

1. Check the placement of the lower latch plates at 1. Measure from the back surface of the attachment to the rear of the latch plate slot at 1: 235.8 mm \pm 0.8 mm (1-9/32" \pm 1/32").

- a. If this dimension is too short, the slot can be widened by grinding out the slot 1/16" maximum or replace the latch plates.

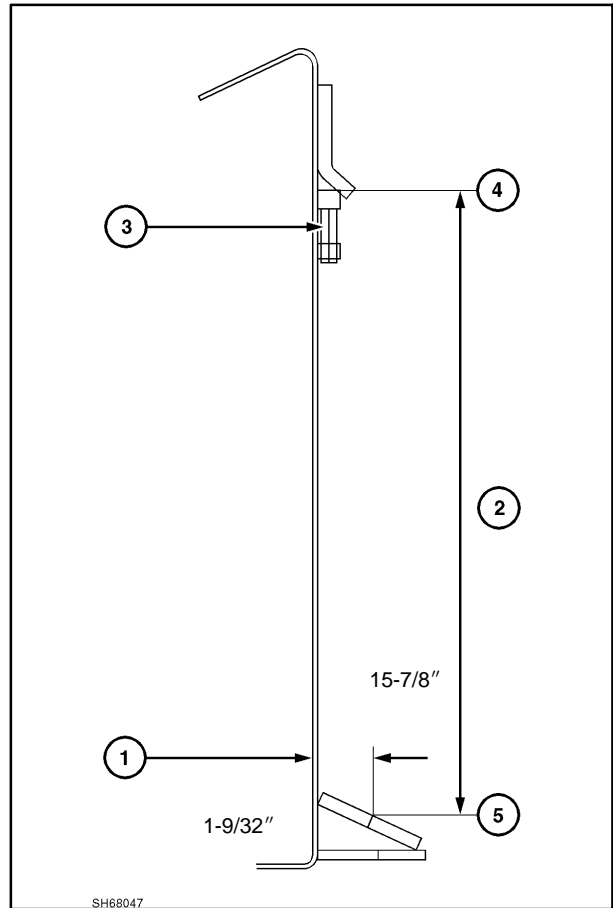
If grinding is required, the rear of the slot must be ground square with the top surface of the plate to ensure proper pin engagement, 2, Figure 89.

- b. If the dimension is too long, replace the latch plates.

2. Check the height of the attachment at 2. Insert a 1/2" x 2" with 1/2" standard nut as shown at 3. Measure from the top of the bolt, 4, to the rear of the latch plate slot at 5: 403.2 mm \pm 0.8 mm (15-7/8" \pm 1/32").

If this dimension is incorrect, the lower latch plates will require replacement.

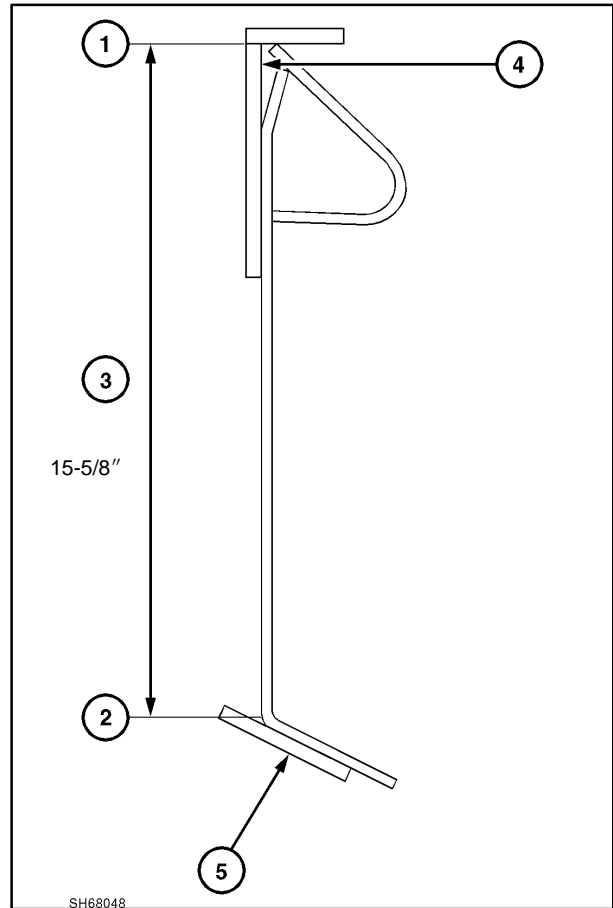
NOTE: If new latch plates are required, order four plates #86506587 (102 mm [4"] slot) through Parts and follow the latch plate installation procedure.



90

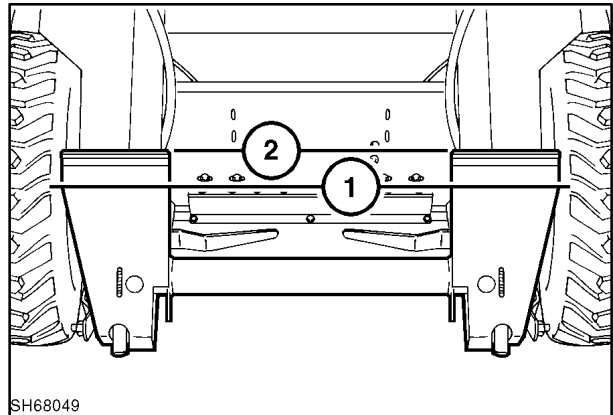
CHECKING THE LOADER FACEPLATE

1. Check the height of the loader faceplate from the top of the plate at 1, to the bottom of the plate at 2: $396.9 \text{ mm} \pm 0.8 \text{ mm}$ ($15\text{-}5/8" \pm 1/32"$). To check the faceplate, place a 24" square over the top of the plate as shown at 4, and a straightedge at 5. If the faceplate is not within specifications, the plate will require replacement.



91

2. Check the faceplate pods to ensure they are straight with each other and not twisted. Place a straightedge across both pods as shown at 1, across the front flat surface and at 2, the top of the pods. If the pods are not straight, the faceplate will require straightening or replacement.



92

SECTION 82 - FRONT LOADER (BOOM AND MOUNTING PLATE)

3. Check the center dimension between the faceplate pods and the overall outside dimension.

Inside Dimension 1: 647.7 mm (25-1/2")

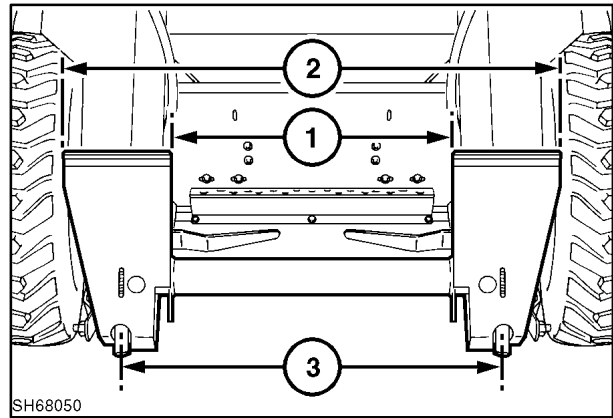
Outside Dimension 2: 1122.4 mm (44-3/16")

Latch Pin Dimension 3: 850.1 mm \pm 0.8 mm
(33-15/32" \pm 1/32") center



Do not cut or grind the loader faceplate to adapt any buckets or other attachments.

Do not cut or grind the loader faceplate latch pins.



93

When **attaching unapproved attachments**, the latch points on the attachment must meet the correct dimensions and be strong enough to maintain the correct dimensions during operation.

SECTION 82 - FRONT LOADER (BOOM AND MOUNTING PLATE)

LABOR GUIDE

The following labor amounts are listed as a guide only. Working conditions and experience will vary the time it actually takes to complete each job.

| Job Description | Hours |
|---|--------------|
| Remove and replace boom lock pins and linkage | 2.5 hrs. |
| Remove and replace main boom | 4.5 hrs. |
| Removal and replace one upper link | 1.0 hrs. |
| Removal and replace one lower link | 2.0 hrs. |
| Remove and replace attachment mounting plate | 1.0 hrs. |
| Rebuild attachment mounting plate | 1.5 hrs. |

SECTION 88 – ACCESSORIES

Chapter 1 – Dealer Installed Options

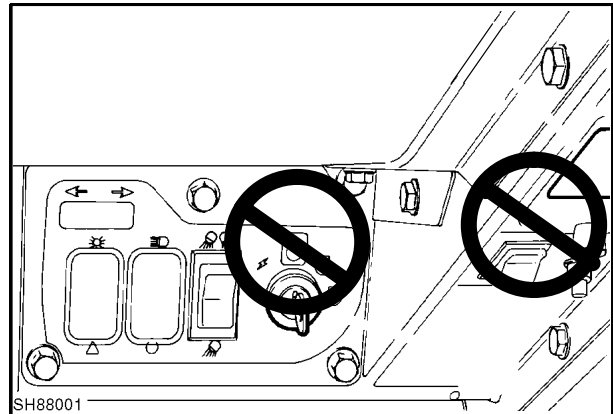
CONTENTS

| Section | Description | Page |
|----------------|---|-------------|
| 88 100 | General Information | 88-2 |
| | Adapting Attachments Requiring 12V Electrical Power | 88-2 |
| | Hydraulic System Compatibility | 88-5 |
| 90 000 | Arm Pads For Cab Side Panels | 88-7 |
| 90 000 | Armrests for Deluxe Seat | 88-7 |
| 90 000 | Forearm Rests | 88-8 |
| 55 000 | Back-up Alarm | 88-9 |
| 10 300 | Block Heater (Engine) | 88-10 |
| 55 000 | Electric Power Supply (12 Volt, 15 Amp) | 88-11 |
| 10 254 | Exhaust (Engine) | 88-12 |
| 10 254 | Aspirator Precleaner Muffler | 88-12 |
| 35 000 | High Flow Hydraulics | 88-14 |
| | High Flow Hydraulics Troubleshooting | 88-16 |
| | High Flow Hydraulics Component Replacement | 88-18 |
| 55 000 | Horn | 88-25 |
| 90 000 | Shoulder Belt (Seat) | 88-26 |
| 88 000 | Slow-moving Vehicle (SMV) Sign Kit | 88-27 |
| 55 000 | Warning Light (Rotary Beacon) | 88-28 |
| 55 000 | Warning Lights (Four-way Flashers/Turn Signal/Horn) | 88-31 |
| | Labor Guide | 88-35 |

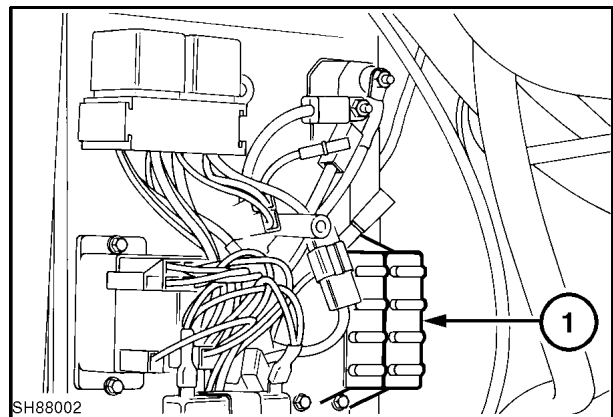
Op. 88 100**GENERAL INFORMATION****ADAPTING ATTACHMENTS REQUIRING 12V ELECTRICAL POWER**

There are important rules that must be followed when adapting attachments that require 12 volt electrical power. Proper wiring of electrical devices and power and ground connections is very important to prevent other electrical component damage. Attaching electrical connections to locations other than recommended may allow electric current to feed back through the EIC board, creating false EIC board readings and warnings, or causing EIC board damage or failure.

1. ALWAYS FOLLOW the instructions for New Holland kit installation to ensure proper function and operation.
2. NEVER CONNECT an electrical device to any wires, fuses, switches or grounds inside the cab area. This includes any terminals of the ignition switch, fuse panel, or ground terminal.
3. NEVER INSTALL an electrical device, music radio, two-way radio, or unapproved New Holland attachment into the cab area.
4. ONLY USE the 12-volt accessory power outlet for attachments requiring less than 10 amps. The accessory outlet is connected to the engine fuse/relay panel and protected with a 15 amp fuse.
5. ALWAYS CONNECT new electrical attachments to the engine fuse/relay panel, 1, and connect the grounds to the engine bell housing. USE ONLY vacant connections and fuses not in use for specified attachments.



1



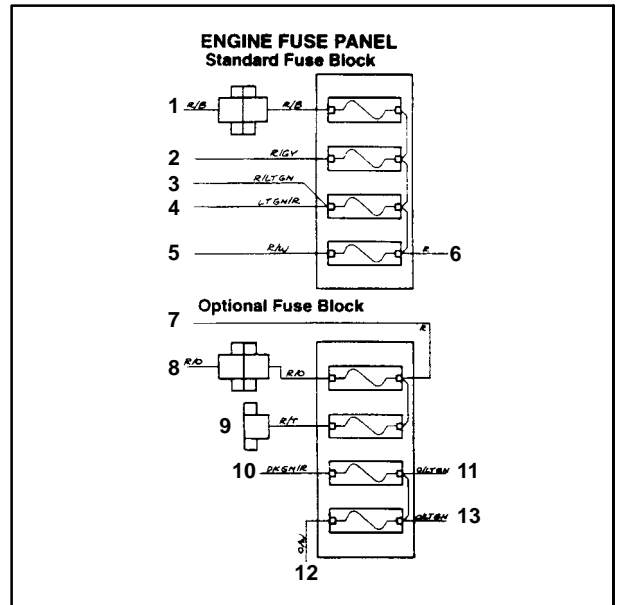
2

SECTION 88 - ACCESSORIES

Wire connections available if electrical attachments were not previously installed.

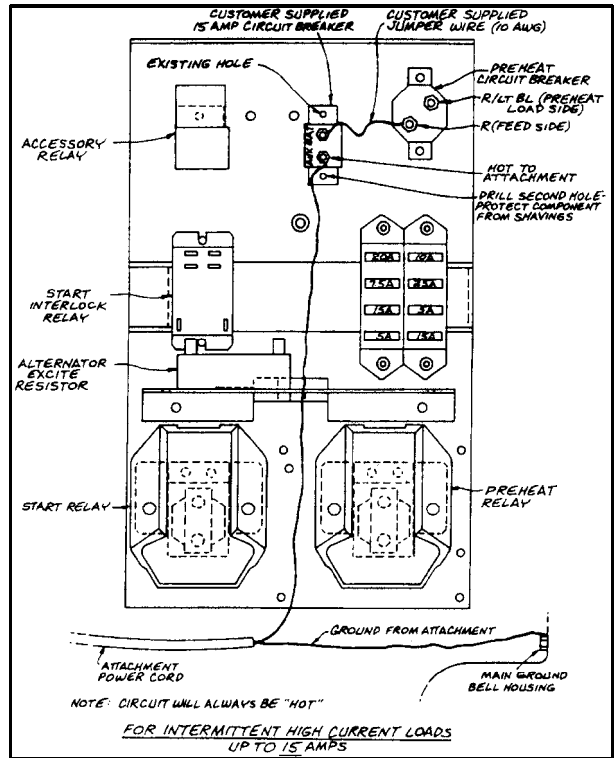
Engine Fuse Panel

| Ref. | Color | Destination | Fuse | Battery Voltage | Status |
|------|--------|---------------------------------------|-----------|-------------------|-----------|
| 1 | R/B | To turn signal relay | 10-amp | All times | Available |
| 2 | R/GY | To accessory relay | 25-amp | All times | Available |
| 3 | R/LTGN | To EIC board pin #14 P2 connector | 5-amp | All times | Occupied |
| 4 | LTGN/R | To seat switch(es) | 5-amp | All times | Occupied |
| 5 | R/W | To key switch (battery terminal) | 15-amp | All times | Occupied |
| 6 | R | From preheat circuit breaker | 50/40-amp | All times | Occupied |
| 7 | R | From start relay | | All times | Occupied |
| 8 | R/O | To heater power relay | 20-amp | All times | Available |
| 9 | R/T | Spare | 7.5-amp | All times | Available |
| 10 | DKGN/R | To high flow, horn, power outlet | 15-amp | Key "ON" position | Available |
| 11 | O/LTGN | From accessory relay | | Key "ON" position | Occupied |
| 12 | O/W | To Back-up alarm switch | 5-amp | Key "ON" position | Available |
| 13 | O/LTGN | From road/work light fuse (cab panel) | | Key "ON" position | Occupied |



SECTION 88 - ACCESSORIES

A completely new auxiliary wiring circuit can be installed as shown in Figures 4 and 5, depending on electrical requirements. Mounting holes for the added circuit breakers must be drilled in the panel. Disconnect the battery before drilling and installing new wiring. Protect the panel's electrical components from drilling shavings that could cause electrical shorting of components. Figure 4 shows circuits for intermittent high current loads up to 15 amps.



4

The Figure 5 shows the circuit for intermittent high current loads up to 30 amps.

New Holland sealed circuit breakers that can be purchased from parts.

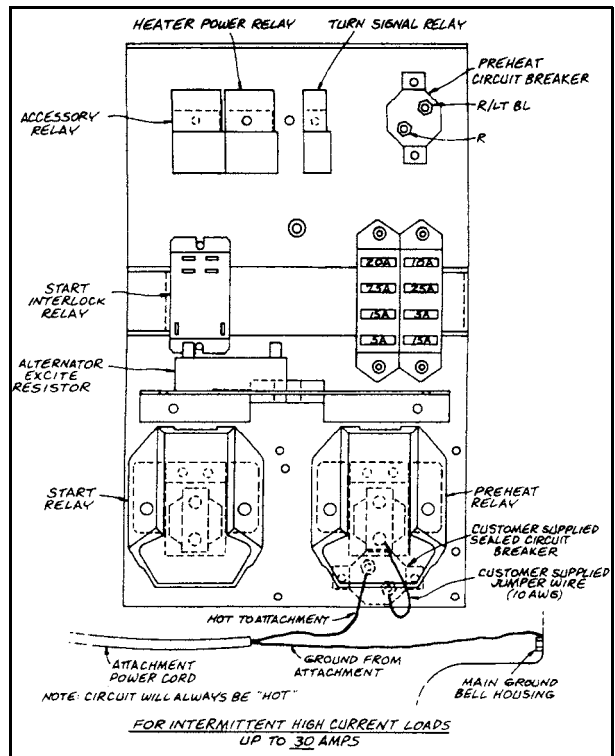
| Part Number | Capacity |
|-------------|----------|
| 9827329 | 15 amp |
| 9828493 | 20 amp |
| 9840279 | 25 amp |
| 9840280 | 30 amp |

NOTE: When attaching ground wires, always place the heaviest ground wire next to the ground surface and then stack the remaining ground wires according to size on top of the heaviest wire.

IMPORTANT: Additional electrical attachments must have circuits properly connected to prevent damage to the Advanced Warning System (EIC board) and other electrical components.

CAUTION

Always disconnect the battery before installing any electrical attachment to prevent accidental shorting of system.



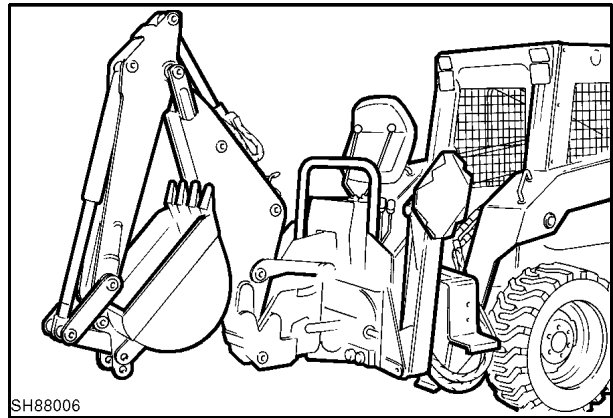
5

HYDRAULIC SYSTEM COMPATIBILITY

There are six questions that must be answered before adapting attachments that require hydraulic oil power.

1. **What is the hydraulic pressure requirement, minimum and maximum? Are they higher than the maximum pressure of the model?**

| Model | Maximum Pressure |
|-------|------------------------------------|
| LS160 | 170 - 176 bar (2500 - 2600 PSI) |
| LS170 | 170 - 176 bar (2500 - 2600 PSI) |



6

2. **What is the hydraulic oil flow requirement? Is it more than the highest total flow rate of the skid-steer loader model?**

| Model | Standard Hydraulics | High Flow Hydraulics |
|-------|--|---|
| LS160 | 58.7 l/min. (15.5 GPM) @2900 RPM @68 bar (1000 PSI) | 90.8 l/min. (24.0 GPM) @2900 RPM @156 bar (2300 PSI) |
| LS170 | 67.0 l/min. (17.7 GPM) @2900 RPM @68 bar (1000 PSI) | 99.2 l/min. (26.6 GPM) @2900 RPM @156 bar (2300 PSI) |

NOTE: When using the High-Flow system, 3/4" quick couplers must be used or high system backpressure may result.

3. **Will the attachment accept oil flow in both directions?**

If "YES", nothing is required.

If "NO", install a check valve or cross into the attachment return line to prevent reverse oil flow to the attachment.

Examples: Backhoes and trees spades with a separate control valve do not accept oil flow in both directions.

4. **Must the attachment "Free Wheel" to a STOP?**

If "YES", a crossover relief connection must be installed on the attachment side to allow the attachment to free wheel to a stop after the skid-steer loader hydraulics is turned off.

If "NO", nothing is required.

Example: Snow blowers must free wheel to a stop.

5. **Will the attachment accept hydraulic system backpressure?**

If "YES", nothing is required.

If "NO", the attachment will not function properly on a New Holland skid-steer loader. Normal backpressure for New Holland skid-steer loaders is between 14 - 17 bar (200 - 250 PSI).

Examples: Post drivers, some breakers, and some hand held hydraulic tools do not accept system backpressure.

NOTE: LS160 and LS170 model loaders must have a minimum of 22.7 l/min. (6 GPM) returning through the main hydraulic system at all times to charge the hydrostatic system.

If all the skid-steer loader oil flow is not required to operate an attachment (e.g., shaver post driver), a flow divider can be installed into the hydraulic oil circuit on the attachment. The flow divider sends the required oil flow to the attachment and the remainder back to the normal skid-steer loader hydraulic circuits.

6. Does the attachment have a separate case drain oil line?

If "NO", nothing is required.

If "YES", install a separate case drain line to return the attachment case drain oil directly to the hydraulic oil reservoir.

Example: Cold planners have a separate case drain oil line.

NOTE: *Most attachment case drains will not accept backpressure and must drain directly into the reservoir.*

NOTE: *Skid-steer loaders equipped with High Flow Hydraulics have a separate case drain coupler and return line attached to the right boom arm.*

7. Does the attachment require a circuit relief in the bucket circuit?

If "NO", nothing is required.

If "YES", install a bucket circuit relief valve on front of the control valve in the bucket circuit.

Example: Some mini-backhoes attach like a bucket, and require a bucket circuit relief.

Op. 90 000**ARM PADS FOR CAB SIDE PANELS**

The cab arm pads provide additional operator comfort and may be used separately or in combination with the seat armrest.

The arm pads, 1, require gluing in place to the cab side panels with Loctite® 454 gel adhesive.

The area where the arm pads are to be located must be cleaned thoroughly to ensure a secure bond to the cab side panel. If the area is not cleaned, the adhesive will not adhere to the metal side panels. Clean with methyl ethyl ketone, isopropyl alcohol, or equivalent cleaning solvent that will not leave a residue.

NOTE: Position arm pads quickly because the adhesive begins to bond in a few seconds.



Read the adhesive label warnings. Loctite® 454 gel is a superglue-type material and can bond skin, eyes, etc. Use with adequate ventilation.

Op. 90 000**ARMRESTS FOR DELUXE SEAT**

Right and left side armrests, 1, can be installed to the back of the **deluxe seat only**, at 2, for operator comfort.

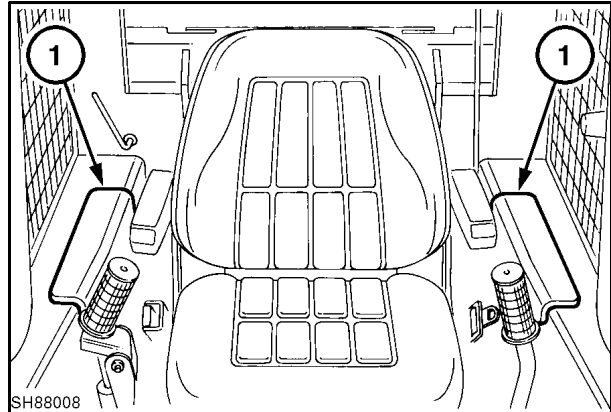
NOTE: The standard seat mounting holes are not provided to attach the armrests.

There are two styles of armrest:

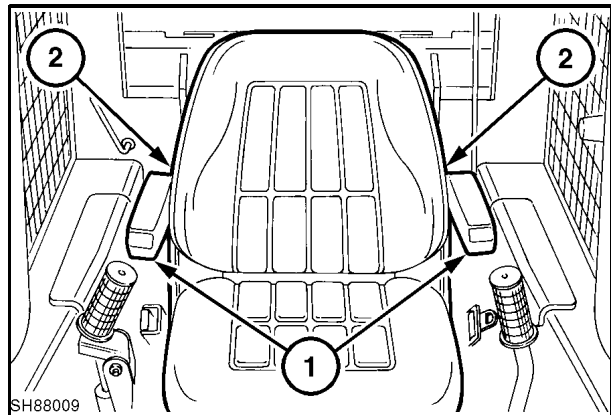
- Bolts attach armrests to the back of the steel back seat support.
- Bolts attach armrests to the sides of the plastic back seat supports.

Armrest Adjustment

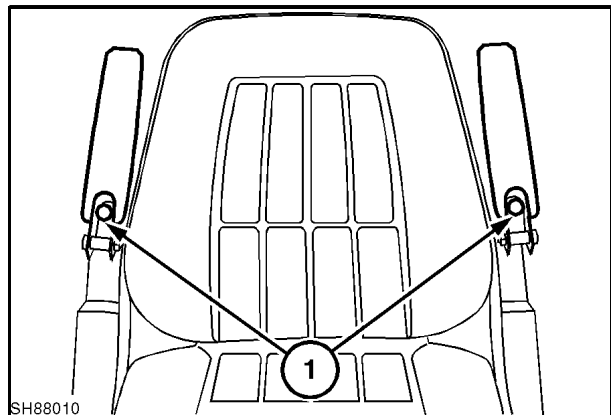
The armrest can be adjusted up or down for operator comfort by turning adjusting screws, 1.



7



8



9

Op. 90 000**FOREARM RESTS**

The forearm rests are attached to the side of the operator's cab (one each side) to be used to support the operator's arms while operating the skid steer. The armrest may be pivoted up when not being used or for operator entry and exit of the operator's area. The armrest may be used in any combination of controls, boom/bucket hand controls or boom/bucket foot controls. Using the armrest in combination with the boom and bucket hand controls provides the operator with arm support during boom and bucket operations.

NOTE: The cab armrest pad kit cannot be installed in combination with the forearm rest kit. The armrest pads are glued to the same area of the operator's cab that the forearm rests are attached.

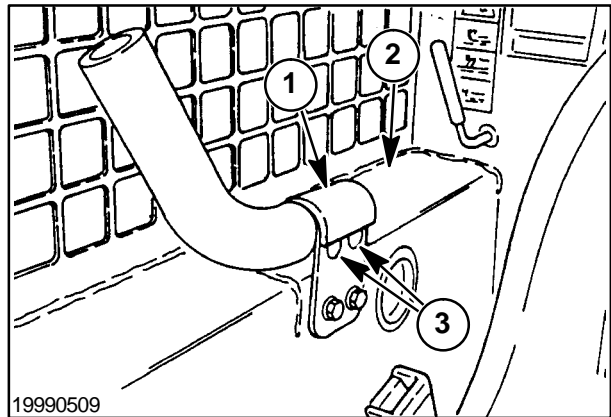
The LS160 and LS170 armrests mount with the bracket, 1, over the cab side panel, 2.

Pivot the armrest up and down and adjust the two clamp bolts, 3, if binding occurs, or to retain the armrest in the raised position.



19990495

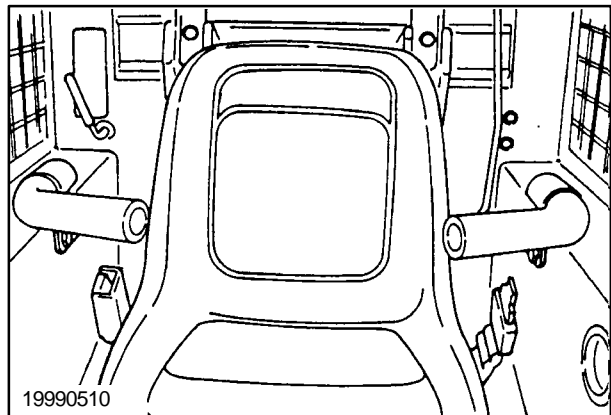
10



19990509

11

The right and left armrests are shown installed and pivoted down in the operating position.



19990510

12

Op. 55 000

BACK-UP ALARM

The back-up alarm serves as an audible warning device to alert bystanders and other machine operators of machine movements. The alarm will only sound when both hydrostatic control levers are stroked into reverse. Refer to local codes for requirements.

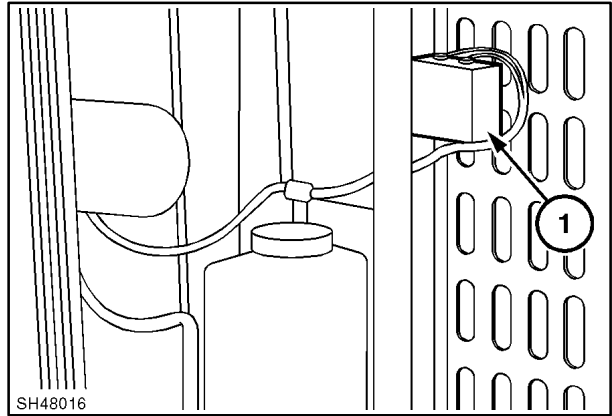
IMPORTANT: Before servicing any switches or alarm, disconnect the negative (-) battery ground cable to avoid accidental shorts in the wiring system when removing or installing components.

Alarm Location

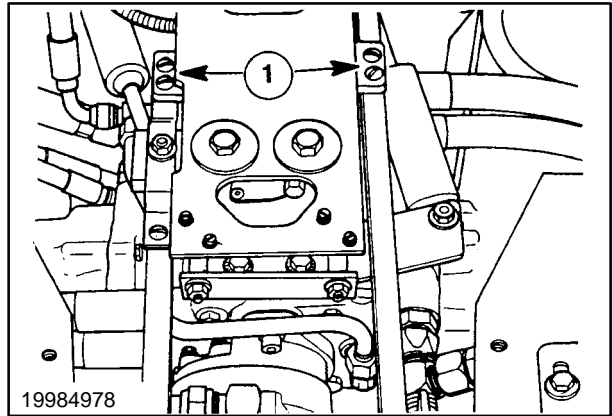
The back-up alarm sound device should be located to the inside and in the upper right rear corner of the engine rear door at 1.

Adjustment

With the battery connected, and both hydrostatic control levers in the neutral position, loosen and slide both strikers, 1, rearward until the alarm sounds. Move the strikers forward until the alarm stops (approximately 1.5 mm [1/16"]) and tighten the hardware.



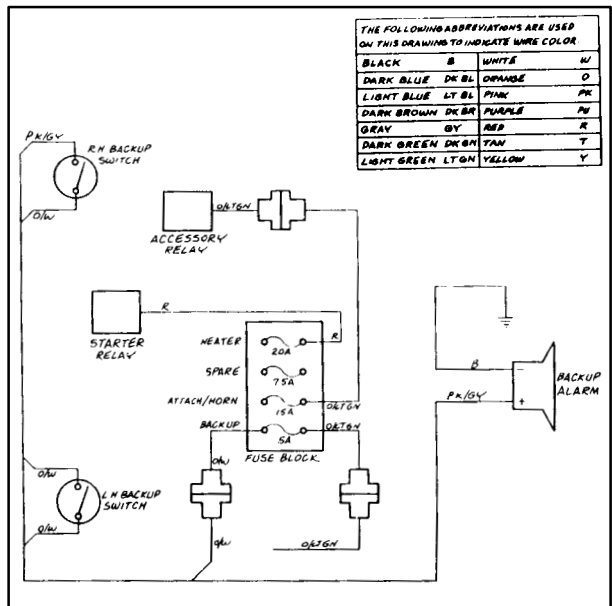
13



14

Back-up Alarm Wiring

The alarm is a negative (-) ground system.



15

Op. 10 300**BLOCK HEATER (ENGINE)**

The engine block heater, 1, may be required in colder climate areas to assist in starting of the diesel engine.

The block heater is a 115-volt, 400-watt immersion type.



The block heater must be installed and operated per the instructions provided with the kit or damage to the engine, heater element, and/or personal injury could occur.

Position the heater into the engine block so that the element is pointing to the 7 o'clock position for proper heater operation.



Before connecting the heater to the power source, be sure that the element is immersed in coolant. Never energize the heater in air. If so energized, the element sheath could burst and cause personal injury.

Do not operate the heater until the engine cooling system is filled with a 50/50 mixture of a permanent-type antifreeze and water.

Operate the engine and check for any coolant leaks and purge the air from the cooling system; repair accordingly.

IMPORTANT: *Failure to fill the cooling system and purging the air will cause premature failure of the block heater.*



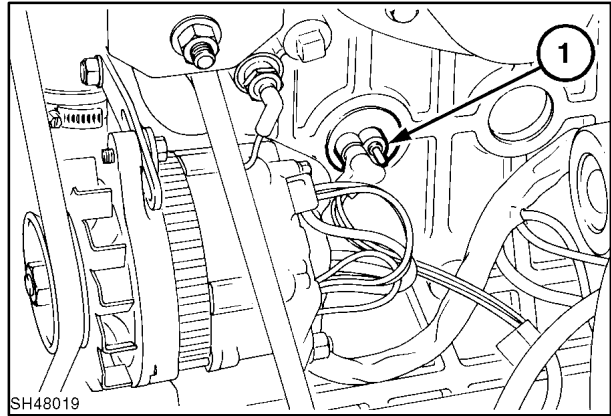
This is a 115-volt heater. Use caution when installing and using the heater. Properly grounded electrical outlets and properly sized extension cords are essential for the use of the heater.

To insure continued protection against shock hazard, connect to properly grounded electrical outlets only.

First connect a grounded extension cord of the proper rating for the length used to the heater plug. Then connect the extension cord to the grounded electrical outlet.



Disconnect the extension cord from the grounded electrical outlet first and then from the heater before starting the loader. Inspect the heater wires periodically for broken or frayed wires and/or wire coverings. If wires and/or coverings are broken or frayed, do not use the heater.



SH48019

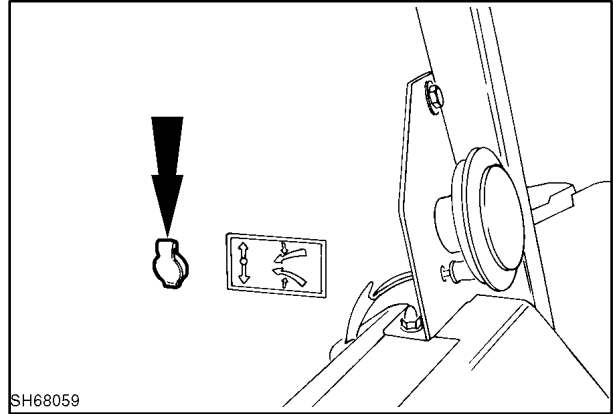
Op. 55 000

**ELECTRIC POWER SUPPLY
(12 VOLT, 15 AMP)**

The electric power outlet can be installed on the loader to provide an auxiliary 12-volt power outlet rated at 15 amp.

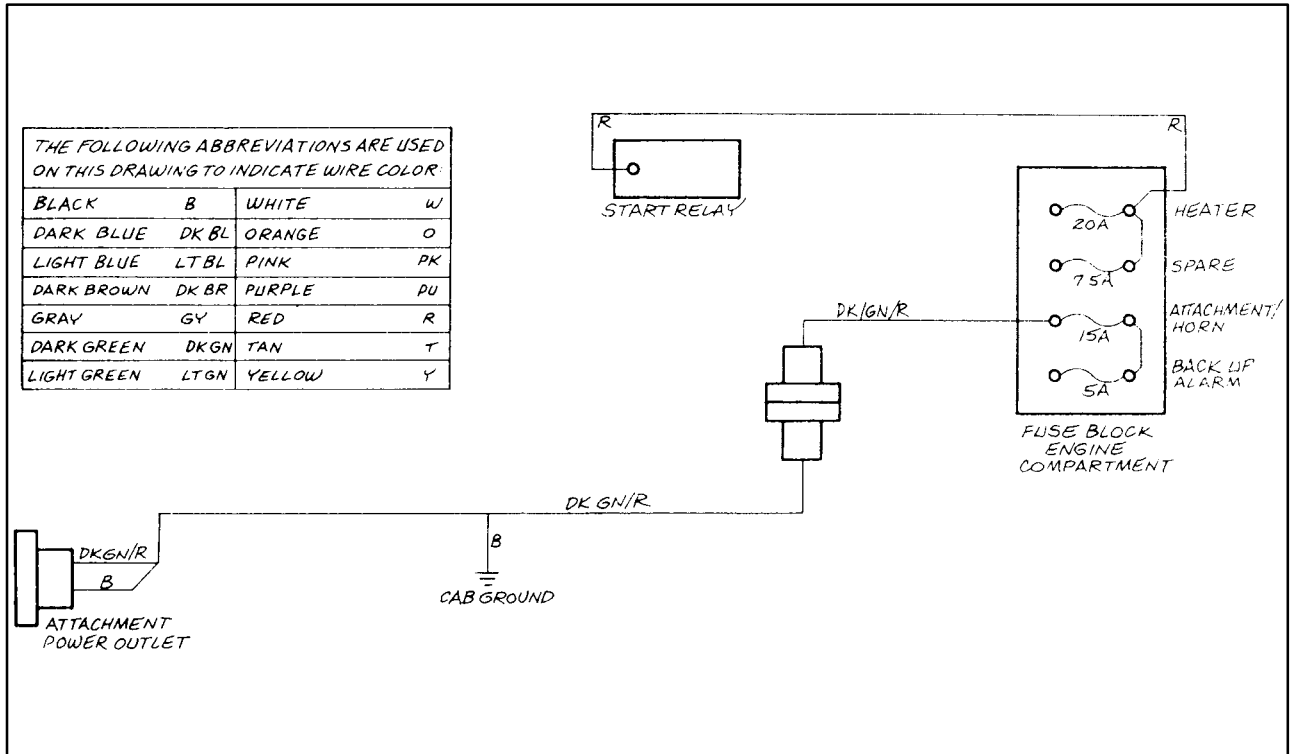
If the horn kit is installed, the power kit wire harness is incorporated in the horn harness.

If the horn kit is not installed, the power kit receives its power from the 15-amp attachment/horn fuse in the engine fuse panel.



17

Electric Power Wiring



18

Op. 10 254**EXHAUST (ENGINE)****CATALYTIC MUFFLER**

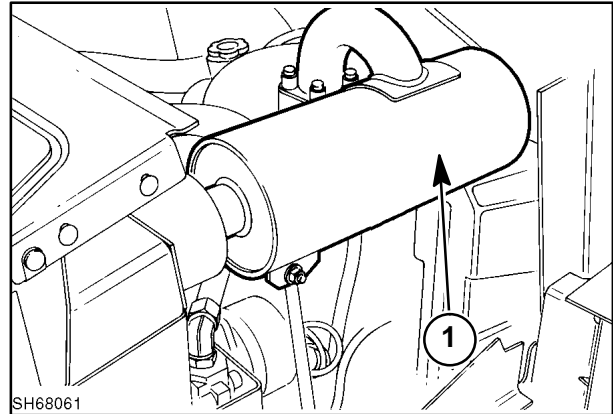
The catalytic muffler kit can be installed on diesel engines being operated in applications where cleaner exhaust emissions are required.

The catalytic muffler, 1, is a direct replacement for the standard muffler without adding other parts.

When operating a skid-steer loader equipped with the catalytic muffler, the unit must be operated at full engine speed.

The engine exhaust system must be operated at operating temperature for the catalytic purifier muffler to function properly.

If the temperature is not high enough, the catalytic purifier muffler will not function properly and not reduce the carbon monoxide level. The operating life of the purifier muffler will also be reduced.



19

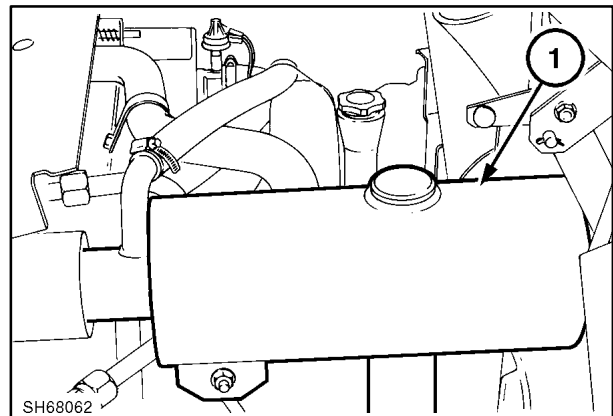
Op. 10 254**ASPIRATOR PRECLEANER MUFFLER**

The precleaner aspirator muffler kit can be installed on diesel engines being operated in dusty applications to prolong air cleaner element life.

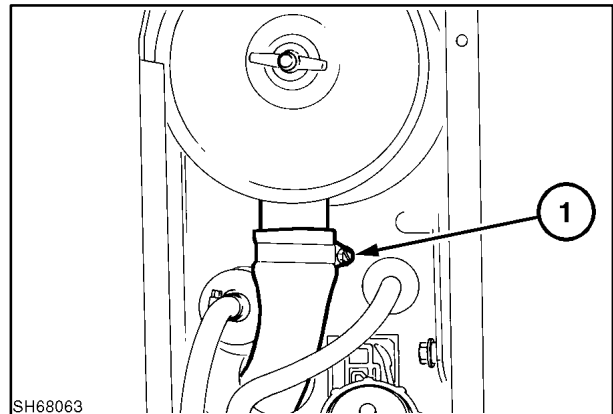
The aspirator muffler, 1, is a direct replacement for the standard muffler and standard air cleaner.

NOTE: When the aspirator muffler is installed, the engine must be operated at/or near full engine speed to reduce the recirculating of exhaust gases through the air cleaner. If an air cleaner element is sooted with diesel smoke, the engine is being operated at reduced speeds.

The aspirator muffler hose connects to the air cleaner at 1.



20



21

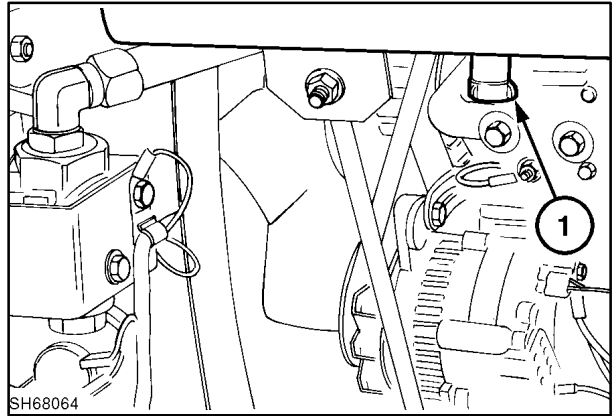
Aspirator or Spark Arrester Muffler Cleaning

Clean the muffler every 250 hours of use to ensure proper operation and prolong muffler life.

1. To clean the muffler, first move the loader to an area clear of any flammable material.
2. Allow the engine and muffler to cool before cleaning the muffler.
3. Remove the plug, 1, and allow the accumulated particles to drain from the muffler; a wire or stiff bottle brush might help to begin the particles to drain.
4. Start the engine and idle in neutral, alternate between low and high idle engine speeds for a couple of minutes to thoroughly clean the muffler.
5. Turn off the engine and allow the muffler to cool, then reinstall the drain plug.



Clean the precleaner or spark arresting mufflers in an area clear of flammable material. Allow the engine and muffler to cool before removing and reinstalling the drain plug.



Op. 35 000

HIGH FLOW HYDRAULICS

When the high flow hydraulics circuit is used, it will allow the operator to utilize more available engine horsepower through the auxiliary hydraulic circuit.

The high flow increases the hydraulic flow:

LS160

From 15.5 GPM, 1000 PSI at 2900 RPM to 24.0 GPM, 1000 PSI at 2900 RPM (= 32.2 HP).

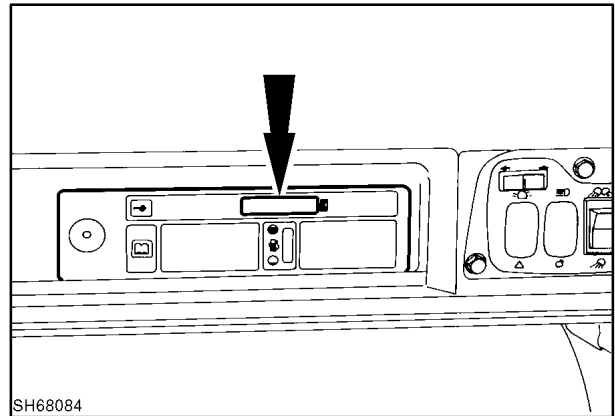
LS170

From 17.7 GPM, 1000 PSI at 2900 RPM to 26.6 GPM, 1000 PSI at 2900 RPM (= 35.7 HP).

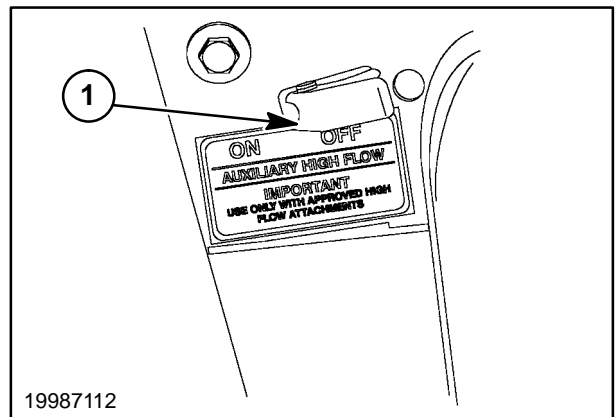
During warm climate operation, be conscious of the EIC (Electronic Instrument Cluster) temperature monitoring system. Adjust the attachment load (rate of feed) and length of continuous operation (duty cycle times) accordingly.

This high flow is not intended to replace a fully dedicated, specialized machine.

When the attachment is not in use, be sure the high flow switch, 1, is in the "OFF" position to prevent overheating of the hydraulic oil.

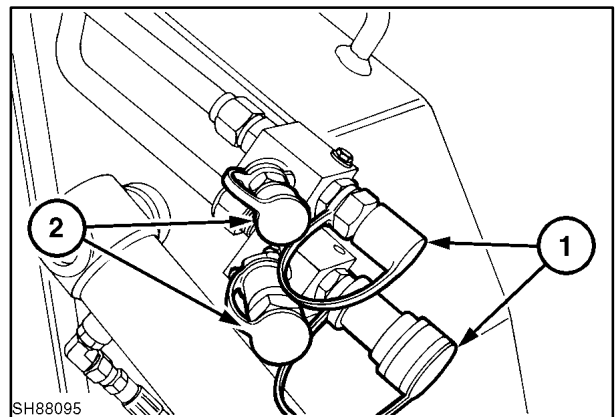


23



24

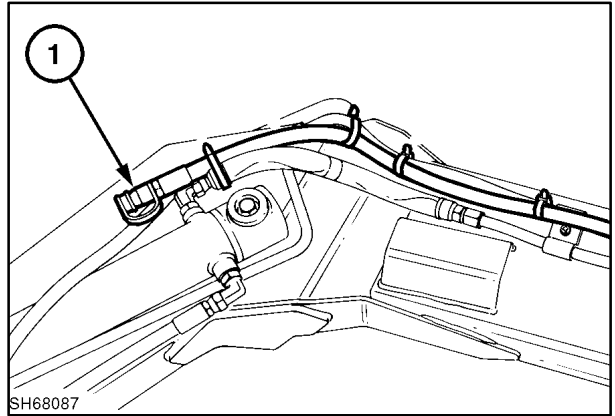
When the high-flow is being used, 3/4" quick couplers, 1, must be used on the loader and attachment or overheating of the hydraulic oil may occur. The 1/2" quick couplers, 2, can be used for other attachments that do not require the added oil flow.



25

Attachment Case Drain

When the high flow kit is installed, there is a separate case drain return line, 1, for the attachment case (housing) to drain oil. The case drain line drains into the hydrostatic pump/motor case drain system with 0.0 - 1.7 bar (0 - 25 PSI) system back pressure. Most auxiliary hydraulic drive attachments equipped with a separate case drain line require no system back pressure for the drain line.



HIGH FLOW HYDRAULICS TROUBLESHOOTING

| PROBLEM | POSSIBLE CAUSE | CORRECTION |
|---|---|---|
| No switch operation | No battery voltage to switch | Check power supply at 15-amp fuse (attachment) engine fuse panel Check DKG/R (Dark Green/Red) wire from fuse to switch |
| | Inoperative switch | Replace switch |
| No selector valve operation | No battery voltage to selector valve | Check switch for proper operation Check W/T (White/Tan) wire from switch to selector valve |
| | No circuit ground | Check B (Black) ground wire for proper grounding |
| | No selector valve spool movement | Check valve spool for binding and sticking |
| Hydraulic oil overheats | Using 1/2" quick couplers | Must use 3/4" quick couplers |
| | Control valve and boom steel lines and hoses were not changed from 5/8" to 3/4" | Change lines and hoses to 3/4" |
| | Operating high flow when not required | Turn high flow switch to the "OFF" position |
| | Operating high flow at relief pressure continuously | Operate attachment at lesser load |
| | Operating attachment when not applying a load to the attachment | Stop attachment when not loaded (moving from one work area to another) |
| | Operating attachment when high oil flows are not required | Turn high flow switch to the "OFF" position |
| | Restriction in pressure or return lines | Check and repair |
| Oil cooler restricted not allowing cooling air to flow properly | Clean oil cooler and radiator | |

SECTION 88 - ACCESSORIES

| PROBLEM | POSSIBLE CAUSE | CORRECTION |
|---|--|---|
| No increase in hydraulic oil flow when switch is in the "ON" position | No switch operation No selector valve operation Selector valve spool binding Drive belt slipping or broken | Check power supply circuit Check power supply from switch Check for spool binding and repair Check drive belt adjustment or replace |
| Low hydraulic power | Low high flow relief valve pressure setting Low main system relief valve setting Leaking control valve plugs, leaking oil to return Inefficient gear pump (main) Inefficient gear pump (high flow) | Check and replace relief valve Check and replace relief valve Check O ring and backup washer on plugs Check pump efficiency, repair or replace Check pump efficiency, repair or replace |

HIGH FLOW HYDRAULICS COMPONENT REPLACEMENT

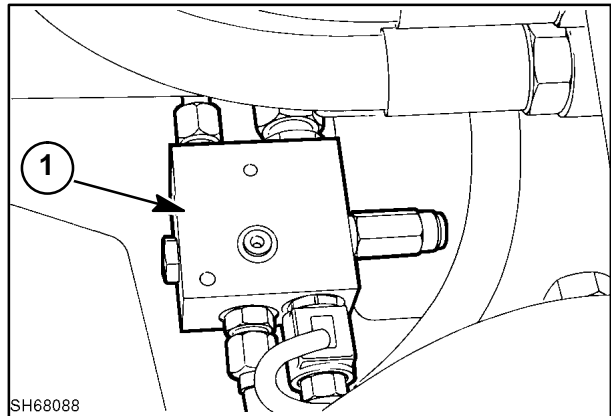
Op. 35 724

High Flow Selector Valve Replacement

To access the selector valve, 1, the seat must be raised and latched in the raised position.

The left hydrostatic control lever assembly must be removed.

The cab may be tilted forward for easier access.

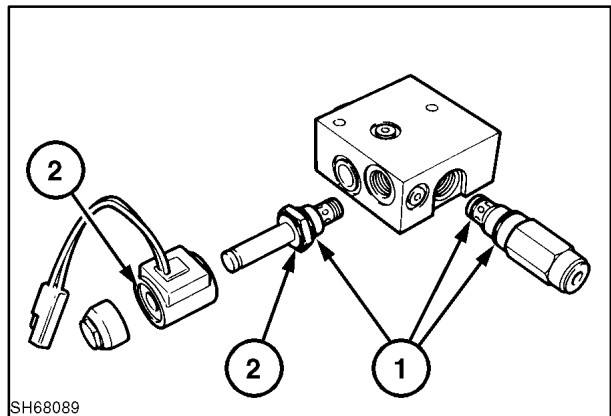


SH68088

27

Rebuild the selector valve with new O rings on the spool and fittings at 1, and on both ends of the coil at 2.

To check the coil, use an ohmmeter and put one lead on one wire and the other on the other wire; the ohms reading should be between 7.5 and 11.5. If the coil is not within specification, replace it.



SH68089

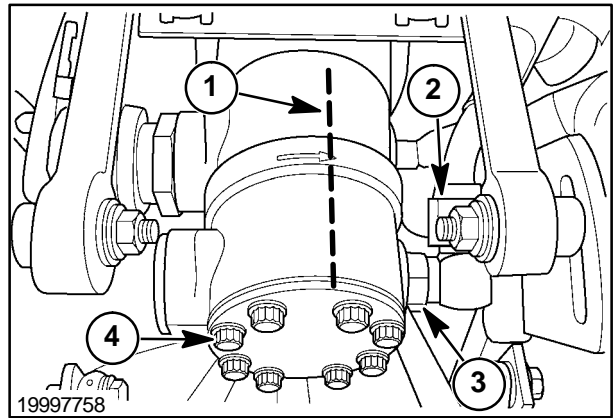
28

Op. 35 710

High Flow Pump Removal / Disassembly

1. Clean the pump thoroughly and mark the pump assembly, 1, to ensure proper reassembly.
2. Remove the high pressure tube, 2, from the pump fitting, 3. Remove the fitting, 3, from the pump.
3. Remove the pump housing hardware, 4, and separate the end plate and body sections.

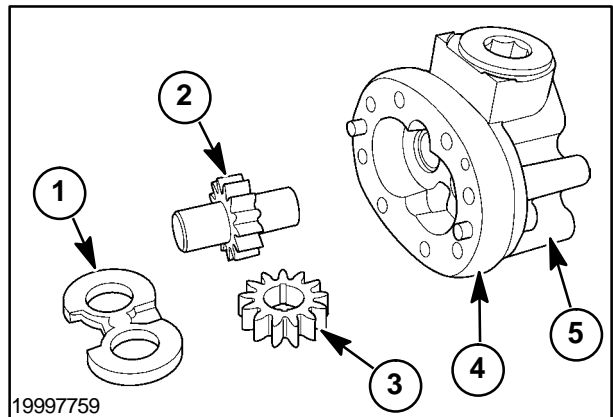
IMPORTANT: The pump body is aluminum and can be easily damaged. BE CAREFUL not to damage machined surfaces. DO NOT use a screwdriver or other hard, sharp objects to pry the pump from the plate.



29

The high flow gear pump consists of:

1. Wear plate assembly
2. Idler gear assembly
3. Drive gear
4. Pump body
5. Pump back plate



30

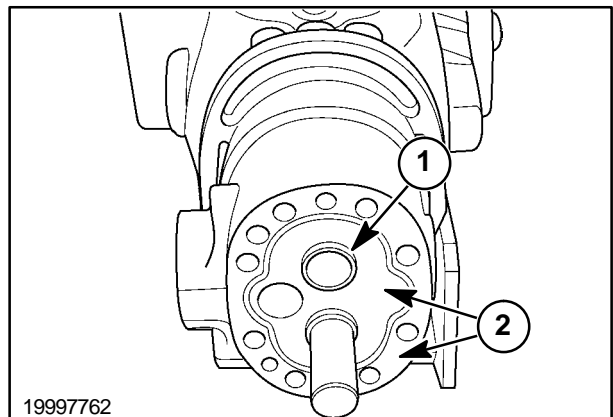
Op. 35 710 20

High Flow Pump Parts Inspection

1. Inspect the pump mounting plate for excessive wear. The oil grooves in the bushings, 1, should be at approximately 37° to the pressure side. If the bushing oil grooves are not positioned as noted, the bushings have turned in the plate - the plate should be replaced.

The bushings in the plate should be 3.20 mm (0.126") above the surface of the plate. Replace the plate if the I.D. of the idler gear bushing exceeds 19.2 mm (0.755").

2. Check the seal areas, 2, for scratches or damage that could prevent a good seal.

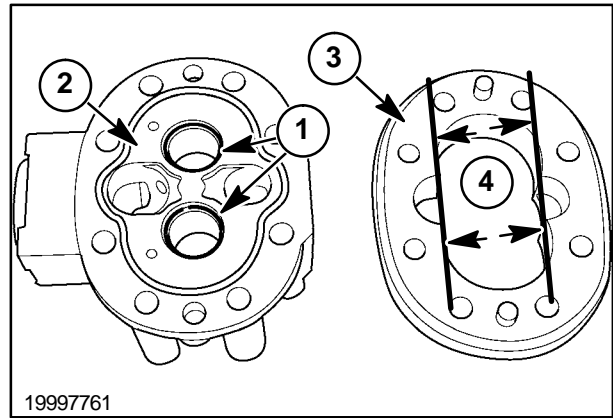


31

3. Inspect the pump back plate for excessive wear. The oil grooves in the back plate bushings, 1, should be at approximately 37° to the pressure side. If the bushing oil grooves are not positioned as noted, the bushings have turned in the plate. The plate should be replaced under this condition.

The bushings in the plate should be 3.20 mm (0.126") below the surface of the plate. Replace the back plate if the I.D. of a bushing exceeds 19.2 mm (0.755").

Check for scoring on the face of the back plate, 2. Replace the back plate if wear exceeds 0.038 mm (0.0015").

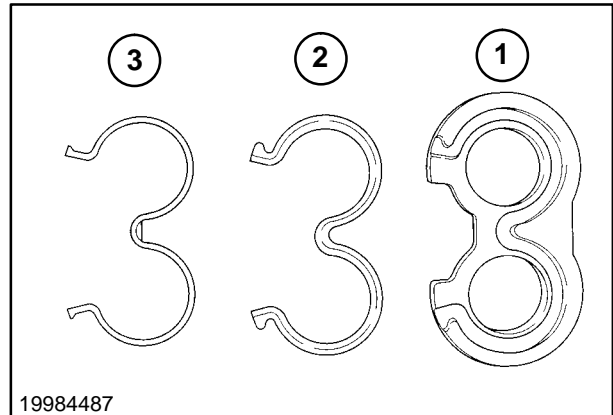


32

4. Inspect the pump body, 3, for excessive wear. Check the pump body inside the gear pockets for excessive scoring or wear.

Replace the pump body if the I.D. of gear pockets, 4, exceed 43.7 mm (1.719").

5. The wear plate, 1, seal, 2, and backup gasket, 3, should be replaced when the pump is rebuilt. Inspect for damage, such as nicks and tears, to determine if any problem existed. The flat Teflon-coated surface towards the gears and should not show any scratches or grooves that can be caught with a fingernail.

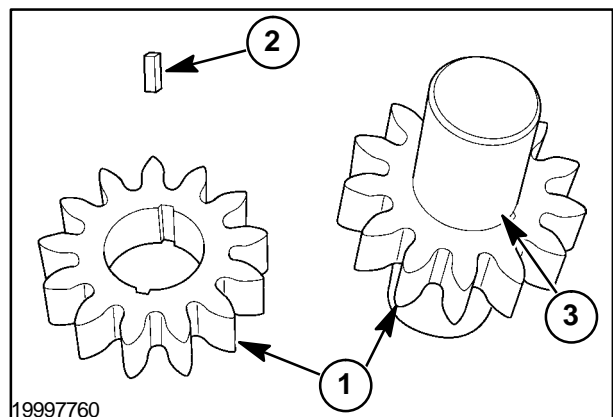


33

6. Inspect the pump gear teeth, 1, for excessive wear. Inspect the drive gear key, 2, to ensure it is not sheared.

The gear shaft assemblies should measure at least 19.0 mm (0.748") in the bushing area, 3. If the shaft measures less than the specified diameter, replace the gear assembly.

The gear width should be close to when new: 12.45 mm (0.51 in.). If the gears measure much less than the specified width, the gear pump will not develop sufficient flow/pressure for loader application.

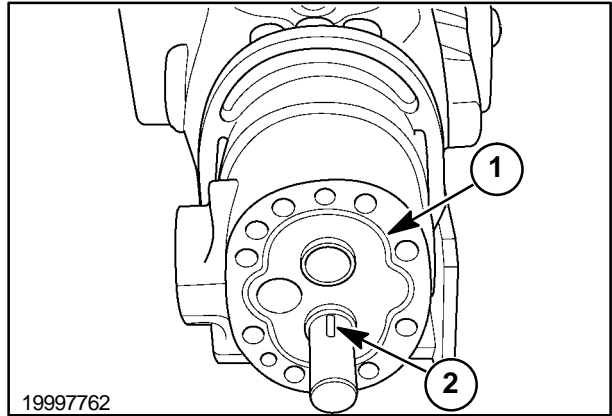


34

NOTE: If replacement of the gear assemblies is necessary the gear assemblies should be replaced in pairs.

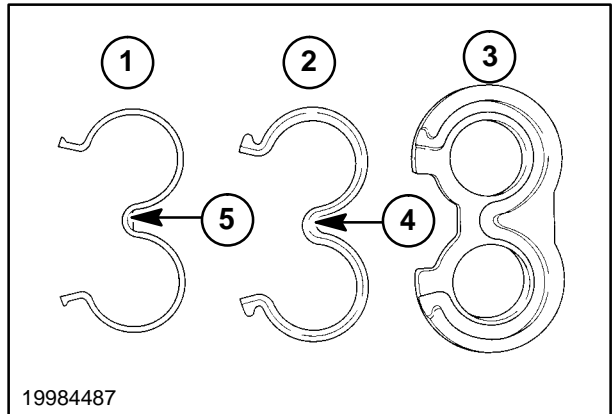
High Flow Pump Reassembly / Installation

1. Coat all parts with a thin coat of petroleum jelly or oil to aid in reassembly.
2. Clean the mounting plate surface thoroughly and install a new O ring, 1, in the drive shaft.



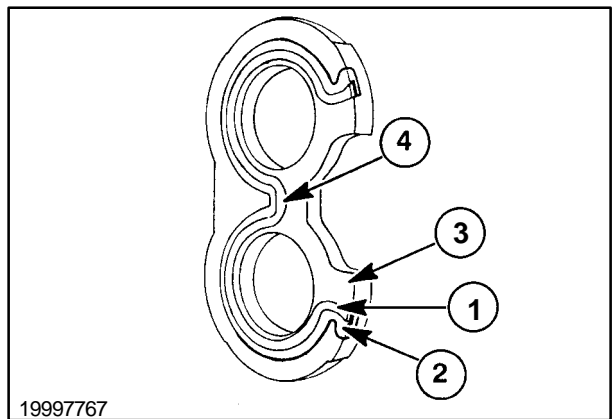
35

3. Install the seal, 1, and backup gasket 2, on the wear plate, 3. BE SURE that the flat area, 4, on the gasket AND seal, 5, are properly aligned and lay flat when installed in the wear plate.



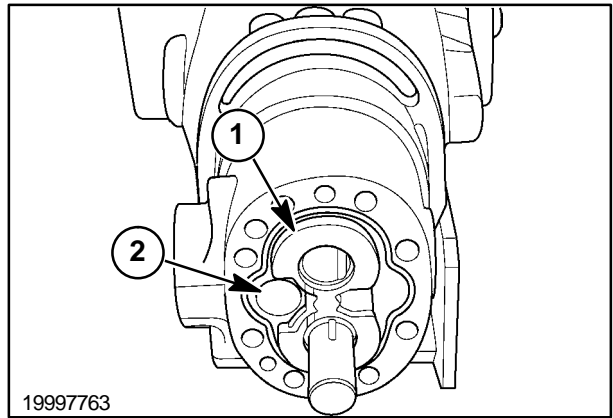
36

NOTE: The gasket AND seal must align and lay flat when installed in the wear plate.



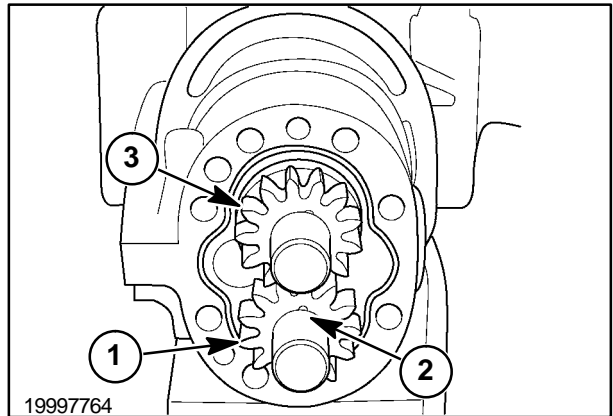
37

4. Install the wear plate assembly, 1, with the gasket/seal side towards the pump mounting plate with the mid section cut away on the suction side, 2, of the pump.



38

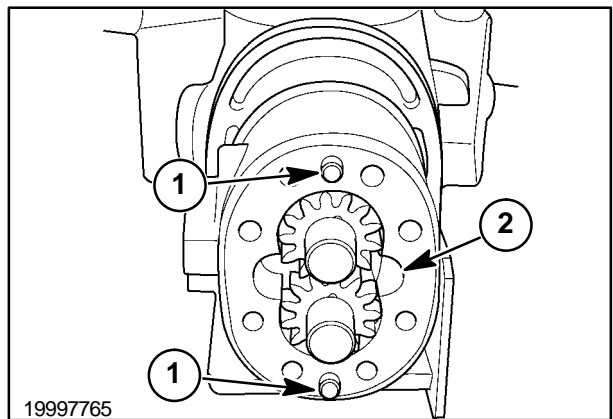
5. Install the drive gear, 1, on the drive shaft, slipping the groove over the shaft key, 2. Install the idler gear assembly, 3, into the bushing. Rotate the gears to help slide the idler gear into place.



39

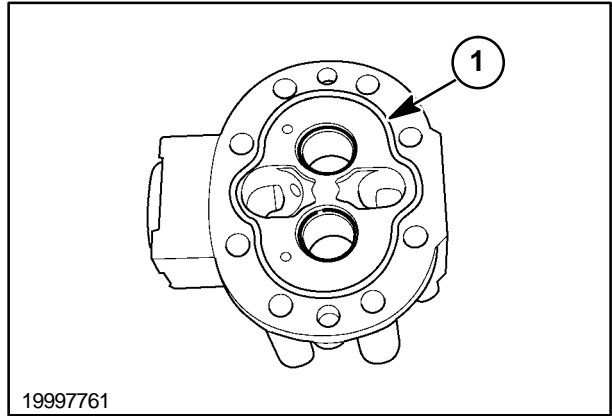
6. Make sure the dowel pins, 1, are in place and install the body on the plate with the half-moon cavities in the body facing out away from the plate. Check that the reference marks made during disassembly align correctly.

NOTE: The small half-moon cavity, 2, must be on the pressure side of the pump.



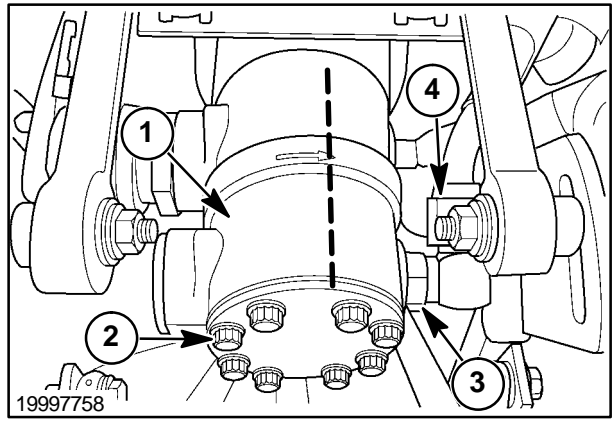
40

7. Install a new O ring, 1, in the back plate.



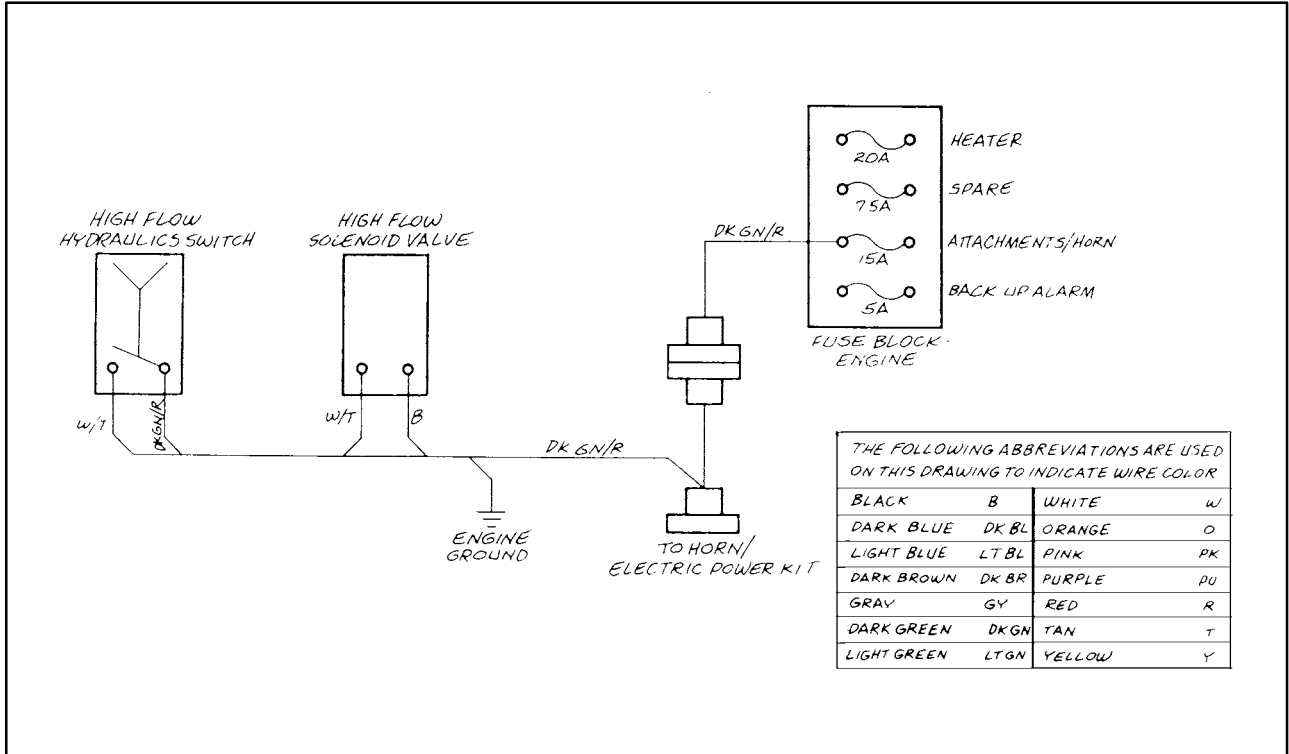
41

8. Install the pump back plate, 1, over the gear shafts. Check that the reference marks made during disassembly align correctly.
9. Install the housing hardware with the eight bolts, 2, and sealing washers. Tighten the bolts evenly in a criss-cross pattern to 34 - 38 N·m (25 - 28 ft. lbs.).
10. Install the pump port fitting, 3, and the high pressure tube, 4, and tighten securely.



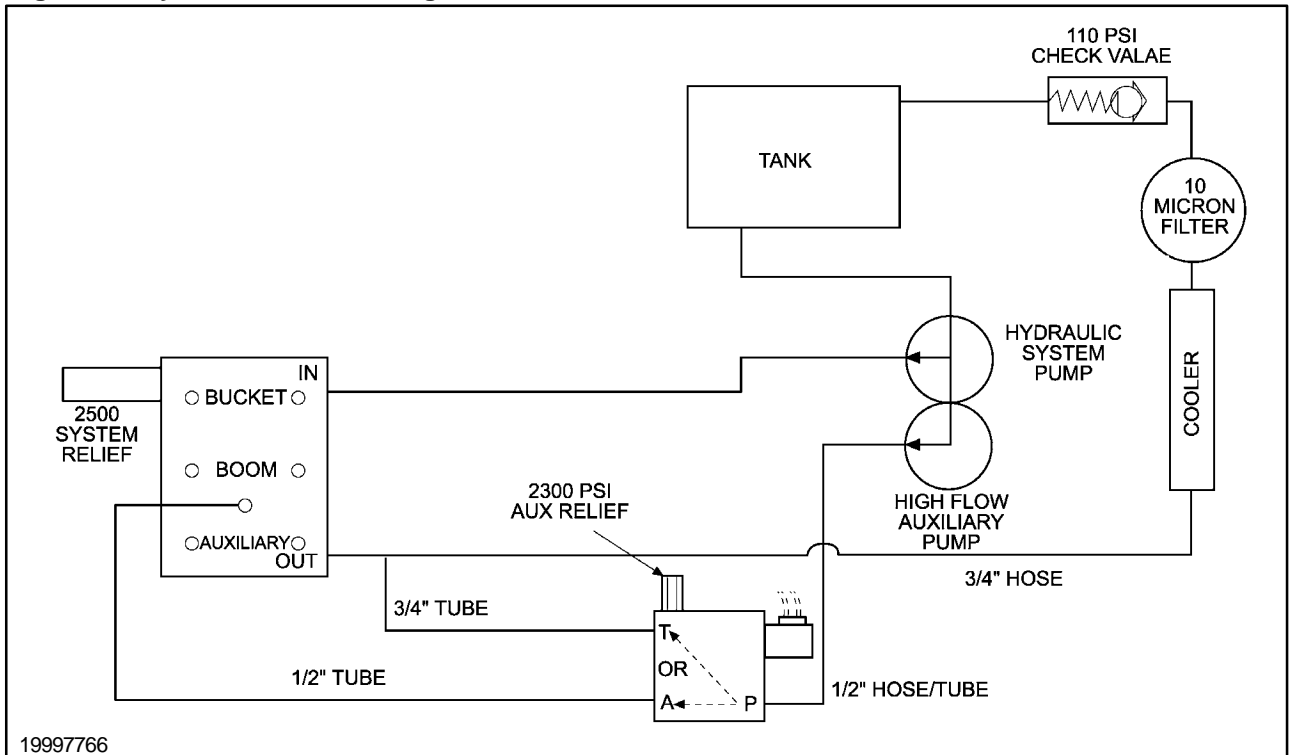
42

High Flow Electrical Wiring Diagram



43

High Flow Hydraulic Oil Flow Diagram



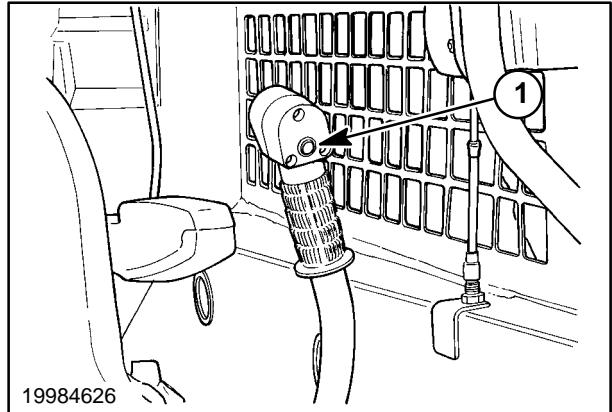
19997766

44

Op. 55 000

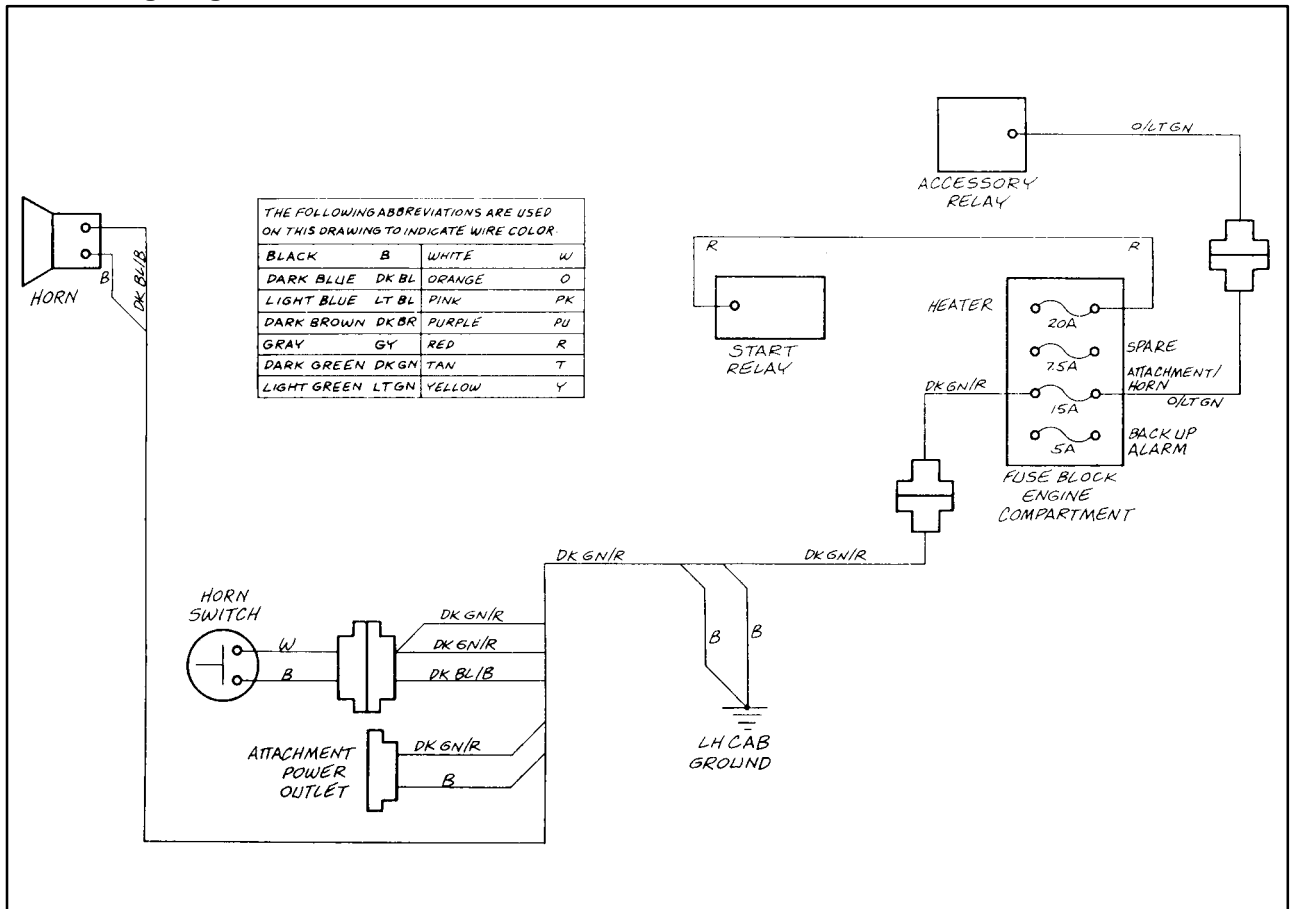
HORN

The horn kit provides an operator-controlled device to alert bystanders and other machine operators. The horn button, 1, is located in the top of the left hydrostatic control lever.



45

Horn Wiring Diagram

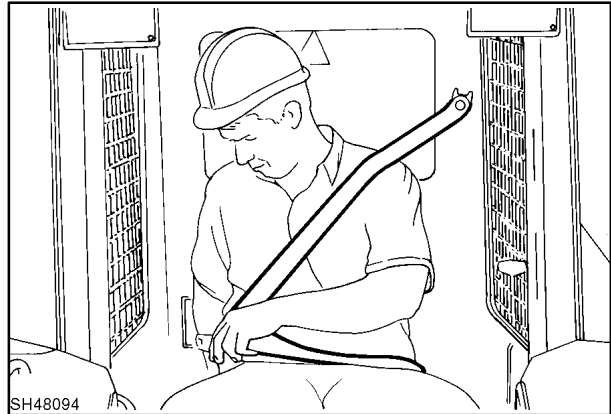


46

Op. 90 000**SHOULDER BELT (SEAT)**

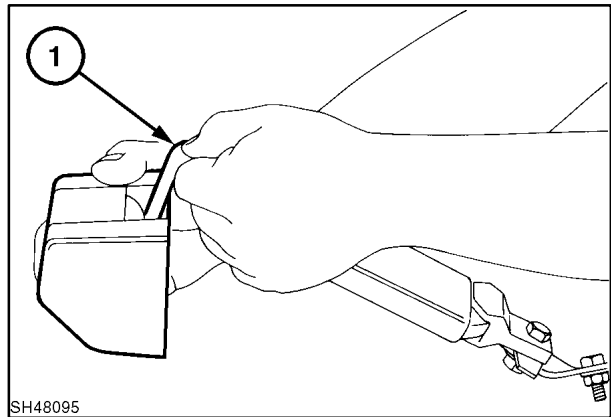
The shoulder belt can be installed with the lap seat belt.

The shoulder belt is recommended anytime a front cab door is installed.



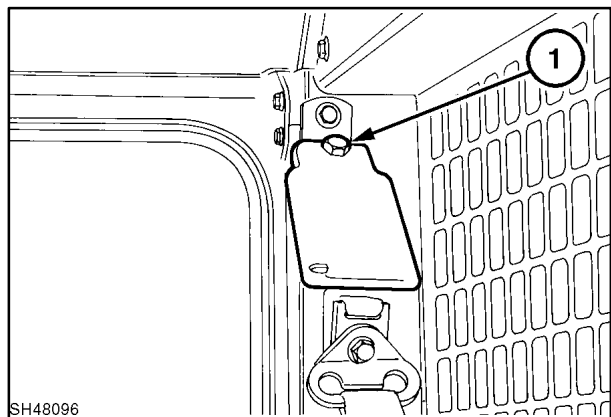
47

If the shoulder belt becomes completely retracted or the belt becomes locked, the web must move back into the retractor approximately 1/2" with the retractor in 90/90 degree or proper mounting position. When the belt is retracted 1/2", hold the belt straight up and pull the belt up slowly, 1. The belt will not unlock and pull out in any other position.



48

The shoulder belt support pivot bolt, 1, must be loose enough to allow the belt to pivot. If the belt will not pivot properly, it will not adjust to fit the operator.

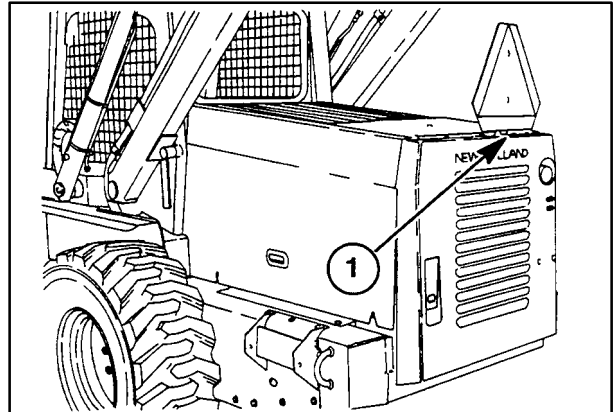


49

Op. 88 000**SLOW-MOVING VEHICLE (SMV) SIGN KIT**

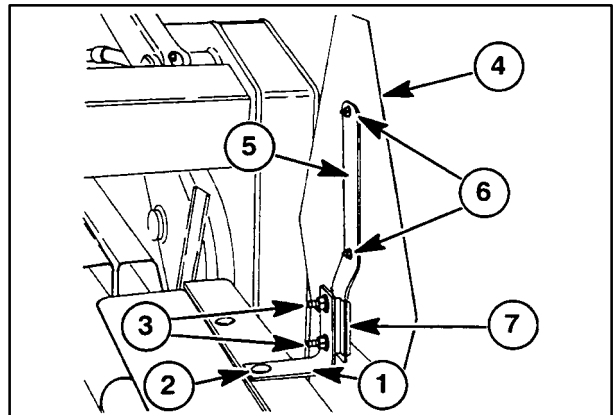
The Slow-Moving Vehicle (SMV) kit mounts to the rear door of the skid-steer loader when the loader is operated on roadways.

On the louvered rear door, a bracket, 1, must be installed to hold the SMV sign in place on top of the door.



50

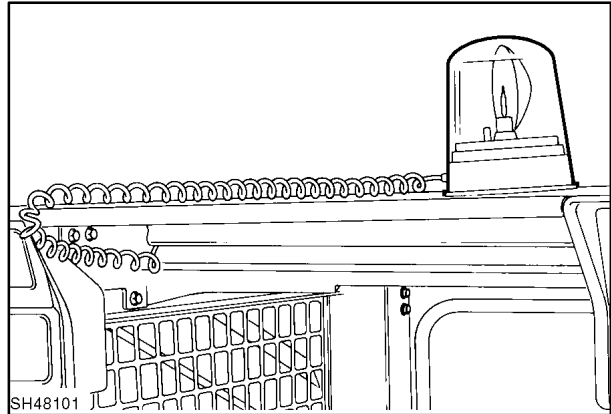
1. Attach the angle, 1, with one 5/16" x 1-1/4" carriage bolt from the kit and nut and M8 lock washer previously removed at 2.
2. Attach the spade socket to the angle at 3 using two 5/16" x 1" carriage bolts, M8 lock washers, and nuts.
3. Assemble the SMV sign, 4, to the support, 5, using two #10 x 1/2" machine screws and flange nuts at 6.
4. Mount the SMV sign assembly in the spade socket as shown at 7.



51

Op. 55 000**WARNING LIGHT (ROTARY BEACON)**

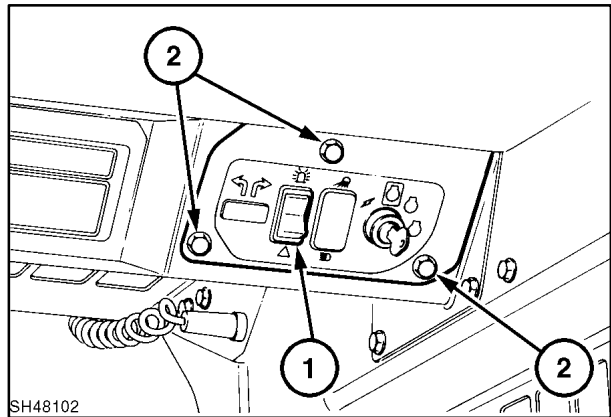
The beacon light is a visual alerting device for bystanders and other machine operators. The beacon light's magnetic base mounts the light securely to any part of the roof or frame.



52

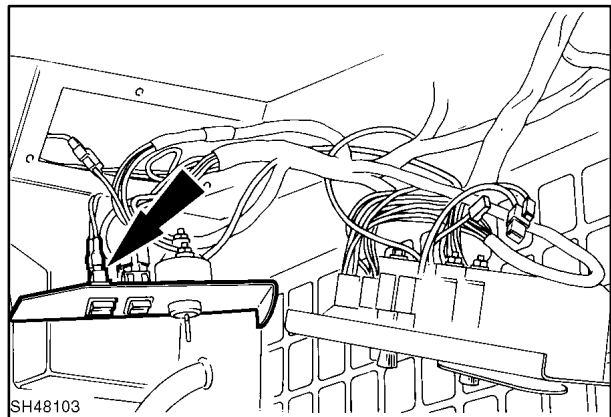
The beacon light switch, 1, is located in the ignition key switch panel in the upper right corner of the overhead dash.

To remove the switch, disconnect the negative (-) ground battery cable, remove the key switch panel hardware, 2, and tilt the panel down.



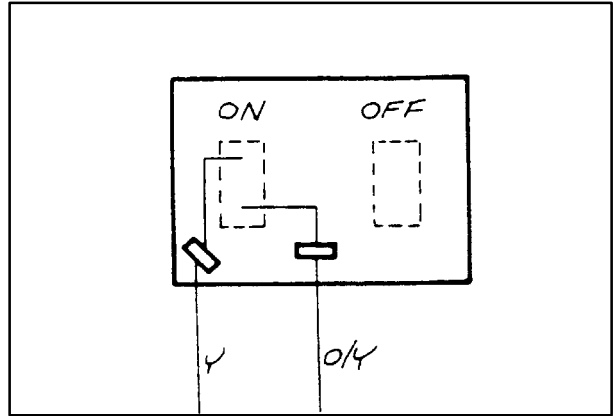
53

Disconnect wires from the switch, squeeze the switch retaining tabs in, and remove the switch from the panel.



54

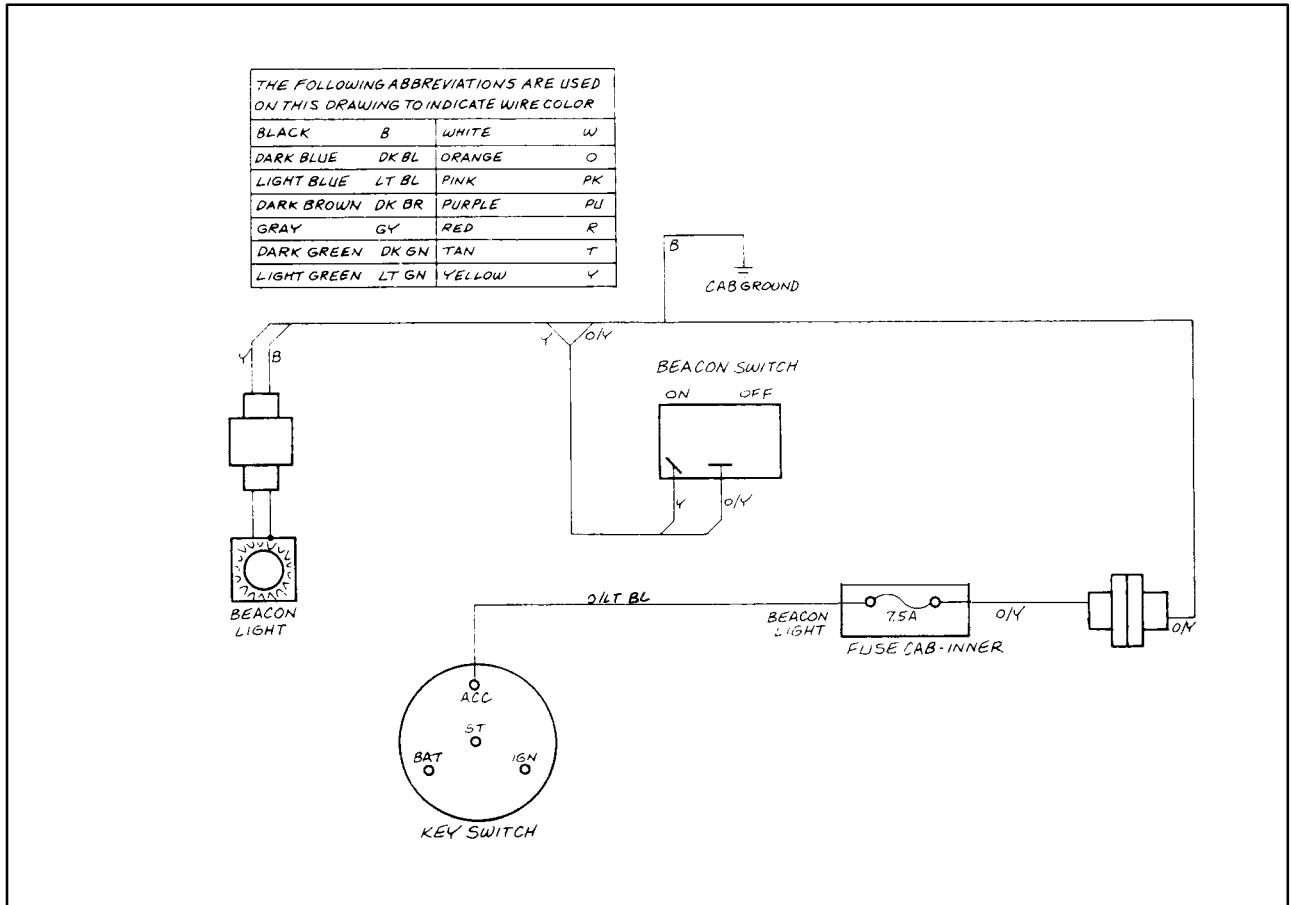
Beacon Switch Wiring



55

Beacon Wiring Diagram

NOTE: When attaching ground wires, always place the heaviest ground wire next to the ground surface and then stack the remaining ground wires according to size on top of the heaviest wire.

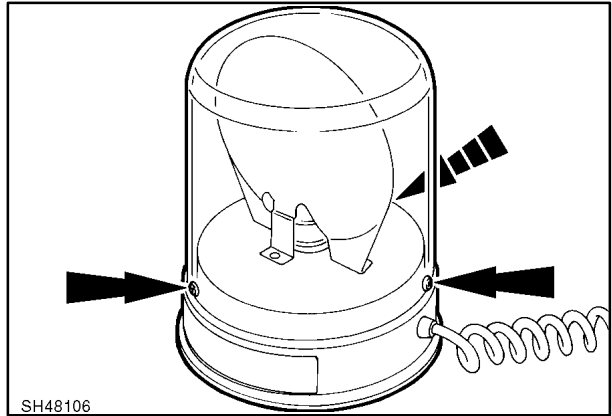


56

Beacon Bulb Replacement

Bulb only #69AG13009AA (H1 12V 55W)

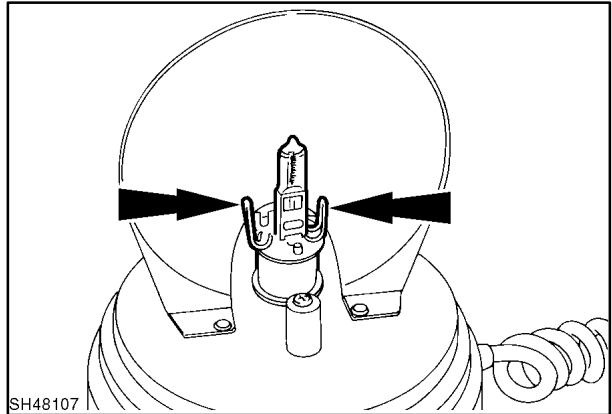
To replace the bulb, remove the three screws attaching the lens to the base and lift the lens from the base.



57

Squeeze the bulb retaining tabs to separate the bulb from the holder.

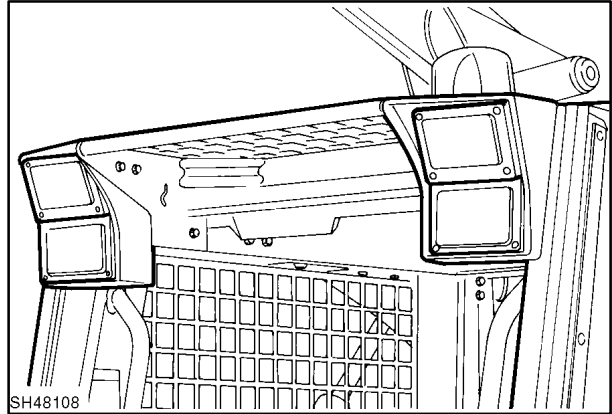
Remove the bulb assembly from the wire connector.



58

Op. 55 000**WARNING LIGHTS (FOUR-WAY FLASHERS/TURN SIGNAL/HORN)**

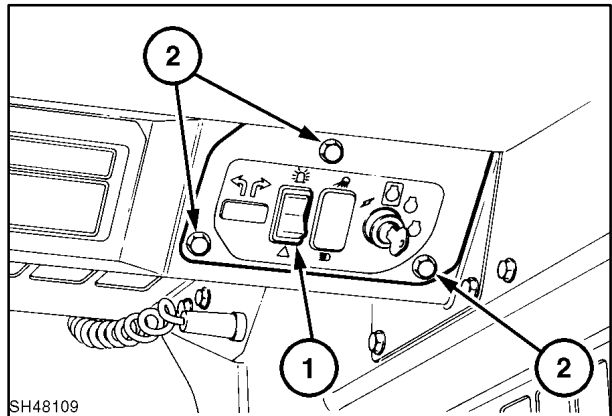
The four-way flashing lights on the front and rear of the loader provide a visual alerting device to bystanders and other machine operators.



59

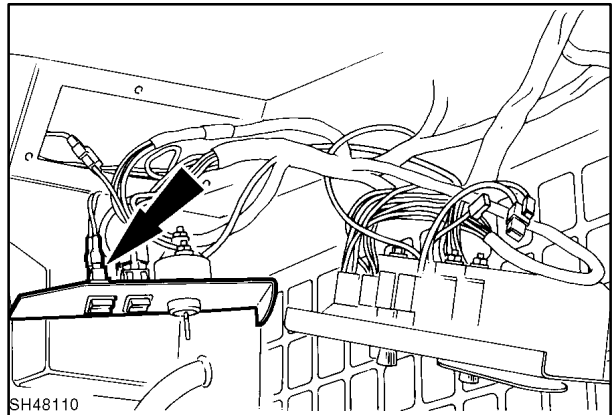
The warning light switch, 1, is located in the ignition key switch panel in the upper right corner of the overhead dash.

To remove the switch, disconnect the negative (-) ground battery cable, remove the key switch panel hardware, 2, and tilt the panel down.



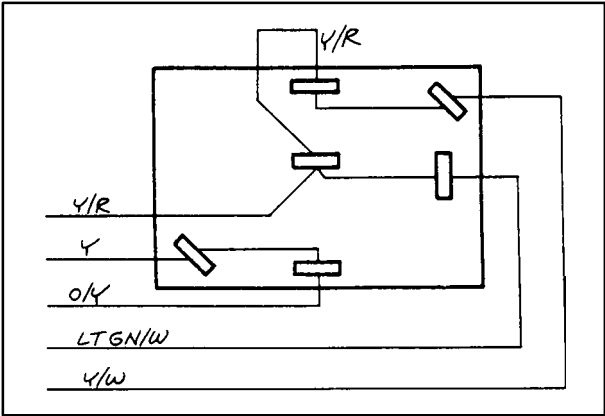
60

Disconnect the wires from the switch. Squeeze the switch retaining tabs in and remove the switch from the panel.



61

Warning Light Switch Wiring



Warning Light Bulb Replacement

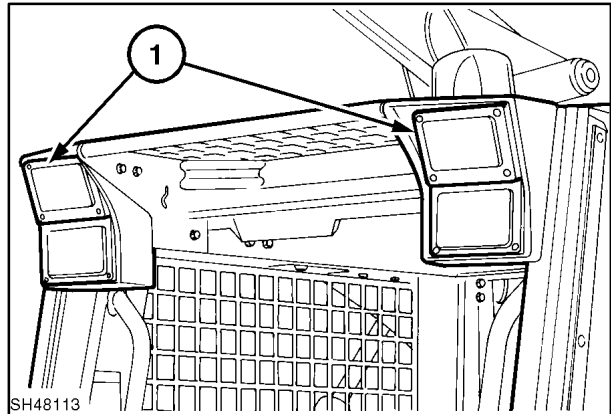
Amber lens with bulb #9841566

Bulb only #529068

Op. 55 404 10**Front Light**

1. Remove the bezel, 1, retaining screws and remove lens from support.
2. Disconnect the wire harness from the bulb holder.
3. Rotate the light bulb holder and element assembly from the lens and remove from the lens.
4. Insert the new bulb into the lens and rotate to lock into position, using caution not to touch the bulb element.

IMPORTANT: Touching the light bulb element may damage the element and cause a premature failure.



64

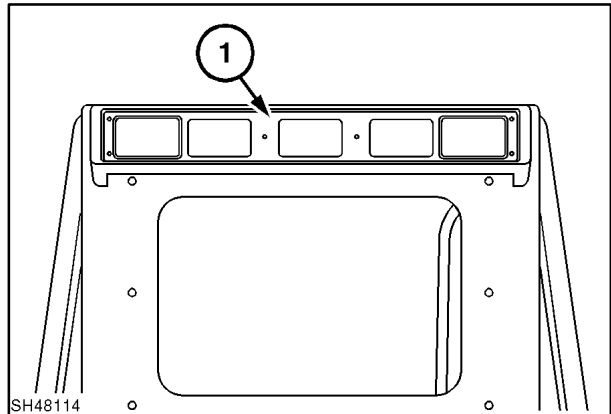
Op. 55 404 10**Rear Light**

1. Remove the bezel, 1, retaining hardware and remove the lens from the light bar.

NOTE: The remaining light lens will be loose in the light bar.

2. Disconnect the wire harness from the bulb holder.
3. Rotate the light bulb holder and element assembly from the lens and remove from the lens.
4. Insert the new bulb into the lens and rotate it to lock into position, using caution not to touch the bulb element.

IMPORTANT: Touching the light bulb element may damage the element and cause a premature failure.



65

SECTION 88 - ACCESSORIES

LABOR GUIDE

The following labor amounts are listed as a guide only. Working conditions and experience will vary the time it actually takes to complete each job.

| Job Description | Hours |
|--|--------------|
| Arm pads (cab) Remove and replace (2) | 0.5 |
| Armrest (seat) Remove and replace (1) | 0.25 |
| Attachment 12-Volt Electric Power Supply Remove and replace outlet | 0.25 |
| Remove and replace wire harness | 0.5 |
| Back-Up Alarm Remove and replace back-up alarm | 0.25 |
| Remove and replace back-up alarm linkage and adjust | 1.0 |
| Remove and replace back-up alarm wire harness | 0.5 |
| Block Heater (engine) Remove and replace block heater (engine) | 0.5 |
| High Flow Hydraulics Remove and replace gear pump | 2.0 |
| Remove and replace selector valve (includes tilting cab/boom forward) | 2.5 |
| Remove and replace wire harness | 0.5 |
| Horn Remove and replace horn button | 0.5 |
| Remove and replace horn | 0.25 |
| Remove and replace horn wire harness | 0.5 |
| Seat/Shoulder Belt Remove and replace belt (must replace complete assembly) | 1.0 |
| Warning Light (rotary beacon) Replace bulb | 0.25 |
| Warning Lights (four-way flashing lights) Remove and replace switch | 0.05 |
| Remove and replace lamp bulb or lamp assembly (1) | 0.25 |
| Remove and replace wire harness | 2.0 |

SECTION 90 – PLATFORM, CAB, BODYWORK, AND DECALS

Chapter 1 – Cab and Seat

CONTENTS

| Section | Description | Page |
|-----------|---|-------|
| | General Information | 90-2 |
| | Seat and Seat Pan Support | 90-2 |
| 90 152 | Cab Inner Shell | 90-3 |
| 90 120 10 | Seat Removal | 90-3 |
| 90 120 12 | Seat Pan Support Removal | 90-3 |
| | Seat, Switch and Pan Reinstallation | 90-5 |
| | Cab Inner Shell | 90-7 |
| 90 152 34 | Cab Inner Shell Removal | 90-7 |
| 90 152 | Cab Inner Shell Reinstallation | 90-14 |
| 90 108 | Safety Decals | 90-22 |
| | Labor Guide | 90-26 |

GENERAL INFORMATION

Op. 90 108

SAFETY DECALS

The safety decals located on the skid steer are intended for the personal safety of you and those working with you.

Keep the decals legible. If they are not legible, replace as necessary.

SEAT AND SEAT PAN SUPPORT

Incorporated in the seat and seat belt buckle are switches that tie the seat and seat belt into the EIC (Electronic Instrument Cluster) Advanced Warning System. When the seat belt is unbuckled and/or the operator is out of the operator's seat, the boom and bucket control valve spools will be locked in the neutral position. The operator will have to properly sequence the system to unlock the controls, sit in the seat and buckle the seat belt.



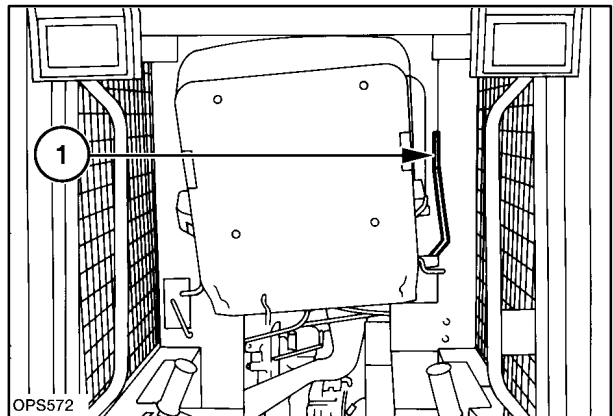
OPSS571

1

The seat and seat pan support can be locked up in the raised position as shown at 1.

⚠ **CAUTION** ⚠

Do not work under a raised seat unless it is securely latched in the raised position.

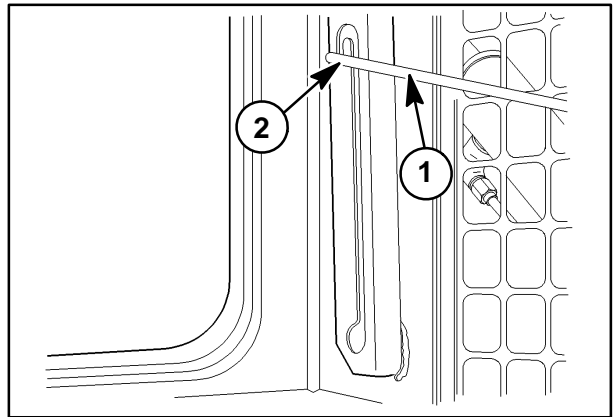


OPSS572

2

The seat/pan support assembly support rod, 1, is shown in the raised latched position at 2.

To lower the seat assembly, raise the seat upward to the top of the cab and pull the support rod, 1, forward to unlatch and lower the seat assembly.



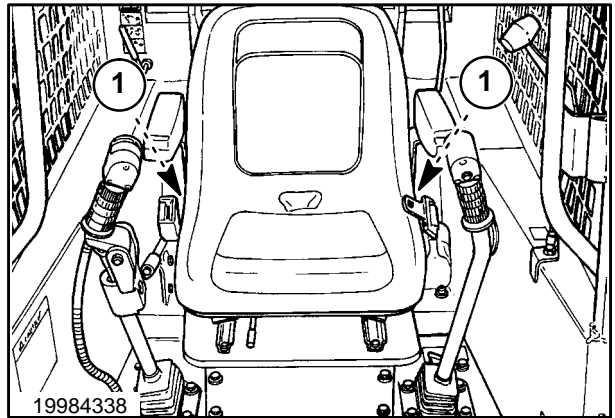
3

When the operator's seat is returned to the operating position, make sure it is securely latched at 1.

⚠
⚠

CAUTION

Do not operate the skid steer unless the operator's seat is securely latched in the operating position.

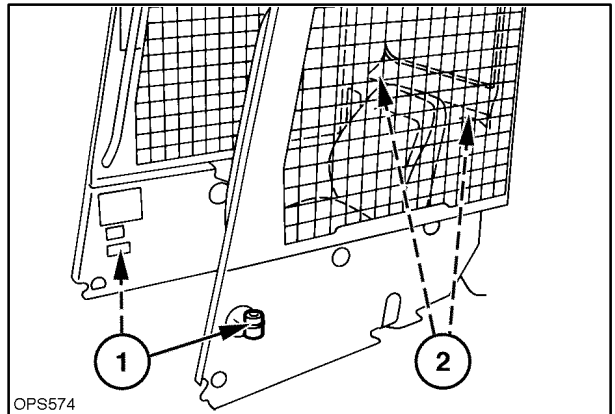


4

Op. 90 152

CAB INNER SHELL

The operator's seat and inner shell assembly (shown removed) are isolated on rubber mounts located at 1, one each side at front and at 2, one each side at rear.



5

Op. 90 120 10

SEAT REMOVAL

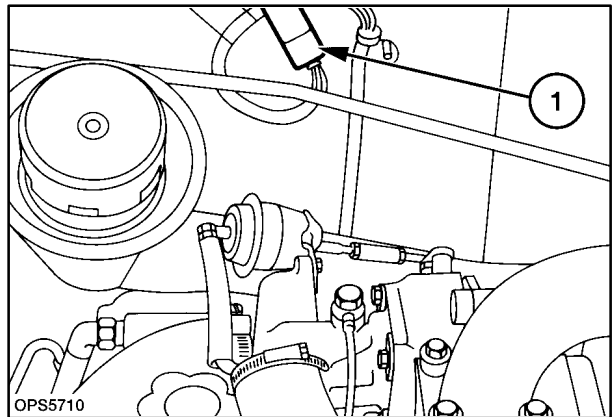
This section describes how to remove the seat and seat pan support assembly.

Op. 90 120 12

SEAT PAN SUPPORT REMOVAL

1. Disconnect the negative (-) battery cable.

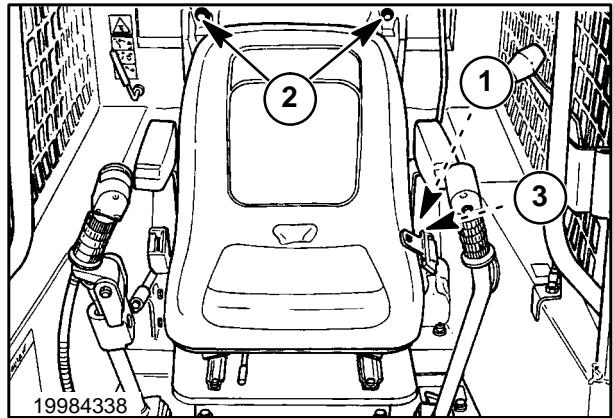
IMPORTANT: Disconnect the (-) negative ground cable. Failure to disconnect the battery may result in damage to the EIC (Electronic Instrument Cluster) monitoring system and other electrical components.



6

2. Disconnect the seat and seat belt wire harness connector, 1.

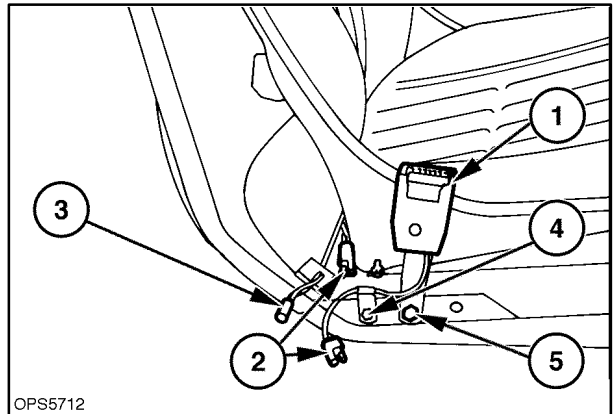
3. Remove retaining pin from latch rod at 1 and remove rod.
4. Remove the seat pan support hardware at 2.
5. Unlatch the seat pan support at 3, and lift the seat and pan support assembly from the loader.



7

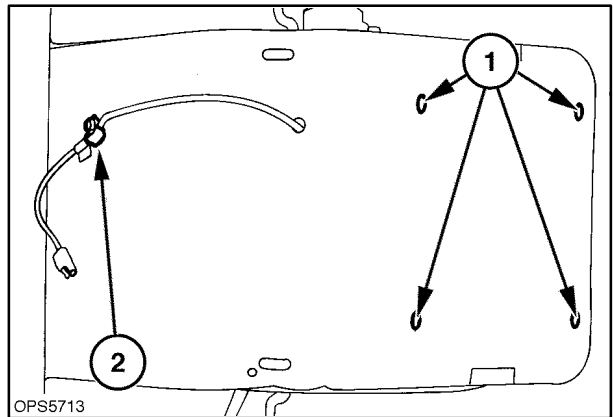
6. The right side of the seat and pan support holds the seat belt buckle, 1, wire harness, 2, and seat latch rod, 3.
7. To remove the seat belt buckle, remove the wire harness retaining clamp, 4, and buckle hardware, 5.

NOTE: When reinstalling the seat belt buckle hardware, 5, tighten the pivot bolt tight enough to hold the belt in a set position but still allow movement of the buckle to the front or rear as required by the operator.



8

8. Remove the seat retaining hardware, 1, to separate the seat and seat track from seat pan support. Remove the wire clamp at 2, if the seat/seat belt wire harness is being replaced.
9. Holding the seat in place, unplug the seat switch(es). Disconnect the wire harness from the switch(es) by releasing the latch away from the switch.

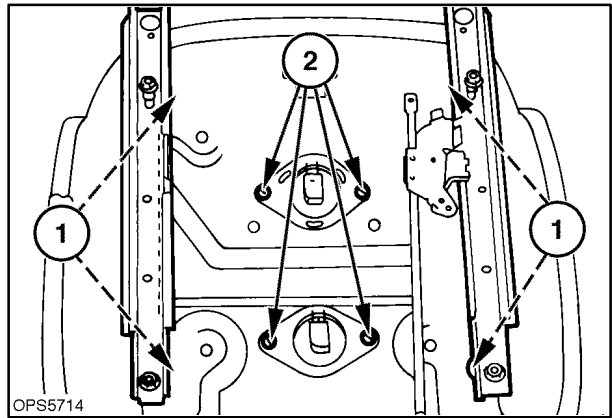


9

10. To remove the seat tracks from the seat assembly remove the track retaining hardware, 1.

Op. 55 201 15

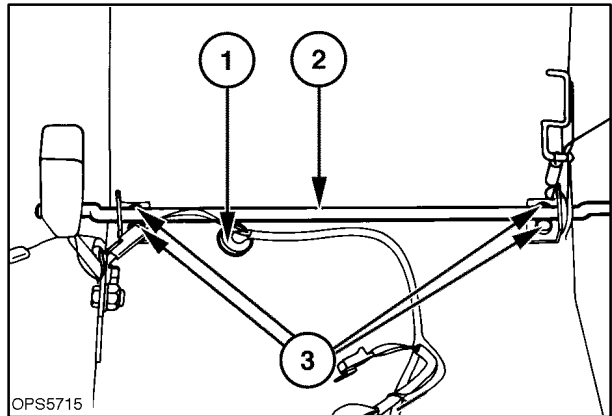
11. Remove the switch(es) from the seat pan, 2. Note the standard seat uses one switch and the deluxe seat uses two switches as shown.



10

12. To remove the seat/seat belt wire harness, remove the grommet at 1, and pull the harness from the seat pan.

13. Remove the seat pan latch rod, 2, remove the retaining hardware, 3.



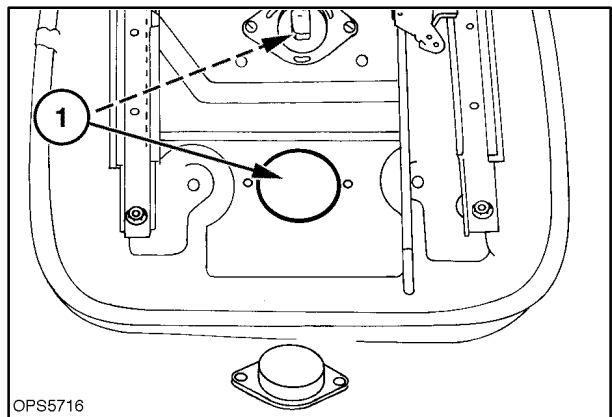
11

SEAT, SWITCH AND PAN REINSTALLATION

1. Install the switch(es) into the seat pan, making sure the switch is seated into the hole in the seat pan, 1.

IMPORTANT: If the switch is not seated properly when the retaining hardware is tightened, the switch flange will be broken.

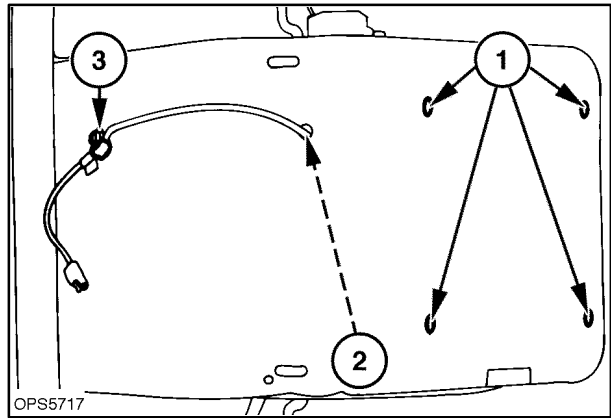
2. Reconnect the wire harness to the switch(es) and reinstall the seat retaining hardware. Make sure the harness connector latches are engaged.



12

3. Reattach the seat to the seat pan support with retaining hardware at 1.

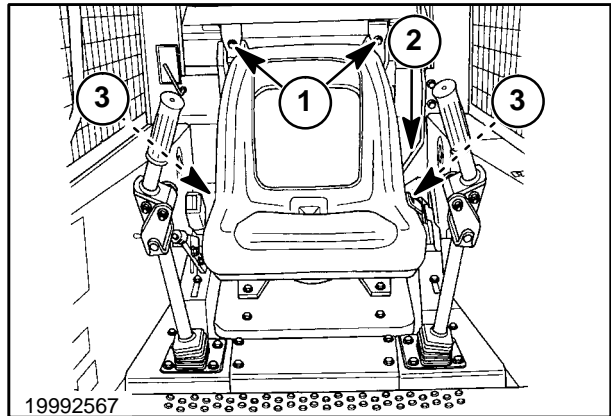
NOTE: If the seat/seat belt wire harness was removed, reinstall the wire grommet in seat pan at 2, and wire clamp on back of seat, 3, to retain the wire harness.



13

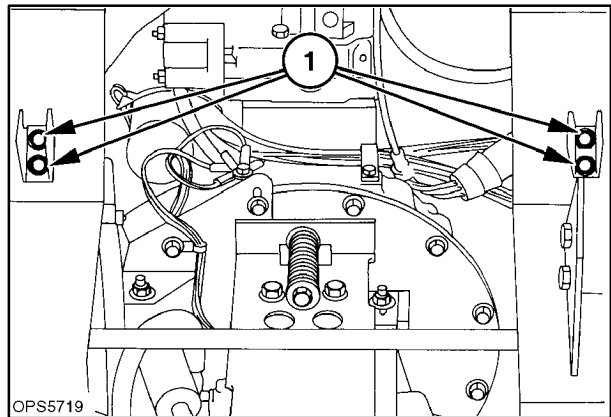
4. Reinstall the seat and seat pan support assembly into the loader and attach with hardware at 1.

If the seat pan latch rod, 2, or latch plates, 3, were removed, they may require adjustment to ensure proper seat latching.



14

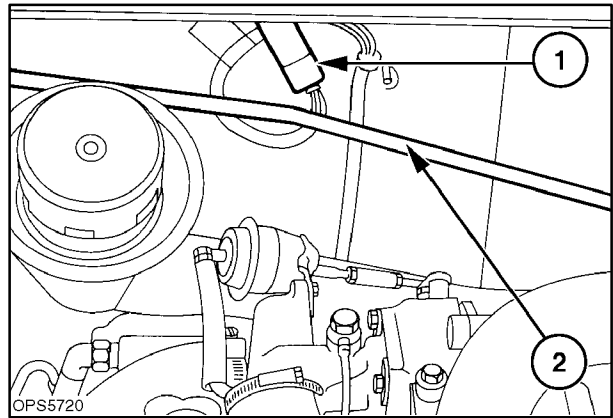
5. To adjust the latches, 1, lower the seat down to the operating position and slide the latches, 1, to obtain full engagement of latches and latch rod. After the latches are adjusted, release latch rod, raise seat and lower seat to operating position. Try lifting on the front of the seat to verify seat pan support is latched securely.



15

- Reconnect the seat/seat belt wire harness connector to the main wire harness behind the seat at 1.

NOTE: Position the seat/seat belt and main wire harness to the front of the boom lock linkage, 2, to prevent interference. If the wires are to the back side of the linkage, the wires will not stay connected when the seat is raised.



16

CAB INNER SHELL

This section describes how to remove and install the cab inner shell.

Op. 90 152 34

REMOVAL

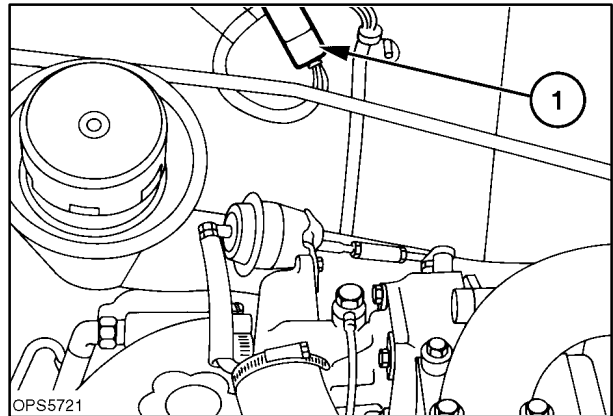
- Disconnect the negative (-) battery cable.

IMPORTANT: Disconnect the (-) negative ground cable. Failure to disconnect the battery may result in damage to the EIC (Electronic Instrument Cluster) monitoring system and other electrical components.

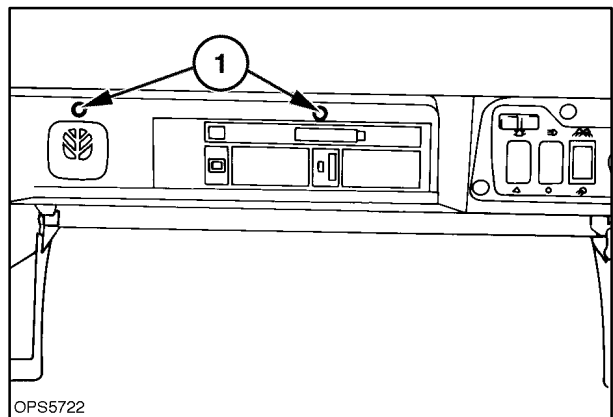
- Disconnect the seat and seat belt wire harness connector, 1.
- Remove the EIC board retaining hardware, 1, and remove the EIC board from the overhead dash area.
- Unplug the two wire harness connectors from the EIC, taking care to not stress or bend the plastic locking ramps on the connectors.

NOTE: Note the positioning of the connectors to the EIC board, and reconnect in the correct position during installation. If the connector is not connected properly, damage to the EIC may occur.

IMPORTANT: Do not service the EIC board with magnetized tools, wrenches, screwdrivers, etc., or magnets. Severe damage to the EIC board may occur.

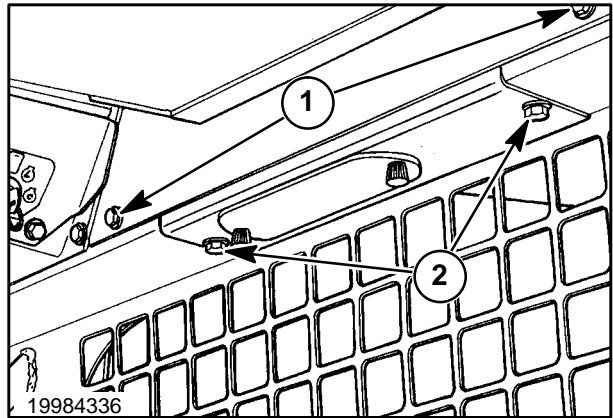


17



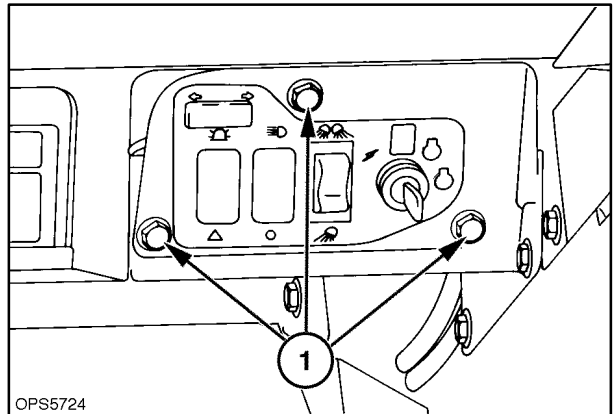
18

5. Remove the right and left headliner supports retaining hardware, 1, right side shown, and remove both supports and headliner.
6. Remove the fuse panel retaining hardware, 2, and lower the fuse panel.
DO NOT remove any wires from any switches or fuse blocks.



19

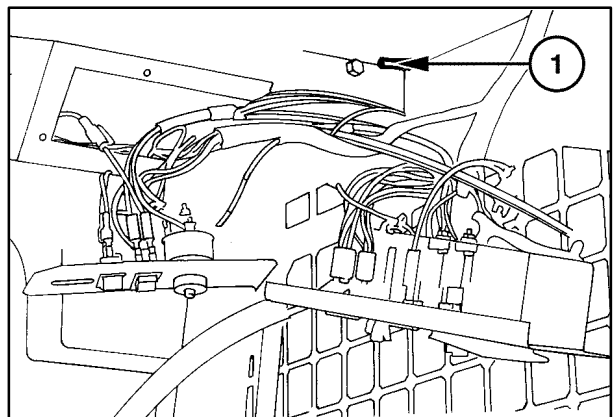
7. Remove the ignition switch panel hardware, 1, and lower the switch panel.
DO NOT remove any wires from any switches.



20

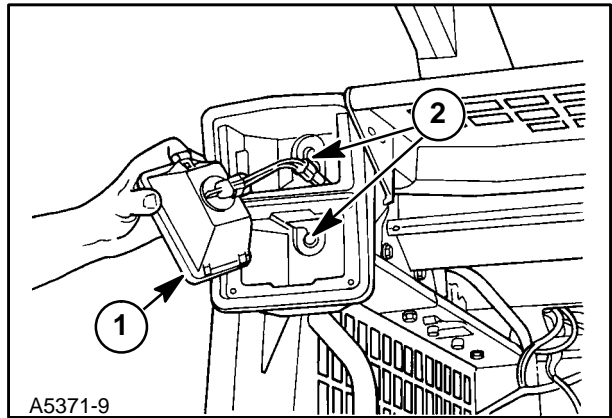
8. Remove any ground wires attached to cab ground terminal at 1.
9. Remove any wire harness ties or clamps in the upper cab area at this time. Remove the wire harness, fuse and switch panels from the right cab side sheet.
10. If the unit is equipped with front lights, the light harness and light bulbs must be removed.

IMPORTANT: *Touching the light bulb element may damage the element and cause a premature failure.*



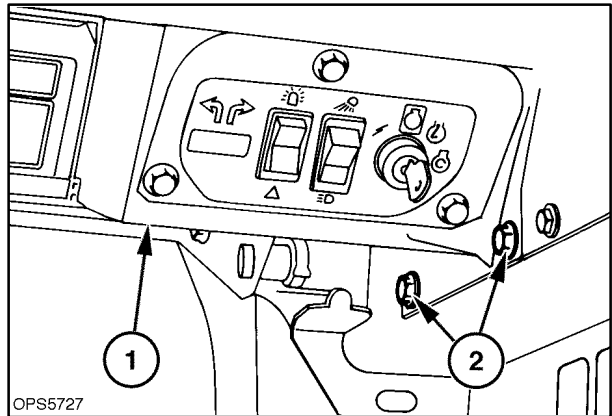
21

11. Remove the light assembly, 1, from the pod by pushing the light assembly to the left, unlatching it from the pod.
12. Remove light pod retaining hardware, 2, and remove the pod assembly.



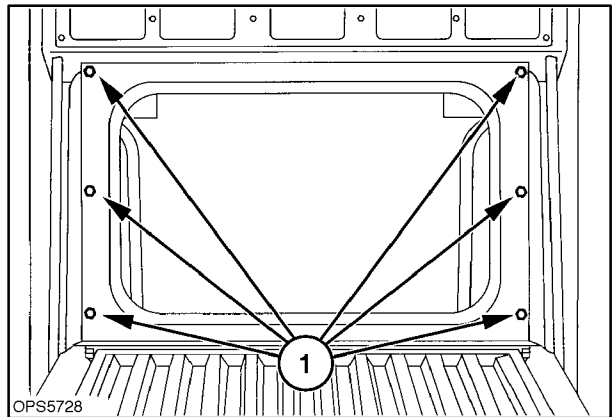
22

13. Remove the front cross support, 1, by removing hardware, 2, separating the cross member from the right and left side panels.



23

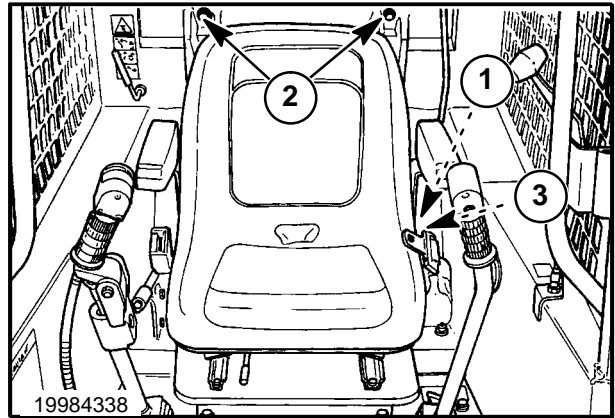
14. Remove the rear window and frame assembly retaining hardware, 1, and lift the window and frame from the loader.



24

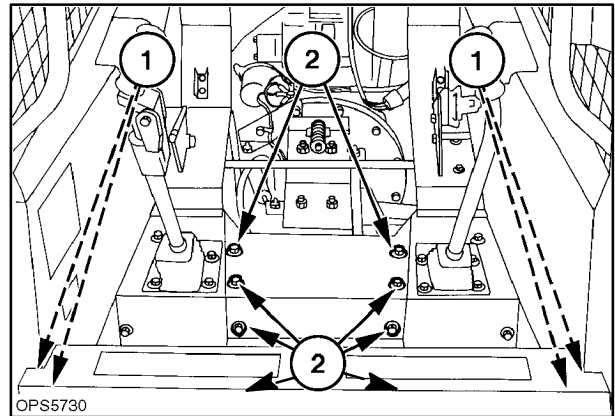
SECTION 90 - PLATFORMS, CAB, BODYWORK, AND DECALS

15. Remove the retaining pin from latch rod at 1, and remove the rod.
16. Disconnect the seat/seat belt wire harness from the main harness, unless previously unplugged. Remove the seat pan support hardware at 2.
17. Unlatch the seat pan support at 3, and lift the seat and pan support assembly from the loader.



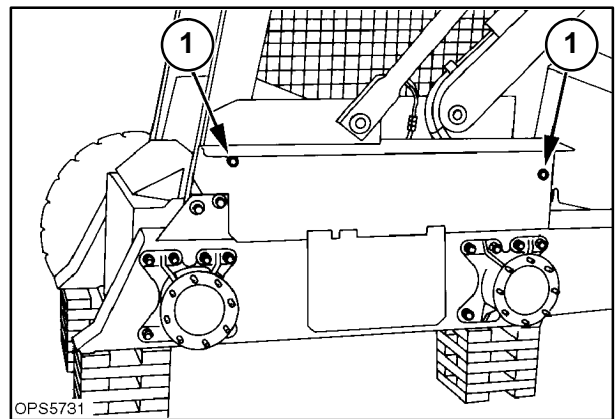
25

18. Remove the four retaining screws from the front shield, 1, and the eight retaining bolts from the step shield, 2. Remove both shields from the loader.



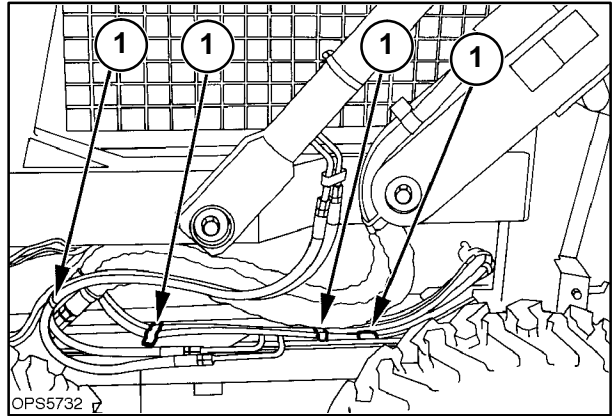
26

19. Remove the retaining hardware, 1, of the right and left fenders to access the front isolator mount bolts and wire harness.



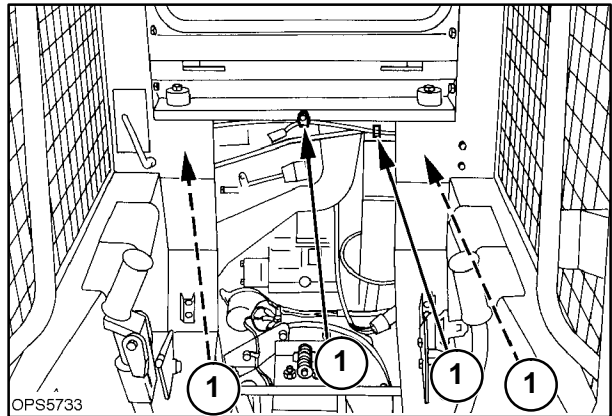
27

20. Remove all wire harness retaining clamps and ties, 1, from the side panels.
Cut wire tie at keeper bar at left front to rear of cab pivot.



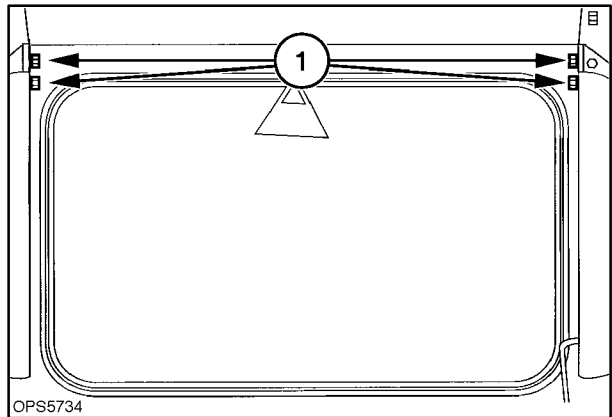
28

21. Remove any wire harness clamps and cut wire ties along the rear of the seat support and side panels, 1.



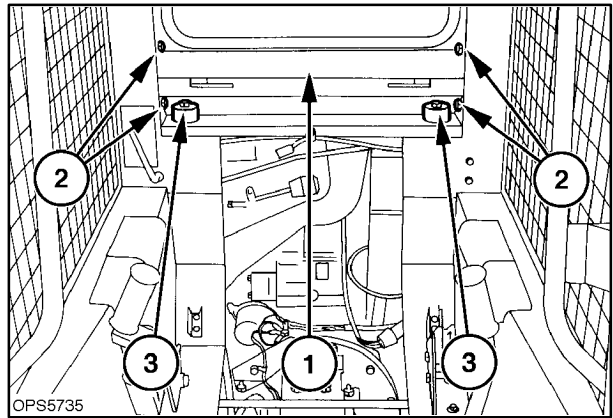
29

22. Remove the upper rear support retaining hardware, 1, right and left side and remove support.



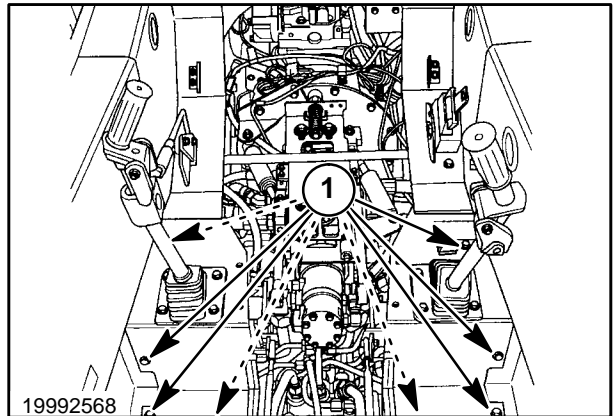
30

23. Remove the rear seat support, 1, hardware at 2, and the isolator mount hardware, 3.



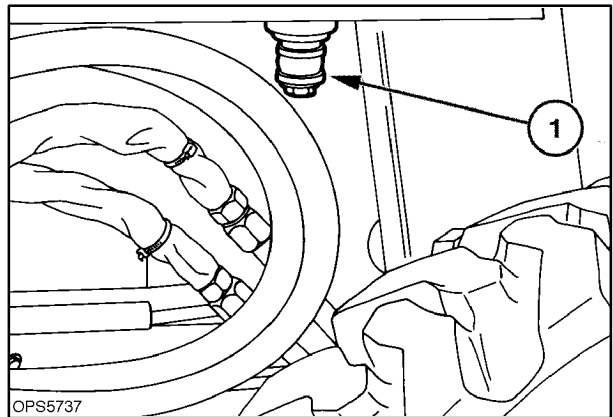
31

24. Remove the right and left hydrostatic control handle assembly retaining hardware, 1. Unhook the hydrostatic control linkage and auxiliary boom hydraulic linkage (if equipped). Unplug any electrical connections, and lift the control assemblies from the loader.



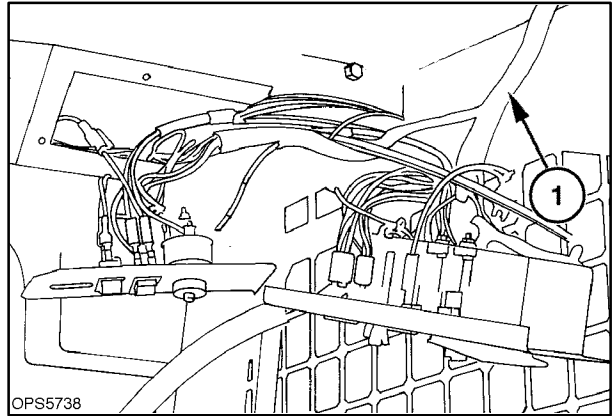
32

25. Remove the left and right side shield isolator and hardware at 1 (right side shown).



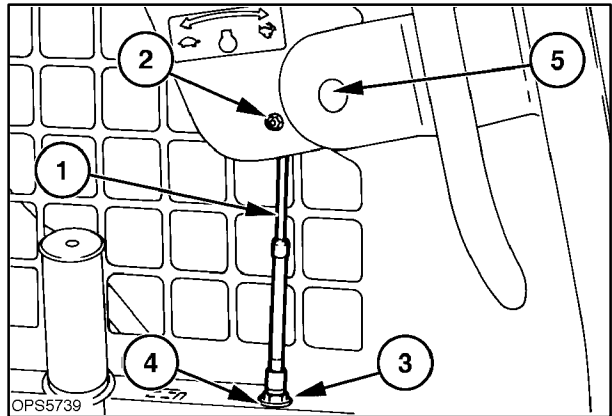
33

26. Lift the wire harness, 1, with the switch and fuse panels from the right side shield. Remove any remaining wire ties or clamps from the wire harness and right side shield, if not previously removed.



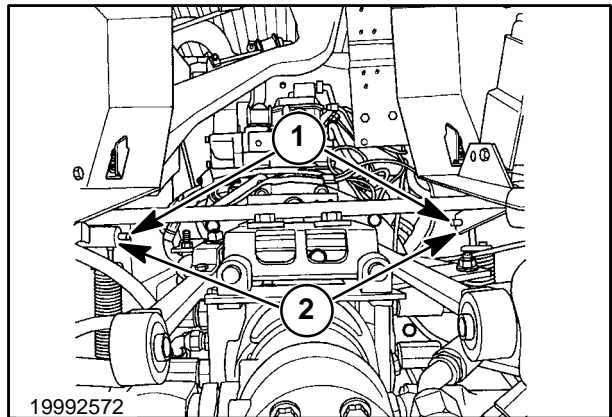
34

27. Remove the throttle control cable, 1, from the control lever at 2. Remove the cable retaining nut, 3, and slide the cable down through the right side shield at 4.



35

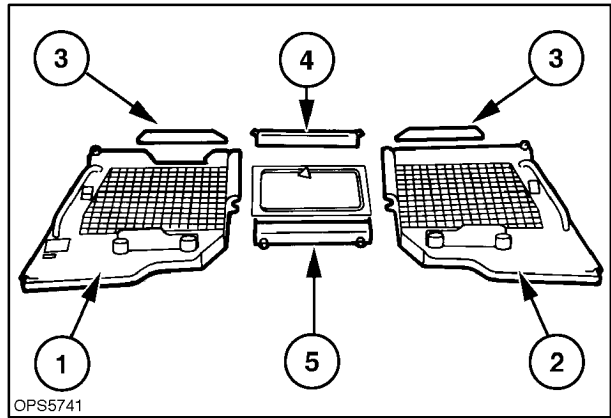
28. Remove the cotter pins from the parking brake control link spring at 1. Unhook the spring link from the control rod, 2.
29. Remove the control rod support hardware.
30. Remove the control lever hardware.
31. Rotate the control rod down to remove link from the side shield, and slide the rod from the support.
- Now the side shields can be removed from the loader ROPS frame.



36

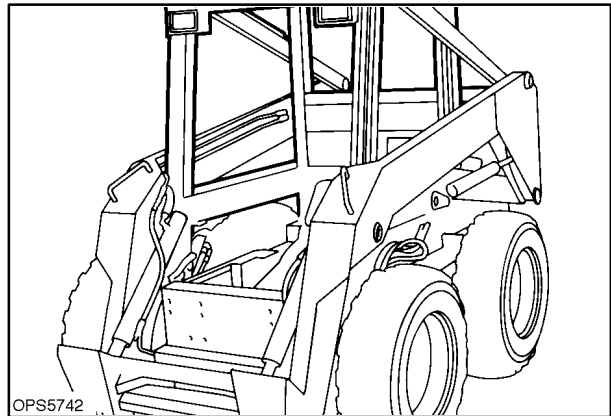
Cab inner shell removed from the loader ROPS.

1. Right side shield
2. Left side shield
3. Headliner supports
4. Upper rear support
5. Lower seat support
6. Front support (dash) not shown



37

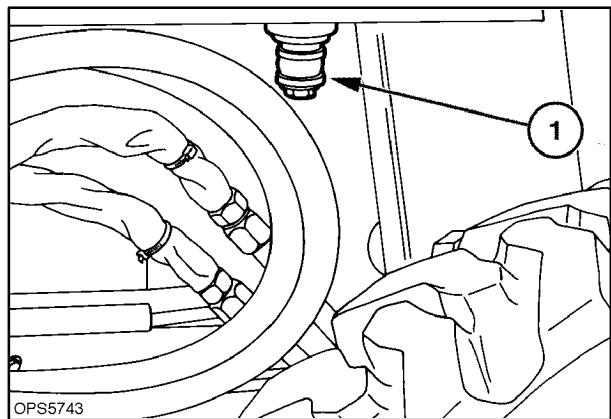
The loader ROPS with the seat and inner shell removed.



38

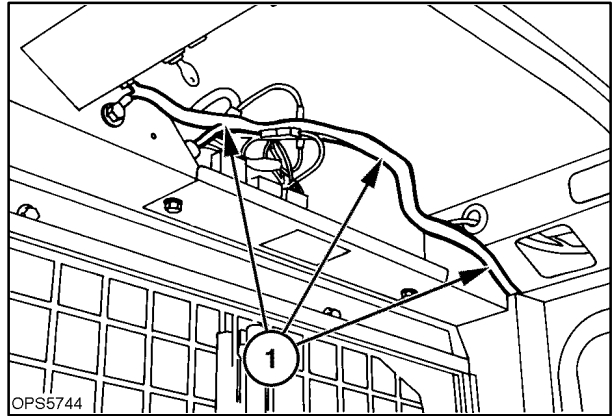
REINSTALLATION

1. Position the right and left side shields inside the loader frame.
2. Install the front side isolators and retaining hardware, 1. Do not tighten at this time.



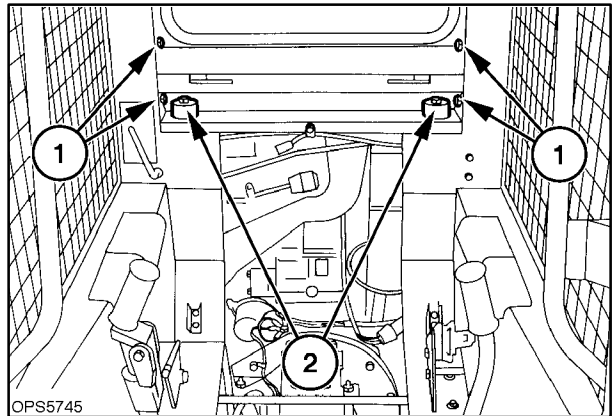
39

3. Lay the main cab wire harness along the inside of the right side shield, 1, at the top and right rear corner.



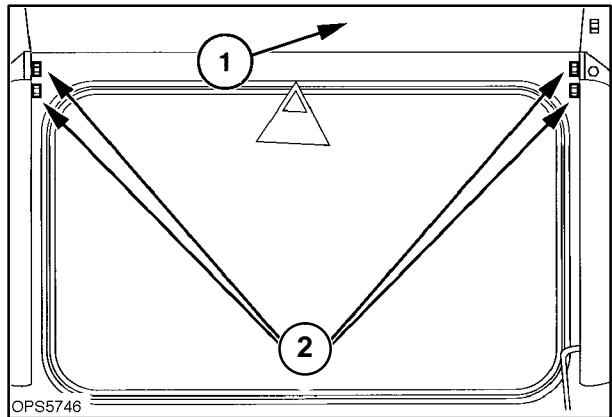
40

4. Position the side shields and install the rear lower support hardware, 1, isolators and retaining hardware, 2. Do not tighten at this time.



41

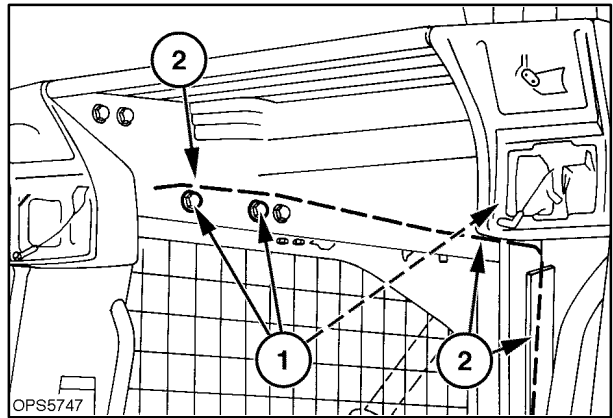
5. Install the upper rear support, 1, and hardware, 2. Do not tighten at this time.



42

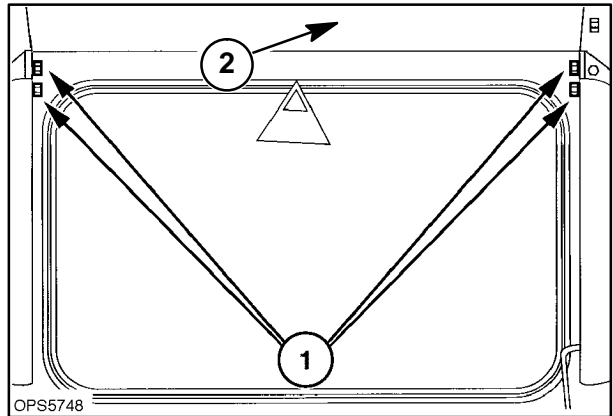
SECTION 90 - PLATFORMS, CAB, BODYWORK, AND DECALS

6. Install the front cross member, 1, and retaining hardware. Do not tighten at this time.
7. Position the inner shell assembly squarely with the ROPS frame. Make sure the wire harness, 2, is positioned to prevent damage to the harness when the inner shell isolators and support hardware are tightened.
8. Tighten the front support hardware.



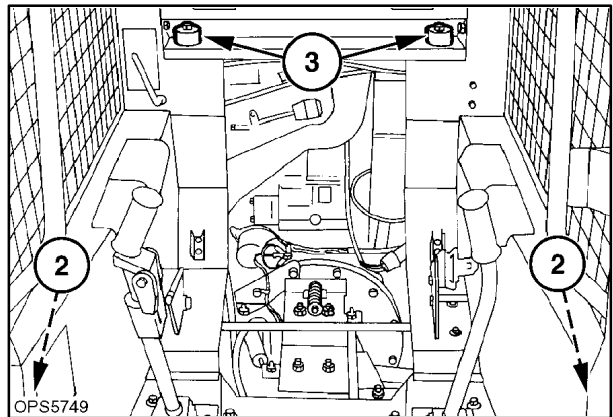
43

9. Tighten the hardware, 1, for the upper rear support, 2.



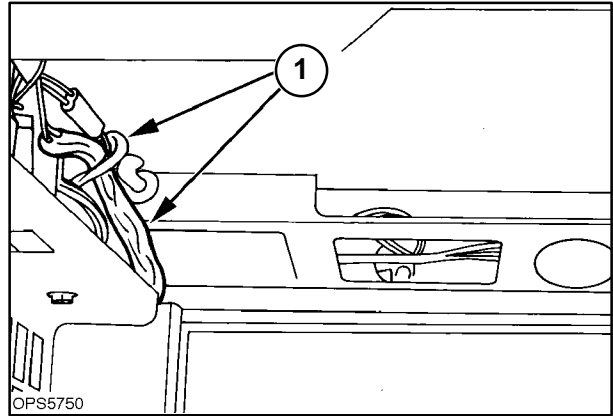
44

10. With the inner shell positioned and cross supports securely tightened, tighten the front, 2, and rear, 3, isolator support hardware at this time.



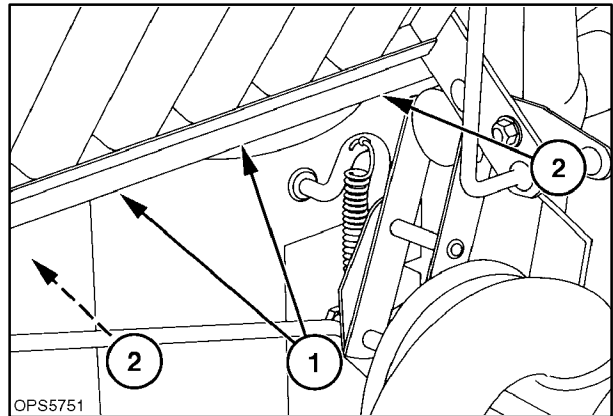
45

11. Reinstall all wire harness retaining clamps and plastic ties to secure the harness, 1, in the upper right rear corner of the operator's cab.



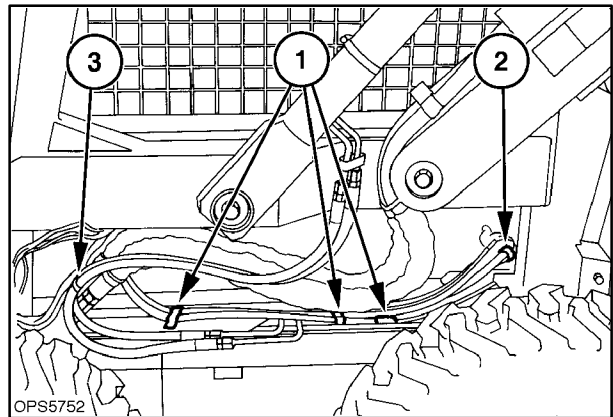
46

12. Reinstall the wire harness clamps and ties along the rear of the operator's seat. Make sure the harness is positioned to the inside of the boom lock linkage at 2 to prevent interference.



47

13. Reinstall the wire harness clamps and ties along the left side of the operator's cab at 1.
14. Position the rear of the harness and engine relay/fuse panel and install harness clamps and ties at 2.
15. With the harness positioned pull a loop (excess) of harness through the support at 3, to retain the excess wire harness.

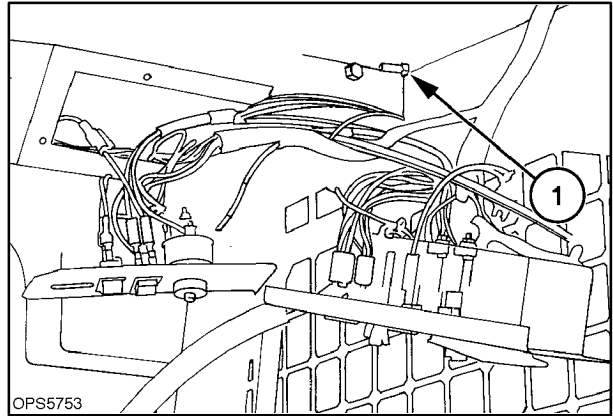


48

16. Reinstall the light pods, light wire harness and lights.
17. Reconnect the wire harness to all switches and EIC (Electronic Instrument Cluster) previously removed.

NOTE: Plug the two wire harness connectors into the EIC, noting the correct positioning of the connectors. If the connectors are not connected properly, damage to the EIC may occur.

IMPORTANT: Do not service the EIC board with magnetized tools, wrenches, screwdrivers, etc., or magnets. Severe damage to the EIC board may occur.

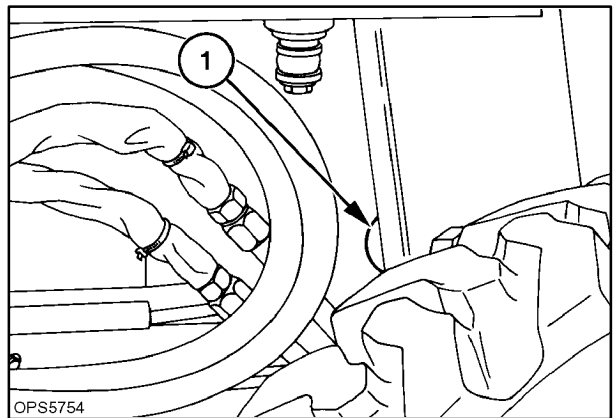


49

18. Remove any paint from the ground surface and attach ground wires at 1.

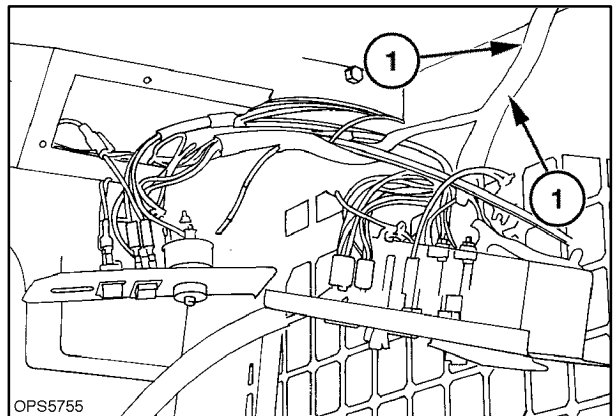
NOTE: When attaching ground wires, always place the heaviest ground wire next to the ground surface and then stack the remaining ground wires according to size on top of the heaviest wire.

19. Remove any paint from the ground surface and attach the ground strap, 1, from the cab inner shell to the lower main frame.



50

20. Reinstall the wire harness along the right side shield at 1. Install wire clamps and ties to prevent harness damage. Install the service/run switch, fuse panel and ignition switch panel.

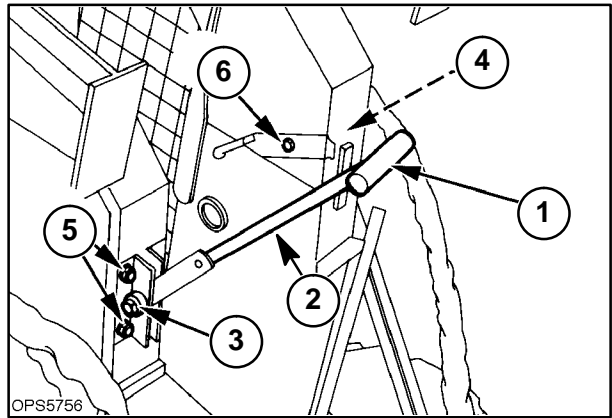


51

21. Reinstall the parking brake control rod and pivot bearings. Install the right bearing into the right support, 1.

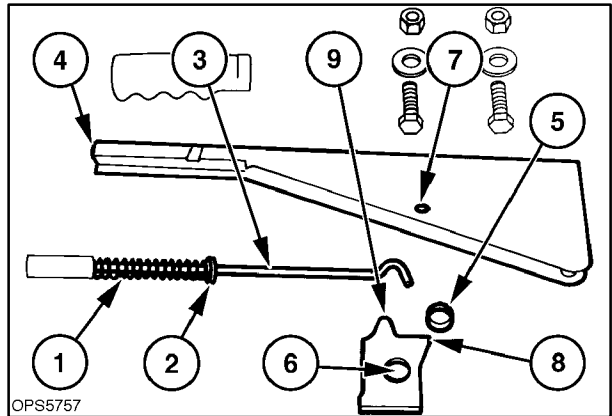
Slide control rod, 2, into right bearing, place the left bearing and support over rod at 3, and rotate control rod link into cab at 4. Attach the left bearing support to the cab at 5.

Assemble the brake handle and attach to the control link at 6.



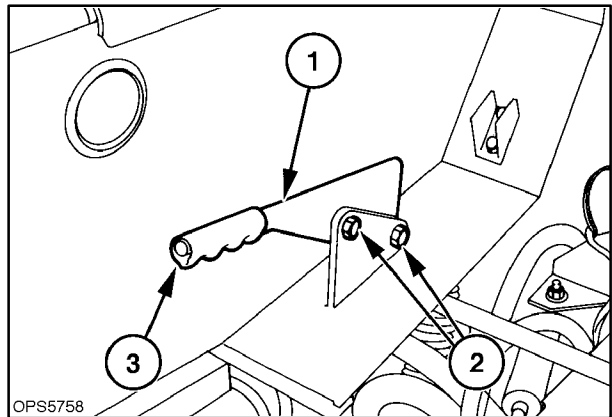
52

22. Slide the spring, 1, and washer, 2, over the end of rod, 3. Insert the rod and spring assembly into the handle at 4. Insert bushing, 5, into latch plate, 6, and insert the latch plate into handle at 7, with the extended area, 8, to the rear (engine side) of lever and position the rod assembly, 3, so the hook is back of the latch plate at 9.



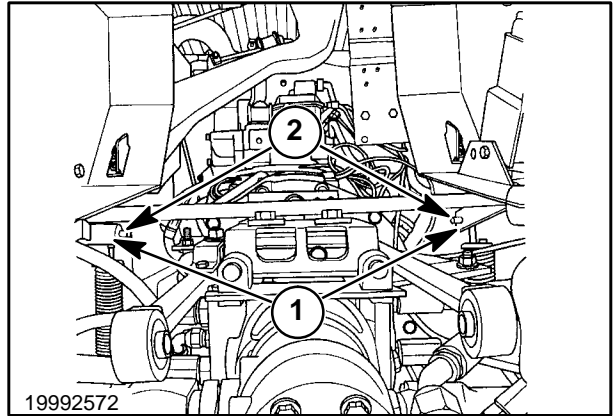
53

23. Attach the handle assembly, 1, to the control link at 2. Slide the handle grip, 3, over end of handle, 1. Use silicone or weather strip glue to hold grip in position.



54

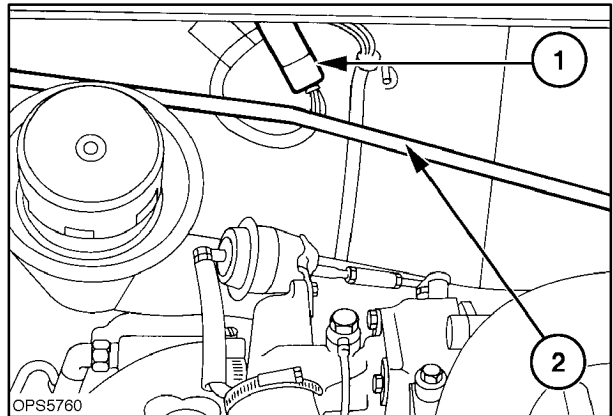
24. Reconnect the spring links, 1, to the control rod at 2 and install the cotter pins.



55

25. Reinstall the seat/seat pan support assembly and connect the seat/seat belt wire harness to the main wire harness, 1. Make sure the wire harness, 2, is to the inside of the boom lock linkage to prevent interference when the seat pan support assembly is pivoted up to the raised, latched position.

26. Reinstall the headliner and supports.

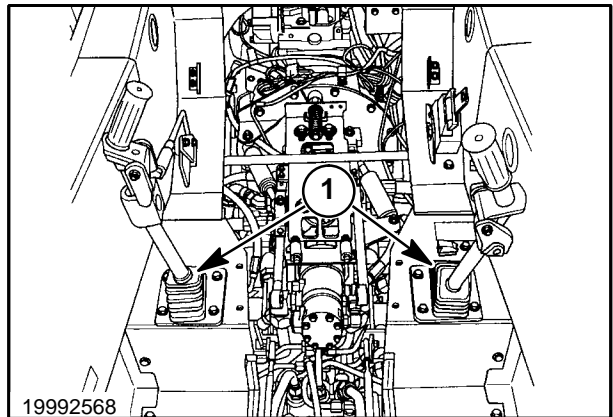


56

27. Reinstall the right and left hydrostatic control lever assemblies, 1.

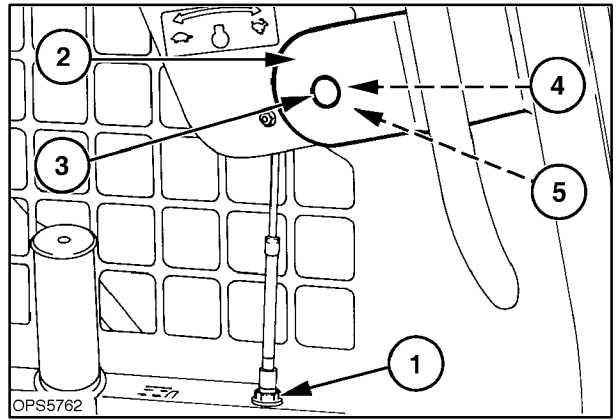
After the assemblies are installed, check the levers for parallel, external stop, and neutral adjustment. If adjustment is required, refer to the operator's manual for detailed adjustment information.

28. Reinstall the rear window assembly.



57

29. Slide the throttle cable up through the hole in the left cab panel and secure with retaining nut at 1. Attach the control lever, 2, to the cab panel at 3, with 3/8" x 1-1/2" cap screw; friction disc, 4; spring, 5; 3/8" flat washer; and locknut. Tighten the pivot hardware to hold the control lever in set position. Over tightening will require more effort to set throttle.
30. Reconnect the (-) negative ground battery cable.
31. Reinstall any shields and fenders previously removed.



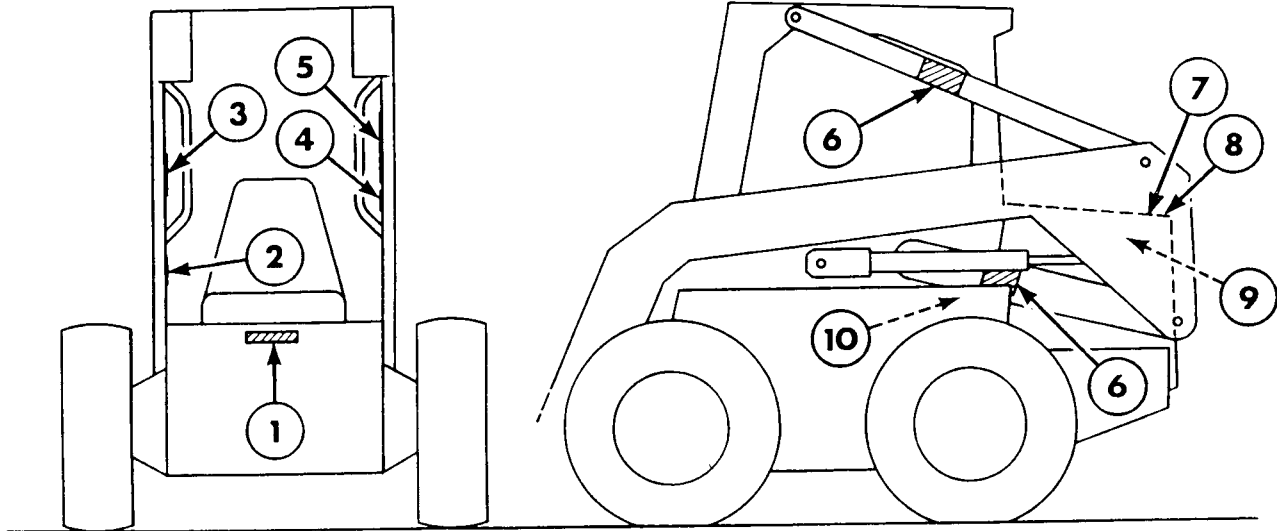
Op. 90 108

SAFETY DECALS

The following safety decals have been placed on your machine in the areas indicated. They are intended for the personal safety of you, and those working with you. Please take this manual, walk

around your machine and note the content and location of these warning signs. Review these decals with your machine operators.

Keep the decals legible. If they are not, obtain replacements from your New Holland dealer. The decal part numbers are listed with each decal.



1. Danger: Do not allow passengers to ride on the skid steer at any time. Do not get under boom unless supported by the boom lock pins.

Part #86521685

NO RIDERS

⚠ DANGER

AVOID DEATH

- LIFT ARM STOPS MUST BE ENGAGED
- OPENING LINES FOR SERVICE OR PART FAILURE CAN CAUSE LIFT ARMS TO DROP

LC
86500517

2. Caution: Do not allow anyone to operate the skid steer without proper instruction.

Part #86521688

⚠ CAUTION

AVOID INJURY

- READ OPERATORS MANUAL
- KNOW LOCATION AND FUNCTION OF CONTROLS
- KEEP SAFETY DEVICES WORKING.
- KEEP SCREENS AND WINDOWS IN PLACE.
- KEEP CHILDREN AND OTHERS AWAY.
- NEVER CARRY RIDERS.
LOWER LIFT ARMS. ENGAGE PARK BRAKE,
STOP ENGINE AND REMOVE KEY BEFORE
LEAVING.
- KEEP CAB CLEAN, ESPECIALLY PEDAL AREA.

11 P1
86500521

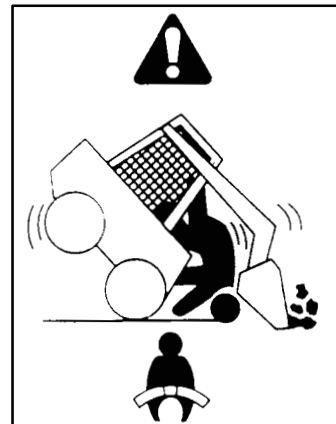
3. Danger: Before exiting the skid steer, lower the lift arms and attachment to the ground or rest lift arms on the boom stops. Stop engine and engage the parking brake.
Part #86521683



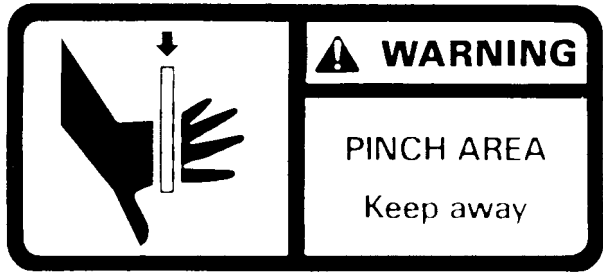
4. Warning: Do not overload! Never lift more than the maximum SAE load rating of the skid steer. Never transport a loaded bucket at full height. Operate the skid steer with the load as low as possible.
Part #86521716
LS160 - 682 kg/1500 lbs. (Mfg. Rating)
Part #86521717
LS170 - 770 kg/1700 lbs. (Mfg. Rating)



5. Warning: Never operate the skid steer without the seat belt securely fastened.
Part #86521686



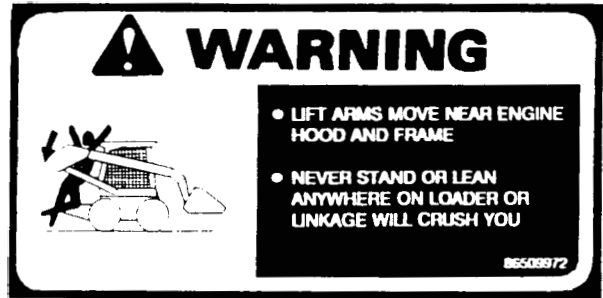
6. Warning: Keep clear of moving parts. Keep bystanders clear of the skid steer at all times unless the boom is down on the ground or the boom is resting on the boom lock pins and engine is off. Never extend any part of the body outside of the operator's area.
Part #86521673



7. Warning: Keep clear! Rotating fan - stop engine.
Part #9828825



8. Warning: Do not allow anyone near the skid steer while the engine is running and the skid steer is operational.
Part #86509972

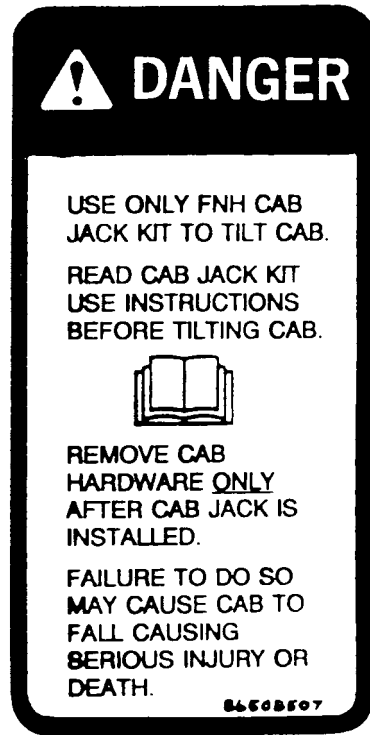


9. Caution: Do not spray ether into air intake. Explosion and injury could result.
Part #796286



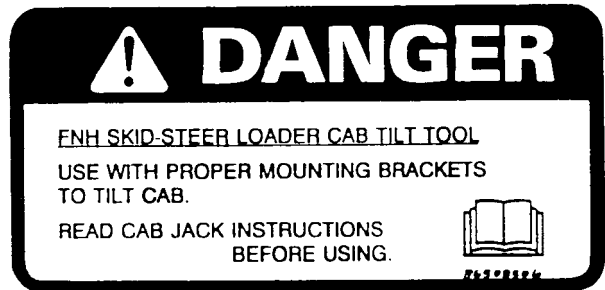
10. Danger: Use only the New Holland cab jack kit to tilt the cab. Read instructions before tilting cab. Do not remove cab hardware until cab jack is installed. Failure to do so may cause cab to fall causing serious injury or death.

Part #86521713



11. Danger: New Holland skid steer cab tilting tool. Read cab tilting instructions and use with proper mounting brackets before tilting cab. (Located on the cab tilting jack).

Part #86508506



LABOR GUIDE

The following labor amounts are listed as a guide only. Working conditions and experience will vary the time it actually takes to complete each job.

| Job Description | Hours |
|--|--------------|
| Remove and replace seat, seat support | 1.5 hrs. |
| Remove and replace switches (1) | 0.5 hrs. |
| Remove and replace seat support lock linkage | 0.5 hrs. |
| Remove and replace cab inner shell | 6.5 hrs. |