

DDC-SVC-MAN-0039

# EPA04 Series 60<sup>®</sup> Operator's Manual



13400 Outer Drive, West, Detroit, Michigan 48239-4001  
Telephone: 313-592-5000  
[www.detroitdiesel.com](http://www.detroitdiesel.com)

**Specifications are subject to change without notice. Detroit Diesel Corporation is registered to ISO 9001:2001. Copyright © Detroit Diesel Corporation. All rights reserved. Detroit Diesel Corporation is a Daimler company. Printed in U.S.A.**

---

**CALIFORNIA  
Proposition 65 Warning**

Diesel engine exhaust and some of its constituents are known to the State of California to cause cancer, birth defects, and other reproductive harm.

## To the Operator

This guide contains instructions on the safe operation and preventive maintenance of your Detroit Diesel Series 60® engine used in vehicle or fire fighting apparatus applications. Maintenance instructions cover routine engine services such as lube oil and filter changes in enough detail to permit self-servicing, if desired.

The operator should become familiar with the contents of this guide before operating the engine or carrying out maintenance procedures.

Power-driven equipment is only as safe as the person operating the controls. You are urged, as the operator of this diesel engine, to keep fingers and clothing away from the revolving belts, drive shafts, pulleys, etc. on the engine installation.

Throughout this guide **CAUTIONS** regarding personal safety and **NOTICES** regarding engine performance or service life will appear. To avoid personal injury and ensure long engine service life, always heed these instructions.

Whenever possible, it will benefit you to rely on an *authorized* Detroit Diesel service outlet for all your service needs from maintenance to major parts replacement. Authorized service outlets worldwide stock factory-original parts and have the specialized equipment and experienced, trained personnel to provide prompt preventive maintenance and skilled engine repairs.

The information and specifications in this publication are based on the information in effect at the time of approval for printing. Contact an authorized Detroit Diesel service outlet for information on the latest revision. The right is reserved to make changes at any time without obligation.

---

### NOTICE:

Coolant must be inhibited with the recommended SCAs (supplemental coolant additives) listed in the **How To** section of this engine operator's guide. In addition, the engine can be equipped with a coolant filter/inhibitor system as an installed option or as an after-sale item. **Failure to check and maintain SCA levels at required concentrations will result in severe damage (corrosion) to the engine cooling system and related components.**

### WARRANTY

The applicable engine warranty is contained in the booklet "Warranty Information for Series 60 Engines," available from authorized Detroit Diesel service outlets.

**Keep this Operator's Guide with the engine installation at all times. It contains important operating, maintenance, and safety instructions.**

### Trademark Information

DDC®, Detroit Diesel®, DDEC®, Series 60®, Optimized Idle®, Diagnostic Link®, reliabilt®, *POWER Trac*®, *POWER COOL*®, and *POWER GUARD*® are registered trademarks of Detroit Diesel Corporation. Delco Remy® is a registered trademark of Delco Remy America, Inc. Bosch® is a registered trademark of Robert Bosch Company N.A. Fuel Pro®, and Mega Filter® are registered trademarks of Davco Manufacturing, L.L.C. PowerBand® is a registered trademark of Gates Rubber Company. Tectyl® is a registered trademark of Daubert Chemical Company, Inc. Biobor® is a registered trademark of United States Borax and Chemical Corporation. DuPont® is a registered trademark of E.I. DuPont de Nemours and Company, Inc. All other trademarks used are the property of their respective owners.

# TABLE OF CONTENTS

<b>INTRODUCTION</b> .....	1
NON-GENUINE AND REBUILT COMPONENT QUALITY ALERT ..	1
<b>CAUTION SUMMARY</b> .....	3
ENGINE OPERATION .....	3
PREVENTIVE MAINTENANCE .....	4
ELECTRICAL SYSTEM .....	7
COOLING SYSTEM .....	8
AIR INTAKE SYSTEM .....	8
FUEL SYSTEM .....	9
STARTING AIDS .....	9
COMPRESSED AIR .....	11
LUBRICATING OIL AND FILTERS .....	11
<b>ENGINE MODEL AND SERIAL NUMBER DESIGNATION</b> .....	12
CERTIFICATION LABELS .....	13
<b>OPERATING INSTRUCTIONS FOR A FIRST TIME START</b> .....	14
SYSTEM CHECKS .....	14
COOLING SYSTEM CHECKS .....	14
LUBRICATION SYSTEM CHECKS .....	15
EXTENDED STORAGE .....	15
FUEL SYSTEM CHECKS .....	16
OTHER CHECKS .....	17
STARTING THE ENGINE .....	17
INITIAL ENGINE START .....	18
ELECTRIC STARTER .....	18
AIR STARTER .....	19
RUNNING THE ENGINE .....	19
OIL PRESSURE .....	19
WARM-UP .....	19
INSPECTION .....	19
TRANSMISSION .....	19
FLUID LEAKS .....	19
CRANKCASE .....	20

TABLE OF CONTENTS

---

TURBOCHARGER .....	20
AVOID UNNECESSARY IDLING .....	20
STOPPING THE ENGINE .....	20
EMERGENCY JUMP STARTING .....	21
<b>DDEC V SYSTEM .....</b>	<b>22</b>
DDEC FEATURES .....	22
ENGINE PROTECTION .....	23
IDLE SHUTDOWN TIMER .....	23
CRUISE CONTROL .....	23
ENGINE BRAKES .....	25
DATA RECORDING CAPABILITY .....	26
DDEC V OPERATION .....	26
STOP ENGINE OVERRIDE SWITCH .....	27
IMMEDIATE SPEED REDUCTION .....	27
RED STOP LAMP .....	27
DIAGNOSTIC DATA READER .....	28
<b>DDEC V ENGINE DRIVING TIPS .....</b>	<b>35</b>
ACCELERATING THE VEHICLE .....	35
CRUISE CONTROL .....	35
ENGINE BRAKES AND CRUISE CONTROL .....	37
SHIFTING .....	37
IDLING .....	39
WINTER FRONTS .....	39
<b>ENGINE BRAKE SYSTEM .....</b>	<b>40</b>
DRIVER CONTROL SWITCHES .....	40
LOW/HIGH SWITCH .....	40
LOW/MED/HIGH SWITCH .....	40
CLUTCH PEDAL AND THROTTLE POSITION CONTROLS .....	40
ENGINE BRAKE OPERATION .....	40
ANTI-LOCK BRAKING SYSTEMS .....	42
DRIVING ON FLAT, DRY PAVEMENT .....	42
DESCENDING A LONG, STEEP GRADE .....	42
DRIVING ON WET OR SLIPPERY PAVEMENT .....	44
<b>ENGINE SYSTEMS .....</b>	<b>45</b>
FUEL SYSTEM .....	45
LUBRICATION SYSTEM .....	45

AIR SYSTEM .....	45
COOLING SYSTEM .....	45
ELECTRICAL SYSTEM .....	45
EXHAUST SYSTEM .....	45
EXHAUST GAS RECIRCULATION SYSTEM .....	45
<b>MAINTENANCE</b> .....	<b>46</b>
MAINTENANCE INTERVALS .....	46
PREVENTIVE MAINTENANCE INTERVALS .....	56
ITEM 1 – LUBRICATING OIL .....	56
ITEM 2 – FUEL AND FUEL TANK .....	57
ITEM 3 – FUEL LINES, FLEXIBLE HOSES .....	59
LEAKS .....	59
HOSES AND FITTINGS .....	59
HOSE SERVICE LIFE .....	59
ITEM 4 – COOLING SYSTEM .....	60
COOLANT LEVEL .....	60
COOLANT INHIBITORS .....	60
COOLANT DRAIN INTERVAL .....	60
ITEM 5 – TURBOCHARGER, AIR-TO-AIR CHARGE COOLER .	62
WASTEGATED TURBOCHARGERS .....	62
ITEM 6 – BATTERY .....	63
ITEM 7 – TACHOMETER DRIVE .....	64
ITEM 8 – DRIVE BELTS .....	64
V-BELTS .....	64
2-GROOVE POWERBAND .....	65
12-RIB POLY-V BELT .....	65
BELT REPLACEMENT .....	66
ITEM 9 – AIR COMPRESSOR .....	66
ITEM 10 – AIR CLEANER .....	66
AIR CLEANER REPLACEMENT .....	67
ITEM 11 – LUBRICATING OIL FILTERS .....	67
ITEM 12 – FUEL FILTERS .....	68
FUEL PRO® 382 FILTERS .....	68
SPIN-ON FILTERS .....	68
ITEM 13 – WATER PUMP AND COOLANT INHIBITOR	
ELEMENT .....	68
WATER PUMP DRAIN HOLE .....	68
COOLANT INHIBITOR ELEMENT .....	69

## TABLE OF CONTENTS

---

ITEM 14 – CRANKING MOTOR .....	69
ITEM 15 – AIR SYSTEM .....	69
ITEM 16 – EXHAUST SYSTEM .....	70
ITEM 17 – ENGINE (STEAM CLEAN) .....	70
ITEM 18 – RADIATOR .....	70
ITEM 19 – OIL PRESSURE .....	71
ITEM 20 – BATTERY-CHARGING ALTERNATOR .....	71
BOSCH® T1 ALTERNATOR SERVICE REQUIREMENTS .....	72
GENERAL SERVICE REQUIREMENTS – BOSCH® AND DELCO REMY® ALTERNATORS .....	72
ITEM 21 – ENGINE AND TRANSMISSION MOUNTS .....	72
ITEM 22 – CRANKCASE PRESSURE .....	72
ITEM 23 – FAN HUB .....	72
ITEM 24 – THERMOSTATS AND SEALS .....	72
ITEM 25 – CRANKCASE BREATHER .....	73
ITEM 26 – ENGINE TUNE-UP .....	73
ITEM 27 – VIBRATION DAMPER .....	74
<b>HOW-TO SECTION .....</b>	<b>75</b>
HOW TO SELECT LUBRICATING OIL .....	75
LUBRICANT REQUIREMENTS .....	75
EGR-EQUIPPED ENGINES .....	75
NON-EGR ENGINES .....	75
ENGINES BUILT PRIOR TO 1998 .....	75
COLD WEATHER STARTING .....	76
SYNTHETIC OILS .....	76
THE USE OF SUPPLEMENTAL ADDITIVES .....	77
WHEN TO CHANGE OIL .....	77
DISPOSING OF WASTE OIL .....	78
HOW TO REPLACE THE LUBE OIL FILTERS .....	78
REPLACE SPIN-ON TYPE OIL FILTER .....	78
HOW TO SELECT FUEL OIL .....	80
QUALITY .....	80
FUEL CONTAMINATION .....	80
PROHIBITED ADDITIVES .....	81
USED LUBRICATING OIL .....	81
GASOLINE .....	81
HOW TO REPLACE THE FUEL FILTERS .....	81
REPLACE SPIN-ON PRIMARY OR SECONDARY ELEMENTS .....	82

---



REPLACE FUEL/WATER SEPARATOR ELEMENT .....	84
REPLACE FUEL PRO ELEMENT .....	85
ENGINE OUT OF FUEL — HOW TO RESTART .....	87
ENGINES WITH SPIN-ON FILTERS .....	87
ENGINES WITH FUEL PRO FILTERS .....	88
HOW TO SELECT COOLANT .....	89
DEFINITIONS .....	89
APPROVED COOLANTS .....	90
EG & WATER OR PG & WATER PLUS SCA INHIBITOR .....	91
MIXING EG OR PG ANTIFREEZE AND WATER .....	91
RECYCLED ANTIFREEZE .....	94
EG/WATER + OAT INHIBITOR OR PG/WATER + OAT INHIBITOR .....	94
WATER ONLY + SCA OR WATER ONLY + OAT INHIBITOR	95
WATER REQUIREMENTS .....	96
COOLANTS NOT RECOMMENDED .....	96
ALL ANTIFREEZES AND COOLANTS CONTAINING PHOSPHATE .....	96
AUTOMOTIVE TYPE COOLANTS .....	96
METHYL ALCOHOL-BASED ANTIFREEZE .....	96
GLYCOL-BASED COOLANTS FORMULATED FOR HVAC ...	97
ADDITIVES NOT RECOMMENDED .....	97
SOLUBLE OIL ADDITIVES .....	97
CHROMATE ADDITIVES .....	97
COOLANT INHIBITOR TEST INTERVALS .....	97
SUPPLEMENTAL COOLANT ADDITIVES FOR FULLY FORMULATED COOLANT .....	98
MAINTENANCE INTERVALS .....	98
SCA TEST PROCEDURES .....	100
NEED RELEASE COOLANT FILTERS (NON-OAT SYSTEMS) .	101
DROPOUT .....	102
EXTENDER INHIBITOR ADDITIVE FOR “OAT” COOLANT .....	102
OAT COOLANT DRAIN INTERVAL .....	103
CHRONIC COOLANT SYSTEM PROBLEMS .....	103
COOLING SYSTEM MAINTENANCE PRODUCTS .....	103
POWER COOL SCAS .....	103
POWER COOL COOLANT FILTER ELEMENTS .....	103
POWER COOL CLEANERS .....	103

TABLE OF CONTENTS

---

SUMMARY OF COOLANT RECOMMENDATIONS .....	104
COOLANT LIFE OF GLYCOL COOLANT .....	105
COOLANT LIFE OF OAT COOLANT .....	105
COOLANT LIFE OF OTHER COOLANTS .....	105
HOW TO DRAIN AND FLUSH THE COOLING SYSTEM .....	106
HOSES .....	107
WHEN TO SERVICE THE DRY TYPE AIR CLEANER .....	107
<b>BASIC TROUBLESHOOTING .....</b>	<b>108</b>
<b>ENGINE STORAGE .....</b>	<b>113</b>
PREPARING ENGINE FOR STORAGE .....	113
TEMPORARY STORAGE (30 DAYS OR LESS) .....	113
EXTENDED STORAGE (MORE THAN 30 DAYS) .....	114
RESTORING AN ENGINE AFTER EXTENDED STORAGE .....	117
<b>SERIES 60 SERVICE PUBLICATIONS .....</b>	<b>119</b>
<b>CUSTOMER ASSISTANCE .....</b>	<b>120</b>
ROAD SERVICE IN THE U.S. OR CANADA .....	123
WORKING WITH DDC SERVICE OUTLETS .....	123
<b>LIMITED WARRANTY ON HIGHWAY VEHICLE ENGINES .....</b>	<b>126</b>
TERMS OF COVERAGE .....	126
USES .....	126
DEFECTS .....	126
REPAIRS .....	126
WARRANTY PERIOD .....	126
LIKE REPLACEMENT ENGINE .....	126
SERVICE SUPPLIES .....	127
ENGINE REMOVAL AND REINSTALLATION .....	127
THIS WARRANTY DOES NOT COVER: .....	127
REPAIRS DUE TO ACCIDENTS, MISUSE, STORAGE DAMAGE, NEGLIGENCE OR CERTAIN MODIFICATIONS .....	127
BRAKING DEVICES .....	128
FUEL INJECTORS AFTER 200,000 MILES/320,000 KILOMETERS .....	128
MAINTENANCE .....	128
INCIDENTAL OR CONSEQUENTIAL DAMAGE .....	128
OTHER LIMITATIONS .....	128

<b>LIMITED WARRANTY ON URBAN BUS, MOTOR COACH OR MOTOR HOME ENGINES</b> .....	130
TERMS OF COVERAGE .....	130
USES .....	130
DEFECTS .....	130
REPAIRS .....	130
WARRANTY PERIOD .....	130
SERVICE SUPPLIES .....	130
LIKE REPLACEMENT ENGINE .....	131
ENGINE REMOVAL AND REINSTALLATION .....	131
THIS WARRANTY DOES NOT COVER: .....	131
REPAIRS DUE TO ACCIDENTS, MISUSE, ALTERATION, STORAGE DAMAGE, NEGLIGENCE OR CERTAIN MODIFICATIONS .....	131
BRAKING DEVICES .....	132
FUEL INJECTORS AFTER 200,000 MILES/320,000 KILOMETERS .....	132
MAINTENANCE .....	132
INCIDENTAL OR CONSEQUENTIAL DAMAGE .....	132
OTHER LIMITATIONS .....	132
<b>LIMITED WARRANTY ON FIRE TRUCK OR CRASH RESCUE VEHICLE ENGINES</b> .....	134
TERMS OF COVERAGE .....	134
USES .....	134
DEFECTS .....	134
REPAIRS .....	134
WARRANTY PERIOD .....	134
LIKE REPLACEMENT ENGINE .....	134
SERVICE SUPPLIES .....	134
ENGINE REMOVAL AND REINSTALLATION .....	135
THIS WARRANTY DOES NOT COVER: .....	135
REPAIRS DUE TO ACCIDENTS, MISUSE, ALTERATION, STORAGE DAMAGE, NEGLIGENCE OR CERTAIN MODIFICATIONS .....	135
MAINTENANCE .....	135
INCIDENTAL OR CONSEQUENTIAL DAMAGE .....	136
OTHER LIMITATIONS .....	136

TABLE OF CONTENTS

---

<b>SPECIFICATIONS</b> .....	137
FUEL AND LUBRICATING OIL REQUIREMENTS .....	137
OIL PAN CAPACITY .....	137
OIL PAN CAPACITY .....	137
TOTAL OIL CAPACITY OF THE ENGINE .....	137
POWER COOL ENGINE PRODUCTS .....	138
FULLY FORMULATED IEG COOLANT .....	138
LATIN AMERICAN COOLANT .....	138
2000 SUPPLEMENTAL COOLANT ADDITIVE .....	139
3000 SUPPLEMENTAL ADDITIVE FILTERS .....	139
NEED RELEASE COOLANT FILTERS .....	140
PLUS EXTENDED LIFE OAT COOLANT .....	140
PLUS EXTENDER FOR POWER COOL PLUS OAT COOLANT .....	140
PLUS 6000 OAT INHIBITOR FOR WATER-ONLY SYSTEMS ....	141
COOLING SYSTEM CLEANERS .....	141
COOLANT TESTING AND ANALYSIS PRODUCTS .....	142

## INTRODUCTION

This guide is intended for use by the operator of a Detroit Diesel Series 60® engine used in the following applications:

- On-Highway Vehicles
- Fire Truck or Crash/Rescue Vehicles

### **Non-Genuine and Rebuilt Component Quality Alert**

In recent years, electronic engine controls have been instrumental in aiding engine manufacturers in meeting the stringent emission requirements of the U.S.

Environmental Protection Agency (U.S. EPA) and the California Air Resources Board (CARB) and also in meeting the ever-increasing performance demands of the customer.

Maintenance procedures are to be followed in order to continue satisfactory performance and durability and to ensure coverage of the engine under the manufacturer's warranty. Many of these maintenance procedures also ensure that the engine continues to comply with applicable emissions standards. The U.S. EPA specifically defines an engine's "useful emission life" — currently established as 435,000 miles (700,000 kilometers) for on-highway engines. Proper maintenance procedures, using

specific components engineered to comply with emissions regulations, may be performed by an authorized Detroit Diesel distributor or dealer, an independent outlet or the operator or owner. The owner is responsible for determining the suitability of components to maintain emissions compliance during the engine's useful emission life.

Electronic controls and components have significantly increased in sophistication, but the fundamental objective remains the same — precise timing and delivery of fuel. The very heart of the Detroit Diesel Electronic Controls (DDEC®) is the electronic unit injector (EUI). The proper functioning of the EUI is absolutely paramount if the benefits of electronic controls are to be realized. Detroit Diesel Corporation has built over 650,000 engines with electronic unit injectors — more than anyone else in the business.

Detroit Diesel cautions that the indiscriminate rebuilding of precision components, without the benefit of specifications, specialized equipment, and knowledge of the electronic operating system, will jeopardize performance or lead to more serious problems, and can take the engine outside of compliance with U.S. EPA or CARB emissions standards.

## INTRODUCTION

---

There are other components in an engine, such as turbocharger, camshaft, piston, etc., which are specifically designed and manufactured to exacting standards for emissions compliance. It is important that these components, if replaced, modified or substituted, can be verified to ensure that the engine remains in compliance with emissions standards. The use of inadequately engineered, manufactured or tested components in repair or rebuild of the engine may be in violation of the federal Clean Air Act and applicable U.S. EPA or CARB regulations.

Furthermore, modern engines exhibit operating parameters which require the use of proper fluids, such as fuel, coolant and lubricating oil, to maintain long engine life. The use of fluids that do not meet Detroit Diesel Corporation specifications may result in early wear out or engine failure.

## CAUTION SUMMARY

The following cautions must be observed by the operator of the vehicle or equipment in which this engine is installed and/or by those performing basic engine preventive maintenance. Failure to read and heed these cautions and exercise reasonable care for personal safety and the safety of others when operating the vehicle/equipment or performing basic engine preventive maintenance may result in personal injury and engine and/or vehicle/equipment damage.

### Engine Operation

Observe the following cautions when operating the engine.



#### **WARNING:**

##### **PERSONAL INJURY**

To avoid injury from loss of vehicle/vessel control, the operator of a DDEC equipped engine must not use or read any diagnostic tool while the vehicle/vessel is moving.



#### **WARNING:**

##### **PERSONAL INJURY**

Diesel engine exhaust and some of its constituents are known to the State of California to cause cancer, birth defects, and other reproductive harm.

- Always start and operate an engine in a well ventilated area.
- If operating an engine in an enclosed area, vent the exhaust to the outside.
- Do not modify or tamper with the exhaust system or emission control system.



#### **WARNING:**

##### **PERSONAL INJURY**

To avoid injury from engine shutdown in an unsafe situation, ensure the operator knows how to override the stop engine condition on a DDEC-equipped unit.



**CAUTION:**

**LOSS OF VEHICLE CONTROL**

To avoid injury from loss of vehicle control, do not activate the Engine Brake system under the following conditions:

- On wet or slippery pavement, unless the vehicle is equipped with ABS (anti-lock braking system) and you have had prior experience driving under these conditions.
- When driving without a trailer (bobtailing) or pulling an empty trailer.
- If the tractor drive wheels begin to lock or there is fishtail motion after the Engine Brake is activated, deactivate the brake system immediately if this occurs.



**CAUTION:**

**LOSS OF VEHICLE CONTROL**

To avoid injury from the loss of vehicle control, do not use cruise control under these conditions:

- When it is not possible to keep the vehicle at a constant speed (on winding roads, in heavy traffic, in traffic that varies in speed, etc.).
- On slippery roads (wet pavement, ice-or snow-covered roads, loose gravel, etc.).

**Preventive Maintenance**

Observe the following cautions when performing preventative maintenance.



**WARNING:**

**PERSONAL INJURY**

To avoid injury when working near or on an operating engine, remove loose items of clothing and jewelry. Tie back or contain long hair that could be caught in any moving part causing injury.





**WARNING:**  
**PERSONAL INJURY**

To avoid injury when working on or near an operating engine, wear protective clothing, eye protection, and hearing protection.



**CAUTION:**  
**USED ENGINE OIL**

To avoid injury to skin from contact with the contaminants in used engine oil, wear protective gloves and apron.



**WARNING:**  
**HOT OIL**

To avoid injury from hot oil, do not operate the engine with the rocker cover(s) removed.



**WARNING:**  
**PERSONAL INJURY**

To avoid injury when using caustic cleaning agents, follow the chemical manufacturers usage, disposal, and safety instructions.



**WARNING:**  
**FIRE**

To avoid injury from fire, contain and eliminate leaks of flammable fluids as they occur. Failure to eliminate leaks could result in fire.



**WARNING:**  
**PERSONAL INJURY**

To avoid injury from hot surfaces, wear protective gloves, or allow engine to cool before removing any component.



**WARNING:**  
**PERSONAL INJURY**

To avoid injury, use care when working around moving belts and rotating parts on the engine.



**WARNING:**

**FIRE**

To avoid injury from combustion of heated lubricating-oil vapors, stop the engine immediately if an oil leak is detected.



**WARNING:**

**FIRE**

To avoid injury from fire, do not smoke or allow open flames when working on an operating engine.



**WARNING:**

**PERSONAL INJURY**

To avoid injury from contact with rotating parts when an engine is operating with the air inlet piping removed, install an air inlet screen shield over the turbocharger air inlet. The shield prevents contact with rotating parts.



**WARNING:**

**FIRE**

To avoid injury from fire from a buildup of volatile vapors, keep the engine area well ventilated during operation.



**WARNING:**

**PERSONAL INJURY**

To avoid injury from rotating belts and fans, do not remove and discard safety guards.



**WARNING:**

**HOT COOLANT**

To avoid scalding from the expulsion of hot coolant, never remove the cooling system pressure cap while the engine is at operating temperature. Wear adequate protective clothing (face shield, rubber gloves, apron, and boots). Remove the cap slowly to relieve pressure.



**WARNING:**

**PERSONAL INJURY**

To avoid injury from slipping and falling, immediately clean up any spilled liquids.



**WARNING:**

**Battery Explosion and Acid Burn**

To avoid injury from battery explosion or contact with battery acid, work in a well ventilated area, wear protective clothing, and avoid sparks or flames near the battery. If you come in contact with battery acid:

- Flush your skin with water.
- Apply baking soda or lime to help neutralize the acid.
- Flush your eyes with water.
- Get medical attention immediately.

## Electrical System

Observe the following cautions when jump starting an engine, charging a battery, or working with the vehicle/application electrical system.



**WARNING:**

**ELECTRICAL SHOCK**

To avoid injury from electrical shock, do not touch battery terminals, alternator terminals, or wiring cables while the engine is operating.



**WARNING:**

**PERSONAL INJURY**

To avoid injury from accidental engine startup while servicing the engine, disconnect/disable the starting system.

## Cooling System

Observe the following cautions when servicing the cooling system.

 **WARNING:**  
HOT COOLANT

To avoid scalding from the expulsion of hot coolant, never remove the cooling system pressure cap while the engine is at operating temperature. Wear adequate protective clothing (face shield, rubber gloves, apron, and boots). Remove the cap slowly to relieve pressure.

 **WARNING:**  
PERSONAL INJURY

To avoid injury from slipping and falling, immediately clean up any spilled liquids.

## Air Intake System

Observe the following cautions when working on the air intake system.

 **WARNING:**  
PERSONAL INJURY


To avoid injury from hot surfaces, wear protective gloves, or allow engine to cool before removing any component.


 **WARNING:**  
PERSONAL INJURY


To avoid injury from contact with rotating parts when an engine is operating with the air inlet piping removed, install an air inlet screen shield over the turbocharger air inlet. The shield prevents contact with rotating parts.


## Fuel System

Observe the following cautions when fueling the vehicle or working with the fuel system.

 <b>WARNING:</b> FIRE
To avoid injury from fire, keep all potential ignition sources away from diesel fuel, including open flames, sparks, and electrical resistance heating elements. Do not smoke when refueling.

 <b>WARNING:</b> FIRE
To avoid injury from fire, contain and eliminate leaks of flammable fluids as they occur. Failure to eliminate leaks could result in fire.

 <b>WARNING:</b> FIRE
<b>To avoid injury from fire caused by heated diesel-fuel vapors:</b>
<ul style="list-style-type: none"><li><input type="checkbox"/> Keep those people who are not directly involved in servicing away from the engine.</li><li><input type="checkbox"/> Stop the engine immediately if a fuel leak is detected.</li><li><input type="checkbox"/> Do not smoke or allow open flames when working on an operating engine.</li><li><input type="checkbox"/> Wear adequate protective clothing (face shield, insulated gloves and apron, etc.).</li><li><input type="checkbox"/> To prevent a buildup of potentially volatile vapors, keep the engine area well ventilated during operation.</li></ul>

 <b>WARNING:</b> FIRE
To avoid increased risk of a fuel fire, do not mix gasoline and diesel fuel.

## Starting Aids

Observe the following cautions when using starting aids.



**WARNING:**  
**FLAMES, EXPLOSION AND TOXICITY**

To avoid injury from flames, explosion, and toxicants when using ether, the following precautions must be taken:

- Always wear goggles when testing.
- If fluid enters the eyes or if fumes irritate the eyes, wash eyes with large quantities of clean water for 15 minutes. A physician, preferably an eye specialist, should be contacted.
- Contents of cylinder are under pressure. Store cylinders in a cool dry area. Do not incinerate, puncture or attempt to remove cores from cylinders.




**WARNING:**  
**FLAMES, EXPLOSION AND TOXICITY**

To avoid injury from flames, explosion, and toxicants when using ether, the following precautions must be taken:

- Do not smoke when servicing ether system.
- Work in well ventilated area.
- Do not work near open flames, pilot flames (gas or oil heaters), or sparks.
- Do not weld or carry an open flame near the ether system if you smell ether or otherwise suspect a leak.


## Compressed Air


Observe the following cautions when using compressed air.

 <b>WARNING:</b> <b>EYE INJURY</b>
To avoid injury from flying debris when using compressed air, wear adequate eye protection (face shield or safety goggles) and do not exceed 276 kPa (40 psi) air pressure.


## Lubricating Oil and Filters

Observe the following cautions when replacing the engine lubricating oil and filters.

 <b>WARNING:</b> <b>PERSONAL INJURY</b>
To avoid injury from slipping and falling, immediately clean up any spilled liquids.

 <b>WARNING:</b> <b>FIRE</b>
To avoid injury from combustion of heated lubricating-oil vapors, stop the engine immediately if an oil leak is detected.

 <b>WARNING:</b> <b>FIRE</b>
To avoid injury from fire, do not smoke or allow open flames when working on an operating engine.

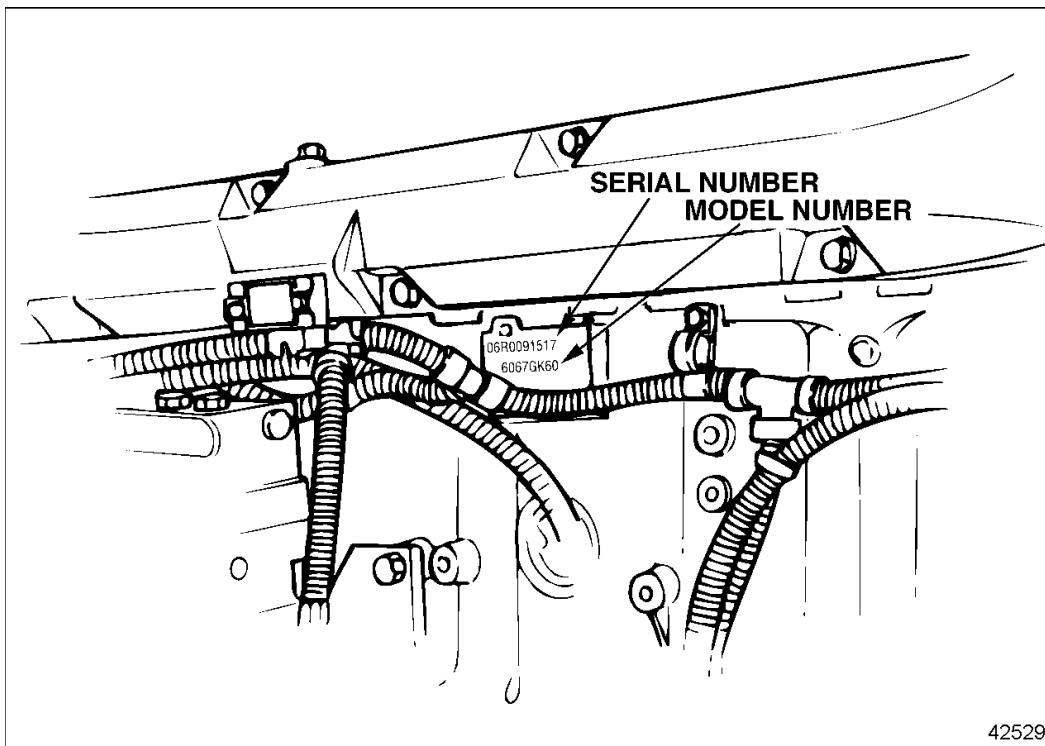
 <b>WARNING:</b> <b>FIRE</b>
To avoid injury from fire from a buildup of volatile vapors, keep the engine area well ventilated during operation.

## ENGINE MODEL AND SERIAL NUMBER DESIGNATION

The engine serial number and model number are laser etched on the cylinder block in the left side just below the intake manifold and above

the cast-in Detroit Diesel logo (as viewed from the flywheel end).

See Figure 1



**Figure 1** Location of Engine Serial and Model Numbers



## Certification Labels

If required, a certification label is attached to the valve rocker cover. This label certifies that the engine conforms to federal and certain state

emissions regulations for its particular application. It also gives the operating conditions under which certification was made. See Figure 2.

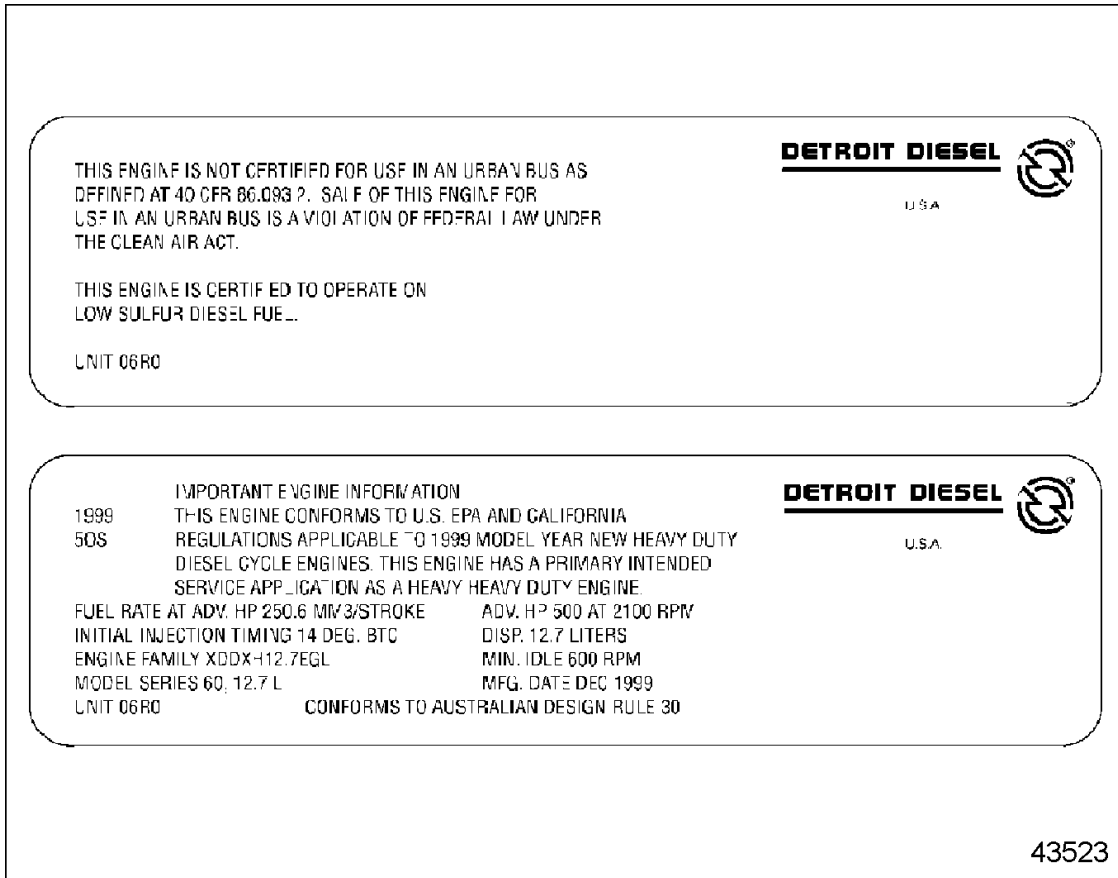


Figure 2 Typical Engine Certification Labels

## OPERATING INSTRUCTIONS FOR A FIRST TIME START

When preparing to start a new or newly overhauled engine which has been in storage, perform all of the operations listed below. Failure to follow these instructions may result in serious engine damage. Before a routine start, refer to the *MAINTENANCE* section and see the daily checks for your engine.

 **WARNING:**  
**PERSONAL INJURY**

**Diesel engine exhaust and some of its constituents are known to the State of California to cause cancer, birth defects, and other reproductive harm.**

- **Always start and operate an engine in a well ventilated area.**
- **If operating an engine in an enclosed area, vent the exhaust to the outside.**
- **Do not modify or tamper with the exhaust system or emission control system.**

 **WARNING:**  
**PERSONAL INJURY**

**To avoid injury when working near or on an operating engine, remove loose items of clothing and jewelry. Tie back or contain long hair that could be caught in any moving part causing injury.**

### System Checks

Perform the following system checks before starting for the first time.

#### Cooling System Checks

Check the cooling system as follows:

1. Make sure all drain cocks in the cooling system are installed (drain cocks are often removed for shipping) and are closed tightly.
2. Remove the radiator pressure control cap and fill with genuine Detroit Diesel *POWER COOL*® antifreeze or an equivalent quality ethylene glycol or propylene glycol-base antifreeze solution in the required concentration. In extremely hot environments, **properly inhibited** water may be used in the summer. Keep the coolant level at the bottom of the

filler neck to allow for expansion of the coolant. For more detailed recommendations, refer to *How to Select Coolant* in the *HOW-TO SECTION* of this guide.

3. Entrapped air must be purged after filling the cooling system. To do this, allow the engine to warm up with the pressure cap removed. With the transmission in neutral, increase engine speed above 1,000 rpm and add coolant to the radiator as required.
4. Check to make sure the front of the radiator and air-to-air charge cooler (if equipped) are unblocked and free of debris.

### Lubrication System Checks

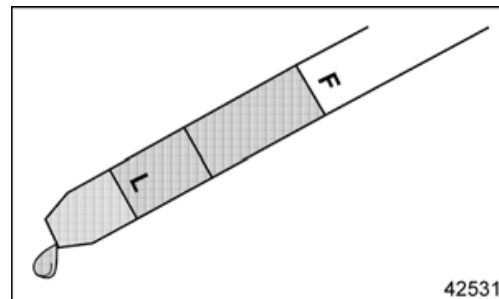
The lubricating oil film on the rotating parts and bearings of a new or newly overhauled engine, or one which has been in storage for six months or more, may be insufficient when the engine is started for the first time.

**NOTICE:**

Insufficient lubrication at startup can cause serious damage to engine components.

To insure an immediate flow of oil to all bearing surfaces at initial engine startup, the engine lubrication system should be charged with a

commercially available pressure pre-lubricator. If this is impractical, rocker covers should be removed and clean lubricating oil should be poured over the rocker arms. The oil should be the same weight and viscosity as that used in the crankcase. After pre-lubricating, add additional oil to bring the level to the proper mark on the dipstick. See Figure 3.



**Figure 3 Check Lube Oil Level Before Starting**

For lubricant recommendation, refer to *How to Select Lubricating Oil* in the *HOW-TO SECTION* of this guide.

**Extended Storage** — An engine in storage for an extended period of time (over winter, for example) may accumulate water in the oil pan through normal condensation of moisture (always present in the air) on the cold, internal surfaces of the engine.

**NOTICE:**

Failure to eliminate water-diluted lubricating oil may lead to serious engine damage at startup.

Lube oil diluted by water cannot provide adequate bearing protection at engine startup. For this reason, Detroit Diesel recommends replacing the engine lubricating oil and filters after extended storage.

**Fuel System Checks**

Fill the tanks with the recommended fuel. Keeping tanks full reduces water condensation and helps keep fuel cool, which is important to engine performance. Full tanks also reduce the chance for microbe (black slime) growth. For fuel recommendations, refer to *How to Select Fuel Oil* in the *HOW-TO SECTION* of this guide. Make sure the fuel shutoff valve (if used) is open.

**NOTICE:**

Prolonged use of the starting motor and engine fuel pump to prime the fuel system can result in damage to the starter, fuel pump and injectors.

This may cause erratic engine operation due to the amount of air in the lines and filters from the fuel supply tank to the cylinder head

**NOTICE:**

**Under no circumstances should a starting aid such as ether be used to run the engine until the fuel system is primed. Injector damage will result if this method is used.**

If an external starting aid is used, the heat generated by the external fuel source will cause the injector tips to be damaged when the fuel cools them. The injector plunger and bushing can be scored from running without lubrication.

**NOTICE:**

Engines equipped with starting devices dependent on compressed air or gas reservoirs should always be primed before initial startup. Otherwise, reserve pressure can be exhausted and injectors may be damaged from lack of lubrication and cooling.

To insure prompt starting and even running, the fuel system *must* be primed if air has entered the fuel system. Priming is done by connecting a manual or electric priming pump to the *secondary* fuel filter adaptor.

Authorized Detroit Diesel service outlets are properly equipped and have the trained technicians to perform this service.

Priming is not normally required if the filter elements are filled with clean fuel when installed and the manifolds are not drained of fuel.

If the engine is equipped with a fuel/water separator, drain off any water that has accumulated. Water in fuel can seriously affect engine performance and may cause engine damage. Detroit Diesel recommends installation of a fuel/water separator wherever water contamination is a concern.

### Other Checks

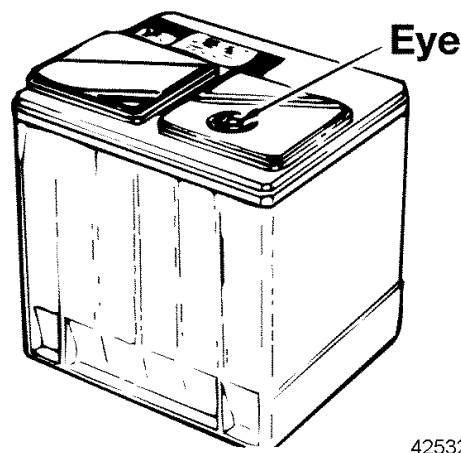
Make sure the transmission is filled to the proper level with the fluid recommended by the gear manufacturer. Do not overfill.

Make sure cable connections to the storage batteries are clean and tight. Check the hydrometer “eye” of maintenance-free batteries for charge. See Figure 4.

If lead-acid or low-maintenance batteries are used, make sure battery electrolyte level is normal.

Check the turbocharger for signs of oil or exhaust leaks. Leaks should be corrected before starting the engine. Check engine mounting bolts for

tightness. Bolts should be retightened, if necessary.



**Figure 4** Maintenance-Free Battery “Eye”

### Starting the Engine


Before starting the engine the first time, perform the operations listed in the *System Checks* section.

#### **NOTICE:**

The turbocharger may be seriously damaged if the engine is cranked with the air shutdown in the *closed* position.

An emergency manual or automatic shutdown system, must be set in the *open* position before starting.

The engine may require the use of a cold weather starting aid if the ambient temperature is below 40°F (4°C).

 <b>WARNING:</b> <b>FLAMES, EXPLOSION AND TOXICITY</b>
<p><b>To avoid injury from flames, explosion, and toxicants when using ether, the following precautions must be taken:</b></p> <ul style="list-style-type: none"><li>□ <b>Do not smoke when servicing ether system.</b></li><li>□ <b>Work in well ventilated area.</b></li><li>□ <b>Do not work near open flames, pilot flames (gas or oil heaters), or sparks.</b></li><li>□ <b>Do not weld or carry an open flame near the ether system if you smell ether or otherwise suspect a leak.</b></li></ul>

### Initial Engine Start

To start a Series 60 engine, make sure the transmission is in neutral and turn the ignition key on.

You will notice that both the Amber Warning Lamp and the Red Stop Lamp will come on. This is the result of the Detroit Diesel Electronic Control (DDEC®) computer diagnosing the system to ensure everything is functional, including the light bulbs

for the warning lights. If everything is OK, both lights will go out in approximately five seconds.

**Start the engine *after* the lights go out. If starting a vehicle, start the engine with foot *off* the foot pedal.**

<b>NOTICE:</b>
<p>If the warning lights stay on, or do not come on momentarily after turning on the ignition, contact DDC Technical Service. Operating the engine under these circumstances may result in engine damage.</p>

**Electric Starter** — Start an engine equipped with an electric starting motor as follows:

1. With foot OFF the foot pedal, press the starter switch firmly.

<b>NOTICE:</b>
<p>To prevent serious starting motor damage, do not press the starter switch again after the engine has started.</p>

2. If the engine fails to start within 15 seconds, release the starter switch and allow the starter to cool for 15 seconds before trying again. If the engine fails to start after four attempts, an inspection

should be made to determine the cause.

**Air Starter** — Because of the limited volume of most compressed air storage tanks and the relatively short duration of the cranking cycle, *it is important to make sure the engine is ready to start before activating the air starter.* Start an engine equipped with an air starter as follows:

1. Check the pressure in the air storage tank. If necessary, add air to bring the pressure up to at least the recommended minimum for starting.
2. With foot OFF the foot pedal, press the starter button firmly and hold until the engine starts.

## Running the Engine

While the engine is operating, monitor the battery charge indicator light, the oil pressure and avoid excessive idling.

### Oil Pressure

Observe the oil pressure gage immediately after starting the engine. A good indicator that all moving parts are getting lubrication is when the oil pressure gage registers pressure (5 psi or 35 kPa at idle speed). If no pressure is indicated within 10 to 15 seconds, stop the engine and

check the lubrication system. The pressure should not drop below 28 psi or 193 kPa at 1800 rpm, and normal operating pressure should be higher. If oil pressure does not fall within these guidelines, it should be checked with a manual gage.



**WARNING:**

**HOT OIL**

**To avoid injury from hot oil, do not operate the engine with the rocker cover(s) removed.**

### Warm-up

Run the engine at part throttle for about five minutes to allow it to warm up before applying a load.

### Inspection

While the engine is idling, inspect the transmission, check for fluid leaks, check the crankcase and turbocharger.

**Transmission** — While the engine is idling, check the automatic transmission (if equipped) for proper oil level and add oil as required.

**Fluid Leaks** — Look for coolant, fuel or lubricating oil leaks. If any are found, shut down the engine immediately and have the leaks repaired after the engine has cooled.

**Crankcase** — If the engine oil was replaced, stop the engine after normal operating temperature has been reached. Allow the oil to drain back into the crankcase for about twenty minutes, then check the oil level. If necessary, add oil to bring the level to the proper mark on the dipstick. Use only the heavy-duty oils recommended. Refer to *How to Select Lubricating Oil* in this guide.

**Turbocharger** — Make a visual inspection of the turbocharger for oil leaks, exhaust leaks, excessive noise or vibration. Stop the engine immediately if a leak or unusual noise or vibration is noted. ***Do not restart the engine until the cause of the concern has been investigated and corrected.*** Authorized Detroit Diesel service outlets are properly equipped to perform this service.

### **Avoid Unnecessary Idling**

Whenever possible, avoid unnecessary idling.

During long engine idling periods with the transmission in neutral, the engine coolant temperature may fall below the normal operating range. The incomplete combustion of fuel in a cold engine will cause crankcase oil dilution, formation of lacquer or gummy deposits on the valves, pistons, and rings, and rapid accumulation of

sludge in the engine. When prolonged idling is necessary, maintain at least 850 rpm spring/summer and 1200 rpm fall/winter.

### **Stopping the Engine**

Stop an engine under normal operating conditions as follows:

1. Reduce engine speed to idle and put all shift levers in the neutral position.

<b>NOTICE:</b>
Stopping a turbocharged engine immediately after high-speed operation without allowing a sufficient cool-down period may cause damage to the turbocharger, as it will continue to turn without an oil supply to the bearings.

2. Allow the engine to run between idle and 1000 rpm with no load for four or five minutes. This allows the engine to cool and permits the turbocharger to slow down. After four or five minutes, shut down the engine.



## Emergency Jump Starting

The DDEC V system operates on 12 or 24 volts DC. If a DDEC V engine with an electric starting motor requires emergency jump starting, *do not exceed 32 volts DC.*

Before attempting to jump start the engine, make sure the jumper cables are connected properly (positive to positive, negative to negative ground) and in the proper sequence (negative to negative ground *last*).



### **WARNING:** **BATTERY EXPLOSION**

To avoid injury from battery explosion when jump starting the engine, do not attach the cable end to the negative terminal of the disabled battery.



### **WARNING:** **Battery Explosion and Acid Burn**

To avoid injury from battery explosion or contact with battery acid, work in a well ventilated area, wear protective clothing, and avoid sparks or flames near the battery. If you come in contact with battery acid:

- Flush your skin with water.
- Apply baking soda or lime to help neutralize the acid.
- Flush your eyes with water.
- Get medical attention immediately.

### **NOTICE:**

Jump starting with voltages greater than those indicated or reversing battery polarity may damage the Electronic Control Unit.

### **NOTICE:**

Failure to connect jumper cables in the proper sequence can result in alternator and/or equipment damage.

## DDEC V SYSTEM

The DDEC system's engine-mounted Electronic Control Unit (ECU) includes control logic to provide overall engine management.

The ECU continuously performs self-diagnostic checks and monitors other system components. System diagnostic checks are made at ignition-on and continue throughout all engine-operating modes.

Detroit Diesel Series 60 engines equipped with DDEC are identified by the letter "V" in the sixth position of the model number. Example: 6067MV6E. The Series 60 engine for 2004 is equipped with DDEC V.

**The DDEC engine is equipped with an electronically controlled fuel injection system.** There are no control racks or mechanical linkages to adjust. This system improves fuel economy and vehicle performance. It also helps to reduce cold starting time and increase initial idle speed for fast engine warm-up and virtual elimination of cold smoke.

**The DDEC engine has no mechanical governor.** Engine horsepower, torque, idle, and engine speed are contained in the internal electronics. Therefore, there are no mechanical governor spring adjustments for idle and high-speed control.

**There is no need for a throttle delay.** Emission control is performed through the ECU.

**The Accelerator Pedal Assembly (AP) eliminates the need for any throttle linkage.**

## DDEC Features

DDEC offers a variety of features and options designed to warn the operator of an engine malfunction. Options can range from warning panel lights to automatic reduction in engine power followed by automatic engine shutdown.

**DDEC has the ability to perform diagnostics for self-checks and continuous monitoring of other system components.**

Depending on the application, DDEC can monitor oil temperature, coolant temperature, oil pressure, fuel pressure, coolant level and remote sensors (if used). DDEC connects to the Amber Warning Lamp (AWL) and the Red Stop Lamp (RSL) to provide a visual warning of a system malfunction.

## Engine Protection

The DDEC engine protection system monitors all engine sensors and electronic components, and recognizes system malfunctions. If a critical fault is detected, the AWL and RSL illuminate. The malfunction codes are logged into the ECU's memory.

The standard parameters which are monitored for engine protection are: low coolant level, high coolant temperature, low oil pressure, and high oil temperature.

This system features a 30-second, stepped-power shutdown sequence or an immediate speed reduction without shutdown in the event a major engine malfunction occurs, such as low oil pressure, high oil or coolant temperature, or low coolant level.



### **WARNING:**

#### **PERSONAL INJURY**

**To avoid injury from engine shutdown in an unsafe situation, ensure the operator knows how to override the stop engine condition on a DDEC-equipped unit.**

### **NOTICE:**

Engines equipped with the power-down/shutdown option have a system override button or switch to allow engine operation for a short period of time. Using the override button so the engine does not shutdown in 30 seconds but operates for an extended period may result in engine damage.

## Idle Shutdown Timer

**This feature is an optional 1 – 100 minute idle shutdown system.**

Its purpose is to conserve fuel by eliminating excessive idling and allowing a turbocharger cool-down period. To activate the shutdown, the transmission must be in neutral with the vehicle parking brakes set and the engine in idle or fast-idle mode.

## Cruise Control

Cruise Control is available with any DDEC engine. Cruise Control will operate in either Engine or Vehicle Speed Mode and maintain a targeted speed (MPH or RPM) by increasing or decreasing fueling. The targeted speed can be selected and adjusted with dash-mounted switches. See Figure 5.

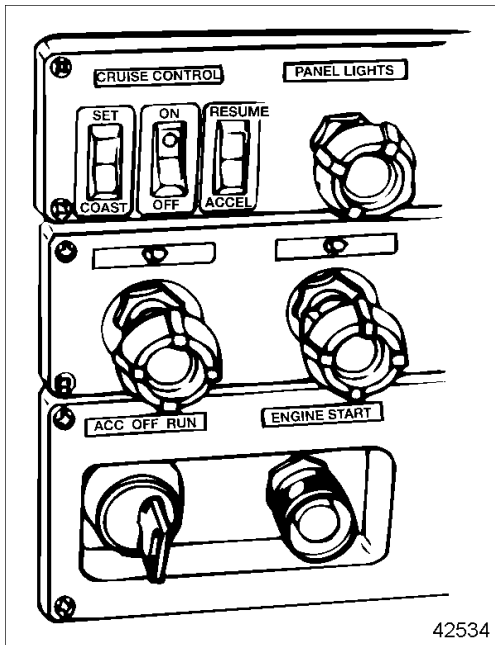


Figure 5 Typical Cruise Control Switches

Cruise Control may also be programmed to permit fast idle using the Cruise Control switches. With the engine at normal idle, transmission in neutral and service brakes on, turn on the Cruise Control On/Off Switch, and use the Resume Switch. The engine rpm should increase to a pre-defined speed. The engine rpm can be raised or lowered from this point using the Set and Resume switches.

**Cruise Control will maintain the set speed under normal road and load conditions.**



## CAUTION:

### LOSS OF VEHICLE CONTROL

To avoid injury from the loss of vehicle control, do not use cruise control under these conditions:

- When it is not possible to keep the vehicle at a constant speed (on winding roads, in heavy traffic, in traffic that varies in speed, etc.).
- On slippery roads (wet pavement, ice-or snow-covered roads, loose gravel, etc.).

## NOTICE:

When descending a hill with Cruise Control OFF, do not allow the engine to exceed 2,500 rpm under any conditions. Failure to observe this precaution can result in overspeeding and serious engine damage.

It cannot limit vehicle speeds on down grades if available engine braking effort is exceeded, nor can it maintain speed on upgrades if power requirements exceed engine power capability.

When the Cruise Control Switch is in the ON position, Cruise Control is engaged by momentarily contacting the Set/Coast Switch to the ON position. As a check after each engine start, DDEC looks for a one time activation of the clutch (if equipped) and service brake before DDEC allows Cruise Control to be enabled. The ECU must also recognize that the Cruise Enable Switch has changed. If the Cruise Enable Switch is off, it needs to be turned on. If the Cruise Enable Switch is on, it must be turned off then on for cruise to operate.

Holding the switch in the ON position allows the vehicle to slow to a lower speed. Toggling the switch will result in a one mile-per-hour (1.6 kph) decrease in vehicle speed. If Cruise Control has been disabled, toggling the Resume/Accel Switch restores the vehicle to the previously set cruise speed.

Using either the brake or the clutch will disable Cruise Control.

### Engine Brakes

Engine brakes are enabled by a dash-mounted On/Off switch with a separate intensity switch to select low, medium or high braking power.



### CAUTION:

#### LOSS OF VEHICLE CONTROL

**To avoid injury from loss of vehicle control, do not activate the Engine Brake system under the following conditions:**

- On wet or slippery pavement, unless the vehicle is equipped with ABS (anti-lock braking system) and you have had prior experience driving under these conditions.**
- When driving without a trailer (bobtailing) or pulling an empty trailer.**
- If the tractor drive wheels begin to lock or there is fishtail motion after the Engine Brake is activated, deactivate the brake system immediately if this occurs.**

The engine brakes will only operate when the Accelerator Pedal is fully released. Disengaging the clutch will prevent the engine brakes from operating.

Engine brakes will supply braking power even when in Cruise Control. The ECU will control the amount of engine braking with respect to the Cruise Control set speed. The maximum amount of braking (low, medium, high) is selected with the dash switches.

### Data Recording Capability

DDEC Reports is a data recording capability that is standard on all DDEC V engines. DDEC Reports contains information on driver activities, engine performance and critical incidence reporting. The information can be extracted with Detroit Diesel Diagnostic Link® 6.0 (DDDL 6.0) software. To perform the extraction, at least a 486 computer with a 16-MB RAM is required.

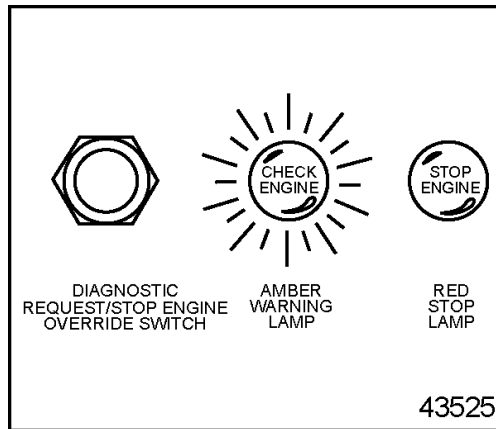
### DDEC V Operation

**NOTE:**

This engine is equipped with DDEC software. This software generally assures optimal engine performance. The installation of software upgrades may cause minor changes in features and engine performance.

Since the DDEC system is electronic, a battery is required to operate the computer. The system operates at 12 or 24 volts. However, in the event of a power supply malfunction, the system

will continue to operate at reduced voltage. When this occurs, the AWL will come on. See Figure 6.



**Figure 6 Typical Shutdown Override Switch and Engine Lamps**

The engine will only operate at reduced rpm until the battery voltage reaches a point where the ECU will no longer function and the engine shuts down.

Should the AWL come on for any reason, the vehicle can still be operated and the driver can proceed to the required destination. *This condition should be reported to an authorized Detroit Diesel distributor or dealer.*

**NOTICE:**

When the RSL comes on, the computer has detected a major malfunction in the engine that requires immediate attention. **It is the operator's responsibility to shut down the engine to avoid serious damage.**

The engine can be configured to give a warning only, to ramp down (reduce power) or to shut down. Ramp down will reduce engine rpm to a pre-determined speed, but will not shut down the engine. With the 30-second shutdown option, the engine will begin a 30-second, stepped power-down sequence until it shuts down completely.

A "Stop Engine Override" can be supplied in case the vehicle is to operate in a critical location.

### **Stop Engine Override Switch**

This feature allows the operator to override the automatic stop engine sequence by pressing the Stop Engine Override Switch every 15 to 20 seconds to prevent engine shutdown from occurring.

**NOTE:**

The Stop Engine Override Switch and the Diagnostic Request Switch are the same.

**NOTE:**

Holding down the Stop Engine Override Switch will not prevent the engine shutdown sequence. You must continue to reset the automatic shutdown system by pressing the Stop Engine Override Switch at intervals of approximately 15 to 20 seconds.

It takes 30 seconds from the time the automatic shutdown sequence begins until engine shutdown. Therefore, the operator *must* press the override switch just prior to engine shutdown and continue to do so until the vehicle can be brought to a stop in a safe location.

### **Immediate Speed Reduction**

The immediate speed reduction option will bring engine rpm back to a predetermined speed, but will not shut down the engine.

The engine should not be restarted after it has been shut down by the engine protection system, unless the problem has been located and corrected.

### **Red Stop Lamp**

The conditions that will cause the RSL to come on are:

- High coolant temperature
- Loss of coolant
- High oil temperature

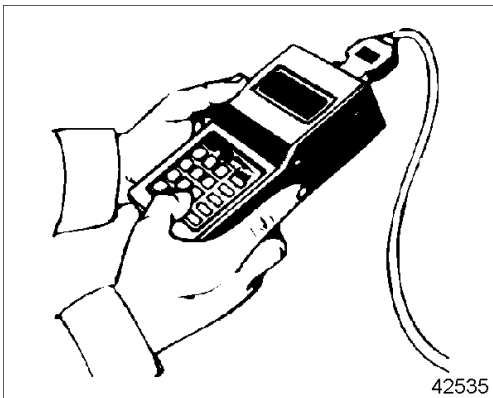
- Low oil pressure
- Auxiliary shutdown

It is important to point out that whenever the AWL or the RSL come on, the DDEC computer will determine where the problem is and will then store this information in its memory.

If the malfunction is intermittent, the lights will come on and go off as the computer senses the changing engine condition.

### Diagnostic Data Reader

The Diagnostic Data Reader (DDR) is a special diagnostic tool that can be plugged into the engine computer memory to extract information related to the cause of the problem. See Figure 7.



**Figure 7** Diagnostic Data Reader  
J 38500

Once the malfunction has been corrected, the DDEC system will return the engine to normal operation.

The DDR can distinguish between codes now active and those stored in the ECU memory (inactive).

The temperature of air in the intake system is increased with the addition of an EGR. DDEC is programmed to reduce fueling (power) for a short time to reduce air and coolant temperatures when necessary. DDEC will store an information code that this event occurred, but no corrective action is required as this action is designed to maintain operation without a noticeable affect on vehicle performance.

The malfunction code recorded in the computer memory will remain until it is erased by a technician.

The malfunction code can also be obtained by the operator. A Diagnostic Test Mode Switch is provided which, when pressed, will cause the AWL to flash a code number. It will, for example, flash twice. . . pause . . . flash once. . . pause. In other words, a code 21. Code 21 indicates the throttle position sensor input voltage is high. See Figure 8.

**NOTE:**

A code 25 (two flashes followed by 5 flashes) indicates all systems are working satisfactorily.



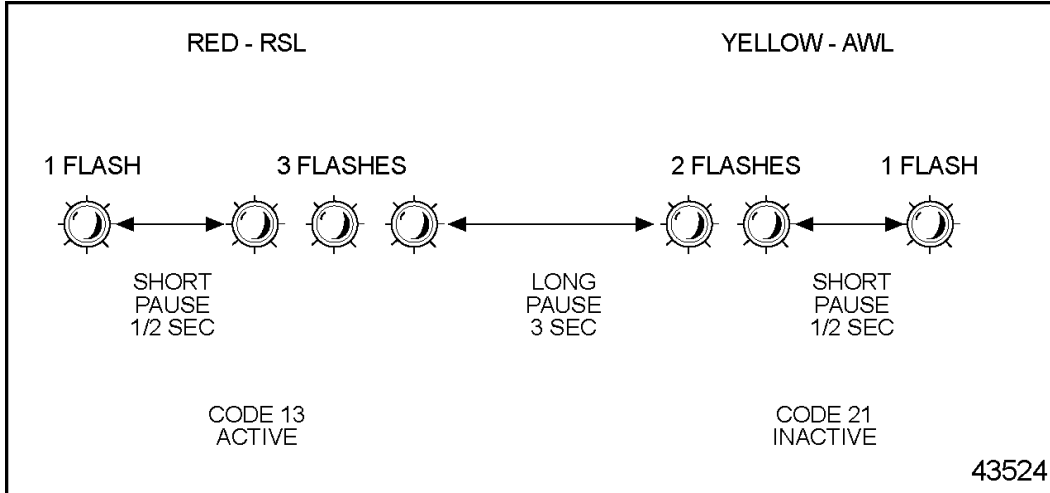


Figure 8 RSL/AWL Flashing Code Examples

**Active Codes** – The active codes will be flashed on the RSL in the order of most recent to least recent occurrence based on engine hours. If there are no active codes, a code 25 will be flashed.

**Inactive Codes** – The inactive codes will be flashed on the AWL in the order of most recent to least recent occurrence based on engine hours. If there are no inactive codes, a code 25 will be flashed.

**Only One Light Flashes at a Time** – Only one light will be flashing codes at any time. When code flashing is initiated, the active codes (or code 25) will be flashed on the RSL. Then the inactive codes (or code 25) will be flashed on the AWL. When all the inactive codes (or code 25) have been flashed, the process of flashing all the active codes followed by all the inactive codes will repeat until the

conditions for code flashing are no longer satisfied.

**To Read Codes:** Use the DDR or press and hold the Diagnostic Test Mode Switch with the ignition ON and the engine AT IDLE or NOT RUNNING. Press and hold the switch. Active codes will be flashed on the RSL first, followed by inactive codes being flashed on the AWL.

The codes will continue to flash and repeat as long as the diagnostic request switch is held in the ON position with the ignition on. Diagnostic codes are listed on the following pages.

Flash Code	Description
11	VSG Sensor Voltage Low
11	VSG Switch System Not Responding
12	VSG Sensor Voltage High
13	Coolant Level or Add Coolant Level Sensor Input Voltage Low or EGR Valve Current too High
14	Intercooler Coolant, Coolant, or Oil Temp Sensor Input Voltage High
15	Intercooler Coolant, Coolant, or Oil Temp Sensor Input Voltage Low
16	Coolant Level or Add Coolant Level Sensor Input Voltage High
17	Throttle Plate Position or Relative Humidity Sensor or Blower Bypass Position Input Voltage High
18	Throttle Plate Position or Relative Humidity Sensor or Blower Bypass Position Input Voltage Low
21	Throttle Position Sensor Input Voltage High
22	Throttle Position Sensor Input Voltage Low
23	Fuel Temp Sensor Input Voltage High
23	Oxygen Content Circuit Input Voltage High
24	Fuel Temp Sensor Input Voltage Low
24	Oxygen Content Circuit Input Voltage Low
25	Reserved for "No Codes"
26	Aux. Shutdown #1 or #2 Active
27	Intake Manifold Temp or Ambient Air Temp or Air Temp Sensor Input Voltage High
28	Intake Manifold Temp or Ambient Air Temp or Air Temp Sensor Input Voltage Low
29	TCI Temp Circuit Failed Low
29	Turbo Compressor Temp Out Sensor Input Voltage Low
31	Aux. Output #3, #4, #12, #13, #14, #15 or #16 Open Circuit (Hi Side), Short To Ground (Hi Side), or Mechanical System Failure
32	RSL or AWL Short to Battery (+) or Open Circuit
33	Turbo Boost Pressure Sensor Input Voltage High

<b>Flash Code</b>	<b>Description</b>
34	Turbo Boost Pressure Sensor Input Voltage Low
35	High Range Oil Pressure Sensor Input Voltage or Oil Pressure Sensor Input Voltage High
36	High Range Oil Pressure Sensor Input Voltage or Oil Pressure Sensor Input Voltage Low
37	High Range Fuel Pressure Sensor Input Voltage High
37	Fuel Pressure or Fuel Restriction Sensor Input Voltage High
38	High Range Fuel Press Sensor Input Voltage Low
38	Fuel Pressure Sensor Input Voltage Low
38	Fuel Restriction Sensor Input Voltage Low
39	EGR Leak — Boost Power or Boost Jake
39	EGR Valve Not Responding
39	VNT Vanes Not Responding — Boost Power
39	VNT Vanes at Max — Jake
39	VNT Vanes Not Responding — Boost Jake
39	EGR Flow too Low
39	VNT Vanes Not Responding — EGR
41	Too Many CKP Sensor (missing CMP Sensor)
42	Too few CKP Sensor (missing CKP Sensor)
43	Coolant Level Low
44	Intercooler Coolant, Coolant, Intake Manifold, Air Inlet or Oil Temp High
44	Engine Power Derate Due to Intake Manifold Temp, Oil Temp, or Coolant Temp
45	High Range Oil Pressure or Oil Pressure Low
46	ECU Battery Voltage Low
46	RTC Backup Battery or Sensor Supply Voltage Low
46	Injector V (reg), Injector V (slope) or Injector I (pull-in) Voltage Failed Low
47	High Range Fuel Pressure, Fuel Pressure, Turbo Boost Pressure, Air Inlet Pressure or Injection Control Pressure High

Flash Code	Description
47	Engine Power Derate Due to Turbo Boost Pressure
48	High Range Fuel Pressure, Fuel Pressure, Air Inlet Pressure, Injection Control Pressure or EGR Delta Pressure Low
48	TCI Temp, Turbo Compressor Temp Out, or EGR Temp Low
49	TCI Temp or Turbo Compressor Out Temp High
49	Engine Power Derate Due to Turbo Compressor Out Temp
51	TCI Temp Circuit Failed High
51	Turbo Compressor Out Temp Sensor Input Voltage High
52	A/D Conversion Fail or ADC Reference Voltage Low or High
53	Nonvolatile Checksum Incorrect
53	EEPROM Write Error
53	Out of Calibration
54	Vehicle Speed Sensor Fault
55	Other ECU Fault (Logged in conjunction with another fault)
55	J1939 Data Link Fault, Proprietary Data Link Fault (Master), or Proprietary Data Link Fault (Receiver)
56	J1587 Data Link Fault or J1922 Data Link Fault
58	Torque Overload or Two-speed Axle Switch Status not Responding or Failed
61	Injector xxx Response Time Long
62	Aux. Output #1, #2, #5, #6, #7, #8, #9, #10, or #11 Short to Battery (+)
62	Aux. Output #1, #2, #5, #6, #7, #8, #9, #10, or #11 Open Circuit
62	Aux. Output #1, #2, #5, #6, #7, #8, #9, #10 or #11 Mechanical System Failure or Not Responding Properly
63	PWM #1, #2 #3, #4, #5 or #6 Above or Below Normal Range
63	PWM #1, #2 #3, #4, #5 or #6 Short to Battery (+) or Open Circuit
63	PWM #5 or #6 Mechanical System Failed
64	Turbo Overspeed
64	Turbo Speed Sensor Input Failure — Abnormal Period

Flash Code	Description
65	Throttle Plate Position Above Normal Range, Below Normal Range, Erratic or Not Responding
65	Air Filter Restriction and Oil Filter Restriction Sensor Voltage High
65	Air Filter Restriction and Oil Filter Restriction Sensor Voltage Low
66	Engine Knock Level Above Normal Range
66	Engine Knock Level Sensor Input Voltage High or Low
66	Engine Knock Level Sensor Not Responding
67	High Range Coolant Pressure, Air Inlet Pressure or Coolant Pressure Sensor Input Voltage High
67	High Range Coolant Pressure, Air Inlet Pressure or Coolant Pressure Sensor Input Voltage Low
68	TPS Idle Validation Circuit Fault (open circuit or short to ground)
71	Injector xxx Response Time Short
72	Vehicle Overspeed or Vehicle Overspeed (Absolute)
72	Oxygen Content Too High or Too Low
73	Air Filter Restriction High
73	Gas Valve Position Above or Below Normal Range
73	Gas Valve Position Input Voltage High or Low
73	Gas Metering Valve Not Responding
74	Optimized Idle® Safety Loop Short to Ground
74	Oil Filter Restriction High
75	Injector V (reg), Injector V (slope) or Injector I (pull-in) Voltage Failed High
75	ECU Battery Voltage High
75	RTC Backup Battery or Sensor Supply Voltage High
76	Engine Overspeed With Engine Brake
77	Miscellaneous Faults — refer to BASIC TROUBLESHOOTING.
78	Cruise Control/Adaptive Cruise Control Fault
81	Oil Level, Crankcase Pressure, Injection Control Pressure or Exhaust Temp Sensor Input Voltage High
81	Extended Crankcase Pressure Input Voltage High

Flash Code	Description
81	EGR Delta Pressure Sensor Circuit, Engine Oil Life Circuit, or EGR Temp Circuit Failed High
81	Timing Actuator Failed High or Low
81	Exhaust Port Temp #1–17 Sensor Voltage High
81	EGR Rate Sensor or EGR Temperature Network Sensor not Responding
82	Oil Level, Crankcase Pressure ,Extended Crankcase Pressure, Injection Control Pressure or Exhaust Temp Sensor Input Voltage Low
82	EGR Rate Network Sensor or EGR Temperature Network Sensor Failed
82	EGR Delta Pressure Sensor Circuit, Engine Oil Life Circuit, or EGR Temp Circuit Failed Low
82	Exhaust Port Temp #1–16 Sensor Voltage Low
82	EGR Temperature Smart Sensor not Responding or Failed
83	Pump Pressure, Oil Level, Crankcase Pressure, Extended Crankcase Pressure, Exhaust Temp, EGR Delta Pressure or EGR Temp High
83	Exhaust Port Temperature #1–17 High
83	Coolant Ingress Fault Detected
83	Change Oil Now
84	Oil Level, Crankcase Pressure or Extended Crankcase Pressure Low
84	Change Oil Soon
85	Engine Overspeed or Engine Overspeed Signal
86	Pump Pressure or Barometric Pressure Sensor Input Voltage High
87	Pump Pressure or Barometric Pressure Sensor Input Voltage Low
88	High Range Coolant Pressure or Coolant Pressure Low
89	Fuel Restriction High
89	Maintenance Alert Coolant Level Fault

## DDEC V ENGINE DRIVING TIPS

Driving with an electronically controlled engine feels different from driving with a mechanically governed engine.

### Accelerating the Vehicle

Engine response versus pedal movement may feel different from the mechanical-governed engine you were driving. The Accelerator Pedal was designed to communicate “percentage” foot pedal travel to the engine's Electronic Control Unit (ECU). The engine will respond accordingly to the driver's demand.

Another throttle or governor characteristic you may need time to get used to is the DDEC Limiting Speed Governor. This allows the driver to command total engine response between idle and rated speed, such as accelerating at half throttle – an advantage when driving under slippery conditions.

If you require wide-open throttle engine response, either accelerating or just plain pulling hard, the throttle (AP) will have to be held to the floor. To obtain 100% fueling at any speed, the Accelerator Pedal will have to be maintained at the fully pressed position.

### Cruise Control

For added driver convenience and comfort, DDEC V also features a Cruise Control option that works just like the system in your car. It can be operated in any gear above 1000 rpm or road speed faster than 20 mph (32 kph), up to the rated engine speed. And it can be programmed to hold your road speed at or below the maximum vehicle speed. The switch to energize Cruise Control is usually mounted on the instrument panel. See Figure 9.

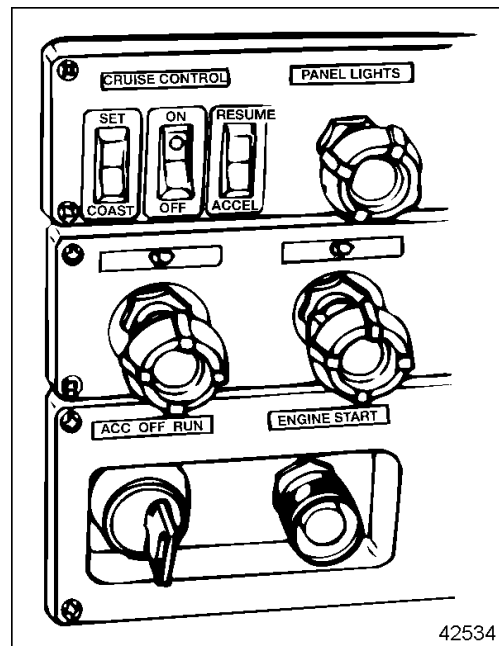


Figure 9 Typical Cruise Control Switches

Turn the switch ON to energize the system. Remember as a check after each engine start, DDEC looks for a one time activation of the clutch (if equipped) and service brake before DDEC allows Cruise Control to be enabled.

The ECU must also see or recognize that the Cruise Enable Switch has changed. If the Cruise Enable Switch is OFF it needs to be turned ON. If the Cruise Enable Switch is left in the ON position at key OFF, the switch must be cycled OFF then ON for DDEC V to see a status change to allow Cruise Control activation. The status of DDEC V inputs to activate Cruise Control at key ON is listed in Table 1.

Once Cruise Control is enabled and you reach your road speed, press the Set Switch to activate Cruise Control. The cruise light will come on. To increase road

speed in one mile-per-hour (1.6 kilometer-per-hour) increments, press the Resume/Accel Switch. To reduce road speed, press and hold the Set/Coast Switch until the lower speed is reached.

Cruise Control is deactivated by slightly pressing the service brakes, clutch pedal, or trailer brake. The On/Off Switch will also deactivate Cruise Control.

Cruise Control will maintain vehicle speed even on up grades, unless power requirements demand a downshift. And, of course, Cruise Control does not limit your speed on down grades. Most likely, Cruise Control will feel stronger than driving with the foot pedal because of the instantaneous and wide-open throttle response. That's why Cruise Control use is not suggested during slippery driving conditions.

<b>Input</b>	<b>Status of Input at Key ON</b>	<b>Status of Input Before Cruise Control Activates</b>
Service Brake Switch	ON	OFF
Clutch Release Switch (Manual Trans only)	ON	OFF
Cruise Control Enable Switch	OFF	ON

**Table 1 Input Status to Activate Cruise Control**



Use Cruise Control after down shifting on a hill to pull the hill. Hitting the Resume Switch (not the Set Switch) will keep the truck accelerating in the lower gears up to the rated engine speed.

Cruise Control will disengage below 1000 rpm or 20 mph (32 kph) road speed. When using Cruise Control, if you want to pull the engine below 1000 rpm, remember to hold the throttle pedal to the floor to keep the engine pulling at wide-open throttle. Realistically, the engine will pull to about 1050 rpm.

*Remember:* The electronic data programmed into the ECU will not allow you to hurt or overfuel the engine at low or “lug” engine speeds. There is enough oil pressure to withstand hard pulls at low engine speeds.

## Engine Brakes and Cruise Control

If your engine is equipped with both Cruise Control and engine brake retarders, the engine retarders can operate automatically while you are in Cruise Control. If the Cruise Control/Engine Brake function is turned ON in the ECU programming, the engine retarders will come on “low” when your set road speed increases a few miles-per-hour (kilometers per hour) above your

cruise set speed. If your speed continues to increase, the ECU will increase the engine retarders' braking power progressively. When the vehicle returns to the set cruise speed, the engine retarders will turn off until you need them.

For safety reasons, don't use Cruise Control when it is not possible to keep the vehicle at constant speed due to:

- Winding roads
- Heavy traffic
- Slippery pavement
- Descending grades that call for engine brake assistance.

For an explanation of the engine brake retarder system and recommendations for proper operation, refer to ENGINE BRAKE SYSTEM.

## Shifting

Depending on your transmission model, the gear split may vary from 500 to 300 rpm. The electronic governor provides almost no overrun capability; and, if the transmission is downshifted too early, you will experience a temporary loss of pulling power until the engine speed falls below rated speed.

In general, when using a 7- or 9-speed transmission, you should always downshift between 1250 and 1300 rpm. This is true even on steep grades with heavy loads. When using an 18-, 15- or 13-speed transmission, you will need to downshift at an rpm that allows “less than rated” rpm before throttle application in the next gear down. You may want to limit engine speed to 1900 rpm in all gears. The Series 60 provides horsepower through 2100 rpm, but fuel economy is not as efficient above 1800 rpm.

Low rpm operation should feel greatly enhanced due to the characteristics of the variable nozzle turbocharger. Engine response should be almost instantaneous below peak torque engine speeds. This should encourage progressive shifting especially during slow vehicle speed operation.

If you decide to drive at lower rpm's for improved fuel economy, don't let different engine noises throw you off guard. The Series 60 sounds quiet at 1400 rpm, almost as if it had quit pulling. Don't believe it! If you had a boost gage to look at while driving, you would notice the turbocharger maintaining steady intake manifold pressure, even as rpm's fall. Depending on the air intake arrangement, you may also experience a “chuffing” sound as the engine starts to pull hard at lower rpm's. This is caused by the velocity

changes of the air flow within the air intake plumbing. Electronic engines can actually deliver more fuel at lower engine speeds than at rated speed.

One difference you may notice with the EGR equipped engine is underhood noise. The gear train has been redesigned for quieter operation, and the EGR gas flow may be noticeable to the tuned attentive ear. The turbocharger operates at higher boost pressure forcing EGR gas flow through the EGR plumbing which is a noticeable change from non-EGR equipped engines. In some situations the driver may believe he/she has experienced a charge air cooler system leak. Even connecting trailer light and air hoses, the driver may hear a different tone (exhaust and underhood with the engine idling.) If equipped with a turbo boost gage, the driver may occasionally note intake manifold pressure exceeds 35 psi.

## Idling

The common belief that idling a diesel engine causes no engine damage is wrong. Idling produces sulfuric acid, which breaks down the oil and eats into bearings, rings, valve stems and engine surfaces. If you must idle the engine for cab heat or cooling, the *high idle* function of the Cruise Control switches should be used. An idle speed of 1100 rpm should be enough to provide cab heat in above 32° F (0° C) ambients.

## Winter Fronts

A winter front may be used to improve cab heating while idling. At least 25% of the grill opening should remain open in sectioned stripes that run perpendicular to the charge air cooler tube flow direction. This assures even cooling across each tube and reduces header to tube stress and possible failure. Winter fronts should only be used when the ambient temperature remains below 10° F (-12.2° C).

## ENGINE BRAKE SYSTEM

Certain Series 60 vehicle engines are equipped with engine brakes, commonly referred to as *retarders*. Before operating the vehicle, you *must* familiarize yourself with the retarder system to obtain optimum benefit from it. Engine brake control systems may vary slightly, depending on the engine brake configuration and cab design. However, basic operator controls are similar for all models.

### Driver Control Switches

Vehicles with manual transmissions allow the driver to turn the engine brake on and off and select a low, medium or high level of braking. Two types of switches are available.

#### Low/High Switch

The “Low” setting on this switch activates three (3) brake cylinders, supplying approximately 50% of normal engine braking horsepower. The “High” setting activates all six (6) cylinders, providing full engine braking horsepower.

#### Low/Med/High Switch

The “Low” setting on this switch activates two (2) brake cylinders, yielding about one-third engine braking horsepower. The “Medium” activates four (4) cylinders, supplying

about two-thirds engine braking horsepower. The “High” setting activates all six (6) cylinders, providing full braking horsepower.

### Clutch Pedal and Throttle Position Controls

Engine brakes have two additional controls, one activated by the position of the clutch pedal and the other activated by the position of the throttle. These controls permit fully automatic operation of the engine braking system.

### Engine Brake Operation

The engine brake retarder system depends on a full-pressure flow of warm engine lubricating oil for proper lubrication of moving parts and optimum performance. .

NOTICE:
To ensure positive engine brake engagement when required, always allow the engine to reach full normal operating temperature before activating the engine brake system.



**CAUTION:**

**LOSS OF VEHICLE CONTROL**

To avoid injury from loss of vehicle control, do not activate the Engine Brake system under the following conditions:

- On wet or slippery pavement, unless the vehicle is equipped with ABS (anti-lock braking system) and you have had prior experience driving under these conditions.
- When driving without a trailer (bobtailing) or pulling an empty trailer.
- If the tractor drive wheels begin to lock or there is fishtail motion after the Engine Brake is activated, deactivate the brake system immediately if this occurs.

you press the clutch pedal while shifting gears.

**NOTICE:**

Do not attempt to “double clutch” the transmission while the engine brake system is turned on. Shifting gears without pressing the clutch or using the engine brake to reduce engine rpm may result in serious powertrain damage.

**NOTE:**

Some systems may be programmed to activate themselves only when the brake pedal is pressed, so read your vehicle owner's manual thoroughly to find out if you have this option.

Under normal driving conditions the engine brake system is left in the ON position. However, this should change if roads become wet or slippery.

After it is switched on, the engine brake system is automatically activated each time you remove your feet completely from the clutch pedal and throttle. The engine brake automatically deactivates itself when

## Anti-Lock Braking Systems

Vehicles equipped with ABS (anti-lock braking systems) have the ability to turn the engine brake retarder OFF if a wheel-slip condition is detected. The engine brake will automatically turn itself ON once the wheel slip is no longer detected. The DDEC system will deactivate the engine brake system when the engine speed falls below 1000 rpm or when the vehicle slows down to a pre-set speed, depending on DDEC programming. This prevents stalling the engine. Engine brakes can also be used with vehicle Cruise Control TURNED ON.

## Driving on Flat, Dry Pavement

Use the following guidelines when driving on flat, dry pavement:

1. If driving on flat, dry, open stretches with a light load and greater slowing power is not required, place the progressive braking switch in the LOW position.
2. If you find you are still using the service brakes, move the switch to a higher position until you do not need to use the service brakes to slow the vehicle down.
3. If you are carrying a heavier load and road traction is good, move the progressive braking switch to the “High” position.
4. Check your progressive braking switch often for proper position, since road conditions can change quickly. *Never skip a step when operating the progressive braking switch.* Always go from OFF to LOW, and then to a higher position.

## Descending a Long, Steep Grade

An explanation of “control speed” may be helpful in understanding how to use the engine brake system while descending a grade. *Control Speed* is the constant speed at which the forces pushing the vehicle forward on a grade are equal to the forces holding it back, without using the vehicle service brakes. In other words, *this is the speed the vehicle will maintain without using the service brakes or fueling.*



**CAUTION:**

**BRAKE FADE**

To avoid injury, do not over apply the vehicle service brakes when descending a long, steep grade. Excessive use of the vehicle brakes will cause them to heat up, reducing their stopping ability. This condition, referred to as “brake fade”, may result in loss of braking, which could lead to personal injury or vehicle/property damage or both.



**WARNING:**

**PERSONAL INJURY**

Failure to keep the vehicle within safe control speed limits while descending a grade may result in loss of vehicle control, which could cause personal injury.

**NOTICE:**

Failure to keep the vehicle within safe control speed limits while descending a grade may result in vehicle or property damage or both.

Use the following guidelines when descending a long, steep grade:

1. Before beginning the descent, determine if your engine brake system is operating properly by lifting your foot briefly off the throttle. You should feel the system activate.
2. Ensure the progressive braking switch is in the appropriate power position.
3. Do not exceed the *safe control speed* of your vehicle. Example: You could descend a 6% grade, under control only at 10 mph (16 kph) without an engine brake, but at 25 mph (40 kph) with an engine brake. You could not descend that same hill at 50 mph (80 kph) and still expect to remain under control. Get to know how much slowing power your engine brake can provide. So get to know your engine brake system *before* climbing hills and do not exceed a safe control speed.
4. Check your progressive braking switch often for proper position, since road conditions can change quickly. *Never skip a step when*

*operating the progressive braking switch. Always go from OFF to LOW and then to a higher position when on slippery roads.*

## Driving on Wet or Slippery Pavement

Do not attempt to use the engine brake system on wet or slippery roads until you have some experience with it on dry pavement.



### CAUTION:

#### LOSS OF VEHICLE CONTROL

**To avoid injury from loss of vehicle control, do not activate the Engine Brake system under the following conditions:**

- **On wet or slippery pavement, unless the vehicle is equipped with ABS (anti-lock braking system) and you have had prior experience driving under these conditions.**
- **When driving without a trailer (bobtailing) or pulling an empty trailer.**
- **If the tractor drive wheels begin to lock or there is fishtail motion after the Engine Brake is activated, deactivate the brake system immediately if this occurs.**

### NOTE:

On single trailers or combinations, a light air application of the trailer brakes may be desirable to help keep the trailer stretched out. Follow the manufacturer's recommended operating procedure when using your trailer brakes.

On wet or slippery pavement, start with the master switch in the OFF position and use the gear you would normally use under these conditions.

If the vehicle is maintaining traction, place the selective braking switch in the LOW position and turn ON the engine brake system. If the drive wheels are maintaining traction and you desire greater slowing power, move the braking switch to the next highest position.

However, if the tractor drive wheels begin to lock or there is a fishtail motion, *turn the engine brake system OFF immediately and do not activate it until road conditions improve.*

Check your progressive braking switch often for proper position, since road conditions can change quickly. Never skip a step when operating the progressive braking system. Always go from OFF to LOW and then to a higher position.



## ENGINE SYSTEMS

The engine systems are the following:

### Fuel System

The fuel system consists of DDEC, fuel injectors, fuel manifolds (integral with the cylinder head), fuel pump, a cooling plate for the ECU on non-automotive engines, primary and secondary fuel filters, and the necessary connecting fuel lines.

### Lubrication System

The lubricating oil system consists of an oil pump, oil cooler, two full-flow oil filters, bypass valves at the oil pump and oil filter adaptor, and oil pressure regulator valve in the cylinder block vertical oil gallery.

### Air System

The outside air drawn into the engine passes through the air filter and is pulled into the turbocharger and compressed. It then moves to the air-to-air charge cooler (heat exchanger) and is cooled. Next it flows to the intake manifold and into the cylinders, where it mixes with atomized fuel from the injectors.

For optimum protection of the engine from dust and other airborne contaminants, service the dry type air cleaners used *when the maximum*

*allowable air restriction has been reached, or annually, whichever occurs first.*

### Cooling System

A radiator/thermo-modulated fan cooling system is used on Series 60 engines. This system has a centrifugal type fresh water pump to circulate coolant within the engine. Two full-blocking type thermostats located in a housing attached to the right side of the cylinder head control the flow of coolant.

### Electrical System

The electrical system consists of a starting motor, starting switch, battery-charging alternator, storage batteries, and the necessary wiring.

### Exhaust System

Hot exhaust gas flowing from the exhaust manifold into the exhaust riser is used to drive the turbocharger.

### Exhaust Gas Recirculation System

The purpose of the Exhaust Gas Recirculation System (EGR) is to reduce engine exhaust gas emissions in accordance with EPA regulations.

## MAINTENANCE

The following is intended as a guide for establishing preventive maintenance intervals. The recommendations given should be followed as closely as possible to obtain long life and optimum performance from your engine. Maintenance intervals indicated are time (hours) of actual operation.

The intervals shown apply only to the maintenance functions described. These functions should be coordinated with other regularly scheduled maintenance.

### Scheduled Intervals

A description of the maintenance to be performed for each item in the following tables can be found in the Preventive Maintenance Intervals section.

Recommended maintenance intervals for Series 60 on-highway truck and parlor coach engines are listed in Table 2, Table 3 and Table 4. Recommended maintenance intervals for Series 60 transit coach engines are listed in Table 5, Table 6, and Table 7. Recommended maintenance intervals for Series 60 fire fighting, crash/rescue, and emergency vehicle engines are listed in Table 8, Table 9, and Table 10.

### NOTICE:

**Failure to check and maintain SCA (supplemental coolant additive) levels at required concentrations will result in severe damage (corrosion) to the engine cooling system and related components.** Coolant must be inhibited with the recommended SCAs listed in this guide. Refer to "How to Select Coolant". In addition, the engine can be equipped with a coolant filter/inhibitor system as an installed option or as an after-sale item.

Item	Daily Checks	7,500 Miles (12,000 Km)	15,000 Miles (24,000 Km)
1. Lubricating Oil	I	—	R
2. Fuel Tank	I	—	—
3. Fuel Lines & Flex Hoses	I	—	—
4. Cooling System	I	—	—
5. Turbocharger	I	—	I
6. Battery	—	I	—
7. Tachometer Drive	—	—	I
8. Drive Belts	—	I	—
9. Air Compressor	—	I	—
10. Air Cleaner	—	—	I
11. Lube Oil Filters	—	—	R
12. Fuel Filters	—	—	R
13. Coolant/Inhibitor Level	—	—	I

All items are described in Preventive Maintenance Intervals.

**I** – Inspect, service, correct or replace as necessary.

**R** – Replace.

**Table 2 On-Highway Truck and Parlor Coach Daily, 7,500 Mile, and 15,000 Mile Checks**

Months	6	12	18	24	30	36	42	48	54	60
Miles/Km ( X 1000)	15/ 24	30/ 48	45/ 72	60/ 96	75/ 120	90/ 144	105/ 168	120/ 192	135/ 216	150/ 240
Item	Procedure									
1. Lubricating Oil	Replace every 15,000 miles (24,000 km).									
2. Fuel Tank	—	I	—	I	—	I	—	I	—	I
4. Cooling System	—	—	—	I	—	—	—	I	—	—
5. Turbocharger	I	I	I	I	I	I	I	I	I	I
7. Tachometer Drive	I	I	I	I	I	I	I	I	I	I
8. Drive Belts	I	I	I	I	I	I	I	R	I	I
9. Air Compressor	I	I	I	I	I	I	I	I	I	I
11. Lube Oil Filter	Replace when lubricating oil is changed.									
12. Fuel Filters	R	R	R	R	R	R	R	R	R	R
13. Coolant Pump/ Inhibitor Level	I	I	I	I	I	I	I	I	I	I
14. Cranking Motor	Follow manufacturer's recommendations.									
15. Air System	I	I	I	I	I	I	I	I	I	I
16. Exhaust System	I	I	I	I	I	I	I	I	I	I

All items are described in Preventive Maintenance Intervals.

I – Inspect, service, correct or replace as necessary.

R – Replace.

**Table 3 On-Highway Truck and Parlor Coach Regular Maintenance Intervals**

Months	6	12	18	24	30	36	42	48	54	60
Miles/Km ( X 1000)	15/ 24	30/ 48	45/ 72	60/ 96	75/ 120	90/ 144	105/ 168	120/ 192	135/ 216	150/ 240
Item	Procedures									
17. Engine (Steam Clean)	—	—	—		—	—	—		—	—
18. Radiator & A/A Charge Cooler	—		—		—		—		—	
19. Oil Pressure	—	—	—		—	—	—		—	—
20. Battery Charging Alternator										
21. Engine & Transmission Mounts	—	—	—		—	—	—		—	—
22. Crankcase Pressure	—	—	—		—	—	—		—	—
23. Fan Hub	—	—	—	—	—	—	—		—	—
24. Thermostats & Seals	—	—	—	—	—	—	—		—	—
25. Crankcase Breather	—	—	—	—	—	—	—		—	—
26. Engine Tune-Up	—	—	—		—	—	—	—	—	—
27. Vibration Damper	Replace at major engine overhaul or earlier if dented or leaking.									

All items are described in Preventive Maintenance Intervals.

I – Inspect, service, correct or replace as necessary.

R – Replace.

**Table 4 On-Highway Truck and Parlor Coach Regular Maintenance Intervals (continued)**

*MAINTENANCE*

---

Item	Daily Checks	6,000 Miles (9,600 Km)	7,500 Miles (12,000 Km)	15,000 Miles (24,000 Km)
1. Lubricating Oil	I	R	—	—
2. Fuel Tank	I	—	—	—
3. Fuel Lines & Flexible Hoses	I	—	—	—
4. Cooling System	I	—	—	—
5. Turbocharger	I	—	—	I
6. Battery	—	—	I	—
8. Drive Belts	—	—	I	—
9. Air Compressor	—	—	I	—
10. Air Cleaner	—	—	—	I
11. Lube Oil Filters	—	R	—	—
12. Fuel Filters	—	—	—	R
13. Coolant/ Inhibitor Level	—	—	—	I

All items are described in Preventive Maintenance Intervals.

I – Inspect, service, correct or replace as necessary.

R – Replace.

**Table 5 Transit Coach Daily, 6,000 Mile, 7,500 Mile, and 15,000 Mile Checks**

Months	6	12	18	24	30	36	42	48	54	60
Miles/Km ( X 1000)	15/ 24	30/ 48	45/ 72	60/ 96	75/ 120	90/ 144	105/ 168	120/ 192	135/ 216	150/ 240
Item	Procedures									
1. Lubricating Oil	Replace every 6,000 miles (9,600 km).									
2. Fuel Tank	—	I	—	I	—	I	—	I	—	I
4. Cooling System	—	—	—	I	—	—	—	I	—	—
5. Turbocharger	I	I	I	I	I	I	I	I	I	I
7. Tachometer Drive	I	I	I	I	I	I	I	I	I	I
8. Drive Belts	I	I	I	I	I	I	I	R	I	I
9. Air Compressor	I	I	I	I	I	I	I	I	I	I
11. Lube Oil Filters	Replace when lubricating oil is changed.									
12. Fuel Filters	R	R	R	R	R	R	R	R	R	R
13. Coolant Pump/ Inhibitor Level	I	I	I	I	I	I	I	I	I	I
14. Cranking Motor	Follow manufacturer's recommendations.									
15. Air System	I	I	I	I	I	I	I	I	I	I

All items are described in Preventive Maintenance Intervals.

**I** – Inspect, service, correct or replace as necessary.

**R** – Replace.

**Table 6 Transit Coach Regular Maintenance Intervals**

Months	6	12	18	24	30	36	42	48	54	60
Miles/Km ( X 1000)	15/ 24	30/ 48	45/ 72	60/ 96	75/ 120	90/ 144	105/ 168	120/ 192	135/ 216	150/ 240
Item	Procedures									
16. Exhaust System	I	I	I	I	I	I	I	I	I	I
17. Engine (Steam Clean)	—	—	—	I	—	—	—	I	—	—
18. Radiator & A/A Cooler	—	I	—	I	—	I	—	I	—	I
19. Oil Pressure	—	—	—	I	—	—	—	I	—	—
20. Battery Charging Alternator	I	I	I	I	I	I	I	I	I	I
21. Engine & Transmission Mounts	—	—	—	I	—	—	—	I	—	—
22. Crankcase Pressure	—	—	—	I	—	—	—	I	—	—
23. Fan Hub	—	—	—	—	—	—	—	I	—	—
24. Thermostats & Seals	—	—	—	—	—	—	—	I	—	—
25. Crankcase Breather	—	—	—	—	—	—	—	I	—	—
26. Engine Tune-Up	—	—	—	I	—	—	—	—	—	—
27. Vibration Damper	Replace at major engine overhaul or earlier if dented or leaking.									

All items are described in Preventive Maintenance Intervals.

I – Inspect, service, correct or replace as necessary.

R – Replace.

**Table 7 Transit Coach Regular Maintenance Intervals (continued)**



Item	Daily Checks	100 Hours or 3,000 Miles ( 4,800 Km)	300 Hours or 6,000 Miles ( 9,600 Km)
1. Lubricating Oil	I	—	R
2. Fuel Tank	I	—	—
3. Fuel Lines & Flexible Hoses	I	—	—
4. Cooling System	I	—	—
5. Turbocharger	I		
6. Battery	—	I	—
7. Tachometer Drive	—	—	I
8. Drive Belts	—	I	—
9. Air Compressor	—	—	I
10. Air Cleaner	—	—	I
11. Lube Oil Filter	—	—	R
12. Fuel Filters	—	—	R
13. Coolant/ Inhibitor Level	—	—	I
18. Radiator	—	—	I
20. Battery Charging Alternator	—	—	I

All items are described in Preventive Maintenance Intervals.

**I** – Inspect, service, correct or replace as necessary.

**R** – Replace.

**Table 8 Fire Fighting, Crash/Rescue and Emergency Vehicle Engine Daily, 100 Hour and 300 Hour Checks**

Hours	300	600	900	1,200	1,500
Miles/Km (X 1000)	6/ 1.6	12/ 9.6	18/ 28.8	24/ 38.4	30/ 48
Item	Procedures				
1. Lubricating Oil	Change every 300 hours or 6,000 miles (1,600 km), whichever comes first.				
2. Fuel Tank	I	I	I	I	I
4. Cooling System	—	I	—	I	—
5. Turbocharger	—	—	—	—	—
7. Tachometer Drive	I	I	I	I	I
9. Air Compressor	I	I	I	I	I
11. Lube Oil Filters	Replace when lubricating oil is changed.				
12. Fuel Filters	R	R	R	R	R
13. Coolant Pump/ Inhibitor Level	I	I	I	I	I
14. Cranking Motor	Follow manufacturer's recommendations.				
15. Air System	I	I	I	I	I
16. Exhaust System	I	I	I	I	I

All items are described in Preventive Maintenance Intervals.

I – Inspect, service, correct or replace as necessary.

R – Replace.

**Table 9 Fire Fighting, Crash/Rescue and Emergency Vehicle Engine Regular Maintenance Intervals**

Hours	300	600	900	1,200	1,500
Miles/Km (X 1000)	6/1.6	12/9.6	18/28.8	24/38.4	30/48
Item	Procedures				
17. Engine (Steam Clean)	—	—	—	—	—
18. Radiator & A/A Charge Cooler					
19. Oil Pressure	—		—		—
20. Battery Charging Alternator					
21. Engine & Transmission Mounts	—		—		—
22. Crankcase Pressure	—		—		—
23. Fan Hub	—	—	-		—
24. Thermostats & Seals	—	—	—	—	—
25. Crankcase Breather	—	—	—		—
26. Engine Tune-Up	—	—	—	—	
27. Vibration Damper	Replace at major engine overhaul or earlier if dented or leaking.				

All items are described in Preventive Maintenance Intervals.

**I** – Inspect, service, correct or replace as necessary.

**R** – Replace.

**Table 10 Fire Fighting, Crash/Rescue and Emergency Vehicle Engine Regular Maintenance Intervals (continued)**

## Preventive Maintenance Intervals

This section describes the items listed in the maintenance interval tables.

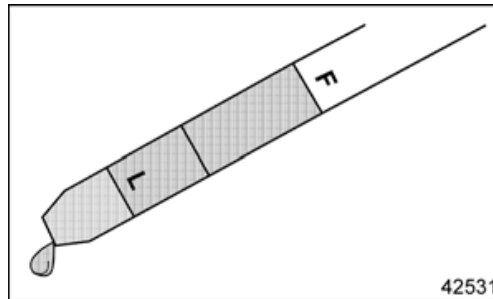
The “Daily” instructions apply to routine or daily starting of the engine. They do not apply to a new engine or one that has been operated for a considerable period of time.

For new or stored engines, refer to the *Series 60 Service Manual* (6SE483). Follow instructions in Section 13.1 under *Preparations for Starting the Engine the First Time*.

Preventive maintenance other than the “Daily” checks should be performed by authorized Detroit Diesel service outlets. These outlets have the trained personnel and special tools to properly perform all services.

### Item 1 – Lubricating Oil

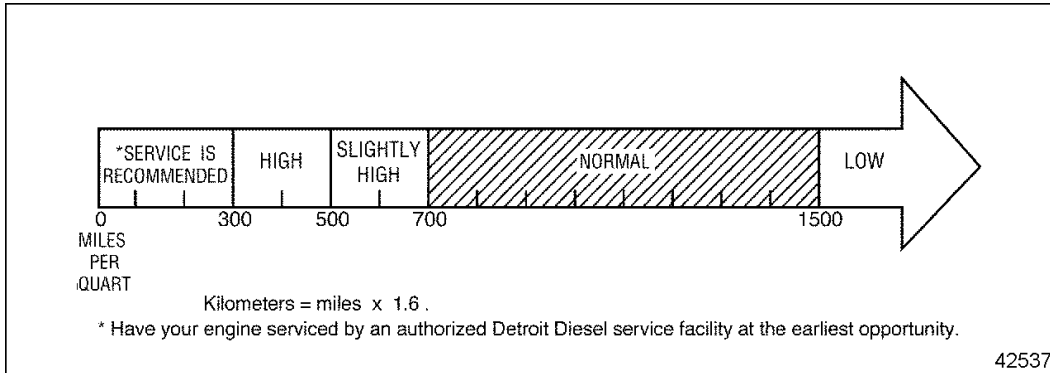
Check the oil level daily with the engine stopped. If the engine has just been stopped and is warm, wait approximately 20 minutes to allow the oil to drain back into the oil pan before checking. Add the proper grade of oil to maintain the correct level on the dipstick. See Figure 10.



**Figure 10 Check Oil Level Daily**

<b>NOTICE:</b>
When adding lubricating oil, do not overfill. Oil may be blown out through the crankcase breather if the crankcase is overfilled.

All diesel engines are designed to use some oil, so the periodic addition of oil is normal. See Figure 11 to determine the degree of oil usage.



**Figure 11 Engine Oil Consumption Guidelines**

**NOTICE:**

If the oil level is constantly above normal and excess oil has not been added to the crankcase, consult with an authorized Detroit Diesel service outlet for the cause. Fuel or coolant dilution of lubricating oil can result in serious engine damage.

Before adding lubricating oil, refer to *How to Select Lubricating Oil* in this guide. Change lubricating oil and filters at the intervals listed in Table 11 when using fuel with a sulfur content of less than 0.05 mass percent. When using fuel with a higher sulfur content, refer to *When to Change Oil* in this guide.

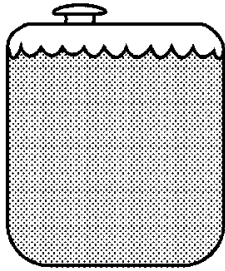
Service Application	Lube Oil and Filter Change Interval*
Highway Truck & Motor Coach	15,000 Miles (24,000 Kilometers)
City Transit Coach	6,000 Miles (9,600 Kilometers)
Fire Fighting, Crash/Rescue, & Emergency Vehicles	6,000 Miles (9,600 Kilometers), 300 Hours or 1 Year, whichever comes first

\* Change both full-flow filters when lube oil is changed.

**Table 11 Recommended Engine Oil Drain and Filter Change Intervals (Diesel Fuel Sulfur Content Less Than 0.05 Mass %)**

**Item 2 – Fuel and Fuel Tank**

Keep the fuel tank filled to reduce condensation. See Figure 12.



42538

**Figure 12 Filled Fuel Tank**

Before adding fuel, refer to *How to Select Fuel Oil* in the *HOW-TO SECTION* of this guide.

Refill the tank at the end of each day's operation to prevent condensation from contaminating the fuel. Condensation formed in a partially filled tank promotes the growth of microorganisms that can clog fuel filters and restrict fuel flow.

To prevent microbe growth, add a biocide to the fuel tank or primary fuel supply. Water accumulation can be controlled by using additives containing methyl carbitol or butyl cellusolve. Follow manufacturer's usage, handling and safety precautions.



**WARNING:**  
**PERSONAL INJURY**

To avoid injury from improper use of chemicals, follow the chemical manufacturer's usage, handling, and disposal instructions. Observe all manufacturer's cautions.

**NOTICE:**

Galvanized steel fuel tanks, fittings, pipes or supply lines should never be used. The fuel reacts chemically with the zinc coating to form powdery flakes that can quickly clog the fuel filters and damage the fuel pump and injectors.


Open the drain at the bottom of the fuel tank every 30,000 miles (48,000 kilometers) to drain off any water and/or sediment.

Every 120,000 miles (192,000 kilometers) tighten all fuel tank mountings and brackets. At the same time, check the seal in the fuel tank cap, the breather hole in the cap and the condition of the flexible fuel lines. Repair or replace the parts, as necessary.

### Item 3 – Fuel Lines, Flexible Hoses

A pre-start inspection of hoses and fuel lines is recommended.

**Leaks** — Make a visual check for fuel leaks at all engine-mounted fuel lines and connections, and at the fuel tank suction and return lines. Since fuel tanks are susceptible to road hazards, leaks in this area may best be detected by checking for an accumulation of fuel under the tank.

 <b>WARNING:</b> <b>FIRE</b>
<b>To avoid injury from fire, contain and eliminate leaks of flammable fluids as they occur. Failure to eliminate leaks could result in fire.</b>

Leaks are not only detrimental to machine operation, but they can also result in added expense caused by the need to replace lost fluids.

**Hoses and Fittings** — Check hoses daily as part of the pre-start inspection. Examine hoses for leaks, and check all fittings, clamps and ties carefully. Make sure hoses are not resting on or touching shafts, couplings, heated surfaces including exhaust manifolds, any sharp edges,

or other obviously hazardous areas. Since all machinery vibrates and moves to a certain extent, clamps and ties can fatigue with age. To ensure continued proper support, inspect fasteners frequently and tighten or replace them as necessary. If fittings have loosened or cracked or if hoses have ruptured or worn through, take corrective action immediately.

**Hose Service Life** — A hose has a finite service life. With this in mind, all hoses should be thoroughly inspected at least every 500 operating hours (1,000 hours for fire-resistant fuel and lubricating oil hoses) and/or annually. Look for cover damage and/or indications of twisted, worn, crimped, brittle, cracked or leaking lines. Hoses with their outer cover worn through or with damaged metal reinforcements should be considered unfit for further service.

All hoses in and out of machinery should be replaced during major overhaul and/or after a maximum of five (5) years of service.

**NOTE:**

Fire-resistant fuel and lube oil hose assemblies do not require automatic replacement after five years of service or at major overhaul, but should be inspected carefully before being put back into service.

#### Item 4 – Cooling System

The cooling system must be *full* for proper operation of the engine.



#### **WARNING:**

##### **HOT COOLANT**

**To avoid scalding from the expulsion of hot coolant, never remove the cooling system pressure cap while the engine is at operating temperature. Wear adequate protective clothing (face shield, rubber gloves, apron, and boots). Remove the cap slowly to relieve pressure.**

Check the coolant level daily and maintain it near the bottom of the filler neck on the radiator. On some installations this is done by checking an overflow bottle or sight glass. Add coolant as required, but do not overfill. Before adding coolant, refer to *How to Select Coolant* in this guide.

**Coolant Level —** Make a daily visual check for cooling system leaks. Look for an accumulation of coolant when the engine is running and when it is stopped. Coolant leaks may be more apparent on a engine when it is cold.

**Coolant Inhibitors —** The inhibitors in antifreeze solutions *must*

be replenished with a non-chromate corrosion inhibitor supplement when indicated by testing the coolant.

Refer to *How to Select Coolant* in this guide for required test intervals and inhibitor levels.

#### **NOTICE:**

Coolant *must* be inhibited with the recommended SCA's (supplemental coolant additives) listed in this guide. In addition, the engine can be equipped with a coolant filter/inhibitor system as an installed option or as an after-sale item. **Failure to check and maintain SCA levels at required concentrations will result in severe damage (corrosion) to the engine cooling system and related components.**

**Coolant Drain Interval —** Detroit Diesel recommends replacing coolant at the intervals listed in Table 12.



A coolant system properly maintained and protected with supplemental coolant inhibitors can be operated up to the intervals listed. At these intervals the coolant *must*

be drained and disposed of in an environmentally responsible manner according to state and/or federal (EPA) recommendations.

Coolant Type	Coolant Replacement Interval
A 50/50 mix of <i>POWER COOL</i> ® fully formulated, inhibited ethylene glycol antifreeze and water or a 50/50 mix of fully formulated, inhibited propylene glycol antifreeze and water	With proper maintenance <sup>1</sup> coolant can be operated 2 years, 300,000 miles (480,000 km), or 4,000 hours, whichever comes first. At this time the cooling system must be completely drained and cleaned before refill.
A 50/50 mix of phosphate-free TMC RP-329 "Type A" (propylene glycol) antifreeze and water.	With proper maintenance <sup>1</sup> coolant can be operated for the life of the engine until overhaul. <sup>2</sup> For life to overhaul, pre-charged coolant in combination with a need-release filter <i>must</i> be used. At this time the cooling system must be completely drained and cleaned before refill.
A 50/50 mix of OAT (organic acid technology) coolant and water.	With proper maintenance coolant can be operated 4 years, 600,000 miles (960,000 km), or 10,000 operating hours, whichever comes first. <sup>3</sup> At this time the cooling system must be completely drained and cleaned before refill.

<sup>1</sup> Proper maintenance involves periodic evaluation using PowerTrac® 3-Way Coolant Test Strips and the addition of required SCA, as indicated by the test strip.

<sup>2</sup> To verify coolant acceptability, submit a sample to DDC for coolant analysis every 3 years, 300,000 miles (480,000 km) or 6,000 operating hours, whichever comes first. Submit sample using PowerTrac coolant analysis kit, part number 23516921 (IEG/IPG coolant) or 23523398 (organic coolant).

<sup>3</sup> OAT coolants require the addition of an extender every 2 years, 300,000 miles (480,000 km), or 5,000 hours, whichever comes first. Use 1 pint to 20 gallons of OAT coolant.

**Table 12 Coolant Drain Intervals**

### Item 5 – Turbocharger, Air-to-Air Charge Cooler

Visually inspect the turbocharger mountings, intake and exhaust ducting and connections for leaks daily.



**WARNING:**  
**PERSONAL INJURY**

To avoid injury from hot surfaces, wear protective gloves, or allow engine to cool before removing any component.

Check the lube oil inlet and outlet lines for leaks or restrictions to oil flow. Check for unusual noise or vibration and, if excessive, stop the engine and do not operate until the cause is determined.

Periodically inspect the air-to-air charge cooler (if used) for buildup of dirt, mud, etc. and wash off. Check the charge cooler, ductwork, and flexible connections for leaks and have repaired or replaced, as required.

Check turbocharger heat-insulating exhaust system blankets (if used) for damage on a daily basis. Torn, matted, crushed, oil-soaked or otherwise damaged insulation blankets *must* be replaced immediately.

### Wastegated Turbochargers —

The turbocharger wastegate actuator is factory-calibrated and is not adjustable. Check actuator operation at the intervals shown in the maintenance schedule.



**WARNING:**  
**EYE INJURY**

To avoid injury from flying debris when using compressed air, wear adequate eye protection (face shield or safety goggles) and do not exceed 276 kPa (40 psi) air pressure.

**NOTICE:**

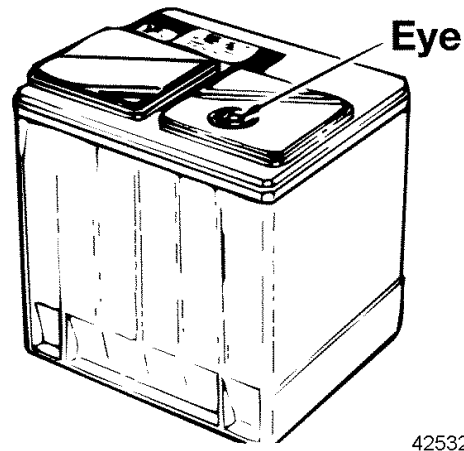
Do not exceed 30 psi (207 kPa) air pressure when checking wastegate actuator operation. Excessive air pressure can damage the actuator.

To verify correct wastegate actuator operation, apply 30 psi (207 kPa) of *regulated* shop air and watch for actuator rod movement.

### Item 6 – Battery

Check the hydrometer “eye” of maintenance-free batteries for charge. See Figure 13.

 <b>WARNING:</b> <b>PERSONAL INJURY</b>
<b>To avoid injury from accidental engine startup while servicing the engine, disconnect/disable the starting system.</b>



**Figure 13 Maintenance-Free Battery “Eye”**

If lead-acid or low-maintenance batteries are used, check the specific gravity of each cell every 150 operating hours. Check more frequently in warm weather due to the more rapid loss of water through evaporation.

Maintain the electrolyte level according to the battery manufacturer's recommendations, but *do not overfill*. Overfilling can cause poor battery performance or early failure.

Keep the terminal side of the battery clean. When necessary, wash with a solution of baking soda and water. Rinse with fresh water. Do not allow the soda solution to enter the cells.

Inspect the cables, clamps and hold-down brackets regularly. Clean and reapply a light coating of petroleum jelly when needed. Have corroded or damaged parts replaced.

If the engine is to be out of service for more than 30 days, remove the batteries and store in a cool, dry place. Keep batteries fully charged, if possible. Replace any battery that fails to hold a charge.

Periodically check battery connections for corrosion and tightness. If necessary, remove connections and wire brush any corrosion from terminals and cable ends. Replace damaged wiring.

**Item 7 – Tachometer Drive**

A typical tachometer drive take-off location is the camshaft drive gear access cover on the front of the gear case cover. Lubricate the tachometer drive (if so equipped) every 150 hours or 15,000 miles (24,000 km) with an all-purpose grease. At temperatures above  $-1^{\circ}\text{C}$  ( $+30^{\circ}\text{F}$ ) use a No. 2 grade grease. Use a No. 1 grade grease below this temperature.

**Item 8 – Drive Belts**

Belts should be neither too tight nor too loose. Belts that are too tight impose extra loads on the crankshaft, fan and/or alternator bearings, shortening both belt and bearing life. Excessively overtightened belts can result in crankshaft breakage. A loose belt will slip and may cause damage to accessory components.

 <b>WARNING:</b> <b>PERSONAL INJURY</b>
<b>To avoid injury from rotating belts and fans, do not remove and discard safety guards.</b>

Use a belt tension gage, such as Kent-Moore® tool J 23586–B (V-belt), J 23600–B (poly-V belt), J 41251 (PowerBand® and 12–rib poly-V belt), or equivalent, when tensioning drive belts. Tension belts to the values listed in Table 13.

**V-Belts** — New standard V-belts will stretch after the first few hours of operation. Tighten V-belts as listed in Table 13.

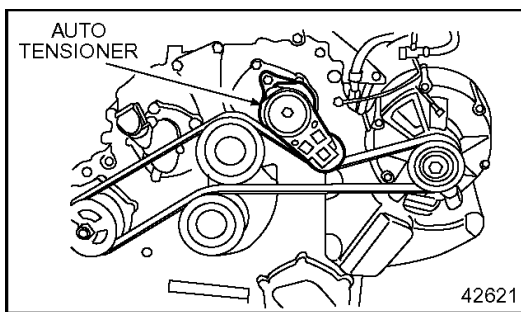
Fan Drive		
Single Belt	2 or 3 Belts	
80 – 100 lbs (356 – 445 N)	60 – 80 lbs (267 – 356 N)	
Alternator Drive		
Belt	New	Used
<b>Two 1/2-in. V-Groove</b>	125 lbs (556 N)	100 lbs (445 N)
<b>2-Groove PowerBand®</b>	200 lbs (890 N)	150 lbs (667 N)
<b>12-Rib Poly-V (50 DN Alternator)</b>	350 lbs (1,557 N)	250 lbs (1,112 N)

**Table 13 Drive Belt Tensioning**

Run the engine for 10 to 15 minutes to seat the belts, then readjust tension. Check and retension belts after 1/2 hour and again after 8 hours or 250 miles (400 km) of operation. Thereafter, check the tension of the drive belts every 100 hours or 6,000 miles (10,000 km) and adjust, if necessary.

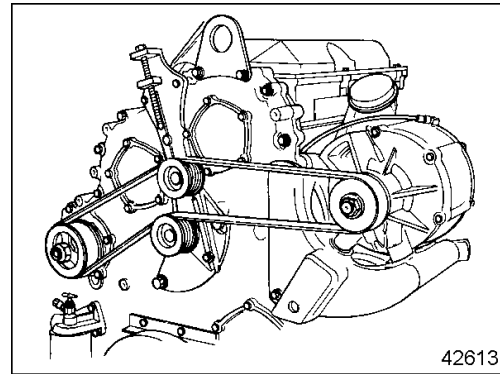
If a belt tension gage is not available, adjust the belt tension so that a firm push with the thumb, at a point midway between the two pulleys, will press the belt .50 in. – .75 in. (13 – 19 mm).

**2-Groove PowerBand®** — The 2-groove PowerBand® is used with the 50 DN alternator. To provide proper running tension for the belt, current Series 60 engines use an auto belt tensioner, which requires no adjustment. See Figure 14.



**Figure 14 Auto Belt Tensioner Assembly with 50 DN Alternator**

Earlier-built Series 60 engines have a manual belt tensioner assembly. See Figure 15.



**Figure 15 Manual Tensioner Assembly with 50 DN Alternator**

Tighten a new PowerBand® drive belt to 200 lbs (890 N), then run the engine for 10 minutes at 1200 rpm. Stop the engine and allow a 10 – 15 minute cool down period. Check tension. If less than 150 lbs (667 N), retension to 150 lbs (667 N). Following initial tensioning, measure belt tension every month or every 7,500 miles (12,000 km), whichever comes first. Retension belt to 150 lbs (667 N) at these intervals.

**12-Rib Poly-V Belt** — Tighten a 12-rib poly-V belt to 350 lbs (1,557 N), then run the engine at high idle for 30 minutes. Stop the engine and allow a 10 – 15 minute cool down period. Check tension with tool J 41251-B

or equivalent. If tension is 250 lbs (1,112 N) or more, no retensioning is required. If tension is less than 250 lbs (1,112 N), retension to 250 lbs (1,112 N). Measure belt tension every month or every 7,500 miles (12,000 km), whichever comes first. Retension to 250 lbs (1,112 N) as required.

**Belt Replacement** — Drive belts (V and poly-V) should be replaced every 2,000 hours or 100,000 miles (160,000 km).

Replace all belts in a set when one is worn. Single belts of similar size should not be used as a substitute for a matched belt set. Premature belt wear can result because of belt length variation. All belts within a matched set are within .032 in. (0.8 mm) of their specified center distances.

When installing or adjusting an accessory drive belt, be sure the bolt at the accessory adjusting pivot point is properly tightened, as well as the bolt in the adjusting slot. In addition, check the torque on the alternator and bracket mounting bolts. Retighten as required.

### **Item 9 – Air Compressor**

All air compressor intake parts should be removed and cleaned at the following intervals:

- On Highway Vehicle Engines – 7,500 miles (12,000 km)

To clean either the hair type or the polyurethane type compressor air strainer element, saturate it and squeeze it in fuel oil or any other cleaning agent that is not detrimental to the element until it is dirt-free. Then saturate the element in lubricating oil and squeeze it dry before placing it back into the air strainer.

For air strainer replacement, contact the nearest servicing dealer. Replace hair type elements with the polyurethane type, if available.

The air compressor mounting bolts should be tightened every 12 months or 30,000 miles (48,000 km) for on-highway engines or every 300 hours for industrial applications.

### **Item 10 – Air Cleaner**

The air cleaner element should be inspected every 15,000 miles (24,000 km) for vehicle engines.

Replace the element, if necessary. Check the gaskets for deterioration and replace, if necessary. If the dry type air cleaner is equipped with an aspirator, check for aspirator damage or clogging. Clean, repair or replace, as necessary.

**NOTICE:**

Do not allow the air inlet restriction to exceed 20 in. H<sub>2</sub>O (5.0 kPa) under any engine operating conditions. A clogged air cleaner element will cause excessive intake restriction and reduced air supply to the engine resulting in increased fuel consumption, inefficient engine operation and reduced engine life.

Inspect the entire air system for leaks daily. Look especially for torn air inlet piping or boots and loose or damaged clamps. Have worn or damaged parts repaired or replaced, as required. Retighten loose connections.

**Air Cleaner Replacement —**

Dry type air cleaner elements should be replaced after one year of service or when the maximum allowable air intake restriction has been reached, whichever comes first. Refer to *When to Service the Dry Type Air Cleaner* in this guide for additional information.

**Item 11 – Lubricating Oil Filters**

For on-highway vehicle engines, install new spin-on oil filters at a **maximum** of 15,000 miles (24,000 km). For city transit coach engines, install filters at a **maximum** of 6,000 miles (9,600 km).

Install the new filters, turning them until they contact the gasket fully with no side movement. Turn full-flow filters an additional 2/3 turn **by hand**, or as indicated on the filter. See Figure 16.

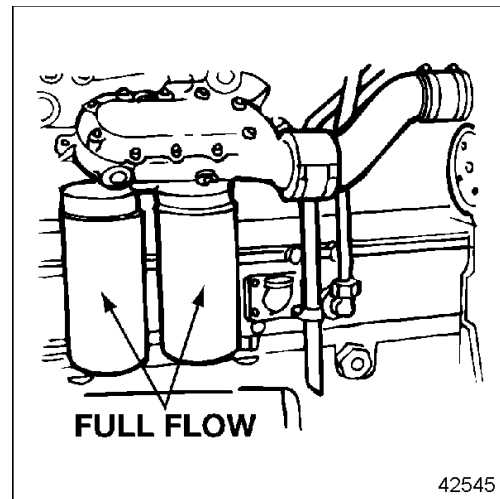


Figure 16 Lubricating Oil Filters



**WARNING:**

**PERSONAL INJURY**

To avoid injury from slipping and falling, immediately clean up any spilled liquids.

Make a visual check of all lubricating oil lines for wear and/or chafing. If any indication of wear is evident, replace the oil lines and correct the cause.

Check for oil leaks after starting the engine.

### Item 12 – Fuel Filters

One method of determining when filters are plugged to the extent that they need replacing is based on the fuel pressure at the cylinder head fuel inlet fitting and the inlet restriction at the fuel pump. In a clean system the maximum pump inlet restriction should not exceed 6 inches of mercury (20.3 kPa). In a dirty system it must not exceed 12 inches of mercury (41 kPa).

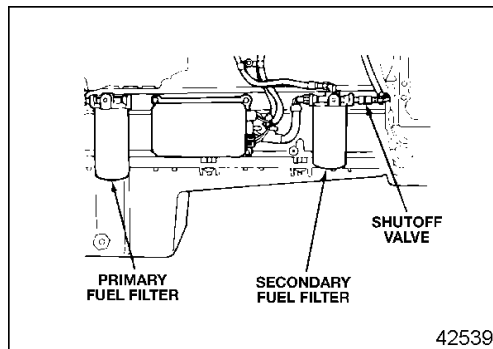
At normal operating speed and with the standard .080 inch restriction fittings, the fuel pressure is 55 – 70 psi (375 – 483 kPa). Change the fuel filters whenever the inlet restriction at the pump reaches 12 inches of mercury (41 kPa) at normal operating speeds and whenever the fuel pressure at the inlet fitting falls to the minimum fuel pressure of 6 inches of mercury (20.3 kPa).

#### NOTE:

Filter change intervals may be shortened to conform with established preventive maintenance schedules, but should never be extended.

**Fuel Pro® 382 Filters** — Install new Fuel Pro® 382 primary fuel filter elements when the fuel level in the see-thru cover reaches the top of the element or after one year of service, whichever comes first.

**Spin-On Filters** — Install new spin-on primary and secondary fuel filter elements on vehicle engines every 15,000 miles (24,000 km) or every six months, whichever comes first. See Figure 17.



**Figure 17 Spin-On Fuel Filter Locations**

Install new spin-on filter elements on non-vehicle engines every 150 hours. Replace spin-on filter elements immediately if plugging is indicated, regardless of mileage or hour intervals.

### Item 13 – Water Pump and Coolant Inhibitor Element

Check the water pump and the coolant inhibitor element.

**Water Pump Drain Hole** — The water pump drain hole should be inspected every 6 months to make sure it is open. A small chemical build-up or streaking at the drain hole may occur. **This is not an indication**

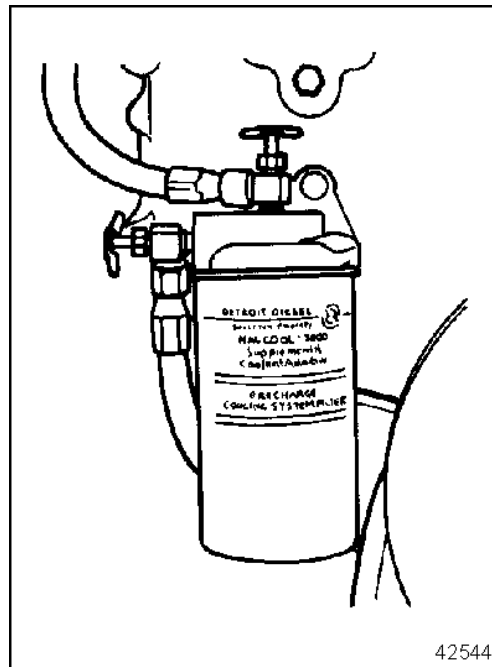


**of a defective water pump or seal.**

Remove the build-up with a mild detergent cleaner and a brush. If coolant does not leak from the drain hole under normal conditions, do not replace the water pump.

**Coolant Inhibitor Element** — If the cooling system is protected by a supplemental coolant additive (SCA) element, the coolant must be tested at required intervals and the element replaced, if required. See Figure 18.

Required test intervals are listed in Table 20. For SCA test procedures refer to *How to Select Coolant* and *SCA Test Procedures* in this guide. Use the coolant filter element required. Refer to *SPECIFICATIONS* in this guide for element part number listing. The valves mounted on the filter adaptor head *must* be opened after the element is replaced.



**Figure 18 Coolant Inhibitor Element**

**Item 14 – Cranking Motor**

For cranking motor (starter) information, contact an authorized Delco Remy® or Bosch® service center, depending on manufacturer.

**Item 15 – Air System**

All the connections in the air system should be checked to make sure they are tight and leak free. Check all hoses and ducting for punctures, deterioration or other damage and replace, if necessary.

### Item 16 – Exhaust System

Have the exhaust manifold retaining bolts and other connections checked for tightness. Have the exhaust pipe rain cap checked for proper operation, if so equipped.

### Item 17 – Engine (Steam Clean)

Steam clean the engine and engine compartment every 60,000 miles (96,000 km) or 2,000 hours, whichever comes first.

NOTICE:
Do not apply steam or solvent directly to the battery-charging alternator, starting motor, DDEC components, sensors or other electrical components, as damage to electrical equipment may result.

### Item 18 – Radiator

The exterior of the radiator core should be inspected every 30,000 miles (48,000 km), 12 months, or 300 hours (industrial applications) and cleaned, if necessary.



#### WARNING:

#### EYE INJURY

To avoid injury from flying debris when using compressed air, wear adequate eye protection (face shield or safety goggles) and do not exceed 276 kPa (40 psi) air pressure.

Use a quality grease solvent, such as mineral spirits, and dry with compressed air. **Fuel oil, kerosene or gasoline should not be used.**

It may be necessary to clean the radiator more frequently if the engine is being operated in extremely dusty or dirty areas.

If the low coolant level sensor is installed in the top tank of the radiator, it should be tested for proper operation every 100,000 miles (160,000 km) or 12 months, whichever comes first. Authorized Detroit Diesel distributors are properly equipped to perform this service.

### Item 19 – Oil Pressure

Under normal operation, oil pressure is noted each time the engine is started. In the event the equipment has warning lights rather than pressure indicators, the pressure should be checked and recorded every 60,000 miles (96,000 km) for vehicle engines.

### Item 20 – Battery-Charging Alternator

Precautions must be taken when working on or around the alternator. The diodes and transistors in the alternator circuit are very sensitive and can be easily destroyed.

To avoid equipment damage, pay attention to the following:

- Avoid grounding the output terminal. Grounding an alternator's output wire or terminal (which is always “hot,” regardless of whether or not the engine is running) and accidentally reversing the battery polarity will result in equipment damage.
- Do not reverse battery connections.
- Never disconnect the battery while the alternator is operating. Disconnecting the battery can result in damage to the battery diodes. In applications which have two (2) sets of batteries, switching from one set to the other while the engine is running will momentarily disconnect the batteries.
- If a booster battery is to be used, batteries must be connected correctly (negative to negative, positive to positive).
- Never use a fast charger with the batteries connected or as a booster for battery output.



## **WARNING:**

### **Battery Explosion and Acid Burn**

**To avoid injury from battery explosion or contact with battery acid, work in a well ventilated area, wear protective clothing, and avoid sparks or flames near the battery. If you come in contact with battery acid:**

- **Flush your skin with water.**
- **Apply baking soda or lime to help neutralize the acid.**
- **Flush your eyes with water.**
- **Get medical attention immediately.**

For information on the alternator assembly, contact an authorized Delco Remy® or Bosch® distributor, depending on manufacturer.

**Bosch® T1 Alternator Service Requirements** — The transistor regulator must be replaced every 100,000 miles (160,000 km) using kit part number 23524613 (includes regulator assembly and brushes). Front and rear bearings must be replaced every 200,000 miles (320,000 km) using kit 23524614 (includes bearings, seals and spacer ring). Authorized Bosch distributors have the parts, tools and trained personnel to perform these services.

**General Service Requirements – Bosch® and Delco Remy® Alternators** — Terminals should be checked for corrosion and loose connections and wiring inspected for damage and frayed insulation. Have wiring repaired or replaced, as required.

Check torque on alternator mounting bolts and bracketing every 15,000 miles (24,000 km) on truck and coach engines or every 300 hours on all other engines. Retighten, if necessary.

### **Item 21 – Engine and Transmission Mounts**

The engine and transmission mounting bolts and the condition of the mounting pads should be checked every 60,000 miles (96,000 km) or 600 hours. Tighten and/or repair as necessary.

### **Item 22 – Crankcase Pressure**

The crankcase pressure should be checked and recorded every 60,000 miles (96,000 km) or 600 hours.

### **Item 23 – Fan Hub**

If the fan bearing hub assembly has a grease fitting, use a hand grease gun to lubricate the bearings with one shot of quality lithium-base, multi-purpose grease every 100,000 miles (160,000 km) for vehicle engines.

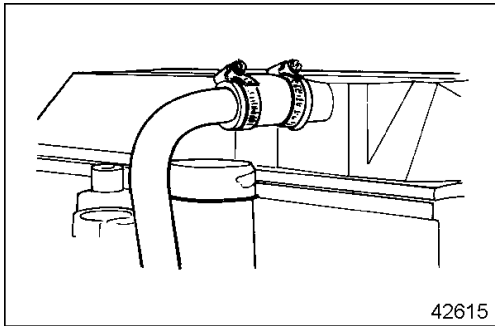
Care should be taken not to overfill the bearing housing.

### **Item 24 – Thermostats and Seals**

Replace the thermostats and seals every 240,000 miles (384,000 km) on vehicle engines.

**Item 25 – Crankcase Breather**

The internally mounted (in the engine rocker cover) crankcase breather assembly (see Figure 19) *should be removed and the steel mesh pad washed in clean fuel oil every 100,000 to 120,000 miles (160,000 to 192,000 km) on vehicle engines.* This cleaning period may be reduced or lengthened according to the severity of service.



**Figure 19 Internal Breather (in Rocker Cover)**

The rocker cover-mounted breather assembly (part number 23512984) used in the closed crankcase breather system *should be replaced every 4000 operating hours.* It is not reusable and no attempt should be made to clean or reuse it.

**Item 26 – Engine Tune-Up**

There is no scheduled interval for performing an engine tune-up. However, the valve lash and injector heights *must* be measured and, if necessary, adjusted at the initial interval listed in Table 14.

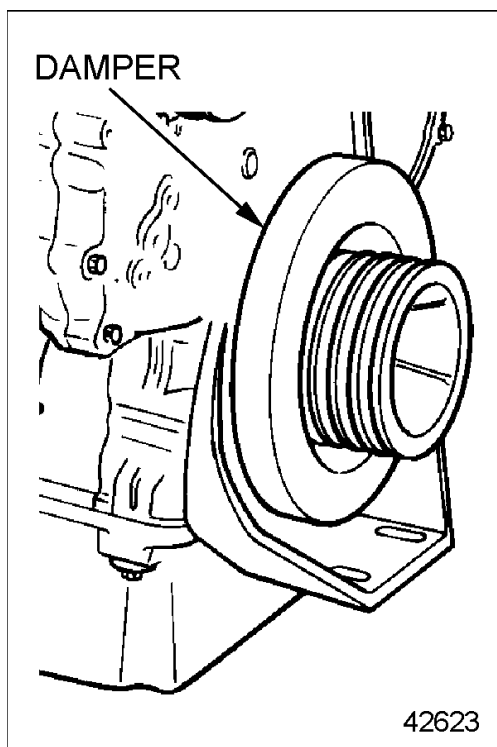
Once the initial measurements/adjustments have been made, any adjustments beyond this point should be made only as required to maintain satisfactory engine performance.

Engine Application	Measurement/Adjustment Period
Vehicle Engines	60,000 Miles (96,000 km) or 24 Months, whichever comes first

**Table 14 Initial Valve Lash and Injector Height Adjustment**

### Item 27 – Vibration Damper

The viscous vibration damper should be inspected periodically and replaced if dented or leaking. See Figure 20.



**Figure 20 Viscous Vibration Damper**

Heat from normal engine operation may, over a period of time, cause the fluid within the damper to break down and lose its dampening properties. For this reason the viscous vibration damper *must* be replaced at time of normal major engine overhaul, regardless of apparent condition.

## HOW-TO SECTION

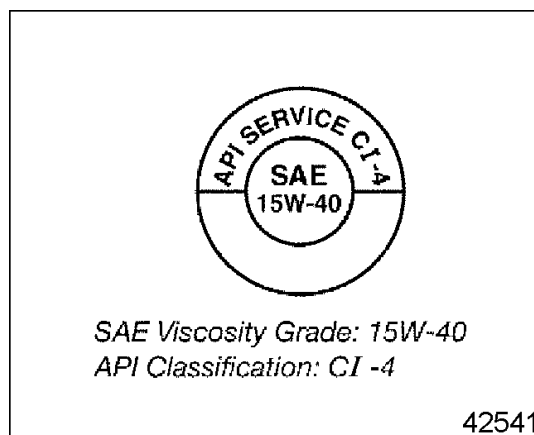
This section covers Detroit Diesel's recommendations on how to select lubricating oil, fuel oil, and coolant and includes basic engine maintenance procedures which can be performed by the operator.

### NOTICE:

The manufacturer's warranty applicable to Series 60 engines provides in part that the provisions of such warranty shall not apply to any engine unit that has been subject to misuse, negligence or accident. Accordingly, malfunctions attributable to neglect or failure to follow the manufacturer's fuel or lubricating recommendations may not be within the coverage of the warranty.

## How to Select Lubricating Oil

The selection of the proper lubricating oil is important to achieve the long and trouble-free service which Detroit Diesel engines are designed to provide. The proper lubricating oil for all Detroit Diesel engines is selected based on SAE viscosity grade and API (American Petroleum Institute) service designation. Only oils licensed to display the API symbol should be used. See Figure 21.



**Figure 21 API Lubricant Symbol**

## Lubricant Requirements

Lubricant requirements are different for the EGR-equipped and non-EGR engines.

**EGR-Equipped Engines — API CI-4 oils *must* be used in October 2002 and later—build Series 60 engines with cooled EGR (exhaust gas recirculation) devices.** API Service Category CI-4 is intended for use with cooled EGR (exhaust gas recirculation) engines meeting 2002 and later exhaust emission regulations.

**Non-EGR Engines —** API CI-4 or CH-4 oils are recommended for use in all non-EGR engines.

**Engines Built Prior to 1998 —** Lubricants meeting API Service

Category CG-4 may be used in engines built prior to 1998 when API CI-4 or CH-4 oils are not available.

**NOTE:**

The use of CG-4 oils in these engines may require a reduction in oil drain interval, depending upon the application and the fuel sulfur level.

**Cold Weather Starting**

At ambient temperatures below  $-20^{\circ}\text{C}$  ( $-4^{\circ}\text{F}$ ) when sufficient starter speed cannot be achieved with SAE 15W-40 oils, the use of 5W-XX oils and 10W-XX oils (XX =30 or 40) is allowed to improve starting.

**NOTICE:**

**Monograde oils should not be used in Series 60 engines, regardless of API service classification.** Monograde oils gel at lower ambient temperatures, reducing lubricant flow, and they do not provide adequate lubricity at higher engine operating temperatures. These factors can result in severe engine damage.

The oils must be API CI-4 (for EGR-equipped engines) *or* API CH-4 (for non-EGR-equipped engines) and have demonstrated field performance in DDC engines. These

oils must possess a HT/HS of 3.7 minimum.

**NOTE:**

**Do not use fuel with sulfur content above 0.05 mass percent for Detroit Diesel EGR-equipped engines.**

When the use of high sulfur fuel (greater than 0.05% mass sulfur) in *non-EGR engines* is unavoidable, high alkalinity (TBN) lubricants are recommended. High sulfur fuels require modification to oil drain intervals. For further information, refer to publication *Engine Requirements – Lubricating Oil, Fuel and Filters*, 7SE270, available from authorized Detroit Diesel distributors.

**Synthetic Oils**

Synthetic oils may be used in Detroit Diesel engines, provided they are API licensed and meet the performance and chemical requirements of non-synthetic oils outlined in this publication. Synthetic oils offer improved low-temperature flow properties and high-temperature oxidation resistance. However, they are generally more costly than non-synthetic oils.

Product information about synthetic oils should be reviewed carefully. Performance additive systems often respond differently in synthetic oils.



Their use does not permit extension of recommended oil drain intervals.

### The Use of Supplemental Additives

Lubricants meeting the Detroit Diesel specifications outlined in this publication already contain a balanced additive treatment. Supplemental additives are generally not necessary and can even be harmful. These additives may be marketed as either oil treatments or engine treatments and are discouraged from use in Detroit Diesel engines.

**Engine damage resulting from the use of such materials is not covered by your Detroit Diesel Corporation warranty.** Detroit Diesel will not provide statements beyond this publication relative to their use.

### When to Change Oil

The length of time an engine may operate before an oil change depends upon the lubricant and fuel used, engine oil consumption, and the operating cycle.



#### CAUTION:

#### USED ENGINE OIL

**To avoid injury to skin from contact with the contaminants in used engine oil, wear protective gloves and apron.**

The maximum interval at which the engine may operate before the oil and filters must be changed is listed in Table 15.

Engine Application	Drain Interval
Highway Truck & Motor Coach	15,000 Miles (24,000 km)
City Transit Coach#	6,000 Miles (9,600 km)
Fire Truck or Crash/Rescue Vehicle	6,000 Miles (9,600 km), 300 Hours or 1 Year, whichever comes first

**Table 15 Maximum Oil Drain and Filter Change Interval (Fuel Sulfur 0.05 Weight Percent or Less)**

Oil analysis may be used to determine whether this interval should be shortened, but it should not be used to lengthen the interval.

The use of fuels with sulfur content above 0.05 mass percent will require a shortening of drain intervals and/or the use of a higher TBN oil. For detailed information refer to publication *Engine Requirements – Lubricating Oil, Fuel and Filters (7SE270)*, available from authorized Detroit Diesel distributors.

### Disposing of Waste Oil

Dispose of used lubricating oil and filters in an environmentally responsible manner, according to federal (EPA) and/or state recommendations. The disposal of waste oil may be best addressed by the engine oil supplier, who may accept responsibility for proper disposal of this material as part of the business of providing lubricant.

### How to Replace the Lube Oil Filters

Filters are an integral part of the lubricating oil system. Proper filter selection and maintenance are important to satisfactory engine performance and service life.

Filters should be used to maintain a clean system, not to clean up a contaminated system.

Filter part numbers are listed in the **Specifications** section of this guide.

### Replace Spin-On Type Oil Filter

Replace spin-on type filters (see Figure 22) as follows:

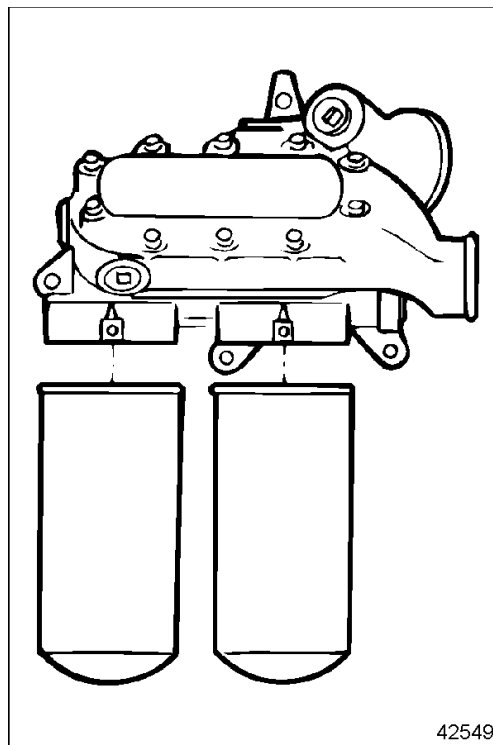


Figure 22 Spin-On Oil Filters



**WARNING:**

**PERSONAL INJURY**

To avoid injury from slipping and falling, immediately clean up any spilled liquids.

1. Place a suitable container under the engine oil pan, remove drain plug and drain the lubricating oil. Replace the drain plug and tighten securely.
2. Remove spin-on filters using tool J 29917 or equivalent and a 1/2-in. drive socket wrench and extension.
3. Dispose of used oil and filters in an environmentally responsible manner, according to federal (EPA) and/or state recommendations.
4. Clean the filter gasket-contact surface of the adaptor head with a clean, lint-free cloth.
5. Fill the new filters with clean lubricating oil and lightly coat the filter gaskets with the same oil.

**NOTICE:**

Overtightening the filter may crack or distort the filter adaptor.

6. Start the new filters on the adaptor head and tighten by hand until

the gaskets touch the mounting adaptor head. **Tighten filters an additional two-thirds turn by hand, or as indicated on the filter.**

7. Add oil as required to bring the level to the *Full* mark on the dipstick.



**WARNING:**

**PERSONAL INJURY**

**Diesel engine exhaust and some of its constituents are known to the State of California to cause cancer, birth defects, and other reproductive harm.**

- Always start and operate an engine in a well ventilated area.**
- If operating an engine in an enclosed area, vent the exhaust to the outside.**
- Do not modify or tamper with the exhaust system or emission control system.**

8. Start and run the engine for a short period and check for leaks. After any leaks have been corrected, stop the engine long enough for oil from various parts of the engine to drain back to the crankcase (approximately 20 minutes). Add oil as required to

bring the level to the *Full* mark on the dipstick.

**NOTICE:**

If the engine oil level is constantly above normal and excess lube oil has not been added to the crankcase, consult with an authorized Detroit Diesel service outlet for the cause. Fuel or coolant dilution of lube oil can result in serious engine damage.

## How to Select Fuel Oil

Detroit Diesel engines are designed to operate on most diesel fuels marketed today.

### Quality

Fuel quality is an important factor in obtaining satisfactory engine performance, long engine life, and acceptable exhaust emission levels.

In general, fuels meeting the properties of ASTM designation D 975 (grades 1-D and 2-D) have provided satisfactory performance.

The fuels used must be clean, completely distilled, stable, and non-corrosive. For more information regarding the significance of these properties and selection of the proper fuel, refer to publication, *Engine Requirements – Lubricating Oil, Fuel*

and *Filters (7SE270)*, available from authorized Detroit Diesel distributors.

**NOTE:**

**Do not use fuel with sulfur content above 0.05 mass percent for Detroit Diesel EGR engines.**

### Fuel Contamination

Generally, fuel contamination occurs as the result of improper fuel handling. The most common types of contamination are water, dirt, and microbial growth (“black slime”). The formation of varnishes and gums resulting from poor stability or extended storage (“stale fuel”) also affects fuel quality. The best treatment for contamination is prevention by maintaining a clean storage system and choosing a reputable fuel supplier.

**Supplemental additives are not recommended due to potential injector system or engine damage.**

Our experience has been that such additives increase operating costs without providing benefit.

The use of supplemental fuel additives does not necessarily void the engine warranty. **However, repair expenses which result from fuel system or engine component malfunctions or damage attributed to their use will not be covered.**

These products should be accompanied by performance data supporting their merit. It is not the policy of Detroit Diesel Corporation to test, evaluate, approve or endorse such products.

### Prohibited Additives

**The following fuel additives are not allowed and MUST NOT be mixed with diesel fuel:**

**Used Lubricating Oil** — Detroit Diesel specifically prohibits the use of used lubricating oil in diesel fuel. Used lubricating oil contains combustion acids and particulate materials which can severely erode fuel injector components, resulting in loss of power and increased exhaust emissions. In addition, the use of drained lubricating oil will increase maintenance requirements due to filter plugging and combustion deposits.

**Gasoline** — **The addition of gasoline to diesel fuel will create a serious fire hazard. The presence of gasoline in diesel fuel will reduce fuel cetane number and increase combustion temperatures.**

Tanks which contain a mixture of gasoline and diesel fuel should be drained and cleaned as soon as possible.



**WARNING:**

**FIRE**

**To avoid increased risk of a fuel fire, do not mix gasoline and diesel fuel.**

*Detroit Diesel Corporation will not be responsible for any detrimental effects it determines resulted from adding drained lubricating oil or gasoline to the diesel fuel.*

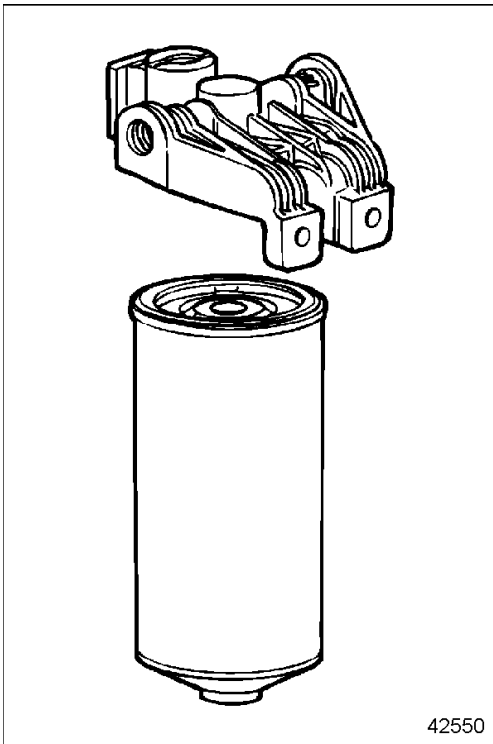
### How to Replace the Fuel Filters

Filters are an integral part of the fuel system. Proper filter selection and maintenance are important to satisfactory engine operation and service life. Filters should be used to maintain a clean system, not to clean up a contaminated system. Refer to the **Specifications** section of this guide for proper filter selection.

Spin-on type primary and secondary fuel filters are used on Series 60 engines.

The primary filter (marked “P”) or combination filter and fuel/water separator removes large impurities from the fuel. The secondary filter (marked “S”) removes the smaller particles.

The spin-on type filter consists of a shell, element and gasket unitized into a single cartridge and a filter adaptor which includes threaded inserts to accept the spin-on cartridges. See Figure 23.



**Figure 23 Typical Spin-On Type Fuel Filter**

An optional fuel/water separator may be installed in place of the standard primary filter.

### **Replace Spin-On Type Primary or Secondary Fuel Filter Elements**

Replace spin-on fuel filter elements as follows:

1. Shut down the engine and allow it to cool.
2. With the engine at ambient temperature and cool to the touch, place a suitable container under the filter.
3. If a fuel shutoff valve is installed on the discharge side of the secondary fuel filter, turn the handle on the shutoff valve to the **closed** position (perpendicular to the valve).

<b>NOTICE:</b>
Have replacement filters filled with fuel and ready to install immediately. This prevents possible siphoning and fuel system aeration.

4. Using a suitable band type filter wrench, remove the primary and secondary fuel filters. Dispose of the filters in an environmentally responsible manner, according to federal (EPA) and/or state recommendations.
5. If not previously filled, fill new replacement filters with clean

diesel fuel and coat the gaskets lightly with the fuel oil.

6. Thread the new filters onto the adaptor inserts until the gaskets make full contact with the adaptor head and no side movement is evident.

**NOTICE:**

Overtightening the filter may crack or distort the adaptors.

7. Tighten filters an additional one-half turn **by hand**, or as indicated on the filter.
8. Turn the handle on the shutoff valve to the **Open** position (in line with the valve).



**WARNING:**

**PERSONAL INJURY**

**Diesel engine exhaust and some of its constituents are known to the State of California to cause cancer, birth defects, and other reproductive harm.**

- **Always start and operate an engine in a well ventilated area.**
- **If operating an engine in an enclosed area, vent the exhaust to the outside.**
- **Do not modify or tamper with the exhaust system or emission control system.**

9. Start the engine and check for leaks. Shut down the engine. Correct any leaks with the engine off.

If the engine fails to start after filter replacement, the fuel system will require priming with tool J 5956 (or equivalent). Authorized Detroit Diesel distributors are properly equipped to perform this service.

**NOTICE:**

Never use the starting motor and fuel pump to prime the fuel filters. Prolonged use of both to prime the fuel system can result in damage to the starter, fuel pump and injector.

**Replace Fuel/Water Separator Element**

If an optional primary filter/water separator is installed, replace the element as follows:

1. Shut down the engine and allow it to cool.
2. With the engine at ambient temperature and cool to the touch, place a suitable container under the filter.
3. If a fuel shutoff valve is installed on the discharge side of the fuel/water separator, turn the handle on the shutoff valve to the **closed** position (perpendicular to the valve).
4. Drain off some fuel by opening the drain valve.
5. Using a strap wrench, remove the element and bowl together, then remove the bowl from the element. The filter and bowl have right-hand threads, so turn counter-clockwise to remove.

6. Clean the bowl and the O-ring seal.
7. Apply a light coating or clean fuel or grease to the O-ring seal, thread the bowl onto the new filter and tighten **by hand**.

**NOTICE:**

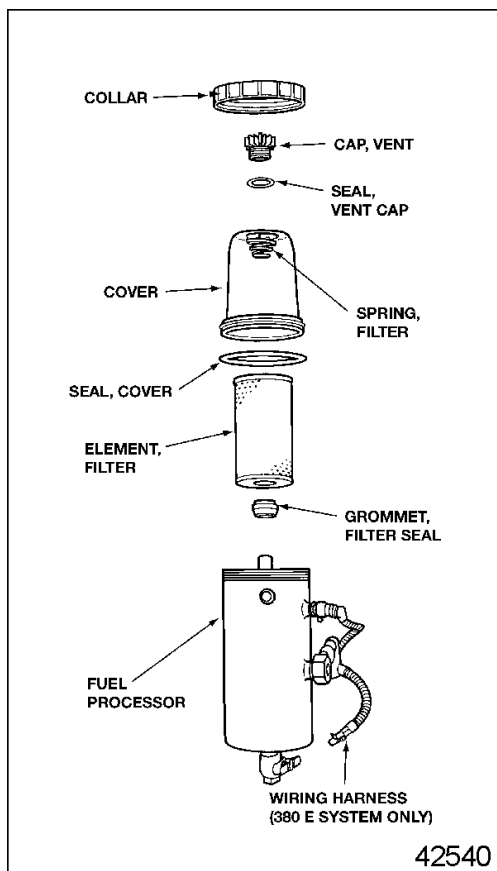
To avoid damaging the bowl or the filter, do not use tools when tightening.

8. Apply a light coating of clean fuel oil or grease to the new O-ring seal on the top of the filter. Thread the filter and bowl assembly onto the filter head and tighten **by hand** until snug.
9. To eliminate air from the filter, operate the primer pump on the filter head (if equipped) until the fuel purges at the filter assembly.
10. Start the engine and check for leaks. Shut down the engine. Correct any leaks with the engine off.



## Replace Fuel Pro® 382/382E Fuel Filter Element

The Fuel Pro 382/383E diesel fuel filter system consists of a permanently mounted fuel processor, a replaceable filter element and sealing grommet assembly, a filter spring, a see-thru cover and seal, a cover collar, and a vent cap and seal. See Figure 24.



**Figure 24 Fuel Pro 382E Fuel Processor Assembly**

The system also includes a fuel heater element, thermostatic switch and wiring harness.

Replace the element as follows:

1. Shut down the engine and allow it to cool.
2. With the engine at ambient temperature and cool to the touch, place a suitable container under the filter.
3. A fuel shutoff valve may be installed on the discharge side of the fuel filter. If installed, turn the handle on the shutoff valve to the **closed** position (perpendicular to the valve).
4. Open the drain valve at the base of the fuel processor and drain the fuel until it is below the bottom of the filter in the see-thru cover. Close the drain valve. The fuel may be returned to the tank.
5. Using filter collar/vent cap wrench part number 232002 or equivalent, remove the collar by turning counter-clockwise. Remove the cover, filter spring and cover seal ring by lifting straight up and over the filter element.
6. Remove the element from the center stud (fuel outlet pipe)

by pulling upward and twisting slightly.

**NOTE:**

Current filter elements include an integral sealing grommet. If a former element is replaced, make sure the separate sealing grommet is removed from the center stud before installing the new element.

7. Dispose of the used element and grommet in an environmentally responsible manner, according to federal (EPA) and/or state recommendations.
8. Check to make sure the sealing grommet is included in the base of the replacement filter element, then install the element onto the center stud by pushing down and twisting slightly.
9. Check to make sure the spring is installed at the top of the cover. If missing, this spring must be replaced to insure proper filter operation. Wipe the cover lip and cover seal clean.

<b>NOTICE:</b>
Do not use a wrench of any kind to tighten the collar, since this may lead to overtightening, which can damage the collar and/or the cover.

10. After making sure the seal is properly positioned at the base of the cover, install the cover and collar onto the fuel processor. Tighten the collar **by hand** until secure.
11. Using filter collar/vent cap wrench 232002 or equivalent, remove the vent cap from the top of the cover by turning the cap counter-clockwise. Fill the cover full of clean fuel. After making sure the O-ring seal is installed on the vent cap, reinstall the cap and tighten **by hand**.

<b>NOTICE:</b>
To avoid cover or vent cap damage, do not use tools to tighten the vent cap.

12. Open the fuel shutoff valve (if installed) and start the engine. When the lubrication system reaches its normal operating pressure, increase engine speed to high idle for 2 to 3 minutes.

**NOTICE:**

Do not allow the fuel level in the see-thru cover to fall below the top of the collar, since this may lead to interruption of the fuel flow and engine stalling.

13. After the air is purged and with the engine still running, loosen the vent cap. The fuel level in the cover will start falling. When the fuel level falls to the top of the collar, tighten the vent cap quickly **by hand**.
14. Shut down the engine and tighten the collar again **by hand**. Restart the engine and check for leaks.

**NOTE:**

The filter cover will not fill completely during engine operation. It will gradually fill over time, and the fuel level will rise as the filter medium becomes clogged. **The filter element does not require changing until the fuel level has risen to the top of the element, or after one year of service, whichever comes first.**

## Engine Out of Fuel — How to Restart

When an engine has run out of fuel, there is a definite procedure to follow when restarting it.

**NOTICE:**

The starting motor and fuel pump should **never** be used to prime the fuel filters. Prolonged use of the starting motor and fuel pump to prime the fuel system can result in damage to the starter, fuel pump and injectors and cause erratic running of the engine due to the amount of air in the fuel lines and filters.

## Engines with Spin-On Filters

Use the following procedure for an engine with spin-on filters.

1. Fill the fuel tank with the recommended grade of fuel. If only partial filling is possible, add a minimum of 10 gallons (38 liters) of fuel to the tank.
2. Close the fuel shutoff valve (if installed) on the secondary filter head and remove the spin-on fuel filters. Fill with clean fuel through the fuel inlet holes (the outer ring of small holes on the element) to insure the fuel is filtered.
3. Thread the elements onto the adaptor inserts until the gaskets

make full contact with the adaptor head and no side movement is evident. Tighten filters an additional one-half turn **by hand**, or as indicated on the filter.

4. Open the fuel shutoff valve (if installed), start the engine and check for leaks. Shut down the engine before correcting leaks.

**NOTE:**

If the engine fails to start after replacement of fuel filters, the fuel system will require priming with tool J 5956 or equivalent. Authorized Detroit Diesel distributors are properly equipped to perform this service.

**Engines with Fuel Pro Filters**

Use the following procedure for an engine with Fuel Pro filters.

1. Remove the vent cap from the top of the filter by turning counter-clockwise. Fill the cover full of *clean* fuel. After making sure the O-ring seal is installed on the vent plug, reinstall the plug and tighten **by hand** only.

<b>NOTICE:</b>
----------------

To avoid cover or vent dap damage, do not use tools to tighten the vent cap.
--

<b>NOTICE:</b>
----------------

Do not allow the fuel level in the see-thru cover to fall below the top of the collar, since this may lead to interruption of the fuel flow and engine stalling.
--

2. Start the engine and allow the lubrication system to reach its normal operating pressure, then increase engine speed to high idle for 2 to 3 minutes.
3. After the air is purged and with the engine still running, loosen the vent cap on the filter cover. The fuel level in the cover will start falling. When the fuel level falls to the top of the collar on the Fuel Pro cover, tighten the vent cap quickly **by hand**.

**NOTE:**

If the engine fails to start after replacement of fuel filters, the fuel system will require priming with tool J 5956 or equivalent. Authorized Detroit Diesel distributors are properly equipped to perform this service.

## How to Select Coolant

This section covers selection of the required coolant for Series 60 engines.

### Definitions

To help ensure complete understanding of the information, the definitions of the following terms are provided:

**Antifreeze** — Ethylene glycol or propylene glycol containing a corrosion inhibitor package and which meets an appropriate heavy-duty specification (i.e., TMC RP-329 for ethylene glycol or TMC RP-330 for propylene glycol).

**Coolant** — The fluid mixture circulating in the engine cooling system, typically a mixture of 50% water and 50% antifreeze.

**Drop-Out** — Precipitated sludge or deposit formation on cooling system components.

**Fully Formulated Antifreeze** — Contains all the necessary inhibitors to protect a diesel engine, and does not, therefore, require a pre-charge of SCA before its first use.

**Initial-Fill Coolant** — The coolant that is used in a new or rebuilt engine, or any time the cooling system is emptied and then refilled with coolant.

**OAT** — Organic Acid Technology. An inhibitor system based on

organic acid inhibitors, instead of traditional North American inhibitor formulations.

**SCA** — Supplemental Coolant Additive. SCAs are used in a preventive maintenance program to prevent corrosion, cavitation, and the formation of deposits.

### Approved Coolants

The approved and preferred coolants for Series 60 engines are listed in Table 16.

Once installed, these coolants should be maintained according to the procedures discussed under **Maintenance** in this section.

**NOTICE:**

Required specifications for water, ethylene glycol, propylene glycol, inhibitor packages and inhibitor concentration are included in this section. To avoid possible engine damage from inadequate or over concentrated coolant, this information should be read thoroughly before the coolant is replaced.

Coolant Fill Option	Product
Ethylene Glycol & Water + Corrosion Inhibitors <sup>1</sup>	DDC <i>Power Cool</i>
Commercial Equivalent of DDC <i>Power Cool</i>	Fully Formulated TMC RP-329 Type A Antifreeze & Water
Propylene Glycol & Water + Corrosion Inhibitors <sup>1</sup>	DDC <i>Power Cool Plus</i>
Ethylene Glycol & Water + OAT Inhibitors	DDC <i>Power Cool Plus</i>
Water Only + Corrosion Inhibitors <sup>2</sup>	Water + DDC <i>Power Cool</i> 3000
Water Only + OAT Inhibitors <sup>2</sup>	Water + DDC <i>Power Cool Plus</i> 6000

<sup>1</sup> Preferred Coolant

<sup>2</sup> Water-only coolant systems offer no freeze protection and should not be used where ambient temperatures can fall to 32° F (0° C).

**Table 16 Initial Fill Coolant Options**

**EG & Water Plus SCA Inhibitor or P G & Water Plus SCA Inhibitor**

— These products are available as fully formulated, phosphate-free, extended service interval (ESI) coolants. They are commercially available from Detroit Diesel (recommended) and other manufacturers as either a concentrated antifreeze or as a pre-mixed antifreeze. The pre-mixed antifreeze is ready for use, while the concentrated coolant must be mixed with water prior to use.

Detroit Diesel *Power Cool* engine coolant (part number 23512138) is the preferred ethylene glycol (EG) coolant. If other commercial brands of ethylene glycol are used, they must be equivalent to the *Power Cool*. Detroit Diesel does not market a propylene glycol (PG) coolant. If a propylene glycol coolant is used, it must also meet the following requirements:

- Fully formulated ethylene glycol-based, low silicate antifreeze or coolant must meet TMC RP-329 “Type A” requirements.
- Fully formulated propylene glycol-based antifreeze or coolant must meet TMC RP-330 “Type A” requirements.

*Fully formulated antifreeze does not require a dosage of SCA prior to initial use.*

**Mixing EG or PG Antifreeze and Water**

— If a concentrated ethylene glycol (EG) or propylene glycol (PG) antifreeze is purchased, mix the antifreeze with water meeting the required quality standards listed in Table 19 and fill the cooling system.

If a pre-diluted, fully formulated coolant is purchased, fill the cooling system. For best overall performance, a coolant consisting of 50% concentration of antifreeze (50% antifreeze, 50% water) is *recommended*.

An antifreeze concentration over 67% (67% antifreeze, 33% water) is *not recommended* due to poor heat transfer, reduced freeze protection (IEG only), and possible silicate dropout. An antifreeze concentration below 33% (33% antifreeze, 67% water) offers too little freeze and/or corrosion protection and is *not recommended*.

See Figure 25 for ethylene glycol-base coolant concentration versus freezing and boiling temperatures.

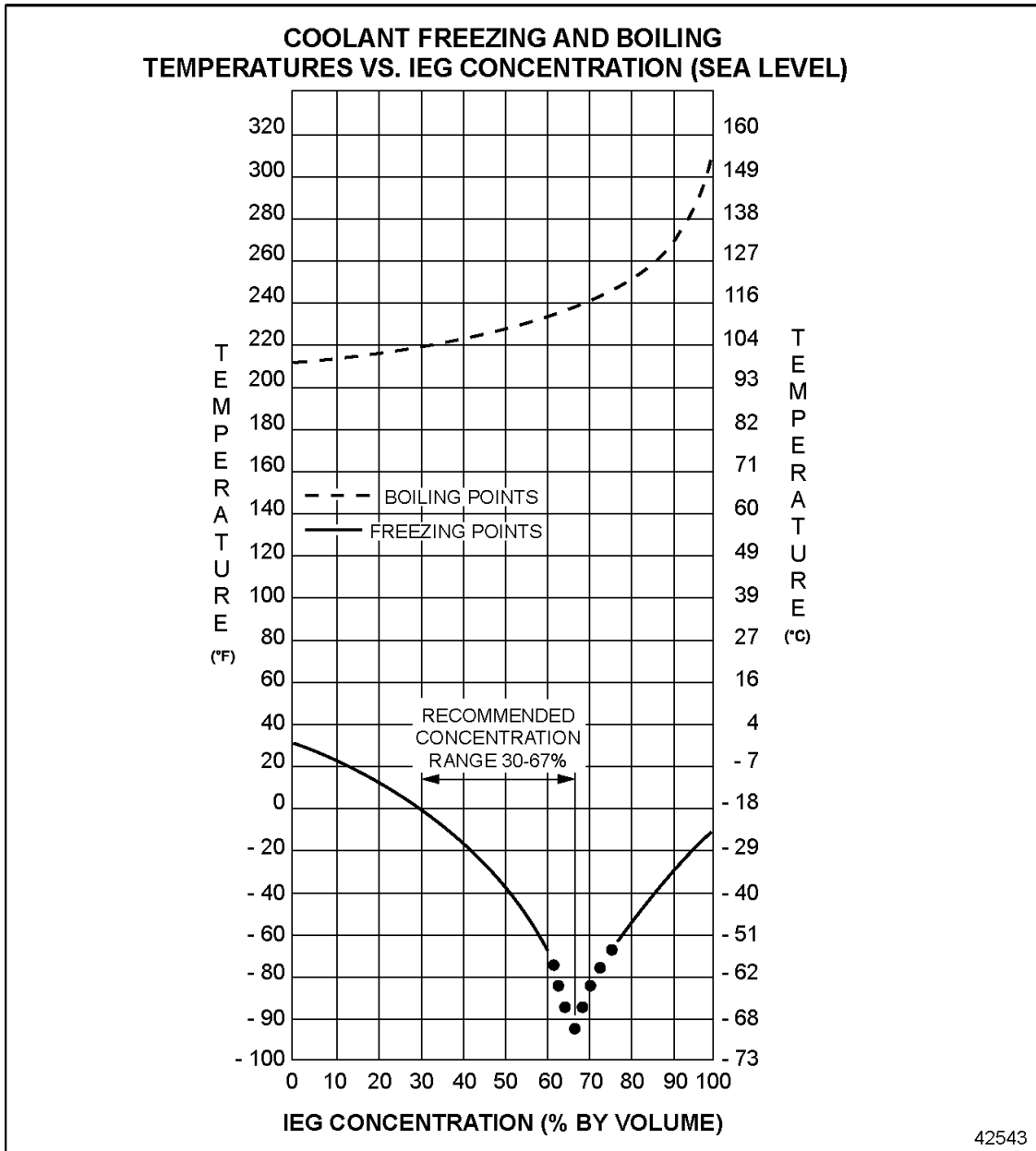


Figure 25 Coolant Temperatures vs IEG Concentration (Sea Level)



See Figure 26 for inhibited propylene glycol-base (IPG) coolant concentration versus freezing and boiling temperatures.

Always verify that the freeze point and nitrite concentration of the

antifreeze/water mixture are correct by using a *POWER Trac*® 3-Way Coolant Test Strip. If chemical analysis is used, elements in the coolant must fall within the limits listed in Table 17.

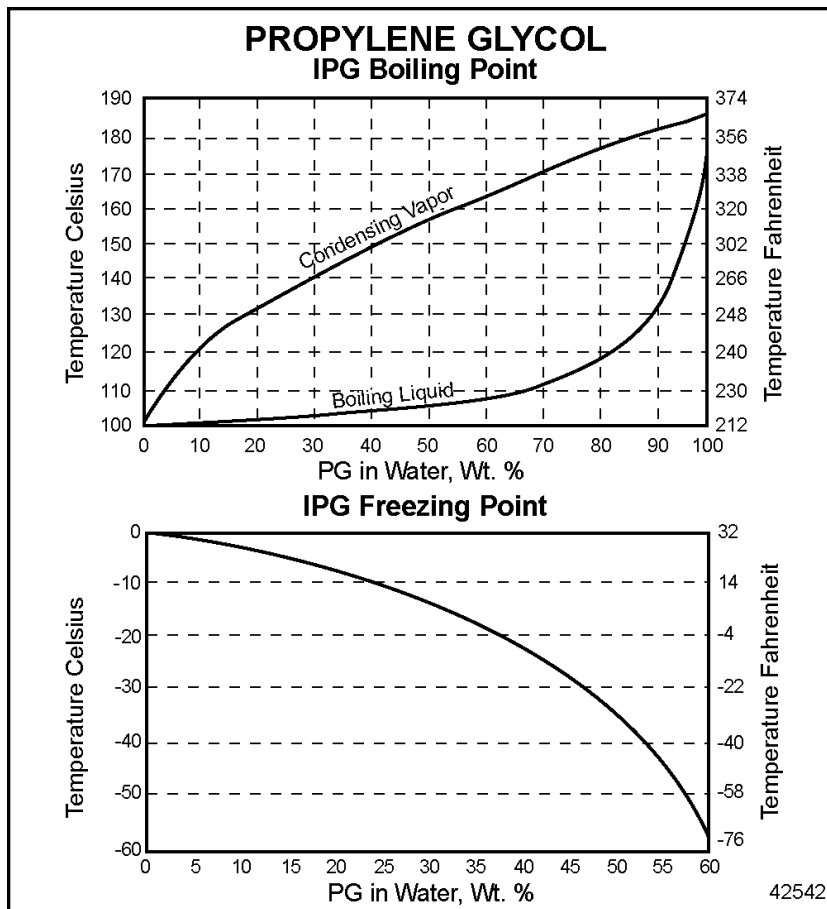


Figure 26 Coolant Temperatures vs IPG Concentration (Sea Level)

Fully Formulated Glycol Coolant Concentration Limits	
Boron	125 – 500 PPM
Nitrite	900 – 3200 PPM
Nitrate	200 – 3200 PPM
Silicon	50 – 250 PPM
Phosphorous	0 PPM
pH	8.0 – 11.0

**Table 17 Fully Formulated Glycol Coolant Limits with TMC RP-329, TMC RP-330 Chemistry Type A (50/50 Coolant/Water Mixture)**

**Recycled Antifreeze** — Antifreeze or coolant recycled by reverse osmosis, distillation, and ion exchange, properly re-inhibited to meet TMC RP-329 Type A or TMC RP-330 Type A requirements, has been demonstrated to provide service equivalent to virgin antifreeze. Recycled antifreeze or coolants of these types are *preferred*. Other recycled coolants, especially coolants recycled through filtration processes, are *not recommended*.

**EG/Water + OAT Inhibitor or PG/Water + OAT Inhibitor** — Ethylene glycol and propylene glycol are also available with a OAT corrosion package. These coolants require less maintenance over the useful life of the engine. OAT coolants, maintained as detailed in the **Maintenance** section of this guide, may be operated up to 4 years,

600,000 miles (960,000 km), or 10,000 operating hours, whichever comes first. Refer to *Coolant Inhibitor Test Intervals* in this guide. The cooling system should either be equipped with a blank coolant filter, or the coolant filter and piping may be omitted from the system.

OAT fully formulated antifreezes are available as concentrated and pre-mixed. Concentrated antifreezes should be mixed 50% (50% antifreeze, 50% water).

*OAT coolants should not be mixed with conventional coolants.* If they are mixed, no damage will result, but the long-life advantages of the OAT coolant will be lost. In this event, the coolant should be maintained as a fully formulated IEG coolant, not as an OAT (Organic Acid Technology) coolant.

Detroit Diesel markets a OAT-inhibited ethylene glycol coolant, DDC *Power Cool* Plus, which contains all the required additives. If a non-DDC OAT antifreeze is used, it must conform to TMC 338 specification. *Do not add extender to new OAT antifreeze or coolant.*

**Water Only + SCA or Water Only + OAT Inhibitor** — In warm climates a coolant based on water with corrosion inhibitors is approved for use. Water-only systems need to be treated with the proper dosage of corrosion inhibitors. Detroit Diesel-approved SCAs or OAT corrosion inhibitors *must* be added to the water to provide required corrosion and cavitation erosion protection. OAT inhibitors such as *Power Cool* Plus 6000 are available for water-only systems. Inhibitor

should be mixed at 7.5% – 10% by volume with water. For a list of *Power Cool* products, refer to section *SPECIFICATIONS* in this guide. Traditional SCA (*Power Cool* 3000) can also be used to protect the engine. *Power Cool* 3000 concentration limits are listed in Table 18.

**NOTE:**

Do not use Power Trac 3-Way Test Strips to test OAT coolant.

*POWER COOL*® 3000 SCA inhibitors should be mixed at 5% by volume with water. This is 1 quart per 5 gallons of water. These additions can be made by adding liquid SCAs available in a variety of sizes. Coolant filters are also available for different cooling system capacities. These filters release the proper amount of SCA at initial fill.

<b><i>Power Cool</i> 3000 Coolant Concentration Limits</b>	
Boron	125 – 500 PPM
Nitrite	900 – 3200 PPM
Nitrate	0 – 1000 PPM
Silicon	50 – 250 PPM
Phosphorous	0 PPM
pH	8.0 – 11.0

**Table 18** *Power Cool* 3000 Concentration Limits (5% *Power Cool* 3000/ 95% Water)

**Water Requirements —**

Distilled, reverse osmosis-purified, or de-ionized water which eliminates the adverse effects of minerals in tap water is preferred. High levels of dissolved chlorides, sulfates, magnesium, and calcium in some tap water causes scale deposits and/or corrosion resulting in water pump failures and poor heat transfer, leading to overheating. If tap water is used, the mineral content in the water must be below the maximum allowable limits listed in Table 19.

**NOTICE:**

Do not add additional SCA to new, fully formulated antifreeze or coolant. This can result in dropout and/or the formation of deposits.

**Coolants Not Recommended**

The following coolants are *not recommended* for use in Detroit Diesel engines.

**All Antifreezes And Coolants Containing Phosphate —**

These coolants are not recommended. Drop out, overheating and water pump seal failures can result from the use of coolant or inhibitor packages based on phosphate.

**Automotive Type Coolants —**

These coolants generally contain high levels of phosphate and silicate, offer no liner pitting protection, and are *not suitable* for use in Detroit Diesel engines.

**Methyl Alcohol-Based**

**Antifreeze —** This must not be used because of its effect on the non-metallic components of the cooling system and its low boiling point.

	Maximum Allowable	
	Parts per Million	Grains per Gallon
Chlorides	40	2.5
Sulfates	100	5.8
Total Dissolved Solids	340	20
Total Hardness – Magnesium and Calcium	170	10

**Table 19 Satisfactory Water Limits – Make-Up Water Only**

**Glycol-based Coolants Formulated For HVAC —**

These coolants formulated for Heating/Ventilation/Air Conditioning (HVAC) should not be used. These coolants generally contain high levels of phosphates, which can deposit on hot internal engine surfaces and reduce heat transfer.

**Additives Not Recommended**

The following additives are *not recommended* for use in Series 60 engines.

**Soluble Oil Additives —** These additives are not approved for use in Detroit Diesel engine cooling systems. A small amount of oil adversely affects heat transfer. For example, a 1.25% concentration of soluble oil increases fire deck temperature 6%. A 2.50% concentration increases fire deck temperature 15%. The use of

soluble oil additives may result in engine overheating and/or failure.

**Chromate Additives —** These additives are not approved for use in Detroit Diesel engine cooling systems. Chromate additives can form chromium hydroxide, commonly called “green slime.” This, in turn, can result in engine damage due to poor heat transfer. Cooling systems operated with chromium-inhibited coolant must be chemically cleaned with *Power Cool* dry chemical cooling system cleaner/conditioner listed in Table 37 (or equivalent sulfamic acid/sodium carbonate cleaner) and flushed.

**Coolant Inhibitor Test Intervals**

The coolant inhibitor level should be checked at the intervals listed in Table 20.

Service Application	Inhibitor Test Interval
On-Highway Trucks and Motor Coaches	20,000 Miles (32,000 Kilometers)
City Transit Coaches, Pick-Up and Delivery, Short Trip, and Emergency Vehicles	6,000 Miles (9,600 Kilometers) or 3 Months, whichever comes first

**Table 20 Required Coolant Inhibitor Test Intervals**



**WARNING:**

**HOT COOLANT**

**To avoid scalding from the expulsion of hot coolant, never remove the cooling system pressure cap while the engine is at operating temperature. Wear adequate protective clothing (face shield, rubber gloves, apron, and boots). Remove the cap slowly to relieve pressure.**

- Water softening to deter formation of mineral deposits.
- Cavitation protection to protect wet sleeve cylinder liners.

**Maintenance Intervals** — Check the nitrite concentration at the regular intervals listed in Table 21 with a *Power Trac 3-Way Test Strip*.

If topping off is needed, add coolant which is identical to the initial fill coolant.

**Supplemental Coolant Additives for Fully Formulated Coolant**

— The concentrations of some inhibitors will gradually deplete during normal engine operation. SCAs replenish the protection for cooling system components. The coolant *must* be maintained with the proper concentration of SCA. Detroit Diesel *Power Cool* maintenance SCAs are recommended.

The proper application of SCA will provide:

- pH control.
- Restored inhibitor levels to prevent corrosion.

Coolant	Interval <sup>1</sup>	Action
Antifreeze / Water + SCA Inhibitor (DDC <i>Power Cool</i> )	20,000 Miles (32,000 km) or 3 Months*	Test nitrite concentration with test strip. Add SCA or dilute coolant as needed.
	300,000 Miles (480,000 km)	Drain and clean system. Refill with new coolant.
Ethylene Glycol / Water + SCA Inhibitor or Propylene Glycol / Water + SCA Inhibitor	20,000 Miles (32,000 km) or 3 Months*	Test nitrite concentration with test strip. Add SCA or dilute coolant as needed.
	300,000 Miles (480,000 km)	Drain and clean system. Refill with new coolant.
Ethylene Glycol / Water + OAT Inhibitor or Propylene Glycol / Water + OAT Inhibitor	Test at 1 Year.	—
	300,000 Miles (480,000 km) or 2 Years*	Add <i>Power Cool Plus Extender</i>
	600,000 Miles (960,000 km)	Drain and clean system. Replace with new coolant.
Water Only + SCA Inhibitor	20,000 Miles (32,000 km) or 3 Months*	Test nitrite concentration with test strip. Add SCA or dilute coolant as needed.
	300,000 Miles (480,000 km)	Drain and clean system. Replace with new coolant.
Water Only + OAT Coolant	300,000 Miles (480,000 km) or 2 Years*	Add <i>Power Cool Plus Extender</i>
	600,000 Miles (960,000 km)	Clean and drain. Replace with new coolant.

<sup>1</sup> Maintenance interval based on application. Drain interval dependent on proper maintenance.

**Table 21 Coolant Maintenance Intervals**

Nitrite levels *must* be within the ranges listed in Table 17.

**NOTICE:**

Failure to properly maintain coolant with SCA can result in damage to the cooling system and its related components. Conversely, over-concentration of SCA inhibitor can result in poor heat transfer, leading to engine damage. Always maintain concentrations at recommended levels. *Do not use traditional SCAs with OAT coolant.*

Additional SCA *must* be added to the coolant when it becomes depleted, as indicated by a nitrite concentration of 900 PPM or less. *If the nitrite concentration is greater than 900 PPM, do not add additional SCA.* If the nitrite concentration is above 3200 PPM, the system is over-inhibited and should be partially drained and filled with a 50/50 mix of water and EG or PG.

In this case the EG or PG should contain no inhibitors and should conform to ASTM D4985. This will dilute the over-concentrated inhibitors.

**NOTE:**

In non-OAT systems, nitrite concentration of 5000 PPM or higher on a Series 60 engine suggests problematic additive over-concentration. This condition *must* be corrected by immediate draining and flushing of the cooling system. Refill the system with new fully formulated or pre-charged coolant. Check the nitrite concentration level at the next maintenance interval with a Power Trac 3-Way Test Strip.

**SCA Test Procedures**

Detroit Diesel Power Trac 3-Way Coolant Test Strips should be used to measure nitrite and glycol concentrations. Part numbers are listed in Table 38. Cavitation/corrosion is indicated on the strip by the level of nitrite concentration. Freeze/boil over protection is determined by glycol concentration.





**WARNING:**

**HOT COOLANT**

**To avoid scalding from the expulsion of hot coolant, never remove the cooling system pressure cap while the engine is at operating temperature. Wear adequate protective clothing (face shield, rubber gloves, apron, and boots). Remove the cap slowly to relieve pressure.**

For best results make the test while the coolant is between 50° – 140° F (10.0° – 60° C). Wait at least 60, but not longer than 75, seconds before reading the nitrite level. Use the test strips as follows:

1. Dip the strip into coolant for one second. Remove and shake briskly to eliminate excess fluid.
2. Immediately compare the pad end (% glycol) to the color chart on the container.
3. Sixty seconds (one minute) after dipping, compare the nitrite pad to the color chart.
4. Color change of the additive indicator (middle pad) indicates the presence of inhibitor that is not approved by Detroit Diesel.

Promptly replace and tighten the test strip container cap after each use.

Discard unused strips if they have turned light pink or tan.

A factory coolant analysis program is available through authorized Detroit Diesel service outlets. Part numbers are listed in Table 38 in the **Specifications** section. To verify coolant acceptability, submit a sample for coolant analysis every two (2) years, 300,000 miles (480,000 km), or 10,000 operating hours, whichever comes first.

### **Need Release Coolant Filters (Non-OAT Systems)**

Spin-on coolant filters are available for Detroit Diesel engines. Membranes in the filters release SCAs before the coolant approaches a corrosive condition, protecting the engine from corrosion. The elements release the SCA charge as needed, as opposed to the maintenance SCA elements, which instantaneously release the SCA charge. Coolant filter elements should be replaced after one (1) year, 120,000 miles (192,000 km) or 2,000 operating hours, whichever comes first.

## Dropout

Excessive amounts of some inhibitors in the coolant can cause a gel or crystalline deposit that reduces heat transfer and coolant flow. The deposit, called “dropout,” takes the color of the coolant when wet, but appears as a white or gray powder when dry. It can pick up solid particles in the coolant and become gritty, causing excessive wear of water pump seals and other cooling system components.



**WARNING:**  
**PERSONAL INJURY**

**To avoid injury when using caustic cleaning agents, follow the chemical manufacturers usage, disposal, and safety instructions.**

The wet gel can be removed by using a non-acid (alkali) type heavy-duty cleaner, such as Detroit Diesel *Power Cool* On-Line Cleaner (sodium nitrite/sodium tetraborate). Part numbers are listed in Table 37.

### NOTE:

If the gel is allowed to dry, it is necessary to disassemble the engine and clean it with a caustic solution or physically clean individual components.

## Coolant Extender Inhibitor Additive for “OAT” Coolant

The inhibitors in OAT coolant must also be maintained, but less often than traditional SCA-type coolants. A portable test is available to test the levels of OAT inhibitors in coolant. Where this is not used, fleet testing has determined that a OAT coolant extender package should be added to the coolant at 300,000 miles (480,000 km), two (2) years, or 5,000 hours, whichever comes first. The proper maintenance dosages for all OAT coolants are listed in Table 21 , reflecting 0.6% by volume extender. This dosage should be added to the water-only and the glycol systems at the same interval.

The proper application of extender to OAT coolant will provide:

- pH Control
- Restored inhibitor levels to prevent corrosion
- Cavitation protection to protect wet sleeve cylinder liners

### NOTE:

***Do not use traditional SCAs in OAT coolant, and do not use OAT extender in traditional coolant.***

### **OAT Coolant Drain Interval —**

A properly maintained OAT-inhibited coolant will last 600,000 miles (960,000 km), four (4) years, or 10,000 operating hours, whichever comes first. At this time the coolant should be drained, and the cooling system should be thoroughly cleaned, flushed, and filled with new, properly inhibited OAT coolant.

### **Chronic Coolant System Problems**

The most commonly seen coolant system problems result from maintenance and formulation factors such as:

- Hard water
- Dilution of the coolant by the addition of untreated water
- Over dosage or under dosage of corrosion inhibitors
- Improper corrosion inhibitor (most often phosphated)
- Mixing SCAs
- Improper testing

### **Detroit Diesel Cooling System Maintenance Products**

The following products are available to do maintenance on the cooling system.

**Power Cool SCAs —** *Power Cool* SCAs are water-soluble chemical compounds. These products are available in coolant filter elements, liquid packages, and in fully formulated *Power Cool* antifreeze.

#### **NOTE:**

***Power Cool 3000 liquid SCA is more compatible with hard water than Power Cool 2000 SCA.***


### **Power Cool Coolant Filter**

**Elements —** *Power Cool* coolant filter elements (spin-on canisters) are available in various sizes suitable for cooling systems of varying capacities. Selection of the proper element size is vital when pre-charging non-fully formulated coolant at initial fill and at maintenance intervals. **A fully formulated antifreeze must not have SCA added at initial fill. Do not use SCA-containing filters with OAT antifreeze or coolant.** The need for maintenance elements is determined by the results of the nitrite concentration test performed at each cooling system interval. *Do not automatically install maintenance elements at maintenance intervals, unless the nitrite concentration falls below 900 parts per million.*

**Power Cool Cleaners —** *Power Cool* Liquid On-Line Cleaner is used for light deposits. *Power Cool* Dry

Chemical Cleaner/Conditioner is used for heavy deposits or scale.

### Summary of Coolant Recommendations

 <b>WARNING:</b> <b>HOT COOLANT</b>
<b>To avoid scalding from the expulsion of hot coolant, never remove the cooling system pressure cap while the engine is at operating temperature. Wear adequate protective clothing (face shield, rubber gloves, apron, and boots). Remove the cap slowly to relieve pressure.</b>

1. Always maintain the engine coolant to meet Detroit Diesel specifications.
2. Only use water that meets the specifications listed in Table 19. Distilled, de-mineralized (reverse osmosis) or de-ionized water is preferred.
3. The proper dosage of inhibitors *must* be included in the coolant at initial fill for all Detroit Diesel engines. This dosage is usually included in the fully formulated antifreeze used, or it may need to be added if water alone or if less than 50% antifreeze is used. *The*

*user is urged to refer to the full text of this section to determine the proper dosage. Mixing of different manufacturers' technologies (brands) could cause cooling system problems.*

4. Maintain the inhibitor at the prescribed concentration. Test the nitrite concentration by using a titration kit or Detroit Diesel Power Trac 3-Way Coolant Test Strips. Add SCA only if the nitrite concentration is below 900 PPM. *Do not use SCA in OAT coolant, and do not use Power Trac 3-Way Coolant Test Strips to test OAT coolant.*

#### NOTE:

If the nitrite concentration exceeds 3,200 PPM, the coolant must be drained and replaced with new coolant. A thorough cleaning of the cooling system may be required.

5. Do not use another manufacturer's test kit to measure the SCA concentration of Detroit Diesel maintenance products.
6. Pre-mix coolant makeup solutions to the proper concentration before adding to the cooling system.
7. Do not mix OAT and other coolants in the same engine.
8. Do not use automotive coolants.

9. Where antifreeze/boil over protection is required, use only antifreeze that meets TMC RP-329 “Type A” (EG) or TMC RP-330 “Type A” (PG) specifications. Always maintain coolant at the proper level.
10. Do not use the following in Detroit Diesel engine cooling systems:
  - Soluble oil
  - High silicate, automotive-type antifreeze
  - Chromate SCAs
  - Methoxy propanol-base coolant
  - Methyl alcohol-base coolant
  - Sealer additives or coolant containing sealer additives.
  - HVAC coolant
  - Phosphated coolants

**Coolant life of Glycol Coolant —**

A *properly maintained* cooling system, filled with phosphate-free coolant consisting of a 50/50 mix of antifreeze and water per TMC RP-329 “Type A” (EG) or TMC RP-330 “Type A” (PG) specifications can be operated to the limits recommended. The proper maintenance involves periodic evaluation using Power Trac 3-Way Coolant Test Strips and the

addition of SCA as needed, indicated by the strip test. To verify coolant acceptability, submit a sample for coolant analysis every 300,000 miles (480,000 km), three (3) years, or 5,000 operating hours, whichever comes first. Submit the sample in a DDC Power Trac Coolant Test Bottle. Required part numbers are listed in Table 38.

**Coolant Life of OAT Coolant —**

A properly maintained OAT coolant may be operated 600,000 miles (960,000 km), four (4) years, or until overhaul, whichever comes first. At this time the system *must* be completely drained, thoroughly cleaned, and refilled. OAT Coolants require the addition of an extender at 300,000 miles (480,000 km), two (2) years, or 5,000 hours, whichever comes first. Use 1 pint of extender for every 20 gallons of coolant.

**Coolant Life of Other Coolants —**

Other properly maintained coolants may be operated up to 250,000 miles (480,000 km), two (2) years, or 4,000 operating hours, whichever comes first. At this time the system *must* be completely drained, thoroughly cleaned, and refilled.

## How to Drain and Flush the Cooling System

Drain and flush the cooling system as follows:



### **WARNING:**

#### **HOT COOLANT**

**To avoid scalding from the expulsion of hot coolant, never remove the cooling system pressure cap while the engine is at operating temperature. Wear adequate protective clothing (face shield, rubber gloves, apron, and boots). Remove the cap slowly to relieve pressure.**

1. With the engine cool, drain the previous solution from the engine and radiator. Dispose of the coolant in an environmentally friendly manner, according to state and/or federal (EPA) recommendations.
2. Refill the cooling system with clean, soft water and a good cooling system cleaning compound, such as those listed in Table 37 in the **Specifications** section. If the engine is warm, fill slowly to prevent the rapid cooling and distortion of the metal castings.
3. Start the engine and operate it for fifteen minutes to circulate the solution thoroughly.
4. Stop the engine and allow it to cool.
5. With the engine cool, drain the cooling system completely.
6. Refill the cooling system with clean, soft water and operate it for fifteen minutes.
7. Stop the engine and allow it to cool.
8. With the engine cool, drain the cleaner residue from the cooling system.
9. Refill the system with the required coolant. Refer to section How to Select Coolant.
10. Entrapped air must be purged after filling the cooling system. To do this, allow the engine to warm up without the pressure cap installed. With the transmission in neutral, increase engine speed above 1000 RPM and add coolant as required. Install the pressure cap after the coolant level has stabilized at the bottom of the radiator filler neck.

**NOTICE:**

If the engine overheats and the coolant level is satisfactory, the cooling system may require cleaning with a descaling solvent and backflushing. Authorized Detroit Diesel service outlets are properly equipped to perform these services.

In addition to the cleaning procedure, other components of the cooling system should be checked periodically to keep the engine operating at peak efficiency.

**Hoses**

Cooling system hoses should be inspected and any hose that shows obvious signs of damage or feels abnormally soft or hard should be replaced. Damaged clamps should also be replaced. All external leaks should be corrected as soon as detected.

**NOTE:**

If Detroit Diesel **Power Cool** antifreeze/coolant (or equivalent fully formulated, precharged antifreeze is used, a precharge element is not required. Coolant inhibitor levels *must* be checked at the intervals listed in Table 20.

**When to Service the Dry Type Air Cleaner**

Replace dry type air cleaner elements when the maximum allowable air cleaner restriction (20 inches of water or 5.0 kPa) has been reached or annually, whichever comes first. Some air cleaners are equipped with a restriction indicator which aids in determining the servicing interval.

Cleaning and/or reusing dry paper type air cleaner elements is not recommended unless the cleaning method used removes clogging without damaging the element. Inspection and cleaning of elements *must* be done in accordance with the air cleaner manufacturer's recommendations, if any.

## BASIC TROUBLESHOOTING

This section covers basic troubleshooting of engine operation or performance malfunctions and their probable causes. In addition to

operating the engine carefully and maintaining it properly make sure to correct any malfunction promptly.

<b>Objectionable Exhaust Symptoms and Probable Causes</b>			
<b>Probable Causes</b>	<b>Black or Gray Smoke</b>	<b>Blue Smoke</b>	<b>White Smoke</b>
Damaged or dirty air cleaner	X	—	—
Improper grade of fuel	X	—	—
Excessive exhaust back pressure	X	—	—
Misfiring cylinders	—	—	X
Lubricating oil not burned in cylinder (being burned in exhaust manifold or turbocharger)	—	X	—
Faulty injector timing	X	—	—
Faulty oil control rings	—	X	—
Excessive installation angle	—	X	—
Excessive oil in crankcase	—	X	—
High ambient temperature	X	—	—
Thin air (high altitude)	X	—	—
Cetane rating of fuel too low	—	—	X
Air in the fuel system	—	—	X



<b>Hard Starting Symptoms and Probable Causes</b>			
<b>Probable Causes</b>	<b>Engine Will Not Rotate</b>	<b>Low Cranking Speed</b>	<b>Engine Cranks But Will Not Start</b>
Low Battery Voltage	X	X	—
Loose cranking motor connections	X	—	—
Faulty cranking motor	X	X	—
Faulty cranking motor switch	X	X	X
Internal seizure	X	—	—
Improper lube oil	—	X	—
Circuit breaker/electronic control malfunction	—	—	X
Fuse blown or missing	—	—	X
<b>Insufficient Fuel Supply</b>			
Air in fuel	—	—	X
Out of fuel	—	—	X
Loose fuel connections	—	—	X
Cracked fuel lines	—	—	X
Obstructed fuel filters/lines	—	—	X
Faulty fuel pump	—	—	X
Faulty injector operation	—	—	X
Restricted fuel fitting missing	—	—	X
DDEC Malfunction	—	—	X
Installation/operation of fuel check valve or shutoff valve	—	—	X
<b>Low Compression</b>			
Worn intake and exhaust valves	—	—	X
Worn piston rings/liners	—	—	X
Leaking cylinder head gasket	—	—	X
Improper intake or exhaust valve adjustments	—	—	X

<b>Abnormal Engine Operation Symptoms and Probable Causes</b>			
<b>Probable Causes</b>	<b>Rough Running or Frequent Stalling</b>	<b>Low Power</b>	<b>Detonation</b>
Misfiring cylinder	X	X	—
Insufficient fuel	X	X	—
High return fuel temperature	X	X	—
Low compression	X	X	—
DDEC malfunction	X	X	—
High air inlet restriction/exhaust back pressure	—	X	—
Engine application	—	X	—
High air inlet temperature	—	X	—
High altitude operation	—	X	—
Incorrect engine gear train timing	—	X	—
Low coolant temperature	—	—	X
Oil picked up by inlet airstream	—	—	X
Faulty injector operation	—	—	X
Incorrect injector height setting	—	X	X

<b>Abnormal Operating Condition Symptoms and Probable Causes</b>		
<b>Probable Causes</b>	<b>High Lube Oil Consumption</b>	<b>Low Oil Pressure</b>
Loose connections	X	—
Cracked lines	X	—
Damaged gaskets or seal rings	X	—
* Lube oil loss at breather tube	X	—
* Lube oil loss at dipstick tube	X	—
Leaking oil cooler	X	—
Leaking valve stem seals	X	—
Worn/broken oil control rings	X	
Scored liner and/or piston	X	—
Excessive engine installation angle	X	—
Crankcase overfilled	X	—
Oil in air tanks (air compressor malfunction)	X	—
Plugged crankcase breather	X	—
Oil level low	—	X
Improper engine oil viscosity (fuel in the oil)	—	X
Faulty oil pressure regulator valve	—	X
Worn crankshaft, camshaft or connecting rod bearings	—	X
Missing cup plugs in rocker arm shafts	—	X
Faulty oil pressure relief valve	—	X
Air leaks in oil pump (suction side)	—	X
Worn or damaged oil pump	—	X
Faulty oil pressure gage	—	X
Faulty electrical components (for gage)	—	X
Plugged oil line or orifice	—	X

\* Indicates high crankcase pressure

<b>Abnormal Coolant Temperature Symptoms and Probable Causes</b>		
<b>Probable Causes</b>	<b>Above Normal</b>	<b>Below Normal</b>
Restricted cooling system passages	X	—
Restricted radiator core passages	X	—
Slipping fan drive belts	X	—
Faulty temperature-controlled fan	X	—
Obstruction in front of radiator or intercooler	X	
Low coolant level	X	—
Damaged hoses	X	—
Faulty thermostats	X	—
Faulty water pump	X	—
Faulty radiator pressure cap	X	—
Air in coolant	X	—
Thermostats not fully closed	—	X
Leakage around thermostat seals	—	X
Faulty temperature-controlled fan	—	X

## ENGINE STORAGE

When an engine is to be stored or removed from operation for a period of time, special precautions should be taken to protect the interior and exterior of the engine, transmission and other parts from rust accumulation and corrosion. The parts requiring attention and the recommended preparations are given below.

### Preparing Engine for Storage

It will be necessary to remove all rust or corrosion completely from any exposed part before applying rust preventive compound. Therefore, it is recommended that the engine be processed for storage as soon as possible after removal from operation.

The engine should be stored in a building that is dry and can be heated during the winter months. Moisture-absorbing chemicals are available commercially for use when excessive dampness prevails in the storage area.

### Temporary Storage (30 Days or Less)

To protect the engine for a temporary period of time (30 days or less), follow this procedure:

1. With the engine at ambient temperature and cool to the touch, drain engine crankcase oil into a suitable container. Dispose of the oil in an environmentally friendly manner, according to state and/or federal (EPA) recommendations.
2. Fill the crankcase to the proper level with the recommended viscosity and grade of oil.
3. Fill the fuel tank with the recommended grade of fuel oil. Operate the engine for two (2) minutes at 1200 rpm and no load. **Do not drain the fuel system or the crankcase after this run.**
4. Check the air cleaner and service it, if necessary.
5. If freezing weather is expected during the storage period, check the antifreeze/coolant for required freeze and inhibitor protection. Add antifreeze solution to the cooling system in accordance with DDC's recommendations.

Refer to *How to Select Coolant* in this guide.

**NOTE:**

If an antifreeze solution is not required during storage, flush the cooling system with a good soluble oil (3% – 5% by volume) rust inhibitor to prevent rusting of the outside diameter of the cylinder liners.



**WARNING:**

**EYE INJURY**

**To avoid injury from flying debris when using compressed air, wear adequate eye protection (face shield or safety goggles) and do not exceed 276 kPa (40 psi) air pressure.**

6. Clean the exterior of the engine (except electrical parts) with fuel oil and dry with compressed air.
7. Seal all engine openings. The material used must be waterproof, vaporproof and possess sufficient physical strength to resist puncture and damage from the expansion of entrapped air.

An engine prepared in this manner can be returned to service in a short time by removing the seals at the engine openings and by checking the engine coolant, fuel oil, lubricating oil and transmission oil levels.

**Extended Storage (More than 30 Days)**

To prepare an engine for extended storage (more than 30 days), follow this procedure:

1. Drain the cooling system and flush with clean, soft water. Refill with clean, soft water and add a rust inhibitor to the cooling system.
2. Circulate the coolant by operating the engine until normal operating temperature is reached.
3. Stop the engine.
4. With the engine at ambient temperature and cool to the touch, drain the engine crankcase oil into a suitable container. Remove the oil filters. Dispose of the oil and filters in an environmentally friendly manner, according to state and/or federal (EPA) recommendations. Replace the drain plug and tighten to 45 – 50 N·m (33 – 37 lb-ft) torque.
5. Install new lubricating oil filters. Fill the crankcase to the proper level with Tectyl® 930A preservative lubricating oil or an equivalent 30-weight preservative lubricating oil meeting Mil-L-21260C, Grade 2 Specification.

6. Drain the fuel tank. Refill with enough clean No. 1 diesel fuel or pure kerosene to permit the engine to operate for about ten (10) minutes. If draining the fuel tank is not convenient, use a separate, portable supply of recommended fuel.

**NOTE:**

If engines are stored where condensation of water in the fuel tank may be a problem, additives containing methyl carbitol or butyl cellulose may be added to the fuel. Follow manufacturer's instructions for treatment. Where biological contamination of fuel may be a problem, add a biocide such as Biobor® JF (or equivalent) to the fuel. When using a biocide, follow the manufacturer's concentration recommendations and observe all cautions and warnings.

7. Drain the fuel system and remove the fuel filters. Dispose of used filters in an environmentally responsible manner, according to state and/or federal (EPA) recommendations. Fill the new filters with No. 1 diesel fuel or pure kerosene and install on the engine.
8. Operate the engine for five (5) minutes to circulate the clean fuel throughout the engine. Be sure the engine fuel system is full.

9. Stop the engine and allow to cool. Then disconnect the fuel return line and the inlet line at the primary filter and securely plug both to retain the fuel in the engine.
10. **Transmission:** Follow the manufacturer's recommendations for prolonged storage.
11. **Power Take-Off:** If equipped, follow manufacturer's recommendations for prolonged storage.

<b>NOTICE:</b>
Failure to properly seal off the turbocharger air inlet and exhaust outlet openings before engine storage may permit air drafts to circulate through the turbocharger and rotate the turbine/compressor shaft without an adequate flow of lubricating oil to the center housing bearings. This can result in severe bearing damage.

12. **Turbocharger:** Since turbocharger bearings are pressure lubricated through the external oil line leading from the oil filter adaptor while the engine is operating, no further attention is required. However, the turbocharger air inlet and turbine exhaust outlet connection

should be sealed off with moisture-resistant tape.

13. Apply a non-friction rust preventive compound to all exposed engine parts. If convenient, apply the rust preventive compound to the engine flywheel. If not, disengage the clutch mechanism to prevent the clutch disc from sticking to the flywheel.

**NOTE:**

Do not apply oil, grease or any wax-base compound to the flywheel. The cast iron will absorb these substances, which can “sweat” out during operation and cause the clutch to slip.

14. Drain the engine cooling system.
15. Drain the preservative oil from the engine crankcase. Reinstall and torque the 3/4” – 14 square, magnetic drain plug to 45 – 50 N·m (33 – 37 lb-ft).
16. Remove and clean the battery and battery cables with a baking soda-water solution and rinse with fresh water. Do not allow the soda solution to enter the battery. Add distilled water to the electrolyte (if necessary) and fully charge the battery. Store the battery in a cool (never below 0° C or 32° F) dry place. Keep the

battery fully charged and check the level and specific gravity of the electrolyte regularly.

17. Insert heavy paper strips between the pulleys and drive belts to prevent sticking.
18. Seal all engine openings, including the exhaust outlet, with moisture-resistant tape. Use cardboard, plywood or metal covers where practical.
19. Clean and dry the exterior painted surfaces of the engine and spray with a suitable liquid automobile body wax, a synthetic resin varnish, or a rust preventive compound.
20. Protect the engine with a good weather-resistant tarpaulin and store it under cover, preferably in a dry building which can be heated during the winter months.

**Outdoor storage of the engine is not recommended.** If units must be kept out of doors, follow the preparation and storage instructions already given. Protect units with quality, weather-resistant tarpaulins (or other suitable covers) arranged to provide for air circulation.



**NOTICE:**

Do not use plastic sheeting for outdoor storage. Plastic is fine for indoor storage. When used outdoors, however, enough moisture can condense on the inside of the plastic to rust ferrous metal surfaces and pit aluminum surfaces. If a unit is stored outside for any extended period of time, severe corrosion damage can result.

The stored engine should be inspected periodically. If there are any indications of rust or corrosion, corrective steps must be taken to prevent damage to the engine parts. Perform a complete inspection at the end of one year and apply additional treatment as required.

**Procedure for Restoring to Service an Engine that Has Been in Extended Storage**

If an engine has been in extended storage, prepare it for service as follows:

1. Remove the covers and tape from all the openings of the engine, fuel tank and electrical equipment. Do not overlook the exhaust outlet.
2. Remove the plugs from the inlet and outlet fuel lines and reconnect the lines to their proper positions.
3. Wash the exterior of the engine with fuel oil to remove the rust preventive. **Do not wash electrical components.**
4. Remove the rust preventive from the flywheel. Flush any soluble oil rust inhibitor (if used) in the cooling system.
5. Remove the paper strips from between the pulleys and drive belts.
6. Fill the crankcase to the proper level with the required grade of lubricating oil. Use a pressure lubricator to insure all bearings and rocker shafts are lubricated.
7. Fill the fuel tank with the required fuel.
8. Close all drain cocks and fill the engine cooling system with clean, soft water and required inhibitors. If the engine is to be exposed to freezing temperatures, install genuine Detroit Diesel **Power Cool** antifreeze or an equivalent ethylene glycol-base or propylene glycol-base antifreeze solution which provides required freeze, boil over, and inhibitor protection. Refer to section How to Select Coolant.
9. Install and connect the battery. Make sure the average specific gravity of the battery is 1.260

or higher. Charge the battery, if necessary.

10. Service the air cleaner, if required.
11. **Transmission:** Follow the manufacturer's recommendations covering the return of the transmission to service.
12. **Power Take-Off:** If equipped, follow the manufacturer's recommendations covering the return of the power take-off to service.
13. **Turbocharger:** Remove the covers from the turbocharger air inlet and turbine outlet connections. Reconnect piping as required. Prelube the turbocharger center bearing housing. Refer to Lubrication System Checks in the *OPERATING INSTRUCTIONS for a first time start* section of this guide.



**WARNING:**  
**PERSONAL INJURY**

**Diesel engine exhaust and some of its constituents are known to the State of California to cause cancer, birth defects, and other reproductive harm.**

- Always start and operate an engine in a well ventilated area.**
- If operating an engine in an enclosed area, vent the exhaust to the outside.**
- Do not modify or tamper with the exhaust system or emission control system.**

14. After all preparations are completed, start the engine.

**NOTE:**

The small amount of rust preventive which remains in the fuel system will cause smoky exhaust for a few minutes.

**NOTE:**

Before subjecting the engine to a load or high speed, allow it to reach normal operating temperature. Then check for trouble codes.

## SERIES 60 SERVICE PUBLICATIONS

The service manual covering Detroit Diesel Series 60 engines and various reference works which may be of interest to the owner/operator are listed in Table 22.

To purchase a copy of any of these publications, contact an authorize

Detroit Diesel distributor in the U.S. or Canada. Check the Yellow Pages under "Engine, Diesel" or refer to the Distributor and Dealer Directory listed below for the distributor or service outlet nearest you.

Description	Form No.
<i>Series 60 Engine Service Manual</i>	6SE483
<i>Series 60 DDEC V Troubleshooting Guide</i>	6SE570
<i>U.S. and Canada Distributor/Dealer Directory</i>	6SE1000
<i>Lube Oil, Fuel and Filter Requirements</i>	7SE270
<i>Coolant Requirements for Engine Cooling Systems</i>	7SE298
<i>Technician's Guide – Used Lubricating Oil Analysis</i>	7SE398
<i>Technician's Guide – Turbocharger</i>	7SE374
<i>Technician's Guide – Cooling System</i>	7SE390
<i>Series 60 EGR Technician's Guide</i>	7SE60
<i>Series 60 Driving Tips –DVD</i>	17SE60
Series 60 Poster	31SA400

**Table 22 Service Publications**

## CUSTOMER ASSISTANCE

The satisfaction and goodwill of the owners of Detroit Diesel engines are of primary concern to Detroit Diesel Corporation and its distributor/dealer organizations.

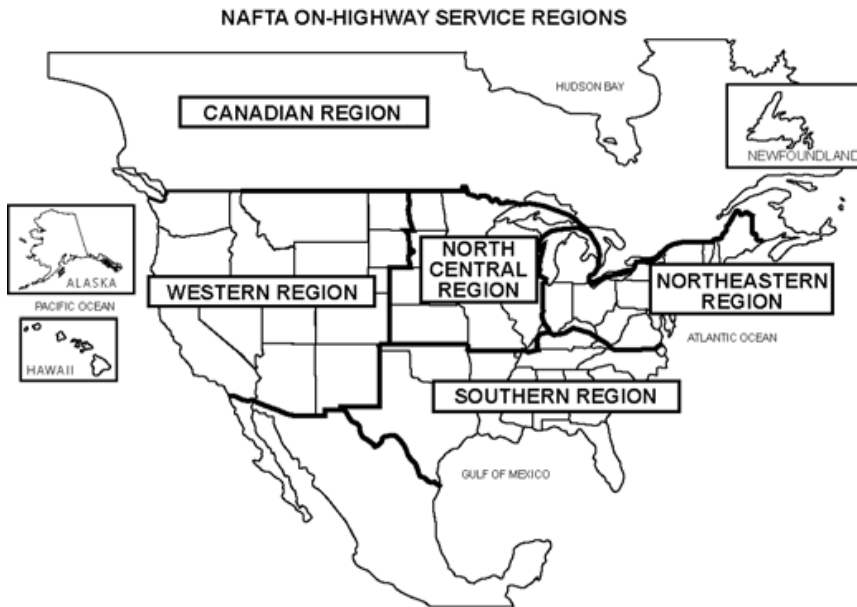


Figure 27

**DETROIT DIESEL NORTH AMERICAN REGIONAL  
ON-HIGHWAY OFFICES**

**EASTERN REGION 1**

**Suwanne, Georgia**

3325 Paddocks Parkway, Suite 230  
Suwanne, GA 30024  
Telephone: 678-341-6100  
Fax: 678-341-6150

**WESTERN REGION 1**

**Irvine, California**

7700 Irvine Center, Suite 275  
Irvine, CA 92618  
Telephone: 949-753-7710  
Fax: 949-753-7711

**CANADIAN REGION**

**London, Ontario**

Detroit Diesel of Canada, Ltd.  
150 Dufferin Ave., Suite 701  
London, ON N5A 5N6  
Phone: 519-661-0149  
Fax: 519-661-0171

**EASTERN REGION 2**

**Detroit, Michigan**

13400 Outer Drive West  
Detroit, MI 48239-4001  
Telephone: 313-592-5420  
Fax: 313-592-5887

**WESTERN REGION 2**

**Irvine, California**

7700 Irvine Center, Suite 275  
Irvine, CA 92618  
Telephone: 949-753-7710  
Fax: 949-753-7711

**DDC INTERNATIONAL REGIONAL OFFICE LOCATIONS**

**DETROIT DIESEL DISTRIBUTION  
CENTER B. V. (On-Highway)**

**The Netherlands**

Ridderpoort 9  
2984 Ridderkerk  
The Netherlands  
Phone: (31) 180-442-900  
Fax: (31) 180-419-544

**AUSTRALIAN REGION  
(On-Highway)**

488 Blackshaws Road  
Altona North, Victoria 3025  
Australia  
Phone: (61) 3 9243-9292  
Fax: (61) 3 9243-9262

**ASIAN REGION (On-Highway)**

13400 Outer Drive, West  
Detroit, Michigan 48239  
Phone: 313-592-5990  
Fax: 313-592-5887

**MEXICO (On-Highway)**

Detroit Diesel Allison de Mexico, S.A.  
Av. Santa Rosa 58  
Col. Ampliacion Norte  
54160 Tlanepantla  
Edo. de Mexico  
MEXICO  
Phone: 52 55-5333-1803  
Fax: 52 55-5333-1875

## Road Service in the U.S. or Canada

If you require road service for any reason in the U.S. or Canada, you may call the **1-800-445-1980** customer assistance phone number. An operator will assist you in determining what type of service is required. Not all problems are engine related and not all problems are covered by engine or vehicle warranties. *YOU MAY BE RESPONSIBLE FOR REPAIR EXPENSES.*

### Before calling Customer Assistance, please do the following:

- Check coolant level
- Check fuel level
- Check DDEC fuses
- Check for fuel leaks
- Make sure manual shutoff valve (if installed) on the fuel filter adaptor, fuel processor body or fuel supply line is open.
- Check the oil level on the dipstick.
- Check diagnostic codes.

### If you call, have the following information available:

- Engine serial number
- Truck, bus or equipment make and model
- Odometer mileage (kilometers) or hourmeter hours

- Truck, bus or equipment owner/company name

## Working with DDC Service Outlets

As the owner of a Detroit Diesel product you have a complete network of over 1,000 Detroit Diesel service outlets in the U.S. and Canada, plus many outlets worldwide that are prepared to meet your parts and service needs:

- Service by trained personnel.
- Sales team to help determine your specific power requirements.
- In many areas, emergency service 24 hours a day.
- Complete parts support, including reliabilt® remanufactured components.
- Product information and literature.

Despite the best intentions of everyone concerned, misunderstandings may occur. Normally, any situation that arises in connection with the sale, operation or service of your product will be handled by the authorized service outlet in your area.

In the U.S. and Canada, check the Yellow Pages or service locator at [www.detroitdiesel.com](http://www.detroitdiesel.com) for the Detroit Diesel service outlet nearest you.

To further assure your complete satisfaction, we have developed the following procedure to use if you have a problem that has not been handled satisfactorily.

### Step One

Discuss your problem with a member of management from the authorized service outlet. Frequently, complaints are the result of a breakdown in communication and can quickly be resolved by a member of management.

If you have already discussed the problem with the Sales or Service Manager, contact the General Manager. If your complaint originates with a dealer, explain the matter to a management member of the distributorship with whom the dealer has a service agreement.

### Step Two

When it appears that your problem cannot be readily resolved at the distributor level without additional assistance, contact the Detroit Diesel Regional Product Support Manager or Operations Manager responsible for your local distributor. You will be assisted by a member of the manager's staff, depending upon the nature of your problem.

Prior to this contact, have the following information available:

- Engine model\* 606\_\_\_\_\_ .

- Engine serial number\* 06R0\_\_\_\_\_  
\_\_\_\_\_ .
- Type and make of equipment.
- Engine delivery date and accumulated miles or hours of operation.
- Nature of problem.
- Chronological summary of engine's history.
- Name and location of authorized service outlet.

**\*Important:** Your engine model number and serial number should be written on the lines provided. They will identify your engine and all service parts, plus provide warranty and extended coverage information.

### Step Three

If you are still not satisfied, present the entire matter in writing or by phone to:

**Sr. Vice President, Customer Assurance, Parts, Service and Customer Support**

Detroit Diesel Corporation  
13400 Outer Drive, West  
Detroit, MI 48239-4001  
Phone: 313-592-5000  
FAX: 313-592-7244



Ultimately your problem will likely be resolved at the distributorship or dealership, utilizing their facilities, equipment, and personnel. Therefore, it is suggested that you follow the above steps in sequence when experiencing a problem.

## LIMITED WARRANTY ON SERIES 60 DDEC V EGR ENGINES USED IN ON-HIGHWAY VEHICLE APPLICATIONS

### TERMS OF COVERAGE

#### Uses

This warranty applies to the first retail purchaser and subsequent owners during the WARRANTY PERIOD of new Detroit Diesel Series 60® DDEC V EGR Engines (referred to as Engine) manufactured by Detroit Diesel Corporation and/or supplied by Detroit Diesel Corporation, Detroit Diesel of Canada Limited, or Detroit Diesel Overseas Distribution Corporation (all which are collectively referred to as DDC) which are used in on-highway vehicle applications sold at retail on and after January 1, 2004.

#### Defects

This warranty covers Engine REPAIRS to correct any malfunction occurring during the WARRANTY PERIOD resulting from defects in material and workmanship.

#### Repairs

To obtain warranty repairs, you must request the needed repairs within the WARRANTY PERIOD from an authorized DDC service outlet. Only new genuine parts or remanufactured

parts or components supplied or approved by DDC will be used. DDC may, at its discretion, replace rather than repair components. A reasonable time must be allowed to perform the warranty repair after taking the engine to the authorized service outlet. The owner is responsible for the percentage of repair costs shown in the warranty period chart. Repairs will be performed during normal business hours.

#### Warranty Period

The WARRANTY PERIOD begins on the date the engine is delivered to the first retail purchaser or put in use prior to sale at retail, whichever date comes first, and ends at the time or mileage/kilometer limits in the WARRANTY PERIOD chart (Table 23).

#### Like Replacement Engine

Engine(s) supplied by DDC as a replacement for an engine still under warranty will assume the identity of the Engine being replaced and be entitled to the remaining warranty coverage.

Warranty Period				
Item	Warranty Limitations (Whichever Occurs First)		Repair Charges to Be Paid by Owner	
	Months	Miles / Kilometers	Parts	Labor
Engine #	0-24	Unlimited	No Charge	No Charge
Accessories	0-24	0-100,000 Miles 0-160,000 Km	No Charge No Charge	No Charge No Charge
Upon expiration of the 24 month warranty coverage, but within 500,000 miles/800,000 km of use, the warranty continues to apply as follows:				
Major Components †	25-60	0 - 500,000 Miles 0-800,000 Km	No Charge	100% of Service Outlet's Normal Charge

# Includes Jacobs Vehicle Systems braking devices and 50DN or T1 alternators, if installed.

† Cylinder Block/Head, Crankshaft, Camshaft, Main Bearing Bolts, Flywheel Housing, Connecting Rod Assemblies, Oil Cooler Housing, Water Pump Housing and Air Inlet Housing.

**Table 23 Warranty Period Chart – On-Highway Vehicle Applications**

### Service Supplies

The cost of service supplies such as coolant, oil and filters which are not reusable due to needed warranty repairs is covered by this warranty.

### Engine Removal and Reinstallation

Reasonable labor costs for Engine removal and reinstallation, when necessary to make a warranty repair, are covered by this warranty.

### THIS WARRANTY DOES NOT COVER:

#### Repairs Due to Accidents, Misuse, Storage Damage, Negligence or Certain Modifications

Repairs due to an accident, misuse, misapplication, storage damage, negligence or modification exceeding DDC specifications are not covered by this warranty.

### **Braking Devices**

DDC is not responsible for the repair of non-Jacobs Vehicle Systems mechanical braking devices installed on the Engine. Such devices are warranted by the brake manufacturer.

### **Fuel Injectors after 200,000 Miles/320,000 Kilometers**

The repair or replacement of fuel injectors after 200,000 miles/320,000 kilometers of operation is not covered by this warranty.

### **Maintenance**

DDC is not responsible for the cost of maintenance or repairs due to the lack of performance of required maintenance services as recommended by DDC, or the failure to use fuel, oil, lubricants and coolant meeting DDC-recommended specifications. Performance of the required maintenance and use of proper fuel, oil, lubricants and coolant are the responsibility of the owner. Refer to the *MAINTENANCE* section in this guide for details.

### **Incidental or Consequential Damage**

Detroit Diesel Corporation is not responsible for incidental or consequential costs or expenses which the owner may incur as a

result of a malfunction or failure covered by this warranty, such as communication expenses, meals, lodging, overtime, loss of use of the engine or vehicle (“downtime”), loss of time, inconveniences, cargo loss or damage, and other similar costs and expenses.

### **Other Limitations**

The performance of REPAIRS is the exclusive Owner's remedy under this warranty. DDC does not authorize any person to assume or create for it any other obligation or liability in connection with the engine or accessories.

THIS LIMITED WARRANTY AND THE EMISSIONS CONTROL WARRANTY ARE THE ONLY WARRANTIES APPLICABLE TO THE ENGINE AND ACCESSORIES AS USED IN ON-HIGHWAY VEHICLE APPLICATIONS. DETROIT DIESEL CORPORATION MAKES NO OTHER WARRANTIES EXPRESS OR IMPLIED, INCLUDING ANY IMPLIED WARRANTY OF MERCHANTABILITY OR FITNESS FOR A PARTICULAR PURPOSE. DETROIT DIESEL CORPORATION SHALL NOT BE LIABLE FOR ANY INCIDENTAL OR CONSEQUENTIAL DAMAGES AS DESCRIBED ABOVE.

Some states do not allow the limitation of how long this warranty may last or the limitation or exclusion of incidental or consequential damages, so the above may not apply to you. This warranty gives you specific legal rights, and you may also have other rights which may vary from state to state.

## LIMITED WARRANTY ON ENGINES POWERING URBAN BUS, MOTOR COACH OR MOTOR HOME APPLICATIONS

### TERMS OF COVERAGE

#### Uses

This warranty applies to the first retail purchaser and subsequent owners during the WARRANTY PERIOD of new Detroit Diesel Series 60® DDEC V EGR Engines (referred to as Engine) manufactured by Detroit Diesel Corporation and/or supplied by Detroit Diesel Corporation, Detroit Diesel of Canada Limited, or Detroit Diesel Overseas Distribution Corporation (all which are collectively referred to as DDC) powering urban bus, motor coach or motor home applications sold at retail on and after January 1, 2004.

#### Defects

This warranty covers Engine REPAIRS to correct any malfunction occurring during the WARRANTY PERIOD resulting from defects in material and workmanship.

#### Repairs

To obtain warranty repairs, you must request the needed repairs within the WARRANTY PERIOD from an authorized DDC service outlet. Only new genuine parts or remanufactured

parts or components supplied or approved by DDC will be used. DDC may, at its discretion, replace rather than repair components. A reasonable time must be allowed to perform the warranty repair after taking the engine to the authorized service outlet. The owner is responsible for the percentage of repair costs shown in the Warranty Period Chart. Repairs will be performed during normal business hours.

#### Warranty Period

The WARRANTY PERIOD begins on the date the engine is delivered to the first retail purchaser or put in use prior to sale at retail, whichever date comes first, and ends at the time or mileage/kilometer limits in the WARRANTY PERIOD chart (Table 24).

#### Service Supplies

The cost of service supplies such as coolant, oil and filters which are not reusable due to needed warranty repairs is covered by this warranty.

Warranty Period				
Item	Warranty Limitations (Whichever Occurs First)		Repair Charge to Be Paid By Owner	
	Months	Miles / Kilometers	Parts	Labor
Engine #	0 – 24	Unlimited	No Charge	No Charge
Accessories	0–24	0–100,000 Miles 0–160,000 Km	No Charge No Charge	No Charge No Charge
	Upon expiration of the 24 month warranty coverage, but within 500,000 miles/800,000 km of use, the warranty continues to apply as follows:			
Major Components †	25 – 60	0 – 500,000 Miles 0 – 800,000 Km	No Charge	100% of service outlet's normal charge

# Includes Jacobs Vehicle Systems braking devices, 50DN or T1 alternators, if so equipped.

† Cylinder Block/Head, Crankshaft, Camshaft, Main Bearing Bolts, Flywheel Housing, Connecting Rod Assemblies, Oil Cooler Housing, Water Pump Housing and Air Inlet Housing.

**Table 24 Warranty Period Chart – Urban Bus, Motor Coach and Motor Home Applications**

**Like Replacement Engine**

Engine(s) supplied by DDC as a replacement for an engine still under warranty will assume the identity of the Engine being replaced and be entitled to the remaining warranty coverage.

**Engine Removal and Reinstallation**

Reasonable labor costs for Engine removal and reinstallation, when necessary to make a warranty repair, are covered by this warranty.

**THIS WARRANTY DOES NOT COVER:**

**Repairs Due to Accidents, Misuse, Alteration, Storage Damage, Negligence or Certain Modifications**

Repairs due to an accident, misuse, alteration, misapplication, storage damage, negligence or modification exceeding DDC specifications are not covered by this warranty.

### **Braking Devices**

DDC is not responsible for the repair of non-Jacobs Vehicle Systems mechanical braking devices installed on the Engine. Such devices are warranted by the brake manufacturer.

### **Fuel Injectors after 200,000 Miles/320,000 Kilometers**

The repair or replacement of fuel injectors after 200,000 miles/320,000 kilometers of operation is not covered by this warranty.

### **Maintenance**

DDC is not responsible for the cost of maintenance or repairs due to the lack of performance of required maintenance services or the failure to use fuel, oil, lubricants and coolant meeting DDC-recommended specifications. Performance of the required maintenance and use of proper fuel, oil, lubricants and coolant are the responsibility of the owner. Refer to the MAINTENANCE section in this guide for details.

### **Incidental or Consequential Damage**

Detroit Diesel Corporation is not responsible for incidental or consequential costs or expenses which the owner may incur as a result of a malfunction or failure

covered by this warranty, such as communication expenses, meals, lodging, overtime, loss of use of the engine or vehicle (“downtime”), loss of time, inconvenience, cargo loss or damage, and other similar costs and expenses.

### **Other Limitations**

The performance of REPAIRS is the exclusive Owner's remedy under this warranty. DDC does not authorize any person to assume or create for it any other obligation or liability in connection with the Engine.

THIS LIMITED WARRANTY AND THE EMISSIONS CONTROL WARRANTY ARE THE ONLY WARRANTIES APPLICABLE TO THESE ENGINES POWERING URBAN BUS, MOTOR COACH OR MOTOR HOME APPLICATIONS. DETROIT DIESEL CORPORATION MAKES NO OTHER WARRANTIES EXPRESS OR IMPLIED, INCLUDING ANY IMPLIED WARRANTY OF MERCHANTABILITY OR FITNESS FOR A PARTICULAR PURPOSE. DETROIT DIESEL CORPORATION SHALL NOT BE LIABLE FOR ANY INCIDENTAL OR CONSEQUENTIAL DAMAGES AS DESCRIBED ABOVE.



Some states do not allow the limitation of how long this warranty may last or the limitation or exclusion of incidental or consequential damages, so the above may not apply to you. This warranty gives you specific legal rights, and you may also have other rights which may vary from state to state.

## **LIMITED WARRANTY ON ENGINES USED IN FIRE TRUCK OR CRASH RESCUE VEHICLE APPLICATIONS**

### **TERMS OF COVERAGE**

#### **Uses**

This warranty applies to the first retail purchaser and subsequent owners during the WARRANTY PERIOD of new Detroit Diesel Series 60® Engines (referred to as Engine) manufactured by Detroit Diesel Corporation and/or supplied by Detroit Diesel Corporation, Detroit Diesel of Canada Limited, or Detroit Diesel Overseas Distribution Corporation (all which are collectively referred to as DDC) for use in fire truck or crash rescue vehicle applications sold at retail on and after January 1, 2004.

#### **Defects**

This warranty covers Engine REPAIRS to correct any malfunction occurring during the WARRANTY PERIOD resulting from defects in material and workmanship.

#### **Repairs**

To obtain warranty repairs, you must request the needed repairs within the WARRANTY PERIOD from an authorized DDC service outlet. Only new genuine parts or remanufactured parts or components supplied or

approved by DDC will be used. DDC may, at its discretion, replace rather than repair components. A reasonable time must be allowed to perform the warranty repair after taking the engine to the authorized service outlet. Repairs will be performed during normal business hours.

#### **Warranty Period**

The WARRANTY PERIOD begins on the date the engine is delivered to the first retail purchaser or put in use prior to sale at retail, whichever date comes first, and ends at the time or mileage/kilometer limits in the WARRANTY PERIOD chart (Table 25).

#### **Like Replacement Engine**

Engine(s) supplied by DDC as a replacement for an engine still under warranty will assume the identity of the Engine being replaced and be entitled to the remaining warranty coverage.

#### **Service Supplies**

The cost of service supplies such as coolant, oil and filters which are not reusable due to needed warranty repairs is covered by this warranty.

Warranty Period				
Item	Warranty Limitations (Whichever Occurs First)		Repair Charges to Be Paid by Owner	
	Months	Miles / Kilometers	Parts	Labor
Engine	0 – 60	0 – 100,000 Miles 0 – 160,000 Km	No Charge	No Charge
Accessories*	0 – 24	0 – 100,000 Miles 0 – 160,000 Km	No Charge	No Charge

\* Electronic Fire Commander warranty is two year/unlimited mileage

**Table 25 Warranty Period Chart – Fire Truck or Crash Rescue Vehicle Applications**

**Engine Removal and Reinstallation**

Reasonable labor costs for Engine removal and reinstallation, when necessary to make a warranty repair, are covered by this warranty.

**THIS WARRANTY DOES NOT COVER:**

**Repairs Due to Accidents, Misuse, Alteration, Storage Damage, Negligence or Certain Modifications**

Repairs due to an accident, misuse, alteration, misapplication, storage damage, negligence or modification exceeding DDC specifications are not covered by this warranty.

**Maintenance**

DDC is not responsible for the cost of maintenance or repairs due to the lack of performance of required maintenance services as recommended by DDC, or the failure to use fuel, oil, lubricants and coolant meeting DDC-recommended specifications. Performance of the required maintenance and use of proper fuel, oil, lubricants and coolant are the responsibility of the owner. Refer to the MAINTENANCE section in this guide for details.

*LIMITED WARRANTY ON ENGINES USED IN FIRE TRUCK OR CRASH RESCUE VEHICLE APPLICATIONS*

---

**Incidental or Consequential Damage**

Detroit Diesel Corporation is not responsible for incidental or consequential costs or expenses which the owner may incur as a result of a malfunction or failure covered by this warranty, such as communication expenses, meals, lodging, overtime, loss of use of the engine or vehicle (“downtime”), loss of time, inconvenience, cargo loss or damage, and other similar costs and expenses.

**Other Limitations**

The performance of REPAIRS is the exclusive Owner's remedy under this warranty. DDC does not authorize any person to assume or create for it any other obligation or liability in connection with the Engine or the Accessories.

THIS LIMITED WARRANTY AND THE EMISSIONS CONTROL WARRANTY ARE THE ONLY WARRANTIES APPLICABLE TO THE ENGINE AS USED IN FIRE TRUCK OR CRASH RESCUE VEHICLE APPLICATIONS. DETROIT DIESEL CORPORATION MAKES NO OTHER WARRANTIES EXPRESS OR IMPLIED, INCLUDING ANY IMPLIED WARRANTY OF MERCHANTABILITY OR

FITNESS FOR A PARTICULAR PURPOSE. DETROIT DIESEL CORPORATION SHALL NOT BE LIABLE FOR ANY INCIDENTAL OR CONSEQUENTIAL DAMAGES AS DESCRIBED ABOVE.

Some states do not allow the limitation of how long this warranty may last or the limitation or exclusion of incidental or consequential damages, so the above may not apply to you. This warranty gives you specific legal rights, and you may also have other rights which may vary from state to state.

## SPECIFICATIONS

This section lists the fuel and lubrication oil filters needed for the Series 60 engine. Also listed as the various *POWER COOL* engine products.

### Fuel and Lubricating Oil Filters

The fuel filters and their part numbers are listed in Table 26. The lubricating oil filters and their part numbers are listed in Table 27.

Filter Type	Detroit Diesel Part Number
Primary — Spin-On	23530706
Primary Fuel/Water Separator — Spin-On†	23512317†
Secondary — Spin-On	23530707 or 23533726‡
Primary — Fuel Pro 380/382 Element	23521528 or 23529168*

\* Elemax™ extended service element (optional).

† Optional. May be used in place of, but not together with, the primary filter.

‡ Used on engines equipped with DDEC V.

**Table 26 Fuel Filters – Series 60 Regular Service**

Filter Type	Detroit Diesel Part Number
Full Flow	23530573
Full Flow (High Capacity)	DELF3998

**Table 27 Lubricating Oil Filters**

### OIL PAN CAPACITY

All Series 60 truck oil pans (front sump and rear sump) require the same amount of engine oil

**Oil Pan Capacity** — 26 quarts to the LOW mark without oil filters

32 quarts to the FULL mark without oil filters

**Total Oil Capacity Of The Engine** — 40 quarts to the FULL mark with oil filters installed and filters and oil galleries charged.

**POWER COOL ENGINE PRODUCTS**

Maintenance of the cooling system requires the chemical make-up of the system to be balanced.

**POWER COOL Fully Formulated IEG Coolant**

The part numbers and sizes of concentrated *POWER COOL* and pre-blended 50:50 *POWER COOL* are listed in Table 28.

Coolant Type	Part Number	Description
Concentrated	23512138	1 Gallon Jug – 6 Per Case
	23512139	55 Gallon Drum
	23529295	330 Gallon Tote
	23512140	Bulk Delivery – 1,000 Gallon Min.
Pre-Blended 50:50	23528203	1 Gallon Jug – 6 Per Case
	23518918	55 Gallon Drum
	23528544	330 Gallon Tote
	23513503	Bulk Delivery – 1,000 Gallon Min.

**Table 28** *POWER COOL* Fully Formulated IEG Coolant

**POWER COOL Latin American Coolant**

Coolant Type	Part Number	Description
Pre-Blended 67:33	23524737	1 Gallon Jug – 6 Per Case
	23524923	55 Gallon Drum
	23524924	Bulk Delivery – 1,000 Gallon Minimum

**Table 29** *POWER COOL* Latin American Coolant

**POWER COOL 2000 and 3000  
Supplemental Coolant Additive**

Coolant Type	Part Number	Description
For <i>Power Cool</i> IEG Coolant	23507858	Pint Bottle – 12 Per case
	23507859	Half Gallon Jug – 6 Per Case
	23507860	5 Gallon Pail
	23507861	55 Gallon Drum

**Table 30 POWER COOL 2000 Supplemental Coolant Additive**

Coolant Type	Part Number	Description
For <i>POWER COOL</i> IEG Coolant	23507854	Pint Bottle – 12 Per Case
	23507855	Half Gallon Jug – 6 Per Case
	23507856	5 Gallon Pail
	23507857	55 Gallon Drum

**Table 31 POWER COOL 3000 Supplemental Coolant Additive**

**POWER COOL 3000  
Supplemental Additive Coolant  
Filters**

Coolant Type	Part Number	Description
For <i>POWER COOL</i> IEG Coolant	23507545	4 Ounce (1 Pint Equivalent)
	23508425	8 Ounce (2 Pint Equivalent)
	23508426	12 Ounce (3 Pint Equivalent)
	23507189	16 Ounce (4 Pint Equivalent)
	23508427	32 Ounce (8 Pint Equivalent)
	23508428	53 Ounce (13 Pint Equivalent)

**Table 32 POWER COOL 3000 Supplemental Additive Coolant Filters**

**POWER COOL Supplemental Additive Need Release Coolant Filters**

Coolant Type	Part Number	Description
For <i>POWER COOL</i> IEG Coolant	23516488	For 0 – 8 Gallon Systems
	23516489	For 8 – 20 Gallon Systems

**Table 33 POWER COOL Supplemental Additive Need Release Coolant Filters**

**POWER COOL Plus Extended Life OAT Coolant**

Coolant Type	Part Number	Description
Concentrated	23519397	1 Gallon Jug – 6 Per Case
	23519394	55 Gallon Drum
	23519395	Bulk Delivery – 1,000 Gallon Min.
Pre-Blended 50:50	23519396	One Gallon Jug – 6 Per Case
	23519398	55 Gallon Drum
	23519399	Bulk Delivery – 1,000 Gallon Min.

**Table 34 POWER COOL Plus Extended Life OAT Coolant**

**POWER COOL Plus Extender For Use With POWER COOL Plus OAT Coolant**

Coolant Type	Part Number	Description
For <i>Power Cool</i> Plus	23519400	Quart Bottle – 6 Per Case

**Table 35 POWER COOL Plus Extender for Use with POWER COOL Plus OAT Coolant**



**POWER COOL Plus 6000  
OAT Inhibitor For Water-Only  
Systems**

Coolant Type	Part Number	Description
Water Only	23522127	1 Gallon Jug – 6 Per Case
	23522128	5 Gallon Pail

**Table 36 POWER COOL Plus 6000 OAT Inhibitor for Water-Only Systems**

**POWER COOL Cooling System  
Cleaners**

Coolant Type	Part Number	Description
On-Line Cleaner	200164	On-Half Gallon Jug – 6 Per Case
	200105	5 Gallon Pail
	200155	55 Gallon Drum
Twin Pack	201549	Twin Pack – 2 Per Case

**Table 37 POWER COOL Cooling System Cleaners**

**POWER TRAC Coolant Testing  
And Analysis Products**

<b>Application</b>	<b>Part Number</b>	<b>Description</b>
Indicates Nitrite, Molybdate & Glycol Levels	23519401	3-Way Coolant Test Strips (Single Foil Packs)
Indicates Nitrite, Molybdate & Glycol Levels	23519402	3-Way Coolant Test Strips (Bottle of 50)
Indicates Nitrite, Molybdate & Glycol Levels	23522774	3-Way Coolant Test Strips (Bottle of 10)
Complete IEG/IPG Coolant Analysis	23516921	Coolant Analysis Bottle (Carton of 6)
Organic Coolant Analysis	23523398	Laboratory Coolant Analysis Bottle (Carton of 6)

**Table 38 Power Trac Coolant Testing and Analysis Products**