

# Service Manual

# Buses

Group **37**

Release **01**

Multiplex electrical system Version 2  
Wiring Diagram

B9S BODY 8500 with D9B (chno 141789-)



# Foreword

The information in this manual is based on present design in November 2010.

The products are under continuous development. This may effect the correctness of the information in this manual. If the differences are significant, new editions of this manual will be released to cover the changes.

**Volvo Bus Corporation**

Göteborg, Sweden

**Order number: TP 16791**

© 2010 Volvo Bus Corporation, Göteborg, Sweden

All rights reserved. No part of this publication may be reproduced, stored in retrieval system, or transmitted in any forms by any means, electronic, mechanical, photocopying, recording or otherwise, without the prior written permission of Volvo Bus Corporation.

Engineering Release Notice (ERN)	Location	Change Description	A = Added U = Deleted	W = Was	Document Release Status <b>RELEASED</b>
					Date Modification Count

## WIRING DIAGRAM INDEX, B5, B7, B9, B12 FOR BODY8500/7900/8900

NAME	DESCRIPTION	PAGE		NAME	DESCRIPTION	PAGE
AA	POWER SUPPLY	6		FC	AMECU, ARTIC PULLER	39
AB	IGNITION KEY & POWER DISTRIBUTION	7		FD	AMECU, ARTIC PULLER 2	40
AC	STARTER MOTOR & ALTERNATORS, B7R	8		FE	RAS ECU, ARTIC PULLER	41
AC2	STARTER MOTOR & ALTERNATORS, B9L	9				
AC3	STARTER MOTOR & ALTERNATORS, B9S	10		GA	LCM, LIGHT CONTROL MODULE	42
AC4	STARTER MOTOR & ALTERNATORS, B12B	11		GB	FRONT LIGHT	43
AC5	STARTER MOTOR & ALTERNATORS, B5L	12		GB2	FRONT LIGHT, XENON RELAYS	44
				GC	SIDE LIGHT	45
BA	VECU, VEHICLE ECU	13		GC2	SIDE LIGHT, ARTIC	46
BA2	VECU, VEHICLE ECU	14		GD	REAR LIGHT	47
BB	BBM, BODY BUILDER MODULE	15		GD2	REAR LIGHT, ARTIC / HYBRID	48
BC	BIO, BUS I/O	16		GD3	REAR LIGHT, ARTIC	49
BD	INSTRUMENT CLUSTER, BIC	17		GE	WIPER / WASHER / HORN	50
BD2	INSTRUMENT CLUSTER, VDV	18				
BE	TACHOGRAPH	19		JD	ADVANCED INFORMATION CENTRE	51
BF	ALCO LOCK	20		JE	DYNAFLEET	52
				JF	FMS GATEWAY	53
CA	ENGINE INTERFACE, BH/B7	21		JG	RADIO SWITCHES	54
CA2	ENGINE INTERFACE, B9	22				
CA3	ENGINE INTERFACE, B12	23		OH	HYBRID TRACTION VOLTAGE	55
CB	DNOX2 SYSTEM	24		OI	HYBRID SYSTEM	56
CD	OILMASTER	25		OJ	ESS HEATER/CHARGER	57
CE	FTM, FUEL TANK MONITOR, CNG	26		OK	HYBRID POWER STEERING	58
DA	GEARBOX, VOLVO I-SHIFT	27		WA	EXTENSIONS, ARTIC PUSHER B9L	59
DA2	GEARBOX, ZF ECOLIFE	28				
DA3	GEARBOX, ZF ECOMAT	29		XA	BUS, J1587/J1708	60
DA4	GEARBOX, VOITH DIVA5	30		XB	BUS, J1939-1	61
				XC	BUS, J1939-2 & J1939-3	62
EA	EBS, ELECTRONIC BRAKE SYSTEM	31		XD	BUS, J1939-7	63
EA2	EBS, ELECTRONIC BRAKE SYSTEM	32		XD2	BUS, J1939-7 HYBRID	64
EA3	EBS, ELECTRONIC BRAKE SYSTEM	33		XE	BUS, DBUS	65
EB	APBE, AUTO. P-BRAKE EVACUATION	34				
				YA	BODY INTERFACE	66
FA	ECS, AIR SUSPENSION	35				
FA2	ECS, AIR SUSPENSION	36		ZA	GROUND	67
FA3	ECS, AIR SUSPENSION	37				
FB	AMECU, ARTIC PUSHER	38				

VOLUME NO	CONTENT	PAGES
01	WIRING DIAGRAM	1-67
02	BILL OF MATERIAL/COMPONENT LIST	1-49

The copying, distribution and utilization of this document as well as the communication of its contents to others without expressed authorization is prohibited. Offenders will be held liable for payment of damages. All rights reserved in the event of the grant of a patent, utility model or ornamental design registration.

Document Title  
**WIRING DIAGRAM  
B5, B7, B9, B12  
FOR BODY8500/7900/8900**

Document Type  
**PRODUCT SCHEMATIC**

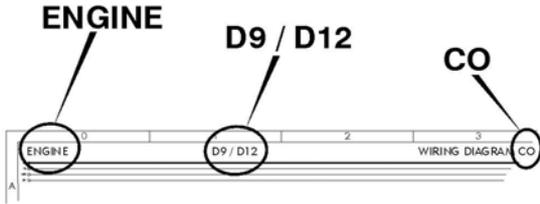
Owner Domain: Document Prefix  
**Volvo Bus Corporation**

Document No <b>70399300</b>	Issue Index <b>08</b>	Volume No 01(02)	Page No <b>1(67)</b>
--------------------------------	--------------------------	---------------------	-------------------------

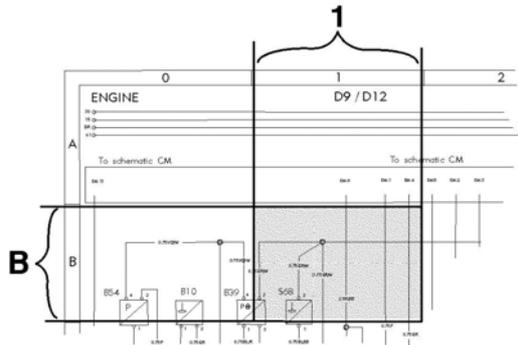
**VOLVO**  
Volvo Bus Corporation

Engineering Release Notice (ERN)	Location	Change Description	A = Added U = Deleted	W = Was	Document Release Status
					Date
					Modification Count

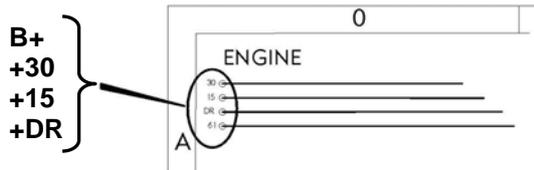
## Example of wiring diagram



Component wiring diagram title, variant/subtitle and symbol.



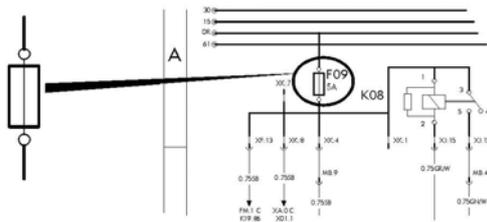
Coordinates (B 1).



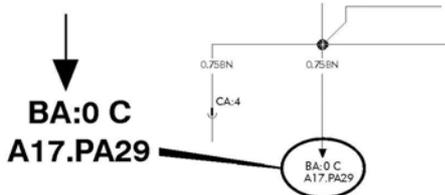
B+ Voltage battery with switch in ON position.  
30 Voltage battery with main switch on, kl.30.  
15 Voltage with starter key in drive position, kl.15.  
DR Voltage with starter key in drive position, preheat position and start position, kl.DR.



Splice.



Fuse.



Reference arrow, for diagram BA, coordinates 0 C, component A17, connector PA pin 29.

The copying, distribution and utilization of this document as well as the communication of its contents to others without expressed authorization is prohibited. Offenders will be held liable for payment of damages. All rights reserved in the event of the grant of a patent, utility model or ornamental design registration.

Document Title  
**WIRING DIAGRAM**  
B5, B7, B9, B12  
FOR BODY8500/7900/8900

**VOLVO**

Volvo Bus Corporation

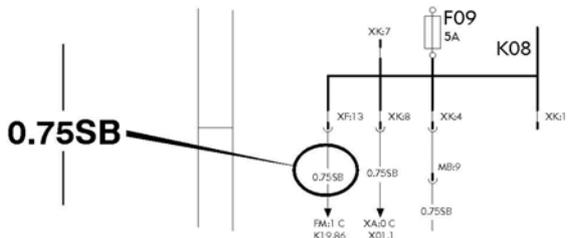
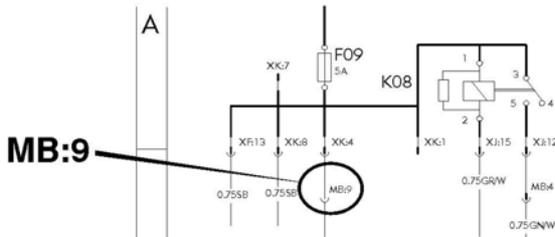
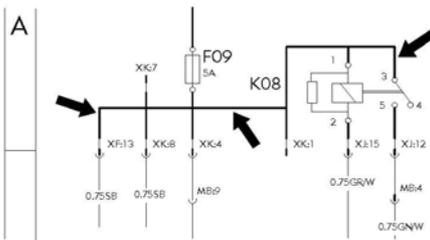
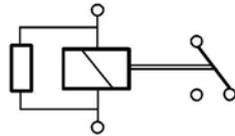
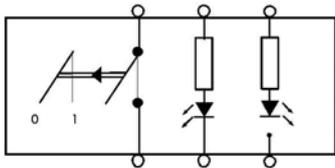
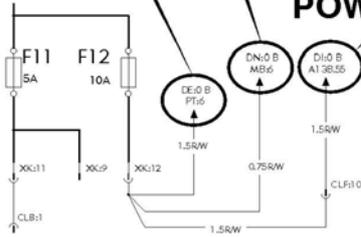
Document Type  
**PRODUCT SCHEMATIC**

Owner Domain: Document Prefix  
Volvo Bus Corporation

Document No	Issue Index	Volume No	Page No
<b>70399300</b>	<b>08</b>	01(02)	<b>2(67)</b>

Engineering Release Notice (ERN)	Location	Change Description	A = Added U = Deleted	W = Was	Document Release Status
					Date
					Modification Count

**GEARTRONIC**  
**I-SHIFT**  
**POWERTRONIC**



The maximum of variants are drawn, think about that all wires and components are not standard for all markets or vehicle models.

Switch.

Relay.

Conductor on circuit card.

Connector MB terminal 9.

Wire area and colour.

The copying, distribution and utilization of this document as well as the communication of its contents to others without expressed authorization is prohibited. Offenders will be held liable for payment of damages. All rights reserved in the event of the grant of a patent, utility model or ornamental design registration.

Document Title  
**WIRING DIAGRAM**  
**B5, B7, B9, B12**  
**FOR BODY8500/7900/8900**

**VOLVO**

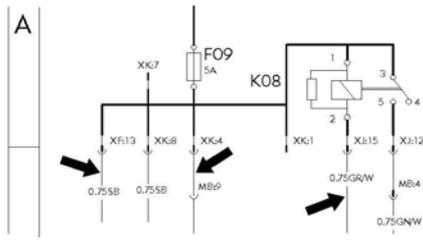
**Volvo Bus Corporation**

Document Type  
**PRODUCT SCHEMATIC**

Owner Domain: Document Prefix  
**Volvo Bus Corporation**

Document No	Issue Index	Volume No	Page No
<b>70399300</b>	<b>08</b>	01(02)	<b>3(67)</b>

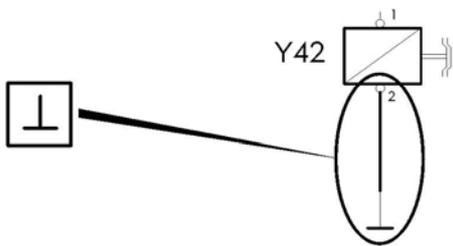
Engineering Release Notice (ERN)	Location	Change Description	A = Added U = Deleted	W = Was	Document Release Status
					Date
					Modification Count



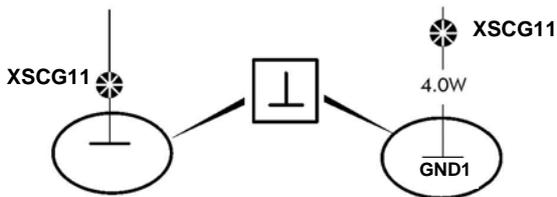
Thin lines, wires.



Earth connection to circuit card.



Earth connection without wire.



Same splice can be drawn on several diagrams. The wire from the splice to the earth connection point will only be drawn and coded on one diagram. On the other diagrams will only the earth connection point be written besides the splice.

The copying, distribution and utilization of this document as well as the communication of its contents to others without expressed authorization is prohibited. Offenders will be held liable for payment of damages. All rights reserved in the event of the grant of a patent, utility model or ornamental design registration.

Document Title  
**WIRING DIAGRAM**  
**B5, B7, B9, B12**  
**FOR BODY8500/7900/8900**

**VOLVO**

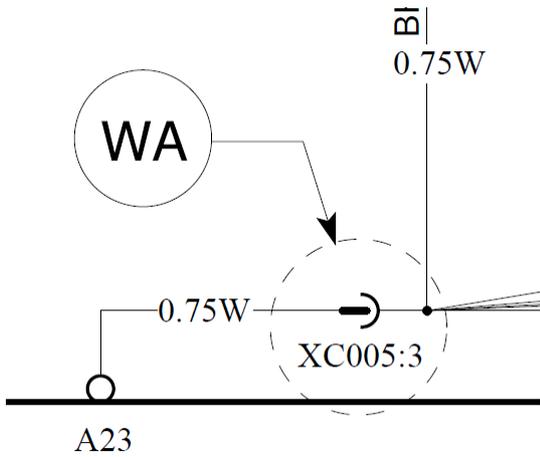
**Volvo Bus Corporation**

Document Type  
**PRODUCT SCHEMATIC**

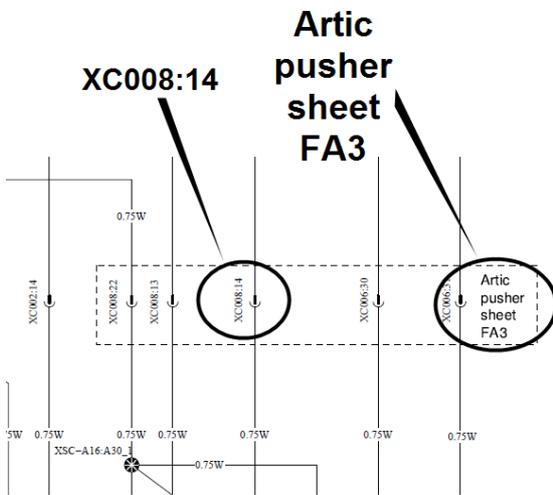
Owner Domain: Document Prefix  
**Volvo Bus Corporation**

Document No	Issue Index	Volume No	Page No
<b>70399300</b>	<b>08</b>	01(02)	<b>4(67)</b>

Engineering Release Notice (ERN)	Location	Change Description	A = Added U = Deleted	W = Was	Document Release Status
					Date
					Modification Count



Reference bubble, harness extension for inline connector XC005 pin 3 is located on sheet WA.



Reference box, harness extension for e.g. inline connector XC008 pin 14 is located on sheet FA3.

The copying, distribution and utilization of this document as well as the communication of its contents to others without expressed authorization is prohibited. Offenders will be held liable for payment of damages. All rights reserved in the event of the grant of a patent, utility model or ornamental design registration.

Document Title  
**WIRING DIAGRAM**  
**B5, B7, B9, B12**  
**FOR BODY8500/7900/8900**

**VOLVO**

Volvo Bus Corporation

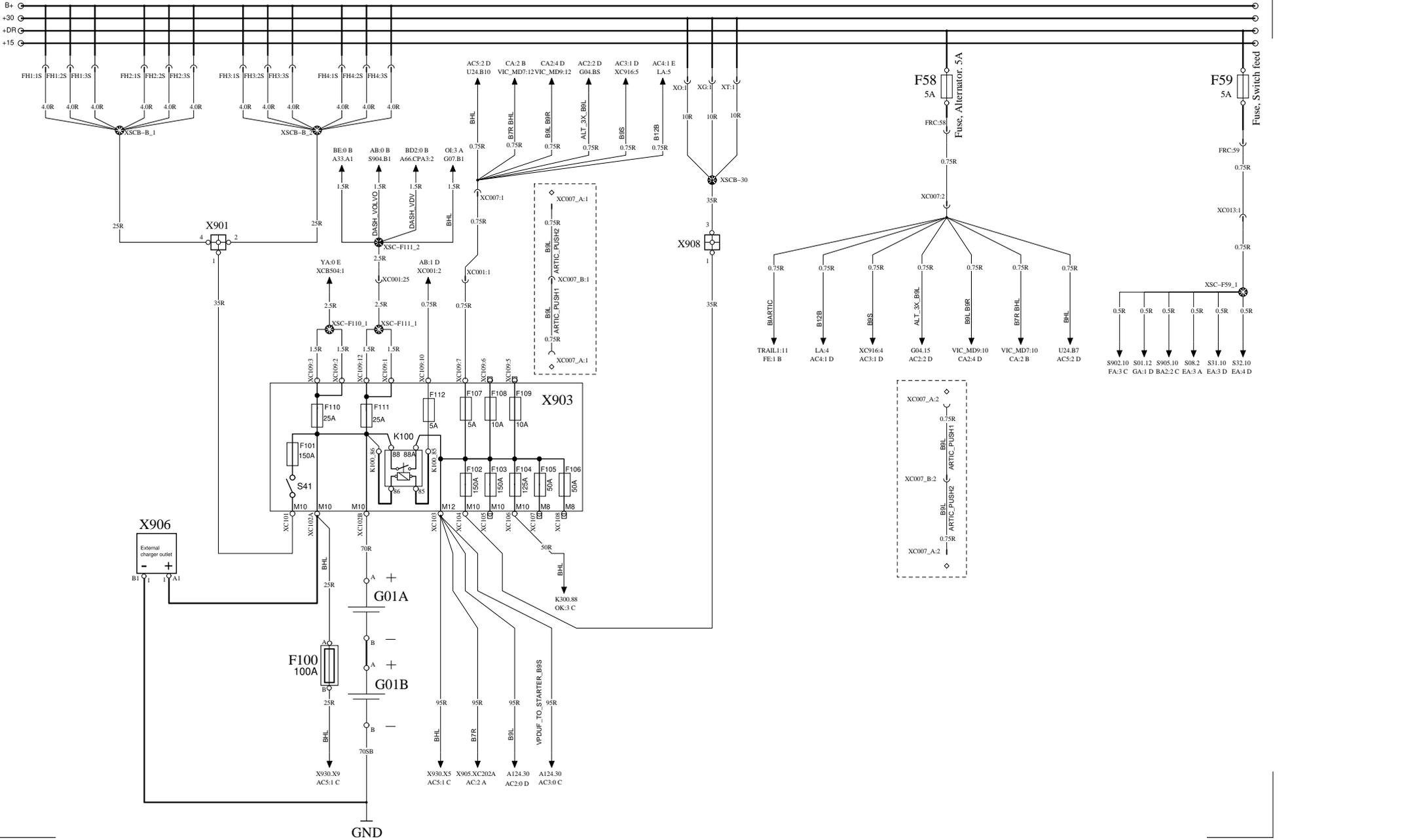
Document Type  
**PRODUCT SCHEMATIC**

Owner Domain: Document Prefix  
 Volvo Bus Corporation

Document No	Issue Index	Volume No	Page No
<b>70399300</b>	<b>08</b>	01(02)	<b>5(67)</b>

POWER SUPPLY

WIRING DIAGRAM AA



Volvo Bus Corporation

Document title  
WIRING DIAGRAM AA  
Document type  
PRODUCT SCHEMATIC

Document No  
70399300

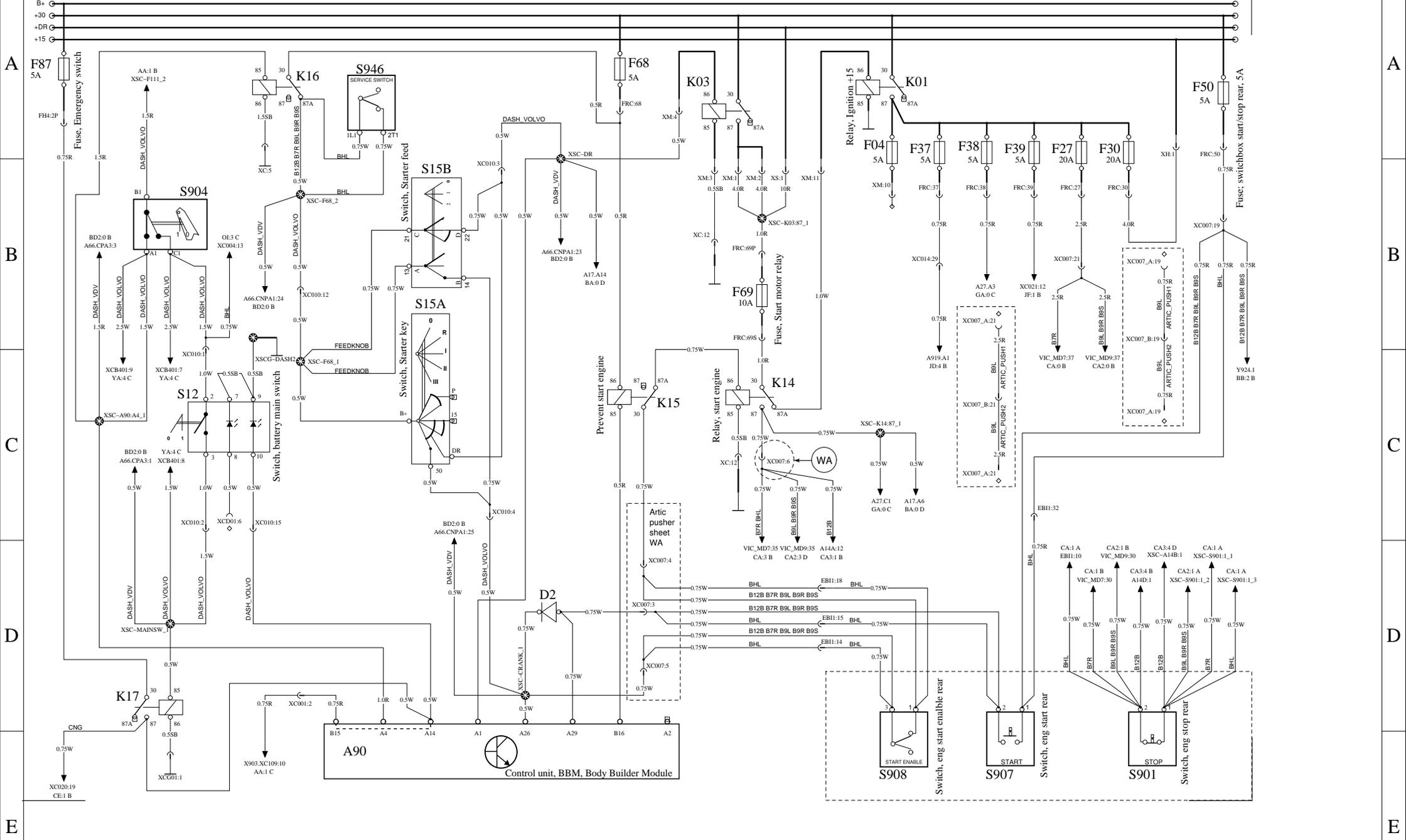
Issue  
08

Volume  
01

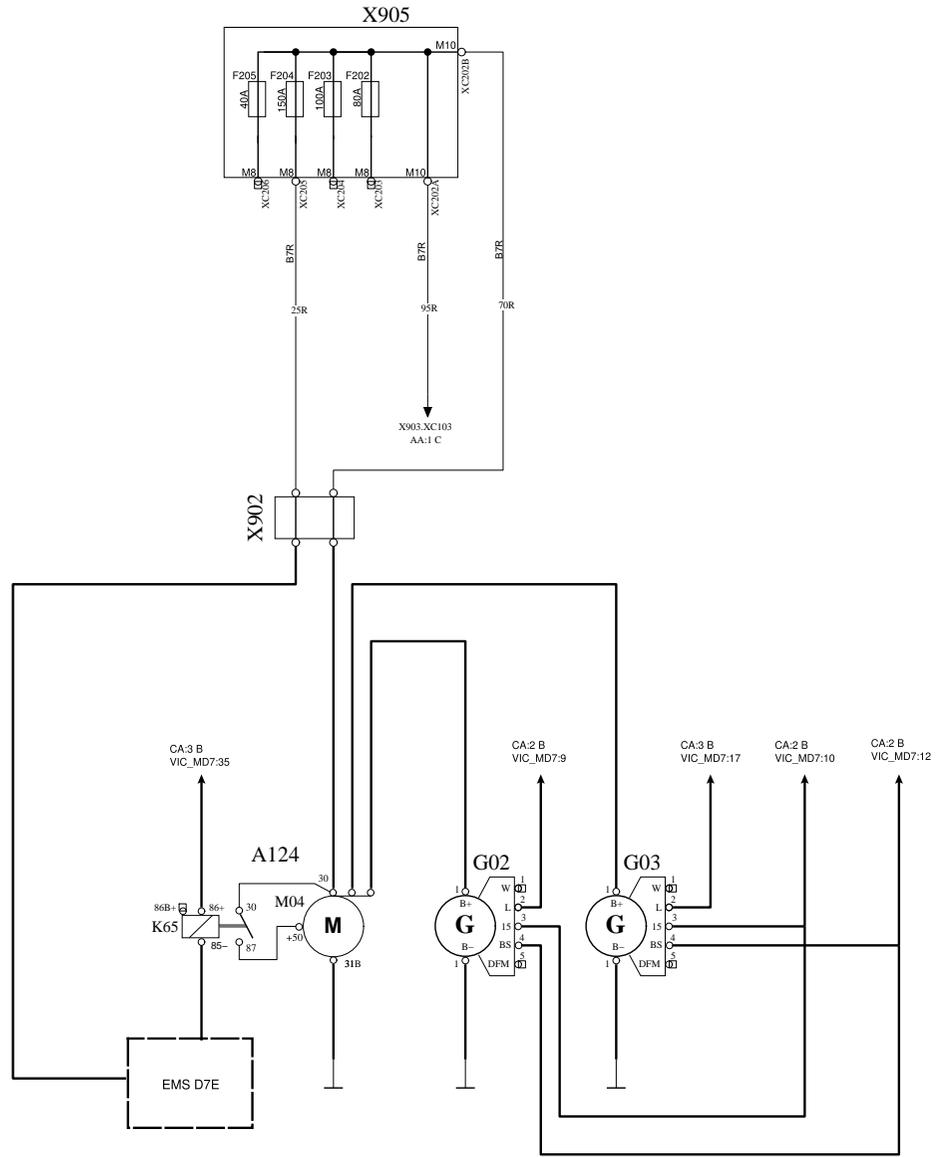
Page  
06(67)

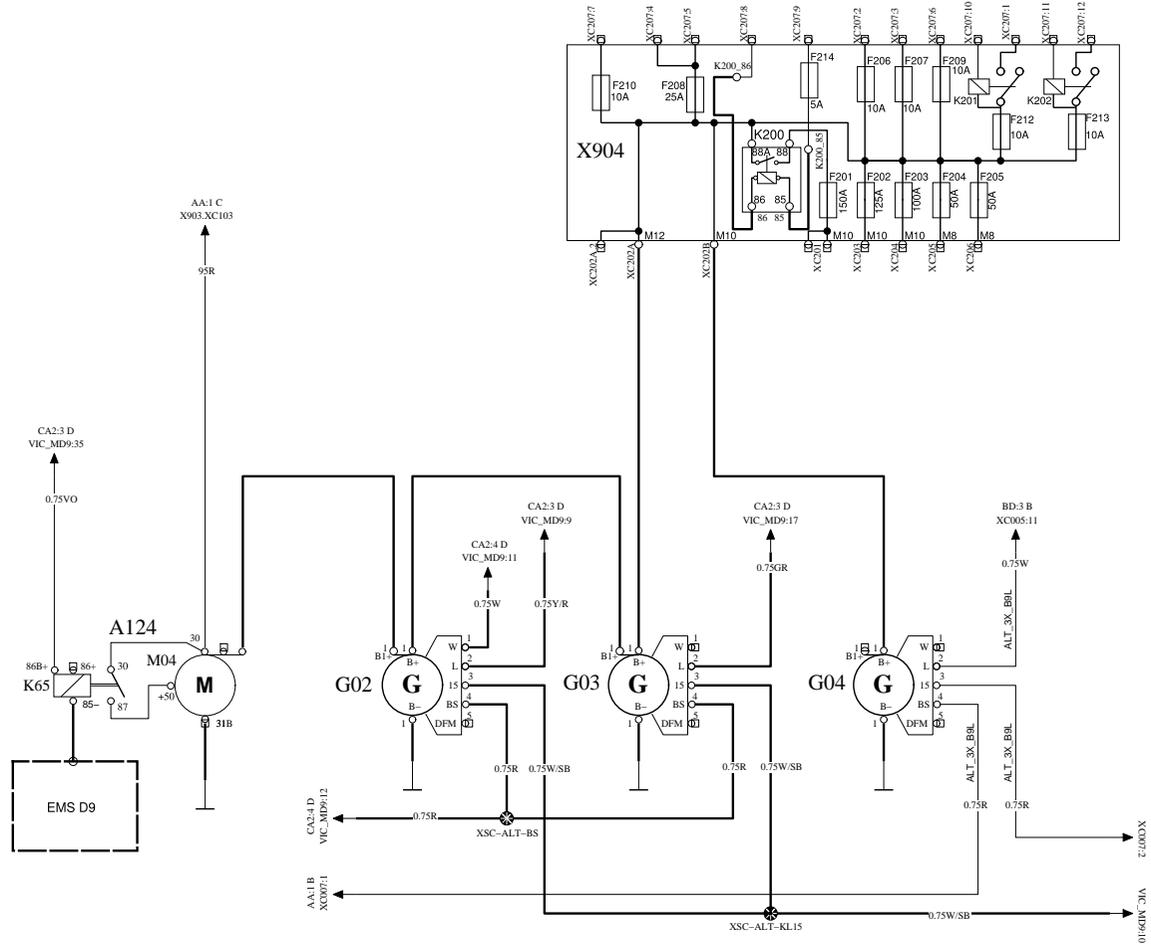
# IGNITION KEY & POWER DISTRIBUTION

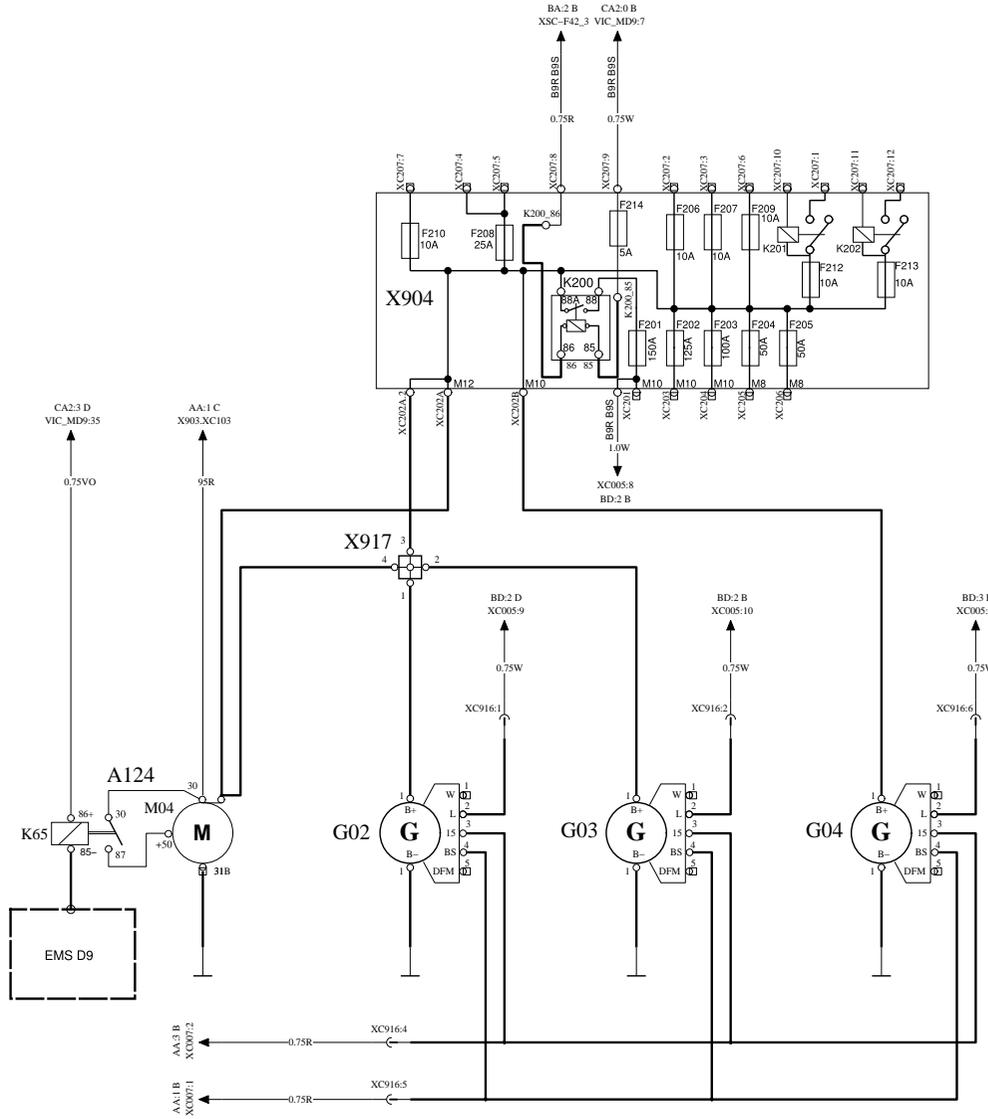
# WIRING DIAGRAM AB



<b>VOLVO</b>	Volvo Bus Corporation	Document title WIRING DIAGRAM AB	Document No <b>70399300</b>	Issue <b>08</b>	Volume <b>01</b>	Page <b>07(67)</b>
		Document type PRODUCT SCHEMATIC				







Volvo Bus Corporation

Document title  
WIRING DIAGRAM AC3

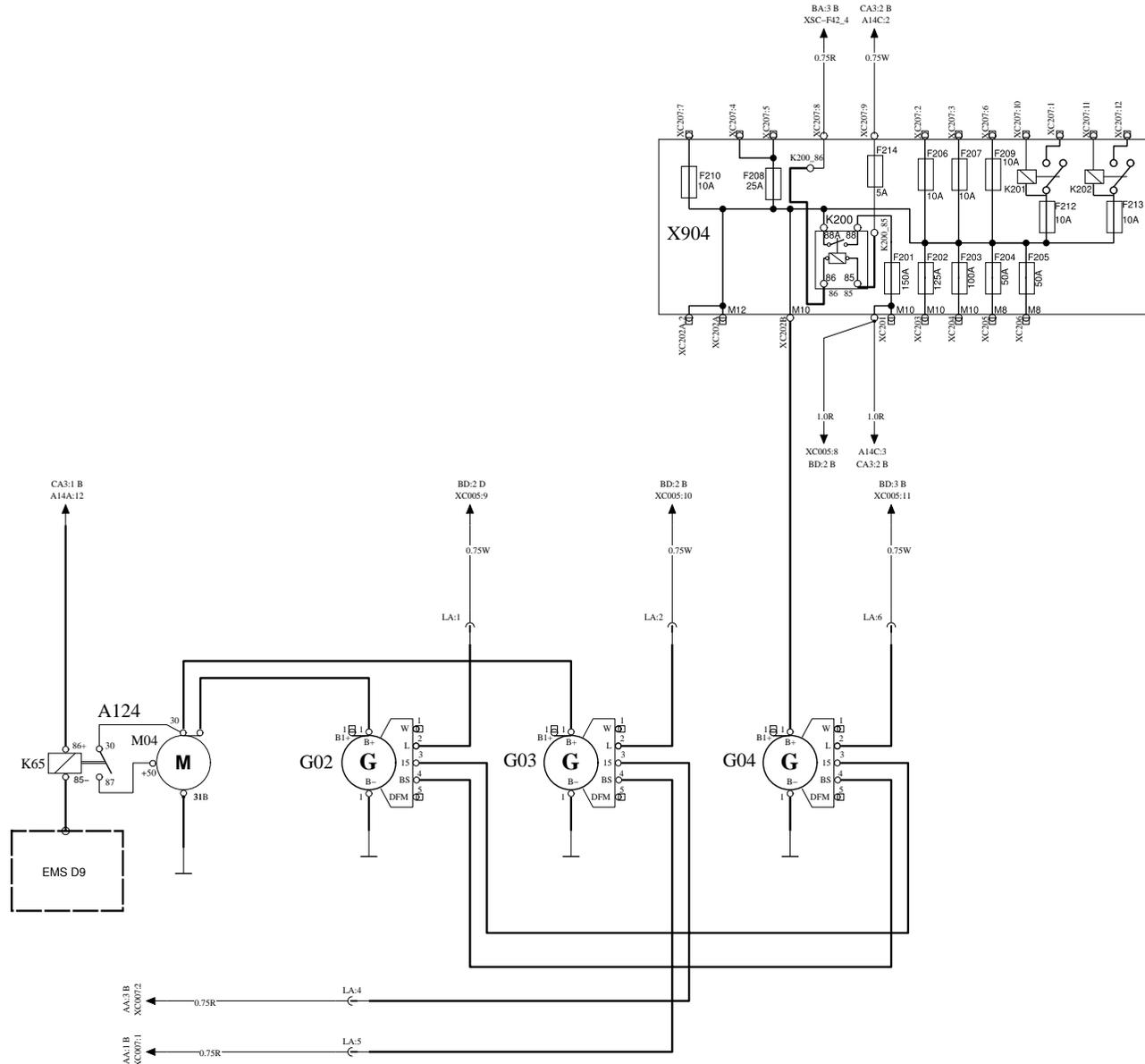
Document type  
PRODUCT SCHEMATIC

Document No  
**70399300**

Issue  
**08**

Volume  
**01**

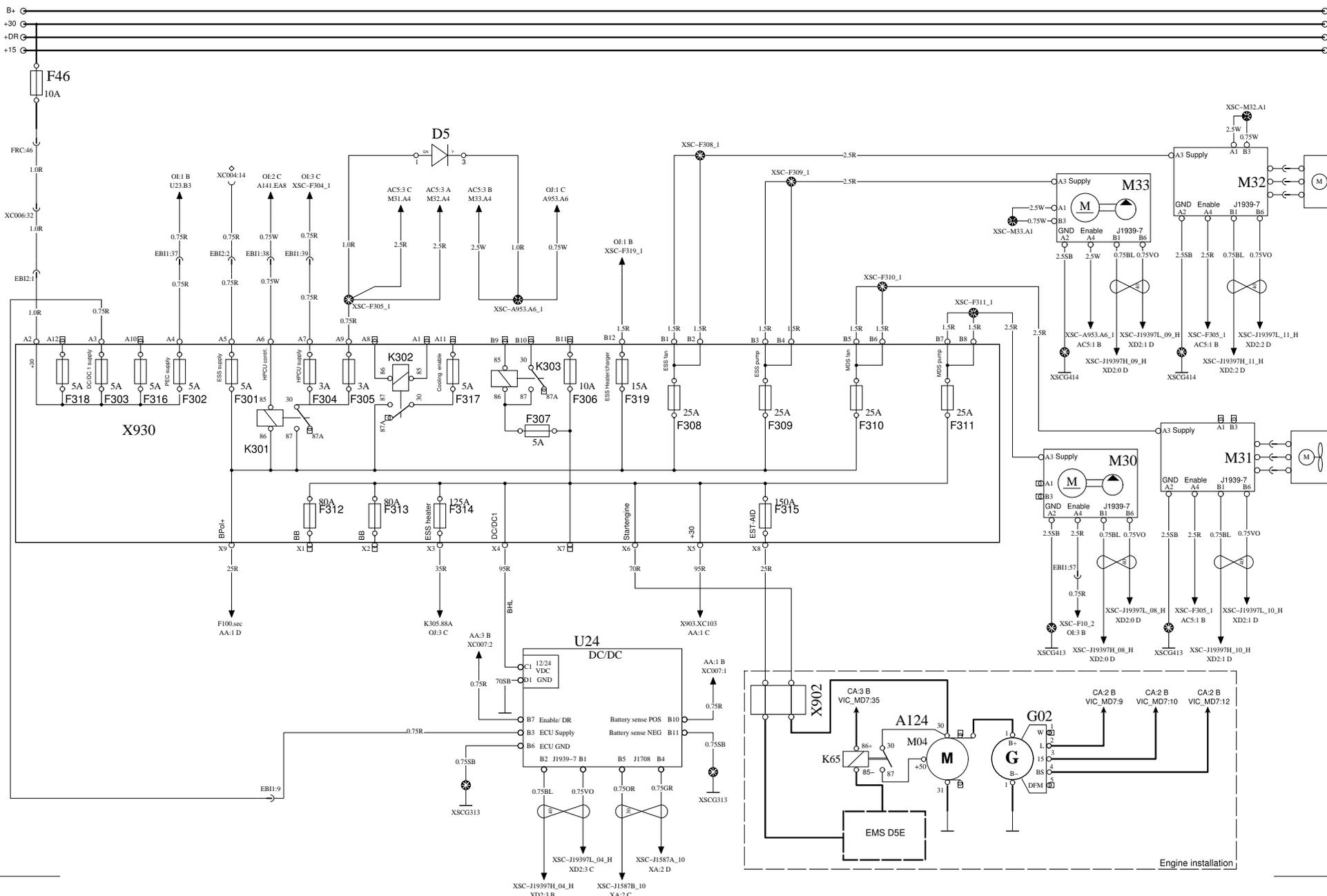
Page  
10(67)



STARTER MOTOR & ALTERNATORS

B5L

WIRING DIAGRAM AC5



Volvo Bus Corporation

Document title  
**WIRING DIAGRAM AC5**  
 Document type  
**PRODUCT SCHEMATIC**

Document No  
**70399300**

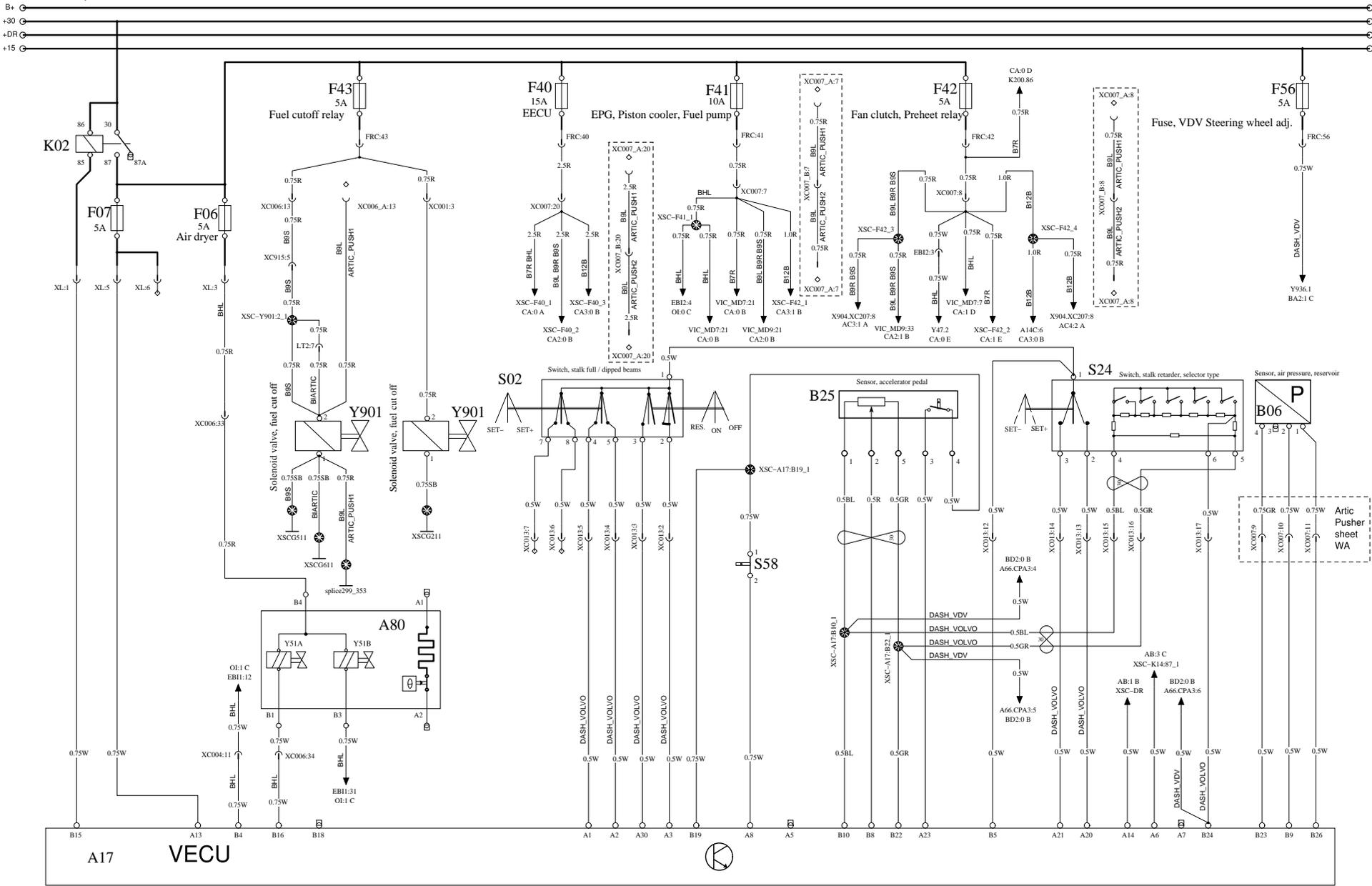
Issue  
**08**

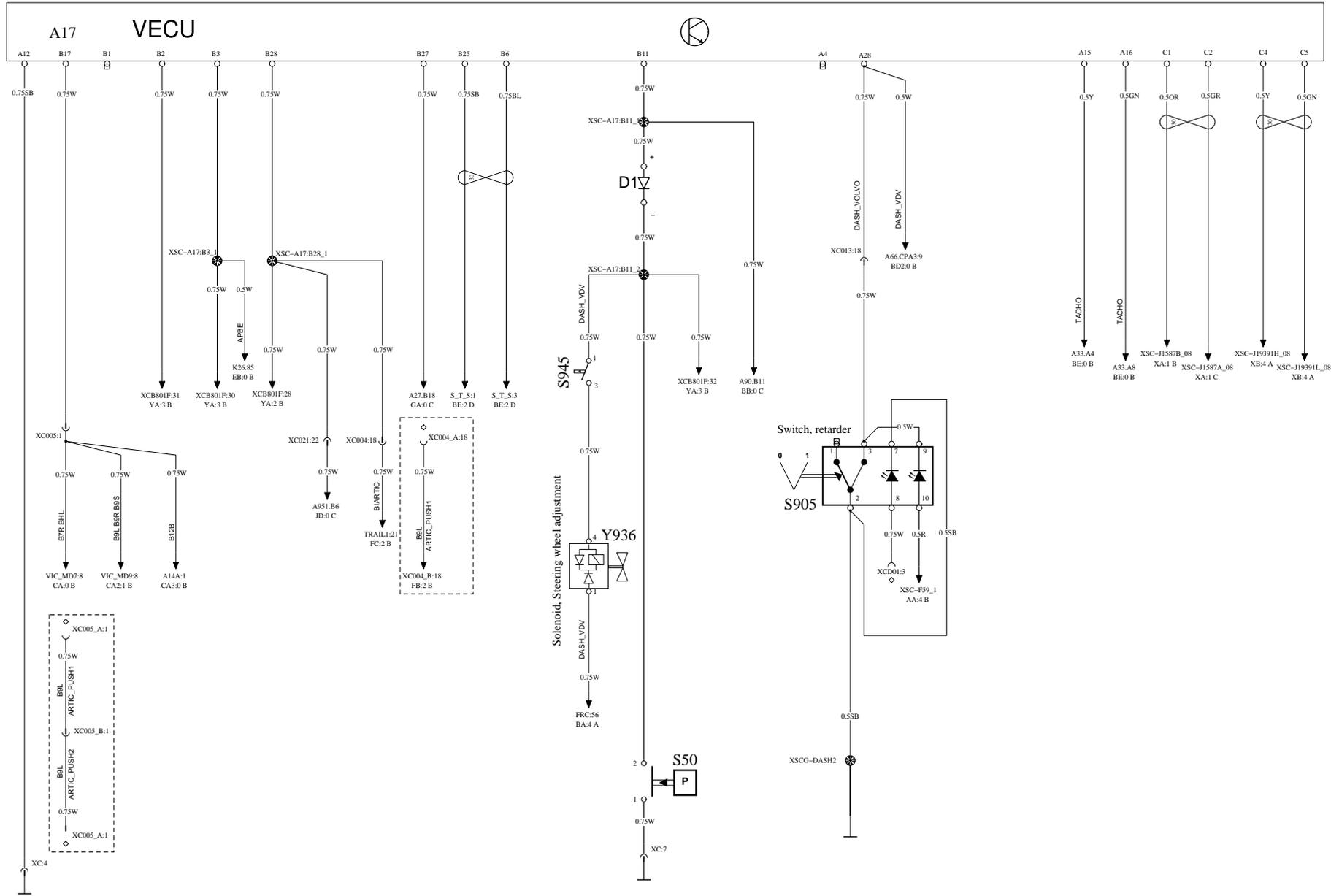
Volume  
**01**

Page  
**12(67)**

VECU, VEHICLE ECU

WIRING DIAGRAM BA

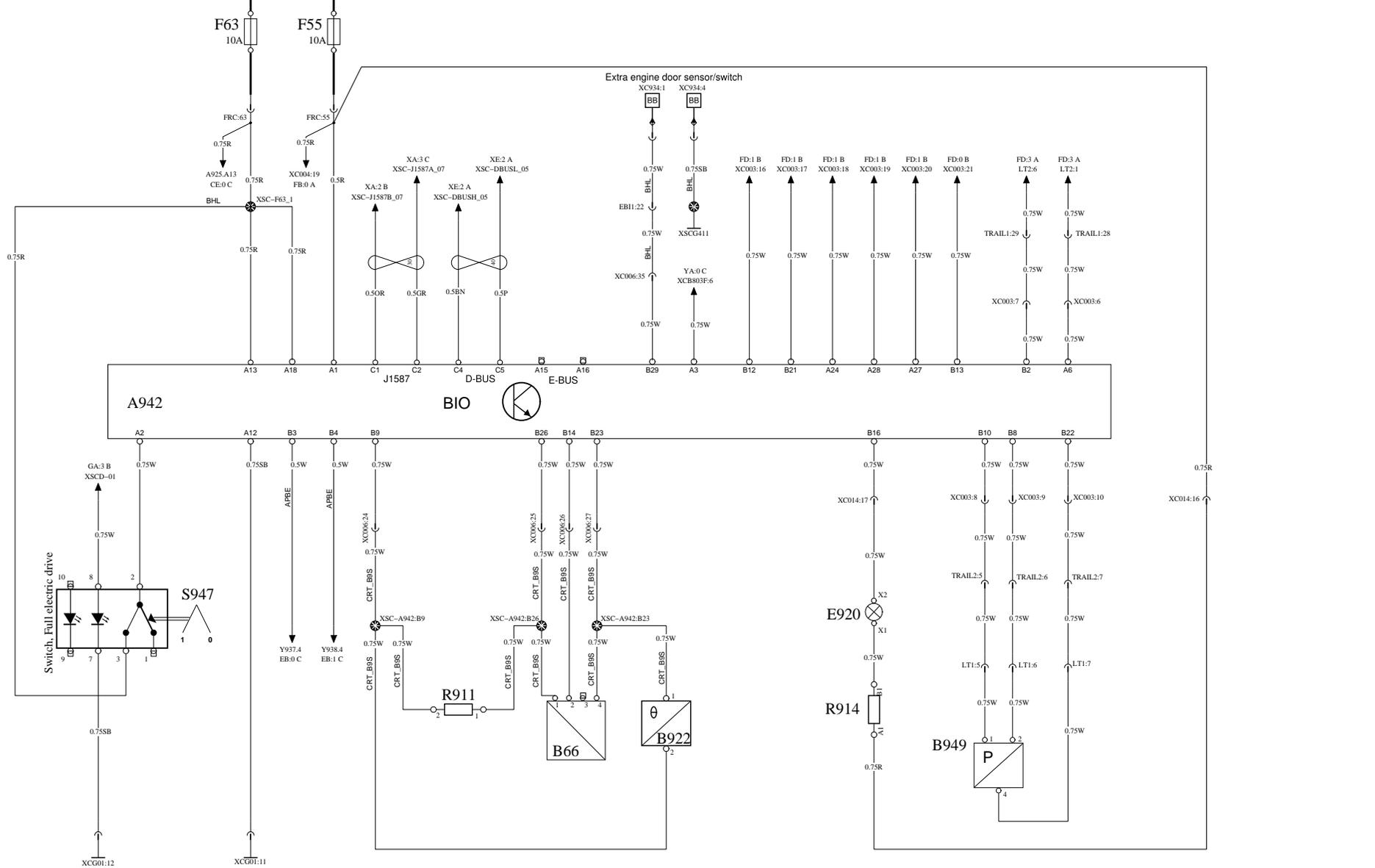
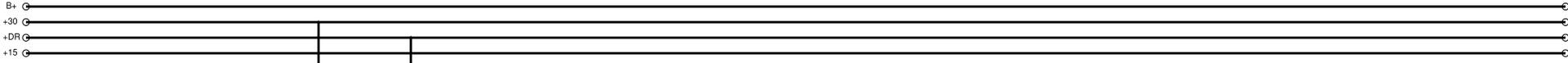






BIO, BUS I/O

WIRING DIAGRAM BC



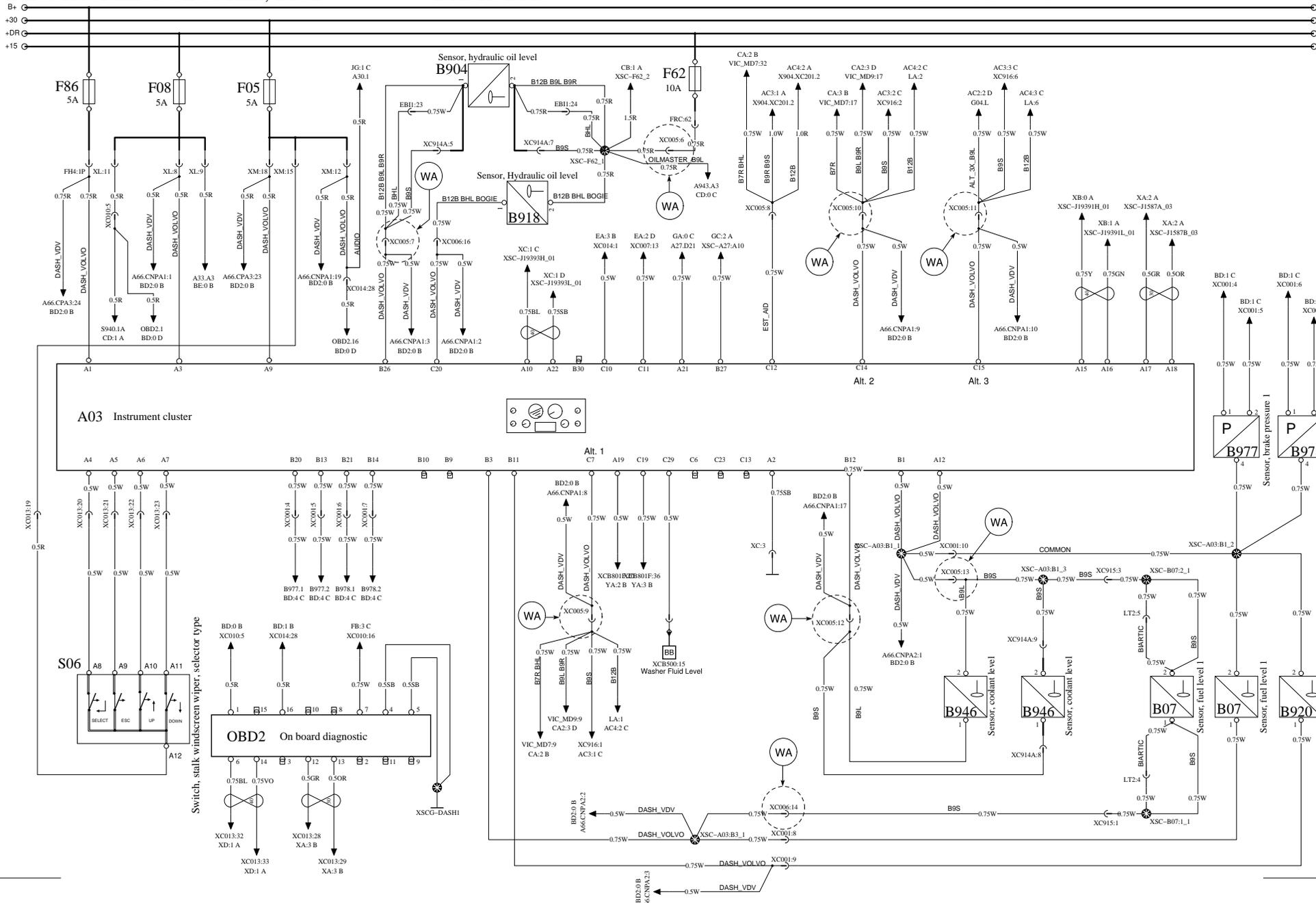
Volvo Bus Corporation

Document title WIRING DIAGRAM BC		Document No	Issue	Volume	Page
Document type PRODUCT SCHEMATIC		70399300	08	01	16(67)

INSTRUMENT CLUSTER, BIC2

DASH-BAS

WIRING DIAGRAM BD



Volvo Bus Corporation

Document title  
WIRING DIAGRAM BD

Document type  
PRODUCT SCHEMATIC

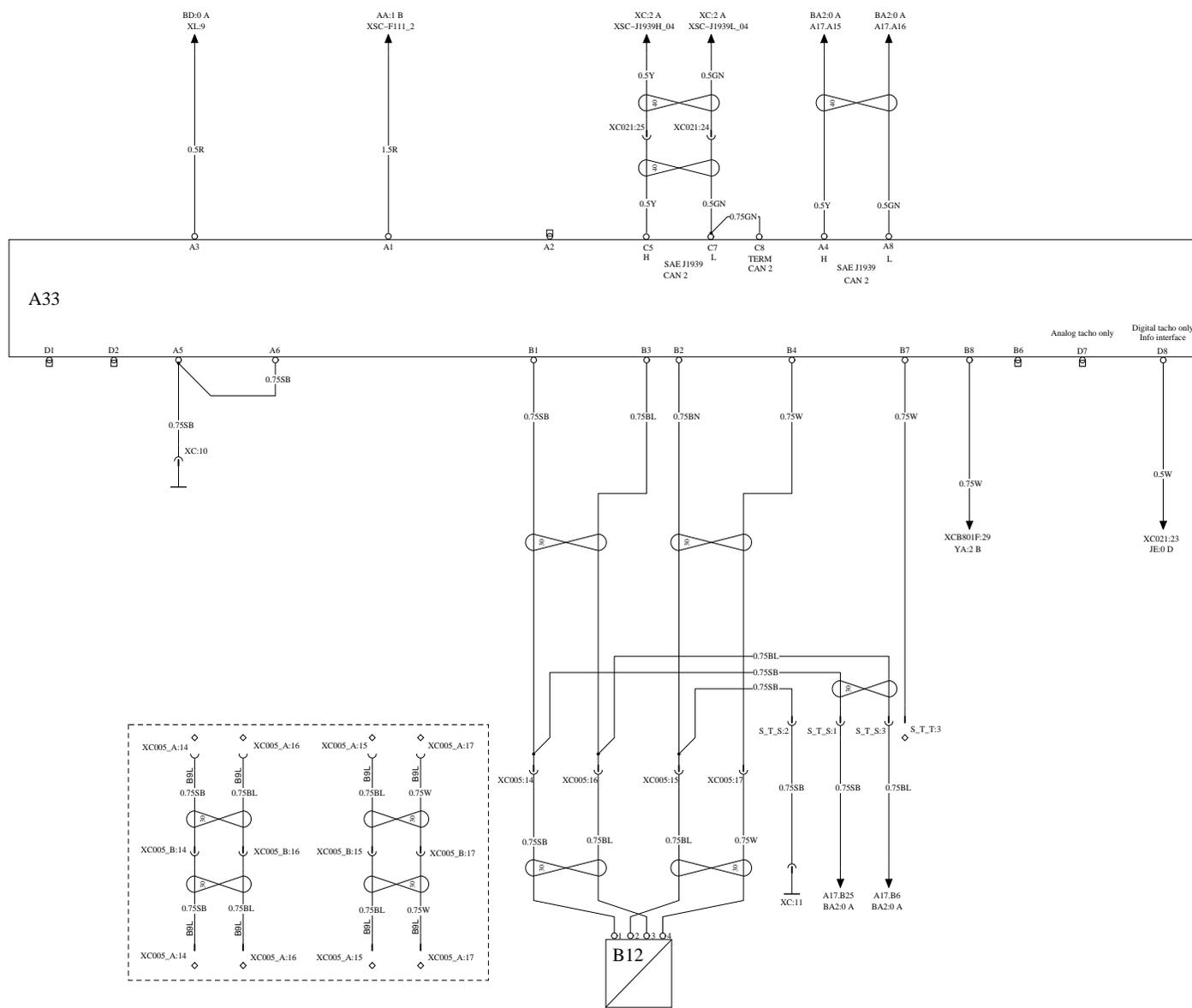
Document No  
70399300

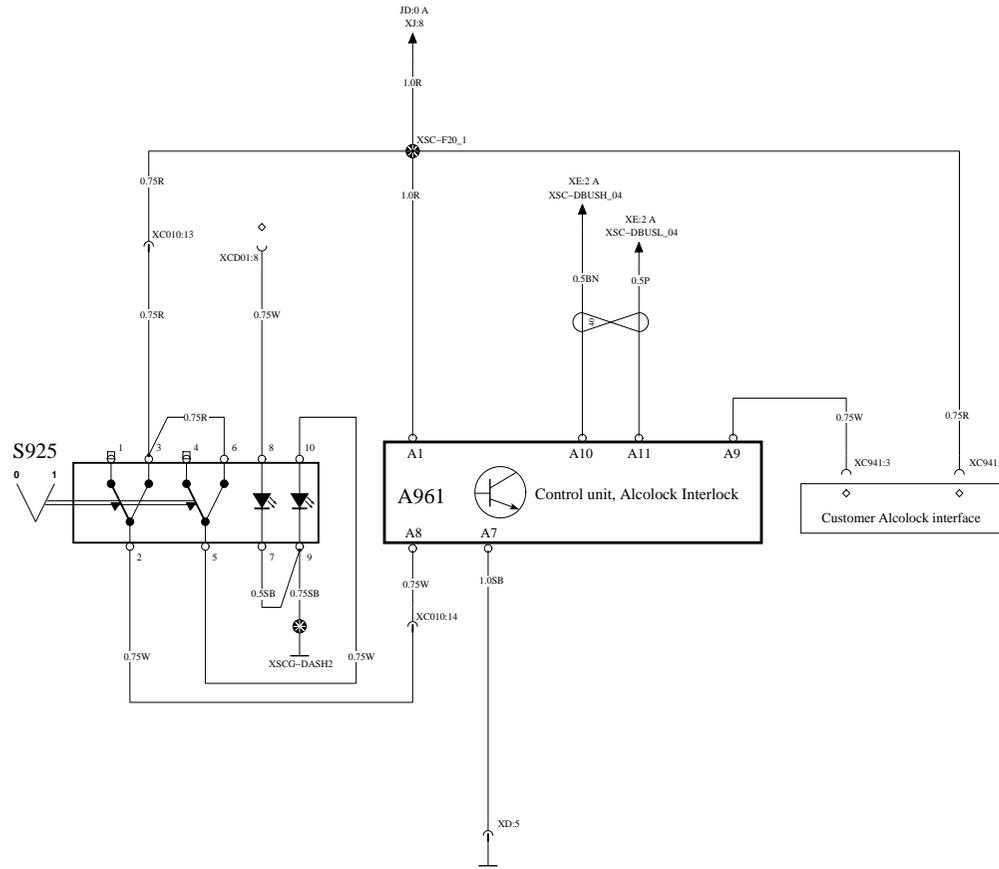
Issue  
08

Volume  
01

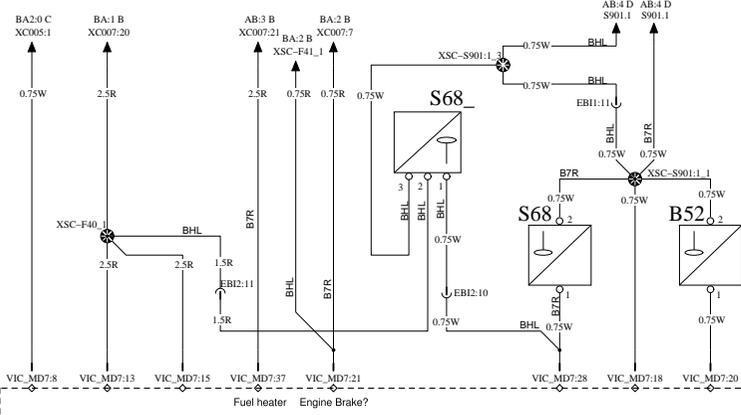
Page  
17(67)



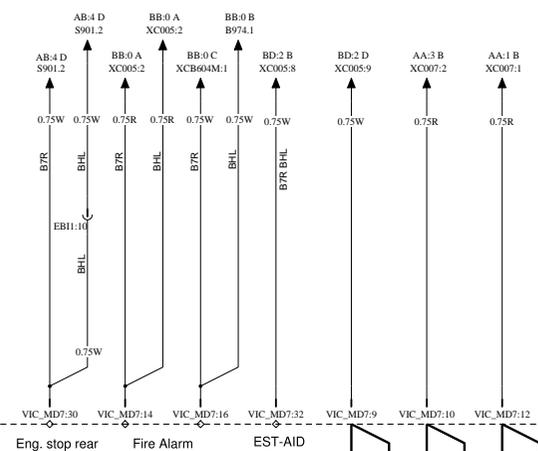




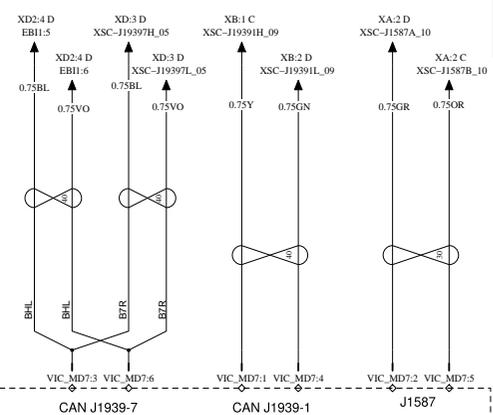
# ENGINE INTERFACE



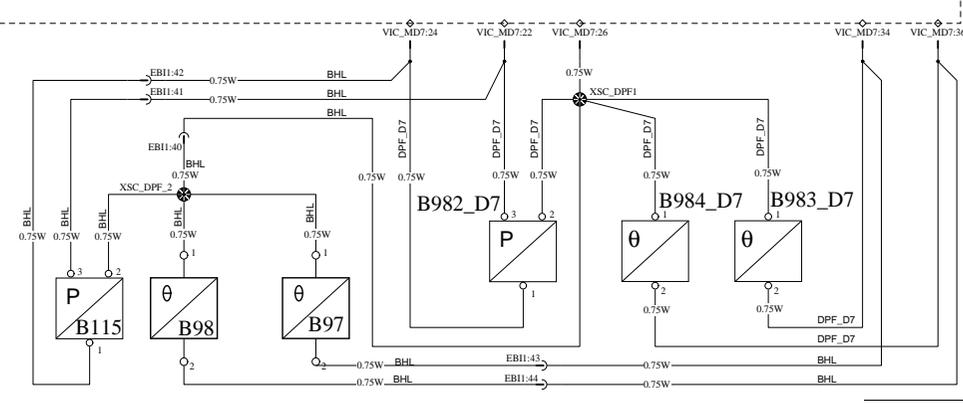
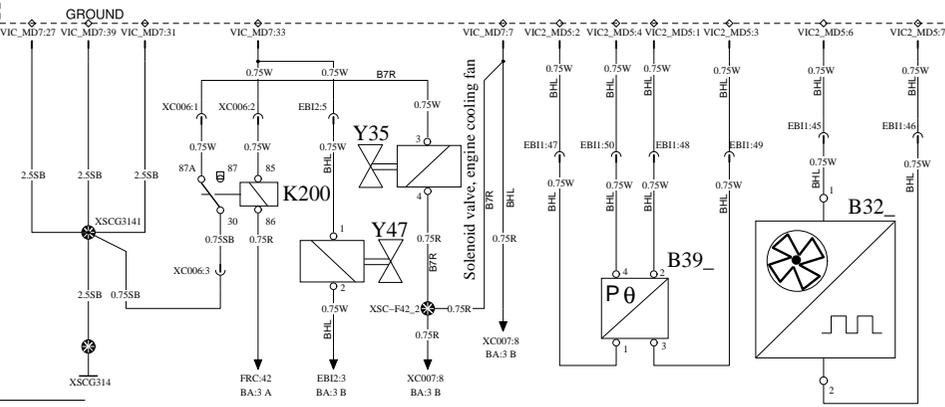
# BH/B7



# WIRING DIAGRAM CA



VIC\_MD7 Engine interface



Volvo Bus Corporation

Document title  
WIRING DIAGRAM CA  
Document type  
PRODUCT SCHEMATIC

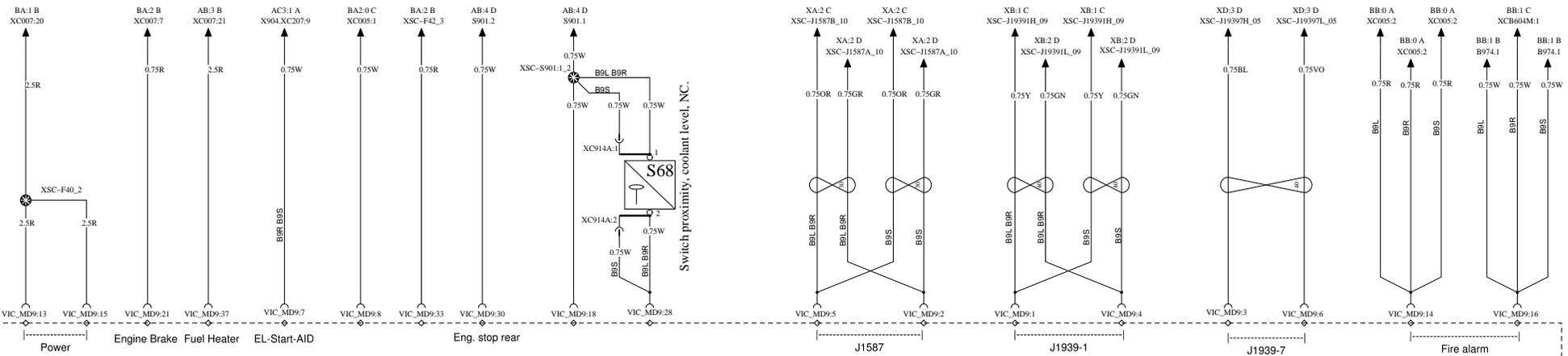
Document No  
70399300

Issue  
08  
Volume  
01  
Page  
21(67)

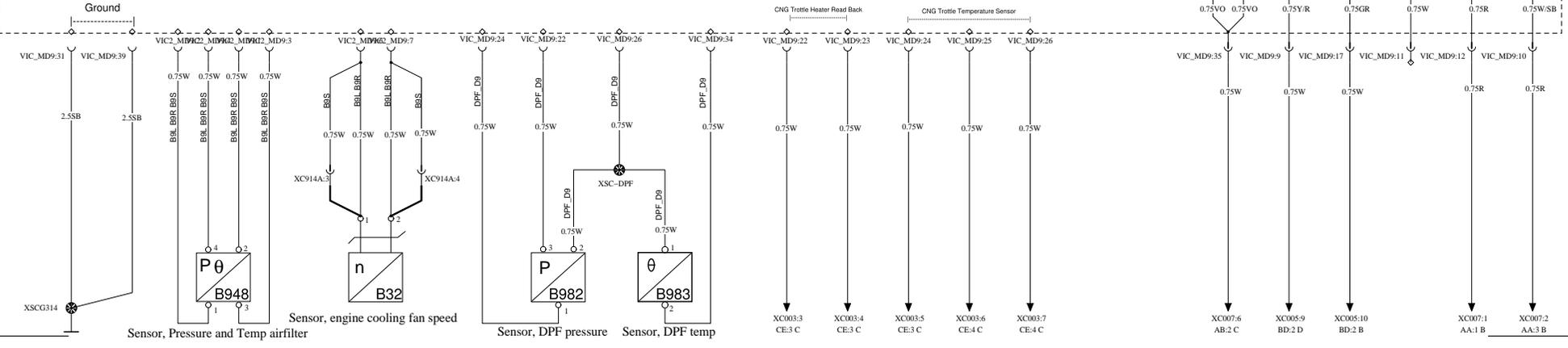
ENGINE INTERFACE

B9 DIESEL

WIRING DIAGRAM CA2



VIC\_MD9 Engine interface



Volvo Bus Corporation

Document title  
WIRING DIAGRAM CA2  
Document type  
PRODUCT SCHEMATIC

Document No  
70399300

Issue  
08

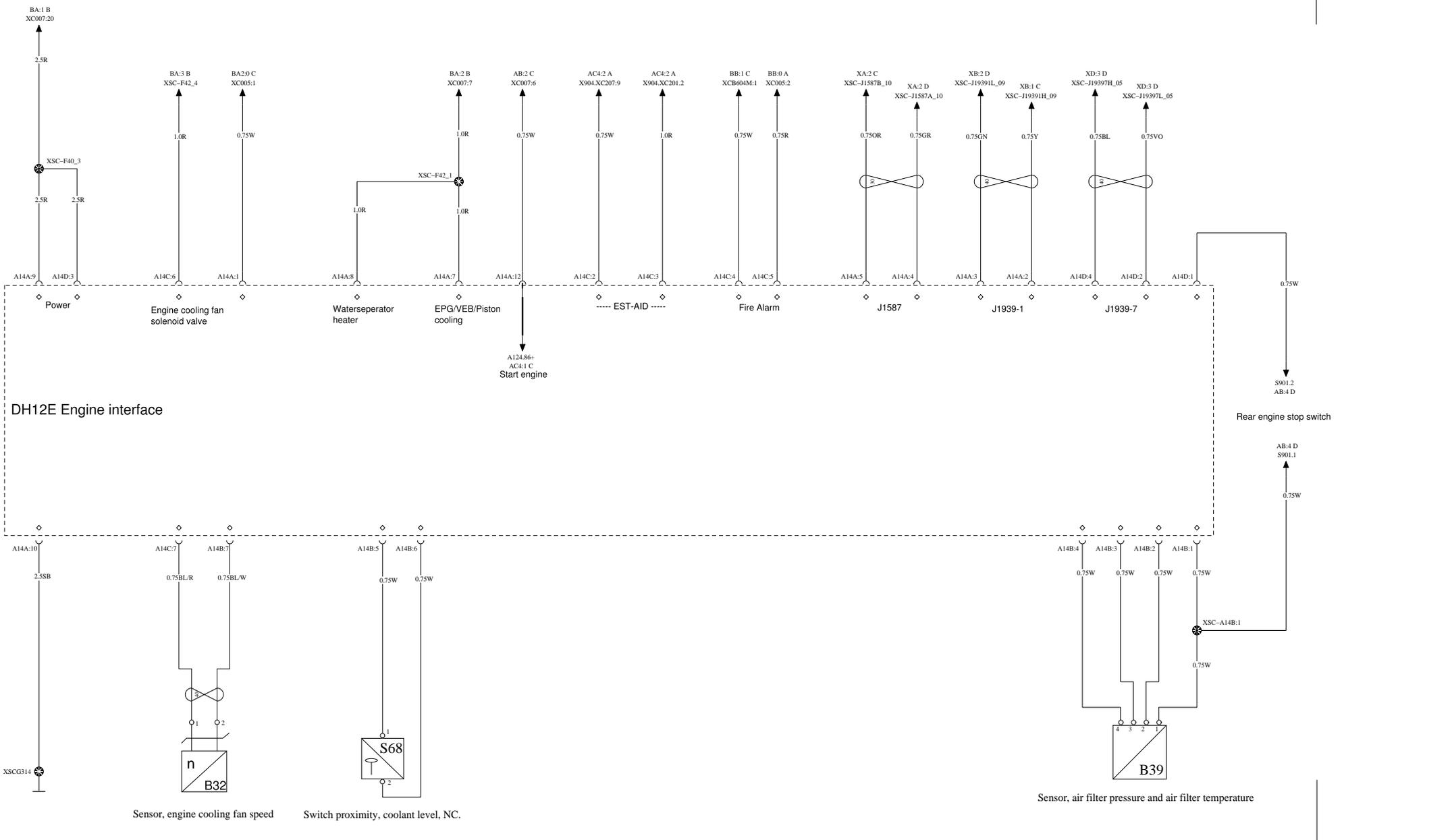
Volume  
01

Page  
22(67)

ENGINE INTERFACE

B12B

WIRING DIAGRAM CA3



DH12E Engine interface

Rear engine stop switch

Sensor, air filter pressure and air filter temperature



Volvo Bus Corporation

Document title  
WIRING DIAGRAM CA3  
Document type  
PRODUCT SCHEMATIC

Document No  
70399300

Issue  
08

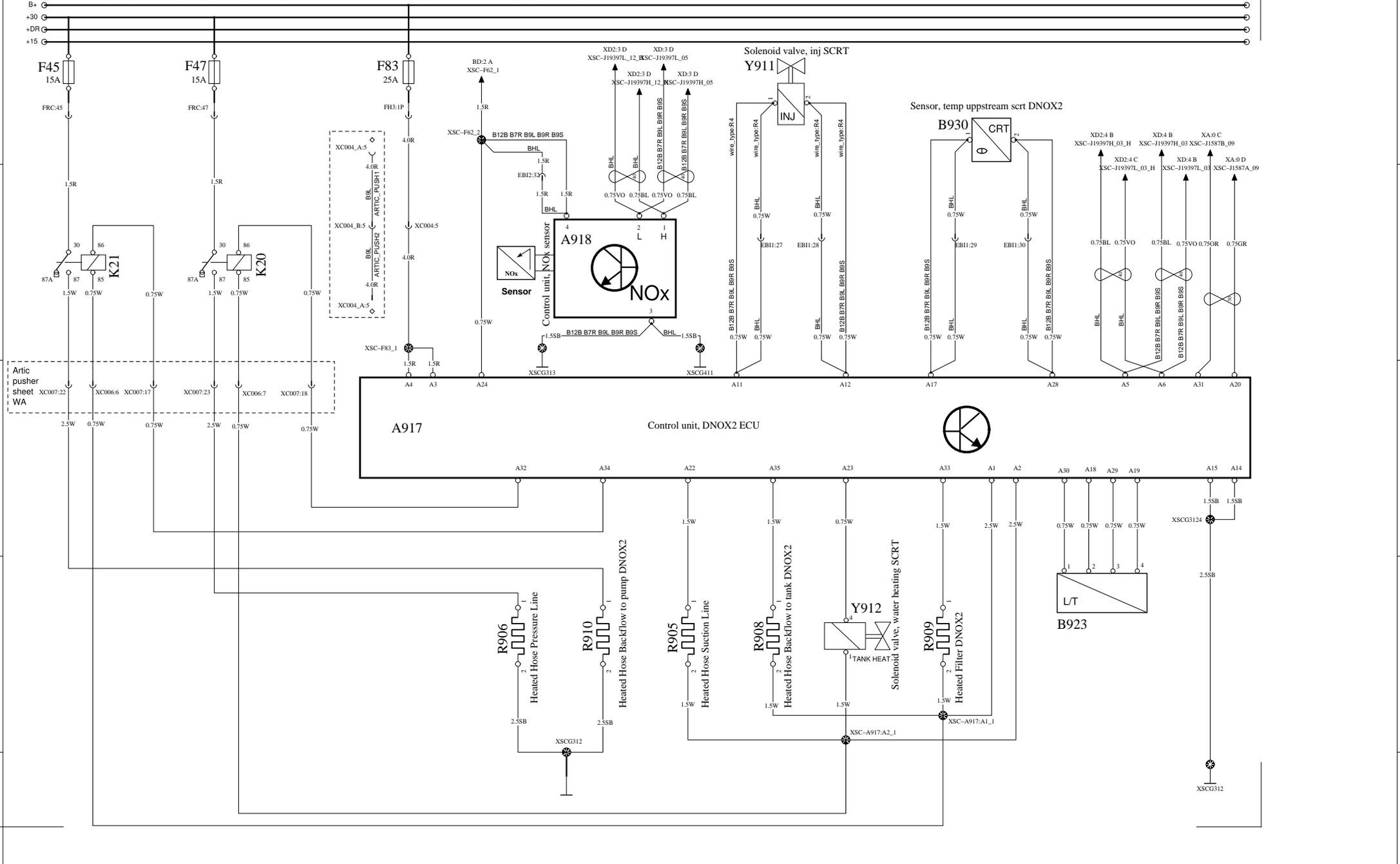
Volume  
01

Page  
23(67)

SELECTIVE CATALYST REDUCTION

EAS-SCR/EAS-SD

WIRING DIAGRAM CB

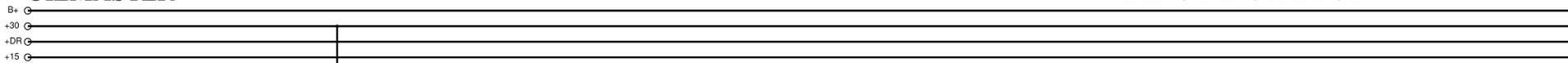


Volvo Bus Corporation

Document title  
WIRING DIAGRAM CB  
Document type  
PRODUCT SCHEMATIC

Document No  
70399300

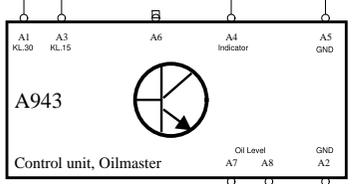
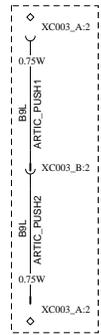
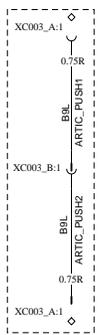
Issue  
08  
Volume  
01  
Page  
24(67)



FRC:65



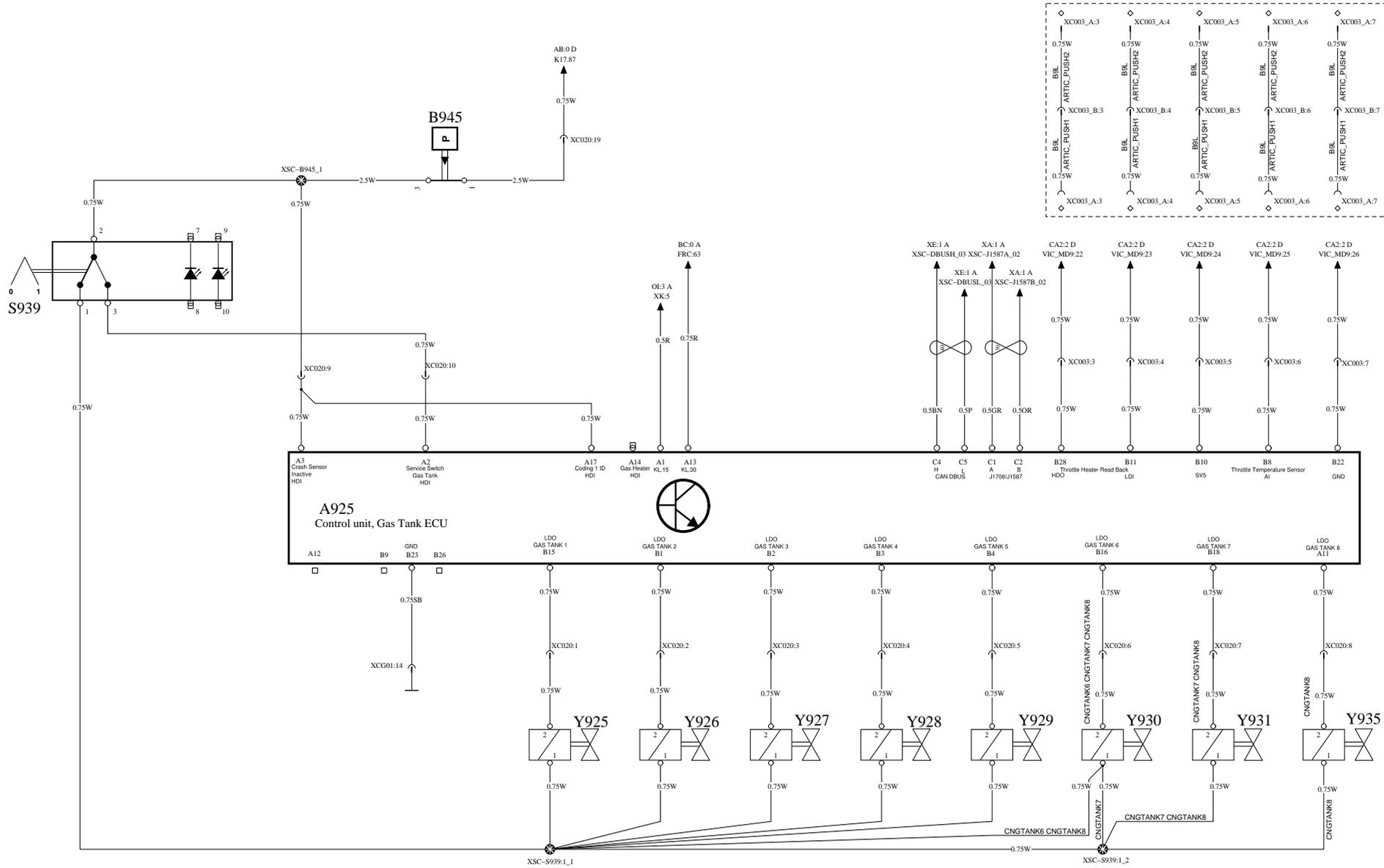
S940



B955

splice207\_3026

 Volvo Bus Corporation	Document title WIRING DIAGRAM CD	Document No <b>70399300</b>	Issue <b>08</b>	Volume <b>01</b>	Page 25(67)
	Document type PRODUCT SCHEMATIC				



Volvo Bus Corporation

Document title  
**WIRING DIAGRAM CE**  
 Document type  
**PRODUCT SCHEMATIC**

Document No  
**70399300**

Issue  
**08**

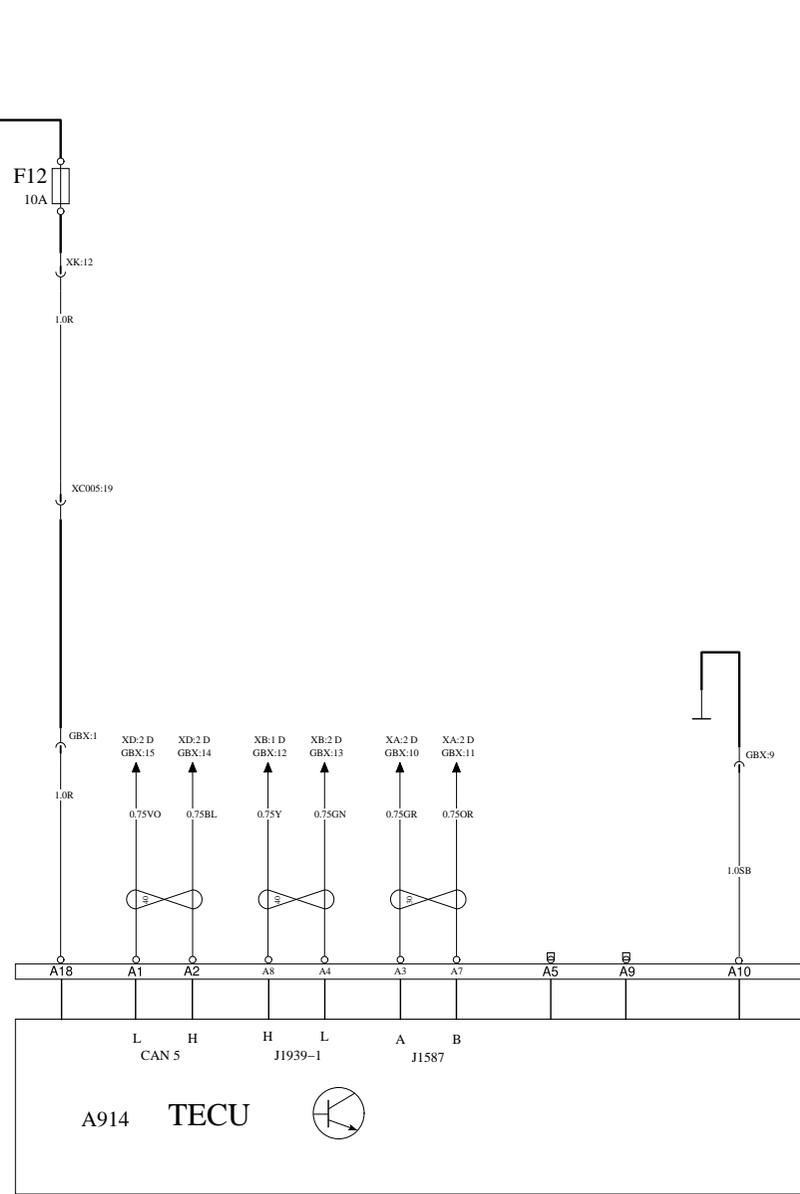
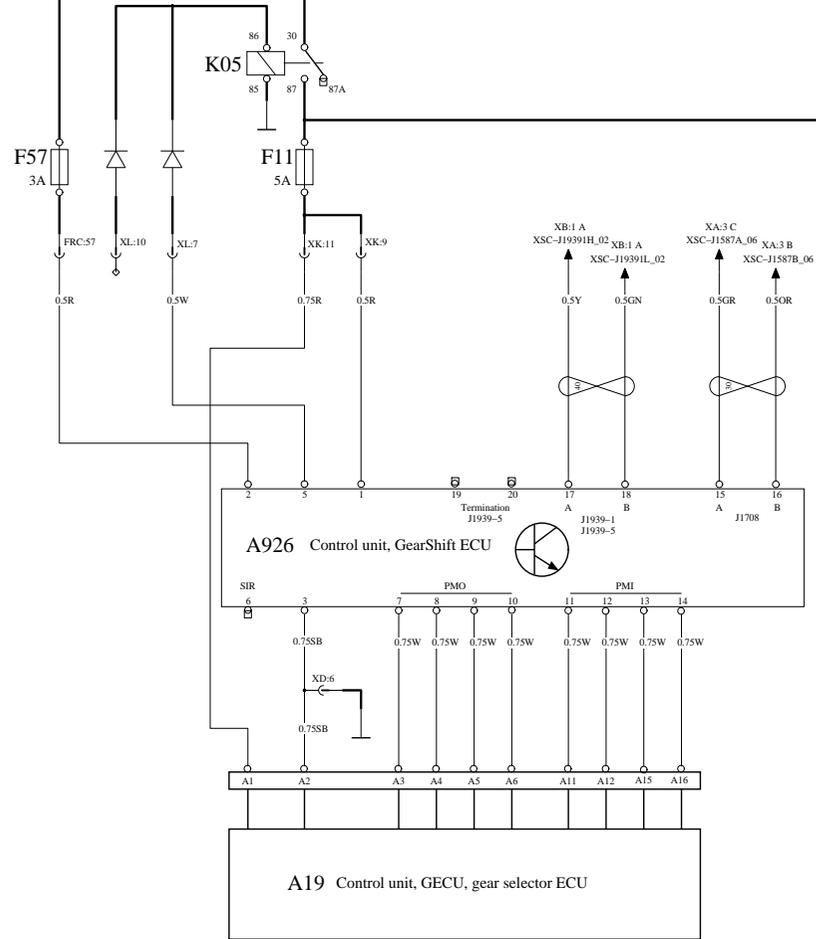
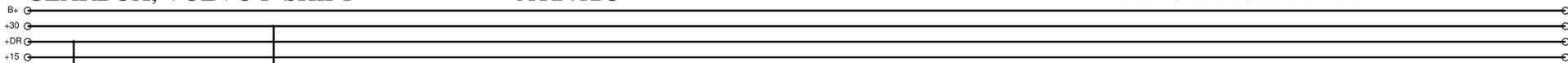
Volume  
**01**

Page  
**26(67)**

GEARBOX, VOLVO I-SHIFT

AT2412C

WIRING DIAGRAM DA



Volvo Bus Corporation

Document title  
WIRING DIAGRAM DA  
Document type  
PRODUCT SCHEMATIC

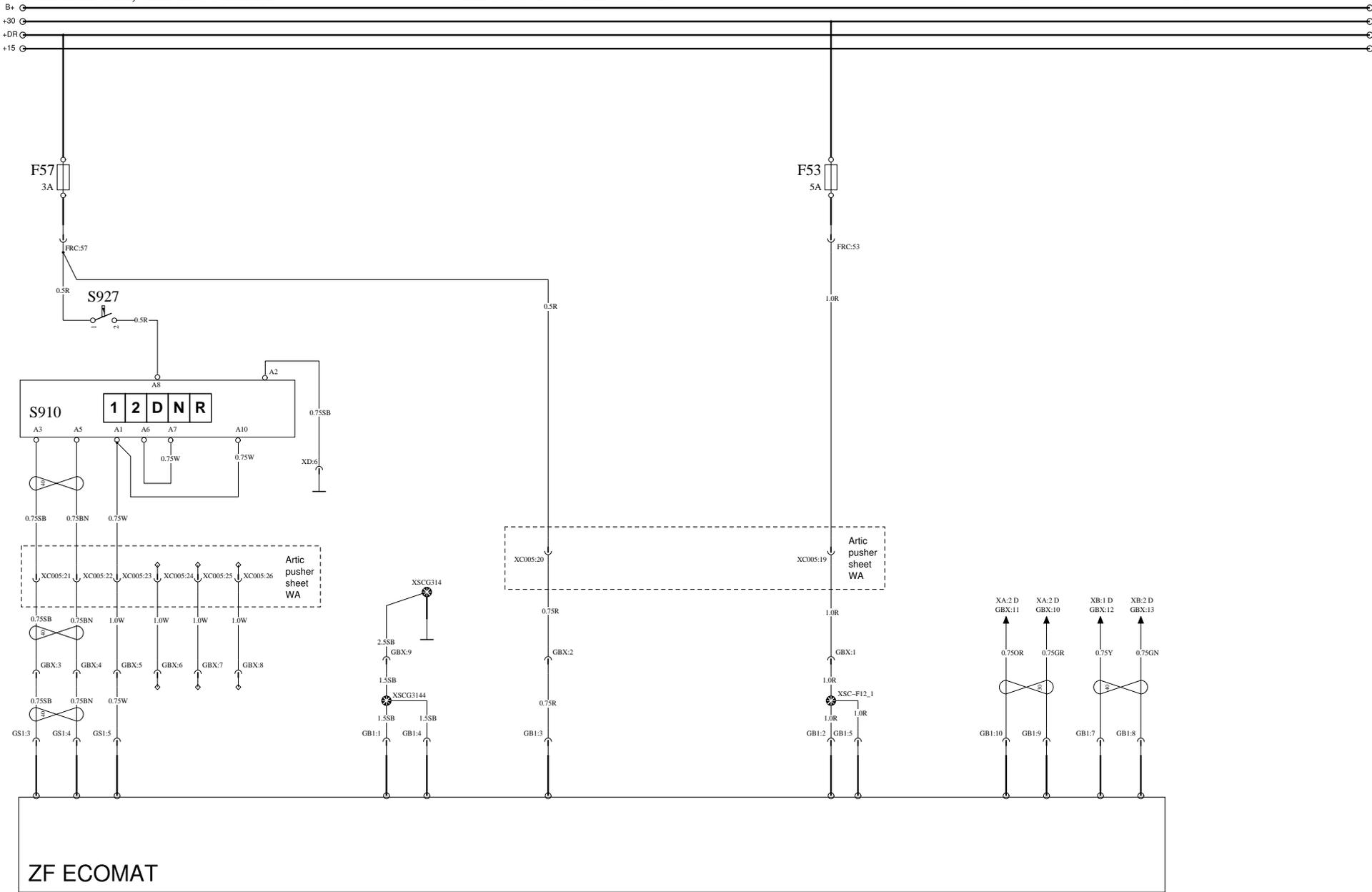
Document No  
**70399300**

Issue  
**08**

Volume  
**01**

Page  
**27(67)**

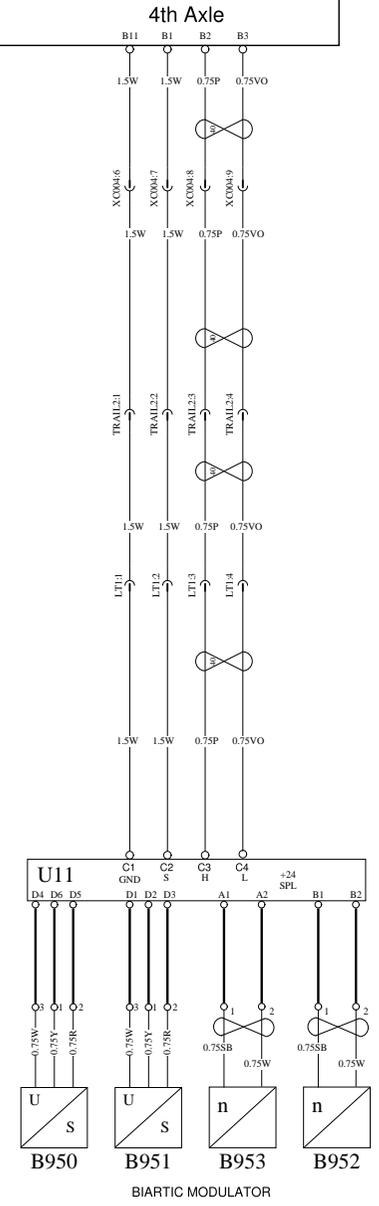
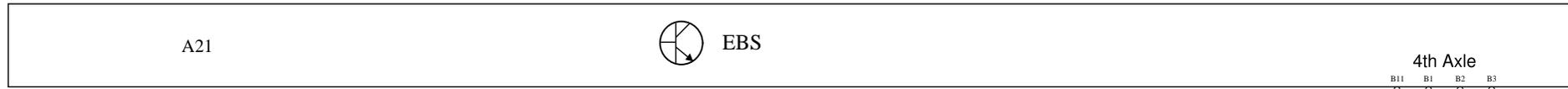


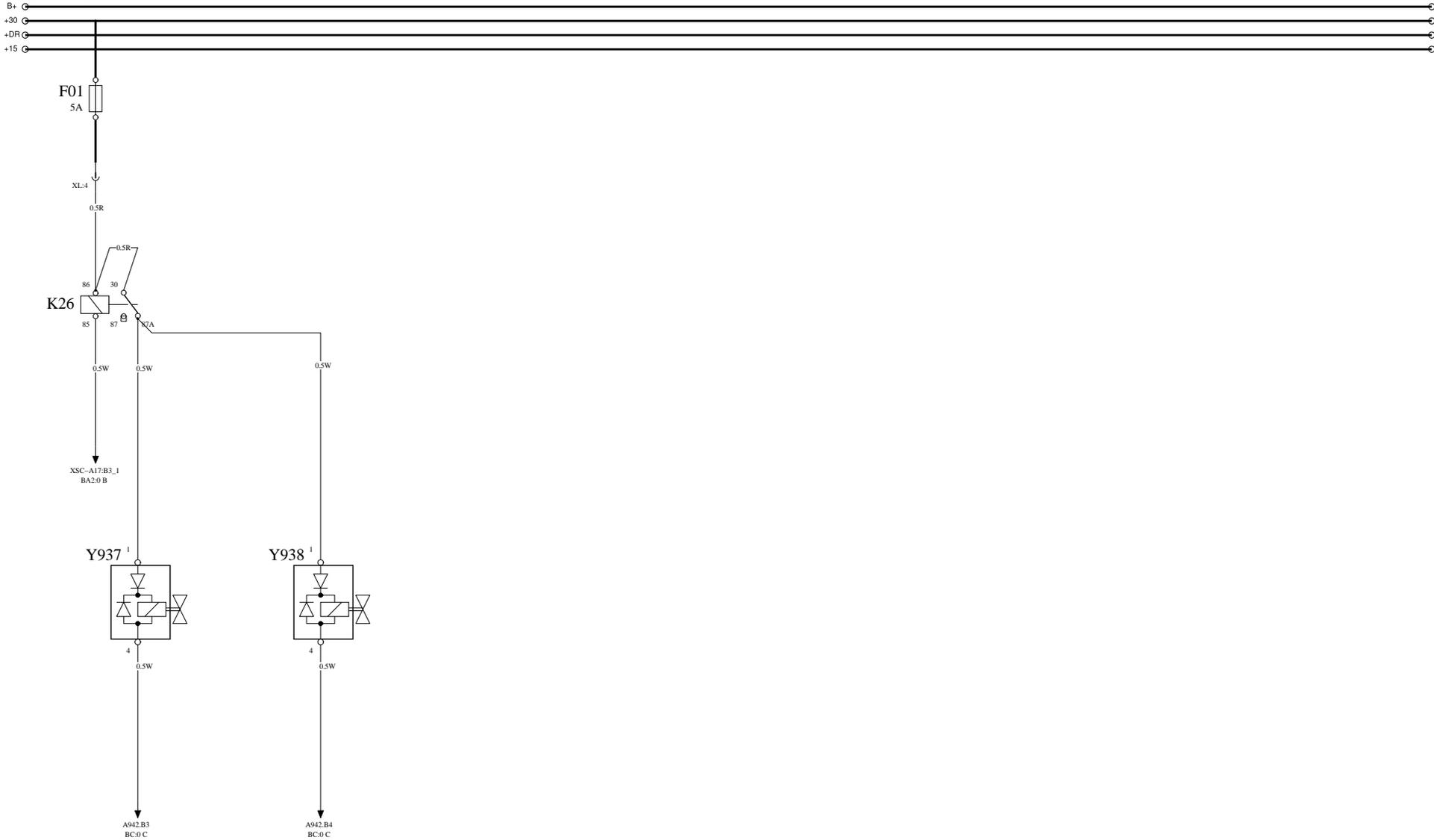












Volvo Bus Corporation

Document title  
WIRING DIAGRAM EB  
Document type  
PRODUCT SCHEMATIC

Document No  
70399300

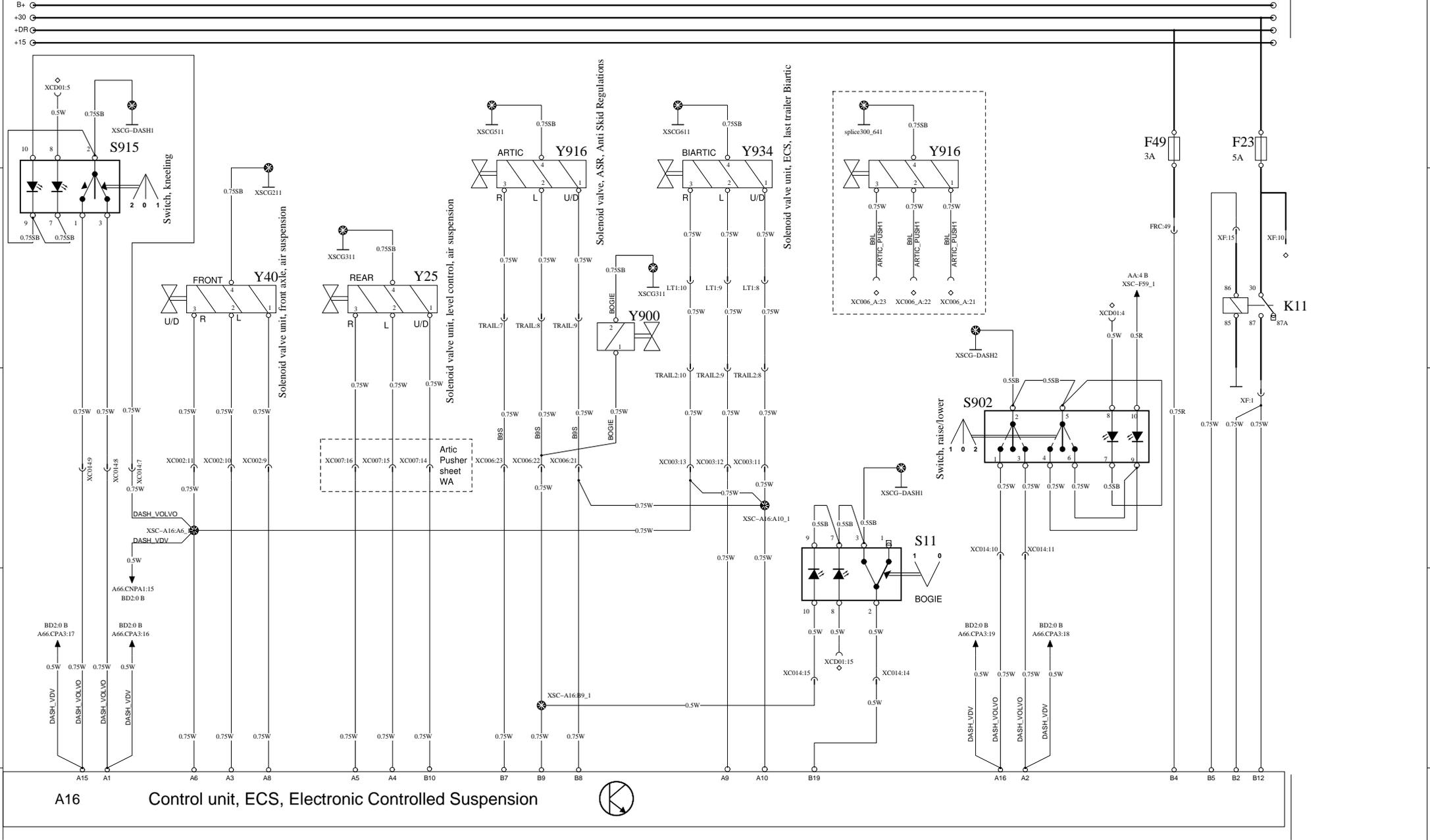
Issue  
08

Volume  
01

Page  
34(67)

ECS, AIR SUSPENSION

WIRING DIAGRAM FA



A16 Control unit, ECS, Electronic Controlled Suspension

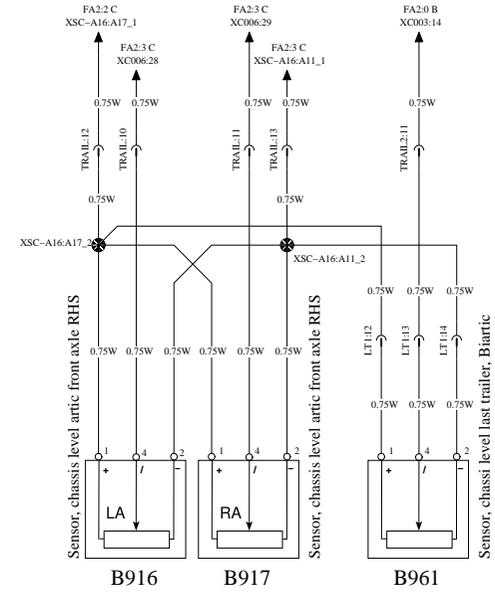
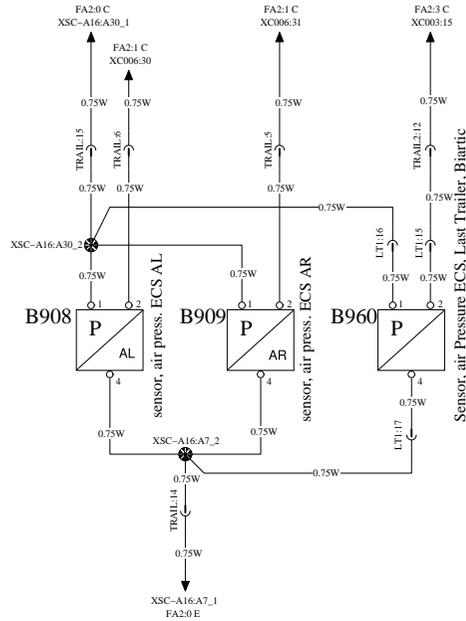




ECS, AIR SUSPENSION

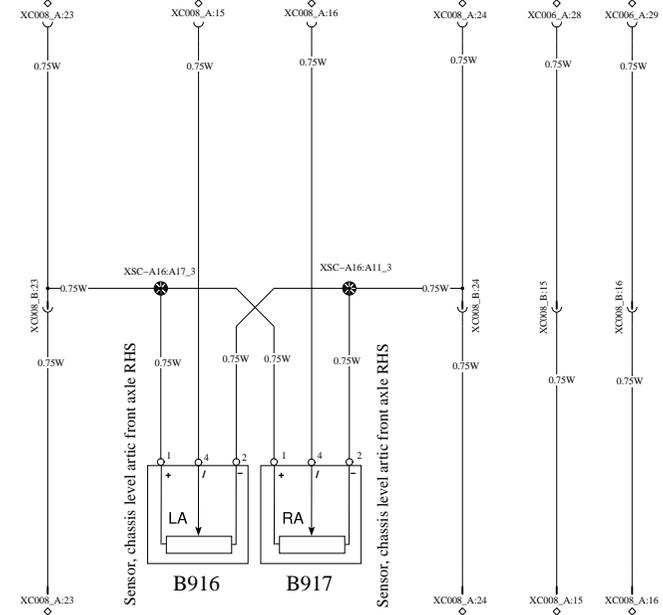
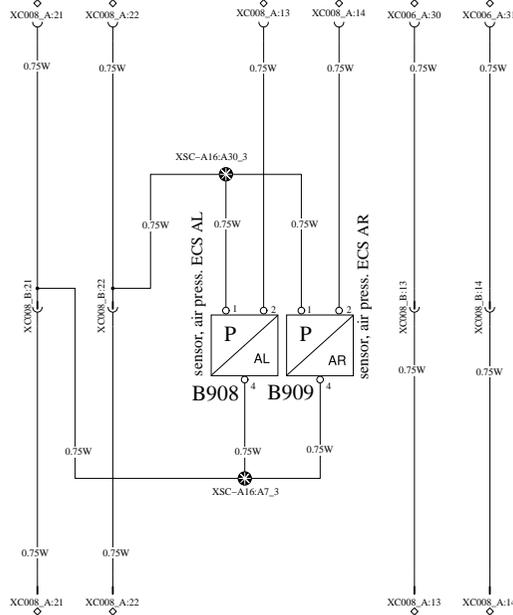
ARTIC

WIRING DIAGRAM FA3



ARTIC PULLER S9, ARTIC PULLER B9S BIARTIC

ARTIC PUSHER B91A



Volvo Bus Corporation

Document title  
WIRING DIAGRAM FA3  
Document type  
PRODUCT SCHEMATIC

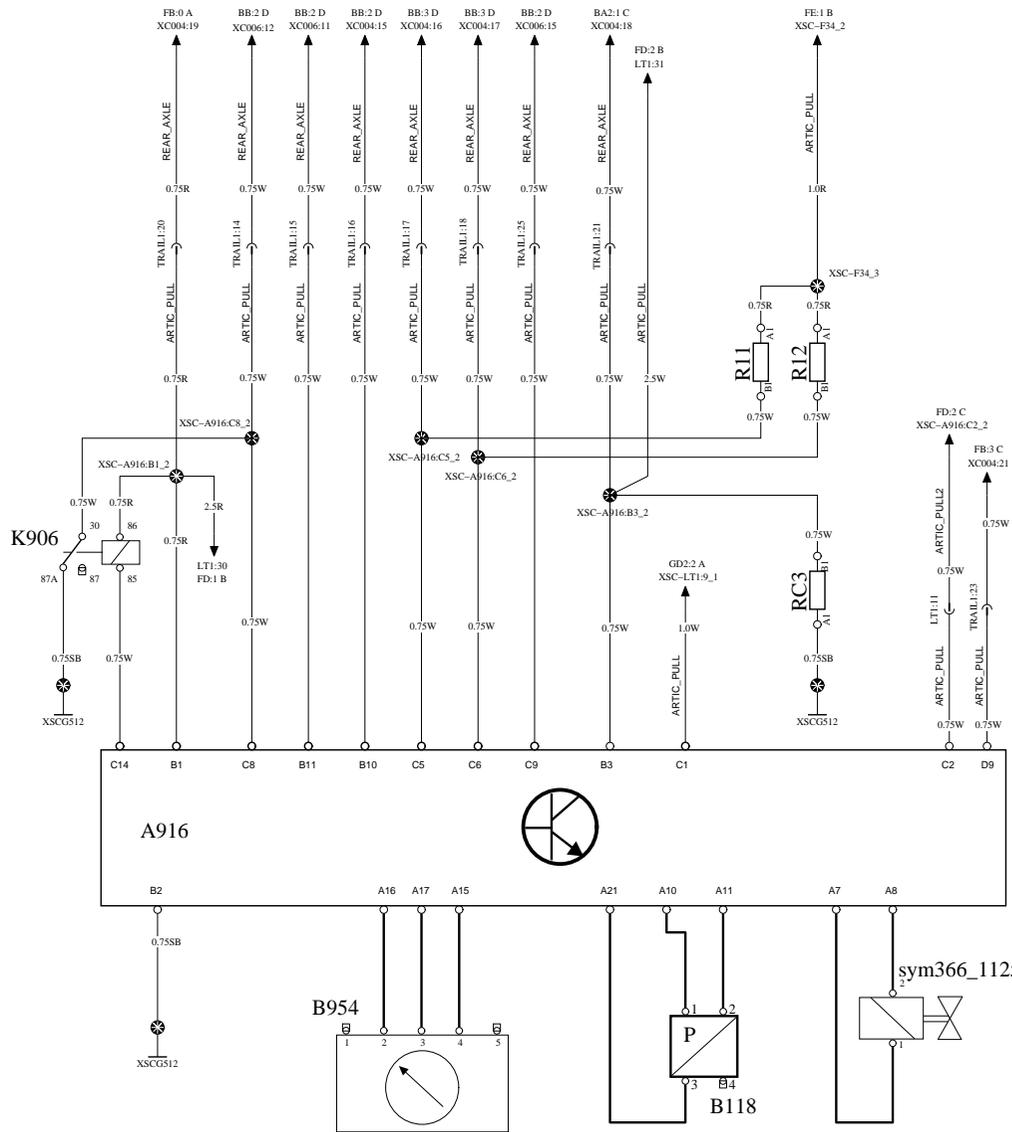
Document No  
70399300

Issue  
08

Volume  
01

Page  
37(67)

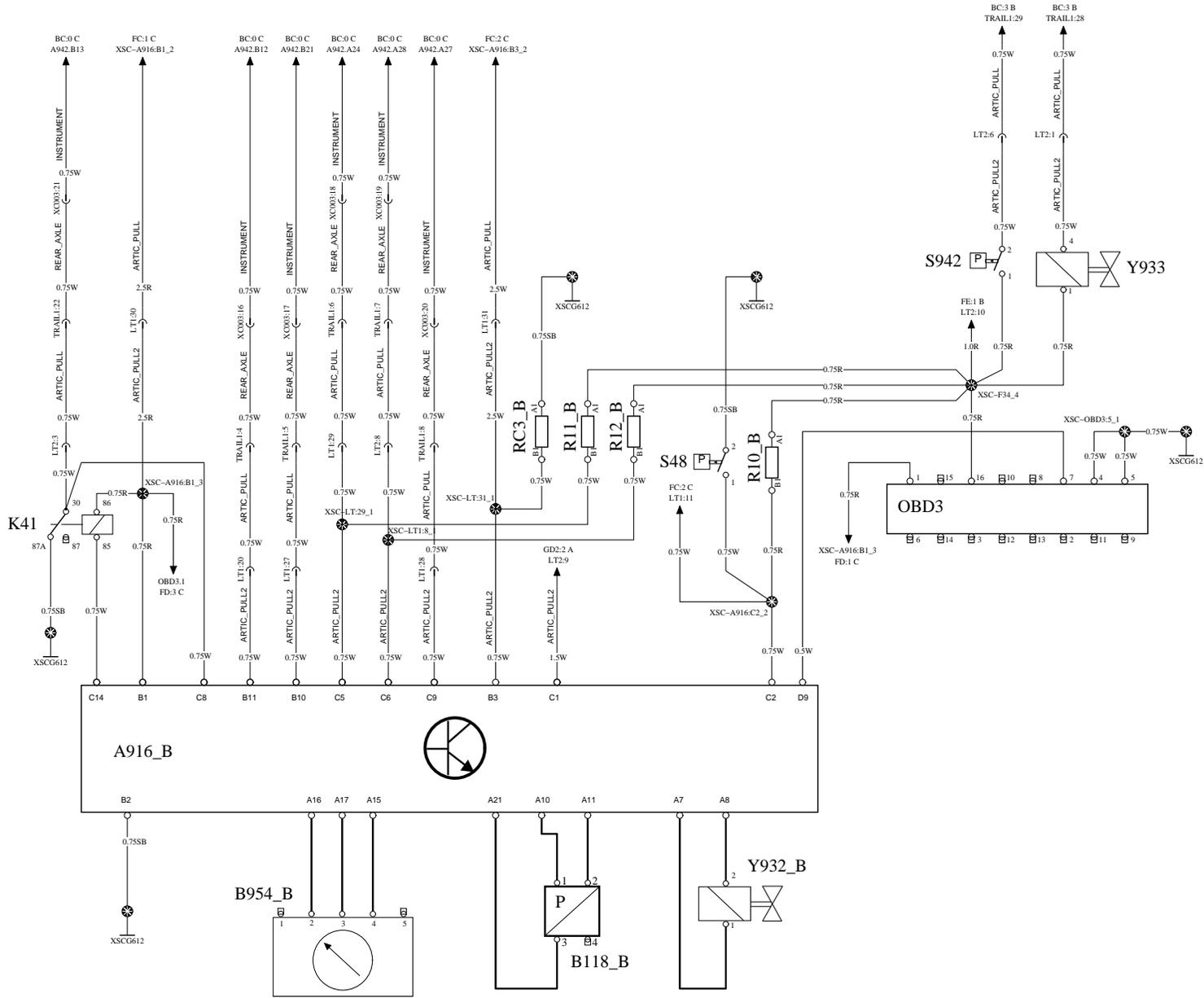




AMECU, ARTIC PULLER 2

2ND TURNTABLE

WIRING DIAGRAM FD



Volvo Bus Corporation

Document title  
**WIRING DIAGRAM FD**

Document type  
**PRODUCT SCHEMATIC**

Document No

**70399300**

Issue

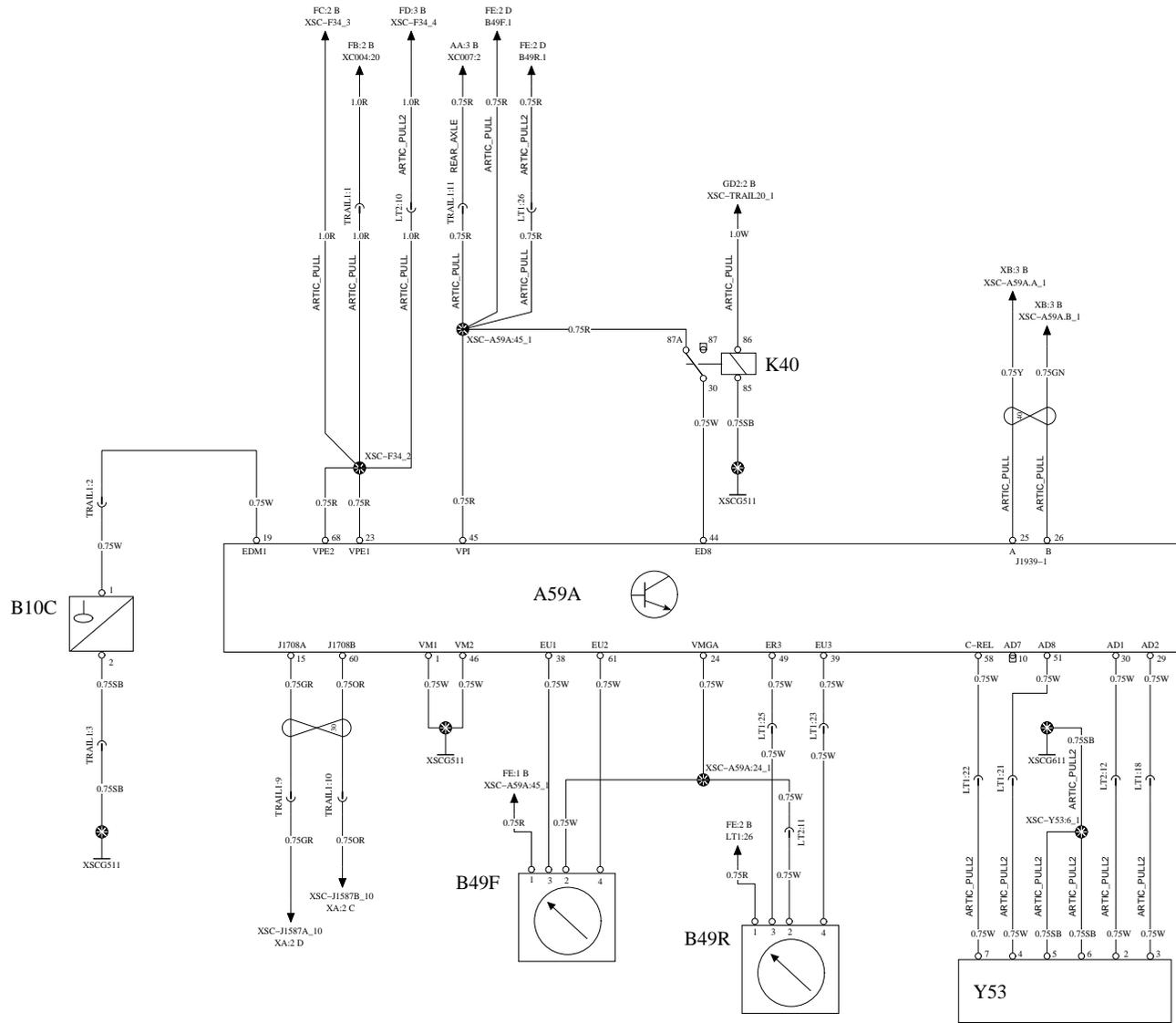
**08**

Volume

**01**

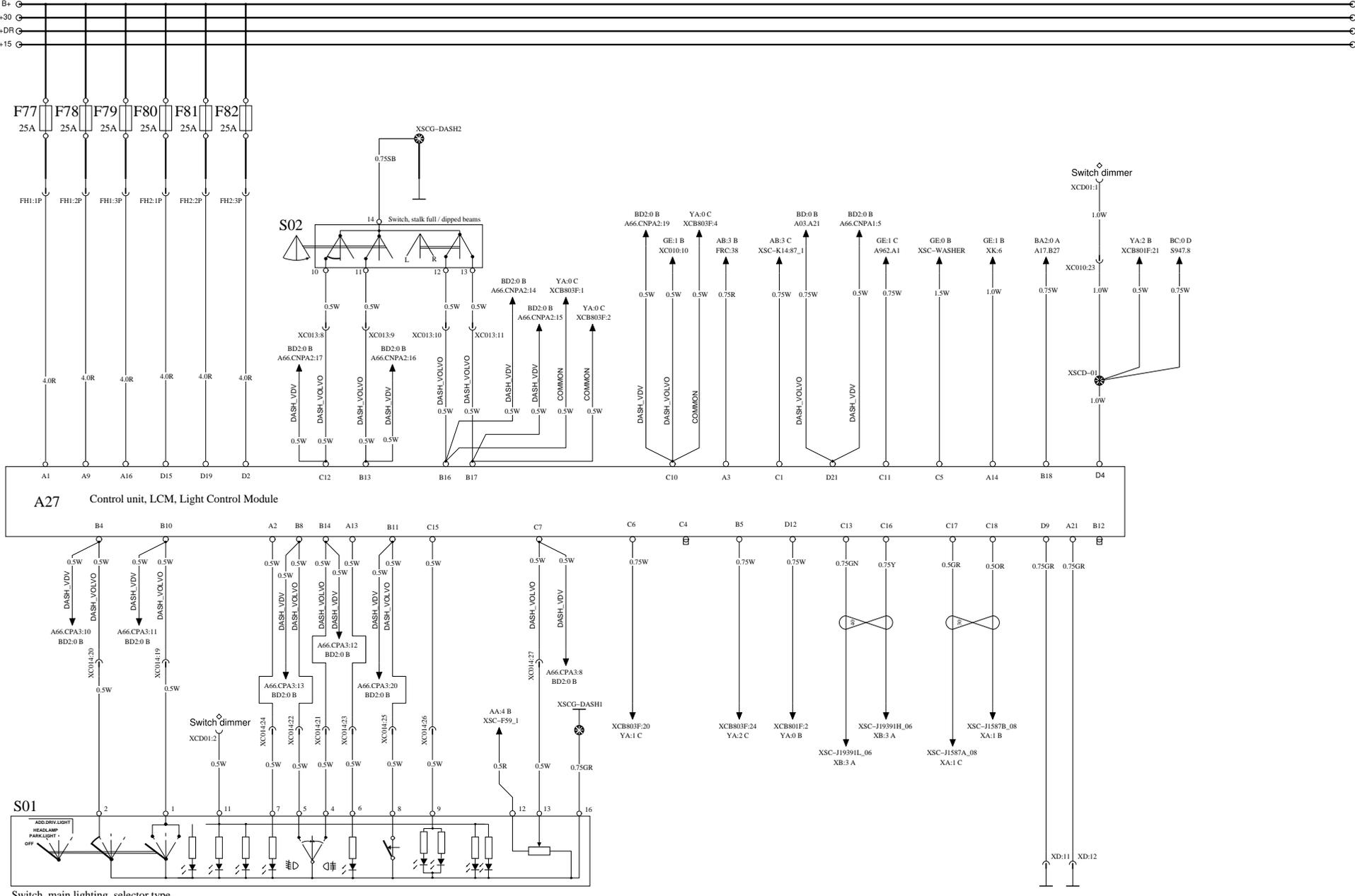
Page

**40(67)**



# LCM, LIGHT CONTROL MODULE

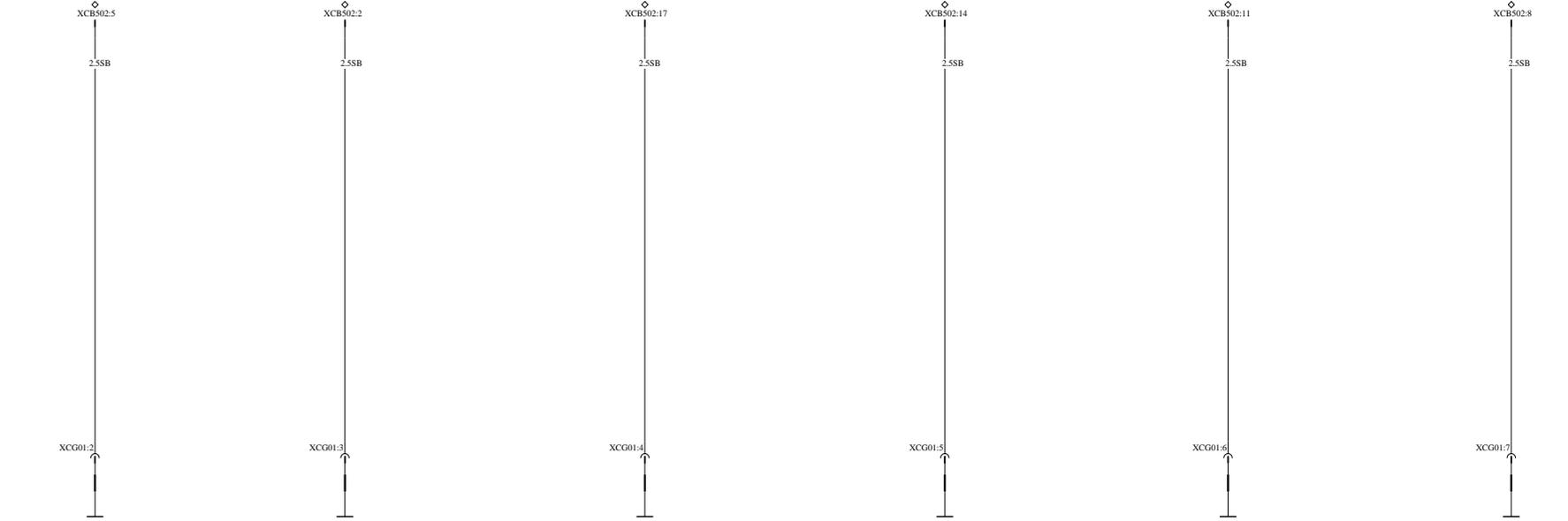
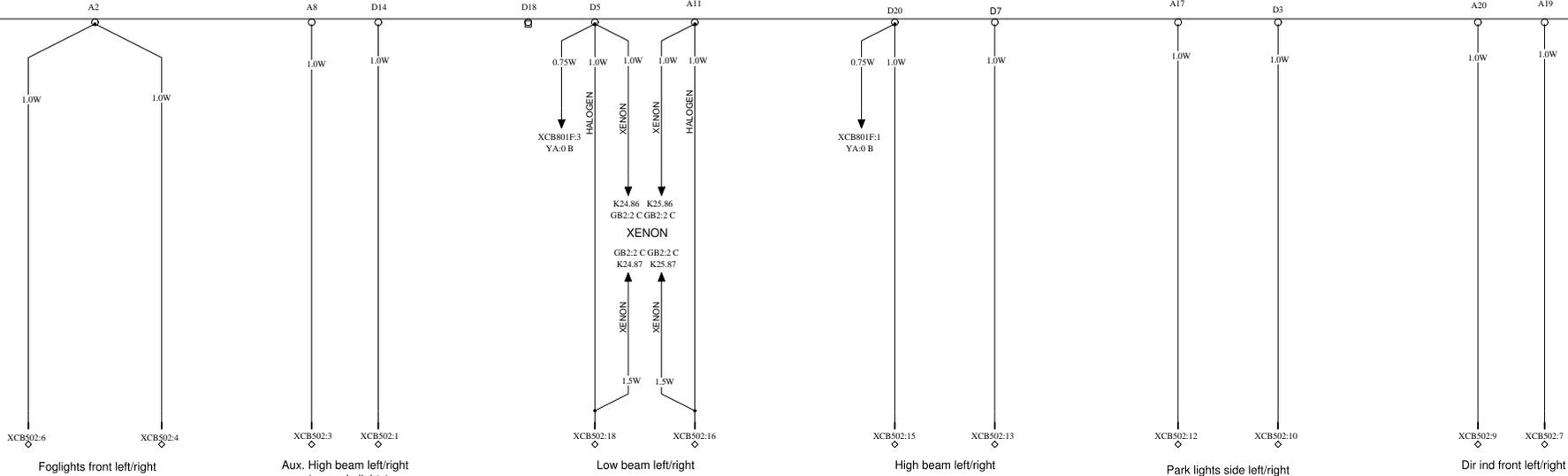
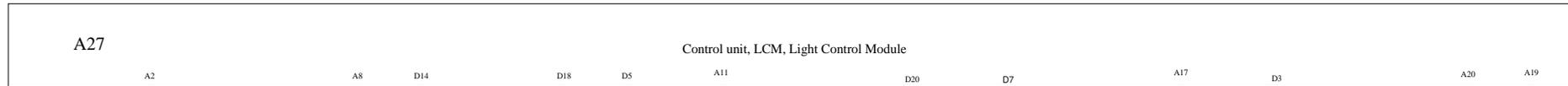
# WIRING DIAGRAM GA



	Volvo Bus Corporation	Document title	Document No	Issue	Volume	Page
		WIRING DIAGRAM GA	70399300	08	01	42(67)
		Document type				
		PRODUCT SCHEMATIC				

FRONT LIGHT

WIRING DIAGRAM GB



Volvo Bus Corporation

Document title  
WIRING DIAGRAM GB  
Document type  
PRODUCT SCHEMATIC

Document No  
**70399300**

Issue  
**08**

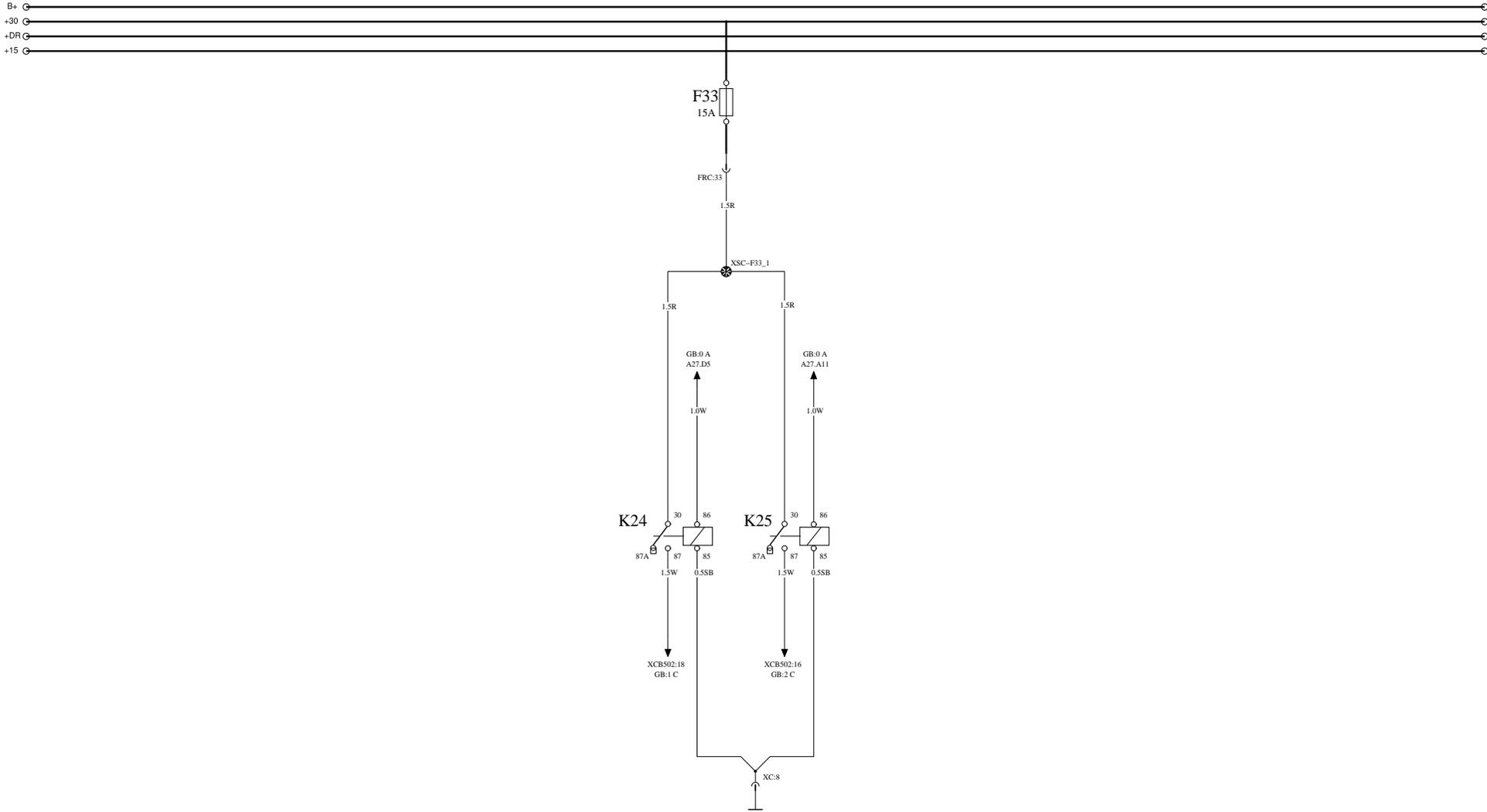
Volume  
**01**

Page  
43(67)

FRONT LIGHT

XENON RELAYS

WIRING DIAGRAM GB2



Volvo Bus Corporation

Document title  
WIRING DIAGRAM GB2

Document type  
PRODUCT SCHEMATIC

Document No

70399300

Issue

08

Volume

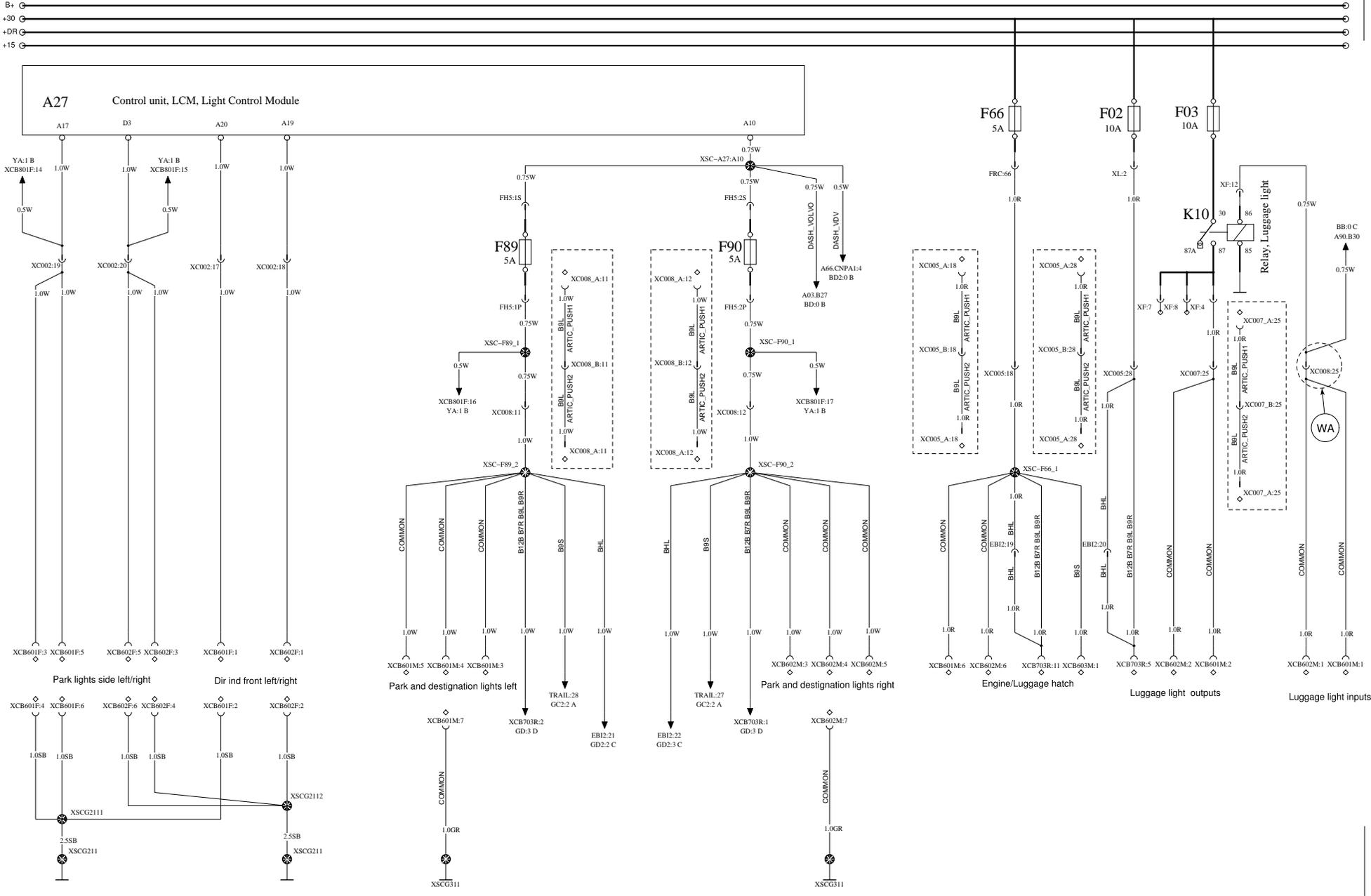
01

Page

44(67)

SIDE LIGHT

WIRING DIAGRAM GC



Volvo Bus Corporation

Document title  
WIRING DIAGRAM GC  
Document type  
PRODUCT SCHEMATIC

Document No

70399300

Issue

08

Volume

01

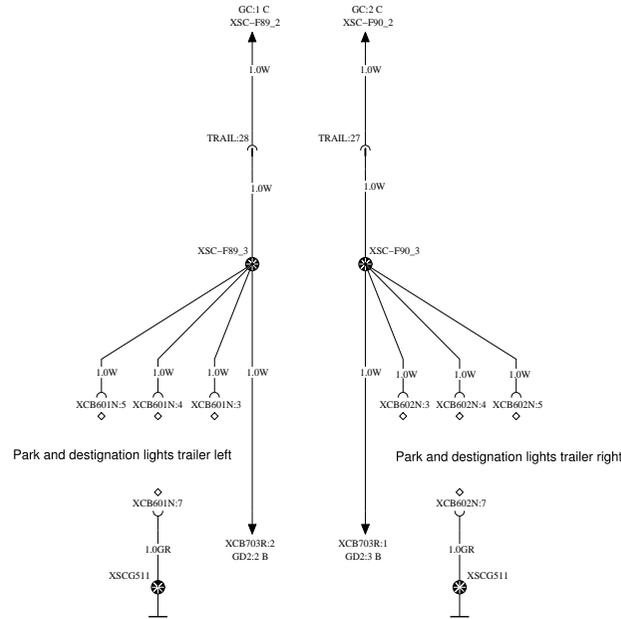
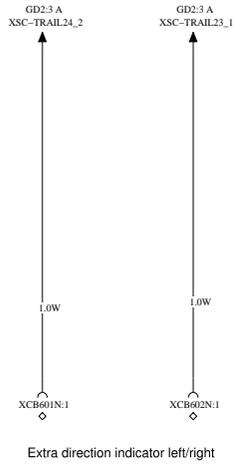
Page

45(67)

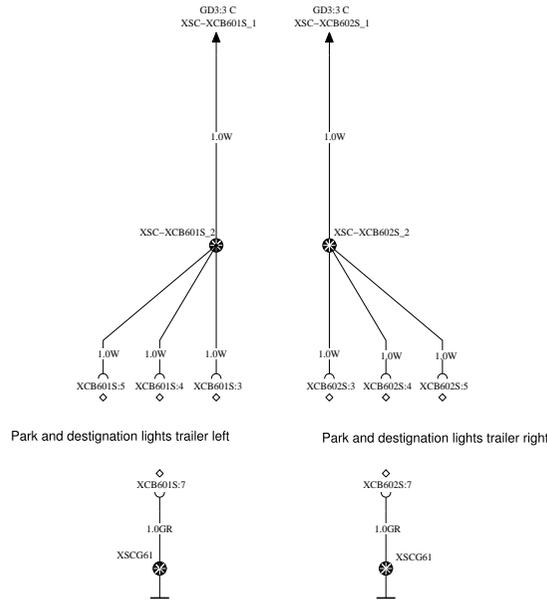
SIDE LIGHT

ARTIC

WIRING DIAGRAM GC2



ARTIC PULLER S9  
ARTIC PULLER B9S BIARTIC



Volvo Bus Corporation

Document title  
WIRING DIAGRAM GC2  
Document type  
PRODUCT SCHEMATIC

Document No  
70399300

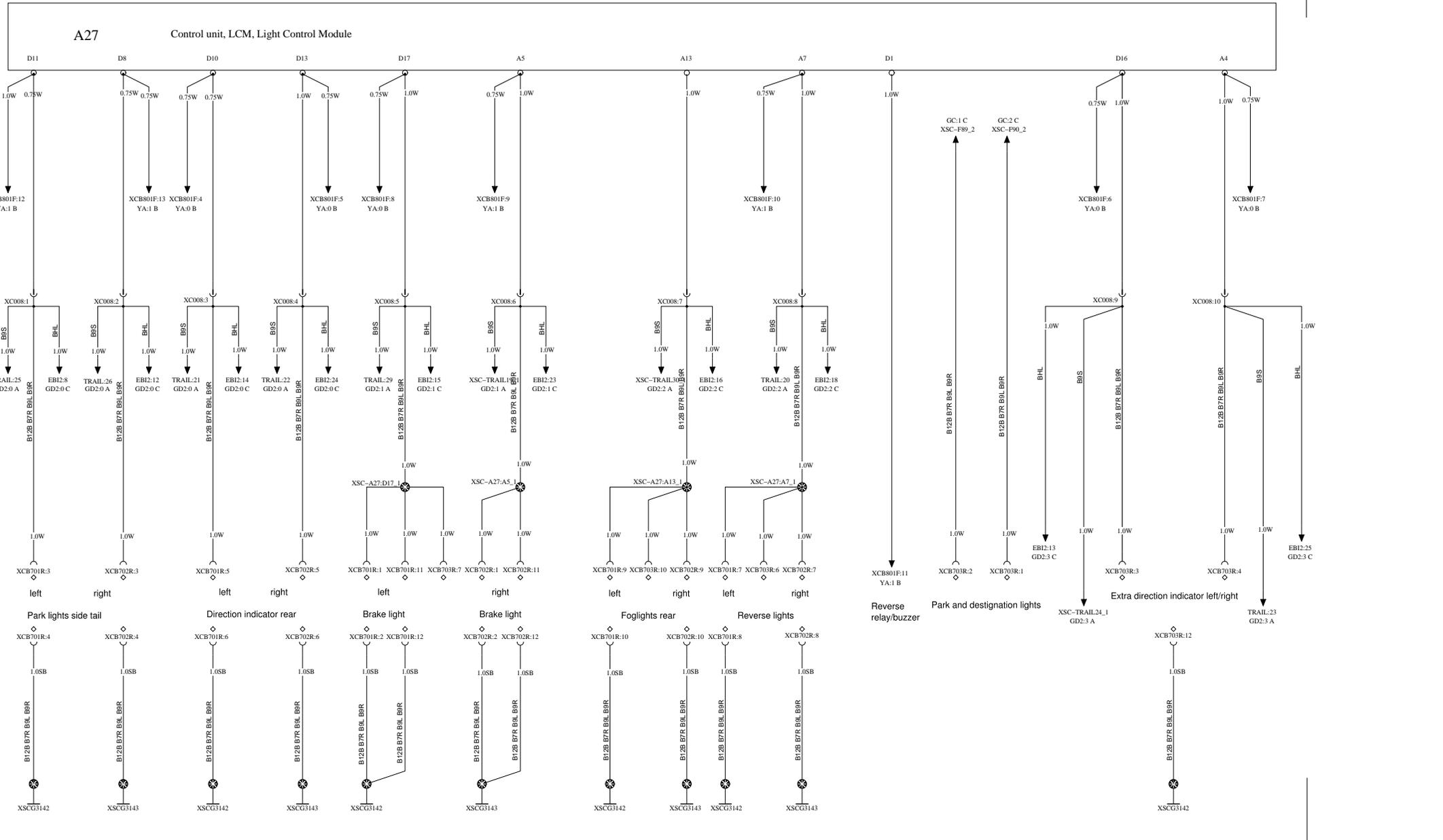
Issue  
08

Volume  
01

Page  
46(67)

REAR LIGHT

WIRING DIAGRAM GD



Volvo Bus Corporation

Document title  
**WIRING DIAGRAM GD**  
 Document type  
**PRODUCT SCHEMATIC**

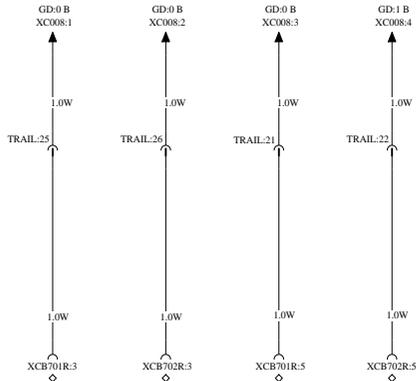
Document No  
**70399300**

Issue  
**08**

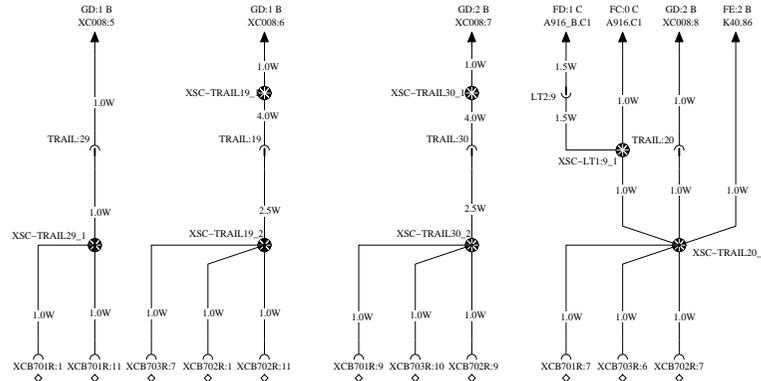
Volume  
**01**

Page  
**47(67)**

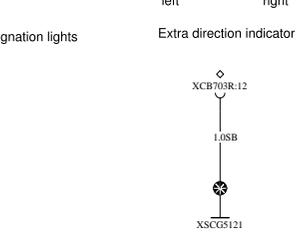
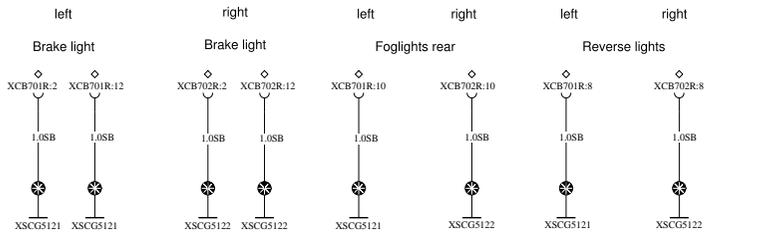
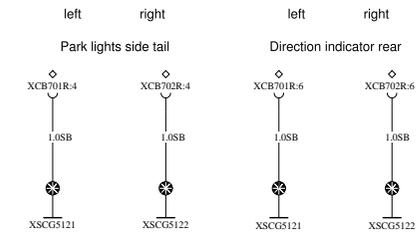
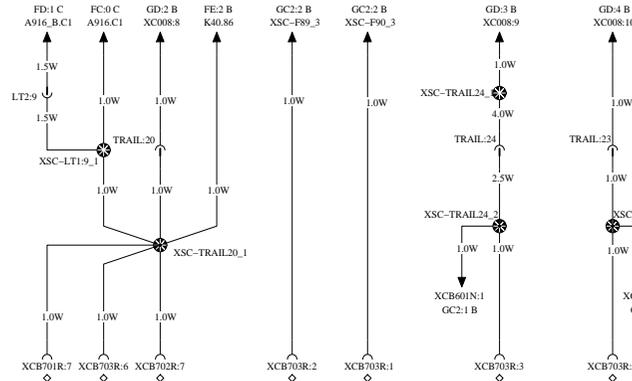
# REAR LIGHT



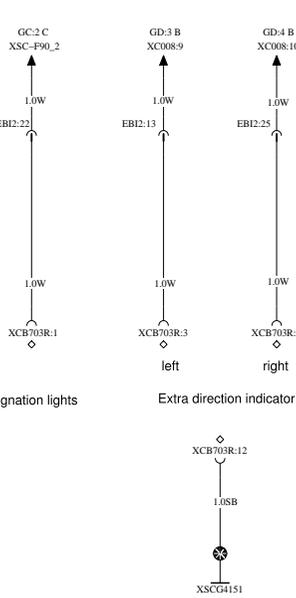
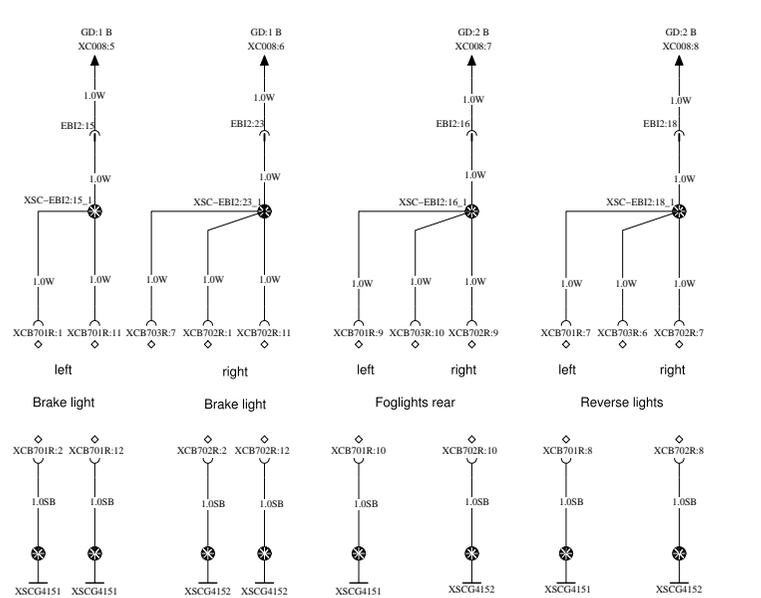
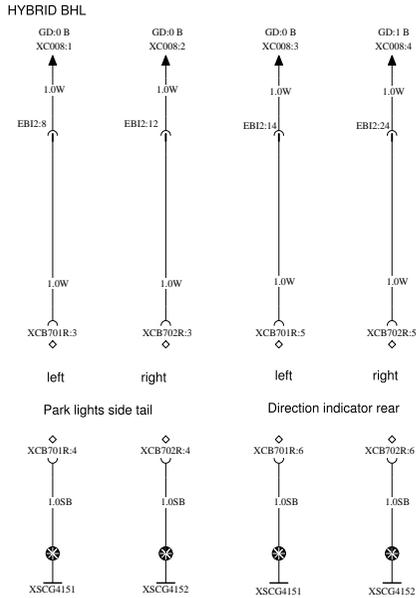
# ARTIC/HYBRID



# WIRING DIAGRAM GD2



## ARTIC PULLER S9



E



Volvo Bus Corporation

Document title  
WIRING DIAGRAM GD2  
Document type  
PRODUCT SCHEMATIC

Document No  
70399300

Issue  
08

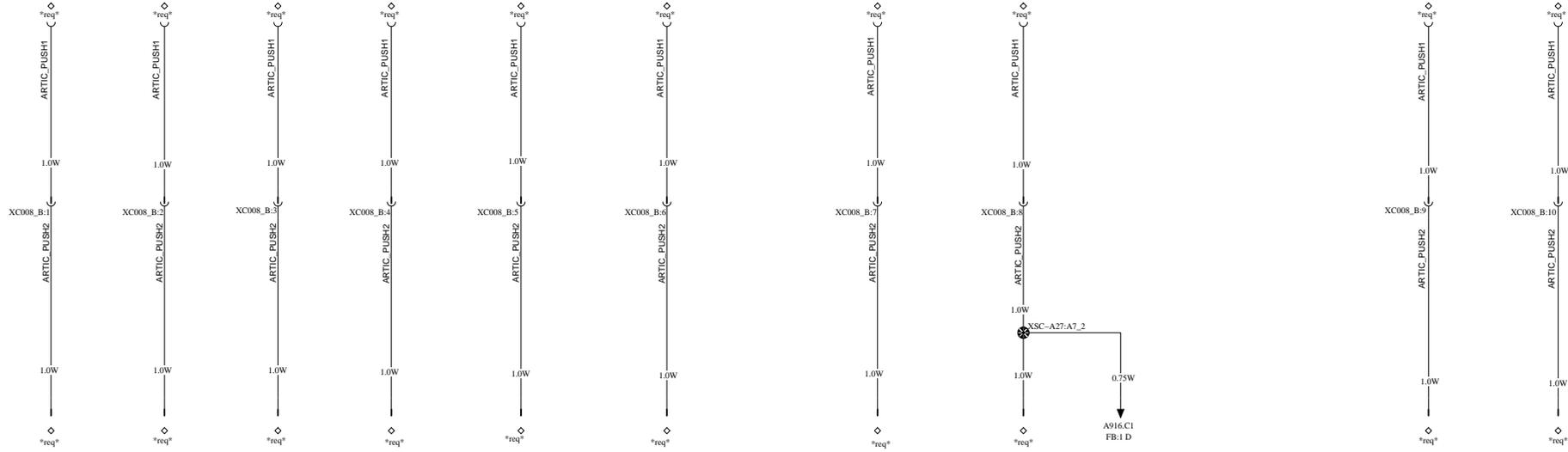
Volume  
01

Page  
48(67)

REAR LIGHT

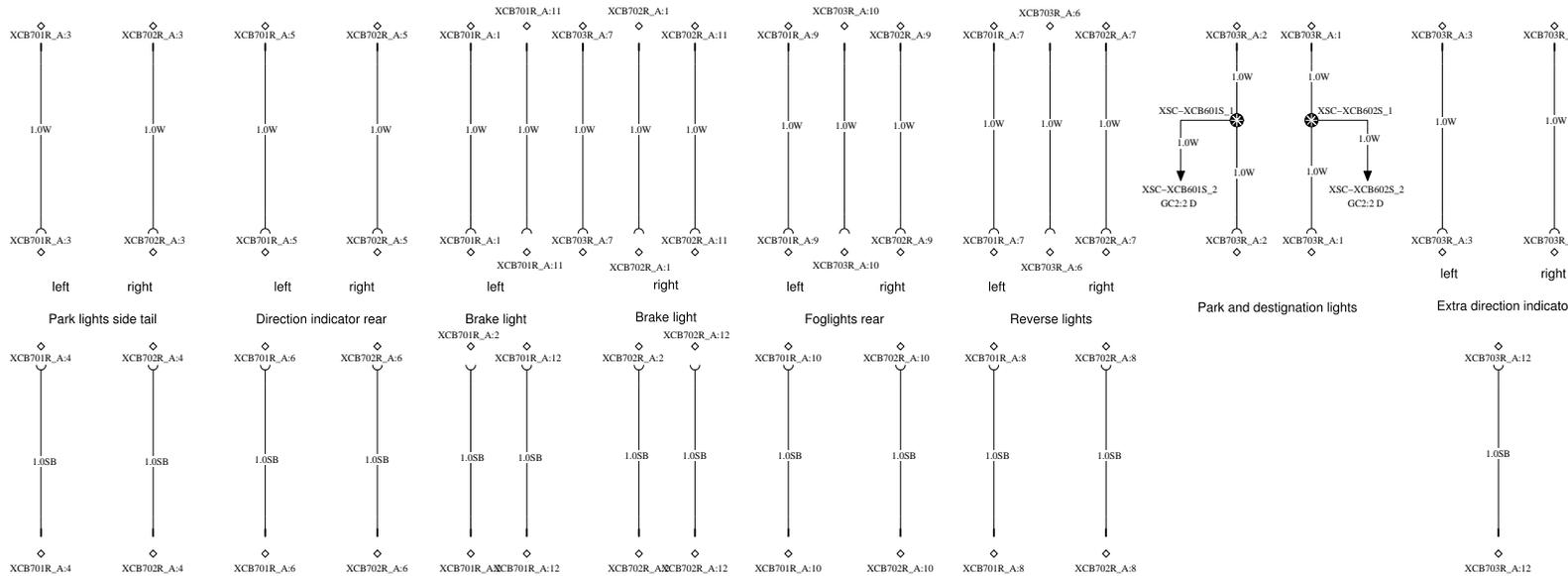
ARTIC

WIRING DIAGRAM GD3



ARTIC PUSHER B9L

ARTIC PULLER B9S BIARTIC



Volvo Bus Corporation

Document title  
WIRING DIAGRAM GD3  
Document type  
PRODUCT SCHEMATIC

Document No  
70399300

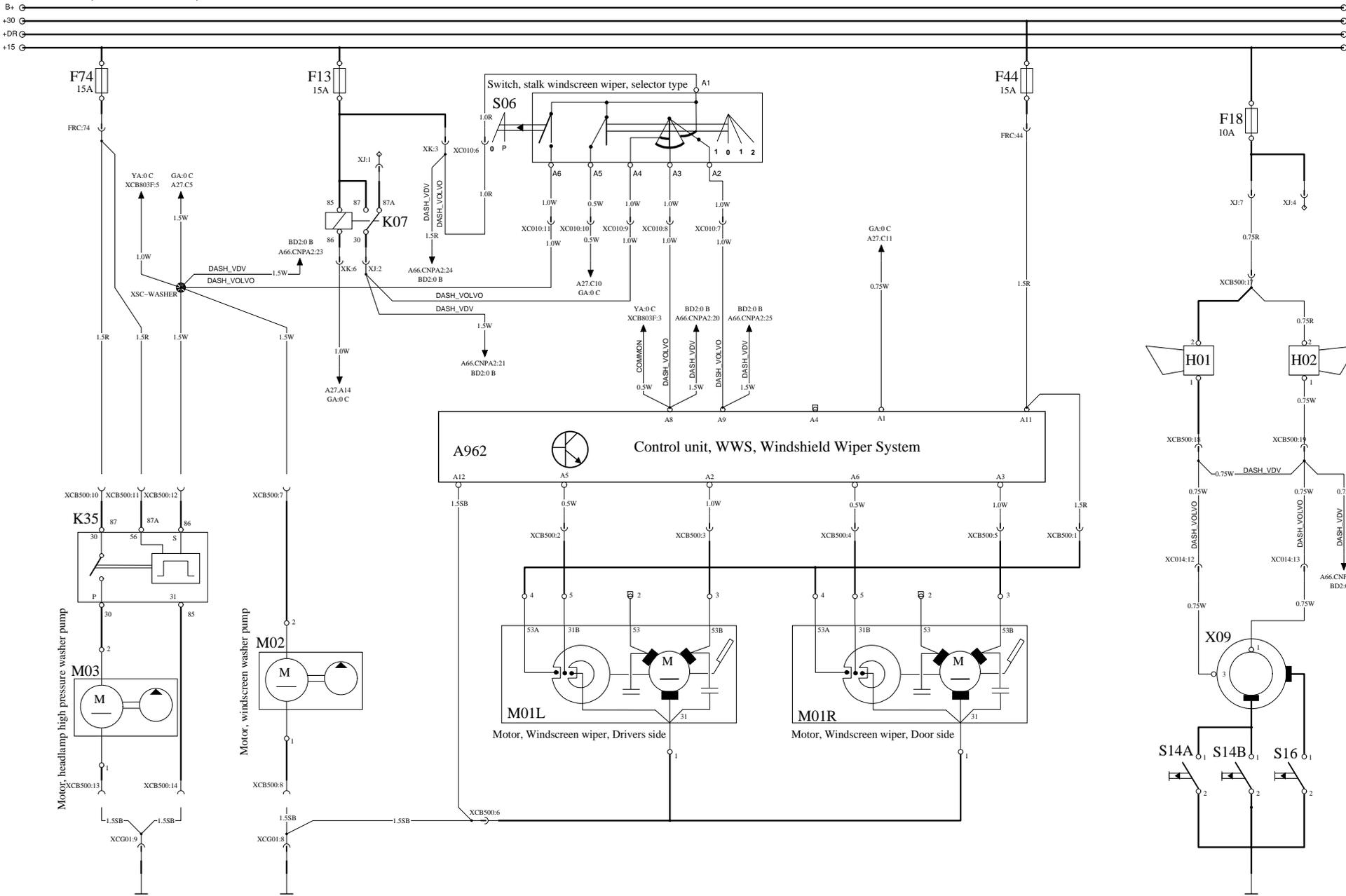
Issue  
08

Volume  
01

Page  
49(67)

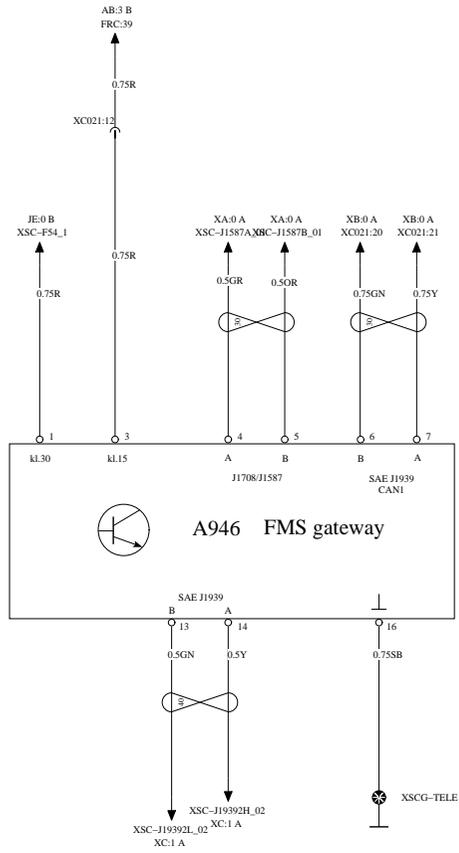
WIPER, WASHER, HORN

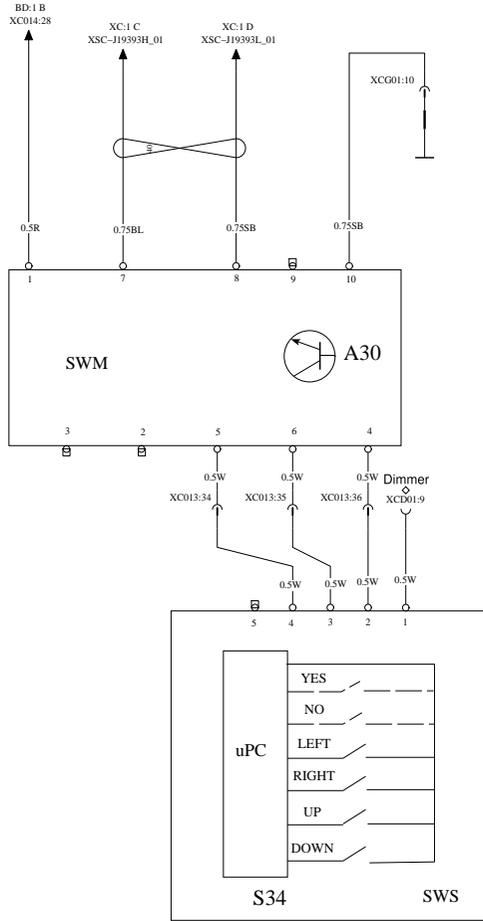
WIRING DIAGRAM GE

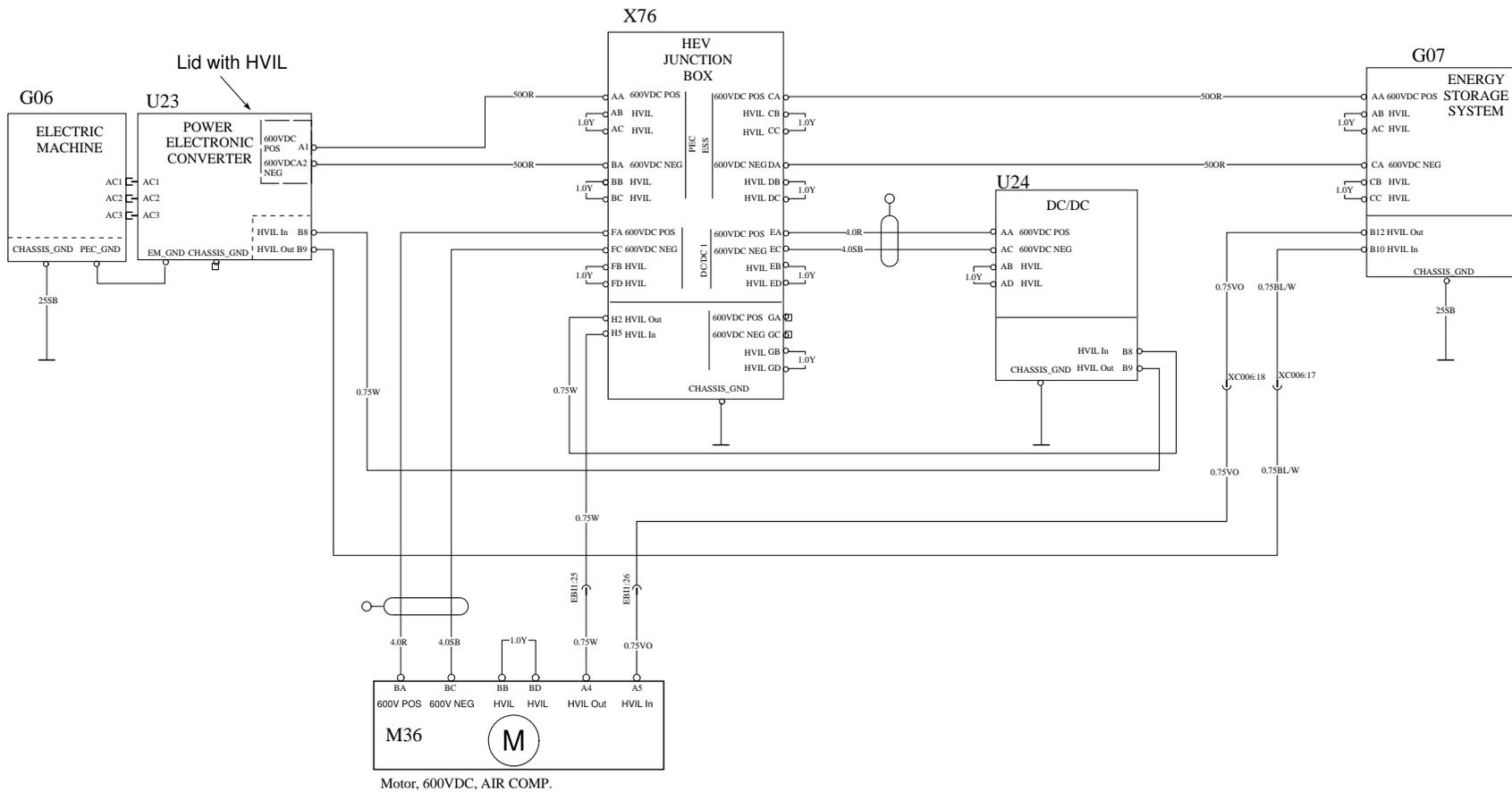








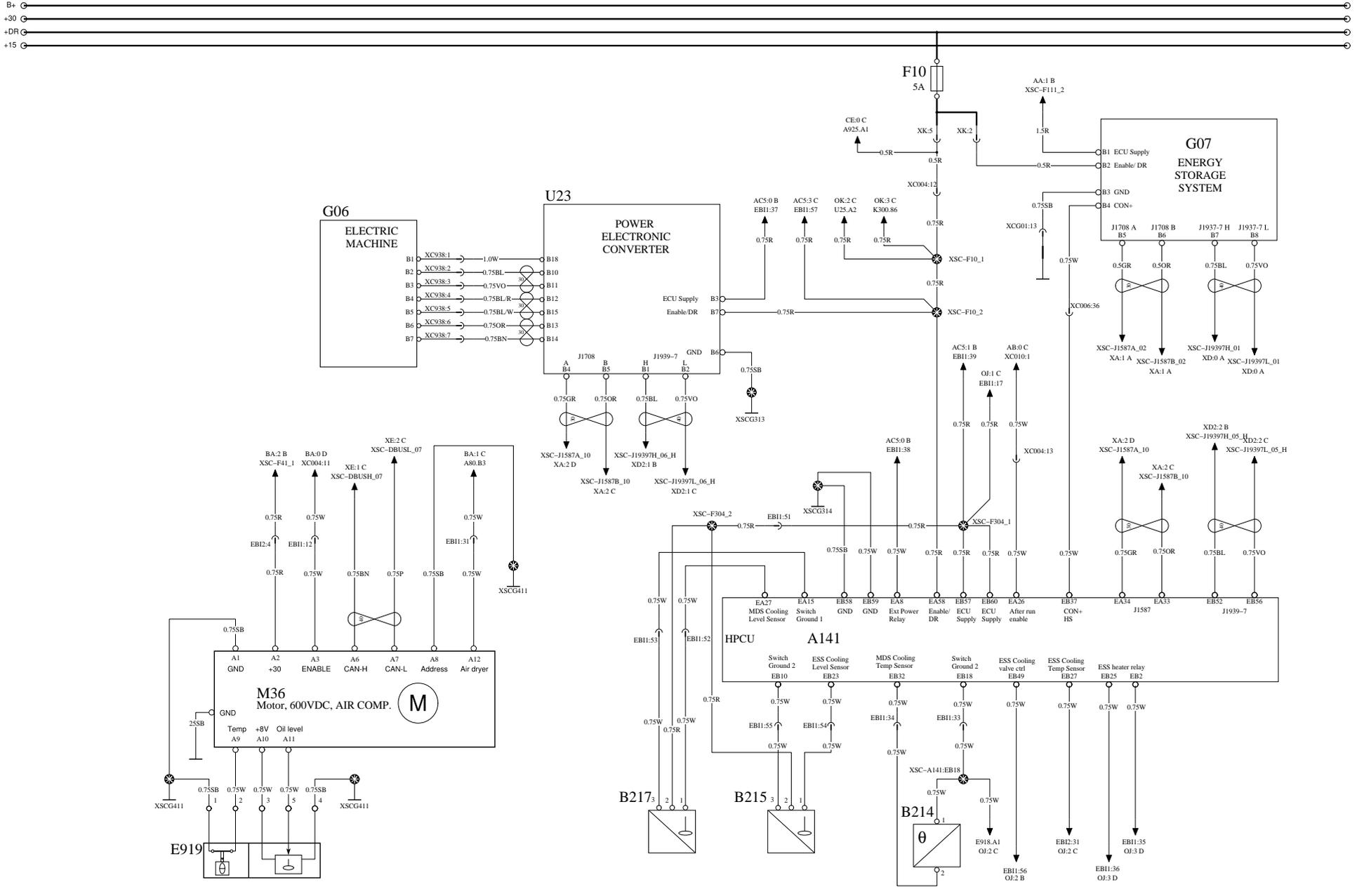




ALL TRACTION VOLTAGE CABLES ARE SHIELDED

HYBRID SYSTEM

WIRING DIAGRAM OI



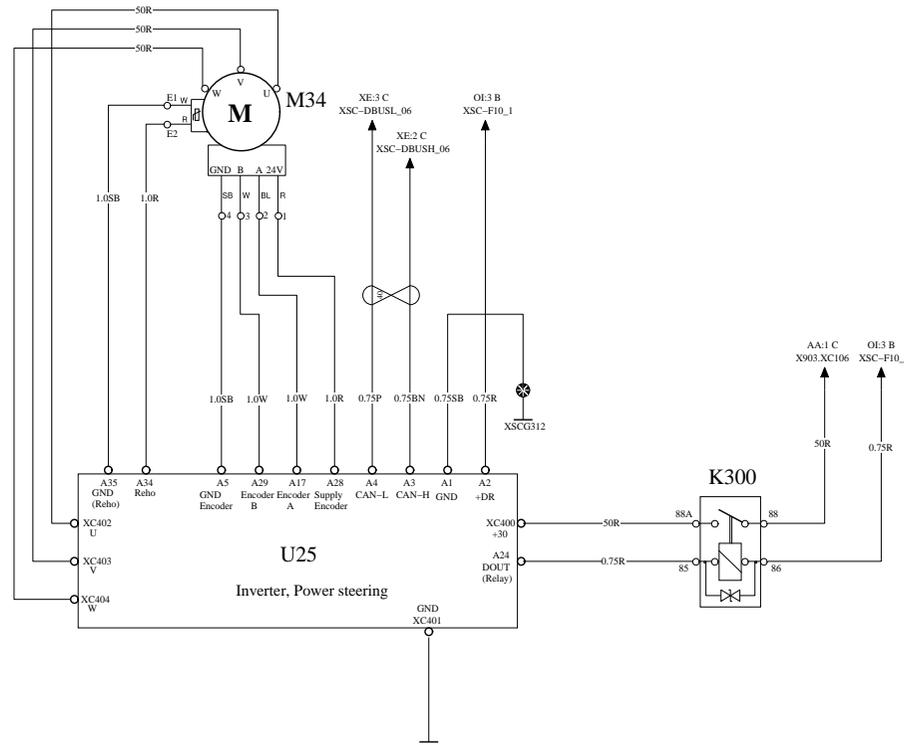
Volvo Bus Corporation

Document title  
WIRING DIAGRAM OI  
Document type  
PRODUCT SCHEMATIC

Document No  
70399300

Issue  
08  
Volume  
01  
Page  
56(67)



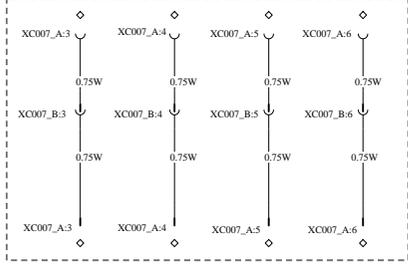


EXTENSIONS, ARTIC PUSHER

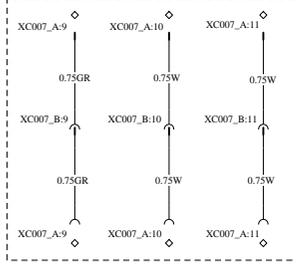
B9L

WIRING DIAGRAM WA

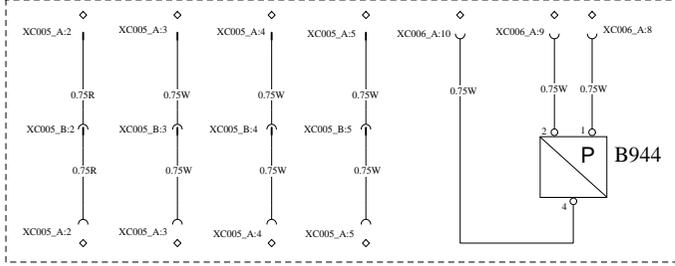
SHEET AB



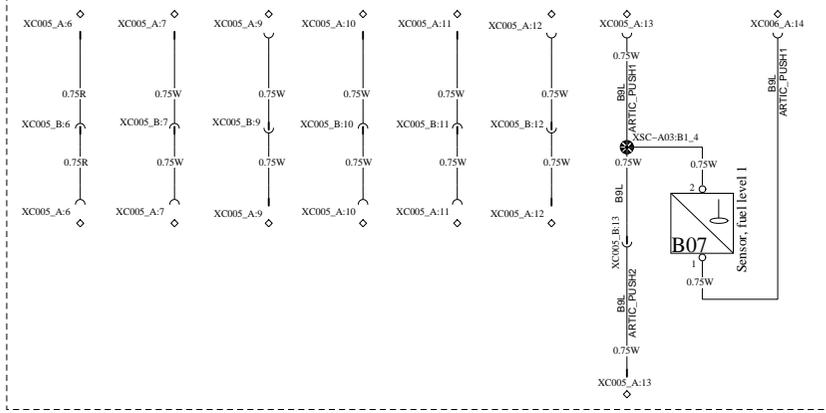
SHEET BA



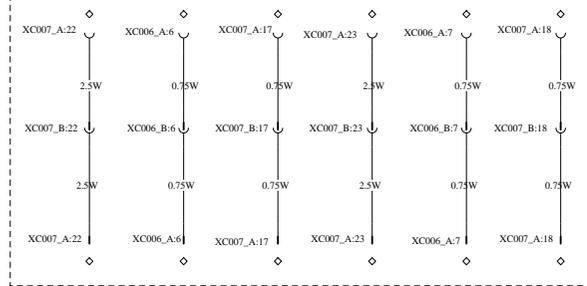
SHEET BB



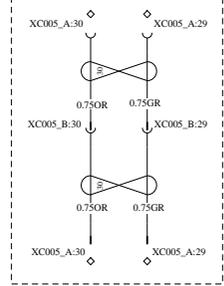
SHEET BD



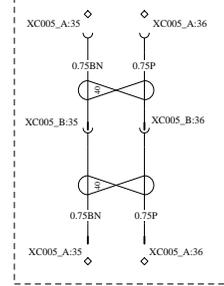
SHEET CB



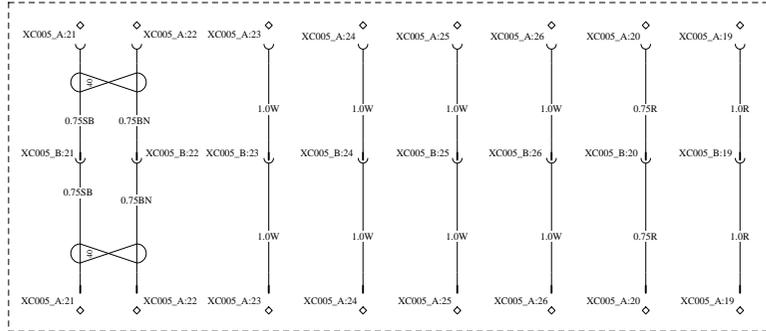
Sheet XA



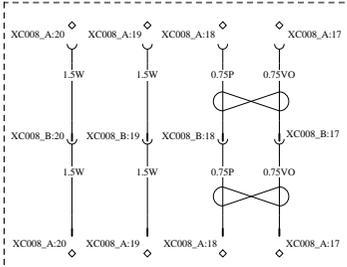
Sheet XE



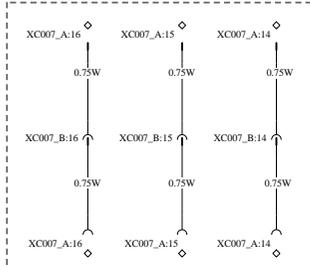
SHEET DA3



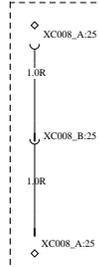
Sheet EA2



Sheet FA



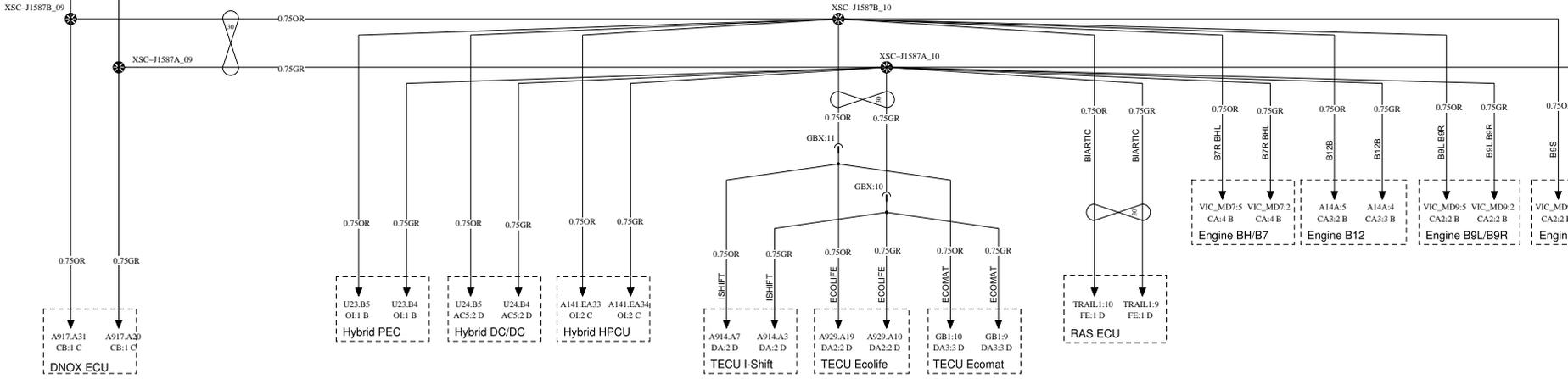
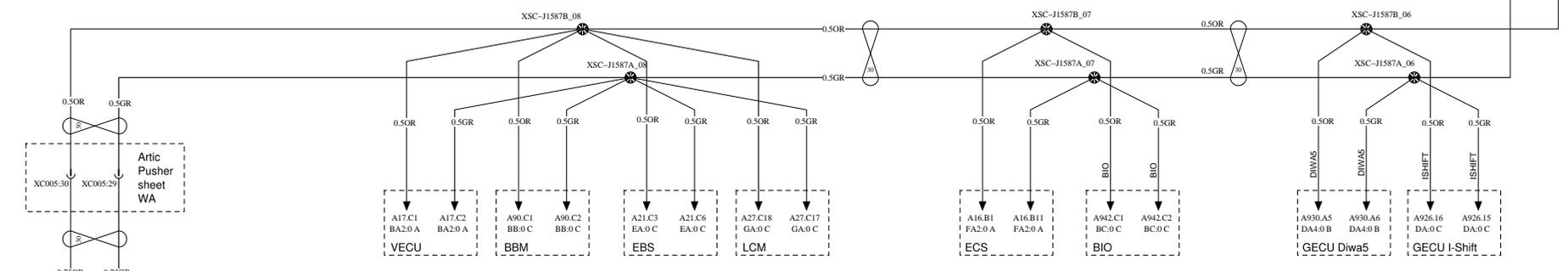
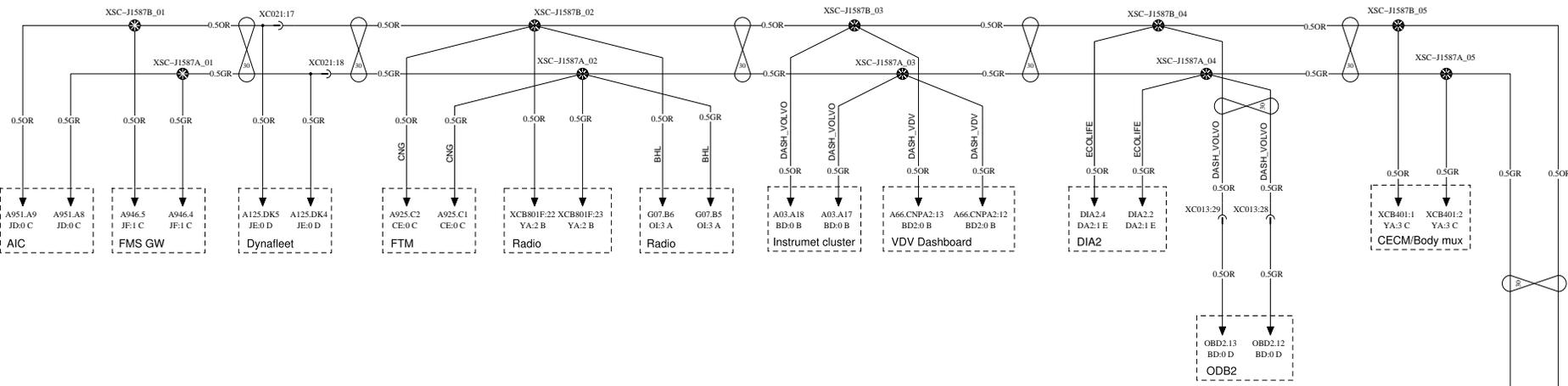
Sheet GC



BUS J1587/J1708

OR/GR

WIRING DIAGRAM XA



Volvo Bus Corporation

Document title  
WIRING DIAGRAM XA  
Document type  
PRODUCT SCHEMATIC

Document No  
70399300

Issue  
08

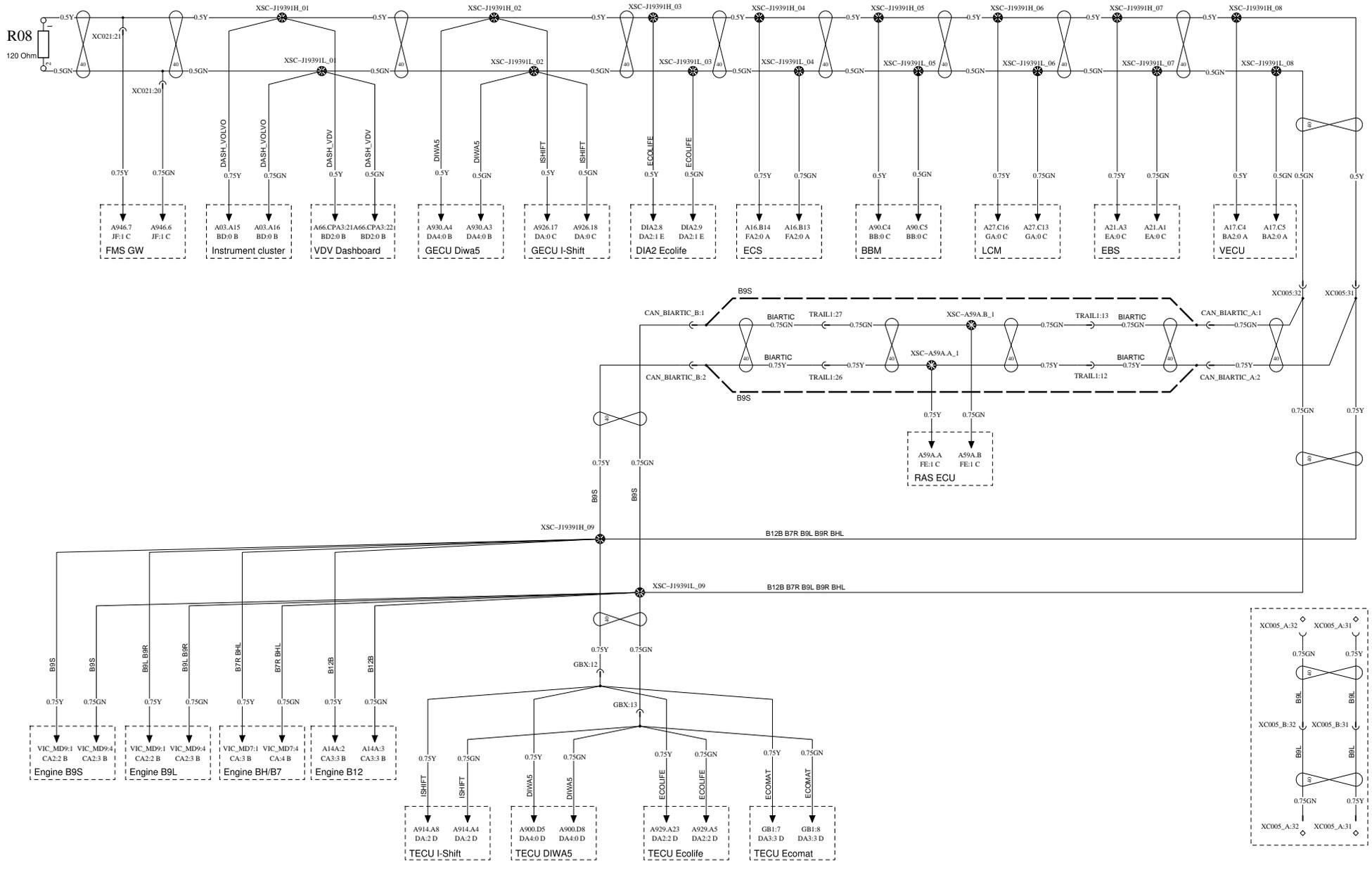
Volume  
01

Page  
60(67)

BUS J1939-1

Y/GN

WIRING DIAGRAM XB



Volvo Bus Corporation

Document title  
WIRING DIAGRAM XB  
Document type  
PRODUCT SCHEMATIC

Document No

70399300

Issue

08

Volume

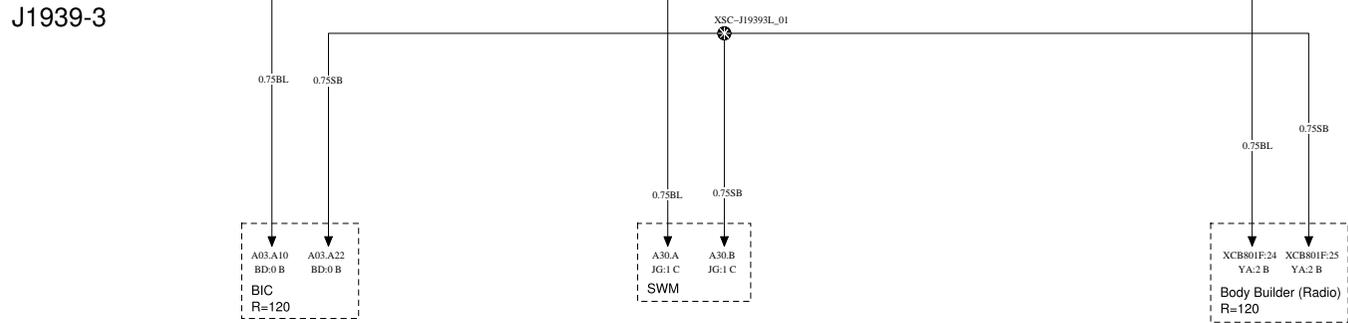
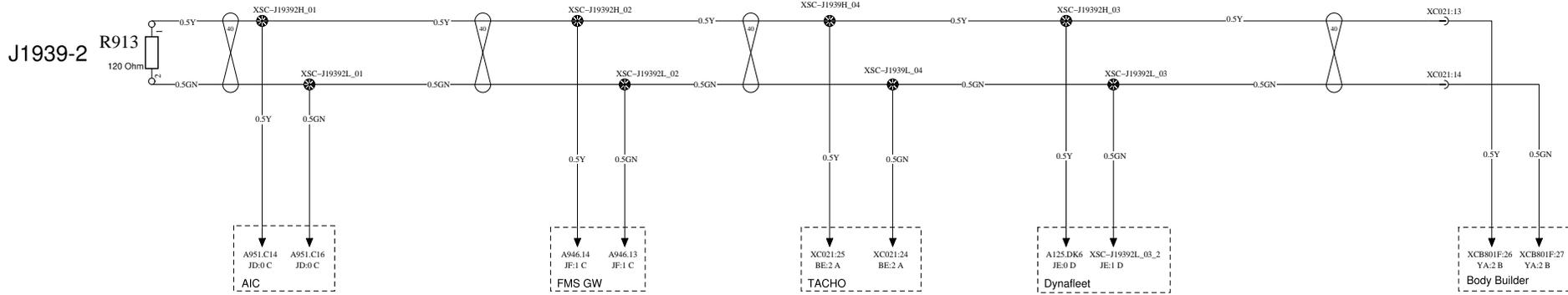
01

Page

61(67)

BUS J1939-2 & J1939-3

WIRING DIAGRAM XC



Volvo Bus Corporation

Document title  
WIRING DIAGRAM XC

Document type  
PRODUCT SCHEMATIC

Document No

70399300

Issue

08

Volume

01

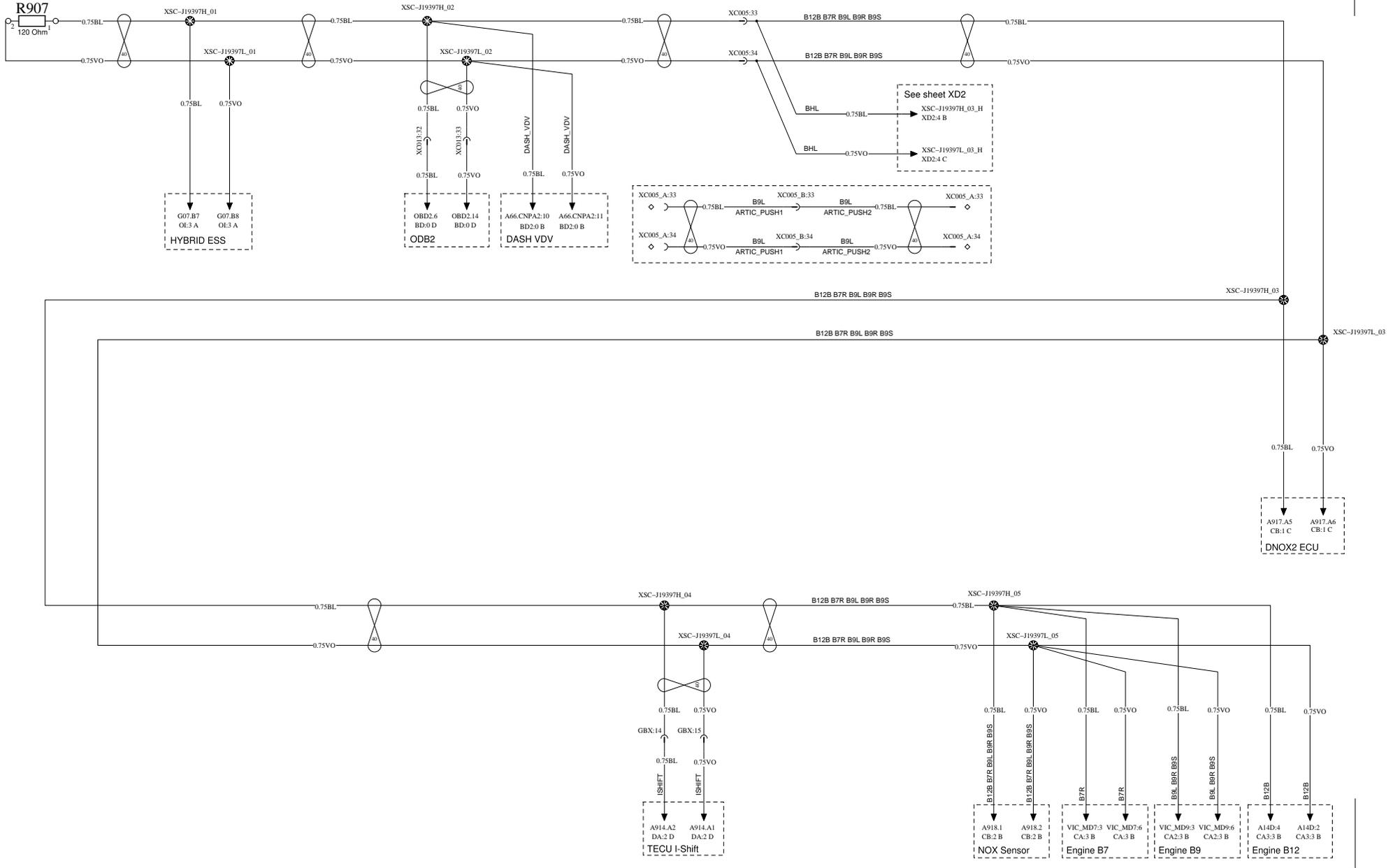
Page

62(67)

BUS J1939-7

BL/VO

WIRING DIAGRAM XD

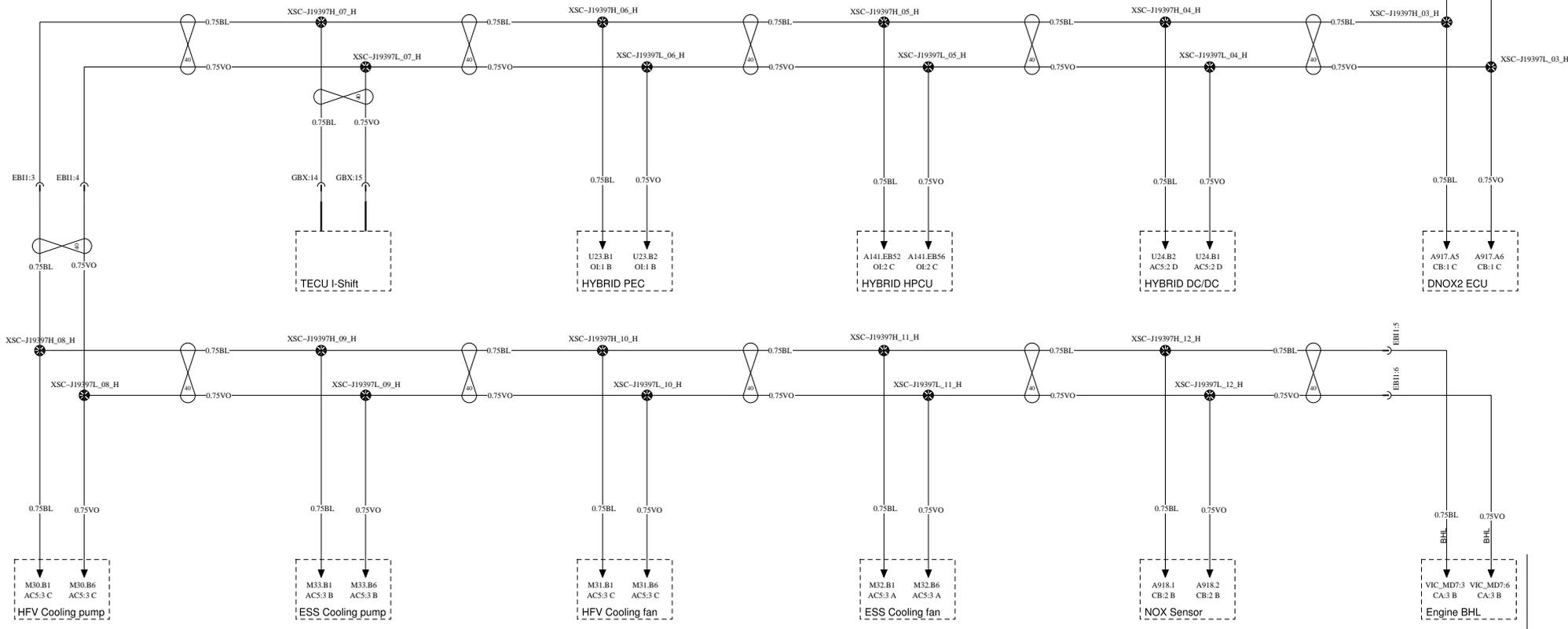


Volvo Bus Corporation

Document title WIRING DIAGRAM XD
Document type PRODUCT SCHEMATIC

Document No	Issue	Volume	Page
70399300	08	01	63(67)

See sheet XD  
 XD2 A XC09634 XC09633  
 XD2 A XC09634 XC09633



Volvo Bus Corporation

Document title  
WIRING DIAGRAM XD2

Document type  
PRODUCT SCHEMATIC

Document No

70399300

Issue

08

Volume

01

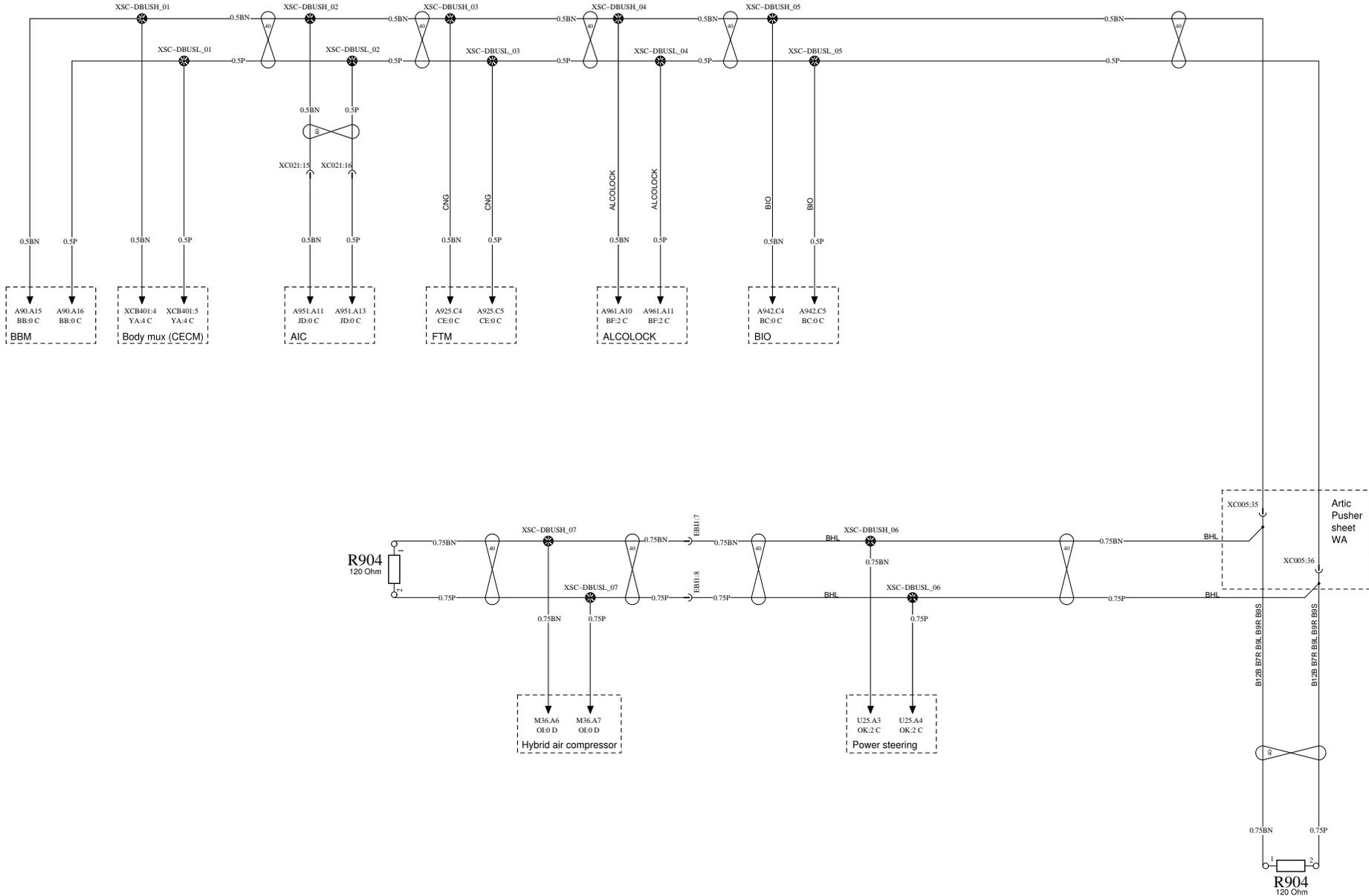
Page

64(67)

BUS DBUS

BN/P

WIRING DIAGRAM XE



Volvo Bus Corporation

Document title  
WIRING DIAGRAM XE  
Document type  
PRODUCT SCHEMATIC

Document No

70399300

Issue

08

Volume

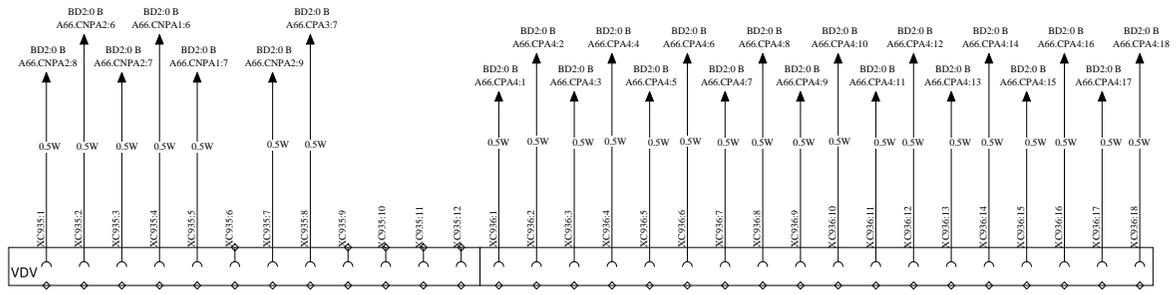
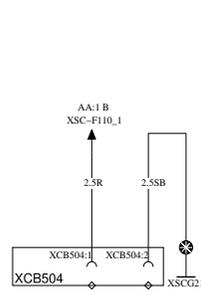
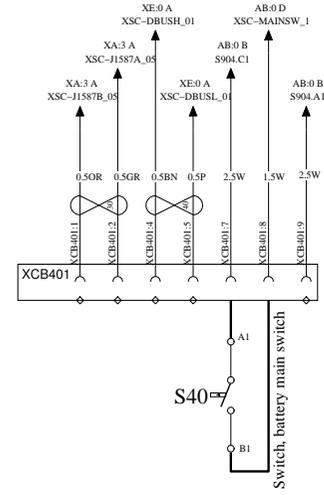
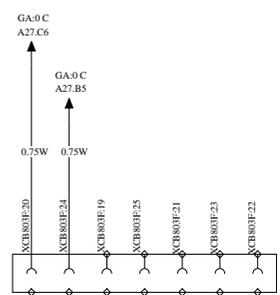
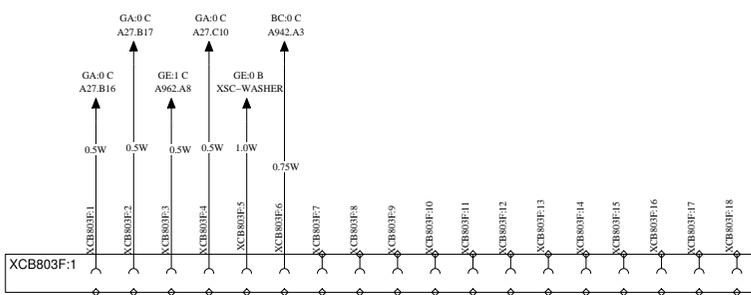
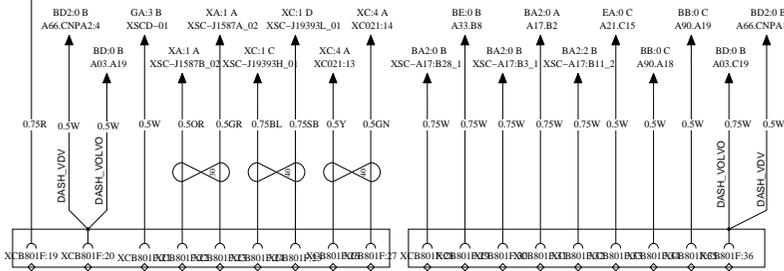
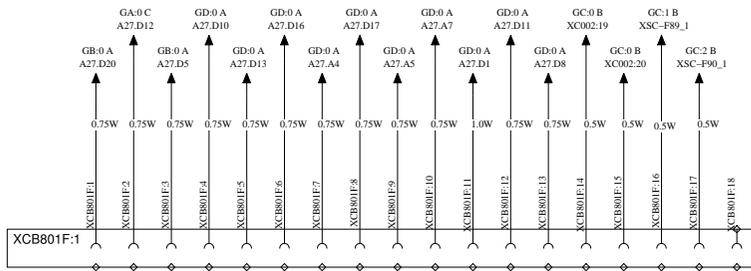
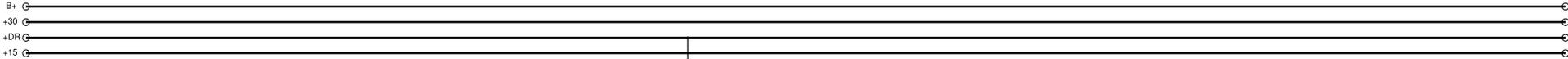
01

Page

65(67)

BODY INTERFACE

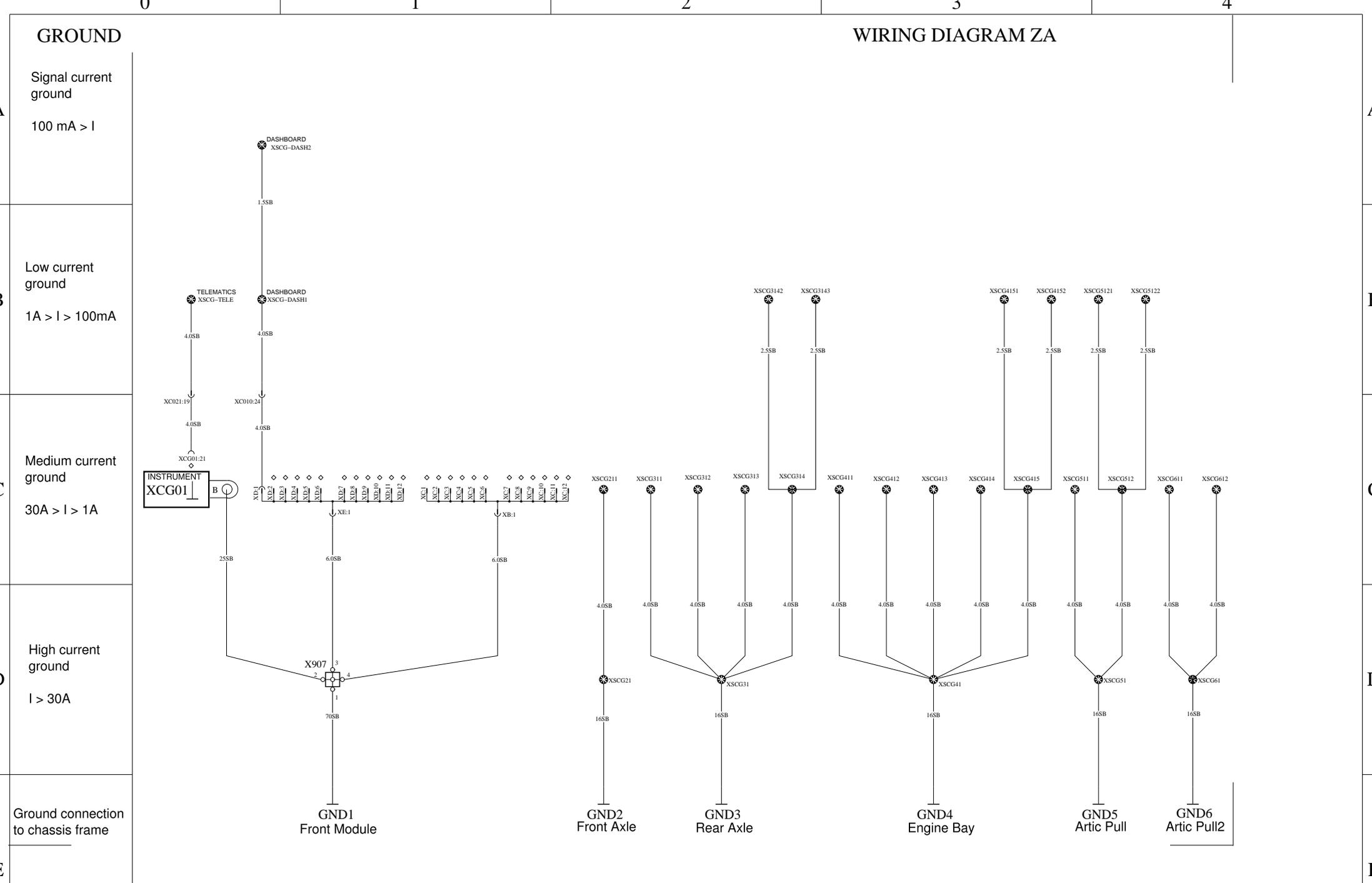
WIRING DIAGRAM YA



Volvo Bus Corporation

Document title  
WIRING DIAGRAM YA  
Document type  
PRODUCT SCHEMATIC

Document No	Issue	Volume	Page
70399300	08	01	66(67)



<b>VOLVO</b>	Volvo Bus Corporation	Document title <b>WIRING DIAGRAM ZA</b>	Document No <b>70399300</b>	Issue <b>08</b>	Volume <b>01</b>	Page <b>67(67)</b>
		Document type <b>PRODUCT SCHEMATIC</b>				

More component placement information, see: .....2  
Symbol explanations .....4  
Placement of intermediate connector pieces and control units on the chassis .....6  
1 (driver environment) .....10  
Electrical distribut.unit, chassis.....14  
Relay.....17  
Fuses.....19  
Intermediate connector pieces .....23  
Control units.....29  
Diagnostic connector.....38  
Electrical distribution units .....40

**More component placement information, see:**



Language	Function group	Title
Arabic	300	تانوكمل اعضو
Brazilian/Portuguese	300	Localização do componente
Canadian/French	300	Emplacement des composants
Chinese (simple.)	300	部件位置
Chinese (trad)	300	部件位置
Czech	300	Umístění komponenty
German	300	Platzierung der Bauteile
Danish	300	Komponentplacering
English	300	Component placement
Spanish	300	Colocación del componente
Estonian	300	Komponentide asukoht
Finnish	300	Komponenttien sijoittaminen
French	300	Emplacement des composants
Greece	300	Τοποθέτηση εξαρτήματος
Hungarian	300	Alkatrész-elhelyezés
Indonesian	300	Penggantian komponen

**See also, 300, Component placement, Description, Design and function**

The reader is advised that printed copies are uncontrolled.

## Component Placement

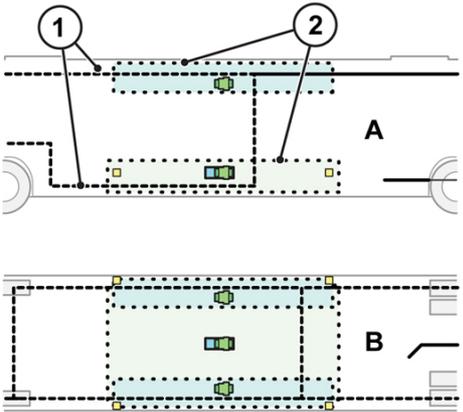
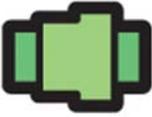
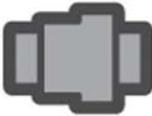
## Volvo Bus Corporation

Farsi/Persian	300	هعطق نداد اج
Hebrew	300	מוקמב החנה, ביכר
Italian	300	Posizionamento dei componenti.
Japanese	300	コンポーネント配置
Korean	300	구성부품 배치
Lithuanian	300	Komponento išdėstymas
Latvian	300	Daļu izvietojums
Mexican/Spanish	300	Colocación de componente
Dutch	300	Lokatie van componenten
Norwegian	300	Komponentplassering
Polish	300	Rozmieszczenie komponentów
Portuguese	300	Colocação de componentes
Romanian	300	Plasare componentă
Russian	300	Размещение компонентов
Serbian	300	Raspored komponenti
Slovak	300	Umiestnenie komponentu
Slovenian	300	Zamenjava sestavnih delov
Swedish	300	Komponentplacering
Thai	300	การติดตั้งอุปกรณ์
Turkish	300	Parça deęiřtirme
American/English	300	Component Placement

**See also, 300, Component placement, Description, Design and function**

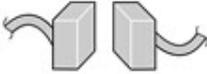
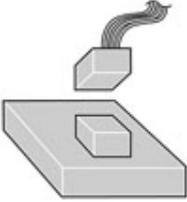
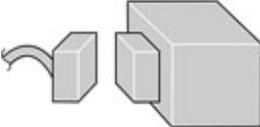
The reader is advised that printed copies are uncontrolled.

### Symbol explanations

Symbol	Explanations
	<p><b>A:</b> View from side</p> <p><b>B:</b> View from above</p> <p><b>1:</b> Alternative cable routing</p> <p><b>2:</b> Area marked with light colour and dashed lines. The area shows where a control unit and /or a connector piece can be located</p>
	<p>Symbol for electrical distribution unit</p>
	<p>Symbol for intermediate connector piece</p>
	<p>Symbol for intermediate connector piece in grey to show that it is placed behind a component (e.g. the engine).</p>

See also, 300, Component placement, Description, Design and function

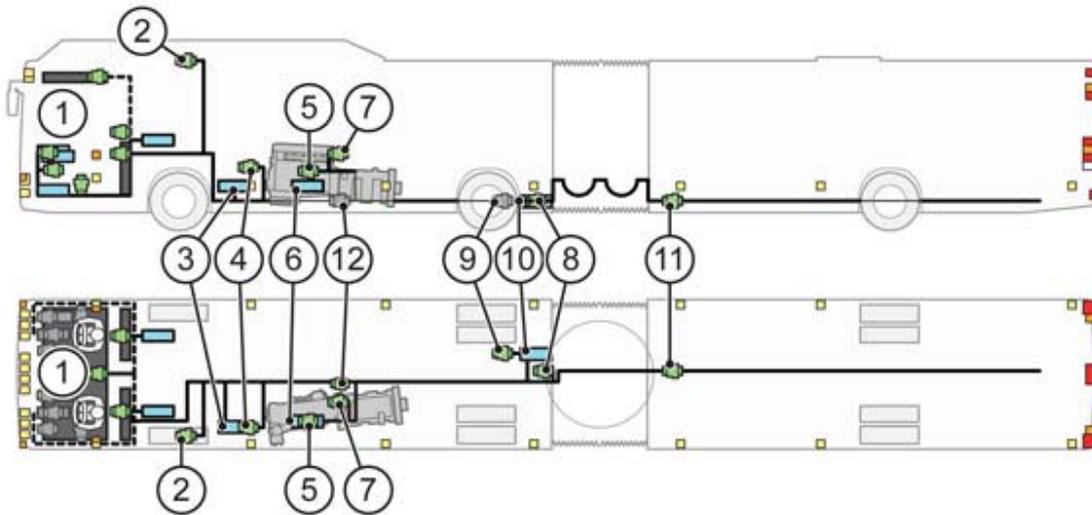
The reader is advised that printed copies are uncontrolled.

	<p>Symbol for control unit</p>
	<p>Symbol for intermediate connector piece in grey to show that it is placed behind a component (e.g. the engine).</p>
	<p>Symbol for intermediate connector piece that is shown where another illustration is missing.</p>
	<p>Symbol for control unit that is shown where another illustration is missing.</p>
	<p>Symbol for sensor/actuator that is shown where another illustration is missing.</p>
	<p>Symbol for branching point</p>
	<p>Symbol for branching point in grey to show that it is placed behind a component (e.g. the electrical distribution unit).</p>

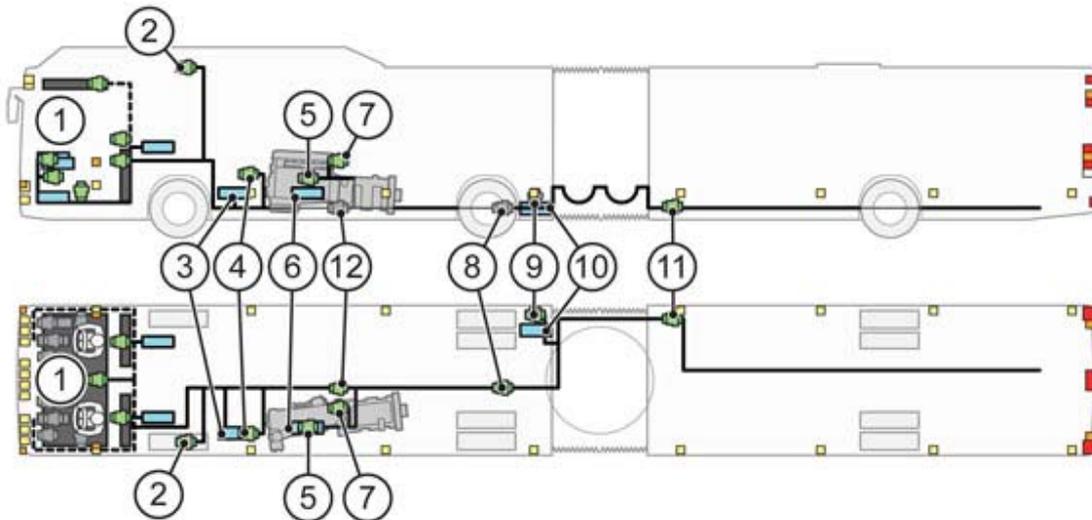
**See also, 300, Component placement, Description, Design and function**

The reader is advised that printed copies are uncontrolled.

### Placement of intermediate connector pieces and control units on the chassis



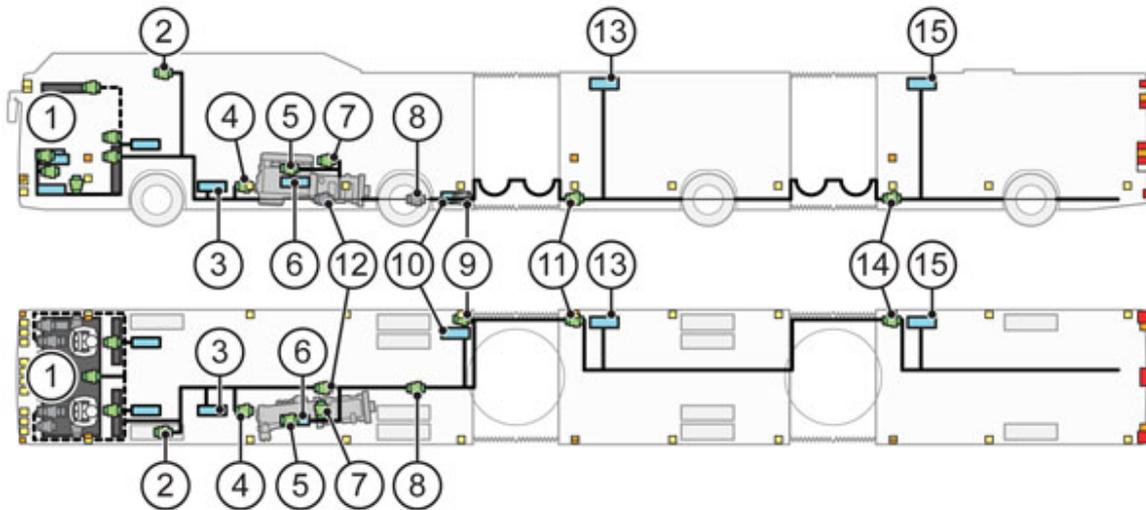
Low entry



Low floor

See also, 300, Component placement, Description, Design and function

The reader is advised that printed copies are uncontrolled.



Bi-articulated bus

The illustrations show in principle how the chassis cabling is routed and where the intermediate connector pieces, control units and electrical distribution units are located. If the vehicle is not built by a Volvo body builder, then the cabling to the lamps is probably routed in another way than shown in the illustration. The dashed lines show alternative cable routings.

Note: For naming of components, see wiring diagram.

Placement	Components named according to wiring diagram
<a href="#">1 (driver environment)</a>	A27 (LCM), A21 (EBS), A16 (ECS), A90 (BBM), A17 (VECU), A943 (BIO), A946 (FMS), A65 (RECU), A125 (Dynafleet), K1-K17, K25-K28, F1-F64, FH5 (F96, F97, F98, F99), U06, IB10_B, IB10_E, BB5.A, BB10B, BB11, XC925, ACC, BBOX, XC921, XC917, XC927, EMS, ENG1, ARTIC, BOGIE, RA1, ECS2, BS3, FUEL, EU4, ECS1, BS1, BS2, FH1A – FH4A, FH1B – FH4B, KH1A - KH3A, KH1B - KH3B, S_TS, S_T_T, XC922, BB13, FTM, XC926, XC930, BB8, BB11, XK2, XK1, IS, GB1, IB1 – IB5, BB7, BB6, GBX, GS1, ARTIC, BOGIE, IB6 – IB10, BB1 – BB5, A03 (BIC), A07 (Radio), A33 (TACHO), OBD2, BMUX, A30 (SWM), X25, AUDIO, DF, BB10A, A926 (GSECU), A900 (Voith TECU), A901 (ZF ECOMAT TECU), A65 (RECU)
2	XC914A
3	A918 (NOx ECU)

See also, 300, Component placement, Description, Design and function

The reader is advised that printed copies are uncontrolled.

**Component Placement****Volvo Bus Corporation**

<b>4</b>	XC916
<b>5</b>	VIC/EI
<b>6</b>	A14 (EECU)
<b>7</b>	VIC2
<b>8</b>	XJK
<b>9</b>	R905A, R906A, R907A, R908, R909A, R910A
<b>10</b>	A917 (DECU)
<b>11</b>	TRAIL, TRAIL1
	TRAIL2
	TRAIL3, XC915
	XC932A
<b>12</b>	CAN
<b>13</b>	A916_B
	A59A (RAS)
<b>14</b>	LT_
	LT1, RL5, RL6, RL7
	LT2
<b>15</b>	A916_A

**See also, 300, Component placement, Description, Design and function**

The reader is advised that printed copies are uncontrolled.

## Component Placement

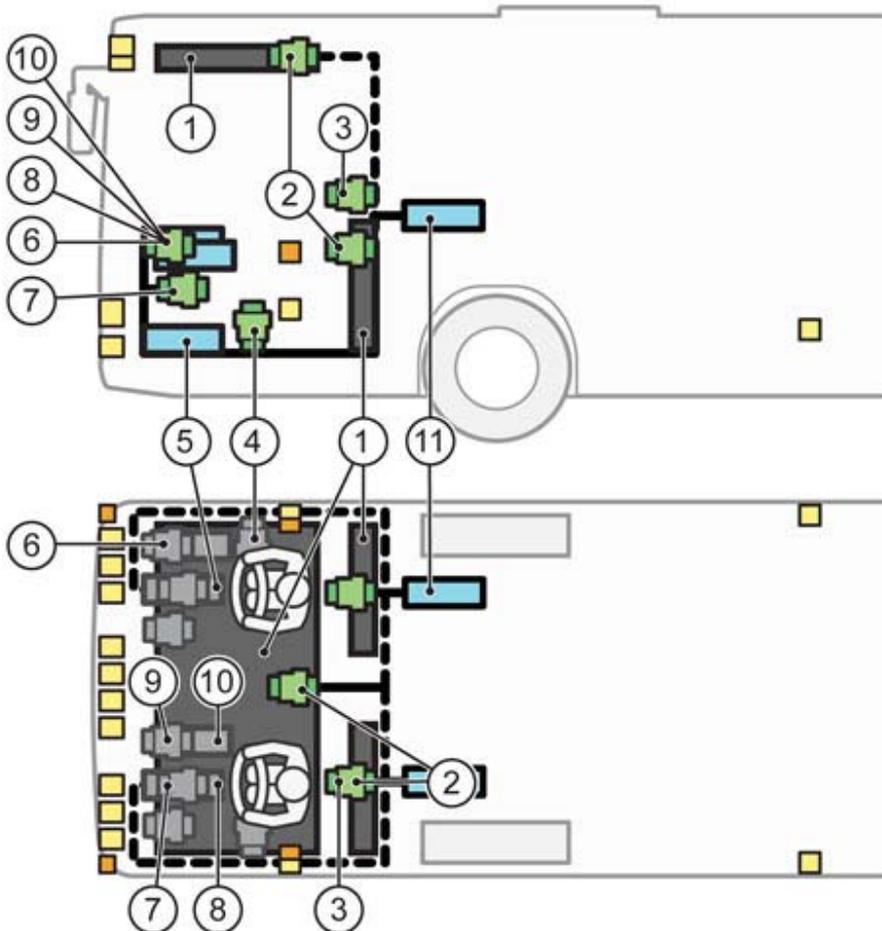
Volvo Bus Corporation

Left side rear (Volvo body)	RL2, RL5, RL8
Right side rear (Volvo body)	RL1, RL7, RL10
Rear, often located towards the centre (Volvo body)	RL3

**See also, 300, Component placement, Description, Design and function**

The reader is advised that printed copies are uncontrolled.

1 (driver environment)



The illustration shows in principle how the chassis cabling is routed and where the intermediate connector pieces, control units and electrical distribution units are located. The dashed lines show alternative cable routings. The illustration is used for both right-hand drive and left-hand drive vehicles, where of certain components are drawn in two places.

*Note: The table includes components that the vehicle is not equipped with.*

Placement	Components named according to wiring diagram
1	A16 (ECS)
	A17 (VECU)

**See also, 300, Component placement, Description, Design and function**

The reader is advised that printed copies are uncontrolled.

	A21 (EBS)
	A27 (LCM)
	A65 (RECU)
	A90 (BBM)
	A125 (Dynafleet)
	A943 (BIO)
	A946 (FMS)
	K1– K17, K25 – K28
	F1 – F64, F96 – F99, F90A, F90B
	FH1A, FH1B
	FH2A, FH2B
	FH3A, FH3B, FH4A, FH4B
	U06
	S_T_S, S_T_T
<b>2</b>	ACC, BB10B, XC937, DEV-CAN
	ARTIC, BB1, BS1, ENG1, IB10
	BB2, BOGIE, BS2, IB9, EMS
	BB3, ECS1, IB8, RA1

**See also, 300, Component placement, Description, Design and function**

The reader is advised that printed copies are uncontrolled.

	BB4, BB6, BB6A, BB6B, ECS2, EU4, IB7
	BB5, BB5A, BB5B, BS3, FUEL, IB6, BB7
	IB1
	IB2
	GBX, IB3
	IB4
	IB5
	BB11, BBOX
	BB13
	FTM, KH2A, KH2B, GS1, XC933
	GB1
	IS, XC925, SP_F, SP_RR
	KH1A, KH1B, KH3A, KH3B
	RL4 (B6R/B7R, B9R, B12M, B12B)
	XC917, XC921, XC935, XK2
<b>3</b>	X25
<b>4</b>	BMUX
<b>5</b>	A30 (SWM)

**See also, 300, Component placement, Description, Design and function**

The reader is advised that printed copies are uncontrolled.

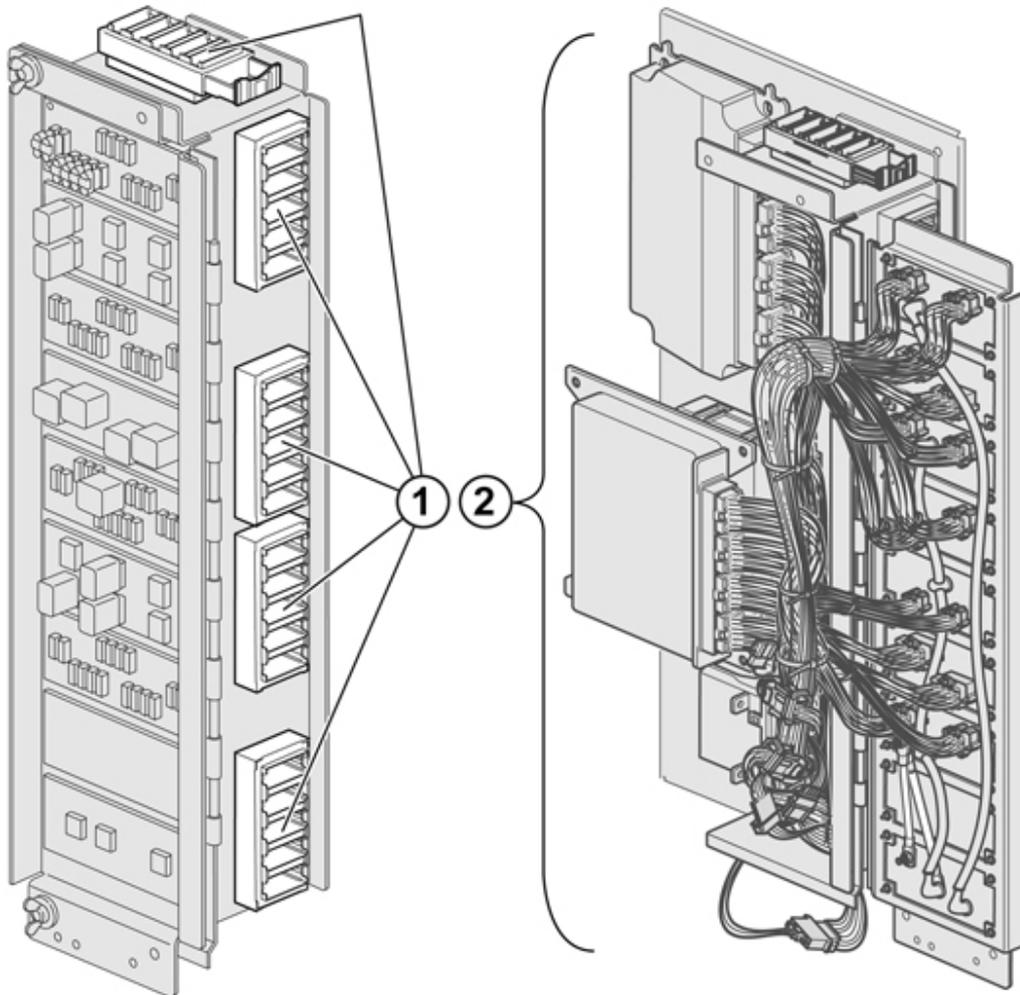
**Component Placement****Volvo Bus Corporation**

<b>6</b>	DF
<b>7</b>	OBD2
<b>8</b>	A03 (BIC)
	A07 (Radio)
	A33 (TACHO)
<b>9</b>	AUDIO, BB10A
	BB10A
<b>10</b>	A926 (GSECU)
<b>11</b>	A900 (Voith TECU)
	A901 (ZF ECOMAT TECU)
Left front	FL2
	FL2A
Right front	FL3
	FL3A

**See also, 300, Component placement, Description, Design and function**

The reader is advised that printed copies are uncontrolled.

**Electrical distribut.unit, chassis**



*Note: The table includes components that the vehicle is not equipped with.*

Placement	Components named according to wiring diagram
1	ARTIC, BB1, BS1, ENG1, IB10
	BB2, BOGIE, BS2, IB9, EMS
	BB3, ECS1, IB8, RA1

**See also, 300, Component placement, Description, Design and function**

The reader is advised that printed copies are uncontrolled.

	BB4, BB6, BB6A, BB6B, ECS2, EU4, IB7
	BB5, BB5A, BB5B, BS3, FUEL, IB6, BB7
	IB1
	IB2
	GBX, IB3
	IB4
	IB5
<b>2</b>	A16 (ECS)
	A17 (VECU)
	A21 (EBS)
	A27 (LCM)
	A65 (RECU)
	A90 (BBM)
	A125 (Dynafleet)
	A943 (BIO)
	A946 (FMS)
	K1– K17, K25 – K28
	F1 – F64, F96 – F99, F90A, F90B

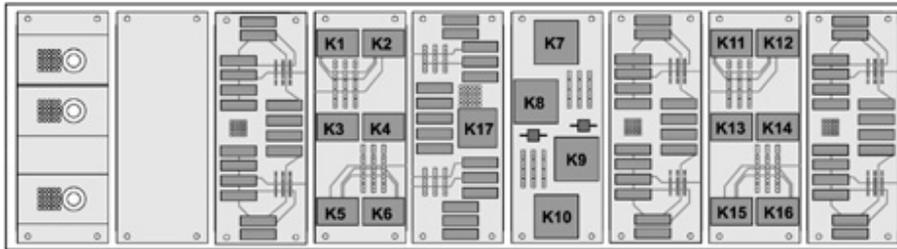
**See also, 300, Component placement, Description, Design and function**

The reader is advised that printed copies are uncontrolled.

FH1A, FH1B
FH2A, FH2B
FH3A, FH3B, FH4A, FH4B
U06
BB11, BBOX
BB13
FTM, KH2A, KH2B, GS1, XC933
GB1
IS, XC925, SP_F, SP_RR
KH1A, KH1B, KH3A, KH3B
RL4 (B6R/B7R, B9R, B12M, B12B)
XC917, XC921, XC935, XK2
ACC, BB10B, XC937
S_T_S, S_T_T

## Relay

The placement of the relays in the electrical distribution unit is described below.



Relay	Designation
K1	—
K2	Overload indicator (option)
K3	ECS (air suspension control unit)
K4 <sub>1</sub>	TECU (gearbox control unit), GECU (gear selector control unit), gearbox I-Shift
K5 <sub>1</sub>	EGS manual gearbox
K6 <sub>1</sub>	EGS manual gearbox
K7	Starter motor
K8 <sub>1</sub>	VECU (vehicle control unit), EECU (motor control unit)
K9	Wiper motor intermittent relay
K10	Inverting relay, neutral signal (only automatic gearboxes)
K11	Start inhibit relay
K12	Stowage compartment lighting
K13	Emergency cut-out
K14 <sub>1</sub>	Bogie axle

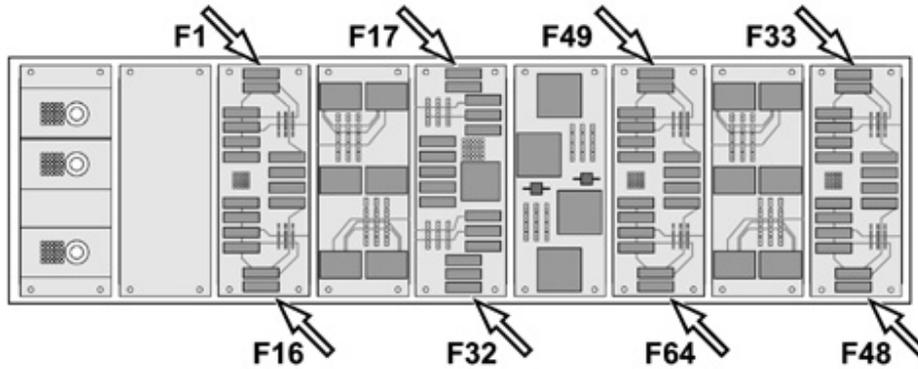
**See also, 300, Component placement, Description, Design and function**

The reader is advised that printed copies are uncontrolled.

K15 <sup>1</sup>	RECU (retarder control unit)
K16 <sup>1</sup>	RECU (retarder control unit)
K17	Ignition relay (+15)

<sup>1</sup> Dependent on variant

## Fuses



Fuse	Rating	Designation
F1	5 A	ECS (air suspension control unit)
F2	10 A	BIC (instrument panel), lamp check switch
F3	15 A	Starting signal, starter motor
F4	20 A	EBS (brake control unit)
F5	5 A	Horn
F6	5 A	Emergency parking brake release
F7 <sub>1</sub>	15 A	TECU (transmission electronic control unit), gearbox I-shift
F8 <sub>1</sub>	5 A	GECU (gear selection control unit) I-shift
F9	5 A	Start switch, engine compartment
F10	5 A	Fire Alarm
F11 <sub>1</sub>	10 A	Dynafleet (option)
F12	5 A	Supply, main switch (+30) to body-builder outlet
F13	10 A	Automatic oil filling (option)
F14	5 A	BBM (Body Builder Module)
F15	15 A	EECU (Engine Electronic Control Unit), control valve, cooling fan
F16	5 A	VECU (Vehicle Electronic Control Unit)

**See also, 300, Component placement, Description, Design and function**

The reader is advised that printed copies are uncontrolled.

Fuse	Rating	Designation
F17	5 A	Lighting, level control switch
F18	5 A	Alternator 1, 2, 3
F19 <sup>1</sup>	10 A	Control unit, turntable
F20	10 A	EBS (brake control unit)
F21	15 A	Wiper motor, windscreen
F22 <sup>1</sup>	5 A	TECU (Transmission Electronic Control Unit), Voith automatic transmission
F24	5 A	BIC (instrument)
F25	15 A	Wiper motor, headlights
F26	5 A	ECS (air suspension control unit)
F27 <sup>1</sup>	10 A	EGS manual gearbox
F28 <sup>1</sup>	10 A	RECU (Retarder Electronic Control Unit)
F29	5 A	Supply, ignition (+15) to body-builder outlet
F30 <sup>1</sup>	5 A	Fuel heater (D7E engine)
F31 <sup>1</sup>	10 A	Hydraulic oil level, SCR (control unit exhaust cleaning)
F32 <sup>1</sup>	5 A	Tachograph
F33	5 A	BIC (instrument)
F34 <sup>1</sup>	10 A	Tachograph
F35	25 A	LCM (external lighting control unit)
F36	25 A	LCM (external lighting control unit)
F37	25 A	LCM (external lighting control unit)
F38	5 A	Inverted +15
F39	25 A	SCR (control unit exhaust cleaning)

**See also, 300, Component placement, Description, Design and function**

The reader is advised that printed copies are uncontrolled.

<b>Fuse</b>	<b>Rating</b>	<b>Designation</b>
F41	20 A	Radio
F42	5 A	Main switch
F44	25 A	LCM (external lighting control unit)
F45	25 A	LCM (external lighting control unit)
F46	25 A	LCM (external lighting control unit)
F47	5 A	Side position light, right
F48	5 A	Side position light, left
F49	5 A	Fuel shut-off valve
F50 <sup>1</sup>	10 A	RECU (Retarder Electronic Control Unit)
F51	5 A	Radio
F52 <sup>1</sup>	10 A	Stowage compartment lighting
F53 <sup>1</sup>	5 A	Trailing axle, water separator heater
F54 <sup>1</sup>	5 A	Engine/luggage compartment door
F55 <sup>1</sup>	10 A	Engine brake, cooling fan solenoid valve, pre-heater relay
F56 <sup>1</sup>	10 A	Engine brake
F57	5 A	Supply, ignition lock
F58 <sup>1</sup>	5 A	Control unit, tank valves (only gas buses)
F60 <sup>1</sup>	10 A	TECU (Transmission Electronic Control Unit), Voith automatic transmission
F61 <sup>1</sup>	10 A	Stowage compartment lighting
F62 <sup>1</sup>	5 A	Sleeping bunk lighting
F63	5 A	Starter motor
F64 <sup>1</sup>	10 A	Indicates overload

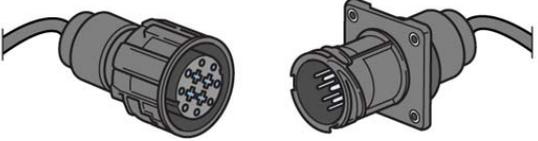
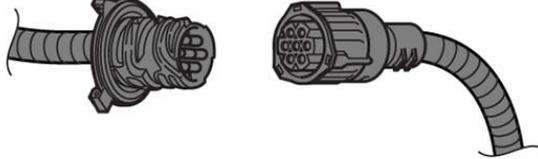
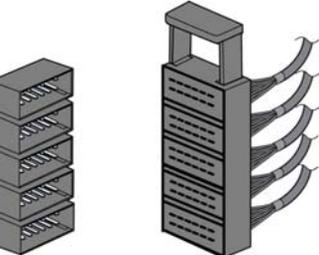
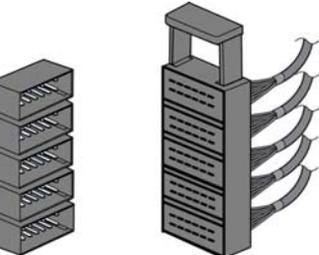
**See also, 300, Component placement, Description, Design and function**

The reader is advised that printed copies are uncontrolled.

<sup>1</sup> Dependent on variant.

Note: The table includes components that the vehicle is not equipped with. When there is no illustration for a component, a symbol illustration is shown. More adapters than those stated can fit the connector pieces.

### Intermediate connector pieces

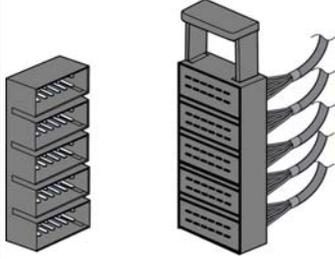
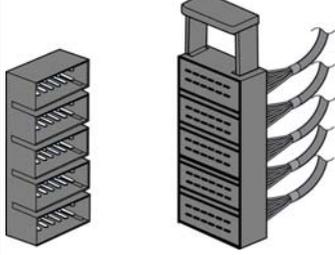
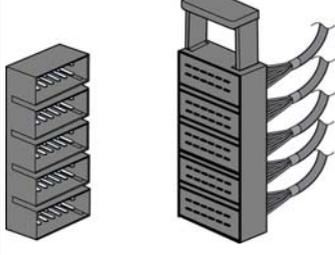
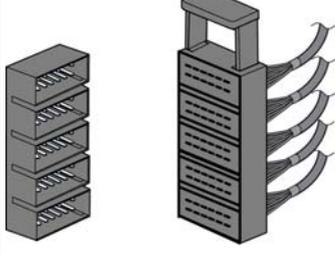
Wiring diagram designation, component/connector piece	Illustration	Adapter	Index in breakout box
A14_, A14A, FL2, FL3, LT1, MEDA, RL1, RL2, RL3, RL5, RL6, RL7, TRAIL2, UDS, XC914A		<a href="#">9998563</a>	1 – 12
A14B, A14C, A14D, A43, BMUX, CAN, FL2A, FL3A, LA, ML1, ML2, ML3, ML3B, ML4, ML4A, ML4B, ML5, ML6, ML7, RL1A, RL2A, RL4, TRAIL3, VIC2, XC915, XC916, XC931, Y17		<a href="#">88890053</a>	1– 7
ARTIC, BB1, BS1, IB10		<a href="#">9990805</a> or <a href="#">88890116</a>	1 – 12
ENG1, ENG1B		<a href="#">9990008,</a> <a href="#">9990805</a> or <a href="#">88890116</a>	– or 1 – 12
BB2, BOGIE, BS2, IB9		<a href="#">9990805</a> or <a href="#">88890116</a>	13 – 24 or 19 – 30 (88890116)
EMS, EMSB		<a href="#">9990008,</a> <a href="#">9990805</a> or <a href="#">88890116</a>	– or 19 – 30 (88890116)

See also, 300, Component placement, Description, Design and function

The reader is advised that printed copies are uncontrolled.

## Component Placement

Volvo Bus Corporation

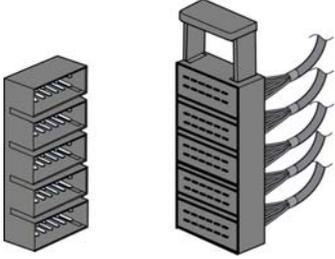
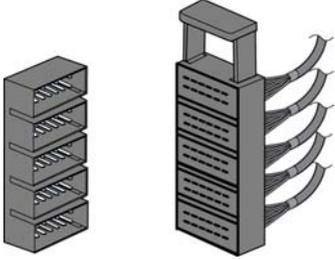
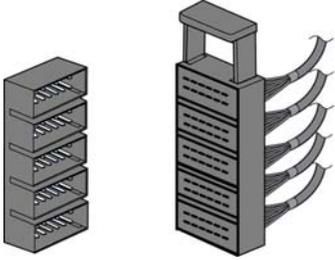
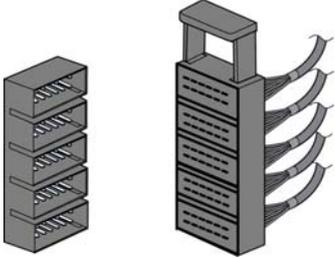
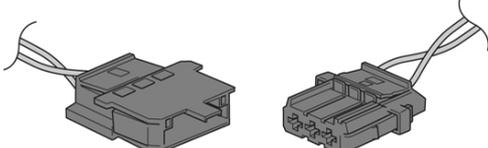
BB3, ECS1, IB8, RA1, RA1B		<a href="#">9990805</a> or <a href="#">88890116</a>	25 – 36 or 37 – 48 (88890116)
BB4, ECS2, ECS2B, EU4, IB7		<a href="#">9990805</a> or <a href="#">88890116</a>	37 – 48 or 55 – 62 plus 1 – 10 (88890116)
BB6, BB6A, BB6B		<a href="#">9990008</a> , <a href="#">9990805</a> or <a href="#">88890116</a>	– or 55 – 62 plus 1 – 4 (88890116)
BB5, BB5.A, BB5.B, BS3, BS3B, FUEL, IB6		<a href="#">9990805</a> or <a href="#">88890116</a>	49 – 60
BB7, BB7A, BB7B		<a href="#">9990008</a> , <a href="#">9990805</a> or <a href="#">88890116</a>	– or 11 – 22 (88890116)
IB1		<a href="#">9990008</a> or <a href="#">88890116</a>	– or 11 – 28 (88890116)

See also, 300, Component placement, Description, Design and function

The reader is advised that printed copies are uncontrolled.

**Component Placement**

**Volvo Bus Corporation**

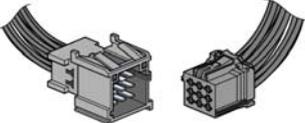
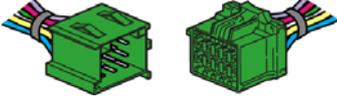
<p>IB2</p>		<p><a href="#">9990008</a> or <a href="#">88890116</a></p>	<p>— or 55 – 62, 1–10 (88890116)</p>
<p>GBX, IB3</p>		<p><a href="#">9990008</a> or <a href="#">88890116</a></p>	<p>— or 37 – 54 (88890116)</p>
<p>IB4</p>		<p><a href="#">9990008</a> or <a href="#">88890116</a></p>	<p>— or 19 – 36 (88890116)</p>
<p>IB5</p>		<p><a href="#">9990008</a> or <a href="#">88890116</a></p>	<p>— or 1 – 18 (88890116)</p>
<p>AUDIO, BB11, BB8, BBOX, RL, XC927, BBOX, S_T_S, S_T_T, XC922</p>		<p><a href="#">9990008</a></p>	<p>—</p>

**See also, 300, Component placement, Description, Design and function**

The reader is advised that printed copies are uncontrolled.

## Component Placement

Volvo Bus Corporation

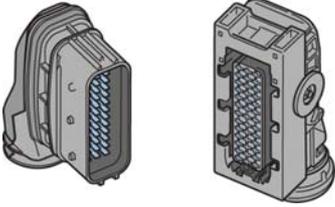
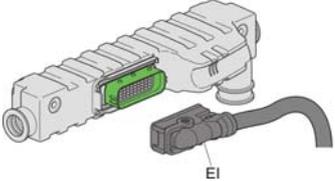
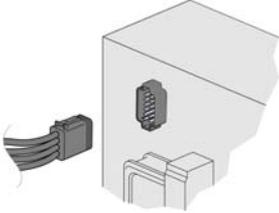
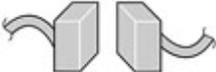
<p>B_A, B930T, IS, LT2, R905A, R905B, R906A, R906B, R906C, R908A, R908B, R908C, R910A, R910B, R910C, S901_U1, S908, SP_F, SP_RR, UDS, XC925, XC932A, XC934, XJK</p>		<p><a href="#">88890039</a></p>	<p>1 – 4</p>
<p>KH1A, KH1B, KH3A, KH3B</p>		<p><a href="#">9998596</a></p>	<p>18 – 32</p>
<p>ACC, BB10A, BB10B, DEV-CAN, FH2A, FH2B, XC937</p>		<p><a href="#">9998596</a></p>	<p>33 – 41</p>
<p>XC917, XC921, XC935, XK2</p>		<p><a href="#">9998596</a></p>	<p>42 – 47</p>
<p>CNG, DF, EU4B, FH1A, FH3A, FH3B, FH4A, FH4B, FTM, GS1, KH2A, KH2B, XC926, XC930, XC933</p>		<p><a href="#">9998596</a></p>	<p>49 – 60</p>
<p>FM</p>			
<p>LT_, TRAIL, TRAIL1</p>		<p><a href="#">9990090</a></p>	<p>1 – 31</p>

**See also, 300, Component placement, Description, Design and function**

The reader is advised that printed copies are uncontrolled.

## Component Placement

Volvo Bus Corporation

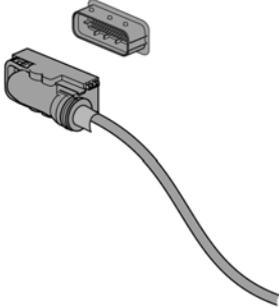
REV			
VIC/EI (D7E), MED, XC941		<a href="#">88890025</a>	1 – 39
VIC/EI		<a href="#">88890025</a>	1 – 39
X904.XC207		<a href="#">9990008</a>	—
BB13			
GB1			
X25			
DPF			

**See also, 300, Component placement, Description, Design and function**

The reader is advised that printed copies are uncontrolled.

## Component Placement

## Volvo Bus Corporation

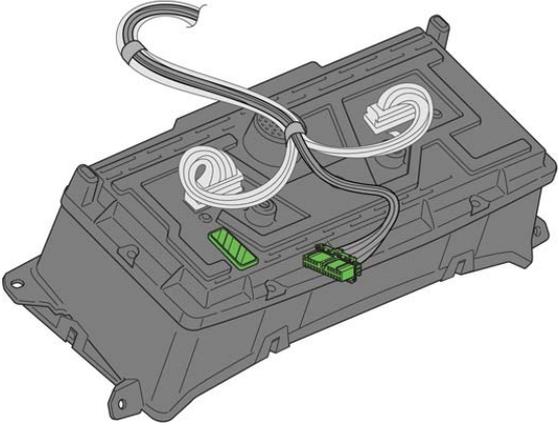
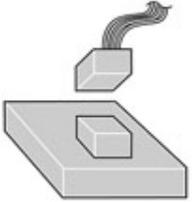
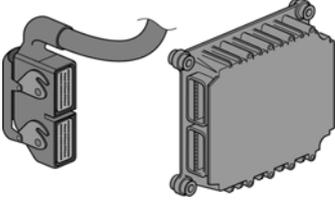
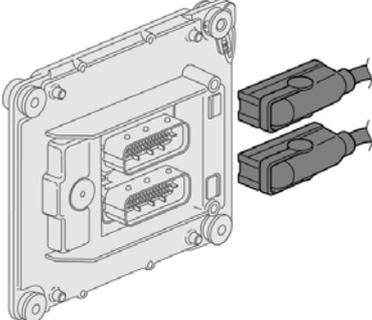
XC940		<a href="#">9990014</a>	1 – 62
-------	---	-------------------------	--------

*Note: The table includes components that the vehicle is not equipped with. The illustrations show examples of the components' appearance. When there is no illustration for a component, a symbol illustration is shown. More adapters than those stated can fit the connector pieces.*

**See also, 300, Component placement, Description, Design and function**

The reader is advised that printed copies are uncontrolled.

**Control units**

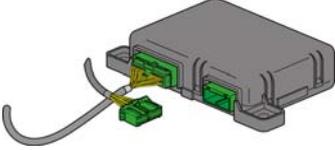
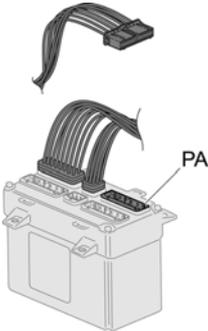
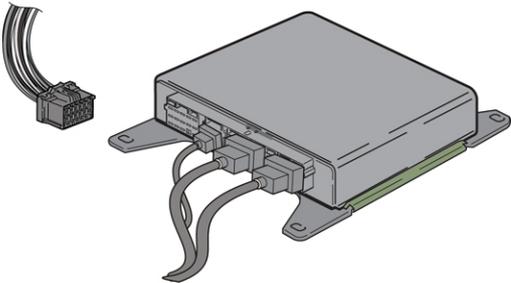
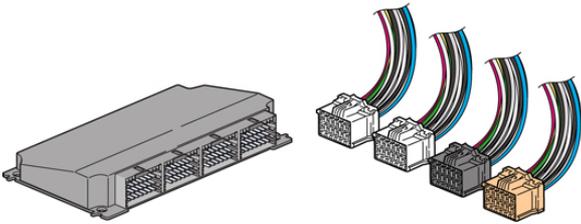
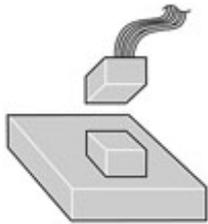
Wiring diagram designation, component/connector piece	Illustration	Adapter	Index in breakout box
A03.A		<a href="#">9998533</a>	31 – 52
A03.B		<a href="#">9813194</a>	1 – 30
A03.C		<a href="#">9998533</a>	1 – 30
A07.A			
A07.B			
A07.C			
A14.A (EMS1)		<a href="#">9998505</a>	1 – 36
A14.B (EMS1)		<a href="#">9998505</a>	1 – 36
A14.A (EMS2)		<a href="#">9990014</a>	1 – 62
A14.B (EMS2)		<a href="#">9990014</a>	1 – 62

**See also, 300, Component placement, Description, Design and function**

The reader is advised that printed copies are uncontrolled.

## Component Placement

Volvo Bus Corporation

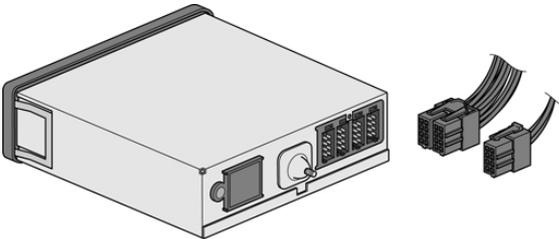
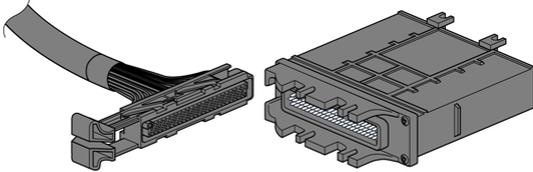
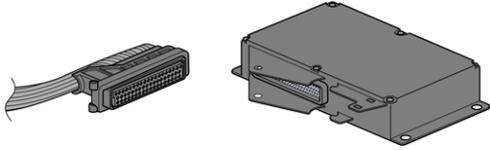
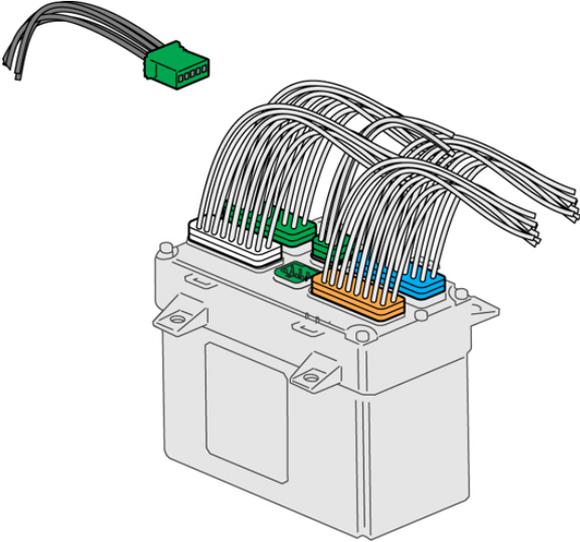
A16.A		<a href="#">9813194</a>	1 – 30
A16.B		<a href="#">9998533</a>	31 – 52
A17.A		<a href="#">9813194</a>	1 – 30
A17.B		<a href="#">9998533</a>	1 – 30
A17.C		<a href="#">9998604</a>	26 – 30
A21.A		<a href="#">9998596</a>	1 – 17
A21.B		<a href="#">9990025</a>	1 – 18
A21.C		<a href="#">9998596</a>	18 – 32
A21.D		—	—
A27.A		<a href="#">9990025</a>	19 – 39
A27.B		<a href="#">9990025</a>	1 – 18
A27.C		<a href="#">9990025</a>	1 – 18
A27.D		<a href="#">9990025</a>	19 – 39
A30		<a href="#">9813194</a>	47 – 56

See also, 300, Component placement, Description, Design and function

The reader is advised that printed copies are uncontrolled.

## Component Placement

Volvo Bus Corporation

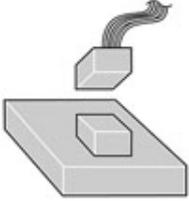
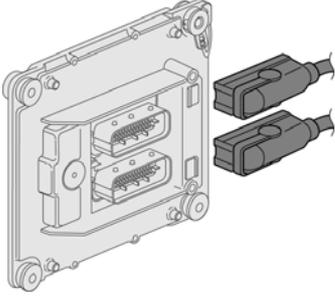
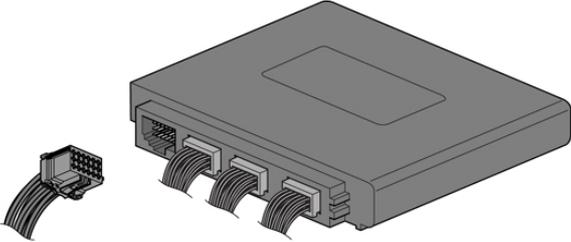
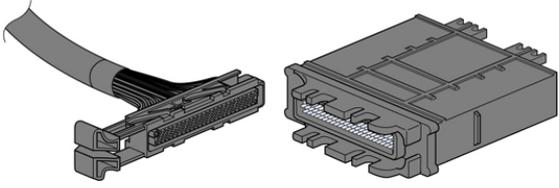
A33.A		<a href="#">9990008</a>	—
A33.B		<a href="#">9990008</a>	—
A33.C		<a href="#">9990008</a>	—
A33.D		<a href="#">9990008</a>	—
A59A		<a href="#">9990155</a>	1 – 62, 1 – 6
A65		<a href="#">9998543</a>	1 – 55
A90.A		<a href="#">9998533</a>	1 – 30
A90.B		<a href="#">9813194</a>	1 – 30
A90.C		<a href="#">9998604</a>	26 – 30

See also, 300, Component placement, Description, Design and function

The reader is advised that printed copies are uncontrolled.

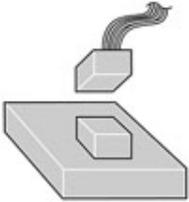
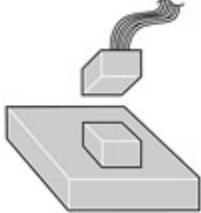
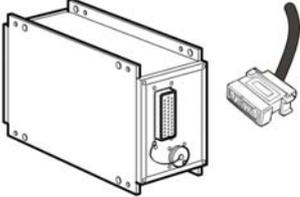
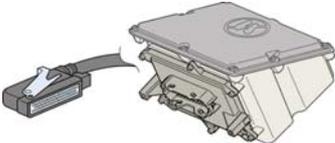
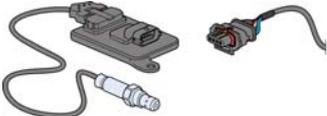
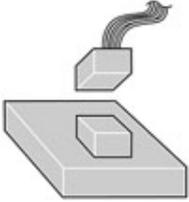
## Component Placement

Volvo Bus Corporation

A125			
A141.A		<a href="#">9990014</a>	1 – 62
A141.B		<a href="#">9990014</a>	1 – 62
A900.A (VOITH)		<a href="#">9990025</a>	1 – 18
A900.B (VOITH)		<a href="#">9990025</a>	1 – 18
A900.C (VOITH)		<a href="#">9998596</a>	18 – 32
A900.D (VOITH)		<a href="#">9990025</a>	1 – 18
A901		<a href="#">9990155</a>	1 – 61, 1 – 6

**See also, 300, Component placement, Description, Design and function**

The reader is advised that printed copies are uncontrolled.

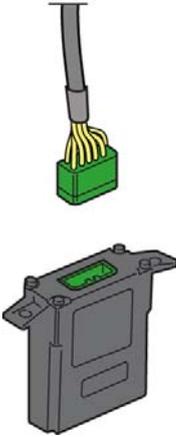
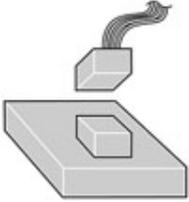
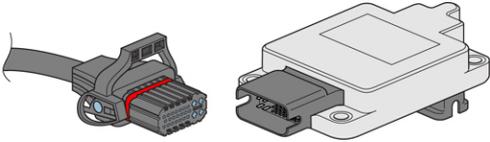
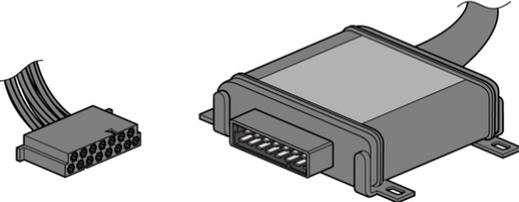
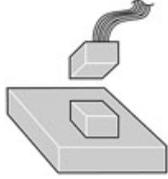
A904			
A914.A		<a href="#">9990041</a>	1 – 20
A914.B		<a href="#">9990041</a>	1 – 20
A914.C		<a href="#">9990041</a>	1 – 20
A916.A		<a href="#">9998996</a>	1 – 29
A916.B		<a href="#">9998996</a>	31 – 46
A916.C		<a href="#">9998996</a>	31 – 46
A917		<a href="#">88890052</a>	1 – 35
A918		<a href="#">9990216</a>	1 – 4
A925.A		<a href="#">9813194</a>	1 – 30
A925.B		<a href="#">9998533</a>	1 – 30
A925.C		<a href="#">9998604</a>	26 – 30

See also, 300, Component placement, Description, Design and function

The reader is advised that printed copies are uncontrolled.

## Component Placement

Volvo Bus Corporation

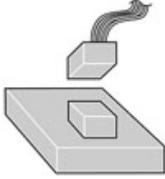
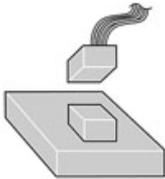
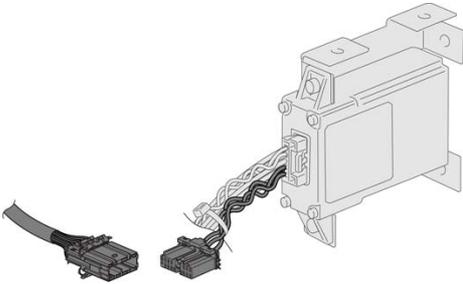
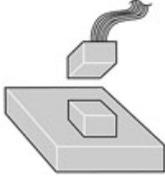
A926		<a href="#">9998533</a>	31 – 52
A927			
A929.A		<a href="#">88810020</a>	1 – 25
A929.B		<a href="#">88810020</a>	26 – 50
A930			
A942.A		<a href="#">9813194</a>	1 – 30
A942.B		<a href="#">9998533</a>	1 – 30
A942.C		<a href="#">9998604</a>	26 – 30

**See also, 300, Component placement, Description, Design and function**

The reader is advised that printed copies are uncontrolled.

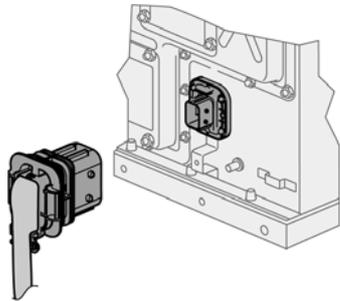
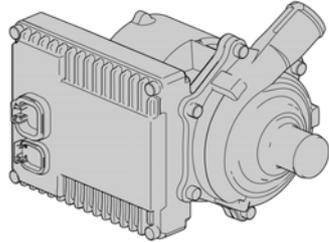
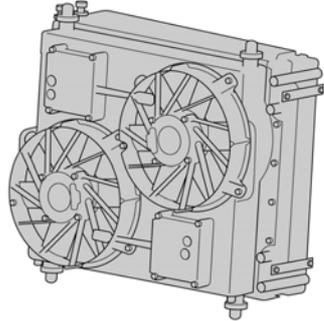
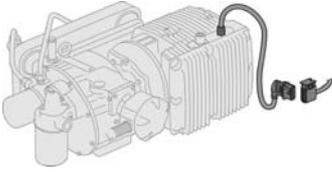
**Component Placement**

**Volvo Bus Corporation**

A943			
A945			
A946		<a href="#">9813194</a>	31 – 46
A952			

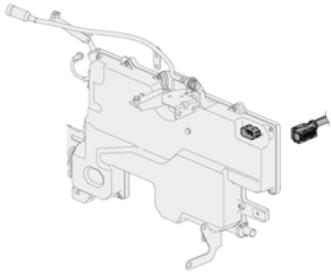
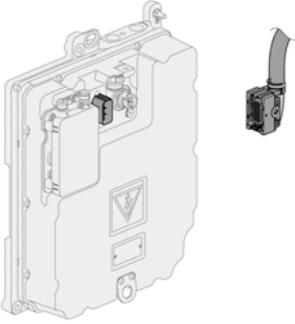
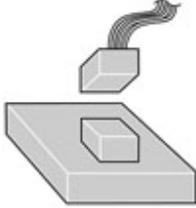
**See also, 300, Component placement, Description, Design and function**

The reader is advised that printed copies are uncontrolled.

G07.A			
G07.B		<a href="#">88890093</a>	1 – 15
M30, M33		<a href="#">9990008</a>	—
M31, M32		<a href="#">9990008</a>	—
M35, M36			

## Component Placement

Volvo Bus Corporation

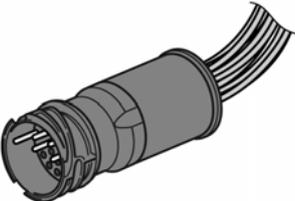
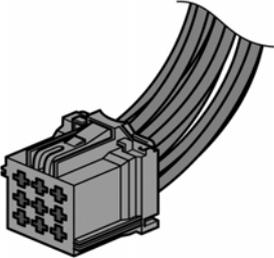
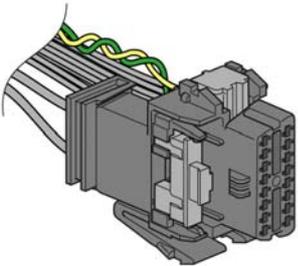
U23		<a href="#">88890094</a>	1 – 21
U24		<a href="#">88890094</a>	1 – 21
Y54		<a href="#">88890053</a>	1 – 7

*Note: The table includes components that the vehicle is not equipped with. More adapters than those stated can fit the connector pieces.*

**See also, 300, Component placement, Description, Design and function**

The reader is advised that printed copies are uncontrolled.

### Diagnostic connector

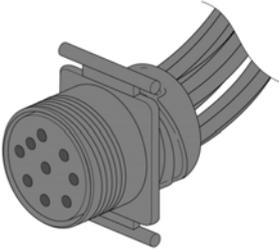
Wiring diagram designation, component/connector piece	Illustration	Adapter	Index in breakout box
DIA			
DIA2		<a href="#">9998596</a>	33 – 41
DIA-16, OBD2		<a href="#">88890018</a> <a href="#">9998960</a>	

See also, 300, Component placement, Description, Design and function

The reader is advised that printed copies are uncontrolled.

**Component Placement**

**Volvo Bus Corporation**

		<a href="#">9990137</a>	
--	---	-------------------------	--

**See also, 300, Component placement, Description, Design and function**

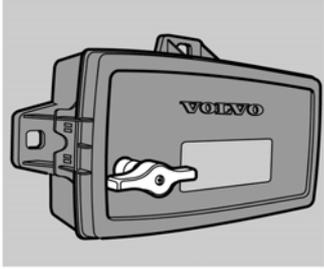
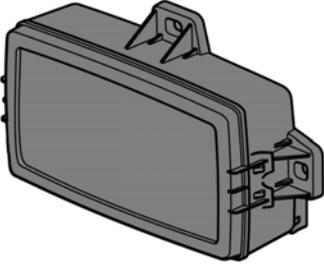
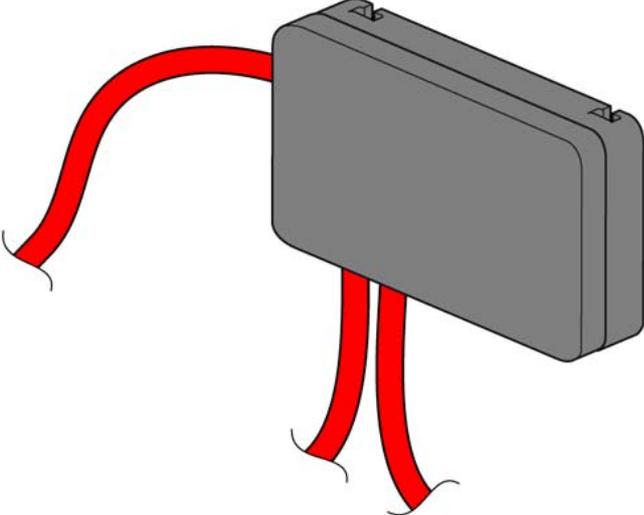
The reader is advised that printed copies are uncontrolled.

## Electrical distribution units

Wiring diagram designation, component/connector piece	Illustration
Electrical distribution unit	

**See also, 300, Component placement, Description, Design and function**

The reader is advised that printed copies are uncontrolled.

X903	 A grey, rectangular component box with a handle on top. The word "VOLVO" is printed on the front. A metal terminal is attached to the front face.
X904	 A grey, rectangular component box shown from a side perspective, highlighting its depth and the mounting tabs on the top.
X905	 A grey, rectangular component box with three red cables connected to it. One cable enters from the left, and two exit from the bottom.

**See also, 300, Component placement, Description, Design and function**  
The reader is advised that printed copies are uncontrolled.

**BILL OF MATERIAL/COMPONENT LIST**

<b>Part Name</b>	<b>Description</b>	<b>Location</b>	<b>Part Type</b>
A03	Instrument cluster	{BD 0 B}	componentSymbol
A14A:1		{CA3 0 B}	inline_connector
A14A:2		{CA3 3 B}	inline_connector
A14A:3		{CA3 3 B}	inline_connector
A14A:4		{CA3 3 B}	inline_connector
A14A:5		{CA3 2 B}	inline_connector
A14A:7		{CA3 1 B}	inline_connector
A14A:8		{CA3 1 B}	inline_connector
A14A:9		{CA3 0 B}	inline_connector
A14A:10		{CA3 0 C}	inline_connector
A14A:12		{CA3 1 B}	inline_connector
A14B:1		{CA3 4 C}	inline_connector
A14B:2		{CA3 3 C}	inline_connector
A14B:3		{CA3 3 C}	inline_connector
A14B:4		{CA3 3 C}	inline_connector
A14B:5		{CA3 1 C}	inline_connector
A14B:6		{CA3 1 C}	inline_connector
A14B:7		{CA3 0 C}	inline_connector
A14C:2		{CA3 2 B}	inline_connector
A14C:3		{CA3 2 B}	inline_connector
A14C:4		{CA3 2 B}	inline_connector
A14C:5		{CA3 2 B}	inline_connector
A14C:6		{CA3 0 B}	inline_connector
A14C:7		{CA3 0 C}	inline_connector
A14D:1		{CA3 4 B}	inline_connector
A14D:2		{CA3 3 B}	inline_connector
A14D:3		{CA3 0 B}	inline_connector
A14D:4		{CA3 3 B}	inline_connector
A16	Control unit, ECS, Electronic Controlled Suspension	{FA 0 E} {FA2 0 A}	componentSymbol
A17	Control unit, VECU, Vehicle ECU	{BA 0 D} {BA2 0 A}	componentSymbol
A19	Control unit, GECU, gear selector ECU	{DA 0 C}	componentSymbol
A21	Control unit, EBS, Electronically controlled Brake System	{EA 0 C} {EA2 0 A} {EA3 0 A}	componentSymbol
A27	Control unit, LCM, Light Control Module	{GA 0 C} {GD 0 A} {GB 0 A} {GC 0 A}	componentSymbol
A30	Control unit, SWM, Steering Wheel Module	{JG 1 C}	componentSymbol
A33	Control unit, Tachograph	{BE 0 B}	componentSymbol
A59A	Control unit, RAS ECU	{FE 1 C}	componentSymbol
A66	Instrument cluster, Actia VDV	{BD2 0 B}	componentSymbol
A80	Control unit, Heated air dryer, electronically controlled	{BA 1 C}	componentSymbol
A90	Control unit, BBM, Body Builder Module	{BB 0 C} {AB 0 D}	componentSymbol

**VOLVO**

Volvo Bus Corporation

Document Title

**WIRING DIAGRAM**

Document Type

**PRODUCT SCHEMATIC**

Document No

**70399300**

Issue Index

**08**

Volume No

**02**

Page No

**1(49)**

Part Name	Description	Location	Part Type
A124	Start Motor	{AC 1 D} {AC2 0 D} {AC3 0 C} {AC4 1 C} {AC5 2 D}	componentSymbol
A125	Control unit, DYNAFLEET	{JE 0 D}	componentSymbol
A141	Control unit, HPCU, Hybrid Powertrain Control unit	{OI 2 C}	componentSymbol
A900	Control unit, Voith automatic transmission	{DA4 0 D}	componentSymbol
A914	Control unit, I shift TECU, Transmission Electronic	{DA 2 D}	componentSymbol
A916	Control unit, AMECU	{FB 1 D} {FC 0 C}	componentSymbol
A916_B	Control unit, AMECU	{FD 1 C}	componentSymbol
A917	Control unit, DNOX2 ECU	{CB 1 C}	componentSymbol
A918	Control unit, NOx sensor	{CB 2 B}	componentSymbol
A919	Control unit, AIC, Advanced Information Center	{JD 4 B}	componentSymbol
A920	Control unit, AIC SATELLITE, Advanced Information Center Satellite	{JD 0 D}	componentSymbol
A921	Control unit, AIC SIGN UNIT, Advanced Information Center Sign Unit	{JD 3 B}	componentSymbol
A924	Control unit, AIC MODEM, Advanced Information Center Modem	{JD 1 B}	componentSymbol
A925	Control unit, Gas Tank ECU	{CE 0 C}	componentSymbol
A926	Control unit, GearShift ECU	{DA 0 C}	componentSymbol
A927	Control unit, GECU, Ecomat 5	{DA2 0 C}	componentSymbol
A929	Control unit, TECU Ecomat 5	{DA2 2 D}	componentSymbol
A930	Control unit, Gateway DIVA5	{DA4 0 B}	componentSymbol
A942	Control unit, BIO Bus I/O	{BC 0 C}	componentSymbol
A943	Control unit, Oilmaster	{CD 0 C}	componentSymbol
A946	Control unit, Gateway FMS, Fleet management system	{JF 1 C}	componentSymbol
A951	Control unit, AIC ECU	{JD 0 C}	componentSymbol
A953	Control unit, ESS heater/24V charger	{OJ 1 C}	componentSymbol
A961	Control unit, Alcolock Interlock	{BF 2 C}	componentSymbol
A962	Control unit, WWS, Windshield Wiper System	{GE 1 C}	componentSymbol
AUDIO:1		{JD 1 D}	inline_connector
AUDIO:2		{JD 1 D}	inline_connector
AUDIO:3		{JD 2 D}	inline_connector
AUDIO:4		{JD 1 D}	inline_connector
AUDIO:5		{JD 1 D}	inline_connector
AUDIO:6		{JD 1 D}	inline_connector
B03	Sensor, footbrake valve	{EA 0 B}	componentSymbol
B06	Sensor, air pressure, reservoir	{BA 4 C}	componentSymbol
B07	Sensor, fuel level 1	{BD 4 D} {BD 3 D} {WA 1 C}	componentSymbol
B10C	Sensor, oil level (hydraulic steered axle, electric controlled)	{FE 1 C}	componentSymbol

# VOLVO

Volvo Bus Corporation

Document Title

**WIRING DIAGRAM**

Document Type

**PRODUCT SCHEMATIC**

Document No

**70399300**

Issue Index

**08**

Volume No

**02**

Page No

**2(49)**

Part Name	Description	Location	Part Type
B12	Sensor, tachograph/speedometer	{BE 1 E}	componentSymbol
B13	Sensor, wheel speed, lhs. 1:st front axle	{EA2 0 D}	componentSymbol
B14	Sensor, wheel speed, rhs. 1:st front axle	{EA2 0 D}	componentSymbol
B15	Sensor, wheel speed, lhs. 1st rear axle	{EA2 1 D}	componentSymbol
B16	Sensor, wheel speed, rhs. 1:st rear axle	{EA2 1 D}	componentSymbol
B25	Sensor, accelerator pedal	{BA 2 C}	componentSymbol
B29	Sensor, chassis level, lhs.rear axle	{FA2 2 D}	componentSymbol
B30	Sensor, chassis level, rhs.rear axle	{FA2 2 D}	componentSymbol
B32	Sensor, engine cooling fan speed	{CA2 1 D} {CA3 0 D}	componentSymbol
B32_	Sensor, Engine cooling fan speed	{CA 1 D}	componentSymbol
B39	Sensor, air filter pressure and air filter temperature	{CA3 3 D}	componentSymbol
B39_	Sensor, air filter pressure and air filter temperature	{CA 1 D}	componentSymbol
B40	Sensor, brake lining wear indicator, lhs.1:st front axle	{EA2 0 D}	componentSymbol
B41	Seansor, brake lining wear indicator, rhs. 1:st front axle	{EA2 0 D}	componentSymbol
B42	Sensor, brake lining wear indicator, lhs. 1:st rear axle	{EA2 1 D}	componentSymbol
B43	Sensor, brake lining wear indicator, rhs. 1:st rear axle	{EA2 0 D}	componentSymbol
B49	Sensor, steering angle	{EA 1 D}	componentSymbol
B49F	Sensor, steering angle, Front	{FE 2 D}	componentSymbol
B49R	Sensor, steering angle, Rear	{FE 2 D}	componentSymbol
B50	Sensor, yaw rate	{EA 1 D}	componentSymbol
B52	Sensor, water level, water separator	{CA 1 B}	componentSymbol
B57	Sensor, air pressure, suspension bellows, ihs.rear	{FA2 0 D}	componentSymbol
B58	Sensor, air pressur, suspension bellows, rhs.rear	{FA2 1 D}	componentSymbol
B66	Sensor, Pressure downstream SCRT	{BC 1 D}	componentSymbol
B97	Sensor, exhaust temp, upstream catalyst	{CA 3 D}	componentSymbol
B98	Sensor, exhaust temp, downstream catalyst	{CA 2 D}	componentSymbol
B115	Sensor, DPF pressure	{CA 2 D}	componentSymbol
B118	Sensor, Oil Pressure	{FB 2 E} {FC 2 D}	componentSymbol
B118_B	Sensor, oil pressure	{FD 2 D}	componentSymbol
B214	Sensor, cooling temp, HFV	{OI 3 E}	componentSymbol
B215	Sensor, coolant level, ESS	{OI 2 D}	componentSymbol
B217	Sensor, coolant level MDS	{OI 2 D}	componentSymbol
B904	Sensor, hydraulic oil level	{BD 1 A}	componentSymbol
B906	Sensor, Brake Press 6*2	{BB 1 E}	componentSymbol
B908	sensor, air press. ECS AL	{FA3 1 B} {FA3 1 D}	componentSymbol
B909	sensor, air press. ECS AR	{FA3 1 B} {FA3 1 D}	componentSymbol
B910	Sensor, airpressure ECS frof LHS	{FA2 0 D}	componentSymbol
B911	Sensor, airpressure ECS front RHS	{FA2 0 D}	componentSymbol

**VOLVO**

Volvo Bus Corporation

Document Title

**WIRING DIAGRAM**

Document Type

**PRODUCT SCHEMATIC**

Document No

**70399300**

Issue Index

**08**

Volume No

**02**

Page No

**3(49)**

Part Name	Description	Location	Part Type
B915	Sensor, chassis level front axle RHS	{FA2 2 D}	componentSymbol
B916	Sensor, chassis level artic front axle RHS	{FA3 3 B} {FA3 3 D}	componentSymbol
B917	Sensor, chassis level artic front axle RHS	{FA3 3 B} {FA3 3 D}	componentSymbol
B918	Sensor, Hydraulic oil level	{BD 1 B}	componentSymbol
B920	Sensor, fuel level 2	{BD 4 D}	componentSymbol
B922	Sensor, temp.downstream SCRT	{BC 2 D}	componentSymbol
B923	Sensor, temp/level adblue SCRT	{CB 3 D}	componentSymbol
B927	Sensor, hydr.oil press	{BB 2 D}	componentSymbol
B930	Sensor, temp uppstream scrt DNOX2	{CB 3 A}	componentSymbol
B936	Sensor, brake lining wear indicator Artic, A/B R	{EA2 3 D}	componentSymbol
B937	Sensor, brake lining wear indicator Artic, A/B L	{EA2 3 D}	componentSymbol
B938	Sensor, wheel speed Artic, A/B R	{EA2 4 D}	componentSymbol
B939	Sensor, wheel speed Artic, A/B L	{EA2 4 D}	componentSymbol
B940	Sensor, brake lining wear indicator, A/B R	{EA2 2 D} {EA2 1 D}	componentSymbol
B941	Sensor, brake lining wear indicator, A/B L	{EA2 2 D} {EA2 3 D}	componentSymbol
B942	Sensor, wheel speed, A/B R	{EA2 2 D} {EA2 3 D}	componentSymbol
B943	Sensor, wheel speed, A/B L	{EA2 3 D} {EA2 2 D}	componentSymbol
B944	Sensor, Trailer air brake pressure	{WA 3 A}	componentSymbol
B945	Sensor, Crash	{CE 1 B}	componentSymbol
B946	Sensor, coolant level	{BD 3 D} {BD 3 D}	componentSymbol
B948	Sensor, Pressure and Temp airfilter	{CA2 0 E}	componentSymbol
B949	Sensor, air brake pressure, biartic/8x2	{BC 3 D}	componentSymbol
B950	Sensor, brake lining wear indicator Biartic, A/B R	{EA3 3 D}	componentSymbol
B951	Sensor, brake lining wear indicator Biartic, A/B L	{EA3 3 D}	componentSymbol
B952	Sensor, wheel speed Biartic, A/B R	{EA3 4 D}	componentSymbol
B953	Sensor, wheel speed Biartic, A/B L	{EA3 4 D}	componentSymbol
B954	Sensor, turntable angle	{FB 1 E} {FC 1 D}	componentSymbol
B954_B	Sensor, turntable angle	{FD 1 D}	componentSymbol
B955	Sensor, oil level	{CD 1 D}	componentSymbol
B956	Sensor, drake pressure to AMEC, After Market Executive Committee	{FB 3 B}	componentSymbol
B960	Sensor, air Pressure ECS, Last Trailer, Biartic	{FA3 2 B}	componentSymbol
B961	Sensor, chassi level last trailer, Biartic	{FA3 4 B}	componentSymbol
B964	Sensor, Trailer air brake pressure sensor2	{BB 1 E}	componentSymbol
B974	Sensor, Fire temp	{BB 1 B} {BB 1 B} {BB 0 B}	componentSymbol

**VOLVO**

Volvo Bus Corporation

Document Title

**WIRING DIAGRAM**

Document Type

**PRODUCT SCHEMATIC**

Document No

**70399300**

Issue Index

**08**

Volume No

**02**

Page No

**4(49)**

Part Name	Description	Location	Part Type
B975	Sensor, Fire temp	{BB 1 B} {BB 0 B}	componentSymbol
B977	Sensor, brake pressure 1	{BD 4 C}	componentSymbol
B978	Sensor, brake pressure 2	{BD 4 C}	componentSymbol
B982	Sensor, DPF pressure	{CA2 1 E}	componentSymbol
B982_D7		{CA 3 D}	componentSymbol
B983	Sensor, DPF temp	{CA2 1 E}	componentSymbol
B983_D7		{CA 4 D}	componentSymbol
B984_D7		{CA 3 D}	componentSymbol
CAN_BIARTIC_A:1		{XB 3 B}	inline_connector
CAN_BIARTIC_A:2		{XB 3 B}	inline_connector
CAN_BIARTIC_B:1		{XB 2 B}	inline_connector
CAN_BIARTIC_B:2		{XB 2 B}	inline_connector
D1		{BA2 2 B}	componentSymbol
D2	Diod	{AB 1 D}	componentSymbol
D5		{AC5 1 A}	componentSymbol
DIA	Diameter	{DA4 2 B}	componentSymbol
DIA2	Diagnostic connector for ECOMAT 5	{DA2 1 E}	componentSymbol
E918	ESS water heater	{OJ 2 C}	componentSymbol
E919	Compressor, temp and oil level	{OI 0 D}	componentSymbol
E920	Lamp, Hybrid system active	{BC 2 D}	componentSymbol
EBI1:3		{XD2 0 C}	inline_connector
EBI1:4		{XD2 0 C}	inline_connector
EBI1:5		{XD2 4 D}	inline_connector
EBI1:6		{XD2 4 D}	inline_connector
EBI1:7		{XE 2 C}	inline_connector
EBI1:8		{XE 2 C}	inline_connector
EBI1:9		{AC5 0 E}	inline_connector
EBI1:10		{CA 1 A}	inline_connector
EBI1:11		{CA 1 A}	inline_connector
EBI1:12		{OI 1 C}	inline_connector
EBI1:14		{AB 2 D}	inline_connector
EBI1:15		{AB 2 D}	inline_connector
EBI1:17		{OJ 1 C}	inline_connector
EBI1:18		{AB 2 D}	inline_connector
EBI1:20		{BB 0 B}	inline_connector
EBI1:21		{BB 0 C}	inline_connector
EBI1:22		{BC 2 B}	inline_connector
EBI1:23		{BD 1 A}	inline_connector
EBI1:24		{BD 1 A}	inline_connector
EBI1:25		{OH 1 C}	inline_connector
EBI1:26		{OH 2 C}	inline_connector
EBI1:27		{CB 2 B}	inline_connector
EBI1:28		{CB 2 B}	inline_connector
EBI1:29		{CB 3 B}	inline_connector
EBI1:30		{CB 3 B}	inline_connector
EBI1:31		{OI 1 C}	inline_connector
EBI1:32		{AB 3 C}	inline_connector
EBI1:33		{OI 3 D}	inline_connector
EBI1:34		{OI 2 D}	inline_connector
EBI1:35		{OJ 3 D}	inline_connector

**VOLVO**

Volvo Bus Corporation

Document Title

**WIRING DIAGRAM**

Document Type

**PRODUCT SCHEMATIC**

Document No

**70399300**

Issue Index

**08**

Volume No

**02**

Page No

**5(49)**

Part Name	Description	Location	Part Type
EBI1:36		{OJ 3 D}	inline_connector
EBI1:37		{AC5 0 B}	inline_connector
EBI1:38		{AC5 0 B}	inline_connector
EBI1:39		{AC5 1 B}	inline_connector
EBI1:40		{CA 2 D}	inline_connector
EBI1:41		{CA 2 D}	inline_connector
EBI1:42		{CA 2 D}	inline_connector
EBI1:43		{CA 3 E}	inline_connector
EBI1:44		{CA 3 E}	inline_connector
EBI1:45		{CA 1 D}	inline_connector
EBI1:46		{CA 2 D}	inline_connector
EBI1:47		{CA 1 D}	inline_connector
EBI1:48		{CA 1 D}	inline_connector
EBI1:49		{CA 1 D}	inline_connector
EBI1:50		{CA 1 D}	inline_connector
EBI1:51		{OI 2 C}	inline_connector
EBI1:52		{OI 2 D}	inline_connector
EBI1:53		{OI 2 D}	inline_connector
EBI1:54		{OI 2 D}	inline_connector
EBI1:55		{OI 2 D}	inline_connector
EBI1:56		{OJ 2 B}	inline_connector
EBI1:57		{AC5 3 C}	inline_connector
EBI2:1		{AC5 0 B}	inline_connector
EBI2:2		{AC5 0 B}	inline_connector
EBI2:3		{BA 3 B}	inline_connector
EBI2:4		{OI 0 C}	inline_connector
EBI2:5		{CA 0 D}	inline_connector
EBI2:8		{GD2 0 C}	inline_connector
EBI2:10		{CA 1 B}	inline_connector
EBI2:11		{CA 0 B}	inline_connector
EBI2:12		{GD2 0 C}	inline_connector
EBI2:13		{GD2 3 C}	inline_connector
EBI2:14		{GD2 0 C}	inline_connector
EBI2:15		{GD2 1 C}	inline_connector
EBI2:16		{GD2 2 C}	inline_connector
EBI2:18		{GD2 2 C}	inline_connector
EBI2:19		{GC 3 C}	inline_connector
EBI2:20		{GC 3 C}	inline_connector
EBI2:21		{GD2 2 C}	inline_connector
EBI2:22		{GD2 3 C}	inline_connector
EBI2:23		{GD2 1 C}	inline_connector
EBI2:24		{GD2 0 C}	inline_connector
EBI2:25		{GD2 3 C}	inline_connector
EBI2:28		{BB 2 B}	inline_connector
EBI2:31		{OJ 2 C}	inline_connector
EBI2:32		{CB 1 B}	inline_connector
F01	Fuse, APBE	{EB 0 A}	componentSymbol
F02	Fuse, Light luggage room	{GC 3 A}	componentSymbol
F03	Fuse, Luggage light	{GC 4 A}	componentSymbol
F04	Fuse,	{AB 3 A}	componentSymbol
F05	Fuse, BIC2	{BD 0 A}	componentSymbol

**VOLVO**

Volvo Bus Corporation

Document Title

**WIRING DIAGRAM**

Document Type

**PRODUCT SCHEMATIC**

Document No

**70399300**

Issue Index

**08**

Volume No

**02**

Page No

**6(49)**

Part Name	Description	Location	Part Type
F06	Air dryer	{BA 0 B}	componentSymbol
F07	Fuse, VECU	{BA 0 B}	componentSymbol
F08	Fuse, BIC2/Tachograph/ODB	{BD 0 A}	componentSymbol
F10	Fuse, Hybrid enable signal	{OI 3 A}	componentSymbol
F11	Fuse, Transmission	{DA4 0 A} {DA 0 A}	componentSymbol
F12	Fuse, Transmission	{DA4 2 A} {DA 2 A}	componentSymbol
F13	Fuse, Wiper, Washer	{GE 1 A}	componentSymbol
F16	Fuse, Heater waterseparator relay	{BB 4 A}	componentSymbol
F18	Fuse, Horn	{GE 4 A}	componentSymbol
F20	Fuse, Alcolock, APBE	{JD 0 A}	componentSymbol
F22	Fuse, Bogie, AF-WE	{BB 3 A}	componentSymbol
F23	Fuse, ECS	{FA 4 A}	componentSymbol
F27	Fuse, Fuel heater	{AB 3 A}	componentSymbol
F28	Fuse, EBS	{EA 0 A}	componentSymbol
F30	Fuse, Ignition +15	{AB 4 A}	componentSymbol
F33	Fuse, Xenon light relays	{GB2 2 A}	componentSymbol
F34		{FB 2 A}	componentSymbol
F36	Fuse, Heater waterseparator	{BB 4 B}	componentSymbol
F37	Fuse, +15	{AB 3 A}	componentSymbol
F38	Fuse, LCM	{AB 3 A}	componentSymbol
F39	Fuse, FMS GW	{AB 3 A}	componentSymbol
F40	EECU	{BA 1 A}	componentSymbol
F41	EPG, Piston cooler, Fuel pump	{BA 2 A}	componentSymbol
F42	Fan clutch, Preheat relay	{BA 3 A}	componentSymbol
F43	Fuel cutoff relay	{BA 1 A}	componentSymbol
F44	Fuse, Windshield Wiper System	{GE 3 A}	componentSymbol
F45	Fuse, DNOX pipe heating relays	{CB 0 A}	componentSymbol
F46	Fuse, Hybrid systems	{AC5 0 A}	componentSymbol
F47	Fuse, DNOX pipe heating relays	{CB 0 A}	componentSymbol
F48	Fuse, EBS	{EA 0 A}	componentSymbol
F49	ECS	{FA 4 A}	componentSymbol
F50	Fuse	switchbox start/stop rear, 5A	{AB 4 A}
F51	Fuse, BBM	{BB 0 A}	componentSymbol
F53	Fuse, ZF Gearbox	{DA3 2 A} {DA2 1 A}	componentSymbol
F54	Fuse, Fynafleet/FMS/OBD2	{JE 0 A}	componentSymbol
F55	Fuse, BIO	{BC 1 A}	componentSymbol
F56	Fuse, VDV Steering wheel adj.	{BA 4 A}	componentSymbol
F57	Fuse, Gearbox ignition	{DA4 0 A} {DA3 0 A} {DA 0 A} {DA2 0 A}	componentSymbol
F58	Fuse, Alternator. 5A	{AA 3 A}	componentSymbol
F59	Fuse, Switch feed	{AA 4 A}	componentSymbol
F60	Fuse, Body DR	{YA 1 A}	componentSymbol
F61	Fuse, Infotainment	{JD 2 A}	componentSymbol
F62	Fuse, hydraulic oil level	{BD 2 A}	componentSymbol
F63	Fuse, FTM/BIO	{BC 0 A}	componentSymbol

**VOLVO**

Volvo Bus Corporation

Document Title

**WIRING DIAGRAM**

Document Type

**PRODUCT SCHEMATIC**

Document No

**70399300**

Issue Index

**08**

Volume No

**02**

Page No

**7(49)**

Part Name	Description	Location	Part Type
F64	Fuse, Fire Alarm	{BB 0 A}	componentSymbol
F65		{CD 0 A}	componentSymbol
F66	Fuse, Engine/Luggage hatch	{GC 3 A}	componentSymbol
F68	Fuse, Ignition key	{AB 2 A}	componentSymbol
F69	Fuse, Start motor relay	{AB 2 B}	componentSymbol
F74	Fuse, Washer motor	{GE 0 A}	componentSymbol
F77	Fuse, LCM	{GA 0 A}	componentSymbol
F78	Fuse, LCM	{GA 0 A}	componentSymbol
F79	Fuse, LCM	{GA 0 A}	componentSymbol
F80	Fuse, LCM	{GA 0 A}	componentSymbol
F81	Fuse, LCM	{GA 0 A}	componentSymbol
F82	Fuse, LCM	{GA 0 A}	componentSymbol
F83	Fuse, DNOX	{CB 1 A}	componentSymbol
F84	Fuse, Infotainment	{JD 1 A}	componentSymbol
F86	Fuse, BIC2	{BD 0 A}	componentSymbol
F87	Fuse, Emergency switch	{AB 0 A}	componentSymbol
F89	Fuse, Side markers L	{GC 1 B}	componentSymbol
F90	Fuse, Side markers R	{GC 2 B}	componentSymbol
F100	Fuse, ESS supply and after run 100A	{AA 1 D}	componentSymbol
F301	Fuse, ESS supply 5A	{AC5 0 B}	componentSymbol
F302	Fuse, PEC supply 5A	{AC5 0 B}	componentSymbol
F303	Fuse, DC/DC 1 supply 5A	{AC5 0 B}	componentSymbol
F304	Fuse, HPCU supply 3A	{AC5 1 B}	componentSymbol
F305	Fuse, Cooling enable 3A	{AC5 1 B}	componentSymbol
F306	Fuse, Spare 10A	{AC5 1 B}	componentSymbol
F307	Fuse, Spare 10A	{AC5 1 C}	componentSymbol
F308	Fuse, ESS cooling fan 25A	{AC5 2 C}	componentSymbol
F309	Fuse, ESS cooling pump 25A	{AC5 2 C}	componentSymbol
F310	Fuse, MDS cooling fan 25A	{AC5 2 C}	componentSymbol
F311	Fuse, MDS cooling pump 25A	{AC5 3 C}	componentSymbol
F312	Fuse, BB 80A	{AC5 1 C}	componentSymbol
F313	Fuse, BB 80A	{AC5 1 C}	componentSymbol
F314	Fuse, ESS Heater 125A	{AC5 1 C}	componentSymbol
F315	Fuse, EST-AID 150A	{AC5 2 C}	componentSymbol
F316	Fuse, Spare 5A	{AC5 0 B}	componentSymbol
F317	Fuse, Spare 5A	{AC5 1 B}	componentSymbol
F318	Fuse, Spare 5A	{AC5 0 B}	componentSymbol
F319	Fuse, ESS heater/charger 15A	{AC5 2 B}	componentSymbol
FH1:1P		{GA 0 B}	inline_connector
FH1:1S		{AA 0 A}	inline_connector
FH1:2P		{GA 0 B}	inline_connector
FH1:2S		{AA 0 A}	inline_connector
FH1:3P		{GA 0 B}	inline_connector
FH1:3S		{AA 0 A}	inline_connector
FH2:1P		{GA 0 B}	inline_connector
FH2:1S		{AA 0 A}	inline_connector
FH2:2P		{GA 0 B}	inline_connector
FH2:2S		{AA 0 A}	inline_connector
FH2:3P		{GA 0 B}	inline_connector
FH2:3S		{AA 0 A}	inline_connector
FH3:1P		{CB 1 A}	inline_connector

**VOLVO**

Volvo Bus Corporation

Document Title

**WIRING DIAGRAM**

Document Type

**PRODUCT SCHEMATIC**

Document No

**70399300**

Issue Index

**08**

Volume No

**02**

Page No

**8(49)**

Part Name	Description	Location	Part Type
FH3:1S		{AA 0 A}	inline_connector
FH3:2P		{JD 1 A}	inline_connector
FH3:2S		{AA 0 A}	inline_connector
FH3:3S		{AA 1 A}	inline_connector
FH4:1P		{BD 0 A}	inline_connector
FH4:1S		{AA 1 A}	inline_connector
FH4:2P		{AB 0 A}	inline_connector
FH4:2S		{AA 1 A}	inline_connector
FH4:3S		{AA 1 A}	inline_connector
FH5:1P		{GC 1 B}	inline_connector
FH5:1S		{GC 1 B}	inline_connector
FH5:2P		{GC 2 B}	inline_connector
FH5:2S		{GC 2 B}	inline_connector
FRC:27		{AB 3 B}	inline_connector
FRC:28		{EA 0 A}	inline_connector
FRC:30		{AB 4 B}	inline_connector
FRC:33		{GB2 2 A}	inline_connector
FRC:34		{FB 2 A}	inline_connector
FRC:36		{BB 4 C}	inline_connector
FRC:37		{AB 3 B}	inline_connector
FRC:38		{AB 3 B}	inline_connector
FRC:39		{AB 3 B}	inline_connector
FRC:40		{BA 1 A}	inline_connector
FRC:41		{BA 2 A}	inline_connector
FRC:42		{BA 3 A}	inline_connector
FRC:43		{BA 1 A}	inline_connector
FRC:44		{GE 3 A}	inline_connector
FRC:45		{CB 0 A}	inline_connector
FRC:46		{AC5 0 A}	inline_connector
FRC:47		{CB 0 A}	inline_connector
FRC:48		{EA 0 A}	inline_connector
FRC:49		{FA 4 B}	inline_connector
FRC:50		{AB 4 A}	inline_connector
FRC:51		{BB 0 A}	inline_connector
FRC:53		{DA3 2 B} {DA2 1 B}	inline_connector
FRC:54		{JE 0 A}	inline_connector
FRC:55		{BC 1 A}	inline_connector
FRC:56		{BA 4 A}	inline_connector
FRC:57		{DA4 0 B} {DA3 0 B} {DA 0 B} {DA2 0 B}	inline_connector
FRC:58		{AA 3 A}	inline_connector
FRC:59		{AA 4 A}	inline_connector
FRC:60		{YA 1 A}	inline_connector
FRC:61		{JD 2 A}	inline_connector
FRC:62		{BD 2 A}	inline_connector
FRC:63		{BC 0 A}	inline_connector
FRC:64		{BB 0 A}	inline_connector
FRC:65		{CD 0 B}	inline_connector
FRC:66		{GC 3 A}	inline_connector

**VOLVO**

Volvo Bus Corporation

Document Title

**WIRING DIAGRAM**

Document Type

**PRODUCT SCHEMATIC**

Document No

**70399300**

Issue Index

**08**

Volume No

**02**

Page No

**9(49)**

Part Name	Description	Location	Part Type
FRC:68		{AB 2 A}	inline_connector
FRC:69P		{AB 2 B}	inline_connector
FRC:69S		{AB 2 B}	inline_connector
FRC:74		{GE 0 A}	inline_connector
G01A	Battery	{AA 1 D}	componentSymbol
G01B	Battery	{AA 1 D}	componentSymbol
G02	Alternator 1	{AC 2 D} {AC2 1 D} {AC3 1 C} {AC4 1 C} {AC5 3 D}	componentSymbol
G03	Alternator 2	{AC 2 D} {AC2 2 D} {AC3 2 C} {AC4 2 C}	componentSymbol
G04	Alternator 3	{AC2 2 D} {AC3 2 C} {AC4 2 C}	componentSymbol
G06	Electric motor/alternator, hybrid	{OH 0 B} {OI 1 B}	componentSymbol
G07	Battery, ESS, Engery Storge System	{OH 3 B} {OI 3 A}	componentSymbol
GB1:1		{DA3 1 D}	inline_connector
GB1:2		{DA3 2 D}	inline_connector
GB1:3		{DA3 1 D}	inline_connector
GB1:4		{DA3 1 D}	inline_connector
GB1:5		{DA3 2 D}	inline_connector
GB1:7		{DA3 3 D}	inline_connector
GB1:8		{DA3 3 D}	inline_connector
GB1:9		{DA3 3 D}	inline_connector
GB1:10		{DA3 3 D}	inline_connector
GBX:1		{DA4 3 D} {DA3 2 D} {DA 2 C} {DA2 3 D}	inline_connector
GBX:2		{DA3 1 D} {DA2 3 D}	inline_connector
GBX:3		{DA4 2 D} {DA3 0 D} {DA2 2 D}	inline_connector
GBX:4		{DA4 2 D} {DA3 0 D} {DA2 2 D}	inline_connector
GBX:5		{DA3 0 D}	inline_connector
GBX:6		{DA3 0 D}	inline_connector
GBX:7		{DA3 0 D}	inline_connector
GBX:8		{DA3 0 D}	inline_connector
GBX:9		{DA4 4 D} {DA3 1 D} {DA 4 C} {DA2 4 D}	inline_connector
GBX:10		{XA 2 D}	inline_connector

**VOLVO**

Volvo Bus Corporation

Document Title

**WIRING DIAGRAM**

Document Type

**PRODUCT SCHEMATIC**

Document No

**70399300**

Issue Index

**08**

Volume No

**02**

Page No

**10(49)**

Part Name	Description	Location	Part Type
GBX:11		{XA 2 D}	inline_connector
GBX:12		{XB 1 D}	inline_connector
GBX:13		{XB 2 D}	inline_connector
GBX:14		{XD 2 D} {XD2 0 C}	inline_connector
GBX:15		{XD 2 D} {XD2 1 C}	inline_connector
GND		{AA 1 E}	componentSymbol
GND1		{ZA 1 E}	componentSymbol
GND2		{ZA 2 E}	componentSymbol
GND3		{ZA 2 E}	componentSymbol
GND4		{ZA 3 E}	componentSymbol
GND5		{ZA 4 E}	componentSymbol
GND6		{ZA 4 E}	componentSymbol
GS1:3		{DA3 0 D}	inline_connector
GS1:4		{DA3 0 D}	inline_connector
GS1:5		{DA3 0 D}	inline_connector
H01	Horn, air operated	{GE 3 B}	componentSymbol
H02	Horn	{GE 4 B}	componentSymbol
K01	Relay, Ignition +15	{AB 3 A}	componentSymbol
K02	VECU / EECU Feed relay	{BA 0 A}	componentSymbol
K03		{AB 2 A}	componentSymbol
K05	Relay, Transmission	{DA4 0 A} {DA 0 A}	componentSymbol
K07	Relay, Wiper, Washer	{GE 1 B}	componentSymbol
K09	Relay, Bogie, AF-WE	{BB 3 A}	componentSymbol
K10	Relay, Luggage light	{GC 4 B}	componentSymbol
K11	Relay, ECS Feed	{FA 4 B}	componentSymbol
K12	Relay, Heater waterseparator	{BB 4 B}	componentSymbol
K14	Relay, start engine	{AB 2 C}	componentSymbol
K15	Prevent start engine	{AB 2 C}	componentSymbol
K16	Relay, Emergency switch	{AB 0 A}	componentSymbol
K17	Relay, Main SW signal	{AB 0 D}	componentSymbol
K20	Relay, Heated hose pressure line	{CB 0 B}	componentSymbol
K21	Relay, heated hose backflow to pump DNOX2	{CB 0 B}	componentSymbol
K24	Relay, Head light low beam left	{GB2 2 C}	componentSymbol
K25	Relay, Head light low beam right	{GB2 2 C}	componentSymbol
K26	Relay, APBE	{EB 0 B}	componentSymbol
K35		{GE 0 C}	componentSymbol
K40	Relay, Hubner reverse signal	{FE 2 B}	componentSymbol
K41	Relay, Hubner warning	{FD 0 C}	componentSymbol
K200	Relay, Engine preheat	{CA 0 D}	componentSymbol
K203	Relay, AIC Modem	{JD 0 B}	componentSymbol
K300	Relay, Power steering	{OK 3 C}	componentSymbol
K301	Relay, HPCU supply relay	{AC5 1 C}	componentSymbol
K302	Relay, Spare	{AC5 1 C}	componentSymbol
K303	Relay, Spare	{AC5 1 B}	componentSymbol
K305	Relay, ESS heater	{OJ 3 C}	componentSymbol
K906	Relay_Turntable_failure	{FB 0 C} {FC 0 C}	componentSymbol
LA:1		{AC4 2 C}	inline_connector

**VOLVO**

Volvo Bus Corporation

Document Title

**WIRING DIAGRAM**

Document Type

**PRODUCT SCHEMATIC**

Document No

**70399300**

Issue Index

**08**

Volume No

**02**

Page No

**11(49)**

Part Name	Description	Location	Part Type
LA:2		{AC4 2 C}	inline_connector
LA:4		{AC4 1 D}	inline_connector
LA:5		{AC4 1 E}	inline_connector
LA:6		{AC4 3 C}	inline_connector
LOOP_1		{BB 0 C}	physical_splice_connector
LOOP_2		{BB 0 C}	physical_splice_connector
LOOP_3		{BB 1 C}	physical_splice_connector
LOOP_4		{BB 1 C}	physical_splice_connector
LOOP_5		{BB 1 C}	physical_splice_connector
LOOP_6		{BB 1 C}	physical_splice_connector
LT1:1		{EA3 3 C}	inline_connector
LT1:2		{EA3 4 C}	inline_connector
LT1:3		{EA3 4 C}	inline_connector
LT1:4		{EA3 4 C}	inline_connector
LT1:5		{BC 3 D}	inline_connector
LT1:6		{BC 3 D}	inline_connector
LT1:7		{BC 3 D}	inline_connector
LT1:8		{FA 2 B}	inline_connector
LT1:9		{FA 2 B}	inline_connector
LT1:10		{FA 2 B}	inline_connector
LT1:11		{FC 2 C}	inline_connector
LT1:12		{FA3 4 B}	inline_connector
LT1:13		{FA3 4 B}	inline_connector
LT1:14		{FA3 4 B}	inline_connector
LT1:15		{FA3 2 B}	inline_connector
LT1:16		{FA3 2 B}	inline_connector
LT1:17		{FA3 2 B}	inline_connector
LT1:18		{FE 3 D}	inline_connector
LT1:20		{FD 1 C}	inline_connector
LT1:21		{FE 3 D}	inline_connector
LT1:22		{FE 3 D}	inline_connector
LT1:23		{FE 2 C}	inline_connector
LT1:25		{FE 2 C}	inline_connector
LT1:26		{FE 2 B}	inline_connector
LT1:27		{FD 1 C}	inline_connector
LT1:28		{FD 1 C}	inline_connector
LT1:29		{FD 1 C}	inline_connector
LT1:30		{FD 1 B}	inline_connector
LT1:31		{FD 2 B}	inline_connector
LT2:1		{FD 3 A}	inline_connector
LT2:3		{FD 0 C}	inline_connector
LT2:4		{BD 3 D}	inline_connector
LT2:5		{BD 3 D}	inline_connector
LT2:6		{FD 3 A}	inline_connector
LT2:7		{BA 1 B}	inline_connector
LT2:8		{FD 1 C}	inline_connector
LT2:9		{GD2 2 A}	inline_connector
LT2:10		{FE 1 B}	inline_connector
LT2:11		{FE 2 D}	inline_connector
LT2:12		{FE 3 D}	inline_connector
M01L	Motor, Windscreen wiper, Drivers side	{GE 1 C}	componentSymbol

**VOLVO**

Volvo Bus Corporation

Document Title

**WIRING DIAGRAM**

Document Type

**PRODUCT SCHEMATIC**

Document No

**70399300**

Issue Index

**08**

Volume No

**02**

Page No

**12(49)**

Part Name	Description	Location	Part Type
M01R	Motor, Windscreen wiper, Door side	{GE 2 C}	componentSymbol
M02	Motor, windscreen washer pump	{GE 0 D}	componentSymbol
M03	Motor, headlamp high pressure washer pump	{GE 0 D}	componentSymbol
M30	Cooling pump, HFV	{AC5 3 C}	componentSymbol
M31	Cooling fan, HFV	{AC5 3 C}	componentSymbol
M32	Cooling fan, ESS, Energy Storage System	{AC5 3 A}	componentSymbol
M33	Cooling pump, ESS	{AC5 3 B}	componentSymbol
M34	Motor, Power steering	{OK 2 B}	componentSymbol
M36	Motor, 600VDC, AIR COMP.	{OH 1 D} {OI 0 D}	componentSymbol
OBD2	On board diagnostic	{BD 0 D}	componentSymbol
OBD3	On board diagnostic	{FD 3 C}	componentSymbol
R08	Resistor, CAN-bus Termination	{XB 0 A}	componentSymbol
R10	Heater, Waterseparator	{BB 4 C}	componentSymbol
R10_B	Pulldown for brake signal, B9S Biartic	{FD 2 C}	componentSymbol
R11	Resistor, Pull-up for E-gas step1 sig	{FB 2 C} {FC 2 B}	componentSymbol
R11_B	Resistor, Pull-up for E-Gas step 1 signal, B9S Biartic	{FD 2 C}	componentSymbol
R12	Resistor, Pull-up for E-gas step2 sig	{FB 2 C} {FC 2 B}	componentSymbol
R12_B	Resistor, Pull-up for E-Gas step 2 signal, B9S Biartic	{FD 2 C}	componentSymbol
R13	Resistor, Pull-up for brake sig	{FB 2 C}	componentSymbol
R904	Resistor, DBUS Termination	{XE 4 E} {XE 1 C}	componentSymbol
R905	Heated Hose Suction Line	{CB 2 D}	componentSymbol
R906	Heated Hose Pressure Line	{CB 1 D}	componentSymbol
R907	Resistor, CAN2 termination	{XD 0 A}	componentSymbol
R908	Heated Hose Backflow to tank DNOX2	{CB 2 D}	componentSymbol
R909	Heated Filter DNOX2	{CB 3 D}	componentSymbol
R910	Heated Hose Backflow to pump DNOX2	{CB 2 D}	componentSymbol
R911	Resistor, CRT diagnos	{BC 1 D}	componentSymbol
R913	Resistor, J1939-2 FMS	{XC 0 A}	componentSymbol
R914	Resistor, HYB lamp	{BC 2 D}	componentSymbol
R915	Resistor, EBS sensor CAN termination	{EA 1 C}	componentSymbol
RC3	Resistor, Pulldown for C3 signal	{FB 2 C} {FC 2 C}	componentSymbol
RC3_B	Pulldown for C3 signal, B9S Biartic	{FD 2 C}	componentSymbol
S01	Switch, main lighting, selector type	{GA 1 D}	componentSymbol
S02	Switch, stalk full / dipped beams	{BA 2 B} {GA 0 B}	componentSymbol
S06	Switch, stalk windscreen wiper, selector type	{BD 0 D} {GE 2 A}	componentSymbol
S08	Switch, differential gear lock, rear wheels	{EA 3 A}	componentSymbol
S11	Switch, bogie lift, selector type	{FA 3 C}	componentSymbol
S12	Switch, battery main switch	{AB 0 C}	componentSymbol
S14A	Switch, push button, horn	{GE 3 D}	componentSymbol
S14B	Switch, push button, horn	{GE 4 D}	componentSymbol
S15A	Switch, Starter key	{AB 1 C}	componentSymbol

# VOLVO

Volvo Bus Corporation

Document Title

**WIRING DIAGRAM**

Document Type

**PRODUCT SCHEMATIC**

Document No

**70399300**

Issue Index

**08**

Volume No

**02**

Page No

**13(49)**

Part Name	Description	Location	Part Type
S15B	Switch, Starter feed	{AB 1 B}	componentSymbol
S16	Switch, push button, air horn	{GE 4 D}	componentSymbol
S24	Switch, stalk retarder, selector type	{BA 3 B}	componentSymbol
S31	Switch, TCS, Traction Control System	{EA 3 D}	componentSymbol
S32	Switch, brake hold	{EA 4 D}	componentSymbol
S34	Switch unit, steering wheel push buttons	{JG 1 C}	componentSymbol
S40	Switch, battery main switch	{YA 4 C}	componentSymbol
S45	Switch, position differential gear lock indicator, rear wheels, NC. or NO.	{EA 2 D}	componentSymbol
S48	Switch, pressure brake light, NO.	{FD 2 C}	componentSymbol
S50	Switch, pressure parking brake indicator, NO	{BA2 2 D}	componentSymbol
S58	Switch, position clutch pedal, NO.	{BA 2 C}	componentSymbol
S68	Switch proximity, coolant level, NC.	{CA 1 B} {CA2 1 B} {CA3 1 D}	componentSymbol
S68_	Sensor, Coolant level	{CA 1 A}	componentSymbol
S70	Switch position , flow sensor, power-steering, NC	{BB 3 C}	componentSymbol
S77	Switch, emergency call	{JD 1 B}	componentSymbol
S901	Switch, eng stop rear	{AB 4 D}	componentSymbol
S902	Switch, raise/lower	{FA 3 C}	componentSymbol
S904	Switch emergency cut out	{AB 0 B}	componentSymbol
S905	Switch, retarder	{BA2 2 C}	componentSymbol
S907	Switch, eng start rear	{AB 3 D}	componentSymbol
S908	Switch, eng start enable rear	{AB 3 D}	componentSymbol
S909	Switch, group Voith transmission gear selector	{DA4 1 A}	componentSymbol
S910	Switch, group ecomat transmission gear selector	{DA3 0 B}	componentSymbol
S915	Switch, kneeling	{FA 0 B}	componentSymbol
S925	Switch, Alcolock	{BF 1 C}	componentSymbol
S927	Switch, alternative gearshift program, ZF	{DA3 0 B} {DA2 0 C}	componentSymbol
S932	Switch, alternative gearshift program, Voith	{DA4 1 B}	componentSymbol
S935	Switch, Jack knife warning	{BB 2 D}	componentSymbol
S936	Switch, Jack knife stop	{BB 2 D}	componentSymbol
S939	Switch, service gas system	{CE 0 B}	componentSymbol
S940	Switch, Oilmaster	{CD 1 A}	componentSymbol
S942	Switch, ON/OFF RAS	{FD 3 B}	componentSymbol
S945	Switch, Steering wheel adjustment	{BA2 1 B}	componentSymbol
S946		{AB 1 A}	componentSymbol
S947	Switch, Full electric drive	{BC 0 D}	componentSymbol
S_T_S:1		{BE 2 D}	inline_connector
S_T_S:2		{BE 2 D}	inline_connector
S_T_S:3		{BE 2 D}	inline_connector
S_T_T:3		{BE 2 D}	inline_connector
TRAIL1:1		{FE 1 B}	inline_connector
TRAIL1:2		{FE 1 C}	inline_connector
TRAIL1:3		{FE 1 C}	inline_connector
TRAIL1:4		{FD 1 C}	inline_connector

**VOLVO**

Volvo Bus Corporation

Document Title

**WIRING DIAGRAM**

Document Type

**PRODUCT SCHEMATIC**

Document No

**70399300**

Issue Index

**08**

Volume No

**02**

Page No

**14(49)**

Part Name	Description	Location	Part Type
TRAIL1:5		{FD 1 C}	inline_connector
TRAIL1:6		{FD 1 B}	inline_connector
TRAIL1:7		{FD 1 B}	inline_connector
TRAIL1:8		{FD 1 C}	inline_connector
TRAIL1:9		{FE 1 D}	inline_connector
TRAIL1:10		{FE 1 D}	inline_connector
TRAIL1:11		{FE 1 B}	inline_connector
TRAIL1:12		{XB 3 B}	inline_connector
TRAIL1:13		{XB 3 B}	inline_connector
TRAIL1:14		{FC 1 B}	inline_connector
TRAIL1:15		{FC 1 B}	inline_connector
TRAIL1:16		{FC 1 B}	inline_connector
TRAIL1:17		{FC 1 B}	inline_connector
TRAIL1:18		{FC 1 B}	inline_connector
TRAIL1:20		{FC 1 B}	inline_connector
TRAIL1:21		{FC 2 B}	inline_connector
TRAIL1:22		{FD 0 B}	inline_connector
TRAIL1:23		{FC 2 C}	inline_connector
TRAIL1:25		{FC 1 B}	inline_connector
TRAIL1:26		{XB 2 B}	inline_connector
TRAIL1:27		{XB 2 B}	inline_connector
TRAIL1:28		{BC 3 B}	inline_connector
TRAIL1:29		{BC 3 B}	inline_connector
TRAIL2:1		{EA3 3 B}	inline_connector
TRAIL2:2		{EA3 4 B}	inline_connector
TRAIL2:3		{EA3 4 B}	inline_connector
TRAIL2:4		{EA3 4 B}	inline_connector
TRAIL2:5		{BC 3 D}	inline_connector
TRAIL2:6		{BC 3 D}	inline_connector
TRAIL2:7		{BC 3 D}	inline_connector
TRAIL2:8		{FA 2 C}	inline_connector
TRAIL2:9		{FA 2 C}	inline_connector
TRAIL2:10		{FA 2 C}	inline_connector
TRAIL2:11		{FA3 4 A}	inline_connector
TRAIL2:12		{FA3 2 A}	inline_connector
TRAIL:1		{EA2 3 B}	inline_connector
TRAIL:2		{EA2 4 B}	inline_connector
TRAIL:3		{EA2 4 B}	inline_connector
TRAIL:4		{EA2 4 B}	inline_connector
TRAIL:5		{FA3 1 A}	inline_connector
TRAIL:6		{FA3 1 A}	inline_connector
TRAIL:7		{FA 1 B}	inline_connector
TRAIL:8		{FA 1 B}	inline_connector
TRAIL:9		{FA 2 B}	inline_connector
TRAIL:10		{FA3 3 A}	inline_connector
TRAIL:11		{FA3 3 A}	inline_connector
TRAIL:12		{FA3 3 A}	inline_connector
TRAIL:13		{FA3 3 A}	inline_connector
TRAIL:14		{FA3 1 B}	inline_connector
TRAIL:15		{FA3 1 A}	inline_connector
TRAIL:16		{BB 1 D}	inline_connector

**VOLVO**

Volvo Bus Corporation

Document Title

**WIRING DIAGRAM**

Document Type

**PRODUCT SCHEMATIC**

Document No

**70399300**

Issue Index

**08**

Volume No

**02**

Page No

**15(49)**

Part Name	Description	Location	Part Type
TRAIL:17		{BB 1 D}	inline_connector
TRAIL:18		{BB 1 D}	inline_connector
TRAIL:19		{GD2 1 A}	inline_connector
TRAIL:20		{GD2 2 A}	inline_connector
TRAIL:21		{GD2 0 A}	inline_connector
TRAIL:22		{GD2 0 A}	inline_connector
TRAIL:23		{GD2 3 A}	inline_connector
TRAIL:24		{GD2 3 A}	inline_connector
TRAIL:25		{GD2 0 A}	inline_connector
TRAIL:26		{GD2 0 A}	inline_connector
TRAIL:27		{GC2 2 A}	inline_connector
TRAIL:28		{GC2 2 A}	inline_connector
TRAIL:29		{GD2 1 A}	inline_connector
TRAIL:30		{GD2 2 A}	inline_connector
U03	Modulator, EBS, rear axle	{EA2 1 D}	componentSymbol
U04	Modulator, EBS, 3:rd axle	{EA2 3 D}	componentSymbol
U05	Modulator, EBS, trailer	{EA2 3 D}	componentSymbol
U07	Modulator, EBS, Bogie/Artic	{EA2 2 D}	componentSymbol
U08	Modulator, EBS, front	{EA2 0 D}	componentSymbol
U11	Modulator, EBS, last trailer, biartic	{EA3 3 D}	componentSymbol
U23	Electronic Power Converter 400AC/24VDC/12VDC	{OH 0 B} {OI 1 B}	componentSymbol
U24	Voltage converter, 600VDC/24VDC/12VDC	{AC5 2 D} {OH 2 B}	componentSymbol
U25	Inverter, Power steering	{OK 2 C}	componentSymbol
VIC2_MD5:1		{CA 1 D}	inline_connector
VIC2_MD5:2		{CA 1 D}	inline_connector
VIC2_MD5:3		{CA 1 D}	inline_connector
VIC2_MD5:4		{CA 1 D}	inline_connector
VIC2_MD5:6		{CA 1 D}	inline_connector
VIC2_MD5:7		{CA 2 D}	inline_connector
VIC2_MD9:1		{CA2 0 D}	inline_connector
VIC2_MD9:2		{CA2 0 D}	inline_connector
VIC2_MD9:3		{CA2 0 D}	inline_connector
VIC2_MD9:4		{CA2 0 D}	inline_connector
VIC2_MD9:6		{CA2 1 D}	inline_connector
VIC2_MD9:7		{CA2 1 D}	inline_connector
VIC_MD7:1		{CA 3 B}	inline_connector
VIC_MD7:2		{CA 4 B}	inline_connector
VIC_MD7:3		{CA 3 B}	inline_connector
VIC_MD7:4		{CA 4 B}	inline_connector
VIC_MD7:5		{CA 4 B}	inline_connector
VIC_MD7:6		{CA 3 B}	inline_connector
VIC_MD7:7		{CA 1 D}	inline_connector
VIC_MD7:8		{CA 0 B}	inline_connector
VIC_MD7:9		{CA 2 B}	inline_connector
VIC_MD7:10		{CA 2 B}	inline_connector
VIC_MD7:11		{CA 3 C}	inline_connector
VIC_MD7:12		{CA 2 B}	inline_connector
VIC_MD7:13		{CA 0 B}	inline_connector
VIC_MD7:14		{CA 2 B}	inline_connector
VIC_MD7:15		{CA 0 B}	inline_connector

**VOLVO**

Volvo Bus Corporation

Document Title

**WIRING DIAGRAM**

Document Type

**PRODUCT SCHEMATIC**

Document No

**70399300**

Issue Index

**08**

Volume No

**02**

Page No

**16(49)**

Part Name	Description	Location	Part Type
VIC_MD7:16		{CA 2 B}	inline_connector
VIC_MD7:17		{CA 3 B}	inline_connector
VIC_MD7:18		{CA 1 B}	inline_connector
VIC_MD7:19		{CA 3 C}	inline_connector
VIC_MD7:20		{CA 1 B}	inline_connector
VIC_MD7:21		{CA 0 B}	inline_connector
VIC_MD7:22		{CA 3 D}	inline_connector
VIC_MD7:23		{CA 4 C}	inline_connector
VIC_MD7:24		{CA 3 D}	inline_connector
VIC_MD7:25		{CA 3 C}	inline_connector
VIC_MD7:26		{CA 3 D}	inline_connector
VIC_MD7:27		{CA 0 D}	inline_connector
VIC_MD7:28		{CA 1 B}	inline_connector
VIC_MD7:29		{CA 4 C}	inline_connector
VIC_MD7:30		{CA 1 B}	inline_connector
VIC_MD7:31		{CA 0 D}	inline_connector
VIC_MD7:32		{CA 2 B}	inline_connector
VIC_MD7:33		{CA 0 D}	inline_connector
VIC_MD7:34		{CA 4 D}	inline_connector
VIC_MD7:35		{CA 3 B}	inline_connector
VIC_MD7:36		{CA 4 D}	inline_connector
VIC_MD7:37		{CA 0 B}	inline_connector
VIC_MD7:38		{CA 4 C}	inline_connector
VIC_MD7:39		{CA 0 D}	inline_connector
VIC_MD9:1		{CA2 2 B}	inline_connector
VIC_MD9:2		{CA2 2 B}	inline_connector
VIC_MD9:3		{CA2 3 B}	inline_connector
VIC_MD9:4		{CA2 3 B}	inline_connector
VIC_MD9:5		{CA2 2 B}	inline_connector
VIC_MD9:6		{CA2 3 B}	inline_connector
VIC_MD9:7		{CA2 0 B}	inline_connector
VIC_MD9:8		{CA2 1 B}	inline_connector
VIC_MD9:9		{CA2 3 D}	inline_connector
VIC_MD9:10		{CA2 4 D}	inline_connector
VIC_MD9:11		{CA2 4 D}	inline_connector
VIC_MD9:12		{CA2 4 D}	inline_connector
VIC_MD9:13		{CA2 0 B}	inline_connector
VIC_MD9:14		{CA2 4 B}	inline_connector
VIC_MD9:15		{CA2 0 B}	inline_connector
VIC_MD9:16		{CA2 4 B}	inline_connector
VIC_MD9:17		{CA2 3 D}	inline_connector
VIC_MD9:18		{CA2 1 B}	inline_connector
VIC_MD9:21		{CA2 0 B}	inline_connector
VIC_MD9:22		{CA2 2 D} {CA2 1 D}	inline_connector
VIC_MD9:23		{CA2 2 D}	inline_connector
VIC_MD9:24		{CA2 2 D} {CA2 1 D}	inline_connector
VIC_MD9:25		{CA2 2 D}	inline_connector
VIC_MD9:26		{CA2 2 D} {CA2 1 D}	inline_connector
VIC_MD9:28		{CA2 1 B}	inline_connector

**VOLVO**

Volvo Bus Corporation

Document Title

**WIRING DIAGRAM**

Document Type

**PRODUCT SCHEMATIC**

Document No

**70399300**

Issue Index

**08**

Volume No

**02**

Page No

**17(49)**

Part Name	Description	Location	Part Type
VIC_MD9:30		{CA2 1 B}	inline_connector
VIC_MD9:31		{CA2 0 D}	inline_connector
VIC_MD9:33		{CA2 1 B}	inline_connector
VIC_MD9:34		{CA2 2 D}	inline_connector
VIC_MD9:35		{CA2 3 D}	inline_connector
VIC_MD9:37		{CA2 0 B}	inline_connector
VIC_MD9:39		{CA2 0 D}	inline_connector
X09	Slip contact, horn	{GE 4 D}	componentSymbol
X76	HEV JUNCTION BOX	{OH 1 B}	componentSymbol
X901	Connector Battery +	{AA 0 B}	componentSymbol
X902	Power connection box MD7	{AC 1 C} {AC5 2 D}	componentSymbol
X903	VPDU Front with main relay and main switch	{AA 1 C}	componentSymbol
X904	VPDU Rear with preheat relay	{AC2 2 B} {AC3 1 A} {AC4 2 A}	componentSymbol
X905	VPDU Rear without preheat relay	{AC 2 A}	componentSymbol
X906	External charger outlet	{AA 0 D}	componentSymbol
X907	Conector ground	{ZA 1 D}	componentSymbol
X908	Connection +30	{AA 2 B}	componentSymbol
X917	Power junction, B9S	{AC3 1 C}	componentSymbol
X930	24V Junction box hybrid	{AC5 1 C}	componentSymbol
XB:1		{ZA 1 C}	inline_connector
XC001:1		{AA 1 B}	inline_connector
XC001:2		{AB 1 D}	inline_connector
XC001:3		{BA 1 B}	inline_connector
XC001:4		{BD 1 C}	inline_connector
XC001:5		{BD 1 C}	inline_connector
XC001:6		{BD 1 C}	inline_connector
XC001:7		{BD 1 C}	inline_connector
XC001:8		{BD 2 E}	inline_connector
XC001:9		{BD 2 E}	inline_connector
XC001:10		{BD 3 C}	inline_connector
XC001:11		{EA 0 B}	inline_connector
XC001:12		{EA 0 B}	inline_connector
XC001:13		{EA 0 B}	inline_connector
XC001:14		{EA 0 B}	inline_connector
XC001:15		{EA 0 B}	inline_connector
XC001:17		{EA2 0 B}	inline_connector
XC001:18		{EA2 0 B}	inline_connector
XC001:19		{EA2 0 B}	inline_connector
XC001:20		{EA2 0 B}	inline_connector
XC001:21		{FA2 0 C}	inline_connector
XC001:22		{FA2 0 C}	inline_connector
XC001:23		{FA2 2 C}	inline_connector
XC001:24		{FA2 2 C}	inline_connector
XC001:25		{AA 1 B}	inline_connector
XC002:1		{EA 1 B}	inline_connector
XC002:2		{EA 1 B}	inline_connector
XC002:3		{EA 1 B}	inline_connector
XC002:4		{EA 1 B}	inline_connector

**VOLVO**

Volvo Bus Corporation

Document Title

**WIRING DIAGRAM**

Document Type

**PRODUCT SCHEMATIC**

Document No

**70399300**

Issue Index

**08**

Volume No

**02**

Page No

**18(49)**

Part Name	Description	Location	Part Type
XC002:5		{EA 1 D}	inline_connector
XC002:6		{EA 1 D}	inline_connector
XC002:7		{EA 1 D}	inline_connector
XC002:8		{EA 1 D}	inline_connector
XC002:9		{FA 0 C}	inline_connector
XC002:10		{FA 0 C}	inline_connector
XC002:11		{FA 0 C}	inline_connector
XC002:13		{FA2 0 C}	inline_connector
XC002:14		{FA2 0 C}	inline_connector
XC002:16		{FA2 2 C}	inline_connector
XC002:17		{GC 0 B}	inline_connector
XC002:18		{GC 0 B}	inline_connector
XC002:19		{GC 0 B}	inline_connector
XC002:20		{GC 0 B}	inline_connector
XC002:25		{EA 1 B}	inline_connector
XC003:1		{CD 0 C}	inline_connector
XC003:2		{CD 1 C}	inline_connector
XC003:3		{CE 3 C}	inline_connector
XC003:4		{CE 3 C}	inline_connector
XC003:5		{CE 3 C}	inline_connector
XC003:6		{BC 3 B} {CE 4 C}	inline_connector
XC003:7		{BC 3 B} {CE 4 C}	inline_connector
XC003:8		{BC 3 C}	inline_connector
XC003:9		{BC 3 C}	inline_connector
XC003:10		{BC 3 C}	inline_connector
XC003:11		{FA 2 C}	inline_connector
XC003:12		{FA 2 C}	inline_connector
XC003:13		{FA 2 C}	inline_connector
XC003:14		{FA2 0 B}	inline_connector
XC003:15		{FA2 3 C}	inline_connector
XC003:16		{FD 1 B}	inline_connector
XC003:17		{FD 1 B}	inline_connector
XC003:18		{FD 1 B}	inline_connector
XC003:19		{FD 1 B}	inline_connector
XC003:20		{FD 1 B}	inline_connector
XC003:21		{FD 0 B}	inline_connector
XC003_A:1		{CD 0 B} {CD 0 C}	inline_connector
XC003_A:2		{CD 1 B} {CD 1 C}	inline_connector
XC003_A:3		{CE 3 A} {CE 3 B}	inline_connector
XC003_A:4		{CE 3 A} {CE 3 B}	inline_connector
XC003_A:5		{CE 3 A} {CE 3 B}	inline_connector
XC003_A:6		{CE 4 A} {CE 4 B}	inline_connector
XC003_A:7		{CE 4 A} {CE 4 B}	inline_connector

**VOLVO**

Volvo Bus Corporation

Document Title

**WIRING DIAGRAM**

Document Type

**PRODUCT SCHEMATIC**

Document No

**70399300**

Issue Index

**08**

Volume No

**02**

Page No

**19(49)**

Part Name	Description	Location	Part Type
XC003_B:1		{CD 0 C}	inline_connector
XC003_B:2		{CD 1 C}	inline_connector
XC003_B:3		{CE 3 A}	inline_connector
XC003_B:4		{CE 3 A}	inline_connector
XC003_B:5		{CE 3 A}	inline_connector
XC003_B:6		{CE 4 A}	inline_connector
XC003_B:7		{CE 4 A}	inline_connector
XC004:1		{EA2 2 B}	inline_connector
XC004:2		{EA2 3 B}	inline_connector
XC004:3		{EA2 3 B}	inline_connector
XC004:4		{EA2 3 B}	inline_connector
XC004:5		{CB 1 B}	inline_connector
XC004:6		{EA3 3 B}	inline_connector
XC004:7		{EA3 4 B}	inline_connector
XC004:8		{EA3 4 B}	inline_connector
XC004:9		{EA3 4 B}	inline_connector
XC004:10		{BB 4 C}	inline_connector
XC004:11		{BA 0 D}	inline_connector
XC004:12		{OI 3 B}	inline_connector
XC004:13		{OI 3 C}	inline_connector
XC004:14		{AC5 0 B}	inline_connector
XC004:15		{BB 2 D}	inline_connector
XC004:16		{BB 3 D}	inline_connector
XC004:17		{BB 3 D}	inline_connector
XC004:18		{BA2 1 C}	inline_connector
XC004:19		{FB 0 A}	inline_connector
XC004:20		{FB 2 B}	inline_connector
XC004:21		{FB 3 C}	inline_connector
XC004_A:1		{EA2 2 B}	inline_connector
XC004_A:2		{EA2 2 B}	inline_connector
XC004_A:3		{EA2 2 B}	inline_connector
XC004_A:4		{EA2 2 B}	inline_connector
XC004_A:5		{CB 1 B} {CB 1 A}	inline_connector
XC004_A:15		{BB 3 D}	inline_connector
XC004_A:16		{BB 3 D}	inline_connector
XC004_A:17		{BB 3 D}	inline_connector
XC004_A:18		{BA2 1 C}	inline_connector
XC004_A:19		{FB 1 A}	inline_connector
XC004_A:20		{FB 2 B}	inline_connector
XC004_A:21		{FB 3 C}	inline_connector
XC004_B:5		{CB 1 B}	inline_connector
XC004_B:15		{FB 1 B}	inline_connector
XC004_B:16		{FB 1 B}	inline_connector
XC004_B:17		{FB 1 B}	inline_connector
XC004_B:18		{FB 2 B}	inline_connector
XC004_B:19		{FB 1 B}	inline_connector
XC004_B:20		{FB 2 B}	inline_connector
XC004_B:21		{FB 3 C}	inline_connector
XC005:1		{BA2 0 C}	inline_connector
XC005:2	+30 main switch (fuse F12)	{BB 0 A}	inline_connector

**VOLVO**

Volvo Bus Corporation

Document Title

**WIRING DIAGRAM**

Document Type

**PRODUCT SCHEMATIC**

Document No

**70399300**

Issue Index

**08**

Volume No

**02**

Page No

**20(49)**

Part Name	Description	Location	Part Type
XC005:3		{BB 0 C}	inline_connector
XC005:4		{BB 2 C}	inline_connector
XC005:5		{BB 2 B}	inline_connector
XC005:6		{BD 2 A}	inline_connector
XC005:7		{BD 1 B}	inline_connector
XC005:8		{BD 2 B}	inline_connector
XC005:9		{BD 2 D}	inline_connector
XC005:10		{BD 2 B}	inline_connector
XC005:11		{BD 3 B}	inline_connector
XC005:12		{BD 2 D}	inline_connector
XC005:13		{BD 3 C}	inline_connector
XC005:14		{BE 1 D}	inline_connector
XC005:15		{BE 2 D}	inline_connector
XC005:16		{BE 1 D}	inline_connector
XC005:17		{BE 2 D}	inline_connector
XC005:18		{GC 3 B}	inline_connector
XC005:19		{DA4 3 C} {DA3 2 C} {DA 2 C} {DA2 3 D}	inline_connector
XC005:20		{DA3 1 C} {DA2 3 D}	inline_connector
XC005:21		{DA4 2 C} {DA3 0 C} {DA2 2 D}	inline_connector
XC005:22		{DA4 2 C} {DA3 0 C} {DA2 2 D}	inline_connector
XC005:23		{DA3 0 C}	inline_connector
XC005:24		{DA4 3 C} {DA3 0 C}	inline_connector
XC005:25		{DA3 0 C}	inline_connector
XC005:26		{DA3 0 C}	inline_connector
XC005:28		{GC 3 B}	inline_connector
XC005:29		{XA 0 C}	inline_connector
XC005:30		{XA 0 C}	inline_connector
XC005:31		{XB 4 B}	inline_connector
XC005:32		{XB 4 B}	inline_connector
XC005:33		{XD 2 A}	inline_connector
XC005:34		{XD 2 A}	inline_connector
XC005:35		{XE 4 C}	inline_connector
XC005:36		{XE 4 C}	inline_connector
XC005_A:1		{BA2 0 E} {BA2 0 D}	inline_connector
XC005_A:2		{WA 2 B} {WA 2 A}	inline_connector
XC005_A:3		{WA 2 A} {WA 2 B}	inline_connector
XC005_A:4		{WA 2 A} {WA 2 B}	inline_connector
XC005_A:5		{WA 2 A} {WA 2 B}	inline_connector

**VOLVO**

Volvo Bus Corporation

Document Title

**WIRING DIAGRAM**

Document Type

**PRODUCT SCHEMATIC**

Document No

**70399300**

Issue Index

**08**

Volume No

**02**

Page No

**21(49)**

Part Name	Description	Location	Part Type
XC005_A:6		{WA 0 C} {WA 0 B}	inline_connector
XC005_A:7		{WA 0 C} {WA 0 B}	inline_connector
XC005_A:9		{WA 0 C} {WA 0 B}	inline_connector
XC005_A:10		{WA 0 C} {WA 0 B}	inline_connector
XC005_A:11		{WA 1 C} {WA 1 B}	inline_connector
XC005_A:12		{WA 1 B} {WA 1 C}	inline_connector
XC005_A:13		{WA 1 B} {WA 1 C}	inline_connector
XC005_A:14		{BE 0 D} {BE 0 E}	inline_connector
XC005_A:15		{BE 1 D} {BE 1 E}	inline_connector
XC005_A:16		{BE 0 D} {BE 0 E}	inline_connector
XC005_A:17		{BE 1 D} {BE 1 E}	inline_connector
XC005_A:18		{GC 3 B} {GC 3 C}	inline_connector
XC005_A:19		{WA 1 D} {WA 1 E}	inline_connector
XC005_A:20		{WA 1 D} {WA 1 E}	inline_connector
XC005_A:21		{WA 0 D} {WA 0 E}	inline_connector
XC005_A:22		{WA 0 D} {WA 0 E}	inline_connector
XC005_A:23		{WA 0 D} {WA 0 E}	inline_connector
XC005_A:24		{WA 0 E} {WA 0 D}	inline_connector
XC005_A:25		{WA 1 E} {WA 1 D}	inline_connector
XC005_A:26		{WA 1 D} {WA 1 E}	inline_connector
XC005_A:28		{GC 3 C} {GC 3 B}	inline_connector
XC005_A:29		{WA 3 B} {WA 3 C}	inline_connector
XC005_A:30		{WA 3 B} {WA 3 C}	inline_connector
XC005_A:31		{XB 4 E} {XB 4 D}	inline_connector
XC005_A:32		{XB 4 E} {XB 4 D}	inline_connector
XC005_A:33		{XD 2 B} {XD 3 B}	inline_connector

**VOLVO**

Volvo Bus Corporation

Document Title

**WIRING DIAGRAM**

Document Type

**PRODUCT SCHEMATIC**

Document No

**70399300**

Issue Index

**08**

Volume No

**02**

Page No

**22(49)**

Part Name	Description	Location	Part Type
XC005_A:34		{XD 3 B} {XD 2 B}	inline_connector
XC005_A:35		{WA 4 B} {WA 4 C}	inline_connector
XC005_A:36		{WA 4 B} {WA 4 C}	inline_connector
XC005_B:1		{BA2 0 D}	inline_connector
XC005_B:2		{WA 2 A}	inline_connector
XC005_B:3		{WA 2 A}	inline_connector
XC005_B:4		{WA 2 A}	inline_connector
XC005_B:5		{WA 2 A}	inline_connector
XC005_B:6		{WA 0 B}	inline_connector
XC005_B:7		{WA 0 B}	inline_connector
XC005_B:9		{WA 0 B}	inline_connector
XC005_B:10		{WA 0 B}	inline_connector
XC005_B:11		{WA 1 B}	inline_connector
XC005_B:12		{WA 1 B}	inline_connector
XC005_B:13		{WA 1 C}	inline_connector
XC005_B:14		{BE 0 D}	inline_connector
XC005_B:15		{BE 1 D}	inline_connector
XC005_B:16		{BE 0 D}	inline_connector
XC005_B:17		{BE 1 D}	inline_connector
XC005_B:18		{GC 3 B}	inline_connector
XC005_B:19		{WA 1 D}	inline_connector
XC005_B:20		{WA 1 D}	inline_connector
XC005_B:21		{WA 0 D}	inline_connector
XC005_B:22		{WA 0 D}	inline_connector
XC005_B:23		{WA 0 D}	inline_connector
XC005_B:24		{WA 0 D}	inline_connector
XC005_B:25		{WA 1 D}	inline_connector
XC005_B:26		{WA 1 D}	inline_connector
XC005_B:28		{GC 3 B}	inline_connector
XC005_B:29		{WA 3 B}	inline_connector
XC005_B:30		{WA 3 B}	inline_connector
XC005_B:31		{XB 4 D}	inline_connector
XC005_B:32		{XB 4 D}	inline_connector
XC005_B:33		{XD 2 B}	inline_connector
XC005_B:34		{XD 2 B}	inline_connector
XC005_B:35		{WA 4 B}	inline_connector
XC005_B:36		{WA 4 B}	inline_connector
XC006:1		{CA 0 D}	inline_connector
XC006:2		{CA 0 D}	inline_connector
XC006:3		{CA 0 D}	inline_connector
XC006:4		{BB 3 C}	inline_connector
XC006:5		{BB 3 C}	inline_connector
XC006:6		{CB 0 C}	inline_connector
XC006:7		{CB 0 C}	inline_connector
XC006:8		{BB 1 D}	inline_connector
XC006:9		{BB 1 D}	inline_connector
XC006:10		{BB 1 D}	inline_connector
XC006:11		{BB 2 D}	inline_connector
XC006:12		{BB 2 D}	inline_connector

**VOLVO**

Volvo Bus Corporation

Document Title

**WIRING DIAGRAM**

Document Type

**PRODUCT SCHEMATIC**

Document No

**70399300**

Issue Index

**08**

Volume No

**02**

Page No

**23(49)**

Part Name	Description	Location	Part Type
XC006:13		{BA 0 B}	inline_connector
XC006:14		{BD 2 E}	inline_connector
XC006:15		{BB 2 D}	inline_connector
XC006:16		{BD 1 B}	inline_connector
XC006:17		{OH 3 C}	inline_connector
XC006:18		{OH 3 C}	inline_connector
XC006:21		{FA 2 C}	inline_connector
XC006:22		{FA 1 C}	inline_connector
XC006:23		{FA 1 C}	inline_connector
XC006:24		{BC 1 C}	inline_connector
XC006:25		{BC 1 C}	inline_connector
XC006:26		{BC 1 C}	inline_connector
XC006:27		{BC 2 C}	inline_connector
XC006:28		{FA2 3 C}	inline_connector
XC006:29		{FA2 3 C}	inline_connector
XC006:30		{FA2 1 C}	inline_connector
XC006:31		{FA2 1 C}	inline_connector
XC006:32		{AC5 0 B}	inline_connector
XC006:33		{BA 0 C}	inline_connector
XC006:34		{BA 0 D}	inline_connector
XC006:35		{BC 2 B}	inline_connector
XC006:36		{OI 3 B}	inline_connector
XC006_A:6		{WA 2 C} {WA 2 B}	inline_connector
XC006_A:7		{WA 3 C} {WA 3 B}	inline_connector
XC006_A:8		{WA 3 A}	inline_connector
XC006_A:9		{WA 3 A}	inline_connector
XC006_A:10		{WA 2 A}	inline_connector
XC006_A:11		{BB 1 D}	inline_connector
XC006_A:12		{BB 2 D}	inline_connector
XC006_A:13		{BA 1 B}	inline_connector
XC006_A:14		{WA 1 B}	inline_connector
XC006_A:15		{BB 2 D}	inline_connector
XC006_A:21		{FA 3 B}	inline_connector
XC006_A:22		{FA 3 B}	inline_connector
XC006_A:23		{FA 3 B}	inline_connector
XC006_A:28		{FA3 4 C}	inline_connector
XC006_A:29		{FA3 4 C}	inline_connector
XC006_A:30		{FA3 1 C}	inline_connector
XC006_A:31		{FA3 2 C}	inline_connector
XC006_B:6		{WA 2 B}	inline_connector
XC006_B:7		{WA 3 B}	inline_connector
XC006_B:11		{FB 1 B}	inline_connector
XC006_B:12		{FB 1 B}	inline_connector
XC006_B:15		{FB 1 B}	inline_connector
XC007:1		{AA 1 B}	inline_connector
XC007:2		{AA 3 B}	inline_connector
XC007:3		{AB 2 D}	inline_connector
XC007:4		{AB 2 D}	inline_connector
XC007:5		{AB 2 D}	inline_connector
XC007:6		{AB 2 C}	inline_connector

**VOLVO**

Volvo Bus Corporation

Document Title

**WIRING DIAGRAM**

Document Type

**PRODUCT SCHEMATIC**

Document No

**70399300**

Issue Index

**08**

Volume No

**02**

Page No

**24(49)**

Part Name	Description	Location	Part Type
XC007:7		{BA 2 B}	inline_connector
XC007:8		{BA 3 B}	inline_connector
XC007:9		{BA 4 C}	inline_connector
XC007:10		{BA 4 C}	inline_connector
XC007:11		{BA 4 C}	inline_connector
XC007:12		{EA 2 D}	inline_connector
XC007:13		{EA 2 D}	inline_connector
XC007:14		{FA 1 C}	inline_connector
XC007:15		{FA 1 C}	inline_connector
XC007:16		{FA 1 C}	inline_connector
XC007:17		{CB 0 C}	inline_connector
XC007:18		{CB 1 C}	inline_connector
XC007:19		{AB 4 B}	inline_connector
XC007:20		{BA 1 B}	inline_connector
XC007:21		{AB 3 B}	inline_connector
XC007:22		{CB 0 C}	inline_connector
XC007:23		{CB 0 C}	inline_connector
XC007:25		{GC 4 B}	inline_connector
XC007_A:1		{AA 1 B} {AA 1 B}	inline_connector
XC007_A:2		{AA 3 C} {AA 3 C}	inline_connector
XC007_A:3		{WA 0 A} {WA 0 B}	inline_connector
XC007_A:4		{WA 0 A} {WA 0 B}	inline_connector
XC007_A:5		{WA 0 A} {WA 0 B}	inline_connector
XC007_A:6		{WA 0 A} {WA 0 B}	inline_connector
XC007_A:7		{BA 2 A} {BA 2 B}	inline_connector
XC007_A:8		{BA 3 A} {BA 3 B}	inline_connector
XC007_A:9		{WA 1 B} {WA 1 A}	inline_connector
XC007_A:10		{WA 1 B} {WA 1 A}	inline_connector
XC007_A:11		{WA 1 A} {WA 1 B}	inline_connector
XC007_A:14		{WA 3 D} {WA 3 D}	inline_connector
XC007_A:15		{WA 3 D} {WA 3 D}	inline_connector
XC007_A:16		{WA 3 D} {WA 3 D}	inline_connector
XC007_A:17		{WA 2 B} {WA 2 C}	inline_connector
XC007_A:18		{WA 3 B} {WA 3 C}	inline_connector
XC007_A:19		{AB 4 B} {AB 4 C}	inline_connector

**VOLVO**

Volvo Bus Corporation

Document Title

**WIRING DIAGRAM**

Document Type

**PRODUCT SCHEMATIC**

Document No

**70399300**

Issue Index

**08**

Volume No

**02**

Page No

**25(49)**

Part Name	Description	Location	Part Type
XC007_A:20		{BA 2 B} {BA 2 A}	inline_connector
XC007_A:21		{AB 3 C} {AB 3 B}	inline_connector
XC007_A:22		{WA 2 C} {WA 2 B}	inline_connector
XC007_A:23		{WA 2 B} {WA 2 C}	inline_connector
XC007_A:25		{GC 4 B} {GC 4 C}	inline_connector
XC007_B:1		{AA 1 B}	inline_connector
XC007_B:2		{AA 3 C}	inline_connector
XC007_B:3		{WA 0 A}	inline_connector
XC007_B:4		{WA 0 A}	inline_connector
XC007_B:5		{WA 0 A}	inline_connector
XC007_B:6		{WA 0 A}	inline_connector
XC007_B:7		{BA 2 B}	inline_connector
XC007_B:8		{BA 3 B}	inline_connector
XC007_B:9		{WA 1 A}	inline_connector
XC007_B:10		{WA 1 A}	inline_connector
XC007_B:11		{WA 1 A}	inline_connector
XC007_B:12		{FB 2 B}	inline_connector
XC007_B:13		{FB 3 B}	inline_connector
XC007_B:14		{WA 3 D}	inline_connector
XC007_B:15		{WA 3 D}	inline_connector
XC007_B:16		{WA 3 D}	inline_connector
XC007_B:17		{WA 2 B}	inline_connector
XC007_B:18		{WA 3 B}	inline_connector
XC007_B:19		{AB 4 B}	inline_connector
XC007_B:20		{BA 2 B}	inline_connector
XC007_B:21		{AB 3 C}	inline_connector
XC007_B:22		{WA 2 B}	inline_connector
XC007_B:23		{WA 2 B}	inline_connector
XC007_B:25		{GC 4 C}	inline_connector
XC008:1		{GD 0 B}	inline_connector
XC008:2		{GD 0 B}	inline_connector
XC008:3		{GD 0 B}	inline_connector
XC008:4		{GD 1 B}	inline_connector
XC008:5		{GD 1 B}	inline_connector
XC008:6		{GD 1 B}	inline_connector
XC008:7		{GD 2 B}	inline_connector
XC008:8		{GD 2 B}	inline_connector
XC008:9		{GD 3 B}	inline_connector
XC008:10		{GD 4 B}	inline_connector
XC008:11		{GC 1 C}	inline_connector
XC008:12		{GC 2 C}	inline_connector
XC008:13		{FA2 1 C}	inline_connector
XC008:14		{FA2 1 C}	inline_connector
XC008:15		{FA2 2 C}	inline_connector
XC008:16		{FA2 2 C}	inline_connector
XC008:17		{EA2 1 B}	inline_connector
XC008:18		{EA2 1 B}	inline_connector

**VOLVO**

Volvo Bus Corporation

Document Title

**WIRING DIAGRAM**

Document Type

**PRODUCT SCHEMATIC**

Document No

**70399300**

Issue Index

**08**

Volume No

**02**

Page No

**26(49)**

Part Name	Description	Location	Part Type
XC008:19		{EA2 1 B}	inline_connector
XC008:20		{EA2 1 B}	inline_connector
XC008:21		{FA2 0 C}	inline_connector
XC008:22		{FA2 0 C}	inline_connector
XC008:23		{FA2 2 C}	inline_connector
XC008:24		{FA2 3 C}	inline_connector
XC008:25		{GC 4 B}	inline_connector
XC008_A:11		{GC 1 C} {GC 1 B}	inline_connector
XC008_A:12		{GC 2 B} {GC 2 C}	inline_connector
XC008_A:13		{FA3 1 E} {FA3 1 C}	inline_connector
XC008_A:14		{FA3 2 E} {FA3 1 C}	inline_connector
XC008_A:15		{FA3 3 C} {FA3 4 E}	inline_connector
XC008_A:16		{FA3 4 E} {FA3 3 C}	inline_connector
XC008_A:17		{WA 2 D} {WA 2 D}	inline_connector
XC008_A:18		{WA 2 D} {WA 2 D}	inline_connector
XC008_A:19		{WA 2 D} {WA 2 D}	inline_connector
XC008_A:20		{WA 2 D} {WA 2 D}	inline_connector
XC008_A:21		{FA3 1 E} {FA3 1 C}	inline_connector
XC008_A:22		{FA3 1 E} {FA3 1 C}	inline_connector
XC008_A:23		{FA3 3 E} {FA3 3 C}	inline_connector
XC008_A:24		{FA3 4 E} {FA3 4 C}	inline_connector
XC008_A:25		{WA 3 D} {WA 3 D}	inline_connector
XC008_B:1		{GD3 0 B}	inline_connector
XC008_B:2		{GD3 0 B}	inline_connector
XC008_B:3		{GD3 0 B}	inline_connector
XC008_B:4		{GD3 1 B}	inline_connector
XC008_B:5		{GD3 1 B}	inline_connector
XC008_B:6		{GD3 1 B}	inline_connector
XC008_B:7		{GD3 2 B}	inline_connector
XC008_B:8		{GD3 2 B}	inline_connector
XC008_B:9		{GD3 3 B}	inline_connector
XC008_B:10		{GD3 4 B}	inline_connector
XC008_B:11		{GC 1 B}	inline_connector
XC008_B:12		{GC 2 B}	inline_connector
XC008_B:13		{FA3 1 D}	inline_connector
XC008_B:14		{FA3 2 D}	inline_connector
XC008_B:15		{FA3 4 D}	inline_connector

**VOLVO**

Volvo Bus Corporation

Document Title

**WIRING DIAGRAM**

Document Type

**PRODUCT SCHEMATIC**

Document No

**70399300**

Issue Index

**08**

Volume No

**02**

Page No

**27(49)**

Part Name	Description	Location	Part Type
XC008_B:16		{FA3 4 D}	inline_connector
XC008_B:17		{WA 2 D}	inline_connector
XC008_B:18		{WA 2 D}	inline_connector
XC008_B:19		{WA 2 D}	inline_connector
XC008_B:20		{WA 2 D}	inline_connector
XC008_B:21		{FA3 1 D}	inline_connector
XC008_B:22		{FA3 1 D}	inline_connector
XC008_B:23		{FA3 3 D}	inline_connector
XC008_B:24		{FA3 4 D}	inline_connector
XC008_B:25		{WA 3 D}	inline_connector
XC010:1		{AB 0 C}	inline_connector
XC010:2		{AB 0 C}	inline_connector
XC010:3		{AB 1 B}	inline_connector
XC010:4		{AB 1 C}	inline_connector
XC010:5		{BD 0 B}	inline_connector
XC010:6		{GE 1 A}	inline_connector
XC010:7		{GE 2 B}	inline_connector
XC010:8		{GE 2 B}	inline_connector
XC010:9		{GE 2 B}	inline_connector
XC010:10		{GE 1 B}	inline_connector
XC010:11		{GE 1 B}	inline_connector
XC010:12		{AB 1 B}	inline_connector
XC010:13		{BF 1 B}	inline_connector
XC010:14		{BF 2 C}	inline_connector
XC010:15		{AB 0 C}	inline_connector
XC010:16		{FB 3 C}	inline_connector
XC010:17		{CD 1 B}	inline_connector
XC010:23		{GA 3 B}	inline_connector
XC010:24		{ZA 0 C}	inline_connector
XC013:1		{AA 4 B}	inline_connector
XC013:2		{BA 2 C}	inline_connector
XC013:3		{BA 2 C}	inline_connector
XC013:4		{BA 2 C}	inline_connector
XC013:5		{BA 1 C}	inline_connector
XC013:6		{BA 1 C}	inline_connector
XC013:7		{BA 1 C}	inline_connector
XC013:8		{GA 1 B}	inline_connector
XC013:9		{GA 1 B}	inline_connector
XC013:10		{GA 1 B}	inline_connector
XC013:11		{GA 1 B}	inline_connector
XC013:12		{BA 3 C}	inline_connector
XC013:13		{BA 3 C}	inline_connector
XC013:14		{BA 3 C}	inline_connector
XC013:15		{BA 3 C}	inline_connector
XC013:16		{BA 3 C}	inline_connector
XC013:17		{BA 3 C}	inline_connector
XC013:18		{BA2 2 B}	inline_connector
XC013:19		{BD 0 C}	inline_connector
XC013:20		{BD 0 C}	inline_connector
XC013:21		{BD 0 C}	inline_connector
XC013:22		{BD 0 C}	inline_connector

**VOLVO**

Volvo Bus Corporation

Document Title

**WIRING DIAGRAM**

Document Type

**PRODUCT SCHEMATIC**

Document No

**70399300**

Issue Index

**08**

Volume No

**02**

Page No

**28(49)**

Part Name	Description	Location	Part Type
XC013:23		{BD 0 C}	inline_connector
XC013:24		{EA 1 D}	inline_connector
XC013:25		{EA 1 D}	inline_connector
XC013:26		{EA 1 D}	inline_connector
XC013:27		{EA 1 D}	inline_connector
XC013:28		{XA 3 B}	inline_connector
XC013:29		{XA 3 B}	inline_connector
XC013:32		{XD 1 A}	inline_connector
XC013:33		{XD 1 A}	inline_connector
XC013:34		{JG 1 C}	inline_connector
XC013:35		{JG 1 C}	inline_connector
XC013:36		{JG 1 C}	inline_connector
XC014:1		{EA 3 B}	inline_connector
XC014:2		{EA 3 B}	inline_connector
XC014:3		{EA 3 D}	inline_connector
XC014:4		{EA 3 D}	inline_connector
XC014:5		{EA 4 D}	inline_connector
XC014:6		{EA 4 D}	inline_connector
XC014:7		{FA 0 C}	inline_connector
XC014:8		{FA 0 C}	inline_connector
XC014:9		{FA 0 C}	inline_connector
XC014:10		{FA 3 C}	inline_connector
XC014:11		{FA 3 C}	inline_connector
XC014:12		{GE 3 C}	inline_connector
XC014:13		{GE 4 C}	inline_connector
XC014:14		{FA 3 D}	inline_connector
XC014:15		{FA 2 D}	inline_connector
XC014:16		{BC 3 C}	inline_connector
XC014:17		{BC 2 C}	inline_connector
XC014:19		{GA 0 D}	inline_connector
XC014:20		{GA 0 D}	inline_connector
XC014:21		{GA 1 D}	inline_connector
XC014:22		{GA 1 D}	inline_connector
XC014:23		{GA 1 D}	inline_connector
XC014:24		{GA 0 D}	inline_connector
XC014:25		{GA 1 D}	inline_connector
XC014:26		{GA 1 D}	inline_connector
XC014:27		{GA 1 D}	inline_connector
XC014:28		{BD 1 B}	inline_connector
XC014:29		{AB 3 B}	inline_connector
XC014:30		{JD 0 D}	inline_connector
XC014:31		{JD 0 D}	inline_connector
XC014:32		{JD 0 D}	inline_connector
XC014:34		{JD 1 D}	inline_connector
XC014:35		{JD 1 A}	inline_connector
XC014:36		{JD 1 B}	inline_connector
XC020:1		{CE 1 D}	inline_connector
XC020:2		{CE 2 D}	inline_connector
XC020:3		{CE 2 D}	inline_connector
XC020:4		{CE 2 D}	inline_connector
XC020:5		{CE 3 D}	inline_connector

**VOLVO**

Volvo Bus Corporation

Document Title

**WIRING DIAGRAM**

Document Type

**PRODUCT SCHEMATIC**

Document No

**70399300**

Issue Index

**08**

Volume No

**02**

Page No

**29(49)**

Part Name	Description	Location	Part Type
XC020:6		{CE 3 D}	inline_connector
XC020:7		{CE 3 D}	inline_connector
XC020:8		{CE 4 D}	inline_connector
XC020:9		{CE 0 C}	inline_connector
XC020:10		{CE 1 C}	inline_connector
XC020:19		{CE 1 B}	inline_connector
XC021:1		{JD 0 B}	inline_connector
XC021:2		{JD 1 B}	inline_connector
XC021:3		{JD 2 B}	inline_connector
XC021:4		{JD 1 B}	inline_connector
XC021:6		{JD 0 D}	inline_connector
XC021:7		{JD 0 D}	inline_connector
XC021:8		{JD 0 D}	inline_connector
XC021:10		{JD 1 D}	inline_connector
XC021:11		{JE 0 B}	inline_connector
XC021:12		{JF 1 B}	inline_connector
XC021:13		{XC 4 A}	inline_connector
XC021:14		{XC 4 A}	inline_connector
XC021:15		{XE 1 A}	inline_connector
XC021:16		{XE 1 A}	inline_connector
XC021:17		{XA 0 A}	inline_connector
XC021:18		{XA 0 A}	inline_connector
XC021:19		{ZA 0 C}	inline_connector
XC021:20		{XB 0 A}	inline_connector
XC021:21		{XB 0 A}	inline_connector
XC021:22		{BA2 1 C}	inline_connector
XC021:23		{JE 0 D}	inline_connector
XC021:24		{BE 2 A}	inline_connector
XC021:25		{BE 2 A}	inline_connector
XC914A:1		{CA2 1 B}	inline_connector
XC914A:2		{CA2 1 B}	inline_connector
XC914A:3		{CA2 0 D}	inline_connector
XC914A:4		{CA2 1 D}	inline_connector
XC914A:5		{BD 1 A}	inline_connector
XC914A:7		{BD 1 A}	inline_connector
XC914A:8		{BD 3 D}	inline_connector
XC914A:9		{BD 3 D}	inline_connector
XC915:1		{BD 3 E}	inline_connector
XC915:3		{BD 3 C}	inline_connector
XC915:4		{BB 1 C}	inline_connector
XC915:5		{BA 0 B}	inline_connector
XC915:6		{BB 1 C}	inline_connector
XC916:1		{AC3 1 C}	inline_connector
XC916:2		{AC3 2 C}	inline_connector
XC916:4		{AC3 1 D}	inline_connector
XC916:5		{AC3 1 D}	inline_connector
XC916:6		{AC3 3 C}	inline_connector
XC934:1		{BC 2 B}	inline_connector
XC934:4		{BC 2 B}	inline_connector
XC935:1		{YA 1 E}	inline_connector
XC935:2		{YA 1 E}	inline_connector

**VOLVO**

Volvo Bus Corporation

Document Title

**WIRING DIAGRAM**

Document Type

**PRODUCT SCHEMATIC**

Document No

**70399300**

Issue Index

**08**

Volume No

**02**

Page No

**30(49)**

Part Name	Description	Location	Part Type
XC935:3		{YA 1 E}	inline_connector
XC935:4		{YA 1 E}	inline_connector
XC935:5		{YA 1 E}	inline_connector
XC935:6		{YA 1 E}	inline_connector
XC935:7		{YA 1 E}	inline_connector
XC935:8		{YA 1 E}	inline_connector
XC935:9		{YA 1 E}	inline_connector
XC935:10		{YA 1 E}	inline_connector
XC935:11		{YA 1 E}	inline_connector
XC935:12		{YA 2 E}	inline_connector
XC936:1		{YA 2 E}	inline_connector
XC936:2		{YA 2 E}	inline_connector
XC936:3		{YA 2 E}	inline_connector
XC936:4		{YA 2 E}	inline_connector
XC936:5		{YA 2 E}	inline_connector
XC936:6		{YA 2 E}	inline_connector
XC936:7		{YA 2 E}	inline_connector
XC936:8		{YA 2 E}	inline_connector
XC936:9		{YA 2 E}	inline_connector
XC936:10		{YA 2 E}	inline_connector
XC936:11		{YA 3 E}	inline_connector
XC936:12		{YA 3 E}	inline_connector
XC936:13		{YA 3 E}	inline_connector
XC936:14		{YA 3 E}	inline_connector
XC936:15		{YA 3 E}	inline_connector
XC936:16		{YA 3 E}	inline_connector
XC936:17		{YA 3 E}	inline_connector
XC936:18		{YA 3 E}	inline_connector
XC938:1		{OI 1 B}	inline_connector
XC938:2		{OI 1 B}	inline_connector
XC938:3		{OI 1 B}	inline_connector
XC938:4		{OI 1 B}	inline_connector
XC938:5		{OI 1 B}	inline_connector
XC938:6		{OI 1 B}	inline_connector
XC938:7		{OI 1 B}	inline_connector
XC941:1		{BF 3 C}	inline_connector
XC941:3		{BF 3 C}	inline_connector
XC:1		{EA 0 E} {ZA 1 C}	inline_connector
XC:2		{EA 0 E} {ZA 1 C}	inline_connector
XC:3		{ZA 1 C} {BD 2 C} {BD2 2 E} {BD2 1 A}	inline_connector
XC:4		{BA2 0 E} {ZA 1 C}	inline_connector
XC:5		{AB 0 A} {ZA 1 C}	inline_connector
XC:6		{ZA 1 C}	inline_connector
XC:7		{BA2 2 E} {ZA 1 C}	inline_connector

**VOLVO**

Volvo Bus Corporation

Document Title

**WIRING DIAGRAM**

Document Type

**PRODUCT SCHEMATIC**

Document No

**70399300**

Issue Index

**08**

Volume No

**02**

Page No

**31(49)**

Part Name	Description	Location	Part Type
XC:8		{ZA 1 C} {GB2 2 D}	inline_connector
XC:9		{ZA 1 C}	inline_connector
XC:10		{ZA 1 C} {BE 0 C}	inline_connector
XC:11		{ZA 2 C} {BE 2 D}	inline_connector
XC:12		{AB 2 C} {AB 2 B} {ZA 2 C}	inline_connector
XCA:1		{JD 2 D}	inline_connector
XCA:3		{JD 2 D}	inline_connector
XCA:4		{JD 2 D}	inline_connector
XCB401:1		{YA 3 C}	inline_connector
XCB401:2		{YA 3 C}	inline_connector
XCB401:4		{YA 4 C}	inline_connector
XCB401:5		{YA 4 C}	inline_connector
XCB401:7		{YA 4 C}	inline_connector
XCB401:8		{YA 4 C}	inline_connector
XCB401:9		{YA 4 C}	inline_connector
XCB500:1		{GE 3 C}	inline_connector
XCB500:2		{GE 1 C}	inline_connector
XCB500:3		{GE 2 C}	inline_connector
XCB500:4		{GE 2 C}	inline_connector
XCB500:5		{GE 3 C}	inline_connector
XCB500:6		{GE 1 E}	inline_connector
XCB500:7		{GE 0 C}	inline_connector
XCB500:8		{GE 0 D}	inline_connector
XCB500:10		{GE 0 C}	inline_connector
XCB500:11		{GE 0 C}	inline_connector
XCB500:12		{GE 0 C}	inline_connector
XCB500:13		{GE 0 D}	inline_connector
XCB500:14		{GE 0 D}	inline_connector
XCB500:15		{BD 2 D}	inline_connector
XCB500:17		{GE 4 B}	inline_connector
XCB500:18		{GE 3 C}	inline_connector
XCB500:19		{GE 4 C}	inline_connector
XCB502:1		{GB 1 C}	inline_connector
XCB502:2		{GB 1 C}	inline_connector
XCB502:3		{GB 1 C}	inline_connector
XCB502:4		{GB 0 C}	inline_connector
XCB502:5		{GB 0 C}	inline_connector
XCB502:6		{GB 0 C}	inline_connector
XCB502:7		{GB 4 C}	inline_connector
XCB502:8		{GB 4 C}	inline_connector
XCB502:9		{GB 4 C}	inline_connector
XCB502:10		{GB 3 C}	inline_connector
XCB502:11		{GB 3 C}	inline_connector
XCB502:12		{GB 3 C}	inline_connector
XCB502:13		{GB 2 C}	inline_connector
XCB502:14		{GB 2 C}	inline_connector
XCB502:15		{GB 2 C}	inline_connector

**VOLVO**

Volvo Bus Corporation

Document Title

**WIRING DIAGRAM**

Document Type

**PRODUCT SCHEMATIC**

Document No

**70399300**

Issue Index

**08**

Volume No

**02**

Page No

**32(49)**

Part Name	Description	Location	Part Type
XCB502:16		{GB 2 C}	inline_connector
XCB502:17		{GB 1 C}	inline_connector
XCB502:18		{GB 1 C}	inline_connector
XCB504:1		{YA 0 E}	inline_connector
XCB504:2		{YA 0 E}	inline_connector
XCB601F:1		{GC 0 D}	inline_connector
XCB601F:2		{GC 0 D}	inline_connector
XCB601F:3		{GC 0 D}	inline_connector
XCB601F:4		{GC 0 D}	inline_connector
XCB601F:5		{GC 0 D}	inline_connector
XCB601F:6		{GC 0 D}	inline_connector
XCB601M:1		{GC 4 D}	inline_connector
XCB601M:2		{GC 4 D}	inline_connector
XCB601M:3		{GC 1 D}	inline_connector
XCB601M:4		{GC 1 D}	inline_connector
XCB601M:5		{GC 1 D}	inline_connector
XCB601M:6		{GC 3 D}	inline_connector
XCB601M:7		{GC 1 D}	inline_connector
XCB601N:1		{GC2 1 B}	inline_connector
XCB601N:3		{GC2 2 B}	inline_connector
XCB601N:4		{GC2 2 B}	inline_connector
XCB601N:5		{GC2 1 B}	inline_connector
XCB601N:7		{GC2 2 B}	inline_connector
XCB601S:3		{GC2 2 D}	inline_connector
XCB601S:4		{GC2 2 D}	inline_connector
XCB601S:5		{GC2 2 D}	inline_connector
XCB601S:7		{GC2 2 E}	inline_connector
XCB602F:1		{GC 0 D}	inline_connector
XCB602F:2		{GC 0 D}	inline_connector
XCB602F:3		{GC 0 D}	inline_connector
XCB602F:4		{GC 0 D}	inline_connector
XCB602F:5		{GC 0 D}	inline_connector
XCB602F:6		{GC 0 D}	inline_connector
XCB602M:1		{GC 4 D}	inline_connector
XCB602M:2		{GC 3 D}	inline_connector
XCB602M:3		{GC 2 D}	inline_connector
XCB602M:4		{GC 2 D}	inline_connector
XCB602M:5		{GC 2 D}	inline_connector
XCB602M:6		{GC 3 D}	inline_connector
XCB602M:7		{GC 2 D}	inline_connector
XCB602N:1		{GC2 1 B}	inline_connector
XCB602N:3		{GC2 2 B}	inline_connector
XCB602N:4		{GC2 2 B}	inline_connector
XCB602N:5		{GC2 2 B}	inline_connector
XCB602N:7		{GC2 2 B}	inline_connector
XCB602S:3		{GC2 2 D}	inline_connector
XCB602S:4		{GC2 2 D}	inline_connector
XCB602S:5		{GC2 2 D}	inline_connector
XCB602S:7		{GC2 2 E}	inline_connector
XCB603M:1		{GC 3 D}	inline_connector
XCB603M:2		{BB 3 A}	inline_connector

**VOLVO**

Volvo Bus Corporation

Document Title

**WIRING DIAGRAM**

Document Type

**PRODUCT SCHEMATIC**

Document No

**70399300**

Issue Index

**08**

Volume No

**02**

Page No

**33(49)**

Part Name	Description	Location	Part Type
XCB603M:3		{BB 3 A}	inline_connector
XCB604M:1		{BB 1 C} {BB 1 C} {BB 0 C} {BB 1 C} {BB 0 C}	inline_connector
XCB604M:3		{BB 1 C} {BB 1 C} {BB 0 C} {BB 1 C} {BB 0 C}	inline_connector
XCB604N:1		{BB 1 C}	inline_connector
XCB604N:3		{BB 1 C}	inline_connector
XCB701R:1		{GD 1 D} {GD2 1 D} {GD2 1 B}	inline_connector
XCB701R:2		{GD 1 D} {GD2 1 D} {GD2 1 B}	inline_connector
XCB701R:3		{GD 0 D} {GD2 0 D} {GD2 0 B}	inline_connector
XCB701R:4		{GD 0 D} {GD2 0 D} {GD2 0 B}	inline_connector
XCB701R:5		{GD 0 D} {GD2 0 D} {GD2 0 B}	inline_connector
XCB701R:6		{GD 0 D} {GD2 0 D} {GD2 0 B}	inline_connector
XCB701R:7		{GD 2 D} {GD2 2 D} {GD2 2 B}	inline_connector
XCB701R:8		{GD 2 D} {GD2 2 D} {GD2 2 B}	inline_connector
XCB701R:9		{GD 2 D} {GD2 1 D} {GD2 1 B}	inline_connector
XCB701R:10		{GD 2 D} {GD2 1 D} {GD2 1 B}	inline_connector
XCB701R:11		{GD 1 D} {GD2 1 D} {GD2 1 B}	inline_connector
XCB701R:12		{GD 1 D} {GD2 1 D} {GD2 1 B}	inline_connector
XCB701R_A:1		{GD3 1 C} {GD3 1 D}	inline_connector
XCB701R_A:2		{GD3 1 E} {GD3 1 D}	inline_connector

**VOLVO**

Volvo Bus Corporation

Document Title

**WIRING DIAGRAM**

Document Type

**PRODUCT SCHEMATIC**

Document No

**70399300**

Issue Index

**08**

Volume No

**02**

Page No

**34(49)**

Part Name	Description	Location	Part Type
XCB701R_A:3		{GD3 0 C} {GD3 0 D}	inline_connector
XCB701R_A:4		{GD3 0 E} {GD3 0 D}	inline_connector
XCB701R_A:5		{GD3 0 C} {GD3 0 D}	inline_connector
XCB701R_A:6		{GD3 0 E} {GD3 0 D}	inline_connector
XCB701R_A:7		{GD3 2 C} {GD3 2 D}	inline_connector
XCB701R_A:8		{GD3 2 E} {GD3 2 D}	inline_connector
XCB701R_A:9		{GD3 1 C} {GD3 1 D}	inline_connector
XCB701R_A:10		{GD3 1 E} {GD3 1 D}	inline_connector
XCB701R_A:11		{GD3 1 C} {GD3 1 D}	inline_connector
XCB701R_A:12		{GD3 1 E} {GD3 1 D}	inline_connector
XCB702R:1		{GD 1 D} {GD2 1 D} {GD2 1 B}	inline_connector
XCB702R:2		{GD 1 D} {GD2 1 D} {GD2 1 B}	inline_connector
XCB702R:3		{GD 0 D} {GD2 0 D} {GD2 0 B}	inline_connector
XCB702R:4		{GD 0 D} {GD2 0 D} {GD2 0 B}	inline_connector
XCB702R:5		{GD 1 D} {GD2 0 D} {GD2 0 B}	inline_connector
XCB702R:6		{GD 1 D} {GD2 0 D} {GD2 0 B}	inline_connector
XCB702R:7		{GD 2 D} {GD2 2 D} {GD2 2 B}	inline_connector
XCB702R:8		{GD 2 D} {GD2 2 D} {GD2 2 B}	inline_connector
XCB702R:9		{GD 2 D} {GD2 2 D} {GD2 2 B}	inline_connector
XCB702R:10		{GD 2 D} {GD2 2 D} {GD2 2 B}	inline_connector
XCB702R:11		{GD 1 D} {GD2 1 D} {GD2 1 B}	inline_connector

**VOLVO**

Volvo Bus Corporation

Document Title

**WIRING DIAGRAM**

Document Type

**PRODUCT SCHEMATIC**

Document No

**70399300**

Issue Index

**08**

Volume No

**02**

Page No

**35(49)**

Part Name	Description	Location	Part Type
XCB702R:12		{GD 1 D} {GD2 1 D} {GD2 1 B}	inline_connector
XCB702R_A:1		{GD3 1 C} {GD3 1 D}	inline_connector
XCB702R_A:2		{GD3 1 E} {GD3 1 D}	inline_connector
XCB702R_A:3		{GD3 0 C} {GD3 0 D}	inline_connector
XCB702R_A:4		{GD3 0 E} {GD3 0 D}	inline_connector
XCB702R_A:5		{GD3 1 C} {GD3 1 D}	inline_connector
XCB702R_A:6		{GD3 1 E} {GD3 1 D}	inline_connector
XCB702R_A:7		{GD3 2 C} {GD3 2 D}	inline_connector
XCB702R_A:8		{GD3 2 E} {GD3 2 D}	inline_connector
XCB702R_A:9		{GD3 2 C} {GD3 2 D}	inline_connector
XCB702R_A:10		{GD3 2 E} {GD3 2 D}	inline_connector
XCB702R_A:11		{GD3 1 C} {GD3 1 D}	inline_connector
XCB702R_A:12		{GD3 1 E} {GD3 1 D}	inline_connector
XCB703R:1		{GD 3 D} {GD2 3 D} {GD2 3 B}	inline_connector
XCB703R:2		{GD 3 D} {GD2 2 D} {GD2 2 B}	inline_connector
XCB703R:3		{GD 3 D} {GD2 3 D} {GD2 3 B}	inline_connector
XCB703R:4		{GD 4 D} {GD2 3 D} {GD2 3 B}	inline_connector
XCB703R:5		{GC 3 D}	inline_connector
XCB703R:6		{GD 2 D} {GD2 2 D} {GD2 2 B}	inline_connector
XCB703R:7		{GD 1 D} {GD2 1 D} {GD2 1 B}	inline_connector
XCB703R:8		{BB 2 A}	inline_connector
XCB703R:10		{GD 2 D} {GD2 2 D} {GD2 2 B}	inline_connector
XCB703R:11		{GC 3 D}	inline_connector

**VOLVO**

Volvo Bus Corporation

Document Title

**WIRING DIAGRAM**

Document Type

**PRODUCT SCHEMATIC**

Document No

**70399300**

Issue Index

**08**

Volume No

**02**

Page No

**36(49)**

Part Name	Description	Location	Part Type
XCB703R:12		{GD 4 D} {GD2 3 D} {GD2 3 B}	inline_connector
XCB703R_A:1		{GD3 3 C} {GD3 3 D}	inline_connector
XCB703R_A:2		{GD3 3 C} {GD3 3 D}	inline_connector
XCB703R_A:3		{GD3 3 C} {GD3 3 D}	inline_connector
XCB703R_A:4		{GD3 3 C} {GD3 3 D}	inline_connector
XCB703R_A:6		{GD3 2 C} {GD3 2 D}	inline_connector
XCB703R_A:7		{GD3 1 C} {GD3 1 D}	inline_connector
XCB703R_A:10		{GD3 2 C} {GD3 2 D}	inline_connector
XCB703R_A:12		{GD3 3 E} {GD3 3 D}	inline_connector
XCB801F:1		{YA 0 B}	inline_connector
XCB801F:2		{YA 0 B}	inline_connector
XCB801F:3		{YA 0 B}	inline_connector
XCB801F:4		{YA 0 B}	inline_connector
XCB801F:5		{YA 0 B}	inline_connector
XCB801F:6		{YA 0 B}	inline_connector
XCB801F:7		{YA 0 B}	inline_connector
XCB801F:8		{YA 0 B}	inline_connector
XCB801F:9		{YA 1 B}	inline_connector
XCB801F:10		{YA 1 B}	inline_connector
XCB801F:11		{YA 1 B}	inline_connector
XCB801F:12		{YA 1 B}	inline_connector
XCB801F:13		{YA 1 B}	inline_connector
XCB801F:14		{YA 1 B}	inline_connector
XCB801F:15		{YA 1 B}	inline_connector
XCB801F:16		{YA 1 B}	inline_connector
XCB801F:17		{YA 1 B}	inline_connector
XCB801F:18		{YA 1 B}	inline_connector
XCB801F:19		{YA 1 B}	inline_connector
XCB801F:20		{YA 2 B}	inline_connector
XCB801F:21		{YA 2 B}	inline_connector
XCB801F:22		{YA 2 B}	inline_connector
XCB801F:23		{YA 2 B}	inline_connector
XCB801F:24		{YA 2 B}	inline_connector
XCB801F:25		{YA 2 B}	inline_connector
XCB801F:26		{YA 2 B}	inline_connector
XCB801F:27		{YA 2 B}	inline_connector
XCB801F:28		{YA 2 B}	inline_connector
XCB801F:29		{YA 2 B}	inline_connector
XCB801F:30		{YA 3 B}	inline_connector
XCB801F:31		{YA 3 B}	inline_connector
XCB801F:32		{YA 3 B}	inline_connector
XCB801F:33		{YA 3 B}	inline_connector

**VOLVO**

Volvo Bus Corporation

Document Title

**WIRING DIAGRAM**

Document Type

**PRODUCT SCHEMATIC**

Document No

**70399300**

Issue Index

**08**

Volume No

**02**

Page No

**37(49)**

Part Name	Description	Location	Part Type
XCB801F:34		{YA 3 B}	inline_connector
XCB801F:35		{YA 3 B}	inline_connector
XCB801F:36		{YA 3 B}	inline_connector
XCB803F:1		{YA 0 C}	inline_connector
XCB803F:2		{YA 0 C}	inline_connector
XCB803F:3		{YA 0 C}	inline_connector
XCB803F:4		{YA 0 C}	inline_connector
XCB803F:5		{YA 0 C}	inline_connector
XCB803F:6		{YA 0 C}	inline_connector
XCB803F:7		{YA 0 C}	inline_connector
XCB803F:8		{YA 0 C}	inline_connector
XCB803F:9		{YA 1 C}	inline_connector
XCB803F:10		{YA 1 C}	inline_connector
XCB803F:11		{YA 1 C}	inline_connector
XCB803F:12		{YA 1 C}	inline_connector
XCB803F:13		{YA 1 C}	inline_connector
XCB803F:14		{YA 1 C}	inline_connector
XCB803F:15		{YA 1 C}	inline_connector
XCB803F:16		{YA 1 C}	inline_connector
XCB803F:17		{YA 1 C}	inline_connector
XCB803F:18		{YA 1 C}	inline_connector
XCB803F:19		{YA 2 C}	inline_connector
XCB803F:20		{YA 1 C}	inline_connector
XCB803F:21		{YA 2 C}	inline_connector
XCB803F:22		{YA 2 C}	inline_connector
XCB803F:23		{YA 2 C}	inline_connector
XCB803F:24		{YA 2 C}	inline_connector
XCB803F:25		{YA 2 C}	inline_connector
XCD01:1		{GA 3 B}	inline_connector
XCD01:2		{GA 0 D}	inline_connector
XCD01:3		{BA2 2 C}	inline_connector
XCD01:4		{FA 3 B}	inline_connector
XCD01:5		{FA 0 A}	inline_connector
XCD01:6		{AB 0 C}	inline_connector
XCD01:7		{JD 1 D}	inline_connector
XCD01:8		{BF 1 B}	inline_connector
XCD01:9		{JG 1 C}	inline_connector
XCD01:10		{EA 3 A}	inline_connector
XCD01:11		{EA 3 D}	inline_connector
XCD01:12		{EA 4 D}	inline_connector
XCD01:13		{JD 4 B}	inline_connector
XCD01:14		{JD 1 A}	inline_connector
XCD01:15		{FA 2 D}	inline_connector
XCG01	Ground connector	{ZA 0 C}	componentSymbol
XCG01:1		{AB 0 E}	inline_connector
XCG01:2		{GB 0 E}	inline_connector
XCG01:3		{GB 1 E}	inline_connector
XCG01:4		{GB 1 E}	inline_connector
XCG01:5		{GB 2 E}	inline_connector
XCG01:6		{GB 3 E}	inline_connector
XCG01:7		{GB 4 E}	inline_connector

**VOLVO**

Volvo Bus Corporation

Document Title

**WIRING DIAGRAM**

Document Type

**PRODUCT SCHEMATIC**

Document No

**70399300**

Issue Index

**08**

Volume No

**02**

Page No

**38(49)**

Part Name	Description	Location	Part Type
XCG01:8		{GE 0 E}	inline_connector
XCG01:9		{GE 0 E}	inline_connector
XCG01:10		{JG 1 B}	inline_connector
XCG01:11		{BC 0 E}	inline_connector
XCG01:12		{BC 0 E}	inline_connector
XCG01:13		{OI 3 B}	inline_connector
XCG01:14		{CE 1 D}	inline_connector
XCG01:21		{ZA 0 C}	inline_connector
XD:1		{ZA 0 C}	inline_connector
XD:2		{ZA 0 C}	inline_connector
XD:3		{ZA 1 C}	inline_connector
XD:4		{ZA 1 C}	inline_connector
XD:5		{ZA 1 C} {BF 2 D}	inline_connector
XD:6		{ZA 1 C} {DA4 0 C} {DA3 1 C} {DA 0 C} {DA2 0 D}	inline_connector
XD:7		{ZA 1 C} {FA2 4 D}	inline_connector
XD:8		{BB 0 D} {ZA 1 C}	inline_connector
XD:9		{ZA 1 C}	inline_connector
XD:10		{ZA 1 C}	inline_connector
XD:11		{GA 3 E} {ZA 1 C}	inline_connector
XD:12		{GA 3 E} {ZA 1 C}	inline_connector
XE:1		{ZA 1 C}	inline_connector
XF:1		{FA 4 C}	inline_connector
XF:4		{GC 4 B}	inline_connector
XF:7		{GC 3 B}	inline_connector
XF:8		{GC 3 B}	inline_connector
XF:10		{FA 4 B}	inline_connector
XF:12		{GC 4 B}	inline_connector
XF:15		{FA 4 B}	inline_connector
XF:18		{BB 4 B}	inline_connector
XG:1		{AA 2 A}	inline_connector
XH:1		{AB 4 A}	inline_connector
XJ:1		{GE 1 A}	inline_connector
XJ:2		{GE 1 B}	inline_connector
XJ:4		{GE 4 B}	inline_connector
XJ:5		{JD 0 A}	inline_connector
XJ:7		{GE 4 B}	inline_connector
XJ:8		{JD 0 A}	inline_connector
XJ:9		{JD 0 A}	inline_connector
XJ:11		{JD 0 A}	inline_connector
XJ:14		{BB 3 B}	inline_connector
XJ:16		{BB 3 B}	inline_connector
XJ:17		{BB 3 B}	inline_connector
XJ:18		{BB 3 B}	inline_connector

**VOLVO**

Volvo Bus Corporation

Document Title

**WIRING DIAGRAM**

Document Type

**PRODUCT SCHEMATIC**

Document No

**70399300**

Issue Index

**08**

Volume No

**02**

Page No

**39(49)**

Part Name	Description	Location	Part Type
XJK:1		{BB 2 D}	inline_connector
XJK:2		{BB 2 E}	inline_connector
XJK:3		{BB 2 D}	inline_connector
XJK:4		{BB 2 E}	inline_connector
XK:2		{OI 3 A}	inline_connector
XK:3		{GE 1 A}	inline_connector
XK:5		{OI 3 A}	inline_connector
XK:6		{GE 1 B}	inline_connector
XK:9		{DA4 0 B} {DA 0 B}	inline_connector
XK:11		{DA4 0 B} {DA 0 B}	inline_connector
XK:12		{DA4 2 B} {DA 2 B}	inline_connector
XL:1		{BA 0 B}	inline_connector
XL:2		{GC 3 A}	inline_connector
XL:3		{BA 0 B}	inline_connector
XL:4		{EB 0 A}	inline_connector
XL:5		{BA 0 B}	inline_connector
XL:6		{BA 0 B}	inline_connector
XL:7		{DA4 0 B} {DA 0 B}	inline_connector
XL:8		{BD 0 A}	inline_connector
XL:9		{BD 0 A}	inline_connector
XL:10		{DA4 0 B} {DA 0 B}	inline_connector
XL:11		{BD 0 A}	inline_connector
XL:13		{BB 4 A}	inline_connector
XL:14		{BB 4 A}	inline_connector
XM:1		{AB 2 B}	inline_connector
XM:2		{AB 2 B}	inline_connector
XM:3		{AB 2 B}	inline_connector
XM:4		{AB 2 A}	inline_connector
XM:10		{AB 3 B}	inline_connector
XM:11		{AB 2 B}	inline_connector
XM:12		{BD 1 A}	inline_connector
XM:15		{BD 1 A}	inline_connector
XM:18		{BD 0 A}	inline_connector
XO:1		{AA 2 A}	inline_connector
XS:1		{AB 2 B}	inline_connector
XSC-A03:B1_1		{BD 3 C}	physical_splice_connector
XSC-A03:B1_2		{BD 4 C}	physical_splice_connector
XSC-A03:B1_3		{BD 3 C}	physical_splice_connector
XSC-A03:B1_4		{WA 1 B}	physical_splice_connector
XSC-A03:B3_1		{BD 2 E}	physical_splice_connector
XSC-A14B:1		{CA3 4 D}	physical_splice_connector
XSC-A16:A6_1		{FA 0 C}	physical_splice_connector
XSC-A16:A7_1		{FA2 0 E}	physical_splice_connector
XSC-A16:A7_2		{FA3 1 B}	physical_splice_connector
XSC-A16:A7_3		{FA3 1 D}	physical_splice_connector
XSC-A16:A10_1		{FA 2 C}	physical_splice_connector
XSC-A16:A11_1		{FA2 3 C}	physical_splice_connector

**VOLVO**

Volvo Bus Corporation

Document Title

**WIRING DIAGRAM**

Document Type

**PRODUCT SCHEMATIC**

Document No

**70399300**

Issue Index

**08**

Volume No

**02**

Page No

**40(49)**

Part Name	Description	Location	Part Type
XSC-A16:A11_2		{FA3 3 B}	physical_splice_connector
XSC-A16:A11_3		{FA3 3 D}	physical_splice_connector
XSC-A16:A14_1		{FA2 0 A}	physical_splice_connector
XSC-A16:A17_1		{FA2 2 C}	physical_splice_connector
XSC-A16:A17_2		{FA3 3 B}	physical_splice_connector
XSC-A16:A17_3		{FA3 3 D}	physical_splice_connector
XSC-A16:A30_1		{FA2 0 C}	physical_splice_connector
XSC-A16:A30_2		{FA3 1 B}	physical_splice_connector
XSC-A16:A30_3		{FA3 1 C}	physical_splice_connector
XSC-A16:B9_1		{FA 1 D}	physical_splice_connector
XSC-A17:B3_1		{BA2 0 B}	physical_splice_connector
XSC-A17:B10_1		{BA 2 D}	physical_splice_connector
XSC-A17:B11_1		{BA2 2 A}	physical_splice_connector
XSC-A17:B11_2		{BA2 2 B}	physical_splice_connector
XSC-A17:B19_1		{BA 2 C}	physical_splice_connector
XSC-A17:B22_1		{BA 2 D}	physical_splice_connector
XSC-A17:B28_1		{BA2 0 B}	physical_splice_connector
XSC-A27:A5_1		{GD 1 C}	physical_splice_connector
XSC-A27:A7_1		{GD 2 C}	physical_splice_connector
XSC-A27:A7_2		{GD3 2 B}	physical_splice_connector
XSC-A27:A10		{GC 2 A}	physical_splice_connector
XSC-A27:A13_1		{GD 2 C}	physical_splice_connector
XSC-A27:D17_1		{GD 1 C}	physical_splice_connector
XSC-A59A.A_1		{XB 3 B}	physical_splice_connector
XSC-A59A.B_1		{XB 3 B}	physical_splice_connector
XSC-A59A:24_1		{FE 2 D}	physical_splice_connector
XSC-A59A:45_1		{FE 1 B}	physical_splice_connector
XSC-A90:A4_1		{AB 0 C}	physical_splice_connector
XSC-A141:EB18		{OI 3 D}	physical_splice_connector
XSC-A141:EB49		{OJ 2 B}	physical_splice_connector
XSC-A916:B1_1		{FB 1 C}	physical_splice_connector
XSC-A916:B1_2		{FC 1 C}	physical_splice_connector
XSC-A916:B1_3		{FD 1 C}	physical_splice_connector
XSC-A916:B3_1		{FB 2 C}	physical_splice_connector
XSC-A916:B3_2		{FC 2 C}	physical_splice_connector
XSC-A916:C2_1		{FB 2 C}	physical_splice_connector
XSC-A916:C2_2		{FD 2 C}	physical_splice_connector
XSC-A916:C5_1		{FB 1 C}	physical_splice_connector
XSC-A916:C5_2		{FC 1 B}	physical_splice_connector
XSC-A916:C6_1		{FB 1 C}	physical_splice_connector
XSC-A916:C6_2		{FC 1 B}	physical_splice_connector
XSC-A916:C8_1		{FB 1 C}	physical_splice_connector
XSC-A916:C8_2		{FC 1 B}	physical_splice_connector
XSC-A917:A1_1		{CB 3 D}	physical_splice_connector
XSC-A917:A2_1		{CB 3 D}	physical_splice_connector
XSC-A942:B9		{BC 1 D}	physical_splice_connector
XSC-A942:B23		{BC 2 D}	physical_splice_connector
XSC-A942:B26		{BC 1 D}	physical_splice_connector
XSC-A951:A20_1		{JD 1 C}	physical_splice_connector
XSC-A953.A6_1		{AC5 1 B}	physical_splice_connector
XSC-ALT-BS		{AC2 1 D}	physical_splice_connector

**VOLVO**

Volvo Bus Corporation

Document Title

**WIRING DIAGRAM**

Document Type

**PRODUCT SCHEMATIC**

Document No

**70399300**

Issue Index

**08**

Volume No

**02**

Page No

**41(49)**

Part Name	Description	Location	Part Type
XSC-ALT-KL15		{AC2 2 D}	physical_splice_connector
XSC-B07:1_1		{BD 3 E}	physical_splice_connector
XSC-B07:2_1		{BD 3 C}	physical_splice_connector
XSC-B945_1		{CE 0 B}	physical_splice_connector
XSC-CRANK_1		{AB 1 D}	physical_splice_connector
XSC-DBUSH_01		{XE 0 A}	physical_splice_connector
XSC-DBUSH_02		{XE 1 A}	physical_splice_connector
XSC-DBUSH_03		{XE 1 A}	physical_splice_connector
XSC-DBUSH_04		{XE 2 A}	physical_splice_connector
XSC-DBUSH_05		{XE 2 A}	physical_splice_connector
XSC-DBUSH_06		{XE 2 C}	physical_splice_connector
XSC-DBUSH_07		{XE 1 C}	physical_splice_connector
XSC-DBUSL_01		{XE 0 A}	physical_splice_connector
XSC-DBUSL_02		{XE 1 A}	physical_splice_connector
XSC-DBUSL_03		{XE 1 A}	physical_splice_connector
XSC-DBUSL_04		{XE 2 A}	physical_splice_connector
XSC-DBUSL_05		{XE 2 A}	physical_splice_connector
XSC-DBUSL_06		{XE 3 C}	physical_splice_connector
XSC-DBUSL_07		{XE 2 C}	physical_splice_connector
XSC-DPF		{CA2 1 D}	physical_splice_connector
XSC-DR		{AB 1 B}	physical_splice_connector
XSC-EBI2:15_1		{GD2 1 D}	physical_splice_connector
XSC-EBI2:16_1		{GD2 2 D}	physical_splice_connector
XSC-EBI2:18_1		{GD2 2 D}	physical_splice_connector
XSC-EBI2:23_1		{GD2 1 D}	physical_splice_connector
XSC-F10_1		{OI 3 B}	physical_splice_connector
XSC-F10_2		{OI 3 B}	physical_splice_connector
XSC-F11_1		{DA4 0 B}	physical_splice_connector
XSC-F12_1		{DA3 2 D}	physical_splice_connector
XSC-F20_1		{BF 2 B}	physical_splice_connector
XSC-F33_1		{GB2 2 B}	physical_splice_connector
XSC-F34_1		{FB 2 B}	physical_splice_connector
XSC-F34_2		{FE 1 B}	physical_splice_connector
XSC-F34_3		{FC 2 B}	physical_splice_connector
XSC-F34_4		{FD 3 B}	physical_splice_connector
XSC-F40_1		{CA 0 A}	physical_splice_connector
XSC-F40_2		{CA2 0 B}	physical_splice_connector
XSC-F40_3		{CA3 0 B}	physical_splice_connector
XSC-F41_1		{BA 2 B}	physical_splice_connector
XSC-F42_1		{CA3 1 B}	physical_splice_connector
XSC-F42_2		{CA 1 E}	physical_splice_connector
XSC-F42_3		{BA 2 B}	physical_splice_connector
XSC-F42_4		{BA 3 B}	physical_splice_connector
XSC-F54_1		{JE 0 B}	physical_splice_connector
XSC-F57_1		{DA2 0 B}	physical_splice_connector
XSC-F59_1		{AA 4 B}	physical_splice_connector
XSC-F61_1		{JD 2 B}	physical_splice_connector
XSC-F61_2		{JE 0 C}	physical_splice_connector
XSC-F62_1		{BD 2 A}	physical_splice_connector
XSC-F62_2		{CB 1 A}	physical_splice_connector
XSC-F63_1		{BC 0 B}	physical_splice_connector

**VOLVO**

Volvo Bus Corporation

Document Title

**WIRING DIAGRAM**

Document Type

**PRODUCT SCHEMATIC**

Document No

**70399300**

Issue Index

**08**

Volume No

**02**

Page No

**42(49)**

Part Name	Description	Location	Part Type
XSC-F66_1		{GC 3 C}	physical_splice_connector
XSC-F68_1		{AB 1 C}	physical_splice_connector
XSC-F68_2		{AB 1 B}	physical_splice_connector
XSC-F83_1		{CB 1 B}	physical_splice_connector
XSC-F84_1		{JD 1 B}	physical_splice_connector
XSC-F89_1		{GC 1 B}	physical_splice_connector
XSC-F89_2		{GC 1 C}	physical_splice_connector
XSC-F89_3		{GC2 2 B}	physical_splice_connector
XSC-F90_1		{GC 2 B}	physical_splice_connector
XSC-F90_2		{GC 2 C}	physical_splice_connector
XSC-F90_3		{GC2 2 B}	physical_splice_connector
XSC-F110_1		{AA 1 B}	physical_splice_connector
XSC-F111_1		{AA 1 B}	physical_splice_connector
XSC-F111_2		{AA 1 B}	physical_splice_connector
XSC-F304_1		{OI 3 C}	physical_splice_connector
XSC-F304_2		{OI 2 C}	physical_splice_connector
XSC-F305_1		{AC5 1 B}	physical_splice_connector
XSC-F308_1		{AC5 2 A}	physical_splice_connector
XSC-F309_1		{AC5 2 B}	physical_splice_connector
XSC-F310_1		{AC5 2 B}	physical_splice_connector
XSC-F311_1		{AC5 3 B}	physical_splice_connector
XSC-F319_1		{OJ 1 B}	physical_splice_connector
XSC-GBX1		{DA4 3 D}	physical_splice_connector
XSC-GBX:1_1		{DA2 3 D}	physical_splice_connector
XSC-GBX:9_1		{DA2 4 D}	physical_splice_connector
XSC-J1587A_01		{XA 0 A}	physical_splice_connector
XSC-J1587A_02		{XA 1 A}	physical_splice_connector
XSC-J1587A_03		{XA 2 A}	physical_splice_connector
XSC-J1587A_04		{XA 3 A}	physical_splice_connector
XSC-J1587A_05		{XA 3 A}	physical_splice_connector
XSC-J1587A_06		{XA 3 C}	physical_splice_connector
XSC-J1587A_07		{XA 3 C}	physical_splice_connector
XSC-J1587A_08		{XA 1 C}	physical_splice_connector
XSC-J1587A_09		{XA 0 D}	physical_splice_connector
XSC-J1587A_10		{XA 2 D}	physical_splice_connector
XSC-J1587B_01		{XA 0 A}	physical_splice_connector
XSC-J1587B_02		{XA 1 A}	physical_splice_connector
XSC-J1587B_03		{XA 2 A}	physical_splice_connector
XSC-J1587B_04		{XA 3 A}	physical_splice_connector
XSC-J1587B_05		{XA 3 A}	physical_splice_connector
XSC-J1587B_06		{XA 3 B}	physical_splice_connector
XSC-J1587B_07		{XA 2 B}	physical_splice_connector
XSC-J1587B_08		{XA 1 B}	physical_splice_connector
XSC-J1587B_09		{XA 0 C}	physical_splice_connector
XSC-J1587B_10		{XA 2 C}	physical_splice_connector
XSC-J1939H_04		{XC 2 A}	physical_splice_connector
XSC-J1939L_04		{XC 2 A}	physical_splice_connector
XSC-J19391H_01		{XB 0 A}	physical_splice_connector
XSC-J19391H_02		{XB 1 A}	physical_splice_connector
XSC-J19391H_03		{XB 2 A}	physical_splice_connector
XSC-J19391H_04		{XB 2 A}	physical_splice_connector

**VOLVO**

Volvo Bus Corporation

Document Title

**WIRING DIAGRAM**

Document Type

**PRODUCT SCHEMATIC**

Document No

**70399300**

Issue Index

**08**

Volume No

**02**

Page No

**43(49)**

Part Name	Description	Location	Part Type
XSC-J19391H_05		{XB 2 A}	physical_splice_connector
XSC-J19391H_06		{XB 3 A}	physical_splice_connector
XSC-J19391H_07		{XB 3 A}	physical_splice_connector
XSC-J19391H_08		{XB 4 A}	physical_splice_connector
XSC-J19391H_09		{XB 1 C}	physical_splice_connector
XSC-J19391L_01		{XB 1 A}	physical_splice_connector
XSC-J19391L_02		{XB 1 A}	physical_splice_connector
XSC-J19391L_03		{XB 2 A}	physical_splice_connector
XSC-J19391L_04		{XB 2 A}	physical_splice_connector
XSC-J19391L_05		{XB 3 A}	physical_splice_connector
XSC-J19391L_06		{XB 3 A}	physical_splice_connector
XSC-J19391L_07		{XB 3 A}	physical_splice_connector
XSC-J19391L_08		{XB 4 A}	physical_splice_connector
XSC-J19391L_09		{XB 2 D}	physical_splice_connector
XSC-J19392H_01		{XC 0 A}	physical_splice_connector
XSC-J19392H_02		{XC 1 A}	physical_splice_connector
XSC-J19392H_03		{XC 3 A}	physical_splice_connector
XSC-J19392L_01		{XC 0 A}	physical_splice_connector
XSC-J19392L_02		{XC 1 A}	physical_splice_connector
XSC-J19392L_03		{XC 3 A}	physical_splice_connector
XSC-J19392L_03_2		{JE 1 D}	physical_splice_connector
XSC-J19393H_01		{XC 1 C}	physical_splice_connector
XSC-J19393L_01		{XC 1 D}	physical_splice_connector
XSC-J19397H_01		{XD 0 A}	physical_splice_connector
XSC-J19397H_02		{XD 1 A}	physical_splice_connector
XSC-J19397H_03		{XD 4 B}	physical_splice_connector
XSC-J19397H_03_H		{XD2 4 B}	physical_splice_connector
XSC-J19397H_04		{XD 2 D}	physical_splice_connector
XSC-J19397H_04_H		{XD2 3 B}	physical_splice_connector
XSC-J19397H_05		{XD 3 D}	physical_splice_connector
XSC-J19397H_05_H		{XD2 2 B}	physical_splice_connector
XSC-J19397H_06_H		{XD2 1 B}	physical_splice_connector
XSC-J19397H_07_H		{XD2 0 B}	physical_splice_connector
XSC-J19397H_08_H		{XD2 0 D}	physical_splice_connector
XSC-J19397H_09_H		{XD2 0 D}	physical_splice_connector
XSC-J19397H_10_H		{XD2 1 D}	physical_splice_connector
XSC-J19397H_11_H		{XD2 2 D}	physical_splice_connector
XSC-J19397H_12_H		{XD2 3 D}	physical_splice_connector
XSC-J19397L_01		{XD 0 A}	physical_splice_connector
XSC-J19397L_02		{XD 1 A}	physical_splice_connector
XSC-J19397L_03		{XD 4 B}	physical_splice_connector
XSC-J19397L_03_H		{XD2 4 C}	physical_splice_connector

**VOLVO**

Volvo Bus Corporation

Document Title

**WIRING DIAGRAM**

Document Type

**PRODUCT SCHEMATIC**

Document No

**70399300**

Issue Index

**08**

Volume No

**02**

Page No

**44(49)**

Part Name	Description	Location	Part Type
XSC-J19397L_04		{XD 2 D}	physical_splice_connector
XSC-J19397L_04_H		{XD2 3 C}	physical_splice_connector
XSC-J19397L_05		{XD 3 D}	physical_splice_connector
XSC-J19397L_05_H		{XD2 2 C}	physical_splice_connector
XSC-J19397L_06_H		{XD2 1 C}	physical_splice_connector
XSC-J19397L_07_H		{XD2 1 C}	physical_splice_connector
XSC-J19397L_08_H		{XD2 0 D}	physical_splice_connector
XSC-J19397L_09_H		{XD2 1 D}	physical_splice_connector
XSC-J19397L_10_H		{XD2 1 D}	physical_splice_connector
XSC-J19397L_11_H		{XD2 2 D}	physical_splice_connector
XSC-J19397L_12_H		{XD2 3 D}	physical_splice_connector
XSC-K03:87_1		{AB 2 B}	physical_splice_connector
XSC-K14:87_1		{AB 3 C}	physical_splice_connector
XSC-LT1:8_1		{FD 1 C}	physical_splice_connector
XSC-LT1:9_1		{GD2 2 A}	physical_splice_connector
XSC-LT:29_1		{FD 1 C}	physical_splice_connector
XSC-LT:31_1		{FD 2 C}	physical_splice_connector
XSC-M32.A1		{AC5 4 A}	physical_splice_connector
XSC-M33.A1		{AC5 3 B}	physical_splice_connector
XSC-MAINSW_1		{AB 0 D}	physical_splice_connector
XSC-OBD3:5_1		{FD 3 B}	physical_splice_connector
XSC-S901:1_1		{CA 1 A}	physical_splice_connector
XSC-S901:1_2		{CA2 1 A}	physical_splice_connector
XSC-S901:1_3		{CA 1 A}	physical_splice_connector
XSC-S939:1_1		{CE 1 E}	physical_splice_connector
XSC-S939:1_2		{CE 3 E}	physical_splice_connector
XSC-TRAIL19_1		{GD2 1 A}	physical_splice_connector
XSC-TRAIL19_2		{GD2 1 B}	physical_splice_connector
XSC-TRAIL20_1		{GD2 2 B}	physical_splice_connector
XSC-TRAIL23_1		{GD2 3 A}	physical_splice_connector
XSC-TRAIL24_1		{GD2 3 A}	physical_splice_connector
XSC-TRAIL24_2		{GD2 3 A}	physical_splice_connector
XSC-TRAIL29_1		{GD2 1 B}	physical_splice_connector
XSC-TRAIL30_1		{GD2 2 A}	physical_splice_connector
XSC-TRAIL30_2		{GD2 2 B}	physical_splice_connector
XSC-WASHER		{GE 0 B}	physical_splice_connector
XSC-XCB601S_1		{GD3 3 C}	physical_splice_connector
XSC-XCB601S_2		{GC2 2 D}	physical_splice_connector
XSC-XCB602S_1		{GD3 3 C}	physical_splice_connector
XSC-XCB602S_2		{GC2 2 D}	physical_splice_connector
XSC-XD:6_1		{DA4 1 C}	physical_splice_connector
XSC-Y53:6_1		{FE 3 D}	physical_splice_connector
XSC-Y901:2_1		{BA 0 B}	physical_splice_connector
XSC-ZFH_01		{DA2 1 D}	physical_splice_connector

**VOLVO**

Volvo Bus Corporation

Document Title

**WIRING DIAGRAM**

Document Type

**PRODUCT SCHEMATIC**

Document No

**70399300**

Issue Index

**08**

Volume No

**02**

Page No

**45(49)**

Part Name	Description	Location	Part Type
XSC-ZFL_01		{DA2 1 D}	physical_splice_connector
XSC_DPF1		{CA 3 D}	physical_splice_connector
XSC_DPF_2		{CA 2 D}	physical_splice_connector
XSCB-30		{AA 2 B}	physical_splice_connector
XSCB-B_1		{AA 0 A}	physical_splice_connector
XSCB-B_2		{AA 1 A}	physical_splice_connector
XSCD-01		{GA 3 B}	physical_splice_connector
XSCG-DASH1		{GA 1 D} {ZA 0 B} {BD 1 D} {FA 3 C} {FA 0 A} {JD 4 B}	physical_splice_connector
XSCG-DASH2		{BA2 2 D} {EA 4 E} {EA 3 E} {EA 3 B} {AB 0 B} {GA 1 A} {ZA 0 A} {BF 1 C} {FA 3 B} {JD 1 B}	physical_splice_connector
XSCG-TELE		{ZA 0 B} {JE 0 E} {JF 2 D} {JD 0 B} {JD 3 B} {JD 4 E}	physical_splice_connector
XSCG21		{ZA 2 D} {YA 0 E}	physical_splice_connector
XSCG31		{ZA 2 D}	physical_splice_connector
XSCG41		{ZA 3 D}	physical_splice_connector
XSCG51		{ZA 4 D}	physical_splice_connector
XSCG61		{ZA 4 D} {GC2 2 E} {GC2 2 E}	physical_splice_connector
XSCG211		{BA 1 C} {ZA 2 C} {GC 0 E} {GC 0 E} {FA 0 B}	physical_splice_connector
XSCG311		{ZA 2 C} {GC 1 E} {GC 2 E} {FA 2 B} {FA 1 B}	physical_splice_connector
XSCG312		{BB 2 E} {ZA 2 C} {CB 4 E} {CB 2 E} {OK 2 C}	physical_splice_connector

**VOLVO**

Volvo Bus Corporation

Document Title

**WIRING DIAGRAM**

Document Type

**PRODUCT SCHEMATIC**

Document No

**70399300**

Issue Index

**08**

Volume No

**02**

Page No

**46(49)**

Part Name	Description	Location	Part Type
XSCG313		{BB 4 D} {BB 3 B} {BB 2 E} {BB 3 D} {ZA 2 C} {CB 1 B} {AC5 1 D} {AC5 2 D} {OI 2 C}	physical_splice_connector
XSCG314		{EA 2 E} {ZA 2 C} {CA 0 E} {DA3 1 C} {CA2 0 E} {CA3 0 E} {OI 2 C}	physical_splice_connector
XSCG411		{ZA 3 C} {CB 2 B} {BC 2 B} {OI 1 D} {OI 1 C} {OI 0 D}	physical_splice_connector
XSCG412		{ZA 3 C} {OJ 1 C}	physical_splice_connector
XSCG413		{ZA 3 C} {AC5 3 D} {AC5 3 D}	physical_splice_connector
XSCG414		{ZA 3 C} {AC5 3 B} {AC5 3 B}	physical_splice_connector
XSCG415		{ZA 3 C}	physical_splice_connector
XSCG511		{BA 0 C} {ZA 3 C} {FA 1 A} {GC2 2 C} {GC2 2 C} {FE 1 C} {FE 1 D} {FE 2 B}	physical_splice_connector
XSCG512		{ZA 4 C} {FC 1 D} {FC 0 C} {FC 2 C}	physical_splice_connector
XSCG611		{BA 1 C} {ZA 4 C} {FA 2 A} {FE 3 C}	physical_splice_connector
XSCG612		{ZA 4 C} {FD 2 B} {FD 2 B} {FD 4 B} {FD 1 D} {FD 0 C}	physical_splice_connector

 <b>VOLVO</b> Volvo Bus Corporation	Document Title			
	<b>WIRING DIAGRAM</b>			
	Document Type			
	<b>PRODUCT SCHEMATIC</b>			
Document No	Issue Index	Volume No	Page No	
<b>70399300</b>	<b>08</b>	<b>02</b>	<b>47(49)</b>	

Part Name	Description	Location	Part Type
XSCG2111		{GC 0 E}	physical_splice_connector
XSCG2112		{GC 0 D}	physical_splice_connector
XSCG3124		{CB 4 C}	physical_splice_connector
XSCG3141		{CA 0 D}	physical_splice_connector
XSCG3142		{GD 4 E} {GD 2 E} {GD 2 E} {GD 1 E} {GD 0 E} {GD 0 E} {ZA 2 B}	physical_splice_connector
XSCG3143		{GD 2 E} {GD 2 E} {GD 1 E} {GD 1 E} {GD 0 E} {ZA 2 B}	physical_splice_connector
XSCG3144		{DA3 1 D}	physical_splice_connector
XSCG4151		{ZA 3 B} {GD2 1 E} {GD2 0 E} {GD2 0 E} {GD2 1 E} {GD2 1 E} {GD2 3 E} {GD2 2 E}	physical_splice_connector
XSCG4152		{ZA 3 B} {GD2 2 E} {GD2 1 E} {GD2 1 E} {GD2 2 E} {GD2 0 E} {GD2 0 E}	physical_splice_connector
XSCG5121		{ZA 4 B} {GD2 3 C} {GD2 1 C} {GD2 1 C} {GD2 1 C} {GD2 0 C} {GD2 2 C} {GD2 0 C}	physical_splice_connector
XSCG5122		{ZA 4 B} {GD2 2 C} {GD2 1 C} {GD2 0 C} {GD2 0 C} {GD2 2 C} {GD2 1 C}	physical_splice_connector
XT:1		{AA 2 A}	inline_connector
Y02	Solenoid valve, diff. lock, rear wheels	{EA 2 D}	componentSymbol
Y25	Solenoid valve unit, level control, air suspension	{FA 1 B}	componentSymbol
Y35	Solenoid valve, engine cooling fan	{CA 1 D}	componentSymbol

 <b>Volvo Bus Corporation</b>	Document Title			
	<b>WIRING DIAGRAM</b>			
	Document Type			
	<b>PRODUCT SCHEMATIC</b>			
Document No	Issue Index	Volume No	Page No	
<b>70399300</b>	<b>08</b>	<b>02</b>	<b>48(49)</b>	

Part Name	Description	Location	Part Type
Y36	Solenoid valve, steerable axle	{BB 3 C}	componentSymbol
Y40	Solenoid valve unit, front axle, air suspension	{FA 0 B}	componentSymbol
Y47	Solenoid valve, engine cooling fan	{CA 0 E}	componentSymbol
Y53	Control valve block, RAS	{FE 3 D}	componentSymbol
Y900	solenoid valve unit, ECS, Bogie axle	{FA 2 B}	componentSymbol
Y901	Solenoid valve, fuel cut off	{BA 1 C} {BA 1 C}	componentSymbol
Y911	Solenoid valve, inj SCRT	{CB 2 A}	componentSymbol
Y912	Solenoid valve, water heating SCRT	{CB 3 D}	componentSymbol
Y914	Solenoid valve, pressure control PCU/R	{EA 1 B}	componentSymbol
Y915	Solenoid valve, pressure control PCU/L	{EA 1 B}	componentSymbol
Y916	Solenoid valve, ASR, Anti Skid Regulations	{FA 3 A} {FA 1 A}	componentSymbol
Y924	Solenoid valve, Oil seperator	{BB 2 B}	componentSymbol
Y925	Solenoid valve, gas tank1	{CE 1 D}	componentSymbol
Y926	Solenoid valve, gas tank2	{CE 2 D}	componentSymbol
Y927	Solenoid valve, gas tank3	{CE 2 D}	componentSymbol
Y928	Solenoid valve, gas tank4	{CE 2 D}	componentSymbol
Y929	Solenoid valve, gas tank5	{CE 3 D}	componentSymbol
Y930	Solenoid valve, gas tank6	{CE 3 D}	componentSymbol
Y931	Solenoid valve, gas tank7	{CE 3 D}	componentSymbol
Y932	Proportional valve, Hubner	{OJ 2 B}	componentSymbol
Y932_B	Proportional valve, Hubner	{FD 2 D}	componentSymbol
Y933	Solenoid valve, cylinder RAS	{FD 3 B}	componentSymbol
Y934	Solenoid valve unit, ECS, last trailer Biartic	{FA 2 A}	componentSymbol
Y935	Solenoid valve, gas tank8	{CE 4 D}	componentSymbol
Y936	Solenoid, Steering wheel adjustment	{BA2 1 C}	componentSymbol
Y937	Solenoid valve, APBE	{EB 0 C}	componentSymbol
Y938	Solenoid valve, APBE	{EB 1 C}	componentSymbol

**VOLVO**

Volvo Bus Corporation

Document Title

**WIRING DIAGRAM**

Document Type

**PRODUCT SCHEMATIC**

Document No

**70399300**

Issue Index

**08**

Volume No

**02**

Page No

**49(49)**

**VOLVO**

**Volvo Bus Corporation**

Göteborg, Sweden