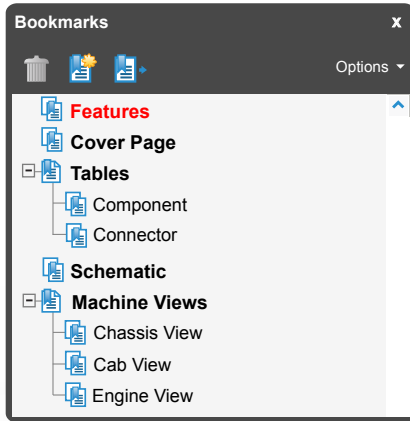


INTERACTIVE SCHEMATIC



The Bookmarks panel will allow you to quickly navigate to points of interest.

****This document is best viewed at a screen resolution of 1024 X 768.***

To set your screen resolution do the following:

RIGHT CLICK on the **DESKTOP**.

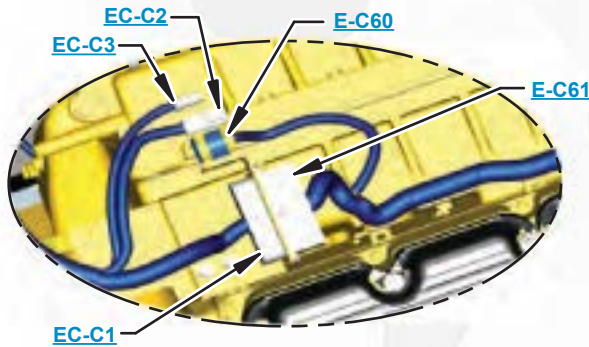
Select **PROPERTIES**.

CLICK the **SETTINGS TAB**.

MOVE THE SLIDER under **SCREEN RESOLUTION** until it shows **1024 X 768**.

CLICK OK to apply the resolution.

**Due to different monitor sizes and PDF reader preferences there may be some variance in linked schematic locations*



Click on any text that is **BLUE** and underlined. These are hyperlinks that can be used to navigate the schematic and machine views.



[Click here to save a copy of this interactive schematic to your desktop](#)

VIEW ALL CALLOUTS

When only one callout is showing on a machine view, clicking on this button will make all of the callouts visible. This button is located in the top right corner of every machine view page.

HOTKEYS (Keyboard Shortcuts)

	FUNCTION	KEYS
	Zoom In	“CTRL” / “+”
	Zoom Out	“CTRL” / “-”
	Fit to Page	“CTRL” / “0” (zero)
	Hand Tool	“SPACEBAR” (hold down)
	Find	“CTRL” / “F”
	Search	“CTRL” / “SHIFT” / “F”

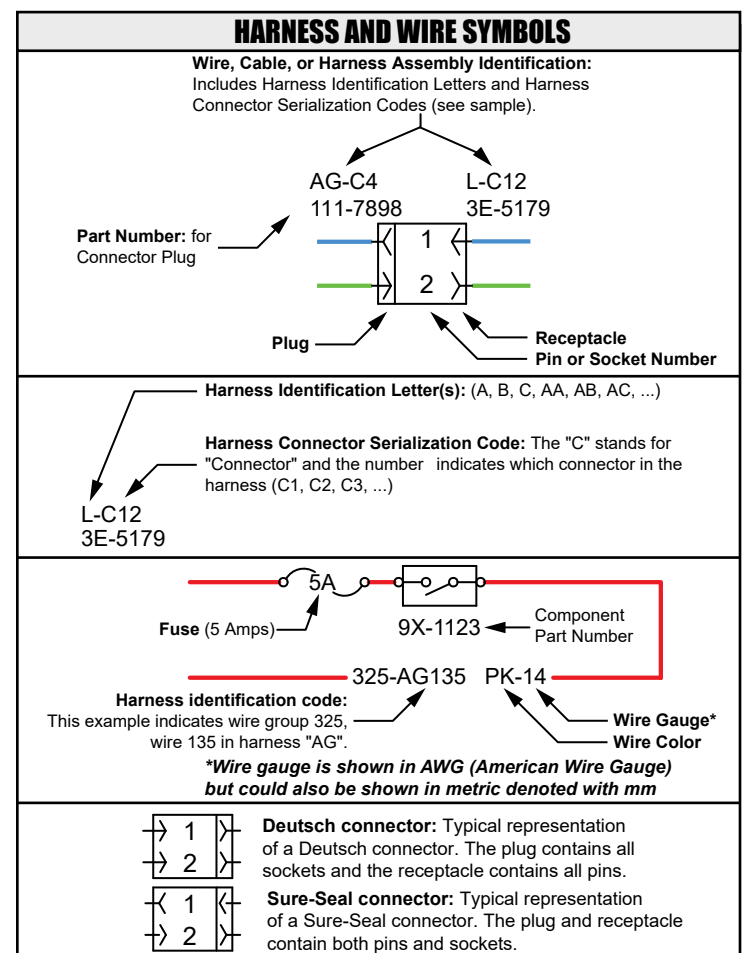
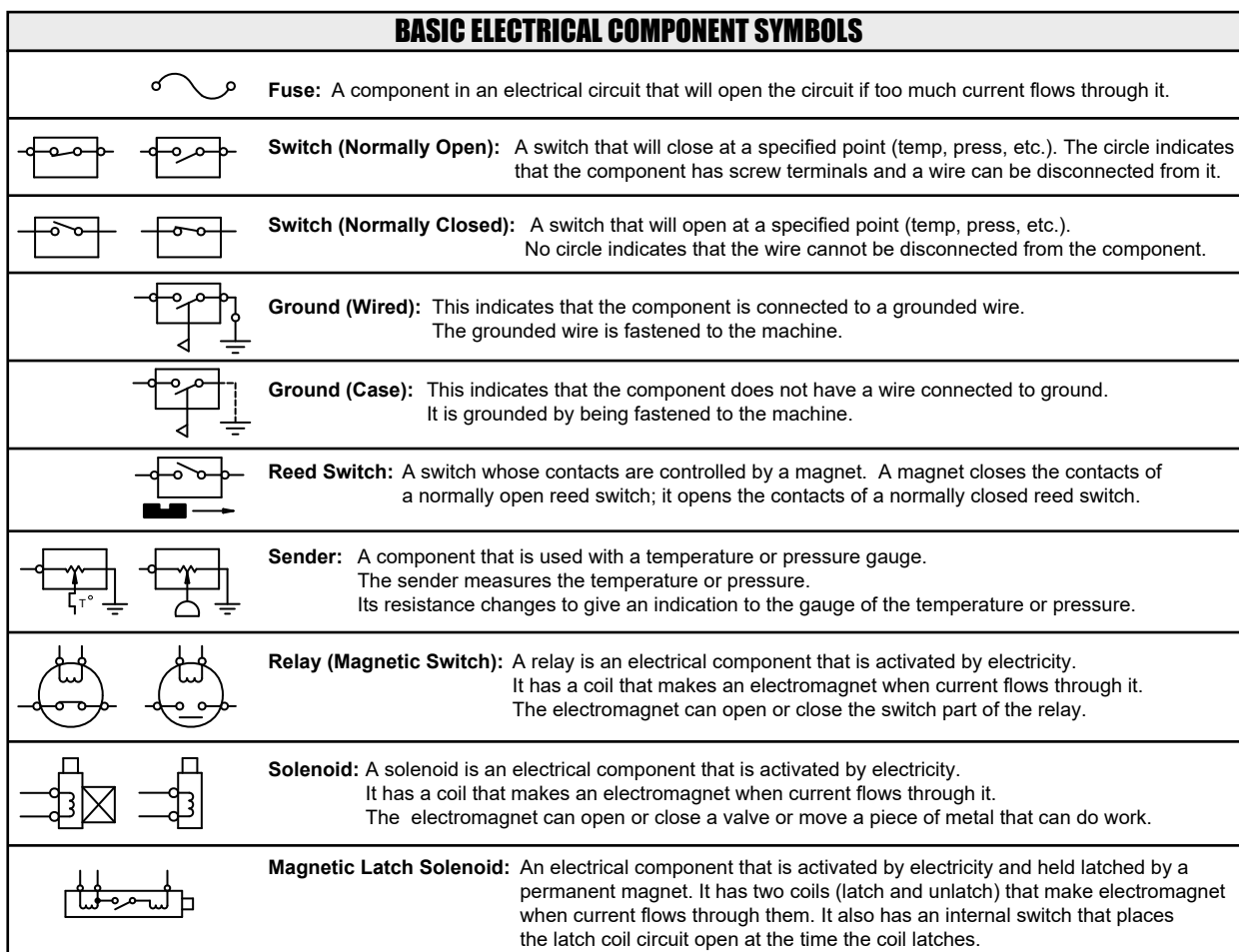
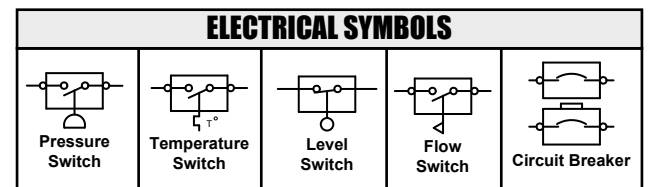
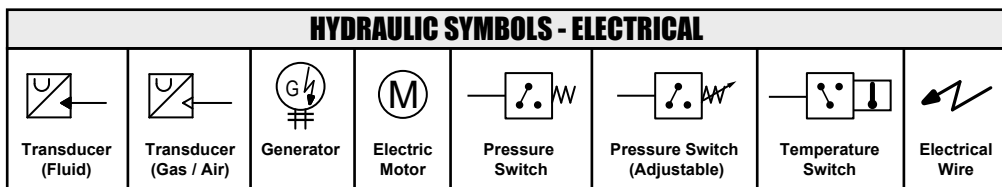
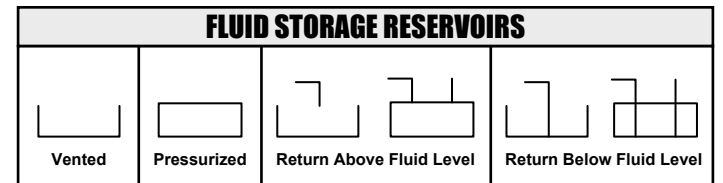
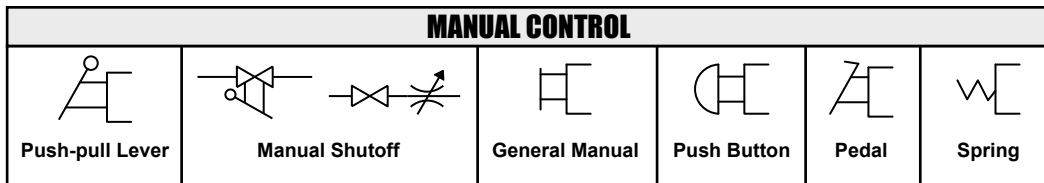
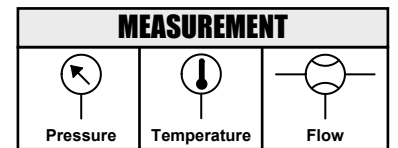
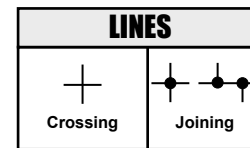
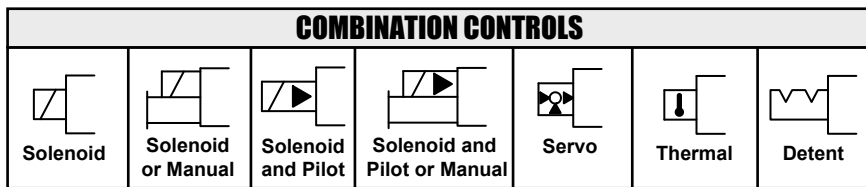
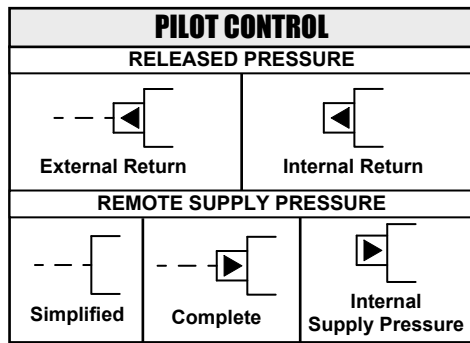
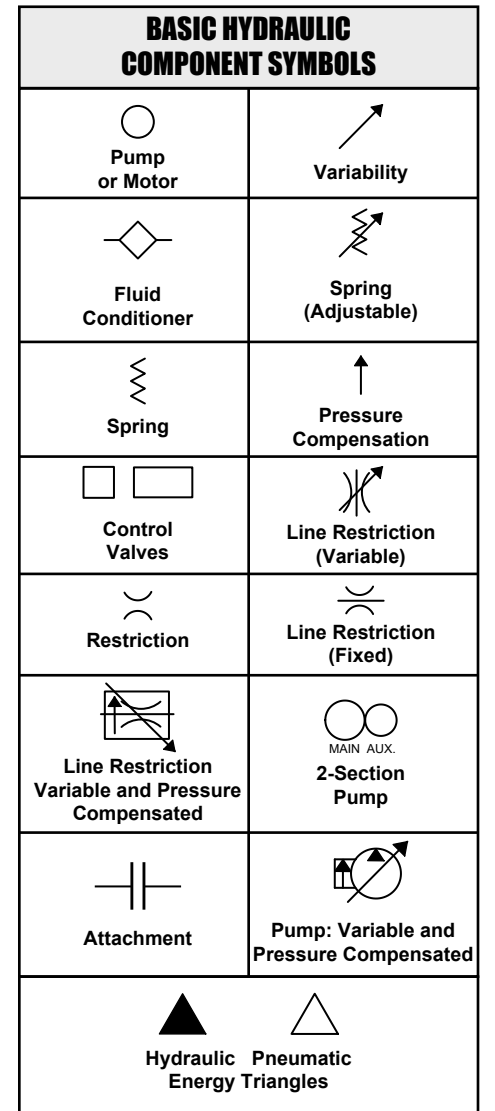
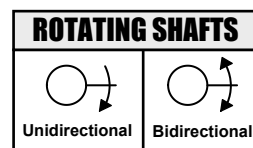
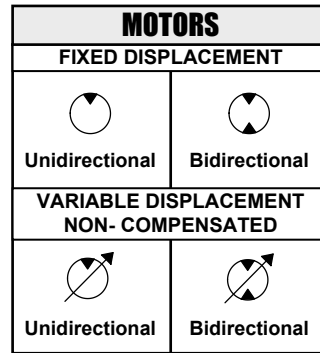
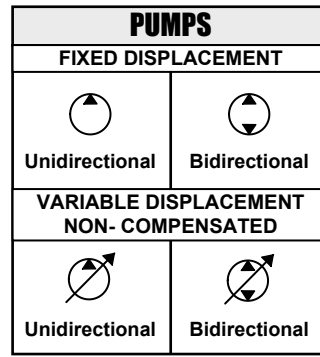
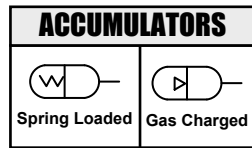
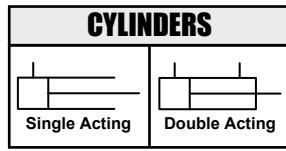
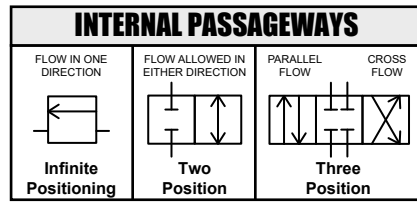
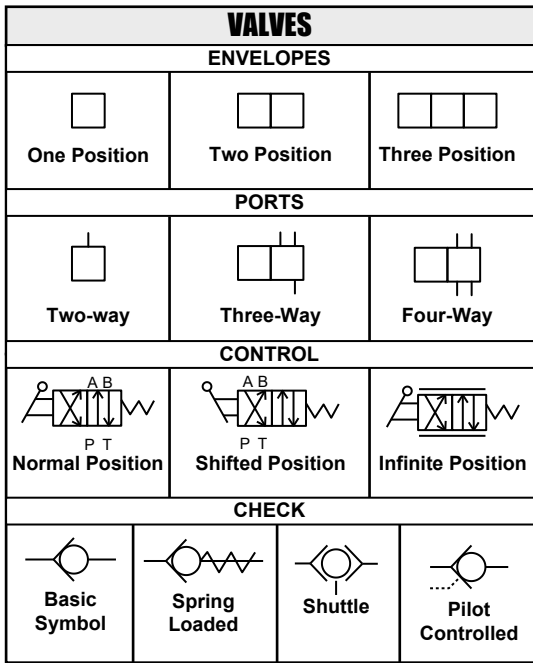
ELECTRICAL SYMBOLS				
Pressure Switch	Temperature Switch	Level Switch	Flow Switch	Circuit Breaker

BASIC HYDRAULIC COMPONENT SYMBOLS	
Pump or Motor	Variability
Fluid Conditioner	Spring (Adjustable)

[Click here to view the Schematic Symbols and Definitions page](#)



SCHEMATIC SYMBOLS AND DEFINITIONS





Schematic

330D and 336D Excavator Electrical System

NBD841-1226
EAH725-1362
FFK326-454
JLP738-863
MEY311-402
PRF1-UP
MPL1-UP
JTN1-UP
JBT1-UP
KKT1-UP
M4T207-UP

Volume 1 of 4: Chassis

Volume 2 of 4: Cab

Volume 3 of 4: Cab

Volume 4 of 4: Engine

SAFETY.CAT.COM

COMPONENT LOCATION

Volume 1 of 4 - CHASSIS



Component	Schematic Location	Machine Location	Component	Schematic Location	Machine Location
Alarm - Travel (Attch)	B-12	1	Sensor - Squeeze Pressure (Attch)	C-7	21
Alternator	F-14	2	Sensor - Water Separator Level (Attch)	I-11	17
Battery - Front	G-5	3	Solenoid - 1 Way / 2 Way Change (Attch)	C-7	22
Battery - Front (Attch)	F-5	3	Solenoid - 1P / 2p Change 1 (Attch)	B-14	12
Battery - Rear	G-6	3	Solenoid - 1P / 2p Change 2 (Attch)	B-14	12
Battery - Rear (Attch)	F-6	3	Solenoid - AC Compressor Clutch	F-14	2
Block - Battery	G-6	3	Solenoid - Boom Check 1 (Attch)	C-5	25
Block - Breaker Box	G-3	A	Solenoid - Boom Check 2 (Attch)	C-5	25
Breaker - Alternator	G-2	A	Solenoid - Boom Down Line Cutoff (Attch)	D-6	F
Breaker - Heater	G-2	A	Solenoid - Double Action (Attch)	B-14	12
Breaker - Main	G-2	A	Solenoid - Ether Start (Attch)	I-10	18
Camera - Rear View	G-16	16	Solenoid - Fine Swing (Attch)	C-5	23
Control - Engine (J1)	G-16	6	Solenoid - Flow Limit (Attch)	A-16	11
Control - Machine	F-2	5	Solenoid - Heavy Lift (Attch)	F-6	F
Control - Product Link	I-14	5	Solenoid - Hydraulic Lock	F-6	F
Diode - Refueling Power (Attch)	B-4	H	Solenoid - Power Shift Pressure	A-16	E
Diode - Start Relay	G-3	A	Solenoid - Quick Coupler (Attch)	B-16	24
Ground - FR 1	F-10	27	Solenoid - Quick Coupler High (Attch)	D-6	20
Ground - FR 2	E-13	28	Solenoid - Quick Coupler Low (Attch)	D-6	20
Ground - FR 3	E-15	6	Solenoid - Radiator Fan Speed	B-16	E
Ground - FR 4	A-8	13	Solenoid - Relief 1 (Attch)	C-7	21
Ground - FR 5 1	F-3	A	Solenoid - Relief 1 Check (Attch)	C-7	21
Ground - FR 5 2	I-16	15	Solenoid - Relief 2 (Attch)	C-7	22
Ground - Product Link Mount	H-14	5	Solenoid - Relief 2 Check (Attch)	C-7	22
Heater - Air	F-15	6	Solenoid - Reversing Fan Change	F-7	F
Indicator - Air Cleaner	I-10	2	Solenoid - Single Action 1 (Attch)	B-7	21
Indicator - Hydraulic Oil Filter	A-12	8	Solenoid - Single Action 2 (Attch)	B-7	22
Motor - AC Condensor Fan	I-10	19	Solenoid - Stem 1 Extend (Attch)	A-13	12
Motor - Lower Washer	F-2	A	Solenoid - Stem 1 Extend (Attch)	A-14	12
Motor - Refueling Pump (Attch)	B-4	H	Solenoid - Stem 1 Retract (Attch)	A-13	12
Motor - Starter	F-15	6	Solenoid - Stem 1 Retract (Attch)	A-14	12
Motor - Washer	F-2	A	Solenoid - Stem 2 Extend (Attch)	A-13	12
Motor - Priming Pump (Attch)	J-11	17	Solenoid - Stem 2 Retract (Attch)	A-13	12
Radio - Product Link	I-16	15	Solenoid - Stem 3 Extend (Attch)	A-16	12
Receptacle - Jump Start	G-5	4	Solenoid - Stem 3 Retract (Attch)	A-16	12
Relay - Air Heater	F-15	7	Solenoid - Swing Brake	F-6	E
Relay - Refueling Power	B-4	H	Solenoid - Travel Speed	F-6	E
Relay - Refueling Start (Attch)	A-4	H	Solenoid - Travel Straight	F-6	E
Relay - Refueling Stop (Attch)	B-4	H	Switch - Boom Down Pressure (Attch)	D-6	E
Relay - Start	G-3	A	Switch - Boom Raise Pressure (Attch)	E-6	E
Resistor - Can Data Link 1	C-3	5	Switch - Boom Up / Down Pressure (Attch)	D-6	E
Resistor - Can Data Link 2	C-3	5	Switch - Coolant Level	I-11	17
Sender - Fuel Level	A-11	10	Switch - Disconnect	F-3	A
Sender - Hydraulic Oil Temperature	A-12	8	Switch - Engine Oil Level	E-15	6
Sensor - Ambient Air Temperature	I-11	26	Switch - Fuel Pressure	J-11	17
Sensor - Engine Speed Pickup	E-15	6	Switch - Hammer Return Filter (Attch)	C-11	22
Sensor - Fuel Pressure	I-11	17	Switch - Hydraulic Oil Level	B-12	9
Sensor - Fuel Temperature	J-11	17	Switch - Priming Pump (Attch)	J-11	17
Sensor - OWLD Pressure (Attch)	C-5	25	Switch - Refueling Level (Attch)	A-11	14
Sensor - Pump Pressure 1	B-16	E	Switch - Refueling Start (N.C.)	A-4	H
Sensor - Pump Pressure 2	B-16	E	Switch - Refueling Start (N.O.)	A-4	H

Machine locations are repeated for components located close together.

A = Located inside or near breaker box.

E = Located on or near hydraulic pumps.

F = Located on or near implement control system.

H = Located on or near refueling pump.

COMPONENT LOCATION

Volume 2 of 4 - CAB



Component	Schematic Location	Machine Location
Coil - Exciter (Attch)	D-3	B
Converter - 12 Volt	F-5	50
Diode - ACC	E-8	G
Diode - Hydraulic Lock	E-8	G
Ground - FR 7	I-15	G
Ground - Platform	H-12	G
Heater - Seat (Attch)	E-6	51
Indicator - Unit	D-3	B
Joystick - Left Hand (3 Sw) (Attch)	H-4	C
Joystick - Left Hand (Attch)	H-4	C
Joystick - Right Hand (3 Sw) (Attch)	E-4	B
Joystick - Right Hand (Attch)	E-3	B
Key Reader - MSS	D-4	B
Motor - Lower Wiper (Attch)	F-1	53
Pedal - Auxilliary LH (Attch)	G-1	52
Suspension - Air Seat (Attch)	H-5	51
Switch - Auxilliary Pump Pressure Stem 4	G-1	54
Switch - Back Up Gov	C-6	B
Switch - Backup EPR Valve	C-6	B
Switch - Foot (Attch)	G-1	52
Switch - High Pressure Stem 1 (Attch)	E-1	54
Switch - Horn	H-4	C
Switch - Implement Pressure	E-7	G
Switch - Key	D-3	B
Switch - Medium Pump Pressure Stem 3	G-1	54
Switch - Neutral Start Limit	I-4	C
Switch - One Touch Low Idle	E-5	B
Switch - Secondary Shut Down	C-15	55
Switch - Throttle Postion	D-3	B
Switch - Travel L Pressure	F-1	53
Switch - Travel R Pressure	F-1	53
Switch - Travel Straight Pressure (Attch)	E-1	54
Unit - Air Conditioner	F-13	56

Machine locations are repeated for components located close together.

A = Located on or near the breaker box.

B = Located inside right console.

C = Located inside left console.

G = Located under cab platform.

COMPONENT LOCATION

Volume 3 of 4 - CAB



Component	Schematic Location	Machine Location
Alarm - Action	F-1	70
Control - Wiper	D-2	73
Converter - 12 Volt Power	B-10	73
Converter - 12 Volt Radio (Attch)	E-10	73
Converter - Radio	B-11	73
Diode - Lamp	H-12	D
Diode - Main Relay	B-13	D
Fuses - Switched Power	E-14	D
Fuses - Un-Switched Power	D-11	D
Ground - Cab 1	D-5	73
Ground - Cab 2	E-9	75
Ground - Cab 3	G-4	78
Meter - Service	E-1	70
Monitor	G-1	79
Motor - Wiper	D-1	70
Panel - Switch	E-3	71
Relay - Beacon (Attch)	F-12	D
Relay - Boom Float / Disable (Attch)	G-14	74
Relay - Boom Lamp	H-12	D
Relay - Cab Lamp	G-12	D
Relay - Chassis Lamp	G-12	D
Relay - Ether (Attch)	E-12	D
Relay - Horn	G-12	D
Relay - LH - Speaker (-) (Attch)	E-16	74
Relay - LH - Speaker (+) (Attch)	F-16	74
Relay - Main	B-14	D
Relay - Neutral Start	F-12	D
Relay - Priming Pump (Attch)	F-14	75
Relay - QC Hydraulic Lock 1 (Attch)	D-16	74
Relay - QC Hydraulic Lock 2 (Attch)	C-16	74
Relay - QC Hydraulic Lock On (Attch)	D-16	74
Relay - QC Hydraulic Lock Priority (Attch)	E-16	74
Relay - RH - Speaker (-) (Attch)	F-16	74
Relay - RH - Speaker (+) (Attch)	F-16	74
Relay - Single (Attch)	F-14	74
Relay - Smart Boom Down (Attch)	G-14	74
Relay - Smart Boom Up / Down (Attch)	H-14	74
Relay - Travel Alarm	F-12	D
Resistor - Backup	H-10	57
Resistor - Can Data Link 1	D-3	71
Resistor - Can Data Link 2	C-8	73
Switch - Beacon (Attch)	B-8	72
Switch - Fine Swing Control (Attch)	B-4	72
Switch - Lower Washer (Attch)	B-6	72
Switch - Lower Wiper (Attch)	B-5	72
Switch - Over Load Warning (Attch)	B-7	72
Switch - Quick Coupler (Attch)	B-3	72
Switch - Radio Mute (Attch)	B-5	72
Switch - Seat Heater (Attch)	B-7	72
Switch - Smart Boom Select (Attch)	B-6	72
Switch - Speaker Exchange (Attch)	B-8	72
Switch - Under Window Limit (Attch)	E-1	77
Switch - Universal Quick Coupler (Attch)	C-2	72
Switch - Window Limit	G-1	80
Timer - Lamp Delay (Attch)	C-14	D

Machine locations are repeated for components located close together.

A = Located in or near breaker box.

D = Located in or near relay / fuse panel.

COMPONENT LOCATION

Volume 4 of 4 - ENGINE



Component	Schematic Location	Machine Location
Control - Engine	E-7	90
Relay - Intake Air Heater	C-3	91
Sensor - (Cam) Lo Speed / Timing	C-3	92
Sensor - (Crank) Hi Speed / Timing	C-3	93
Sensor - Atmospheric Pressure	B-3	94
Sensor - Coolant Temperature	C-3	95
Sensor - Engine Oil Pressure	B-3	96
Sensor - Injector Actuation Pressure	B-3	97
Sensor - Inlet Air Presssure	B-3	98
Sensor - Intake Air Temperature	C-3	99
Solenoid - Injector 1	D-3	100
Solenoid - Injector 2	D-3	101
Solenoid - Injector 3	D-2	102
Solenoid - Injector 4	D-2	103
Solenoid - Injector 5	D-2	104
Solenoid - Injector 6	D-2	105
Valve - IAP Control	B-3	106

CONNECTOR LOCATION

Volume 1 of 4 - CHASSIS



Connector Number	Schematic Location	Machine Location
CONN 1	H-16	5
CONN 2	I-15	5
CONN 3	I-15	5
CONN 4	H-15	5
CONN 5	D-15	6
CONN 6	J-14	A
CONN 7	A-11	10
CONN 8	H-8	5
CONN 9	H-8	5
CONN 10	H-8	5
CONN 11	H-8	5
CONN 12	D-7	27
CONN 13	D-7	27
CONN 14	E-7	27
CONN 15	E-7	27
CONN 16	E-6	F
CONN 17	B-6	23
CONN 18	B-6	25
CONN 19	B-6	25
CONN 20	A-6	13
CONN 21	A-6	13
CONN 22	A-4	H
CONN 23	A-4	H
CONN 24	J-1	A
CONN 25	H-1	A
CONN 26	H-1	A
CONN 27	H-1	A
CONN 28	H-1	A
CONN 29	G-1	A
CONN 30	G-1	A
CONN 31	G-1	A
CONN 32	G-1	A

The connectors shown in this chart are for harness to harness connectors. Connectors that join a harness to a component are generally located at or near the component. See the Component Location Chart.

CONNECTOR LOCATION

Volume 2 of 4 - CAB



Connector Number	Schematic Location	Machine Location
CONN 24	G-16	A
CONN 25	E-16	A
CONN 26	E-16	A
CONN 27	E-16	A
CONN 33	C-14	55
CONN 34	B-14	57
CONN 35	C-13	57
CONN 36	B-12	57
CONN 37	B-11	57
CONN 38	B-10	57
CONN 39	B-9	57
CONN 40	D-11	57
CONN 41	F-10	A
CONN 42A	E-7	B
CONN 42B	E-7	B
CONN 43	D-7	B
CONN 44	D-7	B
CONN 45	D-7	B
CONN 46A	C-7	B
CONN 46A	E-9	B
CONN 46B	C-7	B
CONN 46B	E-8	B
CONN 47	H-7	C
CONN 48	H-7	C
CONN 49	F-5	50
CONN 50	D-5	B
CONN 51	B-4	B
CONN 52	C-4	B

The connectors shown in this chart are for harness to harness connectors. Connectors that join a harness to a component are generally located at or near the component. See the Component Location Chart.

CONNECTOR LOCATION

Volume 3 of 4 - CAB



Connector Number	Schematic Location	Machine Location
CONN 28	H-16	A
CONN 29	H-16	A
CONN 30	H-16	A
CONN 31	H-16	A
CONN 32	I-16	A
CONN 34	I-11	57
CONN 35	I-10	57
CONN 36	I-9	57
CONN 37	I-8	57
CONN 38	I-7	57
CONN 39	I-6	57
CONN 53	D-13	D
CONN 54	D-13	D
CONN 55	B-12	73
CONN 56	E-11	73
CONN 57	B-10	73
CONN 58	D-10	D
CONN 59	D-10	D
CONN 60	H-10	57
CONN 61	C-8	73
CONN 62 ET	D-8	73
CONN 63	C-4	72
CONN 64	C-4	72
CONN 65	C-4	72
CONN 66	D-4	72
CONN 67	D-4	72
CONN 68	B-4	72
CONN 69	C-3	72
CONN 70	H-3	80
CONN 71	H-3	80
CONN 72	H-3	81
CONN 73	H-3	81
CONN 74	H-2	81
CONN 75	H-2	81
CONN 76	H-2	80
CONN 77	H-2	80

The connectors shown in this chart are for harness to harness connectors. Connectors that join a harness to a component are generally located at or near the component. See the Component Location Chart.

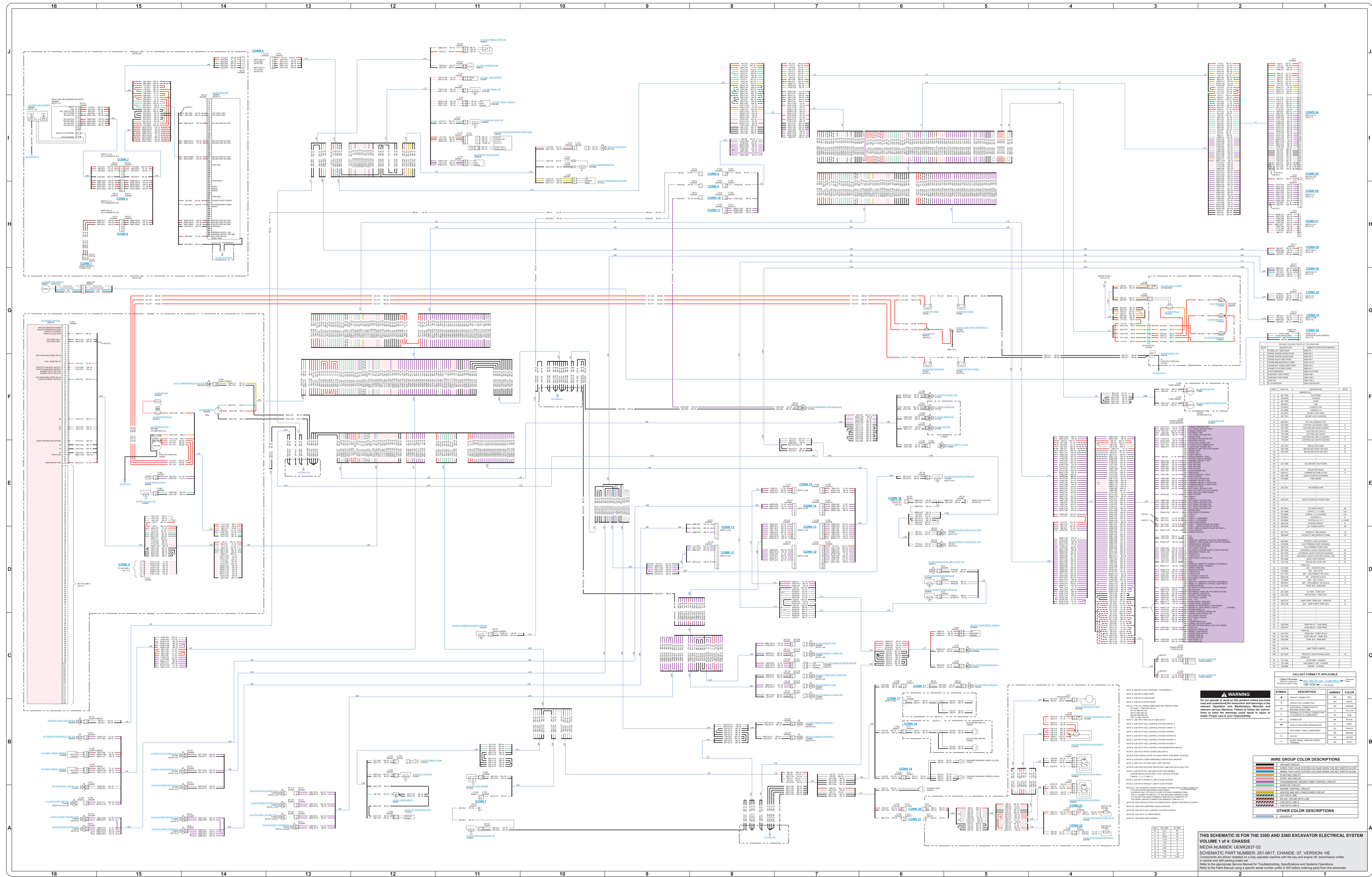
CONNECTOR LOCATION

Volume 4 of 4 - ENGINE



Connector Number	Schematic Location	Machine Location
CONN 5	A-3	107
CONN 78	E-4	108
CONN 79	C-3	109

The connectors shown in this chart are for harness to harness connectors. Connectors that join a harness to a component are generally located at or near the component. See the Component Location Chart.



DEFINITION OF THE SYMBOLS

SYMBOL	DESCRIPTION	ABBREV.	COLOR
+	POSITIVE		
-	NEGATIVE		
0	GROUND		
1	GROUND		
2	GROUND		
3	GROUND		
4	GROUND		
5	GROUND		
6	GROUND		
7	GROUND		
8	GROUND		
9	GROUND		
10	GROUND		
11	GROUND		
12	GROUND		
13	GROUND		
14	GROUND		
15	GROUND		
16	GROUND		
17	GROUND		
18	GROUND		
19	GROUND		
20	GROUND		
21	GROUND		
22	GROUND		
23	GROUND		
24	GROUND		
25	GROUND		
26	GROUND		
27	GROUND		
28	GROUND		
29	GROUND		
30	GROUND		
31	GROUND		
32	GROUND		
33	GROUND		
34	GROUND		
35	GROUND		
36	GROUND		
37	GROUND		
38	GROUND		
39	GROUND		
40	GROUND		
41	GROUND		
42	GROUND		
43	GROUND		
44	GROUND		
45	GROUND		
46	GROUND		
47	GROUND		
48	GROUND		
49	GROUND		
50	GROUND		
51	GROUND		
52	GROUND		
53	GROUND		
54	GROUND		
55	GROUND		
56	GROUND		
57	GROUND		
58	GROUND		
59	GROUND		
60	GROUND		
61	GROUND		
62	GROUND		
63	GROUND		
64	GROUND		
65	GROUND		
66	GROUND		
67	GROUND		
68	GROUND		
69	GROUND		
70	GROUND		
71	GROUND		
72	GROUND		
73	GROUND		
74	GROUND		
75	GROUND		
76	GROUND		
77	GROUND		
78	GROUND		
79	GROUND		
80	GROUND		
81	GROUND		
82	GROUND		
83	GROUND		
84	GROUND		
85	GROUND		
86	GROUND		
87	GROUND		
88	GROUND		
89	GROUND		
90	GROUND		
91	GROUND		
92	GROUND		
93	GROUND		
94	GROUND		
95	GROUND		
96	GROUND		
97	GROUND		
98	GROUND		
99	GROUND		
100	GROUND		

WIRE GROUP COLOR DESCRIPTIONS

WIRE GROUP	DESCRIPTION	ABBREV.	COLOR
1	POSITIVE		
2	NEGATIVE		
3	GROUND		
4	GROUND		
5	GROUND		
6	GROUND		
7	GROUND		
8	GROUND		
9	GROUND		
10	GROUND		
11	GROUND		
12	GROUND		
13	GROUND		
14	GROUND		
15	GROUND		
16	GROUND		
17	GROUND		
18	GROUND		
19	GROUND		
20	GROUND		
21	GROUND		
22	GROUND		
23	GROUND		
24	GROUND		
25	GROUND		
26	GROUND		
27	GROUND		
28	GROUND		
29	GROUND		
30	GROUND		
31	GROUND		
32	GROUND		
33	GROUND		
34	GROUND		
35	GROUND		
36	GROUND		
37	GROUND		
38	GROUND		
39	GROUND		
40	GROUND		
41	GROUND		
42	GROUND		
43	GROUND		
44	GROUND		
45	GROUND		
46	GROUND		
47	GROUND		
48	GROUND		
49	GROUND		
50	GROUND		
51	GROUND		
52	GROUND		
53	GROUND		
54	GROUND		
55	GROUND		
56	GROUND		
57	GROUND		
58	GROUND		
59	GROUND		
60	GROUND		
61	GROUND		
62	GROUND		
63	GROUND		
64	GROUND		
65	GROUND		
66	GROUND		
67	GROUND		
68	GROUND		
69	GROUND		
70	GROUND		
71	GROUND		
72	GROUND		
73	GROUND		
74	GROUND		
75	GROUND		
76	GROUND		
77	GROUND		
78	GROUND		
79	GROUND		
80	GROUND		
81	GROUND		
82	GROUND		
83	GROUND		
84	GROUND		
85	GROUND		
86	GROUND		
87	GROUND		
88	GROUND		
89	GROUND		
90	GROUND		
91	GROUND		
92	GROUND		
93	GROUND		
94	GROUND		
95	GROUND		
96	GROUND		
97	GROUND		
98	GROUND		
99	GROUND		
100	GROUND		

CALLOUT FORMAT IF APPLICABLE

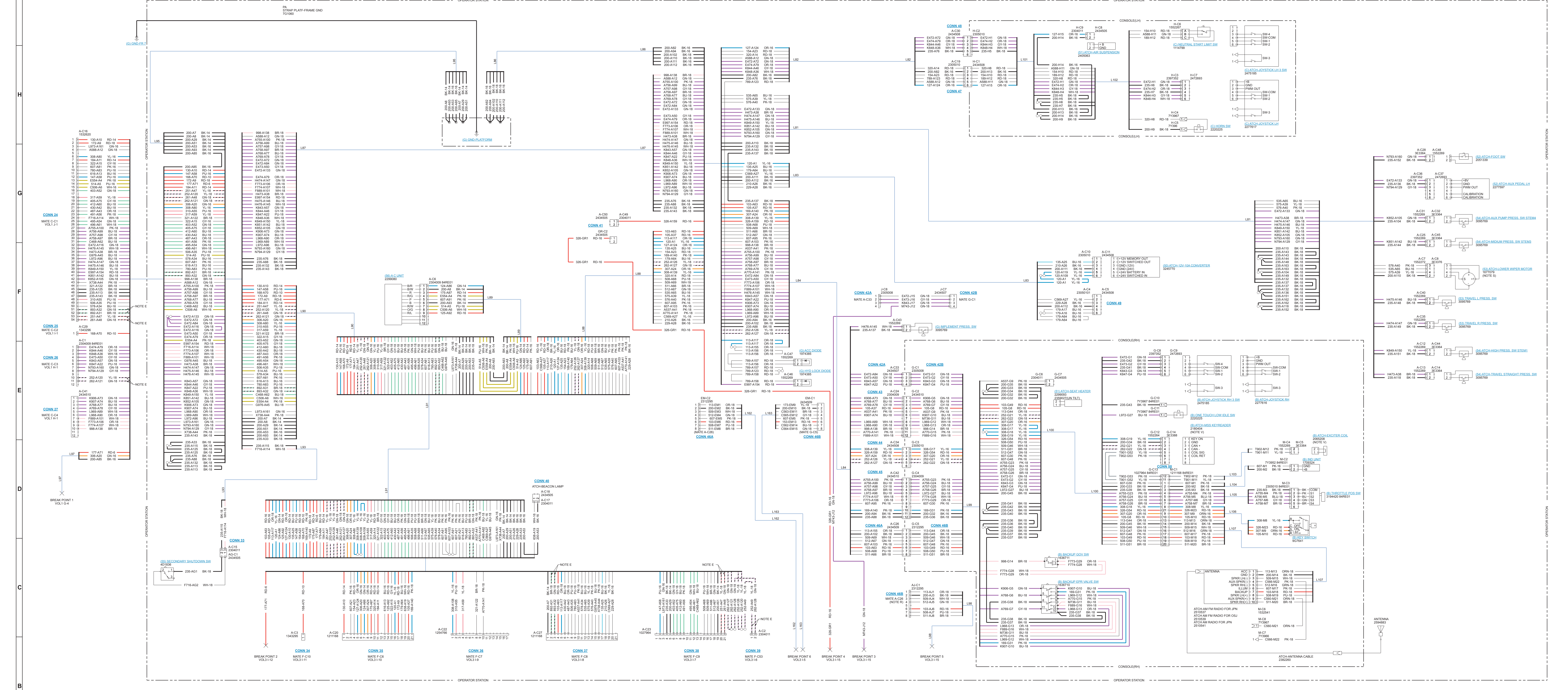
Callout Number: **W01** VALUE: **0P** CONTROL: **138-1234**

WARNING
Do not operate or work on this product unless you have read and understood the instructions and warnings in the relevant Operation and Maintenance Manual and relevant repair literature. Failure to follow the operating and maintenance instructions may result in injury or death. Please read the manual carefully.

OTHER COLOR DESCRIPTIONS

SYMBOL	DESCRIPTION	ABBREV.	COLOR
+	POSITIVE		
-	NEGATIVE		
0	GROUND		
1	GROUND		
2	GROUND		
3	GROUND		
4	GROUND		
5	GROUND		
6	GROUND		
7	GROUND		
8	GROUND		
9	GROUND		
10	GROUND		
11	GROUND		
12	GROUND		
13	GROUND		
14	GROUND		
15	GROUND		
16	GROUND		
17	GROUND		
18	GROUND		
19	GROUND		
20	GROUND		
21	GROUND		
22	GROUND		
23	GROUND		
24	GROUND		
25	GROUND		
26	GROUND		
27	GROUND		
28	GROUND		
29	GROUND		
30	GROUND		
31	GROUND		
32	GROUND		
33	GROUND		
34	GROUND		
35	GROUND		
36	GROUND		
37	GROUND		
38	GROUND		
39	GROUND		
40	GROUND		
41	GROUND		
42	GROUND		
43	GROUND		
44	GROUND		
45	GROUND		
46	GROUND		
47	GROUND		
48	GROUND		
49	GROUND		
50	GROUND		
51	GROUND		
52	GROUND		
53	GROUND		
54	GROUND		
55	GROUND		
56	GROUND		
57	GROUND		
58	GROUND		
59	GROUND		
60	GROUND		
61	GROUND		
62	GROUND		
63	GROUND		
64	GROUND		
65	GROUND		
66	GROUND		
67	GROUND		
68	GROUND		
69	GROUND		
70	GROUND		
71	GROUND		
72	GROUND		
73	GROUND		
74	GROUND		
75	GROUND		
76	GROUND		
77	GROUND		
78	GROUND		
79	GROUND		
80	GROUND		
81	GROUND		
82	GROUND		
83	GROUND		
84	GROUND		
85	GROUND		
86	GROUND		
87	GROUND		
88	GROUND		
89	GROUND		
90	GROUND		
91	GROUND		
92	GROUND		
93	GROUND		
94	GROUND		
95	GROUND		
96	GROUND		
97	GROUND		
98	GROUND		
99	GROUND		
100	GROUND		

THIS SCHEMATIC IS FOR THE 330D AND 336D EXCAVATOR ELECTRICAL SYSTEM
VOLUME 1 of 4: CHASSIS
 MEDIA NUMBER: UENR2637-02
 SCHEMATIC PART NUMBER: 251-0617, CHANGE: 07, VERSION: HE
 Components are installed on a fully equipped machine with the top and engine off, transmission in neutral and with parking brake set.
 Refer to the appropriate Service Manual for Troubleshooting, Specifications and System Operations.
 Refer to the Parts Manual using a specific serial number prefix in SD before ordering parts from this schematic.

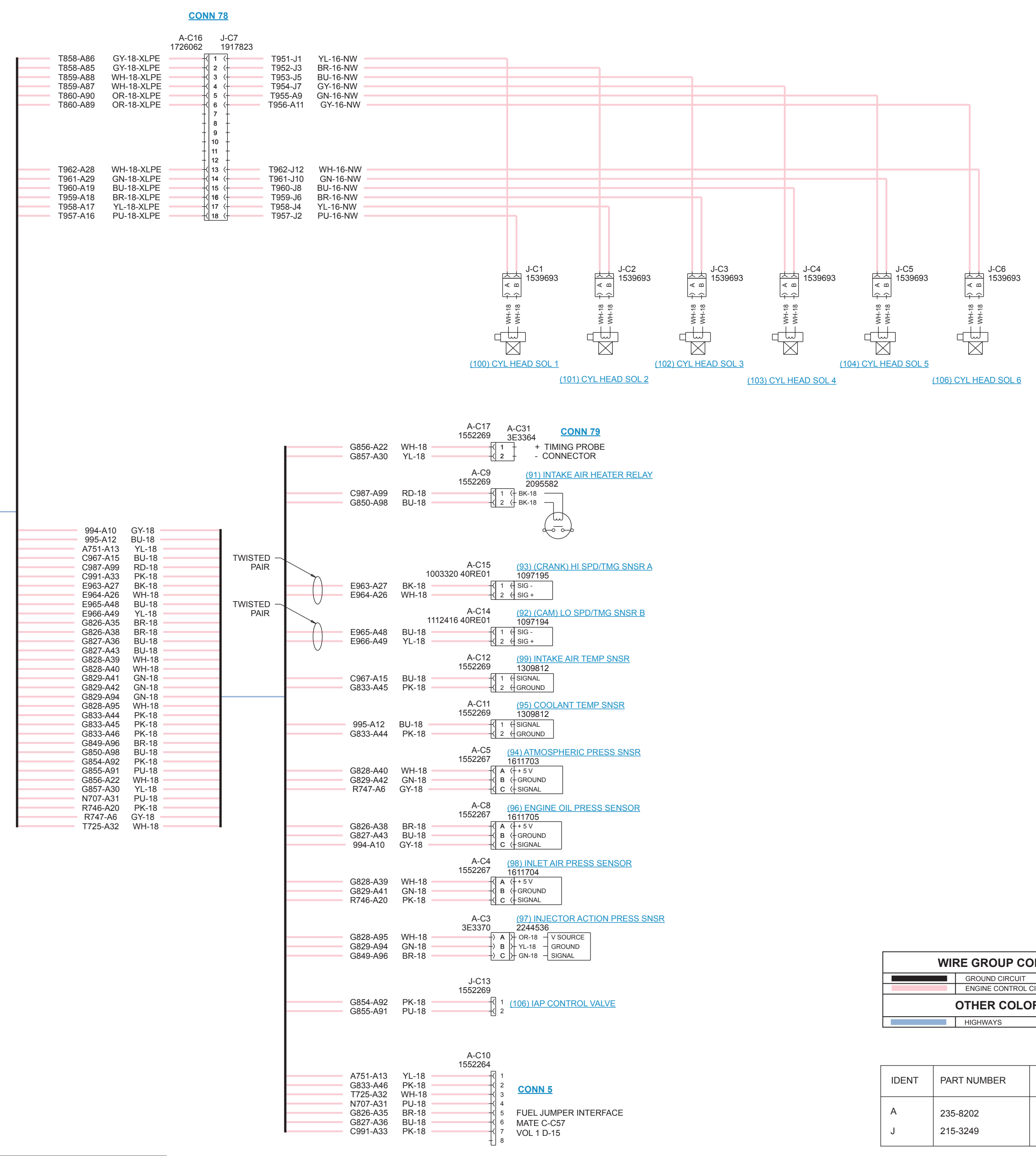
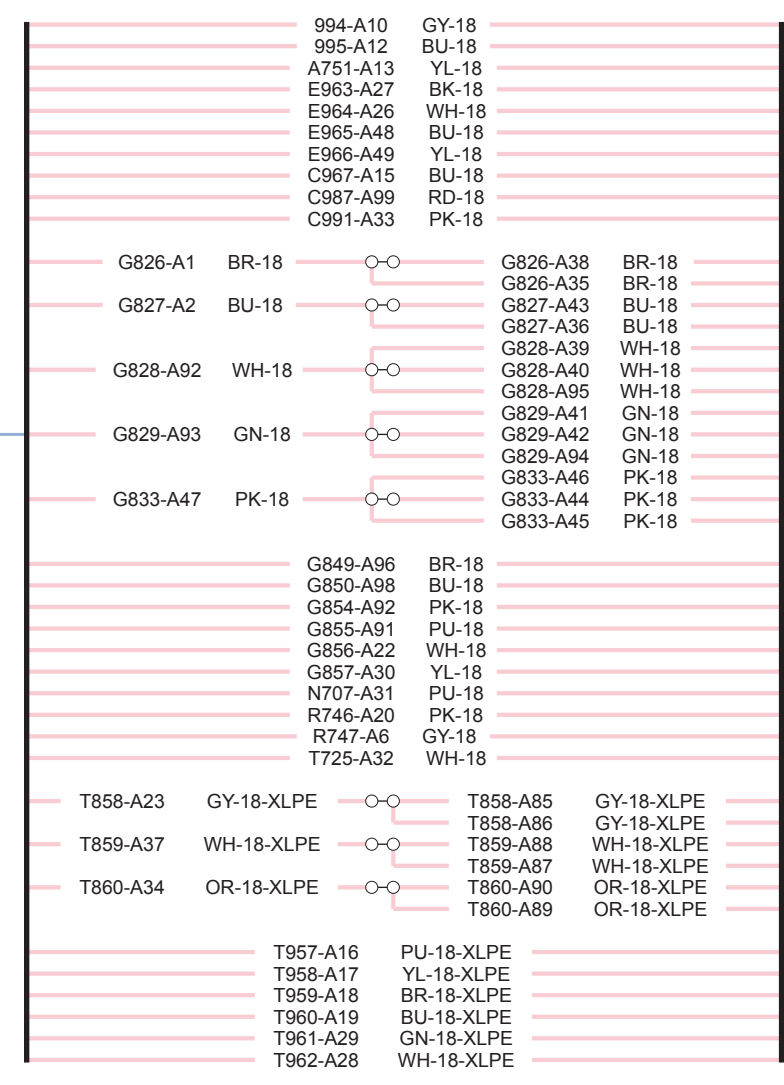
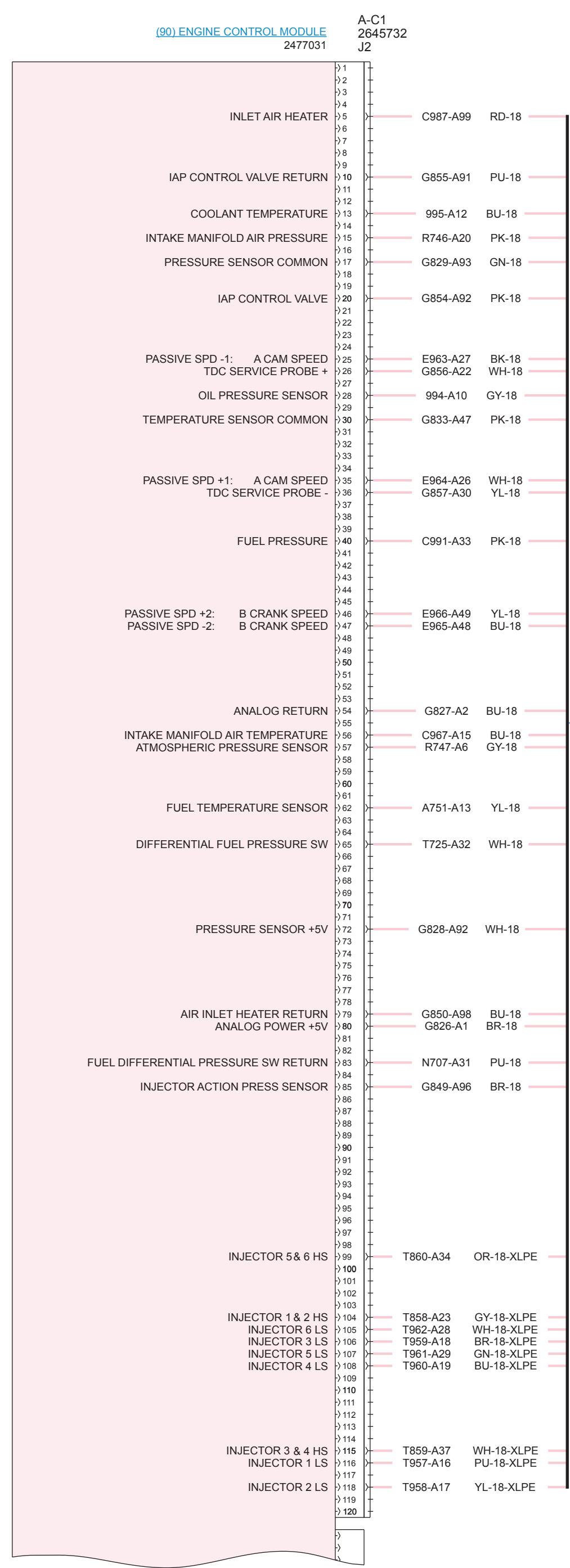
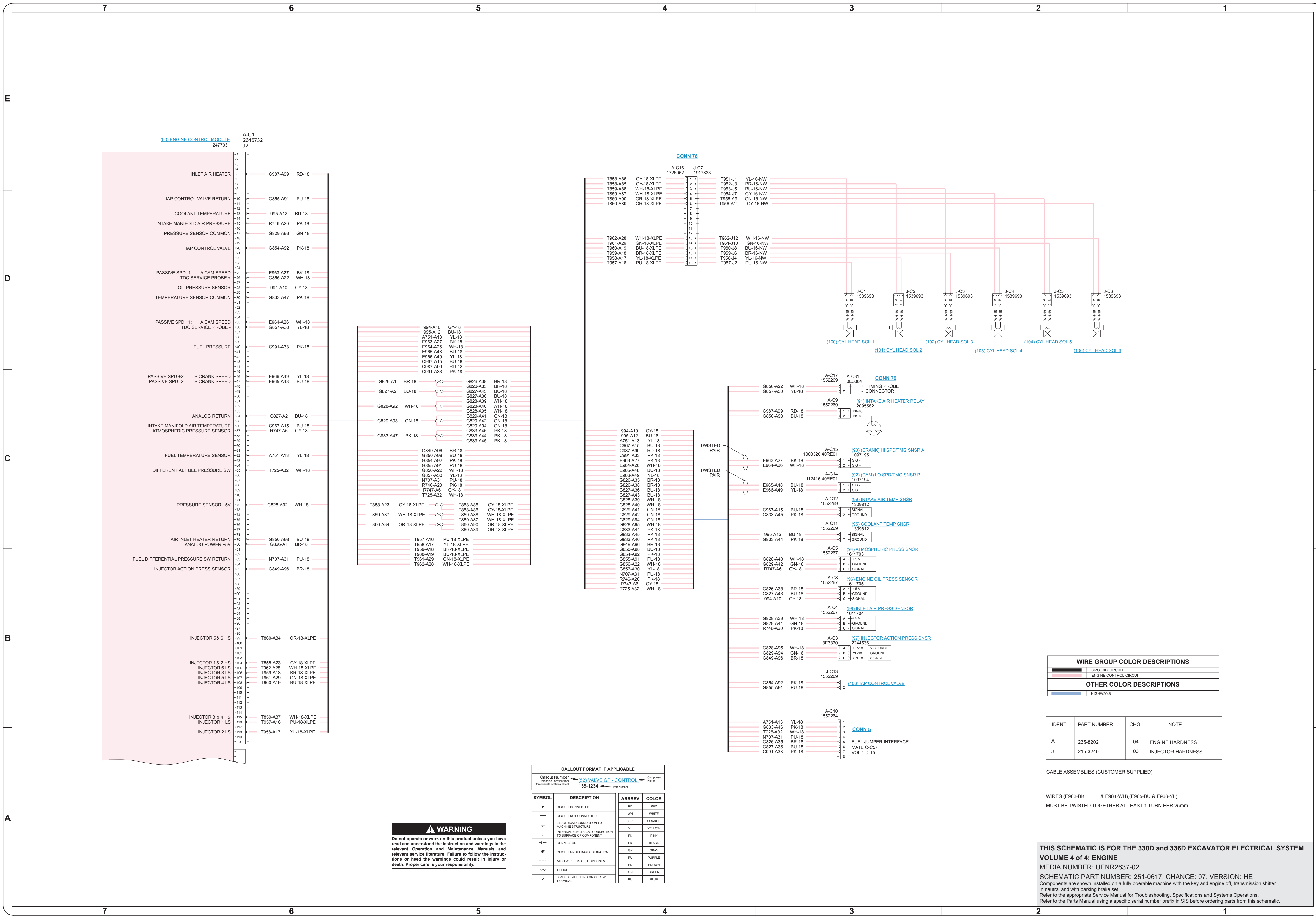


WIRE GROUP COLOR DESCRIPTIONS	
BLUE	WATER FLOW SYSTEM (WATER PRESSURE SWITCH) IN THE
RED	WATER FLOW SYSTEM (WATER PRESSURE SWITCH) IN THE
YELLOW	WATER FLOW SYSTEM (WATER PRESSURE SWITCH) IN THE
GREEN	WATER FLOW SYSTEM (WATER PRESSURE SWITCH) IN THE
BLACK	WATER FLOW SYSTEM (WATER PRESSURE SWITCH) IN THE
WHITE	WATER FLOW SYSTEM (WATER PRESSURE SWITCH) IN THE
GREY	WATER FLOW SYSTEM (WATER PRESSURE SWITCH) IN THE
PURPLE	WATER FLOW SYSTEM (WATER PRESSURE SWITCH) IN THE
ORANGE	WATER FLOW SYSTEM (WATER PRESSURE SWITCH) IN THE
LIGHT BLUE	WATER FLOW SYSTEM (WATER PRESSURE SWITCH) IN THE
LIGHT GREEN	WATER FLOW SYSTEM (WATER PRESSURE SWITCH) IN THE
LIGHT YELLOW	WATER FLOW SYSTEM (WATER PRESSURE SWITCH) IN THE
LIGHT RED	WATER FLOW SYSTEM (WATER PRESSURE SWITCH) IN THE
LIGHT GREY	WATER FLOW SYSTEM (WATER PRESSURE SWITCH) IN THE
LIGHT PURPLE	WATER FLOW SYSTEM (WATER PRESSURE SWITCH) IN THE
LIGHT ORANGE	WATER FLOW SYSTEM (WATER PRESSURE SWITCH) IN THE
LIGHT LIGHT BLUE	WATER FLOW SYSTEM (WATER PRESSURE SWITCH) IN THE
LIGHT LIGHT GREEN	WATER FLOW SYSTEM (WATER PRESSURE SWITCH) IN THE
LIGHT LIGHT YELLOW	WATER FLOW SYSTEM (WATER PRESSURE SWITCH) IN THE
LIGHT LIGHT RED	WATER FLOW SYSTEM (WATER PRESSURE SWITCH) IN THE
LIGHT LIGHT GREY	WATER FLOW SYSTEM (WATER PRESSURE SWITCH) IN THE
LIGHT LIGHT PURPLE	WATER FLOW SYSTEM (WATER PRESSURE SWITCH) IN THE
LIGHT LIGHT ORANGE	WATER FLOW SYSTEM (WATER PRESSURE SWITCH) IN THE
LIGHT LIGHT LIGHT BLUE	WATER FLOW SYSTEM (WATER PRESSURE SWITCH) IN THE
LIGHT LIGHT LIGHT GREEN	WATER FLOW SYSTEM (WATER PRESSURE SWITCH) IN THE
LIGHT LIGHT LIGHT YELLOW	WATER FLOW SYSTEM (WATER PRESSURE SWITCH) IN THE
LIGHT LIGHT LIGHT RED	WATER FLOW SYSTEM (WATER PRESSURE SWITCH) IN THE
LIGHT LIGHT LIGHT GREY	WATER FLOW SYSTEM (WATER PRESSURE SWITCH) IN THE
LIGHT LIGHT LIGHT PURPLE	WATER FLOW SYSTEM (WATER PRESSURE SWITCH) IN THE
LIGHT LIGHT LIGHT ORANGE	WATER FLOW SYSTEM (WATER PRESSURE SWITCH) IN THE
LIGHT LIGHT LIGHT LIGHT BLUE	WATER FLOW SYSTEM (WATER PRESSURE SWITCH) IN THE
LIGHT LIGHT LIGHT LIGHT GREEN	WATER FLOW SYSTEM (WATER PRESSURE SWITCH) IN THE
LIGHT LIGHT LIGHT LIGHT YELLOW	WATER FLOW SYSTEM (WATER PRESSURE SWITCH) IN THE
LIGHT LIGHT LIGHT LIGHT RED	WATER FLOW SYSTEM (WATER PRESSURE SWITCH) IN THE
LIGHT LIGHT LIGHT LIGHT GREY	WATER FLOW SYSTEM (WATER PRESSURE SWITCH) IN THE
LIGHT LIGHT LIGHT LIGHT PURPLE	WATER FLOW SYSTEM (WATER PRESSURE SWITCH) IN THE
LIGHT LIGHT LIGHT LIGHT ORANGE	WATER FLOW SYSTEM (WATER PRESSURE SWITCH) IN THE
LIGHT LIGHT LIGHT LIGHT LIGHT BLUE	WATER FLOW SYSTEM (WATER PRESSURE SWITCH) IN THE
LIGHT LIGHT LIGHT LIGHT LIGHT GREEN	WATER FLOW SYSTEM (WATER PRESSURE SWITCH) IN THE
LIGHT LIGHT LIGHT LIGHT LIGHT YELLOW	WATER FLOW SYSTEM (WATER PRESSURE SWITCH) IN THE
LIGHT LIGHT LIGHT LIGHT LIGHT RED	WATER FLOW SYSTEM (WATER PRESSURE SWITCH) IN THE
LIGHT LIGHT LIGHT LIGHT LIGHT GREY	WATER FLOW SYSTEM (WATER PRESSURE SWITCH) IN THE
LIGHT LIGHT LIGHT LIGHT LIGHT PURPLE	WATER FLOW SYSTEM (WATER PRESSURE SWITCH) IN THE
LIGHT LIGHT LIGHT LIGHT LIGHT ORANGE	WATER FLOW SYSTEM (WATER PRESSURE SWITCH) IN THE
LIGHT LIGHT LIGHT LIGHT LIGHT LIGHT BLUE	WATER FLOW SYSTEM (WATER PRESSURE SWITCH) IN THE
LIGHT LIGHT LIGHT LIGHT LIGHT LIGHT GREEN	WATER FLOW SYSTEM (WATER PRESSURE SWITCH) IN THE
LIGHT LIGHT LIGHT LIGHT LIGHT LIGHT YELLOW	WATER FLOW SYSTEM (WATER PRESSURE SWITCH) IN THE
LIGHT LIGHT LIGHT LIGHT LIGHT LIGHT RED	WATER FLOW SYSTEM (WATER PRESSURE SWITCH) IN THE
LIGHT LIGHT LIGHT LIGHT LIGHT LIGHT GREY	WATER FLOW SYSTEM (WATER PRESSURE SWITCH) IN THE
LIGHT LIGHT LIGHT LIGHT LIGHT LIGHT PURPLE	WATER FLOW SYSTEM (WATER PRESSURE SWITCH) IN THE
LIGHT LIGHT LIGHT LIGHT LIGHT LIGHT ORANGE	WATER FLOW SYSTEM (WATER PRESSURE SWITCH) IN THE
LIGHT LIGHT LIGHT LIGHT LIGHT LIGHT LIGHT BLUE	WATER FLOW SYSTEM (WATER PRESSURE SWITCH) IN THE
LIGHT LIGHT LIGHT LIGHT LIGHT LIGHT LIGHT GREEN	WATER FLOW SYSTEM (WATER PRESSURE SWITCH) IN THE
LIGHT LIGHT LIGHT LIGHT LIGHT LIGHT LIGHT YELLOW	WATER FLOW SYSTEM (WATER PRESSURE SWITCH) IN THE
LIGHT LIGHT LIGHT LIGHT LIGHT LIGHT LIGHT RED	WATER FLOW SYSTEM (WATER PRESSURE SWITCH) IN THE
LIGHT LIGHT LIGHT LIGHT LIGHT LIGHT LIGHT GREY	WATER FLOW SYSTEM (WATER PRESSURE SWITCH) IN THE
LIGHT LIGHT LIGHT LIGHT LIGHT LIGHT LIGHT PURPLE	WATER FLOW SYSTEM (WATER PRESSURE SWITCH) IN THE
LIGHT LIGHT LIGHT LIGHT LIGHT LIGHT LIGHT ORANGE	WATER FLOW SYSTEM (WATER PRESSURE SWITCH) IN THE

CALLOUT FORMAT IF APPLICABLE			
SYMBOL	DESCRIPTION	ABBREVIATION	COLOR
	CIRCUIT BREAKER	CB	BROWN
	RELAY	REL	BROWN
	SWITCH	SW	WHITE
	INDICATOR LAMP	IL	YELLOW
	CONTROL LAMP	CL	RED
	TERMINAL BLOCK	TB	BLACK
	CONNECTOR	CON	BLACK
	WIRING HARNESS	WH	BLACK
	GROUND	GND	BLACK
	POWER SOURCE	PS	BROWN
	FUSE	F	BROWN
	DIODE	D	BLACK
	RESISTOR	R	BLACK
	CAPACITOR	C	BLACK
	INDUCTOR	L	BLACK
	TRANSFORMER	T	BLACK
	MOTOR	M	BLACK
	FAN	F	BLACK
	PUMP	P	BLACK
	VALVE	V	BLACK
	SOLENOID	S	BLACK
	ACTUATOR	A	BLACK
	SENSOR	S	BLACK
	CONTROLLER	CON	BLACK
	INTERFACE	I	BLACK
	MODULE	MOD	BLACK
	UNIT	U	BLACK
	SUBSYSTEM	SS	BLACK
	SYSTEM	SYS	BLACK

WARNING
Do not operate or work on this product unless you have read and understood the instruction and warning. Contact your Operator and Maintenance Manuals and relevant Service Manuals. Failure to follow the instructions is a safety hazard and could result in injury or death. Proper care is your responsibility.

THIS SCHEMATIC IS FOR THE 330D AND 336D EXCAVATOR ELECTRICAL SYSTEM
VOLUME 4 OF 4 CAB
MEDIA NUMBER: UENR263-02
SCHEMATIC PART NUMBER: 251-0617, CHANGE 07, VERSION: HE
Copyright © 2014 Caterpillar. All rights reserved. This document is the property of Caterpillar and is to be used only for the specific machine and configuration identified in the title block. No part of this document may be reproduced without prior written permission from Caterpillar. Refer to the Parts Manual using a specific serial number prefix in the title block before ordering parts from this schematic.



CALLOUT FORMAT IF APPLICABLE

Callout Number: (82) VALVE GP - CONTROL Component Name
Complaint Category: 138-1234 Part Number

SYMBOL	DESCRIPTION	ABBREV	COLOR
+	CIRCUIT CONNECTED	RD	RED
+	CIRCUIT NOT CONNECTED	WH	WHITE
+	ELECTRICAL CONNECTION TO MACHINE STRUCTURE	OR	ORANGE
+	INTERNAL ELECTRICAL CONNECTION TO SURFACE OF COMPONENT	YL	YELLOW
+	CONNECTOR	PK	PINK
+	CONNECTOR	BK	BLACK
+	CIRCUIT GROUPING DESIGNATION	GY	GRAY
+	ATCH WIRE, CABLE, COMPONENT	PU	PURPLE
+	SPLICE	BR	BROWN
+	BLADE, SPADE, RING OR SCREW TERMINAL	GN	GREEN
+	BLADE, SPADE, RING OR SCREW TERMINAL	BU	BLUE

WARNING
Do not operate or work on this product unless you have read and understood the instruction and warnings in the relevant Operation and Maintenance Manuals and relevant service literature. Failure to follow the instructions or heed the warnings could result in injury or death. Proper care is your responsibility.

WIRE GROUP COLOR DESCRIPTIONS

—	GROUND CIRCUIT
—	ENGINE CONTROL CIRCUIT

OTHER COLOR DESCRIPTIONS

—	HIGHWAYS
---	----------

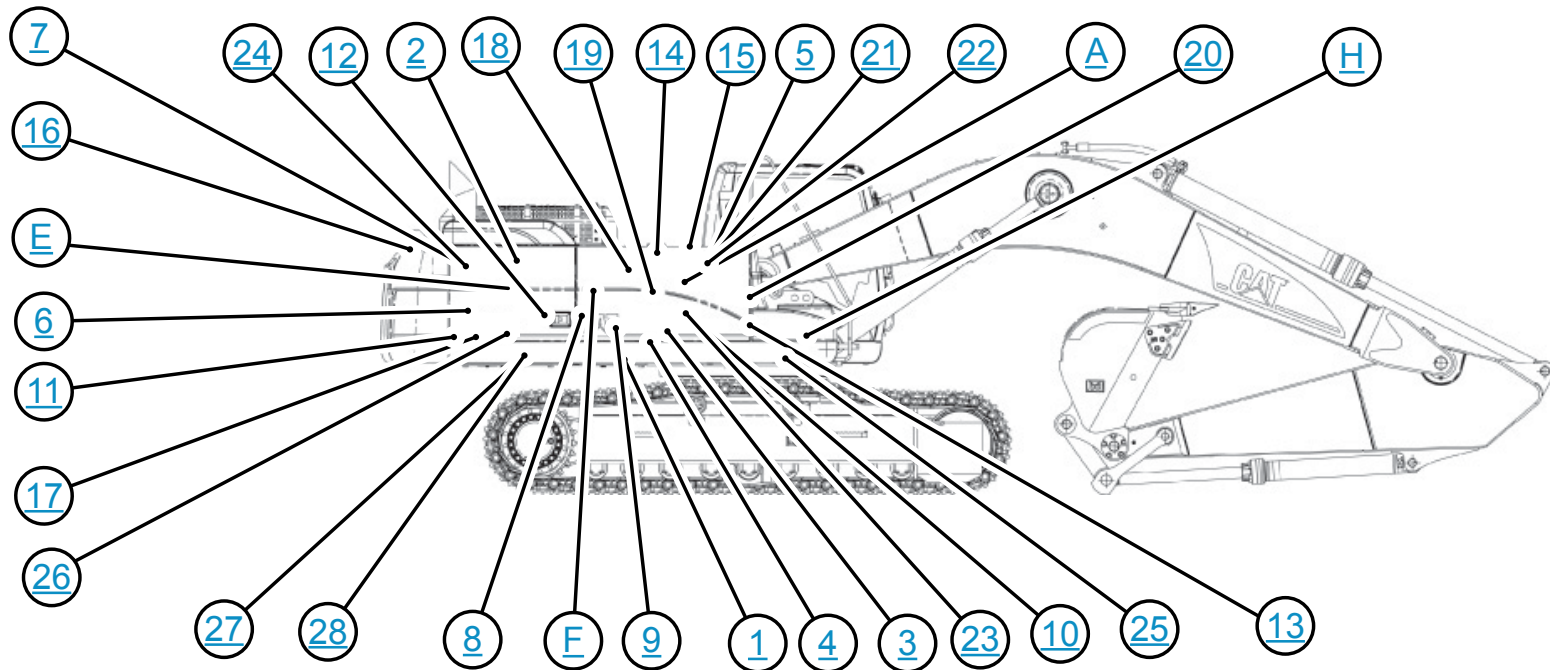
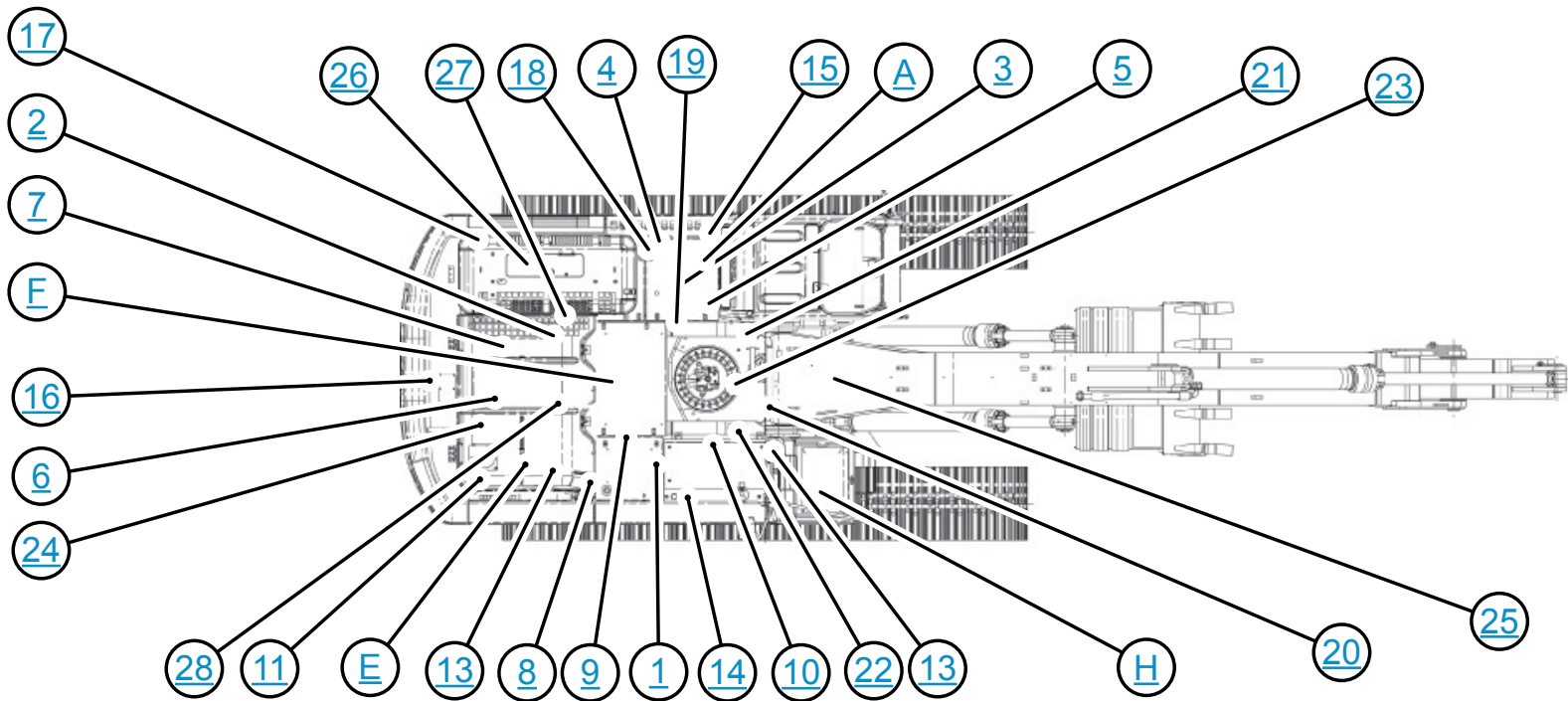
IDENT	PART NUMBER	CHG	NOTE
A	235-8202	04	ENGINE HARDNESS
J	215-3249	03	INJECTOR HARDNESS

CABLE ASSEMBLIES (CUSTOMER SUPPLIED)

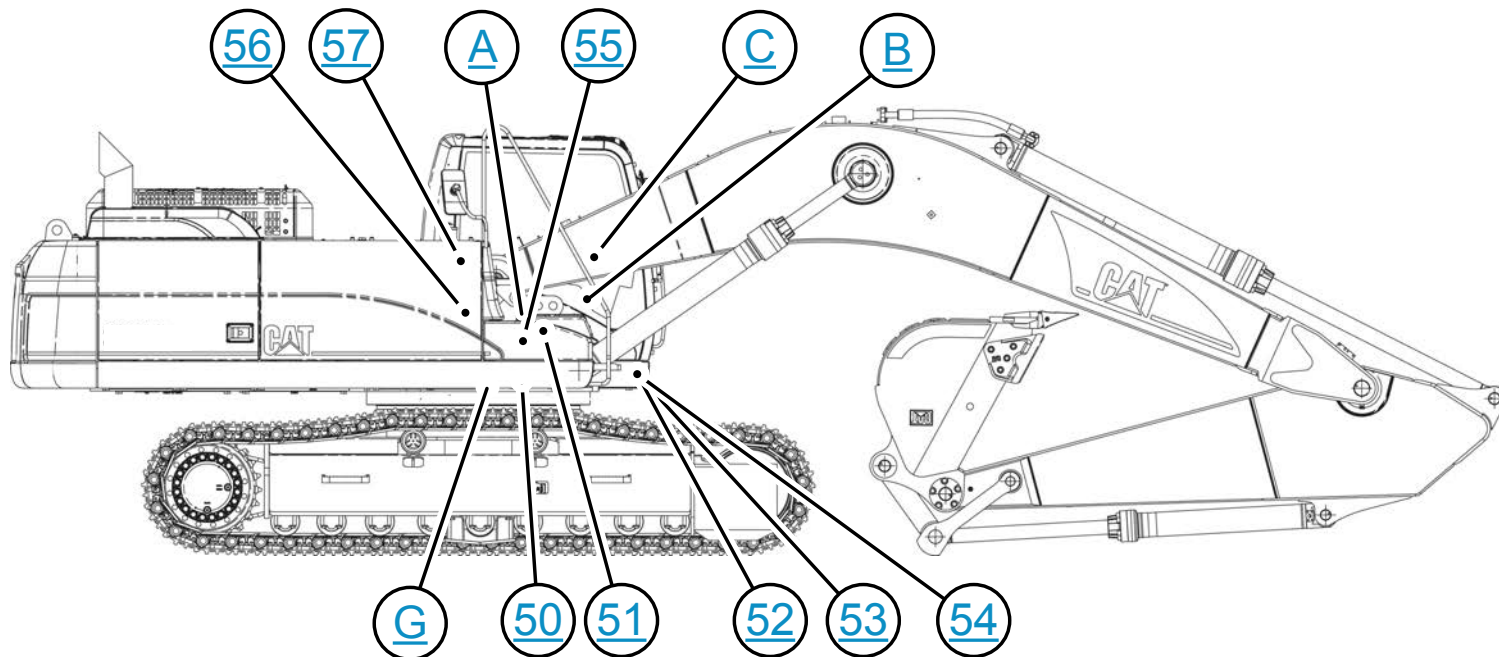
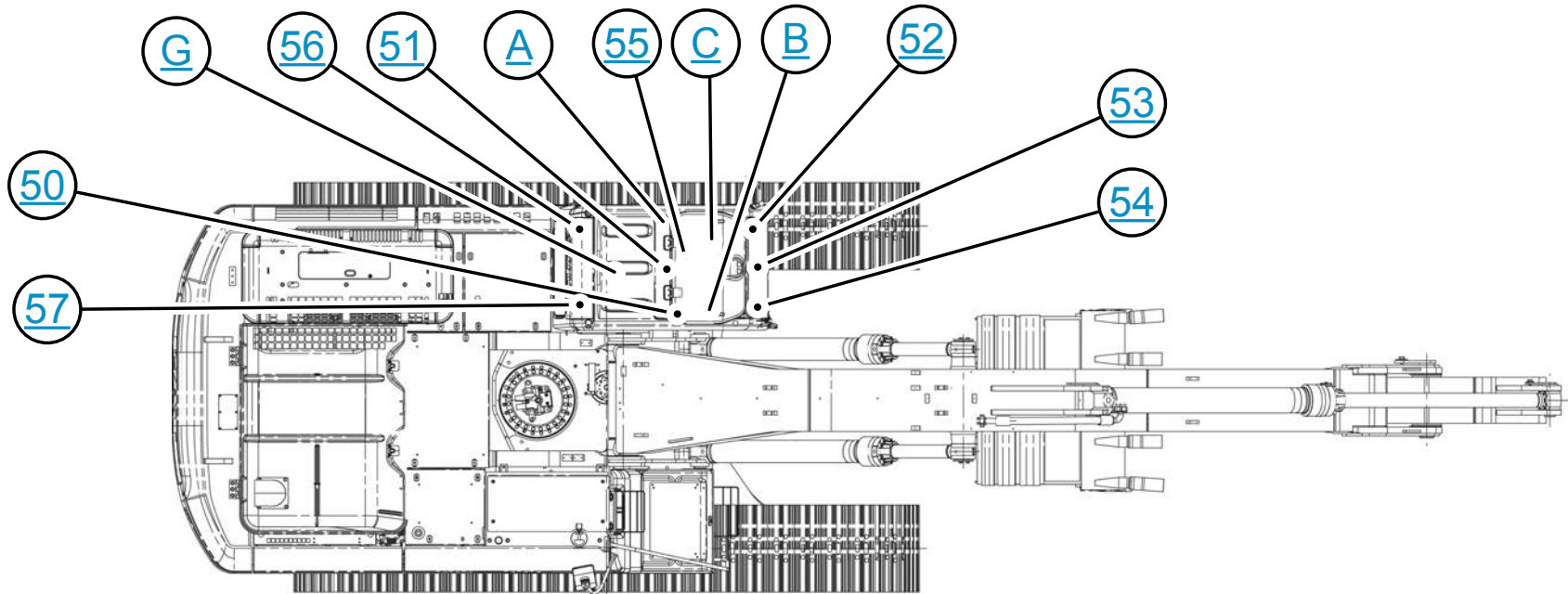
WIRES (E963-BK & E964-WH), (E965-BU & E966-YL), MUST BE TWISTED TOGETHER AT LEAST 1 TURN PER 25mm

THIS SCHEMATIC IS FOR THE 330D and 336D EXCAVATOR ELECTRICAL SYSTEM
VOLUME 4 of 4: ENGINE
MEDIA NUMBER: UENR2637-02
SCHEMATIC PART NUMBER: 251-0617, CHANGE: 07, VERSION: HE
Components are shown installed on a fully operable machine with the key and engine off, transmission shifter in neutral and with parking brake set.
Refer to the appropriate Service Manual for Troubleshooting, Specifications and Systems Operations.
Refer to the Parts Manual using a specific serial number prefix in SIS before ordering parts from this schematic.

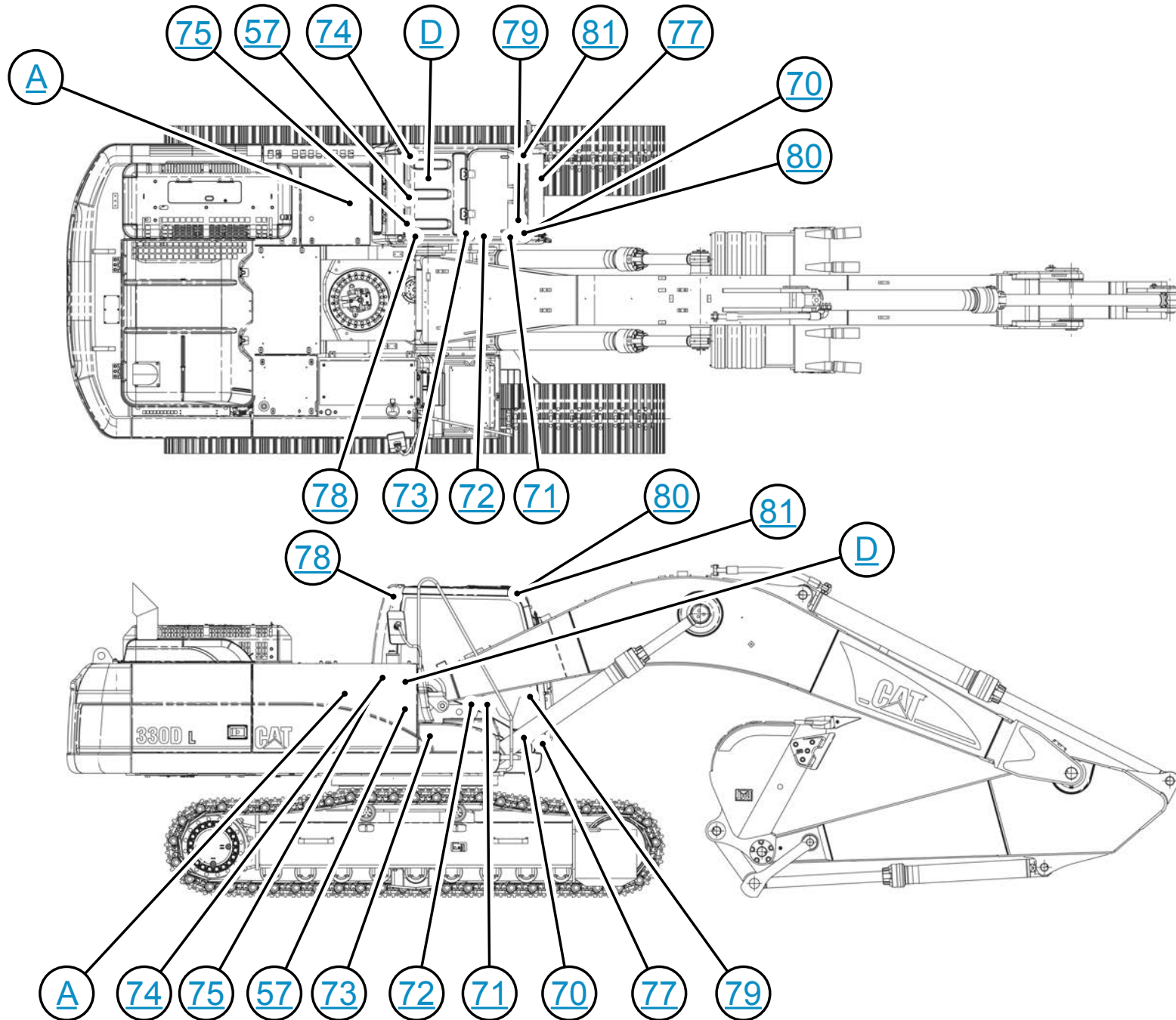
MACHINE HARNESS CONNECTOR AND COMPONENT LOCATIONS **CAT**[®]



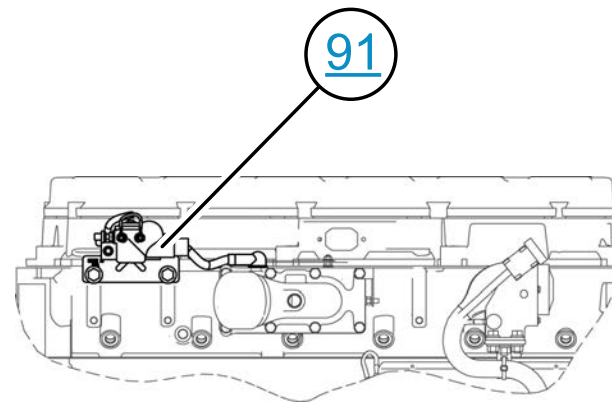
MACHINE HARNESS CONNECTOR AND COMPONENT LOCATIONS **CAT**[®]



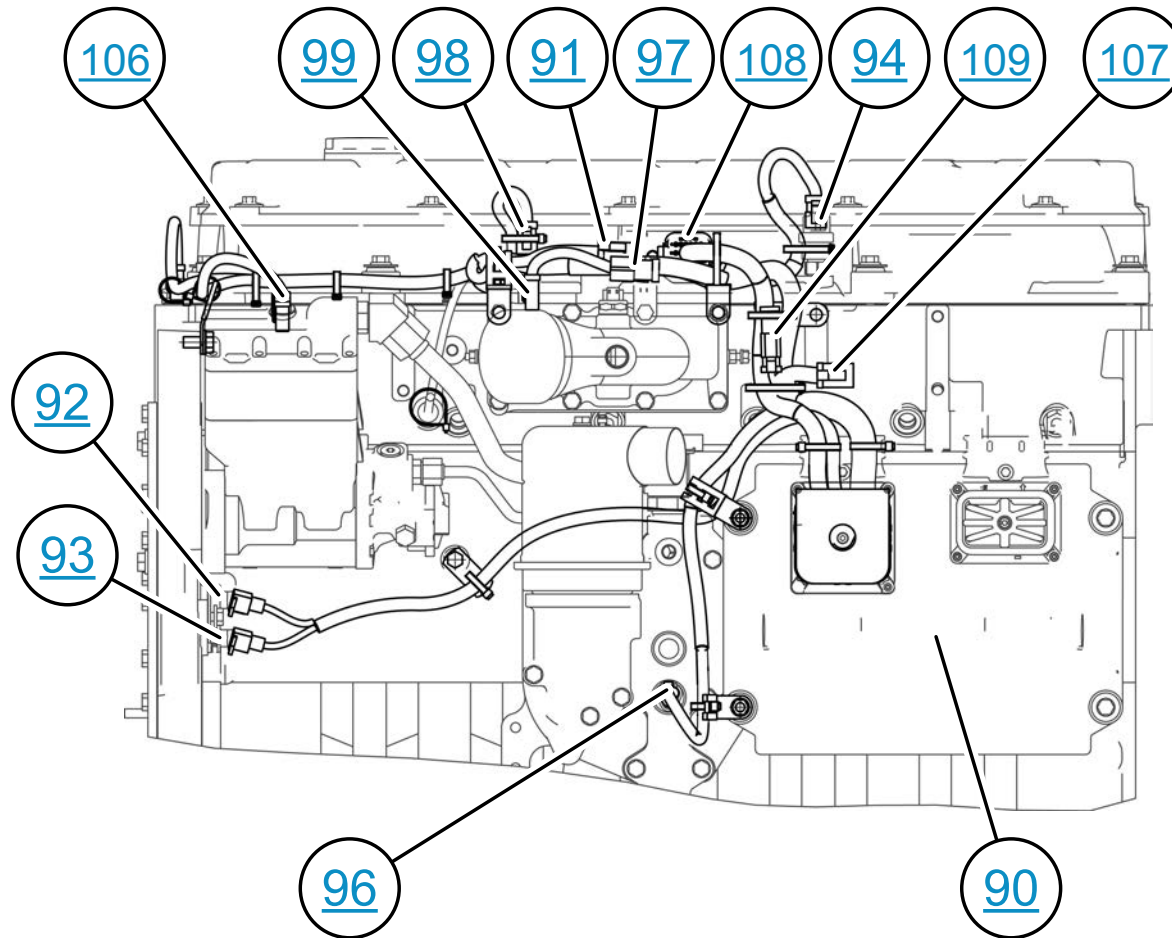
MACHINE HARNESS CONNECTOR AND COMPONENT LOCATIONS **CAT**[®]



LEFT SIDE VIEW - ENGINE AIR INLET HEATER RELAY



LEFT SIDE VIEW - ENGINE



TOP VIEW - ENGINE

