

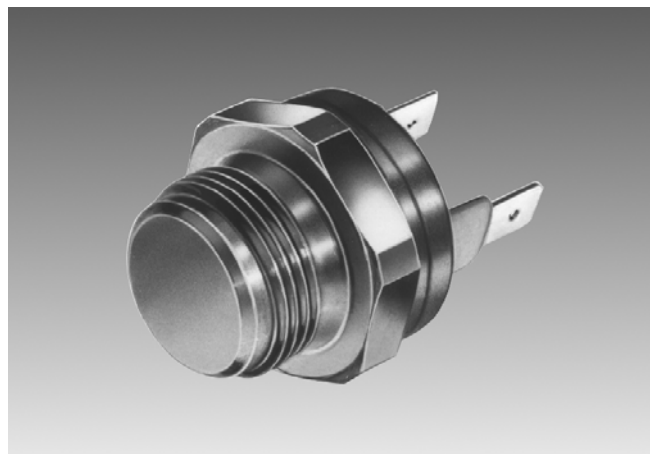
**RE 95 145/04.99**

Replaces: RE 95 039/02.90



**Temperature Switch TS**

Series 1



TS24T1/10-G22

**Features**

This temperature switch is used to monitor the temperature within a hydraulic circuit.

The normally open contacts close on reaching the upper switching point and reopen when the lower switching point is once more achieved.

The switch can be installed in either axial piston pumps or motors.

It is envisaged that it would be installed either in the drain connection or in the hydraulic tank.

**Particular characteristics**

- Single pole ON switch operates on rising temperature
- Plated flat pin connectors 6,3 mm x 0,8 mm

**Ordering Code**

TS	24	T1	/	1	0	-	G22
----	----	----	---	---	---	---	-----

**Type**

Temperature s. **TS**

**Supply Voltage**

12 V oder 24 V **24**

**Model**

Lower switching p. 87°C **T1**  
Upper switching p. 92°C

**Series**

**1**

**Index**

**0**

**Fixing**

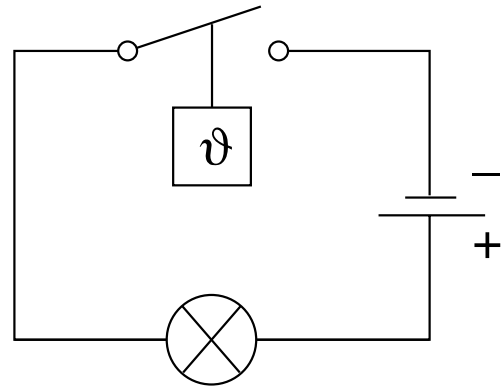
Thread M22x1,5 **G22**

## Technical Data

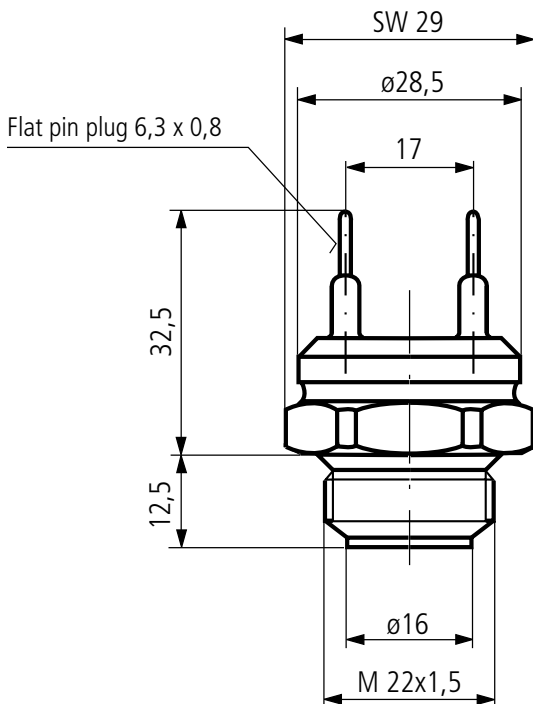
Type	TS	
Supply voltage	12 V	24 V
Max. switchable current		
with resistive load	15 A	10 A
with inductive load	15 A	8 A
Lower switching point	87 °C *)	
Upper switching point	92 °C *)	
Switching differential $\Delta T$	5 K	
Max. permissible sensor temperature		
Continuous	100 °C	
Short term	120 °C	

\*) Tolerances of the lower resp. upper switching point  $\pm 3$  °C;  
(Switching differential of  $\Delta T = 5$  K remains unchanged).

## Typical circuit



## Unit dimensions



The sealing ring is not included in the supply!

### Brueninghaus Hydromatik GmbH

#### Plant Elchingen

Glockeraustraße 2 • D-89275 Elchingen

Phone +49 (0) 73 08 / 82-0

Telefax +49 (0) 73 08 / 72 74

The specified data is for product description purposes only and may not be deemed to be guaranteed unless expressly confirmed in the contract.