

BODAS

Temperature Sensor for Fluid TSF

RE 95180/07.08 1/2
Replaces: 07.06

Data sheet



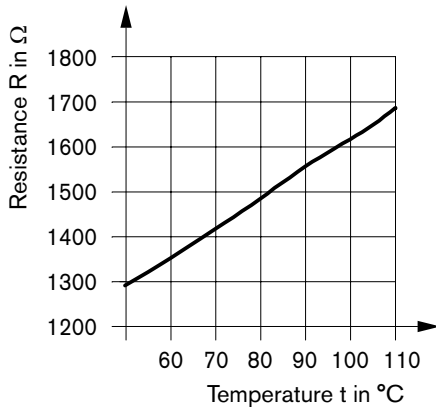
Operation

The sensor element consists of a PTC nickel-thin-film resistor, vacuummetalized onto a ceramic base. It enables the measurement of fluid temperatures when installed in a metallic radiator housing. Its resistance characteristics are virtually linear.

Application

Monitoring of coolants, hydraulic oil or motor oil in vehicles.

Characteristics



Technical Data

Measurement range	-30 °C ... 130 °C
Resistance at 0 °C	1000 Ω
Tolerance at 20 °C	± 0,5 K corresp. to ± 0,3 % of R ₂₀
Tolerance at 100 °C	± 1,1 K corresp. to ± 0,5 % of R ₁₀₀
Max. current allowed	5 mA
Time constant (in standing water)	11 s
Lag time	1 s
Vibration strength	40 g
Degree of protection	IP 64 A with plug connected
Plug connection	Jet plug, 2-pin
Threaded socket	M14x1,5

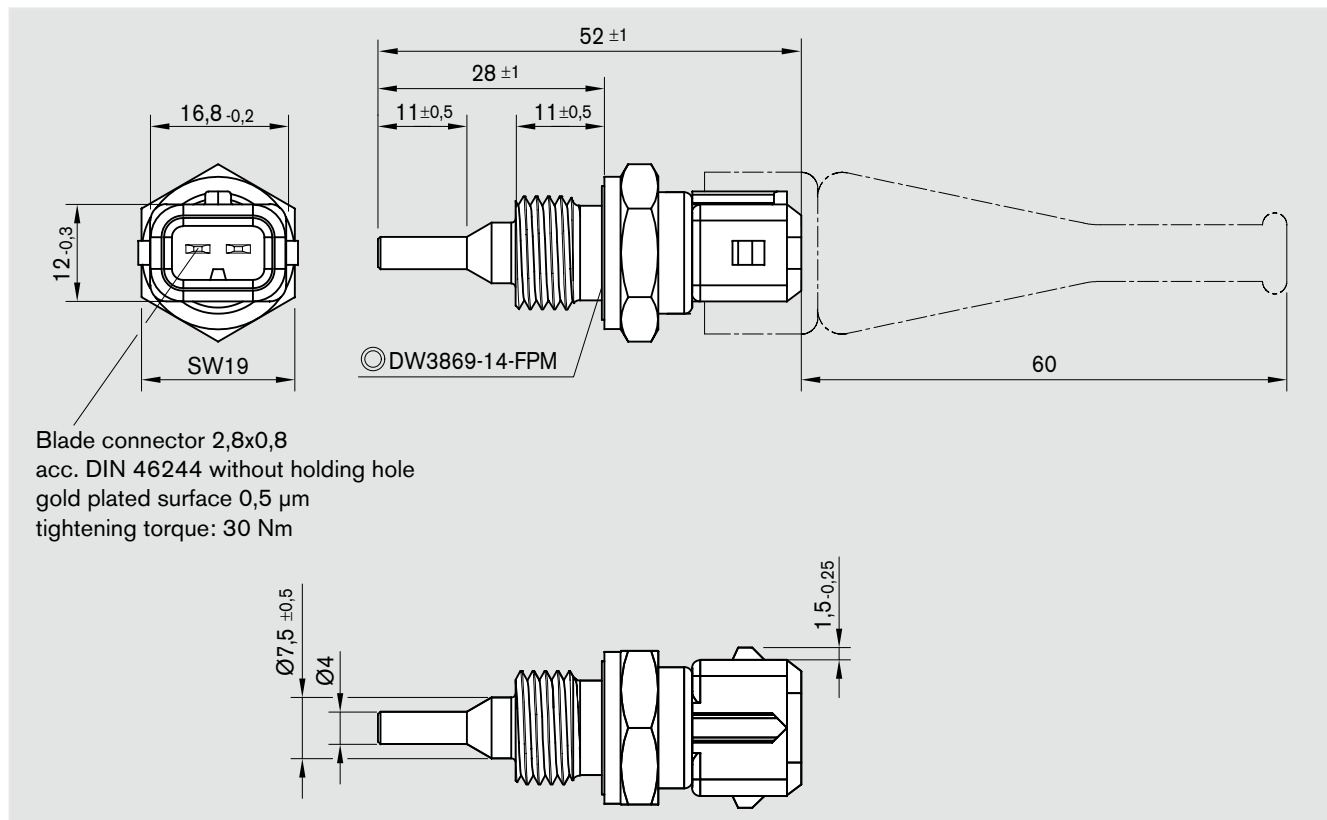
Order number:

Sensor (without accessories) _____ 0 538 009 252
 Accessory (connector set) _____ 1 834 484 094

Connector set consisting of:

1x connector housing, 2x contacts, 1x protective cap
 Connector set is not included in the supply!

Dimensions



Bosch Rexroth AG
 Hydraulics
 Mobile Electronics
 Robert-Bosch-Straße 2
 71701 Schwieberdingen, Germany
 Phone +49 (0) 711 811 -4 30 80
 Fax +49 (0) 711 811 -3 36 85
 info.brm-me@boschrexroth.de
 www.boschrexroth.com/mobile-electronics

© This document, as well as the data, specifications and other information set forth in it, are the exclusive property of Bosch Rexroth AG. It may not be reproduced or given to third parties without its consent.

The data specified above only serve to describe the product. No statements concerning a certain condition or suitability for a certain application can be derived from our information. The information given does not release the user from the obligation of own judgment and verification. It must be remembered that our products are subject to a natural process of wear and aging.

Subject to change.