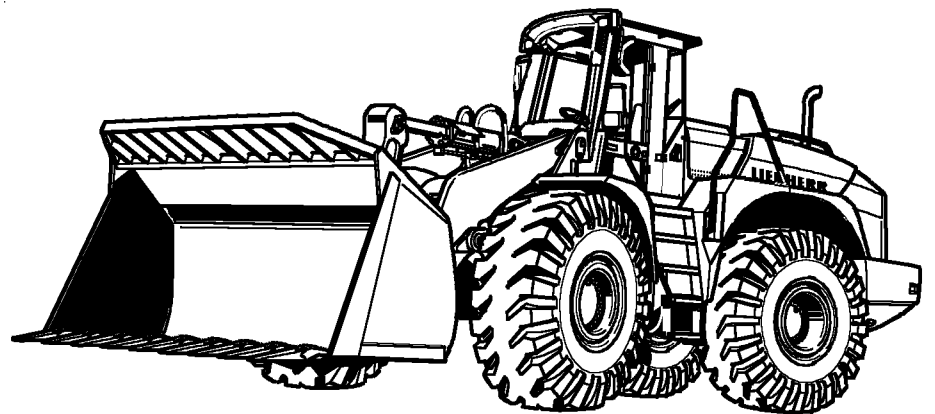


L554

valid from serial no.: - 452 0202



Please enter the following details on receipt of your vehicle:
*You will find these details on the vehicle type plate, on the front right-hand side. They will be of assistance when ordering spare parts.

* **Vehicle identity no.**

* **Year of construction**

Initial start-up

Address

Address: LIEBHERR-WERK BISCHOFSHOFEN GMBH

Dr. Hans Liebherr – Straße 4
A -5500 BISCHOFSHOFEN

Product identification

Manufacturer: LIEBHERR-WERK BISCHOFSHOFEN GMBH

Product group: Wheel loader

Type: L554

Construction number: 452

Serial number: 0202

Conformity:



Document identification

Order number: 8450640

Author: LBH/Dept. - TIP

Document version: 02

LBH/02/003801/0003/6.0/en

This Operating manual is intended for the **driver** and for the **maintenance personnel** of the vehicle.

It contains descriptions of:

- Technical data
- Safety provisions
- Control and operation
- Maintenance

This Operator's Manual should be carefully read before initial operation and should be read later at regular intervals and used by everyone who is responsible for working on the vehicle.

Work with or on the vehicle includes, for example:

- **Operation** including rigging work, troubleshooting during operation, removal of operational waste, maintenance, disposal of operating and auxiliary materials
- **Servicing** including maintenance, inspection and repair work
- **Transport** or loading of the vehicle

This manual makes it easier for the driver to become acquainted with his vehicle and avoids malfunctions due to improper operation.

Observance of the operating instructions by maintenance personnel:

- Improves operational reliability
- Extends the service life of your vehicle.
- Reduces repair costs and downtimes

This manual belongs with the vehicle. Place a copy within easy reach in the glove compartment of the driver's cab.

The Operating manual is to be supplemented by instructions based on existing national accident prevention and environmental protection regulations.

In addition to the Operating manual and the applicable national and local legal requirements for accident prevention, the recognised technical regulations for safe and professional operation should be observed.

This Operator's Manual contains all necessary information for the operation and maintenance of your vehicle.

If you should, however, require more detailed explanations or information, our technical information and production quality (TIP), technical documentation and customer service departments will be happy to provide assistance.

You will readily understand that we cannot accept guarantee claims in the event of improper operation, insufficient maintenance, the use of unauthorised operating materials or non-observance of safety regulations.

LIEBHERR will cancel without prior notice all obligations such as guarantee agreements, service contracts etc. entered into by **LIEBHERR** and/or its agents when spare parts other than original **LIEBHERR** parts or those purchased from **LIEBHERR** are used for maintenance and repairs. Under extreme conditions, shorter maintenance intervals than provided for in the inspection schedule may be necessary.

Modifications, conditions, copyright:

- We reserve the right to alter the technical specifications of the vehicle with respect to the specifications and illustrations in the documents provided.
- The guarantee and liability conditions of the general conditions of business of **LIEBHERR** are not affected by the information in the manual.
- The specifications and illustrations in this manual may neither be reproduced, distributed nor used for commercial purposes. All rights in accordance with copyright laws are expressly reserved.

1	Product description	1 - 1
1.1	Technical data	1 - 2
1.1.1	Overall vehicle	1 - 2
1.1.2	Diesel engine, Pump distributor gear	1 - 6
1.1.3	Travel hydraulics	1 - 7
1.1.4	Working hydraulics	1 - 7
1.1.5	Steering system	1 - 8
1.1.6	Braking system	1 - 8
1.1.7	Electrical system	1 - 9
1.1.8	Transfer gear	1 - 9
1.1.9	Axles	1 - 9
1.1.10	Tyres	1 - 10
1.1.11	Cab, Heating, Air-conditioning system	1 - 11
1.1.12	Lift arm, Quick-change device	1 - 12
1.1.13	Attachments, Accessories	1 - 14
1.2	Technical description	1 - 16
1.2.1	Overall vehicle	1 - 16
1.2.2	Diesel engine, Pump distributor gear	1 - 16
1.2.3	Cooling system	1 - 17
1.2.4	Travel hydraulics	1 - 17
1.2.5	Working hydraulics	1 - 18
1.2.6	Steering system	1 - 19
1.2.7	Braking system	1 - 20
1.2.8	Electrical system	1 - 21
1.2.9	Transfer gear	1 - 21
1.2.10	Axles, Tyres	1 - 21
1.2.11	Vehicle frame, Ballast weight	1 - 22
1.2.12	Central lubrication system	1 - 22
1.2.13	Cab, Heating, Air-conditioning system	1 - 22

1.2.14	Lift arm, Quick-change device	1 - 23
1.2.15	Attachments, Accessories	1 - 24
2	Safety regulations	2 - 1
2.1	Introduction	2 - 1
2.2	General safety regulations	2 - 1
2.3	Proper use	2 - 3
2.4	Decals on the vehicle	2 - 3
2.4.1	Location of decals	2 - 4
2.4.2	Safety decals	2 - 4
2.4.3	Information decals	2 - 6
2.4.4	Type plates	2 - 9
2.5	Instructions for avoiding crushing injuries and burns	2 - 9
2.6	Instructions for avoiding fires and explosions	2 - 10
2.7	Safety instructions for start-up	2 - 10
2.8	Safety precautions during start-up	2 - 11
2.9	Instructions for safe operation	2 - 11
2.10	Safety instructions for driving on slopes	2 - 12
2.11	Parking safely	2 - 13
2.12	Transporting the vehicle safely	2 - 13
2.13	Towing the vehicle safely	2 - 14
2.14	Measures for ensuring safe maintenance	2 - 14
2.15	Safety instructions for welding work on the vehicle	2 - 17
2.16	Instructions for working safely on vehicle attachments	2 - 17
2.17	Safety regulations when transporting the vehicle by crane	2 - 18
2.18	Safe maintenance of hydraulic hoses and hose lines	2 - 18
2.19	Attachments and accessories	2 - 19
3	Operation, Handling	3 - 1
3.1	Layout of controls and instruments	3 - 1
3.2	Operation	3 - 3
3.2.1	Cab access	3 - 3

3.2.2	Emergency exit	3 - 4
3.2.3	Driver's seat with gas-filled spring suspension	3 - 5
3.2.4	Driver's seat with pneumatic suspension	3 - 8
3.2.5	Safety belt	3 - 12
3.2.6	Starter switch	3 - 14
3.2.7	Steering column and steering wheel	3 - 14
3.2.8	Steering column switch	3 - 16
3.2.9	Display unit	3 - 19
3.2.10	Display unit	3 - 24
3.2.11	Mechanical hour meter	3 - 26
3.2.12	Control unit	3 - 27
3.2.13	Control unit	3 - 31
3.2.14	Control element	3 - 32
3.2.15	LIEBHERR control lever	3 - 34
3.2.16	Control lever for optional working functions	3 - 38
3.2.17	Heating, Ventilation	3 - 39
3.2.18	Air-conditioning system	3 - 40
3.2.19	Internal cab illumination	3 - 41
3.2.20	Inside and outside mirrors	3 - 41
3.2.21	Sun visor	3 - 42
3.2.22	Electric windshield wiper and washer system	3 - 42
3.2.23	Reservoir for windshield washer fluid	3 - 44
3.2.24	Automatic central lubrication system	3 - 45
3.2.25	Acoustic reverse warning device	3 - 46
3.2.26	Optical reverse warning device	3 - 46
3.3	Operation	3 - 48
3.3.1	Daily start-up routine	3 - 48
3.3.2	Operation with diesel particle filter	3 - 50
3.3.3	Starting the diesel engine	3 - 52
3.3.4	Driving mode	3 - 56
3.3.5	Shutting down the vehicle	3 - 71
3.3.6	Operating the lift arm	3 - 74

3.3.7	Operating the hydraulic quick-change device	3 - 84
3.3.8	Operation of the hydraulic quick-change equipment (electro-hydraulic actuation with comfort control)	3 - 90
3.3.9	Operation of the hydraulic quick-change device (electro-hydraulic actuation without comfort control)	3 - 94
3.3.10	Working with optional equipment	3 - 99
3.3.11	General working methods	3 - 102
3.3.12	Transporting the vehicle	3 - 115
3.4	Emergency operation	3 - 122
3.4.1	Towing the vehicle	3 - 122
3.4.2	Procedure for jump starting	3 - 126
4	Malfunctions	4 - 1
4.1	Error code tables	4 - 1
4.1.1	Error code – indication on the display	4 - 1
4.1.2	Error code (supplementary) – indication on the display	4 - 5
4.1.3	Audible warning signals	4 - 7
4.2	Eliminating malfunctions	4 - 9
4.2.1	Changing fuses	4 - 9
5	Maintenance	5 - 1
5.1	Maintenance and inspection schedule	5 - 1
5.2	Lubricant chart, Filling quantities	5 - 5
5.2.1	Table of filling quantities	5 - 5
5.2.2	Lubricant chart	5 - 6
5.3	Maintenance tasks	5 - 9
5.3.1	Preparatory tasks for maintenance	5 - 9
5.3.2	Maintenance tasks (daily) every 10 service hours	5 - 15
5.3.3	Maintenance tasks (weekly) every 50 service hours	5 - 19
5.3.4	Unscheduled maintenance tasks	5 - 30
5.3.5	Cleaning the vehicle	5 - 36
5.3.6	Corrosion protection work	5 - 36

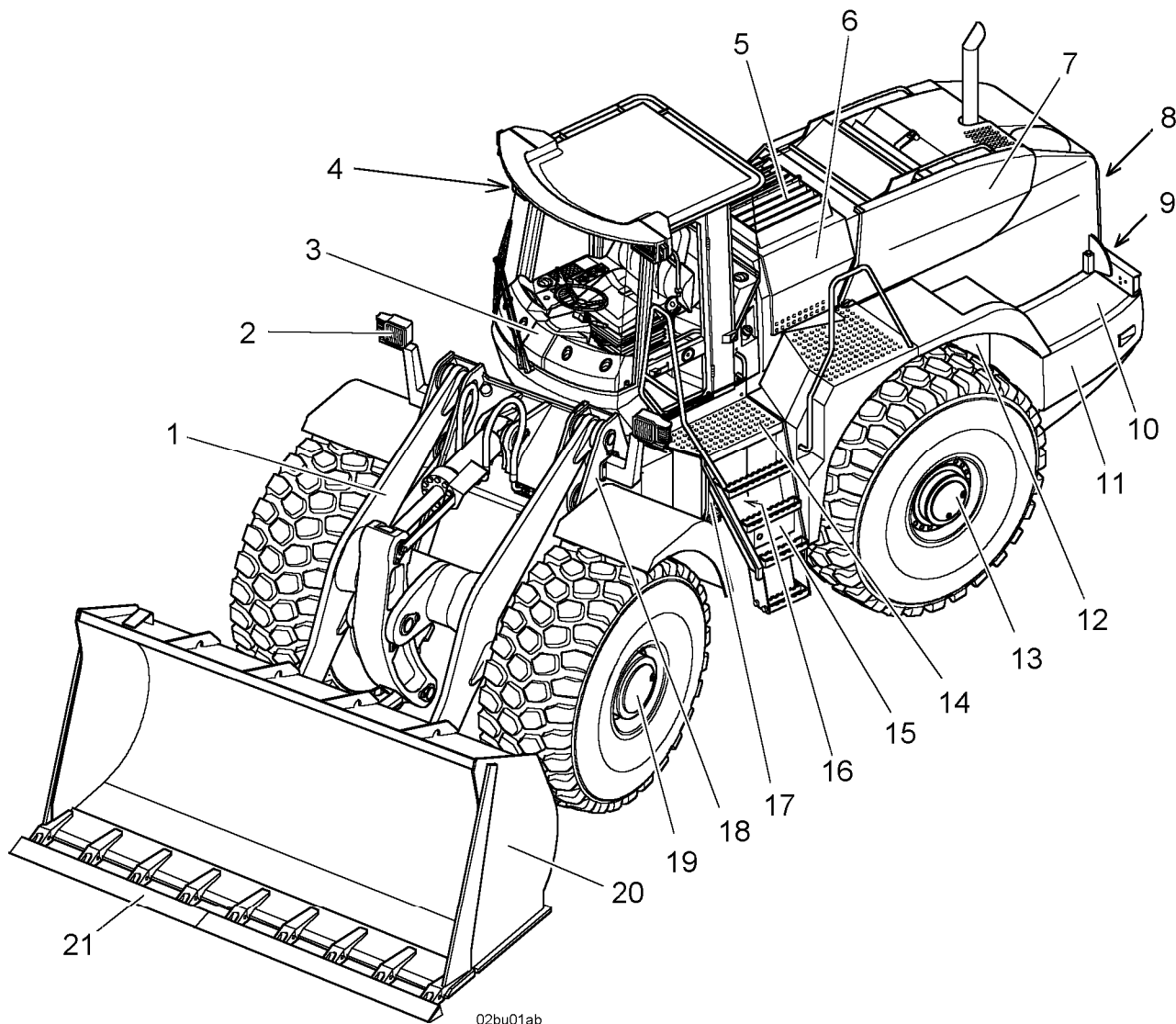
5.4	<u>Lubricants and fuels</u>	5 - 38
5.4.1	<u>Handling lubricants and fuels</u>	5 - 38
5.4.2	<u>Lubricant and fuel specifications</u>	5 - 39

1 Product description

Equipment layout

Standard model

This section contains an overview of the vehicle with the names of the illustrated components.



02bu01ab

Basic vehicle – View from left

- | | | |
|---------------------------|------------------------------|-----------------------|
| 1 Lift arm | 8 Engine compartment door | 15 Tool box |
| 2 Lighting | 9 Hitching device | 16 Steering cylinder |
| 3 Driver's cab | 10 Battery compartment cover | 17 Articulation lock |
| 4 Working floodlights | 11 Ballast weights | 18 Front section |
| 5 Cooling system | 12 Rear section | 19 Front axle |
| 6 Cooling system hood | 13 Rear axle | 20 Loading bucket |
| 7 Engine compartment hood | 14 Cab access | 21 Bucket tooth guard |

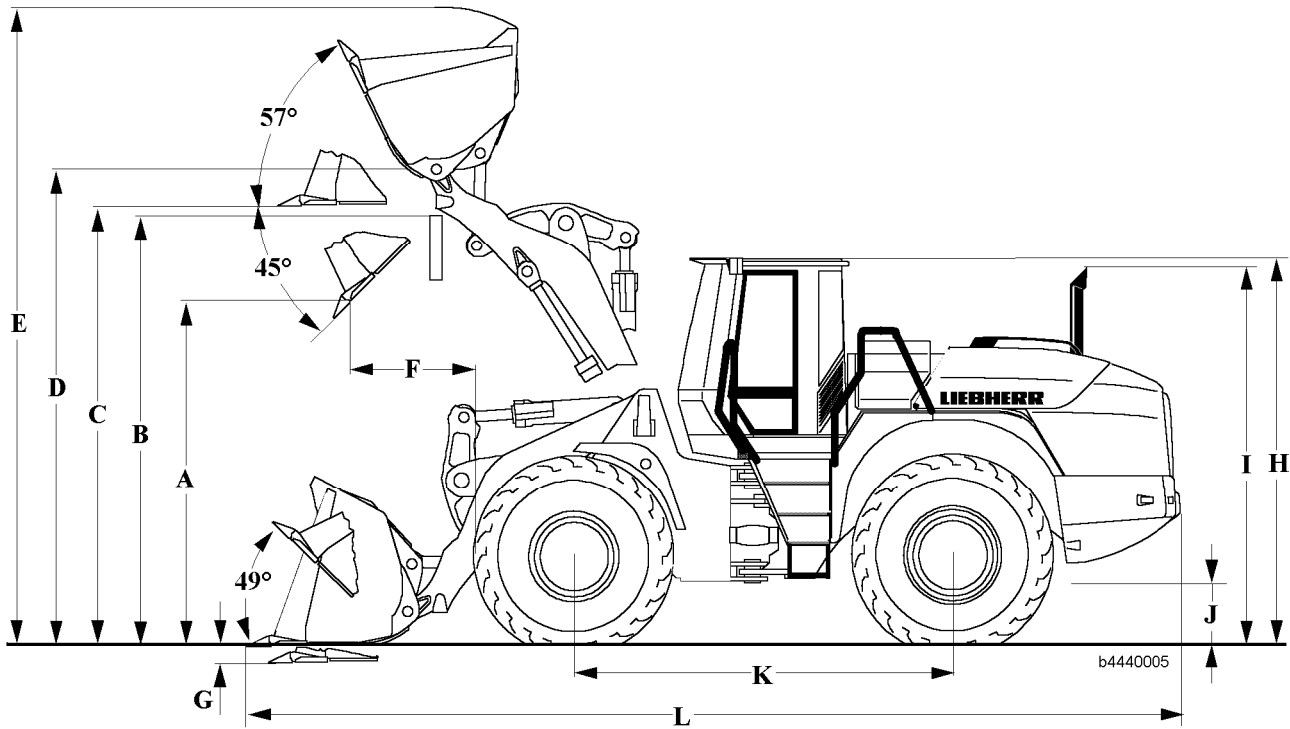
1.1 Technical data

1.1.1 Overall vehicle

Wheel loader with Z-bar lift arm

The values specified apply to:

- The vehicle with Z-bar lift arm (2,750 mm) without hydraulic quick-change device
- A vehicle with a toothed loading bucket -3.5 m³ and with 23.5 R25 Michelin XHA tyres



Dimensions

Name	Value	Units
Bucket capacity	3.5	m ³
Bucket width	2700	mm
Specific material weight	1.8	t/m ³
A - dumping height at max. lifting height and 45° tilt-out angle	3085	mm
B - max. dumping height	3700	mm
C - max. height of bucket base	3920	mm
D - max. height of bucket pivot point	4180	mm
E - max. height of bucket upper edge	5740	mm
F - reach at max. lifting height and 45° tilt-out angle	1070	mm
G - excavating depth	110	mm
H - height above cab	3355	mm
I - height above exhaust	3310	mm

LBH/02/003801/0003/6.0/en

Name	Value	Units
J - ground clearance	530	mm
K - wheel base	3150	mm
L -overall length	8130	mm
Turning radius over bucket outer edge	6360	mm
Lifting force (SAE)	180	kN
Breakout force (SAE)	130	kN
Tipping load when straight *	13925	kg
Tipping load, articulated 35° *	12625	kg
Tipping load, articulated 40° *	12270	kg
Angle of articulation	40	°
Operating weight	17300	kg
Travel speed – travel range 1 forward and reverse	0–7.5	km/h
Travel speed – travel range 2 forward and reverse	0–17.0	km/h
Travel speed – travel range A2 (automatic), forward and reverse ¹⁾	0–17.0	km/h
Travel speed – travel range A2 (automatic), forward and reverse ²⁾	0–38.0	km/h
Travel speed – travel range A3 (automatic), forward and reverse	0–38.0	km/h

* The specified values refer to Michelin 23.5 R25 XHA tyres, including all lubricants, full fuel tank, ROPS/FOPS cab and driver.

¹⁾ Automatic travel range A2 selects the 1st and 2nd gears.

Valid for: L554-452/0104-0302

²⁾ **Modification:** Automatic travel range A2 selects the 2nd and 3rd gears.

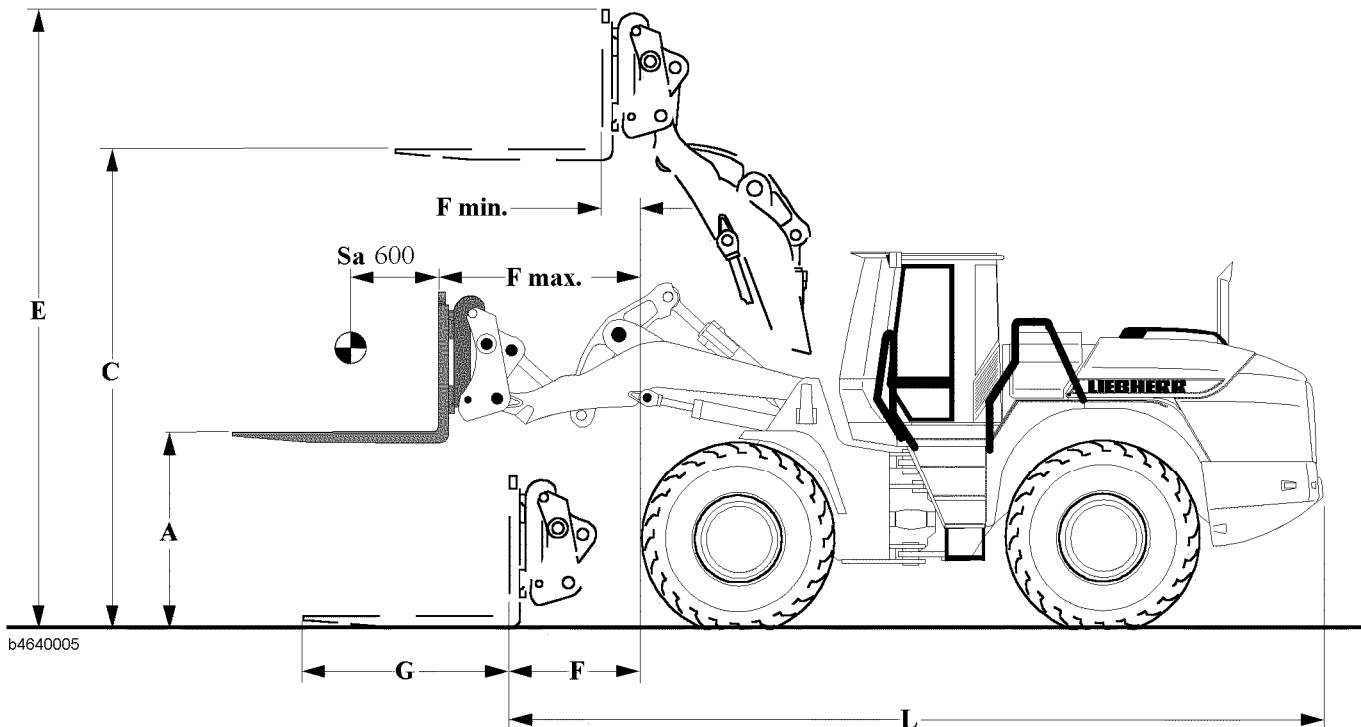
Valid for: L554-452/0303-

Wheel loader with forklift

This equipment is optional.

The values specified apply to:

- The vehicle with Z-bar lift arm (2,750 mm) and with hydraulic quick-change device
- for the vehicle with a FEM IV forklift and 23.5 R25 Michelin XHA tyres



Dimensions – Vehicle with Z-bar lift arm and forklift

Loading geometry		Z-bar kinematics		Z-bar kinematics	
Forklift equipment for quick-change device		FEM IV 1,200 mm forklift		FEM IV 1,500 mm forklift	
Name		Value	Unit	Value	Unit
A	Lifting limit at max. reach	1780	mm	1780	mm
C	Max. lifting height	3940	mm	3940	mm
E	Max. height above forklift	4950	mm	4950	mm
F	Loading position reach	1210	mm	1210	mm
F max.	Greatest possible reach	1805	mm	1805	mm
F min.	Reach at max. lifting height	755	mm	755	mm
G	Fork prong length	1200	mm	1500	mm
L	Total length of the basic vehicle	7080	mm	7080	mm
	Tipping load when straight *	9350	kg	9300	kg
	Tipping load, articulated **	8175	kg	8125	kg
	Operating weight *	17150	kg	17200	kg

* The specified values refer to Michelin 23.5 R25 XHA tyres, including all lubricants, full fuel tank, ROPS/FOPS cab and driver.

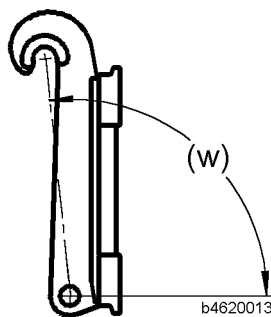
The operational weight and the tipping load are affected by the tyre dimensions and accessories.

** permitted payload (ISO 8313):

- On even terrain = 80% of the tipping load when arm is not straight
- On uneven terrain = 60% of the tipping load when arm is not straight

LBH/02/003801/0003/6.0/en

Load bearing tables for forklift operation



The EN 474-3 safety norm serves as the basis for determining the loads (nominal working loads).

The permissible load is stated as a percentage of the tipping load.

The following values may not be exceeded:

- even and firm terrain = 80% of the tipping load with forklift
- uneven terrain = 60% of the tipping load with forklift

The permitted loads on various terrains, angles (w) and various centres of gravity distances Sa are specified in the table below.

Terrain - even and firm Load = 80% of the tipping load		Lift arm with Z-bar kinematics: Loads in kg with different centres of gravity distances - CG in mm					
Tyres	Tyre filling	500	600	700	800	1000	1200
23.5-25	--	6711	6500	6302	6116	5774	5469
23.5-25	1,140 kg	6711	6500	6302	6116	5774	5469
--	--	--	--	--	--	--	--
--	--	--	--	--	--	--	--

Terrain - uneven Load = 60% of the tipping load		Lift arm with Z-bar kinematics: Loads in kg with different centres of gravity distances - CG in mm					
Tyres	Tyre filling	500	600	700	800	1000	1200
23.5-25	--	5224	5060	4906	4761	4495	4257
23.5-25	1,140 kg	5844	5660	5488	5325	5028	4762
--	--	--	--	--	--	--	--
--	--	--	--	--	--	--	--

LBH/02/003801/0003/6.0/en

1.1.2 Diesel engine, Pump distributor gear

Diesel engine	Name	Value	Units
	Engine type	D924TI-E A2	
Combustion process	Diesel, four stroke, direct injection		
Number of cylinders	4		
Cylinder volume	6640		cm ³
Rated power according to ISO 9249	137 / 186		kW / hp
Rated speed	2000		min ⁻¹
Max. torque at 1200 min ⁻¹	847		Nm
Lower idling speed	800 ^{±50}		min ⁻¹
Upper idling speed	2100 ⁺⁵⁰		min ⁻¹
Max. inclination / lengthwise, crosswise	45		°
Operating voltage of the starter	24		V
Power consumption of the starter	5,4		kW
Output voltage of alternator	28		V
Current output from alternator	55		A
Emission limit values in accordance with	ISO 8178 EUROMOT 1		

Fuel system	Name	Value	Units
	Tank capacity	260	
Tank RESERVE	70		l

Diesel particle filter This equipment is optional.

Name	Value	Units
Type	PF -18 S	
Candle filters (radial)	6	pieces
Filter medium	Ceramic micro-fibres	
Max. permissible exhaust gas counterpressure	0,2	bar
Regeneration	Additive support	
Additive mixing ratio in litres (after initial operation)	1:1000	

Refuelling pump This equipment is optional.

Name	Value	Units
Flow rate	50	l/min
Duty cycle max.	15	minutes
Suction height max.	4	m

Torsion absorber coupling

Name	Value	Units
Coupling type	Torsion absorber	

Pump distributor gear

Name	Value	Units
Transmission type	PVG 300 B 341	

1.1.3 Travel hydraulics

Variable displacement pump

Name	Value	Units
Type	A4VG 90 DA	
Displacement max.	90	cm ³
Flow at rated engine speed	222	l/min
Pressure cut-off	430 ^{±5}	bar

Variable displacement motor

Name	Value	Units
Type	A6VM 160 DA	
Displacement max.	160	cm ³

1.1.4 Working hydraulics

Variable displacement pump

Name	Value	Units
Type	A11VO 95 LRDS	
Displacement max.	95	cm ³
Flow at rated engine speed	234	l/min
Pressure cut-off	330 ^{±5}	bar

Control valve block

Name	Value	Units
Type	M7-3023	
Primary pressure relief valve	360 ^{±5}	bar

Technical data

Pilot control unit

Name	Value	Units
Type	5 THF 6	

Stabilisation module

Name	Value	Units
Type	MH RSM 25 D2X	
Cut-off valve	170 \pm 20	bar

Hydro accumulator unit

Name	Value	Units
Number of hydro accumulators	7	
Hydro accumulator volume	750	cm ³

1.1.5 Steering system**Steering pump**

Name	Value	Units
Type	A10VO 45 DFR	
Displacement max.	45	cm ³
Flow at rated engine speed	111	l/min
Pressure cut-off	210 \pm 5	bar

Servostat

Name	Value	Units
Type	Eaton 233 -3072	
Displacement	462	cm ³

1.1.6 Braking system**Compact brake valve**

Name	Value	Units
Max. brake pressure at pedal stop	65 \pm 5	bar

Parking brake

Name	Value	Units
Nominal gap	1,0	mm
Gap	min.0.5 max.1.5	mm mm

1.1.7 Electrical system

Name	Value	Units
Power supply voltage	24	V
Battery voltage	12	V
Battery capacity	110	Ah

1.1.8 Transfer gear**Mechanical transfer gear**

Name	Value	Units
Type	3 AVG 310	
Number of gears	3	

1.1.9 Axles**Front axle**

Name	Value	Units
Type	AP 411 HK	
Locking value of the self-locking differential	45	%
Wheel base	2000	mm
Wheel lug tightening torque	650	Nm
Wheel lug spanner size	30	mm

Rear axle

Name	Value	Units
Type	AP 409 DK	
Locking value of the self-locking differential	45	%
Angle of swing	13	°
Wheel base	2000	mm
Wheel lug tightening torque	650	Nm
Wheel lug spanner size	30	mm

1.1.10 Tyres

For information concerning “wheel lug tightening torque” and “wheel lug spanner size”, refer to the “Axles” section.

Tyre size and air pressures

The recommended tyre sizes with the corresponding tyre pressures are listed in the following tables.

The tyre pressure specifications are:

- the value set on delivery at the plant
- basic air pressure recommendations

They refer to cold tyres and to a vehicle which is ready for operation – the basic vehicle with standard equipment and permitted load.

Note: For special applications, such as stockyard operations with timber, where heavier loads may be expected, a higher tyre pressure is recommended, depending on the specific load.

The tyre pressure must not, however, be greater than the max. permitted according to the tyre manufacturer’s specifications!

DUNLOP tyres

Tyre size	Air pressure - front axle (bar)	Air pressure - rear axle (bar)	Max. permissible air pressure (bar)
23.5 R25 T7LD L3	3.30	2.00	4.50
23.5 R25 PG120SD L5	3.50	2.50	4.50
23.5 R25 PG 33U L3	3.30	2.00	4.50

MICHELIN tyres

Tyre size	Air pressure - front axle (bar)	Air pressure - rear axle (bar)	Max. permissible air pressure (bar)
23.5 R25 XHA L3	3.00	2.00	4.50
625/70 R25 XLD 70-1 L3	3.00	2.00	4.50
23.5 R25 XLD D2A L5	3.00	2.00	4.50
23.5 R25 XMine D2 L5	3.00	2.00	4.50

GOODYEAR tyres

Tyre size	Air pressure - front axle (bar)	Air pressure - rear axle (bar)	Max. permissible air pressure (bar)
23.5 R25 GP-2B L2	3.50	2.20	5.00
23.5 R25 RL-2 + L2	3.50	2.20	5.00
23.5 R25 RL 5K L5	3.50	2.20	5.00

Special tyres

Tyre size	Air pressure - front axle (bar)	Air pressure - rear axle (bar)	Max. permissible air pressure (bar)
1)			
2)			
2)			

The specifications should be entered in the table as follows:

¹⁾ From the manufacturer: If the vehicle is delivered ex-works with special tyres.

²⁾ from the vehicle operator: If the vehicle is retrofitted by the vehicle operator.

Tyres for vehicles with special attachments

Specifications	Type of special attachments
1)	
2)	
2)	

Tyre size	Air pressure - front axle (bar)	Air pressure - rear axle (bar)	Max. permissible air pressure (bar)
1)			
2)			
2)			

The specifications should be entered in the tables as follows:

¹⁾ From the manufacturer: If the vehicle is delivered ex-works with special tyres.

²⁾ from the vehicle operator: If the vehicle is retrofitted by the vehicle operator.

1.1.11 Cab, Heating, Air-conditioning system**Driver's seat with gas-filled spring suspension**

Name	Value	Units
Type	ISRI – 6000/575	
Type of suspension	Gas-filled spring suspension	

Driver's seat with pneumatic suspension

This equipment is optional.

Name	Value	Units
Seat compressor (comfort model)	ISRI – 6500KM/575	
Voltage	24	V
Type of suspension	Pneumatic	

Heating, Ventilation

Name	Value	Units
Number of blower speeds	3	
Heat output	12	kW

Air-conditioning system

Name	Value	Units
Type	Heating / air-conditioning unit	
Refrigerant	R134a	
Cooling output	4.8 ±10%	kW

1.1.12 Lift arm, Quick-change device**Z-bar lift arm**

Name	Value	Units
L – length	2750	mm

Quick-change device, hydraulic actuation

This equipment is optional.

Name	Value	Units
Control	Accessory kit, 1 pc.	
Actuation	Additional control lever	
Shut-off	Changeover valve	
Locking indicator	Mechanical	
Mass	400	kg

Quick-change device, electro-hydraulic actuation (with comfort control)

This equipment is optional.

Name	Value	Units
Control	Accessory kit, 1 pc.	
Actuation	comfort control (button on the LH operating lever)	

Name	Value	Units
Shut-off	Changeover valve	
Locking indicator	Mechanical	
Mass	400	kg

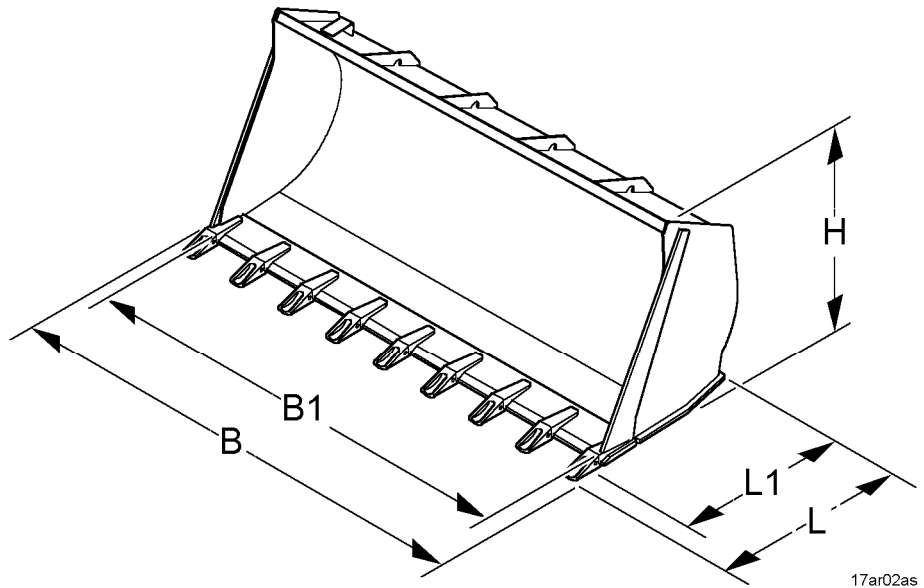
**Quick-change device,
electro-hydraulic actuation
(without comfort control)**

This equipment is optional.

Name	Value	Units
Control	Accessory kit hydr. quick-change device	
Actuation	LH control lever	
Shut-off	–	
Locking indicator	Mechanical	
Mass	400	kg

1.1.13 Attachments, Accessories

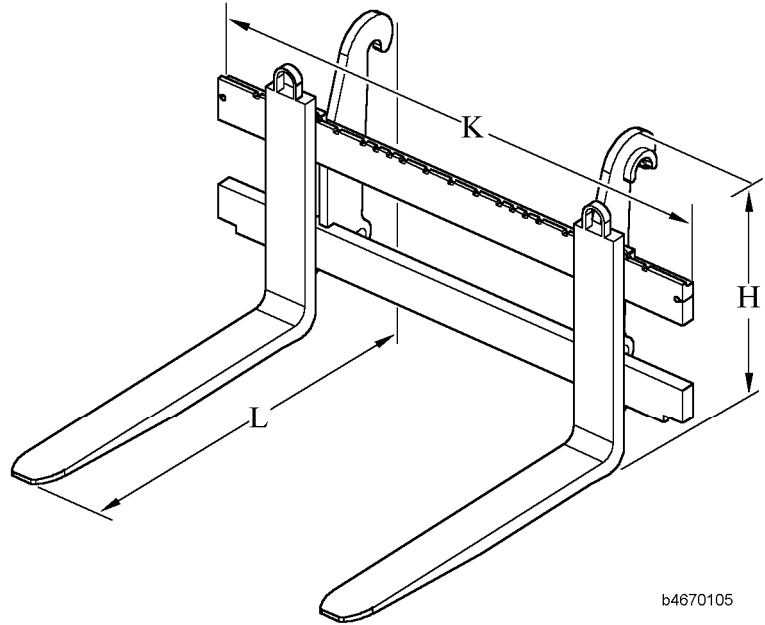
Loading bucket



Main dimensions

Name	Value	Units
B - bucket width	2700	mm
B1 - loading dimension	2638	mm
H - height	1450	mm
L - length with teeth	1630	mm
L1 - length without teeth	1530	mm
Specific material weight	1.8	t/m ³
Heaped bucket capacity (ISO 7546)	3,5	m ³
Mass	1365	kg
Toothing - UNI-Z-2000 III	8	pieces

Forklift This equipment is optional.



Main dimensions

Name	Value	Units
Prong length	1500	mm
L – length (fork carrier + prongs)	1860	mm
K – fork carrier width	2000	mm
H – height (fork carrier + prongs)	1040	mm
Mass (fork carrier + prongs)	740	kg

LBH/02/003801/0003/6.0/en

1.2 Technical description

1.2.1 Overall vehicle

Wheel loader

The **L554** is a fully hydraulic wheel loader with a hydrostatic travel drive system.

The vehicle has an articulated design.

Different vehicle versions:

- Z-bar lift arm with Z-bar kinematics

1.2.2 Diesel engine, Pump distributor gear

Diesel engine

The installed diesel engine is a water-cooled, four-stroke, in-line engine with direct injection, exhaust gas turbocharger and charge-air cooling.

The diesel engine is installed longitudinally on the rear section and elastically mounted on rubber bearings. The flywheel end faces toward the back.

The power from the engine is transmitted via a torsion absorber to the pump distributor gear.

The gear pumps for the auxiliary drives are flange-mounted on the engine side.

Fuel system

The fuel tank is located behind the right-hand cab access.

The lockable tank seal can be accessed from the right-hand cab access.

The fuel is drawn up by the fuel supply pump via the suction line and the fuel separator (water and contaminant precipitator) and is fed to the injection pump via a fine filter.

Diesel particle filter

This equipment is optional.

The diesel particle filter is installed on the left-hand side of the engine compartment.

It reduces the emission of soot particles.

Refuelling pump

This equipment is optional.

The refuelling pump is installed at the back of the rear section.

The refuelling pump is only suitable for diesel fuel.

The refuelling system is designed to facilitate filling the fuel tank with diesel fuel from a container (for example, a drum).

Air-filter system

The air filter unit of the diesel engine is designed to prevent dust and various other impurities from mixing with the engine's inlet air.

The degree of wear on the engine depends to a large degree on how clean the inlet air is. It is therefore important that the air filtering unit is inspected and serviced on a regular basis.

The dry air filter with safety cartridge is designed to provide maximum engine protection during extended maintenance intervals.

Torsion absorber coupling

The torsion absorber acts as an elastic coupling and oscillation damper between the flywheel of the diesel engine and the pump distributor gear. It transmits the diesel engine torque to the pump distributor gear.

Pump distributor gear

The pump distributor gear is a single stage spur wheel-type transmission and is attached to the flywheel housing on the diesel engine.

It distributes the power from the diesel engine to the hydraulic pumps of the hydrostatic travel drive, the working hydraulics and the steering hydraulics.

1.2.3 Cooling system

Cooling system

The cooling system is mounted between the diesel engine and the driver's cab on the rear section.

The cooling system cools the diesel engine coolant, the hydraulic oil, the charge air for the diesel engine and the air-conditioning condenser.

The hydrostatically driven fan draws up cool air through the cooler units and blows it over the diesel engine.

The speed of the hydrostatically-driven fan depends on the diesel engine speed and the temperature of the coolant and hydraulic oil.

1.2.4 Travel hydraulics

Travel hydraulics

The power from the diesel engine is transmitted to the transfer gear via the continuous hydrostatic drive in a closed circuit.

This drive enables:

- Automatic adaptation of the travel speed to the tractive force in each travel range
- Rapid shifting from forward travel to reverse travel by means of the LIEBHERR control lever
- Control of the tractive force or speed by means of the gas pedal and the combined inch/brake pedal

Variable displacement pump

The variable displacement pump is an axial piston pump with a swash plate design. The flow rate is adjusted in relation to the engine speed and load.

The flow direction of the pump is determined by the travel direction valve.

Variable displacement motor

The variable displacement motor with an inclined axle design drives the transfer gear. The hydraulic regulation of the displacement enables a wide adjustment range.

A large tractive force at a low speed is achieved at the maximum pivoting angle.

The highest speed and the lowest possible tractive force are obtained at the minimum pivoting angle.

1.2.5 Working hydraulics

Working hydraulics

The working hydraulics system operates in an open circuit. The variable displacement pump draws oil from the hydraulic tank and delivers it to the control valve block.

The control valve block is hydraulically controlled by the pilot control unit and directs the oil volume to the lift or tilt cylinders. A spool valve for floating position / quick drop function and the LFD system is integrated in the control valve block.

Variable displacement pump

The variable displacement pump is an axial piston pump with a swash plate design. The controllers attached to the variable displacement pump determine the swivel angle of the pump and its flow rate.

The flow controller ensures that the variable displacement pump only delivers that volume of oil from the hydraulic tank which is currently required by the working hydraulics.

The pressure limits the maximum operating pressure of the working hydraulics.

The power controller ensures that the pump does not draw off excessive power from the diesel engine.

Control valve block

The control valve block is installed in the front section of the vehicle. The spool valves for the lift and tilt cylinders, as well as an additional spool valve for float position, quick drop function and ride control are all integrated in the control valve block.

Pressure relief valves protect the system from pressure peaks.

Pilot control

The working hydraulics are controlled using the LIEBHERR control lever. The control valve block is thus hydraulically controlled via the pilot control valve.

The pilot control valve is supplied with oil from the replenishing pump via the pilot control - solenoid valve. The presence of a hydro accumulator means that even when the diesel engine is at rest, the working attachments can be operated in emergencies. For example, the lift arm can be lowered and/or the bucket can be tilted out.

The functions 'bucket return-to-dig', 'lift kick-out' and 'float position' are all controlled via retaining magnets in the pilot control unit and via proximity switches.

Ride control (LFD system)

The LFD system absorbs the bouncing and pitching motion by the vehicle when driving, considerably improving driver comfort and safety.

The lift cylinders are linked at their base ends with the hydraulic accumulator unit via the control block and the stabilising module. The rod end of the lift cylinders is linked to the hydraulic tank.

Stabilisation module

The stabilisation module protects the hydro accumulators from pressure peaks.

When the pressure is too high, the stabilization module cuts off the oil flow to the hydro accumulator unit.

Hydro accumulator unit

The hydro accumulator unit of the LFD system consists of a steel block with 7 hydraulic accumulators.

The hydro accumulators absorb the pressure peaks from the lift cylinder bottom end and thus absorb the bouncing and pitching vibrations by the vehicle when travelling.

Hydraulic tank

The hydraulic tank supplies the travel hydraulics, working hydraulics, brake system and steering system with hydraulic oil.

The variable displacement pumps deliver the oil via control units to the individual consumers and back to the hydraulic tank via the oil cooler. The oil passes through the return suction filter as it flows back.

In addition, the fixing brackets for the exhaust gas system and for the air filter are integrated into the steel section of the hydraulic tank.

Return suction filter

The return suction filter cleans the oil as it flows back from the working and travel hydraulics. The oil flows from the inside outwards through the filter.

The filter acts simultaneously as a suction filter for the replenishing pump of the hydrostatic travel drive.

Return strainer

The return strainer filters a part of the return-flow oil of the entire hydraulic system. The filtered oil then flows back to the hydraulic tank.

1.2.6 Steering system

Steering system

The vehicle has articulated steering. Two steering cylinders push the front and rear sections together via the articulated joint.

The hydraulic steering system is supplied with oil from the variable displacement pump. When the steering wheel is turned, the oil is directed by the servostat to the steering cylinders.

An absorption system in each steering cylinder prevents an abrupt impact at the limit of the articulated steering movement in both directions. Two hydro accumulators damp the steering movements during steering.

An emergency steering system makes steering possible, even in the event there is a variable displacement pump failure.

Steering pump

The steering pump is an axial piston pump with an inclined axle design and is flange-mounted on the variable displacement pump of the working hydraulics.

The pressure and flow controllers - mounted on the pump housing - determine the flow rate of the pump.

Emergency steering pump

The emergency steering pump is a gear pump driven by an electric motor. The pump supplies oil as required to the steering system.

The electric motor is controlled by an electronic system. If the variable displacement pump breaks down, the emergency steering pump is automatically activated. Each time the diesel engine is started, the emergency steering pump is briefly tested.

Servostat

The servostat is actuated by the steering wheel via the steering column. The metering pump in the servostat directs the oil flow from the variable displacement pump to the steering cylinders. In the process, the oil volume is precisely metered to enhance the responsiveness of the steering.

1.2.7 Braking system

Braking system

The service brake is a hydraulic dual-circuit pump accumulator brake system. It acts on the wet disc brakes in the wheel hubs of the front and rear axles.

The service brake in conjunction with the hydrostatic braking is operated by the combined inch/brake pedal.

Compact brake valve

The compact brake valve is mounted outside on the cab floor. It is actuated by the inch/brake pedal.

The compact braking valve is supplied with hydraulic oil from a gear pump.

Parking brake

The parking brake is a spring-loaded gliding caliper brake and acts on the external brake disc mounted on the output shaft of the transfer gear.

The parking brake is opened by oil pressure and closed by spring force.

1.2.8 Electrical system

Electrical system

The batteries are connected in series, one is located in each counterweight (left and right side).

The battery main switch is located at the rear left of the engine compartment. When the main switch is turned off, the whole electrical system is shut down. If the main battery switch is turned on and the starter switch on the instrument panel is turned off, the batteries are still connected to the electrical system.

The main battery switch must not be turned off when the diesel engine is running. This may damage the electrical system.

1.2.9 Transfer gear

Transfer gear

The transfer gear is a 3-gear power shift gearbox with a planetary design. The gearbox is controlled and monitored by an electronic control system. The multi-disc couplings of the gearbox are pressure-modulated.

The gearbox lubrication and circuit are supplied by a separate hydraulic system driven by a gear pump. A pressure filter is integrated in the supply line.

1.2.10 Axles, Tyres

Front axle

The front axle is a fixed axle and is tightly bolted to the front section.

The axle is equipped with a central tapered gear with an integrated disc-type self-locking differential. The planetary drives and wet disc brakes are located in the wheel hubs.

Rear axle

The rear axle is a fixed axle and is rigidly bolted to the oscillating axle frame. The oscillating axle frame is mounted on a rotating bearing on the rear section.

The axle is equipped with a central tapered gear with an integrated disc-type self-locking differential. The planetary drives and wet disc brakes are located in the wheel hubs.

Tyres

The driving performance of the vehicle also depends on the tyres.

It is essential that all four tyres are of the same size.

The correct tyre pressure is a decisive factor for proper vehicle performance and for high tyre mileage.



01rei1ab

Snow chains or guard chains

When snow chains or guard chains are used, then they must be attached to all four wheels!

Note: Non-observance can result in damage to the drive system!

1.2.11 Vehicle frame, Ballast weight

Vehicle frame

The vehicle frame consists of the front and rear sections. These are linked by the articulation bearing.

In order to steer, the vehicle frame is pivoted to the left or right via the articulation bearing.

The vehicle frame transmits the forces from the lift arm to the axles. The frame bears all the key components of the vehicle such as the diesel engine, driver's cab, transfer gear, etc.

Articulation lock

The front and rear sections must be mechanically locked together in close proximity to the articulated joint when the vehicle is slung from a crane and during transport by truck or rail, as well as for maintenance and repair work. The joint is locked by means of a safety bar.

This is attached to the rear section on the left next to the cab access ladder.

1.2.12 Central lubrication system

Manual central lubrication

The "manual central lubrication" consists of two central lubrication rails and is mounted on the left-hand side of the vehicle in the articulation zone.

Inaccessible lubrication points are manually lubricated via the two central lubricating rails.

Automatic central lubrication system

This equipment is optional.

The automatic central lubrication system is a progressive system. It lubricates progressively; that is to say, all points are lubricated one after the other.

An electrically driven central lubrication pump delivers the grease to the primary progressive distributor and distributes it among the secondary progressive distributors. The secondary progressive distributors pump the grease to the individual lubrication points. An integrated electronic control device controls the lubrication and dead time of the piston pump.

An overpressure valve monitors lubrication of the individual lubrication points.

1.2.13 Cab, Heating, Air-conditioning system

Cab

The cab is a safety cab and has been tested and certified according to ROPS/FOPS regulations. It is mounted on cushioned bearings on the rear section.

The cab is equipped with heating, ventilation and air-conditioning.

Access to the cab is from the left-hand side of the vehicle via the access ladder and the left-hand door.

In emergencies, it is possible to exit through the door on the right-hand side.

Driver's seat with gas-filled spring suspension

The driver's seat is equipped with a gas-filled spring suspension. The ergonomically designed driver's seat offers a high degree of comfort. The adjustable seat surface, back rest, suspension and arm rest mean that the driver can adjust the seat for maximum individual comfort.

Vibration damping

The seat installed in the vehicle complies with ISO 7096. When the vehicle is used correctly, the values of the vibrations transmitted by the driver's seat are smaller or equal to the simulated vibrations for the corresponding vehicle class in accordance with ISO 7096. The values of the evaluated vibration accelerations " a_{zW} ", measured according to ISO 2631, Part 1, thus fulfil the requirements for protection against overall body vibrations according to EN 474-1.

Driver's seat with pneumatic suspension

This equipment is optional.

The driver's seat is equipped with pneumatic suspension (compressor-operated).

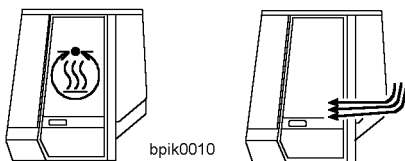
An electrically driven compressor supplies a pneumatic spring in the seat section and two pneumatic chambers in the back rest.

For information on seating comfort, adjustability and vibration damping see the section "Driver's seat with pneumatic spring suspension".

Heating, Ventilation

The driver's cab is equipped with a warm-water heating system.

The inlet air is filtered via two serviceable dry-filter cartridges and directed to the adjustable air flow nozzles in the cab via the heating/air-conditioning unit.



Air-conditioning system

An air-conditioning system is installed as standard in the driver's cab.

The drawn-in air is filtered via two serviceable dry filter cartridges and directed into the cab via a vaporiser and heat exchanger and the adjustable outlet nozzles.



1.2.14 Lift arm, Quick-change device

Z-bar lift arm

The lift arm is attached to the front section of the vehicle.

The lift arm has a Z-kinematic design. That is to say, the tilt cylinder, reversing lever and connecting strap form a "Z". The "Z-form" can be seen from the right-hand side.

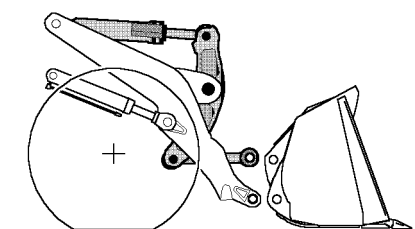
In the case of the lift arm with Z-bar kinematics, no parallel movement is possible.

The lift arm can be equipped with a hydraulic quick-change device (optional).

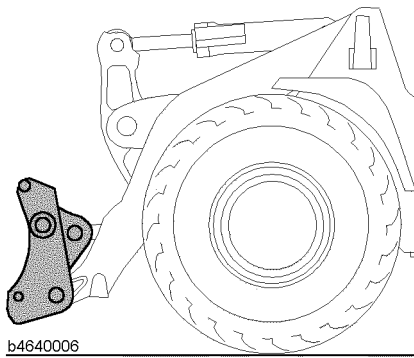
Two lift cylinders and a tilt cylinder are attached to the lift arm.

The lift arm is bolted to the front section via the bucket arm bearings and the cylinder bearings on the cylinder base side.

The bearing points on the lift arm are sealed and protected against wear caused by dirt and corrosion.



Z-bar kinematics



Quick-change device

This equipment is optional.

The quick-change device is or will be attached to the lift arm of the vehicle.

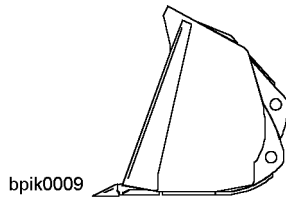
It is designed to facilitate the fast changing of various attachments on the lift arm.

Different quick-change device models:

- Model: Hydraulic actuation by an additional controller.
- Model: combined, electro-hydraulic actuation with comfort control
- Model: combined electro-hydraulic actuation with switch

1.2.15 Attachments, Accessories

Loading bucket



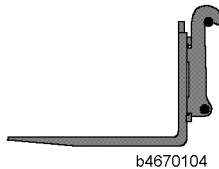
The loading bucket is one of a variety of attachments which can be mounted on the lift arm.

The loading bucket is part of the standard equipment of the vehicle. The bottom cutting edge is supplied in a variety of designs, depending on the intended use.

The loading bucket is attached directly to the lift arm as a standard feature.

If the optional quick-change device is provided, the loading bucket is attached to this.

Forklift



This equipment is optional.

The forklift is one of a variety of attachments which can be mounted on the lift arm.

The forklift is either attached directly to the lift arm or via the optional quick-change device.

The forklift is intended for picking up, transporting and transferring pallets and for stacking jobs.

2 Safety regulations

Working on the vehicle involves possible risk to life and limb of the operator, driver or maintenance technicians. You can considerably reduce the risk of accidents by always reading and observing the various safety instructions carefully.

This is especially important for personnel who only occasionally work on the vehicle, for example, carrying out rigging or maintenance work.

The safety regulations listed below, if conscientiously followed, will ensure your own safety and that of others, and will prevent the vehicle from being damaged.

Whenever tasks which could cause danger to personnel or damage to the vehicle are described in this manual, the necessary safety precautions are explained.

These are indicated by the headings – **Danger**, **Warning** or **Caution** – .

2.1 Introduction

1. The symbols below have the following meaning:



“Danger”

Warning that without appropriate precautions, certain operational procedures could result in fatal accidents.



“Warning”

Warning that without appropriate precautions, certain operational procedures could result in severe physical injuries.



“Caution”

Warning that without appropriate precautions, certain operational procedures could result in less severe physical injuries or damage to the vehicles.

2. **Observance of these instructions does not exempt you of the responsibility of following any additional rules and guidelines that may apply!**

The following should also be observed:

- The safety rules in force at the operating site
- Legally enforceable “road traffic regulations”
- Guidelines issued by the employees trade associations

2.2 General safety regulations

1. Familiarise yourself with the **“Operating manual”** before starting the vehicle. Make sure that you are in possession of and have read and understood additional instructions applicable to any accessory equipment installed on your vehicle.
2. Only expressly authorised personnel may operate, service or repair the vehicle.
Observe the legal minimum ages!
3. Only trained or instructed personnel are to operate the machine; clearly assign responsibility for operation, rigging, maintenance and repair work.

4. Clearly establish the driver's responsibilities (also with respect to traffic regulations) and authorise him to refuse to carry out unsafe instructions from third parties.
5. Personnel undergoing training, instruction or who are not yet fully qualified may only be allowed to work on/with the vehicle under constant supervision.
6. Check occasionally that your personnel, in observance of the "**Operating manual**", are working safely and are aware of possible dangers.
7. Wear safe working overalls when working on the vehicle.
Avoid wearing rings, wrist watches, ties, scarves, open jackets, loose clothing etc. There is a risk of injuries due, for example, to these objects being caught and drawn in.
For certain kinds of work the following are prescribed: safety goggles, safety boots, hard hats, gloves, reflective vests, ear protection. . .
8. Obtain information about any special safety regulations in force on-site from the site manager.
9. Do not hold onto the steering column, the control panel or the control levers when getting on or off the vehicle.
This can result in unforeseen movements by the vehicle which could in turn lead to accidents.
10. Never jump down from the vehicle. Use the steps, ladders and gangways provided for getting on and off.
11. Familiarise yourself with the emergency exit through the right-hand cab door and/or rear window.
12. If no other instructions are in effect, proceed as follows with maintenance and repair work:
Procedure:
 - Park the vehicle on firm, level ground and set the working attachment down on the ground
 - Move all control levers to neutral.
 - Shut down the engine and take out the ignition key.
13. Before starting any work on the hydraulic circuit, you must also actuate all pilot control units (joystick and pedals) in both directions in order to reduce the control pressure and banded up pressure in the operating circuits. You must then reduce the internal tank pressure.
14. Lock the working hydraulics to prevent unforeseen actuation before leaving the driver's cab.
Lock the working hydraulics in accordance with the instructions in the "**Operating manual**".
15. Secure all loose components on the vehicle.
16. Never start up a vehicle without first making a thorough tour of inspection and check if any warning signs are missing or illegible.
17. Observe all signs bearing danger or safety instructions.
18. The vehicle must be provided with specific safety devices for special applications. In this case, only operate the vehicle when these have been installed and are fully functional.
19. Do not make any modifications, extensions or conversions to the vehicle with possible safety implications, without the approval of the supplier. This also applies to the installation and adjustment of safety equipment and valves as well as for welding work on load-bearing components.

2.3 Proper use

1. When equipped with a standard loading bucket, forklift or grab, the wheel loader is designed exclusively for loosening, picking up, transferring, loading and dumping earth, stone, rock fragments or other materials and loading the same onto trucks, ships, conveyor belts or crushing installations.
2. Any other use, such as breaking up rock, driving in posts, transporting personnel etc., is regarded as improper use.
The manufacturer/supplier accepts no liability for any injury or damage resulting from the above.
The risk is borne by the user alone.
3. Vehicles used for lifting purposes are subject to special conditions and must also be equipped with the prescribed safety equipment.
4. Proper use also includes observance of the **“Operating manual”** and adherence to the inspection and maintenance conditions.

2.4 Decals on the vehicle

1. Your vehicle has several types of decals.

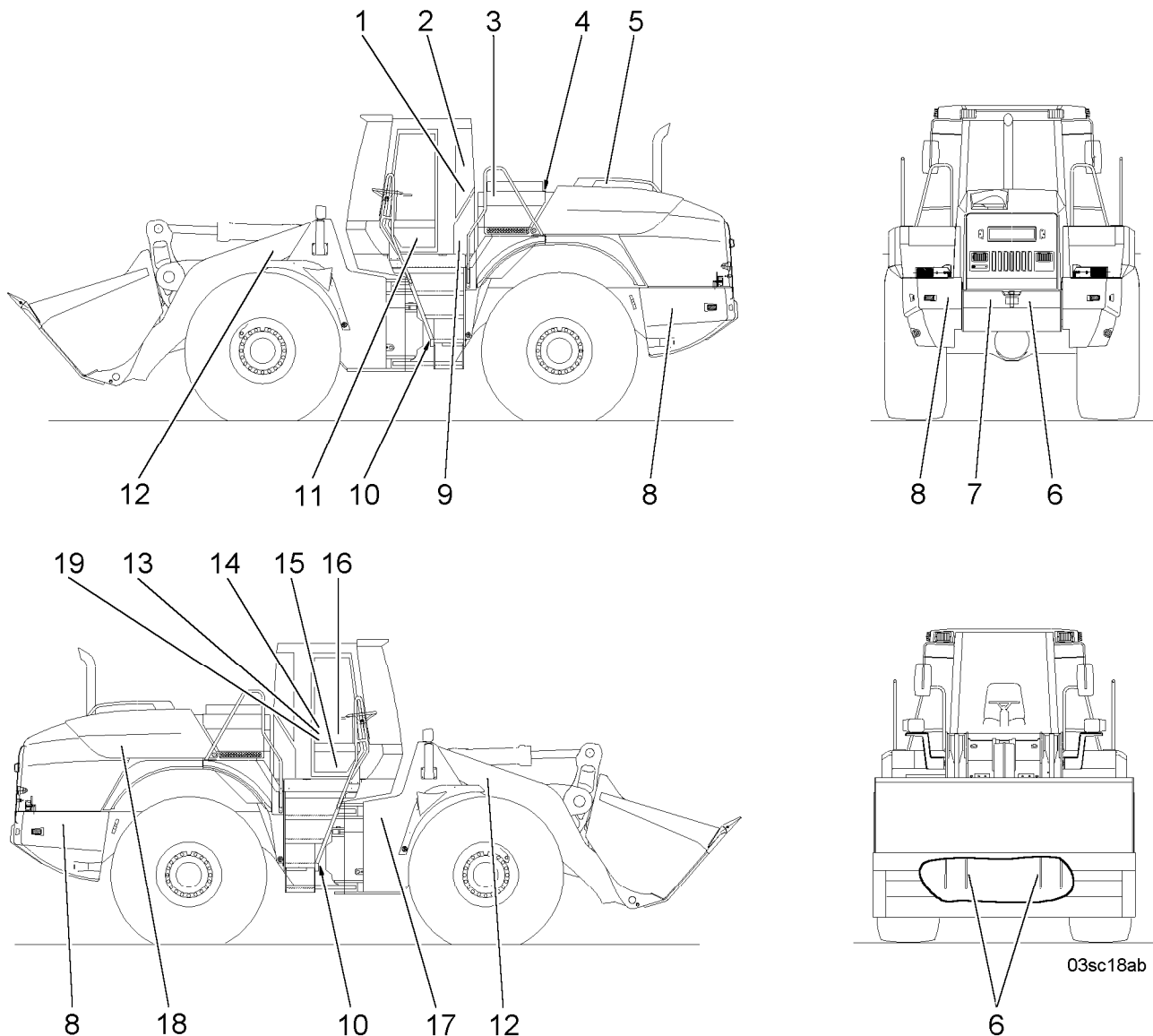
Types of decals:

- Safety decals
- Information decals
- Type plates

Their texts and locations are described below.

The order numbers are included in the spare parts list.

2.4.1 Location of decals

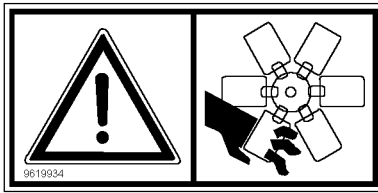


Location of decals

- | | | |
|--|------------------------------------|-----------------------------|
| 1 Noise pressure decal – L _{pA} | 8 40 speed limit decal | 15 ROPS decal |
| 2 Noise output decal – L _{WA} | 9 Decal for windshield water | 16 Working hydraulics decal |
| 3 Cooler unit decal | 10 Articulation area warning decal | 17 Type plate – vehicle |
| 4 Minimum level decal | 11 Lubrication chart | 18 OIL LEVEL decal |
| 5 Engine standstill decal | 12 Keep clear decal | 19 Wheel lugs decal |
| 6 Slings and lifting point decal | 13 Accident prevention decal | |
| 7 Lashing point decal | 14 Steering decal | |

2.4.2 Safety decals

1. Non-observance of the safety decals can result in serious or even fatal injuries.
The safety decals should be continuously checked for completeness and legibility.
Missing or illegible safety decals should be replaced immediately.



03sc04ab

Engine standstill decal

Decal 5 is affixed on top of the engine-compartment hood.
Warns of risk of accidents, possibly resulting in severe injuries.
Meaning: **Only open when the engine is shut down.**



03sc02ab

Articulation area warning decal

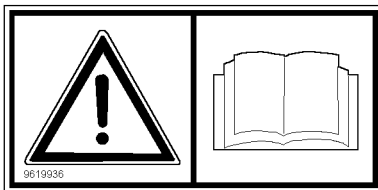
Decal 10 is affixed outside on the left and right in the articulation area.
Warns of risk of accidents, possibly resulting in severe or even fatal injuries.
Meaning: **Remaining in the articulation area is prohibited when this is unlocked.**



03sc01ab

Keep clear decal

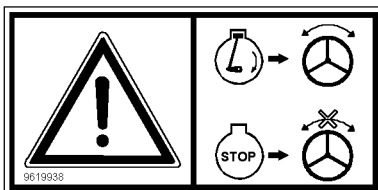
Decal 12 is affixed to the outside of the lift arm on the left and right.
Warns of risk of accidents, possibly resulting in severe or even fatal injuries.
Meaning: **Standing in the danger area is prohibited!**



03sc03ab

Accident prevention decal

Decal 13 is attached to the right-hand side of the driver's cab.
Refers to regulations in the operating manual for accident prevention.
Meaning: **When operating the vehicle, the regulations in the operating manual for accident prevention must be followed precisely!**



03sc05ab

Steering decal

Decal 14 is attached to the right-hand side of the driver's cab.
Warns of risk of accidents, possibly resulting in severe or even fatal injuries.
Meaning: **The steering is only operational when the engine is running.**

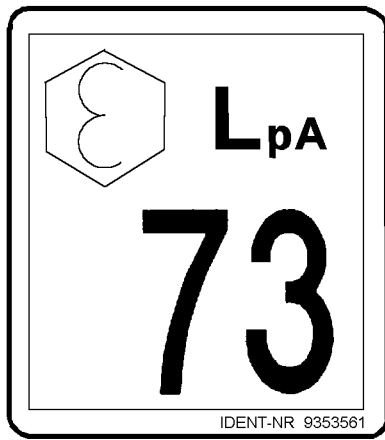
2.4.3 Information decals

1. The information decals refer to certain facts in respect to the operation, maintenance and properties of the vehicle.

Noise pressure decal – L_{pA}

Decal 1 is affixed inside the left-hand window of the driver's cab.

Specifies the L_{pA} – sound pressure of the vehicle in decibels.

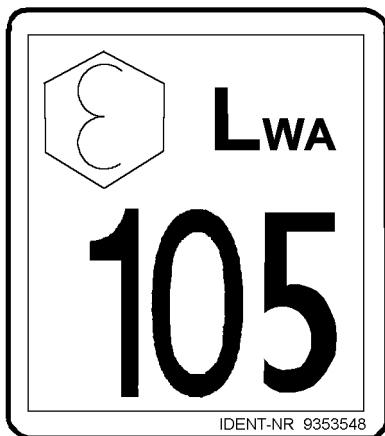


03sc15ab

Noise output decal – L_{WA}

Decal 2 is affixed inside the left-hand window of the driver's cab.

Specifies the L_{WA} – sound pressure level of the vehicle in decibels.

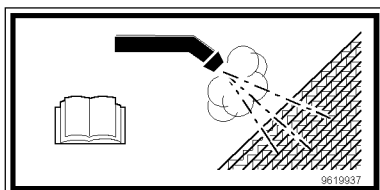


03sc20ab

Cooler unit decal

Decal 3 is affixed externally to the cooling system hood on the left.

Refers to cleaning the cooling system.

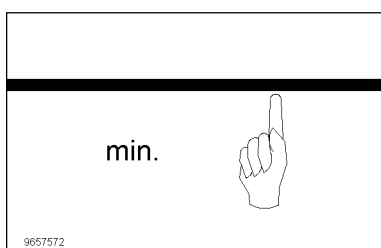


03sc07ab

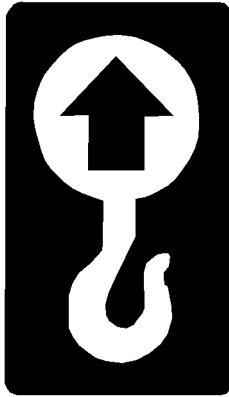
Minimum level decal

Decal 4 is attached in the engine compartment to the coolant reservoir.

Indicates the coolant level in the coolant reservoir.



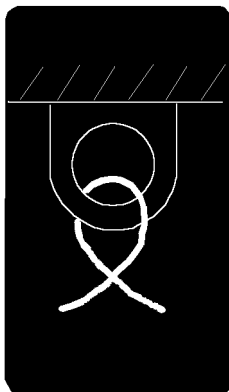
03sc12ab



03sc17ab

Slinging and lifting point decal

Decal 6 is affixed to the slinging-lifting points on the vehicle.
See the "Slinging the vehicle from a crane" section .
Refers to the slinging- lifting points on the vehicle.



03sc16ab

Lashing point decal

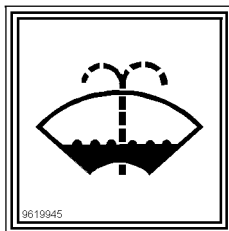
Decal 7 is affixed to the lashing points on the vehicle.
See the "Transporting the vehicle by truck or rail" section.
Refers to the lashing points on the vehicle.



03sc08ab

40 speed limit decal

Decal 8 is affixed to the rear of the vehicle and on the sides to the left- and right-hand ballast weights.
Refers to the permitted speed limit for the vehicle.



03sc13ab

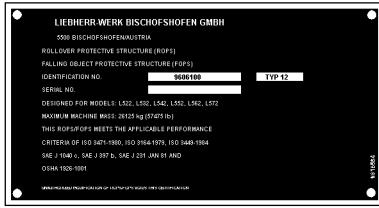
Decal for windshield water

Decal 9 is affixed outside on the left side of the driver's cab.
Indicates the container for the windscreen washing agent.

Lubrication chart

The decal is affixed to the left-hand door of the driver's cab.
Figure – see the "Maintenance" section.
Indicates the maintenance points and intervals in relation to lubricants and operating materials for the vehicle.

Decals on the vehicle

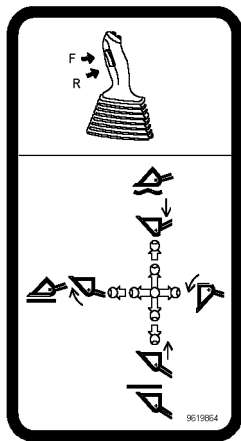


03sc09ab

ROPS decal

Decal 15 is affixed to the floor of the driver's cab on the right-hand side of the driver's seat.

Indicates the maximum loading of the rollbar structure.

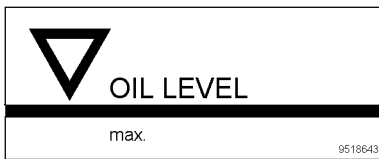


03sc06ak

Working hydraulics decal

Decal 16 is attached to the right-hand side of the driver's cab.

Indicates the directions in which the LH control lever can be moved.

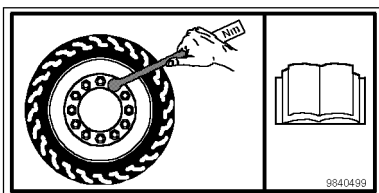


03sc11ab

OIL LEVEL decal

Decal 18 is attached to the hydraulic tank on the right-hand side of the engine compartment.

Indicates the oil level in the hydraulic tank.



bsch0001

Wheel lugs decal

Decal 19 is attached to the right-hand side of the driver's cab.

Indicates the service interval for checking the tightness of the wheel lugs specified in the Operating manual.

2.4.4 Type plates

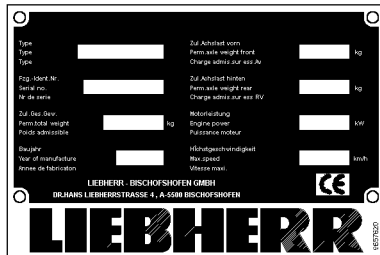
1. A type plate is attached to the vehicle and individual components such as, the diesel engine, gearbox, axles etc.

Type plate – vehicle

Decal 17 is affixed to the right-hand side of the front section.

Details on the type plate:

- Type
- Vehicle identity no.
- Permissible total weight
- Year of construction
- Permissible front axle load
- Permissible rear axle load
- Engine output
- Maximum speed



03sc10ab

2.5 Instructions for avoiding crushing injuries and burns

1. Do not work underneath the working attachment until it has been securely set down on the ground or is supported.
2. Do not use any ropes or chains, which are damaged or which have insufficient load bearing capacity.
Wear protective gloves when handling wire ropes.
3. When working with the attachment, never align the boreholes with your fingers; instead, use a suitable mandrel for this purpose.
4. Make sure that when the engine is running, no objects come into contact with the fan.
Objects which fall or project into the fan will be catapulted back out or destroyed and could damage the fan.
5. At operating temperature, the engine cooling system is hot and under pressure.
Avoid contact with parts carrying cooling water.
There is a risk of burns.
6. Do not attempt to check the cooling water level until the screw cover of the expansion container is cool enough to touch.
Open the cover carefully to release the excess pressure.
7. When running at or near the operating temperature, the engine and hydraulic oil are hot.
Do not let hot oil or parts conducting oil come into direct contact with your skin.
8. Wear safety goggles and protective gloves when working on the battery.
Avoid sparks and naked flames.
9. Never let the loading bucket or other working attachments be moved into position by hand.
10. Before reaching into the engine compartment, ensure that the engine compartment hatches do not accidentally fall down by using the struts provided for this purpose.
11. Before starting up the vehicle, the engine compartment hatches and the battery container covers should be closed and locked.

12. Never get under the vehicle when it is propped up on the working attachment without first securely supporting the undercarriage on wooden beams.

2.6 Instructions for avoiding fires and explosions

1. When refuelling, the engine must be shut down. Shut down any auxiliary heating systems.
2. Do not smoke. Avoid naked flames when refuelling or when near batteries while they are being recharged.
3. Always follow the instructions in the “**Operating manual**” when starting the engine.
4. Check the electrical system.
Immediately eliminate all faults, such as loose connections, worn cables or burnt-out fuses and bulbs.
5. Do not transport any flammable liquids on the vehicle except in the tanks designated for this purpose.
6. Regularly check all leads, hoses and couplings for leaks and damage.
7. Immediately repair the leaks and replace the defective components.
Oil escaping under pressure from leaks can easily lead to fires.
8. Ensure that all supports and protective plates are properly installed so as to avoid vibrations, abrasion and heat build-up.
9. Starting pilot (ether) is a particularly great fire hazard!
Never employ volatile gas-based cold starting aids in the proximity of heat sources, naked flames (e.g. cigarettes) or in poorly ventilated spaces.
10. Familiarise yourself with the operation and location of fire extinguishers and obtain information on the local fire alarm and fire fighting facilities available.

2.7 Safety instructions for start-up

1. Each time before starting up, walk around the vehicle, and perform a thorough tour of inspection.
2. Check the vehicle for loose bolts, cracks, wear, leaks and malicious damage.
3. Never attempt to start up a defective vehicle.
4. Ensure that any defects are rectified immediately.
5. Ensure that all hoods and covers are closed and locked. Check that all warning and information decals are present.
6. Make sure that the cab windows and inside and outside mirrors are clean, and secure the doors and windows against unforeseen movements.
7. Make sure that nobody is working on or under the vehicle. Warn persons in the vicinity that the machine is being started up.
8. After getting into the driver's cab, adjust the seat, the inside and outside mirrors, the control lever and the seat belt so that you can work comfortably.
9. Acoustic protection equipment on the vehicle must be activated during operation.

2.8 Safety precautions during start-up

1. Before starting, check that all pilot lamps and instruments are in proper working order.
Move all control levers to neutral.
2. Before starting the engine, briefly sound the horn, to warn other persons in the vicinity of the vehicle.
3. Start the vehicle only from the driver's seat.
4. Unless otherwise instructed, start the engine in accordance with the instructions in the "**Operating manual**".
5. Start the engine and then check all display and monitoring devices.
6. Never run the engine in an enclosed space unless there is sufficient ventilation.
If necessary, open doors and windows to guarantee an adequate supply of fresh air.
7. Run the engine until both it and the hydraulic oil are at operating temperature; low oil temperatures lead to sluggish performance.
8. Check that the control for the working attachment is functioning properly.
9. Drive the vehicle carefully to an open space and then check that the service brake, the steering and the signal and lighting equipment all function properly.

2.9 Instructions for safe operation

1. Before starting work, acquaint yourself with the special features of the building site as well as special regulations and warning signals.
The working environment includes, for example, any obstacles in the working area and on access roads, the load bearing capacity of the ground and any protective barriers to secure the site from the public roads.
2. Always maintain sufficient safety clearance from overhangs, edges, slopes and unstable ground.
3. Be especially careful when the ground conditions are variable, when your field of vision is restricted or under changing weather conditions.
4. Familiarise yourself with the position of the utility supply lines on the site and be especially careful when working in proximity to them. If necessary, inform the responsible authorities.
5. Maintain a sufficient safety clearance from overhead power lines.
When working in close proximity to overhead power lines, be especially careful not to let the working attachment get close to the lines.
 - There is a risk of "**FATAL INJURIES**".
 - Obtain information about the safety clearances to be observed.

If the vehicle comes into contact with live power lines:

 - Do not attempt to leave the vehicle!
 - If possible, drive the vehicle a sufficient distance away from the danger area.
 - Warn others not to come close or to touch the vehicle.
 - Arrange for the current to be switched off.
 - Do not get out of the vehicle until you are certain that no current is flowing through the contacted/damaged power line!
6. Before driving or working with the vehicle, always make sure that the accessories have been stowed away so as to prevent accidents.

7. When driving on public roads, paths and spaces, observe the applicable traffic regulations and if necessary, make sure that the vehicle is roadworthy.
8. Always turn on the lights in the dark or when visibility is poor.
9. Do not allow anybody to ride on the vehicle.
10. Only work when seated and with your seat belt fastened.
11. Report all malfunctions and ensure that all necessary repairs are carried out immediately.
12. Personally ensure that nobody could possibly be endangered when you set the vehicle in motion.
13. Before starting work, check the brake system in accordance with the regulations in the **“Operating manual”**.
14. Never leave the driver’s seat when the vehicle is still in motion.
15. Never leave the vehicle unattended when the engine is running.
16. When in motion, lower the working attachment into the transport position and keep the load as close to the ground as possible.
17. Avoid movements which could cause the vehicle to tip over.
If the vehicle should start to tilt or slide to one side, set down the working attachment immediately and turn the machine so that it is facing downhill. Wherever possible work up or downhill and not perpendicular to the slope.
18. Drive carefully on rocky or swampy ground or on slopes.
19. Only drive downhill within the permitted speed limit, otherwise you could lose control over the vehicle.
The engine must be running at the rated speed and the travel speed must only be reduced by means of the gas pedals.
Shift down to the lowest gear before reaching the slope; do not wait until you are actually on it.
20. When loading a truck, insist that the driver leaves his cab, even when stone impact protection is provided.
21. With demolition work, clearance, crane operation etc., always use the protective equipment provided for these specific applications.
22. Where vision is restricted and whenever it is necessary, get an assistant to give you directions from outside.
Only let one person give you directions.
23. Only assign experienced personnel with responsibility for slinging loads and directing crane operators.
A second person should remain in visual contact with the operator or at the very least be in audio contact with him.

2.10 Safety instructions for driving on slopes

1. On downward slopes, always drive carefully and never at top speed, as you could otherwise lose control over the vehicle.
Travel speeds:
 - The travel speed limits specified in the **“Operating manual”** must never be exceeded.
 - Exceeding the max. speed limit causes the permitted limits to be exceeded for all rotating parts, such as the drive engine, the cardan shaft, all gears including axles and ultimately the diesel engine itself.
2. Therefore, before driving onto a slope, a travel range (gear) should be previously selected, in which the vehicle can comfortably manage the whole slope without endangering other traffic, the driver or the machine itself.

3. When driving on slopes, you should also ease off the gas pedal.

2.11 Parking safely

1. If possible, only park the vehicle on firm, level ground.
If it must be parked on a slope, then the vehicle should be secured against rolling away with wedges.
2. If the vehicle has an articulated design, the articulation lock must be installed.
With wheel loaders, this applies to vehicles with articulated steering.
3. Lower the working attachment and lightly anchor the digging attachment in the ground.
4. Move all control levers into neutral position and engage the parking brake.
5. Shut down the engine in accordance with the instructions in the **“Operating manual”**.
6. Lock the working hydraulics before leaving the driver’s cab.
Lock the working hydraulics in accordance with the instructions in the **“Operating manual”**.
7. Secure all locks on the vehicle, take out all keys and secure it against unauthorised use and vandalism.

2.12 Transporting the vehicle safely

1. Only use suitable means of transport and lifting devices with sufficient lifting capacity.
2. Park the vehicle on a flat surface and wedge the tracks or wheels securely.
3. If necessary, dismantle part of the working attachment for the duration of transport.
4. The ramp for driving onto a low loader should have an inclination of no more than 30° and should be covered with wooden boards to prevent slipping.
5. Clean the vehicle tracks/wheels of snow, ice and mud before driving onto the ramp.
6. Before driving on, lock the superstructure to the undercarriage with the locking pin.
Procedure: Does not apply to wheel loader.
7. Align the vehicle precisely with the loading lamp.
8. Attach the hand levers to the gas pedals for more responsive control.
Procedure: Does not apply to wheel loader.
9. A second person must give the vehicle driver directions.
Drive carefully onto the ramp and then onto the transport vehicle itself.
10. Have wedges ready in case the vehicle starts to roll back while on the ramp.
11. Retract the working attachment and drive onto the loading ramp.
Always keep the working attachment as close as possible to the loading bed.
12. After loading, set down the working attachment on the loading bed.
Apply the articulation lock (this only applies to wheel loaders with articulated steering).
13. Secure the vehicle and the remaining individual components with chains and wedges against sliding .
14. Depressurise the pressure lines, take out the starting key, lock the driver’s cab - and side panels and leave the vehicle.

15. Acquaint yourself with the route before transport, especially in relation to the width, height and weight limits you will encounter.
16. Make special note of any overhead power lines, bridges and tunnels en route.
17. Proceed with the same care when unloading as with loading.
Procedure:
 - Remove all chains and wedges.
 - Start the engine in accordance with the instructions in the “**Operating manual**”.
 - Drive carefully off the loading bed down a ramp.
 - Keep the working attachment as close as possible to the ground.
 - Get someone to give you hand signals.

2.13 Towing the vehicle safely

1. Always observe the correct procedure in accordance with the instructions in the “**Operating manual**” see the section “Towing the vehicle”.
2. The vehicle may only be towed in exceptional circumstances, in order, for example to move the machine away from a dangerously exposed position for repairs.
3. When towing, check that all attachment and towing devices are safe and secure.
4. The rope or tow bar used for towing must have sufficient tensile strength and be fed through the boreholes provided for this purpose in the front section. In no event are damage or accidents resulting from towing covered by the manufacturer’s guarantee.
Instructions for towing by rope:
 - Make sure that nobody is standing in the vicinity of the taut rope
 - Keep the rope taut and avoid kinks.
 - Carefully draw the rope until it becomes taut.
 - Sudden jerks can cause a slack rope to tear.
5. When towing, maintain the prescribed transport position, observe speed limits and permitted routes.
6. When starting the vehicle up again, proceed in accordance with the instructions in the “**Operating manual**”.

2.14 Measures for ensuring safe maintenance

1. Never attempt maintenance or repair work unless you are qualified to do so.
2. Observe the prescribed periods or those specified in the “**Operating manual**” for periodic checks/inspections.
An appropriately equipped workshop is an absolute necessity for the proper execution of maintenance work.
3. The persons required or permitted to carry out specific jobs are precisely defined in the table at the end of this “**Operating manual**”.

The jobs listed under “**daily/weekly**” in the maintenance schedule can be carried out by the driver or by service personnel.

The remaining jobs may only be carried out by specialist technicians with appropriate training.

4. Spare parts must meet the technical requirements set by the manufacturer. This is always guaranteed by the use of original spare parts.
5. Wear safety overalls for maintenance work. For certain jobs, in addition to a hard hat and safety boots, safety goggles and protective gloves are required.
6. Keep unauthorised persons away from the vehicle during maintenance work.
7. Set up an extended cordon around the maintenance area if necessary.
8. Inform operating personnel in advance of specialist and maintenance work. Designate supervisory staff.
9. Unless otherwise specified in the “**Operating manual**” carry out all maintenance work on the vehicle on firm level ground with the engine shut down.
10. Afterwards always re-tighten threaded couplings loosened during maintenance and repair work.
11. If safety equipment has to be dismantled for rigging, maintenance and repair work, it must be re-installed and checked as soon as the respective job is finished.
12. When carrying out maintenance jobs, especially work under the vehicles, attach a warning decal “**DO NOT SWITCH ON**” to the ignition where it is clearly visible. Take out the ignition key.
13. Clean the vehicles of oil, fuel or service fluids, especially from couplings and threaded connections. Do not use aggressive cleaning agents. Use fibre-free cloths.
14. Before starting any welding, burning or grinding work on the vehicle, remove all dust and flammable materials from the machine and ensure that there is sufficient ventilation.
Otherwise there is a risk of “**EXPLOSION**”!
15. Before cleaning the vehicle with water, steam jets (high pressure cleaners) or other cleaning agents, cover/tape down all openings into which no water/steam/cleaning agent may penetrate for safety/operational considerations.
It is especially important to protect electric motors, control cabinets and battery casings.
Additional procedure:
 - Make sure that during cleaning work on the vehicle housings, the temperature sensors for the fire alarm and extinguisher systems do not come into contact with hot cleaning agent otherwise the fire extinguishing system could be activated.
 - After cleaning, completely remove the covers/tapes.
 - After cleaning, check all fuel, engine oil and hydraulic oil lines for leaks, loose connections, abrasion and damage.
 - Rectify any defects as soon as they are discovered.
16. Note the safety regulations which apply to the respective product when handling oils, greases and other chemical substances.
17. Make sure that operating and auxiliary materials as well as replaced parts are disposed of safely in an environmentally friendly manner.
18. Be careful when handling hot operating and auxiliary materials (danger of burns and scalding).
19. Only operate internal combustion engines and fuel burning heating systems in spaces with sufficient ventilation. Before starting up in an enclosed space, make sure that the ventilation is sufficient. Observe the locally applicable regulations.

20. Only carry out welding, burning and grinding work on the vehicle if this has been expressly approved. There is, for example a risk of fire and/or explosions.
 21. Avoid lifting heavy components by yourself. Always use suitable lifting equipment with sufficient load-bearing capacity designed for this purpose.
Procedure:
 - Carefully fix and secure individual components and larger assemblies to the lifting aids when they are being replaced to prevent risk of accidents.
 - Only use suitable lifting aids and slinging gear in a technically good-working condition with sufficient load-bearing capacity.
- It is prohibited to stand or work under suspended loads.**
22. Do not use ropes which are damaged or with insufficient load bearing capacity. Wear protective gloves when handling wire hawsers.
 23. Only assign experienced personnel with responsibility for slinging loads and directing crane drivers. A second person should be in visual contact with the operator or at the very least in audio contact with him.
 24. When carrying out fitting work over head height, use the safety climbing aids and working platforms provided or equivalent. Do not use vehicle parts as climbing aids. When working at greater heights, wear a safety harness. Keep all handles, steps, rails, gangways, platforms and ladders free from soiling, snow and ice.
 25. Make sure when working on the attachment (e.g. when changing the teeth on the bucket) that sufficient support is provided. Avoid direct metal-metal contact when doing this.
 26. Never get under the vehicle when this is propped up on the working attachment without first securely supporting the undercarriage on wooden billets.
 27. Always jack up the vehicle so that any shifts in its centre of gravity do not jeopardise its stability, while at the same time avoiding any direct metal on metal contact.
 28. Work on the chassis, the braking and steering systems may only be carried out by personnel with specialist training.
 29. If the vehicle has to be repaired on a slope, the wheels must be secured with wedges. Move the working attachment into the maintenance position and insert the articulation lock.
 30. Only personnel with specialist knowledge and experience may work on the hydraulics.
 31. When searching for leaks, wear protective gloves. Under pressure, a fine fluid jet can penetrate the skin.
 32. Never release hydraulic lines or threaded couplings before setting down the working attachment and shutting down the engine.
All servo control devices (joystick and pedals) must then be moved in both directions – with the ignition key in the contact position – in order to relieve control pressure and ram pressure in the working circuits; in addition release internal tank pressure by unscrewing the breather screw.
 33. Regularly check all hydraulic lines, hoses and screws for leaks and externally recognisable damage. Rectify all damage immediately. Oil escaping under pressure can result in injuries and fires.
 34. Before beginning repair work, depressurise the system sections and pressure lines which are to be opened (hydraulics, compressed air) in accordance with the component descriptions.
 35. Lay and install hydraulic and pneumatic lines properly. Do not mix up hoses at couplings. Fittings, as well as the length and quality of the hose lines must match the manufacturer's requirements.

Only use LIEBHERR spare parts.

36. Hydraulic hose lines should be replaced at the specified or appropriate time intervals, even where no safety-related deficiencies are apparent.
37. Work on the vehicle's electrical equipment may only be carried out by a qualified electrician or by instructed persons under the direction and supervision of a qualified electrician, in accordance with the recognised electrical engineering rules.
38. Only use original fuses with the prescribed ratings. If there is a malfunctions in the electrical power supply, switch off the vehicle immediately.
39. Inspect/check the vehicle's electrical equipment regularly. Immediately rectify all faults, such as loose connections, scorched/worn cables or burnt out fuses and bulbs.
40. If it is necessary to carry out work on electrically live components, then obtain the assistance of a second person, who in an emergency can throw the emergency stop or main switch with voltage trip-out. Cordon off the working area with a red/white safety chain and a warning sign. Only use insulated tools.
41. When working on high-voltage assemblies after they have been isolated from the power supply, short the supply cable and the components, such as capacitors with an earthing rod.
42. First, check that the isolated parts are voltage free, connect to earth and then briefly short them. Isolate adjacent components which are still live.

2.15 Safety instructions for welding work on the vehicle

1. Only the manufacturer or an authorised contractor is permitted to carry out welding work on power transmitting assemblies (e.g., chassis, attachments). Disconnect the battery when working on the electrical system or when carrying out electric arc welding on the vehicle.
Always disconnect the minus terminal first and reconnect it last.

For vehicles with an electronic gearbox control unit:

- In addition, disconnect the multi-pin plug on the electronic gearbox control unit before starting any welding work on the vehicle.

The earth cable of the welding device should be brought as close as possible to the actual welding location, so that it is not possible for the welding current to flow through components or sealing elements (e.g. slewing ring, joints, bearings, bushes, rubber components, seals, etc.) . . .

2.16 Instructions for working safely on vehicle attachments

1. Do not work underneath the attachment unless it is resting safely on the ground or is properly supported.
2. Avoid metal-metal contact when exchanging attachments . . (decal, cutting edge, teeth...).
3. Never attempt to lift heavy components by yourself. Always use suitable lifting equipment with sufficient load-bearing capacity designed for this purpose.
4. Always wear gloves when working with wire hawsers!

5. Never release hydraulic lines or threaded couplings before setting down the working attachment and shutting down the engine.
All servo control devices (joystick and pedals) must then be moved in both directions – with the ignition key in the contact position – in order to relieve control pressure and ram pressure in the working circuits; in addition, release internal tank pressure by unscrewing the breather screw.
6. Ensure that all lines and threaded couplings are reconnected and re-tightened on completion of the job(s).
7. Use extreme caution when removing or inserting bolts and pins made of hardened steel, as they can splinter, causing serious injury.
Always wear protective gloves and safety goggles.
Whenever possible use special tools (such as mandrels, extractors, etc.). . . .

2.17 Safety regulations when transporting the vehicle by crane

1. Lower the attachment and tilt back the loading attachment as far as it goes.
2. Apply the articulation lock (this only applies to wheel loaders with articulated steering).
3. Move all control levers into neutral position and engage the parking brake.
4. Shut down the engine in accordance with the instructions in the “**Operating manual**”.
5. Lock the working hydraulics before leaving the driver’s cab.
Lock the working hydraulics in accordance with the instructions in the “**Operating manual**”.
6. Close all doors, covers and hoods securely.
7. Only assign experienced personnel with responsibility for slinging loads and directing crane operators. A second person should remain in visual contact with the operator or at the very least be in audio contact with him.
8. Attach the lifting tackle to the lugs/bore holes provided on the vehicle.
9. Ensure that the lifting tackle is of sufficient length.
10. Raise the vehicle carefully.
11. **NOTE! Standing under the vehicle when it is suspended is strictly prohibited.**
12. When restarting the vehicle, proceed strictly according to the “**Operating manual**”.

2.18 Safe maintenance of hydraulic hoses and hose lines

1. Repairing hydraulic lines and hydraulic hoses is prohibited!
2. All hoses, hose lines and threaded couplings must be checked regularly, at the very least once a year for leaks and visible signs of damage!
Replace damaged parts immediately! Oil escaping under pressure can result in injuries and fires.
3. Even when properly stored and subjected to normal loading, hoses and hose lines are subject to natural ageing. This limits their service life.
4. Improper storage, mechanical damage and loads in excess of permitted limits are the most common causes of malfunctions.

5. The service life of a hose line should not exceed six years, including a storage period of no more than 2 years (note the date of manufacture on the hoses).
6. The service life may be reduced if the hoses are frequently subject to the maximum permissible loading (e.g. due to high temperatures, frequent movement cycles, extremely high pulse frequencies, multiple-shift operation).
7. Hoses and hose lines should be replaced if any of the following are discovered during inspection.
Criteria:
 - Damage to the outer layer penetrating through to the inner layer (e.g. abrasion, cuts and tears)
 - Brittle outer layer (cracks in the hose material)
 - Deformation not conforming to the natural shape of the hose or the hose line, both when pressurised and depressurised or at bends, e.g. layer separation, blistering
 - Leaks
 - Non-observance of the installation requirements
 - Damage or deformation of the hose fittings, which reduces the strength of the fittings or the hose/fitting coupling
 - Slippage of the hose out of the fitting
 - Corrosion of the fittings, which impairs their functioning and strength
 - Exceeding the prescribed storage period or service life
8. Only use original spare parts when replacing hoses and hose lines.
9. Lay and install hoses and hose lines properly. Do not mix up hoses at couplings.

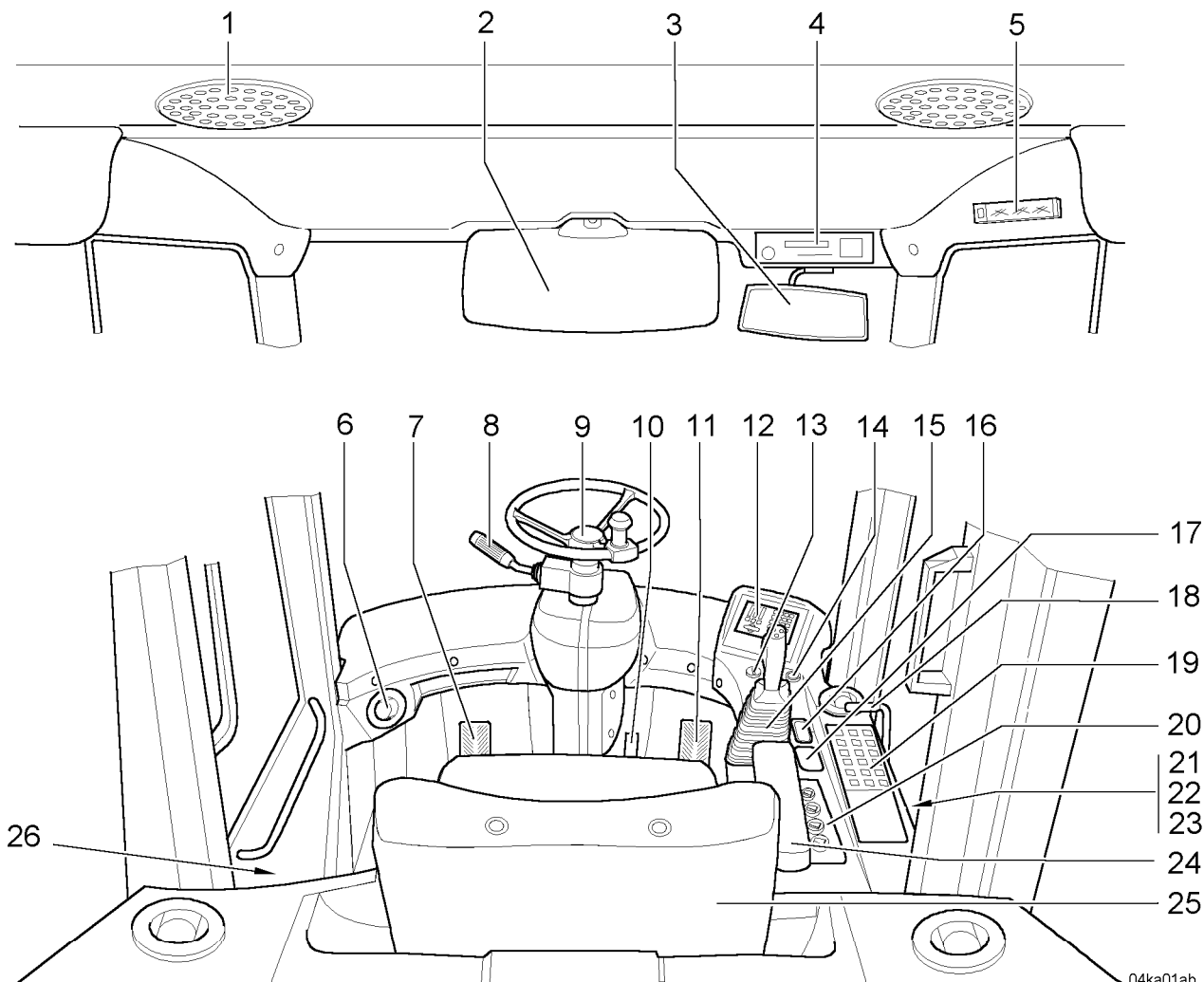
2.19 Attachments and accessories

1. Attachments and accessories produced by third-party manufacturers or those which have not been generally approved by LIEBHERR for installation or for external fitting, must not be installed or fitted on the vehicle without the previous written agreement of LIEBHERR.
2. The appropriate technical documentation should be made available to LIEBHERR for this purpose.

3 Operation, Handling

3.1 Layout of controls and instruments

Valid for: L554-452/0104-0286



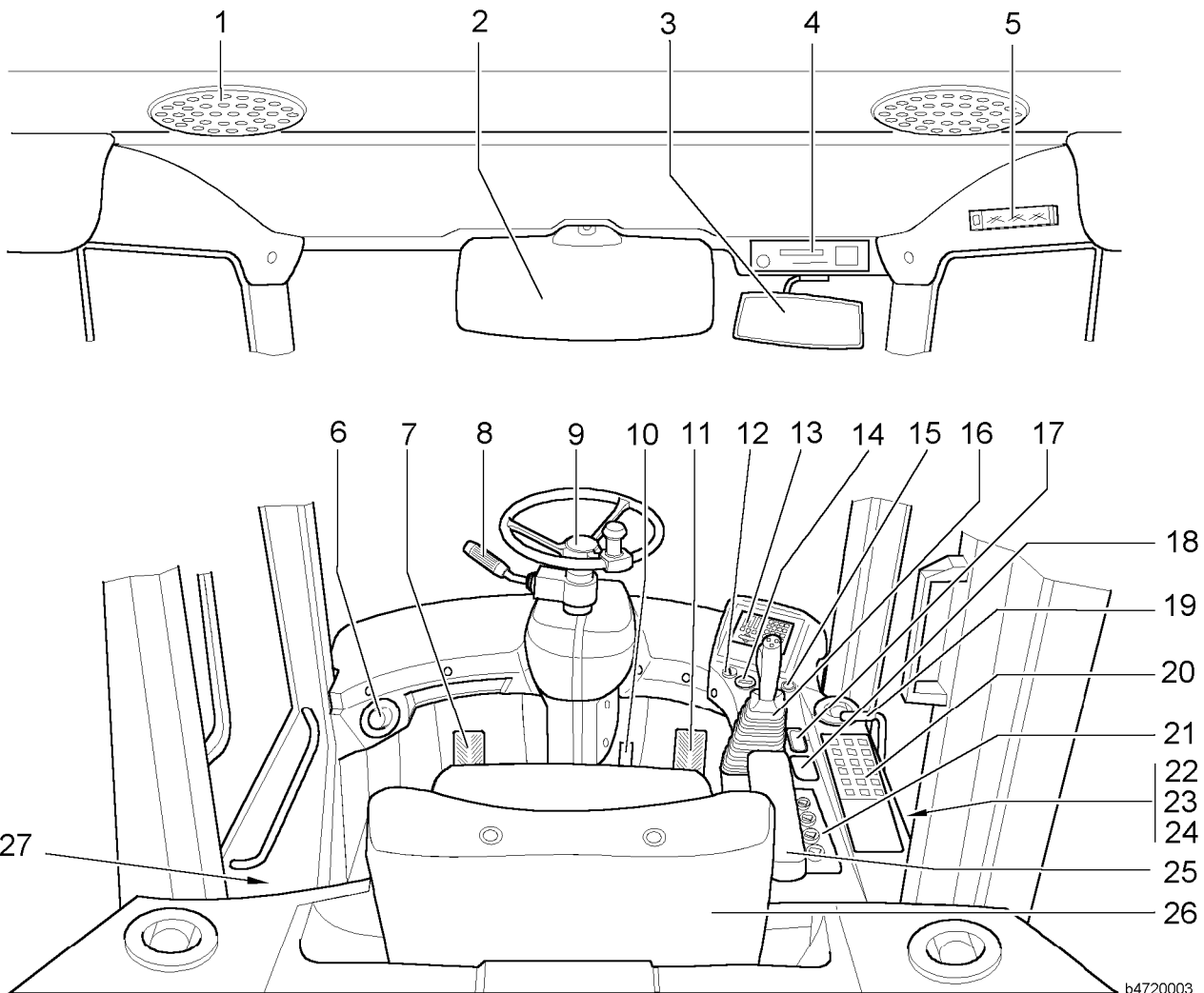
Driver's cab — Inside view

- | | | |
|--|--|---|
| 1 Radio loudspeaker | 10 Steering column adjustment lever | 18 Door handle (right-hand door) – emergency exit |
| 2 Sun visor | 11 Gas pedal | 19 Control unit |
| 3 Interior mirror | 12 Instrument panel display unit | 20 Control element |
| 4 Radio unit | 13 Starter switch | 21 Fuses |
| 5 Interior illumination with switch | 14 Socket/cigarette lighter | 22 Control electronics |
| 6 Heating/ventilation/air-conditioning outlet nozzles (9 in total) | 15 LIEBHERR control lever | 23 Control relay |
| 7 Brake-inching pedal | 16 Ashtray | 24 Adjustable arm rest |
| 8 Steering column switch | 17 Control lever mounting for optional working functions | 25 Driver's seat |
| 9 Adjustable steering column with steering wheel | | 26 Glove compartment |

LBH/02/003801/0003/6.0/en

Modification Instrument panel with integrated mechanical hour meter 14 .

Valid for: L554-452/0287-



Driver's cab — Inside view

b4720003

- | | | |
|--|--|---|
| 1 Radio loudspeaker | 10 Steering column adjustment lever | 19 Door handle (right-hand door) – emergency exit |
| 2 Sun visor | 11 Gas pedal | 20 Control unit |
| 3 Interior mirror | 12 Starter switch | 21 Control element |
| 4 Radio unit | 13 Instrument panel display unit | 22 Fuses |
| 5 Interior illumination with switch | 14 Mechanical hour meter | 23 Control electronics |
| 6 Heating/ventilation/air-conditioning outlet nozzles (9 in total) | 15 Socket/cigarette lighter | 24 Control relay |
| 7 Brake-inching pedal | 16 LIEBHERR control lever | 25 Adjustable arm rest |
| 8 Steering column switch | 17 Ashtray | 26 Driver's seat |
| 9 Adjustable steering column with steering wheel | 18 Control lever mounting for optional working functions | 27 Glove compartment |

LBH/02/003801/0003/6.0/en

3.2 Operation

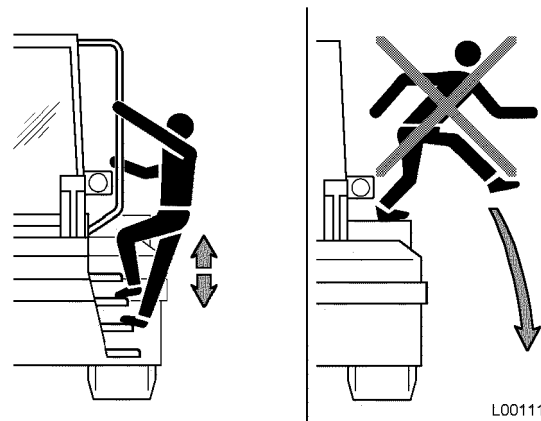
3.2.1 Cab access


Personnel should only get on and off the vehicle using the access aids provided.


Normally, the driver's cab must be entered and exited through the left-hand driver's cab door.

Entering and leaving the driver's cab

Familiarise yourself with the emergency exit through the right-hand cab door. Refer to the "Emergency exit" section.



Warning  Risk of injuries as a result of jumping or falling off the vehicle!
 ! Use the steps, ladders and handles provided for getting on and off.
 ! Never jump down from the vehicle.

Warning  Risk of injuries due to the vehicle suddenly moving!
 ! Do not hold onto the steering column, the control panel or the control levers when getting on or off.

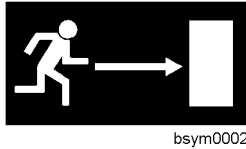
- Get on the vehicle via the left-hand cab access.

3.2.2 Emergency exit

Leaving the driver's cab by the emergency exit

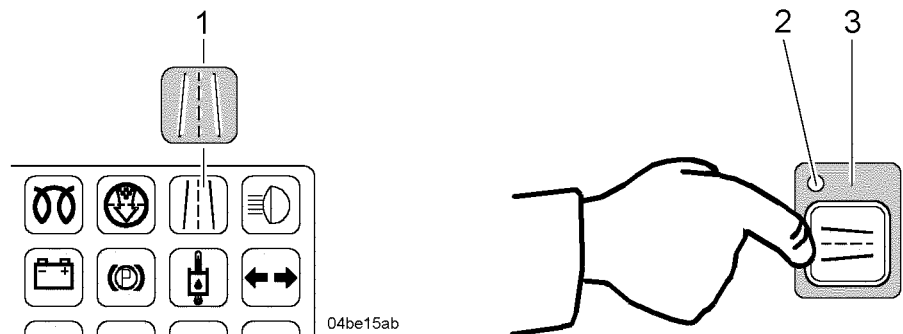
Normally, the driver's cab must be entered and exited through the left-hand driver's cab door.

The right-hand driver's cab door is provided as an emergency exit and therefore should only be used in this event.



bsym0002

- Before starting up the vehicle, make sure that it is possible to leave the driver's cab through the right-hand driver's cab door from inside without hindrance.



Working hydraulics lock button

- 1 Working hydraulics lock symbol field
- 2 LED
- 3 Working hydraulics lock button

- Before leaving the driver's cab, press button 3 for the working hydraulics lock.

LED 2 on the button indicates that the function is active.

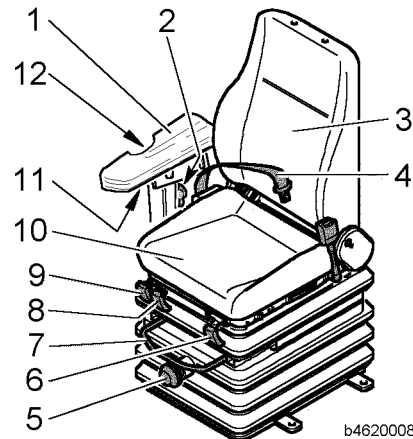
The symbol field 1 for the working hydraulics lock must light up.

The working hydraulics are no longer operational.

- Open the emergency exit door and leave the cab by stepping over the side control console.

3.2.3 Driver's seat with gas-filled spring suspension

Layout



Driver's seat – Main components and adjustable elements

- | | |
|--|--|
| 1 Arm rest | 8 Lever for adjusting front seat inclination |
| 2 Star-grip for arm rest height adjustment | 9 Lever for adjusting rear seat tilt angle |
| 3 Back rest | 10 Seat surface |
| 4 Safety belt | 11 Clamp screw for arm rest horizontal adjustment |
| 5 Weight adjustment rotary knob | 12 Clamp screw for adjusting arm rest inclination adjustment |
| 6 Lever for backrest adjustment | |
| 7 Lever for horizontal adjustment | |

Individual adjustment for ergonomic seating position

The seat can be adjusted to the driver's individual requirements to provide the highest possible degree of comfort.

Adjusting the driver's seat for use on public roads

Warning



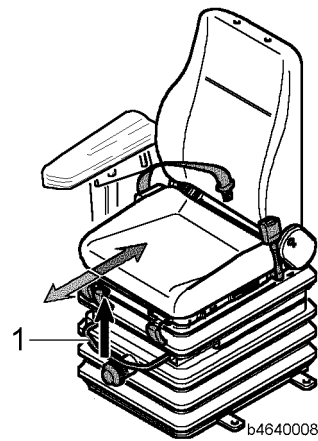
Risk of injuries if the driver's seat is improperly adjusted!

! When driving on public roads, the driver's seat may only be adjusted when the vehicle is at rest.

- Adjust the driver's seat before starting the vehicle.

Horizontal adjustment

The seat can be moved backward or forward adjustment by means of the lever 1 at the front of the driver's seat.



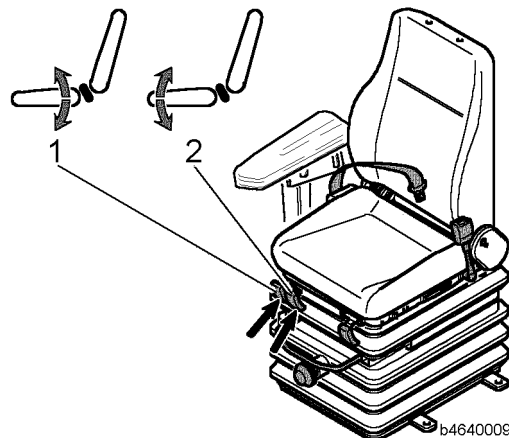
Adjustment – Horizontal

1 Lever for horizontal adjustment

- Pull lever 1 in the direction of the arrow.
- Horizontally adjust the driver's seat and release lever.

Tilting the seat surface

Adjustment is made with lever 1 and lever 2 at the front right of the driver's seat.



Adjustment – seating surface, seat height

1 Lever for adjusting rear seat tilt angle

2 Lever for adjusting front seat inclination

- Adjustment – seat tilt angle rear: pull lever 1 in the direction of arrow, adjust inclination and release lever.
- Adjustment – seat tilt angle front: pull lever 2 in the direction of arrow, adjust inclination and release lever.

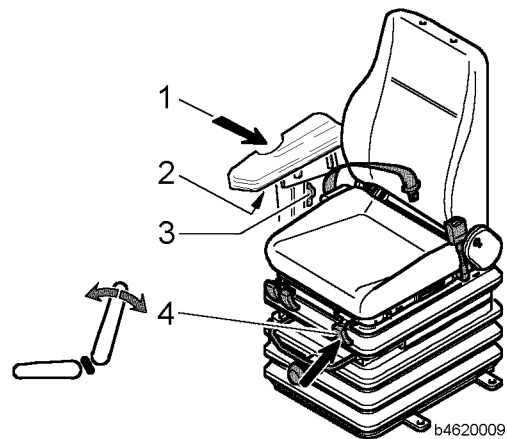
Adjusting the seat height

Adjustment is made with lever 1 and lever 2 at the front right of the driver's seat.

- Raise lever 1 and lever 2 simultaneously.
- Move the seat to the required height and release both levers.

Adjusting the backrest

The tilt angle of the backrest is adjusted with lever 4 on the left-hand side of the driver's seat.



Adjustment – back rest, arm rest

- | | |
|---|--|
| 1 Clamp screw for adjusting arm rest inclination adjustment | 3 Star-grip for arm rest height adjustment |
| 2 Clamp screw for arm rest horizontal adjustment | 4 Lever for backrest adjustment |

- Raise lever 4.
- Move the seat to the required inclination and release both levers.

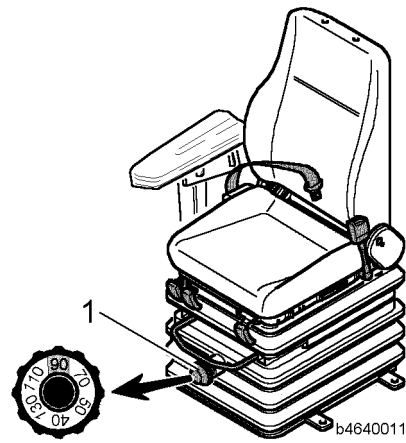
Adjusting the arm rest

The height, inclination and horizontal position of the arm rests can be adjusted separately.

- Height adjustment: release star grip 3, adjust height and fix in place.
- Tilt angle adjustment: release clamp screw 1, adjust tilt angle and lock in place.
- Horizontal adjustment: release clamp screw 2, adjust arm rest horizontally and lock in place.

Adjusting seat suspension

The seat suspension can be adapted to the driver's individual body weight. Adjustments are by means of rotary knob 1 at the front of the driver's seat. The figures on the rotary knob indicate the set body weight in kg.



Adjustment – Seat suspension

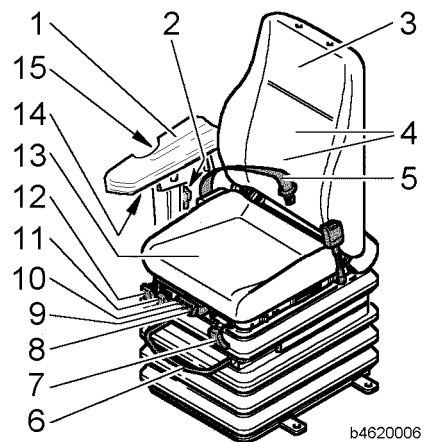
1 Weight adjustment rotary knob

- Set the appropriate body weight with rotary knob 1.

3.2.4 Driver's seat with pneumatic suspension

This equipment is optional.

Layout



Driver's seat – Main components and adjustable elements

- | | |
|--|--|
| 1 Arm rest | 10 Weight adjustment button |
| 2 Star-grip for arm rest height adjustment | 11 Lever for adjusting front seat inclination |
| 3 Back rest | 12 Lever for adjusting rear seat tilt angle |
| 4 Lumbar support chambers | 13 Seat surface |
| 5 Safety belt | 14 Clamp screw for arm rest horizontal adjustment |
| 6 Lever for horizontal adjustment | 15 Clamp screw for adjusting arm rest inclination adjustment |
| 7 Lever for backrest adjustment | |
| 8 Top lumbar support chamber button | |
| 9 Bottom lumbar support chamber button | |

LBH/02/003801/0003/6.0/en

Individual adjustment for ergonomic seating position

The seat can be adjusted to the driver's individual requirements to provide the highest possible degree of comfort.

Adjusting the driver's seat for use on public roads

Warning



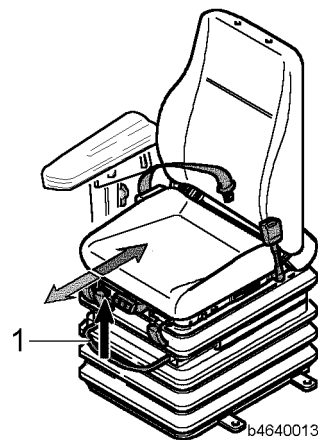
Risk of injuries if the driver's seat is improperly adjusted!

! When driving on public roads, the driver's seat may only be adjusted when the vehicle is at rest.

- Adjust the driver's seat before starting the vehicle.

Horizontal adjustment

The seat can be moved backward or forward adjustment by means of the lever 1 at the front of the driver's seat.



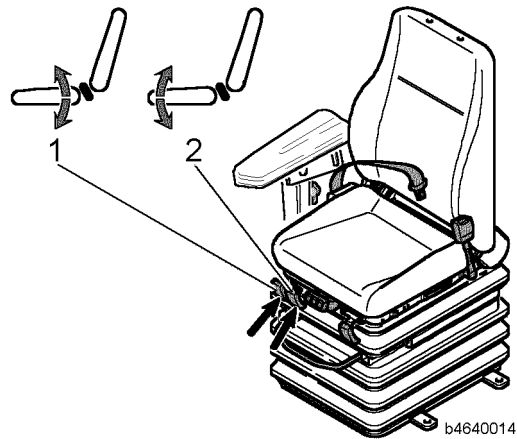
Adjustment – Horizontal

- 1 Lever for horizontal adjustment

- Pull lever 1 in the direction of the arrow.
- Horizontally adjust the driver's seat and release lever.

Tilting the seat surface

Adjustment is made with lever 1 and lever 2 at the front right of the driver's seat.



Adjustment – seating surface, seat height

- | | |
|--|--|
| 1 Lever for adjusting rear seat tilt angle | 2 Lever for adjusting front seat inclination |
|--|--|

- Adjustment – seat tilt angle rear: pull lever 1 in the direction of arrow, adjust inclination and release lever.
- Adjustment – seat tilt angle front: pull lever 2 in the direction of arrow, adjust inclination and release lever.

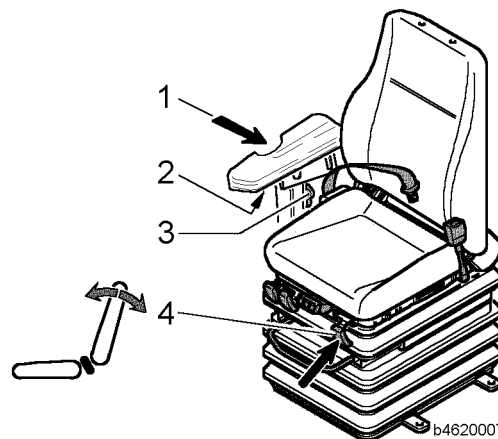
Adjusting the seat height

Adjustment is made with lever 1 and lever 2 at the front right of the driver's seat.

- Raise lever 1 and lever 2 simultaneously.
- Move the seat to the required height and release both levers.

Adjusting the back rest

The inclination of the seat back is adjusted with lever 4 on the left-hand side of the driver's seat.



Adjustment – back rest, arm rest

- | | |
|---|--|
| 1 Clamp screw for adjusting arm rest inclination adjustment | 3 Star-grip for arm rest height adjustment |
| 2 Clamp screw for arm rest horizontal adjustment | 4 Lever for backrest adjustment |

LBH/02/003801/0003/6.0/en

- Raise lever 4.
- Move the seat to the required inclination and release both levers.

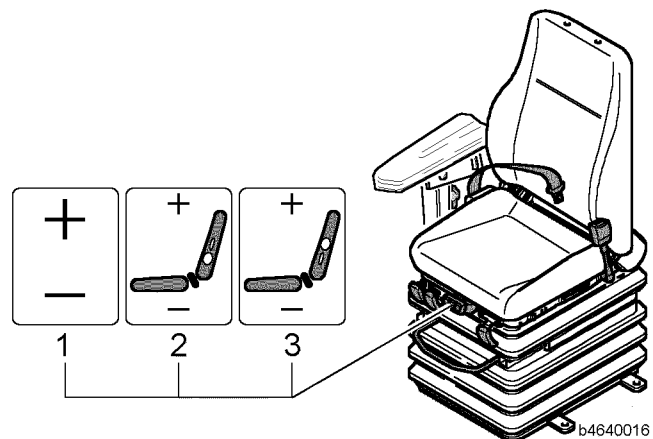
Adjusting the arm rest

The height, inclination and horizontal position of the arm rests can be adjusted separately.

- Height adjustment: release star grip 3, adjust height and lock in place.
- Inclination adjustment: release clamp screw 1, adjust inclination and fix in place.
- Horizontal adjustment: release clamp screw 2, adjust arm rest horizontally and fix in place.

Adjusting seat suspension

The seat suspension can be adapted to the driver's individual body weight. Adjustment is by means of button 1 at the front of the driver's seat.



Adjustment – seat suspension, lumbar support

- | | |
|---|--|
| <p>1 Weight adjustment button</p> <p>2 Bottom lumbar support chamber button</p> | <p>3 Top lumbar support chamber button</p> |
|---|--|

- Press button 1 and set the oscillatory system according to the body weight into the central position.

The height is not adjusted in this process!

Adjustment of the lumbar support

The contours of the backrest can be adapted to the driver's body.

- Press button 2 to fill bottom lumbar chamber with air or to release the air.
- Press button 3 to fill top lumbar chamber with air or to release the air.

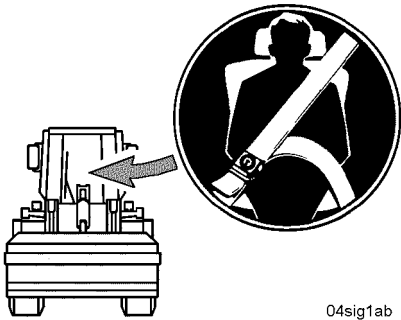
3.2.5 Safety belt

Observance of safety factors

The driver's cab is equipped with roll-over protection – **ROPS**.

The ROPS roll-over protection system only affords the driver protection when the seat belt has been fastened.

This section describes the safety features of wearing the seat belt.



04sig1ab

Compulsory wearing of seat belts

Warning



Risk of injuries if seat belt is not fastened!

Suddenly braking the vehicle or stopping abruptly, could cause severe injuries to the driver!

! It is essential that you fasten your seat belt before starting up the vehicle.

Danger



Risk of injuries if seat belt is not fastened!

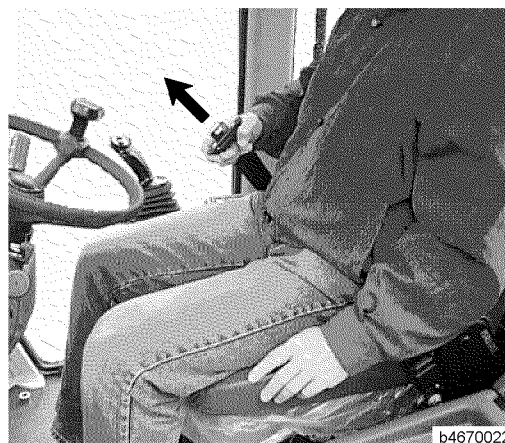
If the vehicle tips or rolls over, the driver could suffer fatal injuries!

! It is essential that you fasten your seat belt before starting up the vehicle.

- To guarantee your safety: regularly check the condition, proper functioning and anchorage of the seat belt and have defective parts replaced without delay.
- The seat belt must not be worn twisted.

Putting on the seat belt

The seat belt is an automatic belt. No adjustment of the belt length is required.



b4670022

Putting on the belt

- Hold the buckle with the right hand and pull the belt slowly out of the roller.

NOTE: When the belt is pulled out too quickly, it can be blocked by the roller.



b4670019

Locking the belt

- Hold the snap lock with the left hand and pull the belt over the body at hip level.
- Insert the buckle into the snap lock and check whether the snap lock has 'snapped into place' by pulling the buckle.

Releasing the seat belt



b4670021

Releasing the seat belt

- Release the seat belt by pushing the catch on the snap lock downward with your thumb.

3.2.6 Starter switch

The starter switch is equipped with a repeat start lock. The starting key can be pulled out when in 0 – 0-position/engine shutdown.

When the ignition key is in the 0 position or parking position, the following consumer units can be switched on from the instrument panel:

- Parking and driving headlight
- Hazard warning system
- Working floodlights
- Rotating beacon

Layout

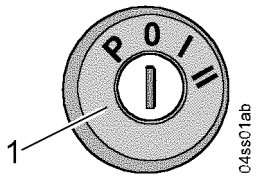
Switching positions:

P – Parking position

0 – 0 position / engine shutdown

I – Contact, operating preglow position

II – Starting position



Starter switch

Switching electrical system on or off

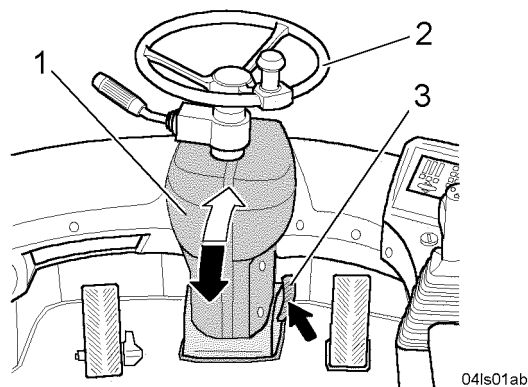
- Switch the vehicle electrical system on or off with the starter key.

3.2.7 Steering column and steering wheel

Adjusting the steering column

The steering wheel can be adjusted to meet the driver's requirements by adjusting the steering column.

The column can be set to one of three locking positions.

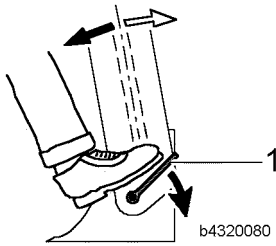


Adjustment – Steering column

1 Steering column

2 Steering wheel

3 Pedal



- Press down pedal 1 in the direction of the arrow.
- By pulling or pushing steering wheel 2, adjust the steering column 1 as required.
- Lock the selected position of steering column 3 by releasing the lever 1.

3.2.8 Steering column switch

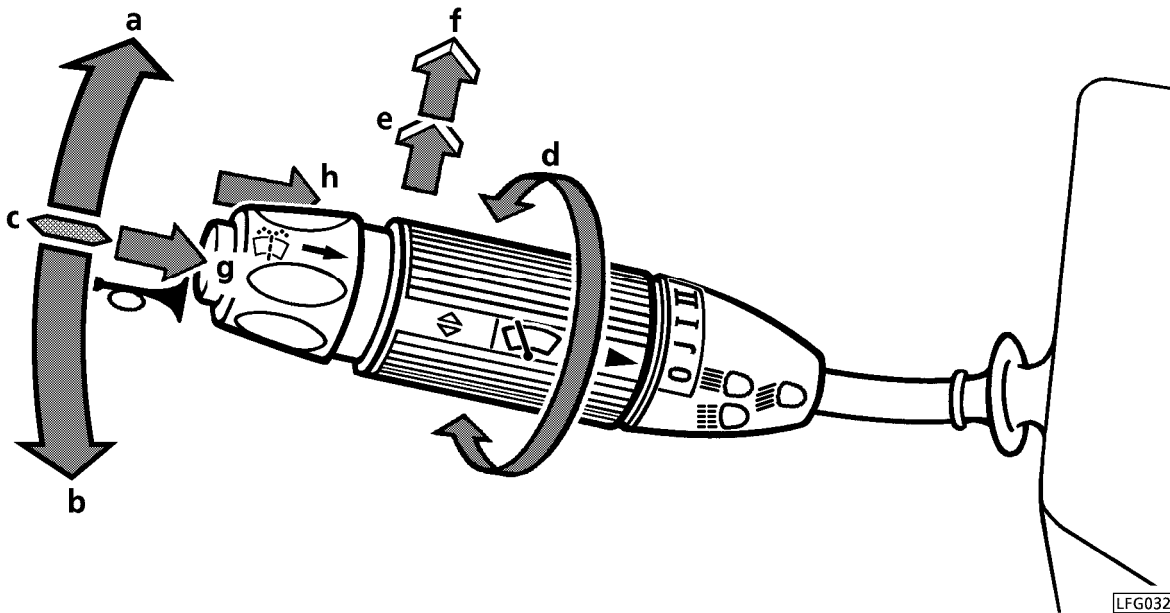
The steering column switch is mounted on the left-hand side of the steering column.

Layout

The steering column switch consists of controls for the following:

- Direction indicators
- High beam
- Acoustic and optical horn
- Windshield wiper for the front windscreen
- Windshield wiper and washer system for the front windscreen

Function description



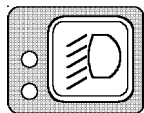
Steering column switch

Functions of the steering column switch when activated in direction:

- a – Drive direction display: right-hand flashing lights
- b – Drive direction display: left-hand flashing lights
- c – Centre position: neutral position
- d – Windshield wiper: front windscreen
 - 0 – level 0
 - J – interval
 - I – level I
 - II – level II
- e – Optical horn: light horn
- f – High beam: full headlights
- g – Acoustic horn: horn tone
- h – Windshield wiper / washer system: front windscreen

Operating the driving light or high beam

Operation is also possible if the starting key is in the 0 position or parking position.



04ta13ab

Switching on the parking light / driving light

- Press the button once.

The parking light goes on.

- Press the button again.

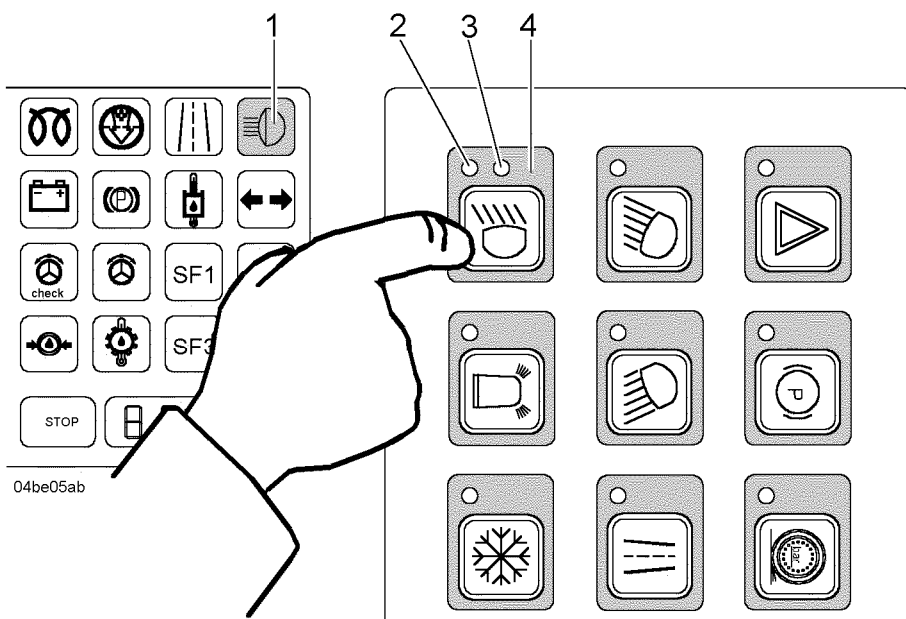
The driving light goes on.

- To switch off the parking light and driving light: press the button a third time.

All functions are switched off.

Switching on the driving light – high beam

Make sure that the button 4 for the parking/driving light has been pressed twice.



04be05ab

Control unit

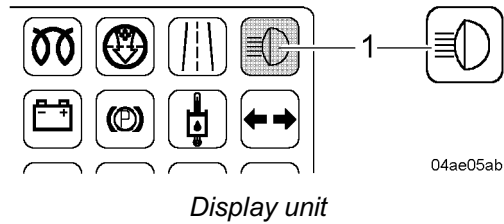
- | | |
|----------------------------|--------------------------------------|
| 1 Symbol field – headlight | 3 Driving light LED |
| 2 Parking light LED | 4 Parking light/driving light button |

- Press the parking light/driving button 4 light twice.
LED 2 and LED 3 light up.

- Push the steering column switch in direction - f -.
The symbol field 1 for the driving light must light up.
The high beam lights up.

Switching back to driving light – dipped beam

Make sure that the button 4 for the parking/driving light is switched off.

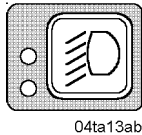


- Press button 4 for the parking light/driving light once. LED 2 and LED 3 light up.
- Switching over to dipped beam: Push the steering column switch in direction - f -.

The symbol field 1 for the headlight must go out.
The driving light – dipped beam lights up.

Switching off the parking light/driving light

- To switch off the parking light / driving light (low and high beams): press the button.



04ta13ab

Caution



Risk of damage to the battery!

If the battery is in a discharged condition over a long period of time (e.g. longer than one month), the battery can no longer be recharged!

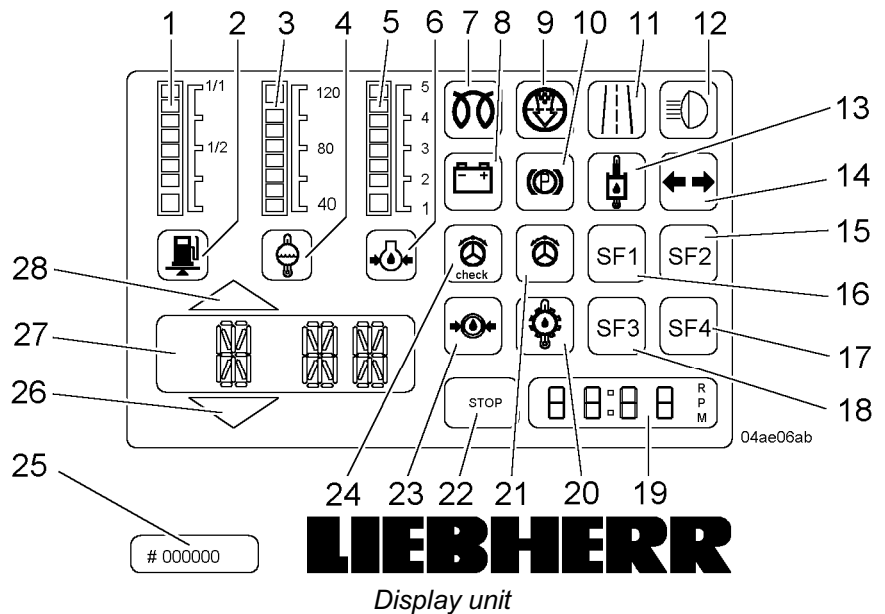
! Avoid discharging the battery accidentally!

- When you leave the driver's cab:
be sure to switch off the parking / driving light.

3.2.9 Display unit

The layout and function of the control unit is described in this section.

Layout



- | | |
|---|--|
| 1 Segment field – fuel supply | 15 Symbol field – special function |
| 2 Symbol field – fuel supply | 16 Symbol field – special function |
| 3 Segment field – coolant temperature | 17 Symbol field – special function |
| 4 Symbol field – engine overheating and coolant level | 18 Symbol field – special function |
| 5 Segment field – engine oil pressure | 19 Segment display – speed or clock |
| 6 Symbol field – engine oil pressure | 20 Symbol field – gear oil overheating |
| 7 Symbol field – preglow monitor | 21 Symbol field – emergency steering |
| 8 Symbol field – battery charging (charge control) | 22 Symbol field – stop |
| 9 Symbol field – air filter contamination | 23 Symbol field – braking system accumulator pressure |
| 10 Parking brake symbol field | 24 Symbol field emergency steering “check” |
| 11 Working hydraulics lock symbol field | 25 Hour meter |
| 12 Symbol field – headlight | 26 Symbol field – travel direction “reverse” |
| 13 Symbol field – hydraulic oil overheating | 27 Segment display – travel range, travel speed or error codes |
| 14 Symbol field – direction indicator system | 28 Symbol field – travel direction “forward” |

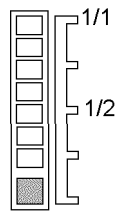
The display unit is integrated at the front on the right-hand side of the instrument panel.

It consists of the display (LCD symbol) and the hour meter.

Each symbol field is assigned the appropriate colour (red, yellow, green or blue).

Function description

Fuel supply – Display tank contents



04ml01ab

Segment field 1 – fuel supply

Segment field colour – green (limit range with reserve – red)

Indicates the level of the diesel fuel tank.



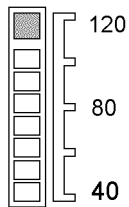
04ml23ab

Fuel supply – Display or report reserve fuel

Symbol field 2– fuel supply

Symbol field colour – yellow

Flashes when diesel fuel reserve is reached.



04ml02ab

Display coolant temperature

Segment field 3 coolant temperature

Segment field colour – green (limit range when temperature is too high – red)

Displays the coolant temperature in °C.



Audible warning message:

- Issued at a coolant temperature of 95°C
- Interval tone sounds 5 times with 5-sec. breaks.



04ml24ab

Display or report engine overheating and coolant level

Symbol field 4 – engine overheating and coolant level

Symbol field colour – red

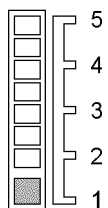
Warning functions:

- Flashes when the coolant temperature is too high
- Flashes when the coolant level is too low
- Flashes when the cool blower drive breaks down

Warning message sequence:

- When a warning message is issued, the symbol field flashes first
- The warning function of the symbol field is supplemented acoustically after 10 seconds by a “continuous tone”.

Display engine oil pressure



04ml03ab

Segment field 5 engine oil pressure

Segment field colour – green (limit range when pressure is too low – red)

Displays the engine oil pressure in bar.



04ml25ab

Display or report engine oil pressure

6 Engine oil pressure symbol field

Symbol field colour – red

Warning functions:

- Flashes when the starting key is at the ignition position - I -
When the diesel engine has started, the symbol field goes out.
- Flashes when the engine oil pressure drops – **Requirement:** the diesel engine must be running

Warning message sequence:

- When a warning message is issued, the symbol field flashes first
- The warning function of the symbol field is supplemented acoustically after 10 seconds by a “continuous tone”.



04ml05ab

Preglow monitoring

Symbol field 7 preglow monitor

Symbol field colour – yellow

Lights up when starting key is turned to ignition, run, preglow position - I - and in starting position - II -.

At the end of the preglow period and when the diesel engine is started, the symbol field goes out.



04ml09ab

Battery charging – Display charge control

8 Battery charging (charge control) symbol field

Symbol field colour – red

Warning functions:

- Lights up when the ignition key is at the contact position - I -
When the diesel engine has started, the symbol field goes out.
- It will light up if, for instance, the V-ribbed belt of the alternator drive tears.



04ml06ab

Display air filter contamination

9 Air filter contamination symbol field

Symbol field colour – yellow

Lights up when the air filter is heavily contaminated.



04ml10ab

Parking brake – Display activation

10 Parking brake symbol field

Symbol field colour – red

Warning functions:

- Lights up when starting key turned to ignition, run, preglow position - I -
- Lights up when the parking brake is engaged
When the parking brake is released, the symbol field goes out.



04ml07ab

Working hydraulics lockout – Display activation

11 Working hydraulics lock symbol field

Symbol field colour – yellow

Lights up when the working hydraulics lock is activated.



04ml08ab

Headlight – Display activation

12 Headlight symbol field

Symbol field colour – blue

Lights up when the headlight is switched on.

Display/report hydraulic oil overheating



04ml11ab

13 Hydraulic oil overheating symbol field

Symbol field colour – red

Lights up when the hydraulic oil temperature is too high.

Warning message sequence:

- The symbol field flashes first when a warning message is issued, if the hydraulic oil temperature exceeds 100 °C.
- The warning function of the symbol field is supplemented acoustically after 10 seconds by a “continuous tone”.

Acoustic warning message:

- Issued when hydraulic oil temperature reaches 95°C
- Interval tone sounds 5 times with 5-sec. breaks.



bpiK0007

Direction indicator system – Display activation



04ml12ab

Symbol field 14 – direction indicator system

Symbol field colour – green

Warning functions:

- Flashes when the steering column switch is actuated to display the travel direction
- Flashes when the hazard warning system is activated

Special function



04ml16ab

Symbol field 15 – special function

Not assigned. Symbol field colour – green

Reserved for special function.

Special function



04ml15ab

Symbol field 16 – special function

Not assigned. Symbol field colour – red

Reserved for special function.

Special function



04ml20ab

Symbol field 17 – special function

Not assigned. Symbol field colour – green

Reserved for special function.

Special function



04ml19ab

Symbol field 18 – special function

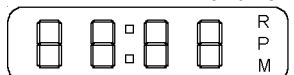
Not assigned. Symbol field colour – red

Reserved for special function.

Display engine speed or time

Valid for:

L554-452/0104-0286



04ml22ab

Segment display 19 – speed or clock

Field colour – green

Requirement: The required function must be selected at the “control unit”.

Display functions:

- Display the time
- display the rotary speed of the diesel engine



04ml18ab

Display/Report gear oil overheating

Symbol field 20 – gear oil overheating

Symbol field colour – red

Lights up when the gear oil temperature is too high.

Warning message sequence:

- When a warning message is issued, the symbol field flashes first
- The warning function of the symbol field is supplemented acoustically after 10 seconds by a “continuous tone”.



04ml14ab

Display/Report emergency steering

Symbol field 21 – emergency steering

Symbol field colour – red

Warning functions:

- Lights up when the ignition key is turned to contact, run, preglow position - I -
- Lights up: if the diesel engine shuts down or if the steering pump breaks down when underway.

In this case, the emergency steering pump is activated for approx. 50 seconds.

See also “Control unit” and “Emergency operation” sections.

Acoustic warning message:

- When the emergency steering function (emergency steering pump) is switched on, an interval tone sounds as well.



bpik0008

Display or Report machine stopping



04ml21ab

Symbol field 22 – stop

Symbol field colour – red

Lights up: with an error code message, which means that the vehicle must be brought to a stand still.



04ml17ab

Display/Report braking system – accumulator pressure

Symbol field 23 – braking system accumulator pressure

Symbol field colour – red

Lights up when the brake accumulator pressure is too low.

Warning message sequence:

- when a warning message is issued, the symbol field flashes first
- The warning function of the symbol field is supplemented acoustically after 10 seconds by a “continuous tone”.



04ml13ab

Display/Report emergency steering “check”

Symbol field 24 emergency steering “check”

Symbol field colour – red

Lights up briefly when the engine starts (approx. 2 seconds).

The symbol field goes out after a successfully executed “check”.

The symbol field does not go out if the emergency steering pump does not start during the check.

Valid for:

000000

04ae07ab

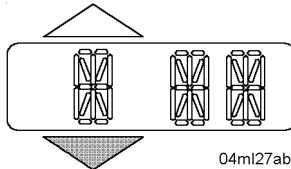
Display operating hours of the vehicle

L554-452/0104-0286

Operating hours counter 25

Shows the time in operating hours that the vehicle was in service.

The operating hours are the basis for the observance of the maintenance intervals.

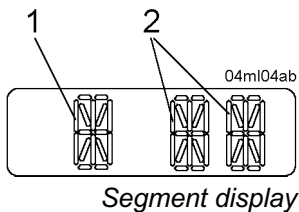


Display “reverse” travel direction

Symbol field 26 – travel direction “reverse”

Symbol field colour – green

Displays the vehicle’s preselected travel direction “reverse”



Display/Report travel range, travel speed or error codes

Segment display 27 – travel range, travel speed or error codes

1 LCD field – travel range or Error

2 LCD field – travel speed or error code number

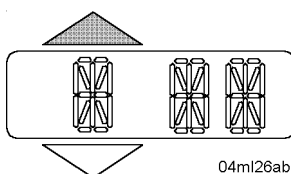
Field colour – green

Display functions:

- Displays the activated travel range - **1** - to - **A3**.
In automatic mode, the display in the LCD field changes regularly between the output - **A** - (automatic) and the respective automatic range - **2** - or - **3** -.
- Displays the vehicle’s travel speed
- displays the error code in the event of malfunction
Error code structure: Field 1 = **E** plus Field 2 = error code number
The error code display is supplemented acoustically by a “continuous tone”.

When an error code is displayed, which results in the vehicle being stopped, the symbol field for “STOP” also lights up.

The segment display goes out when the ignition is switched off. If appropriate, first note the displayed error code.



Display “forward” travel direction

Symbol field 28 – “forward” travel direction

Symbol field colour – green

Displays the vehicle’s preselected travel direction “forward”.

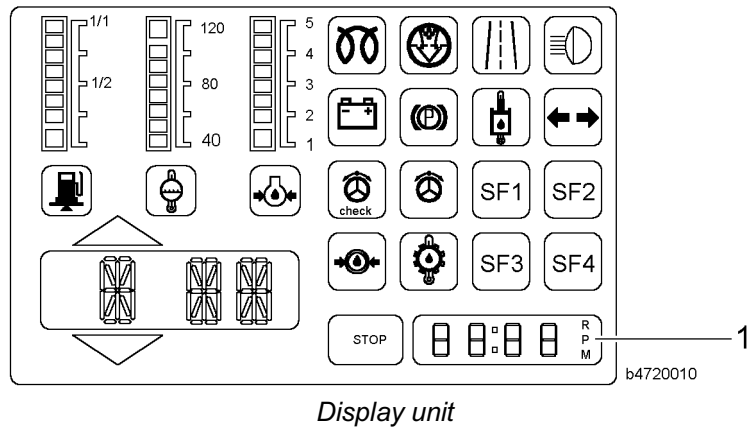
3.2.10 Display unit

Modification Operating hour display is shown in the segment display 1 as well.

Valid for: L554-452/0287-

This section only describes the engine speed, real time, operating hours segment display function 1.

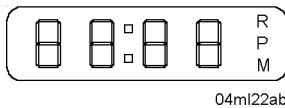
For the description on set up and operation not discussed here: Refer to the earlier “Indicator unit” section.



1 Segment display – engine speed, real time, operating hours

Function description

Engine speed, real time or operating hour display



Segment display 1 – engine speed, real time, operating hours
Field colour – green

Requirement: The desired function must be selected at the “control unit”.
Display functions:

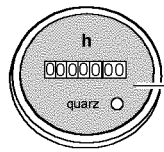
- Display the time
- Display the rotary speed of the diesel engine
- Shows the time in operating hours that the vehicle was in service.

The operating hours are the basis for the observance of the maintenance intervals.

3.2.11 Mechanical hour meter

Modification Instrument panel with integrated mechanical hour meter 14 .
Valid for: L554-452/0287-
The vehicle is equipped with an additional mechanical hour meter.

Layout



b4720004



Hour meter

1 Hour meter

The mechanical hour meter 1 is integrated in the instrument panel.

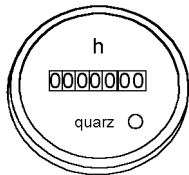
Function description

Display operating hours of the vehicle

Mechanical hour meter 1

Shows how long the vehicle was in service in hours.

The operating hours form the basis for the observance of the maintenance intervals.

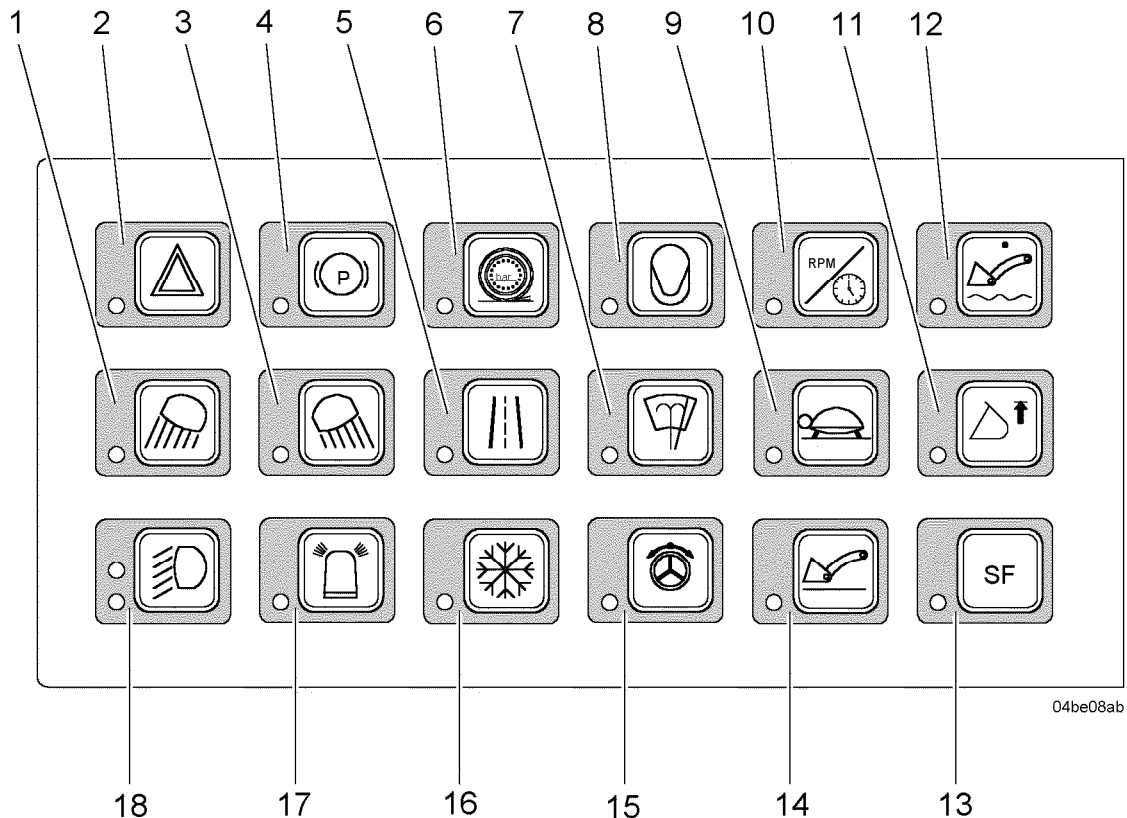


b4530005

3.2.12 Control unit

The design and function of the control unit is described in this section.

Layout



04be08ab

Control unit (view rotated by 90°)

- | | | |
|--------------------------------------|---|---------------------------------------|
| 1 Working floodlights button – front | 7 Windshield wiper and washer system – rear window button | 13 Special function button |
| 2 Hazard warning system button | 8 Ride control button (LFD system) | 14 Bucket return-to-dig button |
| 3 Working floodlights button – rear | 9 Creeper button (slow drive) | 15 Emergency steering button |
| 4 Parking brake button | 10 Speed or clock button | 16 Air-conditioning system button |
| 5 Working hydraulics lock button | 11 Lifting limit switch button | 17 Flashing beacon button |
| 6 Tractive force reduction button | 12 Float position button | 18 Parking light/driving light button |

The control unit is integrated in the instrument panel at the right of the driver's seat.

All buttons in the control unit are equipped with LEDs.

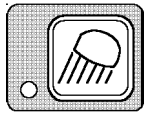
When the button is switched ON, the LED glows red.

When the button is switched OFF, the LED goes out.

LBH/02/003801/0003/6.0/en

Function description

Working floodlights – front



04ta07ab

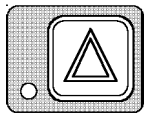
Button 1 – working floodlights – front

For turning the working floodlights – front on or off.

When the button is pressed, the front working floodlights go OFF.

The button is also functional when the starting key is in the 0 position or parking position.

Hazard warning system



04ta01ab

Button 2 – Hazard warning system

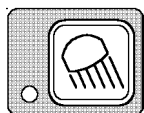
For switching the hazard warning system ON or OFF.

When the button is pressed:

- if the symbol field – hazard warning system is flashing, all four flashing lights on the vehicle are on
- if the symbol field – hazard warning system goes out, all four flashing lights on the vehicle go out

The button is also functional when the starting key is in the 0 position or parking position.

Working floodlights – rear



04ta08ab

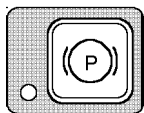
Button 3 – Working floodlights – rear

For turning the rear working floodlights ON or OFF.

When the button is pressed, the rear working floodlights go out.

The button is also functional when the starting key is in the 0 position or parking position.

Parking brake



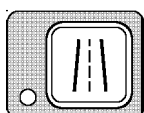
04ta02ab

Button 4 – Parking brake

For engaging or releasing the parking brake.

When the button is pressed, the parking brake is engaged or released.

Working hydraulics lock



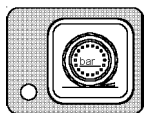
04ta09ab

Button 5 – Working hydraulics lock

For locking or releasing the working hydraulics functions.

When the button is pressed, the parking brake is engaged or released.

Tractive force adjustment



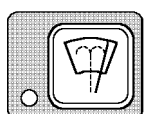
04ta03ab

Button 6 – Tractive force adjustment

For preparing the tractive force adjustment function.

The function still functions after the ignition is switched OFF and is thus still active when the ignition is switched ON again.

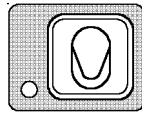
Windshield wiper and washer system – rear window



04ta10ab

Button 7 – Windshield wiper and washer system – rear window

For switching the windshield wiper and washer system for the rear window ON or OFF.



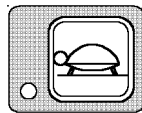
04ta04ab

Ride control (LFD system)

8 Taster – Fahrschwingungsdämpfung (LFD-System)

For switching the drive vibration absorption function ON or OFF.

The function still functions after the ignition is switched OFF and is thus still active when the ignition is switched ON again.



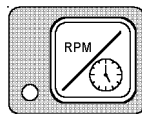
04ta11ab

Creeper (slow drive)

Button 9 – crawl speed (slow drive)

For switching the vehicle's travel drive between normal and slow travel.

The function still functions after the ignition is switched OFF and is thus still active when the ignition is switched ON again.



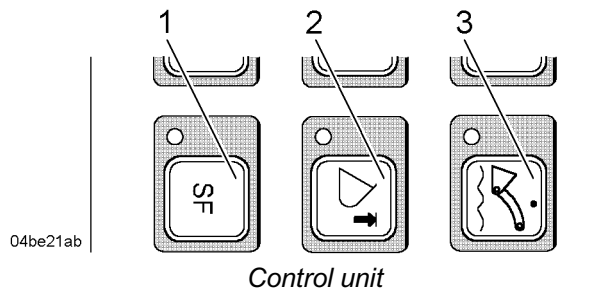
04ta05ab

Valid for:

L554-452/0104-0286

Button 10 Engine speed or clock

For switching over the display between time and engine speed.



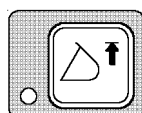
04be21ab

Control unit

- 1 Special function button
- 2 Lifting limit switch button
- 3 Float position button

Adjusting the clock:

- Press the button 1, 2 and button 3 simultaneously and switch off the vehicle electrical system with the ignition key
- With button 3, you can switch from hours to minutes.
- With button 2, the hours or minutes are counted in ascending order.
- With button 1, the hours or minutes are counted in descending order.
- To save the setting: switch off the vehicle electrical system with the starting key



04ta12ab

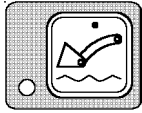
Lifting limit switch

Button 11 – Lift kick-out

For switching the automatic lifting limit switch function ON or OFF.

When the button is pressed, a solenoid on the servo control device is activated.

The "LIEBHERR control lever" is kept in the "Raise lift arm" position by magnetic force.



04ta06ab

Float position

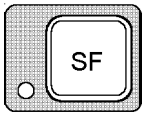
Button 12 – float position

For switching the float position function ON or OFF.

When the button is pressed, a solenoid on the servo control device is activated.

The “LIEBHERR control lever” is held in the “Lower lift arm” position by magnetic force.

The function still works after the ignition is switched OFF and is thus still active when the ignition is switched ON again.

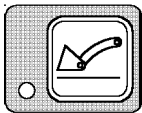


04ta18ab

Special function

Button 13 – Special function

Button is not assigned: Reserved for special functions.



04ta17ab

Bucket return-to-dig

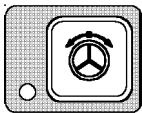
Button 14 – Bucket return-to-dig

For switching the automatic bucket return-to-dig function ON or OFF.

When the button is pressed, a solenoid on the servo control device is activated.

The “LIEBHERR control lever” is held in the position – “Tip bucket up” by magnetic force.

The function is retained after the ignition is switched OFF and is thus still active when the ignition is switched ON again.



04ta16ab

Emergency steering

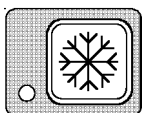
Button 15 – Emergency steering

For repeat start of the emergency control pump for emergency steering functions.

When the ignition is switched on, the emergency steering pump can be repeat started by keeping the button pressed down for approx. 50 seconds.

Continuous operation of the emergency steering pump results in overheating of the pump motor! The thermostat switch integrated in the pump motor automatically switches the emergency steering pump off in the event of overheating.

See also the section “Towing the vehicle if the steering system has broken down”.



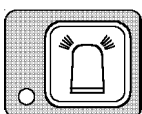
04ta15ab

Air-conditioning system

Button 16 Air-conditioning system

Before pressing the button, switch on the rotary knob for the blower (see “Controls”) section.

For switching the air-conditioning system ON or OFF.



04ta14ab

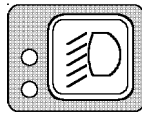
Rotating beacon

This equipment is optional.

Button 17 – flashing beacon

For switching the rotating beacon ON or OFF.

The button is also functional when the starting key is in the 0 position or parking position.



04ta13ab

Parking light/driving light

Button 18 – parking light/driving light

Function for parking light:

- For switching the parking light ON or OFF
- When the button is pressed once, the parking light goes on.

Function for driving light:

- For turning the driving light ON or OFF
- When the button is pressed again, the driving light goes on.

When the button is pressed a third time, all functions are switched off.

The button is also functional when the starting key is in the 0 position or parking position.

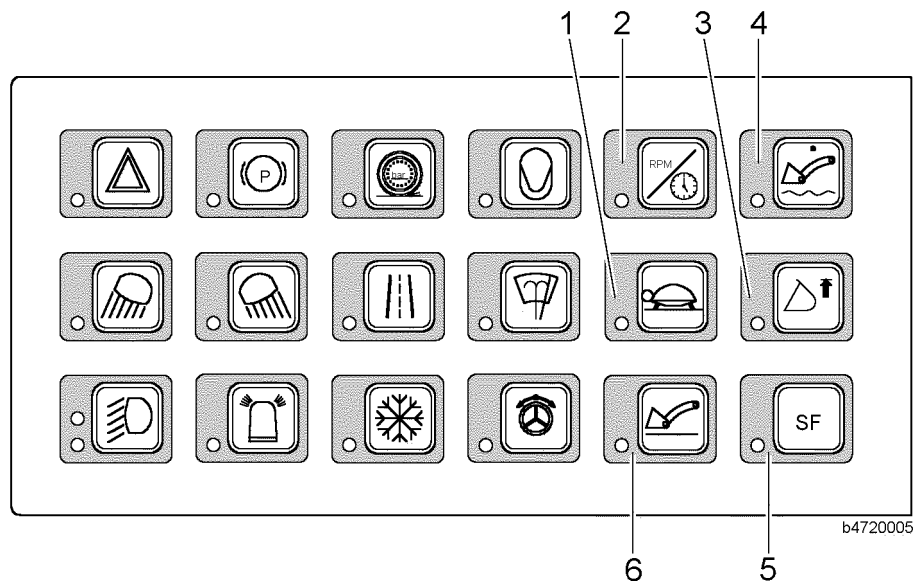
3.2.13 Control unit

Modification Button 2 is also used to switch over to the operating hour display in the engine speed, real time, operating hour segment display.

Valid for: L554-452/0287-

This section only describes the function of the engine speed, clock, date or operating hours button 2.

For the description on set up and operation not discussed here: Refer to the “Control unit” section.



b4720005

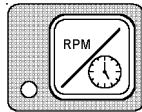
Control unit (view rotated by 90°)

- | | |
|---|-------------------------------|
| 1 Creeper button (slow drive) | 4 Float position button |
| 2 Engine speed, clock, date or operating hours button | 5 Special function button |
| 3 Lifting limit switch button | 6 Bucket return-to-dig button |

LBH/02/003801/0003/6.0/en

Function description

Switching over to engine speed, clock, date or operating hours

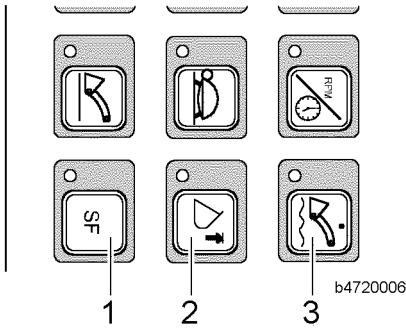


04ta05ab

Button 2 – engine speed, clock, date or operating hours

For switching the LCD display between engine speed, time, date or operating hours.

Setting the real time



b4720006

Control unit

Button 1 – Special function

Button 2 – Lift kick-out

Button 3 – Float position

- Press the button 1, 2 and button 3 simultaneously and switch off the vehicle electrical system with the ignition key.
- With button 3, you can switch from hours to minutes.
- With button 2, the hours or minutes are counted forwards.
- With button 1, the hours or minutes are counted in descending order.
- To save the time setting: switch off the vehicle electrical system with the starting key

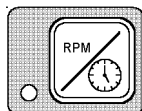
Displaying operating hours

The digital hour meter is set by the manufacturer.

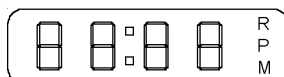
Readjustment will be performed by LIEBHERR CUSTOMER SERVICE as required.

Engine speed, clock, date or operating hours button

- Switch the vehicle electrical system on using the starter key.
- Press the button.



04ta05ab



04ml22ab

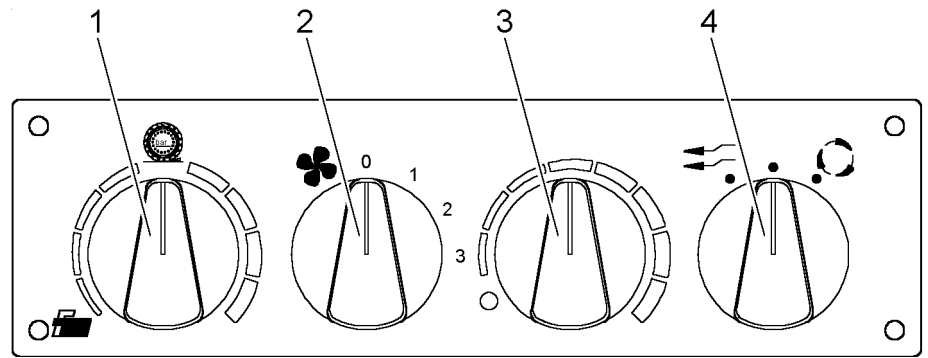
The vehicle operating period is shown in operating hours.

The operating hours form the basis for the maintenance intervals.

3.2.14 Control element

The design and function of the control element are described in this section.

Layout



04se05ab

Control element (view rotated by 90°)

- 1 Rotary switch – tractive force adjustment
- 2 Rotary switch – blower
- 3 Rotary switch – heater adjustment
- 4 Rotary switch – heater

The controls are integrated in the instrument panel to the right of the driver's seat.

They consist of controls for tractive force adjustment, heating, ventilation and the blower.

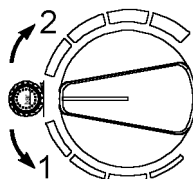
Function description

Adjusting the tractive force

Rotary switch 1 – Tractive force adjustment

For adjusting the tractive force.

- 1 reduce tractive force
- 2 increase tractive force



04se04ab

Regulating the blower

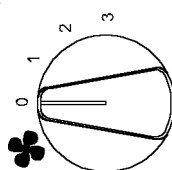
Rotary switch 2 – Blower

Functions:

- For switching the blower ON or OFF
- For regulating the blower levels for heating, ventilation and air conditioning systems

Blower levels:

- Level 1 – gentle air flow
- Level 2 – medium air flow
- Level 3 – strong air flow

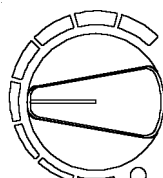


04se03ab

Heating adjustment

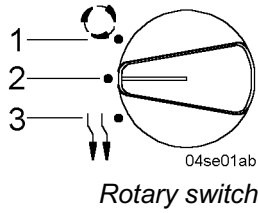
Rotary switch 3 – heater

For continuous temperature adjustment.



04se02ab

LBH/02/003801/0003/6.0/en



Adjusting ventilation

Rotary switch 4 – ventilation

Switch settings:

Position 1 – Recirculated air

Position 2 – Recirculated and fresh air

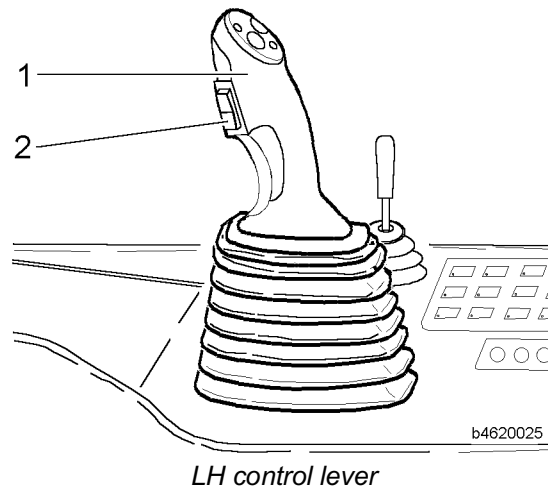
Position 3 – Fresh air

For switching between recirculated air and fresh air

3.2.15 LIEBHERR control lever

The travel ranges, travel directions and movements of the working attachment are controlled by the “LIEBHERR control lever” (LH control lever).

Layout



1 Switch for travel range

2 Switch for travel direction

The LH control lever contains the controls for selecting the travel range, the travel direction and operating the working attachment.

Switches for travel range and travel direction

Function description

Basic function

After the electrical system has been turned on, the travel range - **A2** - (automatic) is automatically selected.

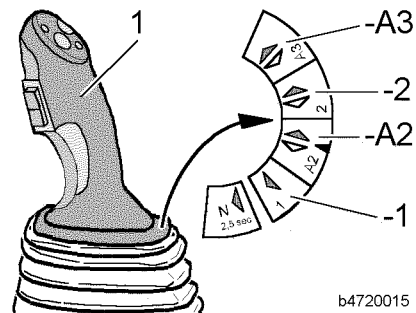
It is not possible to select another travel range until the travel direction has been selected.

Selecting travel ranges

Valid for: L554-452/0104-0302

The drive ranges are selected by jogging the LH control lever to the left or right as appropriate.

See also the the “Driving mode” section.



LH control lever

- | | |
|---------------------------|---------------------|
| 1 Switch for travel range | -A2 Travel range A2 |
| -1 Travel range 1 | -A3 Travel range A3 |
| -2 Travel range 2 | |

Functions of the travel range switch:

- By jogging in direction - **A3** -, the travel range is shifted up to - **A3** -
- By jogging in direction - **1** -, the travel range is shifted down to - **1** -
- Neutral selection - **N** - of the travel direction

Function – neutral selection:

- When the switch 1 is held in the direction - **N** -, the drive direction is switched to the neutral position - **N** - after approx. 2.5 seconds

Function – shifting the automatic travel ranges:

- In the automatic travel ranges - **A2** - and - **A3** -, the gears are automatically shifted up and down, according to the the gas pedal position, the travel speed and the rate of change of speed

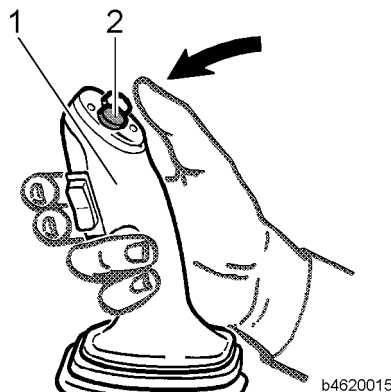
Symbol fields are used to show the selected driving range on the instrument panel in the display unit.

Kick-down shifting

Valid for: L554-452/0104-0302

Kick-down shifting is possible in forwards and reverse travel in the travel ranges - **A2** - and - **A3** - and from every travel speed.

Use: see section “Driving mode” under “Driving with kick-down shift”.



- 1 LH control lever
- 2 Button – kick-down

Selection procedures for kick-down shift:

- When button 2 is pressed, this automatically brakes the vehicle hydrostatically
You then automatically shift into “1st gear” (gear 1).
- When you drive without resistance, the “1st gear” (gear 1) is active for approx. 4 secs.
The vehicle then automatically shifts to “2nd gear” (gear 2) when the speed increases.
- When driving into a pile, “1st gear” remains selected as long as resistance is present.

Selecting travel ranges

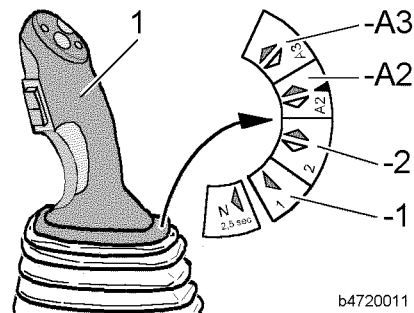
Modification A different sequence when shifting travel ranges.

Valid for: L554-452/0303-

The drive ranges are selected by jogging the LH control lever to the left or right as appropriate.

See also the the “Driving mode” section.

LBH/02/003801/0003/6.0/en



LH control lever

- 1 Switch for travel range
- 1 Travel range 1
- 2 Travel range 2
- A2 Travel range A2
- A3 Travel range A3

Functions of the travel range switch:

- By jogging in direction - **A3** -, the travel range is shifted up to - **A3** -
- By jogging in direction - **1** -, the travel range is shifted down to - **1** -
- Neutral selection - **N** - of the travel direction

Function – neutral selection:

- When the switch 1 is held in direction - **N** -, the drive direction is switched to the neutral position - **N** - after approx. 2.5 seconds

Function – shifting the automatic travel ranges:

- In the automatic travel ranges - **A2** - and - **A3** -, the gears are automatically shifted up and down, according to the the gas pedal position, the travel speed and the rate of change of speed

Symbol fields are used to show the selected driving range on the instrument panel in the display unit.

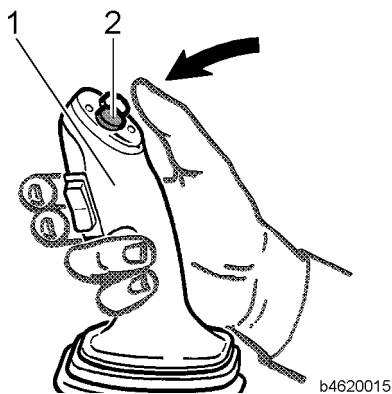
Kick-down shifting

Modification! The kick-down shifting function is also provided in travel range **2**.

Valid for: L554-452/0303-

Kick-down shifting is possible in forward and reverse travel in the **2**, **A2** and **A3** travel ranges and from every travel speed.

Use: see section “Driving mode” under “Driving with kick-down shift”.



- 1 LH control lever
- 2 Button – kick-down

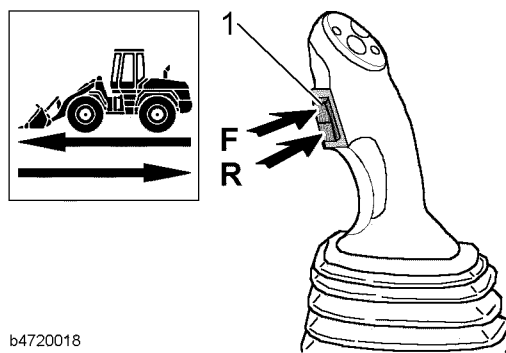
Selection procedures for kick-down shift:

- When button 2 is pressed, this automatically brakes the vehicle hydrostatically
You then automatically shift into “1st gear” (gear 1).
- When you drive without resistance, the “1st gear” (gear 1) is active for approx. 4 secs.
The vehicle then automatically shifts to “2nd gear” (gear 2) when the speed increases.
- When driving into a pile, “1st gear” remains selected as long as resistance is present.

Shifting the travel direction

Travel directions are shifted using button 1 on the left-hand control lever. See also the the “Driving mode” section.

LBH/02/003801/0003/6.0/en



b4720018

LH control lever

1 Switch for travel direction

Functions of the travel direction switch:

- F travel direction is – forward (**F**orward)
- R travel direction is – reverse (**R**everse)

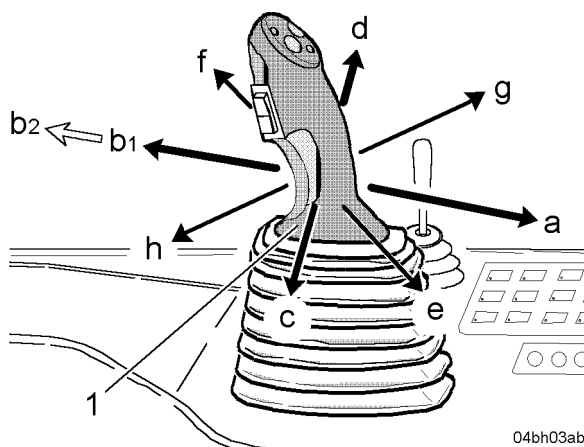
Symbol fields are used to show the preselected driving direction on the instrument panel in the display unit.

LH control lever for controlling the working attachment

Layout

The grip of the LH control lever is linked mechanically to the pilot control device directly underneath it.

Function description



04bh03ab

Movement directions of the LH control lever

- | | |
|-------------------------------|----------------|
| a Backwards | c To the left |
| b1 Forward up to action point | d To the right |
| b2 Forward up to the stop | e-h Diagonal |

LBH/02/003801/0003/6.0/en

The working attachment is controlled by moving the LH control lever 1.

The movement directions of the LH control lever and the resulting functions:

- a – Lift arm is raised
- b1 – “Normal lowering function” – lift arm is lowered slowly
- b2 – “Rapid lowering function” – lift arm is lowered rapidly
- c – Bucket is tilted in
- d – Bucket is tilted out
- e – Lift arm is raised and the bucket is simultaneously tilted in
- f – Lift arm is lowered and the bucket is simultaneously tilted out
- g – Lift arm is raised and the bucket is simultaneously tilted out
- h – Lift arm is lowered and the bucket is simultaneously tilted in

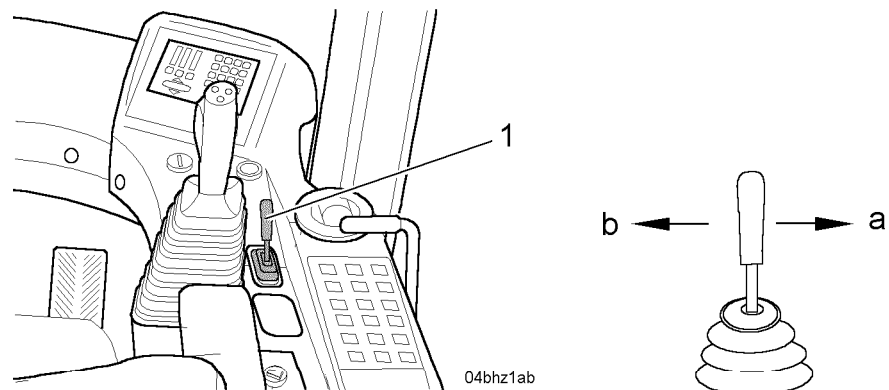
3.2.16 Control lever for optional working functions

This equipment is optional.

The control lever for additional working functions (additional control lever) is installed to the right of the LH control lever, in the instrument panel.

Function description

If an optional attachment with independent control circuit is attached to the lift arm, then this will be controlled by the additional control lever.



Movement directions of the additional control lever

a – Backwards

b – Forwards

The optional equipment is controlled by moving the additional control lever 1.

The movement directions of the additional control lever and the resulting functions:

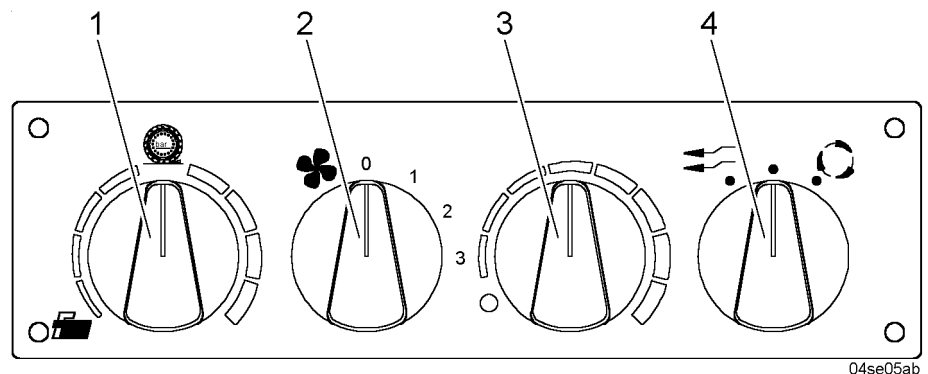
- a – (function depends on the type of optional equipment attached)
- b – (function depends on the type of optional equipment attached)

Familiarise yourself with the operation of the attached optional equipment!

Refer to the “Operation” and “Working with optional equipment” sections or to the Operating manual for the additional equipment.

3.2.17 Heating, Ventilation

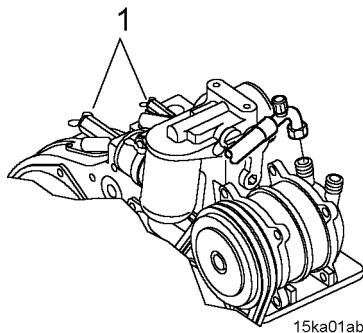
Switching the heater on/off



04se05ab

Control element (view rotated by 90°)

- | | |
|---|-------------------------------------|
| 1 Rotary switch – tractive force adjustment | 3 Rotary switch – heater adjustment |
| 2 Rotary switch – blower | 4 Rotary switch – heater |



15ka01ab

The shut-off valves 1 on the thermostat housing of the diesel engine must be open so that the cab can be heated.

- Switch on the heater: To do this, turn the heater rotary switch 3 to the right.
- To speed up the warming process: Turn the heater rotary switch 3 all the way clockwise to the stop. Simultaneously turn the ventilation rotary switch 4 to the recirculated air 1 position and the blower rotary switch 2 to level - 3 -.
- Switch off the heater: to do this, turn the heater rotary switch 3 all the way anti-clockwise to the stop.

Adjusting the ventilation

The rotary switches for adjusting the ventilation and the blower are integrated in the control element.

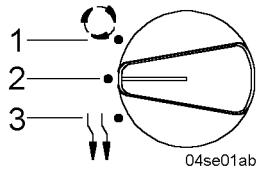
To ensure proper ventilation, the filters in the heater/air-conditioning device have to be serviced regularly. A contaminated filter hinders air throughflow (see the “Maintenance” chapter).

The air outlet nozzles in the driver’s cab must also be open.

Caution 

Danger of damage to the evaporator if recirculated air filter is not present. If there is no recirculated air and/or fresh air filter, the close-meshed, deep evaporator fins will quickly become contaminated. It is then necessary to replace the evaporator as cleaning is no longer possible.

! Never operate the heater/air-conditioning unit without filters!



Switch settings:

Position 1 – Recirculated air

Position 2 – Recirculated and fresh air

Position 3 – Fresh air

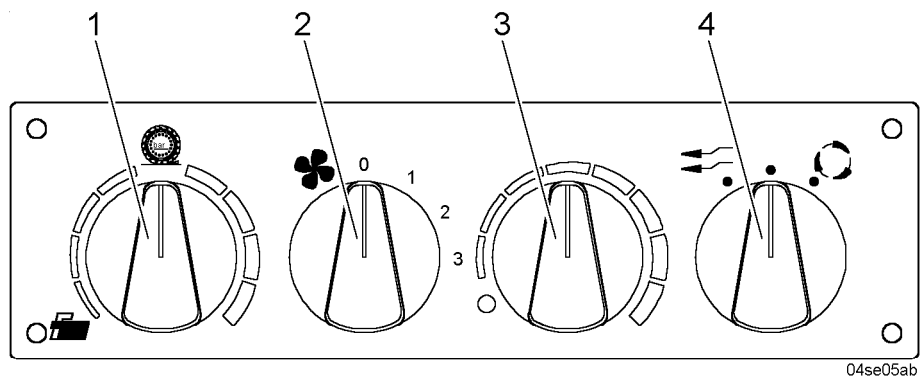
- For optional ventilation of the cab: Turn the ventilation rotary switch 4 to fresh air 3 (left-hand stop) and turn blower rotary switch 2 to position 3 (right-hand stop).
- To only circulate the cab air within the cab: set ventilation rotary switch 4 to recirculated air 1 (right-hand stop). Particles (dust, etc.) are filtered out of the recirculated air by the recirculated air filter.
- Mixing filtered external with the circulating cab air: Move ventilation rotary switch 4 to position 2 for recirculated air and fresh air.

3.2.18 Air-conditioning system

Operating the air-conditioning system

In order to guarantee the long-term reliability of the air-conditioning system, we recommend that it is switched on at least every 14 days.

When the air-conditioning system is running, the shaft seal ring in the air-conditioning compressor is also lubricated. This prevents refrigerant escaping from the air-conditioning compressor.

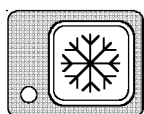


Control element (view rotated by 90°)

Before the air-conditioning system can be switched on, the diesel engine must be running, and the rotary switch 2 for the blower must be set at least to level - 1 -.

- Switch on the air-conditioning system by pressing the air-conditioning system button

An LED on the button indicates that the function is active.



04ta15ab

Air-conditioning system button

LBH/02/003801/0003/6.0/en

- The required cab temperature can be set by the heating rotary switch 3 :
Turn the rotary switch clockwise = warmer
Turn the rotary switch anti-clockwise = colder
In order to achieve a still greater degree of cooling in the cab, take the following steps:

- Set the highest blower level
- Turn heating rotary switch 3 all the way anti-clockwise
- Close cab windows and doors
- Set fresh air/recirculated air flap to recirculated air
- If stale heat is present in cab, thoroughly ventilate the cab first

Re-heat mode

The air-conditioning system can be used to dehumidify the cab air when the weather is cool and damp.

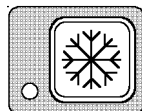
- For dehumidifying the cab air: switch on the air-conditioning system in addition to the heater.

The formation of a layer of condensation on the windows is thus prevented, as the humidity in the air condenses on the cool evaporator and is collected as water in the drip tray and drains away outside.

Switching off the air-conditioning system

- Switch off the air-conditioning system by pressing the air-conditioning system button

When the function is switched off, the LED on the button goes out.



04ta15ab

Air-conditioning system button

3.2.19 Internal cab illumination

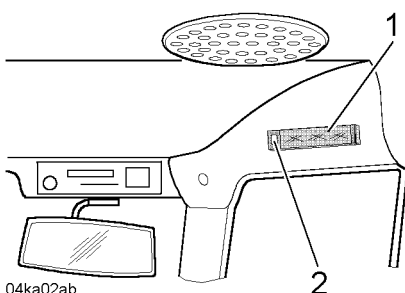
The internal lighting 1 is mounted on the top right-hand side of the cab.

Switching the internal illumination on/off

Make sure that the vehicle's electrical system is switched on.

- 1 Internal illumination
- 2 Switch

- Switch internal illumination 1 on or off by actuating switch 2 .



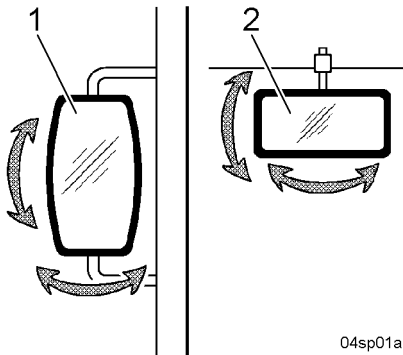
04ka02ab

Internal illumination

3.2.20 Inside and outside mirrors

The driver's cab is equipped with one inside and two outside mirrors.

Adjusting the mirrors



04sp01ab

Adjusting the mirror

1 Outside mirror

2 Inside mirror

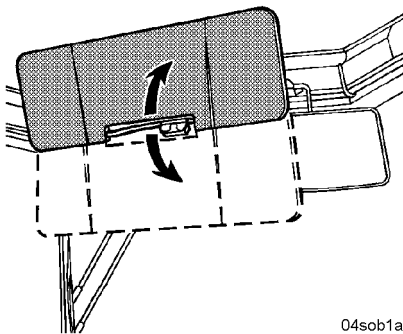
- Individually adjust all mirrors by turning them.

3.2.21 Sun visor

The driver's cab is equipped with a sun visor.

Adjusting the sun visor

- Adjust the sun visor individually by flipping it down or up.



04sob1ab

Adjusting the sun visor

3.2.22 Electric windshield wiper and washer system

Layout

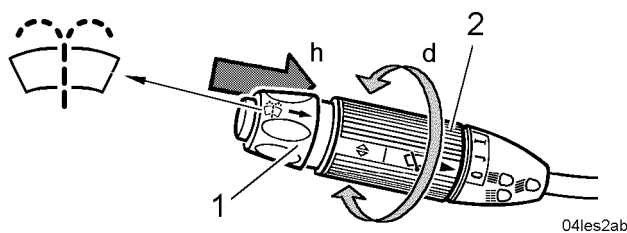
The vehicle is equipped with an electric windshield wiper and washer system for the front and rear windows.

Essentially it consists of the controls, the windshield wipers, the reservoir and the outlet nozzles for the washing agent.

Switching on the windshield wiper and washer system

Before switching on the windshield wiper and washer system, make sure that the vehicle's electrical system is switched on.

Operating the windshield wiper and washer system – front window



Steering column switch

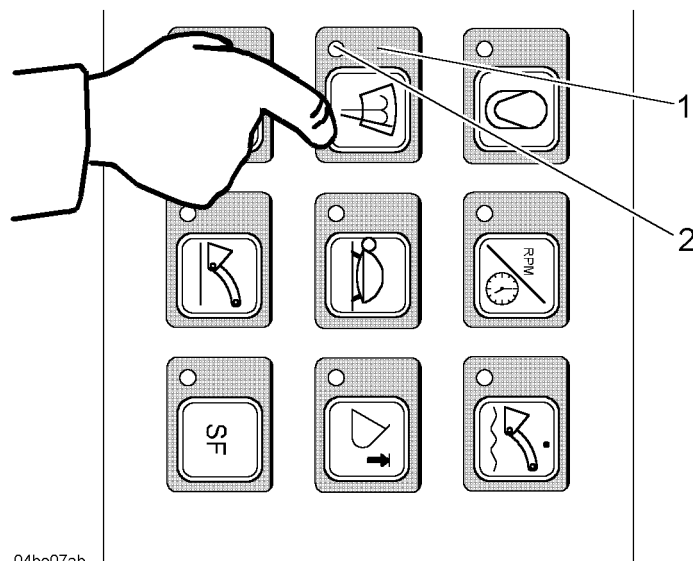
- 1 Button
- 2 Handle
- h Switching on the windshield wiper and washer system
- d Windshield wiper actuation

- Wipe the window: first turn handle 2 to the required level J – I – II.
- Wash window: Press button 1 on the steering column switch.

Washing solution is sprayed onto the front windscreen through each outlet nozzle.

Switching on the windshield wiper and washer system – rear window

The windshield wiper and washer system is switched on by pressing button 1



Control unit button

- 1 – windshield wiper and washer
- 2 LED system – rear window

- Wipe the window: first by pressing button 1 once. LED 2 on the button indicates that the function is active.
- Wiping and washing the window: press switch 1 a second time and keep it pressed down.

LBH/02/003801/0003/6.0/en

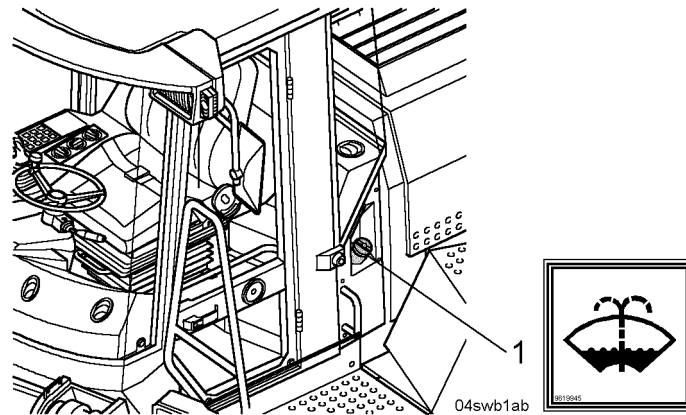
Washing solution is sprayed onto the rear windscreen through each outlet nozzle.

- Switch off the windshield wiper and washer system: press button 1 a third time.

The LED 2 on the button goes out.

3.2.23 Reservoir for windshield washer fluid

Layout



Windshield washer fluid container

1 Reservoir - Filling inlet

The reservoir is located on the left-hand side of the driver's cab. The inlet opening 1 is mounted outside on the left-hand side of the driver's cab.

Topping up with windshield washer fluid

Filling quantity approx. 3.5 litres.

- When necessary, refill with commercially available window cleaning agent.



Risk of damage to the windshield wiper and washer system from ice! Icing up can result in the breakdown or damage to the windshield wiper and washer system. A dirty front or rear windscreen is a safety hazard!

! It is essential to protect the windshield wiper and washer system from ice build-up!



04sy02ab

- Use commercially available windscreen frost protection.
- Before the start of the cold season, top up with an appropriate quantity of anti-freeze.

3.2.24 Automatic central lubrication system

This equipment is optional.

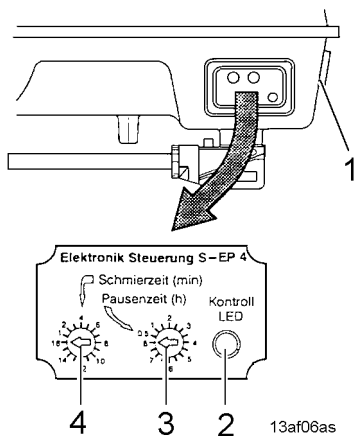
The central lubrication pump with a see-through reservoir and integrated control unit is installed on the left-hand side of the vehicle.

The central lubrication pump delivers the lubricant via supply lines and via one primary and several sub-progressive distributors to the individual lubrication points. An overpressure valve monitors lubrication of the individual lubrication points.

Function description

Lubrication and delay times

The S-EP4 control unit electronically controls the central lubrication system.



Control unit S-EP4

- 1 Button
- 2 LED - yellow
- 3 Display and adjustment of the delay
- 4 Display and adjustment of the lubrication time

The yellow LED (light emitting diode) 2 lights up for about 3 secs after the ignition is switched on and hence signals standby condition.

The pump can also be switched on manually by pressing button 1. The pump motor switches off after the set lubrication time 4 has elapsed and the dead time 3 begins. All further lubrication cycles follow automatically in a pattern determined by the set dead time.

If the ignition is switched off during the lubrication or dead time, the control unit stops the clock and logs the time. After the ignition has been switched on again, the control unit scans the data from the memory and continues the function sequence from the point where it was interrupted.

Switching on for non-scheduled lubrication

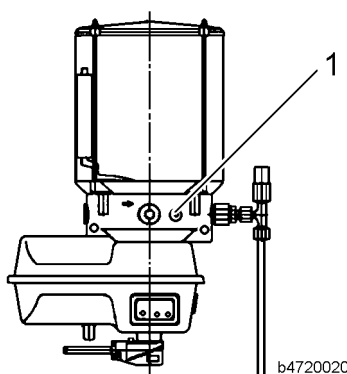
Non-scheduled lubrication can be triggered at any time when the ignition is switched on, via button 1 on the motor housing.

For the default settings of the lubrication and dead times, see the Chapter "Product description", section "Technical data".

Refilling the reservoir

The grease fitting 1 is used to fill the reservoir.

Grease specification: see the chapter "Maintenance" under "Lubricants and fuels"



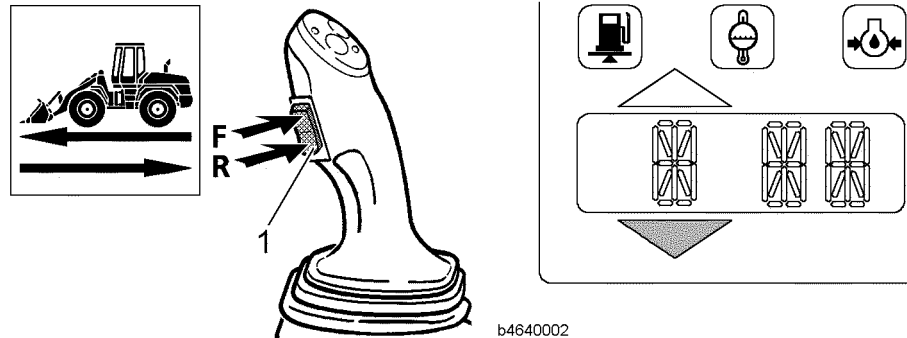
b4720020

LBH/02/003801/0003/6.0/en

3.2.25 Acoustic reverse warning device

This equipment is optional.

Switching on the reverse warning device



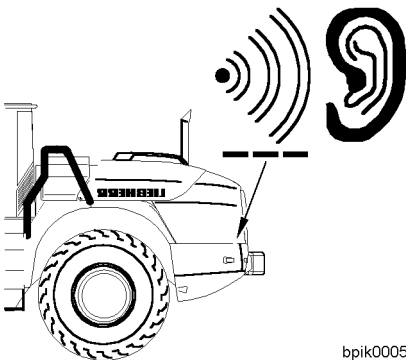
LH control lever and display unit

When switch 1 is moved to position **R** for reverse travel, you will hear an alarm.

- Press switch 1 for travel direction **R = REVERSE**.

The reverse warning device installed at the rear left of the vehicle in the engine compartment sounds an alarm signal with about 60 impulses per minute.

The alarm signal is approx. 5 dB louder than the ambient noise.



bpik0005

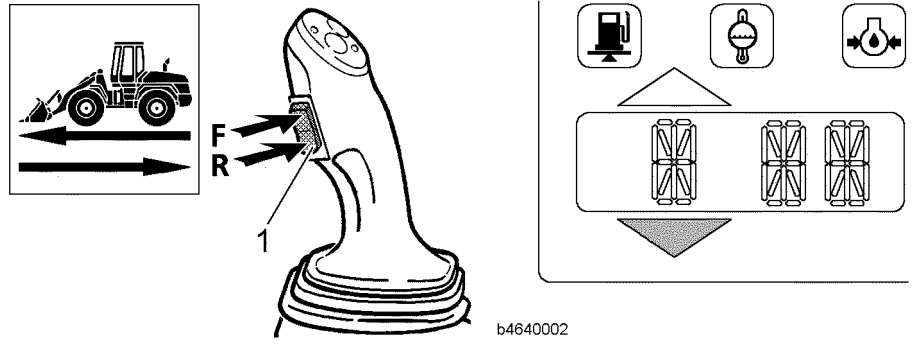
3.2.26 Optical reverse warning device

This equipment is optional.

The vehicle can also be equipped with an optical reverse warning device – in addition to the acoustic one.

Two red warning lights are integrated into the rear of the vehicle.

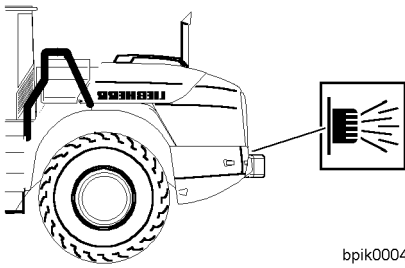
Switching on the reverse warning device



b4640002

LH control lever and display unit

- Press switch 1 for travel direction **R = REVERSE**.
The two warning lights flash.



bpik0004

3.3 Operation

3.3.1 Daily start-up routine

Ensure that:

- Before starting up the vehicle each day, the “(daily) maintenance tasks are to be carried out after every 10 hours of operation”. See “Maintenance” chapter.

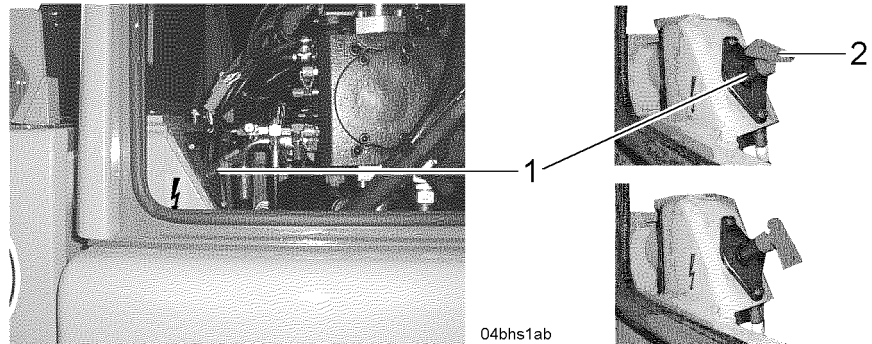
After the “maintenance (daily) jobs have been completed every 10 operating hours”, the vehicle is then put into the operating position. See the section “Operating position”.

- Sufficient diesel fuel is available for the foreseen daily workload. See “Refuelling with diesel fuel” section .

Operating position

To put the vehicle into operating position, proceed as follows.

Turn on the main battery switch



Battery main switch

1 Battery main switch

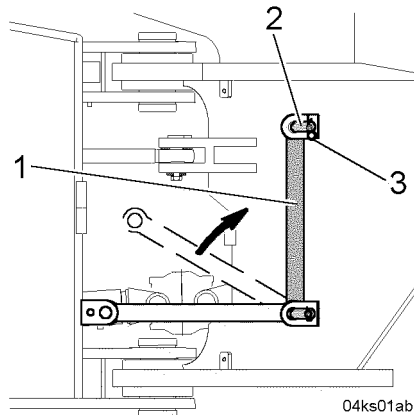
2 Battery main switch - key

- Turn on the main battery switch.
- Close all service hatches and hoods and lock them where possible.

Closing service hatches and hoods

Releasing the articulation lock

When the articulation lock is engaged, no steering functions are possible.



Articulation lock

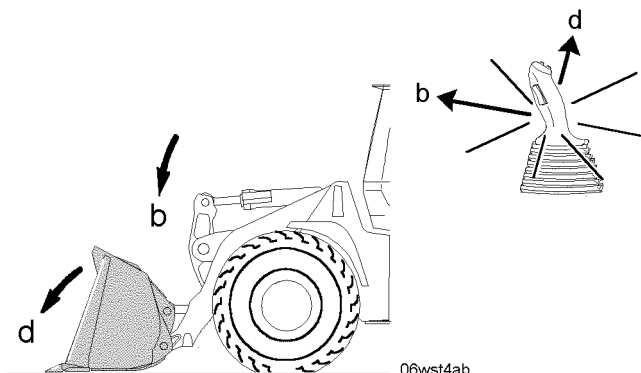
- 1 Safety bar
- 2 Pin
- 3 Spring clip

Warning 

Risk of accidents if steering is locked!
 When the articulation lock is engaged, no steering functions are possible.
 ! Release the articulation lock.

Putting the working attachment in the starting position

- Pin locking bar 1 in the upper position.
- Secure pin 2 against dropping out with a spring clip 3.

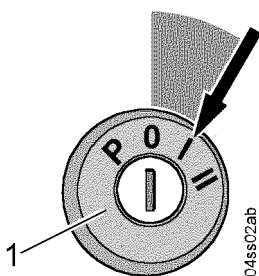


Starting position

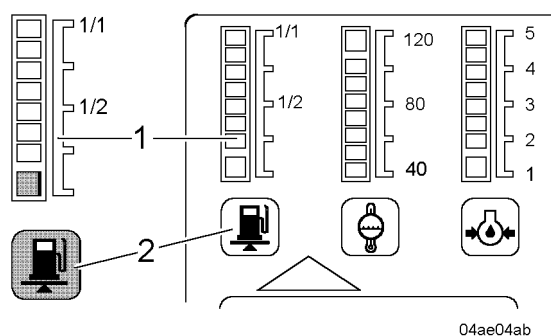
- Set the bucket down flat onto the ground.

Refuelling with diesel fuel

Make sure that the vehicle's electrical system is switched on.



Starter switch – Contact position



Display unit

- 1 Segment field – fuel supply
- 2 Symbol field – fuel supply

- Read the display in the segment field – fuel supply 1 to see if there is sufficient fuel in the tank.

If there is insufficient diesel fuel, fuel supply symbol field 2 starts flashing. See also the “Display unit” section.

There will still be a residual volume of approx. 70 litres left in the tank.

LBH/02/003801/0003/6.0/en

**Danger**

Risk of fires and explosions!

- ! Do not smoke. Avoid naked flames when refuelling.
 - ! Only refuel when the engine is switched off.
-

- It is essential to observe the safety regulations for refuelling. Also refer to the Chapter "Safety regulations".
- Only use clean diesel fuel.
- Carefully clean around the tank cap before taking it off.
- If required, refuel with diesel fuel.
- Refuel if possible at the end of the working day to prevent condensation build-up in the tank.

The vehicle is ready for operation.

3.3.2 Operation with diesel particle filter

This equipment is optional.

The particle filter system is maintenance-free and renews itself independently during normal operation when a fuel additive is used.

Daily vehicle start-up with particle filter system

It is the responsibility of the vehicle operator to ensure that the following requirements are met.

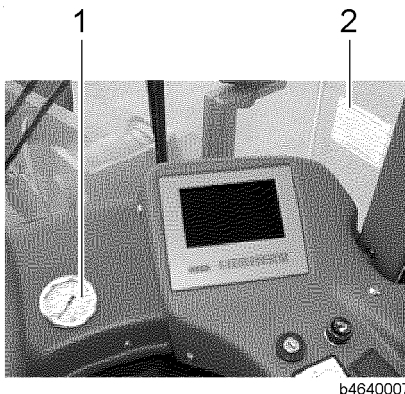
The particle filter system may only be operated in conjunction with diesel fuel with additive.

Additive for diesel particle filter:

- Approved additive – Refer to the “Lubricant and fuel specifications” section under “Diesel fuels”.
- Additive mixing ratio – Refer to the Section “Technical data” under “Diesel particle filters”

In addition, the additional information affixed to the vehicle should be observed:

- See the decal on the fuel tank referring to the “Additive mixing ratio” for the diesel fuel
- See the sticker in the driver's cab regarding “Counter-pressure” on the right-hand side of the front windscreen.



b4640007

- 1 Exhaust gas counter-pressure display
- 2 Information sign - counter-pressure

The exhaust gas counter-pressure display indicates the loading condition of the particle filter system.

With turbo engines, the counter-pressure must not exceed the max. of 0.2.

Caution



Risk of damage to the diesel particle filter!

The diesel particle filter will be damaged if there is no admixture or if the additive mixing ratio is incorrect.

If the vehicle idles for prolonged periods or is run in the lower load range, the max. counter-pressure may be exceeded.

! Observe the admixture and the mixing ratio required. See the “Lubricants and fuels” section.

! Avoid letting the vehicle idle for prolonged periods or run in the lower load range .

- If the counter-pressure is too high:
take counter measures to reduce it.

Steps to reduce the counter-pressure:

Run the travel or working hydraulics of the vehicle at a higher load for 10-15 minutes, until the counter-pressure drops.

When the engine is at running temperature, the counter-pressure must drop within 15 minutes.

- If the counter-pressure is over 0.2 bar:
do not suddenly move the gas pedal!

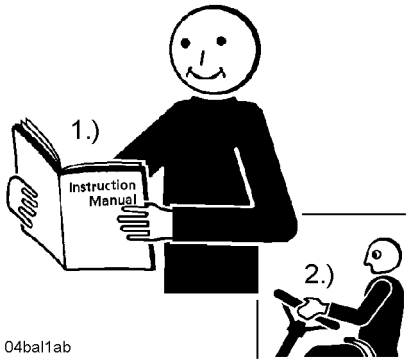
Trouble shooting

If the counter-pressure cannot be reduced by these measures:

- Shut down the vehicle immediately!
- Contact LIEBHERR CUSTOMER SERVICE!

- If a fault in the injection system occurs in the vehicle during operation:
Immediately reduce the vehicle load and contact LIEBHERR CUSTOMER SERVICE!

3.3.3 Starting the diesel engine



04bal1ab

Operating manual

- 1.) First read and understand,
- 2.) then drive and work

Only operate the vehicle when you have read and understood the Operating manual.

Information about the vehicle's travel drive:

- the vehicle is equipped with a hydrostatic travel drive
- The engine cannot be bump-started or tow-started.

Precautions before start-up

The following precautions should be taken before starting the vehicle.

First make sure that the vehicle is in its operating position.

See "Operating position" section .

Start-up procedure

Preheating the engine

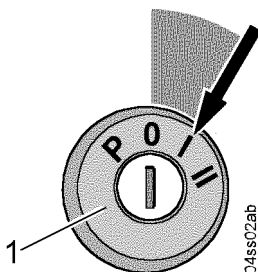
The preglow time is dependent on the ambient temperature.

There is no preglow when the temperatures are above freezing.

The preglow time can be as long as 120 seconds when the ambient temperature is extremely low.

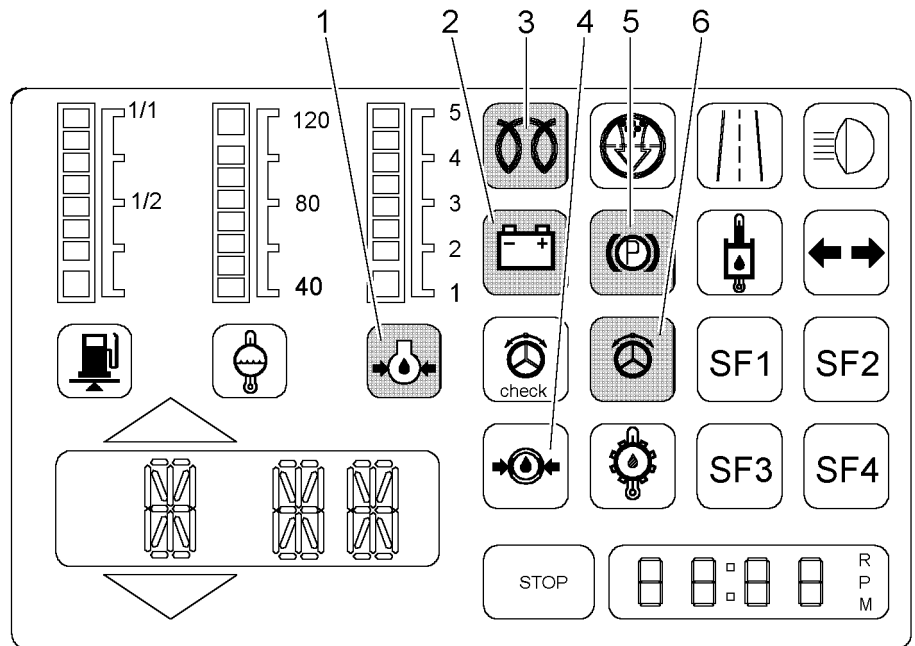


04ml05ab



- Switch on the electrical system by turning the ignition key to position - II -.

As a “check”, all the segment and symbol fields light up for approx. 3 secs.



04ae01ab

Display unit

- | | |
|--|--|
| 1 Symbol field – engine oil pressure | 4 Symbol field – braking system accumulator pressure |
| 2 Symbol field – battery charging (charge control) | 5 Parking brake symbol field |
| 3 Preglow monitor symbol field* | 6 Symbol field – emergency steering |

After the “Check” is completed, the following symbol fields must still flash or illuminate with the key at position - I -:

- 1 Engine oil pressure (red) – flashes
- 2 Battery charging (red) lights up
- 4 Braking system accumulator pressure (red):
Lights up when the brake accumulator pressure is too low.
- 5 Parking brake (red) lights up
- 6 Emergency steering (red) lights up

* The symbol field 3 for the preglow monitor only lights up when the ambient temperature is below freezing.

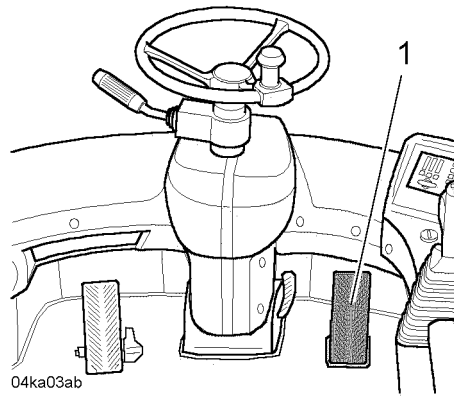
Starting the engine



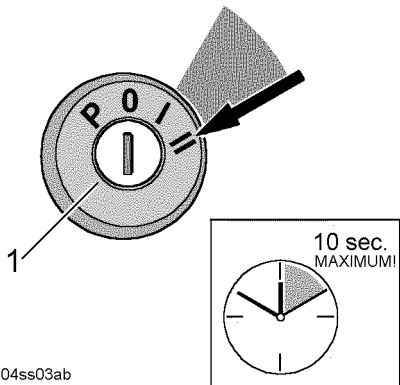
04ml05ab

- Below freezing :
Wait until symbol field 3 for the preglow monitor goes out.
When the symbol field goes out, the preglow time is over.
The preglow time can be as long as 120 seconds when the ambient temperature is extremely low.
The engine can now be started.

LBH/02/003801/0003/6.0/en



Gas pedal



04ss03ab

Starter switch – Starting position

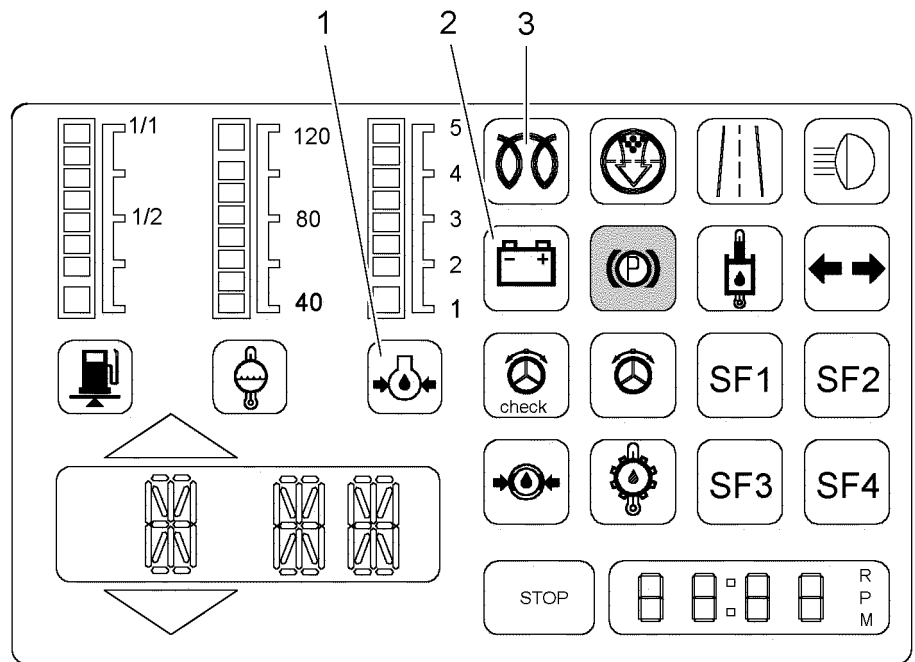
- Press gas pedal 1 to adjust engine speed.
- Turn the ignition key to starting position - II - and keep it in this position until the engine starts.
- **Do not attempt to start the engine for longer than 10 seconds without interruption.**
- If the engine does not start:
Turn the ignition key back to the 0-position

Trouble shooting

Will the engine not start?

- Repeat the starting procedure after pausing 120 seconds.
 - If the engine does not start after two start attempts, find the cause using the malfunction chart (refer to the “Malfunctions” section) and rectify it.
-

- As soon as the engine starts running, release the ignition key.
The starting key returns automatically to the operating position.



04ae02ab

Display unit

- 1 Symbol field – engine oil pressure
- 2 Symbol field – battery charging (charge control)
- 3 Symbol field – preglow monitor

When the engine starts, the following symbol fields must go out:

- 1 Engine oil pressure (red)
- 2 Battery charging (red)
- 3 Preglow monitor (yellow)

Note: when the engine is being preheated, symbol field 3 goes out when the preglow time has elapsed, i.e. when the engine is ready.

The preglow time can be as long as 120 seconds when the ambient temperature is extremely low.

LBH/02/003801/0003/6.0/en

Trouble shooting

Do symbol fields 1, 2 and 3 go out?

- Shut down the engine and rectify the problem in accordance with the “Malfunctions” section.

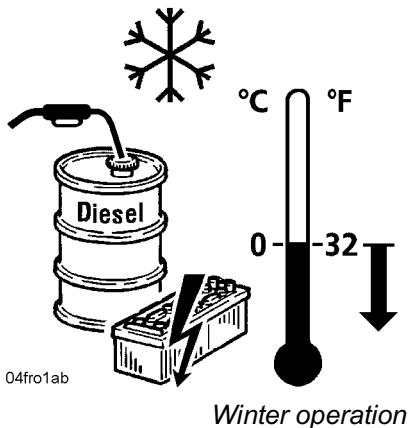
- After the motor has started, go back immediately to a medium speed.
- Briefly let the engine warm up; by actuating the working attachments at medium power.
- Then increase gradually to full power.

Precautions when starting at temperatures below freezing

The following measures improve the starting performance at low temperatures.

Precautions:

- Check battery charging; if necessary, recharge the battery
- Use winter-grade fuel. See “Lubricants and fuels” section under Winter operation.
- Use additional – engine preheating system heating (cooling water): if required, the vehicle can be equipped with an additional heating – engine prewarming system (cooling water)
The additional heating – engine prewarming system is optionally available from your LIEBHERR dealer.



Warning



Risk of explosion with the diesel engine!

There is a risk of explosions when using volatile fluids to start diesel engines with preglow systems!

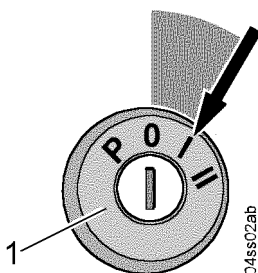
! Do not use volatile starting aids.

- Carry out the precautions listed for starting at temperatures below freezing.

3.3.4 Driving mode

Situation after the electrical system is switched on:

- The parking brake is automatically activated.
- When the parking brake is engaged, the travel lockout is active.
- Preselection of the travel direction is not possible.



Preparations for driving mode

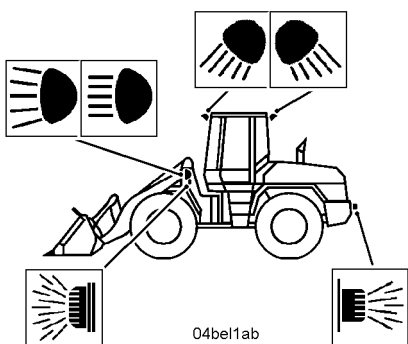
The preparations for driving mode should be carried out in the following sequence.

First make sure that the vehicle is in its operating position.

See “Operating position” section .

Checking the lighting equipment

- Check the lighting equipment.
- If required, adjust the setting of the headlamps.

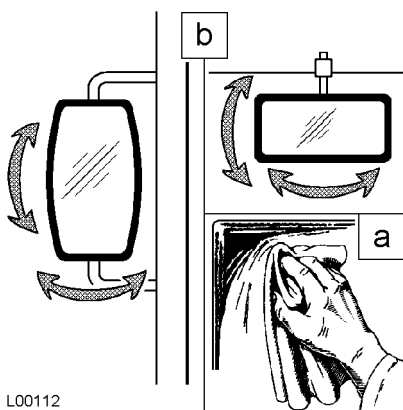


04bel1ab

Headlamp adjustment

Checking inside and outside mirrors

- Clean the inside and outside mirrors.
- Adjust the inside and outside mirrors.

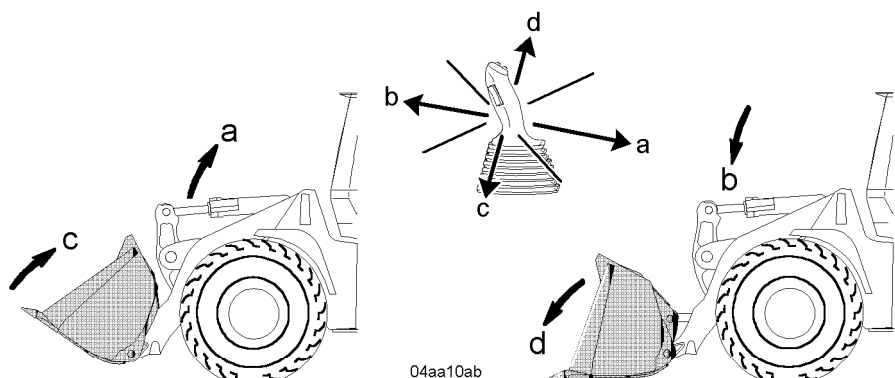


L00112

Inside and outside mirrors

Putting the working attachment into position

For detailed information, see the sections “LIEBHERR control lever” or “Working with the attachment”.



04aa10ab

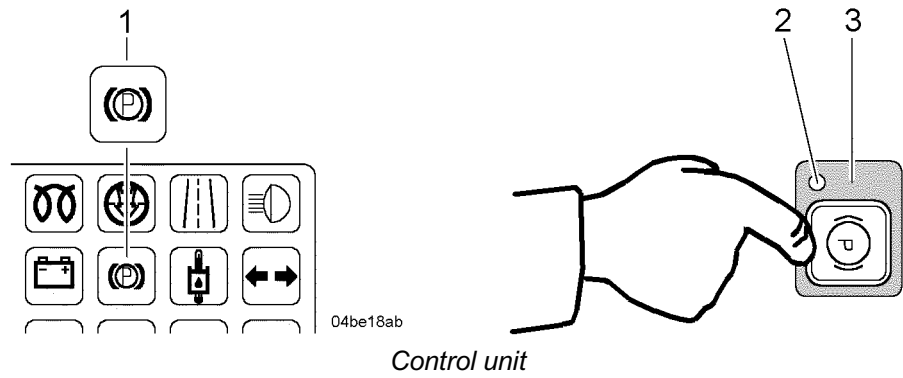
Bucket position

- Depending on the starting position, the lift arm should be raised or lowered.
- Move the loading bucket to the required position.

Releasing the parking brake

When the parking brake is engaged, the travel lockout is active. Preselection of the travel direction is not possible!

LBH/02/003801/0003/6.0/en



- 1 Parking brake symbol field
- 2 LED
- 3 Parking brake button

- Release the parking brake by pressing button 3.

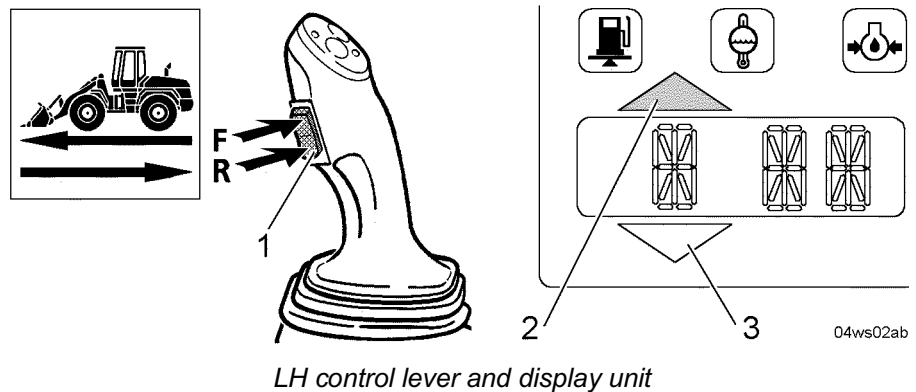
The LED 2 on the button 3 goes out.

Symbol field 1 for the parking brake goes out.

Preselection of travel direction

When the electrical system is switched on, the travel direction is automatically switched to neutral.

The forward or reverse travel direction is preselected by pressing the rocker switch in the travel direction.



- 1 Switch for travel direction
- 2 Symbol field – travel direction“forward”
- 3 Symbol field – travel direction“reverse”

- Press switch 1 for travel direction **F = FORWARD**.

or

- Press switch 1 for travel direction **R = REVERSE**.

Depending on the switch position, the symbol field for forward travel 2 or for reverse travel 3 lights up.

Selection of travel ranges

Valid for: L554-452/0104-0302

After the electrical system is turned on, travel range - **A2** - (automatic) is automatically selected. It is not possible to select another travel range until the travel direction has been selected.

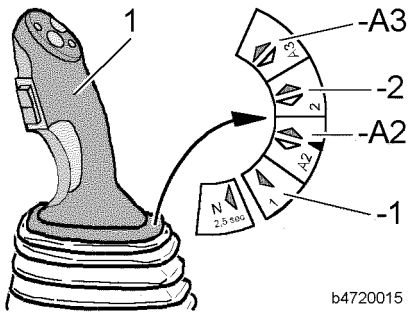
The travel ranges are selected using the switch 1 for travel range. See also the "LIEBHERR control lever" section.

The selected driving range is shown on the instrument panel in the display unit. See also the "Display unit" section.

Selecting another travel range is possible at any travel speed. If the driving speed is too high when shifting down, the vehicle is first hydrostatically braked. The driving range is then automatically shifted down.

The following travel ranges can be selected:

- **Travel range -1** for slow drive (on steep terrain).
The gears are then shifted to gear level - **1** -
- **Travel range -A2** (automatic) for normal working operation.
The gearbox is then shifted to gear level - **1** - or - **2** -
- **Travel range -2** for normal working operation.
The gearbox is then shifted to gear level - **2** - .
- **Travel range -A3** (automatic) for driving on public roads or transport.
The gearbox is then shifted to gear level - **1** -, - **2** - or - **3** - .

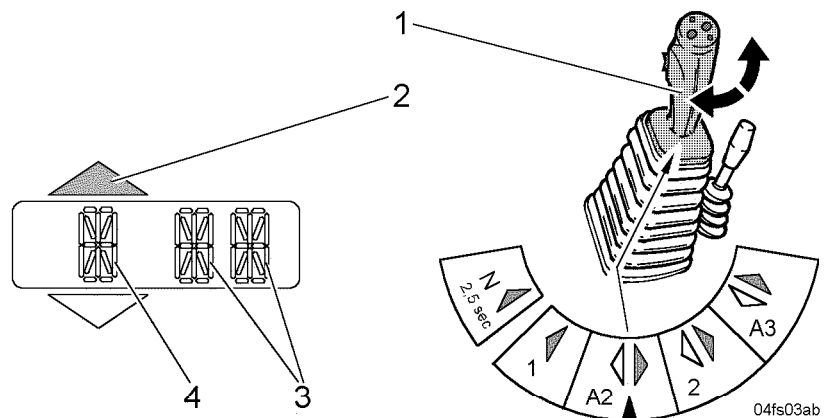


LH control lever

Gear shifts in the automatic travel ranges:

- In the automatic travel ranges - **1** -, - **2** - and - **3** -, the gears are automatically shifted up and down, according to the the gas pedal position, the driving speed and the rate of change of speed.

Travel speeds: see the "Technical data" section.



Switch for travel range

- | | |
|---------------------------------|--------------------------|
| 1 Travel range switch | 3 Travel speed LCD field |
| 2 Travel direction symbol field | 4 Travel range LCD field |

- Push switch 1 according to conditions, in travel range - **1** -, - **A2** -, - **2** - or - **A3** -.

The selected driving range is displayed in LCD field 4.

In automatic mode, the display in LCD field 4 changes regularly between the output - **A** - (automatic) and the respective automatic range - **2** - or **3** -.

LBH/02/003801/0003/6.0/en

Selection of travel ranges

Valid for:

Modification A different sequence when shifting travel ranges.

L554-452/0303-

After the electrical system is turned on, travel range - **A2** - (automatic) is automatically selected. It is not possible to select another travel range until the travel direction has been selected.

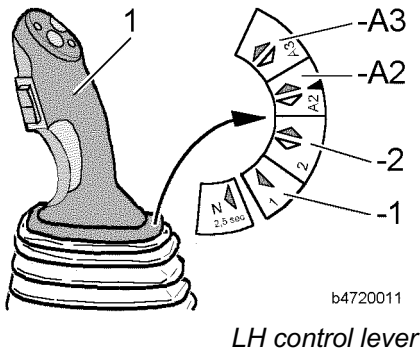
The travel ranges are selected using switch 1 for travel range. See also the "LIEBHERR control lever" section.

The selected driving range is shown on the instrument panel in the display unit. See also the "Display unit" section.

Selecting another travel range is possible at any travel speed. If the driving speed is too high when shifting down, the vehicle is first hydrostatically braked. The driving range is then automatically shifted down.

The following travel ranges can be selected:

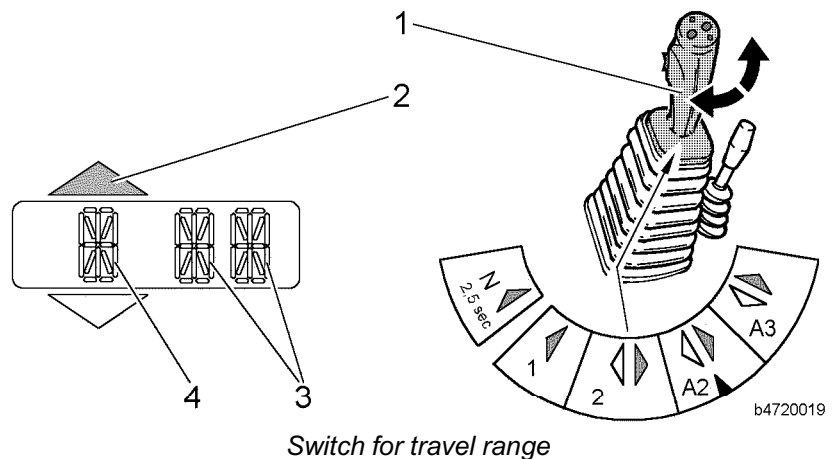
- **Travel range -1** for slow drive (on steep terrain).
The gears are then shifted to gear level - **1** -
- **Travel range -2** for normal working operation.
The gearbox is then shifted to gear level - **2** - .
- **Travel range -A2** (automatic) for normal working operation.
The gearbox is then shifted to gear level- **2** - or - **3** - .
- **Travel range -A3** (automatic) for driving on public roads or transport.
The gearbox is then shifted to gear level - **1** -, - **2** - or - **3** - .



Gear shifts in the automatic travel ranges:

- In the automatic travel ranges - **1** -, - **2** - and - **3** -, the gears are automatically shifted up and down, according to the the gas pedal position, the driving speed and the rate of change of speed.

Travel speeds: see the "Technical data" section.



- | | |
|---------------------------------|--------------------------|
| 1 Travel range switch | 3 Travel speed LCD field |
| 2 Travel direction symbol field | 4 Travel range LCD field |

- Push switch 1 according to conditions, in travel range - **1** -, - **2** -, - **A2** - or - **A3** -.

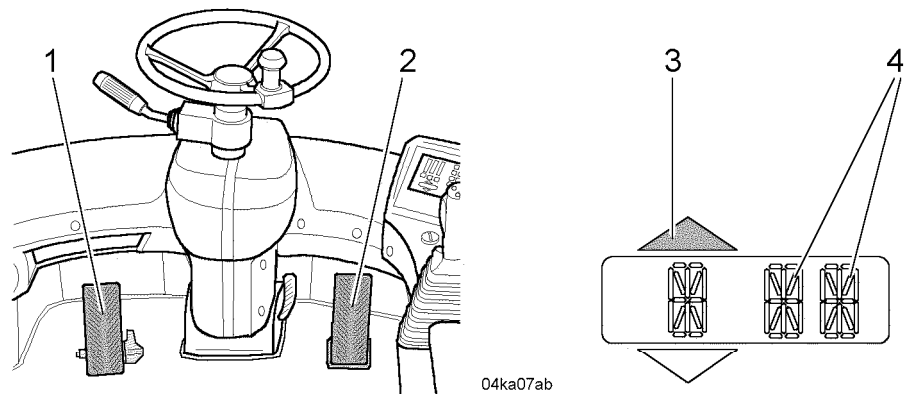
The selected driving range is displayed in LCD field 4.

In automatic mode, the display in the LCD field 4 changes regularly between the output - **A** - (automatic) and the respective automatic range - **2** - or **3** -.

Driving off

After the electrical system has been turned on, travel range - **A2** - (automatic) is automatically selected.

Make sure that the preparations for driving mode have been implemented.



Gas pedal and travel speed indicator

- 1 Brake-inching pedal
- 2 Gas pedal

- 3 Travel direction symbol field
- 4 Travel speed LCD field

- Push down gas pedal 2.
The vehicle starts moving.
- Adjust the travel speed with the gas pedal.
The driving speed will be displayed in LCD field 4.

Driving

You will find appropriate descriptions of work operations, driving, transport and transferring bulk material in the section "General working methods".

Shortly after driving off with the vehicle, make sure that the steering and brakes are functioning properly.

Refer to the section "Maintenance".

Driving with kick-down shift

The use of the kick-down shift makes it easier to load bulk materials. When loading bulk materials, it is advantageous to shift to "1st gear" (gear level 1) shortly before penetrating the material. This is made possible by the kick-down shift.

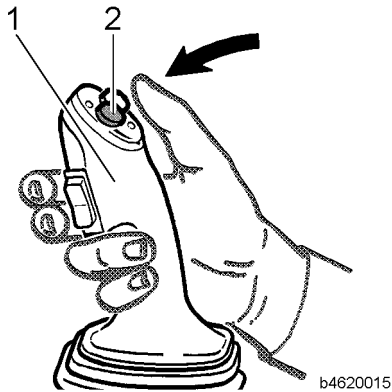
Valid for: L554-452/0104-0302

Kick-down shifting is possible in forwards and reverse travel in the travel ranges - **A2** - and - **A3** - and from every travel speed.

Modification The kick-down shifting function is also provided in travel range **2**.

Valid for: L554-452/0303-

Kick-down shifting is possible in forward and reverse travel in the **2**, **A2** and **A3** travel ranges and from every travel speed.



- 1 LH control lever
- 2 Button – kick-down

- Press the button 2 for the kick-down shift.

Selection procedures for kick-down shift:

- When button 2 is pressed, this automatically brakes the vehicle hydrostatically
You then automatically shift into "1st gear" (gear 1).
- When you drive without resistance, the "1st gear" (gear 1) is active for approx. 4 secs.
The vehicle then automatically shifts to "2nd gear" (gear 2) when the speed increases.
- When driving into a pile, "1st gear" remains selected as long as resistance is present.

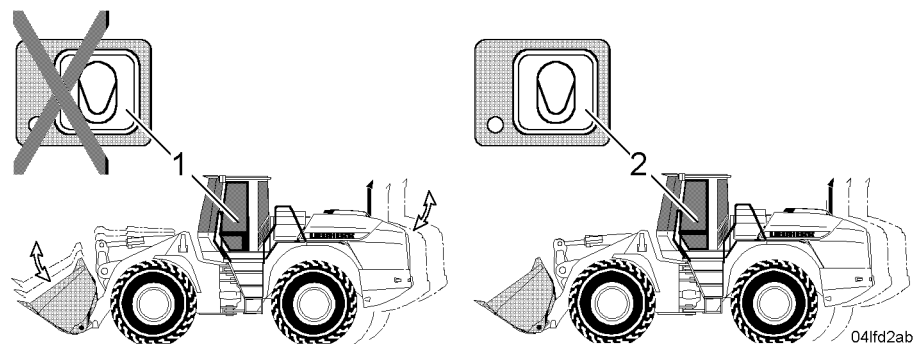
Driving without LFD

When driving over extended distances without LFD, vibrations may be produced.

Therefore, the LFD system should be switched on for all applications in which significant distances must be covered.

- Improve driver comfort by activating the LFD system.

Driving with LFD



Driving with or without LFD

1 Driving without LFD

2 Driving with LFD

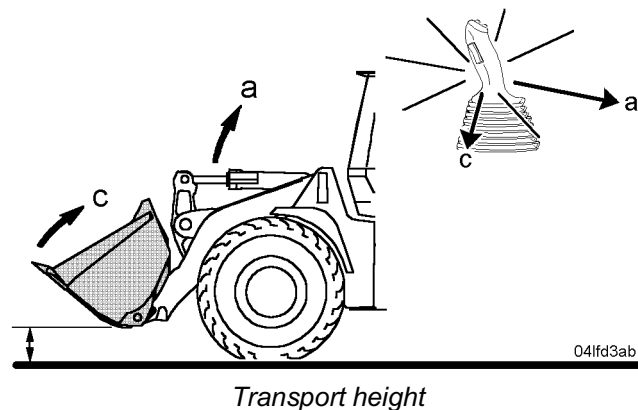
In virtually all driving modes, the LFD system improves driver comfort by reducing vehicle vibrations.

Therefore, the LFD system should be switched on for all applications in which significant distances must be covered.

Activating the LFD system

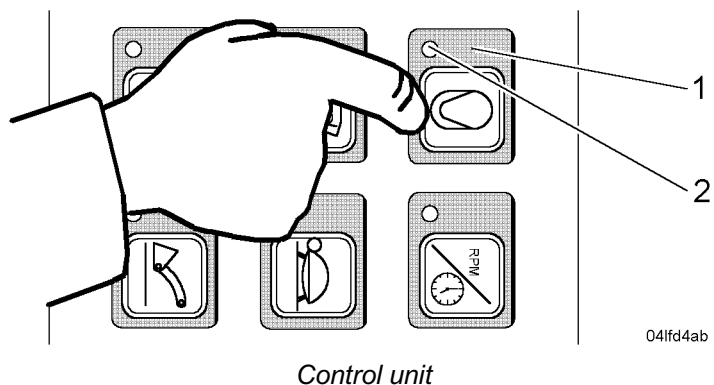
The LFD system is switched on automatically:

- If the bucket is tilted in.
In this condition, the ride control proximity switch is selected.
- If the bucket is tipped out, when the travel speed of the vehicle is more than 10 km/h



Ensure that:

- The loading bucket is in the transport position.
The transport position means that the bucket pivot point must be approx. 40 cm above the ground.



1 Ride control button -

2 LED

The function is activated by pressing button 1 for ride control (LFD system).

- Press the button 1 for ride control (LFD system).

LED 2 on the button indicates that the function is active.

The LFD system function is now active.

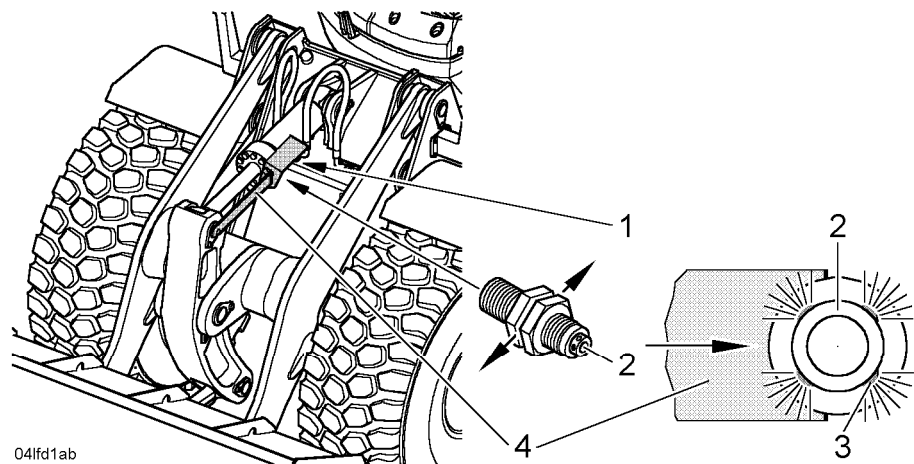
Adjustment of the proximity switch

The proximity switch 2 for the LFD system is set ex-works.

If necessary, the proximity switch can be re-adjusted.

The procedure for re-adjusting the proximity switch is as follows.

- Raise the lift arm to the required transport height and tilt in the loading bucket approx. 10 cm before the stop.



Proximity switch

- 1 Proximity switch – autom. bucket return-to-dig
- 2 Proximity switch – LFD system
- 3 LED
- 4 Positioning curve

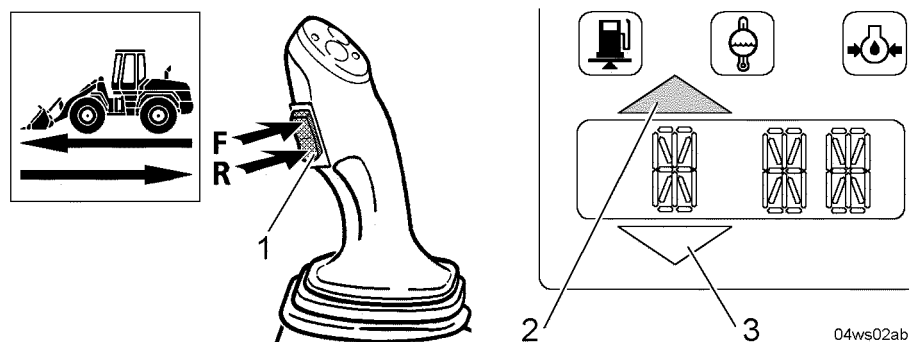
- Release fixing nuts on the proximity switch 2.
Horizontally adjust proximity switch 2 until positioning curve 4 covers up to half the contact surface of the proximity switch.
When the positioning curve enters the contact area of the proximity switch, the four LEDs 3 on the proximity switch light up.
- Retighten the fixing nuts on proximity switch 2.
The proximity switch has been reset and the LFD system is once more ready for operation.

Reverse travel

The vehicle can be reversed in all travel ranges and at all speeds.

Selection process when reversing:

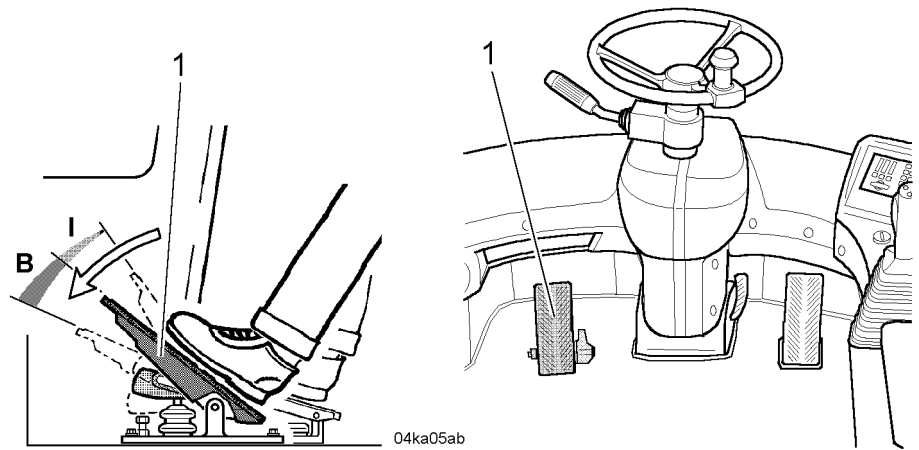
- When reversing in travel ranges - **A2** - (automatic) or - **A3** - (automatic), there is no automatic shift back into gear level - 1 -.
- the system only shifts to gear level - 1 - when it is not possible to drive off in gear level - 2 -



Travel direction switch and display unit

- 1 Switch for travel direction
- 2 Symbol field – travel direction “forwards”
- 3 Symbol field – travel direction “reverse”

- Changing travel direction: Actuate switch 1.
Depending on the switch position, the symbol field for forward travel 2 or for reverse travel 3 lights up.

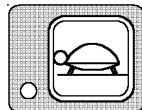


04ka05ab
Brake-inching pedal

- If slight reverse action is required:
Support the reversing procedure by easing off the gas pedal or by gently pressing the brake-inching pedal

This produces a smoother reversing performance.

Selecting creeper



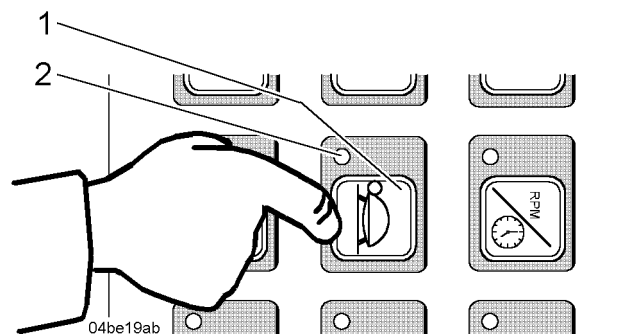
04ta11ab

When slow drive is necessary, the creeper function can be activated. The creeper function is effective in the travel directions forwards and reverse. The creeper limits the travel speed when the vehicle is in gear - 1 -.

Activation is automatic as soon as the following conditions have been met.

Conditions for automatic activation:

- The creeper button has been pressed
- The gearbox has automatically selected gear level - 1 -



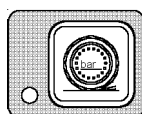
04be19ab

Control unit

- 1 Creeper button (slow drive)
- 2 LED

- Press button 1 for creeper (slow travel).
LED 2 on the button indicates that the function is active.
The creeper (slow drive) function is now active.
The travel speed is limited to approx. 4 km/h in gear level - 1 -.

Tractive force adjustment



04ta03ab

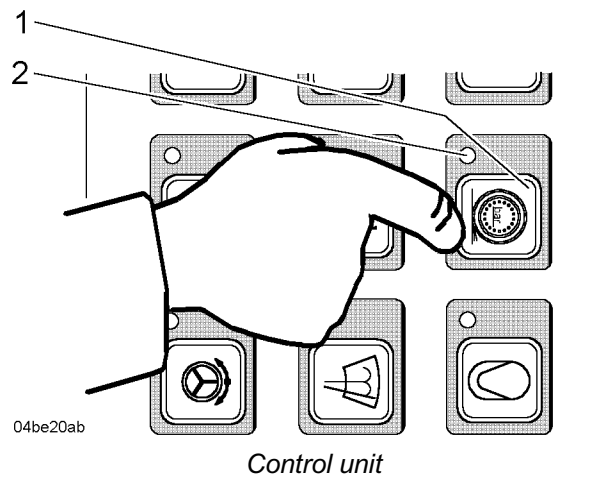
For special applications (e.g. on loose sand), the maximum tractive force of the vehicle can be adjusted in 9 levels. This prevents the wheels from spinning.

See also the "Control unit" and "Control element" sections.

The tractive force is adjusted:

- When the button for tractive force adjustment has been pressed.
- Only in the forward travel direction.
- When the travel speed of the vehicle is under 3 km/h
- Only in gear - 1 -.

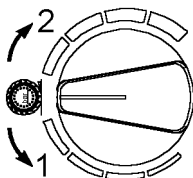
LBH/02/003801/0003/6.0/en



1 button – tractive force adjustment

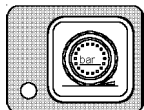
2 LED

- Press button 1 for tractive force adjustment.
LED 2 on the button indicates that the function is active.
The tractive force adjustment function is now active.
- Adjust tractive force by turning rotary switch to the required level.
 - 1 Reduce tractive force
 - 2 Increase tractive force



04se04ab

Rotary switch – tractive force adjustment



04ta03ab

- **When the tractive force adjustment is no longer required: Switch it off again!**

Otherwise it is not possible to achieve the maximum tractive force.

Driving on public roads

Before driving on public roads, acquaint yourself with the route (roads, bridges, tunnels, subways, narrow places etc.) with respect to the prescribed weight limits, bridge load bearing limits, width and height limits you will encounter.

In the case of wheel loaders with a design-limited maximum speed of 20 km/h, which do not have a licence plate, a company name (operating base) should be displayed, as well as certification of the operational liability assurance.

The wheel loader may only be driven on public roads when unloaded.

Before driving on public roads, ask:

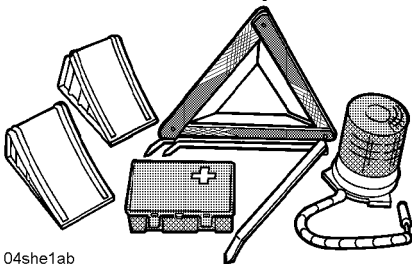
- the vehicle owner, whether the required conditions for licensing for public roads have been met.
 - “Operating permit”
 - “Special licence”
- About the appropriate safety regulations.

Refer to the sections:

- “Safety regulations”
- “Safety instructions for driving on slopes”
- “Instructions for safe operation”

Make sure that the preparations for driving mode have been implemented.

Make sure that the safety equipment listed below is on board, in accordance with the provisions of the **highway code**.

Preparations for driving on public roads

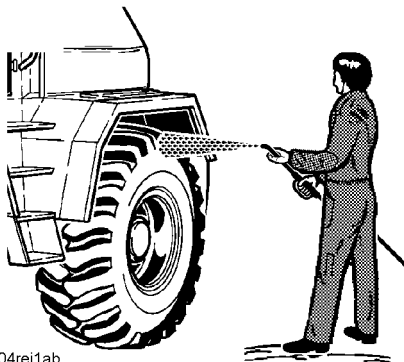
04she1ab

- Warning triangle
- Rotating beacon
- First aid box
- Wheel wedge(s)

In addition, make sure that the jobs listed below have been carried out.

- Remove coarse dirt from the vehicle and clean the tyre treads.

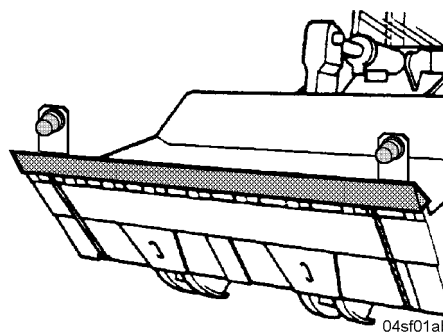
See also the chapter “Maintenance”, section “Cleaning the vehicle”



04rei1ab

Wet cleaning

- Close all service doors, hatches, covers and hoods and lock them where possible.

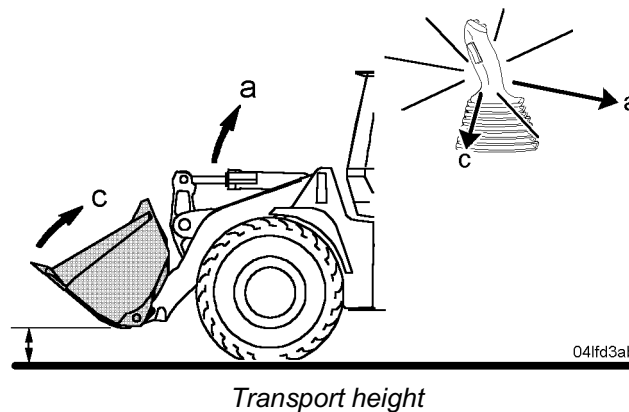


04sf01ab

Bucket teeth guard and profile lamps

- Attach the tooth guard to the bucket.
- Attach the profile lamps.
- Plug in the cables for the profile lamps.

Driving You will find appropriate descriptions of work operations, driving, transport and transferring bulk material in the section “General working methods”.



Ensure that:

- The loading bucket is in the transport position when “driving”
The transport position means that the bucket pivot point must be approx. 40 cm above the ground.
- the loading bucket is tipped up as far as it will go
- Always drive with due care.
- Observe traffic regulations.

Braking

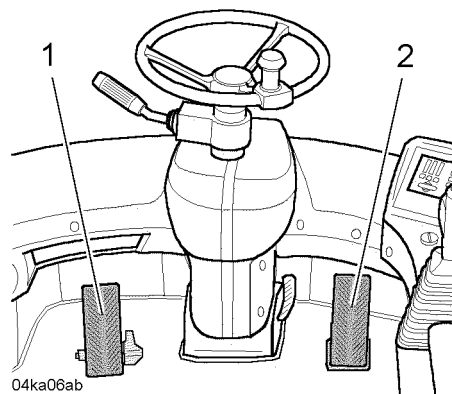
There are two ways to brake the vehicle:

- With the hydrostatic circuit only
- With the hydrostatic circuit and the disc brake

Hydrostatic braking

The vehicle is hydrostatically braked by reducing the speed of the diesel engine.

The hydrostatic travel drive system of the vehicle also acts in the delay phase as a service brake.



Brake- inching pedal and gas pedal

1 Brake-inching pedal

2 Gas pedal

- Reduce the speed of the diesel engine with the gas pedal 2.

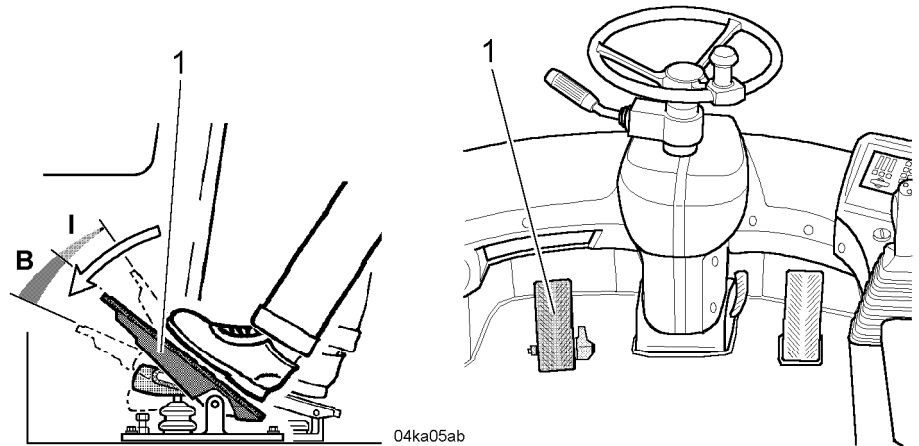
Service brake

If hydrostatic braking is not sufficient, the vehicle must also be braked with brake-inching pedal 1.

Braking with the brake-inching pedal

During braking, there are two ranges for activating the brake-inching pedal:

- Range - **I** - for hydrostatic braking only.
- Range - **B** - for braking with hydrostatic circuit and with wet disc brakes in the wheel hubs.

*Brake-inching pedal*

1 Brake-inching pedal
I Actuation range – I

B Actuation range – B

Warning

Risk of accidents when braking without due care!

Braking the vehicle without due care could cause severe injuries to the driver if the safety belt is not properly fastened!

! It is essential that you fasten your safety belt before starting up the vehicle.

- Braking with the hydrostatic circuit only: Activate brake-inching pedal 1 in range - **I** - of the pedal travel.

or

- Braking with the hydrostatic circuit and the disc brake. Activate brake-inching pedal 1 in range - **B** - of the pedal travel.

This will brake the vehicle relatively quickly.

Trouble shooting

Little or no braking effect?

- Shut down the vehicle immediately.
 - Contact LIEBHERR CUSTOMER SERVICE!
-

Braking in potentially dangerous situations**Danger**

Risk of accidents due to inappropriate braking in dangerous situations!

! For full braking in dangerous situations, the brake-inching pedal must be pressed all the way down!

- Press down brake / inching pedal 1 in range - **B** - of the pedal travel to the stop.

This brakes the vehicle suddenly.

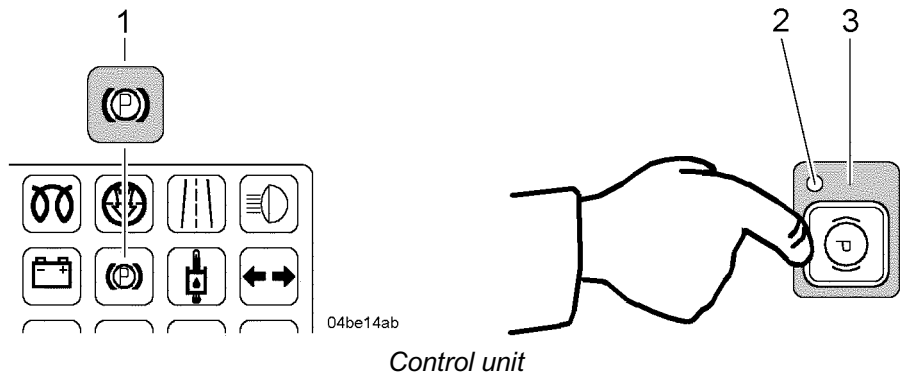
After the vehicle comes to rest

If you leave the stationary vehicle while the engine is still running, the following precautions should be taken.

Engaging the parking brake

When the parking brake is engaged, the gearbox is automatically switched to neutral.

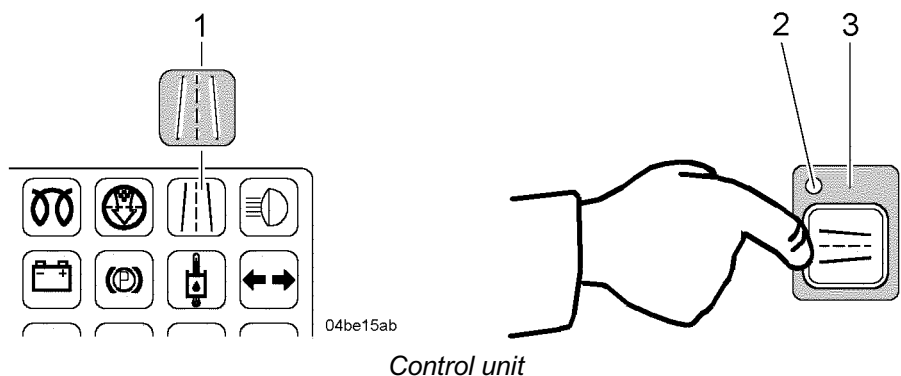
The parking brake may not be engaged until the vehicle is absolutely stationary!



- 1 Parking brake symbol field
- 2 LED
- 3 Parking brake button

- Activate the parking brake with the button 3.
- LED 2 on the button indicates that the function is active.
 The symbol field 1 for the parking brake lights up.
 The parking brake is engaged and the travel direction is in neutral.

Locking working hydraulics



- 1 Working hydraulics lock symbol field
- 2 LED
- 3 Working hydraulics lock button

- Press button 3 to prevent accidental actuation of the working hydraulics lock.
- LED 2 on the button indicates that the function is active.
 The symbol field 1 for the working hydraulics lock lights up.
 The working hydraulics are no longer operational.

Locking up the vehicle

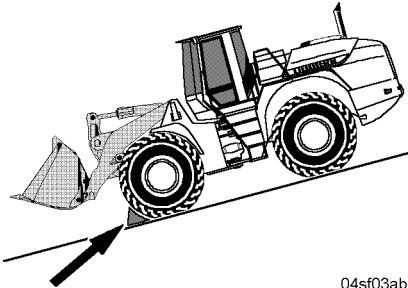
The following precautions should be taken when the vehicle is to be parked for a prolonged period on a slope.

Danger

Risk of accidents due to the vehicle suddenly rolling!

! Secure the vehicle against rolling.

- Take the wedges out of their holders.
- Secure the vehicle against rolling away with the wedges.



04sf03ab

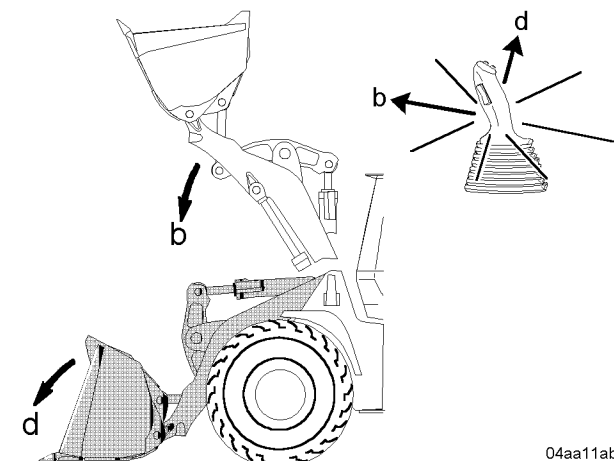
On downhill slopes

3.3.5 Shutting down the vehicle

Before you shut down the engine and leave the vehicle, the following precautions should be taken.

Lowering the working attachment

Make sure that the loading bucket is empty.



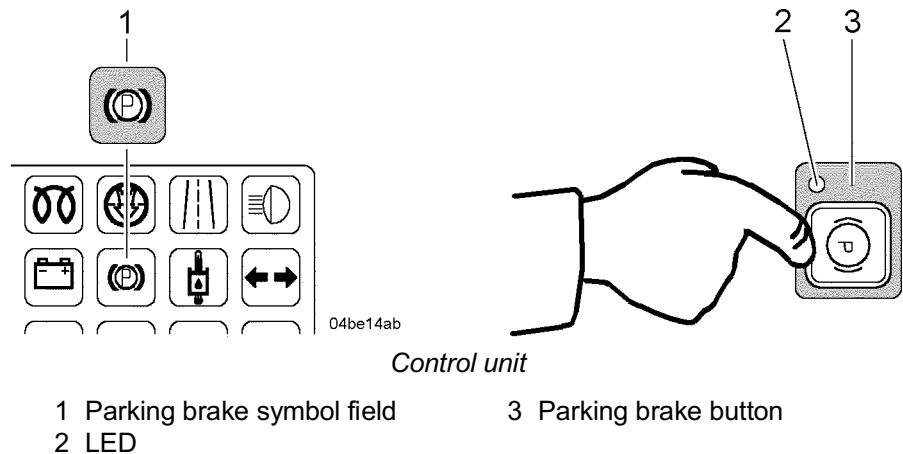
04aa11ab

Bucket arm movement

- Lower the lift arm: Move the control lever in direction - **b**.
- Set down the bucket flat on the ground: Move the control lever in direction - **d**.

Engaging the parking brake

When the ignition is switched off, the parking brake is automatically engaged. If you wish to engage the parking brake before switching off the ignition, proceed as follows.

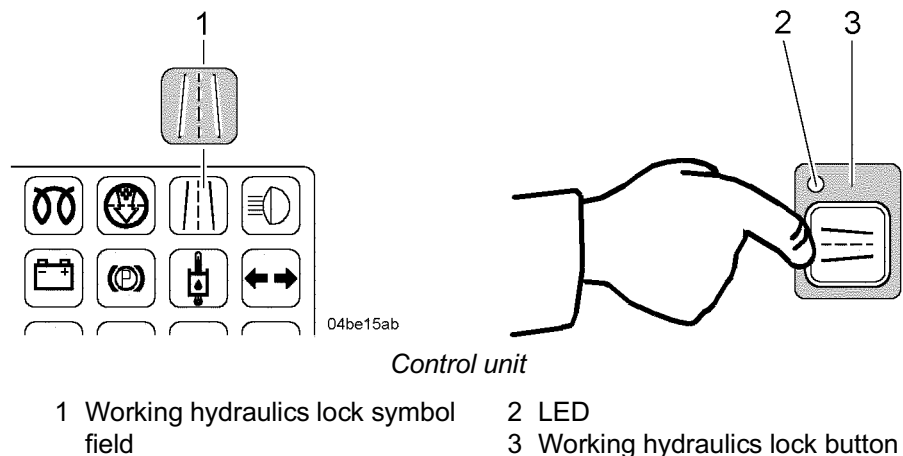


- **If necessary:** activate the parking brake with the button 3. LED 2 on the button indicates that the function is active. The symbol field 1 for the parking brake lights up.

Locking working hydraulics

When the ignition is switched off, the working hydraulics lock is automatically activated.

If you wish to engage the working hydraulics lock before switching off the ignition, proceed as follows.



- **If necessary:** press button 3 for working hydraulics lock to prevent accidental activation of the working attachment. LED 2 on the button indicates that the function is active. The symbol field 1 for the working hydraulics lock lights up. The working hydraulics are no longer operational.

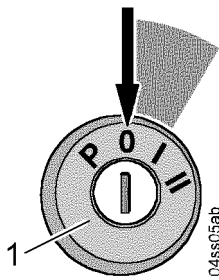
Shutting down the engine

Do not attempt to suddenly shut down the engine when it is running at full load speed. This is especially important with turbo engines.

If the engine is suddenly switched off, the turbo charger continues running for a time without an oil supply.

- Reduce the engine speed to idle running speed: take your foot off the gas pedal.
- Let the engine continue idling briefly - for approx. 10 to 15 seconds.
- Turn the starting key to position - 0 - and pull it out.

All symbol fields go out.



Starter switch - 0-position

Locking up the vehicle

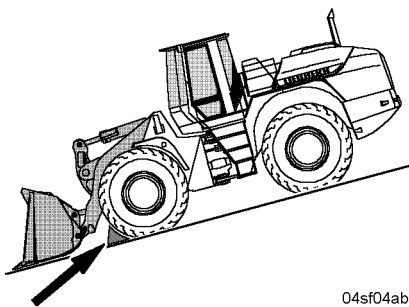
The following precautions should be taken when the vehicle is to be parked for a prolonged period on a slope.

Danger 

Risk of accidents due to the vehicle suddenly rolling!

! Secure the vehicle against rolling.

- Take the wedges out of their holders.
- Secure the vehicle against rolling away with the wedges.



04sf04ab

On downhill slopes

Parking position

The starting key cannot be pulled out in the parking position - P -.

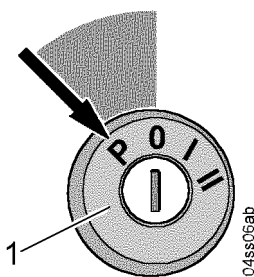
- Turn the starting key to the parking position - P -.

The consumers listed below are ready for operation.

- Parking and driving headlight
- Internal illumination
- Hazard warning system
- Socket/cigarette lighter
- Working floodlights

If they have also been installed, the following items are also ready:

- Rotating beacon
- Radio



Starter switch - parking position

LBH/02/003801/0003/6.0/en

Danger

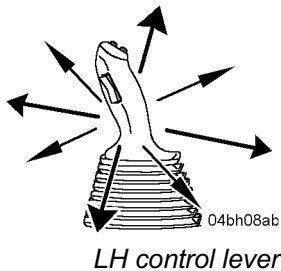


Manipulation of the vehicle by an unauthorised person can place the maintenance personnel in extreme danger!

! Secure the vehicle against manipulation by unauthorised persons!

- When you leave the vehicle:
Turn the starting key to position - 0 - and pull it out.

3.3.6 Operating the lift arm

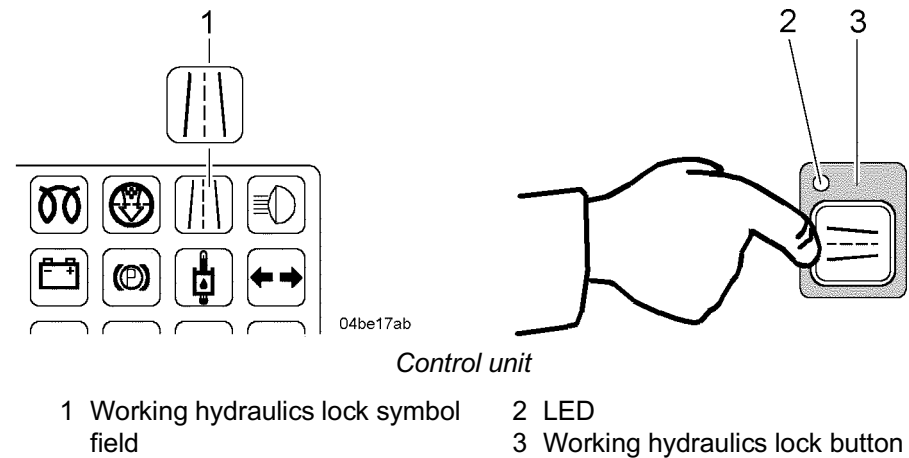


The working movements of the lift arm and the working attachment (bucket) are controlled by the LH control lever. See also the “LIEBHERR control lever” section.

Enabling actuation of the working hydraulics

When the ignition is switched on, the working hydraulics are automatically enabled.

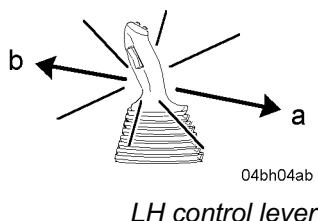
- In the event that the working hydraulics lock is already engaged: operate the working hydraulics to enable them for further use.



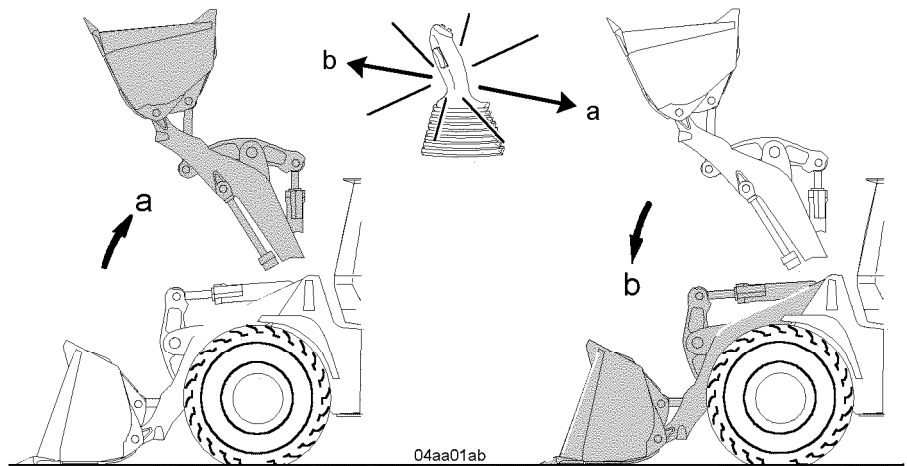
- Deactivate the working hydraulics lock by pressing button 3.
The LED 2 on the button goes out.
Symbol field 1 for the working hydraulics lock goes out.
The working hydraulics are now ready for operation.
The working attachment can now be operated.

Operating the lift cylinder

The lift cylinders raise and lower the lift arm.



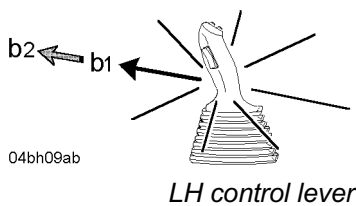
Raising the lift arm



Bucket arm movement

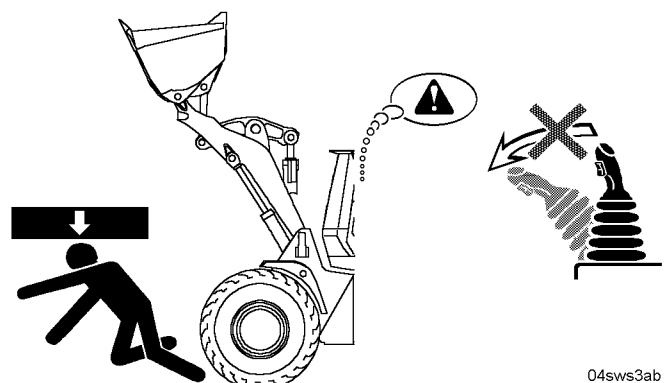
- Move the LH control lever in direction - a - .
The lift arm is raised.

Lowering the lift arm



- There are two ways to lower the lift arm:
- Slowly with “normal lower function”
 - Rapidly with “quick drop function”
 - Actuate the “normal drop function” by moving the LH control lever in the direction - b1 - up to the action point.

The lift arm is lowered slowly.



Potentially dangerous situation

Danger



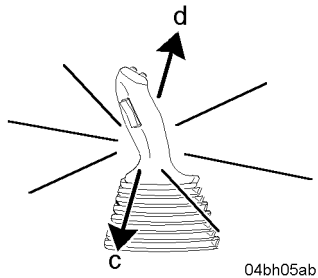
Risk of accidents due to rapid lowering of the working attachment!
The raised working attachment is lowered rapidly when the “Quick-drop function” is activated.
Persons standing under the raised working attachment risk severe crushing injuries.
! Standing in the danger area is strictly prohibited!

- To actuate the “quick-drop function”: move the LH control lever in direction - b2 - through the action point to its limit.
The lift arm is lowered rapidly.

LBH/02/003801/0003/6.0/en

Operating the tilt cylinder

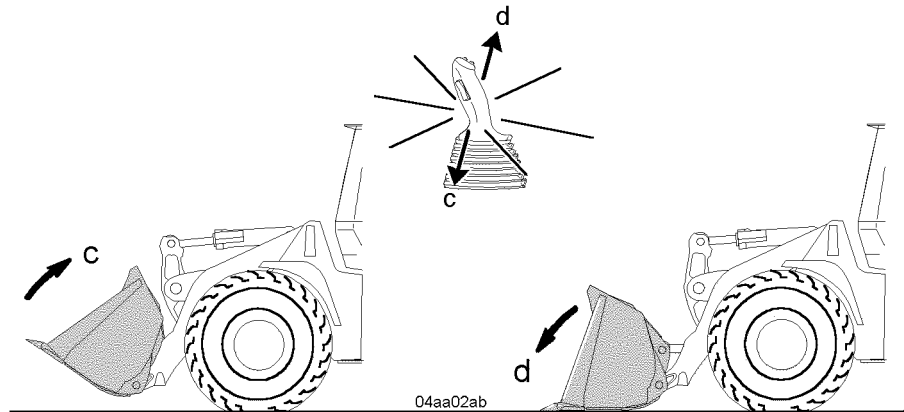
The tilt cylinder makes it possible to tilt the bucket in or out.



04bh05ab

LH control lever

Tilting the bucket in

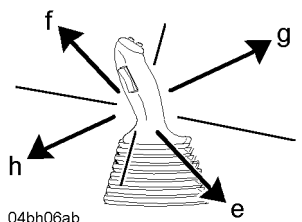


04aa02ab

Bucket movement

Tilting the bucket out

- Move the LH control lever in direction - **c** -.
The bucket is tilted in.
- Move the LH control lever in direction - **d** -.
The bucket is tilted out.



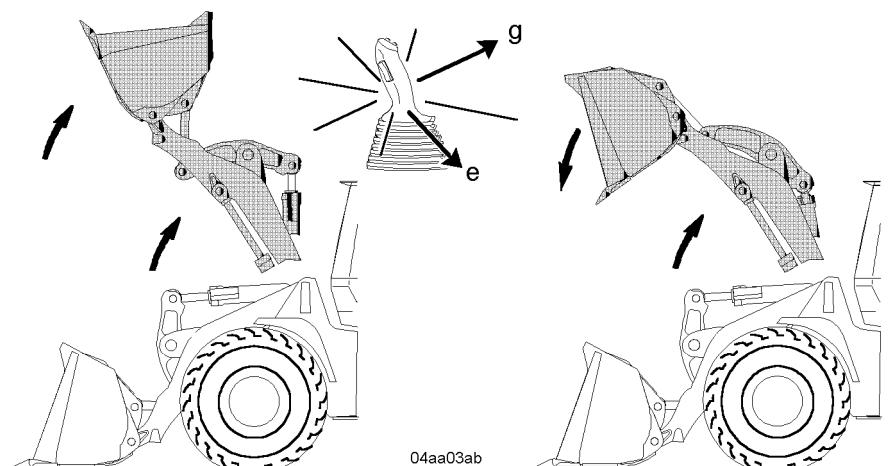
04bh06ab

LH control lever

Simultaneous operation of lift and tilt cylinders

The lift and tilt cylinders can be simultaneously retracted or extended by moving the LH control lever diagonally.

Raising the lift arm and simultaneously tilting the bucket in



04aa03ab

Working movements

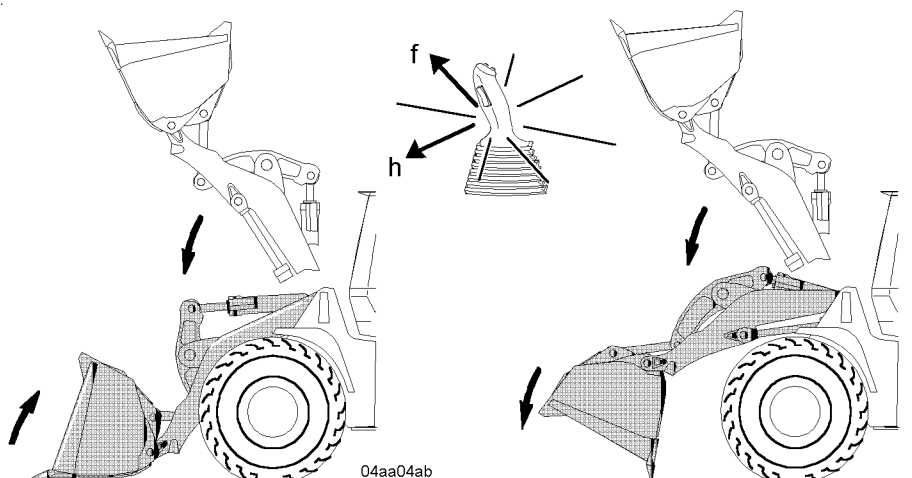
- Move the LH control lever in direction - e - .
The lift arm is raised and the bucket is simultaneously tilted in.

- Move the LH control lever in direction - g - .

The lift arm is raised and the bucket is simultaneously tilted out.

Raising the lift arm and simultaneously tilting the bucket out

Lowering the lift arm and simultaneously tilting the bucket in



04aa04ab

Working movements

- Move the LH control lever in direction - h - .
The lift arm is lowered and the bucket is simultaneously tilted in.

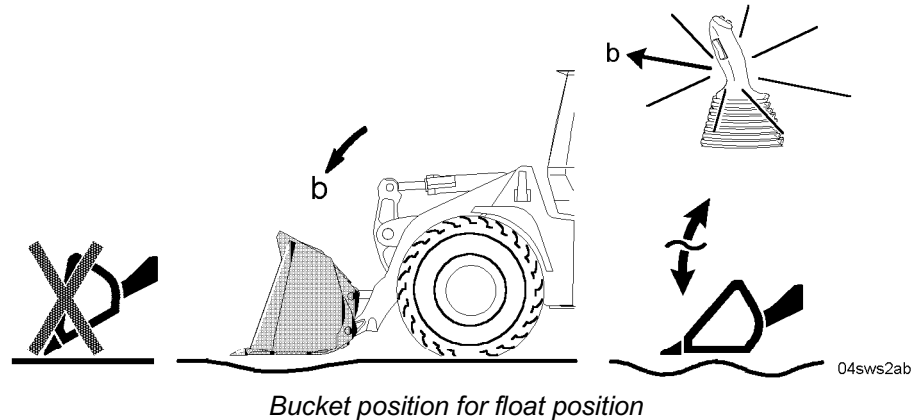
- Move the LH control lever in direction - f - .

The lift arm is lowered and the bucket is simultaneously tilted out.

Lowering the lift arm and simultaneously tilting the bucket out

LBH/02/003801/0003/6.0/en

Activating the float position

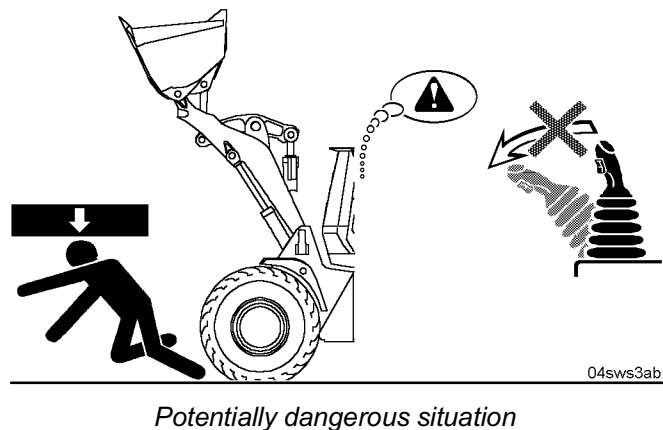


In the float position, the working attachment is kept just above the ground by its own weight and can adapt its position to uneven surfaces.

Activating the float position

The procedure for activating the float position is as follows:

Make sure that the lift arm is lowered and that the bucket is lying flat on the ground.



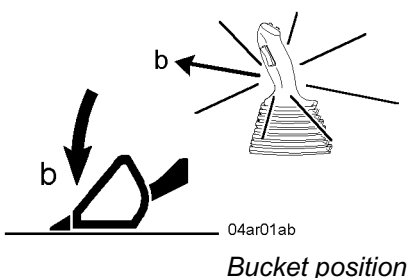
Danger 

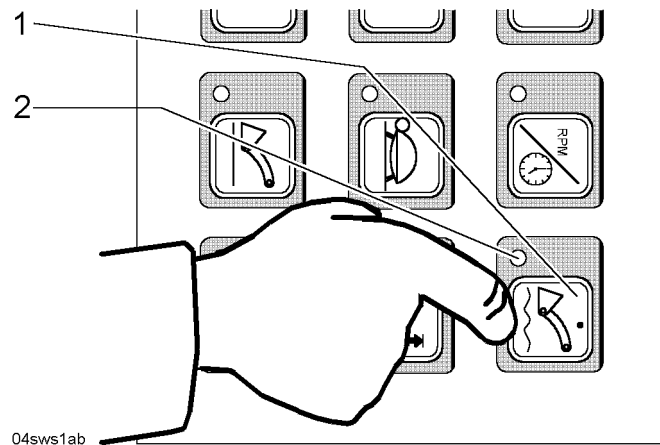
Risk of accidents due to rapid lowering of the working attachment!
The raised working attachment is lowered rapidly when the float position is activated!

Persons standing under the raised working attachment risk severe crushing injuries.

! Standing in the danger area is strictly prohibited!

- Do not activate the float position function when the working attachment is raised!
- Lower the lift arm and lay the bucket down flat on the ground.





04sws1ab

Control unit

1 Float position button

2 LED

When button 1 for float position is turned on, the function is made ready.

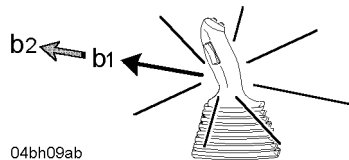
- Press the button 1 for float position.

LED 2 on the button indicates that the function is active.

- Move the LH control lever in direction - **b2** - through the action point as far as it will go and then release it.

The LH control lever is kept in this position by magnetic force.

The float position function now remains active.



04bh09ab

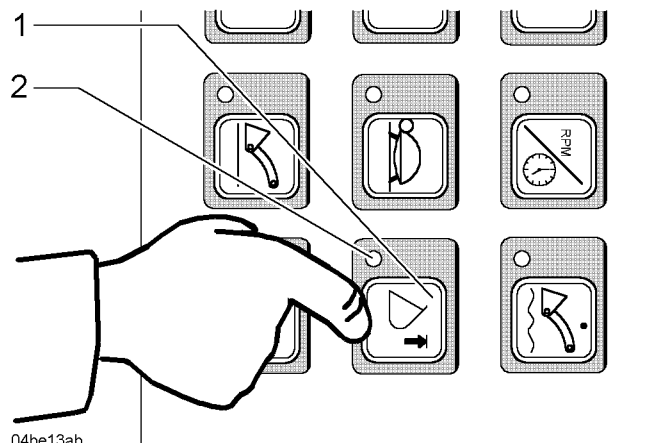
LH control lever

Activating the automatic lifting limit switch

The automatic lifting limit switch prevents the lift arm coming to an abrupt halt at the upper "lift limit". This protects both the vehicle and the driver from being jolted.

Activating the automatic lifting limit switch

The procedure for activating the automatic lifting limit switch is as follows:



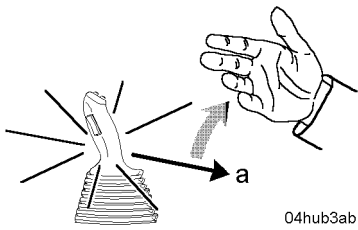
04be13ab

Control unit

1 Lifting limit switch button

2 LED

LBH/02/003801/0003/6.0/en



LH control lever

Lifting limit switch for reduced dumping height



- Press button 1 for lifting limit switch.
LED 2 on the button indicates that the function is active.
The lifting limit switch function is now active.
- Move the LH control lever in direction - a - through the action point as far as it will go and then release it.

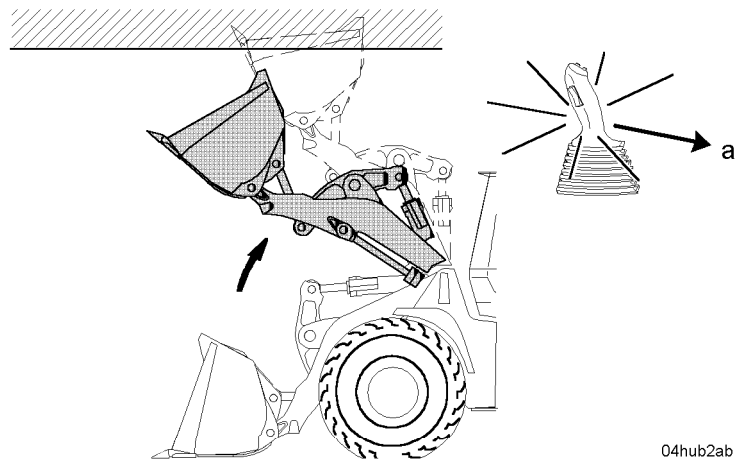
The LH control lever is kept in this position by magnetic force.
This means that the lift arm is only raised as far as the switching point for the lifting limit switch.
The lifting process is automatically interrupted at this point.

A reduced dumping height can also be set with the aid of the proximity switch.

Risk of accidents when working close to a height limit!
When working close to a height limit, there is a risk of accidents due to the lifting limit switch being overrun!
! When working near a height limit, proceed with extreme caution!

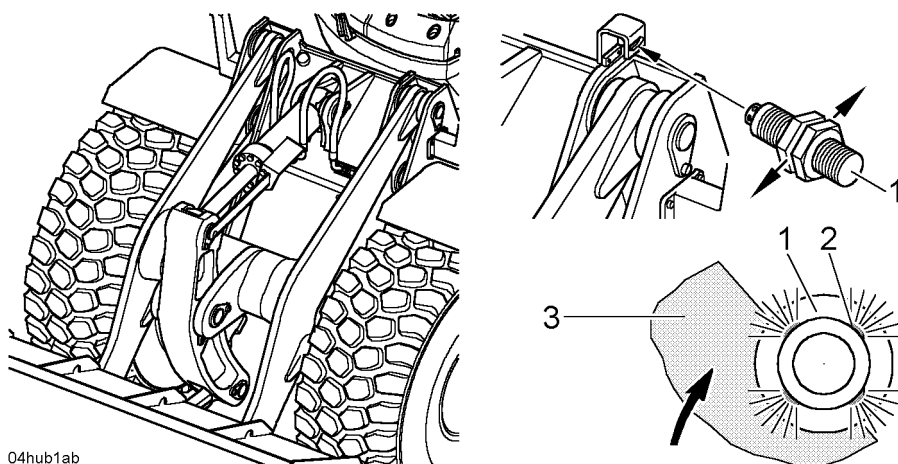
Setting the lifting limit switch for a reduced dumping height

- Set the lifting limit switch for a reduced dumping height.
- The proximity switch for the automatic lifting limit switch is adjusted ex-works.
If necessary, the proximity switch can be re-adjusted.
The procedure for re-adjusting the proximity switch is as follows.



Reduced dumping height

- Raise the lift arm to the required dumping height.



04hub1ab

Proximity switch

- 1 Proximity switch – autom. lifting limit switch
- 2 LED
- 3 Bucket arm

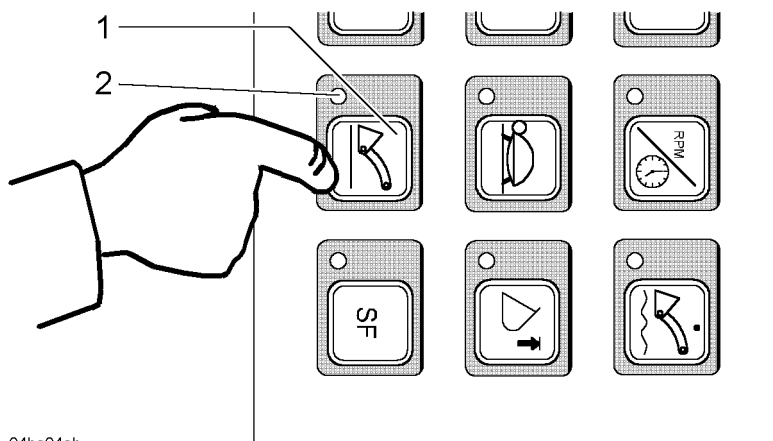
- Release the fixing nuts on the proximity switch.
Horizontally adjust the proximity switch 1 until the bucket arm 3 covers up to half of the contact surface of the proximity switch.
When the bucket arm enters the switching area of the proximity switch, the four LEDs 2 on the proximity switch light up.
- Retighten the fixing nuts on the proximity switch.
The proximity switch has been reset and the automatic lifting limit switch is once more ready for operation.
- Test the setting and re-adjust if necessary.

Activating the automatic bucket return-to-dig

With loading jobs for which a certain digging position is repeatedly required, the automatic bucket return-to-dig can be operated.

The procedure for activating the automatic bucket return-to-dig is as follows:

Activating the automatic bucket return-to-dig



04be04ab

Control unit

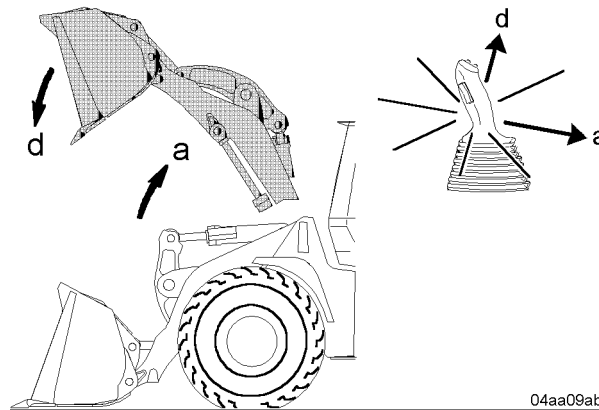
- 1 Bucket return-to-dig button
- 2 LED

LBH/02/003801/0003/6.0/en

- Press button 1 for bucket return-to-dig.
LED 2 on the button indicates that the function is active.
The automatic bucket return-to-dig function is now active.

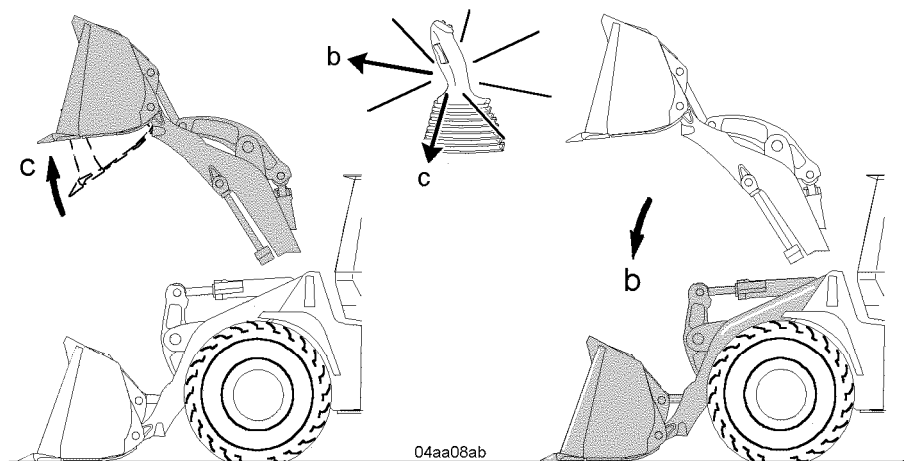
Working with the automatic bucket return-to-dig

Make sure that the automatic bucket return-to-dig function is active.

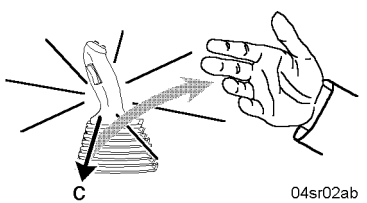


Working movements

- Raise the lift arm: Move the LH control lever in direction - a -.
- Tilt the loading bucket out in the raised position: Move the LH control lever in direction - d -.



Working movements



LH control lever

- Tilt in the loading bucket in the raised position: Move the LH control lever in direction - c - through the action point as far as it will go and release it.

The LH control lever is kept in this position by magnetic force. The loading bucket is thus moved into the preliminary position for the digging position.

As soon as the loading bucket is in the preliminary position, the LH control lever is released by the solenoid.

- Lower the lift arm: move the LH control lever in direction - b -.
The loading bucket is thus moved into the digging position on the ground.

Adjusting the digging position

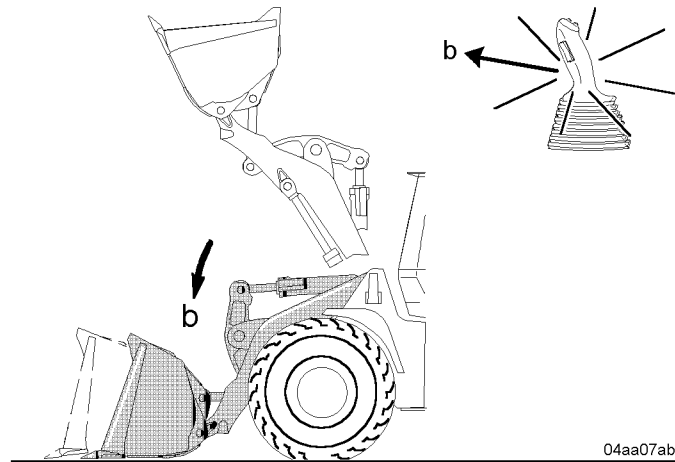
The proximity switch for the automatic bucket return-to-dig is adjusted ex-works.

If necessary, the proximity switch can be re-adjusted.

The procedure for re-adjusting the proximity switch is as follows.

Coarse adjustment

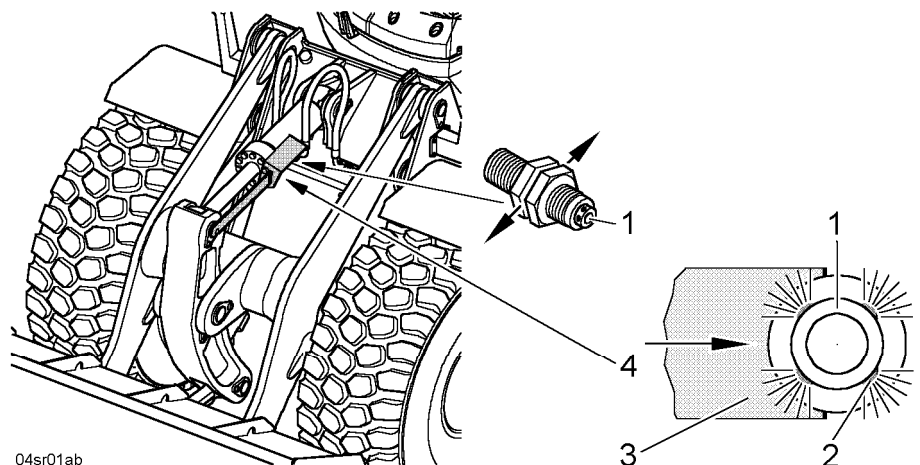
Make sure that the lift arm is lowered and that the loading bucket is empty.



04aa07ab

Digging position - Coarse

- Move the loading bucket with the LH control lever into the required digging position.



04sr01ab

Setting up - Bucket return-to-dig

- | | |
|--|---------------------------------|
| 1 Proximity switch – autom. bucket return-to-dig | 3 Positioning curve |
| 2 LED | 4 Proximity switch – LFD system |

- Release fixing nuts on the proximity switch 1. Horizontally adjust proximity switch 1 until positioning curve 3 covers up to half of the contact surface of the proximity switch. When the positioning curve enters the contact area of the proximity switch, the four LEDs 2 on the proximity switch light up.
- Retighten the fixing nuts on proximity switch 1. The coarse adjustment of the required digging position is now complete.

LBH/02/003801/0003/6.0/en

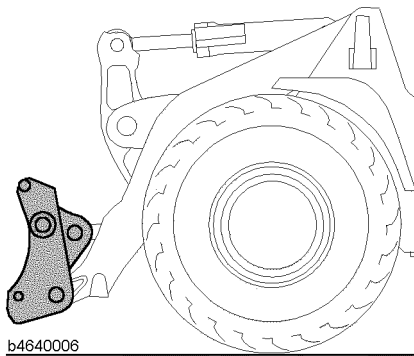
- Test the “coarse adjustment”: see the “Working with the automatic bucket return-to-dig” section.
- If required, carry out the “fine adjustment”.

Fine adjustment

The required fine adjustment is obtained after several attempts.

- Move the loading bucket with the LH control lever to the precise digging position.
- Readjust the proximity switch: Procedure detailed in the “Coarse adjustment” section.
- Test the “fine adjustment”: Procedure detailed in the “Working with the automatic bucket return-to-dig” section.

3.3.7 Operating the hydraulic quick-change device



b4640006

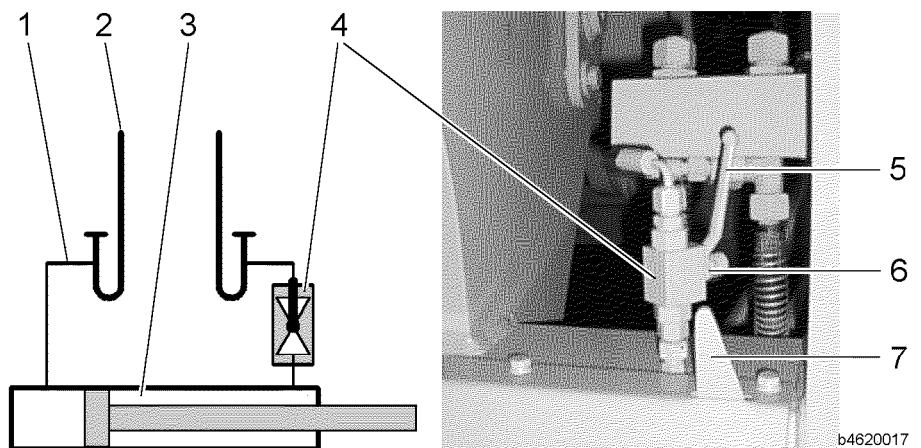
This equipment is optional.

Model: Hydraulic actuation by an additional controller.

Information on attachment and accessories:

- **Attachments and accessories produced by third-party manufacturers or those which have not been generally approved by LIEBHERR for installation or for external fitting, must not be installed or fitted on the vehicle without the previous written agreement of LIEBHERR.**
- **The appropriate technical documentation should be made available to LIEBHERR for this purpose.**

Operating the hydraulic quick-change device



b4620017

Hydraulic quick-change device

- | | |
|---|-------------------------|
| 1 Supply line for quick-change device | 4 Changeover valve |
| 2 Supply line for build-on accessory set: | 5 Changeover lever |
| 3 Hydr. cylinder | 6 Anti-twist lock |
| | 7 Indicator- mechanical |

LBH/02/003801/0003/6.0/en

The hydraulic quick-change device is activated (enabled) or deactivated (blocked) with changeover valve 4.

Changeover lever 5 is secured with anti-twist lock 6 to prevent unforeseen operation!

Ensure that:

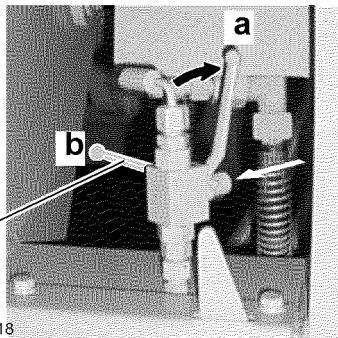
- The lift arm is lowered to a point just above the ground.
- Where a working attachment with an independent hydraulic supply is mounted, all cylinders, valves and so on are in the initial position or closed
- Where a working attachment is mounted, make sure that this is tilted in.

Danger



Risk of accidents due to the working attachment dropping!

! Do not activate (enable) the quick change device when the working attachment is raised!



b4620018

- If you want to activate (enable) the quick change device: move the changeover lever 1 to position a and engage the anti-twist lock. The two lever positions are shown in the Fig. on the left.

The changeover valve is thus opened.

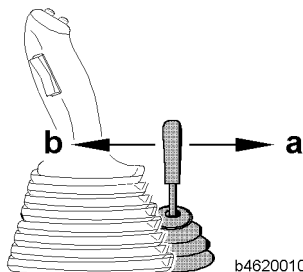
The flow direction of the hydraulic oil is indicated by the lever position.

The function for unlocking the hydraulic quick-change device is thus made ready.

Unlocking the hydraulic quick-change device

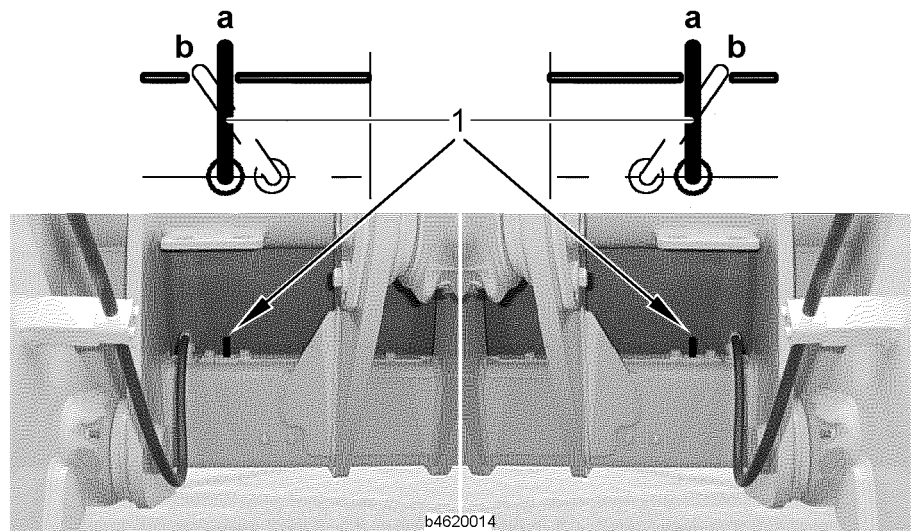
The procedure for unlocking the hydraulic quick-change device is as follows: Make sure that the quick change device has been activated (enabled) by means of the changeover valve 4

- Completely retract the locking pins: move the LH control lever in direction b to the stop and keep it in this position



b4620010

The locking pins for the hydraulic quick-change device are retracted.



Quick-change device - view from the driver's cab

- 1 Indicator- mechanical
- a Position - locked
- b Position - unlocked

The position (retracted) of the locking pins is indicated mechanically by the display 1.

Decoupling the working attachment

This is the procedure for decoupling the working attachment. Make sure when a working attachment is mounted with an independent hydraulic supply that the coupling to the hydraulic lines is released.

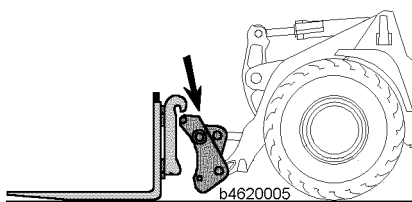
Warning



Risk of accidents due to incorrectly set down working attachment!
 ! The working attachment may in no event be set down in unsecured areas (roadways etc.).

- Set down the working attachment down flat on firm, even ground. Where the working attachment has an independent hydraulic supply, set down the working attachment in such a way that the hydraulic lines are not subjected to any strain!
- Secure the working attachment against tipping over.
- Carefully remove the quick-change device from the adapter holder at the top of the working attachment.

The working attachment is now decoupled.



Disconnecting the hydraulic lines for hydraulically operated working attachments

Where the working attachment has its own hydraulic circuit, the hydraulic supply lines must be disconnected.

The procedure for disconnecting the hydraulic lines is as follows:

LBH/02/003801/0003/6.0/en

Warning

Risk of accidents from hydraulic lines under pressure!

! Depressurise the hydraulic circuits before connecting or disconnecting hydraulic lines/couplings!

- Shut down the diesel engine.
- Actuate all servo devices (control levers) in both directions.
- Release the hydraulic lines/quick action couplings from the vehicle.
- Make sure that no hydraulic oil leaks onto the ground!

Contaminated soil must be removed for proper disposal as the hydraulic oil can pollute the ground water.

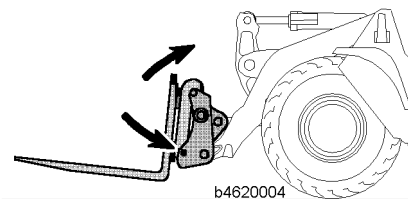
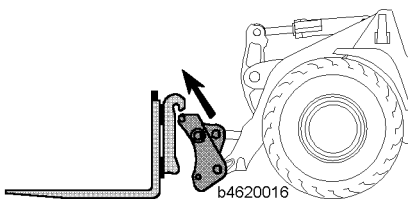
- Close the hose line couplings with protective covers.
- Lay the hydraulic hoses in the hose retainers.

Attaching and coupling the working attachment

This is the procedure for attaching and coupling the working attachment.

Make sure that the hydraulic quick-change device is completely unlocked.

- Carefully move the quick-change device into the adapter-holder at the top of the working attachment.



- Slightly raise the working attachment and tilt it in.

In the process, the working attachment must completely engage with the quick-change device.

Locking the hydraulic quick-change device

The procedure for locking the hydraulic quick-change device is as follows:

Ensure that:

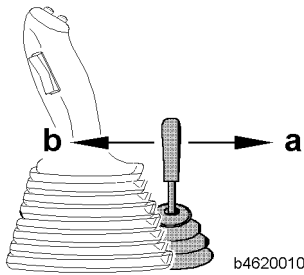
- The working attachment is completely engaged in the quick-change device, so that the working attachment can be locked in place with the locking pins
- The quick change device has been activated (enabled) by means of the changeover valve 4

Danger



Risk of accidents due to the working attachment dropping!

! Check whether the working attachment is fully engaged with the quick-change device.



b4620010

- Completely extend the locking pins: move the LH control lever in direction a to the stop and keep it in this position

The locking pins for the hydraulic quick-change device extend.

The working attachment is now coupled.

Check after locking procedure

To make an inspection once the locking procedure has been completed, proceed as follows.

Make sure that the quick-change device has been moved to a suitable position for inspection.

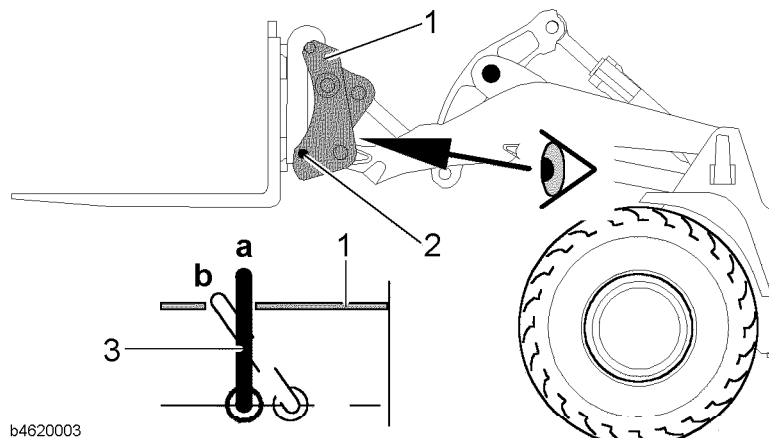
Danger



Risk of accidents due to the working attachment dropping!

! Do not move the working attachment until you have checked the lock.

! Check whether the working attachment is securely locked to the quick-change device.



b4620003

Quick-change device - Visual inspection

- | | |
|-------------------------|-----------------------|
| 1 Quick-change device | a Position - locked |
| 2 Locking pin | b Position - unlocked |
| 3 Indicator- mechanical | |

- Move the lift arm up until it is possible to view display 3.
- Get out of the vehicle and visually check that locking pins 2 have actually locked the working attachment.
- Carry out the inspection on both sides of the vehicle.

You can see that the pins are properly locked when indicator 3 is upright.

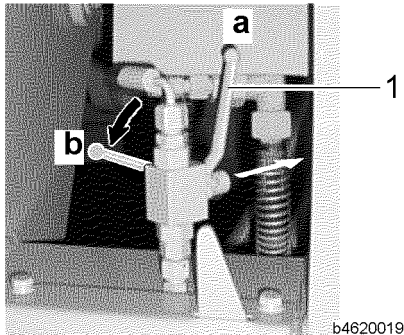
In addition, locking pins 2 must have been inserted all the way to the outer borehole of quick-change device 1.

Danger

Risk of accidents due to the working attachment dropping!

If the quick-change device is unintentionally locked, both personnel and the working attachment will be exposed to a hazardous situation!

! It is essential that the changeover valve is locked again after the locking procedure is finished!



Deactivate the hydraulic quick-change device with the changeover valve (block).

- Close the changeover valve: take changeover valve 1 out of the anti-twist lock and set to position b. The two lever positions are shown in the Fig. on the left.

The changeover valve is thereby closed.

The function for unlocking the hydraulic quick-change device is thus blocked.

- Further working movements with the working attachment can only be carried out after the quick-change device has been inspected and deactivated (blocked).
- For operating a working attachment with an independent control circuit: See the description in the “Control lever for additional working functions” and “Working with optional equipment” sections.

Connecting the hydraulic lines for hydraulically actuated working attachments

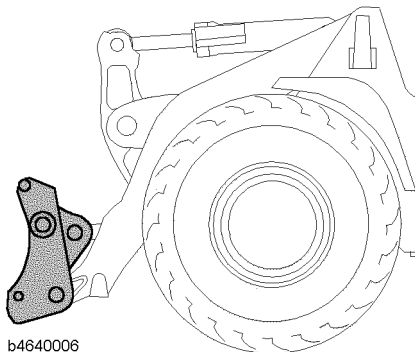
Where the working attachment has an independent hydraulic circuit, the hydraulic supply lines must be connected.

- Remove the protective caps from the hydraulic line couplings.
- Connect the hydraulic lines properly.

The following points should be observed with the connections:

- Clean the line couplings before connecting
- Do not connect the wrong ends of the hydraulic lines
- Lay the hydraulic lines so that there is no risk of them being pinched by the operation of the working attachment
- Make use of any hose retaining clips when laying the hose
- Check the hydraulic lines for any leakage after connecting.

3.3.8 Operation of the hydraulic quick-change equipment (electro-hydraulic actuation with comfort control)



b4640006

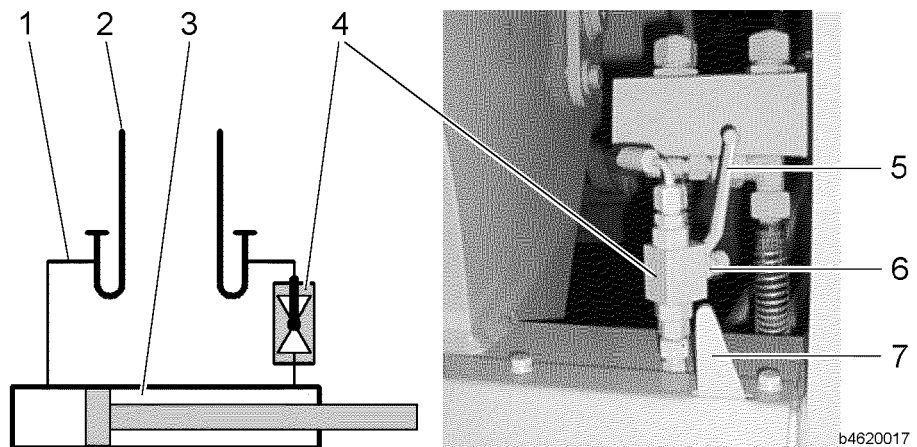
This equipment is optional.

Model: combined, electro-hydraulic actuation with comfort control

Information on attachment and accessories:

- **Attachments and accessories produced by third-party manufacturers or those which have not been generally approved by LIEBHERR for installation or for external fitting, must not be installed or fitted on the vehicle without the previous written consent of LIEBHERR.**
- **The appropriate technical documentation should be made available to LIEBHERR for this purpose.**

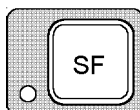
Activation of the combined, electro-hydraulically actuated quick-change device



b4620017

Hydraulic quick-change device

- | | |
|---|-------------------------|
| 1 Supply line for quick-change device | 4 Changeover valve |
| 2 Supply line for build-on accessory set: | 5 Changeover lever |
| 3 Hydr. cylinder | 6 Anti-twist lock |
| | 7 Indicator- mechanical |



04ta18ab

The combined, electro-hydraulically operated quick-change device is activated/de-activated with the special function button.

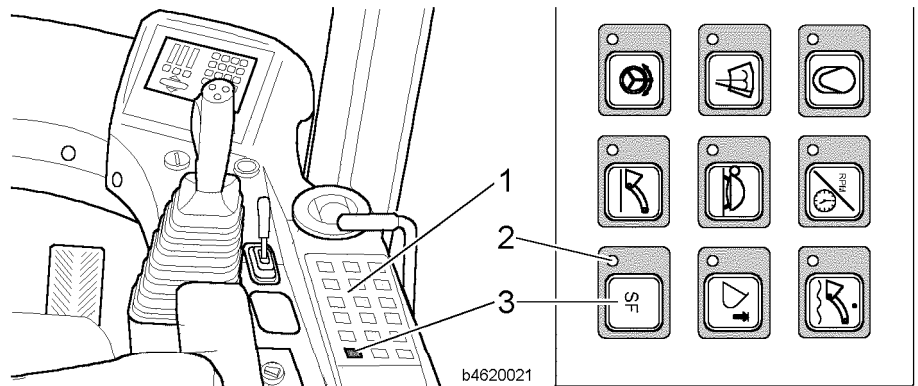
Ensure that:

- The lift arm is lowered to a point just above the ground.
- Where a working attachment with an independent hydraulic supply is mounted, all cylinders, valves and so on are in the initial position or closed
- Where a working attachment is mounted, make sure that this is tilted in.
- Changeover valve 4 is open.

See the "Activation of the hydraulically operated quick-change device" section (Description of Version 1).

Danger 

Risk of accidents due to the working attachment dropping!
 ! Do not activate button when working attachment is raised!



Control unit

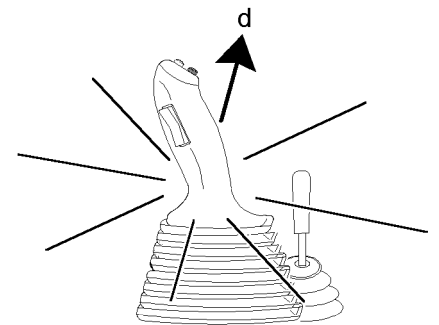
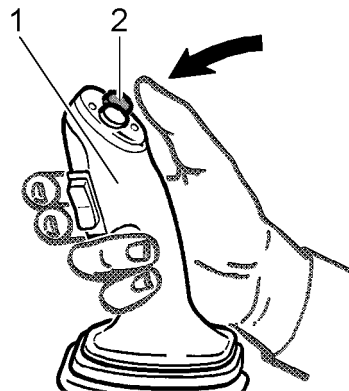
- 1 Control unit
- 2 LED

- 3 Special function button

- Press the button 3 for special functions.
 LED 2 on the button indicates that the function is active.
 The quick-change device is now operational.

Unlocking the hydraulic quick-change device

The procedure for unlocking the hydraulic quick-change device is as follows:
 Make sure that the quick-change device has been activated (enabled) by means of the button 3 for special functions.



LH control lever

- 1 LH control lever
- 2 Button - comfort control

- d Direction of movement

- Press the button 2 and hold it down.
 By pressing the button 2, the function operation of the lift and tilt cylinders is switched off.

LBH/02/003801/0003/6.0/en

- Completely retract the locking pins: move the LH control lever 1 in direction d- (to tilt out working attachment) to the stop and keep it in this position.

The locking pins for the hydraulic quick-change device are retracted.

- When the locking pins are completely retracted: release the button 2 and the LH control lever 1 again.

By releasing button 2, the function operation of the lift and tilt cylinders is switched on again.

Decoupling the working attachment

Procedure: as described in the section "Operation of the hydraulic quick-change equipment".

Disconnecting the hydraulic lines for hydraulically operated working attachments

Procedure: as described in the section "Operation of the hydraulic quick-change equipment".

Attaching and coupling the working attachment

Procedure: as described in the section "Operation of the hydraulic quick-change equipment".

Locking the hydraulic quick-change device

The procedure for locking the hydraulic quick-change device is as follows:

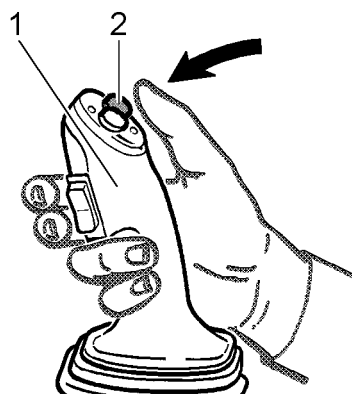
Ensure that:

- The working attachment is completely engaged in the quick-change device, so that the working attachment can be locked in place with the locking pins
- The quick-change device has been activated (enabled) by means of the button 3 for special functions.

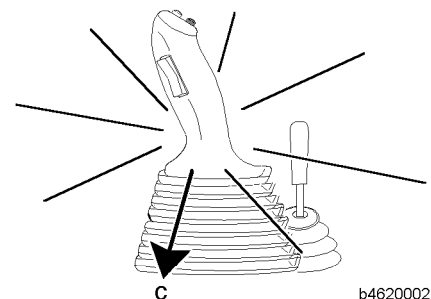
Danger 

Risk of accidents due to the working attachment dropping!

! Check whether the working attachment is fully engaged with the quick-change device.



- 1 LH control lever
- 2 Button - comfort control



LH control lever

- c Direction of movement

- Press button 2 and hold it down.

By pressing the button 2, the function operation of the lift and tilt cylinders is switched off.

- Completely extend the locking pins: Move the LH control lever 1 in direction c (to tilt in working attachment) to the stop and keep it in this position.

The locking pins for the hydraulic quick-change device extend.

- When the locking pins are completely extended:
release button 2 and the LH control lever 1 again.

By releasing the button 2, the function operation of the lift and tilt cylinders is switched on again.

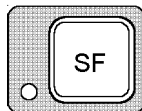
The working attachment is now coupled.

After the locking procedure: deactivate the hydraulic quick-change device with the button for special functions.

- Press the button for special functions.

The LED goes out.

The function for unlocking the hydraulic quick-change device is thereby deactivated.



04fa18ab

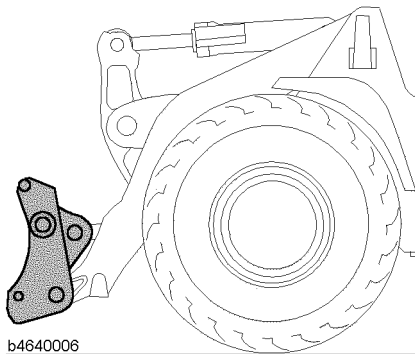
Check after locking procedure

Procedure: as described in the section “Operation of the hydraulic quick-change equipment”.

Connecting the hydraulic lines for hydraulically actuated working attachments

Procedure: as described in the section “Operation of the hydraulic quick-change equipment”.

3.3.9 Operation of the hydraulic quick-change device (electro-hydraulic actuation without comfort control)



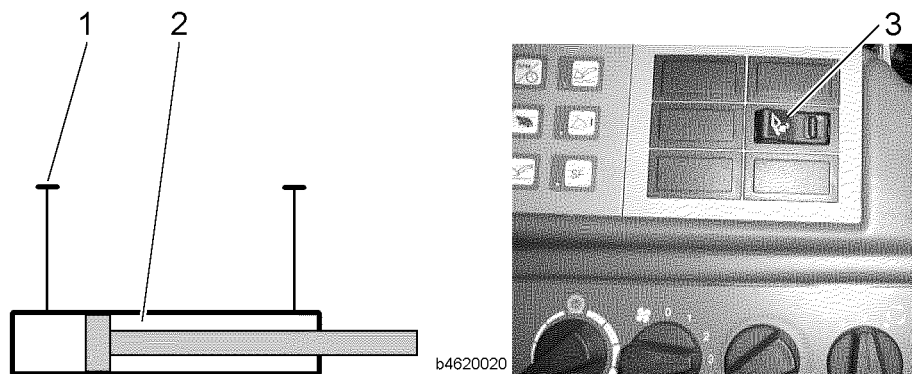
This equipment is optional.

Model: combined electro-hydraulic actuation with switch

Information on attachment and accessories:

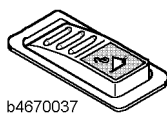
- **Attachments and accessories produced by third-party manufacturers or those which have not been generally approved by LIEBHERR for installation or for external fitting, must not be installed or fitted on the vehicle without the previous written consent of LIEBHERR.**
- **The appropriate technical documentation should be made available to LIEBHERR for this purpose.**

Activation of the combined, electro-hydraulically actuated quick-change device



Hydraulic quick-change device

- | | |
|--|--|
| <p>1 Supply line for quick-change device</p> <p>2 Hydr. cylinder</p> | <p>3 Switch - hydr. quick-change device (option)</p> |
|--|--|



The combined, electro-hydraulically operated quick-change device is activated/deactivated with switch 3 for the hydraulic quick-change device.

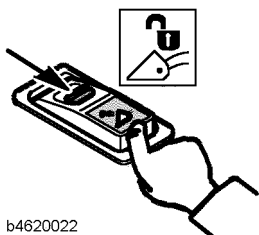
The procedure for activating the hydraulic quick-change device is as follows:

Ensure that:

- The lift arm is lowered to just above the ground.
- where a working attachment with an independent hydraulic supply is mounted, all cylinders, valves and so on are in the initial position or closed
- Where a working attachment is mounted, make sure that this is tilted in.

Danger 

Risk of accidents due to the working attachment dropping!
 ! Do not activate lockable switch when working attachment is raised.



b4620022



bpik0006

- Release the activation block in the direction of the arrow and simultaneously push the switch forwards.

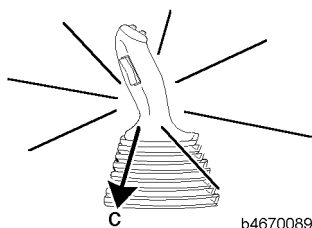
When the switch is pressed, a warning signal sounds from the instrument panel.

The function for unlocking the hydraulic quick-change device is thus activated.

Unlocking the hydraulic quick-change device

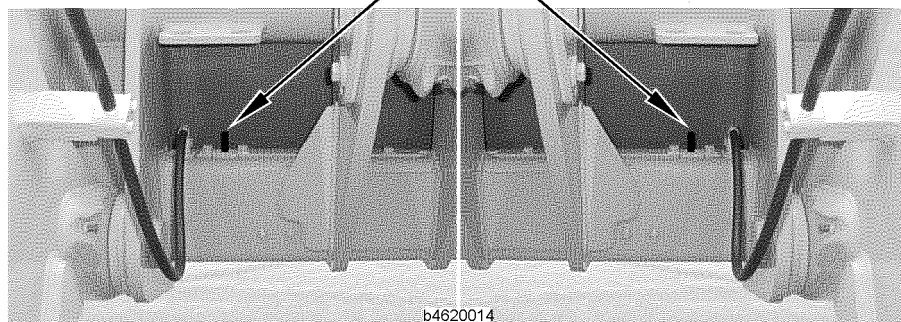
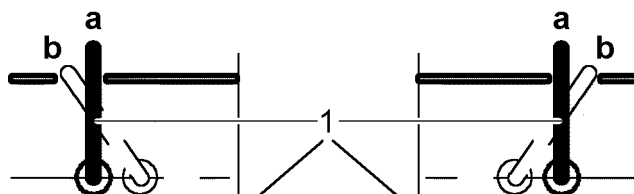
The procedure for unlocking the hydraulic quick-change device is as follows: Make sure that the switch – hydraulic quick-change device has been pressed.

- Completely retract the locking pins: move the LH control lever in direction - c - (to tilt in working attachment) to the stop and keep it in this position.



b4670089

The locking pins for the hydraulic quick-change device are retracted.



b4620014

Quick-change device - view from the driver's cab

- 1 Indicator- mechanical
- a Position - locked
- b Position - unlocked

The position (retracted) of the locking pins is indicated mechanically by the display 1.

LBH/02/003801/0003/6.0/en

Decoupling the working attachment

Proceed as follows to decouple the working attachment.

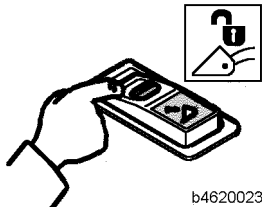
Make sure when a working attachment is mounted with an independent hydraulic supply that the coupling to the hydraulic lines is released.

Warning



Risk of accidents due to incorrectly set down working attachment!

! The working attachment must never be set down in unsecured areas (roadways etc.).



b4620023

- Deactivate the hydraulic quick-change device: push back the switch – hydraulic quick-change device

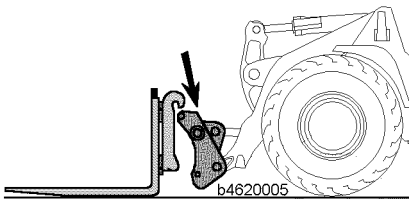
When the switch is pressed, the warning signal from the instrument panel goes out.

- Set down the working attachment down flat on firm, even ground.

Where the working attachment has an independent hydraulic supply, set down the working attachment in such a way that the hydraulic lines are not subjected to any strain!

- Secure the working attachment against tipping over.
- Carefully remove the quick-change device from the adapter holder at the top of the working attachment.

The working attachment is now decoupled.



b4620005

Disconnecting the hydraulic lines for hydraulically operated working attachments

Procedure: as described in the section “Operation of the hydraulic quick-change equipment”.

Attaching and coupling the working attachment

Procedure: as described in the section “Operation of the hydraulic quick-change equipment”.

Locking the hydraulic quick-change device

The procedure for locking the hydraulic quick-change device is as follows:

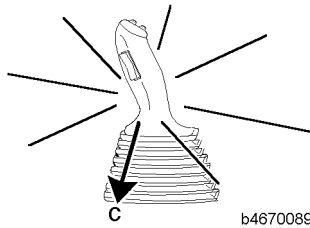
Ensure that:

- The working attachment is completely engaged in the quick-change device, so that the working attachment can be locked in place with the locking pins
- The switch for the hydraulic quick-change device is turned off.

Danger



Risk of accidents due to the working attachment dropping!
 ! Check whether the working attachment is fully engaged with the quick-change device.



- Completely extend the locking pins: move the LH control lever in direction - c - (to tilt in working attachment) to the stop and keep it in this position.
- The locking pins for the hydraulic quick-change device extend.
 The working attachment is now coupled.

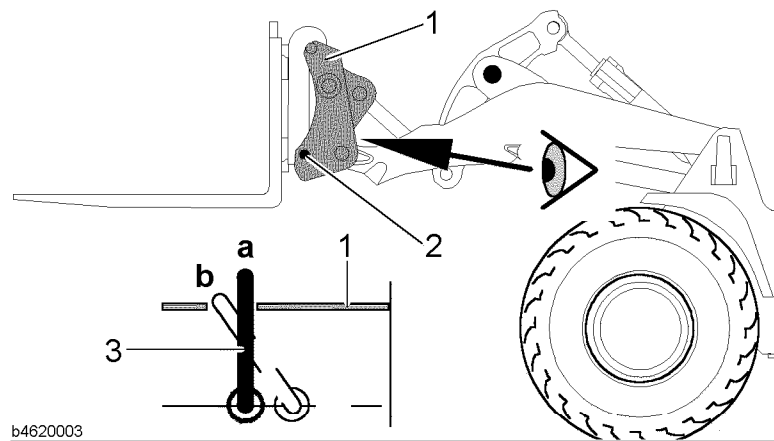
Check after locking procedure

To make an inspection once the locking procedure has been completed, proceed as follows.
 Make sure that the quick-change device has been moved to a suitable position for inspection.

Danger



Risk of accidents due to the working attachment dropping!
 ! Do not move the working attachment until you have checked the lock.
 ! Check whether the working attachment is securely locked to the quick-change device.



Quick-change device - Visual inspection

- | | |
|-------------------------|-----------------------|
| 1 Quick-change device | a Position - locked |
| 2 Locking pin | b Position - unlocked |
| 3 Indicator- mechanical | |

- Move the lift arm up until it is possible to view display 3.
- Get out of the vehicle and visually check that locking pins 2 have actually locked the working attachment.
- Carry out the inspection on both sides of the vehicle.

You can see that the pins are properly locked when indicator 3 is upright.

LBH/02/003801/0003/6.0/en

In addition, locking pins 2 must have been inserted all the way to the outer borehole of quick-change device 1.

- Do not carry out any other movements with the working attachment until the check is complete.
- For operating a working attachment with an independent control circuit: See the description in the “Control lever for additional working functions” and “Working with optional equipment” sections.

Connecting the hydraulic lines for hydraulically actuated working attachments

Procedure: as described in the section “Operation of the hydraulic quick-change equipment”.

3.3.10 Working with optional equipment

Operating and working with various items of optional equipment is described in this section.

Optional equipment:

- Forklift
- Refuelling pump

Forklift operation

For forklift operation with P-kinematics lift arm:

- This only applies for vehicles with attached P lift arm
The parallel kinematics permits parallel guidance of the load over the entire lifting range during lifting or lowering.

For forklift operation with lift arms with Z-bar kinematics:

- In the case of the lift arm with Z-bar kinematics, no parallel movement is possible.

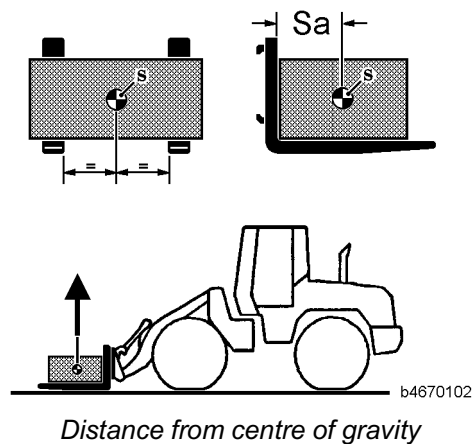
This means that the attachment tilts in during the lift movement up to 2/3 of the max. lift height and with further upward lift movement it tilts out again, but does not tilt down forwards.

- Due to the less favourable lever ratio of the Z-bar kinematics in the topmost lifting range, restrictions in load bearing capacity may result
See also “Load bearing tables for forklift operation” section .

The procedure for forklift operation is as follows.

Make sure that the working attachment is securely locked to the quick-change device.

See the description in the “Operation of the hydraulic quick-change device” and “Check after locking procedure” sections.



Distance from centre of gravity

S Centre of gravity

Sa Distance from centre of gravity

Caution 

Risk of damage to load and vehicle!

When using forklifts, only use forks with prongs of suitable length and make sure that these do not project beyond the load. Otherwise goods or pallets lying in front of the forks could be damaged.

! Make sure that forklifts are operated correctly.

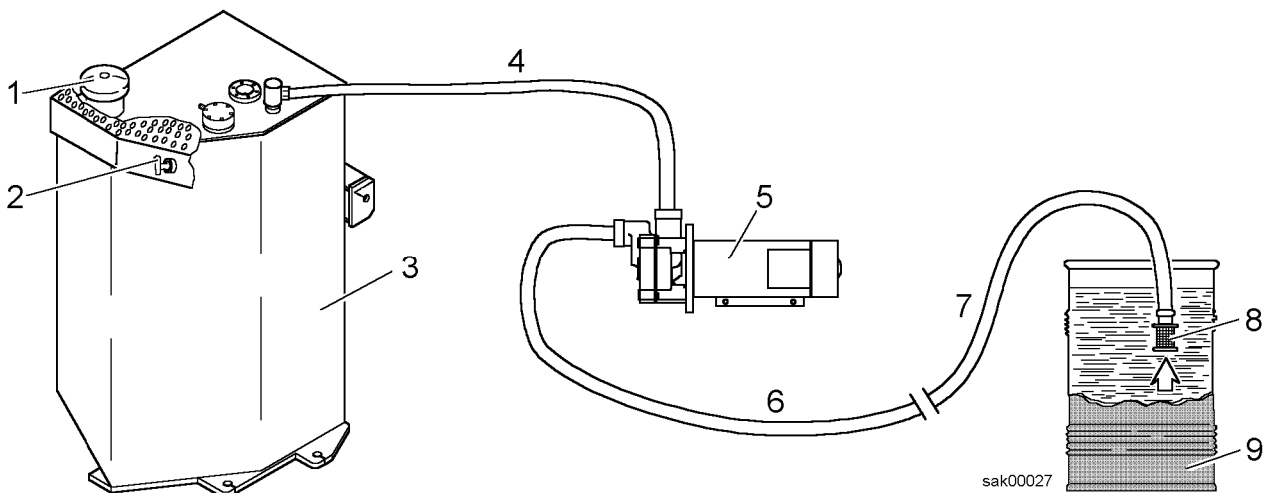
- When you lift the load: Make sure that the load is resting as close as possible to the vertical limb of the fork prong.
Pick up the load: make sure that the centre of gravity Sa of the load is correctly positioned.

Warning 

Risk of accidents due to the vehicle tipping over!

! Make sure that forklifts are operated correctly.

- Raise the lift arm to the transport position (approx. 30–40 cm above the ground).
- When the forklift is empty, tilt it in slightly and keep it low.
- When carrying a load, tip the forklift up slightly and keep the load low.
- When on slopes or inclines, always keep the load at the uphill end!
- Never drive on slopes or inclines!
- Never turn on slopes or inclines!
- When a high unloading position is unavoidable:
do not raise the lift arms until you have reached the unloading point.
- When a low unloading position is required:
do not lower the lift arm until you have reached the unloading point.

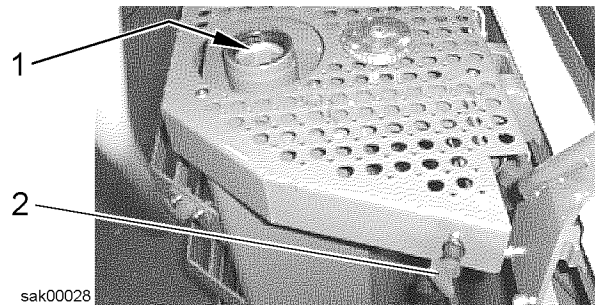
Refuelling procedure with refuelling pump

Refuelling pump

Ensure that:

- The vehicle is in maintenance position 1
- Suction line extension 7 (with suction strainer) is connected to the suction line 6 behind the engine compartment door. Make sure that the suction strainer 8 is not damaged, otherwise the refuelling pump 5 is not protected against foreign bodies.
- Suction line extension 7 with suction strainer 8 can reach to the bottom of the tank 9 (so that the tank can be completely drained)
- The battery main switch is turned on
- Sealing cap 1 on the fuel tank filler neck is open
- The key for the refuelling pump switch 2 (next to tank filler cap) is inserted

Starting up the refuelling pump



Fuel tank



Risk of burns and explosions!

! In no event are naked flames or lighted cigarettes allowed in the vicinity during the refuelling procedure.

- Turn the key in the switch 2 to “ON”. This starts the refuelling procedure.



Danger due to the fuel overflowing from the filler neck!

The refuelling pump does not switch off automatically which could lead to fuel overflowing from the filler neck!

! Observe the refuelling procedure via the fuel tank filler neck 1.

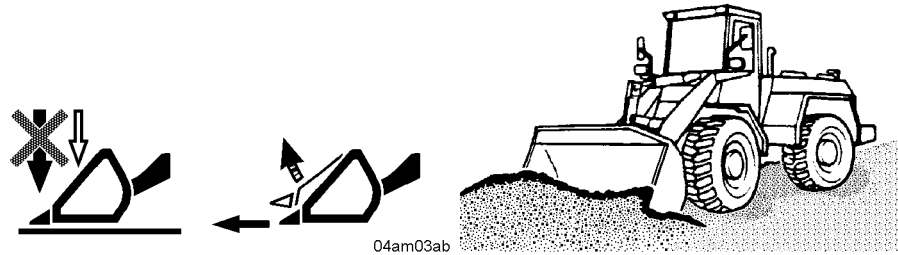
- When the refuelling process is complete, turn the key in switch 2 to “OFF” and remove the key. Close fuel tank sealing cap 1.
- Disconnect suction line extension 7 (with suction strainer) from the suction line 6 and seal lines with dummy plugs.

3.3.11 General working methods

The routine working methods are described in this section.

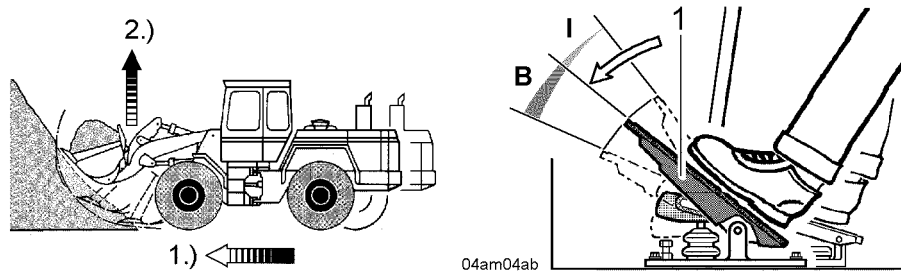
Picking up and transferring bulk materials

The following procedure is recommended to avoid any possible loss of traction.



- Do not work with a strong downwards pressure on the bucket.
- If you do have to promote the flow of the bulk material into the bucket gently tilt it in and out.

When the brake / inching pedal is activated, the advance force (tractive force) is reduced, thus making loading easier.



Power distribution by INCHING

1 Brake-inching pedal
I Range - INCHING

B Range - BRAKING

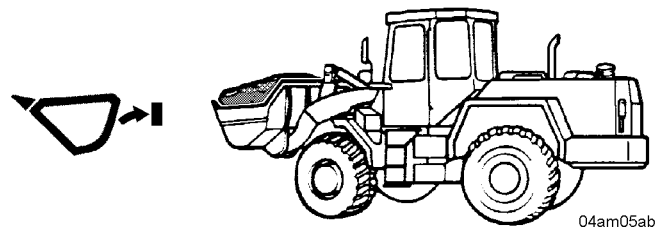
- In addition, push down the brake / inching pedal 1 in range - I - of the pedal travel with the required force.

The engine power is adjusted:

- 1.) The power going to the travel hydraulics is reduced.
- 2.) The power going to the working attachment is increased.

The advantages of power adjustment:

- The wheels do not spin unnecessarily.
- Fuel consumption is reduced.



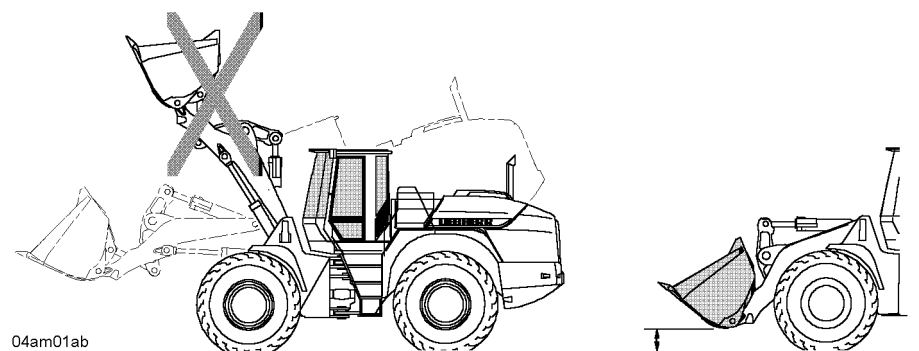
- The loaded bucket is tilted in to its limit and the lift arm is raised.

Transporting and transferring bulk materials

The bucket should be moved into the transport position to improve the vehicle's stability and to ensure good viewing conditions when transporting and transferring bulk materials.

Transport position means that the bucket pivot point is approx. 40 cm above the ground.

Transport position



Danger of the vehicle tipping over

Warning

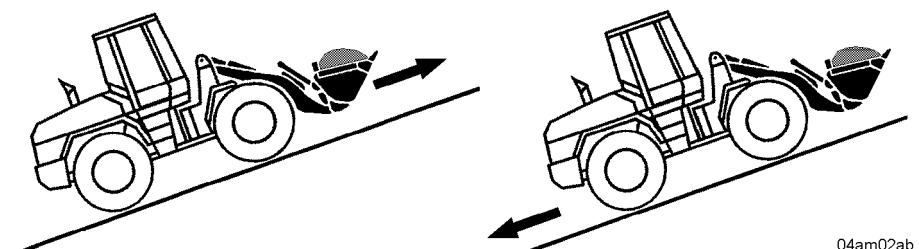
Risk of accidents due to the vehicle tipping over!

There is a risk that the vehicle might tip over when the lift arm is raised due to a shift in the centre of gravity!


! Observe the max. permissible bulk material weight and the specified tipping loads.

- Move the loaded bucket into the transport position.

Transporting a load on a slope



Travel directions when transporting loads

Warning 

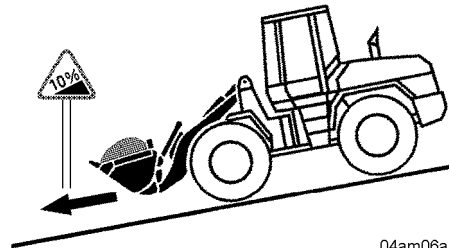
Risk of accidents due to the vehicle tipping over!
 ! When transporting a load on a steep slope, keep the loaded bucket low.

- When transporting uphill, drive forwards.
- When transporting downhill, drive in reverse.

Driving on slopes

It is essential that the safety instructions are observed when driving on slopes!

Refer to the section "Safety instructions for driving on slopes".



04am06ab

Slopes

Warning 

Risk of accidents due to the vehicle tipping over!
 The load at which the vehicle can tip over is reduced when driving on sloping ground!

! Always keep the loaded bucket low during transport!
 ! Do not suddenly change direction or brake abruptly!

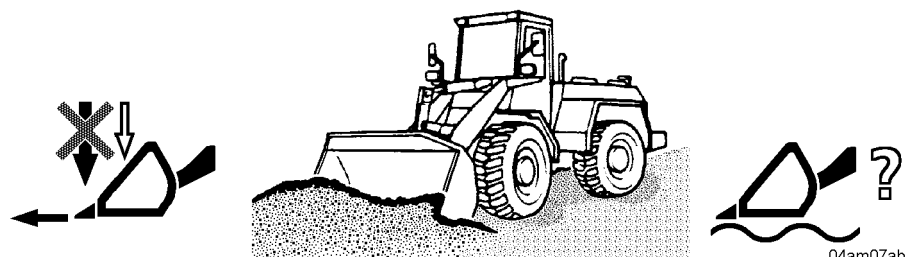
- Select the lowest possible travel range.
- Ease off the gas pedal.
- Drive downhill carefully.

Grading work

Keep the bucket base horizontal when grading.

Grading

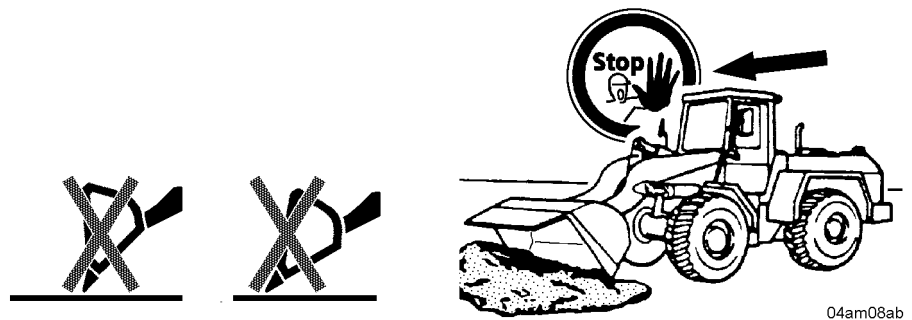
The following procedure is recommended to avoid any possible loss of traction.



04am07ab

Grading procedure

- Do not work with a strong downwards pressure on the bucket.
- or
- Use the float function position: Refer to the "Operating the lift arm" and "Activating the float position" sections.



04am08ab

Impermissible bucket positions

Caution

Risk of damage to the vehicle!

The vehicle may be damaged during grading work if the bucket hits a hard object when it is tilted out while the machine is moving "forward"!

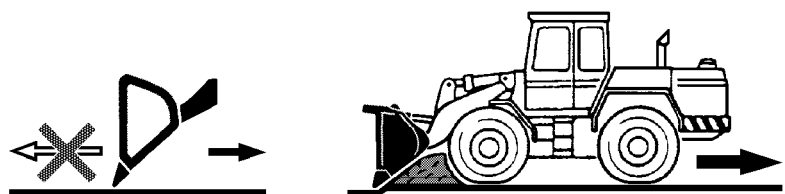
! Do not grade in "forward" travel direction when the bucket is tilted out.

- Position the bucket base parallel to the ground.

or

- Gently set the bucket base down.

Bulldozing

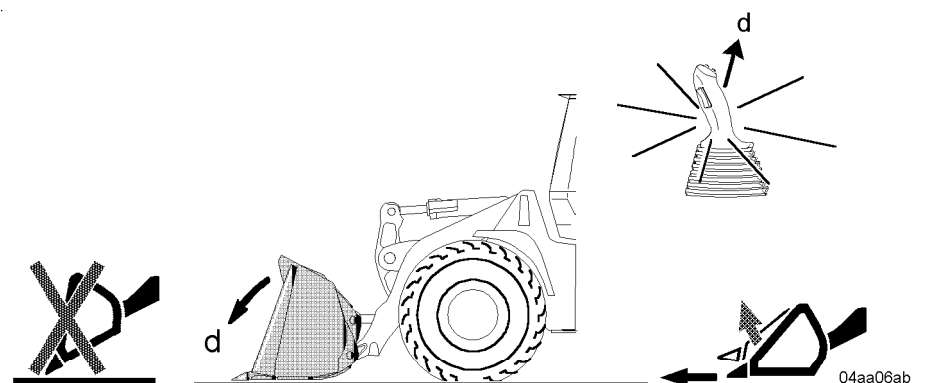


04am09ab

- Tilt the bucket downwards and reverse the vehicle.

Loading from a tip

Picking up bulk material



04aa06ab

Bucket position

LBH/02/003801/0003/6.0/en

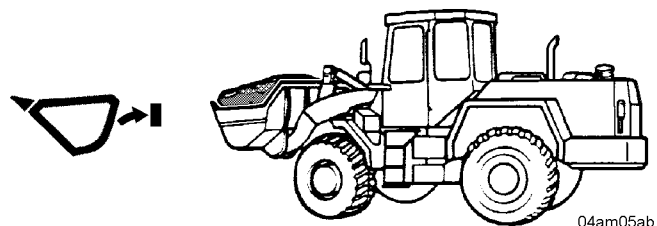
Caution

Risk of damage to the vehicle!

The lift arm may be damaged if, when clearing away bulk material in "Forward" travel direction with a tilted out bucket, you drive into a hard obstacle at rapid speed.

! When clearing away bulk material, do not drive into the pile with the bucket tilted out!

- Set down the loading bucket horizontally on the ground.
- Drive the bucket into the material, slightly tipping up the bucket in the process.
- If you do have to promote the flow of the bulk material into the bucket gently tilt it in and out while driving the bucket into the material.
- In addition, press down the brake / inching pedal: See the "Picking up and transferring bulk materials" section .

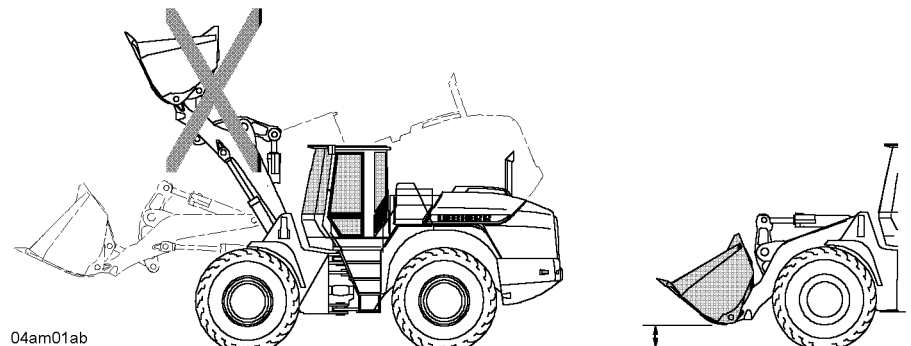


Bucket position

- The loaded bucket is tilted in to its limit and the lift arm is raised.

Bulk material transport

Keep the loaded bucket low during transport in order to improve the machine's stability and to ensure good viewing conditions.

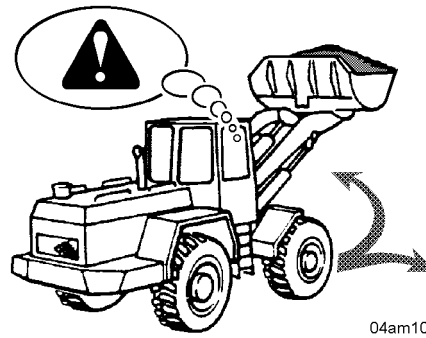


Bucket position

Make sure that the bucket is in the transport position.

Transport position means that the bucket pivot point is approx. 40 cm above the ground.

- Move the bucket into the transport position.



04am10ab

Danger of the vehicle tipping over

Warning

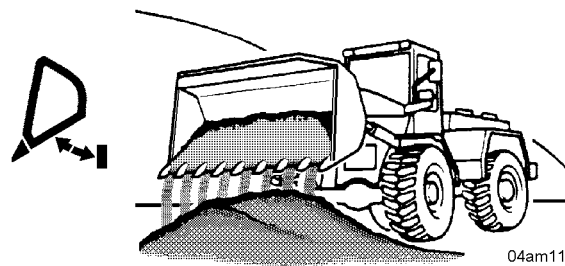
Risk of accidents due to the vehicle tipping over!

There is a risk that the vehicle might tip over when the lift arm is raised due to a shift in the centre of gravity!

! Do not suddenly change direction or brake abruptly when the bucket is raised.

- Do not raise the lift arm until just before reaching the unloading point.

Dumping



04am11at

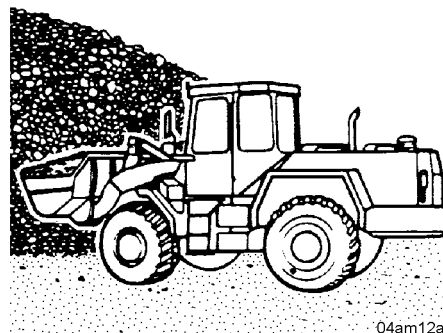
Dumping

- Tilt the bucket out.
- Loosen material adhering to the bucket: Quickly tilt the bucket in and out, briefly jolting against the bucket arm stops in the process.

Loading from slopes or banks

Removing material from a slope

Remove normal loading material such as sand or gravel as follows.



04am12ab

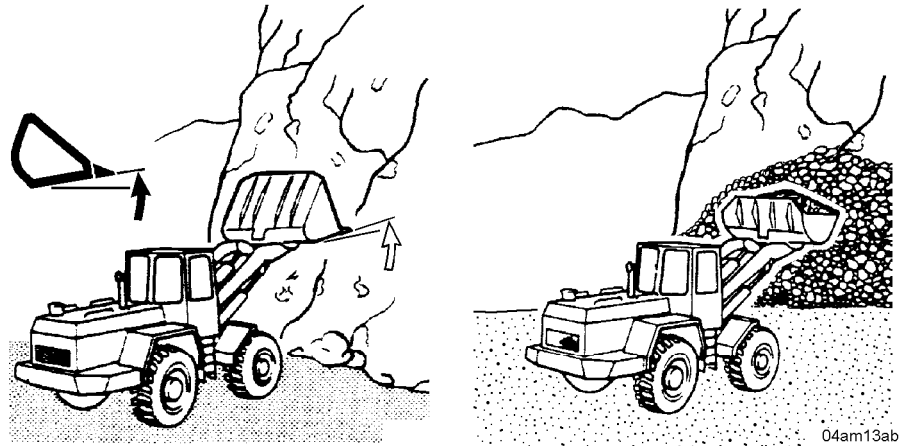
Bulk material removal 1

- Start removing the material at the foot of the slope, working your way upwards.

LBH/02/003801/0003/6.0/en

Removing material from a bank

Remove especially hard materials such as rock as follows.



Bulk material removal 2

- Gently tilt the bucket base upwards.
- Start removing material at the top and work your way downwards.

Warning



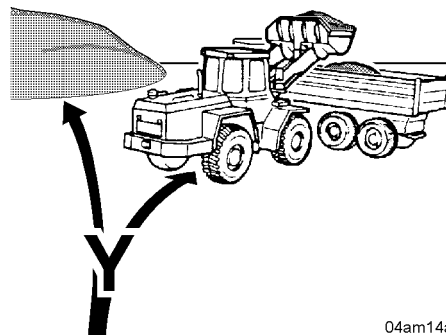
Risk of accidents due to falling material.

! Do not work under overhangs!

- Remove overhangs first and look out for falling material.

Loading bulk transport vehicles

Loading routes



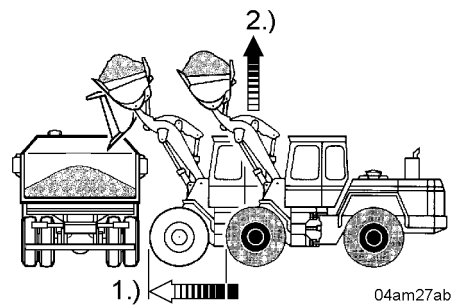
Y-movements

The vehicle to be loaded should be parked so that the transport distances for the vehicle are as short as possible.

If possible make a “**Y-movement**”. Also refer to the section “Driving mode” under “Reversing”.

Loading procedure

In order to speed up the loading procedure, the vehicle should be braked in front of the truck with the brake / inching pedal.

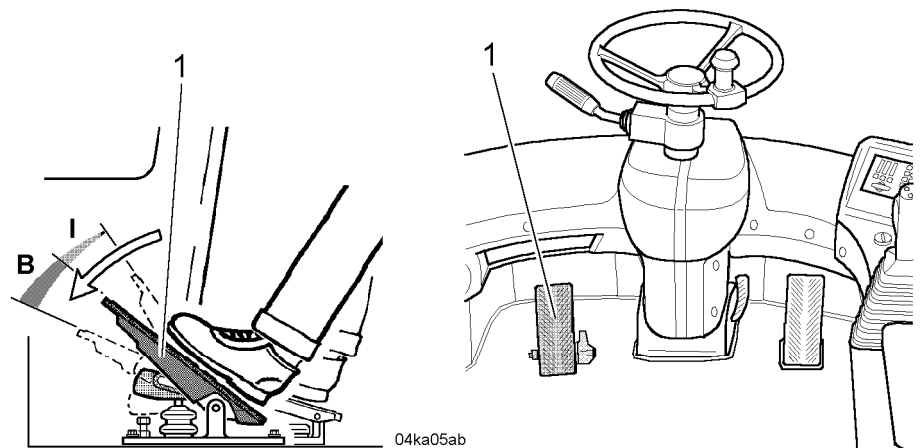


Unloading position

This yields the following benefits:

- 1.) Responsive adjustment of the speed
 - 2.) Optimum performance adaptation for the working attachment
- See also the section "Picking up and transferring bulk materials".

- Adopt the unloading position: do not raise the lift arm until just before reaching the unloading point.



Brake-inching pedal

- 1 Brake/inching pedal
- I Range - INCHING

- B Range - BRAKING

- Brake the vehicle: push down the brake inch pedal 1 in range - I - of the pedal travel with the required force.

Warning



Risk of accidents due to falling material.

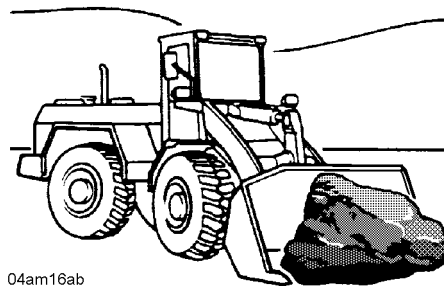
- ! The vehicle driver may only swing the working attachments over occupied driver, operating and working stations of other vehicles when these are protected by reinforced roofs (FOPS).
- ! If the driver's cab is not equipped to provide the necessary degree of protection, then the driver of the vehicle in question must leave his cab during overhead operations.

- Load the truck so that the bulk material is dumped in the middle of the dump body.
- With longer vehicles, load from the front backwards.

Loading large rocks

Make sure that the floor of the transport vehicle is buffered against the impact of large rocks.

LBH/02/003801/0003/6.0/en



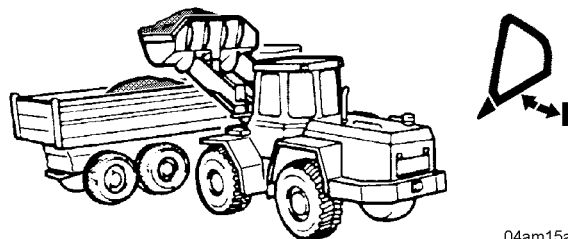
Bucket loading

- First place a load of smaller pieces of rock in the vehicle.
- Proceed to load the transportation vehicle.

Loading compacted material

With loading jobs for which a certain digging position is required again and again, the automatic bucket return-to-dig can be operated.

Refer to the “Operating the lift arm” and “Activating the automatic bucket return-to-dig” sections.



Dumping

- Tilt the bucket out.

Caution



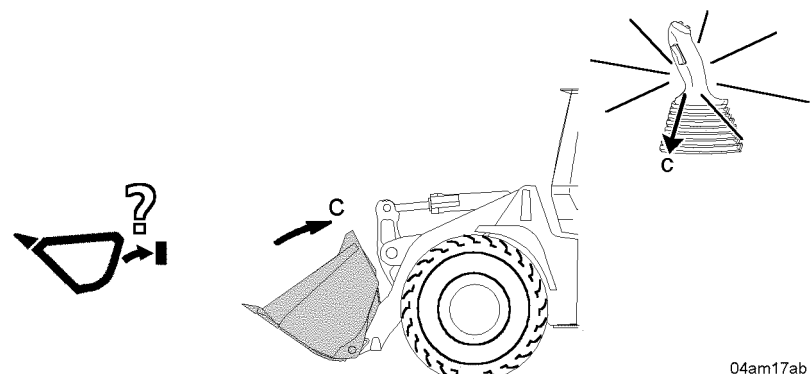
Risk of damage to the vehicle!

Unnecessary jolting against the bucket arm stops when tilting in and out can lead to accelerated wear to the bolts and bushes on the kinematics.

! Avoid unnecessary impacts against the stops.

- Loosen any material adhering to the bucket: Quickly tilt the bucket in and out, briefly jolting against the bucket arm stops in the process.

Moving the vehicle back



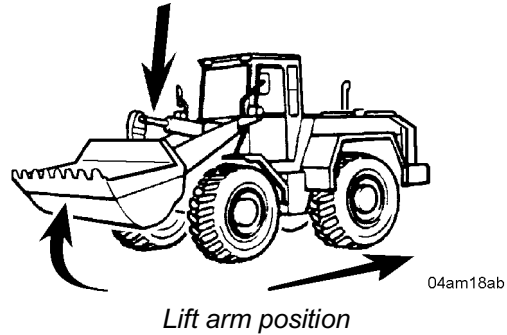
Bucket position

LBH/02/003801/0003/6.0/en

Caution 

Risk of damage to the vehicle!
 Unnecessary jolting against the bucket arm stops when tilting in and out can lead to accelerated wear to the bolts and bushes on the kinematics.
 ! Avoid unnecessary impacts against the stops.

- Tilt the bucket in.

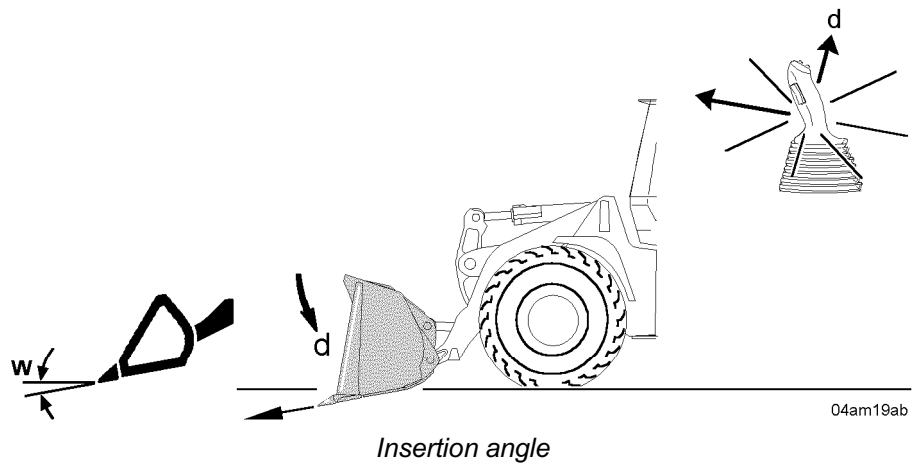


- When moving backwards, lower the lift arm.

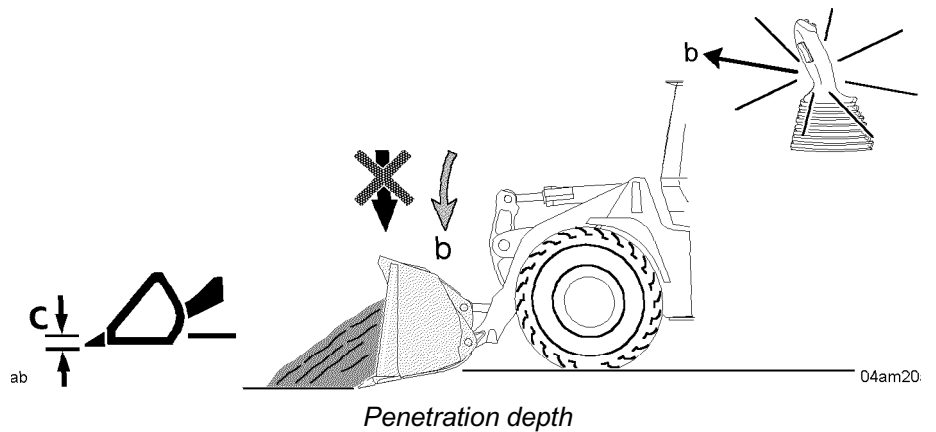
Excavation

Excavating soft material

Excavate soft material as follows.

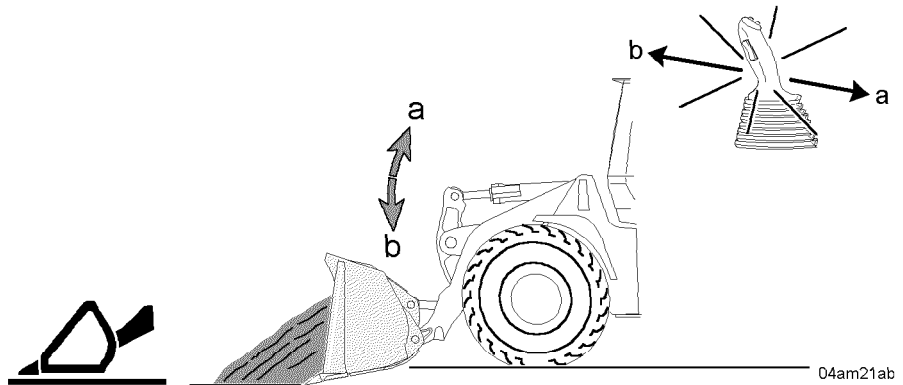


- Lower the loading bucket onto the ground.
- Set a small insertion angle **W** within a max. of 10°.



LBH/02/003801/0003/6.0/en

- When approaching with the vehicle, simultaneously press the lift arm down, until a sufficient penetration depth – **C** has been reached.
- The following procedure is recommended to avoid any possible loss of traction: Do not work with a strong downwards pressure on the bucket.



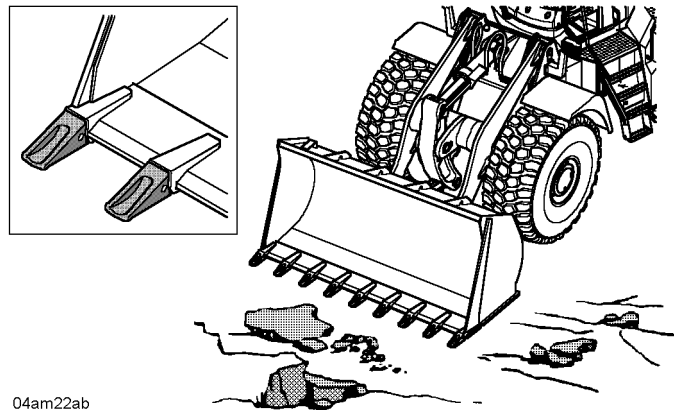
04am21ab

Lift arm movement

- Make horizontal cuts while driving forwards.
- The work is made easier by raising or lowering the lift arm as appropriate.

Excavating hard material

When excavating hard material, a bucket with teeth should be used.



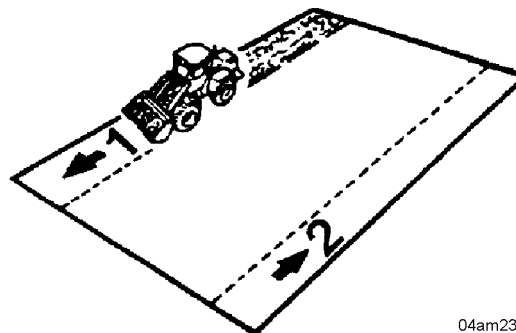
04am22ab

Working attachment

- Additional procedure: See the “Excavating soft material” section.

Example of foundation excavation

Excavate foundations as follows.

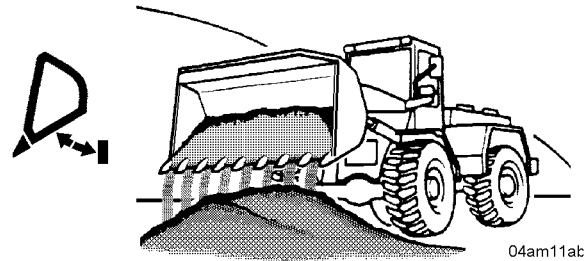


04am23ab

Longitudinal cuts

LBH/02/003801/0003/6.0/en

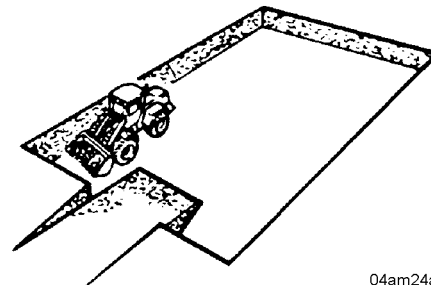
- Cut an initial trench with the bucket along the outer edge of the excavation.
- When the first cut is down to a depth of approx. 1 metre, start a second trench along the opposite side.
- Work the area between down to the same depth as the side trenches.



04am11ab

Heaping material

- Pile up the bulk material in a corner, leaving the foundation banks exposed.



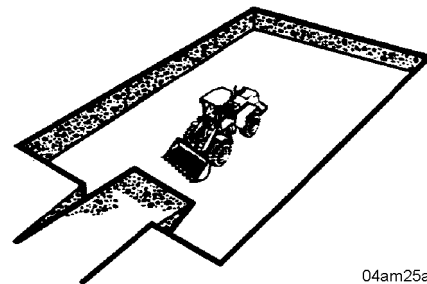
04am24ab

Corners of the foundations

- When the foundations have been excavated to the required depth, dig out the corners and transport the material out of the excavation.

Driving out of the excavation

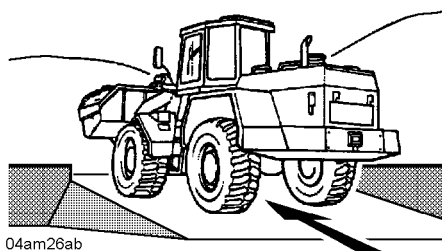
A ramp must be created so that the vehicle can drive out of the excavated area.



04am25ab

Exit ramp

- To make an exit for the vehicle: dig out the centre of the ramp.



04am26ab

Direction of transportation

- Keep the loaded bucket low during transport.
- Drive forwards out of the excavated area.

3.3.12 Transporting the vehicle

Slinging the vehicle from a crane

It is essential when the vehicle is being slung from a crane, that the accident prevention regulations are observed!

Refer to the section “Safety regulations” when slinging the vehicle from a crane.

The following precautions should be taken before slinging the vehicle from a crane.

Precautions:

- Lower the working attachment and tilt back the loading equipment to its limit
- Engage articulation lock
- Move all control levers to neutral
- Engage the parking brake
- Lock the working hydraulics
- Shut down the engine,
- Close and lock all doors and hoods on the vehicle

For more detailed descriptions, see the section “Operation, handling”.

Obtain information about:

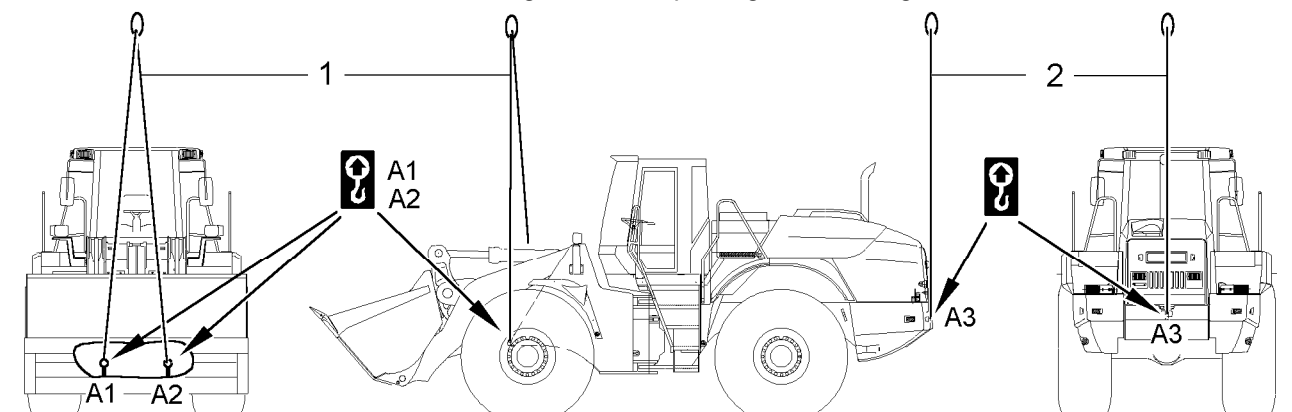
- Weight and collision masses of the vehicle: see the section “Technical data”.
- The required load bearing capacity and lengths of the lifting tackle

Execution: when necessary, sling the vehicle from a crane.

Loading for truck or rail transport

Required equipment:

- Lifting tackle 1: rope length - min. length = 5.0 m.
- Lifting tackle 2: rope length - min. length = 4.5 m.



04vk1ab

Sketch 1 of slung vehicle

- 1 Lifting tackle – 2-strand rope
- 2 Lifting tackle – 1-strand rope

A1 Slinging and lifting point right-hand, front

A2 Slinging and lifting point left-hand, front

A3 Slinging and lifting point, rear

LBH/02/003801/0003/6.0/en



Risk of accidents due to suspended/falling load!
 ! Standing under the vehicle when it is suspended is strictly prohibited.

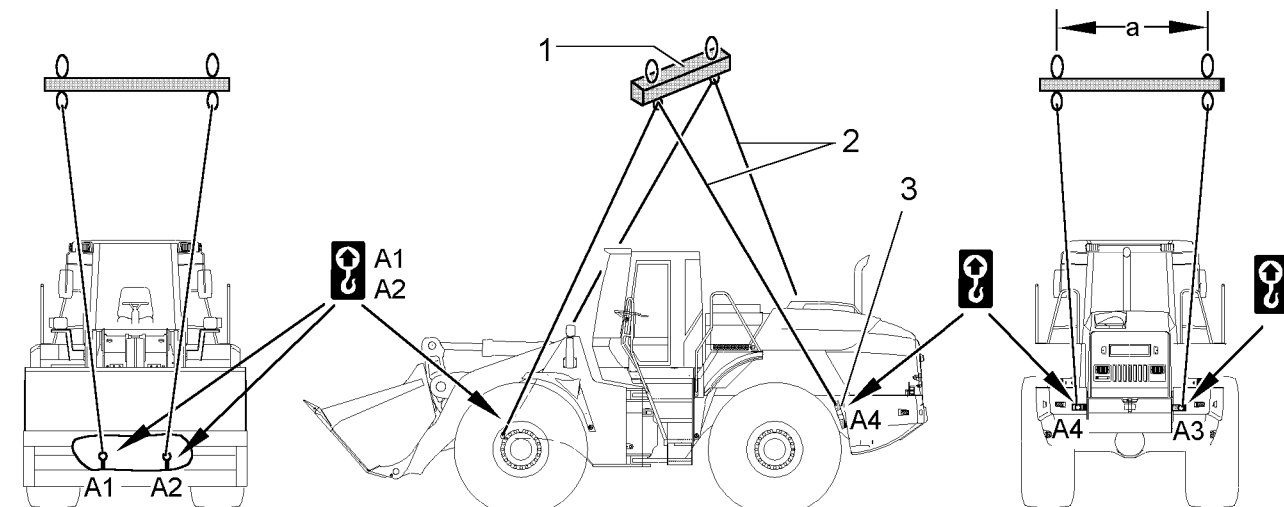
- Fix/attach the lifting tackle to the slinging and lifting points A1, A2, A3 provided on the vehicle.
- Raise and load the vehicle with due care.

Loading for transport by ship

Execution: when necessary, sling the vehicle from a crane.

Required equipment:

- Slinging lug 3: is available as optional equipment – LIEBHERR order no. 9840127
- Slinging attachment/yoke 1 of the shipping company: minimum dimension a = 2.5 m
- lifting tackle 2: rope length - min. length = 5-6 m



Sketch 2 of slung vehicle

- 1 Slinging device/-bar
- 2 Lifting tackle – 2-strand rope
- 3 Loading lug

- A1 Slinging and lifting point right-hand, front
- A2 Slinging and lifting point left-hand, front

- A3 Slinging and lifting point right-hand, rear
- A4 Slinging and lifting point left-hand, rear



Risk of accidents due to suspended/falling load!
 ! Standing under the vehicle when it is suspended is strictly prohibited.

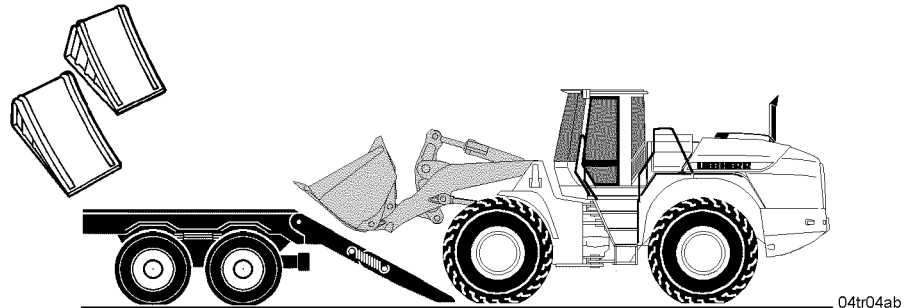
- Remove the mudguards at the rear left- and right-hand side of the vehicle.
- Attach the slinging lugs 3 to the rear left- and right-hand side of the vehicle.
- Fix/attach the lifting tackle to the slinging and lifting points A1, A2, A3, A4 provided on the vehicle.
- Raise and load the vehicle with due care.

LBH/02/003801/0003/6.0/en

Transporting the vehicle by road or rail

Before driving onto the loading bed

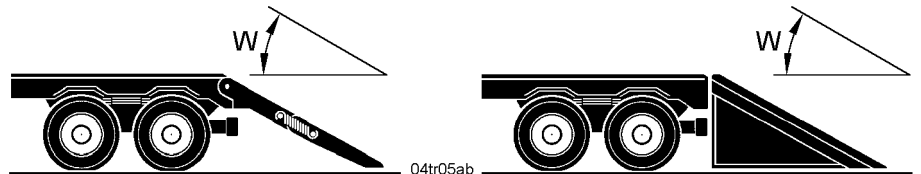
The following precautions should be undertaken before driving onto the loading bed.



04tr04ab
Loading the vehicle onto the transporter

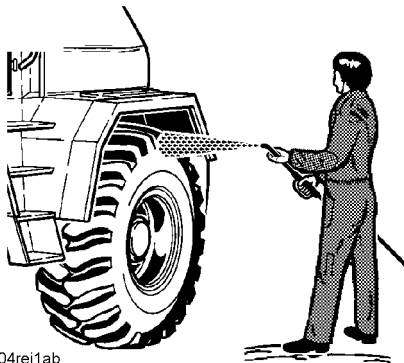
Precautions:

- Have wheel wedges ready.
- Provide suitable tensioning ropes or chains ready to lash the vehicle down



04tr05ab
Ramp inclination

A ramp should be provided for driving the vehicle onto the loading bed. The inclination of the ramp - **W** - may not exceed 30°. Any snow, ice or mud on the tyres should be cleaned off before the vehicle is driven up the ramp.



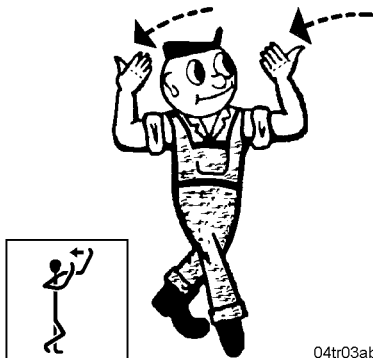
04rei1ab

Wet cleaning

Driving onto the loading bed

For more detailed descriptions, see the section "Operation, handling". When driving onto the loading bed have a second person give you signals. Make sure that someone is posted who can give the vehicle driver the required signals.

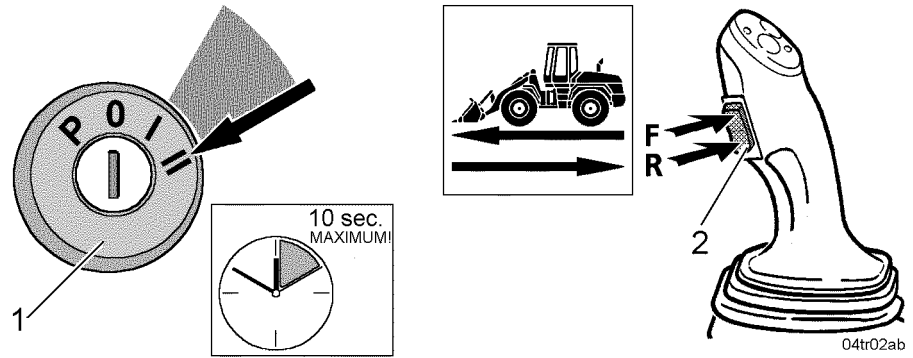
Persons giving directions must always take up a position to one side of the vehicle!



04tr03ab

LBH/02/003801/0003/6.0/en

When driving onto the transporter bed proceed as follows:



Starting procedure and selection of travel direction

1 Starter switch

2 Switch for travel direction

- Start up the engine.

Situation once the engine is started:

- Travel range - **A2** -(automatic) is automatically selected.
- The parking brake is automatically activated.

Also refer to the sections “Starting the diesel engine” and “Driving mode”.

- Release the parking brake.
- Select the travel direction.

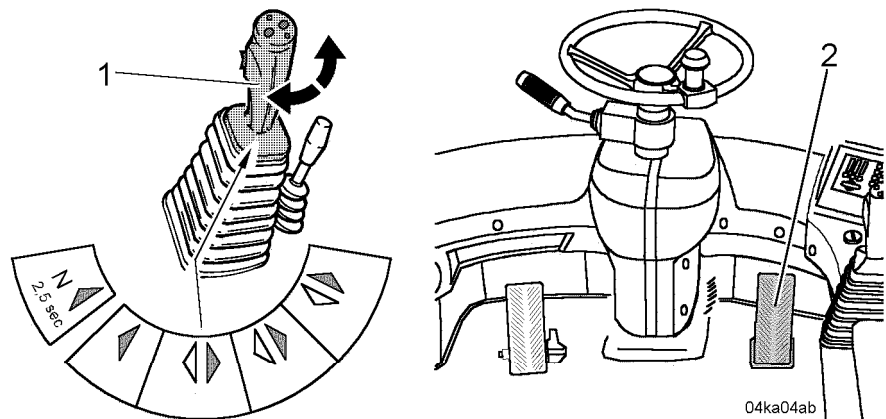
Warning

Risk of accidents if vehicle is driven without due care!
 If the vehicle is driven without due care, the loading personnel, the person giving directions and the driver himself may be endangered.
 ! Always drive with due care when loading the vehicle!

Caution

Risk of accidents if vehicle is not driven with due care!
 If the vehicle is not driven with due care, the transporter and the machine being loaded could be damaged.
 ! Always drive with due care when loading the vehicle!

- Drive onto the ramp only in a low travel range!



Driving off procedure

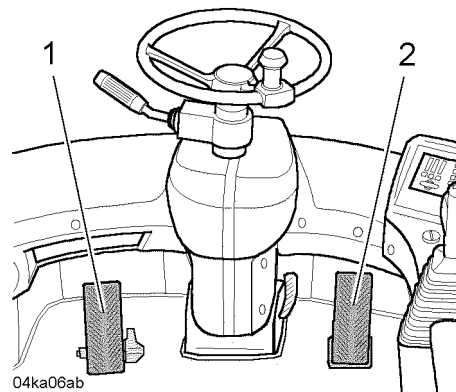
1 Switch for travel range

2 Gas pedal

- Select a low travel range: turn switch 1.
- Press down the gas pedal 2 carefully.
- Carefully set the vehicle in motion.

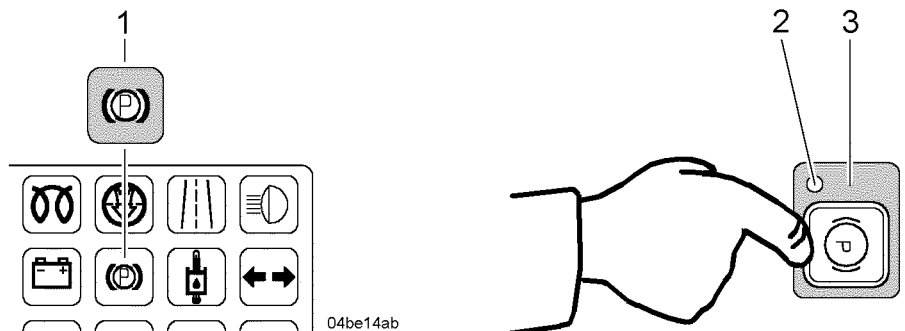
After driving onto the loading bed

For more detailed descriptions, see the section “Operation, handling”. Make sure that the air stream cannot penetrate the exhaust pipe opening. This is particularly important with rail transport, as the direction of travel cannot be foreseen.



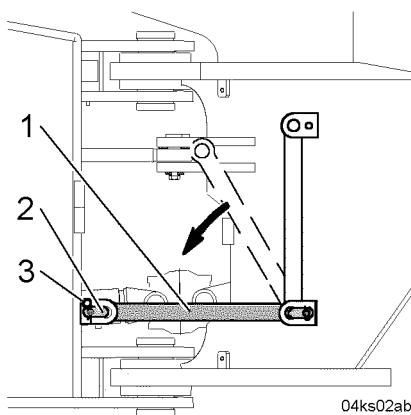
Brake / inching pedal – gas pedal

- Stop the vehicle



Parking brake

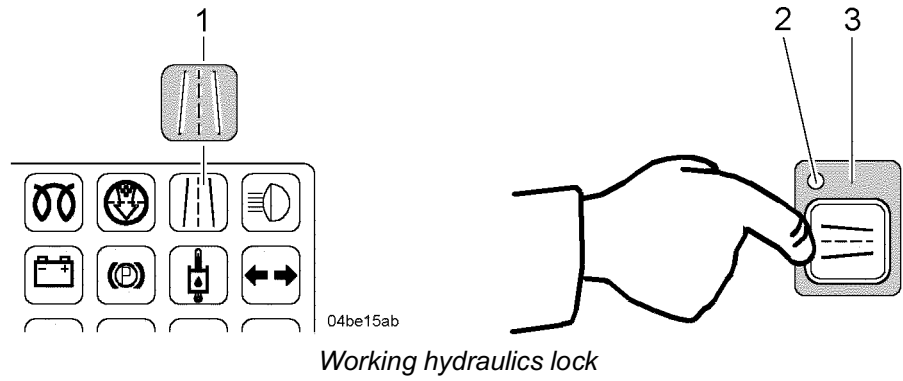
- Engage the parking brake.
- Engage the articulation lock.
- Bolt the safety bar 1 in the lower position.
- Secure the pin 2 against dropping out by means of a spring clip 3.



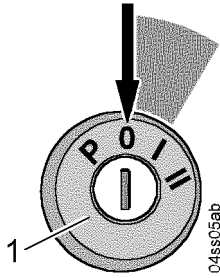
Articulation lock

- Lower the lift arm and set the loading bucket down flat on the transporter bed.

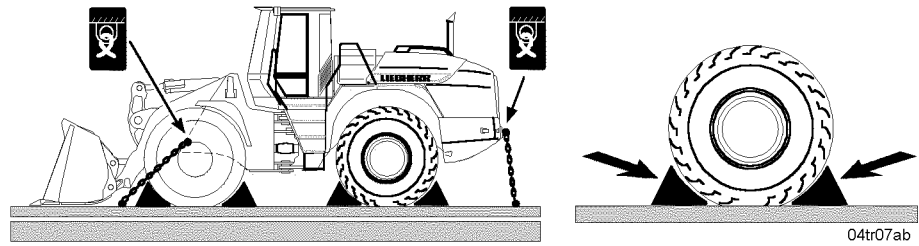
LBH/02/003801/0003/6.0/en



- Lock the working hydraulics.
- Shut down the engine.

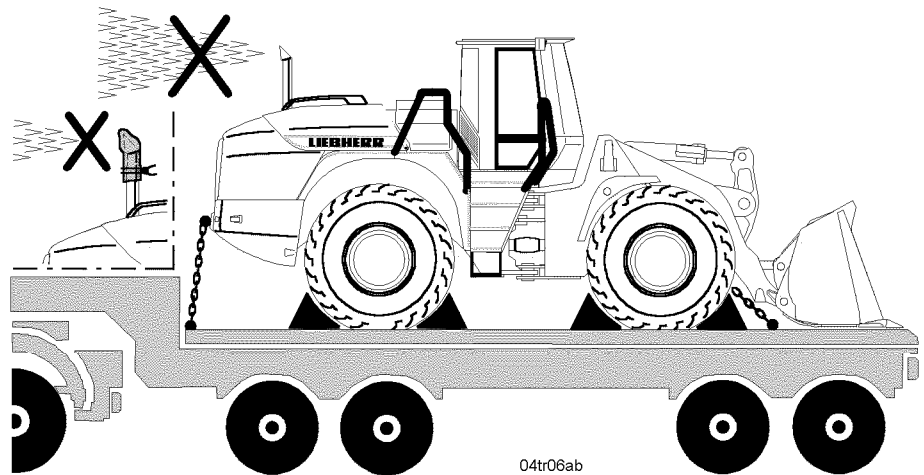


- Close and lock all doors and hoods on the vehicle.



Lashing points

- Secure the vehicle against sliding: use wheel wedges and tensioning ropes or chains for this purpose.
- Securely attach the tensioning ropes or chains to the indicated lashing points on the vehicle.



Exhaust pipe cover

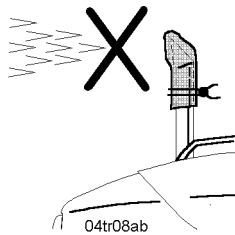
LBH/02/003801/0003/6.0/en

If the vehicle is facing towards the direction of motion during transport, then the air stream can penetrate the exhaust opening. The following precaution should be taken to prevent damage to the turbo during transport.

Caution 

Risk of damage to the turbo charger from foreign bodies!
Penetration of the air stream produced during transport into the exhaust pipe opening drives the diesel engine turbo.
The turbocharger is not lubricated when the engine is not running.
Without lubrication, the turbocharger will be damaged.
! Prevent the air stream produced during transport from entering the exhaust.

- To block off the exhaust pipe opening, climb onto the vehicle via the cab access only and make sure that you have secure footing.
- Block off the exhaust pipe opening securely with windproof material so that it cannot slip.



Blocking off the exhaust pipe opening

3.4 Emergency operation

In this section, the various emergency operation modes of the vehicle are described.

Emergency operation modes:

- Towing the vehicle
- Procedure for jump starting

3.4.1 Towing the vehicle

If the vehicle is damaged, it may be necessary to tow it away from a dangerous position.

The following towing instructions only apply to exceptional situations, in order to move a vehicle incapable of independent movement to a place where it can be repaired or put on a transporter.

Towing speed and towing distance:

- Max. towing speed 2 km/h
- only short distances are permitted, in order to move the vehicle away from a danger area

The vehicle must always be put on a transporter for longer distances!

Safety when towing

Towing the vehicle can cause problems. The operator always assumes full responsibility.

In no event can damage or accidents resulting from towing be covered by the manufacturer's guarantee.

See also the section "Towing the vehicle safely".

Danger



Risk of accidents caused by incorrect towing.

Towing a vehicle that can no longer drive under its own power can lead to severe or even fatal injuries!

! Always secure the vehicle against rolling away before releasing the brakes for towing!

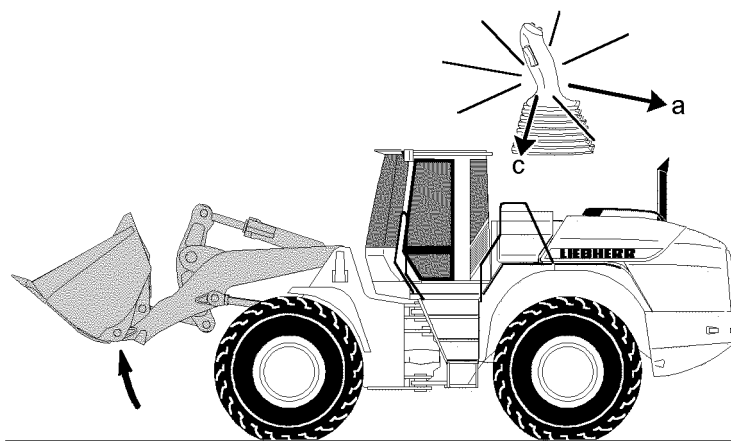
- Observe all prescribed safety regulations and the following recommendations when towing.

Towing when the diesel engine is running

The following precautions should be taken before towing the vehicle.

Precautions:

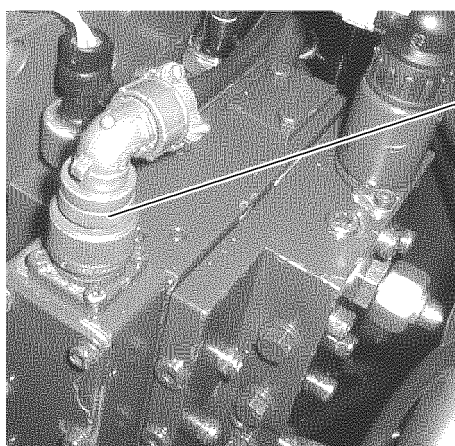
- put in the transport position
- Make all drive functions inoperational.
- Release the parking brake.



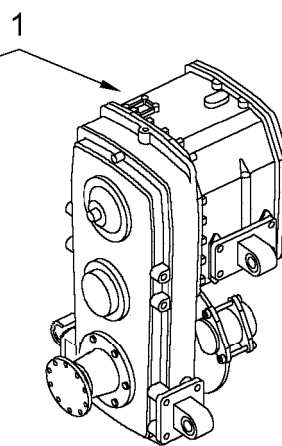
04sl03ab

Transport position during towing

- Put in the transport position: raise the lift arm.
- If it is possible to hydraulically actuate the working attachment, tilt in the bucket to the stop



04sl02ab



CANON plug connection

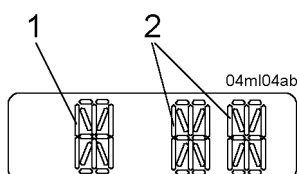
1 CANON plug

- Make all travel functions inoperational: release CANON plug 1 from the transfer gear (gear shift section).

The electrical connection between the solenoid valve on the gearbox and the electronics is thereby broken.

Malfunction message:

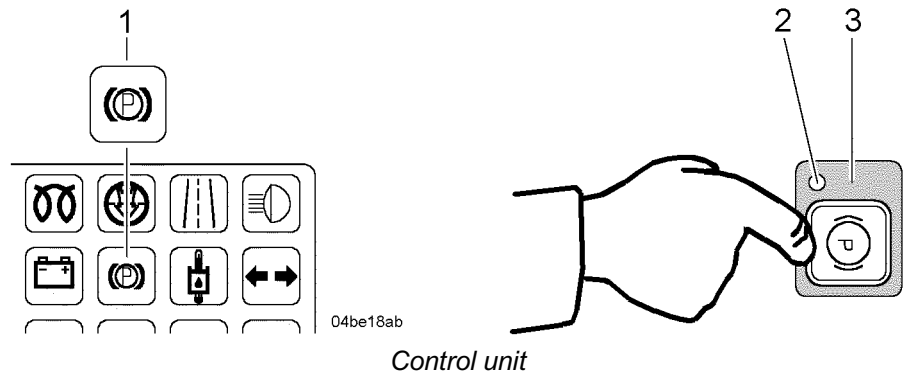
- Error code **E 81** is displayed.
 - In addition, this warning function is acoustically supported by a “continuous tone”.
- See also the “Display unit” section.



04ml04ab

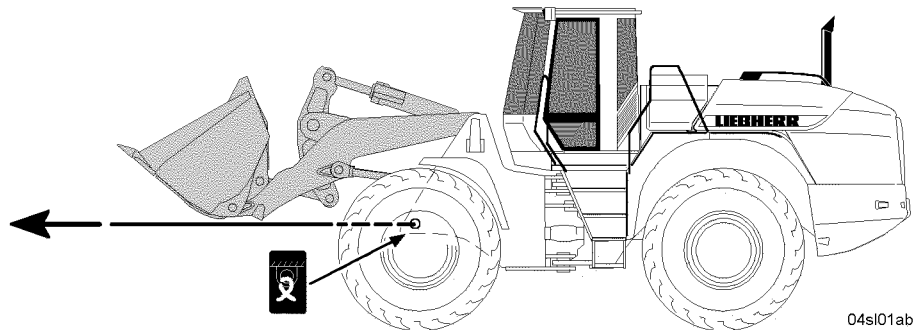
Segment display – travel range, travel speed or error codes

The vehicle’s drive functions are now inoperational.



- 1 Parking brake symbol field
- 2 LED
- 3 Parking brake button

- Release the parking brake by pressing button 3.
- The LED 2 on the button 3 goes out.
 Symbol field 1 for the parking brake goes out.
 The parking brake is released. The vehicle is now ready for towing.



Attaching towing ropes

- Feed the two towing ropes through the bore holes provided in the front section and secure them.
- Tow the vehicle out of the danger area.
- **When towing has been completed:**
 Refix the CANON plug 1 to the transfer gear.

The electrical connection between the solenoid valve on the gearbox and the electronics is thereby reestablished.

The vehicle's drive functions are operational once more.

Towing with the diesel engine switched off

In the event of serious damage to the vehicle, with breakdown of the diesel engine, the braking and steering functions will be impaired.

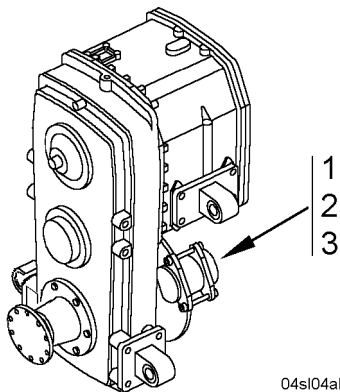
Since the brake accumulator is not filled when the diesel engine is not running, the service brake becomes ineffective after it is used a few times.

Make sure that the parking brake has been mechanically released, before the vehicle is towed away.

Danger

Risk of accidents due to the vehicle suddenly rolling away!

! Secure the vehicle against rolling.



Parking brake

- Mechanically release the parking brake.

- 1 Cover
- 2 Lock nut
- 3 Adjusting screw

- Screw cover 1 off.
- Release counter nut 2.
- Unscrew adjusting screw 3 until the brake lining carrier can be separated from the brake disc.

The parking brake is thereby released.

Warning

Risk of accidents when the vehicle is in tow!

Since the steering function is restricted, there is a risk of accidents when the vehicle is being towed!

! When the vehicle is in tow, use the emergency steering function!

- Refer to the section "Towing the vehicle when the steering system has broken down".
- Tow the vehicle with a tow bar only.
- **When towing has been completed:**
Correctly reset the parking brake.

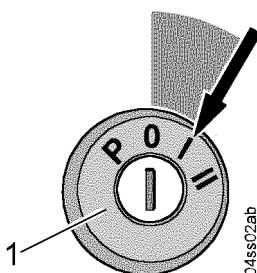
Towing the vehicle when the steering system has broken down

If the diesel engine or the steering pump break down during a journey, the emergency steering pump starts automatically for a period of approx. 50 seconds. Then the emergency steering pump switches off automatically – steering is no longer possible.

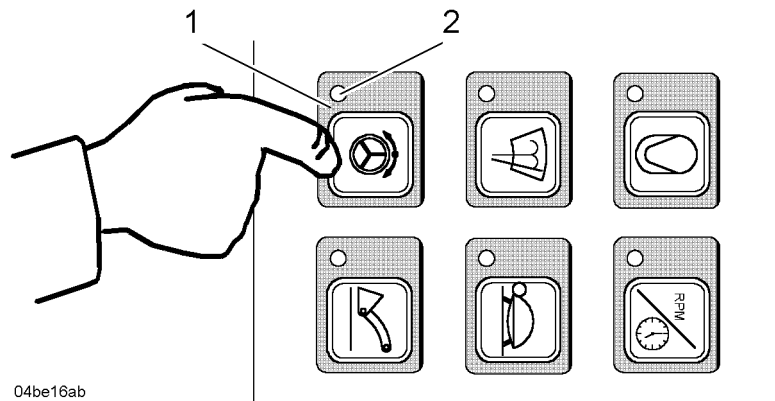
When the ignition is activated steering is possible via the repeat start of the emergency steering pump function.

Continuous operation of the emergency steering pump results in overheating of the pump motor! The thermostat switch integrated in the pump motor automatically switches the emergency steering pump off in the event of overheating.

Make sure that the vehicle's electrical system is switched on.



To activate the repeat start of the emergency steering pump, proceed as follows.



04be16ab

Control unit

- 1 Emergency steering button 2 LED

- Press the button 1 for emergency steering and keep it pressed. LED 2 on the button indicates that the function is active. The emergency steering symbol field lights up when the emergency steering function is activated. Also refer to the “Operation” under “Display unit” section. The emergency steering pump can be operated until it is switched off automatically by the integrated thermostat in the pump motor.
- If it is not possible to tow the vehicle out of the danger area during this time period:
let the pump motor cool down until the thermostat is switched on again.
- Press button 1 again for repeat start of the emergency steering pump and keep it pressed down.

3.4.2 Procedure for jump starting

When it is difficult to start due to flat batteries, the vehicle can be jump started with an external battery. Make sure that the precautions detailed below have been taken.

Connecting the external battery

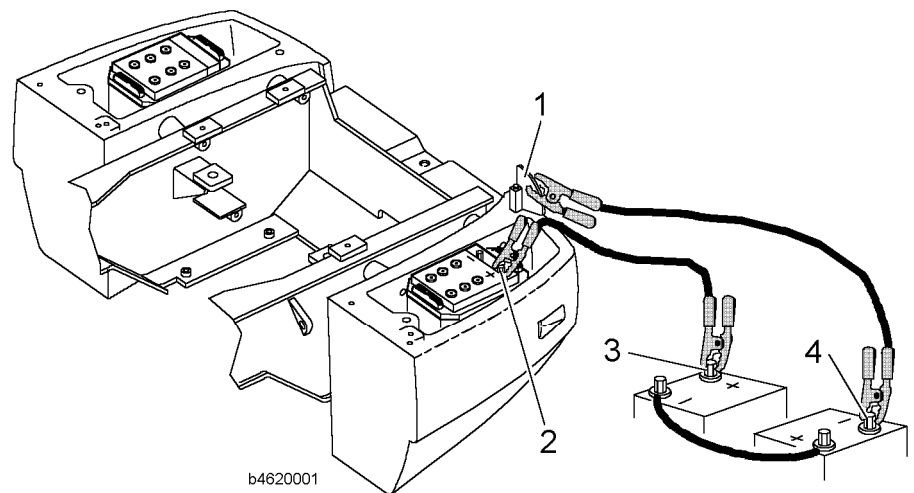
To jump start, proceed as follows.



Risk of accidents due to incorrect or careless jump starting. When external batteries are connected with old batteries there may be an increase in gas formation. There is a “RISK OF EXPLOSIONS”.

- ! Therefore, you should avoid naked flames and any sparks in the vicinity of the batteries.
- ! Protective goggles and gloves should be worn when jump starting.
- ! Only use jump starting cables with a sufficient diameter.

LBH/02/003801/0003/6.0/en



Procedure for jump starting

- | | |
|---|---|
| 1 Earth point – vehicle frame | 3 Positive terminal of the external battery/batteries |
| 2 Positive terminal of the discharged battery | 4 Earth point of the external battery/batteries |

- Connect a jump start cable first to the plus terminal of the discharged battery 2 and then to the plus terminal of the external battery 3.
- Connect the second jump start cable first to the earth point of the external battery (-ies) 4 and then to the vehicle frame earth point 1.
- Start up the diesel engine. See the “Starting the diesel engine” section.

Disconnecting the external battery

Before removing the jump start cables, the diesel engine speed must be reduced to the lower idle speed.

Excess voltage can be avoided by switching on big consumers such as floodlights.

- First remove the jump start cable from the vehicle frame earth point 1 and then from the earth point of the external battery/batteries. 4.
- Then remove the second jump start cable first from the positive terminal of the external battery/batteries 3 and then from the positive terminal of the discharged battery 2.

4 Malfunctions

Warning and fault messages

- Various faults are indicated by the pertinent symbol fields (visually) or by display instruments on the instrument panel.
See chapter “Operation, handling”, and section “Display unit” for further information.
- Warning functions may be accompanied by an audible signal.

Identifying and correcting faults and errors

- Faults can often be traced back to the fact that the vehicle was incorrectly operated or serviced.

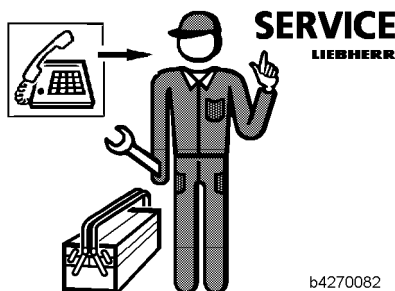
Therefore, carefully read the appropriate section of the “Operating instructions” each time a fault occurs.

- **Analyse the cause of the fault and correct it immediately!**
- Describe the fault and all related circumstances as accurately as possible if you decide to contact **LIEBHERR CUSTOMER SERVICE**.

Precise descriptions will help us isolate the fault and quickly correct it.

For this purpose, precise details about the vehicle type and serial number are required.

- Do not attempt any jobs for which you are not trained or instructed.



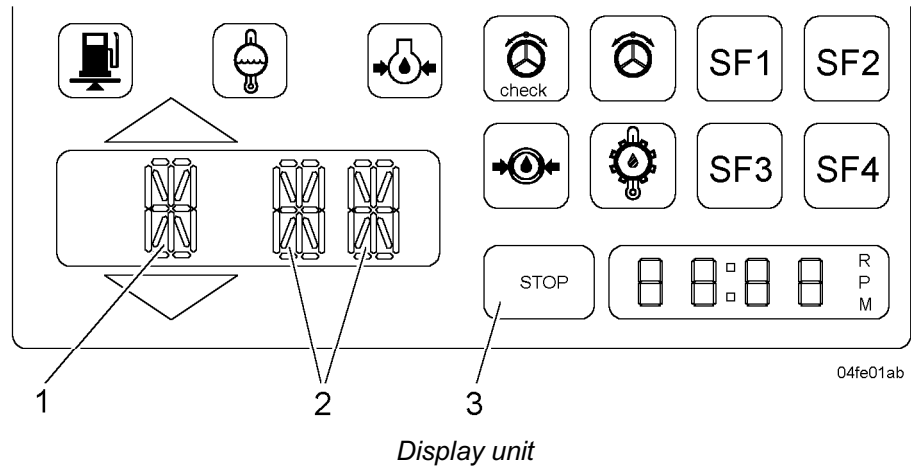
b4270082

If you are not able to identify the cause of the fault with the “Error code tables,” or are not able to remedy the fault, contact LIEBHERR CUSTOMER SERVICE.

4.1 Error code tables

4.1.1 Error code – indication on the display

The hydrostatic travel drive and the travel gear are monitored by the gearbox electronics. The system is monitored for short circuits, cable rupture, external voltage and incorrect input and output signals. In addition, the gearbox electronics continuously checks program sequence and communication with the display unit.



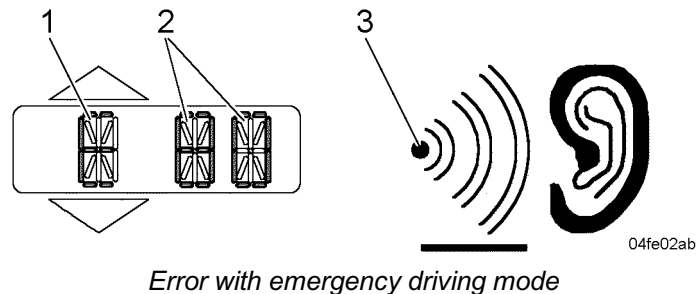
- 1 Display for travel range or error message – **Error**
- 2 Display for travel speed or error code
- 3 Display “STOP”

If an error occurs when the vehicle is started or when in use, this is indicated in the display unit. A distinction is made in the process between two types of errors.

- Error with emergency driving mode
- Error - vehicle is shut down

Error with emergency driving mode

If errors occur which cannot damage the vehicle, only the affected function is shut down. The vehicle can only be temporarily driven in emergency driving mode.



If one of these errors occurs, an “E” for error appears in display 1 and in addition an audible signal is emitted from the beeper 3 as a “continuous tone”.

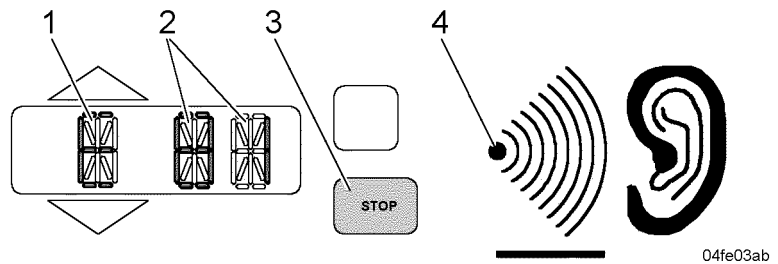
The error code is not shown on the display until parking brake 2 is engaged. Make a note of the error code, as it will be deleted when the ignition is switched off.

In emergency driving mode, only manual selections without automatic are possible. Only the driving ranges- 1 -, - 2 - or - 3 - can be selected when the vehicle is at a standstill.

Have the error corrected by LIEBHERR CUSTOMER SERVICE.

Error - vehicle is shut down

If errors occur which can damage the vehicle, the entire vehicle is shut down. In the process, the neutral travel direction is automatically selected and the vehicle coasts to halt.



Error display - vehicle is shut down

If this error occurs, the system reacts as follows:

- An “E” for error appears in the display 1
- The display 2 shows the error code (when the parking brake is active)
- The symbol field 3 for “STOP” lights up
- The beeper 4 issues an acoustic signal in the form of a “continuous tone”
- The vehicle is brought to a standstill by selecting the neutral travel direction.

The error code is not shown on display 2 until the parking brake is engaged or until the neutral travel direction - N - is selected.

Make a note of the error code, as it will be deleted when the ignition is switched off.

Have the error corrected by LIEBHERR CUSTOMER SERVICE.

Error code	Symptom	Cause	Solution
- EE	Machine stops	Display unit power supply connected, but no communication with the electronics or control unit	Contact LIEBHERR CUSTOMER SERVICE
E 61	Emergency driving mode	Short circuit on M1 - M9 which was already present when on-board circuit was switched on.	Contact LIEBHERR CUSTOMER SERVICE
E 62	Machine stops	Break at an output, already present when on-board circuit was switched on.	Contact LIEBHERR CUSTOMER SERVICE
E 64	Machine stops	Invalid input combination (LH control lever V/R rocker or jog +/-)	Contact LIEBHERR CUSTOMER SERVICE
E 65	Machine stops	On-board circuit over / undervoltage (>39 V or >13 V)	Contact LIEBHERR CUSTOMER SERVICE
E 66	Machine stops	Incorrect RAM information (memory test failed)	Contact LIEBHERR CUSTOMER SERVICE
E 67	Machine stops	Incorrect drive program (data comparison failed)	Contact LIEBHERR CUSTOMER SERVICE
E 68	Machine stops	Incorrect program run (software test for all program sections)	Contact LIEBHERR CUSTOMER SERVICE
E 69	Emergency driving mode	Output speed sensor failure	Contact LIEBHERR CUSTOMER SERVICE

LBH/02/003801/0003/6.0/en

Error code	Symptom	Cause	Solution
E 70	Emergency driving mode	Drive detector failure	Contact LIEBHERR CUSTOMER SERVICE
E 71	Emergency driving mode	Display interface error	Contact LIEBHERR CUSTOMER SERVICE
E 72	Machine stops	Drive and power output detector failure	Contact LIEBHERR CUSTOMER SERVICE
E 73	Machine stops	Slippage in travel gear	Contact LIEBHERR CUSTOMER SERVICE
E 74	Emergency driving mode	M1 short circuit	Contact LIEBHERR CUSTOMER SERVICE
E 75	Emergency driving mode	Circuit break at M1	Contact LIEBHERR CUSTOMER SERVICE
E 76	Machine stops	External voltage at M1	Contact LIEBHERR CUSTOMER SERVICE
E 77	Emergency driving mode	M2 short circuit	Contact LIEBHERR CUSTOMER SERVICE
E 78	Machine stops	Circuit break or external voltage at M2	Contact LIEBHERR CUSTOMER SERVICE
E 80	Emergency driving mode	M3 short circuit	Contact LIEBHERR CUSTOMER SERVICE
E 81	Machine stops	Circuit break or external voltage at M3	Contact LIEBHERR CUSTOMER SERVICE
E 83	Emergency driving mode	M4 short circuit	Contact LIEBHERR CUSTOMER SERVICE
E 84	Machine stops	Circuit break or external voltage at M4	Contact LIEBHERR CUSTOMER SERVICE
E 85	Emergency driving mode	M5 short circuit	Contact LIEBHERR CUSTOMER SERVICE
E 86	Machine stops	Circuit break or external voltage at M5	Contact LIEBHERR CUSTOMER SERVICE
E 87	Emergency driving mode	M6 short circuit	Contact LIEBHERR CUSTOMER SERVICE
E 88	Machine stops	Circuit break or external voltage at M6	Contact LIEBHERR CUSTOMER SERVICE
E 89	Emergency driving mode	M7 short circuit	Contact LIEBHERR CUSTOMER SERVICE

Error code	Symptom	Cause	Solution
E 90	Emergency driving mode	Circuit break or external voltage at M7	Contact LIEBHERR CUSTOMER SERVICE
E 91	Emergency driving mode	Maximum system pressure exceeded (K1 >22 bar)	Contact LIEBHERR CUSTOMER SERVICE
E 92	Machine stops	K1 is blocked (K1 >1 bar)	Contact LIEBHERR CUSTOMER SERVICE
E 93	Emergency driving mode	M9 short circuit	Contact LIEBHERR CUSTOMER SERVICE
E 95	Machine stops	Pressure in the selected coupling K1 is too low (<11 bar)	Contact LIEBHERR CUSTOMER SERVICE
E 98	Emergency driving mode	Pressure sensor K1 error (>4.5 V or <0.25 V)	Contact LIEBHERR CUSTOMER SERVICE
E 99	Emergency driving mode	Pressure sensor inching error (>4.5 V or <0.25 V)	Contact LIEBHERR CUSTOMER SERVICE
E 9A	Emergency driving mode	Load sensor error (>4.5 V or <0.25 V)	Consult LIEBHERR CUSTOMER SERVICE
E 9C	Emergency driving mode	Circuit break or external voltage at M9	Contact LIEBHERR CUSTOMER SERVICE
E 9E	Emergency driving mode	Short circuit or external voltage with 5 V supply voltage	Contact LIEBHERR CUSTOMER SERVICE
E 9F	–	Short circuit at output for tractive force limitation	Contact LIEBHERR CUSTOMER SERVICE
E A0	Emergency driving mode	Error on kick-down button	Contact LIEBHERR CUSTOMER SERVICE

4.1.2 Error code (supplementary) – indication on the display

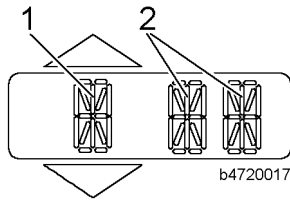
Valid for: L554-452/0287-

For vehicles starting with serial no. (see information above – applies to:) supplementary error codes will be shown on the display unit or stored in the error memory.

For descriptions not detailed here: See “Error code– Indication on the display” section.

All error codes from **E 11** to **E 13**, **E 21** to **E 31** (E 31 = EE) and **E 61** to **E A0** are stored in the error memory and, with the use of supplemental data, can be evaluated by LIEBHERR CUSTOMER SERVICE.

Description of error codes **EE** and **E 61** through **E A0**: See “Error code– Indication on the display” section.



Error code display:

- Shown by **E** in segment field 1 for the travel range and the **code number** in segment field 2 for the travel speed.

Types of errors in the display unit:

- Errors **E 11** through **E 13** are displayed for approx. 3 seconds only if the ignition has been switched ON.
- Errors **E 21** through **E 30** are not indicated on the display unit.
- Error **E 31** is indicated by the display of **EE** in segment field 2 for travel speed.

When an error code is displayed, an acoustic signal in the form of a “continuous sound” is emitted from the beeper.

Exceptions are: **E 11** through **E 13**, **E 29** through **E 30** and **E 31** (E 31 = EE)

Error code	Symptom	Cause	Solution
E 11	No effect	Incorrect RAM information for operating hours	Contact LIEBHERR CUSTOMER SERVICE
E 12	No effect	Incorrect EEPROM information for operating hours	Contact LIEBHERR CUSTOMER SERVICE
E 13	Noting function for button inactive	Incorrect EEPROM information for “stored buttons”	Contact LIEBHERR CUSTOMER SERVICE
E 21	Engine oil pressure symbol field is illuminated	Engine oil pressure is too low (switch)	Check engine oil level
E 22	Coolant level symbol field is illuminated	Coolant level too low	Top up coolant
E 23	Hydraulic oil temperature symbol field is illuminated	Hydraulic oil temperature is too high	Clean cooler
E 24	Brake accumulator pressure symbol field is illuminated	Brake accumulator pressure is too low	Contact LIEBHERR CUSTOMER SERVICE
E 25	Gearbox oil temperature symbol field is illuminated	Gearbox oil temperature is too high	Contact LIEBHERR CUSTOMER SERVICE
E 26	Coolant temperature symbol field is illuminated	Coolant temperature is too high	Clean cooler

Error code	Symptom	Cause	Solution
E 27	Engine oil pressure symbol field is illuminated	Engine oil pressure is too low (sensor)	Check engine oil level
E 28	Emergency steering function symbol field is illuminated	The emergency steering is not building up pressure	Contact LIEBHERR CUSTOMER SERVICE
E 29	No effect	Diesel engine speed has been exceeded (> 2500 rev/min): This may occur if downward travel is too rapid	In future brake at a lower speed --> Braking
E 30	No effect	Diesel engine speed is too low (> 500 rev/min): If the diesel engine falls below 500 rev/min --> there is no fuel, air or diesel feed is too low	Check air and diesel filters and top up fuel

4.1.3 Audible warning signals



Those warning messages which are accompanied by an audible signal are listed in the table below with their causes and remedies .

There are three different “acoustic warning signals”:

- Interval tone (tone sequence is 5 x tones followed by 5 sec pause)
- Interval tone (without pause)
- Continuous tone

Error signal	Cause	Solution
Coolant temperature segment field indicates high temperature; interval tone sounds. Tone sequence: 5 x tones followed by 5 secs pause	Coolant temperature over 95 °C	Clean the cooling system
	Error in the cooling or electrical system	Contact LIEBHERR CUSTOMER SERVICE
Interval tone sounds tone sequence: 5 x tones followed by 5 secs pause	Hydraulic oil temperature over 95°C	Clean the cooling system
	Error in the cooling, hydraulic or electrical system	Contact LIEBHERR CUSTOMER SERVICE
Emergency steering symbol field lights up; interval tone (without pause) sounds.	Activation of the emergency steering function when the steering pump breaks down	Drive or tow vehicle out of the danger area and consult the LIEBHERR CUSTOMER SERVICE.
	Error in the electrical system	Contact LIEBHERR CUSTOMER SERVICE

LBH/02/003801/0003/6.0/en

Error code tables

Error signal	Cause	Solution
Engine overheating and coolant level symbol field flashes; continuous tone after 10 sec.	Coolant temperature over 100 °C	Clean the cooling system
	Coolant level too low	Top up with coolant
	Error in the electrical system	Contact LIEBHERR CUSTOMER SERVICE
Engine oil pressure flashes symbol field; continuous tone after 10 sec.	Insufficient engine oil	Check the oil level and top up with engine oil if necessary
	Error in the diesel engine oil supply	Contact LIEBHERR CUSTOMER SERVICE
Hydraulic oil overheating symbol field lights up; continuous tone after 10 sec.	Hydraulic oil temperature over 100 °C	Clean the cooling system
	Error in the cooling or hydraulic systems	Contact LIEBHERR CUSTOMER SERVICE
Gear oil overheating symbol field lights up; continuous tone after 10 sec.	Gear oil temperature over 120 °C: fault in gearbox	Contact LIEBHERR CUSTOMER SERVICE
Brake system accumulator pressure symbol field lights up; continuous tone after 10 sec.	Insufficient brake accumulator pressure: due to prolonged standstill of vehicle	Start the engine: When the diesel engine runs, the brake accumulators will be filled
	Error in brake accumulator or brake system	Contact LIEBHERR CUSTOMER SERVICE
Error code segment display shows error code and continuous tone is sounded.	Refer to the error code tables section	Refer to the error code tables section

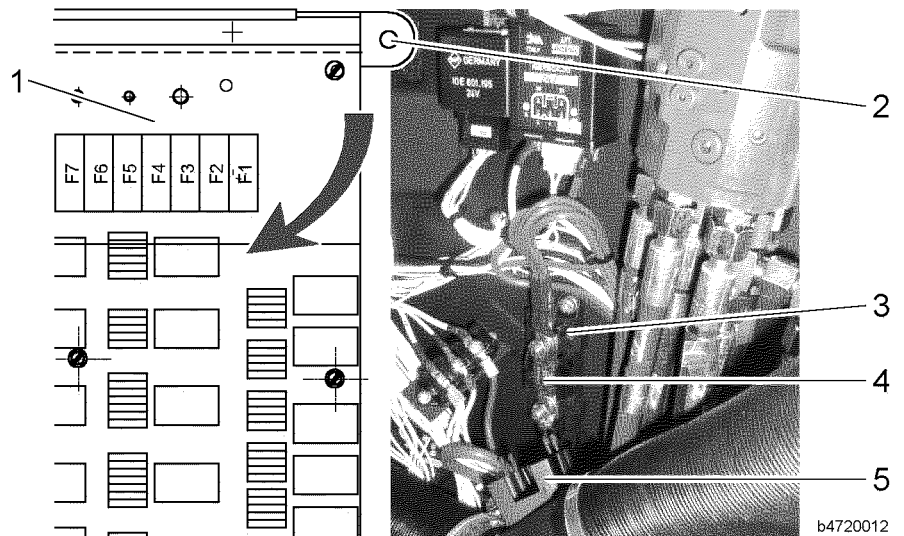
4.2 Eliminating malfunions

4.2.1 Changing fuses

In order to avoid damage to the electrical system, only fuses with the appropriate ampere rating may be used.

Ensure that the electrical circuit in question is checked before changing the fuse.

Mega fuses



Main fuse

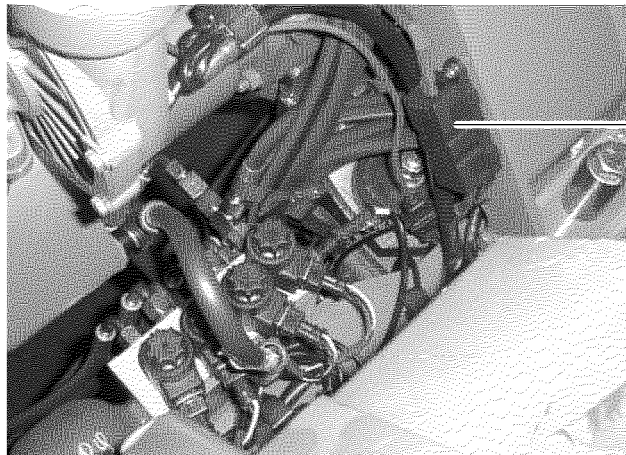
- 1 Control board A12
- 2 Fixing screw
- 3 Fuse box
- 4 Main fuse – F01
- 5 Cover – fuse box (removed)

Fuse	Value	Unit	Use	Location
F01	100	A	Main fuse	Behind the control board
F02	200	A	Emergency steering pump	On the left-hand side in the engine compartment on the hydraulic tank frame

Mega fuses

- **If main fuse 4 must be replaced:**
Open the driver's cab door on the right-hand side.
- Unscrew the console cover.
- Unscrew the fixing screw 2 for control board 1.
- Use the table above to identify the defective fuse.
- Remove cover 5 from fuse box 3.
- Unscrew the defective fuse and replace it with a new fuse with the same rating.

- **If the fuse for the emergency steering pump must be replaced:**
Open engine compartment hood.

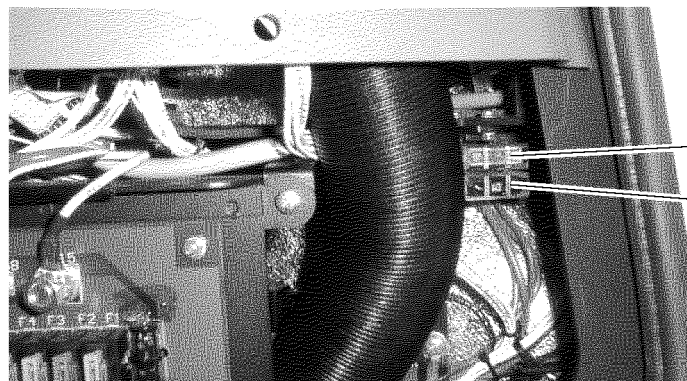


b4720014

Emergency steering pump fuse

- Remove the cover from the fuse box 1.
- Use the table above to identify the defective fuse.
- Unscrew the defective fuse and replace it with a new fuse with the same rating.

Maxi Fuses



b4720013

Fuses

1 Plug-in fuse – F03

2 Plug-in fuse – F04

Fuse	Value	Unit	Use	Location
F03	30	A	Engine solenoid	Behind the console cover to the right of the inner tube heater
F04	60	A	Preglow device	Behind the console cover to the right of the inner tube heater

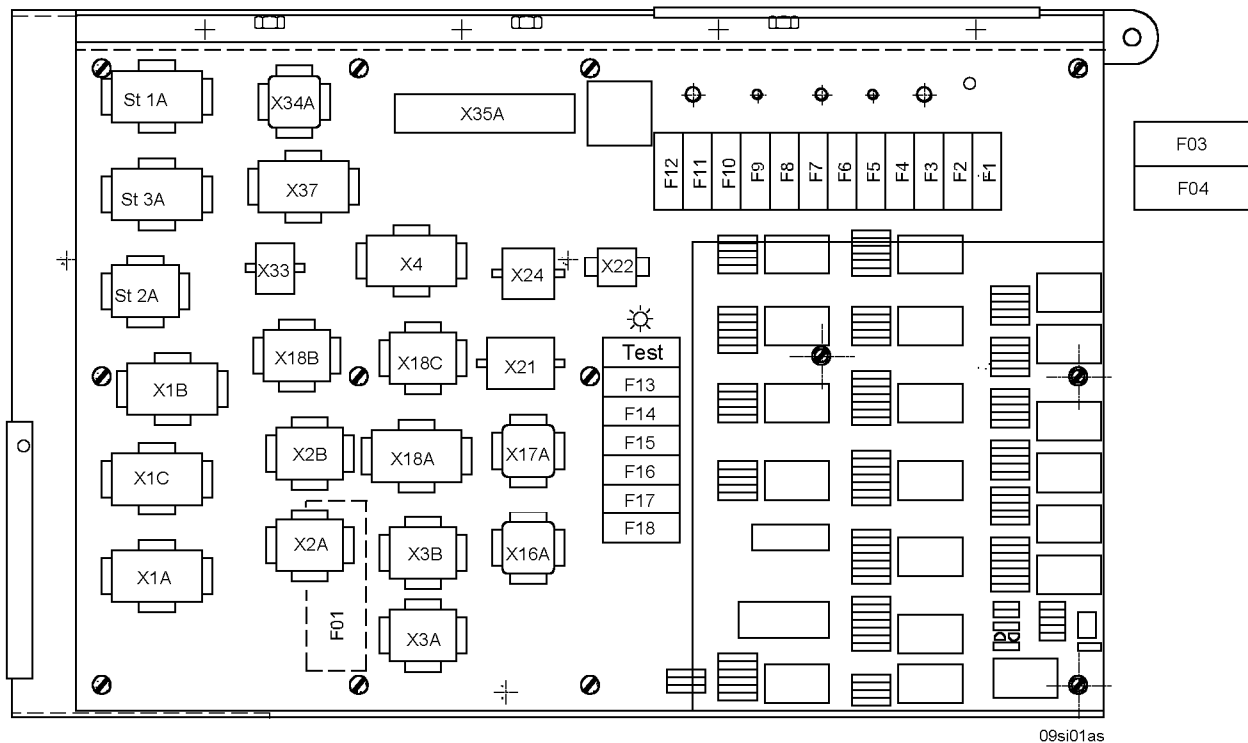
Maxi Fuses

- Open the driver's cab door on the right-hand side.
- Unscrew the console cover.
- Use the table above to identify the defective fuse.
- Take out the defective fuse and replace it with a new fuse with the same rating.

LBH/02/003801/0003/6.0/en

Plug-in fuses on control board A12

The control circuit board, electronics, relays, main fuse and the plug-in fuses are located behind the right-hand door and panel covering.



Control circuit board A12 with plug-in fuses F1-18

- F1 -15A Windscreen wiper/washer system front, horn
- F2 –10A Lifting limit switch, working hydraulics lock, bucket return-to-dig, float position, parking brake
- F3-15A Blower motor, air-conditioning compressor, air-conditioning system
- F4 -15A Windscreen wiper, rear washing pump, central lubrication system
- F5-7.5A Supply control unit KL 15
- F6 -7.5A Relay motor stop / preglow
- F7 -15A Cab light, socket, radio, compressor seat
- F8 - Free
- F9 -10A Electronics A1, emergency steering pressure switch supply
- F10-10A Gearbox control electronics A2, parking brake
- F11-10A Flashing warning system / control unit KL30
- F12-15A KL30 Steering column switch (light horn)
- F13-7.5A Tail lamps, sidemarker lamp, profile lights right
- F14 – 7.5A Tail lamps, sidemarker lamp, profile lights left
- F15 – 7.5A Driving headlight, right (dipped beam)
- F16 – 7.5A Driving headlight, left (dipped beam)
- F17 – 7.5A Driving headlight, left (high beam)
- F18 – 7.5A Driving headlight, right (high beam)

- Open the driver's cab door on the right-hand side.
- Unscrew the console cover.

- Use the fuse chart above to identify the defective fuse.
- Take out the defective fuse and replace it with a new fuse with the same rating.
- Check that the plug-in fuses (F1 - F18) are functioning at the fuse base "TEST", before replacement. If the fuse is intact, the LED lights up.

5 Maintenance

5.1 Maintenance and inspection schedule

The following abbreviations are used in this section:

- h = Service hours
- OM = Operating manual
- SM = Service manual
- AST = Authorised specialist technicians
- MP = Maintenance personnel

The two types of maintenance work are distinguished by the following indicators (circle, box, star – filled, or circle, box, star – empty).

The markings have the following meaning:

Example 1 – Paper documentation

table with circle, box, star – filled

Example 2 – Online documentation

table with dark grey symbol in the field

1		●	●				★
2		●	●	●			★

bsym0031

Reference sample

- Here, the vehicle operator or his maintenance personnel are responsible for carrying out maintenance tasks.

This affects the maintenance intervals: every 10 and 50 service hours (h) and non-scheduled intervals.

The markings have the following meaning:

Example 1 – Paper documentation

table with circle, box, star – empty or specifications from (h)

Example 2 – Online documentation

table with yellow symbol or specifications from (h) in the field

1	□		○	○	○		☆
2	✓		○	○	○		☆

bsym0032

Reference sample

- Here, authorised specialist technicians from LIEBHERR or its authorised dealers must perform or direct maintenance and inspection work.

This affects the maintenance intervals: on delivery, every 500, 1000, 2000 service hours (h), and at unscheduled times.

You will find a list of the spare parts needed for maintenance and inspection work in the “SERVICE PACKAGE” of the spare parts list.

Customer: Machine type: Serial No.: Oper. hours: Date:

Maintenance/inspection according to operating hours							TASKS TO BE PERFORMED		Note on execution
on delivery, over every 10	every 50	every 500	every 1000	every 2000	Special intervals	by maintenance personnel	by authorised qualified personnel	OM Page	
						■ one-off activity ● repetition interval † if necessary * annually at the start of the cold season	□ one-off activity ○ repetition interval ‡ if necessary		
						OM - operating manual SM -service manual	h – operating hours		
Overall vehicle									
<input type="checkbox"/>							The driver should lubricate the vehicle in accordance with the lubrication chart and instructed on proper maintenance		
<input type="checkbox"/>							Instruct the driver in the operation of all functions		
	●	●	○	○	○		Check the vehicle for external damage		
						†	Check that all screwed connections are tight		
<input type="checkbox"/>						†	Seal any external leaks as necessary		
			□	○	○		Check the hydraulic pressures initially after 500 h, and thereafter every 1000 h		
				○	○		Check the hydraulic pressure every 1000 h		
					○		Check the hydraulic pressure every 2000 h		
Diesel engine, Pump distributor gear									
<input type="checkbox"/>	●	●	○	○	○		Check oil level - diesel engine		
<input type="checkbox"/>	●	○	○	○	○		Checking the oil level in the pump distributor gear		
<input type="checkbox"/>	●	○	○	○	○		Draining off water and sediment from the fuel tank		
			○	○	○	250H	Replace engine oil (once every 500 h; normal interval is every 250 h or 500 h, depending on oil specifications)		
			○	○	○		Replace the oil filters		
			○	○	○		Check engine speed		
			○	○	○		Check and, if necessary replace V-ribbed belt		
			○	○	○		Check turbo hose		
				○	○		Make sure that the air inlet and exhaust lines are securely attached		
				○	○		Check valve play		
			□	○	○		Replace the gear oil in the pump distributor gear		
					○		Lightly grease the ring gear on the flywheel		
					○	*	Check the flame glow system		
					○	‡	Replace filter insert in the fuel separator		
				○	○	‡	Replace fuel fine filter		
						3000H	Replace oil separator (minimum of every 2 years)		
						‡	Check injection valves (in case of a drop in power)		
		■	○	○	○	†	Drain off condensate from the fuel separator		
			○	○	○	‡	Drain off condensate from the fuel filter		

LBH/02/003801/0003/6.0/en

Customer: Machine type: Serial No.: Oper. hours: Date:

Maintenance/inspection according to operating hours							TASKS TO BE PERFORMED		Note on execution
on delivery	every 10	every 50	every 500	every 1000	every 2000	Special intervals	by maintenance personnel ■ one-off activity ● repetition interval † if necessary * annually at the start of the cold season OM - operating manual SM -service manual	by authorised qualified personnel □ one-off activity ○ repetition interval † if necessary h – operating hours	OM Page
				○	○	†			Clean or replace the air filter - main element (replace safety element after having replaced the main element 3 times)
		●	○	○	○	†			Clean service cap and dust extraction valve on the air filter
Cooling system									
□	●	○	○	○					Check coolant level
			○	○	○				Replace the coolant filter
			○	○	○	*			Check anti-freeze protection and DCA-4 concentration in the coolant
						†			Clean the cooling system
						3000H			Replace coolant with anti-freeze protection and DCA-4 (at least every 2 years)
Working hydraulics									
□	●	●	○	○	○				Check oil level in the hydraulic tank
□		■	○	○	○	250H			Checking and cleaning the magnetic rod on the hydraulic tank
			○	○	○				Drain water and sediment from the hydraulic tank
				○	○				Replace return suction filter
			□	○	○				Clean the return strainer on the hydraulic tank
						10000H			Replace the return strainer on the hydraulic tank
				○	○				Lubricate pilot control unit, clean magnets and lubricate universal joints
				○	○				Replace breather filter on the hydraulic tank
				○					Replace hydraulic oil
Steering system									
□	●	●	○	○	○				Checking the steering for proper functioning
□		●	○	○	○				Lubricating the bearing points on the steering cylinders
Braking system									
□	●	●	○	○	○				Checking that the service and parking brakes are functioning properly
				○	○				Check the play and wear on the parking brakes
Electrical system									
□	●	●	○	○	○				Checking indicator lamps and lighting
			○	○	○				Check batteries, fluid level and terminals
Transfer gear									
□		●	○	○	○				Check the oil level(s)

LBH/02/003801/0003/6.0/en

Customer: Machine type: Serial No.: Oper. hours: Date:

Maintenance/inspection according to operating hours							TASKS TO BE PERFORMED		Note on execution
on delivery	every 10	every 50	every 500	every 1000	every 2000	Special intervals	by maintenance personnel ■ one-off activity ● repetition interval † if necessary * annually at the start of the cold season OM - operating manual SM -service manual	by authorised qualified personnel □ one-off activity ○ repetition interval † if necessary h – operating hours	OM Page
			○	○	○		Replace filter insert in the in-line filter		
			□	○	○		Replace gear oil(s)		
Axles, Tyres									
□		●	○	○	○		Lubricating the drive shafts		
□		■	○	○	○		Checking the tightness of the wheel lugs (once after 50, 100 and 250 h)		
□			○	○	○		Check the oil levels		
			□	○	○		Change gear oils		
□						†	Check and if necessary, adjust tyre pressure on attachments and accessories		
Vehicle frame, Ballast weight									
□		●	○	○	○		Lubricating the oscillating axle frame and articulation bearing		
Central lubrication system									
□		●	○	○	○		Check whether metered quantities are adequate at the bearing points (grease collars)		
□		●	○	○	○		Check the hose lines (lubrication points, detached hoses, external leakage)		
Cab, Heating, Air-conditioning system									
			○	○	○		Check the indicator beads in the dryer-collector unit		
				○	○	†	Lubricate the door hinges		
						†	Clean or replace the fresh air and recirculated air filter as required		
Lift arm, Quick-change device									
□		●	○	○	○		Lubricate bearings and lubrication points		
□		●	○	○	○	†	Lubricate bucket bearings (the lower bucket bearings - if necessary - daily)		
		●	○	○	○		Check the bucket bearing seals		
			○	○	○		Check the lift arm and bucket stops		

LBH/02/003801/0003/6.0/en

5.2 Lubricant chart, Filling quantities

5.2.1 Table of filling quantities

The values stated for the filling quantities in the table are only guidelines:

- in each case, the dipstick or level markings are definitive
- Each time the oil is replaced or topped up, the level in the unit in question must be checked.

For more detailed information about the required lubricants and service fuels, see the “Lubricants and fuels” section.

Hydraulic tank contents 115 litres

Valid for: L554-452/0104-0318

Hydraulic tank contents 120 litres

Valid for: L554-452/0319-



Name	Medium	Dosage	Units
Transfer gear, powershift section	Lubricating oil	15	l
Transfer gear, final drive section	Lubricating oil	6	l
Cooling system – diesel engine	Coolant	32.5	l
Diesel engine (with filter change)	Lubricating oil	16	l
Pump distributor gear	Lubricating oil	2.5	l
Front axle	Lubricating oil	32	l
Rear axle	Lubricating oil	25	l
Hydraulic tank	Hydraulic oil	115	l
Hydraulic tank	Hydraulic oil	120	l

LBH/02/003801/0003/6.0/en



06sy03ab



bsym0029

Name	Medium	Dosage	Units
Total contents of hydraulic system	Hydraulic oil	220	l
Air-conditioning system	Refrigerant	1800	g

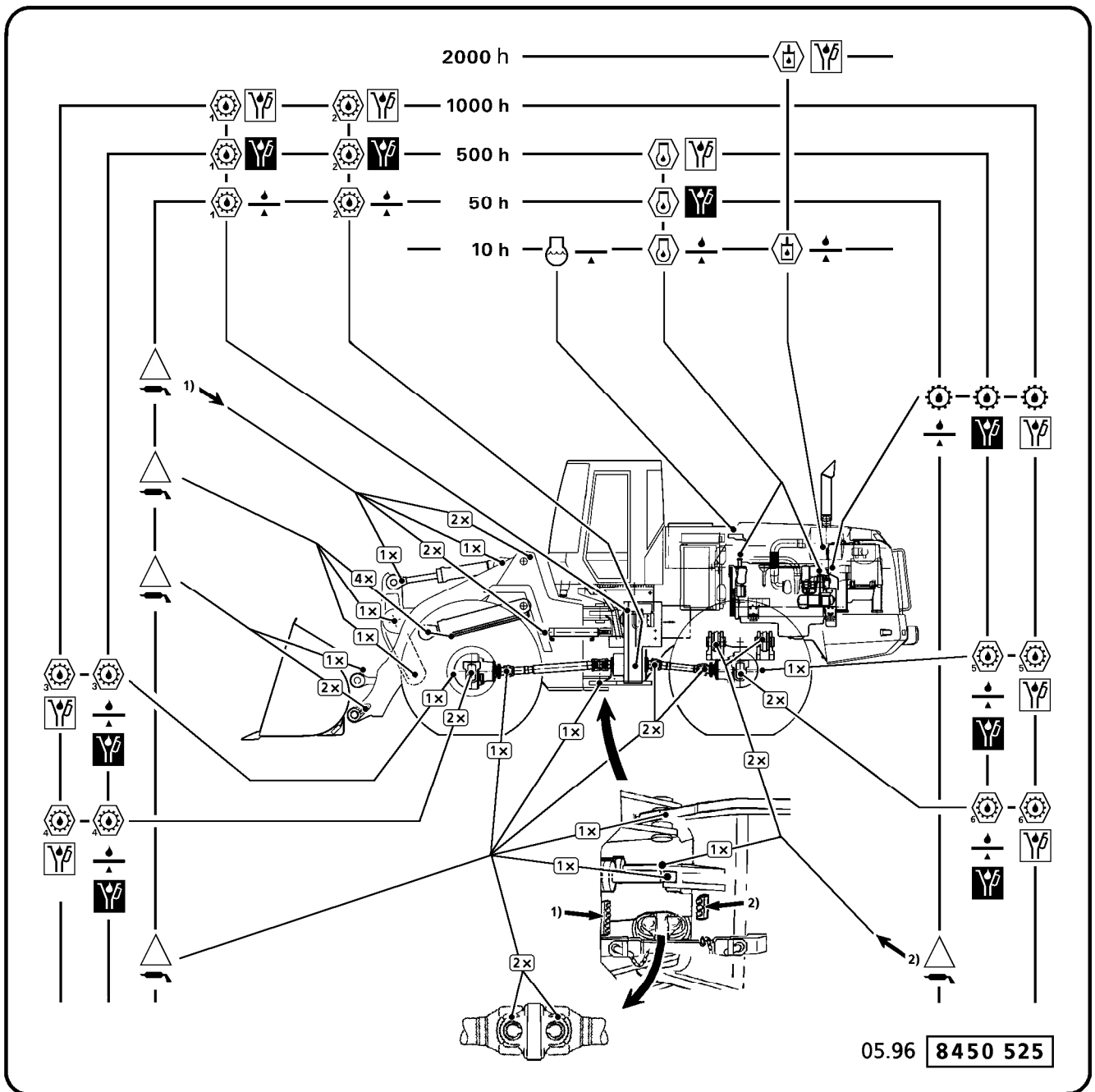
5.2.2 Lubricant chart


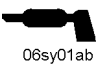

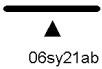


The lubrication chart provides an overview of the location of the maintenance points on the vehicle and of their maintenance intervals.

You will find detailed information in the "Maintenance and inspection schedule" section, as well as in the individual descriptions of the maintenance tasks. Please see the "Maintenance tasks" section.

For more detailed information about the required lubricants and service fuels, see the "Lubricants and fuels" section.

For information about the required filling quantities, see the "Tables of filling quantities" section.



Symbol	Name	Symbol	Name
 06sy09ab	General lubrication points	 06sy01ab	Lubrication
 06sy13ab	Check the oil level	 06sy21ab	Check coolant level
 06sy11ab	Oil change	 06sy12ab	First oil change

LBH/02/003801/0003/6.0/en

5.3 Maintenance tasks

5.3.1 Preparatory tasks for maintenance

Before the various maintenance tasks are performed, the vehicle must be moved into the maintenance position unless otherwise explicitly specified in the description.

The various maintenance tasks include:

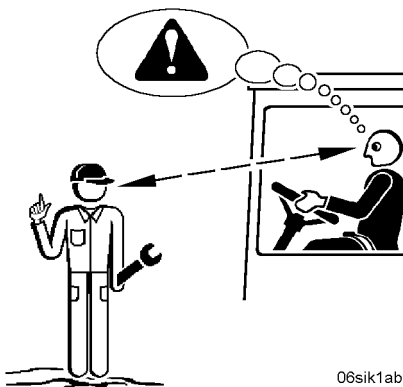
- Lubricating the lift arm
- Checking the oil level or changing the oil in the engine, transfer gear, axles, hydraulic tank, etc.
- Replacing filter as well as adjustment and repair work on the hydraulic system

Safety precautions for maintenance

It is essential that the accident prevention regulations are observed during maintenance work.

See the section "Measures to ensure safe maintenance".

Make sure that visual contact between the operator in the cab and maintenance personnel is always maintained.



06sik1ab

Visual contact

Danger

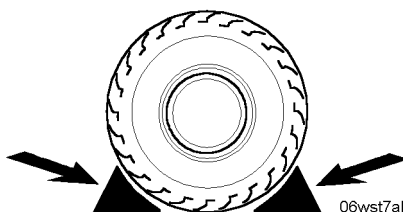


Risk of accidents for maintenance personnel!

Manipulation of the vehicle by unauthorised persons can place the maintenance personnel in extreme danger!

! Never enter one of the vehicle's danger areas without making your presence known.

- Make yourself clearly visible before entering one of the machine's danger areas.
- Secure the vehicle against unforeseen rolling away with wheel wedges.



06wst7ab

Wheel wedges

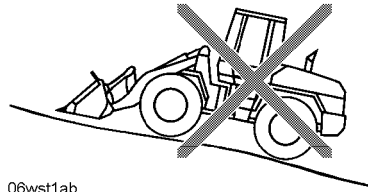
Maintenance positions

The maintenance position depends on the maintenance task to be performed.

The two basic maintenance positions 1 and 2 are described below. They enable access to the individual maintenance points.

Maintenance position 1

To move the vehicle into the maintenance position 1, proceed as follows. For a detailed description of the individual procedures, see the section "Operation, Handling".



06wst1ab

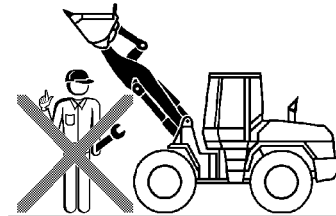


Maintenance position 1

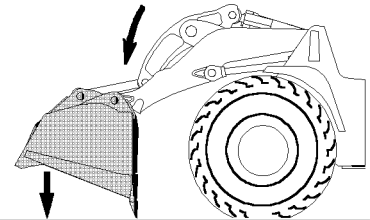
- Park the vehicle on level ground.
- Lower the lift arm.
- Set the bucket down flat onto the ground.
- Shut down the diesel engine.
- Take out the starting key.

Maintenance position 2

To move the vehicle into the maintenance position 2 proceed as follows. For a detailed description of the individual procedures, see the section "Operation, Handling".



06wst5ab



Maintenance position 2

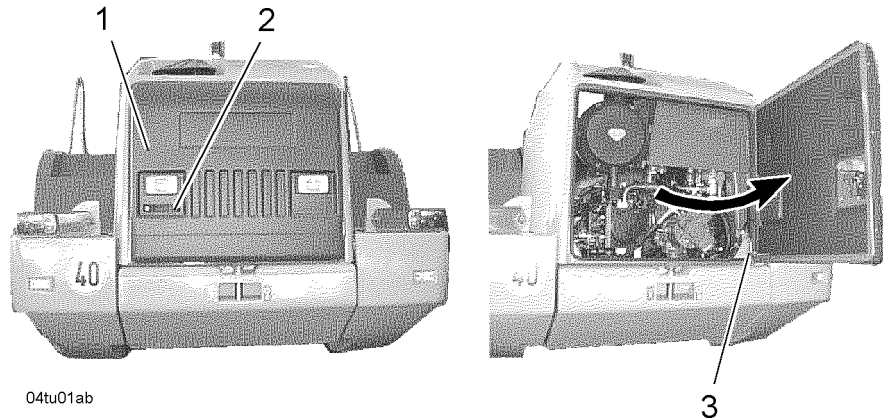
- Park the vehicle on level ground.
- Engage the articulation lock.
- Lower the lift arm.
- Tilt the bucket out and set it down on the ground on its teeth or cutting edge.
- Shut down the diesel engine.
- Take out the starting key.

Opening the service doors and hoods

Open engine compartment door

When the door is open, you have access to the following units or components:

- hydraulic pumps
- Hydraulic tank
- Hydraulic tank shut-off valve
- Air filter
- Battery main switch



04tu01ab

Engine compartment door

- 1 Engine compartment door
- 2 Handle with lock

- 3 Spring lock

Caution 

Risk of accidents! Engine compartment may close unexpectedly.

! Check that the complete open door position can be secured by the spring lock.

- Open the lock with the starting key.
- Completely open the door 1 with the handle 2.

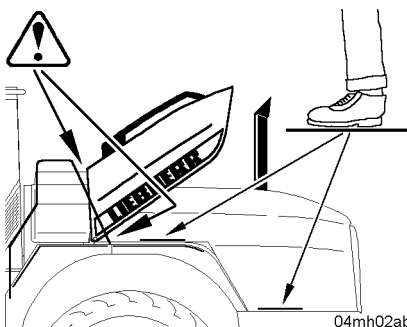
The spring lock 3 snaps into place.

Open engine compartment hood

When the hood is open, you can access the following units:

- Diesel engine
- Cooling system
- Pump distributor gear

When opening or closing the hood: climb onto the vehicle via the cab access only and make sure that you have secure footing.



Foot plates

LBH/02/003801/0003/6.0/en

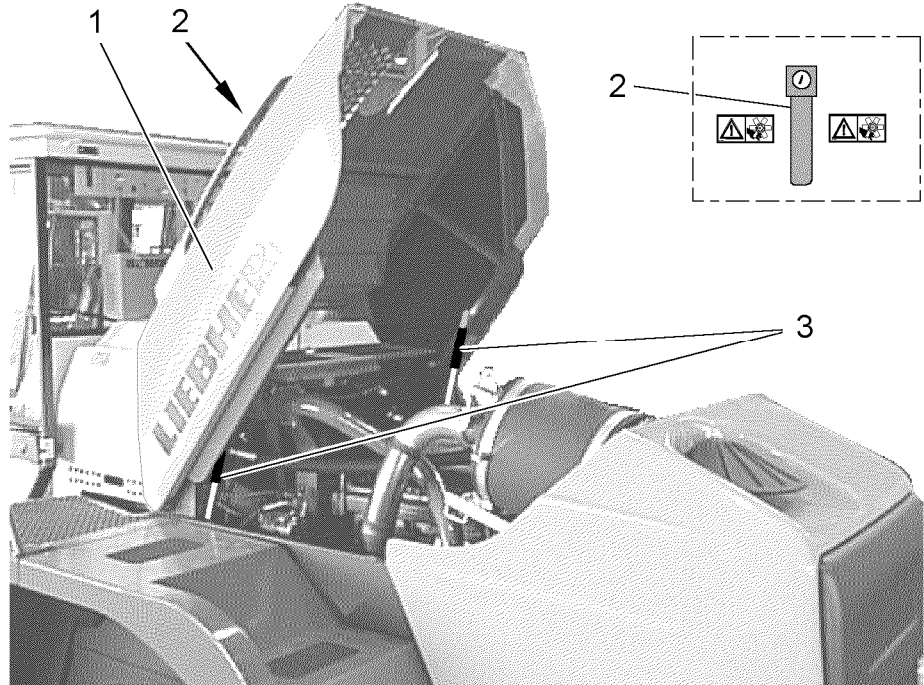
04mh02ab

Caution 

Risk of accidents when opening or closing the hood.
There is a risk of injury to your feet when they are in the pivoting range of the hood.

! Ensure your feet are in a safe place when opening or closing the hood.

- Stand to one side of the hood with both feet on the foot plates provided.



04mh01ab

Engine compartment hood

- | | |
|---------------------------|---------------------|
| 1 Engine compartment hood | 3 Gas-filled spring |
| 2 Handle with lock | |

Warning 

Risk of accidents due to moving engine parts!
The rotating or moving engine parts such as the fan blades or V-belts are potential sources of injury.

! Only open the engine compartment hood when the engine is shut down.

- Open the lock with the starting key.
- Open hood 1 with handle 2 and pull it up to its limit by the handle rod. The hood is held in this position by two gas-filled springs 3.

Warning 

Risk of injuries! Hood can fall down.

! Check that the fully-open position can be secured by the gas-filled springs.

- If this does not function properly, the cause of the problem must be corrected immediately.

LBH/02/003801/0003/6.0/en

Trouble shooting

Does the part function properly?

- If not, contact LIEBHERR CUSTOMER SERVICE!

Open cooling system hood

When the hood is open, you can access the cooling system:

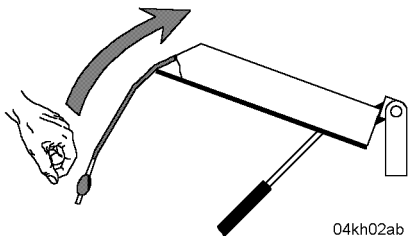
Make sure that the driver's cab door is closed on the left or right as appropriate.

- When opening or closing the hood: climb onto the vehicle via the cab access only and make sure that you have secure footing.



Cooling system hood

- | | |
|---------------------------------------|--|
| 1 Cooling system hood, left-hand side | 2 Cooling system hood, right-hand side |
| | 3 Gas-filled spring |



Cooling system hood

- Open hood 1 completely by pulling up the handle.
The hood is held in this position by the gas-filled spring 3.

Warning

Risk of injuries! Hood can fall down.
! Check that the fully-open position is secured by the gas-filled spring.

- If this function is not in order, the cause of the problem must be corrected immediately.

Trouble shooting

Does the part function properly?

- If not, contact LIEBHERR CUSTOMER SERVICE!
-

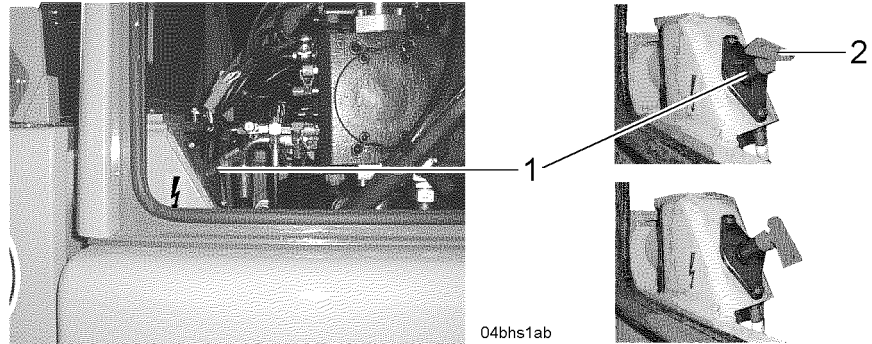
Turning off the battery main switch

The battery main switch is located at the rear left of the engine compartment.

For certain service tasks, the main battery must be switched to OFF.

Establish from the descriptions of the relevant maintenance jobs whether the battery main switch must be turned ON or OFF. See the "Maintenance tasks . . .".

Switch on the main battery switch after completing these maintenance tasks.



Battery main switch

1 Battery main switch

2 Battery main switch - key

Danger

Risk of accidents for maintenance personnel!

Unauthorised operation of the vehicle can place maintenance personnel in extreme danger!

! For safety reasons, it is essential that the battery main switch is turned off.

! For security reasons, take the key out.

- Turn the main battery switch 1 with the key 2 to position - 0 OFF.

5.3.2 Maintenance tasks (daily) every 10 service hours

On completion of daily servicing, the vehicle should be moved back into the operating position.

See also the "Operation", "Operating position" sections in the "“Operating manual”".

Overall vehicle

Check the vehicle for external damage

Make sure that the vehicle is in maintenance position 1.

Procedure

- Before starting up the vehicle, check for external damage which could impair operational safety.
- Repair any damage with safety implications immediately.

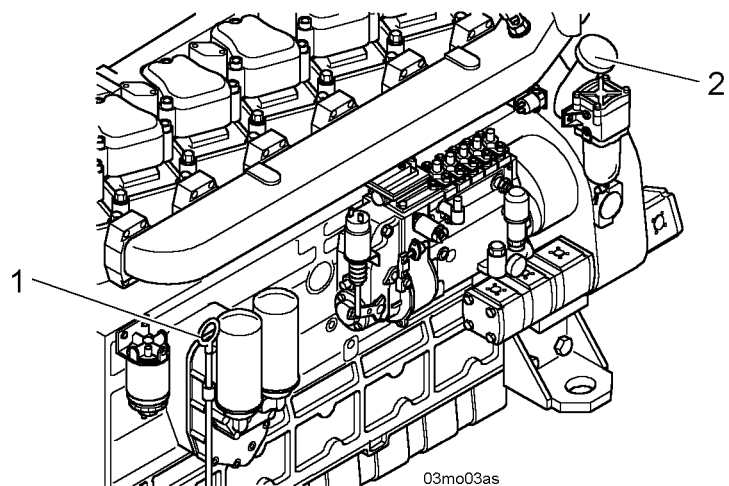
Diesel engine, Pump distributor gear

Check oil level - diesel engine

Ensure that:

- The vehicle is in maintenance position 1
- The engine compartment hood is open

Procedure

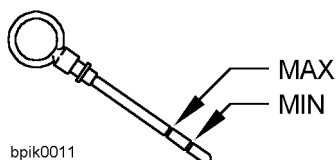


Diesel engine

- Pull out dipstick 1, wipe clean, and re-insert.
- Pull out the dipstick once again and read the oil level.

The oil level must be between the MIN and MAX markings.

- If the oil level is too low:
Remove sealing cap from the filler neck 2 and top up with oil. For information on the required oil quality: see the "Lubricants and fuels" section .



Caution 

Danger of oil leakage due to excess pressure!

If the oil filler caps are mixed up, excess pressure can result in oil leakage in the pump distributor gear.

The sealing cap for the diesel engine does not have a breather filter. The sealing cap for the pump distributor gear is, however, equipped with one.

! Make sure that you do not mix up the sealing caps.

- Top up with oil via the filler neck 2.
- Clean the sealing cap, place it on the filler neck 2 and tighten it.

Working hydraulics

Check oil level in the hydraulic tank

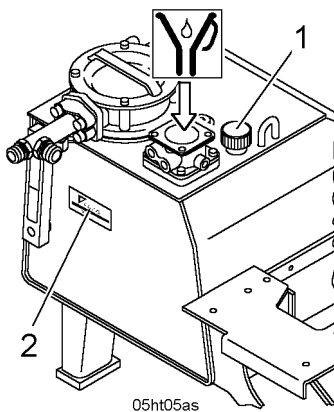
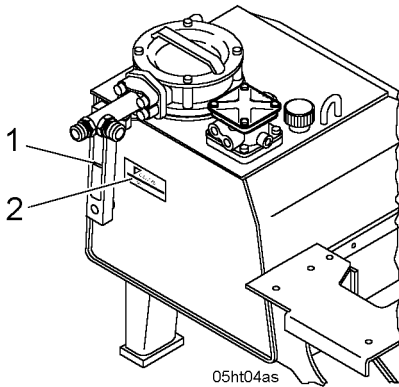
Ensure that:

- The vehicle is cold
- The vehicle is in maintenance position 1
- The engine compartment hood is open

Procedure for checking the hydraulic oil level

The red marking 2“OIL LEVEL – max.” shows the required oil level.

- Check the oil level at the sight glass 1.
- If the oil level is below the required level:
Top up with hydraulic oil.



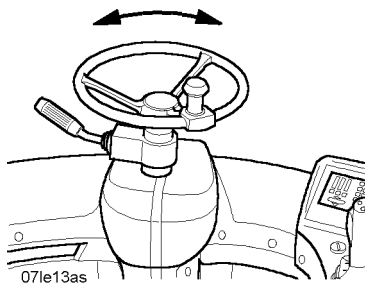
Procedure for topping up with hydraulic oil.

- Release tank pre-pressure by screwing out the breather filter 1 on the hydraulic tank.

The hydraulic oil may only be poured in through the return strainer.

- Open the cover of the return strainer.
- Fill with hydraulic oil up to the oil level marking 2.
- Put the cover with pressure spring on the housing and tighten it up.
- Tighten the breather filter.

Checking the steering for proper operation



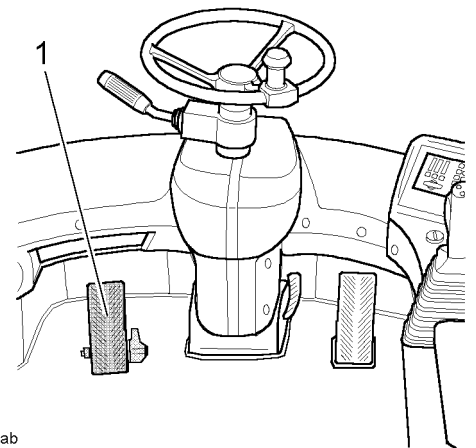
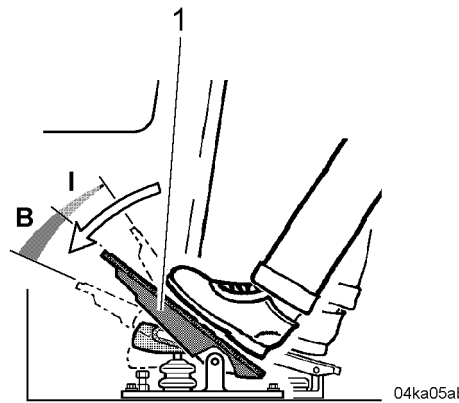
Steering system

- Start the diesel engine
- Turn steering in both directions and check that it is functioning properly.

Checking the service and parking brakes for proper operation

Braking system

Procedure for checking the service brake for proper operation



- Start the engine in travel range 1 (1st gear) and drive at full throttle.

Warning



Danger of driving into bystanders or obstacles.

! Remaining in the danger area is strictly prohibited while these tests are being conducted.

- Push down the brake / inching pedal all the way; the vehicle must come to a complete, abrupt halt.

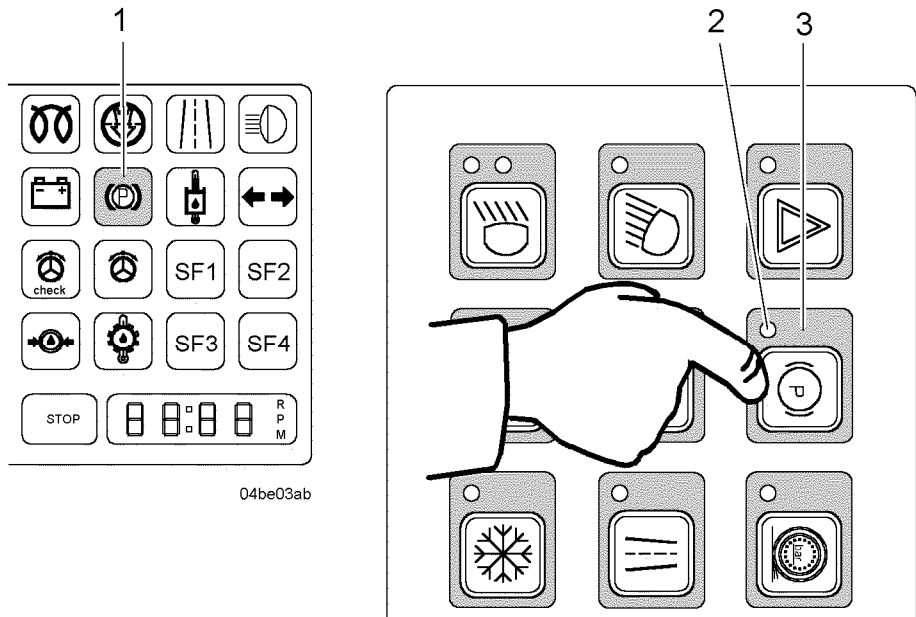
Trouble shooting

If the braking effect is too small or entirely absent:

- Have LIEBHERR SERVICE determine the problem and eliminate the error.

Procedure for checking that the parking brake is functioning properly

Put vehicle into operating position.



Symbol field 1 and button 3 of the parking brake

- Turn ignition key to position - I -. Symbol field 1 on the display unit should light up.
- Start the engine and without pressing the parking brake button 3, select the travel direction function forward or reverse. The forward or reverse symbol field should not light up, and the vehicle should not start moving even when the engine speed is increased.
- Press the parking brake button 3 . Symbol field 1 must go out. Select forward or reverse travel direction. The symbol field forward or reverse must light up and the vehicle should start moving when the engine speed is increased.
- Stop the vehicle and engage the parking brake with the button 3. The symbol field 1 must light up and the symbol fields for the travel directions must go out.

Electrical system

Checking indicator lamps and lighting

For the layout of the illuminating components and symbol fields on the display unit refer to the “Operation” section, “Operation, handling” chapter in the “Operating manual”.

Procedure

- Start the diesel engine and check that the illuminating components and symbol fields light up.

5.3.3 Maintenance tasks (weekly) every 50 service hours

Daily maintenance must be completed before beginning weekly maintenance tasks.

See the "Maintenance jobs (daily) every 10 operating hours" section . In the "Operating manual", the "one-off jobs" are also described in this section.

On completion of weekly servicing or one-off servicing, the vehicle should be moved back into the operating position.

See also the "Operation", "Operating position" sections in the ""**Operating manual**".

Diesel engine, Pump distributor gear

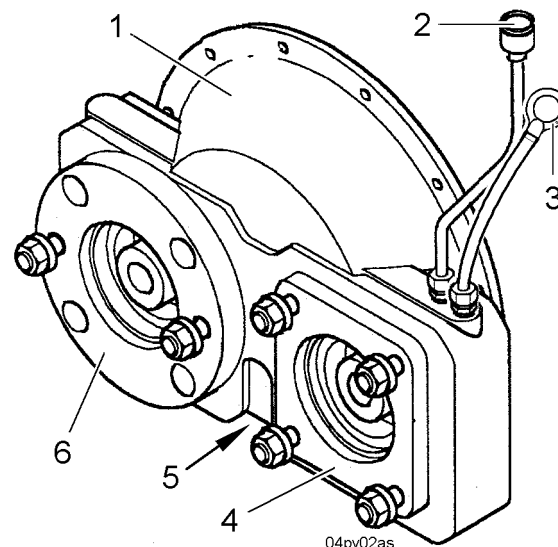
Checking the oil level in the pump distributor gear

Dipstick 3 and oil inlet pipe 2 are located in the engine compartment directly adjacent to the hydraulic tank. Access is from above the engine on the right-hand side.

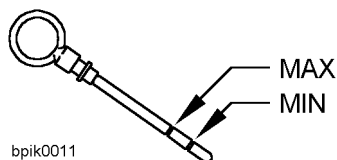
Ensure that:

- The vehicle is in maintenance position 1
- The engine compartment hood is open

Procedure



Pump distributor gear



bpik0011

- Pull out dipstick 3, wipe clean, and re-insert.
- Pull out dipstick 3 once again and read off the oil level. The oil level must be between the MIN and MAX markings.
- If the oil level is too low:
Remove sealing cap from the oil inlet pipe 2 and top up with oil. For oil quality, see the chapter "Lubricants and fuels".

Caution 

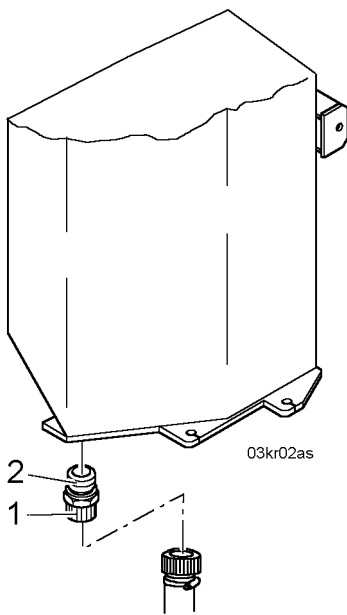
Danger of oil leakage due to excess pressure!

The sealing cap of the oil filler neck 2 of the pump distributor gear is equipped with a ventilation and breather filler. The sealing cap for the diesel engine, however, does not have such a filter.

If the oil filler caps are mixed up, excess pressure can result in oil leakage in the pump distributor gear.

! Make sure that you do not mix up the sealing caps.

Draining off water and sediment from the fuel tank

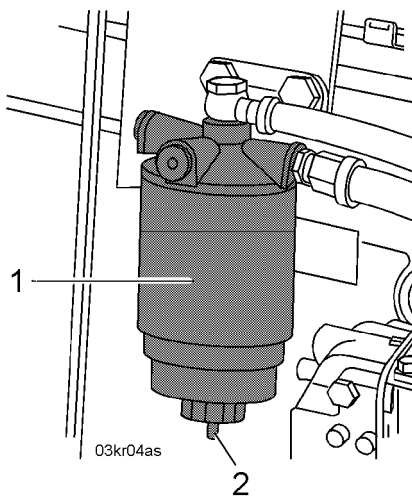


Make sure that the vehicle is in maintenance position 1.

Procedure

- Unscrew sealing cap 1 on draining valve 2 on the underside of the diesel tanks.
- Screw the draining hose onto draining valve 2.
- Drain the condensation and sediment into a suitable receptacle until clean fuel begins to flow.
- Unscrew the draining hose and screw the sealing cap 1 onto the draining valve 2 and tighten it up.

Draining off condensate from the fuel fine filter



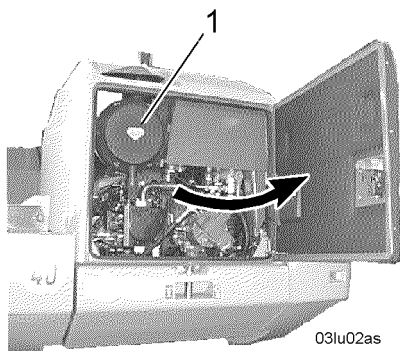
Ensure that:

- the vehicle is in maintenance position 1
- the engine compartment hood is open

Procedure

- Open the drain plug 2 and let the condensate drain off into a suitable receptacle until clean fuel starts to flow.
- Close the drain plug 2 again.

Clean service cap and dust extraction valve on the air filter



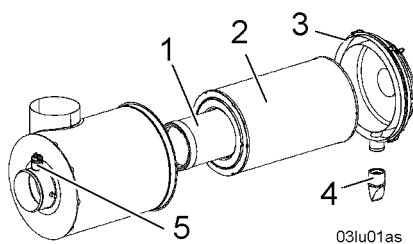
Important: a damaged or hardened dust-extraction valve 4 will impair the function of service cover 3, which will in turn reduce the service life of the filter elements. The valve must also be closed whenever the diesel engine speed exceeds 1/3 of the max. speed.

Ensure that:

- The vehicle is in maintenance position 1
- The engine compartment door is open
- The battery main switch is switched off and the main switch key is taken out

Procedure

- Press the rubber lip on the dust extraction valve 4 several times to empty the dust from service cover 3.
- When working in dusty conditions, empty dust extraction valve 4 more often.
- Open the spring clips on service cap 3 and take off the cap.
- Clean service cap 3.
- Replace service cover 3 on the filter housing. Once the cover rests over its full circumference on the filter housing, you can close the fixing clips without excess force.
- Close the fixing clips.



Cooling system

Check coolant level

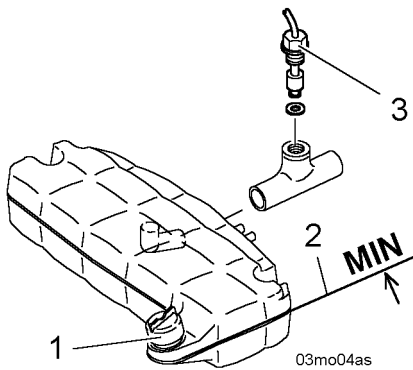
The coolant equalizing reservoir with filler neck is located on the top side of the cooling unit. The equalizing reservoir can be accessed once the engine hood has been opened. The filler neck can be accessed after the left-hand cooler hood has been opened.

Ensure that:

- The vehicle is in maintenance position 1
- The engine compartment hood is open

Procedure

The coolant level can be seen on the coolant equalizing reservoir from outside. The proper level for a cold engine is slightly below the middle of the equalizing reservoir MIN. marking. If the level is too far below the MIN. marking, coolant must be added. If the coolant level is too low, this is indicated by the coolant level probe 3 and displayed on the engine overheating and coolant level symbol field, along with a simultaneous acoustic warning.



- Check the coolant level in the equalizing reservoir.
- The MIN marking 2 on the equalizing reservoir indicates the required coolant level.
- If the coolant level is below the MIN marking 2: top up the coolant in the equalizing reservoir filler neck 1 (see following description).

The coolant to be added must contain the appropriate concentrations of anti-freeze and DCA-4. See detailed description in the Chapter “Check anti-freeze and DCA-4 concentrations in the coolant”.

Caution



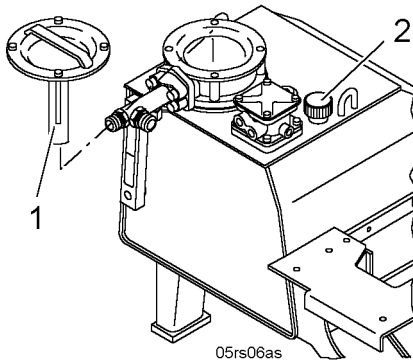
Danger of scalding due to coolant escaping under pressure!

! Never open the sealing cap on the filler neck 1 of the equalizing reservoir until the engine has cooled down - the coolant temperature display in the indicator unit should be in the lower third of the segment field.

! Under no circumstances may the cooling system be topped up when the engine is still hot.

- Turn the sealing cap on the filler neck 1 slightly anti-clockwise, allowing excess pressure to escape, then open it fully.
- Fill with coolant up to the marking MIN 2 on the equalizing reservoir.
- Place the sealing cap on the filler neck 1 and tighten it up.

Checking and cleaning the magnetic rod on the hydraulic tank



Working hydraulics

Ensure that:

- The vehicle is in maintenance position 1
- The engine compartment hood is open

Procedure

- Release tank pre-pressure by unscrewing the breather filter 2 on the hydraulic tank by turning it twice.
- Release the bolts on the lid and slowly lift the lid with the magnetic rod 1.
- Clean magnetic rod carefully.
- Place the O-ring and cover with magnetic rod on the housing.
- Tighten the screws on the cover.
- Tighten the breather filter 2.

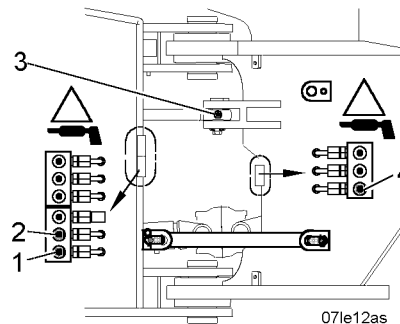
Trouble shooting

Heavy soiling or larger metal shavings on the magnetic rod could indicate damage in the hydraulic system.

- In this event, isolate the problem, then correct it.

Lubricating the bearing points on the steering cylinders

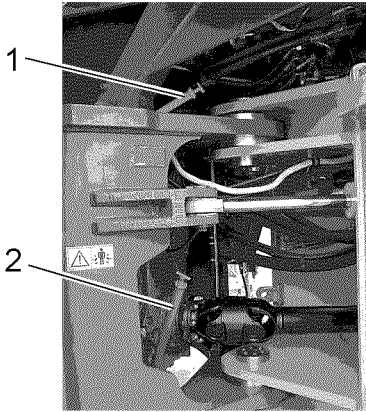
Make sure that the vehicle is in maintenance position 2.



- | | |
|---|---|
| 1 Lubrication point at base of right-hand steering cylinder | 3 Lubrication point on piston rod of left-hand steering cylinder |
| 2 Lubrication point at base of left-hand steering cylinder | 4 Lubrication point on piston rod of right-hand steering cylinder |

- Lubricate the bearing points on the steering cylinders

Check the oil levels



10av06as

Transfer gear

Ensure that:

- The vehicle is in maintenance position 1
- The diesel engine has been shut down for approx. 20 minutes before a measurement is made

Procedure

The transfer gear has two separate oil circuits; therefore, it also has two dipsticks. Oil is topped up via the tube for each oil circuit.

- Remove dipstick 1 and dipstick 2, wipe them with a clean cloth and reinsert them completely.
- Pull out the dipsticks once again and read off the oil levels.
- If the oil level in the powershift section or final drive section is at or below the MIN marking, Top up with gear oil via the appropriate filling tube.

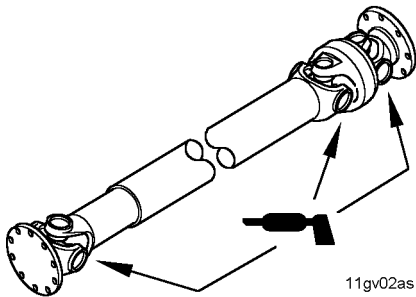
Axles, Tyres

Lubricating the front drive shaft

Make sure that the vehicle is in maintenance position 1.

Procedure

- Lubricate drive shaft at both universal joints.



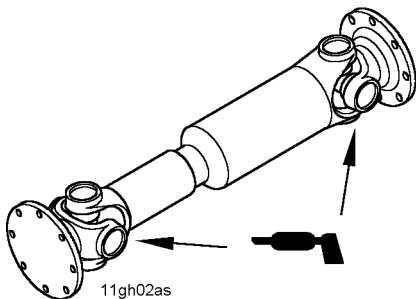
11gv02as

Lubricating the rear drive shaft

Make sure that the vehicle is in maintenance position 1.

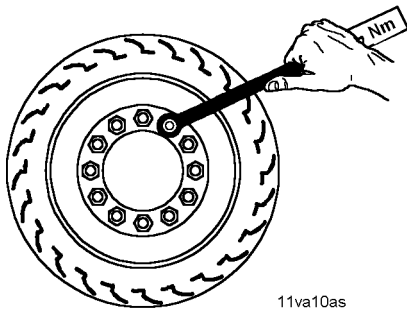
Procedure

- Lubricate drive shaft at both universal joints.



11gh02as

Checking the tightness of the wheel lugs (once after 50, 100 and 250 h)



11va10as

Ensure that:

- The vehicle is in maintenance position 1
- And that a torque wrench with a measuring range of over 650 Nm is available

Procedure

- **When the wheels have been changed:**

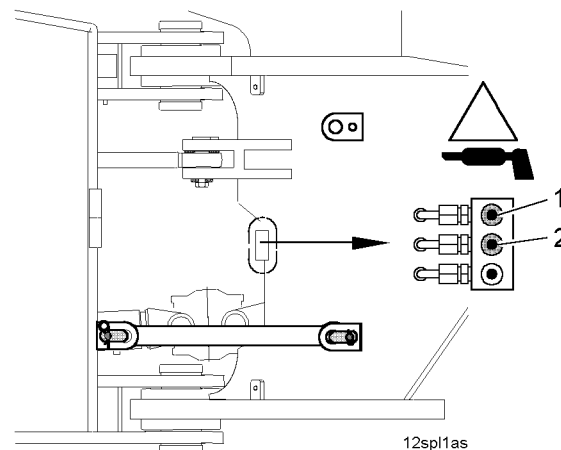
The once-off intervals of 50, 100 and 250 operating hours must be observed.

- Check that the nuts on all four wheels have been tightened with the required torque. See the "Technical data" section .

Lubricating the oscillating axle frame and articulation bearing

Ensure that:

- The vehicle is in maintenance position 1
- The articulation lock is engaged

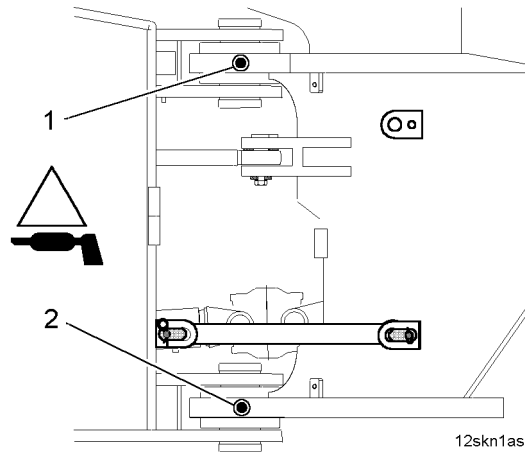


Lubrication points on the right-hand side of the central lubrication rail

1 Lubrication point - front pendulum bearing

2 Lubrication point - rear oscillating axle mount

- Lubricate front oscillating bearing: lubricate lubrication point 1 on the central lubrication rail.
- Lubricate rear oscillating bearing: lubricate lubrication point 2 on the central lubrication rail.



Articulation bearing lubrication points

- 1 Lubrication point - articulation bearing at top 2 Lubrication point - articulation bearing at bottom

- Lubricate upper articulation bearing: lubricate lubrication point 1 on the articulation bearings.
- Lubricating lower articulation bearing: lubricate lubrication point 2 on the articulation bearings.

Central lubrication system

Automatic central lubrication system

The automatic central lubrication system may be cleaned in washing systems or by means of high-pressure jets.

Stay within the minimum and maximum lubricant level indications!

Check whether metered quantities are adequate at the bearing points (grease collars)

- Visually examine whether metered quantities are adequate at the bearing points.
- If the bearing points are not sufficiently lubricated, isolate the problem, then correct it.

Check the grease volume in the reservoir at regular intervals.

The reservoir has a sight glass where the rubber stripper on the agitator can be seen. This is the point where you can check how much grease is still available.

- If necessary, fill the reservoir via the conical grease fitting. Lubricant specifications - refer to the "Lubricants and fuels" section.

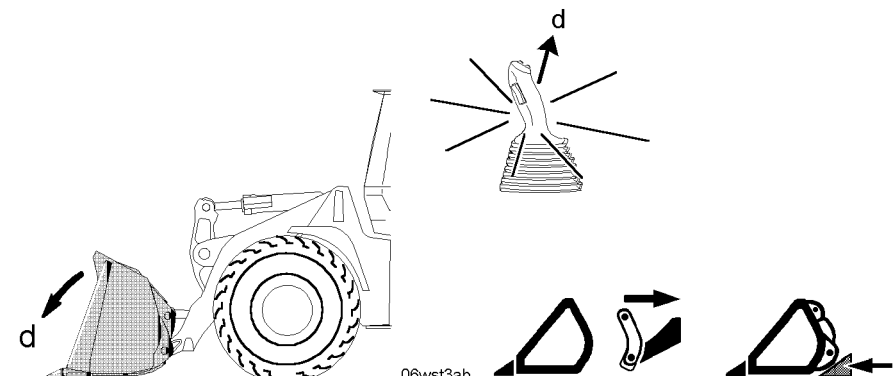
Check the hose lines (lubrication points, detached hoses, external leakage)

- Visually examine the hose lines for defects.
- In case of any defects, isolate and rectify the problem.

Lift arm, Quick-change device

Lubricating bearings and lubrication points

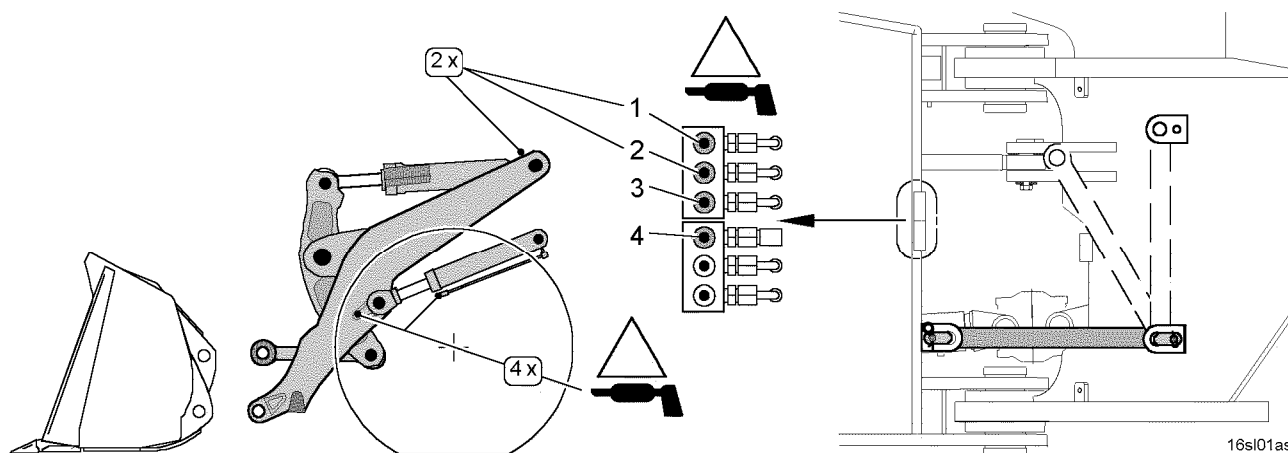
Make sure that the vehicle is in maintenance position 1.



Maintenance position - lift arm

If the lubrication points near the bucket couplings are difficult to reach, make sure that the working attachment is decoupled.

Lubricating the lift arm and lift cylinders



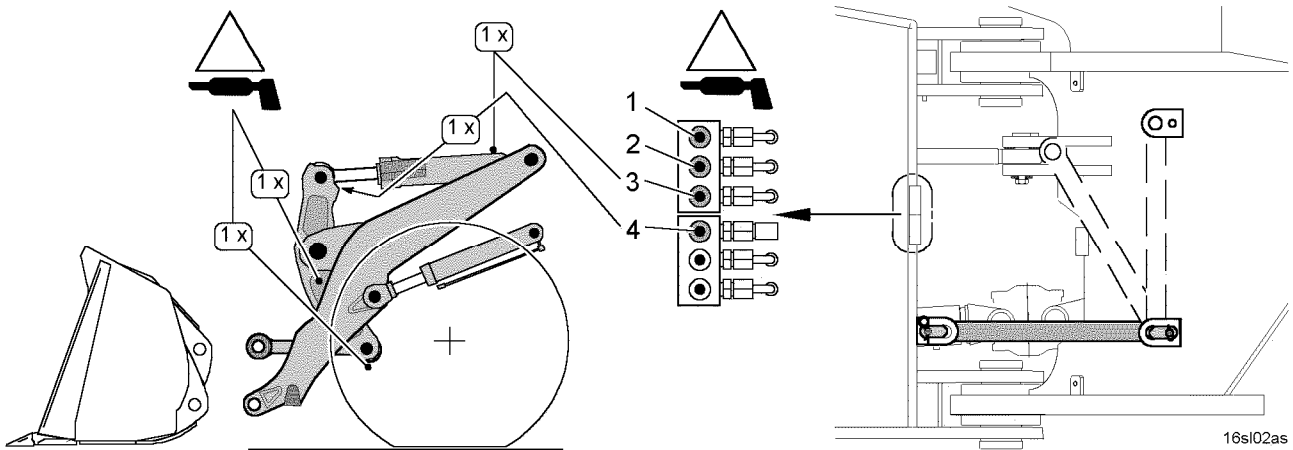
Lubrication points on the left-hand side of the central lubrication rail

- | | |
|---|---|
| 1 Lubrication point - top right-hand side of lift arm | 3 Lubrication point - rear tilt cylinder |
| 2 Lubrication point - top left-hand side of lift arm | 4 Lubrication point - front tilt cylinder |

- Lubricate the bearing at the top of the lift arm: lubricate lubrication point 1 and lubrication point 2 on the left-hand side of the central lubrication rail.
- Lubricate the two lubrication points on the left-hand lift cylinder.
- Lubricate the two lubrication points on the right-hand lift cylinder.

LBH/02/003801/0003/6.0/en

Lubricate the tilt cylinder, Z-bar linkage and connecting link



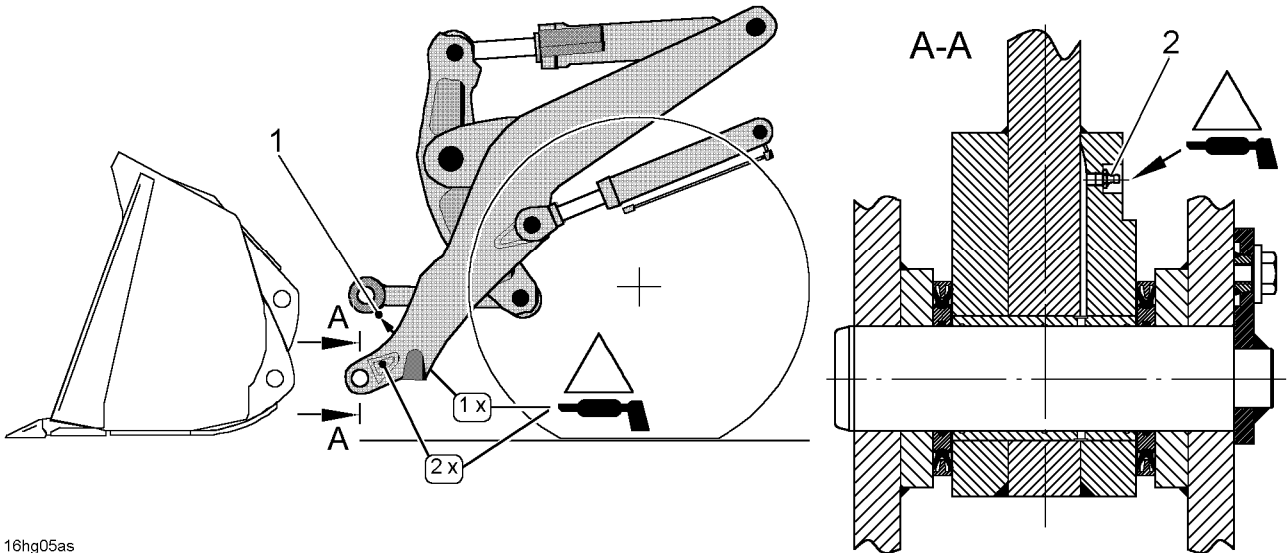
Lubrication points on the left-hand side of the central lubrication rail

- | | |
|---|---|
| 1 Lubrication point - top right-hand side of lift arm | 3 Lubrication point - rear tilt cylinder |
| 2 Lubrication point - top left-hand side of lift arm | 4 Lubrication point - front tilt cylinder |

- Lubricate the bearing on the tilt cylinder: lubricate lubrication point 3 and lubrication point 4 on the left-hand side of the central lubrication rail.
- Lubricate the lubrication point on the Z-bar linkage.
- Lubricate the lubrication point on the connecting bar.

Lubricating the bucket bearings

The lower bucket bearings should be lubricated daily if necessary.



16hg05as

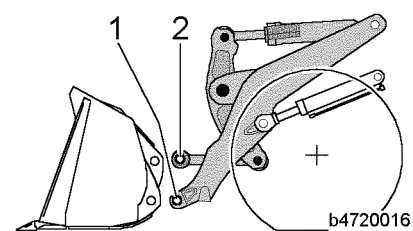
Lubrication points - bucket coupling

- | | |
|--------------------------------------|--------------------------------------|
| 1 Lubrication point - connecting bar | 2 Lubrication point - bucket bearing |
|--------------------------------------|--------------------------------------|

A-A section

- Lubricate the lubrication point 1 on the connecting bar.
- Lubricate the lubrication point 2 on the bottom/left bucket bearing.
- Lubricate the lubrication point 2 on the bottom/right bucket bearing.

LBH/02/003801/0003/6.0/en

Checking the bucket bearing seals

- Check bearing bushes 1 on the bucket arm for wear and replace if necessary.
- Check bearing bush 2 on the connecting link for wear and replace if necessary.

5.3.4 **Unscheduled maintenance tasks**

On completion of servicing, the vehicle should be moved back into the operating position.

See also the “Operation”, “Operating position” sections in the ““**Operating manual**””.

Overall vehicle

Check that all screwed connections are tight

Ensure that:

- The vehicle is in maintenance position 2
- The appropriate service doors or hoods are open

Procedure

- Tighten any loose screws or bolts with the required tightening torque.

Seal any external leaks as necessary

Ensure that:

- The vehicle is in maintenance position 2
- The appropriate service doors or hoods are open

Procedure

- Check the whole hydraulic system for leakage.
- Replace any damaged hydraulic seals.
- Tighten any loose hydraulic couplings.
- See also the “Safe maintenance of hydraulic hoses and hose lines” section.

Diesel engine, Pump distributor gear

Changing the engine oil

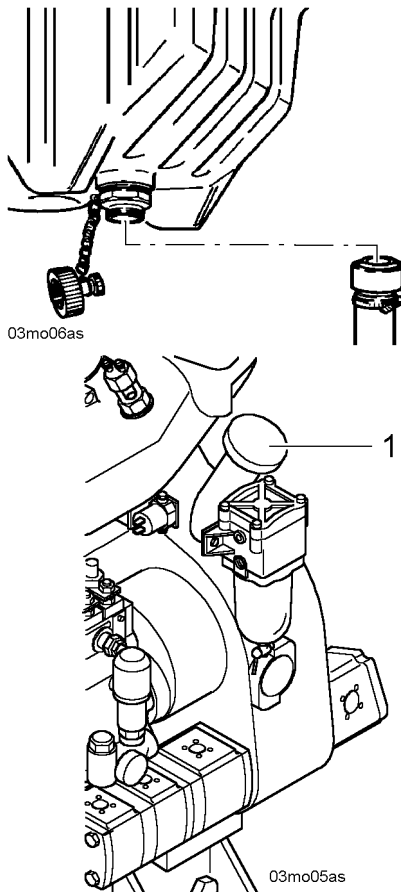
Ensure that:

- The vehicle is in maintenance position 2
- The engine compartment hood is open
- A suitable receptacle with approx. 25 l capacity is in place, and the oil drain hose from the vehicle tool kit and engine oil in accordance with the oil specifications are ready.

Procedure

Carry out an oil change only when the engine is warm.

- Unscrew the the sealing cap on the oil drain valve on the oil pan.
- Screw oil drain hose onto the oil outlet valve and let the oil drain into the container provided.
- Unscrew the oil drain hose and screw the sealing cap onto the oil drain valve.
- Pour fresh oil through filler neck 1 up to the marking MAX on the oil dipstick.
- Clean the filler cap, place it on filler neck 1 and tighten.
- Start the engine and check the oil pressure.
- Turn off the engine and check the oil level on the dipstick. Top up with oil, if necessary.



Cleaning or replacing the air filter main element

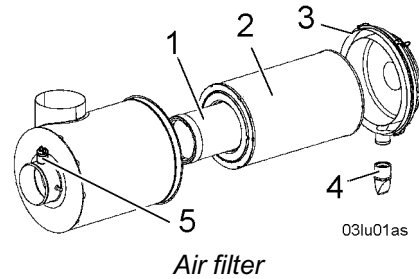
The main element 2 should be cleaned or replaced when the air filter contamination symbol field on the display unit lights up or at least every 1000 service hours.

If the air filter contamination symbol field remains lit after the main element 2 has been serviced then the safety element 1 must also be replaced.

Ensure that:

- The vehicle is in maintenance position 1
- The engine compartment door is open
- The battery main switch is switched off and the main switch key is taken out

Procedure

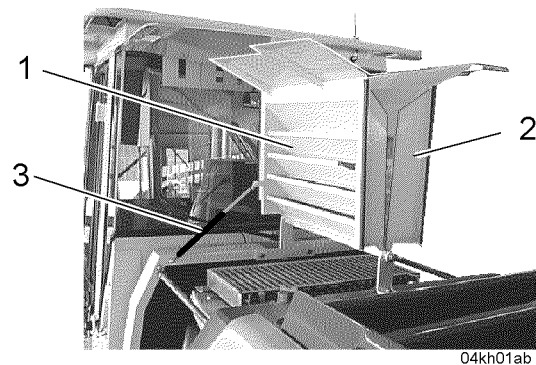


- | | |
|------------------|--|
| 1 Safety element | 4 Dust unloader valve |
| 2 Main element | 5 Air filter contamination vacuum switch |
| 3 Service cap | |

- Open fixing clips on the service cover 3 and take off the cover.
- Remove main element 2 and safety element 1. To do this pull or turn the elements gently upwards, downwards or to the side in order to release the seal.
- Blow the main element 2 from inside outwards with dry air. Avoid tapping the filter, as this could cause damage.
- Make sure that all contamination is removed before inserting a new or cleaned filter element.
- Safety element 1 should be replaced every third time the main filter element 2 is replaced.
- Lightly oil the seal surfaces before installing the filter elements (for the main element 2 this is on the inside, for the safety element 1 on the outside). Re-insert filter elements 1 and 2 and make sure that they are correctly fitted.
- Clean the service cover 3 and replace it on the filter housing. Once the cover rests over its full circumference on the filter housing, you can close the fixing clips without excess force.
- Close the fixing clips.

Cooling system

Cleaning the cooling system



Cooling system hood

In order to ensure that the cooling media are properly cooled, the coolers should be cleaned whenever necessary. When operating in dusty conditions, the coolers should be checked daily and cleaned if required.

Dirty cooler units result in overheating. The consequence is an acoustic and visual warning with simultaneous power reduction of the travel drive. Dust and other contaminants can be removed from the cooling fins with water under pressure, steam or compressed air. Compressed air is preferable.

Ensure that:

- The vehicle is in maintenance position 1
- The left- and right-hand cooling system hoods are open

Procedure

- Clean cooler units with compressed air, steam or water.

Caution



The cooler fins may be damaged if they are not treated with due care.

! Do not use hard objects or excess water pressure for cleaning

- Reclose hood 1 and hood 2 after closing the cab doors.

Check and if necessary, adjust tyre pressure on attachments and accessories

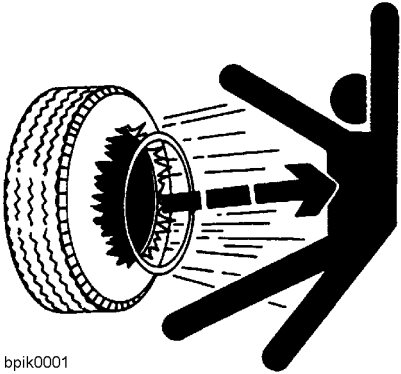
Axles, Tyres

Make sure that the air pressure in the tyres on both axles corresponds to the required values for the tyre type, the actual application and the working attachment.

The reference values can be found in the "Technical data" section, in the "**Operating manual**".

Procedure

The air pressure in the tyres has a significant influence on the overall operating performance of the vehicle.



bpik0001

Exploding tyres

Warning



Risk of accidents due to exploding tyres.

Incorrect or careless operation of the tyre inflation equipment or excess pressure could result in the tyres bursting or cause the rims to come off, with severe, possibly even fatal injuries as a consequence.

- ! Use a sufficiently long hose for pumping the tyres with a self-locking inner tube valve.
 - ! Personnel must always remain outside the danger zone when tyres are being pumped up.
-

- Check the air pressure in all tyres with a measuring gauge and adjust if necessary.

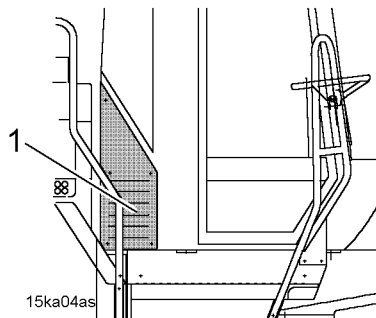
Cab, Heating, Air conditioning system

Clean or replace the fresh air and recirculated air filter as required

Make sure that the vehicle is in maintenance position 1.

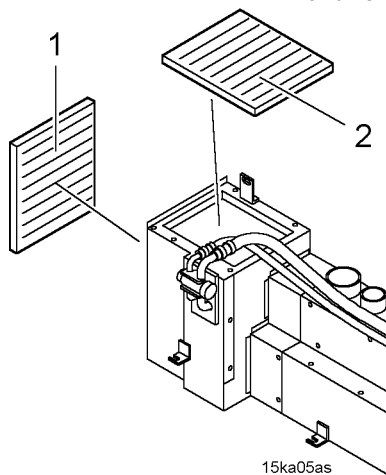
Procedure

- Unscrew cover 1.
- After the ignition has been switched on: Turn the air flap with "rotary switch – ventilation" to the "fresh air" position.



Valid for:

L554-452/0104-0270

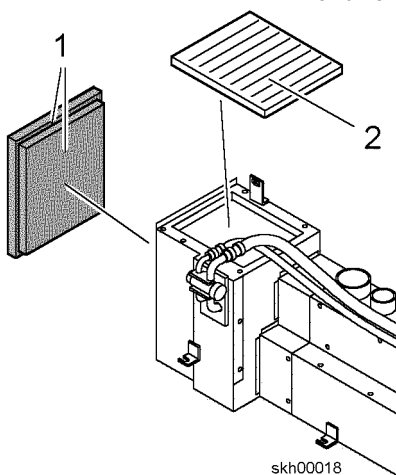


Valid for:

Modification The existing fresh air filter has been replaced with a foam pre-filter and a foam fine filter.

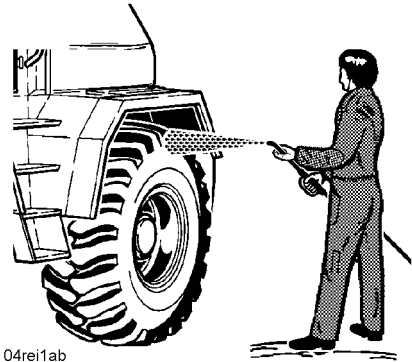
L554-452/0271-

- Pull out fresh air filter 1 (consisting of 2 pieces).
- Carefully push out recirculated air filter 2 from inside / below via the open air flap and discard it.
- Clean filters 1, (blow or wash out); replace if necessary.
- Clean filter 2 (blow out), replace if necessary.
- Insert clean or new filters, make sure that they are correctly positioned (cast arrows on the filter frame show the direction of the drawn in air).
- Screw down cover 1 again.



5.3.5 Cleaning the vehicle

Wet-cleaning the vehicle



04rei1ab

Wet cleaning

Cleaning the vehicle

Oil pressure switches are not watertight due to the necessity of diaphragm ventilation; therefore be careful when spraying with a high-pressure spray. Each time the vehicle is cleaned with a steam jet, all lubrication points on the vehicle must be re-greased.

Caution



Risk of damage to freshly painted surfaces.

Cleaning with high-pressure [more than 1379 kPa (13.8 bar)] can damage freshly painted surfaces.

! After the vehicle has been delivered, the paint should dry for at least 30 days in the air, before the vehicle or parts thereof are cleaned with a high-pressure cleaner.

! Until this 30 day period has elapsed, only use a low-pressure cleaner for washing!

- Wet clean the vehicle.
- Re-grease all lubrication points on the vehicle.

Cleaning the diesel engine

When the engine is being cleaned with water or steam, electrical transducers such as oil pressure switches must not be exposed to direct jets.

Caution



Risk of damage to the diesel engine.

Penetrating moisture results in corrosion of contacts and failure of measuring functions.

! Do not expose electrical transducers such as oil pressure switches to direct water or steam jets.

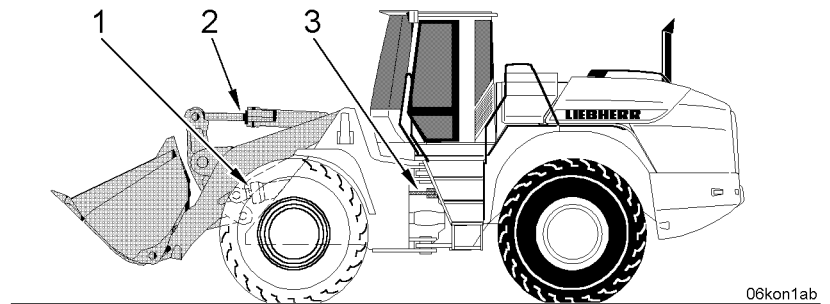
- Clean the engine carefully.

5.3.6 Corrosion protection work

When the vehicle is shut down for more than 4 weeks and especially for sea transport, the following measures must be carried out.

Protecting the piston rods from corrosion

LIEBHERR corrosion protection grease CTK ident. No. 8613 31301 is recommended.



1 Lift cylinder
2 Tilt cylinder

3 Steering cylinder

- When the vehicle is switched off, all piston rods should be retracted as far as possible into the cylinders.
- Apply a generous coat of non-acidic corrosion protection grease onto the exposed piston rods.
- If the cylinder piston rods are not lubricated with hydraulic oil for a prolonged time period:
the piston rods must be coated with corrosion protection grease.

When the vehicle is moved for loading or transport, the corrosion protection layer on the cylinder piston rods is removed by the dirt scraper.

- When the vehicle is to be transported:
The corrosion protection on the piston rods should be checked after loading.

Corrosion protection of the fuel tank

When the vehicle is out of service for longer periods, condensation can build up in the tank.

Condensation in the tank leads to rust formation.

- If the vehicle is out of service for longer than 2 months:
Fill the fuel tank with diesel fuel.

5.4 Lubricants and fuels

5.4.1 Handling lubricants and fuels

Conscientious observance of the regulations for handling lubricants and fuels will increase the reliability and service life of the vehicle.

It is especially important that the specified lubricant qualities are observed.

You can find the various specifications about the prescribed intervals in the sections "Maintenance and inspection schedule" and "Lubrication chart".

You can find details on lubrication, level checking and changing operating fluids in the section "Maintenance" under "Maintenance tasks..."

Observe the rules for the proper handling of lubricants and fuels, especially the environmental regulations.

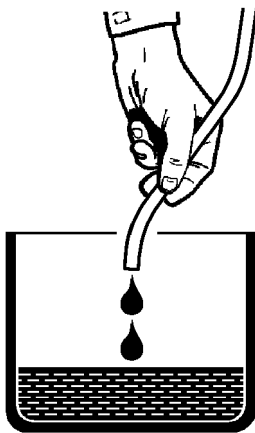
Environmental protection measures

- Always implement and observe environmental protection measures.
- Observe national regulations.
- Ensure that liquids can be properly disposed of before draining them off.

Disposing of used materials

This applies to the following types of used materials:

- Oils, lubricants, brake fluids, refrigerants etc.
- Fuels
- Filters, oil cartridges etc.
- Rubber, tyres, insulating materials etc.
- Batteries
- Observe the environment regulations when disposing of used materials.
- Collect and store used materials separately in suitable receptacles, and only dispose of them at official depots in an environmentally friendly way.
- Observe national regulations.




06ens1ab

Disposal

Conversion from mineral oils to environmentally compatible hydraulic fluids


For the operation of LIEBHERR earth moving vehicles with "environmentally compatible hydraulic fluids", we recommend **AVIA SYNTOFLUID**.

Caution  Risk of damage to the vehicle's hydraulic system!
Mixing “environmentally-compatible hydraulic fluids” with “mineral oils” produces an aggressive reaction that can damage the hydraulic system!
! Avoid mixing “environmentally-compatible hydraulic fluids” with “mineral oils”!

- **If the vehicle is to be converted to an “environmentally-compatible hydraulic fluid by the customer”, you are required to contact LIEBHERR CUSTOMER SERVICE!**
- It is essential that you request the “**INSTRUCTION SHEET**” and the “**CONVERSION GUIDELINES**” from LIEBHERR and that you observe them!

Handling coolants

Make sure that if you top up with coolant due to coolant loss, the level of anti-freeze does not drop below 50% vol.

Caution  Risk of damage to the diesel engine!
If the proportion of corrosion/frost protection agent is too high, the cooling effect is reduced, causing damage to the diesel engine!
! Do not use more than 60% anti-freeze and corrosion protection agent.

- As part of routine maintenance work, the mixture ratio of anti-freeze and corrosion protection agent and DCA 4 – concentration must be checked and if necessary corrected.
- Use the Fleetguard test set CC 2602 for testing.
- In order to top up with new coolant: check that the cooling system is clean and flush out if necessary.

5.4.2 Lubricant and fuel specifications

The values stated for the filling quantities in the table are only guidelines:

- The dipstick or level markings are mandatory.
- each time the lubricant or service fuel is replaced or topped up, the level in the appropriate unit must be checked
- For more detailed information about the required lubricants and service fuels, see the “Lubrication chart, filling quantities” and “Lubricants and fuels” sections.



Specifications

Lubricating oils for diesel engines

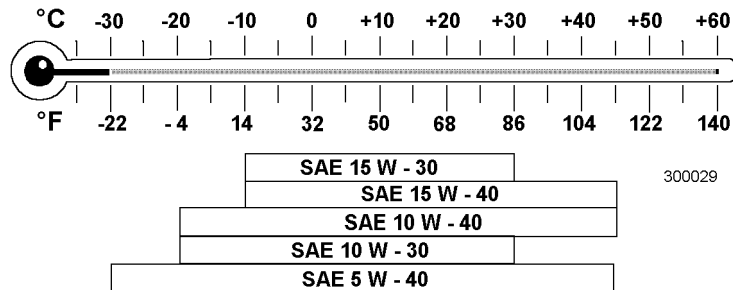
Only high-alloy lubricating oils are used in modern diesel engines. They consist of basic oils blended with additives. The lubricating oil regulation for LIEBHERR diesel engines is based on the following specifications and regulations.

Name	Specifications
ACEA (CCMC) - Classification (Association des Constructeurs Européens de l'Automobile)	E2-96, E3-96, E4-98, (D4, D5)
API - Classification (American Petroleum Institute)	CG-4, CF-4

Specifications and regulations for diesel engine lubricating oils

Lubricating oil viscosity

The lubricating oil viscosity is selected according to the SAE (Society of Automotive Engineers) classification. The decisive factor for the selection of the correct SAE class is the ambient temperature. The selection of SAE classification does not affect the quality of a lubricant oil. If the viscosity is too high, starting can be difficult; if it is too low, lubricant efficiency may be impaired. The temperature ranges detailed in the following graphic are guidelines; short-term deviations are permissible.



Temperature dependent selection of the SAE class

Lubricant oil changing intervals

- Changing intervals:
- first oil and filter-change with initial oil filling: see the section “Maintenance and inspection schedule”
 - First oil and filter-change with oils according to the lubricating oil guidelines: see the section “Maintenance and inspection schedule”
 - Further filter replacements: see the section “Maintenance and inspection schedule”
 - Oil change according to climate zone, sulphur content in the fuel and oil quality according to the following table

Even if the specified number of service hours (h) is not reached in a given year, the engine oil and filter should be replaced at least once.

LBH/02/003801/0003/6.0/en

Difficulty factors Various difficulty factors or difficult working conditions can affect the maintenance interval.

Difficulty factors or difficult working conditions could include:

- Frequent cold starts
- Sulphur content greater than 0.5% in fuel
- Service temperature under - 10 °C

If working under difficult conditions, the oil change intervals defined in the "Maintenance and inspection schedule" according to the table below must be reduced by half.

Difficulty factor		Oil quality	
		E2-96	E3-96
		D4	E4-98
		CG-4	D5
		CF-4	--
Working conditions	Sulphur content in fuel	interval	
climate - normal, up to - 10 °C	to 0.5%	250 h	500 h
	over 0.5%	125 h	250 h
under - 10 °C	to 0.5%	125 h	250 h
	over 0.5%	--	125 h

Oil change intervals in service hours (h)– applicable for turbocharged engines

LBH/02/003801/0003/6.0/en



06sy02ab

Diesel fuels

Specifications

The diesel fuels must meet the minimum requirements in the fuel specifications listed below.

Authorised fuel specifications:

- DIN EN 590
- ASTM D 975-89a 1D and 2D

Other fuel specifications are only permissible after consultation with the Diesel Engine Development department.

The sulphur content should not exceed 0.5% by weight. Higher sulphur content affects the oil change intervals and the engine lifetime.

Lubricosity

The lubricosity of the diesel fuel becomes a critical factor as the sulphur content drops. It has been found that diesel fuels with the 0.05 % sulphur by weight max. limit allowed in Europe can cause wear in the injection system (especially with distributor injection pumps).

“Brand-name fuels” (in Germany) contain these lubricant additives as part of their additives package. The fuel lubricosity must correspond to HFRR (60°) Test <400 µm.

The additives should be added by the supplier in his capacity as agent responsible for fuel quality. Addition of secondary lubricosity additives by the customer is not recommended.

Diesel fuel at very low temperatures

When outside temperatures fall below approx. 0°C, the flow performance of summer diesel fuel may be insufficient as a result of paraffin separation. The same problem arises with winter diesel fuels below -15 °C.

Diesel fuel containing additives with a working temperature down to -20 °C is also often available.

To avoid breakdowns, the diesel fuel must be mixed with two star petrol or paraffin at low temperatures. Blending in two star petrol must be viewed as an emergency remedy and may not exceed 30% vol.

Supergrade petrol may not be used for blending.

Engine power can drop in relation to the additive mixture used for cold conditions. Blending in additives should therefore be kept to a minimum, taking into account the outside temperatures.

For safety reasons, the fuel may only be mixed in a fuel container. When refueling, pour in the fuel additive with lower specific gravity before the diesel fuel. The engine should then be run until the fuel mixture is circulating throughout the entire fuel system.

Diesel fuels – mixture ratio (Vol. %)

Outside temperatures °C	Summer diesel %	Additive %
0 to -10	70	30
-10 to -15	50	50 *
-15 to -20	--	--
-20 to -25	--	--

Mixing ratio for summer diesel fuel

* If an additive of 50% is necessary, only paraffin may be used (not two-star petrol).

LBH/02/003801/0003/6.0/en

Outside temperatures °C	Winter diesel fuel %		Additive %	
	-15 °C	-20 °C	-15 °C	-20 °C
0 to -10	100	100	--	--
-10 to -15	100	100	--	--
-15 to -20	70	100	30	--
-20 to -25	50	70	50 *	30

Mixing ratio for winter diesel fuel

* If an additive of 50% is necessary, only paraffin may be used (not two-star petrol).

Additives for diesel fuel (flow improvers)

Flow improvers available on the market will also improve the cold weather performance of the diesel fuel. Their use requires the observance of quantity and application recommendations stipulated by the manufacturer.

Additive admixture for diesel particle filters:

The additive admixture can be made in various ways:

- By manual additive admixture at the company petrol station
- alternatively a ready blended diesel fuel can also be ordered directly from the fuel dealer

It is inadvisable due to its inaccuracy, to mix in additives manually at the vehicle.

Approved additive

BRAND	MANUFACTURER
SATACEN	SAT CHEMIE GMBH, D-44649 Heme / Germany

Brands and manufacturers of additives

We expressly recommend that you maintain a sufficient supply of additive. Orders of containers with 10 litres of additive can be placed with the manufacturer under product No. 21840.

Metering during refuelling

It is absolutely essential for the continued operation of the particle filter system that the correct quantity of additive is always added.

Each time the vehicle is refuelled, the additive must be added in the prescribed quantity to the diesel fuel, or added directly to the tank.

Additive mixing ratio: see section "Technical data" under "Diesel particle filters".



06sy03ab

Hydraulic oils

Mineral oils

Specifications

Only engine oils meeting the Mercedes Benz service fuels specifications are permitted.

Mercedes-Benz - Information sheet - No.:	Specifications:
226.0 and 227.0 (single-grade oils):	API- CC / SF, CD / SF, CE / SF
227.1 and 228.1 (multi-grade oils):	CD / SF, CE / SF,
	CD+API- CC / SF (MIL-L-46152 B),
	CD / SF, CE / SF (MIL-L-2104 D),
	CD / SF (MIL-L-2104 D), CE / SF,
	CD+ (MIL-L-46152 B)

Mercedes-Benz service fuels requirements

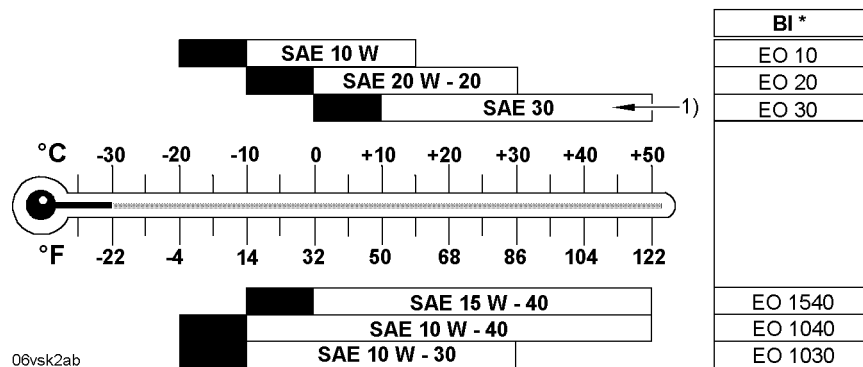
Viscosity

The viscosity is selected according to the SAE (Society of Automotive Engineers) classification.

The decisive factor for the selection of the correct SAE class is the ambient temperature.

The selection of the SAE classification has no bearing on the quality of a hydraulic oil.

The temperature ranges presented in the graphic are only provided as guidelines.



Temperature dependent selection of the SAE class

BI * = code designation = container labelling, see the Section “BI * Standard lubricants”.

Warm running regulations

For temperatures up to 10 °C below the specified limit:

- Adjust the diesel engine after starting to just approx. ½ engine speed
- Activate hydraulic cylinders and engines and briefly move the cylinders to their stops
- Warm running duration approx. 10 minutes

For even lower temperatures:

- Before starting the engine, prewarm the oil tank

1) = Exception for transfer gear (AVG - powershift transmission):

- **SAE 30**– can only be used when the ambient temperature is not lower than +10 °C.

Environmentally compatible hydraulic fluids

When operating LIEBHERR earth moving vehicles with environmentally compatible hydraulic fluids, we recommend **AVIA SYNTOFLUID** with the viscosity specified by LIEBHERR.

Caution!

- If the conversion of the hydraulic system to an “environmentally compatible hydraulic fluid” is not carried out properly, there is a danger that the vehicle's hydraulic system will be damaged!
See the section “Conversion from mineral oils to environmentally harmless hydraulic fluids”

Machines which were filled ex-works with “environmentally compatible hydraulic fluids”, have an appropriate sign (CAUTION decal) attached to the driver’s cab and hydraulic tank.

Conversion of the hydraulic system:

- See the section “Conversion of the hydraulic system from mineral oils to environmentally compatible hydraulic fluids” for guidelines on retrofitting your vehicle to adapt it to a “environmentally compatible hydraulic fluid”.

Lubricating oils for the transmissions



06sy08ab

Pump distributor gear and axles



06sy06ab

Gear oils must comply with the specifications – API-GL-5-90 and MIL-L-2105 B, C or D and the viscosity class SAE 90 LS *.

* = Gear oil with limited – slip additives for disc brakes and self-locking differentials.

For the viscosity class SAE 90, an oil of the viscosity class SAE 80 W 90 can also be used.

Comparison to BI * – code designation:

- SAE 90 LS / BI * – GO 90 LS
- SAE 80 W - 90 / BI * – GO 90

BI * = code designation = container labelling, see the Section “BI * Standard lubricants”.

Transfer gear



06sy07ab

Oil in accordance with the section “Hydraulic oils” must be used for lubricating the transfer gear.



06sy09ab

Grease for general lubrication points

This grease must meet the specification **KP2k**– Consistency 2 of the NL GI class according to DIN 51818 and DIN 51825 or EP 2 according to NF-T-60 132.

The grease must consist of a lithium complex and exhibit a four ball tester value of at least 2300 N according to DIN 51350 or ASTM D 2596.

Comparison to BI * – code designation:

- NL GI class 2 / BI * – MPG - A

BI * = code designation = container labelling, see the Section “BI * Standard lubricants”.

LIEBHERR special paste CTK



06sy20ab

Bonding, water resistant, complex saponified paste with high-pressure additives and improved corrosion protection characteristics. Contains ingredients which counteract frictional and vibrational corrosion. Especially recommended for use in roller live ring connections. Range of application: -30 °C to +100 °C. Re-order from your LIEBHERR dealer under ID No.: 8613 3101.



06sy09ab

Lubricant grease for automatic central lubrication systems

Grease complying with the specification **KP2k** – Consistency 2 of the NL GI class according to DIN 51818 is suitable. Composition: Lithium-saponified multi-purpose grease with a mineral oil base with EP active ingredients, without colouring. Grease with high-pressure additives (EP greases) are recommended. Only use greases with the same type of saponification. Lubricants with solid lubricant particles, e.g. graphite may not be used.

Approved greases

LIEBHERR 9610 special grease is a milling resistant, aging resistant lithium grease, providing protection against corrosion with excellent lubricosity over a wide temperature range. The molecular composition yields high degrees of shearing and milling stability and good flow properties in long pipes.

Description	ID No.	Quantity
LH special grease 9610	8613 01308	25 kg (drum)
LH special grease 9610	8613 02908	400 g (carton)

Corrosion protection grease

Non-acidic corrosion protection greases should be used to protect exposed piston rods. LIEBHERR special paste CTK is especially recommended. Refer to the Section "LIEBHERR special paste CTK".

Anti-seize agent for bolt installation

A molybdenum sulphide paste is recommended as anti-seize agent for the bolts.

BI * standard lubricants

See the brochure "STANDARD LUBRICANTS for construction machines and vehicles". Published by the German Construction Industry Federation (Hauptverband der Deutschen Bauindustrie e.V.) Bauverlag GmbH – Wiesbaden and Berlin.

Coolants for diesel engines

Anti-freeze and corrosion protection agents



In order to improve the quality of the coolant, coolant filter modules have been introduced in the LH diesel engines for earth-moving vehicles. This ensures that the coolant is additionally filtered in the parallel flow and freed from contamination or rust particles that could result in leakage from the water pumps.

In addition, a chemical additive (DCA 4) protects the cooling system or the parts coming into contact with the coolant, such as water pump, cylinder sleeves etc., from cavitation, corrosion, calcification and foaming.

Four different coolant filter modules have been introduced to deal with the different coolant volumes and coolant filter assemblies on engines and vehicles.

Coolant with DCA 4 (DCA 4 = Diesel Coolant Additives)

The coolant must contain at least 50% vol. anti-freeze and corrosion protection agent all year round. This protects against freezing down to approx. -37 °C.

When coolant loss occurs, make sure that the proportion of anti-freeze has not dropped below the 50% vol. limit.

Caution!

- **Risk of damage to the diesel engine!**

If the proportion of anti-freeze and corrosion protection agent is too high, the cooling effect is reduced, causing damage to the diesel engine!

- **Do not use more than 60% anti-freeze /corrosion protection agent.**

In the context of maintenance work, the mixture ratio of anti-freeze and corrosion protection agent and DCA 4 – concentration must be checked and corrected as needed.

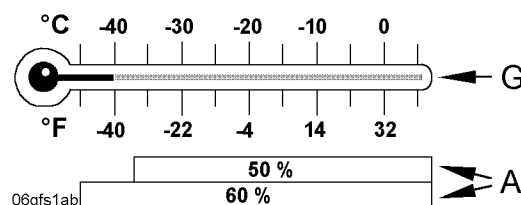
DCA 4 - concentration must be between 0.3 –0.8 units per litre.

The Fleetguard testing set CC 2602 M is recommended for testing purposes.

The prescribed interval for changing the coolant is 2 years.

Before adding new coolant, the system should be checked for cleanliness and flushed out if necessary.

Mixing ratio



Temperature dependent selection of mixing ratio of corrosion and anti-freeze protection agents

G Anti-freeze to – in °C

A Proportion in % of anti-freeze

Filling the cooling system for the first time

When the cooling system is filled for the first time or re-filled following repairs, additional fluid DCA 4 must be added to the DCA 4 concentration in the coolant filters for anti-freeze and corrosion protection.

DCA 4 is available in bottles (packs of approx. 0.47 litres each).

Cooling system	Required quantity of fluid DCA 4		DC 4 - coolant filter
	Content in litres	Packs	Description ID No.
24 - 39	3 or –	1.4	WF 2071 7367045
40 - 59	4 or –	1.9	WF 2072 7381493
60 - 79	5 or –	2.4	WF 2073 7367052
80 - 115	8 or –	3.8	WF 2073 7367052

DCA 4 mixture when filling the cooling system for the first time

Fresh water regulations

Clean water, not excessively hard, must be used for preparing the coolant. Tap water often, but not always, meets these requirements.

Sea water, brackish water, salt water and industrial waste water are not suitable.

Name	Value and unit
Total of alkaline earths (water hardness)	0.6 to 2.7 mmol/l (3 to 15° d)
pH value at 20 °C	6.5 to 8.0
Choride ion content	max. 80 mg/l
Sulphate ion content	max. 80 mg/l

Fresh water quality for use of coolant with DCA 4

Use of DCA 4 without anti-freeze and corrosion protection agent

In exceptional cases and when ambient temperatures never drop below freezing, e.g., in tropical zones, where it is demonstrable that no approved anti-freeze and corrosion protection agent is available, the coolant may be composed solely of water and DCA 4.

In order also to protect the cooling system from corrosion in this case:

- approx. twice as much DCA 4 must be used in relation to the mixture ratio of anti-freeze and corrosion protection agent and DCA 4
- the DCA 4 – concentration must be between 0.6 and 1.06 units per litre

In the context of maintenance work, the DCA 4 – concentration must be checked and corrected if necessary.

The coolant must be replaced once a year.

No coolant treating agents (corrosion protection oil) may be used when water + DCA 4 are being used alone.

Approved anti-freeze and corrosion protection agents

BRAND	MANUFACTURER
A	Agip Antifreeze Plus
	Agip-Auto Langzeit-Frostschutz
	Antigel DB 486
	Aral Antifreeze Extra
	Aral Antifreeze T
	Avia Antifreeze APN
B	BP Antifrost X 2270 A
	BP Napgel C 2270/1
D	DEA Kühlerfrostschutz

BRAND		MANUFACTURER
	DEUTZ Kühlschutzmittel 0101 1490	DEUTZ Service International GmbH, Cologne
	DOW Kühlmittel D 542 / 1993	BOSS Chemie AG, Wittenbach/Switzerland
F	Frostschutz 600	Mobil Schmierstoffe GmbH, Hamburg
G	Glacelf SX	Elf Lubrifiants Paris/France
	Glyco Shell	Shell Chemie GMBH, Eschborn
	Glysantin (G 48-00)	BASF AG, Ludwigshafen
I	Igol Antigel Type DB	Igol France, Paris/France
M	Motul Anti-Freeze	Motul SA, Aubervilliers Cedex/France
O	ÖMV - Kühlerfrostschutzmittel	ÖMV AG, Vienna/Austria
	OZO Frostschutz S	Total Deutschland GmbH, Düsseldorf
T	Total Multiprotect	Total Deutschland GmbH, Düsseldorf

Brands and manufacturers of anti-freeze and corrosion protection agents

Sealing agents, safety agents and greases for diesel engines

This list contains all sealants, safety materials and greases required for installation or maintenance work on the engines.

Their application is described in the appropriate installation or maintenance procedure in the "Service Manual" for diesel engines.

Sealants and safety materials

Omnivisc 1050 or Hylomar SQ 32/M or Reinzoplast
 Loctite 222 or Omnifit 50 M
 Loctite 243
 Loctite 262 or Omnifit 100 M
 Loctite 270 or Omnifit 200 M
 Loctite 577
 Loctite 648 or Omnifit 230 M

Greases

Molykote Longterm 2 Plus
 Barrierta L55/3
 Staburags NBU 12