



Table of Contents

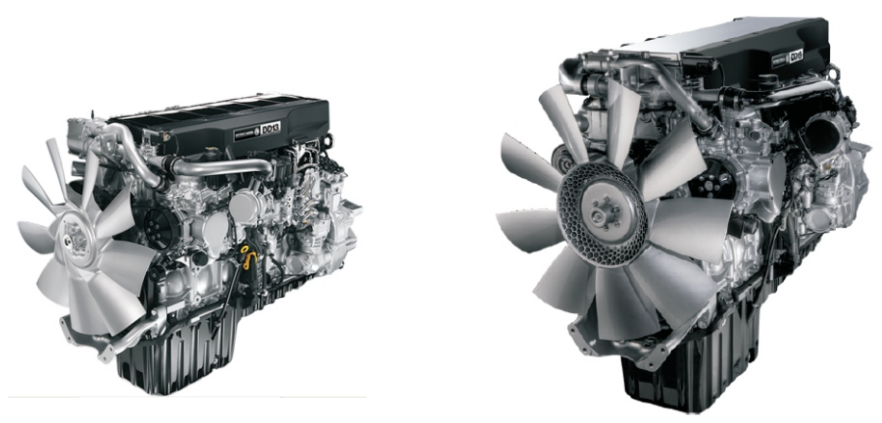
Section **2** Exhaust Systems



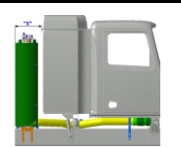
Detroit Diesel ATS Availability by Model	2-2
Cummins ATS Availability by Model	2-3
Exhaust System per Vehicle Service	2-4
Right Hand Under Step Single Vertical Outlet	
016-1C1 - Daycab	2-5
016-1C2 - Daycab 4800/4900 DD13/15/16	2-6
016-1C2 & 016-1E2 - Daycab 4700 DD13	2-7
4700/4900 Cummins 16-1C2 DAYCAB	2-8
Right Hand Under Step Horizontal Outlets	
4700/4800/4900 016-1C3 DAYCAB	2-9
016-1C3 DAYCAB	2-10
Right Hand Under Step Dual Vertical Outlets	
4900SF 016-1C4 Daycab Cummins and DDC	2-11
4900 "Lowmax" 016-1D9 DAYCAB 6" Outlets	2-12
Right Hand Vertical ATS with Vertical Outlets	2-13
RH Frame Mounted Horizontal/Vertical	2-14
Cummins Horizontal RH Discharge Tail Pipe	2-15
RH Horizontal Mid Chassis Mount	2-16
Cummins LH or RH Discharge Tail Pipe	2-17
RH Horizontal/Horizontal	2-18
GHG17 Cummins Exhaust Installations	
4700SF - 016-1C2, 016-1C3	<i>New!</i> 2-19
4700SB - 016-1C0, 016-1C2, 016-1C3	<i>New!</i> 2-20
4900SF - 016-1C2, 016-1C3, 016-1C4	<i>New!</i> 2-21
4900SB - 016-1C2, 016-1C4	<i>New!</i> 2-22
4900SB Tandem Steer - 016-1DH	<i>New!</i> 2-23

This guide is to be used as a reference document only. Please consult your Western Star CAE representative on specific spec'ing needs as the information contained in this document can change without notice.


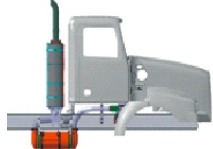




Detroit Diesel ATS Availability by Model

Data Code	Under Cab Mounting
016-1C1	RH outboard under step mounted horizontal after treatment system with RH frame mounted vertical tailpipe (routed under/inside rail)
016-1C2	RH outboard under step mounted horizontal after treatment system with RH B-pillar mounted vertical tailpipe
016-1C3	RH outboard under step mounted horizontal after treatment system with RH horizontal tailpipe
016-1C4	RH outboard under step mounted horizontal after treatment system with RH & LH B-pillar mounted vertical tail pipes
016-1E2	Raised RH outboard under step mounted horizontal after treatment system with RH B-pillar mounted vertical tailpipe
Data Code	Mid Chassis Mounting
016-1DH	RH outboard mid-chassis mounted horizontal after treatment system with RH horizontal tailpipe
016-1DG	RH outboard mid-chassis mounted horizontal after treatment system assembly with dual cab mounted vertical tailpipes
Data Code	Vertical BOC Mounting
016-1C0	RH outboard frame mounted vertical after treatment system with vertical top stack



Detroit Diesel					
Model	BBC	Cab configuration	Mid Chassis	Under Cab	Vertical BOC
4700SF/SB	110"	Daycab		1C2; 1C3, 1E2	016-1C0
4800SF/SB	109"	Daycab	016-1DH	1C2; 1C3	016-1C0
4800SF/SB	109"	40"		1C2; 1C3	016-1C0
4800SF/SB	109"	54"		1C2; 1C3	016-1C0
4800SF/SB	109"	68"		1C2; 1C3	
4800SF/SB	109"	82"		1C2; 1C3	
4900SF/SB	123"	Daycab	016-1DH	016-1C1; 1C2; 1C3; 1C4	016-1C0
4900SF/SB	123"	40"		016-1C1; 1C2; 1C3; 1C4	016-1C0
4900SF/SB	123"	54"		016-1C1; 1C2; 1C3; 1C4	016-1C0
4900SF/SB	123"	68"		016-1C1; 1C2; 1C3; 1C4	
4900SF/SB	123"	82"		016-1C1; 1C2; 1C3; 1C4	
4900EX	132"	Daycab	016-1DH	1C2; 1C3; 1C4	016-1C0
4900EX	132"	40"		1C2; 1C3; 1C4	016-1C0
4900EX	132"	54"		1C2; 1C3; 1C4	016-1C0
4900EX	132"	68"		1C2; 1C3; 1C4	
4900EX	132"	82"		1C2; 1C3; 1C4	
4800TS	109"	Daycab	016-1DH		016-1C0
4800TS	109"	Daycab	016-1DH		016-1C0
4900TS	123"	Daycab	016-1DH; 1DG		016-1C0
4900TS	123"	40"	016-1DH		016-1C0
4900TS	123"	54"	016-1DH		016-1C0
6900TS	141"	Daycab	016-1DH		016-1C0
6900XD	141"	Daycab		016-1C1; 1C2; 1C3; 1C4	016-1C0
6900XD	141"	40"		016-1C1; 1C2; 1C3; 1C4	016-1C0
6900XD AWD	141"	Daycab		016-1C1; 1C2; 1C3; 1C4	016-1C0
4800SF AWD	109"	Daycab	016-1DH	016-1C1; 1C2; 1C3; 1C4	016-1C0

Cummins ATS Availability by Model

ISX					
Model	BBC	Cab Configuration	Under Cab	Horizontal/Vertical	Horizontal/Horizontal
4900 SF/SB	123"	Daycab	016-1C2; 1C3; 1C4	016-1DB	
4900 SF/SB	123"	40"	016-1C2; 1C3; 1C4	016-1DB	
4900 SF/SB	123"	54"	016-1C2; 1C3; 1C4	016-1DB	
4900 SF/SB	123"	68"	016-1C2; 1C3; 1C4		
4900 SF/SB	123"	82"	016-1C2; 1C3; 1C4		
49EX	132"	Daycab	016-1C2; 1C3; 1C4		
49EX	132"	40"	016-1C2; 1C3; 1C4		
49EX	132"	54"	016-1C2; 1C3; 1C4		
49EX	132"	68"	016-1C2; 1C3; 1C4		
49EX	132"	82"	016-1C2; 1C3; 1C4		
49FA - LowMax	123"	Daycab	016--1D9		
49FA - LowMax	123"	40"	016--1D9		
49FA - LowMax	123"	54"	016--1D9		
49FA - LowMax	123"	68"	016--1D9		
49FA - LowMax	123"	82"	016--1D9		
49EX - LowMax	132"	Daycab	016--1D9		
49EX - LowMax	132"	40"	016--1D9		
49EX - LowMax	132"	54"	016--1D9		
49EX - LowMax	132"	68"	016--1D9		
49EX - LowMax	132"	82"	016--1D9		
49FA - Autohauler	123"	Daycab			016-1D7; 1D8
49FA - Autohauler	123"	40" Ultra Low			016-1D7; 1D8
49FA - Autohauler	123"	54" Ultra Low			016-1D7; 1D8
49FA - Autohauler	123"	68" Ultra Low			016-1D7; 1D8
69XD	141"	Daycab	016-1C2; 1C3; 1C4		
69XD	141"	40"	016-1C2; 1C3; 1C4		
69XD - AWD	141"	Daycab	016-1C2; 1C3; 1C4		
ISL					
Model	BBC	Cab configuration	Under Cab	Vertical BOC	Horizontal/Horizontal
4700 SF/SB	110"	Daycab	016-1C2; 1C3	016-1C0	016-1C9

Data Code	Under Cab Mounting
016-1C2	RH outboard under step mounted horizontal ATS with RH B-pillar mounted vertical tailpipe
016-1C3	RH outboard under step mounted horizontal ATS with RH horizontal tailpipe
016-1C4	RH outboard under step mounted horizontal ATS with RH & LH B-pillar mounted vertical tail pipes
Data Code	Horizontal/Vertical Chassis Mounting
016-1DH	RH outboard mid-chassis mounted horizontal ATS with RH horizontal tailpipe
016-1C9	RH inboard frame mounted horizontal DPF and SCR with horizontal tailpipe
016-1DB	RH inboard frame mounted horizontal DPF and SCR with RH frame mounted horizontal tailpipe
Data Code	Vertical BOC Mounting
016-1D7	RH inboard frame mounted horizontal DPF and SCR with RH horizontal tailpipe exiting forward of rear tires
016-1D8	RH inboard frame mounted horizontal DPF and SCR with LH horizontal tailpipe exiting forward of rear tires
016-1D9	RH outboard Under Step mounted horizontal ATS with Dual B-Pillar Mounted 6" tailpipe



ISX



ISL



Exhaust System per Vehicle Service

The following chart indicates the most popular exhaust systems per vehicle service. It also indicates additional exhaust system available.

Description	Service Type	LINEHAUL LONG HAUL	OIL FIELD	CONSTRUCTION	P & D SHORT HAUL	UTILITY/ MAINT.	LOGGING	HEAVY HAUL	MINING	REFUSE	WRECKING	FARM	AIRPORT
	Data Code	A85-005	A85-007	A85-011	A85-002	A85-010	A85-012	A85-027	A85-013	A85-001	A85-014	A85-009	A85-015
RH outboard under step mounted horizontal ATS with RH & LH B-pillar mounted vertical tail pipes	016-1C4												
RH outboard under step mounted horizontal ATS with RH B-pillar mounted vertical tailpipe	016-1C2												
RH outboard frame mounted vertical ATS with vertical top stack	016-1C0												
RH outboard under step mounted horizontal ATS with RH frame mounted vertical tailpipe (routed under/inside rail)	016-1C1												
RH outboard under step mounted horizontal ATS with RH horizontal tailpipe	016-1C3												
RH outboard mid-chassis mounted horizontal ATS with RH horizontal tailpipe	016-1DH												
RH outboard Under Step mounted horizontal ATS with Dueal B-Pillar Mounted 6" tailpipe	016-1D9												
RH inboard frame mounted horizontal DPF and SCR with RH Frame mounted horizontal tailpipe	016-1DB												
RH inboard frame mounted horizontal DPF and SCR with horizontal tailpipe	016-1C9												



Preferred



Available

Right Hand Under Step Single Vertical Outlet

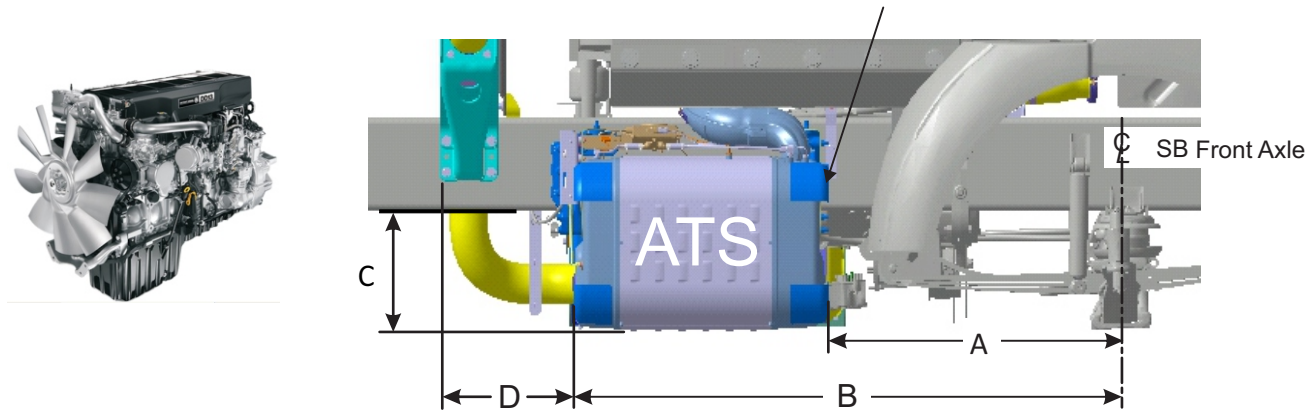
016-1C1 - Daycab

016-1C1 - RH Outboard Under Step Mounted Horizontal ATS with RH Frame Mounted Vertical Tailpipe (Routed Under/Inside Rail)

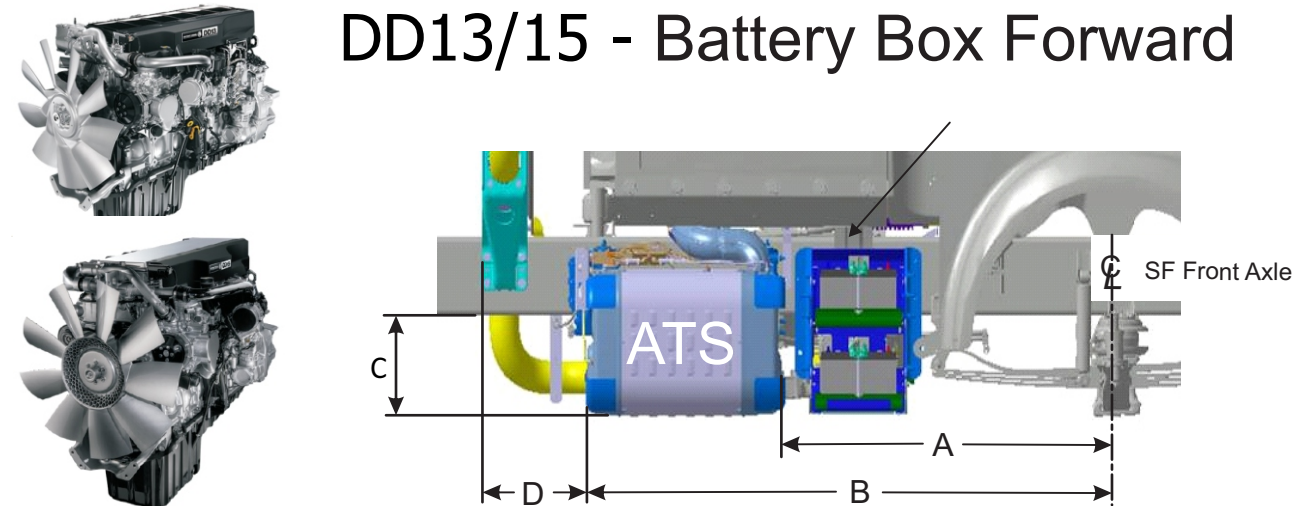
016-1C1 for Day Cab			
Model		4900SF	4900SB
BBC		123"	123"
Engine		DDC	DDC
Forward ATS	A	N/A	36.61
Battery Box Mtd Forward *	A	53.61	N/A
Rear ATD	B	87.17	70.17
Bottom	C	14.73"	14.73"
T/Pipe BOC	D	17.17"	17.17"

* Not all models allow battery box ahead of the ATS
** Not all Models shown

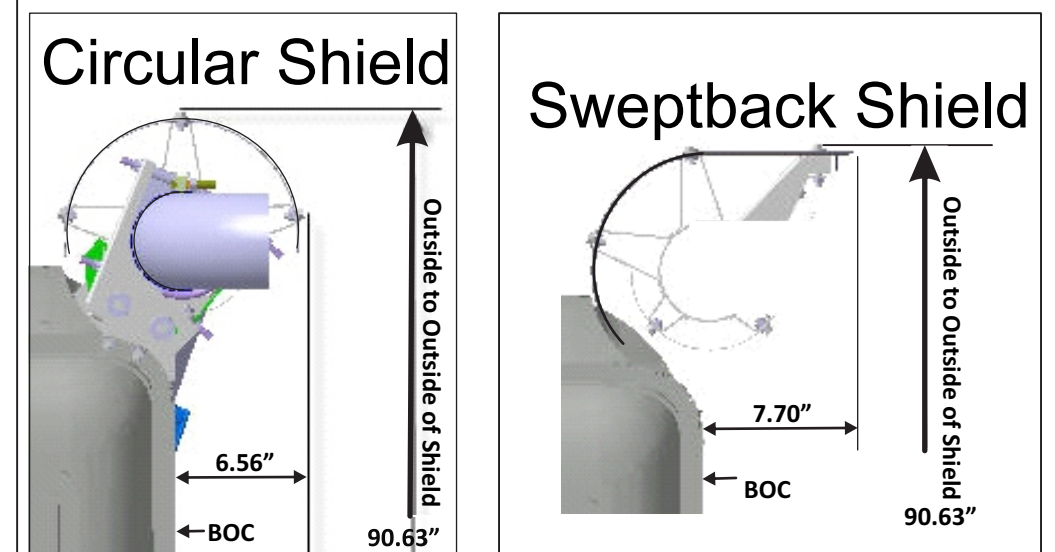
DD13/15 - ATS Forward



DD13/15 - Battery Box Forward



All Models all configurations Dimensions for B - Pillar Mounted tail pipes

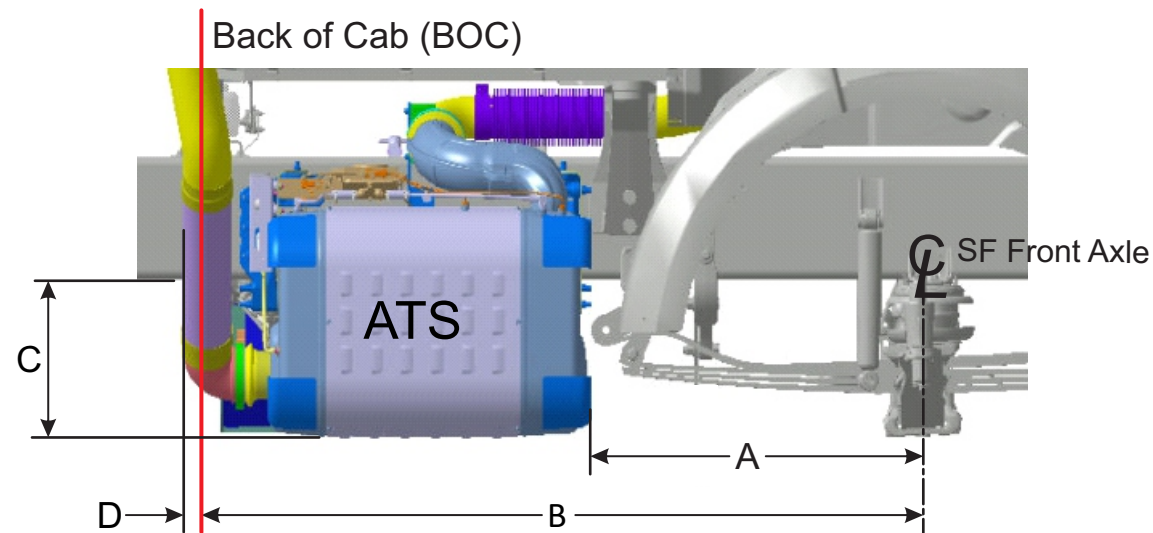


Right Hand Under Step Single Vertical Outlet

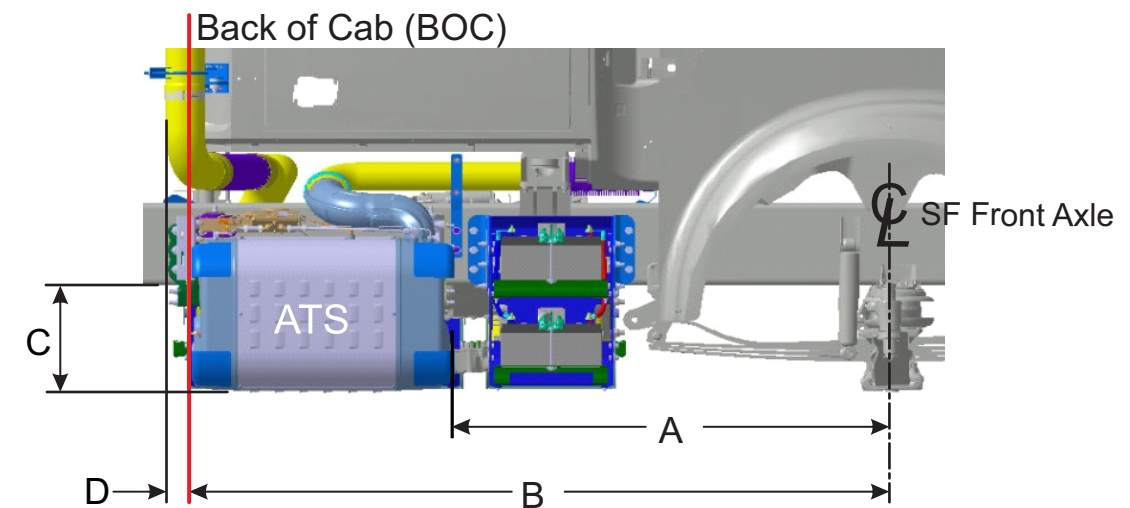
016-1C2 - Daycab 4800/4900 DD13/15/16

016-1C2 - RH outboard under step mounted ATS assembly with RH B-Pillar mounted vertical tailpipe

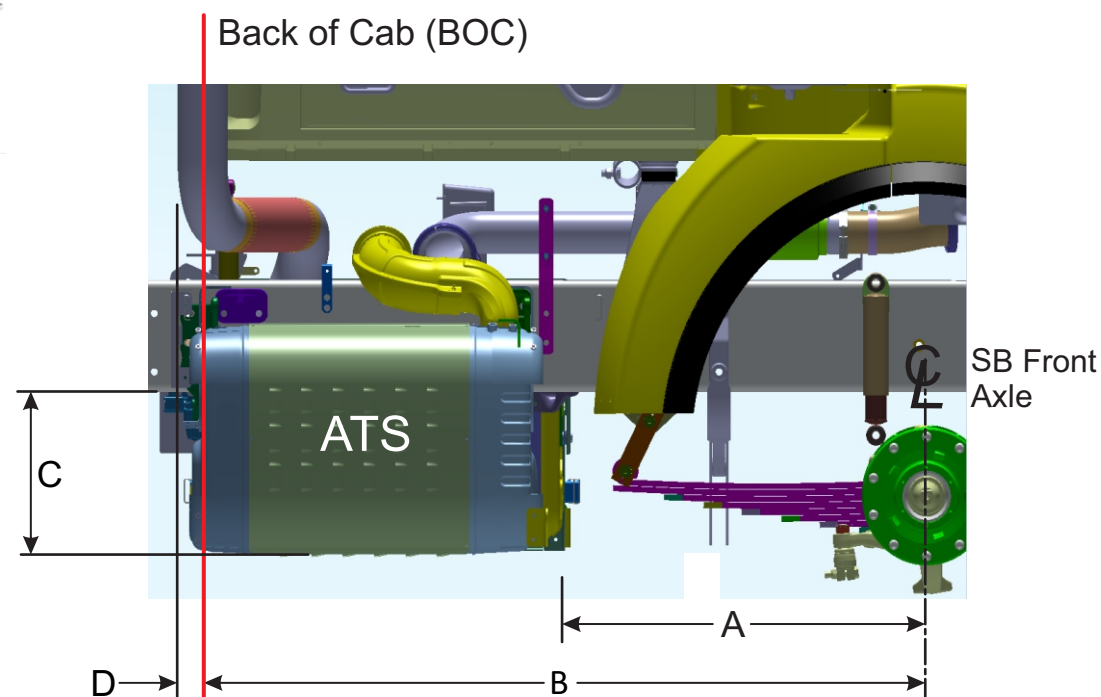
4800SF DD13 - ATS Forward



4900SF DD13/15/16 - With Battery Box Fwd



4900SB DD13/15 - ATS Forward



016-1C2 for Day Cab								
Model		4800SF	4800SB	4900SF	4900SB	4900SF	4900SB	4900EX
BBC		109"	109"	123"	123"	123"	123"	132"
Engine		DD13	DD13	DD13	DD13	DD15	DD15	DD15
Forward ATS	A	33.96	35.16	N/A	38.85	N/A	36.61	N/A
Battery Box Forward *	A	N/A	N/A	55.58	N/A	53.61	N/A	62.36
Rear ATS	B	67.52	68.72	89.14	72.41	87.17	70.17	95.92
Bottom	C	17.79"	17.79"	17.79"	17.79"	17.79"	17.79"	17.79"
Elbow to BOC	D	0.77"	19.16"	2.63"	2.63	2.63"	2.63	2.63

* Battery box mounted ahead of ATS system; not all models allow battery box ahead of the ATS

** Not all Models shown. Exhaust routing may be different, confirm exact details with application engineering.

Right Hand Under Step Single Vertical Outlet

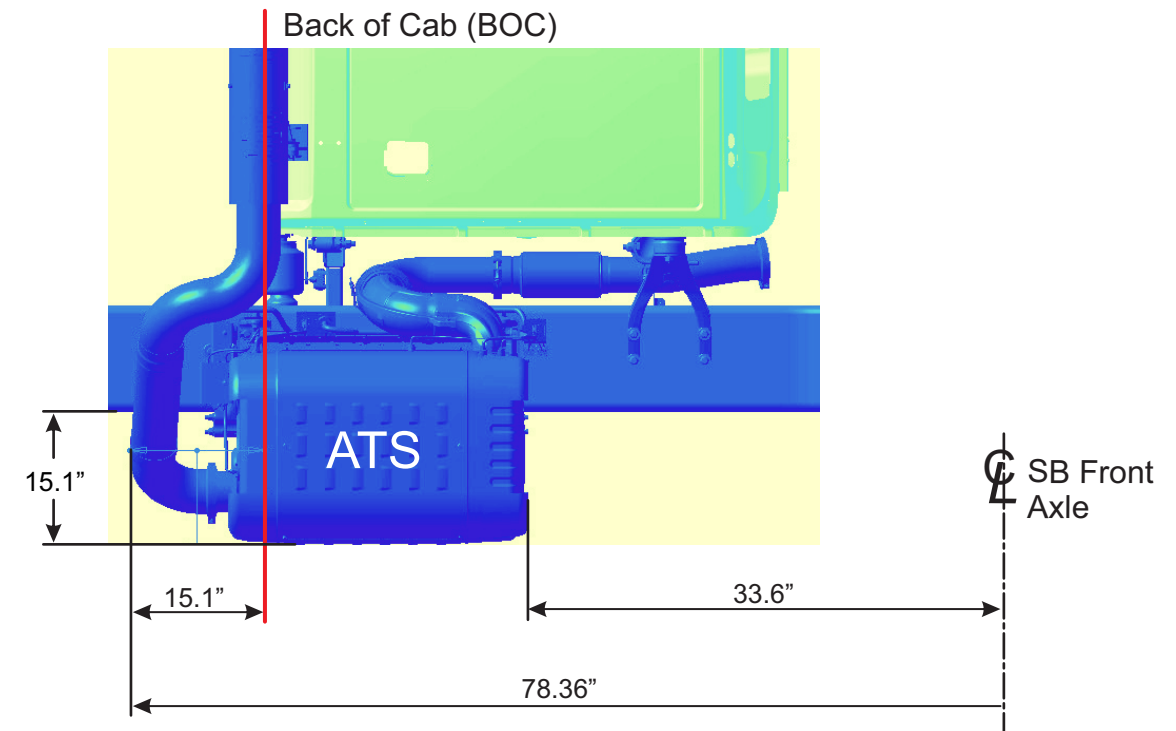
016-1C2 & 016-1E2 - Daycab 4700 DD13

016-1C2 - RH Outboard Under Step Mounted Horizontal ATS with RH B-Pillar Mounted Vertical Tailpipe

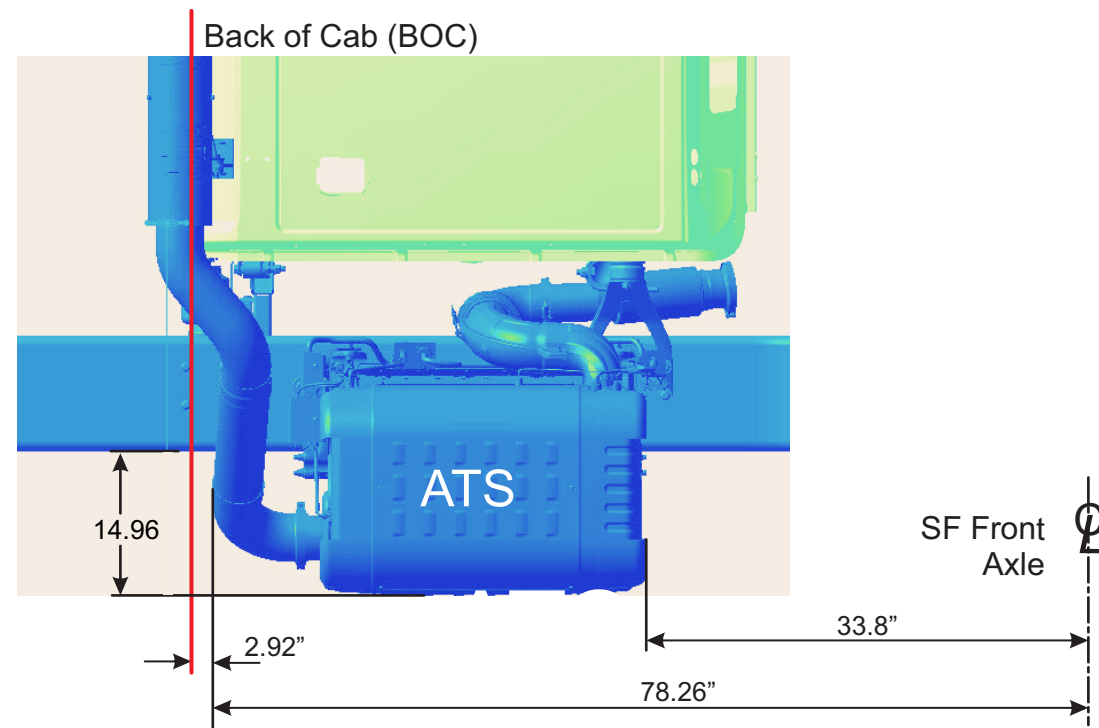
016-1E2 - Raised RH outboard under step mounted horizontal ATS with RH B-pillar mounted vertical tailpipe



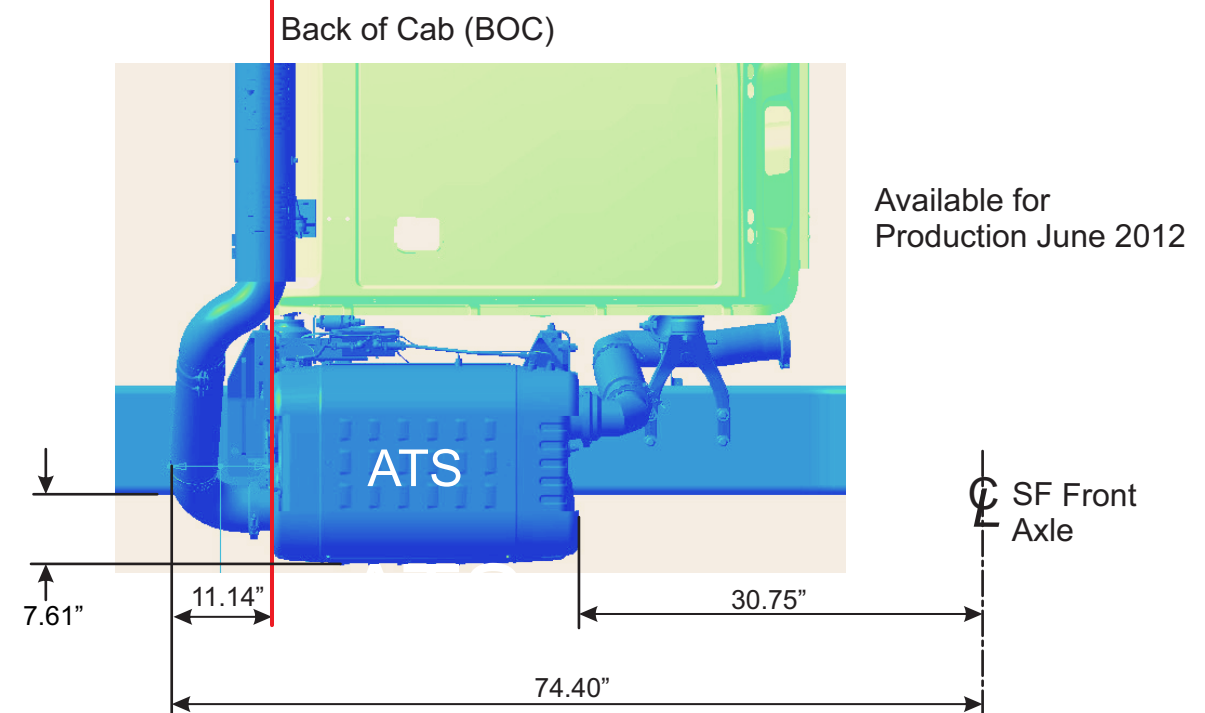
4700 SB 016-1C2



4700 SF 016-1C2



4700 SF 016-1E2



Right Hand Under Step Single Vertical Outlet

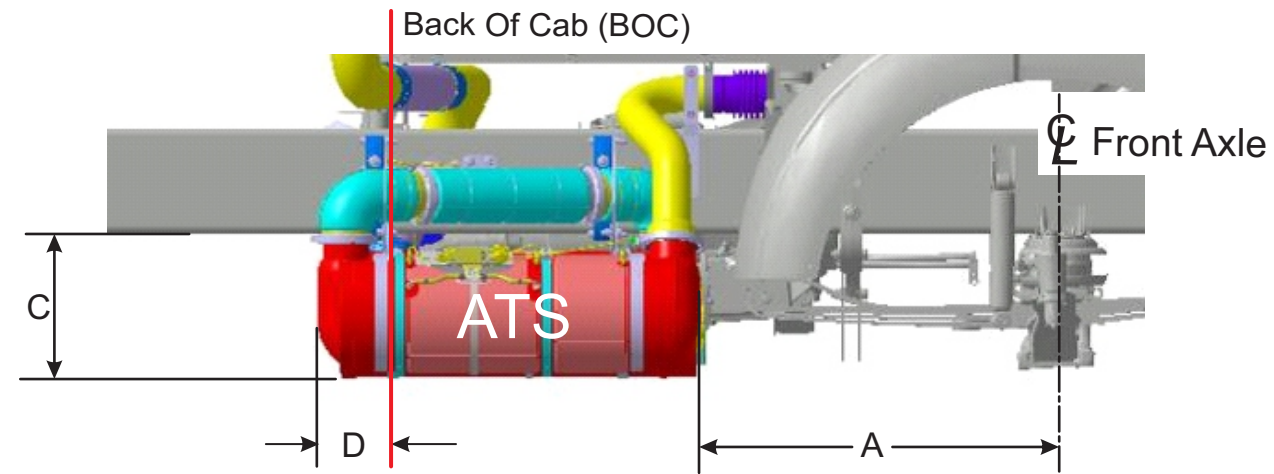
4700/4900 Cummins 16-1C2 DAYCAB

016-1C2 - RH Outboard Under Step Mounted Horizontal ATS assembly with RH B-Pillar Mounted Vertical Tailpipe

4900 SB ISX - ATS Forward



ISX

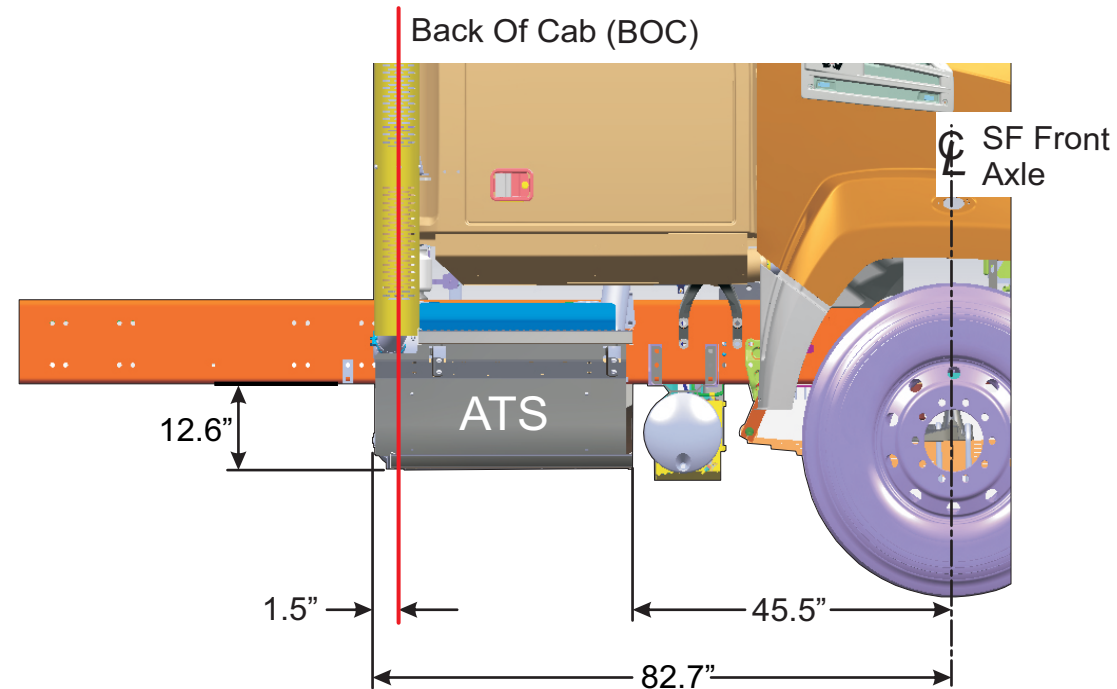


016-1C2 for Day Cab			
Model	4900SF	4900SB	
BBC	123"	123"	
Engine		ISX	
Forward ATS	A	N/A	35.16
Battery Box Forward **	A	53.92	N/A
Rear ATS	B	N/A	N/A
Bottom	C	15.98"	15.98"
Elbow to BOC	D	3.72"	3.72"

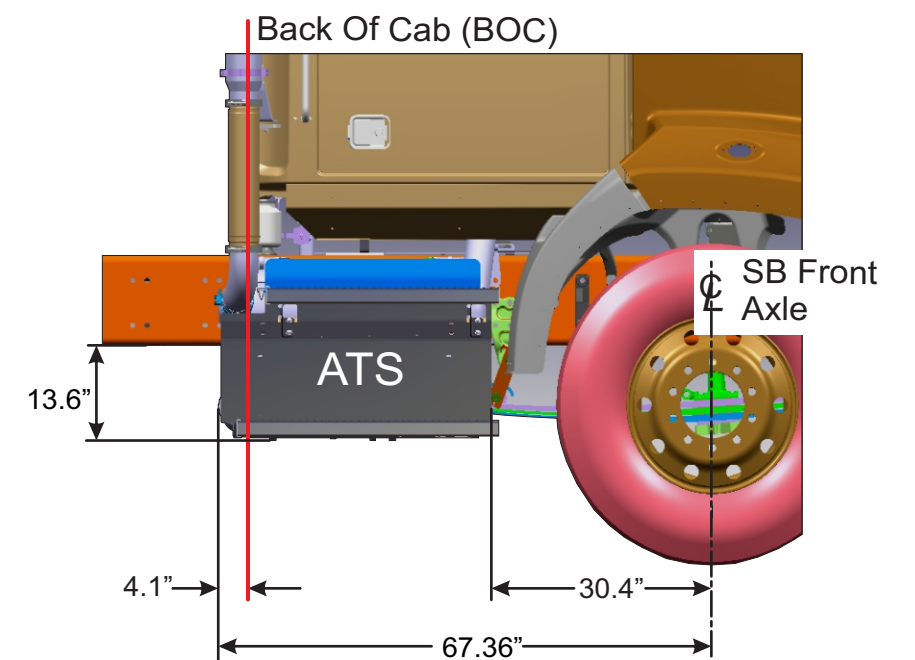


ISL

4700 SF



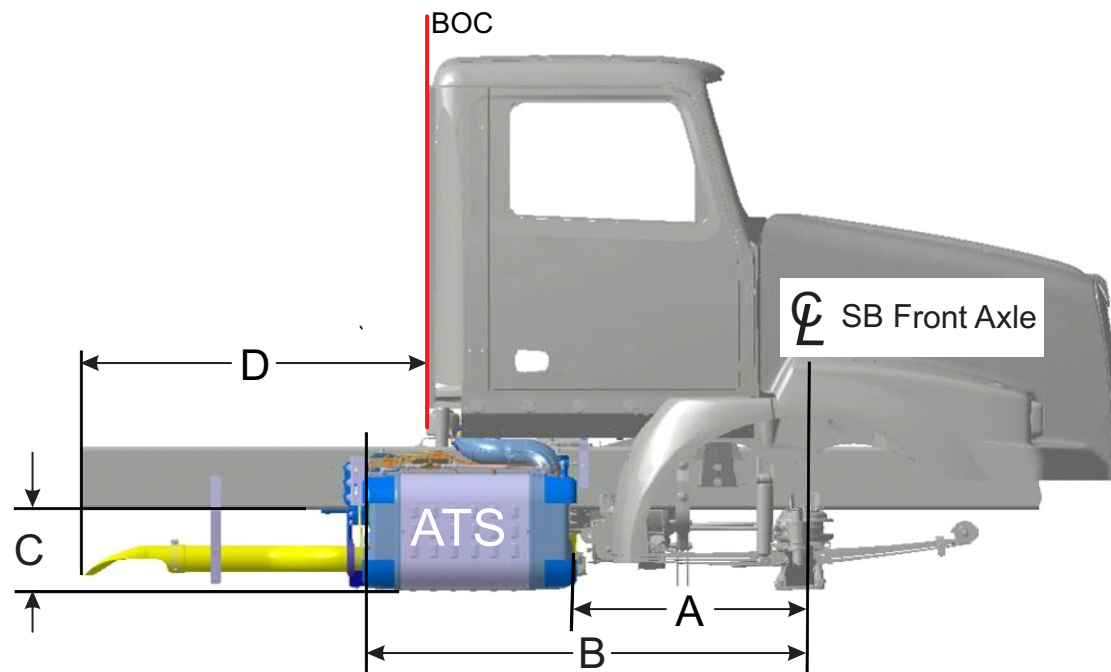
4700 SB



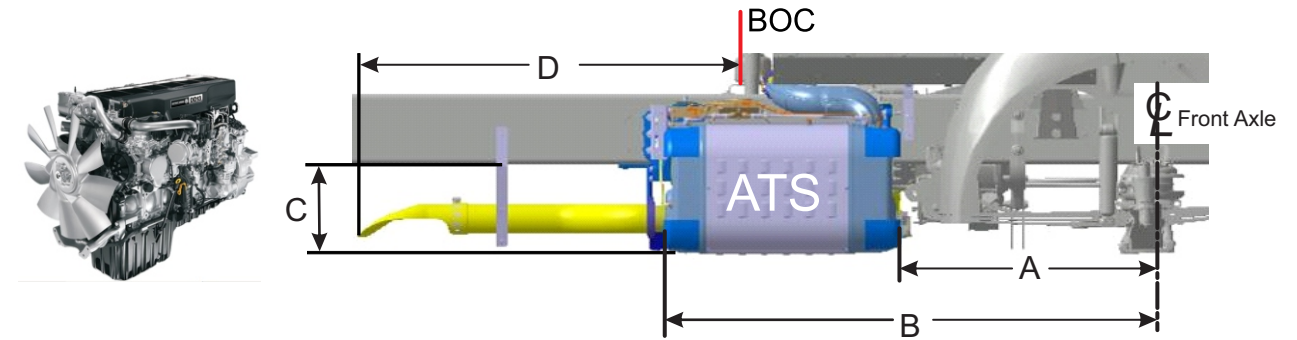
Right Hand Under Step Horizontal Outlets

4700/4800/4900 016-1C3 DAYCAB

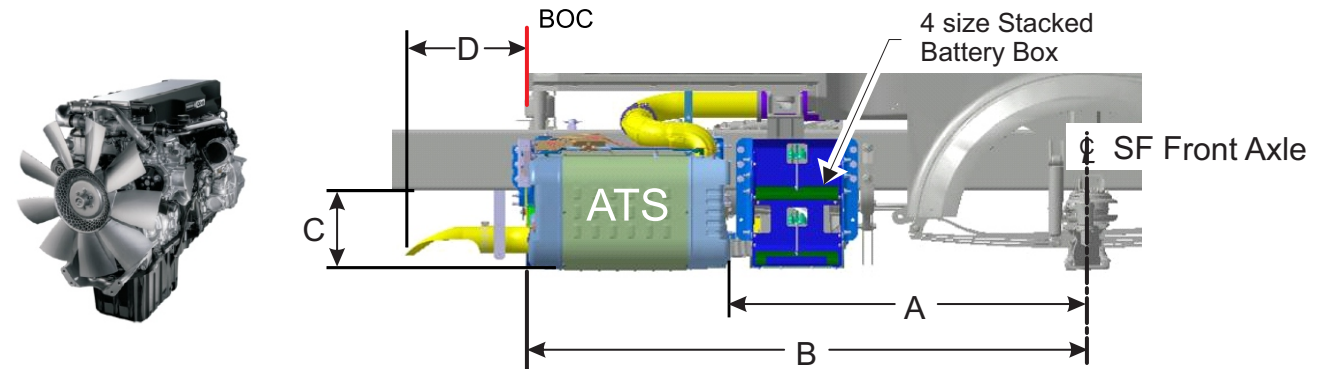
016-1C3 - RH Outboard under step mounted horizontal
ATS assembly with RH horizontal tailpipe



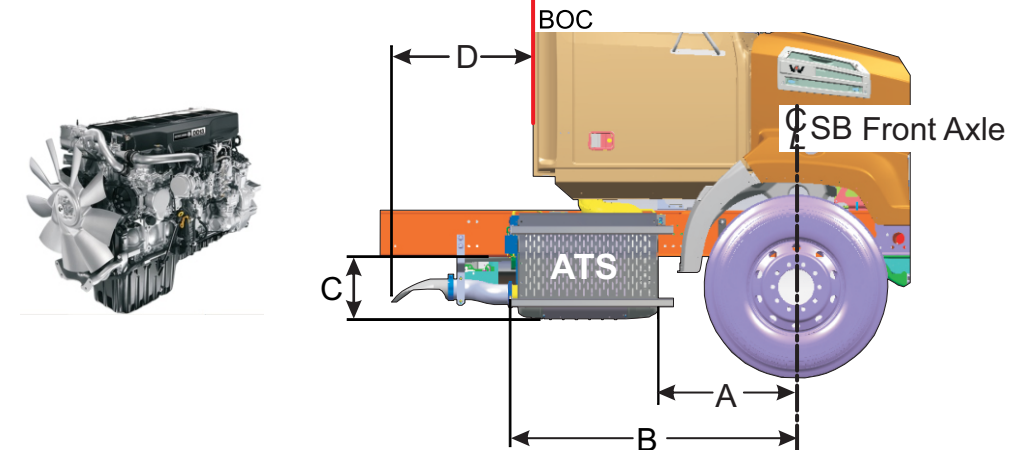
4800/4900 SF DD13/15 ATS Mtd Forward



4800/4900 DD13/15 Battery Box Mtd Forward of ATS



4700 SB DD13 RH Under step Horizontal



016-1C3 For DDC Day Cab									
Model		4700SF	4700SB	4800SF	4800SB	4900SB	4900SF*	4900SB	4900EX*
BBC		110"	110"	109"	109"	123"	123"	123"	132"
Engine		DDC	DDC	DDC	DDC	DDC	DDC	DDC	DDC
Forward ATS	A		33.2"	34.0"	35.2"	35.2"	N/A	36.6"	N/A
Battery Box * Mtd Forward	A	N/A	N/A	N/A	N/A	N/A	53.61	N/A	62.36"
Rear ATS	B		67.7"	67.5"	68.7"	68.7"	87.2"	70.2"	95.9"
Bottom	C		15.1"	15.1"	15.1"	15.1"	15.1"	15.1"	15.1"
T/Pipe BOC	D		34.0"	34.9"	53.4"	34.9"	34.9"	34.9"	34.9"

* Battery box mounted ahead of ATS system; not all models allow battery box ahead of the ATS
** Not all Models shown

Right Hand Under Step Horizontal Outlets

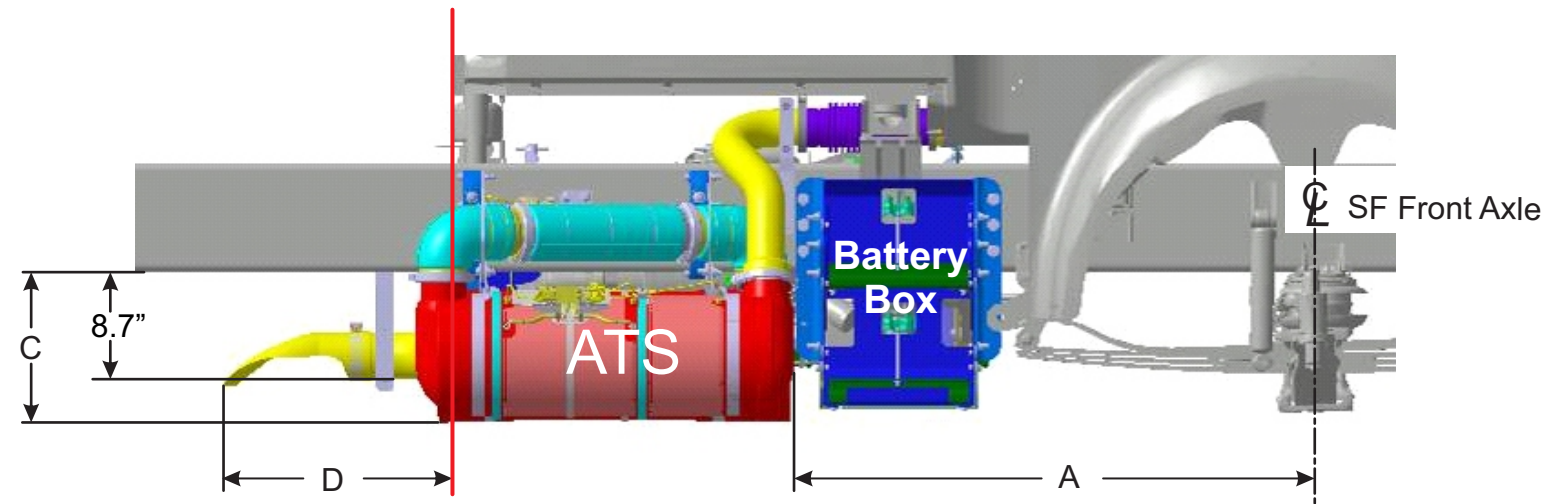
016-1C3 DAYCAB

016-1C3 - RH Outboard Under Step Mounted Horizontal
ATS with RH Horizontal Tailpipe



ISX

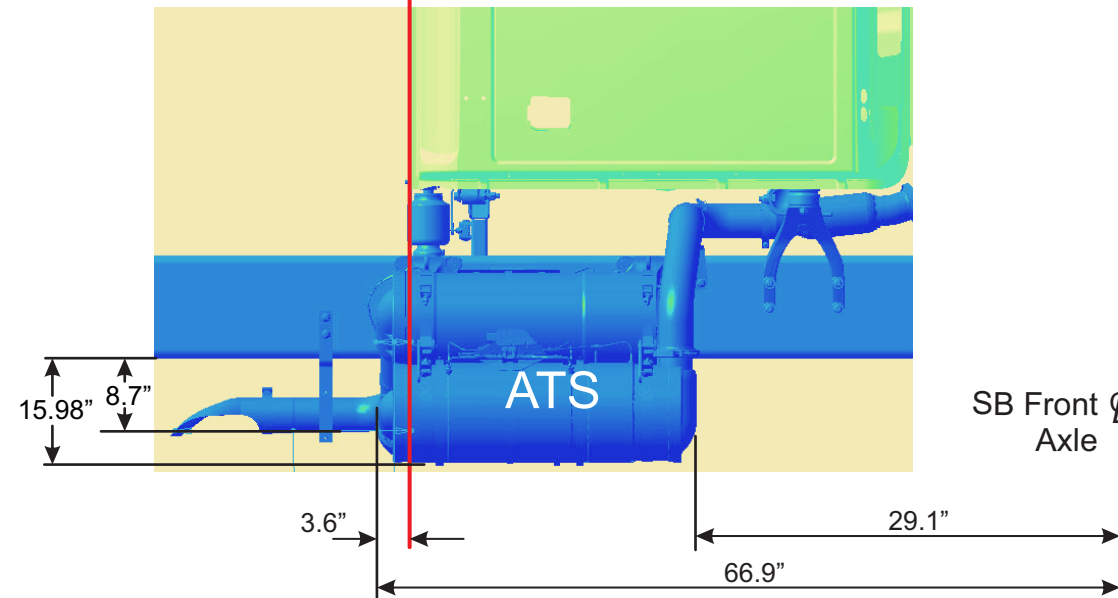
ISX - Battery Box Mtd Forward of ATS



ISL

4700 SB 016-1C3

Back of Cab (BOC)



016-1C3 for Day Cab			
Model	4900SF*	4900SB	4900EX*
BBC	123"	123"	132"
Engine	ISX	ISX	ISX
Forward ATS	A	N/A	N/A
Battery Box * Mtd Forward	A	53.9"	62.7"
Rear ATS	B	N/A	N/A
Bottom	C	16.0"	16.0"
T/Pipe BOC	D	23.9"	24.0"

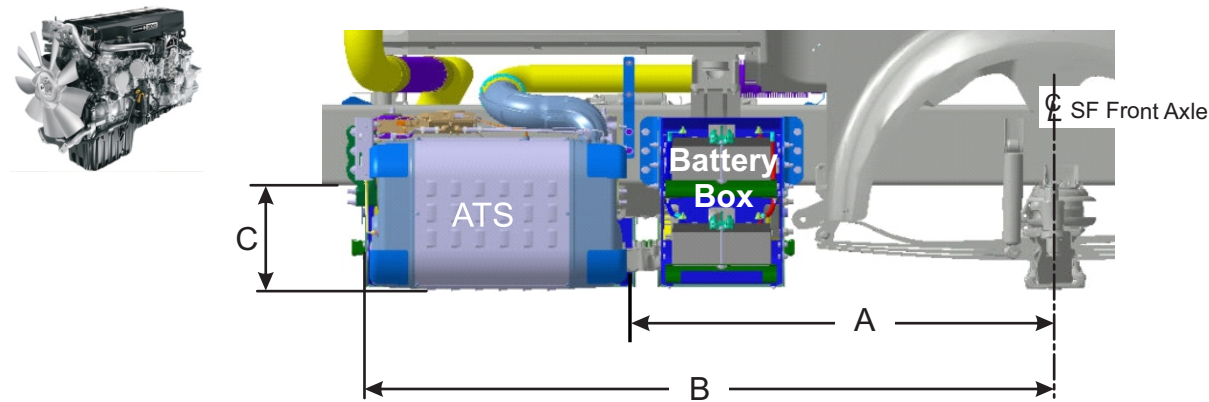
* Battery box mounted ahead of ATS system; not all models allow battery box forward
** Not all Models shown

Right Hand Under Step Dual Vertical Outlets

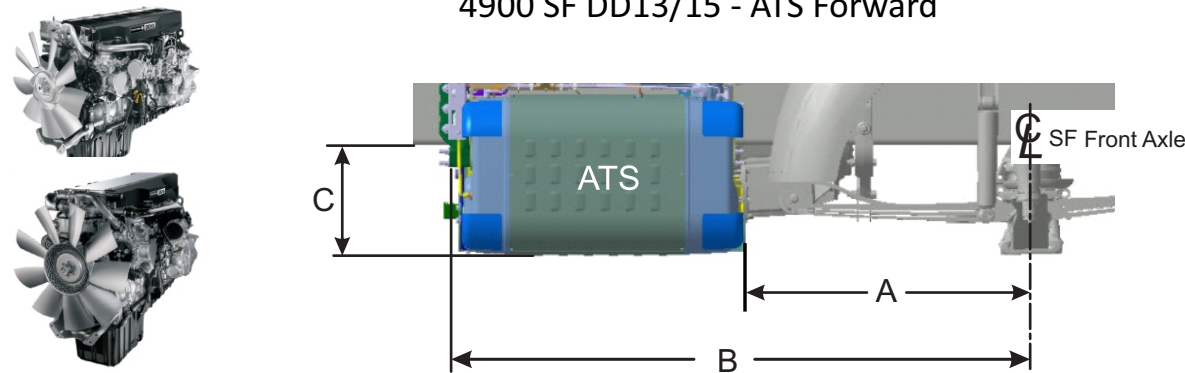
4900SF 016-1C4 Daycab Cummins and DDC

016-1C4 - RH outboard under step mounted horizontal
ATS with dual cab mounted vertical tail pipes

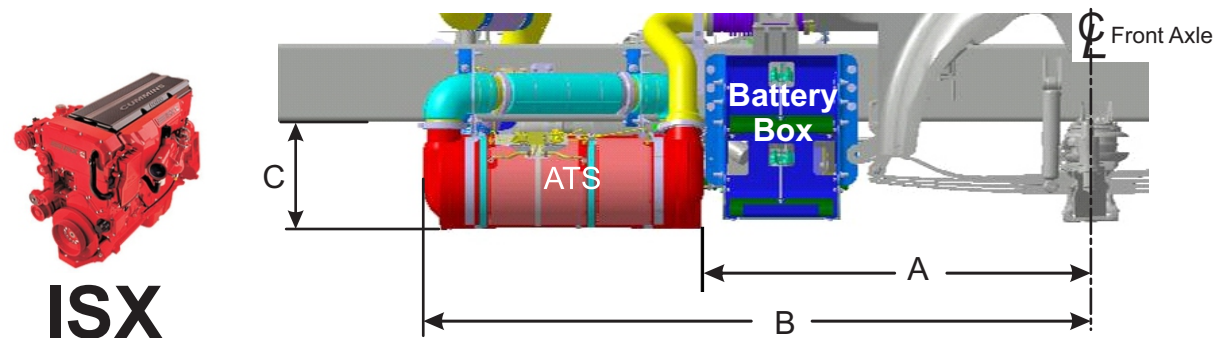
4900 SF DD13/15 - Battery Box Forward



4900 SF DD13/15 - ATS Forward



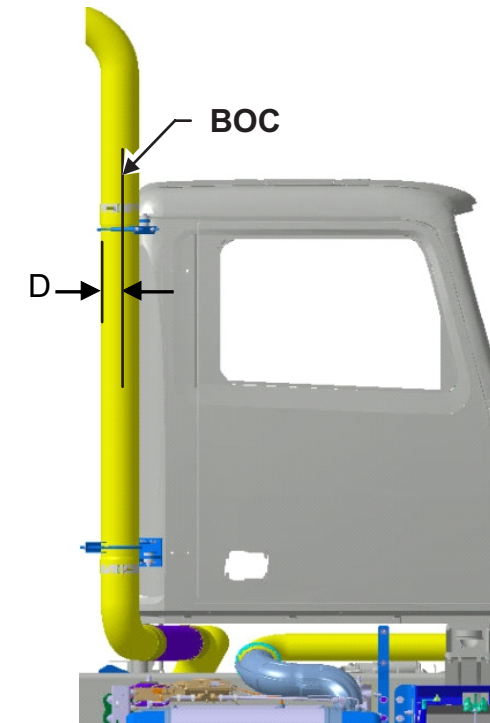
4900 SF ISX - Battery Box Mtd. Forward



ISX

		016-1C4 for Day Cab							
Model		4900SF	4900SB	4900SF	4900SB	4900EX	4900SF	4900SB	4900EX
BBC		123"	123"	123"	123"	132"	123"	123"	132"
Engine		DD13	DD13	DD15	DD15	DD15	ISX	ISX	ISX
Forward ATS	A	N/A	38.58	N/A	36.61	N/A	N/A	36.92	N/A
Battery Box * Forward of ATS	A	55.58	N/A	53.61	N/A	62.36	53.92	N/A	62.68
Rear ATS	B	89.14	72.14	87.17	70.17	95.92	N/A	N/A	N/A
Bottom	C	17.79"	17.79"	17.79"	17.79"	17.79"	15.98"	15.98"	15.98"
T/Pipe BOC	D	2.63"	2.63"	2.63"	2.63"	2.63"	3.72"	3.72"	3.72"

* Battery box mounted ahead of ATS; not all models allow battery box ahead of the ATS
** Not all Models shown



Right Hand Under Step Dual Vertical Outlets

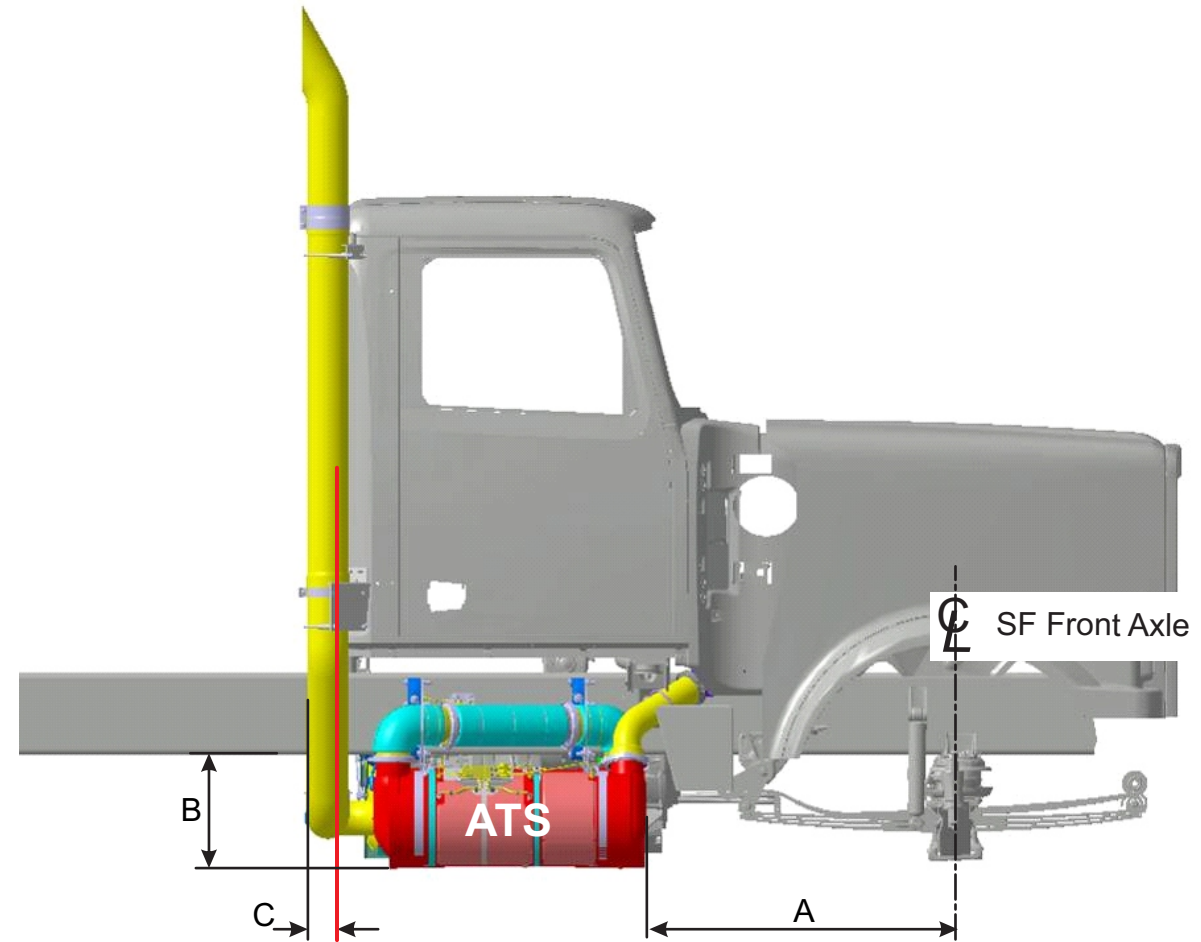
4900 “Lowmax” 016-1D9 DAYCAB 6” Outlets

016-1D9 - RH outboard under step mounted horizontal ATS with dual B-pillar mounted 6” vertical tailpipes



ISX

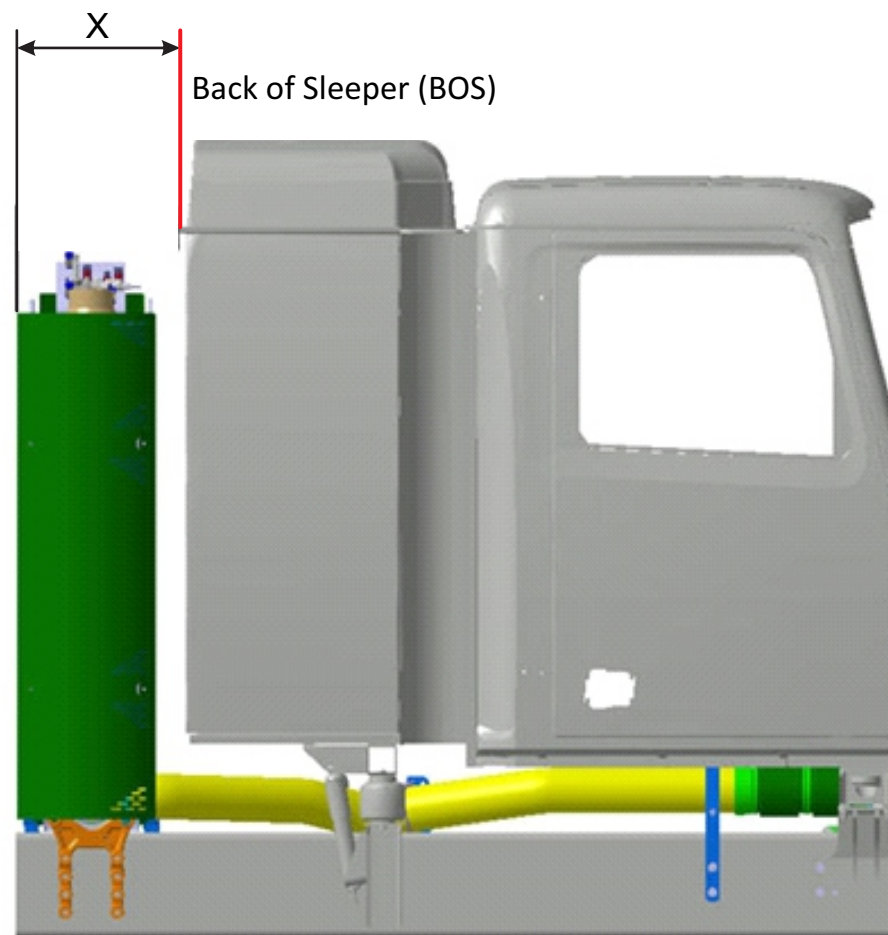
Model		4900SF	4900EX
BBC		123"	132"
Engine		ISX	ISX
A	ATS Mounted Forward	44.18"	52.93"
B	Bottom	15.98"	15.98"
C	Tailpipe	3.59"	3.59"



Right Hand Vertical ATS with Vertical Outlets

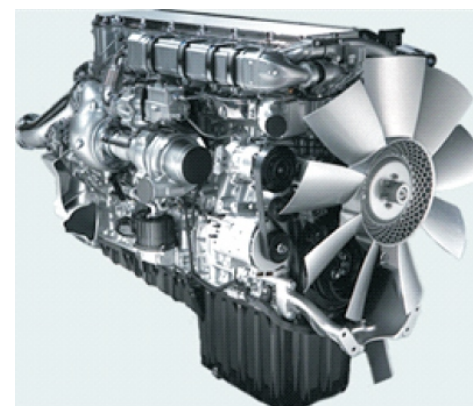
All Models 016-1C0 DAYCAB & SLEEPER

016-1C0 - RH Outboard Frame Mounted Vertical After Treatment System with Topstack



Model	DD13	DD15	BBC	Configuration	X*
4800SF/SB	Y	Y	109"	Daycab	18.98"
4800SF/SB	Y	Y	109"	40" Sleeper	18.46"
4800SF/SB	Y	Y	109"	54" Sleeper	20.83"
4900SF/SB	Y	Y	123"	Daycab	18.90"
4900SF/SB	Y	Y	123"	40" Sleeper	18.46"
4900SF/SB	Y	Y	123"	54" Sleeper	18.90"
4900SF/SB	Y	Y	132"	Daycab	18.98"
4900SF/SB	Y	Y	132"	40" Sleeper	18.50"
4900SF/SB	Y	Y	132"	54" Sleeper	18.98"
4800 TS	Y	Y	109"	Daycab	18.98"
4800 SB AWD	Y	Y	109"	Daycab	18.98"
4900 TS	Y	Y	123"	Daycab	18.90"
4900 TS	Y	Y	123"	40" Sleeper	18.46"
4900 TS	Y	Y	123"	54" Sleeper	19.90"
6900 TS	Y	Y	141"	Daycab	18.98"
6900XD	Y	Y	141"	Daycab	19.98"
6900XD	Y	Y	141"	40" Sleeper	18.50"
6900XD AWD	Y	Y	141"	Daycab	18.98"

* "X" is the area from BOC/BOS to AFT face of shield

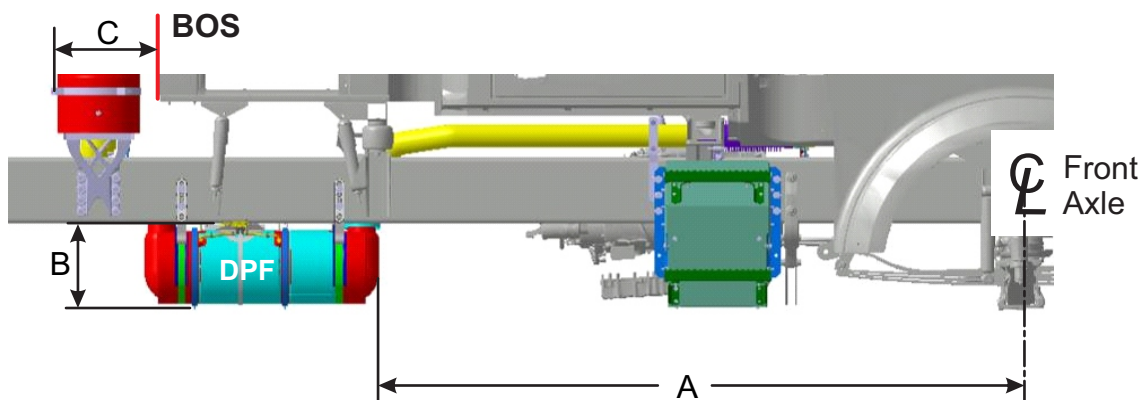
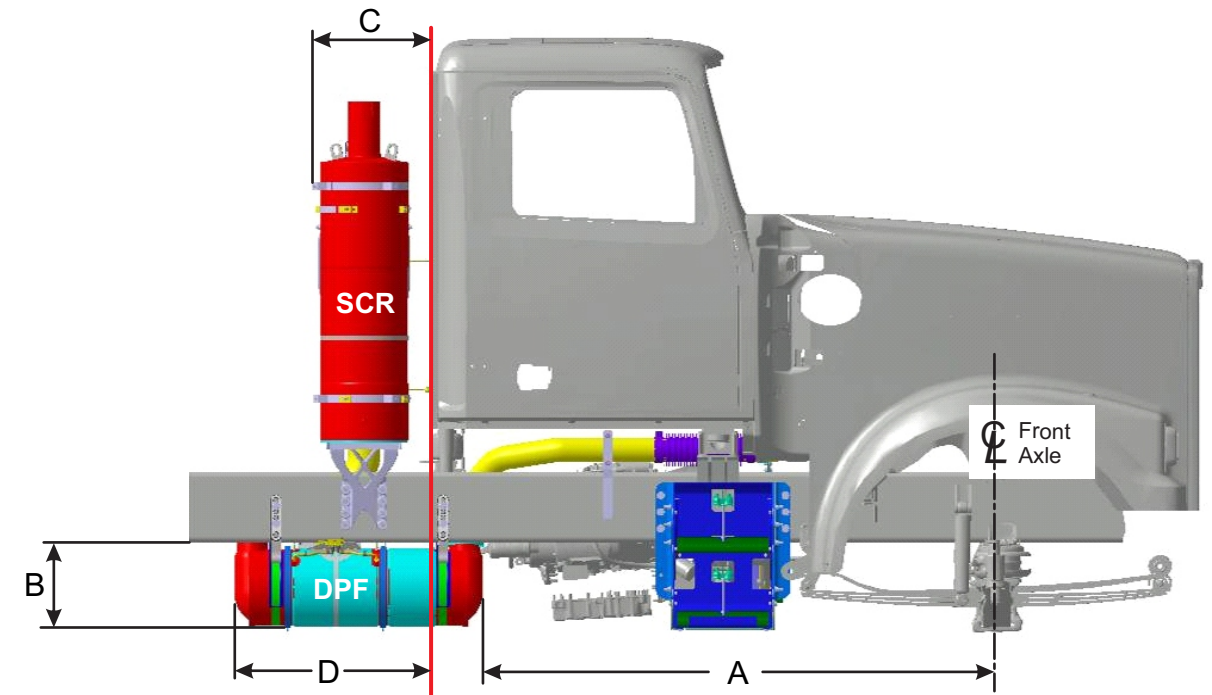
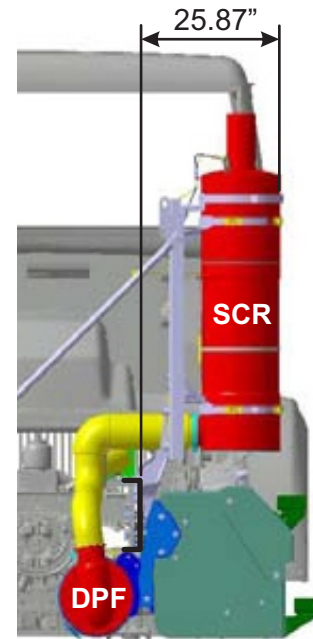
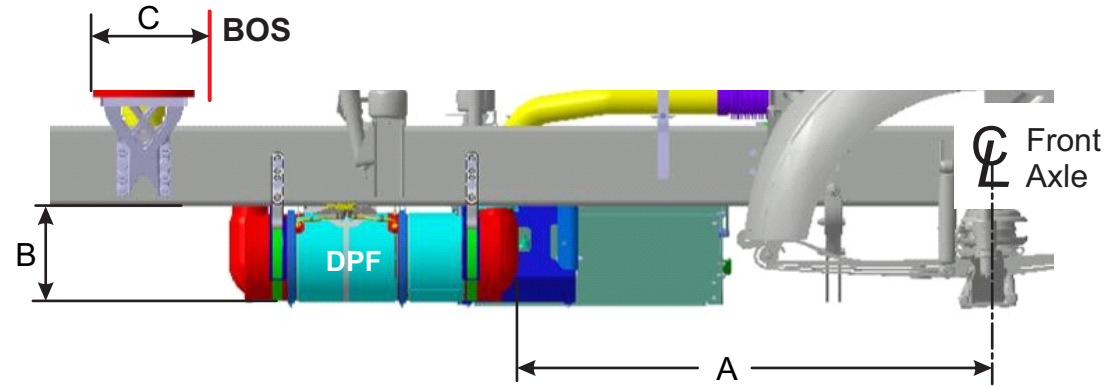


Model	DD13	ISL/ISC	BBC	Configuration	X*
4700SF/SB	Y	N	110"	Daycab	19.28"
4700SF/SB	N	Y	110"	Daycab	18.86"

RH Frame Mounted Horizontal/Vertical

4900 016-1DB

016-1DB - RH inboard frame mounted horizontal DPF and RH frame mounted vertical SCR with topstack



016-1DB for ISX									
Model	4900SF	4900SF	4900SF	4900SB	4900SB	4900SB	4900EX	4900EX	4900EX
BBC	123"	123"	123"	123"	123"	123"	132	132"	132"
Engine	ISX	ISX	ISX	ISX	ISX	ISX	ISX	ISX	ISX
Cab	Daycab	-	-	Daycab	-	-	Daycab	-	-
Sleeper	-	40"	54"	-	40"	54"	-	40"	54"
A	Fwd of DPF	81.30"	81.30"	98.80"	64.30"	64.30"	81.80"	90.05"	107.55"
B	Depth	14.36"	14.36"	14.36"	14.36"	14.36"	14.36"	14.36"	14.36"
C	Rear of DPF	18.86"	18.50"	18.99"	18.86"	18.50"	18.99"	18.86"	18.50"
D	Rear of SRC	30.99"	-	-	30.99"	-	-	30.99"	-

Cummins Horizontal RH Discharge Tail Pipe

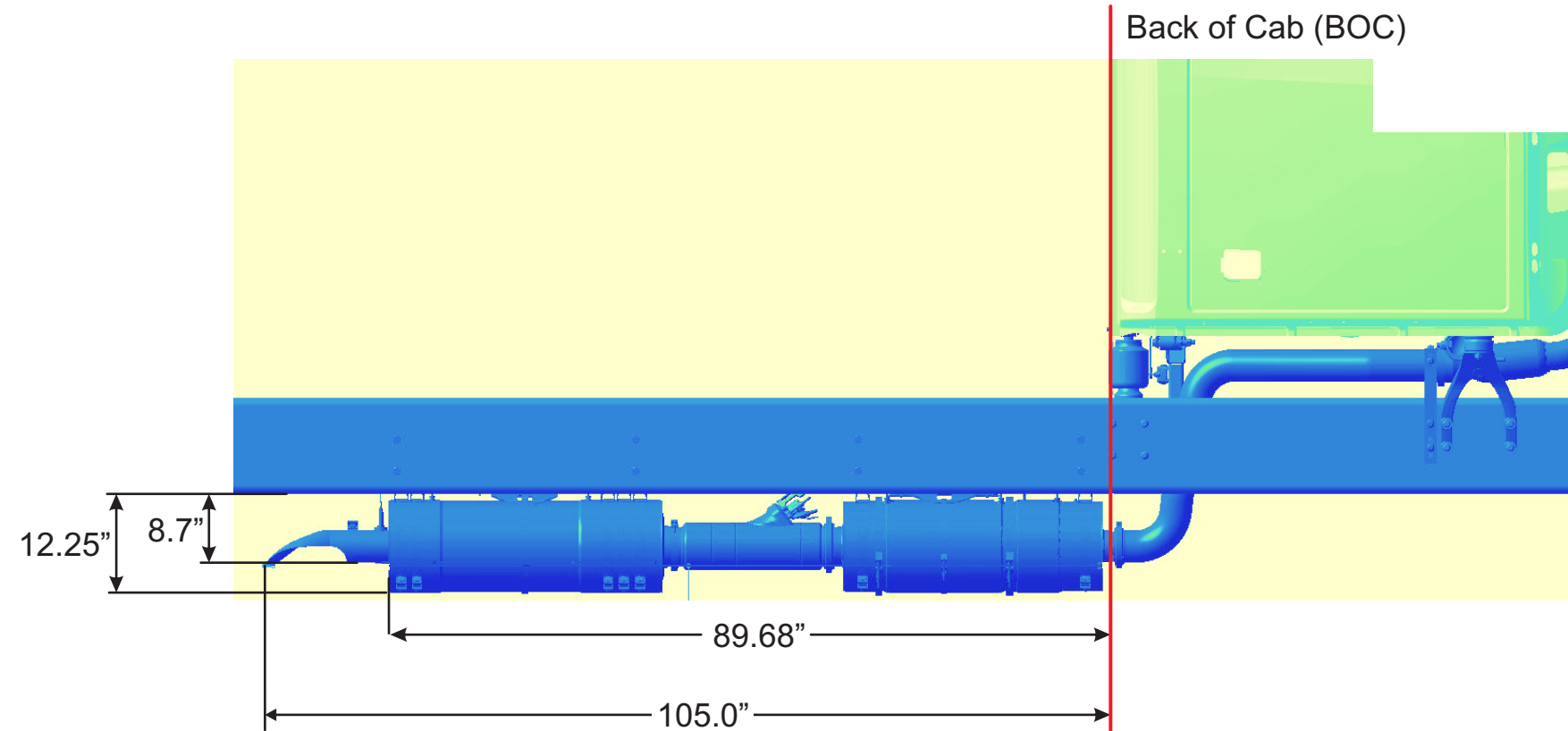
4700 SF/SB 016-1C9 RH Horizontal/Horizontal



ISL



ISC

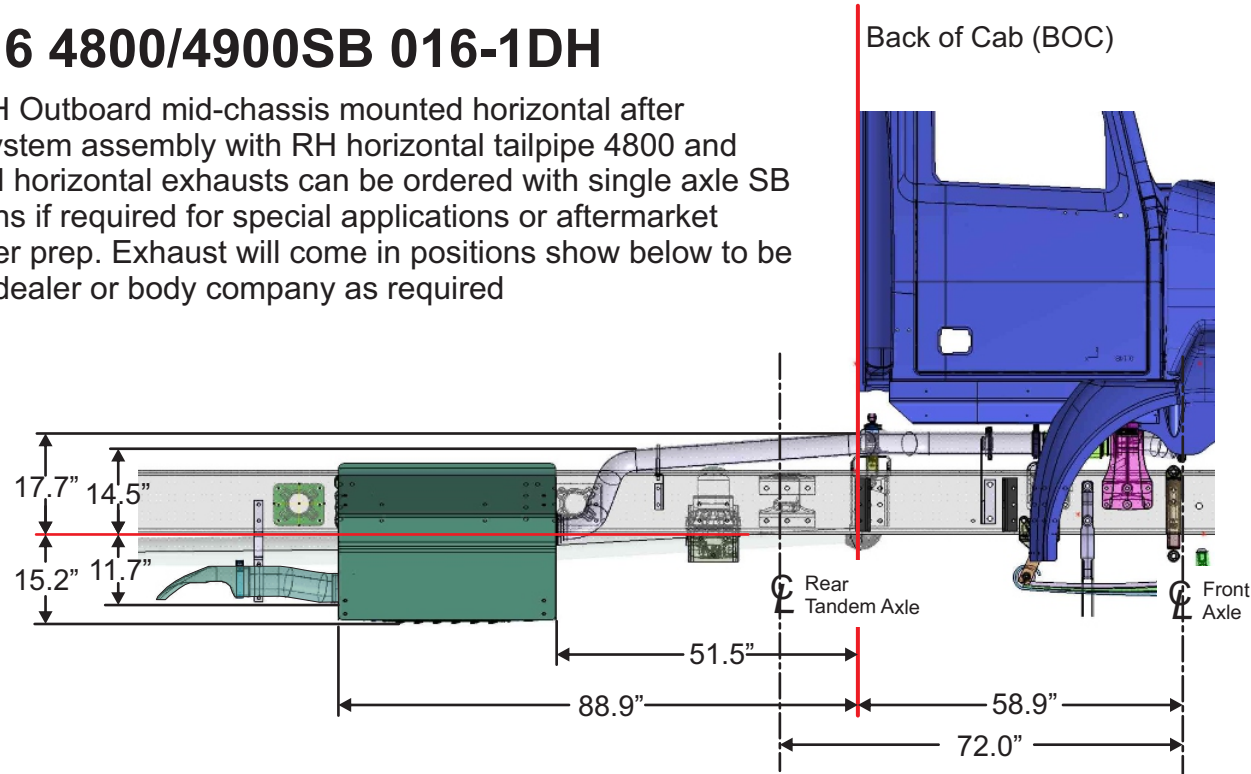


WST Horizontal/Horizontal Minimum Wheelbase Requirements								
RH Side Tailpipe Outlet								
Model	Single Rear Axle	Tandem Rear Axle Spacing						
		51"	52"	54"	55"	56"	59"	60"
4700SF	216"	259"	260"	261"	261"	262"	263"	264"
4700SB	188"	241"	242"	243"	243"	244"	245"	246"

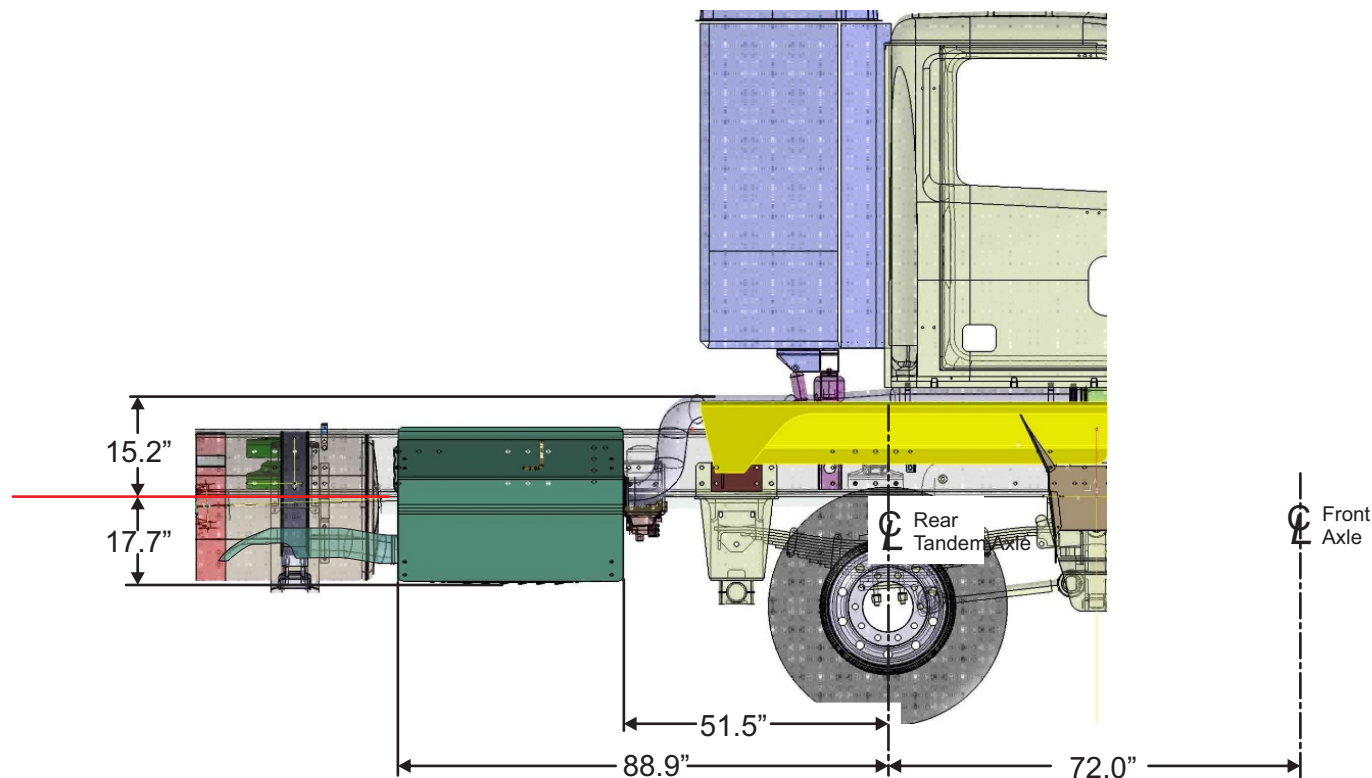
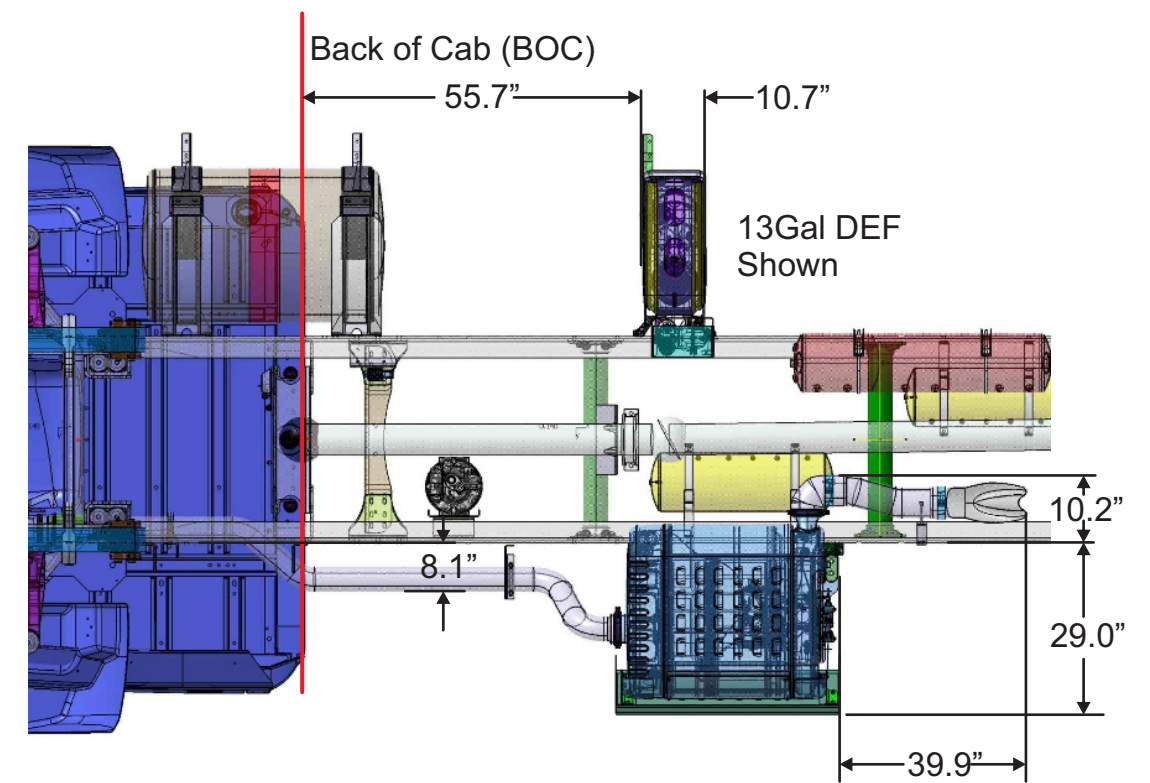
RH Horizontal Mid Chassis Mount

DD15/16 4800/4900SB 016-1DH

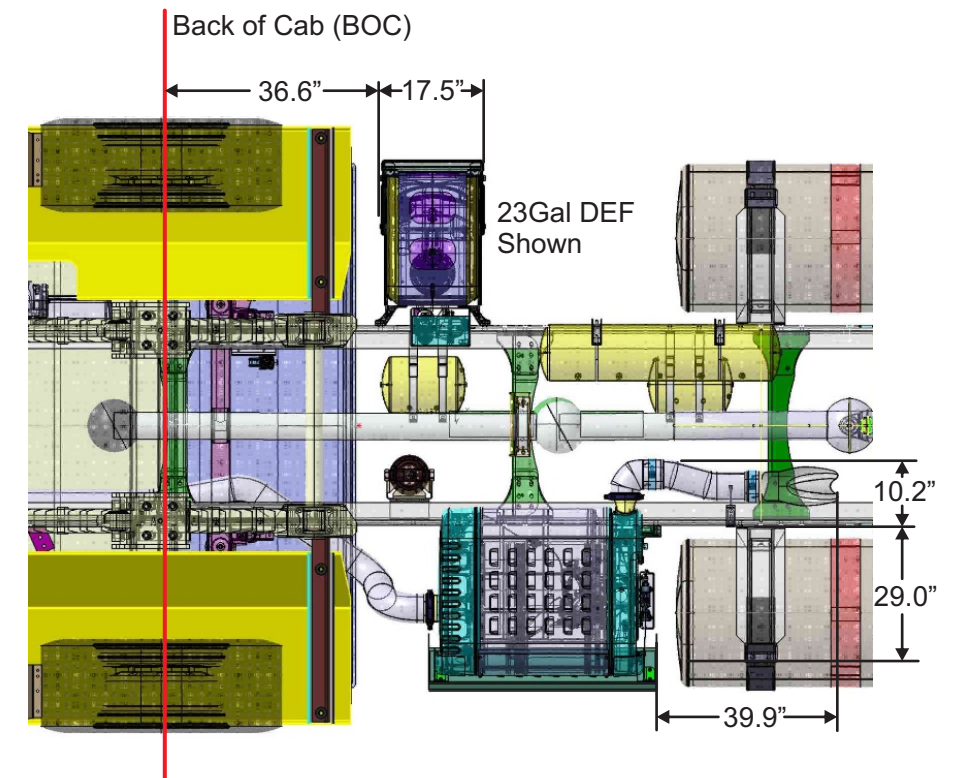
016-1DH RH Outboard mid-chassis mounted horizontal after treatment system assembly with RH horizontal tailpipe 4800 and 4900 SB RH horizontal exhausts can be ordered with single axle SB configurations if required for special applications or aftermarket Tandem steer prep. Exhaust will come in positions show below to be modified at dealer or body company as required



4800SB TS
109" BBC
4800SB single axle shown



4900SB TS
123" BBC

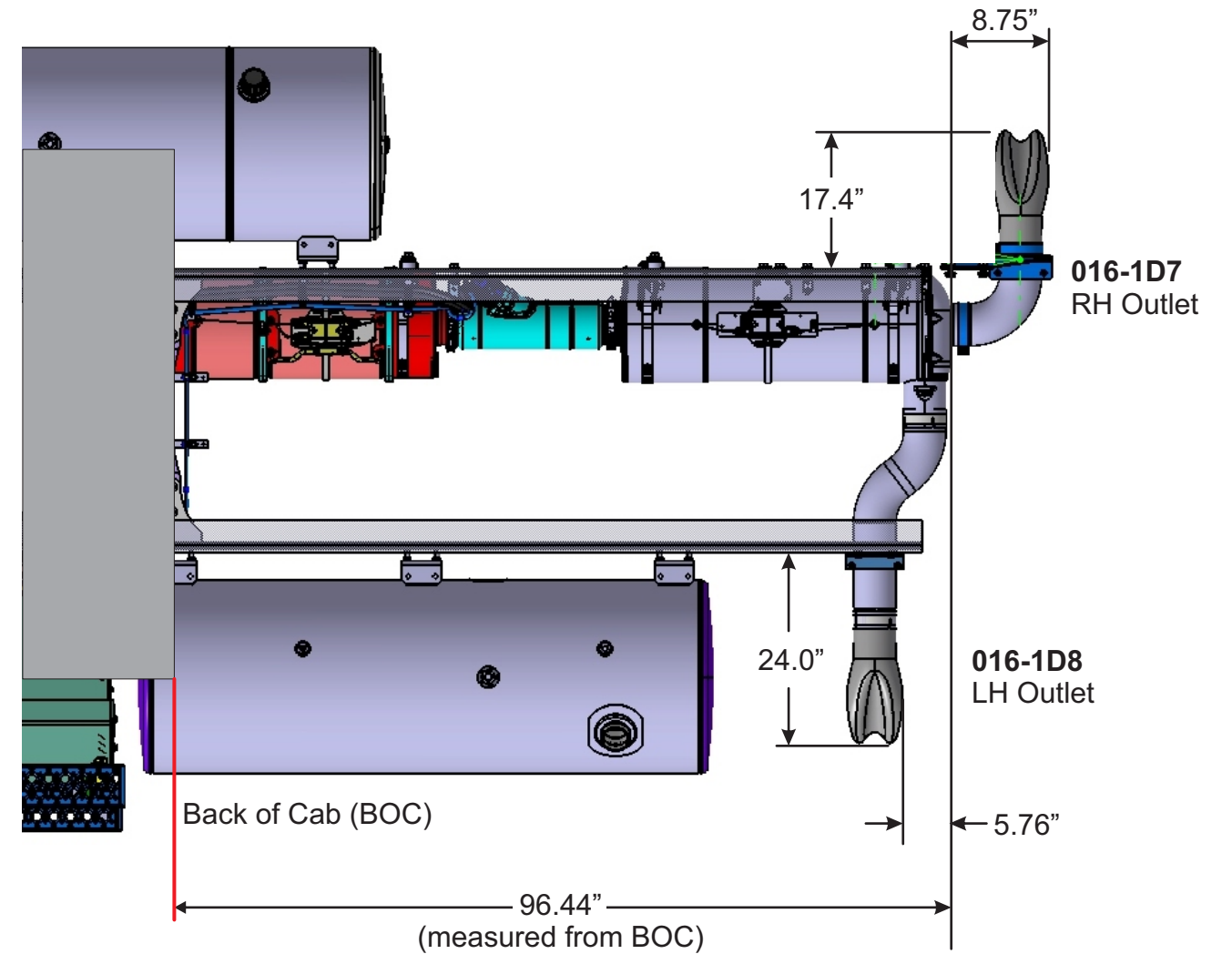
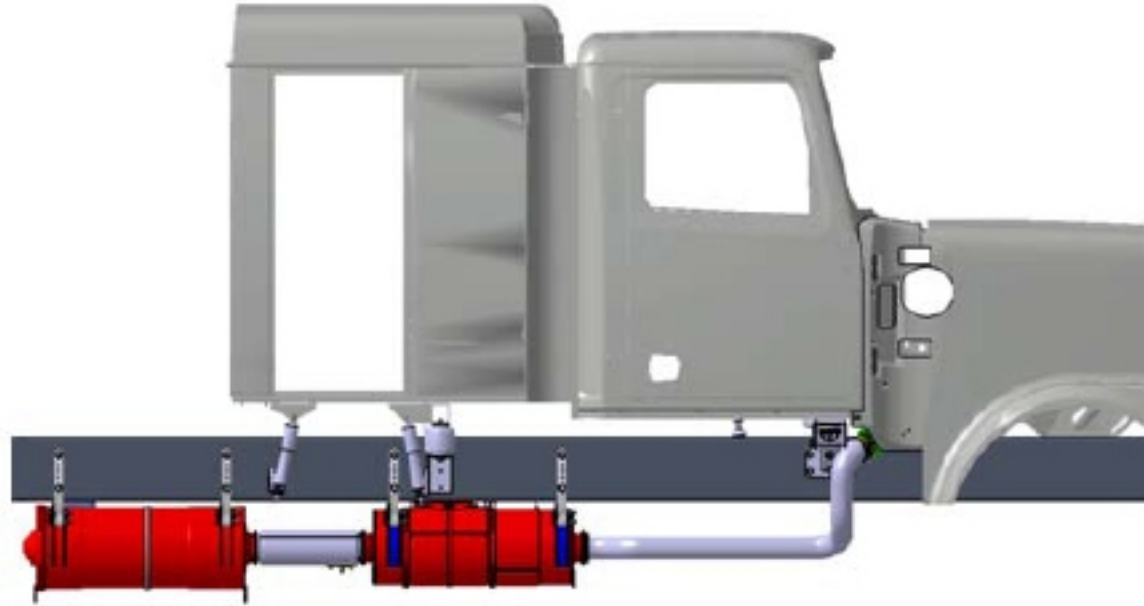


Cummins LH or RH Discharge Tail Pipe

4900 SF/EX LowMax 016-1D7 & 016-1D8 RH Horizontal/Horizontal

016-1D7 - RH inboard frame mounted horizontal DPF and SCR with RH horizontal tailpipe exiting forward of rear tires

016-1D8 - RH inboard frame mounted horizontal DPF and SCR with LH horizontal tailpipe exiting forward of rear tires

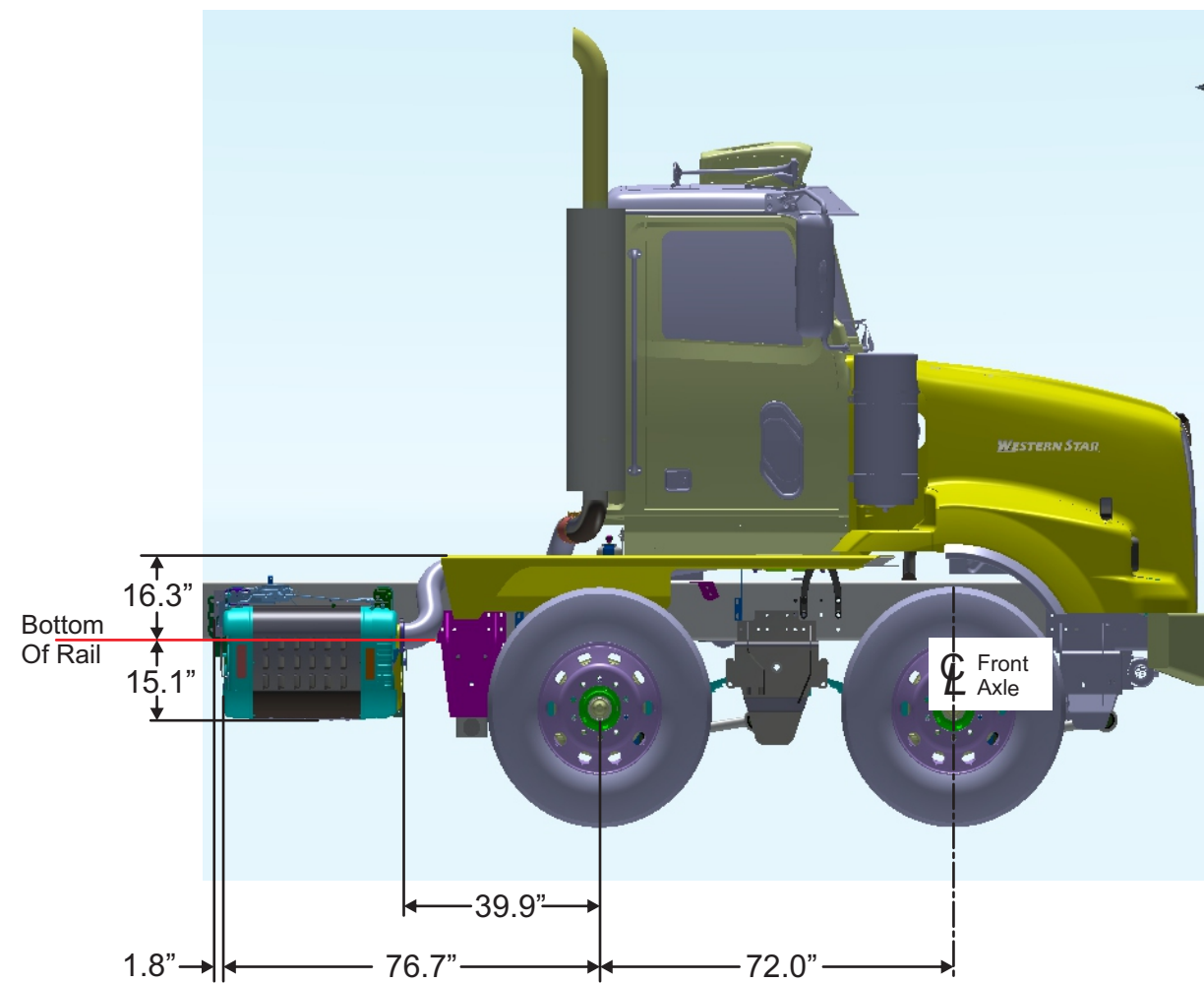
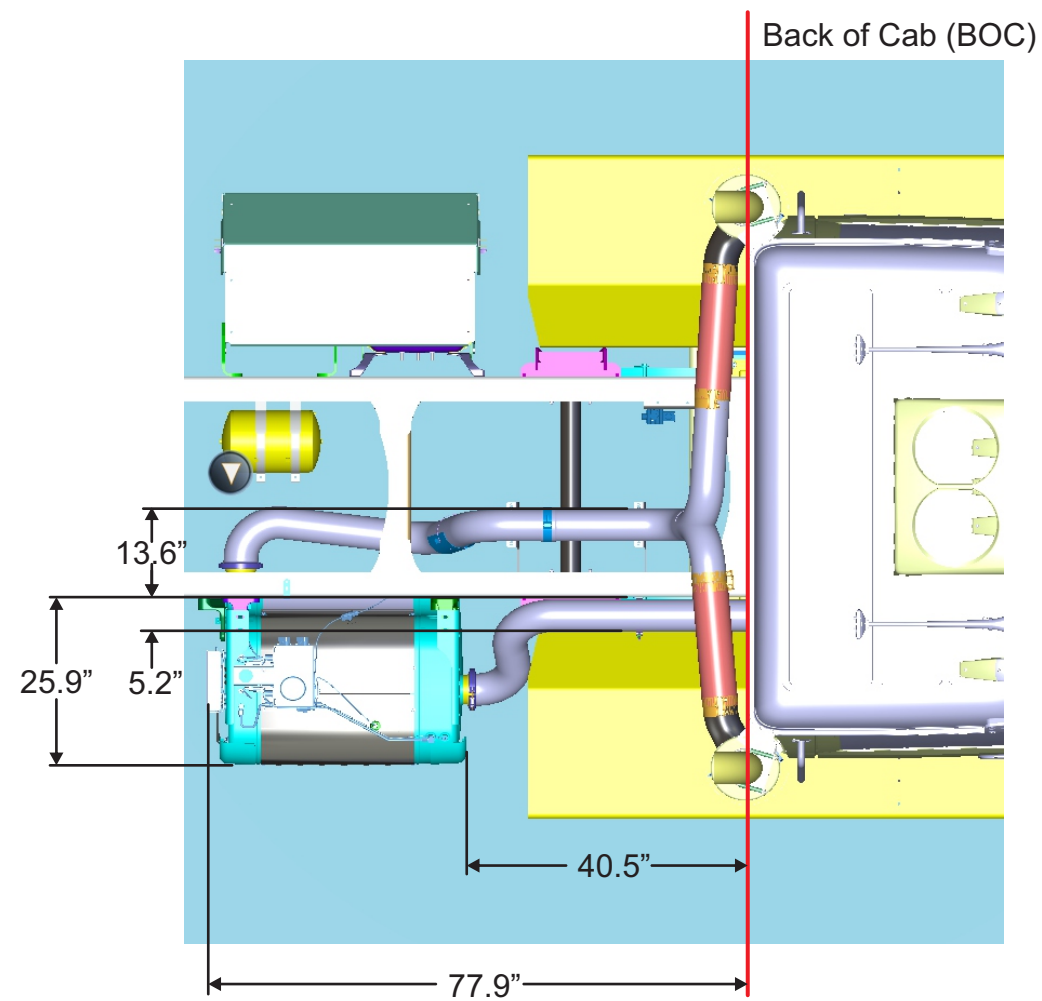


WST Horizontal/Horizontal Minimum Wheelbase Requirements												
Outlet Location	Front Axle	Single Rear Axle	Tandem Rear Axle Spacing									
			51"	52"	54"	55"	56"	59"	60"	65"	68"	72"
016-1D8 LH	33"	224"	249.5"	250"	251"	251.5"	252"	253.5"	254"	256.5"	258"	260"
016-1D7 RH	33"	224"	267"	267.5"	268.5"	269	269.5"	271"	271.5"	274"	275.5"	277.5"

RH Horizontal/Horizontal

DD15/16 4900SB TS 016-1DG

016-1DG - RH outboard mid-chassis mounted horizontal after treatment system assembly with dual cab mounted vertical tailpipes

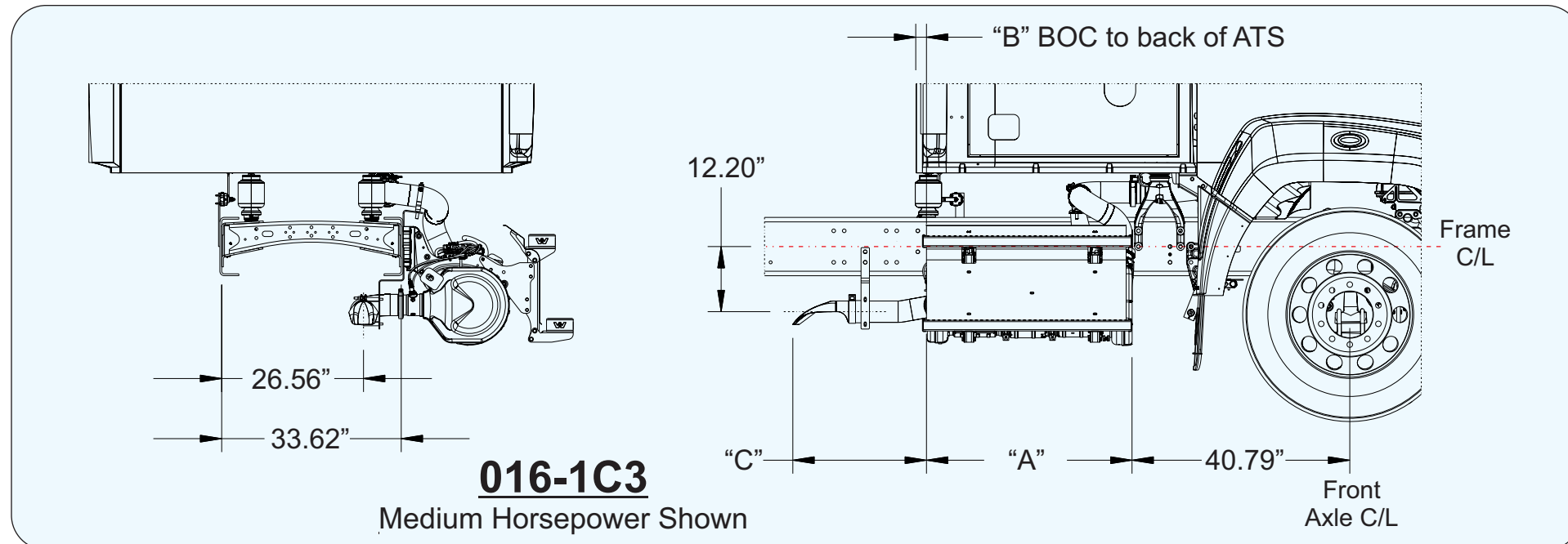
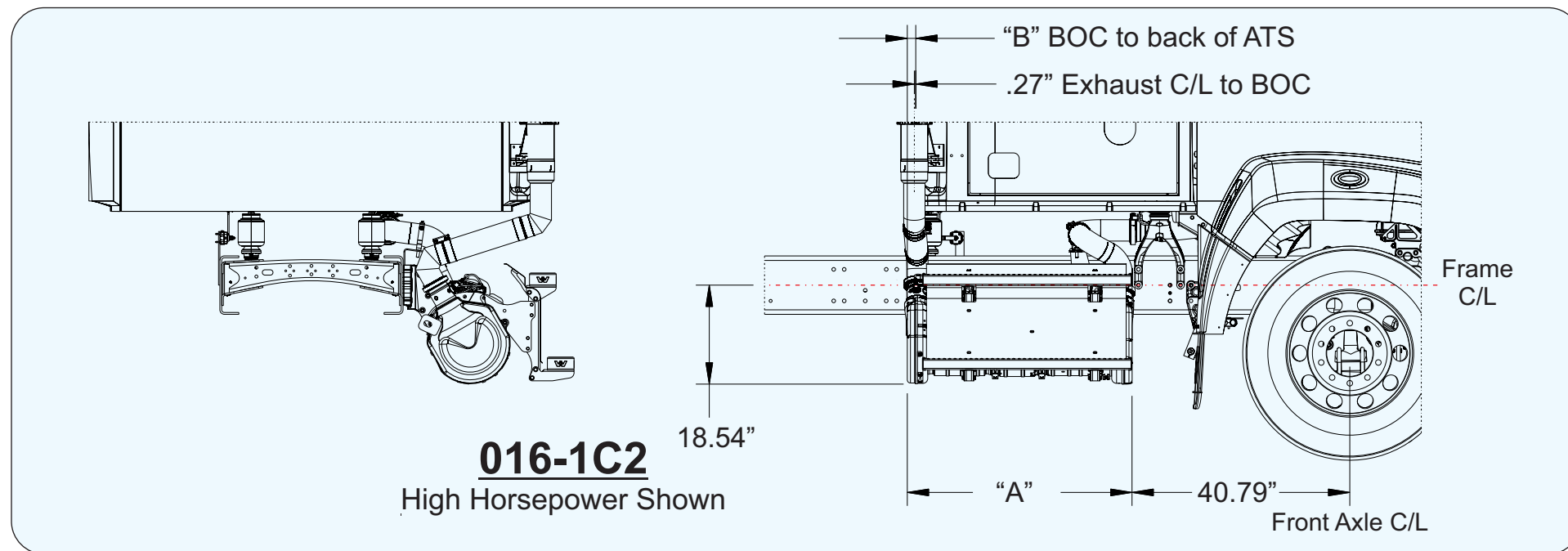


GHG17 Cummins Exhaust Installations

4700SF - 016-1C2, 016-1C3

All installations for ISL/L9 engine.
 Medium Horsepower <= 350hp
 High Horsepower > 350hp

Installation	Dimension	A	B	C
016-1C2	Medium Horsepower	38.34"	-2.16"	N/A
	High Horsepower	42.09"	1.59"	N/A
016-1C3	Medium Horsepower	38.50"	-2.01"	25.03"
	High Horsepower	42.25"	1.74"	21.28"

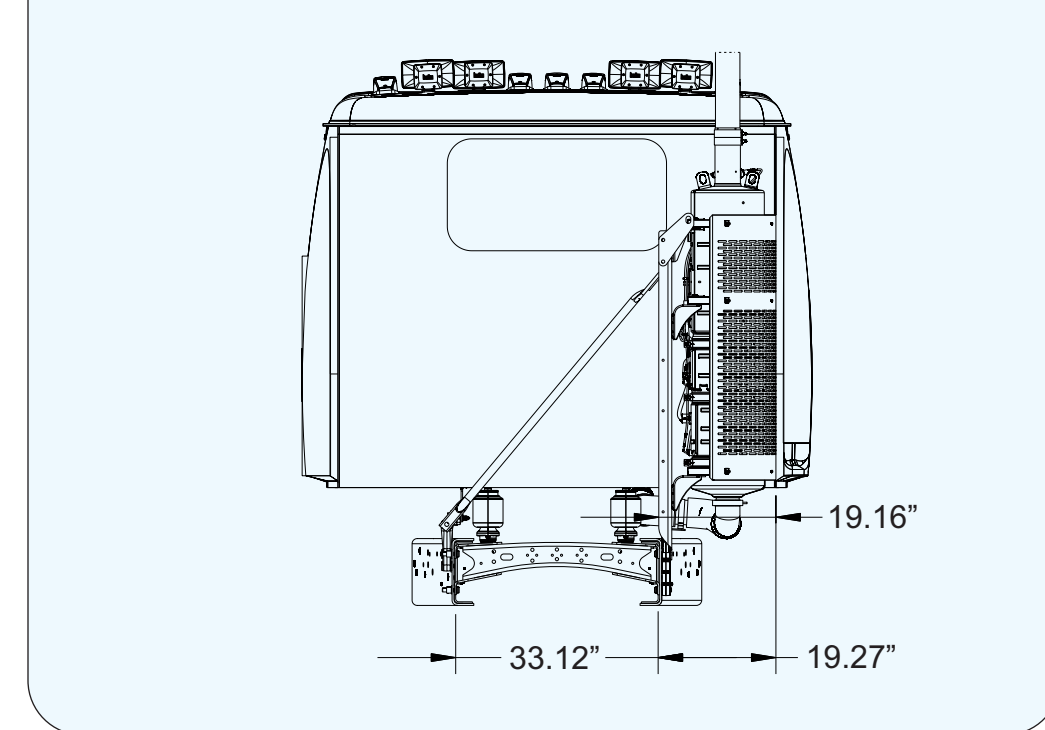
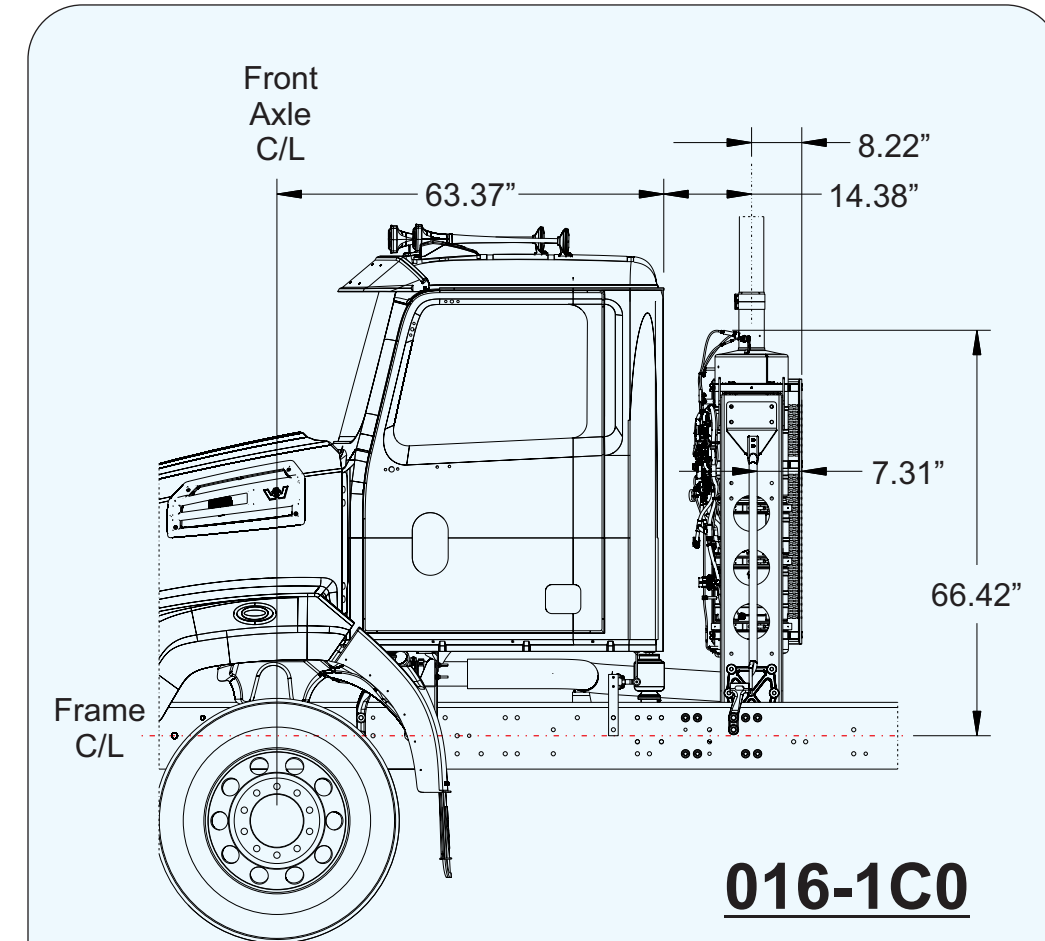
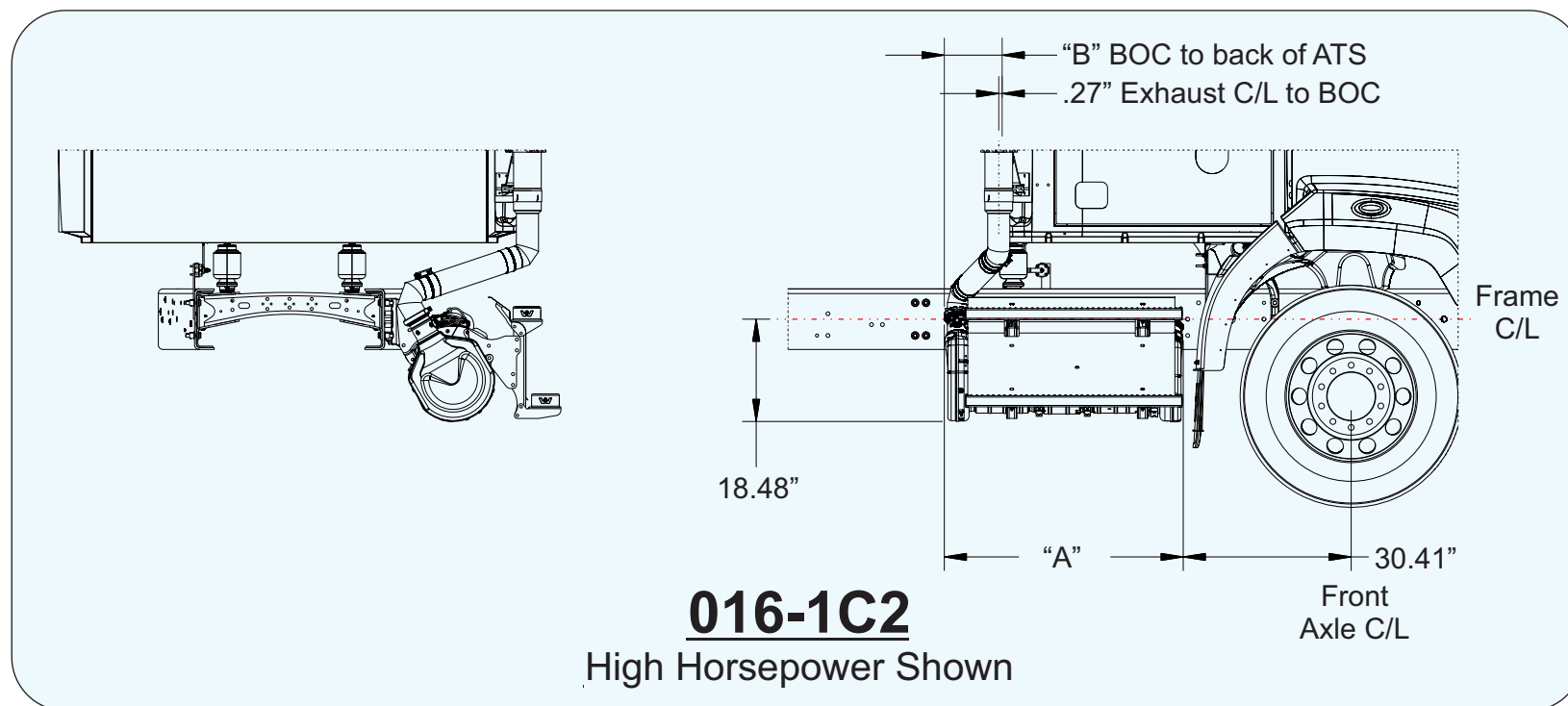
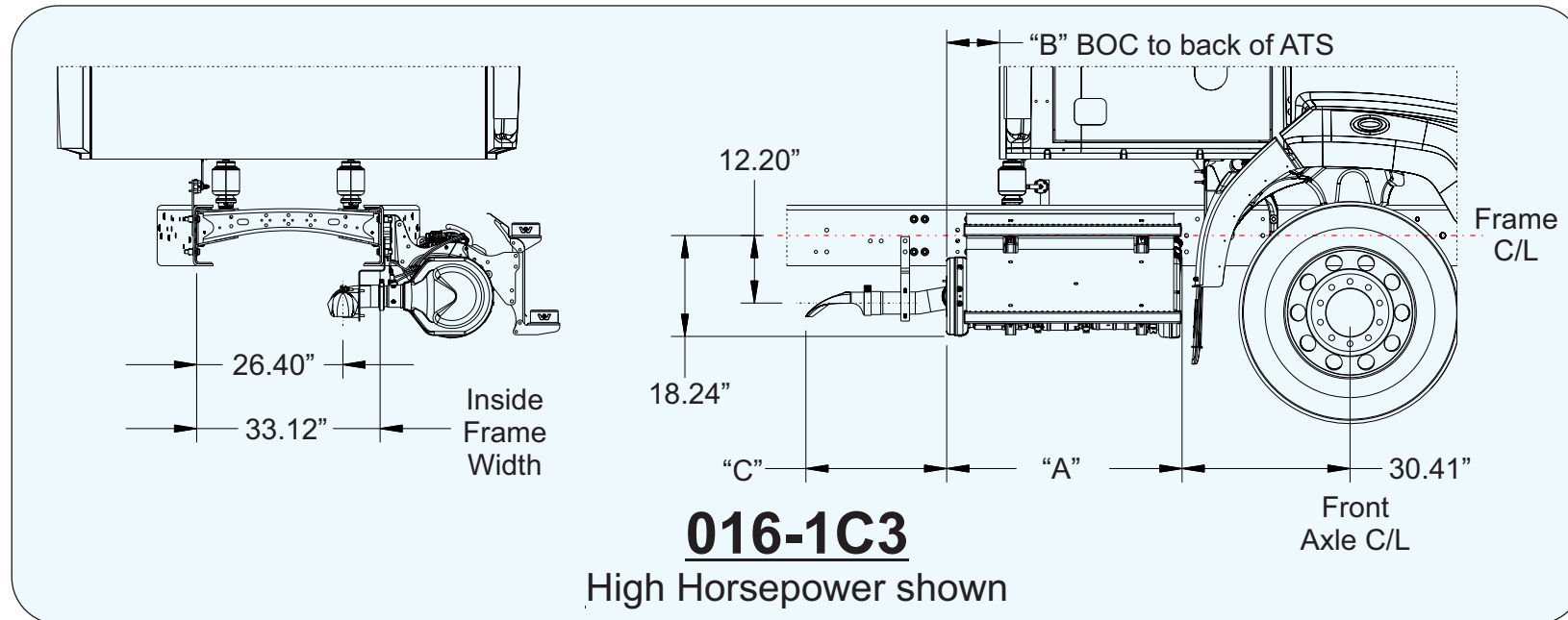


GHG17 Cummins Exhaust Installations

4700SB - 016-1C0, 016-1C2, 016-1C3

All installations for ISL/L9 engine.
Medium Horsepower <= 350hp
High Horsepower > 350hp

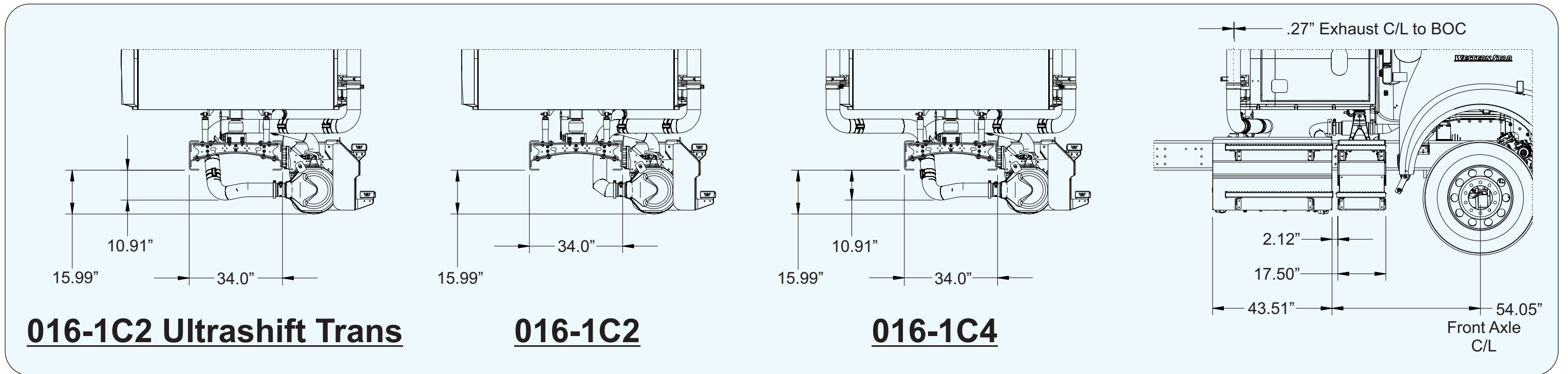
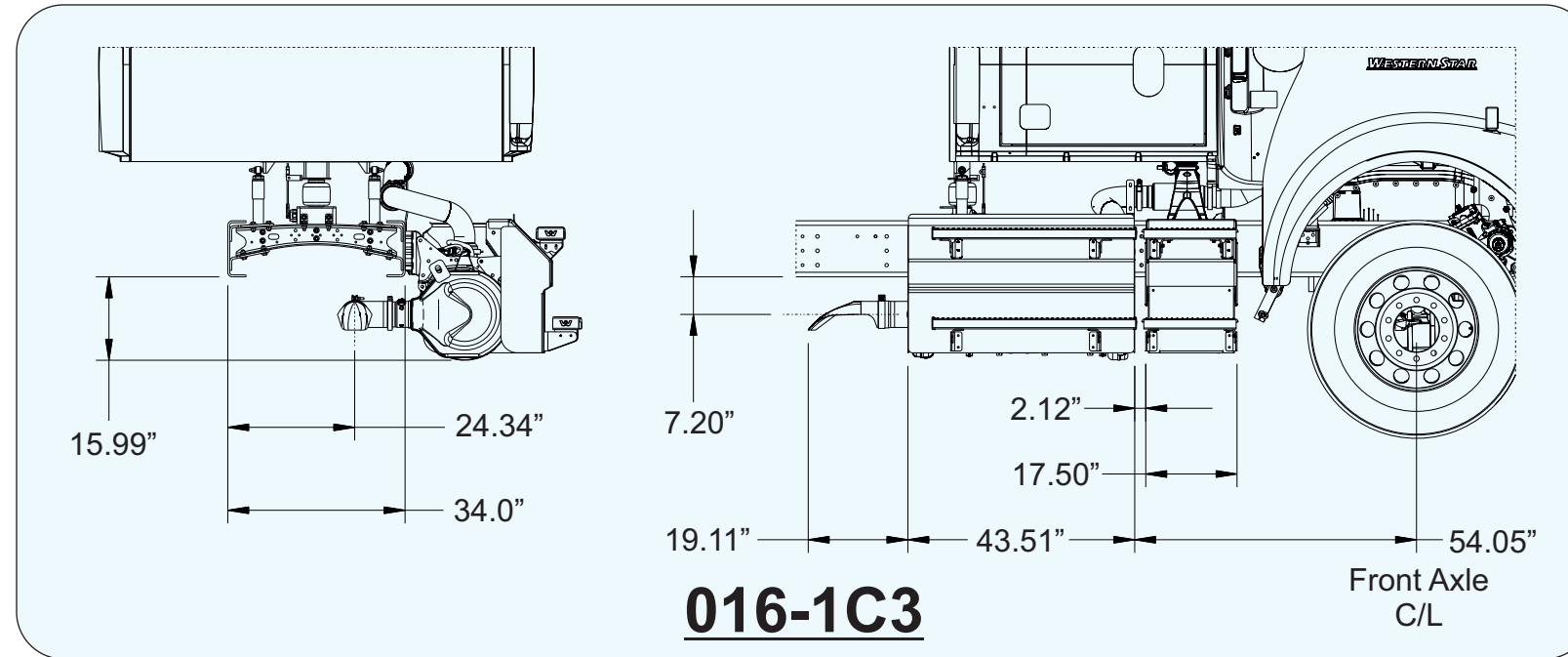
Installation	Dimension	A	B	C
016-1C2	Medium Horsepower	39.19"	6.23"	N/A
	High Horsepower	43.06"	10.10"	N/A
016-1C3	Medium Horsepower	38.67"	5.71"	29.18"
	High Horsepower	42.42"	9.46"	25.43"



GHG17 Cummins Exhaust Installations

4900SF - 016-1C2, 016-1C3, 016-1C4

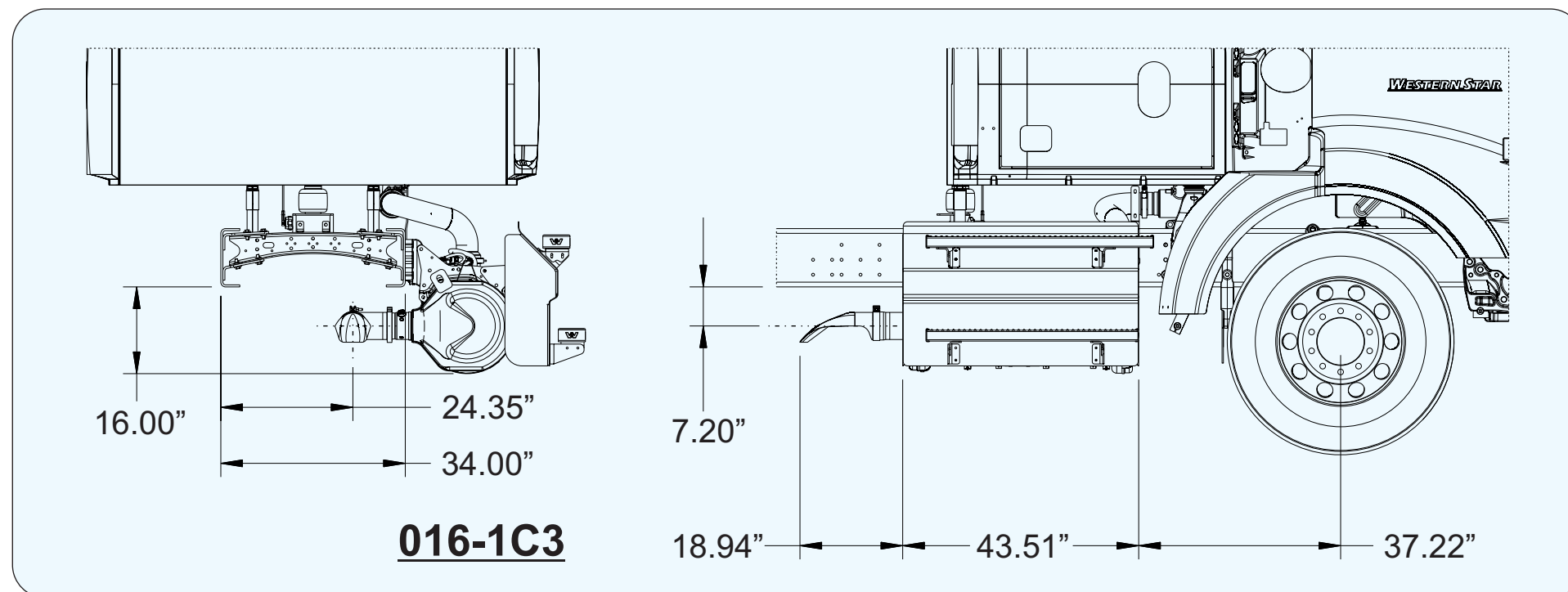
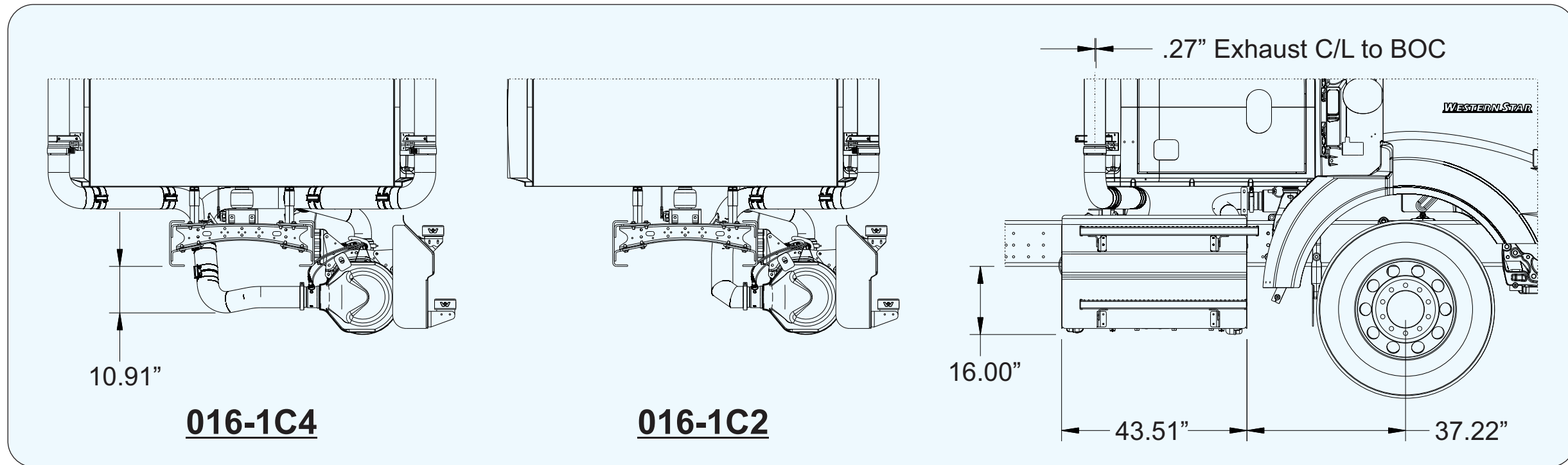
All installations for ISX/X15 engine.



GHG17 Cummins Exhaust Installations

4900SB - 016-1C2, 016-1C3, 016-1C4

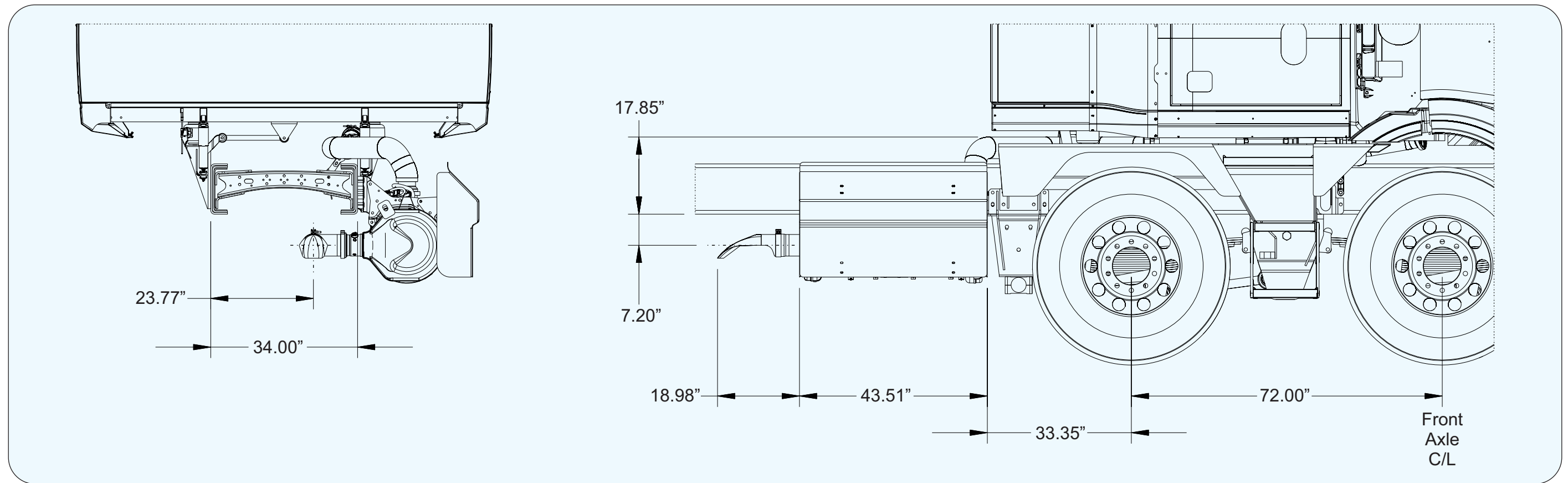
All installations for ISX/X15 engine.



GHG17 Cummins Exhaust Installations

4900SB Tandem Steer - 016-1DH

All installations for ISX/X15 engine.



GHG17 Cummins Exhaust Installations

6900XD - 016-1DH

All installations for ISX/X15 engine.

