



Table of Contents

Section
2
Exhaust Systems

GHG17 Cummins Exhaust Installations

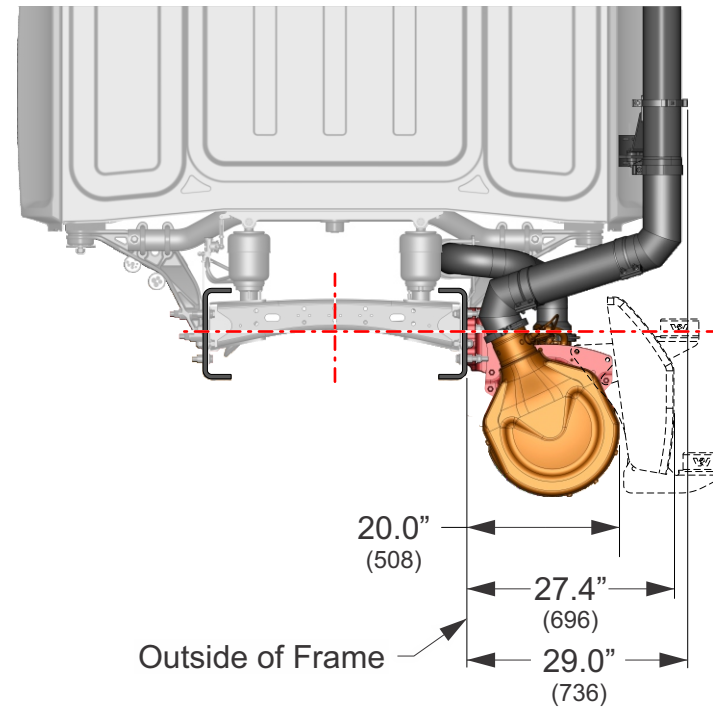
4700SFA/SBA - 016-1C2, X12	<i>New</i>	2-25
4700SFA/SBA - 016-1C3, X12	<i>New</i>	2-26
4700SFA/SBA - 016-1C1, X12	<i>New</i>	2-27
4700SFA/SBA - 016-1C0, X12	<i>New</i>	2-28
<u>Revisions</u>		2-29

This guide is to be used as a reference document only.
Please consult your Western Star CAE representative on
specific spec'ing needs as the information contained in
this document can change without notice.

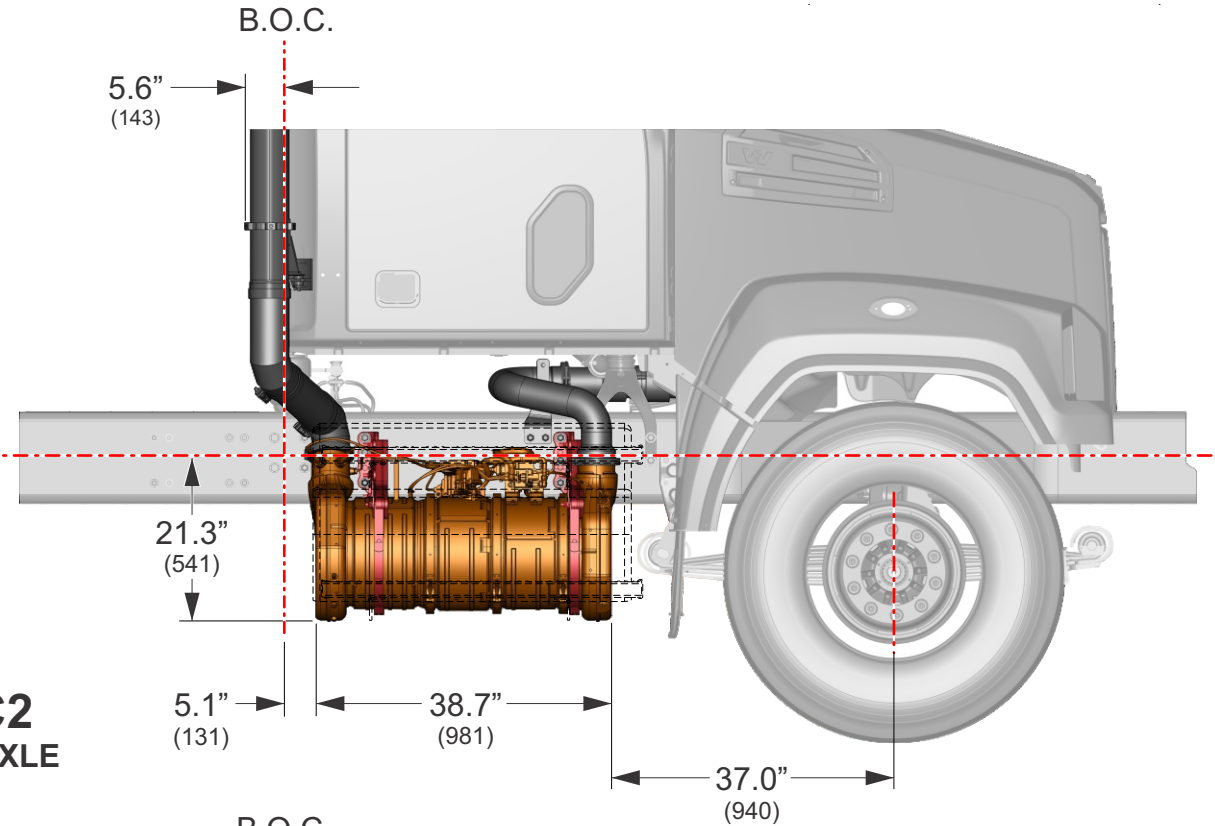
4700 SFA/SBA DAY CAB, X12

016-1C2 - RH Outboard Under Step Mounted Horizontal ATS w/RH
B-Pillar Mounted Vertical Tailpipe

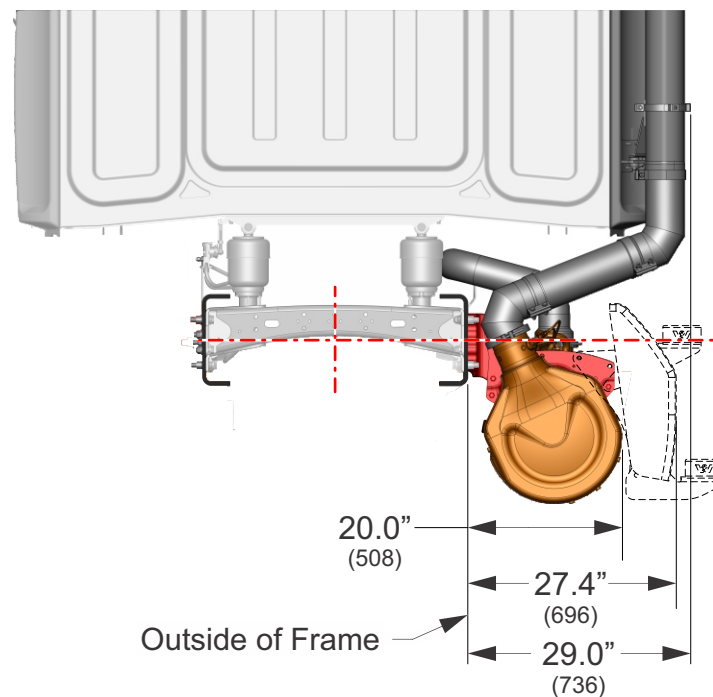
Horsepower: 350-500HP
99C-017 - 2016 OBD/2010EPA/GHG17



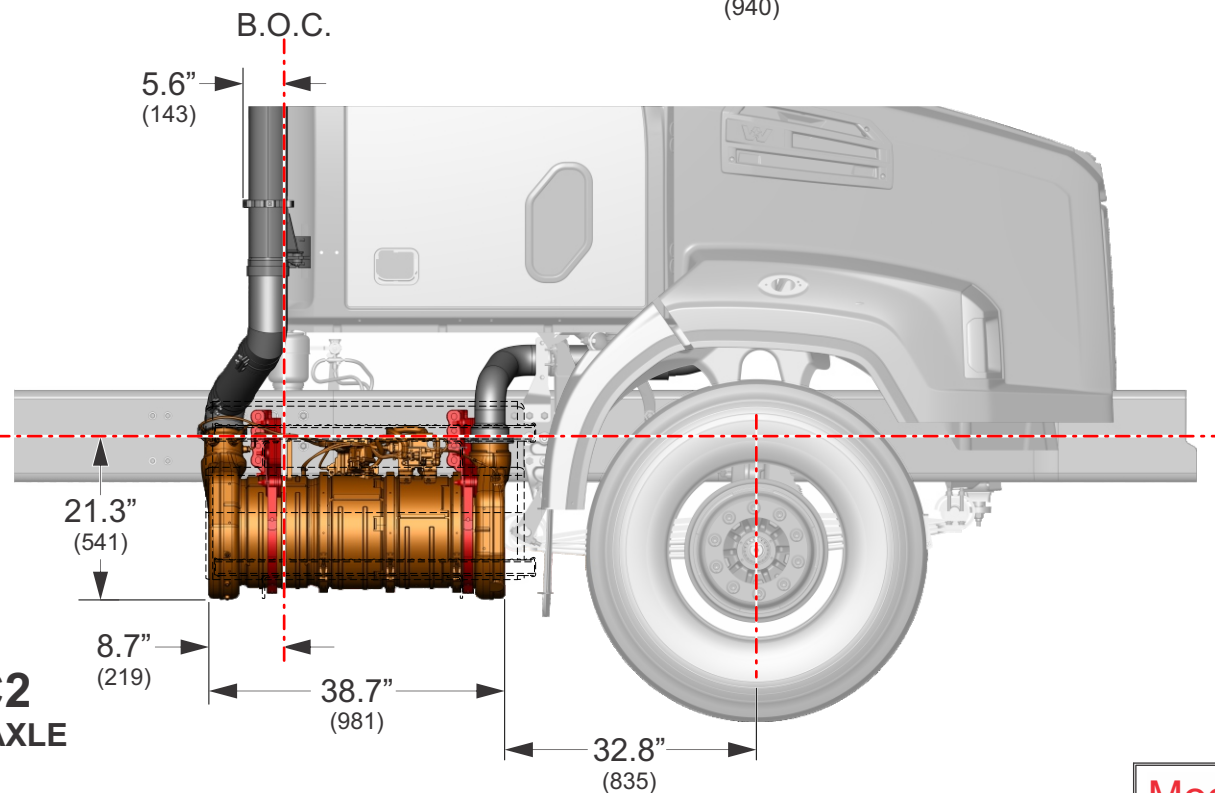
☒
FRAME RAIL



016-1C2
SET FWD AXLE



☒
FRAME RAIL

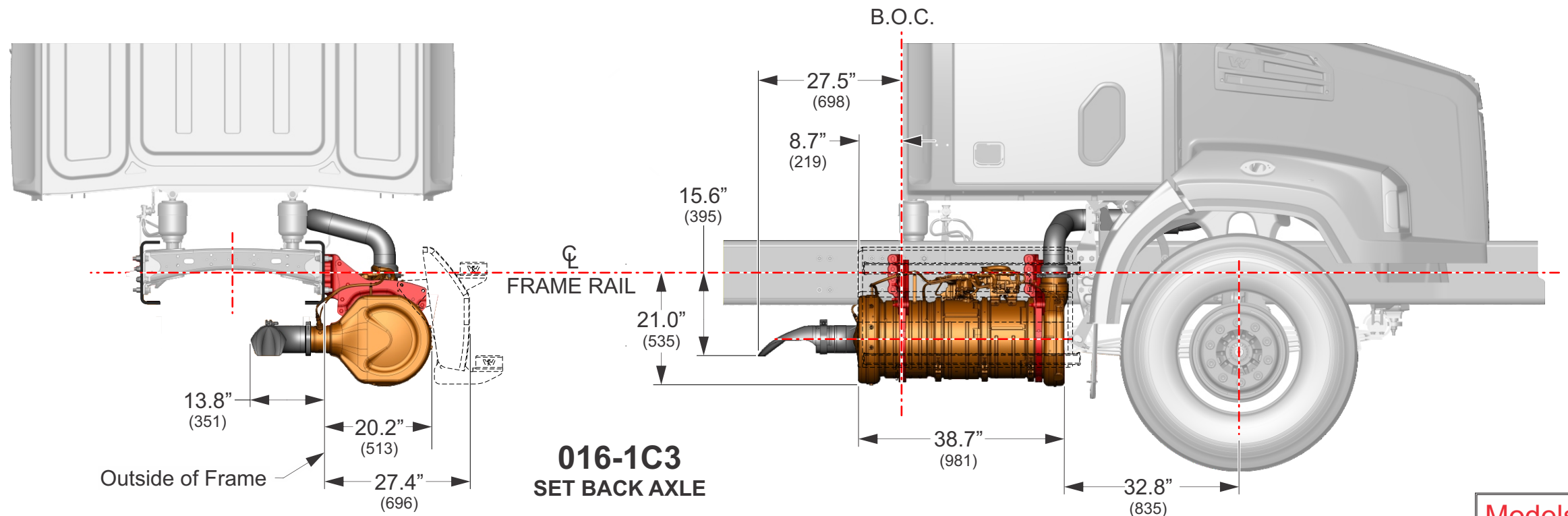
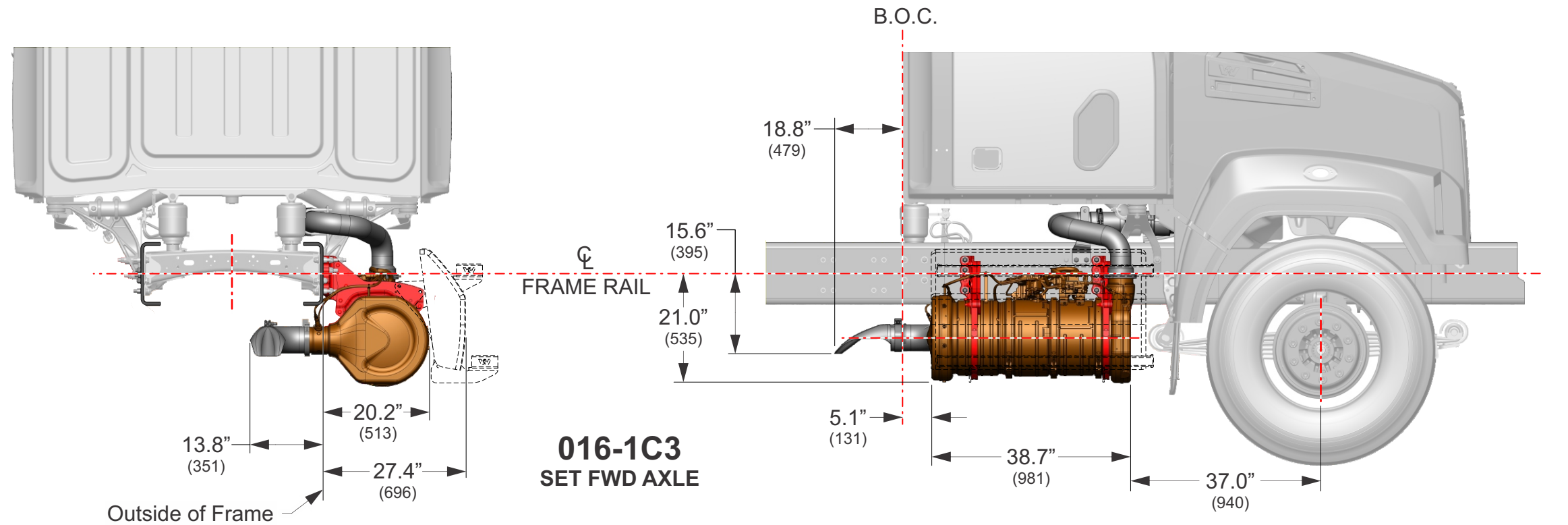


016-1C2
SET BACK AXLE

4700 SFA/SBA DAY CAB, X12

016-1C3 - RH Outboard Under Step Mounted Horizontal ATS w/RH Horizontal Tailpipe

Horsepower: 350-500HP
99C-017 - 2016 OBD/2010EPA/GHG17

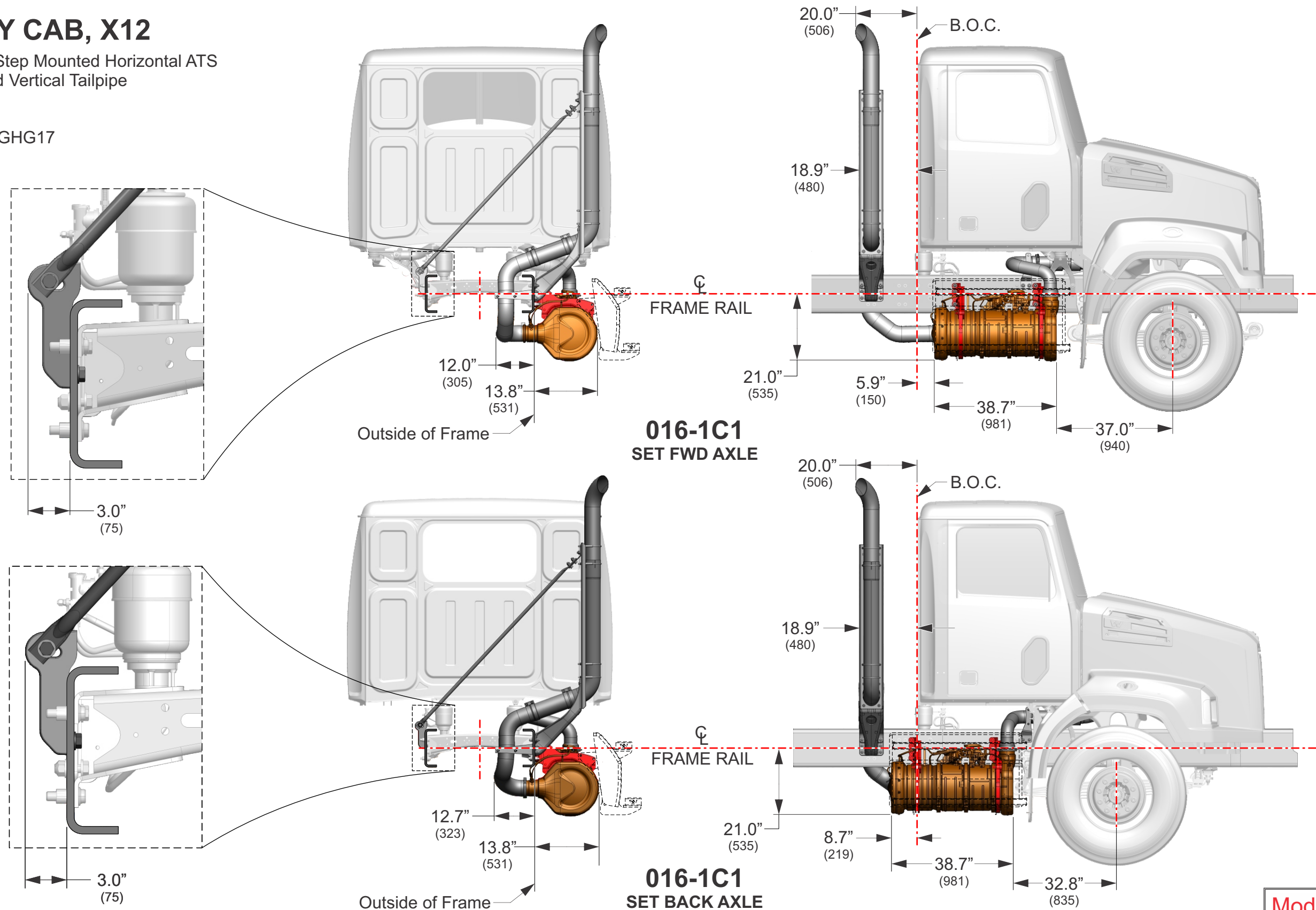




4700 SFA/SBA DAY CAB, X12

016-1C1 - RH Outboard Under Step Mounted Horizontal ATS
 w/RH Frame Mounted Vertical Tailpipe

Horsepower: 350-500HP
 99C-017 - 2016 OBD/2010EPA/GHG17

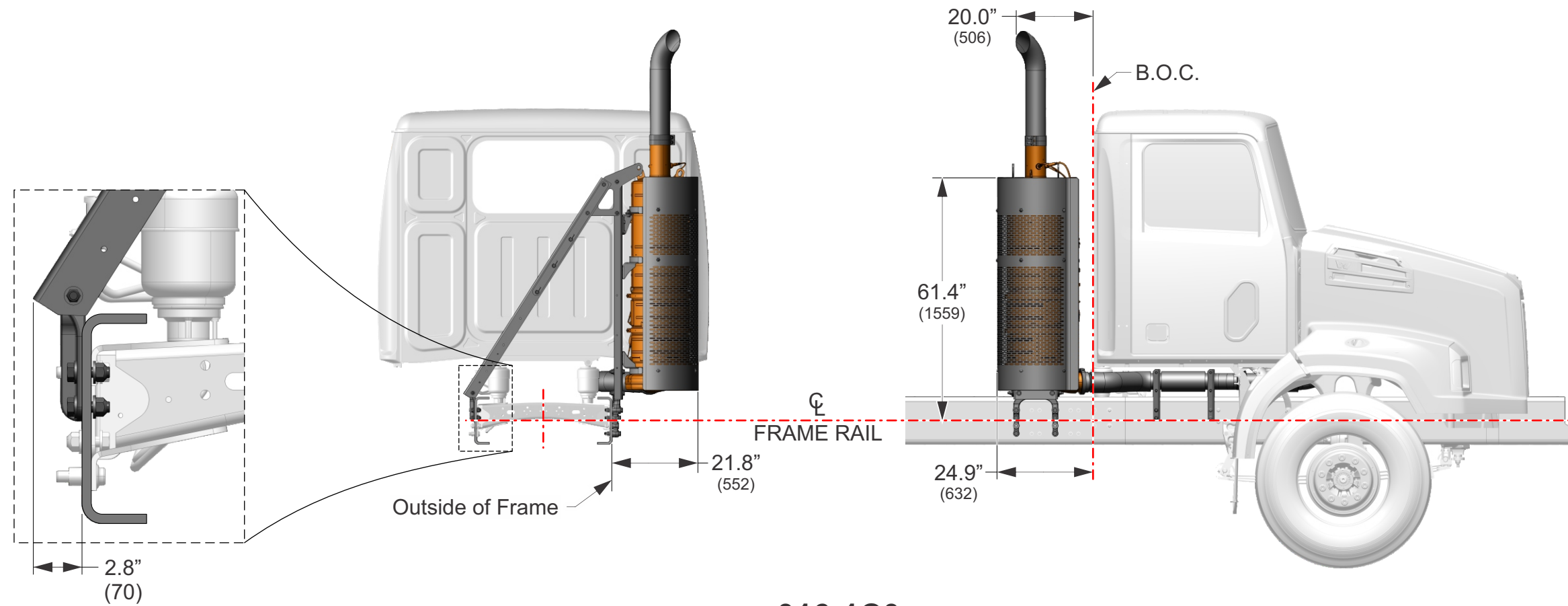


4700 SFA/SBA DAY CAB, X12

016-1C0 - RH Outboard Frame Mounted Vertical ATS w/Topstack

Horsepower: 350-500HP

99C-017 - 2016 OBD/2010EPA/GHG17



016-1C0
SET BACK AXLE SHOWN
SET FWD AXLE SIMILAR



WESTERN STAR

Revisions

Changes Made

Revision 3.1 Supplement

- Added pages 25, 26, 27, & 28 to show X12 ATS locations and configurations.
- Revision page added

