

**Section**

# 8

**Suspension Systems**

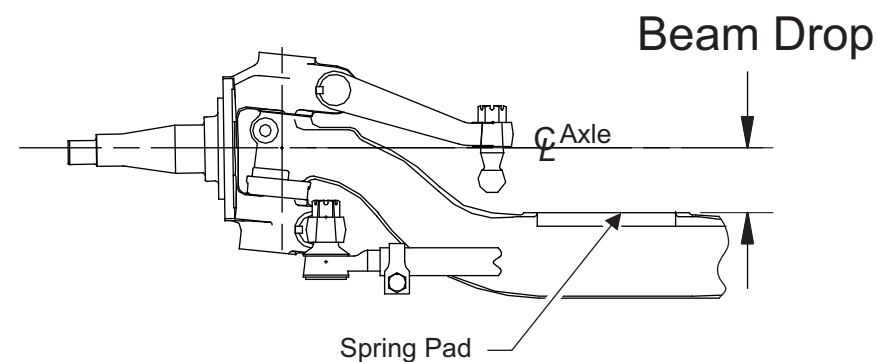
Front Axles Beam Drop All Models	8-2
Front Suspension Ride Heights	
4700 DDC Chassis	8-3
4800/4900/6900 WST Chassis	8-4
Rear Suspensions	
Airliner 23k# Single With Chain Clearance 622-126	8-5
Airliner Tandem 622-005/199/218	8-6
Airliner 46k# Tandem With Chain Clearance 622-108	8-7
Airliner 69k# Tridem 622-223	8-8
Chalmers 854 Series 40k# Tandem 622-080/251	8-9
Chalmers 854 Series 46k# Tandem 622-060/248	8-10
Haulmax 40k# & 46k# Tandem 622-1E8/1E7	8-11
Hendrickson HN 46K# Tandem 622-269	8-12
Hendrickson Primaax 46k# Tandem 622-1H2	8-13
Hendrickson R650 65k# Tandem 622-1EB	8-14
Hendrickson RS463 46k# Tandem 622-1CE	8-15
Hendrickson RT-Series 40k#-50k# 622-1CH/1CN/1CJ/1CP/1CK/1CR	8-16
Hendrickson RT650 65k# Tandem 622-051	8-17
Hendrickson RS650 Walking Beam 65k# Tandem 622-052	8-18
Hendrickson Haulmaxx 40k# & 46k# Tandem 622-1E7/1E8	8-19
Neway AD252 Air Ride 23k#-78k# 622-189/188/231/1FT/195/1D9	8-20
Reyco Spring 23k#-31k# Single 622-138/079/139/1B7	8-21
TufTrac 40k#-50k# Tandem 622-1E3/286/1A1	8-22
Pusher/Tag Axle Frame Space	8-23
Pusher/Tag Suspensions	
Hendrickson HLUC2 035-067/061	8-24
Watson & Chalin SL-800 8k# 035-064	8-25
Watson & Chalin RSL-1100 Reversible Tru-Track 13.2k# 035-016	8-26

This guide is to be used as a reference document only. Please consult your Western Star CAE representative on specific spec'ing needs as the information contained in this document can change without notice.

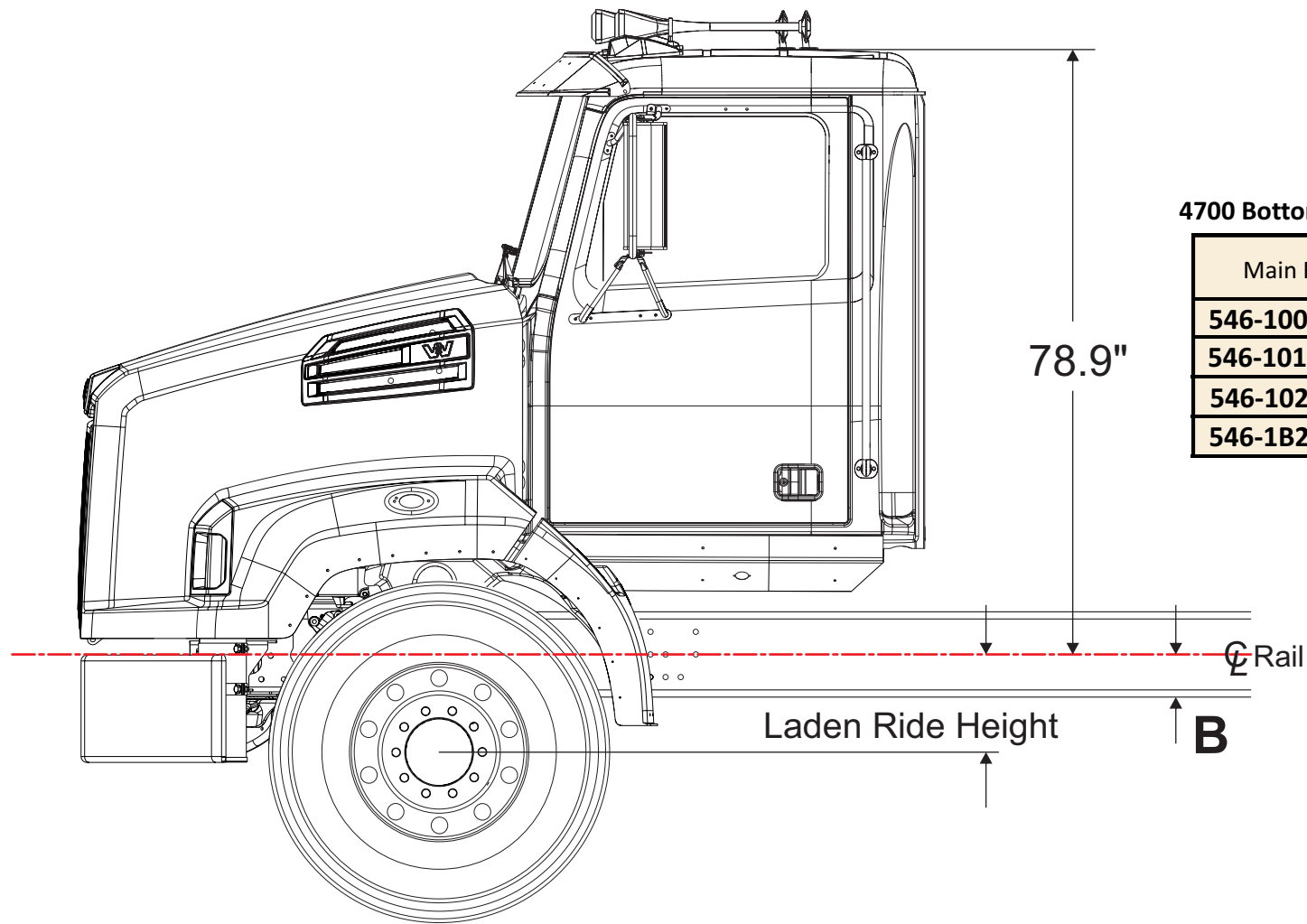
# Front Axles Beam Drop All Models

4800/4900 Front Axles					
Data Code	Description	Rating (lb)	King Pin Index	Beam Drop	Model
400-095	MFS-12-143A	12,000	71.5"	3.74"	FA/SA
400-097	MFS-13-143A	13,300	71.5"	3.74"	FA/SA
400-098	MFS-13-144A	13,300	71.5"	5.00"	FA/SA
400-099	MFS-14-143A	14,700	71.5"	3.74"	FA/SA
400-1AA	MFS-16-143A	16,000	71.5"	3.74"	FA/SA
400-1AB	MFS-18-133A	18,000	71.0"	3.74"	FA/SA
400-1AC	MFS-20-133A	20,000	71.0"	3.74"	FA/SA
400-1EB	MFS-20-143A	22,000	71.0"	3.74"	SA Only
400-1A6	AF-12.0-3	12,000	71.5"	3.74"	FA/SA
400-1A7	AF-13.3-3	13,300	71.5"	3.74"	FA/SA
400-1A8	AF-14.7-3	14,700	71.5"	3.74"	FA/SA
400-1A9	AF-16.0-5	16,000	71.0"	3.74"	FA/SA
400-1BA	AF-18.0-5	18,000	71.0"	3.74"	FA/SA
400-1BB	AF-20.0-5	20,000	71.0"	3.74"	FA/SA
400-1E2	E-1462W	14,600	71.0"	5.00"	FA Only
400-040	MT-22	22,000	71.5"	N/A	SA Only
400-1CG	MX-23-160R	23,000	71.5"	N/A	SA Only
400-1F5	STEERTEK WT	12,500	71.5"	3.50"	FA/SA
400-1F6	STEERTEK WT	12,500	71.5"	5.00"	FA/SA

4700 Front Axles					
Data Code	Description	Rating (lb)	King Pin Index	Beam Drop	Model
400-095	MFS-12-143A	12,000	71.5"	3.74"	SF/SB
400-097	MFS-13-143A	13,300	71.5"	3.74"	SF/SB
400-099	MFS-14-143A	14,700	71.5"	3.74"	SF/SB
400-1AA	MFS-16-143A	16,000	71.5"	3.74"	SF/SB
400-1AB	MFS-18-133A	18,000	71.0"	3.74"	SF/SB
400-1AC	MFS-20-133A	20,000	71.0"	3.74"	SF/SB
400-1EB	MFS-20-143A	22,000	71.0"	3.74"	SF/SB
400-1A6	AF-12.0-3	12,000	71.5"	3.74"	SF/SB
400-1A7	AF-13.3-3	13,300	71.5"	3.74"	SF/SB
400-1A8	AF-14.7-3	14,700	71.5"	3.74"	SF/SB
400-1A9	AF-16.0-5	16,000	71.0"	3.74"	SF/SB
400-1BA	AF-18.0-5	18,000	71.0"	3.74"	SF/SB
400-1BB	AF-20.0-5	20,000	71.0"	3.74"	SF/SB
400-1EA	AF13.0-3	13,000	71.5"	3.74"	SF/SB



**4700 DDC Chassis**



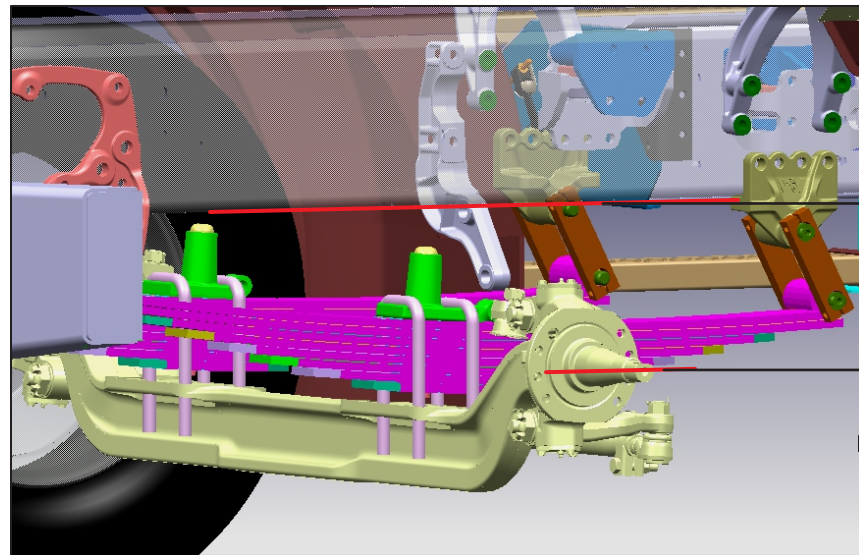
4700 Bottom of Frame to Center of Rail

Main Rail Option	B Dim
546-100 10-3/16"	5.09"
546-101 10-15/16"	5.47"
546-102 11-1/8"	5.56"
546-1B2 11-7/8"	5.93"

**4700 Models**

Front Suspension	4700SF	4700SB
<b>Flat Leaf</b>		
620-003 14,600# Flat leaf front suspension	X	X
620-004 16,000# Flat leaf front suspension	X	X
620-005 18,000# Flat leaf front suspension	X	X
620-006 20,000# Flat leaf front suspension	X	X
620-068 23,000# Flat leaf front suspension	X	X
<b>Taper Leaf</b>		
620-015 12,000# Taperleaf front suspension	X	X
620-010 14,600# Taperleaf front suspension	X	X
620-026 16,000# Taperleaf front suspension	X	X
620-013 18,000# Taperleaf front suspension	X	X
620-1F0 12,000# Dual taperleaf front suspension	X	X
620-025 20,000# Taperleaf front suspension	X	X
<b>Plow Suspensions</b>		
620-1E2 12,000# Left, 11,000# right mixer	X	X
620-1E3 11,000# Left, 12,000# right mixer/plow	X	X
620-009 10,500# Left, 9,500# right mixer	X	X
620-143 9,500# Left, 10,500# right mixer/plow	X	X

### 4800/4900/6900 WST Chassis

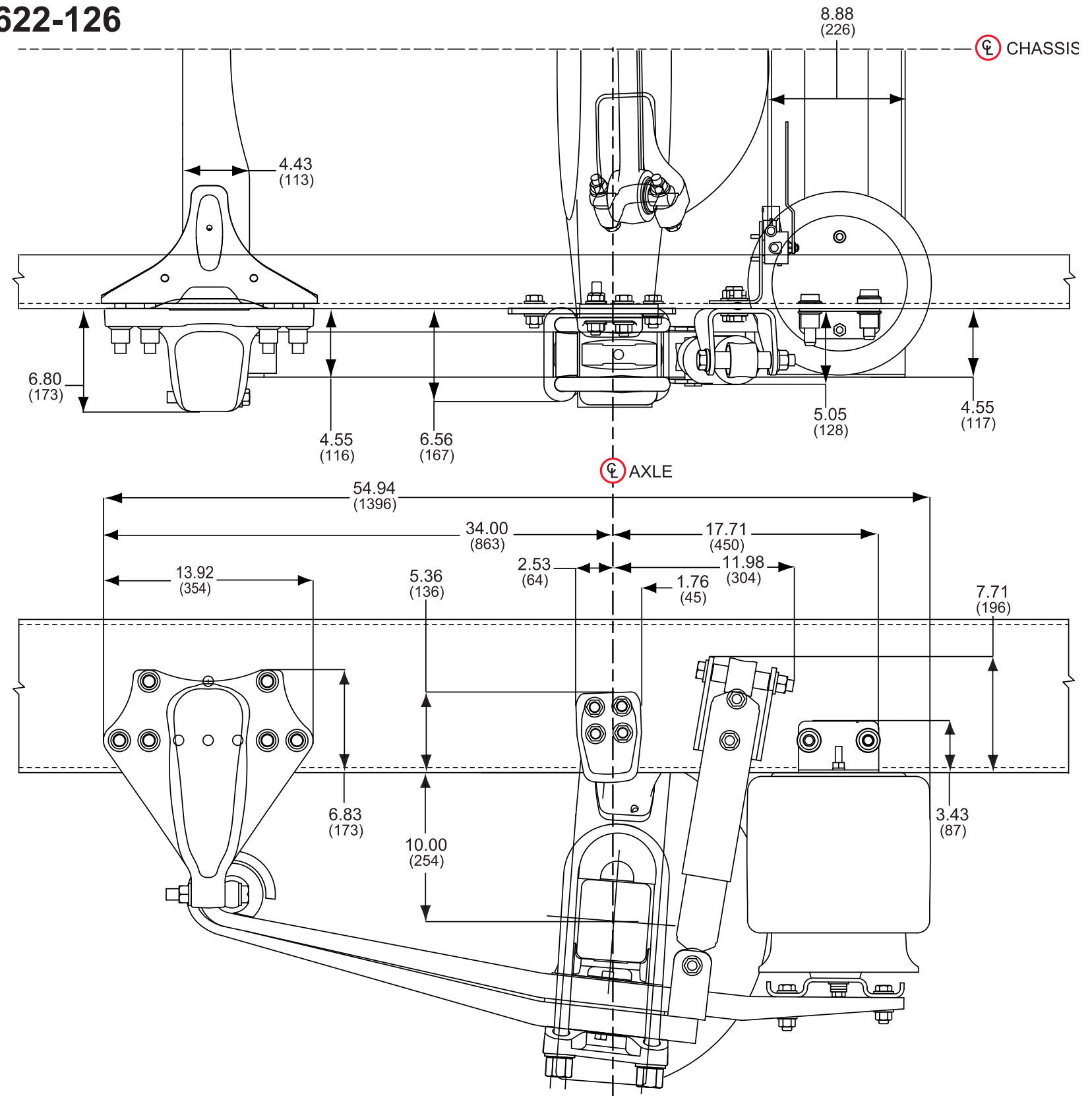


Bottom Of Rail  
Laden Ride height in Inches

Option Code	Front Suspension	4800SF	4800SB	4900SF	4900SB	4900EX	6900XD	Laden Ride Height
<b>Flat Leaf</b>								
620-003	14,600# FLAT LEAF FRONT SUSPENSION			X	X	X		10.1
620-1BF	14,600# FLAT LEAF FRONT SUSPENSION			X				10.6
620-004	16,000# FLAT LEAF FRONT SUSPENSION		X	X	X	X		10.1
620-1A1	16,600# FLAT LEAF FRONT SUSPENSION		X		X			10.0
620-005	18,000# FLAT LEAF FRONT SUSPENSION		X	X	X			12.5
620-1A3	18,800# FLAT LEAF FRONT SUSPENSION			X	X			10.2
620-1CM	19,500# FLAT LEAF FRONT SUSPENSION (AWD)		X					15.6
620-006	20,000# FLAT LEAF FRONT SUSPENSION	X	X	X	X	X		10.1
620-1BC	21,000# FLAT LEAF FRONT SUSPENSION						X	13.5
620-066	21,500# FLAT LEAF FRONT SUSPENSION (AWD)		X		X			15.5
620-016	22,000# FLAT LEAF FRONT SUSPENSION		X	X	X			9.9
620-1CT	22,000# FLAT LEAF FRONT SUSPENSION						X	12.9
620-068	23,000# FLAT LEAF FRONT SUSPENSION	X	X	X	X			10.1
620-1CU	23,000# FLAT LEAF FRONT SUSPENSION				X		X	12.0
620-1A6	24,000# FLAT LEAF FRONT SUSPENSION			X	X			10.5
620-1BV	28,000# FLAT LEAF FRONT SUSPENSION						X	16.5
620-1C4	28,000# FLAT LEAF HI PROFILE FRONT SUSP						X	15.7
620-1BD	24,000# FLAT LEAF SLIPPED (AWD)						X	17.7
<b>Taper Leaf</b>								
620-015	12,000# TAPERLEAF FRONT SUSPENSION		X	X	X	X		8.9
620-091	12,000# TAPERLEAF FRONT SUSPENSION, LOW		X	X	X	X		10.4
620-1A4	12,000# TAPERLEAF FRONT SUSPENSION			X	X	X		10.2
620-1BE	12,000# TAPERLEAF FRONT LOW PROFILE		X	X	X	X		9.2
620-1E9	12,000# MONO TAPERLEAF FRONT SUSPENSION		X	X	X	X		8.2
620-1F0	12,000# DUAL TAPERLEAF FRONT SUSPENSION		X	X	X	X		8.2
620-1D8	13,300# TAPERLEAF FRONT SUSPENSION			X	X	X		8.9
620-010	14,600# TAPERLEAF FRONT SUSPENSION	X	X	X	X	X		8.9
620-1A5	14,600# TAPERLEAF FRONT SUSPENSION			X	X	X		10.0
620-1A8	14,600# TAPERLEAF FRONT LOW PROFILE			X	X	X		9.8
620-1A9	14,600# TAPERLEAF FRONT LOW PROFILE			X				9.2
620-026	16,000# TAPERLEAF FRONT SUSPENSION	X	X	X	X	X		10.1
620-104	16,600# TAPERLEAF HIGH PROFILE FRONT			X	X			12.6
620-1A0	16,600# TAPERLEAF FRONT SUSPENSION	X	X	X	X	X		12.4
620-1BK	16,600# TAPERLEAF FRONT SUSPENSION WITH		X	X	X			12.0
620-1BT	16,600# TAPERLEAF HIGH PROFILE FRONT				X			11.6
620-013	18,000# TAPERLEAF FRONT SUSPENSION		X	X	X	X		10.1
620-1A2	18,800# TAPERLEAF FRONT SUSPENSION		X	X	X			9.9
620-025	20,000# TAPERLEAF FRONT SUSPENSION	X	X	X	X	X		9.6
620-1BX	20,000# TAPERLEAF HIGH PROFILE FRONT			X	X	X		9.6
620-1C2	22,000# TAPERLEAF FRONT SUSPENSION WITH		X		X			9.9

# Rear Suspensions

## Airliner 23k# Single With Chain Clearance 622-126



Model	Data Code	Ride Height
Airliner 23K	622-216	10.00 (254)

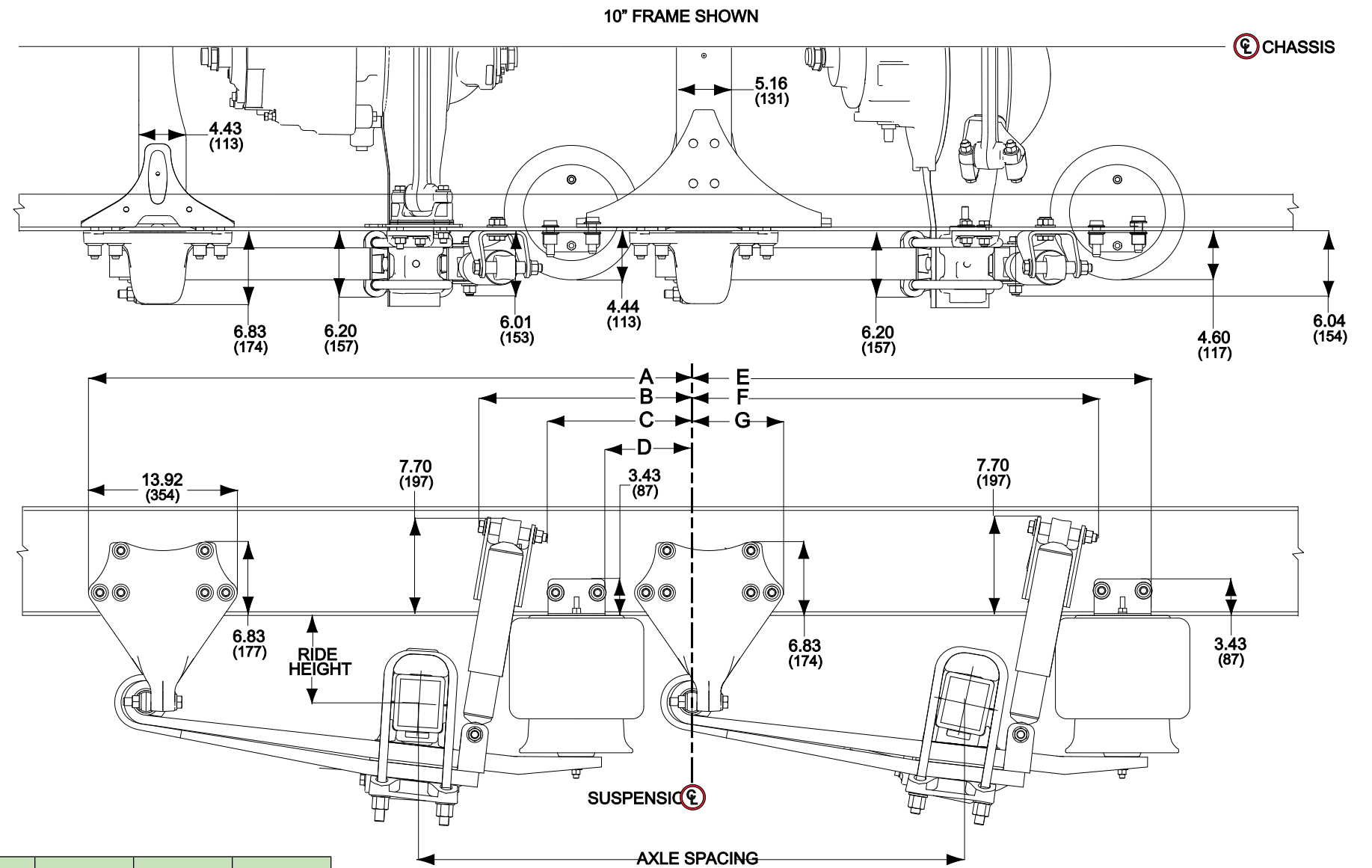
Note: RH same for laden or unladen

# Rear Suspensions

## Airliner Tandem 622-005/199/218

51", 55", 59" Axle Spacing

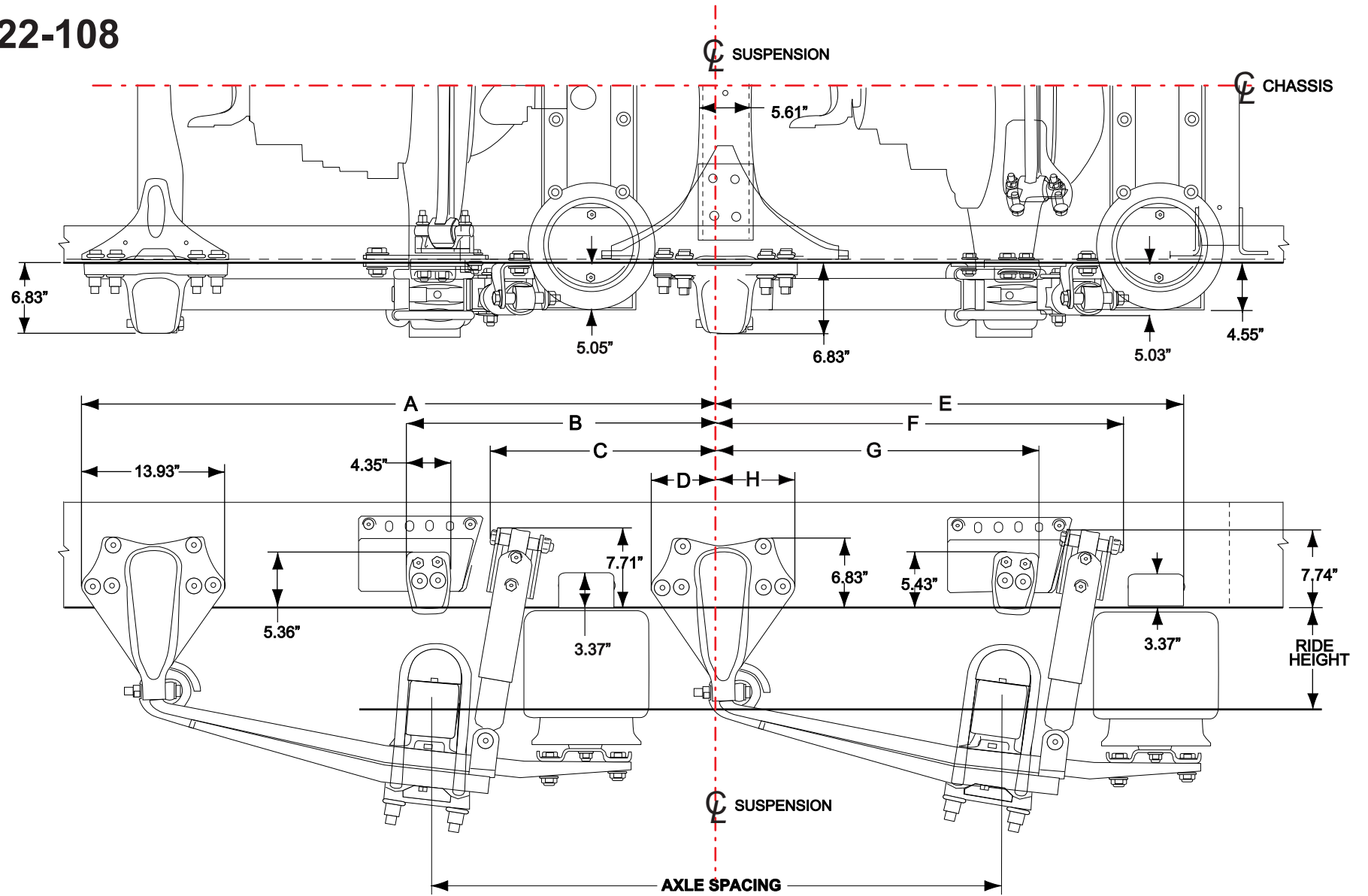
Suspension	Height	Data Code	RH	
			Unladen	Laden
Airliner 40K	Low 5.25"	621-047	5.42"	5.31"
	Medium 6.40"	621-046	6.40"	6.30"
	Standard 8.50"	621-007	8.60"	8.13"
Airliner 46K	Standard 10.0"	621-007	10.17"	10.00"



Susp Data Code	Model	Axle Spacing	Axle Spacing Data Code	A	B	C	D	E	F	G
622-005*	40K	51"	624-016	56.33"	19.96"	13.50"	5.39"	43.46"	37.97"	8.54"
622-218	40K Extra Duty									
622-199	46K	55"	624-025	58.33	21.96"	15.50"	7.40"	45.46"	39.95"	7.50"
622-005	40K									
622-218	40K Extra Duty	59"	624-024	60.35	22.95"	17.50"	9.39"	47.50"	41.9"	9.48"
622-199	46K									

# Rear Suspensions

## Airliner 46k# Tandem With Chain Clearance 622-108

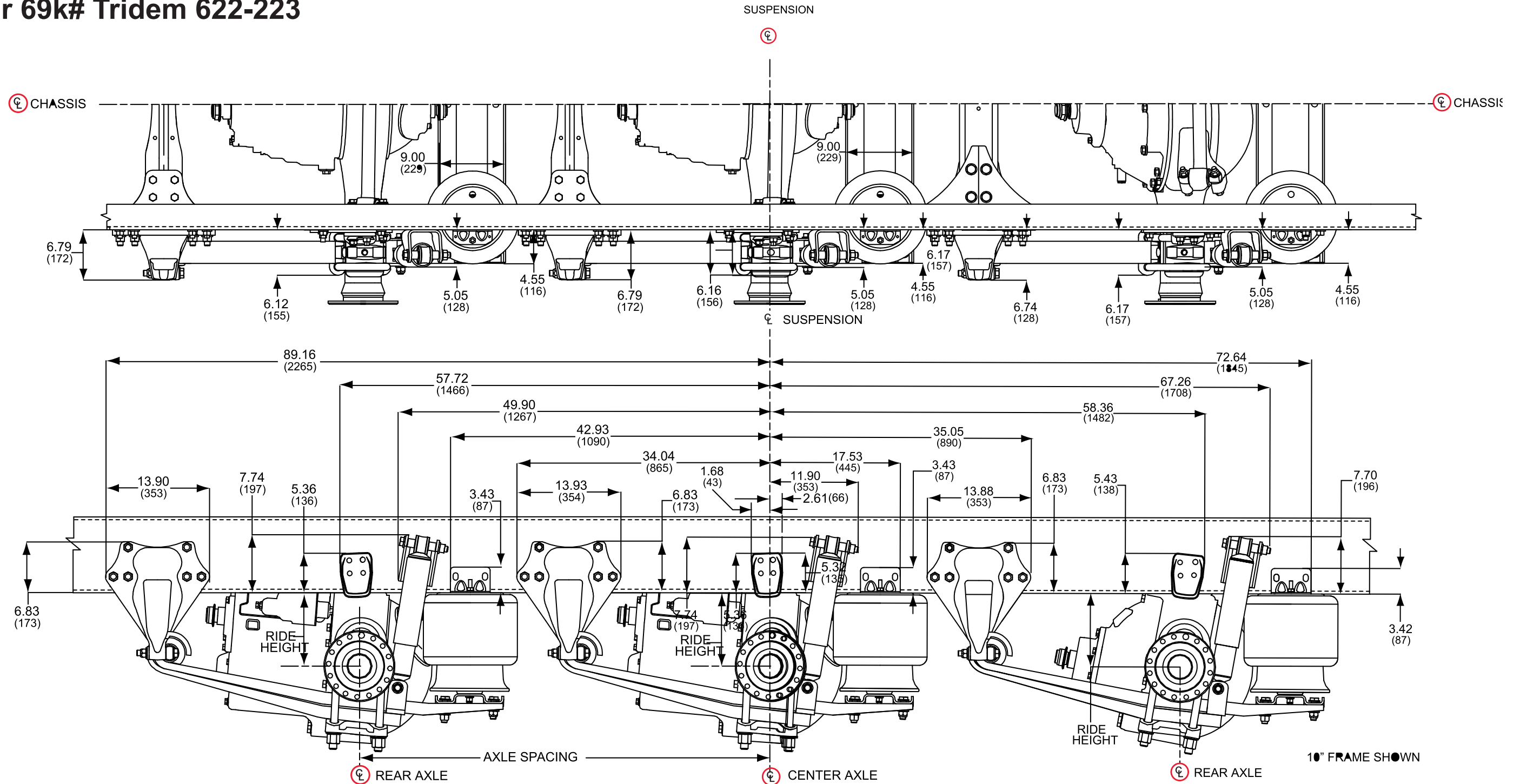


Suspension	Height	Data Code	Ride Height (Vertical Dim. C/L Axle To Chassis Zero)	
			Unladen	laden
AIRLINER 40K	LOW	621-047	10.3"	10.2"
	MED	621-046	11.3"	11.2"
	STANDARD	621-007	13.5"	13.4"
AIRLINER 46K	STANDARD	621-007	15.1"	14.9"

Suspension Data Code	Suspension Capacity	Axle Spacing	Axle Spacing Data Code	A	B	C	D	E	F	G	H
622-108	46K	59"	624-024	63.50"	32.10"	23.90"	4.40"	47.10"	41.60"	33.10"	9.50"
		55"	624-025	61.50"	30.10"	21.90"	6.40"	45.20"	39.70"	31.10"	7.50"
		51"	624-016	59.50"	28.10"	19.90"	8.40"	43.20"	37.70"	29.10"	8.74"

# Rear Suspensions

## Airliner 69k# Tridem 622-223

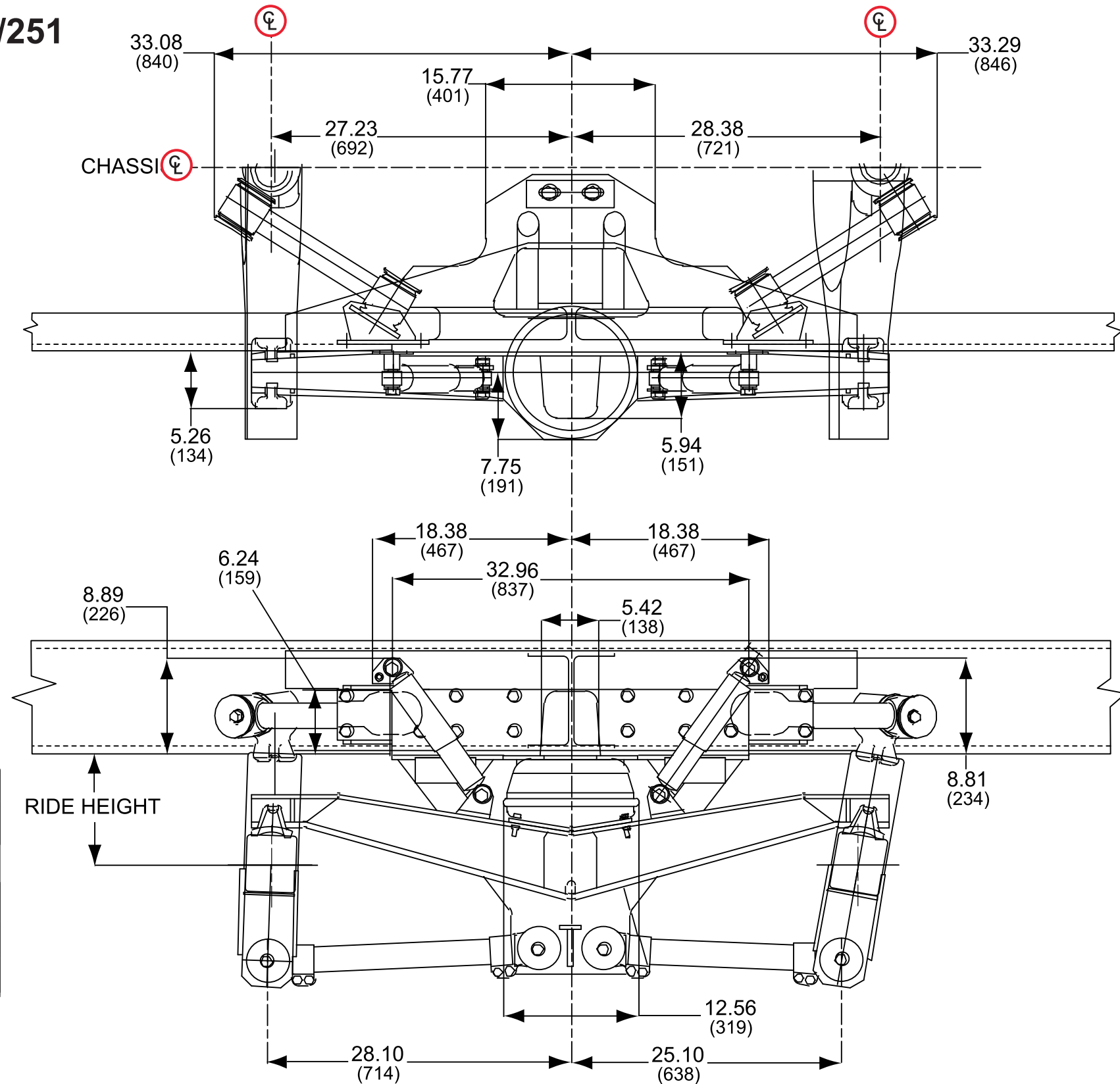


Model	Data Code	Ride Height
Airliner 69K	622-223	9.83



# Rear Suspensions

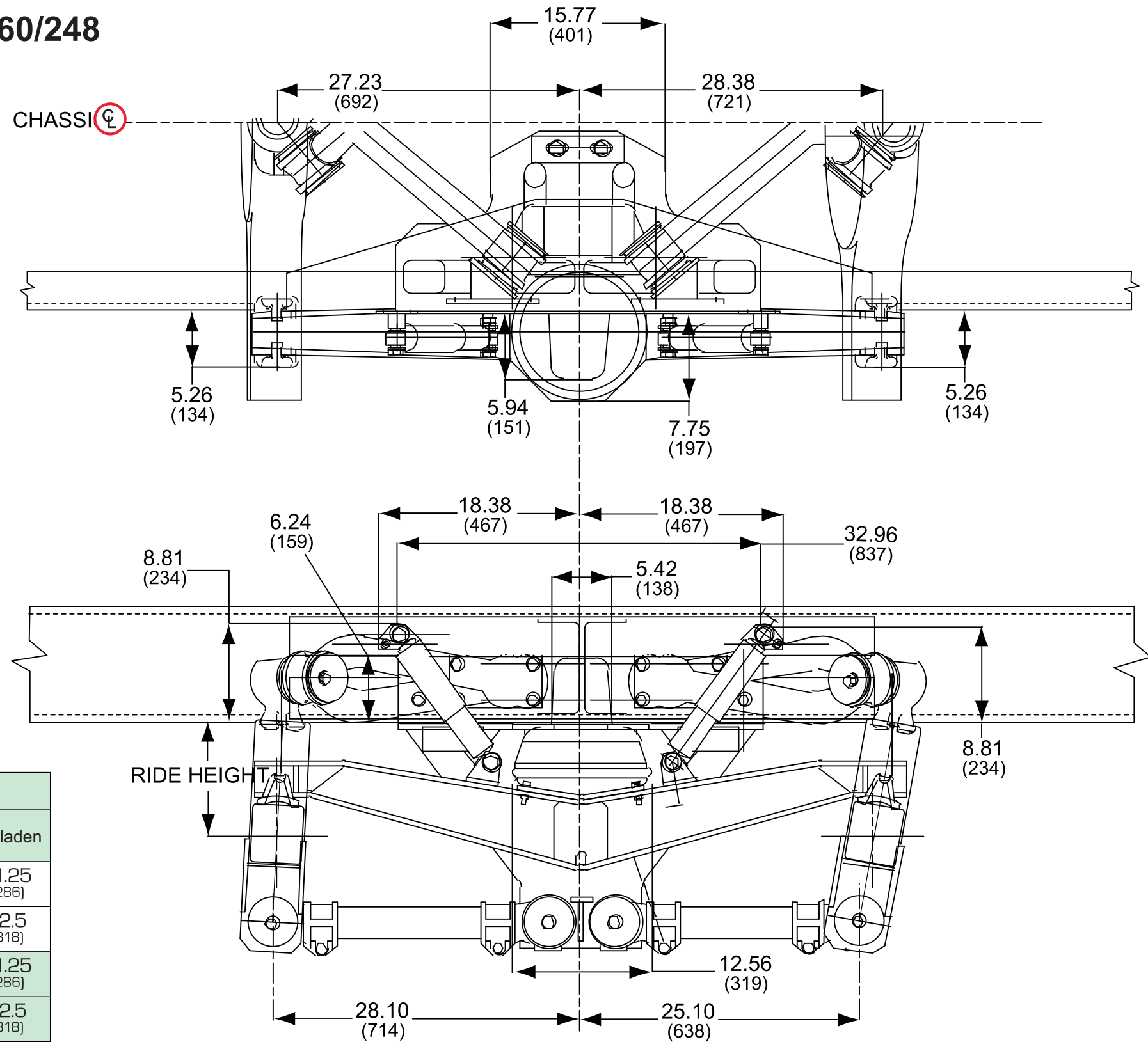
## Chalmers 854 Series 40k# Tandem 622-080/251



Suspension		Configuration	Data Code	Ride Height	
Chalmers 854	Data Code			Laden	Unladen
40,000 lb	622-080	Low	621-027	8.94	11.13
		High	621-028	10.19	12.38
40,000 lb High stability	622-251	Low	621-027	9.69	11.13
		High	621-028	10.85	12.38

# Rear Suspensions

## Chalmers 854 Series 46k# Tandem 622-060/248



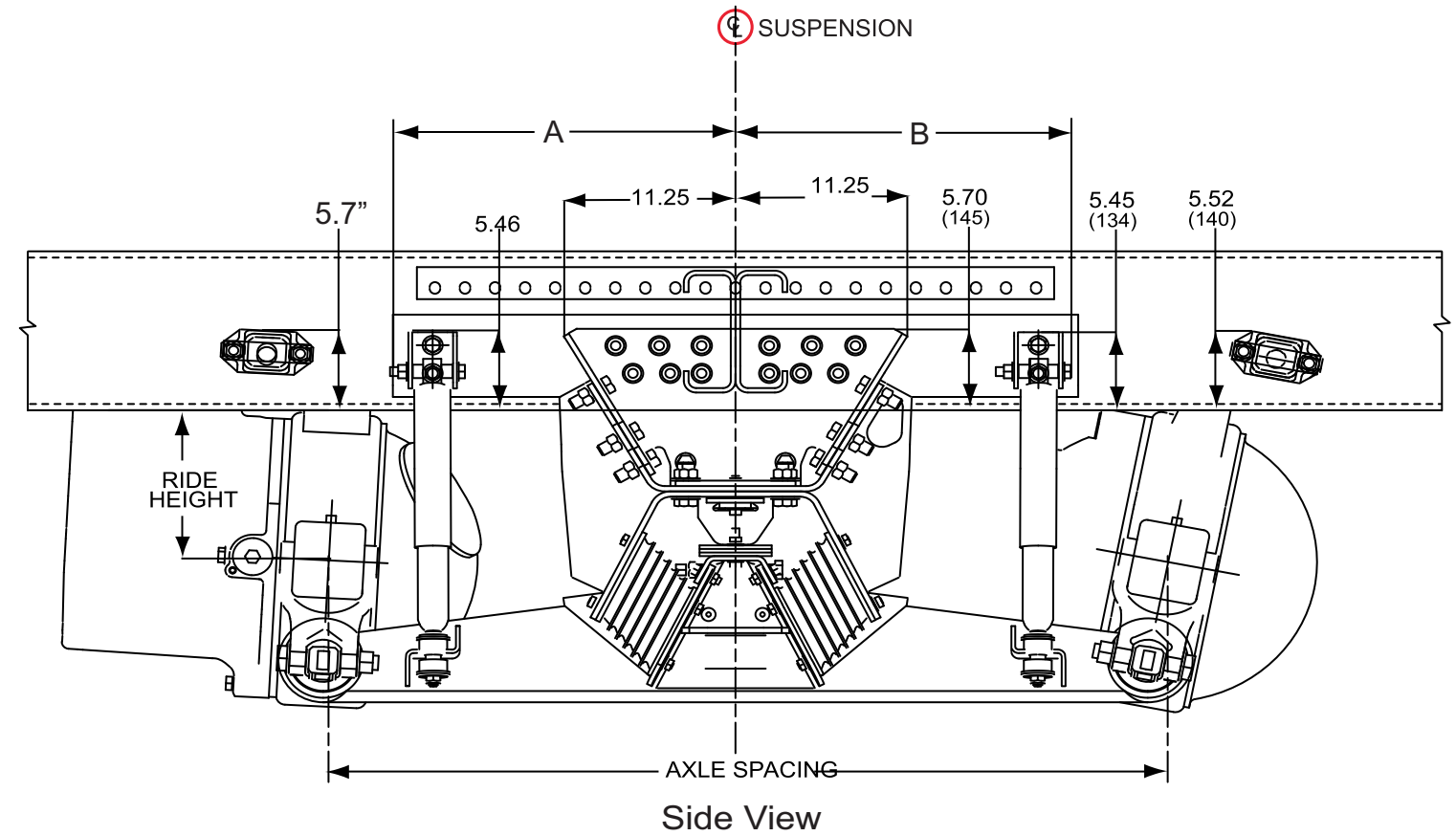
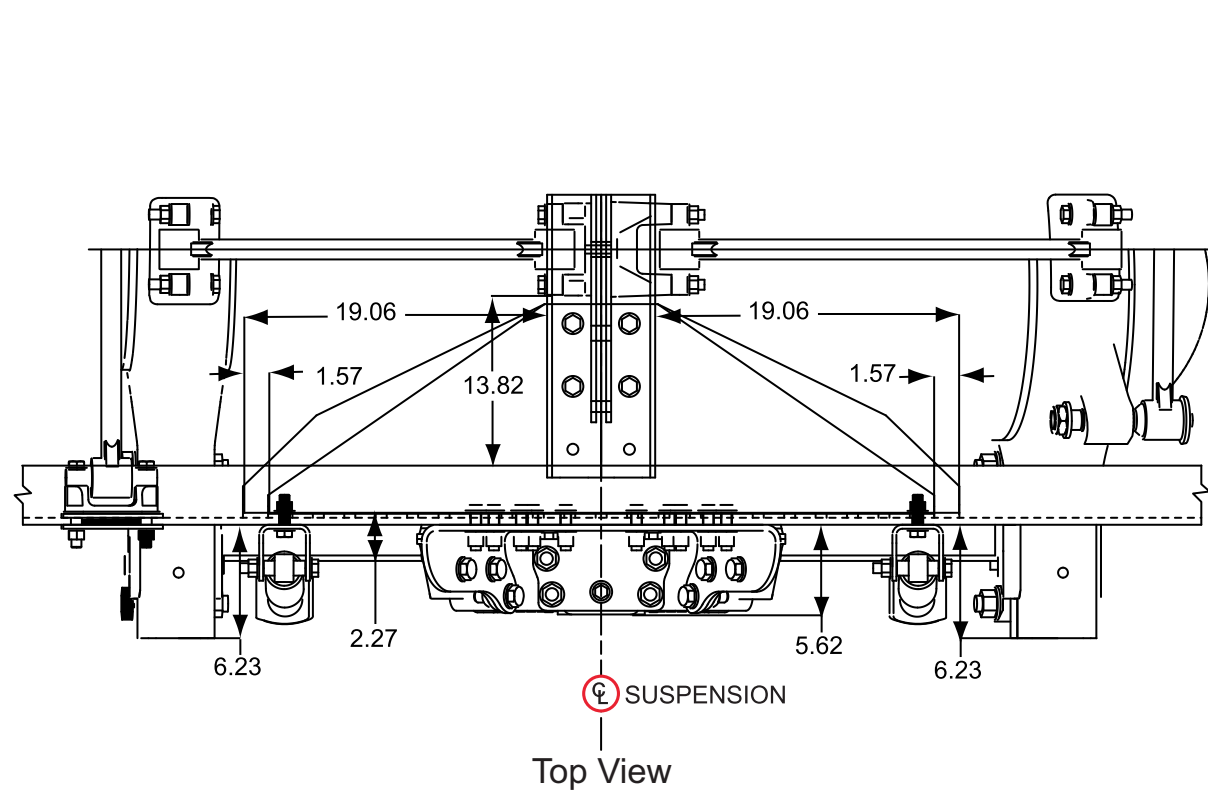
Suspension		Ride Height			
Chalmers 854	Data Code	Configuration	Data Code	Laden	Unladen
46,000 lb	622-060	Low	621-027	8.88 (226)	11.25 (286)
		High	621-028	10.13 (257)	12.5 (318)
46,000 lb High stability	622-248	Low	621-027	9.63 (245)	11.25 (286)
		High	621-028	10.85 (276)	12.5 (318)



WESTERN STAR

# Rear Suspensions

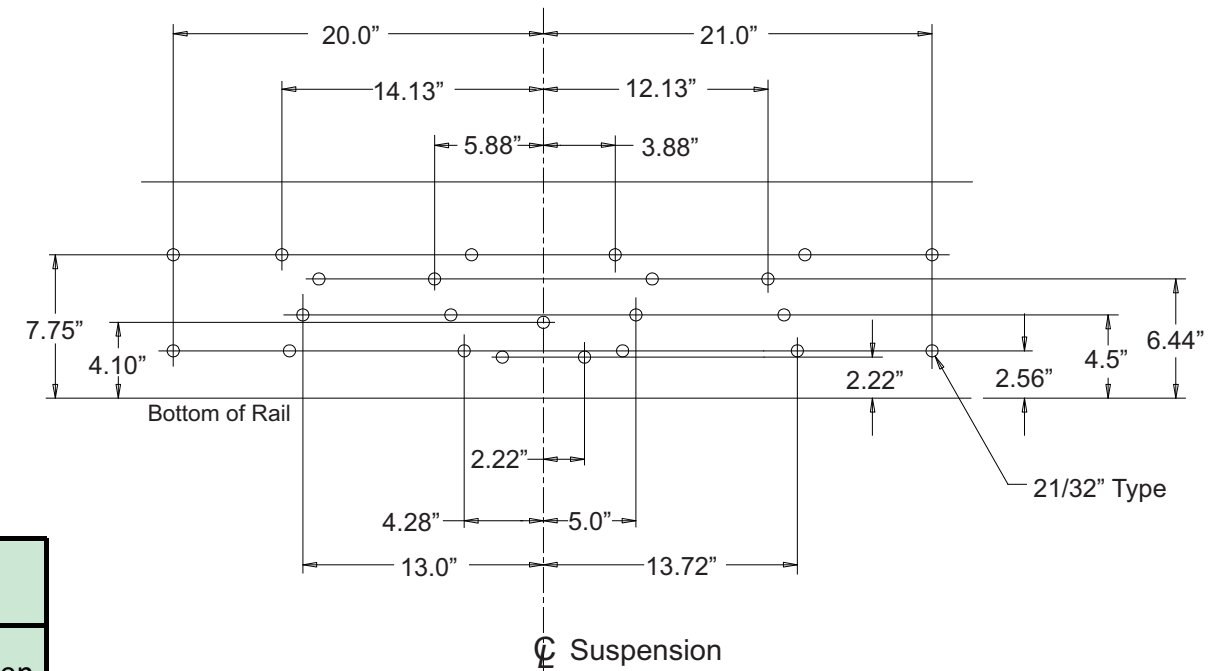
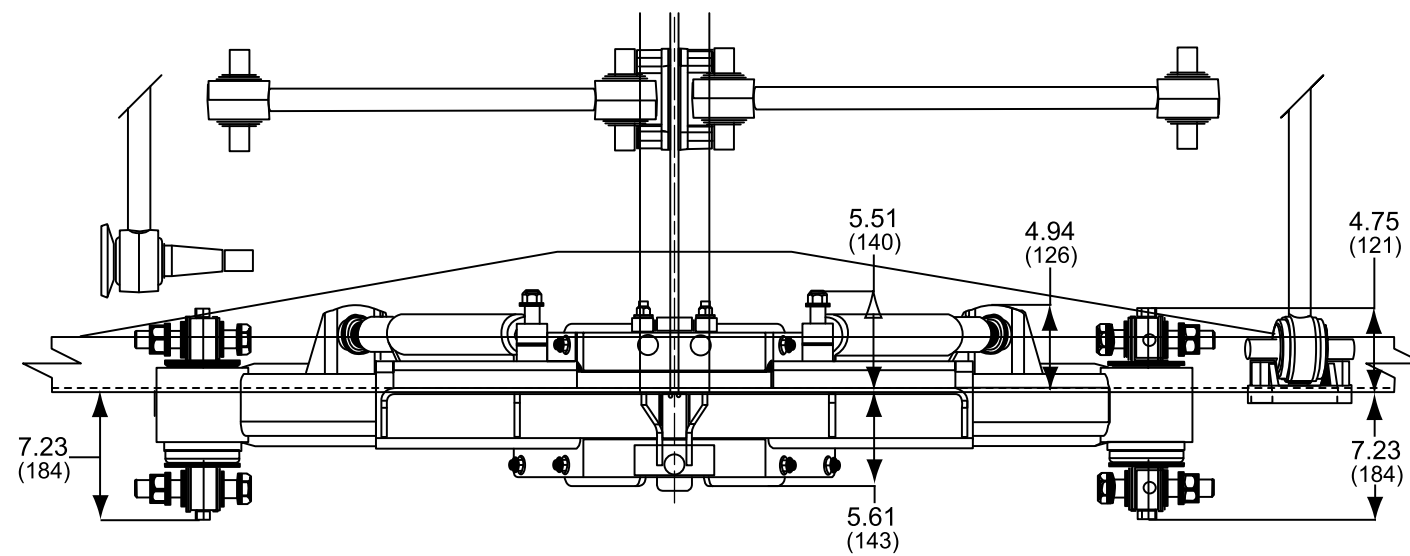
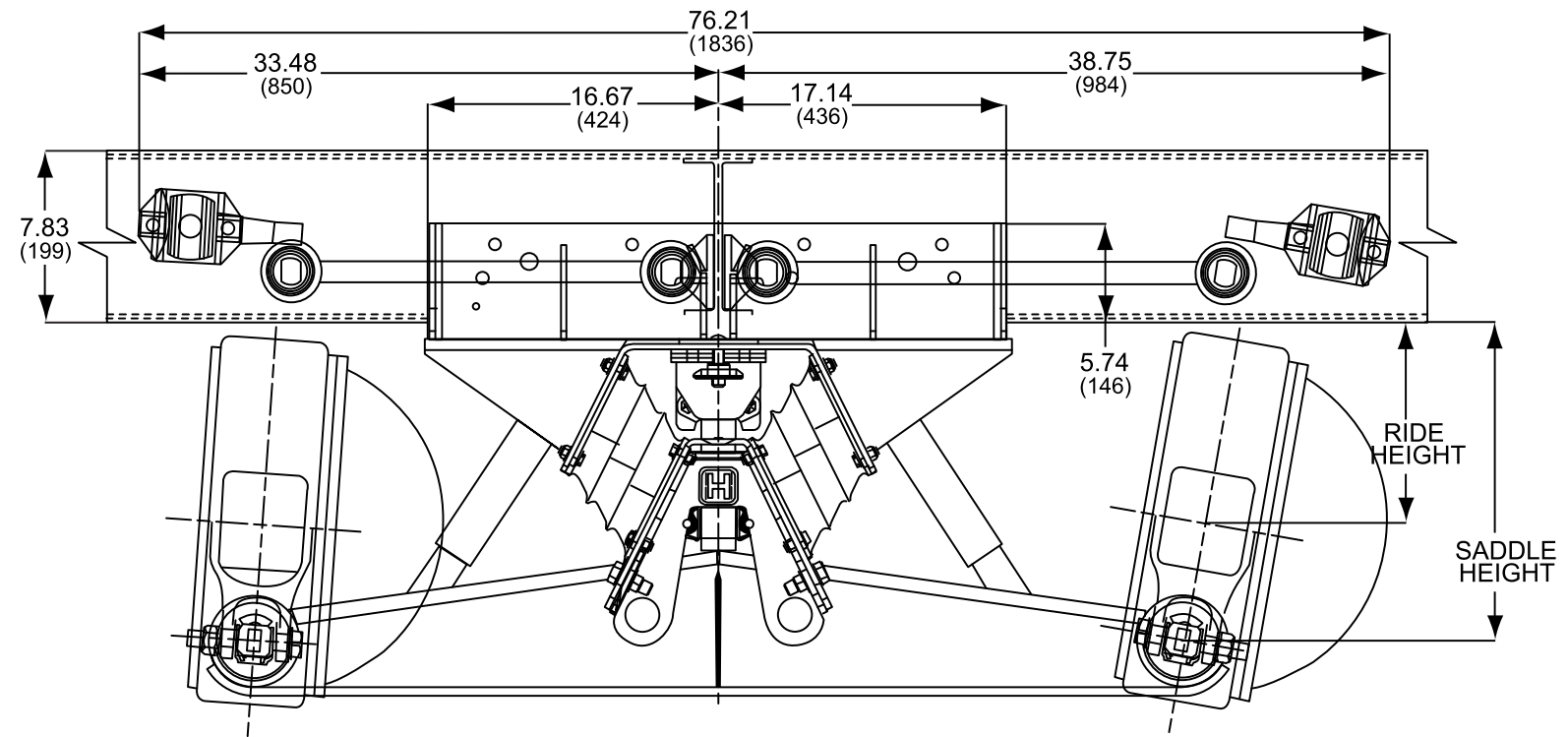
## Haulmax 40k# & 46k# Tandem 622-1E8/1E7



Model	Axle Spacing Data Code	Axle Spacing	A	B	Ride Height Data Code	Ride Height	
						Laden	Unladen
40,000 lb.	624-011	52"	21.20	21.20	621-1AR	9.50	10.56
	624-009	54"	22.20	22.20			
	624-010	60"	25.20	25.20	621-1AP	10.43	11.50
	624-021	72.5"	31.45	31.45			

# Rear Suspensions

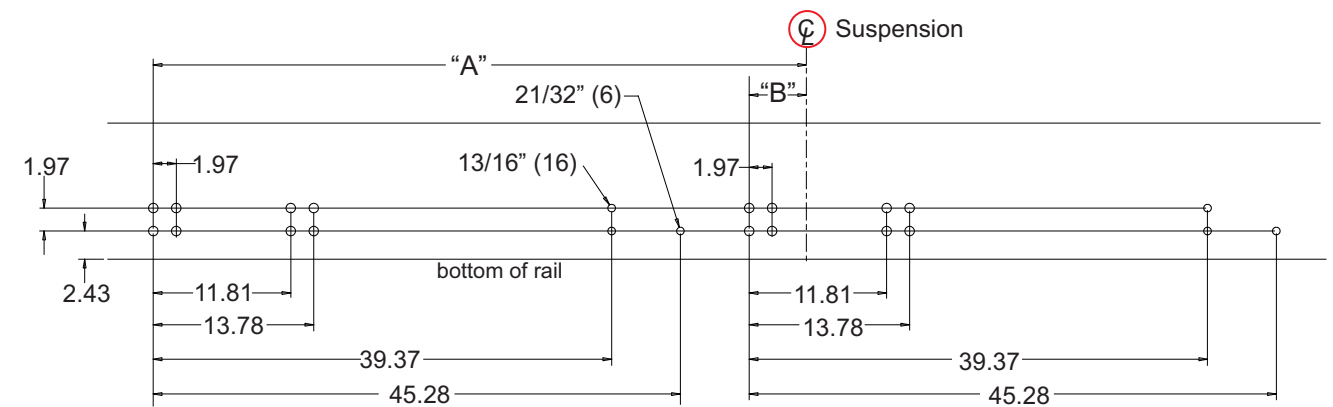
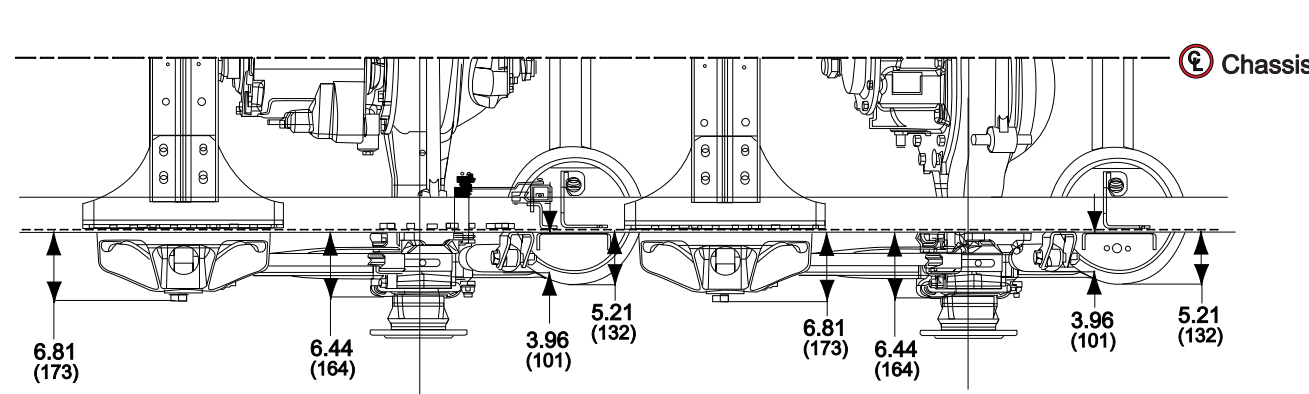
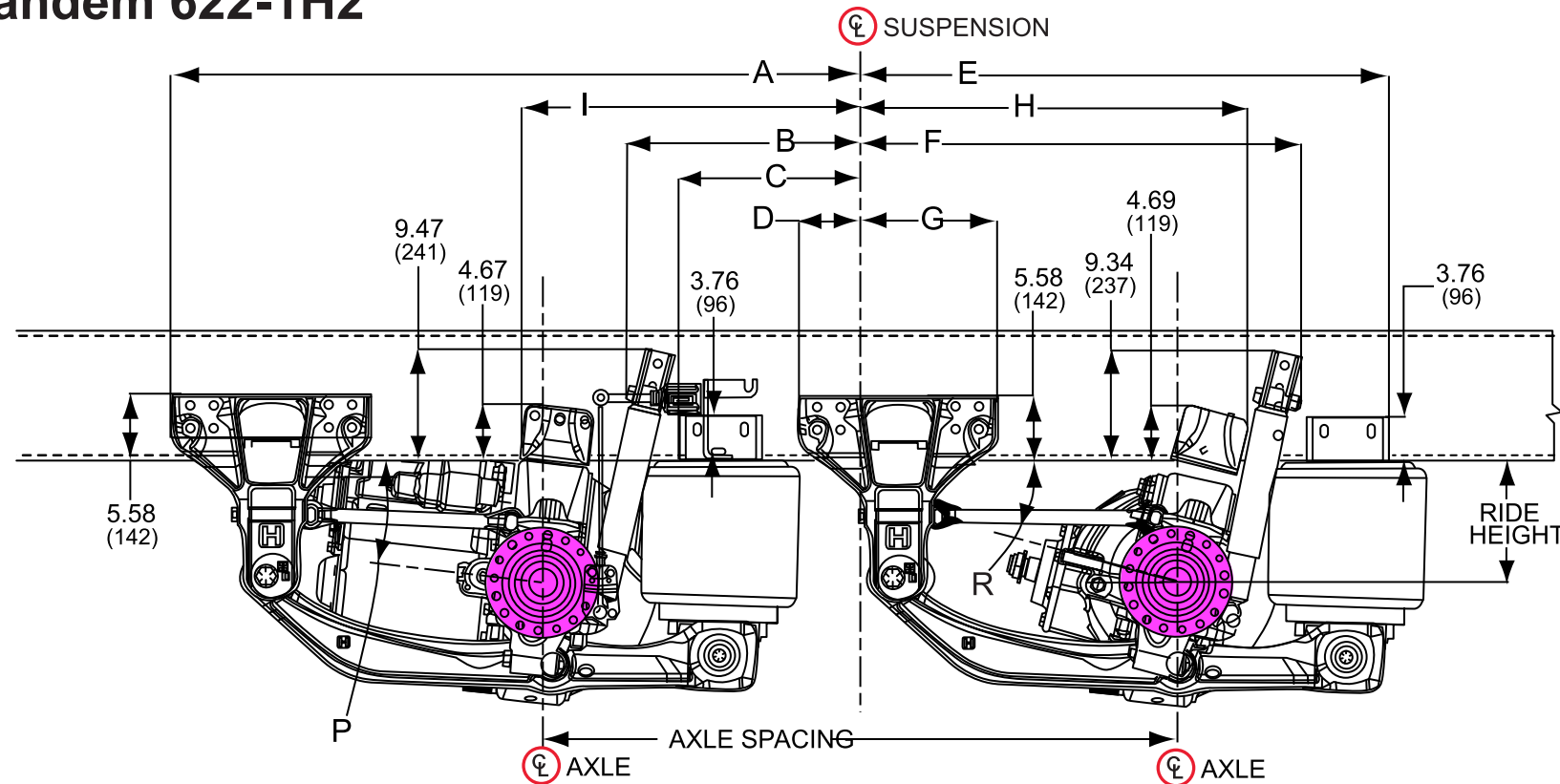
## Hendrickson HN 46K# Tandem 622-269



Hendrickson HN - Rear Suspension					
Data Code	Rear Suspension	Data Code	Ride Height	Laden	Unladen
622-269	HENDRICKSON HN462 @ 46,000#	621-078	HN SERIES - 10.50"	10.50	11.56
		621-080	HN SERIES - 9.50"	9.50	10.56

# Rear Suspensions

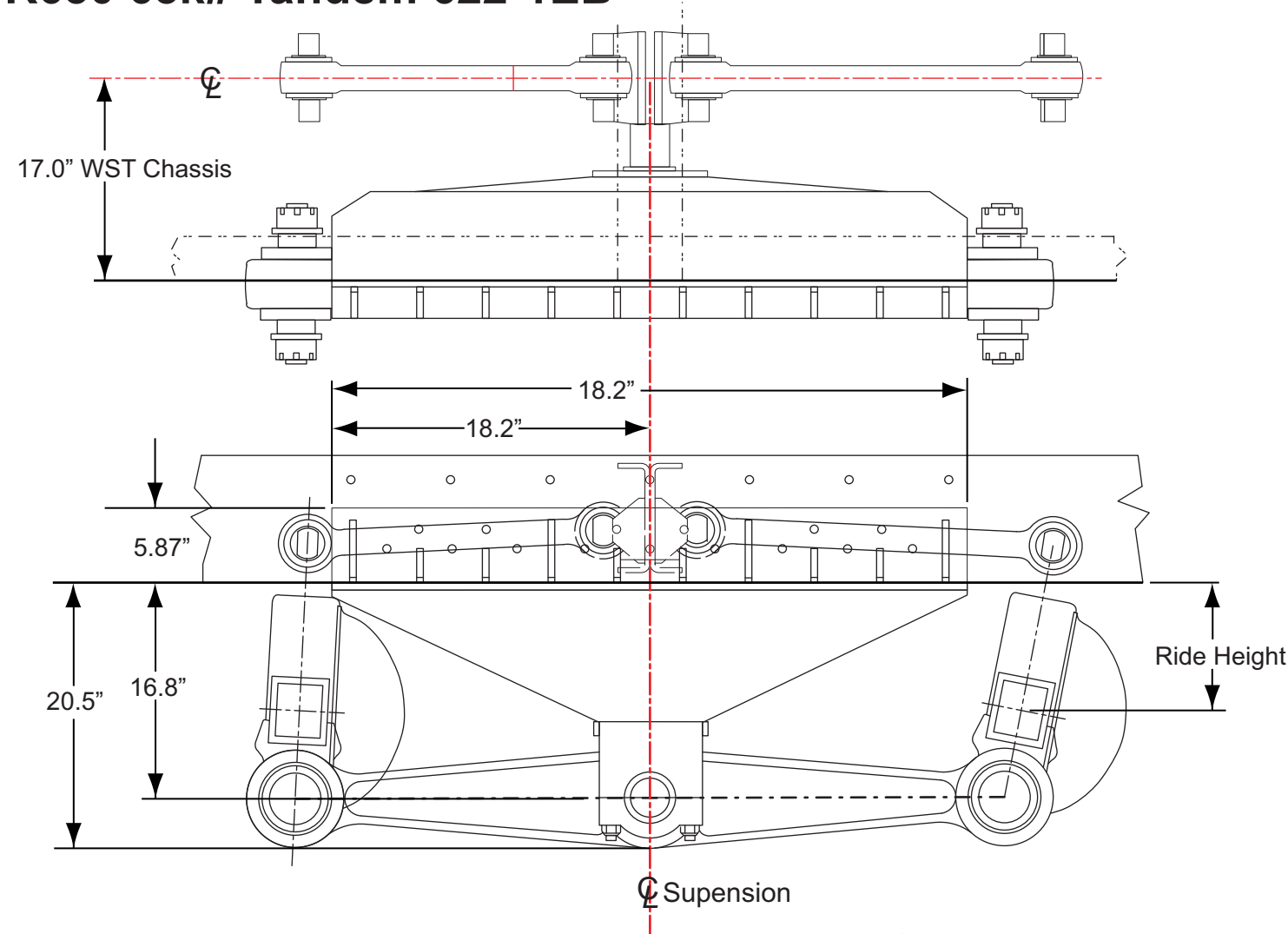
## Hendrickson Primaax 46k# Tandem 622-1H2



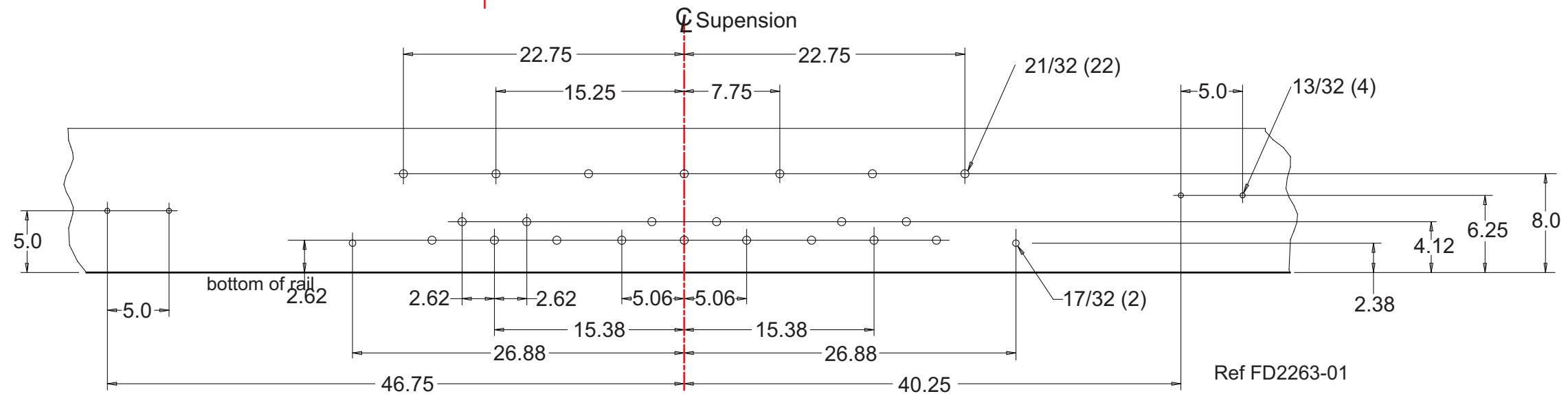
Data Code	Suspension	Pinion Angles	Axle Spacing	Axles	Ride Height	A	B	C	D	E	F	G	H	I
622-1H2	Hendrickson Primaax 46K	3.5( )/11.0(r)	54"	RT-16	10.00	58.97	19.98	15.45	5.49	45.37	37.91	11.65	28.90	33.15
		3.5( )/10.0(r)	52"	D46-170	10.00	57.99	19.01	14.45	4.52	44.41	36.93	10.67	27.90	32.15
		3.5( )/9.5(r)	54"	D46-170	10.00	58.97	19.98	15.45	5.49	45.37	37.91	11.65	28.90	33.15

# Rear Suspensions

## Hendrickson R650 65k# Tandem 622-1EB



Hendrickson R-Series - Rear Suspension			
Data Code	Rear Suspension		
<b>622-1EB</b>	HENDRICKSON R650 - SOLID @ 65,000#		
<b>622-1C4</b>	HENDRICKSON R850 - SOLID @ 85,000#		
Ride Height Data Code	Saddle Height	Laden	Un-laden
<b>621-092</b>	20.50" - 52/65,000 REAR AXLES	12.75"	12.75"
	20.50" - 70,000 LB REAR AXLES	12.13"	12.13"



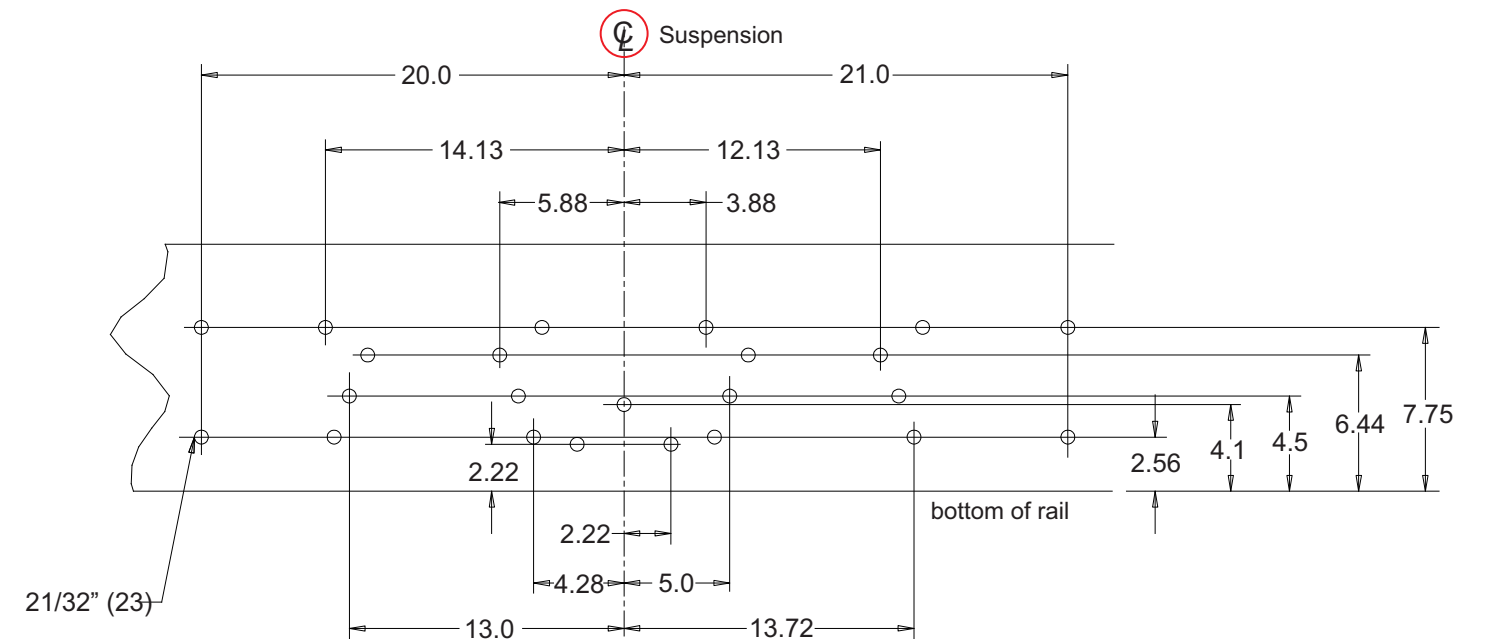
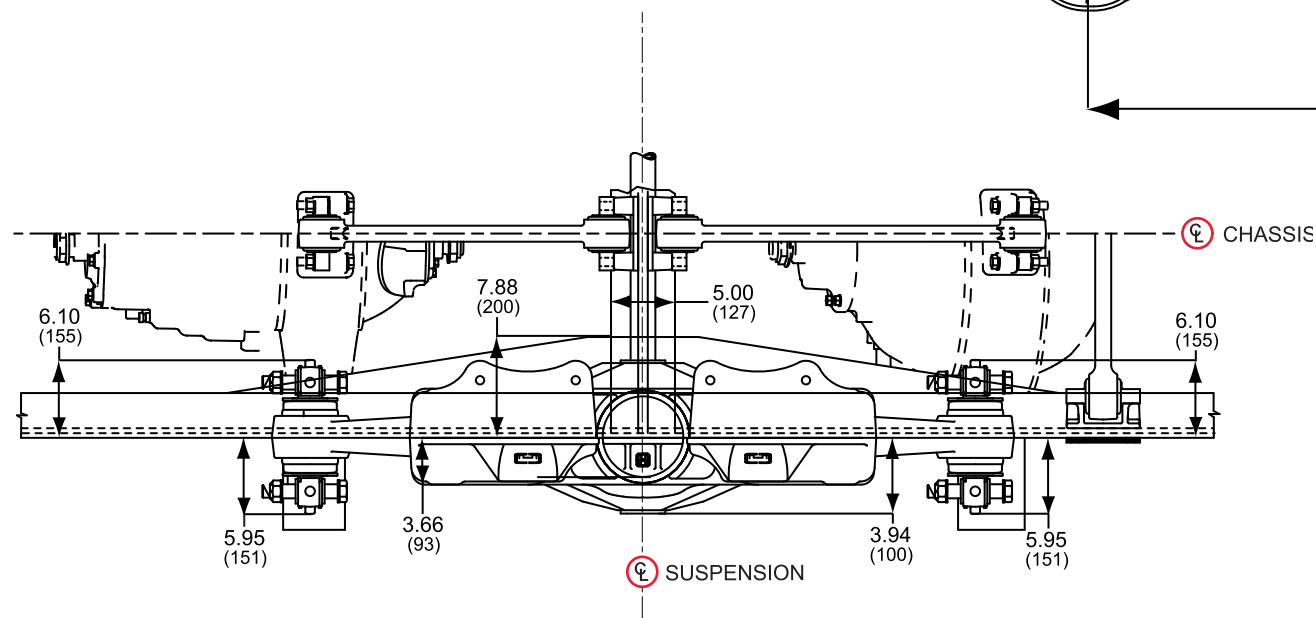
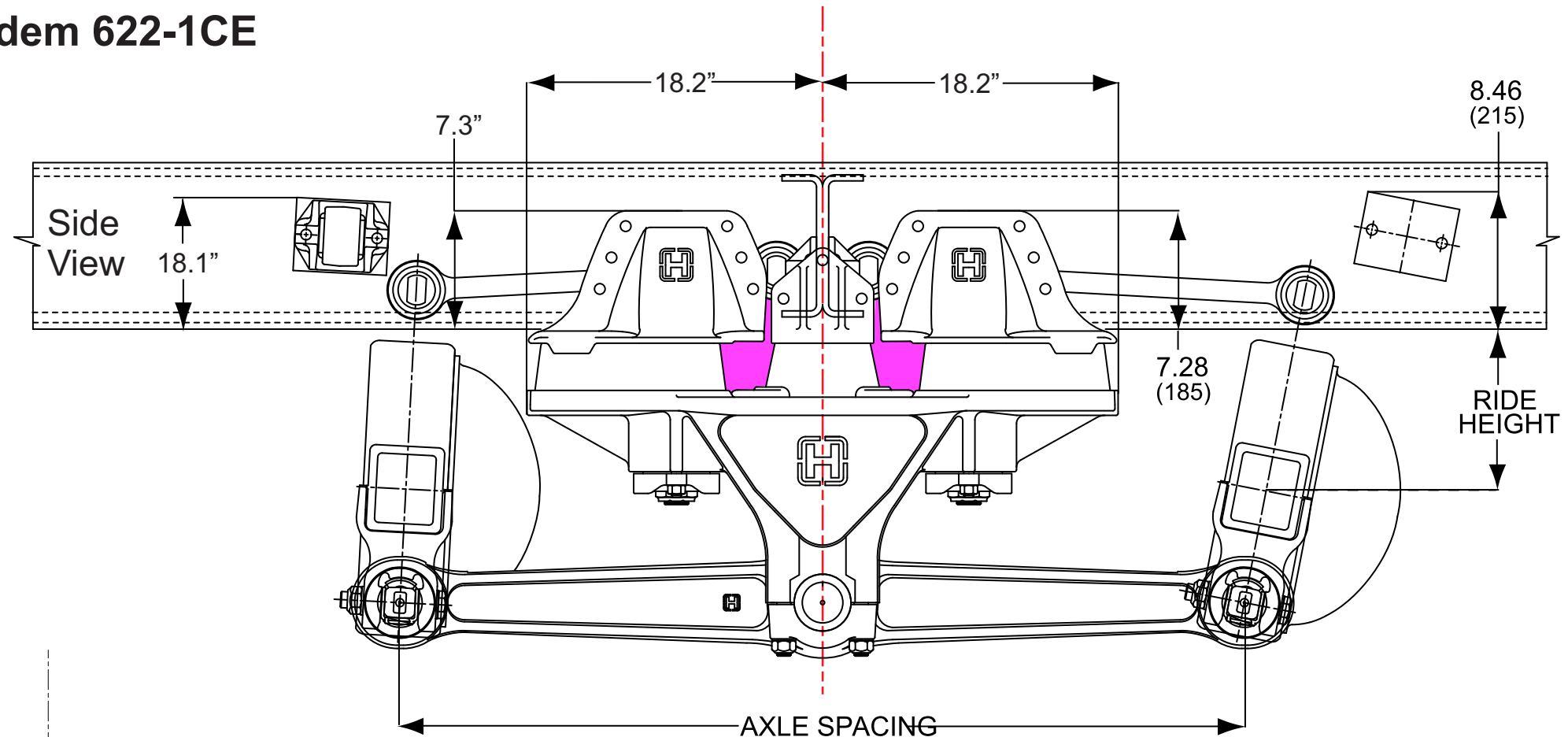
Ref FD2263-01



WESTERN STAR

# Rear Suspensions

## Hendrickson RS463 46k# Tandem 622-1CE

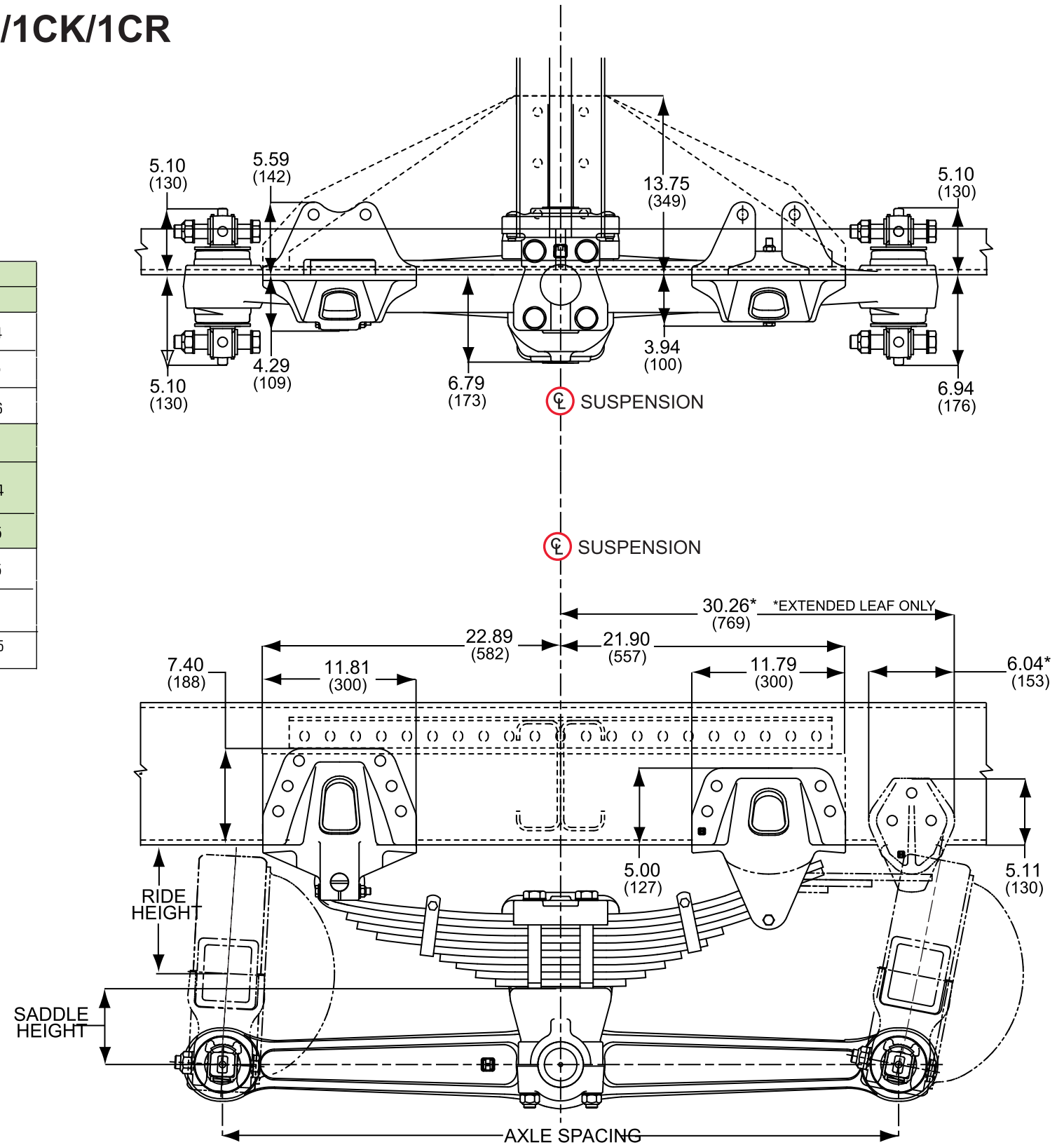


Model	Data Code	Axle Spacing	Saddle Height	Ride Height		
				Data Code	Unladen	Laden
RS-463	622-1CE	52" 54" 56" 60"	12.88	621-021	9.56	10.44

# Rear Suspensions

## Hendrickson RT-Series 40k#-50k# 622-1CH/1CN/1CJ/1CP/1CK/1CR

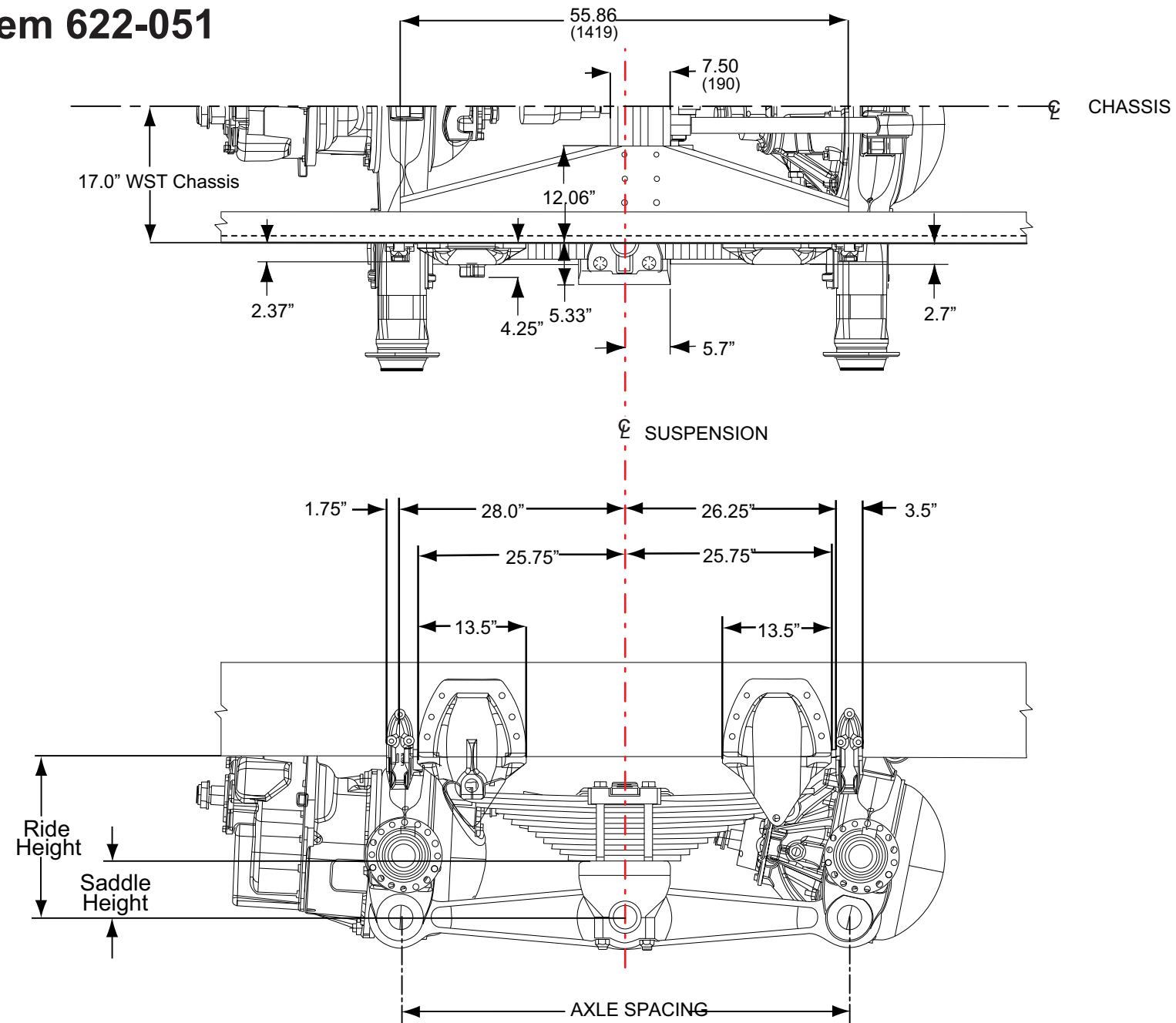
Data Code	Model	Data Code	Axle Spacing	Saddle Height	Ride Height		
					Data Code	Unladen	Laden
622-1CH	RT403 40K	624-011	52"	6.00	621-015	9.92	9.04
		624-009	54"	7.19	621-016	11.03	10.15
622-1CN	RTE403 40K	624-028	56"	11.00	621-017	14.84	13.96
		624-010	60"	11.00	621-017	14.84	13.96
622-1CJ	RT463 46K	624-011	52"	6.00	621-015	11.28	10.15
622-1CP	RTE463 46K	624-009	54"	7.19	621-016	12.47	11.34
		624-028	56"	11.00	621-017	16.28	15.15
622-1CK	RT503 50K	624-009	54"	6.00	621-015	11.40	9.95
			7.19	621-016	12.59	11.14	
622-1CR	RTE503 50K	624-010	60"	11.00	621-017	16.40	14.95





# Rear Suspensions

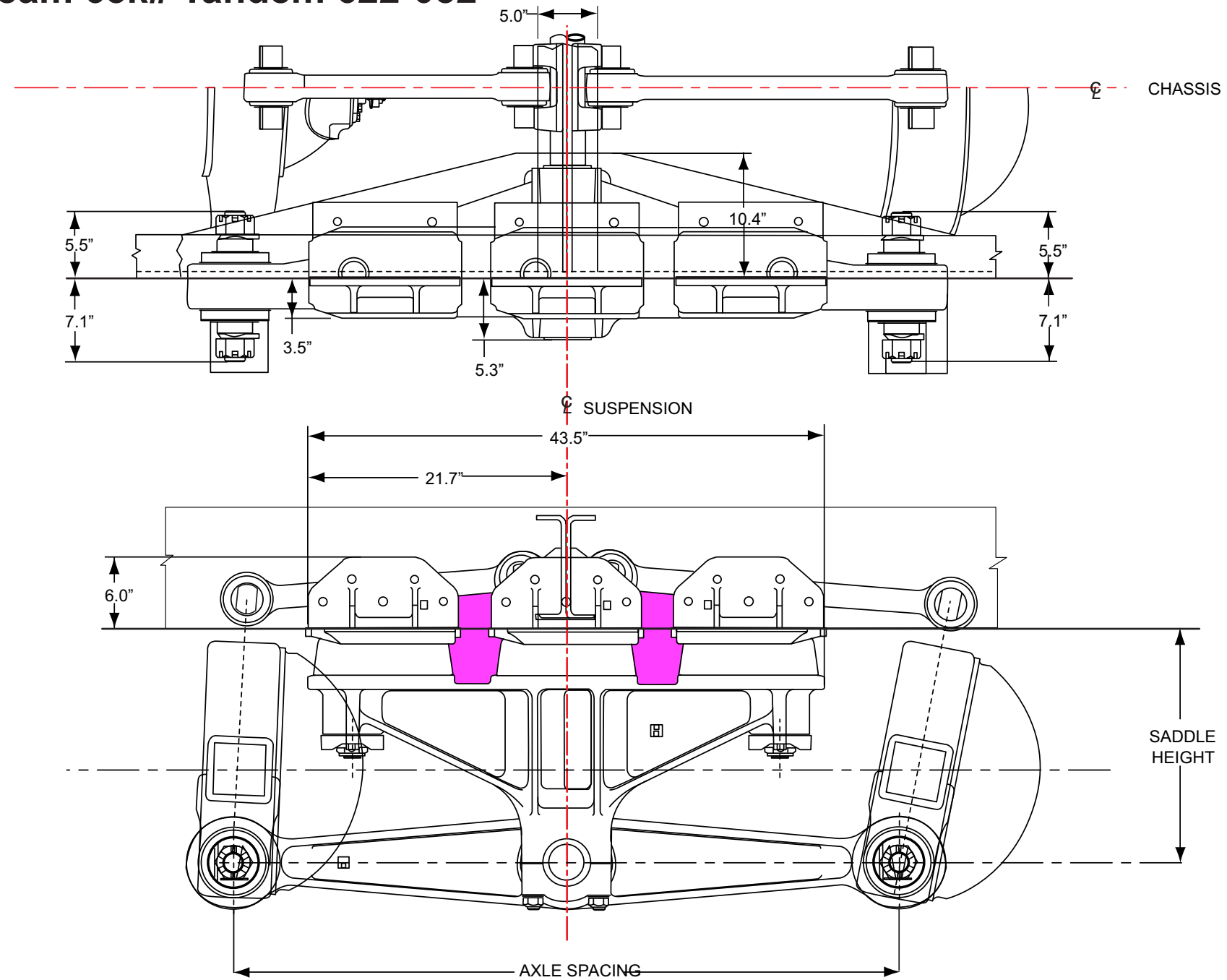
## Hendrickson RT650 65k# Tandem 622-051



Suspension Data Code	Model	Axle Spacing Data Code	Axle Spacing	Available Saddle Height	Ride height		
					Ride Height Data Code	Un-Laden Height	Laden
622-051	RT650	624-028	56"	7.12'	621-018	12.25"	11.25"
		624-010	60"	9.38"	621-019	14.5"	13.25"

# Rear Suspensions

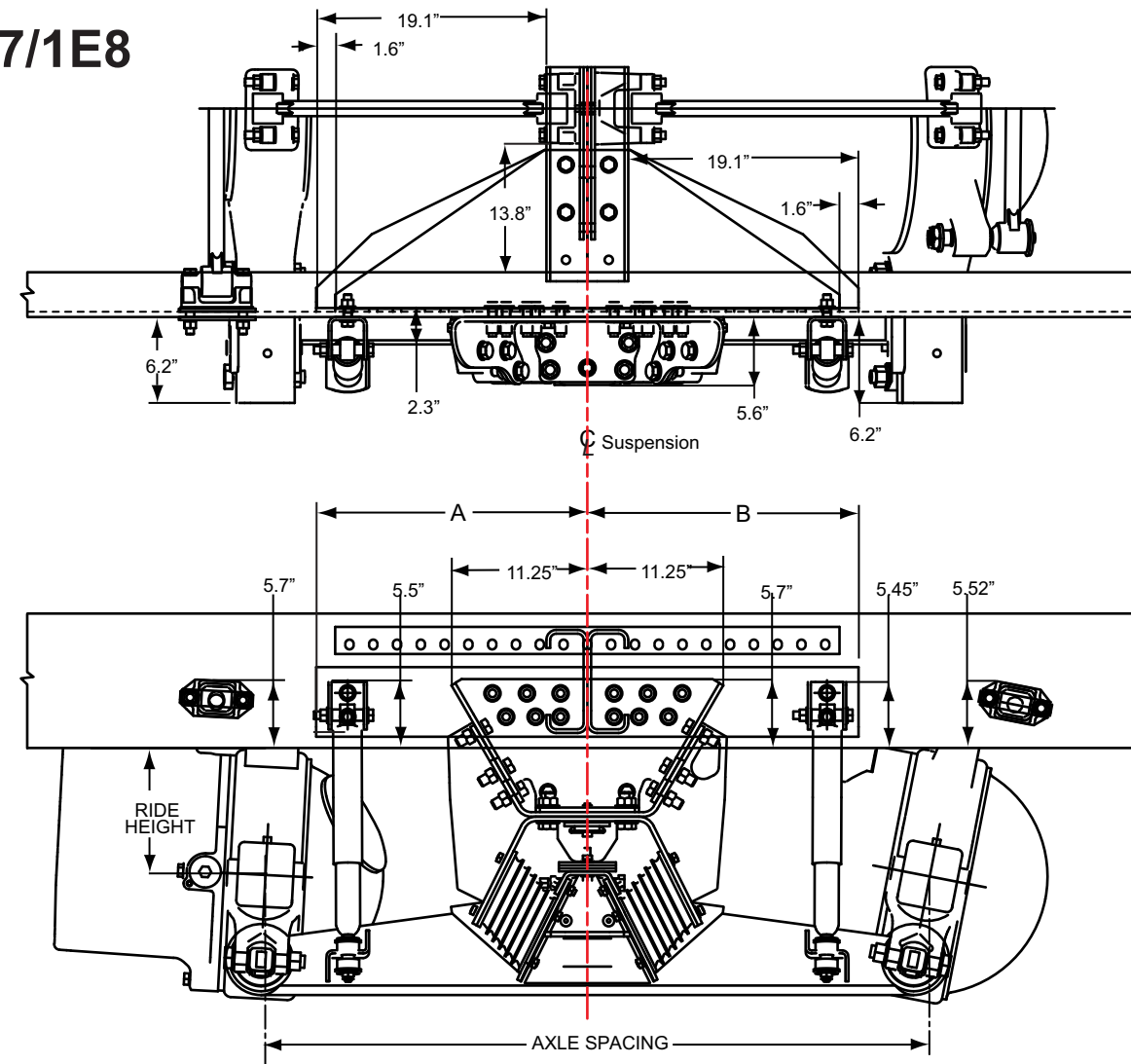
## Hendrickson RS650 Walking Beam 65k# Tandem 622-052



Suspension Data Code	Suspension Model	Axle Spacing Data Code	Axle Spacing	Available Saddle Heights	Ride Height		
					Ride Height Data Code	Un-Laden Height	Laden Height
<b>622-052</b>	<b>RS650</b>	<b>624-028</b> <b>624-010</b>	<b>56"</b> <b>60"</b>	<b>15.0"</b>	<b>621-024</b>	<b>11.94"</b>	<b>11.06"</b>

# Rear Suspensions

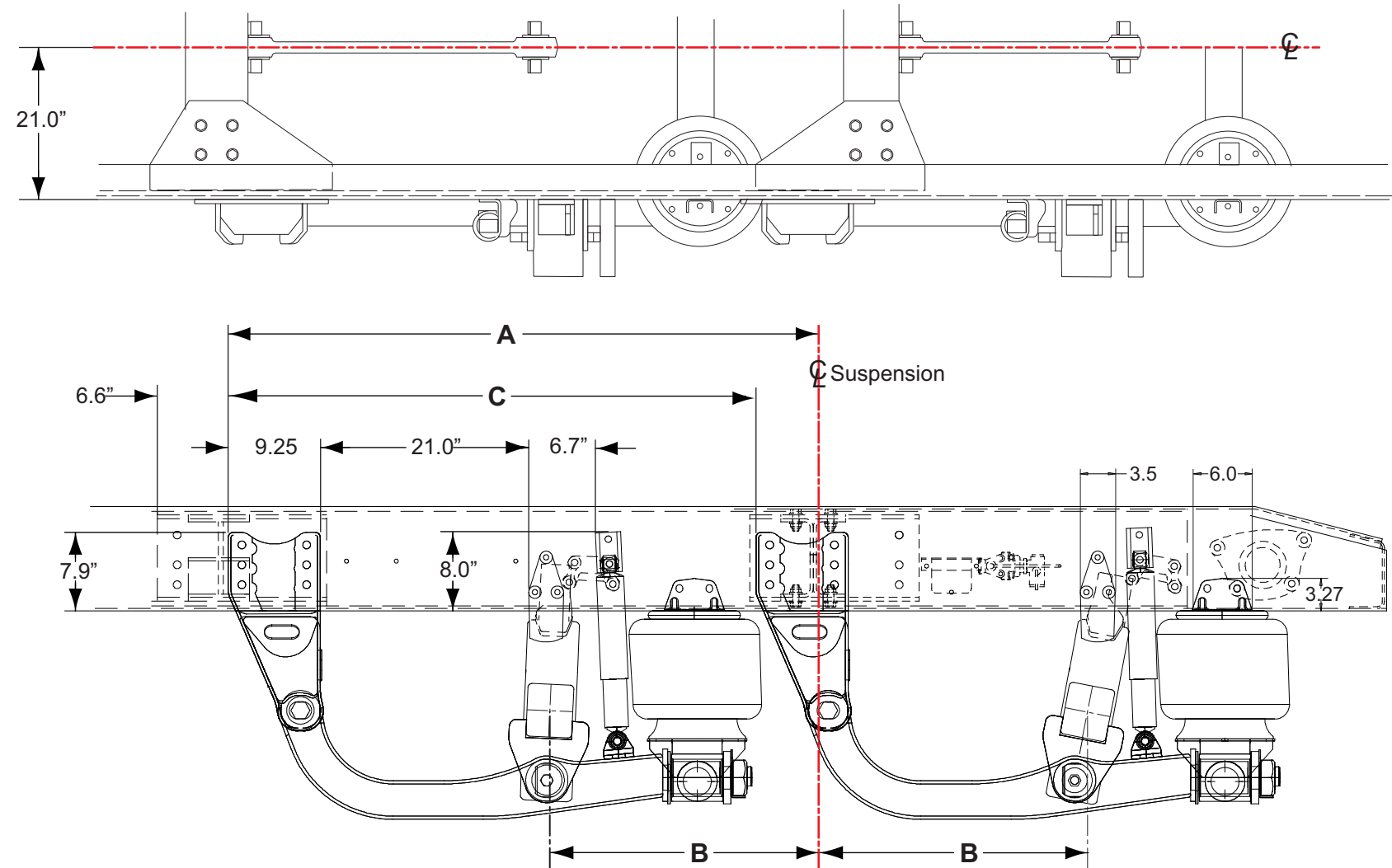
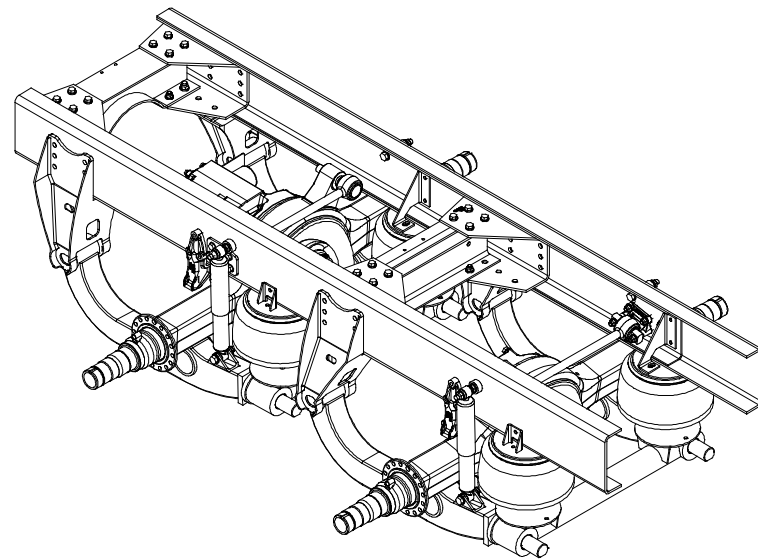
## Hendrickson Haulmaxx 40k# & 46k# Tandem 622-1E7/1E8



Suspension Data Code	Suspension Model	Axle Spacing Data Code	Axle Spacing	A	B	Ride Height Data Code	Ride Height	
							Laden	UnLaden
622-1E8	HMX 400	624-011	52"	21.2"	21.2"	621-1AR	9.5"	10.6"
		624-009	54"	22.2"	22.2"			
		624-010	60"	25.2"	25.2"	621-1AP	10.4"	11.5"
		624-021	72.5"	31.5"	31.5"			
622-1E7	HMX 460	624-011	52"	21.2"	21.2"	621-1AR	9.5"	10.6"
		624-009	54"	22.2"	22.2"			
		624-010	60"	25.2"	25.2"	621-1AP	10.4"	11.5"
		624-021	72.5"	31.5"	31.5"			

# Rear Suspensions

## Neway AD252 Air Ride 23k#-78k# 622-189/188/231/1FT/195/1D9



Neway Ad252 Air Ride - Rear Suspension					
Data Code	Rear Suspension	Data Code	Ride Height	Laden	Unladen
622-189	NEWAY AD 123 23,000#	621-012	NEWAY AD/ARD - 10.00"	10.00	10.00
622-188	NEWAY AD 246 46,000#	621-012	NEWAY AD/ARD - 10.00"	10.00	10.00
622-231	NEWAY AD 252 52,000#	621-012	NEWAY AD/ARD - 10.00"	10.00	10.00
622-1FT	NEWAY AD 260 60,000#	621-032	NEWAY AD/ARD - 12.00"	12.00	12.00
622-195	NEWAY AD 369 69,000# TRI-AXLE	621-012	NEWAY AD/ARD - 10.00"	10.00	10.00
622-1D9	NEWAY AD 378 78,000# TRI-AXLE	621-012	NEWAY AD/ARD - 10.00"	10.00	10.00

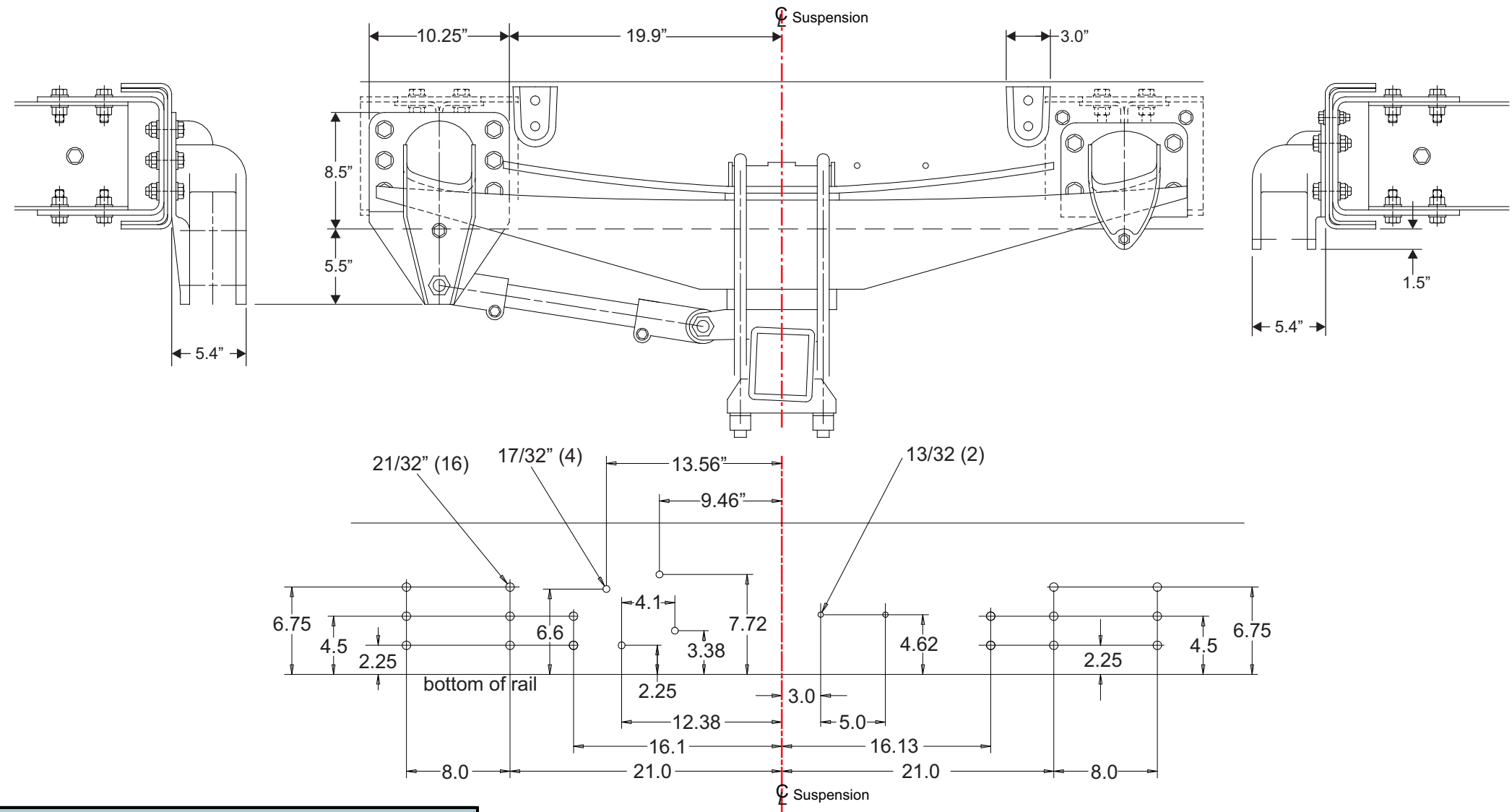
Axle Spacing	Option Description	A	B	C
624-009	54" Axle Spacing	59.4"	27.0"	58.1"
624-010	60" Axle Spacing	62.4"	30.0"	59.1"
624-008	72" Axle Spacing	68.4"	36.0"	71.4"



WESTERN STAR

# Rear Suspensions

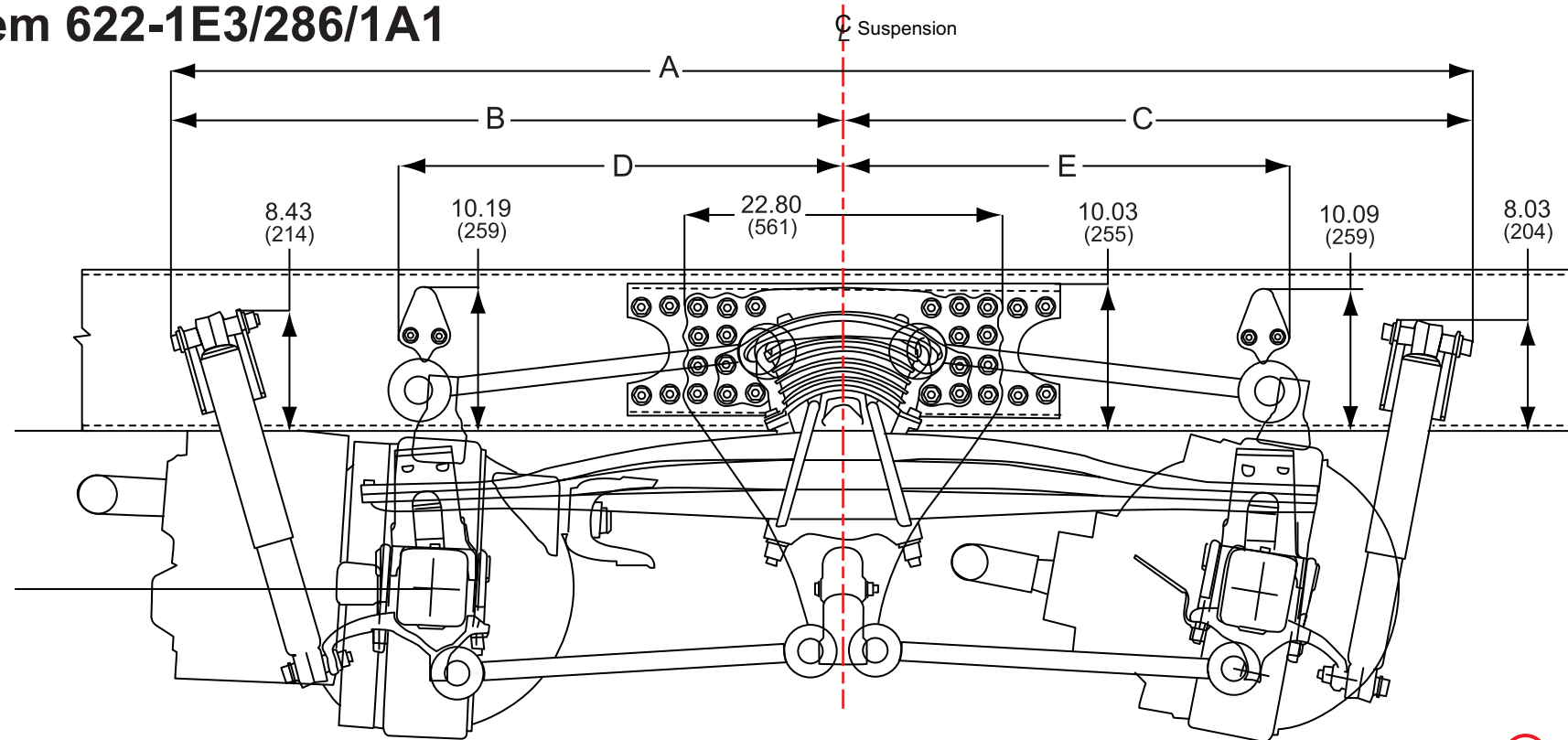
## Reyco Spring 23k#-31k# Single 622-138/079/139/1B7



Reyco Spring - Rear Suspension					
Data Code	Rear Suspension	Ride Height Data Code	Ride Height	Laden	Unladen
622-138	Reyco 79 KB 29K with 26K Springs and 3K helper	621-1AV	REYCO 79 KB - 2.00" SPACERS WITH 4.50" EXTENDED BRACKET	17.2"	19.9"
		621-004	SPRING - 1.50" AXLE SPACER	12.2"	14.4"
622-079	Reyco 79 KB 31,000#	621-001	SPRING - NO AXLE SPACERS	12.6"	14.9"
622-139	Reyco 79 KB 31K with 28K Springs and 3K helper	621-001	SPRING - NO AXLE SPACERS	11.2"	13.9"
622-1B7	Reyco 79KB 23,000#	621-005	SPRING - 2.00" AXLE SPACER	12.7"	15.3"
		621-110	REYCO 79 KB - 1.50" SPACERS WITH 4.50" EXTENDED BRACKET	16.7"	19.3"
		621-004	SPRING - 1.50" AXLE SPACER	12.2"	14.8"

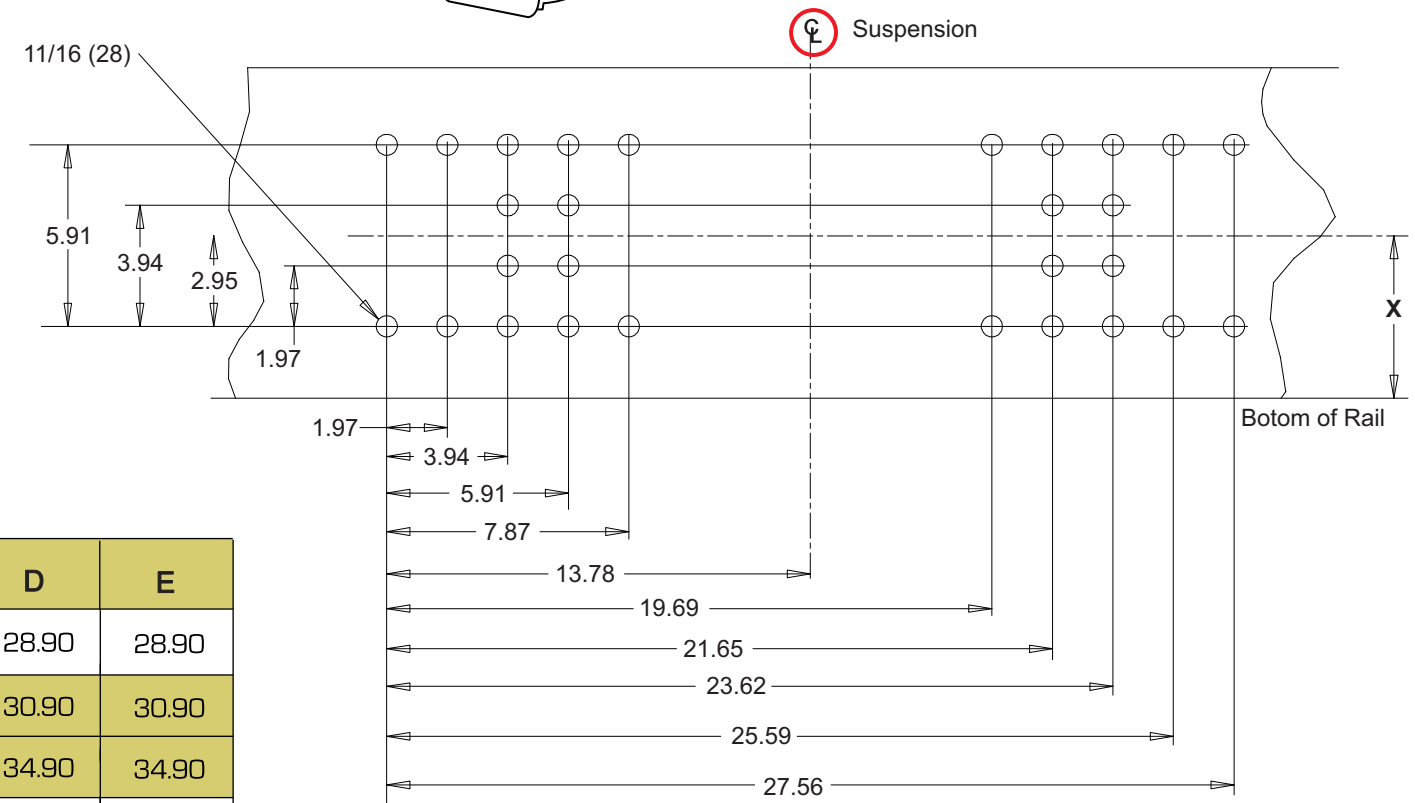
# Rear Suspensions

## TufTrac 40k#-50k# Tandem 622-1E3/286/1A1

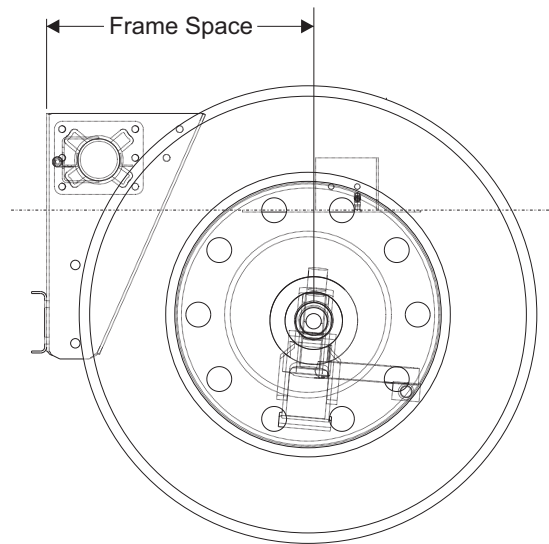


Frame Rail	Drilling	Dim - X
3/8" + 3/8"	FD3070-01	5.50"
3/8" + 1/4" & Smaller	FD3070-00	5.30"

Suspension	Configuration	Data Code	Ride Height	
			Unladen	Laden
40,000 lb	Low	621-058	9.03	7.83
40,000 lb 2-Stage	Std	621-055	10.02	8.82
	High	621-059	11.00	9.80
46,000 lb	Low	621-058	11.06	9.86
46,000 lb 2-Stage	Std	621-055	12.05	10.85
52,000 lb	Std	621-055	13.51	12.31



Data Code	Suspension	Data Code	Axle Spacing	A	B	C	D	E
<b>622-1E3</b>	40,000 lb 2-Stage	624-009	54"	86.80	44.80	41.90	28.90	28.90
<b>622-286</b>	46,000 lb	624-028	56"	88.80	45.90	42.90	30.90	30.90
		624-010	60"	92.80	47.90	44.90	34.90	34.90
<b>622-1A1</b>	52,000 lb	624-028	56"	92.80	47.90	44.90	34.90	34.90



Frame space clearance defines the frame space needed forward of the pusher centerline to clear all pusher and wheel components.

Tag axles take this frame space into account with the axle spacing see Mod 627 for pusher spacing

Data Code	Hendrickson Pusher Axle Description	Frame Space
035-002	Hendrickson HLUS-2 Ultra, 13,200# air lift steerable pusher axle suspension with Hendrickson FF1 axle. Available only for 8 x 4 applications	28"
035-017	Hendrickson Paralift HLUR-2 Ultra 13,200 airlift steer pusher suspension, reverse casting. Available only for 8 x 4 applications	29"
035-018	Hendrickson HLUS-2 Ultra 13,200# airlift steerable pusher suspension with (Lock Straight) Hendrickson FF1 axle. Available only for 8 x 4 applications	29"
035-024	Hendrickson HLM-2 20,000# non-steer pusher suspension, N-Series drop center axle	27"
035-061	Hendrickson Paralift Ultra HLUC2 Compositite 13,200# air lift steerable pusher suspension with Hendrickson FF1 axle	29"

Data Code	Watson/Chakin Pusher Axle Description	Frame Space
035-038	(3) Watson/Chalin SL0851/4 Tru-Trk Super-Lite 8,000 lb. steerable lift pusher suspension & integral axles	29" each
035-055	(2) Watson/Chalin SL0851/4 Tru-Trk super-Lite 8,000 lb. steerable lift pusher suspension & integral axles	29" each
035-064	Watson/Chalin SL0851/4 Tru-Trk super-lite 8,000 lb. steerable lift pusher suspension & integral axle	29"
035-014	Watson/Chalin SL-1800 20,000# steerable lift pusher suspension with FL-941 axle. Available only for 8 x 4 applications	30"
035-015	Watson/Chalin SL-1100 Tru-Track 13,200# pusher suspension with FF1 axle. Available only for 8 x 4 applications	30"
035-016	Watson/Chalin RSL-1100 Reverse Tru-Track 13,200# pusher suspension with FF1 axle. Available only for 8 x 4 applications	30"

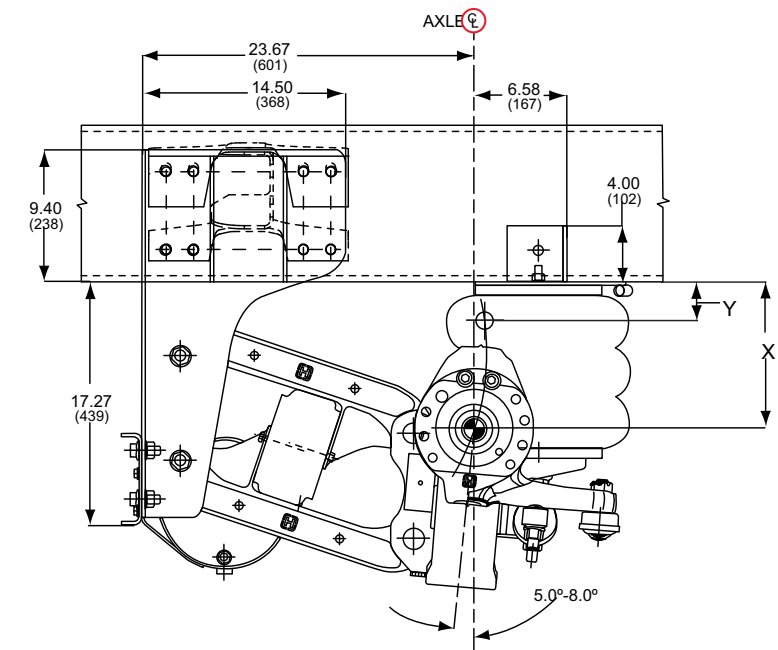
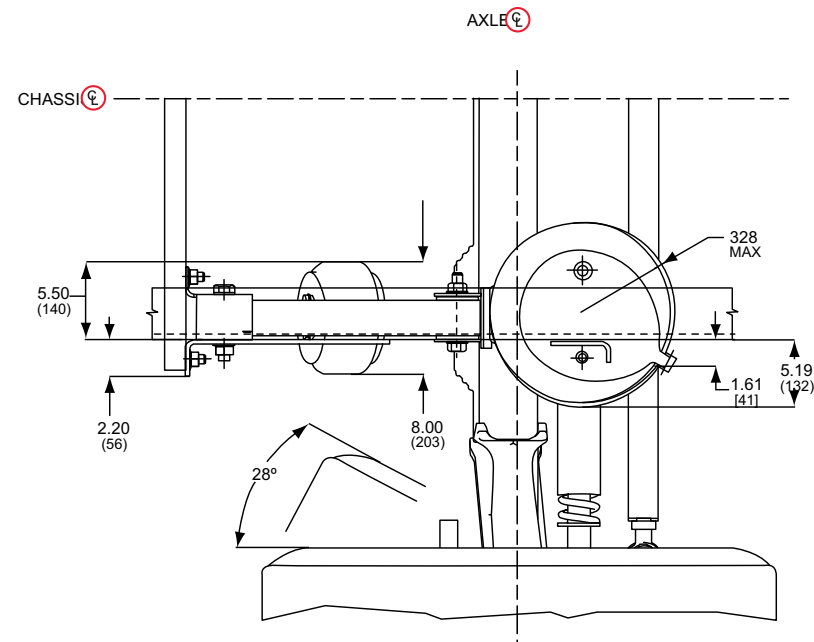
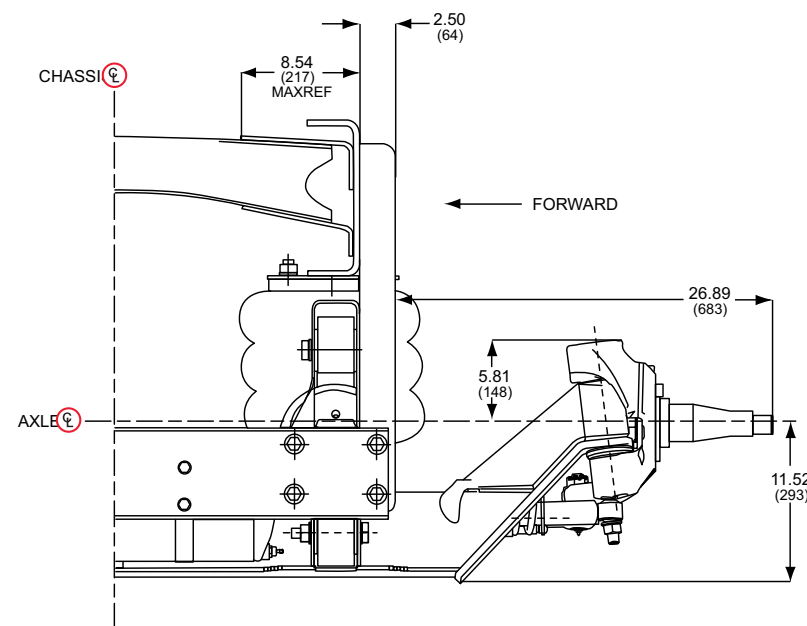
Data Code	Hendrickson Tag Axle Description	Frame Space
035-071	Hendrickson HLUC2, 13,200# airlift steerable tag suspension with Hendrickson FF1 axle	0
035-007	Hendrickson HLUS-2 Ultra, 13,200# airlift steerable tag suspension/Hendrickson FF1 axle. Available only for 8 x 4 applications	28"
035-008	Hendrickson HLUS-2 Ultra, 13,200# airlift steerable tag with (Lock Straight), Hendrickson FF1	29"
035-019	Hendrickson Paralift HLUR-2 Ultra 13,200 airlift steer tag suspension, reverse casting Available only for 8 x 4 applications	29"

Data Code	Hendrickson Pusher/Tag Combination Axles Description	Frame Space
035-074	(1) Hendrickson HLUS-2 13.2K Air Lift Steerable Pusher with Hendrickson FF1 & (1) Hendrickson HLM-2 22K Non-Steer Tag Susp with N-SRS Axle	29" each 27" each

# Pusher/Tag Suspensions

## Hendrickson HLUC2 035-067/061

- 035-067 (2) Hendrickson HLUC2 13,200# Air Lift Steerable Pusher Axle Suspensions/Hendrickson FF1 Axles4
- 43-066 (2) Hendrickson FF1 13,200# Pusher Axles Integral with HLU/R-2, HLUC2 Suspensions
- 626-1AN (2) Hendrickson HLUC2 13,200# Air Lift Steerable Pusher Axle Suspensions
- 035-061 Hendrickson Paralift Ultra HLUC2 Composilite 13,200# Air Lift Steerable Pusher Suspension with Hendrickson FF1 Axle
- 443-065 Hendrickson FF1 13,200# Pusher Axles Integral with HLU/R-2, HLUC2 suspensions
- 626-1BE Hendrickson HLUC2 13,200# Air Lift Steerable Pusher Axle Suspension



Description	Data Code	X	Y	Axle Capacity	Total Vertical Travel	Available Up Travel @ Laden	Tire to Ground Clearance @ Laden
		Laden Ride Height Normal	*Full up (Lifted)				
Hendrickson HLUC-2 Pusher - (2)x HLUC-2 Pusher	035-061	8.5 (216)	.5 (13)	13.2k	13.5 (343)	7.2 - 8.2 (183-208)	6.0 - 7.5 (152-191)
		9.5 (241)	1.5 (38)				
		10.5 (267)	2.5 (63)				
	035-067	11.5 (292)	3.5 (89)				
		12.5 (317)	4.5 (114)				
		13.5 (343)	5.5 (140)				
		14.5 (368)	6.5 (165)				

\* Center of Tire to Bottom of Frame when Tire is Lifted

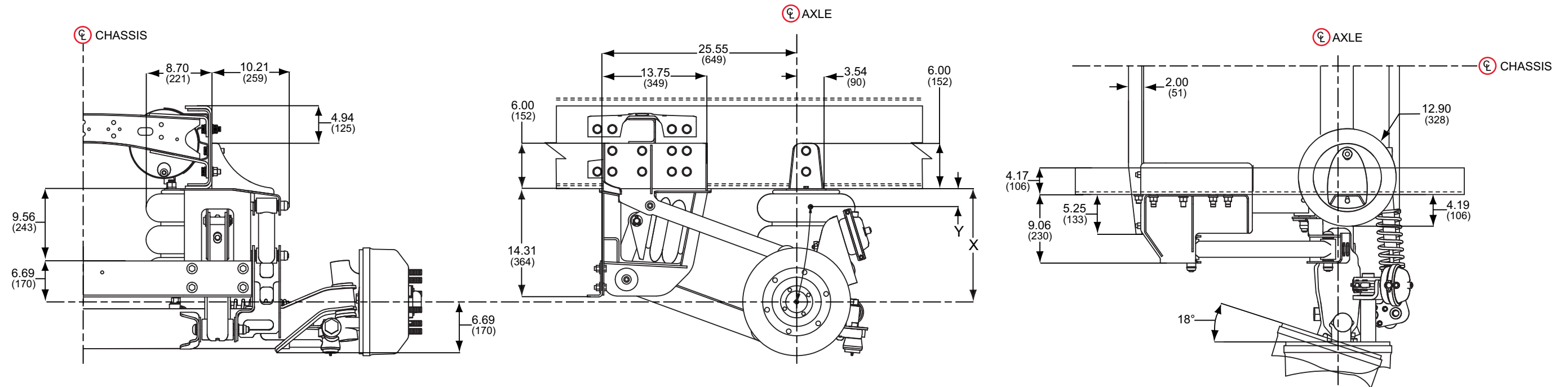
\*\* Dimension Envelope Same for Tag Axle

Clearance Notes: 1) Minimum 2" (50 mm) clearance required between top of lifted pusher tire and truck body/equipment.  
 2) Minimum 2" (50 mm) clearance required between inside of pusher tire and truck body/equipment.  
 3) Minimum 1" (25 mm) clearance required all around lift and load springs at their maximum.



# Pusher/Tag Suspensions

## Watson & Chalin SL-800 8k# 035-064



Description	Data Code	X	Y	Axle Capacity	Total Vertical Travel	Available Up Travel @ Laden	Tire to Ground Clearance @ Laden
		Laden Ride Height Normal	*Full up (Lifted)				
* Watson/Chalin SL-0800 Series Pusher	035-064	13.5 (343)	3.5 (89)	8000lb	14.5 (368)	8.7 - 10.2 (221-259)	8.0 - 9.5 (203-241)
		14.5 (368)	4.5 (114)				
		15.5 (394)	5.5 (140)				
		16.5 (419)	6.5 (165)				
		17.5 (444)	7.5 (190)				

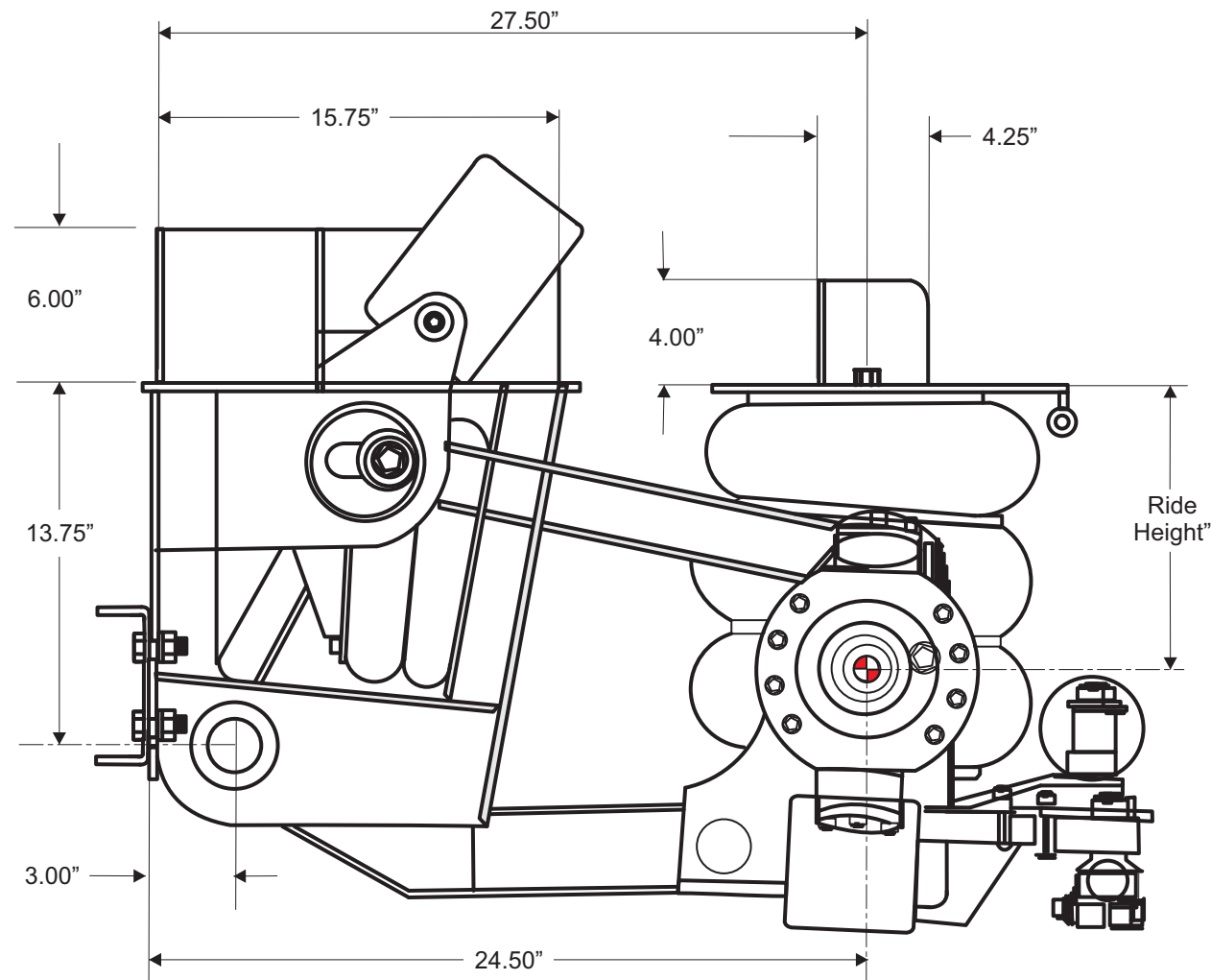
\* Center of Tire to Bottom of Frame when Tire is Lifted

\*\* Dimension Envelope Same for Tag Axle

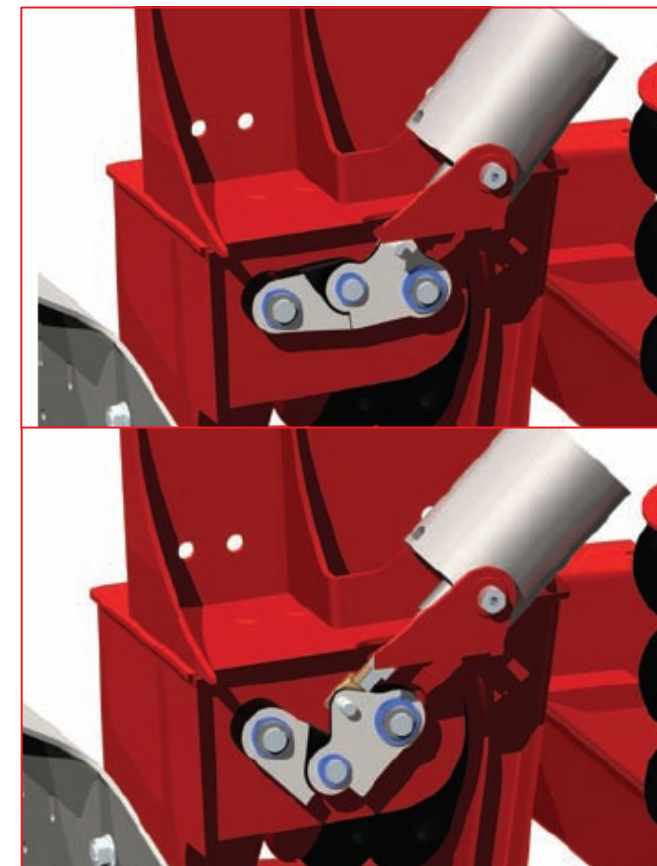
Clearance Notes: 1) Minimum 2" (50 mm) clearance required between top of lifted pusher tire and truck body/equipment.  
 2) Minimum 2" (50 mm) clearance required between inside of pusher tire and truck body/equipment.  
 3) Minimum 1" (25 mm) clearance required all around lift and load springs at their maximum.

# Pusher/Tag Suspensions

Watson & Chalin RSL-1100 Reversible Tru-Track 13.2k# 035-016



RSL-1186TT



Forward Position

Reverse Position

Reverse locking Pusher feature locks pusher in the straight position

Model	Data Code	Axle Travel	Axle Lift	Capacity	Weight
RSL-1186TT	<b>035-016</b>	13.5"	11.0"	13,000 lb	1,050 lb