

SERVICE MANUAL

SERVICE MANUAL SECTION

**3200, 4100, 4200, 4300, 4400, 7300, 7400, 7500, 7600, 7700, 8500, 8600,
MXT, RXT Models Built Oct. 1, 2005 to Feb. 28, 2007 — ELECTRICAL
CIRCUIT DIAGRAMS**

Model: 3200

Start Date: 10/01/2005 End Date: 02/28/2007

Model: 4100

Start Date: 10/01/2005 End Date: 02/28/2007

Model: 4200

Start Date: 10/01/2005 End Date: 02/28/2007

Model: 4300

Start Date: 10/01/2005 End Date: 02/28/2007

Model: 4400

Start Date: 10/01/2005 End Date: 02/28/2007

Model: 7300

Start Date: 10/01/2005 End Date: 02/28/2007

Model: 7400

Start Date: 10/01/2005 End Date: 02/28/2007

Model: 7500

Start Date: 10/01/2005 End Date: 02/28/2007

Model: 7600

Start Date: 10/01/2005 End Date: 02/28/2007

Model: 7700

Start Date: 10/01/2005 End Date: 02/28/2007

Model: 8500

Start Date: 10/01/2005 End Date: 02/28/2007

Model: 8600

Start Date: 10/01/2005 End Date: 02/28/2007

Model: MXT

Start Date: 07/06/2006 End Date: 02/28/2007

Model: RXT

Start Date: 07/06/2006 End Date: 02/28/2007

S08315

05/01/2009

Table of Contents

1. INSTRUCTIONS AND CHARTS (CHAPTER 1)	1
1.1. CIRCUIT NUMBER IDENTIFICATION AND LOCATION CHART, P. 1.....	1
1.2. CIRCUIT NUMBER IDENTIFICATION AND LOCATION CHART, P. 2.....	2
1.3. CIRCUIT NUMBER IDENTIFICATION AND LOCATION CHART, P. 3.....	3
1.4. CIRCUIT NUMBER IDENTIFICATION AND LOCATION CHART, P. 4.....	4
1.5. CIRCUIT NUMBER IDENTIFICATION AND LOCATION CHART, P. 5.....	5
1.6. NAVPAK/ECM I6 ENGINE CONTROLLER CONNECTOR PIN NUMBER IDENTIFICATION, P. 6.....	6
1.7. CIRCUIT DIAGRAM INSTRUCTIONS, P. 7.....	7
1.8. CIRCUIT DIAGRAM INSTRUCTIONS, P. 8.....	8
1.9. SCHEMATIC SYMBOL CHART, P. 9.....	9
1.10. RELAY FUNCTIONS, P. 10.....	10
1.11. LAMP BULB CHART, P. 11.....	11
1.12. INTERNATIONAL V8 AND I6 ECM CONTROLLER CONNECTORS PIN NUMBER IDENTIFICATION, P.12.....	12
2. 12 VOLT POWER DISTRIBUTION CIRCUIT DIAGRAMS (CHAPTER 2)	13
2.1. ACCESSORY, P. 1.....	13
2.2. BATTERY FEEDS, CAB, P. 2.....	14
2.3. BATTERY, P. 3.....	15
2.4. 1708 DATA LINK-CHASSIS, P. 4.....	16
2.5. J-1708 DATA LINK-CAB, P. 4A.....	17
2.6. SWITCH DATA LINK, P. 5.....	18
2.7. DRIVETRAIN 1939 DATA LINK (CAB), P. 6.....	19
2.8. DRIVETRAIN 1939 DATA LINK (CHASSIS), P. 7.....	20
2.9. J1939 DATA LINK — MXT, P. 7A.....	21
2.10. GROUNDS, CHASSIS, P. 8.....	22
2.11. GROUNDS, CHASSIS, P. 9.....	23
2.12. GROUNDS, IP, P. 10.....	24
2.13. GROUNDS, IP, P. 11.....	25
2.14. IGNITION CAB WITH THEFT DETERRENT, P. 12.....	26
2.15. IGNITION CAB, P. 13.....	27
2.16. IGNITION FEEDS, CHASSIS, P. 14.....	28
2.17. START, P. 15.....	29
3. CAB ACCESSORIES (CHAPTER 3)	30
3.1. CIGAR LIGHTER AND POWER FEEDS, P. 1.....	30
3.2. CB POWER, P. 2.....	31
3.3. COMPASS AND TEMPERATURE DISPLAY, P. 3.....	32
3.4. FRONT DOORS WINDOWS AND LOCKS (POWER), P. 4.....	33
3.5. CREW DOORS WINDOWS AND LOCKS (POWER), P. 5.....	34
3.6. HORN, DUAL ELECTRIC, P. 6.....	35
3.7. MIRRORS (HEATED, LIGHTED AND POWER), P. 7.....	36
3.8. RADIO (ENTERTAINMENT), SPEAKERS, P. 8.....	37
3.9. WINDSHIELD WIPER AND WASHER PUMP, P. 9.....	38
3.10. 2-WAY RADIO, P. 10.....	39
3.11. SWITCH PACK, OPTIONAL GAUGE PACK, P. 11.....	40

3.12. LIGHTED AIR SHIELD, P. 12.....	41
3.13. ROOF AUX. LOAD, P. 13.....	42
3.14. SATELLITE COMMUNICATION QUALCOMM-MCT AND IMCT SYSTEMS, P. 14.....	43
3.15. SELF CONTAINED AIR SEAT, P. 15.....	44
3.16. DIGITAL CLOCK PTC, P. 16.....	45
3.17. TRANSMISSION ALLISON LCT COLUMN SHIFTER, P. 17.....	46
3.18. HEATED SEATS FOR 7700 MODELS ONLY, P. 18.....	47
3.19. BACKUP CAMERA, P. 19.....	48
3.20. XATA COMPUTER, P. 20.....	49
3.21. KEYLESS IGNITION SYSTEM, P. 21.....	50
3.22. TELEMATICS SYSTEM, P. 22.....	51
3.23. EATON VORAD COLLISION AVOIDANCE SYSTEM, P. 23.....	52
3.24. EATON VORAD COLLISION AVOIDANCE SYSTEM, P. 24.....	53
3.25. EATON VORAD COLLISION AVOIDANCE SYSTEM, P. 25.....	54
3.26. XATA DATA SYSTEM, P. 26.....	55
3.27. CADEC GPS SYSTEM, P. 27.....	56
3.28. TRIP MASTER, P. 28.....	57
3.29. ENTERTAINMENT SYSTEM — RXT, P. 29.....	58
3.30. ENTERTAINMENT SYSTEM — RXT, P. 30.....	59
3.31. ENTERTAINMENT SYSTEM — RXT, P. 31.....	60
3.32. ENTERTAINMENT SYSTEM — RXT, P. 32.....	61
3.33. RXT — APO_1 AND APO_2 AUXILIARY POWER SOCKET, P. 33.....	62
3.34. TACHOGRAPH, P. 34.....	63
3.35. COMMUNICATIONS SYSTEM, AWARE, P. 35.....	64
3.36. COMMUNICATIONS SYSTEM, AWARE, P. 36.....	65
4. 12V CHARGING + CRANKING SYSTEM (CHAPTER 4).....	66
4.1. I6 EGR ENGINES, P. 1.....	66
4.2. V8 AVNT ENGINES, P. 2.....	67
4.3. CATERPILLAR, CUMMINS ISM ENGINES, P. 3.....	68
4.4. I6 HEUI ENGINES, P. 4.....	69
4.5. CATERPILLAR ENGINES, CUMMINS ISM AND WITH EATON ULTRASHIFT/DM2, P. 5.....	70
4.6. I6 EGR ENGINES WITH AIR START, P. 6.....	71
4.7. I6 EGR AND POWER PACK 3KW, P. 7.....	72
5. FANS AND ENGINE ACCESSORIES (CHAPTER 5).....	73
5.1. FAN WIRING, INTERNATIONAL ENGINES, P. 1.....	73
5.2. ETHER START, P. 2.....	74
5.3. SNOW VALVE, P. 3.....	75
5.4. FAN WIRING, CATERPILLAR AND CUMMINS, P. 4.....	76
5.5. ENGINE FAN, MWM ENGINE, P. 5.....	77
5.6. EXHAUST BRAKE, MWM ENGINE, P. 6.....	78
6. ELECTRONIC ENGINES (CHAPTER 6).....	79
6.1. ELECTRONIC ENGINE CONTROLS, I6–EGR ENGINES, P. 1.....	79
6.2. ELECTRONIC ENGINE CONTROLS, I6–EGR ENGINE CRUISE CONTROL AND BODY BUILDER CONNECTIONS, P. 2.....	80
6.3. ELECTRONIC ENGINE CONTROLS, (V8–AVNT) ENGINES, P. 3.....	81
6.4. ELECTRONIC ENGINE CONTROLS, V8–AVNT ENGINE CRUISE CONTROL AND BODY BUILDER CONNECTIONS, P. 4.....	82
6.5. CATERPILLAR C10, C11, C12, AND C13 ENGINES, P. 5.....	83
6.6. CUMMINS ISM ENGINE, P. 6.....	84
6.7. I6 HEUI ENGINE, P. 7.....	85

6.8. I6 HEUI ENGINE CRUISE CONTROL AND BODY BUILDER CONNECTIONS WITH MANUAL TRANSMISSION, P. 8.....	86
6.9. ROAD SPEED SIGNAL, P. 9.....	87
6.10. MWM ENGINE — MULTIPLEXED MONITORING UNIT, P. 10.....	88
7. GAUGES WITH AND WITHOUT INTEGRAL WARNING LIGHT (CHAPTER 7).....	89
7.1. IP/GAUGE LIST, P. 1.....	89
7.2. WARNING LIGHT LIST, P. 2.....	90
7.3. WARNING LIGHTS CONTROLLED BY ENGINE, TRANSMISSION, ABS CONTROLLER, P. 3.....	91
7.4. ENGINE OIL PRESSURE AND TEMP, SPEEDOMETER, TACH, VOLTMETER AND WATER TEMP GAUGE CIRCUITS, P. 4.....	92
7.5. IP/GAUGES AND WARNING LIGHTS — GAUGE CLUSTER, P. 5.....	93
7.6. AIR PRESSURE INPUT CIRCUIT, P. 6.....	94
7.7. AXLE TEMPERATURE, FWD REAR AND REAR AXLES, GAUGE INPUT CIRCUIT, P. 7.....	95
7.8. FUEL GAUGE INPUT CIRCUIT (SINGLE TANK) DIFFERENTIAL LOCK WARNING LAMPS, P. 8.....	96
7.9. GAUGES AND WARNING LIGHTS — FUEL FILTER HEATER AND WATER IN FUEL LIGHTS, P. 9.....	97
7.10. GAUGES AND WARNING LIGHTS — PARK BRAKE LIGHT AND TRANSMISSION OIL TEMP. GAUGE, P. 10.....	98
7.11. GAUGES AND WARNING LIGHTS — AMMETER, P. 11.....	99
7.12. ENGINE OIL TEMPERATURE GAUGE WITH CATERPILLAR, P. 12.....	100
7.13. FRONT AXLE ENGAGEMENT WARNING LAMP, P. 13.....	101
8. LIGHTS (CHAPTER 8).....	102
8.1. BACKUP LIGHTS, P. 1.....	102
8.2. LIGHT SYSTEMS — CLEARANCE, MARKER, AND PARK, P. 2.....	103
8.3. LIGHT SYSTEMS — CLEARANCE, MARKER, PARK, TAIL, TURN AND STOP LAMPS, P. 3.....	104
8.4. LIGHT SYSTEMS — TURN SIGNAL AND STOP SWITCHES, P. 4.....	105
8.5. DOME LIGHT, MAP LIGHT, P. 5.....	106
8.6. DOME LIGHT, MAP LIGHT (CONT.), P. 6.....	107
8.7. FOG LIGHT AND WORK LIGHT, P. 7.....	108
8.8. HEADLIGHTS, P. 8.....	109
8.9. AUX. HEADLIGHTS, AUX. PARK, AUX TURN, P. 9.....	110
8.10. PANEL LIGHTS, P. 10.....	111
8.11. RXT EXTERIOR LIGHTING, P. 11.....	112
8.12. TAIL, TURN, AND STOP LAMPS, P. 12.....	113
8.13. MXT — EXTERIOR LIGHTING, P. 13.....	114
9. CHASSIS ACCESSORIES (CHAPTER 9).....	115
9.1. AIR DRYER AND HEATED DRAIN VALVE, P. 1.....	115
9.2. ANTILOCK BRAKE SYSTEM (ABS), AIR, P. 2.....	116
9.3. ANTILOCK BRAKE SYSTEM (ABS), AIR, TRACTION CONTROL, P. 3.....	117
9.4. ANTILOCK BRAKE SYSTEM (ABS), HYDRAULIC, P. 4.....	118
9.5. ANTILOCK BRAKE SYSTEM (ABS), HYDRAULIC (CONT.), P. 5.....	119
9.6. ANTILOCK BRAKE SYSTEM (ABS), HYDRAULIC (CONT.), P. 6.....	120
9.7. TWO SPEED AXLE SWITCH WITH MANUAL TRANSMISSION AND I6 HEUI FUEL HEATER N/WARN LIGHTS, P. 7.....	121
9.8. BRAKE SYSTEM, HYDRAULIC, P. 8.....	122
9.9. FUEL TRANSFER PUMP, P. 9.....	123
9.10. BACK OF CAB BODY BUILDER AND TRAILER STOP, TAIL, MARKER, P. 10.....	124

9.11. BACK OF CAB BODY BUILDER AND TRAILER STOP, TAIL, MARKER, P. 10A.....	125
9.12. BODY BUILDER AND TRAILER TURNS, CENTER PIN ABS, CENTER PIN AUX, P. 11.....	126
9.13. BODY BUILDER AND 7-WAY TRAILER SOCKET BACK OF CAB SOCKET, P. 12.....	127
9.14. BODY BUILDER AND TRAILER SOCKET END OF FRAME (EOF) SOCKET AND BODY BUILDER, P. 13.....	128
9.15. AIR SOLENOID 4-WAY PACK, P. 14.....	129
9.16. REMOTE POWER UNITS, SOLENOID PACKS, REMOTE ENGINE SPEED CONTROLLER, P. 15.....	130
9.17. CHASSIS ACCESSORIES, P. 16.....	131
9.18. AIR SUSPENSION, P. 17.....	132
9.19. AUX. TRAILER, ACC CONTROLLED, P. 18.....	133
9.20. AUX. TRAILER, BTRY CONTROLLED, P. 19.....	134
9.21. LIFT AXLES (NON-STEERABLE), P. 20.....	135
9.22. LIFT AXLES (STEERABLE), P. 21.....	136
9.23. AIR ACTUATED PARK BRAKE, P. 22.....	137
9.24. ANTILOCK BRAKE SYSTEM, WABCO AIR, P. 23.....	138
9.25. ANTILOCK BRAKE SYSTEM, WABCO AIR, P. 24.....	139
9.26. LIFT AXLES, WITH NON—STEERABLE FOR SS MODELS, P. 25.....	140
9.27. FUEL / WATER SEPARATOR WITH 12VDC FUEL PREHEATER, P. 26.....	141
9.28. ELECTRONIC TRAILER BRAKE ACCOMMODATION, P. 27.....	142
9.29. LECTRASHIFT ACCOMMODATION, P. 28.....	143
9.30. AUXILIARY 40 AMP CIRCUIT, P. 29.....	144
9.31. HOURMETER, CUSTOMER MOUNTED PTO, P. 30.....	145
9.32. REMOTE START/ STOP, P. 31.....	146
9.33. LIFT AXLE WITH 14RAR, P. 32.....	147
9.34. LIFT GATE, P. 33.....	148
9.35. LIFT AXLE MULTIPLEX, P. 34.....	149
9.36. BODY BUILDER WHEELCHAIR LIFT INTERLOCK ELECTRICAL CONNECTION, P. 35...	150
9.37. AIR PARK BRAKE INTERLOCK, P. 36.....	151
9.38. HYDRAULIC ABS — WABCO FULL POWER, P. 37.....	152
9.39. CENTER PIN CIRCUIT, P. 38.....	153
9.40. FIFTH WHEEL CIRCUIT, P. 39.....	154
9.41. HYDRAULIC POWER BRAKE WITH SAHR PARK BRAKES, P. 40.....	155
9.42. AIR COMPRESSOR, P. 41.....	156
9.43. ELECTRIC AIR COMPRESSOR, P. 42.....	157
10. TRANSMISSIONS (CHAPTER 10).....	158
10.1. ALLISON GEN4 LCT TRANSMISSION OR ALLISON 1000, 2000, 2400, P. 1.....	158
10.2. ALLISON GEN4 LCT TRANSMISSION OR ALLISON 1000, 2000, 2400, P. 1A.....	159
10.3. TRANSMISSION, LCT WITH V8, P. 1B.....	160
10.4. ALLISON MD TRANSMISSION, P. 2.....	161
10.5. ALLISON GEN4 MD TRANSMISSION (WTEC), P. 3.....	162
10.6. ALLISON MD TRANSMISSION (CONT.), P. 4.....	163
10.7. TRANSMISSION, WTEC MD W/AUTO NEUTRAL, P. 5.....	164
10.8. TRANSMISSION, WTEC WITH V8, P. 5A.....	165
10.9. TRANSMISSION, WTEC WITH V8, P. 5B.....	166
10.10. EATON AUTOSHIFT TRANSMISSION, P. 6.....	167
10.11. EATON AUTOSHIFT TRANSMISSION (CONT.), P. 7.....	168
10.12. EATON LIGHTNING TRANSMISSION, P. 8.....	169
10.13. ALLISON HD TRANSMISSION, P. 9.....	170
10.14. ALLISON HD TRANSMISSION, P. 10.....	171
10.15. ALLISON HD TRANSMISSION, P. 11.....	172
10.16. ALLISON HD TRANSMISSION WITH AUTO NEUTRAL, P. 12.....	173

10.17. ALLISON HD TRANSMISSION WITH AUTO NEUTRAL — GEN4, P. 13.....	174
10.18. ALLISON LCT TRANSMISSION (ALLISON 1000, 2000, 2400) WITH I6 HEUI, P. 14.....	175
10.19. TRANSMISSION RETARDER CONTROL WIRING WITH MD XMSN, HARD WIRED EFFECTS, P. 15.....	176
10.20. TRANSMISSION RETARDER CONTROL WIRING WITH MD XMSN, HARD WIRED EFFECTS, P. 16.....	177
10.21. EATON ULTRASHIFT/DM2, P. 17.....	178
10.22. EATON ULTRASHIFT/DM2 (CONT.), P. 18.....	179
10.23. WTEC MD TRANSMISSION WITH AUTO NEUTRAL, P. 19.....	180
10.24. WTEC MD TRANSMISSION WITH AUTO NEUTRAL AND WITH 0013WUA, P. 19A.....	181
10.25. EATON AUTOSHIFT/ULTRASHIFT TRANSMISSION (GEN 3), P. 20.....	182
10.26. EATON HYBRID TRANSMISSION, P. 21.....	183
10.27. EATON HYBRID TRANSMISSION, P. 22.....	184
10.28. EATON HYBRID TRANSMISSION, P. 23.....	185
10.29. EATON HYBRID TRANSMISSION, P. 24.....	186
10.30. EATON HYBRID TRANSMISSION, P. 25.....	187
10.31. EATON HYBRID TRANSMISSION, P. 26.....	188
10.32. TRANSFER CASE — WITH MXT, P. 27.....	189
10.33. TRANSFER CASE — WITH MXT, P. 28.....	190
11. AIR CONDITIONING (CHAPTER 11).....	191
11.1. HVAC SYSTEMS, P. 1.....	191
11.2. AIR CONDITIONING, P. 2.....	192
11.3. AUTOTHERM SYSTEMS, P. 3.....	193
12. CONNECTOR COMPOSITES (CHAPTER 12).....	194
12.1. CONNECTOR COMPOSITES (10M), (71), (72), (345F), P. 1.....	194
12.2. CONNECTOR COMPOSITES (420F), (421F), (422M), (520), (521), (522), (523), (524), P. 2.....	195
12.3. CONNECTOR COMPOSITES (734M), (1002), (1003), P. 3.....	196
12.4. CONNECTOR COMPOSITES (1005), (1006), (1008), (1009), P. 3A.....	197
12.5. CONNECTOR COMPOSITES (1007), (1008), (1010), P. 3B.....	198
12.6. CONNECTOR COMPOSITE (1011), P. 4.....	199
12.7. CONNECTOR COMPOSITE (1012), P. 5.....	200
12.8. CONNECTOR COMPOSITE (1013), P. 6.....	201
12.9. CONNECTOR COMPOSITE (1014), P. 7.....	202
12.10. CONNECTOR COMPOSITES (1016), (1018), (1019), (1019F), (1019M), (1020M), P. 8....	203
12.11. CONNECTOR COMPOSITES (1020), (1021M), (1022M), P. 8A.....	204
12.12. CONNECTOR COMPOSITES (1027M, F), (1040), (1100), (1101A), (1101), (1102), P. 9....	205
12.13. CONNECTOR COMPOSITES (1104), (1105M), (1106), (1200), (1210), (1240), P. 10.....	206
12.14. CONNECTOR COMPOSITES (1300), (1301), (1400), (1402), (1410), (1500), (1510), P. 11.....	207
12.15. CONNECTOR COMPOSITES (1553), (1554F), (1555), (1600), (1601), (1650), P. 12.....	208
12.16. CONNECTOR COMPOSITES (1652), (1657), (1657M), (1657M2), (1657N), (1657Y), (1658), (1659), (1660), (1661), P. 13.....	209
12.17. CONNECTOR COMPOSITES (1650), (1701), P. 13A.....	210
12.18. CONNECTOR COMPOSITE (1701), P. 13B.....	211
12.19. CONNECTOR COMPOSITES (1703), (1800), (1804), (1807), (1808), (1809), (1810), (1811), (1812), (1813), (1814), (1815), P. 14.....	212
12.20. CONNECTOR COMPOSITES (1820), (1822), (1823), (1824), (1828), (1852), (1860), P. 15.....	213
12.21. CONNECTOR COMPOSITES (1861), (1901M), (1905), (1906), (1915), P. 15A.....	214

12.22. CONNECTOR COMPOSITES (1918), (1935), (1920), (2000), (2002M), (2003M), (2004M), (2005M), P. 16.....	215
12.23. CONNECTOR COMPOSITES (2006M), (2007F), (2021F), (2021M), (2111M), (2112M), (2113M), (2114M), (2115M), (2116M), (2117M), (2301M), (2302M), (2303M), P. 17.....	216
12.24. CONNECTOR COMPOSITES (2304M), (2305M), (2306M), (2307F), (2308F), (2502F), (2502M), (2503F, M), (2600F, M), P. 18.....	217
12.25. CONNECTOR COMPOSITES (2601M, F), (2602M, F), (3000M), (3000F), (3002M), (3003), (3100M), (3200F, M), (3201M), (3202), (3203M), P. 19.....	218
12.26. CONNECTOR COMPOSITES (3204M, F), (3209), (3210M), (3211M), (4000), P. 20.....	219
12.27. CONNECTOR COMPOSITE (4001), P. 21.....	220
12.28. CONNECTOR COMPOSITE (4002), P. 22.....	221
12.29. CONNECTOR COMPOSITE (4003), P. 23.....	222
12.30. CONNECTOR COMPOSITES (4004), (4007), (4008), P. 24.....	223
12.31. CONNECTOR COMPOSITE (4014), P. 25.....	224
12.32. CONNECTOR COMPOSITE (4014/1700), P. 26.....	225
12.33. CONNECTOR COMPOSITES (4015), (4017), (4018), (4019), (4020), (4021), (4022), (4023), P. 27.....	226
12.34. CONNECTOR COMPOSITES (4024), (4030), (4031), (4032), (4033), (4037), (4038), (4040), (4041), (4070), (4071), P. 28.....	227
12.35. CONNECTOR COMPOSITES (4087), (4088), (4100), (4101), (4109), (4112), P. 29.....	228
12.36. CONNECTOR COMPOSITE (4103), P. 30.....	229
12.37. CONNECTOR COMPOSITE (4103), P. 30A.....	230
12.38. CONNECTOR COMPOSITES (4105), (4111), (4120), (4301), P. 31.....	231
12.39. CONNECTOR COMPOSITES (4305), (4410), (4410B), (4410C), (4410D), (4410E), (4410H), (4410M), (4411), P. 32.....	232
12.40. CONNECTOR COMPOSITES (4411A), (4411B), (4412), (4415), (4450), (4450A), (4460A), (4460), P. 33.....	233
12.41. CONNECTOR COMPOSITE (4705), P. 34.....	234
12.42. CONNECTOR COMPOSITES (4705F32), (4705F3), (4712F), (4713F), (4810), (4820), (4830), P. 35.....	235
12.43. CONNECTOR COMPOSITES (4840), (4850), (4900), (4906), (4910), P. 36.....	236
12.44. CONNECTOR COMPOSITES (4921), (4922), (4950), (4953), (4954), P. 36A.....	237
12.45. CONNECTOR COMPOSITES (6007), (6011), P. 37.....	238
12.46. CONNECTOR COMPOSITES (6013M), (6014), (6015), P. 38.....	239
12.47. CONNECTOR COMPOSITES (6020), (6021), (6200), (6316), (6323), P. 39.....	240
12.48. CONNECTOR COMPOSITES (6020), P. 39A.....	241
12.49. CONNECTOR COMPOSITES (6331F), (6332), (6333), (6334), (6400), (6401M), (6401), (6406), (6407), (6407D), (6409), (6500), (6502), (6550), P. 40.....	242
12.50. CONNECTOR COMPOSITES (6703), (6704), (6708), (6900A), (7103), (7104), (7104A), (7105), (7106), (7107), P. 41.....	243
12.51. CONNECTOR COMPOSITES (7111), (7150), P. 42.....	244
12.52. CONNECTOR COMPOSITE (7151), P. 42A.....	245
12.53. CONNECTOR COMPOSITES (7200), (7202), (7203), P. 42B.....	246
12.54. CONNECTOR COMPOSITES (7204), (7205), (7206), (7208), (7211), (7212), (7213), P. 43.....	247
12.55. CONNECTOR COMPOSITES (7214), (7250), (7251), P. 44.....	248
12.56. CONNECTOR COMPOSITES (7300), (7301), P. 44A.....	249
12.57. CONNECTOR COMPOSITES (7302), (7304), (7305), (7306), (7350), P. 45.....	250
12.58. CONNECTOR COMPOSITES (7500), (7502), (7503), (7600), (7601), P. 45A.....	251
12.59. CONNECTOR COMPOSITES (7600M), (7603), (7604), (7604M), (7605), (7606), (7607), (7607M), (7608), (7609), (7610), (7611), (7612), (7613), (7615), (7700), (7702), (7703), (7703A), P. 46.....	252
12.60. CONNECTOR COMPOSITES (7800), (7801M), (7801R), (7803), (7899), P. 47.....	253

12.61. CONNECTOR COMPOSITES (7900), (7901), (7905), (7906), P. 48.....	254
12.62. CONNECTOR COMPOSITES (7909), (8000), (8001), (8102), (8150), (8151), (8200), P. 49.....	255
12.63. CONNECTOR COMPOSITES (8201), (8301), (8310), (8311), (8312), (8400), (8500), (8501), (8502), (8502A), P. 50.....	256
12.64. CONNECTOR COMPOSITES (8503), (8503A), (8505), (8506), (8507), (8508), (8509), (8600), (8601), (8602), P. 51.....	257
12.65. CONNECTOR COMPOSITES (8700), (8701), (8800), (8801), (8802), (8803), (8805), P. 52.....	258
12.66. CONNECTOR COMPOSITES (9001), (9002), (9100), (9101), (9102), (9103), (9104), (9254), (9255), P. 53.....	259
12.67. CONNECTOR COMPOSITES (9260), (9261), (9262), (9263), P. 54.....	260
12.68. CONNECTOR COMPOSITES , (9264), (9265), (9303A), (9405), (9501), (9502), (9503), (9504), (9505), (9506), (9506/9911), P. 55.....	261
12.69. CONNECTOR COMPOSITES (9507), (9508), (9509), (9510), (9511), (9512), (9513), (9514), (9515), P. 56.....	262
12.70. CONNECTOR COMPOSITES (9516), (9517), (9518), (9519), (9520E), (9520F), (9521), (9528), P. 57.....	263
12.71. CONNECTOR COMPOSITE (9700), P. 58.....	264
12.72. CONNECTOR COMPOSITE (9700), P. 59.....	265
12.73. CONNECTOR COMPOSITES (9715/9780), (9715A), (9715B), P. 60.....	266
12.74. CONNECTOR COMPOSITES (9716/9779), (9716A), (9716B), P. 61.....	267
12.75. CONNECTOR COMPOSITES (9717A), (9717B), P. 62.....	268
12.76. CONNECTOR COMPOSITES (9718), (9719), (9720), (9722), (9733), (9734), (9736), (9739), (9740), (9741), P. 63.....	269
12.77. CONNECTOR COMPOSITES (9742), (9743), (9745), (9754), (9762), (9763), (9765), (9766), (9767), P. 64.....	270
12.78. CONNECTOR COMPOSITES (9777), (9778), P. 65.....	271
12.79. CONNECTOR COMPOSITES (9870), (9871), (9811), (9812), (9814), (9815), (9830), (9850), (9860), (9865M), (9900), (9900A), (9913A), P. 66.....	272
12.80. CONNECTOR COMPOSITES (9913B), (9914), (9994), (9999), P. 67.....	273
12.81. CONNECTOR COMPOSITES (1J), (2J), P. 67A.....	274
12.82. CONNECTOR COMPOSITES (9988), (9989), (9990), (9991), (9992), (9993), (9995), (9996), P. 68.....	275
12.83. CONNECTOR COMPOSITES (1936), (1937), (1938), (1940), P. 69.....	276
12.84. CONNECTOR COMPOSITES (1943), (1944), (1949), (1997), P. 70.....	277
12.85. CONNECTOR COMPOSITE (9998), P. 71.....	278
12.86. CONNECTOR COMPOSITES (C1), (C15), (C40), (C50), (C60), (C70), (C80), P. 72.....	279

1. INSTRUCTIONS AND CHARTS (CHAPTER 1)

1.1. CIRCUIT NUMBER IDENTIFICATION AND LOCATION CHART, P. 1

INTERNATIONAL TRUCK AND ENGINE CORPORATION <small>THIS PRINT IS PROVIDED ON A RESTRICTED BASIS AND IS NOT TO BE USED IN ANY WAY DETRIMENTAL TO THE INTEREST OF INTERNATIONAL TRUCK AND ENGINE CORPORATION.</small>	ELECTRICAL CIRCUIT DIAGRAM CHAPTER 1 CIRCUIT IDENTIFICATION AND LOCATION CHART																																																											
<h4>PREFIX DESIGNATIONS</h4> <table border="1" style="width: 100%; border-collapse: collapse; margin: 10px 0;"> <thead> <tr> <th style="width: 15%;">PREFIX</th> <th>LOCATION</th> </tr> </thead> <tbody> <tr><td>A</td><td>CAB-INSTRUMENT PANEL</td></tr> <tr><td>B</td><td>CAB-DRIVER CONTROL MODULE</td></tr> <tr><td>C</td><td>CAB-HEADER/CLEARANCE LIGHTS</td></tr> <tr><td>D</td><td>CAB-ROOF/REAR PANEL</td></tr> <tr><td>E</td><td>CAB-LEFT DOOR/DOORS</td></tr> <tr><td>F</td><td>CAB-RIGHT DOOR/DOORS.</td></tr> <tr><td>H</td><td>CAB-SLEEPER</td></tr> <tr><td>J</td><td>CAB-DASH (OUTSIDE)</td></tr> <tr><td>K</td><td>ENGINE/RADIATOR</td></tr> <tr><td>L</td><td>TRANSMISSION</td></tr> <tr><td>M</td><td>CHASSIS/FRONT END (CAB DASH PANEL FORWARD)</td></tr> <tr><td>N</td><td>CHASSIS/CENTER SECTION (CAB DASH PANEL TO CAB RR XMBR)</td></tr> <tr><td>P</td><td>CHASSIS/WHEEL BASE SECTION</td></tr> <tr><td>R</td><td>CHASSIS/SUSPENSION/REAR AXLE/AXLES</td></tr> <tr><td>S</td><td>CHASSIS/AF SECTION/STOP/TAIL/TURN LIGHTS</td></tr> </tbody> </table> <h4 style="text-align: center;">CIRCUIT NUMBER AND IDENTIFICATIONS</h4> <table border="1" style="width: 100%; border-collapse: collapse; margin: 10px 0;"> <thead> <tr> <th style="width: 20%;">CIRCUIT NUMBER</th> <th style="width: 10%;">COLOR</th> <th>DESCRIPTION</th> </tr> </thead> <tbody> <tr><td>1</td><td>LT BL</td><td>ALTERNATOR - FIELD</td></tr> <tr><td>2</td><td>RD</td><td>ALTERNATOR - CHARGE</td></tr> <tr><td>3</td><td>DK BL GY</td><td>1708 DATA LINK, SWITCH DATA LINK (+) 1708 DATA LINK, SWITCH DATA LINK (-)</td></tr> <tr><td>4</td><td></td><td>SERIAL/DATA COMMUNICATION J1922</td></tr> <tr><td>5</td><td>YL GN</td><td>DRIVE TRAIN J1939 DATA LINK (+) DRIVE TRAIN J1939 DATA LINK (-)</td></tr> <tr><td>6</td><td>GY</td><td>LOW VOLTAGE ELECTRONIC FEED (9VOLTS)</td></tr> <tr><td>7</td><td>RD</td><td>ALTERNATOR - RESISTANCE</td></tr> <tr><td>8</td><td></td><td></td></tr> </tbody> </table>		PREFIX	LOCATION	A	CAB-INSTRUMENT PANEL	B	CAB-DRIVER CONTROL MODULE	C	CAB-HEADER/CLEARANCE LIGHTS	D	CAB-ROOF/REAR PANEL	E	CAB-LEFT DOOR/DOORS	F	CAB-RIGHT DOOR/DOORS.	H	CAB-SLEEPER	J	CAB-DASH (OUTSIDE)	K	ENGINE/RADIATOR	L	TRANSMISSION	M	CHASSIS/FRONT END (CAB DASH PANEL FORWARD)	N	CHASSIS/CENTER SECTION (CAB DASH PANEL TO CAB RR XMBR)	P	CHASSIS/WHEEL BASE SECTION	R	CHASSIS/SUSPENSION/REAR AXLE/AXLES	S	CHASSIS/AF SECTION/STOP/TAIL/TURN LIGHTS	CIRCUIT NUMBER	COLOR	DESCRIPTION	1	LT BL	ALTERNATOR - FIELD	2	RD	ALTERNATOR - CHARGE	3	DK BL GY	1708 DATA LINK, SWITCH DATA LINK (+) 1708 DATA LINK, SWITCH DATA LINK (-)	4		SERIAL/DATA COMMUNICATION J1922	5	YL GN	DRIVE TRAIN J1939 DATA LINK (+) DRIVE TRAIN J1939 DATA LINK (-)	6	GY	LOW VOLTAGE ELECTRONIC FEED (9VOLTS)	7	RD	ALTERNATOR - RESISTANCE	8		
PREFIX	LOCATION																																																											
A	CAB-INSTRUMENT PANEL																																																											
B	CAB-DRIVER CONTROL MODULE																																																											
C	CAB-HEADER/CLEARANCE LIGHTS																																																											
D	CAB-ROOF/REAR PANEL																																																											
E	CAB-LEFT DOOR/DOORS																																																											
F	CAB-RIGHT DOOR/DOORS.																																																											
H	CAB-SLEEPER																																																											
J	CAB-DASH (OUTSIDE)																																																											
K	ENGINE/RADIATOR																																																											
L	TRANSMISSION																																																											
M	CHASSIS/FRONT END (CAB DASH PANEL FORWARD)																																																											
N	CHASSIS/CENTER SECTION (CAB DASH PANEL TO CAB RR XMBR)																																																											
P	CHASSIS/WHEEL BASE SECTION																																																											
R	CHASSIS/SUSPENSION/REAR AXLE/AXLES																																																											
S	CHASSIS/AF SECTION/STOP/TAIL/TURN LIGHTS																																																											
CIRCUIT NUMBER	COLOR	DESCRIPTION																																																										
1	LT BL	ALTERNATOR - FIELD																																																										
2	RD	ALTERNATOR - CHARGE																																																										
3	DK BL GY	1708 DATA LINK, SWITCH DATA LINK (+) 1708 DATA LINK, SWITCH DATA LINK (-)																																																										
4		SERIAL/DATA COMMUNICATION J1922																																																										
5	YL GN	DRIVE TRAIN J1939 DATA LINK (+) DRIVE TRAIN J1939 DATA LINK (-)																																																										
6	GY	LOW VOLTAGE ELECTRONIC FEED (9VOLTS)																																																										
7	RD	ALTERNATOR - RESISTANCE																																																										
8																																																												
<table border="1" style="width: 100%; border-collapse: collapse;"> <tr> <th style="width: 5%;">CHK</th> <th style="width: 10%;">DATE</th> <th style="width: 25%;">CHANGE</th> <th style="width: 5%;">REV</th> <th style="width: 10%;">REFERENCE</th> <th style="width: 10%;">DRAWN</th> <th style="width: 35%;">NAME</th> </tr> <tr> <td>CNA</td> <td>22DEC05</td> <td>REVISED COLOR CHART</td> <td>C</td> <td>59581V</td> <td>WOODLCK</td> <td>42/43/44/85/8800 & 73/74/7500 CIRC DIAGRAMS</td> </tr> <tr> <td></td> <td></td> <td></td> <td></td> <td></td> <td>RELEASE NO. 52778H</td> <td>DATE 09AUG00 PART NO. AE08-52365 SHEET 01</td> </tr> </table>		CHK	DATE	CHANGE	REV	REFERENCE	DRAWN	NAME	CNA	22DEC05	REVISED COLOR CHART	C	59581V	WOODLCK	42/43/44/85/8800 & 73/74/7500 CIRC DIAGRAMS						RELEASE NO. 52778H	DATE 09AUG00 PART NO. AE08-52365 SHEET 01																																						
CHK	DATE	CHANGE	REV	REFERENCE	DRAWN	NAME																																																						
CNA	22DEC05	REVISED COLOR CHART	C	59581V	WOODLCK	42/43/44/85/8800 & 73/74/7500 CIRC DIAGRAMS																																																						
					RELEASE NO. 52778H	DATE 09AUG00 PART NO. AE08-52365 SHEET 01																																																						

Figure 1 Circuit Number Identification and Location Chart

1.2. CIRCUIT NUMBER IDENTIFICATION AND LOCATION CHART, P. 2

INTERNATIONAL TRUCK AND ENGINE CORPORATION THIS PRINT IS PROVIDED ON A RESTRICTED BASIS AND IS NOT TO BE USED IN ANY WAY DETRIMENTAL TO THE INTEREST OF INTERNATIONAL TRUCK AND ENGINE CORPORATION.				ELECTRICAL CIRCUIT DIAGRAM CHAPTER 1 INTERNATIONAL CIRCUIT NUMBER IDENTIFICATION AND LOCATION (CONT.)			
CIRCUIT NUMBER AND IDENTIFICATIONS (CONT.)							
CIRCUIT NUMBER	COLOR	DESCRIPTION					
9	GY	ZERO VOLT REFERENCE (ZVR)					
10	WH	CHASSIS/ENGINE GROUND					
11	WH	CAB/SLEEPER GROUND					
12	LTBL	ACCESSORY FEED					
13	PK BK	IGNITION FEED IGNITION FEED (BODY BUILDER CONNECTOR)					
14	RD	BATTERY FEED					
15	RD	KEY SWITCH FEED					
16							
17	PK	STARTER CONTROL					
18	PK	GLOW PLUG/PRE-HEATER					
19	GY	ENGINE SHUTDOWN					
20	LTGN	REMOTE POWER MODULE					
21	TN	COLD START CONTROLS (ETHER)					
22							
23	TN	ENGINE FAN/SHUTTERS					
24	GY	ENGINE EXHAUST BRAKE					
25	TN	PYROMETER					
26	TN	AMMETER					
27	TN	VOLTMETER					
28	TN	INSTRUMENTS AND GAUGES					
29	TN	ENGINE WATER TEMPERATURE					
30	TN	ENGINE OIL TEMPERATURE					
31	TN	TRANSMISSION OIL TEMPERATURE					
32	TN	AXLE OIL TEMPERATURE					
CHK	DATE	CHANGE	REV	REFERENCE	DRAWN	NAME	
PEC	16JAN01	PRODUCTION RELEASE.	A	P54304U	U00JXP9	42/43/44/85/8600 & 73/74/7500 CIRC DIAGRAMS	
					RELEASE NO.	DATE	PART NO.
					P52778H	09AUG00	AE08-52365
							SHEET 02

Figure 2 Circuit Number Identification and Location Chart (Cont.)

1.3. CIRCUIT NUMBER IDENTIFICATION AND LOCATION CHART, P. 3

INTERNATIONAL TRUCK AND ENGINE CORPORATION THIS PRINT IS PROVIDED ON A RESTRICTED BASIS AND IS NOT TO BE USED IN ANY WAY DETRIMENTAL TO THE INTEREST OF INTERNATIONAL TRUCK AND ENGINE CORPORATION.		ELECTRICAL CIRCUIT DIAGRAM CHAPTER 1 INTERNATIONAL CIRCUIT NUMBER IDENTIFICATION AND LOCATION (CONT.)						
CIRCUIT NUMBER AND IDENTIFICATIONS (CONT.)								
CIRCUIT NUMBER	COLOR	DESCRIPTION						
33	TN	ENGINE OIL LEVEL						
34	TN	COOLANT LEVEL						
35	TN	ENGINE OIL PRESSURE						
36	TN	FUEL LEVEL						
37	TN	FUEL PUMP						
38								
39	GY	AIR DRYER HEATER						
40	GY	LOW AIR PRESSURE WARNING						
41	TN	AIR TEMPERATURE						
42	GY	FRONT AXLE ENGAGED						
43	GY	POWER DIVIDER LOCK (PDL) WARNING						
44	GY	PARK BRAKE WARNING						
45	LTGN	ANTI - THEFT WARNING						
46	GY	POWER TAKE - OFF WARNING						
47	GY	SPEEDOMETER						
48	GY	TACHOMETER						
49	GY	DIFFERENTIAL LOCK WARNING						
50	YL	LIGHT SWITCH FEED						
51	YL	DIMMER SWITCH FEED						
52	YL	HEADLIGHT HI - BEAM						
53	YL	HEADLIGHT LO - BEAM						
54	BN	PARKING/MARKER LIGHTS						
55	OR	TURN SIGNAL - FEED						
56	OR	TURN SIGNAL LIGHTS - LEFT						
	YL	TURN SIGNAL LIGHTS - LEFT (BODY BUILDER CONNECTION)						
57	OR	TURN SIGNAL LIGHTS - RIGHT						
	LT GN	TURN SIGNAL LIGHTS - RIGHT (BODY BUILDER CONNECTION)						
CHK	DATE	CHANGE	REV	REFERENCE	DRAWN	NAME		
PEC	16JAN01	PRODUCTION RELEASE.	A	P54304U	U00DLCK	42/43/44/85/8600 & 73/74/7500 CIRC DIAGRAMS		
					RELEASE NO.	DATE	PART NO.	SHEET
					P52778H	15 MAY 00	AE08-52365	03

Figure 3 Circuit Number Identification and Location Chart (Cont.)

1.4. CIRCUIT NUMBER IDENTIFICATION AND LOCATION CHART, P. 4

INTERNATIONAL TRUCK AND ENGINE CORPORATION THIS PRINT IS PROVIDED ON A RESTRICTED BASIS AND IS NOT TO BE USED IN ANY WAY DETRIMENTAL TO THE INTEREST OF INTERNATIONAL TRUCK AND ENGINE CORPORATION.				ELECTRICAL CIRCUIT DIAGRAM CHAPTER 1 INTERNATIONAL CIRCUIT NUMBER IDENTIFICATION AND LOCATION (CONT.)			
CIRCUIT NUMBER AND IDENTIFICATIONS (CONT.)							
CIRCUIT NUMBER	COLOR	DESCRIPTION					
58	BN	CLEARANCE/IDENTIFICATION LIGHTS					
59	GY	SOLENOID					
60	OR	HAZARD LIGHTS					
61	GY	AIR SUSPENSION					
62	DKBL	PANEL LIGHTS					
63	DKBL	COURTESY/DOME LIGHTS					
64	YL	FOG/DRIVING LIGHTS					
65	OR	CAB REAR FLOOD LIGHT					
66	YL	DAYTIME RUNNING LIGHTS					
67							
68	BN	TAIL LIGHTS					
69	BN	LICENSE PLATE LIGHT					
70	OR RD	STOP LIGHTS STOP LIGHTS (BODY BUILDER CONNECTION)					
71	OR LTBL	BACK - UP LIGHTS BACK - UP LIGHTS (BODY BUILDER CONNECTION)					
72	OR	TRAILER AUXILIARY FEED - BATTERY					
73	LTGN	PWM					
74	LTGN	HEATER RECIRC MOTOR					
75	LTGN	HEATER BLOWER MOTOR					
76	LTGN	AUXILIARY FAN					
77	LTGN	AIR CONDITIONER					
78	LTGN	MIRRORS - HEATED; MOTORIZED					
79	GY	SEAT BELTS					
80	BK	SLEEPER BOX RELAY - FEED					
81	LTGN	POWER DOOR LOCKS					
CHK	DATE	CHANGE	REV	REFERENCE	DRAWN	NAME	
PEC	16JAN01	PRODUCTION RELEASE.	A	P54304U	U00DLCK	42/43/44/85/8600 & 73/74/7500 CIRC DIAGRAMS	
					RELEASE NO.	DATE	
					P52778H	15MAY00	
						PART NO.	
						AE08-52365	
						SHEET	
						04	

Figure 4 Circuit Number Identification and Location Chart (Cont.)

1.5. CIRCUIT NUMBER IDENTIFICATION AND LOCATION CHART, P. 5

INTERNATIONAL TRUCK AND ENGINE CORPORATION THIS PRINT IS PROVIDED ON A RESTRICTED BASIS AND IS NOT TO BE USED IN ANY WAY DETRIMENTAL TO THE INTEREST OF INTERNATIONAL TRUCK AND ENGINE CORPORATION.	ELECTRICAL CIRCUIT DIAGRAM CHAPTER 1 INTERNATIONAL CIRCUIT NUMBER IDENTIFICATION AND LOCATION (CONT.)																																																																											
CIRCUIT NUMBER AND IDENTIFICATIONS (CONT.)																																																																												
<table border="1" style="width: 100%; border-collapse: collapse;"> <thead> <tr> <th style="width: 15%;">CIRCUIT NUMBER</th> <th style="width: 15%;">COLOR</th> <th style="width: 70%;">DESCRIPTION</th> </tr> </thead> <tbody> <tr><td>82</td><td>GY</td><td>WINDSHIELD WIPER</td></tr> <tr><td>83</td><td>LTGN</td><td>POWER WINDOWS</td></tr> <tr><td>84</td><td>LTGN</td><td>CIGAR LIGHTER</td></tr> <tr><td>85</td><td>GY</td><td>HORN</td></tr> <tr><td>86</td><td>LTGN</td><td>RADIO - ENTERTAINMENT/CLOCK</td></tr> <tr><td>87</td><td>GY</td><td>WINDSHIELD WASHER</td></tr> <tr><td>88</td><td>LTGN</td><td>CLOCK/HOURMETER</td></tr> <tr><td>89</td><td>VT</td><td>AIR BAG</td></tr> <tr><td>90</td><td>GY</td><td>HYDRAULIC BRAKE PUMP</td></tr> <tr><td>91</td><td>VT</td><td>INTERCOMMUNICATIONS</td></tr> <tr><td>92</td><td>TN</td><td>TRANSMISSION CONTROLS - ELECTRONIC</td></tr> <tr><td>93</td><td>TN</td><td>AXLE SHIFT CONTROL</td></tr> <tr><td>94</td><td>GY</td><td>ANTILOCK BRAKE SYSTEM</td></tr> <tr><td>95</td><td>TN</td><td>EXHAUST EMISSION</td></tr> <tr><td>96</td><td>YL</td><td>SNOW PLOW LIGHTS/CRUISE CONTROL</td></tr> <tr><td>97</td><td>VT</td><td>ENGINE CONTROLS - ELECTRONIC</td></tr> <tr><td>98</td><td>BK</td><td>DATALINK AND DIAGNOSTICS</td></tr> <tr><td>99</td><td>VT</td><td>ACCELERATOR POSITION SENSOR (APS)</td></tr> <tr><td>100</td><td>GY</td><td>AIR HORN (ELECTRIC SOLENOID ACTUATED)</td></tr> <tr><td>101</td><td>TN</td><td>BRAKE APPLICATION AIR</td></tr> <tr><td>102</td><td>YL</td><td>FLASH TO PASS</td></tr> <tr><td>103</td><td>LTGN</td><td>BODY BUILDER AUX. FEED</td></tr> <tr><td>104</td><td>DKBL</td><td>REMOTE START/STOP</td></tr> <tr><td>105</td><td>LTGN</td><td>HEATED SEATS</td></tr> </tbody> </table>		CIRCUIT NUMBER	COLOR	DESCRIPTION	82	GY	WINDSHIELD WIPER	83	LTGN	POWER WINDOWS	84	LTGN	CIGAR LIGHTER	85	GY	HORN	86	LTGN	RADIO - ENTERTAINMENT/CLOCK	87	GY	WINDSHIELD WASHER	88	LTGN	CLOCK/HOURMETER	89	VT	AIR BAG	90	GY	HYDRAULIC BRAKE PUMP	91	VT	INTERCOMMUNICATIONS	92	TN	TRANSMISSION CONTROLS - ELECTRONIC	93	TN	AXLE SHIFT CONTROL	94	GY	ANTILOCK BRAKE SYSTEM	95	TN	EXHAUST EMISSION	96	YL	SNOW PLOW LIGHTS/CRUISE CONTROL	97	VT	ENGINE CONTROLS - ELECTRONIC	98	BK	DATALINK AND DIAGNOSTICS	99	VT	ACCELERATOR POSITION SENSOR (APS)	100	GY	AIR HORN (ELECTRIC SOLENOID ACTUATED)	101	TN	BRAKE APPLICATION AIR	102	YL	FLASH TO PASS	103	LTGN	BODY BUILDER AUX. FEED	104	DKBL	REMOTE START/STOP	105	LTGN	HEATED SEATS
CIRCUIT NUMBER	COLOR	DESCRIPTION																																																																										
82	GY	WINDSHIELD WIPER																																																																										
83	LTGN	POWER WINDOWS																																																																										
84	LTGN	CIGAR LIGHTER																																																																										
85	GY	HORN																																																																										
86	LTGN	RADIO - ENTERTAINMENT/CLOCK																																																																										
87	GY	WINDSHIELD WASHER																																																																										
88	LTGN	CLOCK/HOURMETER																																																																										
89	VT	AIR BAG																																																																										
90	GY	HYDRAULIC BRAKE PUMP																																																																										
91	VT	INTERCOMMUNICATIONS																																																																										
92	TN	TRANSMISSION CONTROLS - ELECTRONIC																																																																										
93	TN	AXLE SHIFT CONTROL																																																																										
94	GY	ANTILOCK BRAKE SYSTEM																																																																										
95	TN	EXHAUST EMISSION																																																																										
96	YL	SNOW PLOW LIGHTS/CRUISE CONTROL																																																																										
97	VT	ENGINE CONTROLS - ELECTRONIC																																																																										
98	BK	DATALINK AND DIAGNOSTICS																																																																										
99	VT	ACCELERATOR POSITION SENSOR (APS)																																																																										
100	GY	AIR HORN (ELECTRIC SOLENOID ACTUATED)																																																																										
101	TN	BRAKE APPLICATION AIR																																																																										
102	YL	FLASH TO PASS																																																																										
103	LTGN	BODY BUILDER AUX. FEED																																																																										
104	DKBL	REMOTE START/STOP																																																																										
105	LTGN	HEATED SEATS																																																																										
CHK	DATE	CHANGE	REV	REFERENCE	DRAWN	NAME																																																																						
2	05SEP05	CONVERSION FROM SABER TO UG	D	59758E	WOODLCK	42/43/44/85/8800 & 73/74/7500 CIRC DIAGRAMS																																																																						
					RELEASE NO.	DATE																																																																						
					52778H	15MAY00																																																																						
					PART NO.	SHEET																																																																						
					AE08-52365	05																																																																						

Figure 5 Circuit Number Identification and Location Chart (Cont.)

1.6. NAVPAK/ECM I6 ENGINE CONTROLLER CONNECTOR PIN NUMBER IDENTIFICATION, P. 6

INTERNATIONAL TRUCK AND ENGINE CORPORATION				ELECTRICAL CIRCUIT DIAGRAM CHAPTER 1	
THIS PRINT IS PROVIDED ON A RESTRICTED BASIS AND IS NOT TO BE USED IN ANY WAY DETRIMENTAL TO THE INTEREST OF INTERNATIONAL TRUCK AND ENGINE CORPORATION.				INTERNATIONAL NAVPAK/ECM I6 ENGINE CONTROLLER CONNECTOR PIN NUMBER IDENTIFICATION	
ECM PIN#	TERM	DESCRIPTION	ECM PIN#	TERM	DESCRIPTION
12	AAT	AMBIENT AIR TEMP. SENSOR	27	IVS	IDLE VALIDATION SWITCH
33	ACD	A/C DEMAND	54	OWL	OIL/WATER WARNING LIGHT
8	APS	ACCELERATOR POS. SENSOR	25	PWR RLY	CEC MAIN POWER RELAY SIGNAL
16	ATA+1	J1708 DATALINK (+)	31	RAS	RESUME/ACCELERATE
17	ATA(-)	J1708 DATALINK (-)	37	RPRF	PRESET SPEED
29	BAP	BAROMETRIC AIR PRESS. SENSOR	30	RPS	REMOTE ACCELERATOR POS. SENS. SIG.
43	BNO1	BRAKE STATUS #1	6	RPS-RTN	REMOTE ACCELERATOR POS. SENS. RTN.
44	BNO2	BRAKE STATUS #2	36	RVAR	VARIABLE SPEED SWITCH
18	CAN SHLD	DRIVETRAIN J1939 DATALINK SHLD	32	SCS	SET/COAST
19	CAN(+)	DRIVETRAIN J1939 DATALINK (+)	45	SIL	SERVICE INTERVAL LIGHT
20	CAN(-)	DRIVETRAIN J1939 DATALINK (-)	34	STL	SELF TEST INPUT
15	#####	RETARDER/EXHAUST BRAKE REQUEST	48	SUL	SHIFT UP LIGHT
10	CLS	COOLANT LEVEL SENSOR	59	TACA	TACHOMETER A
35	COD	CRUISE ON/OFF	60	TACB	TACHOMETER B
21	DC(+)	POWER	38	TCSS	TORQUE CURVE SELECTION INPUT
22	DC(+)	POWER	28	TSA	TWO SPEED AXLE
1	DC(-)	GROUND	3	VBREF(5V)	ACCELERATOR SENSOR SUPPLY
2	DC(-)	GROUND	11	VBREF GND	ACCELERATOR SENSOR GROUND
26	DDS	DRIVELINE DISENGAGED INPUT	5	VCREF(5V)	REMOTE ACCELERATOR SENS. SUPPLY
42	DPS	GROUND	7	VCREF GND	REMOTE ACCELERATOR SENSOR GND
46	ECI	ENGINE CRANK INHIBIT	24	VIGN	IGNITION FEED
56	EDL	TRANSMISSION KICKDOWN	47	VRE	RETARDER/EXHAUST BRAKE ENABLE
53	GPL	GLOW PLUG LIGHT	39	VSS(+)	VEHICLE SPEED SENSOR (+)
4	HGE	HYD. PRESS GOVERNOR ENABLE	40	VSS(-)	VEHICLE SPEED SENSOR (-)
49	HMI	HYDRAULIC PRESS GOVERNOR IND. LT	58	VSSCALA	SPEEDOMETER SIGNAL A
13	HPS	HYDRAULIC PRESSURE SENSOR	57	VSSCALB	SPEEDOMETER SIGNAL B
41	HSO(+)	POWER	55	WARN	ENGINE WARNING LIGHT
23	HSO(-)	GROUND			

CHK	DATE	CHANGE	REV	REFERENCE	DRAWN	NAME
2	08SEP05	CONVERSION FROM SABER TO UG	D	59758E	U00JXP9	42/43/44/85/8800 & 73/74/7500 CIRC DIAGRAMS
					RELEASE NO.	DATE
					52778H	09AUG00
						PART NO.
						AE08-52365
						SHEET
						06

Figure 6 NAVPAK/ECM I6 Engine Controller Connector Pin Number Identification

1.7. CIRCUIT DIAGRAM INSTRUCTIONS, P. 7


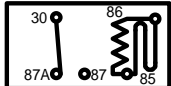
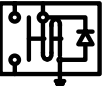

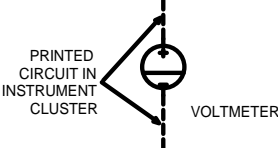
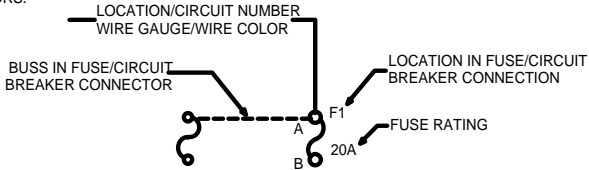
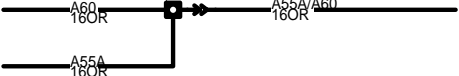
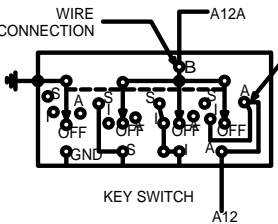
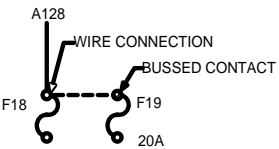
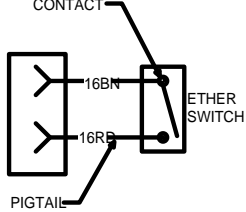
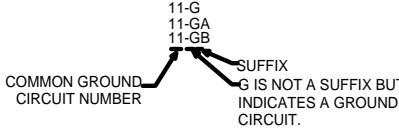
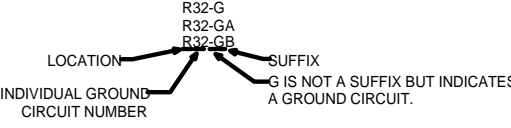
<p>INTERNATIONAL TRUCK AND ENGINE CORPORATION</p> <p>THIS PRINT IS PROVIDED ON A RESTRICTED BASIS AND IS NOT TO BE USED IN ANY WAY DETRIMENTAL TO THE INTEREST OF INTERNATIONAL TRUCK AND ENGINE CORPORATION.</p>	<p>ELECTRICAL CIRCUIT DIAGRAM CHAPTER 1</p> <p>CIRCUIT DIAGRAM INSTRUCTIONS</p>																																								
<p>A - SWITCH AND RELAY POSITIONS AS SHOWN ON CIRCUIT DIAGRAMS INDICATE NORMAL POSITION WITH IGNITION OFF UNLESS OTHERWISE NOTED.</p> <div style="display: flex; justify-content: space-around; align-items: flex-start;"> <div style="text-align: center;">  <p>SWITCH: MANUAL/MECHANICAL</p> </div> <div style="text-align: center;">  <p>RELAY - SUPPRESSED</p> </div> <div style="text-align: center;">  <p>INDICATES CASE MAGNETIC GROUND SUPPRESSED</p> </div> </div>	<p>B - MULTIPLE CONNECTIONS ARE DISPLAYED ON SCHEMATIC AS SHOWN. REFER TO CONNECTOR COMPOSITE WITH APPLICABLE NUMBER FOR MORE COMPLETE INFORMATION.</p> <div style="text-align: center;">  <p>12 AND/OR 12</p> <p>SINGLE IN-LINE CONNECTORS DISPLAYED AS SHOWN WITH OR WITHOUT CONNECTOR NUMBER.</p> </div>																																								
<p>C - PHANTOM LINES INDICATE PRINTED CIRCUITS OR BUSSED CIRCUITS. THESE CIRCUITS EXIST IN THE INSTRUMENT CLUSTERS AND FUSE/CIRCUIT BREAKER CONNECTORS.</p> <div style="display: flex; justify-content: space-around;"> <div style="text-align: center;">  <p>PRINTED CIRCUIT IN INSTRUMENT CLUSTER</p> <p>VOLTMETER</p> </div> <div style="text-align: center;">  <p>LOCATION/CIRCUIT NUMBER WIRE GAUGE/WIRE COLOR</p> <p>BUSS IN FUSE/CIRCUIT BREAKER CONNECTOR</p> <p>LOCATION IN FUSE/CIRCUIT BREAKER CONNECTION</p> <p>FUSE RATING</p> <p>F1</p> <p>20A</p> <p>A</p> <p>B</p> </div> </div>	<p>D - MULTIPLE CIRCUIT NUMBERS ON A LINE INDICATE ONE WIRE DISTRIBUTING CURRENT TO TWO CIRCUITS.</p> <div style="text-align: center;">  </div>																																								
<p>E - SWITCHES, RELAYS AND COMPONENTS INDICATE EXTERNAL WIRE CONNECTIONS AND/OR INTERNAL CONNECTIONS OR CONTACTS.</p> <div style="display: flex; justify-content: space-around;"> <div style="text-align: center;">  <p>KEY SWITCH</p> </div> <div style="text-align: center;">  <p>BUSSED CONTACT</p> </div> <div style="text-align: center;">  <p>ETHER SWITCH</p> </div> </div>																																									
<p>F - CIRCUIT "11" DENOTES ANY COMMON GROUND, (MORE THAN ONE CIRCUIT). ANY INDIVIDUAL GROUND CIRCUIT IS IDENTIFIED WITH THAT PARTICULAR CIRCUIT NUMBER. (E.G CIRCUIT 97 CRUISE CONTROL, IS IDENTIFIED PER EXAMPLE).</p> <p>NOTE: FOR CIRCUIT DESCRIPTION OTHER THAN GROUNDS, NEITHER THE LETTER "G" NOR THE COLOR WHITE SHALL BE USED.</p> <p style="text-align: center;">GROUND CIRCUITS ARE DESCRIBED THIS:</p> <div style="display: flex; justify-content: space-around;"> <div style="text-align: center;">  <p>COMMON GROUND CIRCUIT NUMBER</p> <p>SUFFIX</p> <p>G IS NOT A SUFFIX BUT INDICATES A GROUND CIRCUIT.</p> </div> <div style="text-align: center;">  <p>INDIVIDUAL GROUND CIRCUIT NUMBER</p> <p>LOCATION</p> <p>SUFFIX</p> <p>G IS NOT A SUFFIX BUT INDICATES A GROUND CIRCUIT.</p> </div> </div>																																									
<table border="1" style="width: 100%; border-collapse: collapse; font-size: small;"> <tr> <td>CHK</td> <td>DATE</td> <td>CHANGE</td> <td>REV</td> <td>REFERENCE</td> <td>DRAWN</td> <td colspan="2">NAME</td> </tr> <tr> <td>PEC</td> <td>16JAN01</td> <td>PRODUCTION RELEASE</td> <td>A</td> <td>P54304U</td> <td>U00DLCK</td> <td colspan="2">42/43/44/85/8600 & 73/74/7500 CIRC DIAGRAMS</td> </tr> <tr> <td></td> <td></td> <td></td> <td></td> <td></td> <td>RELEASE NO.</td> <td>DATE</td> <td>PART NO.</td> </tr> <tr> <td></td> <td></td> <td></td> <td></td> <td></td> <td>P52778H</td> <td>15MAY00</td> <td>AE08-52365</td> </tr> <tr> <td></td> <td></td> <td></td> <td></td> <td></td> <td></td> <td></td> <td style="text-align: right;">SHEET 07</td> </tr> </table>		CHK	DATE	CHANGE	REV	REFERENCE	DRAWN	NAME		PEC	16JAN01	PRODUCTION RELEASE	A	P54304U	U00DLCK	42/43/44/85/8600 & 73/74/7500 CIRC DIAGRAMS							RELEASE NO.	DATE	PART NO.						P52778H	15MAY00	AE08-52365								SHEET 07
CHK	DATE	CHANGE	REV	REFERENCE	DRAWN	NAME																																			
PEC	16JAN01	PRODUCTION RELEASE	A	P54304U	U00DLCK	42/43/44/85/8600 & 73/74/7500 CIRC DIAGRAMS																																			
					RELEASE NO.	DATE	PART NO.																																		
					P52778H	15MAY00	AE08-52365																																		
							SHEET 07																																		

Figure 7 Circuit Diagram Instructions

1.8. CIRCUIT DIAGRAM INSTRUCTIONS, P. 8

INTERNATIONAL TRUCK AND ENGINE CORPORATION THIS PRINT IS PROVIDED ON A RESTRICTED BASIS AND IS NOT TO BE USED IN ANY WAY DETRIMENTAL TO THE INTEREST OF INTERNATIONAL TRUCK AND ENGINE CORPORATION.		ELECTRICAL CIRCUIT DIAGRAM CHAPTER 1 CIRCUIT DIAGRAM INSTRUCTIONS																																	
<p>G - ABBREVIATIONS: COLOR, NOUN AND ENGINE</p> <table style="width: 100%; border: none;"> <tr> <td style="width: 33%; vertical-align: top;"> <p>COLOR ABBREVIATION</p> <p>AQ - AQUA BK - BLACK BL - BLUE BN - BROWN DK GN - DARK GREEN GD - GOLD GY - GRAY GN - GREEN LT BL - LIGHT BLUE</p> </td> <td style="width: 33%; vertical-align: top;"> <p>NOUN ABBREVIATION</p> <p>LT GN - LIGHT GREEN OR - ORANGE PK - PINK PL - PURPLE RD - RED SIL - SILVER TN - TAN VT - VIOLET WH - WHITE YL - YELLOW</p> </td> <td style="width: 33%; vertical-align: top;"> <p>NOUN ABBREVIATION</p> <p>A ACCESSORY ACC AIR CONDITIONER AC - AUXILIARY AUX - AMERICAN WIRE GAUGE AWG - BATTERY BAT - CONNECTION OR CONNECTOR CONN- DAYTIME RUNNING LIGHTS DRL - ENGINE ENG - FORWARD FWD - GAUGE GA -</p> </td> </tr> <tr> <td colspan="3" style="vertical-align: top;"> <p>ENGINE ABBREVIATION</p> <p>ISM - MFG (CUMMINS) 10.8 LITER ELECTRONIC ENGINE CONTROL</p> <p>N14E PLUS - MFG (CUMMINS) 14 LITER ELECTRONIC ENGINE CONTROL</p> <p>C-10,C-12 - MFG (CATERPILLAR) 10.3 LITER ELECTRONIC ENGINE CONTROL</p> <p>V8-AVNT - MFG (INTERNATIONAL) V8 6.0 LITER ELECTRONIC ENGINE CONTROL</p> <p>I6-HEUI - MFG (INTERNATIONAL) NGD I6 DT466 & DT/HT530 ELECTRONIC ENGINE CONTROL</p> </td> </tr> </table>				<p>COLOR ABBREVIATION</p> <p>AQ - AQUA BK - BLACK BL - BLUE BN - BROWN DK GN - DARK GREEN GD - GOLD GY - GRAY GN - GREEN LT BL - LIGHT BLUE</p>	<p>NOUN ABBREVIATION</p> <p>LT GN - LIGHT GREEN OR - ORANGE PK - PINK PL - PURPLE RD - RED SIL - SILVER TN - TAN VT - VIOLET WH - WHITE YL - YELLOW</p>	<p>NOUN ABBREVIATION</p> <p>A ACCESSORY ACC AIR CONDITIONER AC - AUXILIARY AUX - AMERICAN WIRE GAUGE AWG - BATTERY BAT - CONNECTION OR CONNECTOR CONN- DAYTIME RUNNING LIGHTS DRL - ENGINE ENG - FORWARD FWD - GAUGE GA -</p>	<p>ENGINE ABBREVIATION</p> <p>ISM - MFG (CUMMINS) 10.8 LITER ELECTRONIC ENGINE CONTROL</p> <p>N14E PLUS - MFG (CUMMINS) 14 LITER ELECTRONIC ENGINE CONTROL</p> <p>C-10,C-12 - MFG (CATERPILLAR) 10.3 LITER ELECTRONIC ENGINE CONTROL</p> <p>V8-AVNT - MFG (INTERNATIONAL) V8 6.0 LITER ELECTRONIC ENGINE CONTROL</p> <p>I6-HEUI - MFG (INTERNATIONAL) NGD I6 DT466 & DT/HT530 ELECTRONIC ENGINE CONTROL</p>																												
<p>COLOR ABBREVIATION</p> <p>AQ - AQUA BK - BLACK BL - BLUE BN - BROWN DK GN - DARK GREEN GD - GOLD GY - GRAY GN - GREEN LT BL - LIGHT BLUE</p>	<p>NOUN ABBREVIATION</p> <p>LT GN - LIGHT GREEN OR - ORANGE PK - PINK PL - PURPLE RD - RED SIL - SILVER TN - TAN VT - VIOLET WH - WHITE YL - YELLOW</p>	<p>NOUN ABBREVIATION</p> <p>A ACCESSORY ACC AIR CONDITIONER AC - AUXILIARY AUX - AMERICAN WIRE GAUGE AWG - BATTERY BAT - CONNECTION OR CONNECTOR CONN- DAYTIME RUNNING LIGHTS DRL - ENGINE ENG - FORWARD FWD - GAUGE GA -</p>																																	
<p>ENGINE ABBREVIATION</p> <p>ISM - MFG (CUMMINS) 10.8 LITER ELECTRONIC ENGINE CONTROL</p> <p>N14E PLUS - MFG (CUMMINS) 14 LITER ELECTRONIC ENGINE CONTROL</p> <p>C-10,C-12 - MFG (CATERPILLAR) 10.3 LITER ELECTRONIC ENGINE CONTROL</p> <p>V8-AVNT - MFG (INTERNATIONAL) V8 6.0 LITER ELECTRONIC ENGINE CONTROL</p> <p>I6-HEUI - MFG (INTERNATIONAL) NGD I6 DT466 & DT/HT530 ELECTRONIC ENGINE CONTROL</p>																																			
<table border="1" style="width: 100%; border-collapse: collapse;"> <tr> <td style="width: 5%;">CHK</td> <td style="width: 10%;">DATE</td> <td style="width: 20%;">CHANGE</td> <td style="width: 5%;">REV</td> <td style="width: 15%;">REFERENCE</td> <td style="width: 15%;">DRAWN</td> <td colspan="2" style="width: 30%;">NAME</td> </tr> <tr> <td>PEC</td> <td>16JAN01</td> <td>PRODUCTION RELEASE.</td> <td>A</td> <td>P54304U</td> <td>U00JXP9</td> <td colspan="2">42/43/44/85/8600 & 73/74/7500 CIRC DIAGRAMS</td> </tr> <tr> <td></td> <td></td> <td></td> <td></td> <td></td> <td>RELEASE NO.</td> <td>DATE</td> <td>PART NO.</td> </tr> <tr> <td></td> <td></td> <td></td> <td></td> <td></td> <td>P52778H</td> <td>10AUG00</td> <td>AE08-52365</td> </tr> </table>				CHK	DATE	CHANGE	REV	REFERENCE	DRAWN	NAME		PEC	16JAN01	PRODUCTION RELEASE.	A	P54304U	U00JXP9	42/43/44/85/8600 & 73/74/7500 CIRC DIAGRAMS							RELEASE NO.	DATE	PART NO.						P52778H	10AUG00	AE08-52365
CHK	DATE	CHANGE	REV	REFERENCE	DRAWN	NAME																													
PEC	16JAN01	PRODUCTION RELEASE.	A	P54304U	U00JXP9	42/43/44/85/8600 & 73/74/7500 CIRC DIAGRAMS																													
					RELEASE NO.	DATE	PART NO.																												
					P52778H	10AUG00	AE08-52365																												

Figure 8 Circuit Diagram Instructions (Cont.)

1.9. SCHEMATIC SYMBOL CHART, P. 9

INTERNATIONAL TRUCK AND ENGINE CORPORATION THIS PRINT IS PROVIDED ON A RESTRICTED BASIS AND IS NOT TO BE USED IN ANY WAY DETRIMENTAL TO THE INTEREST OF INTERNATIONAL TRUCK AND ENGINE CORPORATION.				ELECTRICAL CIRCUIT DIAGRAM CHAPTER 1 SCHEMATIC SYMBOL CHART	
SYMBOL	DESCRIPTION	SYMBOL	DESCRIPTION	SYMBOL	DESCRIPTION
	MALE/FEMALE IN-LINE CONNECTION		HORN		MAGNETIC SWITCH
	FEMALE TERMINAL		GROUND		LIGHT - DOUBLE FILAMENT
	MALE TERMINAL				
	FUSE		SENDER - OIL, WATER, FUEL, TEMPERATURE		SWITCH CONTACT, NORMALLY OPEN
	LIGHT EMITTING DIODE				
	RESISTOR		MOTOR - ELECTRIC		JUNCTION POINT
	SWITCH CONTACT, NORMALLY CLOSED				
	SPLICE		SOLENOID - GENERAL USAGE		SWITCH - PRESSURE
	SWITCH - MANUAL/MECHANICAL				
	RELAY - SUPPRESSED		SPEAKER - SOUND SYSTEM		CIGAR LIGHTER
	FAN SWITCH				
	TERMINATING RESISTOR		TERMINATING RESISTOR		

Figure 9 Schematic Symbol Chart

1.10. RELAY FUNCTIONS, P. 10

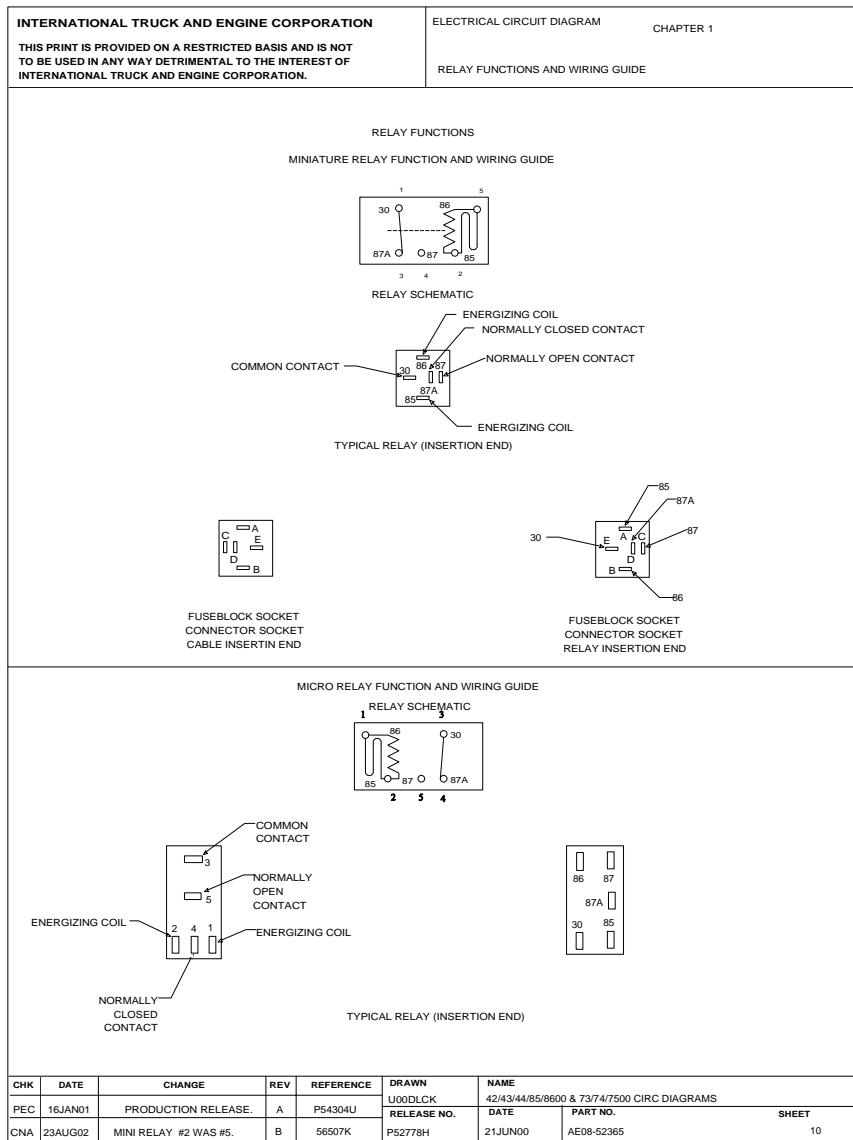


Figure 10 Relay Functions

1.11. LAMP BULB CHART, P. 11

INTERNATIONAL TRUCK AND ENGINE CORPORATION THIS PRINT IS PROVIDED ON A RESTRICTED BASIS AND IS NOT TO BE USED IN ANY WAY DETRIMENTAL TO THE INTEREST OF INTERNATIONAL TRUCK AND ENGINE CORPORATION.		ELECTRICAL CIRCUIT DIAGRAM CHAPTER 1 LAMP BULB CHART							
BULB APPLICATION	CANDLEPOWER OR WATTS	BULB TRADE NUMBER							
BACK-UP LIGHTS	32 CANDLEPOWER	GE1156							
CLEARANCE & IDENTIFICATION	3 CANDLEPOWER	GE193							
COURTESY LIGHT	3 CANDLEPOWER	GE168							
DOVE LIGHTS	12 CANDLEPOWER	GE561							
FOG LIGHTS	55 CANDLEPOWER	VH550							
HEAD LIGHTS:									
LOW BEAMS	65 WATTS	GE9007							
HIGH BEAMS	65 WATTS	GE9007							
INSTRUMENT CLUSTER:									
GAUGE BACK LIGHT		082S270538-3							
GAUGE WARNING LED (RED)		082S272109-3							
RANGE INHIBIT LED (YELLOW)		082S272109-4							
COLD AMBIENT PROTECTION LED (YELLOW)		082S272109-4							
FUEL FILTER LED (YELLOW)		082S272109-4							
WARN ENGINE LED (YELLOW)		082S272109-4							
STOP ENGINE LED (RED)		082S272109-3							
BRAKE PRESSURE LED (RED)		082S272109-3							
BRAKE FLUID LED (RED)		082S272109-3							
WAIT TO START LED (YELLOW)		082S272109-4							
CHECK TRANSMISSION LED (YELLOW)		082S272109-4							
TRAILER ABS LED (YELLOW)		082S272109-4							
WASHER FLUID LED (YELLOW)		082S272109-4							
LEFT TURN SIGNAL LED (GREEN)		082S272109-2							
TRACTION CONTROL LED (GREEN)		082S272109-2							
WATER IN FUEL LED (YELLOW)		082S272109-4							
PARK FLUID LED LIGHT (RED)		082S272109-3							
CHECK ELECTRICAL SYSTEMS LED (YELLOW)		082S272109-4							
PARK BRAKE LED (RED)		082S272109-3							
CRUISE CTRL ACTIVE LED (GREEN)		082S272109-2							
ANTILOCK BRAKING SYSTEM LED (YELLOW)		082S272109-4							
RIGHT TURN LED (GREEN)		082S272109-2							
COOLANT LEVEL LED (RED)		082S272109-3							
SEAT BELT LED (RED)		082S272109-3							
HIGH BEAM ICON LED (BLUE)		082S272109-5							
CHECK AIR CONDITIONER LED (YELLOW)		082S272109-4							
RETARD OVER HEAT LED (RED)		082S272109-3							
PTO/THROTTLE LED (RED)		082S272109-3							
MAP LIGHT	3 CANDLEPOWER	1816							
SIDE MARKER		2458							
STOP & TURN/TAIL & LICENSE PLATE	32/3 CANDLEPOWER	1157							
TURN SIGNAL/MARKER (FENDER)		3157							
TURN SIGNAL & MARKER LIGHT		2356							
WORK (TRAILER HOOK-UP) LIGHT		4411							
CHK	DATE	CHANGE	REV	REFERENCE	DRAWN	NAME			
PEC	16JAN01	PRODUCTION RELEASE	A	P54304U	U00DLCK	42/43/44/85/8600 & 73/74/7500 CIRC DIAGRAMS			
PEC	18JUN01	REVISED DRWG SHEET.	B	P54634F	P52778H	RELEASE NO.	DATE	PART NO.	SHEET
							20JUN00	AE08-52365	11

Figure 11 Lamp Bulb Chart

1.12. INTERNATIONAL V8 AND I6 ECM CONTROLLER CONNECTORS PIN NUMBER IDENTIFICATION, P.12

INTERNATIONAL TRUCK AND ENGINE CORPORATION				ELECTRICAL CIRCUIT DIAGRAM				
THIS PRINT IS PROVIDED ON A RESTRICTED BASIS AND IS NOT TO BE USED IN ANY WAY DETRIMENTAL TO THE INTEREST OF INTERNATIONAL TRUCK AND ENGINE CORPORATION.				CHAPTER 1 INTERNATIONAL V8 & I6 ECM CONTROLLER CONNECTORS PIN NUMBER IDENTIFICATION				
								CONNECTOR X3 REFERENCE (6020)
ECM PIN #	TERM	DESCRIPTION	ECM PIN #	TERM	DESCRIPTION	ECM PIN #	TERM	DESCRIPTION
1	FPM	FUEL PUMP MONITOR	1	KL.B7	BATTERY POWER	1	KL.B7	BATTERY POWER
2	FLI	FUEL LEVEL INDICATOR	2	KL.B7	BATTERY POWER	2	KL.B7	BATTERY POWER
3	KL.15	IGNITION FEED	3		NOT POPULATED	3		NOT POPULATED
4	ECL	ENGINE COOLANT LEVEL	4	VBREF	SENSOR REFERENCE VOLTAGE	4	VBREF	SENSOR REFERENCE VOLTAGE
5	MPR	MAIN POWER RELAY	5		NOT POPULATED	5		NOT POPULATED
6	KL.31	GROUND	6	LSL_SPARE2	LOW SPEED INPUT 2	6	LSL_SPARE2	LOW SPEED INPUT 2
7	KL.31	GROUND	7		NOT POPULATED	7		NOT POPULATED
8	DDS	DRIVELINE DISENGAGE SWITCH	8		NOT POPULATED	8		NOT POPULATED
9	FPC	FUEL PUMP CONTROL	9	VSS-	VEHICLE SPEED SENSOR-	9	VSS-	VEHICLE SPEED SENSOR-
10	TCSS	TORQUE CURVE SELECT SWITCH	10	VSS+	VEHICLE SPEED SENSOR+	10	VSS+	VEHICLE SPEED SENSOR+
11	TACH	TACHOMETER CONTROL	11		NOT POPULATED	11		NOT POPULATED
12	CAN1+	DRIVETRAIN J1939 DATALINK +	12	IVS	IDLE VALIDATION SWITCH	12	IVS	IDLE VALIDATION SWITCH
13	CAN1-	DRIVETRAIN J1939 DATALINK -	13		NOT POPULATED	13		NOT POPULATED
14	RAS	RESUME/ACCELERATE	14	EFAN	ELECTRIC FAN CONTROL	14	EFAN	ELECTRIC FAN CONTROL
15	CAN1-SHLD	DRIVETRAIN J1939 DATALINK SHLD	15	LSO_SPARE4	LOW SIDE OUTPUT 4	15	LSO_SPARE4	LOW SIDE OUTPUT 4
16		NOT POPULATED	16		NOT POPULATED	16		NOT POPULATED
17	VSS_CAL	VEHICLE SPEED SENSOR CALIBRATION	17		NOT POPULATED	17		NOT POPULATED
18	VRE	VEHICLE RETARDER ENABLE	18	APS	ACCELERATION POSITION SENSOR	18	APS	ACCELERATION POSITION SENSOR
19	RPRE	REMOTE PRESET PTO ENABLE	19		NOT POPULATED	19		NOT POPULATED
20	RVAR	REMOTE VARIABLE PTO ENABLE	20	ATA+	J1708 DATALINK +	20	ATA+	J1708 DATALINK +
21	SCS	SET/COAST	21	ATA-	J1708 DATALINK -	21	ATA-	J1708 DATALINK -
22	ESHTR	ELECTRONIC SHUTTER RELAY	22		NOT POPULATED	22		NOT POPULATED
23	ECl	ENGINE CRANK INHIBIT	23	GSC	GENSET SPEED CONTROL	23	GSC	GENSET SPEED CONTROL
24	BAP	BAROMETRIC AIR PRESSURE	24	KL.31B	SENSOR REFERENCE GROUND	24	KL.31B	SENSOR REFERENCE GROUND

CHK	DATE	CHANGE	REV	REFERENCE	DRAWN	NAME		
CNA	25FEB03	PIN 6 OF CONN X4 INOUT CHANGED TO INPUT	B	58928S	LUDDLOCK	42/43/44/85/8600 & 73/74/7500 CIRC DIAGRAMS		
					RELEASE NO.	DATE	PART NO.	SHEET
					P54304U	16JAN01	AE08-52365	12

Figure 12 International V8 and I6 ECM Controller Connectors Pin Number Identification

2. 12 VOLT POWER DISTRIBUTION CIRCUIT DIAGRAMS (CHAPTER 2)

2.1. ACCESSORY, P. 1

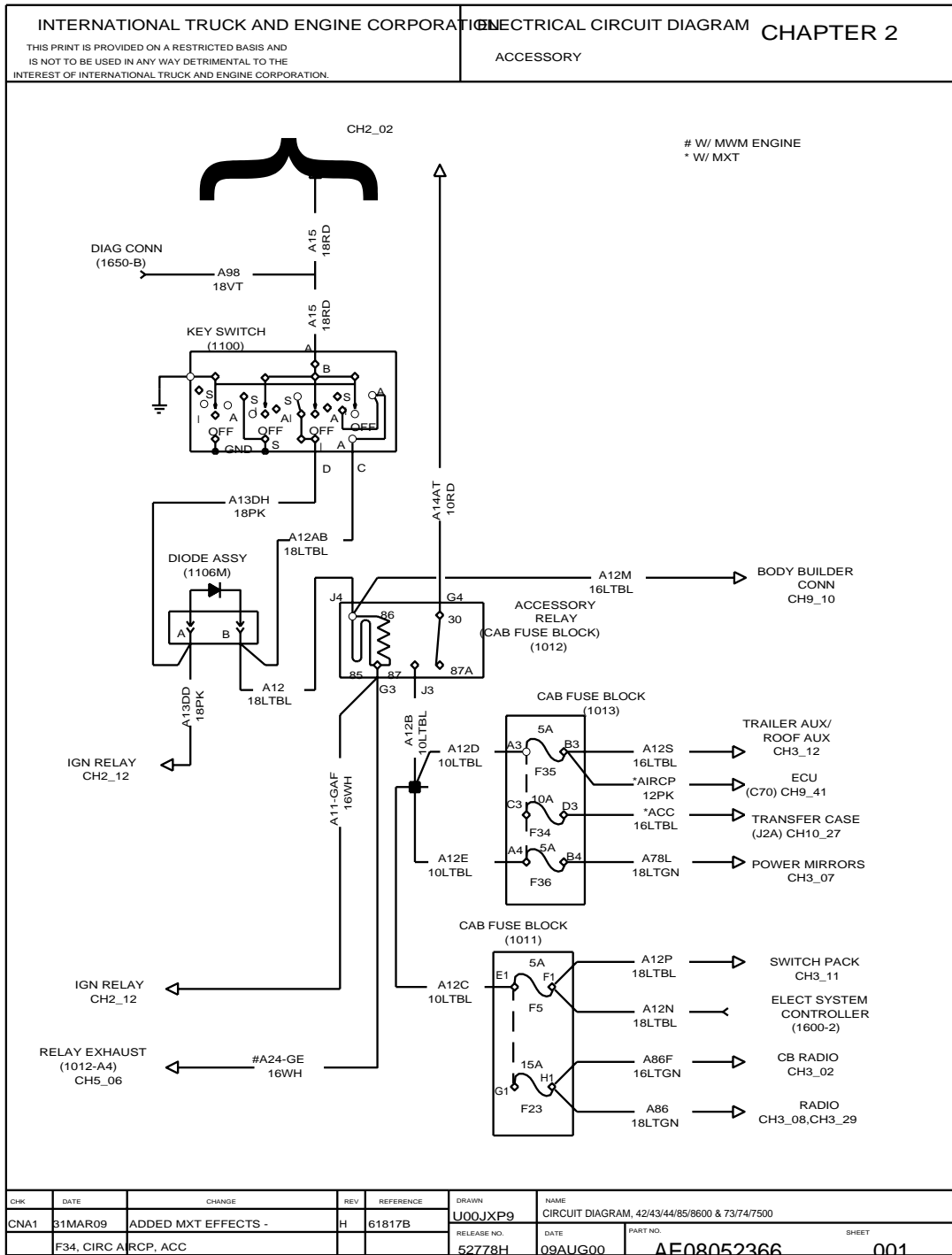


Figure 13 Accessory

2.2. BATTERY FEEDS, CAB, P. 2

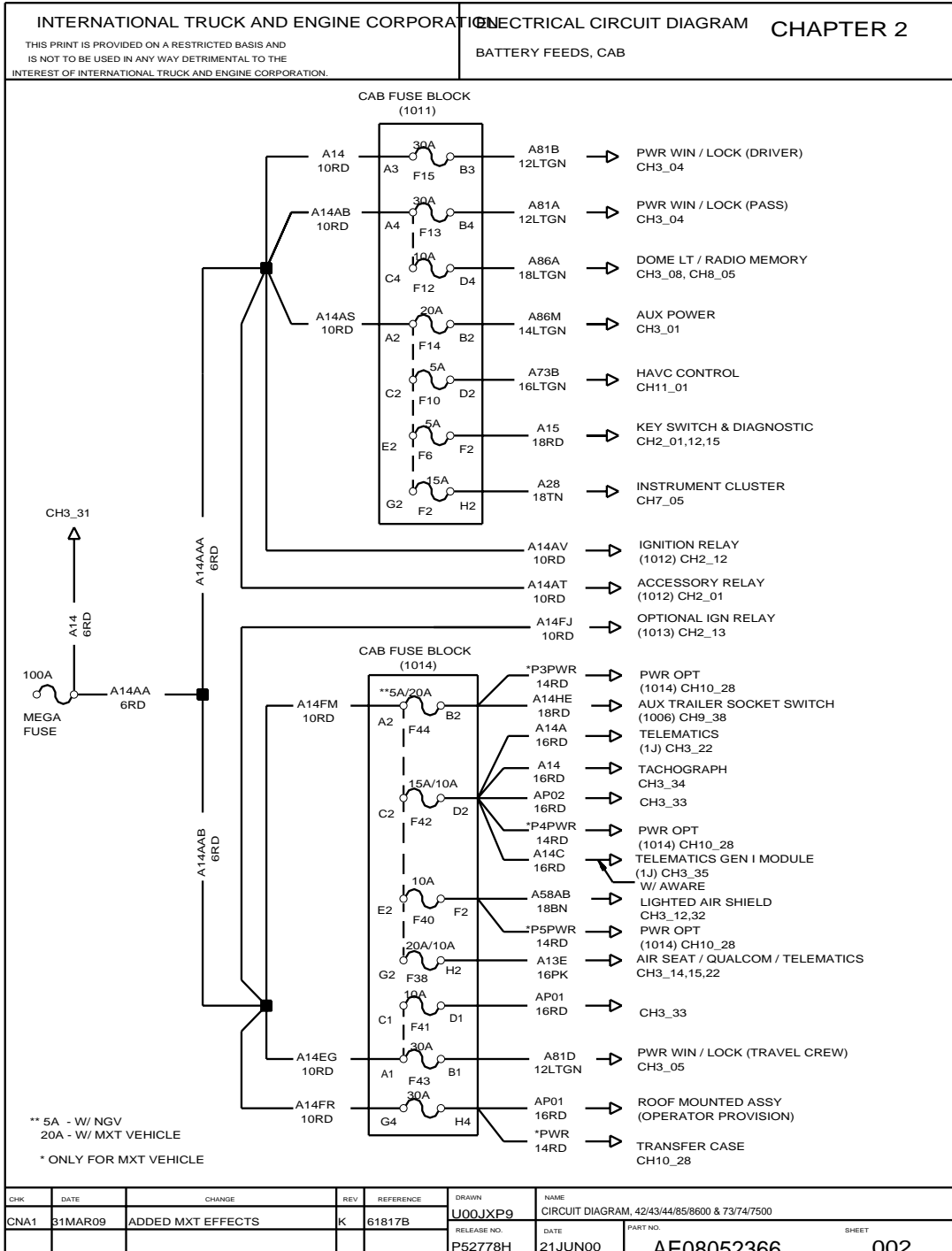


Figure 14 Battery Feeds, Cab

2.3. BATTERY, P. 3

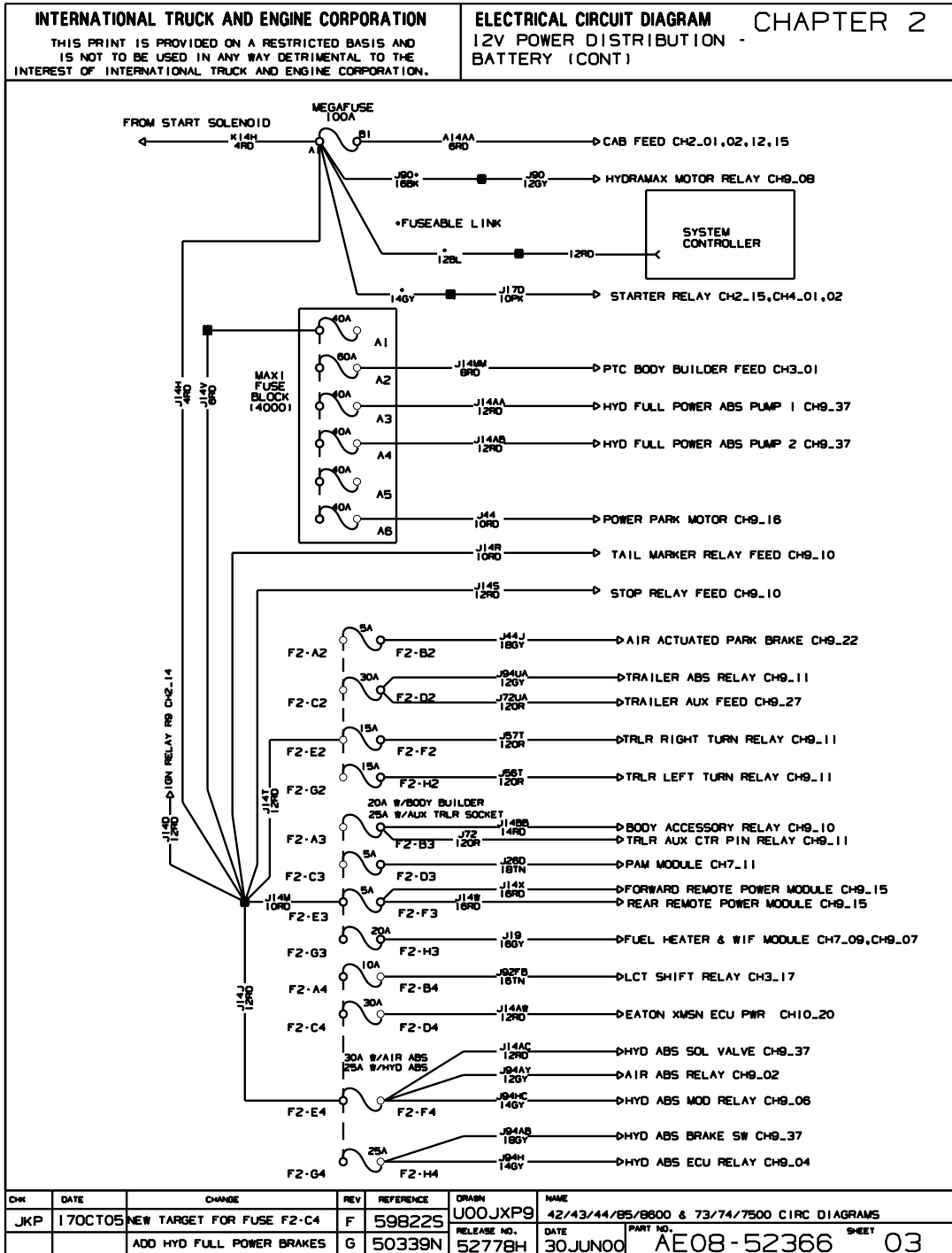


Figure 15 Battery

2.4. 1708 DATA LINK-CHASSIS, P. 4

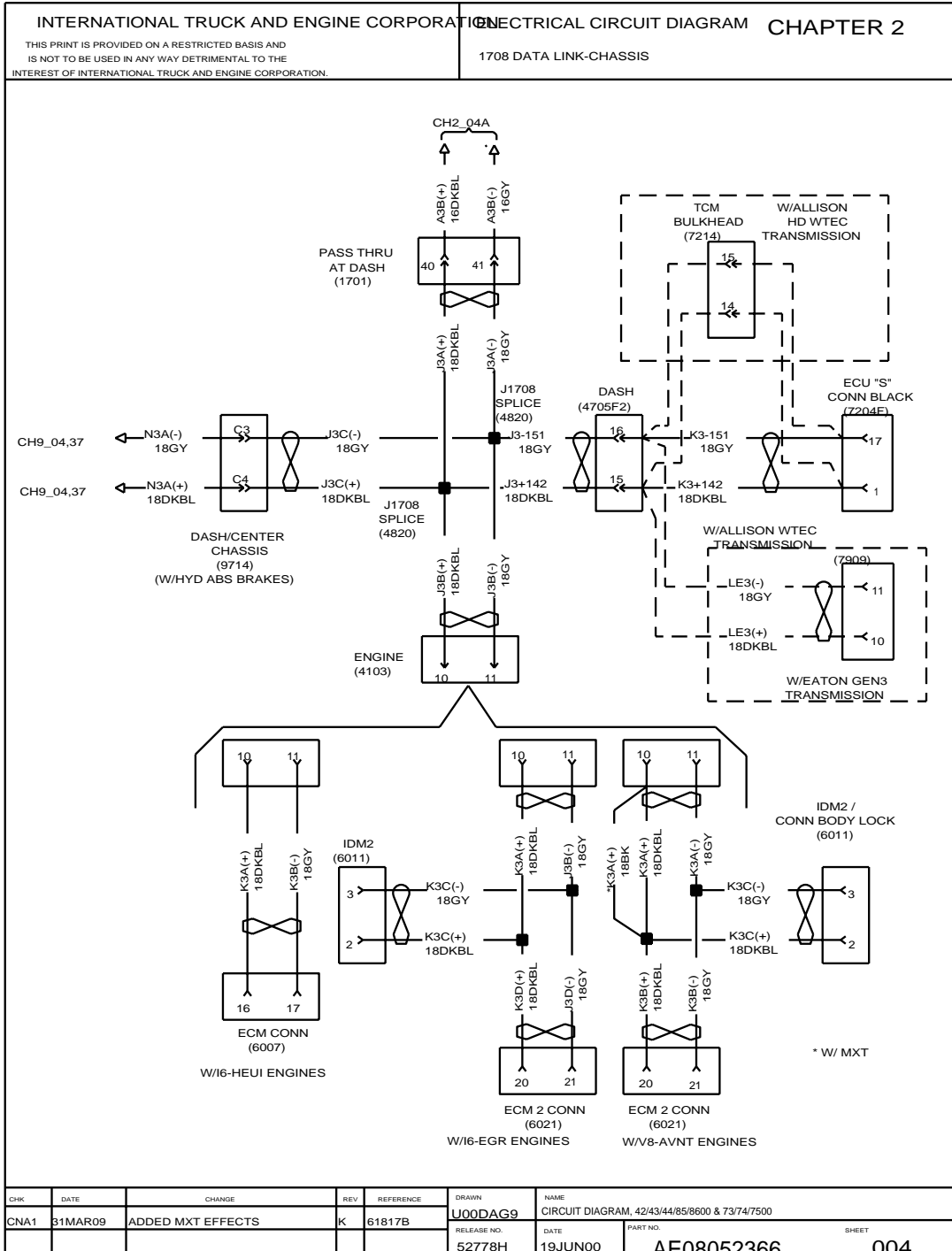


Figure 16 1708 Data Link-Chassis

2.5. J-1708 DATA LINK-CAB, P. 4A

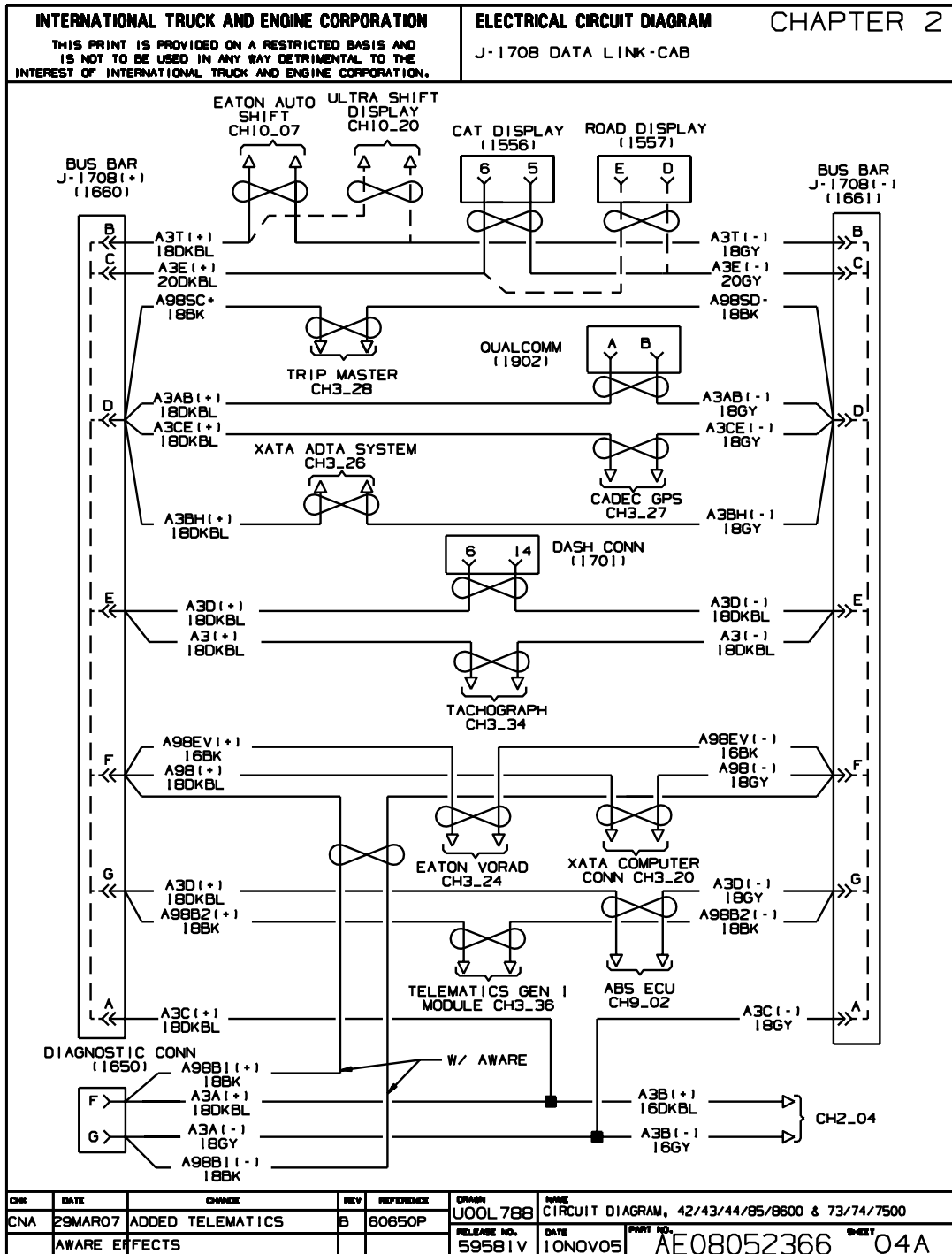


Figure 17 J-1708 Data Link-Cab

2.6. SWITCH DATA LINK, P. 5

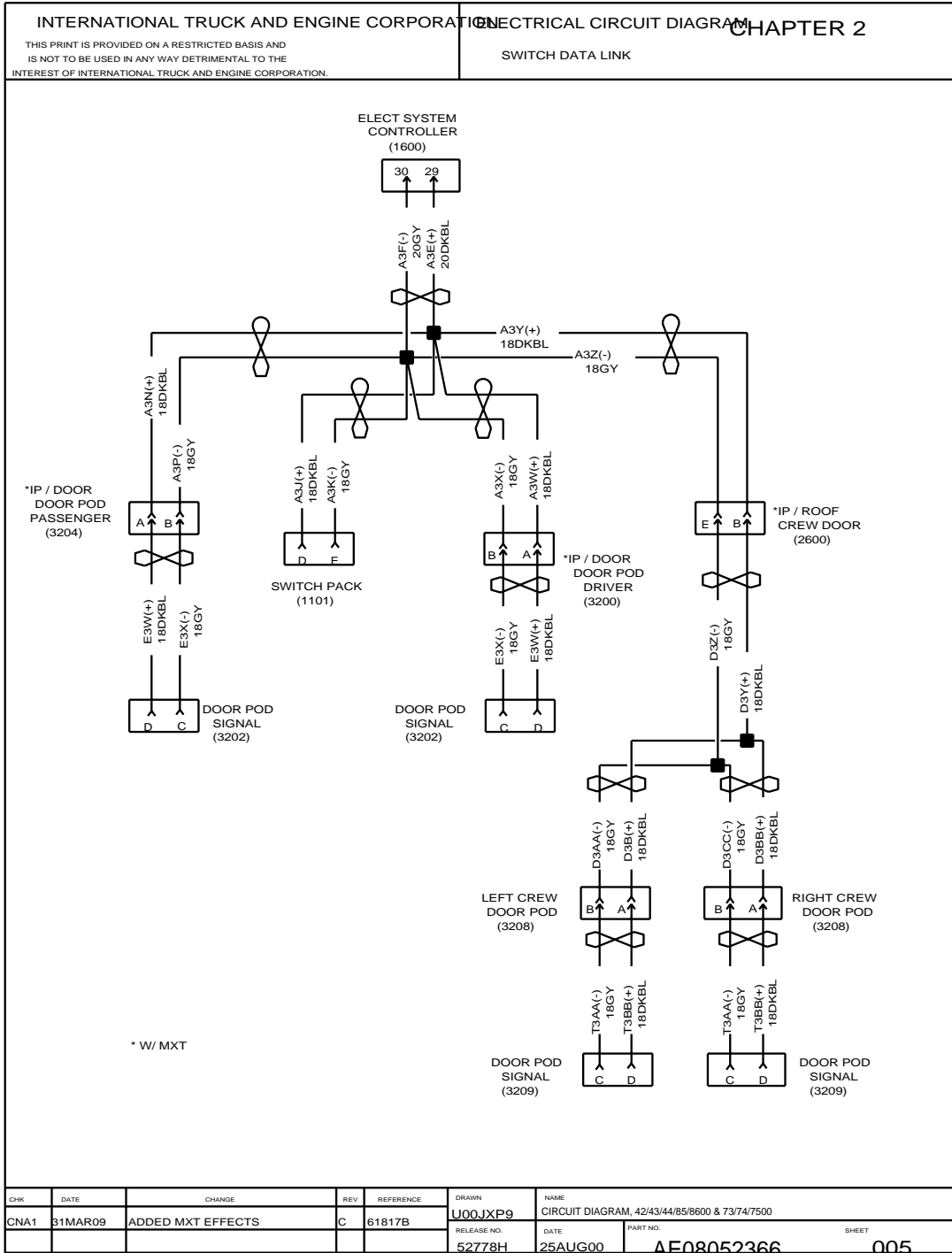


Figure 18 Switch Data Link

2.7. DRIVETRAIN 1939 DATA LINK (CAB), P. 6

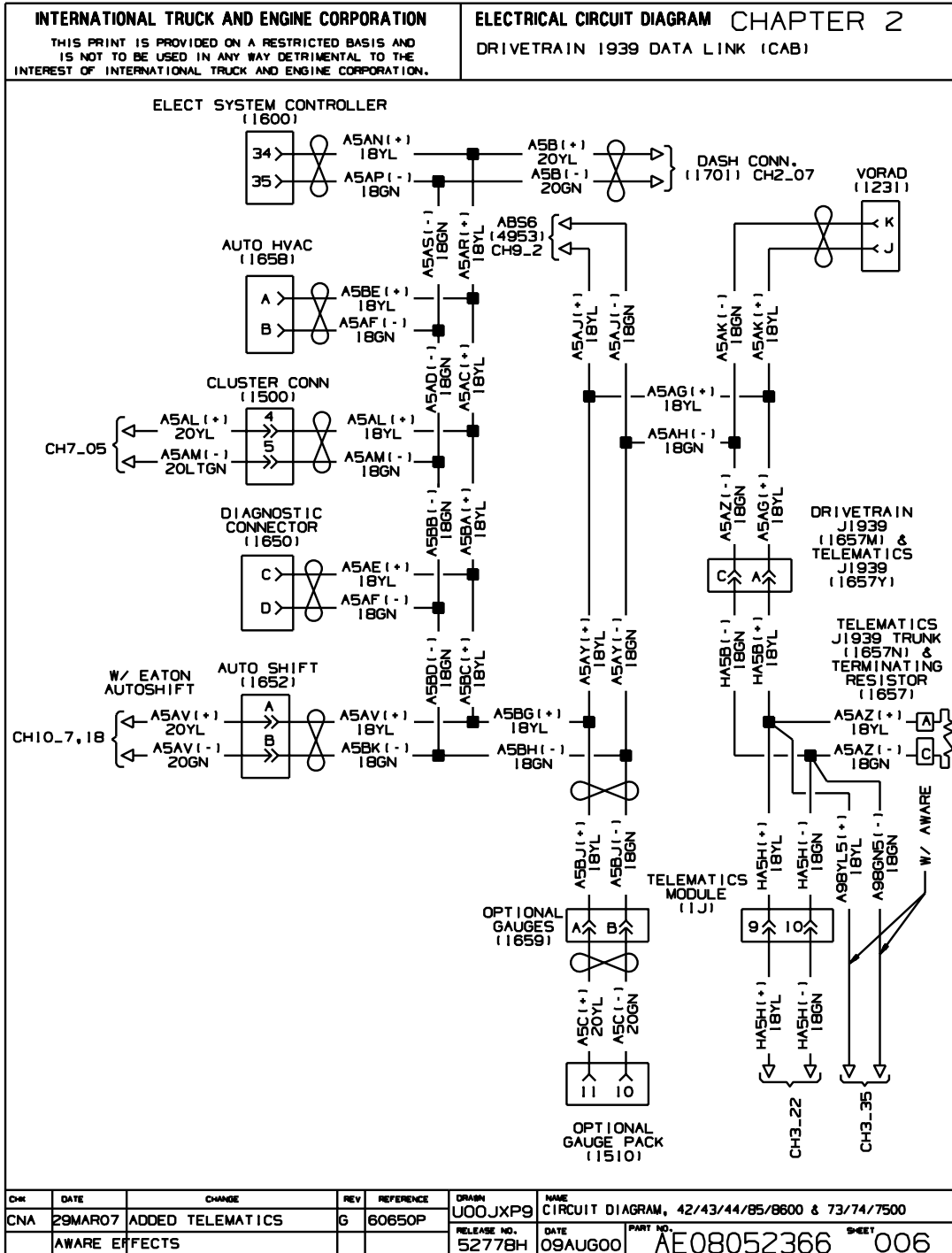


Figure 19 Drivetrain 1939 Data Link (Cab)

2.8. DRIVETRAIN 1939 DATA LINK (CHASSIS), P. 7

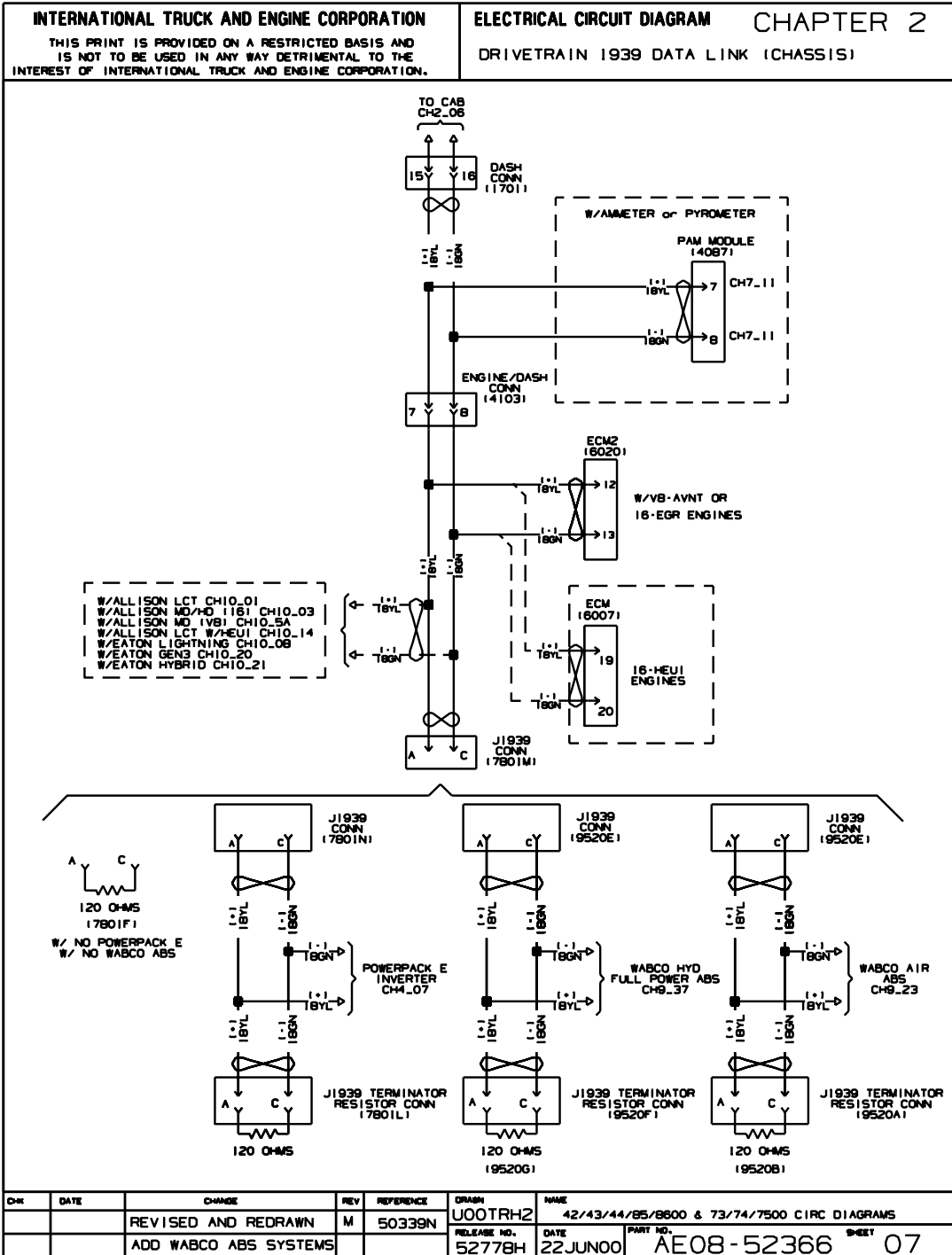


Figure 20 Drivetrain 1939 Data Link (Chassis)

2.9. J1939 DATA LINK — MXT, P. 7A

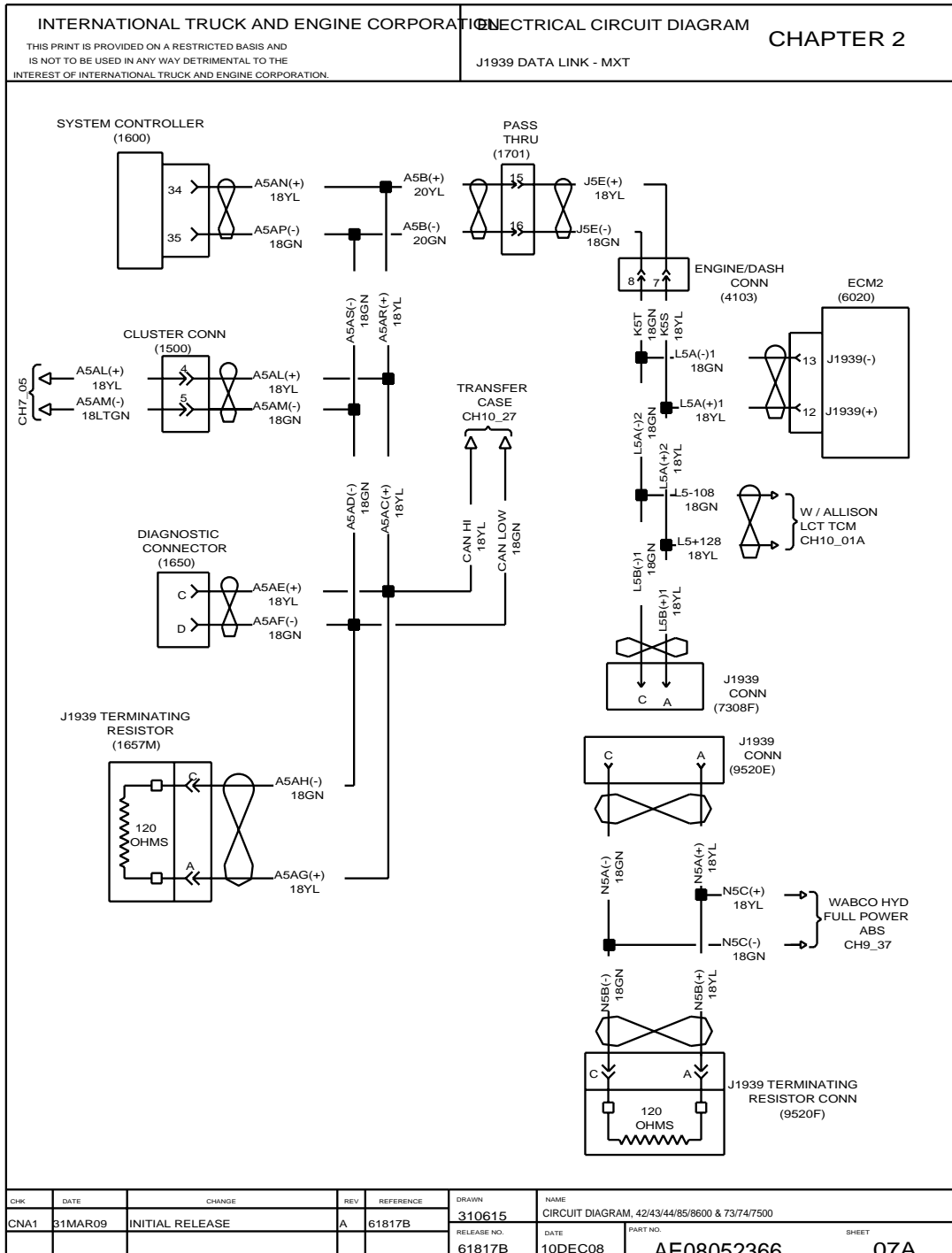


Figure 21 J1939 Data Link — MXT

2.10. GROUNDS, CHASSIS, P. 8

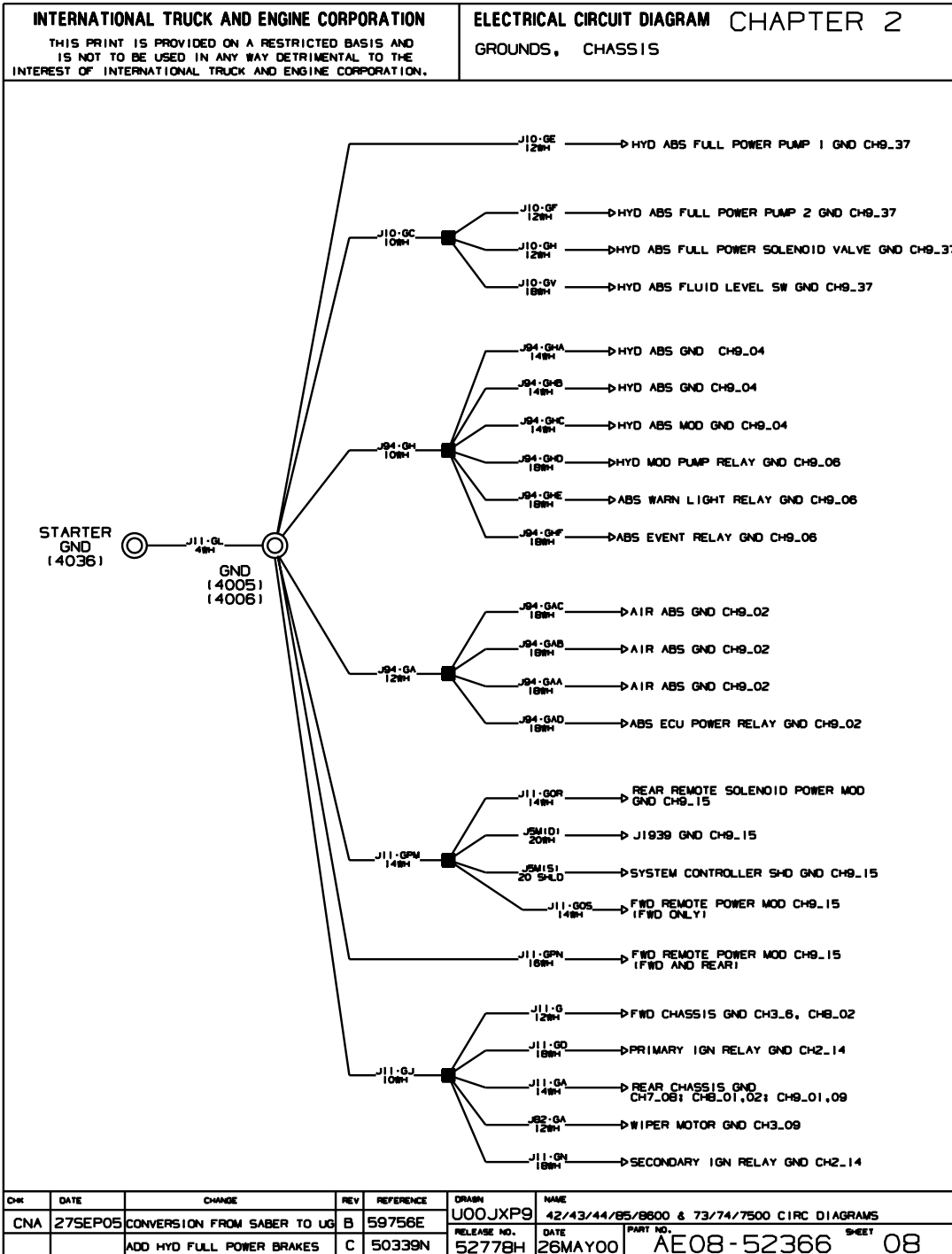


Figure 22 Grounds, Chassis

2.11. GROUNDS, CHASSIS, P. 9

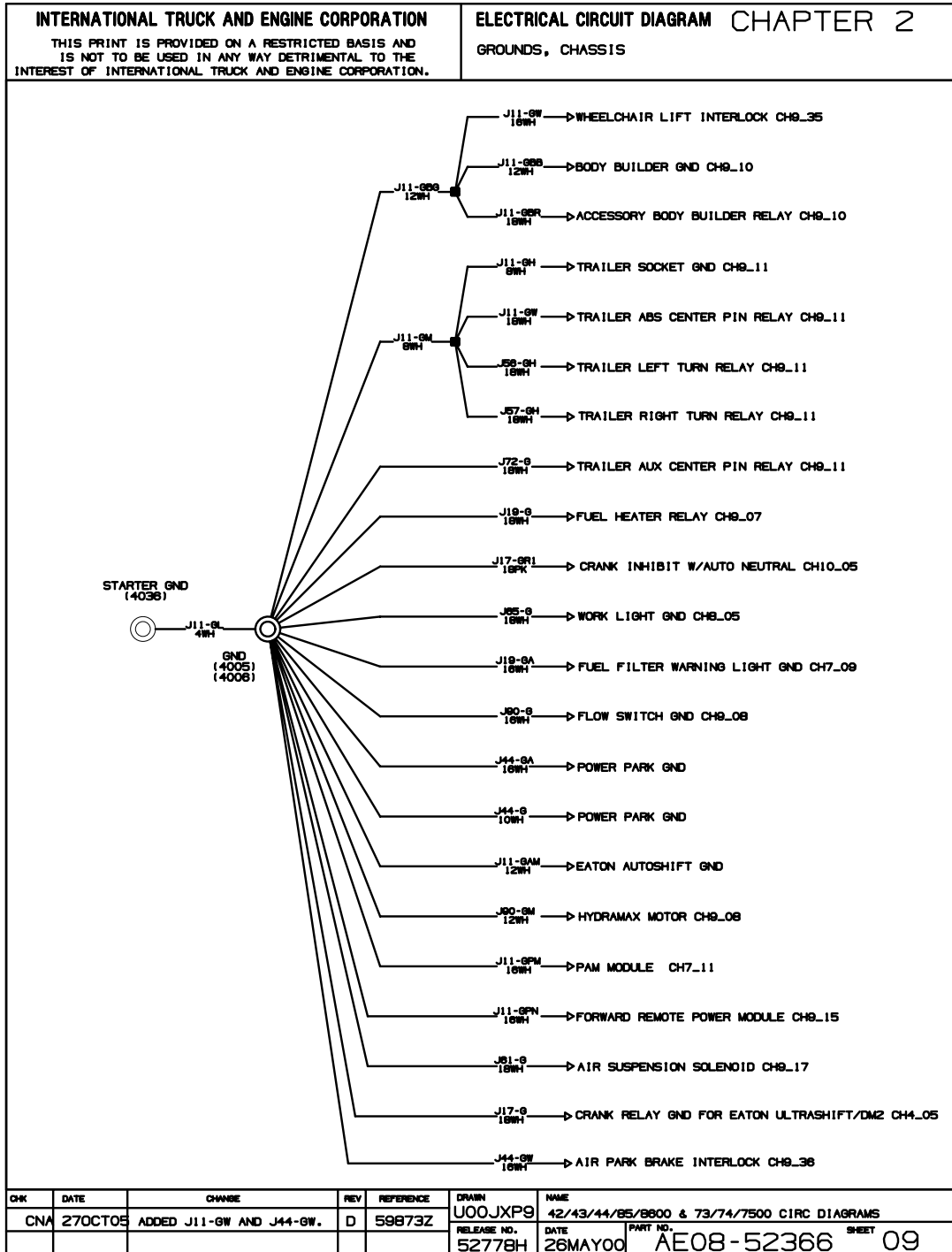


Figure 23 Grounds, Chassis (Cont.)

2.12. GROUNDS, IP, P. 10

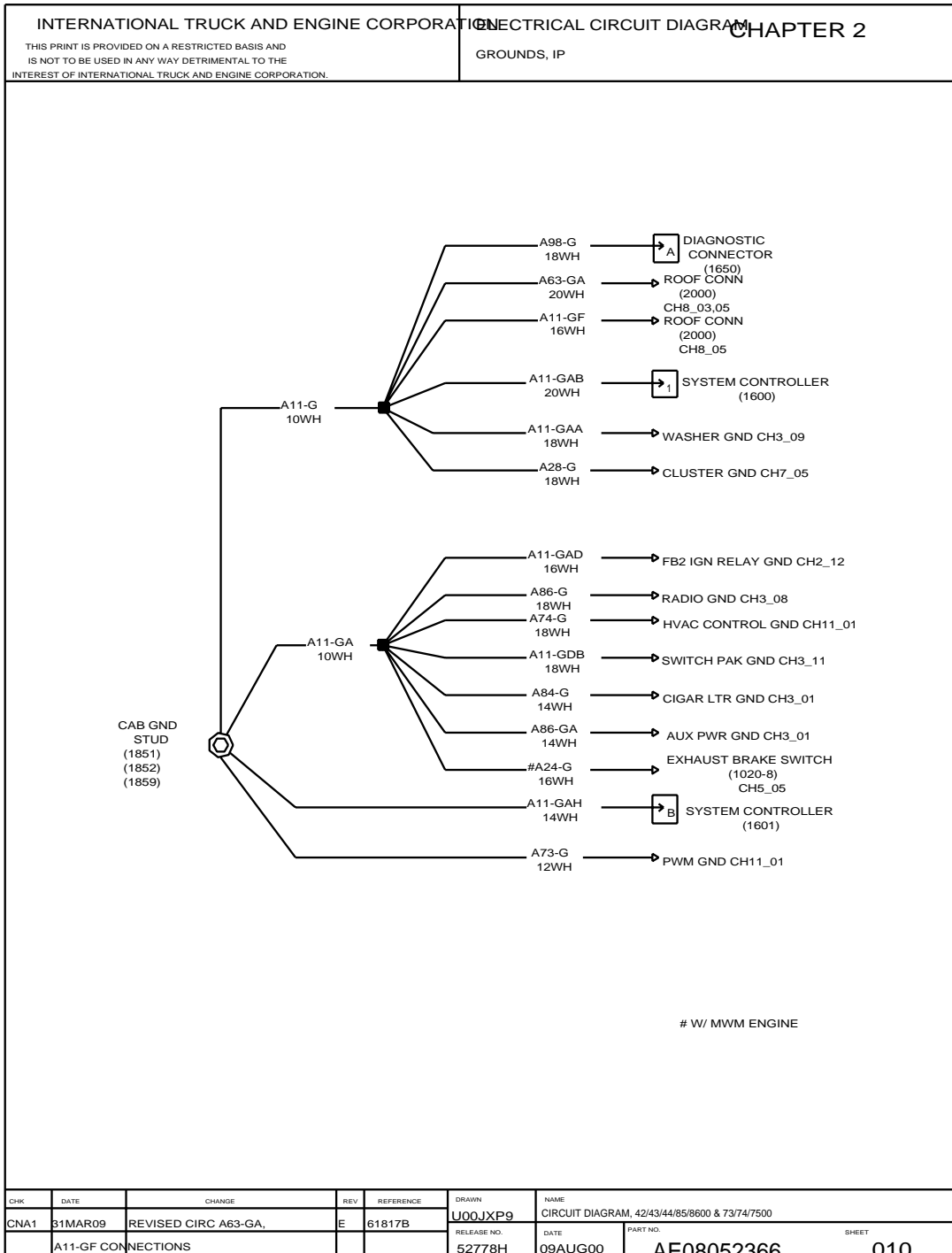


Figure 24 Grounds, IP

2.13. GROUNDS, IP, P. 11

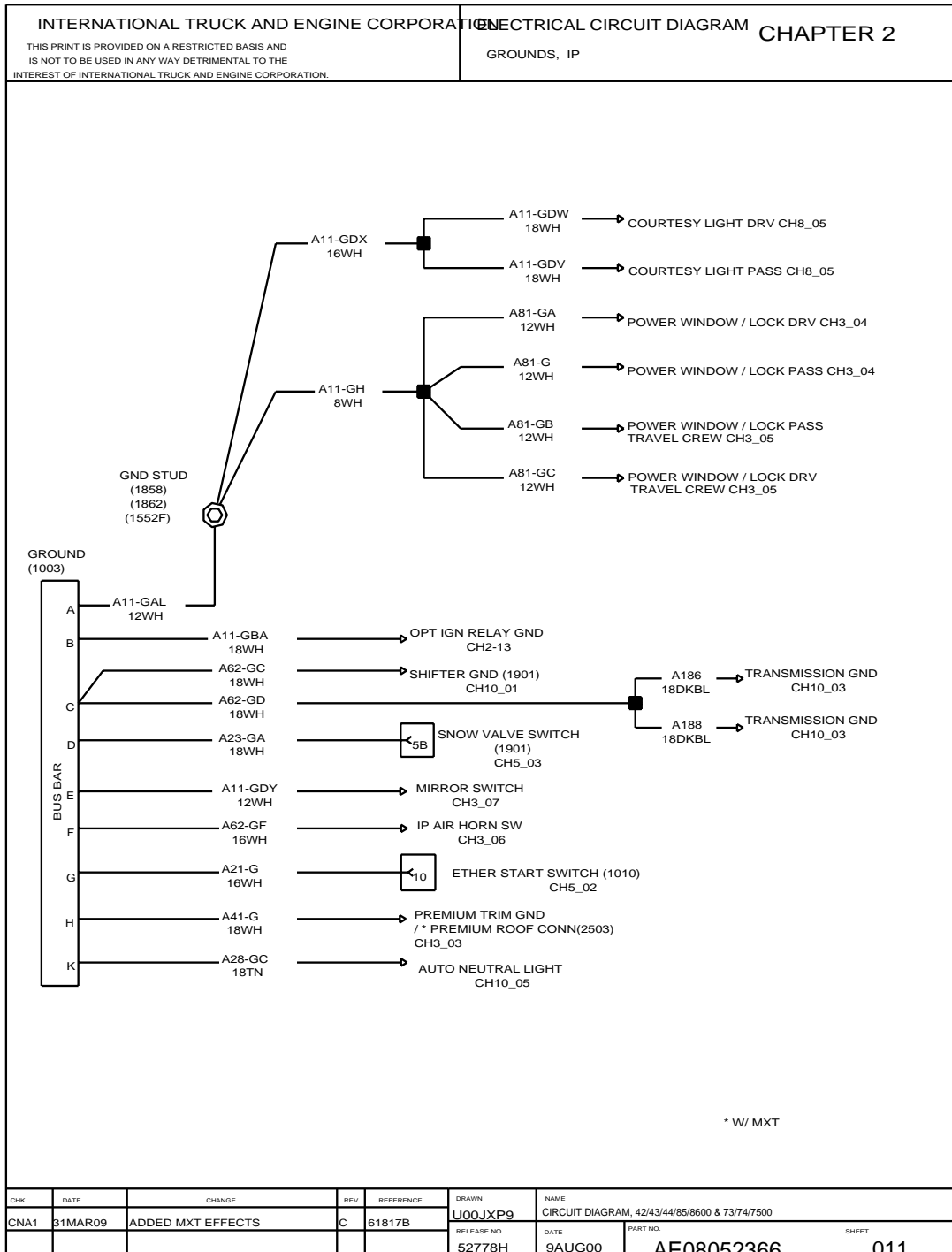


Figure 25 Grounds, IP

2.14. IGNITION CAB WITH THEFT DETERRENT, P. 12

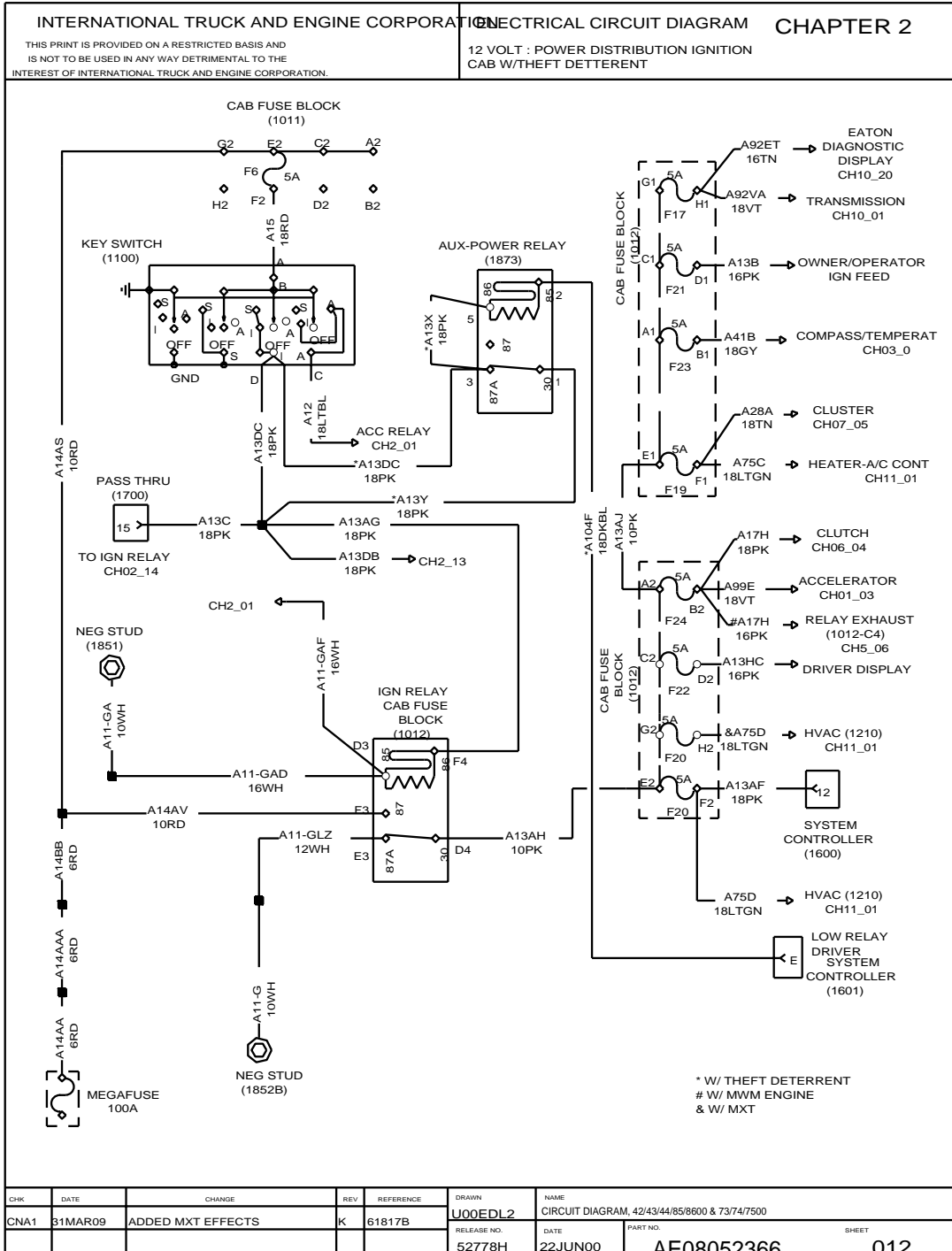


Figure 26 Ignition Cab with Theft Deterrent

2.15. IGNITION CAB, P. 13

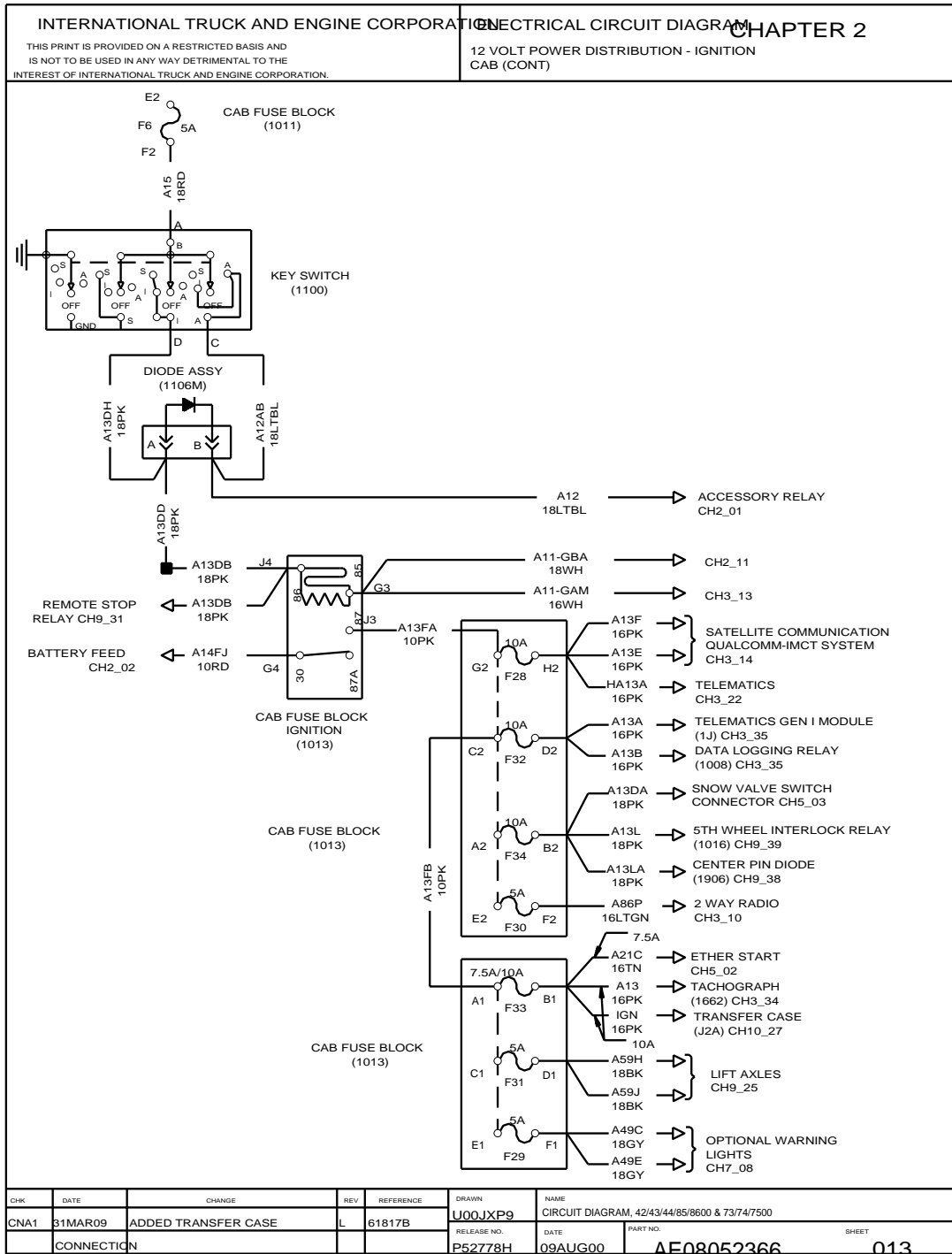


Figure 27 Ignition Cab (Cont.)

2.16. IGNITION FEEDS, CHASSIS, P. 14

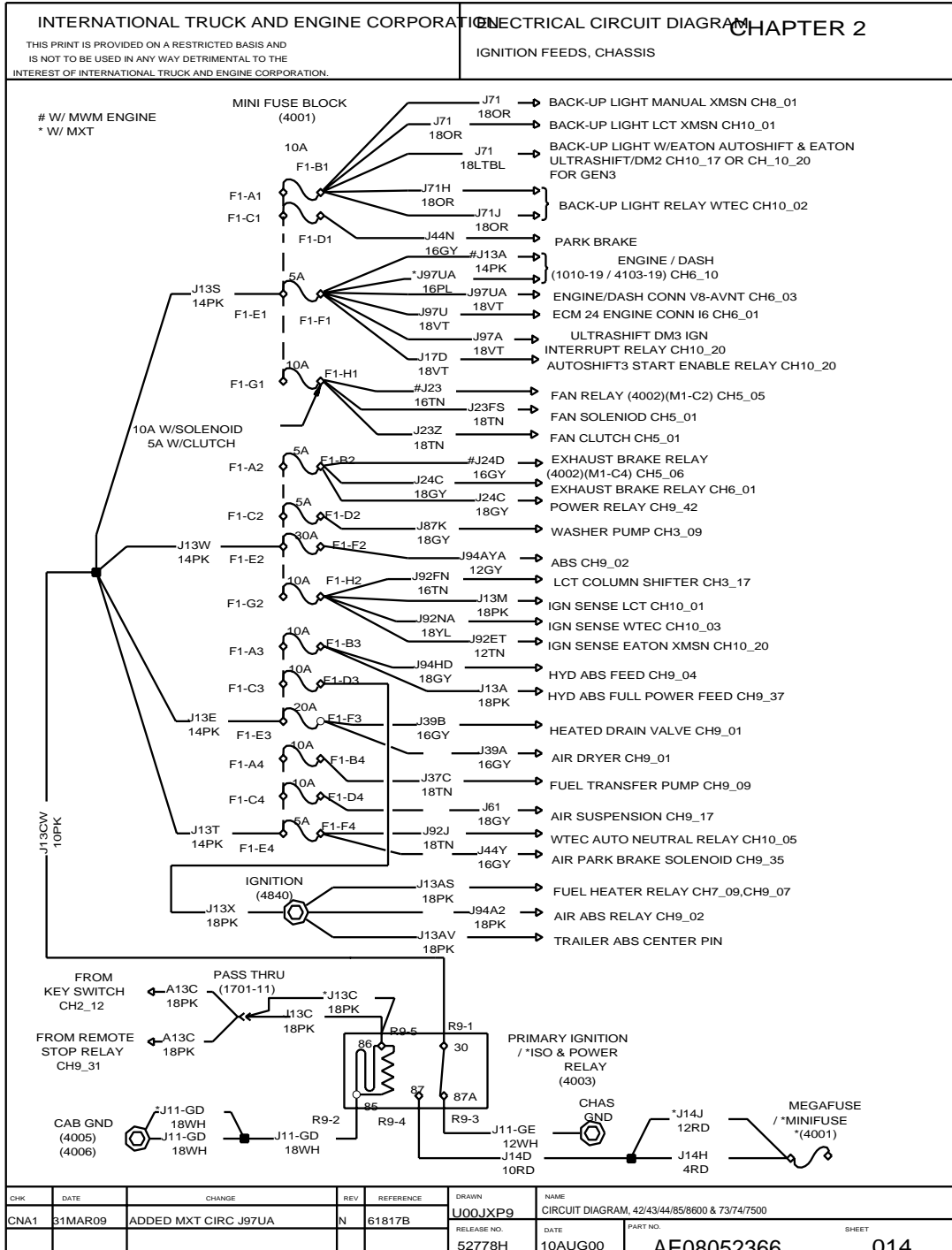


Figure 28 Ignition Feeds, Chassis

2.17. START, P. 15

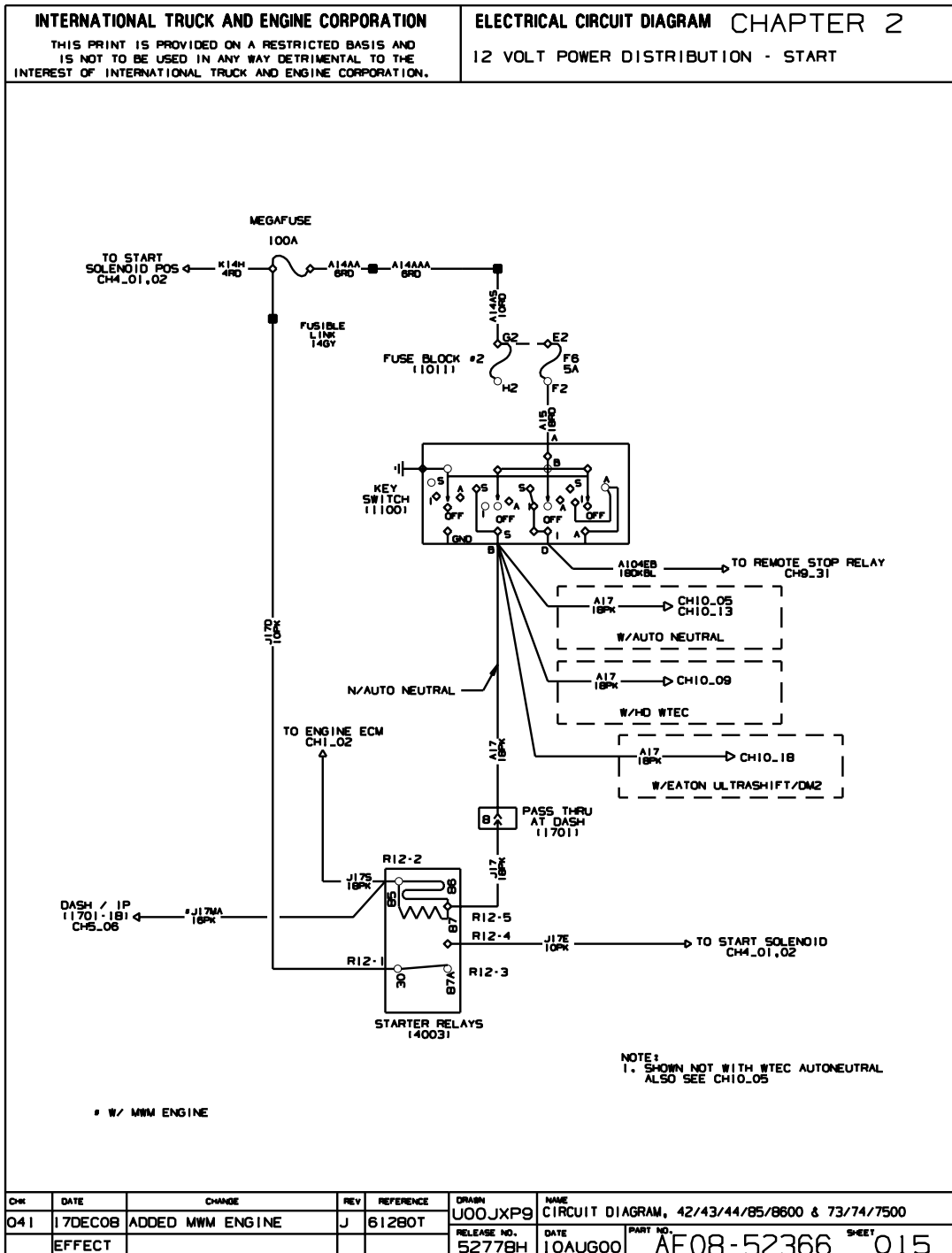


Figure 29 Start

3. CAB ACCESSORIES (CHAPTER 3)

3.1. CIGAR LIGHTER AND POWER FEEDS, P. 1

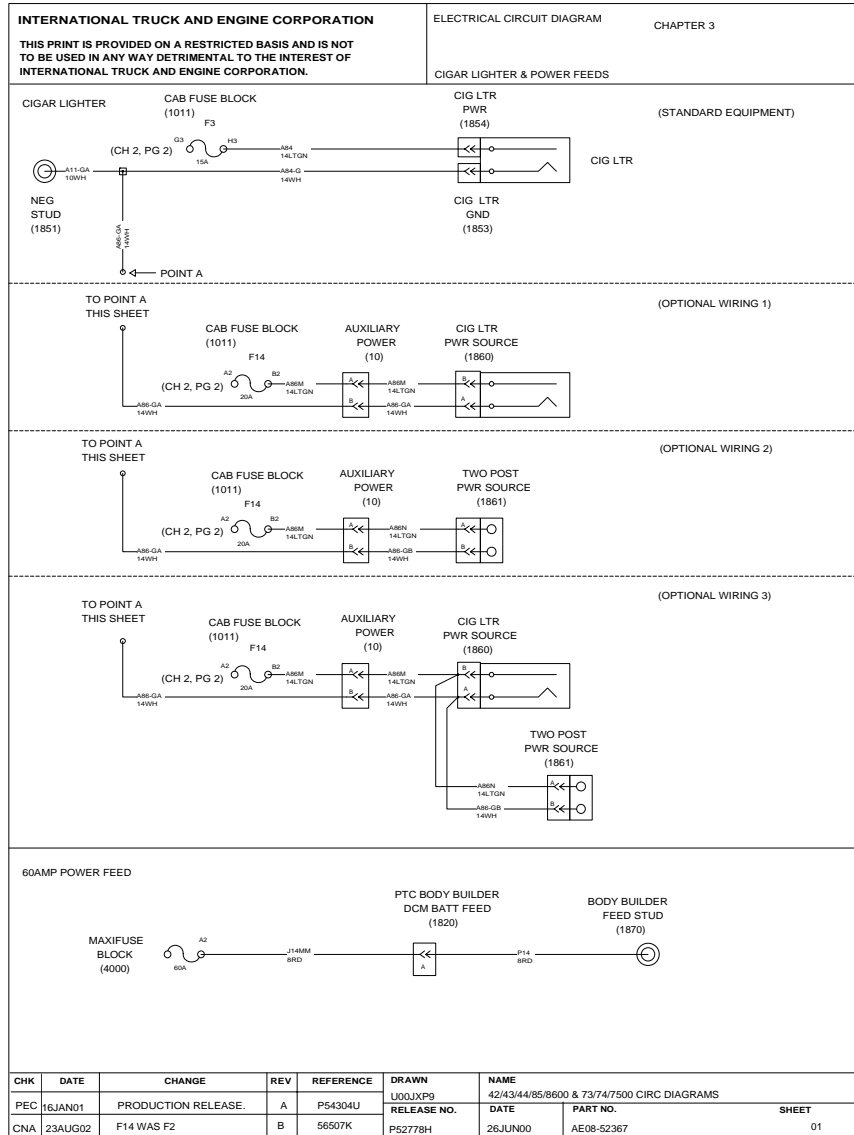


Figure 30 Cigar Lighter and Power Feeds

3.2. CB POWER, P. 2

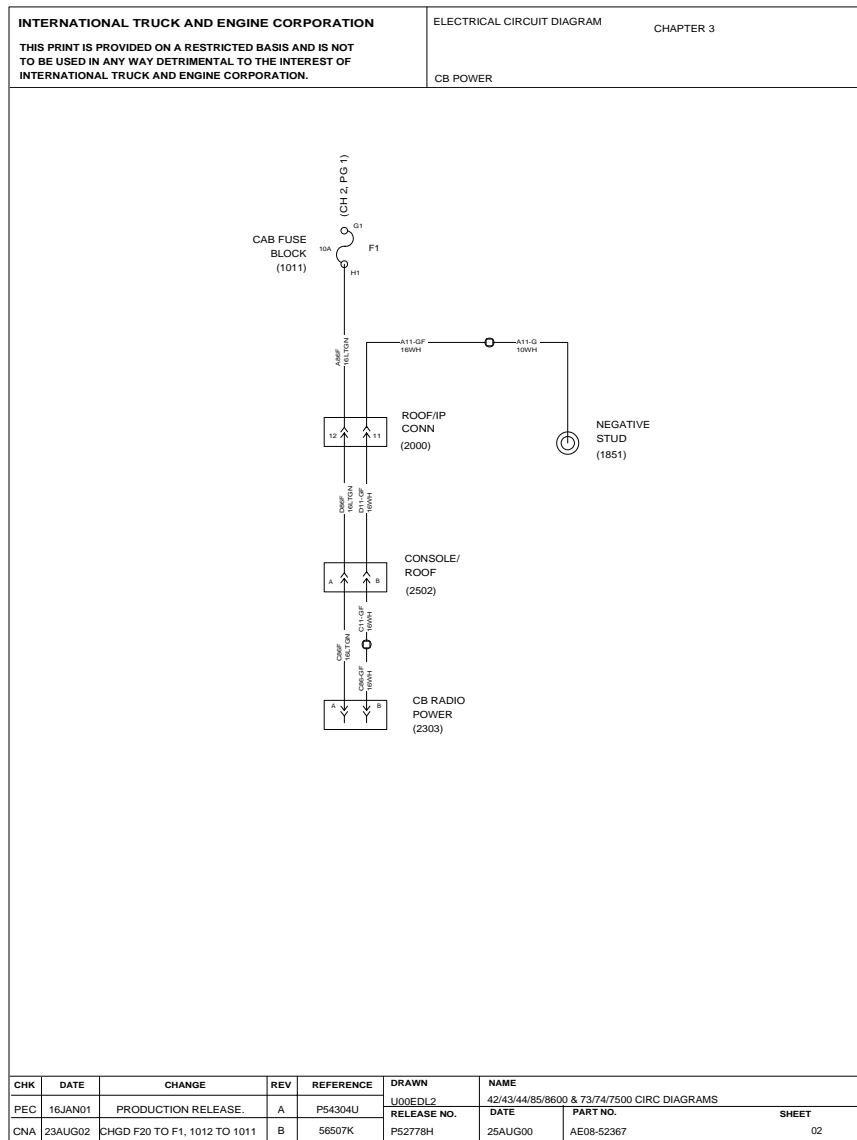


Figure 31 CB Power

3.3. COMPASS AND TEMPERATURE DISPLAY, P. 3

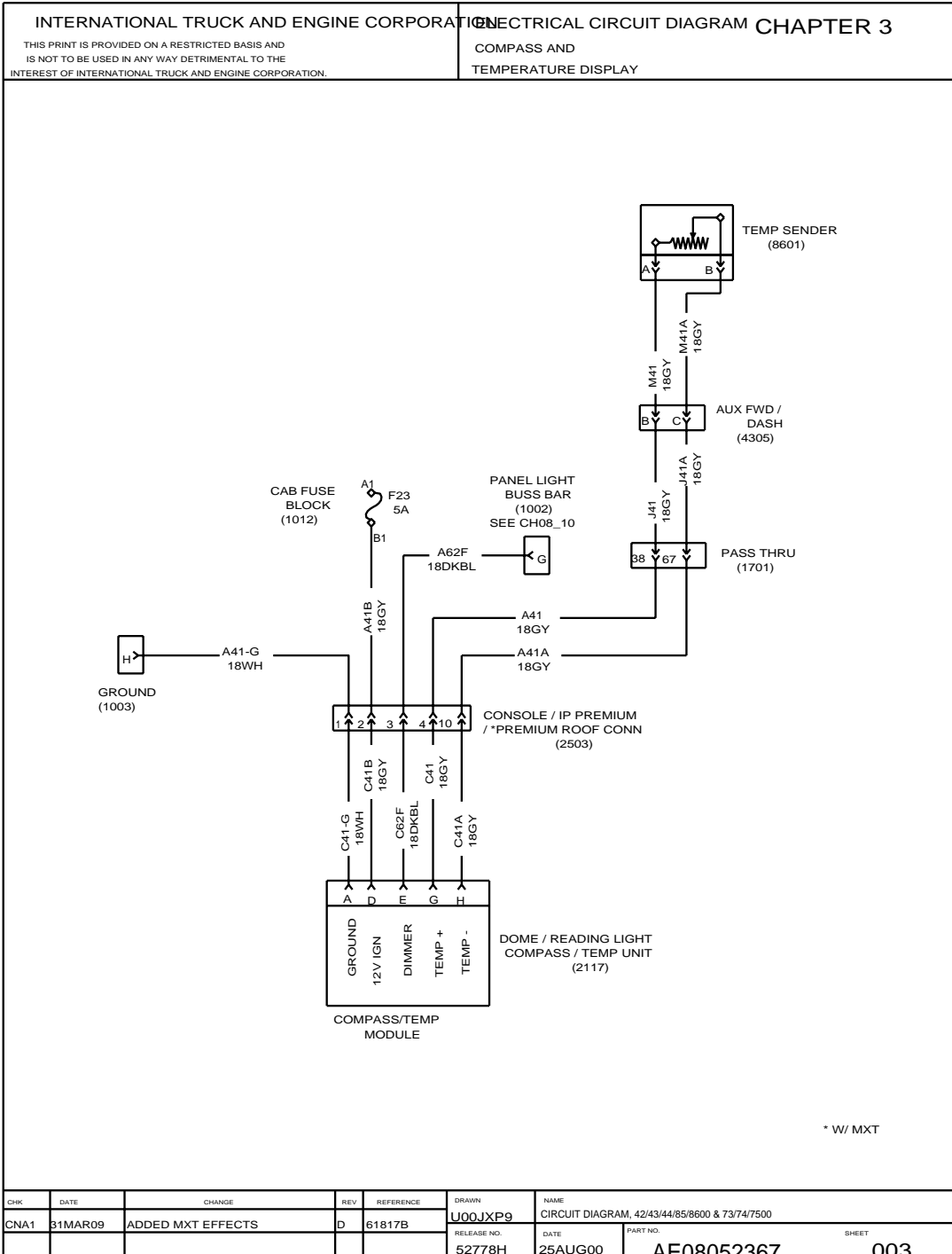


Figure 32 Compass and Temperature Display

3.4. FRONT DOORS WINDOWS AND LOCKS (POWER), P. 4

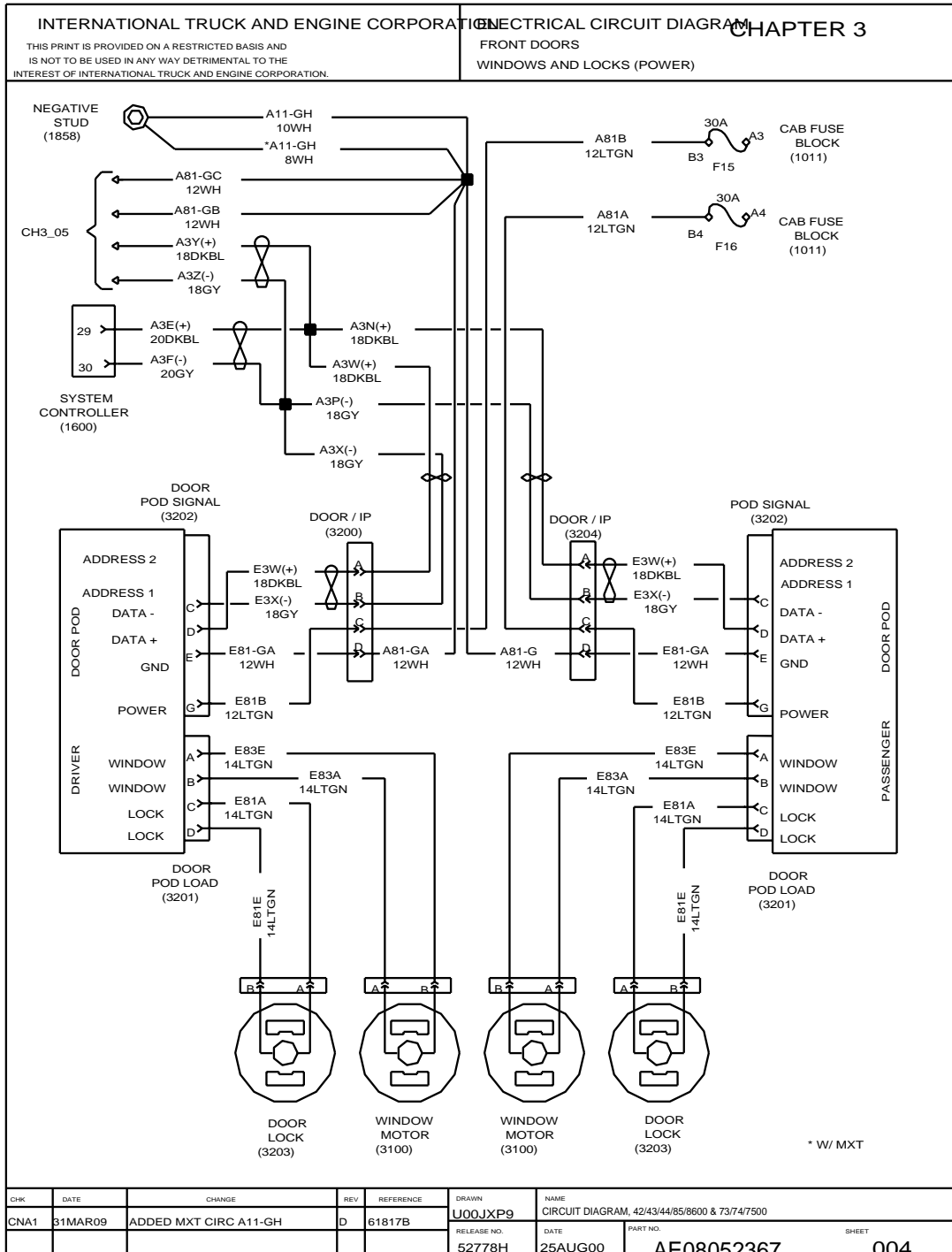


Figure 33 Front Doors Windows and Locks (Power)

3.5. CREW DOORS WINDOWS AND LOCKS (POWER), P. 5

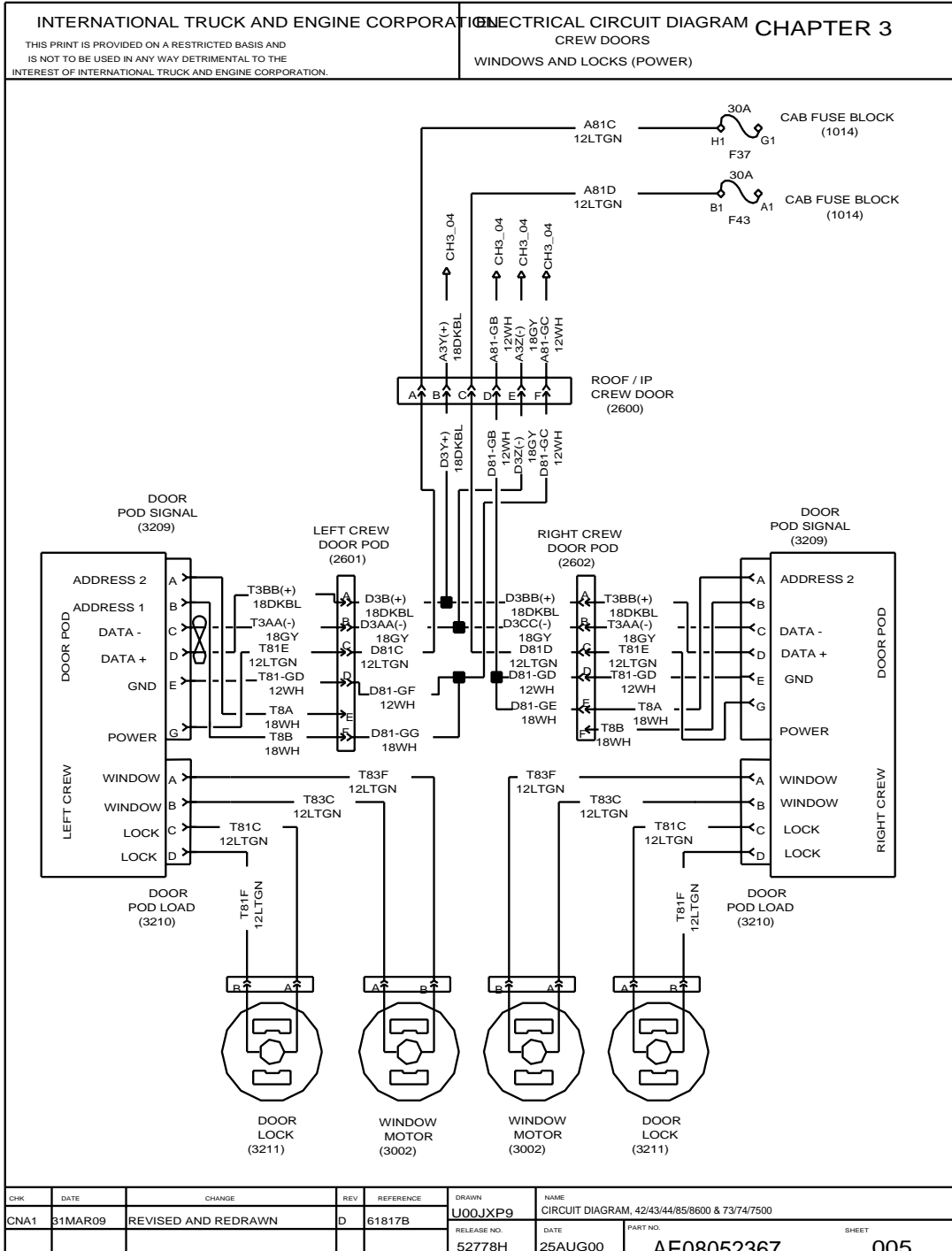


Figure 34 Crew Doors Windows and Locks (Power)

3.6. HORN, DUAL ELECTRIC, P. 6

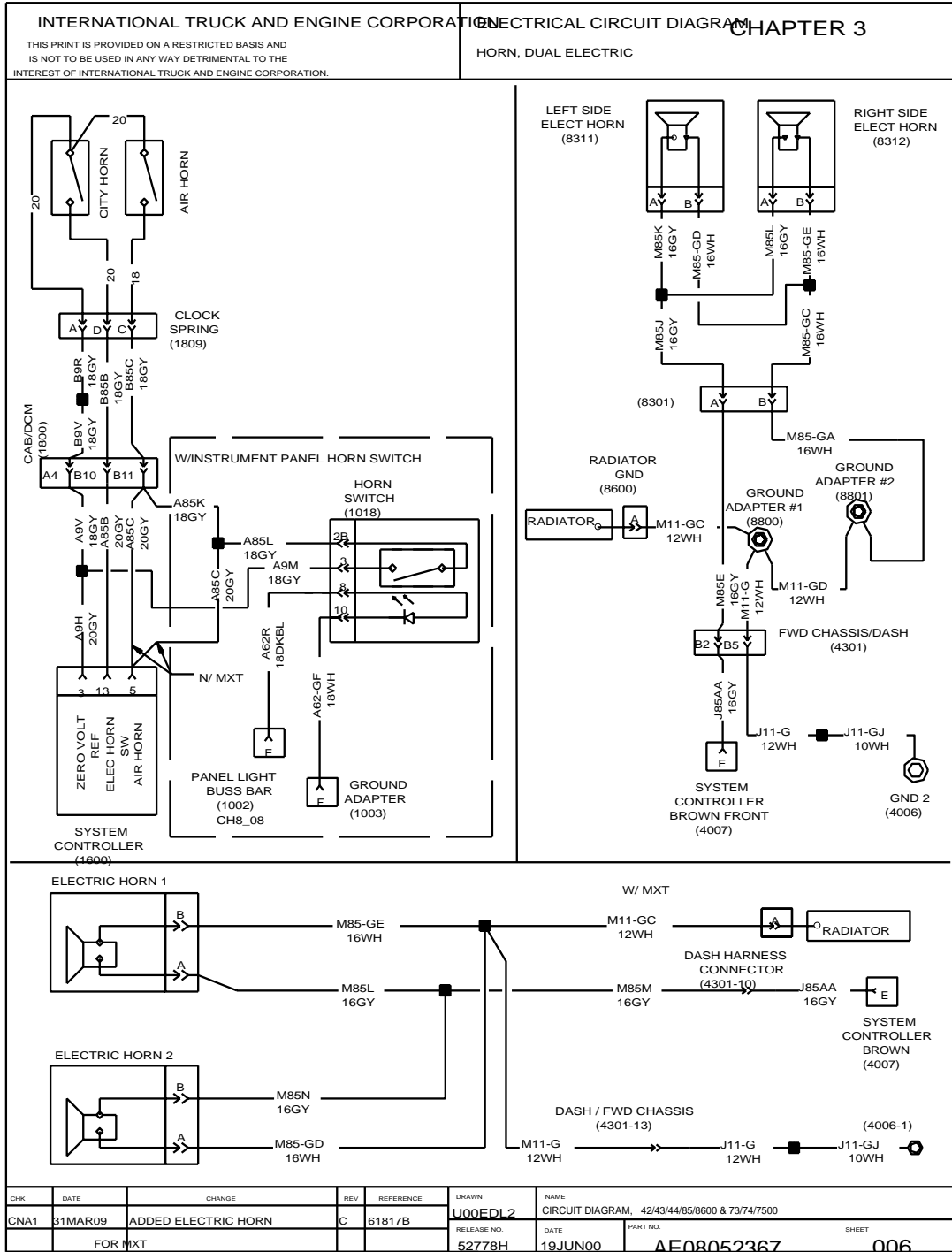


Figure 35 Horn, Dual Electric

3.7. MIRRORS (HEATED, LIGHTED AND POWER), P. 7

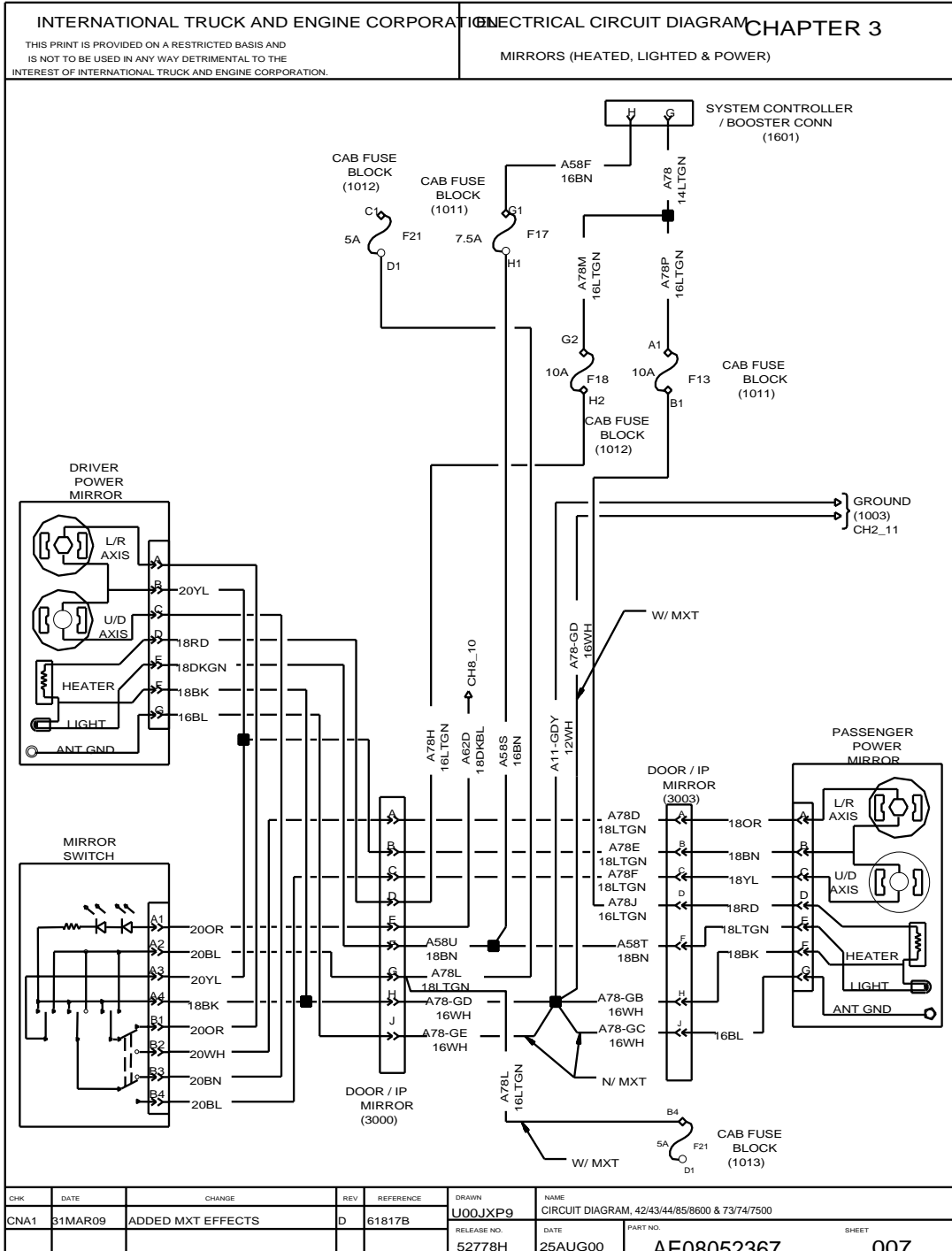


Figure 36 Mirrors (Heated, Lighted and Power)

3.8. RADIO (ENTERTAINMENT), SPEAKERS, P. 8

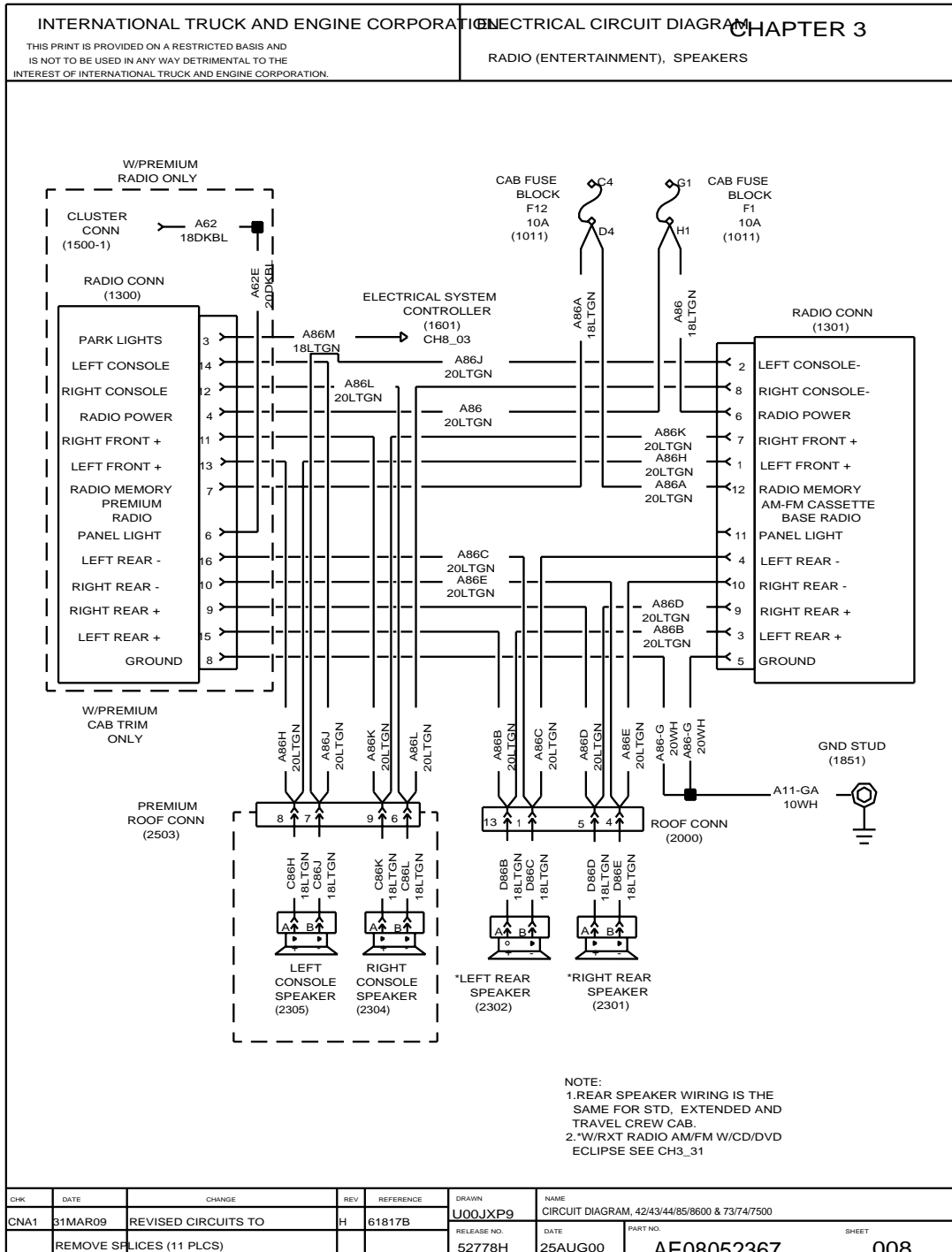


Figure 37 Radio (Entertainment), Speakers

3.9. WINDSHIELD WIPER AND WASHER PUMP, P. 9

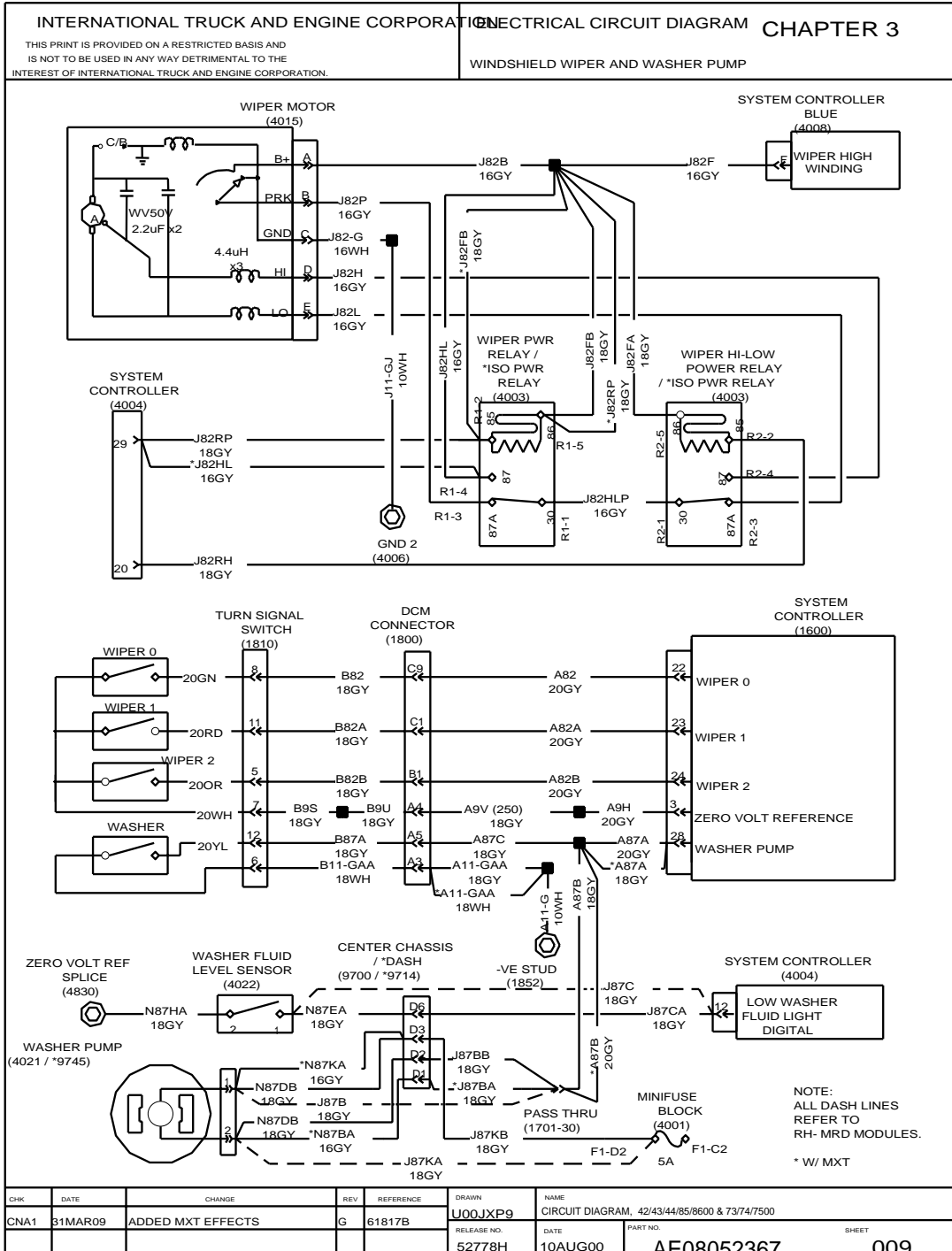


Figure 38 Windshield Wiper and Washer Pump

3.10. 2-WAY RADIO, P. 10

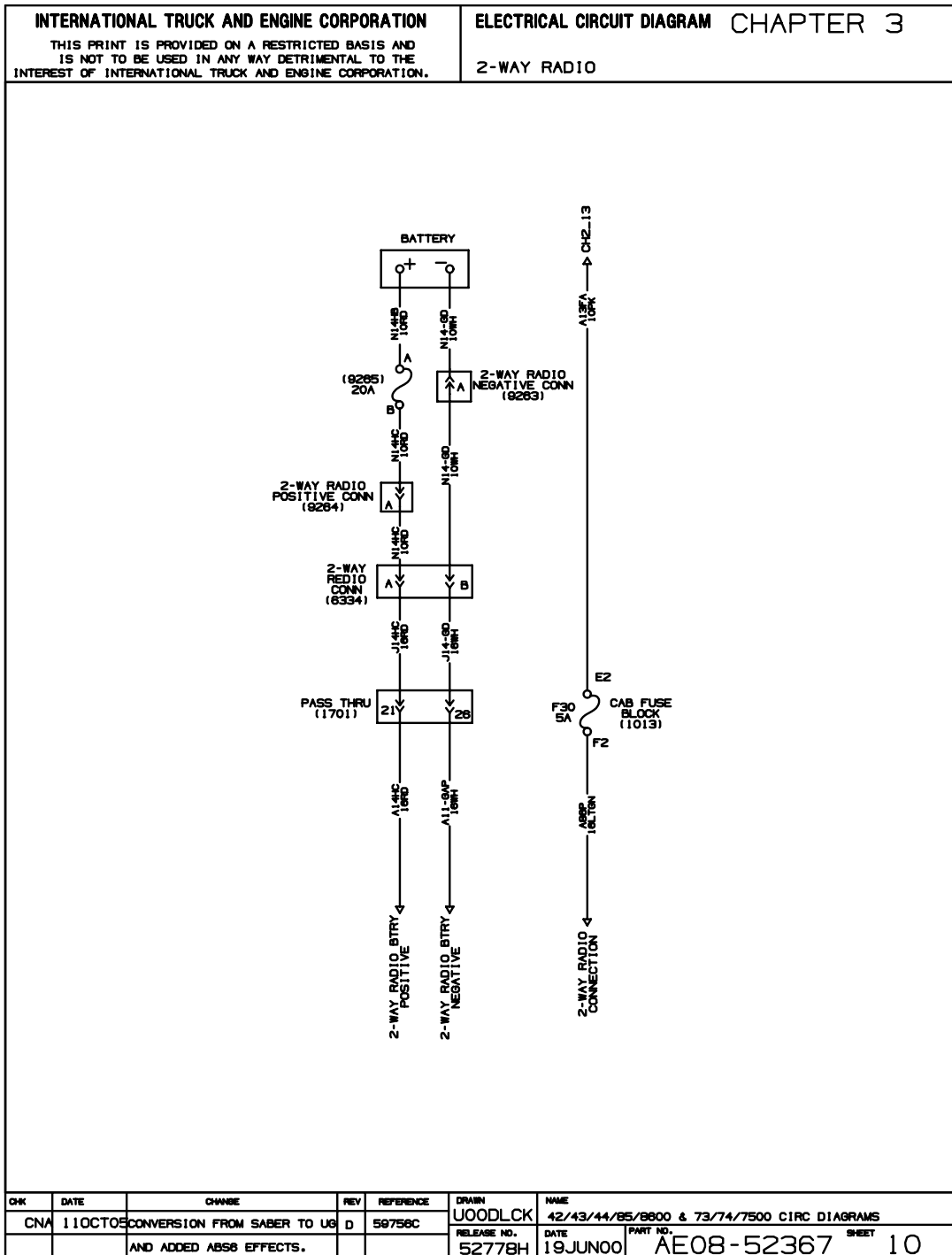


Figure 39 2-Way Radio

3.11. SWITCH PACK, OPTIONAL GAUGE PACK, P. 11

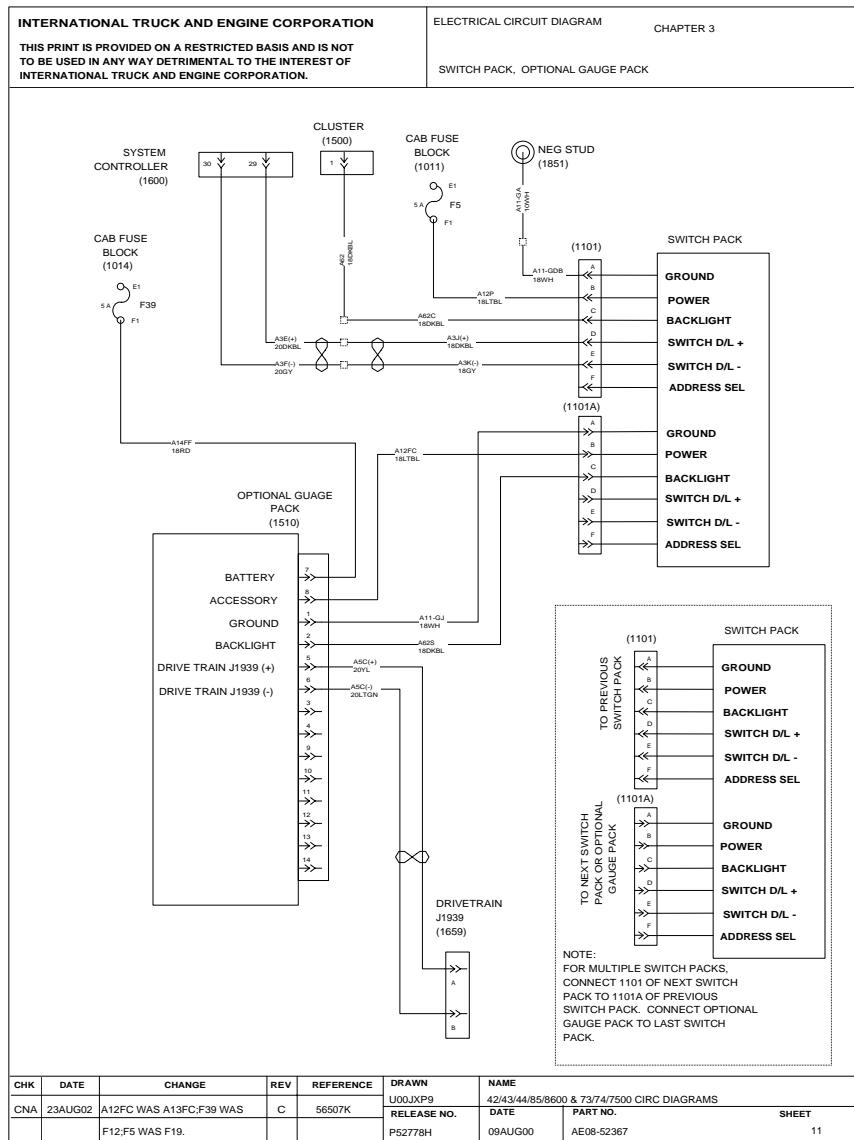


Figure 40 Switch Pack, Optional Gauge Pack

3.12. LIGHTED AIR SHIELD, P. 12

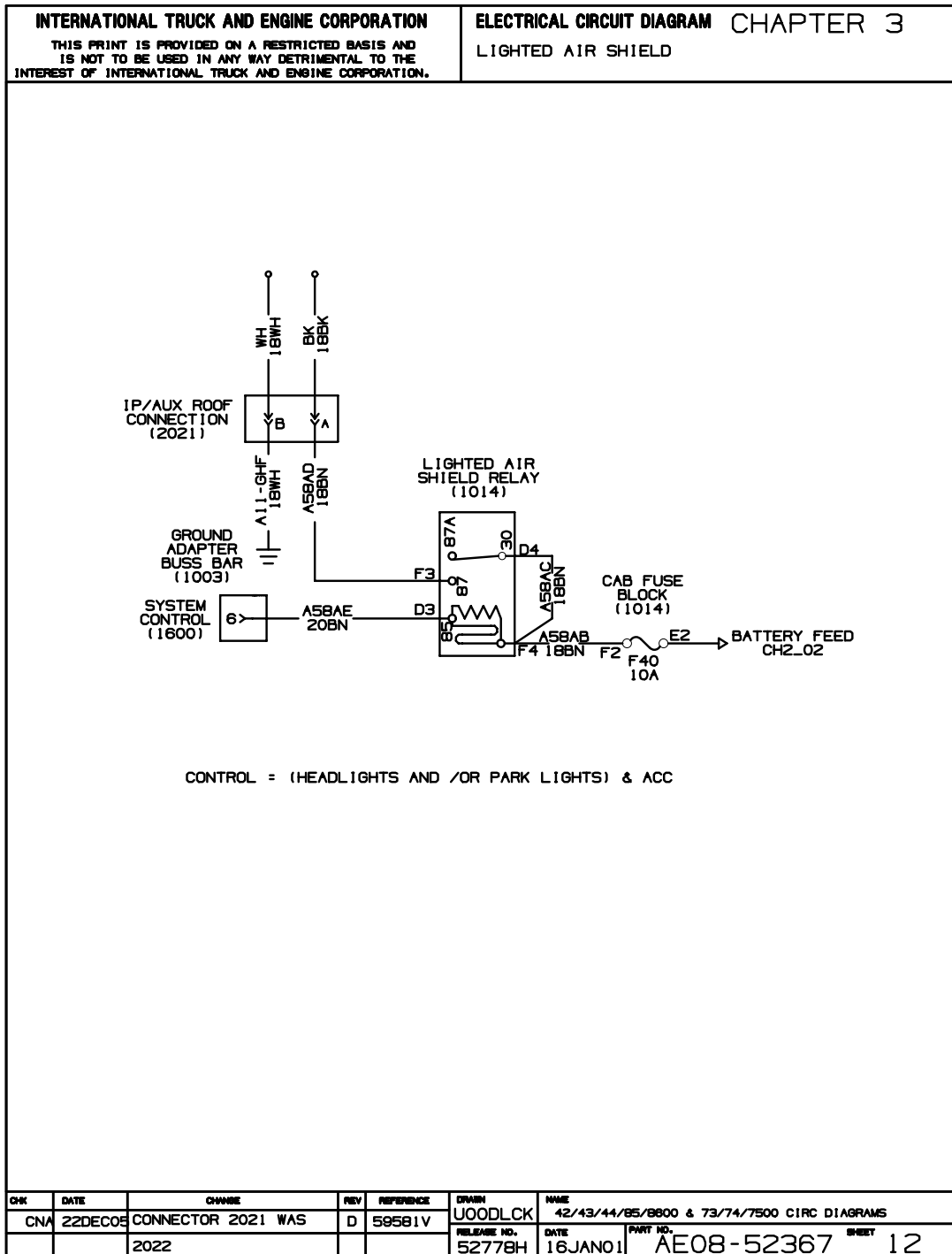


Figure 41 Lighted Air Shield

3.13. ROOF AUX. LOAD, P. 13

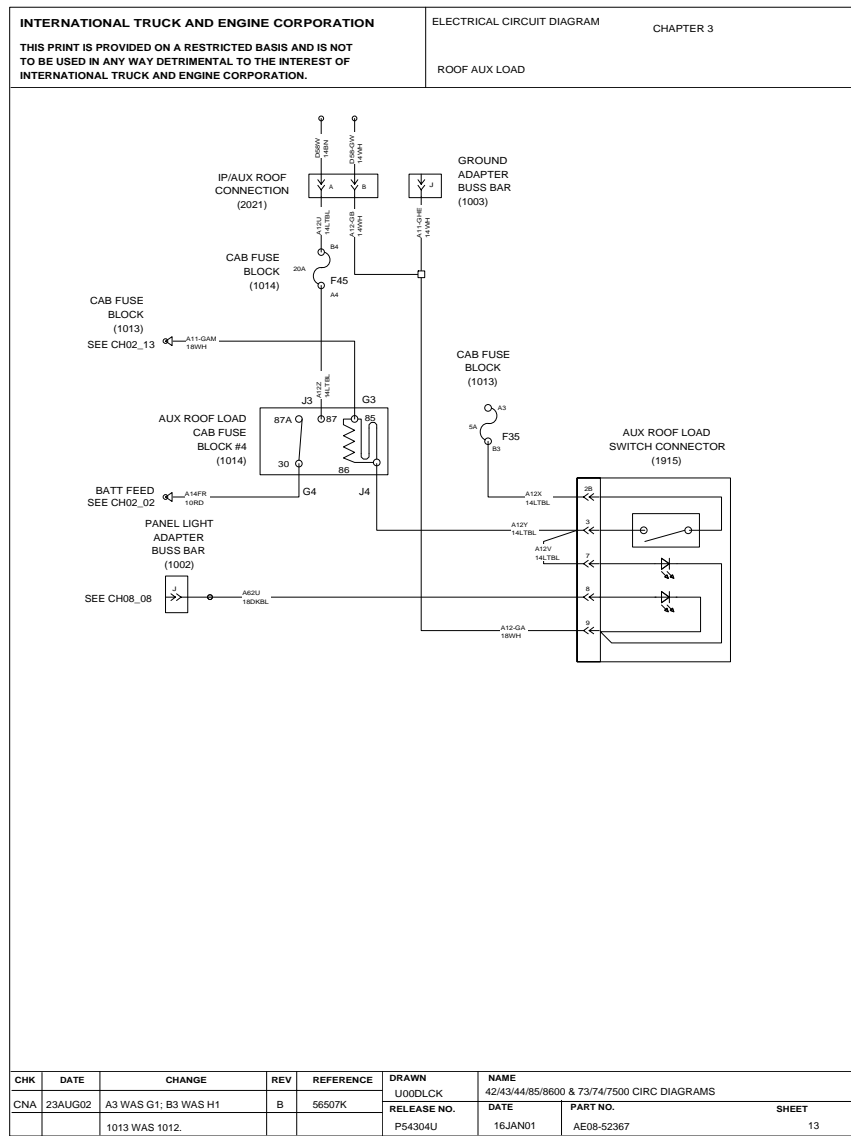


Figure 42 Roof Aux. Load

3.14. SATELLITE COMMUNICATION QUALCOMM-MCT AND IMCT SYSTEMS, P. 14

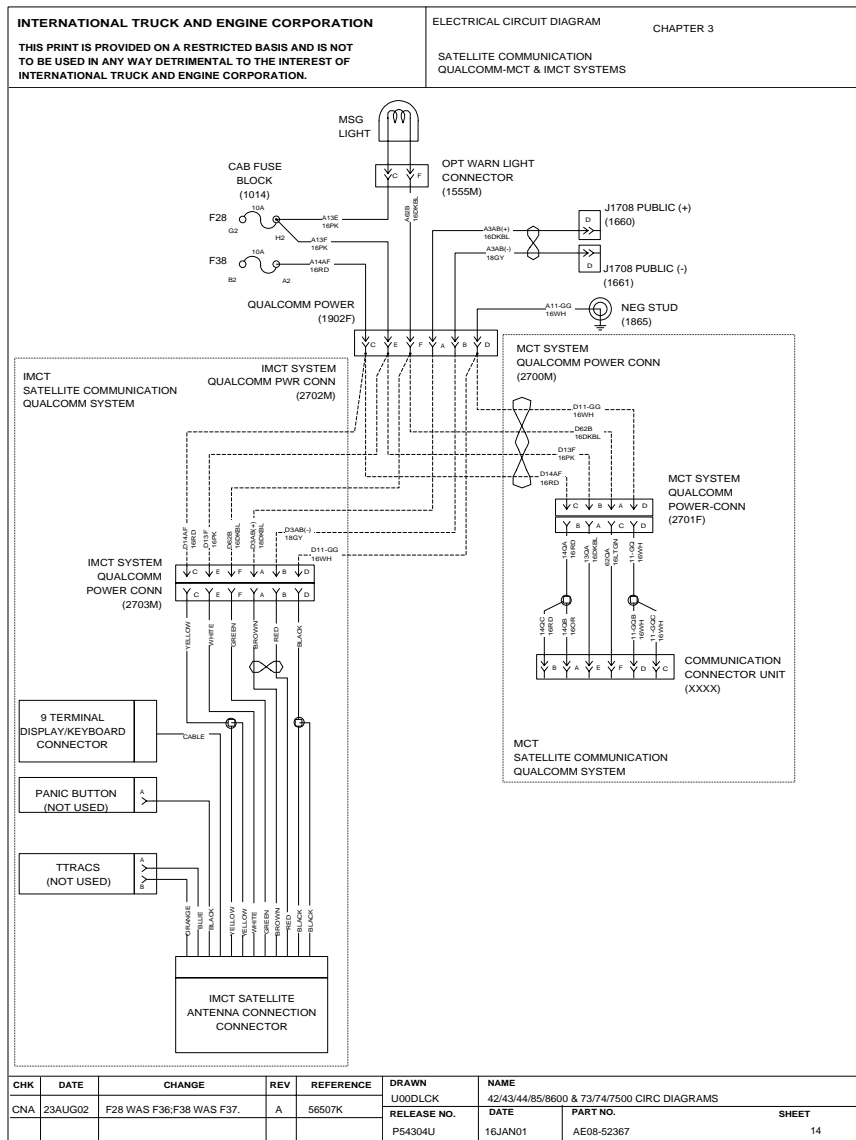


Figure 43 Satellite Communication Qualcomm-MCT and IMCT Systems

3.15. SELF CONTAINED AIR SEAT, P. 15

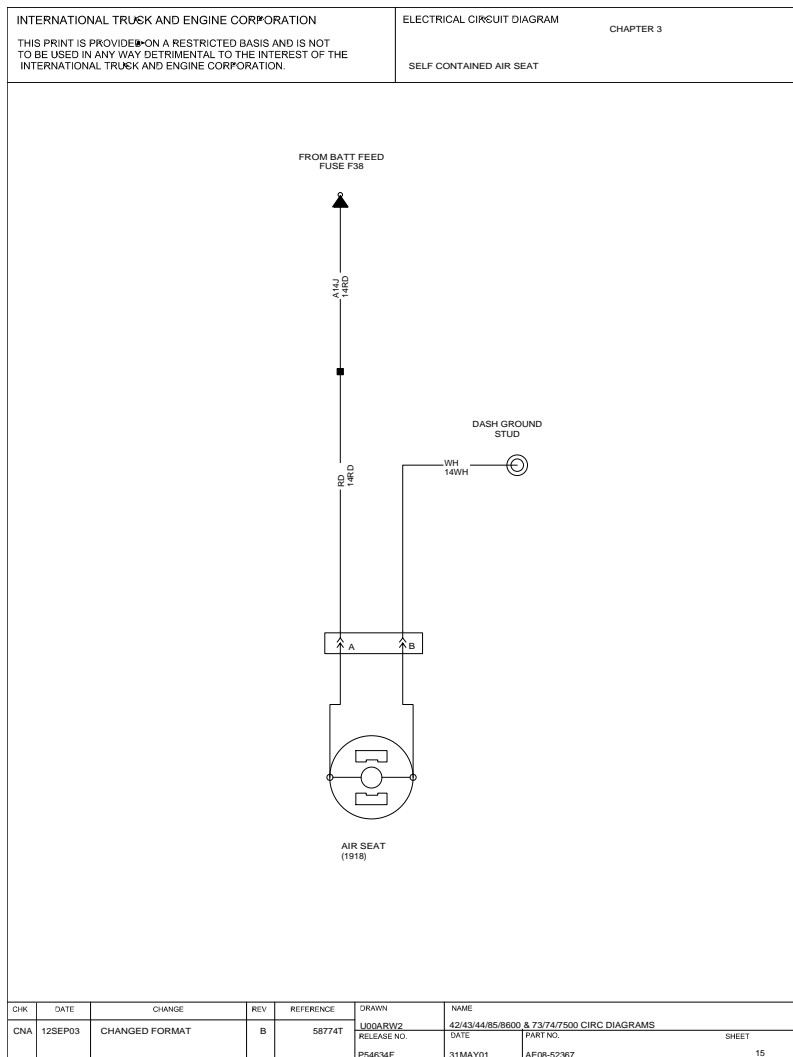


Figure 44 Self Contained Air Seat

3.16. DIGITAL CLOCK PTC, P. 16

INTERNATIONAL TRUCK AND ENGINE CORPORATION THIS PRINT IS PROVIDED ON A RESTRICTED BASIS AND IS NOT TO BE USED IN ANY WAY DETRIMENTAL TO THE INTEREST OF THE INTERNATIONAL TRUCK AND ENGINE CORPORATION.					ELECTRICAL CIRCUIT DIAGRAM CHAPTER 3 DIGITAL CLOCK PTC		
<h1 style="margin: 0;">GEOMETRY WAS REMOVED</h1>							
<small>CHK</small>	<small>DATE</small>	<small>CHANGE</small>	<small>REV</small>	<small>REFERENCE</small>	<small>DRAWN</small>	<small>NAME</small>	
CNA	12SEP03	CHANGED FORMAT	B	58774T	LD00DLCK	42/43/44/85/8600 & 73/74/7500 CIRC DIAGRAMS	
					<small>RELEASE NO.</small>	<small>DATE</small>	<small>PART NO.</small>
					P54634F	05MAY01	AE08-52387
							<small>SHEET</small> 16

Figure 45 Digital Clock PTC

3.17. TRANSMISSION ALLISON LCT COLUMN SHIFTER, P. 17

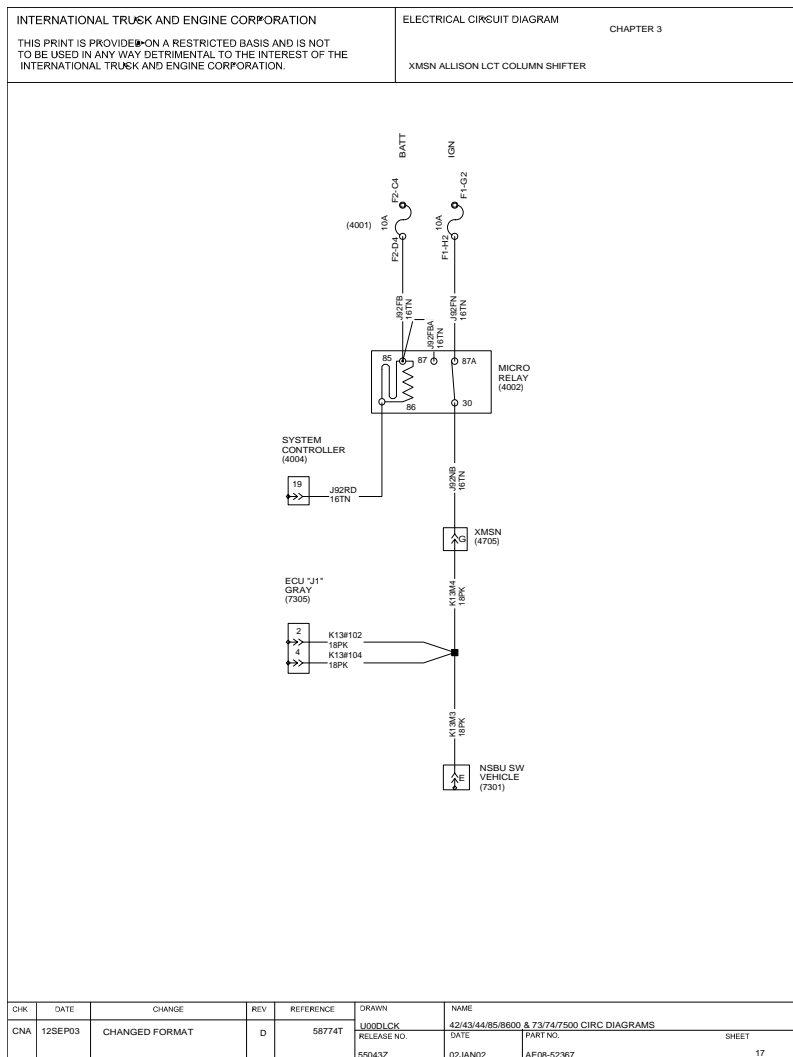


Figure 46 Transmission Allison LCT Column Shifter

3.18. HEATED SEATS FOR 7700 MODELS ONLY, P. 18

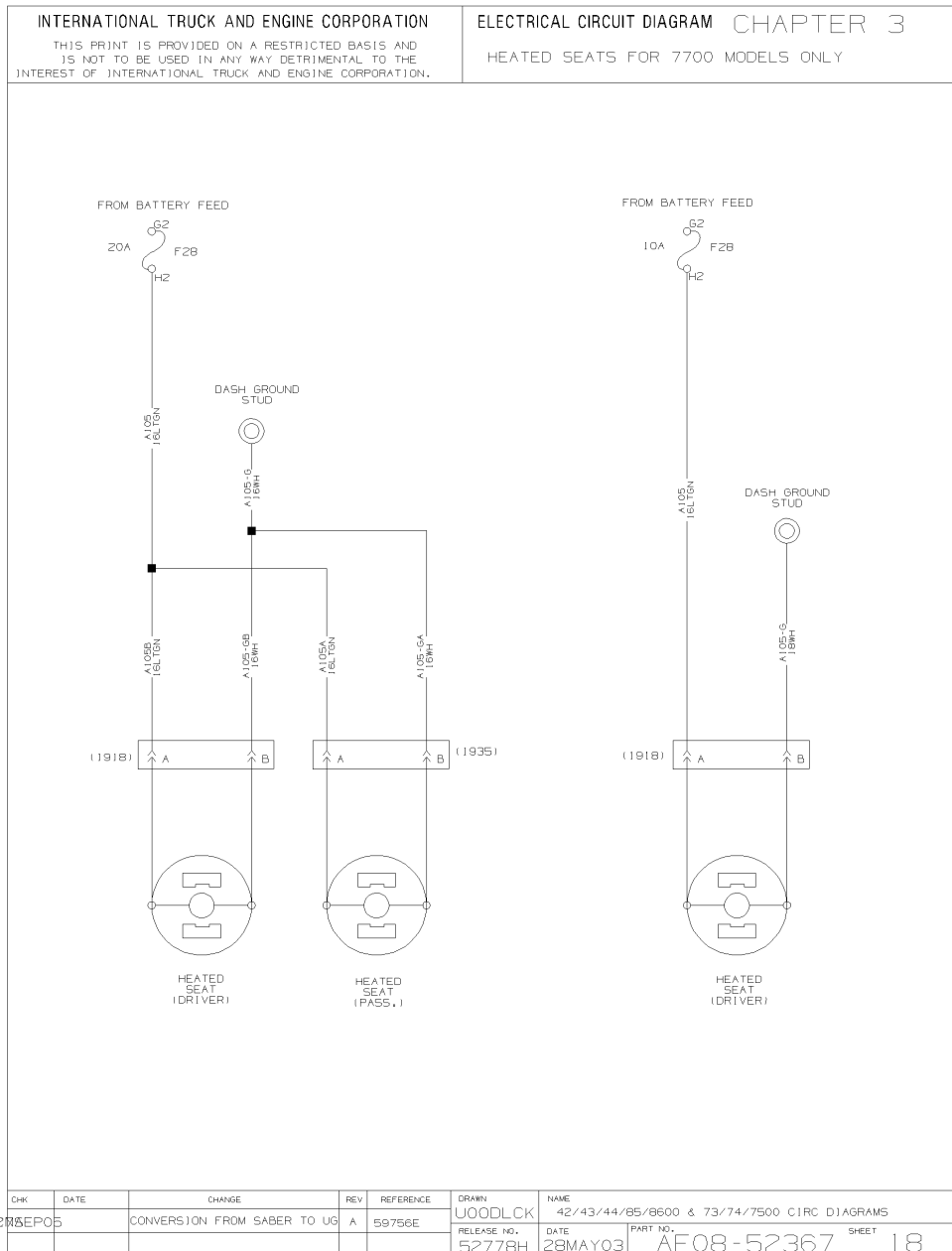


Figure 47 Heated Seats for 7700 Models Only

3.19. BACKUP CAMERA, P. 19

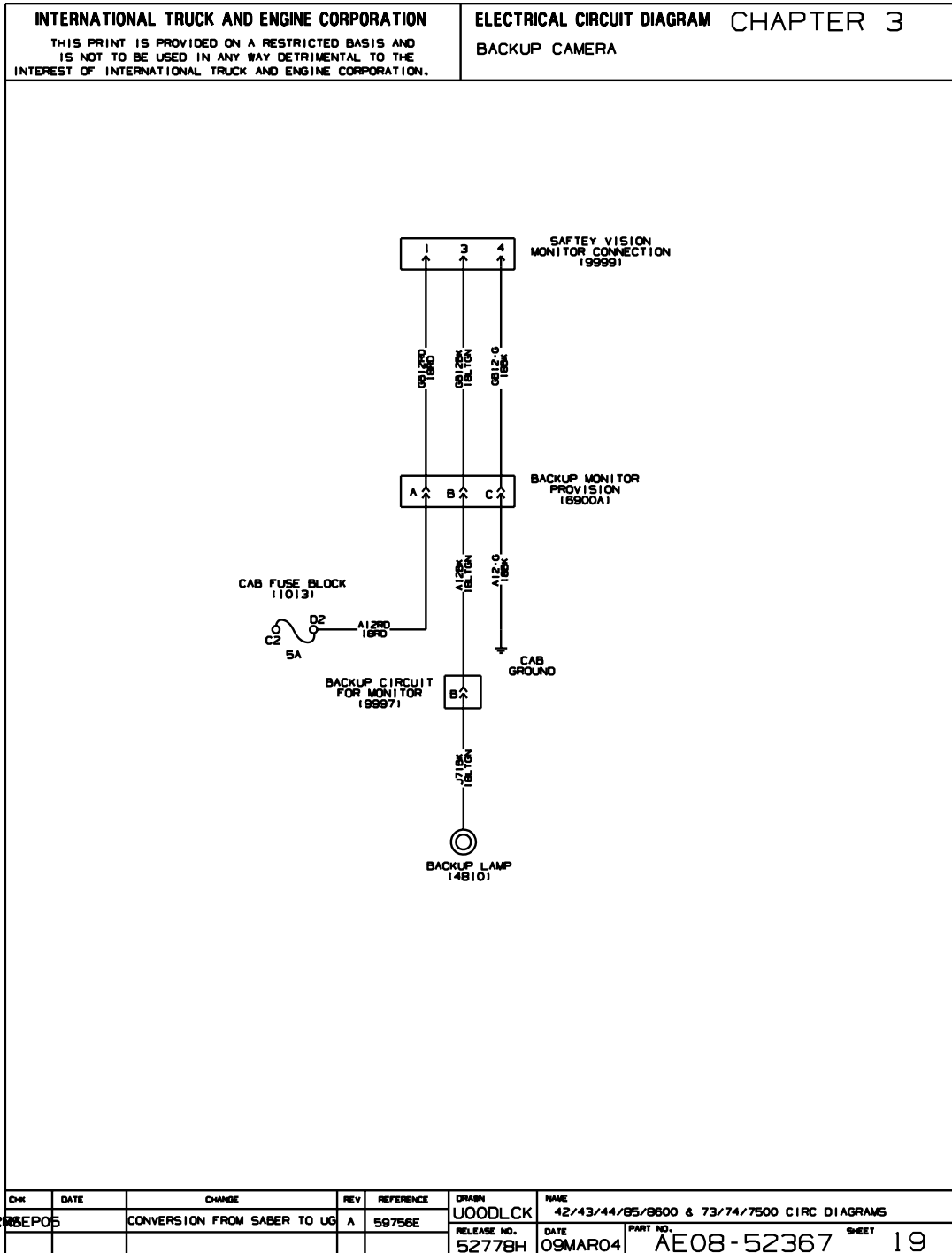


Figure 48 Backup Camera

3.20. XATA COMPUTER, P. 20

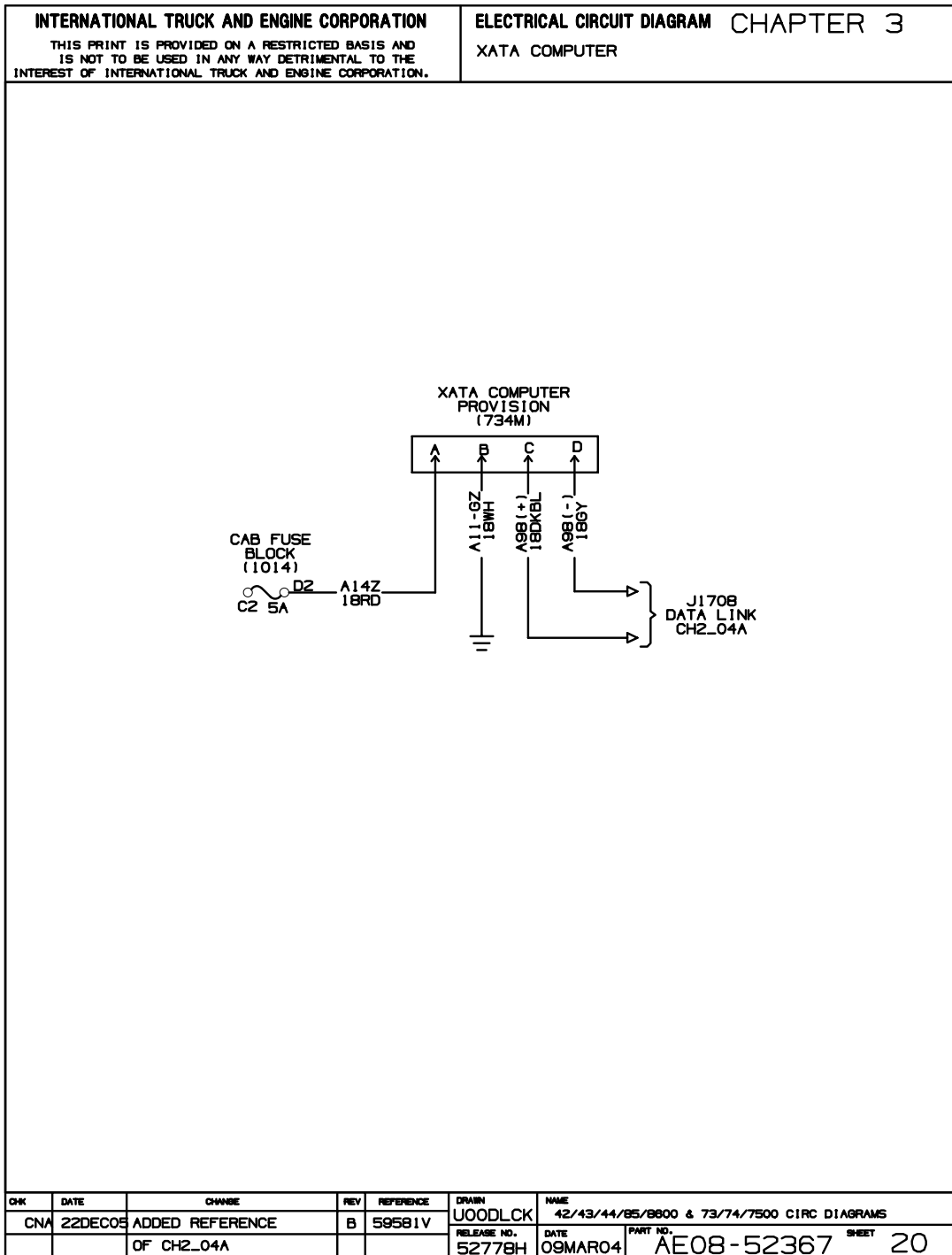


Figure 49 XATA Computer

3.21. KEYLESS IGNITION SYSTEM, P. 21

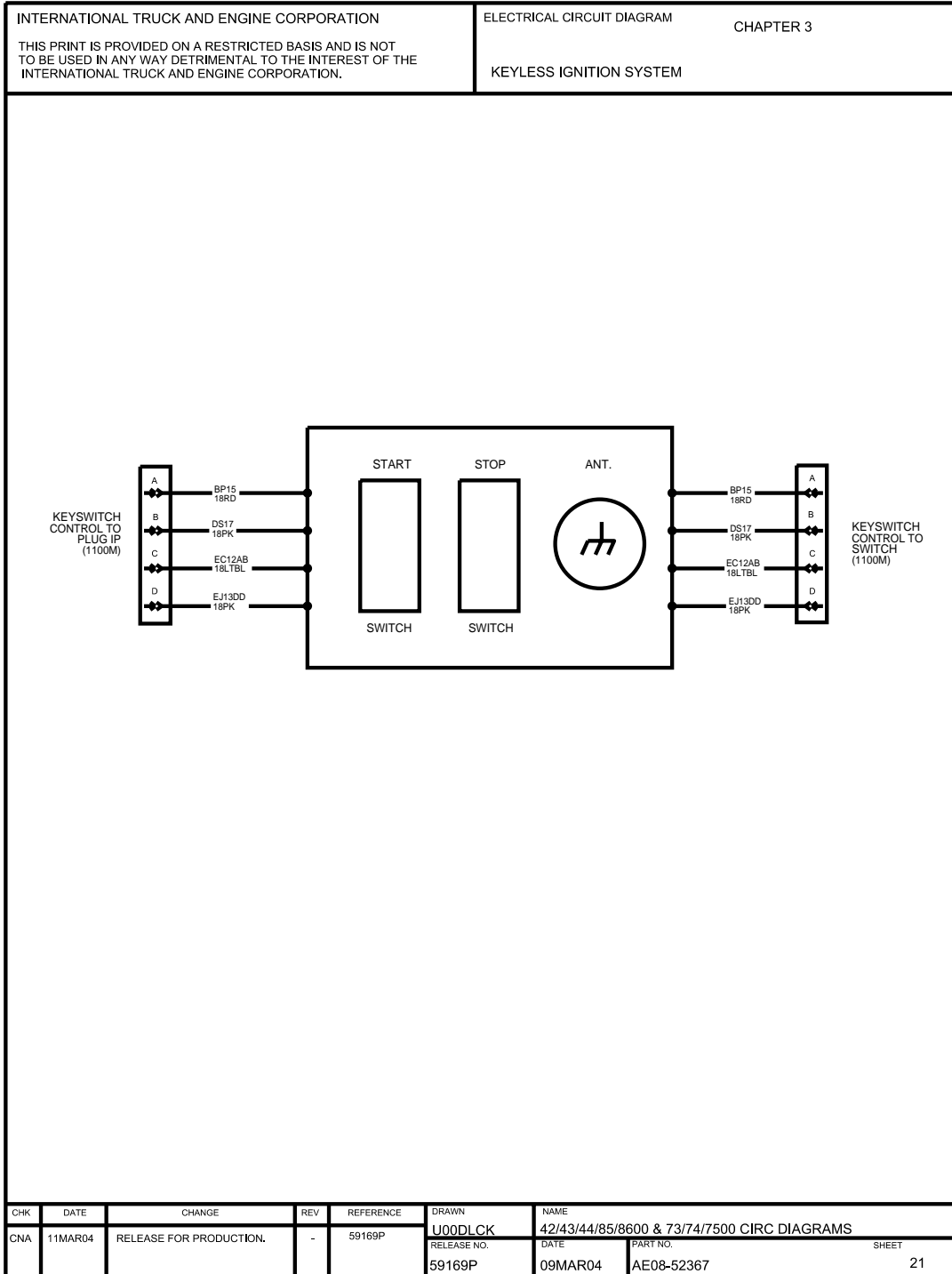


Figure 50 Keyless Ignition System

3.22. TELEMATICS SYSTEM, P. 22

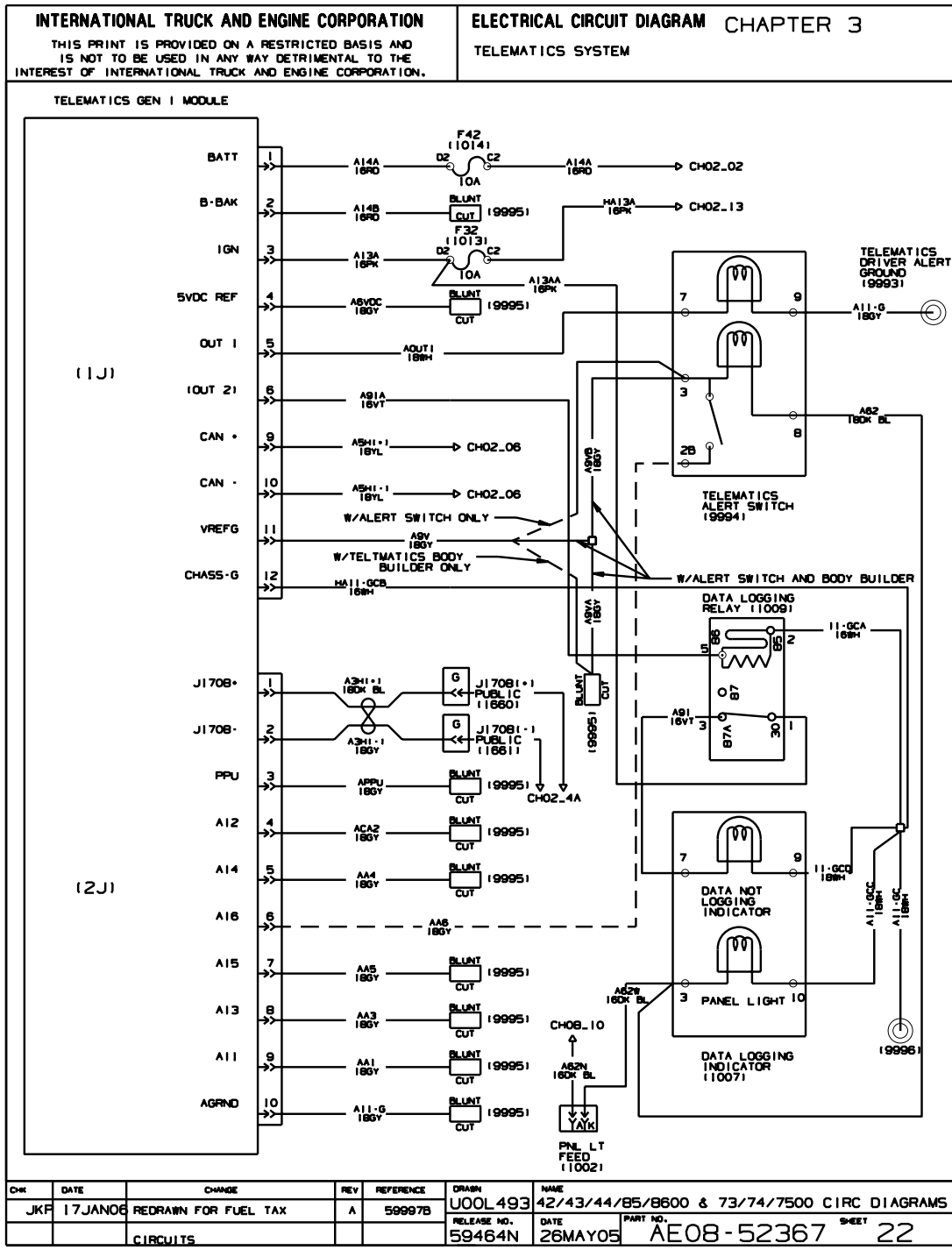


Figure 51 Telematics System

3.23. EATON VORAD COLLISION AVOIDANCE SYSTEM, P. 23

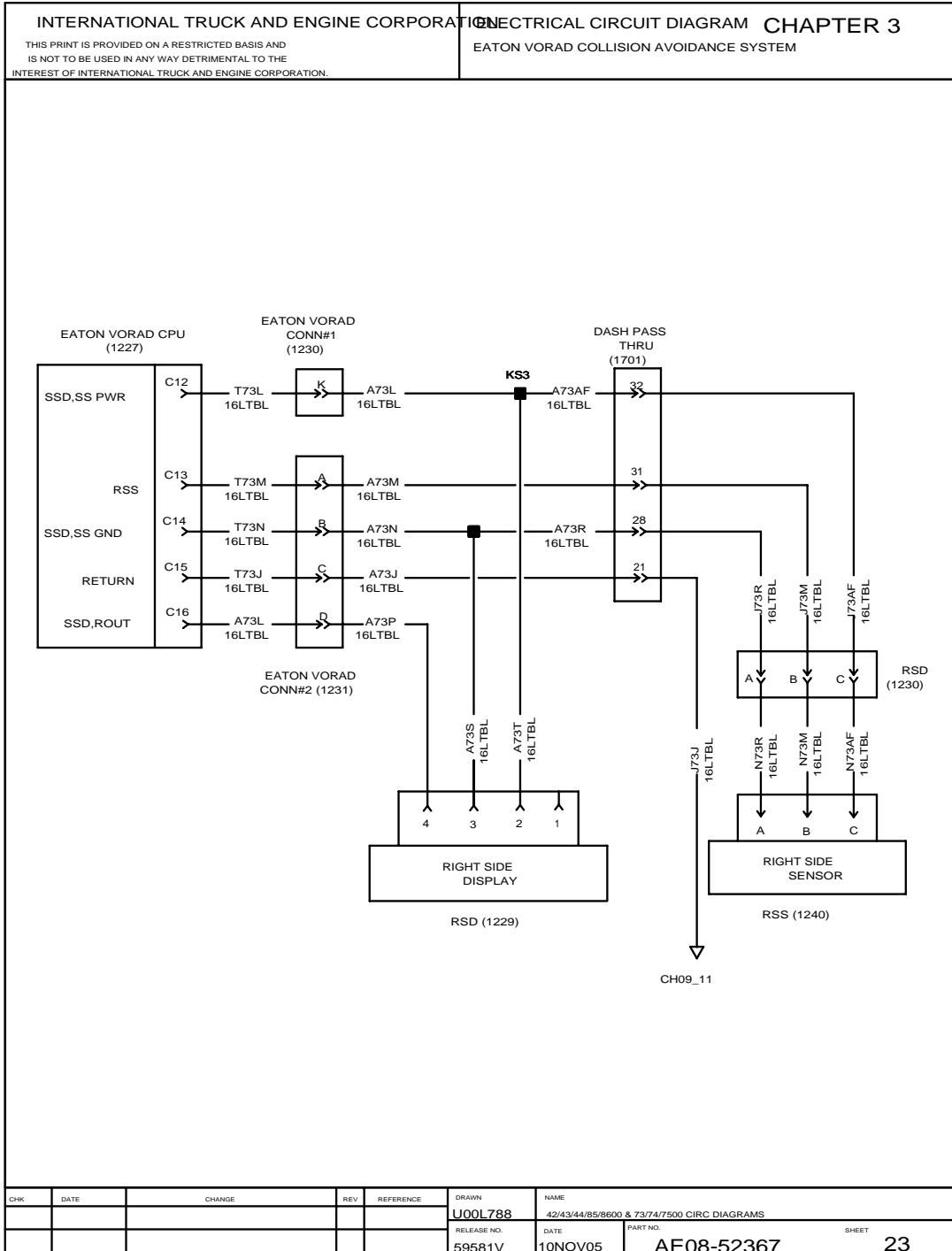


Figure 52 Eaton Vorad Collision Avoidance System

3.24. EATON VORAD COLLISION AVOIDANCE SYSTEM, P. 24

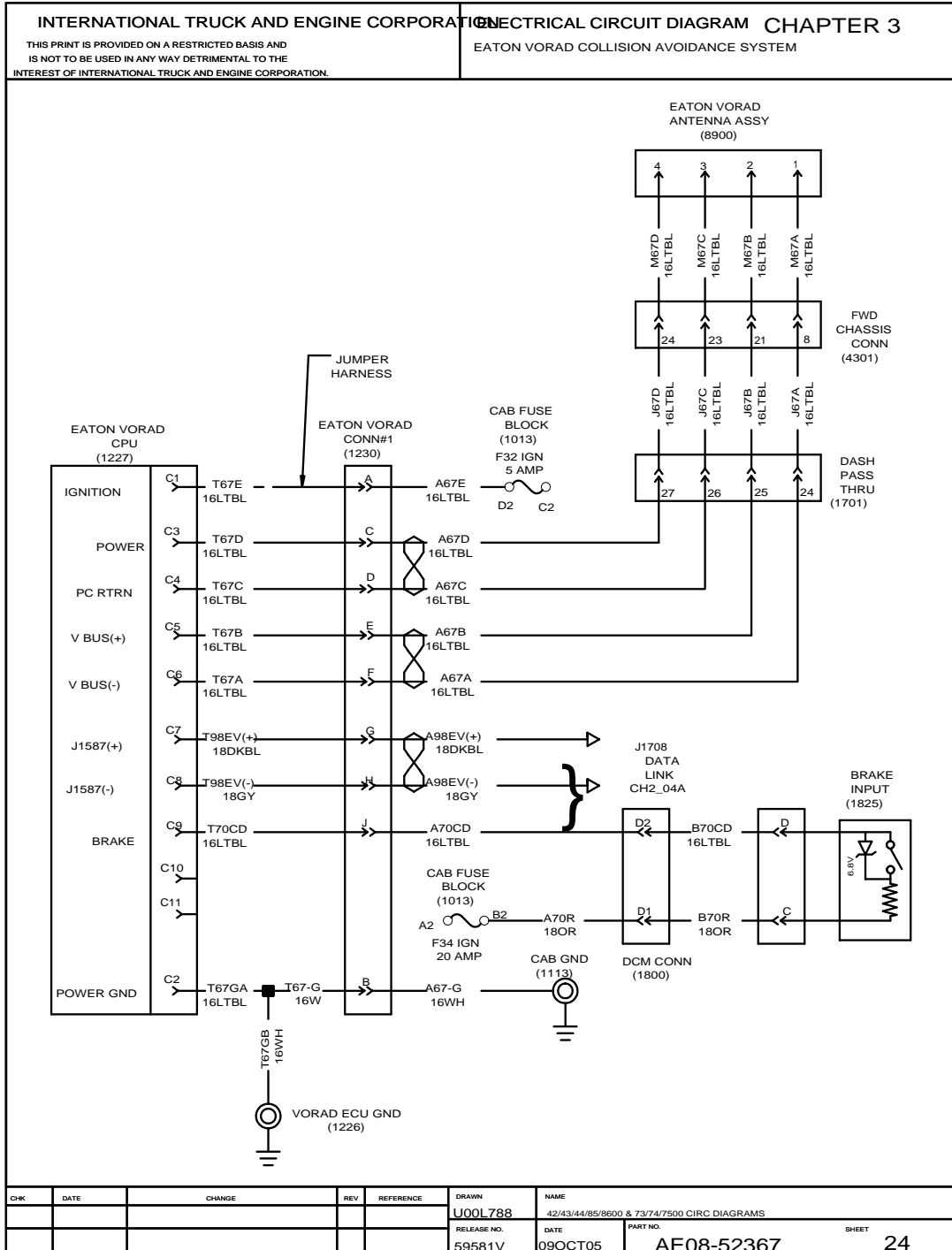


Figure 53 Eaton Vorad Collision Avoidance System

3.25. EATON VORAD COLLISION AVOIDANCE SYSTEM, P. 25

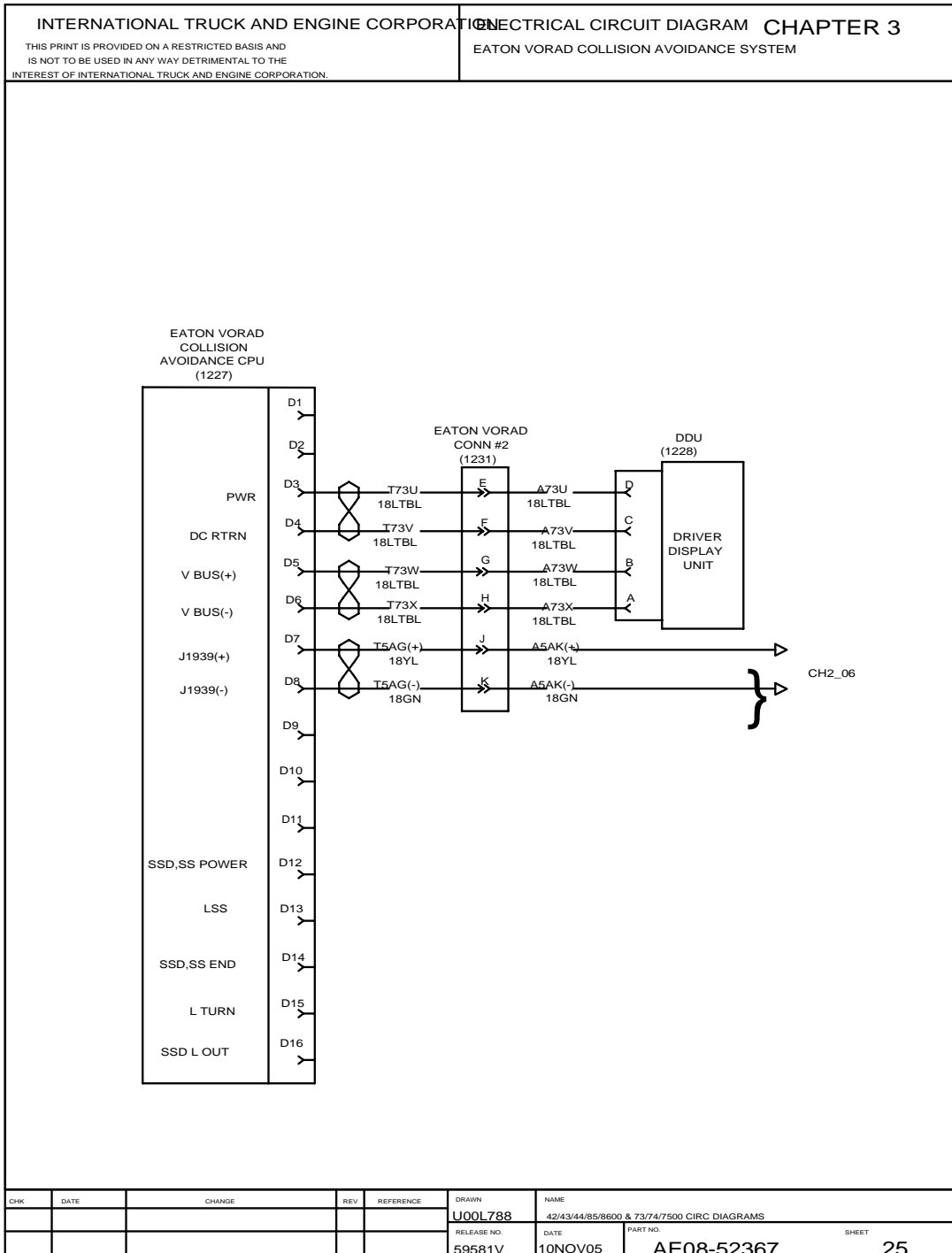


Figure 54 Eaton Vorad Collision Avoidance System

3.26. XATA DATA SYSTEM, P. 26

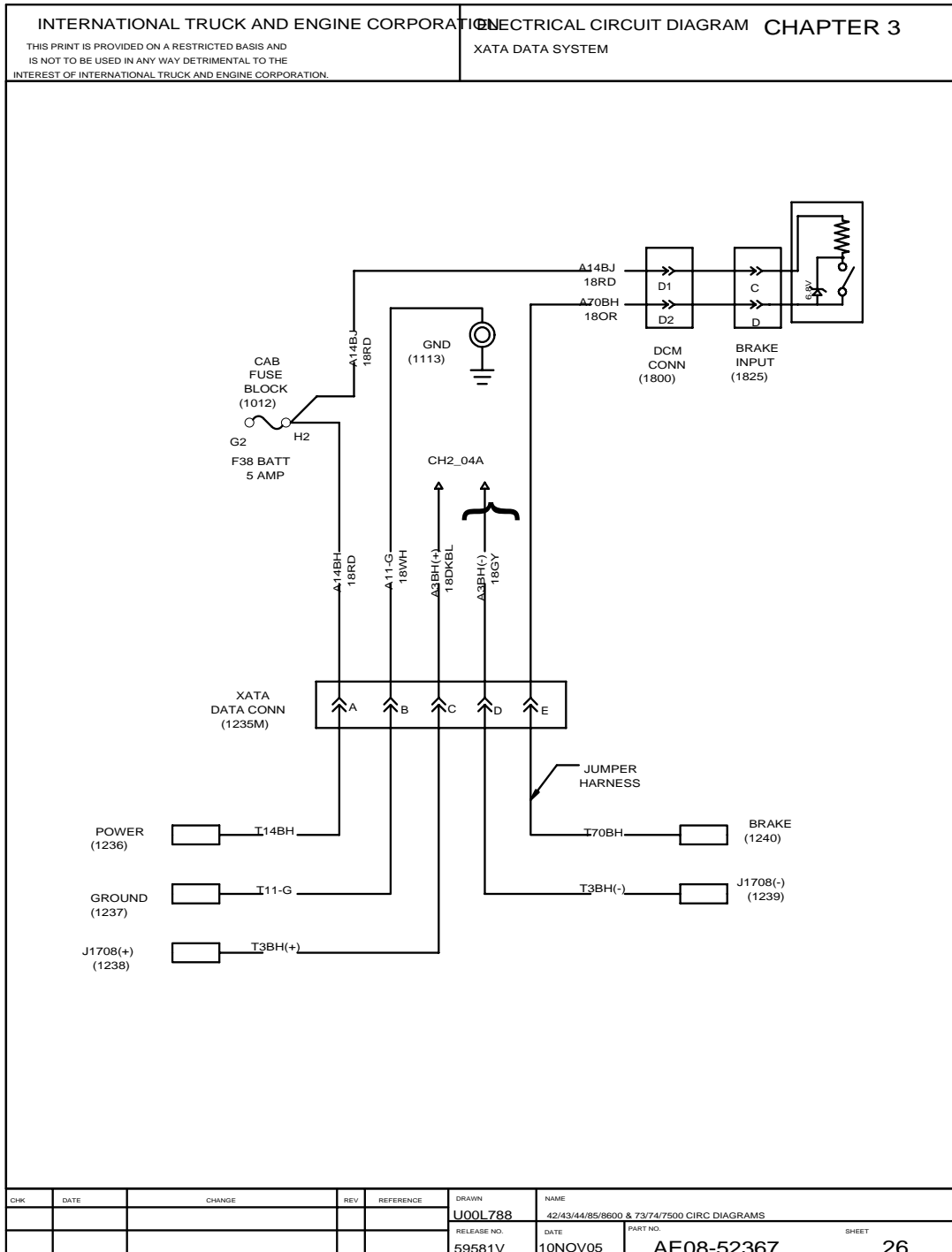


Figure 55 XATA Data System

3.27. CADEC GPS SYSTEM, P. 27

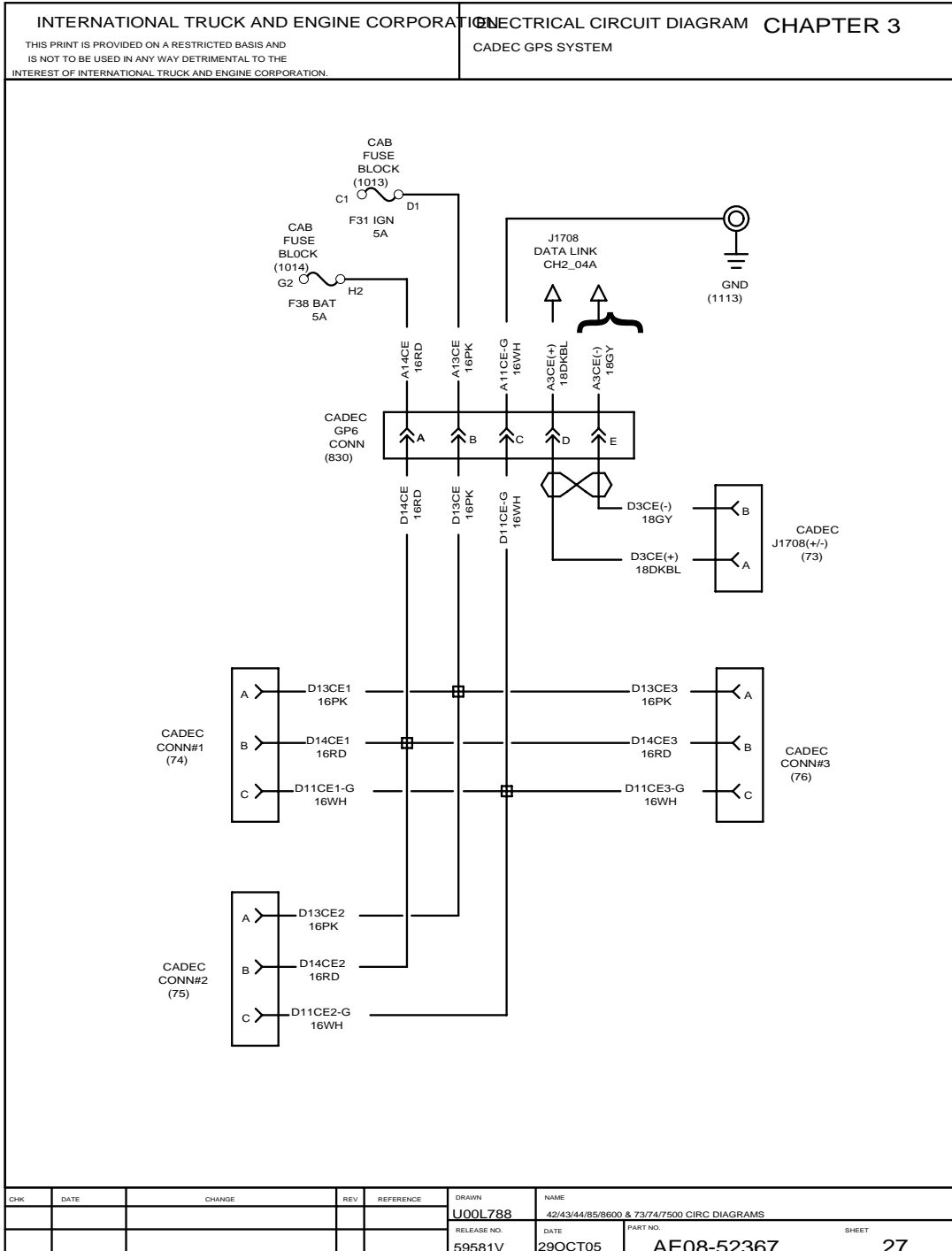


Figure 56 Cadec GPS System

3.28. TRIP MASTER, P. 28

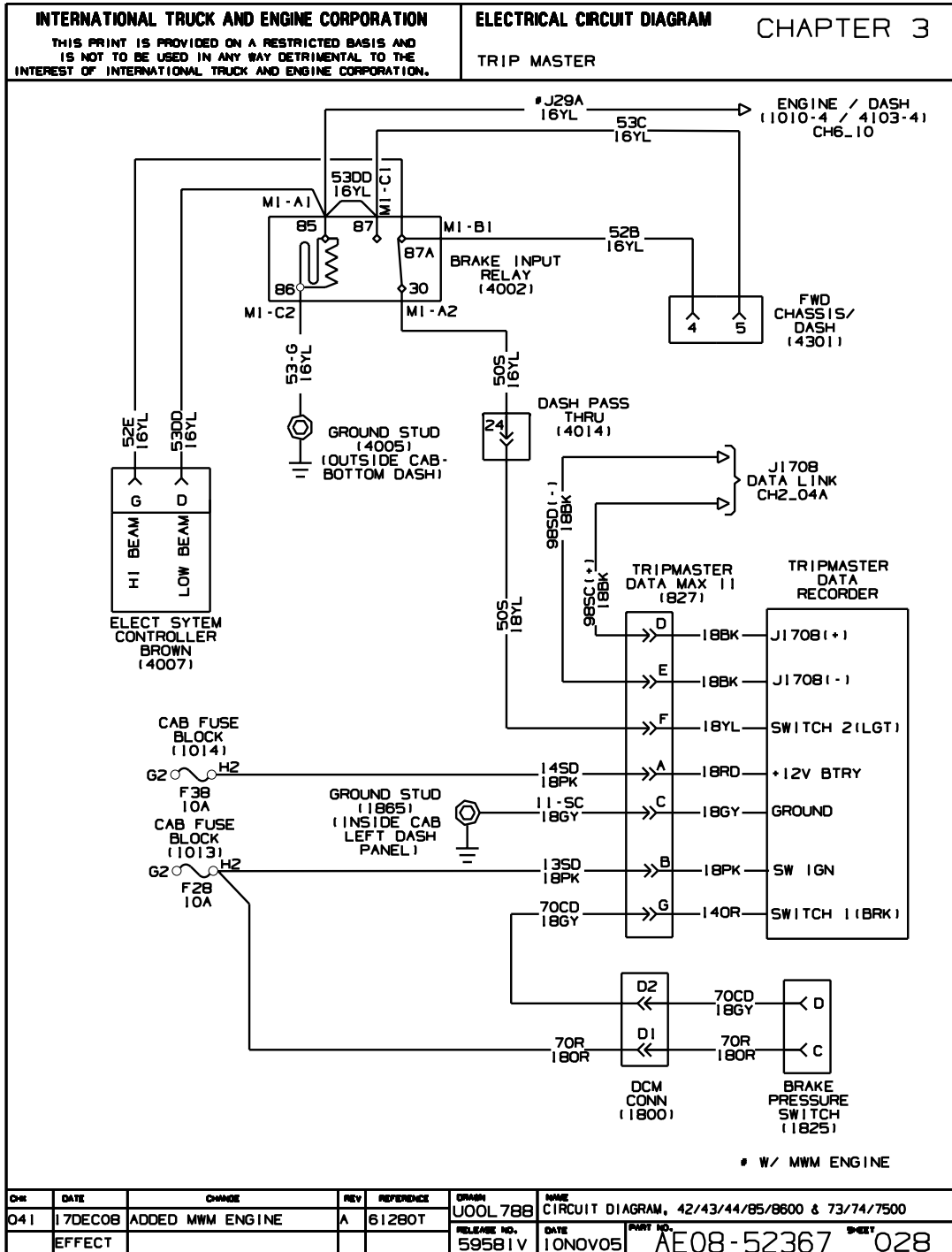


Figure 57 Trip Master

3.29. ENTERTAINMENT SYSTEM — RXT, P. 29

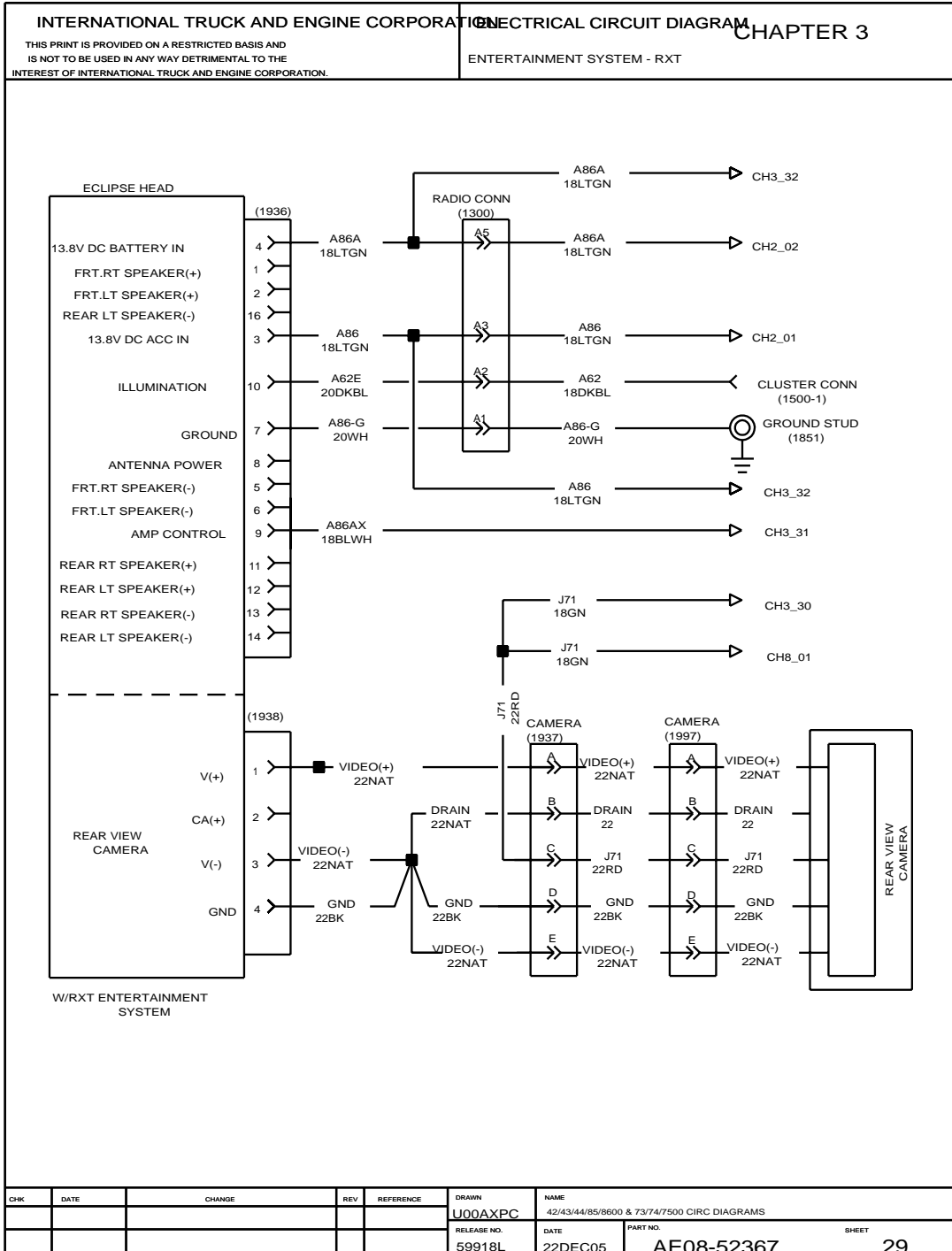


Figure 58 Entertainment System — RXT

3.30. ENTERTAINMENT SYSTEM — RXT, P. 30

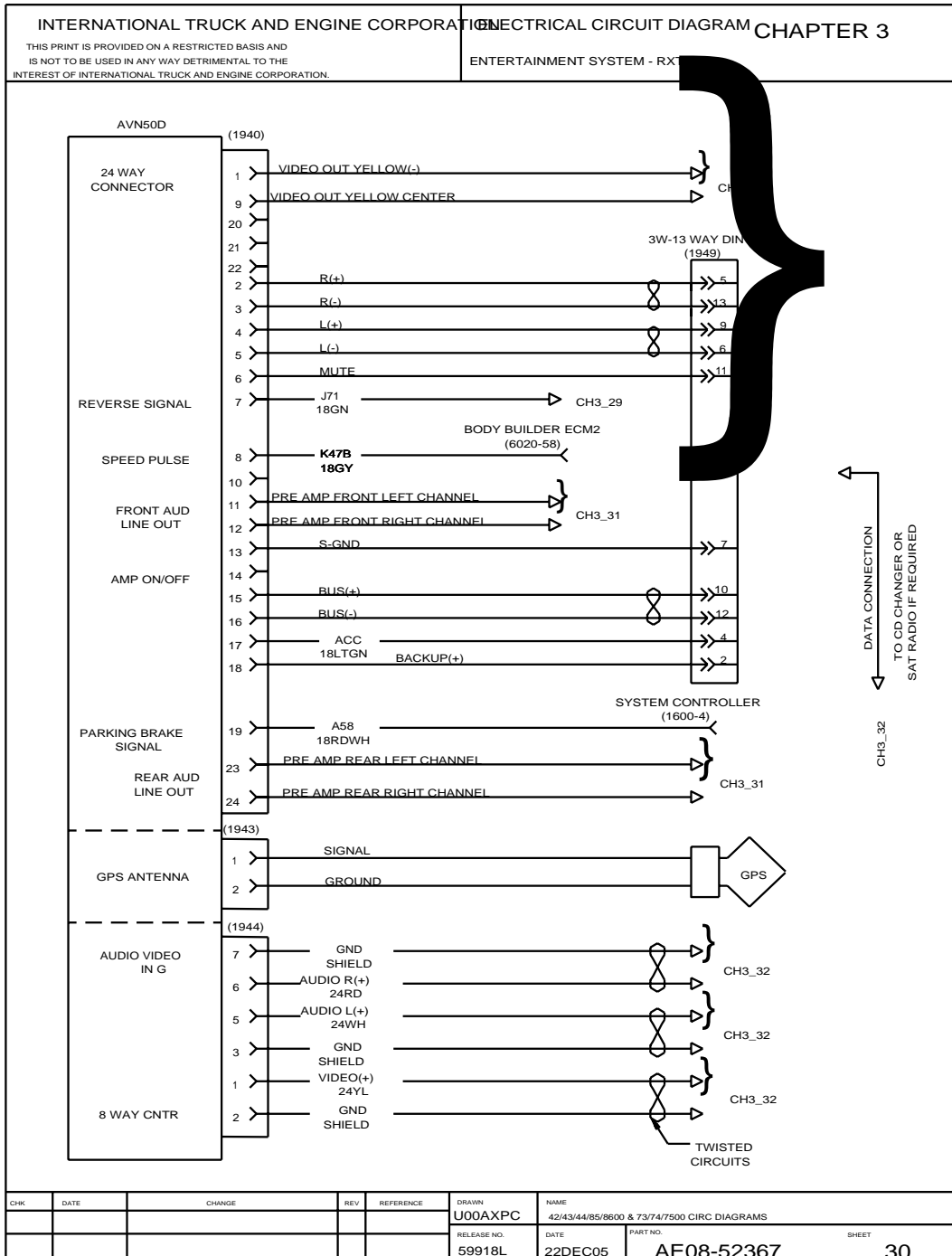


Figure 59 Entertainment System — RXT

3.31. ENTERTAINMENT SYSTEM — RXT, P. 31

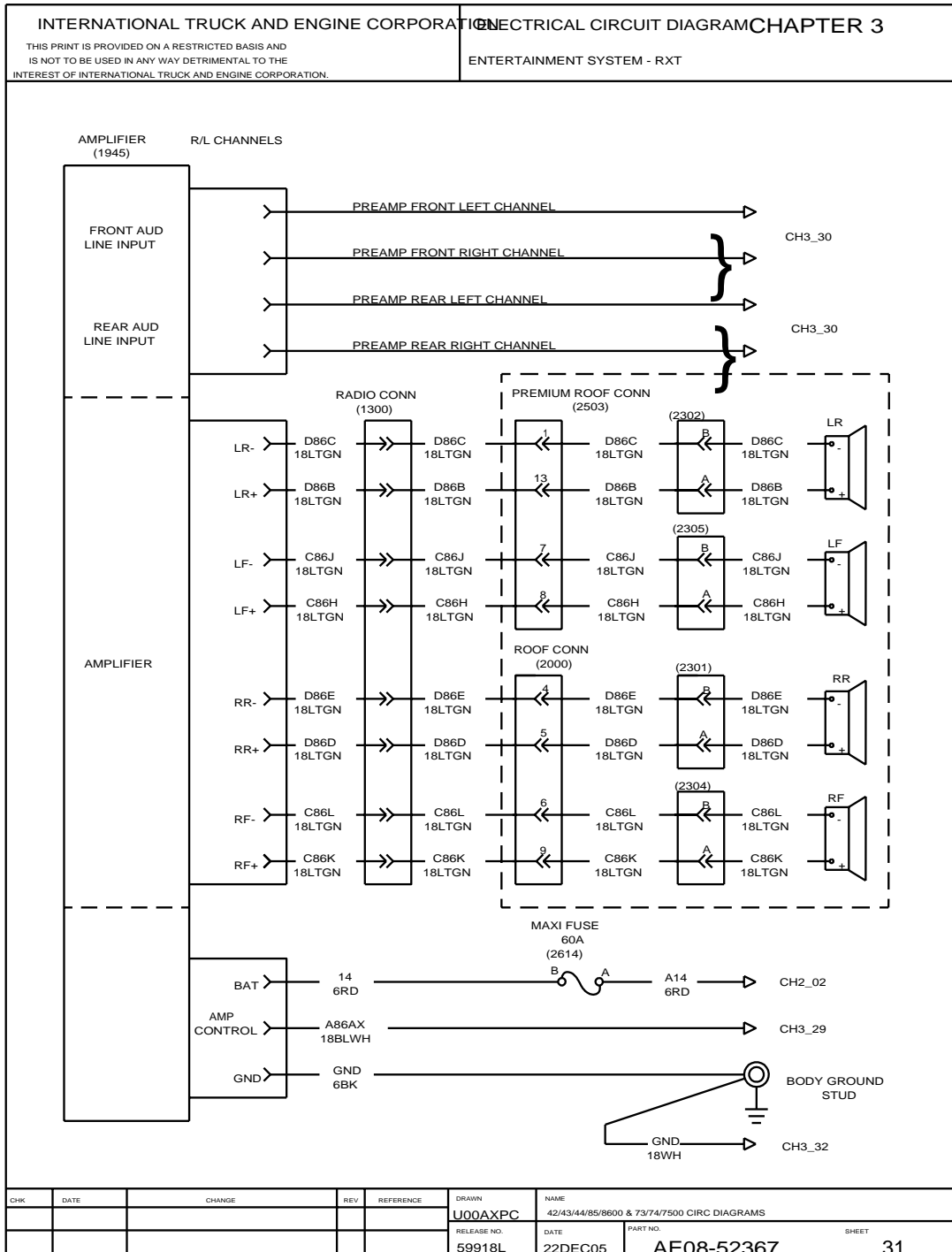


Figure 60 Entertainment System — RXT

3.32. ENTERTAINMENT SYSTEM — RXT, P. 32

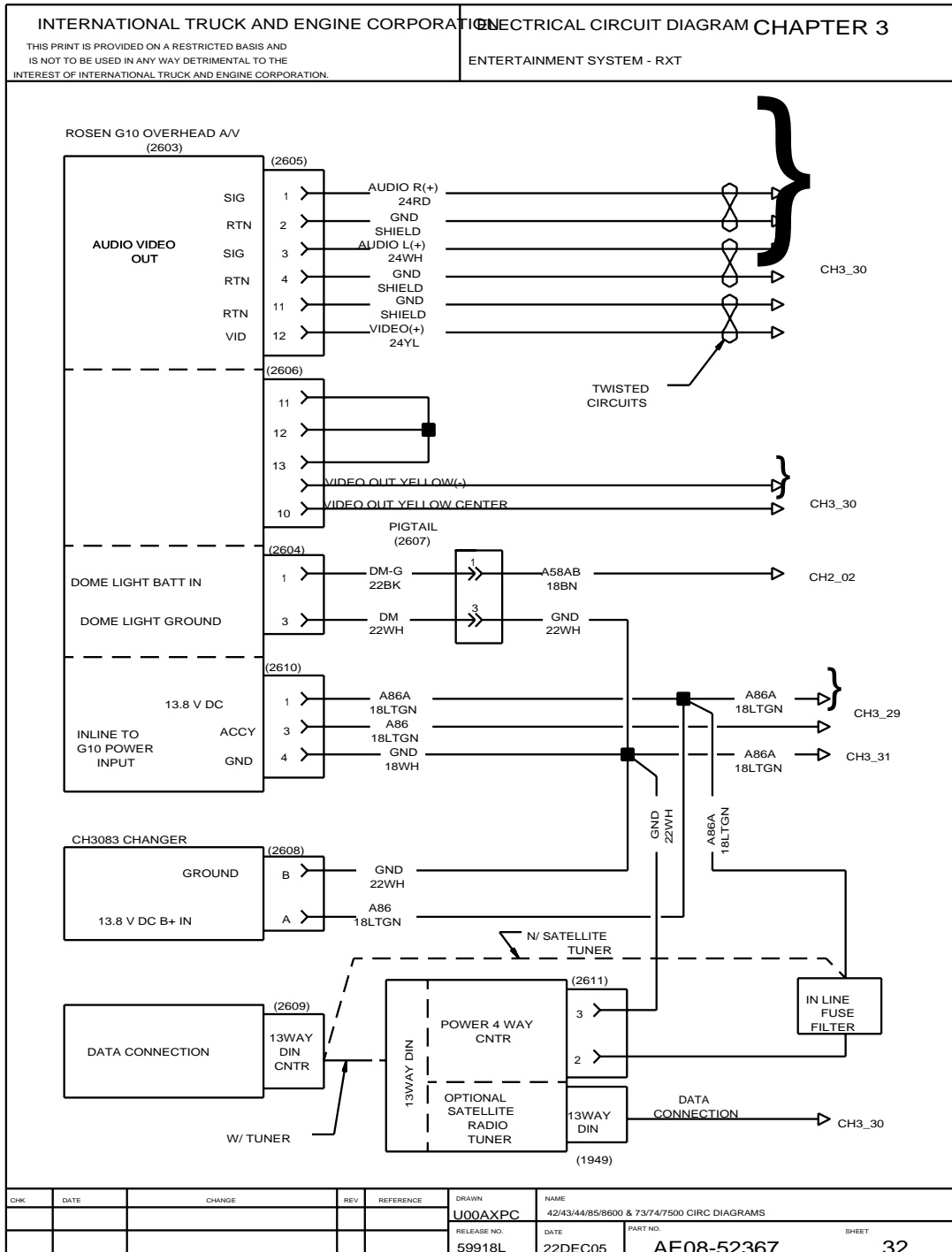


Figure 61 Entertainment System — RXT

3.33. RXT — APO_1 AND APO_2 AUXILIARY POWER SOCKET, P. 33

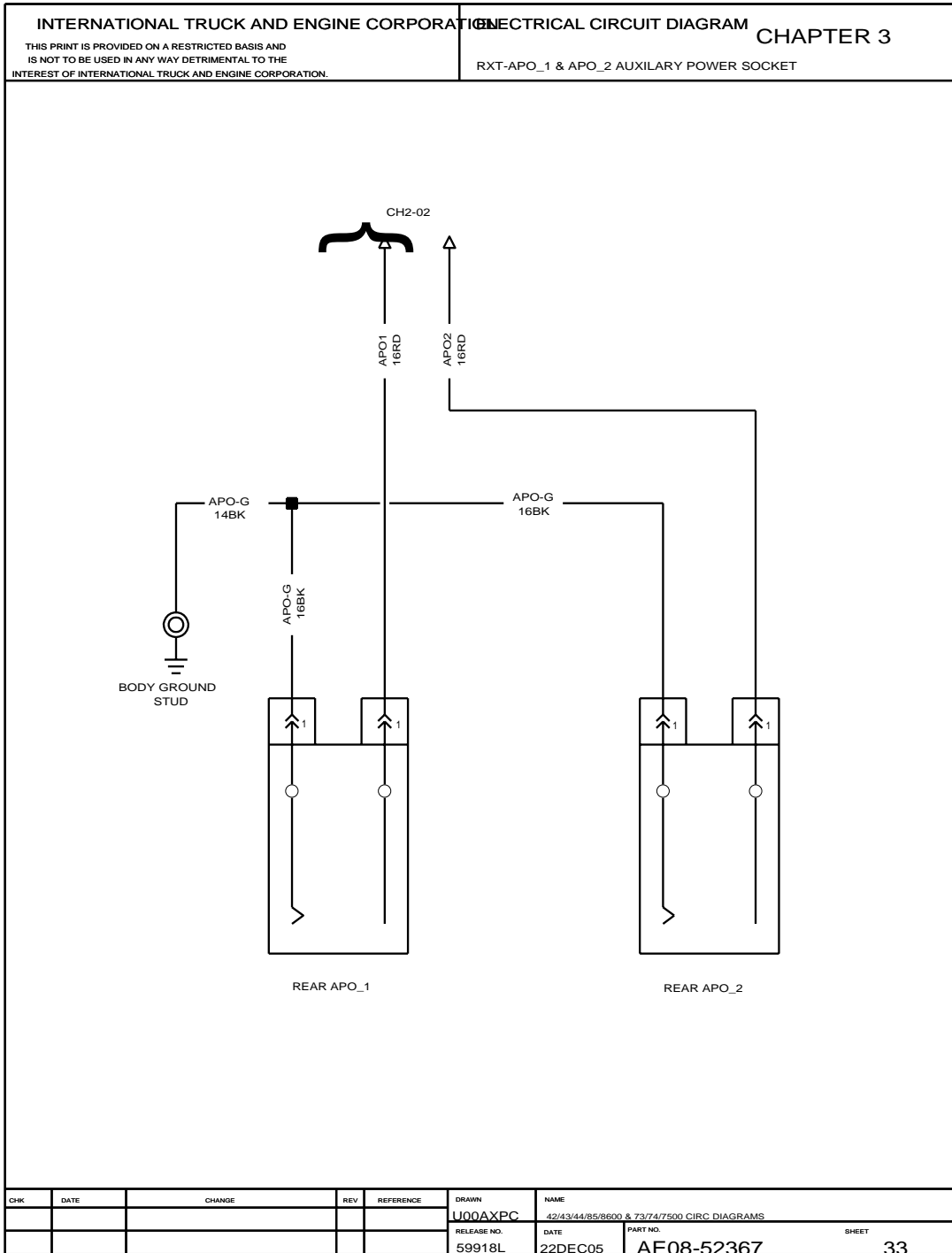


Figure 62 RXT — APO_1 and APO_2 Auxiliary Power Socket

3.34. TACHOGRAPH, P. 34

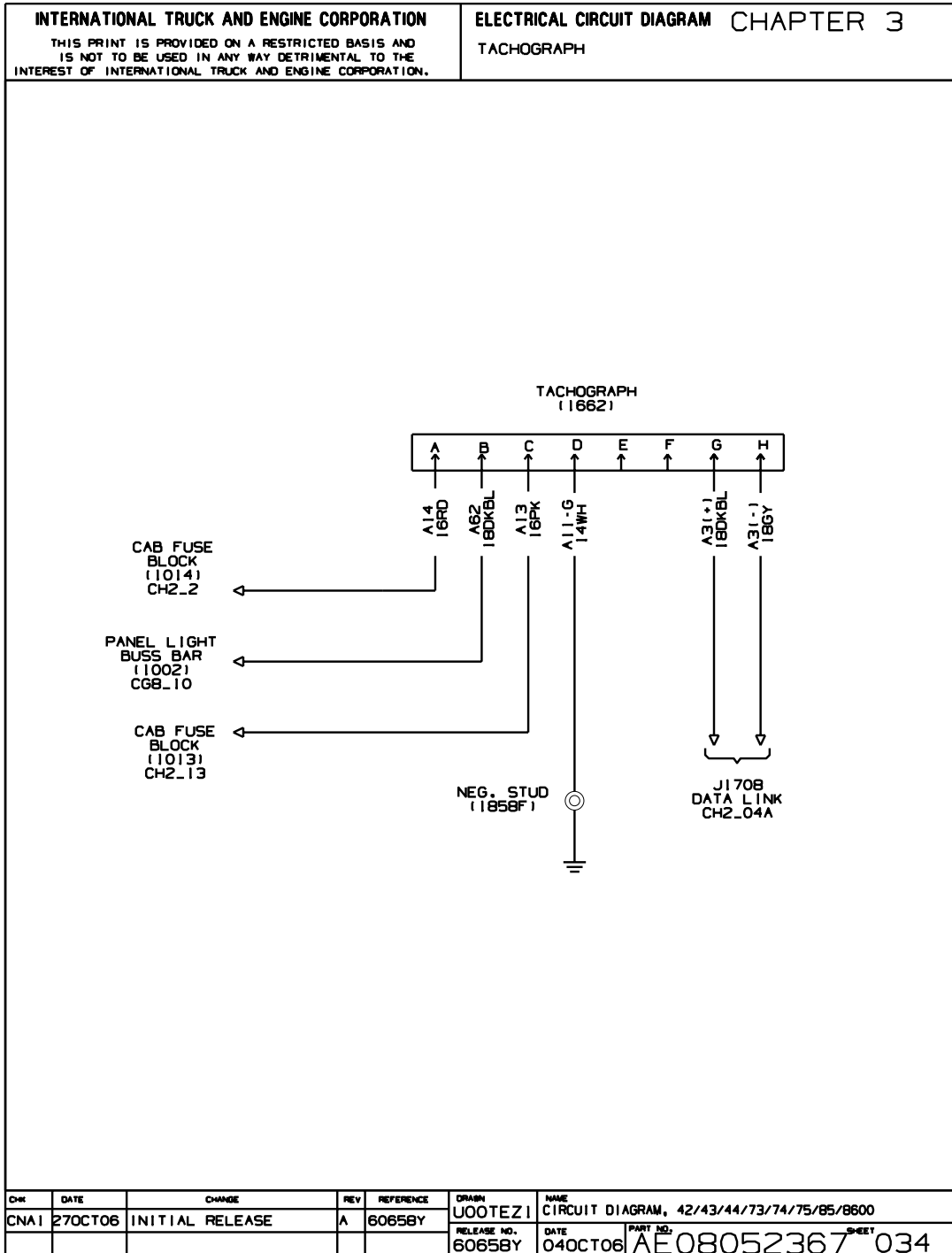


Figure 63 Tachograph

3.35. COMMUNICATIONS SYSTEM, AWARE, P. 35

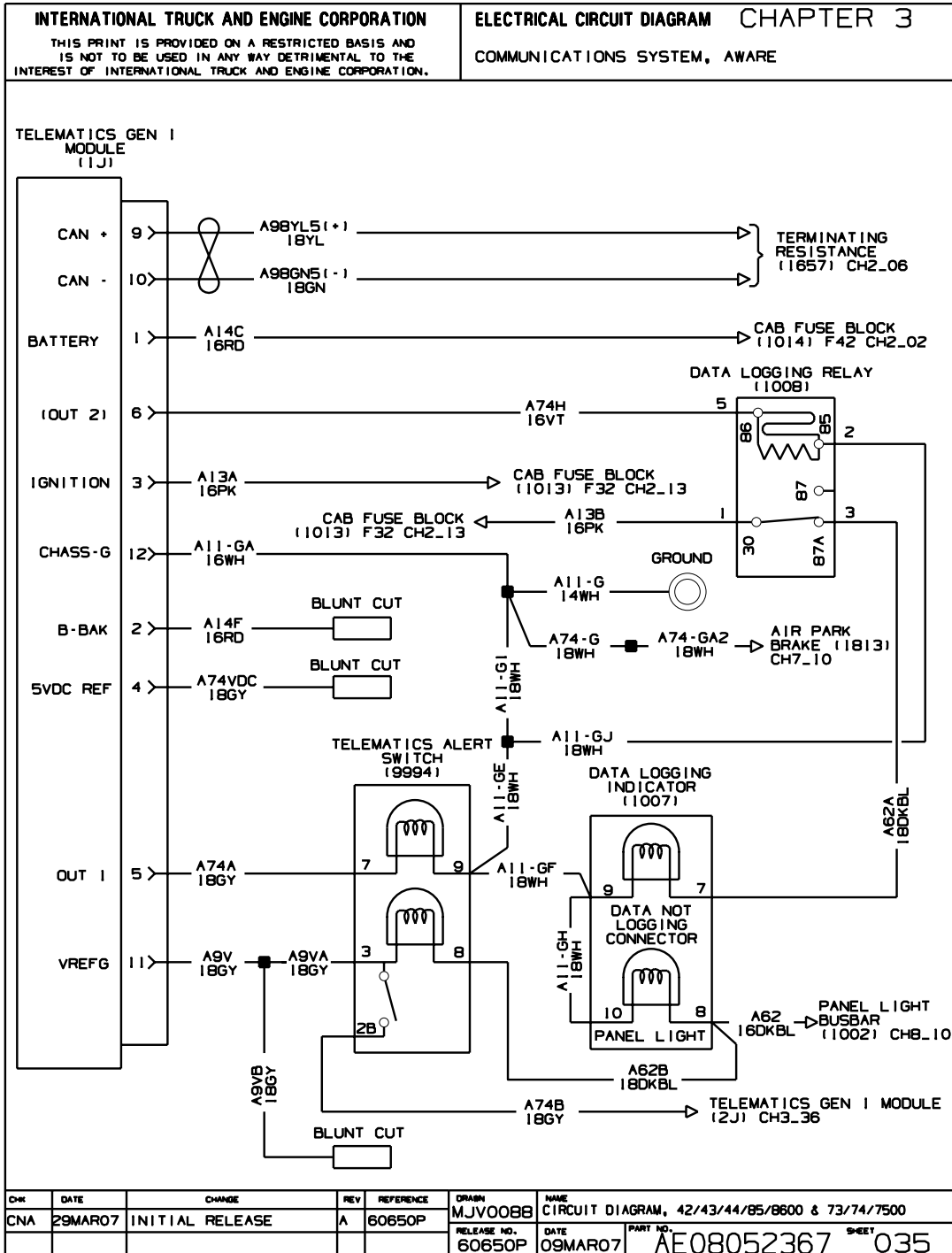


Figure 64 Communications System, AWARE

3.36. COMMUNICATIONS SYSTEM, AWARE, P. 36

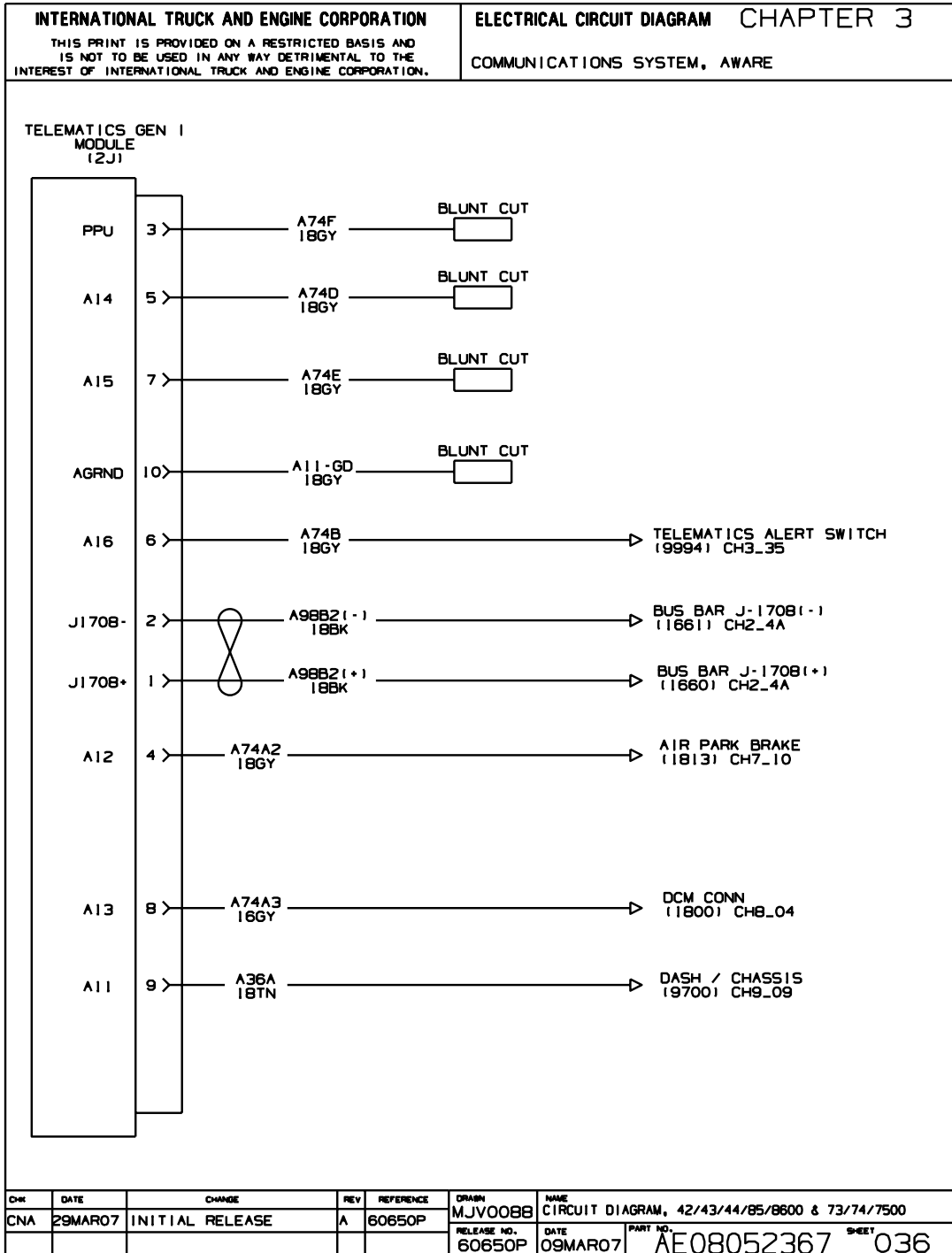


Figure 65 Communications System, AWARE

4. 12V CHARGING + CRANKING SYSTEM (CHAPTER 4)

4.1. I6 EGR ENGINES, P. 1

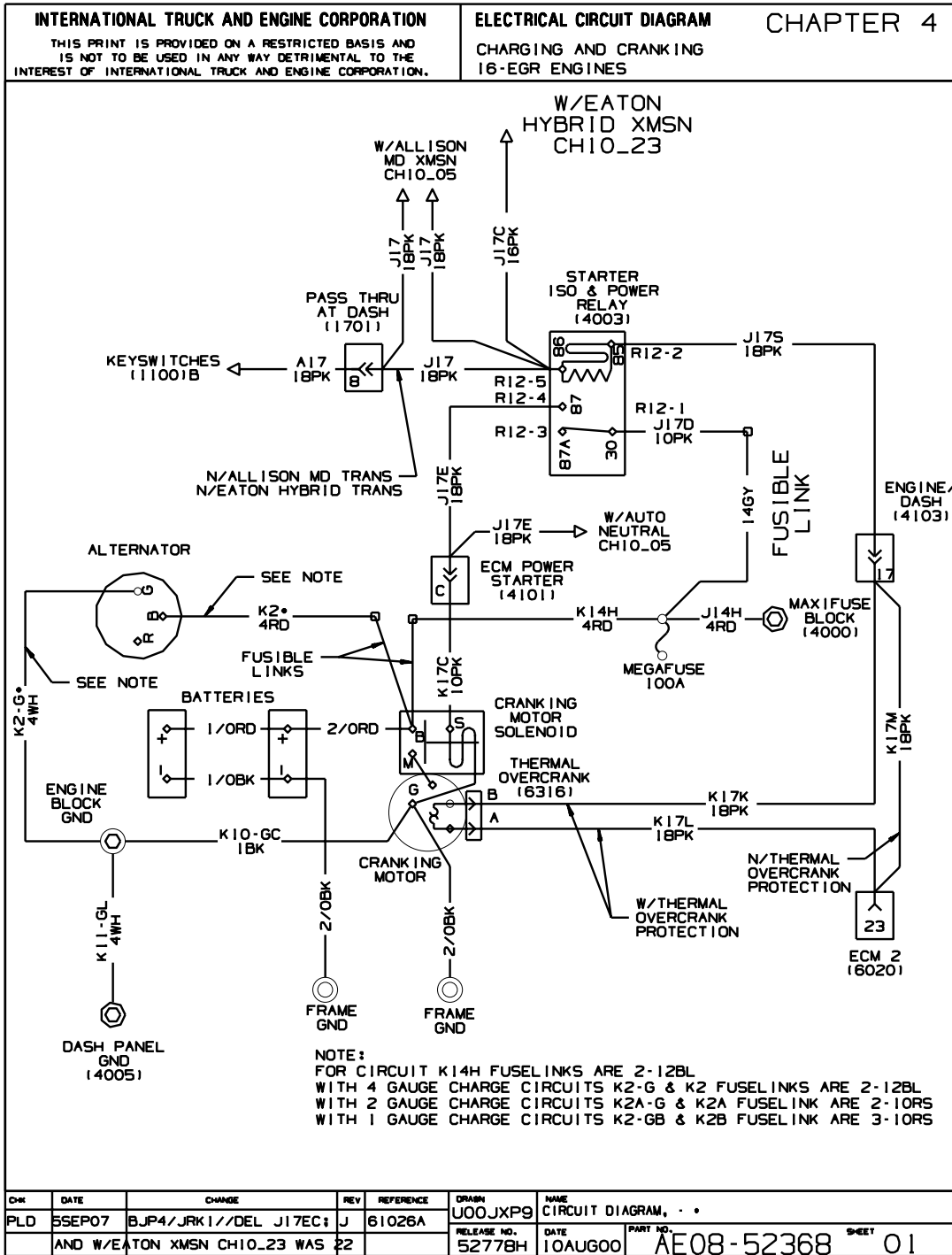


Figure 66 I6 EGR Engines

4.2. V8 AVNT ENGINES, P. 2

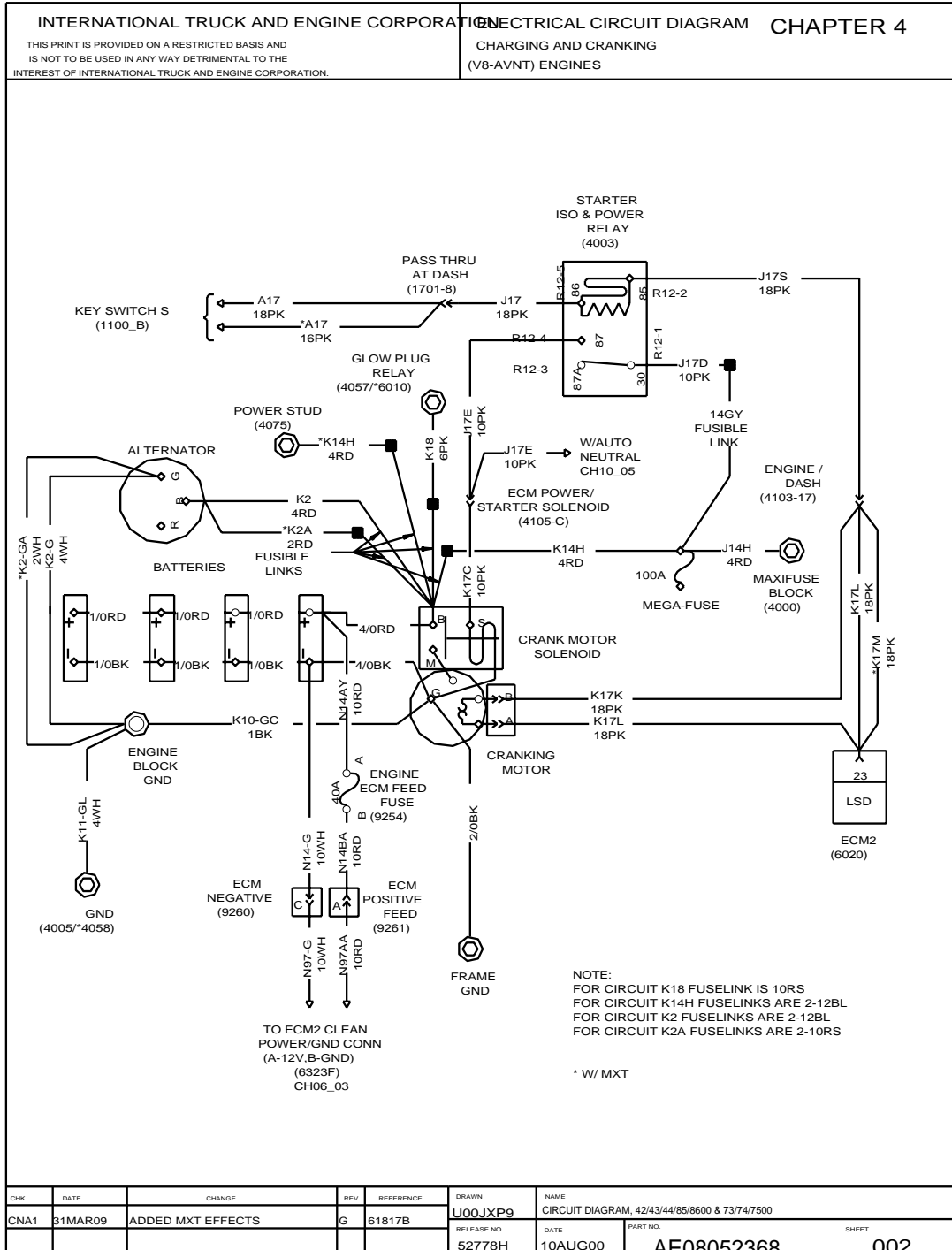


Figure 67 V8 AVNT Engines

4.3. CATERPILLAR, CUMMINS ISM ENGINES, P. 3

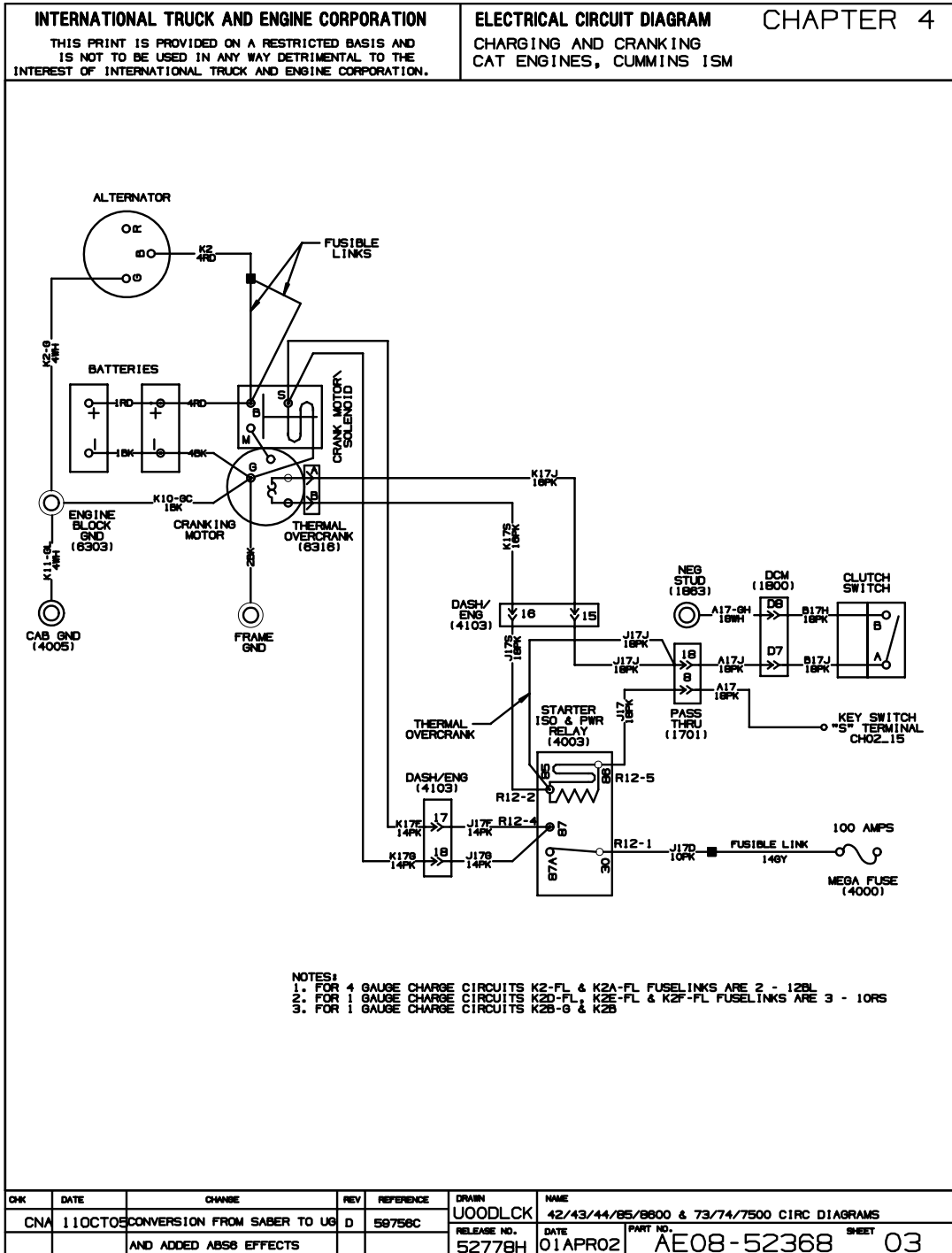


Figure 68 Caterpillar, Cummins ISM Engines

4.4. I6 HEUI ENGINES, P. 4

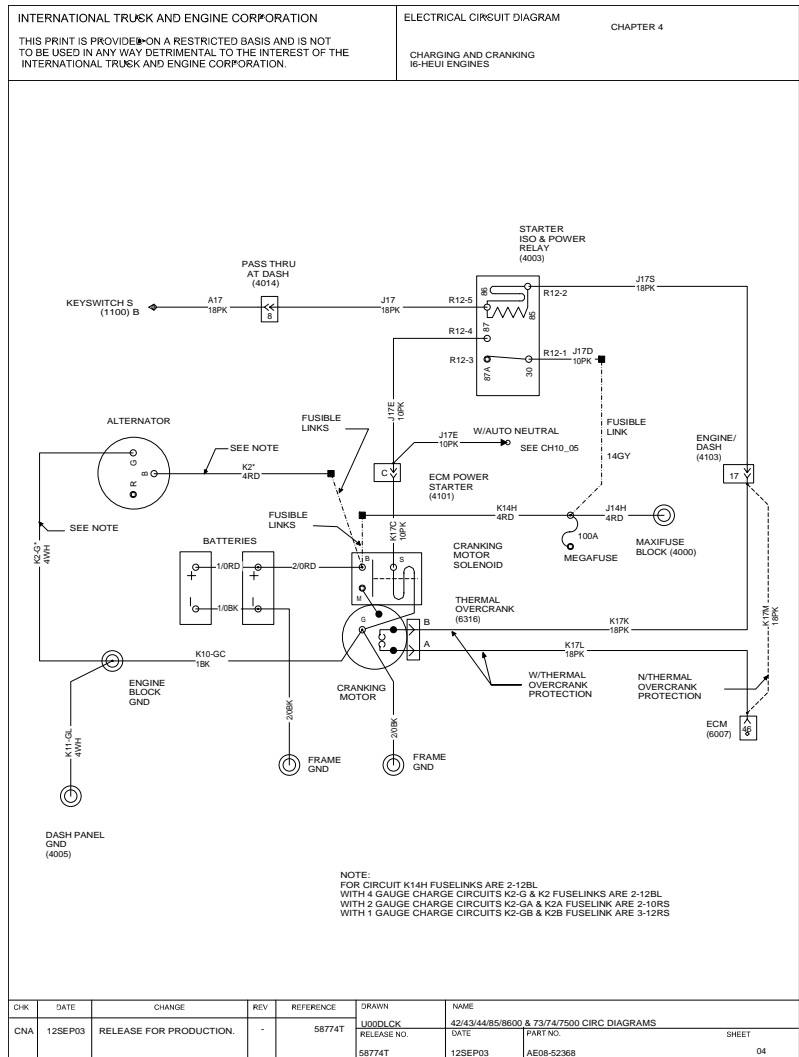


Figure 69 I6 HEUI Engines

4.5. CATERPILLAR ENGINES, CUMMINS ISM AND WITH EATON ULTRASHIFT/DM2, P. 5

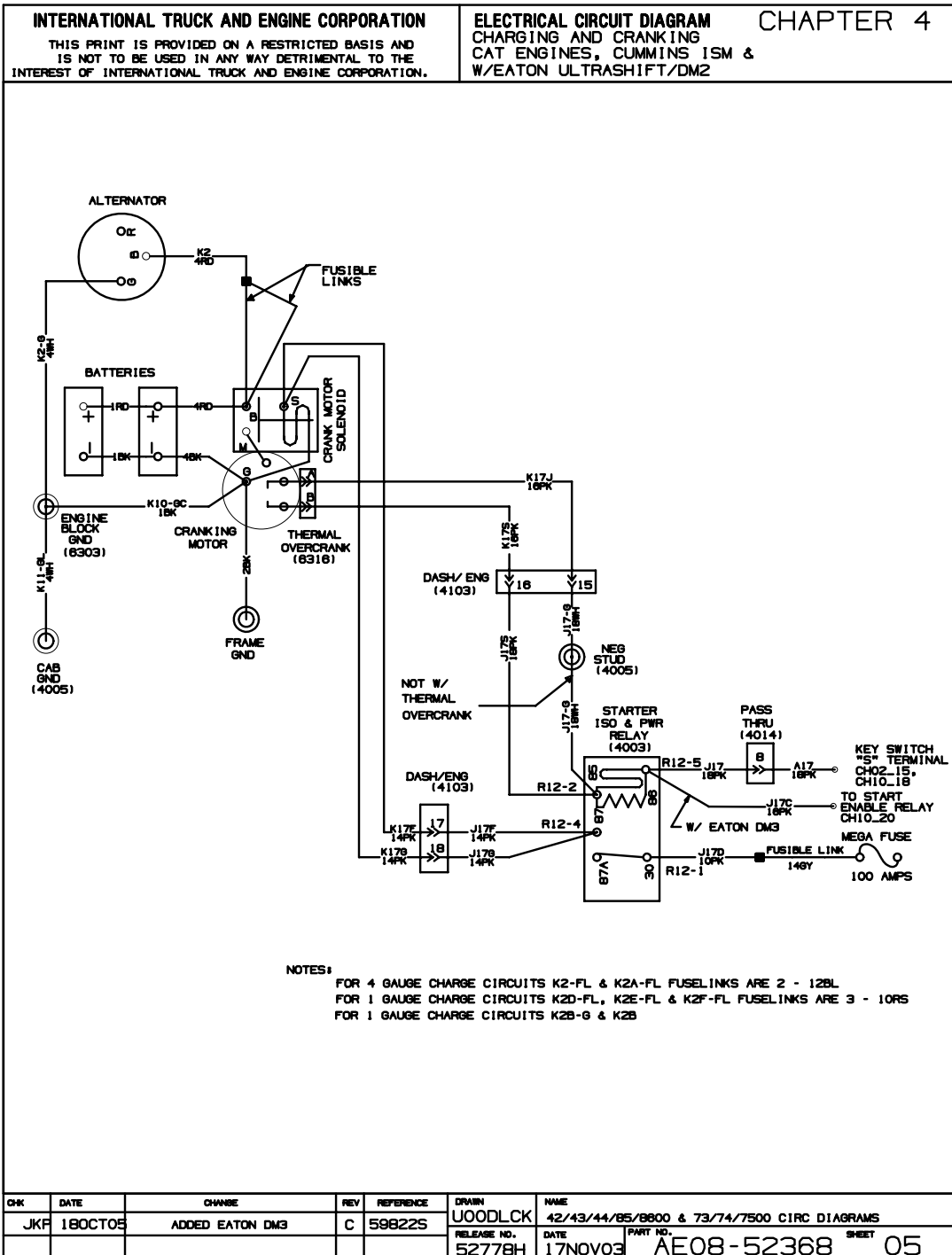


Figure 70 Caterpillar Engines, Cummins ISM and with Eaton Ultrashift/DM2

4.6. I6 EGR ENGINES WITH AIR START, P. 6

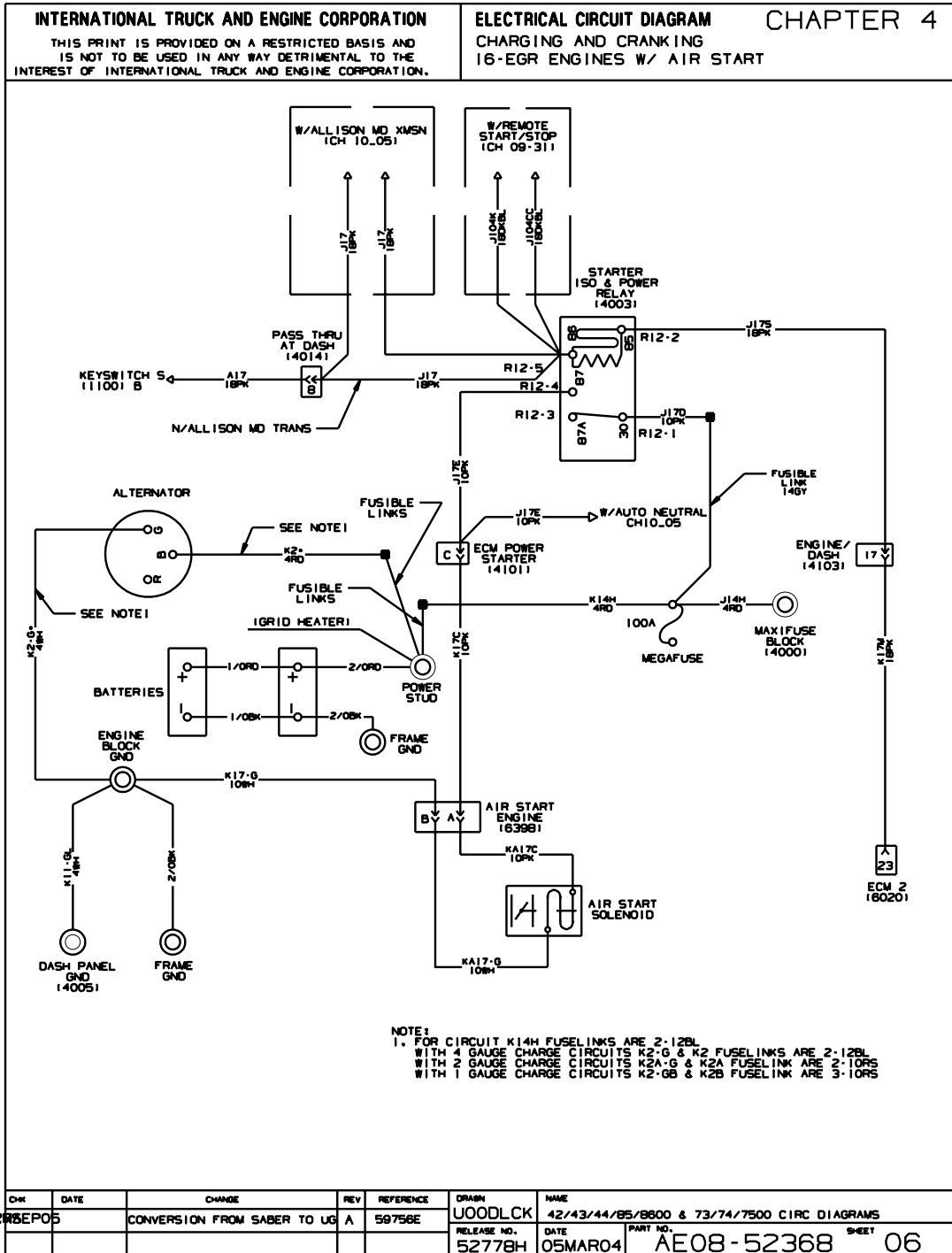


Figure 71 I6 EGR Engines with Air Start

4.7. I6 EGR AND POWER PACK 3KW, P. 7

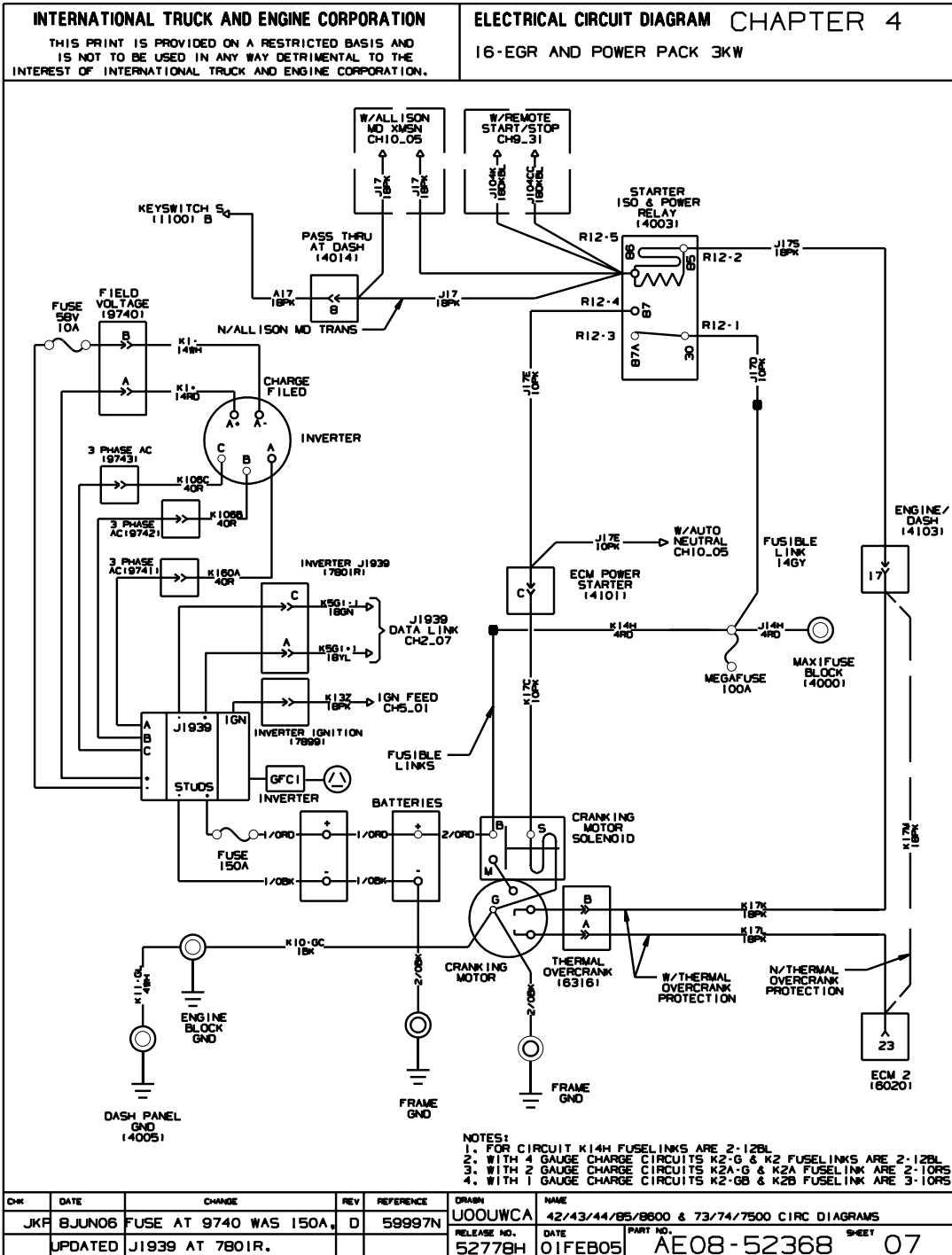


Figure 72 I6 EGR and Power Pack 3KW

5. FANS AND ENGINE ACCESSORIES (CHAPTER 5)

5.1. FAN WIRING, INTERNATIONAL ENGINES, P. 1

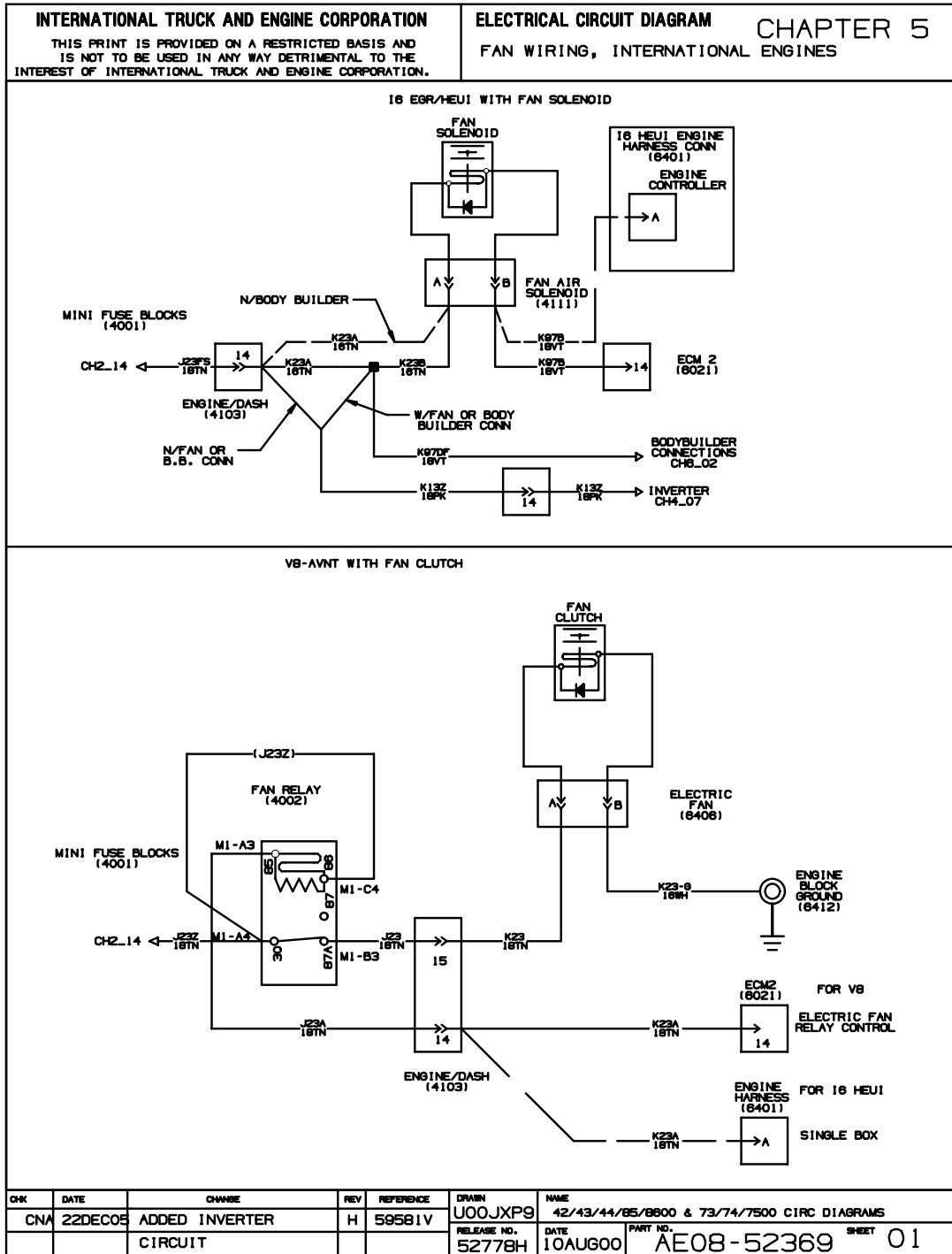


Figure 73 Fan Wiring, International Engines

5.2. ETHER START, P. 2

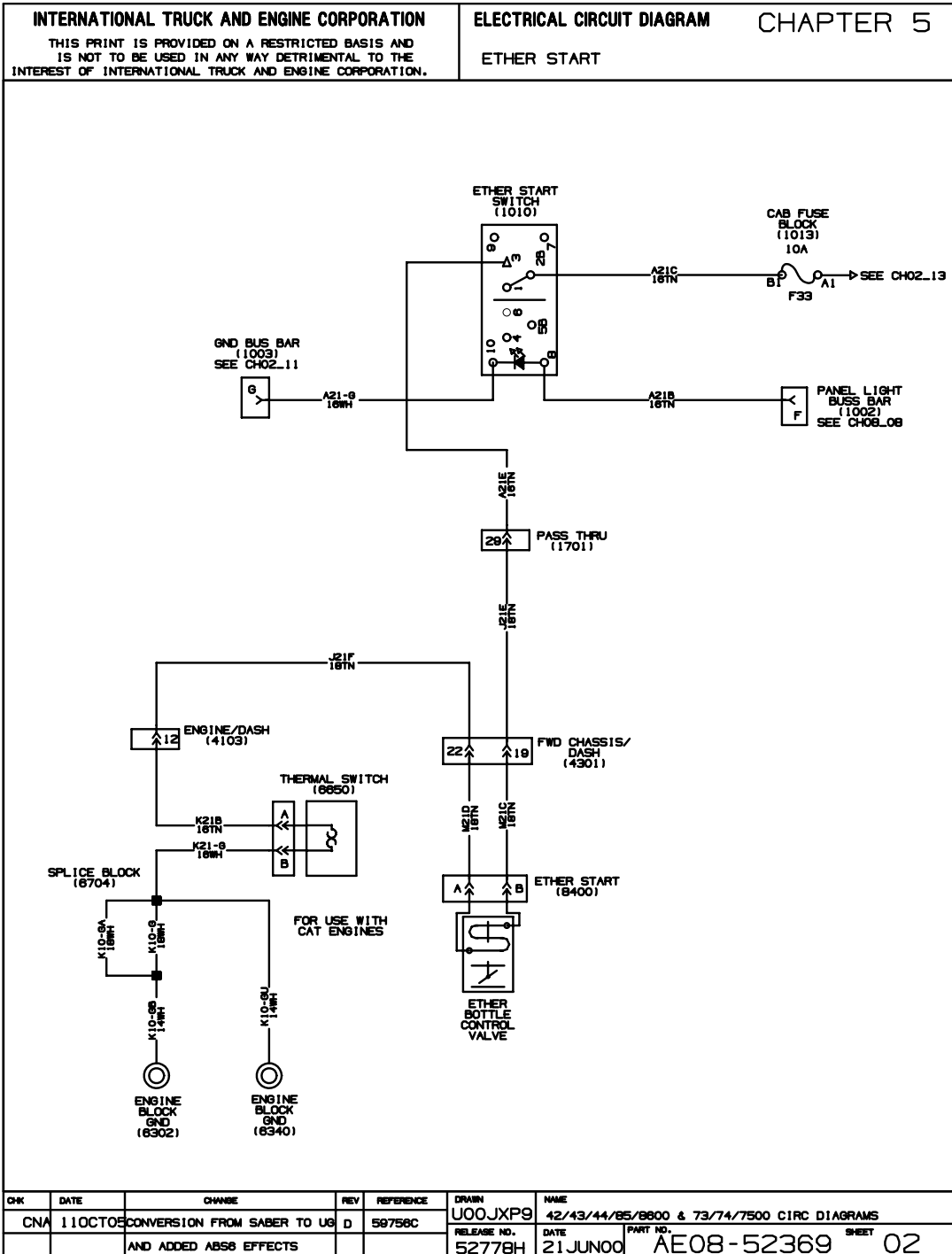


Figure 74 Ether Start

5.3. SNOW VALVE, P. 3

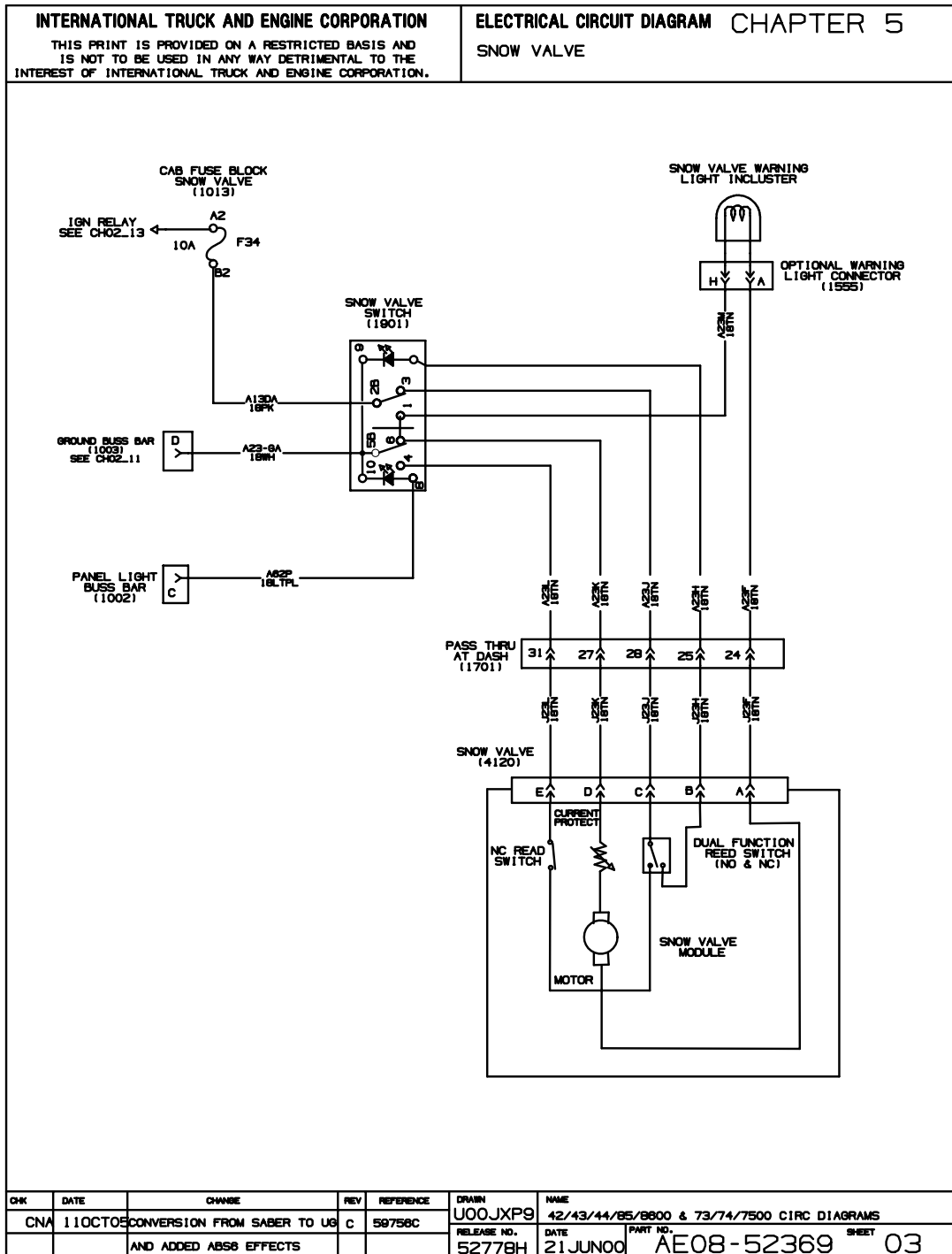


Figure 75 Snow Valve

5.4. FAN WIRING, CATERPILLAR AND CUMMINS, P. 4

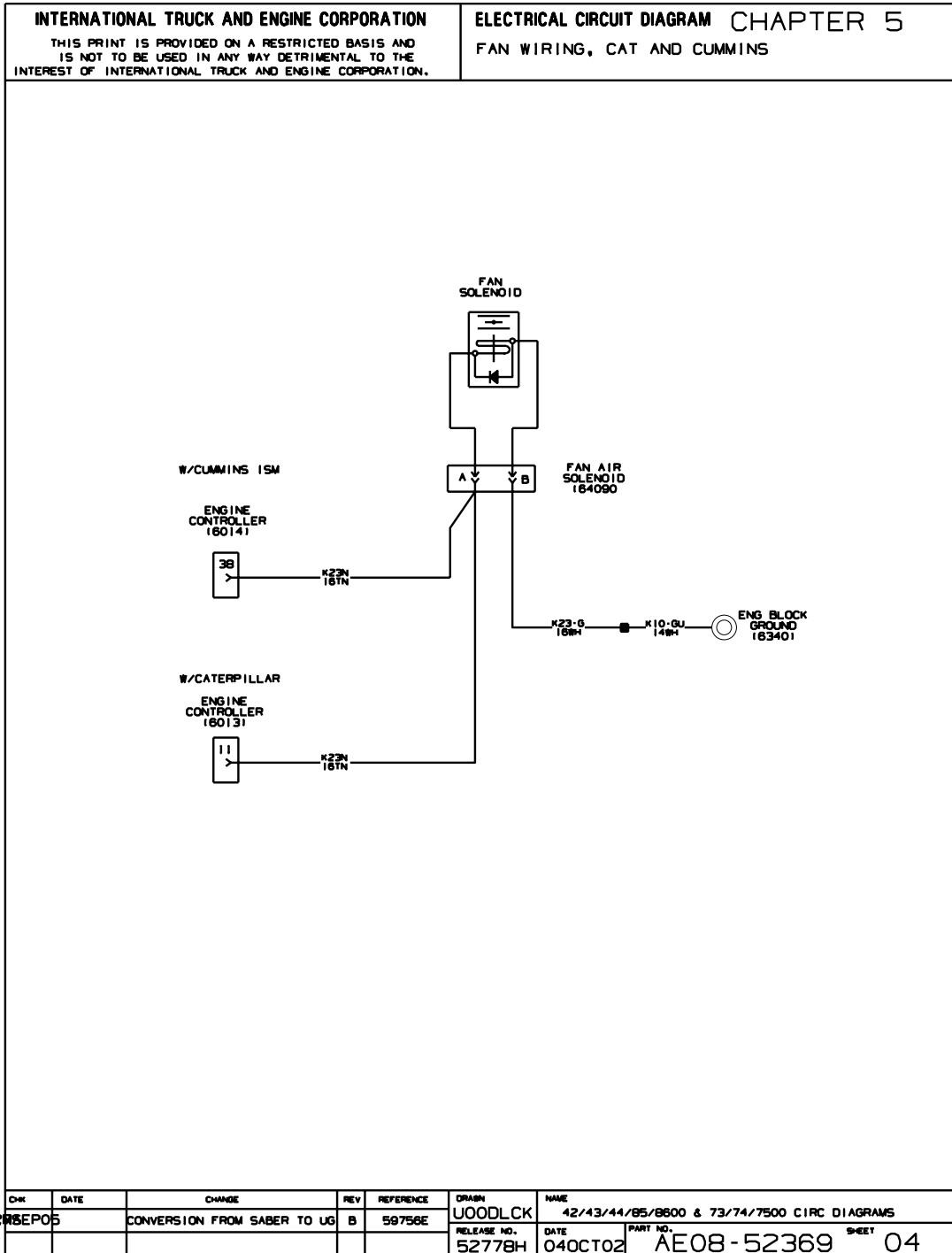


Figure 76 Fan Wiring, Caterpillar and Cummins

5.5. ENGINE FAN, MWM ENGINE, P. 5

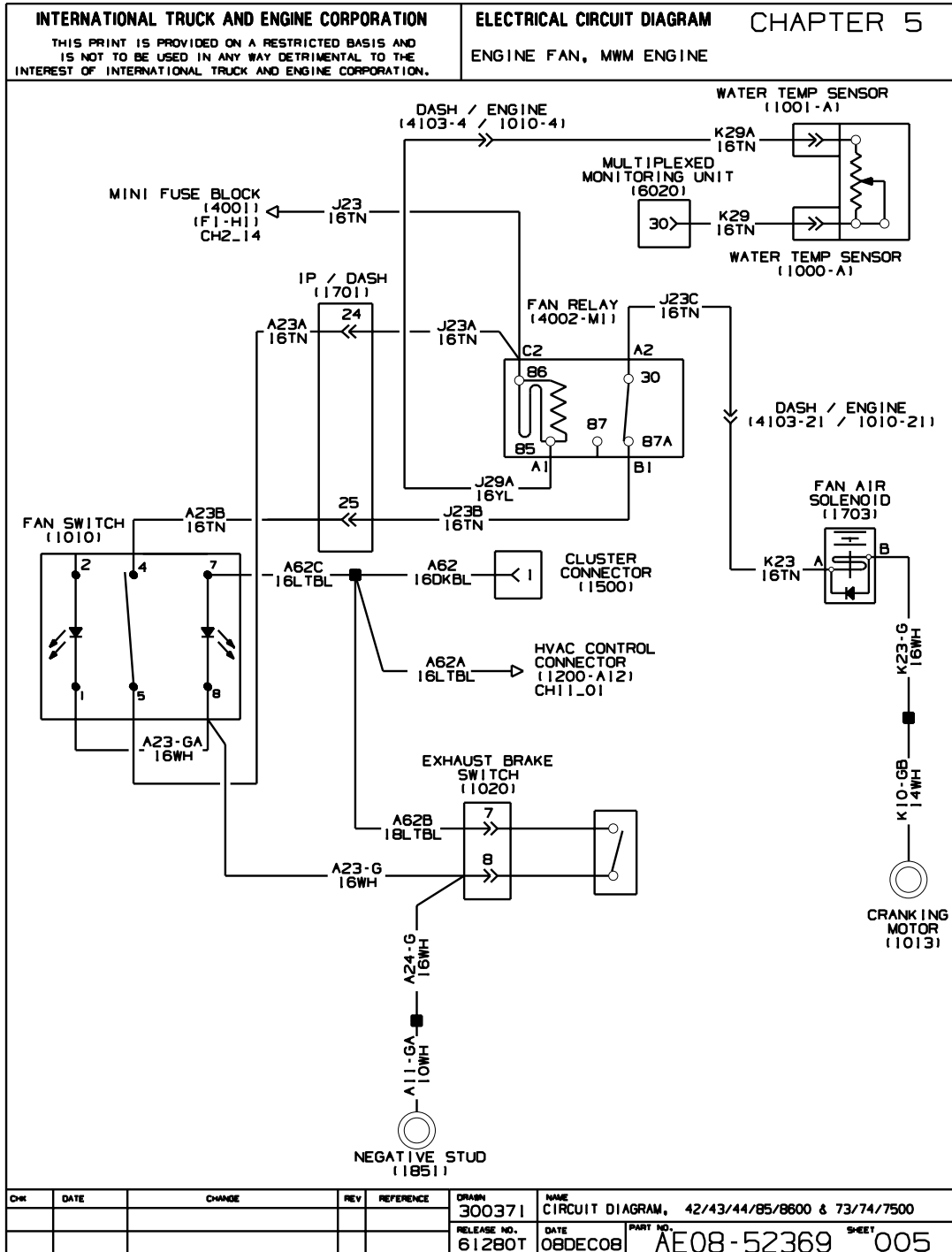


Figure 77 Engine Fan, MWM Engine

5.6. EXHAUST BRAKE, MWM ENGINE, P. 6

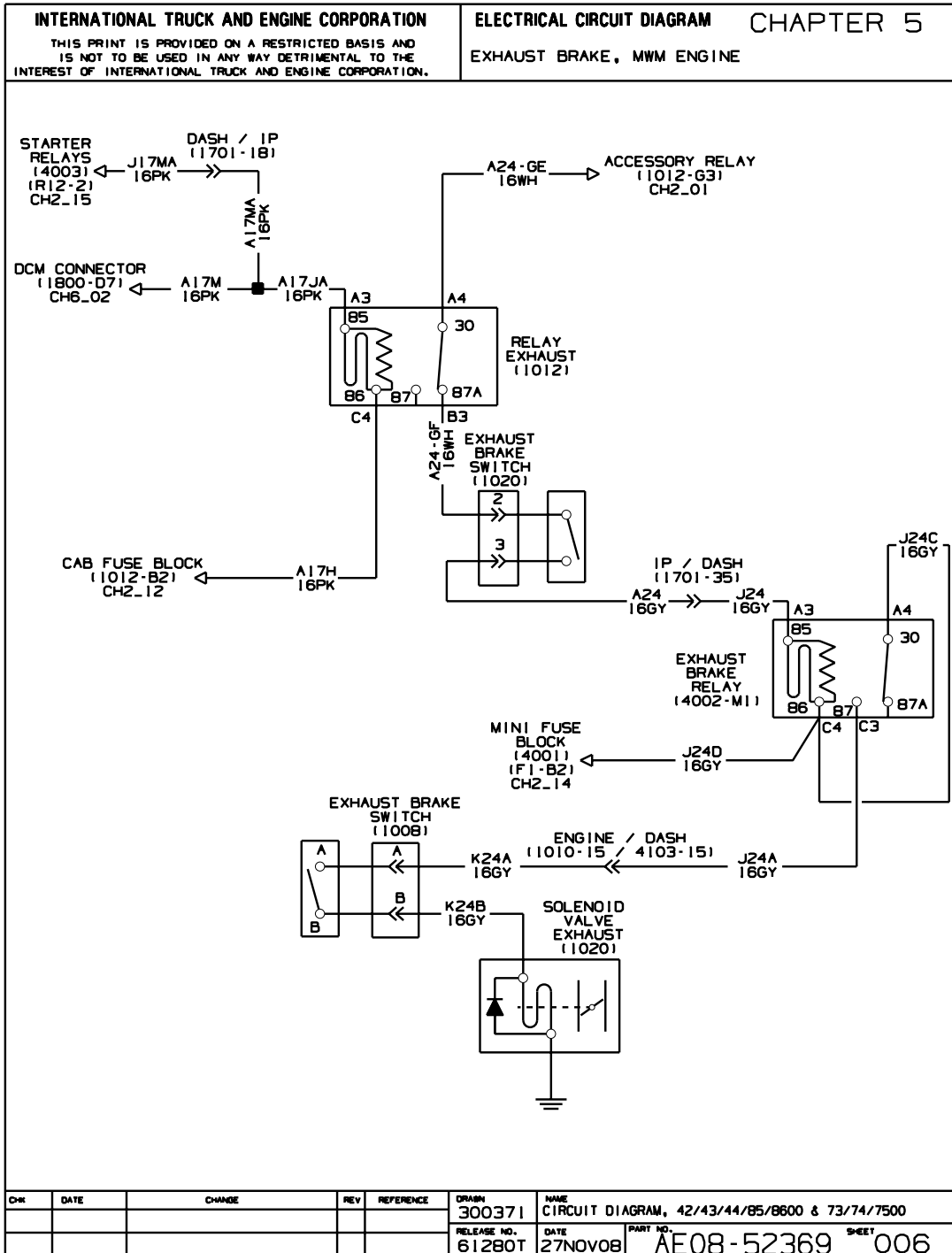


Figure 78 Exhaust Brake, MWM Engine

6. ELECTRONIC ENGINES (CHAPTER 6)

6.1. ELECTRONIC ENGINE CONTROLS, I6-EGR ENGINES, P. 1

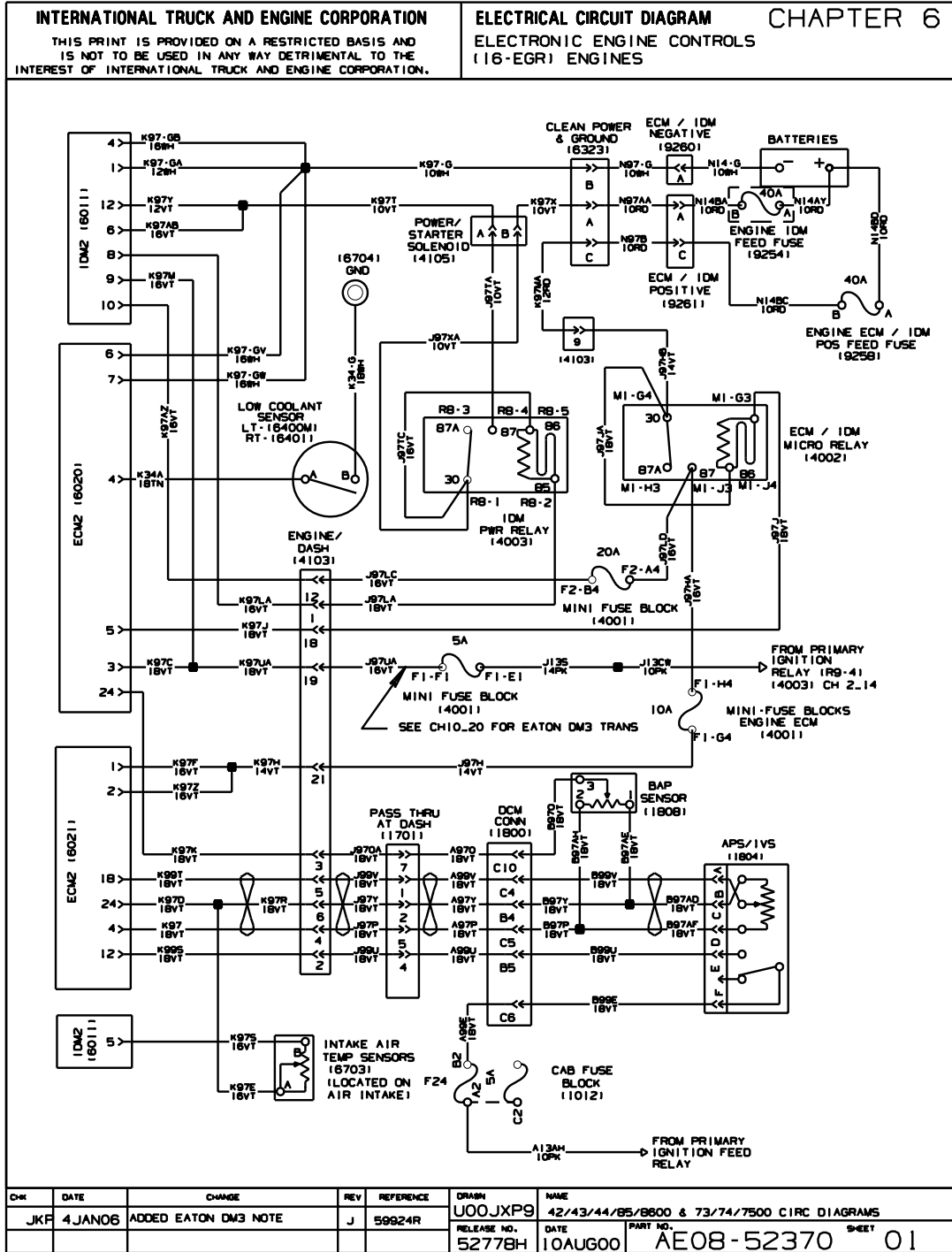


Figure 79 Electronic Engine Controls, I6-EGR Engines

6.2. ELECTRONIC ENGINE CONTROLS, I6-EGR ENGINE CRUISE CONTROL AND BODY BUILDER CONNECTIONS, P. 2

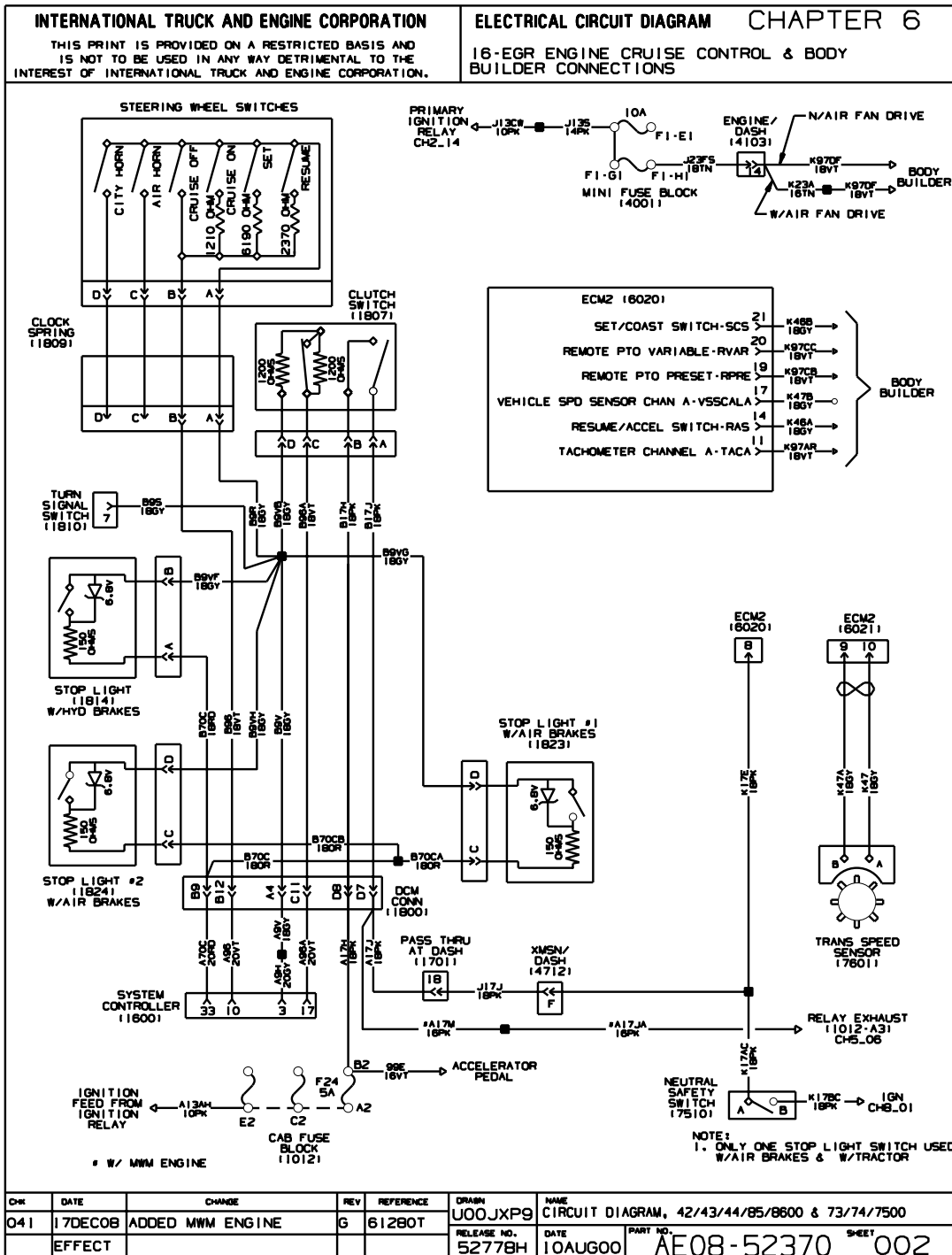


Figure 80 Electronic Engine Fuse Controls, I6-EGR Engine Cruise Control and Body Builder Connections

6.3. ELECTRONIC ENGINE CONTROLS, (V8-AVNT) ENGINES, P. 3

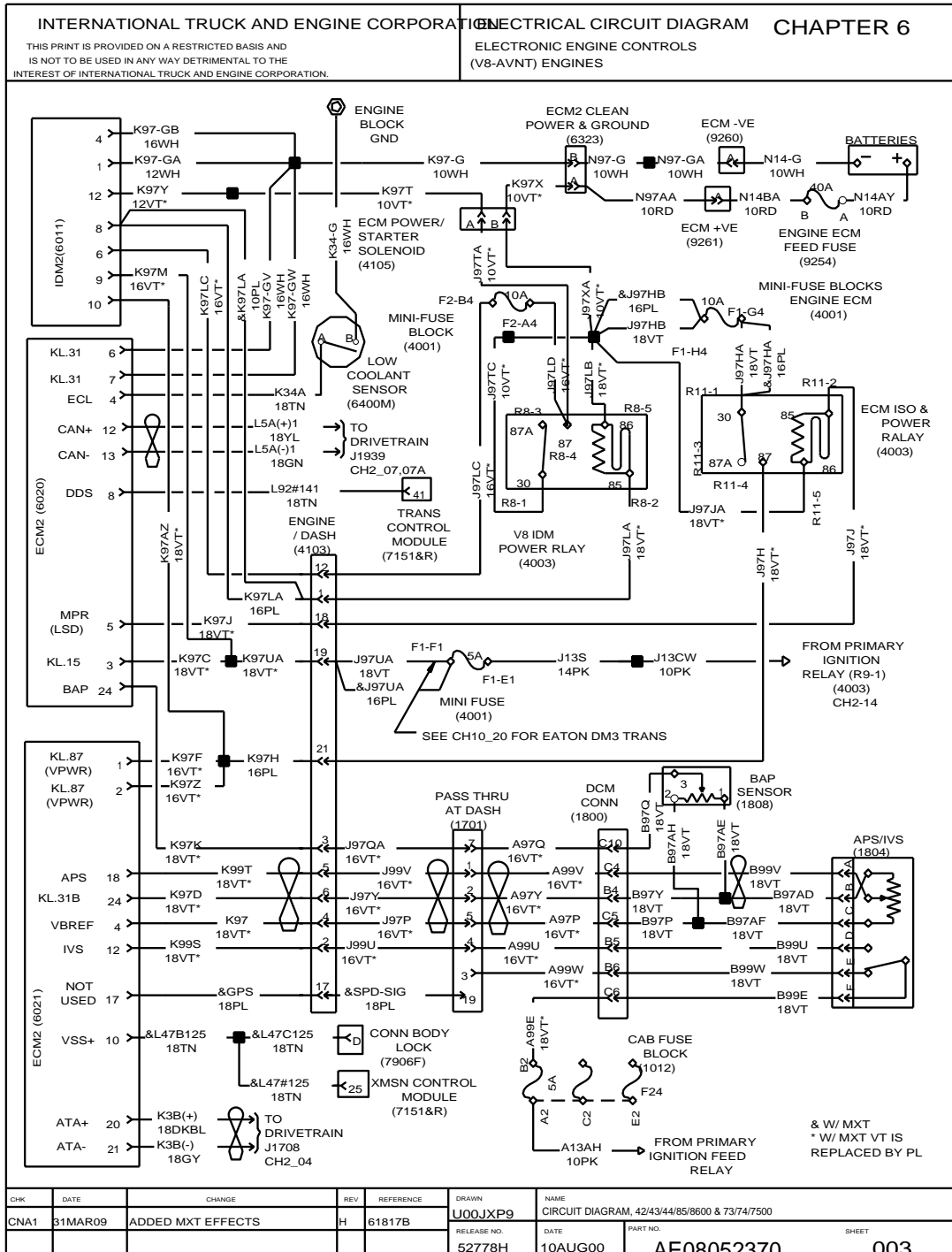


Figure 81 Electronic Engine Controls, (V8-AVNT) Engines

6.4. ELECTRONIC ENGINE CONTROLS, V8-AVNT ENGINE CRUISE CONTROL AND BODY BUILDER CONNECTIONS, P. 4

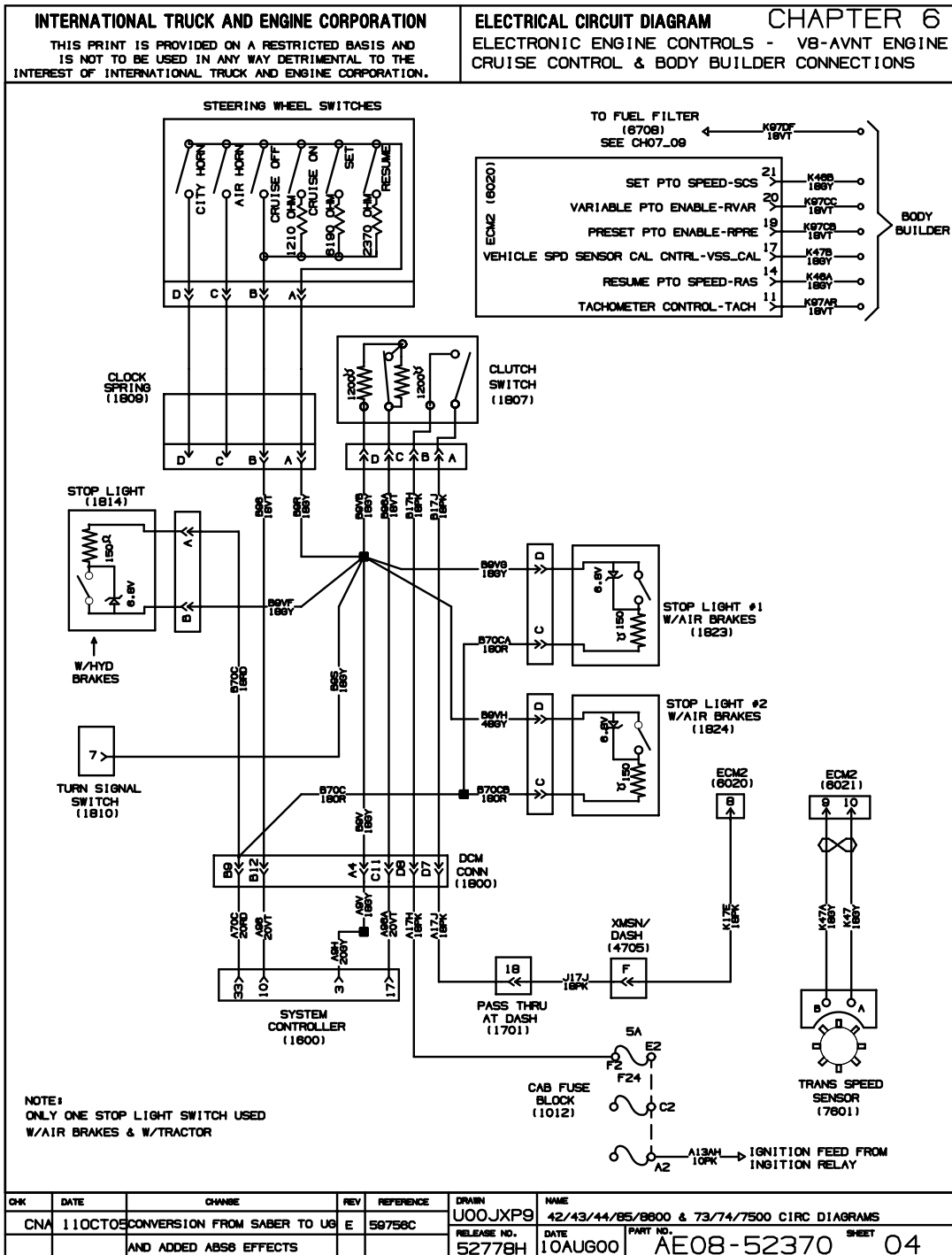


Figure 82 Electronic Engine Controls, V8-AVNT Engine Cruise Control and Body Builder Connections

6.5. CATERPILLAR C10, C11, C12, AND C13 ENGINES, P. 5

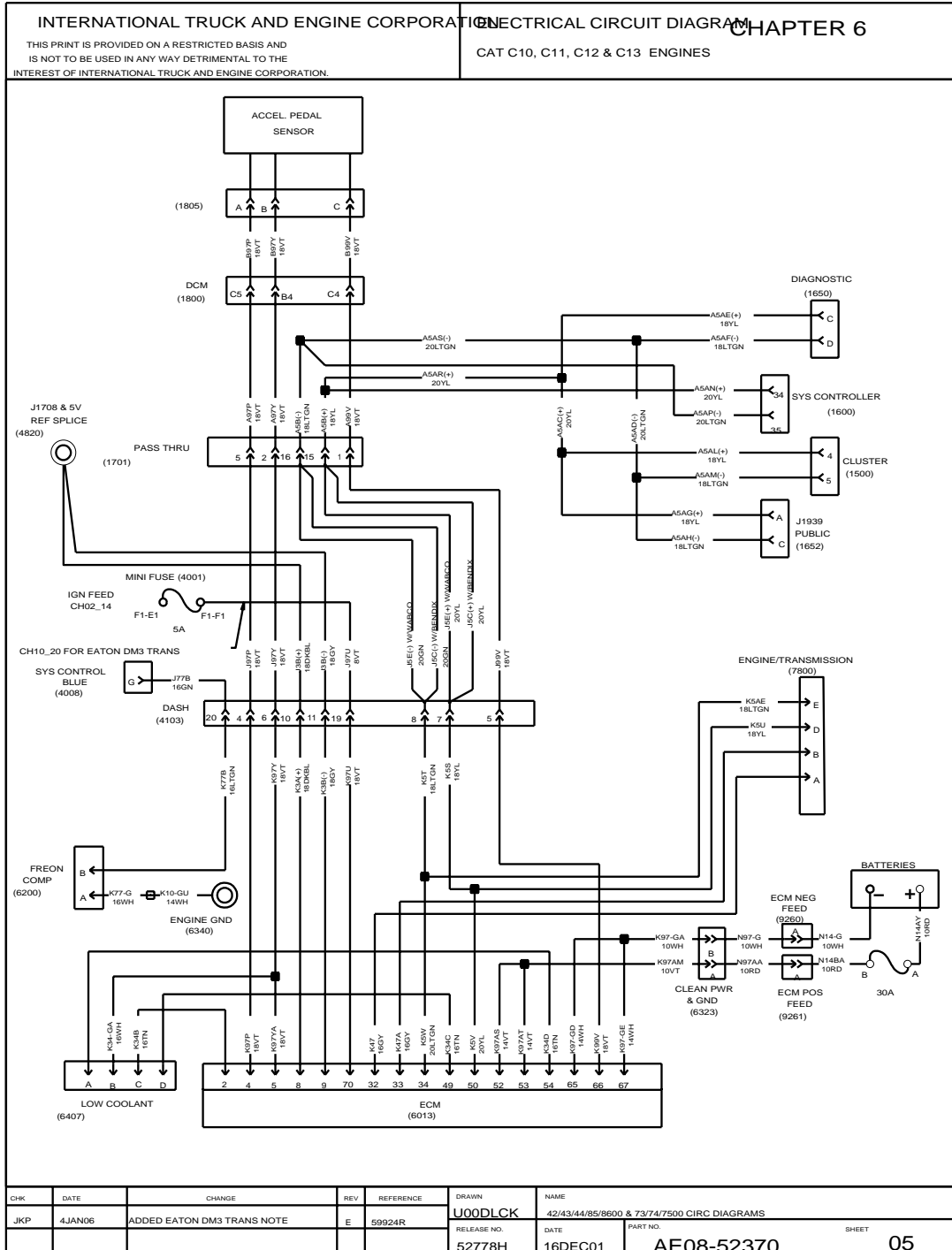


Figure 83 Caterpillar C10, C11, C12, and C13 Engines

6.6. CUMMINS ISM ENGINE, P. 6

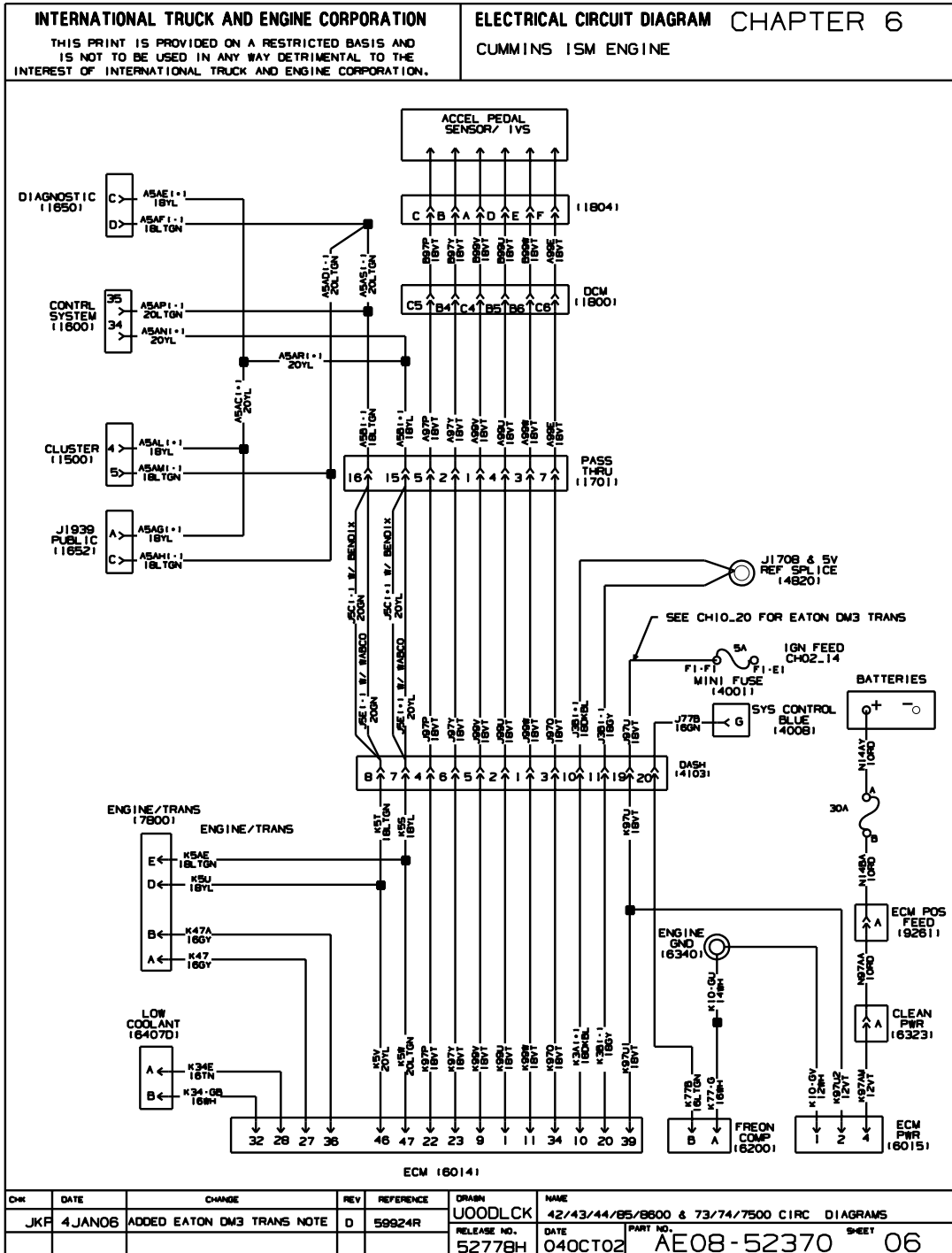


Figure 84 Cummins ISM Engine

6.7. I6 HEUI ENGINE, P. 7

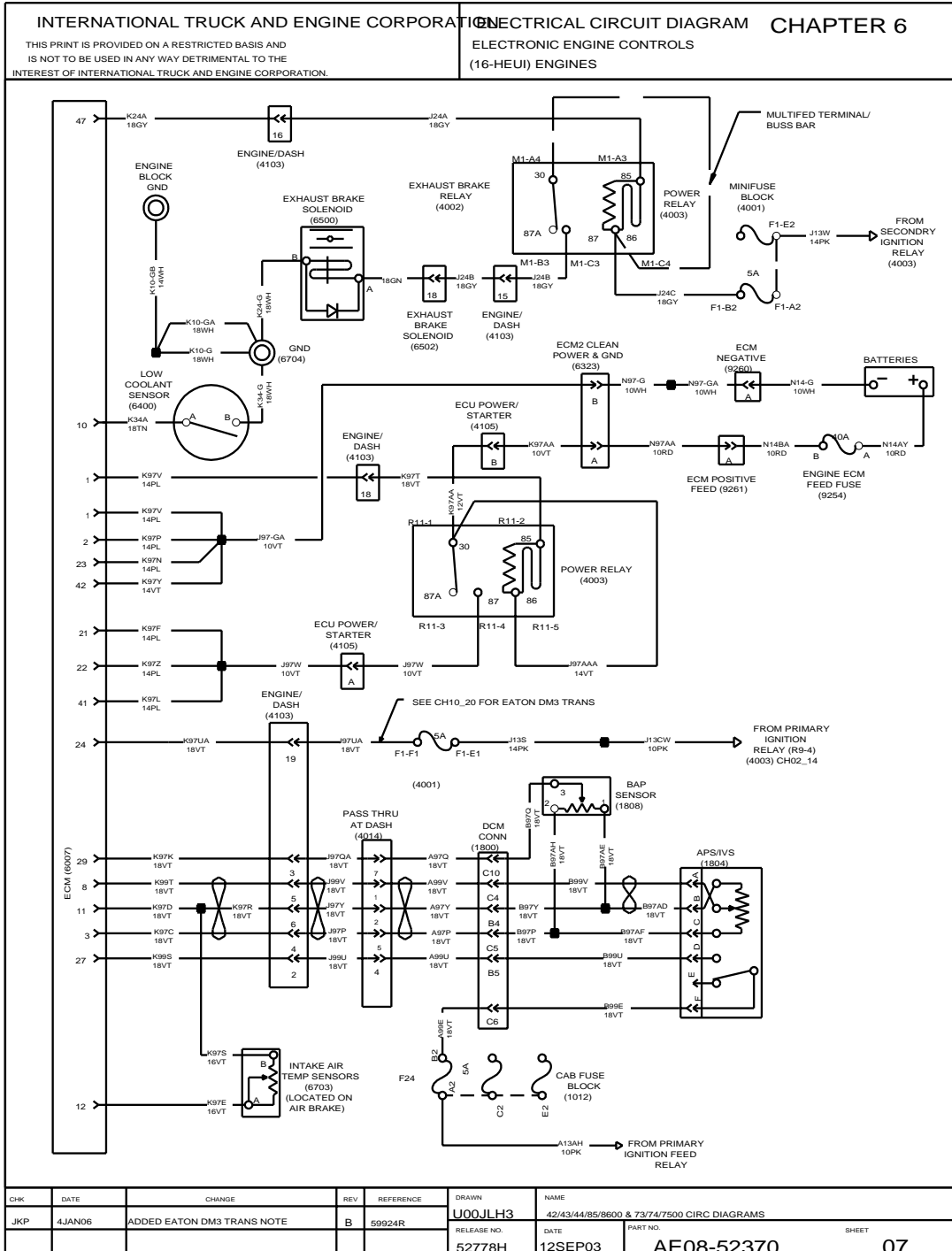


Figure 85 I6 HEUI Engine

6.8. I6 HEUI ENGINE CRUISE CONTROL AND BODY BUILDER CONNECTIONS WITH MANUAL TRANSMISSION, P. 8

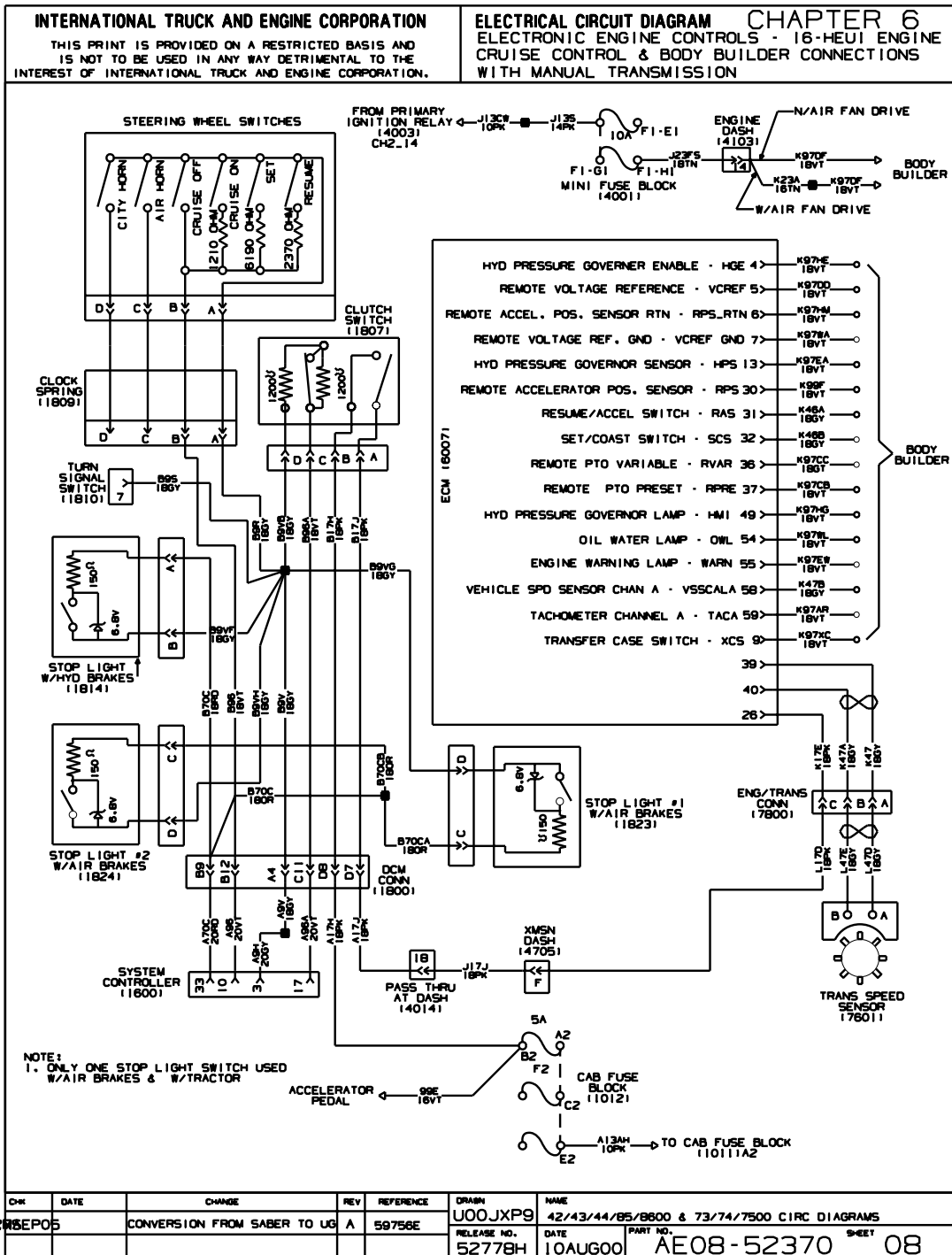


Figure 86 I6 HEUI Engine Cruise Control and Body Builder Connections with Manual Transmission

6.9. ROAD SPEED SIGNAL, P. 9

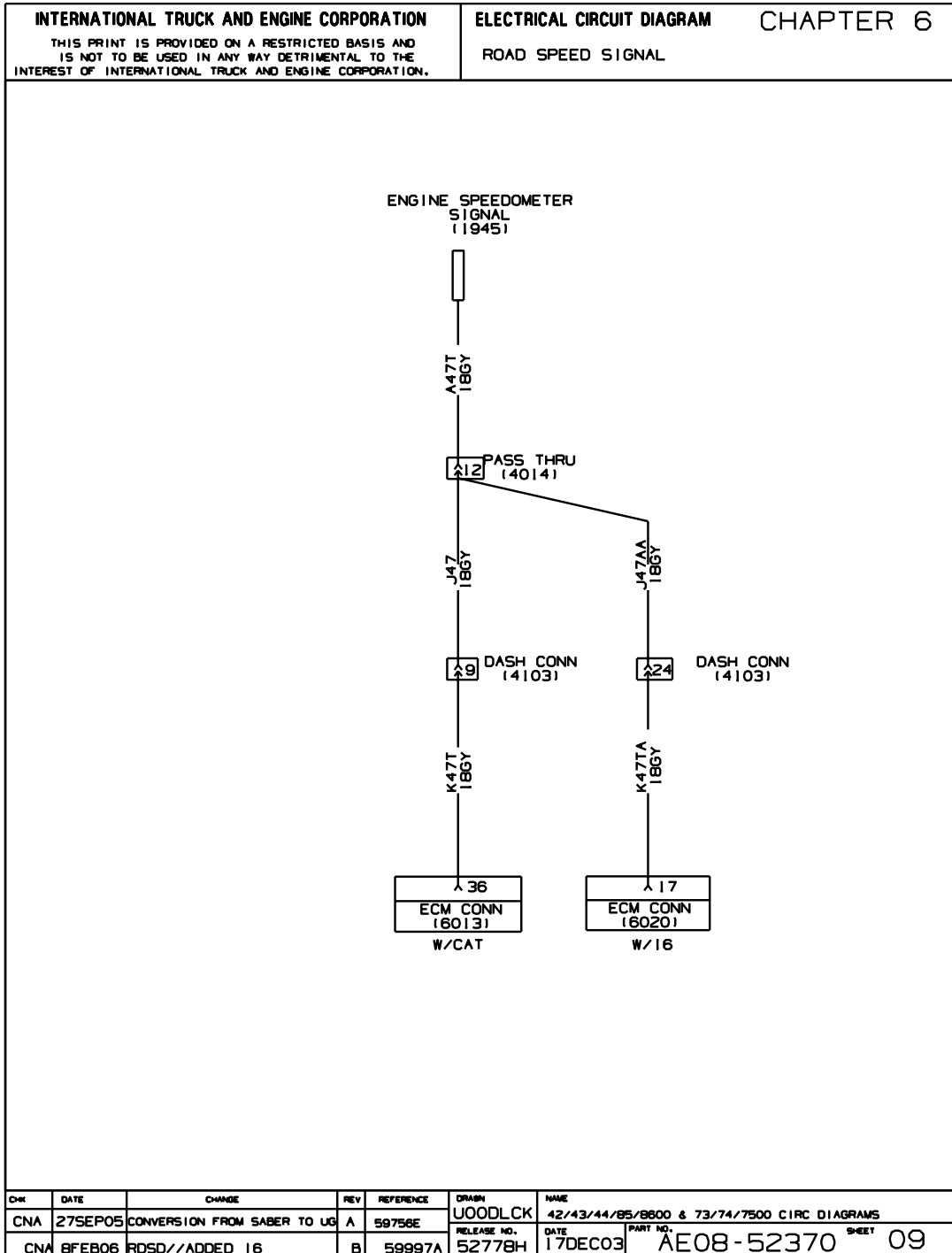


Figure 87 Road Speed Signal

6.10. MWM ENGINE — MULTIPLEXED MONITORING UNIT, P. 10

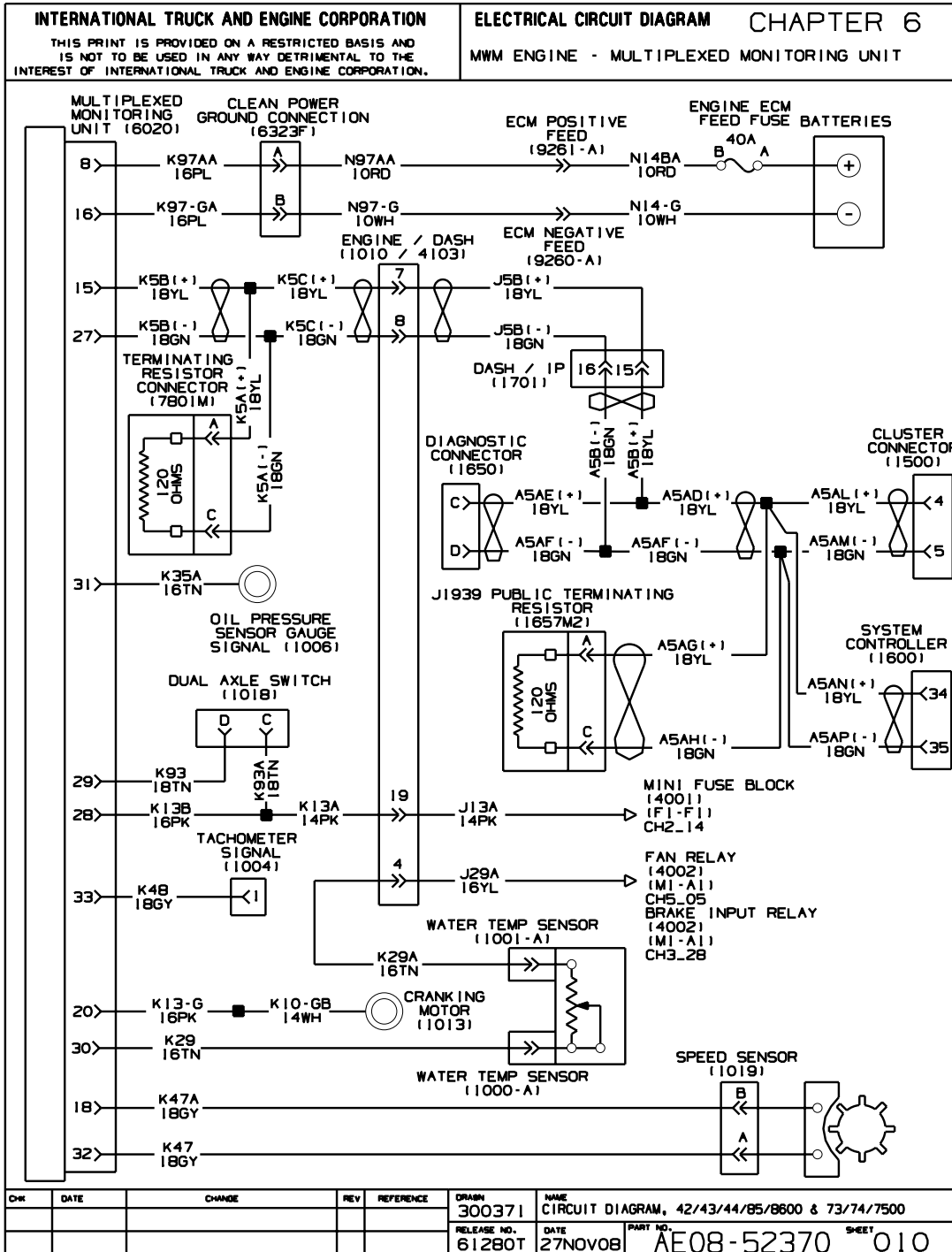


Figure 88 MWM Engine — Multiplexed Monitoring Unit

7. GAUGES WITH AND WITHOUT INTEGRAL WARNING LIGHT (CHAPTER 7)

7.1. IP/GAUGE LIST, P. 1

INTERNATIONAL TRUCK AND ENGINE CORPORATION THIS PRINT IS PROVIDED ON A RESTRICTED BASIS AND IS NOT TO BE USED IN ANY WAY DETRIMENTAL TO THE INTEREST OF INTERNATIONAL TRUCK AND ENGINE CORPORATION.	ELECTRICAL CIRCUIT DIAGRAM CHAPTER 7 IP/GAUGES																																																				
INSTRUMENT PANEL GAUGES																																																					
<table border="1" style="width: 100%; border-collapse: collapse;"> <thead> <tr> <th style="width: 25%;">GAUGE</th> <th style="width: 10%;">WARN LIGHT</th> <th style="width: 50%;">SIGNAL PATH</th> <th style="width: 15%;">SENSOR LOCATION</th> </tr> </thead> <tbody> <tr> <td>RPM (TACH)</td> <td style="text-align: center;">NO</td> <td>ENGINE CTRLR/DRIVE TRAIN J1939/CLUSTER</td> <td>ENGINE</td> </tr> <tr> <td>MPH/KPH (SPD)</td> <td style="text-align: center;">NO</td> <td>ENGINE CTRLR/DRIVE TRAIN J1939/CLUSTER</td> <td>TRANSMISSION</td> </tr> <tr> <td>FUEL</td> <td style="text-align: center;">YES</td> <td>SYSTEM CTRLR/DRIVE TRAIN J1939/CLUSTER</td> <td>FUEL TANK</td> </tr> <tr> <td>VOLT</td> <td style="text-align: center;">YES</td> <td>SYSTEM CTRLR/DRIVE TRAIN J1939/CLUSTER</td> <td>-</td> </tr> <tr> <td>AIR 1 (PRES)</td> <td style="text-align: center;">YES</td> <td>SYSTEM CTRLR/DRIVE TRAIN J1939/CLUSTER</td> <td>INSIDE CAB-DASH PNL</td> </tr> <tr> <td>AIR 2 (PRES)</td> <td style="text-align: center;">YES</td> <td>SYSTEM CTRLR/DRIVE TRAIN J1939/CLUSTER</td> <td>STEERING COL AREA</td> </tr> <tr> <td>WATER (TEMP)</td> <td style="text-align: center;">YES</td> <td>ENGINE CTRLR/DRIVE TRAIN J1939/CLUSTER</td> <td>ENGINE</td> </tr> <tr> <td>ENG OIL (TEMP)</td> <td style="text-align: center;">YES</td> <td>ENGINE CTRLR/DRIVE TRAIN J1939/CLUSTER</td> <td>ENGINE</td> </tr> <tr> <td>OIL (PRES)</td> <td style="text-align: center;">YES</td> <td>ENGINE CTRLR/DRIVE TRAIN J1939/CLUSTER</td> <td>ENGINE</td> </tr> <tr> <td>TRANS (TEMP)</td> <td style="text-align: center;">YES</td> <td>SYSTEM CTRLR/DRIVE TRAIN J1939/CLUSTER</td> <td>TRANSMISSION</td> </tr> <tr> <td>AIR APPLICATION</td> <td style="text-align: center;">NO</td> <td>SYSTEM CTRLR/DRIVE TRAIN J1939/CLUSTER</td> <td>FWD CHASSIS</td> </tr> <tr> <td>REAR AXLE TEMP</td> <td style="text-align: center;">YES</td> <td>SYSTEM CTRLR/DRIVE TRAIN J1939/CLUSTER</td> <td>AXEL</td> </tr> </tbody> </table>		GAUGE	WARN LIGHT	SIGNAL PATH	SENSOR LOCATION	RPM (TACH)	NO	ENGINE CTRLR/DRIVE TRAIN J1939/CLUSTER	ENGINE	MPH/KPH (SPD)	NO	ENGINE CTRLR/DRIVE TRAIN J1939/CLUSTER	TRANSMISSION	FUEL	YES	SYSTEM CTRLR/DRIVE TRAIN J1939/CLUSTER	FUEL TANK	VOLT	YES	SYSTEM CTRLR/DRIVE TRAIN J1939/CLUSTER	-	AIR 1 (PRES)	YES	SYSTEM CTRLR/DRIVE TRAIN J1939/CLUSTER	INSIDE CAB-DASH PNL	AIR 2 (PRES)	YES	SYSTEM CTRLR/DRIVE TRAIN J1939/CLUSTER	STEERING COL AREA	WATER (TEMP)	YES	ENGINE CTRLR/DRIVE TRAIN J1939/CLUSTER	ENGINE	ENG OIL (TEMP)	YES	ENGINE CTRLR/DRIVE TRAIN J1939/CLUSTER	ENGINE	OIL (PRES)	YES	ENGINE CTRLR/DRIVE TRAIN J1939/CLUSTER	ENGINE	TRANS (TEMP)	YES	SYSTEM CTRLR/DRIVE TRAIN J1939/CLUSTER	TRANSMISSION	AIR APPLICATION	NO	SYSTEM CTRLR/DRIVE TRAIN J1939/CLUSTER	FWD CHASSIS	REAR AXLE TEMP	YES	SYSTEM CTRLR/DRIVE TRAIN J1939/CLUSTER	AXEL
GAUGE	WARN LIGHT	SIGNAL PATH	SENSOR LOCATION																																																		
RPM (TACH)	NO	ENGINE CTRLR/DRIVE TRAIN J1939/CLUSTER	ENGINE																																																		
MPH/KPH (SPD)	NO	ENGINE CTRLR/DRIVE TRAIN J1939/CLUSTER	TRANSMISSION																																																		
FUEL	YES	SYSTEM CTRLR/DRIVE TRAIN J1939/CLUSTER	FUEL TANK																																																		
VOLT	YES	SYSTEM CTRLR/DRIVE TRAIN J1939/CLUSTER	-																																																		
AIR 1 (PRES)	YES	SYSTEM CTRLR/DRIVE TRAIN J1939/CLUSTER	INSIDE CAB-DASH PNL																																																		
AIR 2 (PRES)	YES	SYSTEM CTRLR/DRIVE TRAIN J1939/CLUSTER	STEERING COL AREA																																																		
WATER (TEMP)	YES	ENGINE CTRLR/DRIVE TRAIN J1939/CLUSTER	ENGINE																																																		
ENG OIL (TEMP)	YES	ENGINE CTRLR/DRIVE TRAIN J1939/CLUSTER	ENGINE																																																		
OIL (PRES)	YES	ENGINE CTRLR/DRIVE TRAIN J1939/CLUSTER	ENGINE																																																		
TRANS (TEMP)	YES	SYSTEM CTRLR/DRIVE TRAIN J1939/CLUSTER	TRANSMISSION																																																		
AIR APPLICATION	NO	SYSTEM CTRLR/DRIVE TRAIN J1939/CLUSTER	FWD CHASSIS																																																		
REAR AXLE TEMP	YES	SYSTEM CTRLR/DRIVE TRAIN J1939/CLUSTER	AXEL																																																		
NOTES: 1. WARNING LIGHTS ARE PART OF THE GAUGES AND LOCATED IN THE GAUGE																																																					
<table border="1" style="width: 100%; border-collapse: collapse;"> <tr> <th style="width: 10%;">CHK</th> <th style="width: 10%;">DATE</th> <th style="width: 20%;">CHANGE</th> <th style="width: 10%;">REV</th> <th style="width: 10%;">REFERENCE</th> <th style="width: 10%;">DASH</th> <th style="width: 40%;">NAME</th> </tr> <tr> <td>2</td> <td>05SEP05</td> <td>CONVERSION FROM SABER TO UG</td> <td>B</td> <td>59756E</td> <td>U00JXP9</td> <td>42/43/44/85/8600 & 73/74/7500 CIRC DIAGRAMS</td> </tr> <tr> <td></td> <td></td> <td></td> <td></td> <td></td> <td>RELEASE NO.</td> <td>DATE</td> </tr> <tr> <td></td> <td></td> <td></td> <td></td> <td></td> <td>52778H</td> <td>09AUG00</td> </tr> <tr> <td></td> <td></td> <td></td> <td></td> <td></td> <td>PART NO.</td> <td>SHEET</td> </tr> <tr> <td></td> <td></td> <td></td> <td></td> <td></td> <td>AE08-52371</td> <td>01</td> </tr> </table>		CHK	DATE	CHANGE	REV	REFERENCE	DASH	NAME	2	05SEP05	CONVERSION FROM SABER TO UG	B	59756E	U00JXP9	42/43/44/85/8600 & 73/74/7500 CIRC DIAGRAMS						RELEASE NO.	DATE						52778H	09AUG00						PART NO.	SHEET						AE08-52371	01										
CHK	DATE	CHANGE	REV	REFERENCE	DASH	NAME																																															
2	05SEP05	CONVERSION FROM SABER TO UG	B	59756E	U00JXP9	42/43/44/85/8600 & 73/74/7500 CIRC DIAGRAMS																																															
					RELEASE NO.	DATE																																															
					52778H	09AUG00																																															
					PART NO.	SHEET																																															
					AE08-52371	01																																															

Figure 89 IP/Gauge List

7.2. WARNING LIGHT LIST, P. 2

INTERNATIONAL TRUCK AND ENGINE CORPORATION				ELECTRICAL CIRCUIT DIAGRAM			CHAPTER 7
THIS PRINT IS PROVIDED ON A RESTRICTED BASIS AND IS NOT TO BE USED IN ANY WAY DETRIMENTAL TO THE INTEREST OF INTERNATIONAL TRUCK AND ENGINE CORPORATION.				WARNING LIGHTS LIST			
IP WARNING LIGHTS							
WARNING LIGHT TITLE		SIGNAL PATH			SENSOR LOCATION		
RANGE INHIBITED		TRANS CTRLR/DRIVE TRAIN J1939/CLUSTER					
FUEL FILTER		SYSTEM CTRLR/DRIVE TRAIN J1939/CLUSTER			FUEL FILTER		
ENGINE (YELLOW LED)		ENGINE CTRLR/DRIVE TRAIN J1939/CLUSTER					
ENGINE (RED LED)		ENGINE CTRLR/DRIVE TRAIN J1939/CLUSTER					
BRAKE PRESSURE (Ⓢ)		SYSTEM CTRLR/DRIVE TRAIN J1939/CLUSTER			SWITCH		
BRAKE FLUID		SYSTEM CTRLR/DRIVE TRAIN J1939/CLUSTER			BRK RESEVOIR		
TRAC CTRL		TRUCK ABS CTRLR/DRIVE TRAIN J1939/CLUSTER					
CHECK TRANS		TRANS CTRLR/DRIVE TRAIN J1939/CLUSTER					
TRAILER ABS		TRLR ABS CTRLR/DRIVE TRAIN J1939/CLUSTER					
WASHER FLUID		SYSTEM CTRLR/DRIVE TRAIN J1939/CLUSTER			WASHER BOTTLE		
(LEFT TURN)		SYSTEM CTRLR/DRIVE TRAIN J1939/CLUSTER			TURN SIG SW		
AIR BAG		DISCRETE NOT ON DATA BUS					
WATER IN FUEL		SYSTEM CTRLR/DRIVE TRAIN J1939/CLUSTER			FUEL FILTER		
COOLANT LEVEL		ENGINE CTRLR/DRIVE TRAIN J1939/CLUSTER			SURGE TANK		
CHECK ELECT SYS		SYSTEM CTRLR/DRIVE TRAIN J1939/CLUSTER					
PARK (Ⓟ)		SYSTEM CTRLR/DRIVE TRAIN J1939/CLUSTER			SWITCH		
CRUISE		SYSTEM CTRLR/DRIVE TRAIN J1939/CLUSTER					
ABS		TRUCK CTRLR/DRIVE TRAIN J1939/CLUSTER					
(RIGHT TURN)		SYSTEM CTRLR/DRIVE TRAIN J1939/CLUSTER					
WAIT TO START		ENGINE CTRLR/DRIVE TRAIN J1939/CLUSTER					
FASTEN BELTS		SYSTEM CTRLR/DRIVE TRAIN J1939/CLUSTER					
(HIGH BEAM IND)		SYSTEM CTRLR/DRIVE TRAIN J1939/CLUSTER					
COLD AMB PROTEC		SYSTEM CTRLR/DRIVE TRAIN J1939/CLUSTER					
RETARD OVERHEAT		TRANS CTRLR/DRIVE TRAIN J1939/CLUSTER			TRANSMISSION		
CHECK AC		SYSTEM CTRLR/DRIVE TRAIN J1939/CLUSTER					
AUTO NEUTRAL		DISCRETE NOT ON DATA BUS			SWITCH		
ALTERNATOR		DISCRETE NOT ON DATA BUS					
PTO/THROTTLE		SYSTEM CTRLR/DRIVE TRAIN J1939/CLUSTER					
OPTIMIZED IDLE		DISCRETE NOT ON DATA BUS					
SNOW VALVE		DISCRETE NOT ON DATA BUS			SNOW VALVE		
FR AXLE DIFF LOCK		DISCRETE NOT ON DATA BUS			FWD RR AXLE		
RR AXLE DIFF LOCK		DISCRETE NOT ON DATA BUS			RR RR AXLE		
MESSAGE WAIT		DISCRETE NOT ON DATA BUS					
PTO		DISCRETE NOT ON DATA BUS					
CONVERTER TEMP		DISCRETE NOT ON DATA BUS					
TOUCHLOC RELEASE		DISCRETE NOT ON DATA BUS					
PARK FLUID		SYSTEM CTRLR/DRIVE TRAIN					
FR AXLE ENGAGED		DISCRETE NOT ON DATA BUS			TRANSFER CASE		
CHK	DATE	CHANGE	REV	REFERENCE	DRAWN	NAME	
CNA	29SEP03	ADDED FR AXLE ENGAGED.	B	58928U	LDDJXP9	42/43/44/85/8600 & 73/74/7500 CIRC DIAGRAMS	
					RELEASE NO.	DATE	
					P52778H	09AUG00	
						PART NO.	
						AE09-52371	
						SHEET	
						02	

Figure 90 Warning Light List

7.3. WARNING LIGHTS CONTROLLED BY ENGINE, TRANSMISSION, ABS CONTROLLER, P. 3

INTERNATIONAL TRUCK AND ENGINE CORPORATION THIS PRINT IS PROVIDED ON A RESTRICTED BASIS AND IS NOT TO BE USED IN ANY WAY DETRIMENTAL TO THE INTEREST OF INTERNATIONAL TRUCK AND ENGINE CORPORATION.				ELECTRICAL CIRCUIT DIAGRAM CHAPTER 7 WARNING LIGHTS CONTROLLED BY ENGINE, TRANSMISSION, ABS CONTROLLER			
THE FOLLOWING WARNING LIGHTS ARE CONTROLLED BY THE ENGINE, TRANSMISSION, OR ABS CONTROLLER OVER THE DATA BUS AND DO NOT HAVE INDEPENDENT CIRCUITRY THAT CAN BE OR NEEDS TO BE SHOWN: DO NOT SHIFT ENGINE (YELLOW LENS) ENGINE (RED LENS) TRAC CTRL CHECK TRANS TRAILER ABS CHECK ELECTR SYS ABS WAIT TO START RETARD OVERHEAT AUTO NEUTRAL OPTIMIZED IDLE							
CHK	DATE	CHANGE	REV	REFERENCE	DRAWN	NAME	
2	05EPO5	CONVERSION FROM SABER TO UG	B	59756E	U00JXP9	42/43/44/85/8600 & 73/74/7500 CIRC DIAGRAMS	
					RELEASE NO.	DATE	
					52778H	20JUN00	
						PART NO.	
						AE08-52371	
						SHEET	
						03	

Figure 91 Warning Lights Controlled by Engine, Transmission, ABS Controller

7.4. ENGINE OIL PRESSURE AND TEMP, SPEEDOMETER, TACH, VOLTMETER AND WATER TEMP GAUGE CIRCUITS, P. 4

INTERNATIONAL TRUCK AND ENGINE CORPORATION				ELECTRICAL CIRCUIT DIAGRAM CHAPTER 7			
THIS PRINT IS PROVIDED ON A RESTRICTED BASIS AND IS NOT TO BE USED IN ANY WAY DETRIMENTAL TO THE INTEREST OF INTERNATIONAL TRUCK AND ENGINE CORPORATION.				ENG OIL PRESS & TEMP, SPEEDOMETER, TACH, VOLTMETER & WATER TEMP GAUGE CIRCUITS			
<p>REFER TO CONSOLIDATED ENGINE/VEHICLE CONTROLLER DIAGNOSTICS MANUAL EGES-175 (DT466), EGES-190 (V8-AVNT), FOR CIRCUIT DIAGRAMS SHOWING INPUT CIRCUITRY FOR THE FOLLOWING DATALINK DRIVEN SYSTEM:</p> <p>ENGINE OIL PRESSURE GAUGE</p> <p>ENGINE OIL TEMPERATURE GAUGE</p> <p>SPEEDOMETER GAUGE</p> <p>TACHOMETER GAUGE</p> <p>WATER TEMPERATURE GAUGE</p>							
CHK	DATE	CHANGE	REV	REFERENCE	DRAWN	NAME	
PEC	16JAN01	PRODUCTION RELEASE.	A	P54304U	U00JXP9	42/43/44/85/8600 & 73/74/7500 CIRC DIAGRAMS	
					RELEASE NO.	DATE	PART NO. SHEET
					P52778H	20JUN00	AE08-52371 04

Figure 92 Engine Oil Pressure and Temp, Speedometer, Tach, Voltmeter and Water Temp Gauge Circuits

7.5. IP/GAUGES AND WARNING LIGHTS — GAUGE CLUSTER, P. 5

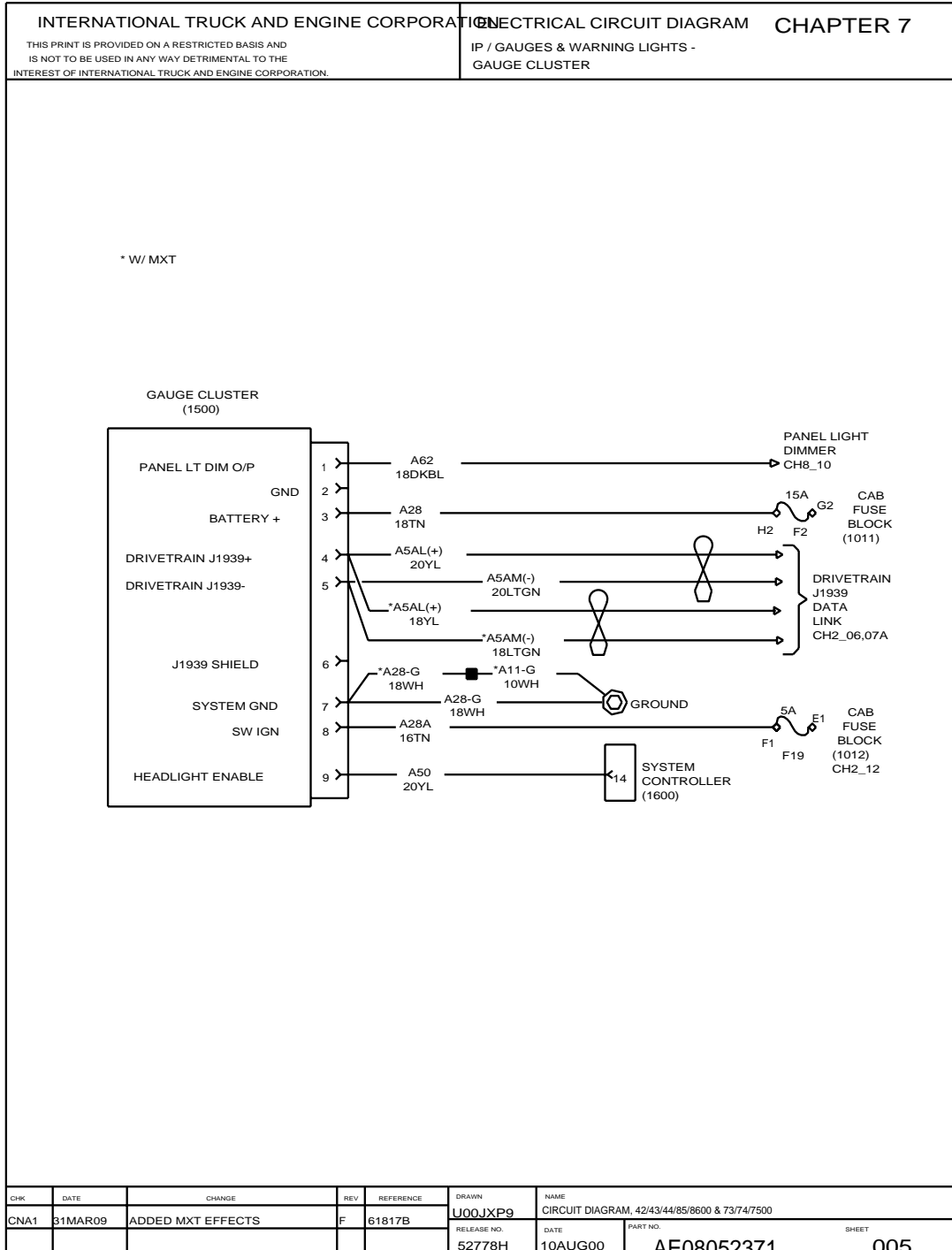


Figure 93 IP/Gauges and Warning Lights — Gauge Cluster

7.6. AIR PRESSURE INPUT CIRCUIT, P. 6

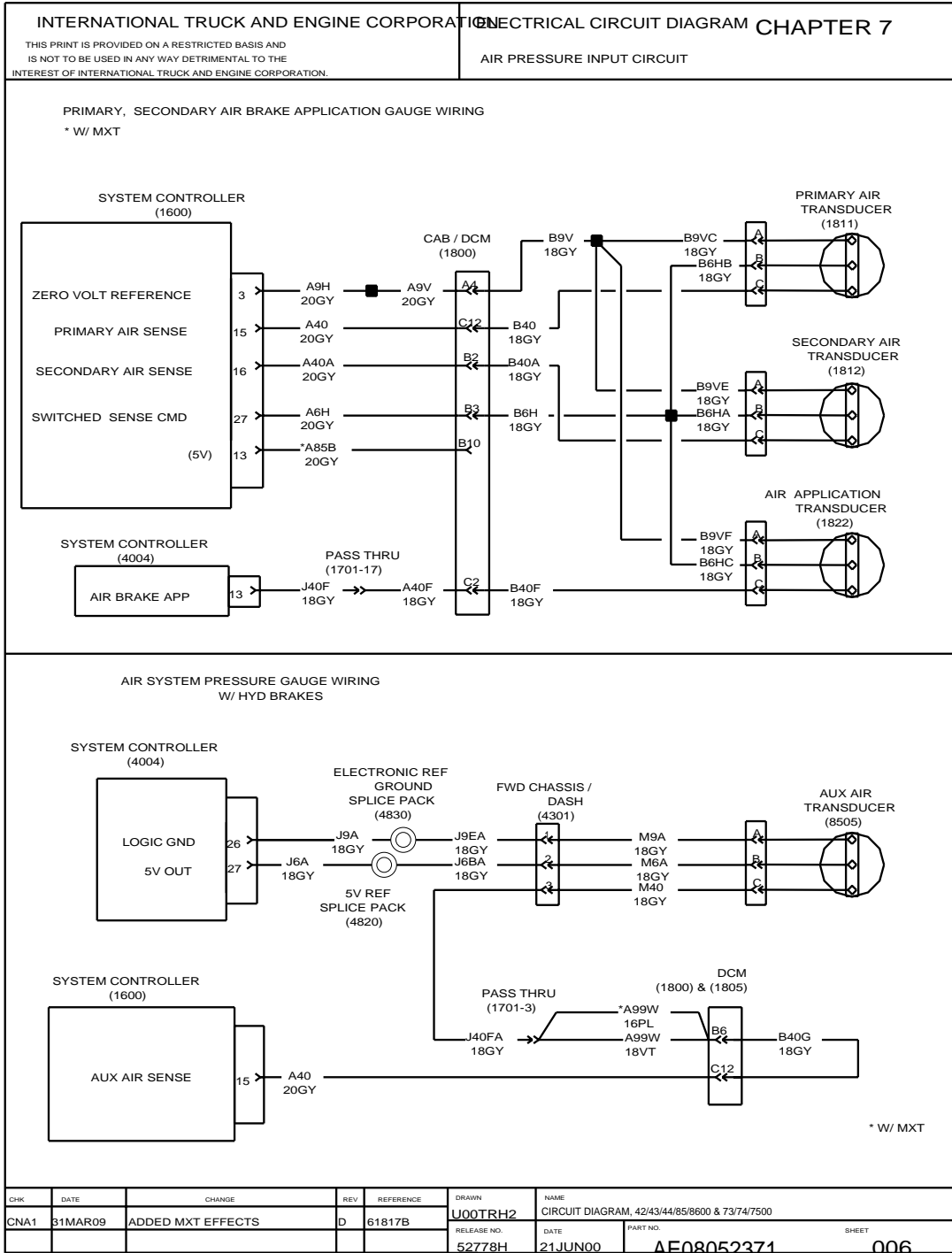


Figure 94 Air Pressure Input Circuit

7.7. AXLE TEMPERATURE, FWD REAR AND REAR AXLES, GAUGE INPUT CIRCUIT, P. 7

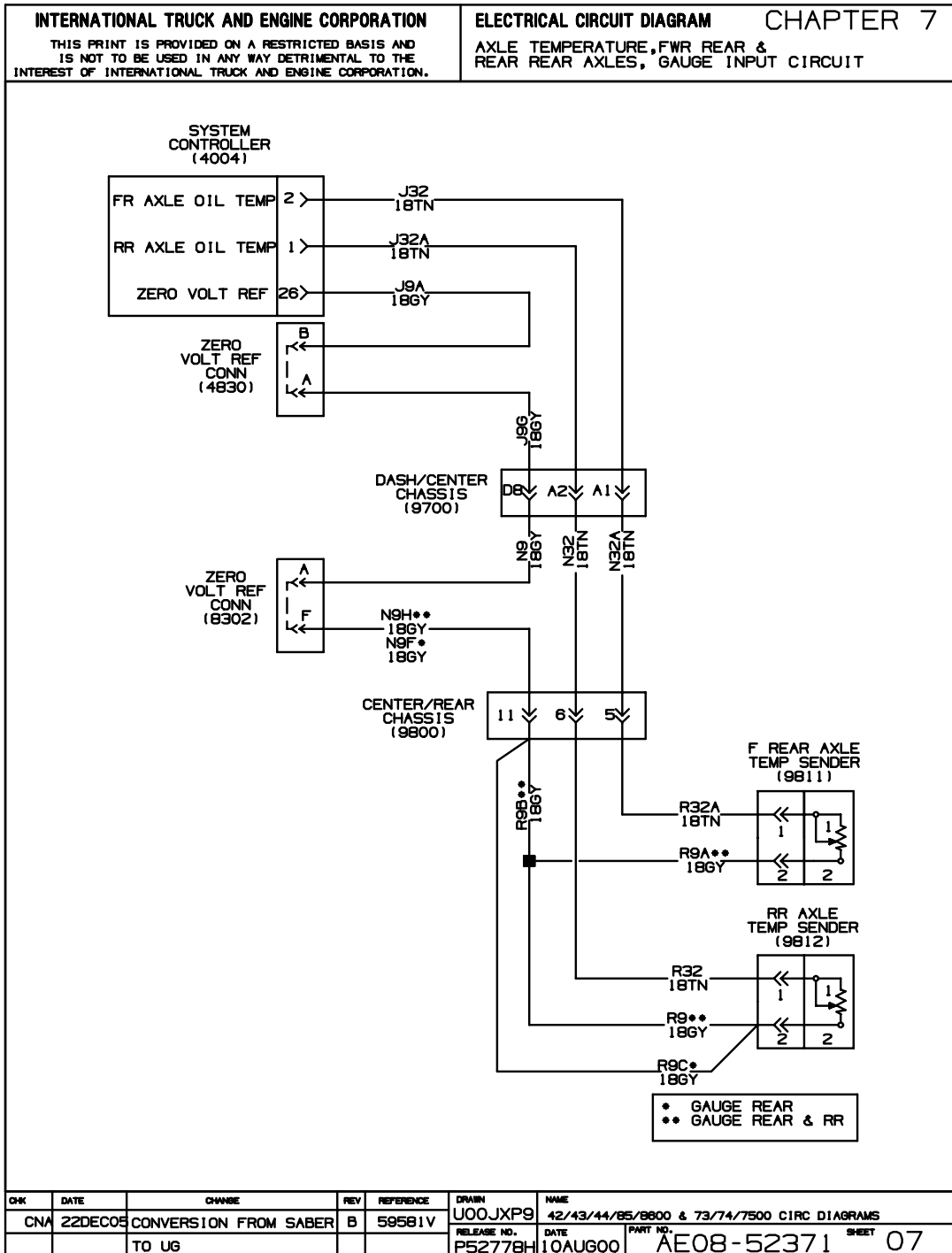


Figure 95 Axle Temperature, FWD Rear and Rear Axles, Gauge Input Circuit

7.8. FUEL GAUGE INPUT CIRCUIT (SINGLE TANK) DIFFERENTIAL LOCK WARNING LAMPS, P. 8

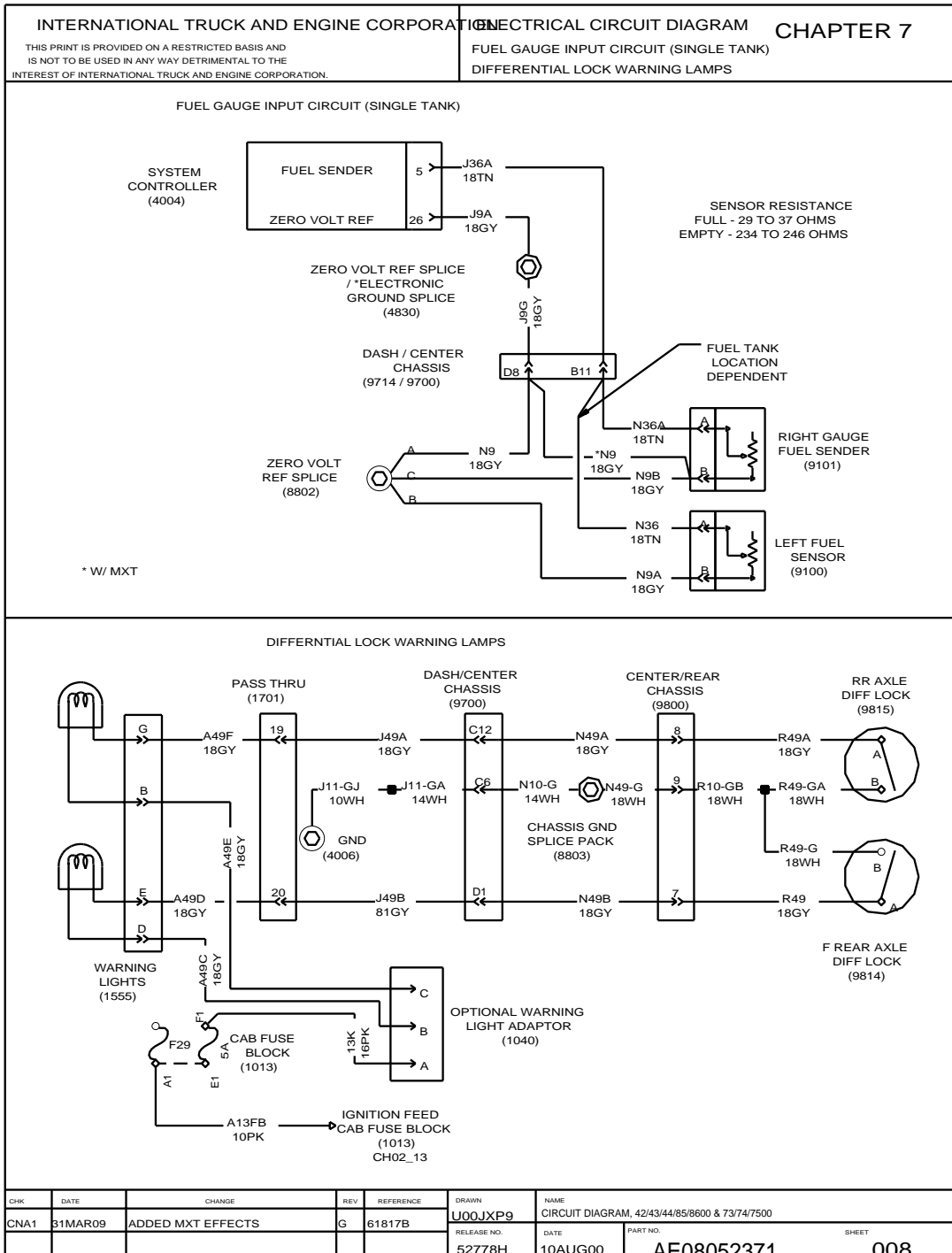


Figure 96 Fuel Gauge Input Circuit (Single Tank) Differential Lock Warning Lamps

7.9. GAUGES AND WARNING LIGHTS — FUEL FILTER HEATER AND WATER IN FUEL LIGHTS, P. 9

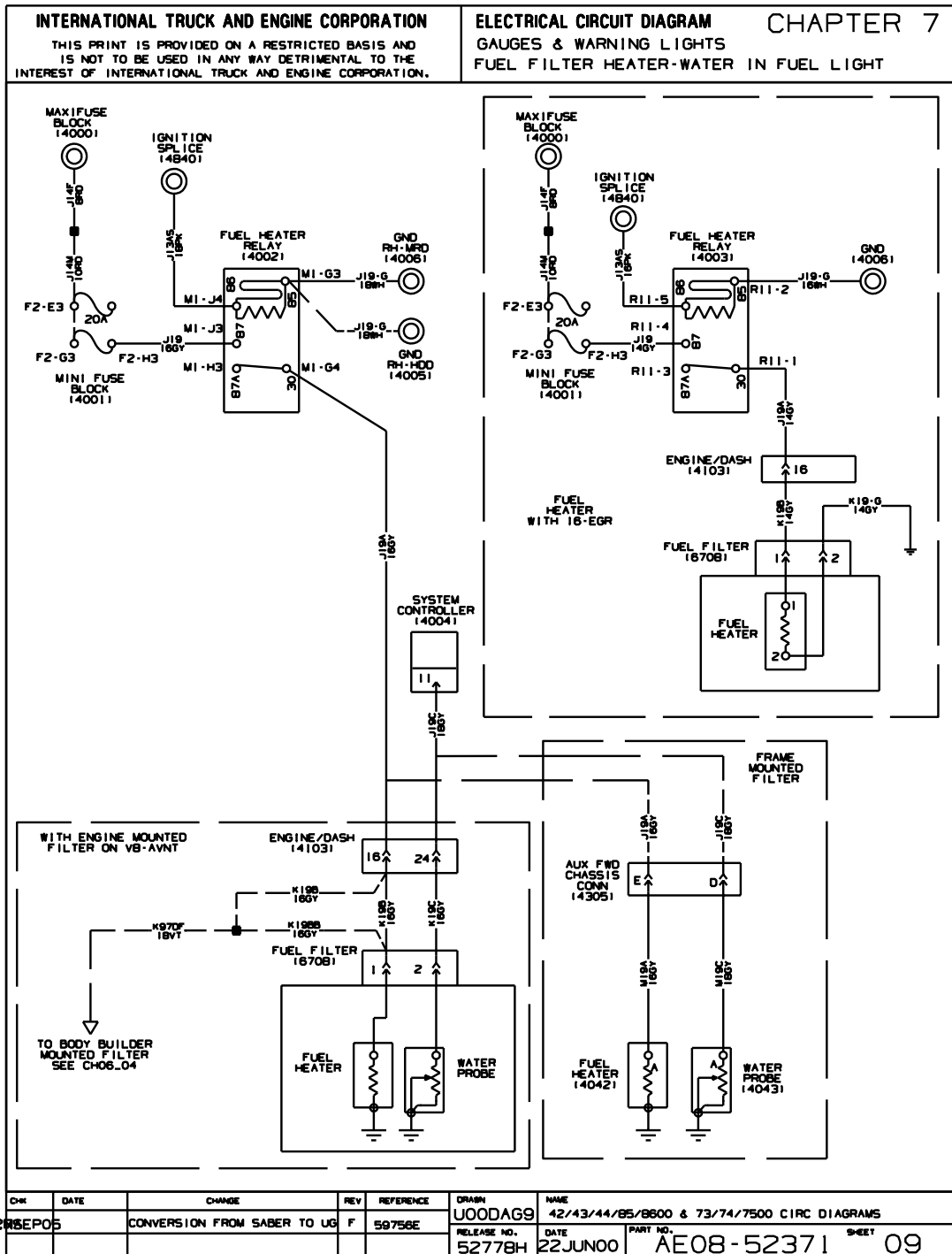


Figure 97 Gauges and Warning Lights — Fuel Filter Heater and Water in Fuel Lights

7.10. GAUGES AND WARNING LIGHTS — PARK BRAKE LIGHT AND TRANSMISSION OIL TEMP. GAUGE, P. 10

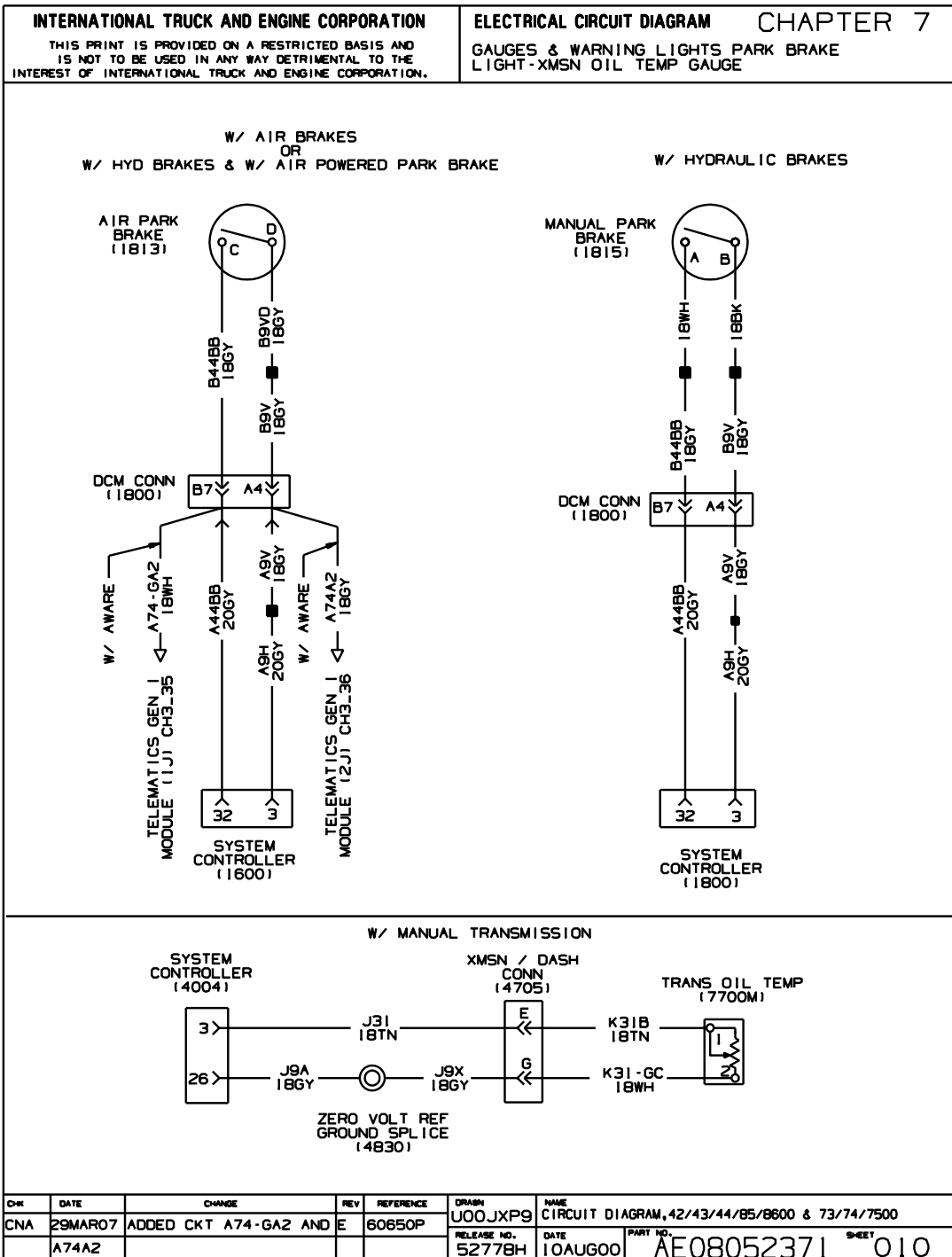


Figure 98 Gauges and Warning Lights — Park Brake Light and Transmission Oil Temp. Gauge

7.11. GAUGES AND WARNING LIGHTS — AMMETER, P. 11

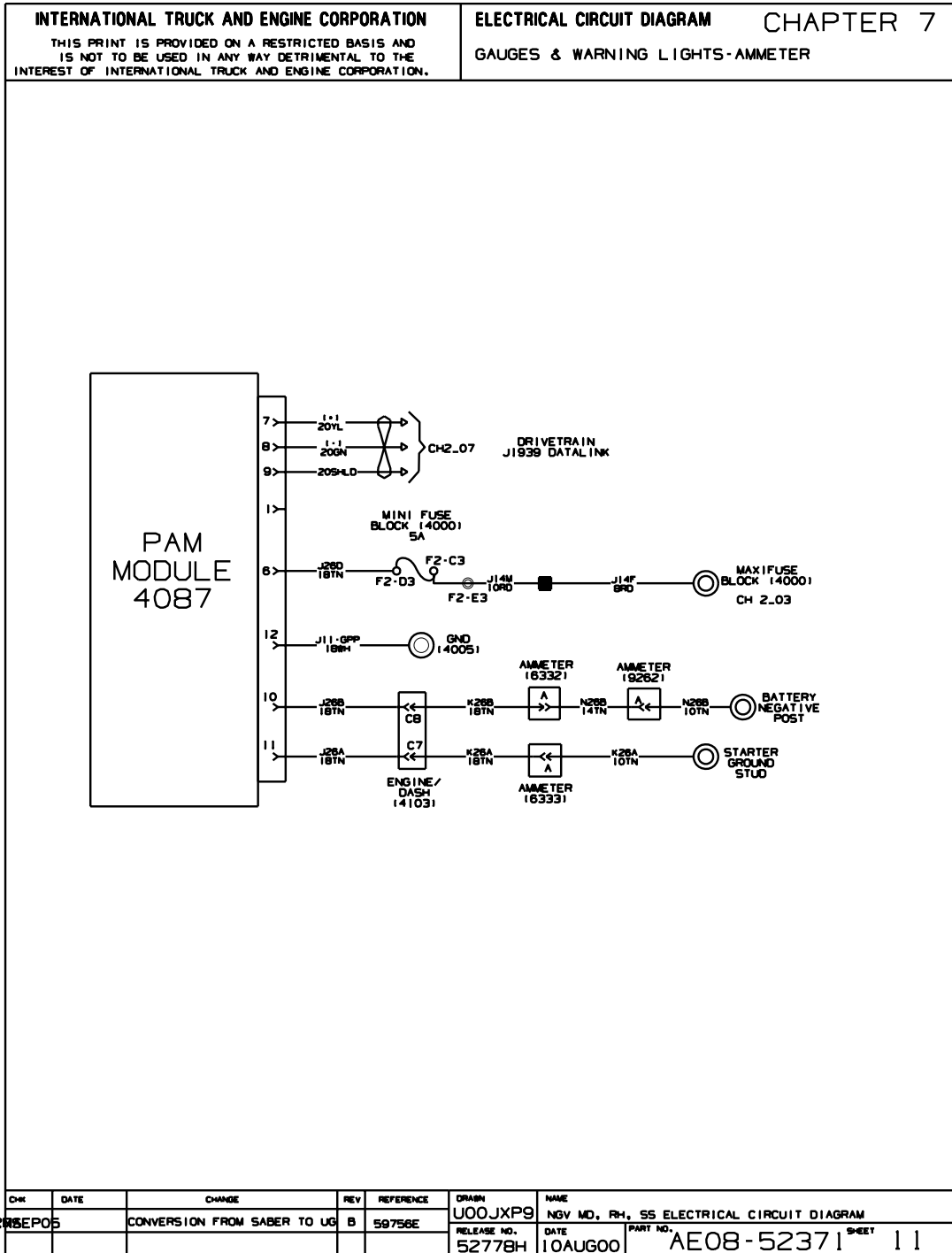
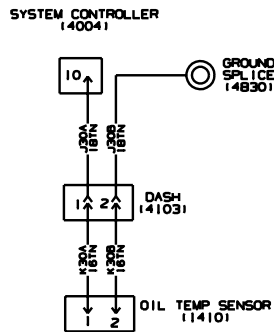


Figure 99 Gauges and Warning Lights — Ammeter

7.12. ENGINE OIL TEMPERATURE GAUGE WITH CATERPILLAR, P. 12

INTERNATIONAL TRUCK AND ENGINE CORPORATION THIS PRINT IS PROVIDED ON A RESTRICTED BASIS AND IS NOT TO BE USED IN ANY WAY DETRIMENTAL TO THE INTEREST OF INTERNATIONAL TRUCK AND ENGINE CORPORATION.	ELECTRICAL CIRCUIT DIAGRAM CHAPTER 7 ENGINE OIL TEMP GAUGE W/CATERPILLAR
--	---



CHK	DATE	CHANGE	REV	REFERENCE	DRAWN	NAME
2	09SEP05	CONVERSION FROM SABER TO UG	B	59756E	WOODLCK	42/43/44/85/8600 & 73/74/7500 CIRC DIAGRAMS
					RELEASE NO.	DATE PART NO. SHEET
					52778H	07OCT02 AE08-52371 12

Figure 100 Engine Oil Temperature Gauge With Caterpillar

7.13. FRONT AXLE ENGAGEMENT WARNING LAMP, P. 13

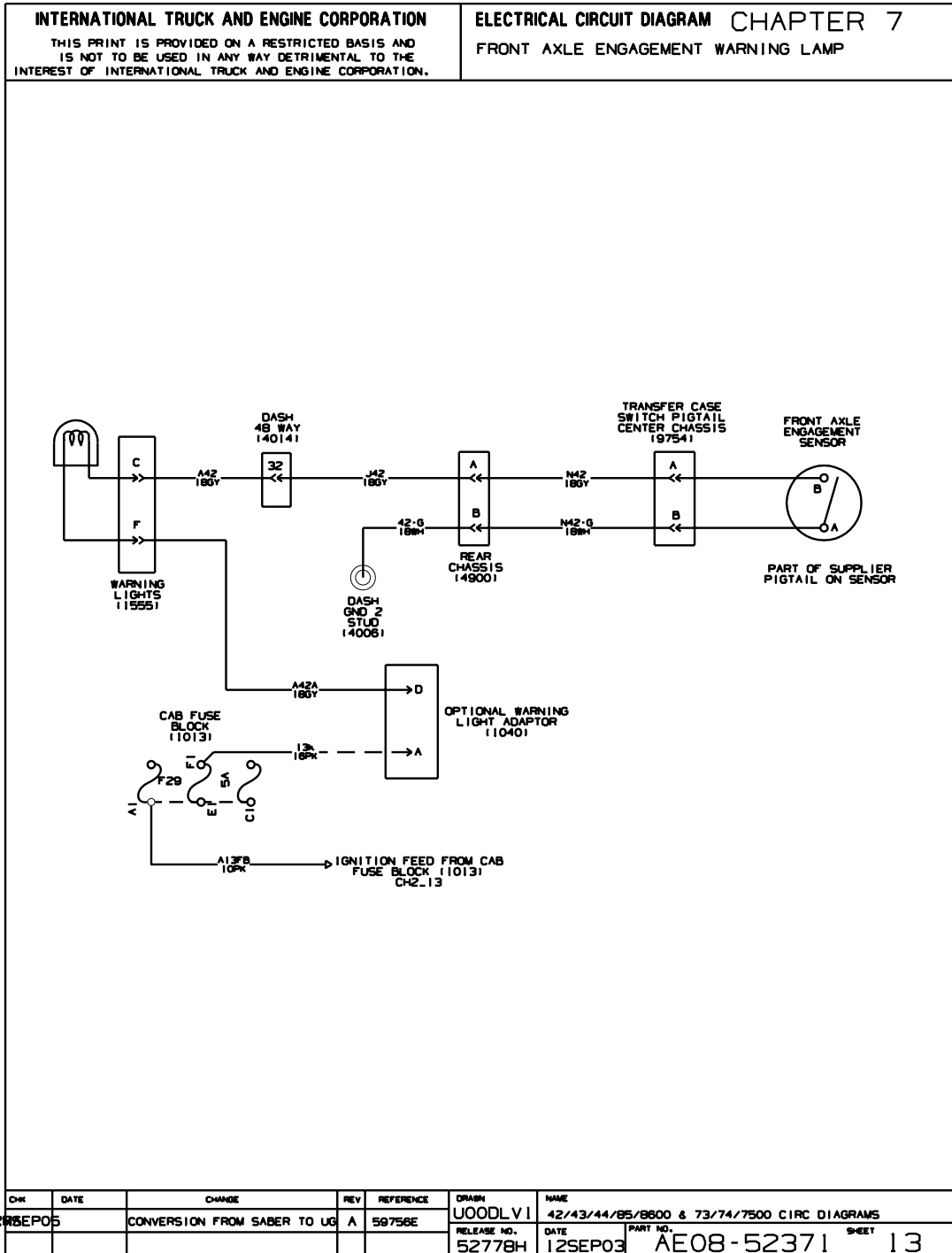


Figure 101 Front Axle Engagement Warning Lamp

8. LIGHTS (CHAPTER 8)

8.1. BACKUP LIGHTS, P. 1

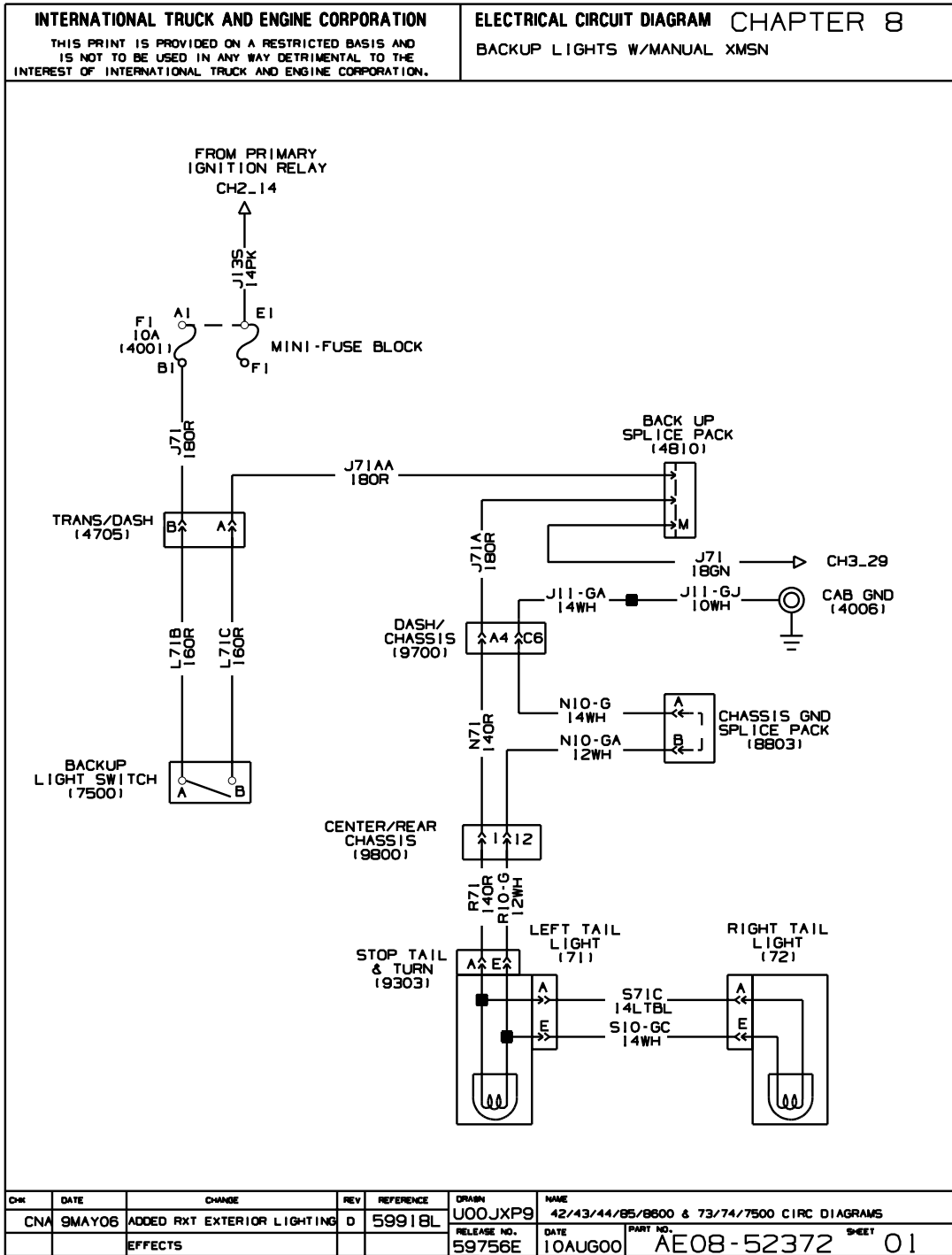


Figure 102 BackUp Lights

8.2. LIGHT SYSTEMS — CLEARANCE, MARKER, AND PARK, P. 2

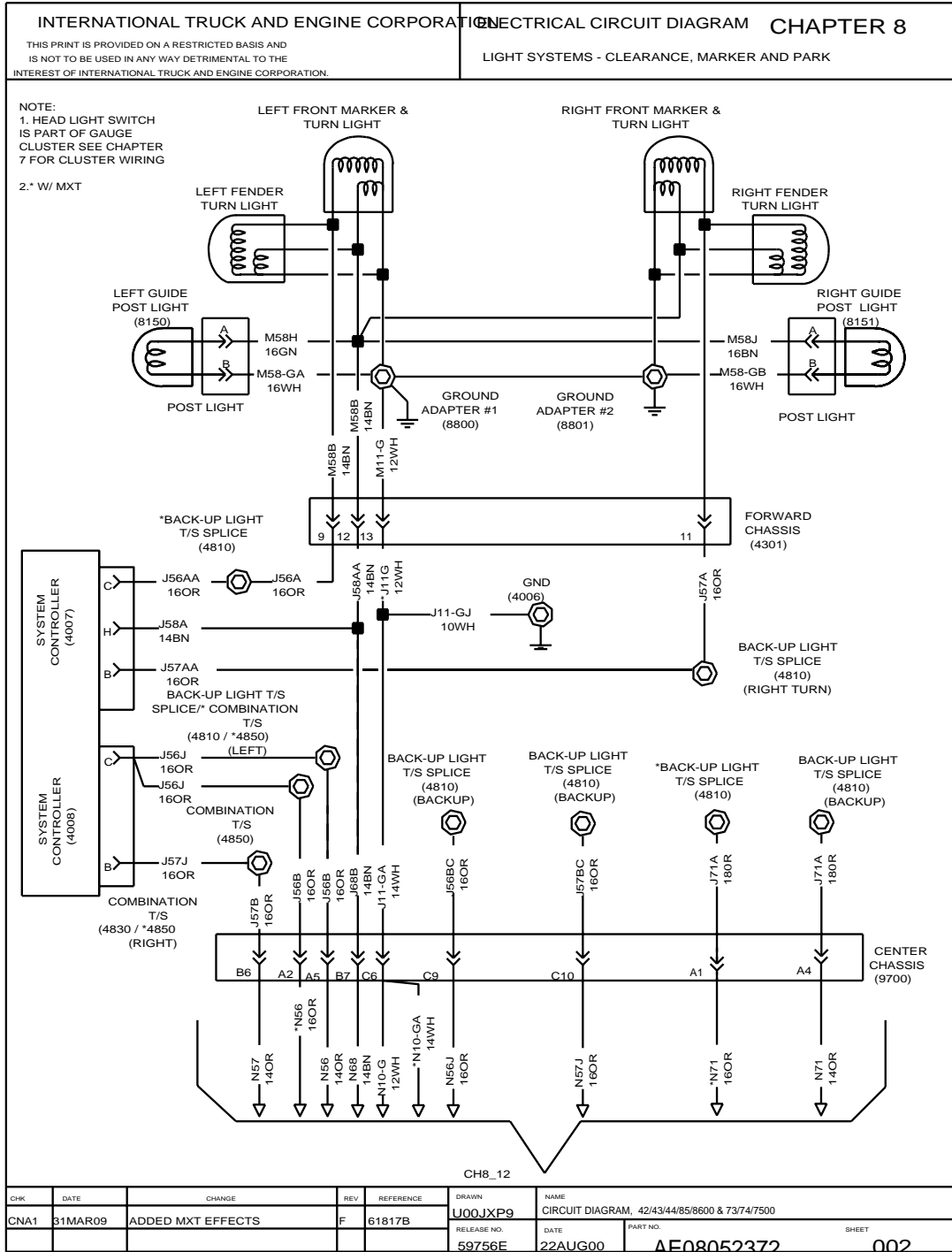


Figure 103 Light Systems — Clearance, Marker, and Park

8.3. LIGHT SYSTEMS — CLEARANCE, MARKER, PARK, TAIL, TURN AND STOP LAMPS, P. 3

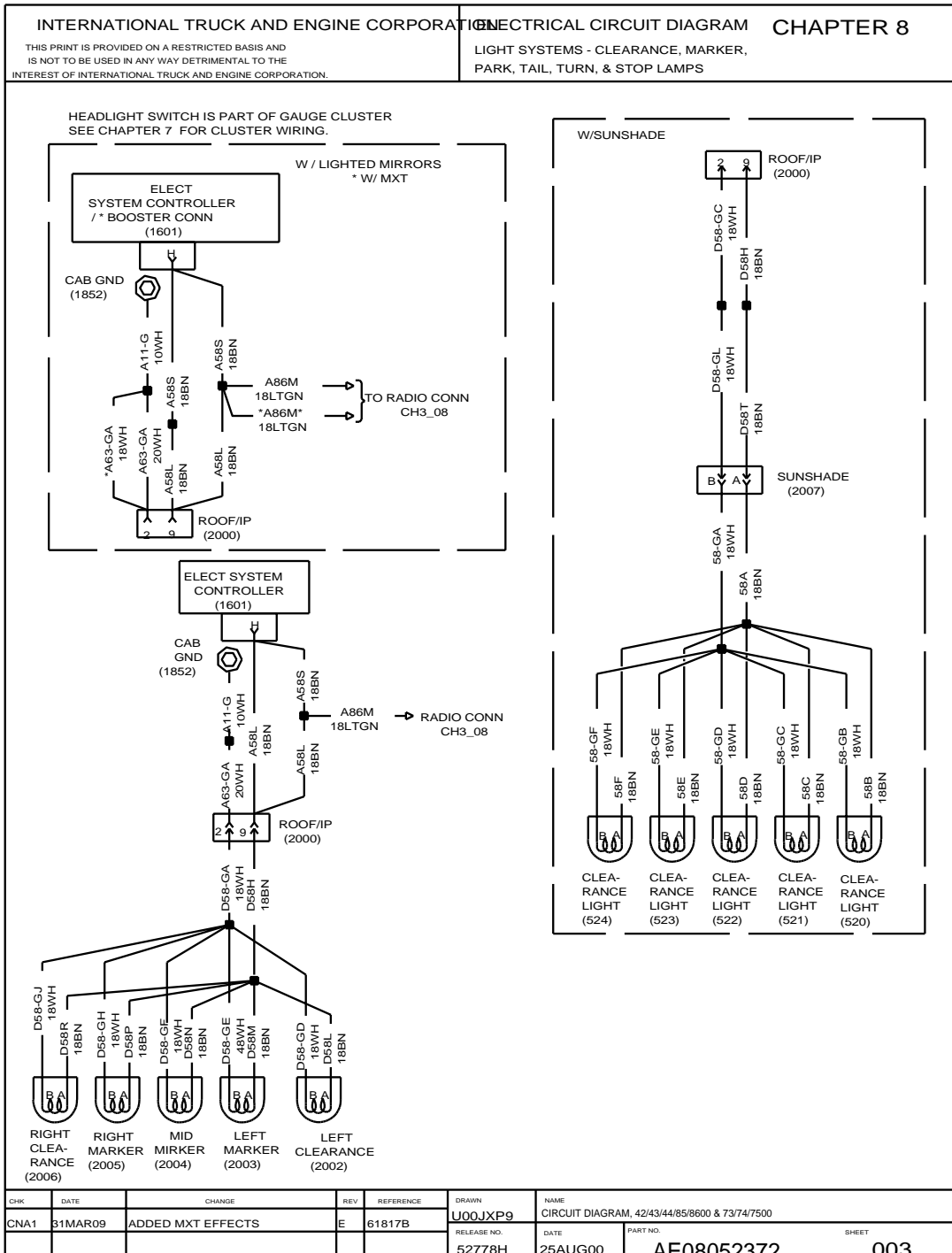


Figure 104 Light Systems — Clearance, Marker, Park, Tail, Turn and Stop Lamps

8.4. LIGHT SYSTEMS — TURN SIGNAL AND STOP SWITCHES, P. 4

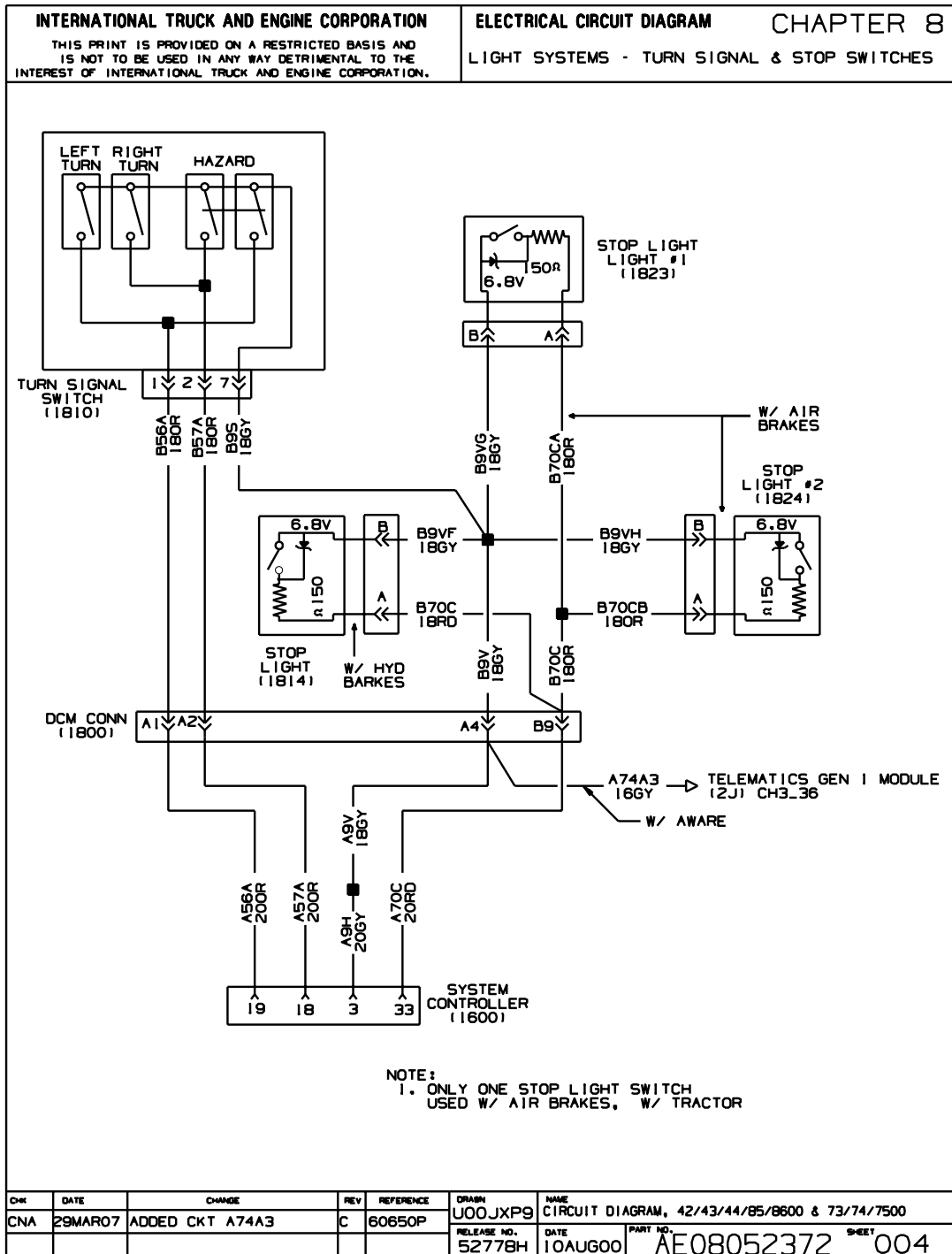


Figure 105 Light Systems — Turn Signal and Stop Switches

8.5. DOME LIGHT, MAP LIGHT, P. 5

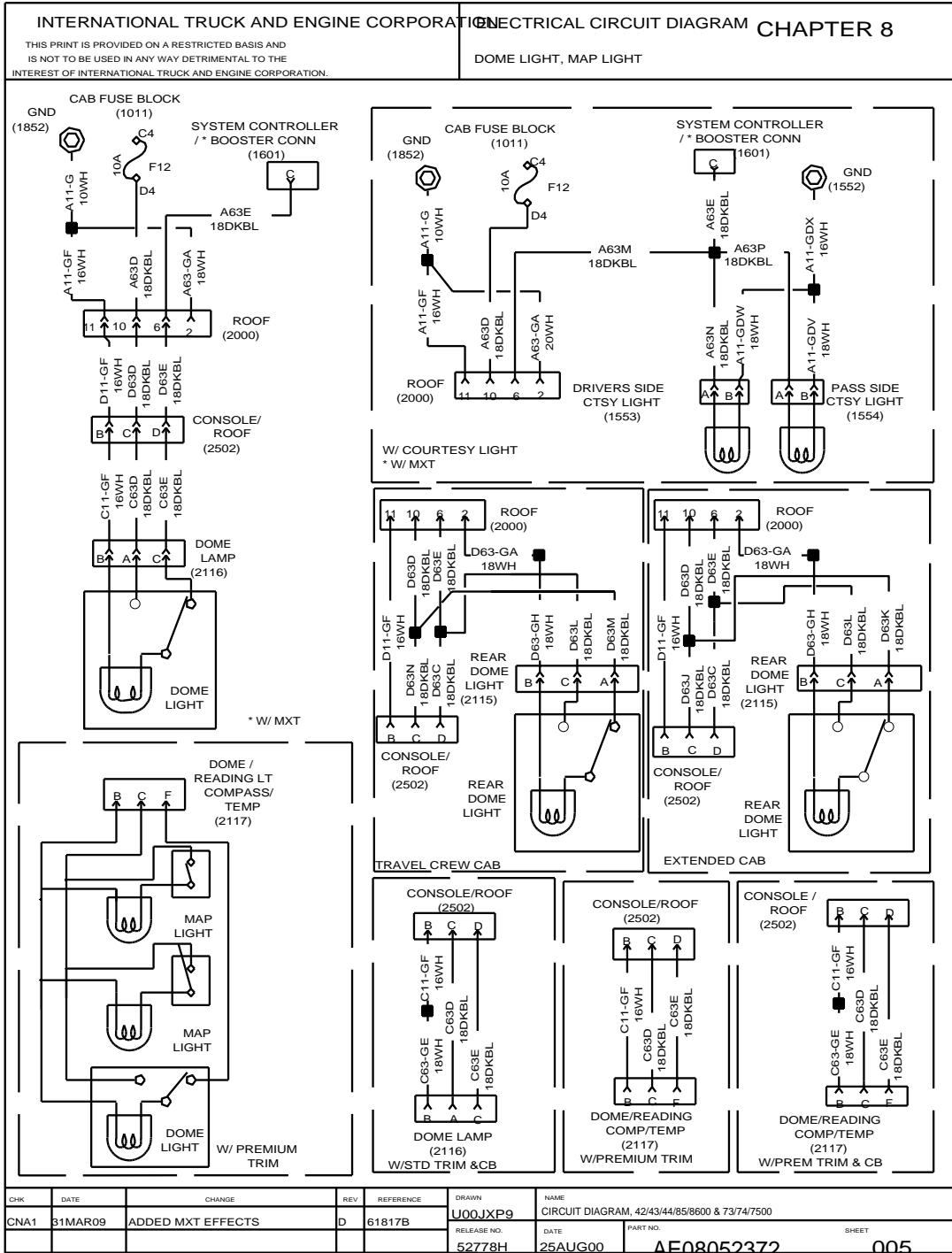


Figure 106 Dome Light, Map Light

8.6. DOME LIGHT, MAP LIGHT (CONT.), P. 6

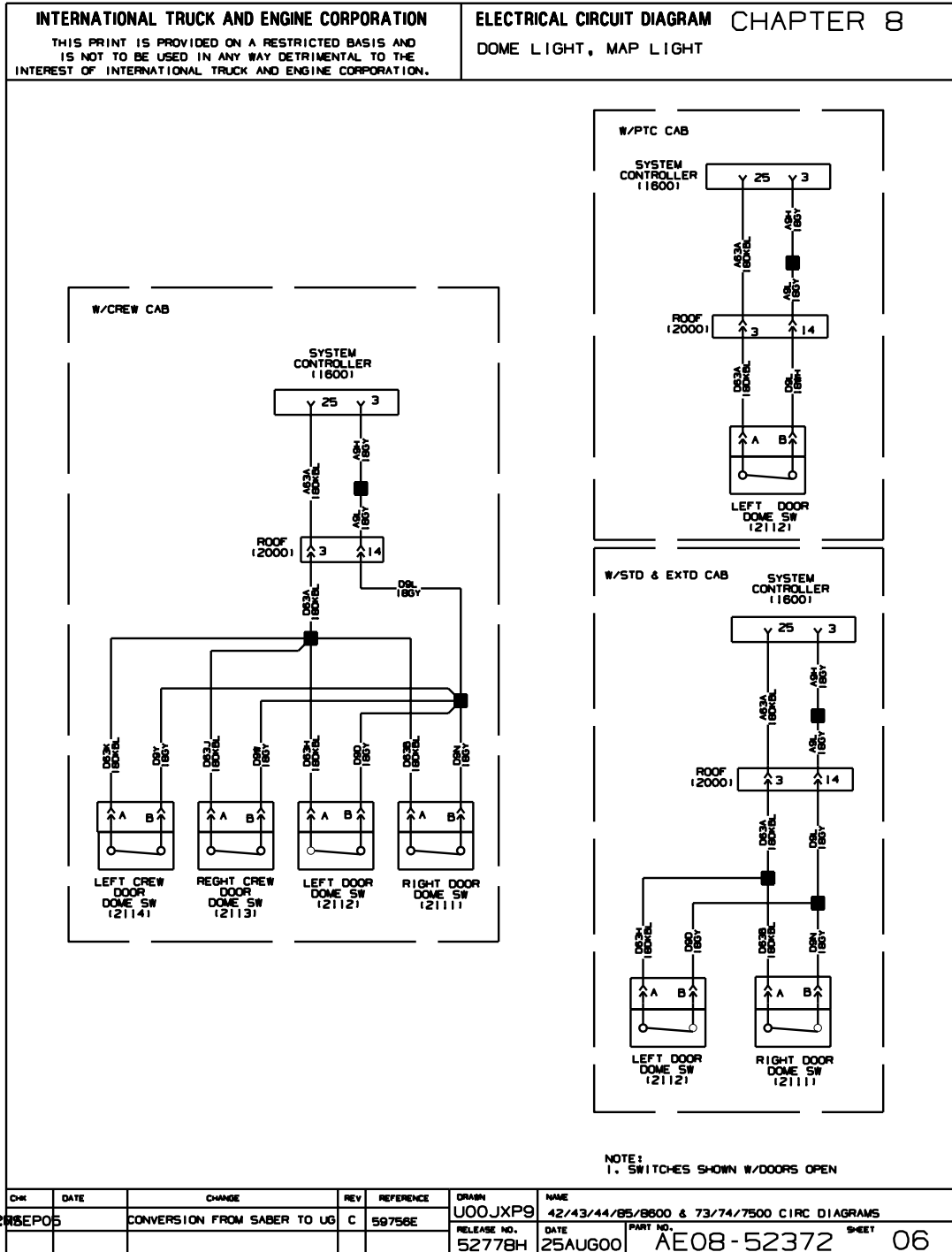


Figure 107 Dome Light, Map Light (Cont.)

8.7. FOG LIGHT AND WORK LIGHT, P. 7

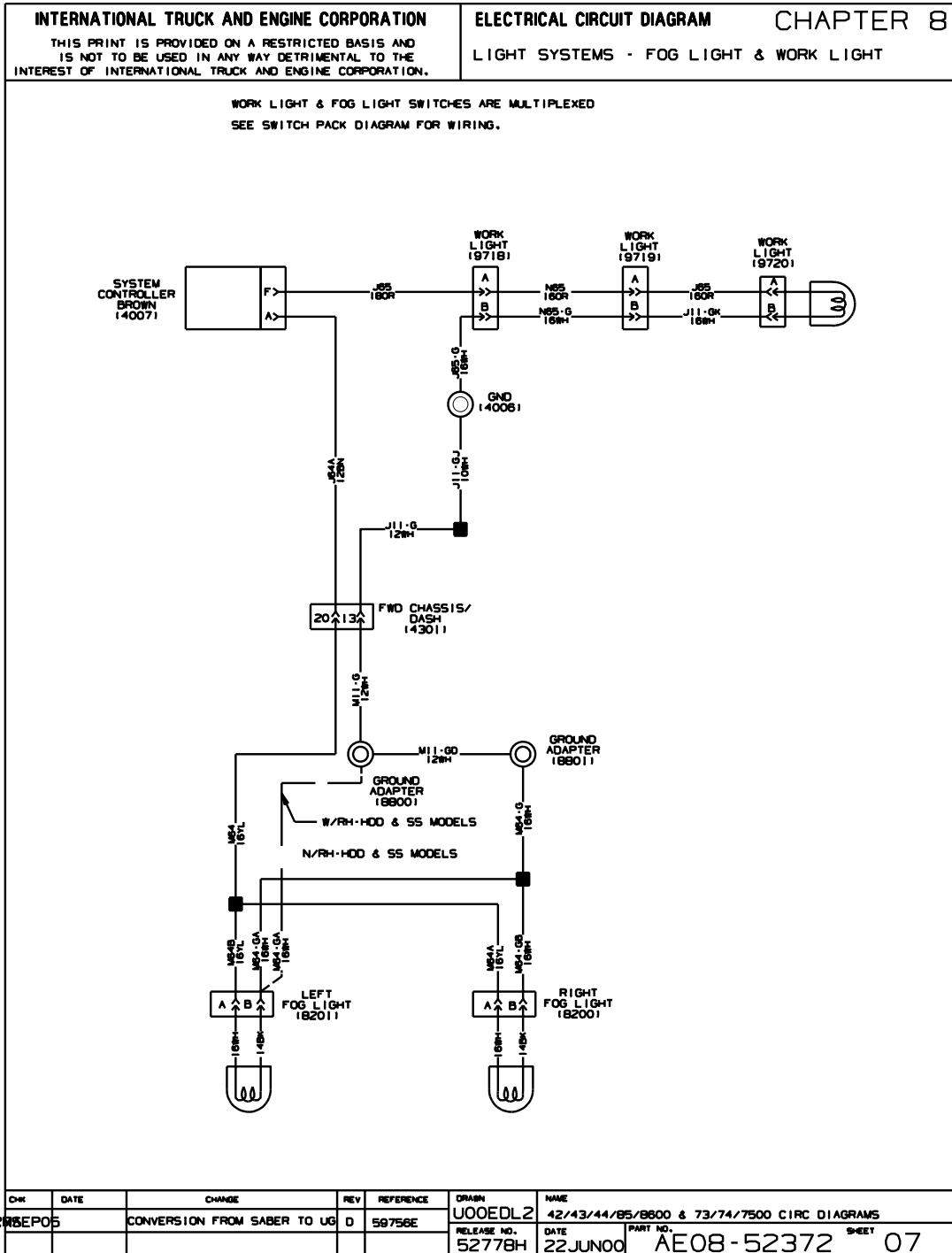


Figure 108 Fog Light and Work Light

8.8. HEADLIGHTS, P. 8

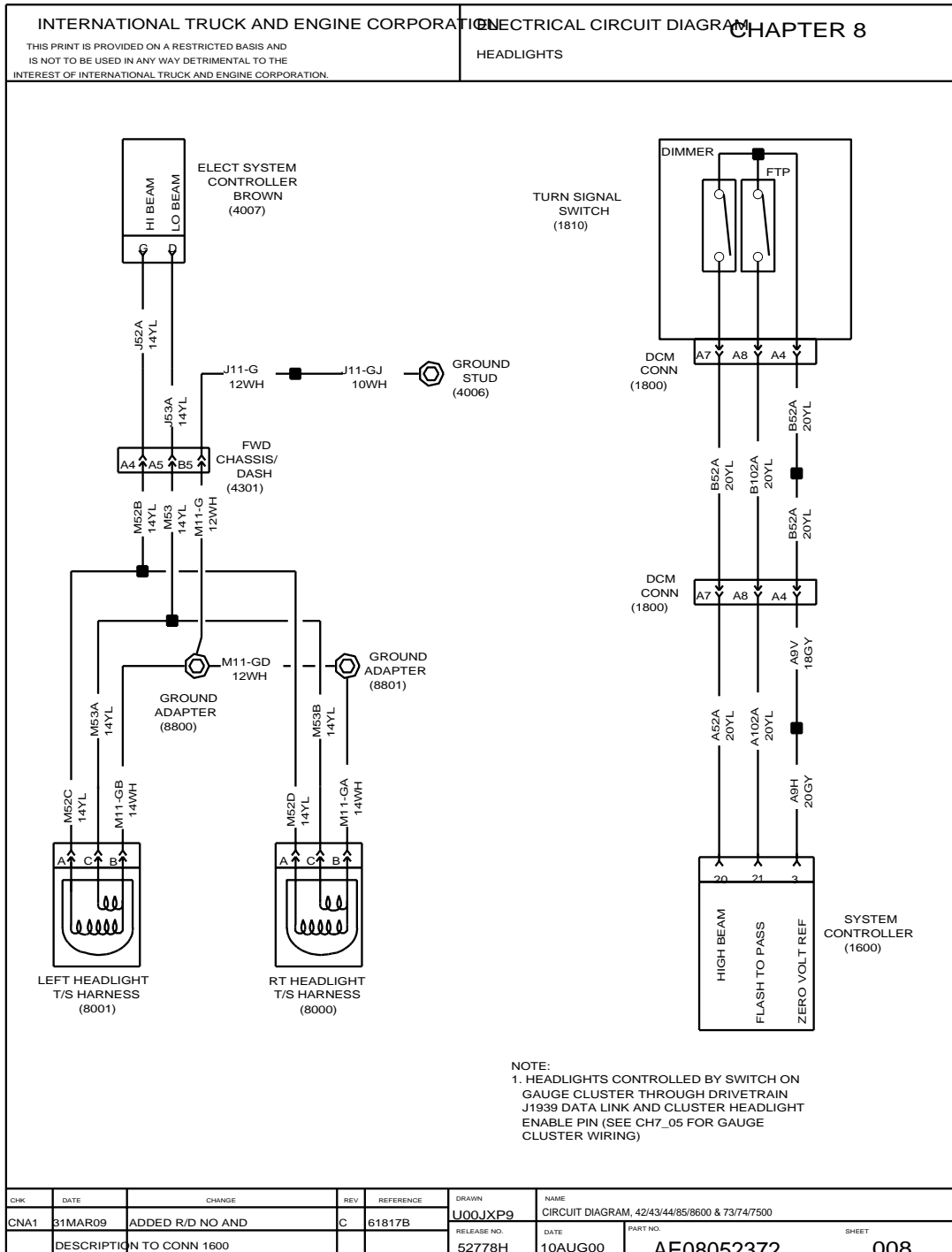


Figure 109 Headlights

8.9. AUX. HEADLIGHTS, AUX. PARK, AUX TURN, P. 9

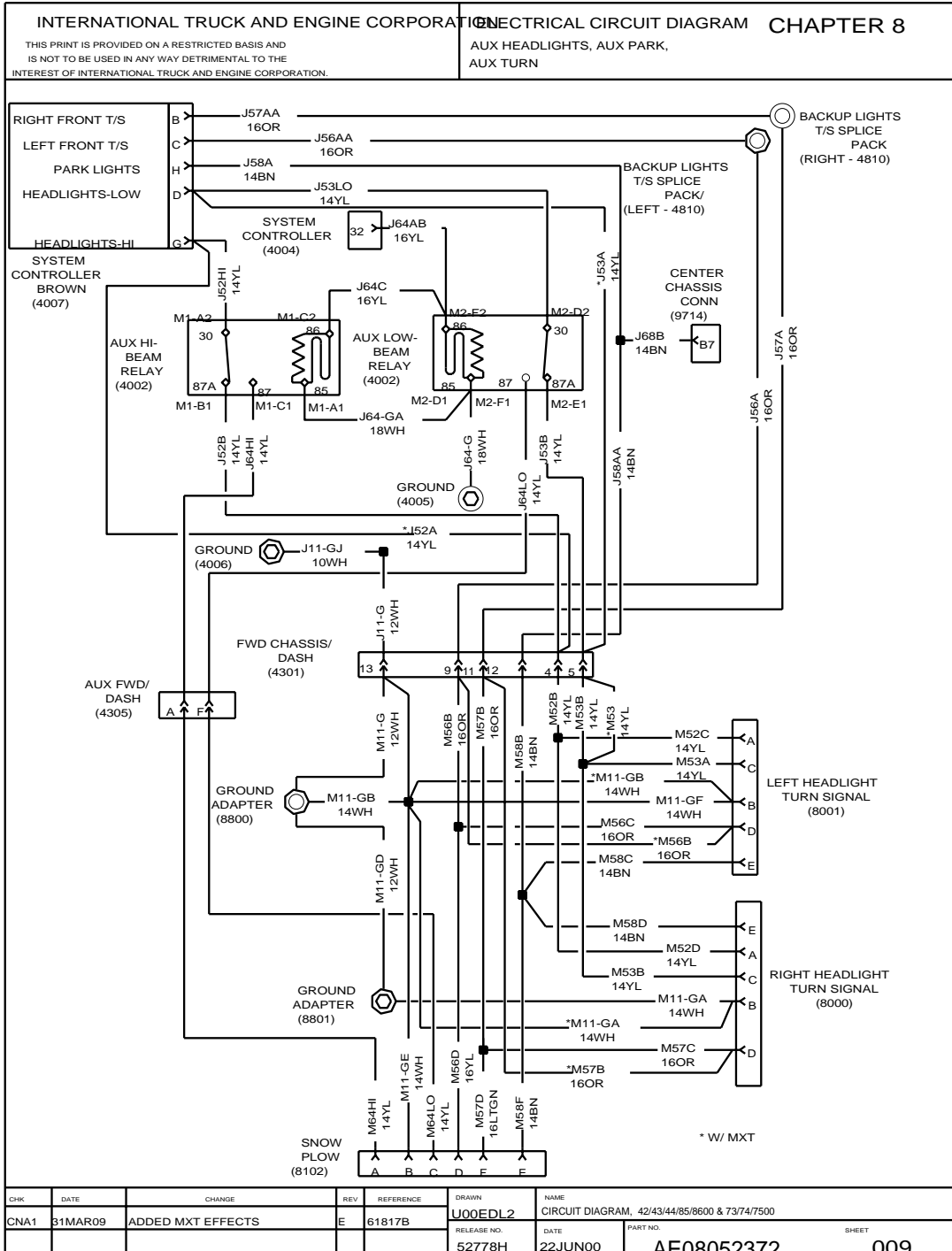


Figure 110 Aux. Headlights, Aux. Park, Aux Turn

8.10. PANEL LIGHTS, P. 10

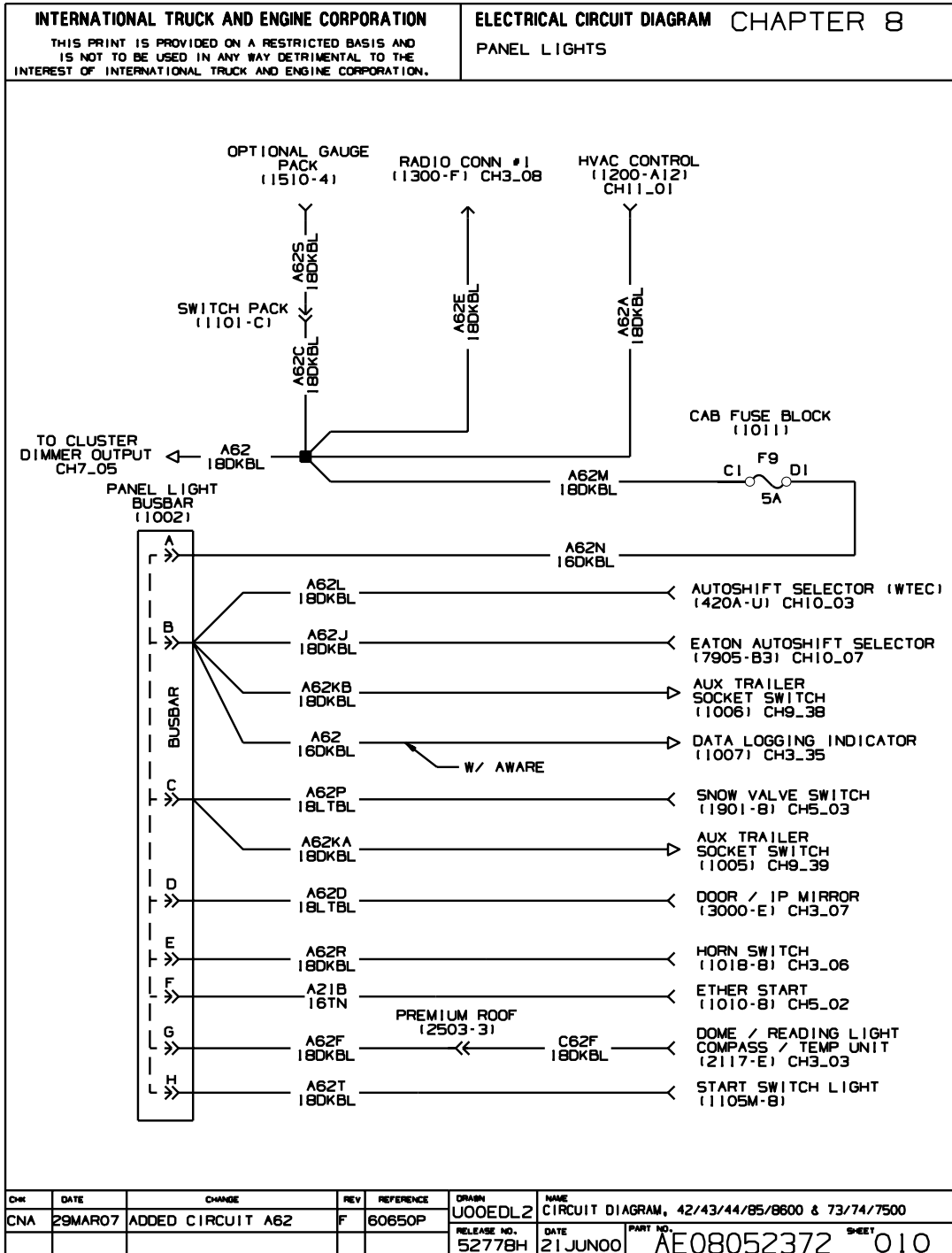


Figure 111 Panel Lights

8.11. RXT EXTERIOR LIGHTING, P. 11

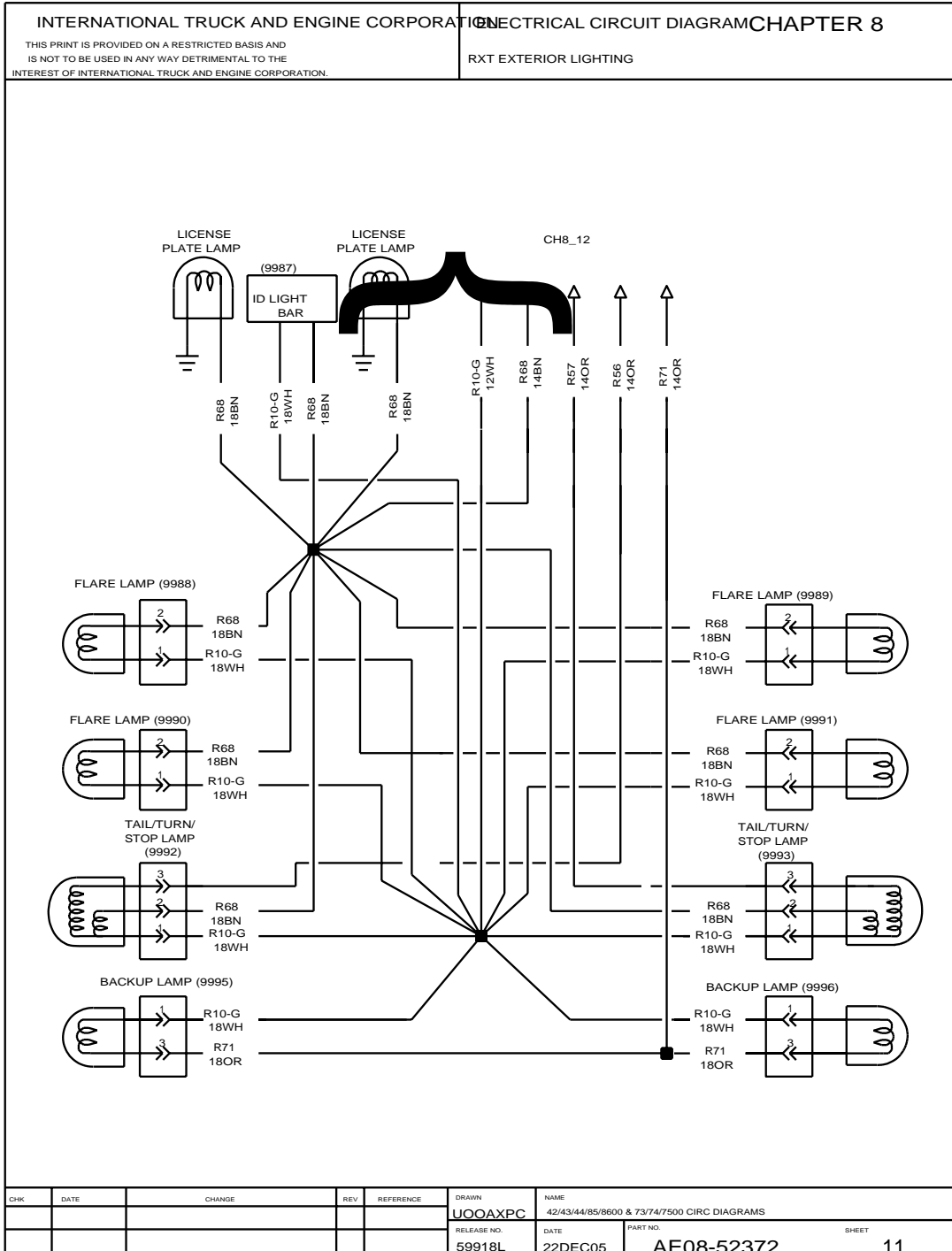


Figure 112 RXT Exterior Lighting

8.12. TAIL, TURN, AND STOP LAMPS, P. 12

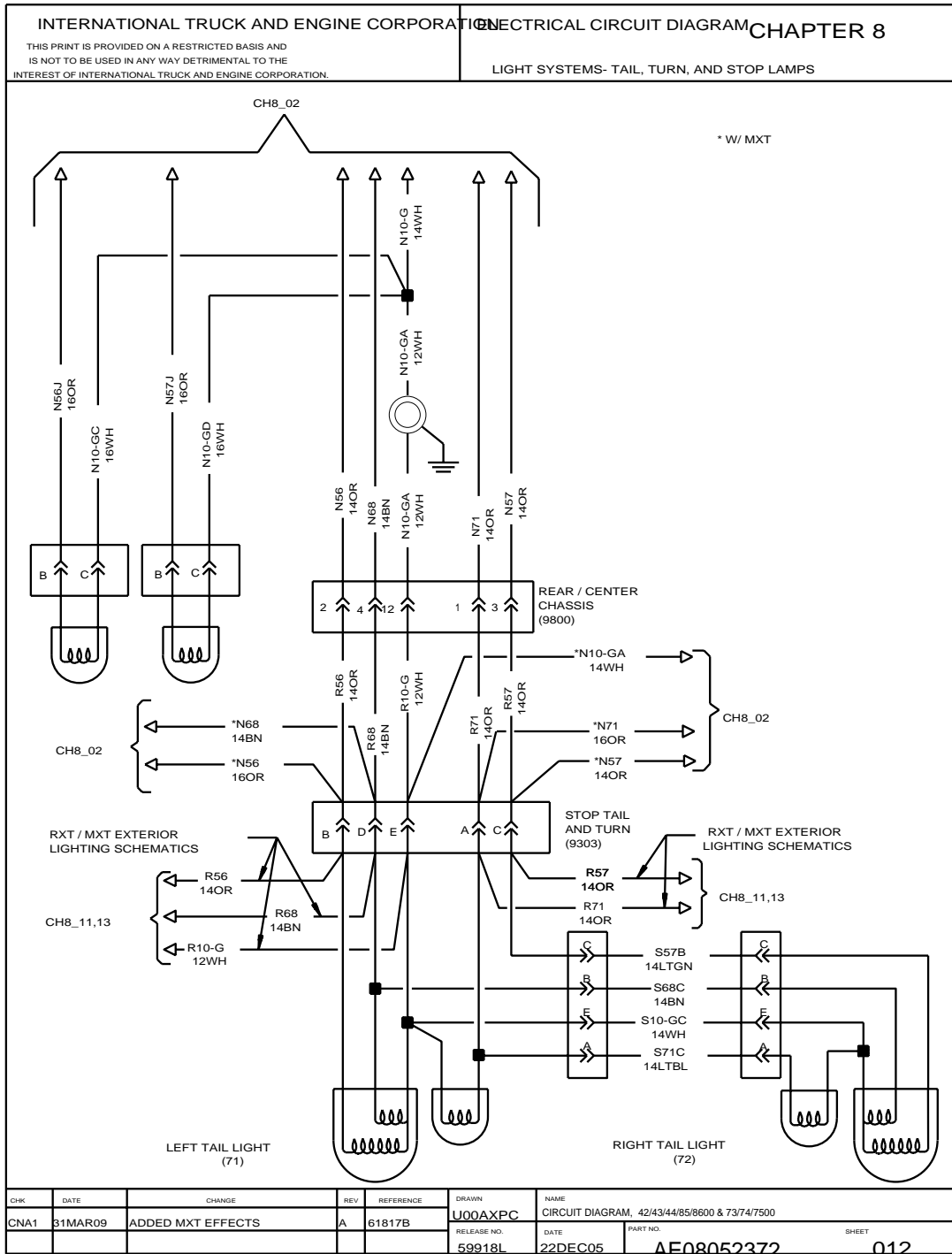


Figure 113 Tail, Turn, and Stop Lamps

8.13. MXT — EXTERIOR LIGHTING, P. 13

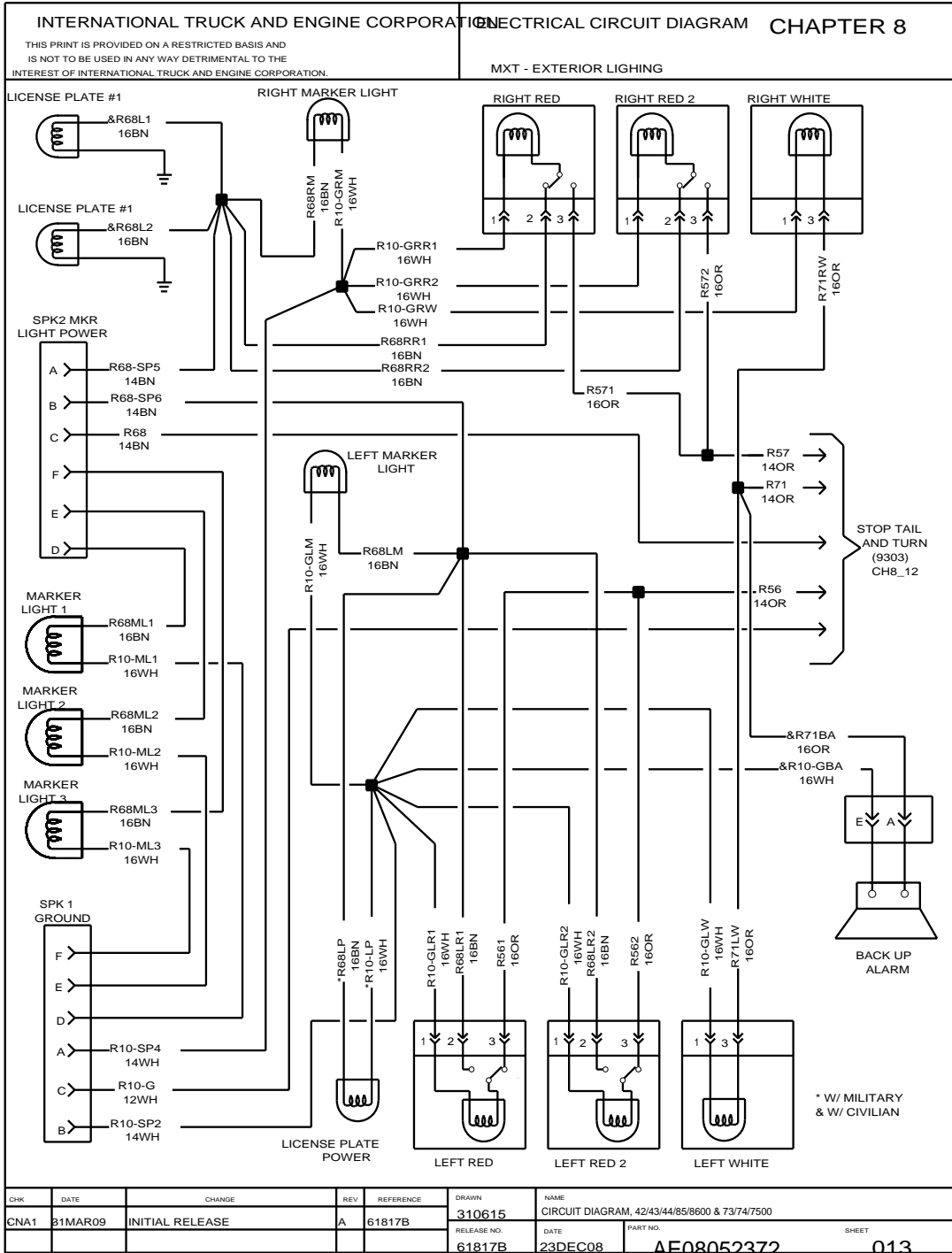


Figure 114 MXT — Exterior Lighting

9. CHASSIS ACCESSORIES (CHAPTER 9)

9.1. AIR DRYER AND HEATED DRAIN VALVE, P. 1

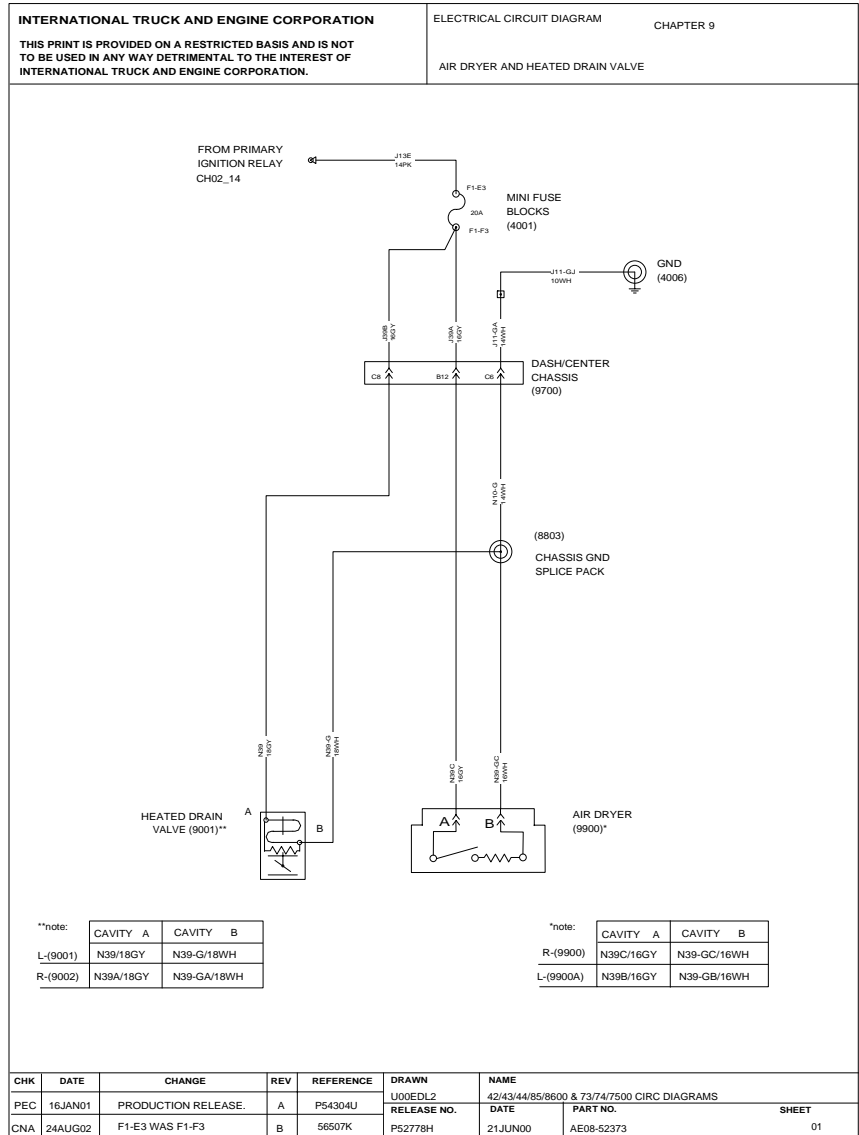


Figure 115 Air Dryer and Heated Drain Valve

9.2. ANTILOCK BRAKE SYSTEM (ABS), AIR, P. 2

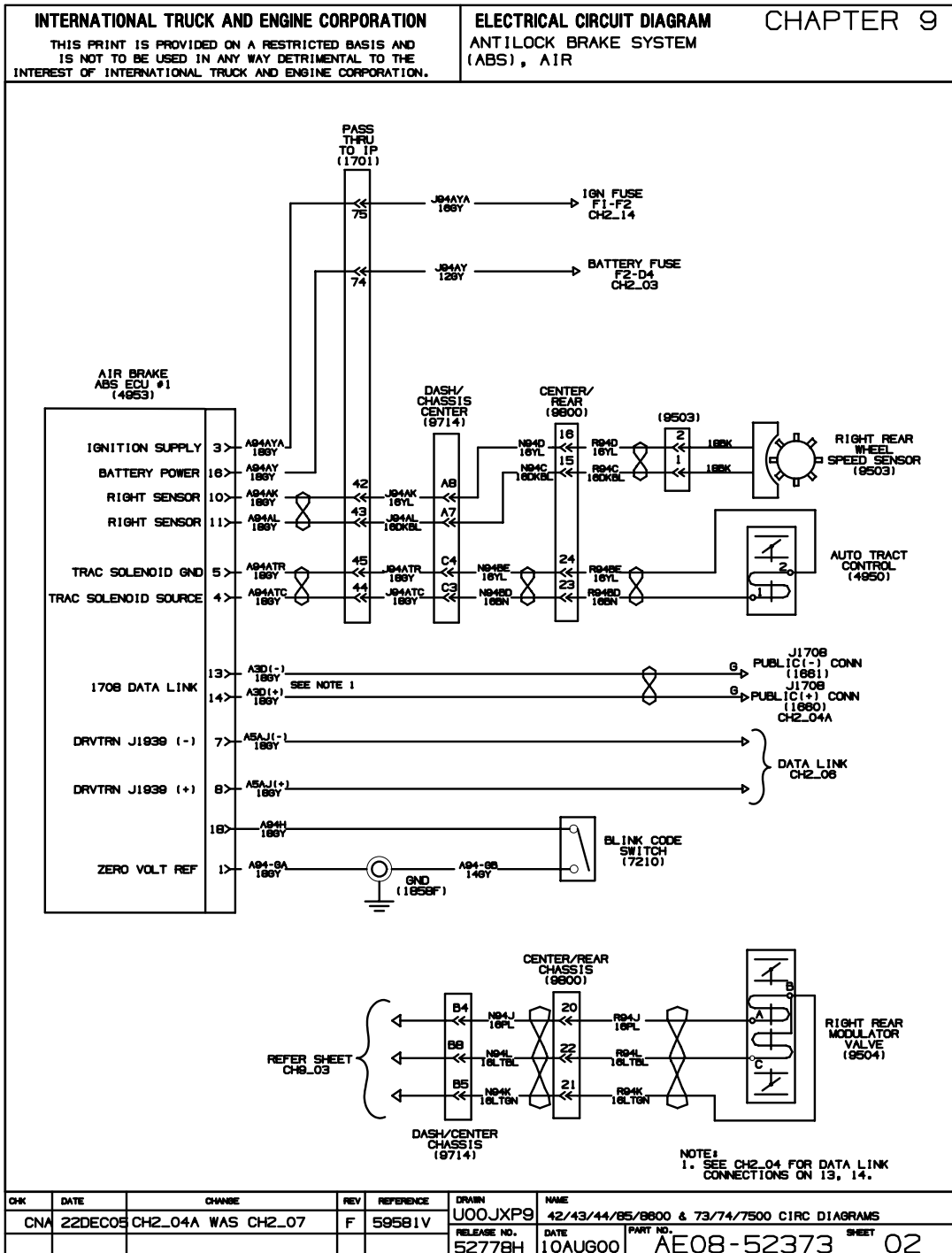


Figure 116 Antilock Brake System (ABS), Air

9.3. ANTILOCK BRAKE SYSTEM (ABS), AIR, TRACTION CONTROL, P. 3

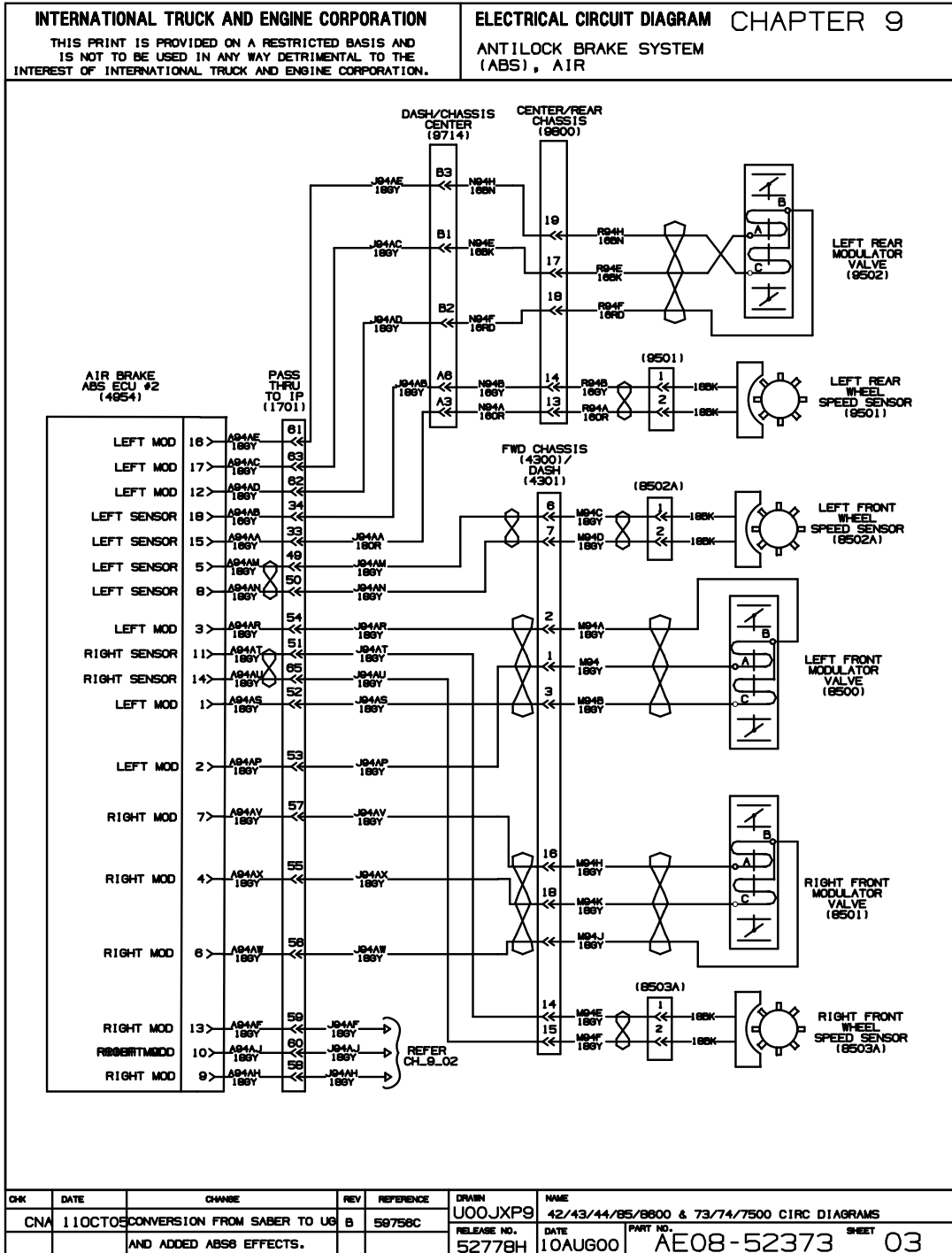


Figure 117 Antilock Brake System (ABS), Air, Traction Control

9.4. ANTILOCK BRAKE SYSTEM (ABS), HYDRAULIC, P. 4

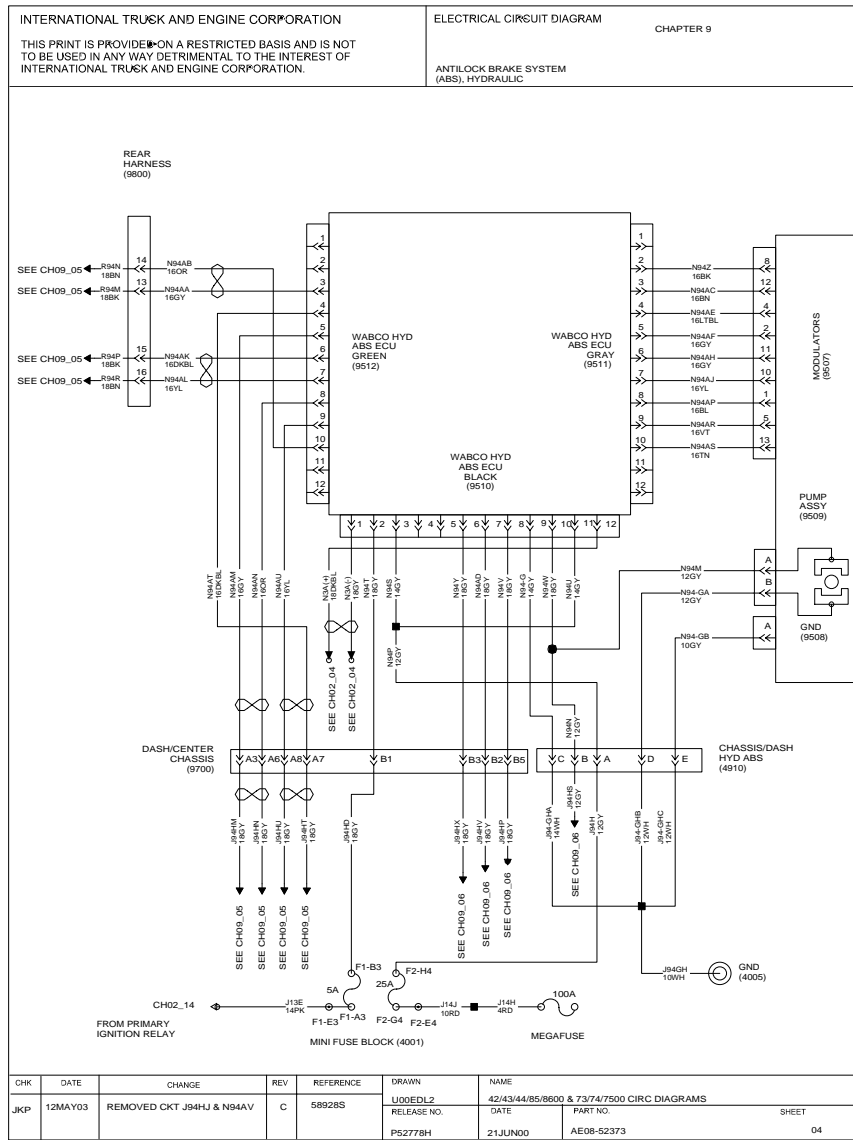


Figure 118 Antilock Brake System (ABS), Hydraulic

9.5. ANTILOCK BRAKE SYSTEM (ABS), HYDRAULIC (CONT.), P. 5

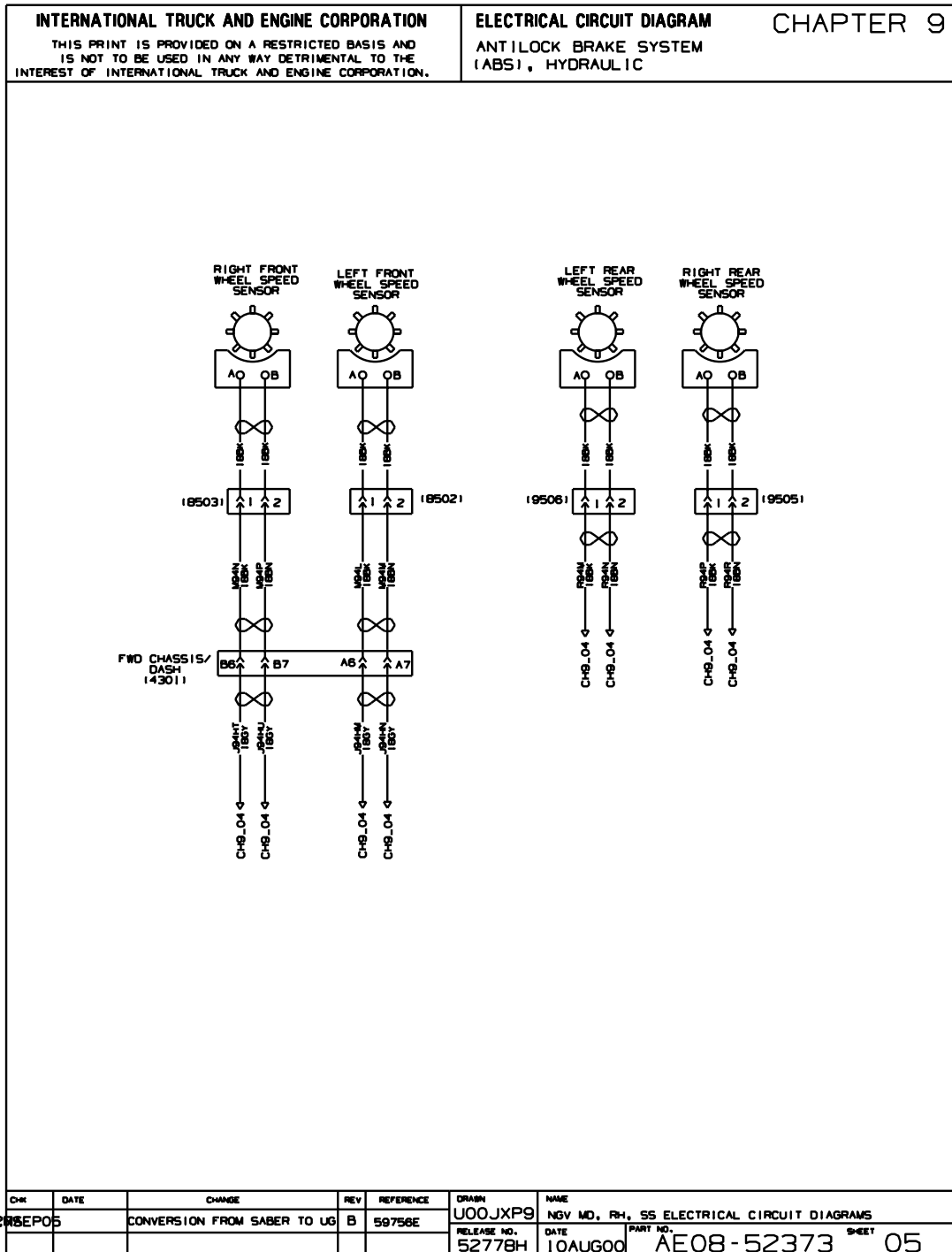


Figure 119 Antilock Brake System (ABS), Hydraulic (Cont.)

9.6. ANTILOCK BRAKE SYSTEM (ABS), HYDRAULIC (CONT.), P. 6

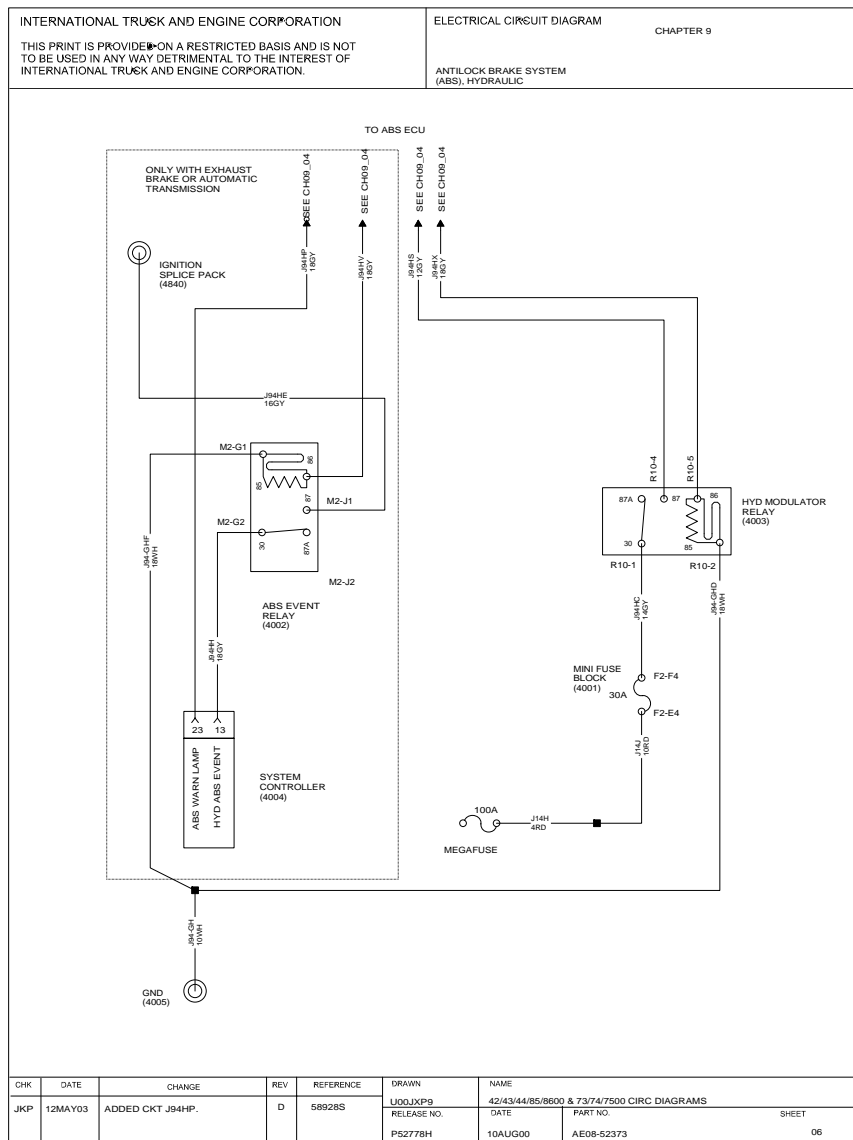


Figure 120 Antilock Brake System (ABS), Hydraulic (Cont.)

9.7. TWO SPEED AXLE SWITCH WITH MANUAL TRANSMISSION AND I6 HEUI FUEL HEATER N/WARN LIGHTS, P. 7

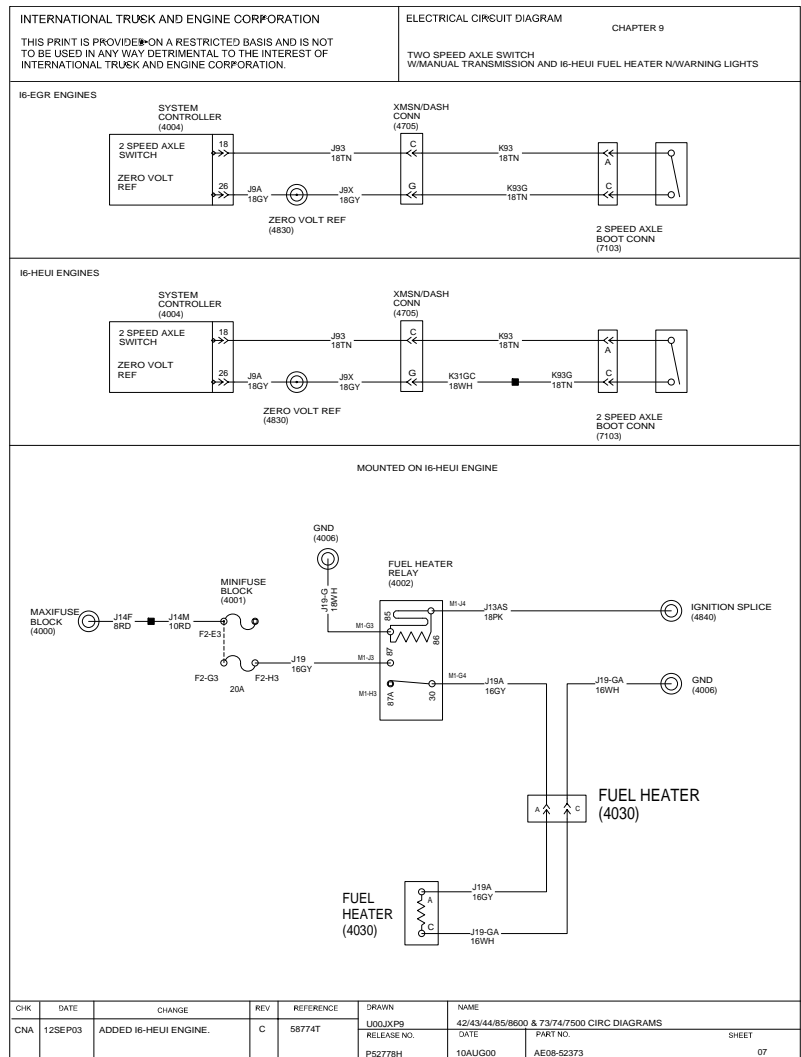


Figure 121 Two Speed Axle Switch With Manual Transmission and I6 HEUI Fuel Heater N/Warn Lights

9.8. BRAKE SYSTEM, HYDRAULIC, P. 8

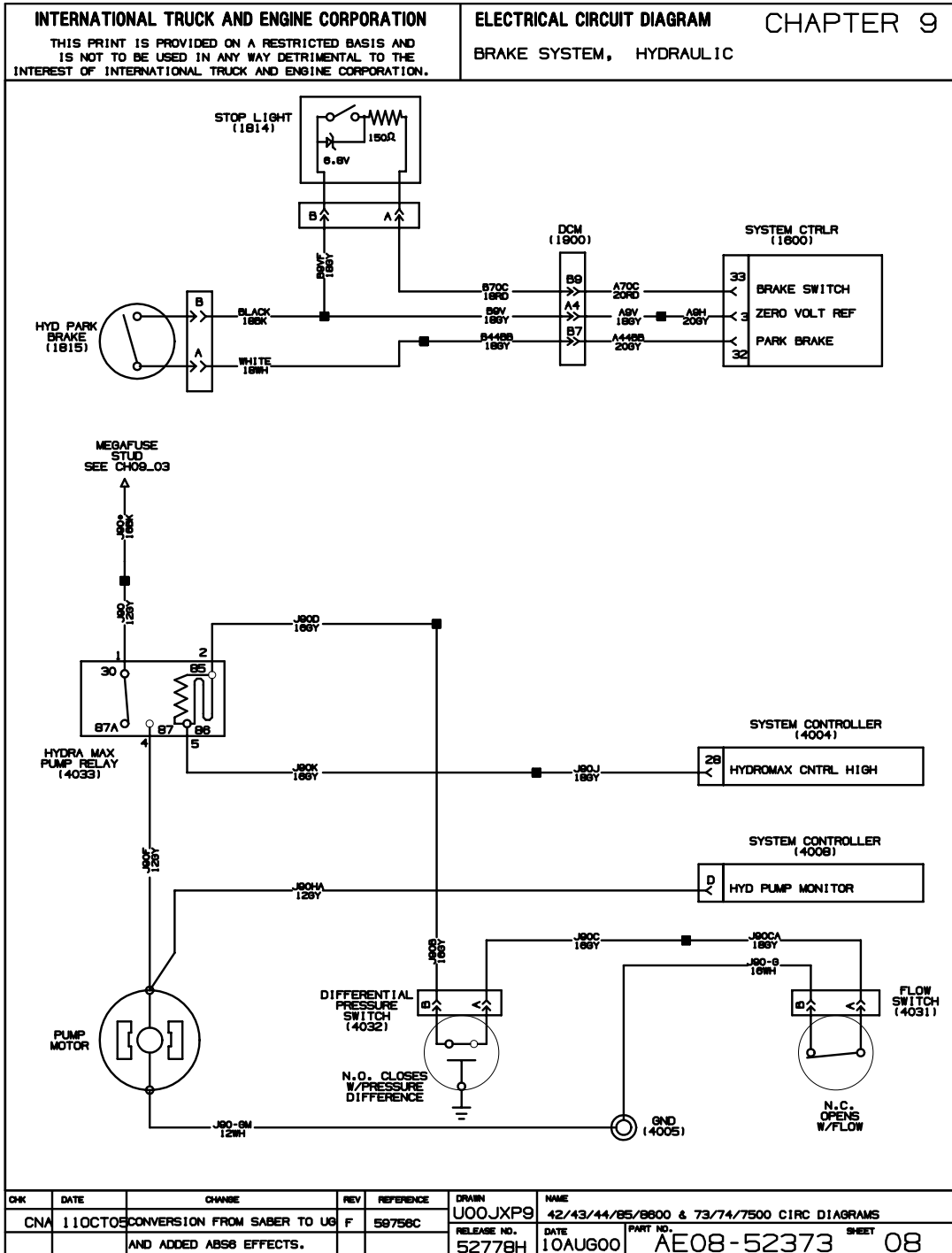


Figure 122 Brake System, Hydraulic

9.9. FUEL TRANSFER PUMP, P. 9

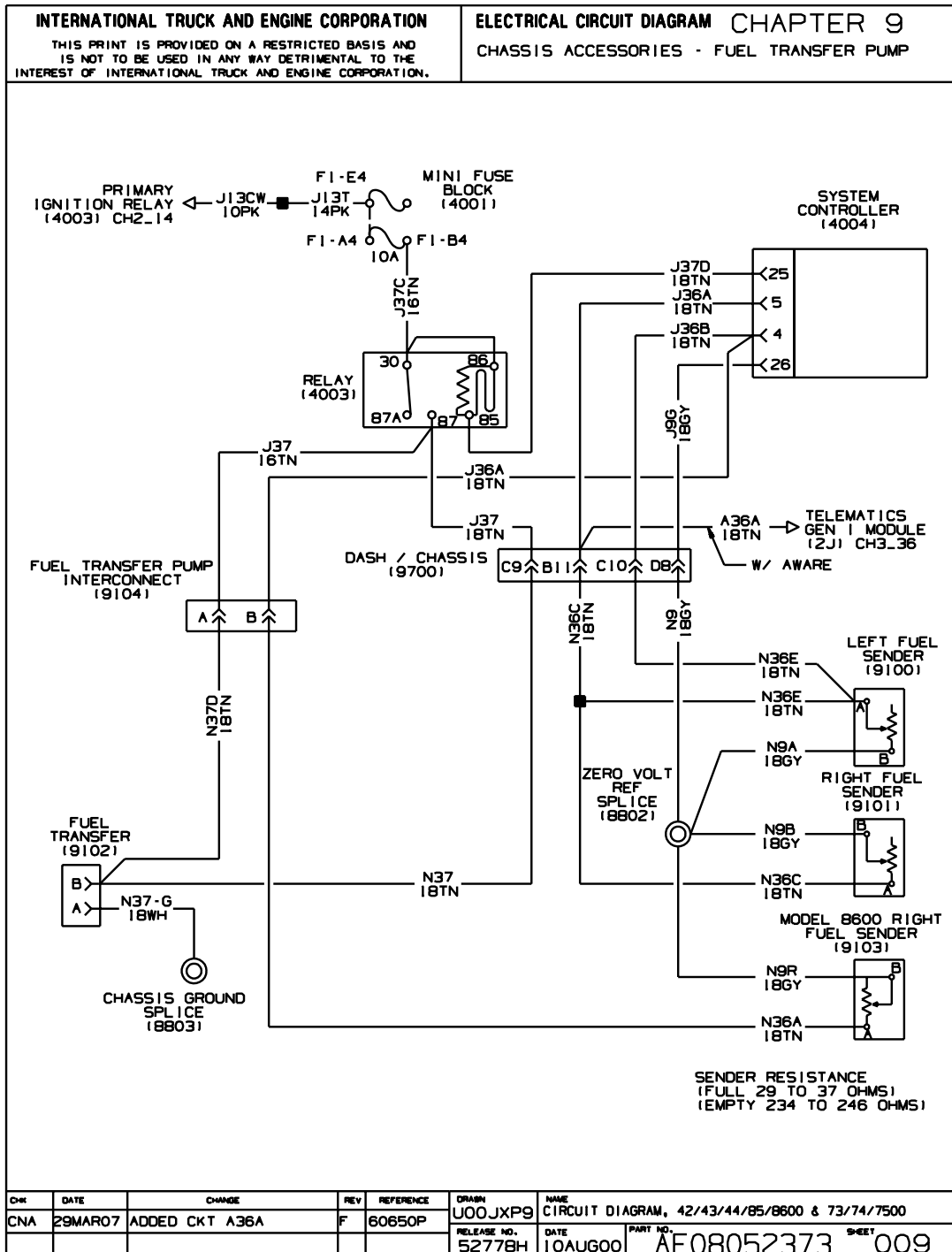


Figure 123 Fuel Transfer Pump

9.10. BACK OF CAB BODY BUILDER AND TRAILER STOP, TAIL, MARKER, P. 10

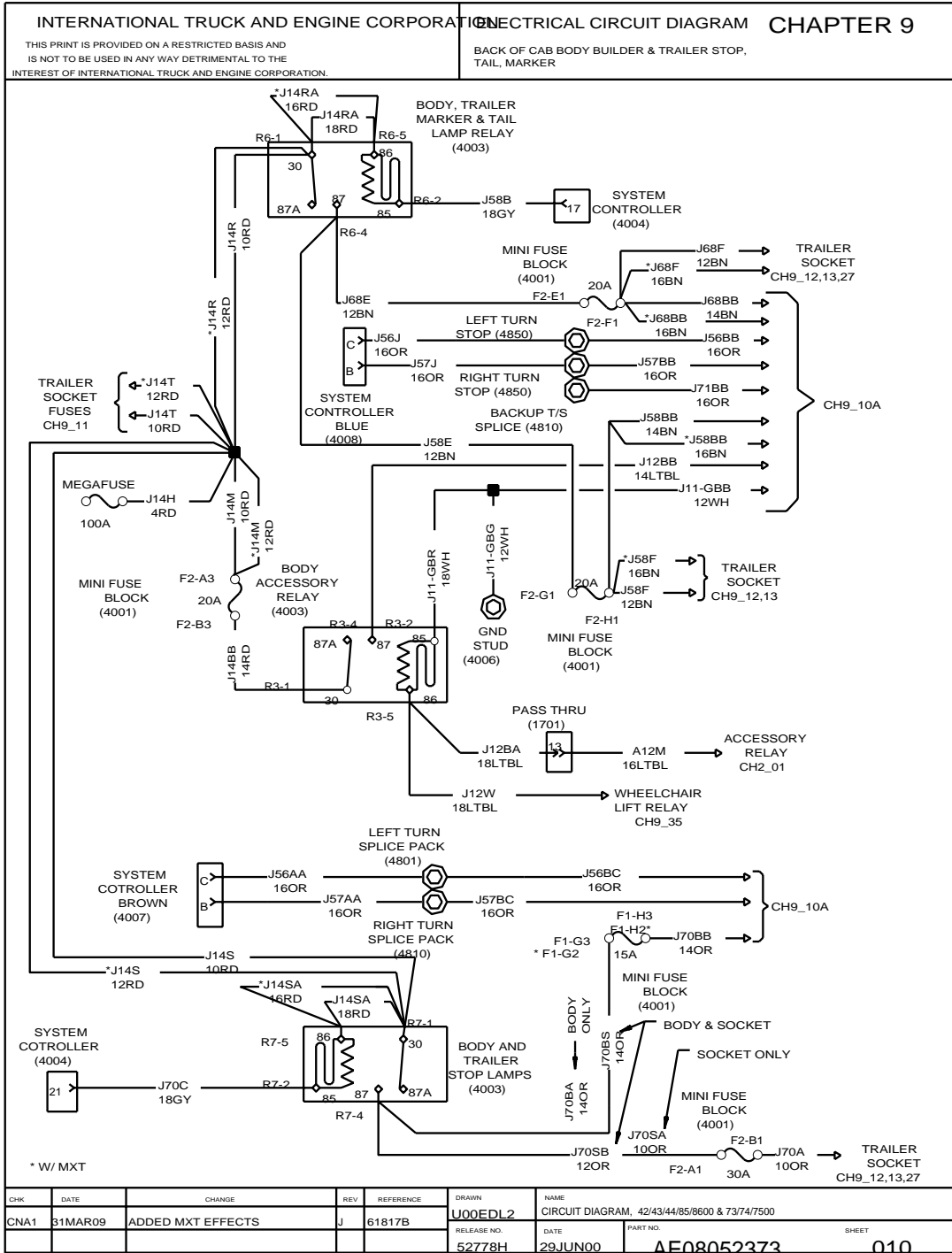


Figure 124 Back of Cab Body Builder and Trailer Stop, Tail, Marker

9.11. BACK OF CAB BODY BUILDER AND TRAILER STOP, TAIL, MARKER, P. 10A

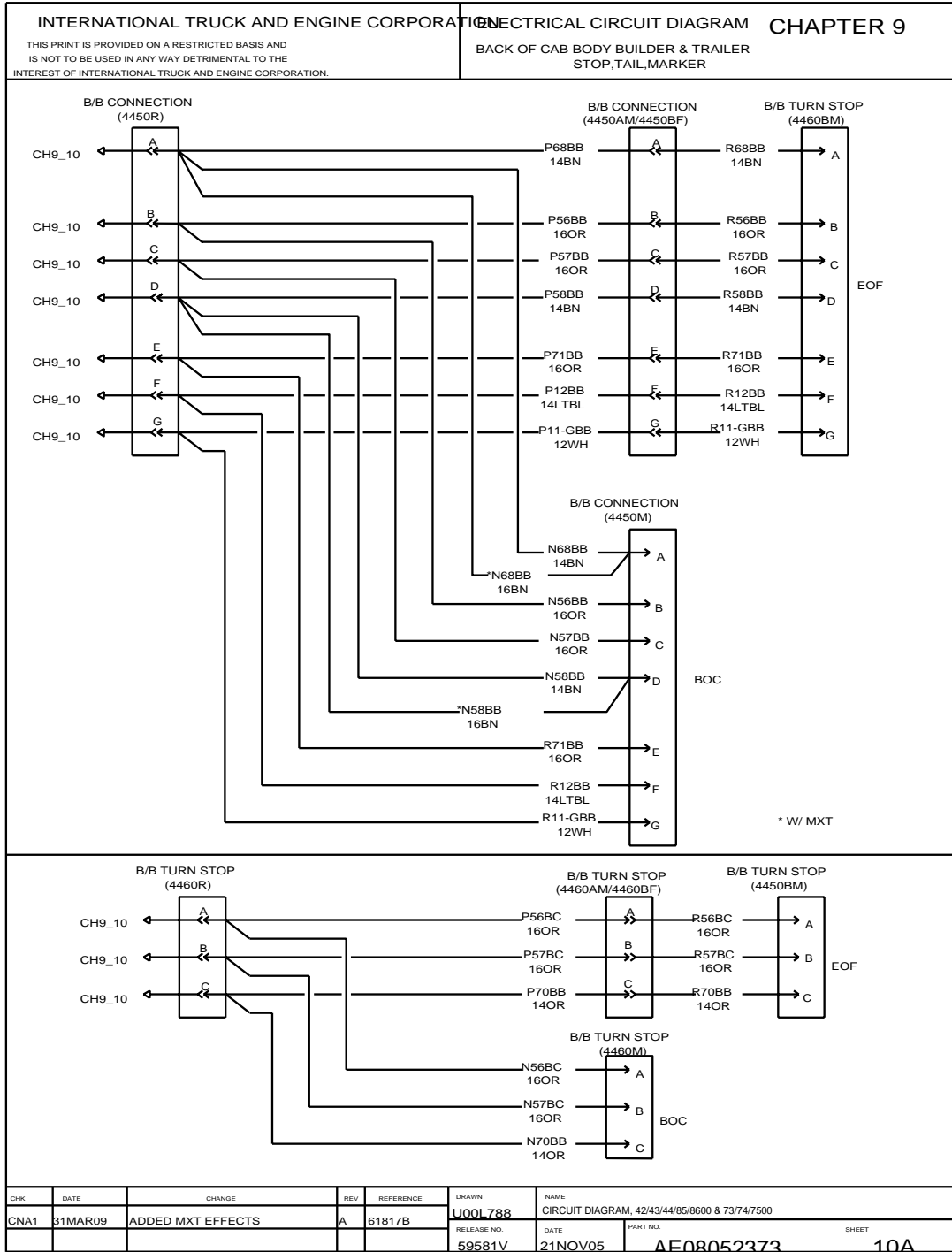


Figure 125 Back of Cab Body Builder and Trailer Stop, Tail, Marker

9.12. BODY BUILDER AND TRAILER TURNS, CENTER PIN ABS, CENTER PIN AUX,
 P. 11

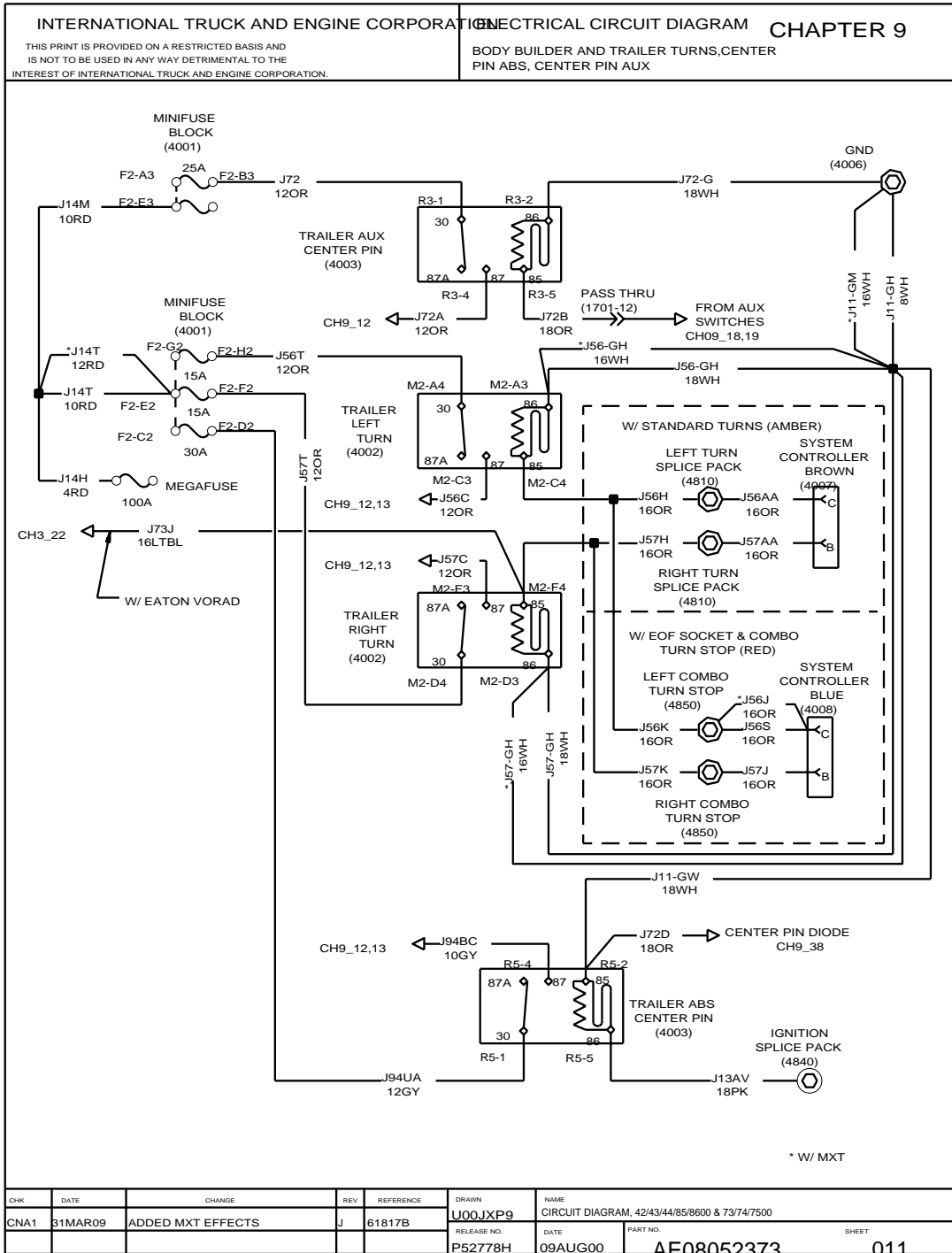


Figure 126 Body Builder and Trailer Turns, Center Pin ABS, Center Pin Aux

9.13. BODY BUILDER AND 7-WAY TRAILER SOCKET BACK OF CAB SOCKET, P. 12

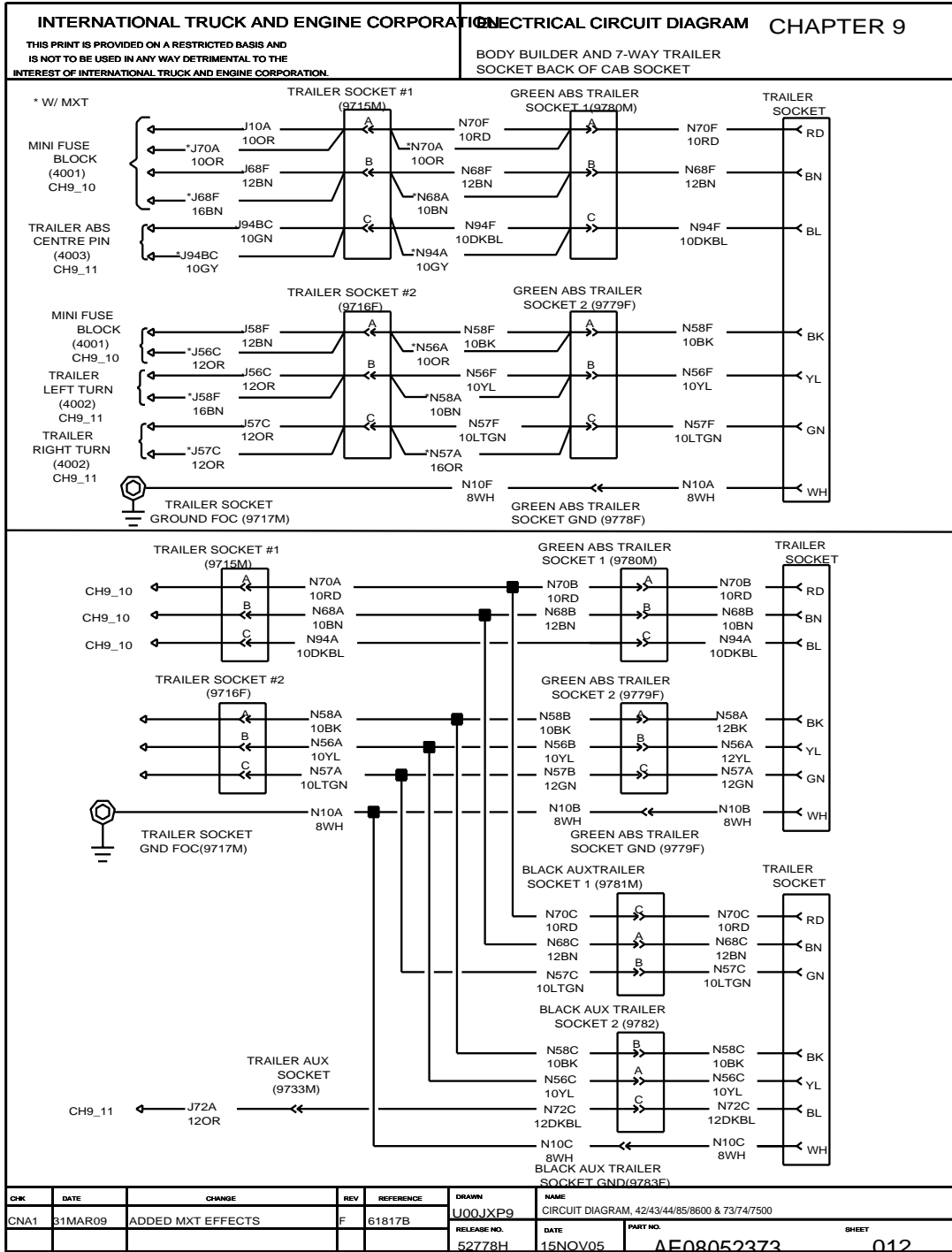


Figure 127 Body Builder and Trailer Socket Back of Cab Sockets

9.14. BODY BUILDER AND TRAILER SOCKET END OF FRAME (EOF) SOCKET AND BODY BUILDER, P. 13

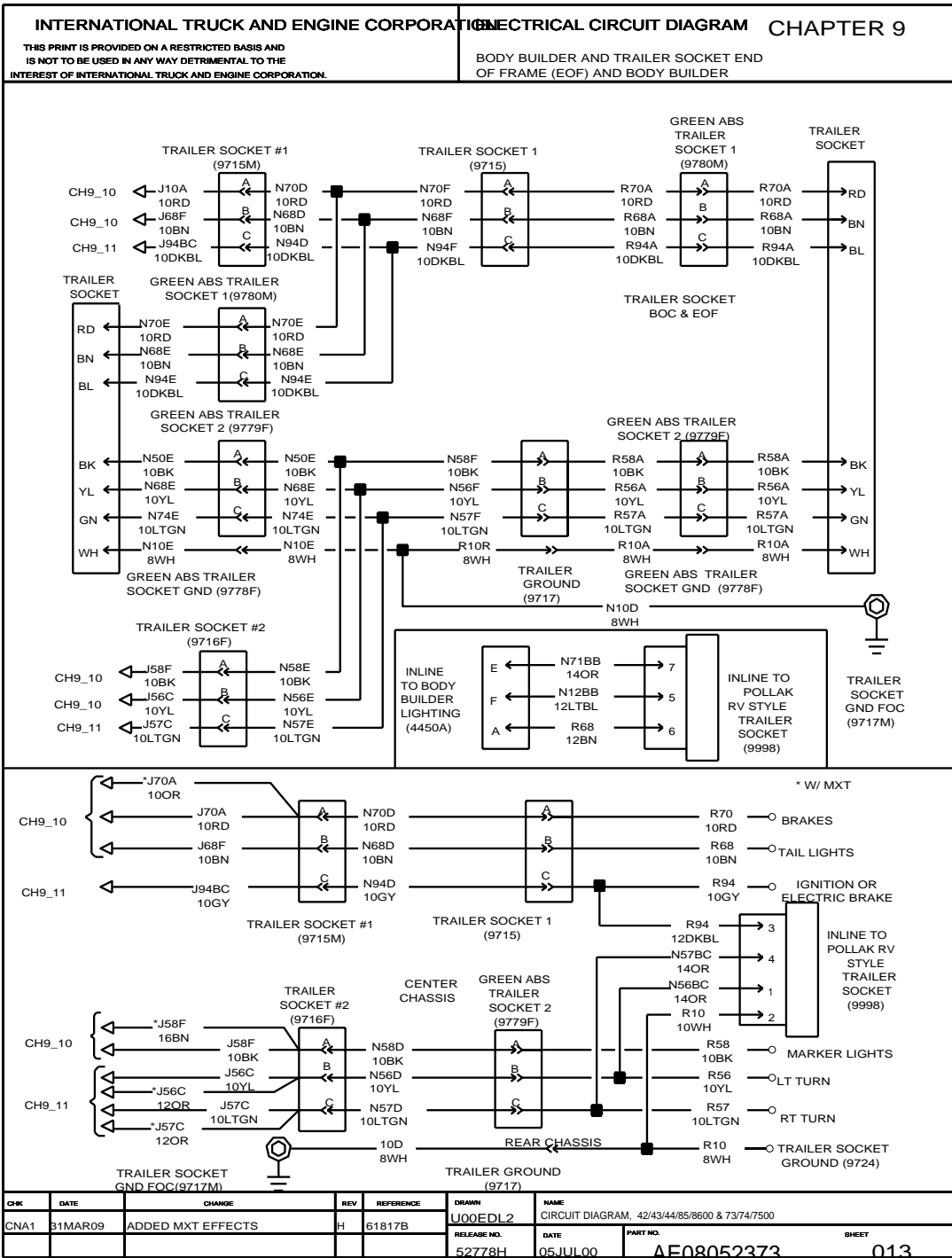


Figure 128 Body Builder and Trailer Socket End of Frame (EOF) Socket and Body Builder

9.15. AIR SOLENOID 4-WAY PACK, P. 14

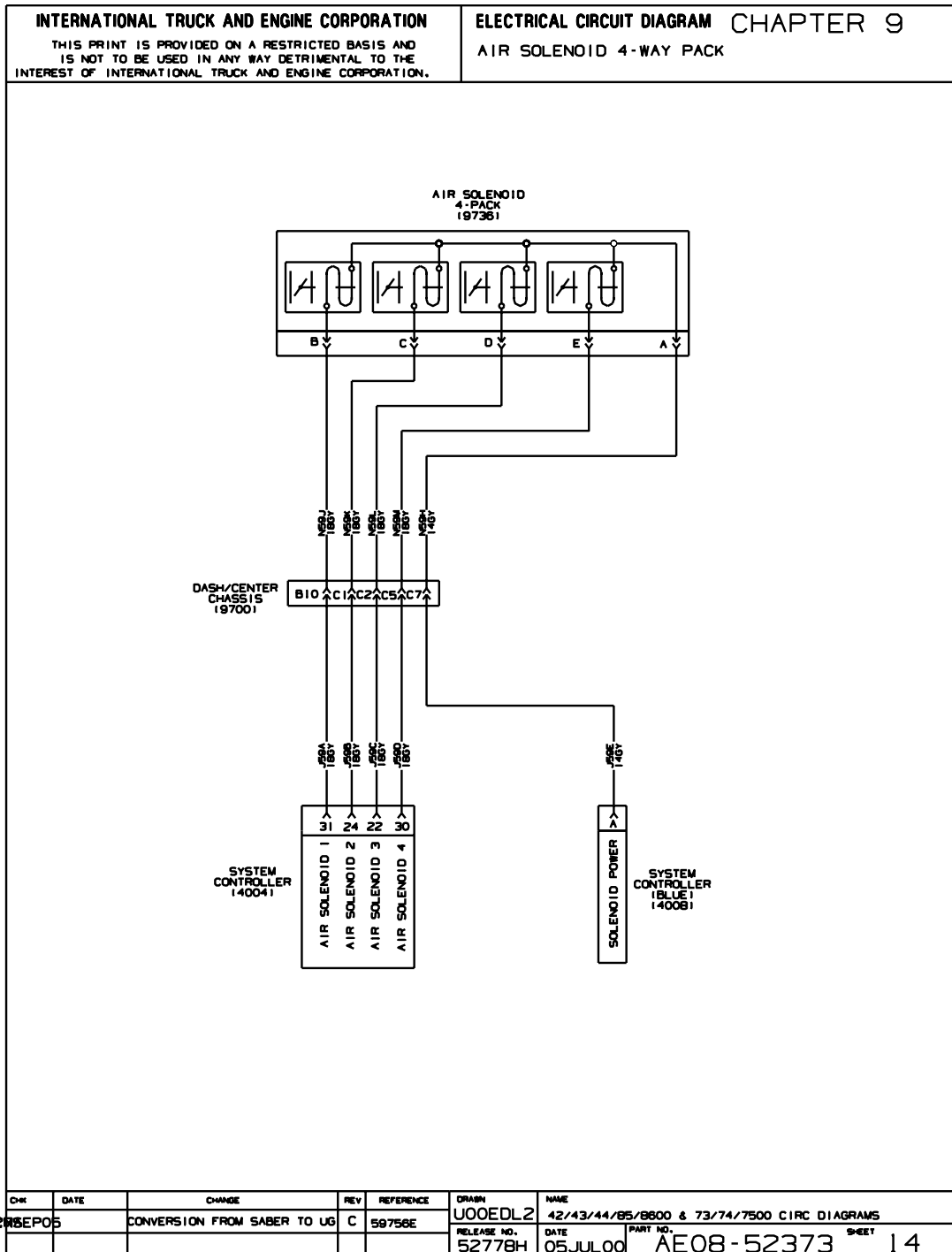


Figure 129 Air Solenoid 4-Way Pack

9.16. REMOTE POWER UNITS, SOLENOID PACKS, REMOTE ENGINE SPEED CONTROLLER, P. 15

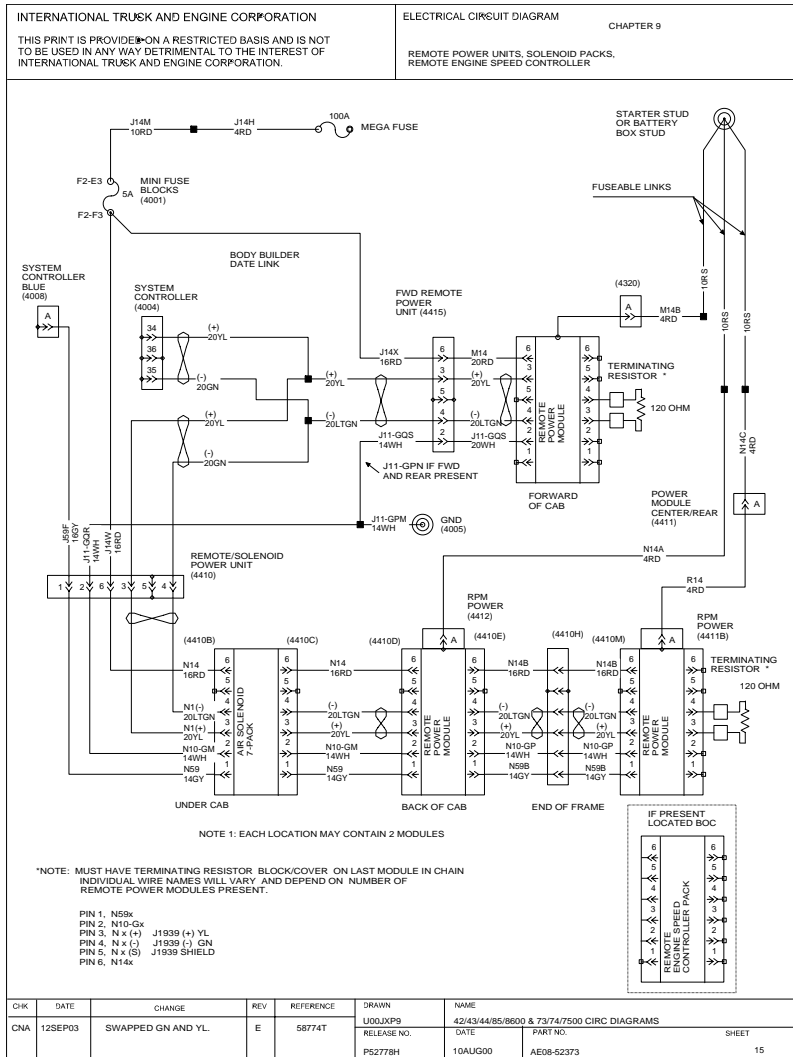


Figure 130 Remote Power Units, Solenoid Packs, Remote Engine Speed Controller

9.17. CHASSIS ACCESSORIES, P. 16

INTERNATIONAL TRUCK AND ENGINE CORPORATION THIS PRINT IS PROVIDED ON A RESTRICTED BASIS AND IS NOT TO BE USED IN ANY WAY DETRIMENTAL TO THE INTEREST OF INTERNATIONAL TRUCK AND ENGINE CORPORATION.				ELECTRICAL CIRCUIT DIAGRAM CHAPTER 9 CHASSIS ACCESSORIES		
PAGE INTENTIONALLY LEFT BLANK						
CHR	DATE	CHANGE	REV	REFERENCE	DRAWN	NAME
2	SEP05	CONVERSION FROM SABER TO UG	B	59756E	U00EDL2	NGV MD. RH, SS ELECTRICAL CIRCUIT DIAGRAM
					RELEASE NO.	DATE
					52778H	10JUL00
					PART NO.	SHEET
					AE08-52373	16

Figure 131 Chassis Accessories

9.18. AIR SUSPENSION, P. 17

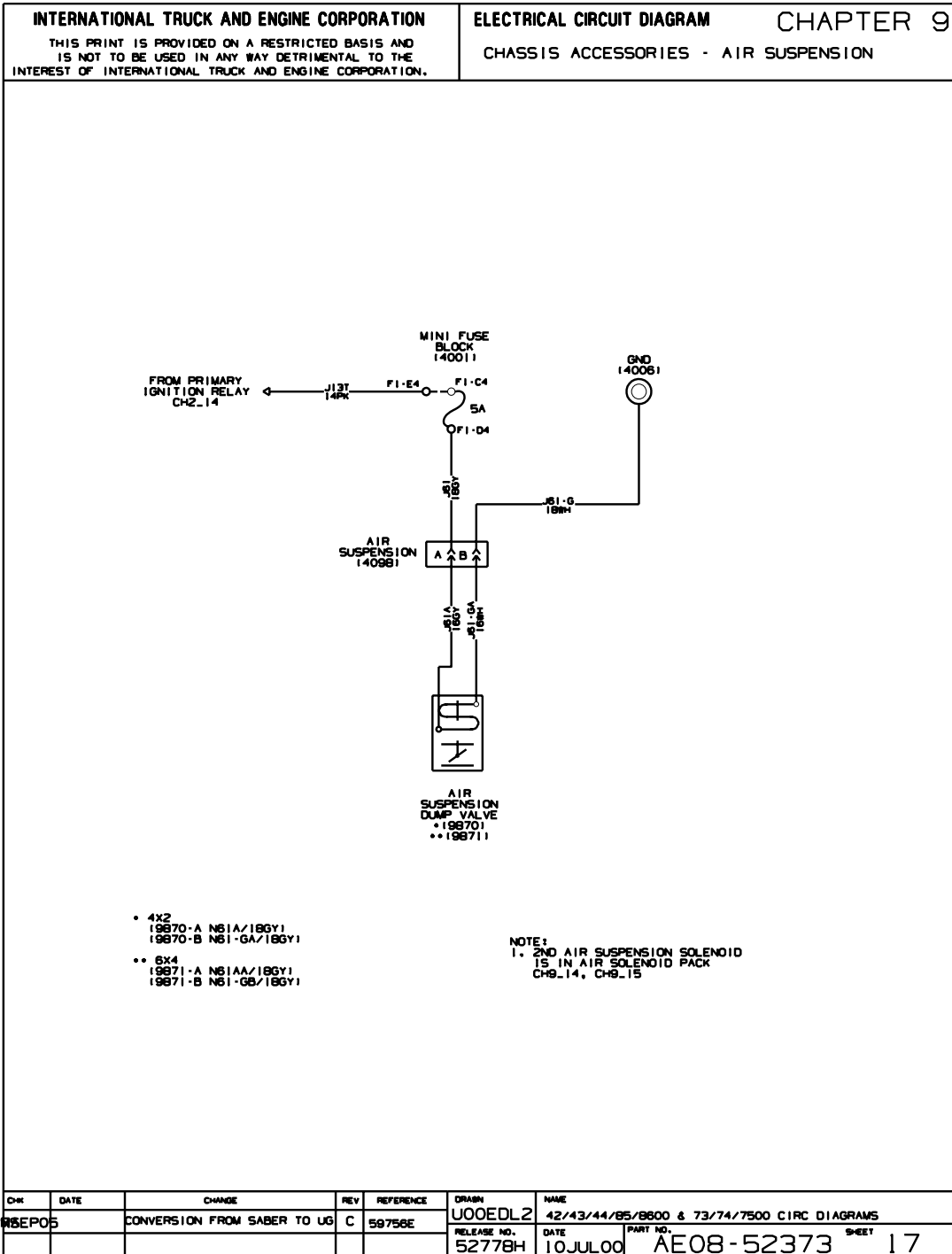


Figure 132 Air Suspension

9.19. AUX. TRAILER, ACC CONTROLLED, P. 18

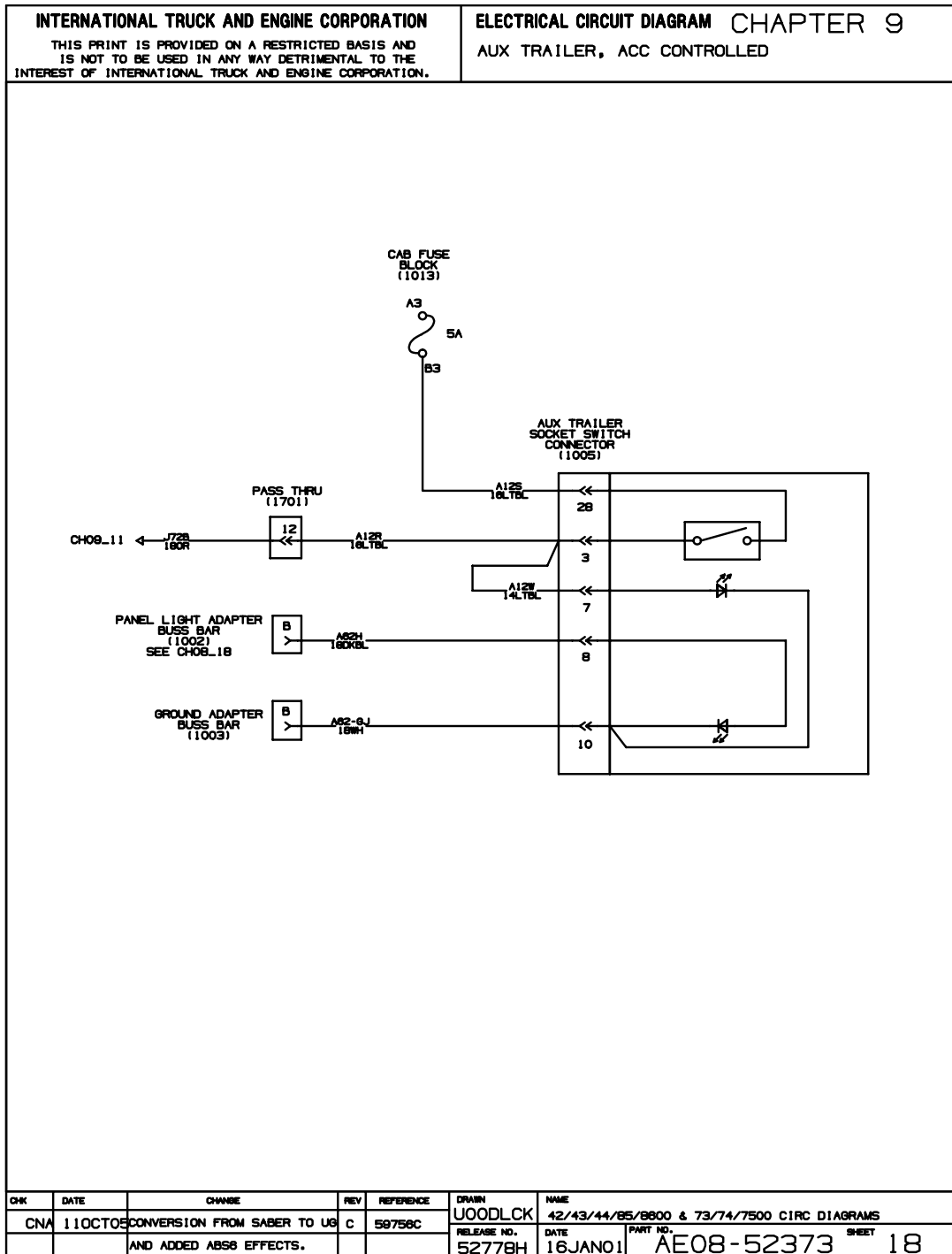


Figure 133 Aux. Trailer, Acc Controlled

9.20. AUX. TRAILER, BTRY CONTROLLED, P. 19

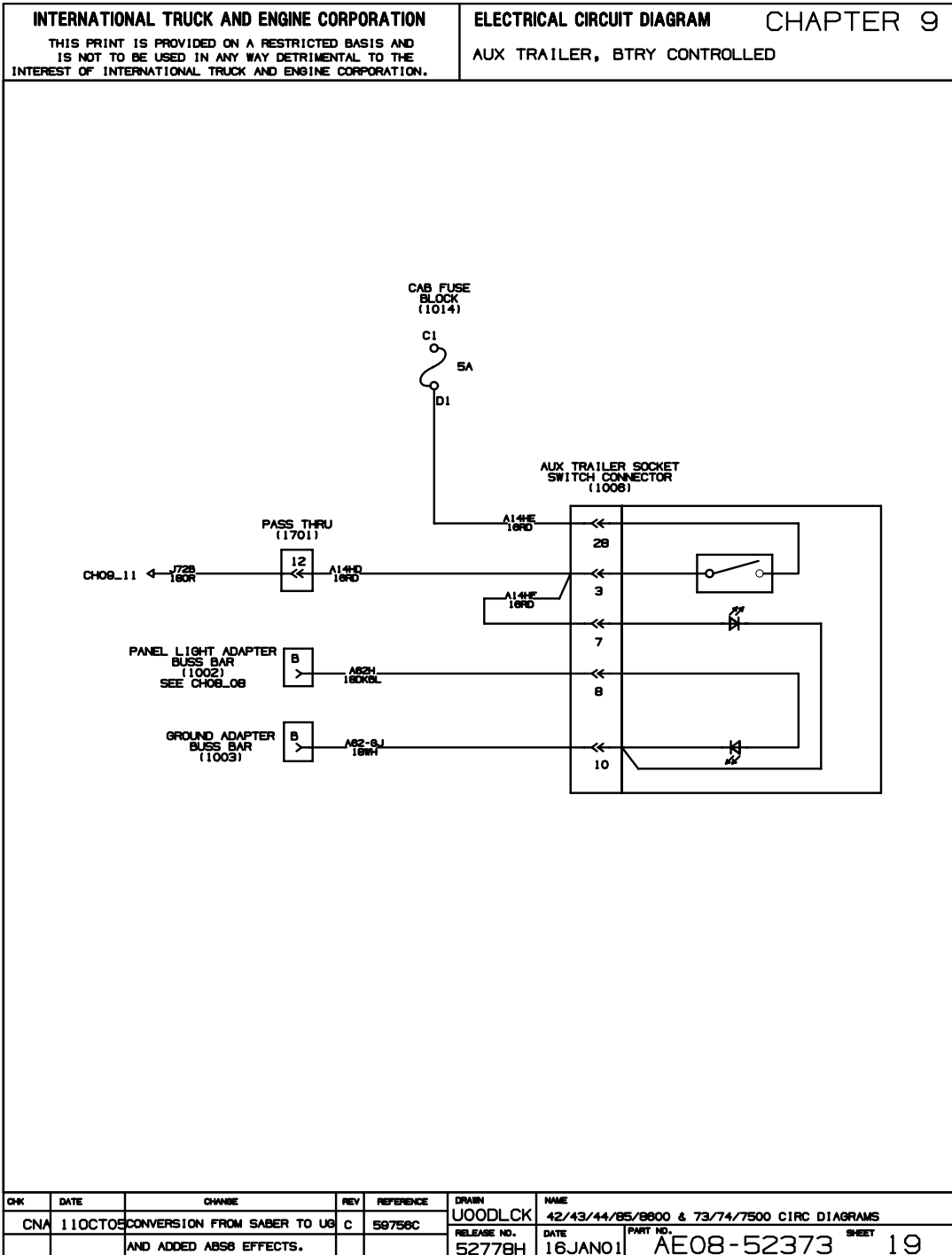


Figure 134 Aux. Trailer, Btry Controlled

9.21. LIFT AXLES (NON-STEERABLE), P. 20

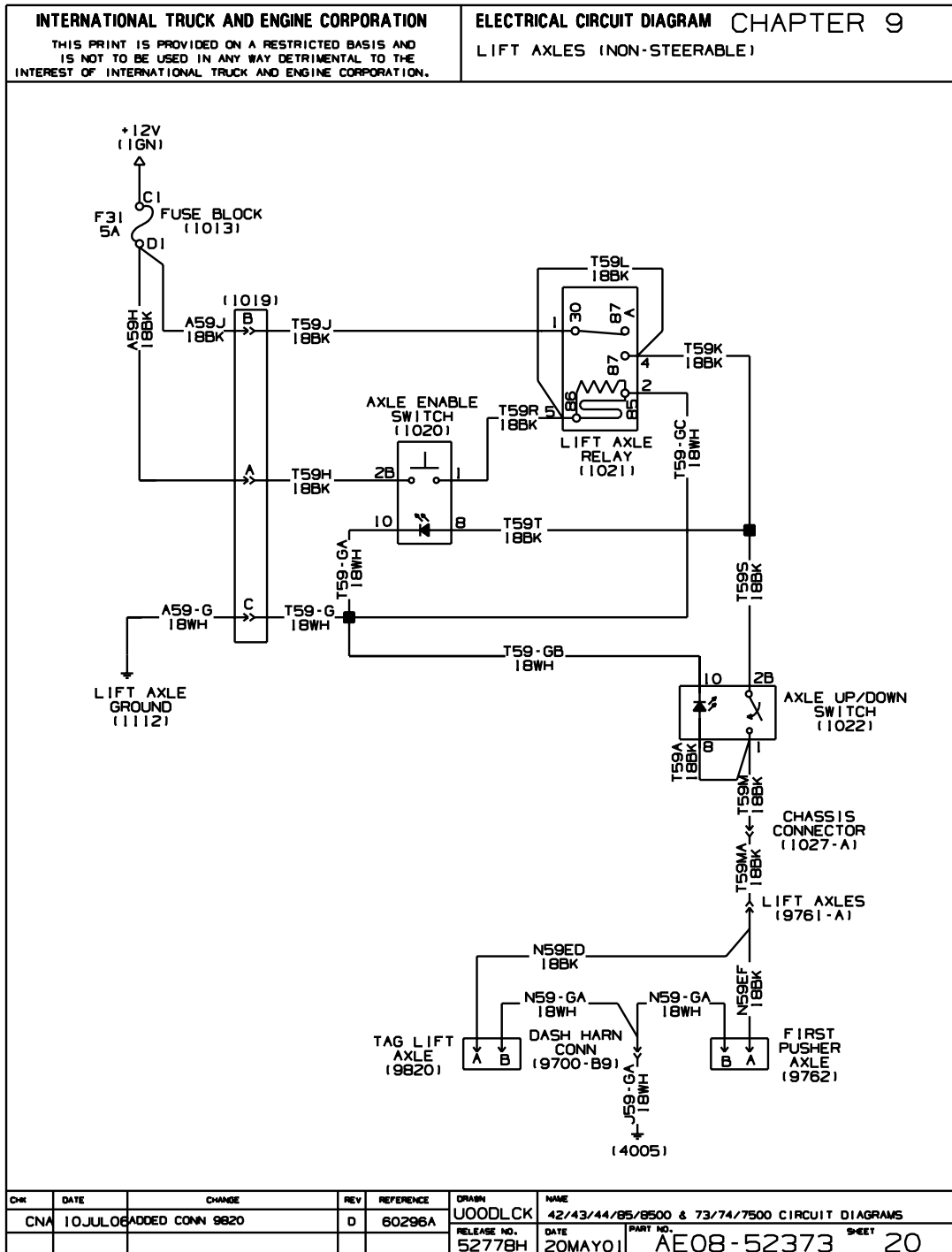


Figure 135 Lift Axles (Non-Steerable)

9.22. LIFT AXLES (STEERABLE), P. 21

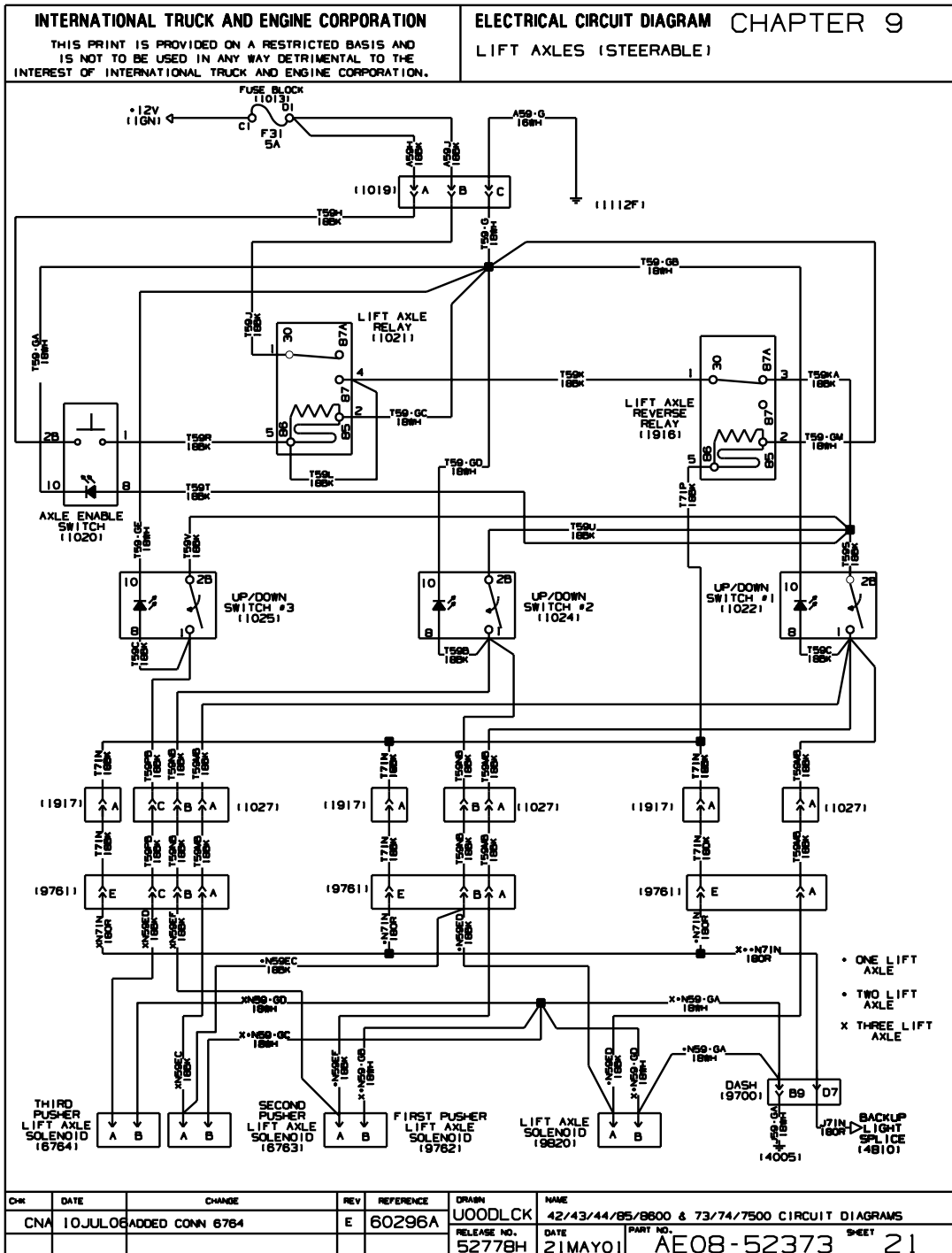


Figure 136 Lift Axles (Non-Steerable)

9.23. AIR ACTUATED PARK BRAKE, P. 22

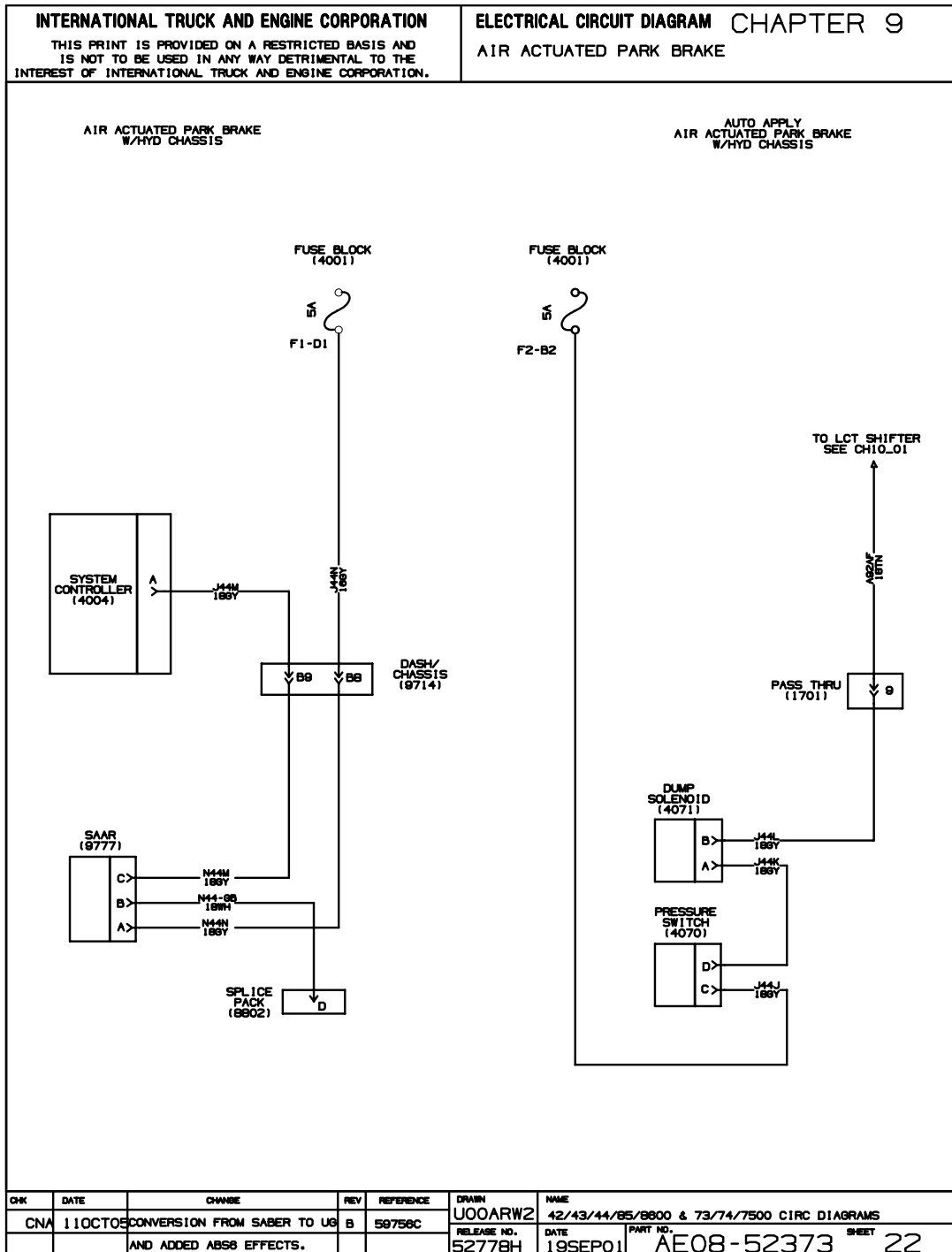


Figure 137 Air Actuated Park Brake

9.24. ANTILOCK BRAKE SYSTEM, WABCO AIR, P. 23

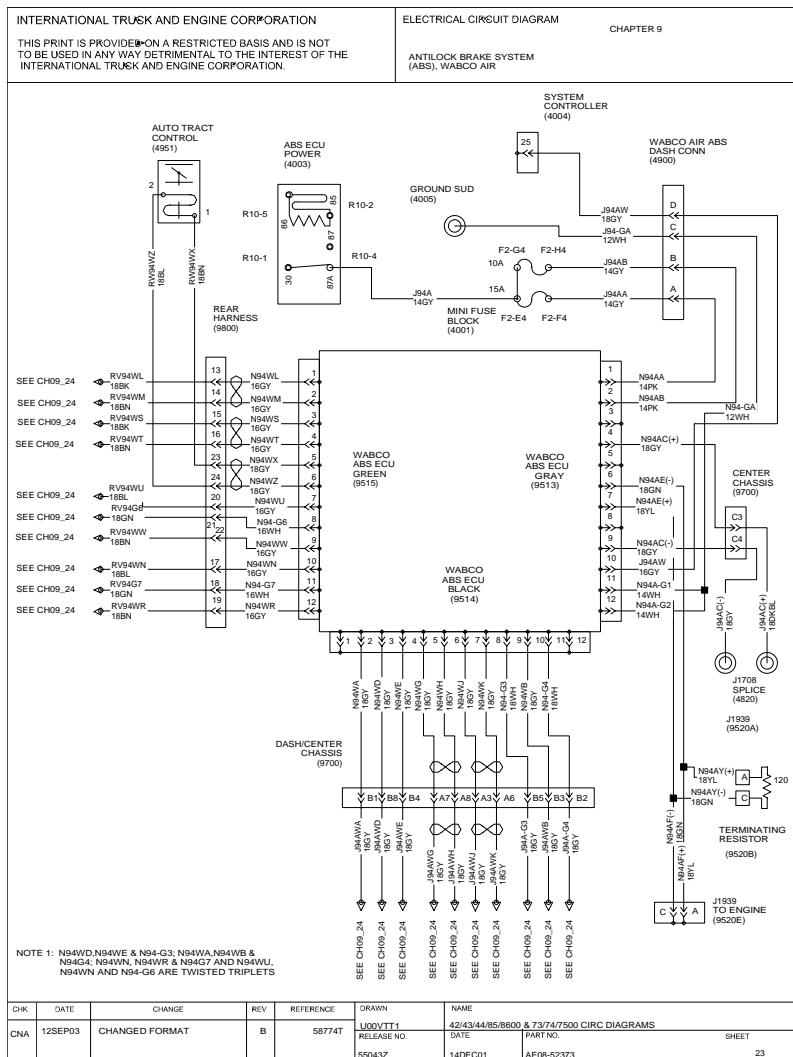


Figure 138 Antilock Brake System, WABCO Air

9.25. ANTILOCK BRAKE SYSTEM, WABCO AIR, P. 24

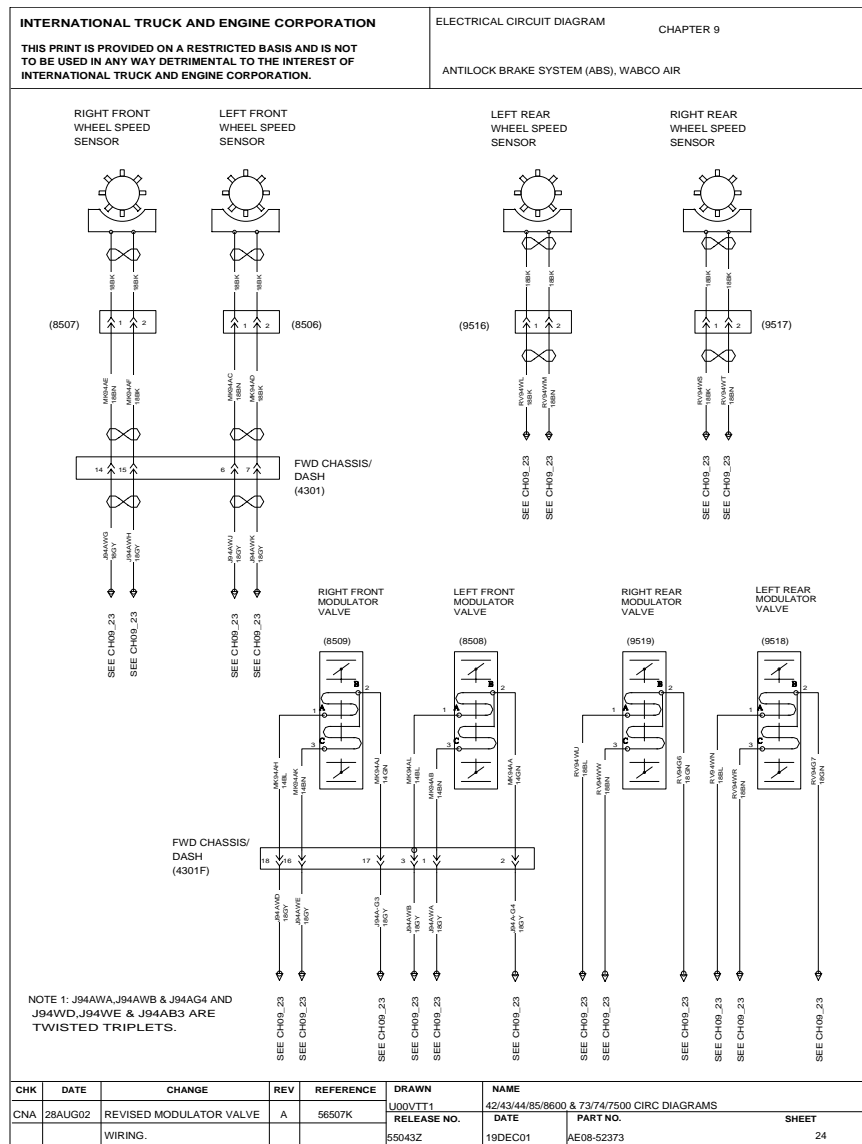


Figure 139 Antilock Brake System, WABCO Air

9.26. LIFT AXLES, WITH NON—STEERABLE FOR SS MODELS, P. 25

INTERNATIONAL TRUCK AND ENGINE CORPORATION THIS PRINT IS PROVIDED ON A RESTRICTED BASIS AND IS NOT TO BE USED IN ANY WAY DETRIMENTAL TO THE INTEREST OF INTERNATIONAL TRUCK AND ENGINE CORPORATION.				ELECTRICAL CIRCUIT DIAGRAM CHAPTER 9 LIFT AXLES, W/NON-STEERABLE FOR SS MODELS			
INTENTIONALLY LEFT BLANK							
CHR	DATE	CHANGE	REV	REFERENCE	DRAWN	NAME	
CNA	10JUL08	GEOMETRY REMOVED	D	60296A	WOODLCK	42/43/44/85/8600 & 73/74/7500 CIRCUIT DIAGRAMS	
					RELEASE NO.	DATE	PART NO. SHEET
					52778H	15DEC01	AE08-52373 25

Figure 140 Lift Axles, With Non—Steerable for SS Models

9.27. FUEL / WATER SEPARATOR WITH 12VDC FUEL PREHEATER, P. 26

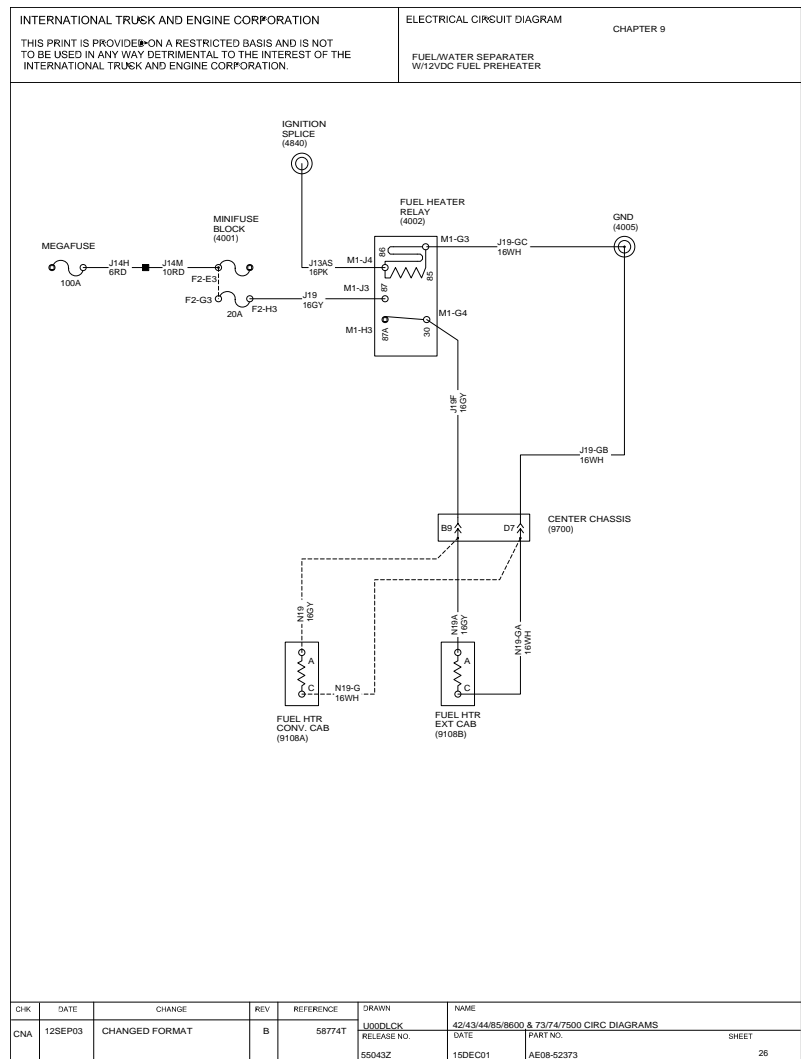


Figure 141 Fuel / Water Separator With 12VDC Fuel Preheater

9.28. ELECTRONIC TRAILER BRAKE ACCOMMODATION, P. 27

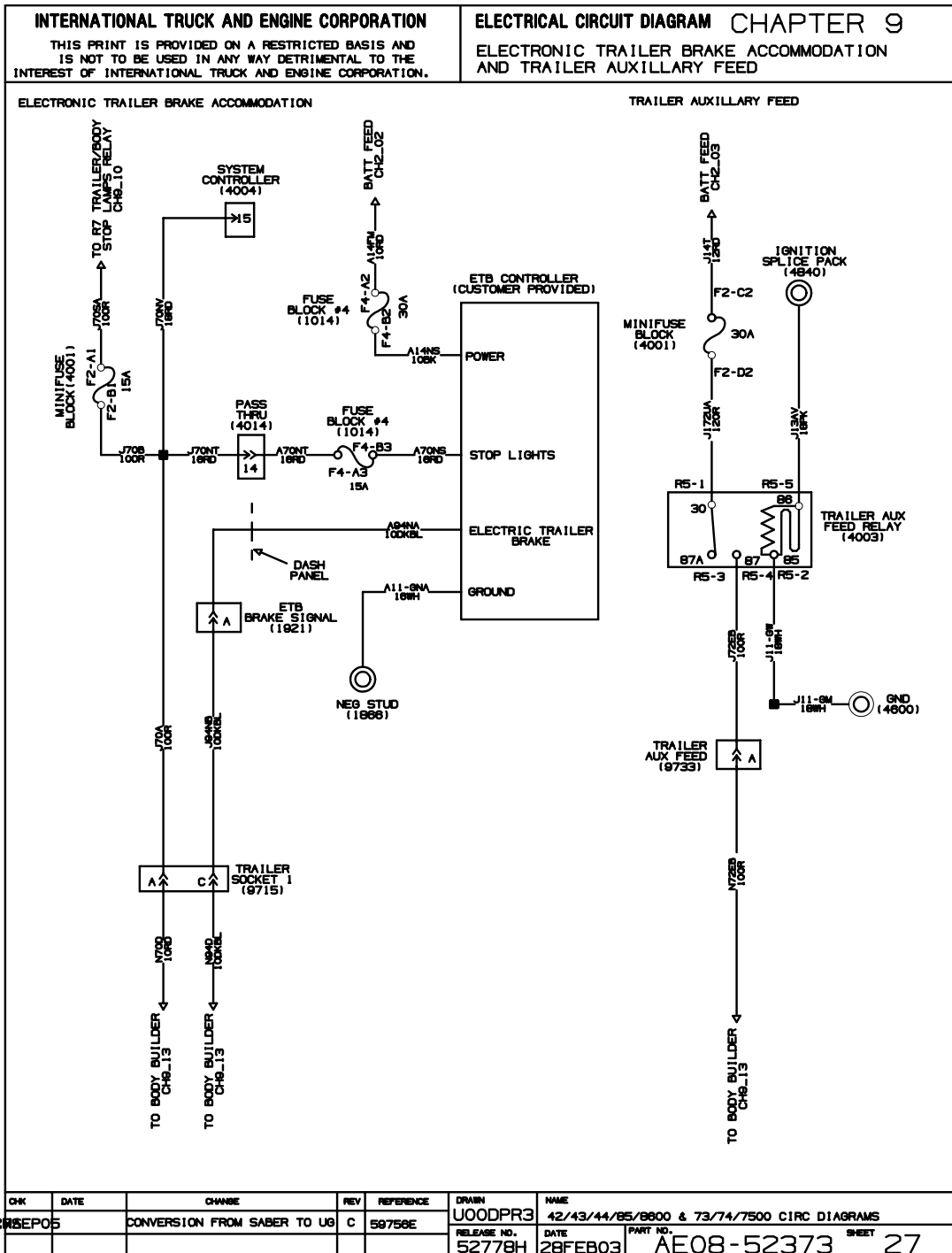


Figure 142 Electronic Trailer Brake Accommodation

9.29. LECTRASHIFT ACCOMMODATION, P. 28

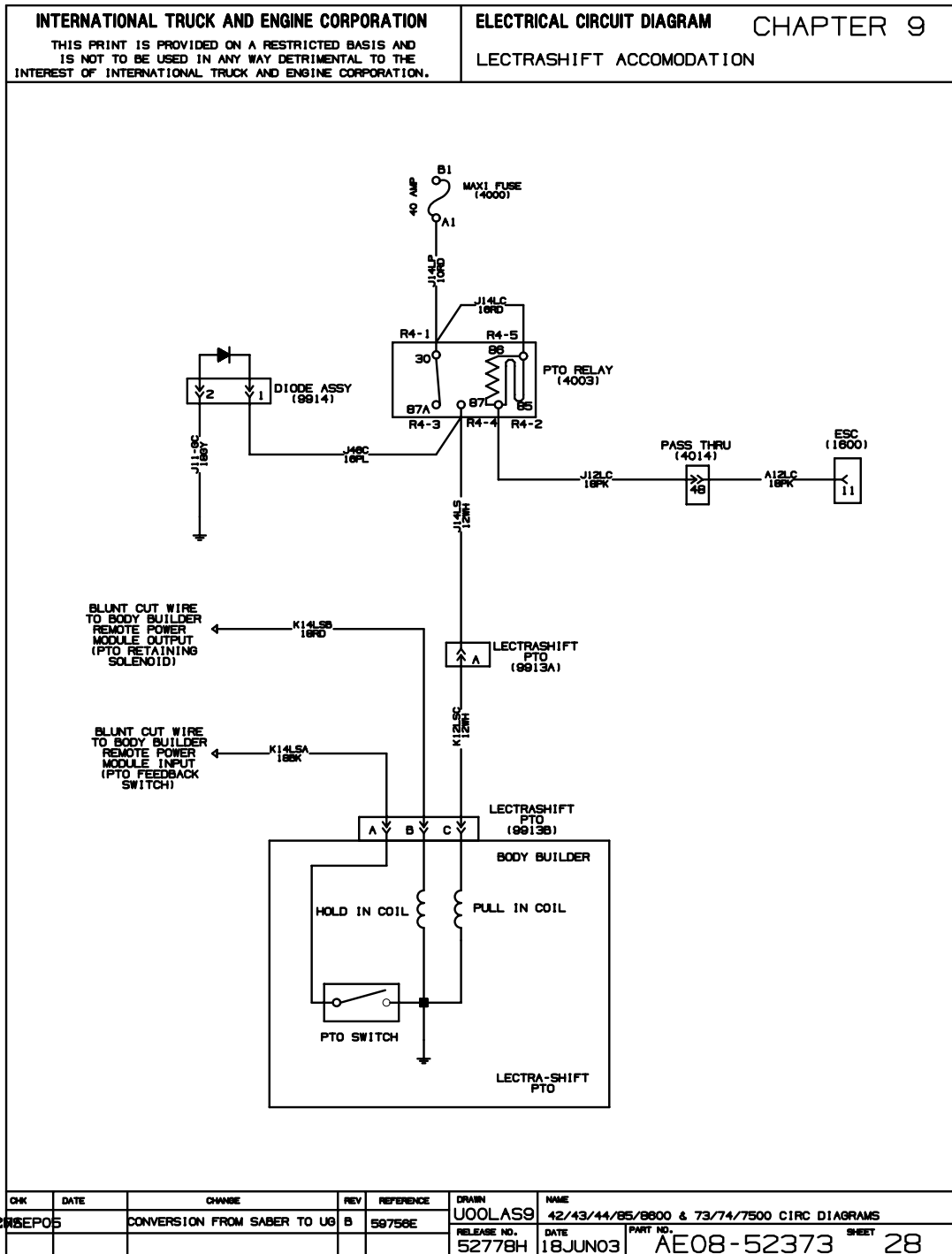


Figure 143 Lectrashift Accommodation

9.30. AUXILIARY 40 AMP CIRCUIT, P. 29

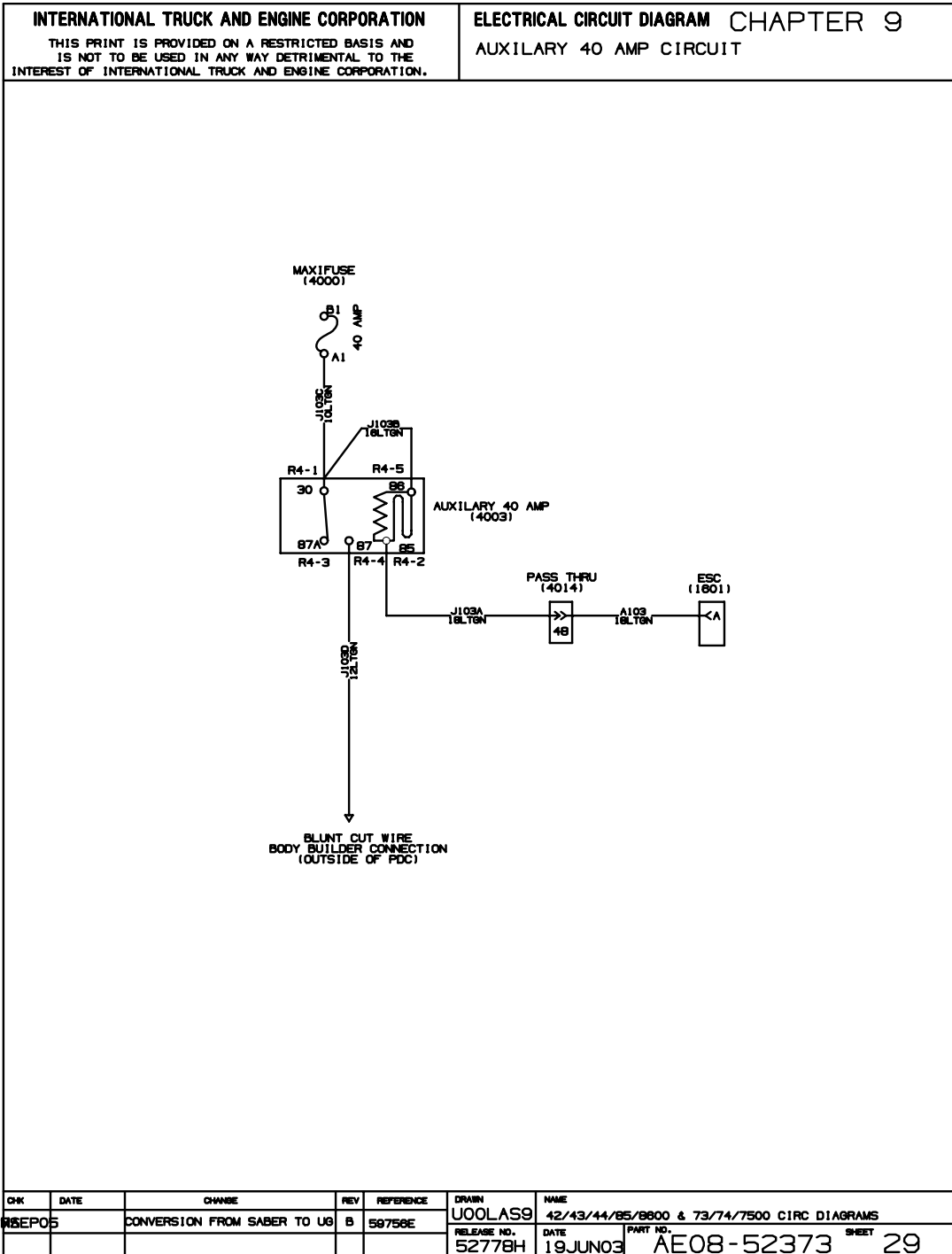


Figure 144 Auxiliary 40 Amp Circuit

9.31. HOURMETER, CUSTOMER MOUNTED PTO, P. 30

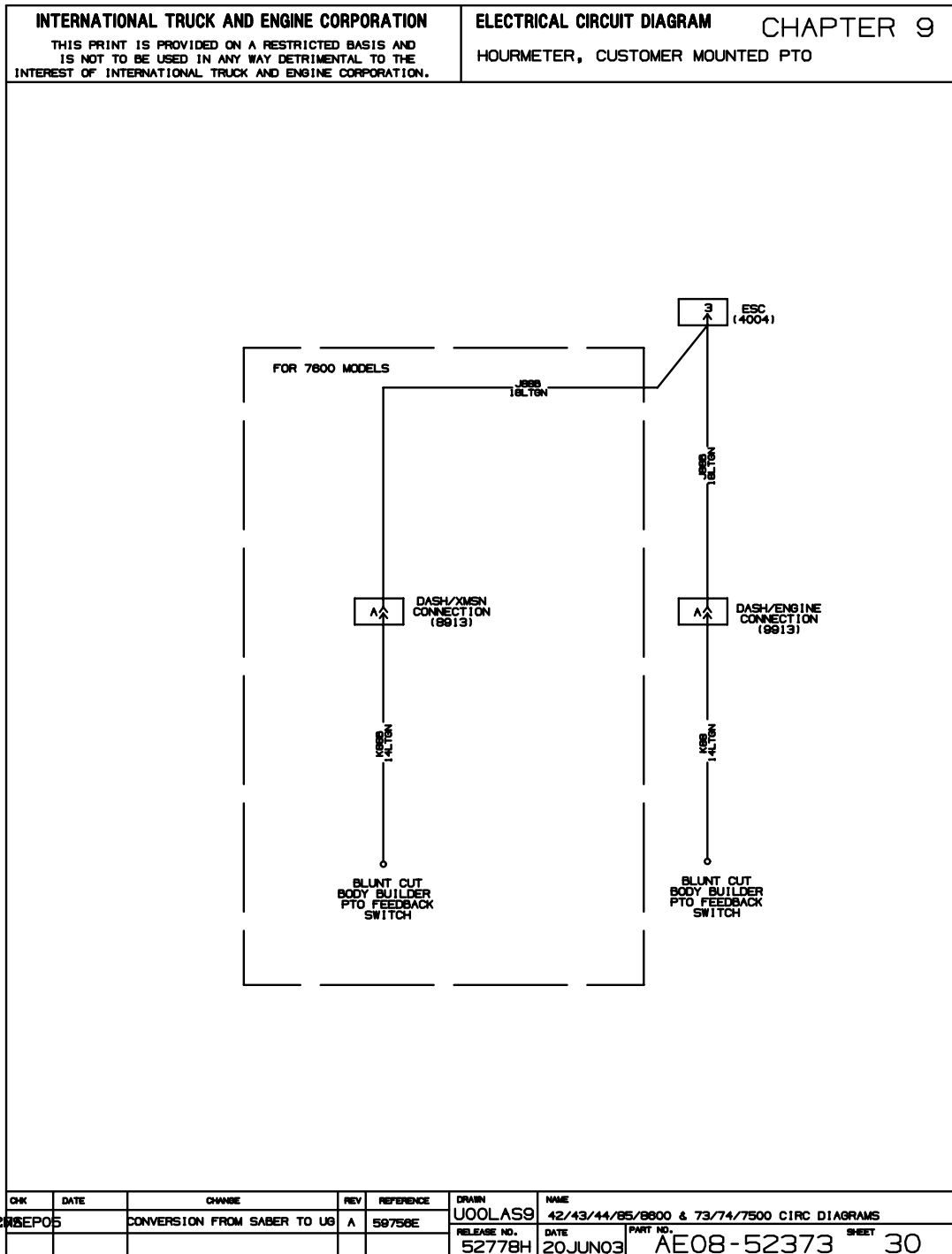


Figure 145 Hourmeter, Customer Mounted PTO

9.32. REMOTE START/ STOP, P. 31

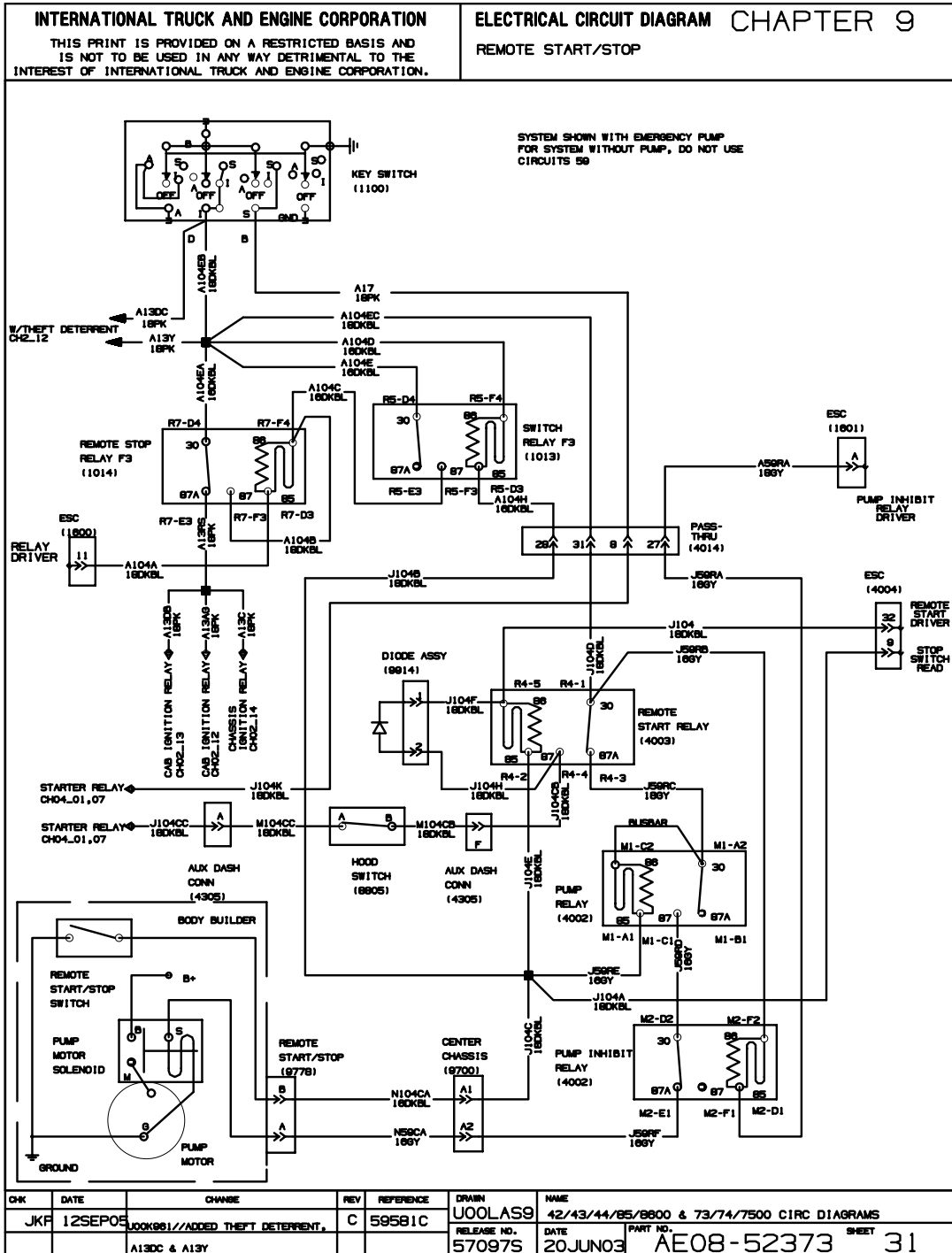


Figure 146 Remote Start/ Stop

9.33. LIFT AXLE WITH 14RAR, P. 32

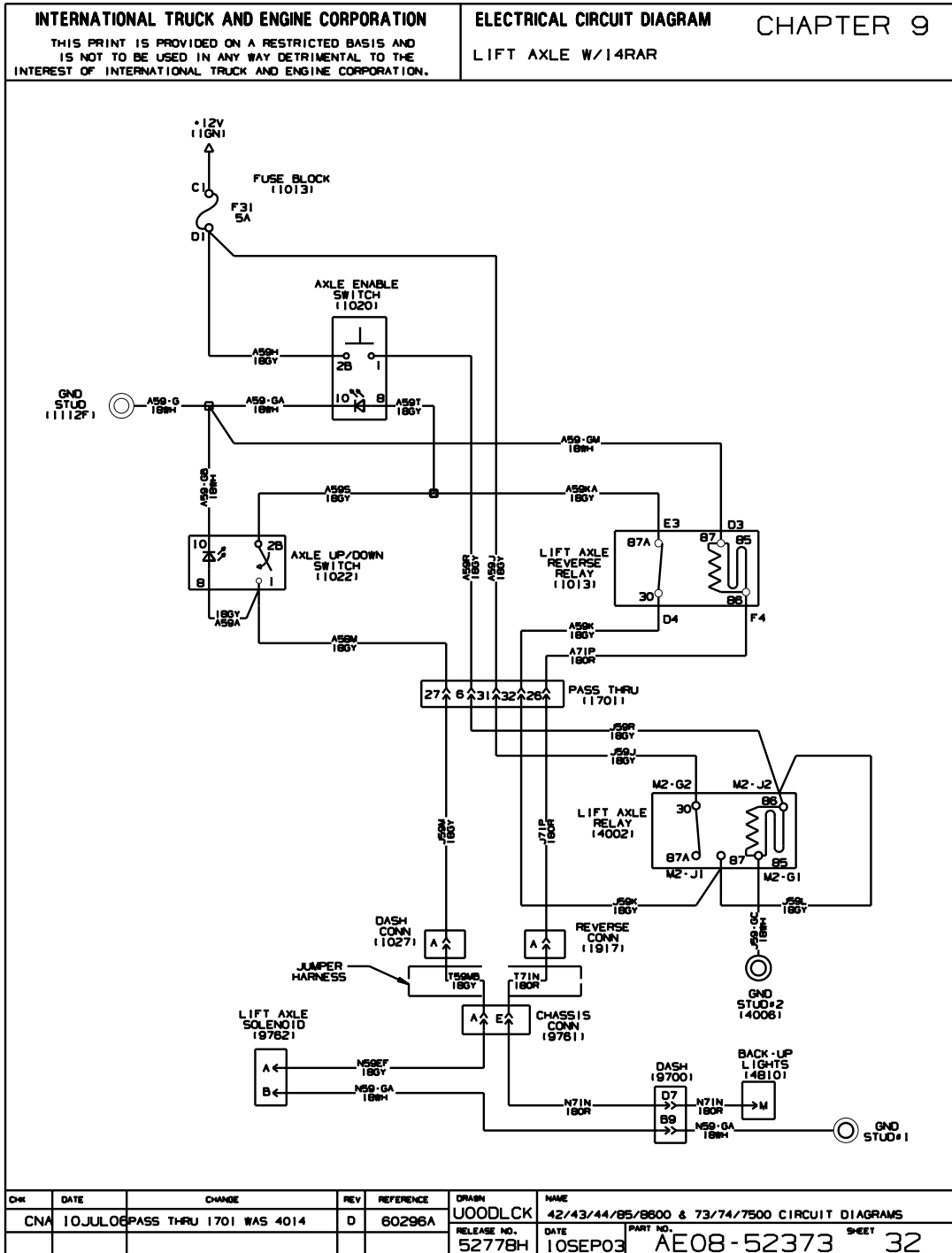


Figure 147 Lift Axle with 14RAR

9.34. LIFT GATE, P. 33

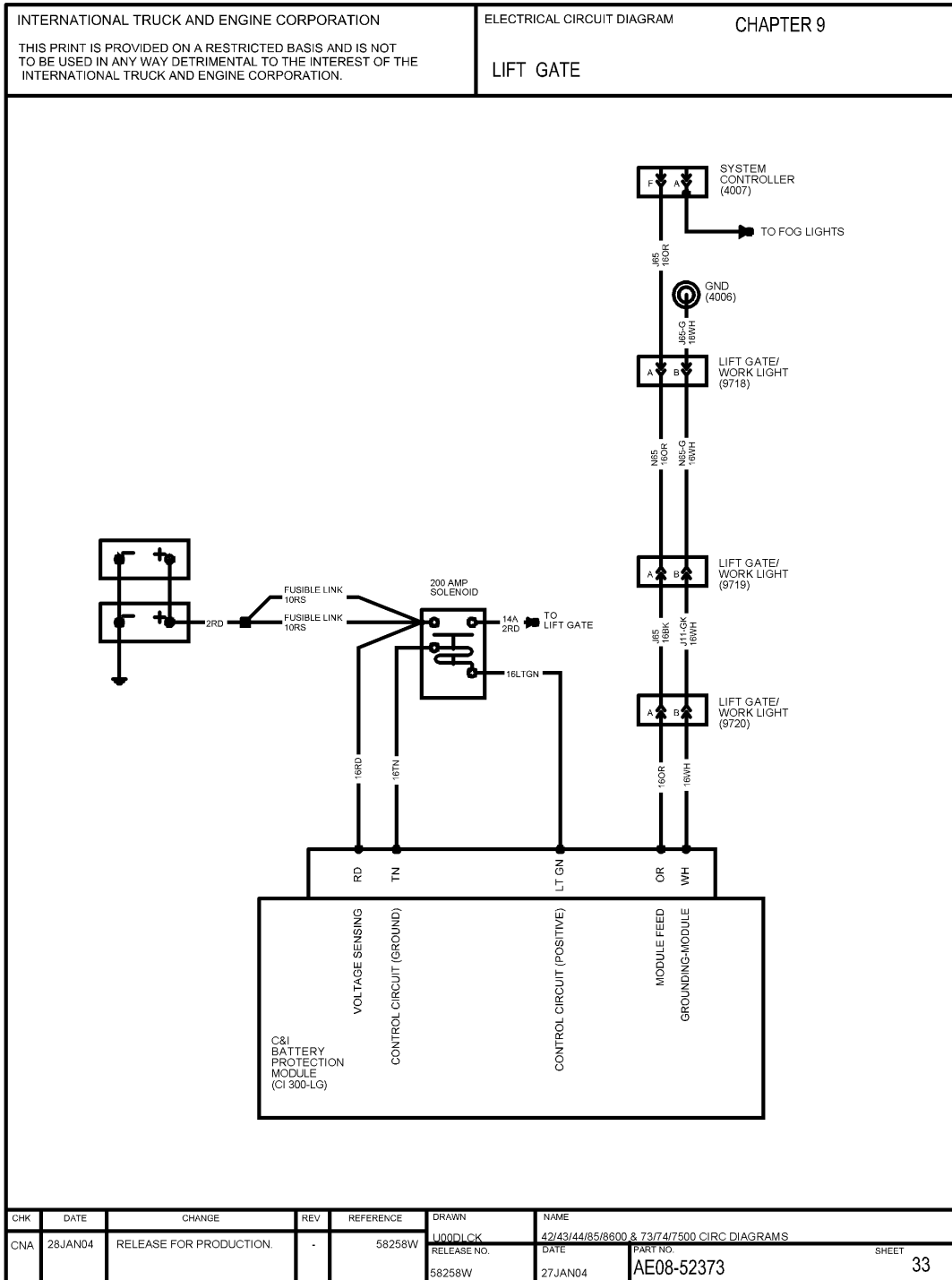


Figure 148 Lift Gate

9.35. LIFT AXLE MULTIPLEX, P. 34

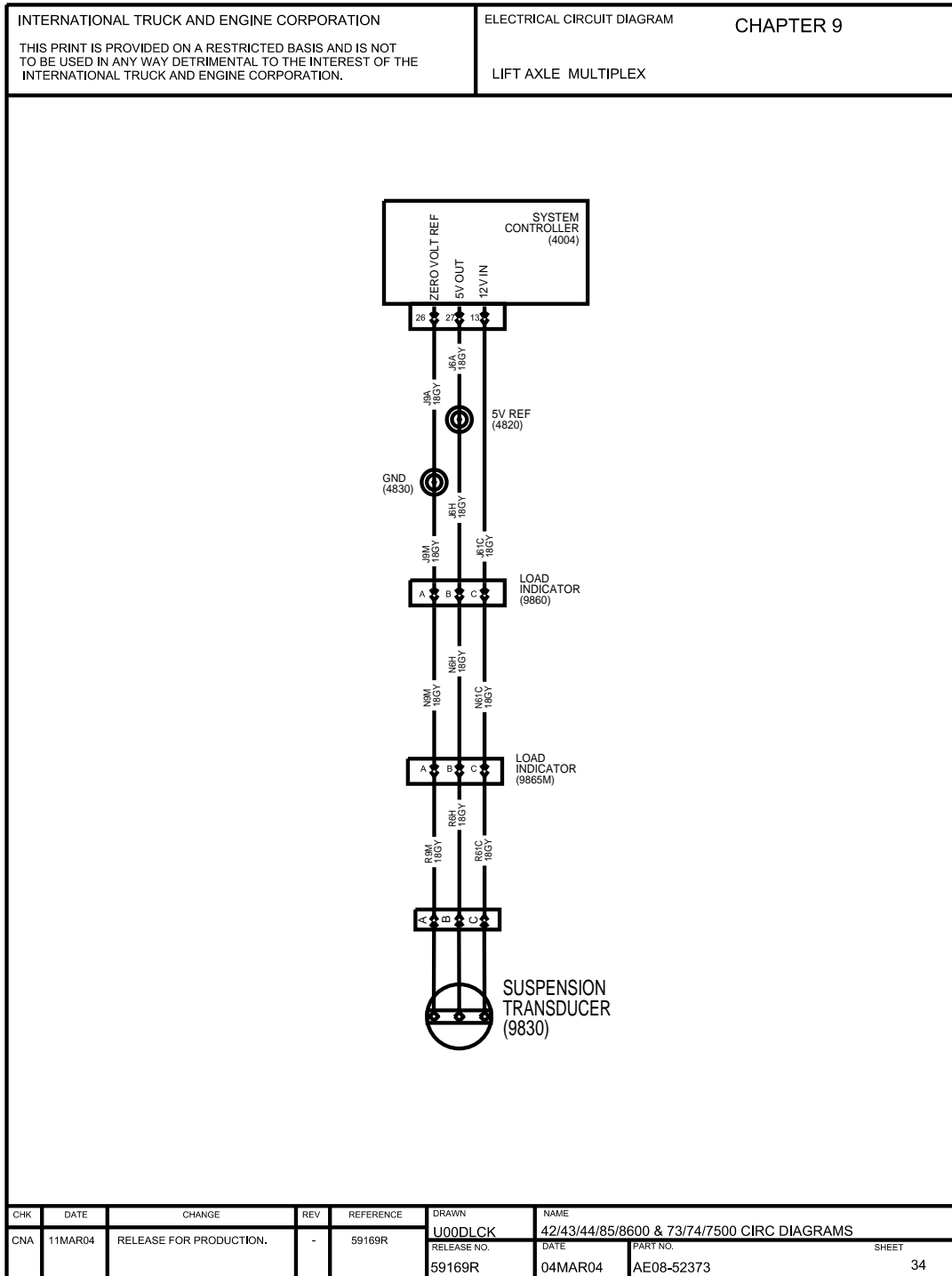


Figure 149 Lift Axle Multiplex

9.36. BODY BUILDER WHEELCHAIR LIFT INTERLOCK ELECTRICAL CONNECTION, P. 35

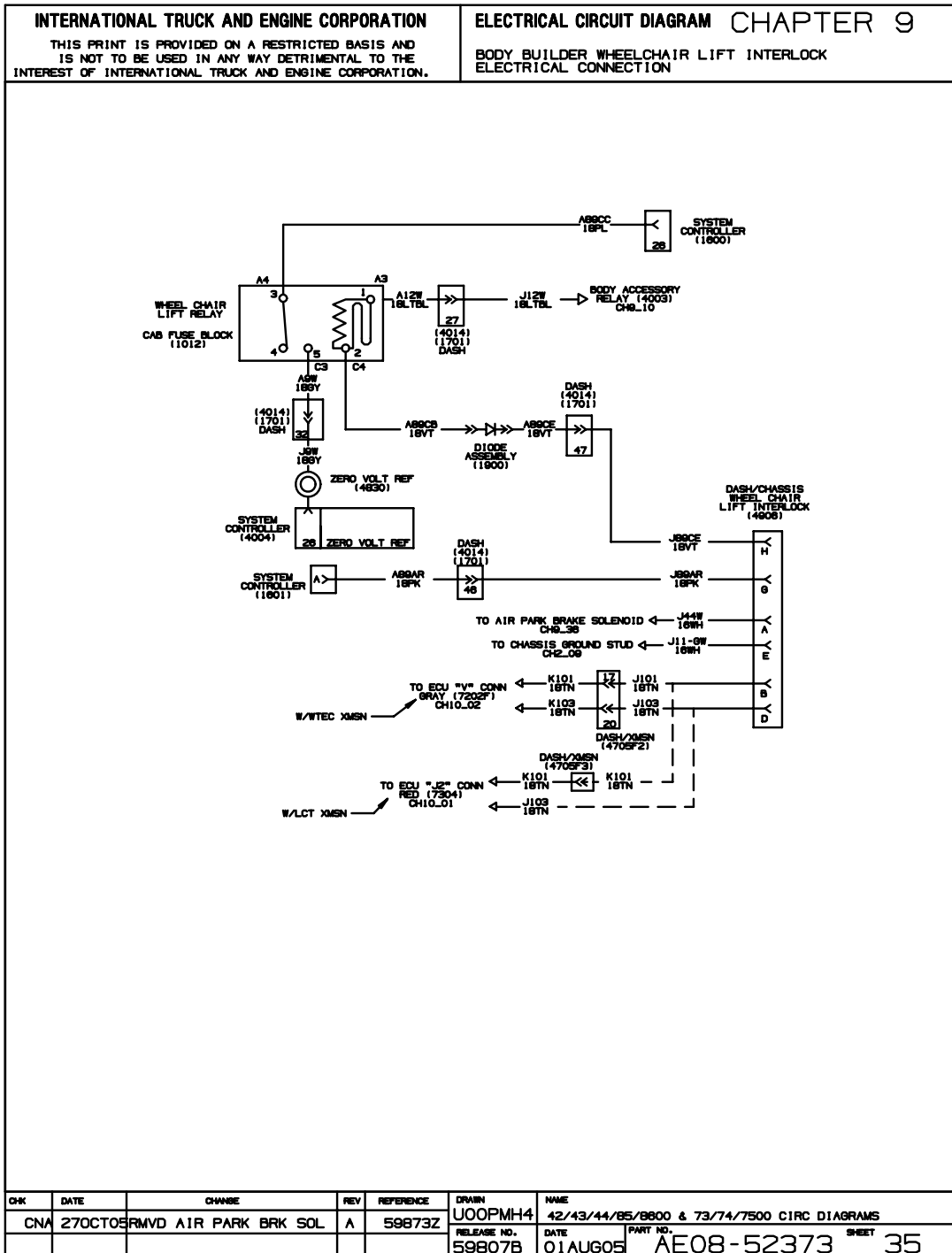


Figure 150 Body Builder Wheelchair Lift Interlock Electrical Connection

9.37. AIR PARK BRAKE INTERLOCK, P. 36

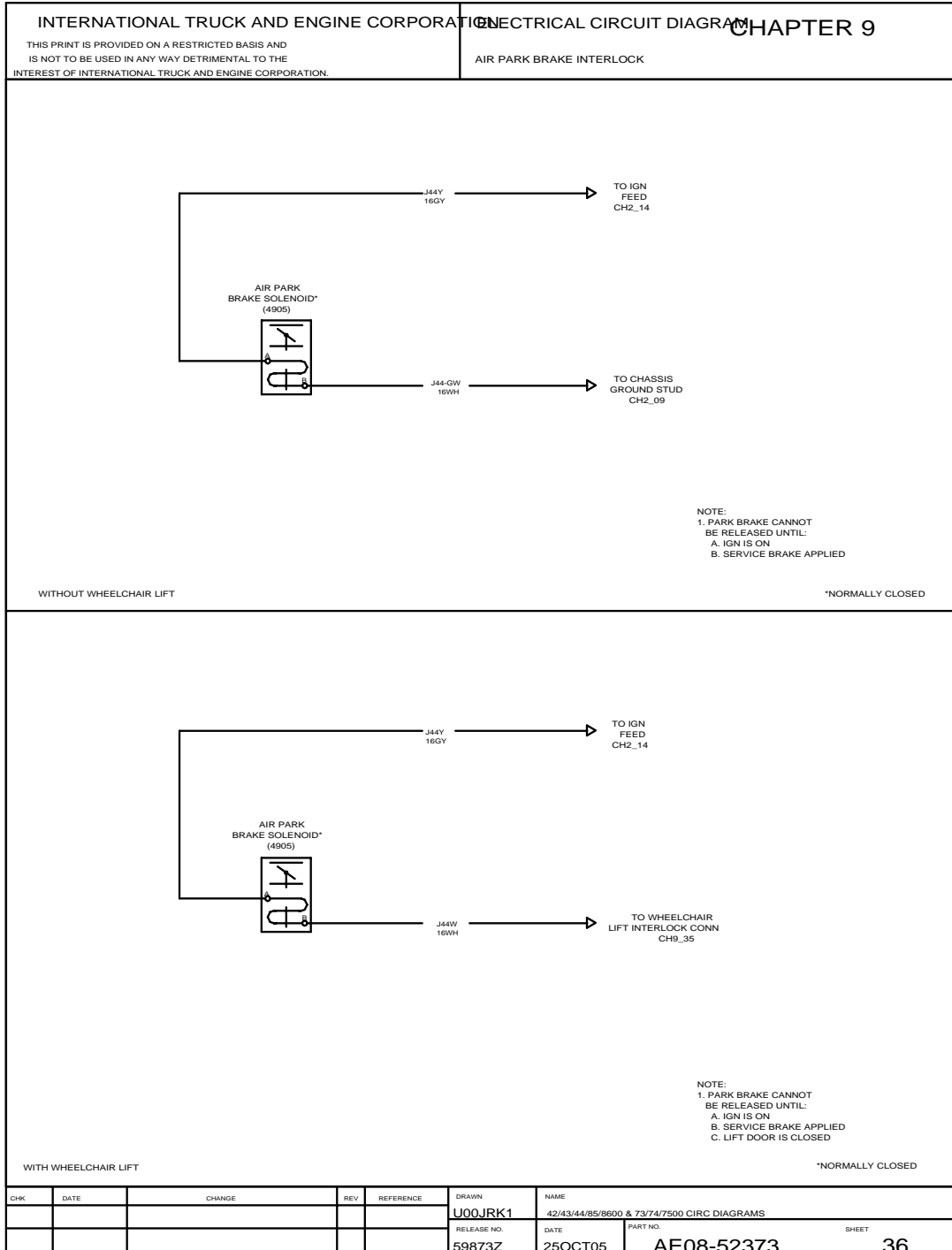


Figure 151 Air Park Brake Interlock

9.38. HYDRAULIC ABS — WABCO FULL POWER, P. 37

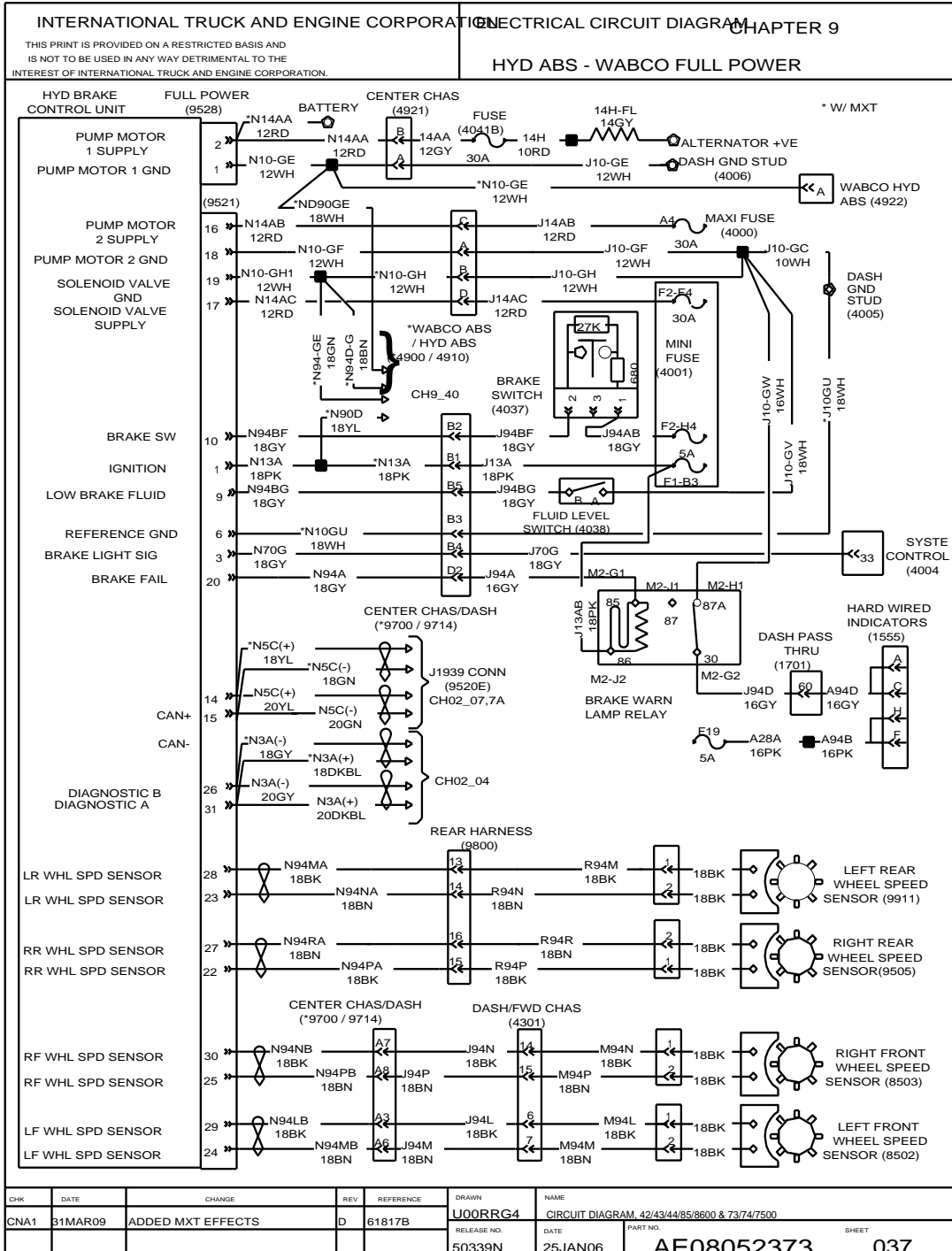


Figure 152 Hydraulic ABS — Wabco Full Power

9.39. CENTER PIN CIRCUIT, P. 38

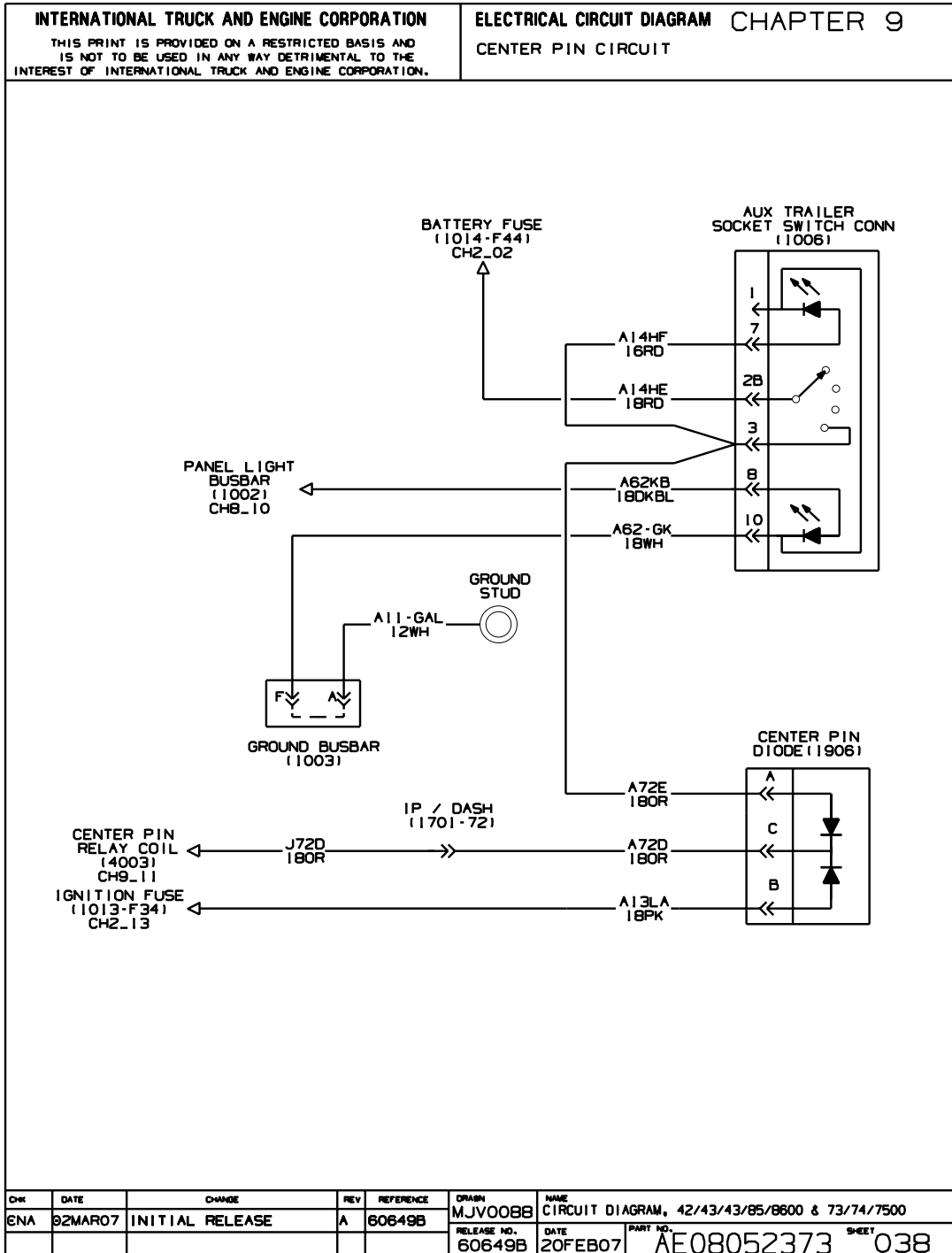


Figure 153 Center Pin Circuit

9.40. FIFTH WHEEL CIRCUIT, P. 39

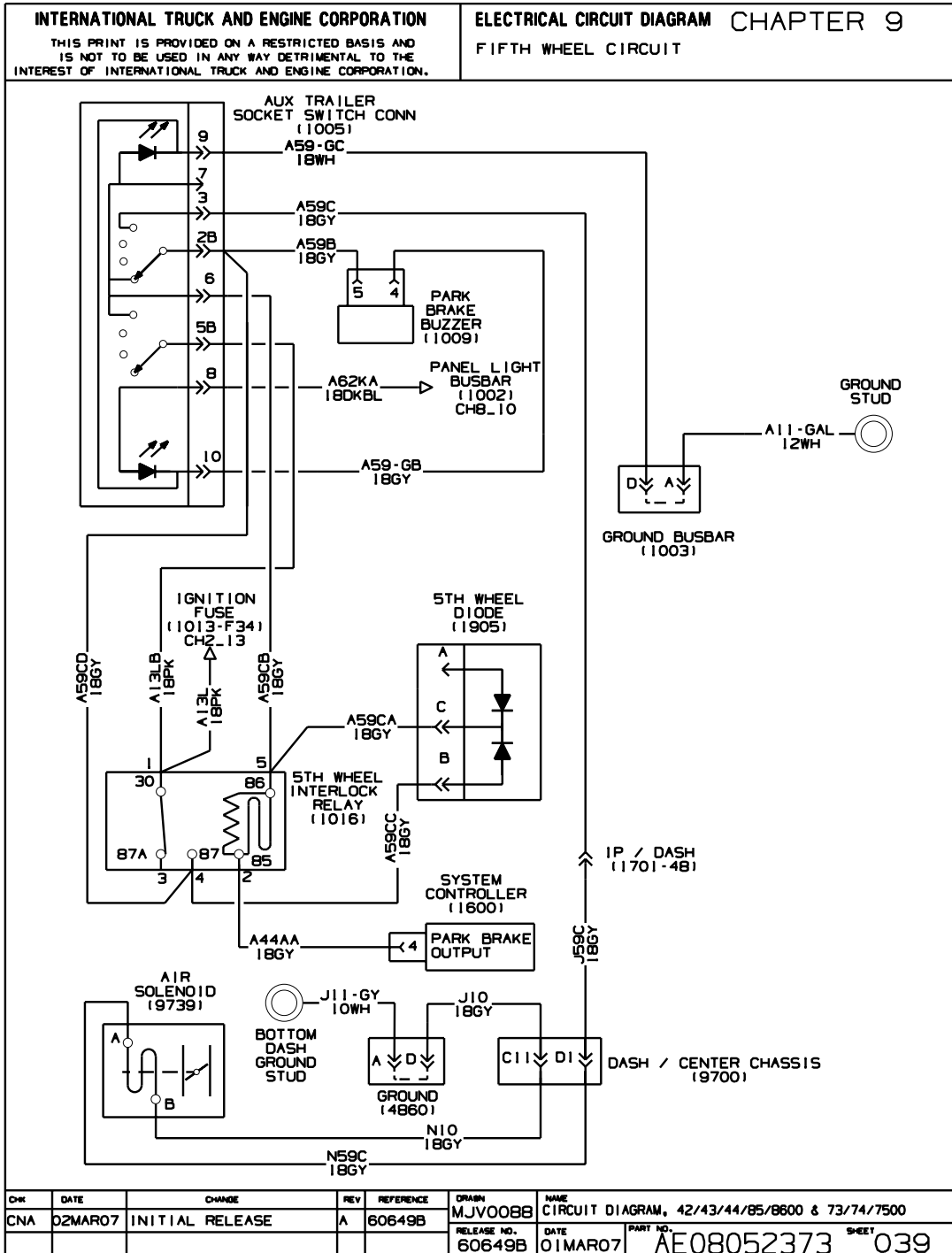


Figure 154 Fifth Wheel Circuit

9.41. HYDRAULIC POWER BRAKE WITH SAHR PARK BRAKES, P. 40

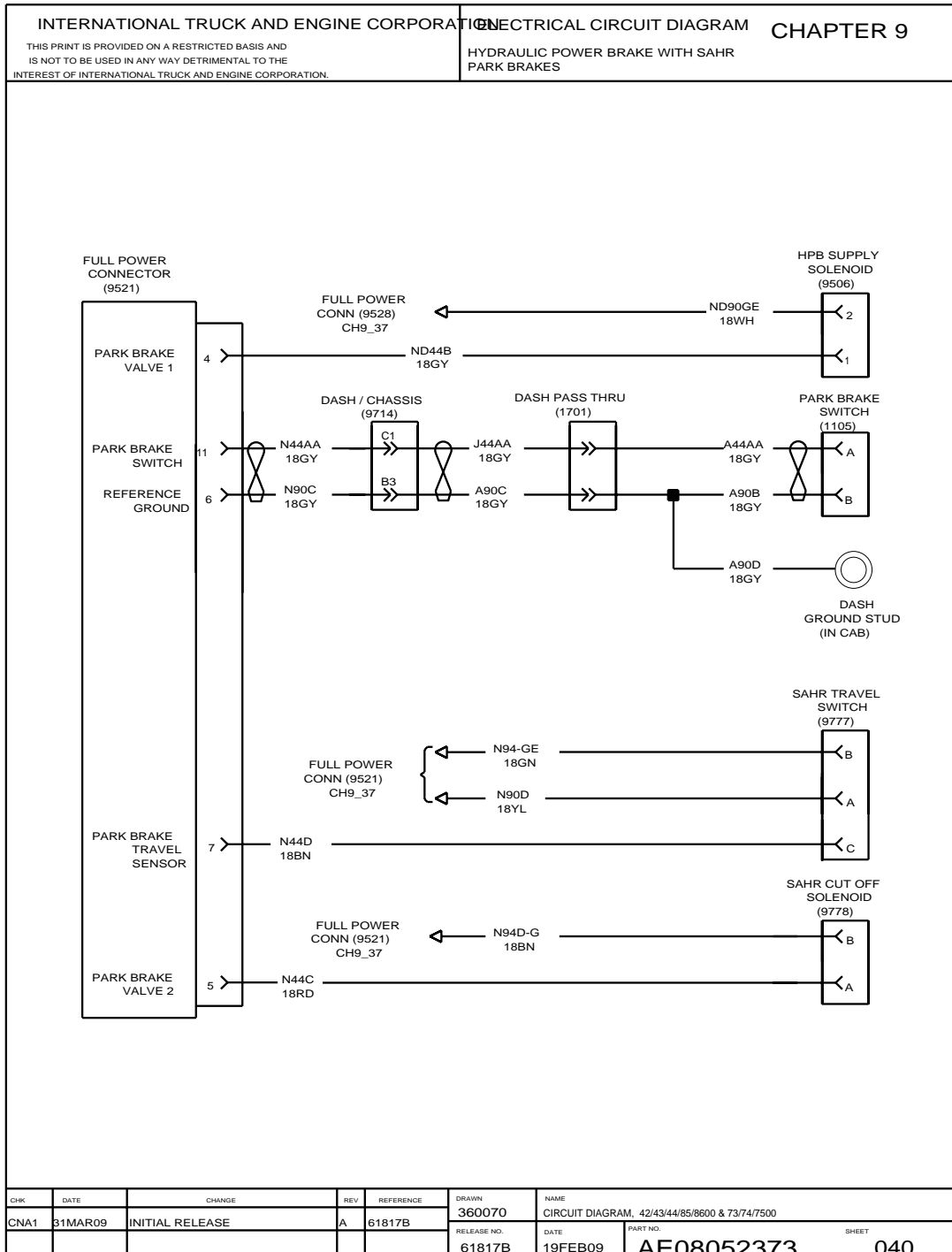


Figure 155 Hydraulic Power Brake with SAHR Park Brakes

9.42. AIR COMPRESSOR, P. 41

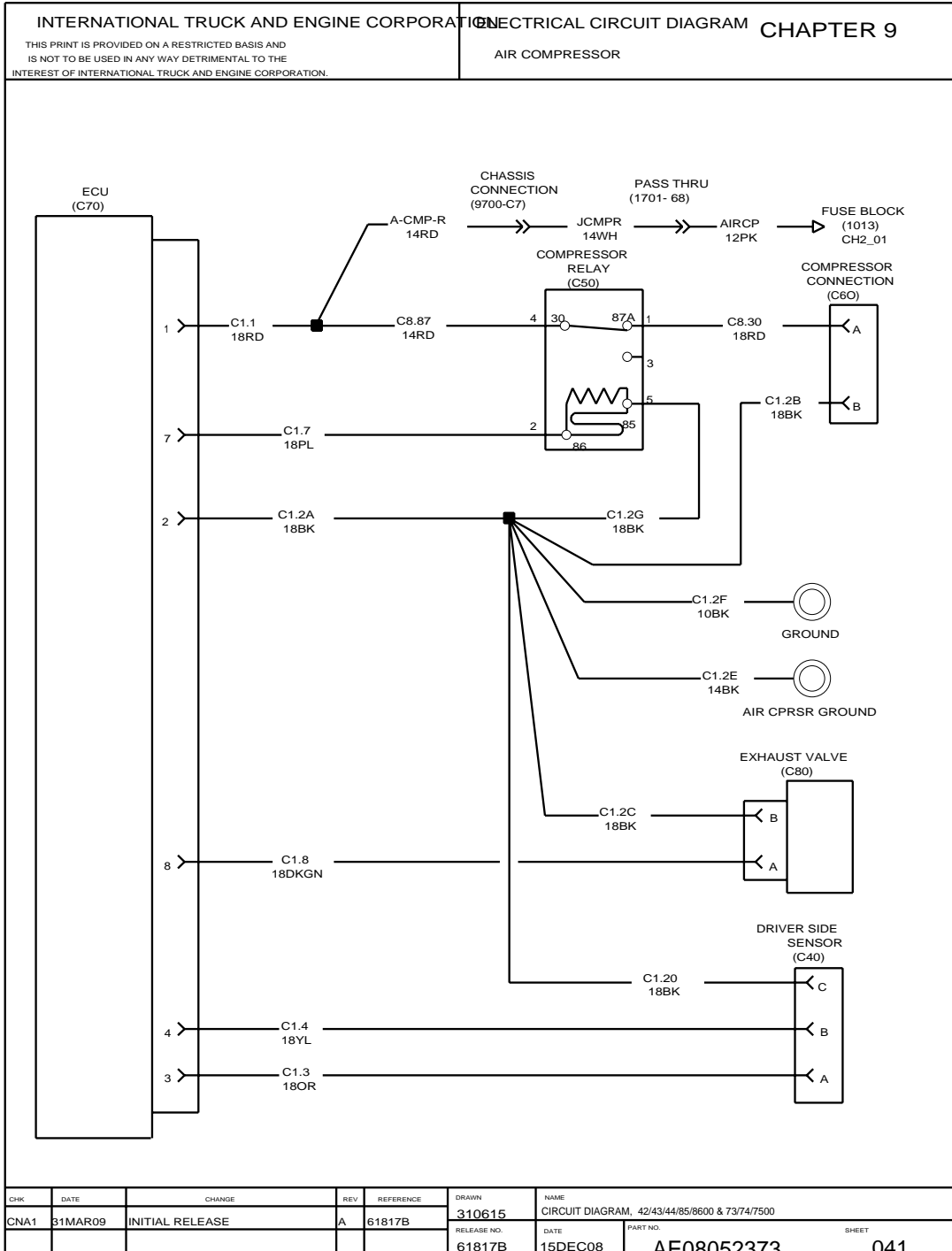


Figure 156 Air Compressor

9.43. ELECTRIC AIR COMPRESSOR, P. 42

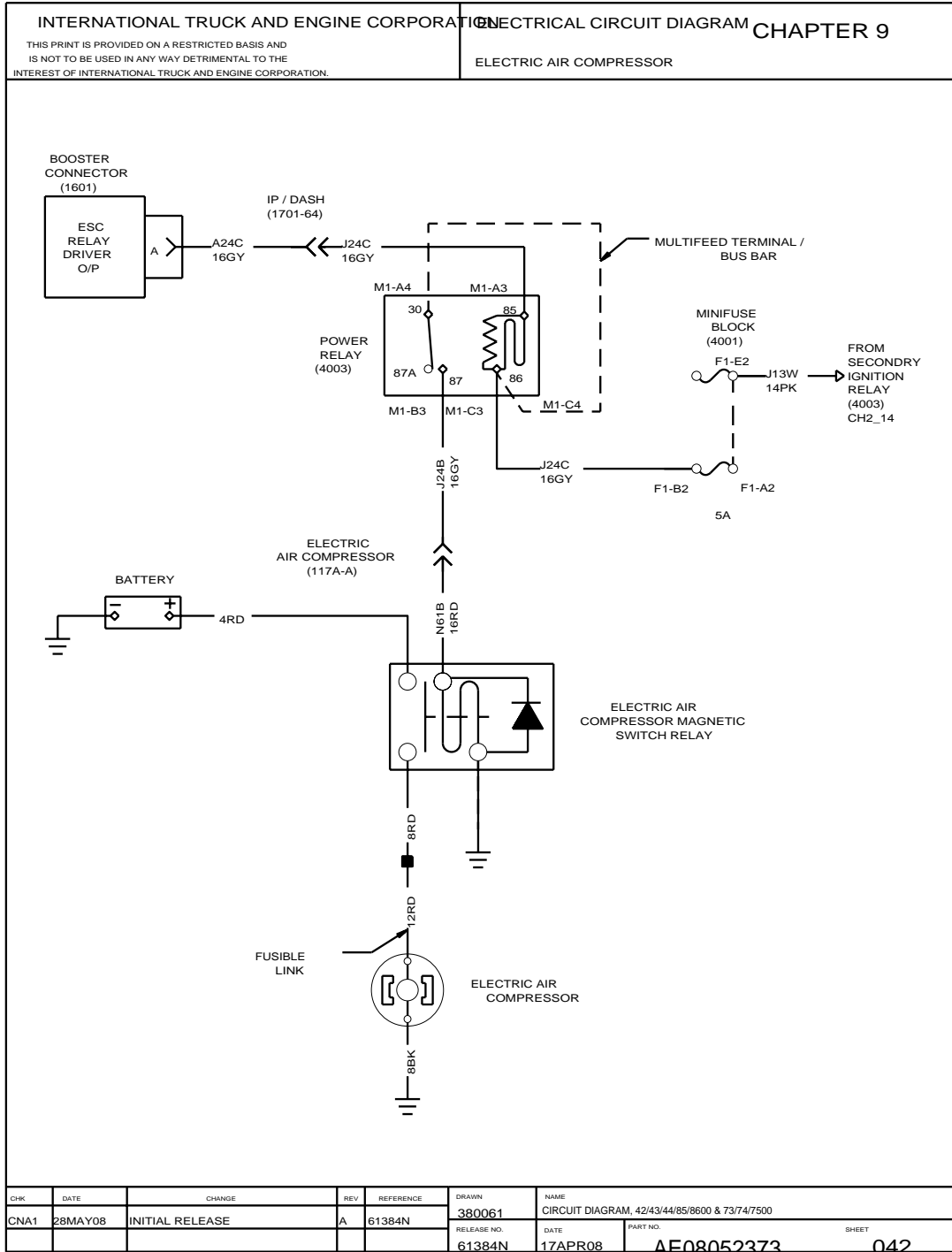


Figure 157 Electric Air Compressor

10. TRANSMISSIONS (CHAPTER 10)

10.1. ALLISON GEN4 LCT TRANSMISSION OR ALLISON 1000, 2000, 2400, P. 1

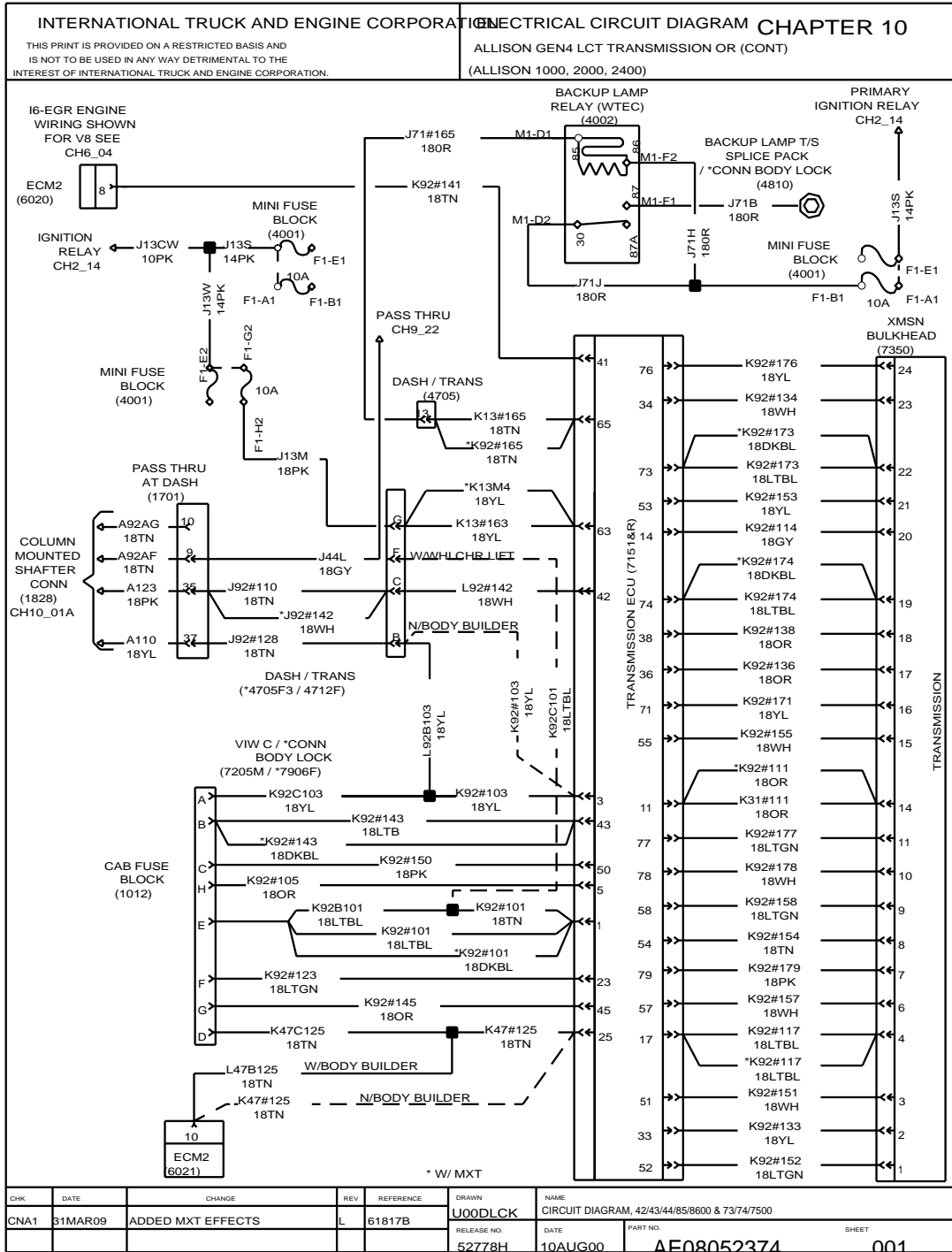


Figure 158 Allison GEN4 LCT Transmission or Allison 1000, 2000, 2400

10.2. ALLISON GEN4 LCT TRANSMISSION OR ALLISON 1000, 2000, 2400, P. 1A

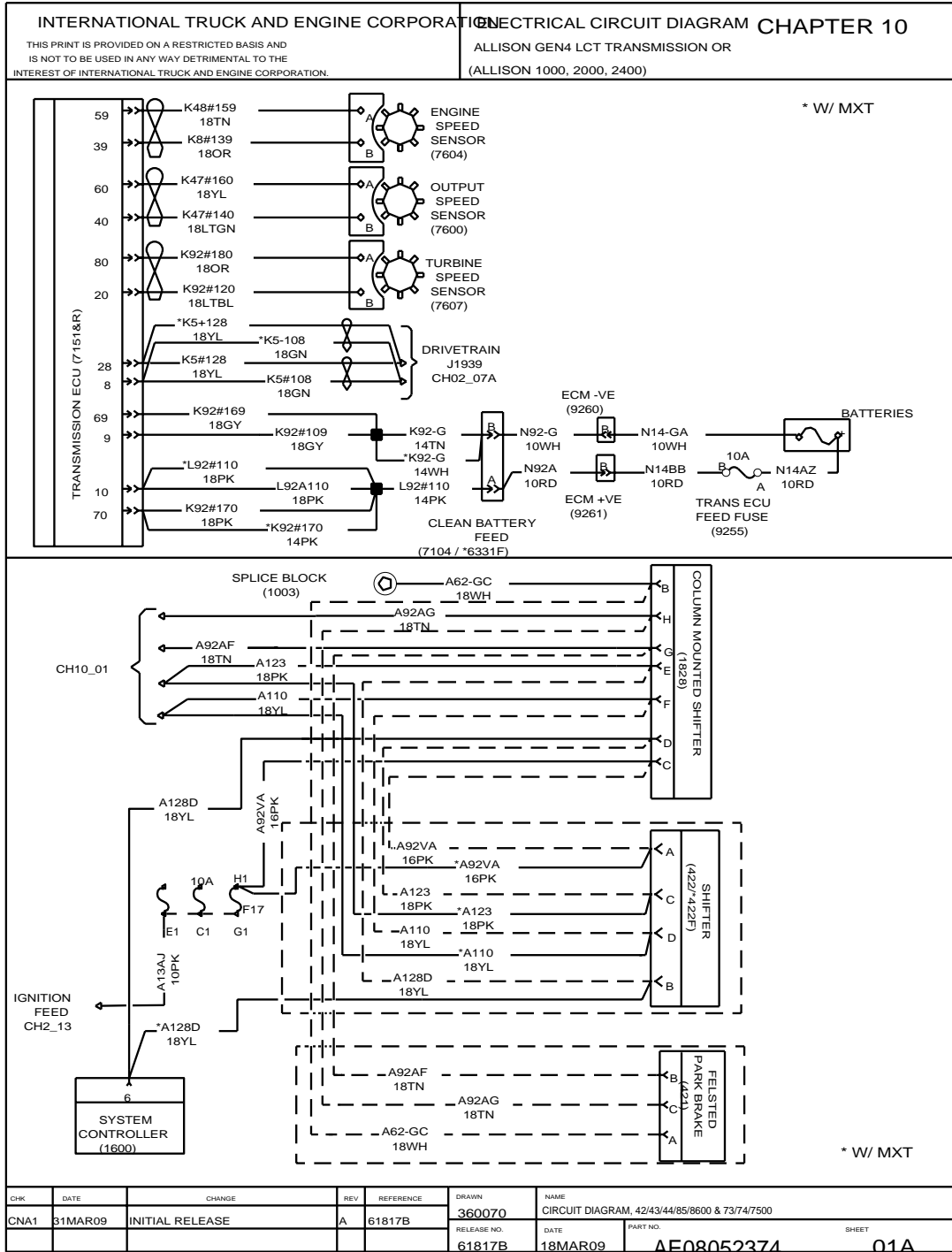


Figure 159 Allison GEN4 LCT Transmission or Allison 1000, 2000, 2400

10.3. TRANSMISSION, LCT WITH V8, P. 1B

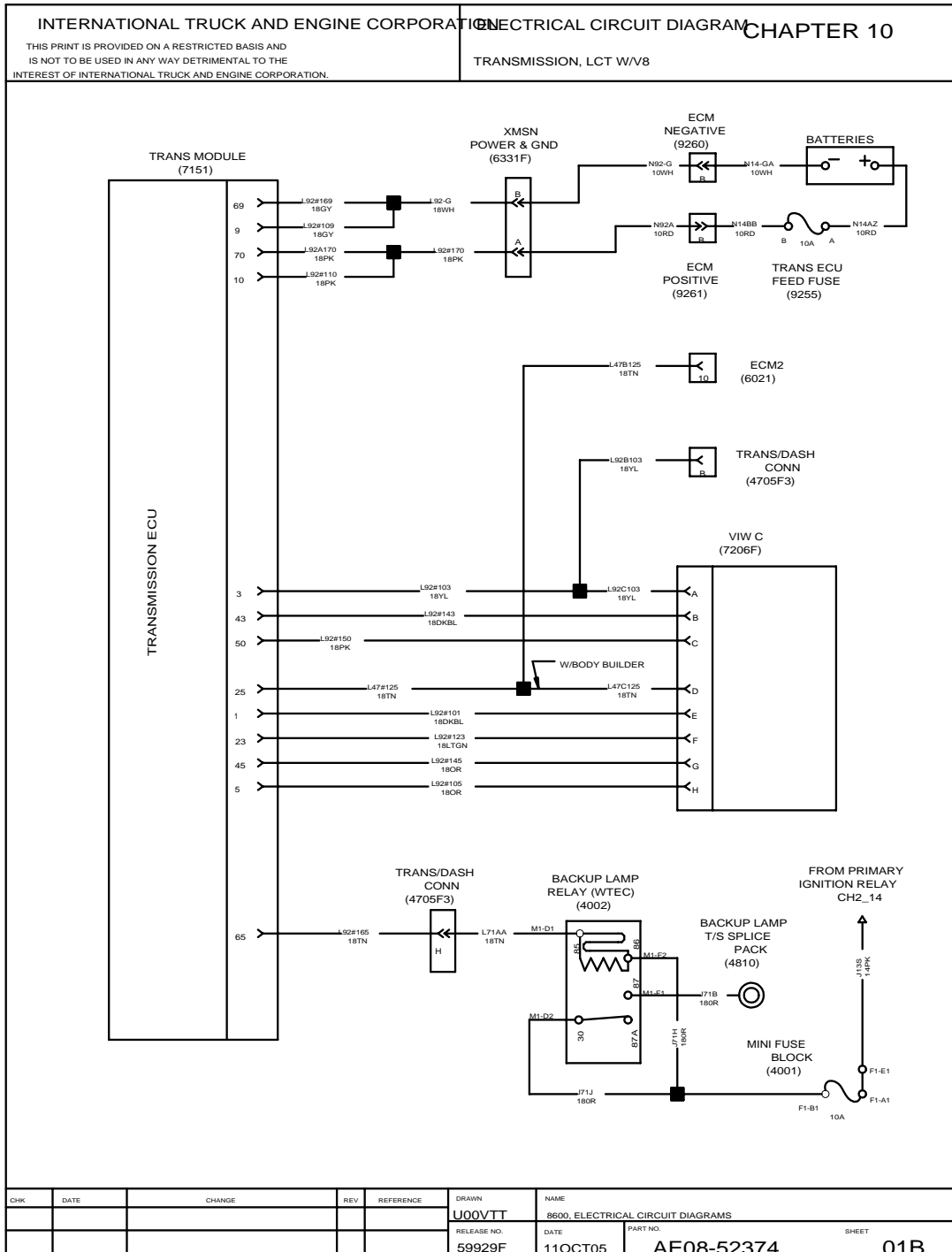


Figure 160 Transmission, LCT with V8

10.4. ALLISON MD TRANSMISSION, P. 2

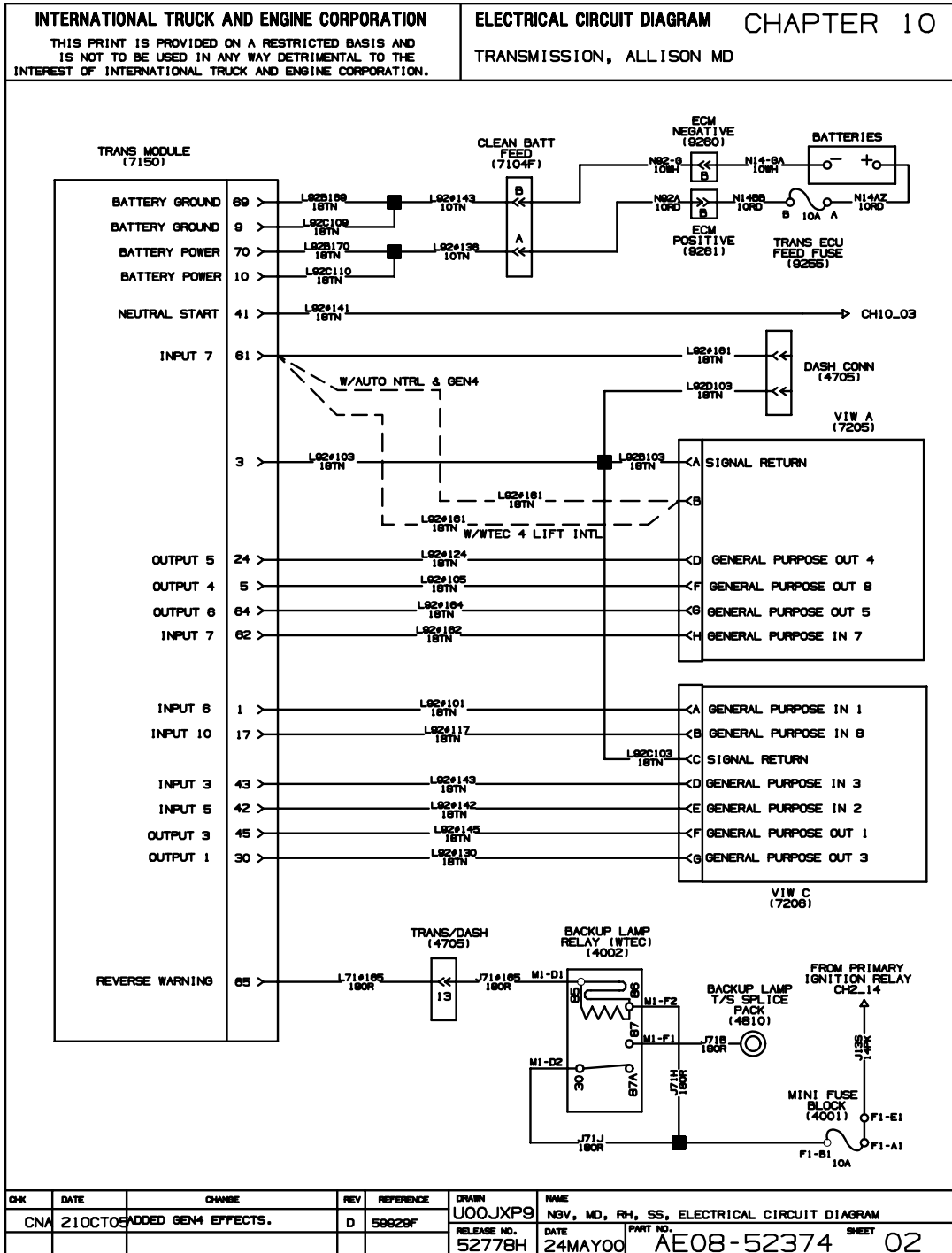


Figure 161 Allison MD Transmission

10.5. ALLISON GEN4 MD TRANSMISSION (WTEC), P. 3

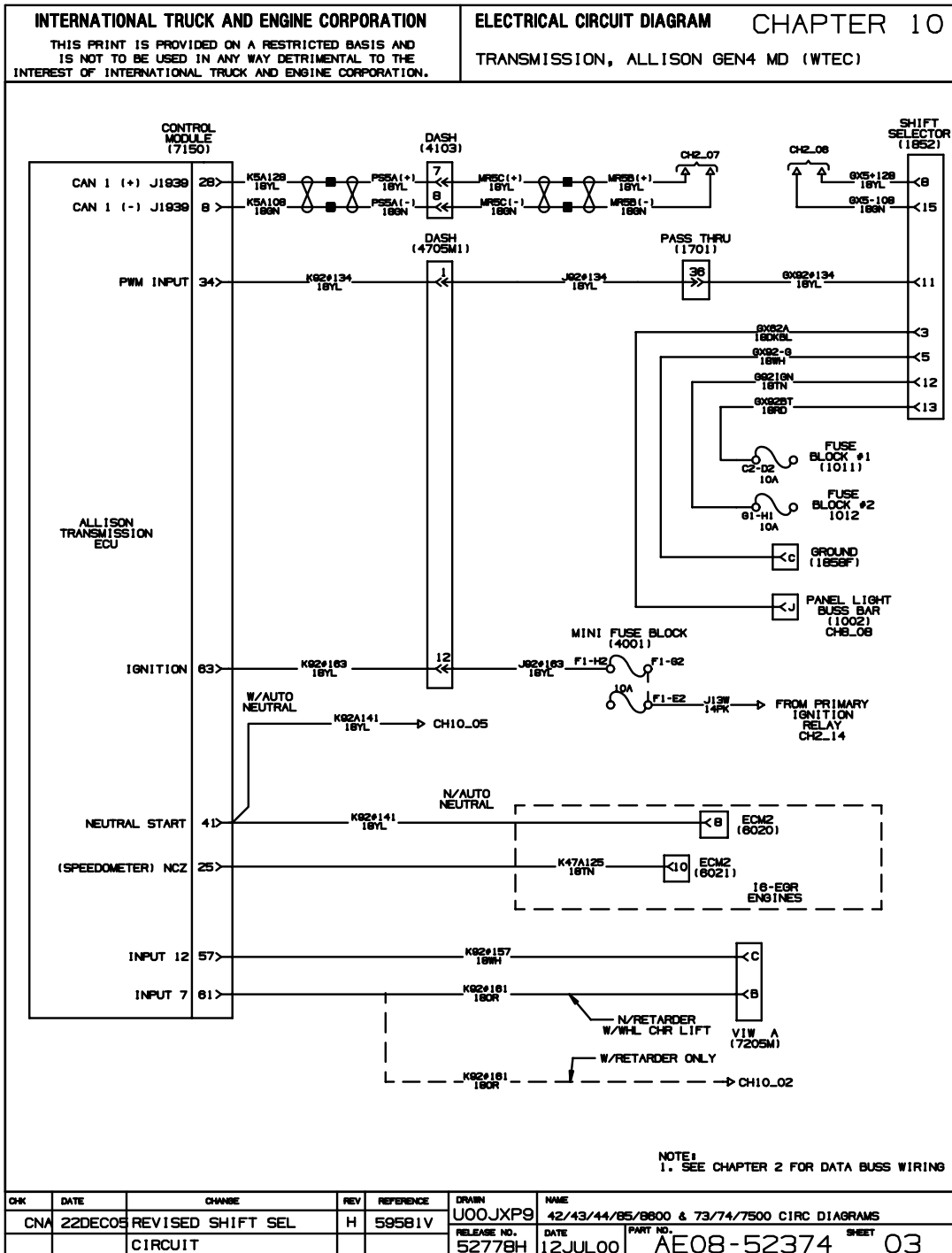


Figure 162 Allison MD Transmission (WTEC)

10.6. ALLISON MD TRANSMISSION (CONT.), P. 4

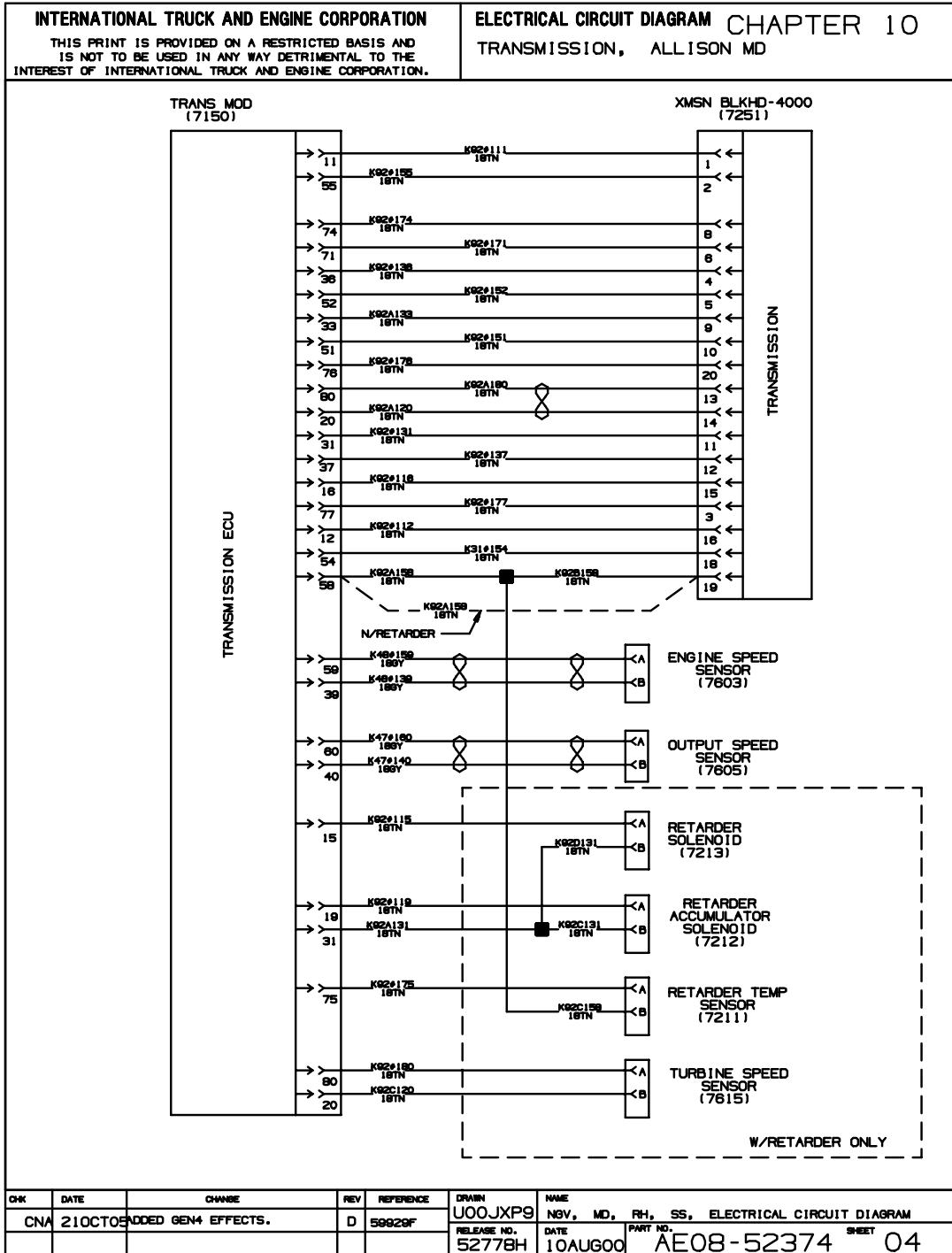


Figure 163 Allison MD Transmission (Cont.)

10.7. TRANSMISSION, WTEC MD W/AUTO NEUTRAL, P. 5

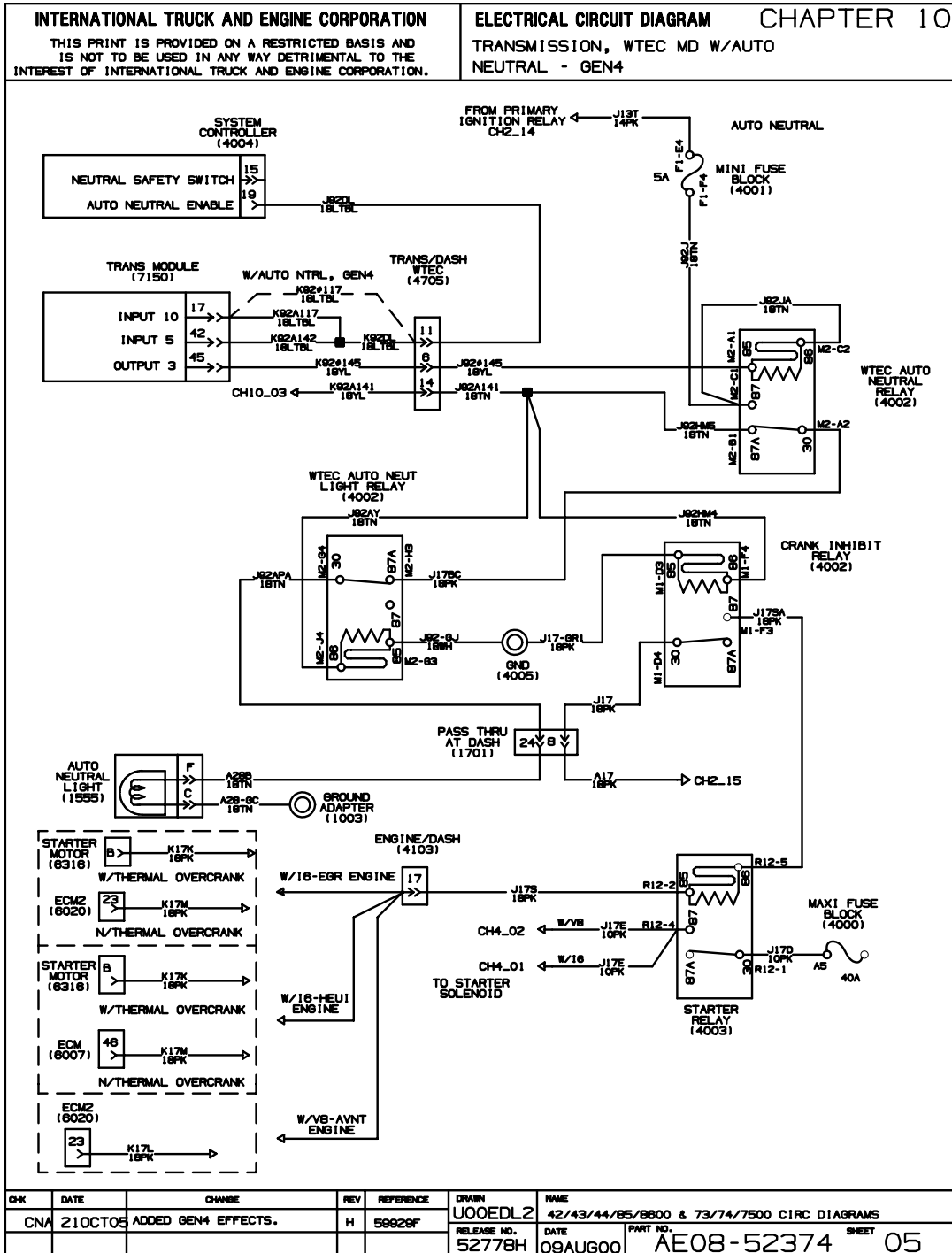


Figure 164 Transmission, WTEC MD W/Auto Neutral

10.8. TRANSMISSION, WTEC WITH V8, P. 5A

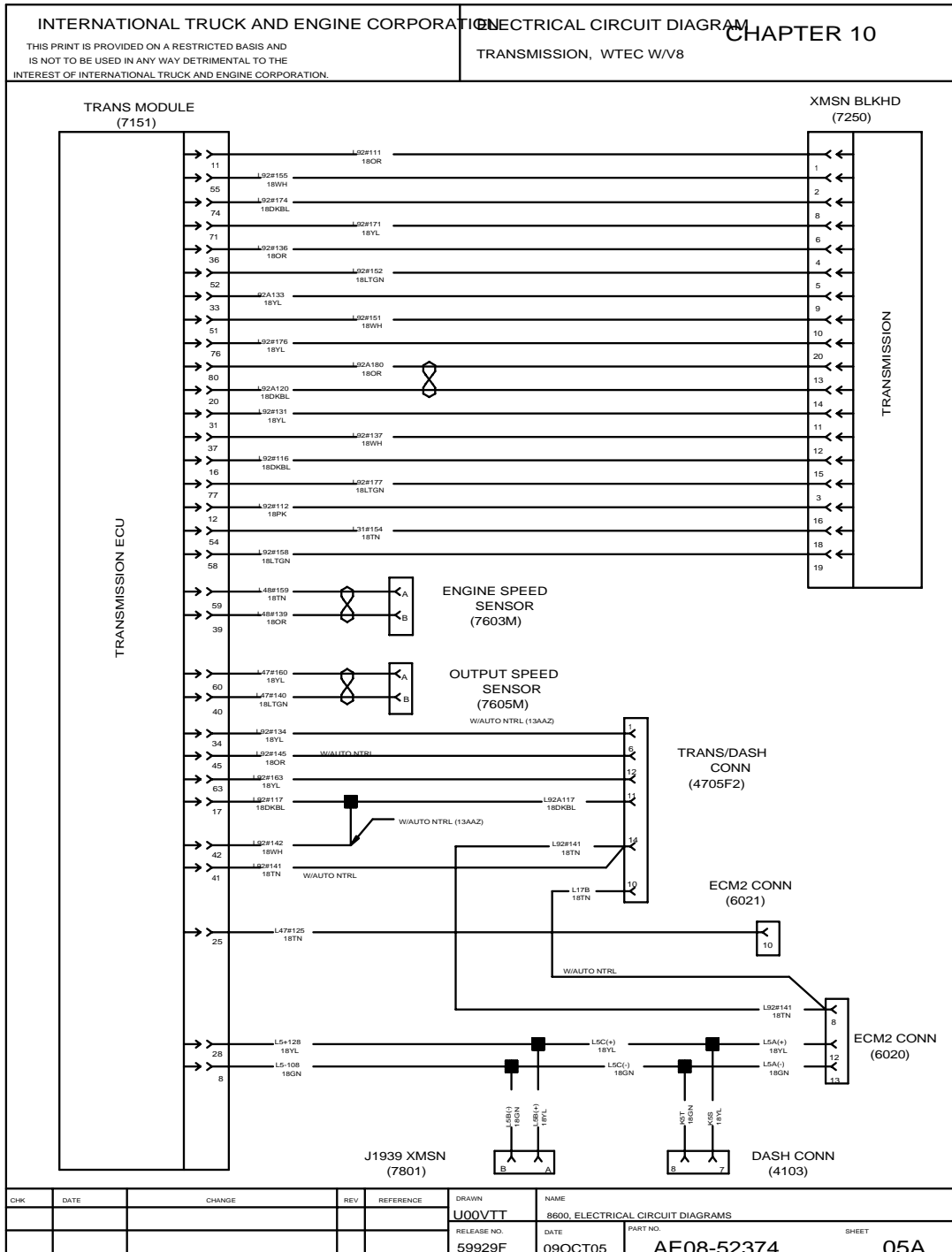


Figure 165 Transmission, WTEC with V8

10.9. TRANSMISSION, WTEC WITH V8, P. 5B

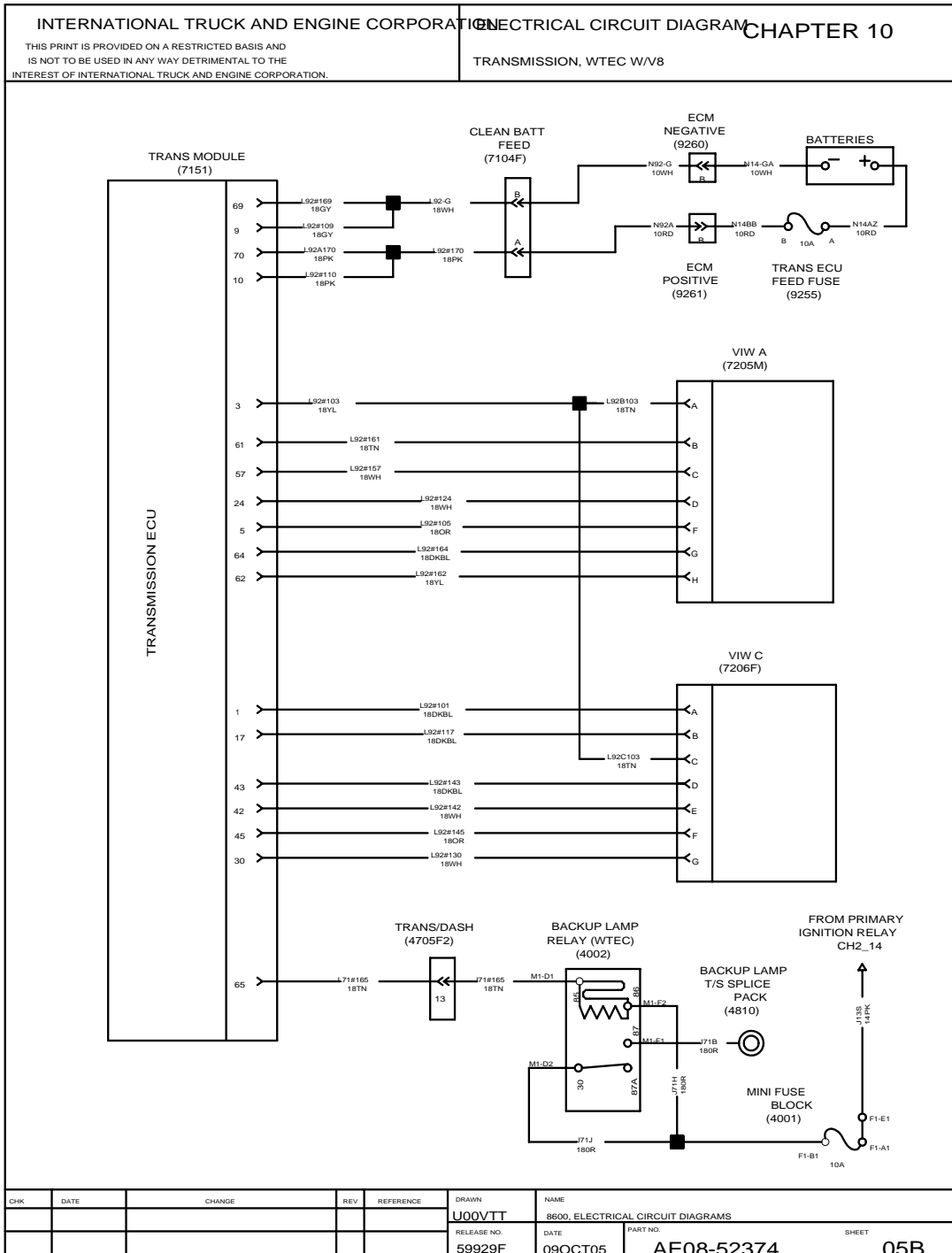


Figure 166 Transmission, WTEC with V8

10.10. EATON AUTOSHIFT TRANSMISSION, P. 6

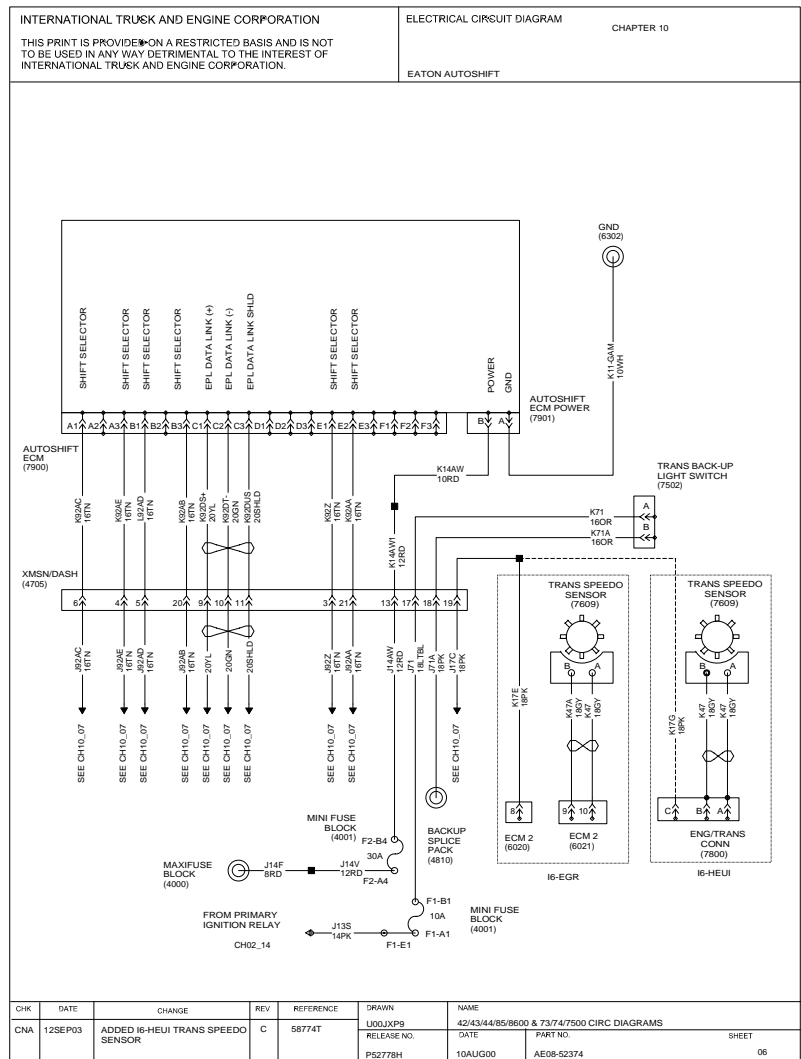


Figure 167 Eaton Autoshift Transmission

10.11. EATON AUTOSHIFT TRANSMISSION (CONT.), P. 7

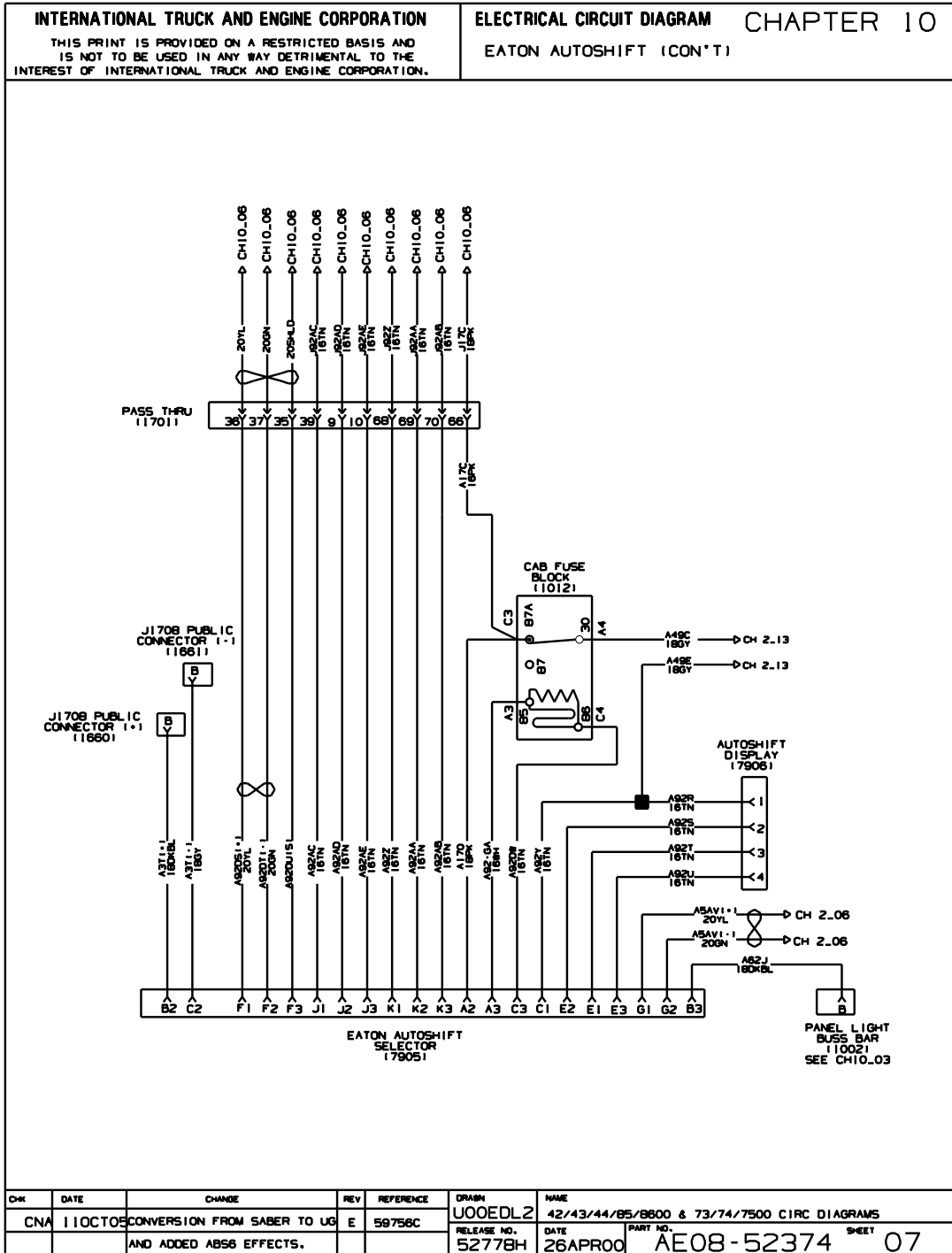


Figure 168 Eaton Autoshift Transmission (Cont.)

10.12. EATON LIGHTNING TRANSMISSION, P. 8

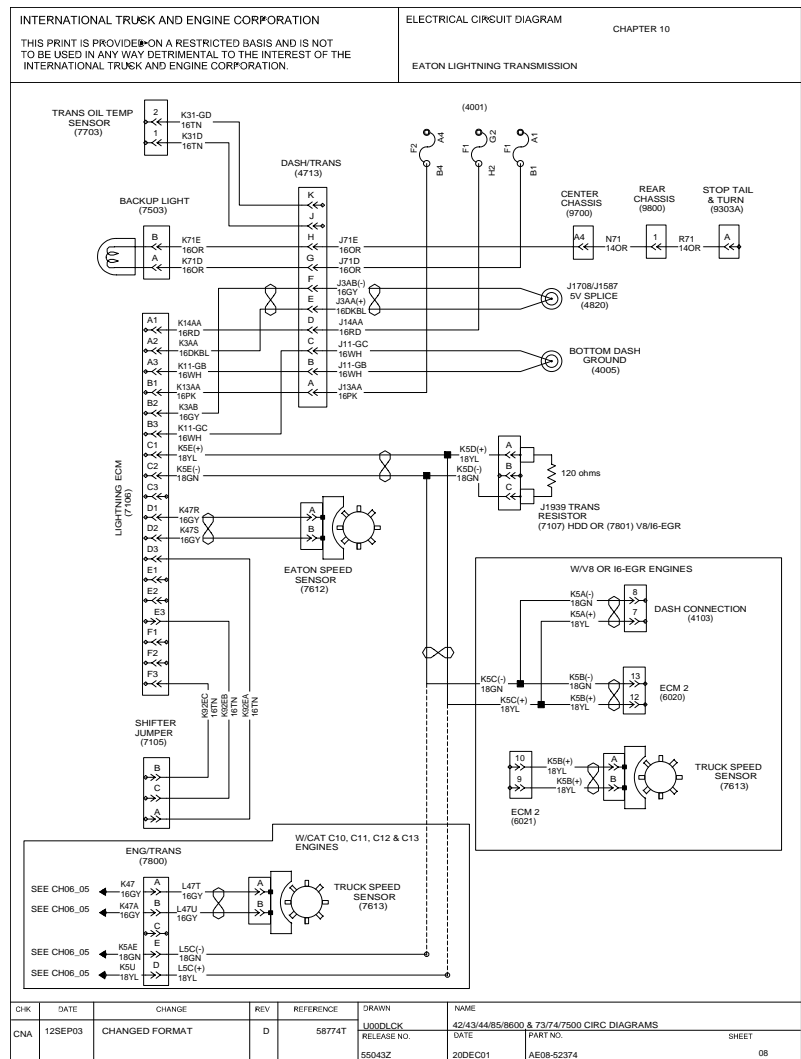


Figure 169 Eaton Lightning Transmission

10.13. ALLISON HD TRANSMISSION, P. 9

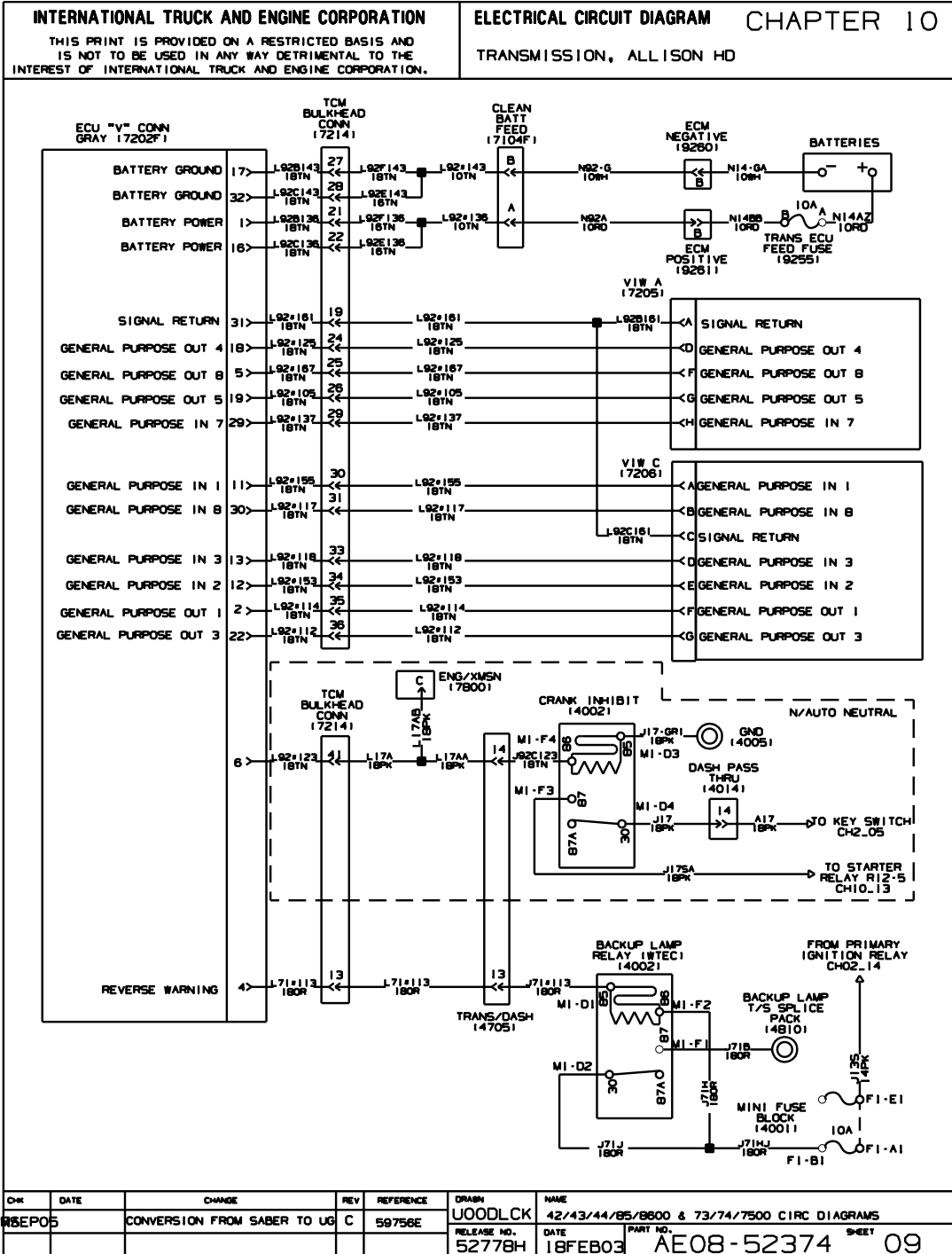


Figure 170 Allison HD Transmission

10.14. ALLISON HD TRANSMISSION, P. 10

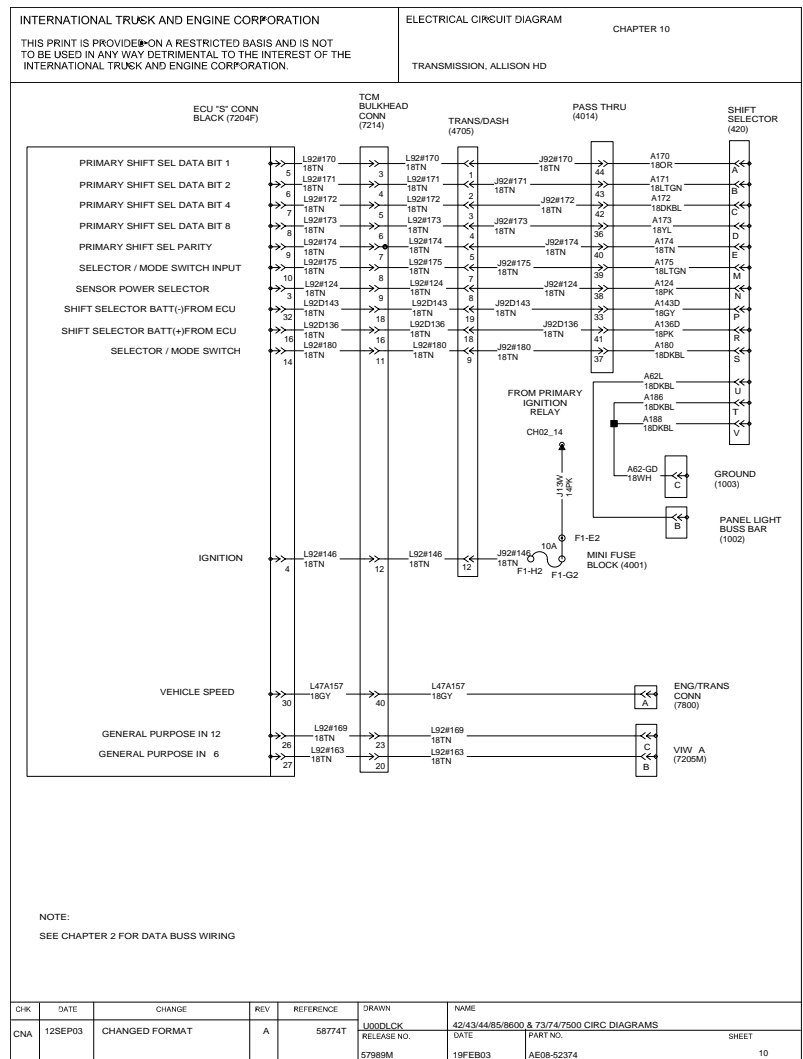


Figure 171 Allison HD Transmission (Cont.)

10.15. ALLISON HD TRANSMISSION, P. 11

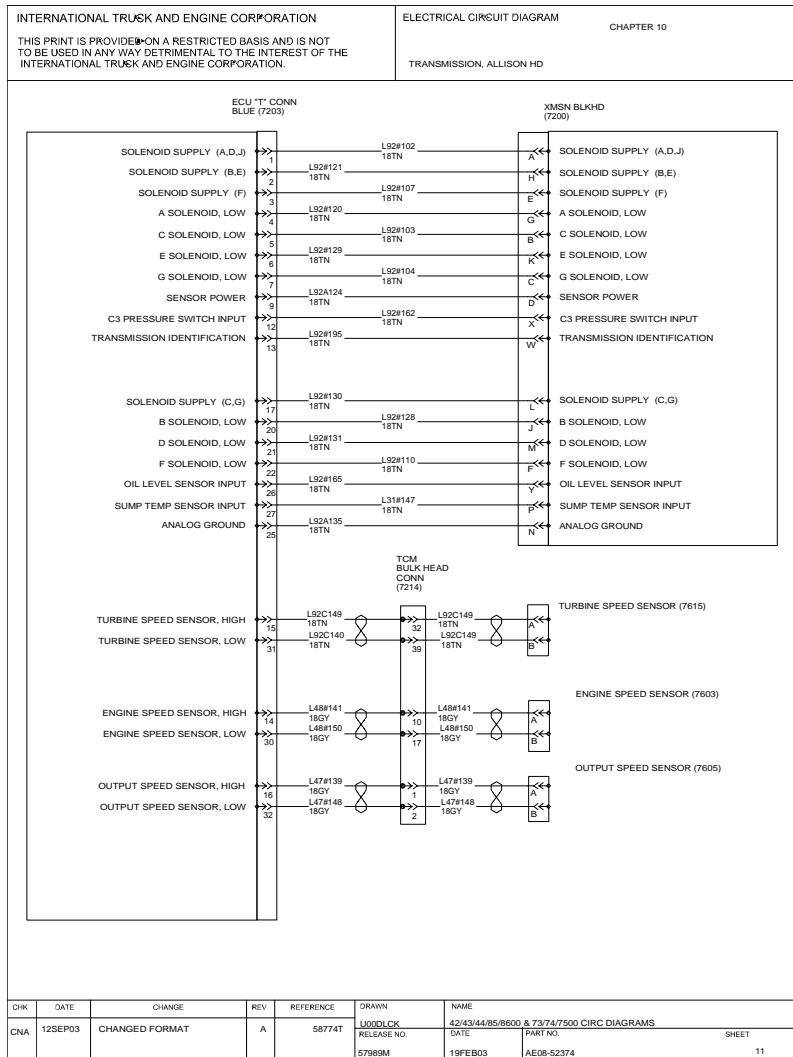


Figure 172 Allison HD Transmission (Cont.)

10.16. ALLISON HD TRANSMISSION WITH AUTO NEUTRAL, P. 12

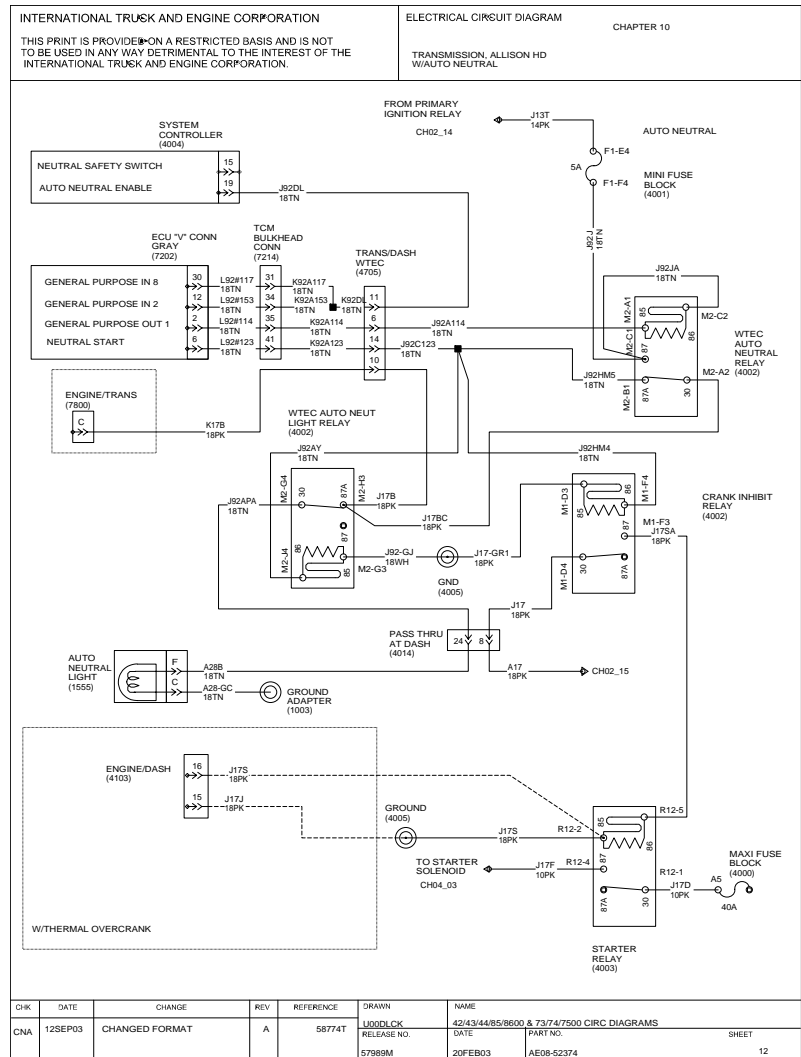


Figure 173 Allison HD Transmission With Auto Neutral

10.17. ALLISON HD TRANSMISSION WITH AUTO NEUTRAL — GEN4, P. 13

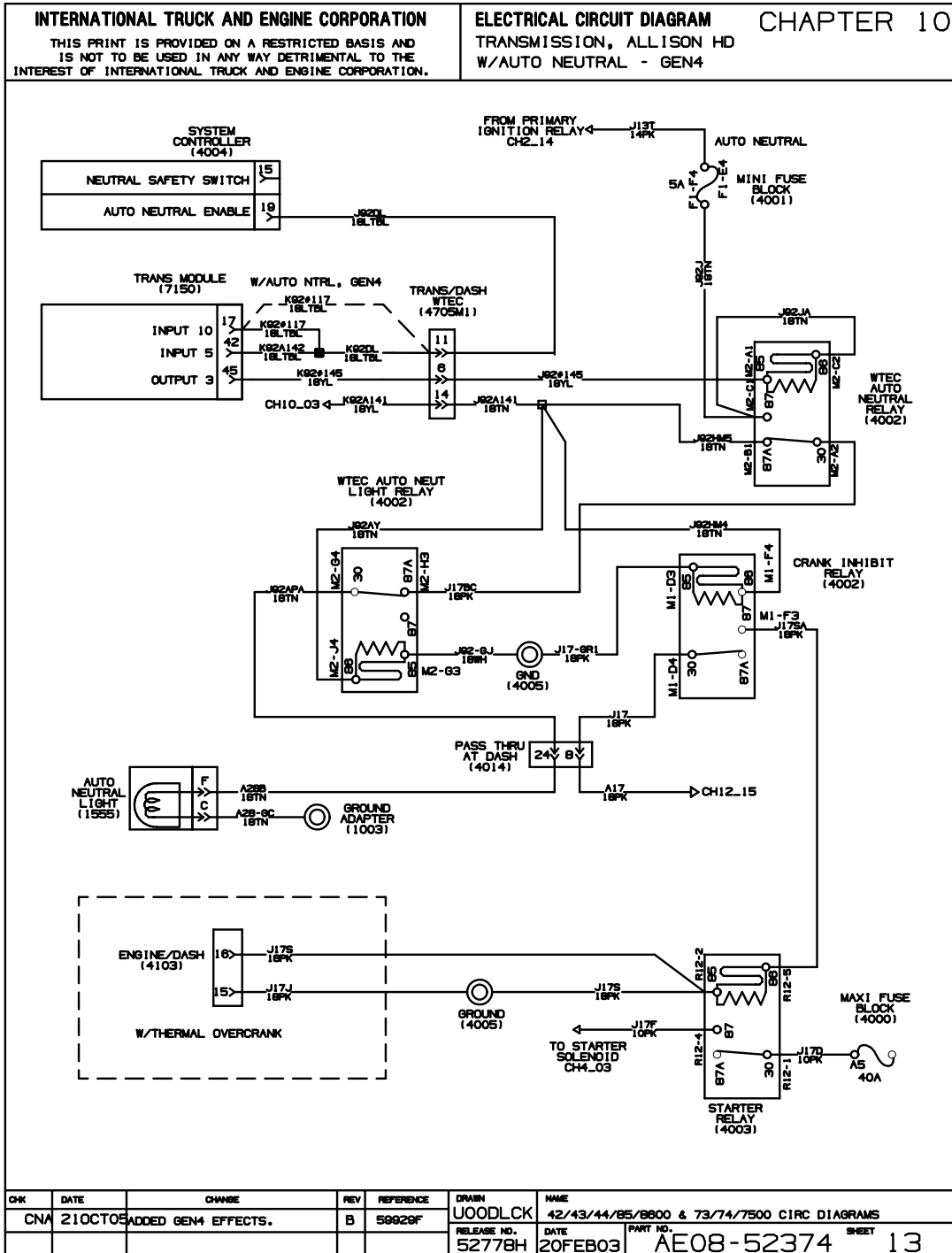


Figure 174 Allison HD Transmission With Auto Neutral — GEN4

10.18. ALLISON LCT TRANSMISSION (ALLISON 1000, 2000, 2400) WITH I6 HEUI, P. 14

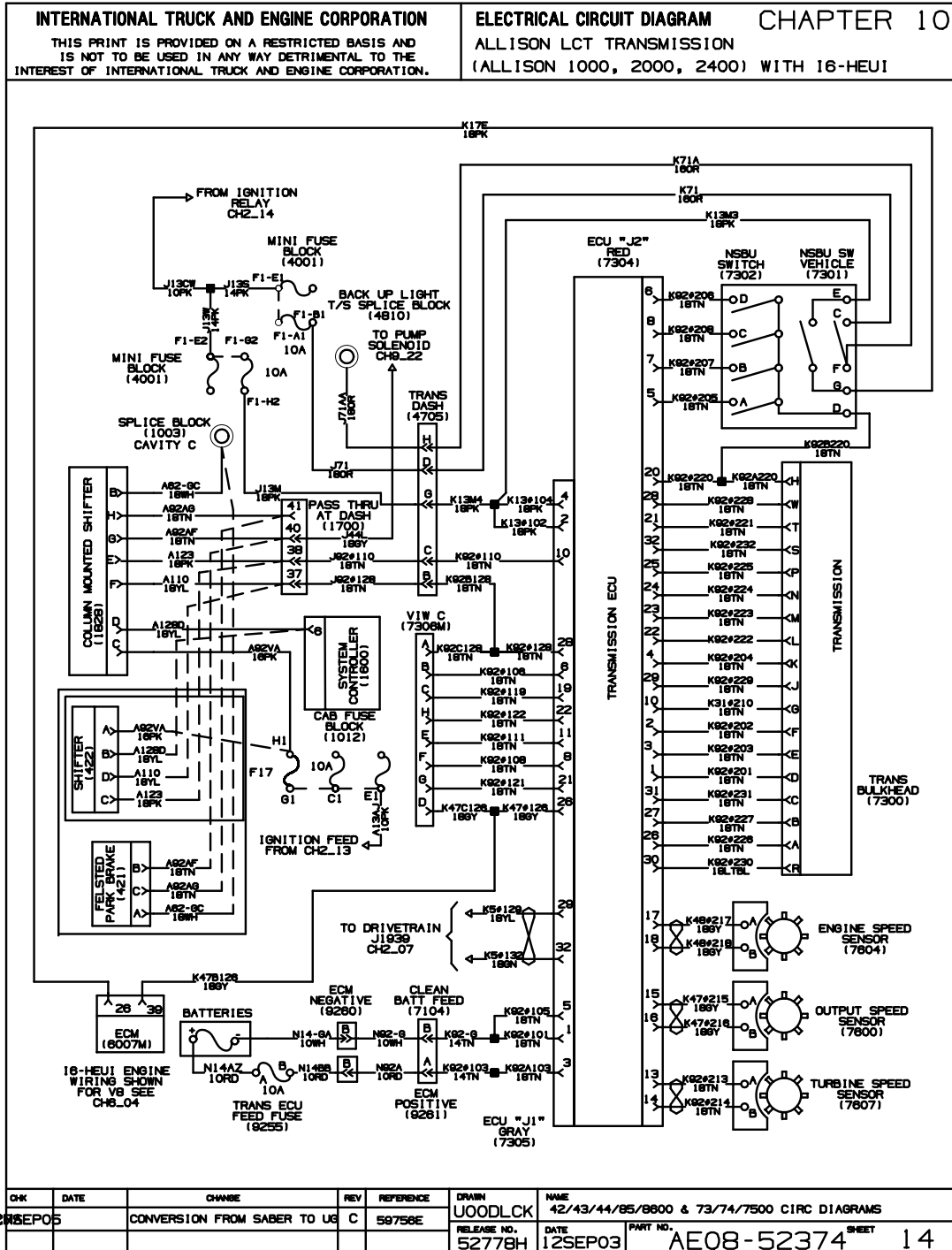


Figure 175 Allison LCT Transmission (Allison 1000, 2000, 2400) with I6 HEUI

10.19. TRANSMISSION RETARDER CONTROL WIRING WITH MD XMSN, HARD WIRED EFFECTS, P. 15

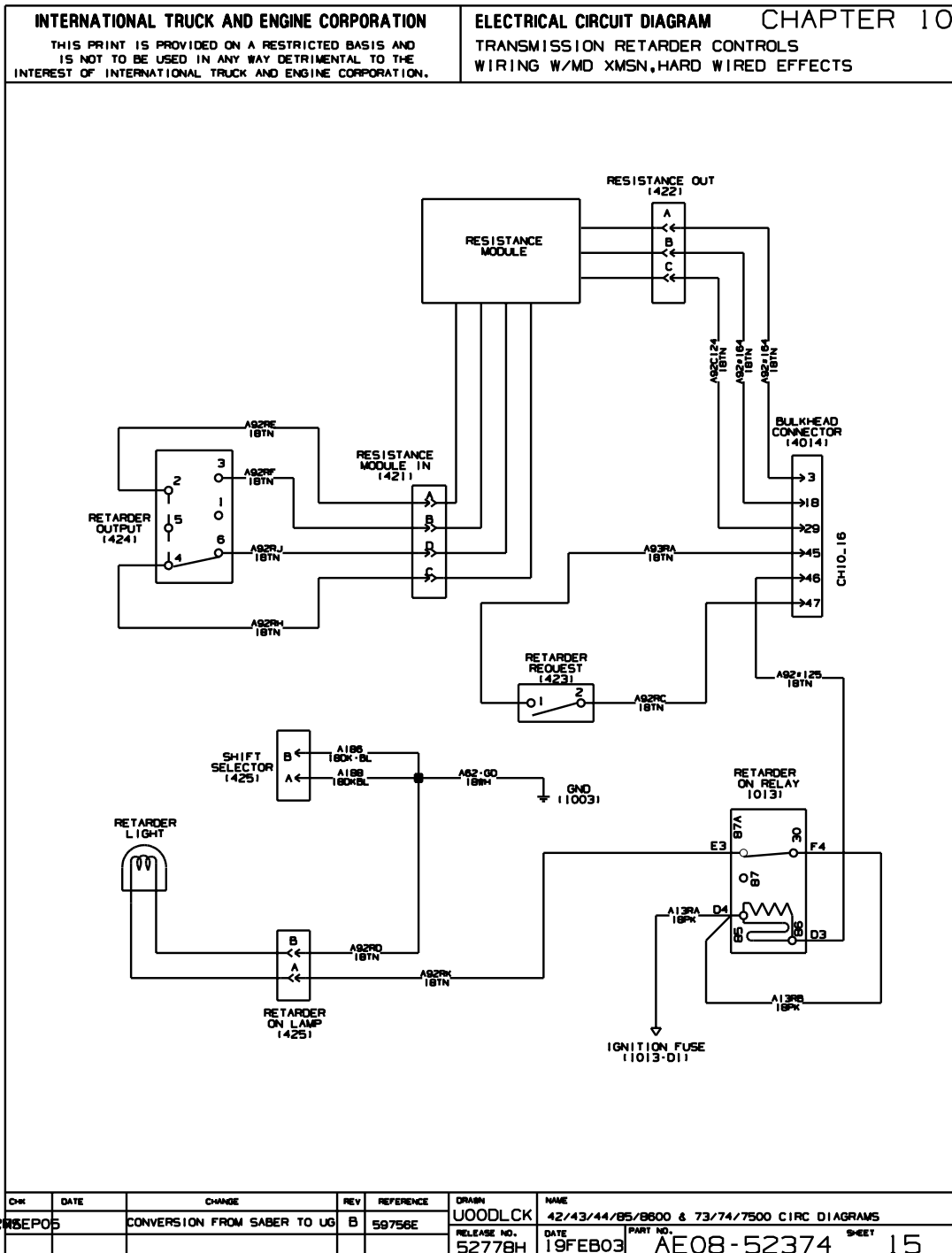


Figure 176 Transmission Retarder Control Wiring with MD Transmission, Hard Wired Effects

10.20. TRANSMISSION RETARDER CONTROL WIRING WITH MD XMSN, HARD WIRED EFFECTS, P. 16

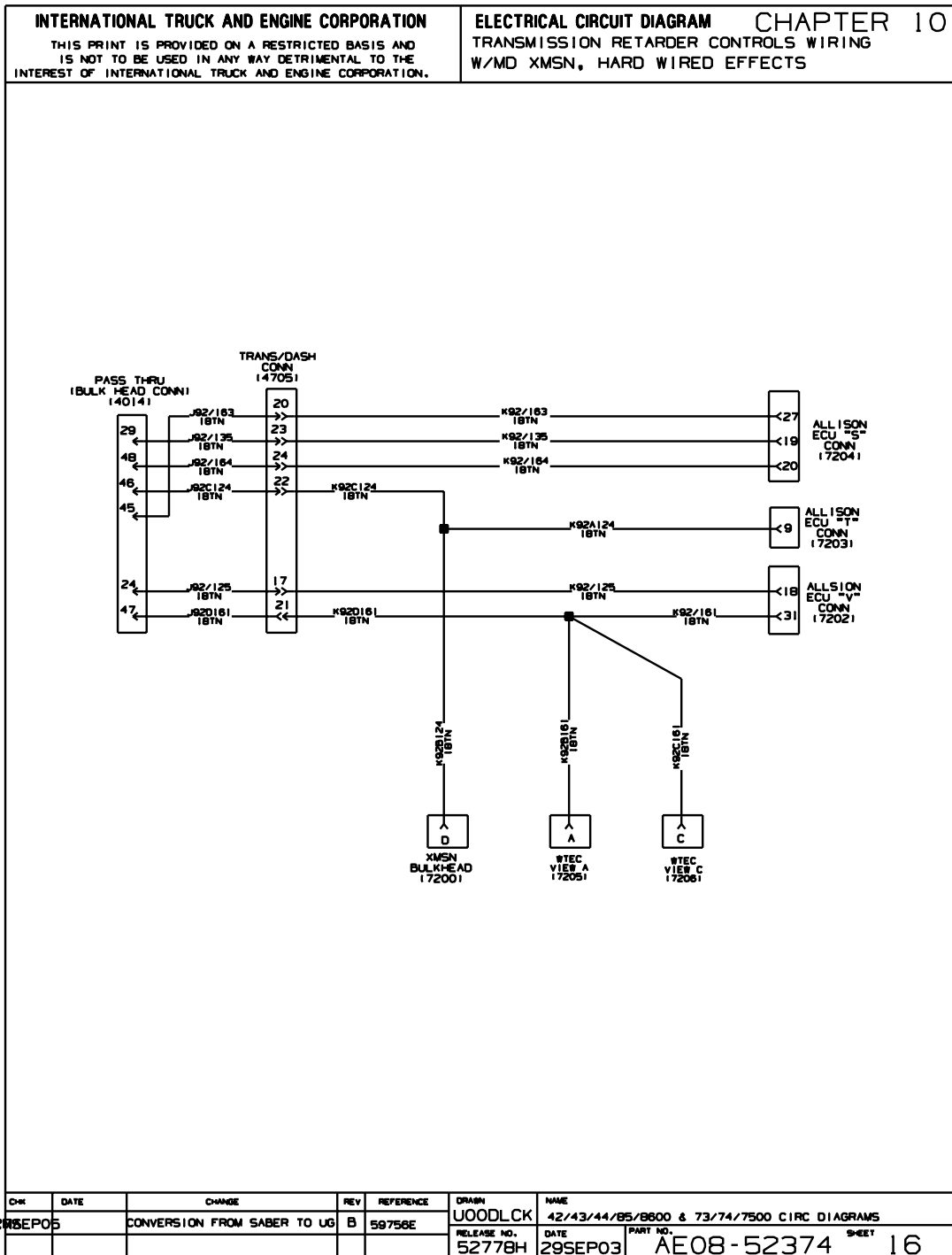


Figure 177 Transmission Retarder Control Wiring with MD Transmission, Hard Wired Effects

10.21. EATON ULTRASHIFT/DM2, P. 17

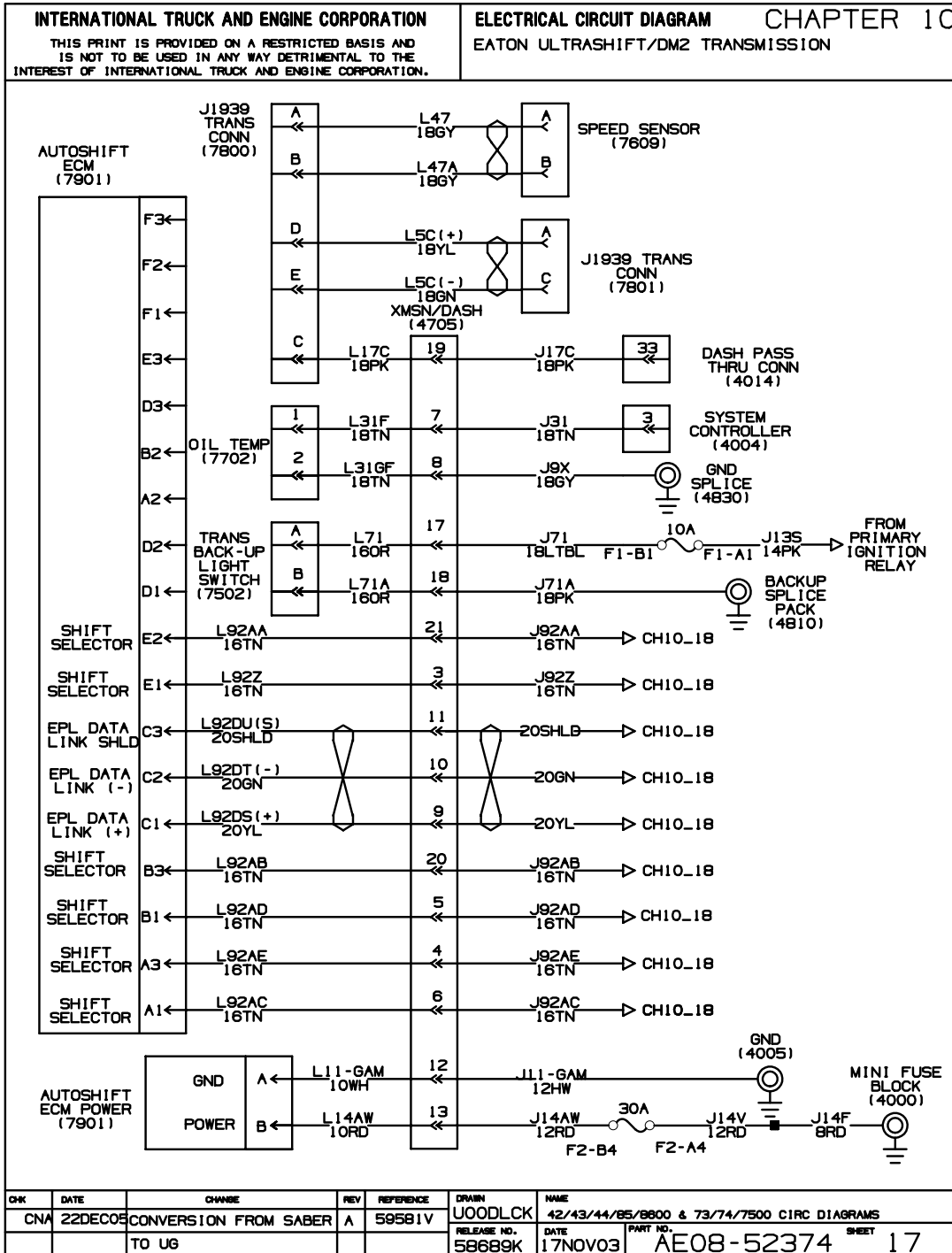


Figure 178 Eaton Ultrashift/DM2

10.22. EATON ULTRASHIFT/DM2 (CONT.), P. 18

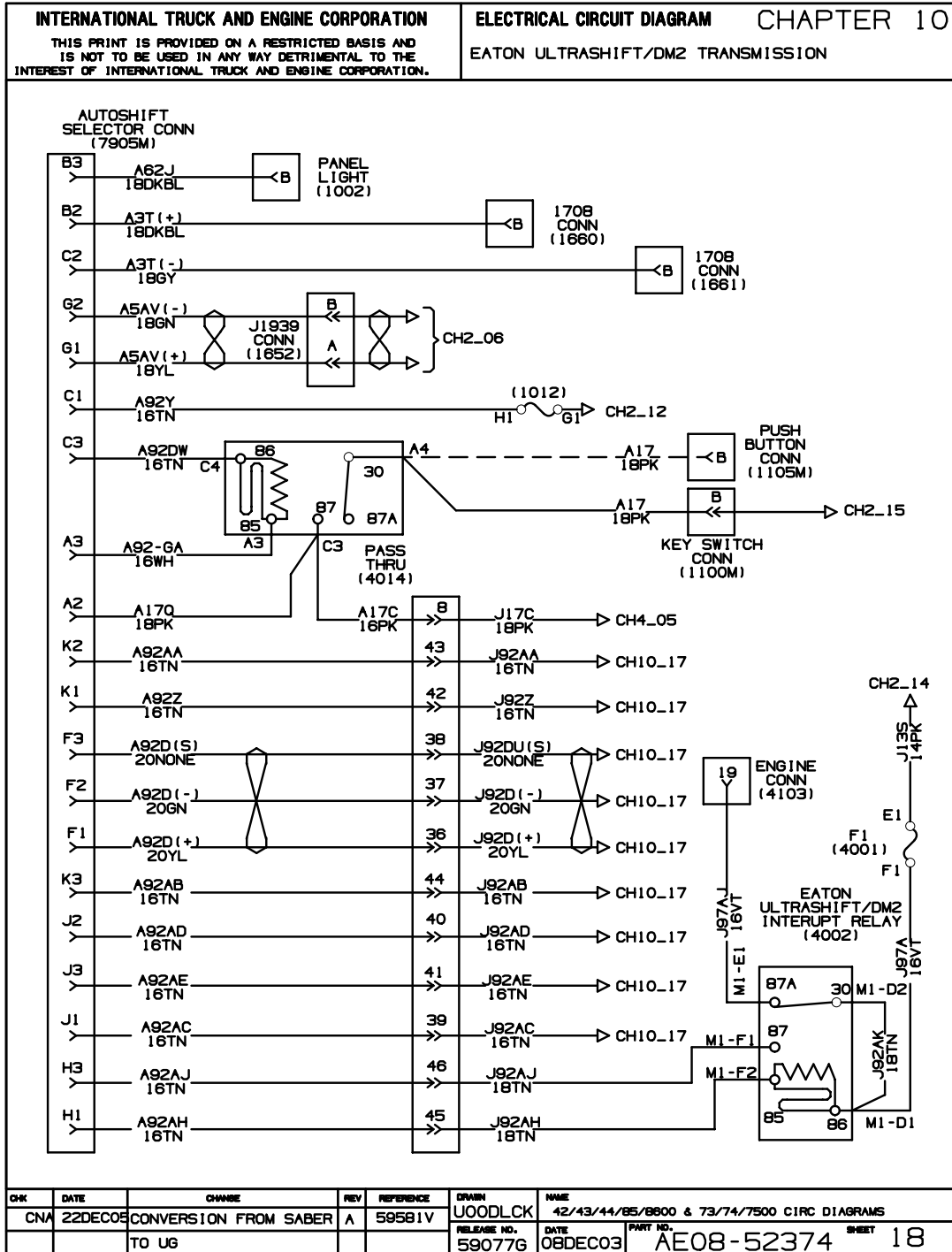


Figure 179 Eaton Ultrashift/DM2 (Cont.)

10.23. WTEC MD TRANSMISSION WITH AUTO NEUTRAL, P. 19

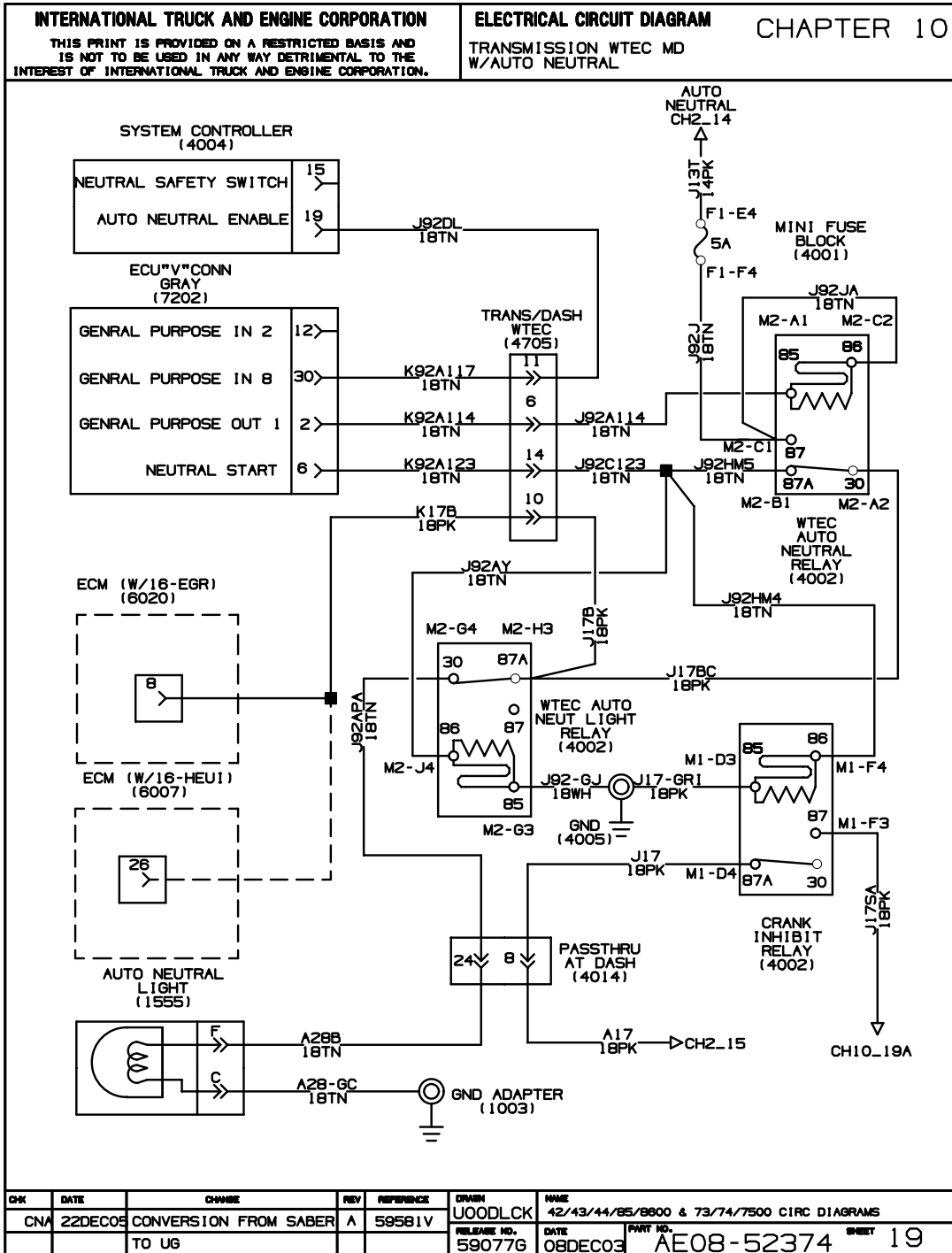


Figure 180 WTEC MD Transmission with Auto Neutral

10.24. WTEC MD TRANSMISSION WITH AUTO NEUTRAL AND WITH 0013WUA, P. 19A

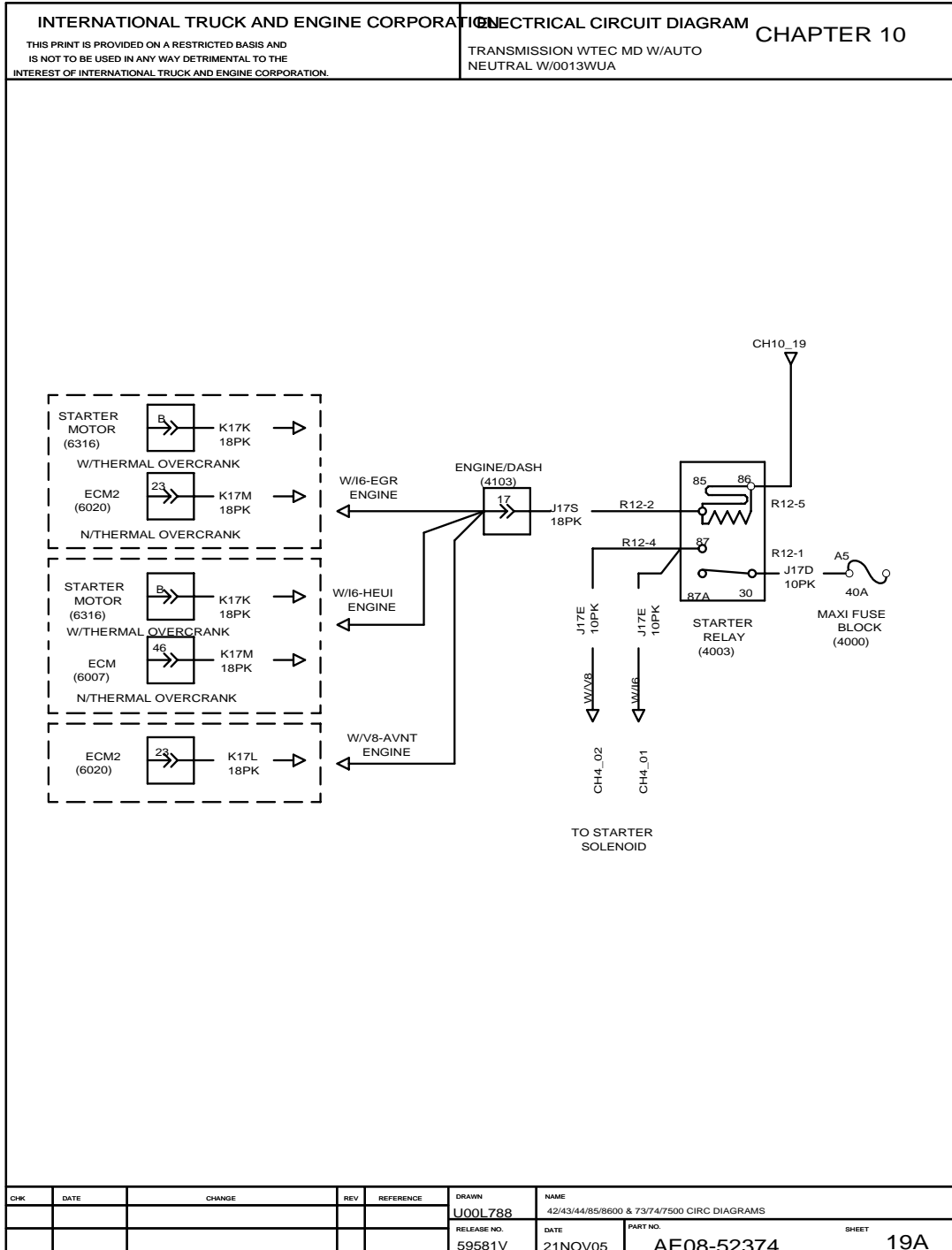


Figure 181 WTEC MD Transmission with Auto Neutral and with 0013WUA

10.25. EATON AUTOSHIFT/ULTRASHIFT TRANSMISSION (GEN 3), P. 20

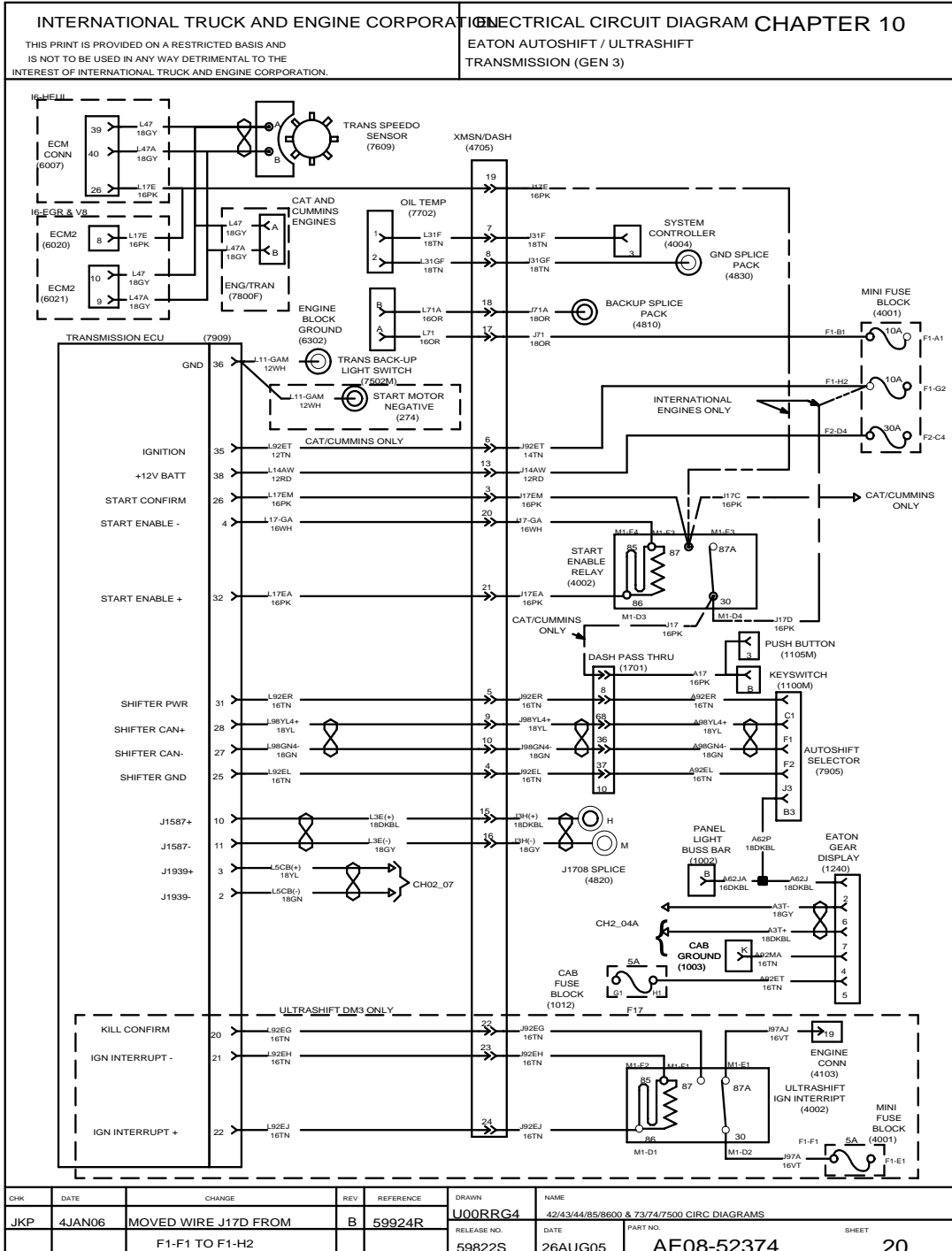


Figure 182 Eaton Autoshift/Ultrashift Transmission (Gen 3)

10.26. EATON HYBRID TRANSMISSION, P. 21

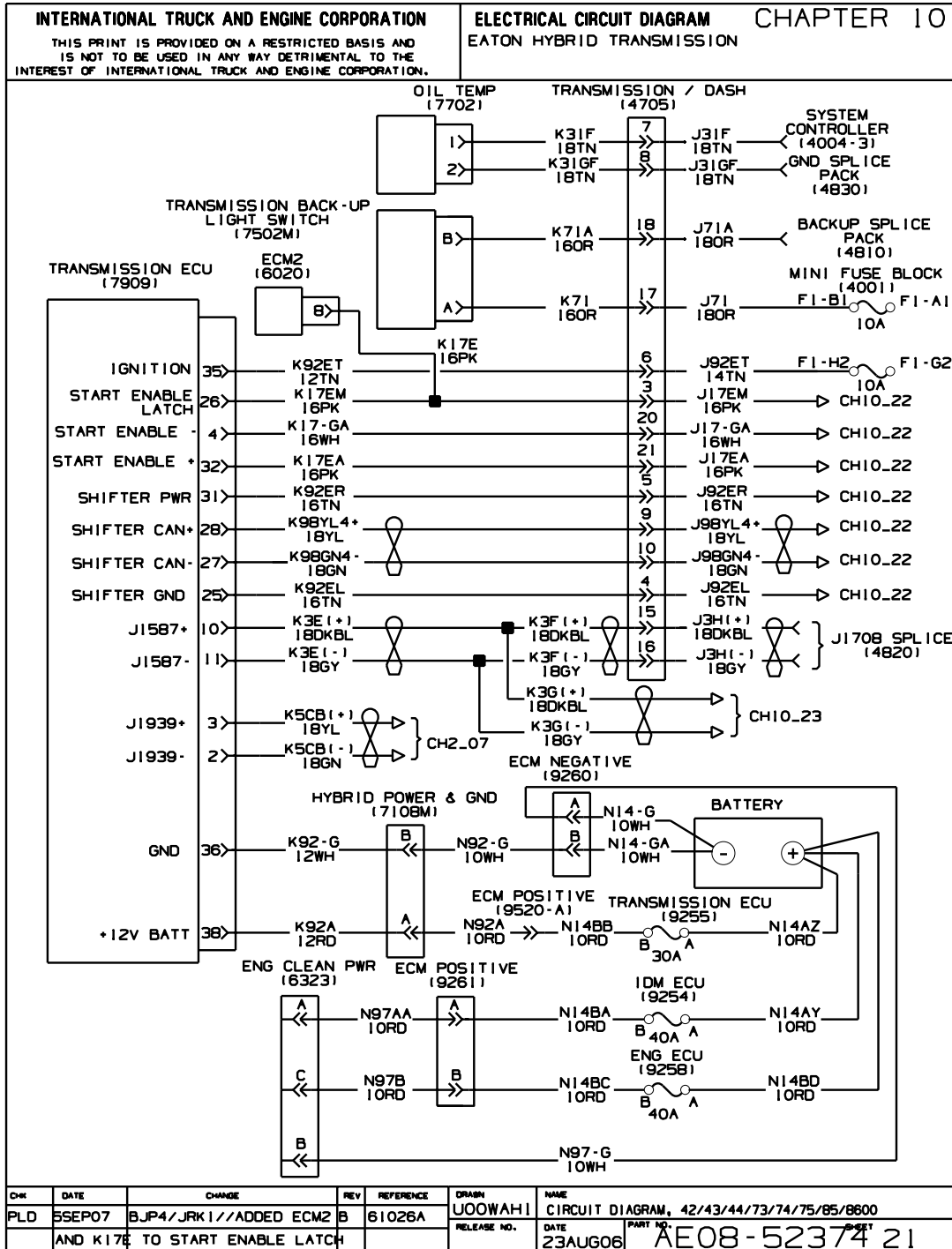


Figure 183 Eaton Hybrid Transmission

10.27. EATON HYBRID TRANSMISSION, P. 22

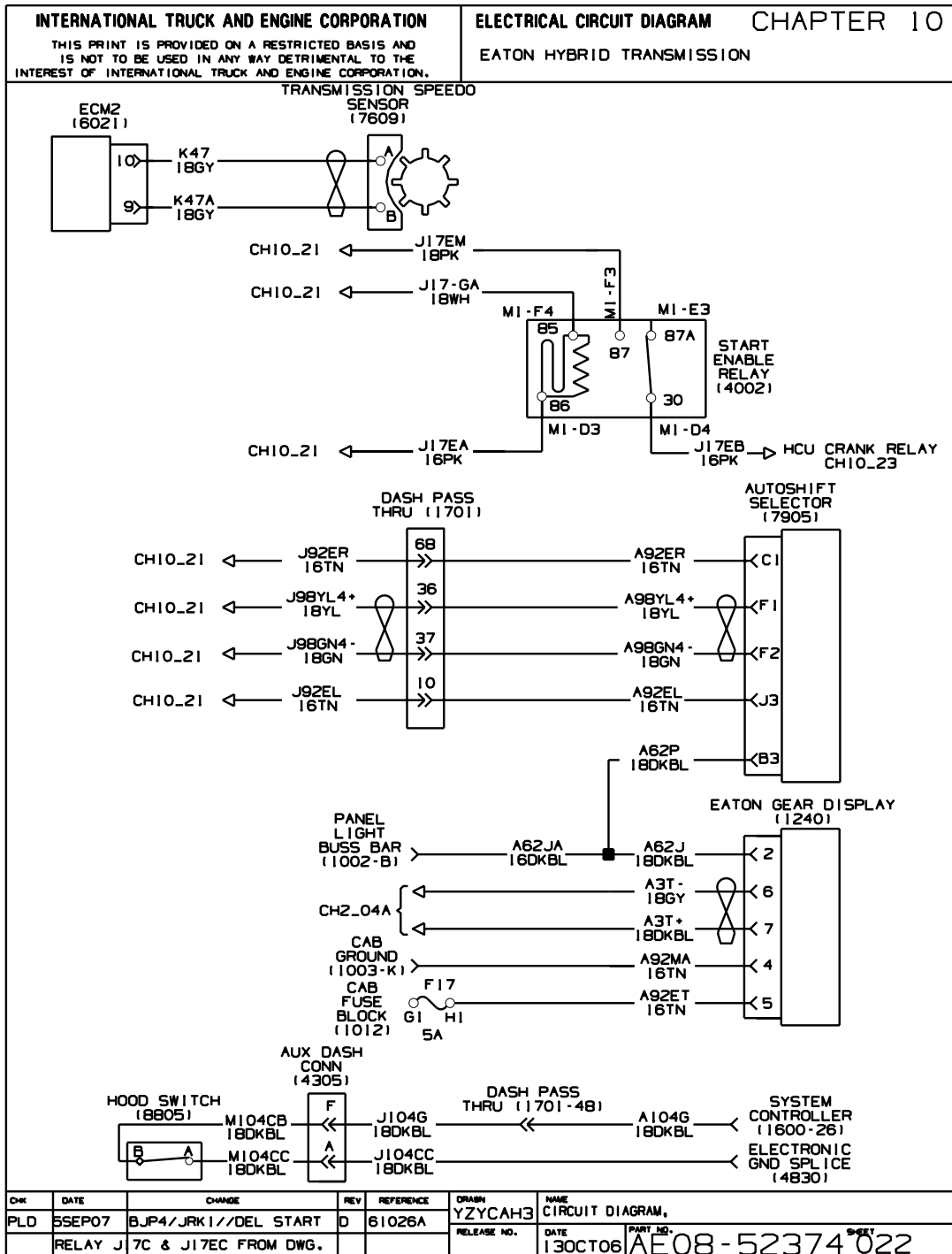


Figure 184 Eaton Hybrid Transmission

10.28. EATON HYBRID TRANSMISSION, P. 23

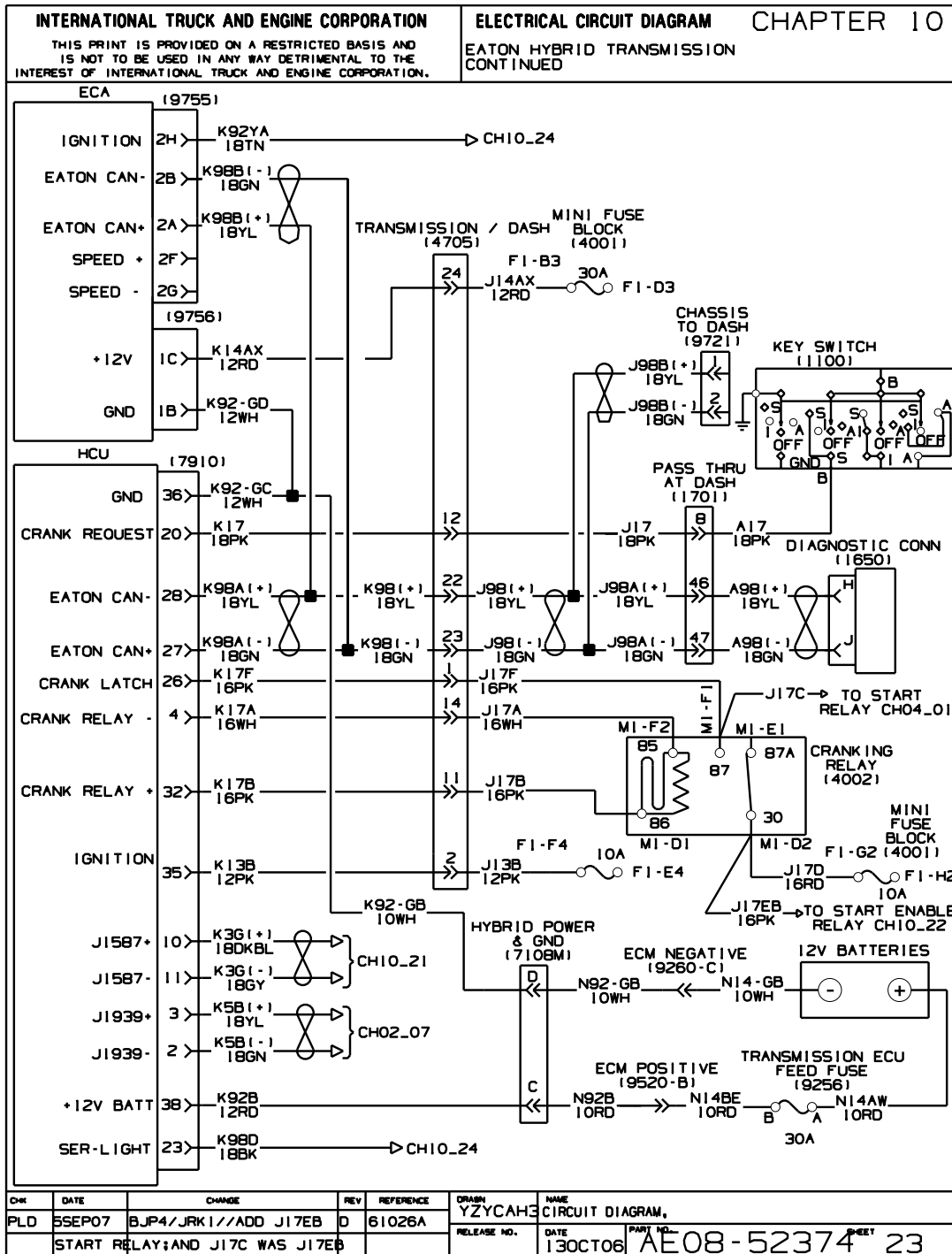


Figure 185 Eaton Hybrid Transmission

10.29. EATON HYBRID TRANSMISSION, P. 24

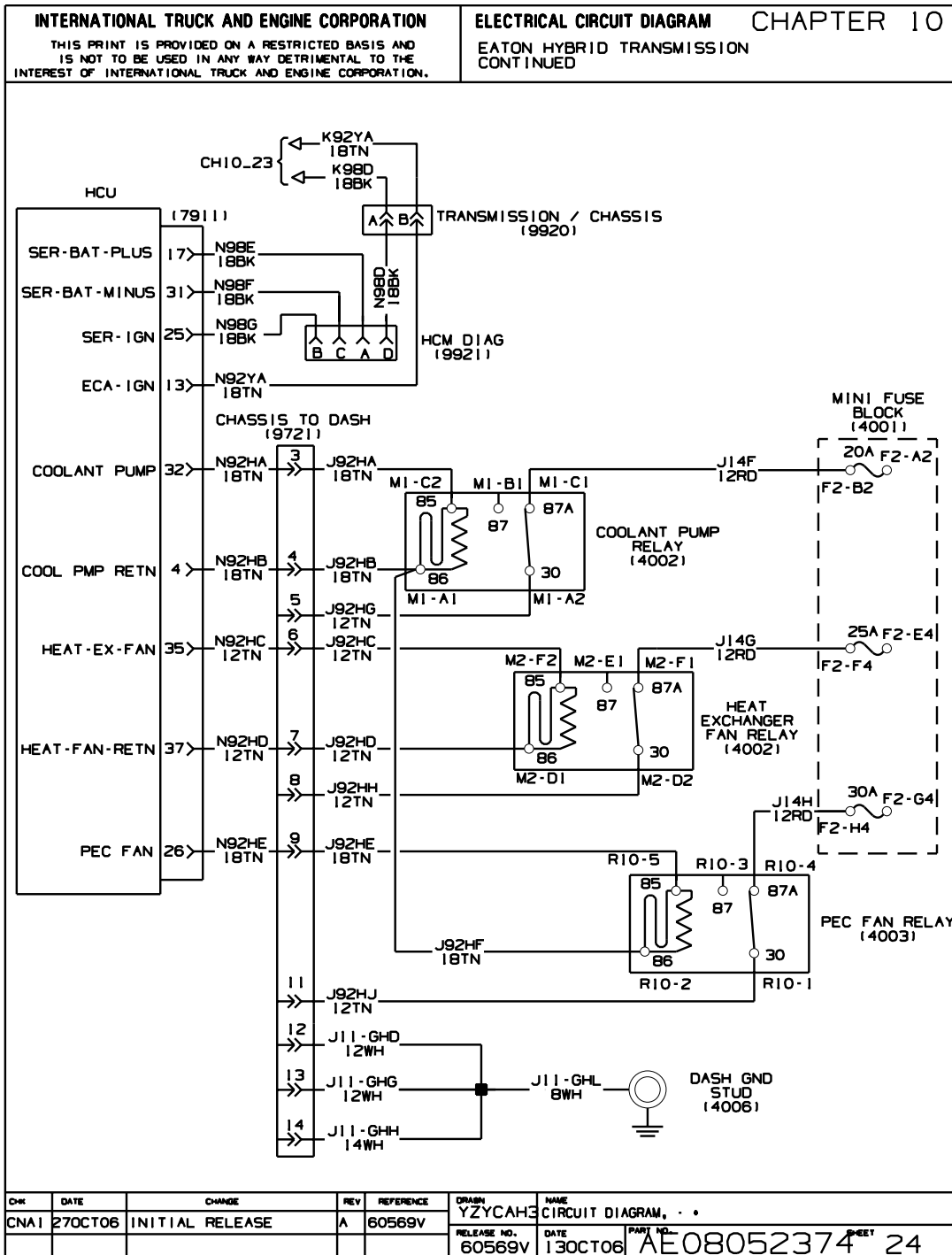


Figure 186 Eaton Hybrid Transmission

10.30. EATON HYBRID TRANSMISSION, P. 25

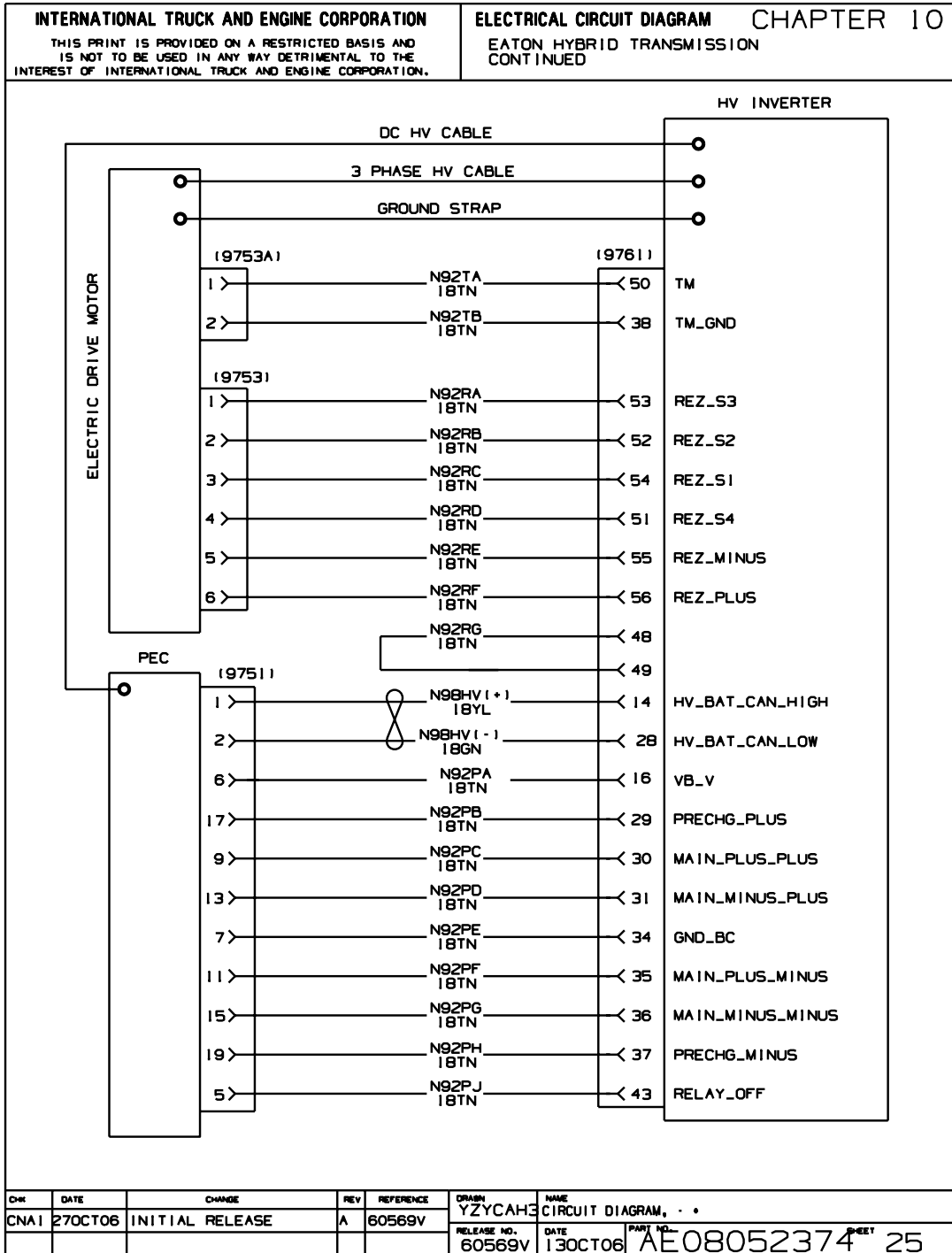


Figure 187 Eaton Hybrid Transmission

10.31. EATON HYBRID TRANSMISSION, P. 26

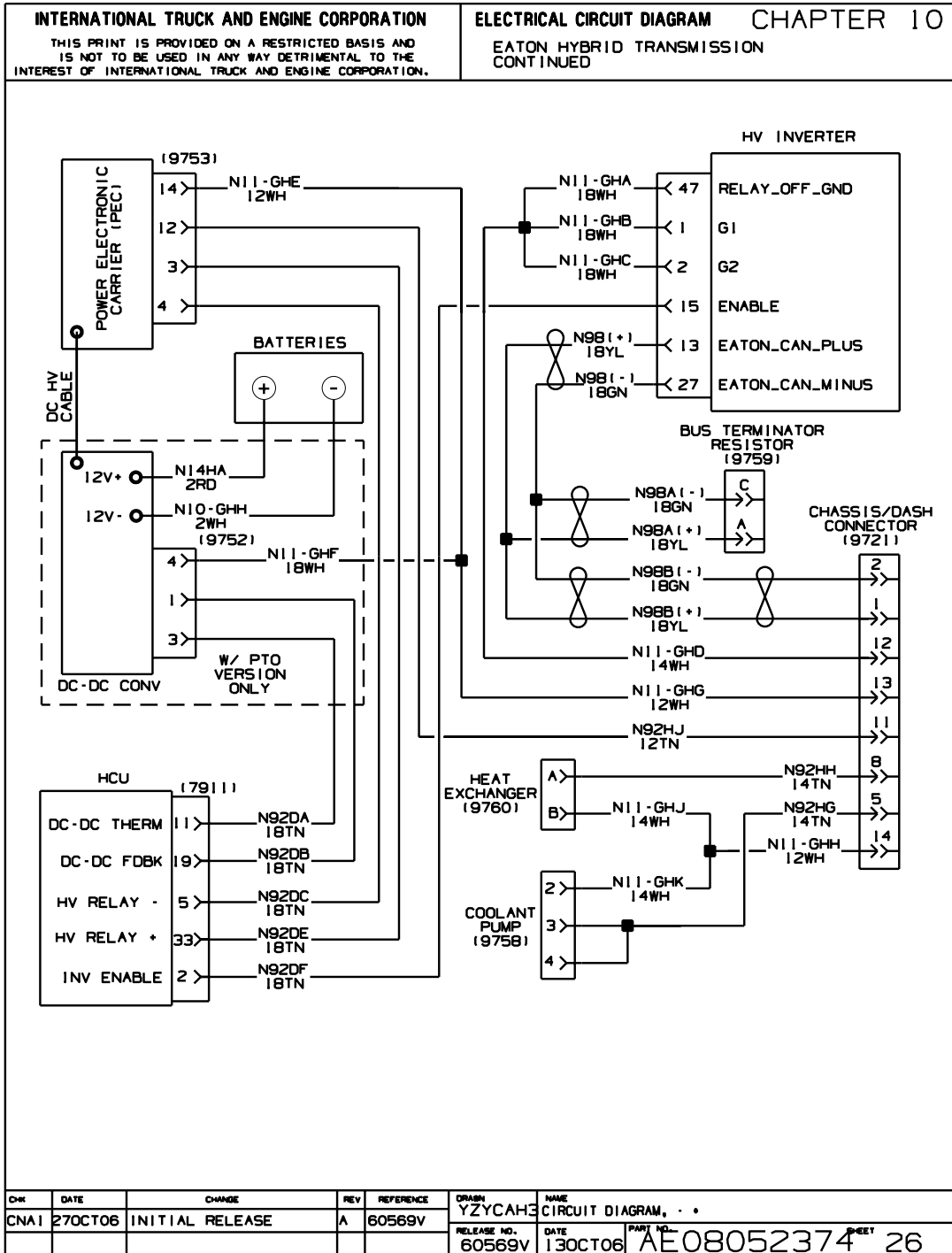


Figure 188 Eaton Hybrid Transmission

10.32. TRANSFER CASE — WITH MXT, P. 27

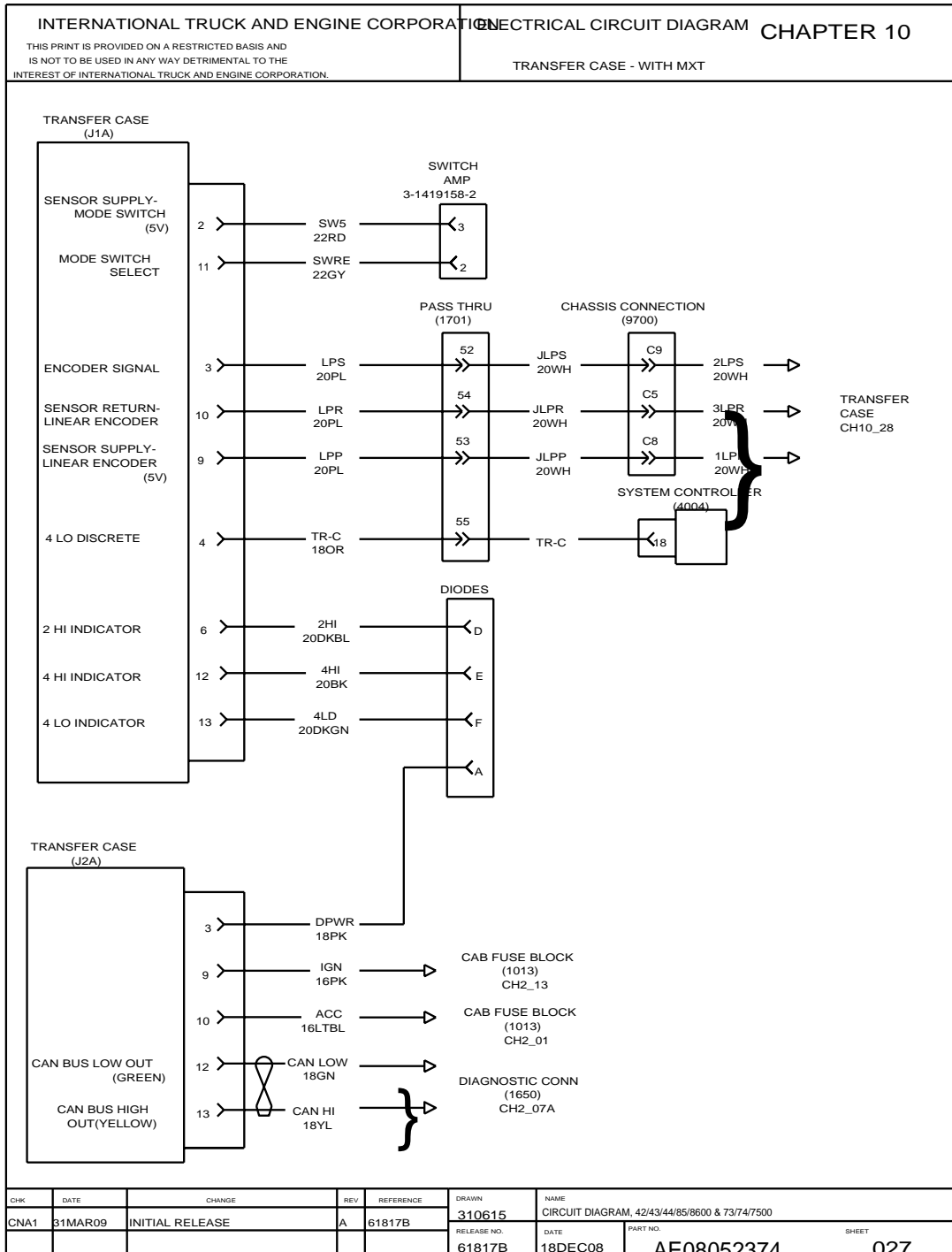


Figure 189 Transfer Case — with MXT

10.33. TRANSFER CASE — WITH MXT, P. 28

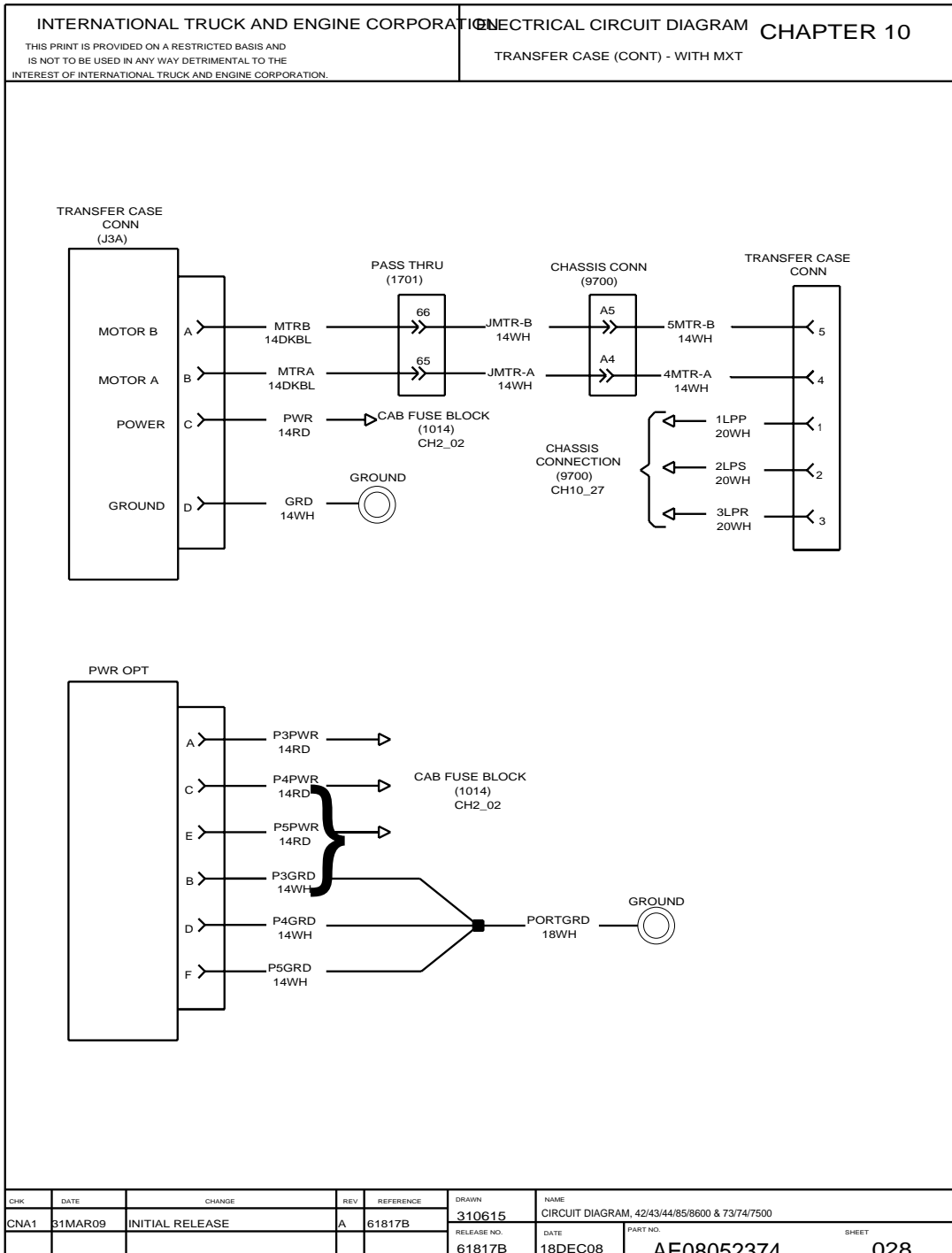


Figure 190 Transfer Case — with MXT

11. AIR CONDITIONING (CHAPTER 11)

11.1. HVAC SYSTEMS, P. 1

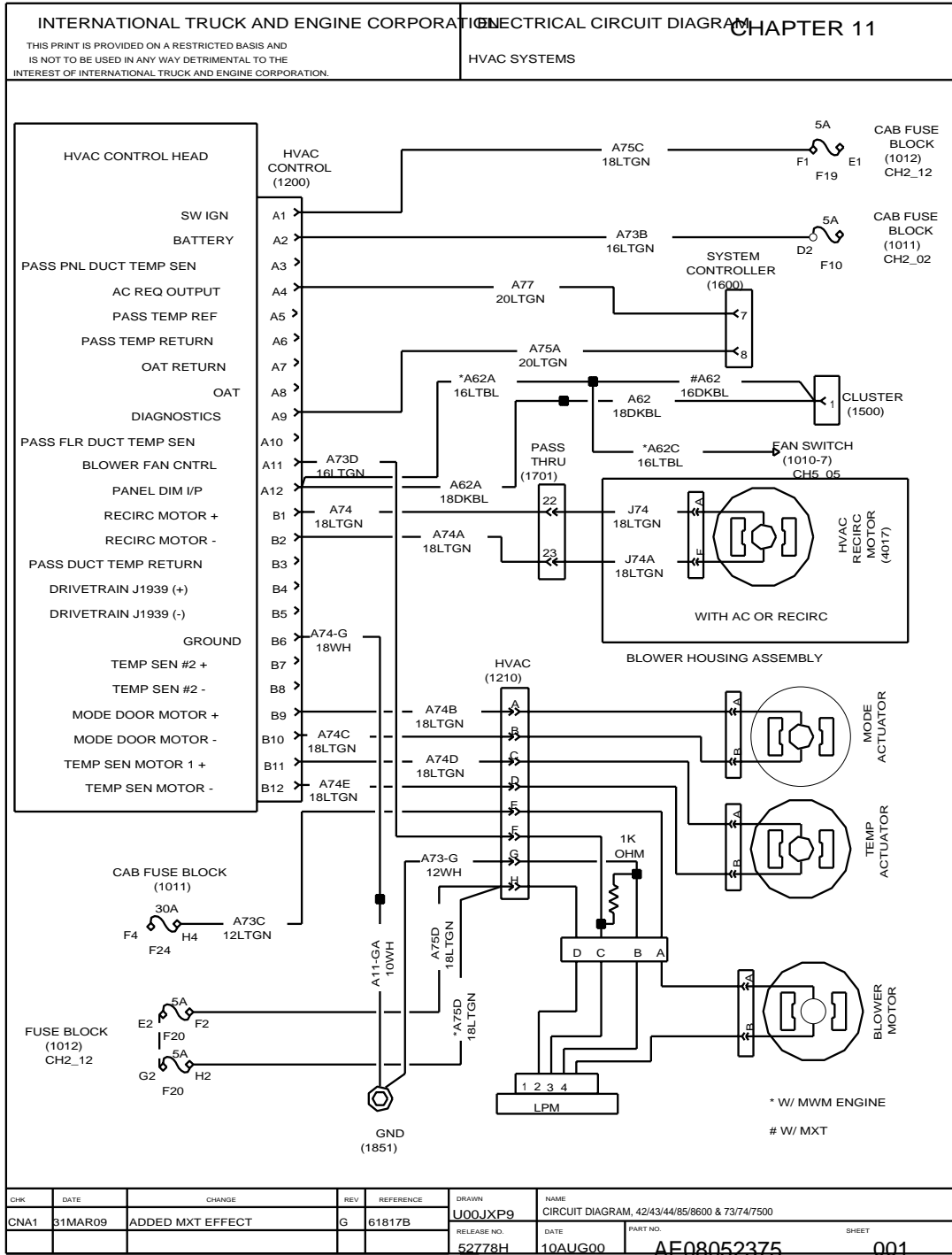


Figure 191 HVAC Systems

11.2. AIR CONDITIONING, P. 2

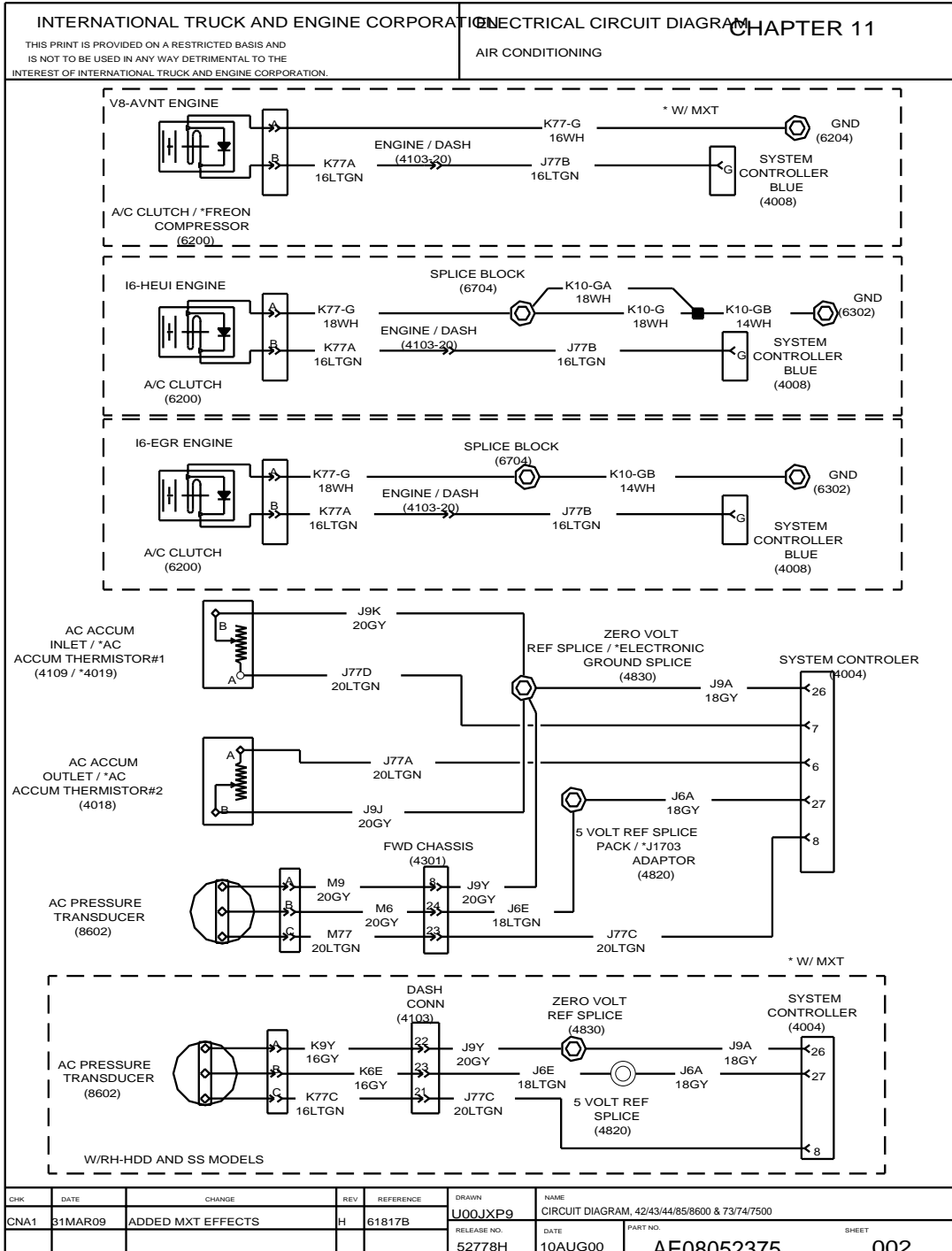


Figure 192 Air Conditioning

11.3. AUTOTHERM SYSTEMS, P. 3

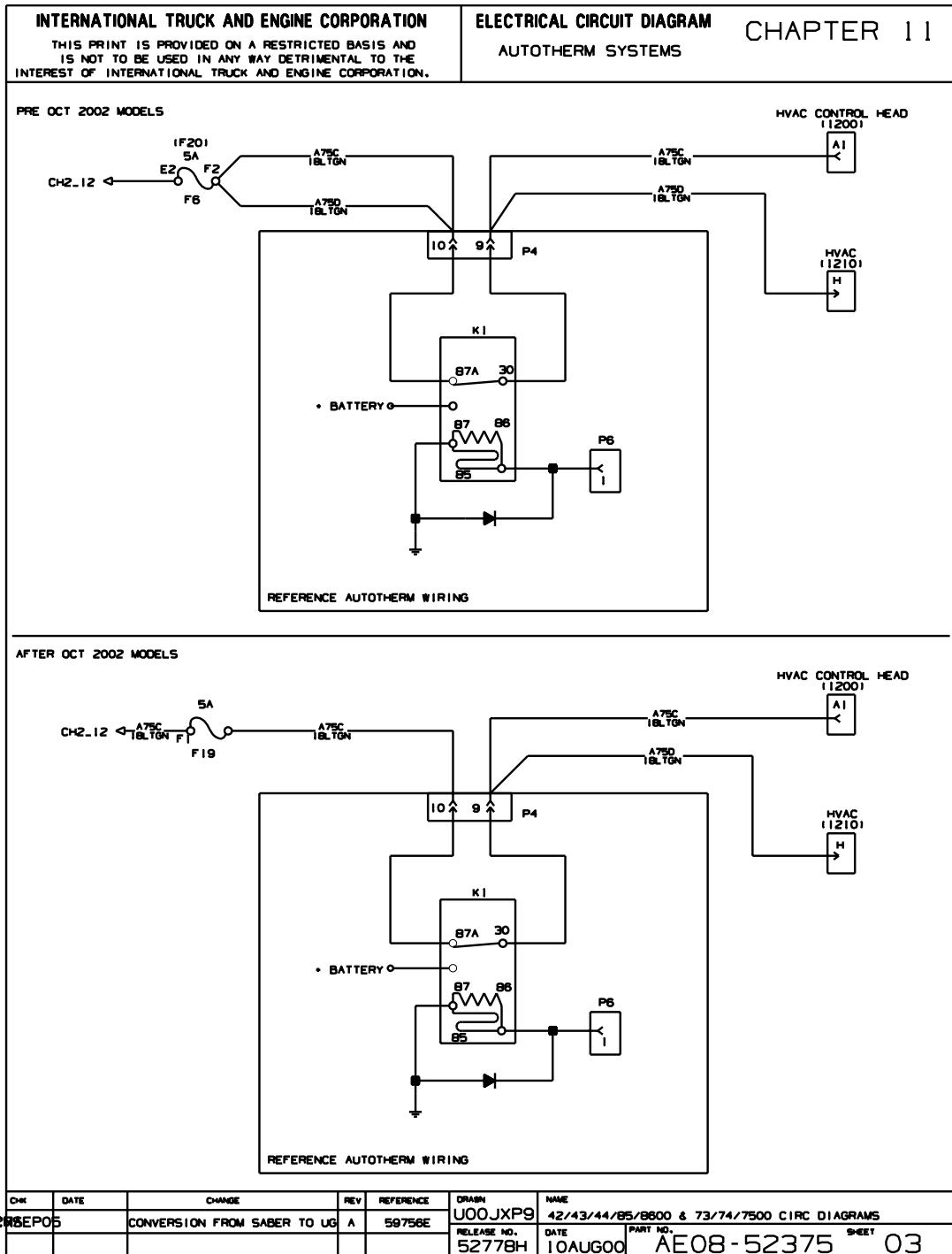


Figure 193 Autotherm Systems

12. CONNECTOR COMPOSITES (CHAPTER 12)

12.1. CONNECTOR COMPOSITES (10M), (71), (72), (345F), P. 1

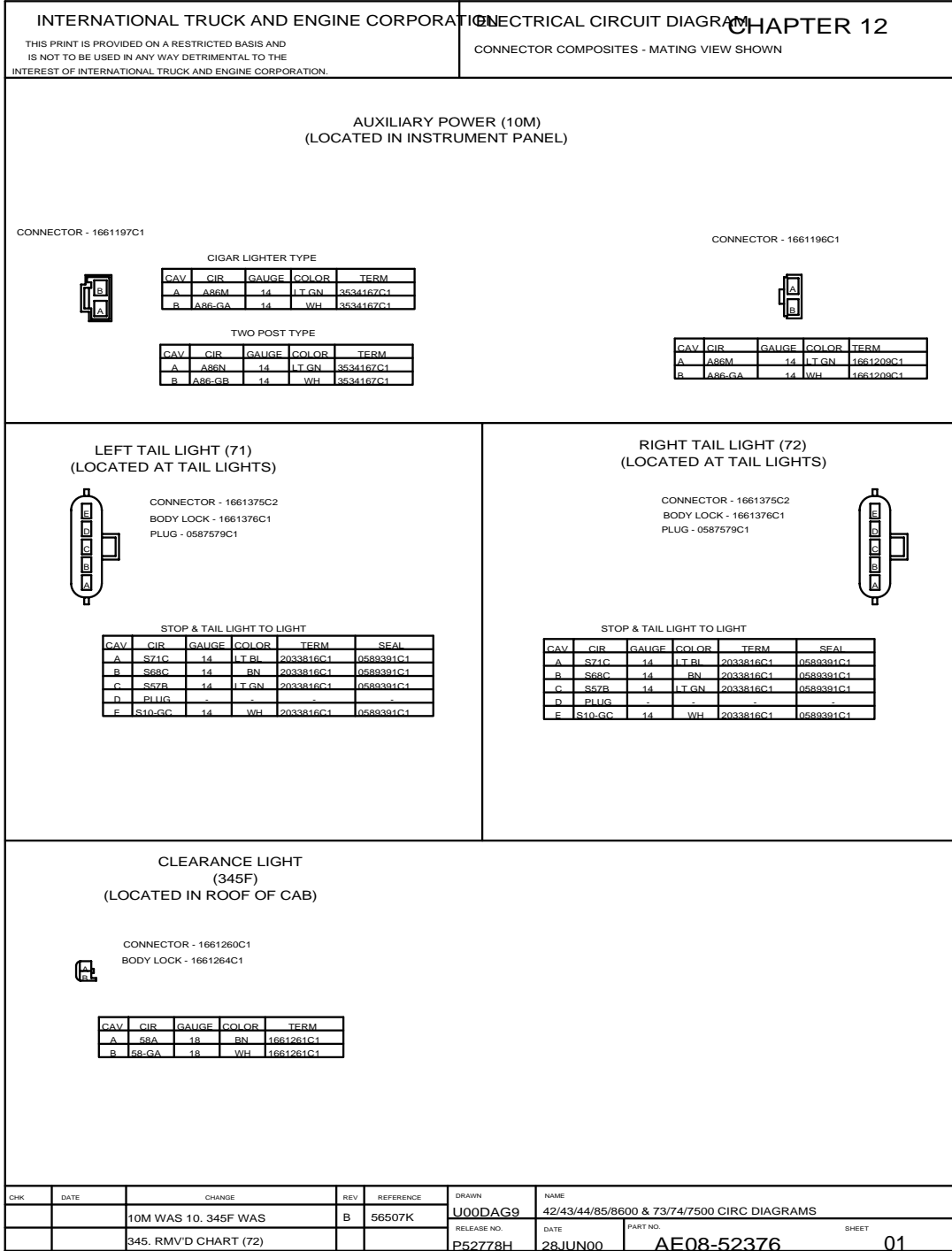


Figure 194 Connector Composites (10M), (71), (72), (345F)

12.2. CONNECTOR COMPOSITES (420F), (421F), (422M), (520), (521), (522), (523), (524), P. 2

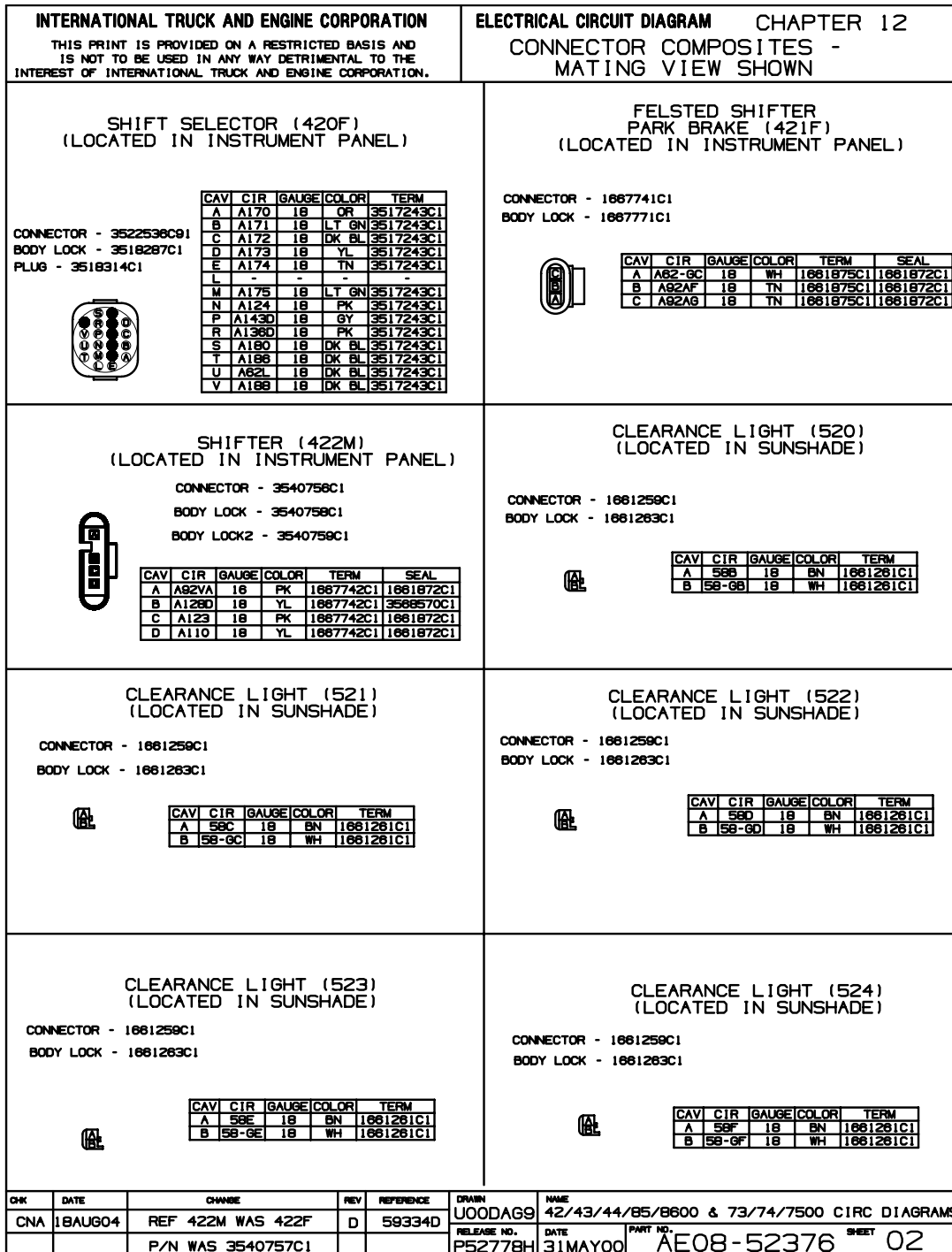


Figure 195 Connector Composites (420F), (421F), (422M), (520), (521), (522), (523), (524)

12.3. CONNECTOR COMPOSITES (734M), (1002), (1003), P. 3

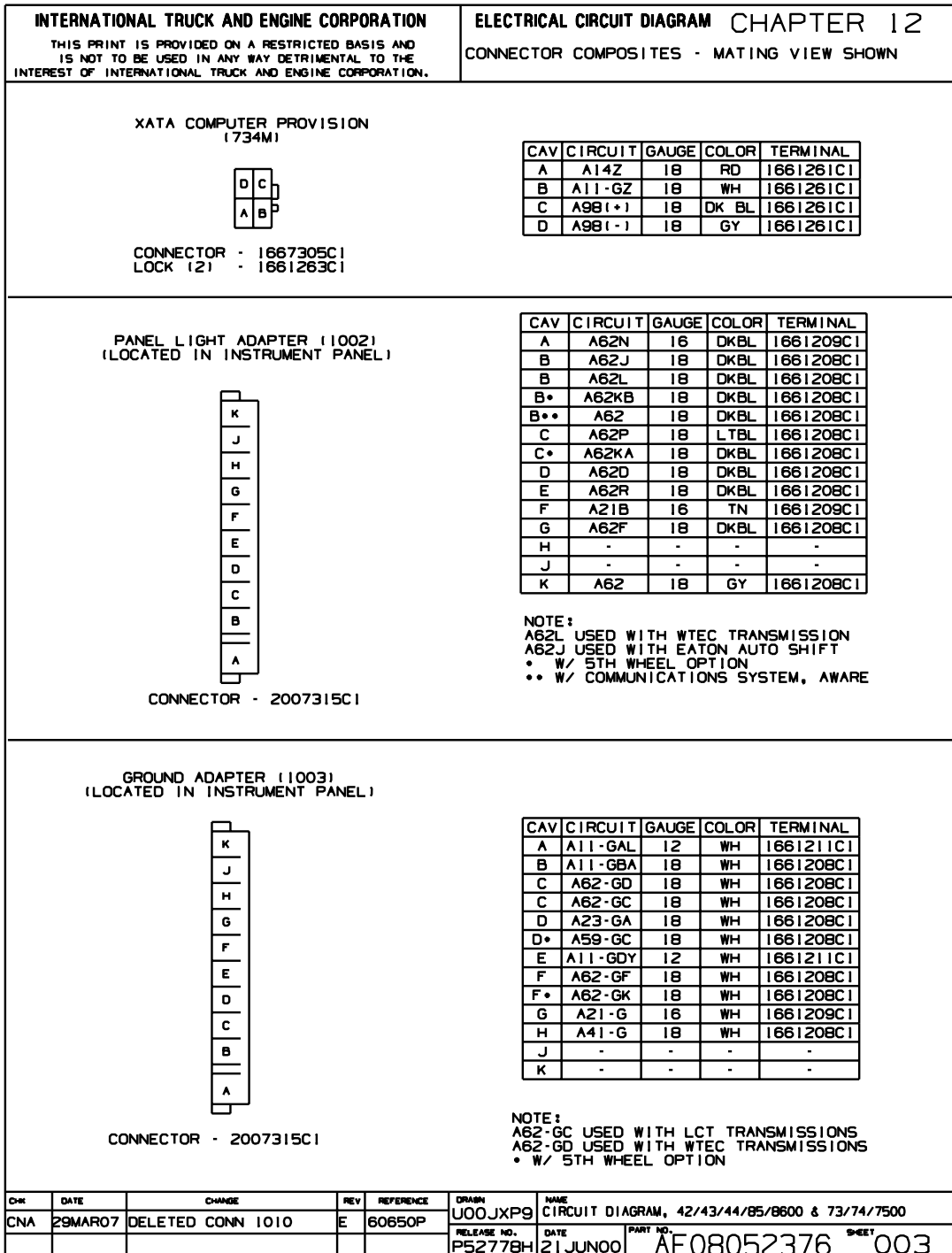


Figure 196 Connector Composites (734M), (1002), (1003)

12.4. CONNECTOR COMPOSITES (1005), (1006), (1008), (1009), P. 3A

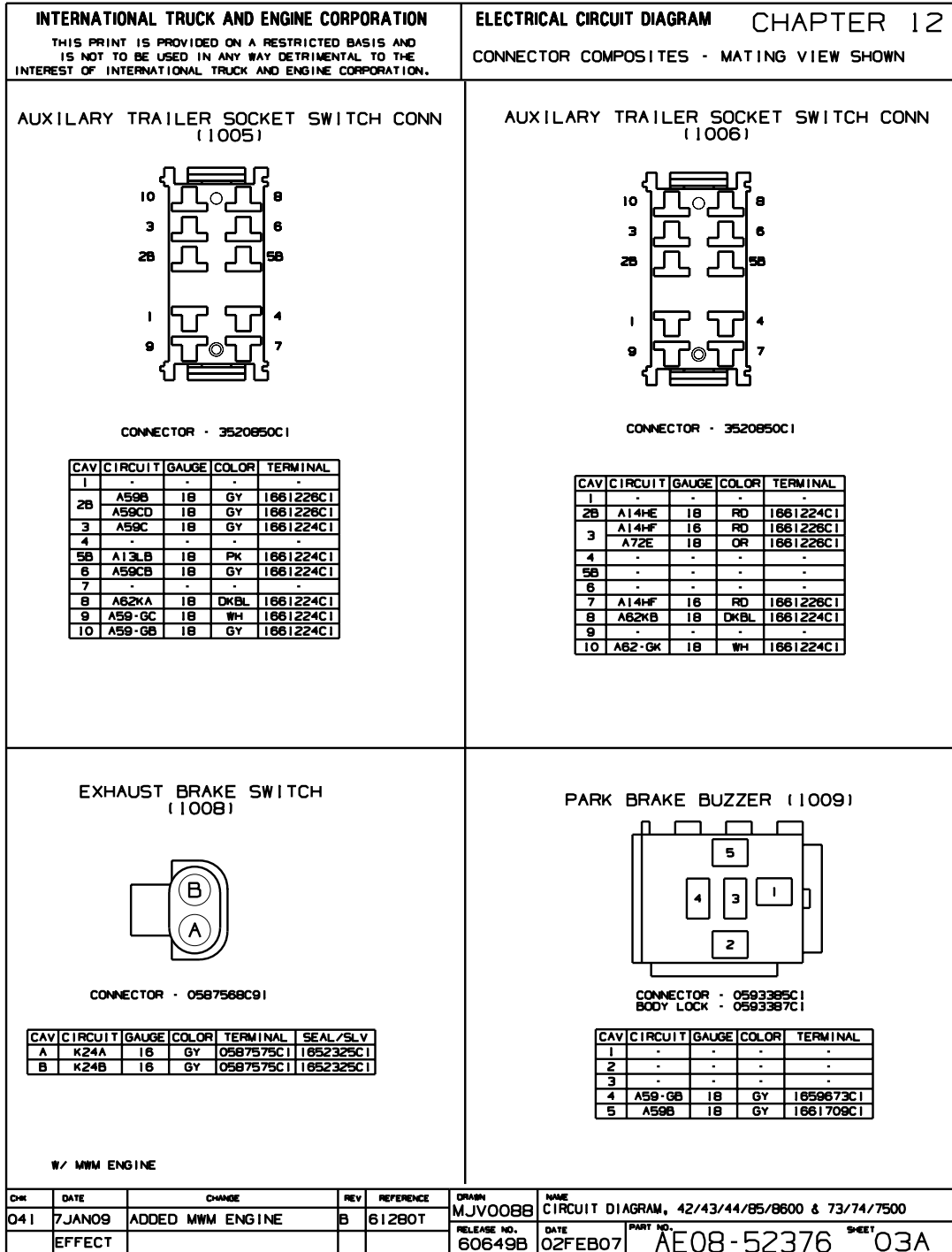


Figure 197 Connector Composites (1005), (1006), (1008), (1009)

12.5. CONNECTOR COMPOSITES (1007), (1008), (1010), P. 3B

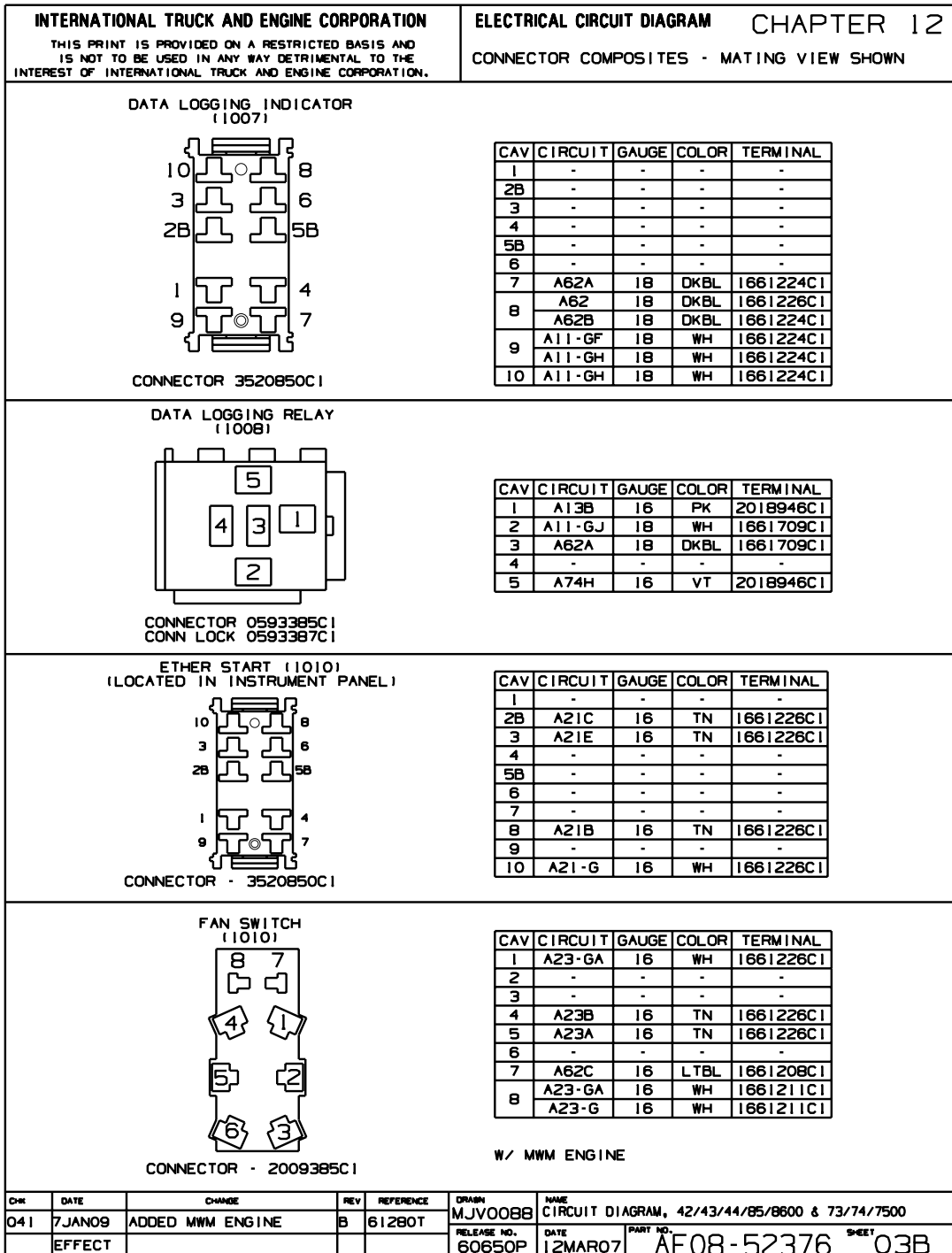


Figure 198 Connector Composites (1007), (1008), (1010)

12.6. CONNECTOR COMPOSITE (1011), P. 4

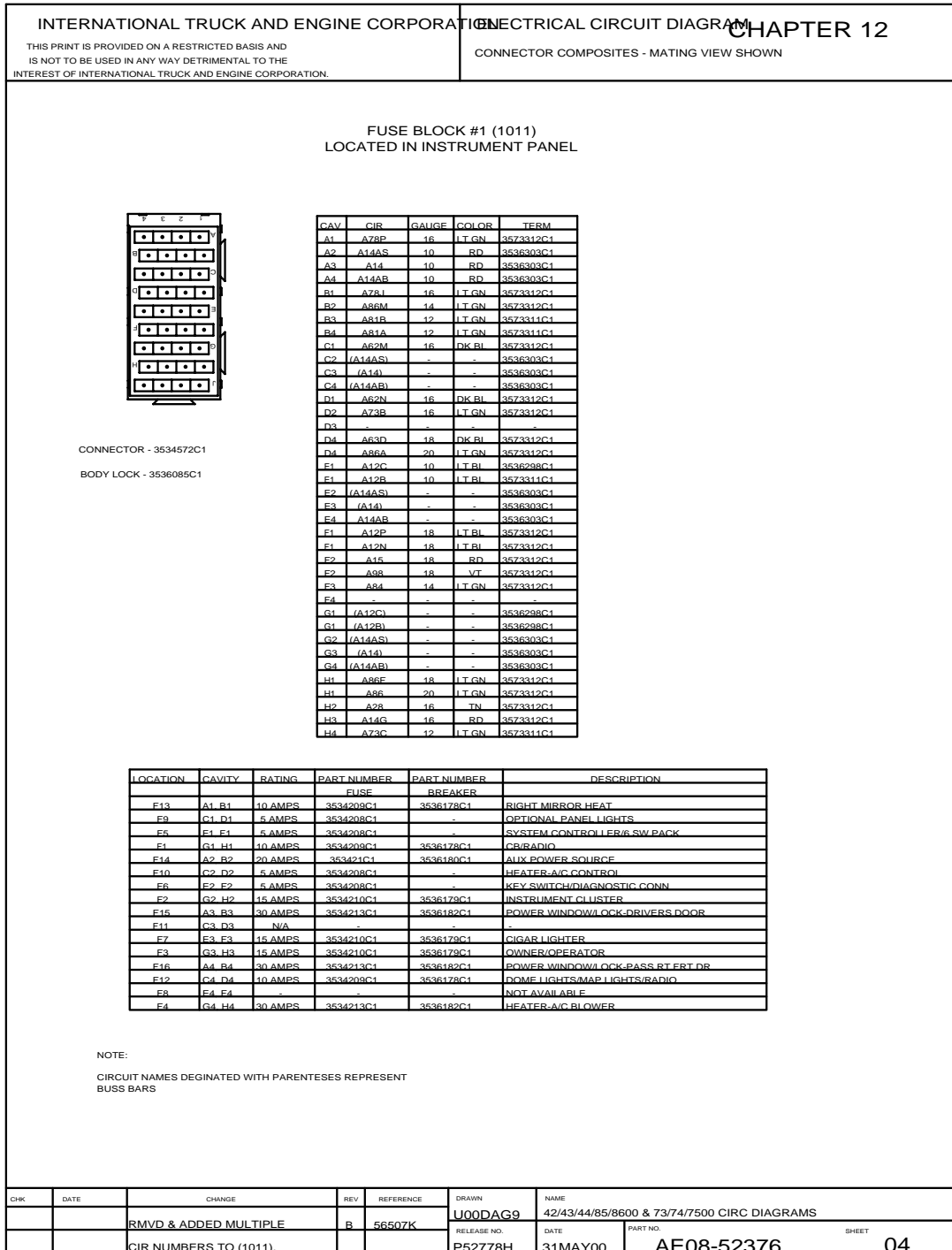


Figure 199 Connector Composite (1011)

12.7. CONNECTOR COMPOSITE (1012), P. 5

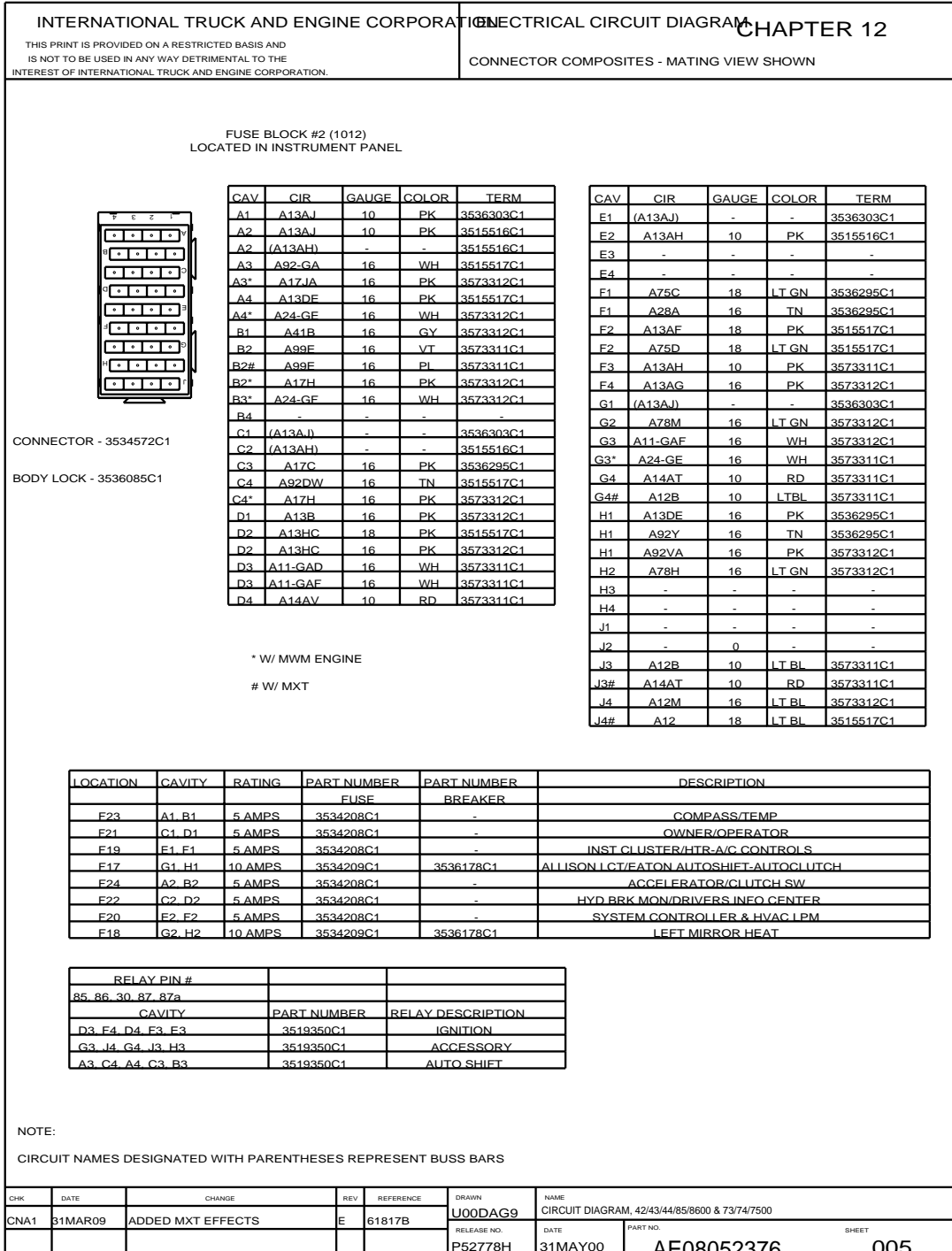


Figure 200 Connector Composite (1012)

12.8. CONNECTOR COMPOSITE (1013), P. 6

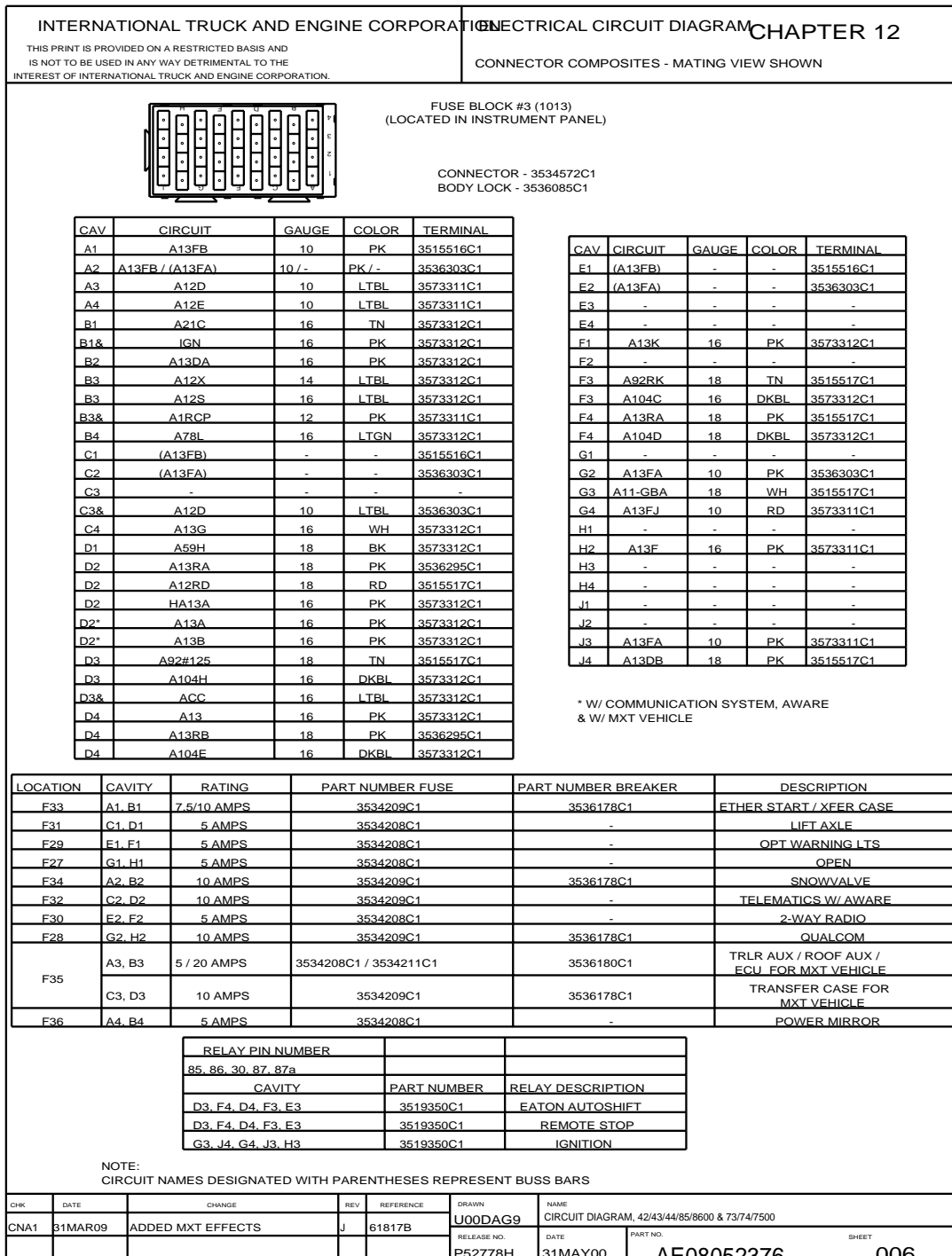


Figure 201 Connector Composite (1013)

12.9. CONNECTOR COMPOSITE (1014), P. 7

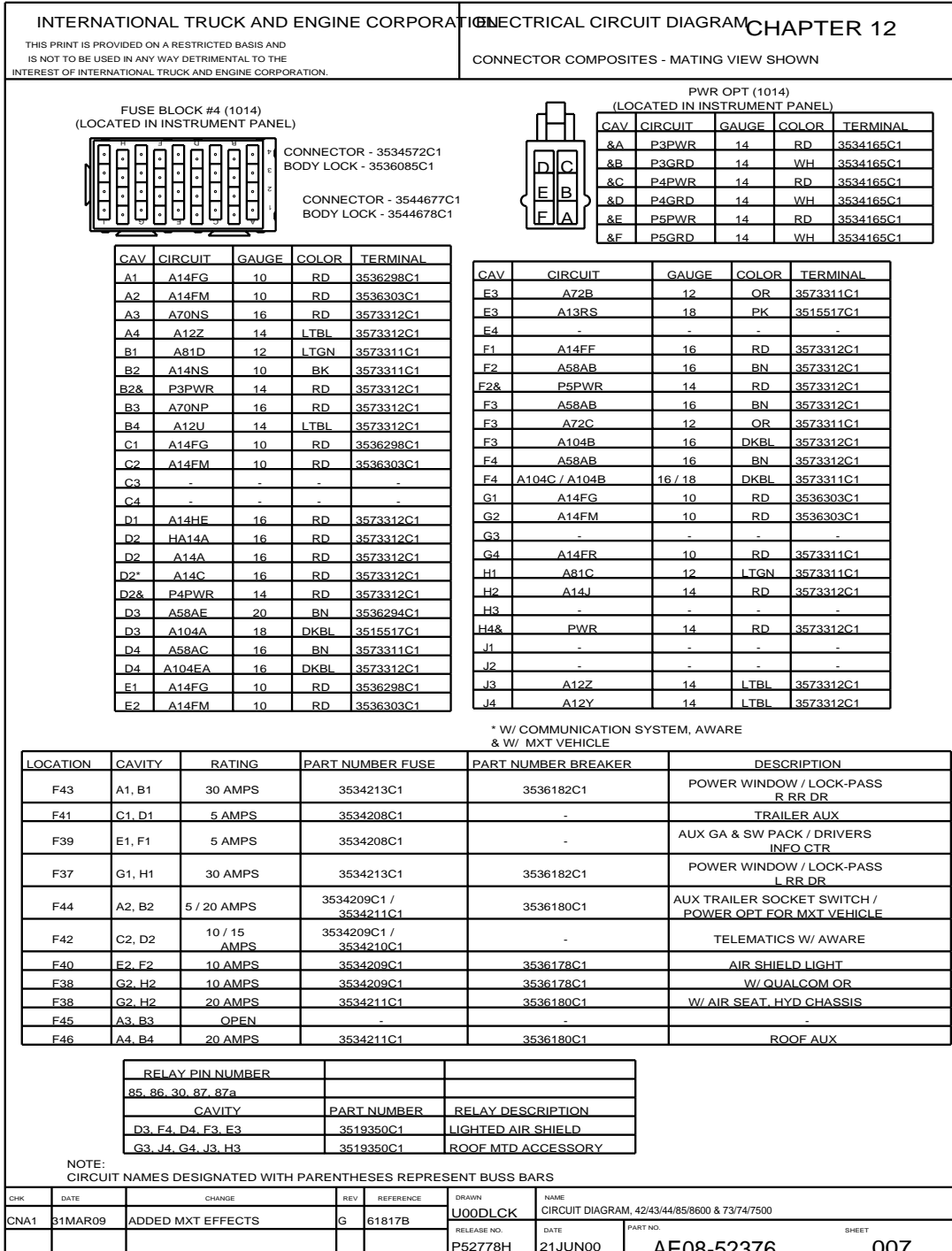


Figure 202 Connector Composite (1014)

12.10. CONNECTOR COMPOSITES (1016), (1018), (1019), (1019F), (1019M), (1020M), P. 8

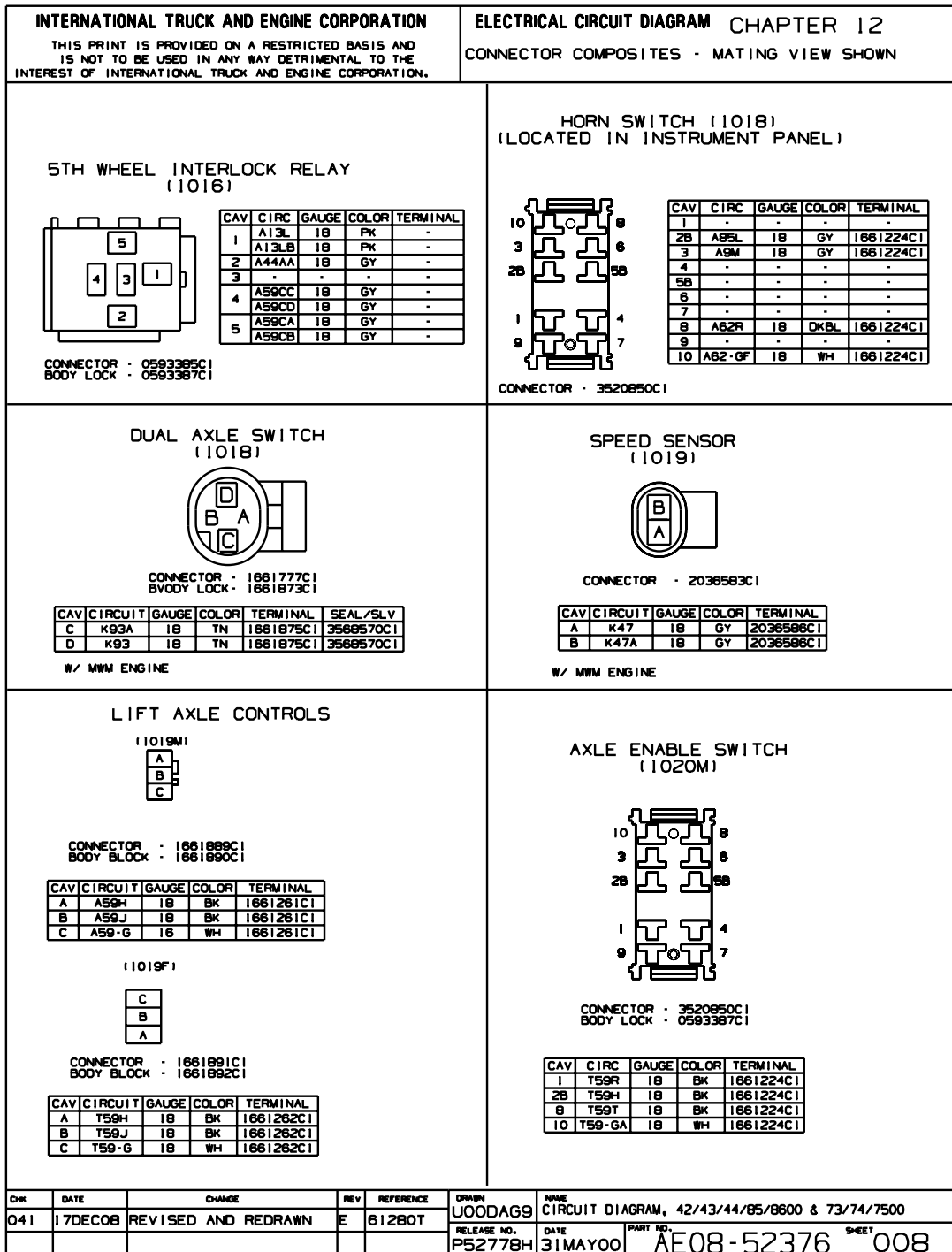


Figure 203 Connector Composites (1016), (1018), (1019), (1019F), (1019M), (1020M)

12.11. CONNECTOR COMPOSITES (1020), (1021M), (1022M), P. 8A

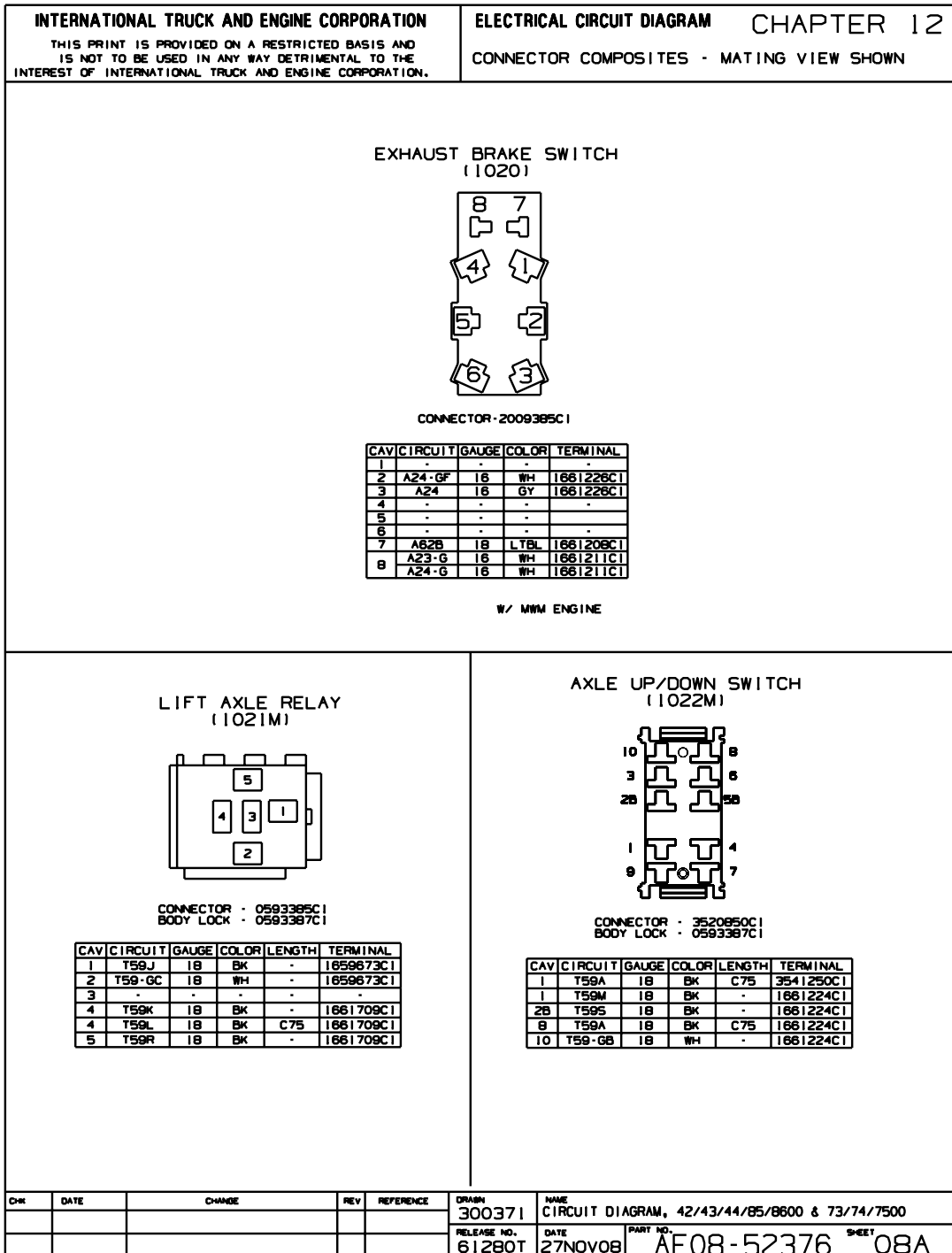


Figure 204 Connector Composites (1020), (1021M), (1022M)

12.12. CONNECTOR COMPOSITES (1027M, F), (1040), (1100), (1101A), (1101), (1102),
P. 9

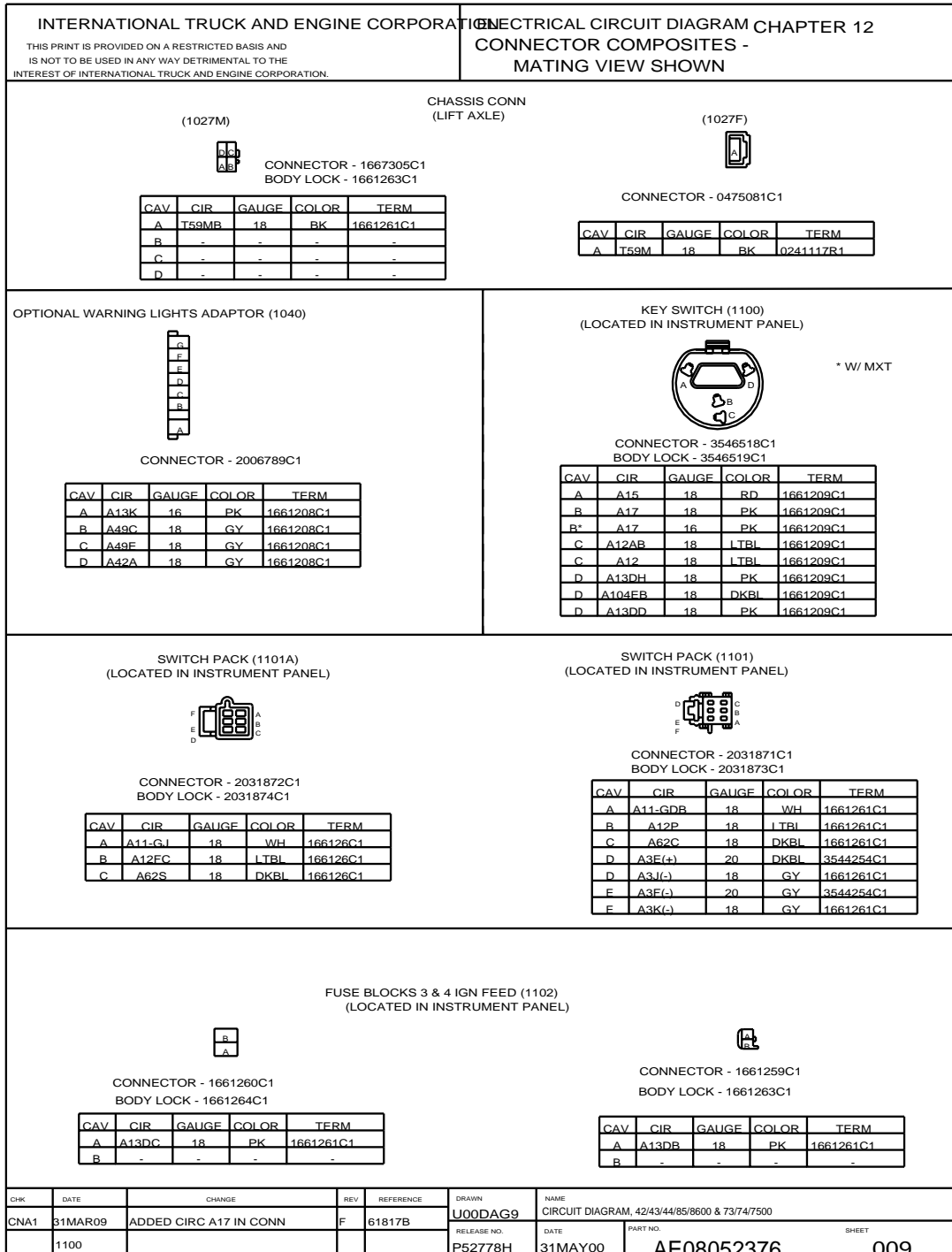


Figure 205 Connector Composites (1027M, F), (1040), (1100), (1101A), (1101), (1102)

12.13. CONNECTOR COMPOSITES (1104), (1105M), (1106), (1200), (1210), (1240), P. 10

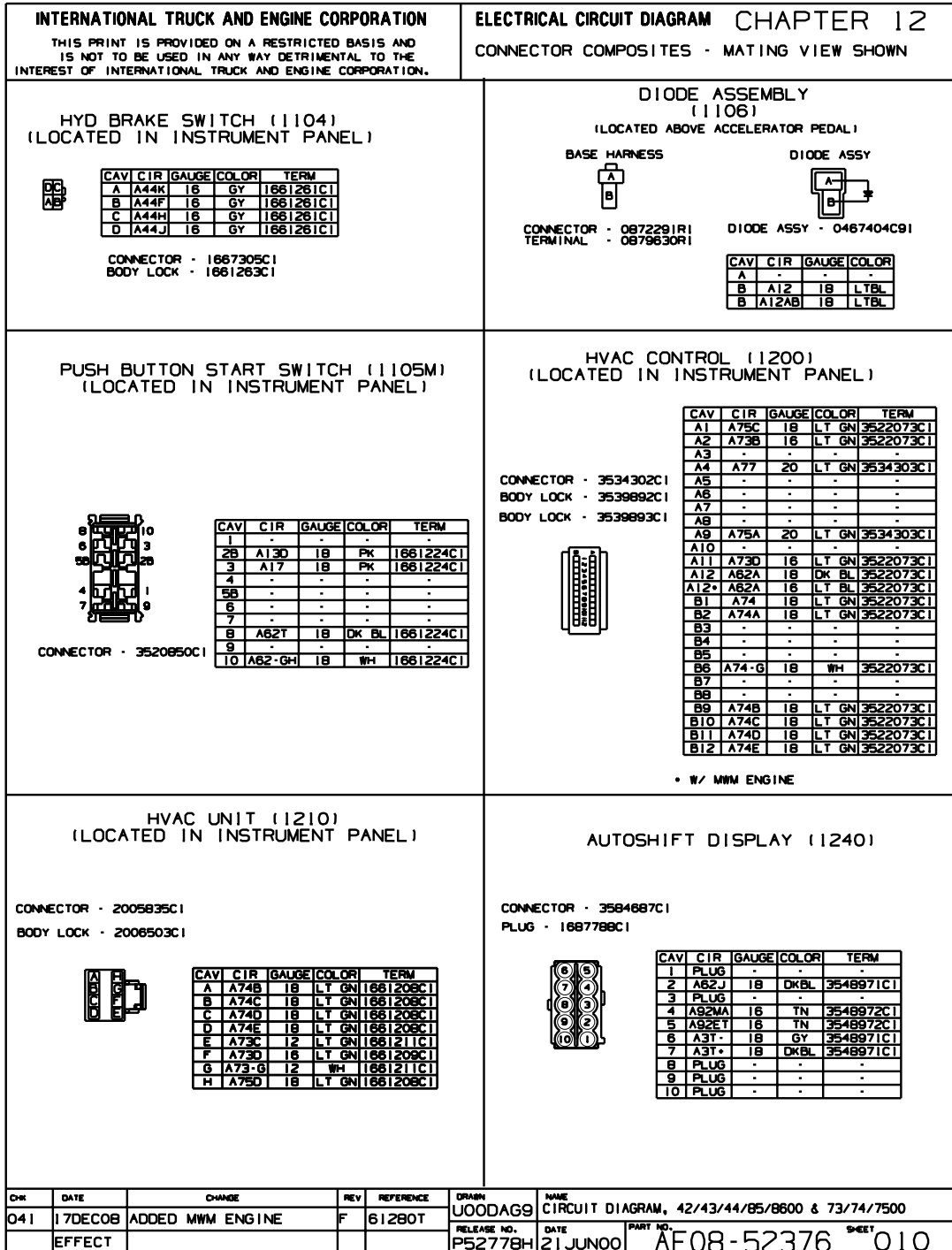


Figure 206 Connector Composites (1104), (1105M), (1106), (1200), (1210), (1240)

12.14. CONNECTOR COMPOSITES (1300), (1301), (1400), (1402), (1410), (1500), (1510), P. 11

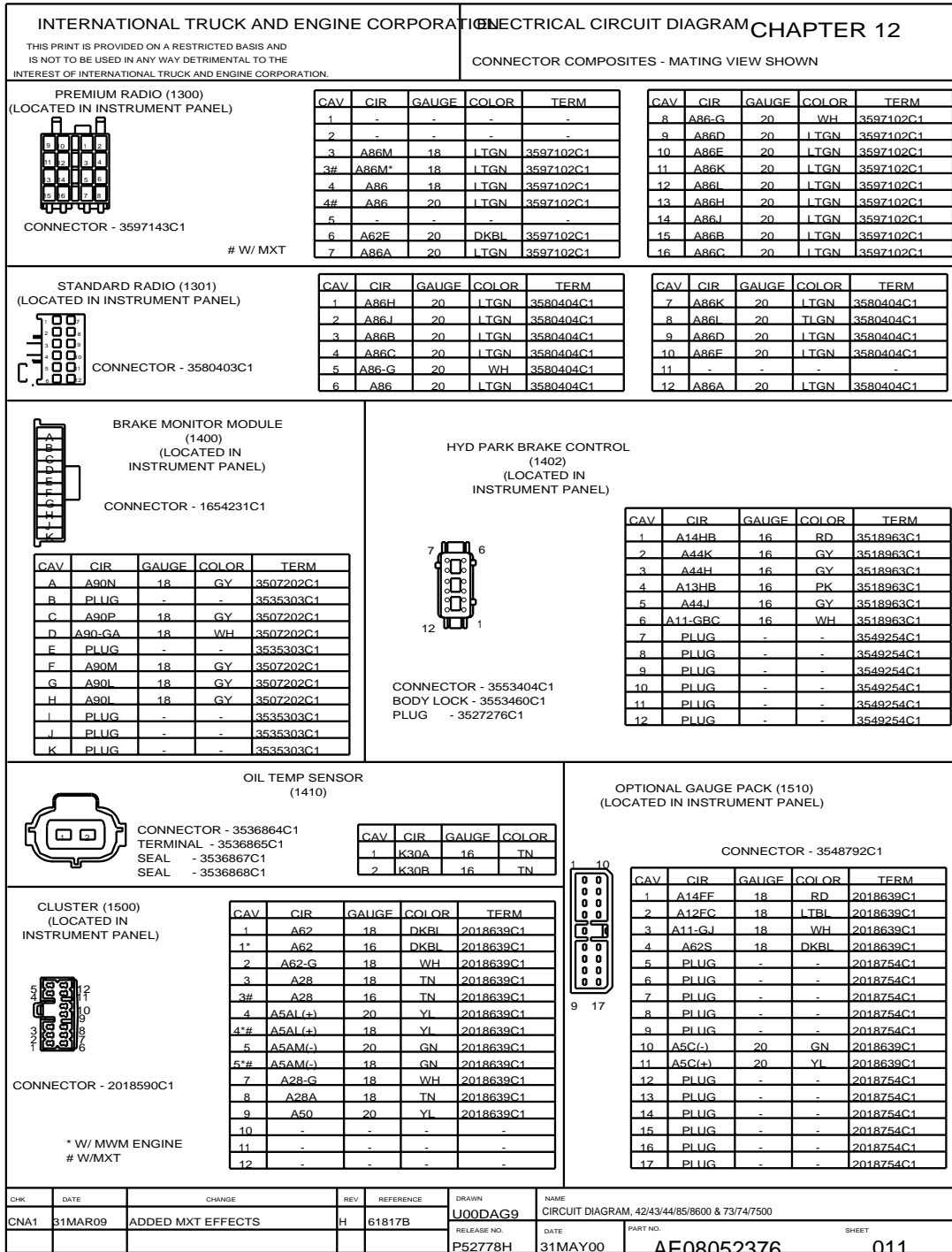


Figure 207 Connector Composites (1300), (1301), (1400), (1402), (1410), (1500), (1510)

12.15. CONNECTOR COMPOSITES (1553), (1554F), (1555), (1600), (1601), (1650), P. 12

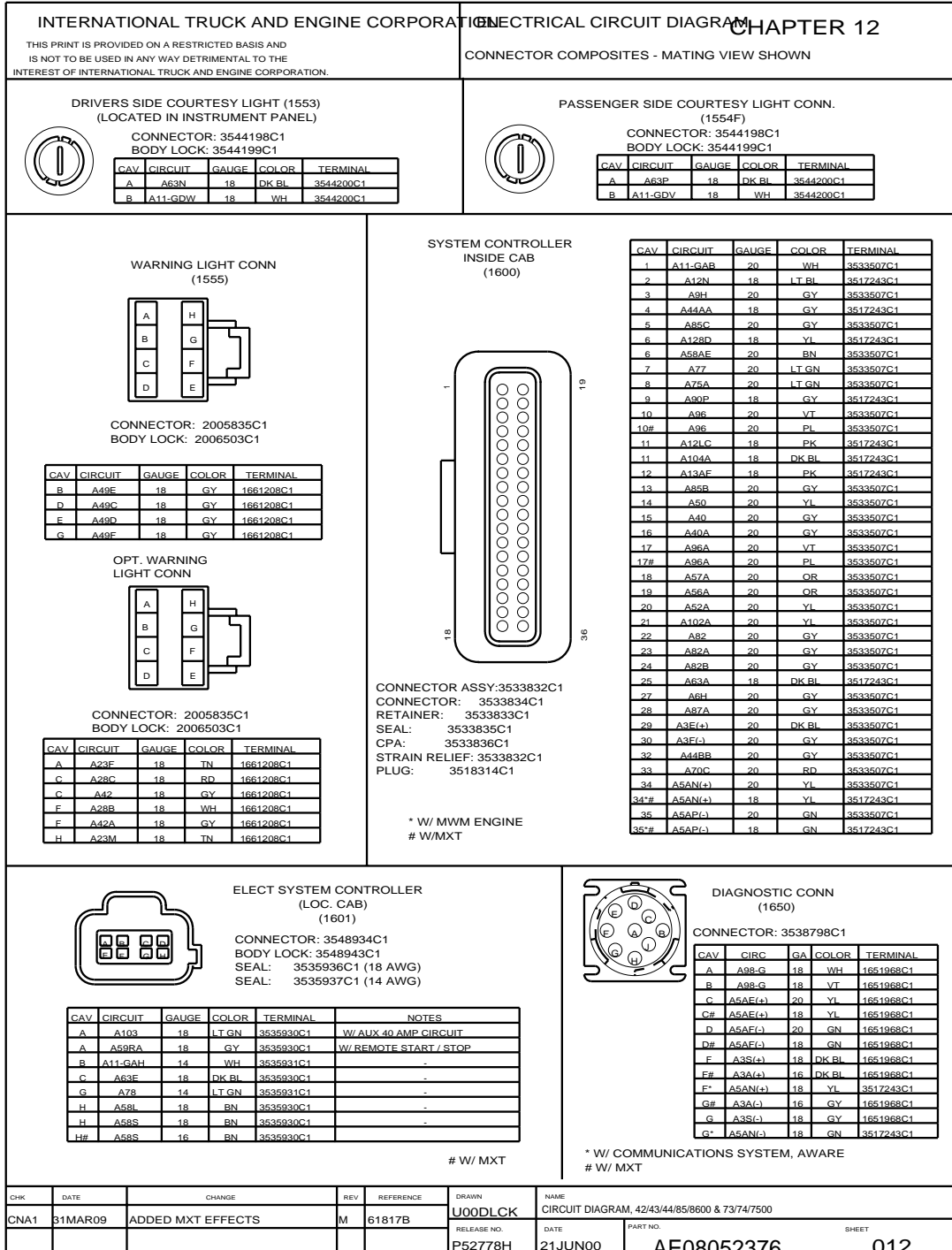


Figure 208 Connector Composites (1553), (1554F), (1555), (1600), (1601), (1650)

12.16. CONNECTOR COMPOSITES (1652), (1657), (1657M), (1657M2), (1657N), (1657Y), (1658), (1659), (1660), (1661), P. 13

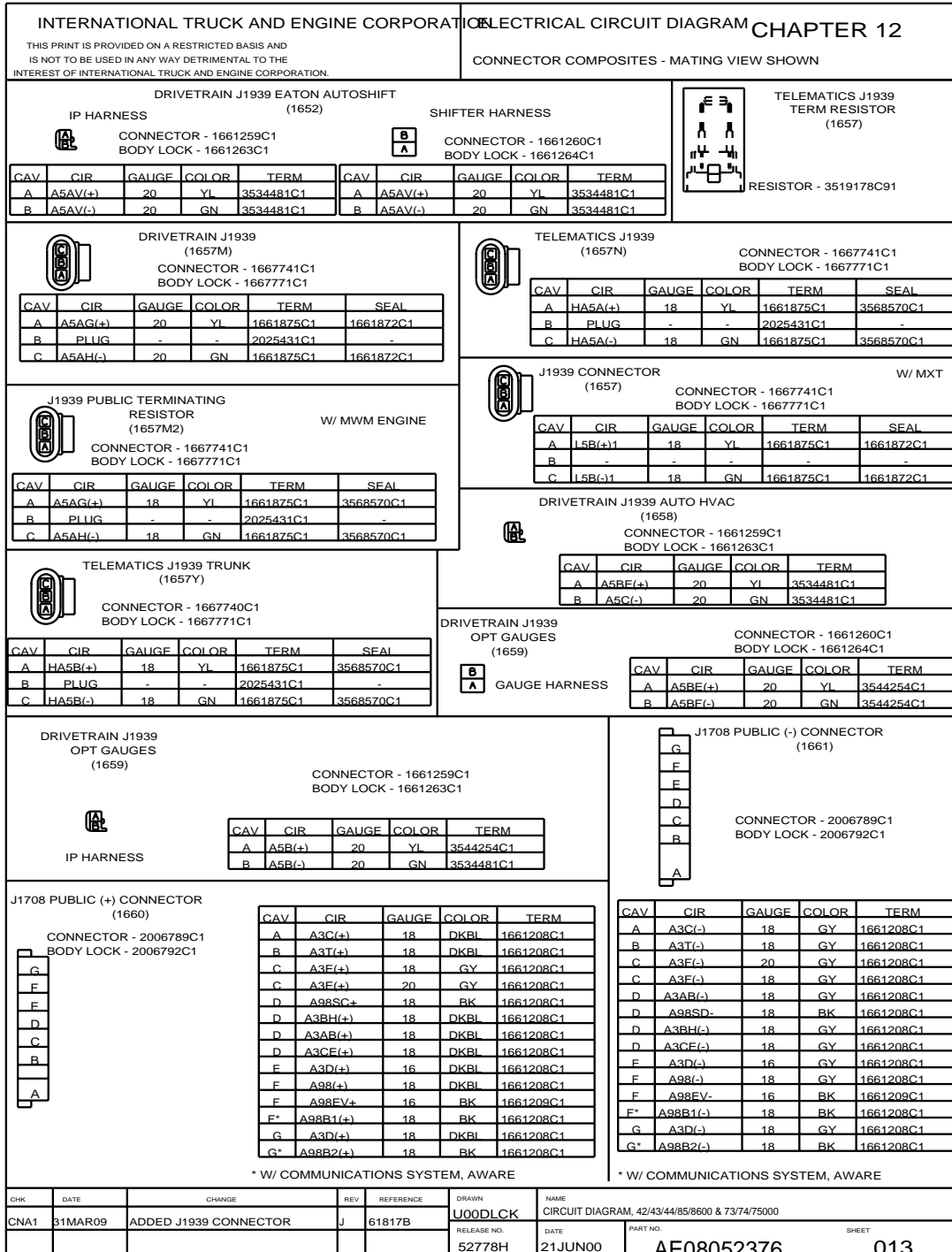


Figure 209 Connector Composites (1652), (1657), (1657M), (1657M2), (1657N), (1657Y), (1658), (1659), (1660), (1661)

12.17. CONNECTOR COMPOSITES (1650), (1701), P. 13A

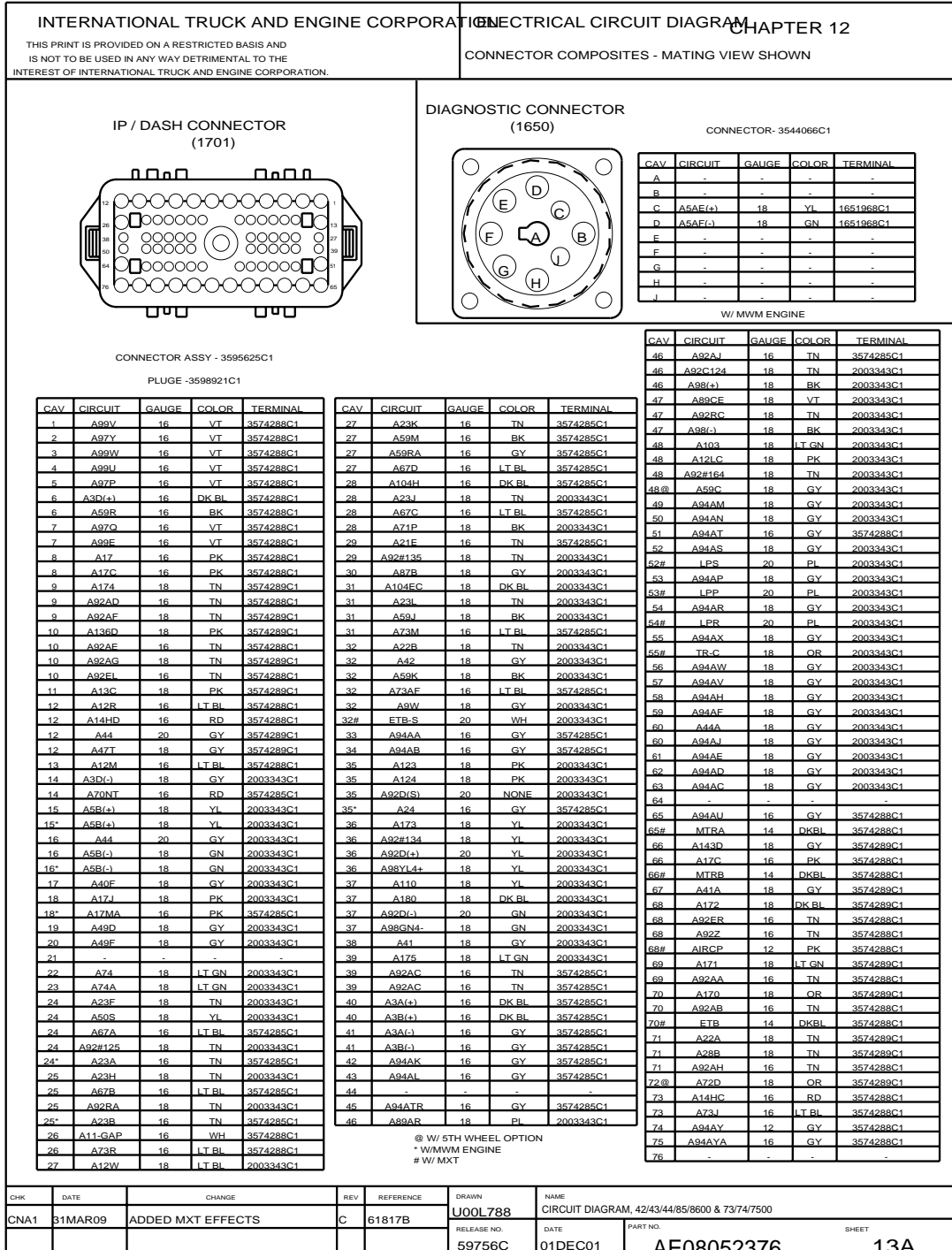


Figure 210 Connector Composites (1650), (1701)

12.18. CONNECTOR COMPOSITE (1701), P. 13B

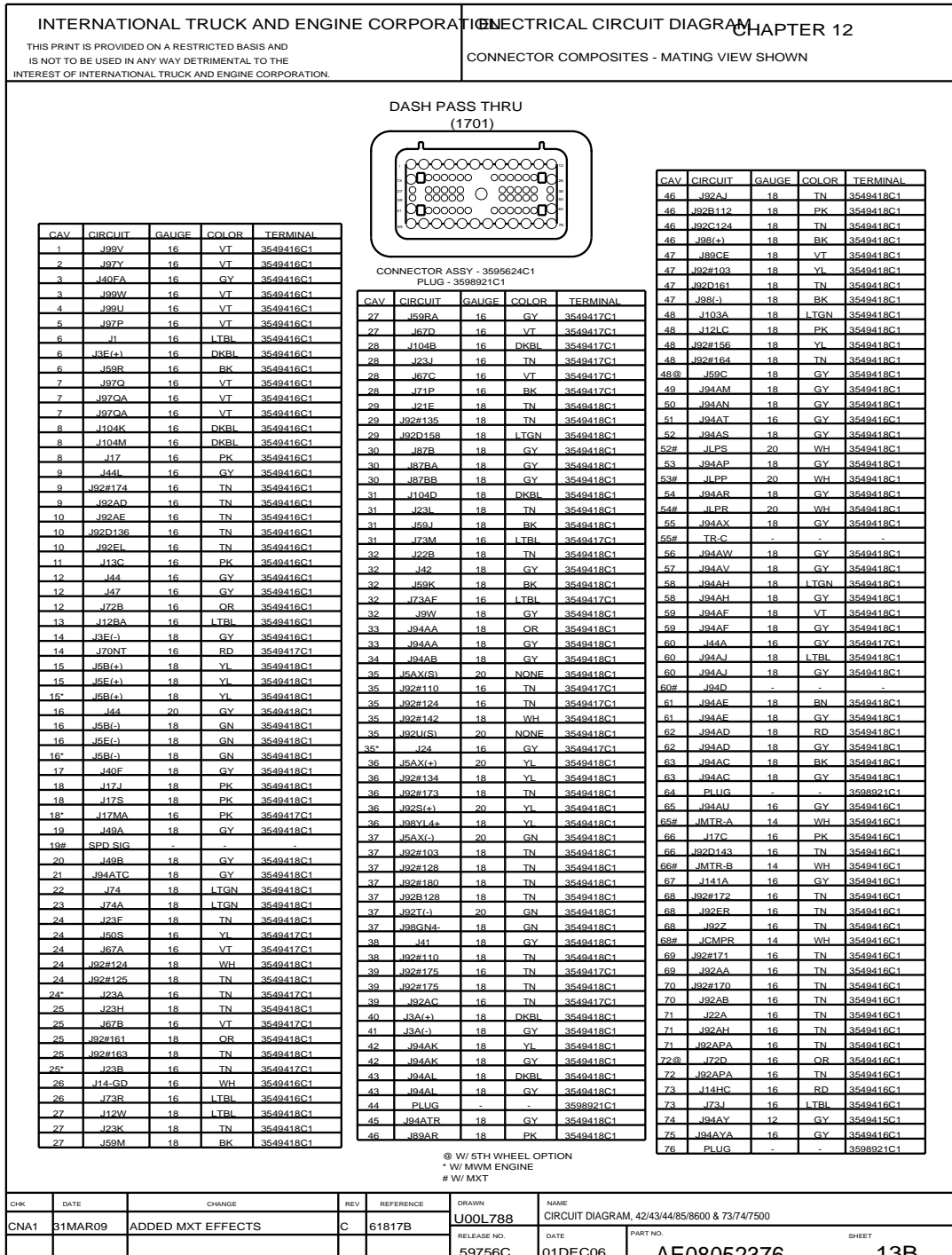


Figure 211 Connector Composite (1701)

12.19. CONNECTOR COMPOSITES (1703), (1800), (1804), (1807), (1808), (1809), (1810), (1811), (1812), (1813), (1814), (1815), P. 14

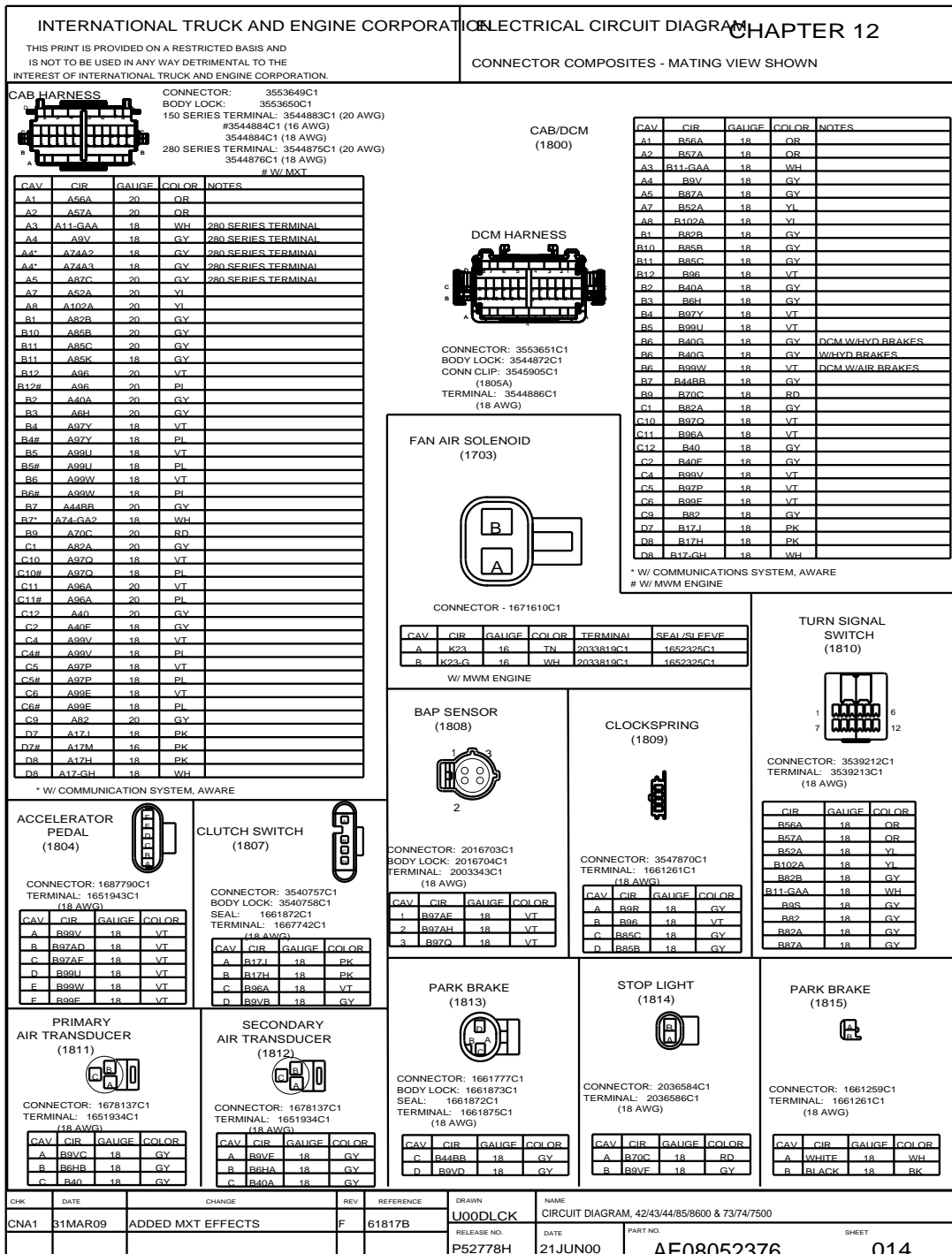


Figure 212 Connector Composites (1703), (1800), (1804), (1807), (1808), (1809), (1810), (1811), (1812), (1813), (1814), (1815)

12.20. CONNECTOR COMPOSITES (1820), (1822), (1823), (1824), (1828), (1852), (1860), P. 15

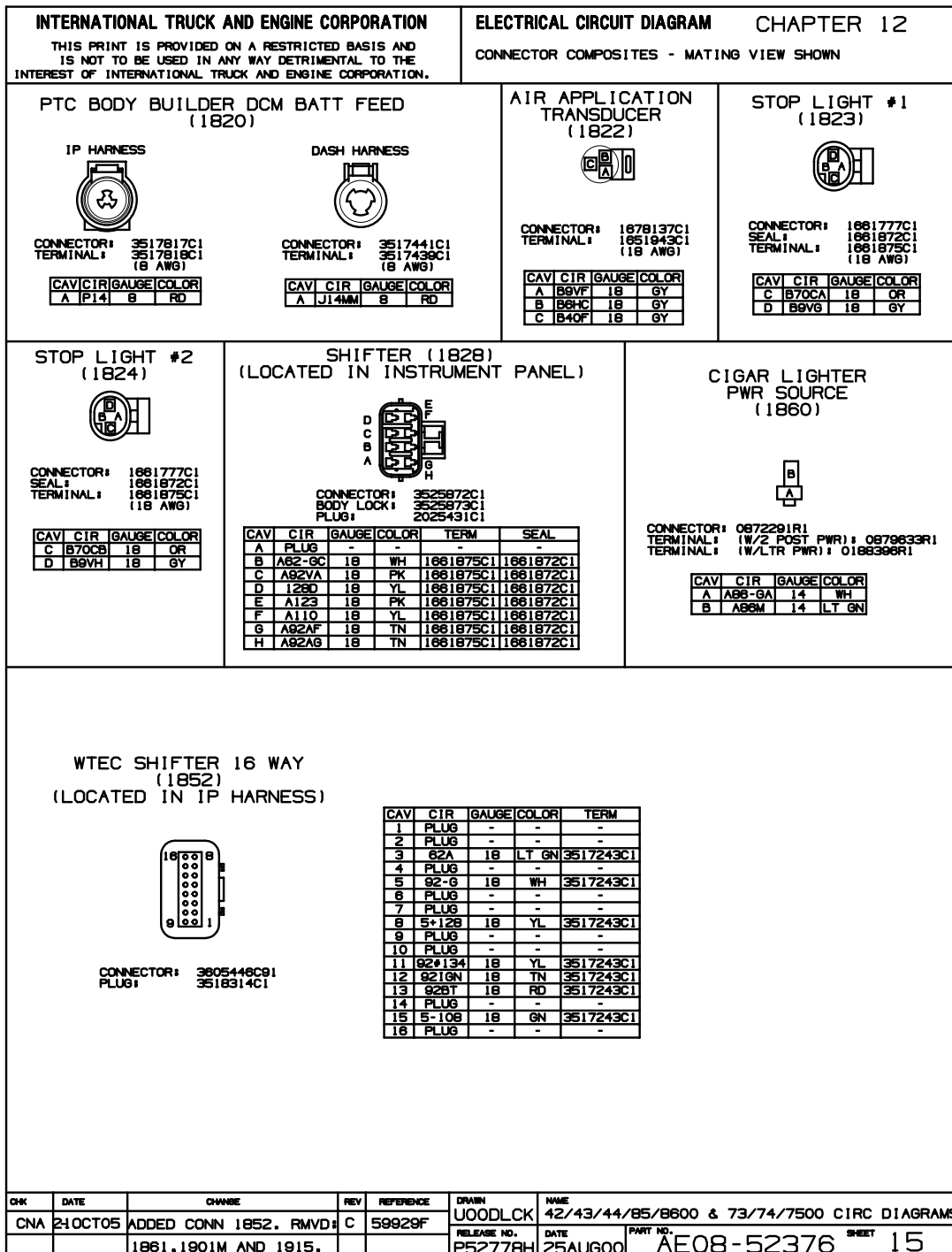


Figure 213 Connector Composites (1820), (1822), (1823), (1824), (1828), (1852), (1860)

12.21. CONNECTOR COMPOSITES (1861), (1901M), (1905), (1906), (1915), P. 15A

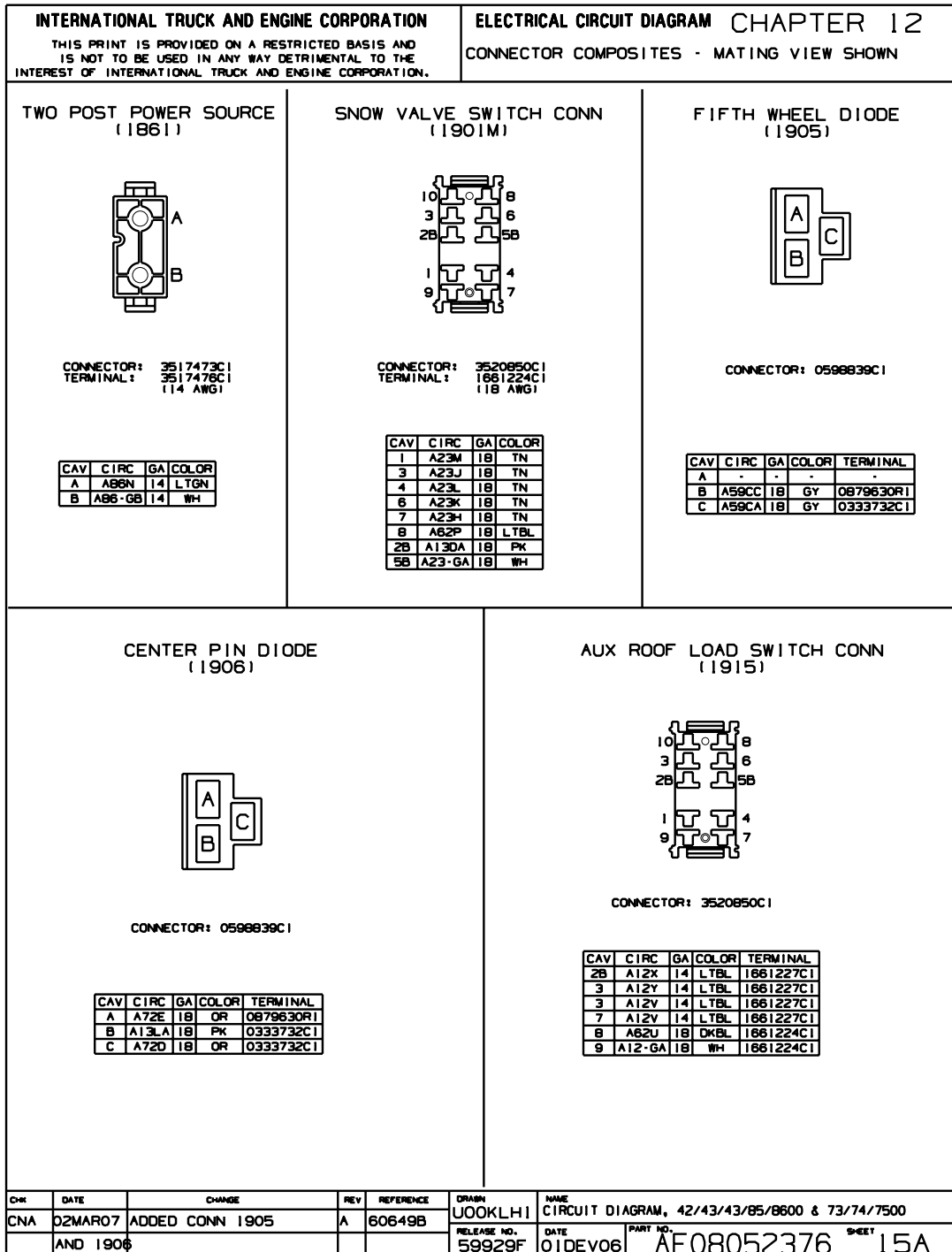


Figure 214 Connector Composites (1861), (1901M), (1905), (1906), (1915)

12.22. CONNECTOR COMPOSITES (1918), (1935), (1920), (2000), (2002M), (2003M), (2004M), (2005M), P. 16

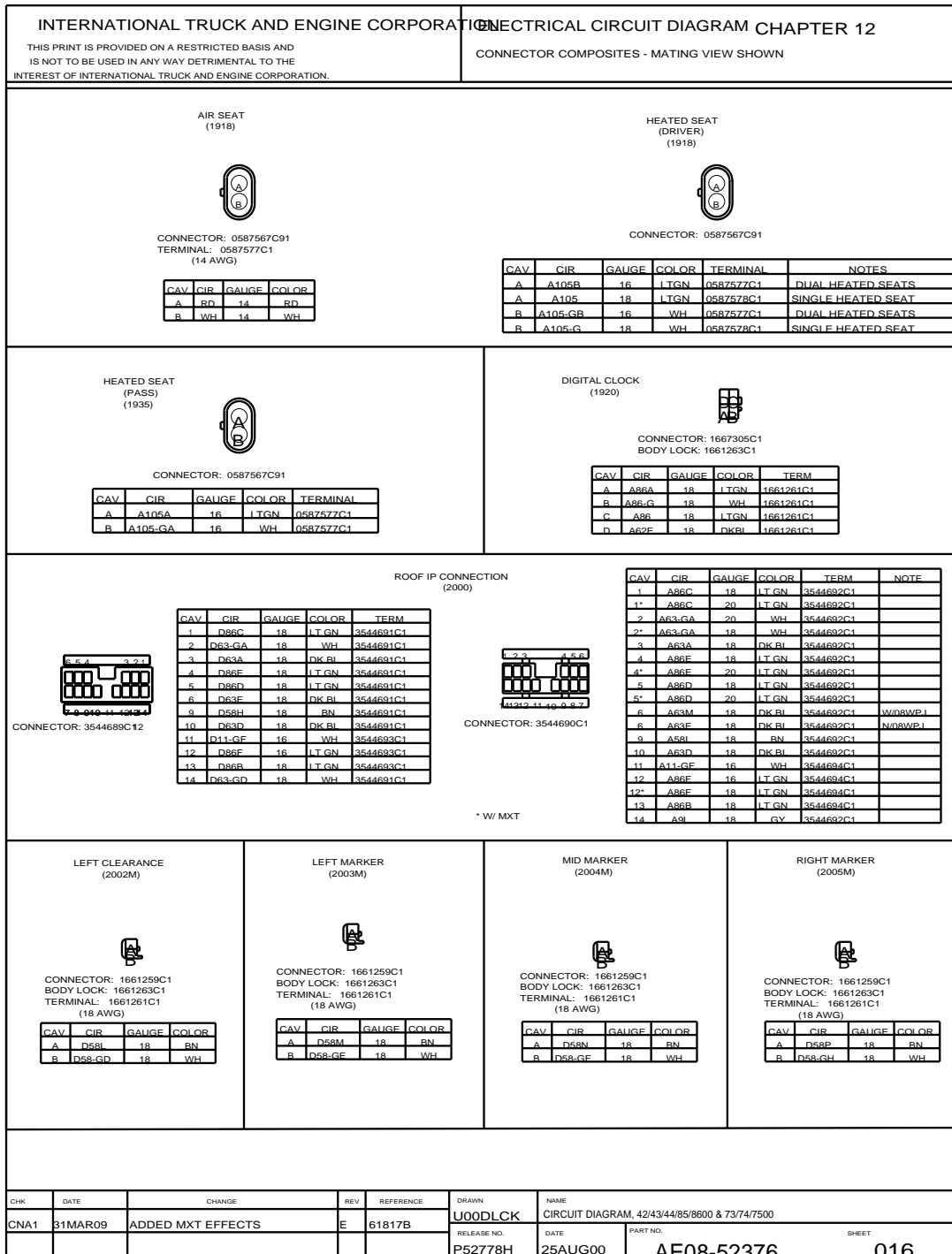


Figure 215 Connector Composites (1918), (1935), (1920), (2000), (2002M), (2003M), (2004M), (2005M)

12.23. CONNECTOR COMPOSITES (2006M), (2007F), (2021F), (2021M), (2111M), (2112M), (2113M), (2114M), (2115M), (2116M), (2117M), (2301M), (2302M), (2303M), P. 17

INTERNATIONAL TRUCK AND ENGINE CORPORATION THIS PRINT IS PROVIDED ON A RESTRICTED BASIS AND IS NOT TO BE USED IN ANY WAY DETRIMENTAL TO THE INTEREST OF INTERNATIONAL TRUCK AND ENGINE CORPORATION.		ELECTRICAL CIRCUIT DIAGRAM CHAPTER 12 CONNECTOR COMPOSITES - MATING VIEW SHOWN																																																																																													
<p>RIGHT CLEARANCE (2006M)</p> <p>CONNECTOR: 1661259C1 BODY LOCK: 1661263C1 TERMINAL: 1661261C1 (18 AWG)</p> <table border="1"> <tr><th>CAV</th><th>CIR</th><th>GAUGE</th><th>COLOR</th></tr> <tr><td>A</td><td>D58R</td><td>18</td><td>BN</td></tr> <tr><td>B</td><td>D58-GJ</td><td>18</td><td>WH</td></tr> </table>	CAV	CIR	GAUGE	COLOR	A	D58R	18	BN	B	D58-GJ	18	WH	<p>SUNSHADE (2007F)</p> <p>CONNECTOR: 1661260C1 BODY LOCK: 1661264C1 TERMINAL: 1661262C1 (18 AWG)</p> <table border="1"> <tr><th>CAV</th><th>CIR</th><th>GAUGE</th><th>COLOR</th></tr> <tr><td>A</td><td>D58T</td><td>18</td><td>BN</td></tr> <tr><td>B</td><td>D58-GL</td><td>18</td><td>WH</td></tr> </table>	CAV	CIR	GAUGE	COLOR	A	D58T	18	BN	B	D58-GL	18	WH	<p>AUX ROOF/IP CONNECTION (2021F)</p> <p>CONNECTOR: 3554818C1 BODY LOCK: 3554821C1 TERMINAL: 3534167C1 (14AWG) TERMINAL: 1661212C1 (18AWG)</p> <table border="1"> <tr><th>CAV</th><th>CIR</th><th>GAUGE</th><th>COLOR</th></tr> <tr><td>A</td><td>D58W</td><td>14</td><td>BN</td></tr> <tr><td></td><td>BK</td><td>18</td><td>BK</td></tr> <tr><td>B</td><td>D58-GW</td><td>14</td><td>WH</td></tr> <tr><td></td><td>WH</td><td>18</td><td>WH</td></tr> </table>	CAV	CIR	GAUGE	COLOR	A	D58W	14	BN		BK	18	BK	B	D58-GW	14	WH		WH	18	WH	<p>IP/AUX ROOF CONNECTION (2021M)</p> <p>CONNECTOR: 3554817C1 BODY LOCK: 3554820C1 TERMINAL: 3534165C1 (14AWG) TERMINAL: 3534164C1 (18AWG)</p> <table border="1"> <tr><th>CAV</th><th>CIR</th><th>GAUGE</th><th>COLOR</th></tr> <tr><td>A</td><td>A12U</td><td>14</td><td>LTBL</td></tr> <tr><td></td><td>A58AD</td><td>18</td><td>BN</td></tr> <tr><td>B</td><td>A12-GB</td><td>14</td><td>WH</td></tr> <tr><td></td><td>A11-GHF</td><td>18</td><td>WH</td></tr> </table>	CAV	CIR	GAUGE	COLOR	A	A12U	14	LTBL		A58AD	18	BN	B	A12-GB	14	WH		A11-GHF	18	WH																												
CAV	CIR	GAUGE	COLOR																																																																																												
A	D58R	18	BN																																																																																												
B	D58-GJ	18	WH																																																																																												
CAV	CIR	GAUGE	COLOR																																																																																												
A	D58T	18	BN																																																																																												
B	D58-GL	18	WH																																																																																												
CAV	CIR	GAUGE	COLOR																																																																																												
A	D58W	14	BN																																																																																												
	BK	18	BK																																																																																												
B	D58-GW	14	WH																																																																																												
	WH	18	WH																																																																																												
CAV	CIR	GAUGE	COLOR																																																																																												
A	A12U	14	LTBL																																																																																												
	A58AD	18	BN																																																																																												
B	A12-GB	14	WH																																																																																												
	A11-GHF	18	WH																																																																																												
<p>RIGHT DOOR DOME SWITCH (2111M)</p> <p>CONNECTOR: 2036584C1 TERMINAL: 2036586C1 (18 AWG)</p> <table border="1"> <tr><th>CAV</th><th>CIR</th><th>GAUGE</th><th>COLOR</th></tr> <tr><td>A</td><td>D63B</td><td>18</td><td>DKBL</td></tr> <tr><td>B</td><td>D6N</td><td>18</td><td>GY</td></tr> </table>	CAV	CIR	GAUGE	COLOR	A	D63B	18	DKBL	B	D6N	18	GY	<p>LEFT DOOR DOME SWITCH (2112M)</p> <p>CONNECTOR: 2036584C1 TERMINAL: 2036586C1 (18 AWG)</p> <table border="1"> <tr><th>CAV</th><th>CIR</th><th>GAUGE</th><th>COLOR</th><th>NOTES</th></tr> <tr><td>A</td><td>D63H</td><td>18</td><td>DKBL</td><td></td></tr> <tr><td></td><td>D63A</td><td>18</td><td>DKBL</td><td>PTC</td></tr> <tr><td>B</td><td>D9D</td><td>18</td><td>GY</td><td></td></tr> <tr><td></td><td>D9L</td><td>18</td><td>GY</td><td>PTC</td></tr> </table>	CAV	CIR	GAUGE	COLOR	NOTES	A	D63H	18	DKBL			D63A	18	DKBL	PTC	B	D9D	18	GY			D9L	18	GY	PTC	<p>RIGHT CREW DOOR DOME SWITCH (2113M)</p> <p>CONNECTOR: 2036584C1 TERMINAL: 2036586C1 (18 AWG)</p> <table border="1"> <tr><th>CAV</th><th>CIR</th><th>GAUGE</th><th>COLOR</th></tr> <tr><td>A</td><td>D63J</td><td>18</td><td>DKBL</td></tr> <tr><td>B</td><td>D9W</td><td>18</td><td>GY</td></tr> </table>	CAV	CIR	GAUGE	COLOR	A	D63J	18	DKBL	B	D9W	18	GY	<p>LEFT CREW DOOR DOME SWITCH (2114M)</p> <p>CONNECTOR: 2036584C1 TERMINAL: 2036586C1 (18 AWG)</p> <table border="1"> <tr><th>CAV</th><th>CIR</th><th>GAUGE</th><th>COLOR</th></tr> <tr><td>A</td><td>D63K</td><td>18</td><td>DKBL</td></tr> <tr><td>B</td><td>D9Y</td><td>18</td><td>GY</td></tr> </table>	CAV	CIR	GAUGE	COLOR	A	D63K	18	DKBL	B	D9Y	18	GY																															
CAV	CIR	GAUGE	COLOR																																																																																												
A	D63B	18	DKBL																																																																																												
B	D6N	18	GY																																																																																												
CAV	CIR	GAUGE	COLOR	NOTES																																																																																											
A	D63H	18	DKBL																																																																																												
	D63A	18	DKBL	PTC																																																																																											
B	D9D	18	GY																																																																																												
	D9L	18	GY	PTC																																																																																											
CAV	CIR	GAUGE	COLOR																																																																																												
A	D63J	18	DKBL																																																																																												
B	D9W	18	GY																																																																																												
CAV	CIR	GAUGE	COLOR																																																																																												
A	D63K	18	DKBL																																																																																												
B	D9Y	18	GY																																																																																												
<p>REAR DOME LIGHT (2115M)</p> <p>CONNECTOR: 1661889C1 BODY LOCK: 1661890C1 TERMINAL: 1661261C1 (18 AWG)</p> <table border="1"> <tr><th>CAV</th><th>CIR</th><th>GAUGE</th><th>COLOR</th></tr> <tr><td>A</td><td>D63L</td><td>18</td><td>DKBL</td></tr> <tr><td>B</td><td>D63-GH</td><td>18</td><td>WH</td></tr> <tr><td>C</td><td>D63K</td><td>18</td><td>DKBL</td></tr> </table>	CAV	CIR	GAUGE	COLOR	A	D63L	18	DKBL	B	D63-GH	18	WH	C	D63K	18	DKBL	<p>DOME LAMP (2116M)</p> <p>CONNECTOR: 3536187C1 BODY LOCK: 1661890C1 TERMINAL: 1661261C1 (18 AWG)</p> <table border="1"> <tr><th>CAV</th><th>CIR</th><th>GAUGE</th><th>COLOR</th><th>NOTES</th></tr> <tr><td>A</td><td>D63D</td><td>18</td><td>DKBL</td><td></td></tr> <tr><td>B</td><td>D63-GE</td><td>18</td><td>WH</td><td>W/DUAL CB</td></tr> <tr><td></td><td>C11-GF</td><td>18</td><td>WH</td><td>W/O CB</td></tr> <tr><td>C</td><td>C63E</td><td>18</td><td>DKBL</td><td></td></tr> </table>	CAV	CIR	GAUGE	COLOR	NOTES	A	D63D	18	DKBL		B	D63-GE	18	WH	W/DUAL CB		C11-GF	18	WH	W/O CB	C	C63E	18	DKBL		<p>DOME/READING LIGHT COMPASS/TEMP UNIT (2117M)</p> <p>CONNECTOR: 3515762C1 BODY LOCK: 3515764C1-2 TERMINAL: 1661261C1 (18 AWG)</p> <table border="1"> <tr><th>CAV</th><th>CIR</th><th>GAUGE</th><th>COLOR</th></tr> <tr><td>A</td><td>C41-G</td><td>18</td><td>WH</td></tr> <tr><td>B</td><td>C63-GE</td><td>18</td><td>WH</td></tr> <tr><td>C</td><td>C63D</td><td>18</td><td>DKBL</td></tr> <tr><td>D</td><td>C41B</td><td>18</td><td>GY</td></tr> <tr><td>E</td><td>C62F</td><td>18</td><td>DKBL</td></tr> <tr><td>F</td><td>C63E</td><td>18</td><td>DKBL</td></tr> <tr><td>G</td><td>C41</td><td>18</td><td>GY</td></tr> <tr><td>H</td><td>C41A</td><td>18</td><td>GY</td></tr> </table>	CAV	CIR	GAUGE	COLOR	A	C41-G	18	WH	B	C63-GE	18	WH	C	C63D	18	DKBL	D	C41B	18	GY	E	C62F	18	DKBL	F	C63E	18	DKBL	G	C41	18	GY	H	C41A	18	GY	<p>RIGHT REAR SPEAKER (2301M)</p> <p>CONNECTOR: 3535769C1 TERMINAL: 3535770C1</p> <table border="1"> <tr><th>CAV</th><th>CIR</th><th>GAUGE</th><th>COLOR</th><th>TERM</th></tr> <tr><td>A</td><td>D66D</td><td>18</td><td>LTGN</td><td>1661261C1</td></tr> <tr><td>B</td><td>D66E</td><td>18</td><td>LTGN</td><td>1661261C1</td></tr> </table>	CAV	CIR	GAUGE	COLOR	TERM	A	D66D	18	LTGN	1661261C1	B	D66E	18	LTGN	1661261C1
CAV	CIR	GAUGE	COLOR																																																																																												
A	D63L	18	DKBL																																																																																												
B	D63-GH	18	WH																																																																																												
C	D63K	18	DKBL																																																																																												
CAV	CIR	GAUGE	COLOR	NOTES																																																																																											
A	D63D	18	DKBL																																																																																												
B	D63-GE	18	WH	W/DUAL CB																																																																																											
	C11-GF	18	WH	W/O CB																																																																																											
C	C63E	18	DKBL																																																																																												
CAV	CIR	GAUGE	COLOR																																																																																												
A	C41-G	18	WH																																																																																												
B	C63-GE	18	WH																																																																																												
C	C63D	18	DKBL																																																																																												
D	C41B	18	GY																																																																																												
E	C62F	18	DKBL																																																																																												
F	C63E	18	DKBL																																																																																												
G	C41	18	GY																																																																																												
H	C41A	18	GY																																																																																												
CAV	CIR	GAUGE	COLOR	TERM																																																																																											
A	D66D	18	LTGN	1661261C1																																																																																											
B	D66E	18	LTGN	1661261C1																																																																																											
<p>LEFT REAR SPEAKER (2302M)</p> <p>CONNECTOR: 3535769C1 TERMINAL: 3535770C1 TERMINAL: 1661261C1 (18 AWG)</p> <table border="1"> <tr><th>CAV</th><th>CIR</th><th>GAUGE</th><th>COLOR</th></tr> <tr><td>A</td><td>D66B</td><td>18</td><td>LTGN</td></tr> <tr><td>B</td><td>D66C</td><td>18</td><td>LTGN</td></tr> </table>	CAV	CIR	GAUGE	COLOR	A	D66B	18	LTGN	B	D66C	18	LTGN	<p>CB RADIO POWER (2303M)</p> <p>CONNECTOR: 1661197C1 TERMINAL: 1661212C1 (18 AWG)</p> <table border="1"> <tr><th>CAV</th><th>CIR</th><th>GAUGE</th><th>COLOR</th></tr> <tr><td>A</td><td>C86F</td><td>18</td><td>LTGN</td></tr> <tr><td>B</td><td>C86-GF</td><td>18</td><td>WH</td></tr> </table>	CAV	CIR	GAUGE	COLOR	A	C86F	18	LTGN	B	C86-GF	18	WH																																																																						
CAV	CIR	GAUGE	COLOR																																																																																												
A	D66B	18	LTGN																																																																																												
B	D66C	18	LTGN																																																																																												
CAV	CIR	GAUGE	COLOR																																																																																												
A	C86F	18	LTGN																																																																																												
B	C86-GF	18	WH																																																																																												
<table border="1"> <tr><th>CHK</th><th>DATE</th><th>CHANGE</th><th>REV</th><th>REFERENCE</th><th>DRAWN</th><th>NAME</th></tr> <tr><td>CNA</td><td>22DEC05</td><td>COMBINED 2021F/2022F AND 2021M/2022M.</td><td>C</td><td>59581V</td><td>UOODLCK</td><td>42/43/44/85/8600 & 73/74/7500 CIRC DIAGRAMS</td></tr> <tr><td></td><td></td><td></td><td></td><td></td><td>RELEASE NO. P52778H</td><td>DATE 25AUG00 PART NO. AE08-52376 SHEET 17</td></tr> </table>	CHK	DATE	CHANGE	REV	REFERENCE	DRAWN	NAME	CNA	22DEC05	COMBINED 2021F/2022F AND 2021M/2022M.	C	59581V	UOODLCK	42/43/44/85/8600 & 73/74/7500 CIRC DIAGRAMS						RELEASE NO. P52778H	DATE 25AUG00 PART NO. AE08-52376 SHEET 17																																																																										
CHK	DATE	CHANGE	REV	REFERENCE	DRAWN	NAME																																																																																									
CNA	22DEC05	COMBINED 2021F/2022F AND 2021M/2022M.	C	59581V	UOODLCK	42/43/44/85/8600 & 73/74/7500 CIRC DIAGRAMS																																																																																									
					RELEASE NO. P52778H	DATE 25AUG00 PART NO. AE08-52376 SHEET 17																																																																																									

Figure 216 Connector Composites (2006M), (2007F), (2021F), (2021M), (2111M), (2112M), (2113M), (2114M), (2115M), (2116M), (2117M), (2301M), (2302M), (2303M)

12.24. CONNECTOR COMPOSITES (2304M), (2305M), (2306M), (2307F), (2308F), (2502F), (2502M), (2503F, M), (2600F, M), P. 18

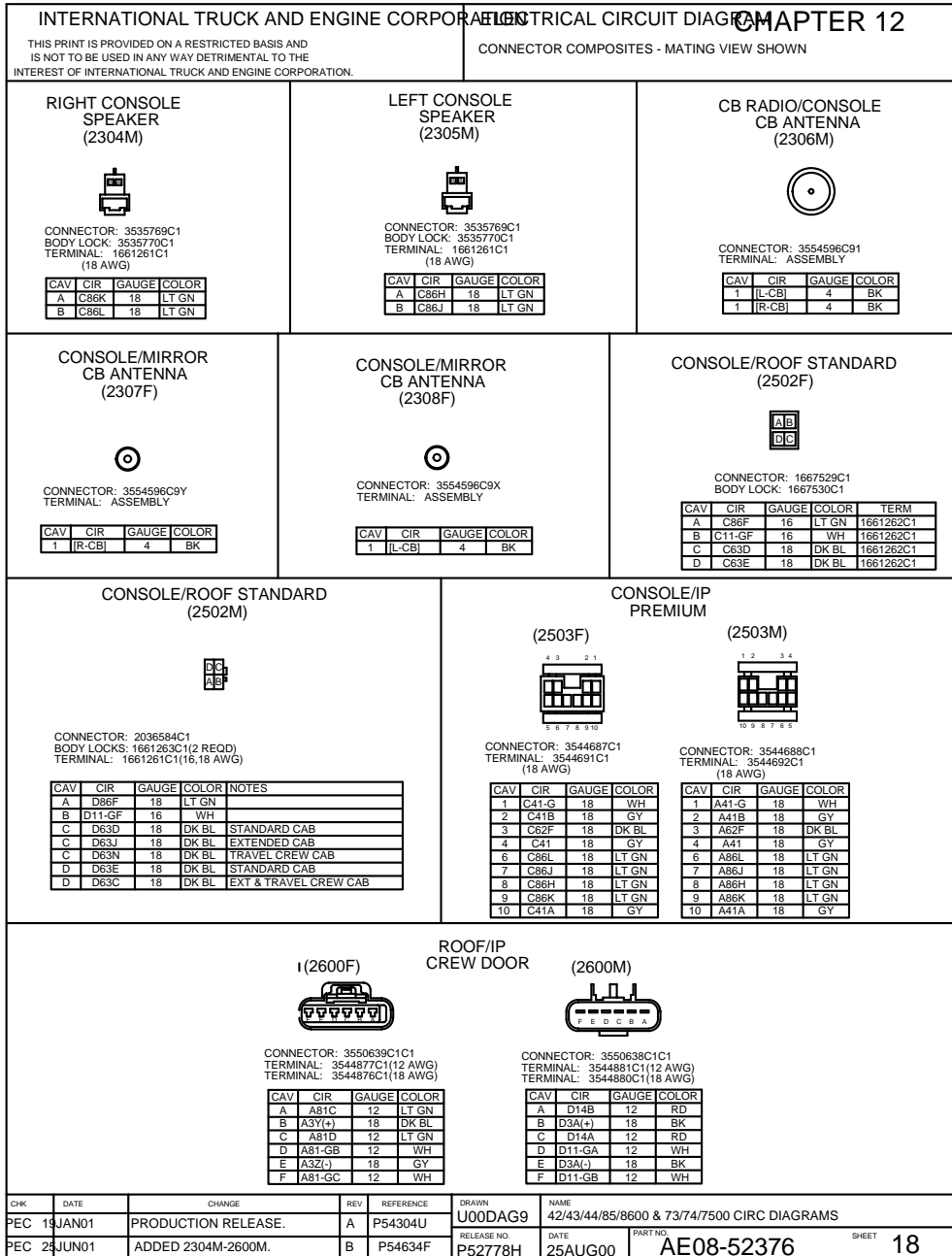


Figure 217 Connector Composites (2304M), (2305M), (2306M), (2307F), (2308F), (2502F), (2502M), (2503F, M), (2600F, M)

12.25. CONNECTOR COMPOSITES (2601M, F), (2602M, F), (3000M), (3000F), (3002M), (3003), (3100M), (3200F, M), (3201M), (3202), (3203M), P. 19

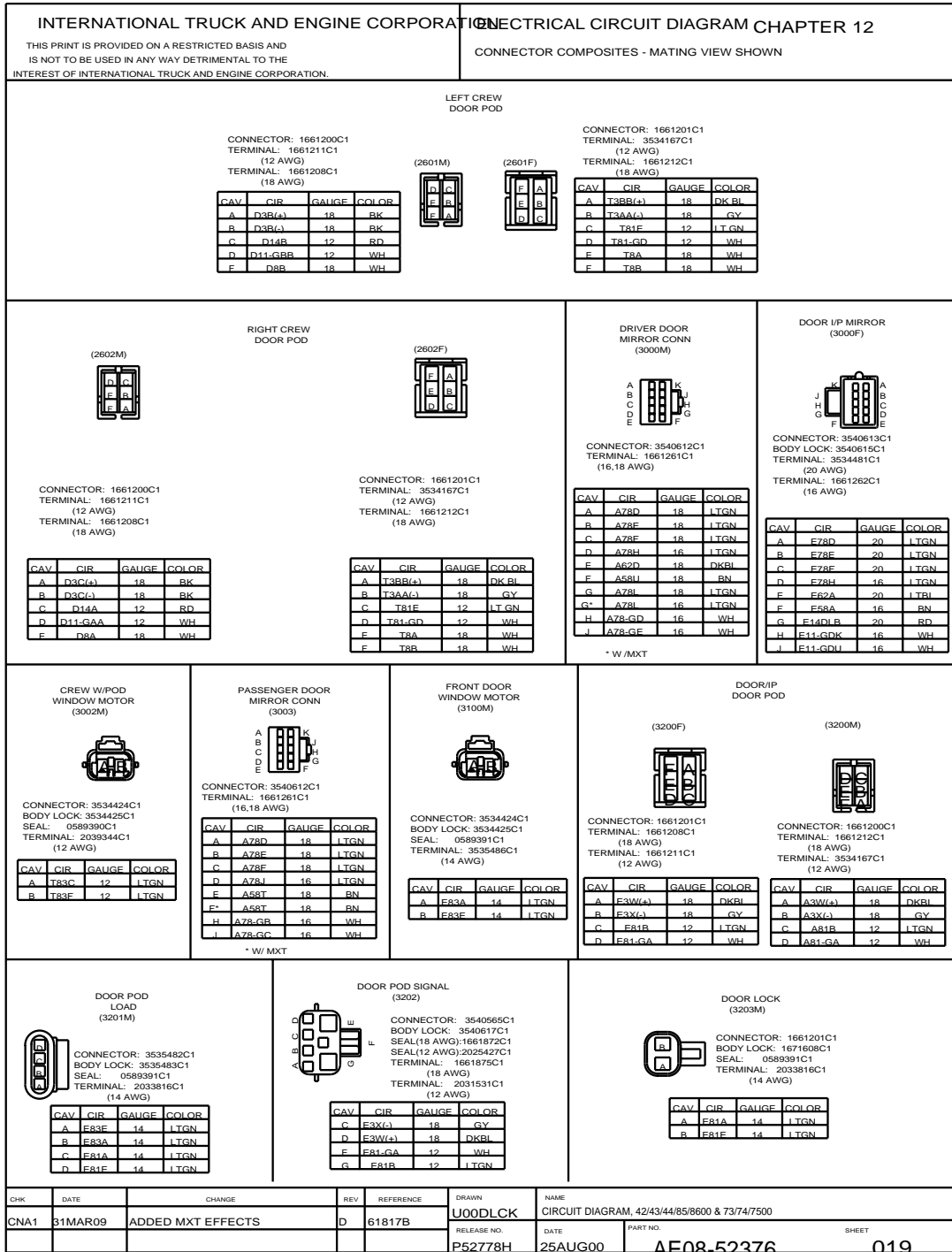


Figure 218 Connector Composites (2601M, F), (2602M, F), (3000M), (3000F), (3002M), (3003), (3100M), (3200F, M), (3201M), (3202), (3203M)

12.26. CONNECTOR COMPOSITES (3204M, F), (3209), (3210M), (3211M), (4000), P. 20

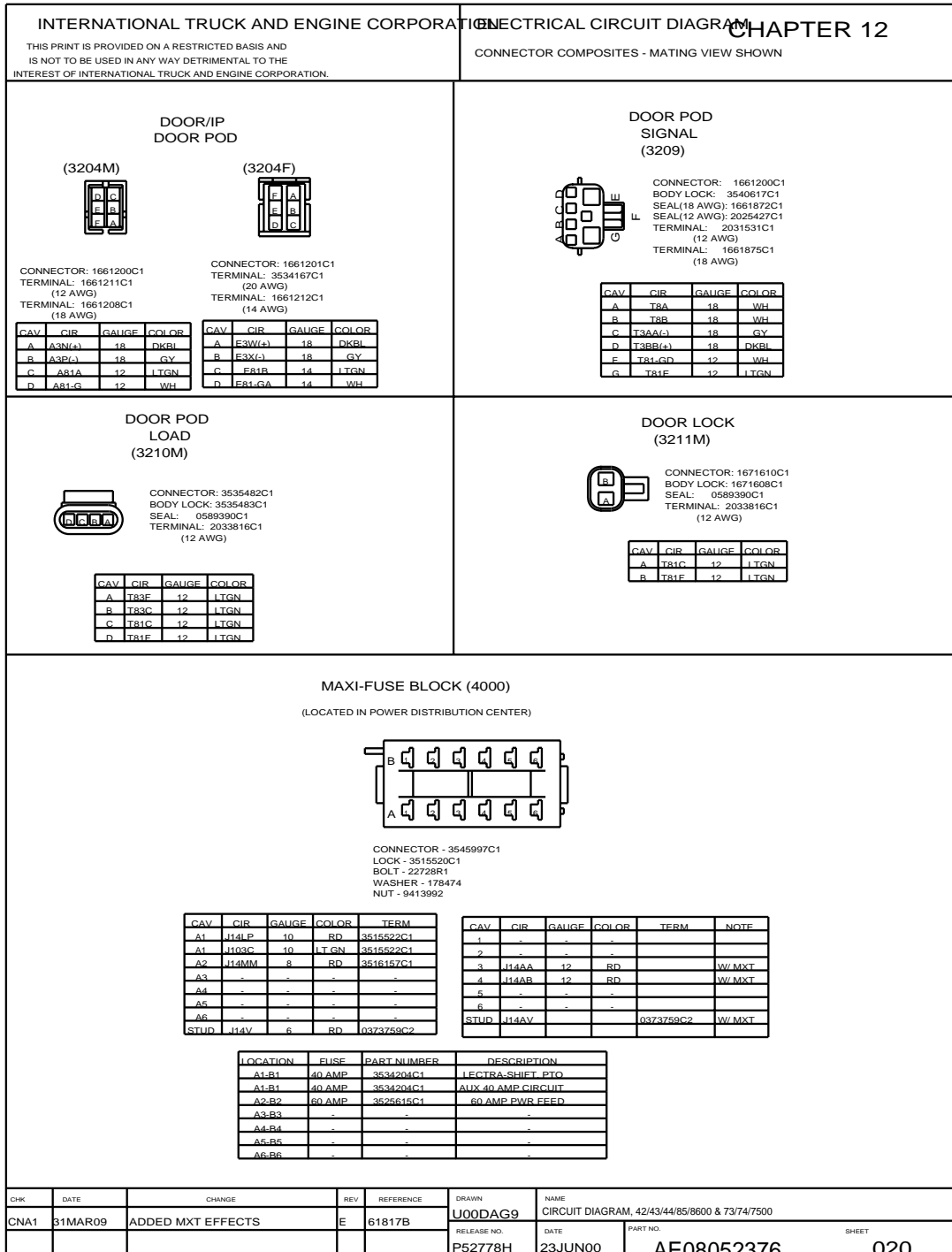


Figure 219 Connector Composites (3204M, F), (3209), (3210M), (3211M), (4000)

12.27. CONNECTOR COMPOSITE (4001), P. 21

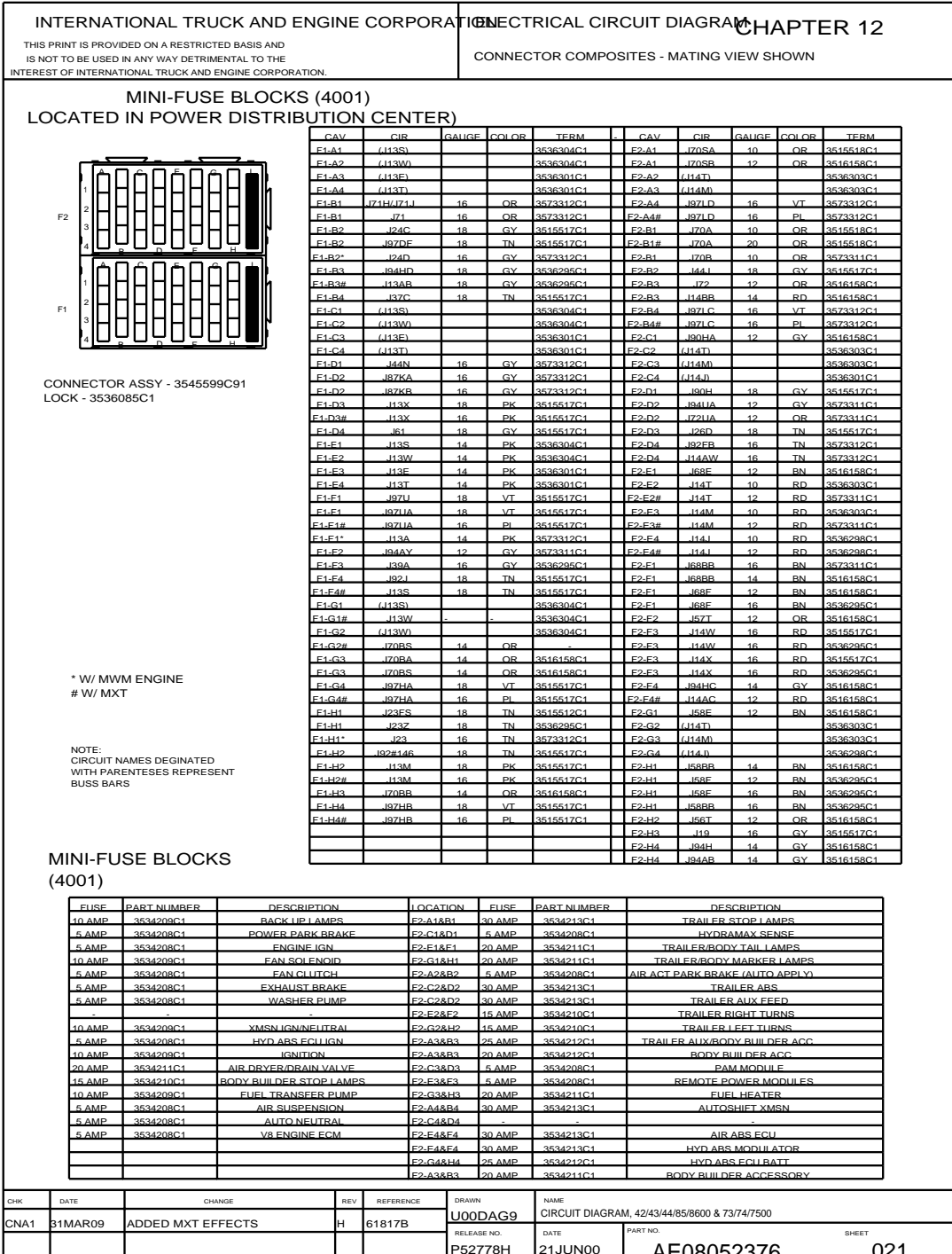


Figure 220 Connector Composite (4001)

12.28. CONNECTOR COMPOSITE (4002), P. 22

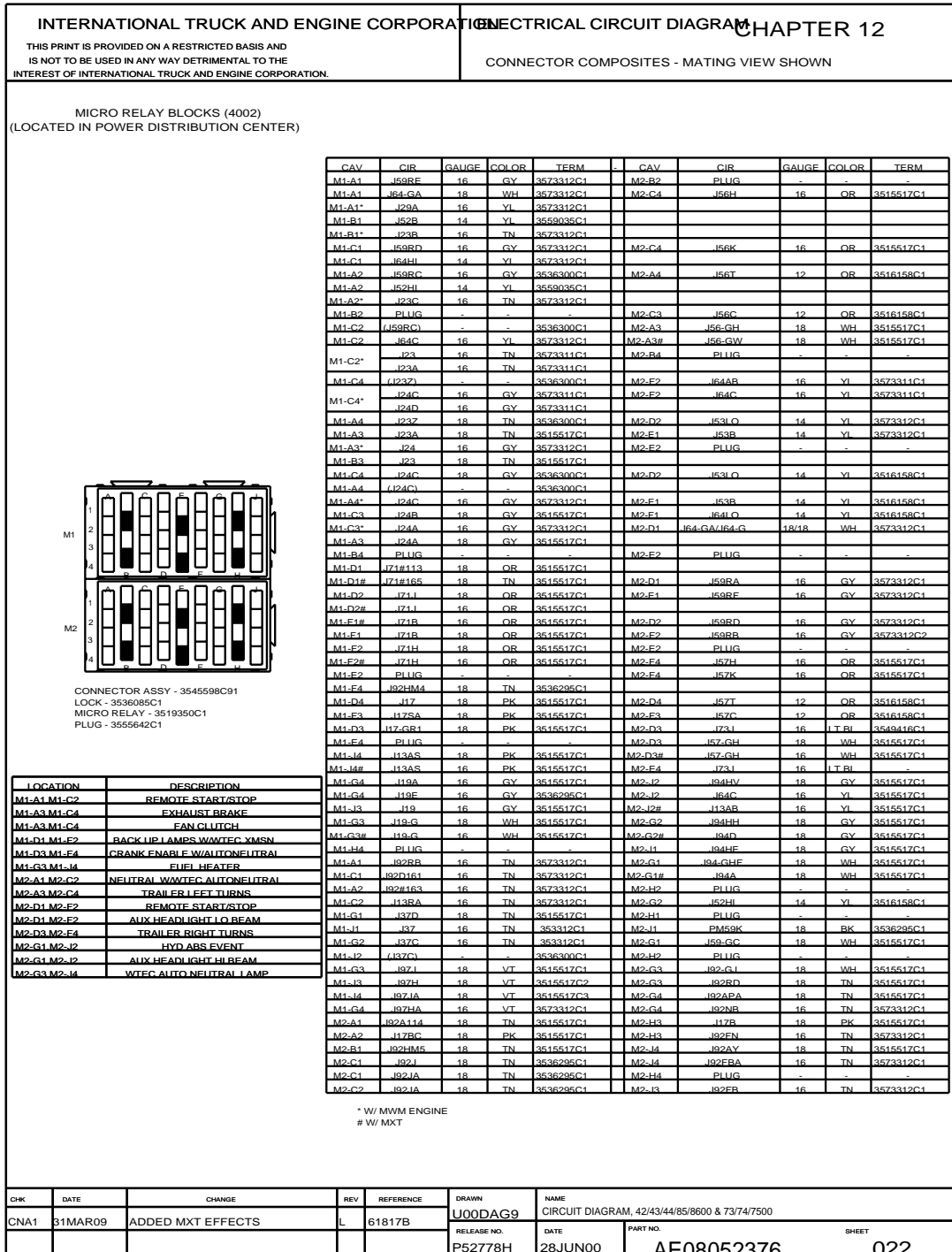


Figure 221 Connector Composite (4002)

12.29. CONNECTOR COMPOSITE (4003), P. 23

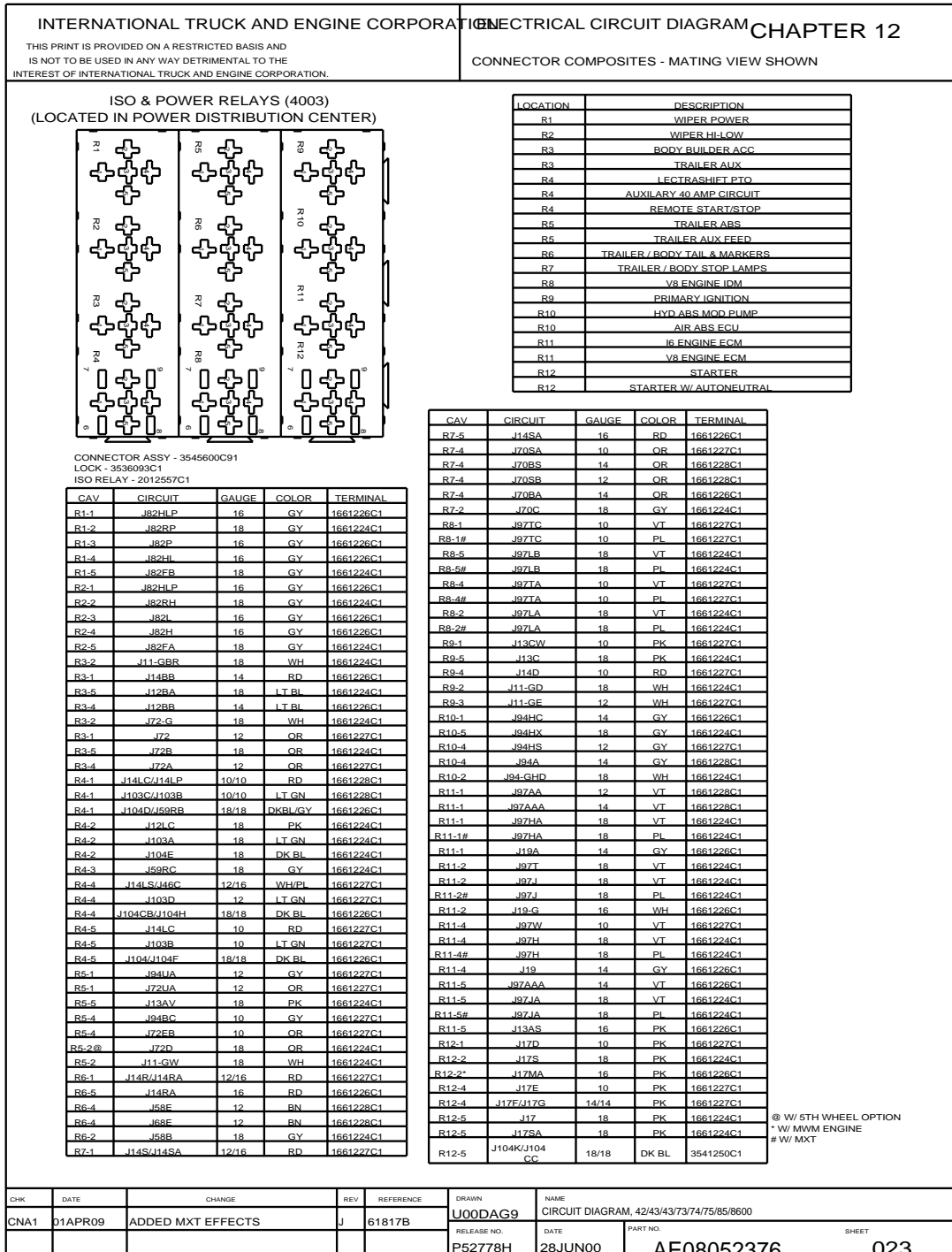
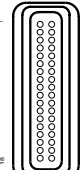


Figure 222 Connector Composite (4003)

12.30. CONNECTOR COMPOSITES (4004), (4007), (4008), P. 24

INTERNATIONAL TRUCK AND ENGINE CORPORATION				ELECTRICAL CIRCUIT DIAGRAM				CHAPTER 12			
THIS PRINT IS PROVIDED ON A RESTRICTED BASIS AND IS NOT TO BE USED IN ANY WAY DETRIMENTAL TO THE INTEREST OF INTERNATIONAL TRUCK AND ENGINE CORPORATION.				CONNECTOR COMPOSITES - MATING VIEW SHOWN							

SYSTEM CONTROLLER (4004)
(LOCATED ON EXTERIOR DASH PANEL LEFT SIDE)




CONNECTOR - 3533834C1
BACKSHELL - 3533832C1
CPA - 3533836C1
RETAINER - 3533833C1
COVER - 3533834C1
SEAL - 3533835C1
PLUG - 3518314C1

* W/ MXT VEHICLE

CAV	CIR	GAUGE	COLOR	TERM	NOTES
1	J32A	18	TN	3517243C1	
2	J32	18	TN	3517243C1	W/ AXLE TEMP
3	J31	18	TN	3517243C1	
3	J31F	18	TN	3517243C1	
3	J88B	18	LT GN	3517243C1	W/ HOURMETER
4	J36B	18	TN	3517243C1	
4	J36A	18	TN	3517243C1	
6	J77A	20	LT GN	3517243C1	
7	J77D	20	LT GN	3517243C1	
8	J77C	20	LT GN	3517243C1	
9	J104A	18	DK BL	3517243C1	
10	J30A	18	TN	3517243C1	
11	J18D	18	GY	3517243C1	
11	J18C	18	GY	3517243C1	
12	J87C	18	GY	3517243C1	
12	J87CA	18	GY	3517243C1	
13	J61C	18	GY	3517243C1	
13	J94HH	18	GY	3517243C1	W/ HYD ABS
13	J40F	18	GY	3517243C1	W/ AIR APP GAUGE
14	PLUG	-	-	-	
15	J70NV	18	RD	3517243C1	
15	PLUG	-	-	-	
16	J44M	18	GY	3517243C1	
17	J58B	18	GY	3517243C1	
18	J93	18	TN	3517243C1	W/ 2SPD AXLE & MAN XMSN

CAV	CIR	GAUGE	COLOR	TERM
19	J92DL	18	TN	3517243C1
19	J92RD	18	TN	3517243C1
20	J82BH	18	GY	3517243C1
21	J70C	18	GY	3517243C1
22	J69C	18	GY	3517243C1
23	J94HP	18	GY	3517243C1
24	J59B	18	GY	3517243C1
25	J37D	18	TN	3517243C1
26	J9A	18	GY	3517243C1
27	J6A	18	GY	3517243C1
28	J90J	18	GY	3517243C1
28	J82RP	18	GY	3517243C1
30	J59D	18	GY	3517243C1
31	J59A	18	GY	3517243C1
32	J104	18	DKBL	3517243C1
32	J64AB	18	YL	3517243C1
33	PLUG	-	-	-
33*	J70G	18	GY	
34	J5M(+)	20	YL	3517243C1
35	J5M(-)	20	GN	3517243C1
36	PLUG	-	-	-

SYSTEM CONTROLLER BROWN (4007)

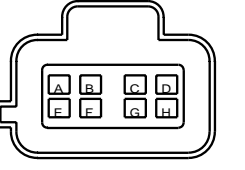


CONNECTOR - 3548934C1
LOCK - 3548943C1
PLUG - 3535938C1

(LOCATED ON EXTERIOR DASH PANEL LEFT SIDE)

CAV	CIR	GAUGE	COLOR	TERM	SEAL	NOTES
A	J64A	12	BN	3534163C1	3548945C1	W/ FOG LIGHTS
B	J57AA	16	OR	3535930C1	3535938C1	
C	J56AA	16	OR	3535930C1	3535938C1	
D	J53A	14	YL	3535931C1	3535937C1	N/AUX HEADLIGHTS
D	J53LO	14	YL	3535931C1	3535937C1	W/AUX HEADLIGHTS
E	J85AA	16	GY	3535930C1	3535938C1	
F	J65	16	OR	3535930C1	3535938C1	
G	J52HI	14	YL	3535931C1	3535937C1	W/AUX HEADLIGHTS
G	J52A	14	YL	3535931C1	3535937C1	N/AUX HEADLIGHTS
H	J58A	14	BN	3535931C1	3535937C1	

SYSTEM CONTROLLER BLUE (4008)



CONNECTOR - 3548933C1
LOCK - 3548943C1
PLUG - 3535938C1

(LOCATED ON EXTERIOR DASH PANEL LEFT SIDE)

CAV	CIR	GAUGE	COLOR	TERM	SEAL	NOTES
A	J59F	16	GY	3535930C1	3535938C1	W/SOLENOID 7-PACK
A	J59E	14	GY	3535931C1	3535937C1	W/SOLENOID 4-PACK
B	J57J	16	OR	3535930C1	3535938C1	
C	J56J	16	OR	3535930C1	3535938C1	
D	J90HA	12	GY	3534163C1	3548945C1	
E	PLUG	-	-	-	-	
F	J82F	16	GY	3535930C1	3535938C1	
G	J77B	16	LT GN	3535930C1	3535938C1	
H	PLUG	-	-	-	-	

CHK	DATE	CHANGE	REV	REFERENCE	DRAWN	NAME
CNA1	31MAR09	ADDED MXT EFFECTS	H	61817B	U00DAG9	CIRCUIT DIAGRAM, 42/43/44/85/8600 & 73/74/7500
					RELEASE NO. P52778H	DATE 26 JUN 00
						PART NO. AE08-52376
						SHEET 024

Figure 223 Connector Composites (4004), (4007), (4008)

12.31. CONNECTOR COMPOSITE (4014), P. 25

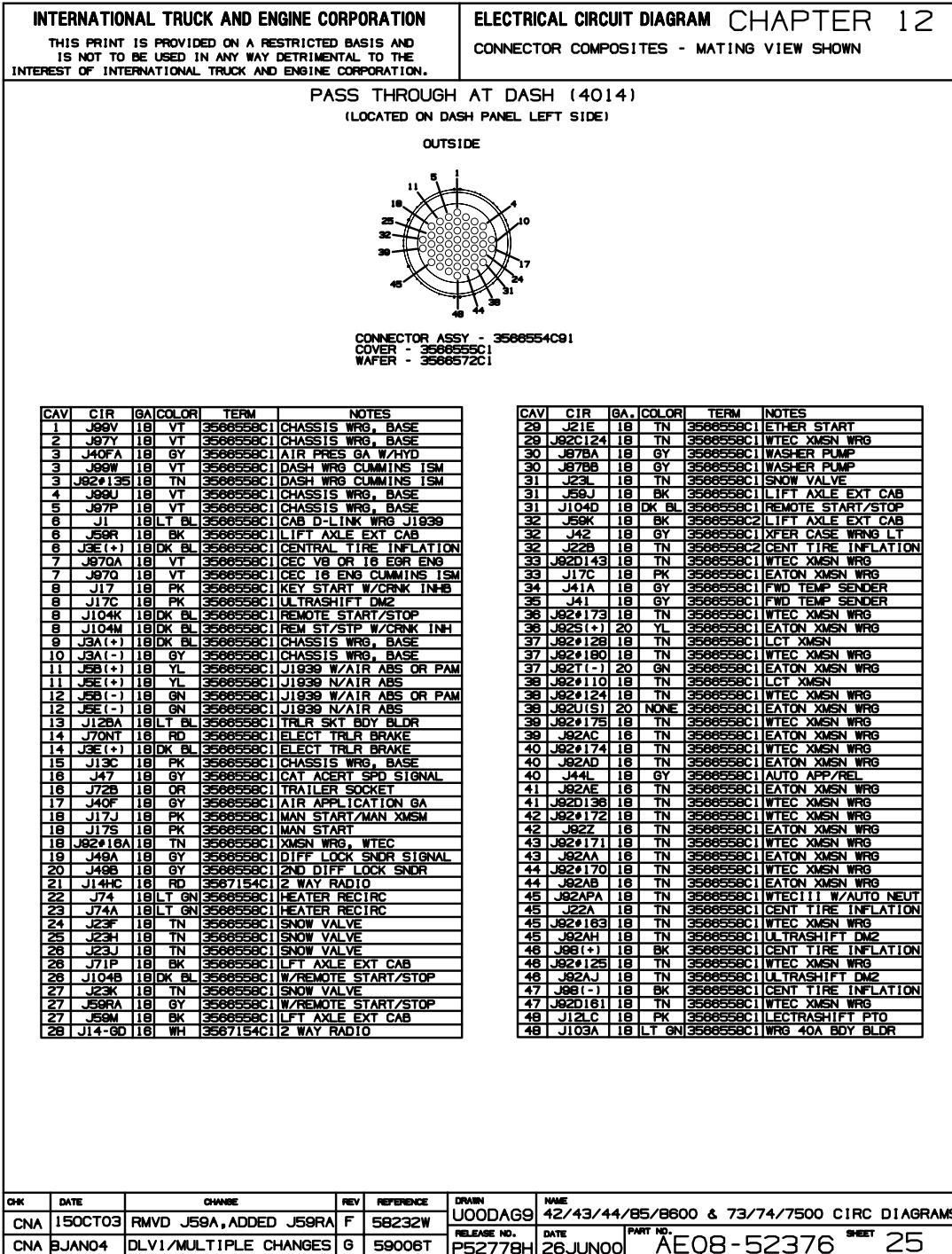


Figure 224 Connector Composite (4014)

12.32. CONNECTOR COMPOSITE (4014/1700), P. 26

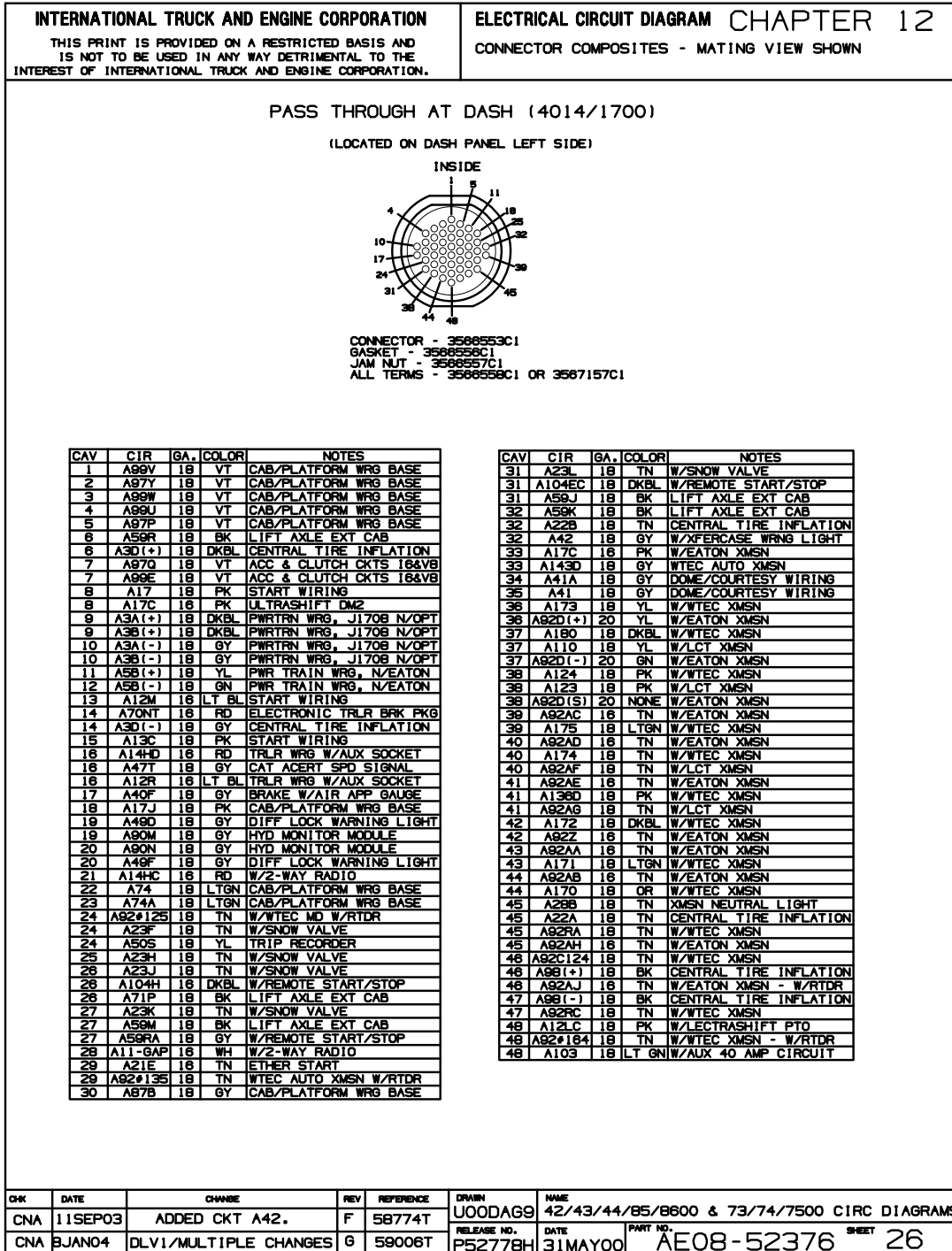


Figure 225 Connector Composite (4014/1700)

12.33. CONNECTOR COMPOSITES (4015), (4017), (4018), (4019), (4020), (4021), (4022), (4023), P. 27



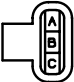



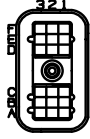
INTERNATIONAL TRUCK AND ENGINE CORPORATION				ELECTRICAL CIRCUIT DIAGRAM CHAPTER 12																																																																																																						
THIS PRINT IS PROVIDED ON A RESTRICTED BASIS AND IS NOT TO BE USED IN ANY WAY DETRIMENTAL TO THE INTEREST OF INTERNATIONAL TRUCK AND ENGINE CORPORATION.				CONNECTOR COMPOSITES - MATING VIEW SHOWN																																																																																																						
WIPER MOTOR (4015) (LOCATED ON EXTERIOR DASH PANEL, CENTER)				HVAC RECIRC MOTOR (4017) (LOCATED ON EXTERIOR DASH PANEL, RIGHT SIDE)																																																																																																						
	<table border="1" style="font-size: x-small;"> <thead> <tr><th>CAV</th><th>CIR</th><th>GAUGE</th><th>COLOR</th><th>TERM</th><th>SEAL</th></tr> </thead> <tbody> <tr><td>A</td><td>J82B</td><td>18</td><td>GY</td><td>2033819C1</td><td>1652325C1</td></tr> <tr><td>B</td><td>J82P</td><td>18</td><td>GY</td><td>2033819C1</td><td>1652325C1</td></tr> <tr><td>C</td><td>J82-G</td><td>18</td><td>WH</td><td>2033819C1</td><td>1652325C1</td></tr> <tr><td>D</td><td>J82H</td><td>18</td><td>GY</td><td>2033819C1</td><td>1652325C1</td></tr> <tr><td>E</td><td>J82L</td><td>18</td><td>GY</td><td>2033819C1</td><td>1652325C1</td></tr> </tbody> </table>			CAV	CIR	GAUGE	COLOR	TERM	SEAL	A	J82B	18	GY	2033819C1	1652325C1	B	J82P	18	GY	2033819C1	1652325C1	C	J82-G	18	WH	2033819C1	1652325C1	D	J82H	18	GY	2033819C1	1652325C1	E	J82L	18	GY	2033819C1	1652325C1	<table border="1" style="font-size: x-small;"> <thead> <tr><th>CAV</th><th>CIR</th><th>GAUGE</th><th>COLOR</th><th>TERM</th><th>SEAL</th></tr> </thead> <tbody> <tr><td>A</td><td>J74</td><td>18</td><td>LT GN</td><td>1661875C1</td><td>1661872C1</td></tr> <tr><td>B</td><td>PLUG</td><td>-</td><td>-</td><td>-</td><td>-</td></tr> <tr><td>C</td><td>PLUG</td><td>-</td><td>-</td><td>-</td><td>-</td></tr> <tr><td>D</td><td>PLUG</td><td>-</td><td>-</td><td>-</td><td>-</td></tr> <tr><td>E</td><td>PLUG</td><td>-</td><td>-</td><td>-</td><td>-</td></tr> <tr><td>F</td><td>J74A</td><td>18</td><td>LT GN</td><td>1661875C1</td><td>1661872C1</td></tr> </tbody> </table>			CAV	CIR	GAUGE	COLOR	TERM	SEAL	A	J74	18	LT GN	1661875C1	1661872C1	B	PLUG	-	-	-	-	C	PLUG	-	-	-	-	D	PLUG	-	-	-	-	E	PLUG	-	-	-	-	F	J74A	18	LT GN	1661875C1	1661872C1																						
CAV	CIR	GAUGE	COLOR	TERM	SEAL																																																																																																					
A	J82B	18	GY	2033819C1	1652325C1																																																																																																					
B	J82P	18	GY	2033819C1	1652325C1																																																																																																					
C	J82-G	18	WH	2033819C1	1652325C1																																																																																																					
D	J82H	18	GY	2033819C1	1652325C1																																																																																																					
E	J82L	18	GY	2033819C1	1652325C1																																																																																																					
CAV	CIR	GAUGE	COLOR	TERM	SEAL																																																																																																					
A	J74	18	LT GN	1661875C1	1661872C1																																																																																																					
B	PLUG	-	-	-	-																																																																																																					
C	PLUG	-	-	-	-																																																																																																					
D	PLUG	-	-	-	-																																																																																																					
E	PLUG	-	-	-	-																																																																																																					
F	J74A	18	LT GN	1661875C1	1661872C1																																																																																																					
CONNECTOR - 1661375C2 LOCK - 1661376C1				CONNECTOR - 2011340C1 LOCK - 2011364C1 PLUG - 2025431C1																																																																																																						
A/C ACCUMULATOR THERMISTOR #2 (4018) (LOCATED ON EXTERIOR DASH PANEL RIGHT SIDE)				A/C ACCUMULATOR THERMISTOR #1 (4019) (LOCATED ON EXTERIOR DASH PANEL RIGHT SIDE)																																																																																																						
	<table border="1" style="font-size: x-small;"> <thead> <tr><th>CAV</th><th>CIR</th><th>GAUGE</th><th>COLOR</th><th>TERM</th></tr> </thead> <tbody> <tr><td>A</td><td>J77A</td><td>20</td><td>LT GN</td><td>3536590C1</td></tr> <tr><td>B</td><td>J9J</td><td>20</td><td>GY</td><td>3536590C1</td></tr> </tbody> </table>			CAV	CIR	GAUGE	COLOR	TERM	A	J77A	20	LT GN	3536590C1	B	J9J	20	GY	3536590C1	<table border="1" style="font-size: x-small;"> <thead> <tr><th>CAV</th><th>CIR</th><th>GAUGE</th><th>COLOR</th><th>TERM</th></tr> </thead> <tbody> <tr><td>A</td><td>J77D</td><td>20</td><td>LT GN</td><td>3536590C1</td></tr> <tr><td>B</td><td>J9K</td><td>20</td><td>GY</td><td>3536590C1</td></tr> </tbody> </table>			CAV	CIR	GAUGE	COLOR	TERM	A	J77D	20	LT GN	3536590C1	B	J9K	20	GY	3536590C1																																																																						
CAV	CIR	GAUGE	COLOR	TERM																																																																																																						
A	J77A	20	LT GN	3536590C1																																																																																																						
B	J9J	20	GY	3536590C1																																																																																																						
CAV	CIR	GAUGE	COLOR	TERM																																																																																																						
A	J77D	20	LT GN	3536590C1																																																																																																						
B	J9K	20	GY	3536590C1																																																																																																						
CONNECTOR - 3535379C1 LOCK - 3536591C1				CONNECTOR - 3535379C1 LOCK - 3536591C1																																																																																																						
FUEL FILTER & WARN LIGHTS (4020) (LOCATED NEAR WIPER MOTOR BRACKET)																																																																																																										
	<table border="1" style="font-size: x-small;"> <thead> <tr><th>CAV</th><th>CIR</th><th>GAUGE</th><th>COLOR</th><th>TERM</th><th>SEAL</th></tr> </thead> <tbody> <tr><td>A</td><td>J18A</td><td>18</td><td>GY</td><td>2033819C1</td><td>1652325C1</td></tr> <tr><td>B</td><td>J18B</td><td>18</td><td>GY</td><td>2033819C1</td><td>2517771C1</td></tr> <tr><td>C</td><td>J18C</td><td>18</td><td>GY</td><td>2033819C1</td><td>1652325C1</td></tr> </tbody> </table>			CAV	CIR	GAUGE	COLOR	TERM	SEAL	A	J18A	18	GY	2033819C1	1652325C1	B	J18B	18	GY	2033819C1	2517771C1	C	J18C	18	GY	2033819C1	1652325C1		<table border="1" style="font-size: x-small;"> <thead> <tr><th>CAV</th><th>CIR</th><th>GAUGE</th><th>COLOR</th><th>TERM</th><th>SEAL</th></tr> </thead> <tbody> <tr><td>A</td><td>[J18A]</td><td>18</td><td>GY</td><td>2033819C1</td><td>1652325C1</td></tr> <tr><td>B</td><td>[J18B]</td><td>18</td><td>GY</td><td>2033819C1</td><td>1652325C1</td></tr> <tr><td>C</td><td>J18C</td><td>18</td><td>GY</td><td>2033819C1</td><td>1652325C1</td></tr> </tbody> </table>			CAV	CIR	GAUGE	COLOR	TERM	SEAL	A	[J18A]	18	GY	2033819C1	1652325C1	B	[J18B]	18	GY	2033819C1	1652325C1	C	J18C	18	GY	2033819C1	1652325C1																																																			
CAV	CIR	GAUGE	COLOR	TERM	SEAL																																																																																																					
A	J18A	18	GY	2033819C1	1652325C1																																																																																																					
B	J18B	18	GY	2033819C1	2517771C1																																																																																																					
C	J18C	18	GY	2033819C1	1652325C1																																																																																																					
CAV	CIR	GAUGE	COLOR	TERM	SEAL																																																																																																					
A	[J18A]	18	GY	2033819C1	1652325C1																																																																																																					
B	[J18B]	18	GY	2033819C1	1652325C1																																																																																																					
C	J18C	18	GY	2033819C1	1652325C1																																																																																																					
DASH HARNESS CONNECTOR - 1688834C1 LOCK - 1684409C1 PLUG - 0587578C1			ENGINE HARNESS CONNECTOR - 3553961C1 LOCK - 3554019C1 PLUG - 0587578C1																																																																																																							
WASHER PUMP (4021) (LOCATED AT WASHER BOTTLE)			WASHER FLUID LEVEL SENSOR (4022) (LOCATED AT WASHER BOTTLE)																																																																																																							
	<table border="1" style="font-size: x-small;"> <thead> <tr><th>CAV</th><th>CIR</th><th>GAUGE</th><th>COLOR</th><th>TERM</th><th>SEAL</th></tr> </thead> <tbody> <tr><td>1</td><td>J87B</td><td>18</td><td>GY</td><td>3554328C1</td><td>3554318C1</td></tr> <tr><td>2</td><td>J87K</td><td>18</td><td>GY</td><td>3554328C1</td><td>3554318C1</td></tr> </tbody> </table>			CAV	CIR	GAUGE	COLOR	TERM	SEAL	1	J87B	18	GY	3554328C1	3554318C1	2	J87K	18	GY	3554328C1	3554318C1		<table border="1" style="font-size: x-small;"> <thead> <tr><th>CAV</th><th>CIR</th><th>GAUGE</th><th>COLOR</th><th>TERM</th><th>SEAL</th></tr> </thead> <tbody> <tr><td>1</td><td>J87C</td><td>18</td><td>GY</td><td>3554322C1</td><td>3554318C1</td></tr> <tr><td>2</td><td>J87H</td><td>18</td><td>GY</td><td>3554322C1</td><td>3554318C1</td></tr> </tbody> </table>			CAV	CIR	GAUGE	COLOR	TERM	SEAL	1	J87C	18	GY	3554322C1	3554318C1	2	J87H	18	GY	3554322C1	3554318C1																																																															
CAV	CIR	GAUGE	COLOR	TERM	SEAL																																																																																																					
1	J87B	18	GY	3554328C1	3554318C1																																																																																																					
2	J87K	18	GY	3554328C1	3554318C1																																																																																																					
CAV	CIR	GAUGE	COLOR	TERM	SEAL																																																																																																					
1	J87C	18	GY	3554322C1	3554318C1																																																																																																					
2	J87H	18	GY	3554322C1	3554318C1																																																																																																					
CONNECTOR - 35554294C1			CONNECTOR - 3554317C1																																																																																																							
AIR ABS ECU #2 (4023) (LOCATED NEAR EXTERIOR DASH PANEL LEFT SIDE ON ABS CONTROLLER)																																																																																																										
	CONNECTOR - 3554088C1 PLUG - 1687788C1			<table border="1" style="font-size: x-small;"> <thead> <tr><th>CAV</th><th>CIR</th><th>GAUGE</th><th>COLOR</th><th>TERM</th><th>CAV</th><th>CIR</th><th>GAUGE</th><th>COLOR</th><th>TERM</th></tr> </thead> <tbody> <tr><td>A1</td><td>J84AH</td><td>18</td><td>GY</td><td>3565443C1</td><td>D1</td><td>J84AC</td><td>18</td><td>GY</td><td>3565443C1</td></tr> <tr><td>A2</td><td>PLUG</td><td>-</td><td>-</td><td>-</td><td>D2</td><td>J84ATC</td><td>18</td><td>GY</td><td>3565443C1</td></tr> <tr><td>A3</td><td>PLUG</td><td>-</td><td>-</td><td>-</td><td>D3</td><td>J84ATR</td><td>18</td><td>GY</td><td>3565443C1</td></tr> <tr><td>B1</td><td>J84AJ</td><td>18</td><td>GY</td><td>3565443C1</td><td>E1</td><td>J84AE</td><td>18</td><td>GY</td><td>3565443C1</td></tr> <tr><td>B2</td><td>PLUG</td><td>-</td><td>-</td><td>-</td><td>E2</td><td>J84AL</td><td>18</td><td>GY</td><td>3565443C1</td></tr> <tr><td>B3</td><td>PLUG</td><td>-</td><td>-</td><td>-</td><td>E3</td><td>J84AK</td><td>18</td><td>GY</td><td>3565443C1</td></tr> <tr><td>C1</td><td>J84AF</td><td>18</td><td>GY</td><td>3565443C1</td><td>F1</td><td>J84AD</td><td>18</td><td>GY</td><td>3565443C1</td></tr> <tr><td>C2</td><td>PLUG</td><td>-</td><td>-</td><td>-</td><td>F2</td><td>J84AB</td><td>18</td><td>GY</td><td>3565443C1</td></tr> <tr><td>C3</td><td>PLUG</td><td>-</td><td>-</td><td>-</td><td>F3</td><td>J84AA</td><td>18</td><td>GY</td><td>3565443C1</td></tr> </tbody> </table>			CAV	CIR	GAUGE	COLOR	TERM	CAV	CIR	GAUGE	COLOR	TERM	A1	J84AH	18	GY	3565443C1	D1	J84AC	18	GY	3565443C1	A2	PLUG	-	-	-	D2	J84ATC	18	GY	3565443C1	A3	PLUG	-	-	-	D3	J84ATR	18	GY	3565443C1	B1	J84AJ	18	GY	3565443C1	E1	J84AE	18	GY	3565443C1	B2	PLUG	-	-	-	E2	J84AL	18	GY	3565443C1	B3	PLUG	-	-	-	E3	J84AK	18	GY	3565443C1	C1	J84AF	18	GY	3565443C1	F1	J84AD	18	GY	3565443C1	C2	PLUG	-	-	-	F2	J84AB	18	GY	3565443C1	C3	PLUG	-	-	-	F3	J84AA	18	GY	3565443C1
CAV	CIR	GAUGE	COLOR	TERM	CAV	CIR	GAUGE	COLOR	TERM																																																																																																	
A1	J84AH	18	GY	3565443C1	D1	J84AC	18	GY	3565443C1																																																																																																	
A2	PLUG	-	-	-	D2	J84ATC	18	GY	3565443C1																																																																																																	
A3	PLUG	-	-	-	D3	J84ATR	18	GY	3565443C1																																																																																																	
B1	J84AJ	18	GY	3565443C1	E1	J84AE	18	GY	3565443C1																																																																																																	
B2	PLUG	-	-	-	E2	J84AL	18	GY	3565443C1																																																																																																	
B3	PLUG	-	-	-	E3	J84AK	18	GY	3565443C1																																																																																																	
C1	J84AF	18	GY	3565443C1	F1	J84AD	18	GY	3565443C1																																																																																																	
C2	PLUG	-	-	-	F2	J84AB	18	GY	3565443C1																																																																																																	
C3	PLUG	-	-	-	F3	J84AA	18	GY	3565443C1																																																																																																	
CHK	DATE	CHANGE	REV	REFERENCE	DRAWN	NAME																																																																																																				
PEC	9OCT02	DVD/3554088C1 WAS	C	56507Z	U00DAG9	42/43/44/85/8600 & 73/74/7500 CIRC DIAGRAMS																																																																																																				
		2010376C1.			RELEASE NO.	DATE	PART NO.	SHEET																																																																																																		
					P52778H	26JUN00	AE08-52376	27																																																																																																		

Figure 226 Connector Composites (4015), (4017), (4018), (4019), (4020), (4021), (4022), (4023)

12.34. CONNECTOR COMPOSITES (4024), (4030), (4031), (4032), (4033), (4037), (4038), (4040), (4041), (4070), (4071), P. 28

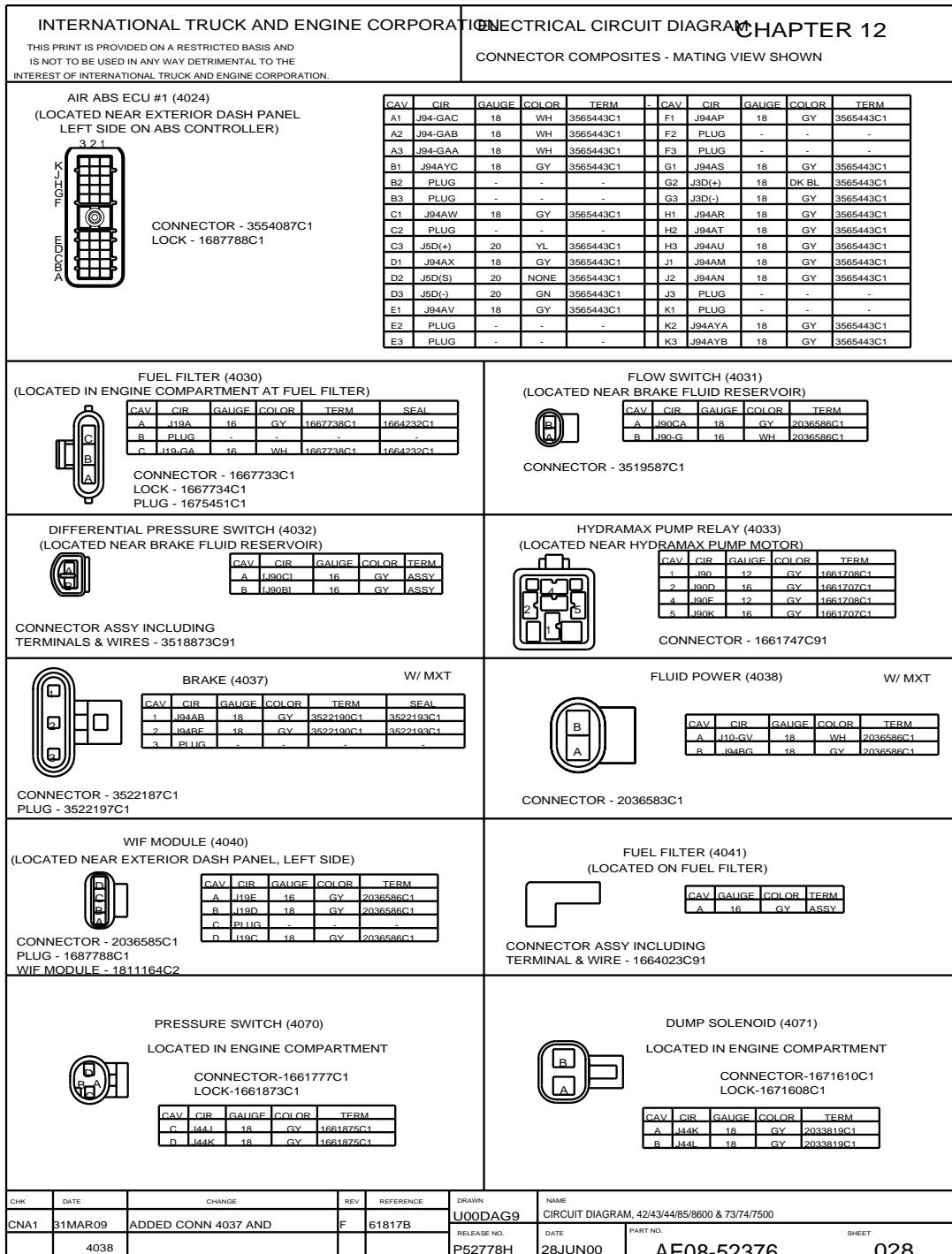


Figure 227 Connector Composites (4024), (4030), (4031), (4032), (4033), (4037), (4038), (4040), (4041), (4070), (4071)

12.35. CONNECTOR COMPOSITES (4087), (4088), (4100), (4101), (4109), (4112), P. 29

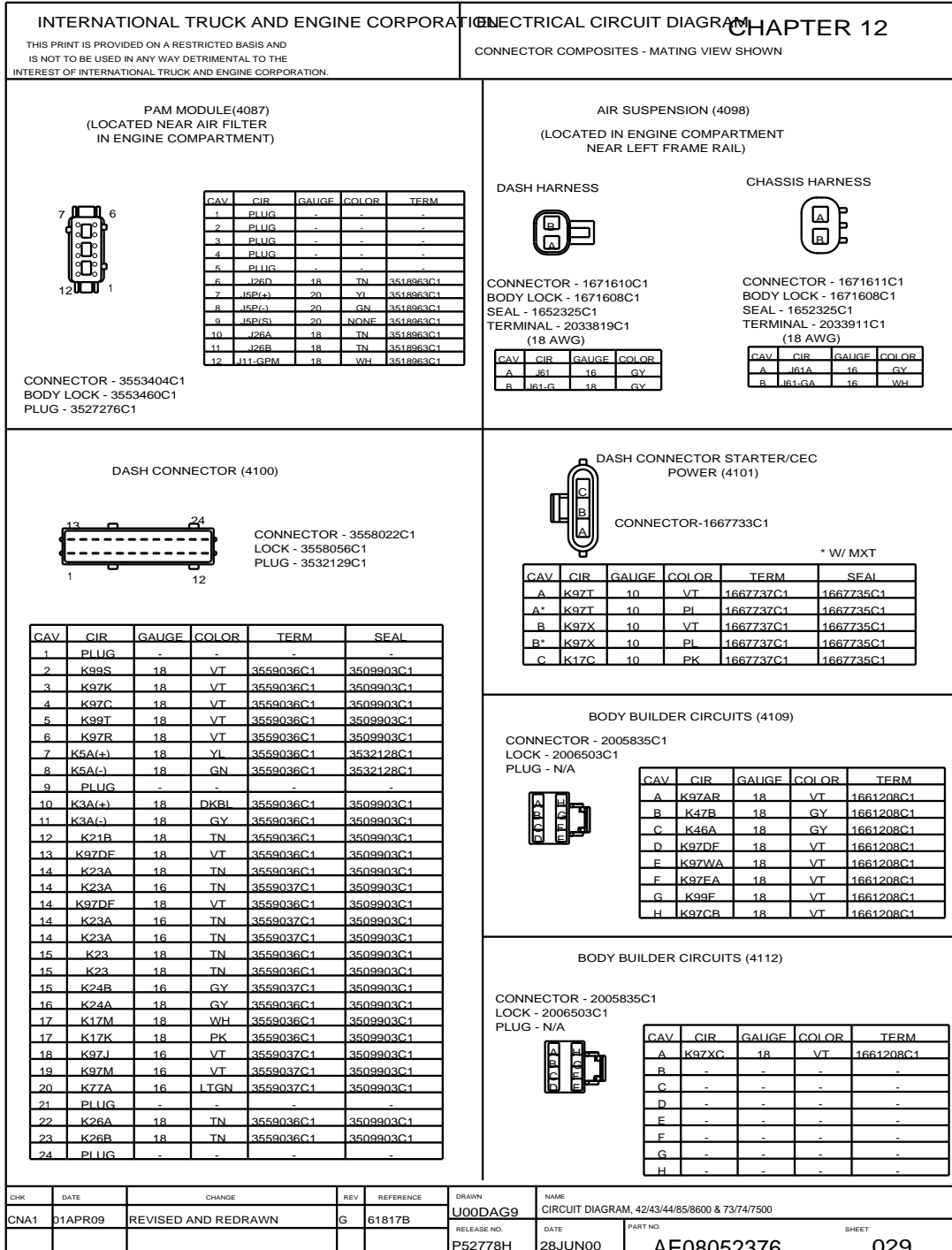


Figure 228 Connector Composites (4087), (4088), (4100), (4101), (4109), (4112)

12.36. CONNECTOR COMPOSITE (4103), P. 30

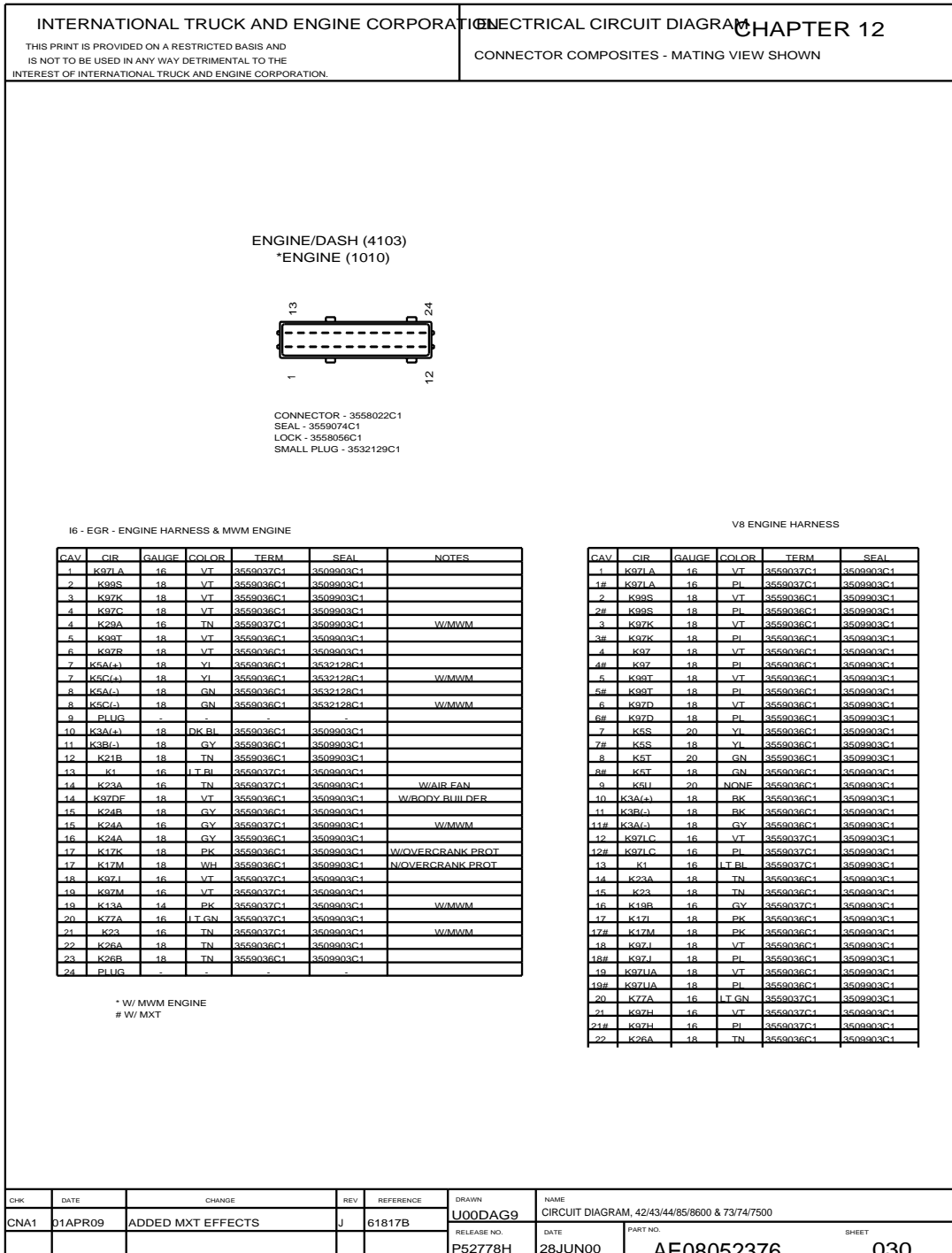


Figure 229 Connector Composite (4103)

12.37. CONNECTOR COMPOSITE (4103), P. 30A

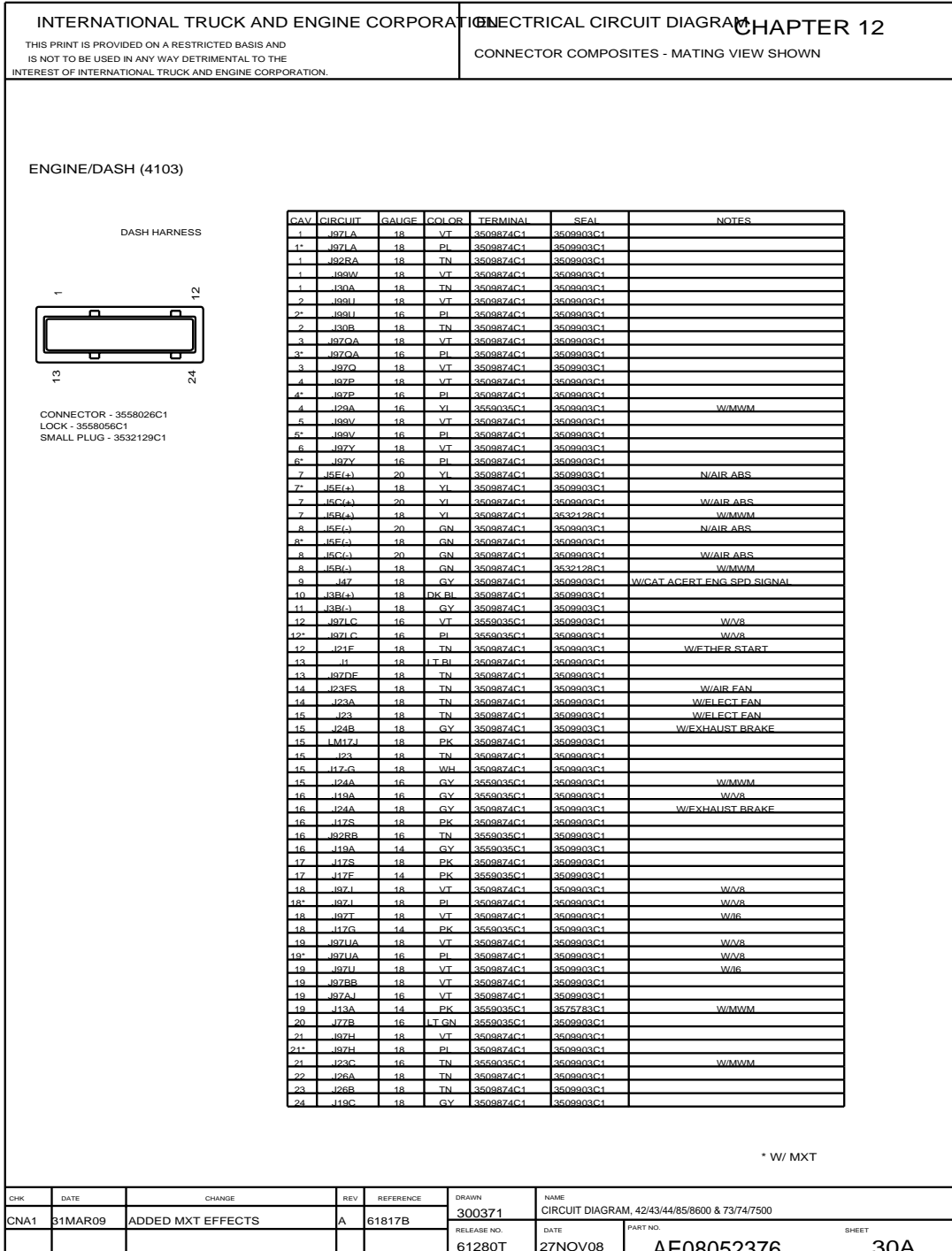


Figure 230 Connector Composite (4103)

12.38. CONNECTOR COMPOSITES (4105), (4111), (4120), (4301), P. 31

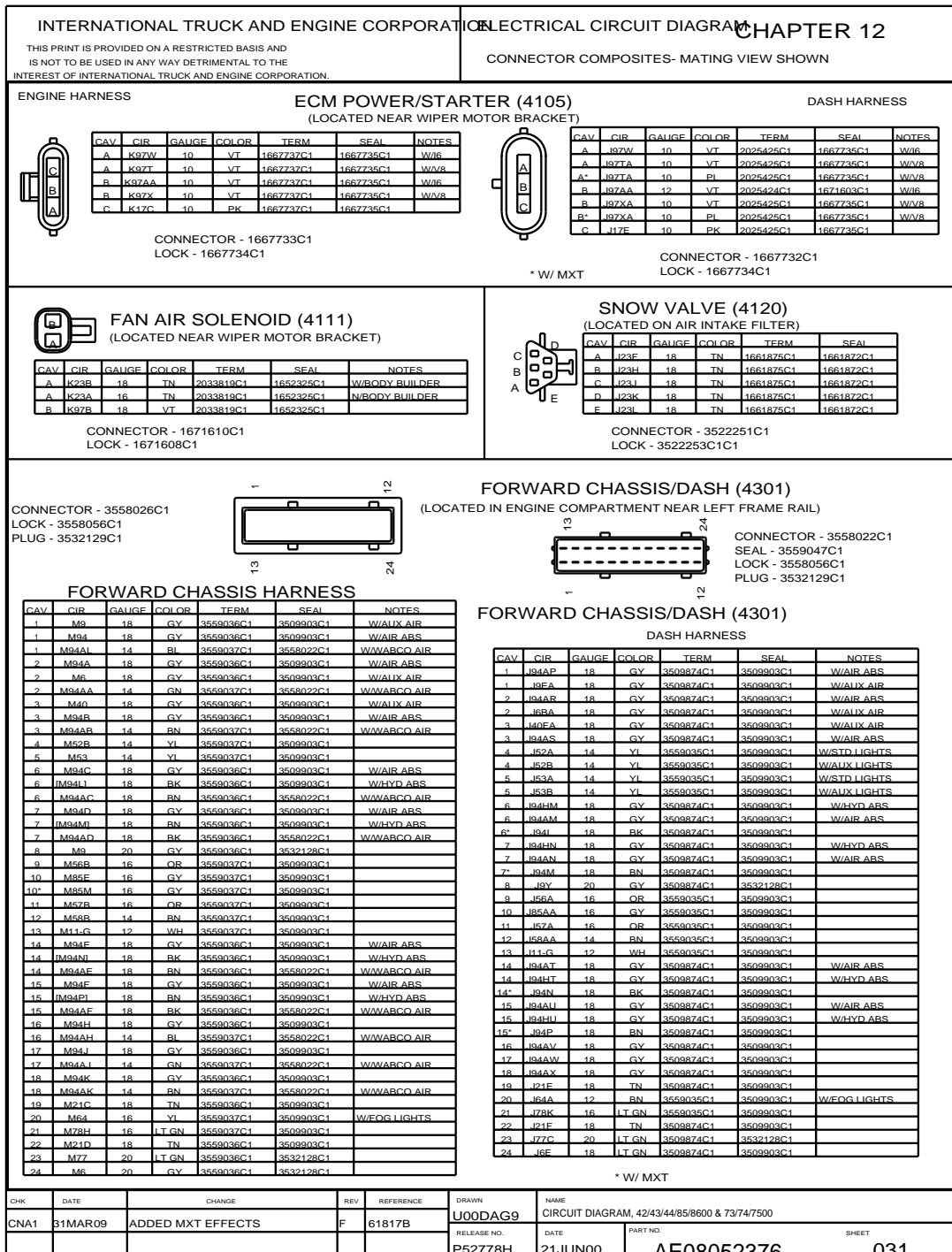


Figure 231 Connector Composites (4105), (4111), (4120), (4301)

12.39. CONNECTOR COMPOSITES (4305), (4410), (4410B), (4410C), (4410D), (4410E), (4410H), (4410M), (4411), P. 32






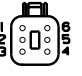






INTERNATIONAL TRUCK AND ENGINE CORPORATION THIS PRINT IS PROVIDED ON A RESTRICTED BASIS AND IS NOT TO BE USED IN ANY WAY DETRIMENTAL TO THE INTEREST OF INTERNATIONAL TRUCK AND ENGINE CORPORATION.		ELECTRICAL CIRCUIT DIAGRAM CHAPTER 12 CONNECTOR COMPOSITES - MATING VIEW SHOWN																																																															
 <p>DASH HARNESS</p> <p>CONNECTOR - 3571897C1 LOCK - 2039342C1 PLUG - 587579C1</p>	<p style="text-align: center;">AUX FWD/DASH (4305) (LOCATED IN ENGINE COMPARTMENT NEAR LEFT FRAME RAIL)</p> <table border="1" style="width:100%; border-collapse: collapse;"> <thead> <tr> <th>CAV</th> <th>CIR</th> <th>GAUGE</th> <th>COLOR</th> <th>DASH TERMINAL</th> <th>CHASSIS TERMINAL</th> <th>SEAL</th> </tr> </thead> <tbody> <tr><td>A</td><td>J64HI</td><td>14</td><td>YL</td><td>3535486C</td><td>2033912C1</td><td>0589391C1</td></tr> <tr><td>A</td><td>J104CC</td><td>18</td><td>DK BL</td><td>2039343C</td><td>2033911C1</td><td>1652325C1</td></tr> <tr><td>B</td><td>J41</td><td>18</td><td>GY</td><td>2039343C</td><td>2033911C1</td><td>1652325C1</td></tr> <tr><td>C</td><td>J41A</td><td>18</td><td>GY</td><td>2039343C</td><td>2033911C1</td><td>1652325C1</td></tr> <tr><td>D</td><td>J19C</td><td>18</td><td>GY</td><td>2039343C</td><td>2033911C1</td><td>1652325C1</td></tr> <tr><td>E</td><td>J19A</td><td>16</td><td>GY</td><td>2039343C</td><td>2033911C1</td><td>1652325C1</td></tr> <tr><td>F</td><td>J64LO</td><td>14</td><td>YL</td><td>3535486C</td><td>2033912C1</td><td>0589391C1</td></tr> <tr><td>F</td><td>J104CB</td><td>18</td><td>DK BL</td><td>2039343C</td><td>2033911C1</td><td>1652325C1</td></tr> </tbody> </table>	CAV	CIR	GAUGE	COLOR	DASH TERMINAL	CHASSIS TERMINAL	SEAL	A	J64HI	14	YL	3535486C	2033912C1	0589391C1	A	J104CC	18	DK BL	2039343C	2033911C1	1652325C1	B	J41	18	GY	2039343C	2033911C1	1652325C1	C	J41A	18	GY	2039343C	2033911C1	1652325C1	D	J19C	18	GY	2039343C	2033911C1	1652325C1	E	J19A	16	GY	2039343C	2033911C1	1652325C1	F	J64LO	14	YL	3535486C	2033912C1	0589391C1	F	J104CB	18	DK BL	2039343C	2033911C1	1652325C1	 <p>FWD CHASSIS HARNESS</p> <p>CONNECTOR - 3571886C1 LOCK - 2039342C1 PLUG - 587579C1</p>
CAV	CIR	GAUGE	COLOR	DASH TERMINAL	CHASSIS TERMINAL	SEAL																																																											
A	J64HI	14	YL	3535486C	2033912C1	0589391C1																																																											
A	J104CC	18	DK BL	2039343C	2033911C1	1652325C1																																																											
B	J41	18	GY	2039343C	2033911C1	1652325C1																																																											
C	J41A	18	GY	2039343C	2033911C1	1652325C1																																																											
D	J19C	18	GY	2039343C	2033911C1	1652325C1																																																											
E	J19A	16	GY	2039343C	2033911C1	1652325C1																																																											
F	J64LO	14	YL	3535486C	2033912C1	0589391C1																																																											
F	J104CB	18	DK BL	2039343C	2033911C1	1652325C1																																																											
 <p>DASH HARNESS</p> <p>CONNECTOR - 2005241C1 LOCK - 2005243C1 PLUG - 453133C1</p>	<p style="text-align: center;">REMOTE SOLENOID POWER MODULE (4410) (LOCATED IN ENGINE COMPARTMENT NEAR LEFT FRAME RAIL)</p> <table border="1" style="width:100%; border-collapse: collapse;"> <thead> <tr> <th>CAV</th> <th>CIR</th> <th>GAUGE</th> <th>COLOR</th> <th>TERM</th> </tr> </thead> <tbody> <tr><td>1</td><td>J59F</td><td>16</td><td>GY</td><td>1680206C1</td></tr> <tr><td>2</td><td>J11-GOR</td><td>14</td><td>WH</td><td>2034787C1</td></tr> <tr><td>3</td><td>JN1-1</td><td>20</td><td>YL</td><td>1651969C1</td></tr> <tr><td>4</td><td>JN1-1</td><td>20</td><td>GN</td><td>1651969C1</td></tr> <tr><td>5</td><td>PLUG</td><td>-</td><td>-</td><td>-</td></tr> <tr><td>6</td><td>J14W</td><td>16</td><td>RD</td><td>1680206C1</td></tr> </tbody> </table> <p style="text-align: center;">CENTER CHASSIS HARNESS</p> <p>CONNECTOR - 2005240C1 LOCK - 2005242C1 PLUG - 453133C1</p>	CAV	CIR	GAUGE	COLOR	TERM	1	J59F	16	GY	1680206C1	2	J11-GOR	14	WH	2034787C1	3	JN1-1	20	YL	1651969C1	4	JN1-1	20	GN	1651969C1	5	PLUG	-	-	-	6	J14W	16	RD	1680206C1	 <p>CENTER CHASSIS HARNESS</p> <p>CONNECTOR - 2005240C1 LOCK - 2005242C1 PLUG - 453133C1</p>																												
CAV	CIR	GAUGE	COLOR	TERM																																																													
1	J59F	16	GY	1680206C1																																																													
2	J11-GOR	14	WH	2034787C1																																																													
3	JN1-1	20	YL	1651969C1																																																													
4	JN1-1	20	GN	1651969C1																																																													
5	PLUG	-	-	-																																																													
6	J14W	16	RD	1680206C1																																																													
 <p>CENTER CHASSIS HARNESS</p> <p>CONNECTOR - 2005240C1 LOCK - 2005242C1 PLUG - 453133C1</p>	<p style="text-align: center;">SOLENOID MODULE (4410B) (LOCATED UNDER CAB BY LEFT FRAME RAIL)</p> <table border="1" style="width:100%; border-collapse: collapse;"> <thead> <tr> <th>CAV</th> <th>CIR</th> <th>GAUGE</th> <th>COLOR</th> <th>TERM</th> </tr> </thead> <tbody> <tr><td>1</td><td>N59</td><td>14</td><td>GY</td><td>2034787C1</td></tr> <tr><td>2</td><td>N10-GM</td><td>14</td><td>WH</td><td>2034787C1</td></tr> <tr><td>3</td><td>N51-1</td><td>20</td><td>YL</td><td>1651969C1</td></tr> <tr><td>4</td><td>N51-1</td><td>20</td><td>GN</td><td>1651969C1</td></tr> <tr><td>5</td><td>PLUG</td><td>-</td><td>-</td><td>-</td></tr> <tr><td>6</td><td>N14</td><td>16</td><td>RD</td><td>1680205C1</td></tr> </tbody> </table>	CAV	CIR	GAUGE	COLOR	TERM	1	N59	14	GY	2034787C1	2	N10-GM	14	WH	2034787C1	3	N51-1	20	YL	1651969C1	4	N51-1	20	GN	1651969C1	5	PLUG	-	-	-	6	N14	16	RD	1680205C1	 <p>CENTER CHASSIS HARNESS</p> <p>CONNECTOR - 2005240C1 LOCK - 2005242C1 PLUG - 453133C1</p>																												
CAV	CIR	GAUGE	COLOR	TERM																																																													
1	N59	14	GY	2034787C1																																																													
2	N10-GM	14	WH	2034787C1																																																													
3	N51-1	20	YL	1651969C1																																																													
4	N51-1	20	GN	1651969C1																																																													
5	PLUG	-	-	-																																																													
6	N14	16	RD	1680205C1																																																													
 <p>CENTER CHASSIS HARNESS</p> <p>CONNECTOR - 2005240C1 LOCK - 2005242C1 PLUG - 453133C1</p>	<p style="text-align: center;">REMOTE POWER MODULE (4410D) (LOCATED BACK OF CAB)</p> <table border="1" style="width:100%; border-collapse: collapse;"> <thead> <tr> <th>CAV</th> <th>CIR</th> <th>GAUGE</th> <th>COLOR</th> <th>TERM</th> </tr> </thead> <tbody> <tr><td>1</td><td>N59C</td><td>14</td><td>GY</td><td>2034787C1</td></tr> <tr><td>2</td><td>N10-GP</td><td>14</td><td>WH</td><td>2034787C1</td></tr> <tr><td>3</td><td>N51-1</td><td>20</td><td>YL</td><td>1651969C1</td></tr> <tr><td>4</td><td>N51-1</td><td>20</td><td>GN</td><td>1651969C1</td></tr> <tr><td>5</td><td>PLUG</td><td>-</td><td>-</td><td>-</td></tr> <tr><td>6</td><td>N14C</td><td>16</td><td>RD</td><td>1680205C1</td></tr> </tbody> </table>	CAV	CIR	GAUGE	COLOR	TERM	1	N59C	14	GY	2034787C1	2	N10-GP	14	WH	2034787C1	3	N51-1	20	YL	1651969C1	4	N51-1	20	GN	1651969C1	5	PLUG	-	-	-	6	N14C	16	RD	1680205C1	 <p>CENTER CHASSIS HARNESS</p> <p>CONNECTOR - 2005240C1 LOCK - 2005242C1 PLUG - 453133C1</p>																												
CAV	CIR	GAUGE	COLOR	TERM																																																													
1	N59C	14	GY	2034787C1																																																													
2	N10-GP	14	WH	2034787C1																																																													
3	N51-1	20	YL	1651969C1																																																													
4	N51-1	20	GN	1651969C1																																																													
5	PLUG	-	-	-																																																													
6	N14C	16	RD	1680205C1																																																													
 <p>REAR CHASSIS HARNESS</p> <p>CONNECTOR - 2005241C1 LOCK - 2005243C1 PLUG - 453133C1</p>	<p style="text-align: center;">REMOTE POWER MODULE CENTER/REAR (4410H) (LOCATED BY LEFT FRAME RAIL NEAR REAR AXLES)</p> <table border="1" style="width:100%; border-collapse: collapse;"> <thead> <tr> <th>CAV</th> <th>CIR</th> <th>GAUGE</th> <th>COLOR</th> <th>TERM</th> </tr> </thead> <tbody> <tr><td>1</td><td>R59</td><td>14</td><td>GY</td><td>2034787C1</td></tr> <tr><td>2</td><td>R10-GPM</td><td>14</td><td>WH</td><td>2034787C1</td></tr> <tr><td>3</td><td>R11-1</td><td>20</td><td>YL</td><td>1651969C1</td></tr> <tr><td>4</td><td>R11-1</td><td>20</td><td>GN</td><td>1651969C1</td></tr> <tr><td>5</td><td>PLUG</td><td>-</td><td>-</td><td>-</td></tr> <tr><td>6</td><td>R14</td><td>16</td><td>RD</td><td>1680206C1</td></tr> </tbody> </table>	CAV	CIR	GAUGE	COLOR	TERM	1	R59	14	GY	2034787C1	2	R10-GPM	14	WH	2034787C1	3	R11-1	20	YL	1651969C1	4	R11-1	20	GN	1651969C1	5	PLUG	-	-	-	6	R14	16	RD	1680206C1	 <p>CENTER CHASSIS HARNESS</p> <p>CONNECTOR - 2005240C1 LOCK - 2005242C1 PLUG - 453133C1</p>																												
CAV	CIR	GAUGE	COLOR	TERM																																																													
1	R59	14	GY	2034787C1																																																													
2	R10-GPM	14	WH	2034787C1																																																													
3	R11-1	20	YL	1651969C1																																																													
4	R11-1	20	GN	1651969C1																																																													
5	PLUG	-	-	-																																																													
6	R14	16	RD	1680206C1																																																													
 <p>REAR CHASSIS HARNESS</p> <p>CONNECTOR - 2005240C1 LOCK - 2005242C1 PLUG - 453133C1</p>	<p style="text-align: center;">REMOTE POWER MODULE (4410M) (LOCATED NEAR END OF FRAME)</p> <table border="1" style="width:100%; border-collapse: collapse;"> <thead> <tr> <th>CAV</th> <th>CIR</th> <th>GAUGE</th> <th>COLOR</th> <th>TERM</th> </tr> </thead> <tbody> <tr><td>1</td><td>R59</td><td>14</td><td>GY</td><td>2034787C1</td></tr> <tr><td>2</td><td>R10-GPM</td><td>14</td><td>WH</td><td>2034787C1</td></tr> <tr><td>3</td><td>R11-1</td><td>20</td><td>YL</td><td>1651969C1</td></tr> <tr><td>4</td><td>R11-1</td><td>20</td><td>GN</td><td>1651969C1</td></tr> <tr><td>5</td><td>PLUG</td><td>-</td><td>-</td><td>-</td></tr> <tr><td>6</td><td>R14</td><td>16</td><td>RD</td><td>1680205C1</td></tr> </tbody> </table>	CAV	CIR	GAUGE	COLOR	TERM	1	R59	14	GY	2034787C1	2	R10-GPM	14	WH	2034787C1	3	R11-1	20	YL	1651969C1	4	R11-1	20	GN	1651969C1	5	PLUG	-	-	-	6	R14	16	RD	1680205C1	 <p>REAR CHASSIS HARNESS</p> <p>CONNECTOR - 3517759C1</p>																												
CAV	CIR	GAUGE	COLOR	TERM																																																													
1	R59	14	GY	2034787C1																																																													
2	R10-GPM	14	WH	2034787C1																																																													
3	R11-1	20	YL	1651969C1																																																													
4	R11-1	20	GN	1651969C1																																																													
5	PLUG	-	-	-																																																													
6	R14	16	RD	1680205C1																																																													
		<p style="text-align: center;">POWER MODULE FEED CENTER/REAR (4411) (LOCATED BY LEFT FRAME RAIL NEAR REAR AXLES)</p> <table border="1" style="width:100%; border-collapse: collapse;"> <thead> <tr> <th>CAV</th> <th>CIR</th> <th>GAUGE</th> <th>COLOR</th> <th>TERM</th> </tr> </thead> <tbody> <tr><td>A</td><td>N14C</td><td>4</td><td>RD</td><td>3517757C1</td></tr> </tbody> </table> <p>CONNECTOR - 3517760C1</p> <table border="1" style="width:100%; border-collapse: collapse;"> <thead> <tr> <th>CAV</th> <th>CIR</th> <th>GAUGE</th> <th>COLOR</th> <th>TERM</th> </tr> </thead> <tbody> <tr><td>A</td><td>R14</td><td>4</td><td>RD</td><td>3517758C1</td></tr> </tbody> </table> <p>CONNECTOR - 3517759C1</p>		CAV	CIR	GAUGE	COLOR	TERM	A	N14C	4	RD	3517757C1	CAV	CIR	GAUGE	COLOR	TERM	A	R14	4	RD	3517758C1																																										
CAV	CIR	GAUGE	COLOR	TERM																																																													
A	N14C	4	RD	3517757C1																																																													
CAV	CIR	GAUGE	COLOR	TERM																																																													
A	R14	4	RD	3517758C1																																																													
CHR CNA	DATE 10JUL03	CHANGE LAS9/MULTIPLE CHANGES	REV E	REFERENCE 570975	DRAWN U00DAG9	NAME 42/43/44/85/8600 & 73/74/7500 CIRC DIAGRAMS																																																											
				RELEASE NO. P52778H		DATE 28JUN00																																																											
					PART NO. AE08-52376																																																												
						SHEET 32																																																											

Figure 232 Connector Composites (4305), (4410), (4410B), (4410C), (4410D), (4410E), (4410H), (4410M), (4411)

12.40. CONNECTOR COMPOSITES (4411A), (4411B), (4412), (4415), (4450), (4450A), (4460A), (4460), P. 33

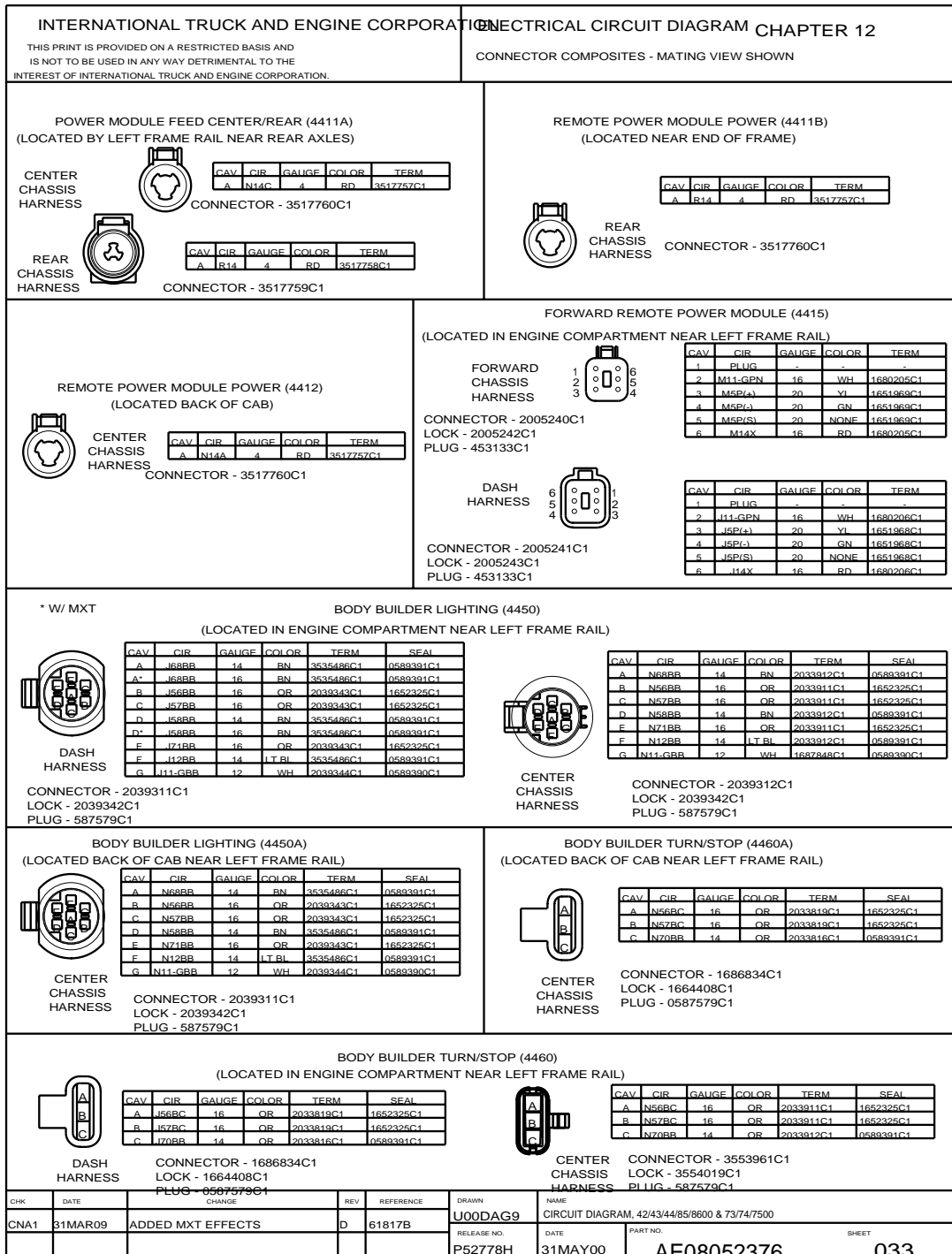


Figure 233 Connector Composites (4411A), (4411B), (4412), (4415), (4450), (4450A), (4460A), (4460)

12.41. CONNECTOR COMPOSITE (4705), P. 34

INTERNATIONAL TRUCK AND ENGINE CORPORATION ELECTRICAL CIRCUIT DIAGRAM CHAPTER 12
 THIS PRINT IS PROVIDED ON A RESTRICTED BASIS AND IS NOT TO BE USED IN ANY WAY DETRIMENTAL TO THE INTEREST OF INTERNATIONAL TRUCK AND ENGINE CORPORATION.
 CONNECTOR COMPOSITES - MATING VIEW SHOWN

TRANSMISSION/DASH (4705)
 (LOCATED IN ENGINE COMPARTMENT BY WIPER MOTOR BRACKET)

W/MANUAL XMSN

CAV	CIR	GUAGE	COLOR	TERM	SEAL
A	J71AA	18	OR	1661875C1	1661872C1
B	J71	18	OR	1661875C1	1661872C1
C	J93	18	TN	1661875C1	1661872C1
D	PLUG	-	-	-	-
E	J31	18	TN	1661875C1	1661872C1
F	J17J	18	PK	1661875C1	1661872C1
G	J9X	18	GY	1661875C1	1661872C1
H	PLUG	-	-	-	-

WALLISON LCT XMSN

CAV	CIR	GUAGE	COLOR	TERM	SEAL
A	PLUG	-	-	-	-
B	J92#128	18	TN	1661875C1	1661872C1
B*	J92#103	18	TN	1661875C1	1661872C1
C	J92#110	18	TN	1661875C1	1661872C1
C*	J92#142	18	WH	1661875C1	1661872C1
D	J71	18	OR	1661875C1	1661872C1
E	PLUG	-	-	-	-
F	PLUG	-	-	-	-
G	J13M	18	PK	1661875C1	1661872C1
G*	J13M	16	PK	1661875C1	1661872C1
H	J71AA	18	OR	1661875C1	1661872C1

WEATON AUTOSHIFT XMSN

CAV	CIR	GUAGE	COLOR	TERM	SEAL
1	PLUG	-	-	-	-
2	PLUG	-	-	-	-
3	J927	16	TN	3559037C1	3509903C1
4	J92AF	16	TN	3559037C1	3509903C1
5	J92AD	16	TN	3559037C1	3509903C1
6	J92AC	16	TN	3559037C1	3509903C1
7	J31F	18	TN	3559036C1	3532128C1
8	J31GF	18	TN	3559036C1	3509903C1
9	J5AX(L)	20	YI	3509874C1	3532128C1
10	J5AX(L)	20	GN	3509874C1	3532128C1
11	J5X(S)	20	NONE	3509874C1	3532128C1
12	J11-GAM	12	WH	3559037C1	3509903C1
13	J14AW	12	RD	3559037C1	3509903C1
14	PLUG	-	-	-	-
15	PLUG	-	-	-	-
16	PLUG	-	-	-	-
17	J71	18	LT BL	3559036C1	3532128C1
18	J71A	18	PK	3559036C1	3532128C1
19	J17C	18	PK	3559036C1	3532128C1
20	J92AB	16	TN	3559037C1	3509903C1
21	J92AA	16	TN	3559037C1	3509903C1
22	PLUG	-	-	-	-
23	PLUG	-	-	-	-
24	PLUG	-	-	-	-

W/MANUAL XMSN

CAV	CIR	GUAGE	COLOR	TERM	SEAL
A	J71C	16	OR	1667742C1	1661872C1
B	J71B	16	OR	1667742C1	1661872C1
C	J93	18	TN	1667742C1	1661872C1
D	PLUG	-	-	-	-
E	J13B	18	TN	1667742C1	1661872C1
F	J17D	18	PK	1667742C1	1661872C1
G	J13GC	18	WH	1667742C1	1661872C1
H	PLUG	-	-	-	-

WALLISON LCT XMSN

CAV	CIR	GUAGE	COLOR	TERM	SEAL
A	PLUG	-	-	-	-
B	J92B128	18	TN	1667742C1	1661872C1
B*	J92#103	18	YI	1667742C1	1661872C1
C	J92#110	18	TN	1667742C1	1661872C1
C*	J92#142	18	WH	1667742C1	1661872C1
D	J71	16	OR	1667742C1	1661872C1
E	PLUG	-	-	-	-
F	PLUG	-	-	-	-
G	J13M	18	PK	1667742C1	1661872C1
G*	J13M	18	YI	1667742C1	1661872C1
H	J71A	16	OR	1667742C1	1661872C1

WEATON AUTOSHIFT XMSN

CAV	CIR	GUAGE	COLOR	TERM	SEAL
1	PLUG	-	-	-	-
2	PLUG	-	-	-	-
3	J927	16	TN	3559035C1	3509903C1
4	J92AF	16	TN	3559035C1	3509903C1
5	J92AD	16	TN	3559035C1	3509903C1
6	J92AC	16	TN	3559035C1	3509903C1
7	J31F	18	TN	3509874C1	3509903C1
8	J92DS(L)	20	YI	3509874C1	3532128C1
10	J92D(T)	20	GN	3509874C1	3532128C1
11	J92D(V/S)	20	NONE	3509874C1	3532128C1
12	J11-GAM	12	WH	3559035C1	3509903C1
13	J14AW	12	RD	3559035C1	3509903C1
14	PLUG	-	-	-	-
15	PLUG	-	-	-	-
16	PLUG	-	-	-	-
17	J71	18	OR	3559035C1	3509903C1
18	J71A	18	OR	3559035C1	3509903C1
19	J17C	18	PK	3509874C1	3509903C1
20	J92AB	16	TN	3559035C1	3509903C1
21	J92AA	16	TN	3559035C1	3509903C1
22	PLUG	-	-	-	-
23	PLUG	-	-	-	-
24	PLUG	-	-	-	-

DASH HARNESS

CAV	CIR	GUAGE	COLOR	TERM	SEAL	NOTES
1	J92#170	18	TN	3559036C1	3509903C1	
2	J92#171	18	TN	3559036C1	3509903C1	
3	J92#172	18	TN	3559036C1	3509903C1	
4	J92#173	18	TN	3559036C1	3509903C1	
5	J92#174	18	TN	3559036C1	3509903C1	
6	J92A114	18	TN	3559036C1	3509903C1	W/AUTO NEUTRAL
7	J92#175	18	TN	3559036C1	3509903C1	
8	J92#176	18	TN	3559036C1	3509903C1	
9	J92#180	18	TN	3559036C1	3509903C1	
10	J17B	18	PK	3559036C1	3509903C1	W/AUTO NEUTRAL
11	J92D1	18	TN	3559036C1	3509903C1	W/AUTO NEUTRAL
12	J92#146	18	TN	3559036C1	3509903C1	
13	J71#113	18	OR	3559036C1	3509903C1	
14	J92C123	18	TN	3559036C1	3509903C1	
15	J3142	18	DK BL	3559036C1	3509903C1	
16	J3151	18	GY	3559036C1	3509903C1	
17	J92#125	18	TN	3559036C1	3509903C2	
18	J92D136	18	TN	3559036C1	3509903C1	
19	J92D143	18	TN	3559036C1	3509903C1	
20	J92#163	16	TN	3559037C1	3509903C1	
21	J92D161	16	TN	3559037C1	3509903C1	
22	J92C124	18	TN	3559036C1	3509903C2	
23	J92#135	18	TN	3559036C1	3509903C2	
24	J92#164	18	TN	3559036C1	3509903C2	

XMSN HARNESS

CAV	CIR	GUAGE	COLOR	TERM	SEAL	NOTES
1	J92#170	18	TN	3509874C1	3532128C1	
2	J92#171	18	TN	3509874C1	3532128C1	
3	J92#172	18	TN	3509874C1	3532128C1	
4	J92#173	18	TN	3509874C1	3532128C1	
5	J92#174	18	TN	3509874C1	3532128C1	
6	J92A114	18	TN	3509874C1	3532128C1	
7	J92#175	18	TN	3509874C1	3532128C1	
8	J92#176	18	TN	3509874C1	3532128C1	
9	J92#180	18	TN	3509874C1	3532128C1	
10	J17B	18	PK	3509874C1	3532128C1	
11	J92D1	18	TN	3509874C1	3532128C1	
12	J92#146	18	TN	3509874C1	3532128C1	
13	J71#113	18	OR	3509874C1	3532128C1	
14	J92A123	18	TN	3509874C1	3532128C1	W/AUTO NEUTRAL
14	J92C123	18	TN	3509874C1	3532128C1	W/AUTO NEUTRAL
15	J3142	18	WH	3509874C1	3532128C1	
16	J3151	18	DK BL	3509874C1	3532128C1	
17	J92#125	18	TN	3509874C1	3532128C1	
18	J92D136	18	TN	3509874C1	3532128C1	
19	J92D143	18	TN	3509874C1	3532128C1	
20	J92#163	16	TN	3509874C1	3532128C1	
21	J92D161	16	TN	3509874C1	3532128C1	
22	J92C124	18	TN	3509874C1	3532128C1	
23	J92#135	18	TN	3509874C1	3532128C1	
24	J92#164	18	TN	3509874C1	3532128C1	

CHK	DATE	CHANGE	REV	REFERENCE	DRAWN	NAME
CNA1	01APR09	ADDED MXT EFFECTS	E	61817B	U00DAG9	CIRCUIT DIAGRAM, 42/43/44/85/8600 & 73/74/7500
					RELEASE NO.	DATE
					P52778H	31MAY00
						PART NO.
						AE08052376
						SHEET
						034

Figure 234 Connector Composite (4705)

12.42. CONNECTOR COMPOSITES (4705F32), (4705F3), (4712F), (4713F), (4810), (4820), (4830), P. 35

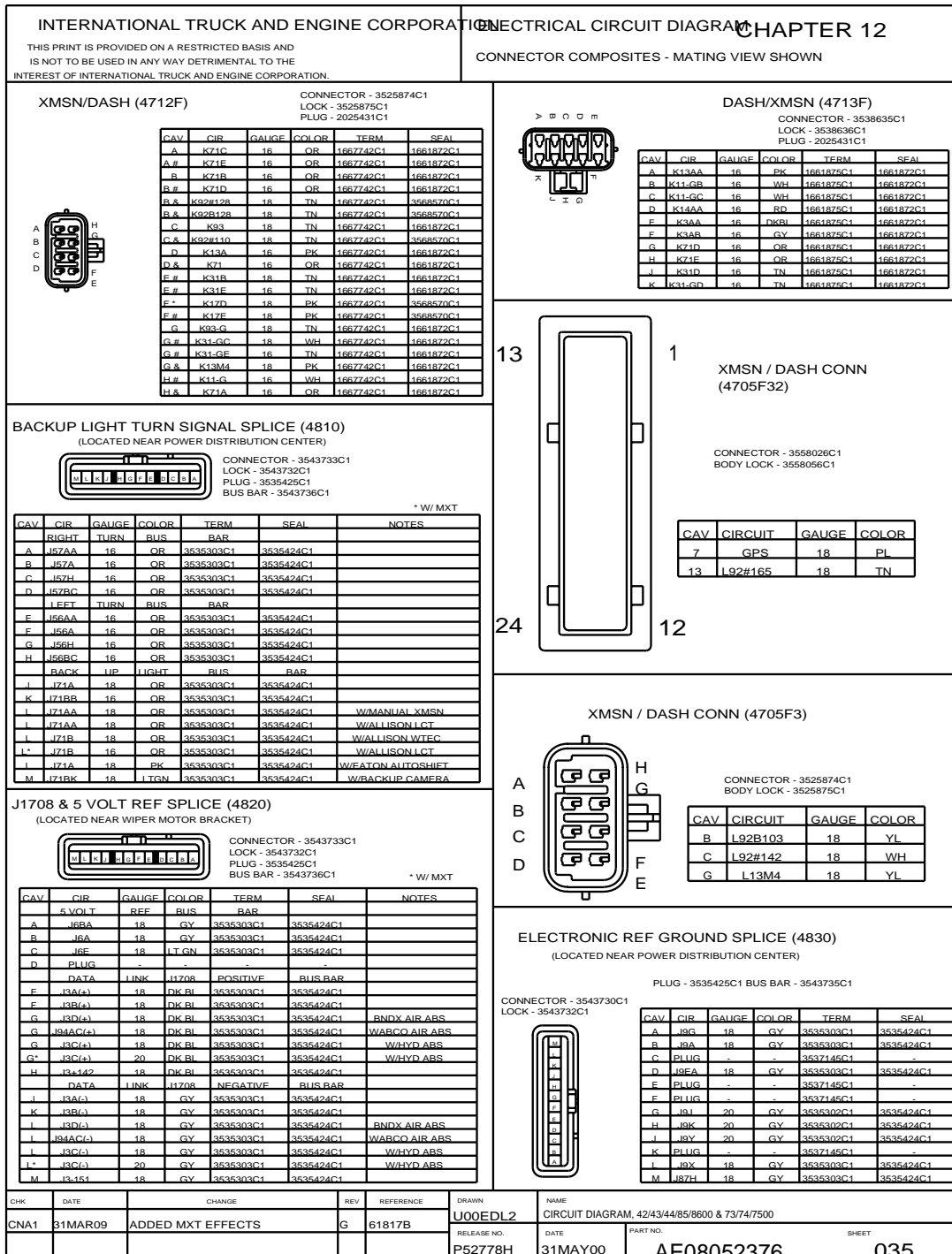


Figure 235 Connector Composites (4705F32), (4705F3), (4712F), (4713F), (4810), (4820), (4830)

12.43. CONNECTOR COMPOSITES (4840), (4850), (4900), (4906), (4910), P. 36

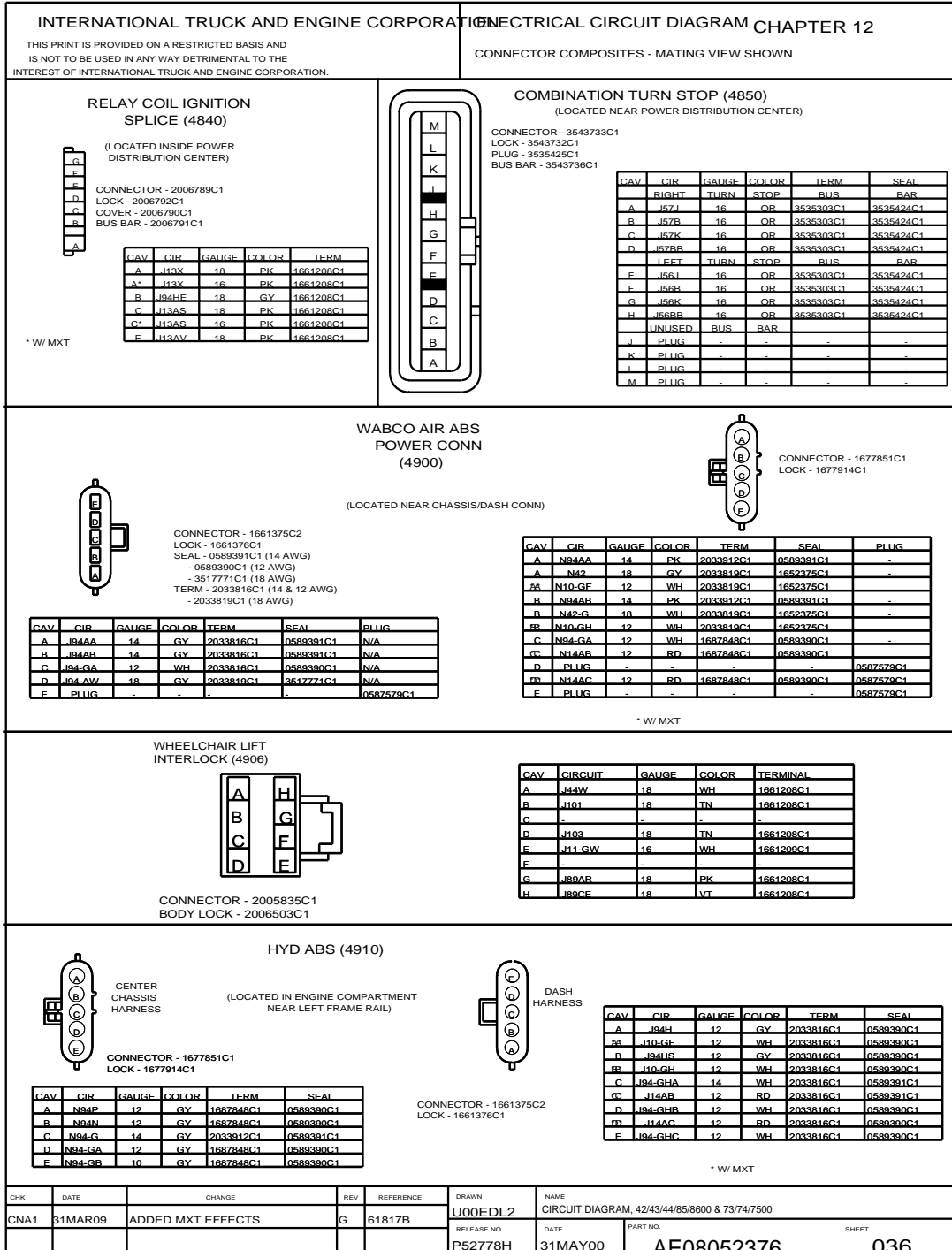


Figure 236 Connector Composites (4840), (4850), (4900), (4906), (4910)

12.44. CONNECTOR COMPOSITES (4921), (4922), (4950), (4953), (4954), P. 36A

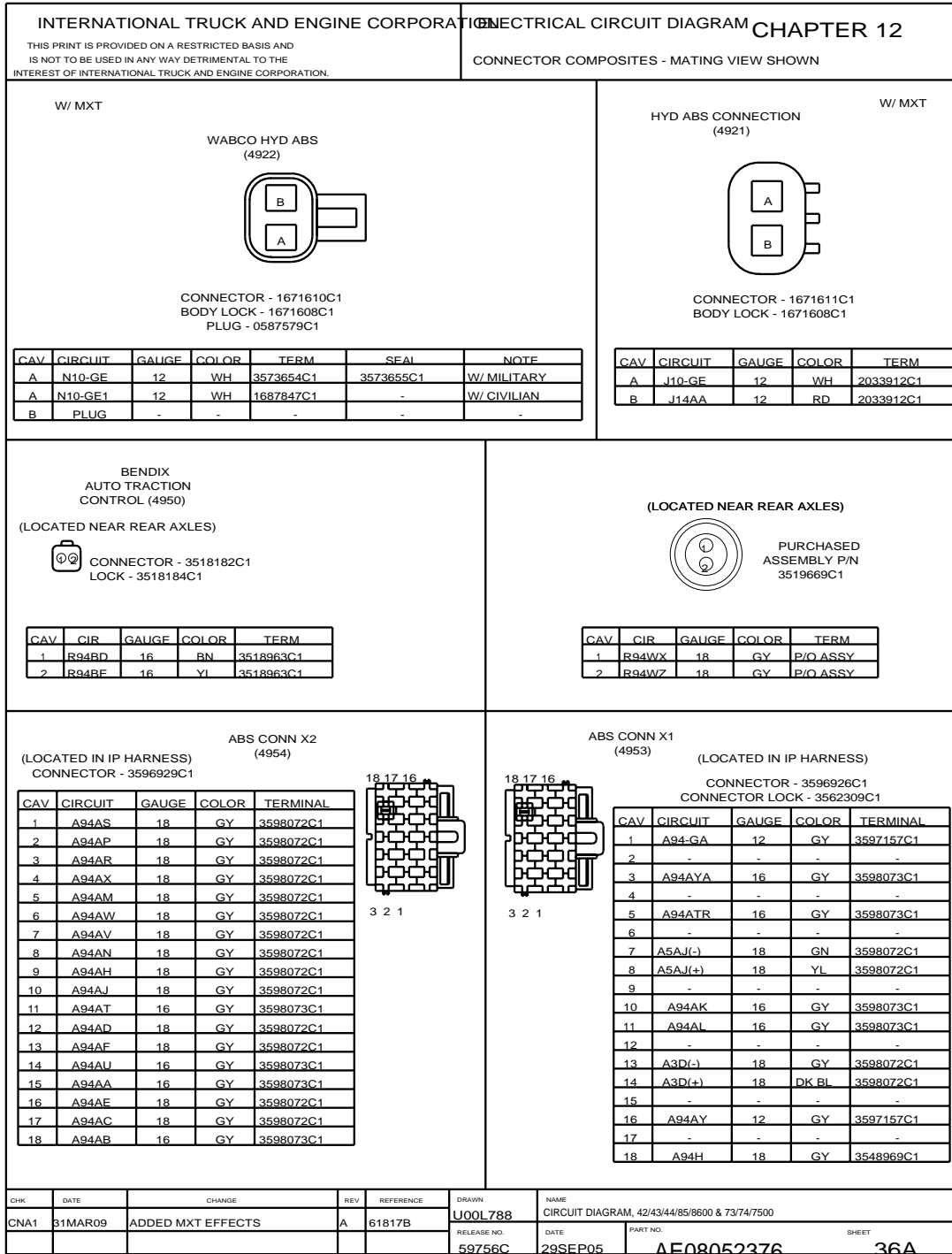


Figure 237 Connector Composites (4921), (4922), (4950), (4953), (4954)

12.45. CONNECTOR COMPOSITES (6007), (6011), P. 37

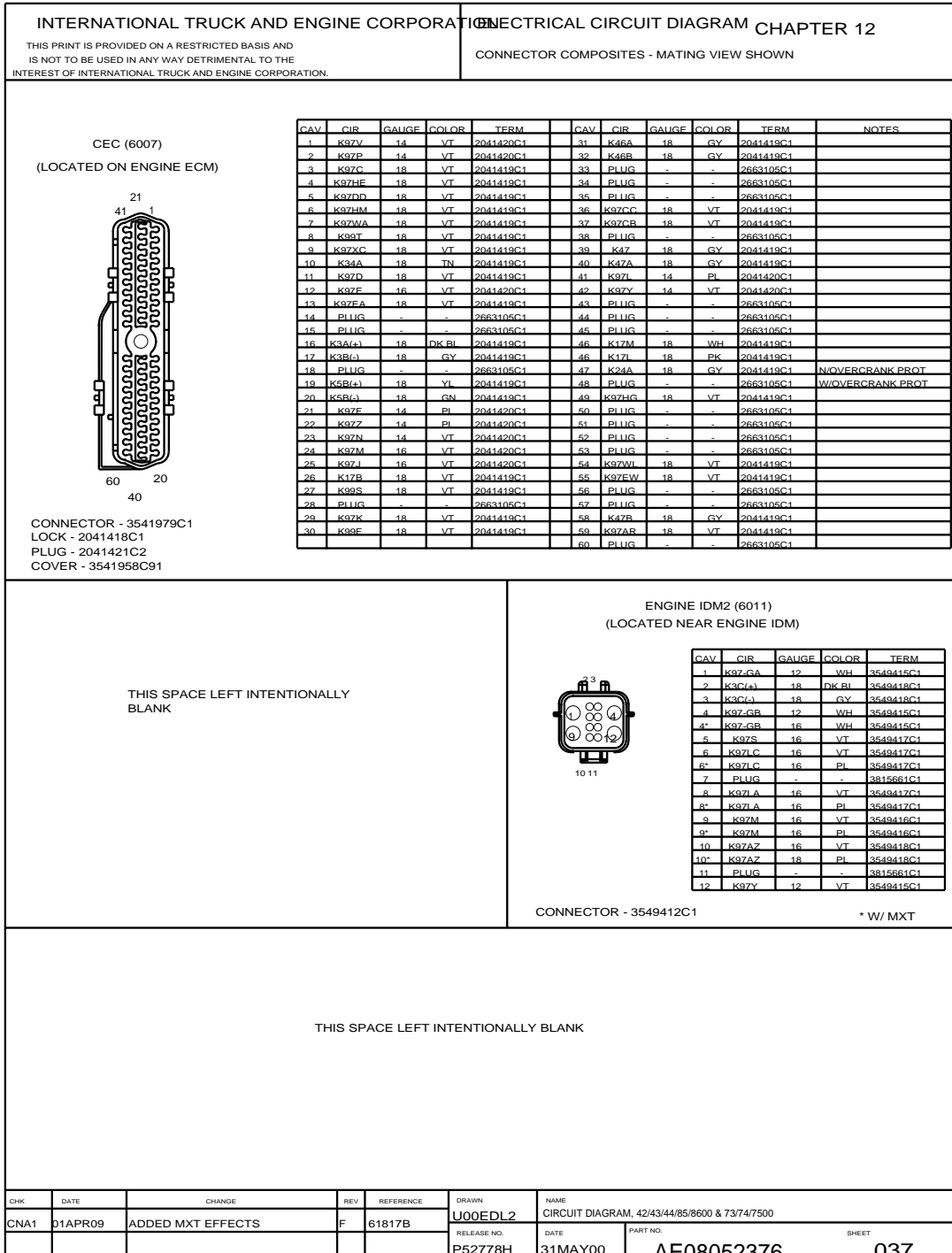


Figure 238 Connector Composites (6007), (6011)

12.46. CONNECTOR COMPOSITES (6013M), (6014), (6015), P. 38

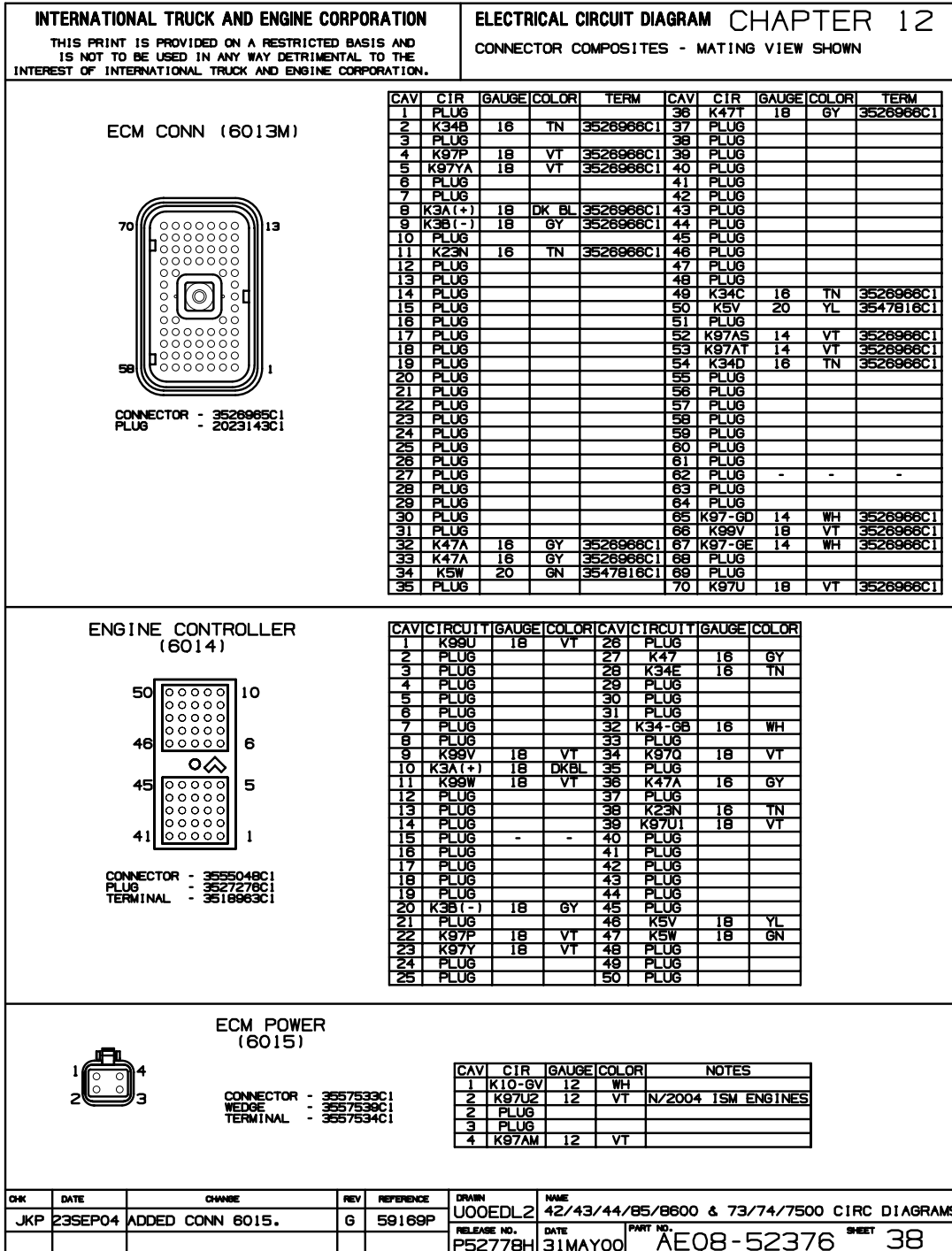
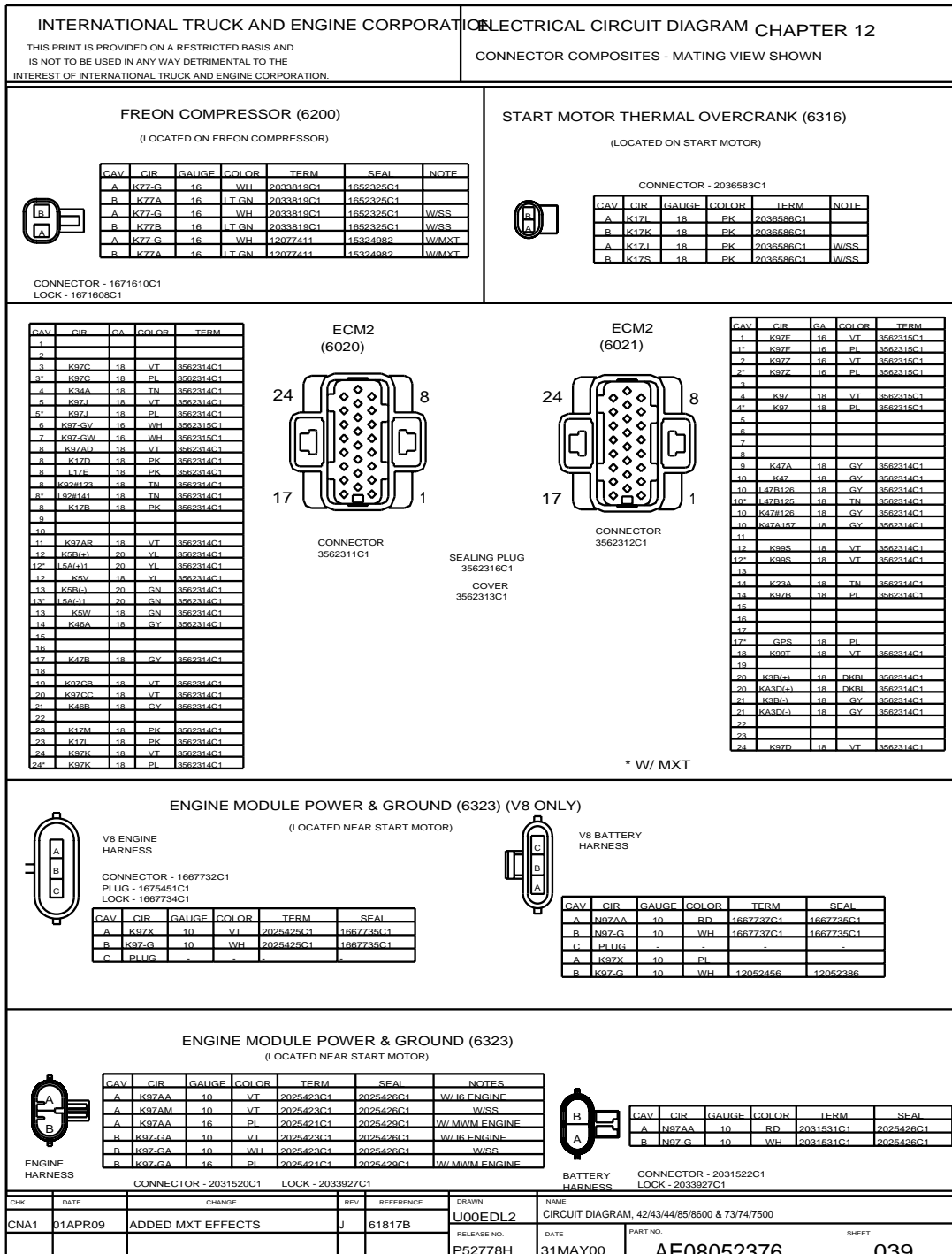


Figure 239 Connector Composites (6013M), (6014), (6015)

12.47. CONNECTOR COMPOSITES (6020), (6021), (6200), (6316), (6323), P. 39



12.48. CONNECTOR COMPOSITES (6020), P. 39A

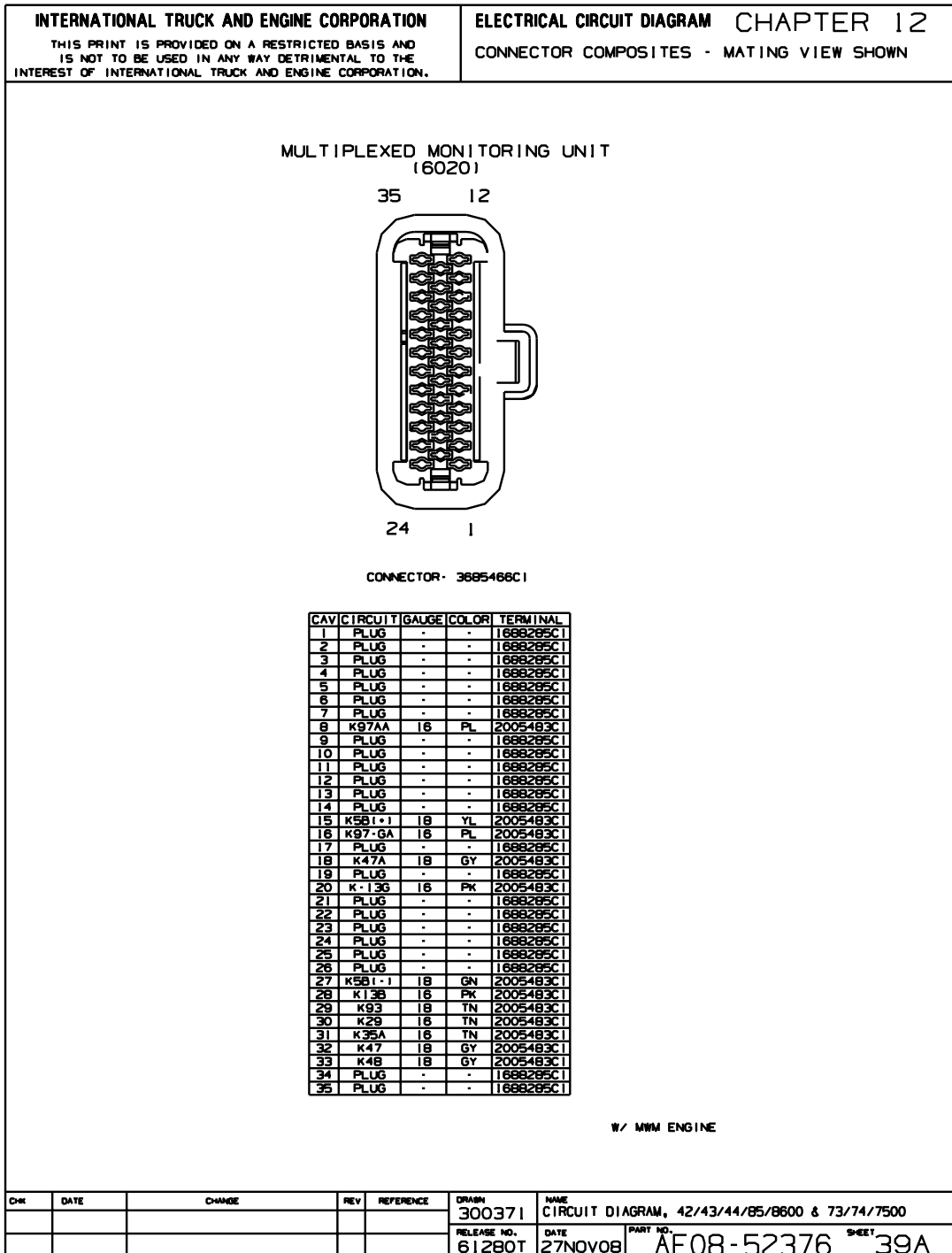


Figure 241 Connector Composites (6020)

12.49. CONNECTOR COMPOSITES (6331F), (6332), (6333), (6334), (6400), (6401M), (6401), (6406), (6407), (6407D), (6409), (6500), (6502), (6550), P. 40

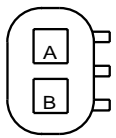
INTERNATIONAL TRUCK AND ENGINE CORPORATION		ELECTRICAL CIRCUIT DIAGRAM CHAPTER 12																																																				
THIS PRINT IS PROVIDED ON A RESTRICTED BASIS AND IS NOT TO BE USED IN ANY WAY DETRIMENTAL TO THE INTEREST OF INTERNATIONAL TRUCK AND ENGINE CORPORATION.		CONNECTOR COMPOSITES - MATING VIEW SHOWN																																																				
CONNECTOR_001 (6331F)		W/ MXT																																																				
 <p>CONNECTOR - 1671611C1 BODY LOCK - 1671608C1</p>		<table border="1" style="width:100%; border-collapse: collapse;"> <thead> <tr> <th>CAV</th> <th>CIRCUIT</th> <th>GAUGE</th> <th>COLOR</th> <th>TERM</th> </tr> </thead> <tbody> <tr> <td>A</td> <td>L92#170</td> <td>14</td> <td>PK</td> <td>2033912C1</td> </tr> <tr> <td>B</td> <td>L92-G</td> <td>14</td> <td>WH</td> <td>2033912C1</td> </tr> </tbody> </table>		CAV	CIRCUIT	GAUGE	COLOR	TERM	A	L92#170	14	PK	2033912C1	B	L92-G	14	WH	2033912C1																																				
CAV	CIRCUIT	GAUGE	COLOR	TERM																																																		
A	L92#170	14	PK	2033912C1																																																		
B	L92-G	14	WH	2033912C1																																																		
<p>AMMETER (6332) (LOCATED NEAR START MOTOR)</p> <p>ENGINE HARNESS</p> <table border="1" style="width:100%; border-collapse: collapse;"> <thead> <tr> <th>CAV</th> <th>CIR</th> <th>GAUGE</th> <th>COLOR</th> <th>TERM</th> <th>SEAL</th> </tr> </thead> <tbody> <tr> <td>A</td> <td>K26B</td> <td>18</td> <td>TN</td> <td>2033911C1</td> <td>1652325C1</td> </tr> </tbody> </table> <p>CONNECTOR - 1669834C1 LOCK - 1675053C1</p> <p>BATTERY HARNESS</p> <table border="1" style="width:100%; border-collapse: collapse;"> <thead> <tr> <th>CAV</th> <th>CIR</th> <th>GAUGE</th> <th>COLOR</th> <th>TERM</th> <th>SEAL</th> </tr> </thead> <tbody> <tr> <td>A</td> <td>N26B</td> <td>14</td> <td>TN</td> <td>2033816C1</td> <td>589390C1</td> </tr> </tbody> </table> <p>CONNECTOR - 1664531C1 LOCK - 1675053C1</p>		CAV	CIR	GAUGE	COLOR	TERM	SEAL	A	K26B	18	TN	2033911C1	1652325C1	CAV	CIR	GAUGE	COLOR	TERM	SEAL	A	N26B	14	TN	2033816C1	589390C1	<p>AMMETER (6333) (LOCATED NEAR START MOTOR)</p> <p>ENGINE HARNESS</p> <table border="1" style="width:100%; border-collapse: collapse;"> <thead> <tr> <th>CAV</th> <th>CIR</th> <th>GAUGE</th> <th>COLOR</th> <th>TERM</th> <th>SEAL</th> </tr> </thead> <tbody> <tr> <td>A</td> <td>K26A</td> <td>18</td> <td>TN</td> <td>2033819C1</td> <td>1652325C1</td> </tr> </tbody> </table> <p>CONNECTOR - 1664531C1 LOCK - 1675053C1</p> <p>ENGINE BLOCK GROUND HARNESS</p> <table border="1" style="width:100%; border-collapse: collapse;"> <thead> <tr> <th>CAV</th> <th>CIR</th> <th>GAUGE</th> <th>COLOR</th> <th>TERM</th> <th>SEAL</th> </tr> </thead> <tbody> <tr> <td>A</td> <td>K26A</td> <td>10</td> <td>TN</td> <td>1687848C1</td> <td>589390C1</td> </tr> </tbody> </table> <p>CONNECTOR - 1669834C1 LOCK - 1675053C1</p>		CAV	CIR	GAUGE	COLOR	TERM	SEAL	A	K26A	18	TN	2033819C1	1652325C1	CAV	CIR	GAUGE	COLOR	TERM	SEAL	A	K26A	10	TN	1687848C1	589390C1			
CAV	CIR	GAUGE	COLOR	TERM	SEAL																																																	
A	K26B	18	TN	2033911C1	1652325C1																																																	
CAV	CIR	GAUGE	COLOR	TERM	SEAL																																																	
A	N26B	14	TN	2033816C1	589390C1																																																	
CAV	CIR	GAUGE	COLOR	TERM	SEAL																																																	
A	K26A	18	TN	2033819C1	1652325C1																																																	
CAV	CIR	GAUGE	COLOR	TERM	SEAL																																																	
A	K26A	10	TN	1687848C1	589390C1																																																	
<p>2-WAY RADIO CONNECTION (6334) (LOCATED NEAR STARTER MOTOR)</p> <p>BATT HARN</p> <p>CONNECTOR 1671611C1 CONN LOCK 1671608C1 PLUG 0587579C1</p> <table border="1" style="width:100%; border-collapse: collapse;"> <thead> <tr> <th>CAV</th> <th>CIR</th> <th>GAUGE</th> <th>COLOR</th> <th>TERM</th> <th>SEAL</th> </tr> </thead> <tbody> <tr> <td>A</td> <td>N14HC</td> <td>10</td> <td>RD</td> <td>1687848C1</td> <td>589390C1</td> </tr> <tr> <td>B</td> <td>N14-GD</td> <td>10</td> <td>WH</td> <td>1687848C1</td> <td>589390C1</td> </tr> </tbody> </table> <p>DASH HARN</p> <table border="1" style="width:100%; border-collapse: collapse;"> <thead> <tr> <th>CAV</th> <th>CIR</th> <th>GAUGE</th> <th>COLOR</th> <th>TERM</th> <th>SEAL</th> </tr> </thead> <tbody> <tr> <td>A</td> <td>N14HC</td> <td>10</td> <td>RD</td> <td>1687848C1</td> <td>589390C1</td> </tr> <tr> <td>B</td> <td>N14-GD</td> <td>10</td> <td>WH</td> <td>1687848C1</td> <td>589390C1</td> </tr> </tbody> </table> <p>CONNECTOR 1671610C1</p>		CAV	CIR	GAUGE	COLOR	TERM	SEAL	A	N14HC	10	RD	1687848C1	589390C1	B	N14-GD	10	WH	1687848C1	589390C1	CAV	CIR	GAUGE	COLOR	TERM	SEAL	A	N14HC	10	RD	1687848C1	589390C1	B	N14-GD	10	WH	1687848C1	589390C1	<p>LOW COOLANT SENSOR (6400) (LOCATED ON SURGE TANK)</p> <p>CONNECTOR 2036583C1</p> <table border="1" style="width:100%; border-collapse: collapse;"> <thead> <tr> <th>CAV</th> <th>CIR</th> <th>GAUGE</th> <th>COLOR</th> <th>TERM</th> </tr> </thead> <tbody> <tr> <td>A</td> <td>K34A</td> <td>18</td> <td>TN</td> <td>2036586C1</td> </tr> <tr> <td>B</td> <td>K34-G</td> <td>18</td> <td>WH</td> <td>2036586C1</td> </tr> </tbody> </table>		CAV	CIR	GAUGE	COLOR	TERM	A	K34A	18	TN	2036586C1	B	K34-G	18	WH	2036586C1
CAV	CIR	GAUGE	COLOR	TERM	SEAL																																																	
A	N14HC	10	RD	1687848C1	589390C1																																																	
B	N14-GD	10	WH	1687848C1	589390C1																																																	
CAV	CIR	GAUGE	COLOR	TERM	SEAL																																																	
A	N14HC	10	RD	1687848C1	589390C1																																																	
B	N14-GD	10	WH	1687848C1	589390C1																																																	
CAV	CIR	GAUGE	COLOR	TERM																																																		
A	K34A	18	TN	2036586C1																																																		
B	K34-G	18	WH	2036586C1																																																		
<p>LOW COOLANT SENSOR (6401M)</p> <p>CONNECTOR 2036583C1</p> <table border="1" style="width:100%; border-collapse: collapse;"> <thead> <tr> <th>CAV</th> <th>CIR</th> <th>GAUGE</th> <th>COLOR</th> <th>TERM</th> </tr> </thead> <tbody> <tr> <td>A</td> <td>K34A</td> <td>18</td> <td>TN</td> <td>2036586C1</td> </tr> <tr> <td>B</td> <td>K34-G</td> <td>18</td> <td>WH</td> <td>2036586C1</td> </tr> </tbody> </table>		CAV	CIR	GAUGE	COLOR	TERM	A	K34A	18	TN	2036586C1	B	K34-G	18	WH	2036586C1																																						
CAV	CIR	GAUGE	COLOR	TERM																																																		
A	K34A	18	TN	2036586C1																																																		
B	K34-G	18	WH	2036586C1																																																		
<p>MELROSE ENG HARN (6401) (LOCATED NEAR ENGINE FAN DRIVE)</p> <p>CONNECTOR 1671611C1 CONN LOCK 1671608C1 PLUG 587579C1</p> <table border="1" style="width:100%; border-collapse: collapse;"> <thead> <tr> <th>CAV</th> <th>CIR</th> <th>GAUGE</th> <th>COLOR</th> <th>TERM</th> <th>SEAL</th> <th>NOTES</th> </tr> </thead> <tbody> <tr> <td>A</td> <td>K97B</td> <td>18</td> <td>VT</td> <td>2033911C1</td> <td>1652325C1</td> <td>NO FAN</td> </tr> <tr> <td>A</td> <td>K23A</td> <td>18</td> <td>TN</td> <td>2033911C1</td> <td>1652325C1</td> <td>W/FAN</td> </tr> <tr> <td>B</td> <td>PLUG</td> <td>-</td> <td>-</td> <td>-</td> <td>-</td> <td>-</td> </tr> </tbody> </table>		CAV	CIR	GAUGE	COLOR	TERM	SEAL	NOTES	A	K97B	18	VT	2033911C1	1652325C1	NO FAN	A	K23A	18	TN	2033911C1	1652325C1	W/FAN	B	PLUG	-	-	-	-	-	<p>ELECTRIC CLUTCH FAN DRIVE (6406) (LOCATED ON ENGINE FAN DRIVE)</p> <p>CONNECTOR 587568C91</p> <table border="1" style="width:100%; border-collapse: collapse;"> <thead> <tr> <th>CAV</th> <th>CIR</th> <th>GAUGE</th> <th>COLOR</th> <th>TERM</th> <th>SEAL</th> </tr> </thead> <tbody> <tr> <td>A</td> <td>K23</td> <td>18</td> <td>TN</td> <td>0687576C1</td> <td>1652325C1</td> </tr> <tr> <td>B</td> <td>K23-G</td> <td>18</td> <td>WH</td> <td>0687576C1</td> <td>1652325C1</td> </tr> </tbody> </table>		CAV	CIR	GAUGE	COLOR	TERM	SEAL	A	K23	18	TN	0687576C1	1652325C1	B	K23-G	18	WH	0687576C1	1652325C1					
CAV	CIR	GAUGE	COLOR	TERM	SEAL	NOTES																																																
A	K97B	18	VT	2033911C1	1652325C1	NO FAN																																																
A	K23A	18	TN	2033911C1	1652325C1	W/FAN																																																
B	PLUG	-	-	-	-	-																																																
CAV	CIR	GAUGE	COLOR	TERM	SEAL																																																	
A	K23	18	TN	0687576C1	1652325C1																																																	
B	K23-G	18	WH	0687576C1	1652325C1																																																	
<p>LOW COOLANT SENSOR (6407)</p> <p>CONNECTOR 1673746C1 CONN LOCK 1661873C1</p> <table border="1" style="width:100%; border-collapse: collapse;"> <thead> <tr> <th>CAV</th> <th>CIR</th> <th>GAUGE</th> <th>COLOR</th> <th>TERM</th> <th>SEAL</th> </tr> </thead> <tbody> <tr> <td>A</td> <td>K34D</td> <td>16</td> <td>TN</td> <td>1661875C1</td> <td>1661872C1</td> </tr> <tr> <td>B</td> <td>K34-GA</td> <td>16</td> <td>WH</td> <td>1661875C1</td> <td>1661872C1</td> </tr> <tr> <td>C</td> <td>K34B</td> <td>16</td> <td>TN</td> <td>1661875C1</td> <td>1661872C1</td> </tr> <tr> <td>D</td> <td>K34C</td> <td>16</td> <td>TN</td> <td>1661875C1</td> <td>1661872C1</td> </tr> </tbody> </table>		CAV	CIR	GAUGE	COLOR	TERM	SEAL	A	K34D	16	TN	1661875C1	1661872C1	B	K34-GA	16	WH	1661875C1	1661872C1	C	K34B	16	TN	1661875C1	1661872C1	D	K34C	16	TN	1661875C1	1661872C1	<p>LOW COOLANT SENSOR (6407D)</p> <p>CONNECTOR - 1671610C1 LOCK - 1671608C1 SEAL - 1652325C1</p> <table border="1" style="width:100%; border-collapse: collapse;"> <thead> <tr> <th>CAV</th> <th>CIR</th> <th>GAUGE</th> <th>COLOR</th> </tr> </thead> <tbody> <tr> <td>1</td> <td>K34E</td> <td>16</td> <td>TN</td> </tr> <tr> <td>2</td> <td>K34-GB</td> <td>16</td> <td>WH</td> </tr> </tbody> </table>		CAV	CIR	GAUGE	COLOR	1	K34E	16	TN	2	K34-GB	16	WH									
CAV	CIR	GAUGE	COLOR	TERM	SEAL																																																	
A	K34D	16	TN	1661875C1	1661872C1																																																	
B	K34-GA	16	WH	1661875C1	1661872C1																																																	
C	K34B	16	TN	1661875C1	1661872C1																																																	
D	K34C	16	TN	1661875C1	1661872C1																																																	
CAV	CIR	GAUGE	COLOR																																																			
1	K34E	16	TN																																																			
2	K34-GB	16	WH																																																			
<p>FAN AIR SOLENOID (6409)</p> <p>CONNECTOR 1671610C1 CONN LOCK 1671608C1</p> <table border="1" style="width:100%; border-collapse: collapse;"> <thead> <tr> <th>CAV</th> <th>CIR</th> <th>GAUGE</th> <th>COLOR</th> <th>TERM</th> <th>SEAL</th> </tr> </thead> <tbody> <tr> <td>A</td> <td>K23N</td> <td>16</td> <td>TN</td> <td>2033819C1</td> <td>1652325C1</td> </tr> <tr> <td>B</td> <td>K23-G</td> <td>16</td> <td>WH</td> <td>2033819C1</td> <td>1652325C1</td> </tr> </tbody> </table>		CAV	CIR	GAUGE	COLOR	TERM	SEAL	A	K23N	16	TN	2033819C1	1652325C1	B	K23-G	16	WH	2033819C1	1652325C1	<p>EXHAUST BRAKE (6500) (LOCATED ON EXHAUST BRAKE SOLENOID)</p> <p>CONNECTOR 1671610C1 CONN LOCK 1671608C1</p> <table border="1" style="width:100%; border-collapse: collapse;"> <thead> <tr> <th>CAV</th> <th>CIR</th> <th>GAUGE</th> <th>COLOR</th> <th>TERM</th> <th>SEAL</th> </tr> </thead> <tbody> <tr> <td>A</td> <td>K24B</td> <td>18</td> <td>GY</td> <td>2033819C1</td> <td>1652325C1</td> </tr> <tr> <td>B</td> <td>K24-G</td> <td>18</td> <td>WH</td> <td>2033819C1</td> <td>1652325C1</td> </tr> </tbody> </table>		CAV	CIR	GAUGE	COLOR	TERM	SEAL	A	K24B	18	GY	2033819C1	1652325C1	B	K24-G	18	WH	2033819C1	1652325C1															
CAV	CIR	GAUGE	COLOR	TERM	SEAL																																																	
A	K23N	16	TN	2033819C1	1652325C1																																																	
B	K23-G	16	WH	2033819C1	1652325C1																																																	
CAV	CIR	GAUGE	COLOR	TERM	SEAL																																																	
A	K24B	18	GY	2033819C1	1652325C1																																																	
B	K24-G	18	WH	2033819C1	1652325C1																																																	
<p>EXHAUST BRAKE SOLENOID (6502)</p> <p>CONNECTOR - 0188395R1 LOCK - N/A PLUG - N/A</p> <table border="1" style="width:100%; border-collapse: collapse;"> <thead> <tr> <th>CAV</th> <th>CIR</th> <th>GAUGE</th> <th>COLOR</th> <th>TERM</th> </tr> </thead> <tbody> <tr> <td>A</td> <td>K24B</td> <td>16</td> <td>GY</td> <td>0188396C1</td> </tr> </tbody> </table>		CAV	CIR	GAUGE	COLOR	TERM	A	K24B	16	GY	0188396C1																																											
CAV	CIR	GAUGE	COLOR	TERM																																																		
A	K24B	16	GY	0188396C1																																																		
		<p>ETHER START THERMOSTAT (6550) (LOCATED NEAR ENGINE ECM)</p> <p>CONNECTOR - 1671610C1 LOCK - 1671608C1 SEAL - 1652325C1</p> <table border="1" style="width:100%; border-collapse: collapse;"> <thead> <tr> <th>CAV</th> <th>CIR</th> <th>GAUGE</th> <th>COLOR</th> <th>TERM</th> <th>SEAL</th> </tr> </thead> <tbody> <tr> <td>A</td> <td>K21B</td> <td>16</td> <td>TN</td> <td>2033819C1</td> <td>1652325C1</td> </tr> <tr> <td>A</td> <td>K21F</td> <td>16</td> <td>TN</td> <td>2033819C1</td> <td>1652325C1</td> </tr> <tr> <td>B</td> <td>K21-G</td> <td>18</td> <td>WH</td> <td>2033819C1</td> <td>1652325C1</td> </tr> <tr> <td>B</td> <td>K21-G</td> <td>16</td> <td>WH</td> <td>2033819C1</td> <td>1652325C1</td> </tr> </tbody> </table> <p>* USED FOR SS 4GAUGE</p>		CAV	CIR	GAUGE	COLOR	TERM	SEAL	A	K21B	16	TN	2033819C1	1652325C1	A	K21F	16	TN	2033819C1	1652325C1	B	K21-G	18	WH	2033819C1	1652325C1	B	K21-G	16	WH	2033819C1	1652325C1																					
CAV	CIR	GAUGE	COLOR	TERM	SEAL																																																	
A	K21B	16	TN	2033819C1	1652325C1																																																	
A	K21F	16	TN	2033819C1	1652325C1																																																	
B	K21-G	18	WH	2033819C1	1652325C1																																																	
B	K21-G	16	WH	2033819C1	1652325C1																																																	
CHK	DATE	CHANGE	REV	REFERENCE	DRAWN	NAME	DATE	PART NO.	SHEET																																													
CNA1	01APR09	ADDED CONNECTOR_001	J	61817B	U00EDL2	CIRCUIT DIAGRAM, 42/43/44/85/8600 & 73/74/7500	31MAY00	AE08052376	040																																													
					P52778H																																																	

Figure 242 Connector Composites (6331F), (6332), (6333), (6334), (6400), (6401M), (6401), (6406), (6407), (6407D), (6409), (6500), (6502), (6550)

12.50. CONNECTOR COMPOSITES (6703), (6704), (6708), (6900A), (7103), (7104), (7104A), (7105), (7106), (7107), P. 41

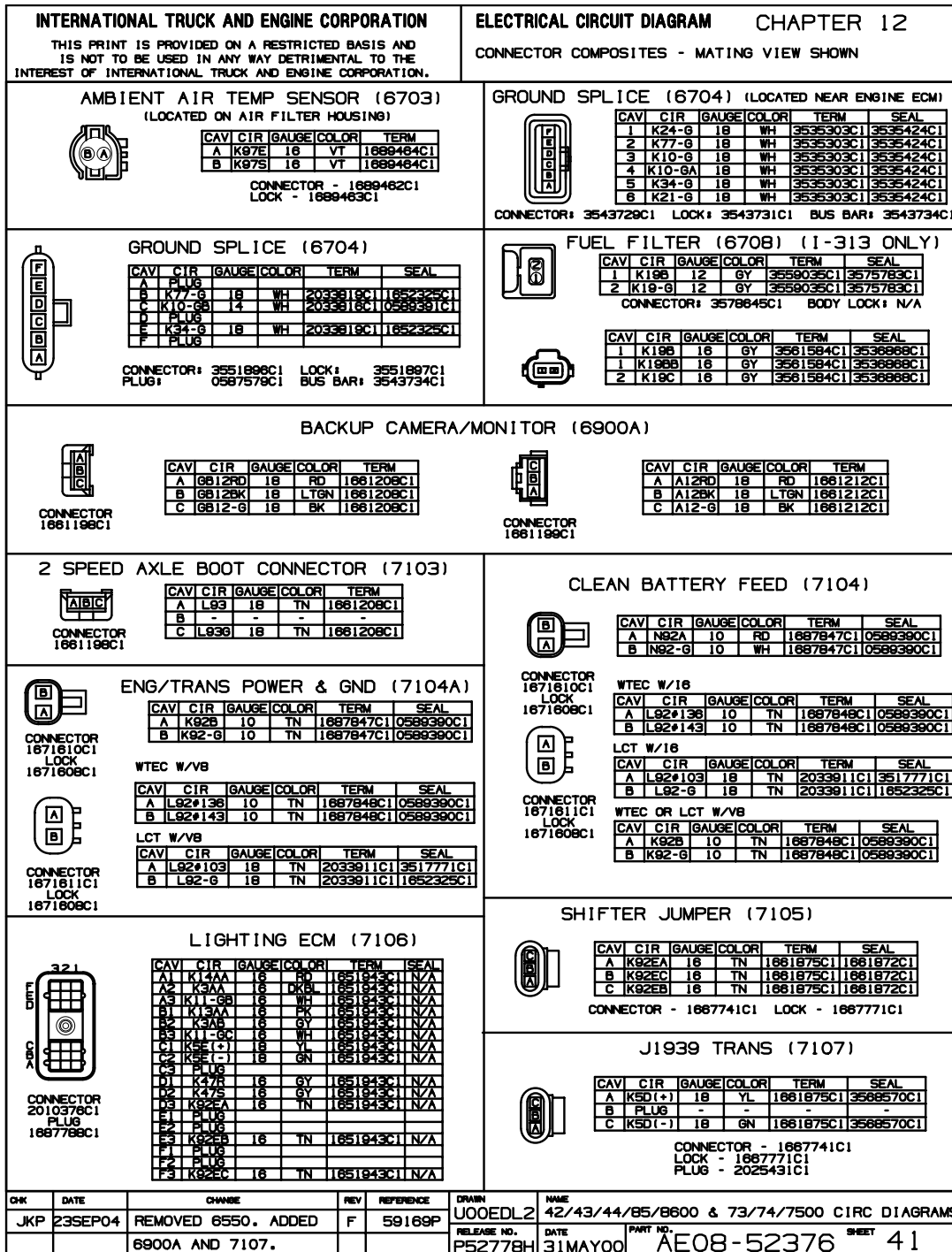


Figure 243 Connector Composites (6703), (6704), (6708), (6900A), (7103), (7104), (7104A), (7105), (7106), (7107)

12.51. CONNECTOR COMPOSITES (7111), (7150), P. 42


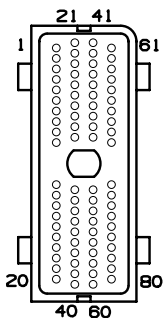
INTERNATIONAL TRUCK AND ENGINE CORPORATION <small>THIS PRINT IS PROVIDED ON A RESTRICTED BASIS AND IS NOT TO BE USED IN ANY WAY DETRIMENTAL TO THE INTEREST OF INTERNATIONAL TRUCK AND ENGINE CORPORATION.</small>		ELECTRICAL CIRCUIT DIAGRAM CHAPTER 12 CONNECTOR COMPOSITES - MATING VIEW SHOWN																																																																																																																																																																																																																																																																																																																																																																																																																											
MERITOR POWER (7111)  CONNECTOR - 1871810C1 LOCK - 1871808C1		THIS SPACE INTENTIONALLY LEFT BLANK																																																																																																																																																																																																																																																																																																																																																																																																																											
4 GEN TRANSMISSION CONTROLLER CONNECTION (7150 WTEC) CONNECTOR - 3805713C1																																																																																																																																																																																																																																																																																																																																																																																																																													
		<table border="1" style="width:100%; border-collapse: collapse; font-size: 8px;"> <thead> <tr> <th>CAV</th><th>CIR</th><th>GAUGE</th><th>COLOR</th><th>TERM</th></tr> </thead> <tbody> <tr><td>1</td><td>92#101</td><td>18</td><td>LT BL</td><td>3808047C1</td></tr> <tr><td>2</td><td>-</td><td>-</td><td>-</td><td>-</td></tr> <tr><td>3</td><td>92#103</td><td>18</td><td>YL</td><td>3808047C1</td></tr> <tr><td>4</td><td>-</td><td>-</td><td>-</td><td>-</td></tr> <tr><td>5</td><td>92#105</td><td>18</td><td>OR</td><td>3808047C1</td></tr> <tr><td>6</td><td>-</td><td>-</td><td>-</td><td>-</td></tr> <tr><td>7</td><td>-</td><td>-</td><td>-</td><td>-</td></tr> <tr><td>8</td><td>5A108</td><td>18</td><td>GN</td><td>3808047C1</td></tr> <tr><td>9</td><td>92C109</td><td>18</td><td>GY</td><td>3808047C1</td></tr> <tr><td>10</td><td>92#110</td><td>18</td><td>PK</td><td>3808047C1</td></tr> <tr><td>11</td><td>92#111</td><td>18</td><td>OR</td><td>3808047C1</td></tr> <tr><td>12</td><td>92A112</td><td>18</td><td>PK</td><td>3808047C1</td></tr> <tr><td>13</td><td>-</td><td>-</td><td>-</td><td>-</td></tr> <tr><td>14</td><td>-</td><td>-</td><td>-</td><td>-</td></tr> <tr><td>15</td><td>92#115</td><td>18</td><td>WH</td><td>3808047C1</td></tr> <tr><td>16</td><td>92#116</td><td>18</td><td>LT BL</td><td>3808047C1</td></tr> <tr><td>17</td><td>92A117</td><td>18</td><td>LT BL</td><td>3808047C1</td></tr> <tr><td>18</td><td>-</td><td>-</td><td>-</td><td>-</td></tr> <tr><td>19</td><td>92#119</td><td>18</td><td>LT BL</td><td>3808047C1</td></tr> <tr><td>20</td><td>92A120</td><td>18</td><td>LT BL</td><td>3808047C1</td></tr> <tr><td>21</td><td>-</td><td>-</td><td>-</td><td>-</td></tr> <tr><td>22</td><td>-</td><td>-</td><td>-</td><td>-</td></tr> <tr><td>23</td><td>-</td><td>-</td><td>-</td><td>-</td></tr> <tr><td>24</td><td>92#124</td><td>18</td><td>WH</td><td>3808047C1</td></tr> <tr><td>25</td><td>47A125</td><td>18</td><td>TN</td><td>3808047C1</td></tr> <tr><td>26</td><td>-</td><td>-</td><td>-</td><td>-</td></tr> <tr><td>27</td><td>-</td><td>-</td><td>-</td><td>-</td></tr> <tr><td>28</td><td>5A128</td><td>18</td><td>YL</td><td>3808047C1</td></tr> <tr><td>29</td><td>-</td><td>-</td><td>-</td><td>-</td></tr> <tr><td>30</td><td>92#130</td><td>18</td><td>WH</td><td>3808047C1</td></tr> <tr><td>31</td><td>92A131</td><td>18</td><td>YL</td><td>3808047C1</td></tr> <tr><td>32</td><td>-</td><td>-</td><td>-</td><td>-</td></tr> <tr><td>33</td><td>92#133</td><td>18</td><td>YL</td><td>3808047C1</td></tr> <tr><td>34</td><td>92#134</td><td>18</td><td>YL</td><td>3808047C1</td></tr> <tr><td>35</td><td>-</td><td>-</td><td>-</td><td>-</td></tr> <tr><td>36</td><td>92#136</td><td>18</td><td>OR</td><td>3808047C1</td></tr> <tr><td>37</td><td>92#137</td><td>18</td><td>WH</td><td>3808047C1</td></tr> <tr><td>38</td><td>-</td><td>-</td><td>-</td><td>-</td></tr> <tr><td>39</td><td>48#139</td><td>18</td><td>OR</td><td>3808047C1</td></tr> <tr><td>40</td><td>47#140</td><td>18</td><td>LT GN</td><td>3808047C1</td></tr> </tbody> </table>	CAV	CIR	GAUGE	COLOR	TERM	1	92#101	18	LT BL	3808047C1	2	-	-	-	-	3	92#103	18	YL	3808047C1	4	-	-	-	-	5	92#105	18	OR	3808047C1	6	-	-	-	-	7	-	-	-	-	8	5A108	18	GN	3808047C1	9	92C109	18	GY	3808047C1	10	92#110	18	PK	3808047C1	11	92#111	18	OR	3808047C1	12	92A112	18	PK	3808047C1	13	-	-	-	-	14	-	-	-	-	15	92#115	18	WH	3808047C1	16	92#116	18	LT BL	3808047C1	17	92A117	18	LT BL	3808047C1	18	-	-	-	-	19	92#119	18	LT BL	3808047C1	20	92A120	18	LT BL	3808047C1	21	-	-	-	-	22	-	-	-	-	23	-	-	-	-	24	92#124	18	WH	3808047C1	25	47A125	18	TN	3808047C1	26	-	-	-	-	27	-	-	-	-	28	5A128	18	YL	3808047C1	29	-	-	-	-	30	92#130	18	WH	3808047C1	31	92A131	18	YL	3808047C1	32	-	-	-	-	33	92#133	18	YL	3808047C1	34	92#134	18	YL	3808047C1	35	-	-	-	-	36	92#136	18	OR	3808047C1	37	92#137	18	WH	3808047C1	38	-	-	-	-	39	48#139	18	OR	3808047C1	40	47#140	18	LT GN	3808047C1	<table border="1" style="width:100%; border-collapse: collapse; font-size: 8px;"> <thead> <tr> <th>CAV</th><th>CIR</th><th>GAUGE</th><th>COLOR</th><th>TERM</th></tr> </thead> <tbody> <tr><td>41</td><td>92#141</td><td>18</td><td>TN</td><td>3808047C1</td></tr> <tr><td>42</td><td>92A142</td><td>18</td><td>WH</td><td>3808047C1</td></tr> <tr><td>43</td><td>92#143</td><td>18</td><td>LT BL</td><td>3808047C1</td></tr> <tr><td>44</td><td>-</td><td>-</td><td>-</td><td>-</td></tr> <tr><td>45</td><td>92#145</td><td>18</td><td>OR</td><td>3808047C1</td></tr> <tr><td>46</td><td>-</td><td>-</td><td>-</td><td>-</td></tr> <tr><td>47</td><td>-</td><td>-</td><td>-</td><td>-</td></tr> <tr><td>48</td><td>-</td><td>-</td><td>-</td><td>-</td></tr> <tr><td>49</td><td>-</td><td>-</td><td>-</td><td>-</td></tr> <tr><td>50</td><td>-</td><td>-</td><td>-</td><td>-</td></tr> <tr><td>51</td><td>92#151</td><td>18</td><td>WH</td><td>3808047C1</td></tr> <tr><td>52</td><td>92#152</td><td>18</td><td>LT GN</td><td>3808047C1</td></tr> <tr><td>53</td><td>-</td><td>-</td><td>-</td><td>-</td></tr> <tr><td>54</td><td>31#154</td><td>18</td><td>TN</td><td>3808047C1</td></tr> <tr><td>55</td><td>92#155</td><td>18</td><td>WH</td><td>3808047C1</td></tr> <tr><td>56</td><td>92#156</td><td>18</td><td>PK</td><td>3808047C1</td></tr> <tr><td>57</td><td>92#157</td><td>18</td><td>WH</td><td>3808047C1</td></tr> <tr><td>58</td><td>92A158</td><td>18</td><td>LT GN</td><td>3808047C1</td></tr> <tr><td>59</td><td>48#159</td><td>18</td><td>TN</td><td>3808047C1</td></tr> <tr><td>60</td><td>47#160</td><td>18</td><td>YL</td><td>3808047C1</td></tr> <tr><td>61</td><td>92#161</td><td>18</td><td>OR</td><td>3808047C1</td></tr> <tr><td>62</td><td>92#162</td><td>18</td><td>YL</td><td>3808047C1</td></tr> <tr><td>63</td><td>92#163</td><td>18</td><td>YL</td><td>3808047C1</td></tr> <tr><td>64</td><td>92#164</td><td>18</td><td>LT BL</td><td>3808047C1</td></tr> <tr><td>65</td><td>71#165</td><td>18</td><td>TN</td><td>3808047C1</td></tr> <tr><td>66</td><td>-</td><td>-</td><td>-</td><td>-</td></tr> <tr><td>67</td><td>-</td><td>-</td><td>-</td><td>-</td></tr> <tr><td>68</td><td>-</td><td>-</td><td>-</td><td>-</td></tr> <tr><td>69</td><td>92B169</td><td>18</td><td>GY</td><td>3808047C1</td></tr> <tr><td>70</td><td>92#170</td><td>18</td><td>PK</td><td>3808047C1</td></tr> <tr><td>71</td><td>92#171</td><td>18</td><td>YL</td><td>3808047C1</td></tr> <tr><td>72</td><td>-</td><td>-</td><td>-</td><td>-</td></tr> <tr><td>73</td><td>-</td><td>-</td><td>-</td><td>-</td></tr> <tr><td>74</td><td>92#174</td><td>18</td><td>LT BL</td><td>3808047C1</td></tr> <tr><td>75</td><td>92#175</td><td>18</td><td>OR</td><td>3808047C1</td></tr> <tr><td>76</td><td>92#176</td><td>18</td><td>YL</td><td>3808047C1</td></tr> <tr><td>77</td><td>92#177</td><td>18</td><td>LT GN</td><td>3808047C1</td></tr> <tr><td>78</td><td>-</td><td>-</td><td>-</td><td>-</td></tr> <tr><td>79</td><td>-</td><td>-</td><td>-</td><td>-</td></tr> <tr><td>80</td><td>92#180</td><td>18</td><td>OR</td><td>3808047C1</td></tr> </tbody> </table>	CAV	CIR	GAUGE	COLOR	TERM	41	92#141	18	TN	3808047C1	42	92A142	18	WH	3808047C1	43	92#143	18	LT BL	3808047C1	44	-	-	-	-	45	92#145	18	OR	3808047C1	46	-	-	-	-	47	-	-	-	-	48	-	-	-	-	49	-	-	-	-	50	-	-	-	-	51	92#151	18	WH	3808047C1	52	92#152	18	LT GN	3808047C1	53	-	-	-	-	54	31#154	18	TN	3808047C1	55	92#155	18	WH	3808047C1	56	92#156	18	PK	3808047C1	57	92#157	18	WH	3808047C1	58	92A158	18	LT GN	3808047C1	59	48#159	18	TN	3808047C1	60	47#160	18	YL	3808047C1	61	92#161	18	OR	3808047C1	62	92#162	18	YL	3808047C1	63	92#163	18	YL	3808047C1	64	92#164	18	LT BL	3808047C1	65	71#165	18	TN	3808047C1	66	-	-	-	-	67	-	-	-	-	68	-	-	-	-	69	92B169	18	GY	3808047C1	70	92#170	18	PK	3808047C1	71	92#171	18	YL	3808047C1	72	-	-	-	-	73	-	-	-	-	74	92#174	18	LT BL	3808047C1	75	92#175	18	OR	3808047C1	76	92#176	18	YL	3808047C1	77	92#177	18	LT GN	3808047C1	78	-	-	-	-	79	-	-	-	-	80	92#180	18	OR	3808047C1
CAV	CIR	GAUGE	COLOR	TERM																																																																																																																																																																																																																																																																																																																																																																																																																									
1	92#101	18	LT BL	3808047C1																																																																																																																																																																																																																																																																																																																																																																																																																									
2	-	-	-	-																																																																																																																																																																																																																																																																																																																																																																																																																									
3	92#103	18	YL	3808047C1																																																																																																																																																																																																																																																																																																																																																																																																																									
4	-	-	-	-																																																																																																																																																																																																																																																																																																																																																																																																																									
5	92#105	18	OR	3808047C1																																																																																																																																																																																																																																																																																																																																																																																																																									
6	-	-	-	-																																																																																																																																																																																																																																																																																																																																																																																																																									
7	-	-	-	-																																																																																																																																																																																																																																																																																																																																																																																																																									
8	5A108	18	GN	3808047C1																																																																																																																																																																																																																																																																																																																																																																																																																									
9	92C109	18	GY	3808047C1																																																																																																																																																																																																																																																																																																																																																																																																																									
10	92#110	18	PK	3808047C1																																																																																																																																																																																																																																																																																																																																																																																																																									
11	92#111	18	OR	3808047C1																																																																																																																																																																																																																																																																																																																																																																																																																									
12	92A112	18	PK	3808047C1																																																																																																																																																																																																																																																																																																																																																																																																																									
13	-	-	-	-																																																																																																																																																																																																																																																																																																																																																																																																																									
14	-	-	-	-																																																																																																																																																																																																																																																																																																																																																																																																																									
15	92#115	18	WH	3808047C1																																																																																																																																																																																																																																																																																																																																																																																																																									
16	92#116	18	LT BL	3808047C1																																																																																																																																																																																																																																																																																																																																																																																																																									
17	92A117	18	LT BL	3808047C1																																																																																																																																																																																																																																																																																																																																																																																																																									
18	-	-	-	-																																																																																																																																																																																																																																																																																																																																																																																																																									
19	92#119	18	LT BL	3808047C1																																																																																																																																																																																																																																																																																																																																																																																																																									
20	92A120	18	LT BL	3808047C1																																																																																																																																																																																																																																																																																																																																																																																																																									
21	-	-	-	-																																																																																																																																																																																																																																																																																																																																																																																																																									
22	-	-	-	-																																																																																																																																																																																																																																																																																																																																																																																																																									
23	-	-	-	-																																																																																																																																																																																																																																																																																																																																																																																																																									
24	92#124	18	WH	3808047C1																																																																																																																																																																																																																																																																																																																																																																																																																									
25	47A125	18	TN	3808047C1																																																																																																																																																																																																																																																																																																																																																																																																																									
26	-	-	-	-																																																																																																																																																																																																																																																																																																																																																																																																																									
27	-	-	-	-																																																																																																																																																																																																																																																																																																																																																																																																																									
28	5A128	18	YL	3808047C1																																																																																																																																																																																																																																																																																																																																																																																																																									
29	-	-	-	-																																																																																																																																																																																																																																																																																																																																																																																																																									
30	92#130	18	WH	3808047C1																																																																																																																																																																																																																																																																																																																																																																																																																									
31	92A131	18	YL	3808047C1																																																																																																																																																																																																																																																																																																																																																																																																																									
32	-	-	-	-																																																																																																																																																																																																																																																																																																																																																																																																																									
33	92#133	18	YL	3808047C1																																																																																																																																																																																																																																																																																																																																																																																																																									
34	92#134	18	YL	3808047C1																																																																																																																																																																																																																																																																																																																																																																																																																									
35	-	-	-	-																																																																																																																																																																																																																																																																																																																																																																																																																									
36	92#136	18	OR	3808047C1																																																																																																																																																																																																																																																																																																																																																																																																																									
37	92#137	18	WH	3808047C1																																																																																																																																																																																																																																																																																																																																																																																																																									
38	-	-	-	-																																																																																																																																																																																																																																																																																																																																																																																																																									
39	48#139	18	OR	3808047C1																																																																																																																																																																																																																																																																																																																																																																																																																									
40	47#140	18	LT GN	3808047C1																																																																																																																																																																																																																																																																																																																																																																																																																									
CAV	CIR	GAUGE	COLOR	TERM																																																																																																																																																																																																																																																																																																																																																																																																																									
41	92#141	18	TN	3808047C1																																																																																																																																																																																																																																																																																																																																																																																																																									
42	92A142	18	WH	3808047C1																																																																																																																																																																																																																																																																																																																																																																																																																									
43	92#143	18	LT BL	3808047C1																																																																																																																																																																																																																																																																																																																																																																																																																									
44	-	-	-	-																																																																																																																																																																																																																																																																																																																																																																																																																									
45	92#145	18	OR	3808047C1																																																																																																																																																																																																																																																																																																																																																																																																																									
46	-	-	-	-																																																																																																																																																																																																																																																																																																																																																																																																																									
47	-	-	-	-																																																																																																																																																																																																																																																																																																																																																																																																																									
48	-	-	-	-																																																																																																																																																																																																																																																																																																																																																																																																																									
49	-	-	-	-																																																																																																																																																																																																																																																																																																																																																																																																																									
50	-	-	-	-																																																																																																																																																																																																																																																																																																																																																																																																																									
51	92#151	18	WH	3808047C1																																																																																																																																																																																																																																																																																																																																																																																																																									
52	92#152	18	LT GN	3808047C1																																																																																																																																																																																																																																																																																																																																																																																																																									
53	-	-	-	-																																																																																																																																																																																																																																																																																																																																																																																																																									
54	31#154	18	TN	3808047C1																																																																																																																																																																																																																																																																																																																																																																																																																									
55	92#155	18	WH	3808047C1																																																																																																																																																																																																																																																																																																																																																																																																																									
56	92#156	18	PK	3808047C1																																																																																																																																																																																																																																																																																																																																																																																																																									
57	92#157	18	WH	3808047C1																																																																																																																																																																																																																																																																																																																																																																																																																									
58	92A158	18	LT GN	3808047C1																																																																																																																																																																																																																																																																																																																																																																																																																									
59	48#159	18	TN	3808047C1																																																																																																																																																																																																																																																																																																																																																																																																																									
60	47#160	18	YL	3808047C1																																																																																																																																																																																																																																																																																																																																																																																																																									
61	92#161	18	OR	3808047C1																																																																																																																																																																																																																																																																																																																																																																																																																									
62	92#162	18	YL	3808047C1																																																																																																																																																																																																																																																																																																																																																																																																																									
63	92#163	18	YL	3808047C1																																																																																																																																																																																																																																																																																																																																																																																																																									
64	92#164	18	LT BL	3808047C1																																																																																																																																																																																																																																																																																																																																																																																																																									
65	71#165	18	TN	3808047C1																																																																																																																																																																																																																																																																																																																																																																																																																									
66	-	-	-	-																																																																																																																																																																																																																																																																																																																																																																																																																									
67	-	-	-	-																																																																																																																																																																																																																																																																																																																																																																																																																									
68	-	-	-	-																																																																																																																																																																																																																																																																																																																																																																																																																									
69	92B169	18	GY	3808047C1																																																																																																																																																																																																																																																																																																																																																																																																																									
70	92#170	18	PK	3808047C1																																																																																																																																																																																																																																																																																																																																																																																																																									
71	92#171	18	YL	3808047C1																																																																																																																																																																																																																																																																																																																																																																																																																									
72	-	-	-	-																																																																																																																																																																																																																																																																																																																																																																																																																									
73	-	-	-	-																																																																																																																																																																																																																																																																																																																																																																																																																									
74	92#174	18	LT BL	3808047C1																																																																																																																																																																																																																																																																																																																																																																																																																									
75	92#175	18	OR	3808047C1																																																																																																																																																																																																																																																																																																																																																																																																																									
76	92#176	18	YL	3808047C1																																																																																																																																																																																																																																																																																																																																																																																																																									
77	92#177	18	LT GN	3808047C1																																																																																																																																																																																																																																																																																																																																																																																																																									
78	-	-	-	-																																																																																																																																																																																																																																																																																																																																																																																																																									
79	-	-	-	-																																																																																																																																																																																																																																																																																																																																																																																																																									
80	92#180	18	OR	3808047C1																																																																																																																																																																																																																																																																																																																																																																																																																									
CHK	DATE	CHANGE	REV	REFERENCE	DRAWN	NAME																																																																																																																																																																																																																																																																																																																																																																																																																							
CNA	21OCT05	ADDED CONN 7150.	E	59929F	U00EDL2	42/43/44/85/8600 & 73/74/7500 CIRC DIAGRAMS																																																																																																																																																																																																																																																																																																																																																																																																																							
		RMVD: 7200,7202,7203.			RELEASE NO. P52778H	DATE 31MAY00 PART NO. AE08-52376 SHEET 42																																																																																																																																																																																																																																																																																																																																																																																																																							

Figure 244 Connector Composites (7111), (7150)

12.52. CONNECTOR COMPOSITE (7151), P. 42A

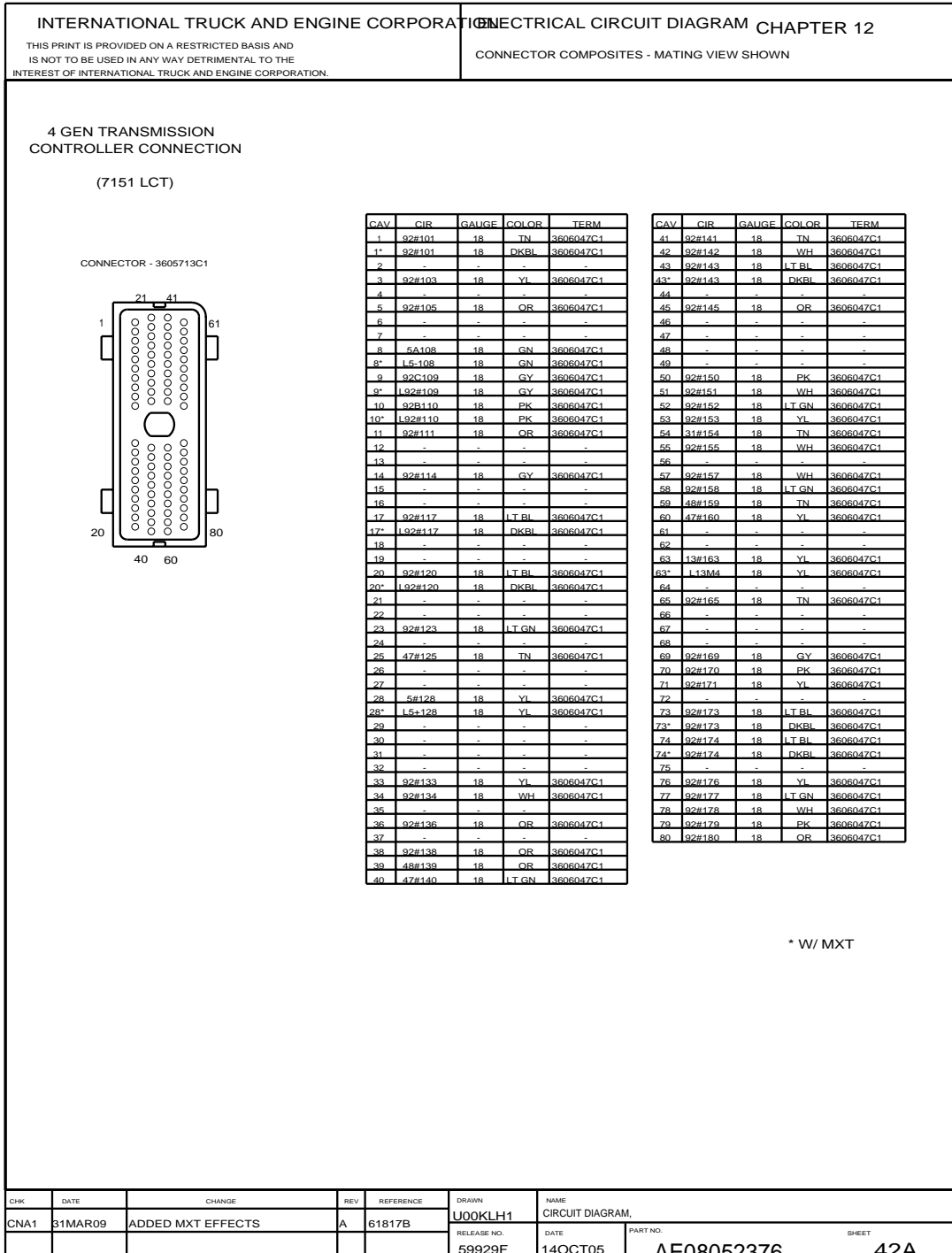


Figure 245 Connector Composite (7151)

12.53. CONNECTOR COMPOSITES (7200), (7202), (7203), P. 42B

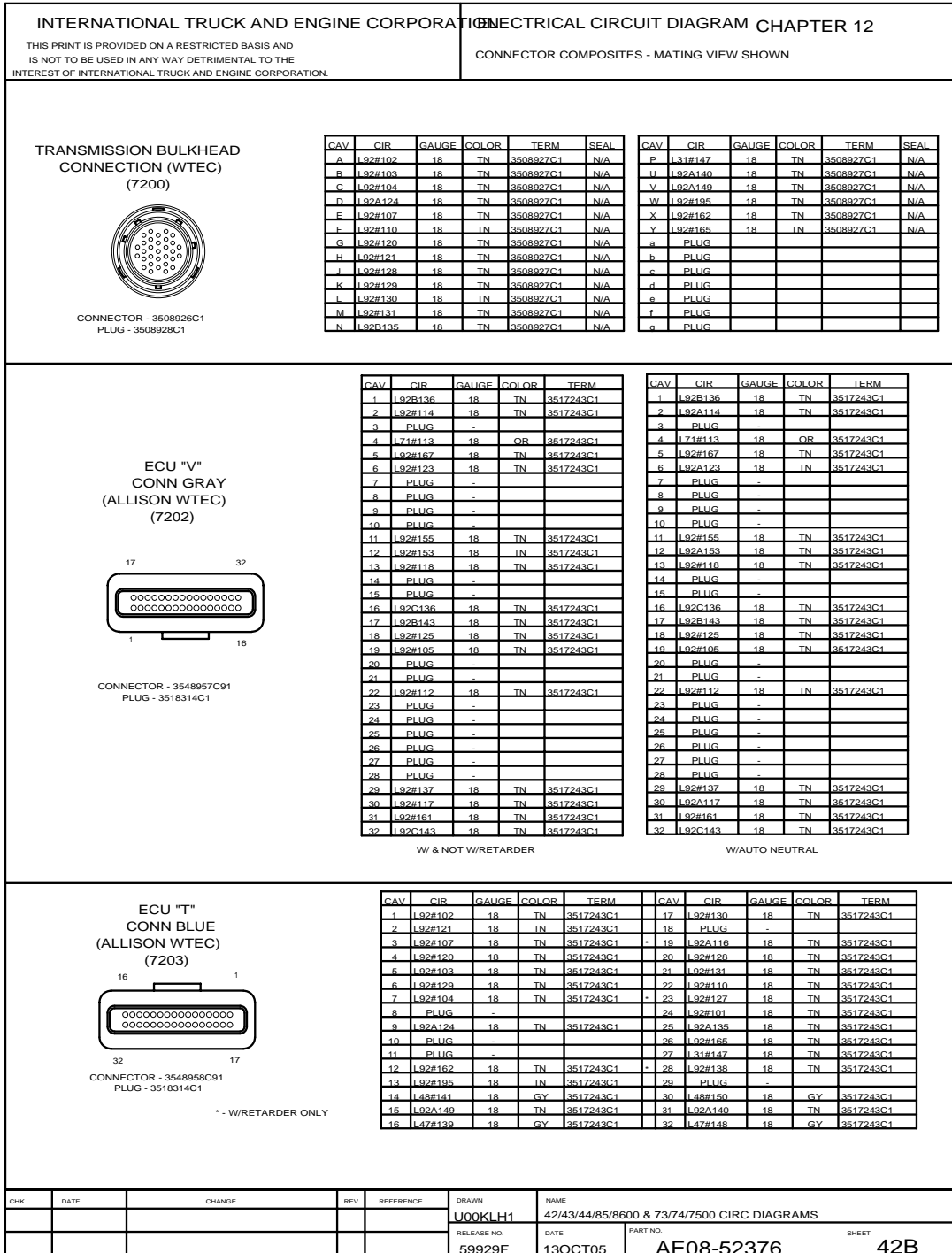


Figure 246 Connector Composites (7200), (7202), (7203)

12.54. CONNECTOR COMPOSITES (7204), (7205), (7206), (7208), (7211), (7212), (7213), P. 43

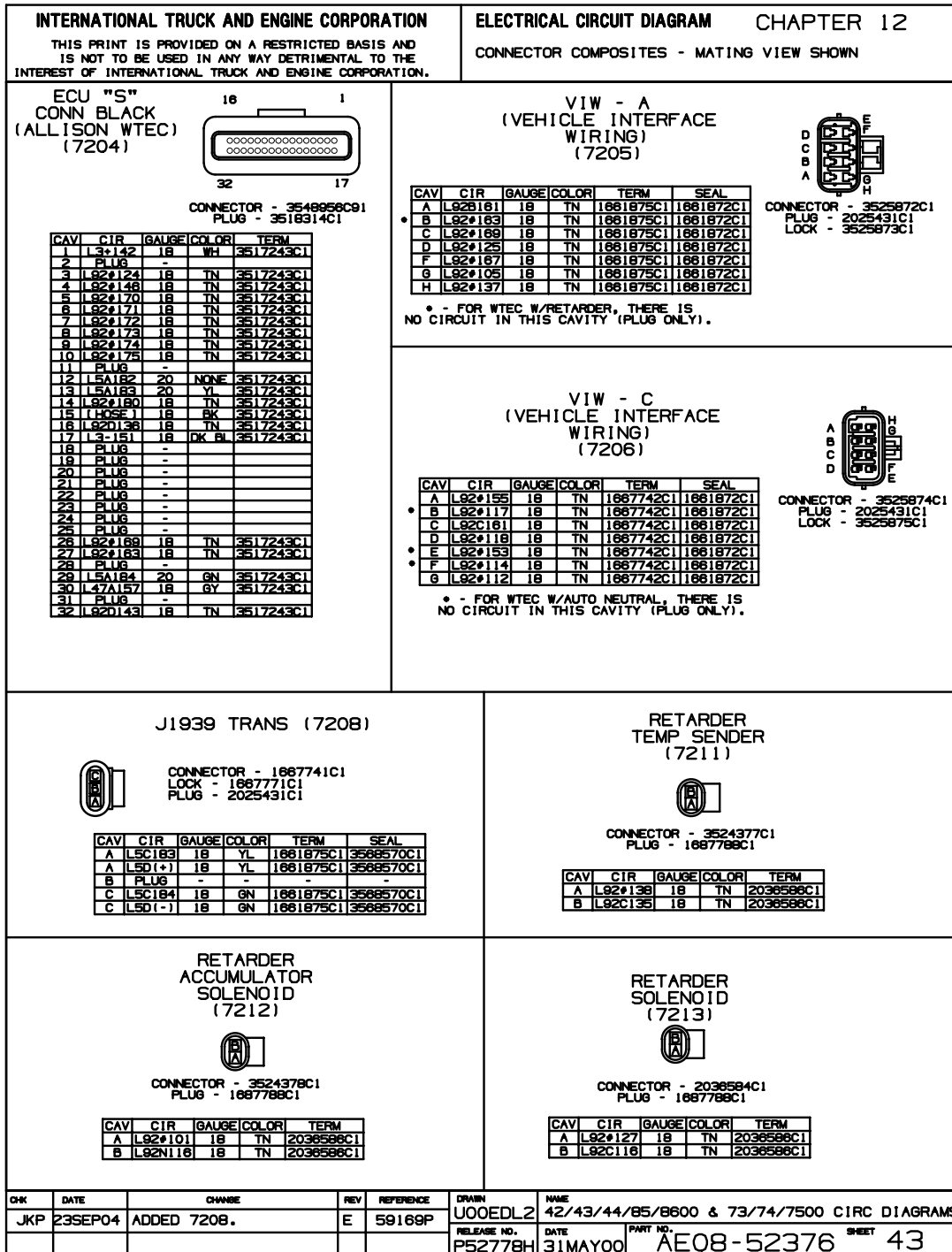
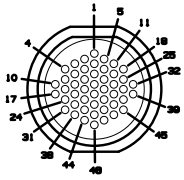


Figure 247 Connector Composites (7204), (7205), (7206), (7208), (7211), (7212), (7213)

12.55. CONNECTOR COMPOSITES (7214), (7250), (7251), P. 44

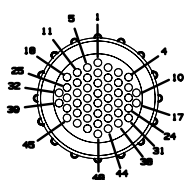
<p>INTERNATIONAL TRUCK AND ENGINE CORPORATION</p> <p>THIS PRINT IS PROVIDED ON A RESTRICTED BASIS AND IS NOT TO BE USED IN ANY WAY DETRIMENTAL TO THE INTEREST OF INTERNATIONAL TRUCK AND ENGINE CORPORATION.</p>	<p>ELECTRICAL CIRCUIT DIAGRAM CHAPTER 12</p> <p>CONNECTOR COMPOSITES - MATING VIEW SHOWN</p>
--	---



(7214F)

CONNECTOR - 3573045C91
GASKET - 3566558C1
JAM NUT - 3566557C1
TERMINAL - 3566558C1

TCM BULKHEAD CONNECTION (7214)



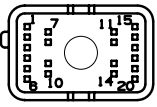
(7214M)

CONNECTOR - 3573046C91
BODY LOCK - 3566572C1
TERMINAL - 3566558C1

CAV	CIR	GAUGE	COLOR	CAV	CIR	GAUGE	COLOR
1	L47#139	18	GY	25	L92#167	18	TN
2	L47#148	18	GY	26	L92#105	18	TN
3	L92#170	18	TN	27	L92#143	18	TN
4	L92#171	18	TN	28	L92#143	18	TN
5	L92#172	18	TN	29	L92#137	18	TN
6	L92#173	18	TN	30	L92#155	18	TN
7	L92#174	18	TN	31	L92#117	18	TN
8	L92#175	18	TN	32	L92#149	18	TN
9	L92#124	18	TN	33	L92#118	18	TN
10	L49#141	18	GY	34	L92#153	18	TN
11	L92#180	18	TN	35	L92#114	18	TN
12	L92#148	18	TN	36	L92#112	18	TN
13	L71#113	18	OR	37	L58183	18	YL
14	L3#142	18	WH	38	L58184	18	GN
15	L3-151	18	DKBL	39	L92C140	18	TN
16	L92D138	18	TN	40	L47A157	18	GY
17	L49#150	18	GY	41	L17A	18	PK
18	L92D143	18	TN	42	-	-	-
19	L92#161	18	TN	43	-	-	-
20	L92#163	18	TN	44	-	-	-
21	L92F136	18	TN	45	-	-	-
22	L92E136	18	TN	46	-	-	-
23	L92#169	18	TN	47	-	-	-
24	L92#125	18	TN	48	-	-	-

CAV	CIR	GAUGE	COLOR	CAV	CIR	GAUGE	COLOR
1	L47#139	18	GY	25	L92#167	18	TN
2	L47#148	18	GY	26	L92#105	18	TN
3	L92#170	18	TN	27	L92B143	18	TN
4	L92#171	18	TN	28	L92C143	18	TN
5	L92#172	18	TN	29	L92#137	18	TN
6	L92#173	18	TN	30	L92#155	18	TN
7	L92#174	18	TN	31	L92#117	18	TN
8	L92#175	18	TN	32	L92C149	18	TN
9	L92#124	18	TN	33	L92#118	18	TN
10	L49#141	18	GY	34	L92#153	18	TN
11	L92#180	18	TN	35	L92#114	18	TN
12	L92#148	18	TN	36	L92#112	18	TN
13	L71#113	18	OR	37	L58183	18	YL
14	L3#142	18	WH	38	L58184	18	GN
15	L3-151	18	DKBL	39	L92C140	18	TN
16	L92D138	18	TN	40	L47A157	18	GY
17	L49#150	18	GY	41	L92#123	18	TN
18	L92D143	18	TN	42	-	-	-
19	L92#161	18	TN	43	-	-	-
20	L92#163	18	TN	44	-	-	-
21	L92B138	18	TN	45	-	-	-
22	L92C138	18	TN	46	-	-	-
23	L92#169	18	TN	47	-	-	-
24	L92#125	18	TN	48	-	-	-

WTEC TRANSMISSION BULKHEAD CONNECTOR (7250 & 7251)



CONNECTOR - 3805715C1

(7250 MED DUTY)

CAV	CIR	GAUGE	COLOR	TERM
1	92#111	18	OR	3808047C1
2	92#155	18	WH	3808047C1
3	92#177	18	LT GN	3808047C1
4	92#136	18	OR	3808047C1
5	92#152	18	LT GN	3808047C1
6	92#171	18	YL	3808047C1
7	-	-	-	-
8	92#174	18	LT BL	3808047C1
9	92#133	18	YL	3808047C1
10	92#151	18	WH	3808047C1
11	92#131	18	YL	3808047C1
12	92#137	18	WH	3808047C1
13	92#180	18	OR	3808047C1
14	92A120	18	LT BL	3808047C1
15	92#118	18	LT BL	3808047C1
16	92A112	18	PK	3808047C1
17	-	-	-	-
18	31#154	18	TN	3808047C1
19	92A158	18	LT GN	3808047C1
20	92#178	18	YL	3808047C1

(7251 HEAVY DUTY)

CAV	CIR	GAUGE	COLOR	TERM
1	92#111	18	OR	3808047C1
2	92#155	18	WH	3808047C1
3	92#177	18	LT GN	3808047C1
4	92#136	18	OR	3808047C1
5	92#152	18	LT GN	3808047C1
6	92#171	18	YL	3808047C1
7	-	-	-	-
8	92#174	18	LT BL	3808047C1
9	92#133	18	YL	3808047C1
10	92#151	18	WH	3808047C1
11	92A131	18	YL	3808047C1
12	92#137	18	WH	3808047C1
13	-	-	-	-
14	-	-	-	-
15	92#116	18	LT BL	3808047C1
16	92A112	18	PK	3808047C1
17	-	-	-	-
18	31#154	18	TN	3808047C1
19	92A158	18	LT GN	3808047C1
20	92#176	18	YL	3808047C1

CHK	DATE	CHANGE	REV	REFERENCE	DRAWN	NAME
	21OCT05	ADDED CONN 7250,7251.	G	59929F	U00EDL2	42/43/44/85/8600 & 73/74/7500 CIRC DIAGRAMS
		RMVD: 7300,7301.			RELEASE NO. P52778H	DATE 31MAY00 PART NO. AE08-52376 SHEET 44

Figure 248 Connector Composites (7214), (7250), (7251)

12.56. CONNECTOR COMPOSITES (7300), (7301), P. 44A

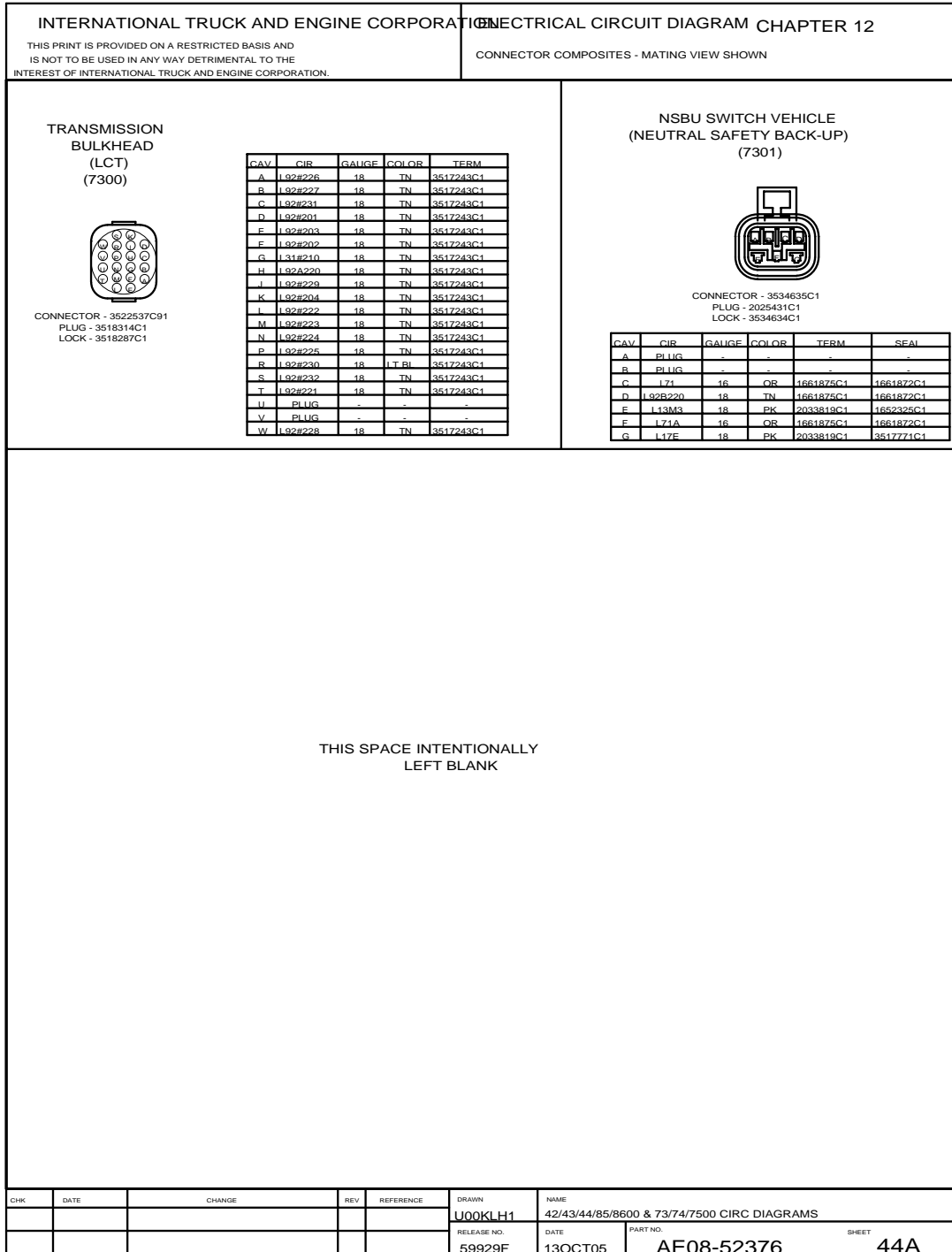
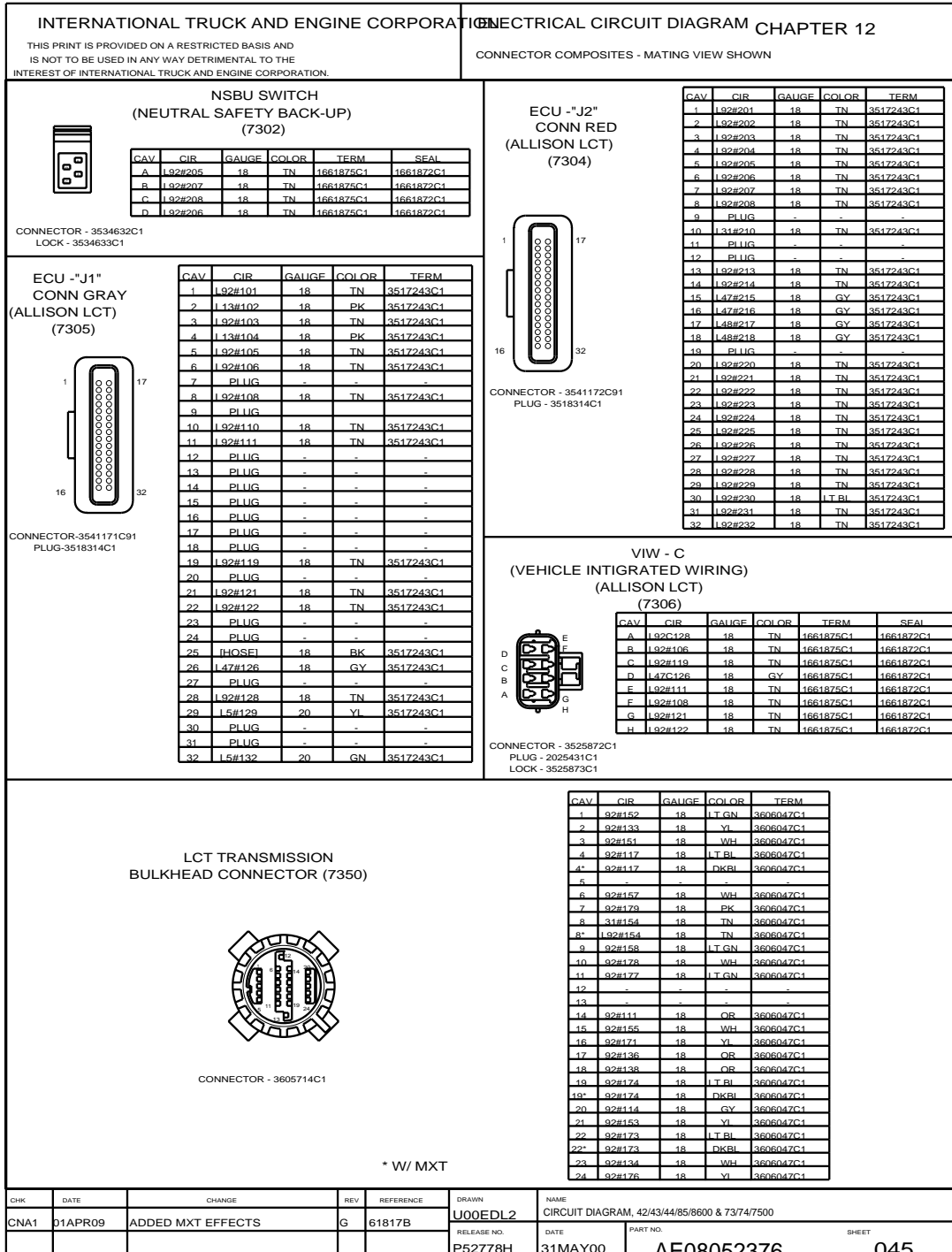


Figure 249 Connector Composites (7300), (7301)

12.57. CONNECTOR COMPOSITES (7302), (7304), (7305), (7306), (7350), P. 45



LCT TRANSMISSION BULKHEAD CONNECTOR (7350)



CONNECTOR - 3605714C1

CAV	CIR	GAUGE	COLOR	TERM	SEAL
1	92#162	18	I.T.GN	3606047C1	
2	92#133	18	YI	3606047C1	
3	92#151	18	WH	3606047C1	
4	92#117	18	I.T.BL	3606047C1	
5	92#117	18	DKBL	3606047C1	
6	92#157	18	WH	3606047C1	
7	92#179	18	BK	3606047C1	
8	31#154	18	TN	3606047C1	
8*	I 92#154	18	TN	3606047C1	
9	92#158	18	I.T.GN	3606047C1	
10	92#178	18	WH	3606047C1	
11	92#177	18	I.T.GN	3606047C1	
12	-	-	-	-	-
13	-	-	-	-	-
14	92#111	18	OR	3606047C1	
15	92#155	18	WH	3606047C1	
16	92#171	18	YI	3606047C1	
17	92#136	18	OR	3606047C1	
18	92#138	18	OR	3606047C1	
19	92#174	18	I.T.BL	3606047C1	
19*	92#174	18	DKBL	3606047C1	
20	92#114	18	GY	3606047C1	
21	92#153	18	YI	3606047C1	
22	92#173	18	I.T.BL	3606047C1	
22*	92#173	18	DKBL	3606047C1	
23	92#134	18	WH	3606047C1	
24	92#176	18	YI	3606047C1	

* W/ MXT

CHK	DATE	CHANGE	REV	REFERENCE	DRAWN	NAME
CNA1	01APR09	ADDED MXT EFFECTS	G	61817B	U00EDL2	CIRCUIT DIAGRAM, 42/43/44/85/8600 & 73/74/7500
					RELEASE NO.	DATE
					P52778H	31MAY00

PART NO.	SHEET
AE08052376	045

Figure 250 Connector Composites (7302), (7304), (7305), (7306), (7350)

12.58. CONNECTOR COMPOSITES (7500), (7502), (7503), (7600), (7601), P. 45A






INTERNATIONAL TRUCK AND ENGINE CORPORATION				ELECTRICAL CIRCUIT DIAGRAM CHAPTER 12																																																			
THIS PRINT IS PROVIDED ON A RESTRICTED BASIS AND IS NOT TO BE USED IN ANY WAY DETRIMENTAL TO THE INTEREST OF INTERNATIONAL TRUCK AND ENGINE CORPORATION.				CONNECTOR COMPOSITES - MATING VIEW SHOWN																																																			
<p style="text-align: center;">BACK-UP LIGHT SWITCH (7500)</p>  <table border="1" style="width: 100%; border-collapse: collapse; font-size: x-small;"> <thead> <tr> <th>CAV</th> <th>CIR</th> <th>GAUGE</th> <th>COLOR</th> <th>TERM</th> <th>SEAL</th> </tr> </thead> <tbody> <tr> <td>A</td> <td>L71B</td> <td>16</td> <td>OR</td> <td>1661875C1</td> <td>1661872C1</td> </tr> <tr> <td>A</td> <td>K71D</td> <td>16</td> <td>OR</td> <td>1661875C1</td> <td>1661872C1</td> </tr> <tr> <td>B</td> <td>L71C</td> <td>16</td> <td>OR</td> <td>1661875C1</td> <td>1661872C1</td> </tr> <tr> <td>B</td> <td>L71E</td> <td>16</td> <td>OR</td> <td>1661875C1</td> <td>1661872C1</td> </tr> </tbody> </table> <p>CONNECTOR - 1661778C1 PLUG - 1687788C1 LOCK - 1661874C1</p>				CAV	CIR	GAUGE	COLOR	TERM	SEAL	A	L71B	16	OR	1661875C1	1661872C1	A	K71D	16	OR	1661875C1	1661872C1	B	L71C	16	OR	1661875C1	1661872C1	B	L71E	16	OR	1661875C1	1661872C1	<p style="text-align: center;">BACK-UP LIGHT (7502)</p>  <table border="1" style="width: 100%; border-collapse: collapse; font-size: x-small;"> <thead> <tr> <th>CAV</th> <th>CIR</th> <th>GAUGE</th> <th>COLOR</th> <th>TERM</th> <th>SEAL</th> </tr> </thead> <tbody> <tr> <td>A</td> <td>L71</td> <td>16</td> <td>OR</td> <td>1661875C1</td> <td>1661872C1</td> </tr> <tr> <td>B</td> <td>L71A</td> <td>16</td> <td>OR</td> <td>1661875C1</td> <td>1661872C1</td> </tr> </tbody> </table> <p>CONNECTOR - 1661778C1 PLUG - 1687788C1 LOCK - 1661874C1</p>				CAV	CIR	GAUGE	COLOR	TERM	SEAL	A	L71	16	OR	1661875C1	1661872C1	B	L71A	16	OR	1661875C1	1661872C1
CAV	CIR	GAUGE	COLOR	TERM	SEAL																																																		
A	L71B	16	OR	1661875C1	1661872C1																																																		
A	K71D	16	OR	1661875C1	1661872C1																																																		
B	L71C	16	OR	1661875C1	1661872C1																																																		
B	L71E	16	OR	1661875C1	1661872C1																																																		
CAV	CIR	GAUGE	COLOR	TERM	SEAL																																																		
A	L71	16	OR	1661875C1	1661872C1																																																		
B	L71A	16	OR	1661875C1	1661872C1																																																		
<p style="text-align: center;">BACK-UP LIGHT SWITCH (7503)</p>  <table border="1" style="width: 100%; border-collapse: collapse; font-size: x-small;"> <thead> <tr> <th>CAV</th> <th>CIR</th> <th>GAUGE</th> <th>COLOR</th> <th>TERM</th> <th>SEAL</th> </tr> </thead> <tbody> <tr> <td>A</td> <td>K71D</td> <td>16</td> <td>OR</td> <td>1661875C1</td> <td>1661872C1</td> </tr> <tr> <td>B</td> <td>K71E</td> <td>16</td> <td>OR</td> <td>1661875C1</td> <td>1661872C1</td> </tr> </tbody> </table> <p>CONNECTOR - 1661778C1 PLUG - 1687788C1 LOCK - 1661874C1</p>				CAV	CIR	GAUGE	COLOR	TERM	SEAL	A	K71D	16	OR	1661875C1	1661872C1	B	K71E	16	OR	1661875C1	1661872C1	THIS SPACE INTENTIONALLY LEFT BLANK																																	
CAV	CIR	GAUGE	COLOR	TERM	SEAL																																																		
A	K71D	16	OR	1661875C1	1661872C1																																																		
B	K71E	16	OR	1661875C1	1661872C1																																																		
<p style="text-align: center;">OUTPUT SPEED SENSOR (7600)</p>  <table border="1" style="width: 100%; border-collapse: collapse; font-size: x-small;"> <thead> <tr> <th>CAV</th> <th>CIR</th> <th>GAUGE</th> <th>COLOR</th> <th>TERM</th> </tr> </thead> <tbody> <tr> <td>A</td> <td>L47#215</td> <td>18</td> <td>GY</td> <td>2036586C1</td> </tr> <tr> <td>B</td> <td>L47#216</td> <td>18</td> <td>GY</td> <td>2036586C1</td> </tr> </tbody> </table> <p>CONNECTOR - 2036583C1</p>				CAV	CIR	GAUGE	COLOR	TERM	A	L47#215	18	GY	2036586C1	B	L47#216	18	GY	2036586C1	<p style="text-align: center;">SPEEDO SENSOR (7601)</p>  <table border="1" style="width: 100%; border-collapse: collapse; font-size: x-small;"> <thead> <tr> <th>CAV</th> <th>CIR</th> <th>GAUGE</th> <th>COLOR</th> <th>TERM</th> </tr> </thead> <tbody> <tr> <td>A</td> <td>K47</td> <td>18</td> <td>GY</td> <td>2036586C1</td> </tr> <tr> <td>B</td> <td>K47A</td> <td>18</td> <td>GY</td> <td>2036586C1</td> </tr> </tbody> </table> <p>CONNECTOR - 2036583C1</p>				CAV	CIR	GAUGE	COLOR	TERM	A	K47	18	GY	2036586C1	B	K47A	18	GY	2036586C1																		
CAV	CIR	GAUGE	COLOR	TERM																																																			
A	L47#215	18	GY	2036586C1																																																			
B	L47#216	18	GY	2036586C1																																																			
CAV	CIR	GAUGE	COLOR	TERM																																																			
A	K47	18	GY	2036586C1																																																			
B	K47A	18	GY	2036586C1																																																			
THIS SPACE INTENTIONALLY LEFT BLANK																																																							
CHK	DATE	CHANGE	REV	REFERENCE	DRAWN	NAME																																																	
					U00KLH1	42/43/44/85/8600 & 73/74/7500 CIRC DIAGRAMS																																																	
					RELEASE NO.	DATE	PART NO. SHEET																																																
					59929F	13OCT05	AE08-52376 45A																																																

Figure 251 Connector Composites (7500), (7502), (7503), (7600), (7601)

12.59. CONNECTOR COMPOSITES (7600M), (7603), (7604), (7604M), (7605), (7606), (7607), (7607M), (7608), (7609), (7610), (7611), (7612), (7613), (7615), (7700), (7702), (7703), (7703A), P. 46

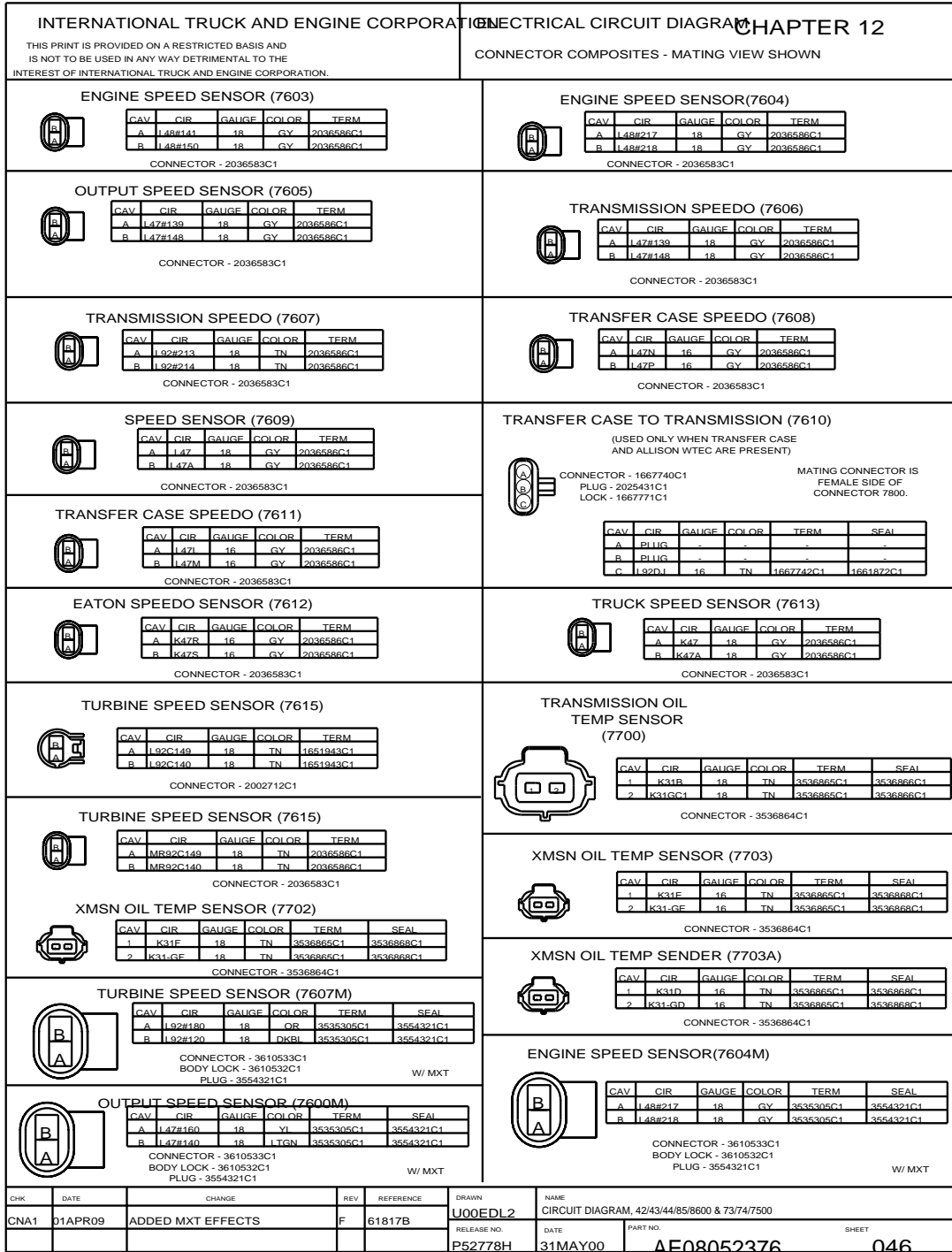


Figure 252 Connector Composites (7600M), (7603), (7604), (7604M), (7605), (7606), (7607), (7607M), (7608), (7609), (7610), (7611), (7612), (7613), (7615), (7700), (7702), (7703), (7703A)

12.60. CONNECTOR COMPOSITES (7800), (7801M), (7801R), (7803), (7899), P. 47









<p>INTERNATIONAL TRUCK AND ENGINE CORPORATION</p> <p>THIS PRINT IS PROVIDED ON A RESTRICTED BASIS AND IS NOT TO BE USED IN ANY WAY DETRIMENTAL TO THE INTEREST OF INTERNATIONAL TRUCK AND ENGINE CORPORATION.</p>	<p>ELECTRICAL CIRCUIT DIAGRAM CHAPTER 12</p> <p>CONNECTOR COMPOSITES - MATING VIEW SHOWN</p>																																																																																																																																																																																																																																																																																																																																																												
<div style="display: flex; justify-content: space-between;"> <div style="width: 45%;">  <p>CONNECTOR - 1667740C1 PLUG - 2025431C1 LOCK - 1667771C1</p> <p style="text-align: center;">W/16 ENGINES</p> <table border="1" style="width:100%; border-collapse: collapse;"> <thead> <tr><th>CAV</th><th>CIR</th><th>GAUGE</th><th>COLOR</th><th>TERM</th><th>SEAL</th></tr> </thead> <tbody> <tr><td>A</td><td>K47</td><td>1B</td><td>GY</td><td>1667742C1</td><td>1661872C1</td></tr> <tr><td>B</td><td>K47A</td><td>1B</td><td>GY</td><td>1667742C1</td><td>1661872C1</td></tr> <tr><td>C</td><td>K17E</td><td>1B</td><td>VT</td><td>1667742C1</td><td>1661872C1</td></tr> </tbody> </table> <p style="text-align: center;">W/V8 ENGINES</p> <table border="1" style="width:100%; border-collapse: collapse;"> <thead> <tr><th>CAV</th><th>CIR</th><th>GAUGE</th><th>COLOR</th><th>TERM</th><th>SEAL</th></tr> </thead> <tbody> <tr><td>A</td><td>K47</td><td>1B</td><td>GY</td><td>1667742C1</td><td>1661872C1</td></tr> <tr><td>B</td><td>K47A</td><td>1B</td><td>GY</td><td>1667742C1</td><td>1661872C1</td></tr> <tr><td>C</td><td>K97AD</td><td>1B</td><td>VT</td><td>1667742C1</td><td>1661872C1</td></tr> </tbody> </table> <p style="text-align: center;">CONNECTOR - 3522251C1 LOCK - 3522253C1 PLUG - 2025431C1</p> <p style="text-align: center;">W/CAT C10, CAT C12, CUMMINS</p>  <table border="1" style="width:100%; border-collapse: collapse;"> <thead> <tr><th>CAV</th><th>CIR</th><th>GAUGE</th><th>COLOR</th><th>TERM</th><th>SEAL</th></tr> </thead> <tbody> <tr><td>A</td><td>K47</td><td>1B</td><td>GY</td><td>1661875C1</td><td>1661872C1</td></tr> <tr><td>B</td><td>K47A</td><td>1B</td><td>GY</td><td>1661875C1</td><td>1661872C1</td></tr> <tr><td>C</td><td>PLUG</td><td>-</td><td>-</td><td>-</td><td>-</td></tr> <tr><td>D</td><td>K5U</td><td>1B</td><td>YL</td><td>1661875C1</td><td>1661872C1</td></tr> <tr><td>E</td><td>K5AE</td><td>1B</td><td>GN</td><td>1661875C1</td><td>1661872C1</td></tr> </tbody> </table> <p style="text-align: center;">CONNECTOR - 3522252C1 LOCK - 3522253C1</p> <p style="text-align: center;">W/EATON ULTRASHIFT</p>  <table border="1" style="width:100%; border-collapse: collapse;"> <thead> <tr><th>CAV</th><th>CIR</th><th>GAUGE</th><th>COLOR</th><th>TERM</th><th>SEAL</th></tr> </thead> <tbody> <tr><td>A</td><td>L47</td><td>1B</td><td>GY</td><td>1667742C1</td><td>1661872C1</td></tr> <tr><td>B</td><td>L47A</td><td>1B</td><td>GY</td><td>1667742C1</td><td>1661872C1</td></tr> <tr><td>C</td><td>L17C</td><td>1B</td><td>PK</td><td>1667742C1</td><td>1661872C1</td></tr> <tr><td>D</td><td>L5C1-1</td><td>1B</td><td>YL</td><td>1667742C1</td><td>1661872C1</td></tr> <tr><td>E</td><td>L5C1-1</td><td>1B</td><td>GN</td><td>1667742C1</td><td>1661872C1</td></tr> </tbody> </table> </div> <div style="width: 45%;">  <p>CONNECTOR - 1667741C1 PLUG - 2025431C1 LOCK - 1667771C1</p> <p style="text-align: center;">W/EATON AUTOSHIFT</p> <table border="1" style="width:100%; border-collapse: collapse;"> <thead> <tr><th>CAV</th><th>CIR</th><th>GAUGE</th><th>COLOR</th><th>TERM</th><th>SEAL</th></tr> </thead> <tbody> <tr><td>A</td><td>L47</td><td>1B</td><td>GY</td><td>1661875C1</td><td>1661872C1</td></tr> <tr><td>B</td><td>L47A</td><td>1B</td><td>GY</td><td>1661875C1</td><td>1661872C1</td></tr> <tr><td>C</td><td>L17C</td><td>1B</td><td>PK</td><td>1661875C1</td><td>1661872C1</td></tr> </tbody> </table> <p style="text-align: center;">W/ALLISON WTEC 1W/ & NOT W/RETARDER</p> <table border="1" style="width:100%; border-collapse: collapse;"> <thead> <tr><th>CAV</th><th>CIR</th><th>GAUGE</th><th>COLOR</th><th>TERM</th><th>SEAL</th></tr> </thead> <tbody> <tr><td>A</td><td>L47A157</td><td>1B</td><td>GY</td><td>1661875C1</td><td>1661872C1</td></tr> <tr><td>B</td><td>PLUG</td><td>-</td><td>-</td><td>-</td><td>-</td></tr> <tr><td>C</td><td>L17A</td><td>1B</td><td>PK</td><td>1661875C1</td><td>1661872C1</td></tr> </tbody> </table> <p style="text-align: center;">W/ALLISON WTEC W/AUTO NEUTRAL</p> <table border="1" style="width:100%; border-collapse: collapse;"> <thead> <tr><th>CAV</th><th>CIR</th><th>GAUGE</th><th>COLOR</th><th>TERM</th><th>SEAL</th></tr> </thead> <tbody> <tr><td>A</td><td>L47A157</td><td>1B</td><td>GY</td><td>1661875C1</td><td>1661872C1</td></tr> <tr><td>B</td><td>PLUG</td><td>-</td><td>-</td><td>-</td><td>-</td></tr> <tr><td>C</td><td>L17B</td><td>1B</td><td>PK</td><td>1661875C1</td><td>1661872C1</td></tr> </tbody> </table> <p style="text-align: center;">W/ALLISON LCT</p> <table border="1" style="width:100%; border-collapse: collapse;"> <thead> <tr><th>CAV</th><th>CIR</th><th>GAUGE</th><th>COLOR</th><th>TERM</th><th>SEAL</th></tr> </thead> <tbody> <tr><td>A</td><td>L47B126</td><td>1B</td><td>GY</td><td>1661875C1</td><td>1661872C1</td></tr> <tr><td>B</td><td>PLUG</td><td>-</td><td>-</td><td>-</td><td>-</td></tr> <tr><td>C</td><td>L17E</td><td>1B</td><td>PK</td><td>1661875C1</td><td>1661872C1</td></tr> </tbody> </table> <p style="text-align: center;">W/MANUAL TRANS</p> <table border="1" style="width:100%; border-collapse: collapse;"> <thead> <tr><th>CAV</th><th>CIR</th><th>GAUGE</th><th>COLOR</th><th>TERM</th><th>SEAL</th></tr> </thead> <tbody> <tr><td>A</td><td>L47D</td><td>1B</td><td>GY</td><td>1661875C1</td><td>1661872C1</td></tr> <tr><td>B</td><td>L47E</td><td>1B</td><td>GY</td><td>1661875C1</td><td>1661872C1</td></tr> <tr><td>C</td><td>L17D</td><td>1B</td><td>PK</td><td>1661875C1</td><td>1661872C1</td></tr> </tbody> </table> </div> </div>	CAV	CIR	GAUGE	COLOR	TERM	SEAL	A	K47	1B	GY	1667742C1	1661872C1	B	K47A	1B	GY	1667742C1	1661872C1	C	K17E	1B	VT	1667742C1	1661872C1	CAV	CIR	GAUGE	COLOR	TERM	SEAL	A	K47	1B	GY	1667742C1	1661872C1	B	K47A	1B	GY	1667742C1	1661872C1	C	K97AD	1B	VT	1667742C1	1661872C1	CAV	CIR	GAUGE	COLOR	TERM	SEAL	A	K47	1B	GY	1661875C1	1661872C1	B	K47A	1B	GY	1661875C1	1661872C1	C	PLUG	-	-	-	-	D	K5U	1B	YL	1661875C1	1661872C1	E	K5AE	1B	GN	1661875C1	1661872C1	CAV	CIR	GAUGE	COLOR	TERM	SEAL	A	L47	1B	GY	1667742C1	1661872C1	B	L47A	1B	GY	1667742C1	1661872C1	C	L17C	1B	PK	1667742C1	1661872C1	D	L5C1-1	1B	YL	1667742C1	1661872C1	E	L5C1-1	1B	GN	1667742C1	1661872C1	CAV	CIR	GAUGE	COLOR	TERM	SEAL	A	L47	1B	GY	1661875C1	1661872C1	B	L47A	1B	GY	1661875C1	1661872C1	C	L17C	1B	PK	1661875C1	1661872C1	CAV	CIR	GAUGE	COLOR	TERM	SEAL	A	L47A157	1B	GY	1661875C1	1661872C1	B	PLUG	-	-	-	-	C	L17A	1B	PK	1661875C1	1661872C1	CAV	CIR	GAUGE	COLOR	TERM	SEAL	A	L47A157	1B	GY	1661875C1	1661872C1	B	PLUG	-	-	-	-	C	L17B	1B	PK	1661875C1	1661872C1	CAV	CIR	GAUGE	COLOR	TERM	SEAL	A	L47B126	1B	GY	1661875C1	1661872C1	B	PLUG	-	-	-	-	C	L17E	1B	PK	1661875C1	1661872C1	CAV	CIR	GAUGE	COLOR	TERM	SEAL	A	L47D	1B	GY	1661875C1	1661872C1	B	L47E	1B	GY	1661875C1	1661872C1	C	L17D	1B	PK	1661875C1	1661872C1	<p style="text-align: center;">TERMINATING RESISTOR (7801M)</p>  <table border="1" style="width:100%; border-collapse: collapse;"> <thead> <tr><th>CAV</th><th>CIR</th><th>GAUGE</th><th>COLOR</th><th>TERM</th><th>SEAL</th><th>NOTES</th></tr> </thead> <tbody> <tr><td>A</td><td>K5C1-1</td><td>1B</td><td>YL</td><td>1661875C1</td><td>3568570C1</td><td></td></tr> <tr><td>A</td><td>K5D1-1</td><td>1B</td><td>YL</td><td>1661875C1</td><td>3568570C1</td><td></td></tr> <tr><td>A</td><td>K5C1B3</td><td>1B</td><td>YL</td><td>1661875C1</td><td>3568570C1</td><td></td></tr> <tr><td>A</td><td>K5AE</td><td>1B</td><td>GN</td><td>1661875C1</td><td>3568570C1</td><td>W/ V8 ENGINE</td></tr> <tr><td>A</td><td>K5A1-1</td><td>1B</td><td>YL</td><td>1661875C1</td><td>3568570C1</td><td>W/ MWM ENGINE</td></tr> <tr><td>B</td><td>K13Z</td><td>1B</td><td>PK</td><td>1661875C1</td><td>1661872C1</td><td>W/ 16 ENGINE</td></tr> <tr><td>C</td><td>K5C1-1</td><td>1B</td><td>GN</td><td>1661875C1</td><td>3568570C1</td><td></td></tr> <tr><td>C</td><td>K5D1-1</td><td>1B</td><td>GN</td><td>1661875C1</td><td>3568570C1</td><td></td></tr> <tr><td>C</td><td>K5C1B4</td><td>1B</td><td>GN</td><td>1661875C1</td><td>3568570C1</td><td></td></tr> <tr><td>C</td><td>K5U</td><td>1B</td><td>YL</td><td>1661875C1</td><td>3568570C1</td><td>W/ V8 ENGINE</td></tr> <tr><td>C</td><td>K5A1-1</td><td>1B</td><td>GN</td><td>1661875C1</td><td>3568570C1</td><td>W/ MWM ENGINE</td></tr> </tbody> </table> <p style="text-align: center;">CONNECTOR - 1667741C1 PLUG - 2025431C1 LOCK - 1667771C1</p> <p style="text-align: center;">• INVERTER J1939 CONN (7801R)</p>  <p style="text-align: center;">• W/16 ENGINES ONLY</p> <table border="1" style="width:100%; border-collapse: collapse;"> <thead> <tr><th>CAV</th><th>CIR</th><th>GAUGE</th><th>COLOR</th><th>TERM</th><th>SEAL</th></tr> </thead> <tbody> <tr><td>A</td><td>K5G1-1</td><td>1B</td><td>YL</td><td>1661875C1</td><td>3568570C1</td></tr> <tr><td>B</td><td>-</td><td>-</td><td>-</td><td>-</td><td>-</td></tr> <tr><td>C</td><td>K5G1-1</td><td>1B</td><td>GN</td><td>1661875C1</td><td>3568570C1</td></tr> </tbody> </table> <p style="text-align: center;">CONNECTOR - 1667741C1 PLUG - 2025431C1 LOCK - 1667771C1</p>	CAV	CIR	GAUGE	COLOR	TERM	SEAL	NOTES	A	K5C1-1	1B	YL	1661875C1	3568570C1		A	K5D1-1	1B	YL	1661875C1	3568570C1		A	K5C1B3	1B	YL	1661875C1	3568570C1		A	K5AE	1B	GN	1661875C1	3568570C1	W/ V8 ENGINE	A	K5A1-1	1B	YL	1661875C1	3568570C1	W/ MWM ENGINE	B	K13Z	1B	PK	1661875C1	1661872C1	W/ 16 ENGINE	C	K5C1-1	1B	GN	1661875C1	3568570C1		C	K5D1-1	1B	GN	1661875C1	3568570C1		C	K5C1B4	1B	GN	1661875C1	3568570C1		C	K5U	1B	YL	1661875C1	3568570C1	W/ V8 ENGINE	C	K5A1-1	1B	GN	1661875C1	3568570C1	W/ MWM ENGINE	CAV	CIR	GAUGE	COLOR	TERM	SEAL	A	K5G1-1	1B	YL	1661875C1	3568570C1	B	-	-	-	-	-	C	K5G1-1	1B	GN	1661875C1	3568570C1
CAV	CIR	GAUGE	COLOR	TERM	SEAL																																																																																																																																																																																																																																																																																																																																																								
A	K47	1B	GY	1667742C1	1661872C1																																																																																																																																																																																																																																																																																																																																																								
B	K47A	1B	GY	1667742C1	1661872C1																																																																																																																																																																																																																																																																																																																																																								
C	K17E	1B	VT	1667742C1	1661872C1																																																																																																																																																																																																																																																																																																																																																								
CAV	CIR	GAUGE	COLOR	TERM	SEAL																																																																																																																																																																																																																																																																																																																																																								
A	K47	1B	GY	1667742C1	1661872C1																																																																																																																																																																																																																																																																																																																																																								
B	K47A	1B	GY	1667742C1	1661872C1																																																																																																																																																																																																																																																																																																																																																								
C	K97AD	1B	VT	1667742C1	1661872C1																																																																																																																																																																																																																																																																																																																																																								
CAV	CIR	GAUGE	COLOR	TERM	SEAL																																																																																																																																																																																																																																																																																																																																																								
A	K47	1B	GY	1661875C1	1661872C1																																																																																																																																																																																																																																																																																																																																																								
B	K47A	1B	GY	1661875C1	1661872C1																																																																																																																																																																																																																																																																																																																																																								
C	PLUG	-	-	-	-																																																																																																																																																																																																																																																																																																																																																								
D	K5U	1B	YL	1661875C1	1661872C1																																																																																																																																																																																																																																																																																																																																																								
E	K5AE	1B	GN	1661875C1	1661872C1																																																																																																																																																																																																																																																																																																																																																								
CAV	CIR	GAUGE	COLOR	TERM	SEAL																																																																																																																																																																																																																																																																																																																																																								
A	L47	1B	GY	1667742C1	1661872C1																																																																																																																																																																																																																																																																																																																																																								
B	L47A	1B	GY	1667742C1	1661872C1																																																																																																																																																																																																																																																																																																																																																								
C	L17C	1B	PK	1667742C1	1661872C1																																																																																																																																																																																																																																																																																																																																																								
D	L5C1-1	1B	YL	1667742C1	1661872C1																																																																																																																																																																																																																																																																																																																																																								
E	L5C1-1	1B	GN	1667742C1	1661872C1																																																																																																																																																																																																																																																																																																																																																								
CAV	CIR	GAUGE	COLOR	TERM	SEAL																																																																																																																																																																																																																																																																																																																																																								
A	L47	1B	GY	1661875C1	1661872C1																																																																																																																																																																																																																																																																																																																																																								
B	L47A	1B	GY	1661875C1	1661872C1																																																																																																																																																																																																																																																																																																																																																								
C	L17C	1B	PK	1661875C1	1661872C1																																																																																																																																																																																																																																																																																																																																																								
CAV	CIR	GAUGE	COLOR	TERM	SEAL																																																																																																																																																																																																																																																																																																																																																								
A	L47A157	1B	GY	1661875C1	1661872C1																																																																																																																																																																																																																																																																																																																																																								
B	PLUG	-	-	-	-																																																																																																																																																																																																																																																																																																																																																								
C	L17A	1B	PK	1661875C1	1661872C1																																																																																																																																																																																																																																																																																																																																																								
CAV	CIR	GAUGE	COLOR	TERM	SEAL																																																																																																																																																																																																																																																																																																																																																								
A	L47A157	1B	GY	1661875C1	1661872C1																																																																																																																																																																																																																																																																																																																																																								
B	PLUG	-	-	-	-																																																																																																																																																																																																																																																																																																																																																								
C	L17B	1B	PK	1661875C1	1661872C1																																																																																																																																																																																																																																																																																																																																																								
CAV	CIR	GAUGE	COLOR	TERM	SEAL																																																																																																																																																																																																																																																																																																																																																								
A	L47B126	1B	GY	1661875C1	1661872C1																																																																																																																																																																																																																																																																																																																																																								
B	PLUG	-	-	-	-																																																																																																																																																																																																																																																																																																																																																								
C	L17E	1B	PK	1661875C1	1661872C1																																																																																																																																																																																																																																																																																																																																																								
CAV	CIR	GAUGE	COLOR	TERM	SEAL																																																																																																																																																																																																																																																																																																																																																								
A	L47D	1B	GY	1661875C1	1661872C1																																																																																																																																																																																																																																																																																																																																																								
B	L47E	1B	GY	1661875C1	1661872C1																																																																																																																																																																																																																																																																																																																																																								
C	L17D	1B	PK	1661875C1	1661872C1																																																																																																																																																																																																																																																																																																																																																								
CAV	CIR	GAUGE	COLOR	TERM	SEAL	NOTES																																																																																																																																																																																																																																																																																																																																																							
A	K5C1-1	1B	YL	1661875C1	3568570C1																																																																																																																																																																																																																																																																																																																																																								
A	K5D1-1	1B	YL	1661875C1	3568570C1																																																																																																																																																																																																																																																																																																																																																								
A	K5C1B3	1B	YL	1661875C1	3568570C1																																																																																																																																																																																																																																																																																																																																																								
A	K5AE	1B	GN	1661875C1	3568570C1	W/ V8 ENGINE																																																																																																																																																																																																																																																																																																																																																							
A	K5A1-1	1B	YL	1661875C1	3568570C1	W/ MWM ENGINE																																																																																																																																																																																																																																																																																																																																																							
B	K13Z	1B	PK	1661875C1	1661872C1	W/ 16 ENGINE																																																																																																																																																																																																																																																																																																																																																							
C	K5C1-1	1B	GN	1661875C1	3568570C1																																																																																																																																																																																																																																																																																																																																																								
C	K5D1-1	1B	GN	1661875C1	3568570C1																																																																																																																																																																																																																																																																																																																																																								
C	K5C1B4	1B	GN	1661875C1	3568570C1																																																																																																																																																																																																																																																																																																																																																								
C	K5U	1B	YL	1661875C1	3568570C1	W/ V8 ENGINE																																																																																																																																																																																																																																																																																																																																																							
C	K5A1-1	1B	GN	1661875C1	3568570C1	W/ MWM ENGINE																																																																																																																																																																																																																																																																																																																																																							
CAV	CIR	GAUGE	COLOR	TERM	SEAL																																																																																																																																																																																																																																																																																																																																																								
A	K5G1-1	1B	YL	1661875C1	3568570C1																																																																																																																																																																																																																																																																																																																																																								
B	-	-	-	-	-																																																																																																																																																																																																																																																																																																																																																								
C	K5G1-1	1B	GN	1661875C1	3568570C1																																																																																																																																																																																																																																																																																																																																																								
<p style="text-align: center;">ENG TO TRANSFER CASE HARNESS CONN (7803)</p> <p style="text-align: center;">(USED ONLY WHEN TRANSFER CASE AND ALLISON WTEC ARE PRESENT) MATING CONNECTOR IS MALE SIDE OF CONNECTOR 7800.</p>  <table border="1" style="width:100%; border-collapse: collapse;"> <thead> <tr><th>CAV</th><th>CIR</th><th>GAUGE</th><th>COLOR</th><th>TERM</th><th>SEAL</th></tr> </thead> <tbody> <tr><td>A</td><td>L47L</td><td>1B</td><td>GY</td><td>1661875C1</td><td>1661872C1</td></tr> <tr><td>B</td><td>L47M</td><td>1B</td><td>GY</td><td>1661875C1</td><td>1661872C1</td></tr> <tr><td>C</td><td>L92DJ</td><td>1B</td><td>TN</td><td>1661875C1</td><td>1661872C1</td></tr> </tbody> </table> <p style="text-align: center;">CONNECTOR - 1667741C1 PLUG - 2025431C1 LOCK - 1667771C1</p>	CAV	CIR	GAUGE	COLOR	TERM	SEAL	A	L47L	1B	GY	1661875C1	1661872C1	B	L47M	1B	GY	1661875C1	1661872C1	C	L92DJ	1B	TN	1661875C1	1661872C1	<p style="text-align: center;">• INVERTER IGNITION (7899)</p> <p style="text-align: center;">• W/16 ENGINES ONLY</p>  <table border="1" style="width:100%; border-collapse: collapse;"> <thead> <tr><th>CAV</th><th>CIR</th><th>GAUGE</th><th>COLOR</th><th>TERM</th><th>SEAL</th></tr> </thead> <tbody> <tr><td>A</td><td>K13Z</td><td>1B</td><td>PK</td><td>0587576C1</td><td></td></tr> </tbody> </table> <p style="text-align: center;">CONNECTOR - 0587566C1 PLUG - 0587576C1 LOCK - N/A</p>	CAV	CIR	GAUGE	COLOR	TERM	SEAL	A	K13Z	1B	PK	0587576C1																																																																																																																																																																																																																																																																																																																									
CAV	CIR	GAUGE	COLOR	TERM	SEAL																																																																																																																																																																																																																																																																																																																																																								
A	L47L	1B	GY	1661875C1	1661872C1																																																																																																																																																																																																																																																																																																																																																								
B	L47M	1B	GY	1661875C1	1661872C1																																																																																																																																																																																																																																																																																																																																																								
C	L92DJ	1B	TN	1661875C1	1661872C1																																																																																																																																																																																																																																																																																																																																																								
CAV	CIR	GAUGE	COLOR	TERM	SEAL																																																																																																																																																																																																																																																																																																																																																								
A	K13Z	1B	PK	0587576C1																																																																																																																																																																																																																																																																																																																																																									
<table border="1" style="width:100%; border-collapse: collapse;"> <thead> <tr><th>CHR</th><th>DATE</th><th>CHANGE</th><th>REV</th><th>REFERENCE</th><th>DRAWN</th><th>NAME</th></tr> </thead> <tbody> <tr><td>041</td><td>17DEC08</td><td>ADDED MWM ENGINE</td><td>J</td><td>61280T</td><td>U00EDL2</td><td>CIRCUIT DIAGRAM, 42/43/44/85/8600 & 73/74/7500</td></tr> <tr><td></td><td>EFFECT</td><td></td><td></td><td></td><td>RELEASE NO. P52778H</td><td>DATE 28JUN00 PART NO. AE08-52376 SHEET 047</td></tr> </tbody> </table>		CHR	DATE	CHANGE	REV	REFERENCE	DRAWN	NAME	041	17DEC08	ADDED MWM ENGINE	J	61280T	U00EDL2	CIRCUIT DIAGRAM, 42/43/44/85/8600 & 73/74/7500		EFFECT				RELEASE NO. P52778H	DATE 28JUN00 PART NO. AE08-52376 SHEET 047																																																																																																																																																																																																																																																																																																																																							
CHR	DATE	CHANGE	REV	REFERENCE	DRAWN	NAME																																																																																																																																																																																																																																																																																																																																																							
041	17DEC08	ADDED MWM ENGINE	J	61280T	U00EDL2	CIRCUIT DIAGRAM, 42/43/44/85/8600 & 73/74/7500																																																																																																																																																																																																																																																																																																																																																							
	EFFECT				RELEASE NO. P52778H	DATE 28JUN00 PART NO. AE08-52376 SHEET 047																																																																																																																																																																																																																																																																																																																																																							

Figure 253 Connector Composites (7800), (7801M), (7801R), (7803), (7899)

12.61. CONNECTOR COMPOSITES (7900), (7901), (7905), (7906), P. 48

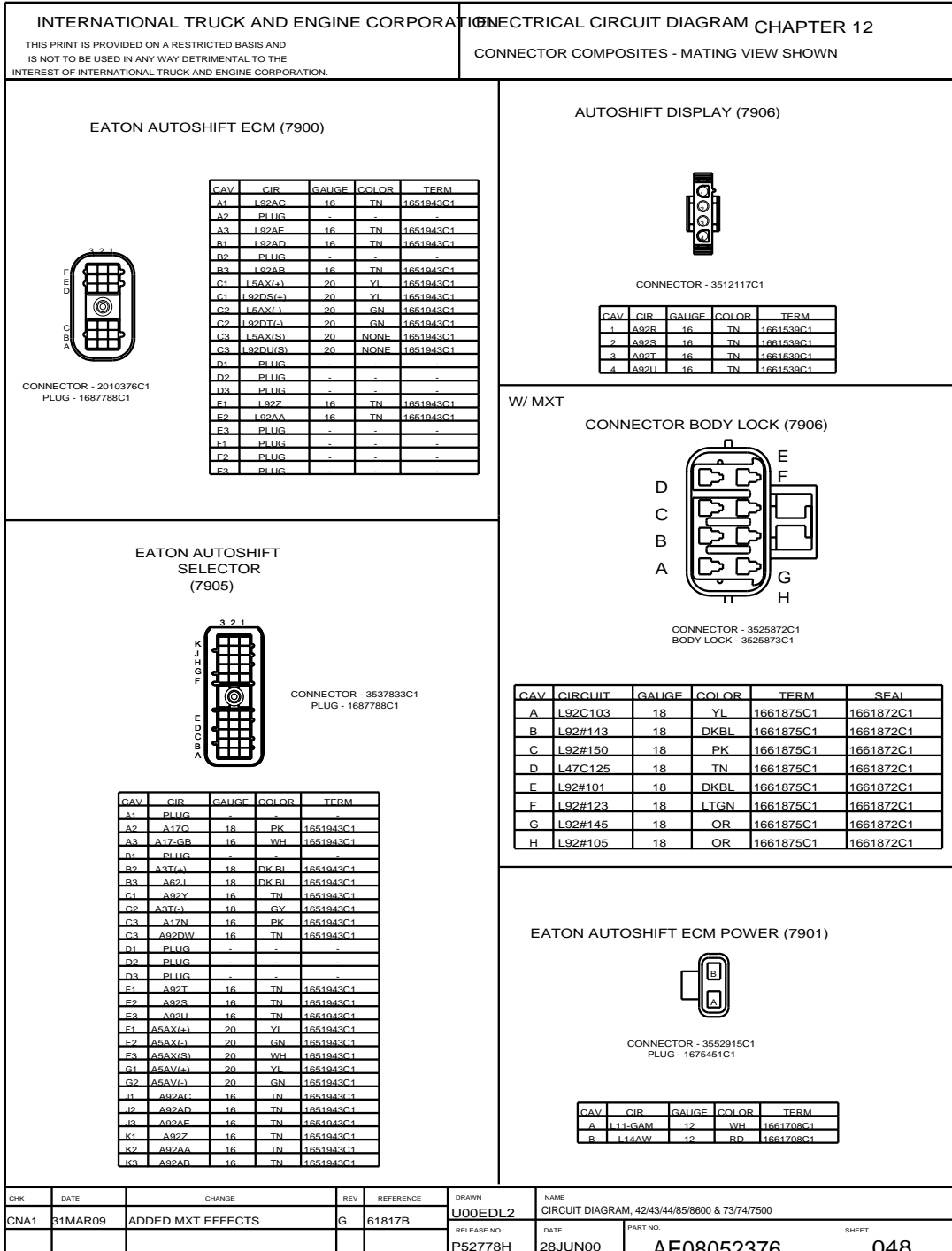


Figure 254 Connector Composites (7900), (7901), (7905), (7906)

12.62. CONNECTOR COMPOSITES (7909), (8000), (8001), (8102), (8150), (8151), (8200), P. 49

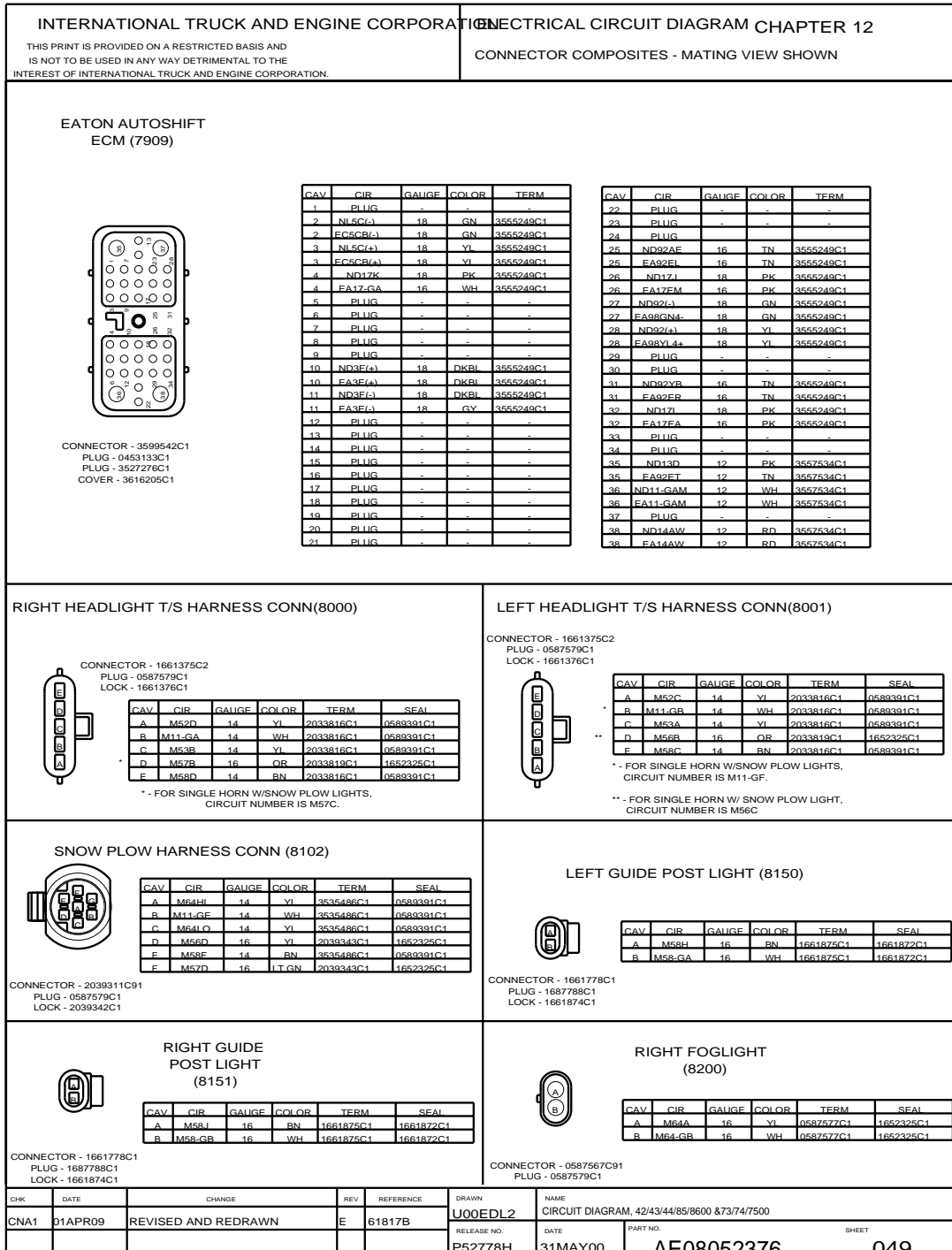


Figure 255 Connector Composites (7909), (8000), (8001), (8102), (8150), (8151), (8200)

12.63. CONNECTOR COMPOSITES (8201), (8301), (8310), (8311), (8312), (8400), (8500), (8501), (8502), (8502A), P. 50



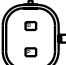


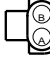
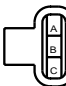
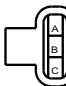
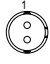

INTERNATIONAL TRUCK AND ENGINE CORPORATION		ELECTRICAL CIRCUIT DIAGRAM CHAPTER 12																																																											
THIS PRINT IS PROVIDED ON A RESTRICTED BASIS AND IS NOT TO BE USED IN ANY WAY DETRIMENTAL TO THE INTEREST OF INTERNATIONAL TRUCK AND ENGINE CORPORATION.		CONNECTOR COMPOSITES - MATING VIEW SHOWN																																																											
<p style="text-align: center;">LEFT FOGLIGHT (8201)</p>  <p style="text-align: center;">CONNECTOR - 0587567C91 PLUG - 0587579C1</p> <table border="1" style="width: 100%; border-collapse: collapse; font-size: x-small;"> <thead> <tr><th>CAV</th><th>CIR</th><th>GAUGE</th><th>COLOR</th><th>TERM</th><th>SEAL</th></tr> </thead> <tbody> <tr><td>A</td><td>M84B</td><td>16</td><td>YL</td><td>0587577C1</td><td>1652325C1</td></tr> <tr><td>B</td><td>M84-GA</td><td>16</td><td>WH</td><td>0587577C1</td><td>1652325C1</td></tr> </tbody> </table>	CAV	CIR	GAUGE	COLOR	TERM	SEAL	A	M84B	16	YL	0587577C1	1652325C1	B	M84-GA	16	WH	0587577C1	1652325C1	<p style="text-align: center;">ELECTRIC HORN (8301)</p>  <p style="text-align: center;">CONNECTOR - 1661778C1 PLUG - 1687788C1 LOCK - 1661874C1</p> <table border="1" style="width: 100%; border-collapse: collapse; font-size: x-small;"> <thead> <tr><th>CAV</th><th>CIR</th><th>GAUGE</th><th>COLOR</th><th>TERM</th><th>SEAL</th></tr> </thead> <tbody> <tr><td>A</td><td>M85E</td><td>16</td><td>GY</td><td>1661875C1</td><td>1661872C1</td></tr> <tr><td>B</td><td>M85-GA</td><td>16</td><td>WH</td><td>1661875C1</td><td>1661872C1</td></tr> </tbody> </table>	CAV	CIR	GAUGE	COLOR	TERM	SEAL	A	M85E	16	GY	1661875C1	1661872C1	B	M85-GA	16	WH	1661875C1	1661872C1																								
CAV	CIR	GAUGE	COLOR	TERM	SEAL																																																								
A	M84B	16	YL	0587577C1	1652325C1																																																								
B	M84-GA	16	WH	0587577C1	1652325C1																																																								
CAV	CIR	GAUGE	COLOR	TERM	SEAL																																																								
A	M85E	16	GY	1661875C1	1661872C1																																																								
B	M85-GA	16	WH	1661875C1	1661872C1																																																								
<p style="text-align: center;">DUAL ELECTRIC HORNS (8310)</p>  <p style="text-align: center;">CONNECTOR - 3543888C1 PLUG - 2025431C1 LOCK - 1661874C1</p> <table border="1" style="width: 100%; border-collapse: collapse; font-size: x-small;"> <thead> <tr><th>CAV</th><th>CIR</th><th>GAUGE</th><th>COLOR</th><th>TERM</th><th>SEAL</th></tr> </thead> <tbody> <tr><td>A</td><td>M85-I</td><td>16</td><td>GY</td><td>1667742C1</td><td>1661872C1</td></tr> <tr><td>B</td><td>M85-GC</td><td>16</td><td>WH</td><td>1667742C1</td><td>1661872C1</td></tr> </tbody> </table>	CAV	CIR	GAUGE	COLOR	TERM	SEAL	A	M85-I	16	GY	1667742C1	1661872C1	B	M85-GC	16	WH	1667742C1	1661872C1	<p style="text-align: center;">ELECTRIC HORN #1 (8311)</p>  <p style="text-align: center;">CONNECTOR - 1661778C1 PLUG - 1687788C1 LOCK - 1661874C1</p> <p style="text-align: center; font-size: x-small;">W/ SINGLE HORN</p> <table border="1" style="width: 100%; border-collapse: collapse; font-size: x-small;"> <thead> <tr><th>CAV</th><th>CIR</th><th>GAUGE</th><th>COLOR</th><th>TERM</th><th>SEAL</th></tr> </thead> <tbody> <tr><td>A</td><td>M85-L</td><td>16</td><td>GY</td><td>1661875C1</td><td>1661872C1</td></tr> <tr><td>B</td><td>M85-GC</td><td>16</td><td>WH</td><td>1661875C1</td><td>1661872C1</td></tr> </tbody> </table> <p style="text-align: center; font-size: x-small;">W/ DUAL HORNS</p> <table border="1" style="width: 100%; border-collapse: collapse; font-size: x-small;"> <thead> <tr><th>CAV</th><th>CIR</th><th>GAUGE</th><th>COLOR</th><th>TERM</th><th>SEAL</th></tr> </thead> <tbody> <tr><td>A</td><td>M85K</td><td>16</td><td>GY</td><td>1661875C1</td><td>1661872C1</td></tr> <tr><td>A*</td><td>M85N</td><td>20</td><td>GY</td><td>1661875C1</td><td>1661872C1</td></tr> <tr><td>B</td><td>M85-GD</td><td>16</td><td>WH</td><td>1661875C1</td><td>1661872C1</td></tr> </tbody> </table> <p style="text-align: center; font-size: x-small;">* W/ MXT</p>	CAV	CIR	GAUGE	COLOR	TERM	SEAL	A	M85-L	16	GY	1661875C1	1661872C1	B	M85-GC	16	WH	1661875C1	1661872C1	CAV	CIR	GAUGE	COLOR	TERM	SEAL	A	M85K	16	GY	1661875C1	1661872C1	A*	M85N	20	GY	1661875C1	1661872C1	B	M85-GD	16	WH	1661875C1	1661872C1
CAV	CIR	GAUGE	COLOR	TERM	SEAL																																																								
A	M85-I	16	GY	1667742C1	1661872C1																																																								
B	M85-GC	16	WH	1667742C1	1661872C1																																																								
CAV	CIR	GAUGE	COLOR	TERM	SEAL																																																								
A	M85-L	16	GY	1661875C1	1661872C1																																																								
B	M85-GC	16	WH	1661875C1	1661872C1																																																								
CAV	CIR	GAUGE	COLOR	TERM	SEAL																																																								
A	M85K	16	GY	1661875C1	1661872C1																																																								
A*	M85N	20	GY	1661875C1	1661872C1																																																								
B	M85-GD	16	WH	1661875C1	1661872C1																																																								
<p style="text-align: center;">ELECTRIC HORN #2 (8312)</p>  <p style="text-align: center;">CONNECTOR - 1661778C1 PLUG - 1687788C1 LOCK - 1661874C1</p> <table border="1" style="width: 100%; border-collapse: collapse; font-size: x-small;"> <thead> <tr><th>CAV</th><th>CIR</th><th>GAUGE</th><th>COLOR</th><th>TERM</th><th>SEAL</th></tr> </thead> <tbody> <tr><td>A</td><td>M85-I</td><td>16</td><td>GY</td><td>1661875C1</td><td>1661872C1</td></tr> <tr><td>B</td><td>M85-GC</td><td>16</td><td>WH</td><td>1661875C1</td><td>1661872C1</td></tr> </tbody> </table>	CAV	CIR	GAUGE	COLOR	TERM	SEAL	A	M85-I	16	GY	1661875C1	1661872C1	B	M85-GC	16	WH	1661875C1	1661872C1	<p style="text-align: center;">ETHER START (8400)</p>  <p style="text-align: center;">CONNECTOR - 0587568C91 PLUG - 0587579C1</p> <table border="1" style="width: 100%; border-collapse: collapse; font-size: x-small;"> <thead> <tr><th>CAV</th><th>CIR</th><th>GAUGE</th><th>COLOR</th><th>TERM</th><th>SEAL</th></tr> </thead> <tbody> <tr><td>A</td><td>M21D</td><td>18</td><td>TN</td><td>0587576C1</td><td>1652325C1</td></tr> <tr><td>B</td><td>M21C</td><td>18</td><td>TN</td><td>0587576C1</td><td>1652325C1</td></tr> </tbody> </table>	CAV	CIR	GAUGE	COLOR	TERM	SEAL	A	M21D	18	TN	0587576C1	1652325C1	B	M21C	18	TN	0587576C1	1652325C1																								
CAV	CIR	GAUGE	COLOR	TERM	SEAL																																																								
A	M85-I	16	GY	1661875C1	1661872C1																																																								
B	M85-GC	16	WH	1661875C1	1661872C1																																																								
CAV	CIR	GAUGE	COLOR	TERM	SEAL																																																								
A	M21D	18	TN	0587576C1	1652325C1																																																								
B	M21C	18	TN	0587576C1	1652325C1																																																								
<p style="text-align: center;">BENDIX LEFT ABS MODULATOR (8500)</p>  <p style="text-align: center;">CONNECTOR - 1686834C1 PLUG - 0587579C1 LOCK - 1664408C1</p> <table border="1" style="width: 100%; border-collapse: collapse; font-size: x-small;"> <thead> <tr><th>CAV</th><th>CIR</th><th>GAUGE</th><th>COLOR</th><th>TERM</th><th>SEAL</th></tr> </thead> <tbody> <tr><td>A</td><td>M94</td><td>18</td><td>GY</td><td>2033819C1</td><td>1652325C1</td></tr> <tr><td>B</td><td>M94A</td><td>18</td><td>GY</td><td>2033819C1</td><td>1652325C1</td></tr> <tr><td>C</td><td>M94B</td><td>18</td><td>GY</td><td>2033819C1</td><td>1652325C1</td></tr> </tbody> </table>	CAV	CIR	GAUGE	COLOR	TERM	SEAL	A	M94	18	GY	2033819C1	1652325C1	B	M94A	18	GY	2033819C1	1652325C1	C	M94B	18	GY	2033819C1	1652325C1	<p style="text-align: center;">BENDIX RIGHT ABS MODULATOR (8501)</p>  <p style="text-align: center;">CONNECTOR - 1686834C1 PLUG - 0587579C1 LOCK - 1664408C1</p> <table border="1" style="width: 100%; border-collapse: collapse; font-size: x-small;"> <thead> <tr><th>CAV</th><th>CIR</th><th>GAUGE</th><th>COLOR</th><th>TERM</th><th>SEAL</th></tr> </thead> <tbody> <tr><td>A</td><td>M94H</td><td>18</td><td>GY</td><td>2033819C1</td><td>1652325C1</td></tr> <tr><td>B</td><td>M94J</td><td>18</td><td>GY</td><td>2033819C1</td><td>1652325C1</td></tr> <tr><td>C</td><td>M94K</td><td>18</td><td>GY</td><td>2033819C1</td><td>1652325C1</td></tr> </tbody> </table>	CAV	CIR	GAUGE	COLOR	TERM	SEAL	A	M94H	18	GY	2033819C1	1652325C1	B	M94J	18	GY	2033819C1	1652325C1	C	M94K	18	GY	2033819C1	1652325C1												
CAV	CIR	GAUGE	COLOR	TERM	SEAL																																																								
A	M94	18	GY	2033819C1	1652325C1																																																								
B	M94A	18	GY	2033819C1	1652325C1																																																								
C	M94B	18	GY	2033819C1	1652325C1																																																								
CAV	CIR	GAUGE	COLOR	TERM	SEAL																																																								
A	M94H	18	GY	2033819C1	1652325C1																																																								
B	M94J	18	GY	2033819C1	1652325C1																																																								
C	M94K	18	GY	2033819C1	1652325C1																																																								
<p style="text-align: center;">LEFT HYD ABS WHEEL SENSOR (8502)</p>  <p style="text-align: center; font-size: x-small;">PURCHASED ASSEMBLY P/N 3519878C1</p> <table border="1" style="width: 100%; border-collapse: collapse; font-size: x-small;"> <thead> <tr><th>CAV</th><th>CIR</th><th>GAUGE</th><th>COLOR</th><th>TERM</th></tr> </thead> <tbody> <tr><td>1</td><td>IM94I</td><td>18</td><td>BK</td><td>ASSY</td></tr> <tr><td>2</td><td>IM94M</td><td>18</td><td>BN</td><td>ASSY</td></tr> </tbody> </table>	CAV	CIR	GAUGE	COLOR	TERM	1	IM94I	18	BK	ASSY	2	IM94M	18	BN	ASSY	<p style="text-align: center;">BENDIX LEFT AIR ABS WHEEL SENSOR (8502A)</p>  <p style="text-align: center;">CONNECTOR - 1684261C1 PLUG - 0453133C1 LOCK - 1684263C1</p> <table border="1" style="width: 100%; border-collapse: collapse; font-size: x-small;"> <thead> <tr><th>CAV</th><th>CIR</th><th>GAUGE</th><th>COLOR</th><th>TERM</th></tr> </thead> <tbody> <tr><td>1</td><td>M94C</td><td>18</td><td>GY</td><td>1680205C1</td></tr> <tr><td>2</td><td>M94D</td><td>18</td><td>GY</td><td>1680205C1</td></tr> </tbody> </table>	CAV	CIR	GAUGE	COLOR	TERM	1	M94C	18	GY	1680205C1	2	M94D	18	GY	1680205C1																														
CAV	CIR	GAUGE	COLOR	TERM																																																									
1	IM94I	18	BK	ASSY																																																									
2	IM94M	18	BN	ASSY																																																									
CAV	CIR	GAUGE	COLOR	TERM																																																									
1	M94C	18	GY	1680205C1																																																									
2	M94D	18	GY	1680205C1																																																									
<table border="1" style="width: 100%; border-collapse: collapse;"> <thead> <tr><th>CHK</th><th>DATE</th><th>CHANGE</th><th>REV</th><th>REFERENCE</th><th>DRAWN</th><th>NAME</th></tr> </thead> <tbody> <tr><td>CNA1</td><td>31MAR09</td><td>ADDED MXT EFFECTS</td><td>D</td><td>61817B</td><td>U00EDL2</td><td>CIRCUIT DIAGRAM, 42/43/44/85/8600 & 73/74/7500</td></tr> <tr><td></td><td></td><td></td><td></td><td></td><td>RELEASE NO.</td><td>DATE</td></tr> <tr><td></td><td></td><td></td><td></td><td></td><td>P52778H</td><td>31MAY00</td></tr> </tbody> </table>	CHK	DATE	CHANGE	REV	REFERENCE	DRAWN	NAME	CNA1	31MAR09	ADDED MXT EFFECTS	D	61817B	U00EDL2	CIRCUIT DIAGRAM, 42/43/44/85/8600 & 73/74/7500						RELEASE NO.	DATE						P52778H	31MAY00	<table border="1" style="width: 100%; border-collapse: collapse;"> <thead> <tr><th>PART NO.</th><th>SHEET</th></tr> </thead> <tbody> <tr><td>AE08052376</td><td>050</td></tr> </tbody> </table>	PART NO.	SHEET	AE08052376	050																												
CHK	DATE	CHANGE	REV	REFERENCE	DRAWN	NAME																																																							
CNA1	31MAR09	ADDED MXT EFFECTS	D	61817B	U00EDL2	CIRCUIT DIAGRAM, 42/43/44/85/8600 & 73/74/7500																																																							
					RELEASE NO.	DATE																																																							
					P52778H	31MAY00																																																							
PART NO.	SHEET																																																												
AE08052376	050																																																												

Figure 256 Connector Composites (8201), (8301), (8310), (8311), (8312), (8400), (8500), (8501), (8502), (8502A)

12.64. CONNECTOR COMPOSITES (8503), (8503A), (8505), (8506), (8507), (8508), (8509), (8600), (8601), (8602), P. 51




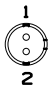

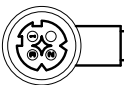
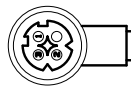



INTERNATIONAL TRUCK AND ENGINE CORPORATION				ELECTRICAL CIRCUIT DIAGRAM CHAPTER 12																																									
THIS PRINT IS PROVIDED ON A RESTRICTED BASIS AND IS NOT TO BE USED IN ANY WAY DETRIMENTAL TO THE INTEREST OF INTERNATIONAL TRUCK AND ENGINE CORPORATION.				CONNECTOR COMPOSITES - MATING VIEW SHOWN																																									
<p>RIGHT HYD ABS WHEEL SENSOR (8503)</p>  <p>PURCHASED ASSEMBLY P/N 3519878C1</p> <table border="1"> <thead> <tr> <th>CAV</th> <th>CIR</th> <th>GAUGE</th> <th>COLOR</th> <th>TERM</th> </tr> </thead> <tbody> <tr> <td>1</td> <td>M94N</td> <td>18</td> <td>BK</td> <td>ASSY</td> </tr> <tr> <td>2</td> <td>M94F</td> <td>18</td> <td>BN</td> <td>ASSY</td> </tr> </tbody> </table>				CAV	CIR	GAUGE	COLOR	TERM	1	M94N	18	BK	ASSY	2	M94F	18	BN	ASSY	<p>BENDIX RIGHT AIR ABS WHEEL SENSOR (8503A)</p>  <p>CONNECTOR - 1684261C1 PLUG - 0453133C1 LOCK - 1684263C1</p> <table border="1"> <thead> <tr> <th>CAV</th> <th>CIR</th> <th>GAUGE</th> <th>COLOR</th> <th>TERM</th> </tr> </thead> <tbody> <tr> <td>1</td> <td>M94E</td> <td>18</td> <td>GY</td> <td>1680205C1</td> </tr> <tr> <td>2</td> <td>M94F</td> <td>18</td> <td>GY</td> <td>1680205C1</td> </tr> </tbody> </table>				CAV	CIR	GAUGE	COLOR	TERM	1	M94E	18	GY	1680205C1	2	M94F	18	GY	1680205C1								
CAV	CIR	GAUGE	COLOR	TERM																																									
1	M94N	18	BK	ASSY																																									
2	M94F	18	BN	ASSY																																									
CAV	CIR	GAUGE	COLOR	TERM																																									
1	M94E	18	GY	1680205C1																																									
2	M94F	18	GY	1680205C1																																									
<p>AIR COMPRESSOR FOR HYD BRAKES (8505)</p>  <p>CONNECTOR - 1678137C1</p> <table border="1"> <thead> <tr> <th>CAV</th> <th>CIR</th> <th>GAUGE</th> <th>COLOR</th> <th>TERM</th> </tr> </thead> <tbody> <tr> <td>A</td> <td>M9</td> <td>18</td> <td>GY</td> <td>1651943C1</td> </tr> <tr> <td>B</td> <td>M8</td> <td>18</td> <td>GY</td> <td>1651943C1</td> </tr> <tr> <td>C</td> <td>M40</td> <td>18</td> <td>GY</td> <td>1651943C1</td> </tr> </tbody> </table>				CAV	CIR	GAUGE	COLOR	TERM	A	M9	18	GY	1651943C1	B	M8	18	GY	1651943C1	C	M40	18	GY	1651943C1	<p>WABCO LEFT FRONT AIR ABS WHEEL SPEED SENSOR (8506)</p>  <p>PURCHASED ASSEMBLY P/N 3519878C1</p> <table border="1"> <thead> <tr> <th>CAV</th> <th>CIR</th> <th>GAUGE</th> <th>COLOR</th> <th>TERM</th> </tr> </thead> <tbody> <tr> <td>1</td> <td>M94AC</td> <td>18</td> <td>BN</td> <td>ASSY</td> </tr> <tr> <td>2</td> <td>M94AD</td> <td>18</td> <td>BK</td> <td>ASSY</td> </tr> </tbody> </table>				CAV	CIR	GAUGE	COLOR	TERM	1	M94AC	18	BN	ASSY	2	M94AD	18	BK	ASSY			
CAV	CIR	GAUGE	COLOR	TERM																																									
A	M9	18	GY	1651943C1																																									
B	M8	18	GY	1651943C1																																									
C	M40	18	GY	1651943C1																																									
CAV	CIR	GAUGE	COLOR	TERM																																									
1	M94AC	18	BN	ASSY																																									
2	M94AD	18	BK	ASSY																																									
<p>WABCO RIGHT FRONT AIR ABS WHEEL SPEED SENSOR (8507)</p>  <p>PURCHASED ASSEMBLY P/N 3519886C1</p> <table border="1"> <thead> <tr> <th>CAV</th> <th>CIR</th> <th>GAUGE</th> <th>COLOR</th> <th>TERM</th> </tr> </thead> <tbody> <tr> <td>1</td> <td>M94AE</td> <td>18</td> <td>BN</td> <td>ASSY</td> </tr> <tr> <td>2</td> <td>M94AF</td> <td>18</td> <td>BK</td> <td>ASSY</td> </tr> </tbody> </table>				CAV	CIR	GAUGE	COLOR	TERM	1	M94AE	18	BN	ASSY	2	M94AF	18	BK	ASSY	<p>WABCO LEFT FRONT AIR ABS MODULATOR (8508)</p>  <p>PURCHASED ASSEMBLY P/N 3554539C1</p> <table border="1"> <thead> <tr> <th>CAV</th> <th>CIR</th> <th>GAUGE</th> <th>COLOR</th> <th>TERM</th> </tr> </thead> <tbody> <tr> <td>1</td> <td>M94AL</td> <td>14</td> <td>BL</td> <td>ASSY</td> </tr> <tr> <td>2</td> <td>M94AA</td> <td>14</td> <td>GN</td> <td>ASSY</td> </tr> <tr> <td>3</td> <td>M94AB</td> <td>14</td> <td>BN</td> <td>ASSY</td> </tr> </tbody> </table>				CAV	CIR	GAUGE	COLOR	TERM	1	M94AL	14	BL	ASSY	2	M94AA	14	GN	ASSY	3	M94AB	14	BN	ASSY			
CAV	CIR	GAUGE	COLOR	TERM																																									
1	M94AE	18	BN	ASSY																																									
2	M94AF	18	BK	ASSY																																									
CAV	CIR	GAUGE	COLOR	TERM																																									
1	M94AL	14	BL	ASSY																																									
2	M94AA	14	GN	ASSY																																									
3	M94AB	14	BN	ASSY																																									
<p>WABCO RIGHT FRONT AIR ABS MODULATOR (8509)</p>  <p>PURCHASED ASSEMBLY P/N 3554539C1</p> <table border="1"> <thead> <tr> <th>CAV</th> <th>CIR</th> <th>GAUGE</th> <th>COLOR</th> <th>TERM</th> </tr> </thead> <tbody> <tr> <td>1</td> <td>M94AH</td> <td>14</td> <td>BL</td> <td>ASSY</td> </tr> <tr> <td>2</td> <td>M94AJ</td> <td>14</td> <td>GN</td> <td>ASSY</td> </tr> <tr> <td>3</td> <td>M94AK</td> <td>14</td> <td>BN</td> <td>ASSY</td> </tr> </tbody> </table>				CAV	CIR	GAUGE	COLOR	TERM	1	M94AH	14	BL	ASSY	2	M94AJ	14	GN	ASSY	3	M94AK	14	BN	ASSY	<p>RADIATOR GROUND (8600)</p>  <p>CONNECTOR - 0587586C91 PLUG - 0587578C1</p> <table border="1"> <thead> <tr> <th>CAV</th> <th>CIR</th> <th>GAUGE</th> <th>COLOR</th> <th>TERM</th> <th>SEAL</th> </tr> </thead> <tbody> <tr> <td>A</td> <td>M11-6C</td> <td>12</td> <td>WH</td> <td>1673747C1</td> <td>0586380C1</td> </tr> </tbody> </table>				CAV	CIR	GAUGE	COLOR	TERM	SEAL	A	M11-6C	12	WH	1673747C1	0586380C1						
CAV	CIR	GAUGE	COLOR	TERM																																									
1	M94AH	14	BL	ASSY																																									
2	M94AJ	14	GN	ASSY																																									
3	M94AK	14	BN	ASSY																																									
CAV	CIR	GAUGE	COLOR	TERM	SEAL																																								
A	M11-6C	12	WH	1673747C1	0586380C1																																								
<p>TEMP SENDER (8601)</p>  <p>CONNECTOR - 3522068C1 PLUG - 1687769C1 LOCK - 1681874C1</p> <table border="1"> <thead> <tr> <th>CAV</th> <th>CIR</th> <th>GAUGE</th> <th>COLOR</th> <th>TERM</th> <th>SEAL</th> </tr> </thead> <tbody> <tr> <td>A</td> <td>M41</td> <td>18</td> <td>GY</td> <td>1681875C1</td> <td>1681872C1</td> </tr> <tr> <td>B</td> <td>M41A</td> <td>18</td> <td>GY</td> <td>1681875C1</td> <td>1681872C1</td> </tr> </tbody> </table>				CAV	CIR	GAUGE	COLOR	TERM	SEAL	A	M41	18	GY	1681875C1	1681872C1	B	M41A	18	GY	1681875C1	1681872C1	<p>A/C TRANSDUCER (8602)</p>  <p>CONNECTOR - 1678137C1</p> <table border="1"> <thead> <tr> <th>CAV</th> <th>CIR</th> <th>GAUGE</th> <th>COLOR</th> <th>TERM</th> </tr> </thead> <tbody> <tr> <td>A</td> <td>M9</td> <td>20</td> <td>GY</td> <td>1651943C1</td> </tr> <tr> <td>B</td> <td>M8</td> <td>20</td> <td>GY</td> <td>1651943C1</td> </tr> <tr> <td>C</td> <td>M77</td> <td>20</td> <td>LT GN</td> <td>1651943C1</td> </tr> </tbody> </table>				CAV	CIR	GAUGE	COLOR	TERM	A	M9	20	GY	1651943C1	B	M8	20	GY	1651943C1	C	M77	20	LT GN	1651943C1
CAV	CIR	GAUGE	COLOR	TERM	SEAL																																								
A	M41	18	GY	1681875C1	1681872C1																																								
B	M41A	18	GY	1681875C1	1681872C1																																								
CAV	CIR	GAUGE	COLOR	TERM																																									
A	M9	20	GY	1651943C1																																									
B	M8	20	GY	1651943C1																																									
C	M77	20	LT GN	1651943C1																																									
CHK	DATE	CHANGE	REV	REFERENCE	DRWN	NAME	42/43/44/85/8600 & 73/74/7500 CIRC DIAGRAMS																																						
CNA	11APR05	REMOVED 8700-8805	E	50157D	U00EDL2		RELEASE NO.	PART NO.																																					
		ADDED 8503-8602			P52778H	31MAY00	AE08-52376	SHEET 51																																					

Figure 257 Connector Composites (8503), (8503A), (8505), (8506), (8507), (8508), (8509), (8600), (8601), (8602)

12.65. CONNECTOR COMPOSITES (8700), (8701), (8800), (8801), (8802), (8803), (8805), P. 52

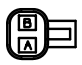
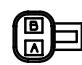
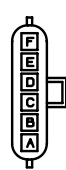
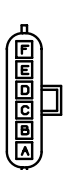
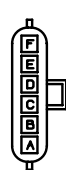
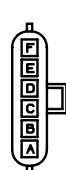
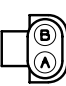
INTERNATIONAL TRUCK AND ENGINE CORPORATION THIS PRINT IS PROVIDED ON A RESTRICTED BASIS AND IS NOT TO BE USED IN ANY WAY DETRIMENTAL TO THE INTEREST OF INTERNATIONAL TRUCK AND ENGINE CORPORATION.		ELECTRICAL CIRCUIT DIAGRAM CHAPTER 12 CONNECTOR COMPOSITES - MATING VIEW SHOWN																																																																																			
<p style="text-align: center;">LEFT HEATED MIRROR FWD HOOD MTD (8700)</p>  <p style="text-align: center;">CONNECTOR - 1671810C1 PLUG - 0587579C1 LOCK - 1671608C1</p> <table border="1" style="width:100%; border-collapse: collapse; font-size: 8px;"> <thead> <tr> <th>CAV</th> <th>CIR</th> <th>GAUGE</th> <th>COLOR</th> <th>TERM</th> <th>SEAL</th> </tr> </thead> <tbody> <tr> <td>A</td> <td>M78J</td> <td>16</td> <td>LT GN</td> <td>2033819C1</td> <td>1652325C1</td> </tr> <tr> <td>B</td> <td>M78-G</td> <td>18</td> <td>WH</td> <td>2033819C1</td> <td>1652325C1</td> </tr> </tbody> </table>	CAV	CIR	GAUGE	COLOR	TERM	SEAL	A	M78J	16	LT GN	2033819C1	1652325C1	B	M78-G	18	WH	2033819C1	1652325C1	<p style="text-align: center;">RIGHT HEATED MIRROR FWD HOOD MTD (8701)</p>  <p style="text-align: center;">CONNECTOR - 1671810C1 PLUG - 0587579C1 LOCK - 1671608C1</p> <table border="1" style="width:100%; border-collapse: collapse; font-size: 8px;"> <thead> <tr> <th>CAV</th> <th>CIR</th> <th>GAUGE</th> <th>COLOR</th> <th>TERM</th> <th>SEAL</th> </tr> </thead> <tbody> <tr> <td>A</td> <td>M78K</td> <td>18</td> <td>LT GN</td> <td>2033819C1</td> <td>1652325C1</td> </tr> <tr> <td>B</td> <td>M78-GA</td> <td>18</td> <td>WH</td> <td>2033819C1</td> <td>1652325C1</td> </tr> </tbody> </table>	CAV	CIR	GAUGE	COLOR	TERM	SEAL	A	M78K	18	LT GN	2033819C1	1652325C1	B	M78-GA	18	WH	2033819C1	1652325C1																																																
CAV	CIR	GAUGE	COLOR	TERM	SEAL																																																																																
A	M78J	16	LT GN	2033819C1	1652325C1																																																																																
B	M78-G	18	WH	2033819C1	1652325C1																																																																																
CAV	CIR	GAUGE	COLOR	TERM	SEAL																																																																																
A	M78K	18	LT GN	2033819C1	1652325C1																																																																																
B	M78-GA	18	WH	2033819C1	1652325C1																																																																																
<p style="text-align: center;">GROUND ADAPTER #1 (8800)</p>  <p style="text-align: center;">CONNECTOR - 3551896C1 PLUG - 0587579C1 LOCK - 3551897C1 COVER - 3551792C1</p> <table border="1" style="width:100%; border-collapse: collapse; font-size: 8px;"> <thead> <tr> <th>CAV</th> <th>CIR</th> <th>GAUGE</th> <th>COLOR</th> <th>TERM</th> <th>SEAL</th> </tr> </thead> <tbody> <tr> <td>A</td> <td>M11-G</td> <td>12</td> <td>WH</td> <td>2033816C1</td> <td>0589390C1</td> </tr> <tr> <td>B</td> <td>M11-GB</td> <td>14</td> <td>WH</td> <td>2033816C1</td> <td>0589391C1</td> </tr> <tr> <td>C</td> <td>M58-GA</td> <td>16</td> <td>WH</td> <td>2033819C1</td> <td>1652325C1</td> </tr> <tr> <td>D</td> <td>M11-GC</td> <td>12</td> <td>WH</td> <td>2033816C1</td> <td>0589390C1</td> </tr> <tr> <td>E</td> <td>M78-G</td> <td>18</td> <td>WH</td> <td>2033819C1</td> <td>1652325C1</td> </tr> <tr> <td>F</td> <td>M11-GD</td> <td>12</td> <td>WH</td> <td>2033816C1</td> <td>0589390C1</td> </tr> </tbody> </table>	CAV	CIR	GAUGE	COLOR	TERM	SEAL	A	M11-G	12	WH	2033816C1	0589390C1	B	M11-GB	14	WH	2033816C1	0589391C1	C	M58-GA	16	WH	2033819C1	1652325C1	D	M11-GC	12	WH	2033816C1	0589390C1	E	M78-G	18	WH	2033819C1	1652325C1	F	M11-GD	12	WH	2033816C1	0589390C1	<p style="text-align: center;">GROUND ADAPTER #2 (8801)</p>  <p style="text-align: center;">CONNECTOR - 3551896C1 PLUG - 0587579C1 LOCK - 3551897C1 COVER - 3551792C1</p> <table border="1" style="width:100%; border-collapse: collapse; font-size: 8px;"> <thead> <tr> <th>CAV</th> <th>CIR</th> <th>GAUGE</th> <th>COLOR</th> <th>TERM</th> <th>SEAL</th> </tr> </thead> <tbody> <tr> <td>A</td> <td>M11-GD</td> <td>12</td> <td>WH</td> <td>2033816C1</td> <td>0589390C1</td> </tr> <tr> <td>B</td> <td>M11-GA</td> <td>14</td> <td>WH</td> <td>2033816C1</td> <td>0589391C1</td> </tr> <tr> <td>C</td> <td>M58-GB</td> <td>16</td> <td>WH</td> <td>2033819C1</td> <td>1652325C1</td> </tr> <tr> <td>D</td> <td>M58-GA</td> <td>16</td> <td>WH</td> <td>2033819C1</td> <td>1652325C1</td> </tr> <tr> <td>E</td> <td>M78-GA</td> <td>18</td> <td>WH</td> <td>2033819C1</td> <td>1652325C1</td> </tr> <tr> <td>F</td> <td>M84-G</td> <td>16</td> <td>WH</td> <td>2033819C1</td> <td>1652325C1</td> </tr> </tbody> </table>	CAV	CIR	GAUGE	COLOR	TERM	SEAL	A	M11-GD	12	WH	2033816C1	0589390C1	B	M11-GA	14	WH	2033816C1	0589391C1	C	M58-GB	16	WH	2033819C1	1652325C1	D	M58-GA	16	WH	2033819C1	1652325C1	E	M78-GA	18	WH	2033819C1	1652325C1	F	M84-G	16	WH	2033819C1	1652325C1
CAV	CIR	GAUGE	COLOR	TERM	SEAL																																																																																
A	M11-G	12	WH	2033816C1	0589390C1																																																																																
B	M11-GB	14	WH	2033816C1	0589391C1																																																																																
C	M58-GA	16	WH	2033819C1	1652325C1																																																																																
D	M11-GC	12	WH	2033816C1	0589390C1																																																																																
E	M78-G	18	WH	2033819C1	1652325C1																																																																																
F	M11-GD	12	WH	2033816C1	0589390C1																																																																																
CAV	CIR	GAUGE	COLOR	TERM	SEAL																																																																																
A	M11-GD	12	WH	2033816C1	0589390C1																																																																																
B	M11-GA	14	WH	2033816C1	0589391C1																																																																																
C	M58-GB	16	WH	2033819C1	1652325C1																																																																																
D	M58-GA	16	WH	2033819C1	1652325C1																																																																																
E	M78-GA	18	WH	2033819C1	1652325C1																																																																																
F	M84-G	16	WH	2033819C1	1652325C1																																																																																
<p style="text-align: center;">ISOLATED GND SPLICE PACK (8802)</p>  <p style="text-align: center;">CONNECTOR - 3551896C1 PLUG - 0587579C1 LOCK - 3551897C1 COVER - 3551792C1</p> <table border="1" style="width:100%; border-collapse: collapse; font-size: 8px;"> <thead> <tr> <th>CAV</th> <th>CIR</th> <th>GAUGE</th> <th>COLOR</th> <th>TERM</th> <th>SEAL</th> </tr> </thead> <tbody> <tr> <td>A</td> <td>N8</td> <td>18</td> <td>GY</td> <td>2033819C1</td> <td>1652325C1</td> </tr> <tr> <td>B</td> <td>N9A</td> <td>18</td> <td>GY</td> <td>2033819C1</td> <td>1652325C1</td> </tr> <tr> <td>C</td> <td>N9B</td> <td>18</td> <td>GY</td> <td>2033819C1</td> <td>1652325C1</td> </tr> <tr> <td>D</td> <td>N44-GB</td> <td>18</td> <td>WH</td> <td>2033819C1</td> <td>1652325C1</td> </tr> <tr> <td>E</td> <td>N9F</td> <td>18</td> <td>GY</td> <td>2033819C1</td> <td>1652325C1</td> </tr> <tr> <td>F</td> <td>N9F</td> <td>18</td> <td>GY</td> <td>2033819C1</td> <td>1652325C1</td> </tr> </tbody> </table> <p>• - FOR AF MTD FUEL TANK, CIRCUIT NUMBER IS N9B. •• - FOR RR AXLE TEMP, CIRCUIT NUMBER IS NGH.</p>	CAV	CIR	GAUGE	COLOR	TERM	SEAL	A	N8	18	GY	2033819C1	1652325C1	B	N9A	18	GY	2033819C1	1652325C1	C	N9B	18	GY	2033819C1	1652325C1	D	N44-GB	18	WH	2033819C1	1652325C1	E	N9F	18	GY	2033819C1	1652325C1	F	N9F	18	GY	2033819C1	1652325C1	<p style="text-align: center;">CHASSIS GND SPLICE PACK (8803)</p>  <p style="text-align: center;">CONNECTOR - 3551896C1 PLUG - 0587579C1 LOCK - 3551897C1 COVER - 3551792C1</p> <table border="1" style="width:100%; border-collapse: collapse; font-size: 8px;"> <thead> <tr> <th>CAV</th> <th>CIR</th> <th>GAUGE</th> <th>COLOR</th> <th>TERM</th> <th>SEAL</th> </tr> </thead> <tbody> <tr> <td>A</td> <td>N10-G</td> <td>14</td> <td>WH</td> <td>2033816C1</td> <td>0589391C1</td> </tr> <tr> <td>B</td> <td>N10-GA</td> <td>12</td> <td>WH</td> <td>2033816C1</td> <td>0589390C1</td> </tr> <tr> <td>C</td> <td>N39-G</td> <td>18</td> <td>WH</td> <td>2033819C1</td> <td>1652325C1</td> </tr> <tr> <td>D</td> <td>N39-GB</td> <td>16</td> <td>WH</td> <td>2033819C1</td> <td>1652325C1</td> </tr> <tr> <td>E</td> <td>N49-G</td> <td>18</td> <td>WH</td> <td>2033819C1</td> <td>1652325C1</td> </tr> <tr> <td>F</td> <td>N10-GF</td> <td>18</td> <td>WH</td> <td>2033819C1</td> <td>1652325C1</td> </tr> </tbody> </table> <p>• - FOR RIGHT SIDE MTD DRAIN VALVE, CIRCUIT NUMBER IS N39-GA. •• - FOR RIGHT SIDE MTD AIR DRYER, CIRCUIT NUMBER IS N39-GC</p>	CAV	CIR	GAUGE	COLOR	TERM	SEAL	A	N10-G	14	WH	2033816C1	0589391C1	B	N10-GA	12	WH	2033816C1	0589390C1	C	N39-G	18	WH	2033819C1	1652325C1	D	N39-GB	16	WH	2033819C1	1652325C1	E	N49-G	18	WH	2033819C1	1652325C1	F	N10-GF	18	WH	2033819C1	1652325C1
CAV	CIR	GAUGE	COLOR	TERM	SEAL																																																																																
A	N8	18	GY	2033819C1	1652325C1																																																																																
B	N9A	18	GY	2033819C1	1652325C1																																																																																
C	N9B	18	GY	2033819C1	1652325C1																																																																																
D	N44-GB	18	WH	2033819C1	1652325C1																																																																																
E	N9F	18	GY	2033819C1	1652325C1																																																																																
F	N9F	18	GY	2033819C1	1652325C1																																																																																
CAV	CIR	GAUGE	COLOR	TERM	SEAL																																																																																
A	N10-G	14	WH	2033816C1	0589391C1																																																																																
B	N10-GA	12	WH	2033816C1	0589390C1																																																																																
C	N39-G	18	WH	2033819C1	1652325C1																																																																																
D	N39-GB	16	WH	2033819C1	1652325C1																																																																																
E	N49-G	18	WH	2033819C1	1652325C1																																																																																
F	N10-GF	18	WH	2033819C1	1652325C1																																																																																
<p style="text-align: center;">HOOD SWITCH (8805)</p>  <table border="1" style="width:100%; border-collapse: collapse; font-size: 8px;"> <thead> <tr> <th>CAV</th> <th>CIR</th> <th>GAUGE</th> <th>COLOR</th> <th>TERMINAL</th> <th>SEAL</th> </tr> </thead> <tbody> <tr> <td>A</td> <td>M104CC</td> <td>18</td> <td>DKBL</td> <td>0587576C1</td> <td>1652325C1</td> </tr> <tr> <td>B</td> <td>M104CB</td> <td>18</td> <td>DKBL</td> <td>0587576C1</td> <td>1652325C1</td> </tr> </tbody> </table> <p style="text-align: center;">CONNECTOR - 0587568C1</p>	CAV	CIR	GAUGE	COLOR	TERMINAL	SEAL	A	M104CC	18	DKBL	0587576C1	1652325C1	B	M104CB	18	DKBL	0587576C1	1652325C1	<p style="text-align: center;">THIS SPACE INTENTIONALLY LEFT BLANK</p>																																																																		
CAV	CIR	GAUGE	COLOR	TERMINAL	SEAL																																																																																
A	M104CC	18	DKBL	0587576C1	1652325C1																																																																																
B	M104CB	18	DKBL	0587576C1	1652325C1																																																																																
<table border="1" style="width:100%; border-collapse: collapse; font-size: 8px;"> <thead> <tr> <th>CHK</th> <th>DATE</th> <th>CHANGE</th> <th>REV</th> <th>REFERENCE</th> <th>DRAWN</th> <th>NAME</th> </tr> </thead> <tbody> <tr> <td>CNA</td> <td>11APR05</td> <td>REMOVED 9001-9255</td> <td>E</td> <td>50157D</td> <td>U00EDL2</td> <td>42/43/44/85/8600 & 73/74/7500 CIRC DIAGRAMS</td> </tr> <tr> <td></td> <td></td> <td>ADDED 8700-8805</td> <td></td> <td></td> <td>P52778H</td> <td>31.MAY00</td> </tr> </tbody> </table>		CHK	DATE	CHANGE	REV	REFERENCE	DRAWN	NAME	CNA	11APR05	REMOVED 9001-9255	E	50157D	U00EDL2	42/43/44/85/8600 & 73/74/7500 CIRC DIAGRAMS			ADDED 8700-8805			P52778H	31.MAY00	<table border="1" style="width:100%; border-collapse: collapse; font-size: 8px;"> <thead> <tr> <th>RELEASE NO.</th> <th>DATE</th> <th>PART NO.</th> <th>SHEET</th> </tr> </thead> <tbody> <tr> <td></td> <td></td> <td>AE08-52376</td> <td>52</td> </tr> </tbody> </table>		RELEASE NO.	DATE	PART NO.	SHEET			AE08-52376	52																																																					
CHK	DATE	CHANGE	REV	REFERENCE	DRAWN	NAME																																																																															
CNA	11APR05	REMOVED 9001-9255	E	50157D	U00EDL2	42/43/44/85/8600 & 73/74/7500 CIRC DIAGRAMS																																																																															
		ADDED 8700-8805			P52778H	31.MAY00																																																																															
RELEASE NO.	DATE	PART NO.	SHEET																																																																																		
		AE08-52376	52																																																																																		

Figure 258 Connector Composites (8700), (8701), (8800), (8801), (8802), (8803), (8805)

12.66. CONNECTOR COMPOSITES (9001), (9002), (9100), (9101), (9102), (9103), (9104), (9254), (9255), P. 53







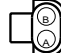
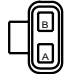
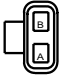
INTERNATIONAL TRUCK AND ENGINE CORPORATION				ELECTRICAL CIRCUIT DIAGRAM CHAPTER 12																																													
THIS PRINT IS PROVIDED ON A RESTRICTED BASIS AND IS NOT TO BE USED IN ANY WAY DETRIMENTAL TO THE INTEREST OF INTERNATIONAL TRUCK AND ENGINE CORPORATION.				CONNECTOR COMPOSITES - MATING VIEW SHOWN																																													
LEFT SIDE HEATED DRAIN (9001)  CONNECTOR - 1661778C1 PLUG - 1687788C1 LOCK - 1661874C1				RIGHT SIDE HEATED DRAIN (9002)  CONNECTOR - 1661778C1 PLUG - 1687788C1 LOCK - 1661874C1																																													
<table border="1" style="width:100%; border-collapse: collapse; font-size: x-small;"> <thead> <tr><th>CAV</th><th>CIR</th><th>GAUGE</th><th>COLOR</th><th>TERM</th><th>SEAL</th></tr> </thead> <tbody> <tr><td>A</td><td>N39</td><td>18</td><td>GY</td><td>1661875C1</td><td>1661872C1</td></tr> <tr><td>B</td><td>N39-G</td><td>18</td><td>WH</td><td>1661875C1</td><td>1661872C1</td></tr> </tbody> </table>				CAV	CIR	GAUGE	COLOR	TERM	SEAL	A	N39	18	GY	1661875C1	1661872C1	B	N39-G	18	WH	1661875C1	1661872C1	<table border="1" style="width:100%; border-collapse: collapse; font-size: x-small;"> <thead> <tr><th>CAV</th><th>CIR</th><th>GAUGE</th><th>COLOR</th><th>TERM</th><th>SEAL</th></tr> </thead> <tbody> <tr><td>A</td><td>N39A</td><td>18</td><td>GY</td><td>1661875C1</td><td>1661872C1</td></tr> <tr><td>B</td><td>N39-GA</td><td>18</td><td>WH</td><td>1661875C1</td><td>1661872C1</td></tr> </tbody> </table>				CAV	CIR	GAUGE	COLOR	TERM	SEAL	A	N39A	18	GY	1661875C1	1661872C1	B	N39-GA	18	WH	1661875C1	1661872C1						
CAV	CIR	GAUGE	COLOR	TERM	SEAL																																												
A	N39	18	GY	1661875C1	1661872C1																																												
B	N39-G	18	WH	1661875C1	1661872C1																																												
CAV	CIR	GAUGE	COLOR	TERM	SEAL																																												
A	N39A	18	GY	1661875C1	1661872C1																																												
B	N39-GA	18	WH	1661875C1	1661872C1																																												
LEFT FUEL SENDER (9100)  CONNECTOR - 1661778C1 PLUG - 1687788C1 LOCK - 1661874C1				RIGHT FUEL SENDER (9101)  CONNECTOR - 1661778C1 PLUG - 1687788C1 LOCK - 1661874C1																																													
<table border="1" style="width:100%; border-collapse: collapse; font-size: x-small;"> <thead> <tr><th>CAV</th><th>CIR</th><th>GAUGE</th><th>COLOR</th><th>TERM</th><th>SEAL</th></tr> </thead> <tbody> <tr><td>A</td><td>N36</td><td>18</td><td>TN</td><td>1661875C1</td><td>1661872C1</td></tr> <tr><td>B</td><td>N9A</td><td>18</td><td>GY</td><td>1661875C1</td><td>1661872C1</td></tr> </tbody> </table>				CAV	CIR	GAUGE	COLOR	TERM	SEAL	A	N36	18	TN	1661875C1	1661872C1	B	N9A	18	GY	1661875C1	1661872C1	<table border="1" style="width:100%; border-collapse: collapse; font-size: x-small;"> <thead> <tr><th>CAV</th><th>CIR</th><th>GAUGE</th><th>COLOR</th><th>TERM</th><th>SEAL</th></tr> </thead> <tbody> <tr><td>A*</td><td>N36A</td><td>18</td><td>TN</td><td>1661875C1</td><td>1661872C1</td></tr> <tr><td>B</td><td>N9B</td><td>18</td><td>GY</td><td>1661875C1</td><td>1661872C1</td></tr> <tr><td>B&</td><td>N9</td><td>18</td><td>GY</td><td>1661875C1</td><td>1661872C1</td></tr> </tbody> </table>				CAV	CIR	GAUGE	COLOR	TERM	SEAL	A*	N36A	18	TN	1661875C1	1661872C1	B	N9B	18	GY	1661875C1	1661872C1	B&	N9	18	GY	1661875C1	1661872C1
CAV	CIR	GAUGE	COLOR	TERM	SEAL																																												
A	N36	18	TN	1661875C1	1661872C1																																												
B	N9A	18	GY	1661875C1	1661872C1																																												
CAV	CIR	GAUGE	COLOR	TERM	SEAL																																												
A*	N36A	18	TN	1661875C1	1661872C1																																												
B	N9B	18	GY	1661875C1	1661872C1																																												
B&	N9	18	GY	1661875C1	1661872C1																																												
* - FOR DUAL MTD FUEL TANKS, CIRCUIT NUMBER IS N36E. ** - FOR AF MTD FUEL TANK, CIRCUIT NUMBER IS N9D.				& W/ MXT * FOR DUAL MTD FUEL TANKS, CIRCUIT NUMBER IS N36C.																																													
FUEL TRANSFER PUMP (9102)  CONNECTOR - 3522088C1 LOCK - 1661874C1				RIGHT SIDE FUEL SENDER (9103)  CONNECTOR - 1661778C1 PLUG - 1661874C1 LOCK - 2025431C1																																													
<table border="1" style="width:100%; border-collapse: collapse; font-size: x-small;"> <thead> <tr><th>CAV</th><th>CIR</th><th>GAUGE</th><th>COLOR</th><th>TERM</th><th>SEAL</th></tr> </thead> <tbody> <tr><td>A</td><td>N37-G</td><td>18</td><td>WH</td><td>1661875C1</td><td></td></tr> <tr><td>B</td><td>N37D</td><td>18</td><td>TN</td><td>1661875C1</td><td></td></tr> <tr><td>B</td><td>N37</td><td>18</td><td>TN</td><td>1661875C1</td><td></td></tr> </tbody> </table>				CAV	CIR	GAUGE	COLOR	TERM	SEAL	A	N37-G	18	WH	1661875C1		B	N37D	18	TN	1661875C1		B	N37	18	TN	1661875C1		<table border="1" style="width:100%; border-collapse: collapse; font-size: x-small;"> <thead> <tr><th>CAV</th><th>CIR</th><th>GA</th><th>COLOR</th><th>TERM</th><th>SEAL</th></tr> </thead> <tbody> <tr><td>A</td><td>N36</td><td>18</td><td>TN</td><td>1661875C1</td><td>1661872C1</td></tr> <tr><td>B</td><td>N9B</td><td>18</td><td>GY</td><td>1661875C1</td><td>1661872C1</td></tr> </tbody> </table>				CAV	CIR	GA	COLOR	TERM	SEAL	A	N36	18	TN	1661875C1	1661872C1	B	N9B	18	GY	1661875C1	1661872C1
CAV	CIR	GAUGE	COLOR	TERM	SEAL																																												
A	N37-G	18	WH	1661875C1																																													
B	N37D	18	TN	1661875C1																																													
B	N37	18	TN	1661875C1																																													
CAV	CIR	GA	COLOR	TERM	SEAL																																												
A	N36	18	TN	1661875C1	1661872C1																																												
B	N9B	18	GY	1661875C1	1661872C1																																												
THIS SPACE INTENTIONALLY LEFT BLANK				FUEL TRANSFER PUMP INTERCONNECT (9104)  CONNECTOR - 0587568C91 PLUG - 0587579C1 LOCK - N/A																																													
				<table border="1" style="width:100%; border-collapse: collapse; font-size: x-small;"> <thead> <tr><th>CAV</th><th>CIR</th><th>GAUGE</th><th>COLOR</th><th>TERM</th><th>SEAL</th></tr> </thead> <tbody> <tr><td>A</td><td>N37D</td><td>18</td><td>TN</td><td>0587579C1</td><td>1652325C1</td></tr> <tr><td>B</td><td>N36B</td><td>18</td><td>TN</td><td>0587579C1</td><td>1652325C1</td></tr> </tbody> </table>				CAV	CIR	GAUGE	COLOR	TERM	SEAL	A	N37D	18	TN	0587579C1	1652325C1	B	N36B	18	TN	0587579C1	1652325C1																								
CAV	CIR	GAUGE	COLOR	TERM	SEAL																																												
A	N37D	18	TN	0587579C1	1652325C1																																												
B	N36B	18	TN	0587579C1	1652325C1																																												
ENG ECM FEED FUSE CONN (9254)  CONNECTOR - 1667639C1 PLUG - 1675451C1				TRANS ECU FEED FUSE CONN (9255)  CONNECTOR - 1667639C1 PLUG - 1675451C1																																													
<table border="1" style="width:100%; border-collapse: collapse; font-size: x-small;"> <thead> <tr><th>CAV</th><th>CIR</th><th>GAUGE</th><th>COLOR</th><th>TERM</th><th>SEAL</th></tr> </thead> <tbody> <tr><td>A</td><td>N14AY</td><td>10</td><td>RD</td><td>1661708C1</td><td></td></tr> <tr><td>B</td><td>N14BA</td><td>10</td><td>RD</td><td>1661708C1</td><td></td></tr> </tbody> </table>				CAV	CIR	GAUGE	COLOR	TERM	SEAL	A	N14AY	10	RD	1661708C1		B	N14BA	10	RD	1661708C1		<table border="1" style="width:100%; border-collapse: collapse; font-size: x-small;"> <thead> <tr><th>CAV</th><th>CIR</th><th>GAUGE</th><th>COLOR</th><th>TERM</th><th>SEAL</th></tr> </thead> <tbody> <tr><td>A</td><td>N14AZ</td><td>10</td><td>RD</td><td>1661708C1</td><td></td></tr> <tr><td>B</td><td>N14BB</td><td>10</td><td>RD</td><td>1661708C1</td><td></td></tr> </tbody> </table>				CAV	CIR	GAUGE	COLOR	TERM	SEAL	A	N14AZ	10	RD	1661708C1		B	N14BB	10	RD	1661708C1							
CAV	CIR	GAUGE	COLOR	TERM	SEAL																																												
A	N14AY	10	RD	1661708C1																																													
B	N14BA	10	RD	1661708C1																																													
CAV	CIR	GAUGE	COLOR	TERM	SEAL																																												
A	N14AZ	10	RD	1661708C1																																													
B	N14BB	10	RD	1661708C1																																													
CHK	DATE	CHANGE	REV	REFERENCE	DRAWN	NAME	CIRCUIT DIAGRAM, 42/43/44/85/8600 & 73/74/7500																																										
CNA1	31MAR09	ADDED MXT EFFECTS	E	61817B	U00EDL2	P52778H	28-JUN00																																										
						PART NO.	SHEET																																										
						AE08052376	053																																										

Figure 259 Connector Composites (9001), (9002), (9100), (9101), (9102), (9103), (9104), (9254), (9255)

12.67. CONNECTOR COMPOSITES (9260), (9261), (9262), (9263), P. 54

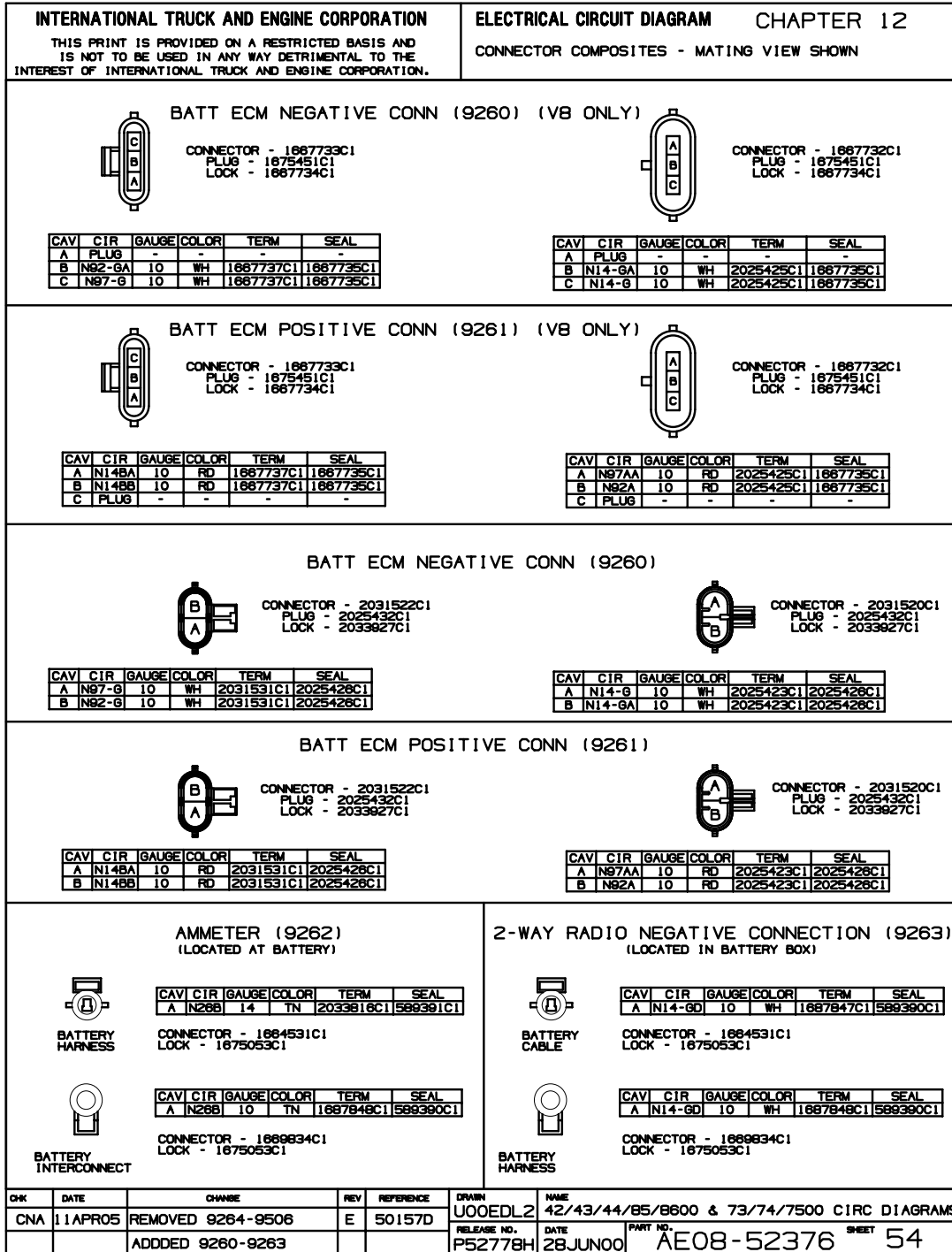


Figure 260 Connector Composites (9260), (9261), (9262), (9263)

12.68. CONNECTOR COMPOSITES , (9264), (9265), (9303A), (9405), (9501), (9502), (9503), (9504), (9505), (9506), (9506/9911), P. 55

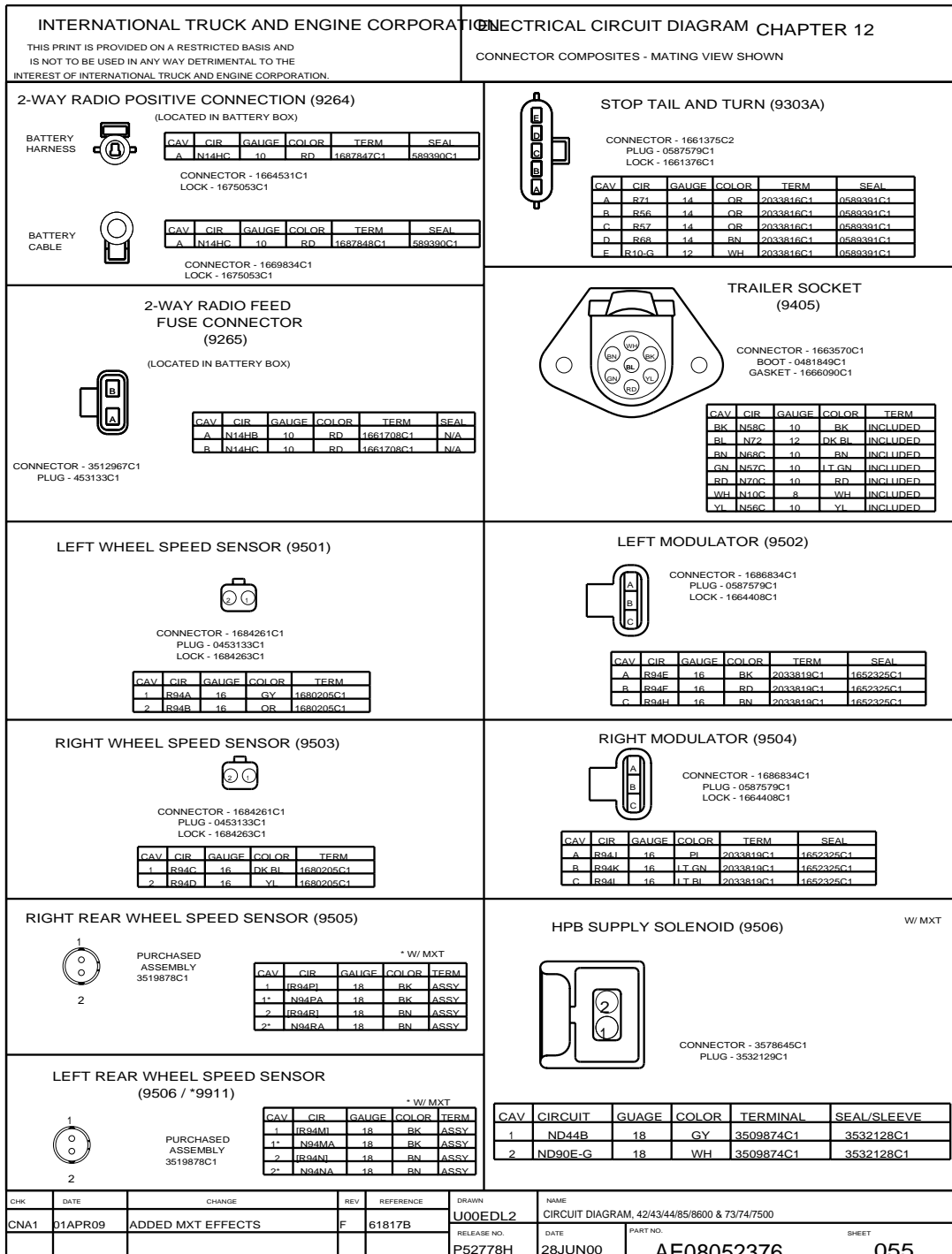


Figure 261 Connector Composites , (9264), (9265), (9303A), (9405), (9501), (9502), (9503), (9504), (9505), (9506), (9506/9911)

12.69. CONNECTOR COMPOSITES (9507), (9508), (9509), (9510), (9511), (9512), (9513), (9514), (9515), P. 56

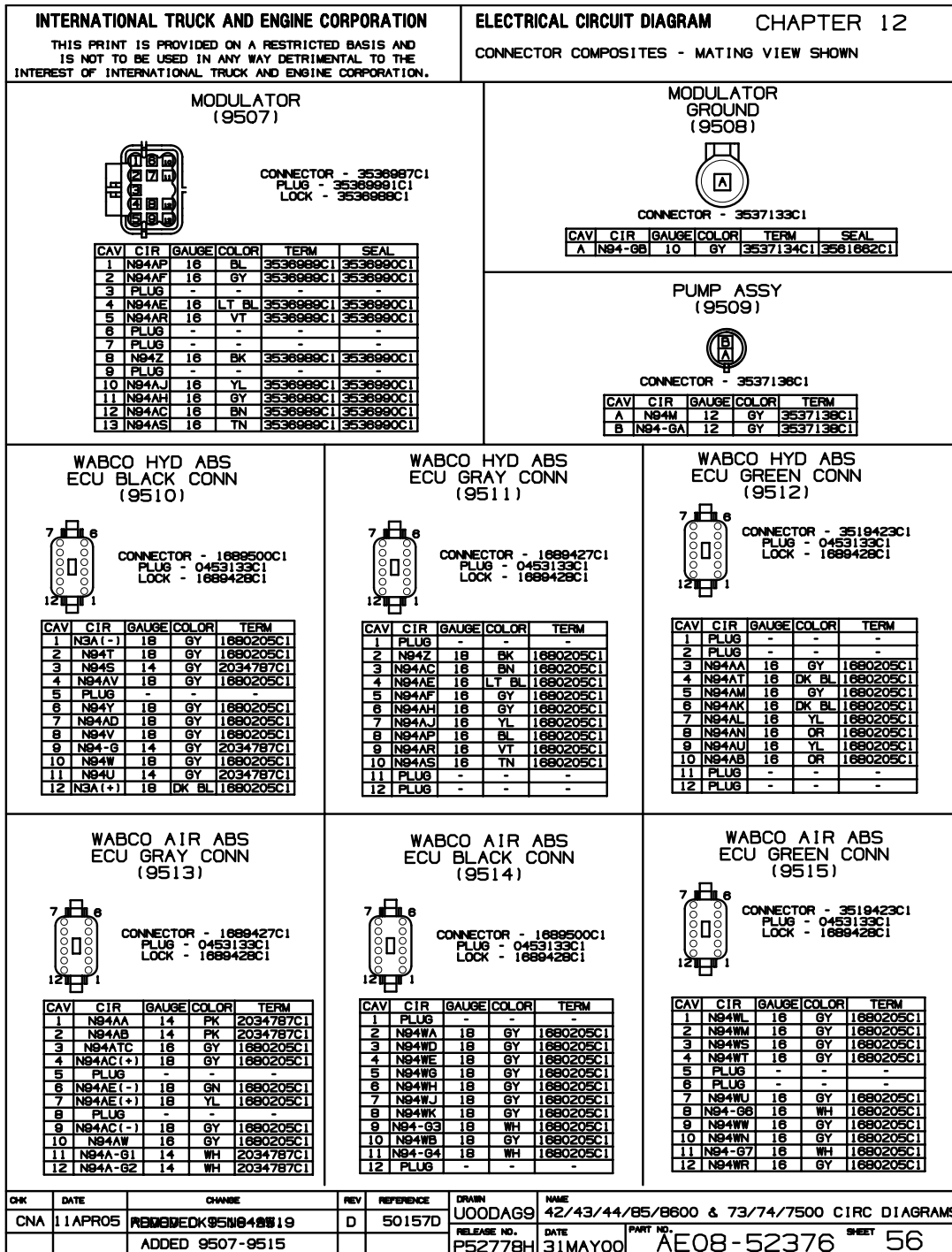


Figure 262 Connector Composites (9507), (9508), (9509), (9510), (9511), (9512), (9513), (9514), (9515)

12.70. CONNECTOR COMPOSITES (9516), (9517), (9518), (9519), (9520E), (9520F), (9521), (9528), P. 57

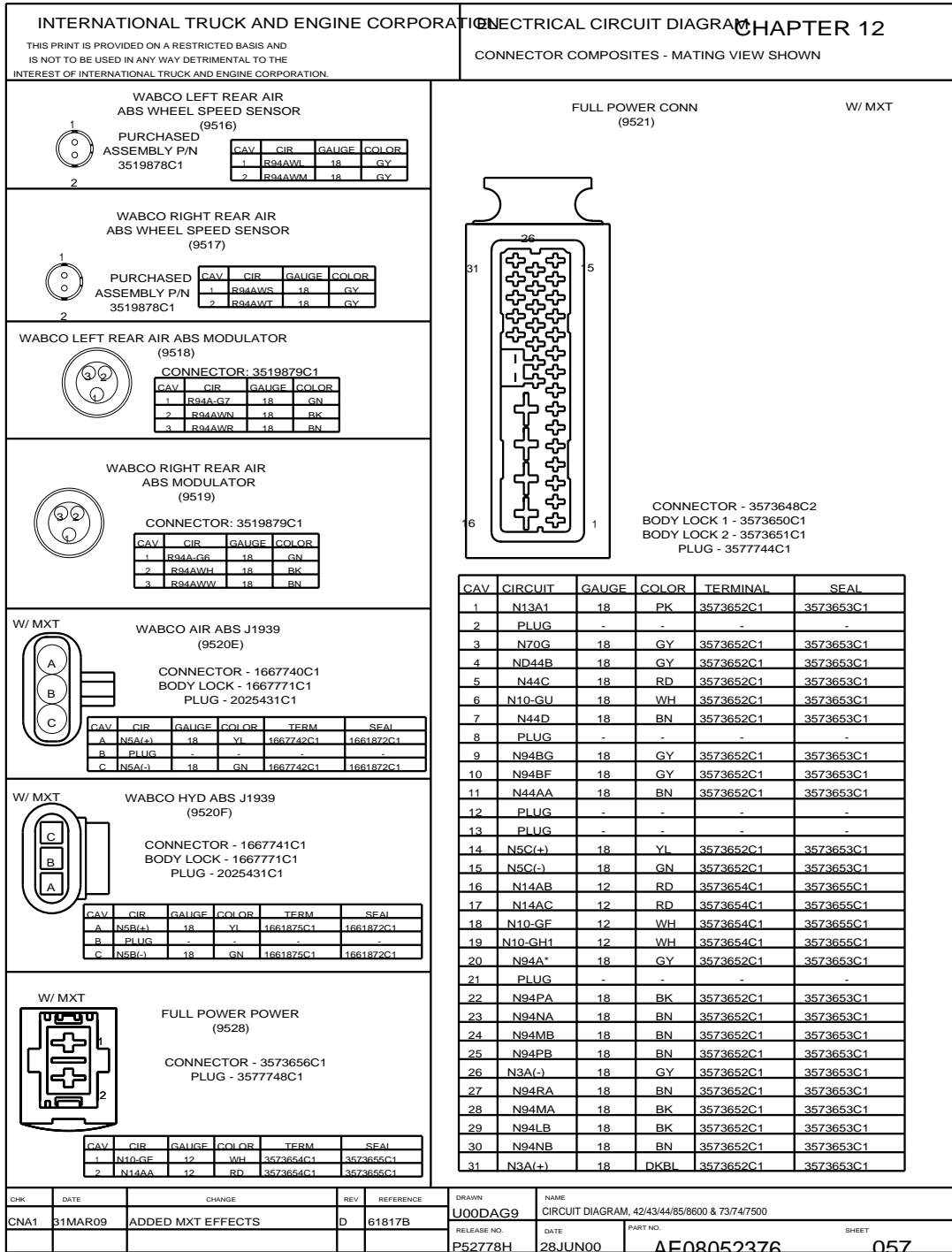


Figure 263 Connector Composites (9516), (9517), (9518), (9519), (9520E), (9520F), (9521), (9528)

12.71. CONNECTOR COMPOSITE (9700), P. 58

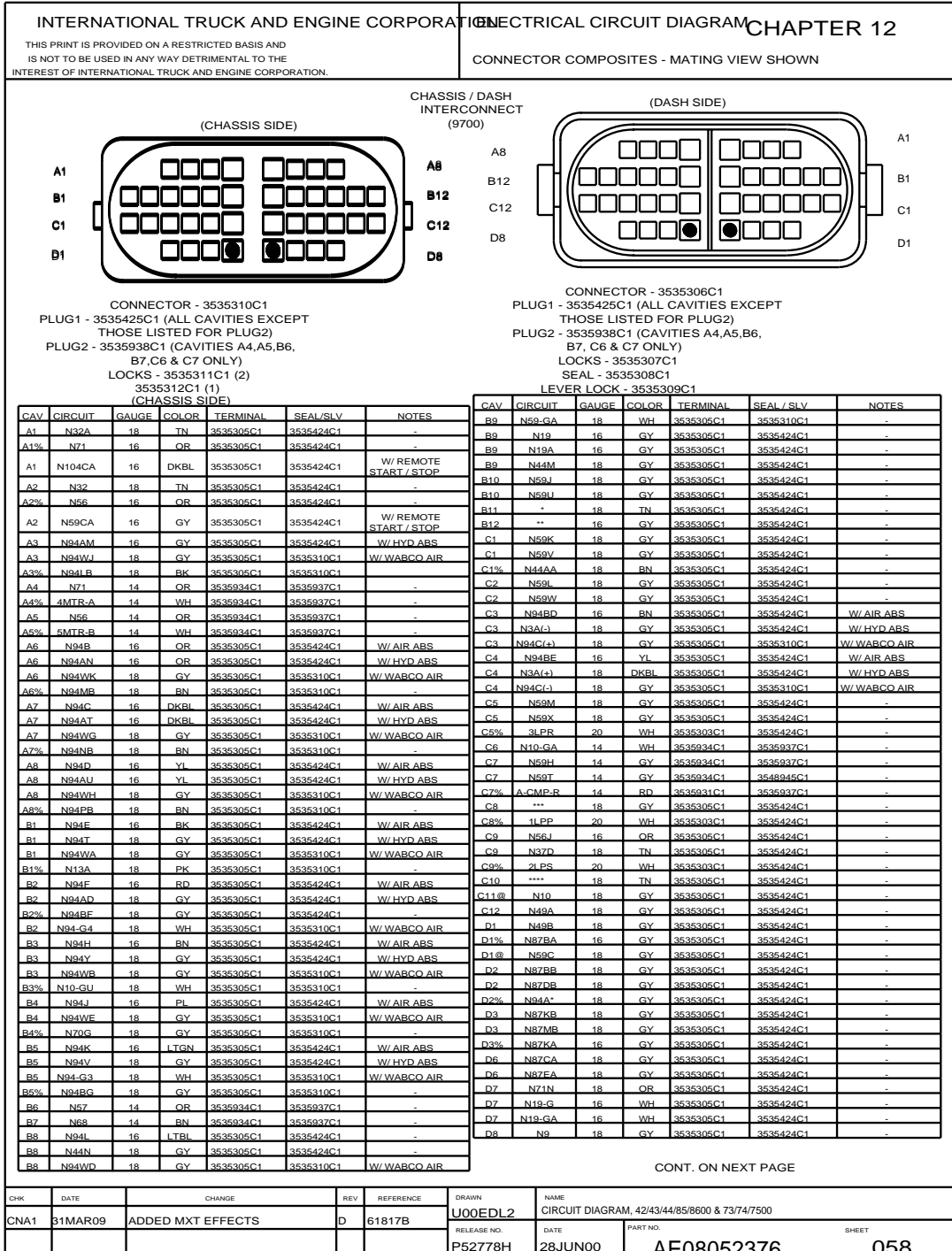


Figure 264 Connector Composite (9700)

12.72. CONNECTOR COMPOSITE (9700), P. 59

INTERNATIONAL TRUCK AND ENGINE CORPORATION				ELECTRICAL CIRCUIT DIAGRAM				CHAPTER 12					
THIS PRINT IS PROVIDED ON A RESTRICTED BASIS AND IS NOT TO BE USED IN ANY WAY DETRIMENTAL TO THE INTEREST OF INTERNATIONAL TRUCK AND ENGINE CORPORATION.				CONNECTOR COMPOSITES - MATING VIEW SHOWN									
CHASSIS / DASH INTERCONNECT (9700) CONT. FROM PREVIOUS PAGE (DASH SIDE)													
CAV	CIRCUIT	GAUGE	COLOR	TERMINAL	SEAL / SLV	NOTES	CAV	CIRCUIT	GAUGE	COLOR	TERMINAL	SEAL / SLV	NOTES
A1	J32	18	TN	3535303C1	3535424C1	-	C1	J59B	18	GY	3535303C1	3535424C1	-
A1%	J71A	18	OR	3535303C1	3535424C1	-	C2	J59C	18	GY	3535303C1	3535424C1	-
A1	J104C	18	DKBL	3535303C1	3535424C1	W/ REMOTE START / STOP	C3	J94ATC	18	GY	3535303C1	3535424C1	W/ AIR ABS
A2	J32A	18	TN	3535303C1	3535424C1	-	C3	J3C(-)	18	GY	3535303C1	3535424C1	W/ HYD ABS
A2%	J56B	16	OR	3535303C1	3535424C1	-	C3%	J3C(-)	20	GY	3535303C1	3535424C1	-
A2	J59	16	GY	3535930C1	3535936C1	W/ REMOTE START / STOP	C4	J94ATR	18	GY	3535303C1	3535424C1	W/ AIR ABS
A3	J94AB	18	GY	3535303C1	3535424C1	W/ AIR ABS	C4	J3C(+)	18	DKBL	3535303C1	3535424C1	W/ HYD ABS
A3	J94HM	18	GY	3535303C1	3535424C1	W/ HYD ABS	C4%	J3C(+)	20	DKBL	3535303C1	3535424C1	-
A3%	J94L	18	BK	3535303C1	3535424C1	-	C5	J59D	18	GY	3535303C1	3535424C1	-
A4	J71A	18	OR	3535930C1	3535936C1	-	C5%	JLPR	20	WH	3535303C1	3535424C1	-
A4%	JMTR-A	14	WH	3535931C1	3535937C1	-	C6	J11-GA	14	WH	3535931C1	3535937C1	-
A5	J56B	16	OR	3535930C1	3535936C1	-	C7	J59E	14	GY	3535931C1	3535937C1	-
A5%	JMTR-B	14	WH	3535931C1	3535937C1	-	C7%	JCMPR	14	WH	3535931C1	3535937C1	-
A6	J94AA	18	OR	3535303C1	3535424C1	W/ AIR ABS	C8	J39B	16	GY	3535303C1	3535424C1	-
A6	J94HN	18	OR	3535303C1	3535424C1	W/ HYD ABS	C8%	JLPP	20	WH	3535303C1	3535424C1	-
A6%	J94M	18	BN	3535303C1	3535424C1	-	C9	J37	16	TN	3535303C1	3535424C1	-
A7	J94AL	18	DKBL	3535303C1	3535424C1	W/ AIR ABS	C9%	JLPS	20	WH	3535303C1	3535424C1	-
A7	J94HT	18	DKBL	3535303C1	3535424C1	W/ HYD ABS	C10	J36B	18	TN	3535303C1	3535424C1	-
A7%	J94N	18	BN	3535303C1	3535424C1	-	C11@	J10	18	GY	3535303C1	3535424C1	-
A8	J94AK	18	YL	3535303C1	3535424C1	W/ AIR ABS	C12	J49A	18	GY	3535303C1	3535424C1	-
A8	J94HU	18	YL	3535303C1	3535424C1	W/ HYD ABS	D1	J49B	18	GY	3535303C1	3535424C1	-
A8%	J94P	18	BN	3535303C1	3535424C1	-	D1%	J87BA	18	GY	3535303C1	3535424C1	-
B1	J94AC	18	BK	3535303C1	3535424C1	W/ AIR ABS	D1@	J59C	18	GY	3535303C1	3535424C1	-
B1	J94HD	18	GY	3535303C1	3535424C1	W/ HYD ABS	D2	J87B	18	GY	3535303C1	3535424C1	-
B1%	J13A	18	PK	3535303C1	3535424C1	-	D3	J87K	16	GY	3535303C1	3535424C1	-
B2	J94AD	18	RD	3535303C1	3535424C1	W/ AIR ABS	D6	J87CA	18	GY	3535303C1	3535424C1	-
B2	J94HV	18	GY	3535303C1	3535424C1	W/ HYD ABS	D7	J71N	18	OR	3535303C1	3535424C1	-
B2%	J94BF	18	GY	3535303C1	3535424C1	-	D8	J9G	18	GY	3535303C1	3535424C1	-
B3	J94AE	18	BN	3535303C1	3535424C1	W/ AIR ABS							
B3	J94HX	18	GY	3535303C1	3535424C1	W/ HYD ABS							
B3%	J10-GU	18	WH	3535303C1	3535424C1	-							
B4	J94AF	18	PL	3535303C1	3535424C1	W/ AIR ABS							
B4%	J70G	18	GY	3535303C1	3535424C1	-							
B5	J94AH	18	LTGN	3535303C1	3535424C1	W/ AIR ABS							
B5	J94HP	18	GY	3535303C1	3535424C1	W/ HYD ABS							
B5%	J94BG	18	GY	3535303C1	3535424C1	-							
B6	J57B	16	OR	3535930C1	3535936C1	-							
B7	J56B	14	BN	3535931C1	3535937C1	-							
B8	J94J	18	GY	3535303C1	3535424C1	-							
B8	J4N	16	GY	3535303C1	3535424C1	-							
B9	N59-GA	18	WH	3535303C1	3535424C1	-							
B9	J44M	18	GY	3535303C1	3535424C1	-							
B10	J59A	18	GY	3535303C1	3535424C1	-							
B11	J36A	18	TN	3535303C1	3535424C1	-							
B11%	A36A	18	TN	3535303C1	3535424C1	-							
B12	J39A	16	GY	3535303C1	3535424C1	-							

* - FOR LEFT SIDE MTD FUEL TANKS, CIR NUM IS N36;
 FOR RIGHT SIDE MTD FUEL TANKS AND FOR MXT
 CIR NUM IS N36A;
 FOR DUAL FUEL TANKS, CIR NUM IS N36B
 FOR AF MTD FUEL TANKS,
 CIR NUM IS N36C;
 ** - FOR LEFT SIDE MTD AIR DRYERS, CIR NUM IS N39B;
 FOR RIGHT SIDE MTD AIR DRYERS, CIR NUM IS N39C;
 *** - FOR LEFT SIDE MTD DRAIN VALVES, CIR NUM IS N39;
 FOR RIGHT SIDE MTD DRAIN VALVES, CIR NUM IS N39A;
 **** - FOR SINGLE TANK, CIR NUM IS N36;
 FOR DUAL TANKS, CIR NUM IS N36H;
 @ - W/ 5TH WHEEL OPTION
 & - W/ COMMUNICATION SYSTEM, AWARE
 % - W/ MXT VEHICLE

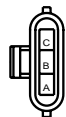
CHK	DATE	CHANGE	REV	REFERENCE	DRAWN	NAME		
CNA1	31MAR09	ADDED MXT EFFECTS	D	61817B	UOODLCK	CIRCUIT DIAGRAM, 42/43/44/85/8600 & 73/74/7500		
					RELEASE NO.	DATE	PART NO.	SHEET
					P54634F	14JUN01	AE08052376	059

Figure 265 Connector Composite (9700)

12.73. CONNECTOR COMPOSITES (9715/9780), (9715A), (9715B), P. 60

INTERNATIONAL TRUCK AND ENGINE CORPORATION		ELECTRICAL CIRCUIT DIAGRAM CHAPTER 12	
THIS PRINT IS PROVIDED ON A RESTRICTED BASIS AND IS NOT TO BE USED IN ANY WAY DETRIMENTAL TO THE INTEREST OF INTERNATIONAL TRUCK AND ENGINE CORPORATION.		CONNECTOR COMPOSITES - MATING VIEW SHOWN	

TRAILER SOCKET #1 (9715 / * 9780)



CONNECTOR - 1667733C1
 PLUG - 1675451C1
 LOCK - 1667734C1

W / EOF OR BOC TRAILER SOCKET & EOF BODY BUILDER CONNECTOR

CAV	CIR	GAUGE	COLOR	TERM	SEAL
A	N70D	10	RD	1667737C1	1667735C1
B	N68D	10	BN	1667737C1	1667735C1
C	N84D	10	GY	1667737C1	1667735C1

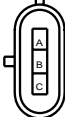
W / BOC TRAILER SOCKET

CAV	CIR	GAUGE	COLOR	TERM	SEAL
A	N70	10	RD	1667737C1	1667735C1
B	N68	10	BN	1667737C1	1667735C1
C	N84	10	DK BL	1667737C1	1667735C1

W / BOC AND AUX BOC TRAILER SOCKET

CAV	CIR	GAUGE	COLOR	TERM	SEAL
A	N70A	10	RD	1667737C1	1667735C1
A*	N70A	10	OR	1667737C1	1667735C1
B	N68A	10	BN	1667737C1	1667735C1
C	N94A	10	DK BL	1667737C1	1667735C1
C*	N94A	10	GY	1667737C1	1667735C1

* W / MXT



CONNECTOR - 1667732C1
 PLUG - 1675451C1
 LOCK - 1667734C1

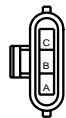
NOT W / BOC BODY BUILDER CONNECTORS

CAV	CIR	GAUGE	COLOR	TERM	SEAL
A	J70A	10	OR	2025425C1	1667735C1
B	J68F	12	BN	2025424C1	1671603C1
C	J94BC	10	GY	2025425C1	1667735C1

W / BOC BODY BUILDER CONNECTORS

CAV	CIR	GAUGE	COLOR	TERM	SEAL
A	J70A	10	OR	2025425C1	1667735C1
B	J68F	16	BN	1667736C1	1664232C1
C	J94BC	10	GY	2025425C1	1667735C1

TRAILER SOCKET #1 (9715A)



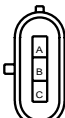
CONNECTOR - 1667733C1
 PLUG - 1675451C1
 LOCK - 1667734C1

W / EOF TRAILER SOCKET OR EOF BODY BUILDER CONNECTOR

CAV	CIR	GAUGE	COLOR	TERM	SEAL
A	N70D	10	RD	1667737C1	1667735C1
B	N68D	10	BN	1667737C1	1667735C1
C	N84D	10	GY	1667737C1	1667735C1

W / BOC TRAILER SOCKET AND EOF BODY BUILDER CONNECTOR

CAV	CIR	GAUGE	COLOR	TERM	SEAL
A	N70F	10	RD	1667737C1	1667735C1
B	N68F	10	BN	1667737C1	1667735C1
C	N94F	10	GY	1667737C1	1667735C1



CONNECTOR - 1667732C1
 PLUG - 1675451C1
 LOCK - 1667734C1

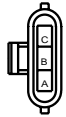
W / EOF TRAILER SOCKET

CAV	CIR	GAUGE	COLOR	TERM	SEAL
A	J70A	10	RD	2025425C1	1667735C1
B	J68A	10	BN	2025425C1	1667735C1
C	J94A	10	DK BL	2025425C1	1667735C1

W / EOF BODY BUILDER CONNECTOR

CAV	CIR	GAUGE	COLOR	TERM	SEAL
A	J70	10	RD	2025425C1	1667735C1
B	J68	10	BN	2025425C1	1667735C1
C	J94	10	GY	2025425C1	1667735C1

TRAILER SOCKET #1 (9715B)



CONNECTOR - 1667733C1
 PLUG - 1675451C1
 LOCK - 1667734C1

CAV	CIR	GAUGE	COLOR	TERM	SEAL
A	B70	10	RD	1667737C1	1667735C1
B	B68	10	BN	1667737C1	1667735C1
C	B94	10	GY	1667737C1	1667735C1

BOC - BACK OF CAB
 EOF - END OF FRAME

CHK	DATE	CHANGE	REV	REFERENCE	DRAWN	NAME
CNA1	31MAR09	ADDED MXT EFFECTS	B	61817B	U00EDL2	CIRCUIT DIAGRAM, 42/43/44/85/8600 & 73/74/7500
					RELEASE NO.	DATE
					P52778H	31MAY00
						PART NO.
						AE08052376
						SHEET
						060

Figure 266 Connector Composites (9715/9780), (9715A), (9715B)

12.74. CONNECTOR COMPOSITES (9716/9779), (9716A), (9716B), P. 61

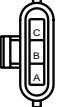

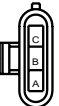
INTERNATIONAL TRUCK AND ENGINE CORPORATION				ELECTRICAL CIRCUIT DIAGRAM CHAPTER 12																																												
THIS PRINT IS PROVIDED ON A RESTRICTED BASIS AND IS NOT TO BE USED IN ANY WAY DETRIMENTAL TO THE INTEREST OF INTERNATIONAL TRUCK AND ENGINE CORPORATION.				CONNECTOR COMPOSITES - MATING VIEW SHOWN																																												
<p>TRAILER SOCKET #2 (9716 / * 9779)</p>  <p>CONNECTOR - 1667733C1 PLUG - 1675451C1 LOCK - 1667734C1</p>																																																
<p>W / EOF OR BOC TRAILER SOCKET EOF BODY BUILDER CONNECTOR</p> <table border="1" style="width:100%; border-collapse: collapse; font-size: x-small;"> <thead> <tr><th>CAV</th><th>CIR</th><th>GAUGE</th><th>COLOR</th><th>TERM</th><th>SEAL</th></tr> </thead> <tbody> <tr><td>A</td><td>N58D</td><td>10</td><td>BN</td><td>2025425C1</td><td>1667735C1</td></tr> <tr><td>B</td><td>N56D</td><td>10</td><td>YL</td><td>2025424C1</td><td>1667735C1</td></tr> <tr><td>C</td><td>N57D</td><td>10</td><td>LT GN</td><td>2025425C1</td><td>1667735C1</td></tr> </tbody> </table>							CAV	CIR	GAUGE	COLOR	TERM	SEAL	A	N58D	10	BN	2025425C1	1667735C1	B	N56D	10	YL	2025424C1	1667735C1	C	N57D	10	LT GN	2025425C1	1667735C1																		
CAV	CIR	GAUGE	COLOR	TERM	SEAL																																											
A	N58D	10	BN	2025425C1	1667735C1																																											
B	N56D	10	YL	2025424C1	1667735C1																																											
C	N57D	10	LT GN	2025425C1	1667735C1																																											
<p>NOT W / BOC BODY BUILDER CONNECTORS</p> <table border="1" style="width:100%; border-collapse: collapse; font-size: x-small;"> <thead> <tr><th>CAV</th><th>CIR</th><th>GAUGE</th><th>COLOR</th><th>TERM</th><th>SEAL</th></tr> </thead> <tbody> <tr><td>A</td><td>J58F</td><td>12</td><td>BN</td><td>1667737C1</td><td>1671603C1</td></tr> <tr><td>B</td><td>J56C</td><td>12</td><td>OR</td><td>1667737C1</td><td>1671603C1</td></tr> <tr><td>C</td><td>J57C</td><td>12</td><td>OR</td><td>1667737C1</td><td>1671603C1</td></tr> </tbody> </table>							CAV	CIR	GAUGE	COLOR	TERM	SEAL	A	J58F	12	BN	1667737C1	1671603C1	B	J56C	12	OR	1667737C1	1671603C1	C	J57C	12	OR	1667737C1	1671603C1																		
CAV	CIR	GAUGE	COLOR	TERM	SEAL																																											
A	J58F	12	BN	1667737C1	1671603C1																																											
B	J56C	12	OR	1667737C1	1671603C1																																											
C	J57C	12	OR	1667737C1	1671603C1																																											
<p>W / BOC BODY BUILDER CONNECTORS</p> <table border="1" style="width:100%; border-collapse: collapse; font-size: x-small;"> <thead> <tr><th>CAV</th><th>CIR</th><th>GAUGE</th><th>COLOR</th><th>TERM</th><th>SEAL</th></tr> </thead> <tbody> <tr><td>A</td><td>J58F</td><td>16</td><td>BN</td><td>1667738C1</td><td>1664232C1</td></tr> <tr><td>B</td><td>J56C</td><td>12</td><td>OR</td><td>1667737C1</td><td>1671603C1</td></tr> <tr><td>C</td><td>J57C</td><td>12</td><td>OR</td><td>1667737C1</td><td>1671603C1</td></tr> </tbody> </table>							CAV	CIR	GAUGE	COLOR	TERM	SEAL	A	J58F	16	BN	1667738C1	1664232C1	B	J56C	12	OR	1667737C1	1671603C1	C	J57C	12	OR	1667737C1	1671603C1																		
CAV	CIR	GAUGE	COLOR	TERM	SEAL																																											
A	J58F	16	BN	1667738C1	1664232C1																																											
B	J56C	12	OR	1667737C1	1671603C1																																											
C	J57C	12	OR	1667737C1	1671603C1																																											
<p>W / BOC TRAILER SOCKET</p> <table border="1" style="width:100%; border-collapse: collapse; font-size: x-small;"> <thead> <tr><th>CAV</th><th>CIR</th><th>GAUGE</th><th>COLOR</th><th>TERM</th><th>SEAL</th></tr> </thead> <tbody> <tr><td>A</td><td>N58</td><td>10</td><td>BK</td><td>2025425C1</td><td>1667735C1</td></tr> <tr><td>B</td><td>N56</td><td>10</td><td>YL</td><td>2025425C1</td><td>1667735C1</td></tr> <tr><td>C</td><td>N57</td><td>10</td><td>LT GN</td><td>2025425C1</td><td>1667735C1</td></tr> </tbody> </table>							CAV	CIR	GAUGE	COLOR	TERM	SEAL	A	N58	10	BK	2025425C1	1667735C1	B	N56	10	YL	2025425C1	1667735C1	C	N57	10	LT GN	2025425C1	1667735C1																		
CAV	CIR	GAUGE	COLOR	TERM	SEAL																																											
A	N58	10	BK	2025425C1	1667735C1																																											
B	N56	10	YL	2025425C1	1667735C1																																											
C	N57	10	LT GN	2025425C1	1667735C1																																											
<p>W / BOC AND AUX BOC TRAILER SOCKET</p> <table border="1" style="width:100%; border-collapse: collapse; font-size: x-small;"> <thead> <tr><th>CAV</th><th>CIR</th><th>GAUGE</th><th>COLOR</th><th>TERM</th><th>SEAL</th></tr> </thead> <tbody> <tr><td>A</td><td>N58A</td><td>10</td><td>BK</td><td>2025425C1</td><td>1667735C1</td></tr> <tr><td>A*</td><td>N58A</td><td>10</td><td>BN</td><td>2025425C1</td><td>1667735C1</td></tr> <tr><td>B</td><td>N56A</td><td>10</td><td>YL</td><td>2025425C1</td><td>1667735C1</td></tr> <tr><td>B*</td><td>N56A</td><td>10</td><td>OR</td><td>2025425C1</td><td>1667735C1</td></tr> <tr><td>C</td><td>N57A</td><td>10</td><td>LT GN</td><td>2025425C1</td><td>1667735C1</td></tr> <tr><td>C*</td><td>N57A</td><td>10</td><td>OR</td><td>2025425C1</td><td>1667735C1</td></tr> </tbody> </table> <p style="font-size: x-small;">* W/ MXT</p>							CAV	CIR	GAUGE	COLOR	TERM	SEAL	A	N58A	10	BK	2025425C1	1667735C1	A*	N58A	10	BN	2025425C1	1667735C1	B	N56A	10	YL	2025425C1	1667735C1	B*	N56A	10	OR	2025425C1	1667735C1	C	N57A	10	LT GN	2025425C1	1667735C1	C*	N57A	10	OR	2025425C1	1667735C1
CAV	CIR	GAUGE	COLOR	TERM	SEAL																																											
A	N58A	10	BK	2025425C1	1667735C1																																											
A*	N58A	10	BN	2025425C1	1667735C1																																											
B	N56A	10	YL	2025425C1	1667735C1																																											
B*	N56A	10	OR	2025425C1	1667735C1																																											
C	N57A	10	LT GN	2025425C1	1667735C1																																											
C*	N57A	10	OR	2025425C1	1667735C1																																											
<p>TRAILER SOCKET #2 (9716A)</p>  <p>CONNECTOR - 1667733C1 PLUG - 1675451C1 LOCK - 1667734C1</p>																																																
<p>W / EOF TRAILER SOCKET</p> <table border="1" style="width:100%; border-collapse: collapse; font-size: x-small;"> <thead> <tr><th>CAV</th><th>CIR</th><th>GAUGE</th><th>COLOR</th><th>TERM</th><th>SEAL</th></tr> </thead> <tbody> <tr><td>A</td><td>R58A</td><td>10</td><td>BK</td><td>1667737C1</td><td>1667735C1</td></tr> <tr><td>B</td><td>R56A</td><td>10</td><td>YL</td><td>1667737C1</td><td>1667735C1</td></tr> <tr><td>C</td><td>R57A</td><td>10</td><td>LT GN</td><td>1667737C1</td><td>1667735C1</td></tr> </tbody> </table>							CAV	CIR	GAUGE	COLOR	TERM	SEAL	A	R58A	10	BK	1667737C1	1667735C1	B	R56A	10	YL	1667737C1	1667735C1	C	R57A	10	LT GN	1667737C1	1667735C1																		
CAV	CIR	GAUGE	COLOR	TERM	SEAL																																											
A	R58A	10	BK	1667737C1	1667735C1																																											
B	R56A	10	YL	1667737C1	1667735C1																																											
C	R57A	10	LT GN	1667737C1	1667735C1																																											
<p>W / BOC TRAILER SOCKET AND EOF BODY BUILDER CONNECTOR</p> <table border="1" style="width:100%; border-collapse: collapse; font-size: x-small;"> <thead> <tr><th>CAV</th><th>CIR</th><th>GAUGE</th><th>COLOR</th><th>TERM</th><th>SEAL</th></tr> </thead> <tbody> <tr><td>A</td><td>R58A</td><td>10</td><td>BK</td><td>1667737C1</td><td>1667735C1</td></tr> <tr><td>B</td><td>R56A</td><td>10</td><td>YL</td><td>1667737C1</td><td>1667735C1</td></tr> <tr><td>C</td><td>R57A</td><td>10</td><td>LT GN</td><td>1667737C1</td><td>1667735C1</td></tr> </tbody> </table>							CAV	CIR	GAUGE	COLOR	TERM	SEAL	A	R58A	10	BK	1667737C1	1667735C1	B	R56A	10	YL	1667737C1	1667735C1	C	R57A	10	LT GN	1667737C1	1667735C1																		
CAV	CIR	GAUGE	COLOR	TERM	SEAL																																											
A	R58A	10	BK	1667737C1	1667735C1																																											
B	R56A	10	YL	1667737C1	1667735C1																																											
C	R57A	10	LT GN	1667737C1	1667735C1																																											
<p>W / EOF TRAILER SOCKET</p> <table border="1" style="width:100%; border-collapse: collapse; font-size: x-small;"> <thead> <tr><th>CAV</th><th>CIR</th><th>GAUGE</th><th>COLOR</th><th>TERM</th><th>SEAL</th></tr> </thead> <tbody> <tr><td>A</td><td>N58D</td><td>10</td><td>BN</td><td>2025425C1</td><td>1667735C1</td></tr> <tr><td>B</td><td>N56D</td><td>10</td><td>YL</td><td>2025425C1</td><td>1667735C1</td></tr> <tr><td>C</td><td>N57D</td><td>10</td><td>LT GN</td><td>2025425C1</td><td>1667735C1</td></tr> </tbody> </table>							CAV	CIR	GAUGE	COLOR	TERM	SEAL	A	N58D	10	BN	2025425C1	1667735C1	B	N56D	10	YL	2025425C1	1667735C1	C	N57D	10	LT GN	2025425C1	1667735C1																		
CAV	CIR	GAUGE	COLOR	TERM	SEAL																																											
A	N58D	10	BN	2025425C1	1667735C1																																											
B	N56D	10	YL	2025425C1	1667735C1																																											
C	N57D	10	LT GN	2025425C1	1667735C1																																											
<p>W / BOC TRAILER SOCKET</p> <table border="1" style="width:100%; border-collapse: collapse; font-size: x-small;"> <thead> <tr><th>CAV</th><th>CIR</th><th>GAUGE</th><th>COLOR</th><th>TERM</th><th>SEAL</th></tr> </thead> <tbody> <tr><td>A</td><td>R70</td><td>10</td><td>RD</td><td>2025425C1</td><td>1667735C1</td></tr> <tr><td>B</td><td>R68</td><td>10</td><td>BN</td><td>2025425C1</td><td>1667735C1</td></tr> <tr><td>C</td><td>R94</td><td>10</td><td>GY</td><td>2025425C1</td><td>1667735C1</td></tr> </tbody> </table>							CAV	CIR	GAUGE	COLOR	TERM	SEAL	A	R70	10	RD	2025425C1	1667735C1	B	R68	10	BN	2025425C1	1667735C1	C	R94	10	GY	2025425C1	1667735C1																		
CAV	CIR	GAUGE	COLOR	TERM	SEAL																																											
A	R70	10	RD	2025425C1	1667735C1																																											
B	R68	10	BN	2025425C1	1667735C1																																											
C	R94	10	GY	2025425C1	1667735C1																																											
<p>TRAILER SOCKET #2 (9716B)</p>  <p>CONNECTOR - 1667733C1 PLUG - 1675451C1 LOCK - 1667734C1</p>																																																
<table border="1" style="width:100%; border-collapse: collapse; font-size: x-small;"> <thead> <tr><th>CAV</th><th>CIR</th><th>GAUGE</th><th>COLOR</th><th>TERM</th><th>SEAL</th></tr> </thead> <tbody> <tr><td>A</td><td>R58</td><td>10</td><td>BN</td><td>2025425C1</td><td>1667735C1</td></tr> <tr><td>B</td><td>R56</td><td>10</td><td>BN</td><td>2025425C1</td><td>1667735C1</td></tr> <tr><td>C</td><td>N57F</td><td>10</td><td>LT GN</td><td>2025425C1</td><td>1667735C1</td></tr> </tbody> </table> <p style="font-size: x-small; text-align: right;">BOC - BACK OF CAB EOF - END OF FRAME</p>							CAV	CIR	GAUGE	COLOR	TERM	SEAL	A	R58	10	BN	2025425C1	1667735C1	B	R56	10	BN	2025425C1	1667735C1	C	N57F	10	LT GN	2025425C1	1667735C1																		
CAV	CIR	GAUGE	COLOR	TERM	SEAL																																											
A	R58	10	BN	2025425C1	1667735C1																																											
B	R56	10	BN	2025425C1	1667735C1																																											
C	N57F	10	LT GN	2025425C1	1667735C1																																											
CHK	DATE	CHANGE	REV	REFERENCE	DRAWN	NAME																																										
CNA1	31MAR09	ADDED MXT EFFECTS	C	61817B	U00EDL2	CIRCUIT DIAGRAM, 42/43/44/85/8600 & 73/74/7500																																										
					RELEASE NO.	DATE																																										
					P52778H	31MAY00																																										
						PART NO.																																										
						AE08052376																																										
						SHEET																																										
						061																																										

Figure 267 Connector Composites (9716/9779), (9716A), (9716B)

12.75. CONNECTOR COMPOSITES (9717A), (9717B), P. 62

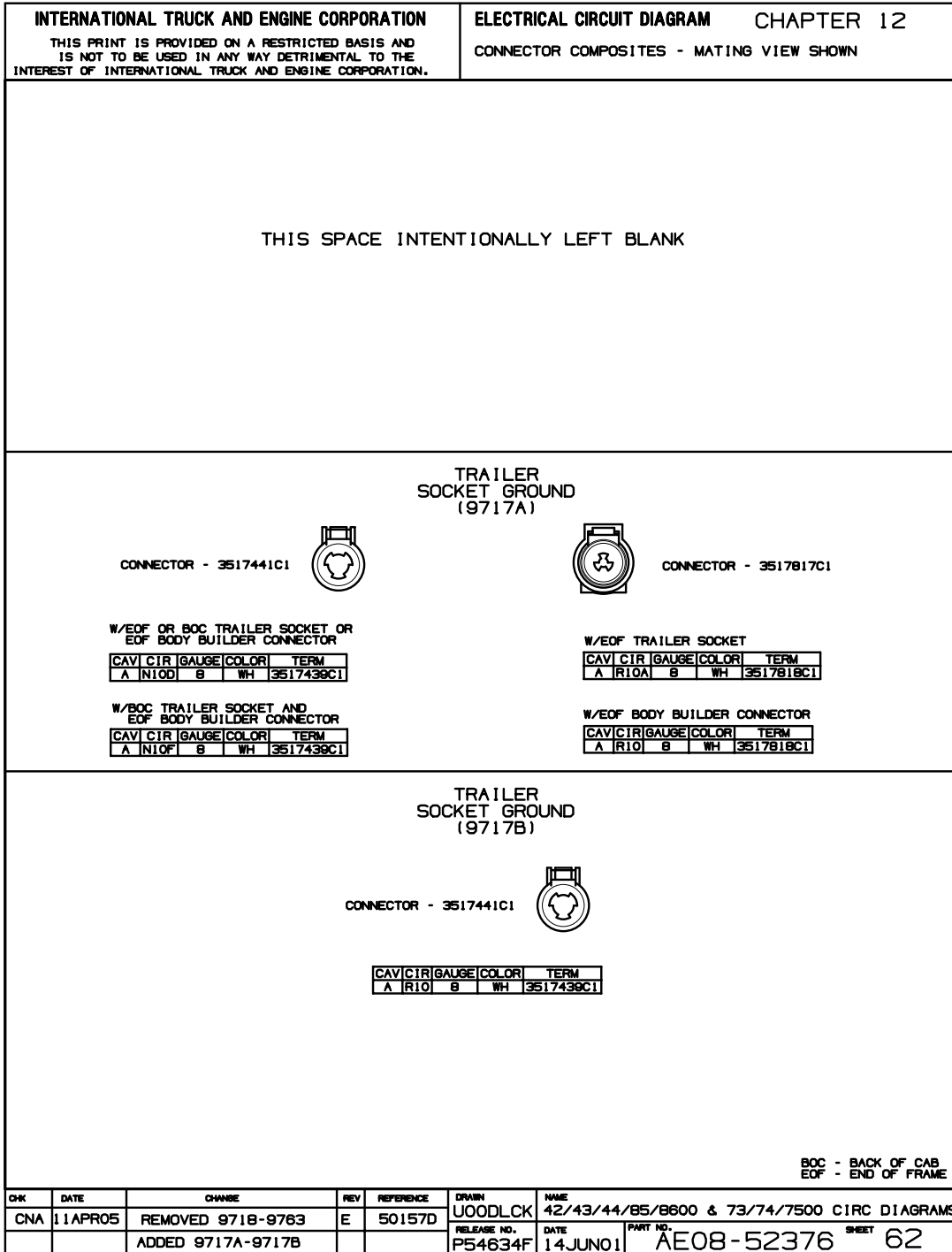


Figure 268 Connector Composites (9717A), (9717B)

12.76. CONNECTOR COMPOSITES (9718), (9719), (9720), (9722), (9733), (9734), (9736), (9739), (9740), (9741), P. 63

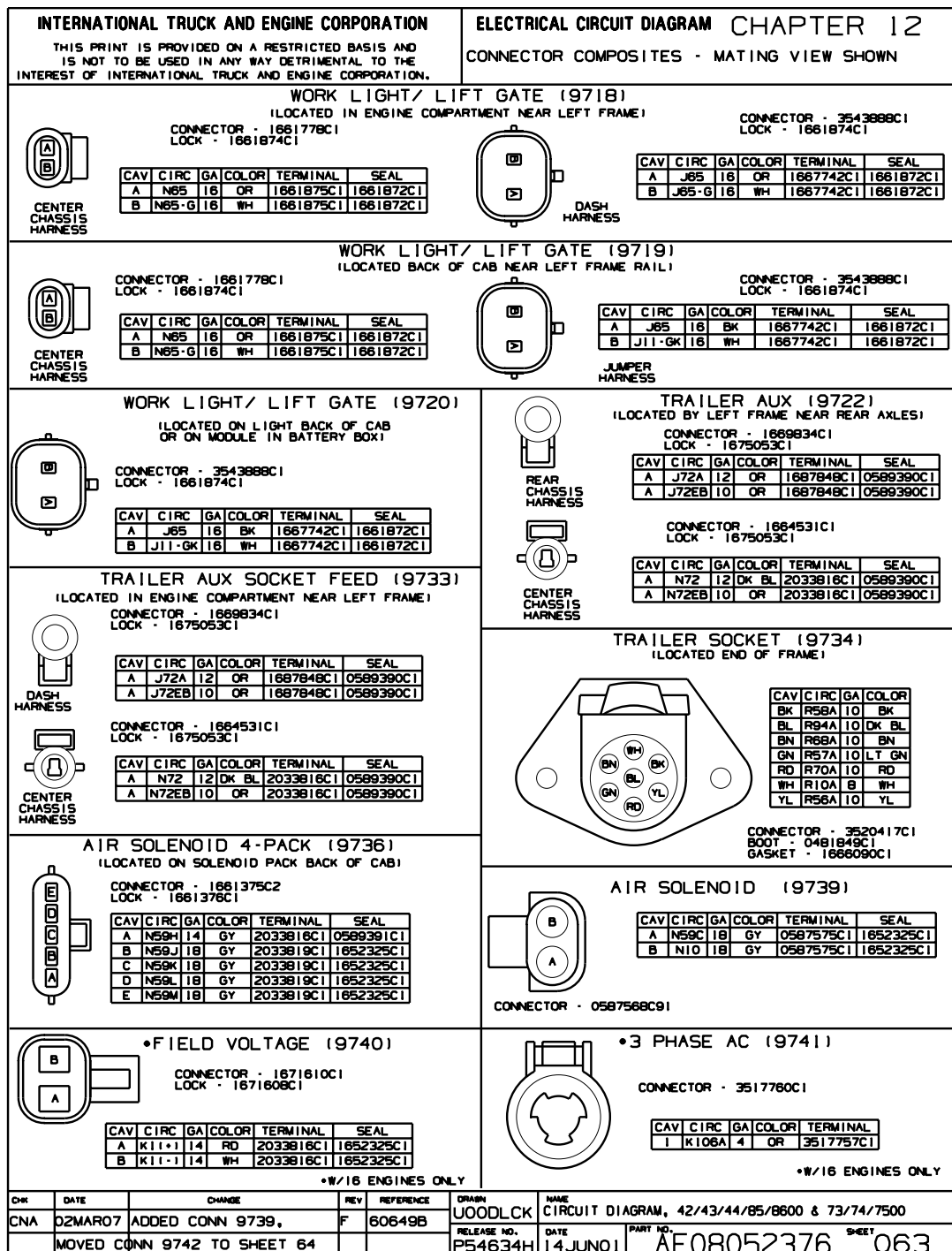


Figure 269 Connector Composites (9718), (9719), (9720), (9722), (9733), (9734), (9736), (9739), (9740), (9741)

12.77. CONNECTOR COMPOSITES (9742), (9743), (9745), (9754), (9762), (9763), (9765), (9766), (9767), P. 64

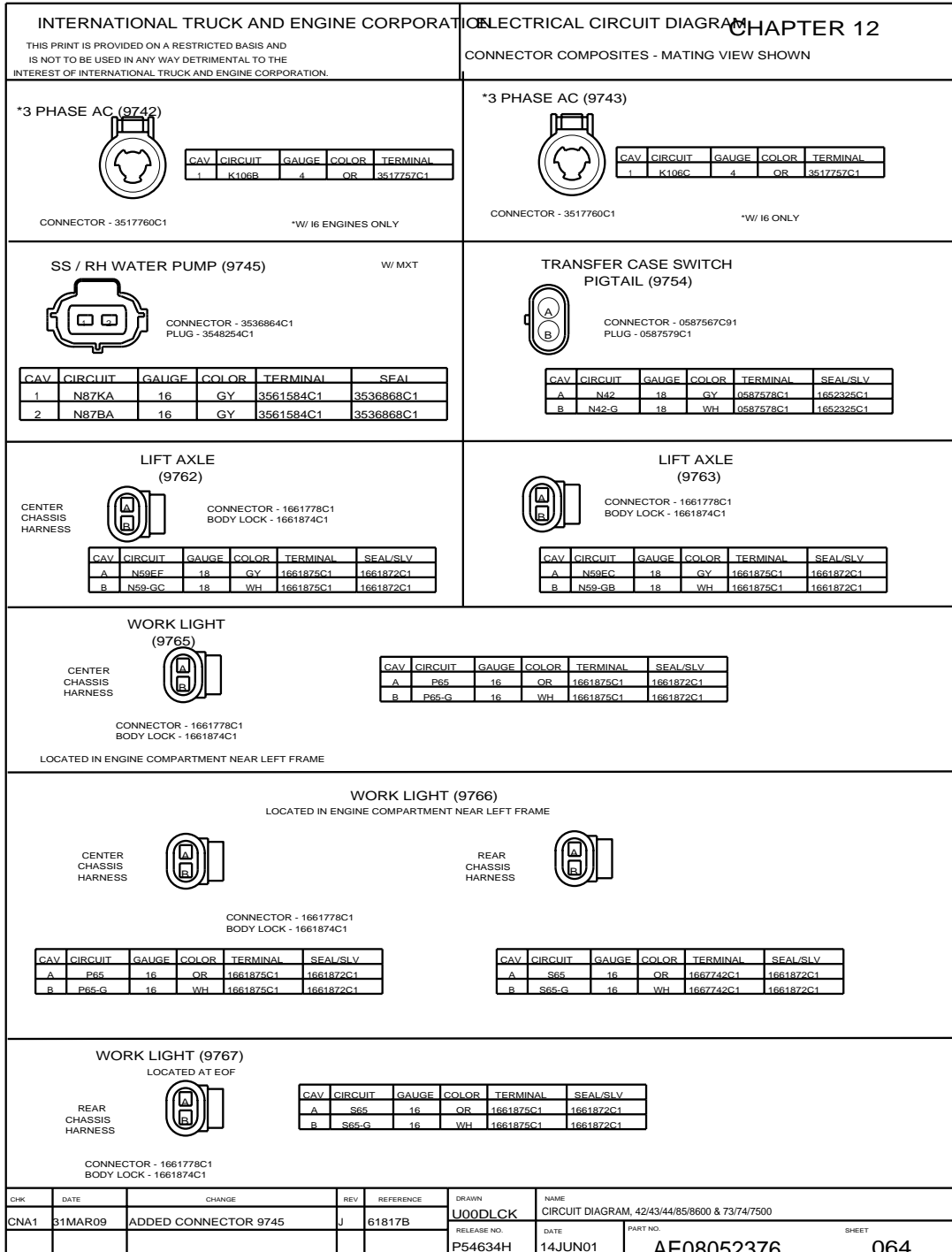


Figure 270 Connector Composites (9742), (9743), (9745), (9754), (9762), (9763), (9765), (9766), (9767)

12.78. CONNECTOR COMPOSITES (9777), (9778), P. 65

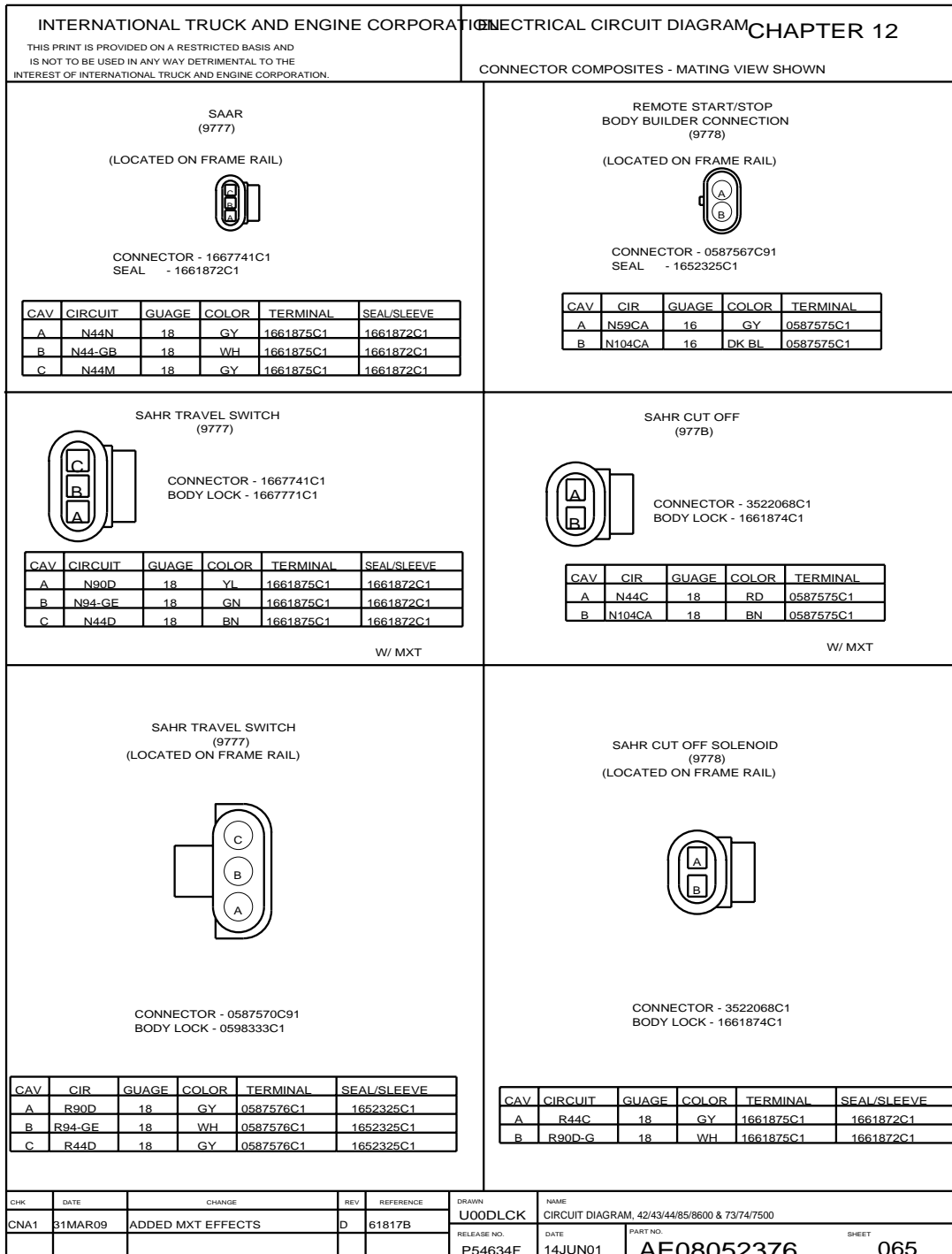


Figure 271 Connector Composites (9777), (9778)

12.79. CONNECTOR COMPOSITES (9870), (9871), (9811), (9812), (9814), (9815), (9830), (9850), (9860), (9865M), (9900), (9900A), (9913A), P. 66

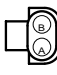
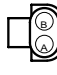



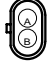

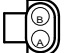
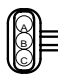





INTERNATIONAL TRUCK AND ENGINE CORPORATION		ELECTRICAL CIRCUIT DIAGRAM CHAPTER 12																																													
THIS PRINT IS PROVIDED ON A RESTRICTED BASIS AND IS NOT TO BE USED IN ANY WAY DETRIMENTAL TO THE INTEREST OF INTERNATIONAL TRUCK AND ENGINE CORPORATION.		CONNECTOR COMPOSITES - MATING VIEW SHOWN																																													
<p>AIR SUSPENSION DUMP VALVE 4X2 (9870) (LOCATED NEAR REAR AXLE ON CROSSMEMBER)</p>  <p>CONNECTOR - 0587568C91 SEAL - 1652325C1 TERMINAL - 0587576C1</p> <table border="1" style="font-size: x-small;"> <tr><th>CAV</th><th>CIR</th><th>GAUGE</th><th>COLOR</th></tr> <tr><td>A</td><td>NG1A</td><td>18</td><td>GY</td></tr> <tr><td>B</td><td>NG1-GA</td><td>18</td><td>GY</td></tr> </table>	CAV	CIR	GAUGE	COLOR	A	NG1A	18	GY	B	NG1-GA	18	GY	<p>AIR SUSPENSION DUMP VALVE 6X4 (9871) (LOCATED NEAR REAR AXLE ON CROSSMEMBER)</p>  <p>CONNECTOR - 0587568C91 SEAL - 1652325C1 TERMINAL - 0587576C1</p> <table border="1" style="font-size: x-small;"> <tr><th>CAV</th><th>CIR</th><th>GAUGE</th><th>COLOR</th></tr> <tr><td>A</td><td>NG1AA</td><td>18</td><td>GY</td></tr> <tr><td>B</td><td>NG1-GB</td><td>18</td><td>GY</td></tr> </table>	CAV	CIR	GAUGE	COLOR	A	NG1AA	18	GY	B	NG1-GB	18	GY																						
CAV	CIR	GAUGE	COLOR																																												
A	NG1A	18	GY																																												
B	NG1-GA	18	GY																																												
CAV	CIR	GAUGE	COLOR																																												
A	NG1AA	18	GY																																												
B	NG1-GB	18	GY																																												
<p>FR AXLE TEMP SENDER (9811) (LOCATED ON AXLE)</p>  <p>CONNECTOR - 3536864C1</p> <table border="1" style="font-size: x-small;"> <tr><th>CAV</th><th>CIR</th><th>GAUGE</th><th>COLOR</th><th>TERM</th><th>SEAL</th></tr> <tr><td>1</td><td>R32A</td><td>18</td><td>TN</td><td>3536865C1</td><td>3536866C1</td></tr> <tr><td>2</td><td>R9A</td><td>18</td><td>GY</td><td>3536865C1</td><td>3536866C1</td></tr> </table>	CAV	CIR	GAUGE	COLOR	TERM	SEAL	1	R32A	18	TN	3536865C1	3536866C1	2	R9A	18	GY	3536865C1	3536866C1	<p>RR AXLE TEMP SENDER (9812) (LOCATED ON AXLE)</p>  <p>CONNECTOR - 3536864C1</p> <table border="1" style="font-size: x-small;"> <tr><th>CAV</th><th>CIR</th><th>GAUGE</th><th>COLOR</th><th>TERM</th><th>SEAL</th><th>NOTES</th></tr> <tr><td>1</td><td>R32</td><td>18</td><td>TN</td><td>3536865C1</td><td>3536866C1</td><td></td></tr> <tr><td>2</td><td>R9</td><td>18</td><td>GY</td><td>3536865C1</td><td>3536866C1</td><td>W/TANDEM</td></tr> <tr><td>2</td><td>R9C</td><td>18</td><td>GY</td><td>3536865C1</td><td>3536866C1</td><td>N/TANDEM</td></tr> </table>	CAV	CIR	GAUGE	COLOR	TERM	SEAL	NOTES	1	R32	18	TN	3536865C1	3536866C1		2	R9	18	GY	3536865C1	3536866C1	W/TANDEM	2	R9C	18	GY	3536865C1	3536866C1	N/TANDEM
CAV	CIR	GAUGE	COLOR	TERM	SEAL																																										
1	R32A	18	TN	3536865C1	3536866C1																																										
2	R9A	18	GY	3536865C1	3536866C1																																										
CAV	CIR	GAUGE	COLOR	TERM	SEAL	NOTES																																									
1	R32	18	TN	3536865C1	3536866C1																																										
2	R9	18	GY	3536865C1	3536866C1	W/TANDEM																																									
2	R9C	18	GY	3536865C1	3536866C1	N/TANDEM																																									
<p>FR AXLE DIFF LOCK WARN LIGHT (9814) (LOCATED ON AXLE)</p>  <p>CONNECTOR - 587567C91</p> <table border="1" style="font-size: x-small;"> <tr><th>CAV</th><th>CIR</th><th>GAUGE</th><th>COLOR</th><th>TERM</th><th>SEAL</th></tr> <tr><td>A</td><td>R49</td><td>18</td><td>GY</td><td>0587578C1</td><td>1652325C1</td></tr> <tr><td>B</td><td>R49-G</td><td>18</td><td>WH</td><td>0587578C1</td><td>1652325C1</td></tr> </table>	CAV	CIR	GAUGE	COLOR	TERM	SEAL	A	R49	18	GY	0587578C1	1652325C1	B	R49-G	18	WH	0587578C1	1652325C1	<p>RR AXLE DIFF LOCK WARN LIGHT (9815) (LOCATED ON AXLE)</p>  <p>CONNECTOR - 587567C91</p> <table border="1" style="font-size: x-small;"> <tr><th>CAV</th><th>CIR</th><th>GAUGE</th><th>COLOR</th><th>TERM</th><th>SEAL</th></tr> <tr><td>A</td><td>R49A</td><td>18</td><td>GY</td><td>0587578C1</td><td>1652325C1</td></tr> <tr><td>B</td><td>R49-GA</td><td>18</td><td>WH</td><td>0587578C1</td><td>1652325C1</td></tr> </table>	CAV	CIR	GAUGE	COLOR	TERM	SEAL	A	R49A	18	GY	0587578C1	1652325C1	B	R49-GA	18	WH	0587578C1	1652325C1										
CAV	CIR	GAUGE	COLOR	TERM	SEAL																																										
A	R49	18	GY	0587578C1	1652325C1																																										
B	R49-G	18	WH	0587578C1	1652325C1																																										
CAV	CIR	GAUGE	COLOR	TERM	SEAL																																										
A	R49A	18	GY	0587578C1	1652325C1																																										
B	R49-GA	18	WH	0587578C1	1652325C1																																										
<p>SUSPENSION TRANSDUCER (9830)</p>  <p>CONNECTOR - 1678137C1 SEAL - 1661872C1 PLUG - 2025431C1</p> <table border="1" style="font-size: x-small;"> <tr><th>CAV</th><th>CIR</th><th>GAUGE</th><th>COLOR</th><th>TERM</th></tr> <tr><td>A</td><td>R9M</td><td>18</td><td>GY</td><td>1651943C1</td></tr> <tr><td>B</td><td>R6H</td><td>18</td><td>GY</td><td>1651943C1</td></tr> <tr><td>C</td><td>R61C</td><td>18</td><td>GY</td><td>1651943C1</td></tr> </table>	CAV	CIR	GAUGE	COLOR	TERM	A	R9M	18	GY	1651943C1	B	R6H	18	GY	1651943C1	C	R61C	18	GY	1651943C1	<p>AIR SUSPENSION SOLENOID (9850) (LOCATED ON LEFT FRAME RAIL NEAR REAR AXLES)</p>  <p>CONNECTOR - 587568C91</p> <table border="1" style="font-size: x-small;"> <tr><th>CAV</th><th>CIR</th><th>GAUGE</th><th>COLOR</th><th>TERM</th><th>SEAL</th></tr> <tr><td>A</td><td>J61A</td><td>16</td><td>GY</td><td>0587575C1</td><td>1652325C1</td></tr> <tr><td>B</td><td>J61-GA</td><td>16</td><td>WH</td><td>0587575C1</td><td>1652325C1</td></tr> </table>	CAV	CIR	GAUGE	COLOR	TERM	SEAL	A	J61A	16	GY	0587575C1	1652325C1	B	J61-GA	16	WH	0587575C1	1652325C1								
CAV	CIR	GAUGE	COLOR	TERM																																											
A	R9M	18	GY	1651943C1																																											
B	R6H	18	GY	1651943C1																																											
C	R61C	18	GY	1651943C1																																											
CAV	CIR	GAUGE	COLOR	TERM	SEAL																																										
A	J61A	16	GY	0587575C1	1652325C1																																										
B	J61-GA	16	WH	0587575C1	1652325C1																																										
<p>LOAD INDICATOR (9860)</p>  <p>CONNECTOR - 1667740C1 SEAL - 1661872C1 LOCK - 166771C1</p> <table border="1" style="font-size: x-small;"> <tr><th>CAV</th><th>CIR</th><th>GAUGE</th><th>COLOR</th><th>TERM</th></tr> <tr><td>A</td><td>N9M</td><td>18</td><td>GY</td><td>1667742C1</td></tr> <tr><td>B</td><td>N6H</td><td>18</td><td>GY</td><td>1667742C1</td></tr> <tr><td>C</td><td>N61C</td><td>18</td><td>GY</td><td>1667742C1</td></tr> </table>	CAV	CIR	GAUGE	COLOR	TERM	A	N9M	18	GY	1667742C1	B	N6H	18	GY	1667742C1	C	N61C	18	GY	1667742C1	<p>LOAD INDICATOR (9865M)</p>  <p>CONNECTOR - 1667741C1 SEAL - 1661872C1 LOCK - 166771C1</p> <table border="1" style="font-size: x-small;"> <tr><th>CAV</th><th>CIR</th><th>GAUGE</th><th>COLOR</th><th>TERM</th></tr> <tr><td>A</td><td>N9M</td><td>18</td><td>GY</td><td>1661875C1</td></tr> <tr><td>B</td><td>N6H</td><td>18</td><td>GY</td><td>1661875C2</td></tr> <tr><td>C</td><td>N61C</td><td>18</td><td>GY</td><td>1661875C3</td></tr> </table>	CAV	CIR	GAUGE	COLOR	TERM	A	N9M	18	GY	1661875C1	B	N6H	18	GY	1661875C2	C	N61C	18	GY	1661875C3						
CAV	CIR	GAUGE	COLOR	TERM																																											
A	N9M	18	GY	1667742C1																																											
B	N6H	18	GY	1667742C1																																											
C	N61C	18	GY	1667742C1																																											
CAV	CIR	GAUGE	COLOR	TERM																																											
A	N9M	18	GY	1661875C1																																											
B	N6H	18	GY	1661875C2																																											
C	N61C	18	GY	1661875C3																																											
<p>RIGHT SIDE AIR DRYER (9900) (LOCATED ON AIR DRYER)</p>  <p>CONNECTOR - 1673790C1 LOCK - 1673791C1</p> <table border="1" style="font-size: x-small;"> <tr><th>CAV</th><th>CIR</th><th>GAUGE</th><th>COLOR</th><th>TERM</th><th>SEAL</th></tr> <tr><td>A</td><td>N39C</td><td>16</td><td>GY</td><td>2033819C1</td><td>1652325C1</td></tr> <tr><td>B</td><td>N39-GC</td><td>16</td><td>WH</td><td>2033819C1</td><td>1652325C1</td></tr> </table>	CAV	CIR	GAUGE	COLOR	TERM	SEAL	A	N39C	16	GY	2033819C1	1652325C1	B	N39-GC	16	WH	2033819C1	1652325C1	<p>LEFT SIDE AIR DRYER (9900A) (LOCATED ON AIR DRYER)</p>  <p>CONNECTOR - 1673790C1 LOCK - 1673791C1</p> <table border="1" style="font-size: x-small;"> <tr><th>CAV</th><th>CIR</th><th>GAUGE</th><th>COLOR</th><th>TERM</th><th>SEAL</th></tr> <tr><td>A</td><td>N39R</td><td>16</td><td>GY</td><td>2033819C1</td><td>1652325C1</td></tr> <tr><td>B</td><td>N39-GR</td><td>16</td><td>WH</td><td>2033819C1</td><td>1652325C1</td></tr> </table>	CAV	CIR	GAUGE	COLOR	TERM	SEAL	A	N39R	16	GY	2033819C1	1652325C1	B	N39-GR	16	WH	2033819C1	1652325C1										
CAV	CIR	GAUGE	COLOR	TERM	SEAL																																										
A	N39C	16	GY	2033819C1	1652325C1																																										
B	N39-GC	16	WH	2033819C1	1652325C1																																										
CAV	CIR	GAUGE	COLOR	TERM	SEAL																																										
A	N39R	16	GY	2033819C1	1652325C1																																										
B	N39-GR	16	WH	2033819C1	1652325C1																																										
<p>LECTRASHIFT PTO/HOURLMETER (9913A) (DASH HARNESS) (LOCATED NEAR DASH TO ENGINE CONNECTION)</p>  <p>CONNECTOR - 1664531C1 LOCK - 1675053C1</p> <table border="1" style="font-size: x-small;"> <tr><th>CAV</th><th>CIR</th><th>GAUGE</th><th>COLOR</th><th>TERMINAL</th><th>SEAL</th></tr> <tr><td>A</td><td>J14LS</td><td>12</td><td>WH</td><td>2033816C1</td><td>0589391C1</td></tr> <tr><td>A</td><td>J88B</td><td>18</td><td>LT.GN</td><td>2033819C1</td><td>3517771C1</td></tr> </table>	CAV	CIR	GAUGE	COLOR	TERMINAL	SEAL	A	J14LS	12	WH	2033816C1	0589391C1	A	J88B	18	LT.GN	2033819C1	3517771C1	<p>(ENGINE/XMSN HARNESS)</p>  <p>CONNECTOR - 1669834C1 LOCK - 1675053C1</p> <table border="1" style="font-size: x-small;"> <tr><th>CAV</th><th>CIR</th><th>GAUGE</th><th>COLOR</th><th>TERMINAL</th><th>SEAL</th></tr> <tr><td>A</td><td>K12LSC</td><td>12</td><td>WH</td><td>2033812C1</td><td>0589391C1</td></tr> <tr><td>A</td><td>K188B</td><td>14</td><td>LT.GN</td><td>2033812C1</td><td>0589391C1</td></tr> </table>	CAV	CIR	GAUGE	COLOR	TERMINAL	SEAL	A	K12LSC	12	WH	2033812C1	0589391C1	A	K188B	14	LT.GN	2033812C1	0589391C1										
CAV	CIR	GAUGE	COLOR	TERMINAL	SEAL																																										
A	J14LS	12	WH	2033816C1	0589391C1																																										
A	J88B	18	LT.GN	2033819C1	3517771C1																																										
CAV	CIR	GAUGE	COLOR	TERMINAL	SEAL																																										
A	K12LSC	12	WH	2033812C1	0589391C1																																										
A	K188B	14	LT.GN	2033812C1	0589391C1																																										
CHK	DATE	CHANGE	REV	REFERENCE	DRAWN	NAME	RELEASE NO.		DATE	PART NO.	SHEET																																				
		ADDED 9870-9913A	-	50157D	U00JWCA	42/43/44/85/8600 & 73/74/7500 CIRC DIAGRAMS	50157D		14FEB05	AE08-52376	66																																				

Figure 272 Connector Composites (9870), (9871), (9811), (9812), (9814), (9815), (9830), (9850), (9860), (9865M), (9900), (9900A), (9913A)

12.80. CONNECTOR COMPOSITES (9913B), (9914), (9994), (9999), P. 67

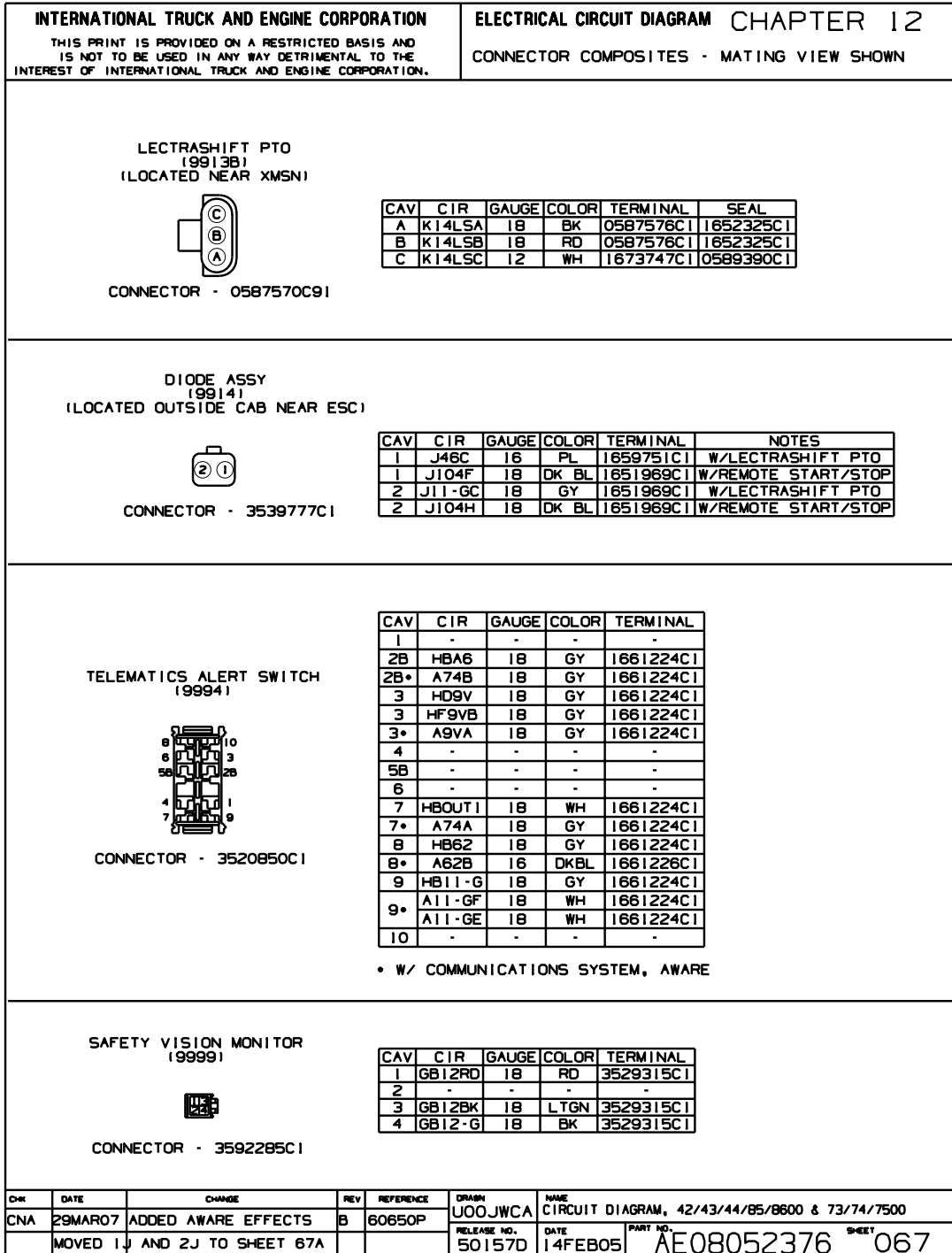
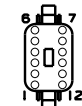


Figure 273 Connector Composites (9913B), (9914), (9994), (9999)

12.81. CONNECTOR COMPOSITES (1J), (2J), P. 67A

<p>INTERNATIONAL TRUCK AND ENGINE CORPORATION</p> <p>THIS PRINT IS PROVIDED ON A RESTRICTED BASIS AND IS NOT TO BE USED IN ANY WAY DETRIMENTAL TO THE INTEREST OF INTERNATIONAL TRUCK AND ENGINE CORPORATION.</p>	<p>ELECTRICAL CIRCUIT DIAGRAM CHAPTER 12</p> <p>CONNECTOR COMPOSITES - MATING VIEW SHOWN</p>
--	---

**TELEMATICS 1
(1J)**

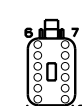


CONNECTOR 3601924C1
CONN LOCK 3601925C1

CAV	CIR	GAUGE	COLOR	TERMINAL
1	HA14A	16	RD	1680205C1
1*	A14C	16	RD	1680205C1
2	HC14B	16	RD	1680205C1
2*	A14F	16	RD	1680205C1
3	HA13A	16	PK	1680205C1
3*	A13A	16	PK	1680205C1
4	HC6VDC	18	GY	1680205C1
4*	A74VDC	18	GY	1680205C1
5	HBOUT1	18	WH	1680205C1
5*	A74A	18	GY	1680205C1
6	HCOUT2	18	WH	1680205C1
6*	A74H	16	VT	1680205C1
7	PLUG	-	-	0453133C1
8	PLUG	-	-	0453133C1
9	HASH(+)	18	YL	1680205C1
9*	A9BYS(+)	18	YL	1680205C1
10	HASH(-)	18	GN	1680205C1
10*	A9BNS(-)	18	GN	1680205C1
11	HD9V	18	GY	1680205C1
11	HE9V	18	GY	1680205C1
11	HF9V	18	GY	1680205C1
11*	A9V	18	GY	1680205C1
12	HA11-G	18	GY	1680205C1
12*	A11-GA	16	WH	1680205C1

• W/ COMMUNICATIONS SYSTEM, AWARE

**TELEMATICS 2
(2J)**



CONNECTOR 3601923C1
CONN LOCK 3601925C1


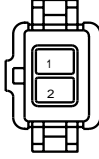


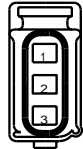

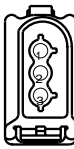

CAV	CIR	GAUGE	COLOR	TERMINAL
1	HA3H(+)	18	DKBL	1680205C1
1*	A9BB2(+)	18	BK	1680205C1
2	HA3H(-)	18	GY	1680205C1
2*	A9BB2(-)	18	BK	1680205C1
3	HCPPU	18	GY	1680205C1
3*	A74F	18	GY	1680205C1
4	HCA2	18	GY	1680205C1
4*	A74A2	18	GY	1680205C1
5	HCA4	18	GY	1680205C1
5*	A74D	18	GY	1680205C1
6	HBA6	18	GY	1680205C1
6*	A74B	18	GY	1680205C1
7	HCA5	18	GY	1680205C1
7*	A74E	18	GY	1680205C1
8	HCA3	18	GY	1680205C1
8*	A74A3	16	GY	1680205C1
9	HCA1	18	GY	1680205C1
9*	A36A	18	TN	1680205C1
10	HC11-G	18	GY	1680205C1
10*	A11-GD	18	GY	1680205C1
11	PLUG	-	-	0453133C1
12	PLUG	-	-	0453133C1

• W/ COMMUNICATIONS SYSTEM, AWARE

CHR	DATE	CHANGE	REV	REFERENCE	DRAWN	NAME
CNA	29MAR07	INITIAL RELEASE	A	60650P	MJV0088	CIRCUIT DIAGRAM, 42/43/44/85/8600 & 73/74/7500
					RELEASE NO.	DATE
					60650P	12MAR07
						PART NO.
						AE08052376
						SHEET
						67A

Figure 274 Connector Composites (1J), (2J)

12.82. CONNECTOR COMPOSITES (9988), (9989), (9990), (9991), (9992), (9993), (9995), (9996), P. 68

INTERNATIONAL TRUCK AND ENGINE CORPORATION				ELECTRICAL CIRCUIT DIAGRAM CHAPTER 12					
THIS PRINT IS PROVIDED ON A RESTRICTED BASIS AND IS NOT TO BE USED IN ANY WAY DETRIMENTAL TO THE INTEREST OF INTERNATIONAL TRUCK AND ENGINE CORPORATION.				CONNECTOR COMPOSITES - MATING VIEW SHOWN					
<p>FLARE LAMP (LEFT AMBER) (9988)</p> 				<p>FLARE LAMP RIGHT AMBER (9989)</p> 					
CAV	CIR	GAUGE	COLOR	TERMINAL	CAV	CIR	GAUGE	COLOR	TERMINAL
1	R10-G	18	WH	*XL3T-14474-EA	1	R10-G	18	WH	*XL3T-14474-AEA
2	R68	18	BN	*XL3T-14474-EA	2	R68	18	BN	*XL3T-14474-AEA
*F6AB-14A464-GA				*F6AB-14A464-GA					
<p>FLARE LAMP (LEFT RED) (9990)</p> 				<p>FLARE LAMP (RIGHT RED) (9991)</p> 					
CAV	CIR	GAUGE	COLOR	TERMINAL	CAV	CIR	GAUGE	COLOR	TERMINAL
1	R10-G	18	WH	*XL3T-14474-EAE	1	R10-G	18	WH	*XL3T-14474-EAE
2	R68	18	BN	*XL3T-14474-EAE	2	R68	18	BN	*XL3T-14474-EAE
*F6AB-14A464-GA				*F6AB-14A464-GA					
<p>LEFT TAIL TURN / STOP LAMP (9992)</p> 				<p>RIGHT TAIL TURN / STOP LAMP (9993)</p> 					
CAV	CIR	GAUGE	COLOR	TERMINAL	CAV	CIR	GAUGE	COLOR	TERMINAL
1	R10-G	18	WH	*97BG-14474-AEA	1	R10-G	18	WH	*97BG-14474-AEA
2	R68	18	BN	-	2	R68	18	BN	-
3	R56	14	OR	*97BG-14474-AEA	3	R57	14	OR	*97BG-14474-AEA
*ZFJ-00703-UA				*ZFJ-00703-UA					
<p>BACKUP LAMP (9995)</p> 				<p>BACKUP LAMP (9996)</p> 					
CAV	CIR	GAUGE	COLOR	TERMINAL	CAV	CIR	GAUGE	COLOR	TERMINAL
1	R10-G	18	WH	*97BG-14474-AEA	1	R10-G	18	WH	*97BG-14474-AEA
2	-	-	-	-	2	-	-	-	-
3	R71	18	OR	*97BG-14474-AEA	3	R71	18	OR	*97BG-14474-AEA
*ZFJ-00702-UA				*ZFJ-00702-UA					

NOTE - * INDICATES PARTS TO BE GIVEN BY SUPPLIER

CHK	DATE	CHANGE	REV	REFERENCE	DRAWN	NAME	RELEASE NO.	DATE	PART NO.	SHEET
					UQQAXPC	42/43/44/85/8600 & 73/74/7500 CIRC DIAGRAMS	59918L	22DEC05	AF08-52376	68

Figure 275 Connector Composites (9988), (9989), (9990), (9991), (9992), (9993), (9995), (9996)

12.83. CONNECTOR COMPOSITES (1936), (1937), (1938), (1940), P. 69

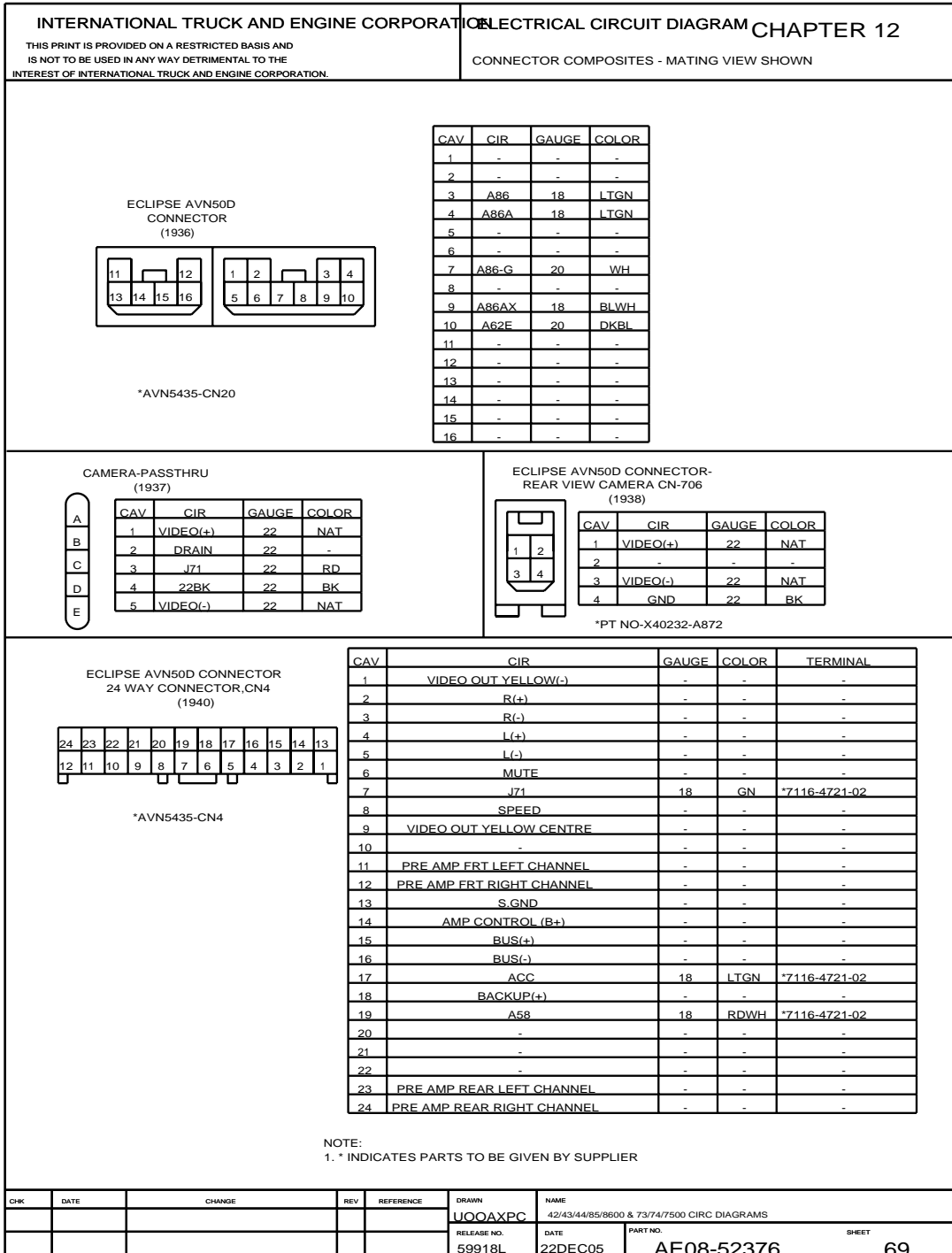


Figure 276 Connector Composites (1936), (1937), (1938), (1940)

12.84. CONNECTOR COMPOSITES (1943), (1944), (1949), (1997), P. 70

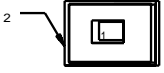
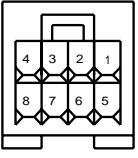
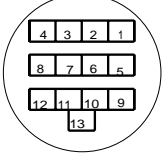
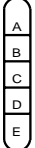
<p style="text-align: center;">INTERNATIONAL TRUCK AND ENGINE CORPORATION</p> <p style="font-size: small;">THIS PRINT IS PROVIDED ON A RESTRICTED BASIS AND IS NOT TO BE USED IN ANY WAY DETRIMENTAL TO THE INTEREST OF INTERNATIONAL TRUCK AND ENGINE CORPORATION.</p>	<p style="text-align: center;">ELECTRICAL CIRCUIT DIAGRAM CHAPTER 12</p> <p style="text-align: center;">CONNECTOR COMPOSITES - MATING VIEW SHOWN</p>																																																																						
<p style="text-align: center;">ECLIPSE AVN50D CONNECTOR GPS ANTENNA (1943)</p> <div style="display: flex; align-items: center; justify-content: center;">  <table border="1" style="margin-left: 20px; border-collapse: collapse; font-size: x-small;"> <thead> <tr> <th>CAV</th> <th>CIR</th> <th>GAUGE</th> <th>COLOR</th> </tr> </thead> <tbody> <tr> <td>1</td> <td>SIGNAL</td> <td>22</td> <td>NONE</td> </tr> <tr> <td>2</td> <td>GROUND</td> <td>22</td> <td>NONE</td> </tr> </tbody> </table> </div> <p style="text-align: center; margin-top: 10px;">*AVN5435-GPS</p>	CAV	CIR	GAUGE	COLOR	1	SIGNAL	22	NONE	2	GROUND	22	NONE																																																											
CAV	CIR	GAUGE	COLOR																																																																				
1	SIGNAL	22	NONE																																																																				
2	GROUND	22	NONE																																																																				
<p style="text-align: center;">ECLIPSE AVN50D CONNECTOR AUDIO VIDEO IN G, CN1 (1944)</p> <div style="display: flex; align-items: center; justify-content: center;">  <table border="1" style="margin-left: 20px; border-collapse: collapse; font-size: x-small;"> <thead> <tr> <th>CAV</th> <th>CIR</th> <th>GAUGE</th> <th>COLOR</th> <th>TERMINAL</th> </tr> </thead> <tbody> <tr> <td>1</td> <td>VIDEO(+)</td> <td>24</td> <td>YL</td> <td>*7116-4720-02</td> </tr> <tr> <td>2</td> <td>GND</td> <td>24</td> <td>SHIELD</td> <td>*7116-4720-02</td> </tr> <tr> <td>3</td> <td>GND</td> <td>24</td> <td>SHIELD</td> <td>*7116-4720-02</td> </tr> <tr> <td>4</td> <td>-</td> <td>-</td> <td>-</td> <td>-</td> </tr> <tr> <td>5</td> <td>AUDIO L(+)</td> <td>24</td> <td>WH</td> <td>*7116-4720-02</td> </tr> <tr> <td>6</td> <td>AUDIO R(+)</td> <td>24</td> <td>RD</td> <td>*7116-4720-02</td> </tr> <tr> <td>7</td> <td>GND</td> <td>24</td> <td>SHIELD</td> <td>*7116-4720-02</td> </tr> <tr> <td>8</td> <td>-</td> <td>-</td> <td>-</td> <td>-</td> </tr> </tbody> </table> </div> <p style="text-align: center; margin-top: 10px;">*AVN5435-CN1</p>	CAV	CIR	GAUGE	COLOR	TERMINAL	1	VIDEO(+)	24	YL	*7116-4720-02	2	GND	24	SHIELD	*7116-4720-02	3	GND	24	SHIELD	*7116-4720-02	4	-	-	-	-	5	AUDIO L(+)	24	WH	*7116-4720-02	6	AUDIO R(+)	24	RD	*7116-4720-02	7	GND	24	SHIELD	*7116-4720-02	8	-	-	-	-																										
CAV	CIR	GAUGE	COLOR	TERMINAL																																																																			
1	VIDEO(+)	24	YL	*7116-4720-02																																																																			
2	GND	24	SHIELD	*7116-4720-02																																																																			
3	GND	24	SHIELD	*7116-4720-02																																																																			
4	-	-	-	-																																																																			
5	AUDIO L(+)	24	WH	*7116-4720-02																																																																			
6	AUDIO R(+)	24	RD	*7116-4720-02																																																																			
7	GND	24	SHIELD	*7116-4720-02																																																																			
8	-	-	-	-																																																																			
<p style="text-align: center;">ECLIPSE AVN50D CONNECTOR 3W-13WAY DIN (1949)</p> <div style="display: flex; align-items: center; justify-content: center;">  <table border="1" style="margin-left: 20px; border-collapse: collapse; font-size: x-small;"> <thead> <tr> <th>CAV</th> <th>CIR</th> <th>GAUGE</th> <th>COLOR</th> <th>TERMINAL</th> </tr> </thead> <tbody> <tr> <td>1</td> <td>N.C.</td> <td>-</td> <td>-</td> <td>-</td> </tr> <tr> <td>2</td> <td>BACKUP(+)</td> <td>-</td> <td>-</td> <td>-</td> </tr> <tr> <td>3</td> <td>GND</td> <td>18</td> <td>WH</td> <td>*7116-4721-02</td> </tr> <tr> <td>4</td> <td>ACC</td> <td>18</td> <td>LTGN</td> <td>*7116-4721-02</td> </tr> <tr> <td>5</td> <td>R(+)</td> <td>-</td> <td>-</td> <td>-</td> </tr> <tr> <td>6</td> <td>L(-)</td> <td>-</td> <td>-</td> <td>-</td> </tr> <tr> <td>7</td> <td>S.GND</td> <td>-</td> <td>-</td> <td>-</td> </tr> <tr> <td>8</td> <td>N.C.</td> <td>-</td> <td>-</td> <td>-</td> </tr> <tr> <td>9</td> <td>L(+)</td> <td>-</td> <td>-</td> <td>-</td> </tr> <tr> <td>10</td> <td>BUS(+)</td> <td>-</td> <td>-</td> <td>-</td> </tr> <tr> <td>11</td> <td>MUTE</td> <td>-</td> <td>-</td> <td>-</td> </tr> <tr> <td>12</td> <td>BUS(-)</td> <td>-</td> <td>-</td> <td>-</td> </tr> <tr> <td>13</td> <td>R(-)</td> <td>-</td> <td>-</td> <td>-</td> </tr> </tbody> </table> </div> <p style="text-align: center; margin-top: 10px;">*AVN5435-3W-13WAY DIN</p>	CAV	CIR	GAUGE	COLOR	TERMINAL	1	N.C.	-	-	-	2	BACKUP(+)	-	-	-	3	GND	18	WH	*7116-4721-02	4	ACC	18	LTGN	*7116-4721-02	5	R(+)	-	-	-	6	L(-)	-	-	-	7	S.GND	-	-	-	8	N.C.	-	-	-	9	L(+)	-	-	-	10	BUS(+)	-	-	-	11	MUTE	-	-	-	12	BUS(-)	-	-	-	13	R(-)	-	-	-	
CAV	CIR	GAUGE	COLOR	TERMINAL																																																																			
1	N.C.	-	-	-																																																																			
2	BACKUP(+)	-	-	-																																																																			
3	GND	18	WH	*7116-4721-02																																																																			
4	ACC	18	LTGN	*7116-4721-02																																																																			
5	R(+)	-	-	-																																																																			
6	L(-)	-	-	-																																																																			
7	S.GND	-	-	-																																																																			
8	N.C.	-	-	-																																																																			
9	L(+)	-	-	-																																																																			
10	BUS(+)	-	-	-																																																																			
11	MUTE	-	-	-																																																																			
12	BUS(-)	-	-	-																																																																			
13	R(-)	-	-	-																																																																			
<p style="text-align: center;">CAMERA-PASSTHRU (1997)</p> <div style="display: flex; align-items: center; justify-content: center;">  <table border="1" style="margin-left: 20px; border-collapse: collapse; font-size: x-small;"> <thead> <tr> <th>CAV</th> <th>CIR</th> <th>GAUGE</th> <th>COLOR</th> </tr> </thead> <tbody> <tr> <td>1</td> <td>VIDEO(+)</td> <td>22</td> <td>NAT</td> </tr> <tr> <td>2</td> <td>DRAIN</td> <td>22</td> <td>-</td> </tr> <tr> <td>3</td> <td>J71</td> <td>22</td> <td>RD</td> </tr> <tr> <td>4</td> <td>22BK</td> <td>22</td> <td>BK</td> </tr> <tr> <td>5</td> <td>VIDEO(-)</td> <td>22</td> <td>NAT</td> </tr> </tbody> </table> </div> <p style="text-align: center; margin-top: 10px;">NOTE: 1. *INDICATES PART TO BE GIVEN BY SUPPLIER</p>	CAV	CIR	GAUGE	COLOR	1	VIDEO(+)	22	NAT	2	DRAIN	22	-	3	J71	22	RD	4	22BK	22	BK	5	VIDEO(-)	22	NAT																																															
CAV	CIR	GAUGE	COLOR																																																																				
1	VIDEO(+)	22	NAT																																																																				
2	DRAIN	22	-																																																																				
3	J71	22	RD																																																																				
4	22BK	22	BK																																																																				
5	VIDEO(-)	22	NAT																																																																				
<table border="1" style="width:100%; border-collapse: collapse; font-size: x-small;"> <tr> <th>CHK</th> <th>DATE</th> <th>CHANGE</th> <th>REV</th> <th>REFERENCE</th> <th>DRAWN</th> <th>NAME</th> </tr> <tr> <td> </td> <td> </td> <td> </td> <td> </td> <td> </td> <td>UQQXPC</td> <td>42/43/44/85/8600 & 73/74/7500 CIRC DIAGRAMS</td> </tr> <tr> <td> </td> <td> </td> <td> </td> <td> </td> <td> </td> <td>RELEASE NO.</td> <td>DATE</td> </tr> <tr> <td> </td> <td> </td> <td> </td> <td> </td> <td> </td> <td>59918L</td> <td>22DEC05</td> </tr> <tr> <td> </td> <td> </td> <td> </td> <td> </td> <td> </td> <td>PART NO.</td> <td>SHEET</td> </tr> <tr> <td> </td> <td> </td> <td> </td> <td> </td> <td> </td> <td>AE08-52376</td> <td>70</td> </tr> </table>		CHK	DATE	CHANGE	REV	REFERENCE	DRAWN	NAME						UQQXPC	42/43/44/85/8600 & 73/74/7500 CIRC DIAGRAMS						RELEASE NO.	DATE						59918L	22DEC05						PART NO.	SHEET						AE08-52376	70																												
CHK	DATE	CHANGE	REV	REFERENCE	DRAWN	NAME																																																																	
					UQQXPC	42/43/44/85/8600 & 73/74/7500 CIRC DIAGRAMS																																																																	
					RELEASE NO.	DATE																																																																	
					59918L	22DEC05																																																																	
					PART NO.	SHEET																																																																	
					AE08-52376	70																																																																	

Figure 277 Connector Composites (1943), (1944), (1949), (1997)

12.85. CONNECTOR COMPOSITE (9998), P. 71

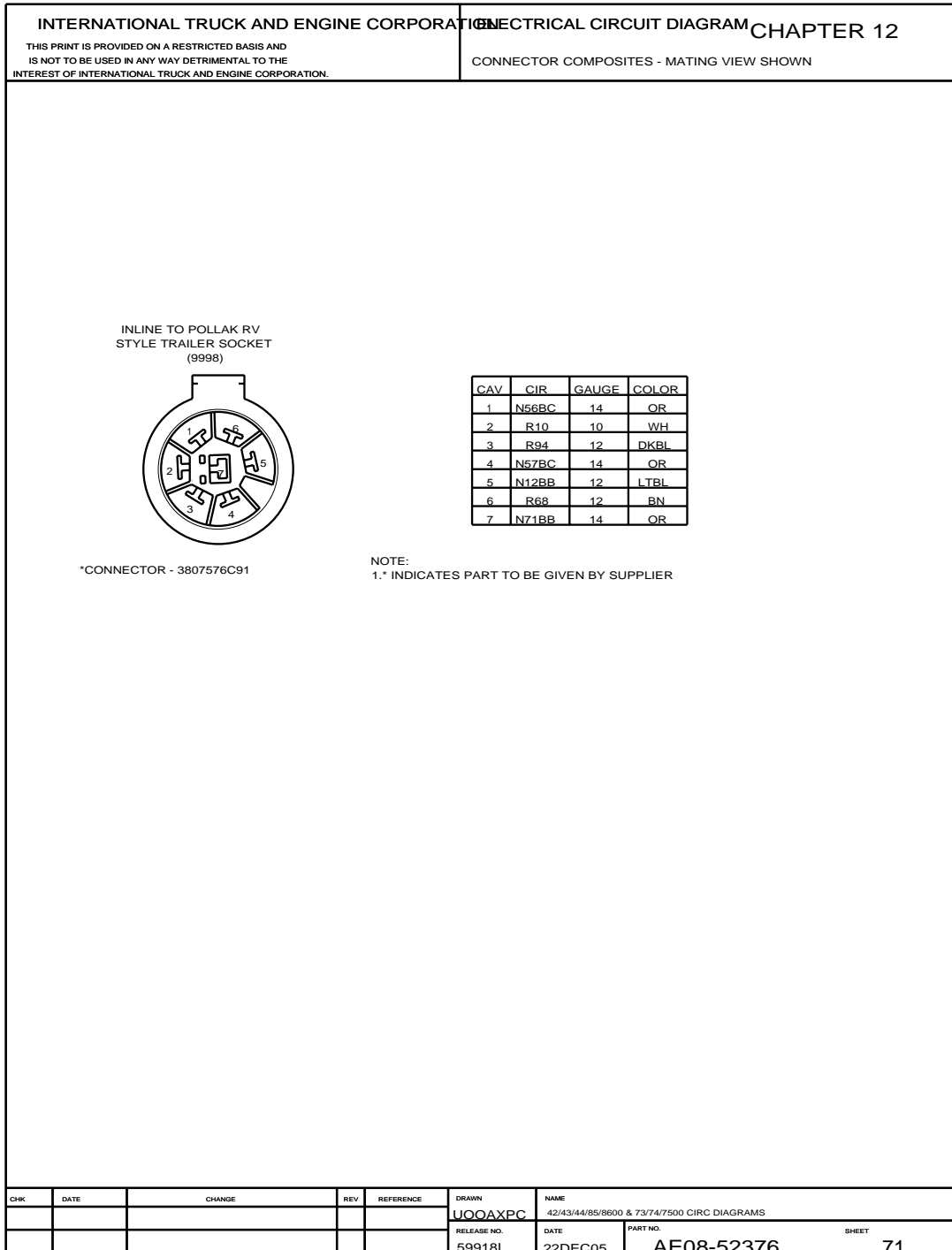


Figure 278 Connector Composite (9998)

12.86. CONNECTOR COMPOSITES (C1), (C15), (C40), (C50), (C60), (C70), (C80), P. 72

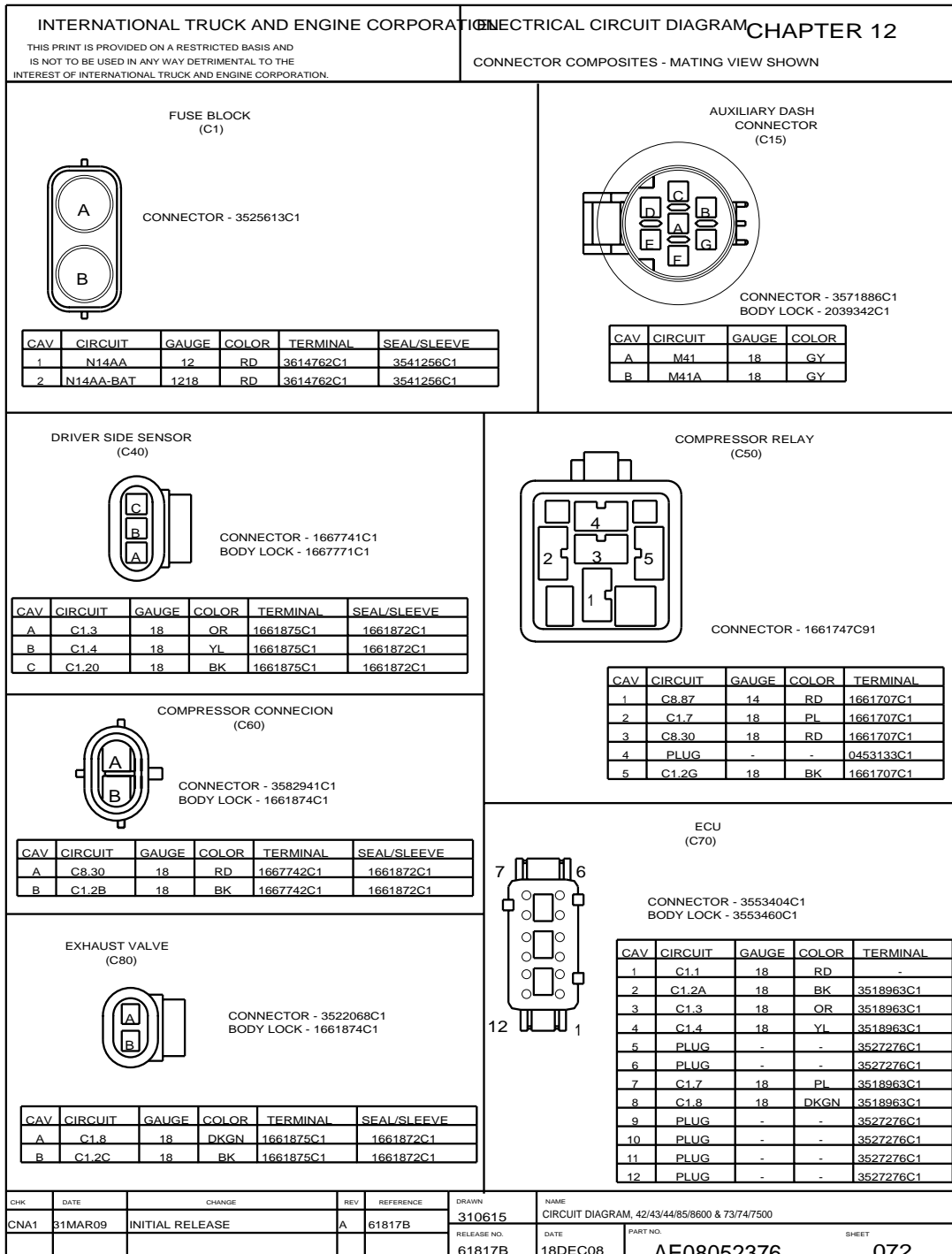


Figure 279 Connector Composites (C1), (C15), (C40), (C50), (C60), (C70), (C80)