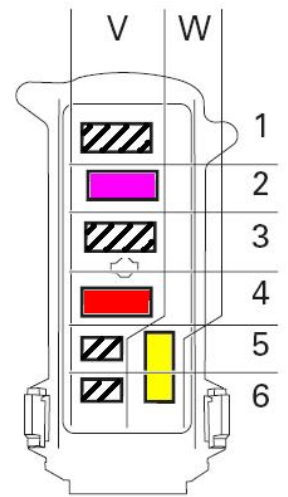
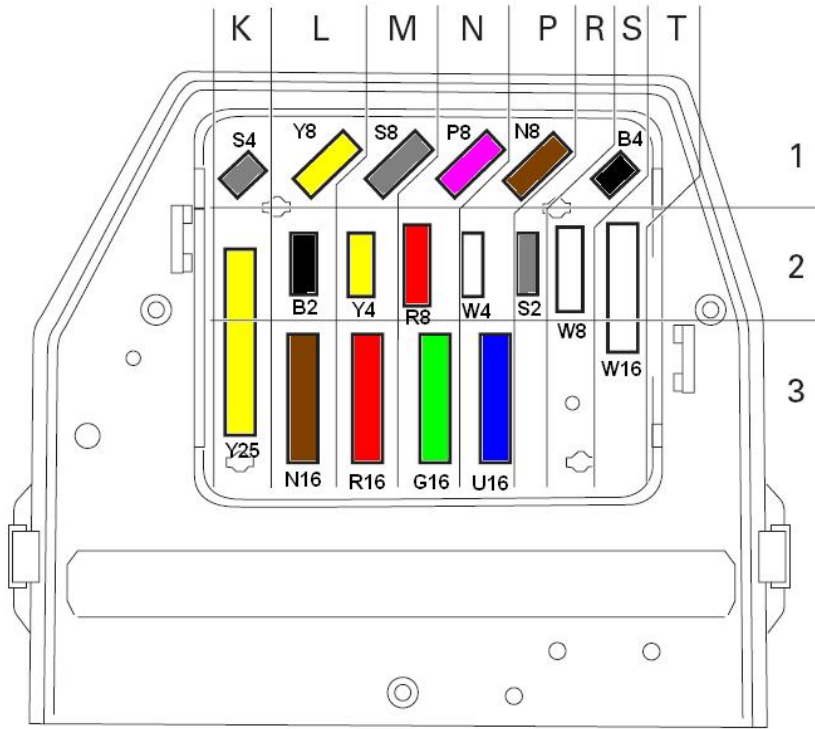


LF CAB CHASSIS INTERFACE - NEW NAMES



2007 Compliant Models 210 220 - Cab Chassis Interface Definition

Connector: Yellow 25 pin
Connector Identifier: Y25

Pin No.	Schematic page	Function	DAF no.
A1	M19A	Fuel tank sender signal	3503
A2	M19AA	Park brake	3402
A3	M05B	Reverse Alarm (to buzzer)	5104
A4	M19C	Diff lock solenoid	4517
A5	M01E	Urea Heater (only if a design requirement)	1665
A6	M19C	Brake wear	3406
A7	M05B	Reverse light switch +ve - fuse 46	1217
A8	M05A	Direction indicator LH truck	2036
A9	M05A	Direction indicator RH truck	2037
A10	M04A	Tail lamp LH	2170
A11	M04A	Tail lamp RH	2169
A12	M04B	Rear fog LH/RH	2152
A13	M05B	Rear stop lamp LH/RH	4601
B1	M01D	ABS trailer pin 2 and 24S trailer pin 6 +ve supply	1356
B2	M05B	Reverse alarm from switch	4591
B3	M10A	Battery supply +ve - Pin 4 Trailer Socket S	1110
B4	M03A	Air drier +ve supply - ignition fuse F39	1240
B5	M03A	Heated Sedimenter	5051
B6	M18A	Alarm	3659
B7	M19A	Direction indicator trailer LH - Pin 3 trailer socket N	2008
B8	M19A	Direction indicator trailer RH - Pin 5 trailer socket N	2009
B9	M19C	Diff lock switch	3408
B10	M15B	ABS trailer warning light	3428
B11	M19AA	Cab lock down	3412
B12	M10A	Body light	2155

Connector: Brown 16 pin
Connector Identifier: N16

Pin No.	Schematic page	Function	DAF no.
A1	M19A	Air 2 transducer supply	3639
A2	M19A	Air 1 transducer ground	3638A
A3	M19A	Air 1 transducer supply	3639A
A4	M19A	Air 1 transducer signal	3640
A5	M06A	Tachograph sender -ve (pin 2 sender unit)	3020
A6	M06A	Tachograph sender +ve (pin 1 sender unit)	3021
A7	M06A	Tachograph sender signal 1 (pin 4 sender unit)	3018
A8	M06A	Tachograph sender signal 2 (pin 3 sender unit)	3019
B1	M19A	Gearbox protection solenoid range change	4030
B2	M18A	Alarm	3660
B3	M19AA	Gearbox neutral switch	4721
B4	M16A	PTO solenoid output VIC	4596
B5	M03A	W.I.F. warning light	5049
B6		N/C	
B7	M19A	Air 2 transducer ground	3638
B8	M19A	Air 2 transducer signal	3641

2007 Compliant Models 210 220 - Cab Chassis Interface Definition

Connector: Grey 2 pin

Connector Identifier: S2

Pin No.	Schematic page	Function	DAF no.
1	M02B	Starter solenoid	4009
2	M15B	Trailer ABS	1119

Connector: Green 16 pin

Connector Identifier: G16

Pin No.	Schematic page	Function	DAF no.
A1	M04E	Headlamp levelling pin 1 to motor 3	4953
A2	M04E	Headlamp levelling pin 2 to motor 1	2169
A3	M04C	Ground	
A4	M04C	Ground	
A5	M04C	Ground	
A6	M04B	Front Fog Lamps	2142
A7	M04C	Front Driving Lamps	2122
A8		N/C	
B1	M04B/BB	Headlamp dip beam LH	2114
B2	M04B/BB	Headlamp dip beam RH	2113
B3	M04B/BB	Headlamp main beam LH	2122B
B4	M04B/BB	Headlamp main beam RH	2122A
B5	M05A	Horn	4535
B6	M04A	Front side lamps LH & RH	2169
B7	M05A	Direction indicator LH	2006
B8	M05A	Direction indicator RH	2007

Connector: Red 16 pin

Connector Identifier: R16

Pin No.	Schematic page	Function	DAF no.
A1	M20A/B/C/D	ABS rear sensor LH - ecu pin 14	4629
A2	M20A/B/C/D	ABS rear sensor LH - ecu pin 11	4628
A3	M20A/B/C/D	ABS rear sensor RH - ecu pin 18	4631
A4	M20A/B/C/D	ABS rear sensor RH - ecu pin 17	4630
A5	M20A/B/C/D	ABS front sensor LH - ecu pin 15	4621
A6	M20A/B/C/D	ABS front sensor LH - ecu pin 12	4620
A7	M20A/B/C/D	ABS front sensor RH - ecu pin 13	4623
A8	M20A/B/C/D	ABS front sensor RH - ecu pin 10	4622
B1	M20A/B/C/D	ABS rear valve LH inlet - ecu pin 2	4641
B2	M20C/D	ABS rear valve LH outlet - ecu pin 5	4640
B3	M20C/D	ABS rear valve RH inlet - ecu pin 8	4643
B4	M20A/B/C/D	ABS rear valve RH outlet - ecu pin 9	4642
B5	M20A/B/C/D	ABS front valve LH inlet - ecu pin 3	4633
B6	M20B/C/D	ABS front valve LH outlet - ecu pin 6	4632
B7	M20B/C/D	ABS front valve RH inlet - ecu pin 1	4635
		N/C	
B8	M20A/B/C/D	ABS front valve RH outlet - ecu pin 4	4634

2007 Compliant Models 210 220 - Cab Chassis Interface Definition

Connector: Red 8 pin

Connector Identifier: R8

Pin No.	Schematic page	Function	DAF no.
1	M02A	Isolation Switch - A5	1380
2	M02A	Isolation Switch - A4	4179
3	M02A	Battery isolation remote operation - A1	4176
4	M02A	Battery isolation remote operation - A2	4177
5	M01CC	Battery isolation before battery master isolation switch	1000
6		N/C	
7		N/C	
8		N/C	

Connector: Brown 8 pin

Connector Identifier: N8

Pin No.	Schematic page	Function	DAF no.
1	M27A	CAN H - vcan	3701E
2	M27A	CAN L - vcan	3700E
3	M01E	Dosing Unit KL15	4265
4	M01E	Dosing Unit KL30	1640
5	M27A	Engine +ve supply fused battery	1177
6	M27A	Engine +ve supply ignition	1211
7	M17B	Air conditioning compressor +ve supply	5055
8	M01C	Alternator W/L	1020

Connector: Grey 8 pin

Connector Identifier: S8

Pin No.	Schematic page	Function	DAF no.
1	M30A	Switch Wire - Dashboard	X003
2	M30A	Switch Wire - Dashboard	X004
3	M30A	Switch Wire - Dashboard	X005
4	M30A	Switch Wire - Dashboard	X006
5	M30A	Switch Wire - Headershef	X007
6	M30A	Switch Wire - Headershef	X008
7	M30A	Switch Wire - Headershef	X009
8	M30A	Switch Wire - Headershef	X010

Connector: Yellow 8 pin Allison Gearbox MD3060

Connector Identifier: Y8

Pin No.	Schematic page	Function	DAF no.
1	M25B	KL30 supply - Automatic/Automated Gearbox	1163
2	M25B	KL15 supply - Automatic/Automated Gearbox	1302
3	M25B	Ground	
4	M25B	Allison Selector Direction Sense	5728
5	M25B	MD3060 AGC Pin 43	4595
6	M25B	MD3060 AGC Pin 30	5701
7	M25B	MD3060 AGC Pin 1 & 17	5646
8	M25B	MD3060 AGC Pin 45	5649

2007 Compliant Models 210 220 - Cab Chassis Interface Definition

Connector: Yellow 8 | Allison 1000/2000 - AsTronic Lite **Connector Identifier: Y8**

Pin No.	Schematic page	Function	DAF no.
1	M25A/C	KL30 supply - Automatic/Automated Gearbox	1163
2	M25A/C	KL15 supply - Automatic/Automated Gearbox	1302
3	M25A/C	Ground	
4		N/C	
5	M25C	AsTronic gearbox module - ZF CAN - A5	3731
6	M25C	AsTronic gearbox module - ZF CAN - A2	3732
7		N/C	
8		N/C	

Connector: Black 4 pin **Connector Identifier: B4**

Pin No.	Schematic page	Function	DAF no.
1	M17C	Auxiliary Cab Heater Pump	4935
2	M17C	Auxiliary Cab Heater Pump	4936
3		N/C	
4		N/C	

Connector: White 8 pin **Connector Identifier: W8**

Pin No.	Schematic page	Function	DAF no.
1	M27A	Throttle pedal +ve supply - engine ecu pin J2-22	4677
2	M27A	Throttle pedal signal - engine ecu pin J2-9	4679
3	M27A	Throttle pedal common - engine ecu J2-23	4678
4	M27A	Throttle pedal on-idle switch - engine ecu pin J2-11	4681
5	M27A	Throttle pedal off-idle switch - engine ecu pin J2-1	4166
6	M27A	Throttle pedal idle common - engine ecu pin J2-34	4680
7		N/C	
8	M02A	Grid Heater Warning	4014

Connector: Purple 8 pin **Connector Identifier: P8**

Pin No.	Schematic page	Function	DAF no.
1	M28A/AA	ECAS height sensor RH - ecu pin 7	4736
2	M28A/AA	ECAS height sensor LH - ecu pin 19	4739
3	M28A/AA	ECAS height sensor common - ecu pin 18	9009
4	M28A/AA	ECAS valve RH - ecu pin 20	4742
5	M28A/AA	ECAS valve LH - ecu pin 8	4741
6	M28A/AA	ECAS valve exhaust - ecu pin 21	4740
7		N/C	
8		N/C	

2007 Compliant Models 210 220 - Cab Chassis Interface Definition

Connector: White 4 pin

Connector Identifier: P4

Pin No.	Schematic page	Function	DAF no.
1	M18A	Alarm Siren Pin 3	1229
2	M18A	Alarm Siren Pin 2	3653
3	M18A	Alarm Siren Pin 1 GROUND	
4		N/C	

Connector: Grey 4 pin

Connector Identifier: S4

Pin No.	Schematic page	Function	DAF no.
1	M11A	Windscreen washer pump	5161
2	M11A	Ground	
3		Headlamp wash pump (not required at present)	
4		N/C	

Connector: Yellow 4 pin

Connector Identifier: Y4

Pin No.	Schematic page	Function	DAF no.
1	M20C	ASR valve - ecu pin 7	4578
2	M20C	ASR valve - ecu pin 16	5060
3		N/C	
4		N/C	

Connector: Black 2 pin

Connector Identifier: B2

Pin No.	Schematic page	Function	DAF no.
1		N/C	
2		N/C	

2007 Compliant Models 210 220 - Cab Chassis Interface Definition

Connector: Blue 16 pin

Connector Identifier: U16

Pin No.	Schematic page	Function	DAF no.
A1		N/C	
A2		N/C	
A3		N/C	
A4		N/C	
A5		N/C	
A6		N/C	
A7		N/C	
A8		N/C	
B1		N/C	
B2		N/C	
B3		N/C	
B4		N/C	
B5		N/C	
B6		N/C	
B7		N/C	
B8		N/C	

Connector: White 16 pin

Connector Identifier: W16

Pin No.	Schematic page	Function	DAF no.
A1	M22A	FAN 'Stop' Lamp	3725
A2	M10A	PTO status	3524
A3	M22A	FAN 'Warning' Lamp	3726
A4	M30A	Engine Running	3003
A5	M30A	FAN K-Line	3646
A6	M30A	Remote PTO	3420
A7	M30A	Ignition Control Fuse - F35	2161
A8	M30A	Cab lock down	3412
B1	M30A	Ground	
B2	M30A	Ground	
B3	M30A	Enable ESC	3143
B4	M30A	N1 ESC	3144
B5	M30A	N2 ESC	3145
B6	M30A	N3 ESC	3146
B7	M06A	Tachograph speed signal B7	3514
B8	M30A	Battery Control Fuse - F50	1600

Electrical Schematics for Model 210 and 220

The content of the pages identified below is generic and not specific to Model 210/220 built after January 1, 2008. When working on the vehicle it is likely that terminated harnesses will be encountered where either an available option has not been specified or a feature is not available on the vehicle.

Page No. System/Component

M00	Electrical schematic information
M01C	Supply battery
M01CC	Supply battery (with isolator)
M01D	Supply fuses
M01E	Supply fuses (additional)
M02A	Grid heater / remote battery isolator
M02B	Starter
M03A	Heated sedimenter / Air drier / WIF (water in fuel)
M04A	Lighting
M04B	R. fog / F. fog / Main / Dip beam
M04BB	R. fog / Main / Dip beam
M04C	Driving lamps
M04D	Daytime running lamps
M04E	Headlamp levelling
M05A	Horn / Indicators
M05B	Stop / Reverse lights
M05C	Rotating beacons

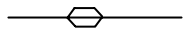
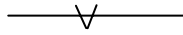

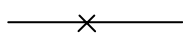
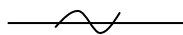
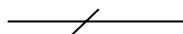
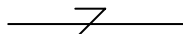
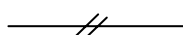

M06A	Tachograph / Speedo
M07A	Diagnostics
M08B	Central locking
M08C	Electric windows / sun roof
M09A	LHD heated & steerable mirrors
M09B	RHD heated & steerable mirrors
M10A	Interior & body light
M11A	Wiper, wash circuit
M14A	Accessories LHD
M14AA	Accessories RHD
M14B	Heated wind screen / seat
M15A	Trailer connections
M15B	Trailer ABS
M16A	Power Take Off
M17B	Heater & aircon
M17C	Auxiliary cab heater
M18A	Alarm
M18B	Immobiliser
M19A	VIC
M19AA	VIC (continued)
M19B	DIP / MMI (MCS)

M19C	Brake wear / Diff lock
M19D	BBM
M20A	ABS version E 4S2M
M20B	ABS version E 4S3M
M20C	ABS / ASR version E
M20D	ABS version E 4S4M
M21A	Telephone
M22A	FAN model
M23A	Steering wheel (without air bag)
M23BAA	Steering wheel (With air bag)
M24A	Air bag / Pre-belt tensioner
M25A	Allison 2100 Auto gearbox
M25B	Allison 3000 Auto gearbox
M25C	ZF As-Tronic gearbox
M27A	Engine ECU CM2150
M28A	ECAS (dual sensor)
M28AA	ECAS (single sensor)
M30A	Additional wiring
M31A	Regeneration

Electrical Schematic Information

Cable Size Denotations

DAF – Wire Colours

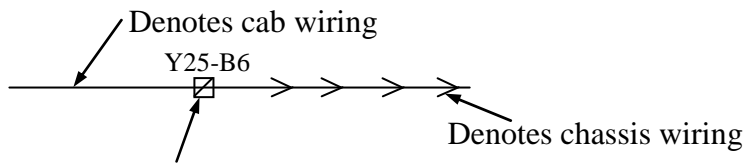
	0.35 sq. mm	1000 – 1999 = Red
	0.5 sq. mm	2000 – 2999 = Yellow
	1.0 sq. mm	3000 – 3999 = Blue
	2.0 sq. mm	4000 – 6999 = Grey
	3.0 sq. mm	Not marked or
	4.5 sq. mm	9000 – 9499 = White
	7.5 sq. mm	V CAN wiring colours:- High = Blue
	10.0 sq. mm	Low = Yellow
	16.0 sq. mm	I CAN wiring colours:- High = Grey

Cable sizes and twisting for I-CAN, V-CAN and D-CAN are 0.5 sq. mm cable size and 40 twists/ metre

Low = Yellow

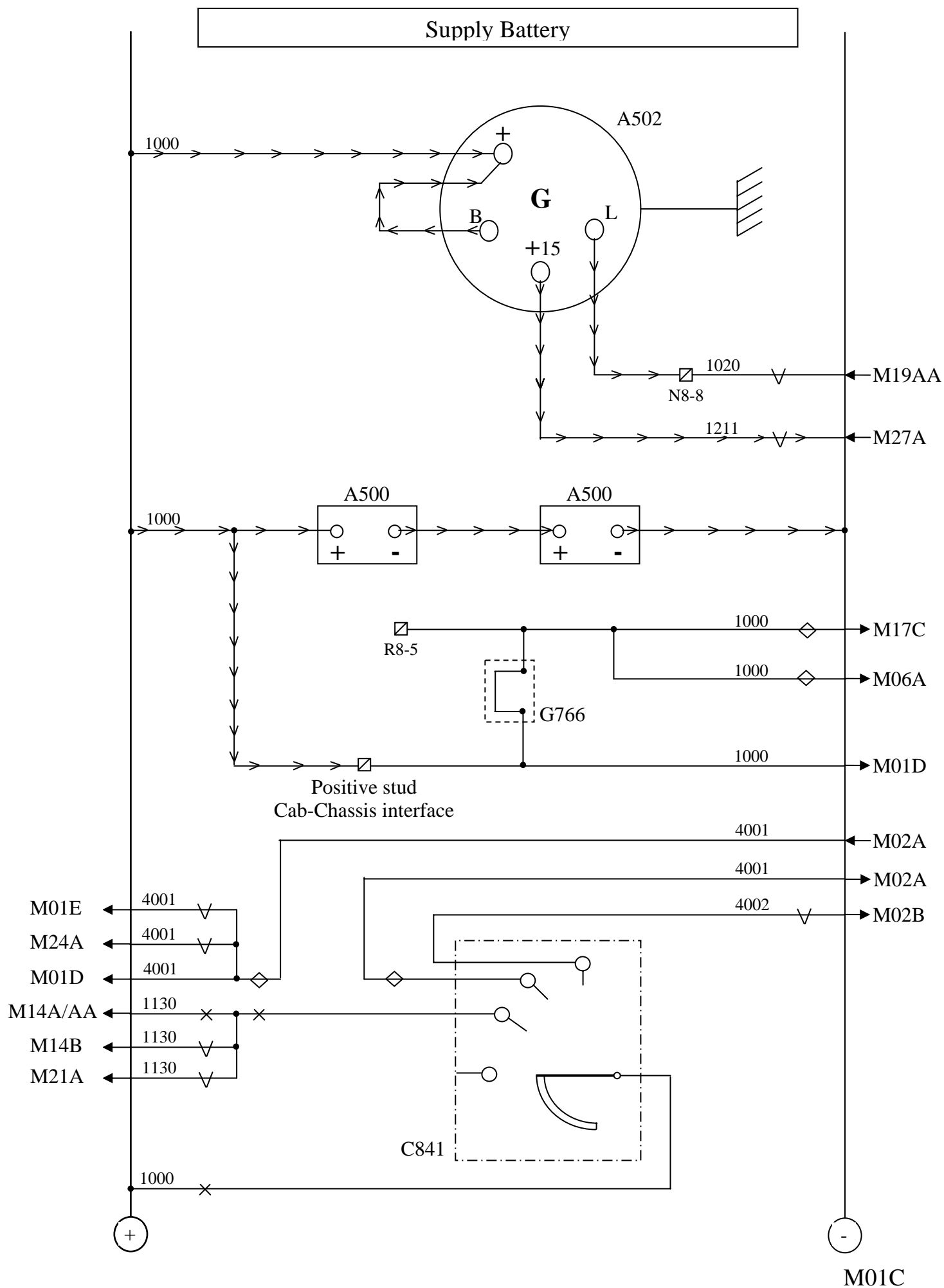
D CAN wiring colours:-
High = Green
Low = Yellow

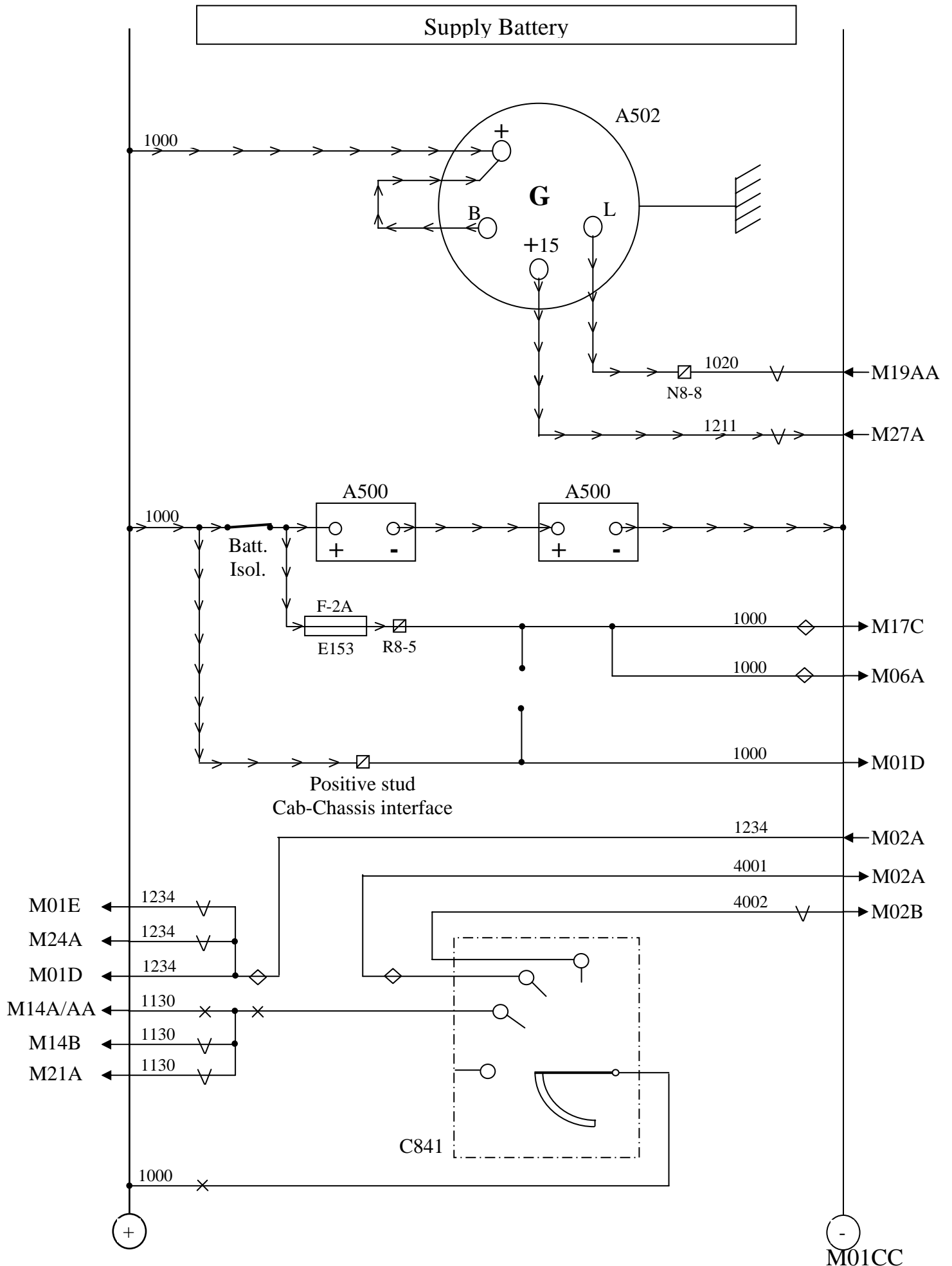
General Information



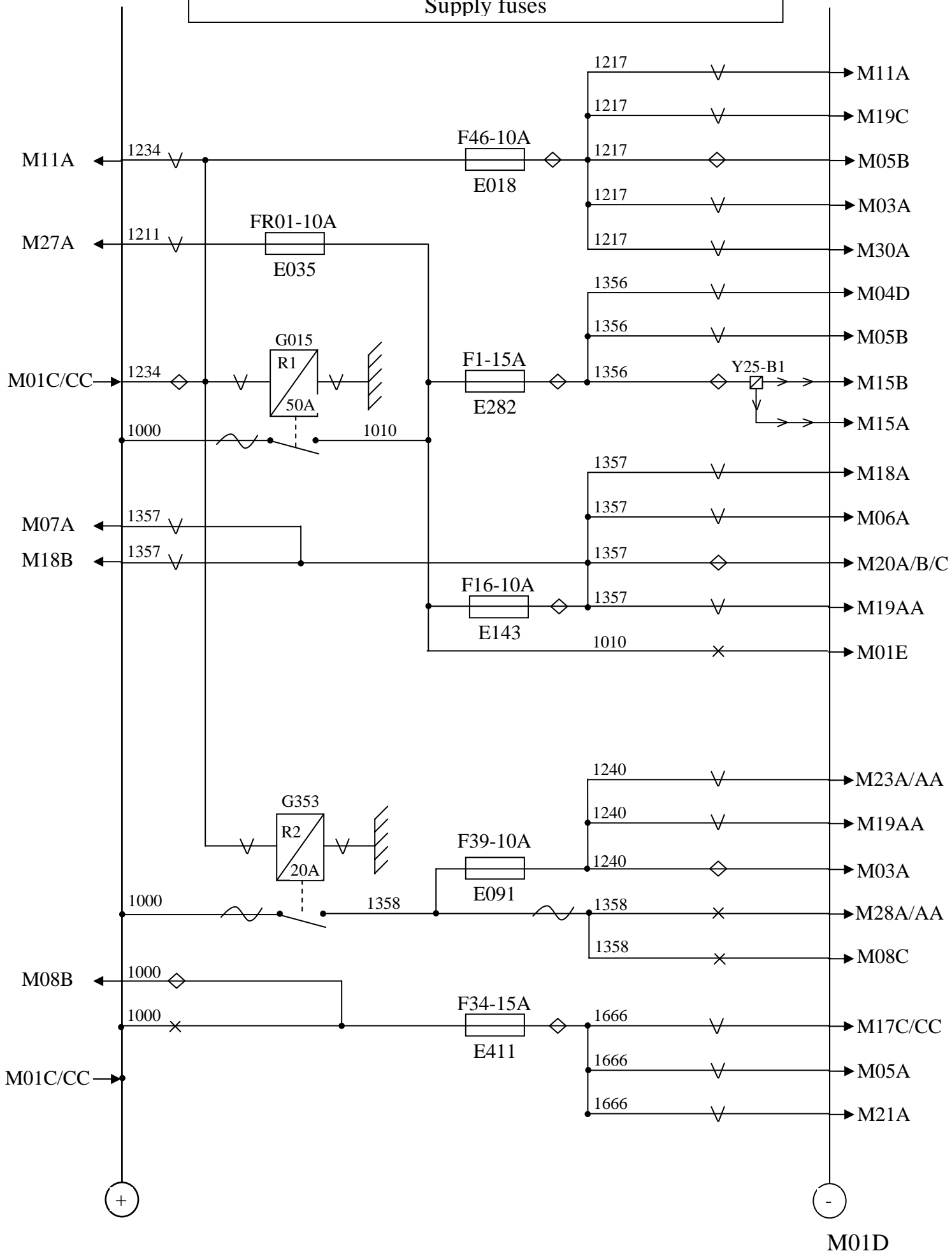
Indicates Cab-Chassis connector at Zone 1 (Ø Zone 2)
Y25 = Yellow connector 25 way
B6 = Cavity No.



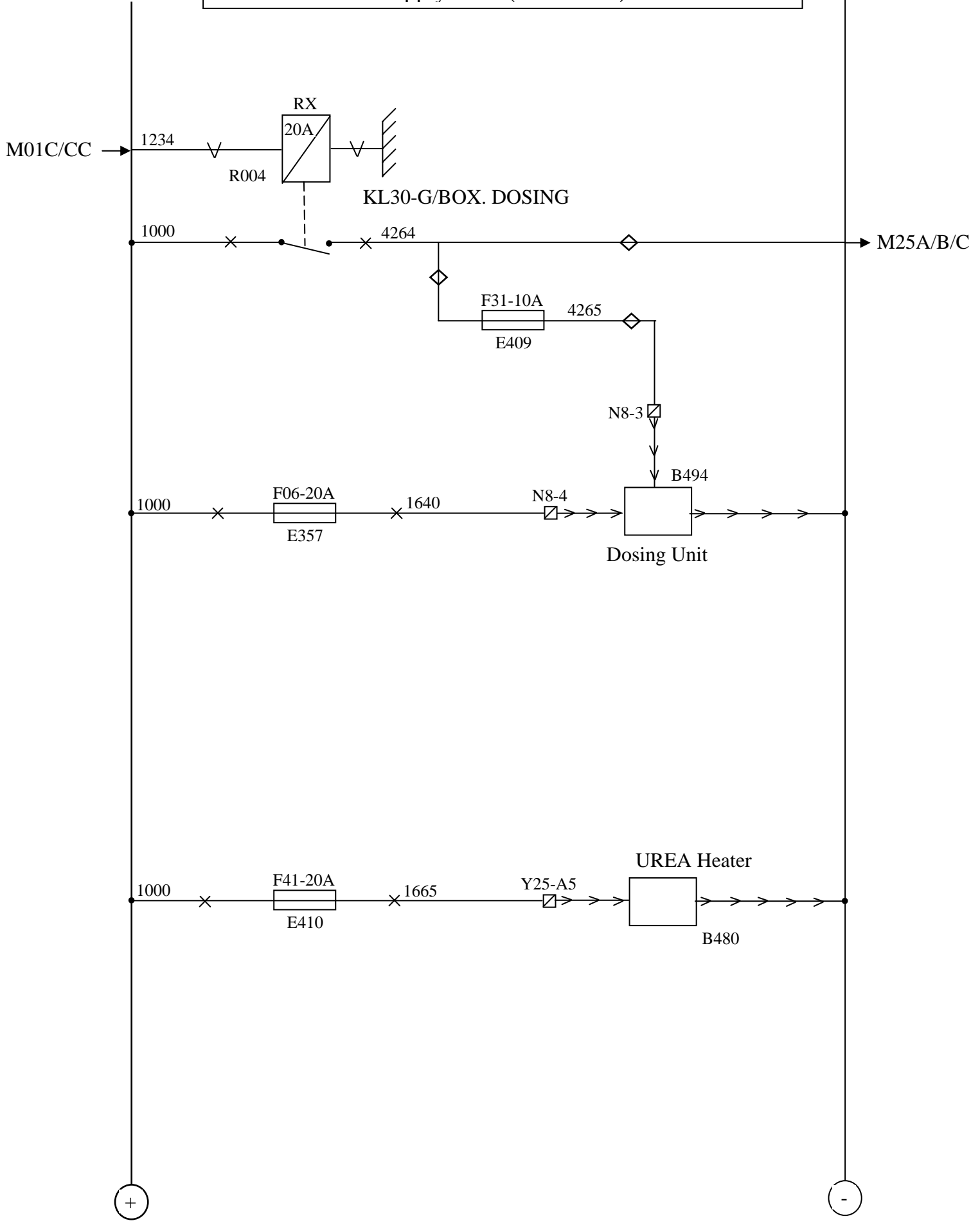


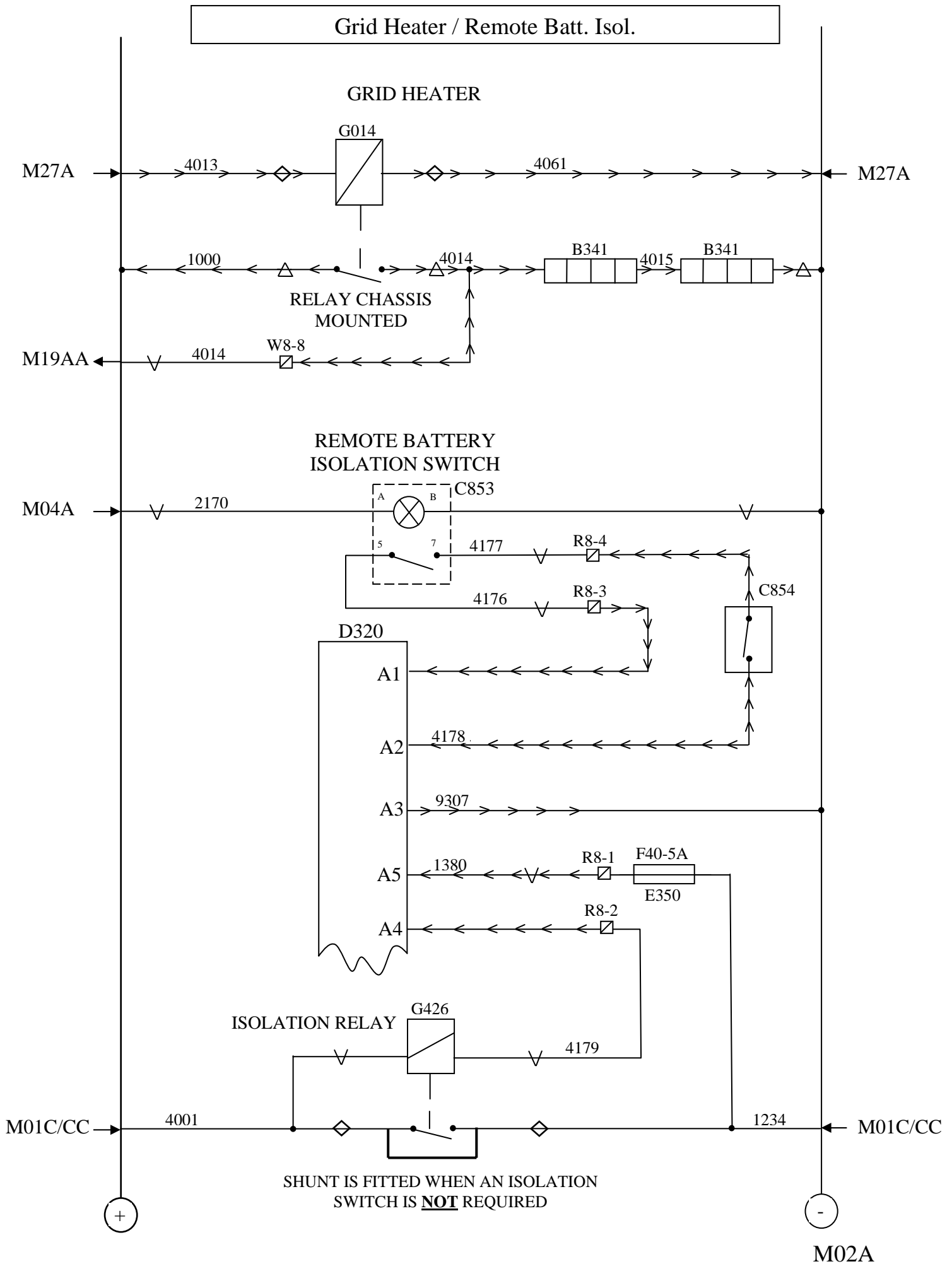


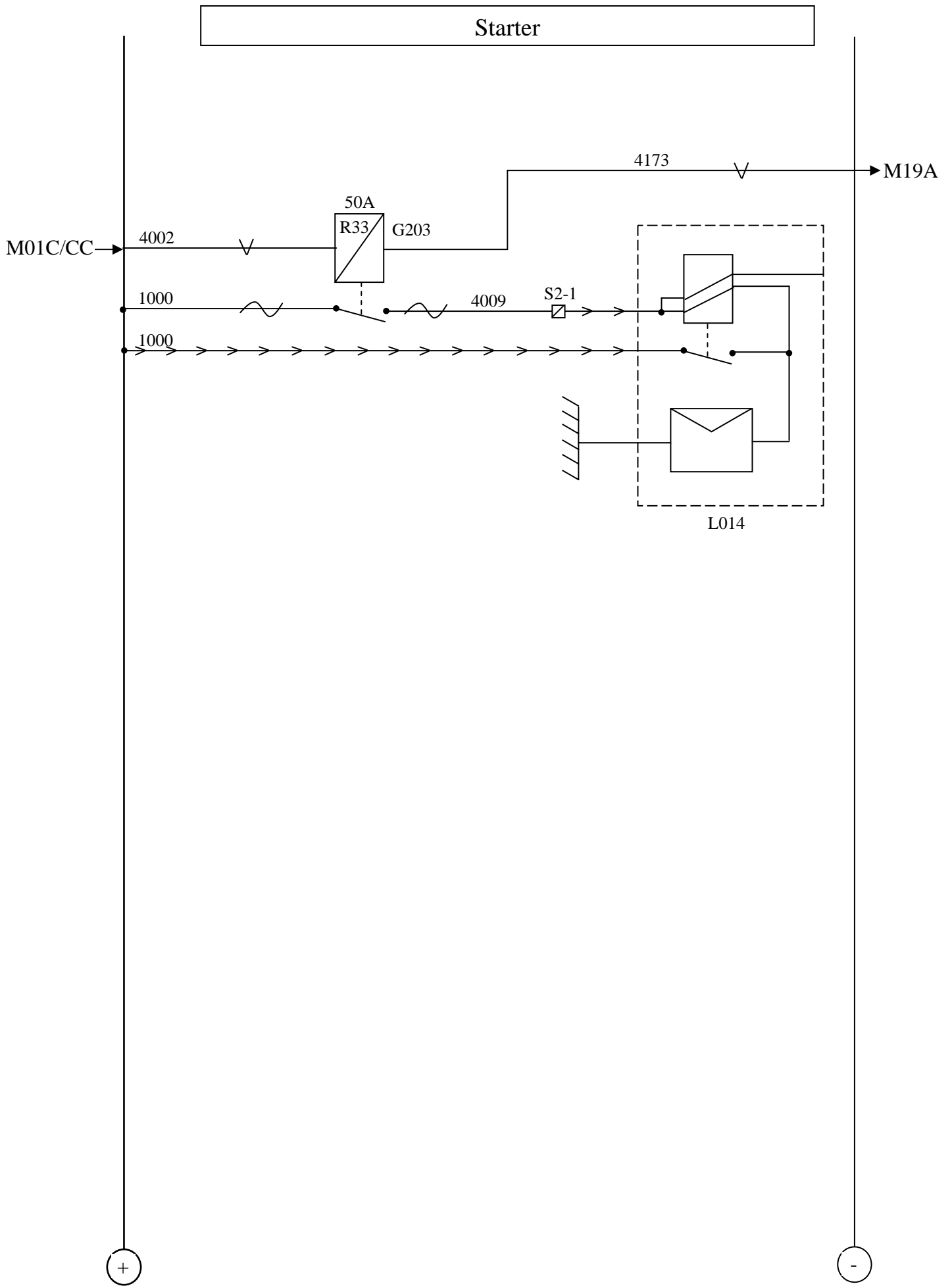
Supply fuses

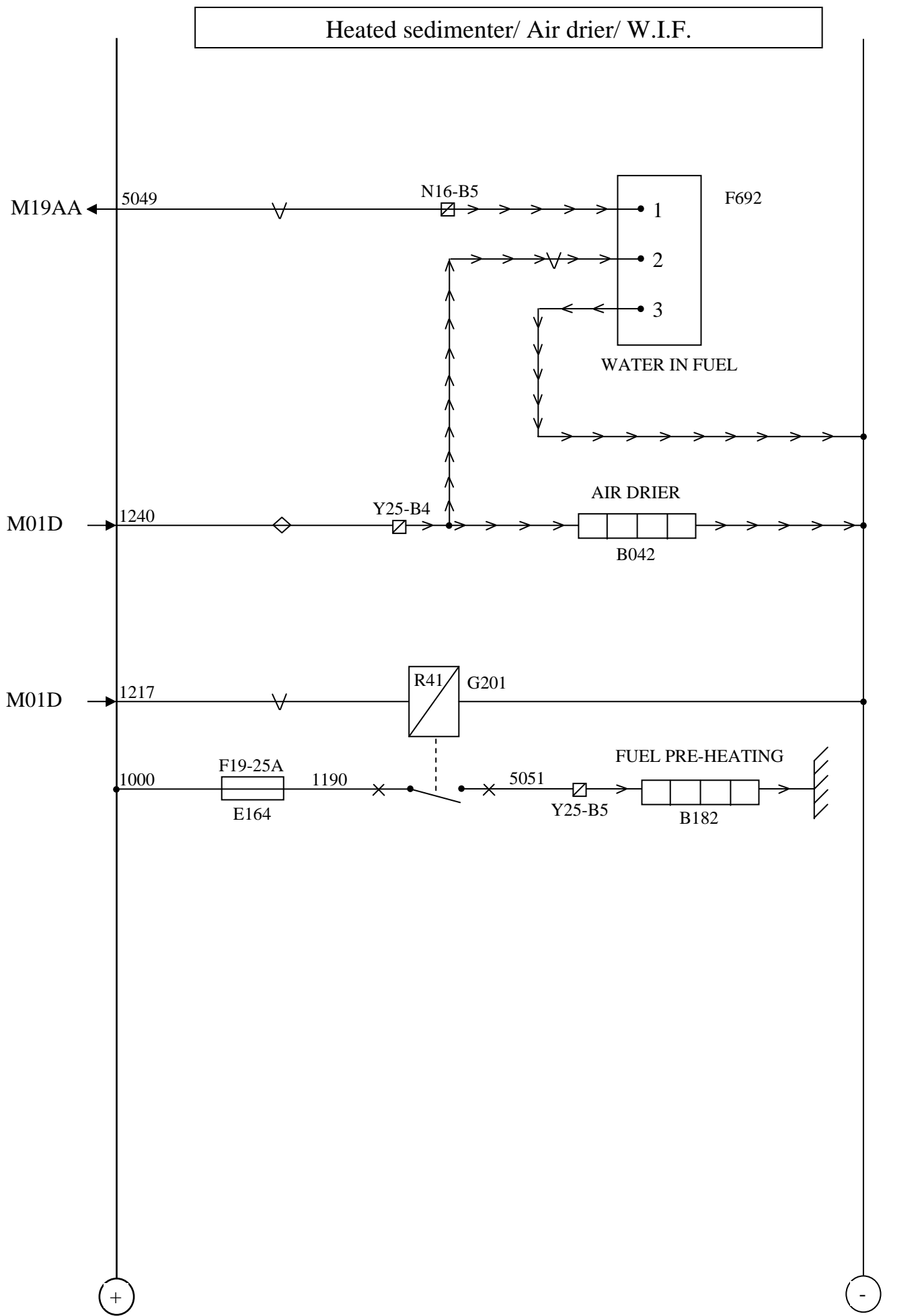


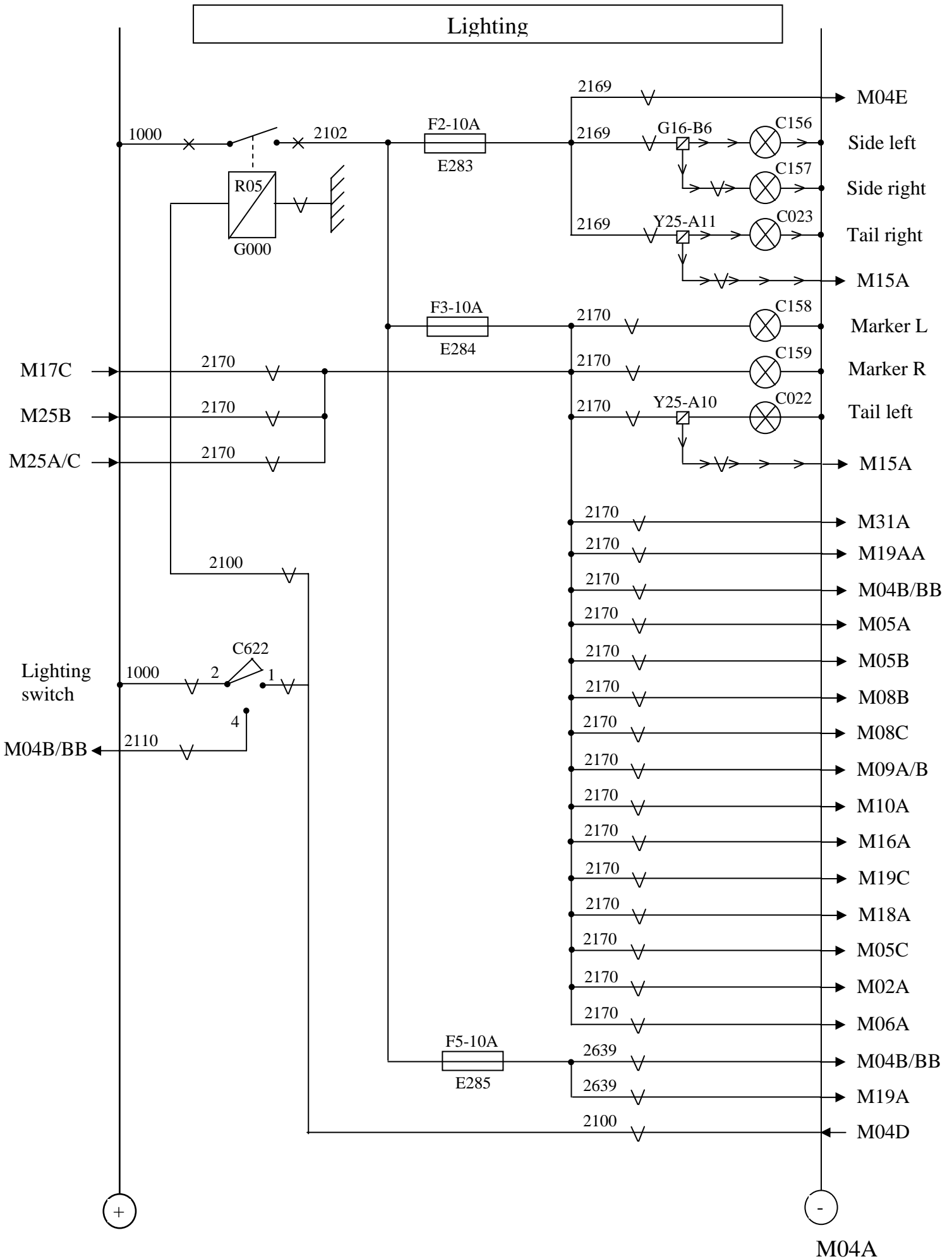
Supply fuses (Additional)

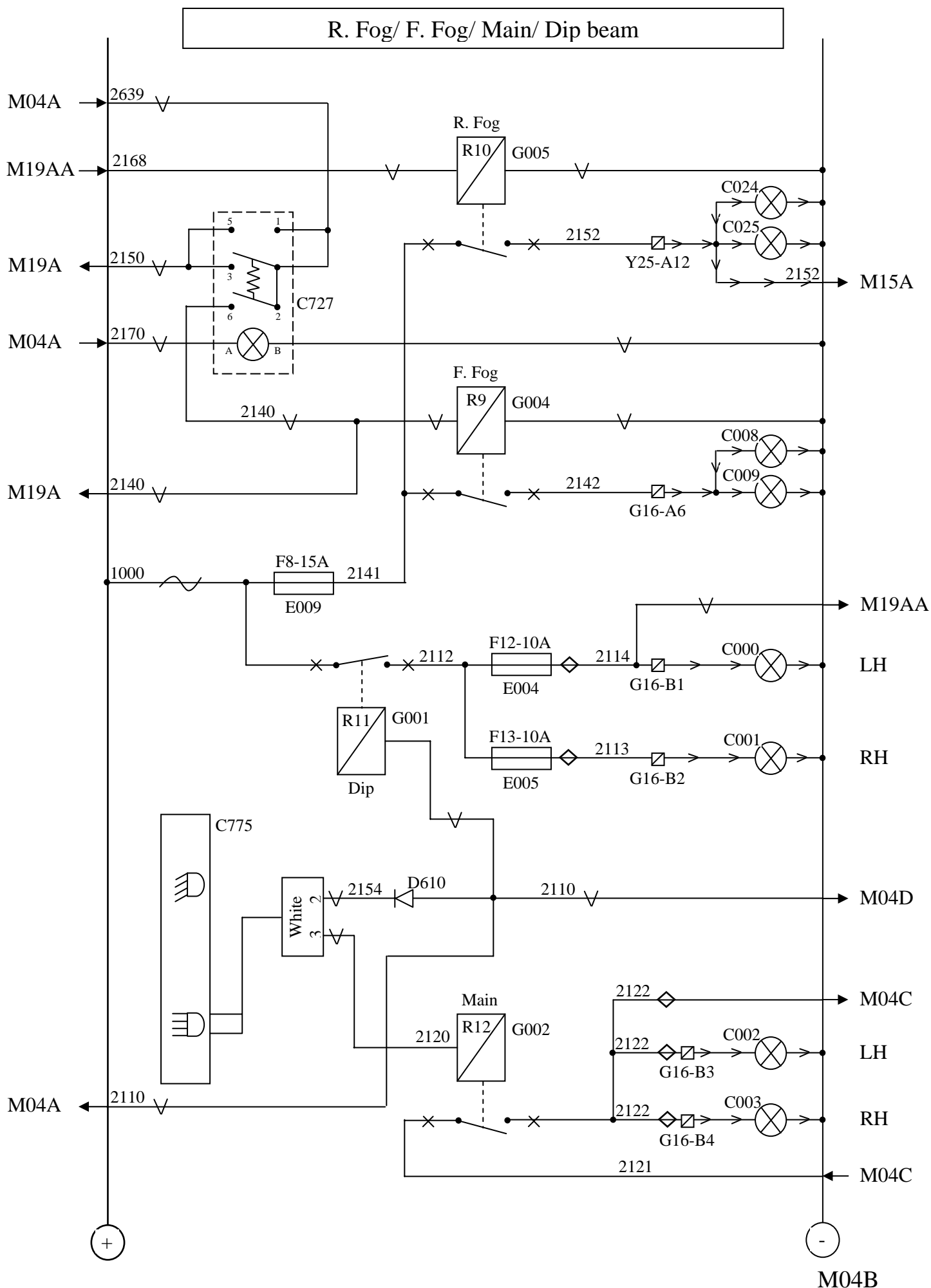


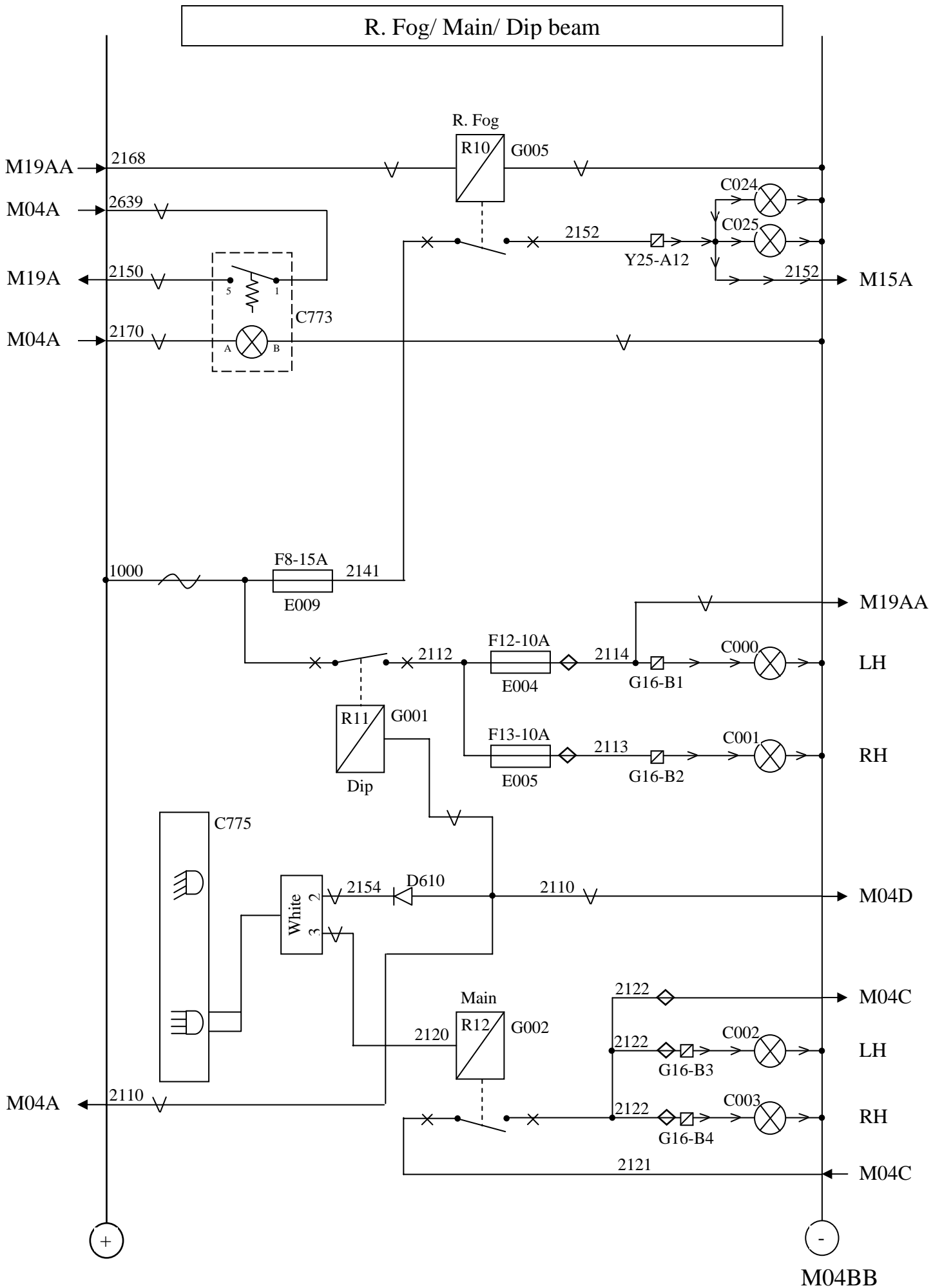




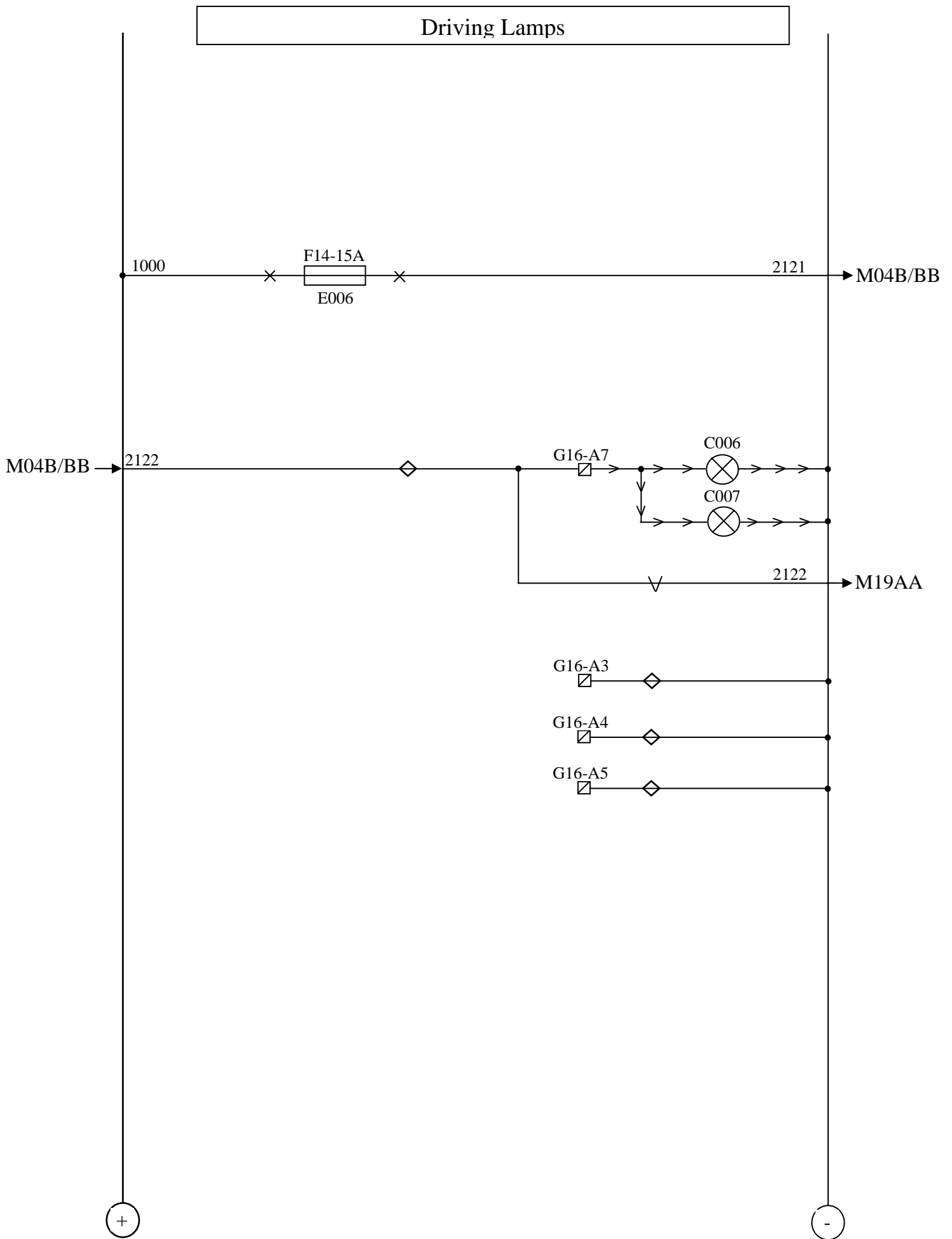




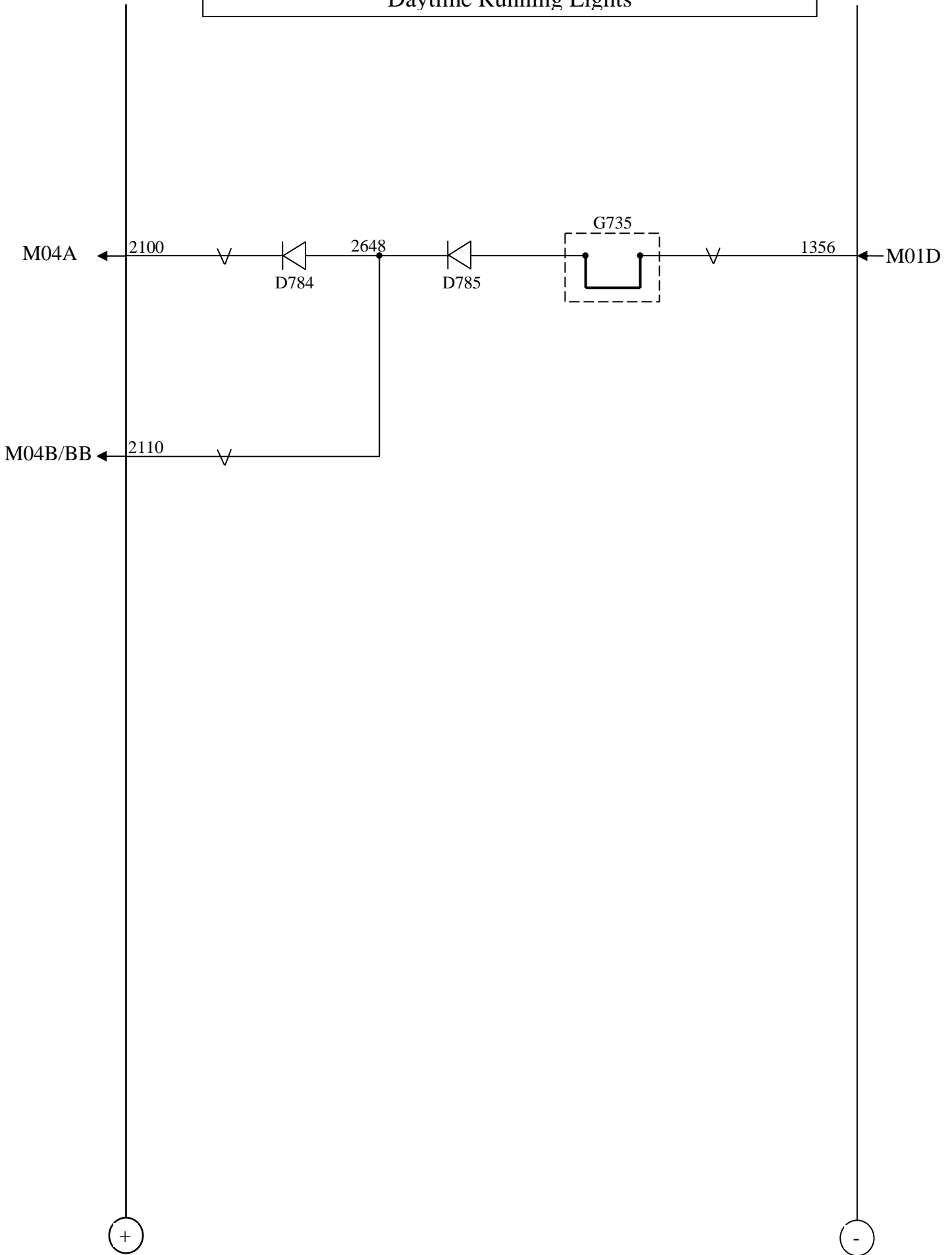


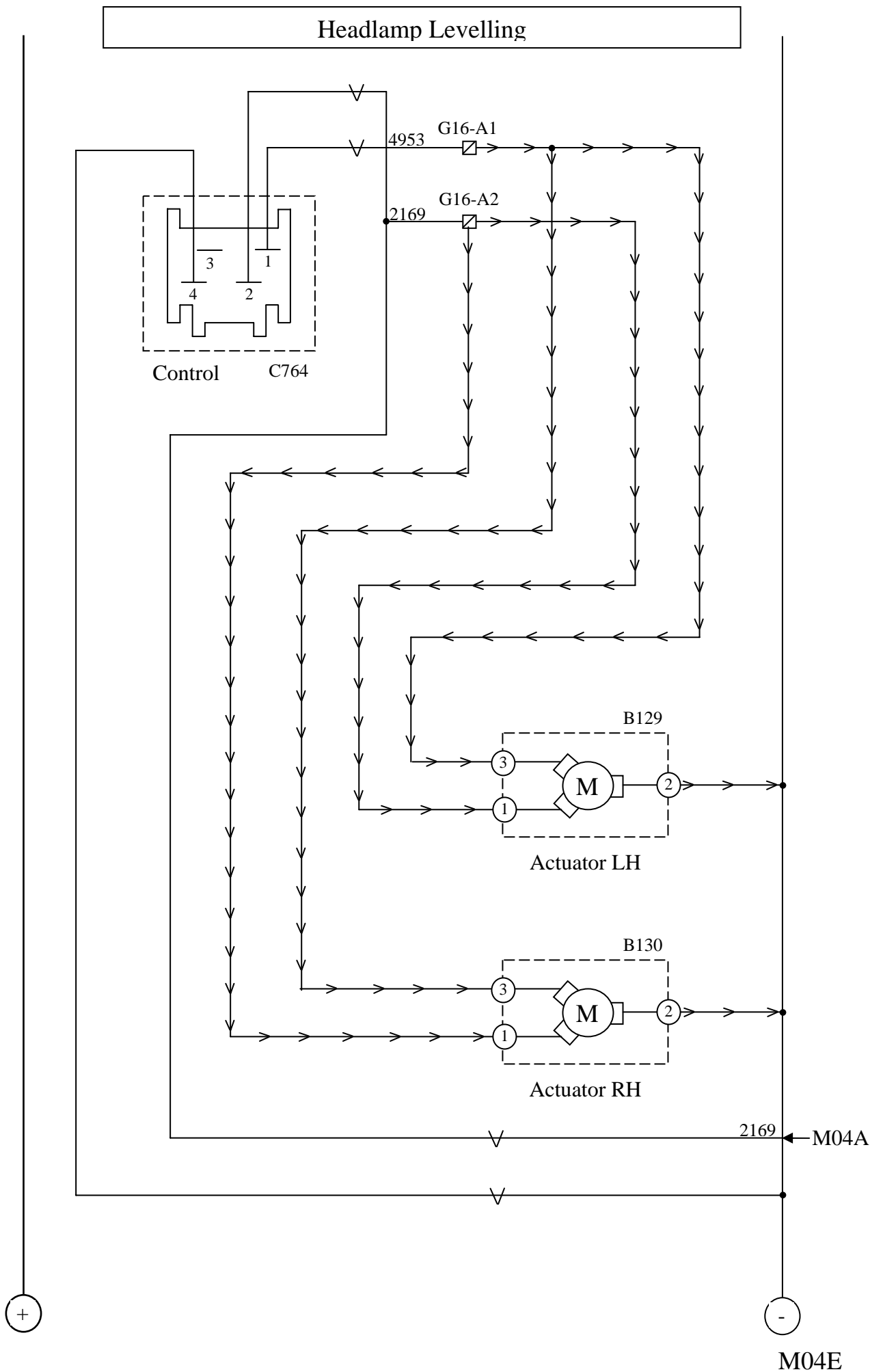


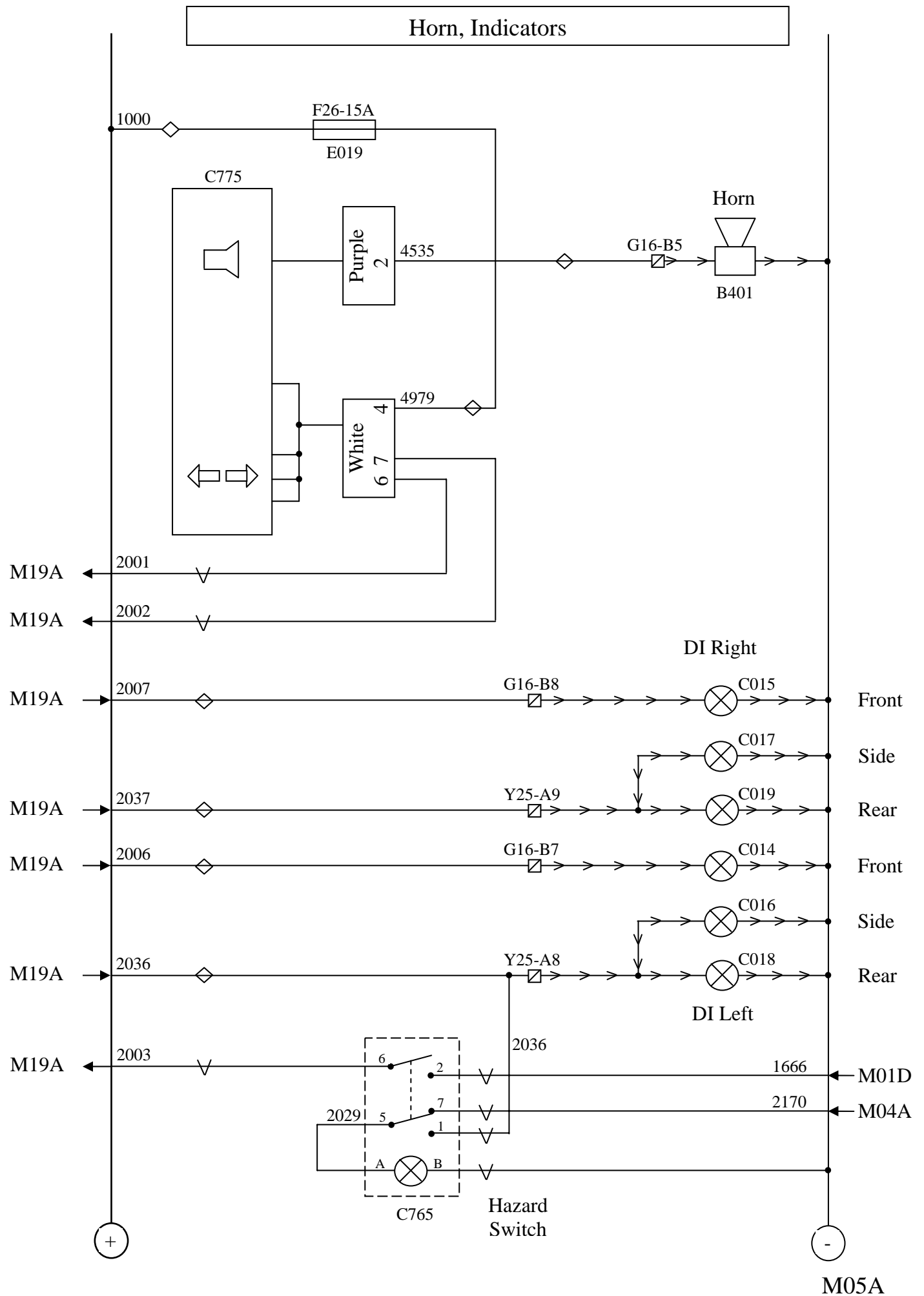
Driving Lamps

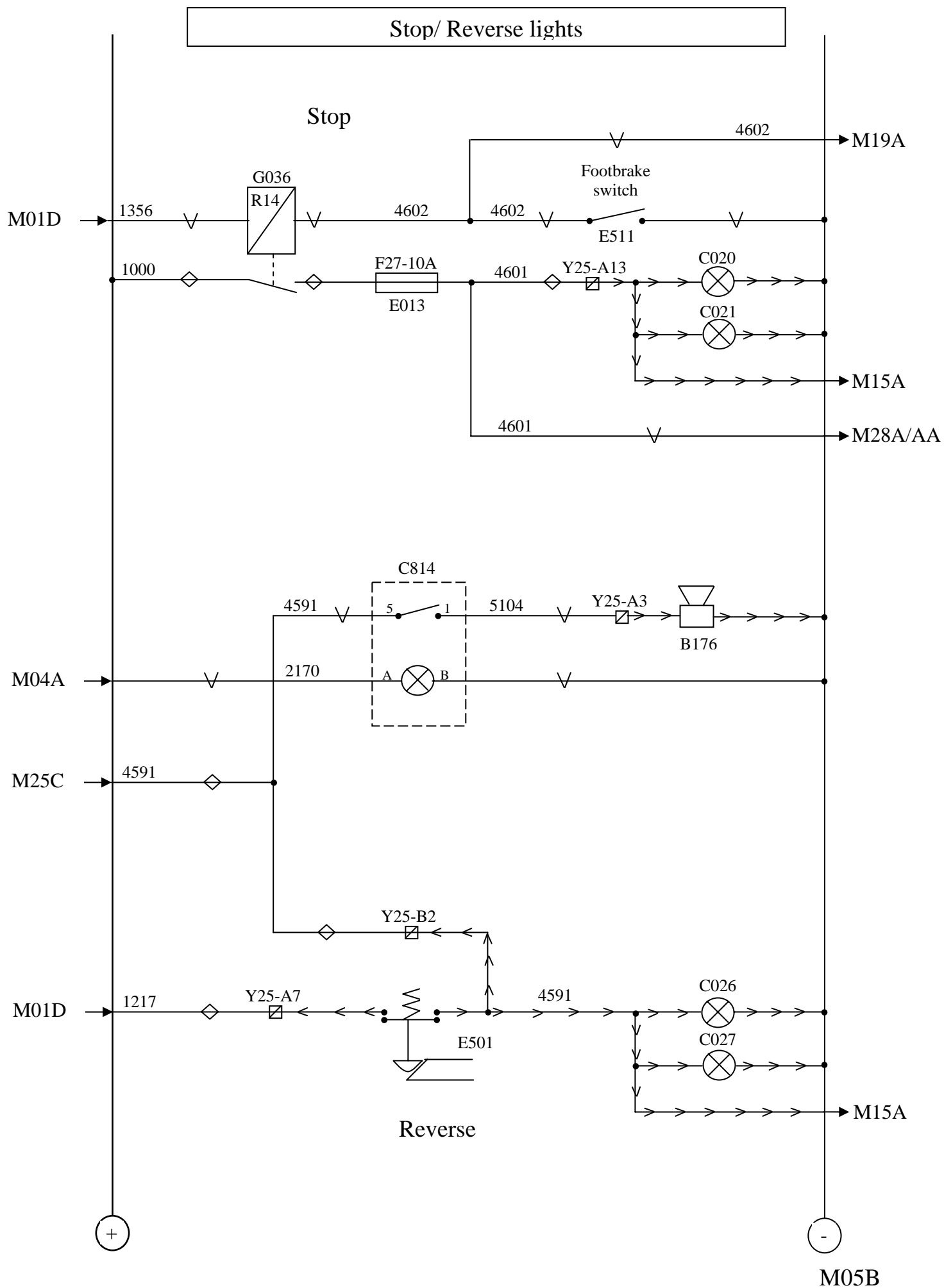


Daytime Running Lights

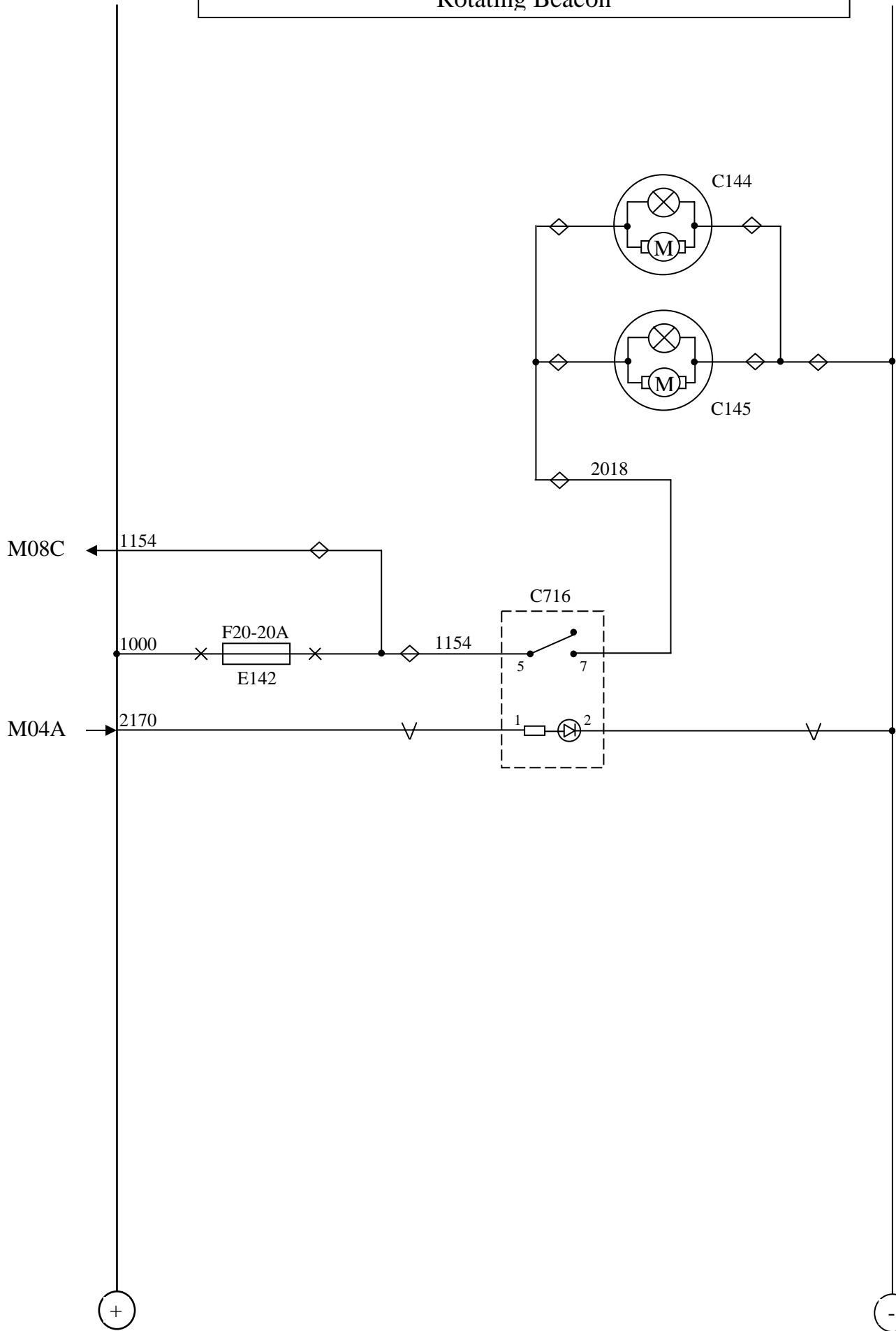


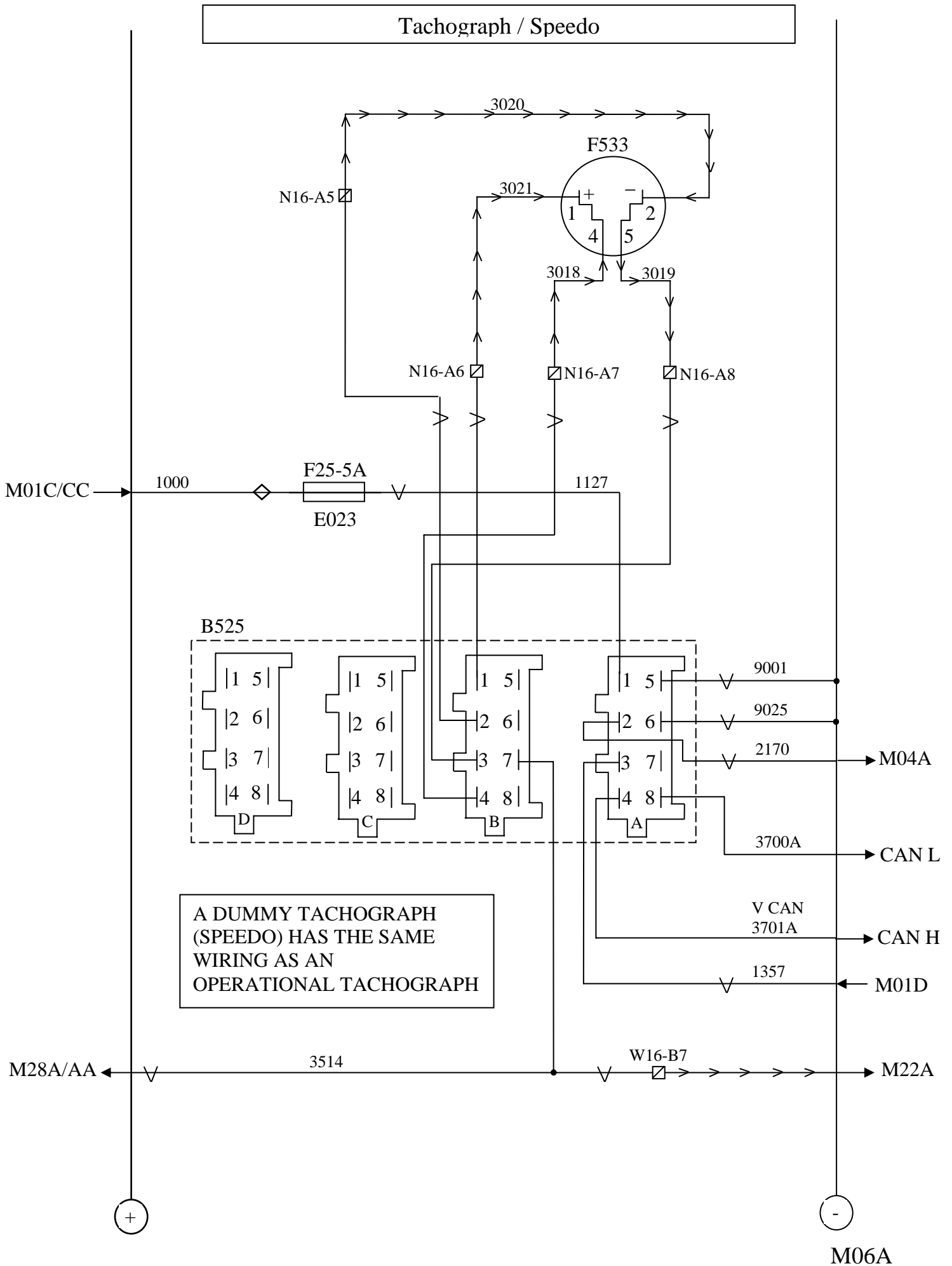




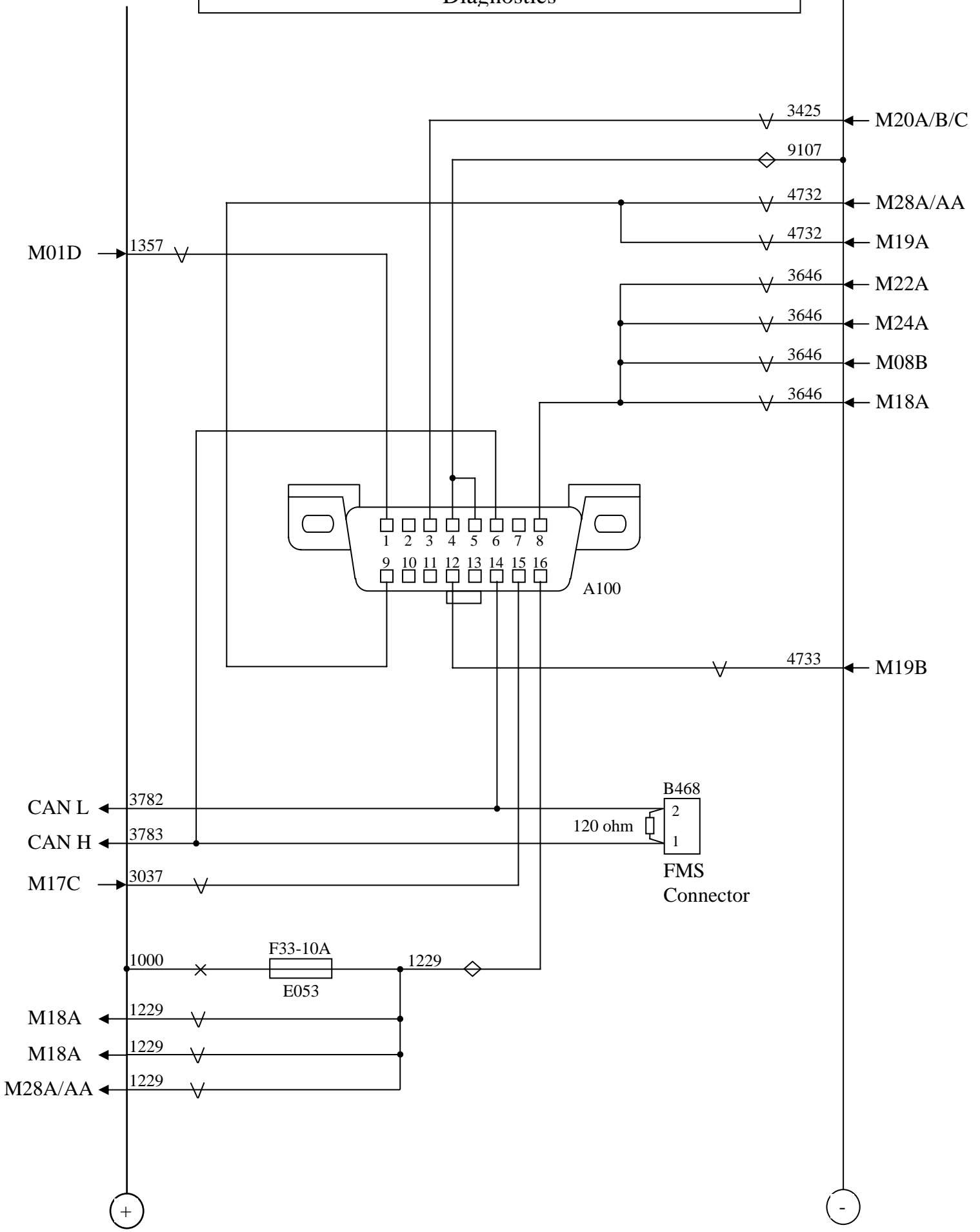


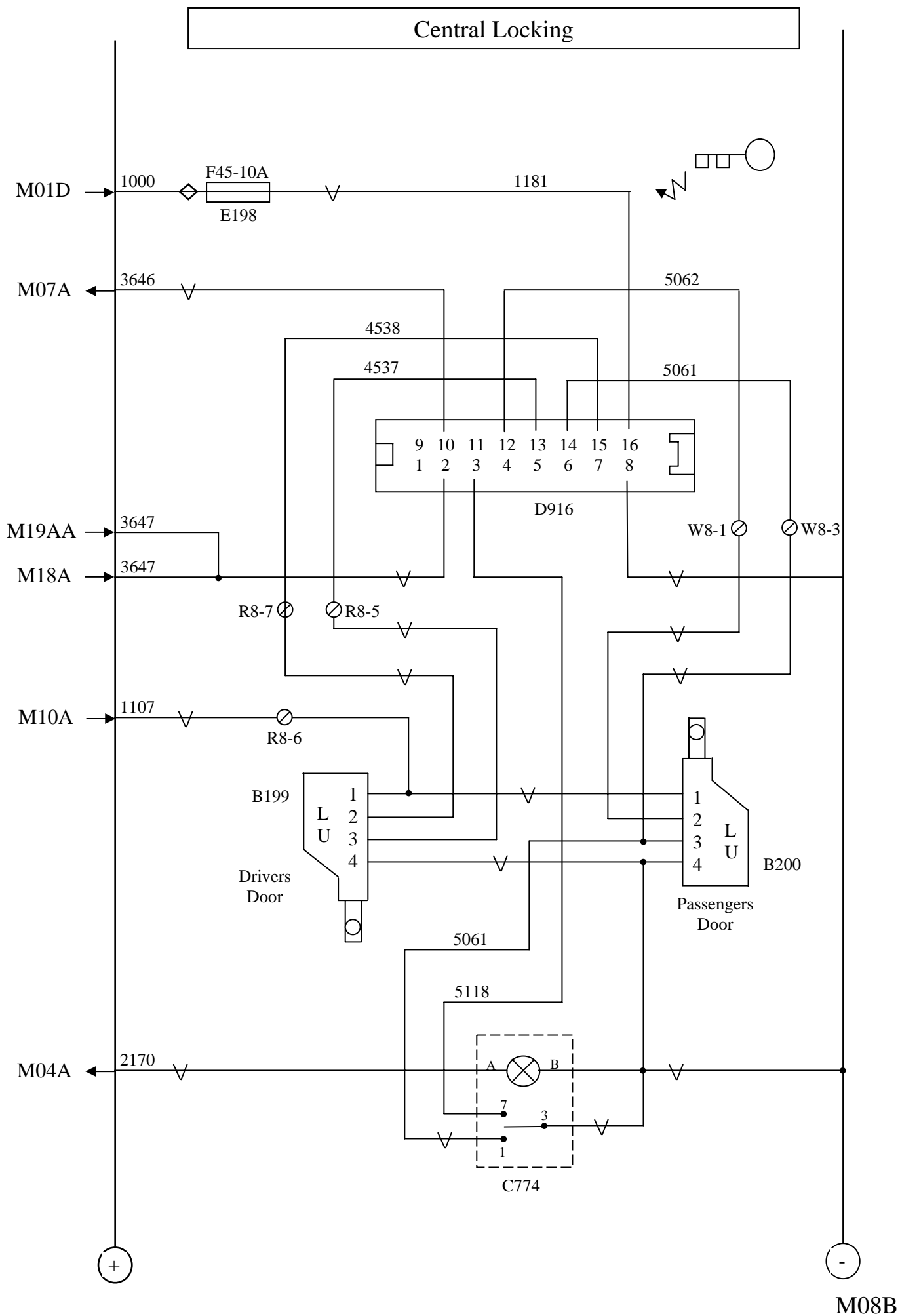
Rotating Beacon

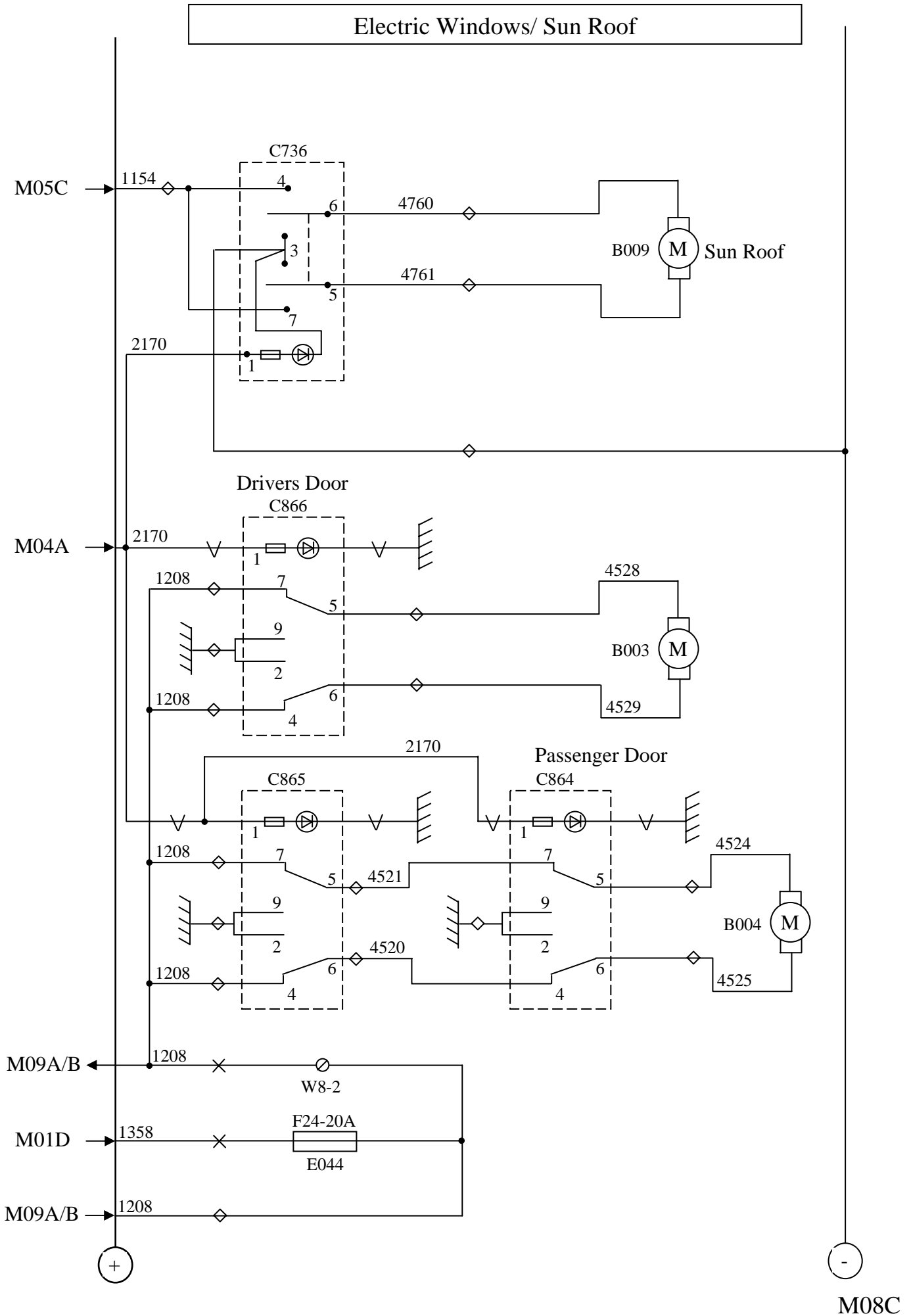


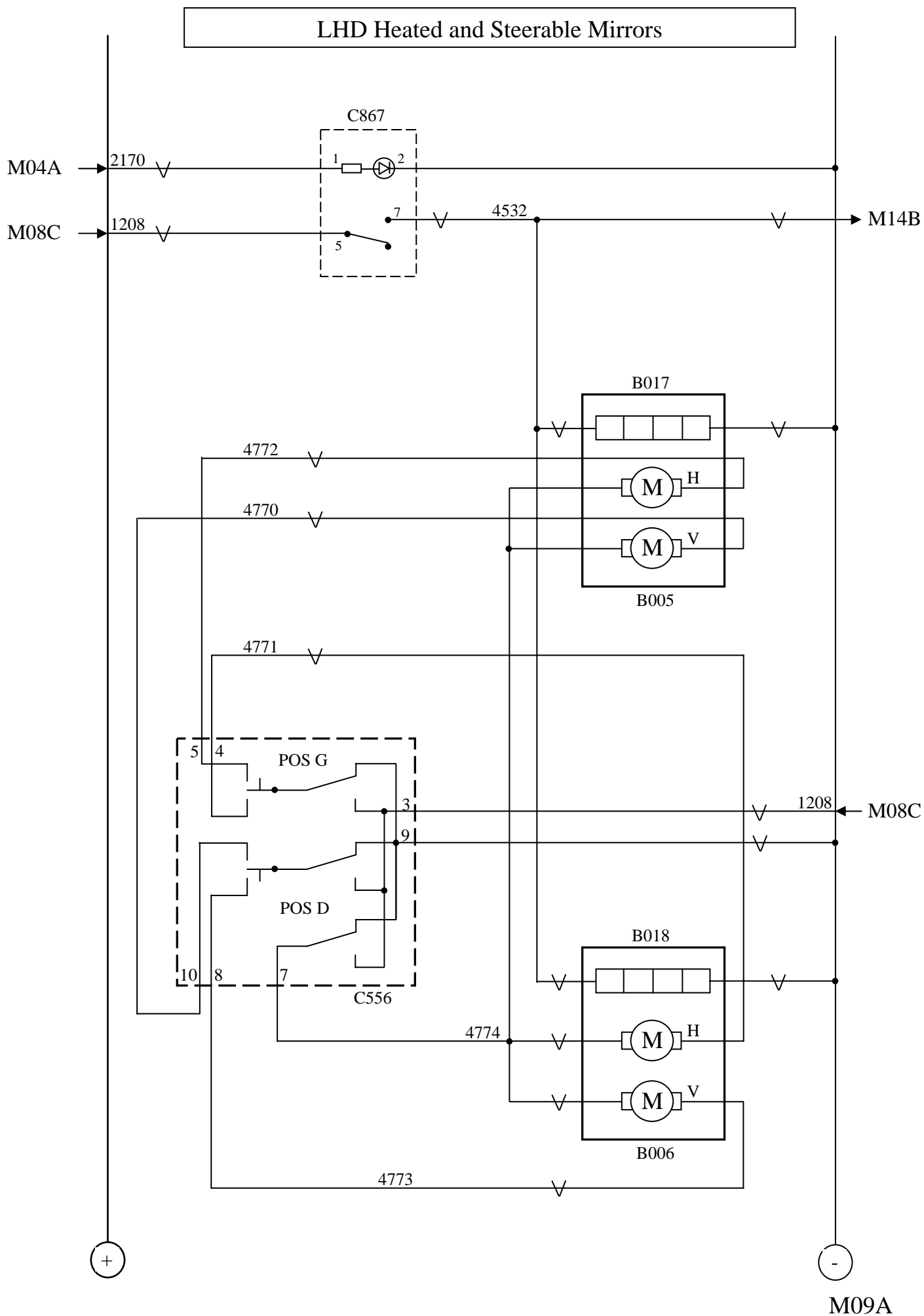


Diagnostics

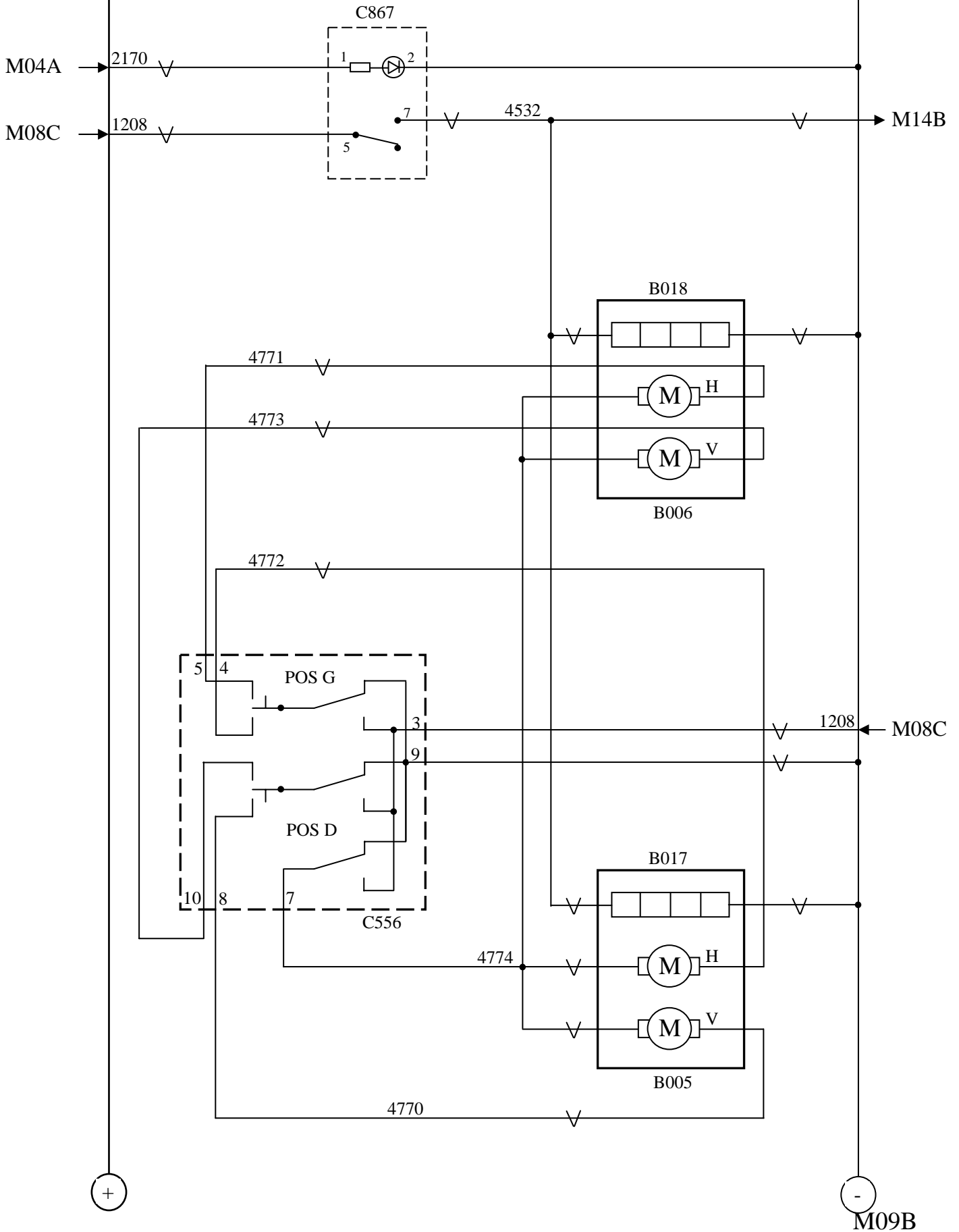


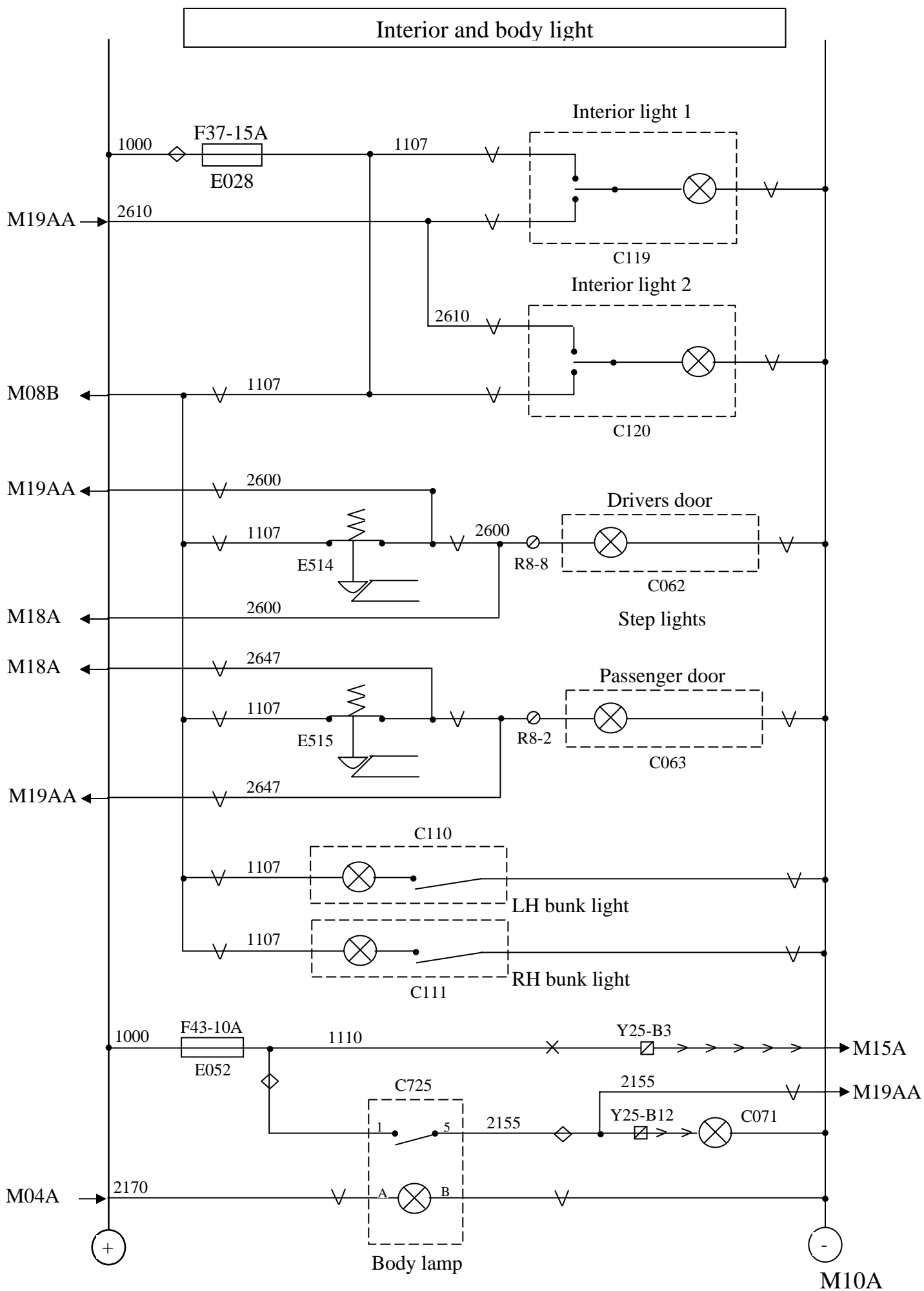


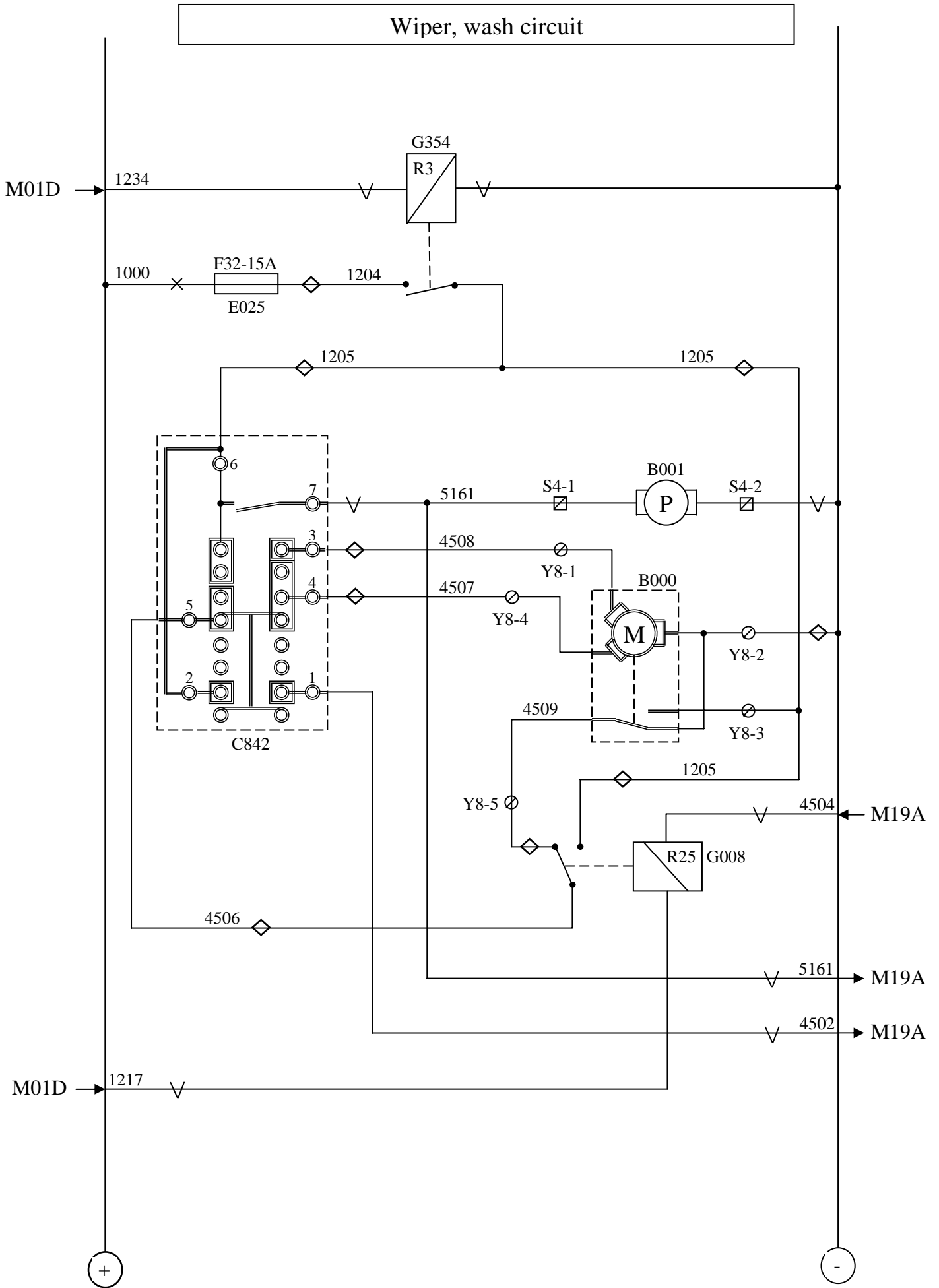


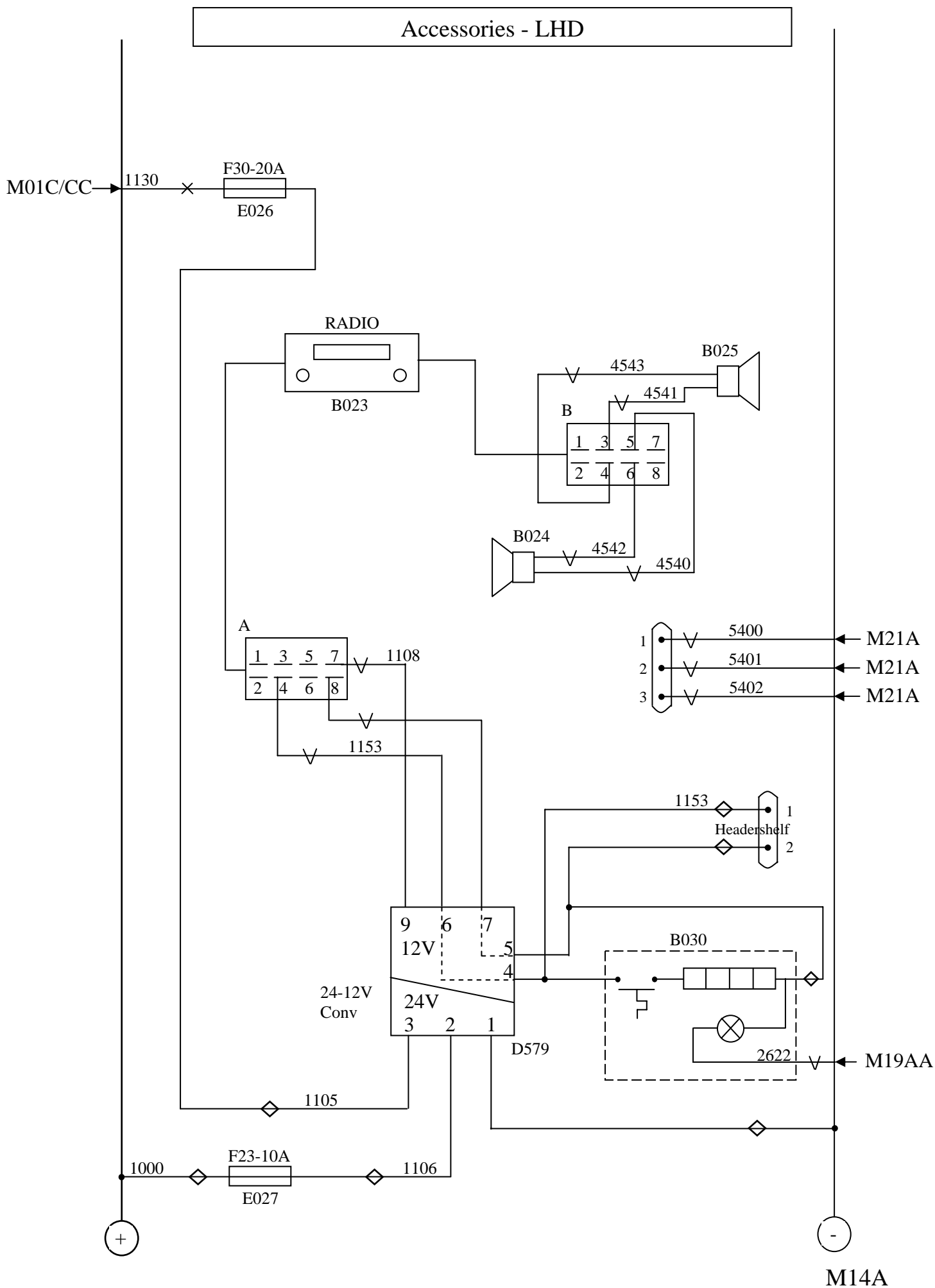


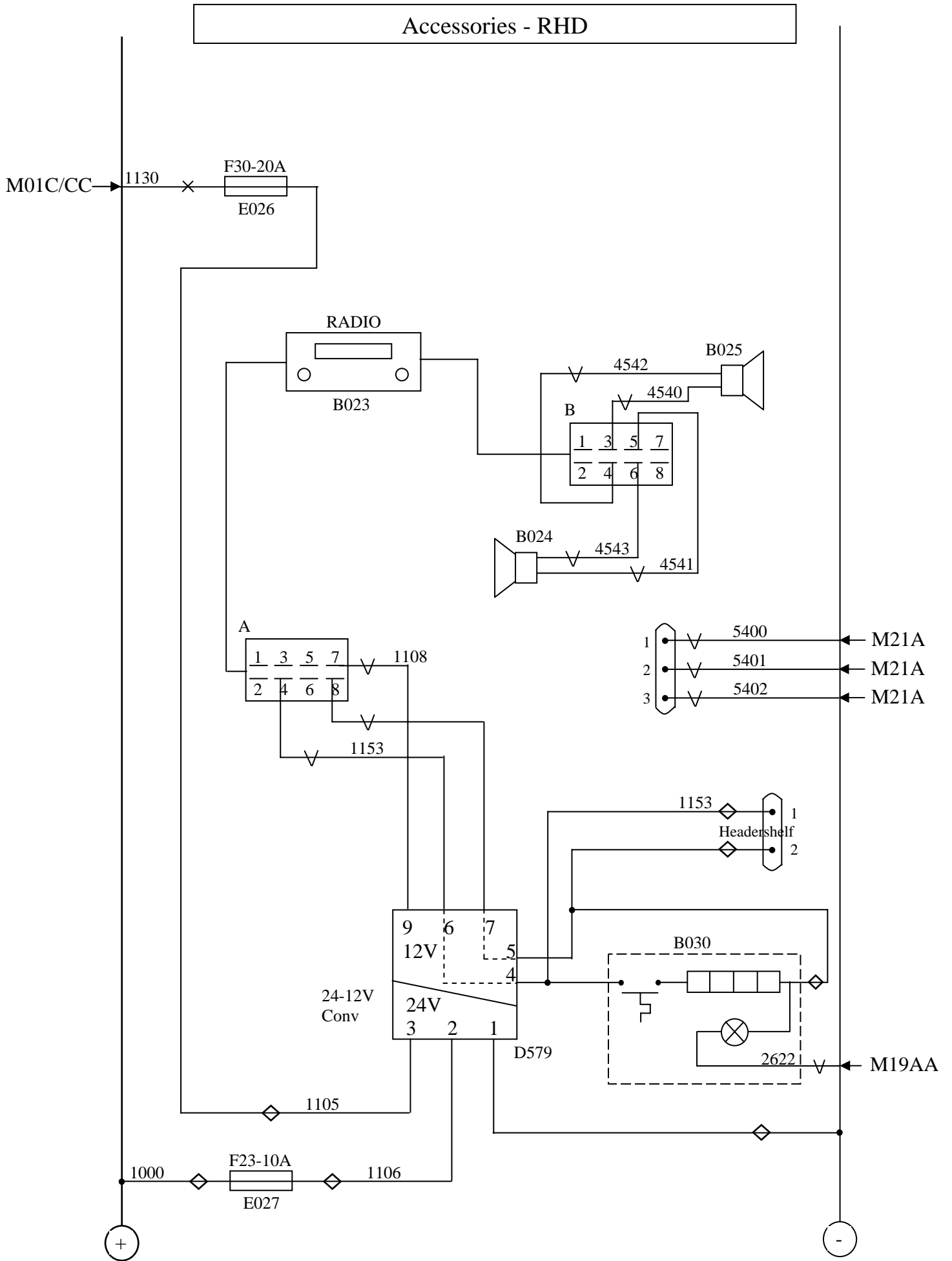
RHD Heated and Steerable Mirrors

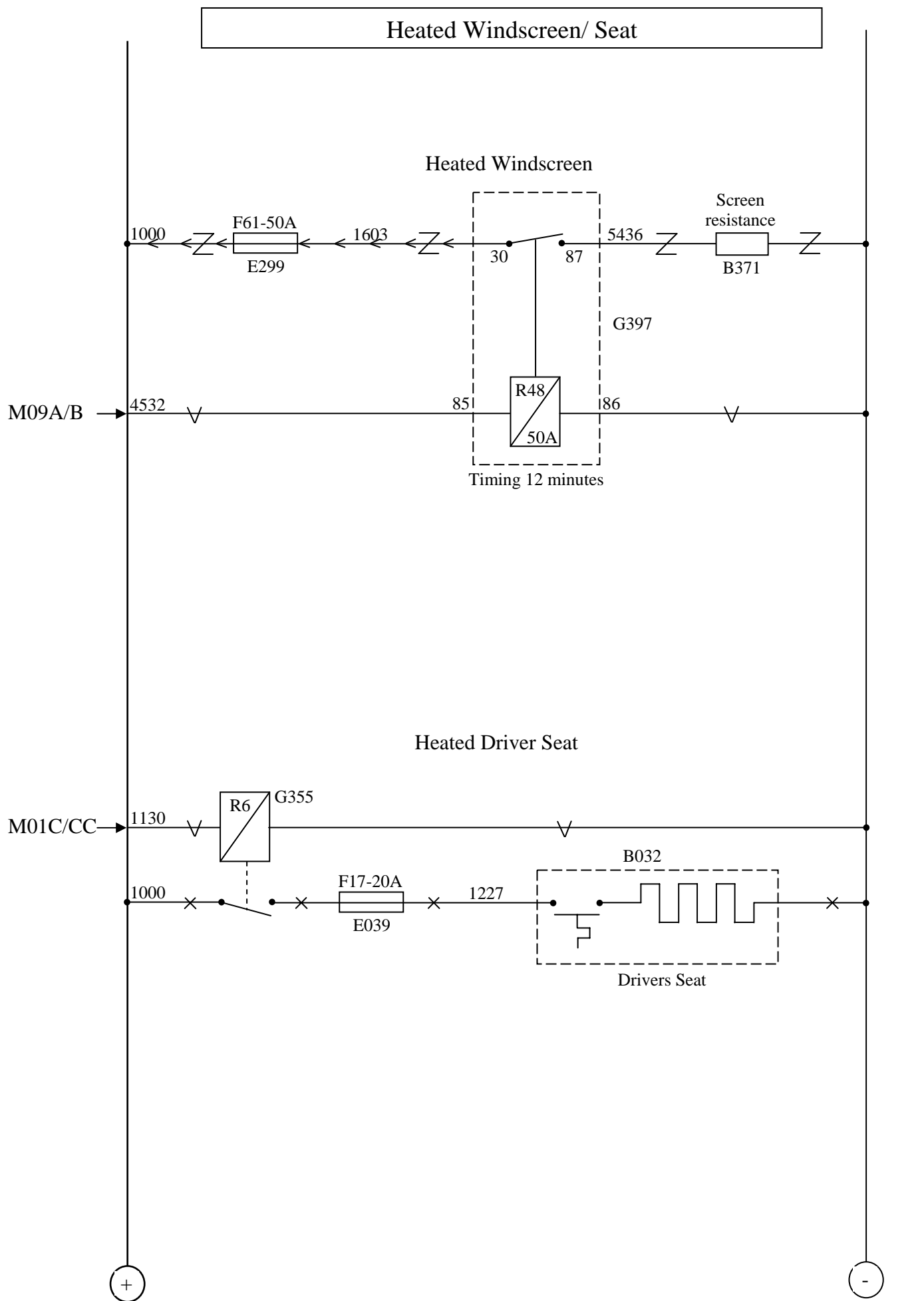




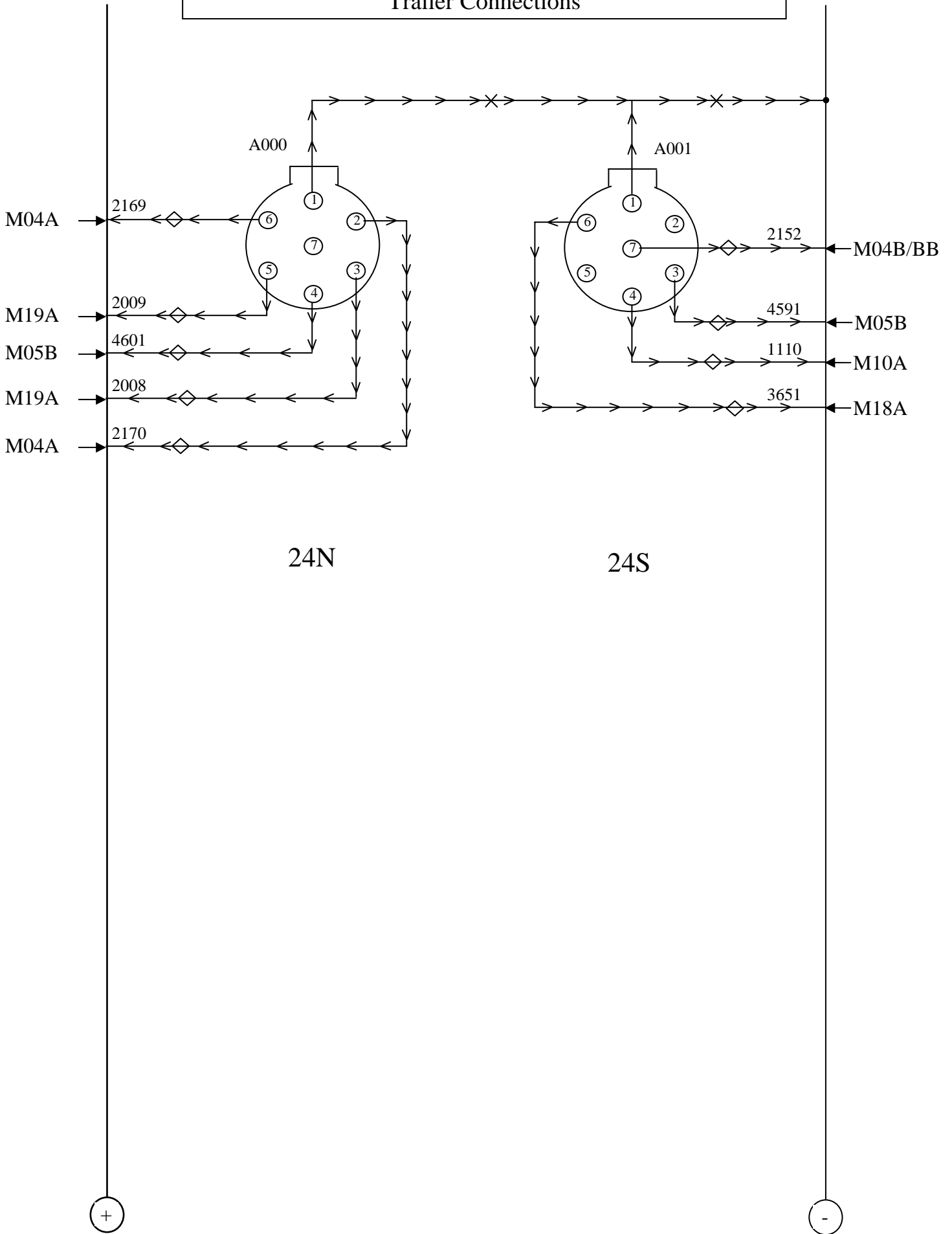


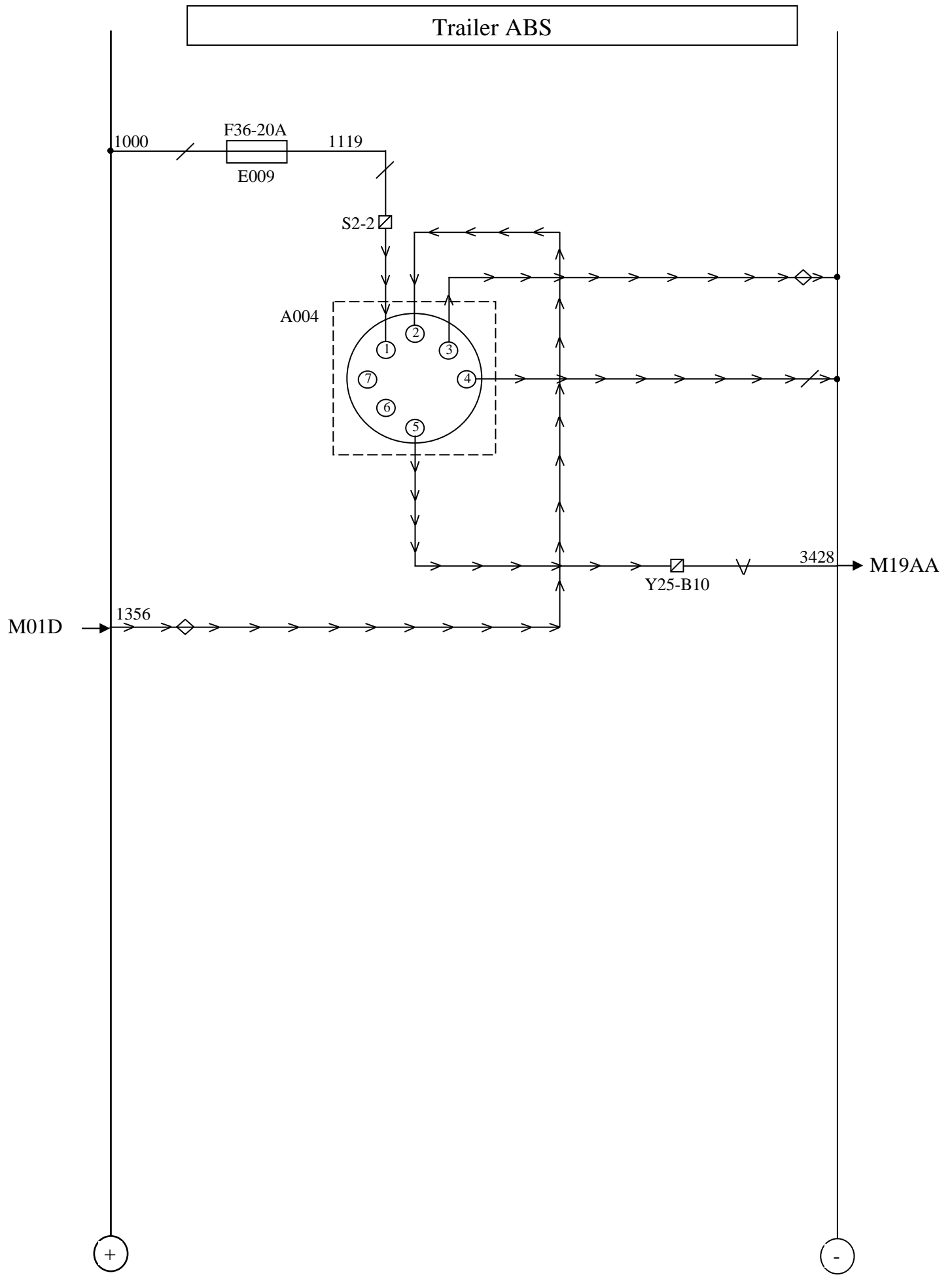


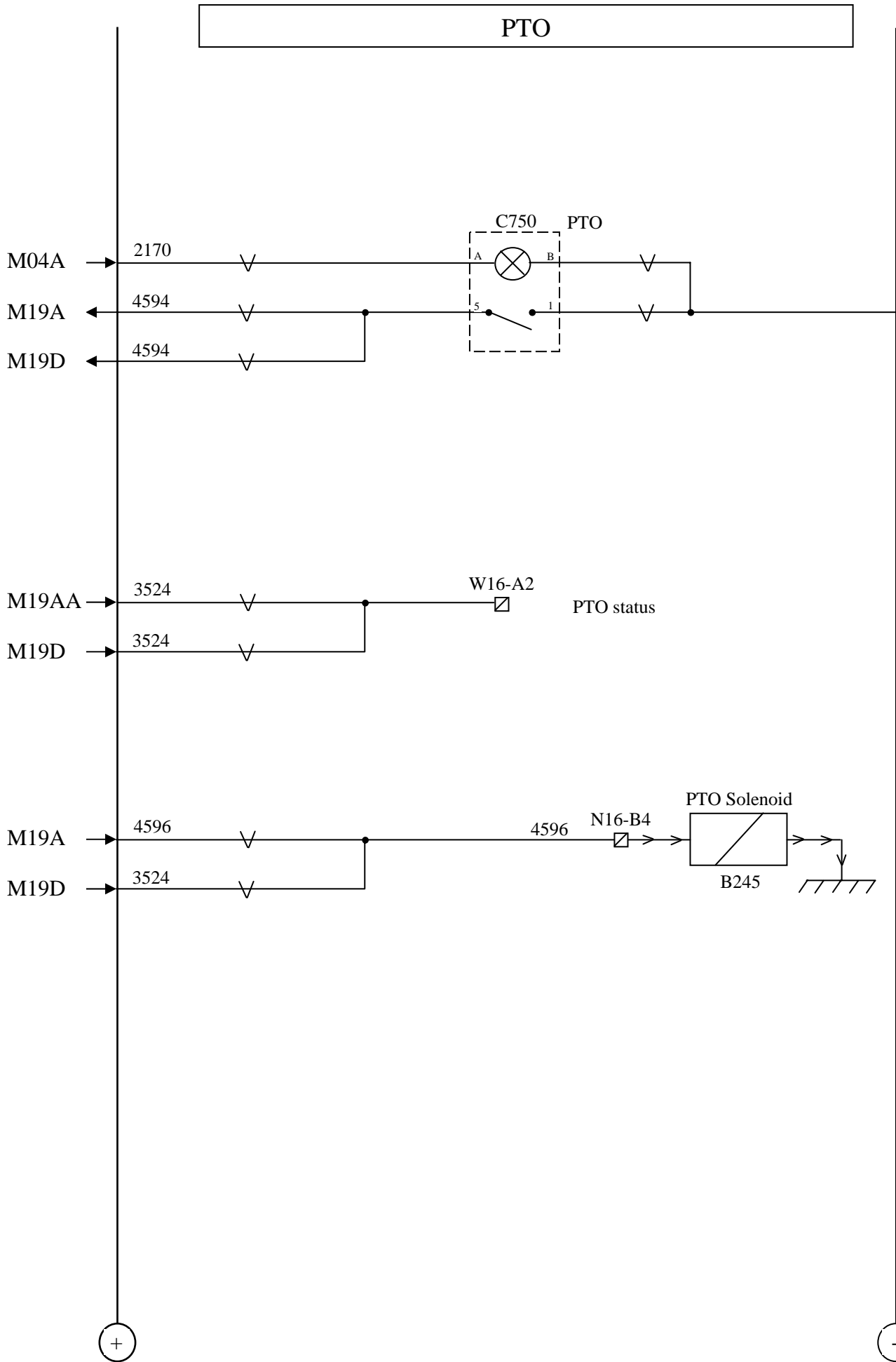


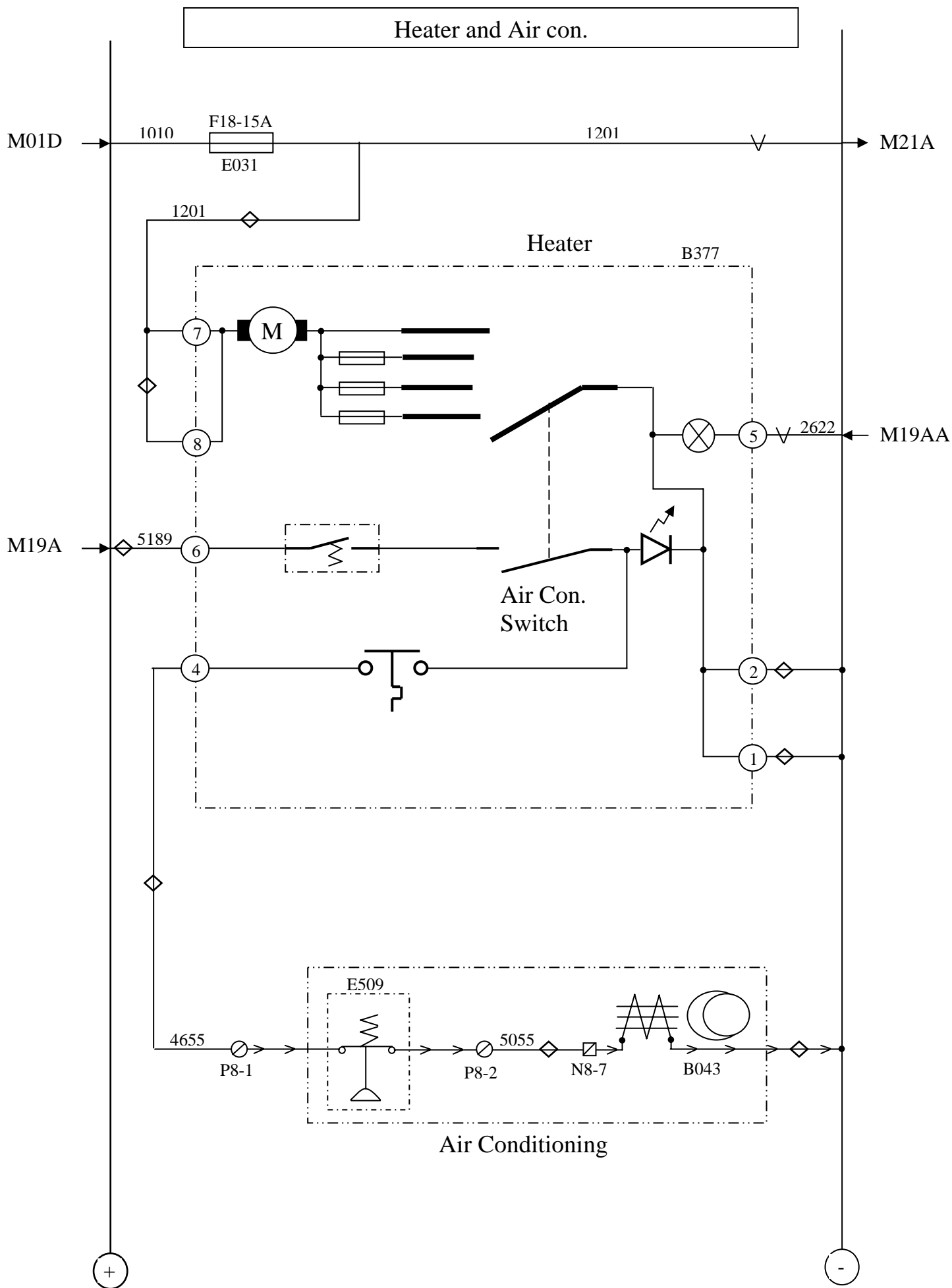


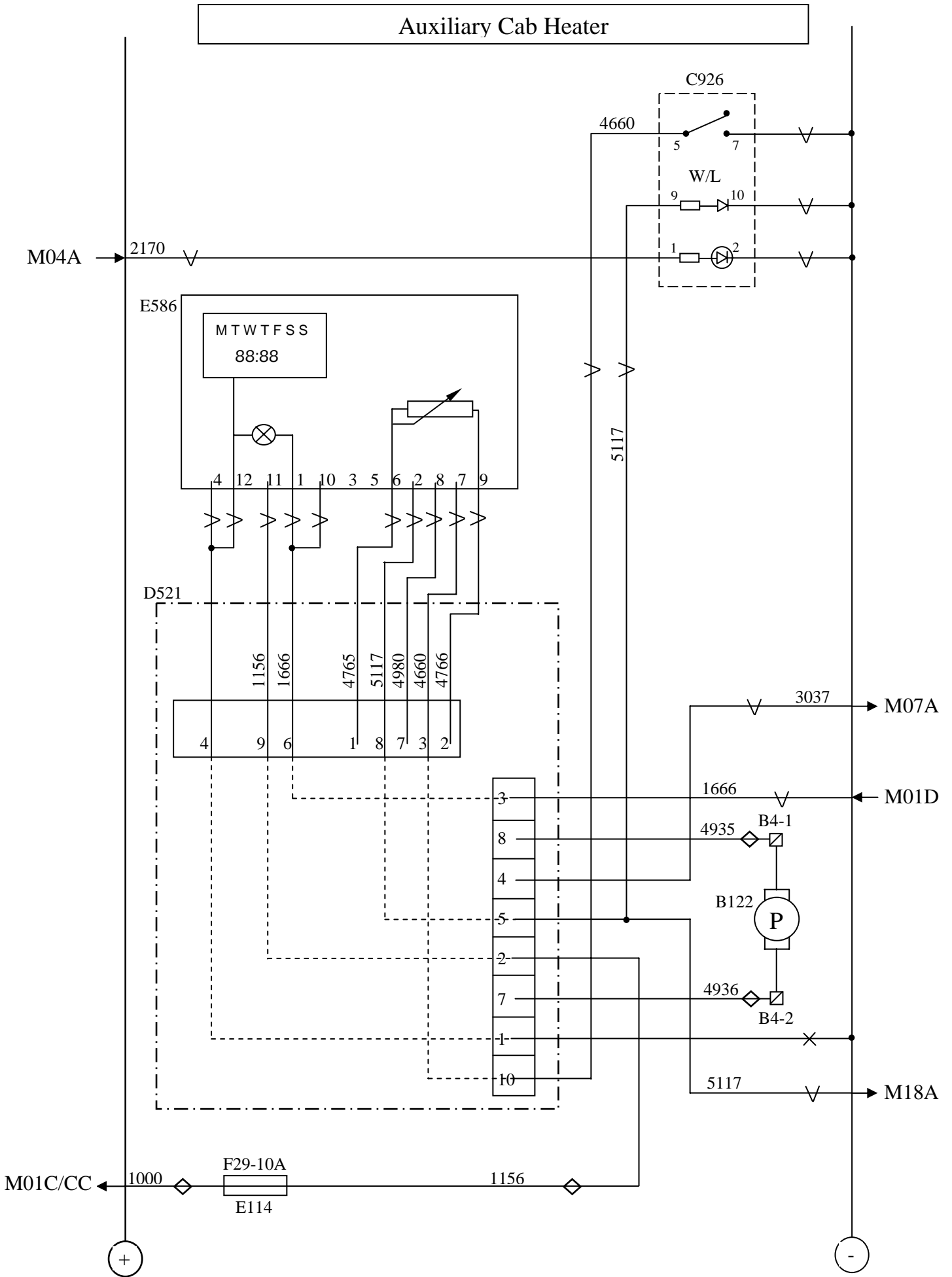
Trailer Connections

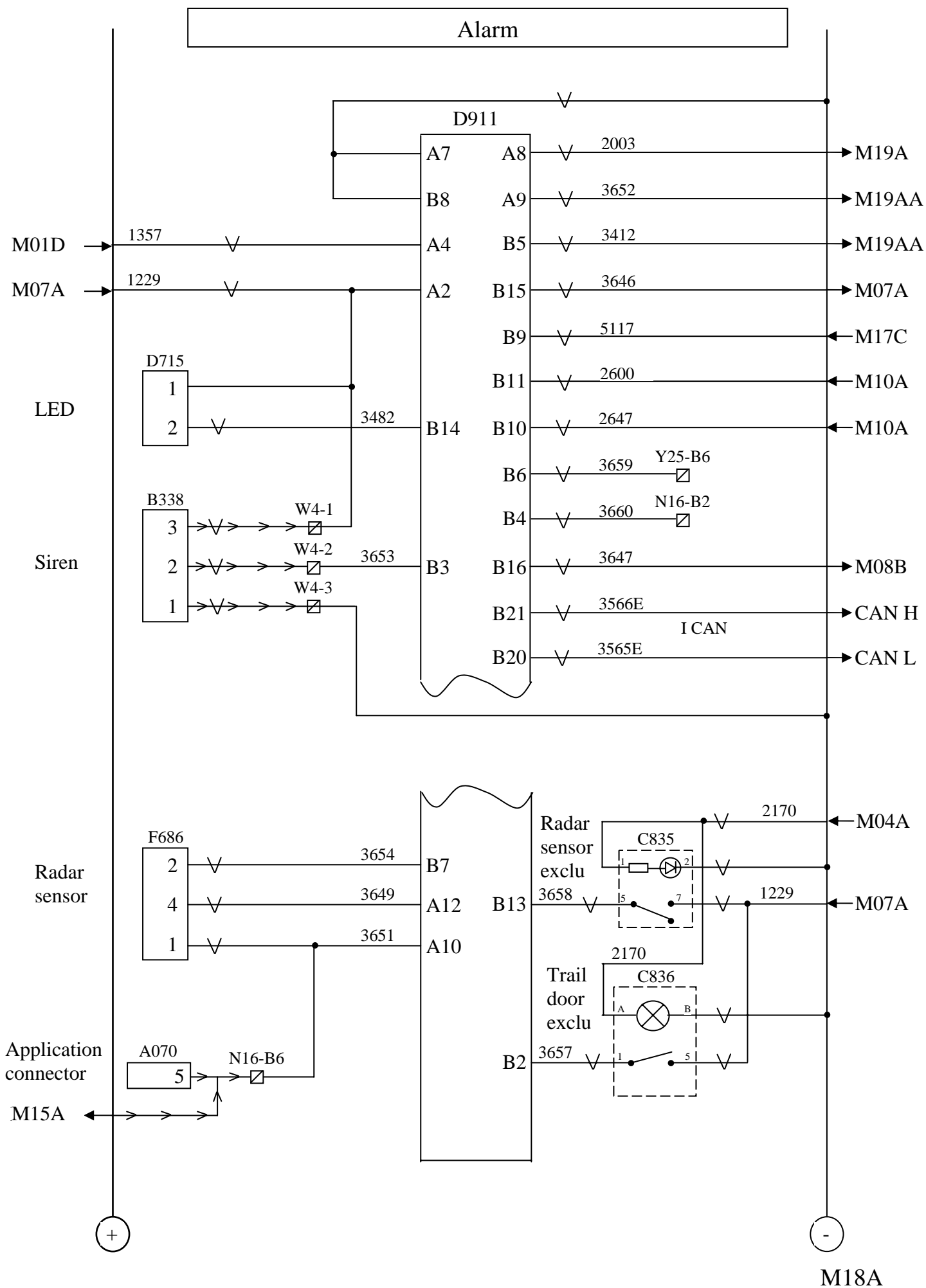


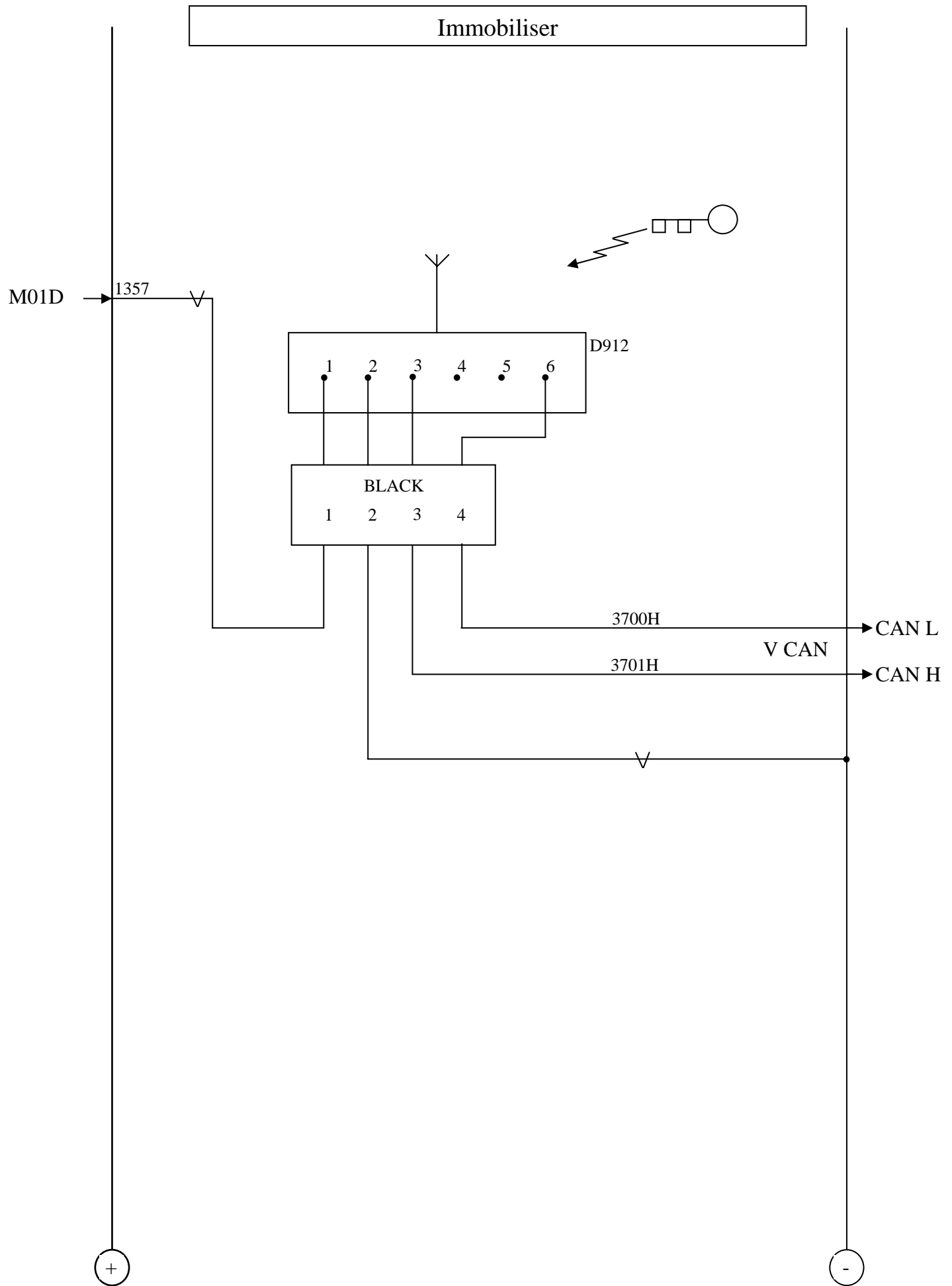


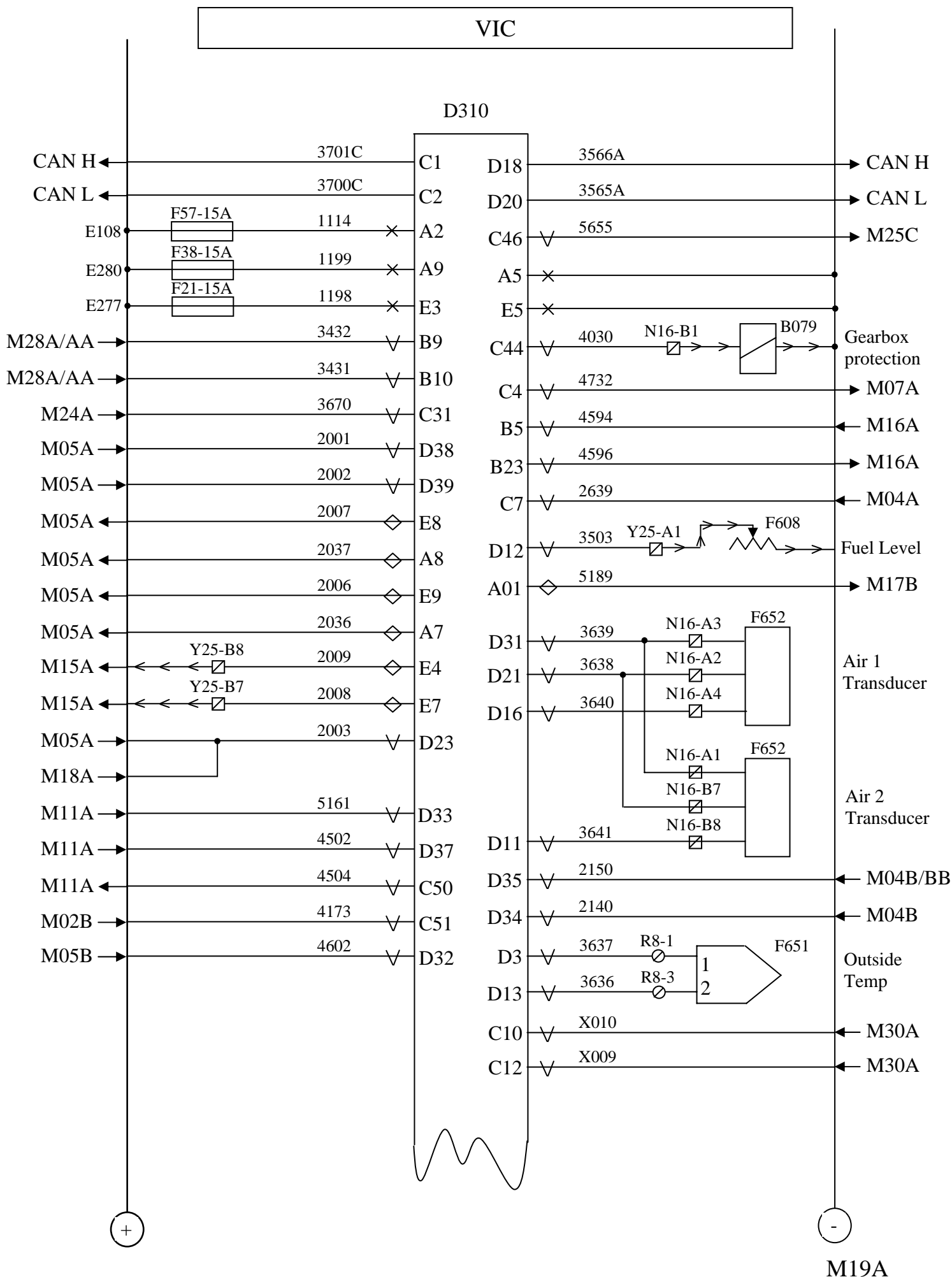




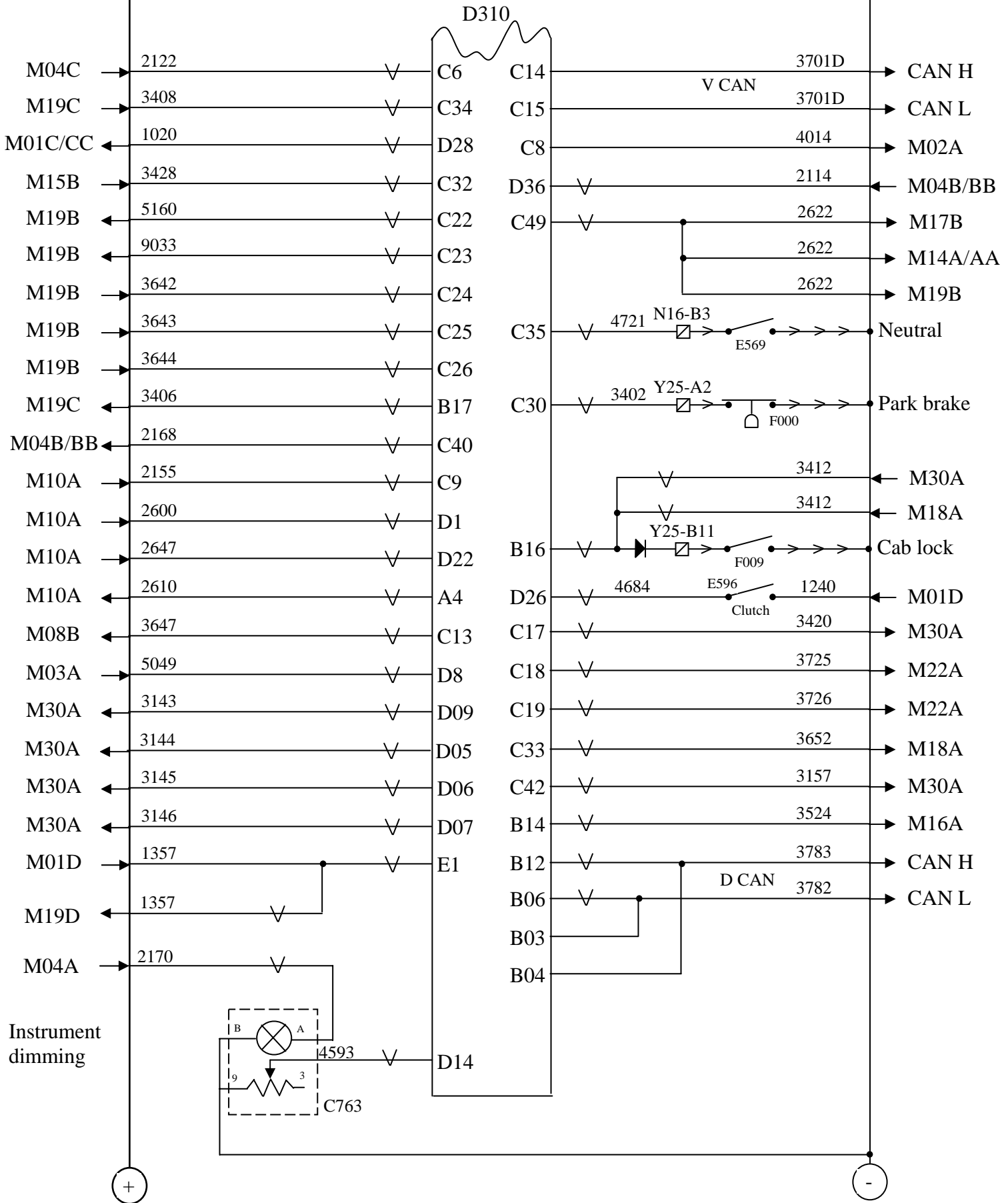




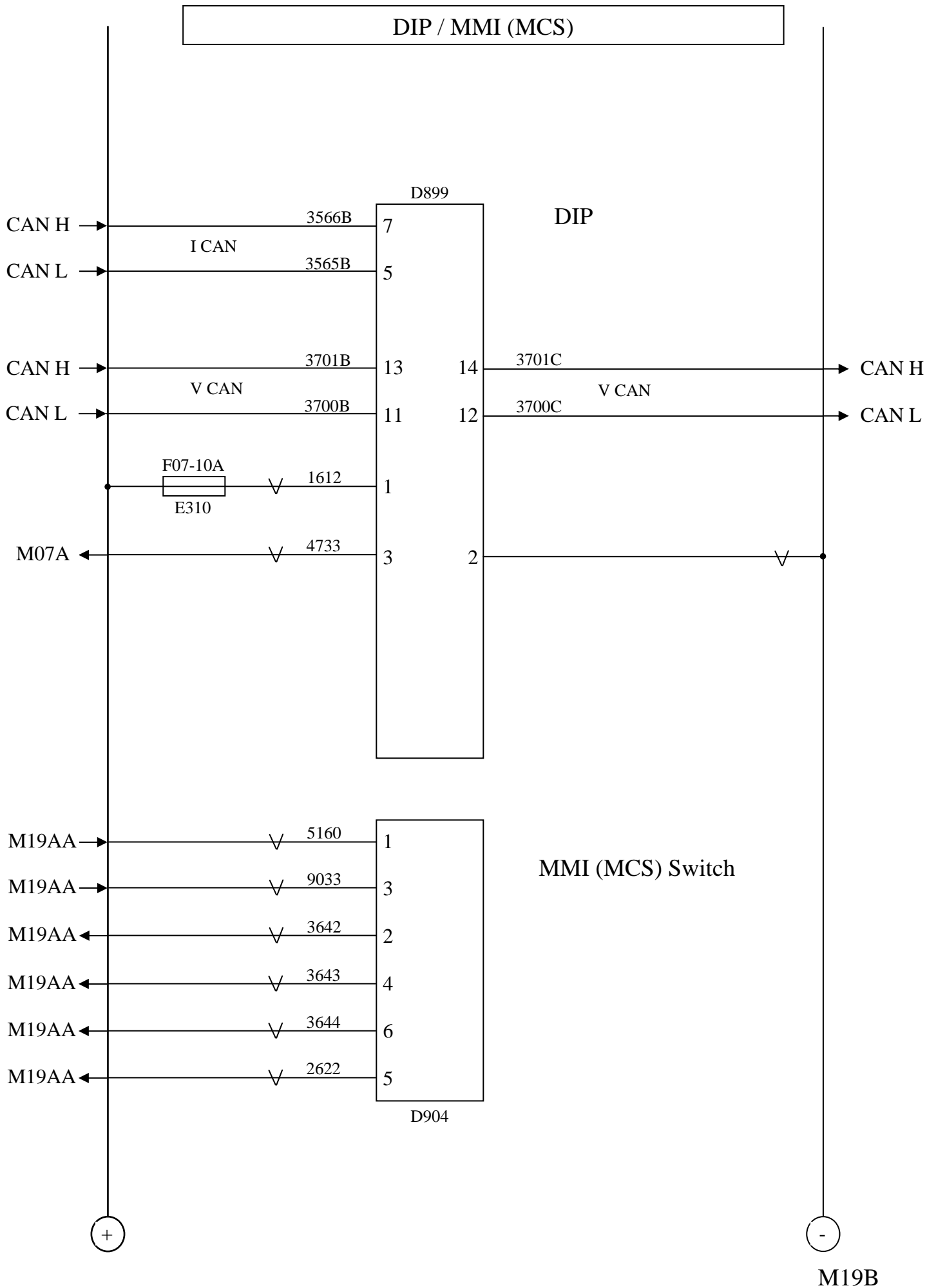




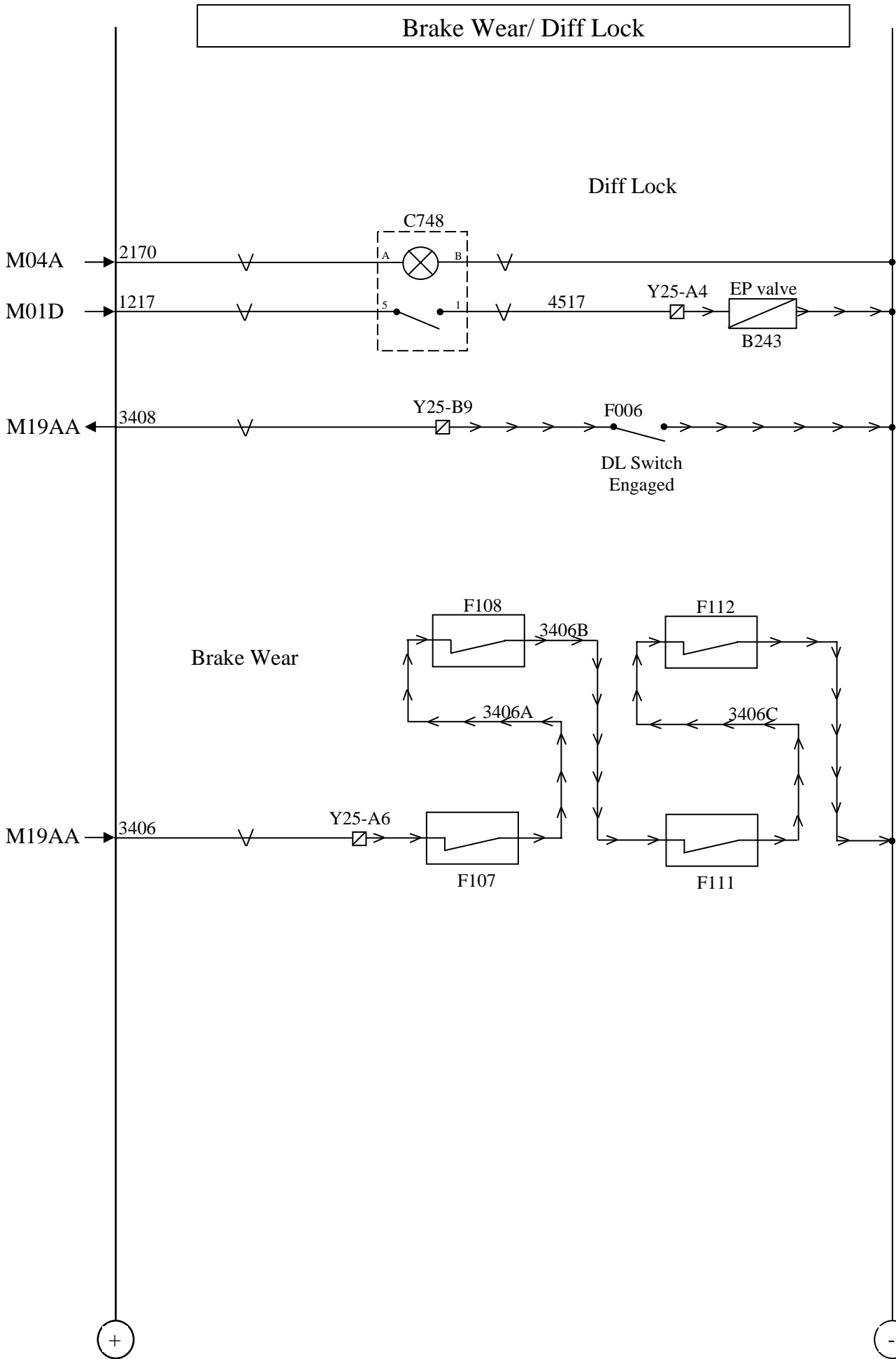
VIC (Continued)

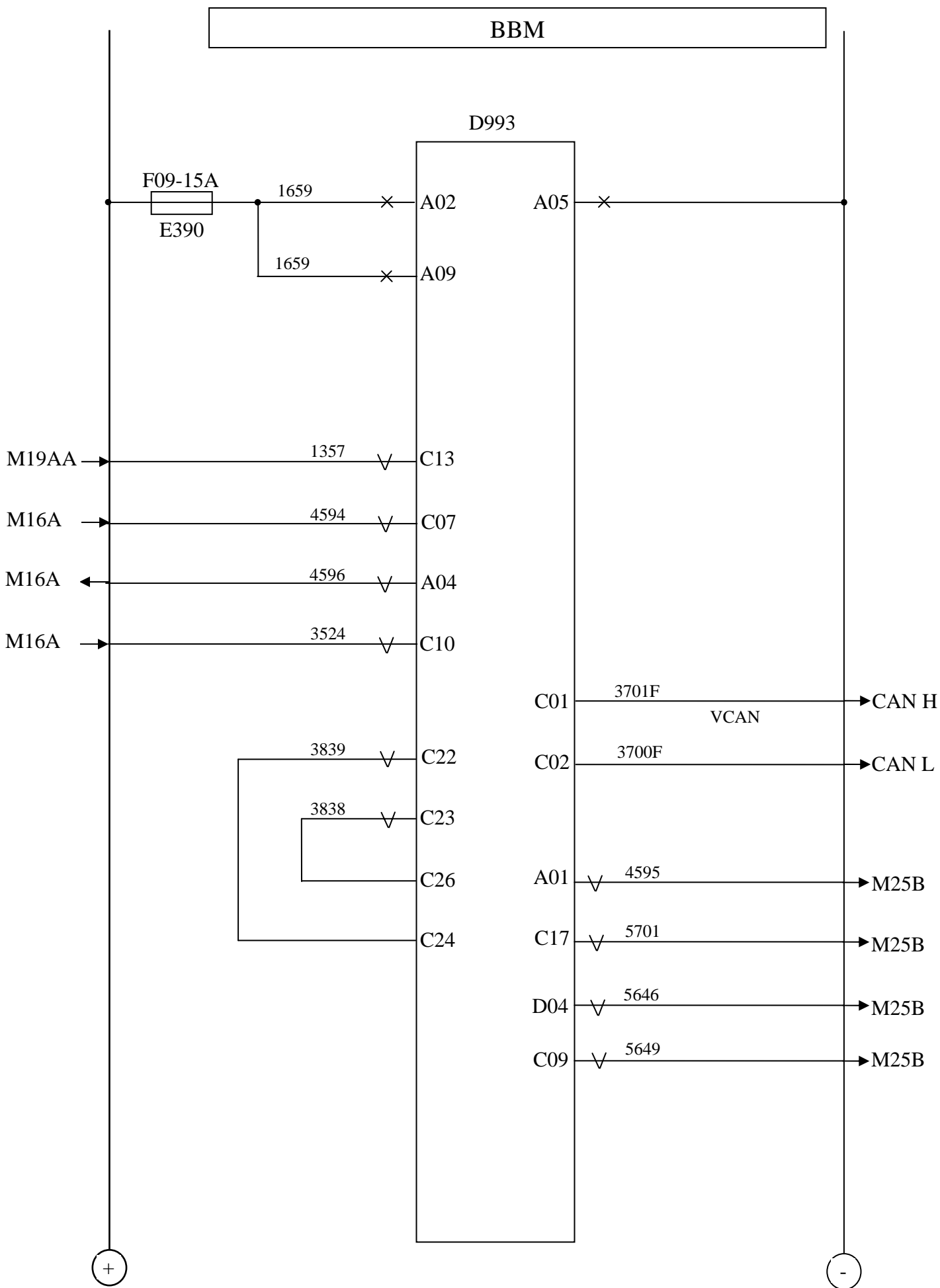


M19AA

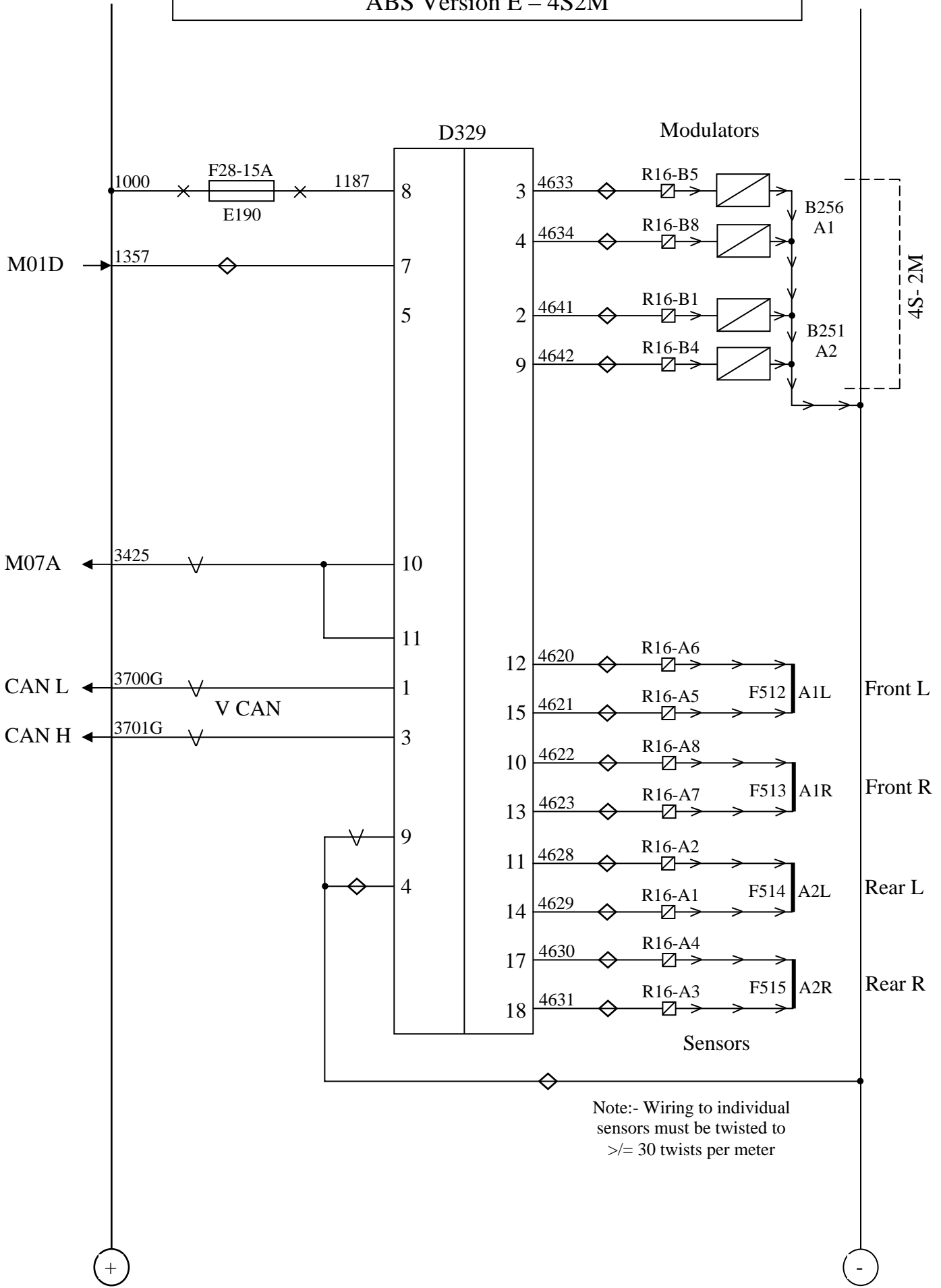


Brake Wear/ Diff Lock



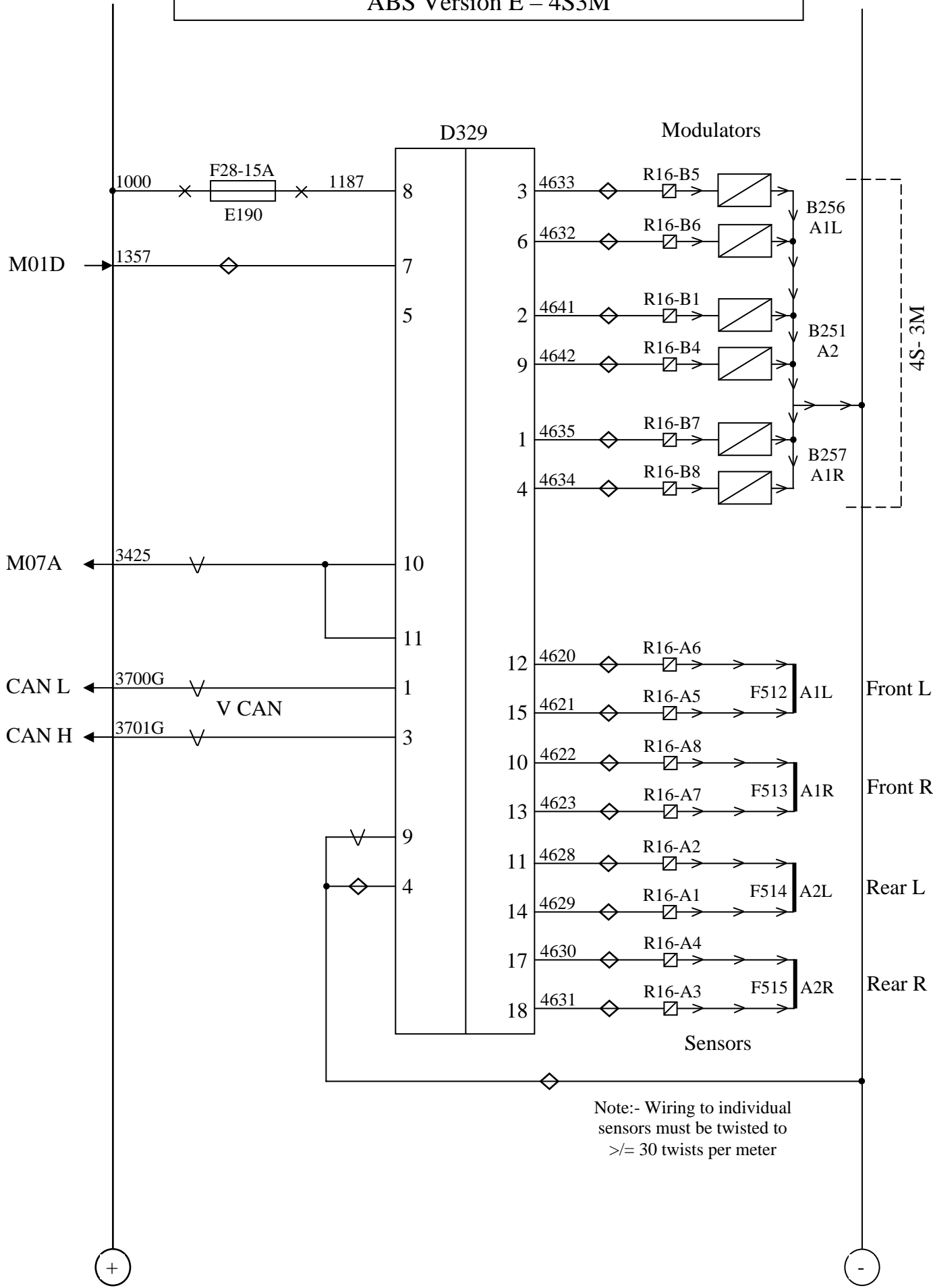


ABS Version E – 4S2M



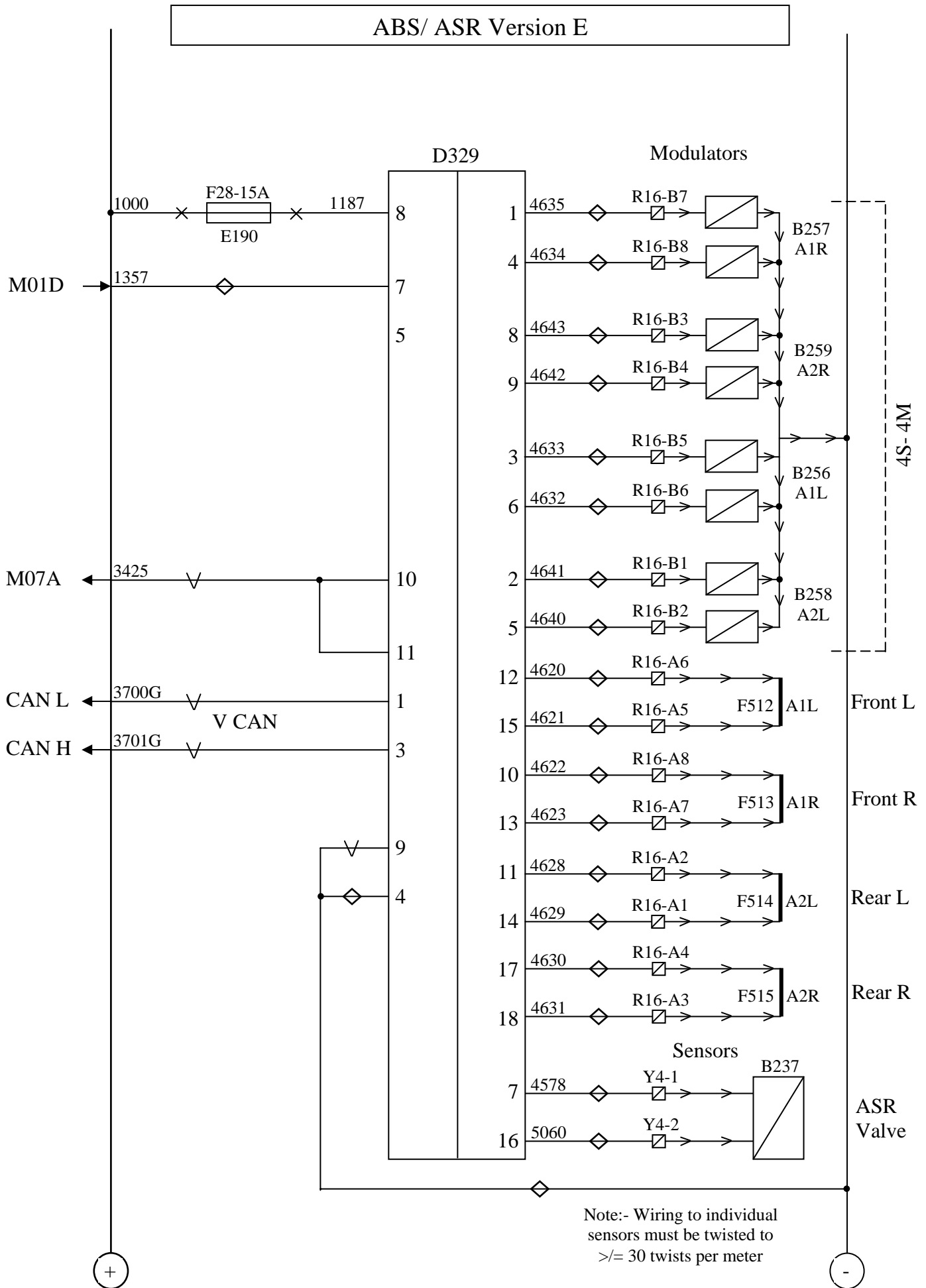
Note:- Wiring to individual sensors must be twisted to ≥ 30 twists per meter

ABS Version E – 4S3M

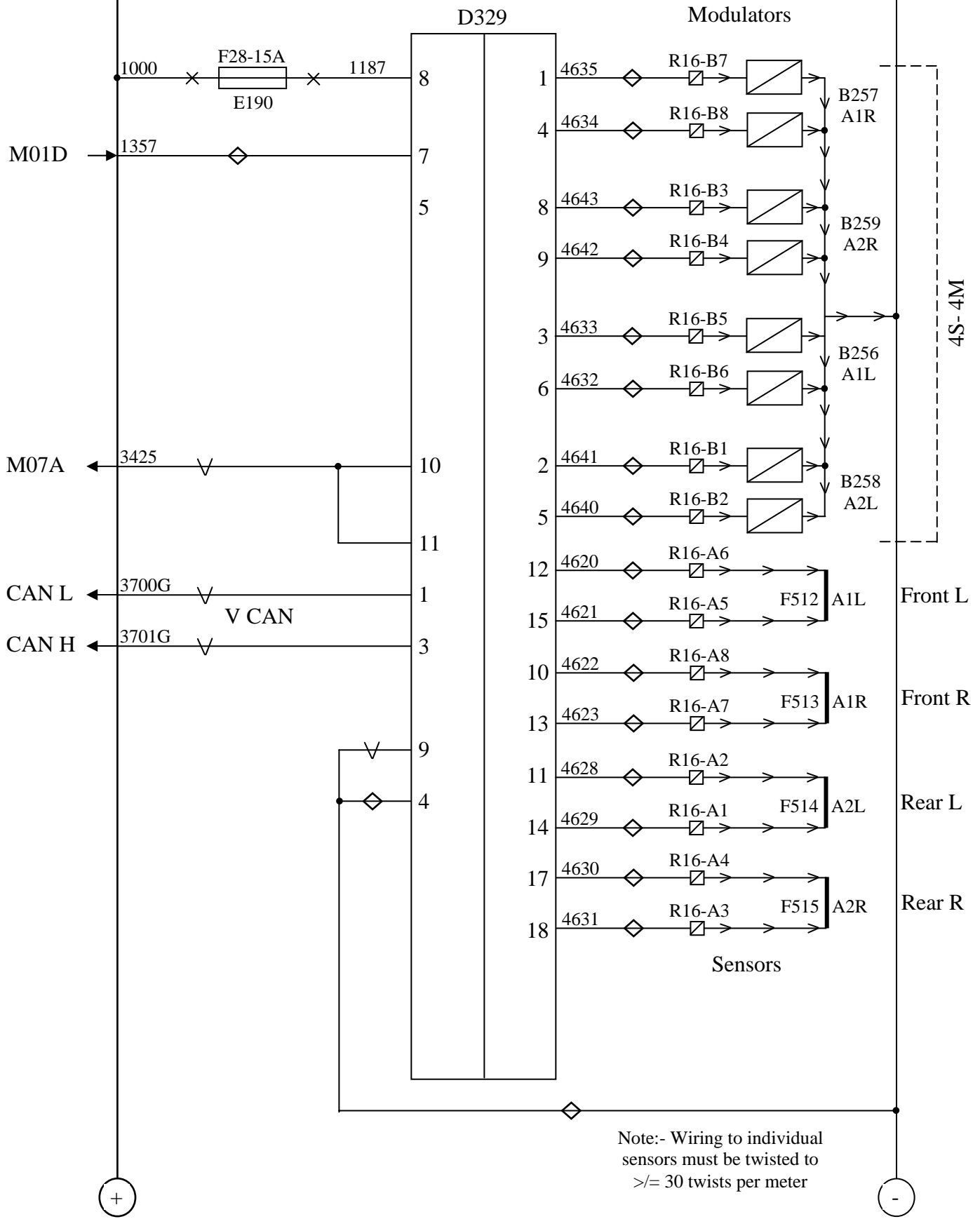


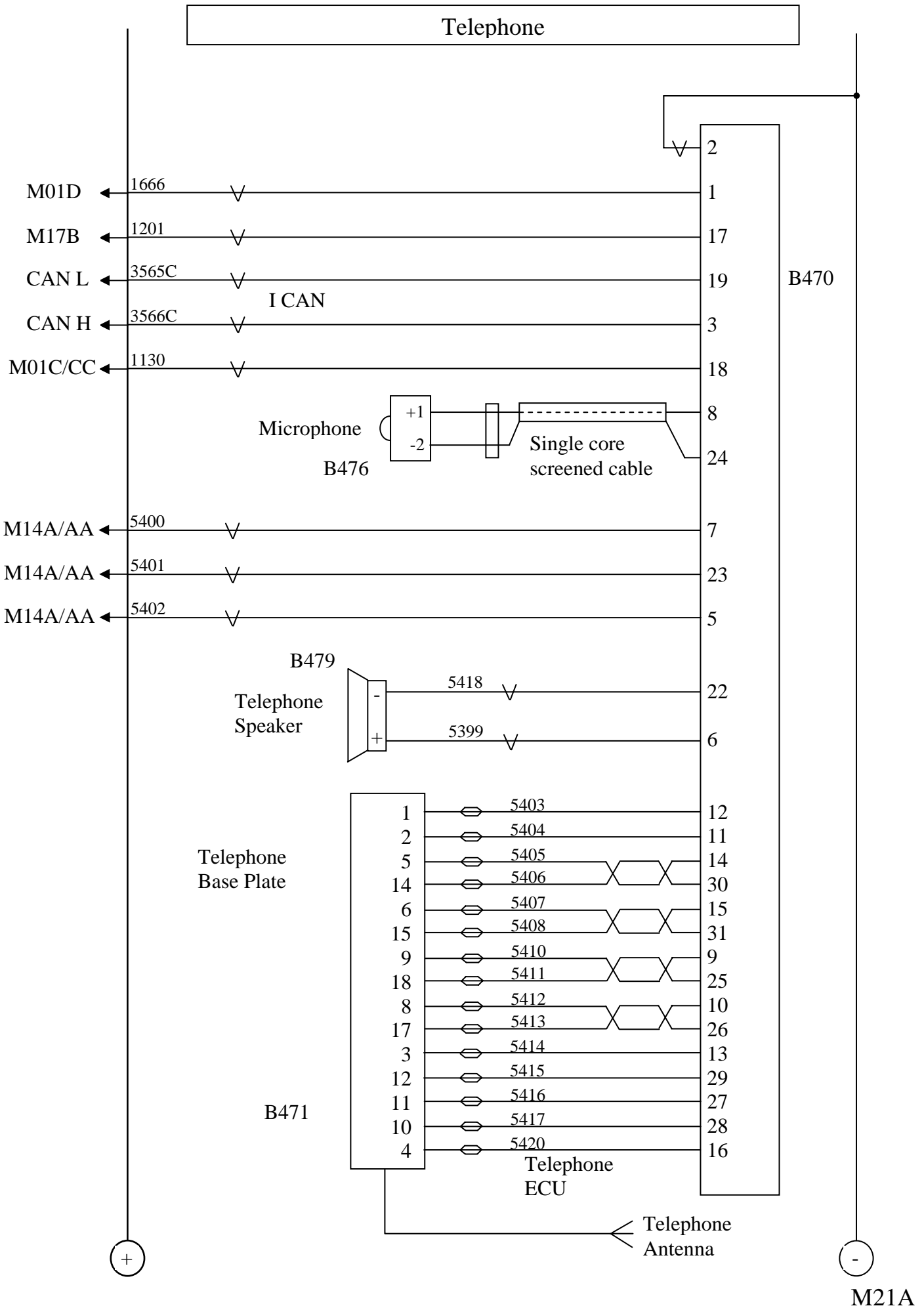
Note:- Wiring to individual sensors must be twisted to ≥ 30 twists per meter

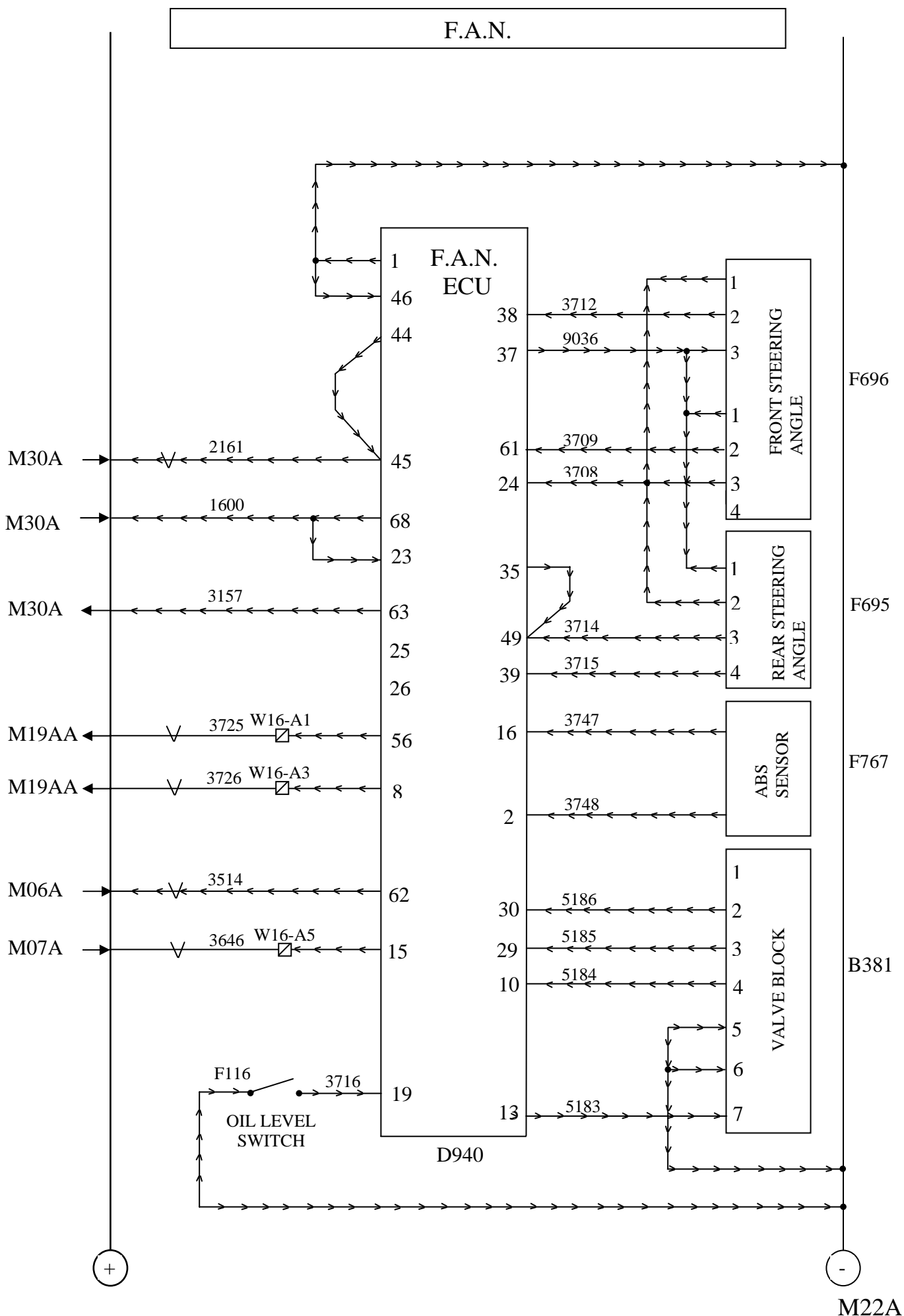
ABS/ ASR Version E



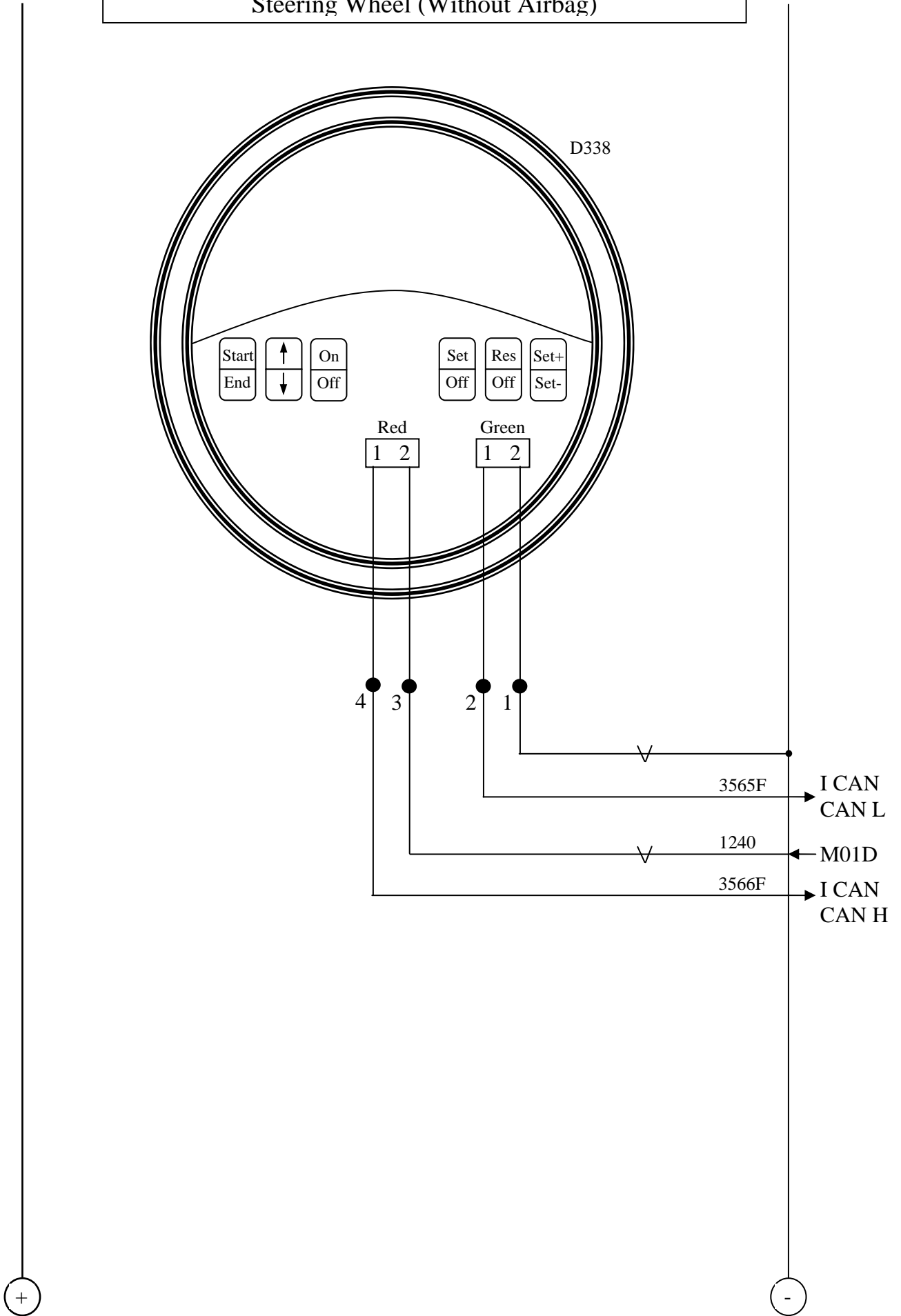
ABS Version E 4S4M

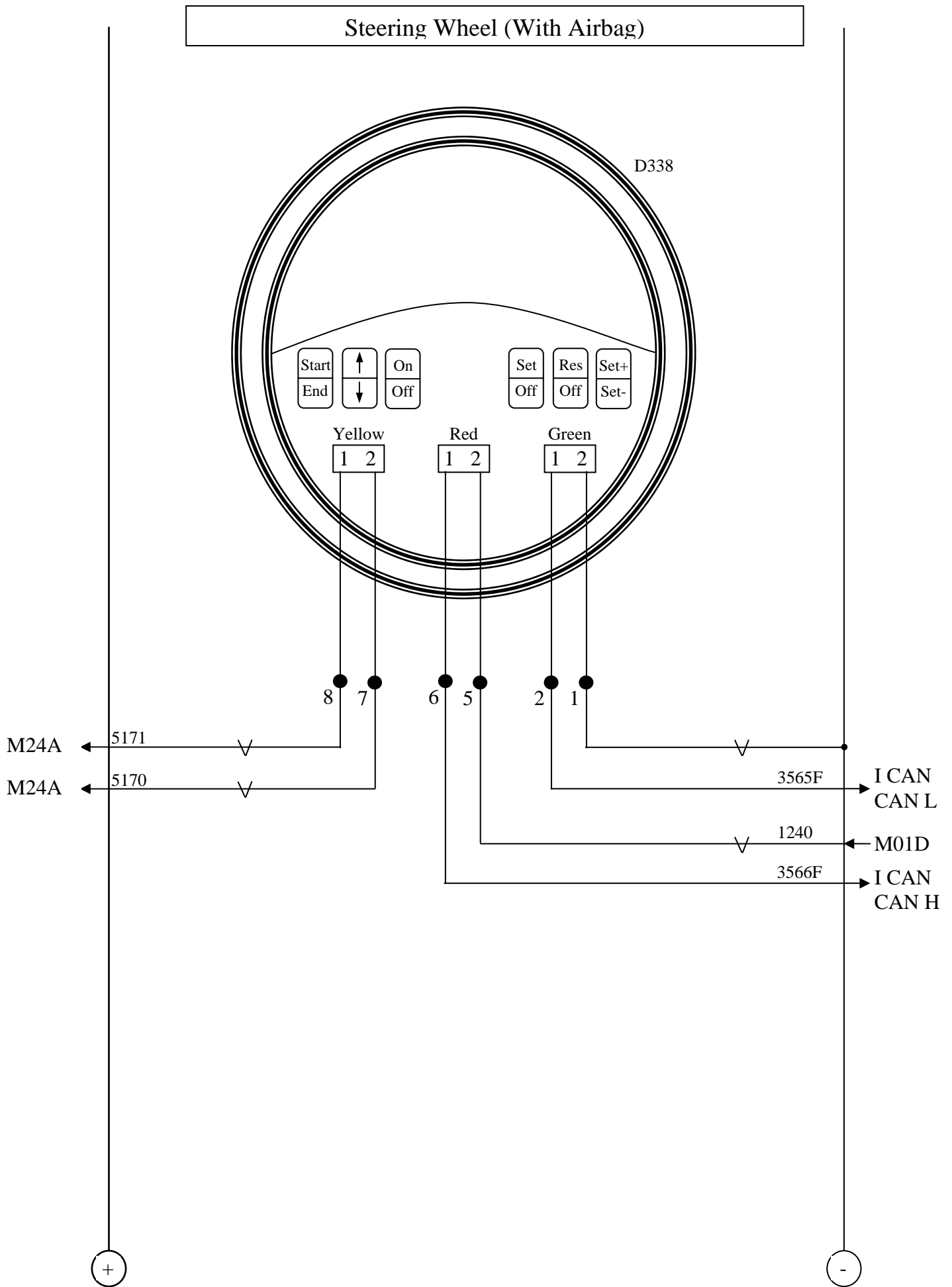




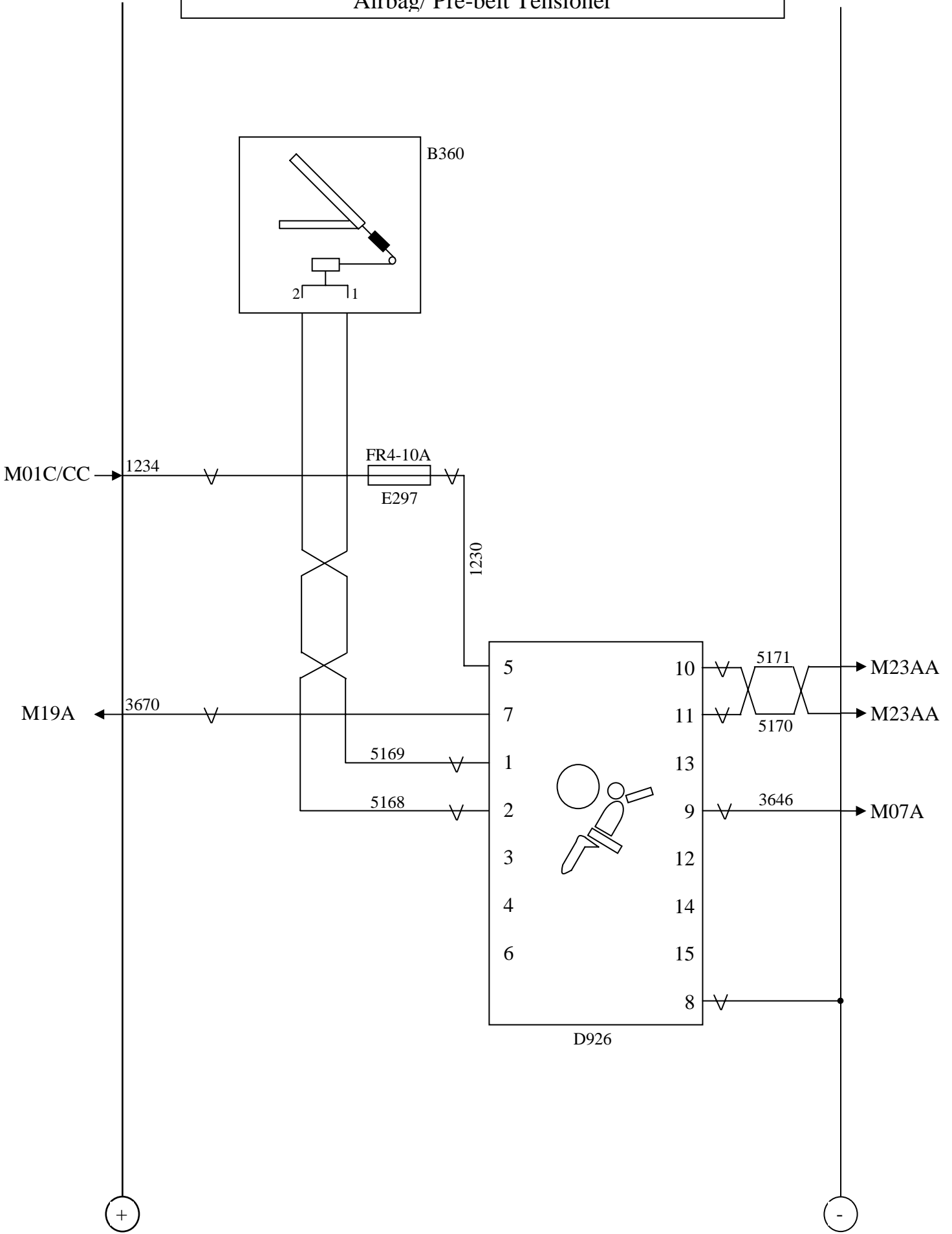


Steering Wheel (Without Airbag)

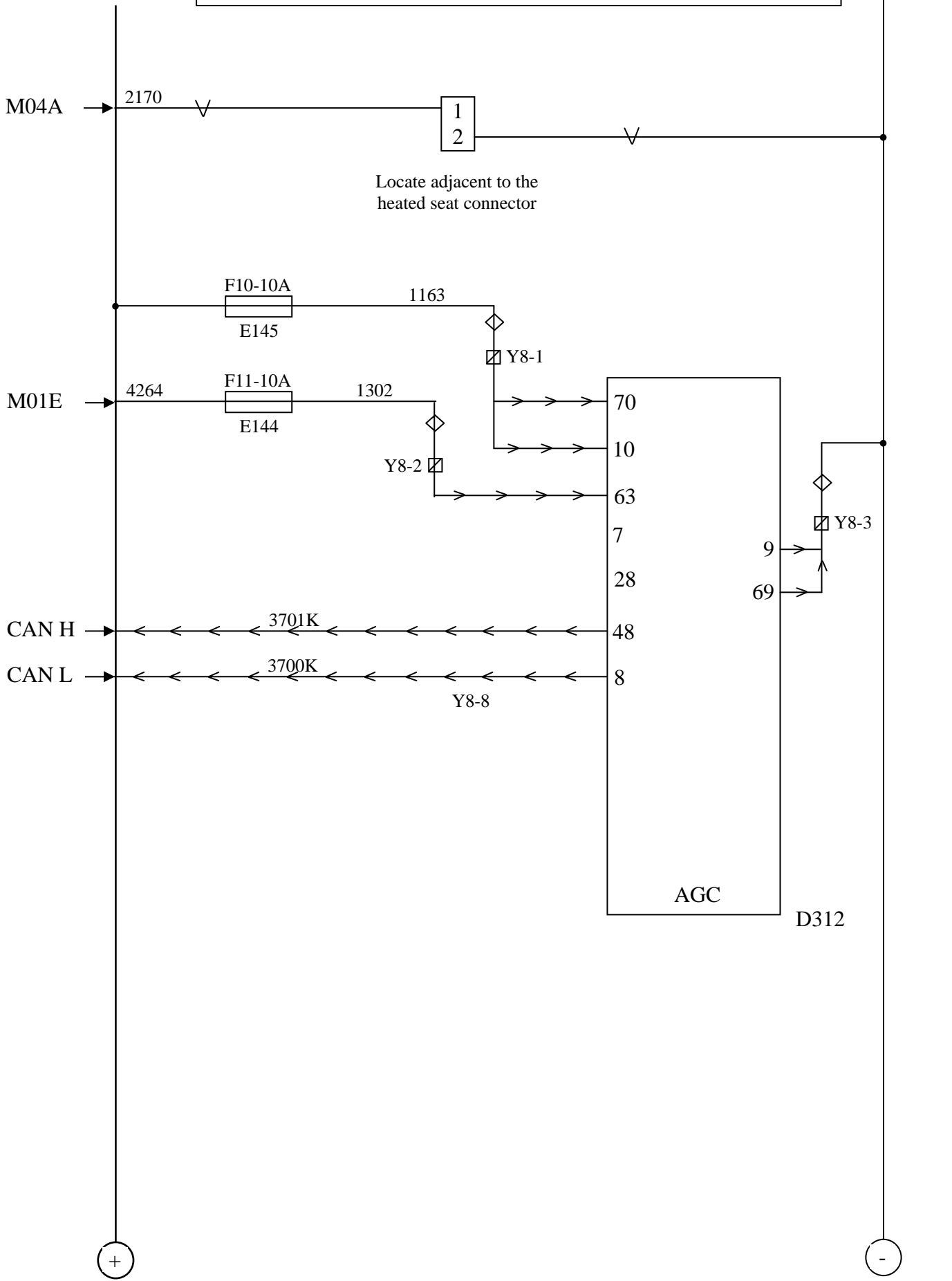




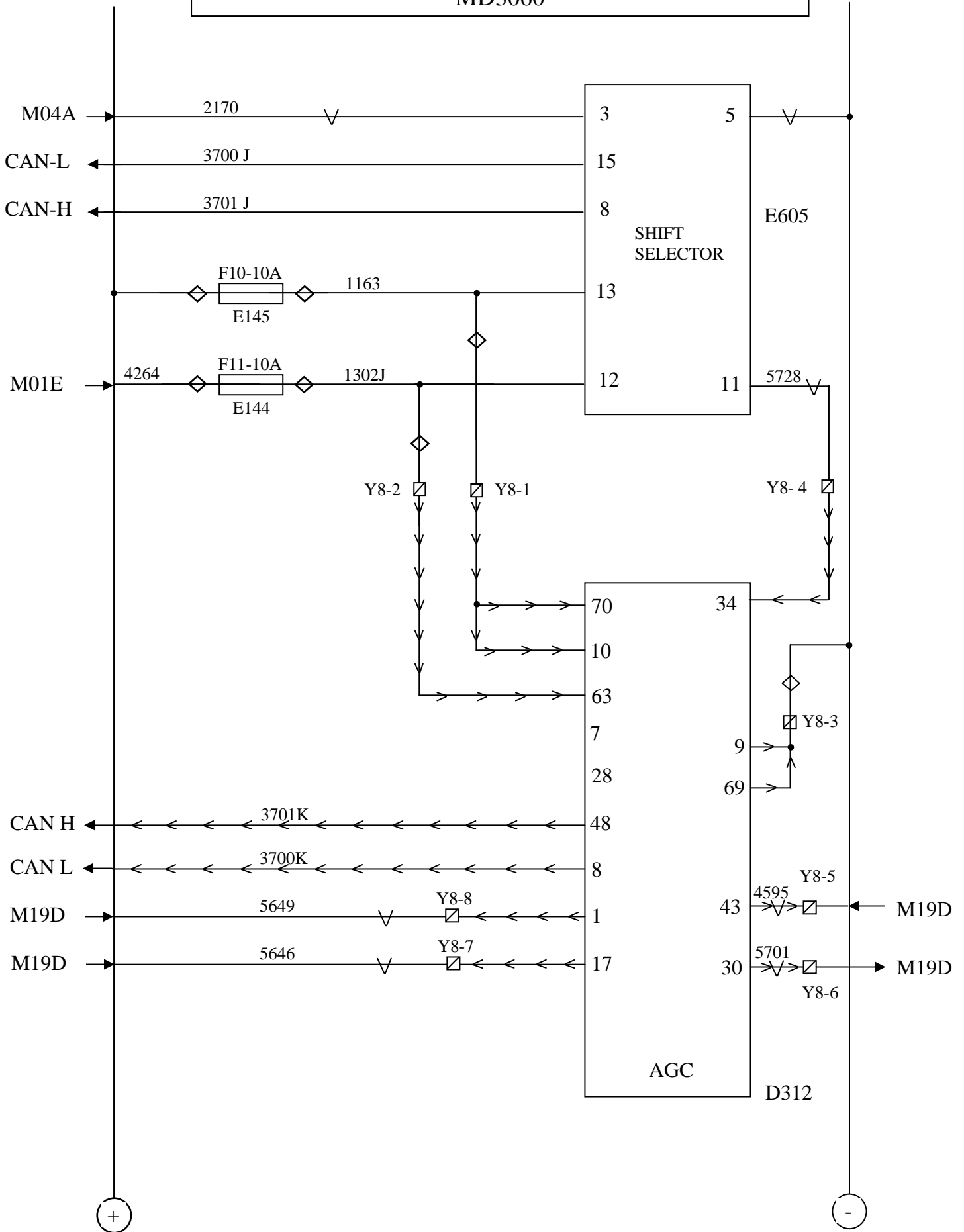
Airbag/ Pre-belt Tensioner



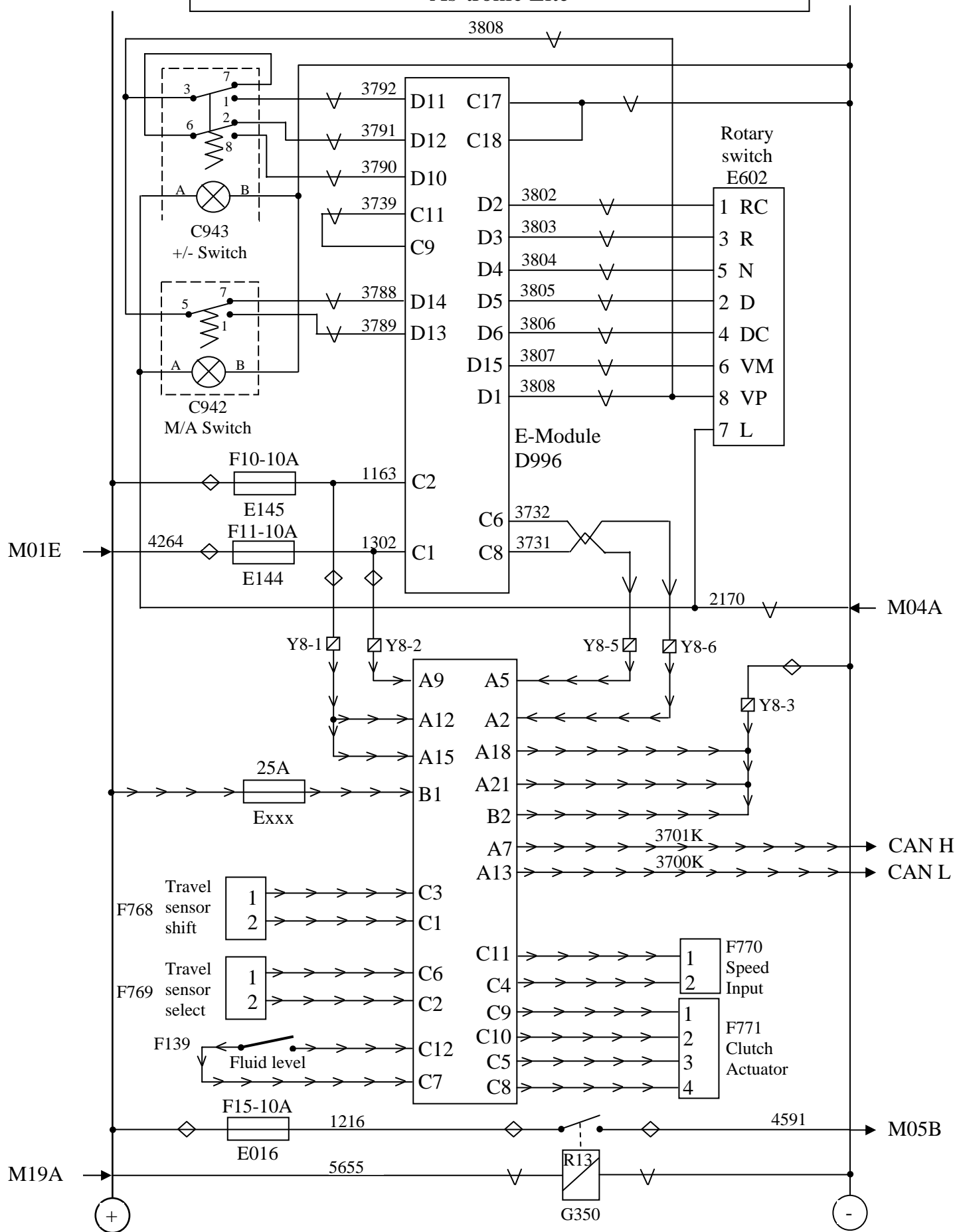
Automatic Gearbox Allison
1000/ 2000 Series

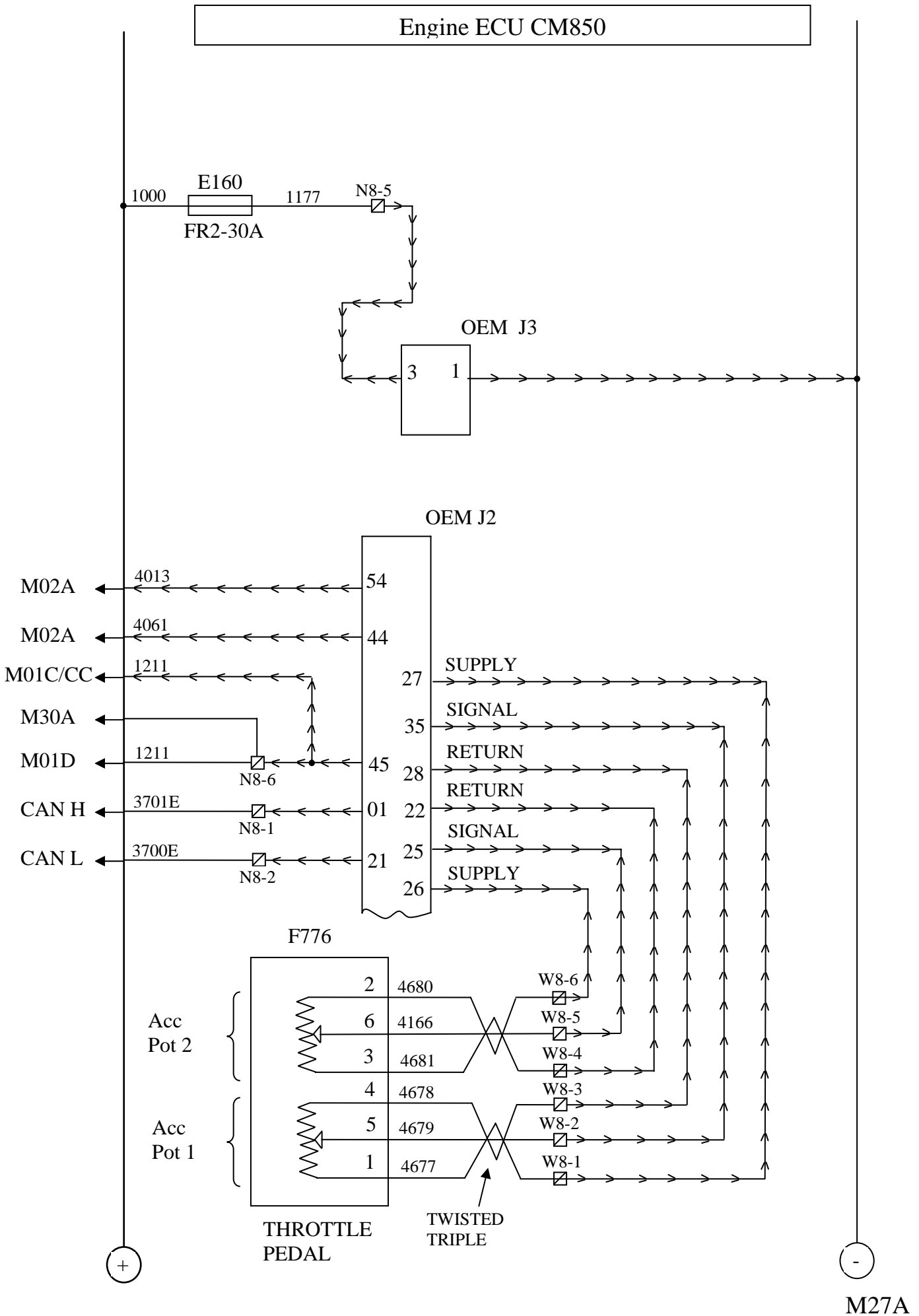


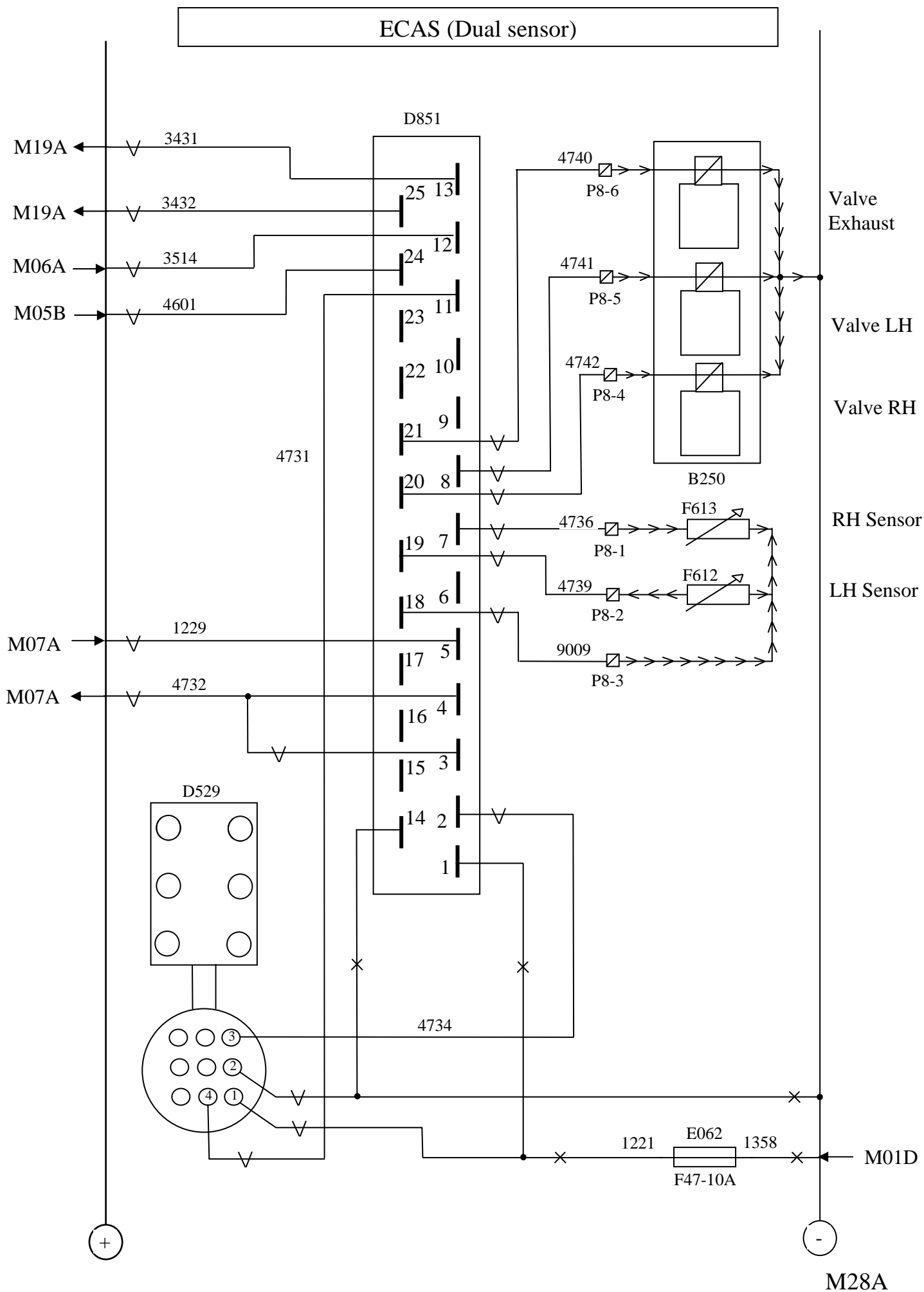
Automatic Gearbox Allison
MD3060



**Gearbox Automated
As-tronic Lite**







ECAS (Single sensor)

