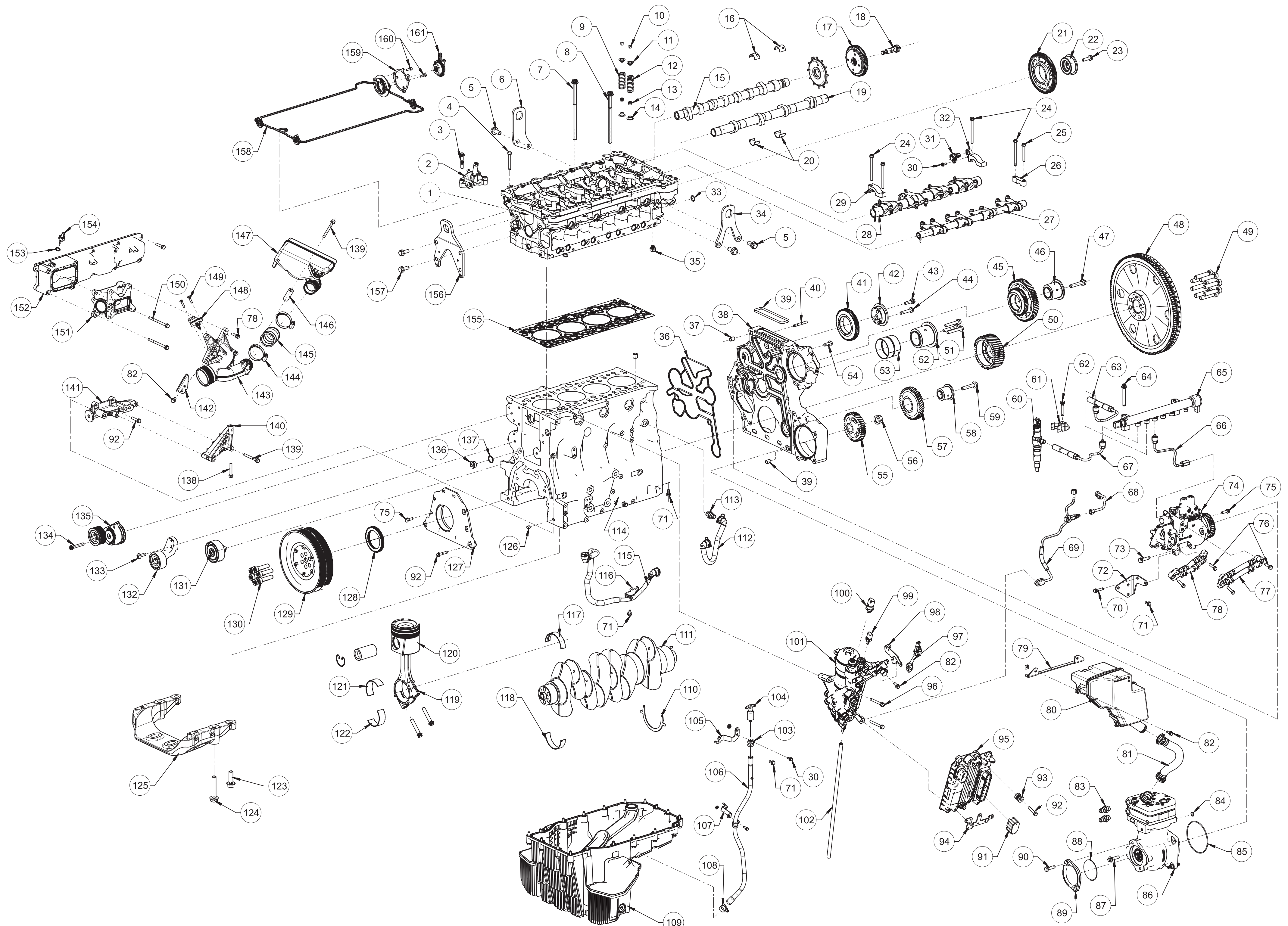


DD5 GHG17 (front)

1. CYLINDER HEAD
2. DECOMPRESSION BRAKE
3. FITTED BOLT
4. HEX SCREW MBN 10105-M 8X 65- 10.9 DBL9440.40
5. HEX SCREW MBN10105-M14X1,5X30-10.9DBL9440.40
6. REAR SUSPENSION EYE
7. BOLT
8. BOLT
9. VALVE SPRING OUTLET
10. VALVE COLLET
11. VALVE SPRING PLATE
12. VALVE SPRING INLET
13. VALVE STEM SEAL
14. THRUST PLATE
15. CAMSHAFT OUTLET W BRAKE
16. CAMSHAFT BEARING UPR
17. CAMSHAFT ADJUSTER
18. CENTRAL VALVE
19. CAMSHAFT INLET
20. CAMSHAFT BEARING LWR
21. IDLER GEAR / Z12
22. BEARING JOURNAL / Z12
23. BOLT HEX HEAD FLANGE MBN10105-M10X 35-10.9DBL9440.40
24. BOLT HEX HEAD FLANGE MBN10105-CM8X100-10.9DBL9440.40
25. HEX SCREW MBN 10105-M 8X 65- 10.9 DBL9440.40
26. BEARING BRACKET INLET
27. ROCKER SHAFT INLET COMPL
28. ROCKER SHAFT OUTLET COMPL W EXHAUST-BRAKE
29. BEARING BRACKET OUTLET
30. SCREW HEX MBN 10105-M 6X 16- 10.9 DBL 9440.40
31. SPEED SENSOR CAMSHAFT
32. BEARING BRACKET OUTLET
33. SEAL RING DIN 7603-A 18 X 24-CU CU/SN12
34. SUSPENSION EYE RR
35. NON-RETURN VALVE / ENTLUEFTUNG
36. PROFILE SEAL
37. FITTED SLEEVE
38. TIMING CASE
39. SEAL
40. STUD
41. IDLER GEAR / Z11
42. BEARING JOURNAL / Z11
43. BOLT HEX HEAD FLANGE MBN10105-M10X35-10.9DBL9440.40
44. BOLT HEX HEAD FLANGE M10X1.5X50-10.9
45. IDLER GEAR / Z8 Z10
46. BEARING JOURNAL / Z8/Z10
47. HEX SCREW MBN 10105-M12X1.5X60- 10.9 DBL9440.40
48. FLYWHEEL CARRIER / SAE 3
49. CAP SCREW
50. CRANKSHAFT GEAR / Z1
51. HEX SCREW MBN 10105-M12X1.5X60- 10.9 DBL9440.40
52. BEARING JOURNAL / Z5
53. IDLER GEAR F AIR COMPRESSOR / Z5
54. NUT HEX W/ FLANGE M20X1.5-LHDIN7167DBL9440.40ISO 898-6
55. DRIVE GEAR F AIR COMPRESSOR
56. BOLT HEX HEAD FLANGE M10X1.5X25-10.9
57. IDLER GEAR / Z2 Z7 O.NA
58. BEARING JOURNAL / Z2/Z7 WITHOUT POWER TAKE OFF
59. HEX SCREW MBN 10105-M10X 65- 10.9 DBL9440.40
60. INJECTOR
61. CLAMPING BRACKET
62. SPHERICAL COLLAR BOLT
63. HIGH PRESSURE LINE
64. HXRD SCREW MBN 10143-M10X 80-10.9 DBL9440.40
65. HIGH PRESSURE ACCUMULATOR
66. HIGH PRESSURE LINE
67. HIGH PRESSURE LINE
68. FUEL LINE
69. FUEL LINE
70. BOLT HEX HEAD FLANGE M8X1.25X40-10.9
71. BOLT HEX HEAD FLANGE M8X1.25X16-10.9
72. STANCHION /HIGH PRESSURE PUMP
73. BOLT HEX HEAD FLANGE M10X1.5X40-10.9
74. HIGH-PRESSURE TRANSFER PUMP FOR COMMON RAIL / P
75. BOLT HEX HEAD FLANGE M8X1.25X25-10.9
76. BOLT HEX HEAD FLANGE MBN10105-M8X30-10.9DBL9440.40
77. FUEL LINE
78. FUEL LINE
79. BRACKET
80. NOISE DAMPER
81. SUCTION LINE
82. BOLT HEX HEAD FLANGE MBN10105-M8X20-10.9DBL9440.40
83. FITTING SCREW-IN DIN 7168 EN AW-6082 T6
84. O-RING
85. O-RINGS, TOROIDAL SEALING RINGS
86. AIR COMPRESSOR
87. SCREW MBN 10143-M10X 40X10.9 DBL9440.40
88. GASKET(O-RING)
89. CLOSING COVER(METAL)
90. BOLT HEX HEAD FLANGE MBN10105-M10X35-10.9DBL9440.40
91. COVER PROTIV 21-WAY MCM CAP
92. BOLT HEX HEAD FLANGE M8X1.25X40-10.9
93. BUFFER FOR BREAKOUT
94. HALTER
95. CTRL UNIT MCM / 2.1 D4 MUSTER MDEG NAFTA ROM W/O C
96. HEX SCREW MBN 10105-C M 8X 70- 10.9 DBL9440.40
97. ELECTR.WIRING HARNESS
98. BRACKET
99. TEMPERATURE SENSOR (OIL PUMP)
100. PRESSURE SENSOR (OIL PUMP)
101. FUEL FILTER
102. WATER HOSE
103. P-CLIP N 16016-B RSGU 15/ 15
104. DIPSTICK
105. BRACKET
106. DIPSTICK GUIDE TUBE
107. DIPSTICK BRACKET
108. CLAMP MBM 10223-12 -22X12 SW8-W3/W4
109. OIL SUMP
110. THRUST WASHER
111. CRANKSHAFT PAGE OFF
112. COOLANT LINE
113. FITTING SCREW-IN DIN 7168 EN AW-6082 T6
114. CRANKCASE
115. COOLANT LINE
116. HALTER BRACKET
117. MAIN BEARING, UPPER HALF
118. MAIN BEARING LOWER HALF
119. CONNECTING ROD
120. PISTON
121. CONNECTING ROD BEARING UPPER HALF
122. CONNECTING ROD BEARING LOWER HALF
123. HEX SCREW MBN10105-M16X1,5X50-10.9DBL9440.40
124. BOLT HEX HEAD FLANGE M16X1.5X90-10.9
125. ENGINE MOUNT FRT
126. SLEEVE SOCKET
127. COVER PLATE FRONT
128. ROTARY SHAFT SEAL
129. BELT PULLEY
130. BOLT
131. GUIDE PULLEY
132. GUIDE PULLEY
133. BOLT
134. HXRD SCREW MBN 10142-M10X 30-10.9
135. BELT TENSIONER CAP
136. SCREW PLUG DIN 908-M24X1,5-ST DBL9440.40
137. SEAL RING DIN 7603-A 24 X 29-CU CU/SN12
138. BOLT HEX HEAD FLANGE M8X1.25X50-10.9
139. BOLT HEX HEAD FLANGE M8X1.25X80-10.9
140. STANCHION CHARGE-AIR-PIPE
141. INTERMEDIATE FLANGE
142. RESONATOR BRACKET
143. CHARGE AIR PIPE / COLD
144. CLAMP MBN 10272-A- 40- 60X13-SW8-W3
145. MOLDED HOSE
146. SPACER BUSH
147. RESONANCE BOX
148. PRESSURE- AND TEMPERATURE SENSOR
149. HXRD SCREW MBN10226-M6X 25- 8.8 DBL9440.40
150. HEX SCREW MBN10105-CM8X110-10.9DBL9440.40



DD5 GHG17 (rear)

- 151. MIXING CHAMBER
- 152. CHARGE AIR HOUSING
- 153. WASHER 20 O.D. X 14 I.D. X 1.5 DIN 7603-A
- 154. TEMPERATURE SENSOR
- 155. CYLINDER HEAD GASKET
- 156. SUSPENSION EYE FRT
- 157. HEX SCREW MBN 10105-M12X1,5X 30-10.9DBL9440.40
- 158. CIRCUMFERENTIAL GASKET
- 159. SPRING STEEL SHEET / PHASENSTELLER
- 160. HEX SCREW MBN 10105-M 6X 20- 10.9 DBL9440.40
- 161. SOLENOID
- 162. THERMAL SCREEN EGR
- 163. HXRD SCREW MBN 10143-M 8X 20-10.9 DBL9440.40
- 164. CYLINDER HEAD COVER
- 165. EXHAUST GAS RECIRCULATION LINE / KALT
- 166. EGR VALVE
- 167. EXHAUST GAS RECIRCULATION LINE / KALT
- 168. BOLT HEX HEAD FLANGE M8X1.25X60-10.9
- 169. HXRD SCREW MBN 10143-M10X 70-10.9 DBL9440.40
- 170. BRACKET EXH.GAS-COOLER UPR
- 171. COOLANT LINE
- 172. HEX HEAD SCREW W FLANGE
- 173. EXHAUST GAS RECIRCULATION LINE
- 174. CLAMPING BRACKET
- 175. HEX HEAD SCREW W FLANGE
- 176. EXHAUST GAS COOLER
- 177. CONNECTING PIPE
- 178. RETAINING STRAP
- 179. SEAL
- 180. VENT LINE
- 181. SCREW-IN FITTING
- 182. SENSOR TEMPERATURE -40~130DEGC DIN40050
- 183. METAL SEAL
- 184. COOLANT COLLECTOR
- 185. HEX SCREW MBN10105-CM8X130-10.9DBL9440.40
- 186. METAL SEAL
- 187. CONNECTION HOUSING
- 188. GASKET
- 189. EXHAUST MANIFOLD / ISOLIERT
- 190. HEAD CAP SCREW
- 191. FLUTED SOCKET HEAD CAP SCREW
- 192. GASKET
- 193. SEAL
- 194. CAP WITH FITTING FOR DOUBLE THERMOSTAT
- 195. THERMOSTAT COOLANT
- 196. CONNECTING PIPE
- 197. OIL-COOLANT MODULE
- 198. WASHER DIN 7603-A 22 X 27-CU CU/SN12
- 199. SCREW PLUG DIN 908-M22X1.5-ST DBL9440.40
- 200. TEMPERATURE SENSOR
- 201. BOLT HEX HEAD FLANGE M8X1.25X90-10.9
- 202. HEX SCREW MBN10105-CM 8X220-10.9DBL9440.40
- 203. COOLANT INLET CONNECTION

- 204. BRACKET / STECKERHALTER
- 205. HEX SCREW MBN 10105-M8X16-10.9DBL9400.40
- 206. BRACKET LAMBDA-PROBE
- 207. CLAMP
- 208. SCREENING PLATE EXH.GAS-T-CHRGR / 2-STUFIG
- 209. HEAT SHIELD
- 210. FASTENER
- 211. BRACKET
- 212. SUCTION LINE
- 213. BOLT HEX HEAD FLANGE M8X1.25X12-10.9
- 214. HXRD SCREW MBN10226-M8X 20-10.0DBL9440.40
- 215. VENT LINE
- 216. CLAMP MBN 10371-28,5X10X0,8-10,0
- 217. VENT LINE
- 218. CLAMP
- 219. BRACKET / VENT LINE W. CABLE HARNESS
- 220. HOLLOW SCREW N 15036-A 8 DBL8451.16
- 221. COOLANT LINE
- 222. SEAL RING DIN 7603-A 12 X 18-CU
- 223. COUPLNG N 15023-A 8 DBL8451.16
- 224. COOLANT LINE
- 225. CLAMP N 16016-BRS 6/20
- 226. SEAL RING DIN 7603-A 10 X 13,5-CU CU/SN1240
- 227. COOLANT LINE
- 228. HOLLOW SCREW N 15036-A 6 DBL9400.00
- 229. COOLANT LINE
- 230. BRACKET CHARGE-AIR-PIPE / HEISS
- 231. CHARGE AIR PIPE / HOT
- 232. CLAMP
- 233. TEMPERATURE SENSOR T2
- 234. SEAL RING DIN 7603-A 12 X 18-CU CU/SN12
- 235. AIR INTAKE / 2-STILL
- 236. PIPE HOSE
- 237. EXHAUST-GAS TURBOCHARGER
- 238. HALTER BRACKET
- 239. BOLT HEX HEAD FLANGE M10X1.5X30-10.9
- 240. BRACKET
- 241. SCREW HEX HEAD W/ FLANGE M8X16 X 12
- 242. SEAL
- 243. OIL RETURN LINE
- 244. HXRD SCREW MBN 10142-M 8X20-SD
- 245. SEALS FOR OVAL FLANGES
- 246. MOUNT PLUG DIN 16901/140 DBL 5403.01
- 247. BRACKET / STECKER ATL
- 248. FASTENER

- 249. BRACKET
- 250. HEX SCREW MBN 10105-M 8X20-10.9DBL9400.40
- 251. FLANGED MANIFOLD
- 252. PIPE CLAMP
- 253. NUT M10
- 254. HOLLOW SCREW N 15036-A10 DBL8451.16
- 255. OIL PRESSURE LINE
- 256. TIE STRAP CLIP
- 257. LAMBDA PROBE
- 258. COVER
- 259. FLYWHEEL HOUSING / SAE3
- 260. PLUG
- 261. BOLT HEX HEAD FLANGE M10X1.5X55-10.9
- 262. BOLT HEX HEAD FLANGE M10X1.5X110-10.9
- 263. SHAFT LIP TYPE SEAL
- 264. BOLT HEX HEAD FLANGE M10X1.5X90-10.9
- 265. SENSOR CRANKSHAFT SPEED 40-7000 RPM
- 266. SCREW MBN 10226-M6 X 16-8.8 DBL 9440.40
- 267. CLOSING COVER
- 268. O RING
- 269. HEXAGON NUT MBN10112 M8-8
- 270. HEX SCREW MBN 10105-M8 X 45-10.9DBL9440.40
- 271. OIL PUMP
- 272. FITTED SLEEVE
- 273. INTAKE VALVE
- 274. EXHAUST VALVE
- 275. HEX HEAD BOLT MBN 10105-M6X12-10.9DBL9400.40
- 276. CLAMP N 16016-B RS 6/ 15
- 277. INJECTION VALVE ASM/HC DIV3
- 278. SCREENING PLATE
- 279. CAP BOLT ISO 4762-M 8X 50-10.9 DBL9400.00
- 280. O-RING ZUM THERMOSTATVENTIL
- 281. ELASTOMER-MOLDED SEAL
- 282. FUEL LINE
- 284. FITTING N 15023-A 6-ST
- 283. WASHER DIN 7603-A 10 X 16-CU CU/SN12
- 285. HEAT SHIELD
- 286. HXRD SCREW MBN10228-M6X12-8.8DBL8451.72
- 287. BRACKET
- 288. ZB METERING UNIT
- 289. FUEL LINE
- 290. CLOSING COVER
- 291. PRESSURE SENSOR - CRANKCASE
- 292. O RING

