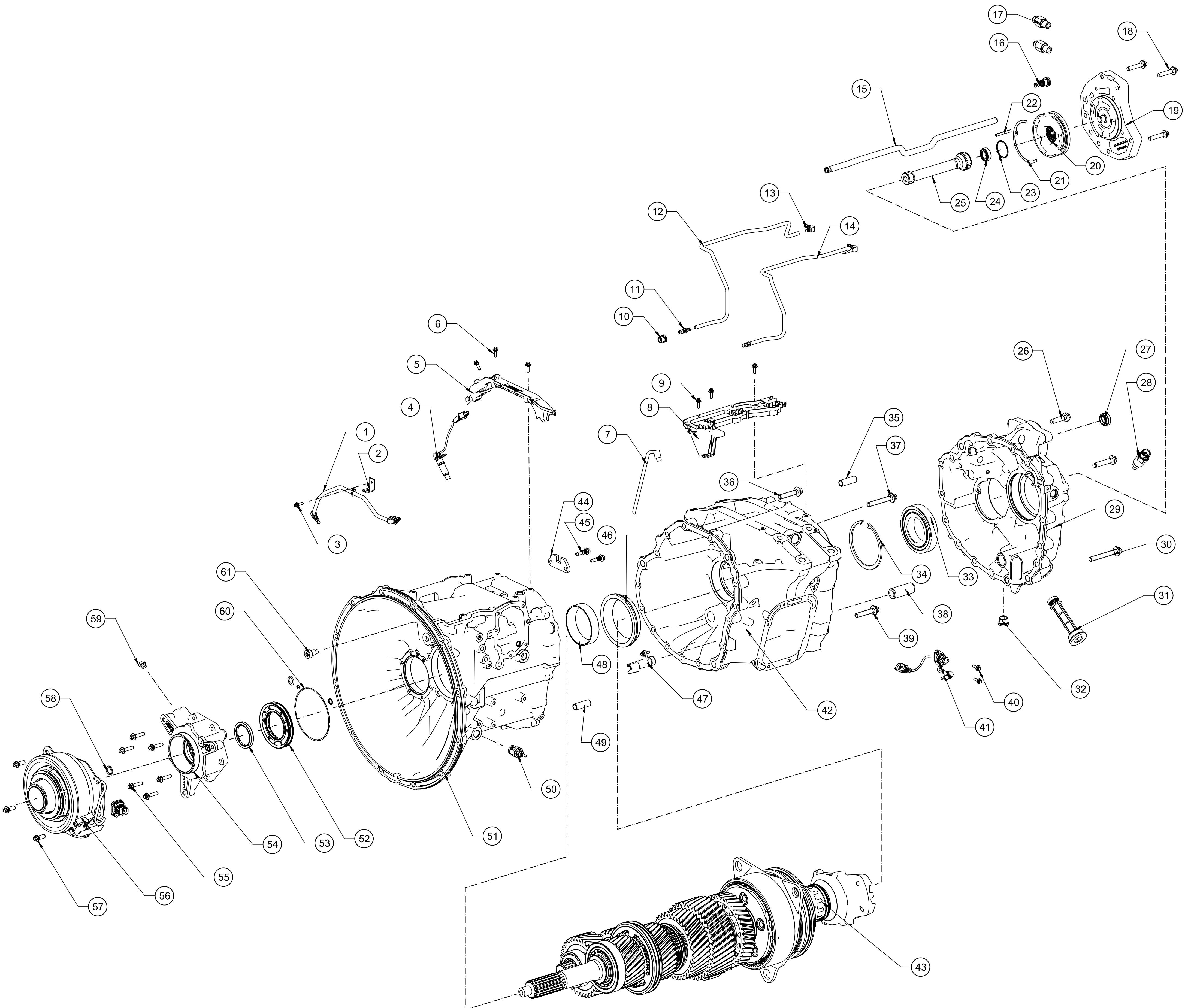


- 1.COMPRESSED AIR LINE
- 2.FASTENING PLATE
- 3.HXRD SCREW MBN 10143-M 6 DTX 19-10.9
- 4.ROTATIONAL SPEED SENSOR
- 5.BRACKET
- 6.HXRD SCREW MBN 10143-M 6 DTX 19-10.9
- 7.VENT LINE
- 8.BRACKET
- 9.HXRD SCREW MBN 10143-M 6 DTX 19-10.9
- 10.SCREW
- 11.COUPLING PLUG
- 12.COMPRESSED AIR LINE
- 13.COUPLING PLUG
- 14.COMPRESSED AIR LINE
- 15.OIL PIPE
- 16.PRESSURE CONTROL VALVE
- 17.CONNECTION FITTING
- 18.HEXAGONAL BOLT
- 19.LOCKING CAP
- 20.OIL PUMP
- 21.COMPENSATING DISC
- 22.ADPR SLEEVE DIN 7346-6 X 50 DBL8400.00
- 23.CIRCLIP
- 24.DEEP GROOVE BALL BEARING
- 25.OIL PUMP SHAFT
- 26.COMBI HEXAGON HEAD BOLT
- 27.BUSH
- 28.COUNTING WHEEL PICKUP
- 29.TRANSMISSION HOUSING
- 30.HXRD SCREW MBN 10143-M12X 90-10.9
- 31.OIL SCREEN SUCTION OIL FILTER FOR GEARS
- 32.SCREW PLUG COLLAR, HEX SOCKET, CYL T
- 33.ANNULAR BALL BEARING
- 34.RETAINING RING DIN 472-130X4 DBL8400.00
- 35.CENTERING SLEEVE
- 36.HXRD SCREW MBN 10143-M12X 60-10.9
- 37.HXRD SCREW MBN 10143-M12X 80-10.9
- 38.PIN ER CHAMFERS
- 39.HXRD SCREW MBN 10143-M12X 60-10.9
- 40.HXRD SCREW MBN 10143-M 6 DTX 19-10.9
- 41.ROTATIONAL SPEED SENSOR
- 42.TRANSMISSION HOUSING CTR
- 43.TRANSMISSION GEARS
- 44.GUIDE PLATE/12 GANG NEWAMT
- 45.SCREW, HEX SCREWS WITH COLLAR
- 46.OUTER RING

- 47.INTAKE PIPE
- 48.OUTER RACE
- 49.OUTER RING
- 50.TEMPERATURE SENSOR
- 51.TRANSMISSION HOUSING FRT
- 52.OIL GUIDE PANELNGS AXLE DRIVE (HD/MD)
- 53.SHAFT LIP TYPE SEAL
- 54.HOUSING COVER
- 55.HXRD SCREW MBN 10143-M 8X 35- 8.8-MK
- 56.RELEASE BEARING PNEU (CPCA)
- 57.HXRD SCREW MBN 10142-M10X 25-10.9
- 58.O-RING
- 59.SCREW PLUG DIN 7604-A-M12X1,5-ST DBL84
- 60.O-RING
- 61.GUIDE PIN
- 62.CLOSING COVER SHAPES
- 63.SNAP RING DIN 7993-A 25 DBL8400.00
- 64.THRUST WASHER
- 65.LOCKING BRACKET/NEW AMT-HD
- 66.BEARING BUSH/NEW AMT-HD SOWIE CPS-HD
- 67.SHIFTING FINGER, SELECTION FINGER
- 68.BEARING BUSH/NEW AMT-HD SOWIE CPS-HD
- 69.RETAINING RING
- 70.SELECTOR AND SHIFT ROD
- 71.GASKET/NEW AMT-HD
- 72.RETAINING RING DIN 471-38X1,75 DBL8400.0
- 73.BEARING CAP LH
- 74.GASKET/NEW AMT-HD
- 75.CENTERING SLEEVE
- 76.THRUST WASHER
- 77.PRESSURE SPRING
- 78.THRUST WASHER
- 79.CIRCLIP FOR BORE HOLES
- 80.RETAINING RING
- 81.SHIFT LEVER SHAFT / NEW AMT-HD MIT DOPPE
- 82.HEXALOBULRBOLT MBN 10226-M 8X25-10.9-MKL
- 83.PRESSURE PIN/D8.3 3-ECKIG
- 84.PRESSURE SPRING/SCHALTRASTE NEW AMT-HD
- 85.CATCH BOLT
- 86.SHIFTING SEGMENT / NEW AMT
- 87.HXRD SCREW MBN 10142-M 6X 30- 8.8
- 88.HXRD SCREW MBN 10143-M 5X 25- 8.8
- 89.VENT CAP
- 90.TRANSMISSION POSITIONER/OHNE ECU
- 91.NYLON HOSE
- 92.HEXALBOLT MBN 10143-M 8X140-8.8-MKL-21X3

- 93.CONTROL UNIT FOR AUTOMATIC GEARSHIFT SYS
- 94.SOCKET UNION
- 95.PRESSURE SENSOR 12V
- 96.SIEVE
- 97.SEAL RING
- 98.SEAL RING
- 99.CASING
- 100.PROTECTIVE CAP
- 101.RETAINING RING DIN 472-65X2,5 DBL8400.00
- 102.THRUST PLATE
- 103.O-RING
- 104.SWITCHING CYLINDER
- 105.SWITCHING PISTON
- 106.COMPENSATING WASHER
- 107.PISTON ROD
- 108.PRESSURE SPRING
- 109.PRESSURE SPRING
- 110.CATCH BOLT
- 111.SCREW PLUG DIN 908-M16X1,5-ST DBL9440.
- 112.PISTON ROD/GP
- 113.PRESSURE SPRING
- 114.O-RINGS
- 115.O-RINGS, TOROIDAL SEALING RINGS
- 116.U CONTROL PISTON/GP GUMMIERT
- 117.SOLENOID ARMATURE
- 118.SHIFT CYLINDER/GP
- 119.HXRD SCREW MBN 10143-M10X 60-10.9
- 120.LOCKING BOLT
- 121.PRESSURE SPRING
- 122.SCREW PLUG
- 123.BEARING BOLT
- 124.GUIDE RAIL
- 125.SHIFT RAIL
- 126.BEARING BOLT
- 127.GEAR CONTROL FORK / GP
- 128.SLIDING BLOCK
- 129.BEARING BOLT
- 130.GEAR CONTROL FORKS
- 131.GEAR CONTROL FORKS
- 132.GEAR CONTROL FORK / GV
- 133.PULSE STAR
- 134.O-RINGS, TOROIDAL SEALING RINGS
- 135.HEXSCRMBN10105-M20X1,5X80-10.9-MKL10X10
- 136.PRESSURE WASHER
- 137.RADIAL SHAFT SEALING RING
- 138.COUPLING FLANGE

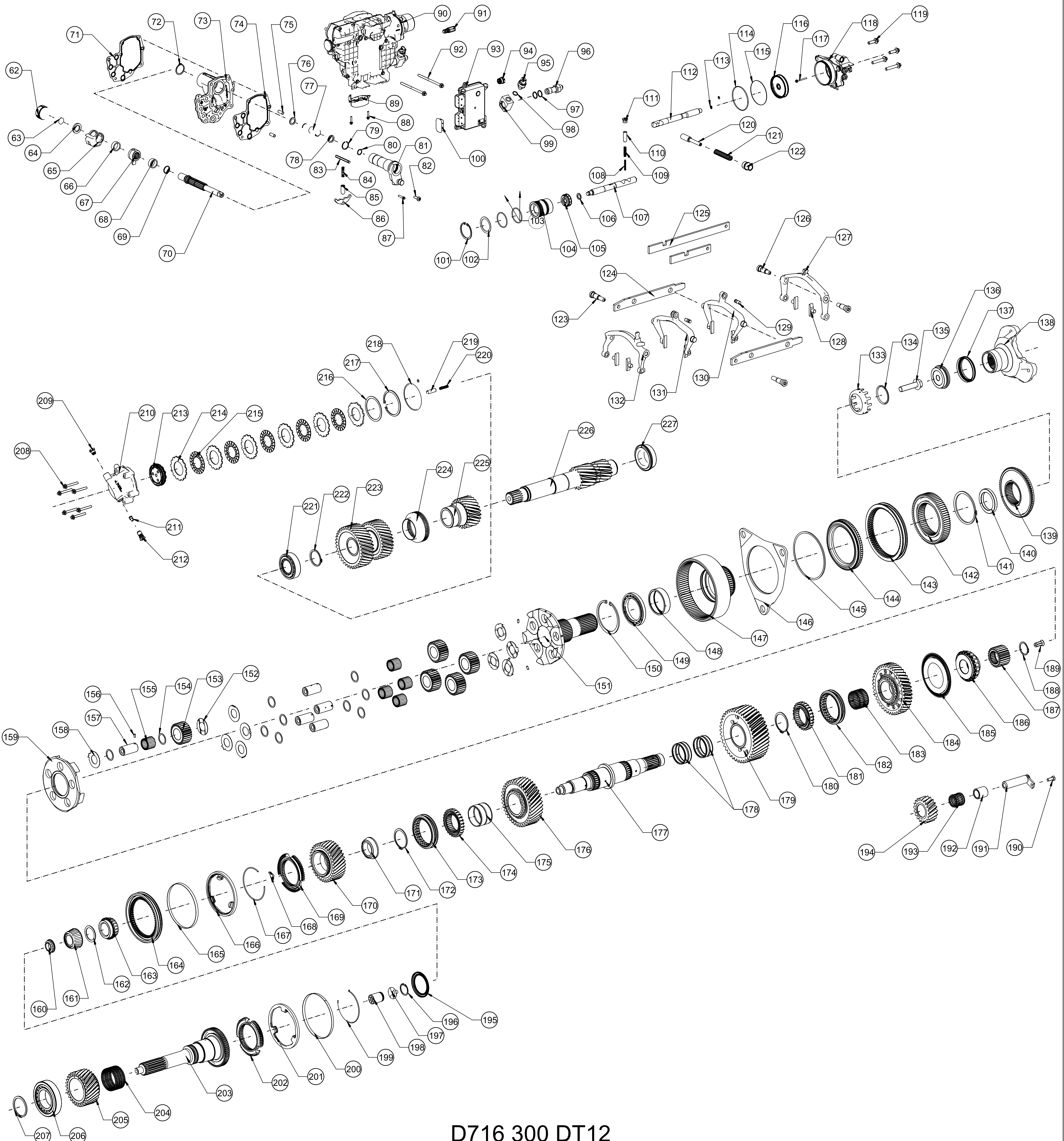


DT12 D716 300

- 139.SYNCHRONOUS RING
- 140.SPACER DISK
- 141.RETAINING RING DIN 471-120X4 DBL8400.00
- 142.SYNCHRONOUS RING
- 143.SLIDING SLEEVE
- 144.SYNCHRONOUS RING
- 145.ZB SYNCHRONIZING RING
- 146.RETAINING WASHER
- 147.RING GEAR
- 148.CENTERING RING
- 149.ANNULAR BALL BEARING
- 150.RETAINING RING DIN 472-130X4 DBL8400.00
- 151.PLANET CARRIER
- 152.THRUST WASHER TSIDE CHAMFER 1
- 153.PLANET GEAR
- 154.THRUST WASHER
- 155.NEEDLE ROLLER
- 156.SET SCREW ISO 4027-M 6X 14-45H DBL940
- 157.PLANETARY AXLE
- 158.THRUST WASHER TSIDE CHAMFER 1
- 159.BEARING CAP
- 160.TWELVE-SIDED NUT WITH COLLAR SW41
- 161.TAPERED ROLLER BEARING
- 162.COMPENSATING DISC
- 163.TAPERED ROLLER BEARING
- 164.SLIDING SLEEVE
- 165.BAND LINING/D180
- 166.SYNCHRONIZER CONE
- 167.ANNULAR SPRING
- 168.SLIDING BLOCK

- 169.SYNCHRONIZING RING
- 170.HELICAL GEAR
- 171.TAPERED ROLLER BEARING
- 172.RETAINING RING FOR SHAFTS
- 173.SLIDING SLEEVE
- 174.SYNCHRONIZER BODY
- 175.NEEDLE CAGE
- 176.HELICAL GEAR 2ND GEAR
- 177.MAIN SHAFT
- 178.NEEDLE CAGE/CRAWLER
- 179.HELICAL GEAR 1ST-GEAR
- 180.RETAINING RING FOR SHAFTS
- 181.SYNCHRONIZER BODY
- 182.SLIDING SLEEVE
- 183.NEEDLE CAGE
- 184.REVERSE GEAR
- 185.IMPULSSTERN
- 186.INNENRING
- 187.CENTER GEAR
- 188.RETAINING RING DIN 471-47X1,75 DBL8400.0
- 189.BLIND CLINCH NUT
- 190.HEXAGON SCREW ISO 4017-M10X 25- 10.9 D
- 191.REVERSE IDLER SHAFT
- 192.BEARING BUSH
- 193.NEEDLE BEARING
- 194.REVERSE IDLER GEAR
- 195.AIR FLOW SENSOR PLATE (OIL BAFFLE)
- 196.RETAINING RING DIN 472-45X1,75 DBL8400.0
- 197.OIL PIPE
- 198.OIL CENTRIFUGE

- 199.ANNULAR SPRING/D148
- 200.BAND LINING/D180
- 201.SYNCHRONIZER CONE / D 180
- 202.SYNCHRONIZING RING
- 203.DRIVE SHAFT
- 204.NEEDLE CAGE
- 205.HELICAL GEAR
- 206.U TAPERED ROLLER BEARING
- 207.RETAIN RING FOR SHAFTS
- 208.HEXALOBULRBOLT MBN10143-M 8X 60- 8.8-MKL
- 209.SOCKET UNION
- 210.CSB HOUSING
- 211.VENT VALVE
- 212.ZB CLOSING COVER (VENT VALVE)
- 213.LU PISTON FOR HYDRAULIC CYLINDER
- 214.OUTER OIL CONTROL RING
- 215.INNER OIL CONTROL RING
- 216.WASHERS (FLAT) SHERS, THRUST WASHERS
- 217.RETAINING RING
- 218.O-RINGS, TOROIDAL SEALING RINS
- 219.CATCH BOLT
- 220.PRESSURE SPRING
- 221.TAPERED ROLLER BEARING
- 222.RETAINING RING DIN 471-60X3 DBL8400.00
- 223.TWIN COUNTERSHAFT GEAR
- 224.PULSE STAR / G211-12 VORGELEGEWELLE
- 225.COUNTERSHAFT GEAR 2ND GEAR/G211/230
- 226.COUNTERSHAFT
- 227.INNER RING



D716 300 DT12