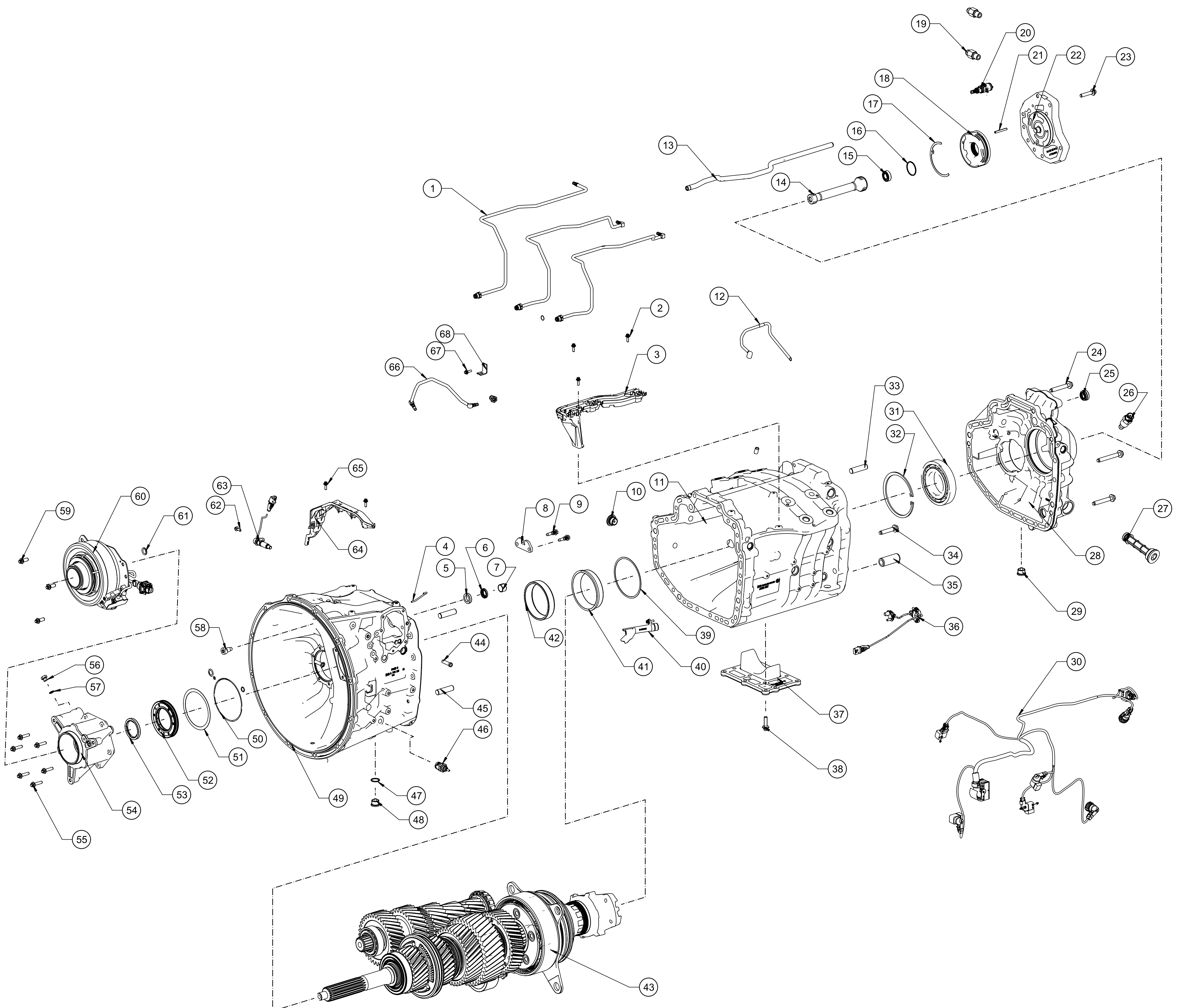


- 1.COMPRESSED AIR LINE
- 2.HXRD SCREW. MBN 10143-M 6 DTX 19-10.9
- 3.BRACKET
- 4.OIL PIPE
- 5.BUSHING/OUTER CHAMFERS
- 6.GASKET
- 7.BUSH WITH OPEN BUTT JOINT
- 8.GUIDE PLATE
- 9.SCREW. HEX SCREWS WITH COLLAR
- 10.SEAL RING DIN 7603
- 11.TRANSMISSION HOUSING CTR
- 12.VENT LINE
- 13.OIL PIPE
- 14.OIL PUMP SHAFT
- 15.DEEP GROOVE BALL BEARING
- 16.CIRCLIP
- 17.COMPENSATING DISC
- 18.OIL PUMP
- 19.CONNECTION FITTING
- 20.PRESSURE CONTROL VALVE
- 21.ADPR SLEEVE DIN 7346-6 X 50 DBL8400.00
- 22.LOCKING CAP
- 23.HXRD SCREW. MBN 10143-M10X 50-10.9
- 24.COMBI HEXAGON HEAD BOLT
- 25.BUSHING/OUTER CHAMFERS
- 26.COUNTING WHEEL PICKUP
- 27.OIL SCREEN, OIL FILTER
- 28.REAR HOUSING (GEAR BOX)
- 29.SCREW PLUG COLLAR, HEX SOCKET, CYL T
- 30.ELECTRICAL WIRING HARNESS
- 31.ANNULAR BALL BEARING
- 32.RETAINING RING DIN 472-150X4 DBL8400.00
- 33.PARALLEL PIN
- 34.COMBI HEXAGON HEAD BOLT
- 35.PIN ER CHAMFERS
- 36.ROTATIONAL SPEED SENSOR
- 37.CLOSING COVER
- 38.HEXALOBULRBOLT MBN 10143-M10X35-10.9-MKL
- 39.PLANE PARALLEL WASHER
- 40.INTAKE MANIFOLD
- 41.OUTER RING
- 42.OUTER RING
- 43.TRANSMISSION GEARS
- 44.PLAIN BEARING BUSH
- 45.PARALLEL PIN
- 46.TEMPERATURE SENSOR
- 47.SEAL RING DIN 7603
- 48.SCREW PLUG

- 49.TRANSMISSION HOUSING FRT
- 50.O-RINGS
- 51.COMPENSATING DISC
- 52.OIL GUIDE PANELNGS AXLE DRIVE (HD/MD)
- 53.SHAFT LIP TYPE SEAL
- 54.HOUSING COVER
- 55.HXRD SCREW MBN 10143-M 8X 35- 8.8-MK
- 56.SCREW PLUG DIN 7604-A-M12X1,5-ST DBL84
- 57.SEAL RING DIN 7603
- 58.GUIDE PIN
- 59.HXRD SCREW MBN 10142-M10X 25-10.9
- 60.RELEASE BEARING PNEU (CPCA)
- 61.O-RINGS
- 62.HXRD SCREW MBN 10143-M 6 DTX 19-10.9
- 63.ROTATIONAL SPEED SENSOR
- 64.BRACKET ELEC.WIRNG.HRN.
- 65.HXRD SCREW MBN 10143-M 6 DTX 19-10.9
- 66.COMPRESSED AIR LINE
- 67.HXRD SCREW MBN 10143-M 6 DTX 19-10.9
- 68.FASTENING PLATE
- 69.CLOSING COVER
- 70.SNAP RING DIN 7993-A 25 DBL8400.00
- 71.THRUST WASHER
- 72.SELECTOR AND SHIFT ROD
- 73.RETAINING RING
- 74.SHIFT FINGER
- 75.LOCKING BRACKET
- 76.BEARING BUSH
- 77.RETAINING RING DIN 471-38X1,75 DBL8400.0
- 78.GASKET
- 79.PRESSURE PIN / D8.3 3-ECKIG
- 80.BEARING CAP LH
- 81.SHIFTING SEGMENT
- 82.HEXALOBULRBOLT MBN 10226-M 8X25-10.9-MKL
- 83.CATCH BOLT
- 84.PRESSURE SPRING
- 85.SHIFT LEVER SHAFT
- 86.THRUST WASHER
- 87.CIRCLIP FOR BORE HOLES
- 88.THRUST WASHER
- 89.RETAINING RING
- 90.GASKET
- 91.HXRD SCREW MBN 10142-M 6X 30- 8.8
- 92.TRANSMISSION POSITIONER/OHNE ECU
- 93.VENT CAP
- 94.HXRD SCREW MBN 10143-M 5X 25- 8.8
- 95.PROTECTIVE CAP
- 96.CONTROL UNIT FOR AUTOMATIC GEARSHIFT SYS

- 97.HEXALBOLT MBN 10143-M 8X140-8.8-MKL-21X3
- 98.CASING
- 99.SIEVE
- 100.PRESSURE SENSOR 12V
- 101.SOCKET UNION
- 102.HXRD SCREW MBN 10143-M10X 35-10.9
- 103.HXRD SCREW MBN 10143-M10X 60-10.9
- 104.SHIFT CYLINDER
- 105.SOLENOID ARMATURE
- 106.O-RINGS, TOROIDAL SEALING RINGS
- 107.O-RINGS
- 108.CONTROL PISTON
- 109.PISTON ROD
- 110.CATCH BOLT
- 111.PRESSURE SPRING
- 112.SCREW PLUG
- 113.SHIFT RAIL
- 114.SCREW PLUG DIN 908-M16X1,5-ST DBL9440.
- 115.CATCH BOLT
- 116.PISTON ROD
- 117.SWITCHING PISTON
- 118.SHIFT CYLINDER
- 119.O-RING
- 120.THRUST PLATE
- 121.RETAINING RING DIN 472-65X2,5 DBL8400.00
- 122.BEARING BOLT
- 123.GEAR CONTROL FORK
- 124.GEAR CONTROL FORK/2./3. GANG
- 125.SLIDING BLOCK
- 126.GUIDE RAIL/S3P
- 127.BEARING BOLT
- 128.HEXSCR MBN10105-M20X1,5X80-10.9-MKL10X10
- 129.THRUST WASHER
- 130.O-RINGS, TOROIDAL SEALING RINGS
- 131.COUPLING FLANGE
- 132.RADIAL SHAFT SEALING RING
- 133.PULSE STAR
- 134.SYNCHRONOUS RING
- 135.RETAINING RING DIN 471-120X4 DBL8400.00
- 136.SYNCHRONOUS RING
- 137.SLIDING SLEEVE
- 138.SYNCHRONOUS RING
- 139.RETAINING PLATE
- 140.SYNCHRONIZING RING
- 141.RING GEAR
- 142.RETAINING RING SHAFTS
- 143.SPACER RING TSIDE & INSIDE CHAMFER
- 144.ANNULAR BALL BEARING



DT12 D716320

- 145.RETAINING RING DIN 472-130X4 DBL8400.00
- 146.PLANET CARRIER
- 147.THRUST WASHER T SIDE CHAMFER
- 148.PLANET GEAR
- 149.THRUST WASHER
- 150.NEEDLE BEARING
- 151.PLANETARY AXLE
- 152.SET SCREW ISO 4027-M 6X 14-45H DBL940
- 153.THRUST WASHER T SIDE CHAMFER
- 154.BEARING CAP
- 155.BLIND CLINCH NUT
- 156.RETAINING RING FOR SHAFTS
- 157.TAPERED ROLLER BEARING
- 158.IMPULSSTERN
- 159.CENTER GEAR
- 160.REVERSE GEAR/G281/330 ON MAIN SHAFT
- 161.NEEDLE BEARING
- 162.SLIDING SLEEVE
- 163.RETAINING RING FOR SHAFTS
- 164.SYNCHRONIZER BODY
- 165.IDLER GEAR 1ST GEAR
- 166.NEEDLE BEARING
- 167.MAIN SHAFT/G281 S3P
- 168.NEEDLE BEARING
- 169.IDLER GEAR 2ND GEAR

- 170.SYNCHRONIZER BODY
- 171.SLIDING SLEEVE
- 172.RETAINING RING FOR SHAFTS
- 173.TAPERED ROLLER BEARING
- 174.HELICAL GEAR
- 175.SYNCHRONIZING RING
- 176.ANNULAR SPRING/D167
- 177.BAND LINING
- 178.SYNCHRONIZER CONE
- 179.SLIDING SLEEVE
- 180.TAPERED ROLLER BEARING
- 181.TAPERED ROLLER BEARING
- 182.TWELVE-SIDED NUT WITH COLLAR SW41
- 183.HEXAGON SCREW ISO 4017-M10X 25- 10.9 D
- 184.REVERSE IDLER SHAFT
- 185.BUSH
- 186.NEEDLE BEARING
- 187.REVERSE GEAR
- 188.SHAFT LIP TYPE SEALS-SPECIAL TYPES
- 189.RETAINING RING DIN 472-45X1,75 DBL8400.0
- 190.OIL PIPE PROTECTION RINGS, DRAWN
- 191.OIL CENTRIFUGE
- 192.DRIVE SHAFT
- 193.NEEDLE BEARING
- 194.ANNULAR SPRING/D167

- 195.BAND LINING
- 196.SYNCHRONIZER CONE/D 199
- 197.SYNCHRONIZING RING/1.+2.GANG
- 198.HELICAL GEAR
- 199.TAPERED ROLLER BEARING
- 200.RETAINING RING FOR SHAFTS
- 201.TAPERED ROLLER BEARING
- 202.RETAINING RING FOR SHAFTS
- 203.TWIN GEAR - COUNTERSHAFT
- 204.PULSE STAR
- 205.COUNTERSHAFT GEAR 2ND GEAR/G281/330
- 206.COUNTERSHAFT
- 207.INNER RING
- 208.HEXALOBULRBOLT MBN10143-M 8X 60- 8.8-MKL
- 209.CLOSING COVER (VENT VALVE)
- 210.VENT VALVE
- 211.CSB HOUSING
- 212.SOCKET UNION
- 213.PISTON FOR HYDRAULIC CYLINDER
- 214.OUTER OIL CONTROL RING
- 215.INNER OIL CONTROL RING
- 216.RETAINING RING
- 217.CATCH BOLT
- 218.PRESSURE SPRING
- 219.COMPENSATING DISC
- 220.O-RINGS, TOROIDAL SEALING RINGS

