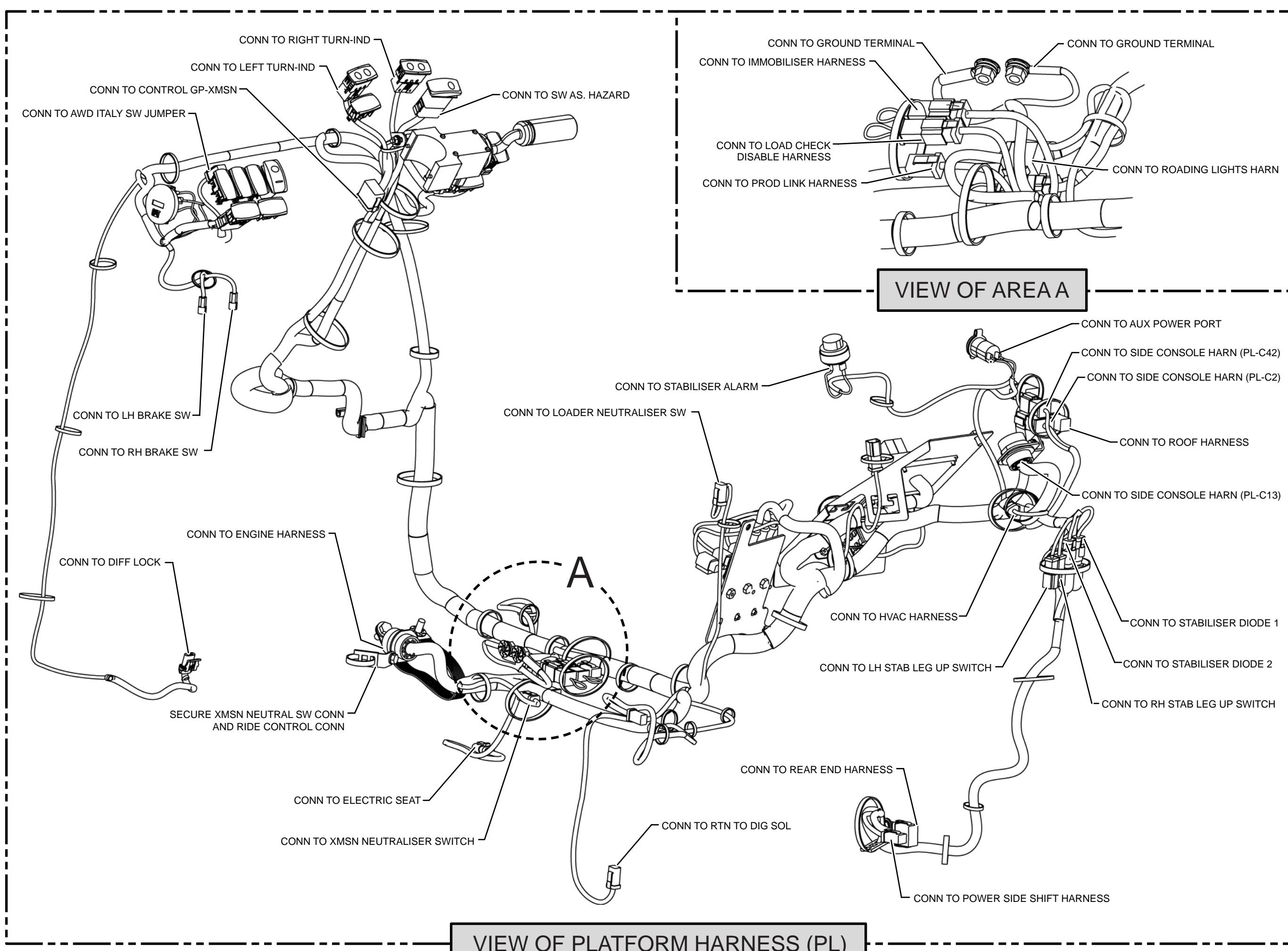
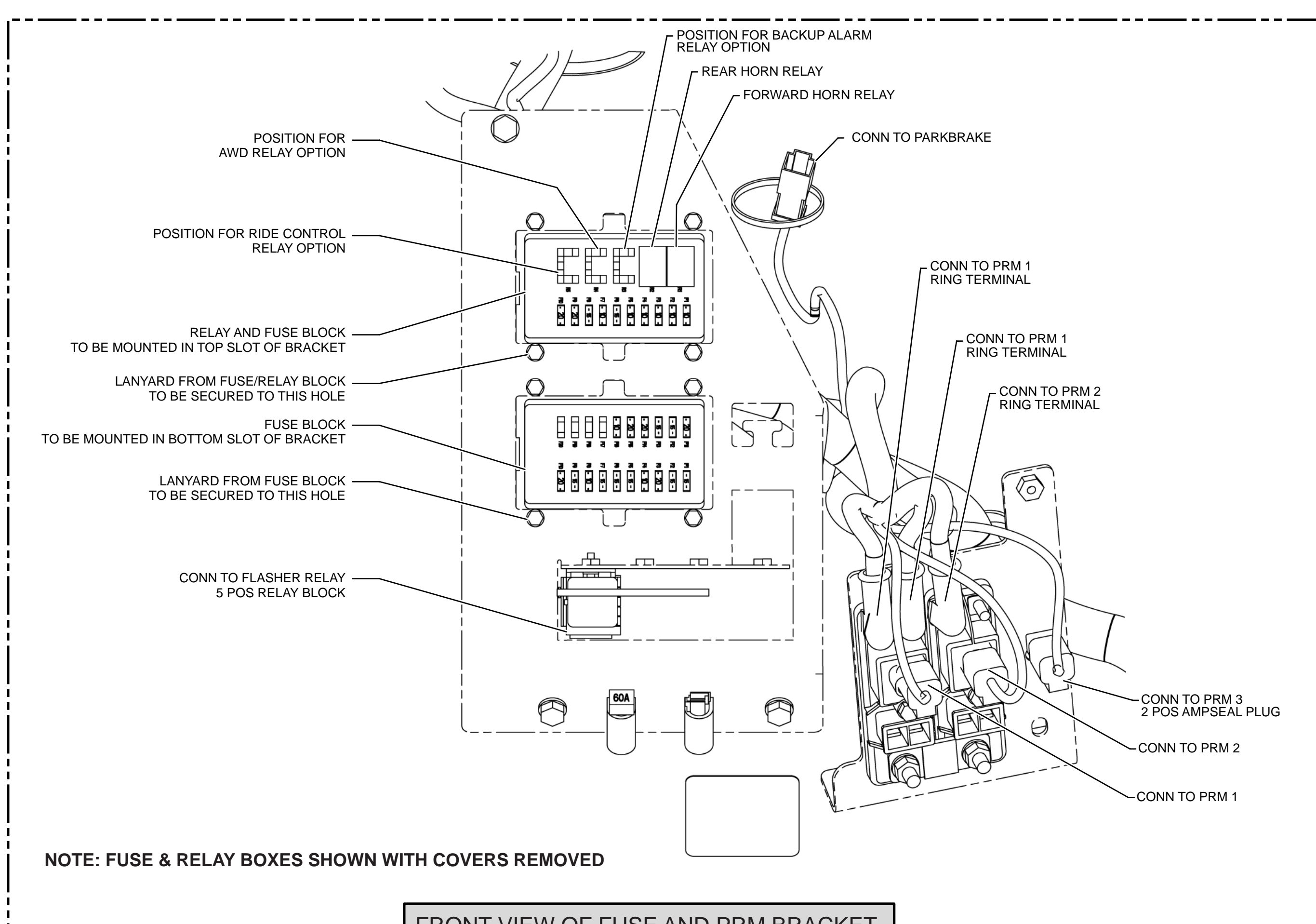


VIEW OF SIDE CONSOLE HARNESS (RH)

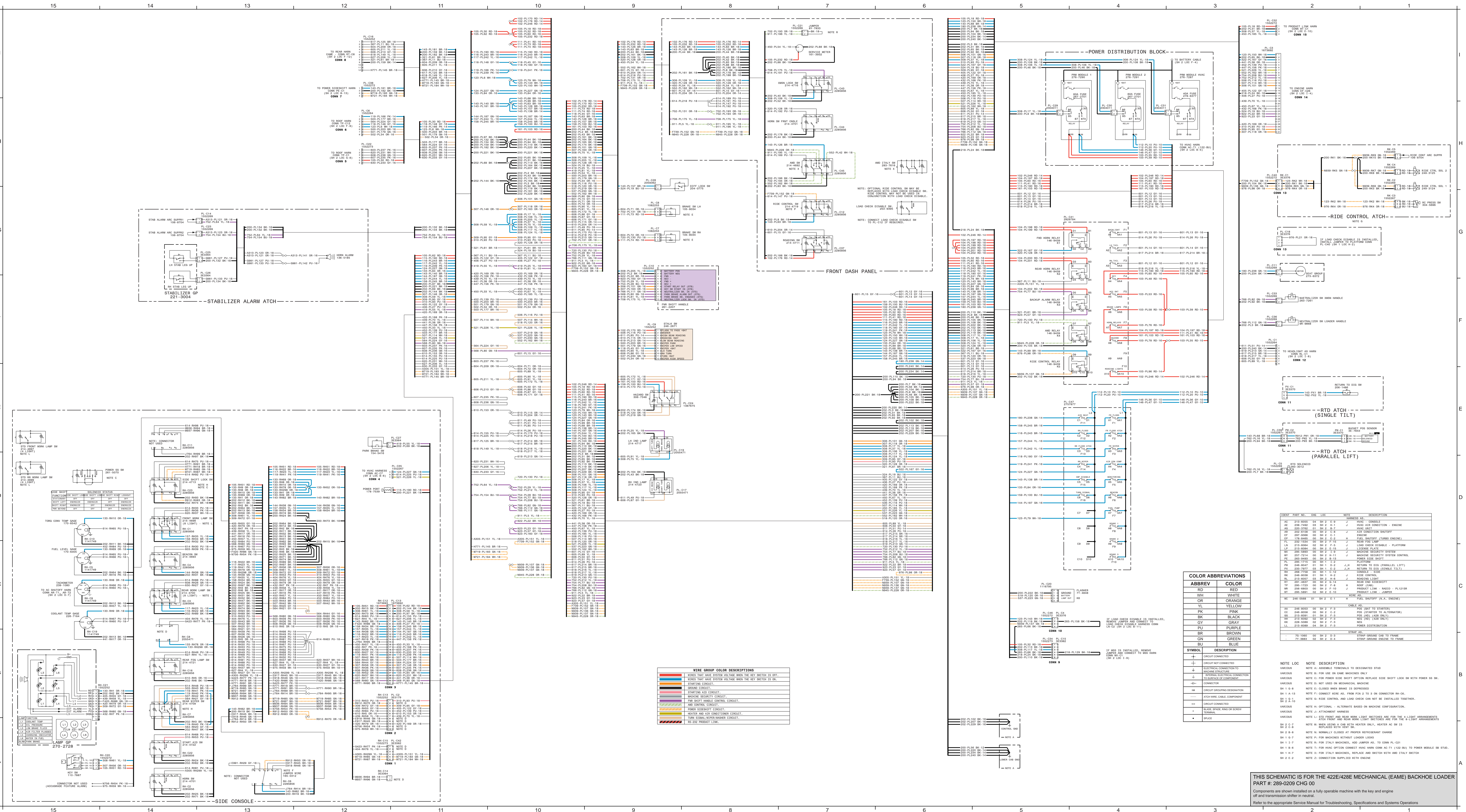


VIEW OF PLATFORM HARNESS (PL)



FRONT VIEW OF FUSE AND PRM BRACKET

Wire Description					
Wire Number	Wire Color	Description	Machine Location		
101	RD	Battery (+)	516	OR	Switch To Hazard Flashes
102	YL	Emergency Lamp	521	YL	Front Speed Sensor To AC Pressure Switch
103	RD	Brake Lamp	522	WH	ASC Control To Throttle Switch
104	RD	Turn Signal	523	OR	Turn Signal Sensor To Throttle
105	RD	Key Switch	524	WH	All Wheel Drive Sensor
111	RD	Radio Speaker - Left (L)	525	WH	Radio Speaker - Left (L)
112	RD	Radio Speaker - Right (R)	526	WH	Radio Speaker - Right (R)
113	OR	Motor 1	527	WH	Warning Buzzer To Shocks
115	RD	Subframe Bracket	528	WH	ASC Switch - Sensor #1
116	BR	Blow Flood Lamp	529	GY	Blow Lamp - High
117	YL	Blow Flood Lamp (2nd)	530	GY	Blow Lamp - Low
118	GY	Front Dipper Motor	531	OR	Blow Lamp
119	OR	Blow Flood Lamp	532	OR	Blow Lamp
120	OR	Blow Flood Lamp	533	OR	Blow Lamp
121	OR	Blow Flood Lamp	534	OR	Blow Lamp
122	OR	Blow Flood Lamp	535	OR	Blow Lamp
123	WH	Fuel Pump	536	OR	Flood Lamp - Front #1
124	OR	HYAC	537	OR	Flood Lamp - Rear #1
125	OR	Product Line Radio	538	OR	Flood Lamp - Rear #2
126	OR	Transmission Control	539	OR	Flood Lamp - Engine
133	OR	Microswitch	540	OR	Flood Lamp - Rear Attachment #1
141	BR	Hydraulic Discharge	541	OR	General Circuits
142	OR	Blow Flood Lamp	542	OR	Transmission Brake Switch - Jumpers
143	OR	Blow Flood Lamp	543	OR	Transmission Hold Switch
144	OR	Blow Flood Lamp	544	OR	Transmission Shift Solenoid 1 or 2
145	OR	Blow Flood Lamp	545	OR	Transmission Shift Solenoid 3 or 4
146	OR	Blow Flood Lamp	546	OR	Transmission Shift Solenoid 5 or 6
147	OR	Blow Flood Lamp	547	OR	Transmission Shift Solenoid 7 or 8
148	OR	Blow Flood Lamp	548	OR	Transmission Shift Solenoid 9 or 10
149	OR	Blow Flood Lamp	549	OR	Transmission Shift Solenoid 11 or 12
150	OR	Blow Flood Lamp	550	OR	Transmission Shift Solenoid 13 or 14
151	OR	Blow Flood Lamp	551	OR	Transmission Shift Solenoid 15 or 16
152	OR	Blow Flood Lamp	552	OR	Transmission Shift Solenoid 17 or 18
153	OR	Blow Flood Lamp	553	OR	Transmission Shift Solenoid 19 or 20
154	OR	Blow Flood Lamp	554	OR	Transmission Shift Solenoid 21 or 22
155	OR	Blow Flood Lamp	555	OR	Transmission Shift Solenoid 23 or 24
156	OR	Blow Flood Lamp	556	OR	Transmission Shift Solenoid 25 or 26
157	OR	Blow Flood Lamp	557	OR	Transmission Shift Solenoid 27 or 28
158	OR	Blow Flood Lamp	558	OR	Transmission Shift Solenoid 29 or 30
159	OR	Blow Flood Lamp	559	OR	Transmission Shift Solenoid 31 or 32
160	OR	Blow Flood Lamp	560	OR	Transmission Shift Solenoid 33 or 34
161	OR	Blow Flood Lamp	561	OR	Transmission Shift Solenoid 35 or 36
162	OR	Blow Flood Lamp	562	OR	Transmission Shift Solenoid 37 or 38
163	OR	Blow Flood Lamp	563	OR	Transmission Shift Solenoid 39 or 40
164	OR	Blow Flood Lamp	564	OR	Transmission Shift Solenoid 41 or 42
165	OR	Blow Flood Lamp	565	OR	Transmission Shift Solenoid 43 or 44
166	OR	Blow Flood Lamp	566	OR	Transmission Shift Solenoid 45 or 46
167	OR	Blow Flood Lamp	567	OR	Transmission Shift Solenoid 47 or 48
168	OR	Blow Flood Lamp	568	OR	Transmission Shift Solenoid 49 or 50
169	OR	Blow Flood Lamp	569	OR	Transmission Shift Solenoid 51 or 52
170	OR	Blow Flood Lamp	570	OR	Transmission Shift Solenoid 53 or 54
171	OR	Blow Flood Lamp	571	OR	Transmission Shift Solenoid 55 or 56
172	OR	Blow Flood Lamp	572	OR	Transmission Shift Solenoid 57 or 58
173	OR	Blow Flood Lamp	573	OR	Transmission Shift Solenoid 59 or 60
174	OR	Blow Flood Lamp	574	OR	Transmission Shift Solenoid 61 or 62
175	OR	Blow Flood Lamp	575	OR	Transmission Shift Solenoid 63 or 64
176	OR	Blow Flood Lamp	576	OR	Transmission Shift Solenoid 65 or 66
177	OR	Blow Flood Lamp	577	OR	Transmission Shift Solenoid 67 or 68
178	OR	Blow Flood Lamp	578	OR	Transmission Shift Solenoid 69 or 70
179	OR	Blow Flood Lamp	579	OR	Transmission Shift Solenoid 71 or 72
180	OR	Blow Flood Lamp	580	OR	Transmission Shift Solenoid 73 or 74
181	OR	Blow Flood Lamp	581	OR	Transmission Shift Solenoid 75 or 76
182	OR	Blow Flood Lamp	582	OR	Transmission Shift Solenoid 77 or 78
183	OR	Blow Flood Lamp	583	OR	Transmission Shift Solenoid 79 or 80
184	OR	Blow Flood Lamp	584	OR	Transmission Shift Solenoid 81 or 82
185	OR	Blow Flood Lamp	585	OR	Transmission Shift Solenoid 83 or 84
186	OR	Blow Flood Lamp	586	OR	Transmission Shift Solenoid 85 or 86
187	OR	Blow Flood Lamp	587	OR	Transmission Shift Solenoid 87 or 88
188	OR	Blow Flood Lamp	588	OR	Transmission Shift Solenoid 89 or 90
189	OR	Blow Flood Lamp	589	OR	Transmission Shift Solenoid 91 or 92
190	OR	Blow Flood Lamp	590	OR	Transmission Shift Solenoid 93 or 94
191	OR	Blow Flood Lamp	591	OR	Transmission Shift Solenoid 95 or 96
192	OR	Blow Flood Lamp	592	OR	Transmission Shift Solenoid 97 or 98
193	OR	Blow Flood Lamp	593	OR	Transmission Shift Solenoid 99 or 100
194	OR	Blow Flood Lamp	594	OR	Transmission Shift Solenoid 101 or 102
195	OR	Blow Flood Lamp	595	OR	Transmission Shift Solenoid 103 or 104
196	OR	Blow Flood Lamp	596	OR	Transmission Shift Solenoid 105 or 106
197	OR	Blow Flood Lamp	597	OR	Transmission Shift Solenoid 107 or 108
198	OR	Blow Flood Lamp	598	OR	Transmission Shift Solenoid 109 or 110
199	OR	Blow Flood Lamp	599	OR	Transmission Shift Solenoid 111 or 112
200	OR	Blow Flood Lamp	600	OR	Transmission Shift Solenoid 113 or 114
201	OR	Blow Flood Lamp	601	OR	Transmission Shift Solenoid 115 or 116
202	OR	Blow Flood Lamp	602	OR	Transmission Shift Solenoid 117 or 118
203	OR	Blow Flood Lamp	603	OR	Transmission Shift Solenoid 119 or 120
204	OR	Blow Flood Lamp	604	OR	Transmission Shift Solenoid 121 or 122
205	OR	Blow Flood Lamp	605	OR	Transmission Shift Solenoid 123 or 124
206	OR	Blow Flood Lamp	606	OR	Transmission Shift Solenoid 125 or 126
207	OR	Blow Flood Lamp	607	OR	Transmission Shift Solenoid 127 or 128
208	OR	Blow Flood Lamp	608	OR	Transmission Shift Solenoid 129 or 130
209	OR	Blow Flood Lamp	609	OR	Transmission Shift Solenoid 131 or 132
210	OR	Blow Flood Lamp	610	OR	Transmission Shift Solenoid 133 or 134
211	OR	Blow Flood Lamp	611	OR	Transmission Shift Solenoid 135 or 136
212	OR	Blow Flood Lamp	612	OR	Transmission Shift Solenoid 137 or 138
213	OR	Blow Flood Lamp	613	OR	Transmission Shift Solenoid 139 or 140
214	OR	Blow Flood Lamp	614	OR	Transmission Shift Solenoid 141 or 142
215	OR	Blow Flood Lamp	615	OR	Transmission Shift Solenoid 143 or 144
216	OR	Blow Flood Lamp	616	OR	Transmission Shift Solenoid 145 or 146
217	OR	Blow Flood Lamp	617	OR	Transmission Shift Solenoid 147 or 148
218	OR	Blow Flood Lamp	618	OR	Transmission Shift Solenoid 149 or 150
219	OR	Blow Flood Lamp	619	OR	Transmission Shift Solenoid 151 or 152
220	OR	Blow Flood Lamp	620	OR	Transmission Shift Solenoid 153 or 154
221	OR	Blow Flood Lamp	621	OR	Transmission Shift Solenoid 155 or 156
222	OR	Blow Flood Lamp	622	OR	Transmission Shift Solenoid 157 or 158
223	OR	Blow Flood Lamp	623	OR	Transmission Shift Solenoid 159 or 160
224	OR	Blow Flood Lamp	624	OR	Transmission Shift Solenoid 161 or 162
225	OR	Blow Flood Lamp	625	OR	Transmission Shift Solenoid 163 or 164
226	OR	Blow Flood Lamp	626	OR	Transmission Shift Solenoid 165 or 166
227	OR	Blow Flood Lamp	627	OR	Transmission Shift Solenoid 167 or 168
228	OR	Blow Flood Lamp	628	OR	Transmission Shift Solenoid 169 or 170
229	OR	Blow Flood Lamp	629	OR	Transmission Shift Solenoid 171 or 172
230	OR	Blow Flood Lamp	630	OR	Transmission Shift Solenoid 173 or 174
231	OR	Blow Flood Lamp	631	OR	Transmission Shift Solenoid 175 or 176
232	OR	Blow Flood Lamp	632	OR	Transmission Shift Solenoid 177 or 178
233	OR	Blow Flood Lamp	633	OR	Transmission Shift Solenoid 179 or 180
234	OR	Blow Flood Lamp	634	OR	Transmission Shift Solenoid 181 or 182
235	OR	Blow Flood Lamp	635	OR	Transmission Shift Solenoid 183 or 184
236	OR	Blow Flood Lamp	636	OR	Transmission Shift Solenoid 185 or 186
237	OR	Blow Flood Lamp	637	OR	Transmission Shift Solenoid 187 or 188
238	OR	Blow Flood Lamp	638	OR	Transmission Shift Solenoid 189 or 190
239	OR	Blow Flood Lamp	639	OR	Transmission Shift Solenoid 191 or 192
240	OR	Blow Flood Lamp	640	OR	Transmission Shift Solenoid 193 or 194
241	OR	Blow Flood Lamp	641	OR	Transmission Shift Solenoid 195 or 196
242	OR	Blow Flood Lamp	642	OR	Transmission Shift Solenoid 197 or 198
243	OR	Blow Flood Lamp	643	OR	Transmission Shift Solenoid 199 or 200
244	OR	Blow Flood Lamp	644	OR	Transmission Shift Solenoid 201 or 202
245	OR	Blow Flood Lamp	645	OR	Transmission Shift Solenoid 203 or 204
246	OR	Blow Flood Lamp	646	OR	Transmission Shift Solenoid 205 or 206
247	OR	Blow Flood Lamp	647	OR	Transmission Shift Solenoid 207 or 208
248	OR	Blow Flood Lamp	648	OR	Transmission Shift Solenoid 209 or 210
249	OR	Blow Flood Lamp	649	OR	Transmission Shift Solenoid 211 or 212
250	OR	Blow Flood Lamp	650	OR	Transmission Shift Solenoid 213 or 214
251	OR	Blow Flood Lamp	651	OR	Transmission Shift Solenoid 215 or 216
252	OR	Blow Flood Lamp	652	OR	Transmission Shift Solenoid 217 or 218
253	OR	Blow Flood Lamp	653	OR	Transmission Shift Solenoid 219 or 220
254	OR	Blow Flood Lamp	654	OR	Transmission Shift Solenoid 221 or 222
255	OR	Blow Flood Lamp	655	OR	Transmission Shift Solenoid 223 or 224
256	OR	Blow Flood Lamp	656	OR	Transmission Shift Solenoid 225 or 226
257	OR	Blow Flood Lamp	657	OR	Transmission Shift Solenoid 227 or 228
258	OR	Blow Flood Lamp	658	OR	Transmission Shift Solenoid 229 or 230
259	OR	Blow Flood Lamp	659	OR	Transmission Shift Solenoid 231 or 232
260	OR	Blow Flood Lamp	660	OR	Transmission Shift Solenoid 233 or 234
261	OR	Blow Flood Lamp	661	OR	Transmission Shift Solenoid 235 or 236
262	OR	Blow Flood Lamp	662	OR	Transmission Shift Solenoid 237 or 238
263	OR	Blow Flood Lamp	663	OR	Transmission Shift Solenoid 239 or 240
264	OR	Blow Flood Lamp	664	OR	Transmission Shift Solenoid 241 or 242
265	OR	Blow Flood Lamp	665	OR	Transmission Shift Solenoid 243 or 244
266	OR	Blow Flood Lamp	666	OR	Transmission Shift Solenoid 245 or 246
267	OR	Blow Flood Lamp	667	OR	Transmission Shift Solenoid 247 or 248
268	OR	Blow Flood Lamp	668	OR	Transmission Shift Solenoid 249 or 250
269	OR	Blow Flood Lamp	669	OR	Transmission Shift Solenoid 251 or 252
270	OR	Blow Flood Lamp	670	OR	Transmission Shift Solenoid 253 or 254
271	OR	Blow Flood Lamp	671	OR	Transmission Shift Solenoid 255 or 256
272	OR	Blow Flood Lamp	672	OR	Transmission Shift Solenoid 257 or 258
273	OR	Blow Flood Lamp	673	OR	Transmission Shift Solenoid 259 or 260
274	OR	Blow Flood Lamp	674	OR	Transmission Shift Solenoid 261 or 262
275	OR	Blow Flood Lamp	675	OR	Transmission Shift Solenoid 263 or 264
276	OR	Blow Flood Lamp	676	OR	Transmission Shift Solenoid 265 or 266
277	OR	Blow Flood Lamp	677	OR	Transmission Shift Solenoid 267 or 268
278	OR	Blow Flood Lamp	678	OR	Transmission Shift Solenoid 269 or 270
279	OR	Blow Flood Lamp	679	OR	Transmission Shift Solenoid 271 or 272
280	OR	Blow Flood Lamp	680	OR	Transmission Shift Solenoid 273 or 274
281	OR	Blow Flood Lamp	681	OR	Transmission Shift Solenoid 275 or 276
282	OR	Blow Flood Lamp	682	OR	Transmission Shift Solenoid 277 or 278
283	OR	Blow Flood Lamp	683	OR	Transmission Shift Solenoid 279 or 280
284	OR	Blow Flood Lamp	684	OR	Transmission Shift Solenoid 281 or 282
285	OR	Blow Flood Lamp	685	OR	Transmission Shift Solenoid 283 or 284
286	OR	Blow Flood Lamp	686	OR	Transmission Shift Solenoid 285 or 286
287	OR	Blow Flood Lamp	687	OR	Transmission Shift Solenoid 287 or 288
288	OR	Blow Flood Lamp	688	OR	Transmission Shift Solenoid 289 or 290
289	OR	Blow Flood Lamp	689	OR	Transmission Shift Solenoid 291 or 292
290	OR	Blow Flood Lamp	690	OR	Transmission Shift Solenoid 293 or 294
291	OR	Blow Flood Lamp	691	OR	Transmission Shift Solenoid 295 or 296
292	OR	Blow Flood Lamp	692	OR	Transmission Shift Solenoid 297 or 298
293	OR	Blow Flood Lamp	693	OR	Transmission Shift Solenoid 299 or 300
294	OR	Blow Flood Lamp	694	OR	Transmission Shift Solenoid 301 or 302
295	OR	Blow Flood Lamp	695	OR	Transmission Shift Solenoid 303 or 304
296	OR	Blow Flood Lamp	696	OR	Transmission Shift Solenoid 305 or 306
297	OR	Blow Flood Lamp	697	OR	Transmission Shift Solenoid 307 or 308
298	OR	Blow Flood Lamp	698	OR	Transmission Shift Solenoid 309 or 310
299	OR	Blow Flood Lamp	699	OR	Transmission Shift Solenoid 311 or 312
300	OR	Blow Flood Lamp	700	OR	Transmission Shift Solenoid 313 or 314
301	OR	Blow Flood Lamp	701	OR	Transmission Shift Solenoid 315 or 316
302	OR	Blow Flood Lamp	702	OR	Transmission Shift Solenoid 317 or 318
303	OR	Blow Flood Lamp	703	OR	Transmission Shift Solenoid 319 or 320
304	OR	Blow Flood Lamp	704	OR	Transmission Shift Solenoid 321 or 322
305	OR	Blow Flood Lamp	705	OR	Transmission Shift Solenoid 323 or 324
306	OR	Blow Flood Lamp	706	OR	Transmission Shift Solenoid 325 or 326
307	OR	Blow Flood Lamp	707	OR	Transmission Shift Solenoid 327 or 328
308	OR	Blow Flood Lamp	708	OR	Transmission Shift Solenoid 329 or 330
309	OR	Blow Flood Lamp	709	OR	Transmission Shift Solenoid 331 or 332
310	OR	Blow Flood Lamp	710	OR	Transmission Shift Solenoid 333 or 334
311	OR	Blow Flood Lamp	711	OR	Transmission Shift Solenoid 335 or 336



WIRE GROUP COLOR DESCRIPTIONS

- RED: WIRE GROUP COLOR DESCRIPTIONS
- GREEN: WIRE GROUP COLOR DESCRIPTIONS
- BLUE: WIRE GROUP COLOR DESCRIPTIONS
- YELLOW: WIRE GROUP COLOR DESCRIPTIONS
- PURPLE: WIRE GROUP COLOR DESCRIPTIONS
- BROWN: WIRE GROUP COLOR DESCRIPTIONS
- BLACK: WIRE GROUP COLOR DESCRIPTIONS
- WHITE: WIRE GROUP COLOR DESCRIPTIONS
- ORANGE: WIRE GROUP COLOR DESCRIPTIONS
- PINK: WIRE GROUP COLOR DESCRIPTIONS
- GRAY: WIRE GROUP COLOR DESCRIPTIONS
- RED/BLACK: WIRE GROUP COLOR DESCRIPTIONS
- GREEN/BLACK: WIRE GROUP COLOR DESCRIPTIONS
- BLUE/BLACK: WIRE GROUP COLOR DESCRIPTIONS
- YELLOW/BLACK: WIRE GROUP COLOR DESCRIPTIONS
- PURPLE/BLACK: WIRE GROUP COLOR DESCRIPTIONS
- BROWN/BLACK: WIRE GROUP COLOR DESCRIPTIONS
- BLACK/WHITE: WIRE GROUP COLOR DESCRIPTIONS
- ORANGE/BLACK: WIRE GROUP COLOR DESCRIPTIONS
- PINK/BLACK: WIRE GROUP COLOR DESCRIPTIONS
- GRAY/BLACK: WIRE GROUP COLOR DESCRIPTIONS
- RED/WHITE: WIRE GROUP COLOR DESCRIPTIONS
- GREEN/WHITE: WIRE GROUP COLOR DESCRIPTIONS
- BLUE/WHITE: WIRE GROUP COLOR DESCRIPTIONS
- YELLOW/WHITE: WIRE GROUP COLOR DESCRIPTIONS
- PURPLE/WHITE: WIRE GROUP COLOR DESCRIPTIONS
- BROWN/WHITE: WIRE GROUP COLOR DESCRIPTIONS
- BLACK/RED: WIRE GROUP COLOR DESCRIPTIONS
- BLACK/GREEN: WIRE GROUP COLOR DESCRIPTIONS
- BLACK/BLUE: WIRE GROUP COLOR DESCRIPTIONS
- BLACK/YELLOW: WIRE GROUP COLOR DESCRIPTIONS
- BLACK/PURPLE: WIRE GROUP COLOR DESCRIPTIONS
- BLACK/BROWN: WIRE GROUP COLOR DESCRIPTIONS
- BLACK/GRAY: WIRE GROUP COLOR DESCRIPTIONS
- BLACK/RED/WHITE: WIRE GROUP COLOR DESCRIPTIONS
- BLACK/RED/BLACK: WIRE GROUP COLOR DESCRIPTIONS
- BLACK/RED/YELLOW: WIRE GROUP COLOR DESCRIPTIONS
- BLACK/RED/GRAY: WIRE GROUP COLOR DESCRIPTIONS
- BLACK/RED/WHITE/BLACK: WIRE GROUP COLOR DESCRIPTIONS
- BLACK/RED/WHITE/YELLOW: WIRE GROUP COLOR DESCRIPTIONS
- BLACK/RED/WHITE/GRAY: WIRE GROUP COLOR DESCRIPTIONS
- BLACK/RED/WHITE/BLACK/YELLOW: WIRE GROUP COLOR DESCRIPTIONS
- BLACK/RED/WHITE/BLACK/GRAY: WIRE GROUP COLOR DESCRIPTIONS
- BLACK/RED/WHITE/BLACK/YELLOW/GRAY: WIRE GROUP COLOR DESCRIPTIONS

COLOR ABBREVIATIONS

ABBREV	COLOR
RD	RED
GRN	GREEN
BLU	BLUE
YEL	YELLOW
PK	PINK
BRK	BLACK
GRY	GRAY
PU	PURPLE
BRN	BROWN
ORV	ORANGE
BLU	BLUE

COMPONENT LIST

COMPONENT NO.	QTY	DESCRIPTION
10	1	WATER PUMP
11	1	FUEL PUMP
12	1	INJECTOR
13	1	CRANK POSITION SENSOR
14	1	THROTTLE POSITION SENSOR
15	1	STARTER MOTOR
16	1	IGNITION SWITCH
17	1	HEADLIGHT ASSEMBLY
18	1	FOG LIGHT ASSEMBLY
19	1	HORN
20	1	PTO CLUTCH
21	1	HYDRAULIC LIFT CYLINDER
22	1	HYDRAULIC LIFT CONTROL VALVE
23	1	HYDRAULIC LIFT PUMP
24	1	HYDRAULIC LIFT MOTOR
25	1	HYDRAULIC LIFT RELAY
26	1	HYDRAULIC LIFT SWITCH
27	1	HYDRAULIC LIFT INDICATOR LIGHT
28	1	HYDRAULIC LIFT FUSE
29	1	HYDRAULIC LIFT RELAY FUSE
30	1	HYDRAULIC LIFT SWITCH FUSE
31	1	HYDRAULIC LIFT INDICATOR LIGHT FUSE
32	1	HYDRAULIC LIFT FUSE
33	1	HYDRAULIC LIFT RELAY FUSE
34	1	HYDRAULIC LIFT SWITCH FUSE
35	1	HYDRAULIC LIFT INDICATOR LIGHT FUSE
36	1	HYDRAULIC LIFT FUSE
37	1	HYDRAULIC LIFT RELAY FUSE
38	1	HYDRAULIC LIFT SWITCH FUSE
39	1	HYDRAULIC LIFT INDICATOR LIGHT FUSE
40	1	HYDRAULIC LIFT FUSE
41	1	HYDRAULIC LIFT RELAY FUSE
42	1	HYDRAULIC LIFT SWITCH FUSE
43	1	HYDRAULIC LIFT INDICATOR LIGHT FUSE
44	1	HYDRAULIC LIFT FUSE
45	1	HYDRAULIC LIFT RELAY FUSE
46	1	HYDRAULIC LIFT SWITCH FUSE
47	1	HYDRAULIC LIFT INDICATOR LIGHT FUSE
48	1	HYDRAULIC LIFT FUSE
49	1	HYDRAULIC LIFT RELAY FUSE
50	1	HYDRAULIC LIFT SWITCH FUSE
51	1	HYDRAULIC LIFT INDICATOR LIGHT FUSE
52	1	HYDRAULIC LIFT FUSE
53	1	HYDRAULIC LIFT RELAY FUSE
54	1	HYDRAULIC LIFT SWITCH FUSE
55	1	HYDRAULIC LIFT INDICATOR LIGHT FUSE
56	1	HYDRAULIC LIFT FUSE
57	1	HYDRAULIC LIFT RELAY FUSE
58	1	HYDRAULIC LIFT SWITCH FUSE
59	1	HYDRAULIC LIFT INDICATOR LIGHT FUSE
60	1	HYDRAULIC LIFT FUSE
61	1	HYDRAULIC LIFT RELAY FUSE
62	1	HYDRAULIC LIFT SWITCH FUSE
63	1	HYDRAULIC LIFT INDICATOR LIGHT FUSE
64	1	HYDRAULIC LIFT FUSE
65	1	HYDRAULIC LIFT RELAY FUSE
66	1	HYDRAULIC LIFT SWITCH FUSE
67	1	HYDRAULIC LIFT INDICATOR LIGHT FUSE
68	1	HYDRAULIC LIFT FUSE
69	1	HYDRAULIC LIFT RELAY FUSE
70	1	HYDRAULIC LIFT SWITCH FUSE
71	1	HYDRAULIC LIFT INDICATOR LIGHT FUSE
72	1	HYDRAULIC LIFT FUSE
73	1	HYDRAULIC LIFT RELAY FUSE
74	1	HYDRAULIC LIFT SWITCH FUSE
75	1	HYDRAULIC LIFT INDICATOR LIGHT FUSE
76	1	HYDRAULIC LIFT FUSE
77	1	HYDRAULIC LIFT RELAY FUSE
78	1	HYDRAULIC LIFT SWITCH FUSE
79	1	HYDRAULIC LIFT INDICATOR LIGHT FUSE
80	1	HYDRAULIC LIFT FUSE
81	1	HYDRAULIC LIFT RELAY FUSE
82	1	HYDRAULIC LIFT SWITCH FUSE
83	1	HYDRAULIC LIFT INDICATOR LIGHT FUSE
84	1	HYDRAULIC LIFT FUSE
85	1	HYDRAULIC LIFT RELAY FUSE
86	1	HYDRAULIC LIFT SWITCH FUSE
87	1	HYDRAULIC LIFT INDICATOR LIGHT FUSE
88	1	HYDRAULIC LIFT FUSE
89	1	HYDRAULIC LIFT RELAY FUSE
90	1	HYDRAULIC LIFT SWITCH FUSE
91	1	HYDRAULIC LIFT INDICATOR LIGHT FUSE
92	1	HYDRAULIC LIFT FUSE
93	1	HYDRAULIC LIFT RELAY FUSE
94	1	HYDRAULIC LIFT SWITCH FUSE
95	1	HYDRAULIC LIFT INDICATOR LIGHT FUSE
96	1	HYDRAULIC LIFT FUSE
97	1	HYDRAULIC LIFT RELAY FUSE
98	1	HYDRAULIC LIFT SWITCH FUSE
99	1	HYDRAULIC LIFT INDICATOR LIGHT FUSE
100	1	HYDRAULIC LIFT FUSE

NOTE LOC

NOTE 1: REFER TO THE KEY SWITCH IS OFF. WIRE THAT HAVE EXTERIOR VOLTAGE WHEN THE KEY SWITCH IS ON.

NOTE 2: WIRE GROUP COLOR DESCRIPTIONS.

NOTE 3: WIRE GROUP COLOR DESCRIPTIONS.

NOTE 4: WIRE GROUP COLOR DESCRIPTIONS.

NOTE 5: WIRE GROUP COLOR DESCRIPTIONS.

NOTE 6: WIRE GROUP COLOR DESCRIPTIONS.

NOTE 7: WIRE GROUP COLOR DESCRIPTIONS.

NOTE 8: WIRE GROUP COLOR DESCRIPTIONS.

NOTE 9: WIRE GROUP COLOR DESCRIPTIONS.

NOTE 10: WIRE GROUP COLOR DESCRIPTIONS.

NOTE 11: WIRE GROUP COLOR DESCRIPTIONS.

NOTE 12: WIRE GROUP COLOR DESCRIPTIONS.

NOTE 13: WIRE GROUP COLOR DESCRIPTIONS.

NOTE 14: WIRE GROUP COLOR DESCRIPTIONS.

NOTE 15: WIRE GROUP COLOR DESCRIPTIONS.

NOTE 16: WIRE GROUP COLOR DESCRIPTIONS.

NOTE 17: WIRE GROUP COLOR DESCRIPTIONS.

NOTE 18: WIRE GROUP COLOR DESCRIPTIONS.

NOTE 19: WIRE GROUP COLOR DESCRIPTIONS.

NOTE 20: WIRE GROUP COLOR DESCRIPTIONS.

NOTE 21: WIRE GROUP COLOR DESCRIPTIONS.

NOTE 22: WIRE GROUP COLOR DESCRIPTIONS.

NOTE 23: WIRE GROUP COLOR DESCRIPTIONS.

NOTE 24: WIRE GROUP COLOR DESCRIPTIONS.

NOTE 25: WIRE GROUP COLOR DESCRIPTIONS.

NOTE 26: WIRE GROUP COLOR DESCRIPTIONS.

NOTE 27: WIRE GROUP COLOR DESCRIPTIONS.

NOTE 28: WIRE GROUP COLOR DESCRIPTIONS.

NOTE 29: WIRE GROUP COLOR DESCRIPTIONS.

NOTE 30: WIRE GROUP COLOR DESCRIPTIONS.

NOTE 31: WIRE GROUP COLOR DESCRIPTIONS.

NOTE 32: WIRE GROUP COLOR DESCRIPTIONS.

NOTE 33: WIRE GROUP COLOR DESCRIPTIONS.

NOTE 34: WIRE GROUP COLOR DESCRIPTIONS.

NOTE 35: WIRE GROUP COLOR DESCRIPTIONS.

NOTE 36: WIRE GROUP COLOR DESCRIPTIONS.

NOTE 37: WIRE GROUP COLOR DESCRIPTIONS.

NOTE 38: WIRE GROUP COLOR DESCRIPTIONS.

NOTE 39: WIRE GROUP COLOR DESCRIPTIONS.

NOTE 40: WIRE GROUP COLOR DESCRIPTIONS.

NOTE 41: WIRE GROUP COLOR DESCRIPTIONS.

NOTE 42: WIRE GROUP COLOR DESCRIPTIONS.

NOTE 43: WIRE GROUP COLOR DESCRIPTIONS.

NOTE 44: WIRE GROUP COLOR DESCRIPTIONS.

NOTE 45: WIRE GROUP COLOR DESCRIPTIONS.

NOTE 46: WIRE GROUP COLOR DESCRIPTIONS.

NOTE 47: WIRE GROUP COLOR DESCRIPTIONS.

NOTE 48: WIRE GROUP COLOR DESCRIPTIONS.

NOTE 49: WIRE GROUP COLOR DESCRIPTIONS.

NOTE 50: WIRE GROUP COLOR DESCRIPTIONS.

NOTE 51: WIRE GROUP COLOR DESCRIPTIONS.

NOTE 52: WIRE GROUP COLOR DESCRIPTIONS.

NOTE 53: WIRE GROUP COLOR DESCRIPTIONS.

NOTE 54: WIRE GROUP COLOR DESCRIPTIONS.

NOTE 55: WIRE GROUP COLOR DESCRIPTIONS.

NOTE 56: WIRE GROUP COLOR DESCRIPTIONS.

NOTE 57: WIRE GROUP COLOR DESCRIPTIONS.

NOTE 58: WIRE GROUP COLOR DESCRIPTIONS.

NOTE 59: WIRE GROUP COLOR DESCRIPTIONS.

NOTE 60: WIRE GROUP COLOR DESCRIPTIONS.

NOTE 61: WIRE GROUP COLOR DESCRIPTIONS.

NOTE 62: WIRE GROUP COLOR DESCRIPTIONS.

NOTE 63: WIRE GROUP COLOR DESCRIPTIONS.

NOTE 64: WIRE GROUP COLOR DESCRIPTIONS.

NOTE 65: WIRE GROUP COLOR DESCRIPTIONS.

NOTE 66: WIRE GROUP COLOR DESCRIPTIONS.

NOTE 67: WIRE GROUP COLOR DESCRIPTIONS.

NOTE 68: WIRE GROUP COLOR DESCRIPTIONS.

NOTE 69: WIRE GROUP COLOR DESCRIPTIONS.

NOTE 70: WIRE GROUP COLOR DESCRIPTIONS.

NOTE 71: WIRE GROUP COLOR DESCRIPTIONS.

NOTE 72: WIRE GROUP COLOR DESCRIPTIONS.

NOTE 73: WIRE GROUP COLOR DESCRIPTIONS.

NOTE 74: WIRE GROUP COLOR DESCRIPTIONS.

NOTE 75: WIRE GROUP COLOR DESCRIPTIONS.

NOTE 76: WIRE GROUP COLOR DESCRIPTIONS.

NOTE 77: WIRE GROUP COLOR DESCRIPTIONS.

NOTE 78: WIRE GROUP COLOR DESCRIPTIONS.

NOTE 79: WIRE GROUP COLOR DESCRIPTIONS.

NOTE 80: WIRE GROUP COLOR DESCRIPTIONS.

NOTE 81: WIRE GROUP COLOR DESCRIPTIONS.

NOTE 82: WIRE GROUP COLOR DESCRIPTIONS.

NOTE 83: WIRE GROUP COLOR DESCRIPTIONS.

NOTE 84: WIRE GROUP COLOR DESCRIPTIONS.

NOTE 85: WIRE GROUP COLOR DESCRIPTIONS.

NOTE 86: WIRE GROUP COLOR DESCRIPTIONS.

NOTE 87: WIRE GROUP COLOR DESCRIPTIONS.

NOTE 88: WIRE GROUP COLOR DESCRIPTIONS.

NOTE 89: WIRE GROUP COLOR DESCRIPTIONS.

NOTE 90: WIRE GROUP COLOR DESCRIPTIONS.

NOTE 91: WIRE GROUP COLOR DESCRIPTIONS.

NOTE 92: WIRE GROUP COLOR DESCRIPTIONS.

NOTE 93: WIRE GROUP COLOR DESCRIPTIONS.

NOTE 94: WIRE GROUP COLOR DESCRIPTIONS.

NOTE 95: WIRE GROUP COLOR DESCRIPTIONS.

NOTE 96: WIRE GROUP COLOR DESCRIPTIONS.

NOTE 97: WIRE GROUP COLOR DESCRIPTIONS.

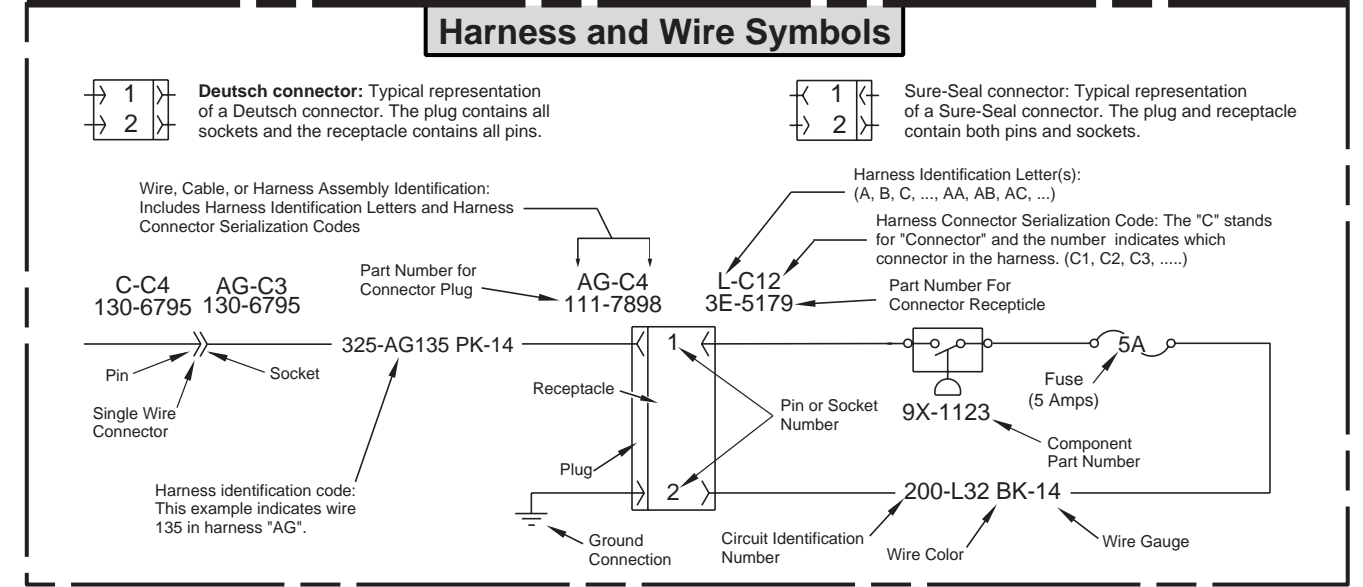
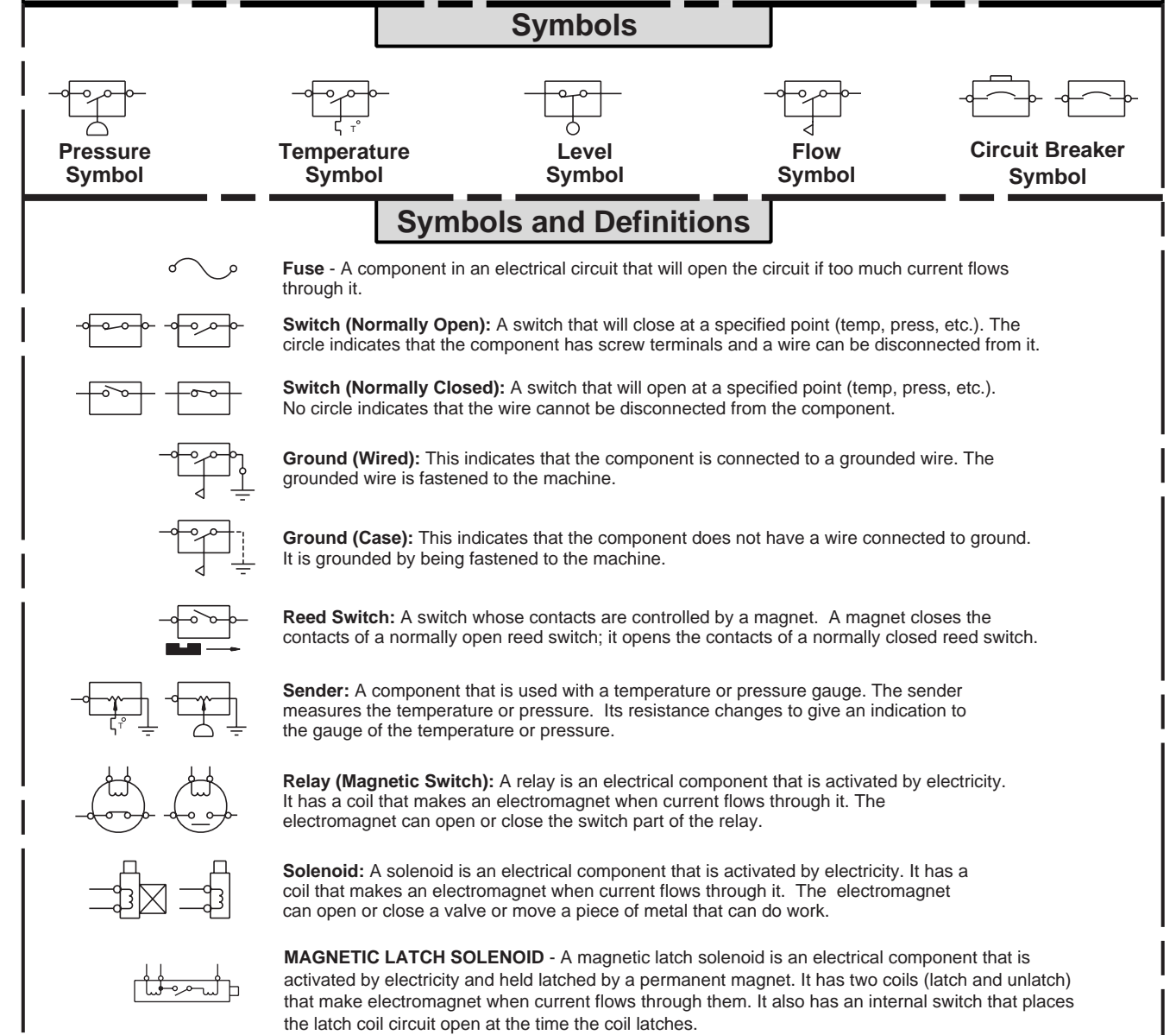
NOTE 98: WIRE GROUP COLOR DESCRIPTIONS.

NOTE 99: WIRE GROUP COLOR DESCRIPTIONS.

NOTE 100: WIRE GROUP COLOR DESCRIPTIONS.

THIS SCHEMATIC IS FOR THE 422E/428E MECHANICAL (EAME) BACKHOE LOADER PART # 289-0209 CHG 00

Harness And Wire Electrical Schematic Symbols



© 2007 Caterpillar
All Rights Reserved
Printed in U.S.A.

Schematic
422E & 428E Backhoe Loader
Electrical System

HBE 1600-UP
SNL 2200-UP

Volume 2 of 2: Engine & Chassis

Wire Description					
Wire Number	Wire Color	Description	Wire Number	Wire Color	Description
Power Circuits			Accessory Circuits (Continued)		
101	RD	Battery (+)	518	OR	Switch To Hazard Flasher
102	RD	Running Lamps	521	YL	Fan Speed Switch To A/C Pressure Switch
103	RD	Brake Lamps	522	WH	A/C Clutch To Thermo Switch
104	RD	Horn Relay	537	GN	Turn Signal Switch To Flasher
105	RD	Key Switch	552	WH	All Wheel Drive Solenoid
111	RD	Brake Lamps	564	GY	Rear Wiper Intermit Switch To Wiper Switch
112	PU	Main Power Relay Output	568	GN	Warning Buzzer To Docks
113	OR	Monitor 1	569	PK	A/C Switch Jumper #2
115	RD	Accessory Socket	Lighting Circuits		
116	BR	Rear Flood Lamp	601	GY	Dash Lamps - High
117	YL	Rear Flood Lamp ATCH	603	PK	Rotary Beacon Lamp #1
118	GY	Front Wiper Motor	604	OR	Stop Lamps
119	PK	Rear Wiper Motor	605	GY	Turn Lamps - Left
122	BU	Heater A/C Switch	606	PK	Turn Lamps - Right
123	WH	Fuel Pump	607	PK	Flood Lamps - Front #1
124	GN	HVAC	608	GN	Flood Lamps - Rear #1
125	OR	Product Link Radio	610	OR	Headlamps - Base
126	RD	Transmission Control	611	PU	Headlamps - High Beam
133	OR	Monitoring	614	PU	Tail / Position / Dash Lamps
143	BR	Implement Disable	617	BR	Tail / Position Lamp - Left
144	GN	Reason	618	YL	Tail / Position Lamp - Right
146	GY	PRM Module 1	619	GN	Headlamps - Low Beam
157	YL	Front Flood ATCH	620	WH	Flood Lamps - Engine
158	BR	Headlamp	627	YL	Fuel Lamps
159	BU	Turn Signal	630	GY	Flood Lamps - Rear Attachment #1
161	RD	Hazard Lamp	702	OR	Transmission Brake Switch Jumper
180	GN	Operator Seat	708	YL	Transmission Brake Switch
Ground Circuits			Control Circuits		
200	BK	Main Chassis	720	PU	Transmission Brake Switch
202	BK	Transmission Control 1	752	YL	Transmission Shift Solenoid 2
218	BK	Transmission ID Code 1	754	BU	Transmission Shift Solenoid 3 or 1
226	BK	Hydro Solenoid To Sensor	762	YL	Bucket Position Solenoid Switch
265	BK	Electronic Pump Control Id Code 2	766	GN	Transmission Disconnect Solenoid
Basic Machine Circuits			Control Circuits		
304	YH	Starter Relay #1 Output	811	YL	All Wheel Drive Mode Switch Jumper
306	GN	Key Switch To Starter Relay	823	GY	Transmission Solenoid 3 or 1 Return
307	OR	Key Switch To Neutral Start Switch	975	WH	Autoshift Solenoid Return
308	YL	Main Power Relay Coil	976	OR	Roll Control Solenoid 1
309	GY	Alternator Regulator	A250	BK	Battery (+)
310	PU	Start Aid Switch To Start Aid Solenoid	A305	YL	Relay To Warning Horn(s)
320	OR	Horn Switch To Horn Relay	A313	OR	Stallbar Alarm (+)
321	BR	Backup Alarm Lamp / Travel Alarm	A346	BU	Crank Drive Output - MSS
322	GY	Forward Warning Horn	A347	OR	Switch for Drives Output - MSS
324	BU	Differential Lock Solenoid	C811	WH	Relay Power
327	PK	Engine Shutdown Solenoid	C561	WH	Right Rear Speaker (+)
333	GN	Key Switch "N" Terminal	C568	WH	HVAC Blower Motor (Blas)
367	BU	Rear Warning Horn	E828	PU	HVAC On/Off Switch To Blower Speed Sw
384	BU	Glow Plugs	E829	YL	Blower Switch Jumper
Monitoring Circuits			E817	WH	Implement Lockout Switch (N.O.)
403	GN	Alternator "N" Terminal - Engine #1	E918	GN	Implement Lockout Switch (N.C.)
404	YL	Hydraulic Oil Temperature Sensor	E991	GY	Multi-Function Output 3
405	GY	Engine Oil Pressure Switch (Low)	F420	GN	Indicator - Warning
406	PU	Coolant Temperature	F739	GN	Active Side Control Switch (N.C.)
419	YL	Parking Brake Sensor	F846	PU	Last Driver 1
420	OR	Fuel Filter	G423	PK	High Pressure Implement Filter 2
432	PK	Brake Oil Pressure	G703	GN	Quick Drop Valve
439	YL	Indicator - Lamp	G848	GN	Last Driver 2
441	OR	Coolant Temperature Gage	G881	PU	Travel Alarm Disable
447	PK	Fuel Level Gage	H771	BR	Sideshift Lock Solenoid
450	YL	Engine #1 Tachometer Sender (+)	J164	BR	Switch - Sensor Return
452	PU	Torque Converter Oil Temperature	M719	GN	Sideshift Left Switch
Accessory Circuits			M720	BU	Sideshift Left Relay
500	BR	Wiper - Front (Park)	M721	WH	Sideshift Right Switch
501	GN	Wiper - Front (Low)	M836	BR	Flow Control Switch
502	OR	Wiper - Front (High)	M937	GN	Flow Control Proximity Switch
503	BR	Wiper - Rear (Park)	N756	PK	Alarm Horn
508	PU	Washer - Front	N839	GN	Roll Control Solenoid 2
507	WH	Washer - Rear	N845	OR	Front Brake Solenoid 1
508	PU	Radio Speaker - Left (+)	N867	PK	8XD - Comm 1
509	WH	Radio Speaker - Left (-)	N860	OR	TXD - Comm 1
511	BR	Radio Speaker - Right (+)	N870	YL	DTX - Comm 1
512	GN	Radio Speaker - Right (-)	N873	BR	DCD - Comm 1
513	OR	A/C Refrigerant Pressure Switch	N879	GN	Signal Ground - Comm 1
515	GY	Hvac Blower Motor #1 (Low)	R912	OR	Hydraulic Pedal Lock Solenoid
516	GN	Hvac Blower Motor #1 (Medium)	X077	YL	Fuel Pump (+)
517	BU	Hvac Blower Motor #1 (High)			

Volume 2 - Resistor, Sender and Solenoid Specifications			
Part No.	Component Description	Resistance (Ohms) ¹	
244-3106	Sender: Coolant Temperature	54°C (130°F) - 560 to 716 110°C (230°F) - 72 to 82	
274-8034	Solenoid: Differential Lock AWD	7.3	
273-3525	Solenoid: Lockout	8.8	
4W-9972	Sender: Conv. Temperature	54°C (130°F) - 560 to 716 110°C (230°F) - 72 to 82	
251-3251	Sender: Fuel Level (EAME)	Empty - 240 to 250 Full - 29 to 33	
249-7160	Solenoid: Left Side Shift, Right Side Shift	10.3 ± 0.6	
214-4302	Solenoid: A/C Compressor Clutch	3.2	

¹ At room temperature unless otherwise noted.

Volume 2 - Off Machine Switch Specification				
Part No.	Function	Actuate	Deactuate	Contact Position
119-9631	Thermostat Switch	0.6 ± 1.4°C (31 ± 2.5°F)		Normally Closed
236-6923	A/C Refrigerant Switch	275 kPa MAX ¹ (40 psi)	170 ± 55 kPa (24.6 ± 8 psi)	Normally Open ²
194-2553	Fuel Detent Pressure	2200 kPa Max (319.1 psi)	1800 ± 175 kPa (261.1 ± 25.4 psi)	Normally Closed

¹ With increasing pressure the closed condition can be maintained up to 2800 kpa (405 psi), with decreasing pressure the closed condition can be maintained down to 170 kpa (25psi).

² Contact position at the contacts of the harness connector.

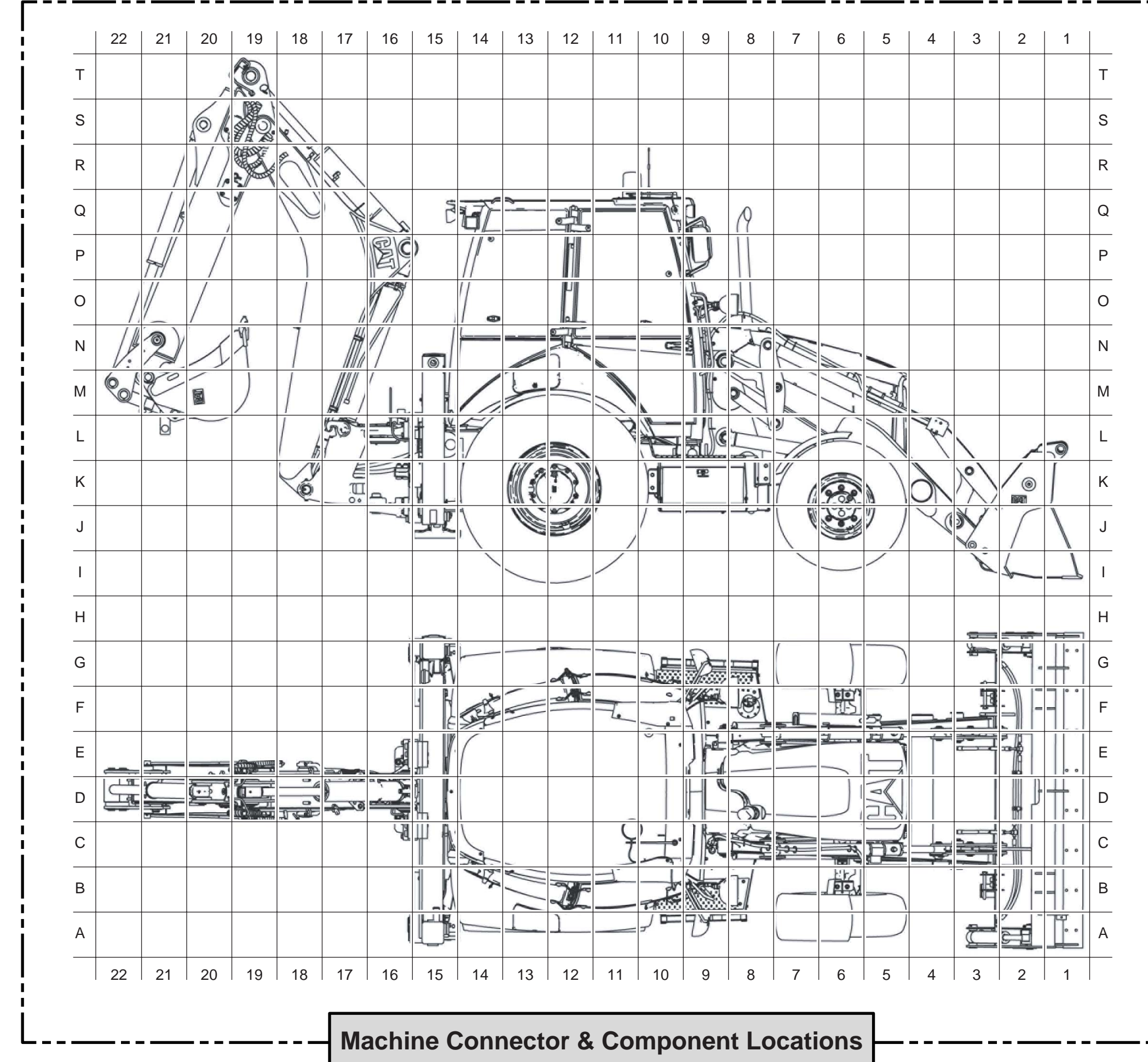
Volume 2 - Component Location					
Component	Schematic Location	Machine Location	Component	Schematic Location	Machine Location
Alarm, Backup	G-11	D-15, L-15	Solenoid, Cold Start	E-2	E-6, M-6
Alternator	D-2	D-6, M-6	Solenoid, Differential Lock	F-3	C-9, M-9
Battery, HD/STD	F-4	B-9, K-9	Solenoid, Forward	I-3	C-9, M-9
Diode, Immobilizer	I-12	E-6, M-6	Solenoid, Fuel Shutoff	F-2	E-6, M-6
Horn, Forward	G-2	C-6, M-6	Solenoid, Left Side Shift	E-12	E-15, L-15
Motor, Blower	B-8	A	Solenoid, LH Lock Valve	C-10	B-9, L-9
Motor, Front Washer	H-2	D-9, N-9	Solenoid, Lock Out	D-12	E-15, L-15
Motor, Front Wiper	F-6	D-9, N-9	Solenoid, Reverse	I-3	C-9, M-9
Motor, Fuel Lift Pump	E-2	E-7, L-7	Solenoid, RH Lock Valve	B-10	F-9, L-9
Motor, Rear Washer	H-2	D-9, N-9	Solenoid, Right Side Shift	E-12	E-15, L-15
Motor, Rear Wiper	F-8	D-9, N-9	Solenoid, Side Shift Lock	G-12	D-15, L-15
Motor, Starter	C-3	C-6, M-6	Suppressor, Fuel Lift Pump	E-2	C-9, M-9
Plugs, Glow	D-2	E-6, M-6	Suppressor, HVAC	I-1	D-5, M-5
Radio, Product Link	B-3	B-9, K-9	Suppressor, Left Side Shift	E-12	E-15, L-15
Resistor, Touchkey	I-8	A	Suppressor, Load Check Disable #1	B-10	B-9, L-9
Relay, A/C Shutout	D-7	A	Suppressor, Load Check Disable #2	B-10	F-9, L-9
Relay, Crank Intermit	I-8	A	Suppressor, Lockout	D-12	E-15, L-15
Relay, Dead Engine Lower Command	A-10	C-10, L-10	Suppressor, Right Side Shift	D-12	E-15, L-15
Relay, Dead Engine Lower Enable	A-10	C-10, L-10	Suppressor, Side Shift #1	D-12	C-13, L-13
Relay, Fuel Lift Pump	E-2	C-6, M-6	Suppressor, Side Shift #2	C-12	C-13, L-13
Relay, High Speed	B-5	A	Switch, A/C Refrigerant Pressure	I-1	D-5, M-5
Relay, Solid STAE	H-12	E-6, M-6	Switch, Air Filter	H-2	E-6, N-6
Relay, Start	C-2	C-6, M-6	Switch, Blower Speed	B-9	A
Relay, Start Aid	D-2	C-6, M-6	Switch, Brake Fluid Level	F-2	D-9, N-9
Resistor, Excitation	D-2	C-6, M-6	Switch, Cold Start Temperature	E-3	E-7, L-7
Resistor, Motor Speed	A-8	A	Switch, Coolant Temperature	H-2	D-10, D-10
Sender, Conv Temperature	G-2	C-6, M-6	Switch, Engine Oil Pressure	G-2	E-10, O-10
Sender, Coolant Temperature	H-2	D-6, M-6	Switch, Flood Detent Pressure	B-10	C-9, N-9
Sender, Fuel Level	G-2	E-6, M-6	Switch, Heater A/C	C-8	A
Sensor, Fuel/Water Separator	I-2	D-9, N-9	Switch, Thermo	A-8	A
Solenoid, A/C Compressor Clutch	I-1	D-5, M-5	Valve, Immobilizer	I-12	E-6, M-6
Solenoid, AWD	F-3	C-9, M-9			

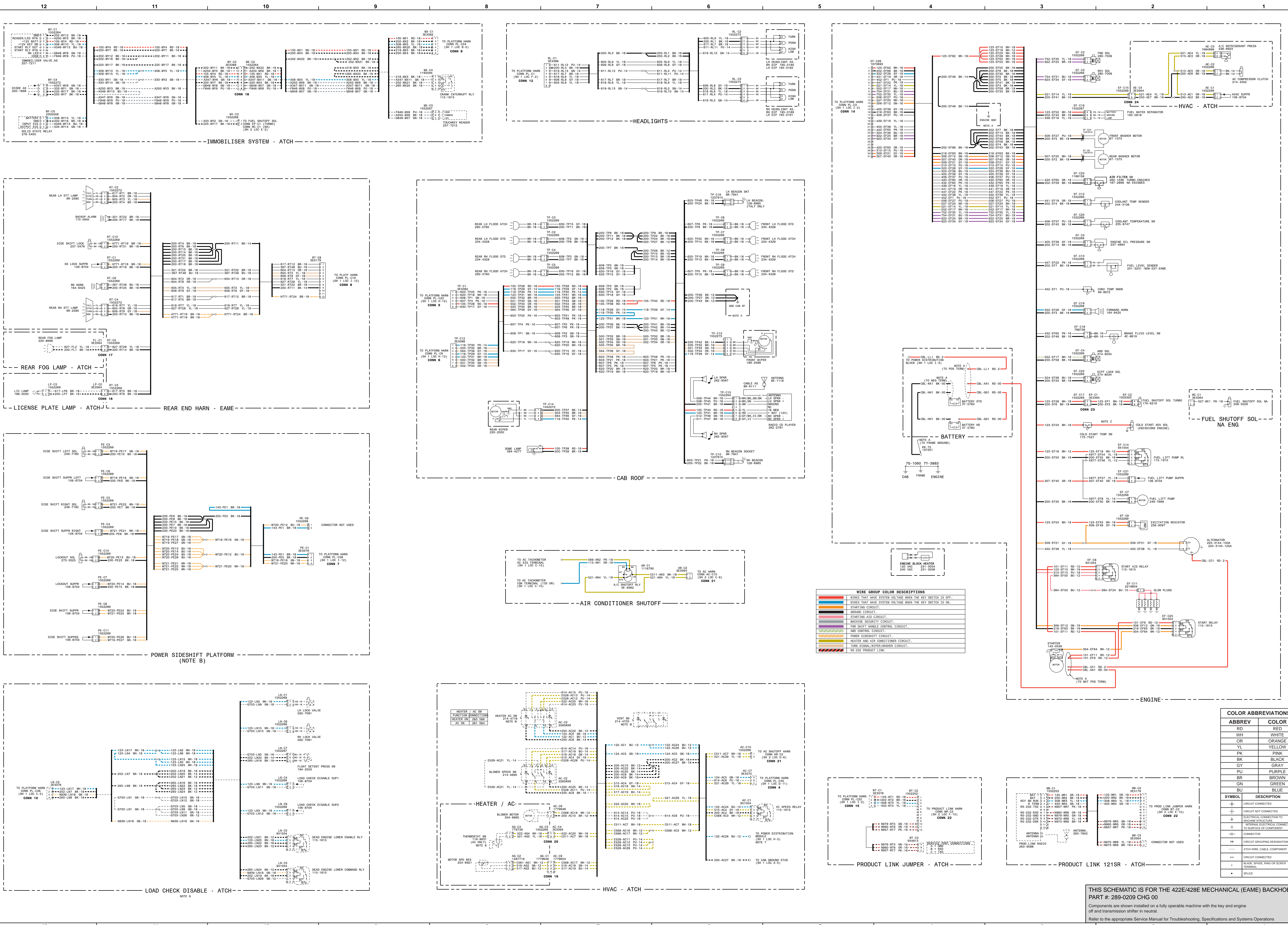
Machine locations are repeated for components located close together.
A = Located inside side console.

Related Electrical Service Manuals		
Title	Form Number	
Electric Starting Motor	143-0539	SEN9326

Volume 2 - Connector Location		
Connector Number	Schematic Location	Machine Location
CONN 4	B-5	B-12, M-12
CONN 5	G-8	C-13, L-13
CONN 6	F-8	C-13, L-13
CONN 7	D-10	C-13, L-13
CONN 8	G-9	C-13, L-13
CONN 9	I-8	C-9, N-9
CONN 10	B-12	C-9, N-9
CONN 12	I-7	C-9, N-9
CONN 14	I-5	C-10, M-10
CONN 15	B-5	B-9, K-9
CONN 16	F-11	B-15, M-15
CONN 17	F-11	G-15, M-15
CONN 18	I-10	E-8, L-8
CONN 19	A-7	B-12, N-12
CONN 20	A-7	B-12, N-12
CONN 21	B-5	B-12, M-12
CONN 22	B-2, B-4	B-9, K-9
CONN 23	F-3	E-6, M-6
CONN 24	I-2	D-5, M-5

The connectors shown in this chart are for harness to harness connectors.
Connectors that join a harness to a component are generally located at or near the component. See the Component Location Chart.





ABBREV	COLOR
RD	RED
WH	WHITE
OR	ORANGE
YL	YELLOW
PK	PINK
BK	BLACK
GY	GRAY
PU	PURPLE
BR	BROWN
GN	GREEN
BL	BLUE

SYMBOL	DESCRIPTION
+	CIRCUIT CONNECTED
-	CIRCUIT NOT CONNECTED
+	ELECTRICAL CONNECTION TO SURFACE OR COMPONENT
-	ELECTRICAL CONNECTION TO SURFACE OR COMPONENT
+	CONNECTOR
-	CONNECTOR
+	CIRCUIT GROUPING DESIGNATION
-	ATACH WIRE, CABLE, COMPONENT
+	CIRCUIT CONNECTED
-	BLADE, SPRING, RING OR SCREW TERMINAL
+	SPACE

THIS SCHEMATIC IS FOR THE 422E/428E MECHANICAL (EM) BACKHOE LOADER PART #: 289-0209 CHG 00
 Components are shown installed on a fully operable machine with the key and engine off and transmission shifter in neutral.
 Refer to the appropriate Service Manual for Troubleshooting, Specifications and Systems Operations