

Engineering Release Notice (ERN)	Location	Change Description	A = Added D = Deleted	W = Was	Document Release Status RELEASED
					Date Modification Count

WIRING DIAGRAM INDEX, 12V

NAME	DESCRIPTION	Page	NAME	DESCRIPTION	Page
AA	POWER DISTRIBUTION 1/2	2	FA	AIR DRYER / HEATED DRAIN	26
AB	POWER DISTRIBUTION 2/2	3	FB	CHASSIS SOLENOIDS	27
AC-O	KEY SW., START & CHARGING	4	FC-O	VICKERS PUMP (PACKER & PLOW) WORKBRAKE SOLENIOD, & HOUR METER	28
AD	GROUNDING	5	FD	PARKER PTO	29
BA	VEHICLE ECU 1/4	6	GA-O	LIGHTING CONTROLS	30
BB	VEHICLE ECU 2/4	7	GD-O	LIGHTING - FORWARD / SIGNAL WITH PLOW LAMP PROVISION	31
BC	VEHICLE ECU 3/4	8	GF	LIGHTING - TAIL LAMP	32
BD	VEHICLE ECU 4/4	9	GG	TRAILER LIGHTING CONTROL	33
BE-O	INSTRUMENT CLUSTER 1/3	10	GH	LH / RH LIGHTING CONTROLS INTERIOR LIGHTING	34
BF	INSTRUMENT CLUSTER 2/3	11	GP	WIPER / WASHER	35
BG	INSTRUMENT CLUSTER 3/3	12	GQ	HORN WIRING	36
BH	ALLISON BODY BUILDER INTERFACE	13	HA	CLIMATE CONTROL US10 STYLE ROOF A/C	37
BJ	BODY LINK II CONSTRUCTION BODY BUILDER CIRCUITS	14	IC	MIRROR CONTROL 1/2	38
BM	BODY LINK II REFUSE BODYBUILDER CIRCUITS	15	ID	MIRROR CINTROL 2/2	39
CA-O	ENGINE INTERFACE MP7	16	KA	AUDIO & VISUAL SYSTEM	40
CB	DPF CONTROL SYSTEM	17	KB	AUDIO SYSTEMS	41
CC	ENGINE HEATER	18	KC	POWER OUTLET CONNECTIONS	42
CD	AUXILLARY COOLING FANS (NOT USED)	19	NA-O	SPARE CONNECTORS & FEEDS	43
CF	UREA DOSING SYSTEM 1/2	20	NB-O	JUNCTION POSTS	44
CH	UREA DOSING SYSTEM 2/2	21	XA-O	DATA LINK / DIAGNOSTICS	45
DC	TRANSMISSION CNTR:4 GENERATION 1/3	22			
DD	TRANSMISSION CNTR:4 GENERATION 2/3	23			
EC-O	JUNCTION POSTS -DPF	24			
ED	ABS8 BENDIX	25			

The copying, distribution and utilization of this document as well as the communication of its contents to others without expressed authorization is prohibited. Offenders will be held liable for payment of damages. All rights reserved in the event of the grant of a patent, utility model or ornamental design registration.

Document Title
**WIRING DIAGRAM
OM (MRU) 2014 - SCHEMATIC
N. Y. CITY SANITATION**

MACK

Mack Trucks, Inc.

Document Type
TECHNICAL REGULATION

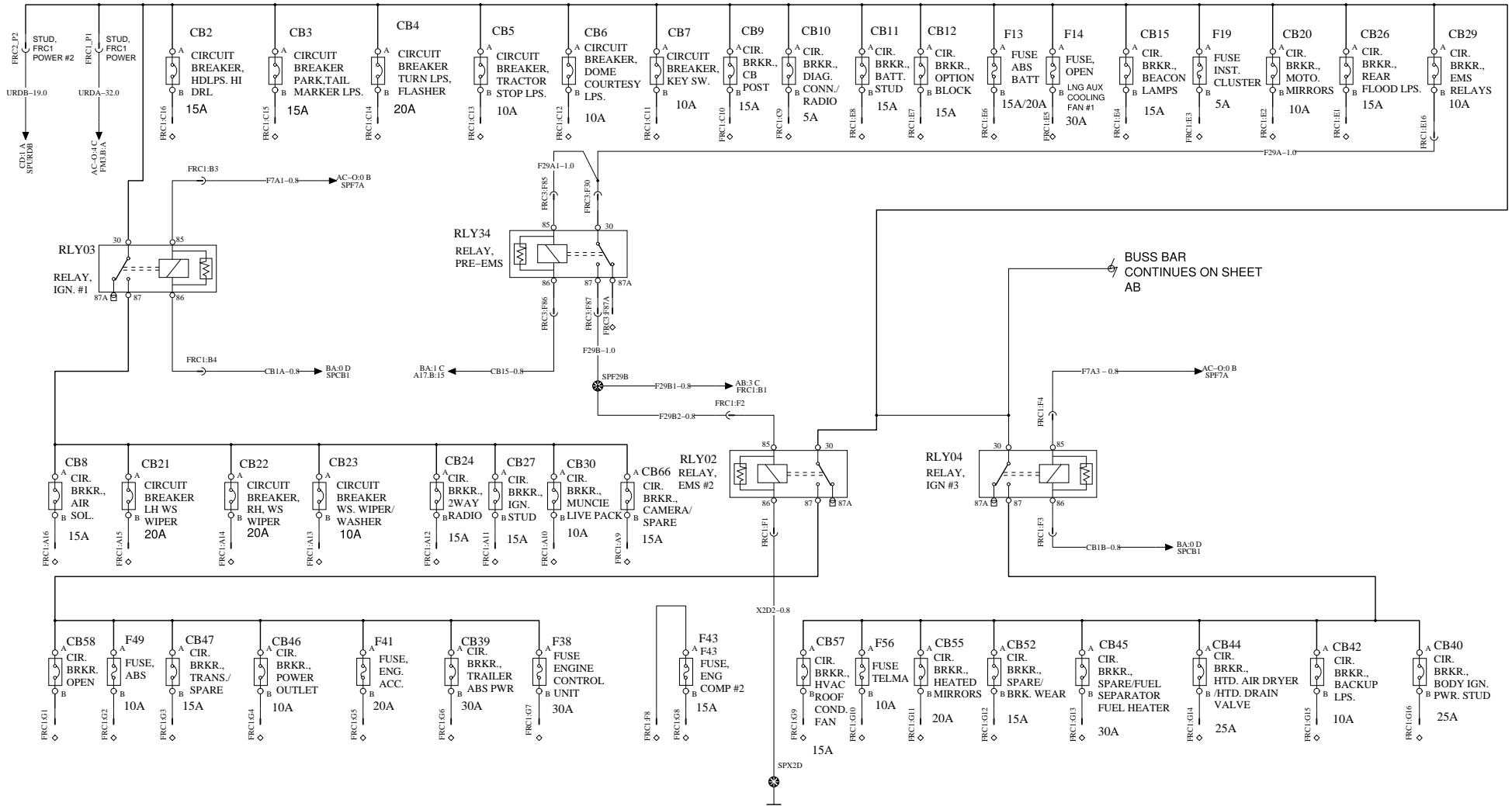
Owner Domain: Document Prefix

Document No	Issue Index	Volume No	Page No
22525262	01	01	1(45)

POWER DISTRIBUTION 1/2

WIRING DIAGRAM: AA

BATT
IGN
EMS
ILLUM



MACK

Mack Trucks Inc.

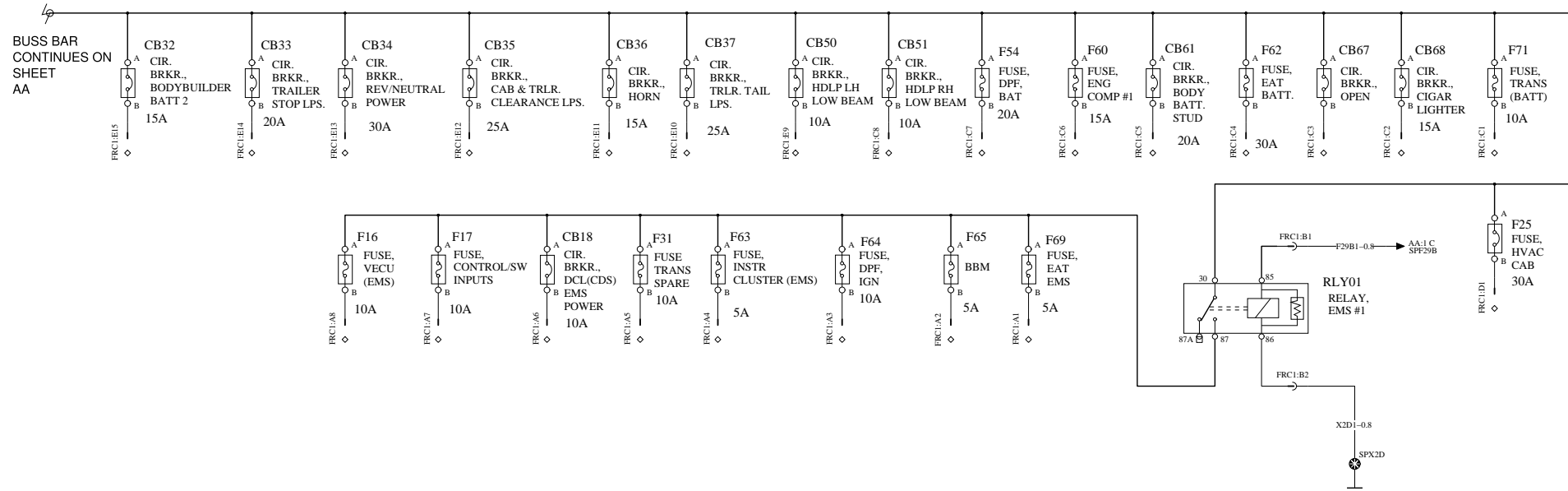
Document title
WIRING DIAGRAM
Document type
PRODUCT SCHEMATIC

Drawing No.
22525262

Revision
01

Page
2 (45)

BATT
IGN
EMS
ILLUM



MACK

Mack Trucks Inc.

Document title
WIRING DIAGRAM

Document type
PRODUCT SCHEMATIC

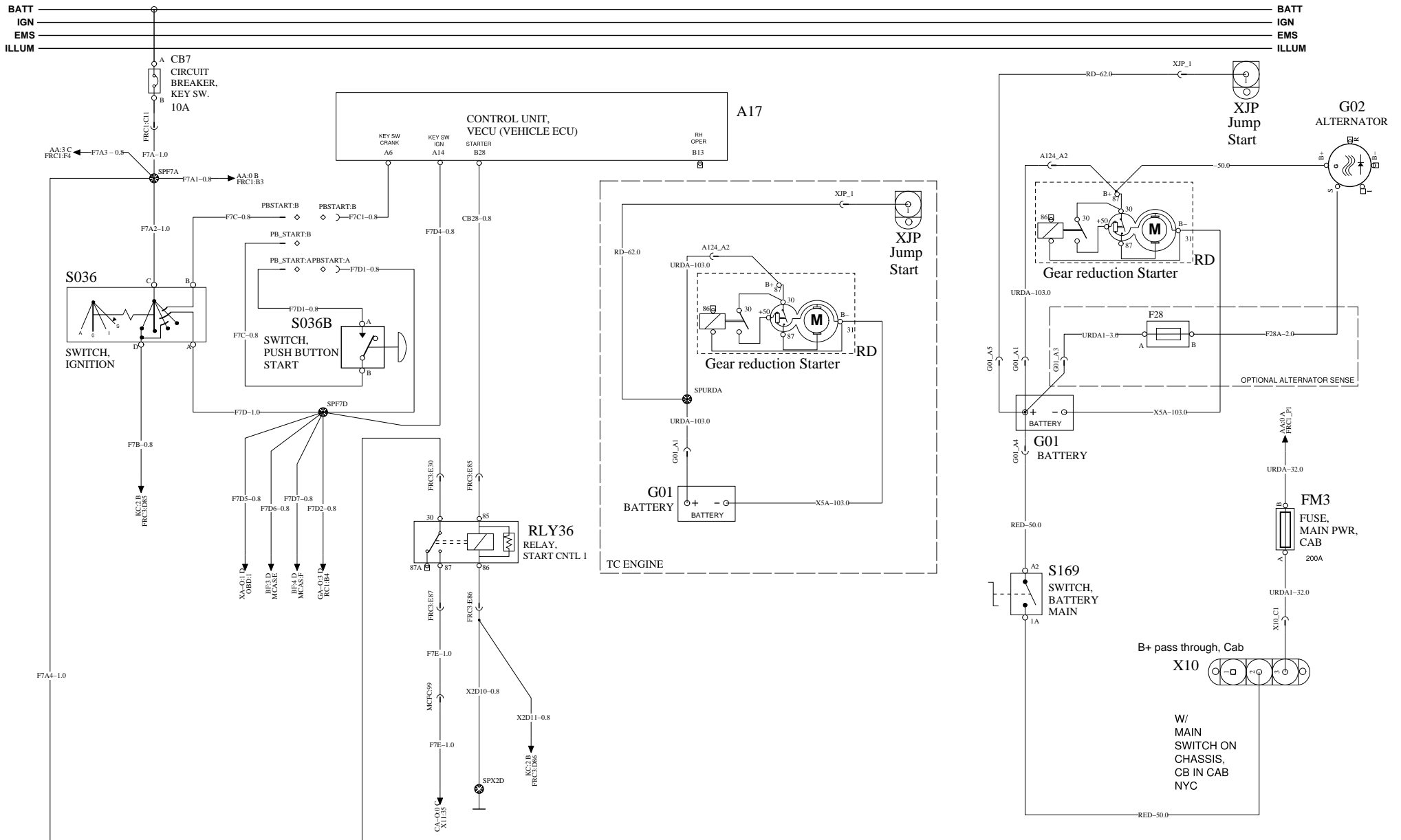
Drawing No.
22525262

Revision
01

Page
3 (45)

KEY SW., START & CHARGING

WIRING DIAGRAM: AC - O



MACK

Mack Trucks Inc.

Document title
WIRING DIAGRAM

Document type
PRODUCT SCHEMATIC

Drawing No.
22525262

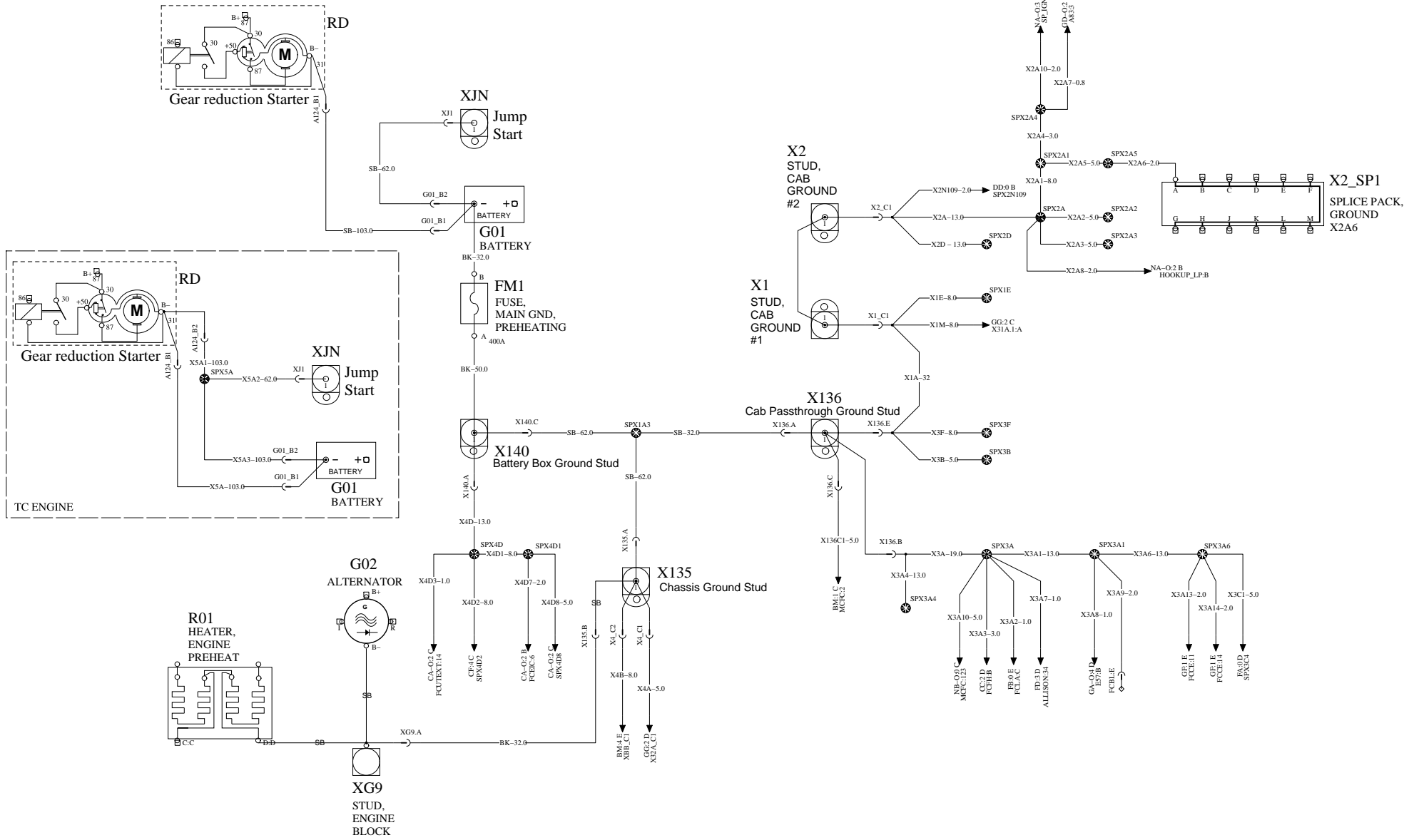
Revision
01

Page
4 (45)

GROUNDING

WIRING DIAGRAM: AD

BATT
IGN
EMS
ILLUM



MACK

Mack Trucks Inc.

Document title
WIRING DIAGRAM
Document type
PRODUCT SCHEMATIC

Drawing No.
22525262

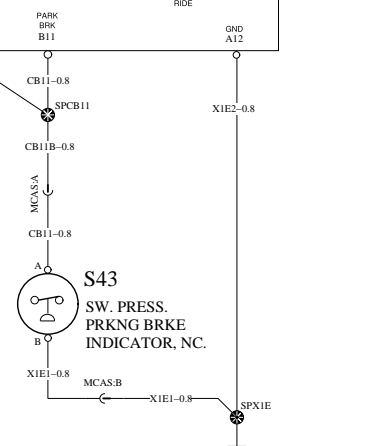
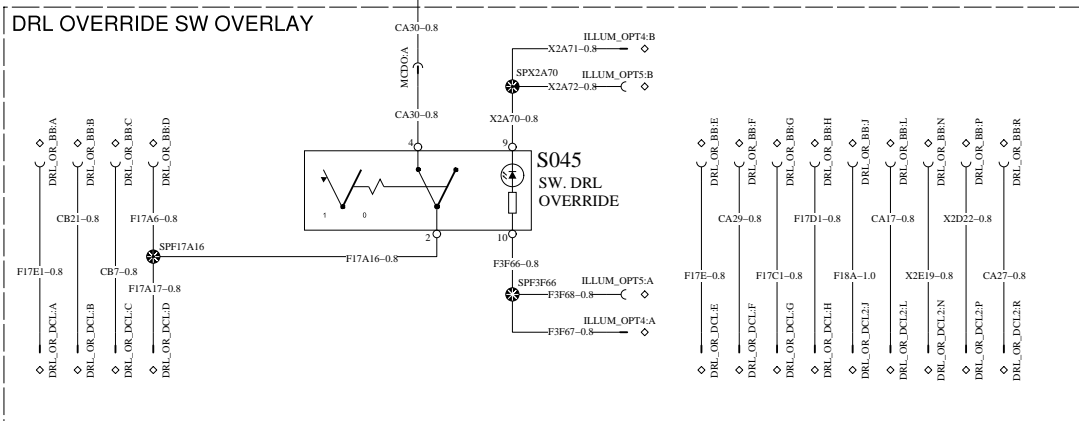
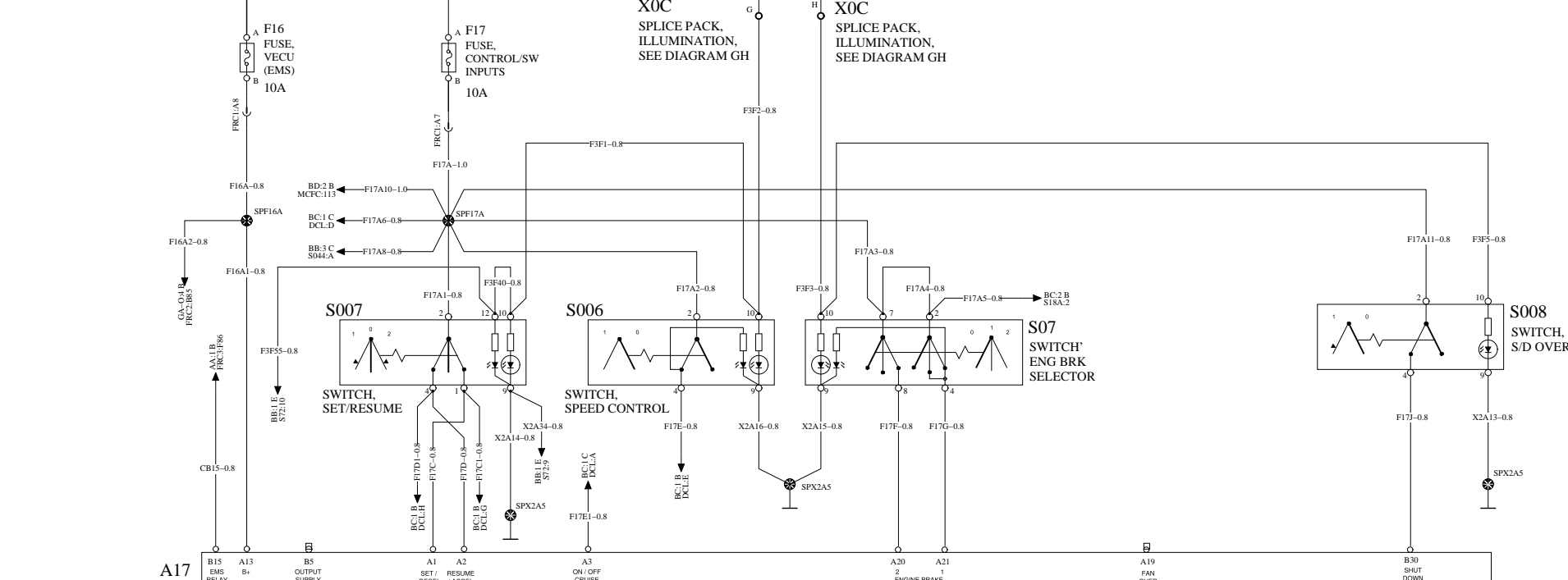
Revision
01

Page
5 (45)

WIRING DIAGRAM: BA

VEHICLE ECU 1/4

BATT
IGN
EMS
ILLUM



MACK

Mack Trucks Inc.

Document title
WIRING DIAGRAM

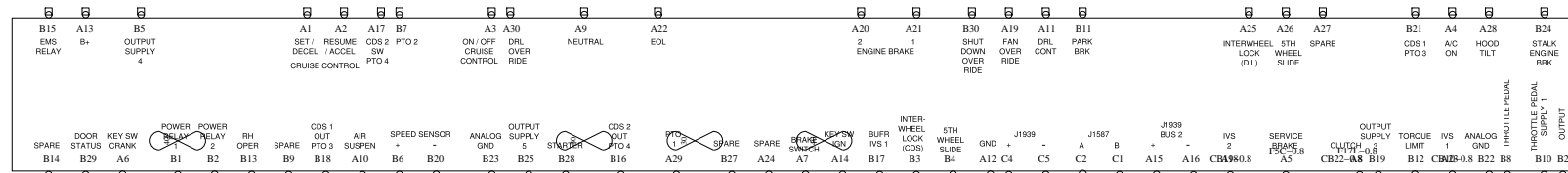
Document type
PRODUCT SCHEMATIC

Drawing No.
22525262

Revision
01

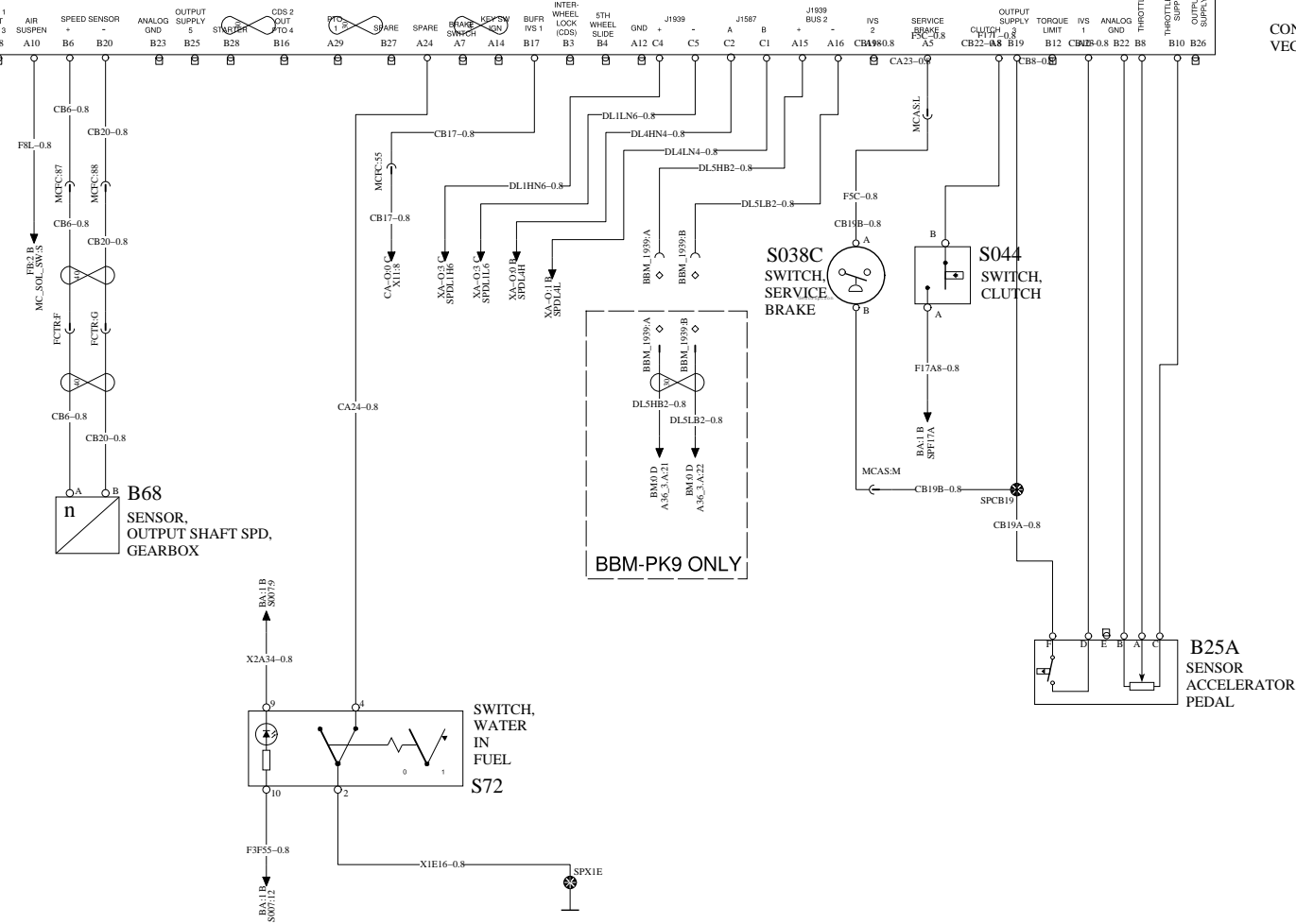
Page
6 (45)

BATT
IGN
EMS
ILLUM



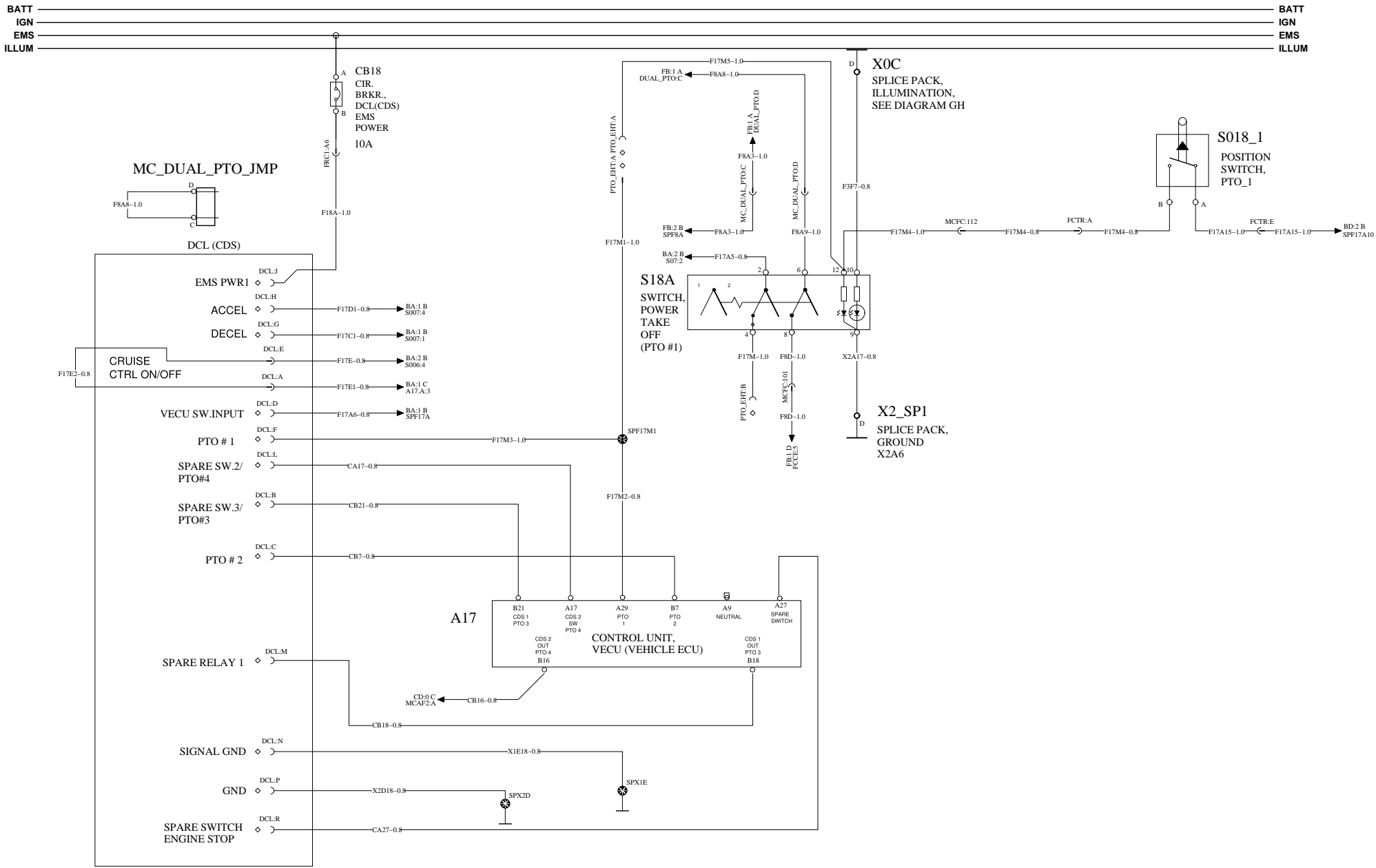
A17

CONTROL UNIT, VECU (VEHICLE ECU)



VEHICLE ECU 3/4 - DCL CONNECTOR

WIRING DIAGRAM: BC



MACK

Mack Trucks Inc.

Document title
WIRING DIAGRAM

Document type
PRODUCT SCHEMATIC

Drawing No.
22525262

Revision
01

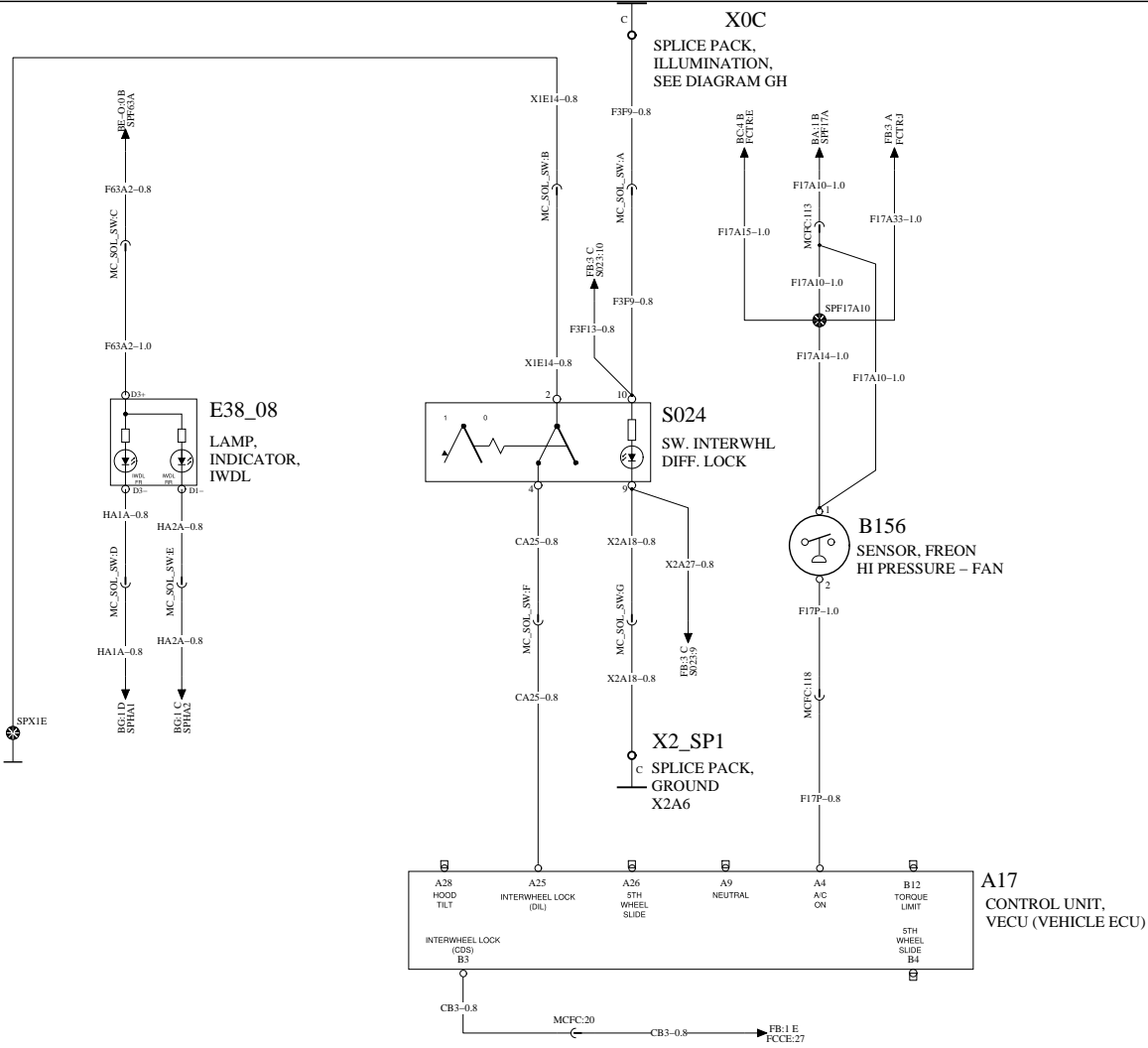
Page
8 (45)

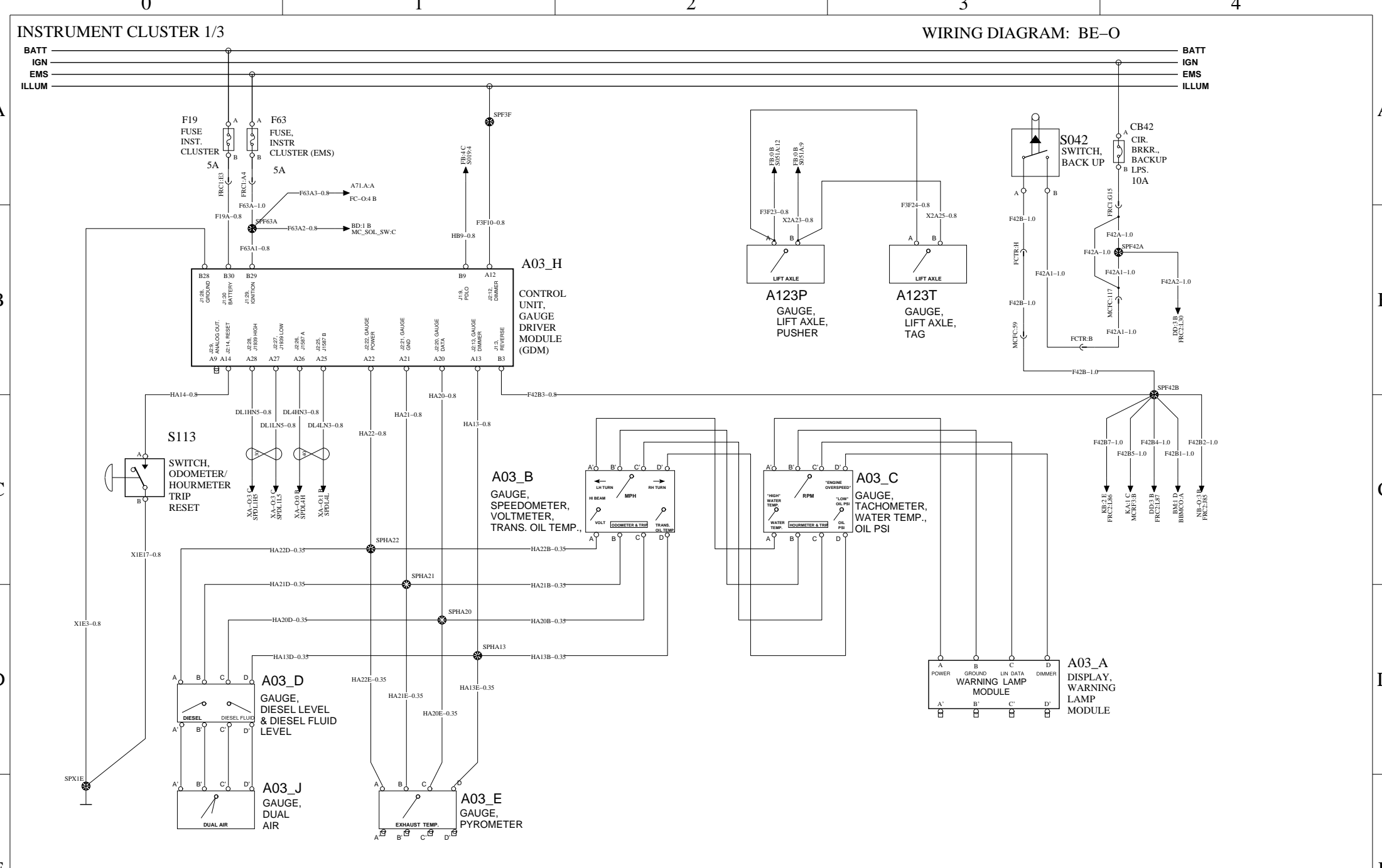
VEHICLE ECU 4/4

WIRING DIAGRAM: BD

BATT
IGN
EMS
ILLUM

BATT
IGN
EMS
ILLUM





INSTRUMENT CLUSTER 1/3

WIRING DIAGRAM: BE-0

BATT
IGN
EMS
ILLUM

BATT
IGN
EMS
ILLUM

F19 FUSE, INST. CLUSTER
F63 FUSE, INSTR. CLUSTER (EMS)
5A

A03_H
CONTROL UNIT, GAUGE DRIVER MODULE (GDM)

A03_B
GAUGE, SPEEDOMETER, VOLTMETER, TRANS. OIL TEMP.,

A03_C
GAUGE, TACHOMETER, WATER TEMP., OIL PSI

A03_D
GAUGE, DIESEL LEVEL & DIESEL FLUID LEVEL

A03_J
GAUGE, DUAL AIR

A03_E
GAUGE, PYROMETER

A123P
GAUGE, LIFT AXLE, PUSHER

A123T
GAUGE, LIFT AXLE, TAG

S042 SWITCH, BACK UP

CB42 CIR. BRKR., BACK UP

S113 SWITCH, ODOMETER/HOURMETER TRIP RESET

A03_A
DISPLAY, WARNING LAMP MODULE

MACK

Mack Trucks Inc.

Document title	WIRING DIAGRAM
Document type	PRODUCT SCHEMATIC

Drawing No.	22525262
-------------	----------

Revision	01
----------	----

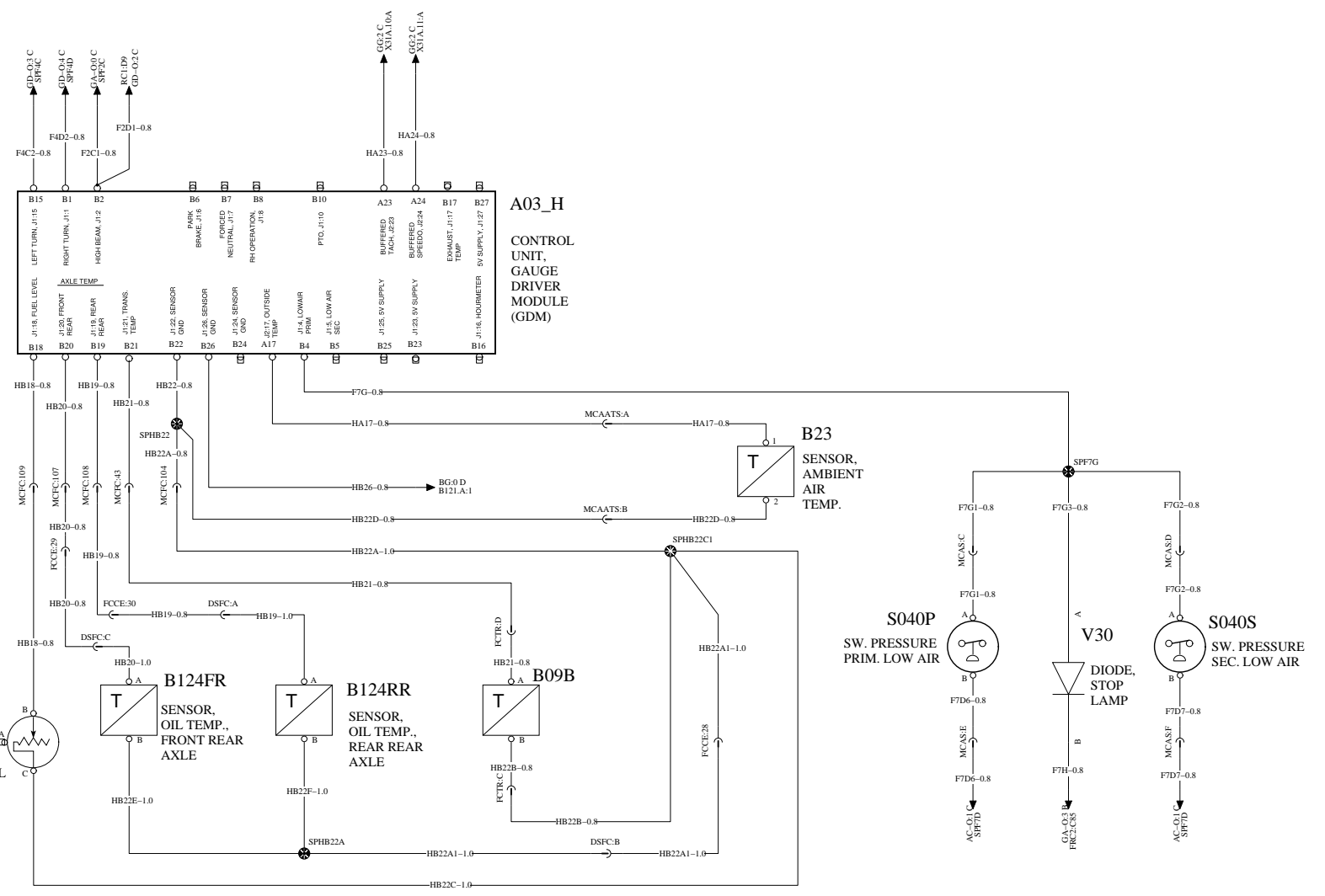
Page	10 (45)
------	---------

INSTRUMENT CLUSTER 2/3

WIRING DIAGRAM: BF

BATT
IGN
EMS
ILLUM

BATT
IGN
EMS
ILLUM



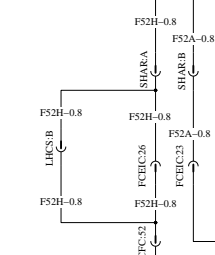
INSTRUMENT CLUSTER 3/3

WIRING DIAGRAM: BG

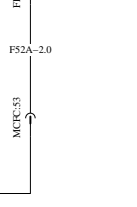
BATT
IGN
EMS
ILLUM

BATT
IGN
EMS
ILLUM

B133
SENSOR,
AIR FILTER
RESTRICTION

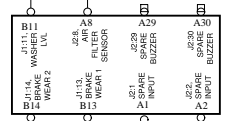


CB52
CIR.
BRKR.,
SPARE/
BRK. WEAR
15A



HB11-0.8
F52G-0.8
F52C-0.8
HA1-0.8
HA2-0.8
HA1A-0.8
HA1B-0.8
HA2A-0.8
HA2B-0.8
HB24A-0.8
HB24B-0.8
HB26-0.8

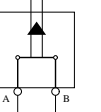
A03_H



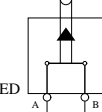
CONTROL
UNIT,
GAUGE
DRIVER
MODULE
(GDM)

MERITOR

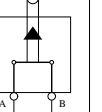
S048
SWITCH,
IWDL
RR ENGAGED



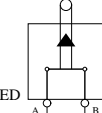
S048A
SWITCH,
IWDL,
RR ENGAGED



S047
SWITCH,
IWDL
FRT ENGAGED

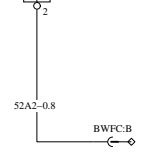
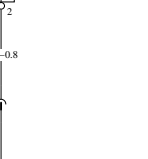


S047A
SWITCH,
IWDL,
FRT ENGAGED



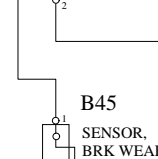
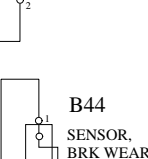
B40
SENSOR,
BRK WEAR
FRT AXLE, LHS

B41
SENSOR
BRK WEAR
FRT AXLE, RHS



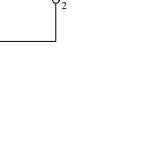
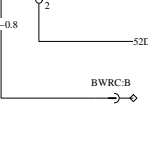
B42
SENSOR,
BRK WEAR
FRT RR AXLE, LHS

B43
SENSOR,
BRK WEAR
FRT RR AXLE, RHS

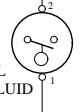


B44
SENSOR,
BRK WEAR
REAR RR AXLE, LHS

B45
SENSOR,
BRK WEAR
REAR RR AXLE, RHS



B121
SENSOR,
LOW LEVEL
WASHER FLUID



MACK

Mack Trucks Inc.

Document title WIRING DIAGRAM	Document type PRODUCT SCHEMATIC
----------------------------------	------------------------------------

Drawing No. 22525262	Revision 01	Page 12 (45)
--------------------------------	-----------------------	------------------------

0

1

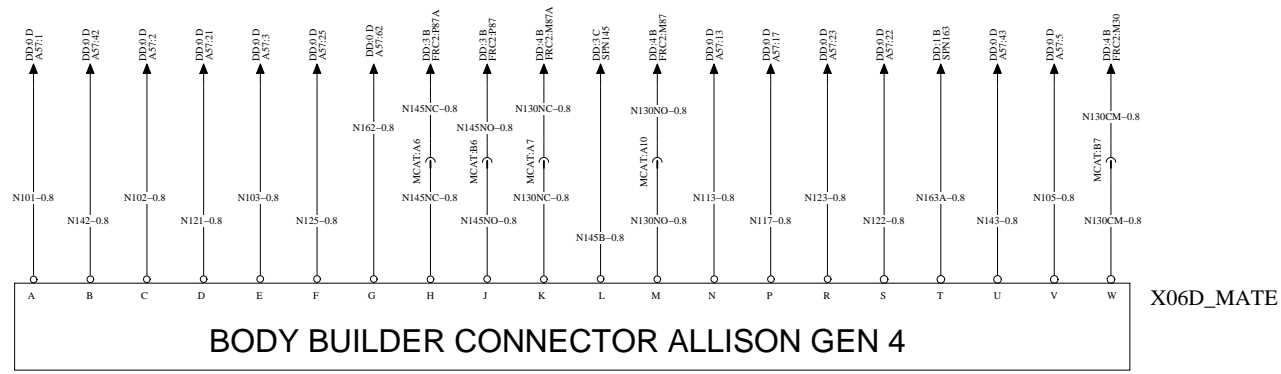
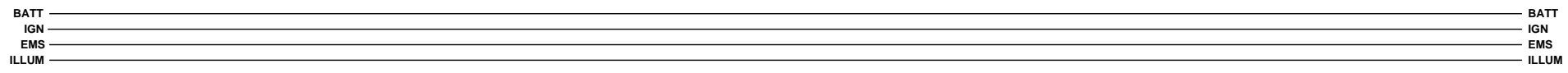
2

3

4

ALLISON BODY BUILDER INTERFACE

WIRING DIAGRAM: BH



MACK

Mack Trucks Inc.

Document title WIRING DIAGRAM
Document type PRODUCT SCHEMATIC

Drawing No. 22525262	Revision 01	Page 13 (45)
--------------------------------	-----------------------	------------------------

0

1

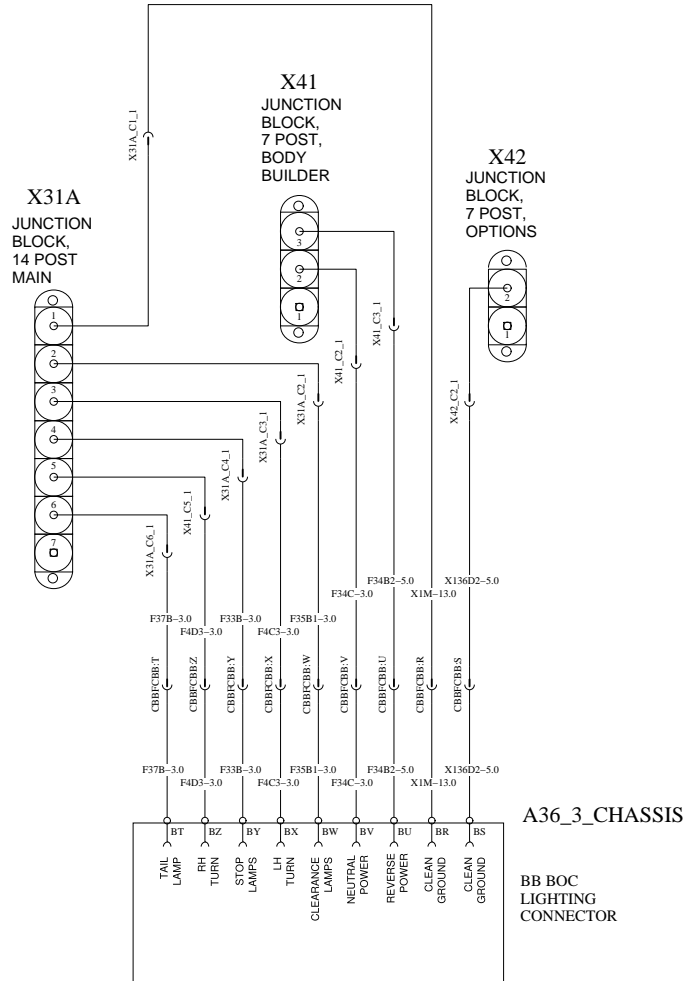
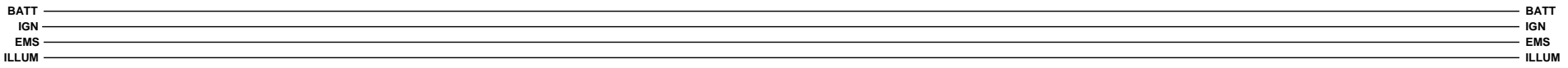
2

3

4

BODY LINK II CONSTRUCTION BODYBUILDER CIRCUITS

BJ



MACK

Mack Trucks Inc.

Document title
WIRING DIAGRAM

Document type
PRODUCT SCHEMATIC

Drawing No.
22525262

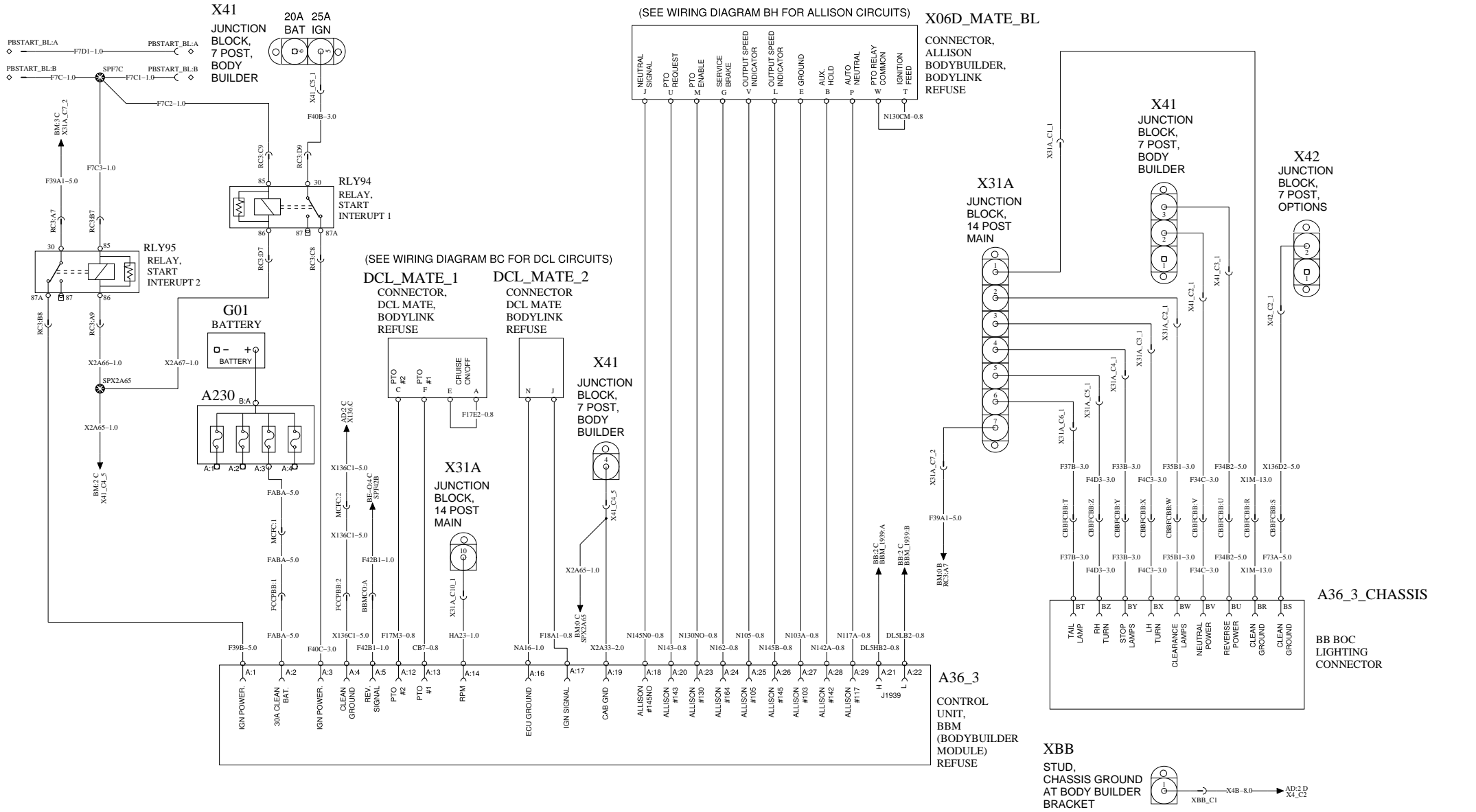
Revision
01

Page
14 (45)

BODY LINK II REFUSE BODYBUILDER CIRCUITS

WIRING DIAGRAM: BM

BATT
IGN
EMS
ILLUM



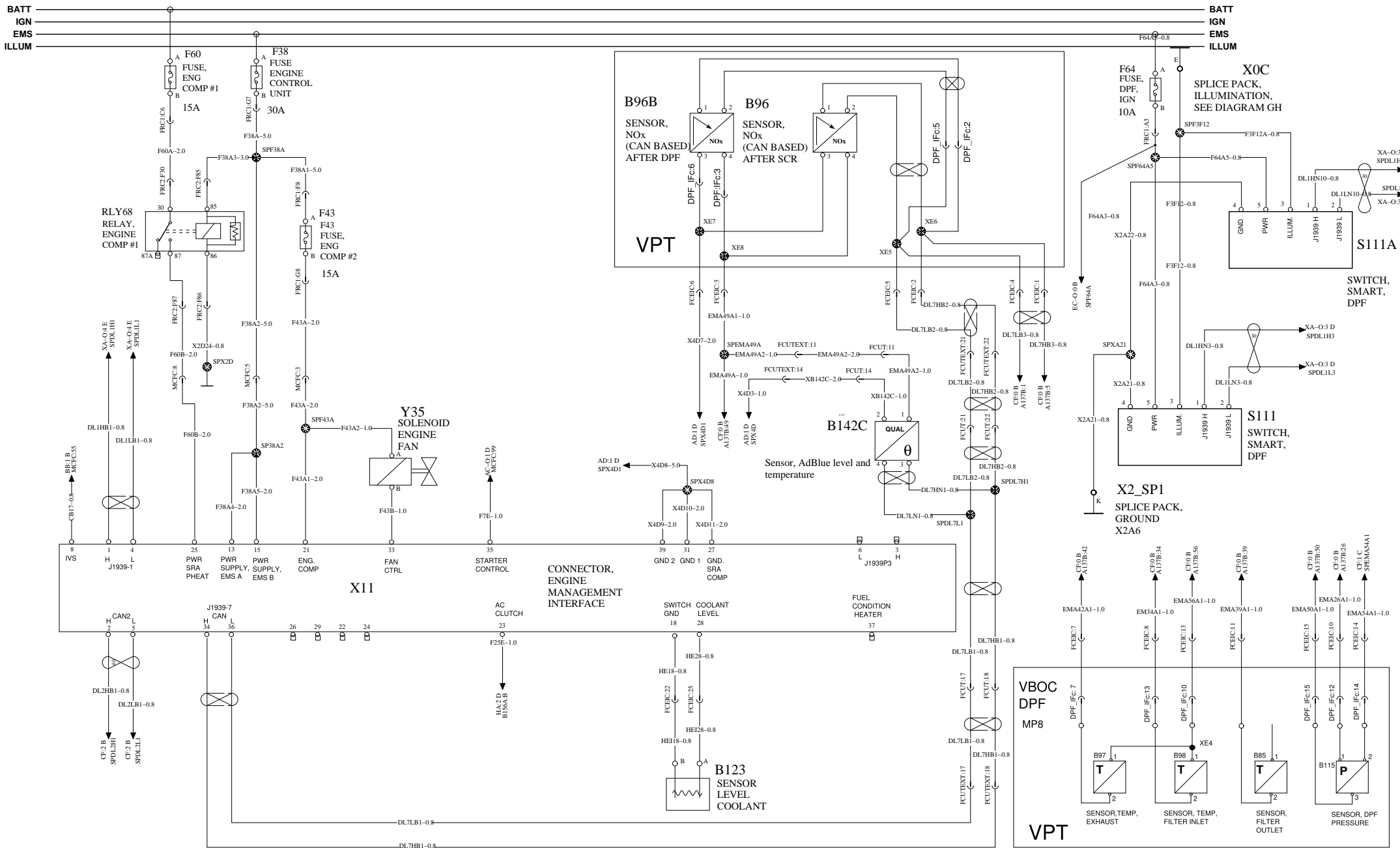
MACK

Mack Trucks Inc.

Document title WIRING DIAGRAM	Document No. 22525262	Revision 01	Page 15 (45)
Document type PRODUCT SCHEMATIC			

ENGINE INTERFACE MP7 & MP8

WIRING DIAGRAM: CA - 0



MACK

Mack Trucks Inc.

Document title
WIRING DIAGRAM
Document type
PRODUCT SCHEMATIC

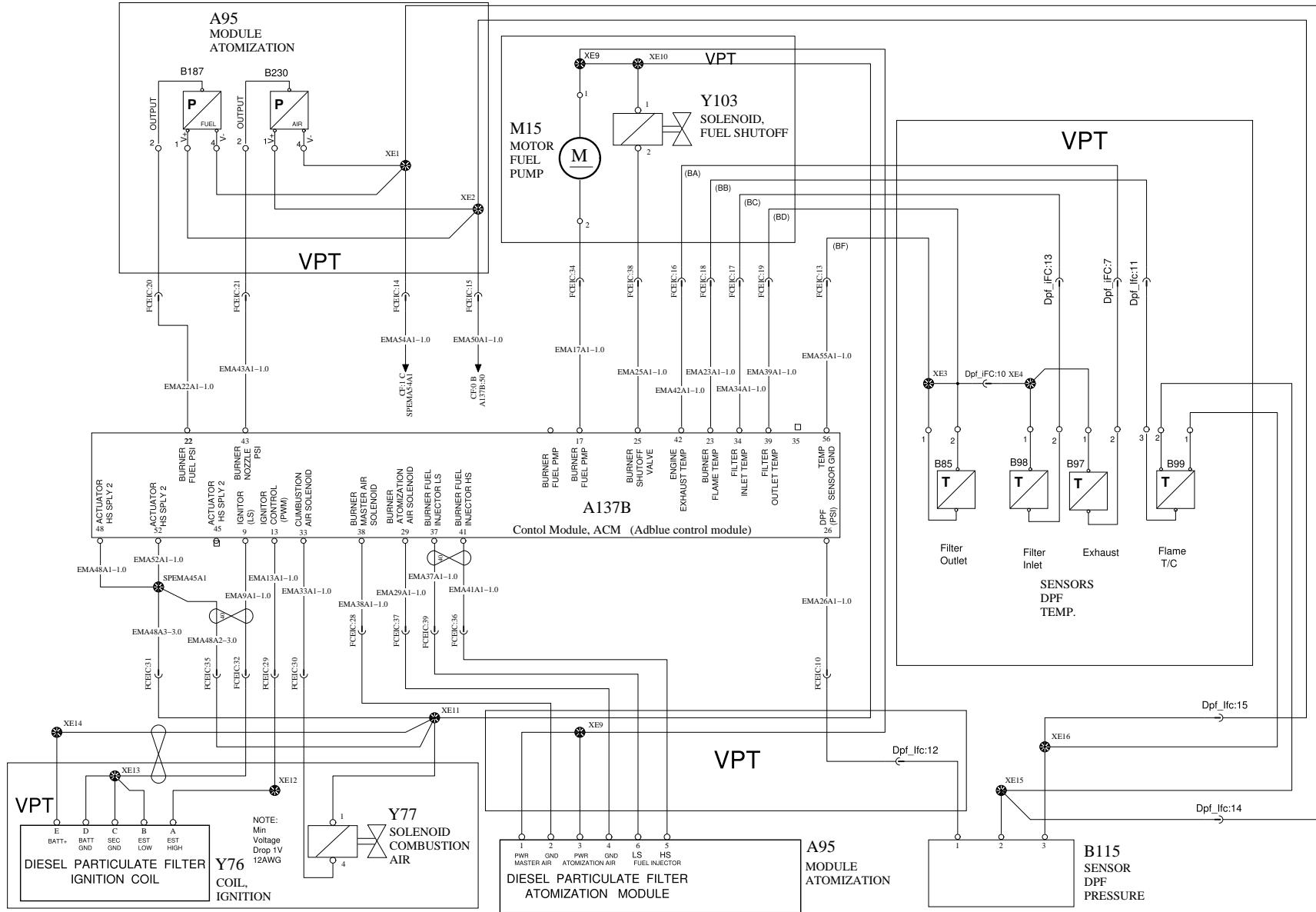
Drawing No. 22525262	Revision 01	Page 16 (45)
--------------------------------	-----------------------	------------------------

DPF CONTROL SYSTEM (WITH THERMAL REDUCTION UNIT)

WIRING DIAGRAM: CB

BATT
IGN
EMS
ILLUM

BATT
IGN
EMS
ILLUM



MACK

Mack Trucks Inc.

Document title
WIRING DIAGRAM
Document type
PRODUCT SCHEMATIC

Drawing No.
22525262

Revision
01

Page
17 (45)

0

1

2

3

4

ENGINE/FUEL HEATER

WIRING DIAGRAM: CC

BATT _____ BATT
 IGN _____ IGN
 EMS _____ EMS
 ILLUM _____ ILLUM

A

A

B

B

C

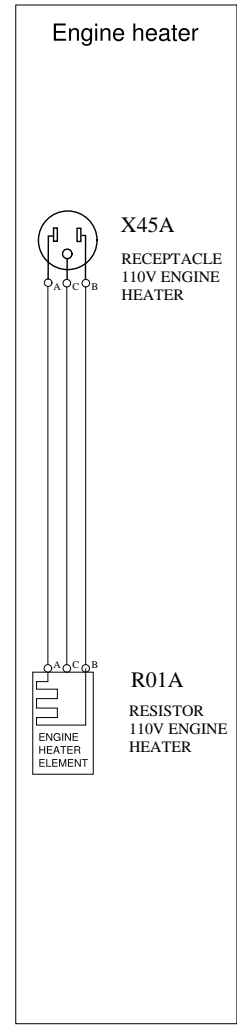
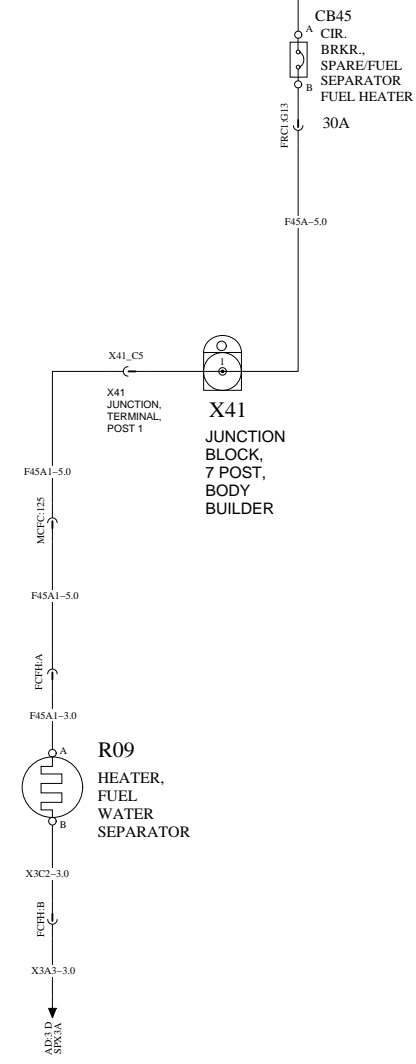
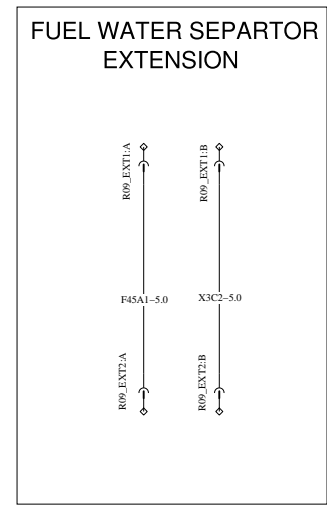
C

D

D

E

E



MACK

Mack Trucks Inc.

Document title
WIRING DIAGRAM

Document type
PRODUCT SCHEMATIC

Drawing No.
22525262

Revision
01

Page
18 (45)

0

1

2

3

4

0

1

2

3

4

AUXILIARY COOLING FANS

WIRING DIAGRAM: CD

BATT	_____	BATT
IGN	_____	IGN
EMS	_____	EMS
ILLUM	_____	ILLUM

A

A

B

B

C

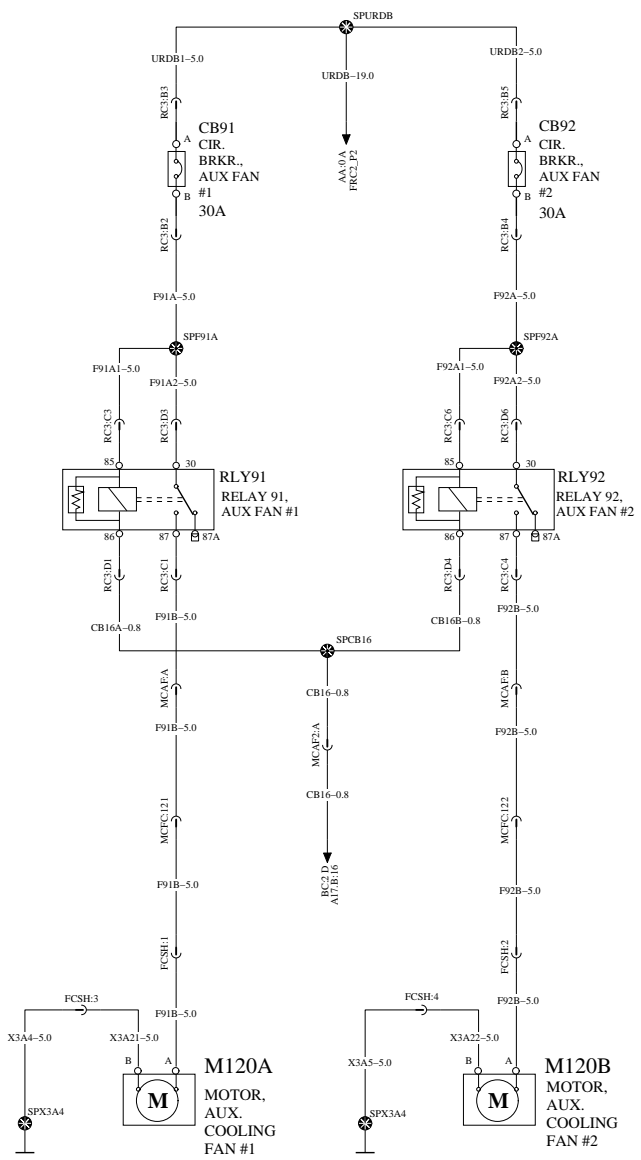
C

D

D

E

E



MACK

Mack Trucks Inc.

Document title WIRING DIAGRAM
Document type PRODUCT SCHEMATIC

Drawing No. 22525262

Revision 01

Page 19 (45)

0

1

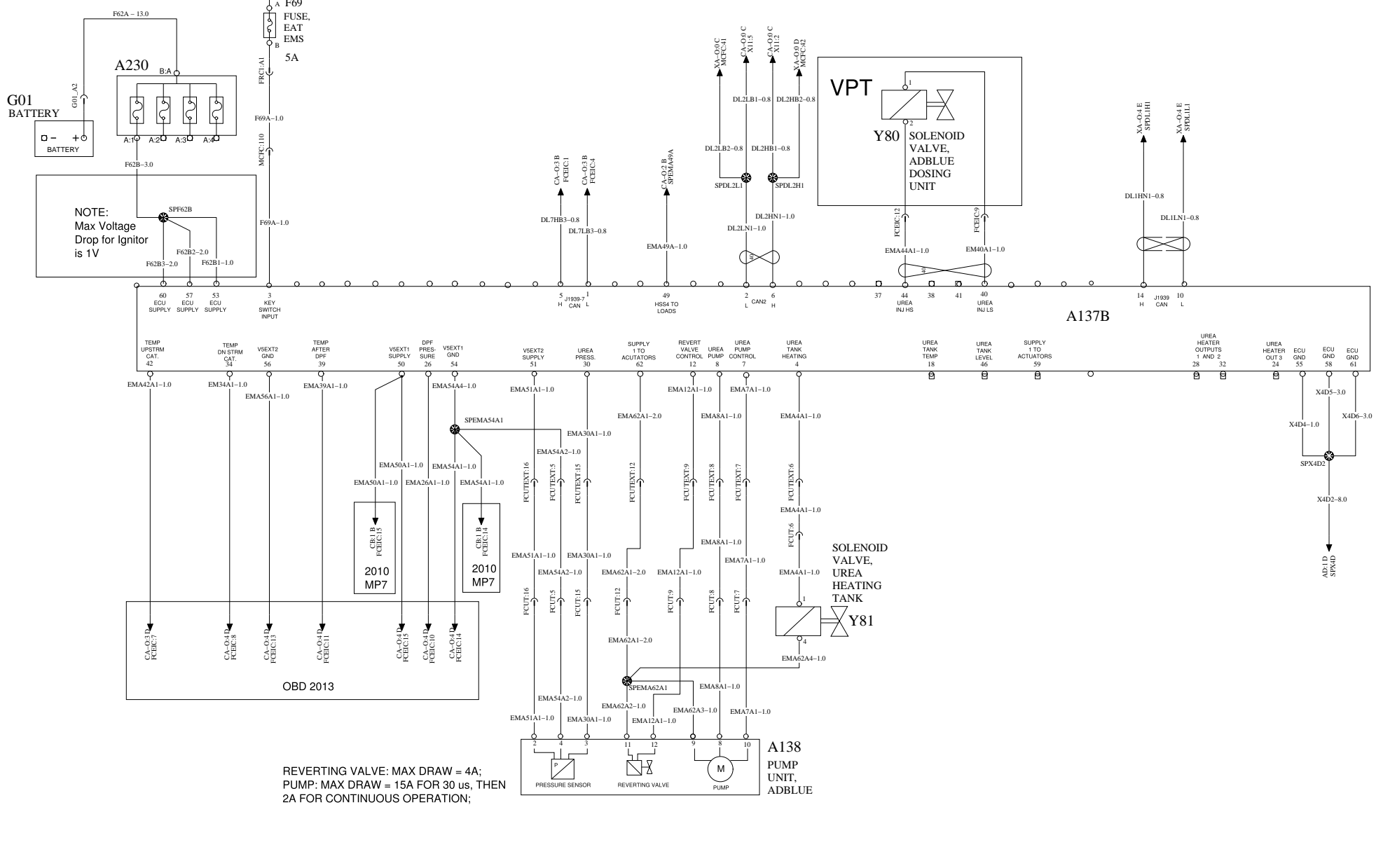
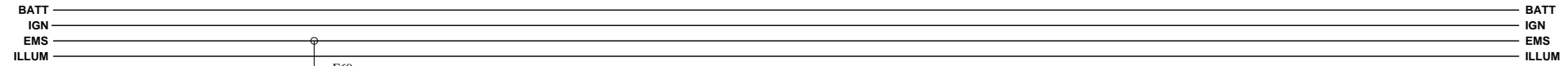
2

3

4

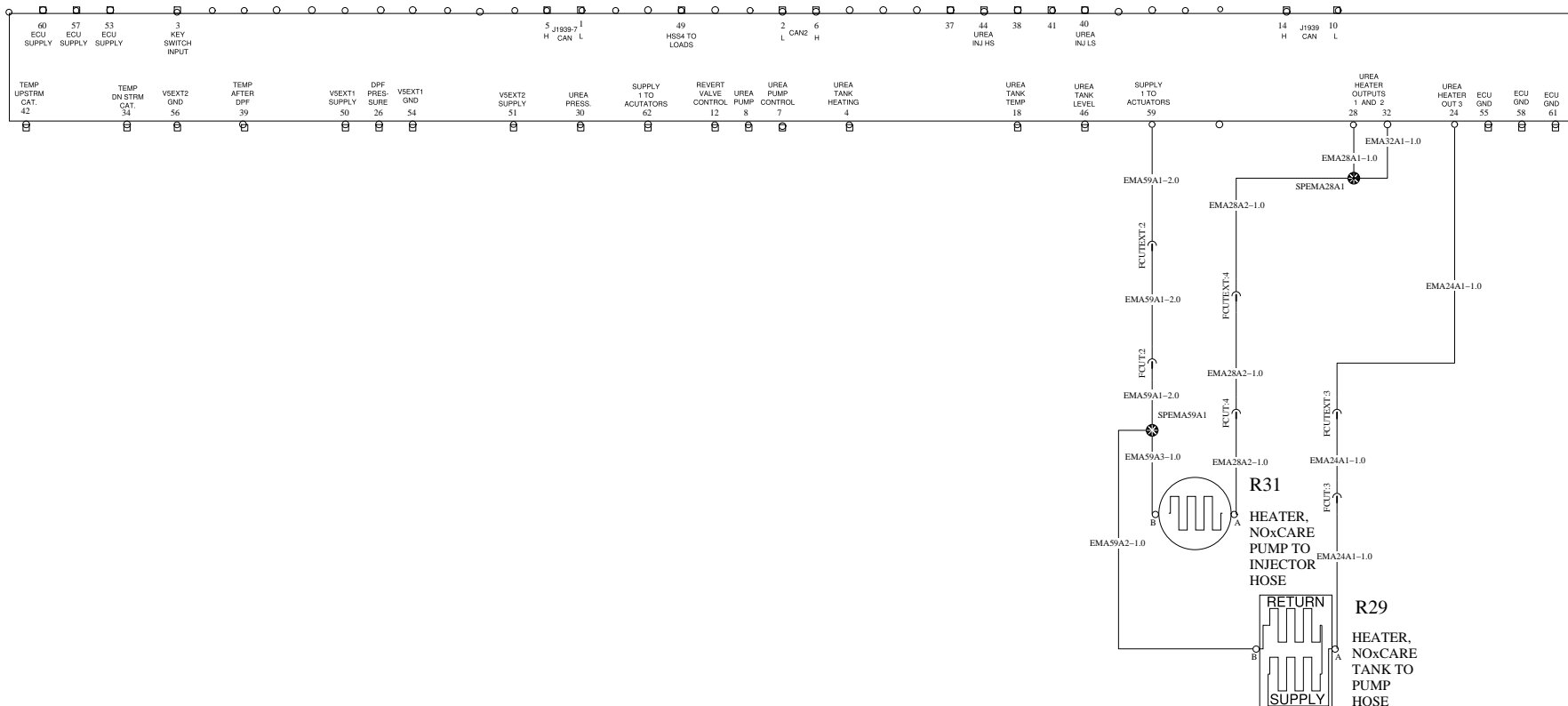
UREA DOSING SYSTEM 1/2

WIRING DIAGRAM: CF



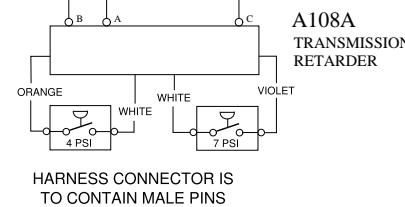
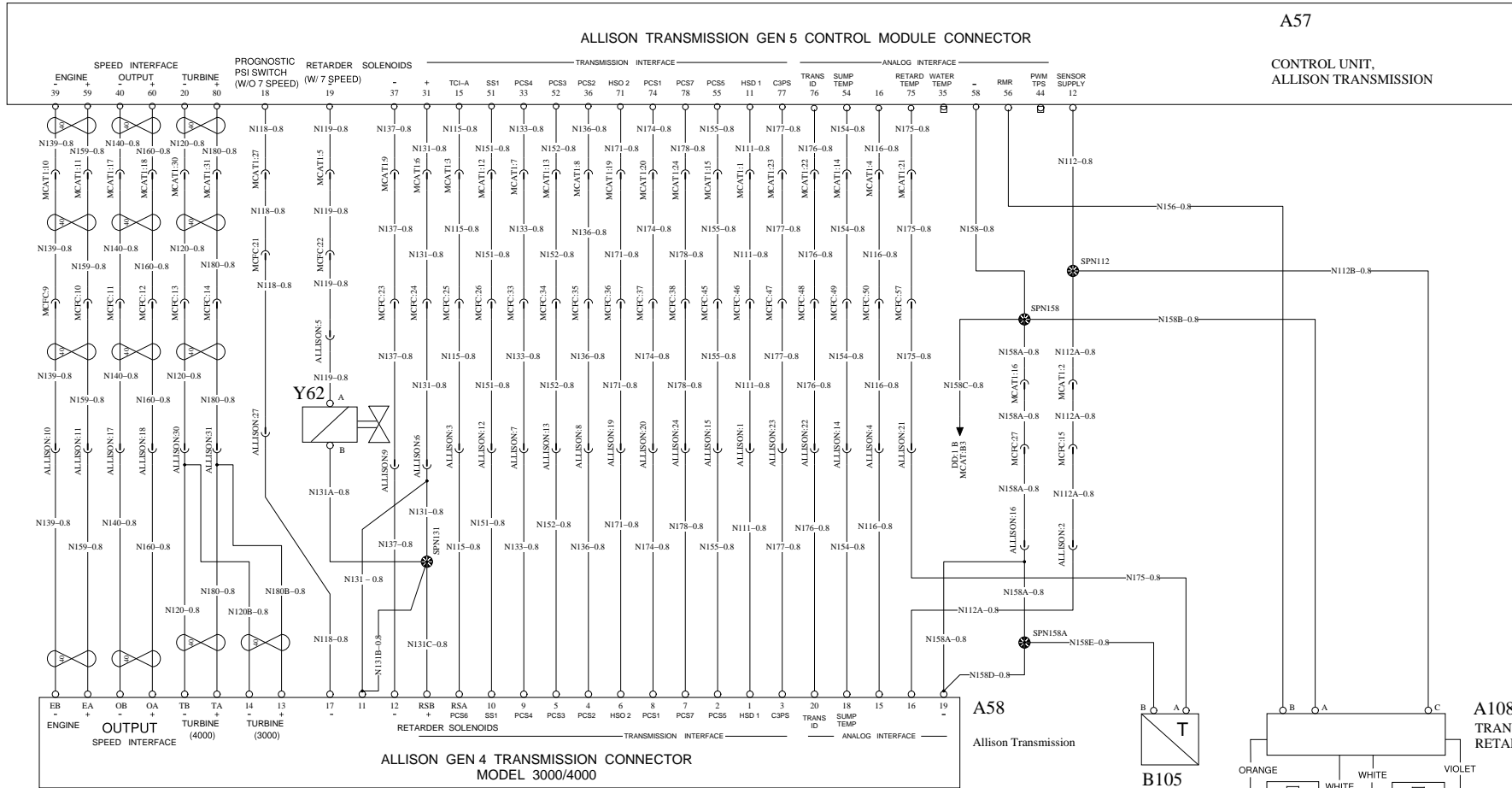
BATT
IGN
EMS
ILLUM

A137B



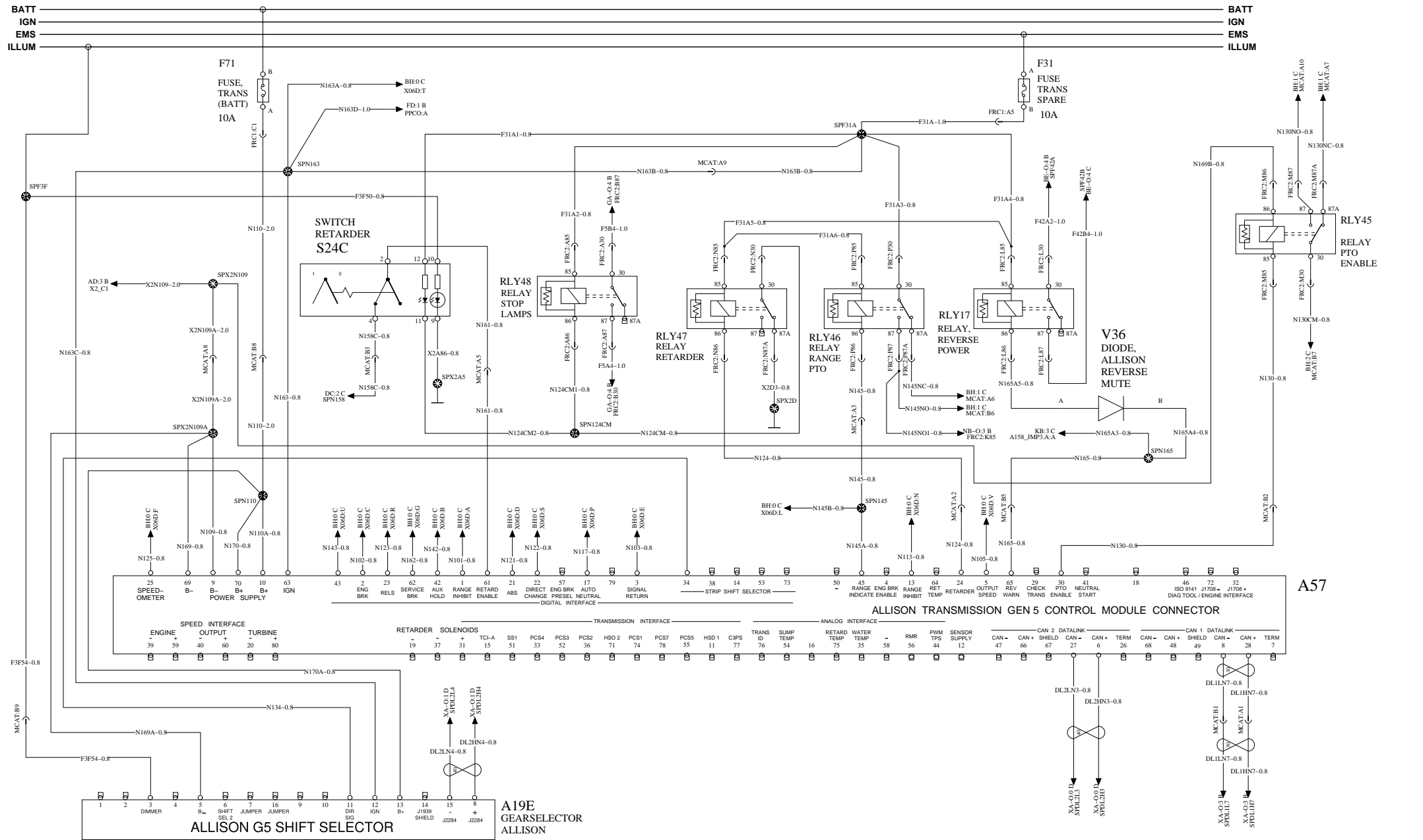
BATT
IGN
EMS
ILLUM

BATT
IGN
EMS
ILLUM



TRANSMISSION CONTROL 4th GENERATION 2/3

WIRING DIAGRAM: DD



MACK

Mack Trucks Inc.

Document title
WIRING DIAGRAM
Document type
PRODUCT SCHEMATIC

Drawing No.
22525262

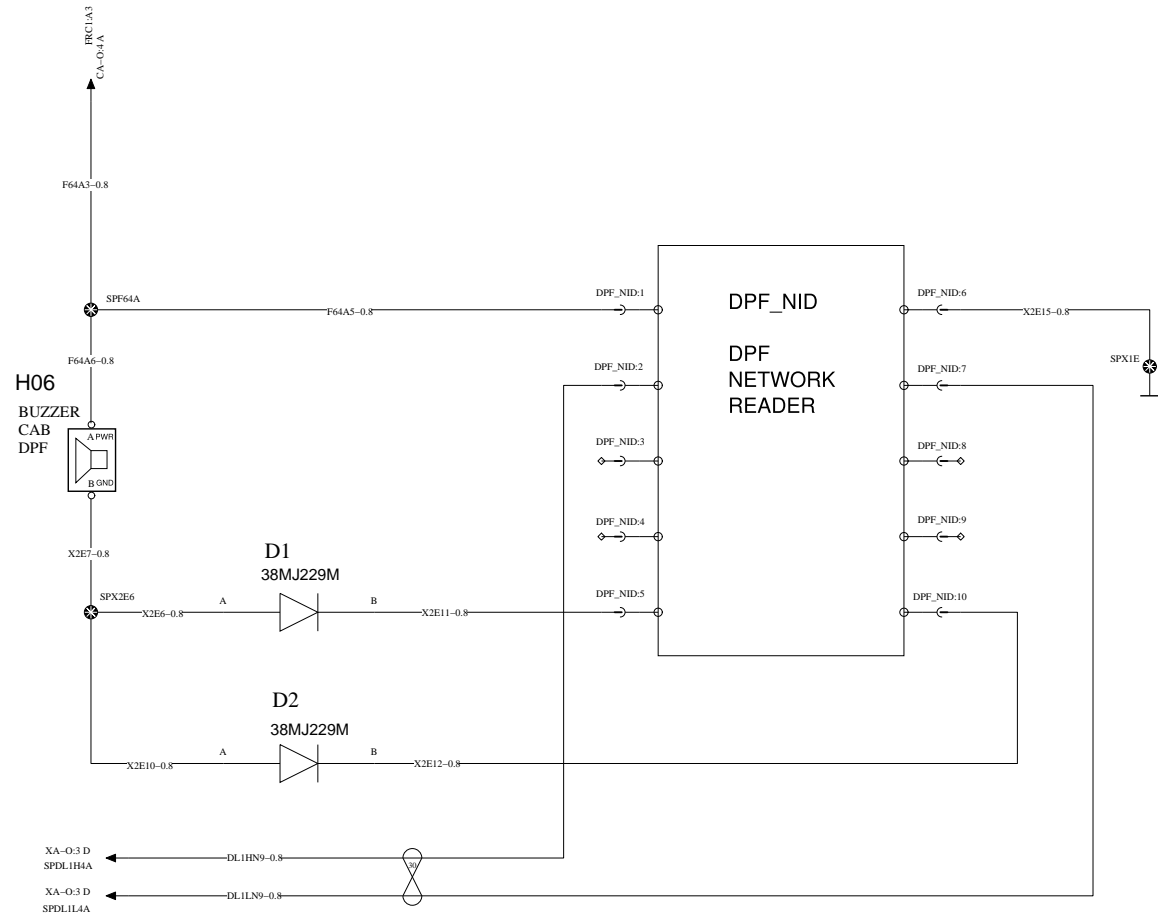
Revision
01

Page
23 (45)

JUNCTION POSTS

WIRING DIAGRAM: EC - O

BATT
IGN
EMS
ILLUM



MACK

Mack Trucks Inc.

Document title
WIRING DIAGRAM

Document type
PRODUCT SCHEMATIC

Drawing No.

22525262

Revision

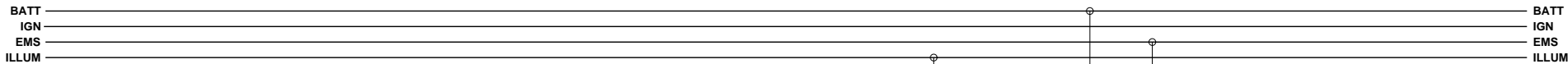
01

Page

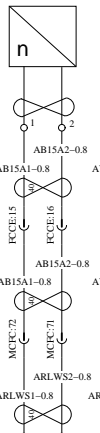
24 (45)

ABS8 BENDIX

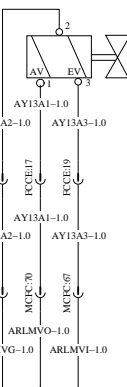
: ED



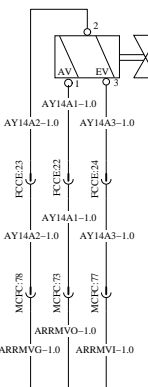
B15
SENSOR,
WHEEL SPD
LH RR RR AXLE



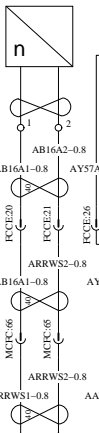
Y13
SOL. VALVE,
ABS LH RR



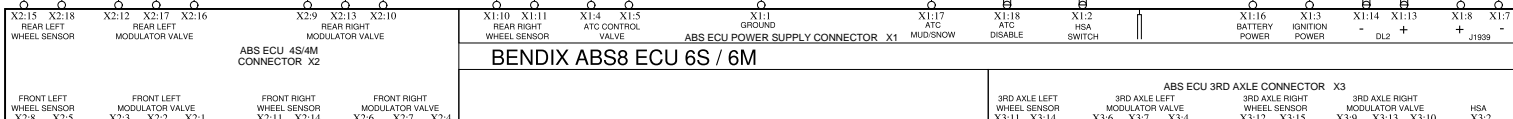
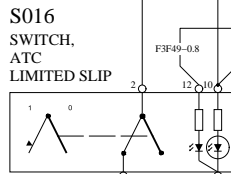
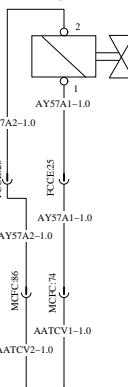
Y14
SOL. VALVE,
ABS RH RR



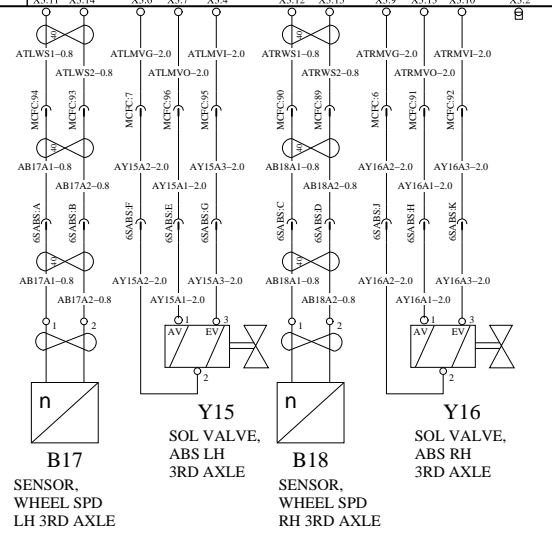
B16
SENSOR,
WHEEL SPD
RH RR RR AXLE



Y57
SOL. VALVE,
ATC



A12
Control unit, ABS
(Anti-lock Brake System)



MACK

Mack Trucks Inc.

Document title
WIRING DIAGRAM

Document type
PRODUCT SCHEMATIC

Drawing No. 22525262	Revision 01	Page 25 (45)
--------------------------------	-----------------------	------------------------

0

1

2

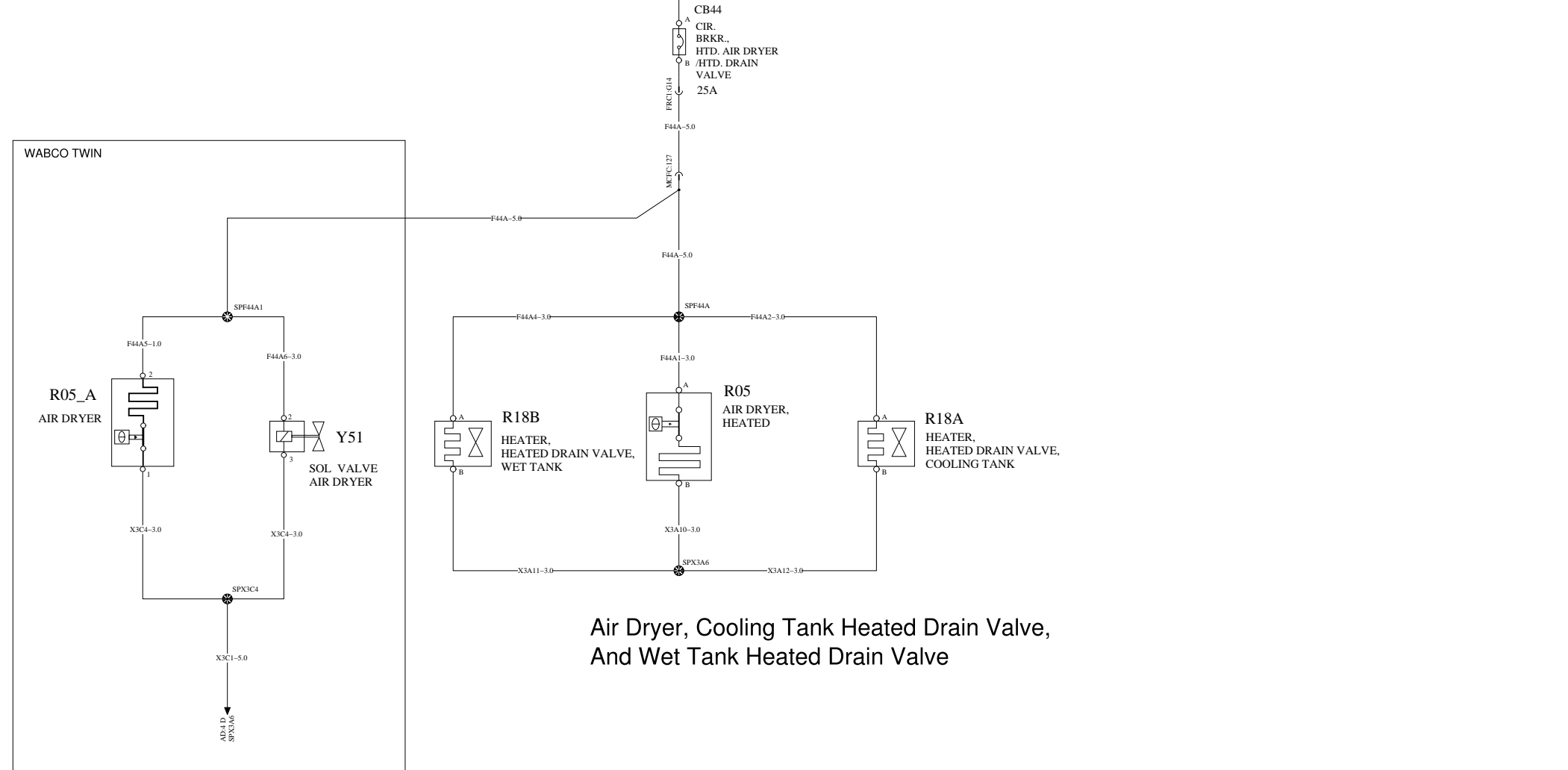
3

4

AIR DRYER /HEATED DRAIN

WIRING DIAGRAM: FA

BATT _____ BATT
 IGN _____ IGN
 EMS _____ EMS
 ILLUM _____ ILLUM



Air Dryer, Cooling Tank Heated Drain Valve, And Wet Tank Heated Drain Valve

MACK

Mack Trucks Inc.

Document title WIRING DIAGRAM
Document type PRODUCT SCHEMATIC

Drawing No. 22525262	Revision 01	Page 26 (45)
-------------------------	----------------	-----------------

0

1

2

3

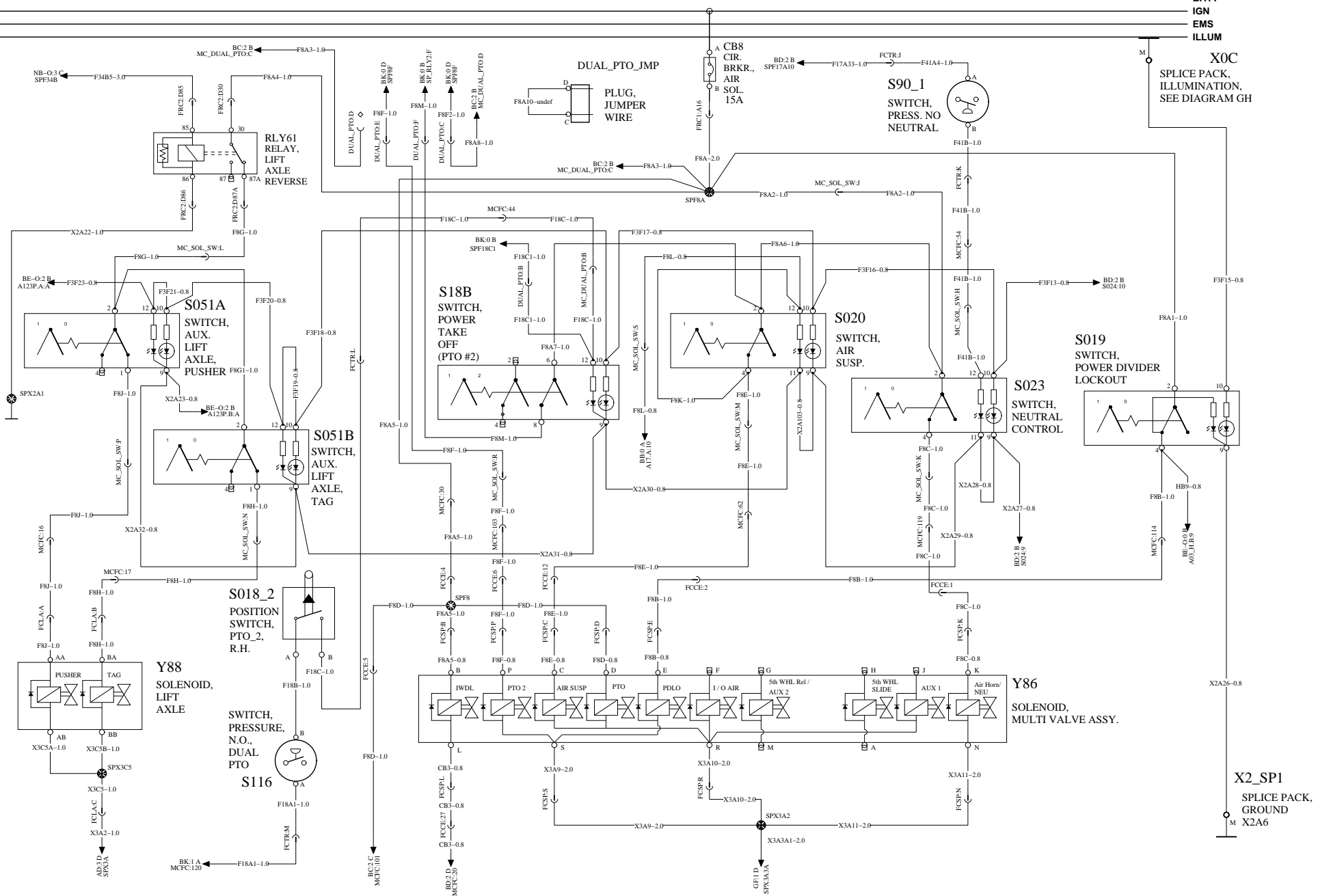
4

CHASSIS SOLENOIDS

WIRING DIAGRAM: FB

BATT
IGN
EMS
ILLUM

BATT
IGN
EMS
ILLUM



MACK

Mack Trucks Inc.

Document title
WIRING DIAGRAM
Document type
PRODUCT SCHEMATIC

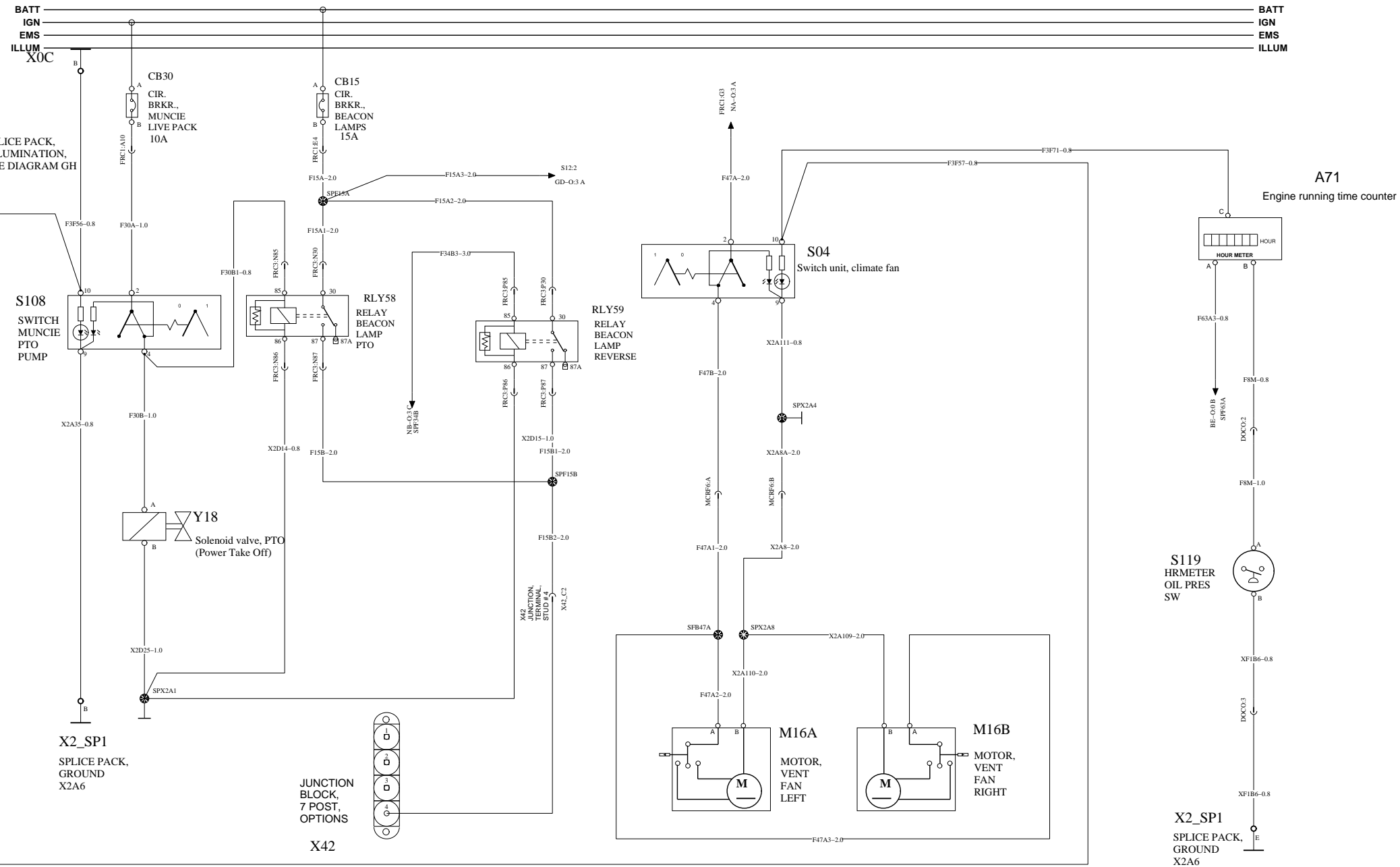
Drawing No.
22525262

Revision
01

Page
27 (45)

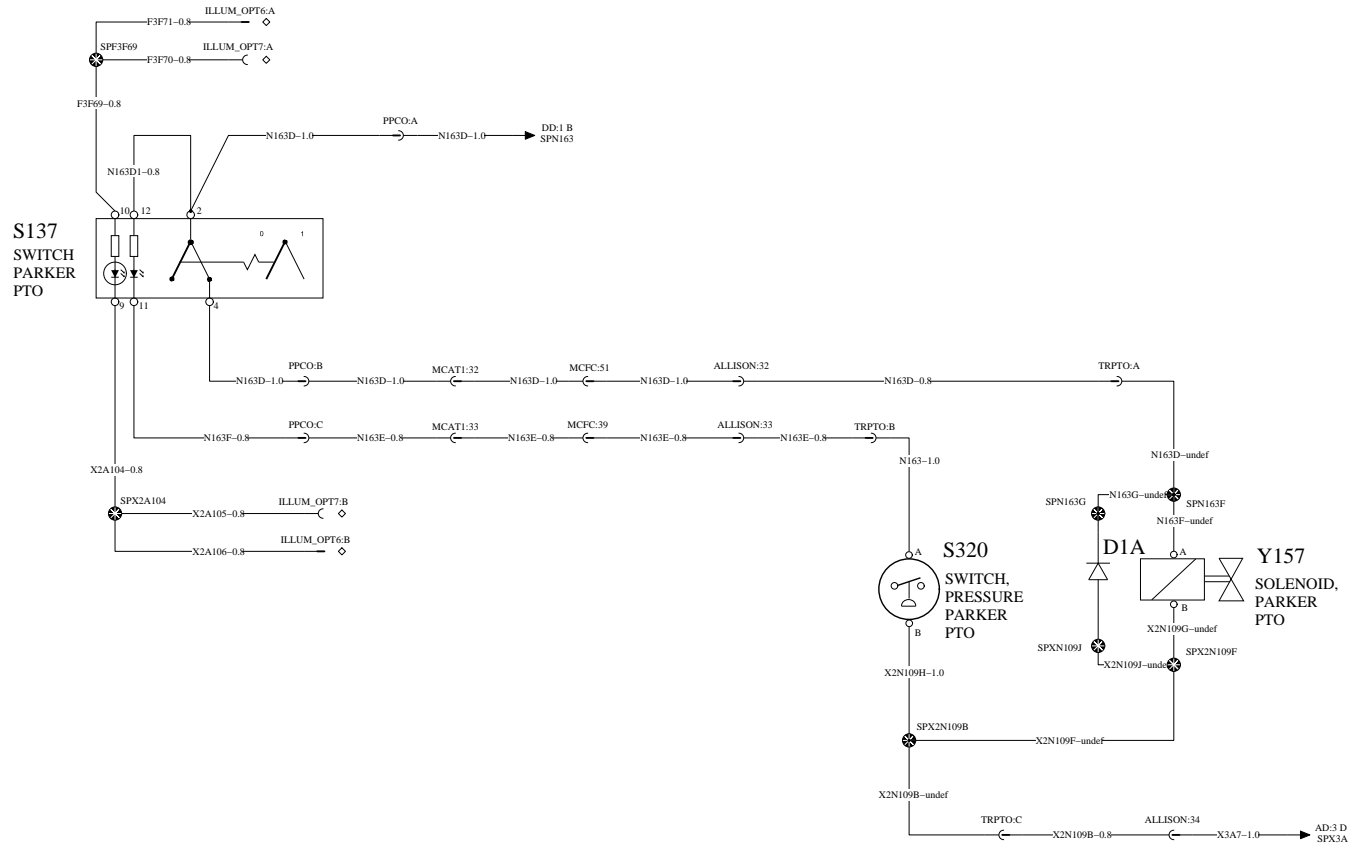
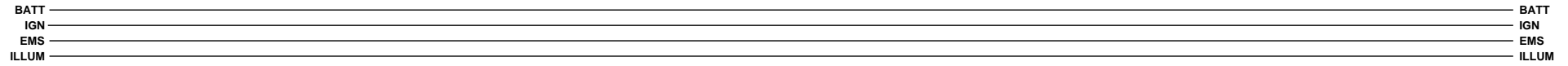
MUNCIE PUMP & BEACON LAMPS

WIRING DIAGRAM: FC - O



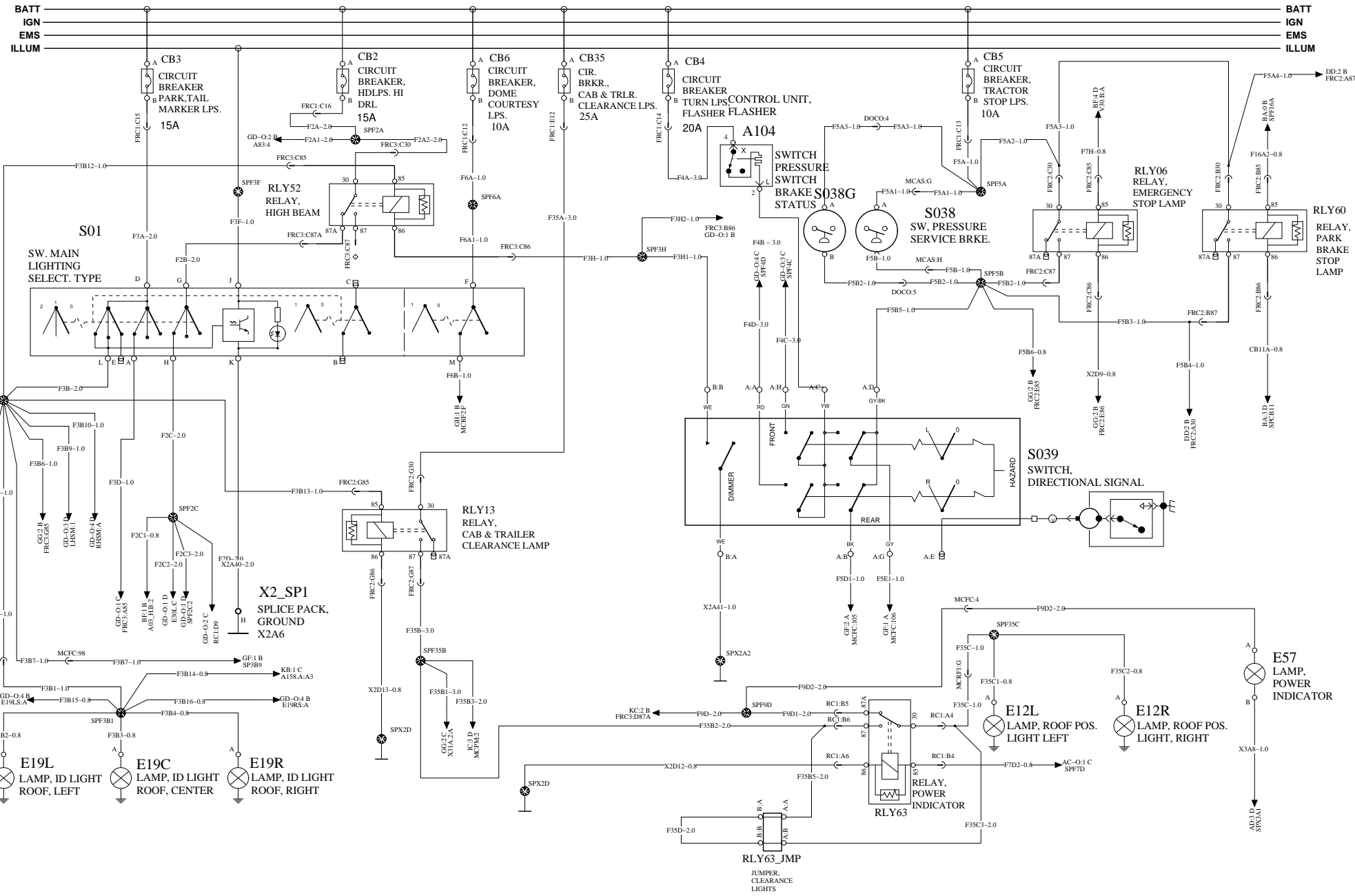
PARKER PTO

WIRING DIAGRAM: FD



LIGHTING CONTROL

WIRING DIAGRAM: GA - O



MACK

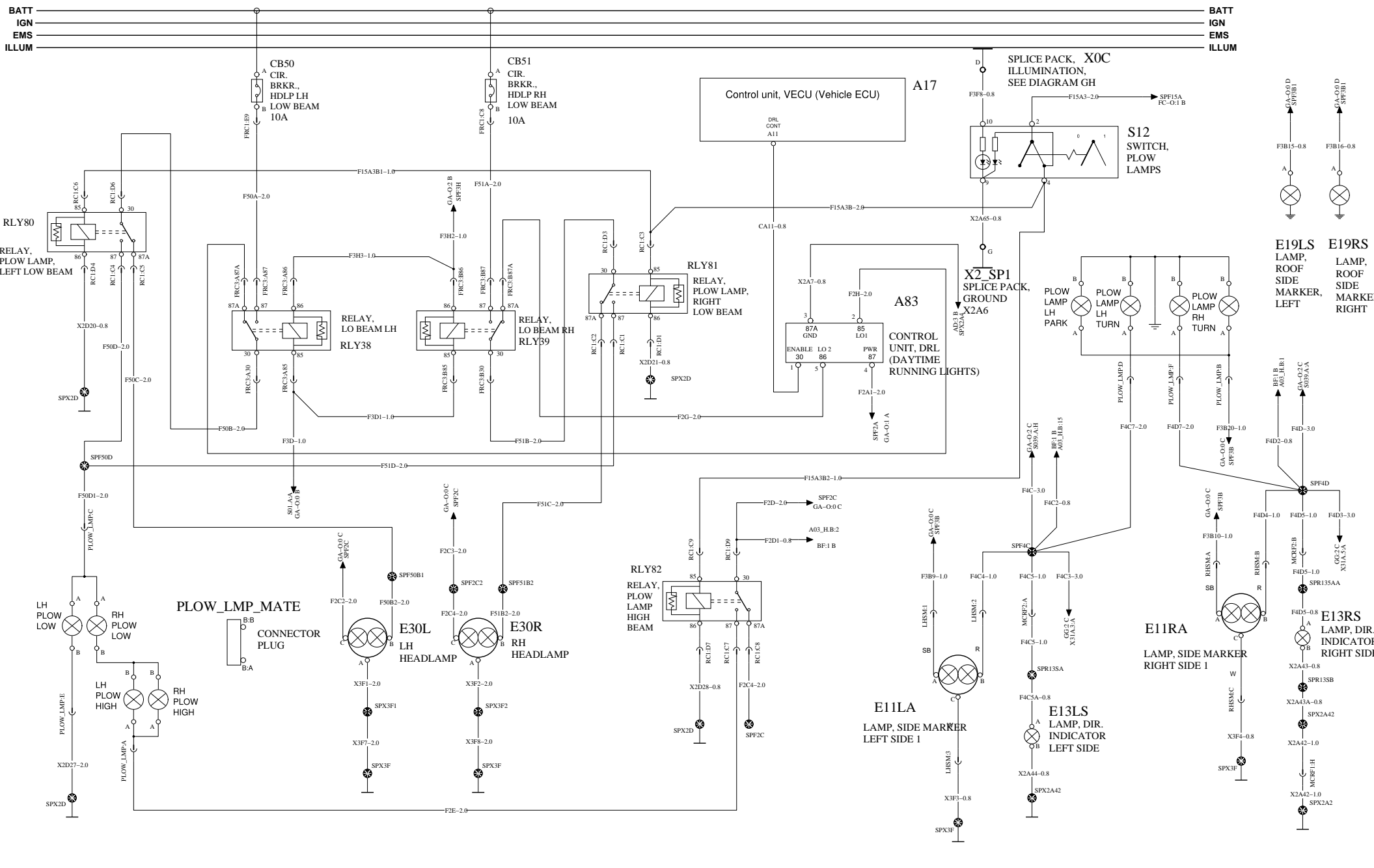
Mack Trucks Inc.

Document title WIRING DIAGRAM
Document type PRODUCT SCHEMATIC

Drawing No. 22525262	Revision 01	Page 30 (45)
-------------------------	----------------	-----------------

LIGHTING- FORWARD/SIGNAL

WIRING DIAGRAM: GD - O



MACK

Mack Trucks Inc.

Document title
WIRING DIAGRAM
Document type
PRODUCT SCHEMATIC

Drawing No. 22525262	Revision 01	Page 31 (45)
--------------------------------	-----------------------	------------------------

0

1

2

3

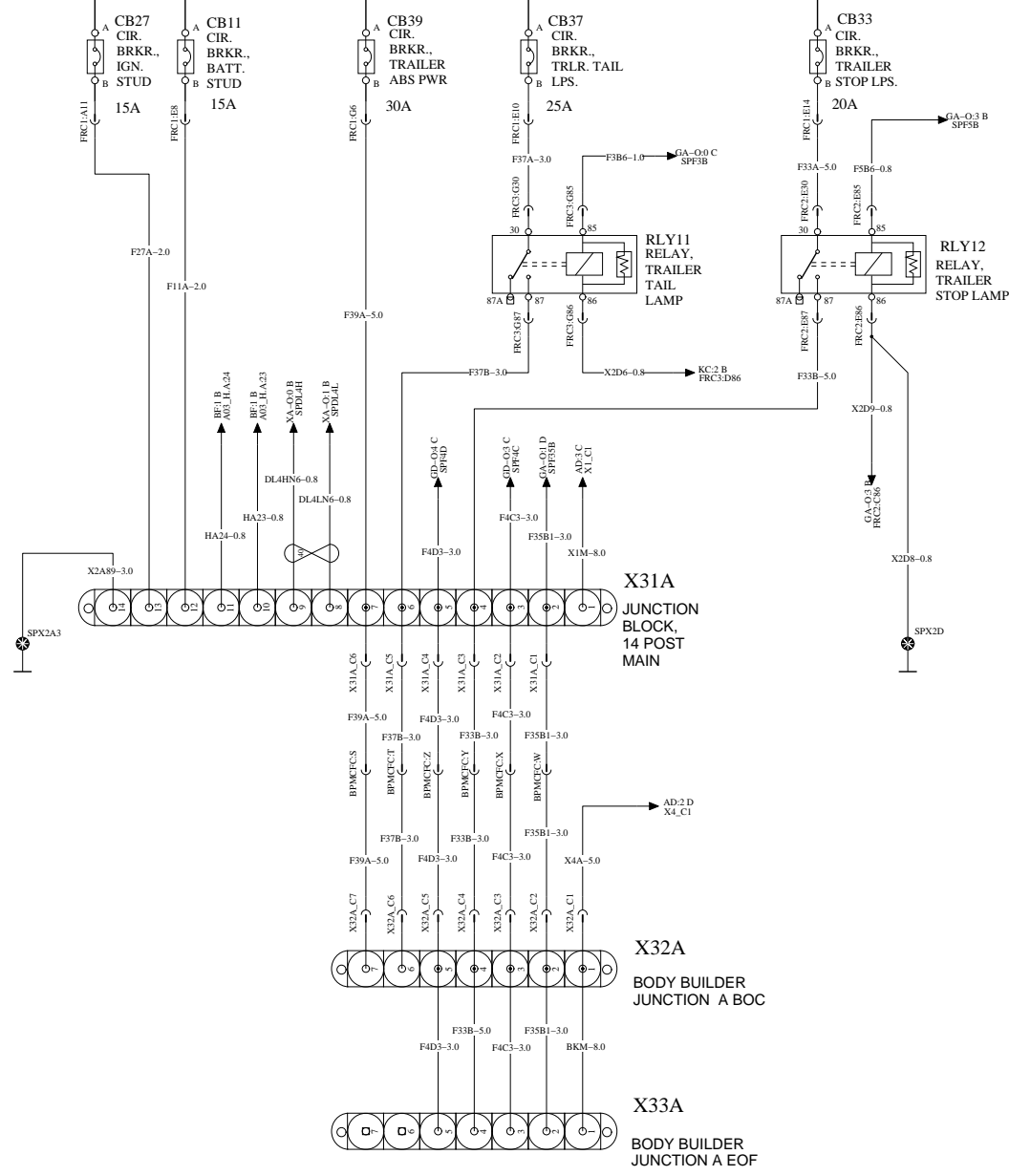
4

TRAILER LIGHTING CONTROL

WIRING DIAGRAM: GG

BATT
IGN
EMS
ILLUM

BATT
IGN
EMS
ILLUM



MACK

Mack Trucks Inc.

Document title WIRING DIAGRAM	Drawing No. 22525262	Revision 01	Page 33 (45)
Document type PRODUCT SCHEMATIC			

0

1

2

3

4

0

1

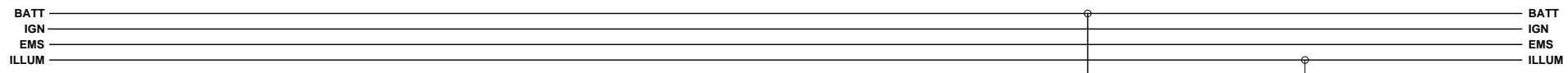
2

3

4

INTERIOR LIGHTING

WIRING DIAGRAM: GH



A

A

B

B

C

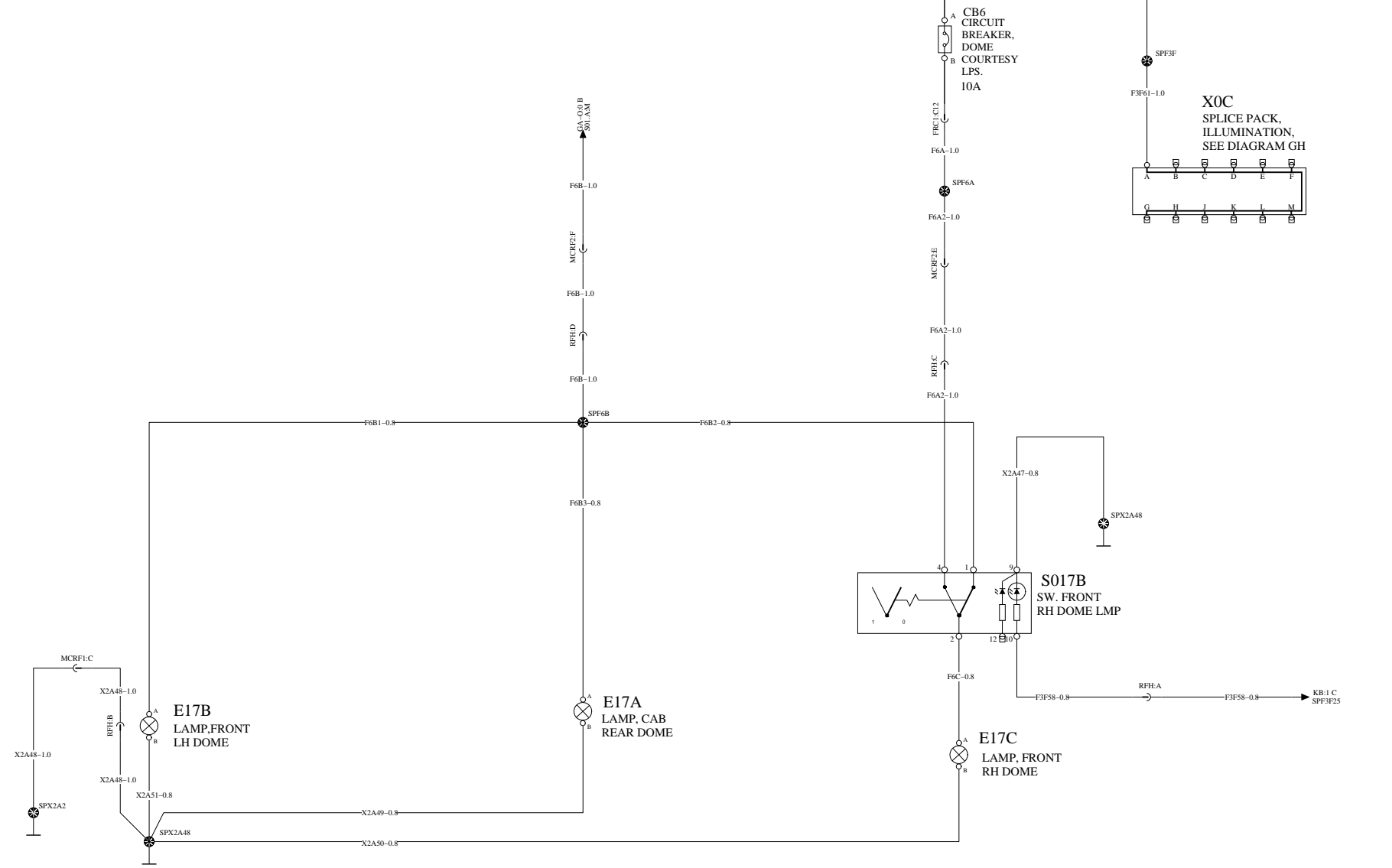
C

D

D

E

E



MACK

Mack Trucks Inc.

Document title WIRING DIAGRAM
Document type PRODUCT SCHEMATIC

Drawing No. 22525262	Revision 01	Page 34 (45)
-------------------------	----------------	-----------------

0

1

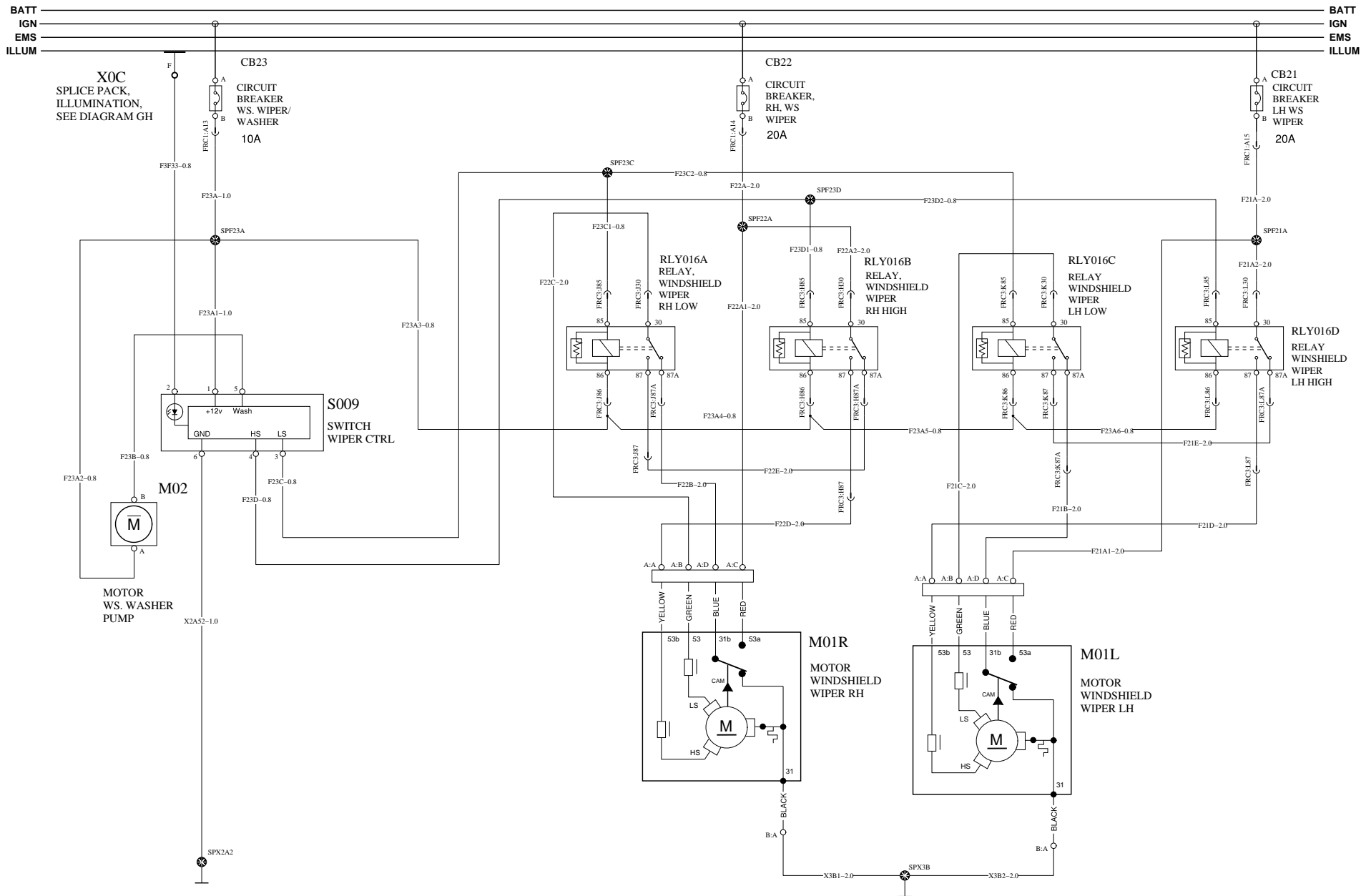
2

3

4

WIPER/WASHER

WIRING DIAGRAM: GP



MACK

Mack Trucks Inc.

Document title
WIRING DIAGRAM
Document type
PRODUCT SCHEMATIC

Drawing No.
22525262

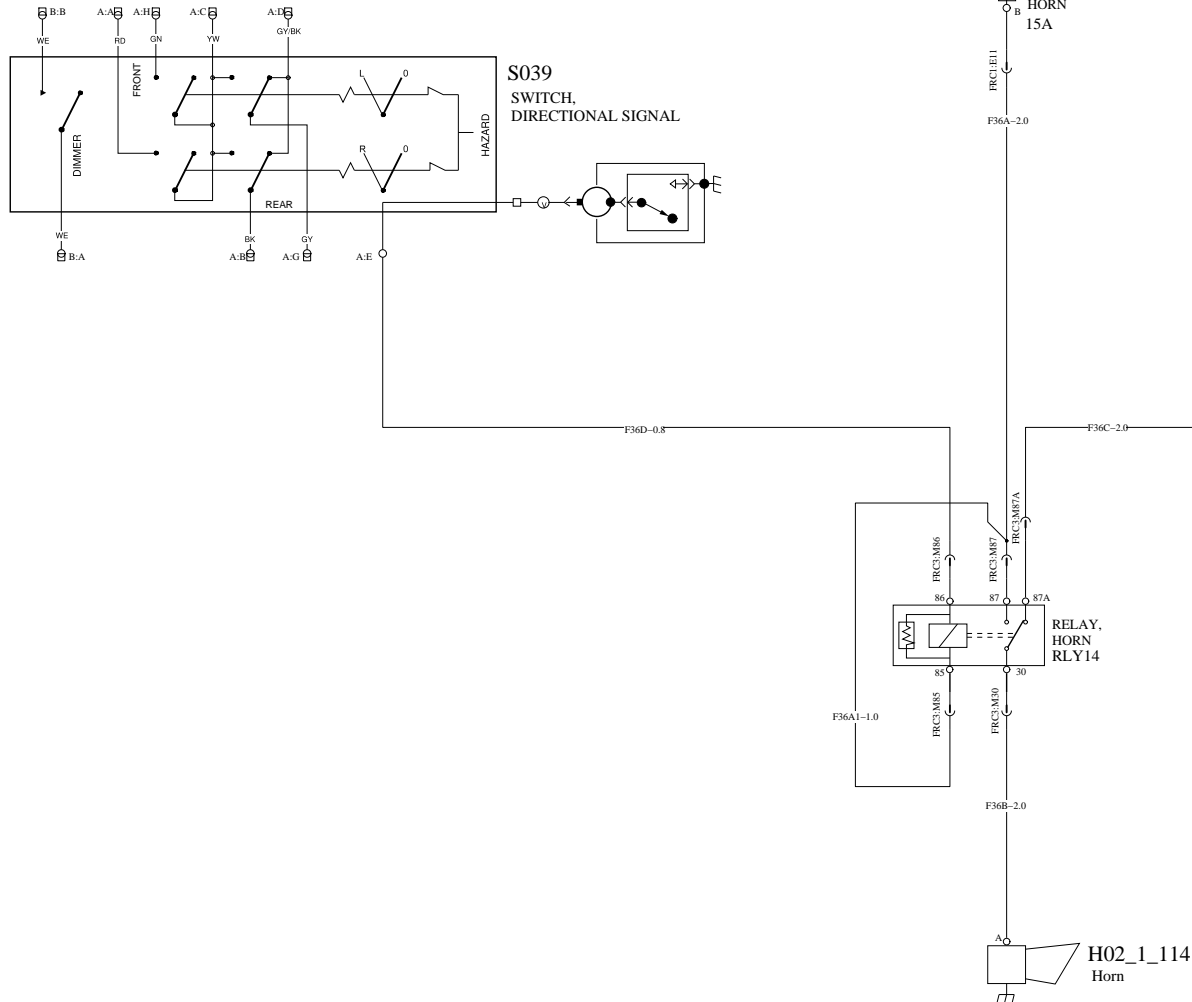
Revision
01

Page
35 (45)

HORN WIRING

WIRING DIAGRAM: GQ

BATT
IGN
EMS
ILLUM



MACK

Mack Trucks Inc.

Document title
WIRING DIAGRAM

Document type
PRODUCT SCHEMATIC

Drawing No.

22525262

Revision

01

Page

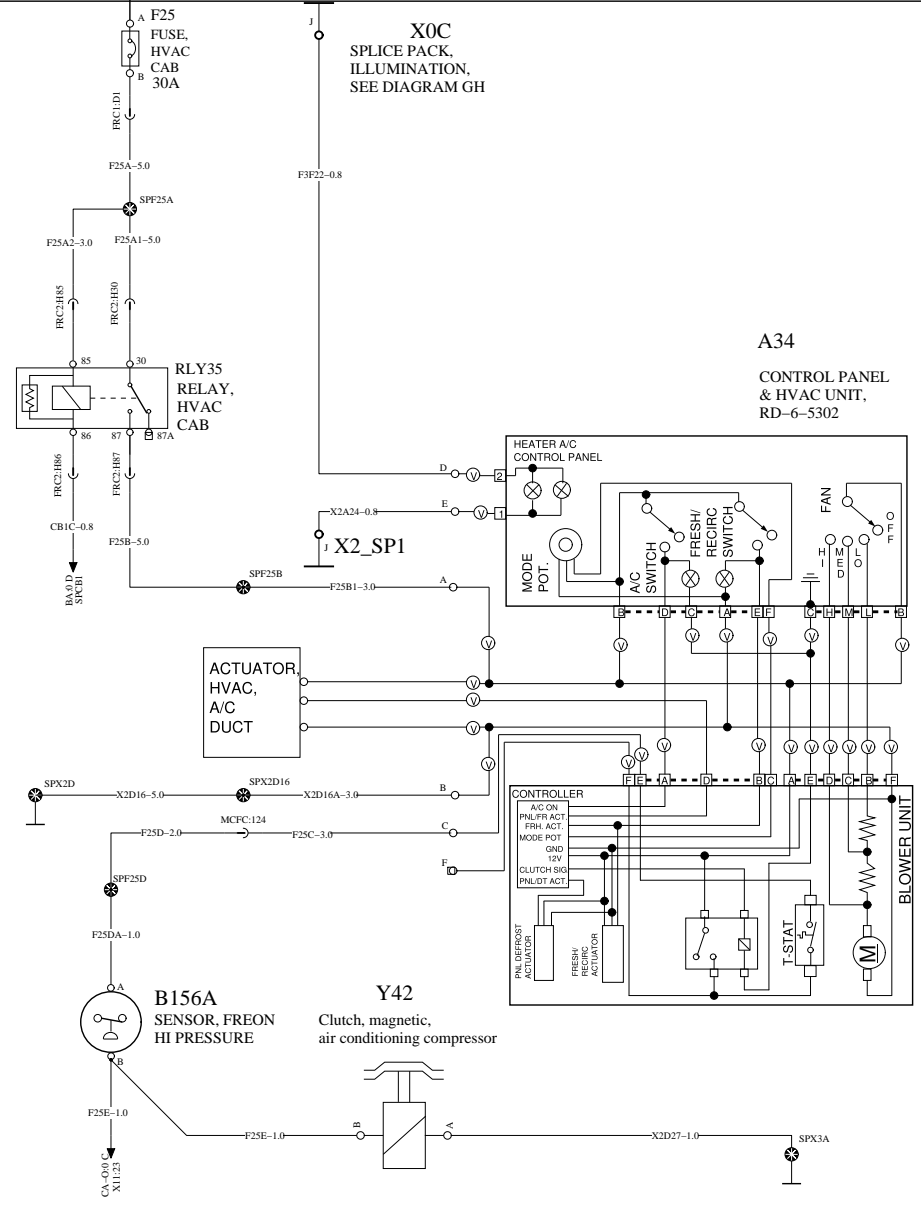
36 (45)

CLIMATE CONTROL

WIRING DIAGRAM: HA

BATT
IGN
EMS
ILLUM

BATT
IGN
EMS
ILLUM



MACK

Mack Trucks Inc.

Document title
WIRING DIAGRAM

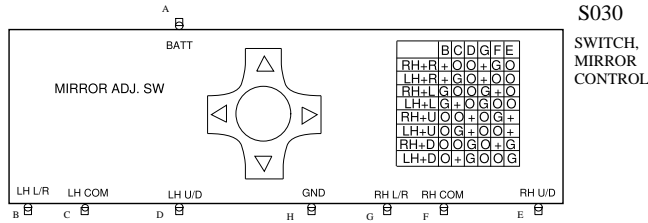
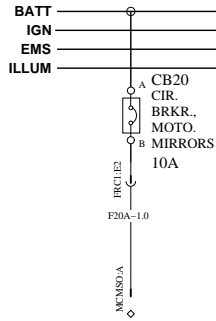
Document type
PRODUCT SCHEMATIC

Drawing No.
22525262

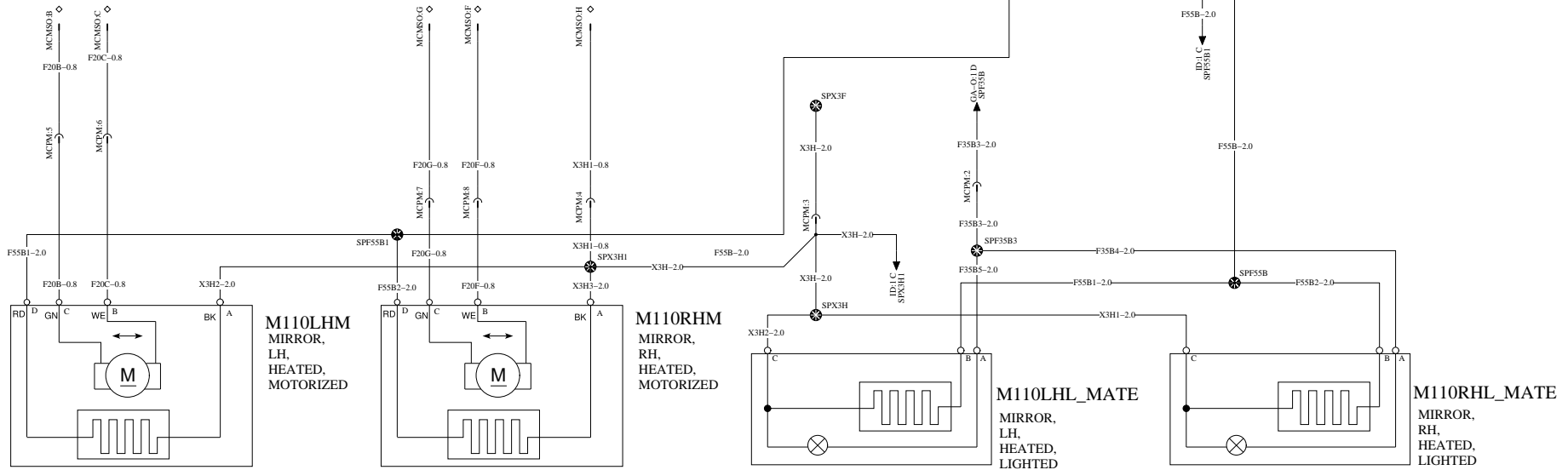
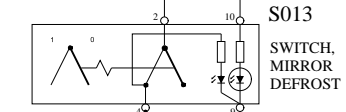
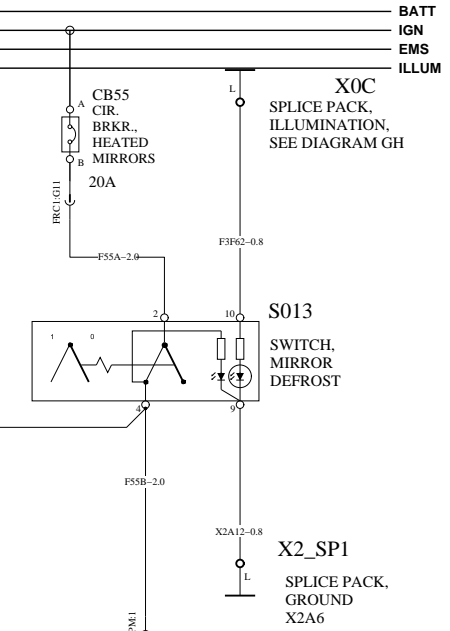
Revision
01

Page
37 (45)

MIRROR CONTROL 1/2



WIRING DIAGRAM: IC



HEATED & MOTORIZED MIRRORS

HEATED & LIGHTED MIRRORS

MACK

Mack Trucks Inc.

Document title
WIRING DIAGRAM

Document type
PRODUCT SCHEMATIC

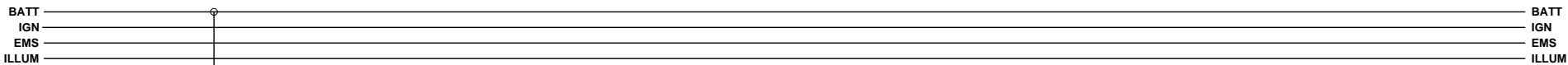
Drawing No.
22525262

Revision
01

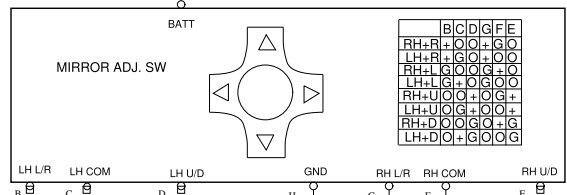
Page
38 (45)

MIRROR CONTROL 2/2

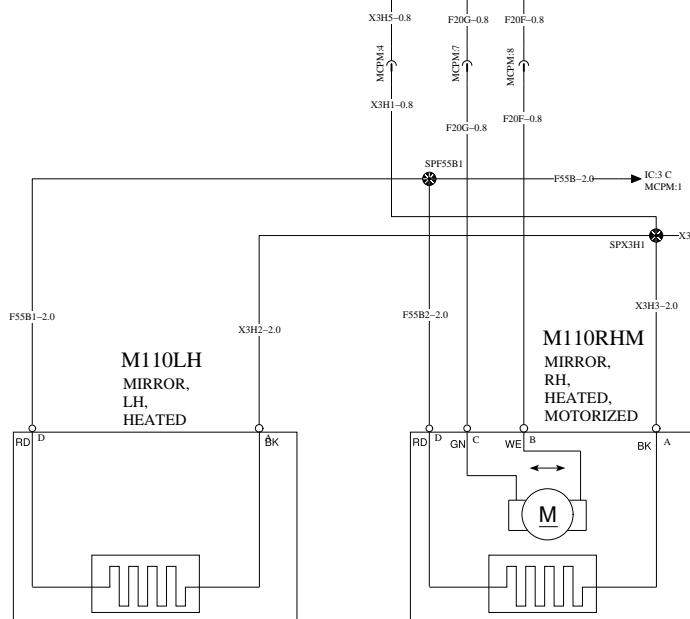
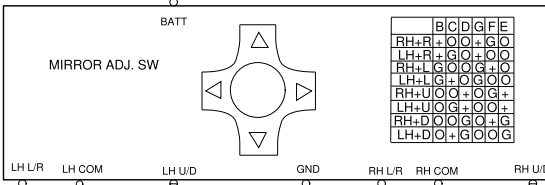
WIRING DIAGRAM: ID



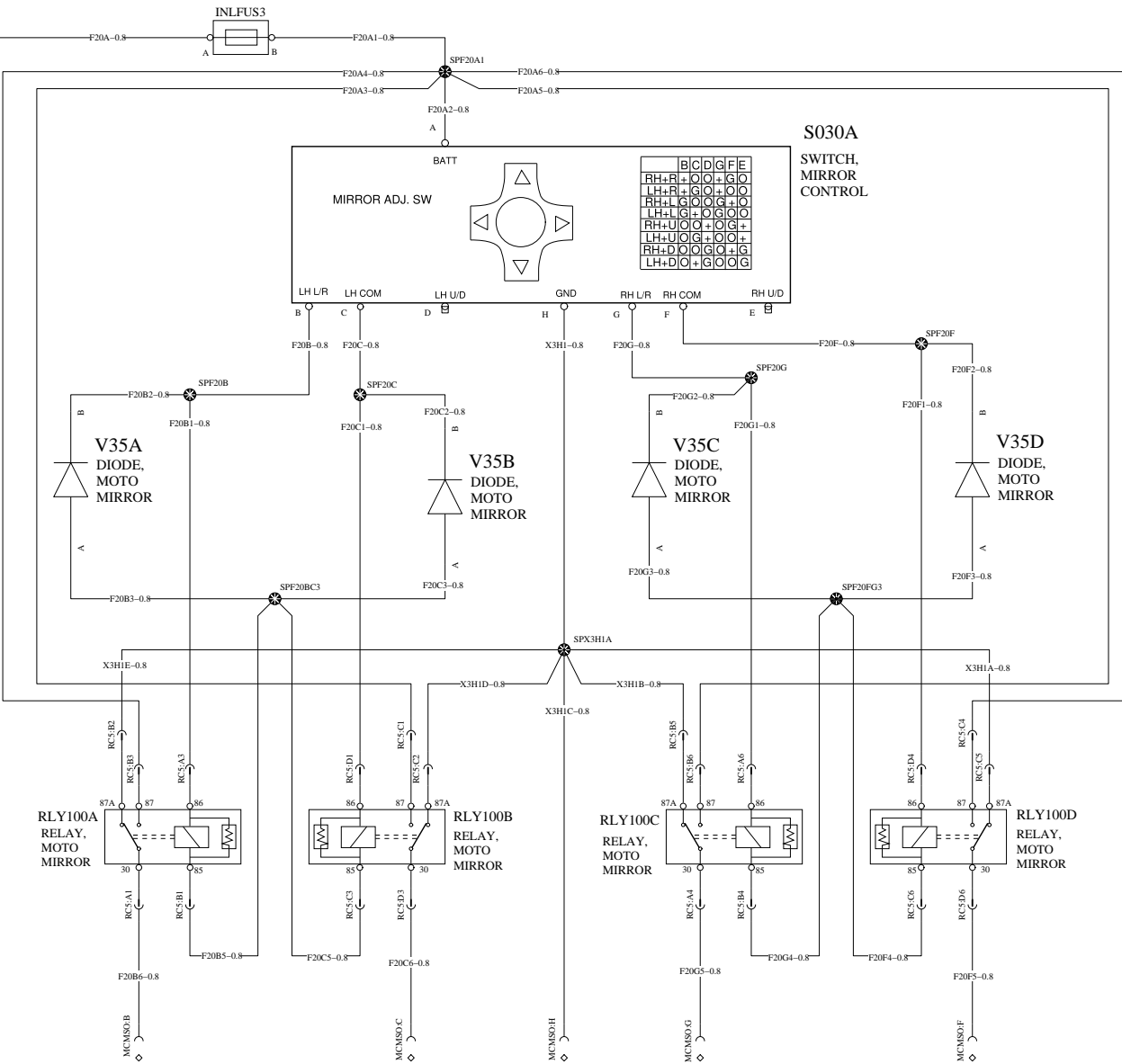
S030 SWITCH, MIRROR CONTROL



S030A SWITCH, MIRROR CONTROL



SEE SHEET IC FOR HEATED MIRROR CIRCUIT.



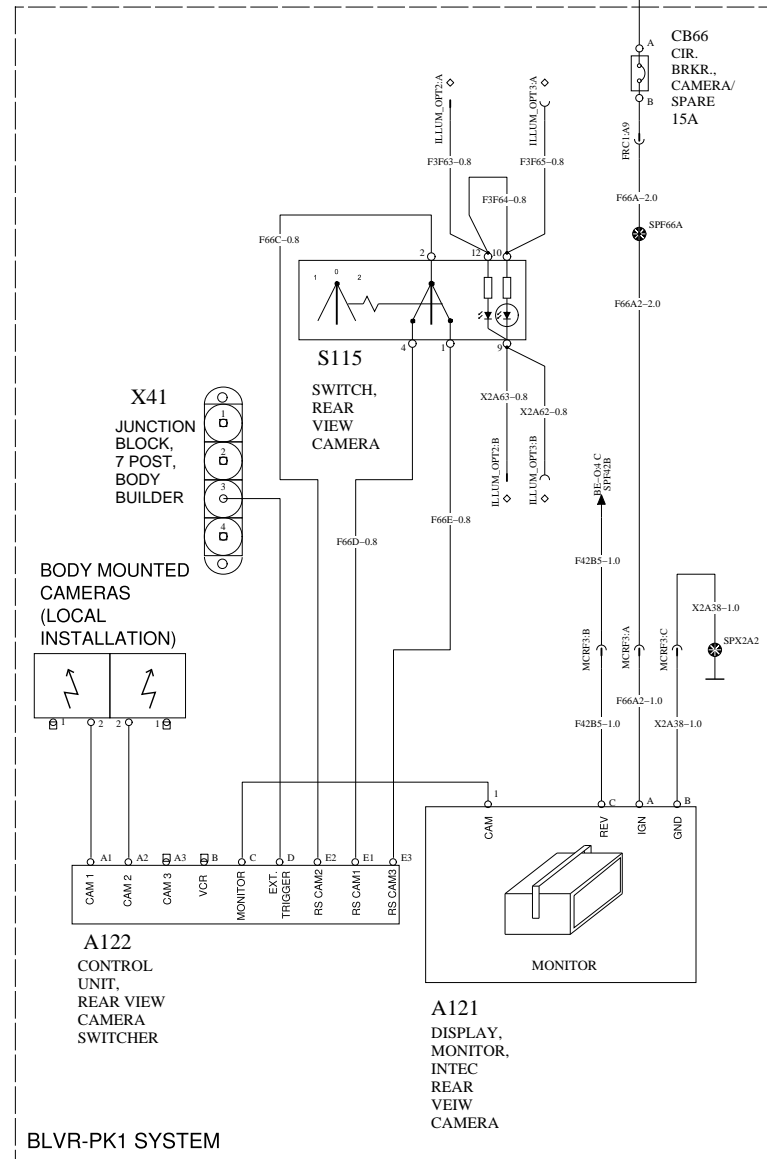
LH HEATED & RH HEATED AND MOTORIZED MIRRORS

VISUAL SYSTEMS

WIRING DIAGRAM: KA

BATT
IGN
EMS
ILLUM

BATT
IGN
EMS
ILLUM



MACK

Mack Trucks Inc.

Document title
WIRING DIAGRAM

Document type
PRODUCT SCHEMATIC

Drawing No.

22525262

Revision

01

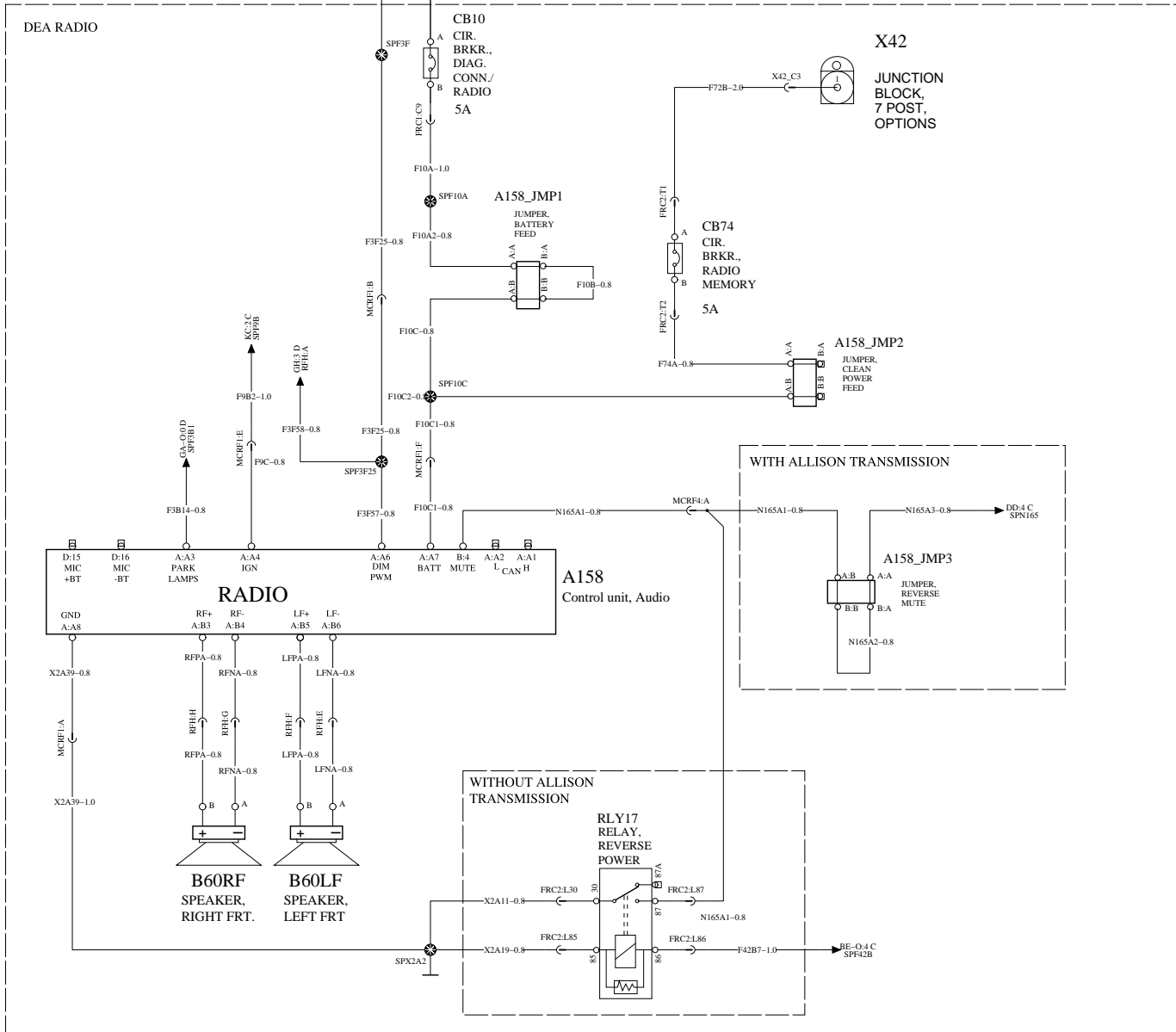
Page

40 (45)

AUDIO SYSTEMS

: KB

BATT
IGN
EMS
ILLUM



MACK

Mack Trucks Inc.

Document title
WIRING DIAGRAM

Document type
PRODUCT SCHEMATIC

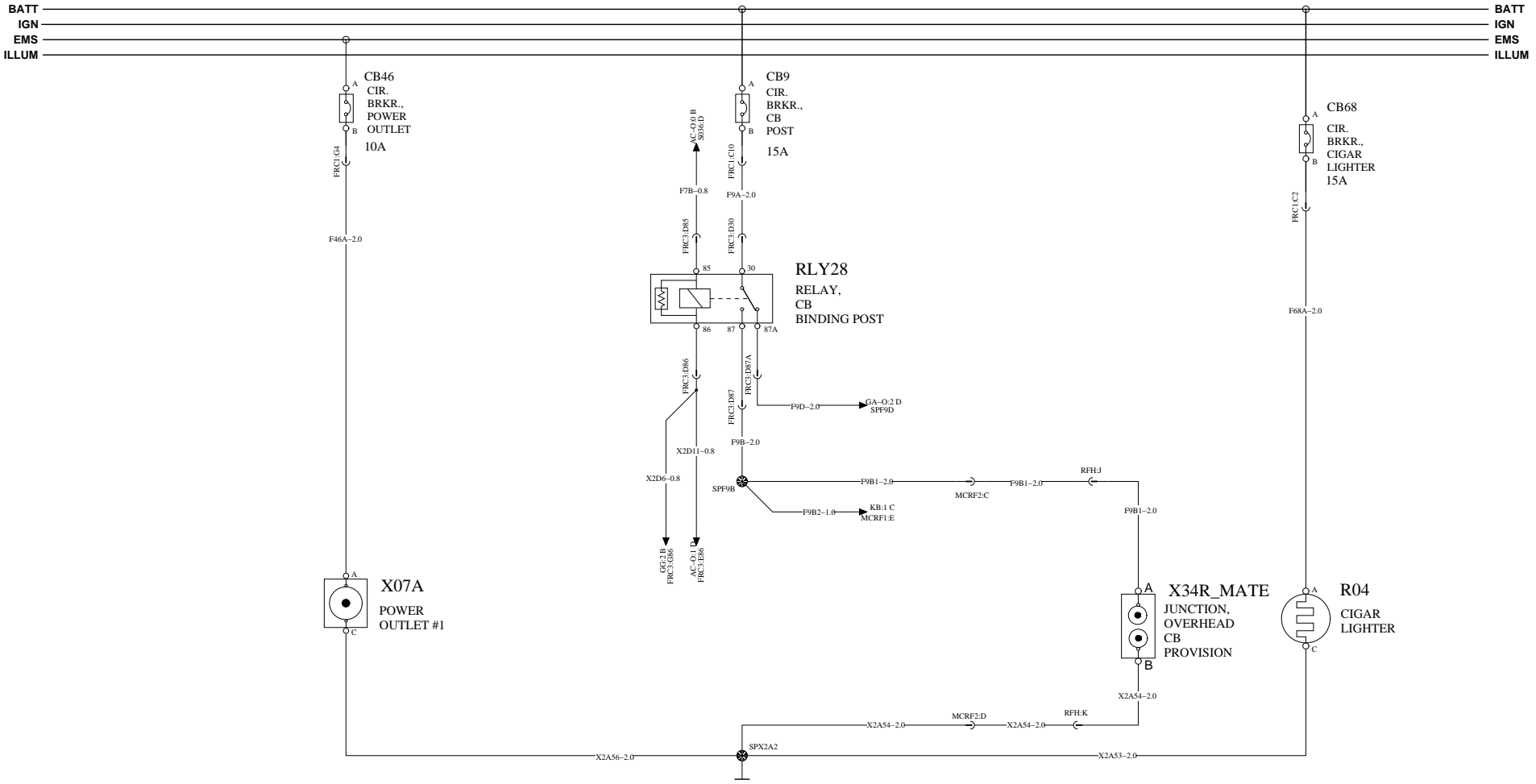
Drawing No.
22525262

Revision
01

Page
41 (45)

POWER OUTLET CONNECTIONS

WIRING DIAGRAM: KC



MACK

Mack Trucks Inc.

Document title
WIRING DIAGRAM

Document type
PRODUCT SCHEMATIC

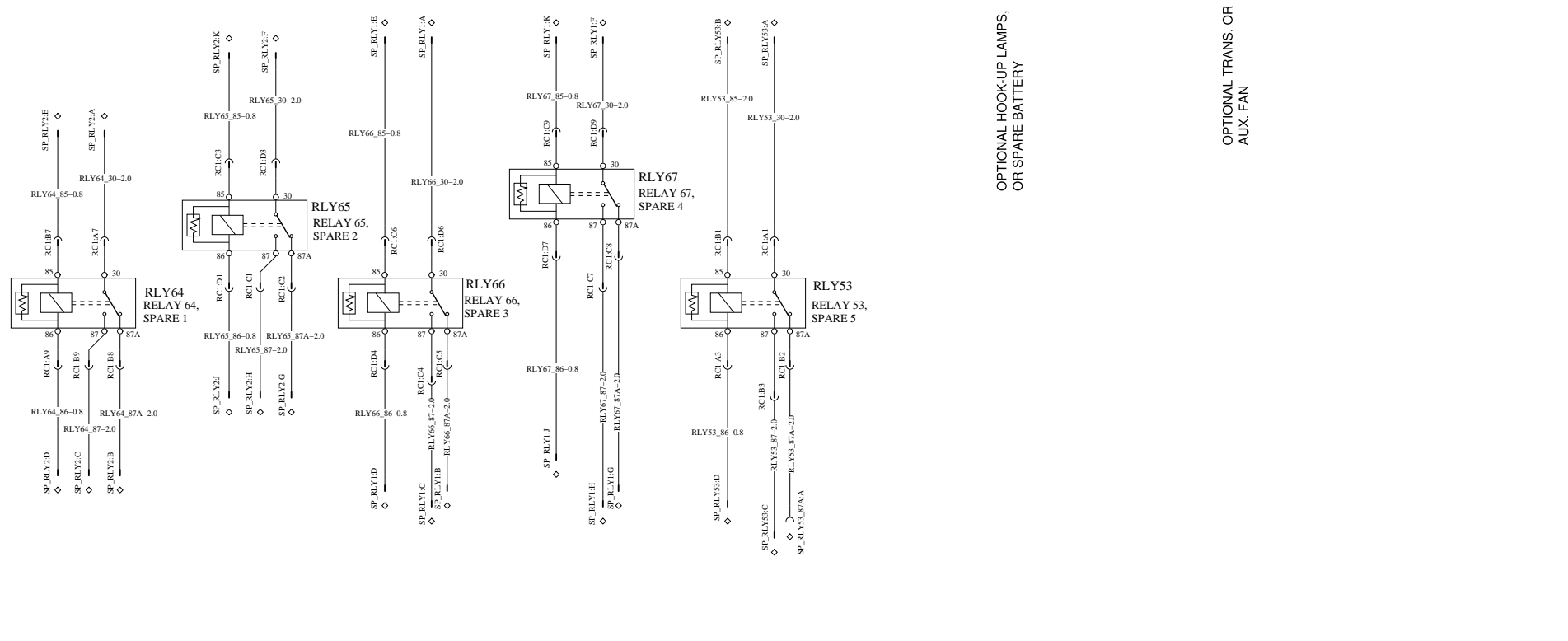
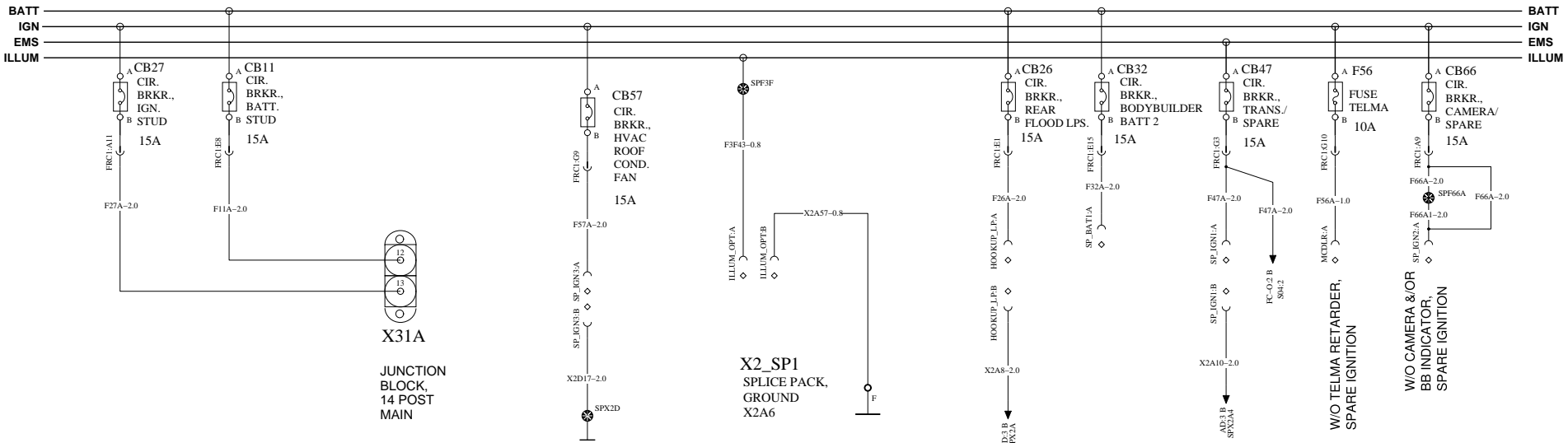
Drawing No.
22525262

Revision
01

Page
42 (45)

SPARE CONNECTORS & FEEDS

WIRING DIAGRAM: NA-0



OPTIONAL HOOK-UP LAMPS,
OR SPARE BATTERY

OPTIONAL TRANS. OR
AUX. FAN

MACK

Mack Trucks Inc.

Document title WIRING DIAGRAM
Document type PRODUCT SCHEMATIC

Drawing No. 22525262	Revision 01	Page 43 (45)
--------------------------------	-----------------------	------------------------

JUNCTION POSTS

WIRING DIAGRAM: NB - O

BATT
IGN
EMS
ILLUM

A

A

B

B

C

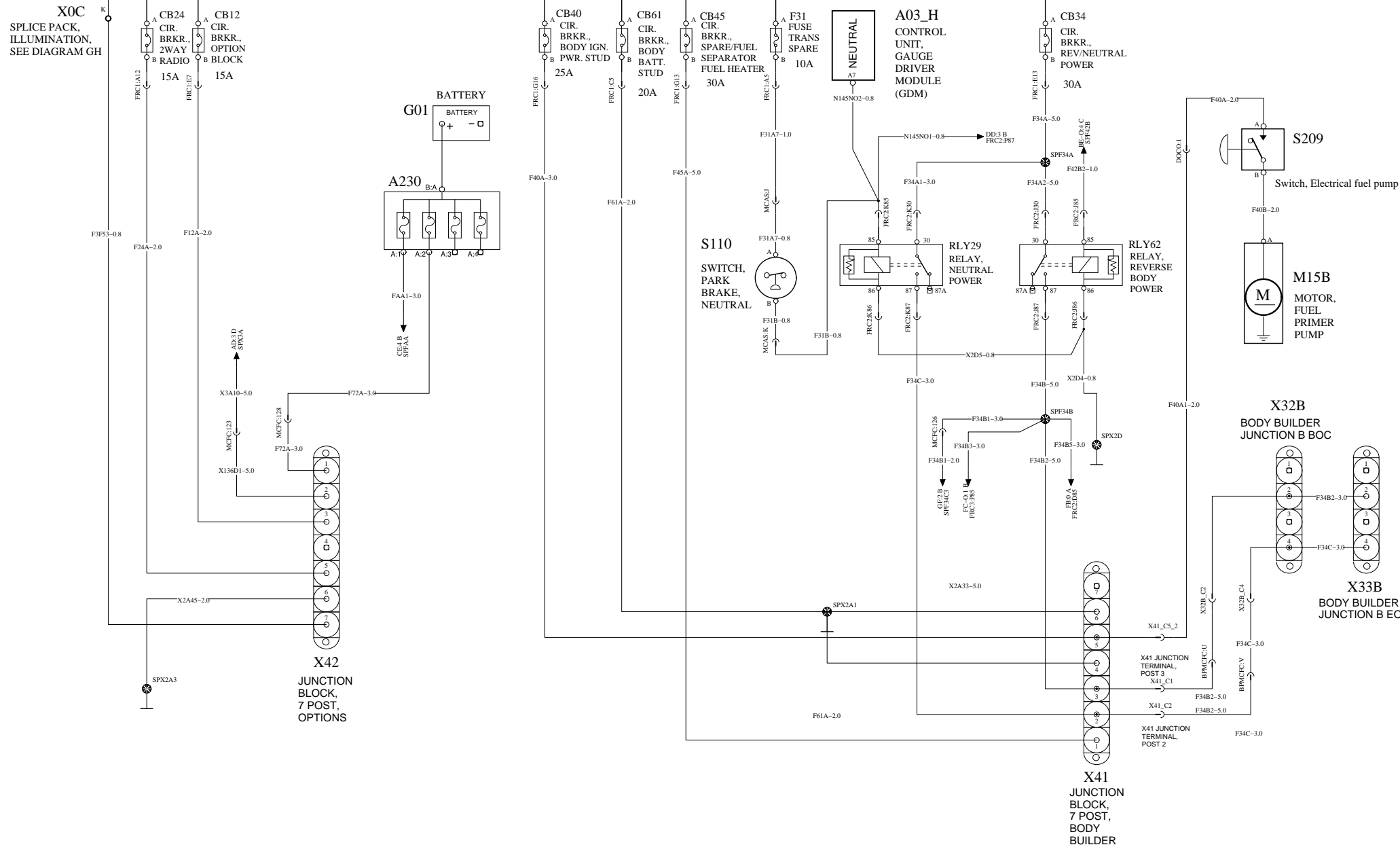
C

D

D

E

E



MACK

Mack Trucks Inc.

Document title
WIRING DIAGRAM

Document type
PRODUCT SCHEMATIC

Drawing No.
22525262

Revision
01

Page
44 (45)

0

1

2

3

4

DATA LINK /DIAGNOSTICS

WIRING DIAGRAM: XA - O

BATT
IGN
EMS
ILLUM

BATT
IGN
EMS
ILLUM

CB10
CIR.
BRKR.
DIAG.
CONN/
RADIO
5A

F10A-1.0
SPF10A
F10A1-0.8

R08
RESISTOR,
TERMINATION
J1939 CAN

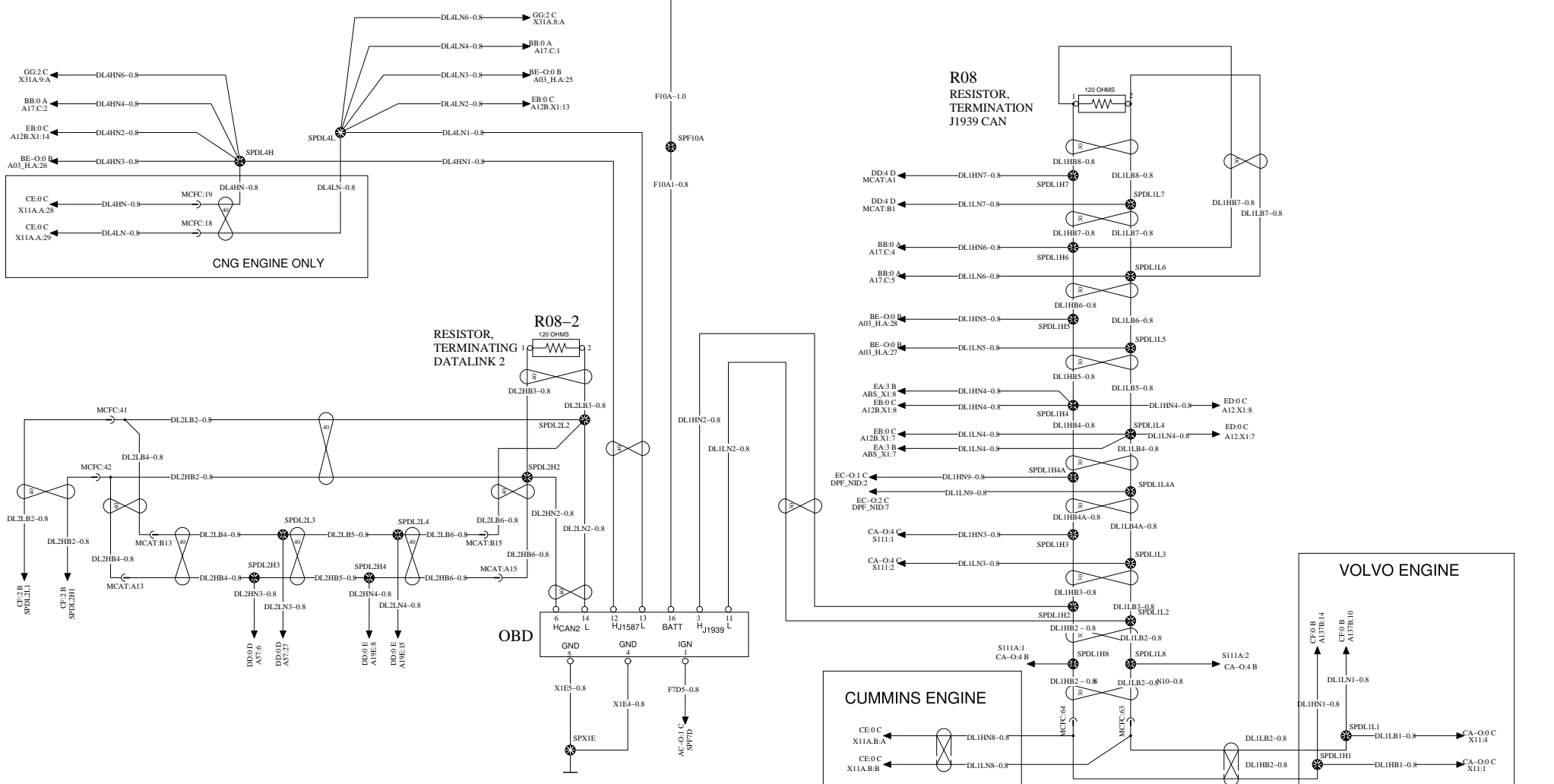
R08-2
RESISTOR,
TERMINATING
DATALINK 2

VOLVO ENGINE

CUMMINS ENGINE

OBD

CNG ENGINE ONLY



MACK

Mack Trucks Inc.

Document title
WIRING DIAGRAM

Document type
PRODUCT SCHEMATIC

Drawing No.
22525262

Revision
01

Page
45 (45)