
3 ECM AND SENSOR LOCATIONS

Section	Page
3.1 ECM AND SENSOR LOCATIONS	3-3

3.1 ECM AND SENSOR LOCATIONS

For the DDEC system ECM see Figure 3-1.

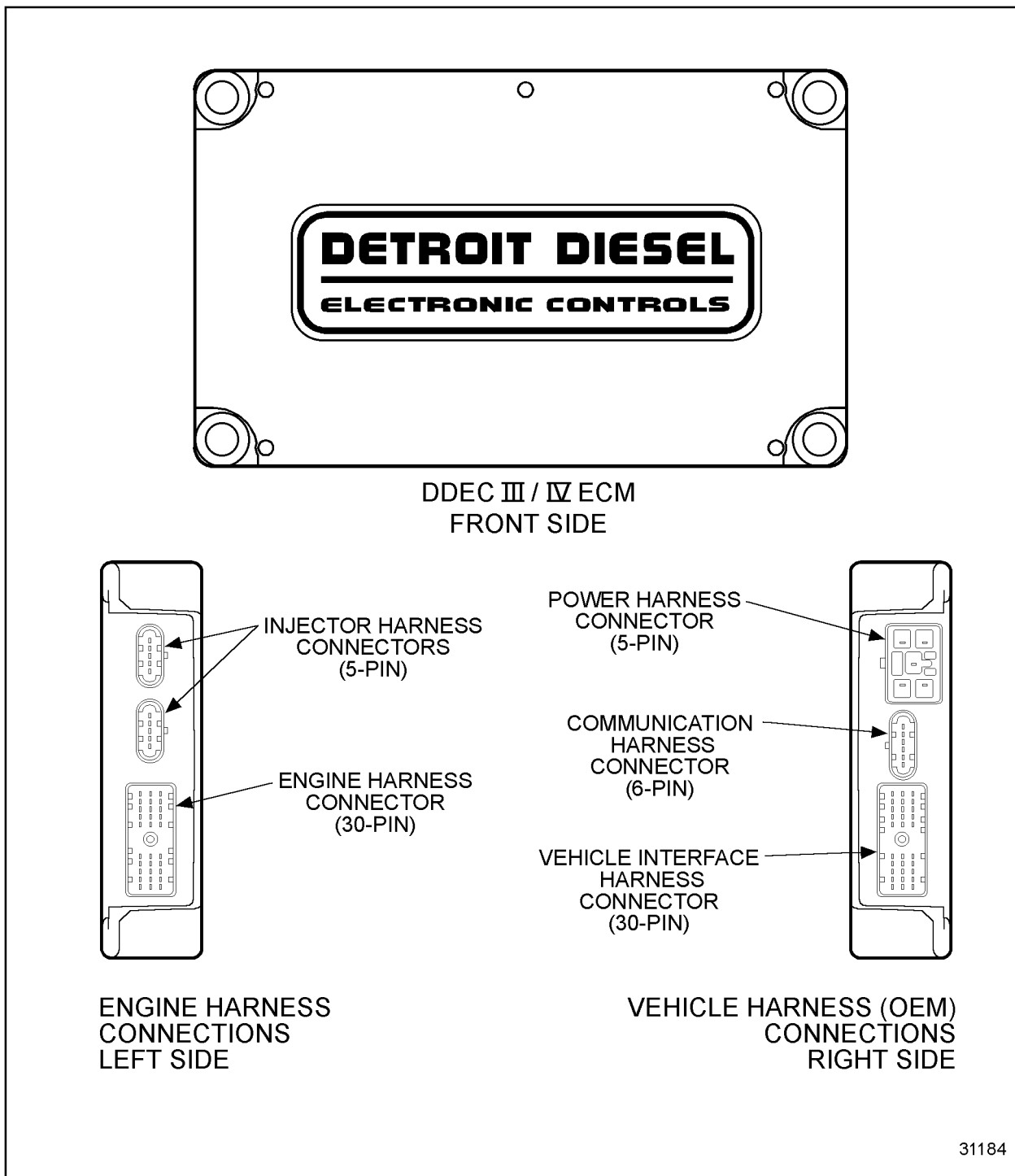


Figure 3-1 DDEC System ECM

For the Series 60[®] sensor locations, see Figure 3-2.

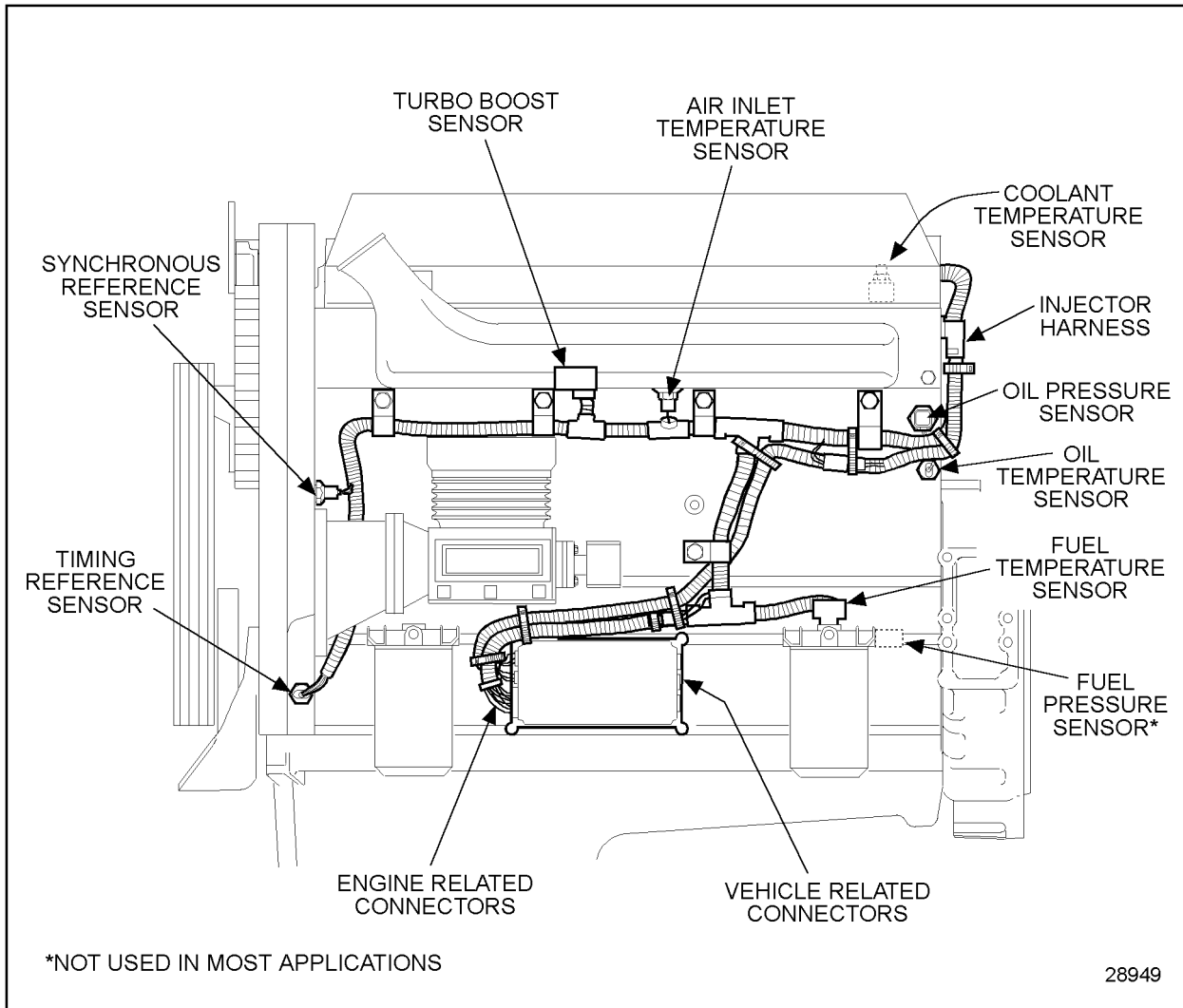
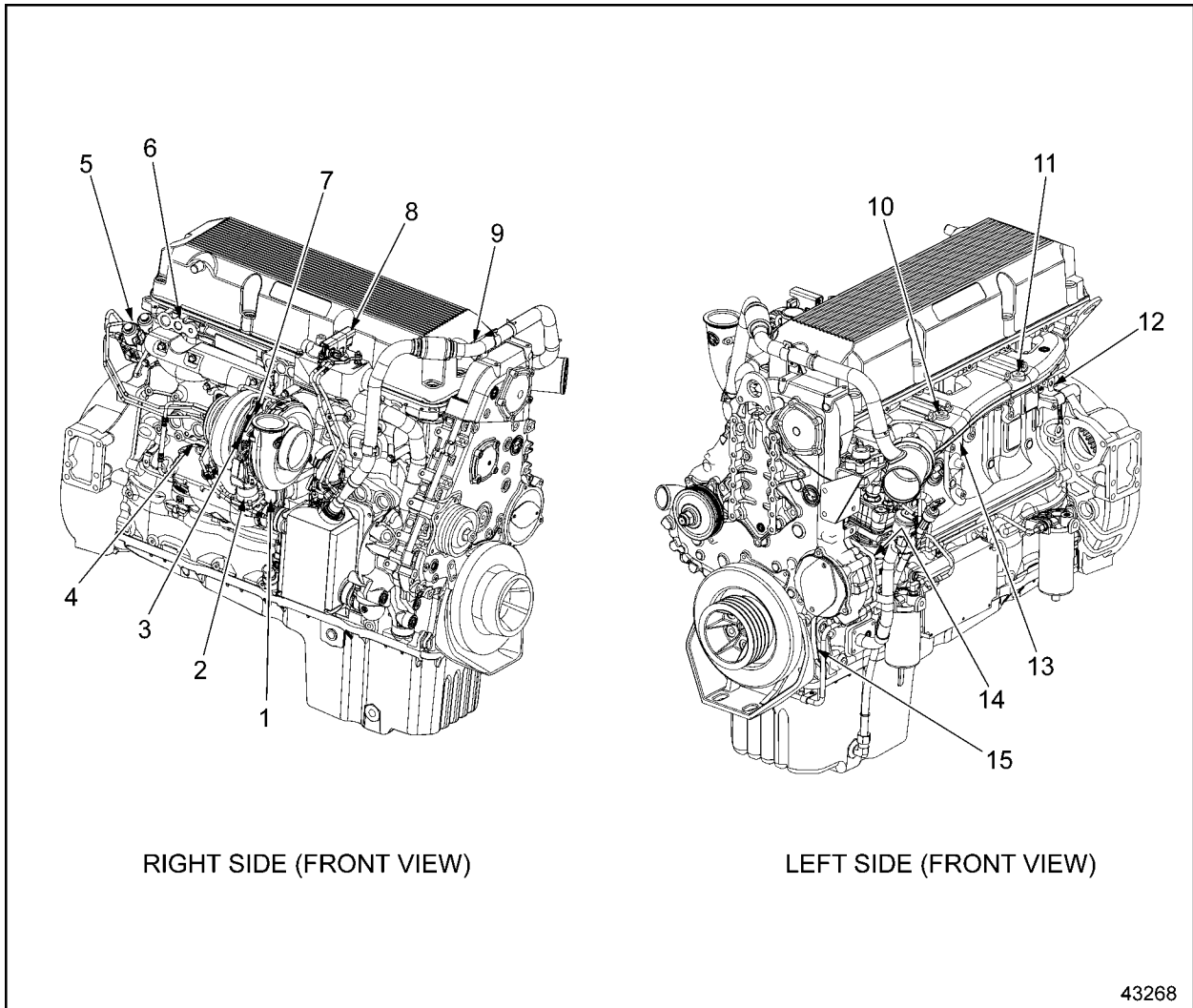


Figure 3-2 Series 60 Diesel ECM and Sensor Locations

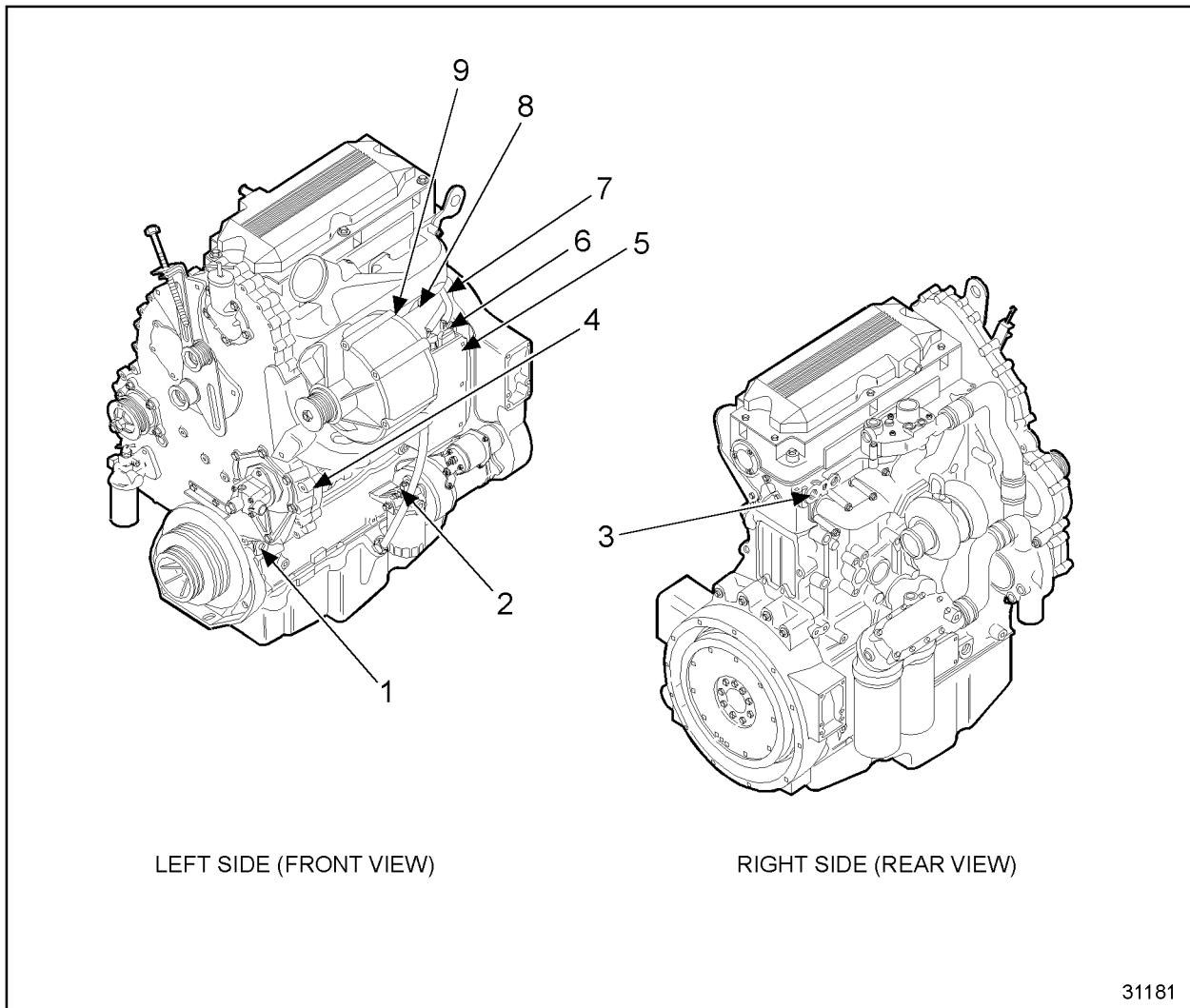
For the sensor locations for the Series 60, 2002 EGR engine, see Figure 3-3.



- | | |
|--|--------------------------------|
| 1. EGR Valve | 9. EGR Temperature Sensor |
| 2. VNT | 10. Turbo Boost Sensor |
| 3. Turbo Compressor Outlet Temp Sensor (TCO) | 11. Intake Air Temp Sensor |
| 4. Oil Temperature Sensor | 12. Oil Pressure Sensor |
| 5. VPODs | 13. Barometric pressure Sensor |
| 6. Coolant Temperature Sensor | 14. SRS |
| 7. Turbo Speed Sensor | 15. TRS |
| 8. Delta-P Sensor | |

Figure 3-3 **Sensor Locations, Series 60 2002 EGR Engine**

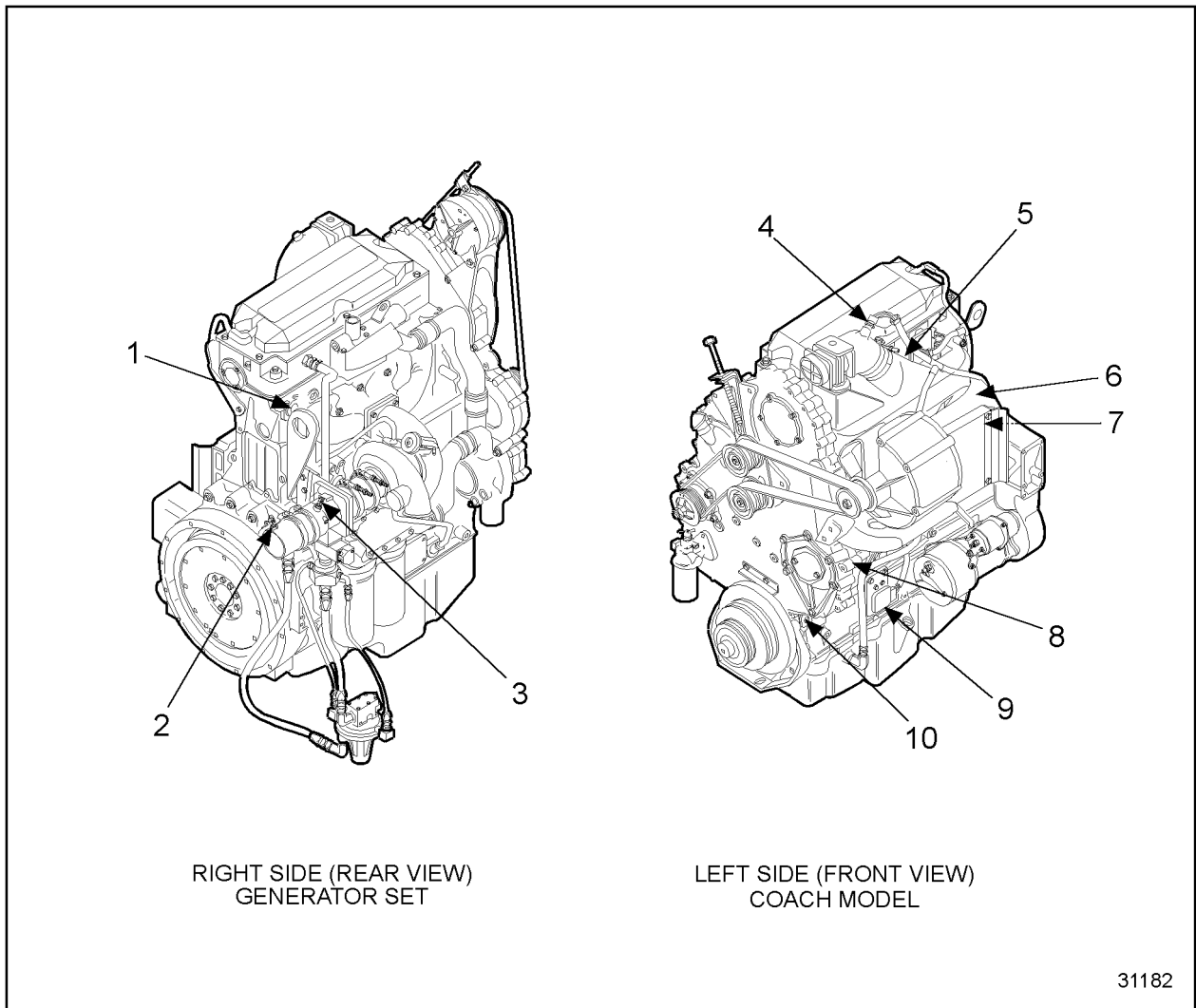
For the Series 50[®] diesel engine sensor locations, see Figure 3-4.



- | | |
|---------------------------------|---------------------------------|
| 1. Timing Reference Sensor | 6. Oil Temperature Sensor |
| 2. Fuel Temperature Sensor | 7. Oil Pressure Sensor |
| 3. Coolant Temperature Sensor | 8. Turbo Boost Sensor |
| 4. Synchronous Reference Sensor | 9. Air Inlet Temperature Sensor |
| 5. ECM | |

Figure 3-4 Series 50 Diesel ECM and Sensor Locations

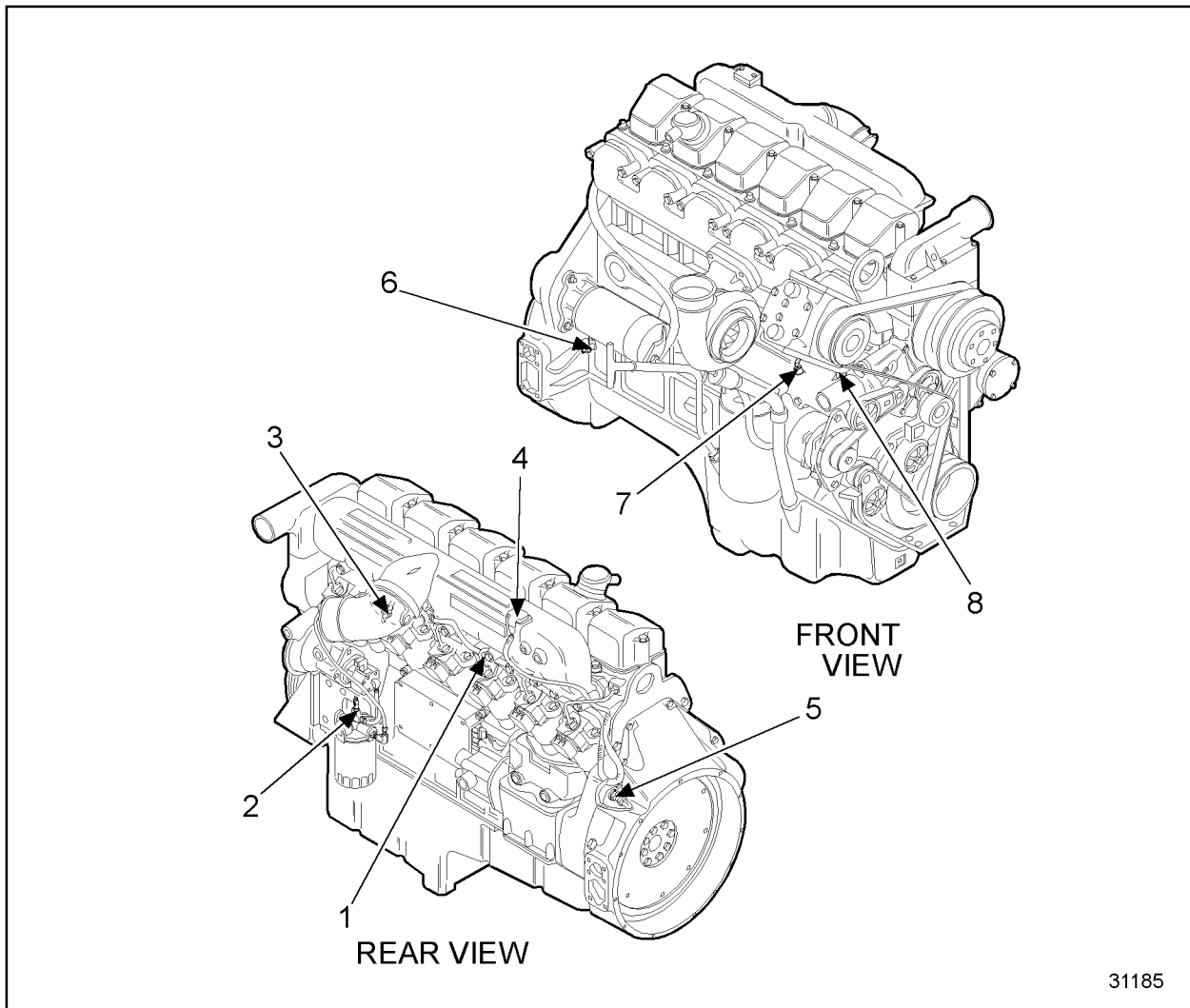
For the Series 50[®] gas engine sensor locations, see Figure 3-5.



- | | |
|---------------------------------------|---------------------------------|
| 1. Coolant Temperature Sensor | 6. Oil Temperature Sensor |
| 2. Air Temperature Sensor | 7. Oil Pressure Sensor |
| 3. Fuel Temperature Sensor | 8. Synchronous Reference Sensor |
| 4. Manifold Air Pressure (MAP) Sensor | 9. SNEF Module |
| 5. Knock Sensor | 10. Timing Reference Sensor |

Figure 3-5 Series 50 Gas ECM and Sensor Locations

For the Series 55™ engine sensor locations, see Figure 3-6.



- | | |
|---------------------------------|---------------------------------|
| 1. Coolant Temperature Sensor | 5. Synchronous Reference Sensor |
| 2. Fuel Temperature Sensor | 6. Timing Reference Sensor |
| 3. Air Inlet Temperature Sensor | 7. Oil Temperature Sensor |
| 4. Turbo Boost Sensor | 8. Oil Pressure Sensor |

Figure 3-6 Series 55 Engine Sensor Locations